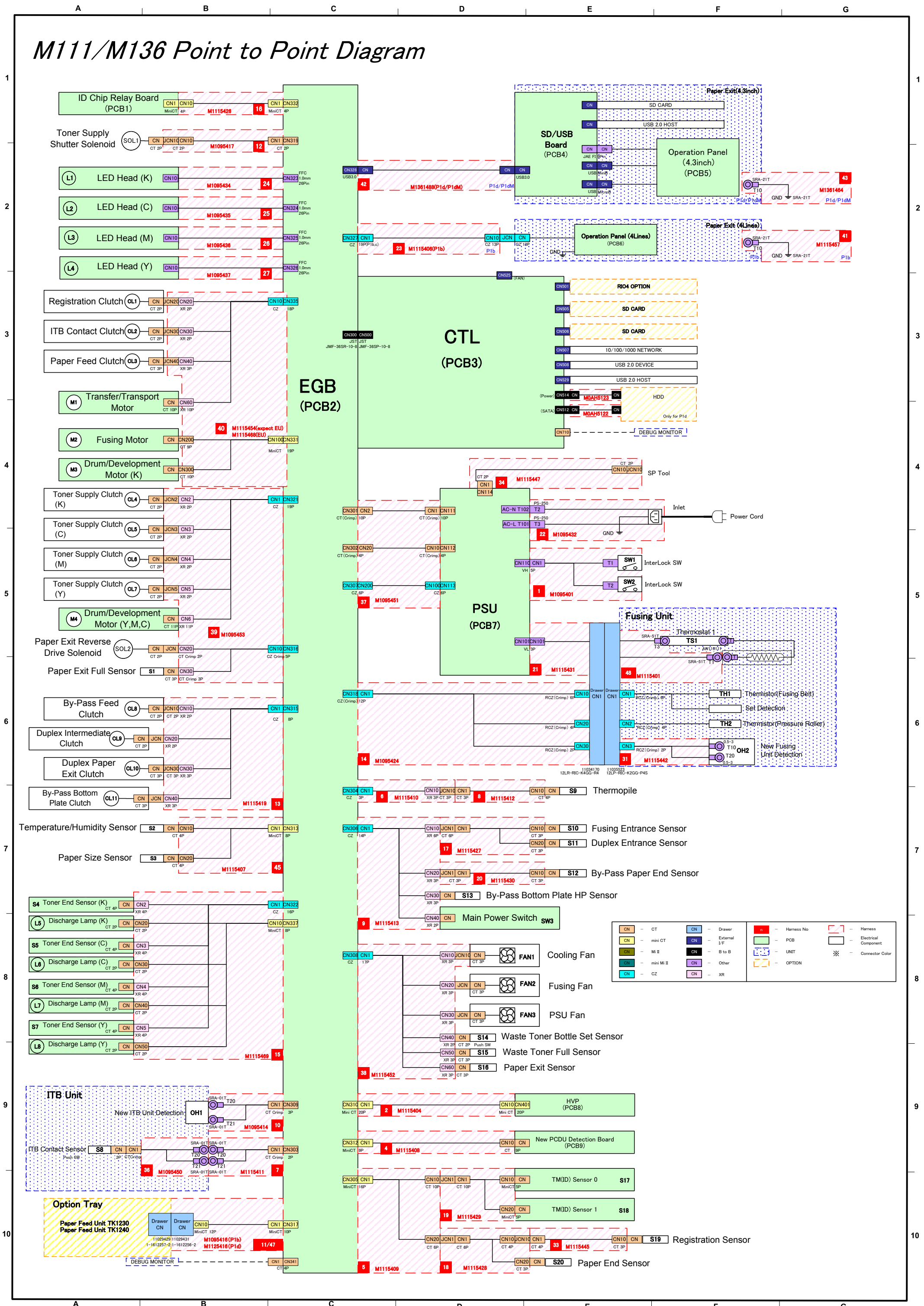
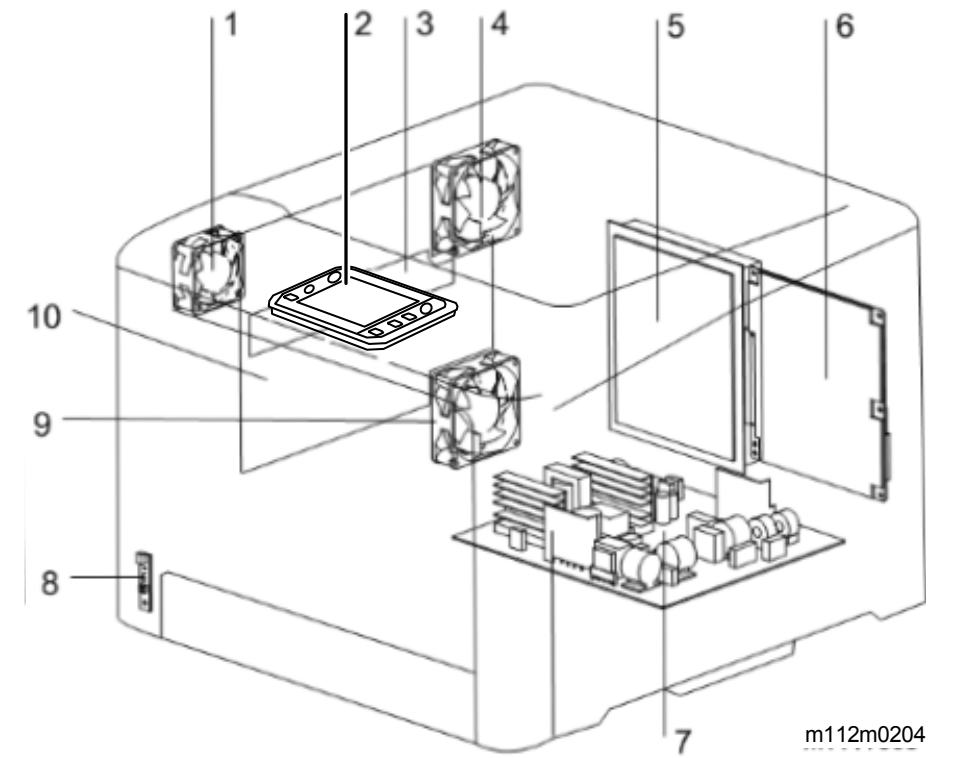
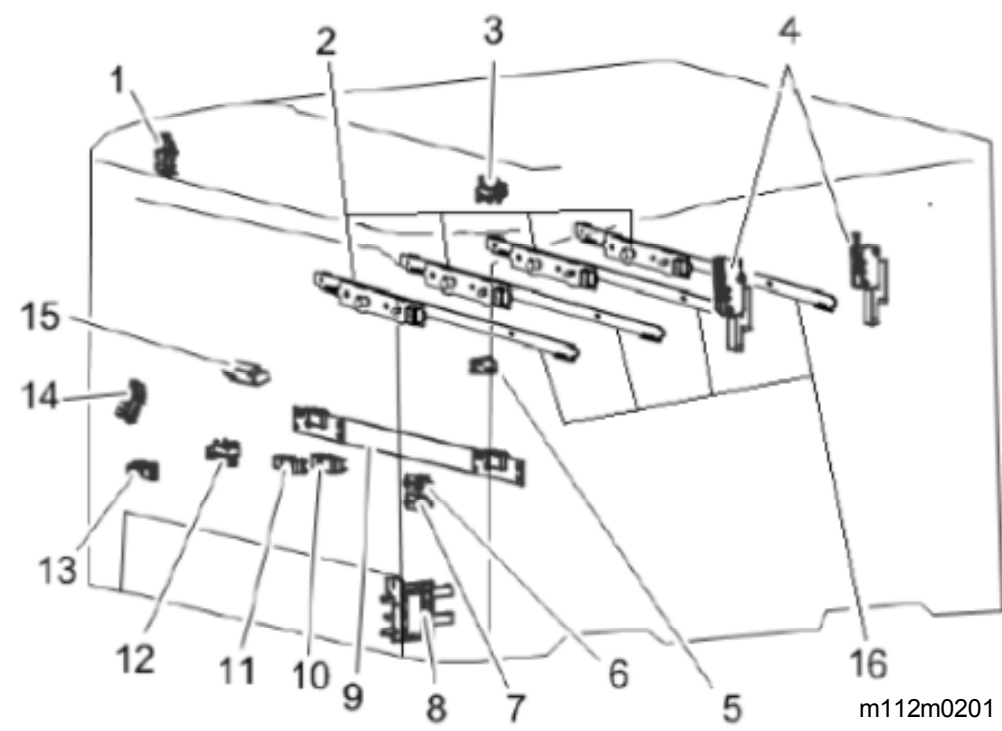
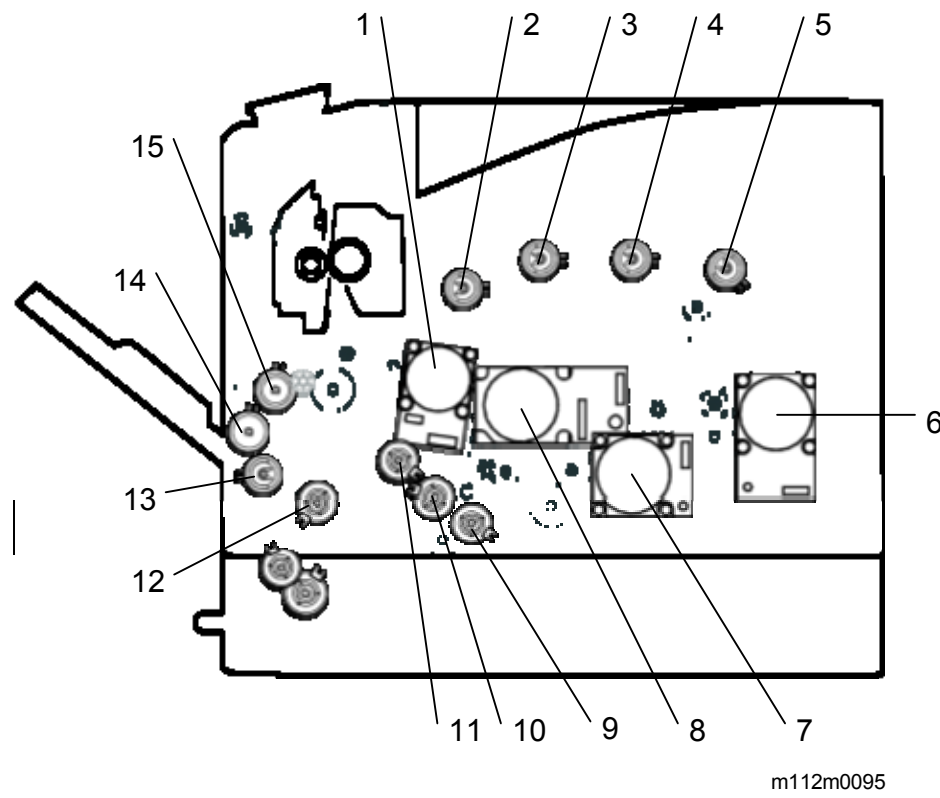


M111/M136 Point to Point Diagram



CT	Drawer	Harness No	Harness
mini CT	External I/F	PCB	Electrical Component
M II	B to B	UNIT	Connector Color
mini M II	Other	OPTION	
CZ	XR		



Symbol	Index No.	Description	P to P
Sensors			
S1	Fig.2-3	Paper Exit Full Sensor	A1
S2	-	Temperature/Humidity Sensor	A7
S3	Fig.2-8	Paper Size Sensor	A7
S4	Fig.2-2	Toner End Sensor (K)	A7
S5	Fig.2-2	Toner End Sensor (C)	A8
S6	Fig.2-2	Toner End Sensor (M)	A8
S7	Fig.2-2	Toner End Sensor (Y)	A8
S8	Fig.2-8	ITB Contact Sensor	A9
S9	-	Thermopile	E7
S10	Fig.2-15	Fusing Entrance Sensor	E7
S11	Fig.2-11	Duplex Entrance Sensor	E7
S12	Fig.2-12	By-Pass Paper End Sensor	E7
S13	Fig.2-13	By-Pass Bottom Plate HP Sensor	E7
S14	Fig.2-6	Waste Toner Bottle Set Sensor	E8
S15	Fig.2-7	Waste Toner Full Sensor	E9
S16	Fig.2-1	Paper Exit Sensor	E9
S17	Fig.2-9	ID Sensor 0	E10
S18	Fig.2-9	ID Sensor 1	E10
S19	Fig.2-10	Registration Sensor	E10
S20	Fig.2-14	Paper End Sensor	E10
Motors			
M1	Fig.1-1	Transfer/Transport Motor	A4
M2	Fig.1-7	Fusing Motor	A4
M3	Fig.1-6	Drum/Development Motor (K)	A4
M4	Fig.1-8	Drum/Development Motor (Y,M,C)	A5
Clutches			
CL1	Fig.1-11	Registration Clutch	A3
CL2	Fig.1-9	ITB Contact Clutch	A3
CL3	Fig.1-10	Paper Feed Clutch	A3
CL4	Fig.1-2	Toner Supply Clutch (K)	A4
CL5	Fig.1-3	Toner Supply Clutch (C)	A4
CL6	Fig.1-4	Toner Supply Clutch (M)	A4
CL7	Fig.1-5	Toner Supply Clutch (Y)	A4
CL8	Fig.1-13	By-Pass Feed Clutch	A6
CL9	Fig.1-15	Duplex Intermediate Clutch	A6
CL10	Fig.1-12	Duplex Paper Exit Clutch	A6
CL11	Fig.1-14	By-Pass Bottom Plate Clutch	A7

Symbol	Index No.	Description	P to P
PCBs			
PCB1	-	ID Chip Relay Board	A1
PCB2	Fig.3-6	EGB	C3
PCB3	Fig.3-5	CTL	D3
PCB4	-	SD/USB Board	E1
PCB5	Fig.3-2	Operation Panel(4.3inch)	F2
PCB6	Fig.3-2	Operation Panel(4Lines)	E2
PCB7	Fig.3-7	PSU	D5
PCB8	Fig.3-10	HVP	E9
PCB9	Fig.3-3	New PCDU Detection Board	E9
Solenoids			
SOL1	-	Toner Supply Shutter Solenoid	A1
SOL2	-	Paper Exit Reverse Drive Solenoid	A5
Switches			
SW1	Fig.2-4	InterLock SW	E5
SW2	Fig.2-4	InterLock SW	E5
SW3	Fig.3-8	Main Power Switch	D8
Thermistors			
TH1	-	Thermistor(Fusing Belt)	F6
TH2	-	Thermistor(Pressure Roller)	F6
Thermostats			
TS1	-	Thermostat 1	F5
Lamps			
L1	-	LED Head (K)	A2
L2	-	LED Head (C)	A2
L3	-	LED Head (M)	A2
L4	-	LED Head (Y)	A2
L5	Fig.2-16	Discharge Lamp (K)	A8
L6	Fig.2-16	Discharge Lamp (C)	A8
L7	Fig.2-16	Discharge Lamp (M)	A8
L8	Fig.2-16	Discharge Lamp (Y)	A9
FANs			
FAN1	Fig.3-4	Cooling Fan	E8
FAN2	Fig.3-1	Fusing Fan	E8
FAN3	Fig.3-9	PSU Fan	E8

Symbol	Index No.	Description	P to P
Others			
OH1	-	New ITB Unit Detection	B9
OH2	-	New Fusing Unit Detection	F6

M111/M136 ELECTRICAL COMPONENT LAYOUT

M111/M136 Pin Assignment Lists

s No.	Harness P/N	CN (FROM)				Signal Info.				Relay Harness P/N	CN (TO)												
		No.	Destination No.	Device	Pin No.	Signal Name	Direction	L	H		No.	Destination No.	To Connector	Pin No.									
1	M1095401	CN1	CN110	PSU	1	+24V					PS1		Interlock SW1	1-1									
					2	+24V								2-1									
					3	N.C.								-									
					4	+24VS2								2-2									
					5	+24VS1								1-2									
2	M1115404	CN1	CN310	EGB	1	+24VS_LPS					CN10	CN401	HVP	20									
					2	GND								19									
					3	HVP_ERR2_N	←	Error	Normal					18									
					4	HVP_ERR1_N	←	Error	Normal					17									
					5	CLBION_P	→	Stop	Drive					16									
					6	PWM_T2_+	→	Stop	Drive					15									
					7	PWM_T2_-	→	Stop	Drive					14									
					8	PWM_R_Y	→	Stop	Drive					13									
					9	PWM_R_M	→	Stop	Drive					12									
					10	PWM_R_C	→	Stop	Drive					11									
					11	PWM_R_K	→	Stop	Drive					10									
					12	PWM_T1	→	Stop	Drive					9									
					13	PWM_DV_Y	→	Stop	Drive					8									
					14	PWM_DV_M	→	Stop	Drive					7									
					15	PWM_DV_C	→	Stop	Drive					6									
					16	PWM_DV_K	→	Stop	Drive					5									
					17	PWM_C_Y	→	Stop	Drive					4									
					18	PWM_C_M	→	Stop	Drive					3									
					19	PWM_C_C	→	Stop	Drive					2									
					20	PWM_C_K	→	Stop	Drive					1									
4	M1115408	CN1	CN312	EGB	1	SEN_PCDUSET_Y_P	←	Not Set	Set		CN10	CN3000	New PCDU Detection Board	9									
					2	SEN_PCDUSET_Y_P	←	Old	New					8									
					3	SEN_PCDUSET_M_P	←	Not Set	Set					7									
					4	SEN_PCDUSET_M_P	←	Old	New					6									
					5	+24VS_LPS								5									
					6	SEN_PCDUSET_C_P	←	Not Set	Set					4									
					7	SEN_PCDUSET_C_P	←	Old	New					3									
					8	SEN_PCDUSET_K_P	←	Not Set	Set					2									
					9	SEN_PCDUSET_K_P	←	Old	New					1									
5	M1115409	CN1	CN305	EGB	1	+3.3V				M1115429	CN10	JCN1	TM(ID) Sensor 0	5									
					2	GND								4									
					3	SEN_TM0PWM	→	OFF	ON					3									
					4	SEN_TM0D_A	←		Analog					2									
					5	SEN_TM0R_A	←		Analog				1										
					6	+3.3V							5										
					7	GND							4										
					8	SEN_TM1PWM	→	OFF	ON				3										
					9	SEN_TM1D_A	←		Analog		2												
					10	SEN_TM1R_A	←		Analog		1												
					-	N.C.					1												
					11	GND					4												
					12	SEN_REG_N	←	Paper Detected	Paper Not Detected		3												
					13	+5V_ODM					2												
					14	GND					1												
					15	SEN_PAPEND_N	←	Paper Detected	Paper Not Detected		3												
16	+5V				2																		
6	M1115410	CN1	CN304	EGB	1	+5V_TMP				M1115412	JCN10	CN1	Thermopile	3									
					2	GND								2									
					3	TMP_A	←		Analog					1									
7	M1115411	CN1	CN303	EGB	1	+24VS_LPS				M1095450	T20	T20	ITB Contact Sensor	2									
					2	SEN_ITCSP	←	Contact	Not Contact					1									
8	M1115412	CN1	JCN10		-	N.C.					CN10	CN	Thermopile	4									
					1	+5V								3									
					2	GND								2									
					3	TMP_A	←		Analog					1									
9	M115413	CN1	CN306	EGB	1	GND				M1115427	CN10	JCN1	Fusing Entrance Sensor	3									
					2	SEN_PAPERON_P	←	Paper Detected	Paper Not Detected					2									
					3	+5V_ODM								1									
					4	GND							3										
					5	SEN_DUP_N	←	Paper Detected	Paper Not Detected				2										
					6	+5V_ODM							1										
					7	GND					3												
					8	SEN_HAND_N	←	Paper Detected	Paper Not Detected		2												
					9	+5V					1												
					10	GND					3												
					11	SEN_HAND_BP_P	←	Down	Up		2												
					12	+5V					1												
					13	GND					3												
					14	PW_BTN_N	←				2												
10	M1095414	CN1	CN309	EGB	1	+24VS_LPS					T20		New ITB Unit Detection	1									
					2	N.C.								-									
					3	SEN_MID_NEW_P	←	Old	New					1									
11/47	M1095416 M1125416	CN1	CN317	EGB	1	+5V					CN10	Drawer CN	Option Tray	12									
					2	MCLK	→							11									
					3	GND								10									
					4	SCK	→							9									
					5	SID	←							8									
					6	SOD	→							7									
					7	GND								6									
					8	GND								5									
					9	+24VS_LPS								4									
					10	+24VS_LPS								3									
					-	N.C.								2									
					-	N.C.								1									
					12	M1095417	CN1	CN319	EGB					1	+24VS_LPS					JCN10	CN	Toner Supply Shutter Solenoid	2
														2	SOL_UPCOVER_P	→	Stop	Drive					1
13	M1115419	CN1	CN315	EGB	1	+24V_LPS					JCN10	CN	By-Pass Feed Clutch	2									
					2	CL_HAND_P	→	Stop	Drive					1									
					3	+24V_LPS								2									
					4	CL_DUP_MID_P	→	Stop	Drive					1									
					5	+24V_LPS					3												
					-	N.C.					2												
					6	CL_DUP_OUT_P	→	Stop	Drive		1												
					-	N.C.					3												
7	+24V_LPS				2																		
8	CL_HAND_BP_P	→	Stop	Drive	1																		

M111/M136 Pin Assignment Lists

s No.	Harness P/N	CN (FROM)				Signal Info.				Relay Harness P/N	CN (TO)			
		No.	Destination No.	Device	Pin No.	Signal Name	Direction	L	H		No.	Destination No.	To Connector	Pin No.
14	M1095424	CN1	CN318	EGB	1	SEN_FUSET_N	←	Set	Not Set	M1115442	CN10	CN1	Fusing Set Detection	6
					2	GND								5
					3	NC_TH_RESERVE_A	←		Analog					4
					4	GND								3
					5	TH_FU_EDGE_A	←		Analog					2
					6	GND								1
					7	TH_HEAT_A	←		Analog		CN20	CN2	Thermistor(Pressure Roller)	4
					8	GND								3
					9	TH_EDGE_A	←		Analog					2
					10	GND								1
					11	+24VS2								2
					12	SEN_FU_NEW_P	←	Old	New					1
15	M1115469	CN1	CN322	EGB	1	GND				M1115442	CN2	CN	Toner End Sensor (K)	4
					2	SEN_TE_K_A	←		Analog					3
					3	GND								2
					4	SEN_TEON0_P	→	OFF	ON					1
					5	GND					CN3	CN	Toner End Sensor (C)	4
					6	SEN_TE_C_A	←		Analog					3
					7	GND								2
					8	SEN_TEON1_P	→	OFF	ON					1
		9	GND				CN4	CN	Toner End Sensor (M)	4				
		10	SEN_TE_M_A	←		Analog				3				
		11	GND							2				
		12	SEN_TEON1_P	→	OFF	ON				1				
		13	GND				CN5	CN	Toner End Sensor (Y)	4				
		14	SEN_TE_Y_A	←		Analog				3				
		15	GND							2				
		16	SEN_TEON1_P	→	OFF	ON				1				
16	M1115426	CN1	CN332	EGB	1	QLBK_P	→	OFF	ON	M1115442	CN20	CN	Discharge Lamp (K)	2
					2	+24V_LPS								1
					3	QLCOL_P	→	OFF	ON		CN30	CN	Discharge Lamp (C)	2
					4	+24V_LPS								1
					5	QL_COL_P	→	OFF	ON		CN40	CN	Discharge Lamp (M)	2
					6	+24V_LPS								1
					7	QL_COL_P	→	OFF	ON		CN50	CN	Discharge Lamp (Y)	2
					8	+24V_LPS								1
17	M1115427	CN1	CN10	EGB	1	GND				M1115442	CN10	CN	Fusing Entrance Sensor	3
					2	SEN_PAPERON_P	←	Paper Detected	Paper Not Detected					2
					3	+5V_ODM					CN20	CN	Duplex Entrance Sensor	1
					4	GND								3
5	SEN_DUP_N	←	Paper Detected	Paper Not Detected	2									
6	+5V_ODM				1									
18	M1115428	CN1	CN20	EGB	1	NC				M1115445	CN10	CN	Registration Sensor	4
					2	SEN_REG_N	←	Paper Detected	Paper Not Detected					3
					3	+5V_ODM								2
					4	GND					CN20	CN	Paper End Sensor	3
					5	SEN_PAPEND_N	←	Paper Detected	Paper Not Detected					2
					6	+5V								1
19	M1115429	CN1	CN10	EGB	1	+3.3V				M1115442	CN10	CN	TM(ID) Sensor 0	5
					2	GND								4
					3	SEN_TM0PWM	→	OFF	ON					3
					4	SEN_TM0R_A	←		Analog					2
					5	SEN_TM0D_A	←		Analog					1
					6	+3.3V					CN20	CN	TM(ID) Sensor 1	5
					7	GND								4
					8	SEN_TM1PWM	→	OFF	ON					3
					9	SEN_TM1R_A	←		Analog					2
					10	SEN_TM1D_A	←		Analog					1
20	M1115430	CN1	CN20	EGB	1	GND				M1115442	CN10	CN	By-Pass Paper End Sensor	3
					2	SEN_HAND_N	←	Paper Detected	Paper Not Detected					2
					3	+5V								1
21	M1115431	CN101	CN101	PSU	1	N.C.				M1115442	Drawer CN1		Fusing Drawer	1
					2	AC_N_HT								2
					3	AC_L_HT								4
					4	N.C.								3
22	M1095432	T2	AC-N101	PSU	1	AC_IN_N				M1115442	Inlet-N		Inlet	1
		T3	AC-L102		Inlet-L									
23	M1115406	CN1	CN327	EGB	1	AC_IN_L				M1115442	CN10	CN	Operation Panel(4Lines)	2
					2	GND								13
					3	GND								12
					4	POKOPE	←							11
					5	SDMODE_N	→							10
					6	LDET_IN_N	←							9
					7	ENG_ENABLE_N	→							8
					8	PONOPE_N	→							7
					9	ECO_SW_N	←							6
					10	POKUSB	→							5
					11	OPE_CTLERR_N	→							4
					12	OPE_LED_N	→							3
					13	+5VX_OPU								2
					14	+5VX_OPU								1
					15	OP0_CLK	→							
					16	+5VX_OPU								
					17	OP0_TXD	→							
					18	+5VX_OPU								
					19	OP0_RXD	←							

M111/M136 Pin Assignment Lists

s No.	Harness P/N	CN (FROM)				Signal Info.				Relay Harness P/N	CN (TO)			
		No.	Destination No.	Device	Pin No.	Signal Name	Direction	L	H		No.	Destination No.	To Connector	Pin No.
24	M1095434		CN323	EGB	1	GND					CN10	CN	LED Head (K)	26
					2	LEDA K CLK+	→							25
					3	LEDA K CLK-	→							24
					4	GND								23
					5	LEDA K LOAD	→							22
					6	LEDA K HSYNC N	→							21
					7	LEDA K DAT07	→							20
					8	LEDA K DAT06	→							19
					9	LEDA K DAT05	→							18
					10	LEDA K DAT04	→							17
					11	LEDA K DAT03	→							16
					12	LEDA K DAT02	→							15
					13	LEDA K DAT01	→							14
					14	LEDA K DAT00	→							13
					15	LEDA K STRB N	→							12
					16	LEDA K SCK	→							11
					17	LEDA K SI	→							10
					18	+3.3V								9
					19	GND								8
					20	+5V_LED								7
					21	GND								6
					22	+5V_LED								5
					23	GND								4
					24	+5V_LED								3
					25	GND								2
					26	+5V_LED								1
25	M1095435		CN324	EGB	1	GND					CN10	CN	LED Head (C)	26
					2	LEDA C CLK+	→							25
					3	LEDA C CLK-	→							24
					4	GND								23
					5	LEDA C LOAD	→							22
					6	LEDA C HSYNC N	→							21
					7	LEDA C DAT07	→							20
					8	LEDA C DAT06	→							19
					9	LEDA C DAT05	→							18
					10	LEDA C DAT04	→							17
					11	LEDA C DAT03	→							16
					12	LEDA C DAT02	→							15
					13	LEDA C DAT01	→							14
					14	LEDA C DAT00	→							13
					15	LEDA C STRB N	→							12
					16	LEDA C SCK	→							11
					17	LEDA C SI	→							10
					18	+3.3V								9
					19	GND								8
					20	+5V_LED								7
					21	GND								6
					22	+5V_LED								5
					23	GND								4
					24	+5V_LED								3
					25	GND								2
					26	+5V_LED								1
26	M1095436		CN325	EGB	1	GND					CN10	CN	LED Head (M)	26
					2	LEDA M CLK+	→							25
					3	LEDA M CLK-	→							24
					4	GND								23
					5	LEDA M LOAD	→							22
					6	LEDA M HSYNC N	→							21
					7	LEDA M DAT07	→							20
					8	LEDA M DAT06	→							19
					9	LEDA M DAT05	→							18
					10	LEDA M DAT04	→							17
					11	LEDA M DAT03	→							16
					12	LEDA M DAT02	→							15
					13	LEDA M DAT01	→							14
					14	LEDA M DAT00	→							13
					15	LEDA M STRB N	→							12
					16	LEDA M SCK	→							11
					17	LEDA M SI	→							10
					18	+3.3V								9
					19	GND								8
					20	+5V_LED								7
					21	GND								6
					22	+5V_LED								5
					23	GND								4
					24	+5V_LED								3
					25	GND								2
					26	+5V_LED								1
27	M1095437		CN326	EGB	1	GND					CN10	CN	LED Head (Y)	26
					2	LEDA Y CLK+	→							25
					3	LEDA Y CLK-	→							24
					4	GND								23
					5	LEDA Y LOAD	→							22
					6	LEDA Y HSYNC N	→							21
					7	LEDA Y DAT07	→							20
					8	LEDA Y DAT06	→							19
					9	LEDA Y DAT05	→							18
					10	LEDA Y DAT04	→							17
					11	LEDA Y DAT03	→							16
					12	LEDA Y DAT02	→							15
					13	LEDA Y DAT01	→							14
					14	LEDA Y DAT00	→							13
					15	LEDA Y STRB N	→							12
					16	LEDA Y SCK	→							11
					17	LEDA Y SI	→							10
					18	+3.3V								9
					19	GND								8
					20	+5V_LED								7
					21	GND								6
					22	+5V_LED								5
					23	GND								4
					24	+5V_LED								3
					25	GND								2
					26	+5V_LED								1

M111/M136 Pin Assignment Lists

s No.	Harness P/N	CN (FROM)				Signal Info.				Relay Harness P/N	CN (TO)								
		No.	Destination No.	Device	Pin No.	Signal Name	Direction	L	H		No.	Destination No.	To Connector	Pin No.					
31	M1115442	CN3	CN1	Fusing Drawer	1	+24VS2					T10		New Fusing Unit Detection	1					
					2	SEN_FU_NEW_P	←	Old	New		T20			1					
33	M1115445	CN1	CN10		1	N.C.					CN10	CN	Registration Sensor	-					
					2	GND								3					
					3	SEN_REG_N	←	Paper Detected	Paper Not Detected					2					
					4	+5V_ODM								1					
34	M1115447	CN1	CN114	PSU	1	JIGU_24V					JCN10		SP Tool	2					
					2	JIGU_TRG								1					
36	M1095450	T20	T20		1	+24VS_LPS					CN1	CN	ITB Contact Sensor	1					
		T21	T21		1	SEN_ITCSP	←							2					
37	M1095451	CN2	CN301	EGB	1	GND					CN1	CN111	PSU(+24V)	10					
					2	+24VS_LPS								9					
					3	GND								8					
					4	+24V_LPS								7					
					5	GND								6					
					6	+24VS2								5					
					7	GND								4					
					8	GND								3					
					9	+24VS1								2					
					10	+24VS1								1					
		CN20	CN302				1	GND				CN10	CN112	PSU(+5V)	4				
							2	GND							3				
							3	+5VX							2				
							4	+5VX							1				
		CN200	CN307				1	HT_TRG_P	→			CN100	CN113	PSU(Control)	6				
							2	RESERVE_HT_TRG_P							5				
							3	ZEROX1_N	←						4				
							4	FUHT_RLY_TRG1_P	→						3				
							5	PONENG_N	→						2				
							6	GND							1				
38	M1115452	CN1	CN308	EGB	1	FAN_MIN_P	→	Stop	Drive		CN10	CN	Cooling Fan	3					
					2	FAN_MINLOCK_N	←	Normal	Error					2					
					3	GND								1					
					4	FAN_FU_P	→	Stop	Drive		CN20	CN	Fusing Fan	3					
					5	FAN_FULOCK_N	←	Normal	Error					2					
					6	GND								1					
					7	FAN_PSU_P	→	Stop	Drive		CN30	CN	PSU Fan	3					
					8	FAN_PSULOCK_N	←	Normal	Error					2					
					9	GND								1					
					10	SEN_TONERBTL_N	←	Set	Not Set		CN40	CN	Waste Toner Bottle Set Sensor	2					
					11	GND								1					
					12	GND					CN50	CN	Waste Toner Full Sensor	3					
					13	SEN_TONERFULL_P	←	Not Full	Full					2					
					14	+5V_ODM								1					
					15	GND					CN60	CN	Paper Exit Sensor	3					
					16	SEN_PAPOUT_N	←	Paper Detected	Paper Not Detected					2					
					17	+5V_ODM								1					
39	M1095453	CN1	CN321	EGB	1	+24V_LPS					CN2	CN	Toner Supply Clutch (K)	2					
					2	CL_TR_K_P	→	Stop	Drive					1					
					3	+24V_LPS					CN3	CN	Toner Supply Clutch (C)	2					
					4	CL_TR_C_P	→	Stop	Drive					1					
					5	+24V_LPS					CN4	CN	Toner Supply Clutch (M)	2					
					6	CL_TR_M_P	→	Stop	Drive					1					
					7	+24V_LPS					CN5	CN	Toner Supply Clutch (Y)	2					
					8	CL_TR_Y_P	→	Stop	Start					1					
					9	DM_COLGAIN	→	Half Speed	Std Speed		CN6	CN	Drum/Development Motor (Y.M.C)	11					
					10	DM_COLCLK	→	Stop	Drive					10					
					11	DM_COLBK_P	→	Stop	Drive					9					
					12	DM_COLON_N	→	Start	Stop					8					
					13	DM_COLLOCK_N	←	Normal	Error					7					
					14	GND								6					
					15	GND								5					
					16	GND								4					
					17	+24VS1								3					
					18	+24VS1								2					
					19	+24VS1								1					
		CN10	CN316			EGB	1	+24V_LPS								CN20	CN	Paper Exit Reverse Drive Solenoid	2
							2	SOL_PAPOUT_P	→	Stop				Drive					1
							3	GND					CN30	CN	Paper Exit Full Sensor	3			
							4	SEN_PEFULL_N	←	Paper Detected	Paper Not Detected					2			
							5	+5V_ODM								1			

