

**SP C342DN**  
**(M0AH)**  
**Parts Catalog**

**Parts change information sample**

 **Add**

 **Update**

 **Delete**

Model	Product Code	PC Style
SP C340DN SP C342DN	M0AG M0AH	3D
Paper Feed Unit TK1220	G849	3D
USB Device Server Option Type M19	D3BC	Traditional
IEEE 1284 Interface Board Type M19	D3C0	Traditional
XPS Direct Print Option Type P10	M500	Traditional
Camera Direct Print Card Type P10	M500	Traditional
Hard Disk Drive Option Type P10	M500	Traditional
VM CARD Type P8	M500	Traditional
IEEE 802.11 Interface Unit Type M24	M500	Traditional

# Unit All



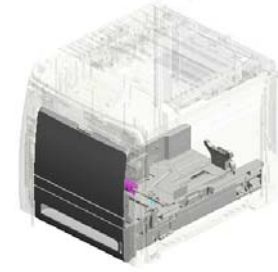
U001  
EXTERIOR



U002  
OPERATION



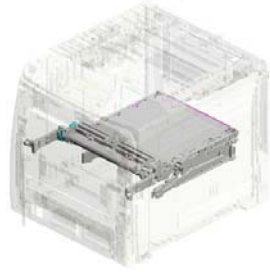
U003  
LASER UNIT



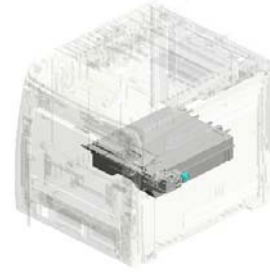
U004  
PAPER FEED



U005  
PCU



U006  
ITB UNIT



U007  
USED TONER



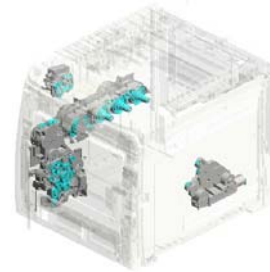
U008  
PAPER TRANSPORT



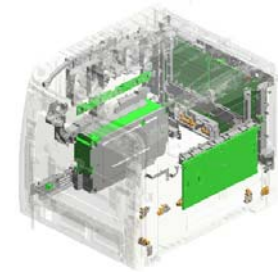
U009  
FUSING



U010  
PAPER EXIT

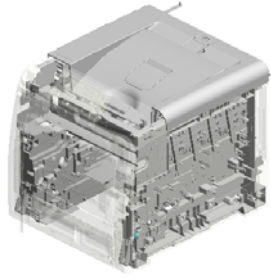


U011  
MAIN DRIVE



U012  
ELECTRICAL

# Unit All



U013  
MAIN FRAME

# U001 EXTERIOR

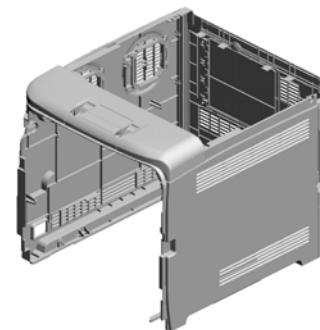
7.G1631259  
INNER COVER:GU  
ARD:SAFETY SWIT  
CH

13.M0751309  
(x2)  
SEAL:GUIDE:LOUV  
ER:LOWER

10.M0751251  
(x2)  
GUIDE:LOUVER

12.M0751308  
(x2)  
SEAL:GUIDE:LOUV  
ER:UPPER

18.M0AD1253  
(x2)  
LOUVER



6.04543008Q  
(x7)  
TAPPING SCREW:  
3X8

21.M0AH1271  
COVER:SD/USB:U  
PPER

11.M0751252  
(x2)  
SEAL:STOPPER:L  
OUVER

20.M0AD1273  
COVER:RIGHT

2.04503010N  
(x16)  
TAPPING SCREW -  
M3X10

19.M0AD1260  
COVER:INTERFAC  
E

3.04504010N  
(x2)  
TAPPING SCREW:  
M4X10

1.03603006N  
(x6)  
SCREW - M3X6

9.G1631313  
SEAL:COVER:LEFT  
:5

14.M0AD0044  
COVER:CASSETTE  
:ASS'Y

4.04524010N  
(x2)  
BINDING SELF-TA  
PPING SCREW:4X  
10

15.M0AD0045  
COVER:REAR:ASS'  
Y

16.M0AD0046  
COVER:HDD:ASS'Y

8.G1631311  
SEAL:COVER:LEFT  
:3

17.M0AD0047  
COVER:LEFT:SUB-  
ASS'Y

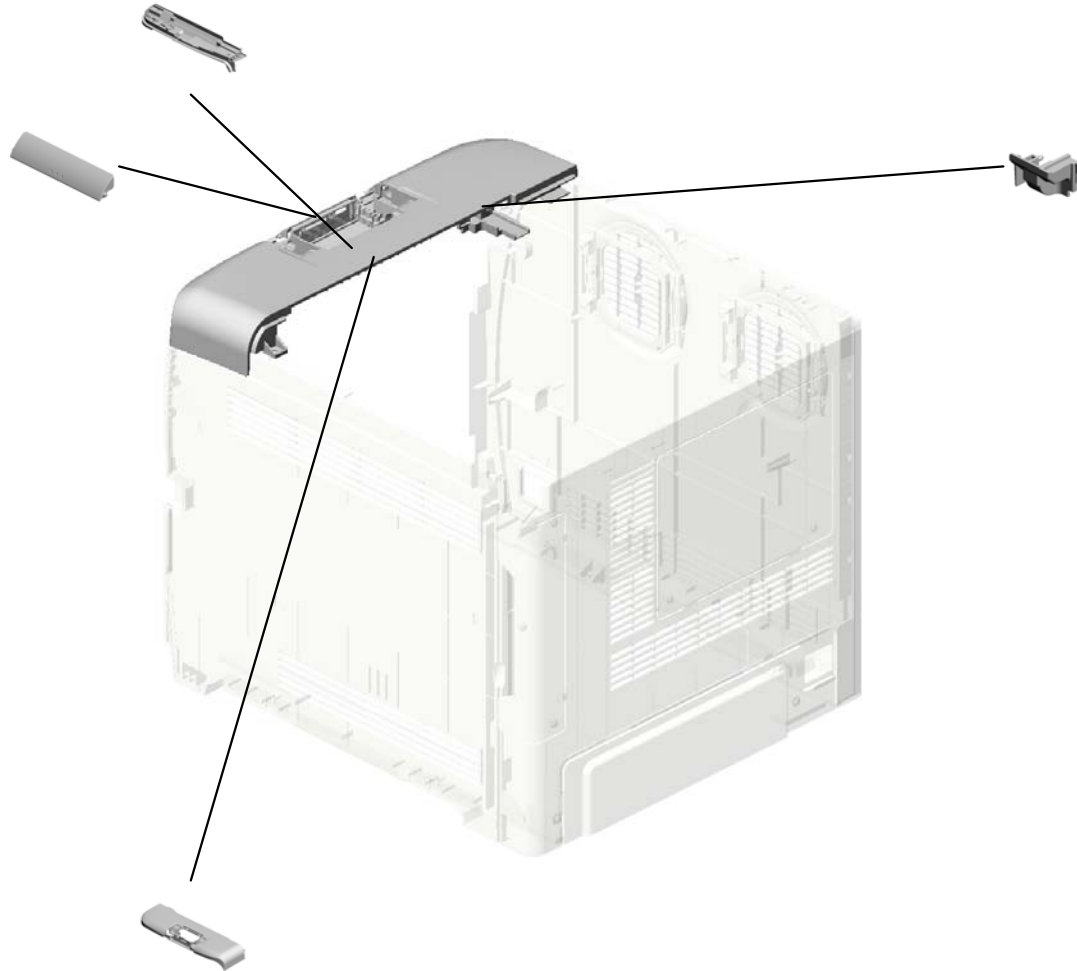
4.04524010N (x 3)  
BINDING SELF-TAPPING SCREW:4X10

5.04543006Q (x 1)  
TAPPING SCREW - M3X6

# U001 EXTERIOR

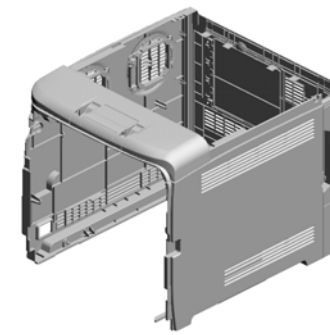
24.M0AH1278  
COVER:LOWER:PA  
PER EXIT SUB-UNI  
T

22.M0AH1273  
COVER:SD/USB



23.M0AH1277  
COVER:UPPER:PA  
PER EXIT SUB-UNI  
T

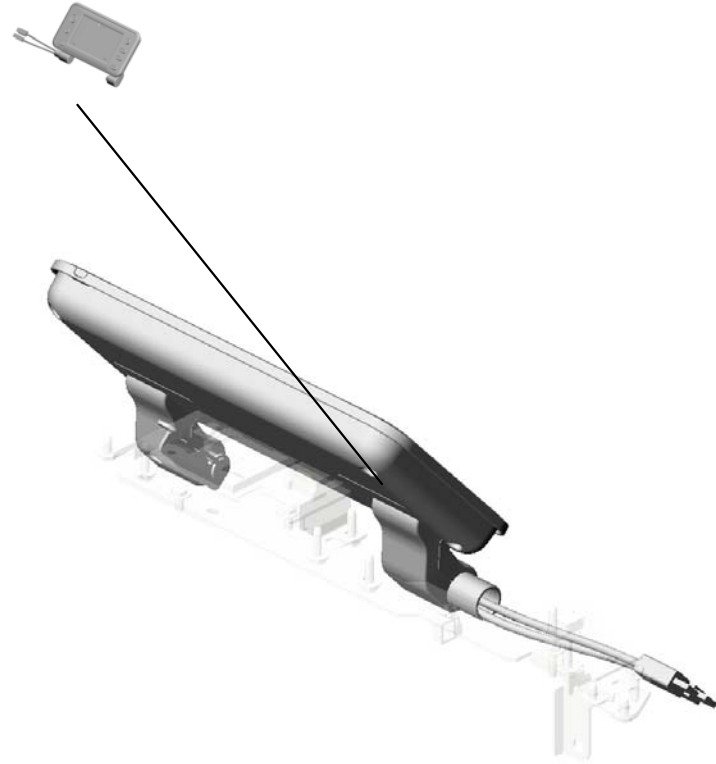
25.M0AH1279  
INNER COVER:EXI  
T



U001	U002	U003	U004	U005	U006	U007	U008	U009	U010	U011	U012	U013
------	------	------	------	------	------	------	------	------	------	------	------	------

# U002.OPERATION

U002\_S001  
M0AH1411  
OPERATION PANEL:ASSY



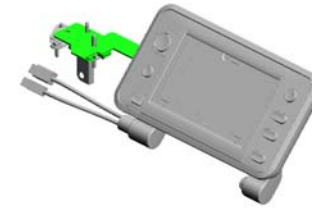
U001	<b>U002</b>	U003	U004	U005	U006	U007	U008	U009	U010	U011	U012	U013
------	-------------	------	------	------	------	------	------	------	------	------	------	------



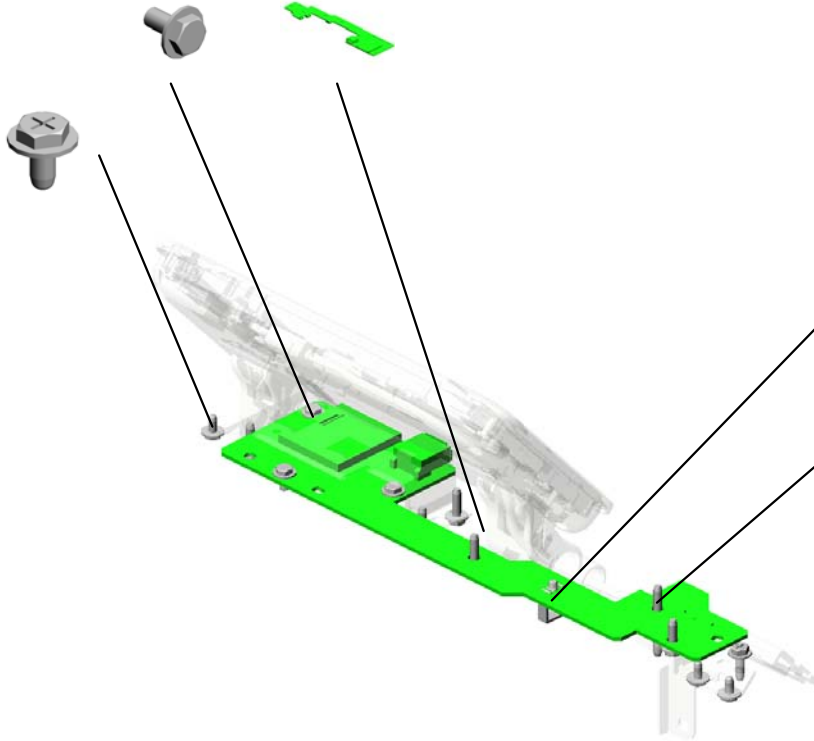
# U002 OPERATION

1.03603006N  
(x3)  
SCREW - M3X6

6.M0AH1450  
PCB:SDUSB



3.04543006Q  
(x3)  
TAPPING SCREW -  
M3X6

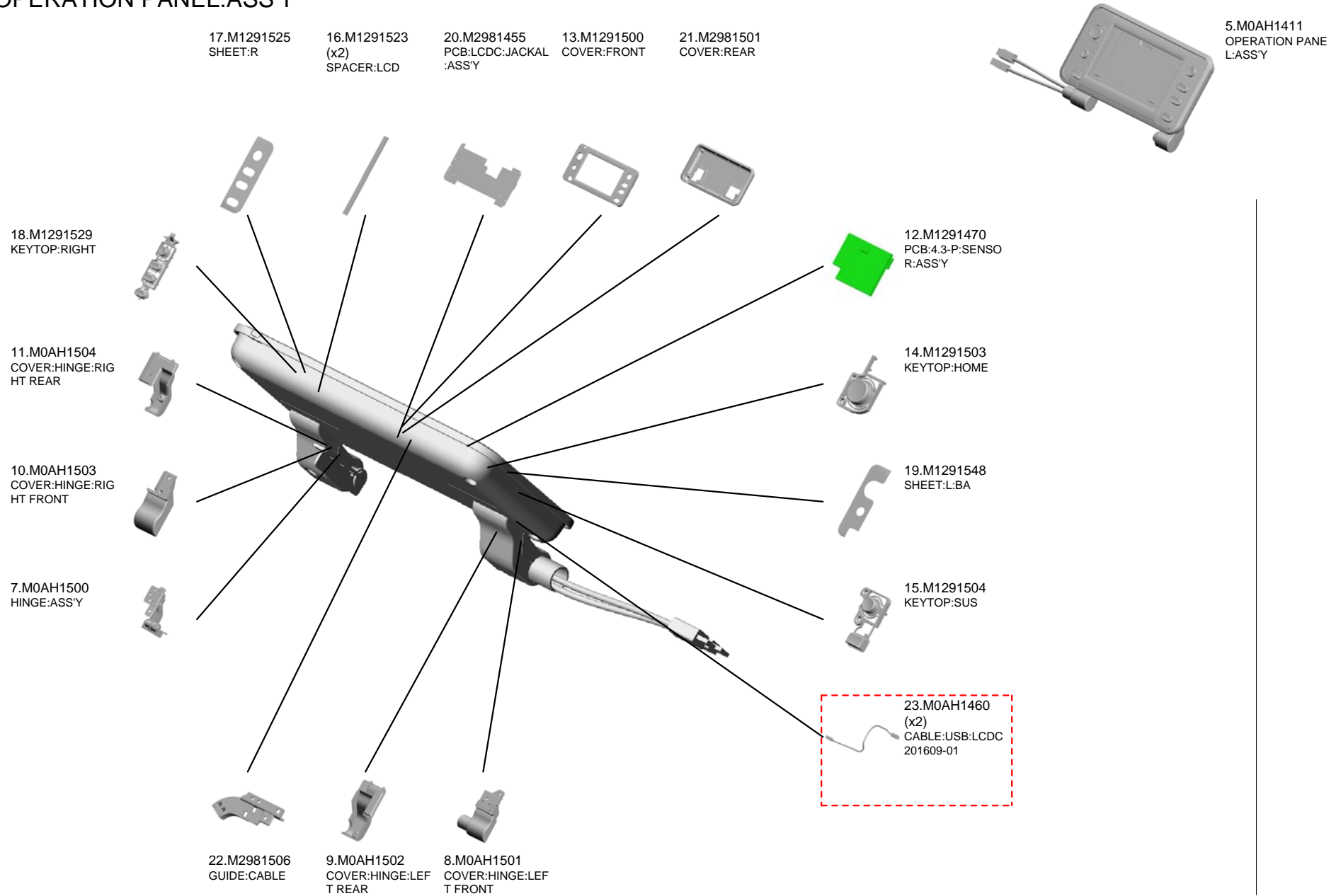


4.11050534  
CLAMP

2.04503010N  
(x8)  
TAPPING SCREW -  
M3X10

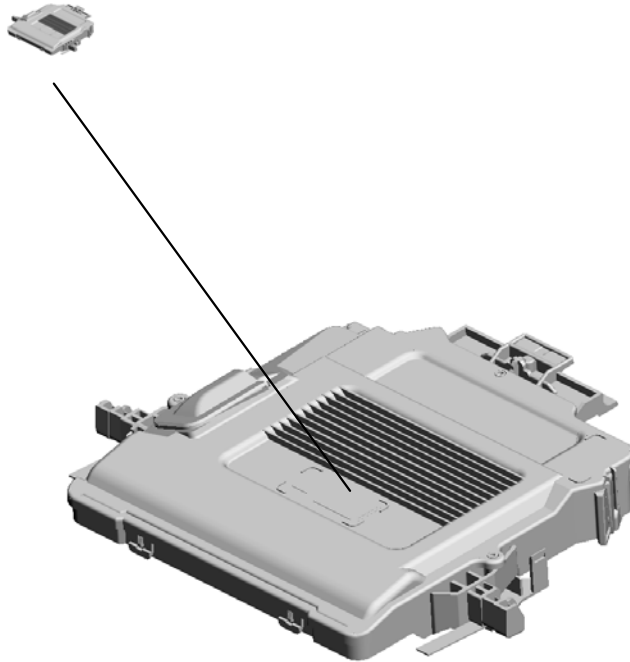
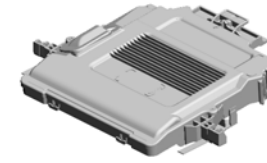
U001	<b>U002</b>	U003	U004	U005	U006	U007	U008	U009	U010	U011	U012	U013
------	-------------	------	------	------	------	------	------	------	------	------	------	------

U002\_S001  
OPERATION PANEL:ASS'Y



U003  
LASER UNIT

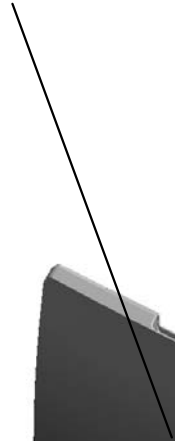
1.M0AD1851  
IMAGING UNIT:AS  
S'Y



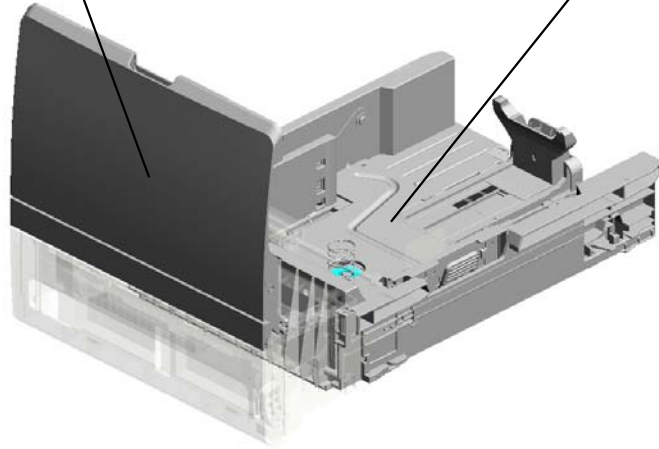
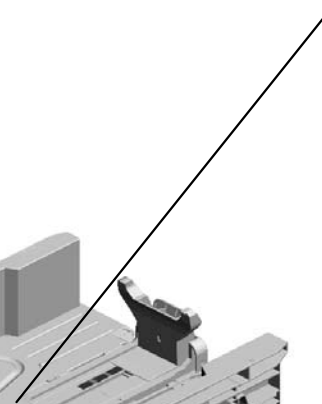
U001	U002	U003	U004	U005	U006	U007	U008	U009	U010	U011	U012	U013
------	------	------	------	------	------	------	------	------	------	------	------	------

# U004.PAPER FEED

U004\_S001  
M0AD2845  
TRAY:MANUAL FEED:ASS'Y



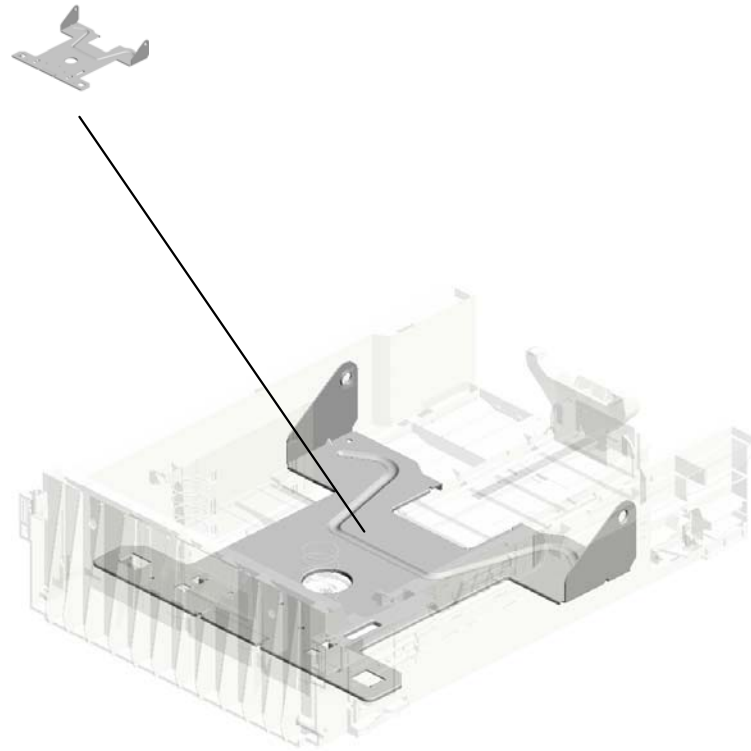
U004\_S002  
M0752550  
CASSETTE:PAPER TRAY:AS  
S'Y



U001	U002	U003	U004	U005	U006	U007	U008	U009	U010	U011	U012	U013
------	------	------	------	------	------	------	------	------	------	------	------	------

# U004\_S002.CASSETTE:PAPER TRAY:ASS'Y

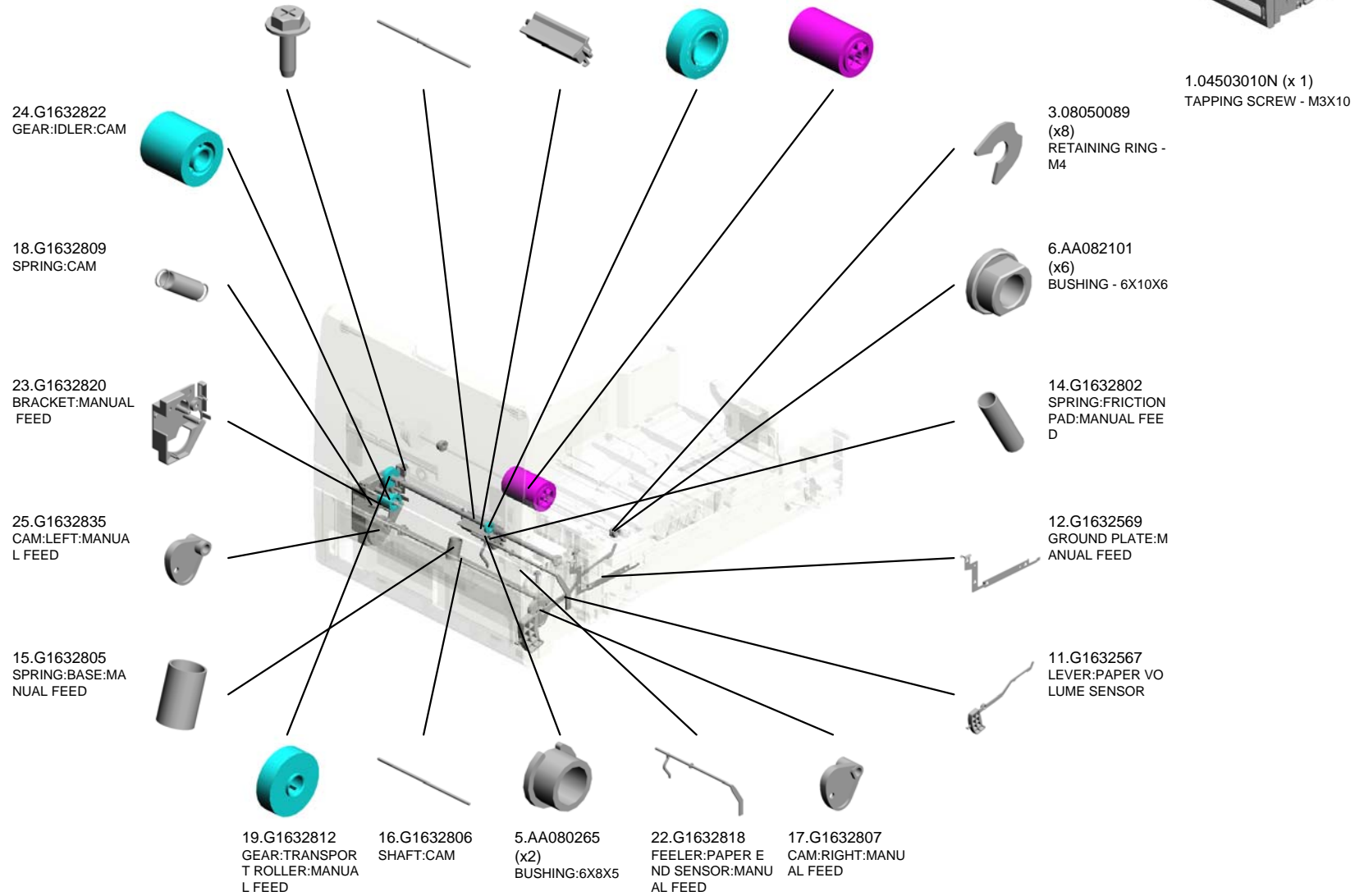
U004\_S002\_S001  
M0752562  
BASE



U001	U002	U003	<b>U004</b>	U005	U006	U007	U008	U009	U010	U011	U012	U013
------	------	------	-------------	------	------	------	------	------	------	------	------	------

# U004 PAPER FEED

- 1.04503010N (x7) TAPPING SCREW - M3X10
- 20.G1632813 SHAFT:TRANSPORT:PAPER FEED ROLLER:PRESS FIT
- 13.G1632800 FRICTION PAD:ADHESION
- 21.G1632817 GEAR:IDLER:PAPER FEED ROLLER
- 7.AF031061 PAPER FEED ROLLER



# U004 PAPER FEED

46.GX201121  
MAGNETIC CLUTCH

47.H5213355  
C RING - PAPER FEED ROLLER

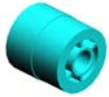
32.G1632871  
SHAFT:TRANSPORT:PICKUP ROLLER

80.M0AD2870  
GUIDE:MANUAL FEED:PAPER TRAY

69.M0752874  
SHEET:DAMPING INSULATION:GUIDE:MANUAL FEED:M075



26.G1632844  
GEAR:IDLER:TRANSPORT:PAPER FEED ROLLER



68.M0752808  
GEAR:CAM



36.G1632878  
SHEET:DISCHARGE BRUSH:MANUAL FEED



43.GA148015  
(x2)  
PIN:ROLLER:TRAY BOTTOM PLATE:DI A2



35.G1632877  
DISCHARGE BRUSH:MANUAL FEED



33.G1632872  
(x4)  
SCREW:DIA4:12.5 MM



70.M0AD2552  
CASSETTE COVER



72.M0AD2803  
BASE:MANUAL FEED:ADHESION



71.M0AD2605  
HOUSING:MANUAL FEED:PAPER TRAY



44.GF022006  
(x2)  
ROLLER:GUIDE:TRAY BOTTOM PLATE



34.G1632873  
DAMPING INSULATION:GUIDE:MANUAL FEED



66.M0752624  
DECAL:PAPER TRAY:SIDE FENCE



45.GF031005  
(x2)  
PAPER FEED ROLLER:MANUAL FEED



39.G1662593  
(EU/KOR):CAUTION DECAL - INKJET PAPER

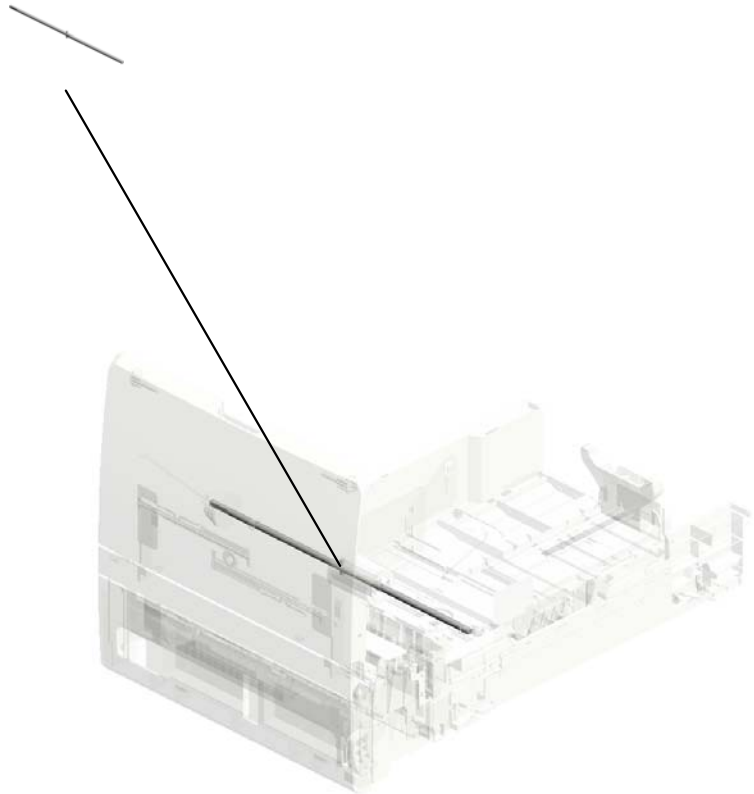
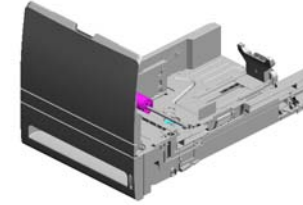


37.G1632879  
GROUND PLATE:FEED ROLLER:MANUAL FEED



# U004 PAPER FEED

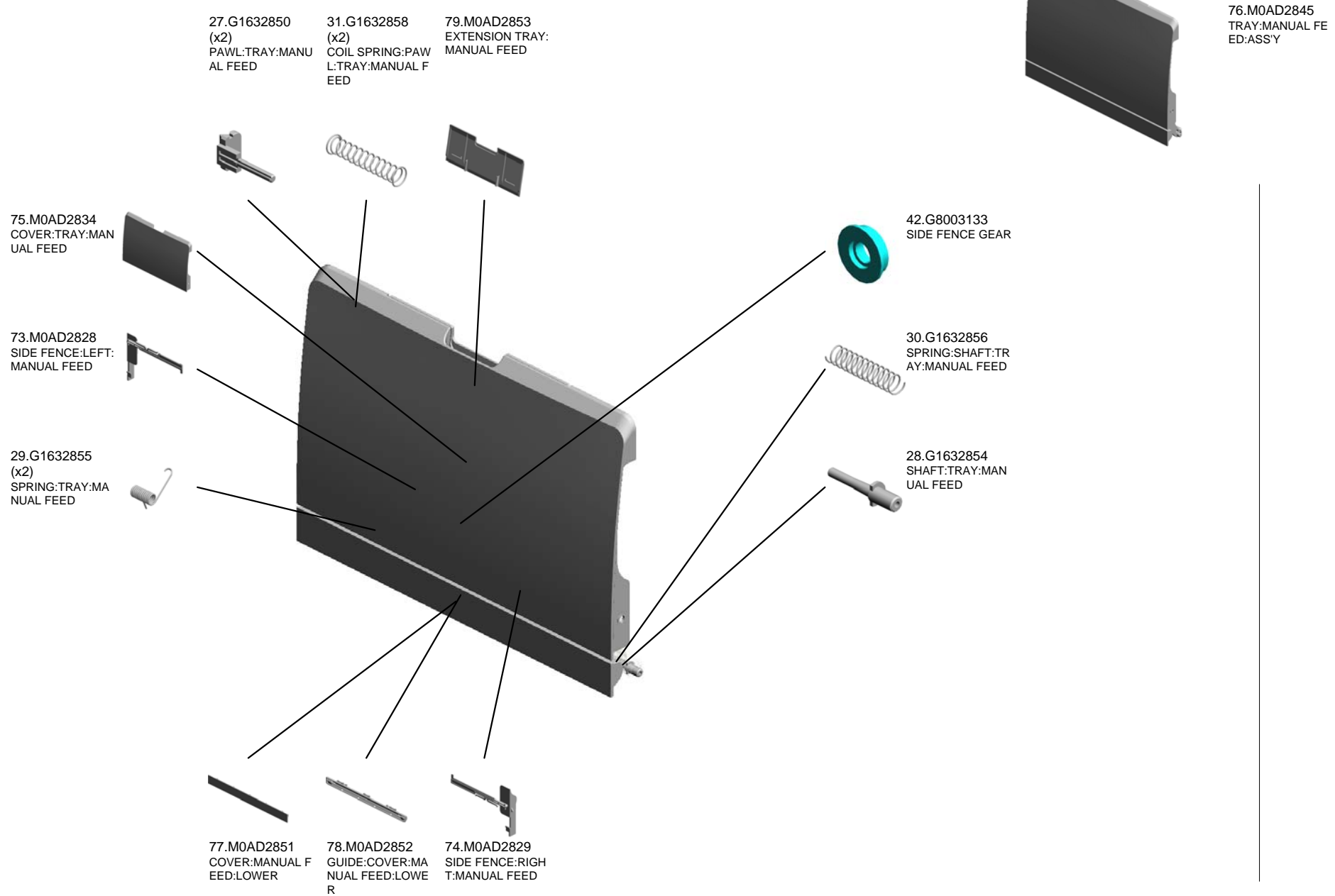
81.M1982580  
SHAFT:PAPER FEE  
D ROLLER



U001	U002	U003	<b>U004</b>	U005	U006	U007	U008	U009	U010	U011	U012	U013
------	------	------	-------------	------	------	------	------	------	------	------	------	------

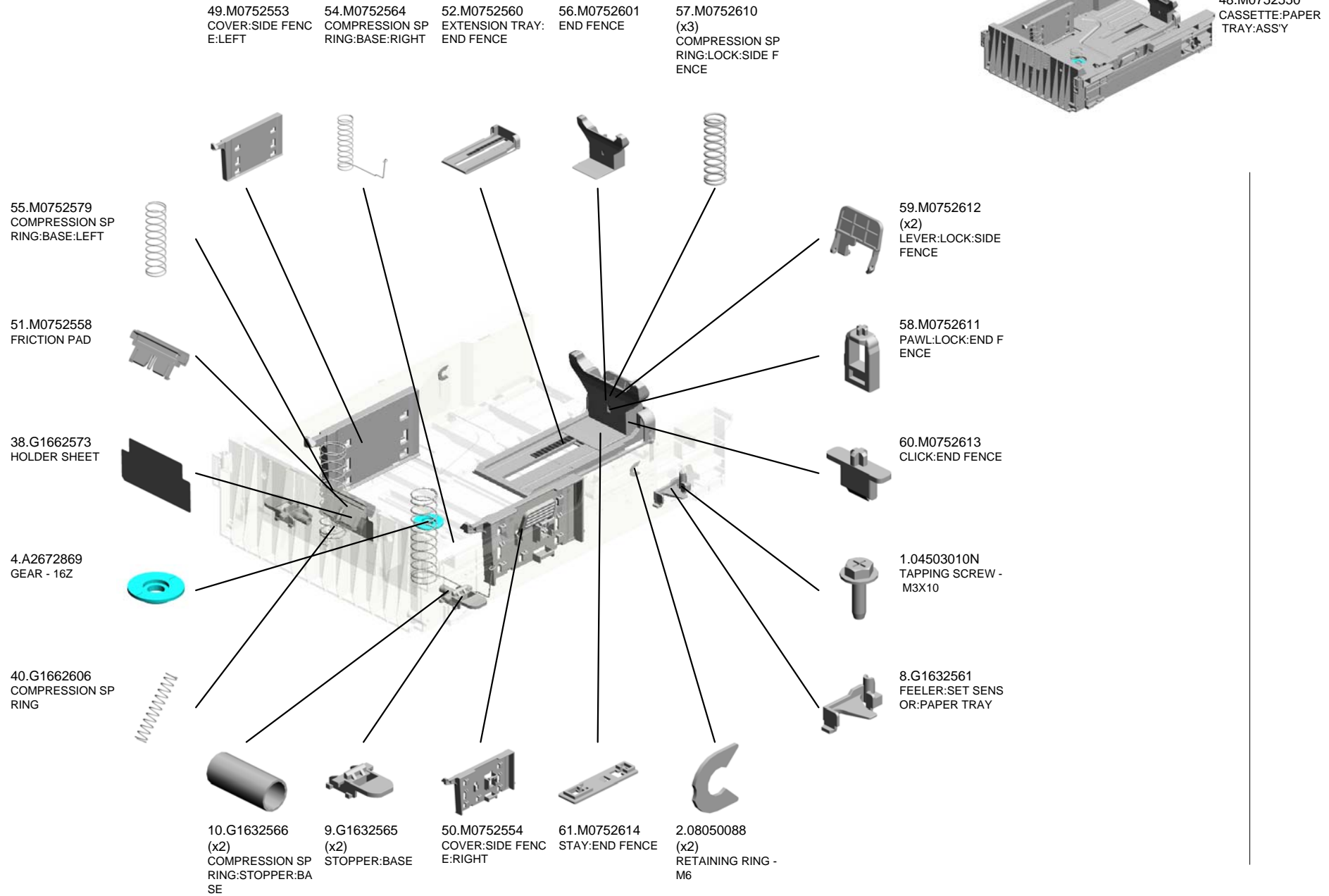


U004\_S001  
 TRAY:MANUAL FEED:ASS'Y



U001	U002	U003	U004	U005	U006	U007	U008	U009	U010	U011	U012	U013
------	------	------	------	------	------	------	------	------	------	------	------	------

U004\_S002  
CASSETTE:PAPER TRAY:ASS'Y



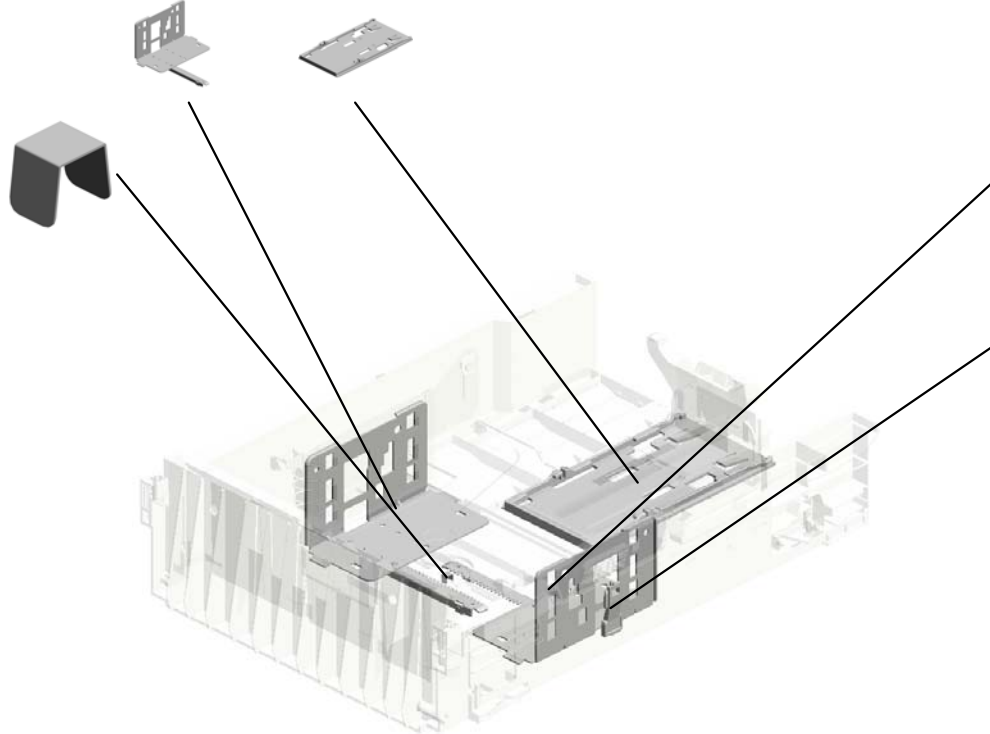
U004\_S002  
CASSETTE:PAPER TRAY:ASS'Y

63.M0752617    62.M0752615  
SIDE FENCE:LEFT    PLATE:END FENCE



48.M0752550  
CASSETTE:PAPER  
TRAY:ASS'Y

67.M0752625  
RETAINER:PINION



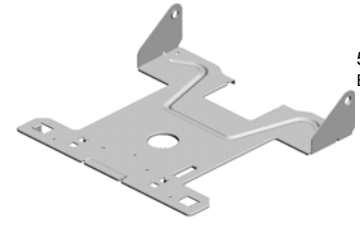
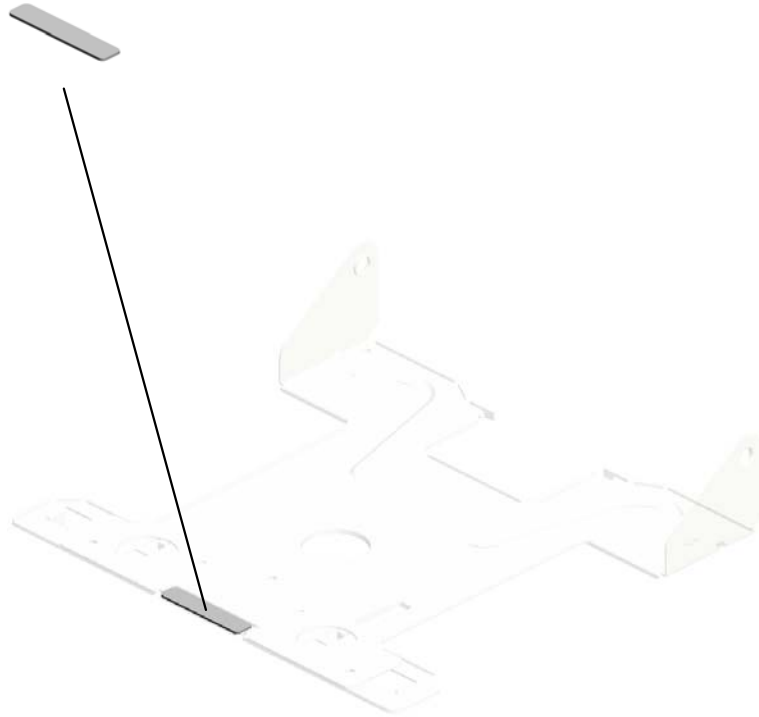
64.M0752621  
SIDE FENCE:RIGHT

65.M0752622  
PAWL:LOCK:SIDE  
FENCE

U001	U002	U003	<b>U004</b>	U005	U006	U007	U008	U009	U010	U011	U012	U013
------	------	------	-------------	------	------	------	------	------	------	------	------	------

U004\_S002\_S001  
BASE

41.G5553069  
BASEPAD



53.M0752562  
BASE

U001	U002	U003	<b>U004</b>	U005	U006	U007	U008	U009	U010	U011	U012	U013
------	------	------	-------------	------	------	------	------	------	------	------	------	------

U005  
PCU

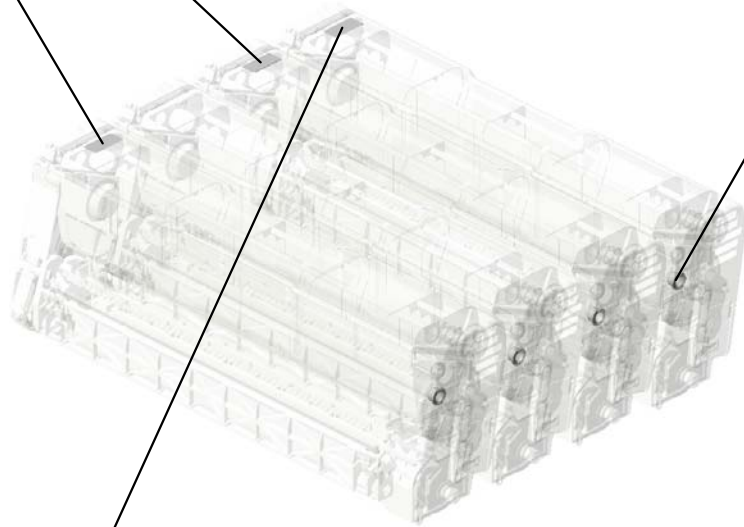
4.G1663334  
DECAL - YELLOW



3.G1663333  
DECAL - CYAN



2.G1663331  
DECAL - BLACK



1.AA080265  
(x4)  
BUSHING:6X8X5



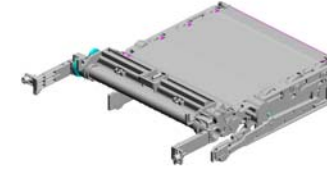
U001	U002	U003	U004	U005	U006	U007	U008	U009	U010	U011	U012	U013
------	------	------	------	------	------	------	------	------	------	------	------	------

# U006 ITB UNIT

5.G1636196  
SLIDER:FIX:INTER  
MEDIATE TRANSFER:RIGHT

9.G1666099  
(x2)  
COMPRESSION SPRING

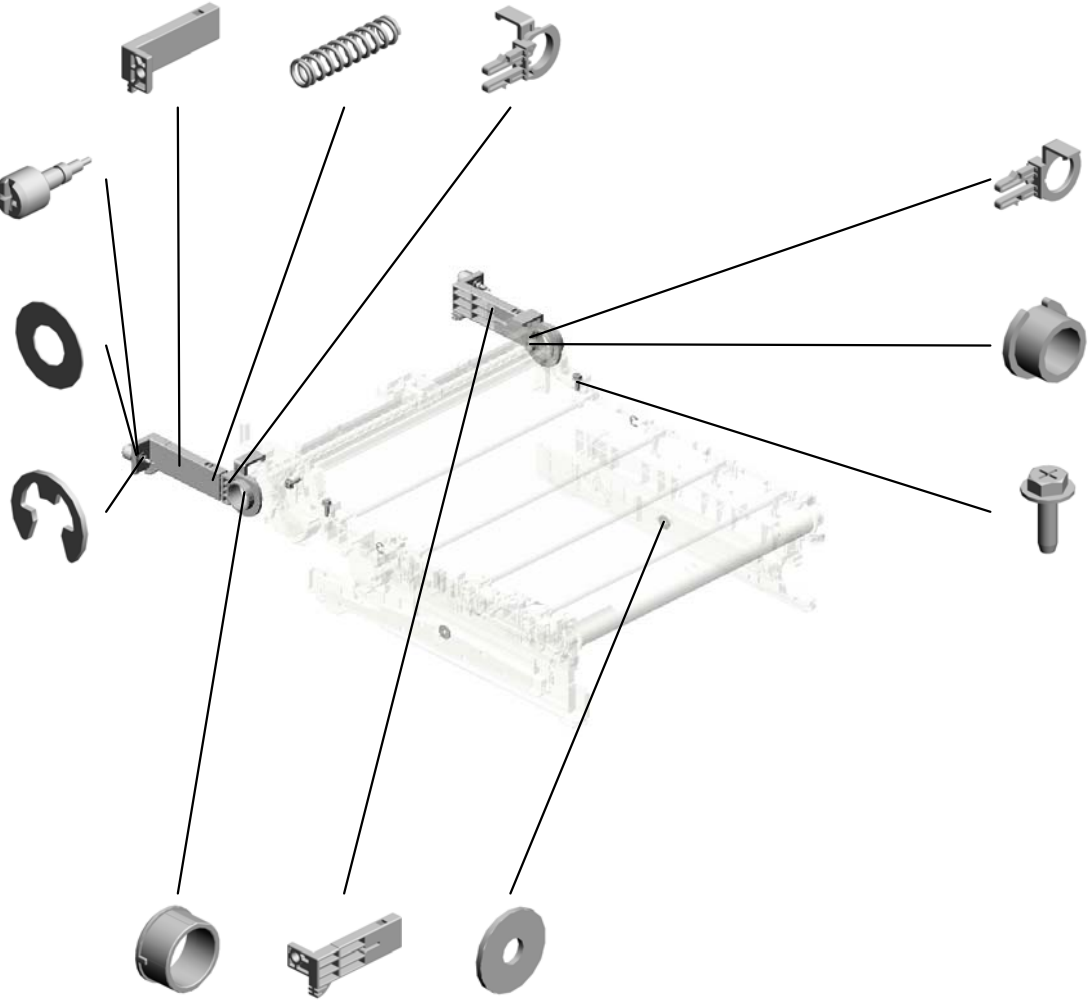
11.G1666194  
RIGHT HOLDER - TRANSFER BELT UNIT



4.G1636119  
(x2)  
KNOB SCREW:FIX:INTERMEDIATE TRANSFER

12.H3103640  
(x2)  
SPACER

2.07200040E  
(x4)  
RETAINING RING - M4



10.G1666193  
LEFT HOLDER - TRANSFER BELT UNIT

3.AA080265  
BUSHING:6X8X5

1.04503010N  
(x3)  
TAPPING SCREW - M3X10

8.G1666026  
(x2)  
BUSHING - 19MM

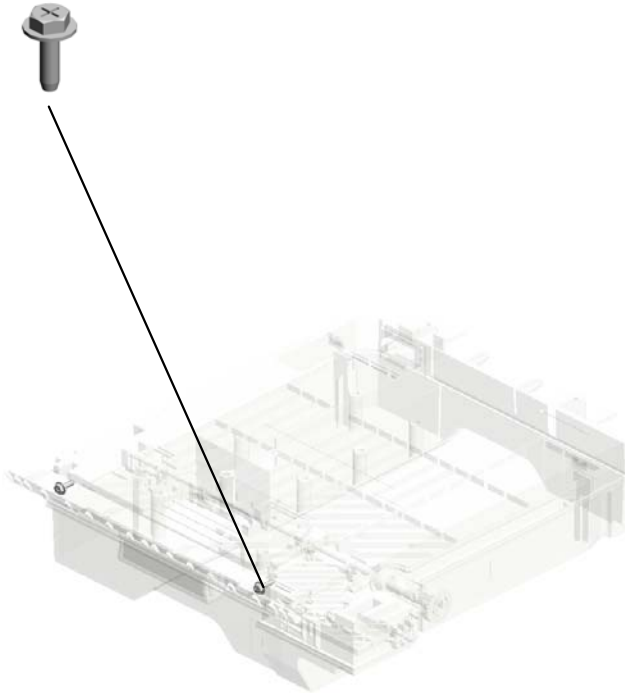
6.G1636197  
SLIDER:FIX:INTERMEDIATE TRANSFER:LEFT

7.G1663957  
(x2)  
WASHER - 0.8X10.8MM

U001	U002	U003	U004	U005	U006	U007	U008	U009	U010	U011	U012	U013
------	------	------	------	------	------	------	------	------	------	------	------	------

U007  
USED TONER

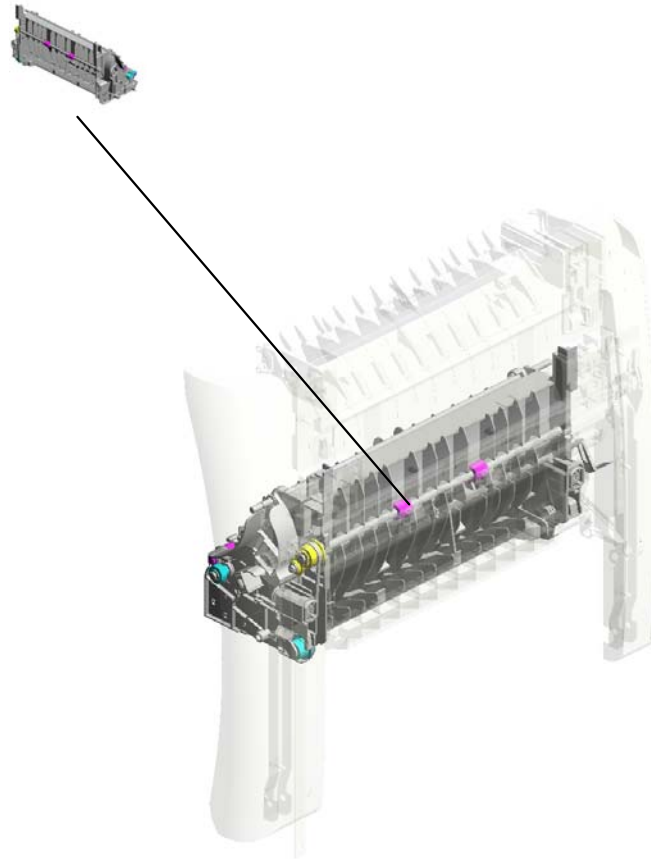
1.04503010N  
(x2)  
TAPPING SCREW -  
M3X10



U001	U002	U003	U004	U005	U006	U007	U008	U009	U010	U011	U012	U013
------	------	------	------	------	------	------	------	------	------	------	------	------

# U008.PAPER TRANSPORT

U008\_S001  
M8780195  
HOUSING:TRANSPORT SUB-  
UNIT:ASS'Y

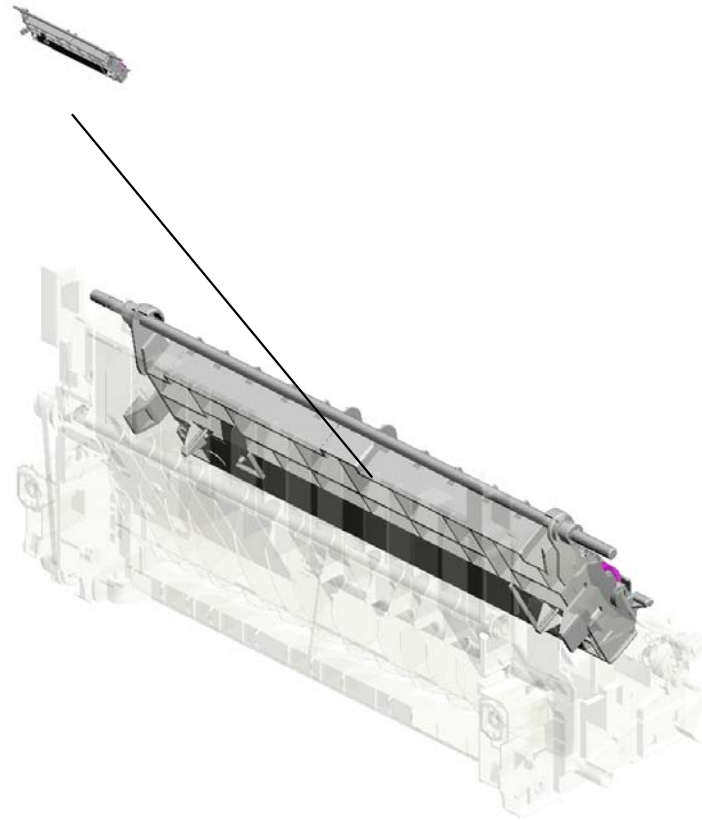


U001	U002	U003	U004	U005	U006	U007	U008	U009	U010	U011	U012	U013
------	------	------	------	------	------	------	------	------	------	------	------	------



# U008\_S001.HOUSING:TRANSPORT SUB-UNIT:ASS'Y

U008\_S001\_S001  
M8780190  
TRANSFER ROLLER SUB-AS  
S'Y



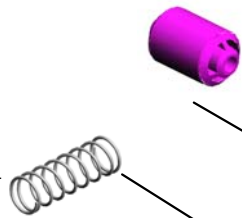
U001	U002	U003	U004	U005	U006	U007	U008	U009	U010	U011	U012	U013
------	------	------	------	------	------	------	------	------	------	------	------	------

# U008 PAPER TRANSPORT

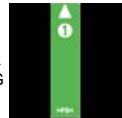
- 46.G1663926 EXIT GUIDE ROLLER - MIDDLE
- 14.G1633927 GUIDE PLATE:EXIT :MIDDLE:INNER
- 13.G1633926 GUIDE PLATE:EXIT :MIDDLE
- 12.G1633925 TORSION SPRING: FEELER:PAPER FEED SENSOR
- 11.G1633924 FEELER:PAPER FEED SENSOR



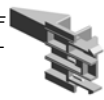
- 10.G1633921 (x2) SPRING:GUIDE PLATE:MIDDLE



- 28.G1633989 (x2) DECAL:COVER:FRONT:POSITIONING DISPLAY



- 22.G1633970 HOOK:FIX:TRANSFER/SEPARATION:LEFT



- 44.G1663906 LEFT LOCK LEVER



- 29.G1633990 (x2) DECAL:TRANSPORT UNIT:POSITIONING DISPLAY



- 7.G1633904 FRAME:COVER:FRONT:LEFT



- 24.G1633972 SLIDER:TRANSPORT UNIT:LEFT



- 9.G1633908 ARM:LEVER:LOCK



- 8.G1633907 GUIDE:LOCK



- 27.G1633975 SLIDER:TRANSPORT UNIT:RIGHT



- 33.G1633995 (x2) DECAL:GRIP:SLIDE



- 23.G1633971 HOOK:FIX:TRANSFER/SEPARATION:RIGHT



- 45.G1663909 TENSION SPRING



- 1.04503010N (x14) TAPPING SCREW - M3X10



- 6.G1633903 FRAME:COVER:FRONT:RIGHT



# U008 PAPER TRANSPORT

56.M0754607  
(x2)  
SPRING:PRESSUR  
E:DUPLEX

58.M0AD1284  
SEAL:COVER:FRO  
NT

63.M0AD3935  
DESIGN PLATE:CO  
VER:FRONT:UPPE  
R

60.M0AD3912  
HOLDER:GUIDE PL  
ATE:REVERSE:RIG  
HT



61.M0AD3913  
HOLDER:GUIDE PL  
ATE:REVERSE:LEF  
T

51.G1663972  
(x2)  
COMPRESSION SP  
RING - GRIP

52.G1664606  
(x2)  
DUPLEX ROLLER

47.G1663927  
STOPER BAND

62.M0AD3932  
COVER:FRONT

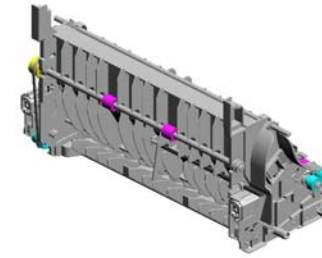
59.M0AD3905  
LEVER:LOCK:RIG  
HT

48.G1663928  
BRAKE RACK - FR  
ONT COVER

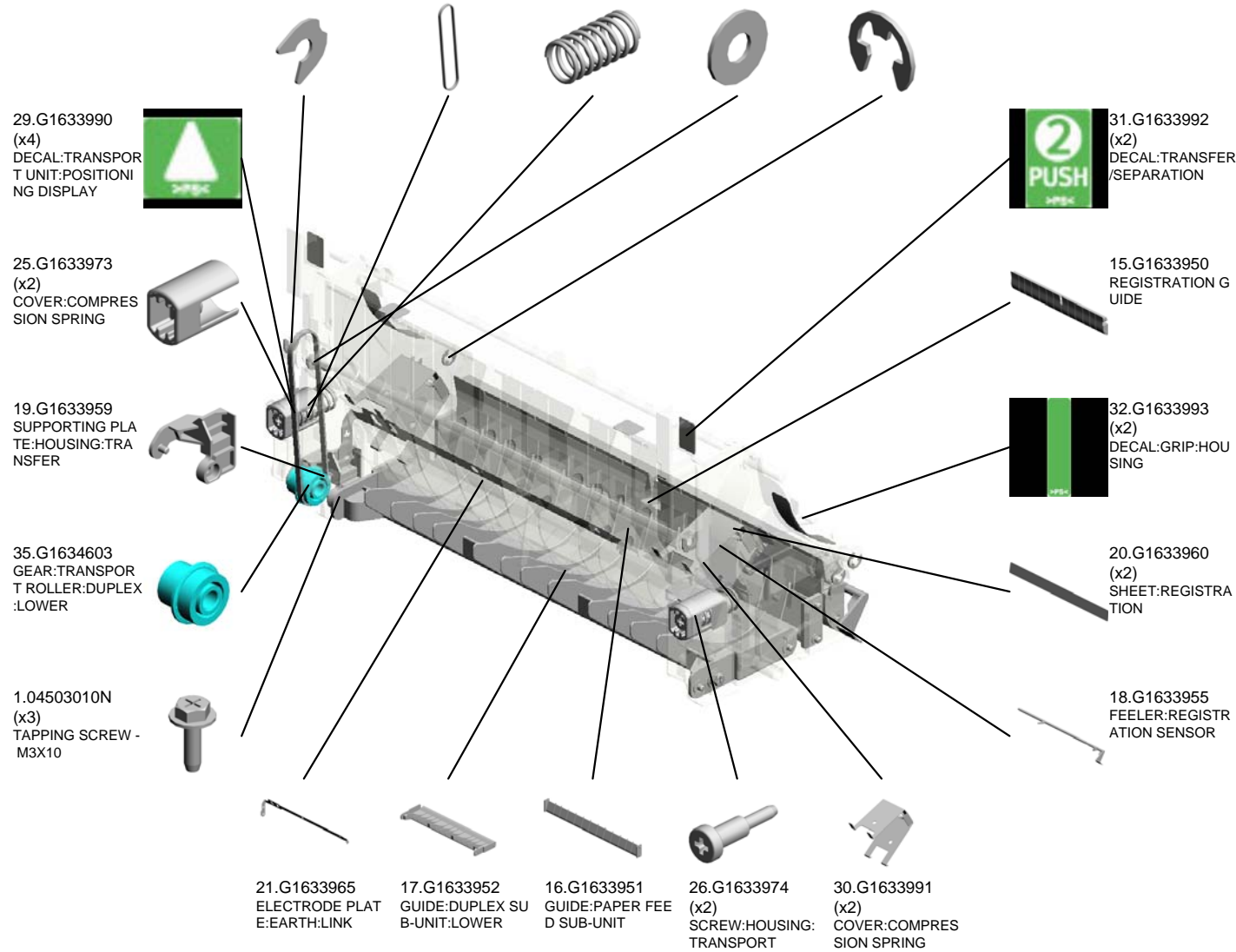
64.M0AD3936  
DESIGN PLATE:CO  
VER:FRONT:LOWE  
R

# U008\_S001 HOUSING:TRANSPORT SUB-UNIT:ASS'Y

- 4.08050089 (x2) RETAINING RING - M4
- 5.B2384714 TIMING BELT - 30S 2M206
- 34.G1633997 (x2) COMPRESSION SPRING:HOUSING:TRANSPORT
- 2.07010030N WASHER DIA3
- 3.07200040E (x4) RETAINING RING - M4

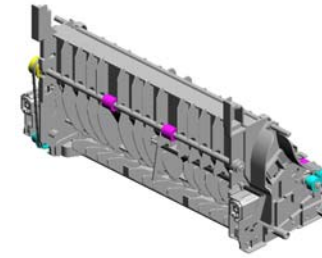


66.M8780195  
HOUSING:TRANSPORT SUB-UNIT:ASS'Y



U008\_S001  
HOUSING:TRANSPORT SUB-UNIT:ASS'Y

50.G1663968 ELECTRODE PLATE - CONTACT POINT  
42.G1663865 (x2) GEAR - 14Z  
53.GA082015 (x6) PLAIN SHAFT BEARING: DIA6: DIA9: 7  
55.GF020052 TRANSPORT ROLLER: DUPLEX

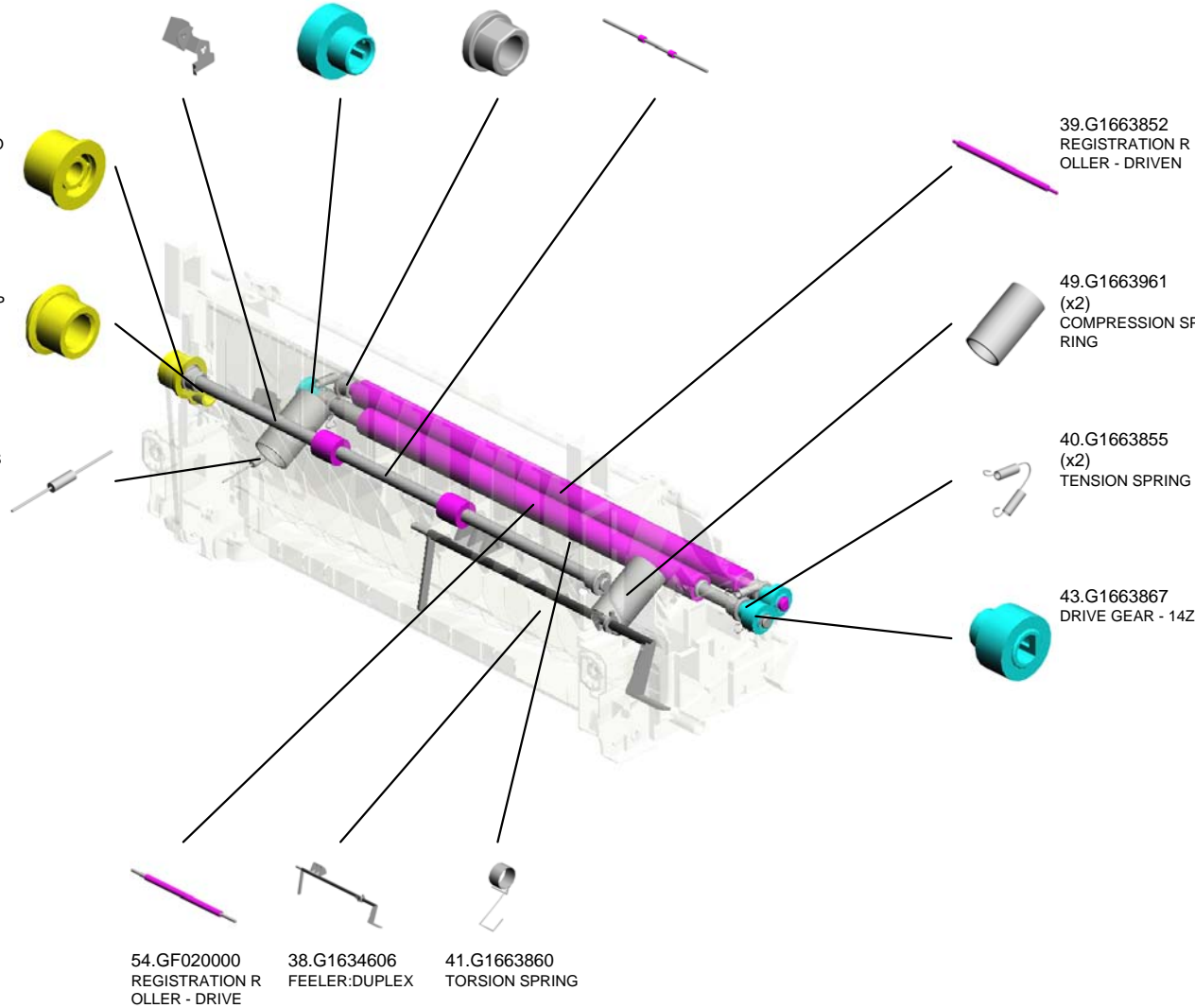


66.M8780195 HOUSING:TRANSPORT SUB-UNIT:ASS'Y

36.G1634604 PULLEY:TRANSPORT ROLLER:DUPLICATE

37.G1634605 BELT PULLEY:DUPLICATE

57.M0963989 RESISTOR:TRANSFER/SEPARATION



U008\_S001\_S001  
TRANSFER ROLLER SUB-ASS'Y

3.07200040E  
(x2)  
RETAINING RING -  
M4



1.04503010N  
(x2)  
TAPPING SCREW -  
M3X10

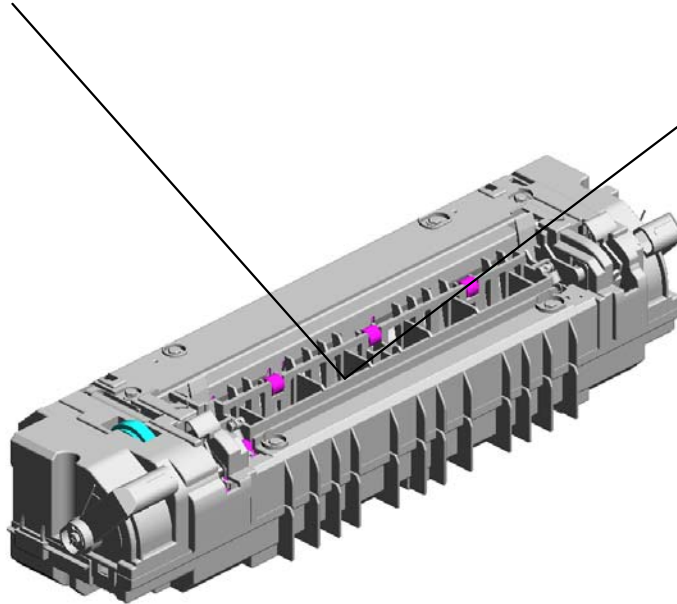


65.M8780190  
TRANSFER ROLLE  
R SUB-ASS'Y

U001	U002	U003	U004	U005	U006	U007	U008	U009	U010	U011	U012	U013
------	------	------	------	------	------	------	------	------	------	------	------	------

# U009.FUSING

U009\_S001  
M8780224  
(EU/KOR):FUSING UNIT - 220  
V



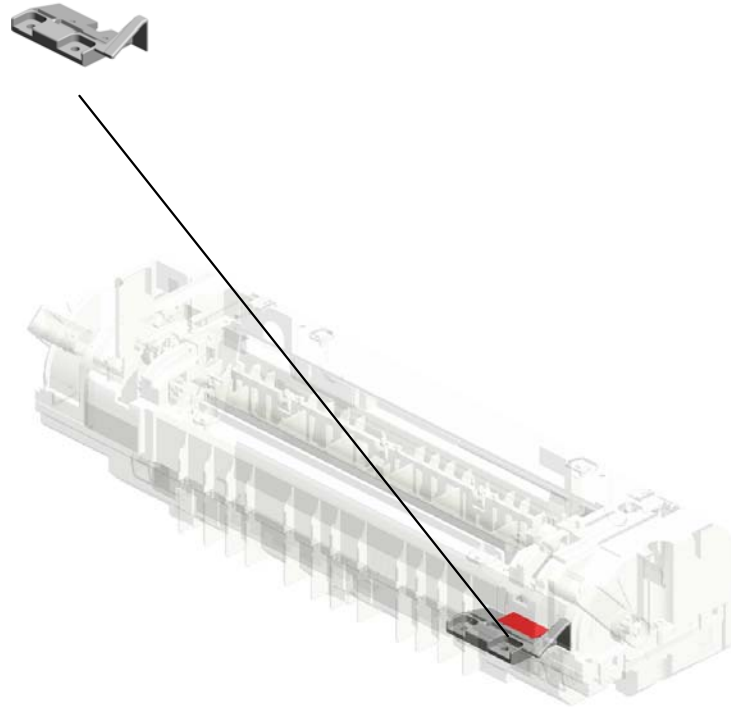
U009\_S002  
M8780214  
(NA):FUSING UNIT - 120V



U001	U002	U003	U004	U005	U006	U007	U008	U009	U010	U011	U012	U013
------	------	------	------	------	------	------	------	------	------	------	------	------

# U009\_S001.(EU/KOR):FUSING UNIT - 220V

U009\_S001\_S001  
M0754298  
DISCHARGE BRUSH:ASS'Y

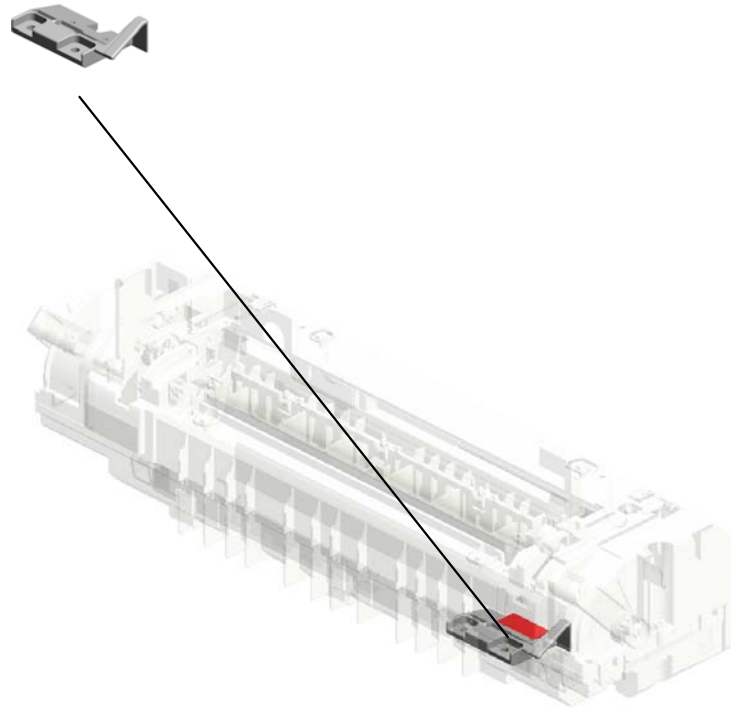


U001	U002	U003	U004	U005	U006	U007	U008	U009	U010	U011	U012	U013
------	------	------	------	------	------	------	------	------	------	------	------	------



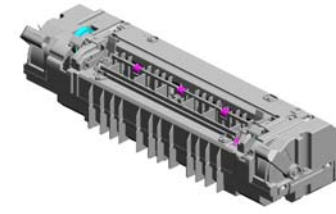
# U009\_S002.(NA):FUSING UNIT - 120V

U009\_S002\_S001  
M0754298  
DISCHARGE BRUSH:ASS'Y



U001	U002	U003	U004	U005	U006	U007	U008	U009	U010	U011	U012	U013
------	------	------	------	------	------	------	------	------	------	------	------	------

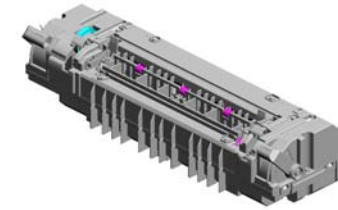
U009  
FUSING



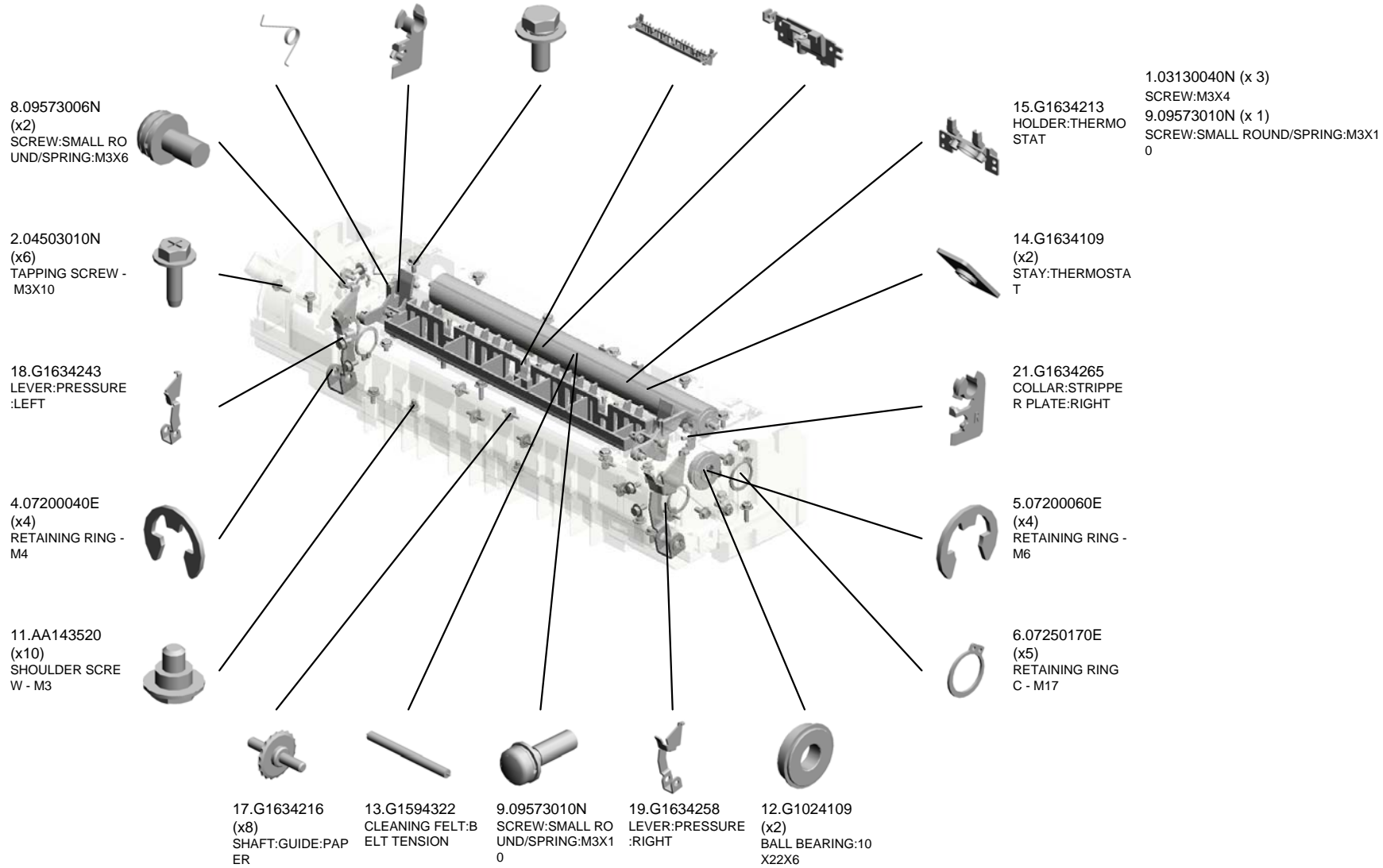
U001	U002	U003	U004	U005	U006	U007	U008	U009	U010	U011	U012	U013
------	------	------	------	------	------	------	------	------	------	------	------	------

U009\_S001  
(EU/KOR):FUSING UNIT - 220V

23.G1634276 TORSION SPRING:SEPARATION:LEFT  
 20.G1634264 COLLAR:STRIPPER PLATE:LEFT  
 7.08046123 (x30) HEXAGONAL BOLT :WASHER:M3X8  
 22.G1634271 GUIDE PLATE:FUSING UNIT EXIT  
 16.G1634214 FUSE HOLDER

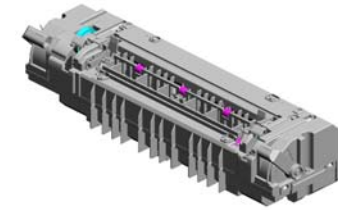


69.M8780224  
(EU/KOR):FUSING UNIT - 220V



U001	U002	U003	U004	U005	U006	U007	U008	U009	U010	U011	U012	U013
------	------	------	------	------	------	------	------	------	------	------	------	------

U009\_S001  
(EU/KOR):FUSING UNIT - 220V



69.M8780224  
(EU/KOR):FUSING  
UNIT - 220V

- 42.GB013075 GEAR:IDLER:DUPL EX
- 39.G1664399 (x2) DECAL:FUSING EXIT:OPEN AND CLOSE
- 28.G1634313 BRACKET:TERMINAL
- 41.GA063081 (x2) COMPRESSION SPRING:CLEANER
- 40.GA063080 (x2) COMPRESSION SPRING:BELT TENSION

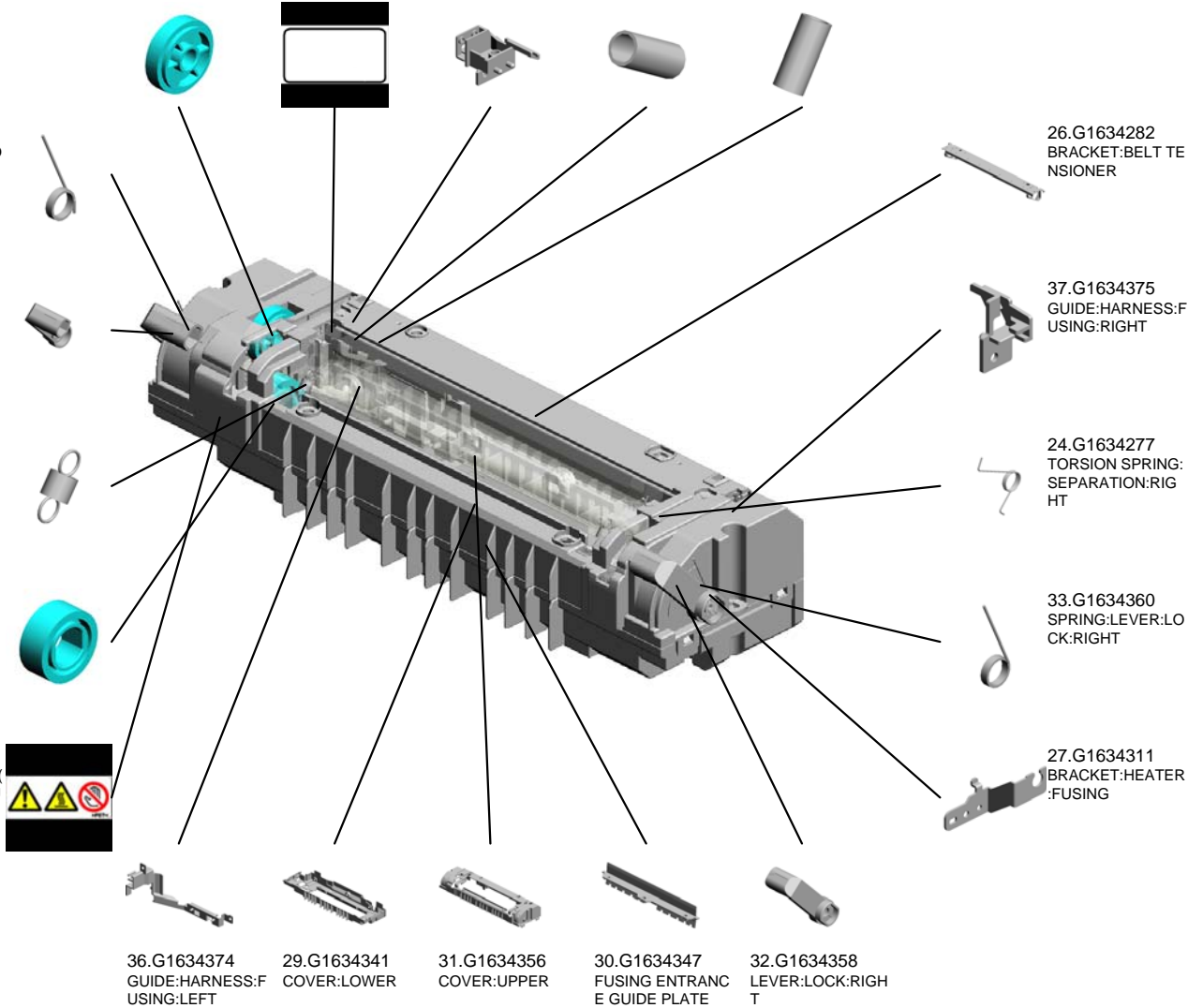
35.G1634364 SPRING:LEVER:LOCK:LEFT

34.G1634363 LEVER:LOCK

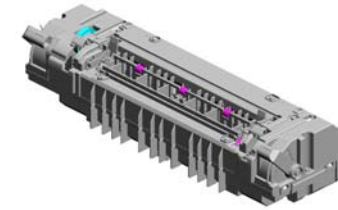
25.G1634278 (x2) SPRING:GUIDE PLATE:FUSING EXIT

43.GB013078 GEAR:IDLER:DRIVE

38.G1664310 DECAL:WARNING (HIGH TEMPERATURE):1:CUD



U009\_S001  
(EU/KOR):FUSING UNIT - 220V



69.M8780224  
(EU/KOR):FUSING  
UNIT - 220V

- 61.M0754248 (x2) SPRING:PRESSURE:30N
- 52.GE031012 (x2) PLAIN SHAFT BEARING:CLEANING FELT
- 51.GE031011 (x2) PLAIN SHAFT BEARING:BELT TENSIONER
- 59.M0754142 (x3) ROLLER:MIDDLE:FUSING
- 64.M0754273 STRIPPER PLATE:COAT

62.M0754249  
KNOB:LEVER:PRESSURE RELEASE:LEFT

45.GB013086  
GEAR:HOT ROLLER:ROLLER CLUTCH:Z29

46.GB017055  
GEAR:SLOW DOWN:PAPER FEED:1

44.GB013080  
GEAR:IDLER:1

49.GE020011  
PRESSURE ROLLER

48.GE010011  
HOT ROLLER

60.M0754215  
FUSING ENTRANCE GUIDE PLATE

58.M0754105  
FUSING BELT

47.GE010006  
HEAT ROLLER:DIA 20:COAT

57.GX450014  
(EU/KOR):HEATER:230V:1000W

53.GE040010  
ROLLER:BELT TENSIONER:FUSING BELT

55.GW110006  
THERMOSTAT

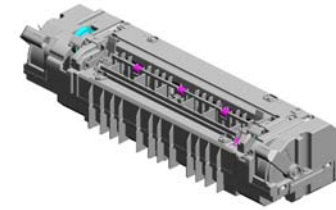
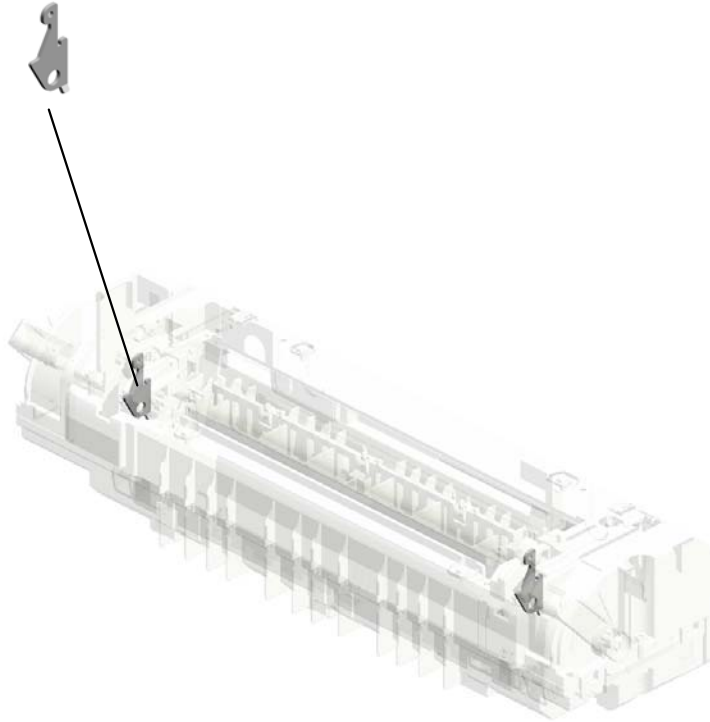
54.GW100017  
THERMISTOR:COUPLING

63.M0754250  
KNOB:LEVER:PRESSURE RELEASE:RIGHT

50.GE030008  
(x4)  
BALL BEARING:HOT ROLLER

U009\_S001  
(EU/KOR):FUSING UNIT - 220V

66.M0754354  
(x2)  
LEVER:PRESSURE  
RELEASE

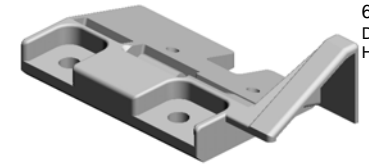


69.M8780224  
(EU/KOR):FUSING  
UNIT - 220V

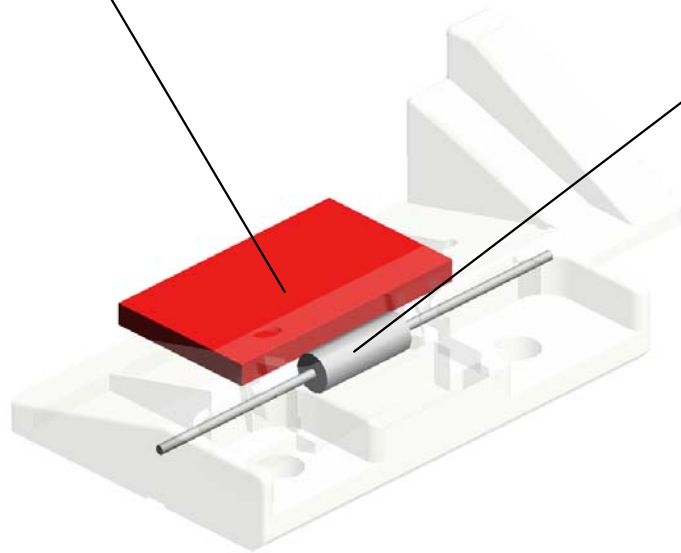
U001	U002	U003	U004	U005	U006	U007	U008	U009	U010	U011	U012	U013
------	------	------	------	------	------	------	------	------	------	------	------	------

U009\_S001\_S001  
DISCHARGE BRUSH:ASS'Y

10.A4131670  
ANTISTATIC BRUSH  
H



65.M0754298  
DISCHARGE BRUSH  
H:ASS'Y



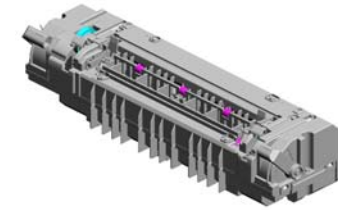
67.M0963989  
RESISTOR:TRANS  
FER/SEPARATION

3.04523006N (x 2)  
BINDING SELF-TAPPING SCREW:3X6

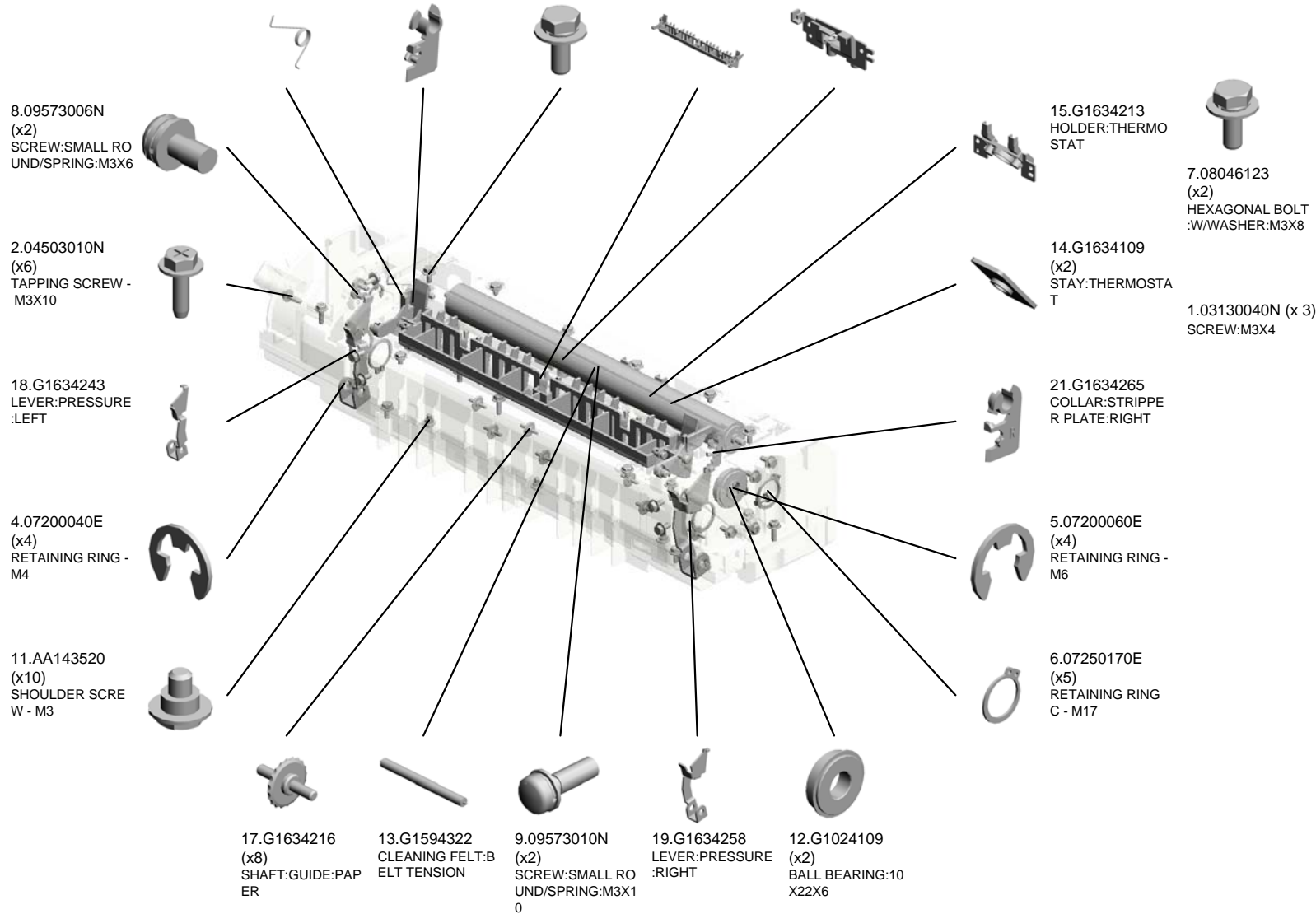
U001	U002	U003	U004	U005	U006	U007	U008	U009	U010	U011	U012	U013
------	------	------	------	------	------	------	------	------	------	------	------	------

U009\_S002  
(NA):FUSING UNIT - 120V

23.G1634276 TORSION SPRING:SEPARATION:LEFT  
 20.G1634264 COLLAR:STRIPPER PLATE:LEFT  
 7.08046123 (x28) HEXAGONAL BOLT :W/WASHER:M3X8  
 22.G1634271 GUIDE PLATE:FUSING UNIT EXIT  
 16.G1634214 FUSE HOLDER



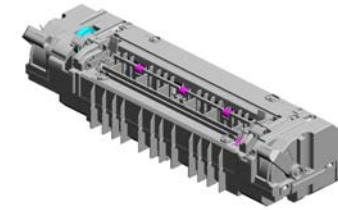
68.M8780214  
(NA):FUSING UNIT - 120V



U001	U002	U003	U004	U005	U006	U007	U008	U009	U010	U011	U012	U013
------	------	------	------	------	------	------	------	------	------	------	------	------



U009\_S002  
(NA):FUSING UNIT - 120V



68.M8780214  
(NA):FUSING UNIT  
- 120V

- 42.GB013075 GEAR:IDLER:DUPL EX
- 39.G1664399 (x2) DECAL:FUSING EXIT:OPEN AND CLOSE
- 28.G1634313 BRACKET:TERMINAL
- 41.GA063081 (x2) COMPRESSION SPRING:CLEANER
- 40.GA063080 (x2) COMPRESSION SPRING:BELT TENSION

35.G1634364 SPRING:LEVER:LOCK:LEFT

34.G1634363 LEVER:LOCK

25.G1634278 (x2) SPRING:GUIDE PLATE:FUSING EXIT

43.GB013078 GEAR:IDLER:DRIVE

38.G1664310 DECAL:WARNING (HIGH TEMPERATURE):1:CUD



36.G1634374 GUIDE:HARNESS:USING:LEFT

29.G1634341 COVER:LOWER

31.G1634356 COVER:UPPER

30.G1634347 FUSING ENTRANCE GUIDE PLATE

32.G1634358 LEVER:LOCK:RIGHT

26.G1634282 BRACKET:BELT TENSIONER

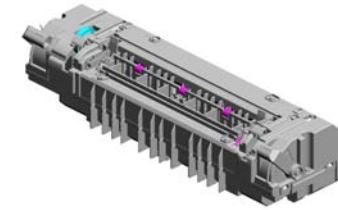
37.G1634375 GUIDE:HARNESS:USING:RIGHT

24.G1634277 TORSION SPRING:SEPARATION:RIGHT

33.G1634360 SPRING:LEVER:LOCK:RIGHT

27.G1634311 BRACKET:HEATER:FUSING

U009\_S002  
(NA):FUSING UNIT - 120V



68.M8780214  
(NA):FUSING UNIT  
- 120V

- 61.M0754248 (x2) SPRING:PRESSURE RELEASE:LEFT
- 52.GE031012 (x2) PLAIN SHAFT BEARING:CLEANING FELT
- 51.GE031011 (x2) PLAIN SHAFT BEARING:BELT TENSIONER
- 59.M0754142 (x3) ROLLER:MIDDLE:FUSING
- 64.M0754273 STRIPPER PLATE:COAT

62.M0754249 KNOB:LEVER:PRESSURE RELEASE:LEFT

45.GB013086 GEAR:HOT ROLLER:ROLLER CLUTCH:Z29

46.GB017055 GEAR:SLOW DOWN:PAPER FEED:1

44.GB013080 GEAR:IDLER:1

49.GE020011 PRESSURE ROLLER

48.GE010011 HOT ROLLER

60.M0754215 FUSING ENTRANCE GUIDE PLATE

58.M0754105 FUSING BELT

47.GE010006 HEAT ROLLER:DIAMETER:20:COAT

56.GX450012 (NA):HEATER:120V:1000W

53.GE040010 ROLLER:BELT TENSIONER:FUSING BELT

55.GW110006 THERMOSTAT

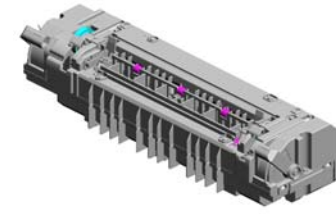
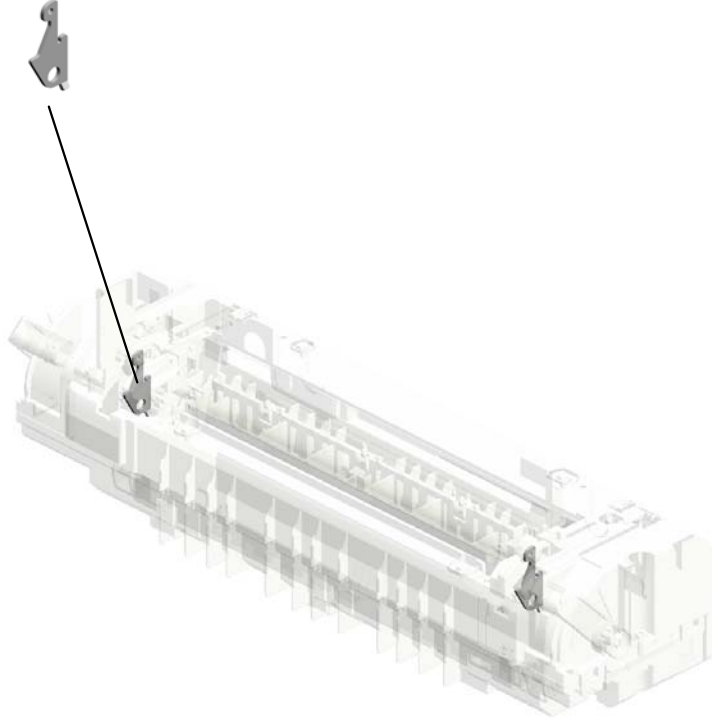
54.GW100017 THERMISTOR:COUPLING

63.M0754250 KNOB:LEVER:PRESSURE RELEASE:RIGHT

50.GE030008 (x4) BALL BEARING:HOT ROLLER

U009\_S002  
(NA):FUSING UNIT - 120V

66.M0754354  
(x2)  
LEVER:PRESSURE  
RELEASE

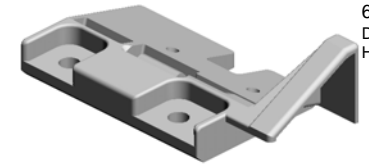


68.M8780214  
(NA):FUSING UNIT  
- 120V

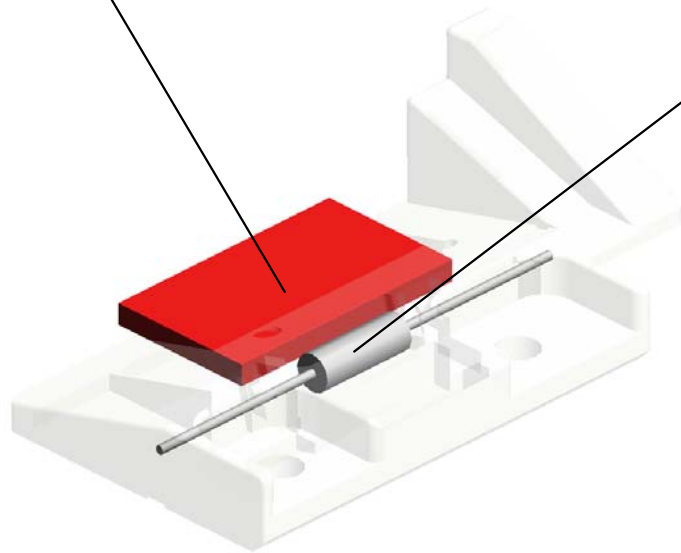
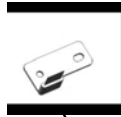
U001	U002	U003	U004	U005	U006	U007	U008	U009	U010	U011	U012	U013
------	------	------	------	------	------	------	------	------	------	------	------	------

U009\_S002\_S001  
DISCHARGE BRUSH:ASS'Y

10.A4131670  
ANTISTATIC BRUSH  
H



65.M0754298  
DISCHARGE BRUSH  
H:ASS'Y

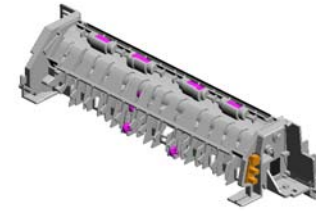


67.M0963989  
RESISTOR:TRANS  
FER/SEPARATION

3.04523006N (x 2)  
BINDING SELF-TAPPING SCREW:3X6

U001	U002	U003	U004	U005	U006	U007	U008	U009	U010	U011	U012	U013
------	------	------	------	------	------	------	------	------	------	------	------	------

# U010 PAPER EXIT



- 19.G1664462 STOPPER - PHOTO INTERRUPTOR (x2)
- 15.G1634467 ROLLER:DRIVEN:DUPLEX (x2)
- 17.G1634469 SPRING:PRESSURE:DUPLEX (x4)
- 3.AF040574 GUIDE ROLLER (x6)
- 9.G1634459 STOPPER:EXIT:EXIT (x2)

- 2.08050089 (x2) RETAINING RING - M4

- 4.AW020198 PHOTO INTERRUPTOR:LG2A14NL1

- 12.G1634463 (x2) GUIDE:PLATE:EXIT

- 1.04543006Q (x2) TAPPING SCREW - M3X6

- 14.G1634466 (x2) ROLLER:DRIVEN:EXIT

- 5.G1631318 SEAL:GUIDE PLATE:EXIT:LOWER

- 11.G1634462 (x2) BRACKET:ROLLER:EXIT

- 7.G1634454 GATE PAWL:REVERSE

- 6.G1634453 GUIDE PLATE:REVERSE:UPPER

- 16.G1634468 (x2) SPRING:PRESSURE:EXIT:INNER

- 13.G1634465 (x2) ROLLER:DRIVEN:DUPLEX:INNER

- 10.G1634460 (x2) ROLLER:DRIVEN:EXIT

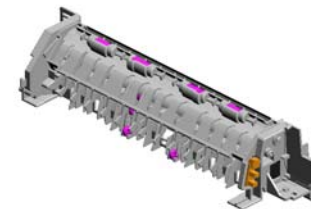
- 20.GA082014 (x2) PLAIN SHAFT BEARING:RING:DIA6:DIA10:9

- 8.G1634458 (x2) GUIDE:PLATE:EXIT:OUTER

- 18.G1634489 GEAR:EXIT

# U010 PAPER EXIT

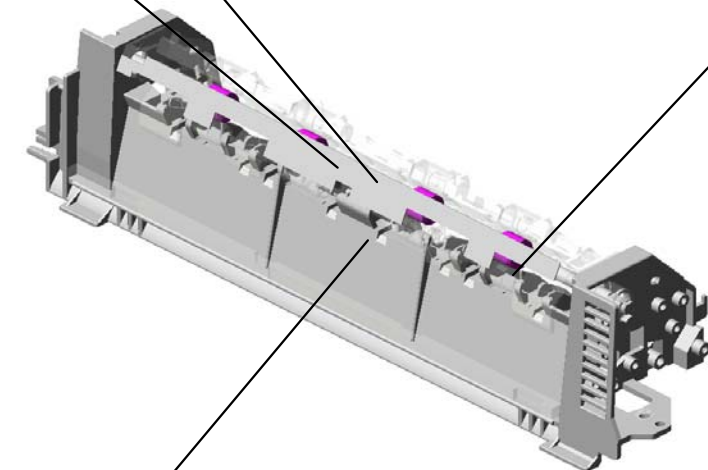
22.GF020040  
EXIT ROLLER



21.GA120012  
DISCHARGE BRUS  
H:EXIT



24.M0754461  
(x2)  
SPRING:PRESSUR  
E:EXIT:OUTER



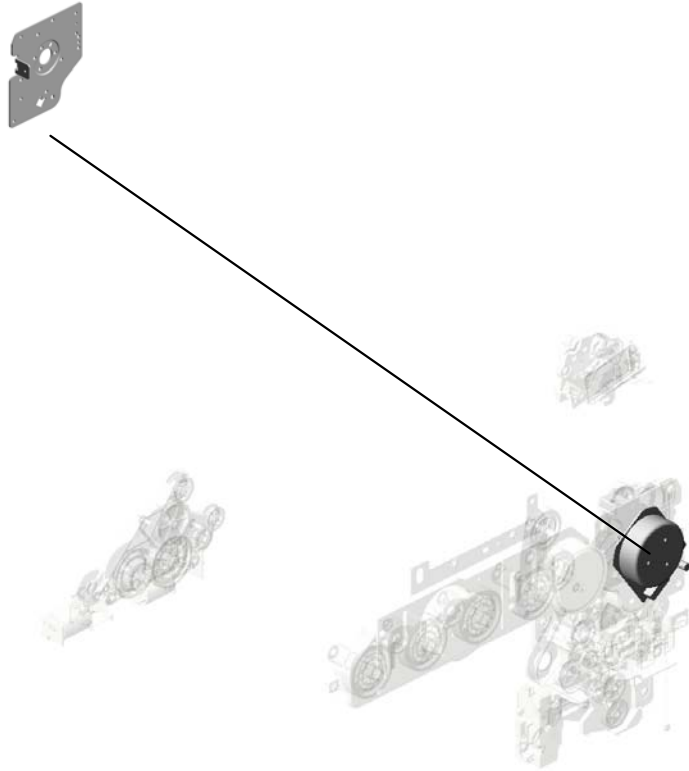
23.M0754451  
GUIDE PLATE:EXIT  
:LOWER



U001	U002	U003	U004	U005	U006	U007	U008	U009	U010	U011	U012	U013
------	------	------	------	------	------	------	------	------	------	------	------	------

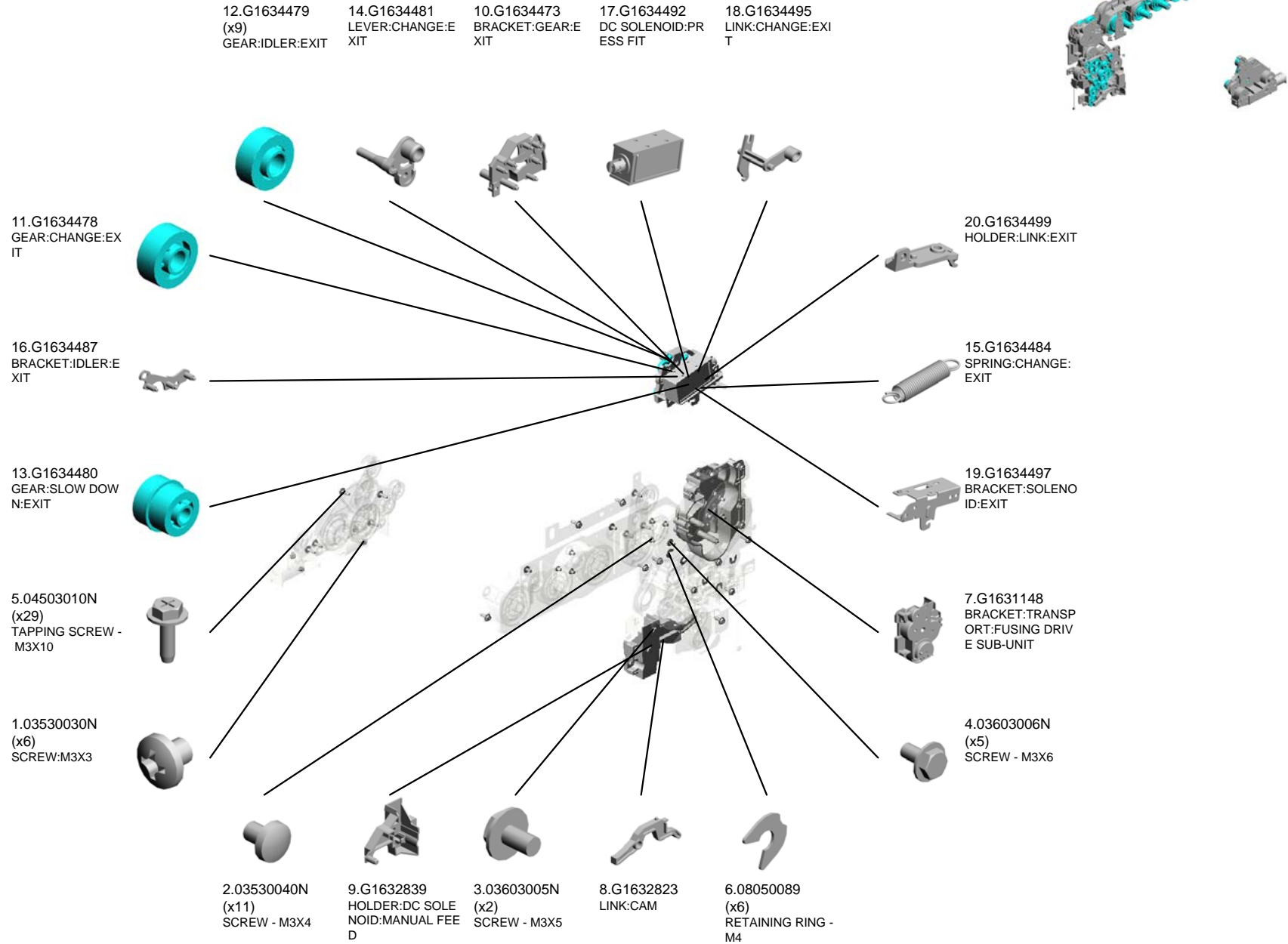
# U011.MAIN DRIVE

U011\_S001  
M0AD1130  
BRACKET:TRANSPORT:MOT  
OR:SUB-ASS'Y



U001	U002	U003	U004	U005	U006	U007	U008	U009	U010	U011	U012	U013
------	------	------	------	------	------	------	------	------	------	------	------	------

# U011 MAIN DRIVE





# U011 MAIN DRIVE

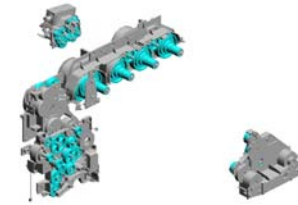
24.G1661123  
FRAME - ON-OFF  
DRIVE UNIT

32.GB010039  
(x2)  
GEAR:AIO:DRIVE:  
MIDDLE

29.GA132101  
(x5)  
SPACER - 0.13 X 1  
2MM

21.G1661111  
FRAME - TRANSFER  
DRIVE UNIT

30.GA148016  
SHAFT - 6 X 26.7M  
M



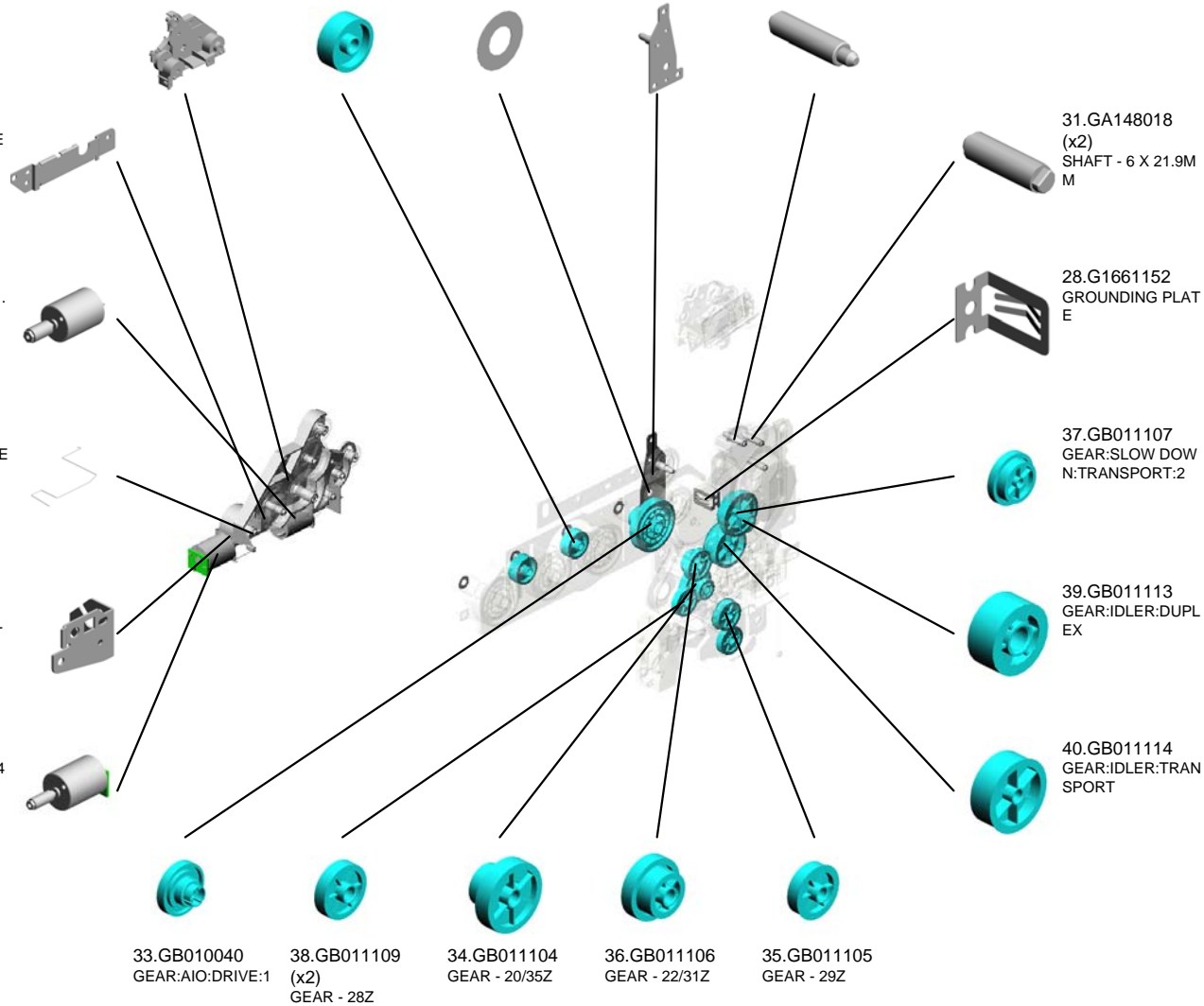
25.G1661125  
SHIELDING PLATE

27.G1661135  
MOTOR - DC24V 1.  
6W

22.G1661118  
GROUNDING WIRE

23.G1661119  
(x2)  
MOTOR BRACKET

26.G1661131  
DC MOTOR - DC24  
V 5.3W



31.GA148018  
(x2)  
SHAFT - 6 X 21.9M  
M

28.G1661152  
GROUNDING PLAT  
E

37.GB011107  
GEAR:SLOW DOW  
N:TRANSPORT:2

39.GB011113  
GEAR:IDLER:DUPL  
EX

40.GB011114  
GEAR:IDLER:TRAN  
SPORT

33.GB010040  
GEAR:AIO:DRIVE:1

38.GB011109  
(x2)  
GEAR - 28Z

34.GB011104  
GEAR - 20/35Z

36.GB011106  
GEAR - 22/31Z

35.GB011105  
GEAR - 29Z

# U011 MAIN DRIVE

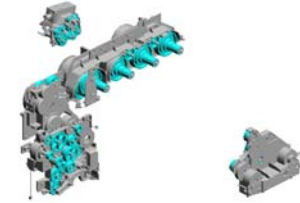
48.GB013115  
GEAR - 21Z

49.GB013117  
GEAR - 19Z

58.GB017123  
(x3)  
GEAR:AIO:DRIVE

57.GB017120  
GEAR:AIO:JOINT:2

45.GB012102  
GEAR - 54Z



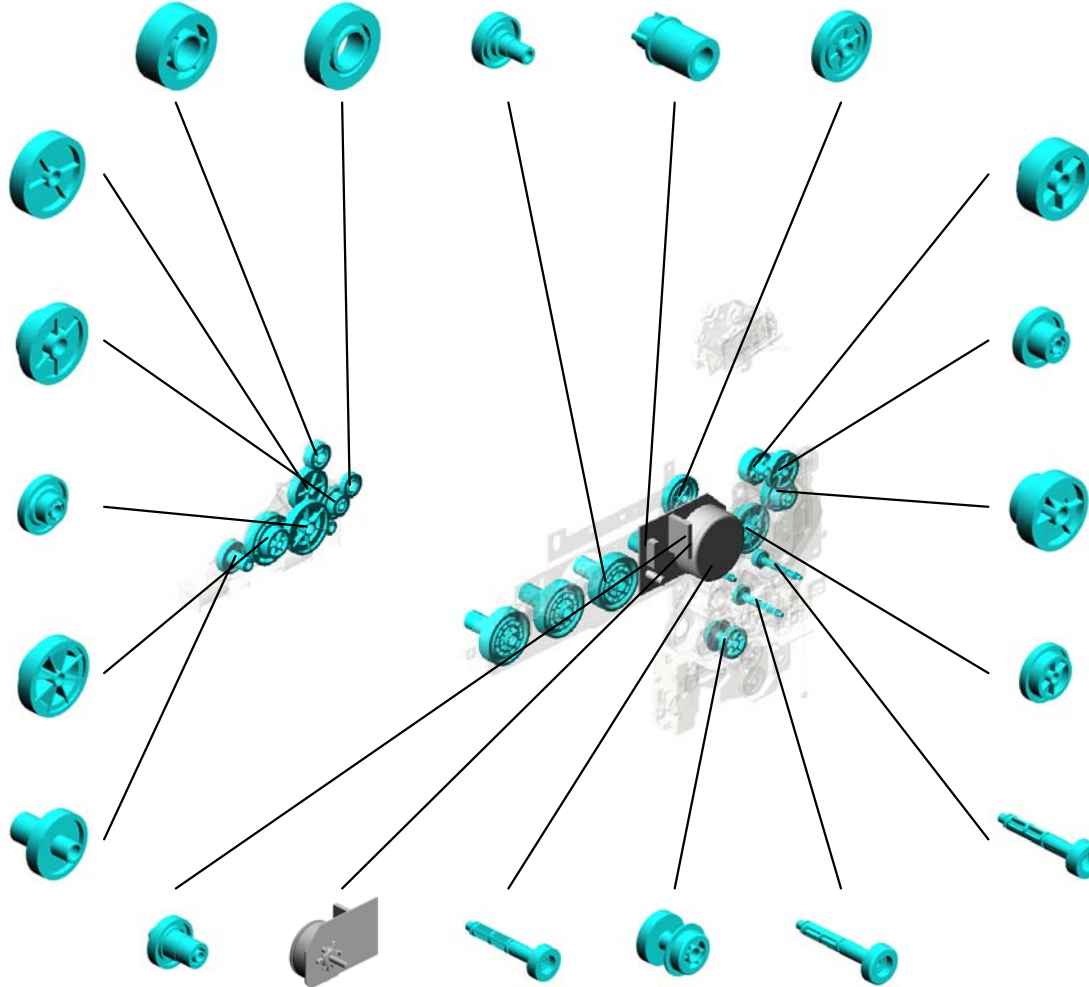
47.GB013114  
GEAR - 35Z

56.GB017116  
GEAR - 17/42Z

53.GB017112  
GEAR - 21/73Z

54.GB017113  
GEAR - 40/65Z

52.GB017111  
(x2)  
GEAR - 16/51Z



46.GB013079  
GEAR:IDLER:FUSI  
NG

55.GB017115  
GEAR:SLOW DOW  
N:FUSING:2

51.GB017107  
GEAR:SLOW DOW  
N:FUSING:1

50.GB017106  
GEAR:SLOW DOW  
N:TRANSPORT:1

41.GB011116  
GEAR:CLUTCH:OU  
TPUT:DUPLIX

59.GB017124  
GEAR:TRANSFER:  
DRIVE:MIDDLE

60.GX061145  
BRUSHLESS MOT  
OR:DC24V:28W

43.GB011118  
REGIST DRIVE GE  
AR

44.GB011128  
GEAR:SLOW DOW  
N:MANUAL FEED

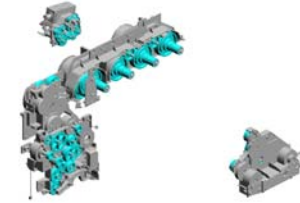
42.GB011117  
GEAR:CLUTCH:OU  
TPUT:MANUAL FE  
ED

U001	U002	U003	U004	U005	U006	U007	U008	U009	U010	U011	U012	U013
------	------	------	------	------	------	------	------	------	------	------	------	------

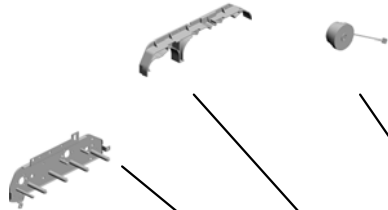
# U011 MAIN DRIVE

66.M0751107  
SHIELDING PLATE:  
GEAR:2

63.GX201121  
(x2)  
MAGNETIC CLUTC  
H



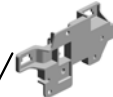
65.M0751105  
BRACKET:MOTOR



61.GX061146  
BRUSHLESS MOT  
OR:DC24V:46W



68.M0751140  
CLUTCH SHAFT H  
OLDER



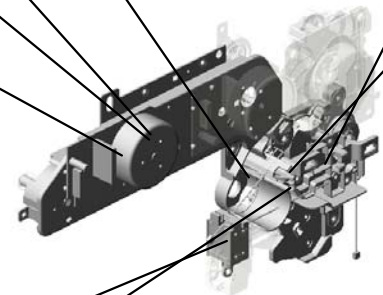
67.M0751139  
BRACKET:TRANSP  
ORT:PAPER FEED  
DRIVE



69.M0752842  
DC SOLENOID:MA  
NUAL FEED



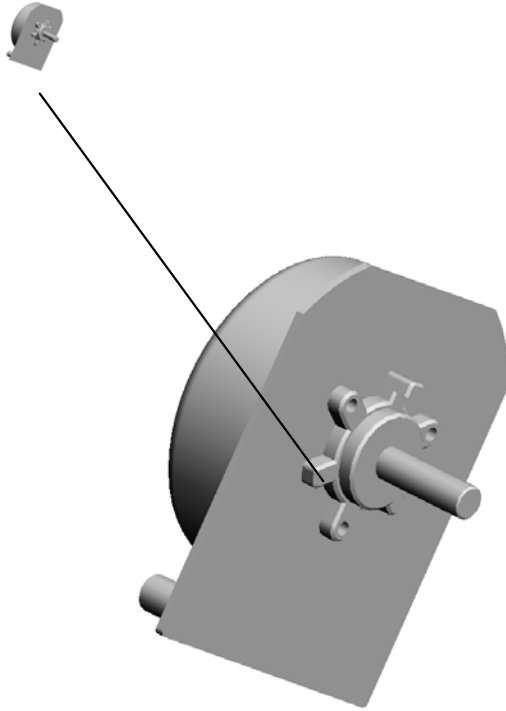
64.GX201122  
MAGNETIC CLUTC  
H:0.25N



U001	U002	U003	U004	U005	U006	U007	U008	U009	U010	U011	U012	U013
------	------	------	------	------	------	------	------	------	------	------	------	------

U011\_S001  
BRACKET:TRANSPORT:MOTOR:SUB-ASS'Y

62.GX061147  
BRUSHLESS MOT  
OR:DC24V:22W

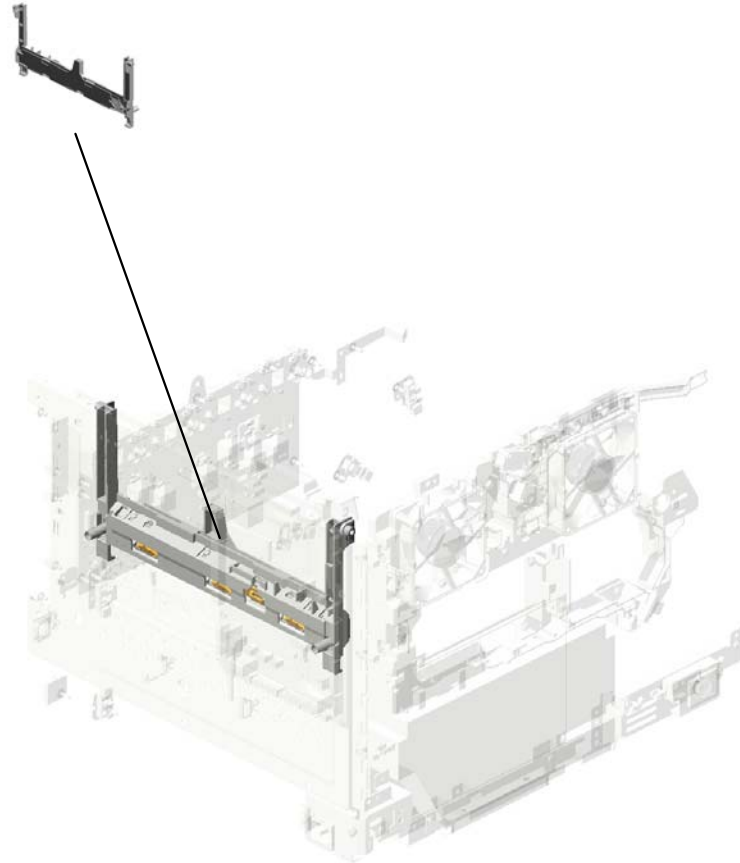


70.M0AD1130  
BRACKET:TRANSP  
ORT:MOTOR:SUB-  
ASS'Y

U001	U002	U003	U004	U005	U006	U007	U008	U009	U010	U011	U012	U013
------	------	------	------	------	------	------	------	------	------	------	------	------

# U012.ELECTRICAL

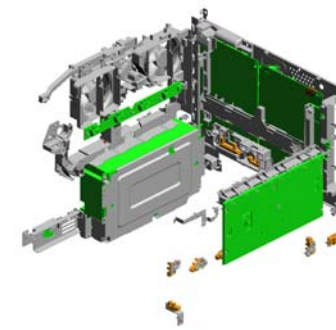
U012\_S001  
M1986003  
DENSITY SENSOR:ASS'Y



U001	U002	U003	U004	U005	U006	U007	U008	U009	U010	U011	U012	U013
------	------	------	------	------	------	------	------	------	------	------	------	------

# U012 ELECTRICAL

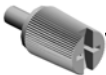
- 2.03603006N (x17) SCREW - M3X6
- 20.AW020198 (x7) PHOTOINTERRUPTOR TOR:LG2A14NL1
- 28.G1631068 (x4) BRACKET - PHOTO INTERRUPTOR
- 29.G1632837 (x4) HOLDER:PAPER END SENSOR
- 30.G1635728 (x4) SEAL:FAN:2



5.04533006N  
TAPPING SCREW - M3X6



27.G1045141  
(x3) KNOB SCREW:M3



23.D1495776  
COVER:USB:SMALL



12.11050760  
(x4) CLAMP:LWSM-051A



21.AW140015  
TEMPERATURE & HUMIDITY SENSOR



26.G1022789  
STOPPER:PHOTO INTERRUPTOR



15.14077935  
EEPROM:BR24T16-W



4.04503010N  
(x33) TAPPING SCREW - M3X10



13.11050762  
(x4) CLAMP:LWS-0711A



22.AX640199  
(x2) FAN:MM80:25MM:DC 2.16W



14.12042612  
(x3) MICRO SWITCH:D3 V-16506-3C25



24.D1911299  
KEYTOP:MAIN SWITCH



25.D2445730  
PCB:DCSW



11.11050724  
CLAMPS:WES-1210



10.11050534  
(x2) CLAMP



8.08046123  
(x9) HEXAGONAL BOLT :W/WASHER:M3X8



16.16072257  
FERRITE CORE:K3 NFR-08BBK0



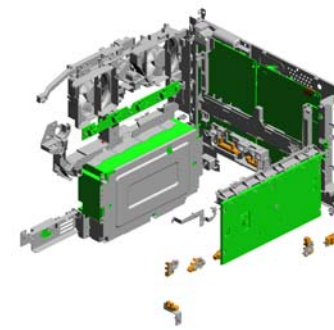
17.16072770  
FERRITE CORE:G RFC-7



19.AA143592  
SCREW- M4X6

- 2.03603006N (x 3) SCREW - M3X6
- 3.03604010N (x 2) SCREW:M4X10
- 4.04503010N (x 5) TAPPING SCREW - M3X10
- 6.04543006Q (x13) TAPPING SCREW - M3X6
- 7.04543008Q (x 2) TAPPING SCREW:3X8

# U012 ELECTRICAL



42.G1665716  
(x12)  
TERMINAL:AIO

40.G1665708  
2ND TERMINAL - T  
RANSFER

45.G1665733  
LINK - SAFETY SW  
ITCH

48.G1665736  
TENSION SPRING -  
SAFETY SWITCH

46.G1665734  
TORSION SPRING  
- SAFETY SWITCH

31.G1635731  
BASE:HIGH VOLTA  
GE:3

50.G1665738  
1ST TERMINAL - T  
RANSFER

43.G1665725  
HARNESS COVER

34.G1635756  
GROUND PLATE:S  
HAFT:FRAME:REA  
R LEFT

35.G1636590  
TERMINAL:SPRING  
PLATE:UPPER:NE  
W ARTICLE SENS  
OR

36.G1636591  
TERMINAL:SPRING  
PLATE:LOWER:NE  
W ARTICLE SENS  
OR

41.G1665715  
BRACKET - MAIN S  
WITCH

38.G1661059  
DUCT

39.G1665280  
TERMINAL BOARD

44.G1665732  
BRACKET SAFETY  
SWITCH

47.G1665735  
LEVER:SAFETY S  
WITCH

49.G1665737  
COMPRESSION SP  
RING - SAFETY S  
WITCH

37.G1661058  
EXIT DUCT

33.G1635754  
GROUND PLATE:F  
RAME:FUSING

32.G1635751  
HOLDER:RESISTO  
R:FUSING



# U012 ELECTRICAL

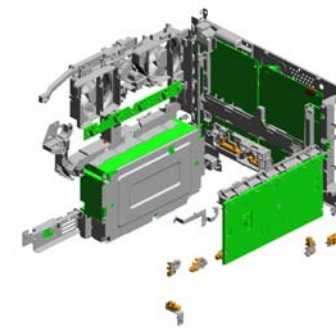
69.GZ300004  
POWER PACK

70.M0185754  
SCREW

75.M0AD5712  
COVER:HDD

74.M0AD5115  
PCB:EGB:ASS'Y

64.G1666584  
USED TONER SEN  
SOR



52.G1666045  
SPRING - FEELER

53.G1666046  
SENSOR FEELER

54.G1666103  
SENSOR HOLDER

65.G1666586  
FEELER - SET SEN  
SOR

66.G1666587  
SENSOR BRACKET

63.G1666580  
STOPPER SHEET -  
PHOTOINTERRUPTOR

55.G1666107  
GROUNDING PLATE

72.M0755700  
BRACKET:POWER  
SUPPLY UNIT

67.GZ230075  
(NA):POWER SUPP  
PLY UNIT

68.GZ230076  
(EU/KOR):POWER  
SUPPLY UNIT

51.G1665754  
ARM:LINK:SAFETY  
SWITCH

71.M0751252  
SEAL:STOPPER:LOU  
VER

73.M0AD1110  
GUIDE:HARNES:  
ASSY

76.M0AD5714  
COVER:MAIN SWIT  
CH

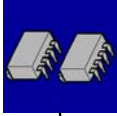
77.M0AD5715  
BRACKET:MAIN S  
WITCH

U001	U002	U003	U004	U005	U006	U007	U008	U009	U010	U011	U012	U013
------	------	------	------	------	------	------	------	------	------	------	------	------

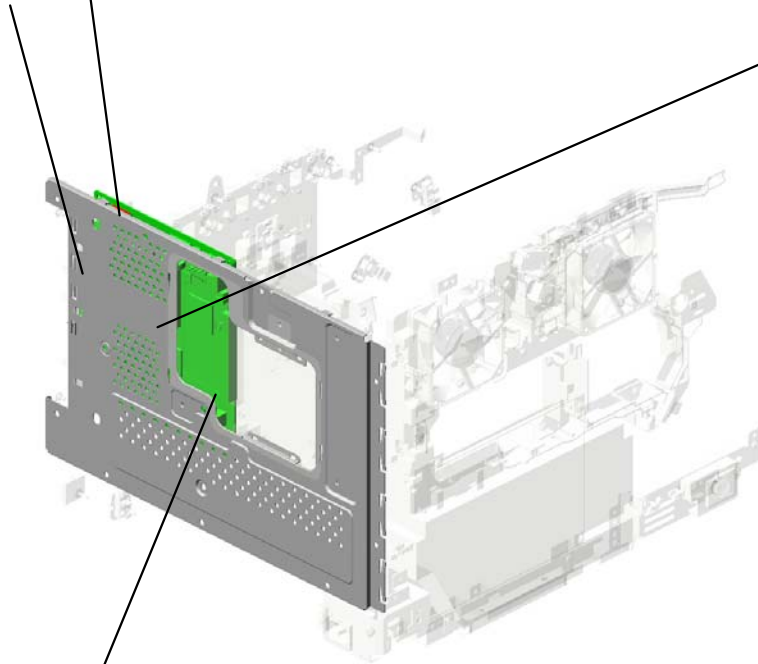


# U012 ELECTRICAL

80.M0AG9590  
NVRAM

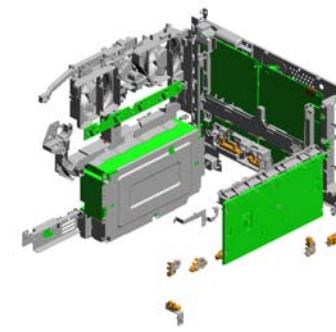


79.M0AD5745  
COVER:SD-CARD:  
CONTROL BOARD



81.M0AH5500  
PCB:CTL:4.3INCH:  
SUB-ASS'Y

78.M0AD5716  
COVER:CONTROL  
SECTION



U001	U002	U003	U004	U005	U006	U007	U008	U009	U010	U011	U012	U013
------	------	------	------	------	------	------	------	------	------	------	------	------

U012\_S001  
 DENSITY SENSOR:ASS'Y

60.G1666185  
 GROUNDING PLATE - DENSITY SENSOR

62.G1666191  
 CLEANER DECAL - DENSITY SENSOR

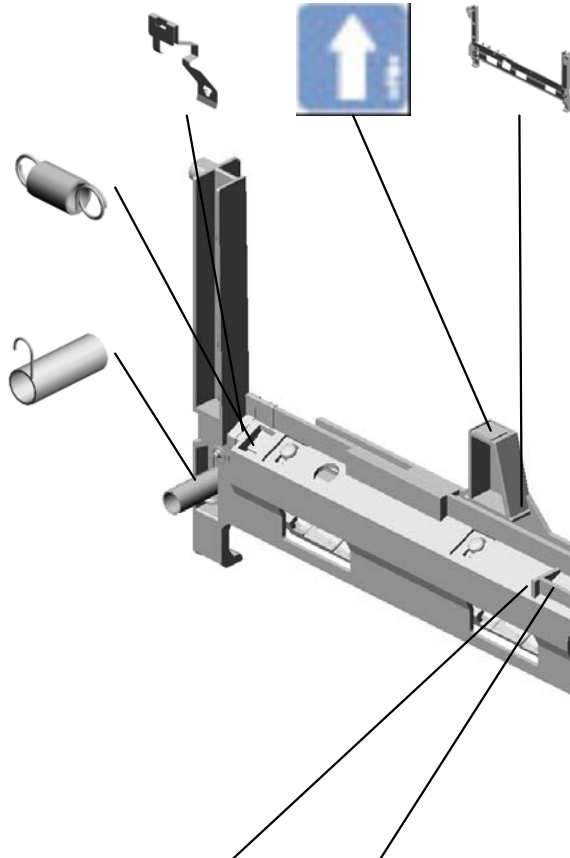
59.G1666184  
 HOLDER - DENSITY SENSOR



82.M1986003  
 DENSITY SENSOR: ASS'Y

18.AA063568  
 PRESSURE SPRING

56.G1666181  
 COMPRESSION SPRING - RIGHT LOWER



9.09543006N  
 (x3)  
 SCREW - M3X6

1.03130040N  
 (x3)  
 SCREW:M3X4

57.G1666182  
 COMPRESSION SPRING - LEFT LOWER

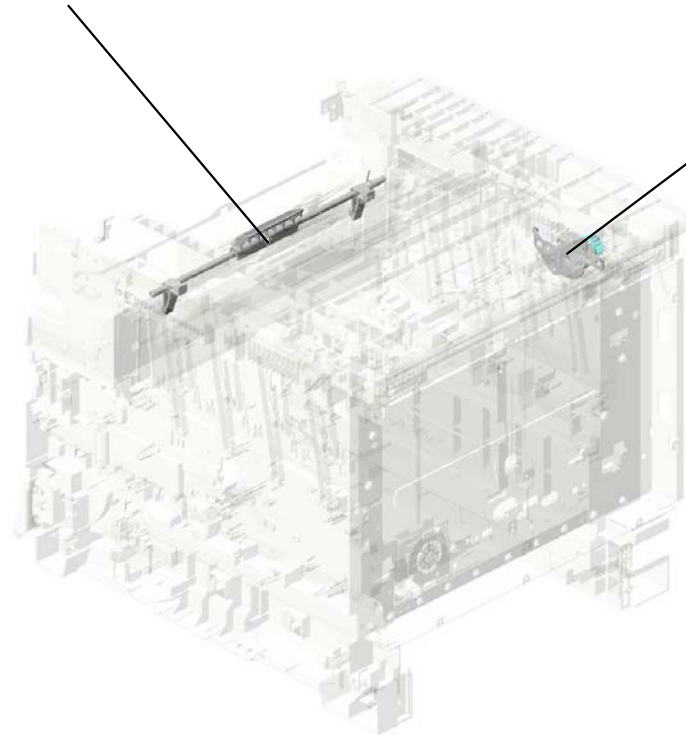
58.G1666183  
 BRACKET - DENSITY SENSOR

61.G1666188  
 CLEANER - DENSITY SENSOR

U001	U002	U003	U004	U005	U006	U007	U008	U009	U010	U011	U012	U013
------	------	------	------	------	------	------	------	------	------	------	------	------

# U013.MAIN FRAME

U013\_S002  
M0AD1012  
SHAFT:LOCK:ASS'Y



U013\_S001  
G1661240  
BRAKE:COVER:UPPER



U001	U002	U003	U004	U005	U006	U007	U008	U009	U010	U011	U012	U013
------	------	------	------	------	------	------	------	------	------	------	------	------

# U013 MAIN FRAME



- 5.04543006Q (x9) TAPPING SCREW - M3X6
- 4.04504010N (x16) TAPPING SCREW: M4X10
- 13.G1631096 GROUND PLATE:F RONT
- 2.04503010N (x42) TAPPING SCREW - M3X10
- 21.G1633954 GROUND PLATE:R EGISTRATION ROL LER

11.G1631059  
TENSION SPRING:  
BRAKE:COVER:FR  
ONT

8.07200040E  
(x3)  
RETAINING RING -  
M4

7.07200030E  
(x2)  
RETAINING RING -  
M3

19.G1632577  
SPRING:EARTH:PA  
PER FEED

15.G1632572  
BRACKET:RESIST  
OR:BASE

16.G1632573  
COMPRESSION SP  
RING:EARTH:BASE

20.G1632578  
SPRING:PAPER TR  
AY:POSITIONING

18.G1632576  
HOLDER:FEELER

17.G1632575  
FEELER:PAPER E  
ND SENSOR

6.04543008Q  
(x21)  
TAPPING SCREW:  
3X8

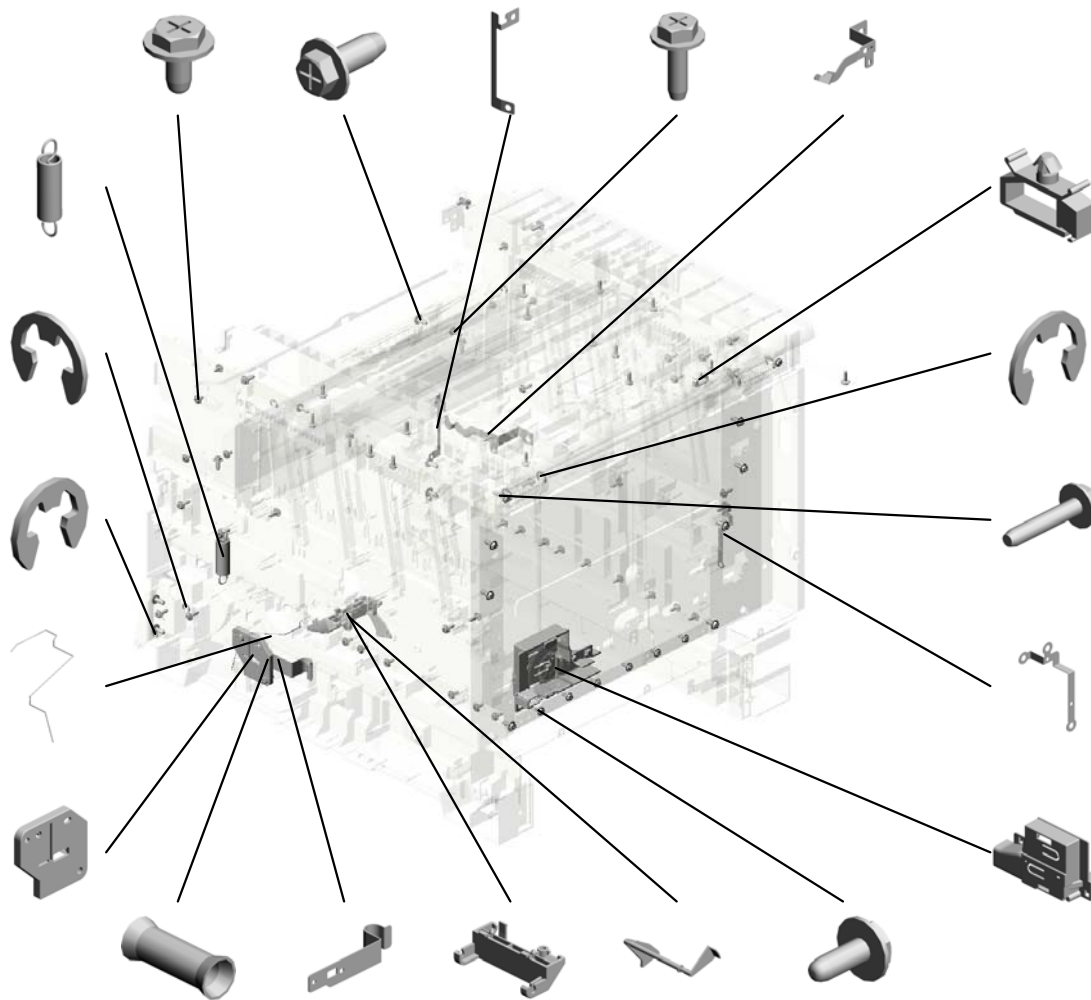
10.11050760  
CLAMP:LWSM-051  
1A

9.07200060E  
(x4)  
RETAINING RING -  
M6

3.04503016N  
(x2)  
TAPPING SCREW:  
3X16

14.G1631097  
GROUND PLATE:AI  
O:LEFT

12.G1631060  
DUCT:FAN:SIROC  
CO

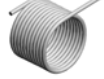


# U013 MAIN FRAME

35.G1661069 RACK SUPPORTER  
 23.G1636199 PLATE NUT  
 31.G1661065 CLUTCH SPRING  
 22.G1635755 HOLDER:RESISTOR:EXIT  
 34.G1661068 FUSING DUCT



30.G1661064 CLUTCH/BRAKE SPRING



24.G1661008 CLUTCH/BRAKE BRACKET



33.G1661067 GEAR - 14Z



28.G1661060 BASE:HINGE:COVER:FRONT



29.G1661061 (x2) PIN:HINGE



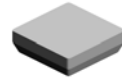
32.G1661066 CLUTCH/BRAKE CASE



25.G1661046 COLOR DECAL - MAGENTA



37.G1661071 FRAME:UPPER RIGHT



26.G1661047 (x4) SPACER - RUBBER FOOT



41.G1661080 TWIST SPRING - RIGHT

40.G1661078 (x2) COMPRESSION SPRING



38.G1661072 (x4) SPRING:PLATE:ALUMINUM



36.G1661070 FRAME:UPPER LEFT



39.G1661073 SHAFT



27.G1661048 (x4) RUBBER FOOT



# U013 MAIN FRAME

46.G1661088  
UPPER FRONT DU  
CT

43.G1661084  
(x4)  
SPRING:PLATE:AI  
O:BLACK

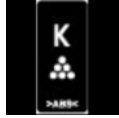
65.G1665705  
SHIELDING PLATE

45.G1661087  
(x2)  
SPRING:CUSHION:  
FRAME:UPPER

54.G1661280  
CUSHION - IMAGIN  
G UNIT



60.G1663331  
DECAL - BLACK



62.G1663334  
DECAL - YELLOW



63.G1663957  
WASHER - 0.8X10.  
8MM



50.G1661093  
GEAR - 20Z



64.G1663993  
RESISTOR - 100M  
OHM +-10% 0.5W



61.G1663333  
DECAL - CYAN



49.G1661091  
GROUND PLATE -  
POWER SUPPLY U  
NIT



66.G1665706  
GROUND PLATE:S  
HAFT:IMAGING UN  
IT



44.G1661086  
(x2)  
BRACKET:OPTICA  
L UNIT:FRAME:UP  
PER



48.G1661090  
GROUND PLATE -  
DCHIP



53.G1661269  
STOPPER BAND



55.G1661342  
RACK:DAMPER



42.G1661081  
TWIST SPRING - L  
EFT



67.G1665724  
HARNES CLAMP  
HOLDER



47.G1661089  
(x8)  
PIN:PLATE:DEVEL  
OPMENT UNIT





# U013 MAIN FRAME

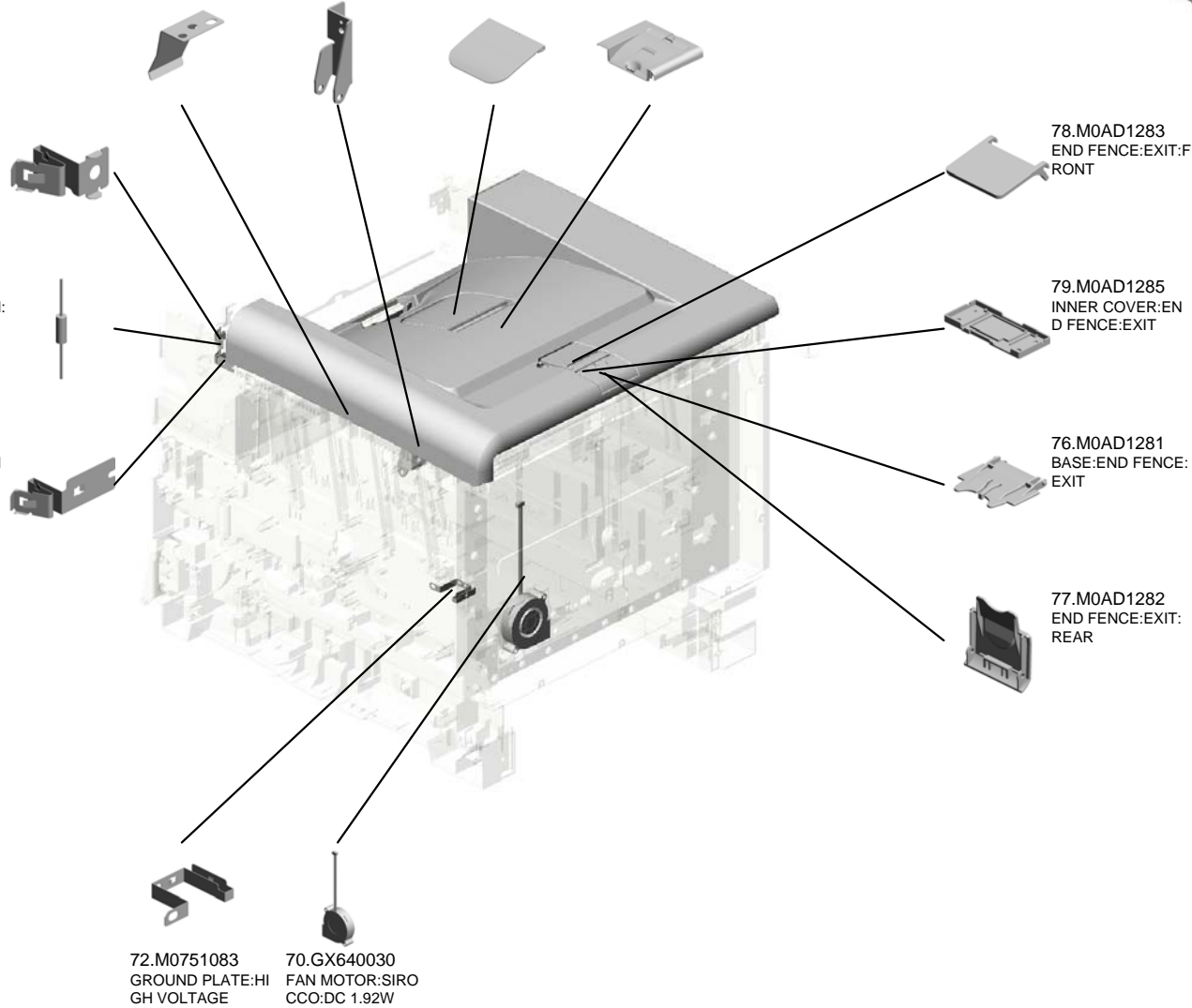
81.M1981085 SPRING PLATE:LS  
U:POSITIONING  
71.M0751060 BASE:HINGE:COV  
ER:LEFT FRONT  
75.M0AD1270 SLOPE:COVER:UP  
PER  
80.M0AD1300 COVER:UPPER



69.G1665758  
GROUND PLATE -  
OUTPUT

73.M0963994  
RESISTOR:EARTH:  
EXIT:DISCHARGE  
SECTION

68.G1665757  
GROUND PLATE -I  
NPUT



78.M0AD1283  
END FENCE:EXIT:F  
RONT

79.M0AD1285  
INNER COVER:EN  
D FENCE:EXIT

76.M0AD1281  
BASE:END FENCE:  
EXIT

77.M0AD1282  
END FENCE:EXIT:  
REAR

72.M0751083  
GROUND PLATE:HI  
GH VOLTAGE

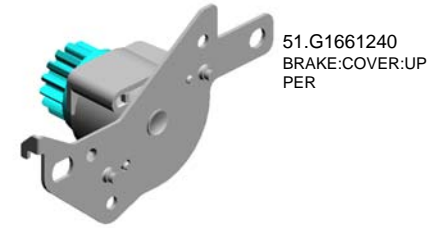
70.GX640030  
FAN MOTOR:SIRO  
CCO:DC 1.92W

U013\_S001  
BRAKE:COVER:UPPER

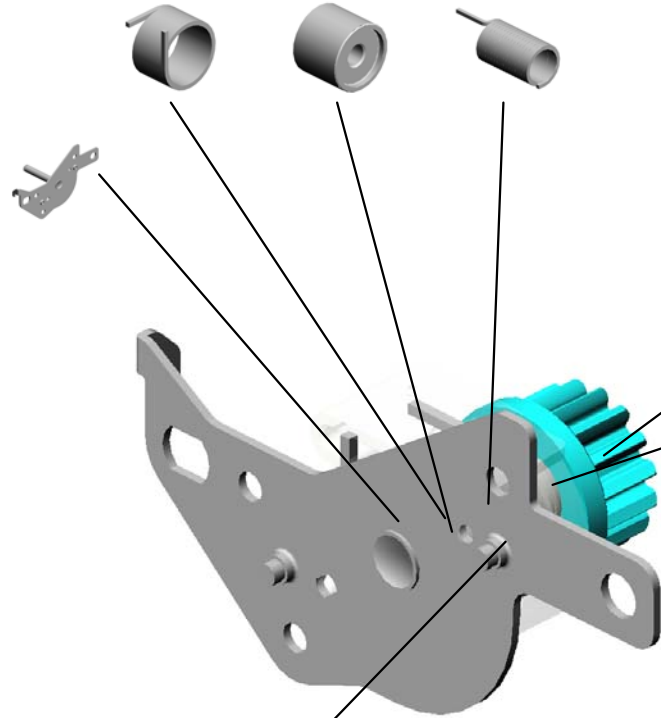
58.G1661386  
BRAKE SPRING

56.G1661383  
BRAKE COLLER

59.G1661387  
CLUTCH SPRING



52.G1661241  
BRAKE BRACKET



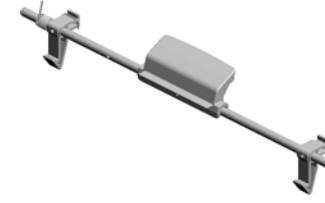
1.03603006N  
(x2)  
SCREW - M3X6

U001	U002	U003	U004	U005	U006	U007	U008	U009	U010	U011	U012	U013
------	------	------	------	------	------	------	------	------	------	------	------	------



U013\_S002  
SHAFT:LOCK:ASS'Y

8.07200040E  
RETAINING RING -  
M4

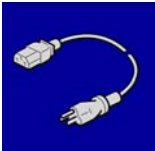


74.M0AD1012  
SHAFT:LOCK:ASS'  
Y

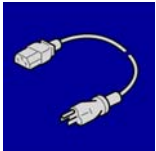


U001	U002	U003	U004	U005	U006	U007	U008	U009	U010	U011	U012	U013
------	------	------	------	------	------	------	------	------	------	------	------	------

# ACCESSORIES



1.11500481  
(NA):POWER SUPPLY CODE:125V:15  
A



2.11500482  
(EU/KOR):POWER SUPPLY CODE:25  
0V:10A



3.B6455010  
SD-CARD:ASS'Y



4.B6455020  
SD-CARD:SERVICE:1GB:ASS'Y



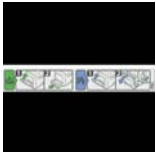
5.D1157520  
DECAL:CAUTION:WEIGHT:29KG



6.G1631098  
(x4)  
KEY:AIO:MAIN ASS'Y:A



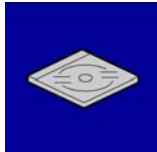
7.G1632862  
DECAL:SIDE FENCE:MANUAL FEED



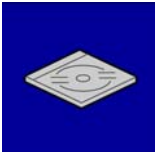
8.G1633937  
DECAL:CAUTION:OPERATE:MANUAL  
FEED



9.G1661390  
CAUTION DECAL - TRANSFER BELT



10.M0AG6917  
(NA):ACCESSORY:CD-ROM:ASS'Y



11.M0AG6927  
(EU/KOR):ACCESSORY:CD-ROM:AS  
S'Y



12.M0AH1371  
DECAL:NAME PLATE



13.M1011301  
PLATE:LOGO:RIC

## Exclusive Parts

Number	Part Name	Group	ID
A2672869	GEAR - 16Z	U004_S002	4
A4131670	ANTISTATIC BRUSH	U009_S001_S001	10
		U009_S002_S001	10
AA063568	PRESSURE SPRING	U012_S001	18
AA080265	BUSHING:6X8X5	U004	5
		U005	1
		U006	3
AA082101	BUSHING - 6X10X6	U004	6
AA143520	SHOULDER SCREW - M3	U009_S001	11
		U009_S002	11
AA143592	SCREW- M4X6	U012	19
AF031061	PAPER FEED ROLLER	U004	7
AF040574	GUIDE ROLLER	U010	3
AW020198	PHOTOINTERRUPTOR:LG2A14NL 1	U010	4
		U012	20
AW140015	TEMPERATURE & HUMIDITY SEN SOR	U012	21
AX640199	FAN:MM80:25MM:DC 2.16W	U012	22
B2384714	TIMING BELT - 30S2M206	U008_S001	5
B6455010	SD-CARD:ASS'Y	ACCESSORIES	3
B6455020	SD-CARD:SERVICE:1GB:ASS'Y	ACCESSORIES	4
D1157520	DECAL:CAUTION:WEIGHT:29KG	ACCESSORIES	5
D1495776	COVER:USB:SMALL	U012	23
D1911299	KEYTOP:MAIN SWITCH	U012	24
D2445730	PCB:DCSW	U012	25
G1022789	STOPPER:PHOTOINTERRUPTOR	U012	26
G1024109	BALL BEARING:10X22X6	U009_S001	12
		U009_S002	12
G1045141	KNOB SCREW:M3	U012	27
G1594322	CLEANING FELT:BELT TENSION	U009_S001	13
		U009_S002	13
G1631059	TENSION SPRING:BRAKE:COVER: FRONT	U013	11
G1631060	DUCT:FAN:SIROCCO	U013	12
G1631068	BRACKET - PHOTOINTERRUPTOR	U012	28
G1631096	GROUND PLATE:FRONT	U013	13
G1631097	GROUND PLATE:AIO:LEFT	U013	14
G1631098	KEY:AIO:MAIN ASS'Y:A	ACCESSORIES	6

Number	Part Name	Group	ID
G1631148	BRACKET:TRANSPORT:FUSING D RIVE SUB-UNIT	U011	7
G1631259	INNER COVER:GUARD:SAFETY S WITCH	U001	7
G1631311	SEAL:COVER:LEFT:3	U001	8
G1631313	SEAL:COVER:LEFT:5	U001	9
G1631318	SEAL:GUIDE PLATE:EXIT:LOWER	U010	5
G1632561	FEELER:SET SENSOR:PAPER TRA Y	U004_S002	8
G1632565	STOPPER:BASE	U004_S002	9
G1632566	COMPRESSION SPRING:STOPPE R:BASE	U004_S002	10
G1632567	LEVER:PAPER VOLUME SENSOR	U004	11
G1632569	GROUND PLATE:MANUAL FEED	U004	12
G1632572	BRACKET:RESISTOR:BASE	U013	15
G1632573	COMPRESSION SPRING:EARTH:B ASE	U013	16
G1632575	FEELER:PAPER END SENSOR	U013	17
G1632576	HOLDER:FEELER	U013	18
G1632577	SPRING:EARTH:PAPER FEED	U013	19
G1632578	SPRING:PAPER TRAY:POSITIONIN G	U013	20
G1632800	FRICTION PAD:ADHESION	U004	13
G1632802	SPRING:FRICTION PAD:MANUAL F EED	U004	14
G1632805	SPRING:BASE:MANUAL FEED	U004	15
G1632806	SHAFT:CAM	U004	16
G1632807	CAM:RIGHT:MANUAL FEED	U004	17
G1632809	SPRING:CAM	U004	18
G1632812	GEAR:TRANSPORT ROLLER:MAN UAL FEED	U004	19
G1632813	SHAFT:TRANSPORT:PAPER FEED ROLLER:PRESS FIT	U004	20
G1632817	GEAR:IDLER:PAPER FEED ROLLE R	U004	21
G1632818	FEELER:PAPER END SENSOR:MA NUAL FEED	U004	22
G1632820	BRACKET:MANUAL FEED	U004	23

## Exclusive Parts

Number	Part Name	Group	ID
G1632822	GEAR:IDLER:CAM	U004	24
G1632823	LINK:CAM	U011	8
G1632835	CAM:LEFT:MANUAL FEED	U004	25
G1632837	HOLDER:PAPER END SENSOR	U012	29
G1632839	HOLDER:DC SOLENOID:MANUAL FEED	U011	9
G1632844	GEAR:IDLER:TRANSPORT:PAPER FEED ROLLER	U004	26
G1632850	PAWL:TRAY:MANUAL FEED	U004_S001	27
G1632854	SHAFT:TRAY:MANUAL FEED	U004_S001	28
G1632855	SPRING:TRAY:MANUAL FEED	U004_S001	29
G1632856	SPRING:SHAFT:TRAY:MANUAL FEED	U004_S001	30
G1632858	COIL SPRING:PAWL:TRAY:MANUAL FEED	U004_S001	31
G1632862	DECAL:SIDE FENCE:MANUAL FEED	ACCESSORIES	7
G1632871	SHAFT:TRANSPORT:PICKUP ROLLER	U004	32
G1632872	SCREW:DIA4:12.5MM	U004	33
G1632873	DAMPING INSULATION:GUIDE:MANUAL FEED	U004	34
G1632877	DISCHARGE BRUSH:MANUAL FEED	U004	35
G1632878	SHEET:DISCHARGE BRUSH:MANUAL FEED	U004	36
G1632879	GROUND PLATE:FEED ROLLER:MANUAL FEED	U004	37
G1633903	FRAME:COVER:FRONT:RIGHT	U008	6
G1633904	FRAME:COVER:FRONT:LEFT	U008	7
G1633907	GUIDE:LOCK	U008	8
G1633908	ARM:LEVER:LOCK	U008	9
G1633921	SPRING:GUIDE PLATE:MIDDLE	U008	10
G1633924	FEELER:PAPER FEED SENSOR	U008	11
G1633925	TORSION SPRING:FEELER:PAPER FEED SENSOR	U008	12
G1633926	GUIDE PLATE:EXIT:MIDDLE	U008	13
G1633927	GUIDE PLATE:EXIT:MIDDLE:INNER	U008	14

Number	Part Name	Group	ID
G1633937	DECAL:CAUTION:OPERATE:MANUAL FEED	ACCESSORIES	8
G1633950	REGISTRATION GUIDE	U008_S001	15
G1633951	GUIDE:PAPER FEED SUB-UNIT	U008_S001	16
G1633952	GUIDE:DUPLEX SUB-UNIT:LOWER	U008_S001	17
G1633954	GROUND PLATE:REGISTRATION ROLLER	U013	21
G1633955	FEELER:REGISTRATION SENSOR	U008_S001	18
G1633959	SUPPORTING PLATE:HOUSING:TRANSFER	U008_S001	19
G1633960	SHEET:REGISTRATION	U008_S001	20
G1633965	ELECTRODE PLATE:EARTH:LINK	U008_S001	21
G1633970	HOOK:FIX:TRANSFER/SEPARATION:LEFT	U008	22
G1633971	HOOK:FIX:TRANSFER/SEPARATION:RIGHT	U008	23
G1633972	SLIDER:TRANSPORT UNIT:LEFT	U008	24
G1633973	COVER:COMPRESSION SPRING	U008_S001	25
G1633974	SCREW:HOUSING:TRANSPORT	U008_S001	26
G1633975	SLIDER:TRANSPORT UNIT:RIGHT	U008	27
G1633989	DECAL:COVER:FRONT:POSITIONING DISPLAY	U008	28
G1633990	DECAL:TRANSPORT UNIT:POSITIONING DISPLAY	U008	29
		U008_S001	29
G1633991	COVER:COMPRESSION SPRING	U008_S001	30
G1633992	DECAL:TRANSFER/SEPARATION	U008_S001	31
G1633993	DECAL:GRIP:HOUSING	U008_S001	32
G1633995	DECAL:GRIP:SLIDE	U008	33
G1633997	COMPRESSION SPRING:HOUSING:TRANSPORT	U008_S001	34
G1634109	STAY:THERMOSTAT	U009_S001	14
		U009_S002	14
G1634213	HOLDER:THERMOSTAT	U009_S001	15
		U009_S002	15
G1634214	FUSE HOLDER	U009_S001	16
		U009_S002	16
G1634216	SHAFT:GUIDE:PAPER	U009_S001	17
		U009_S002	17

## Exclusive Parts

Number	Part Name	Group	ID
G1634243	LEVER:PRESSURE:LEFT	U009_S001	18
		U009_S002	18
G1634258	LEVER:PRESSURE:RIGHT	U009_S001	19
		U009_S002	19
G1634264	COLLAR:STRIPPER PLATE:LEFT	U009_S001	20
		U009_S002	20
G1634265	COLLAR:STRIPPER PLATE:RIGHT	U009_S001	21
		U009_S002	21
G1634271	GUIDE PLATE:FUSING EXIT	U009_S001	22
		U009_S002	22
G1634276	TORSION SPRING:SEPARATION:LEFT	U009_S001	23
		U009_S002	23
G1634277	TORSION SPRING:SEPARATION:RIGHT	U009_S001	24
		U009_S002	24
G1634278	SPRING:GUIDE PLATE:FUSING EXIT	U009_S001	25
		U009_S002	25
G1634282	BRACKET:BELT TENSIONER	U009_S001	26
		U009_S002	26
G1634311	BRACKET:HEATER:FUSING	U009_S001	27
		U009_S002	27
G1634313	BRACKET:TERMINAL	U009_S001	28
		U009_S002	28
G1634341	COVER:LOWER	U009_S001	29
		U009_S002	29
G1634347	FUSING ENTRANCE GUIDE PLATE	U009_S001	30
		U009_S002	30
G1634356	COVER:UPPER	U009_S001	31
		U009_S002	31
G1634358	LEVER:LOCK:RIGHT	U009_S001	32
		U009_S002	32
G1634360	SPRING:LEVER:LOCK:RIGHT	U009_S001	33
		U009_S002	33
G1634363	LEVER:LOCK	U009_S001	34
		U009_S002	34
G1634364	SPRING:LEVER:LOCK:LEFT	U009_S001	35
		U009_S002	35
G1634374	GUIDE:HARNESS:FUSING:LEFT	U009_S001	36
		U009_S002	36

Number	Part Name	Group	ID
G1634375	GUIDE:HARNESS:FUSING:RIGHT	U009_S001	37
		U009_S002	37
G1634453	GUIDE PLATE:REVERSE:UPPER	U010	6
G1634454	GATE PAWL:REVERSE	U010	7
G1634458	GUIDE:PLATE:EXIT:OUTER	U010	8
G1634459	STOPPER:EXIT:EXIT	U010	9
G1634460	ROLLER:DRIVEN:EXIT	U010	10
G1634462	BRACKET:ROLLER:EXIT	U010	11
G1634463	GUIDE:PLATE:EXIT	U010	12
G1634465	ROLLER:DRIVEN:DUPLEX:INNER	U010	13
G1634466	ROLLER:DRIVEN:EXIT	U010	14
G1634467	ROLLER:DRIVEN:DUPLEX	U010	15
G1634468	SPRING:PRESSURE:EXIT:INNER	U010	16
G1634469	SPRING:PRESSURE:DUPLEX	U010	17
G1634473	BRACKET:GEAR:EXIT	U011	10
G1634478	GEAR:CHANGE:EXIT	U011	11
G1634479	GEAR:IDLER:EXIT	U011	12
G1634480	GEAR:SLOW DOWN:EXIT	U011	13
G1634481	LEVER:CHANGE:EXIT	U011	14
G1634484	SPRING:CHANGE:EXIT	U011	15
G1634487	BRACKET:IDLER:EXIT	U011	16
G1634489	GEAR:EXIT	U010	18
G1634492	DC SOLENOID:PRESS FIT	U011	17
G1634495	LINK:CHANGE:EXIT	U011	18
G1634497	BRACKET:SOLENOID:EXIT	U011	19
G1634499	HOLDER:LINK:EXIT	U011	20
G1634603	GEAR:TRANSPORT ROLLER:DUPL EX:LOWER	U008_S001	35
G1634604	PULLEY:TRANSPORT ROLLER:DU PLEX	U008_S001	36
G1634605	BELT PULLEY:DUPLEX	U008_S001	37
G1634606	FEELER:DUPLEX	U008_S001	38
G1635728	SEAL:FAN:2	U012	30
G1635731	BASE:HIGH VOLTAGE:3	U012	31
G1635751	HOLDER:RESISTOR:FUSING	U012	32
G1635754	GROUND PLATE:FRAME:FUSING	U012	33
G1635755	HOLDER:RESISTOR:EXIT	U013	22
G1635756	GROUND PLATE:SHAFT:FRAME:R	U012	34

## Exclusive Parts

Number	Part Name	Group	ID
	EAR LEFT		
G1636119	KNOB SCREW:FIX:INTERMEDIATE TRANSFER	U006	4
G1636196	SLIDER:FIX:INTERMEDIATE TRANSFER:RIGHT	U006	5
G1636197	SLIDER:FIX:INTERMEDIATE TRANSFER:LEFT	U006	6
G1636199	PLATE NUT	U013	23
G1636590	TERMINAL:SPRING PLATE:UPPER:NEW ARTICLE SENSOR	U012	35
G1636591	TERMINAL:SPRING PLATE:LOWER:NEW ARTICLE SENSOR	U012	36
G1661008	CLUTCH/BRAKE BRAKET	U013	24
G1661046	COLOR DECAL - MAGENTA	U013	25
G1661047	SPACER- RUBBER FOOT	U013	26
G1661048	RUBBER FOOT	U013	27
G1661058	EXIT DUCT	U012	37
G1661059	DUCT	U012	38
G1661060	BASE:HINGE:COVER:FRONT	U013	28
G1661061	PIN:HINGE	U013	29
G1661064	CLUTCH/BRAKE SPRING	U013	30
G1661065	CLUTCH SPRING	U013	31
G1661066	CLUTCH/BRAKE CASE	U013	32
G1661067	GEAR - 14Z	U013	33
G1661068	FUSING DUCT	U013	34
G1661069	RACK SUPPORTER	U013	35
G1661070	FRAME:UPPER LEFT	U013	36
G1661071	FRAME:UPPER RIGHT	U013	37
G1661072	SPRING:PLATE:AIO	U013	38
G1661073	SHAFT	U013	39
G1661078	COMPRESSION SPRING	U013	40
G1661080	TWIST SPRING - RIGHT	U013	41
G1661081	TWIST SPRING - LEFT	U013	42
G1661084	SPRING:PLATE:AIO:BLACK	U013	43
G1661086	BRACKET:OPTICAL UNIT:FRAME:UPPER	U013	44
G1661087	SPRING:CUSHION:FRAME:UPPER	U013	45
G1661088	UPPER FRONT DUCT	U013	46

Number	Part Name	Group	ID
G1661089	PIN:PLATE:DEVELOPMENT UNIT	U013	47
G1661090	GROUND PLATE - DCHIP	U013	48
G1661091	GROUND PLATE - POWER SUPPLY UNIT	U013	49
G1661093	GEAR - 20Z	U013	50
G1661111	FRAME - TRANSFER DRIVE UNIT	U011	21
G1661118	GROUNDING WIRE	U011	22
G1661119	MOTOR BRACKET	U011	23
G1661123	FRAME - ON-OFF DRIVE UNIT	U011	24
G1661125	SHIELDING PLATE	U011	25
G1661131	DC MOTOR - DC24V 5.3W	U011	26
G1661135	MOTOR - DC24V 1.6W	U011	27
G1661152	GROUNDING PLATE	U011	28
G1661240	BRAKE:COVER:UPPER	U013_S001	51
G1661241	BRAKE BRACKET	U013_S001	52
G1661269	STOPPER BAND	U013	53
G1661280	CUSHION - IMAGING UNIT	U013	54
G1661342	RACK:DAMPER	U013	55
G1661383	BRAKE COLLER	U013_S001	56
G1661384	GEAR - 15Z	U013_S001	57
G1661386	BRAKE SPRING	U013_S001	58
G1661387	CLUTCH SPRING	U013_S001	59
G1661390	CAUTION DECAL - TRANSFER BELT	ACCESSORIES	9
G1662573	HOLDER SHEET	U004_S002	38
G1662593	(EU/KOR):CAUTION DECAL - INKJET PAPER	U004	39
G1662606	COMPRESSION SPRING	U004_S002	40
G1663331	DECAL - BLACK	U005	2
		U013	60
G1663333	DECAL - CYAN	U005	3
		U013	61
G1663334	DECAL - YELLOW	U005	4
		U013	62
G1663852	REGISTRATION ROLLER - DRIVEN	U008_S001	39
G1663855	TENSION SPRING	U008_S001	40
G1663860	TORSION SPRING	U008_S001	41
G1663865	GEAR - 14Z	U008_S001	42

## Exclusive Parts

Number	Part Name	Group	ID
G1663867	DRIVE GEAR - 14Z	U008_S001	43
G1663906	LEFT LOCK LEVER	U008	44
G1663909	TENSION SPRING	U008	45
G1663926	EXIT GUIDE ROLLER - MIDDLE	U008	46
G1663927	STOPER BAND	U008	47
G1663928	BRAKE RACK - FRONT COVER	U008	48
G1663957	WASHER - 0.8X10.8MM	U006	7
		U013	63
G1663961	COMPRESSION SPRING	U008_S001	49
G1663968	ELECTRODE PLATE - CONTACT POINT	U008_S001	50
G1663972	COMPRESSION SPRING - GRIP	U008	51
G1663993	RESISTOR - 100M OHM +-10% 0.5W	U013	64
G1664310	DECAL:WARNING (HIGH TEMPERATURE):1:CUD	U009_S001	38
		U009_S002	38
G1664399	DECAL:FUSING EXIT:OPEN AND CLOSE	U009_S001	39
		U009_S002	39
G1664462	STOPPER - PHOTOINTERRUPTOR	U010	19
G1664606	DUPLEX ROLLER	U008	52
G1665280	TERMINAL BOARD	U012	39
G1665705	SHIELDING PLATE	U013	65
G1665706	GROUND PLATE:SHAFT:IMAGING UNIT	U013	66
G1665708	2ND TERMINAL- TRANSFER	U012	40
G1665715	BRACKET - MAIN SWITCH	U012	41
G1665716	TERMINAL:AIO	U012	42
G1665724	HARNESS CLAMP HOLDER	U013	67
G1665725	HARNESS COVER	U012	43
G1665732	BRACKET SAFETY SWITCH	U012	44
G1665733	LINK - SAFETY SWITCH	U012	45
G1665734	TORSION SPRING - SAFETY SWITCH	U012	46
G1665735	LEVER:SAFETY SWITCH	U012	47
G1665736	TENSION SPRING - SAFETY SWITCH	U012	48
G1665737	COMPRESSION SPRING - SAFETY SWITCH	U012	49

Number	Part Name	Group	ID
G1665738	1ST TERMINAL - TRANSFER	U012	50
G1665754	ARM:LINK:SAFETY SWITCH	U012	51
G1665757	GROUND PLATE -INPUT	U013	68
G1665758	GROUND PLATE - OUTPUT	U013	69
G1666026	BUSHING - 19MM	U006	8
G1666045	SPRING - FEELER	U012	52
G1666046	SENSOR FEELER	U012	53
G1666099	COMPRESSION SPRING	U006	9
G1666103	SENSOR HOLDER	U012	54
G1666107	GROUNDING PLATE	U012	55
G1666181	COMPRESSION SPRING - RIGHT LOWER	U012_S001	56
G1666182	COMPRESSION SPRING - LEFT LOWER	U012_S001	57
G1666183	BRACKET - DENSITY SENSOR	U012_S001	58
G1666184	HOLDER - DENSITY SENSOR	U012_S001	59
G1666185	GROUNDING PLATE - DENSITY SENSOR	U012_S001	60
G1666188	CLEANER - DENSITY SENSOR	U012_S001	61
G1666191	CLEANER DECAL - DENSITY SENSOR	U012_S001	62
G1666193	LEFT HOLDER - TRANSFER BELT UNIT	U006	10
G1666194	RIGHT HOLDER - TRANSFER BELT UNIT	U006	11
G1666580	STOPPER SHEET - PHOTOINTERRUPTOR	U012	63
G1666584	USED TONER SENSOR	U012	64
G1666586	FEELER - SET SENSOR	U012	65
G1666587	SENSOR BRACKET	U012	66
G5553069	BASEPAD	U004_S002_S001	41
G8003133	SIDE FENCE GEAR	U004_S001	42
GA063080	COMPRESSION SPRING:BELT:TENSION	U009_S001	40
		U009_S002	40
GA063081	COMPRESSION SPRING:CLEANER	U009_S001	41
		U009_S002	41
GA082014	PLAIN SHAFT BEARING:DIA6:DIA10:9	U010	20

## Exclusive Parts

Number	Part Name	Group	ID
GA082015	PLAIN SHAFT BEARING:DIA6:DIA9:7	U008_S001	53
GA120012	DISCHARGE BRUSH:EXIT	U010	21
GA132101	SPACER - 0.13 X 12MM	U011	29
GA148015	PIN:ROLLER:TRAY BOTTOM PLATE:DIA2	U004	43
GA148016	SHAFT - 6 X 26.7MM	U011	30
GA148018	SHAFT - 6 X 21.9MM	U011	31
GB010039	GEAR:AIO:DRIVE:MIDDLE	U011	32
GB010040	GEAR:AIO:DRIVE:1	U011	33
GB011104	GEAR - 20/35Z	U011	34
GB011105	GEAR - 29Z	U011	35
GB011106	GEAR - 22/31Z	U011	36
GB011107	GEAR:SLOW DOWN:TRANSPORT:2	U011	37
GB011109	GEAR - 28Z	U011	38
GB011113	GEAR:IDLER:DUPLEX	U011	39
GB011114	GEAR:IDLER:TRANSPORT	U011	40
GB011116	GEAR:CLUTCH:OUTPUT:DUPLEX	U011	41
GB011117	GEAR:CLUTCH:OUTPUT:MANUAL FEED	U011	42
GB011118	REGIST DRIVE GEAR	U011	43
GB011128	GEAR:SLOW DOWN:MANUAL FEED	U011	44
GB012102	GEAR - 54Z	U011	45
GB013075	GEAR:IDLER:DUPLEX	U009_S001	42
		U009_S002	42
GB013078	GEAR:IDLER:DRIVE	U009_S001	43
		U009_S002	43
GB013079	GEAR:IDLER:FUSING	U011	46
GB013080	GEAR:IDLER:1	U009_S001	44
		U009_S002	44
GB013086	GEAR:HOT ROLLER:ROLLER CLUTCH:Z29	U009_S001	45
		U009_S002	45
GB013114	GEAR - 35Z	U011	47
GB013115	GEAR - 21Z	U011	48
GB013117	GEAR - 19Z	U011	49
GB017055	GEAR:SLOW DOWN:PAPER FEED:	U009_S001	46

Number	Part Name	Group	ID
	1	U009_S002	46
GB017106	GEAR:SLOW DOWN:TRANSPORT:1	U011	50
GB017107	GEAR:SLOW DOWN:FUSING:1	U011	51
GB017111	GEAR - 16/51Z	U011	52
GB017112	GEAR - 21/73Z	U011	53
GB017113	GEAR - 40/65Z	U011	54
GB017115	GEAR:SLOW DOWN:FUSING:2	U011	55
GB017116	GEAR - 17/42Z	U011	56
GB017120	GEAR:AIO:JOINT:2	U011	57
GB017123	GEAR:AIO:DRIVE	U011	58
GB017124	GEAR:TRANSFER:DRIVE:MIDDLE	U011	59
GE010006	HEAT ROLLER:DIA20:COAT	U009_S001	47
		U009_S002	47
GE010011	HOT ROLLER	U009_S001	48
		U009_S002	48
GE020011	PRESSURE ROLLER	U009_S001	49
		U009_S002	49
GE030008	BALL BEARING:HOT ROLLER	U009_S001	50
		U009_S002	50
GE031011	PLAIN SHAFT BEARING:BELT TENSIONER	U009_S001	51
		U009_S002	51
GE031012	PLAIN SHAFT BEARING:CLEANING FELT	U009_S001	52
		U009_S002	52
GE040010	ROLLER:BELT TENSIONER:FUSING BELT	U009_S001	53
		U009_S002	53
GF020000	REGISTRATION ROLLER - DRIVE	U008_S001	54
GF020040	EXIT ROLLER	U010	22
GF020052	TRANSPORT ROLLER:DUPLEX	U008_S001	55
GF022006	ROLLER:GUIDE:TRAY BOTTOM PLATE	U004	44
GF031005	PAPER FEED ROLLER:MANUAL FEED	U004	45
GW100017	THERMISTOR:COUPLING	U009_S001	54
		U009_S002	54
GW110006	THERMOSTAT	U009_S001	55
		U009_S002	55
GX061145	BRUSHLESS MOTOR:DC24V:26W	U011	60



## Exclusive Parts

Number	Part Name	Group	ID
GX061146	BRUSHLESS MOTOR:DC24V:46W	U011	61
GX061147	BRUSHLESS MOTOR:DC24V:22W	U011_S001	62
GX201121	MAGNETIC CLUTCH	U004	46
		U011	63
GX201122	MAGNETIC CLUTCH:0.25N	U011	64
GX450012	(NA):HEATER:120V:1000W	U009_S002	56
GX450014	(EU/KOR):HEATER:230V:1000W	U009_S001	57
GX640030	FAN MOTOR:SIROCCO:DC 1.92W	U013	70
GZ230075	(NA):POWER SUPPLY UNIT	U012	67
GZ230076	(EU/KOR):POWER SUPPLY UNIT	U012	68
GZ300004	POWER PACK	U012	69
H3103640	SPACER	U006	12
H5213355	C RING - PAPER FEED ROLLER	U004	47
M0185754	SCREW	U012	70
M0751060	BASE:HINGE:COVER:LEFT FRONT	U013	71
M0751083	GROUND PLATE:HIGH VOLTAGE	U013	72
M0751105	BRACKET:MOTOR	U011	65
M0751107	SHIELDING PLATE:GEAR:2	U011	66
M0751139	BRACKET:TRANSPORT:PAPER FEED DRIVE	U011	67
M0751140	CLUTCH SHAFT HOLDER	U011	68
M0751251	GUIDE:LOUVER	U001	10
M0751252	SEAL:STOPPER:LOUVER	U001	11
		U012	71
M0751308	SEAL:GUIDE:LOUVER:UPPER	U001	12
M0751309	SEAL:GUIDE:LOUVER:LOWER	U001	13
M0752550	CASSETTE:PAPER TRAY:ASS'Y	U004_S002	48
M0752553	COVER:SIDE FENCE:LEFT	U004_S002	49
M0752554	COVER:SIDE FENCE:RIGHT	U004_S002	50
M0752558	FRICTION PAD	U004_S002	51
M0752560	EXTENSION TRAY:END FENCE	U004_S002	52
M0752562	BASE	U004_S002_S001	53
M0752564	COMPRESSION SPRING:BASE:RIGHT	U004_S002	54
M0752579	COMPRESSION SPRING:BASE:LEFT	U004_S002	55
M0752601	END FENCE	U004_S002	56
M0752610	COMPRESSION SPRING:LOCK:SIDE	U004_S002	57

Number	Part Name	Group	ID
	E FENCE		
M0752611	PAWL:LOCK:END FENCE	U004_S002	58
M0752612	LEVER:LOCK:SIDE FENCE	U004_S002	59
M0752613	CLICK:END FENCE	U004_S002	60
M0752614	STAY:END FENCE	U004_S002	61
M0752615	PLATE:END FENCE	U004_S002	62
M0752617	SIDE FENCE:LEFT	U004_S002	63
M0752621	SIDE FENCE:RIGHT	U004_S002	64
M0752622	PAWL:LOCK:SIDE FENCE	U004_S002	65
M0752624	DECAL:PAPER TRAY:SIDE FENCE	U004	66
M0752625	RETAINER:PINION	U004_S002	67
M0752808	GEAR:CAM	U004	68
M0752842	DC SOLENOID:MANUAL FEED	U011	69
M0752874	SHEET:DAMPING INSULATION:GUIDE:MANUAL FEED:M075	U004	69
M0754105	FUSING BELT	U009_S001	58
		U009_S002	58
M0754142	ROLLER:MIDDLE:FUSING	U009_S001	59
		U009_S002	59
M0754215	FUSING ENTRANCE GUIDE PLATE	U009_S001	60
		U009_S002	60
M0754248	SPRING:PRESSURE:30N	U009_S001	61
		U009_S002	61
M0754249	KNOB:LEVER:PRESSURE RELEASE:LEFT	U009_S001	62
		U009_S002	62
M0754250	KNOB:LEVER:PRESSURE RELEASE:RIGHT	U009_S001	63
		U009_S002	63
M0754273	STRIPPER PLATE:COAT	U009_S001	64
		U009_S002	64
M0754298	DISCHARGE BRUSH:ASS'Y	U009_S001_S001	65
		U009_S002_S001	65
M0754354	LEVER:PRESSURE RELEASE	U009_S001	66
		U009_S002	66
M0754451	GUIDE PLATE:EXIT:LOWER	U010	23
M0754461	SPRING:PRESSURE:EXIT:OUTER	U010	24
M0754607	SPRING:PRESSURE:DUPLX	U008	56
M0755700	BRACKET:POWER SUPPLY UNIT	U012	72
M0963989	RESISTOR:TRANSFER/SEPARATI	U008_S001	57

## Exclusive Parts

Number	Part Name	Group	ID
	ON	U009_S001_S001	67
		U009_S002_S001	67
M0963994	RESISTOR:EARTH:EXIT:DISCHARGE SECTION	U013	73
M0AD0044	COVER:CASSETTE:ASS'Y	U001	14
M0AD0045	COVER:REAR:ASS'Y	U001	15
M0AD0046	COVER:HDD:ASS'Y	U001	16
M0AD0047	COVER:LEFT:SUB-ASS'Y	U001	17
M0AD1012	SHAFT:LOCK:ASS'Y	U013_S002	74
M0AD1110	GUIDE:HARNESS:ASS'Y	U012	73
M0AD1130	BRACKET:TRANSPORT:MOTOR:SUB-ASS'Y	U011_S001	70
M0AD1253	LOUVER	U001	18
M0AD1260	COVER:INTERFACE	U001	19
M0AD1270	SLOPE:COVER:UPPER	U013	75
M0AD1273	COVER:RIGHT	U001	20
M0AD1281	BASE:END FENCE:EXIT	U013	76
M0AD1282	END FENCE:EXIT:REAR	U013	77
M0AD1283	END FENCE:EXIT:FRONT	U013	78
M0AD1284	SEAL:COVER:FRONT	U008	58
M0AD1285	INNER COVER:END FENCE:EXIT	U013	79
M0AD1300	COVER:UPPER	U013	80
M0AD1851	IMAGING UNIT:ASS'Y	U003	1
M0AD2552	CASSETTE COVER	U004	70
M0AD2605	HOUSING:MANUAL FEED:PAPER TRAY	U004	71
M0AD2803	BASE:MANUAL FEED:ADHESION	U004	72
M0AD2828	SIDE FENCE:LEFT:MANUAL FEED	U004_S001	73
M0AD2829	SIDE FENCE:RIGHT:MANUAL FEED	U004_S001	74
M0AD2834	COVER:TRAY:MANUAL FEED	U004_S001	75
M0AD2845	TRAY:MANUAL FEED:ASS'Y	U004_S001	76
M0AD2851	COVER:MANUAL FEED:LOWER	U004_S001	77
M0AD2852	GUIDE:COVER:MANUAL FEED:LOWER	U004_S001	78
M0AD2853	EXTENSION TRAY:MANUAL FEED	U004_S001	79
M0AD2870	GUIDE:MANUAL FEED:PAPER TRAY	U004	80

Number	Part Name	Group	ID
M0AD3905	LEVER:LOCK:RIGHT	U008	59
M0AD3912	HOLDER:GUIDE PLATE:REVERSE:RIGHT	U008	60
M0AD3913	HOLDER:GUIDE PLATE:REVERSE:LEFT	U008	61
M0AD3932	COVER:FRONT	U008	62
M0AD3935	DESIGN PLATE:COVER:FRONT:UPPER	U008	63
M0AD3936	DESIGN PLATE:COVER:FRONT:LOWER	U008	64
M0AD5115	PCB:EGB:ASS'Y	U012	74
M0AD5712	COVER:HDD	U012	75
M0AD5714	COVER:MAIN SWITCH	U012	76
M0AD5715	BRACKET:MAIN SWITCH	U012	77
M0AD5716	COVER:CONTROL SECTION	U012	78
M0AD5745	COVER:SD-CARD:CONTROL BOARD	U012	79
M0AG6917	(NA):ACCESSORY:CD-ROM:ASS'Y	ACCESSORIES	10
M0AG6927	(EU/KOR):ACCESSORY:CD-ROM:ASS'Y	ACCESSORIES	11
M0AG9590	NVRAM	U012	80
M0AH1271	COVER:SD/USB:UPPER	U001	21
M0AH1273	COVER:SD/USB	U001	22
M0AH1277	COVER:UPPER:PAPER EXIT SUB-UNIT	U001	23
M0AH1278	COVER:LOWER:PAPER EXIT SUB-UNIT	U001	24
M0AH1279	INNER COVER:EXIT	U001	25
M0AH1371	DECAL:NAME PLATE	ACCESSORIES	12
M0AH1411	OPERATION PANEL:ASS'Y	U002_S001	5
M0AH1450	PCB:SDUSB	U002	6
<b>M0AH1460</b>	<b>CABLE:USB:LCDC</b>	<b>U002_S001</b>	<b>23</b>
M0AH1500	HINGE:ASS'Y	U002_S001	7
M0AH1501	COVER:HINGE:LEFT FRONT	U002_S001	8
M0AH1502	COVER:HINGE:LEFT REAR	U002_S001	9
M0AH1503	COVER:HINGE:RIGHT FRONT	U002_S001	10
M0AH1504	COVER:HINGE:RIGHT REAR	U002_S001	11
M0AH5500	PCB:CTL:4.3INCH:SUB-ASS'Y	U012	81

## Exclusive Parts

Number	Part Name	Group	ID
M1011301	PLATE:LOGO:RIC	ACCESSORIES	13
M1291470	PCB:4.3-P:SENSOR:ASS'Y	U002_S001	12
M1291500	COVER:FRONT	U002_S001	13
M1291503	KEYTOP:HOME	U002_S001	14
M1291504	KEYTOP:SUS	U002_S001	15
M1291523	SPACER:LCD	U002_S001	16
M1291525	SHEET:R	U002_S001	17
M1291529	KEYTOP:RIGHT	U002_S001	18
M1291548	SHEET:L:BA	U002_S001	19
M1981085	SPRING PLATE:LSU:POSITIONING	U013	81
M1982580	SHAFT:PAPER FEED ROLLER	U004	81
M1986003	DENSITY SENSOR:ASS'Y	U012_S001	82
M2981455	PCB:LCDC:JACKAL:ASS'Y	U002_S001	20
M2981501	COVER:REAR	U002_S001	21
M2981506	GUIDE:CABLE	U002_S001	22
M8780190	TRANSFER ROLLER SUB-ASS'Y	U008_S001_S001	65
M8780195	HOUSING:TRANSPORT SUB-UNIT: ASS'Y	U008_S001	66
M8780214	(NA):FUSING UNIT - 120V	U009_S002	68
M8780224	(EU/KOR):FUSING UNIT - 220V	U009_S001	69

## Standard Parts



03130040N  
SCREW:M3X4



03530030N  
SCREW:M3X3



03530040N  
SCREW - M3X4



03603005N  
SCREW - M3X5



03603006N  
SCREW - M3X6



03604010N  
SCREW:M4X10



04503010N  
TAPPING SCREW - M3X10



04503016N  
TAPPING SCREW:3X16



04504010N  
TAPPING SCREW:M4X10



04523006N  
BINDING SELF-TAPPING SCREW:3X6



04524010N  
BINDING SELF-TAPPING SCREW:4X10



04533006N  
TAPPING SCREW - M3X6



04543006Q  
TAPPING SCREW - M3X6



04543008Q  
TAPPING SCREW:3X8



07010030N  
WASHER DIA3



07200030E  
RETAINING RING - M3



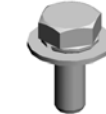
07200040E  
RETAINING RING - M4



07200060E  
RETAINING RING - M6



07250170E  
RETAINING RING C - M17



08046123  
HEXAGONAL BOLT:W/WASHER:M3X8



08050088  
RETAINING RING - M6



08050089  
RETAINING RING - M4



09543006N  
SCREW - M3X6



09573006N  
SCREW:SMALL ROUND/SPRING:M3X6



09573010N  
SCREW:SMALL ROUND/SPRING:M3X10



11050534  
CLAMP



11050724  
CLAMPS:WES-1210

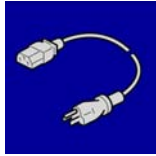


11050760  
CLAMP:LWSM-0511A

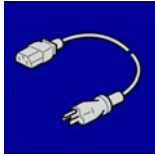
## Standard Parts



11050762  
CLAMP:LWS-0711A



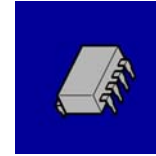
11500481  
(NA):POWER SUPPLY CODE:  
125V:15A



11500482  
(EU/KOR):POWER SUPPLY C  
ODE:250V:10A



12042612  
MICRO SWITCH:D3V-16506-3  
C25



14077935  
EEPROM:BR24T16-W



16072257  
FERRITE CORE:K3 NFR-08B  
BK0



16072770  
FERRITE CORE:GRFC-7

## Design Change List

Number	Title	Set	Old Part		New Part		Index No.		Q'ty	Interchg		Reason	Cut-in S/N
			P/N	Name	P/N	Name	Group	ID		Indiv.	Set		
201609-01	1609 Modification	-			M0AH1460	CABLE:USB:LCD	U002_S001	23	2				M0AH27:
201609-02	1609 Modification	-			M0AH1461	HARNESS:SDUS B	E2(1/1)		1				M0AH27:

