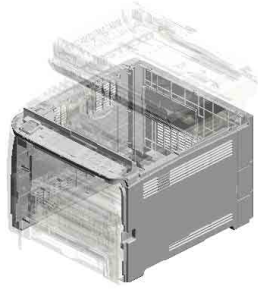


SP C260SFNw/SP C261SFNw/SP C262SFNw
(M0AW/M0AX/M0BP)
Parts Catalog

Model	Product Code	PC Style
SP C260DNw/C261DNw/C262DNw	M0AR/M0AS/M0BN	3D
SP C260SFNw/C261SFNw/C262SFNw	M0AW/M0AX/M0BP	3D
SP C261SFNw/C262SFNw series SCANNER/DADF	M0AX0070	Traditional

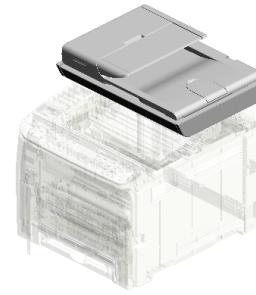
Unit All



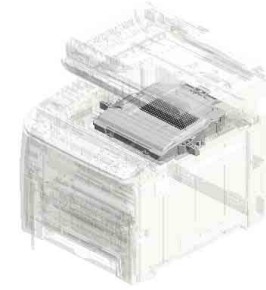
U001
EXTERIOR



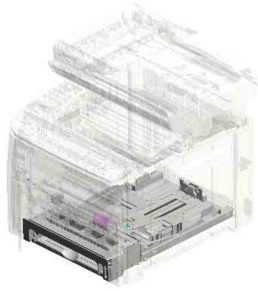
U002
OPERATION



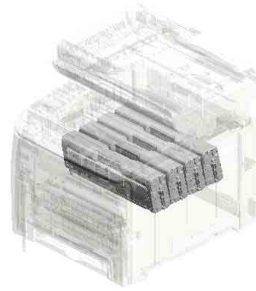
U003
SCANNER/ADF



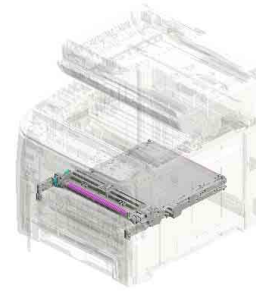
U004
LASER UNIT



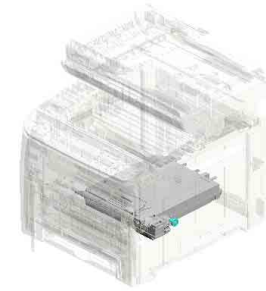
U005
PAPER FEED



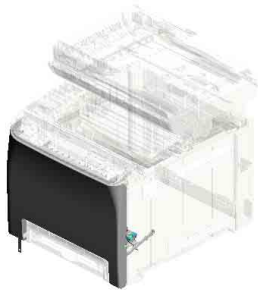
U006
PCU



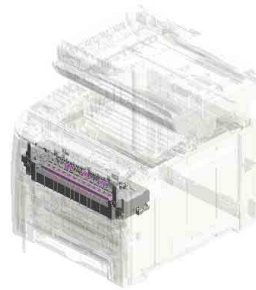
U007
ITB UNIT



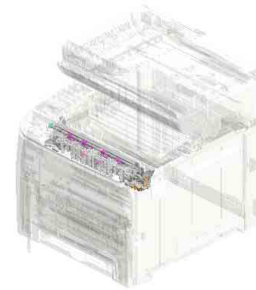
U008
USED TONER



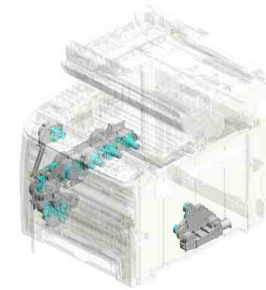
U009
PAPER TRANSPORT



U010
FUSING

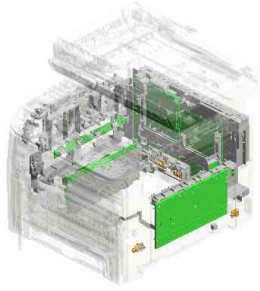


U011
PAPER EXIT

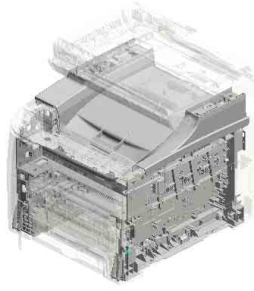


U012
MAIN DRIVE

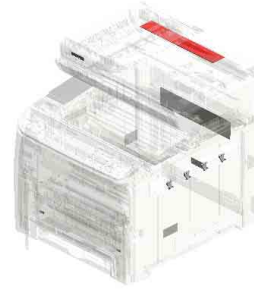
Unit All



U013
ELECTRICAL



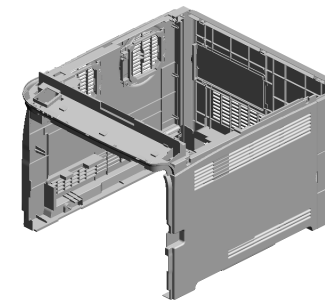
U014
MAIN FRAME



U015
ACCESSORIES

U001 EXTERIOR

- 2.04503010N (x4) TAPPING SCREW - M3X10
- 16.M0AD1253 (x2) LOUVER
- 12.M0751251 (x2) GUIDE:LOUVER
- 15.M0751309 (x2) SEAL:GUIDE:LOUVER:LOWER
- 14.M0751308 (x2) SEAL:GUIDE:LOUVER:UPPER



1.03603010N
SCREW:M3X10



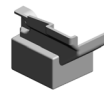
13.M0751252
(x2)
SEAL:STOPPER:LOUVER



5.04543008Q
(x3)
TAPPING SCREW: 3X8



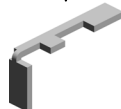
17.M0AR1261
INNER COVER:EXIT



11.G1661319
(x2)
SEAL:COVER:LEFT:7



8.G1661312
SEAL - 7X25X176MM



18.M0AR1306
COVER:LEFT



20.M0AW1278
COVER:PAPER EXIT SUB-UNIT



9.G1661313
SEAL - 3X8X411MM



4.04524010N
(x5)
BINDING SELF-TAPPING SCREW:4X10

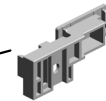


7.G1661311
SEAL - 5X15X222MM



6.11050761
CLAMP:LWS-0511A

19.M0AR1310
COVER:SWITCH



21.M1981262
COVER:CASSETTE



10.G1661318
SHEET - CASSETTE COVER

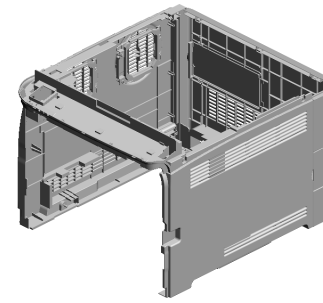


3.04504010N
(x2)
TAPPING SCREW: M4X10



U001 EXTERIOR

24.M2021259
COVER:MEMORY



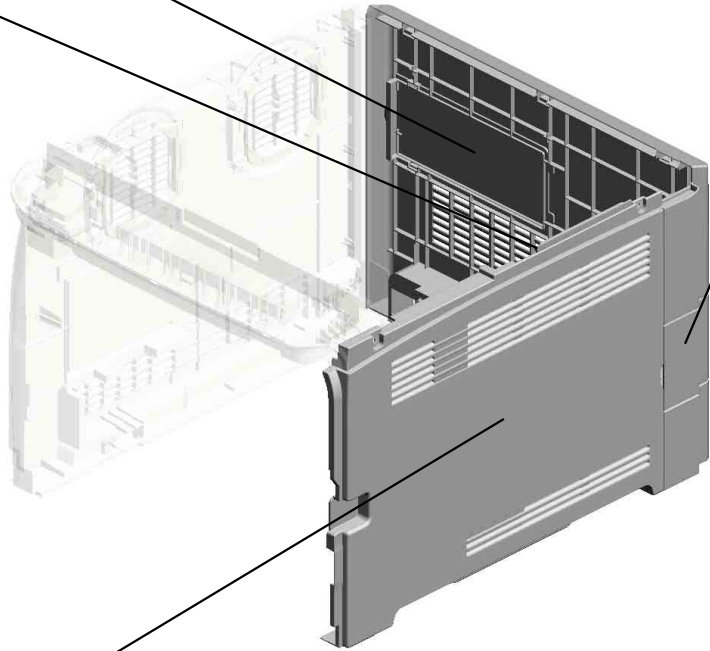
25.M2021274
COVER:REAR



23.M2021258
COVER:INTERFAC
E



22.M1981333
COVER:RIGHT



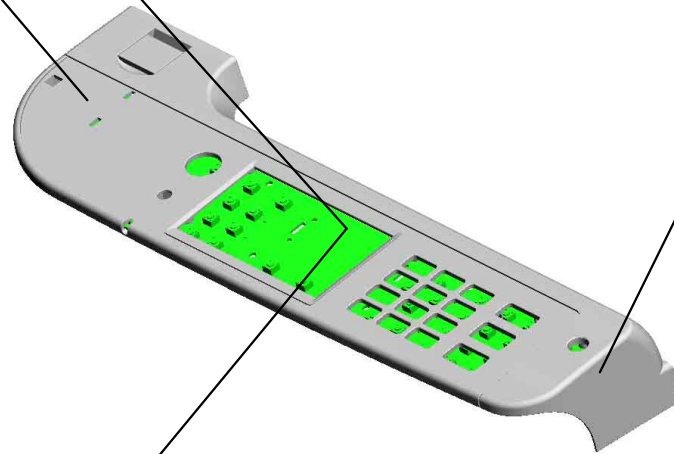
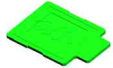
U001	U002	U003	U004	U005	U006	U007	U008	U009	U010	U011	U012	U013	U014	U015
------	------	------	------	------	------	------	------	------	------	------	------	------	------	------

U002 OPERATION

4.M0AW1400
(SP C260SFNw/C26
1SFNw):OPERATIO
N PANEL:ASS'Y



3.M0AR1468
(x2)
PCB:NFC:ASS'Y



6.M0AX1400
(SP C262SFNw):OP
ERATION PANEL:A
SS'Y

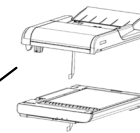
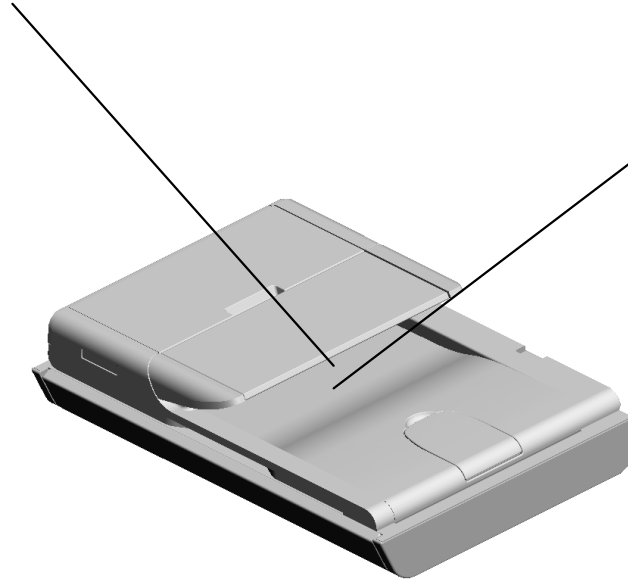
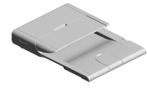
5.M0AW1465
(x2)
GROUND PLATE:O
PERATION SUB-U
NIT:RIGHT



1.04503010N (x10)
TAPPING SCREW - M3X10
2.04523010N (x 2)
BINDING SELF-TAPPING SCREW:3X10

U003.SCANNER/ADF

U003_S002
M0AW1642
(SP C260SFNw):ADF:ASS'Y

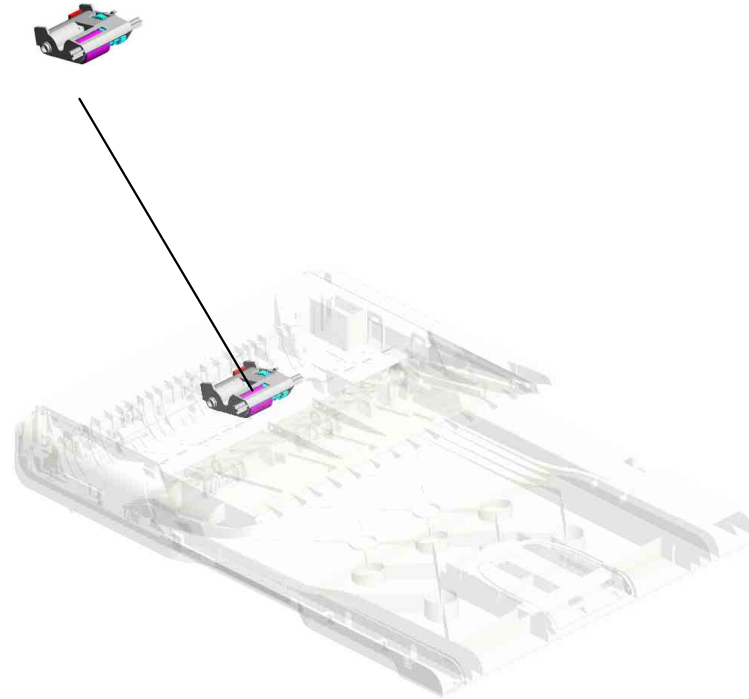


U003_S001
M0AX0070
(SP SP C261SFNw/C262SFN
w):SCANNER:DADF

U001	U002	U003	U004	U005	U006	U007	U008	U009	U010	U011	U012	U013	U014	U015
------	------	------	------	------	------	------	------	------	------	------	------	------	------	------

U003_S002.(SP C260SFNw):ADF:ASS'Y

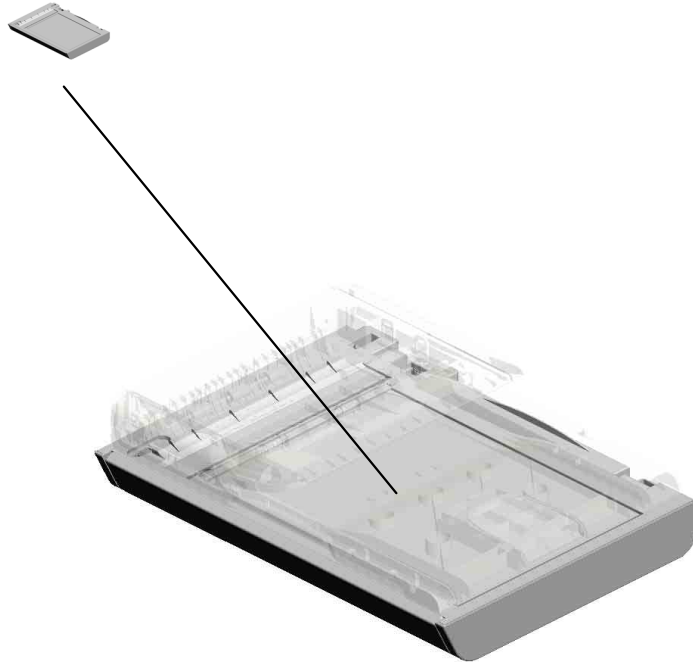
U003 S002 S001
M2021643
(SP C260SFNw):PICKUP ROL
LER:ASS'Y



U001	U002	U003	U004	U005	U006	U007	U008	U009	U010	U011	U012	U013	U014	U015
------	------	------	------	------	------	------	------	------	------	------	------	------	------	------

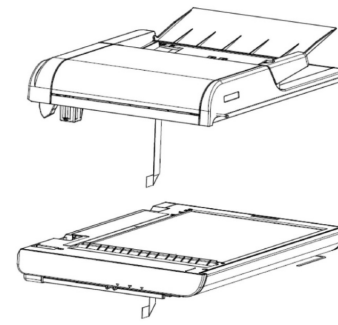
U003
SCANNER/ADF

1.M0AW1600
(SP C260SFNw);SC
ANNER:ASS'Y



U001	U002	U003	U004	U005	U006	U007	U008	U009	U010	U011	U012	U013	U014	U015
------	------	------	------	------	------	------	------	------	------	------	------	------	------	------

U003_S001
(SP SP C261SFNw/C262SFNw):SCANNER:DADF



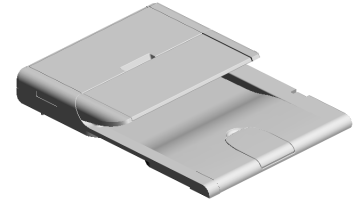
11.M0AX0070
(SP SP C261SFNw/
C262SFNw):SCAN
NER:DADF

See 2D parts catalog
for the components of
the SCANNER/DADF.

68.Note
(SP SP C261SFNw/
C262SFNw):See 2D
parts catalog for the
components of the
SCANNER/DADF.

U003_S002
(SP C260SFNw):ADF:ASS'Y

22.M1562834 (SP C260SFNw):SH AFT:PICKUP
32.M1562851 (SP C260SFNw):GE AR:46T
31.M1562850 (SP C260SFNw):GE AR:39T
7.M0AW1767 (SP C260SFNw):HI NGE:LEFT
23.M1562835 (SP C260SFNw):GE AR:28T



2.M0AW1642 (SP C260SFNw):AD F:ASS'Y

24.M1562836 (x2) (SP C260SFNw):CO IL SPRING:FEED R OLLER:UPPER



5.M0AW1752 (SP C260SFNw):CO VER:UPPER:ADF



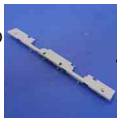
20.M1562832 (SP C260SFNw):SH AFT:TRANSPORT ROLLER:UPPER P APER FEED



15.M1562824 (x2) (SP C260SFNw):AR M:STOPPER



10.M0AW1771 (SP C260SFNw):CO VER:LOWER:ADF



4.M0AW1751 (SP C260SFNw):CO VER:FRONT:ADF



21.M1562833 (SP C260SFNw):AR M:ORIGINAL SENS OR



33.M1562852 (SP C260SFNw):GE AR:43T



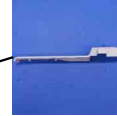
30.M1562849 (SP C260SFNw):GE AR:37T



6.M0AW1766 (SP C260SFNw):EX TENSION TRAY:EX IT



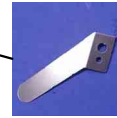
3.M0AW1750 (SP C260SFNw):CO VER:REAR:ADF



29.M1562848 (SP C260SFNw):GE AR:28T



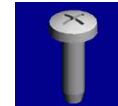
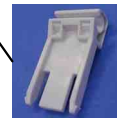
26.M1562845 (SP C260SFNw):GR OUND PLATE



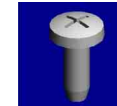
28.M1562847 (SP C260SFNw):GE AR:21T



9.M0AW1769 (SP C260SFNw):HI NGE:RIGHT



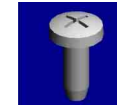
8.M0AW1768 (x4) (SP C260SFNw):SC REW:4X10



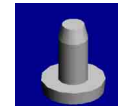
12.M1561761 (x8) (SP C260SFNw):SC REW:3X8



27.M1562846 (x2) (SP C260SFNw):SC REW:3X4

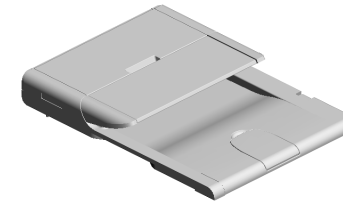


45.M1562892 (x5) (SP C260SFNw):SC REW:3X8



47.M1562898 (SP C260SFNw):SC REW:3X6

U003_S002
(SP C260SFNw):ADF:ASS'Y



2.M0AW1642
(SP C260SFNw):ADF:
F:ASS'Y

38.M1562861 (SP C260SFNw):REGISTRATION ROLLER:ASS'Y
39.M1562862 (SP C260SFNw):ARM:REGISTRATION SENSOR
46.M1562896 (SP C260SFNw):PAD:PICKUP
34.M1562853 (SP C260SFNw):GEAR:53T
41.M1562865 (SP C260SFNw):FRAME:MOTOR:ADF

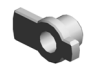
49.M2021634 (SP C260SFNw):SEPARATION SUB-UNIT:ASS'Y



44.M1562890 (x4) (SP C260SFNw):COIL SPRING:REAR



36.M1562857 (x2) (SP C260SFNw):PLAIN SHAFT BEARING:LEFT:EXIT ROLLER



42.M1562868 (x2) (SP C260SFNw):COIL SPRING:PLATE:ADF



48.M1562899 (x2) (SP C260SFNw):SHIELD:OUTLET



43.M1562886 (x2) (SP C260SFNw):SHIELD:EXIT ROLLER



56.M2021762 (SP C260SFNw):SIDE FENCE:LEFT



40.M1562864 (SP C260SFNw):DISCHARGE BRUSH



53.M2021759 (SP C260SFNw):TRAY:ORIGINAL



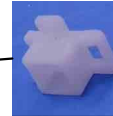
35.M1562856 (SP C260SFNw):EXIT ROLLER



52.M2021756 (SP C260SFNw):DC STEPPER MOTOR:ADF



37.M1562858 (x2) (SP C260SFNw):PLAIN SHAFT BEARING:RIGHT:EXIT ROLLER



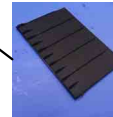
51.M2021755 (x2) (SP C260SFNw):ORIGINAL SENSOR



55.M2021761 (SP C260SFNw):SIDE FENCE:RIGHT

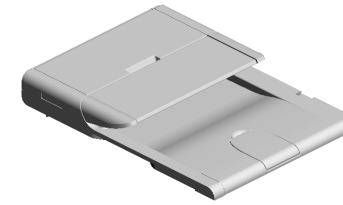


54.M2021760 (SP C260SFNw):COVER:TRAY:ORIGINAL



U003_S002
 (SP C260SFNw):ADF:ASS'Y

60.M2021772 (SP C260SFNw):DRIVEN ROLLER:TRANSPORT:UPPER:ADF
 61.M2021775 (SP C260SFNw):PRESSURE PLATE



2.M0AW1642 (SP C260SFNw):ADF:ASS'Y

63.M2021777 (SP C260SFNw):SHAFT:DRIVEN ROLLER:TRANSPORT:ADF

64.M2021778 (x2) (SP C260SFNw):DRIVEN ROLLER:TRANSPORT:ADF

59.M2021770 (x2) (SP C260SFNw):EXIT ROLLER

58.M2021764 (SP C260SFNw):COIL SPRING:GEAR:SIDE FENCE

57.M2021763 (SP C260SFNw):GEAR:18T

62.M2021776 (SP C260SFNw):SPONGE:ADF

U001	U002	U003	U004	U005	U006	U007	U008	U009	U010	U011	U012	U013	U014	U015
------	------	------	------	------	------	------	------	------	------	------	------	------	------	------

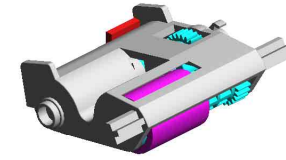
U003_S002_S001

(SP C260SFNw):PICKUP ROLLER:ASS'Y

65.M2021779 (SP C260SFNw):DI
SCHARGE BRUSH:
MECHANICAL SPRI
NG CLUTCH

13.M1562822 (SP C260SFNw):FR
AME:PICKUP

17.M1562828 (SP C260SFNw):GE
AR:28T

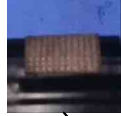


50.M2021643
(SP C260SFNw):PI
CKUP ROLLER:AS
SY

18.M1562829
(SP C260SFNw):PA
WL:PICKUP



19.M1562830
(SP C260SFNw):FE
ED ROLLER



67.M2021781
(SP C260SFNw):PA
WL:MECHANICAL
SPRING CLUTCH



66.M2021780
(SP C260SFNw):GE
AR:22T



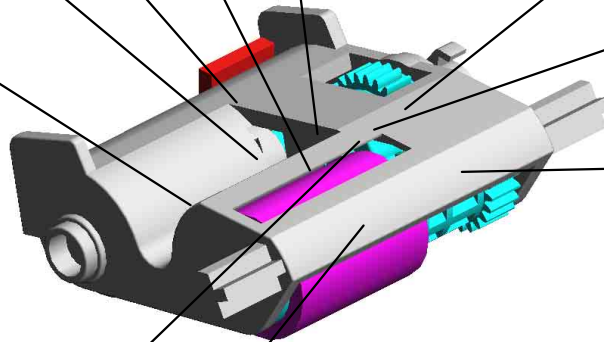
16.M1562826
(SP C260SFNw):CO
IL SPRING:PICKUP



25.M1562837
(SP C260SFNw):CO
IL SPRING:PAWL

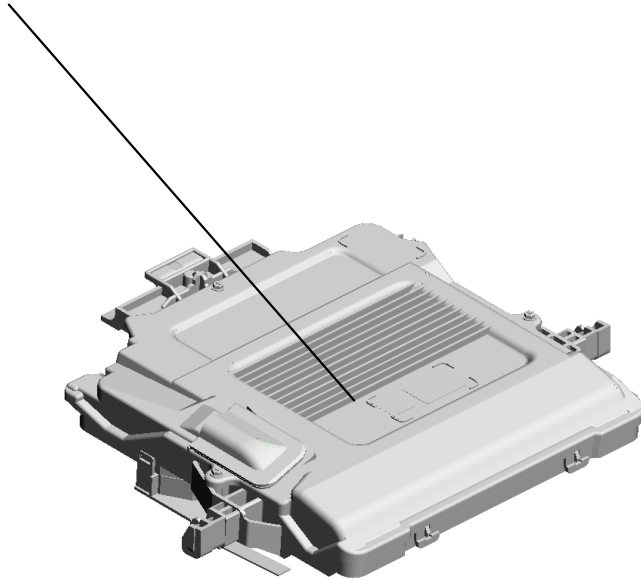
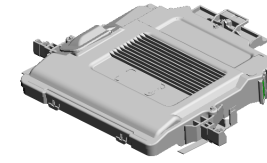


14.M1562823
(SP C260SFNw):PI
CKUP ROLLER



U004
LASER UNIT

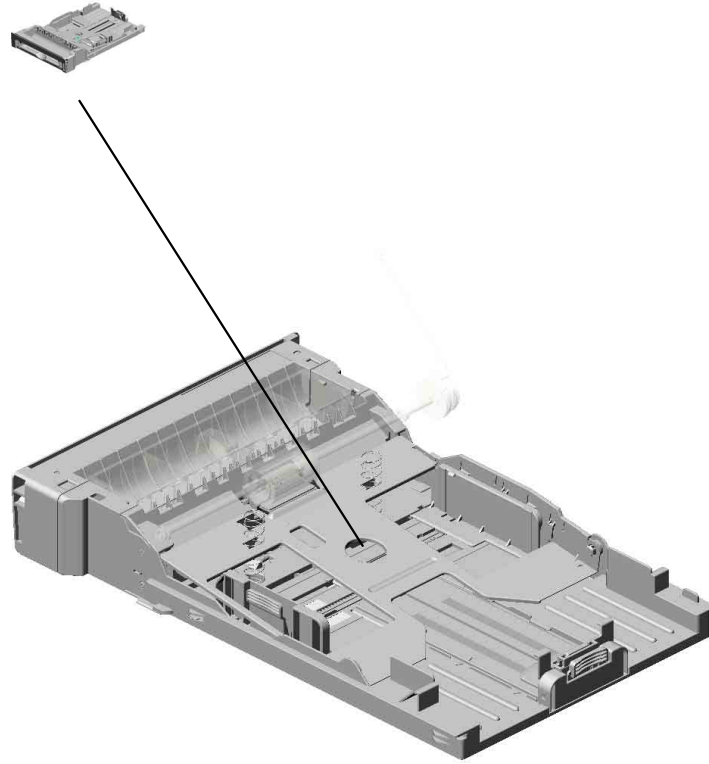
1.M0931851
IMAGING UNIT:AS
S'Y



U001	U002	U003	U004	U005	U006	U007	U008	U009	U010	U011	U012	U013	U014	U015
------	------	------	-------------	------	------	------	------	------	------	------	------	------	------	------

U005.PAPER FEED

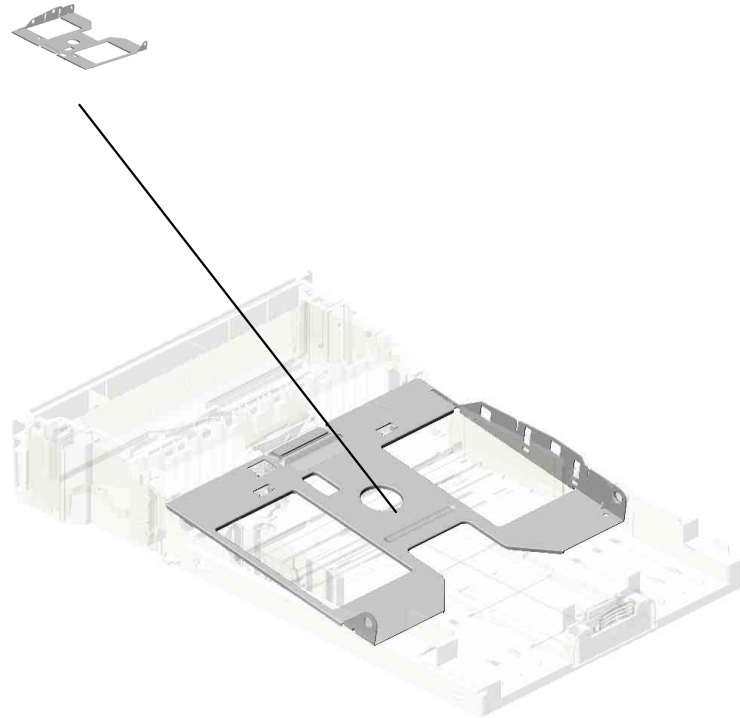
U005 S001
M0AR2550
PAPER TRAY:ASS'Y



U001	U002	U003	U004	U005	U006	U007	U008	U009	U010	U011	U012	U013	U014	U015
------	------	------	------	-------------	------	------	------	------	------	------	------	------	------	------

U005_S001.PAPER TRAY:ASS'Y

U005 S001 S001
M0182562
BASE:ADHESION



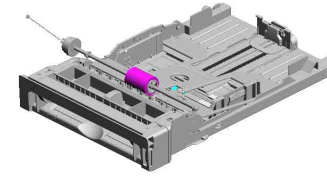
U001	U002	U003	U004	U005	U006	U007	U008	U009	U010	U011	U012	U013	U014	U015
------	------	------	------	-------------	------	------	------	------	------	------	------	------	------	------

U005 PAPER FEED

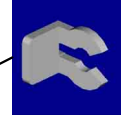
3.08050089
(x2)
RETAINING RING -
M4

34.M0AR2554
GUIDE:DUPLX

27.GX201123
MAGNETIC CLUTC
H:0.25N

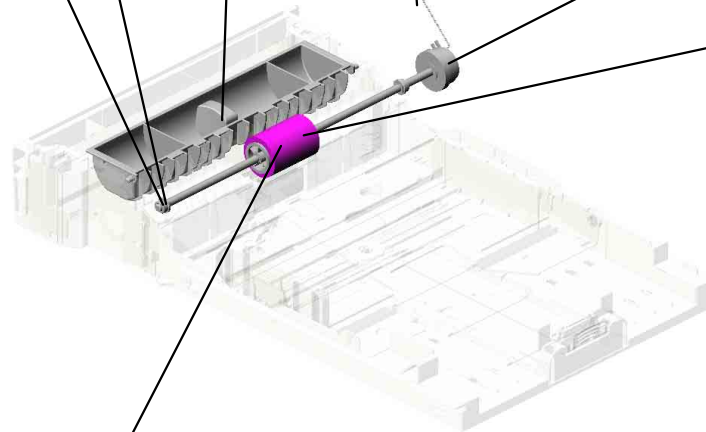


6.AA082101
(x2)
BUSHING - 6X10X6



28.H5213355
C RING - PAPER F
EED ROLLER

38.M1982580
SHAFT:PAPER FEE
D ROLLER



8.AF031061
PAPER FEED ROL
LER



U001	U002	U003	U004	U005	U006	U007	U008	U009	U010	U011	U012	U013	U014	U015
------	------	------	------	-------------	------	------	------	------	------	------	------	------	------	------

U005_S001 PAPER TRAY:ASS'Y

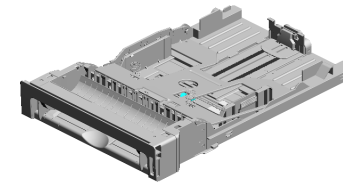
1.04503010N
TAPPING SCREW -
M3X10

24.G1662606
COMPRESSION SP
RING

23.G1662589
DAMPING INSULAT
ION

20.G1662573
HOLDER SHEET

18.G1662570
(x2)
COMPRESSION SP
RING



32.M0AR2550
PAPER TRAY:ASS'
Y

17.G1662569
LEVER PAPER VO
LUME SENSOR

16.G1662568
COMPRESSION SP
RING

15.G1662567
BOTTOM PLATE S
TOPPER

12.G1662556
RIGHT SIDE FENC
E

19.G1662572
EARTH SPRING

2.08050088
RETAINING RING -
M6

5.A2672869
GEAR - 16Z

10.G1662551
PAPER TRAY

13.G1662558
EXTENSION TRAY

21.G1662577
END FENCE - PRE
SSURE

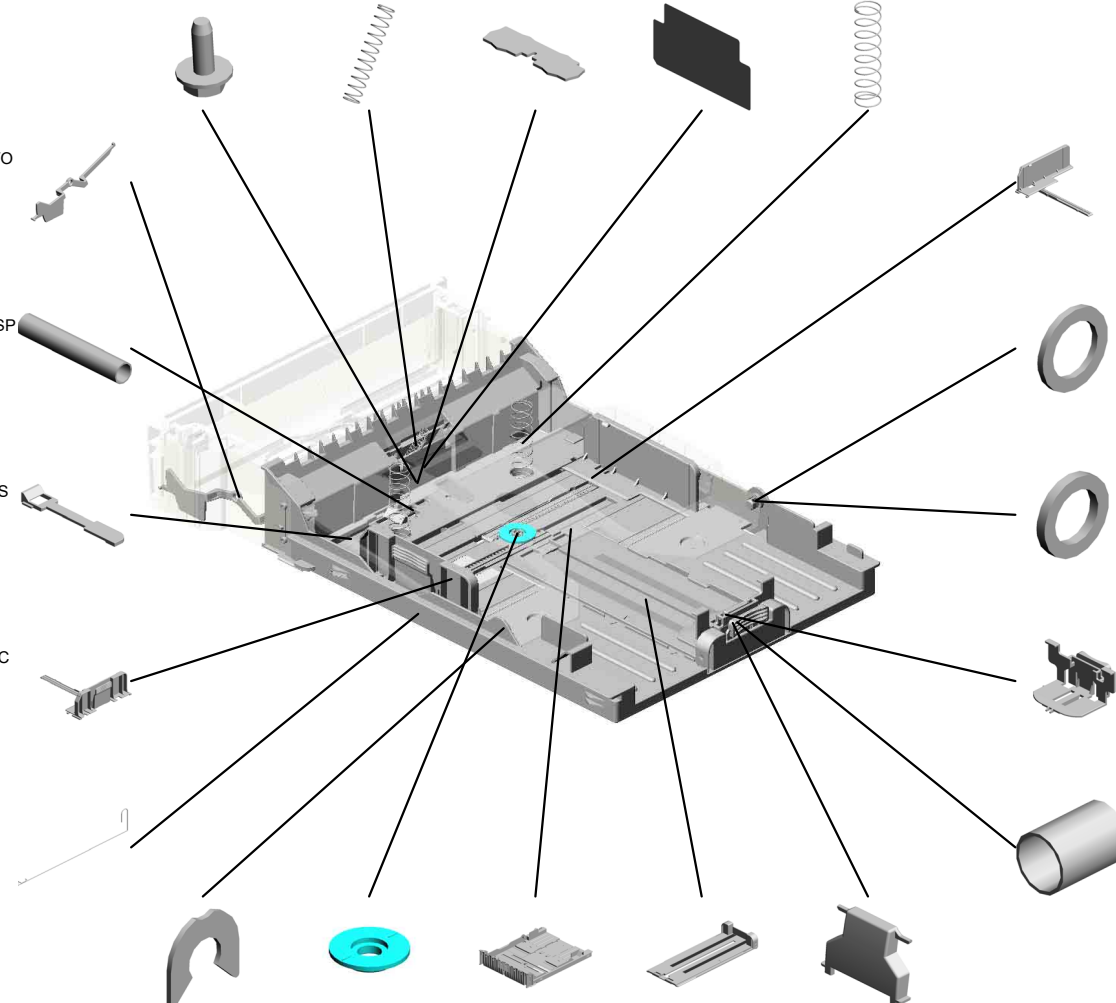
11.G1662555
LEFT SIDE FENCE

7.AA132013
SPACER

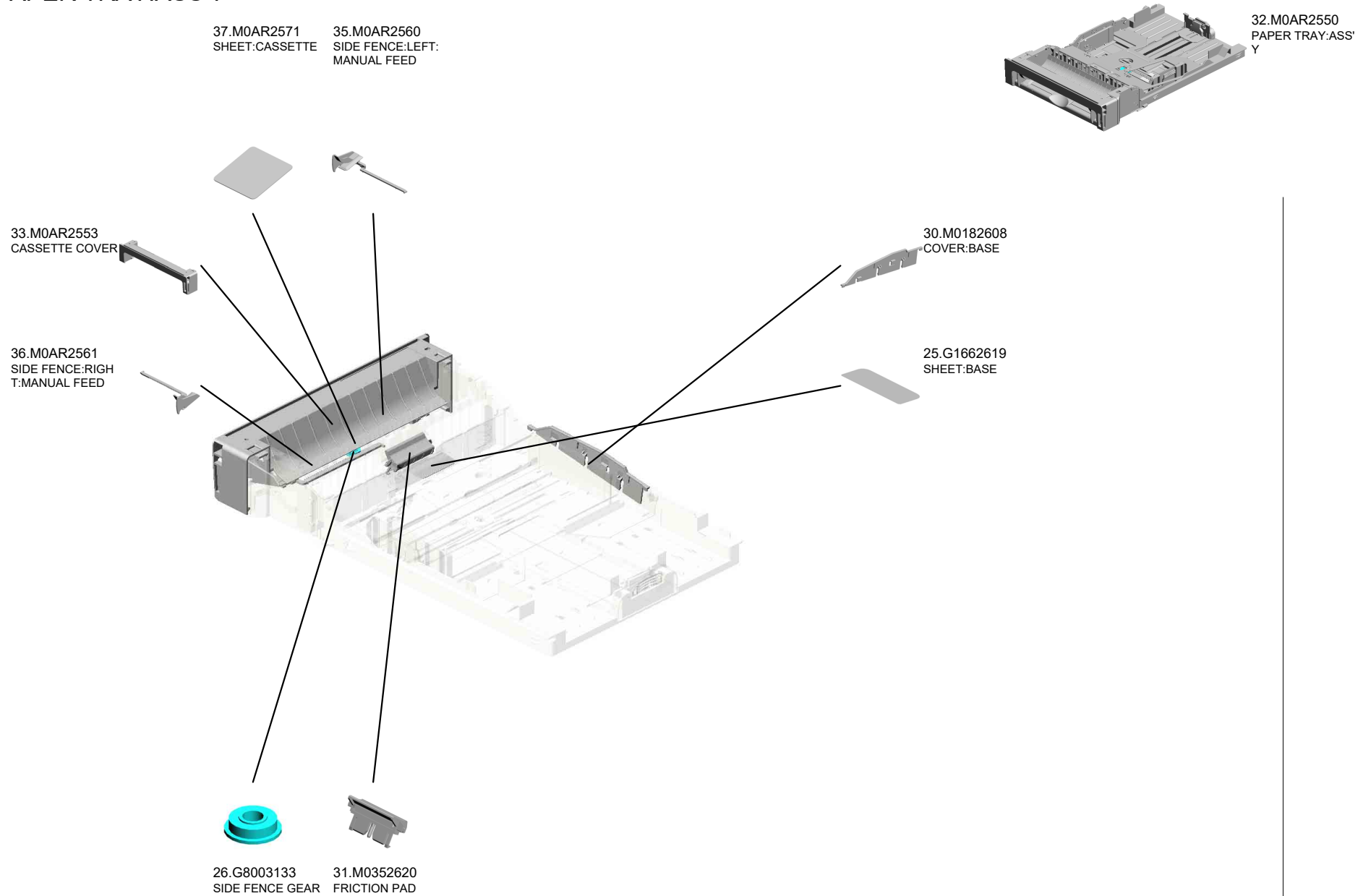
9.D0094511
SPACER:DIA8.0:1.5
MM

14.G1662559
END FENCE

22.G1662578
COMPRESSION SP
RING



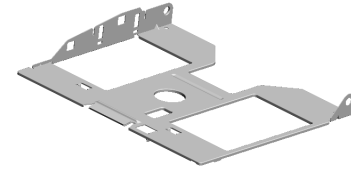
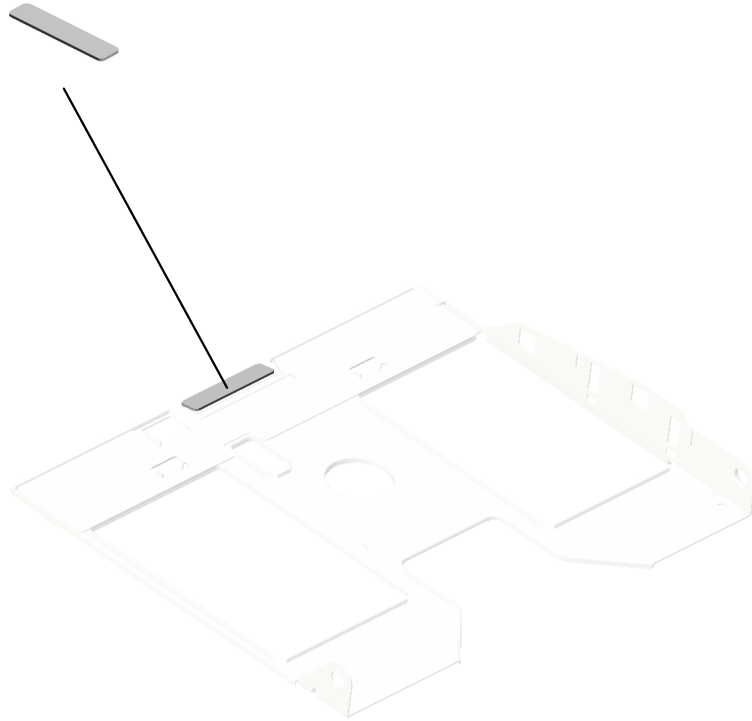
U005_S001
PAPER TRAY:ASS'Y



U001	U002	U003	U004	U005	U006	U007	U008	U009	U010	U011	U012	U013	U014	U015
------	------	------	------	------	------	------	------	------	------	------	------	------	------	------

U005_S001_S001
BASE:ADHESION

4.52152713
BOTTOM PLATE P
AD



29.M0182562
BASE:ADHESION

U001	U002	U003	U004	U005	U006	U007	U008	U009	U010	U011	U012	U013	U014	U015
------	------	------	------	-------------	------	------	------	------	------	------	------	------	------	------

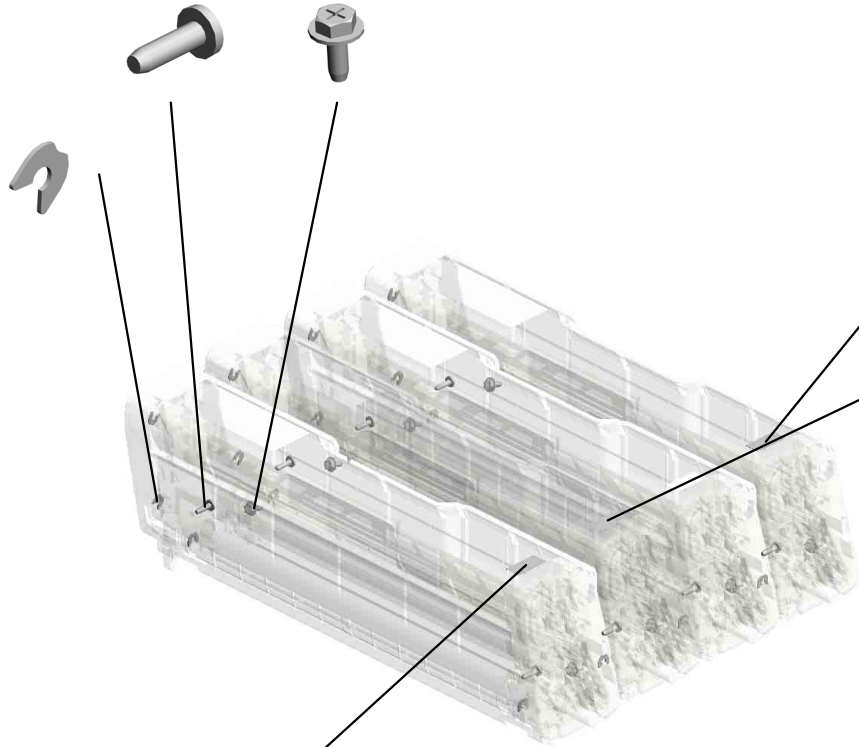
U006
PCU

2.04523010N
(x16)
BINDING SELF-TAPPING SCREW:3X10

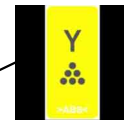
1.04503008N
(x16)
TAPPING SCREW - M3X8



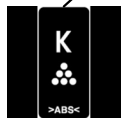
3.08050092
(x32)
RETAINING RING - 3M



5.G1663333
(x2)
DECAL - CYAN



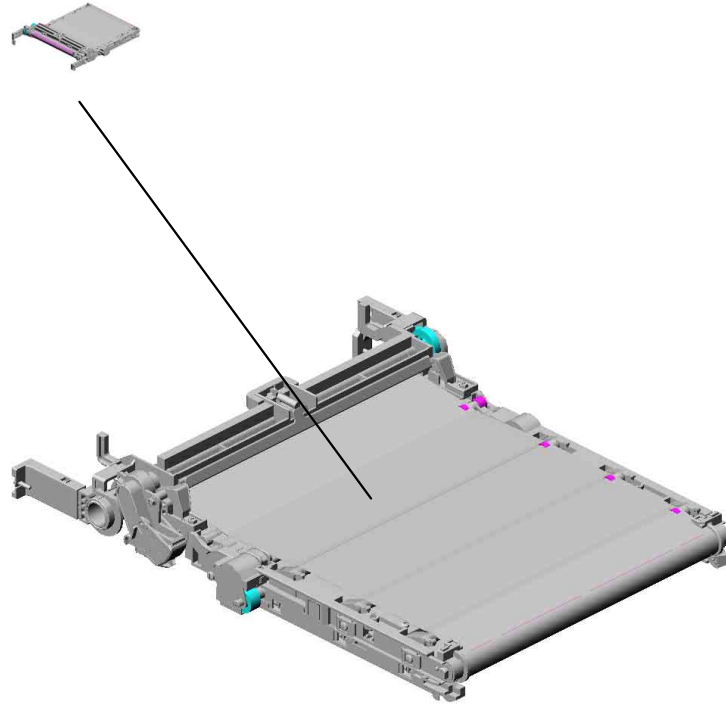
6.G1663334
(x2)
DECAL - YELLOW



4.G1663331
(x2)
DECAL - BLACK

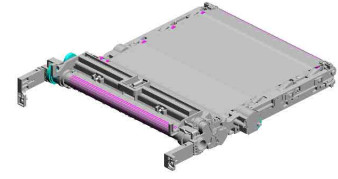
U007.ITB UNIT

U007 S001
M0966000
INTERMEDIATE TRANSFER
SECTION:ASSY



U001	U002	U003	U004	U005	U006	U007	U008	U009	U010	U011	U012	U013	U014	U015
------	------	------	------	------	------	------	------	------	------	------	------	------	------	------

U007
ITB UNIT

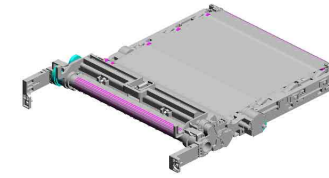


U001	U002	U003	U004	U005	U006	U007	U008	U009	U010	U011	U012	U013	U014	U015
------	------	------	------	------	------	------	------	------	------	------	------	------	------	------

U007_S001
 INTERMEDIATE TRANSFER SECTION:ASS'Y

6.G1666194
 RIGHT HOLDER - T
 TRANSFER BELT U
 NIT

3.G1666026
 (x2)
 BUSHING - 19MM



9.M0966000
 INTERMEDIATE TR
 ANSFER SECTION:
 ASS'Y

7.G1666196
 RIGHT SLIDER - T
 TRANSFER BELT U
 NIT



4.G1666099
 (x2)
 COMPRESSION SP
 RING



5.G1666193
 LEFT HOLDER - TR
 ANSFER BELT UNI
 T



2.07200040E
 (x2)
 RETAINING RING -
 M4



1.04503010N
 (x5)
 TAPPING SCREW -
 M3X10



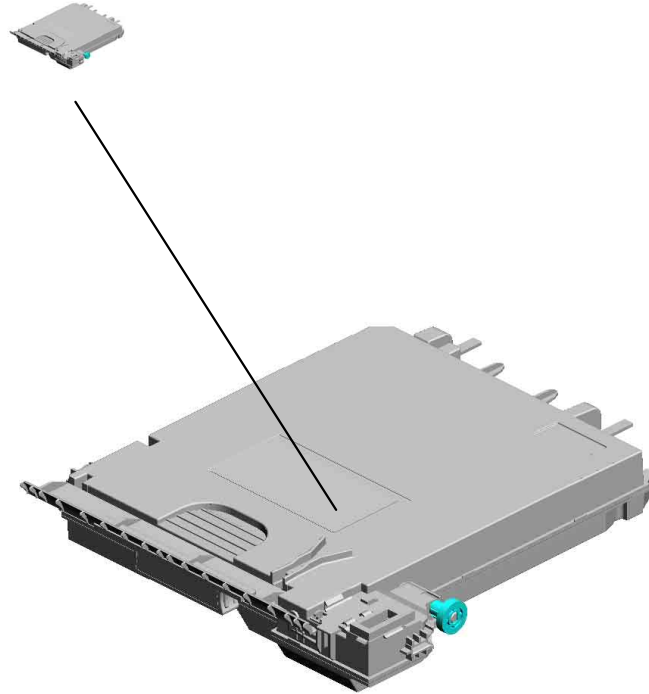
8.G1666197
 LEFT SLIDER - TR
 ANSFER BELT UNI
 T



U001	U002	U003	U004	U005	U006	U007	U008	U009	U010	U011	U012	U013	U014	U015
------	------	------	------	------	------	------	------	------	------	------	------	------	------	------

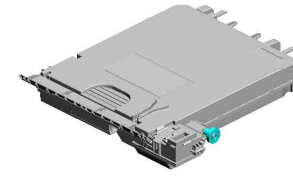
U008.USED TONER

U008 S001
M0AR0640
TONER RECYCLING SECTION



U001	U002	U003	U004	U005	U006	U007	U008	U009	U010	U011	U012	U013	U014	U015
------	------	------	------	------	------	------	------	------	------	------	------	------	------	------

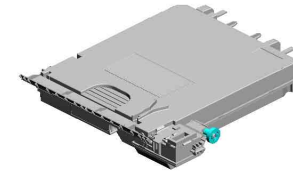
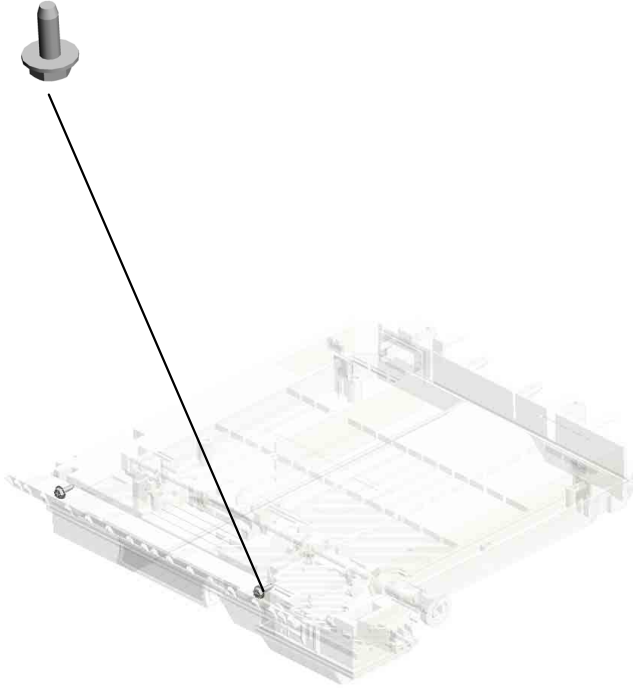
U008
USED TONER



U001	U002	U003	U004	U005	U006	U007	U008	U009	U010	U011	U012	U013	U014	U015
------	------	------	------	------	------	------	------	------	------	------	------	------	------	------

U008_S001
TONER RECYCLING SECTION

1.04503010N
(x2)
TAPPING SCREW -
M3X10

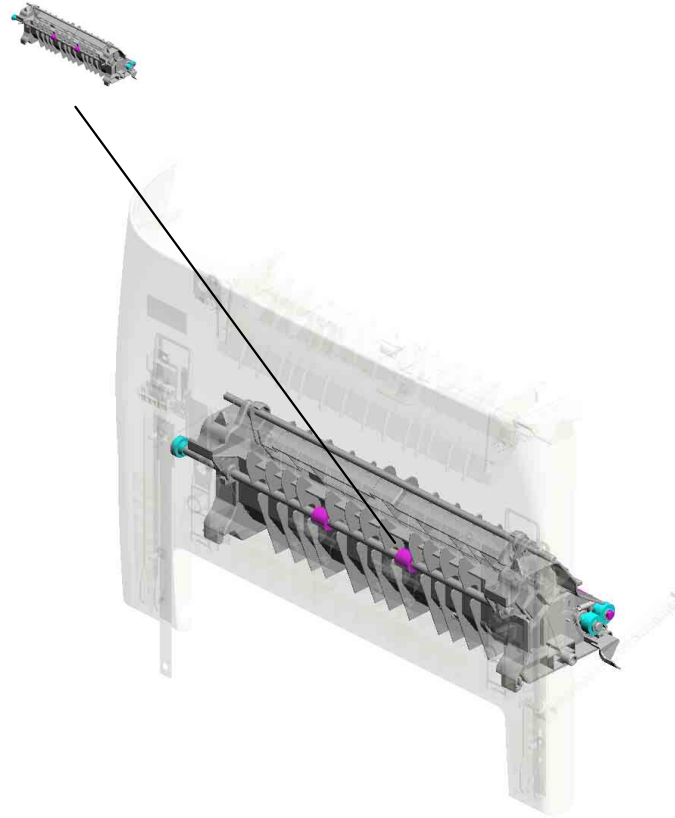


2.M0AR0640
TONER RECYCLIN
G SECTION

U001	U002	U003	U004	U005	U006	U007	U008	U009	U010	U011	U012	U013	U014	U015
------	------	------	------	------	------	------	-------------	------	------	------	------	------	------	------

U009.PAPER TRANSPORT

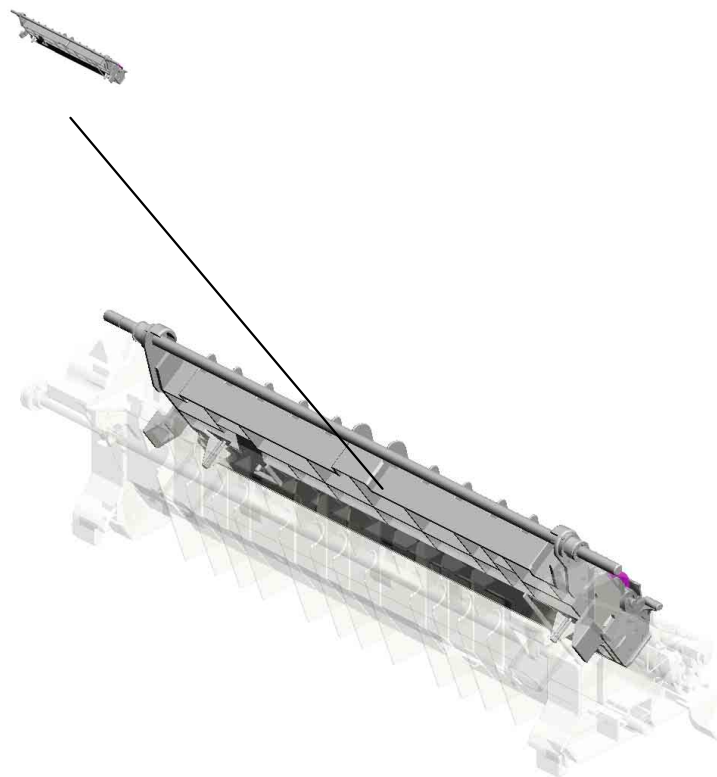
U009 S001
M0963802
HOUSING:TRANSPORT SUB-
UNIT:ASS'Y



U001	U002	U003	U004	U005	U006	U007	U008	U009	U010	U011	U012	U013	U014	U015
------	------	------	------	------	------	------	------	------	------	------	------	------	------	------

U009_S001.HOUSING:TRANSPORT SUB-UNIT:ASS'Y

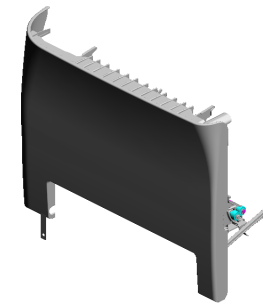
U009 S001 S001
M0966202
TRANSFER ROLLER:SUB-AS
S'Y



U001	U002	U003	U004	U005	U006	U007	U008	U009	U010	U011	U012	U013	U014	U015
------	------	------	------	------	------	------	------	------	------	------	------	------	------	------

U009 PAPER TRANSPORT

32.G1664464 DECAL:HIGHTEMP
ERATURE
16.G1663908 LOCK LEVER ARM
15.G1663907 LOCK GUIDE
22.G1663933 STOPPER:FEELER
:PAPER FEED SEN
SOR
19.G1663925 TORSION SPRING
- FEELER



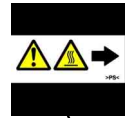
30.G1663972
(x2)
COMPRESSION SP
RING - GRIP

28.G1663970
LEFT HOOK

14.G1663906
LEFT LOCK LEVER

13.G1663904
LEFT FRAME - FR
ONT COVER

20.G1663927
STOPER BAND



33.G1664606
(x2)
DUPLIX ROLLER

38.M0353974
(x2)
COMPRESSION SP
RING:HOUSING:TR
ANSPORT

25.G1663962
(x2)
COMPRESSION SP
RING HOLDER

12.G1663903
RIGHT FRAME - FR
ONT COVER

1.04503010N
(x13)
TAPPING SCREW -
M3X10

18.G1663921
(x2)
GUIDE PLATE SPR
ING - MIDDLE

29.G1663971
RIGHT FHOOK

17.G1663909
TENSION SPRING

23.G1663957
(x2)
WASHER - 0.8X10.
8MM

21.G1663928
BRAKE RACK - FR
ONT COVER

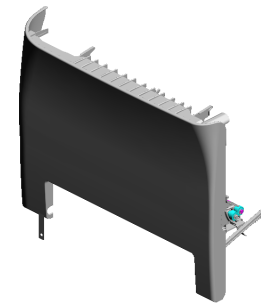
U001	U002	U003	U004	U005	U006	U007	U008	U009	U010	U011	U012	U013	U014	U015
------	------	------	------	------	------	------	------	------	------	------	------	------	------	------

U009 PAPER TRANSPORT

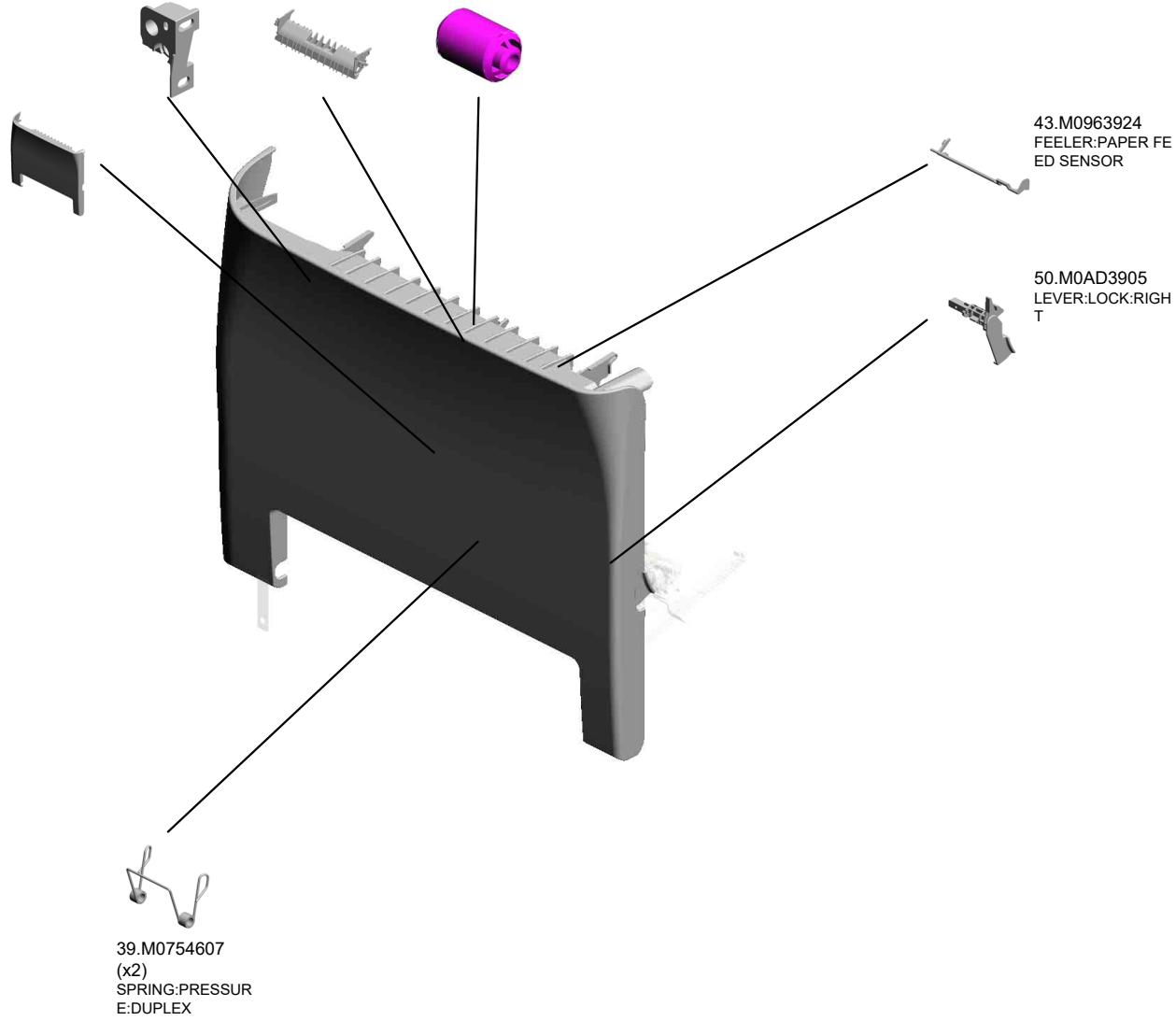
41.M0963912
HOLDER:GUIDE PL
ATE:REVERSE

42.M0963923
GUIDE PLATE:EXIT
:MIDDLE

44.M0963926
ROLLER:GUIDE:EX
IT:MIDDLE



51.M0AW3903
COVER:FRONT



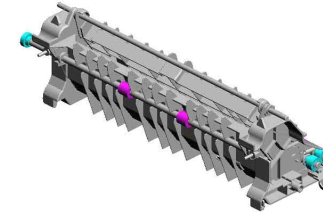
43.M0963924
FEELER:PAPER FE
ED SENSOR

50.M0AD3905
LEVER:LOCK:RIGH
T

39.M0754607
(x2)
SPRING:PRESSUR
E:DUPLIX

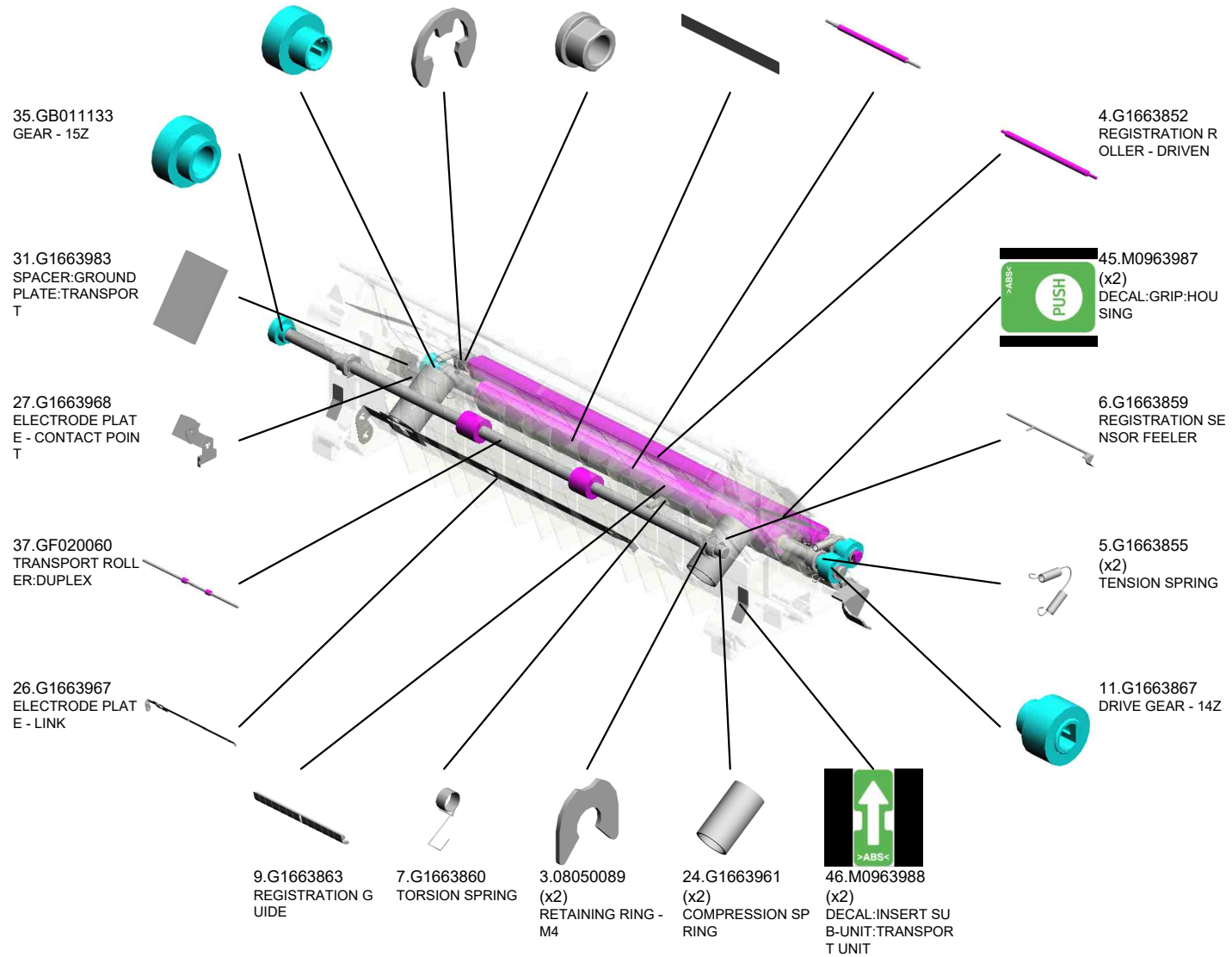
U001	U002	U003	U004	U005	U006	U007	U008	U009	U010	U011	U012	U013	U014	U015
------	------	------	------	------	------	------	------	------	------	------	------	------	------	------

U009_S001 HOUSING:TRANSPORT SUB-UNIT:ASS'Y



40.M0963802
HOUSING:TRANSP
ORT SUB-UNIT:AS
SY

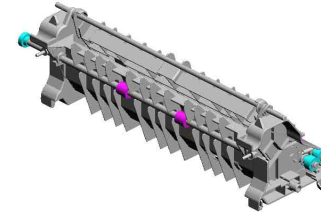
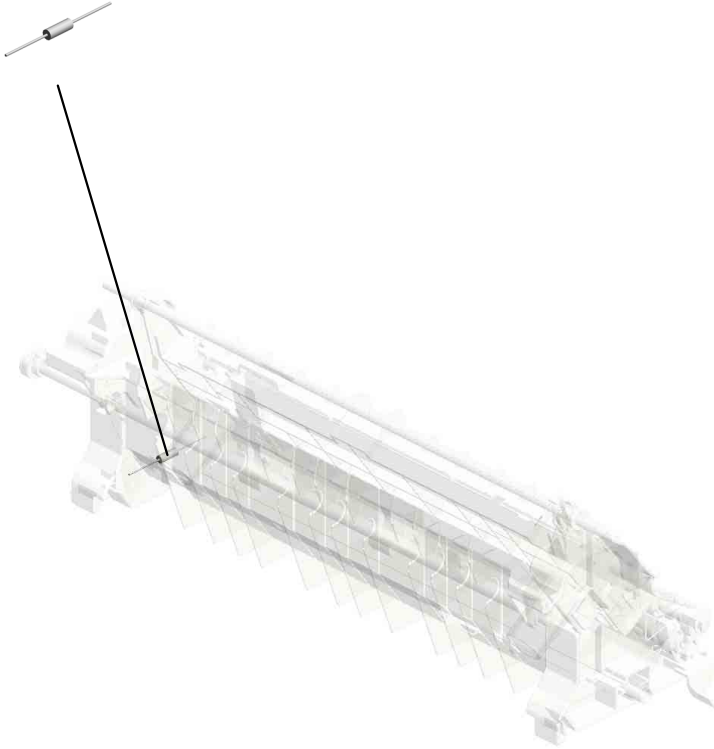
- 10.G1663865 (x2) GEAR - 14Z
- 2.07200040E (x5) RETAINING RING - M4
- 34.GA082015 (x6) PLAIN SHAFT BEARING: DIA6: DIA9: 7
- 8.G1663862 (x2) GUIDE SHEET - REGISTRATION
- 36.GF020000 REGISTRATION ROLLER - DRIVE



U001	U002	U003	U004	U005	U006	U007	U008	U009	U010	U011	U012	U013	U014	U015
------	------	------	------	------	------	------	------	------	------	------	------	------	------	------

U009_S001
HOUSING:TRANSPORT SUB-UNIT:ASS'Y

47.M0963989
RESISTOR:TRANS
FER/SEPARATION

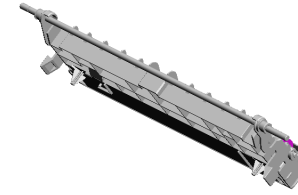


40.M0963802
HOUSING:TRANSP
ORT SUB-UNIT:AS
SY

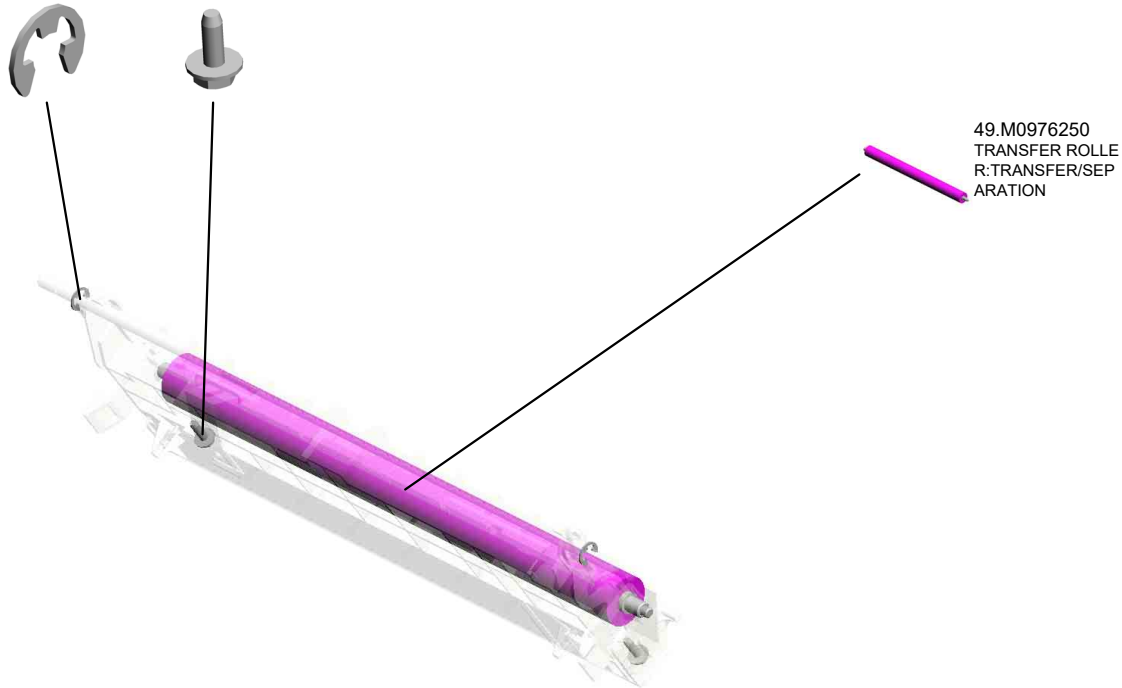
U001	U002	U003	U004	U005	U006	U007	U008	U009	U010	U011	U012	U013	U014	U015
------	------	------	------	------	------	------	------	------	------	------	------	------	------	------

U009_S001_S001
TRANSFER ROLLER:SUB-ASS'Y

2.07200040E (x2) RETAINING RING - M4
1.04503010N (x2) TAPPING SCREW - M3X10



48.M0966202
TRANSFER ROLLE
R:SUB-ASS'Y



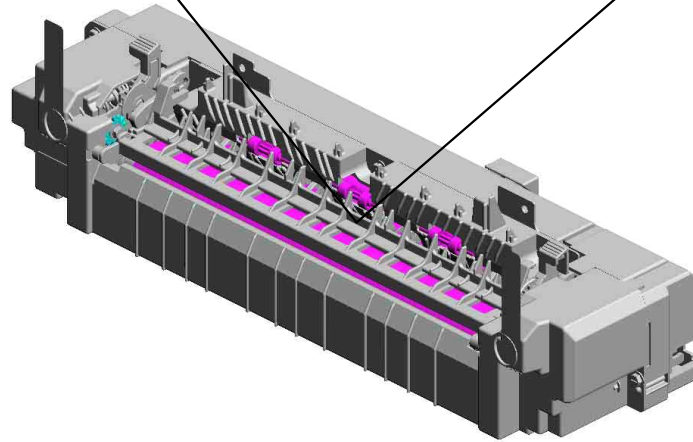
U001	U002	U003	U004	U005	U006	U007	U008	U009	U010	U011	U012	U013	U014	U015
------	------	------	------	------	------	------	------	------	------	------	------	------	------	------

U010.FUSING

U010_S01
M0964018
(NA):FUSING UNIT:ASS'Y

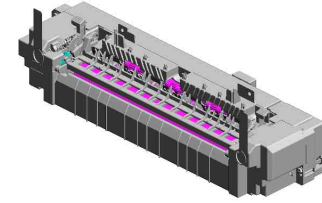


U010_S02
M0964028
(EU/AA):FUSING UNIT:ASS'Y



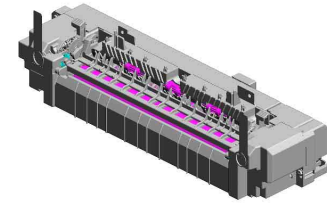
U001	U002	U003	U004	U005	U006	U007	U008	U009	U010	U011	U012	U013	U014	U015
------	------	------	------	------	------	------	------	------	------	------	------	------	------	------

U010
FUSING



U001	U002	U003	U004	U005	U006	U007	U008	U009	U010	U011	U012	U013	U014	U015
------	------	------	------	------	------	------	------	------	------	------	------	------	------	------

U010_S001
(NA):FUSING UNIT:ASS'Y



9.M0964018
(NA):FUSING UNIT:
ASS'Y

2.07200030E
(x6)
RETAINING RING -
M3

22.M0964117
(x2)
DECAL:FUSING EX
IT:OPEN AND CLO
SE

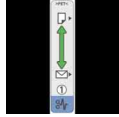
19.M0964114
EXIT GUIDE PLATE
- PRESSURE

18.M0964112
PRESSURE COVE
R

21.M0964116
TORSION SPRING:
GUIDE PLATE:PRE
SSURE:LEFT

3.07200040E (x 1)
RETAINING RING - M4

23.M0964126
DECAL:FUSING:LE
VER:LEFT



20.M0964115
TORSION SPRING:
GUIDE PLATE:PRE
SSURE:RIGHT



13.M0964084
HOLDER:FUSING E
NTRANCE GUIDE
PLATE:RIGHT



15.M0964089
TORSION SPRING:
ENTRANCE:RIGHT



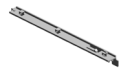
1.04503010N
(x3)
TAPPING SCREW -
M3X10



5.D1441085
STEPPED SCREW:
M3



12.M0964077
FUSING ENTRANC
E GUIDE PLATE:LO
WER



11.M0964076
FUSING ENTRANC
E GUIDE PLATE:U
PPER



17.M0964111
COVER:FUSING



7.GX450008
(NA):HEATER:120V
:1000W:INFRARED



6.G1664310
DECAL:WARNING (HIGH TEMPERATURE):1:CUD



3.07200040E
(x4)
RETAINING RING -
M4



4.08046123
(x32)
HEXAGONAL BOLT
:W/WASHER:M3X8



14.M0964085
HOLDER:FUSING E
NTRANCE GUIDE
PLATE:LEFT

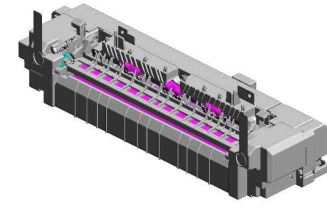


16.M0964090
TORSION SPRING:
ENTRANCE:LEFT

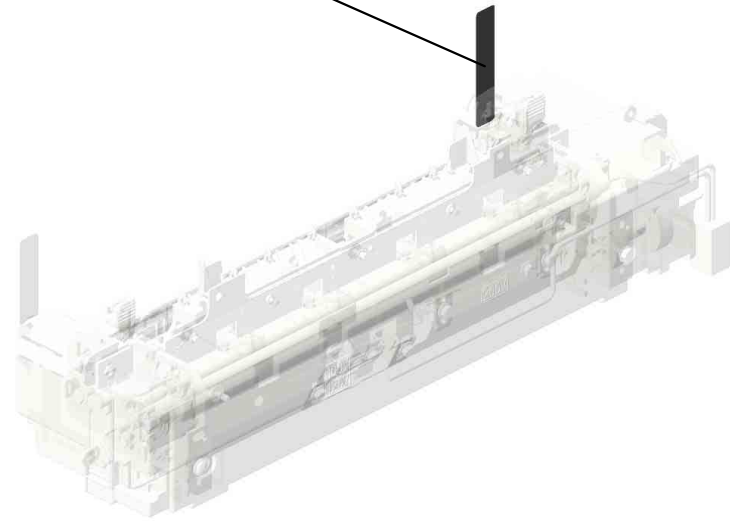


U010_S001
(NA):FUSING UNIT:ASS'Y

24.M0964127
DECAL:FUSING:LE
VER:RIGHT



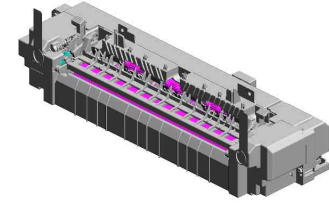
9.M0964018
(NA):FUSING UNIT:
ASS'Y



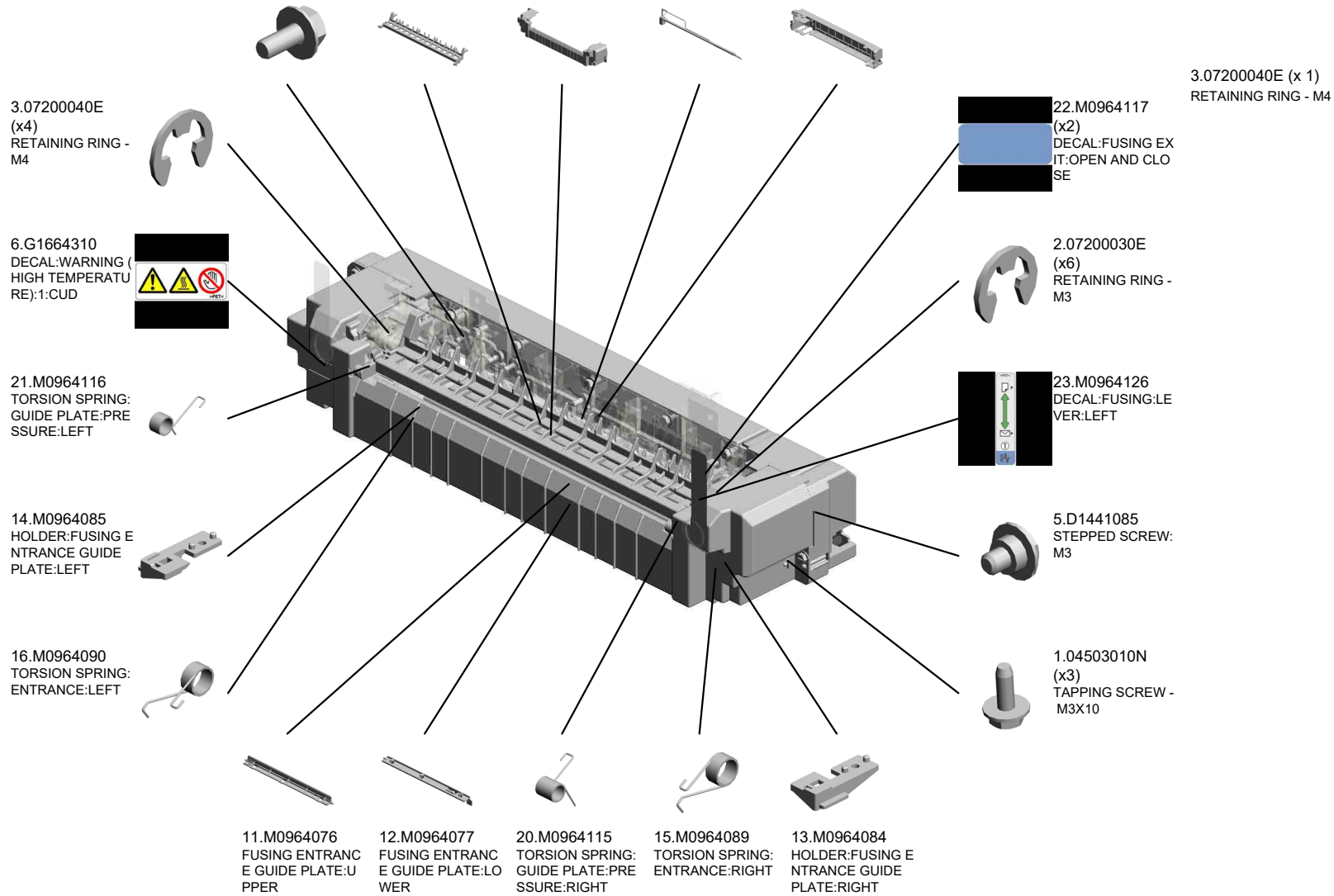
U001	U002	U003	U004	U005	U006	U007	U008	U009	U010	U011	U012	U013	U014	U015
------	------	------	------	------	------	------	------	------	------	------	------	------	------	------

U010_S002
(EU/AA):FUSING UNIT:ASS'Y

- 4.08046123 (x32) HEXAGONAL BOLT :W/WASHER:M3X8
- 19.M0964114 EXIT GUIDE PLATE - PRESSURE
- 18.M0964112 PRESSURE COVER
- 8.GX450009 (EU/AA):HEATER:2 30V:1000W
- 17.M0964111 COVER:FUSING

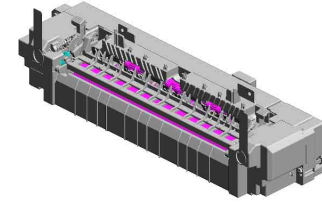


10.M0964028
(EU/AA):FUSING UNIT:ASS'Y

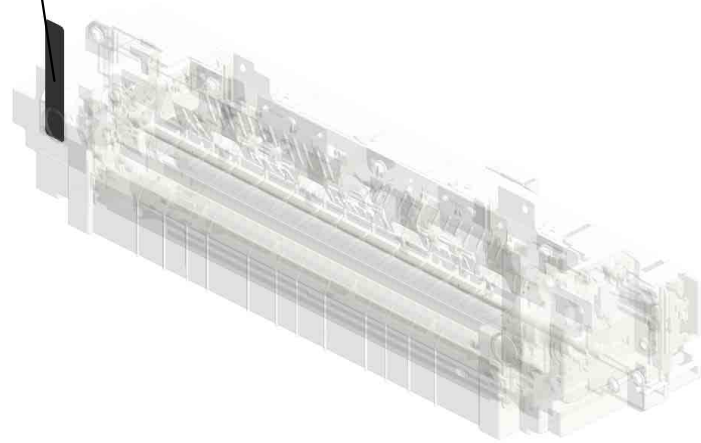


U010_S002
(EU/AA):FUSING UNIT:ASS'Y

24.M0964127
DECAL:FUSING:LE
VER:RIGHT



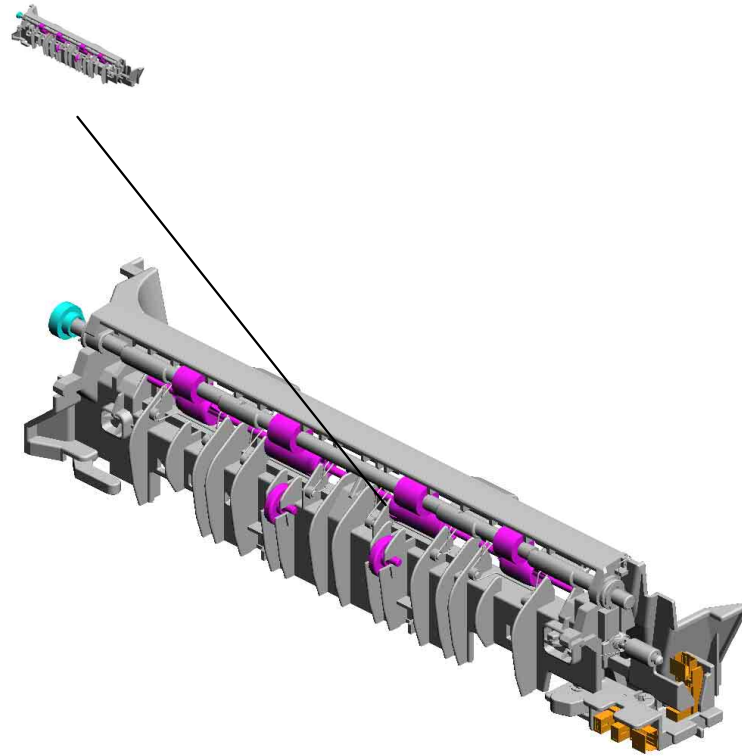
10.M0964028
(EU/AA):FUSING U
NIT:ASS'Y



U001	U002	U003	U004	U005	U006	U007	U008	U009	U010	U011	U012	U013	U014	U015
------	------	------	------	------	------	------	------	------	------	------	------	------	------	------

U011.PAPER EXIT

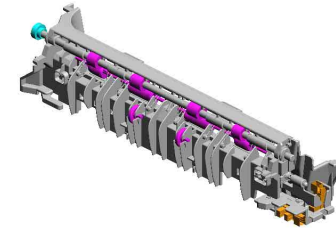
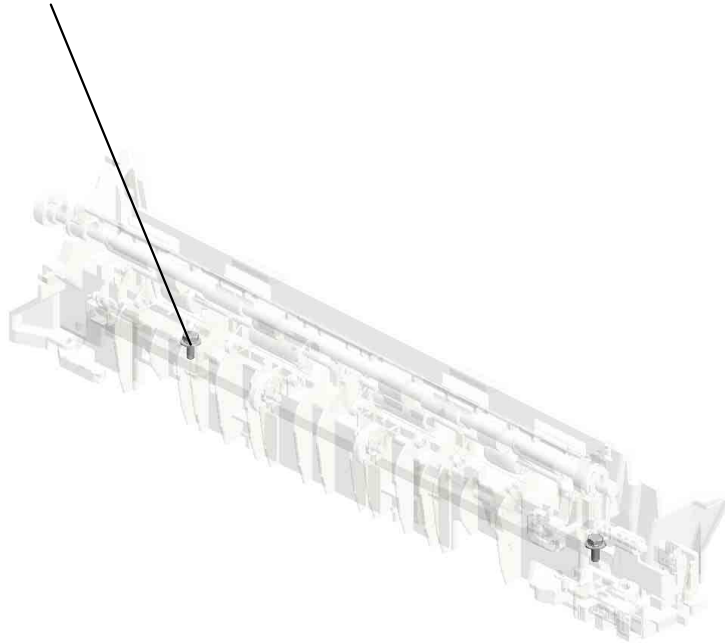
U011 S001
M1984450
GUIDE.EXIT.ASS'Y



U001	U002	U003	U004	U005	U006	U007	U008	U009	U010	U011	U012	U013	U014	U015
------	------	------	------	------	------	------	------	------	------	------	------	------	------	------

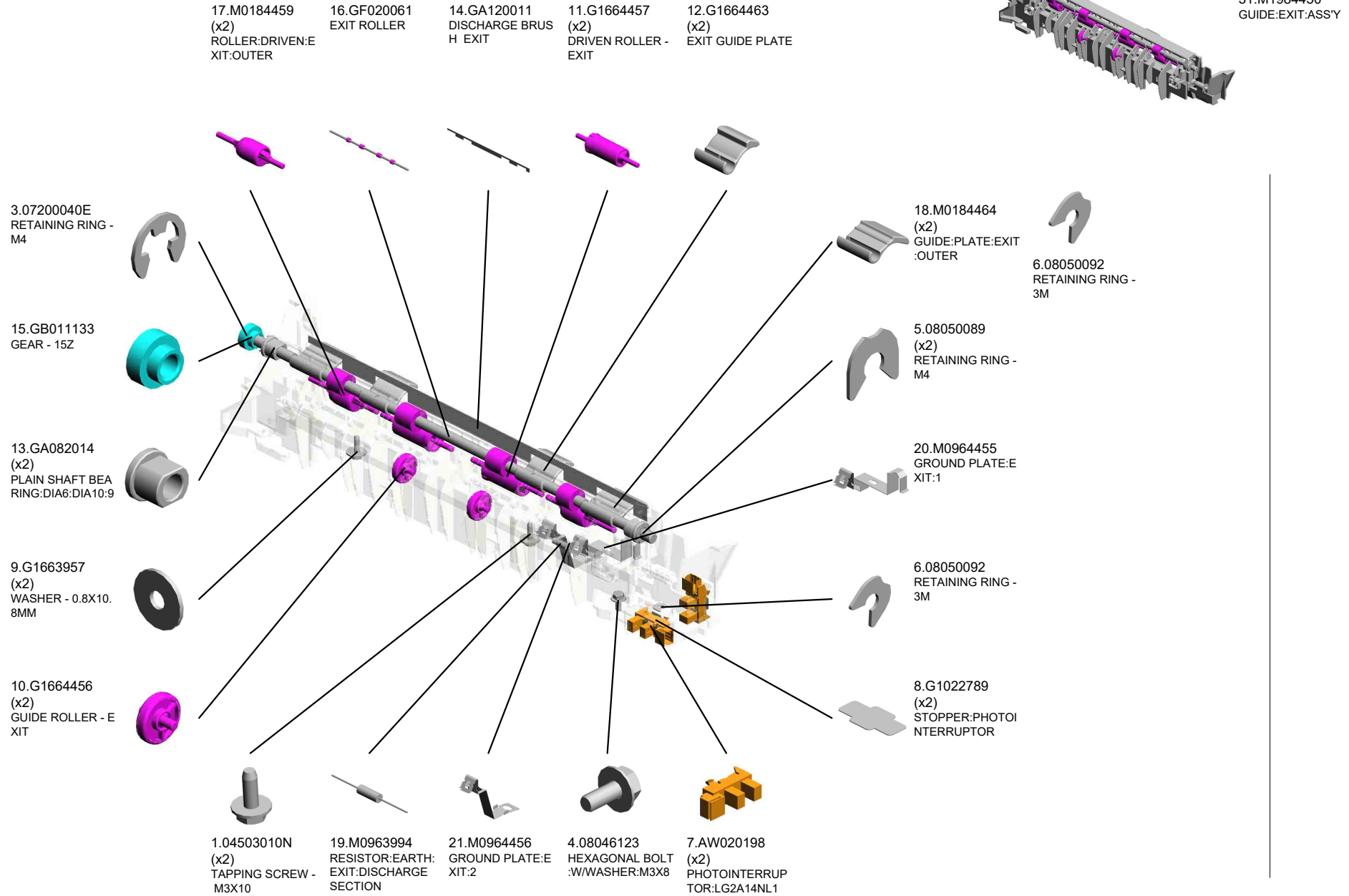
U011
PAPER EXIT

4.08046123
(x2)
HEXAGONAL BOLT
:W/WASHER:M3X8



2.04543006Q (x 1)
TAPPING SCREW - M3X6

U011_S001 GUIDE:EXIT:ASS'Y



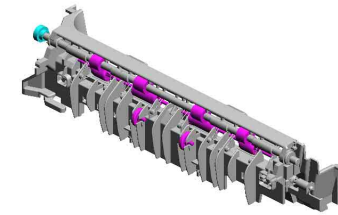
U001	U002	U003	U004	U005	U006	U007	U008	U009	U010	U011	U012	U013	U014	U015
------	------	------	------	------	------	------	------	------	------	------	------	------	------	------

U011_S001
GUIDE:EXIT:ASS'Y

24.M0964460
(x2)
SPRING:PRESSUR
E:EXIT:OUTER

26.M0964462
LINK:SLIDE

32.M1984453
GUIDE:EXIT:LOWE
R



31.M1984450
GUIDE:EXIT:ASS'Y

28.M0964464
COMPRESSION SP
RING



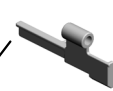
23.M0964459
FEELER:L



29.M0964465
TORSION SPRING:
1



27.M0964463
LINK:TURN



30.M0964466
TORSION SPRING:
2



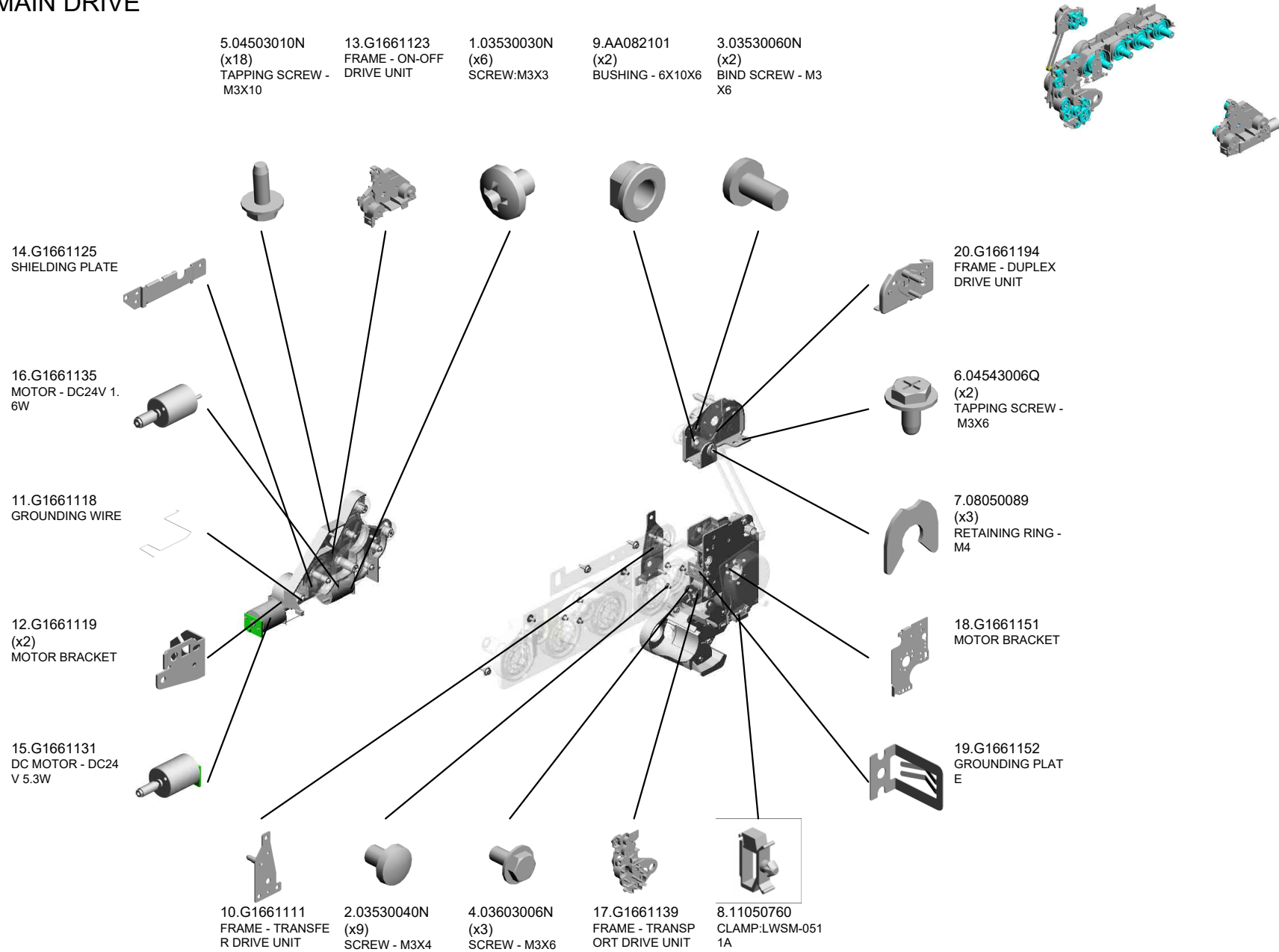
22.M0964458
(x2)
SPRING:PRESSUR
E:EXIT:INNER



25.M0964461
FEELER:R



U012 MAIN DRIVE



U001	U002	U003	U004	U005	U006	U007	U008	U009	U010	U011	U012	U013	U014	U015
------	------	------	------	------	------	------	------	------	------	------	------	------	------	------

U012 MAIN DRIVE

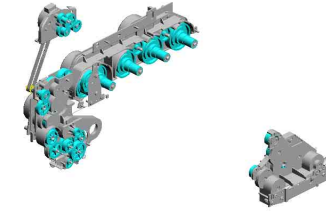
36.GB011108
(x2)
GEAR - 21Z

40.GB011112
GEAR - 29Z

25.GA145014
SHAFT - 6 X 55.3M
M

39.GB011111
GEAR - 19Z

21.G1665745
HARNES COVER



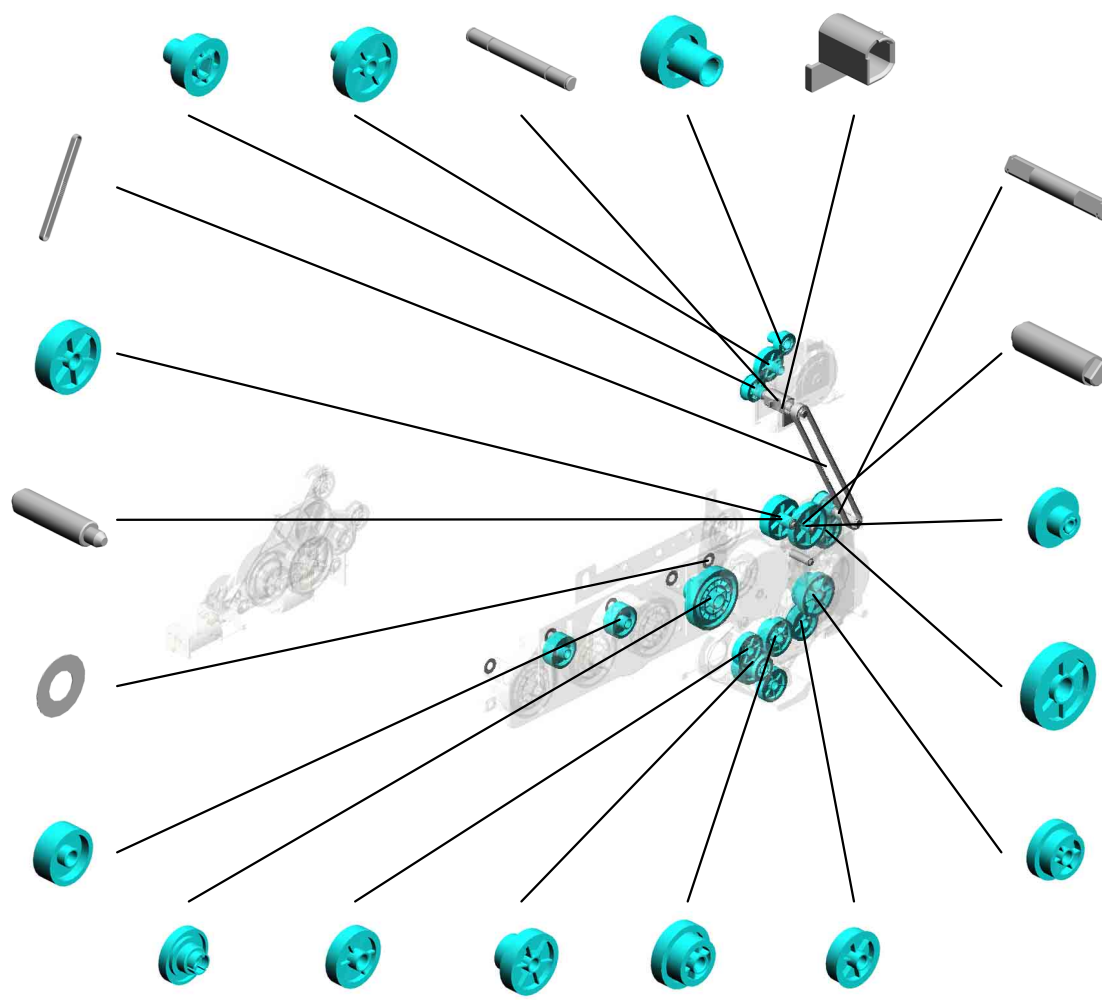
22.GA043030
TIMING BELT - 60S
2M280

31.GB011102
GEAR - 19/38Z

26.GA148016
SHAFT - 6 X 26.7M
M

23.GA132101
(x5)
SPACER - 0.13 X 1
2MM

28.GB010039
(x2)
GEAR:AIO:DRIVE:
MIDDLE



29.GB010040
GEAR:AIO:DRIVE:1

37.GB011109
(x2)
GEAR - 28Z

33.GB011104
GEAR - 20/35Z

35.GB011106
GEAR - 22/31Z

34.GB011105
GEAR - 29Z

24.GA145013
SHAFT - 6 X 39.5M
M

27.GA148018
(x2)
SHAFT - 6 X 21.9M
M

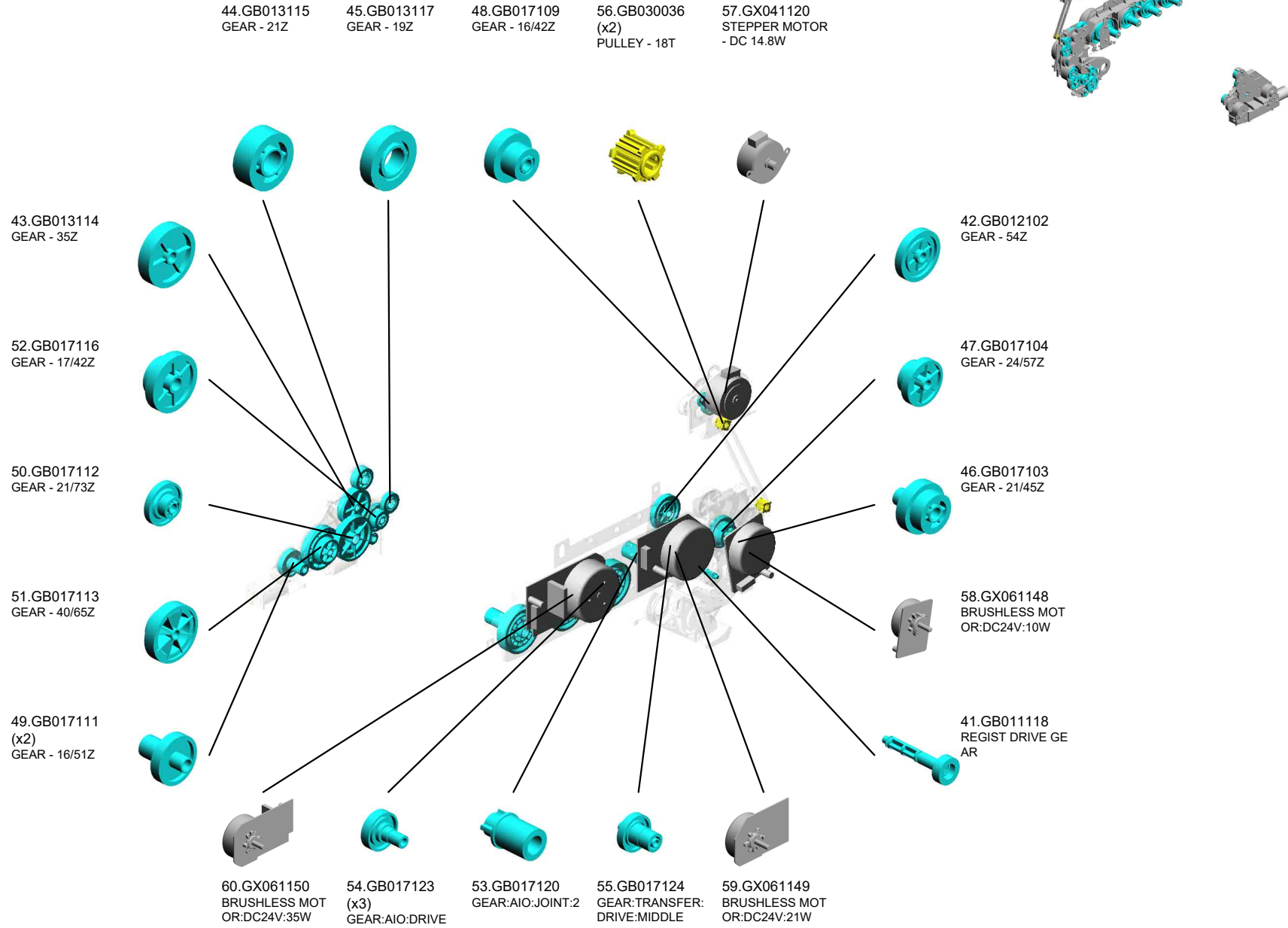
30.GB011101
GEAR - 37Z

38.GB011110
GEAR - 31Z

32.GB011103
GEAR - 28/36Z

U001	U002	U003	U004	U005	U006	U007	U008	U009	U010	U011	U012	U013	U014	U015
------	------	------	------	------	------	------	------	------	------	------	------	------	------	------

U012 MAIN DRIVE

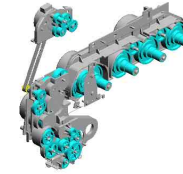


U001	U002	U003	U004	U005	U006	U007	U008	U009	U010	U011	U012	U013	U014	U015
------	------	------	------	------	------	------	------	------	------	------	------	------	------	------

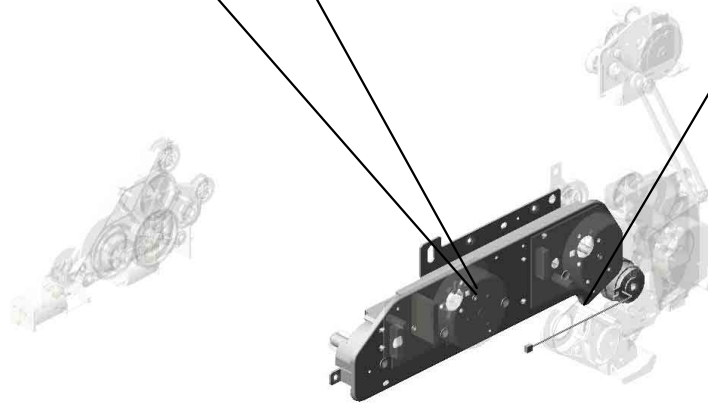
U012 MAIN DRIVE

62.M0751105
BRACKET:MOTOR

63.M0751107
SHIELDING PLATE:
GEAR:2



61.GX201123
MAGNETIC CLUTC
H:0.25N



U001	U002	U003	U004	U005	U006	U007	U008	U009	U010	U011	U012	U013	U014	U015
------	------	------	------	------	------	------	------	------	------	------	------	------	------	------

U013.ELECTRICAL

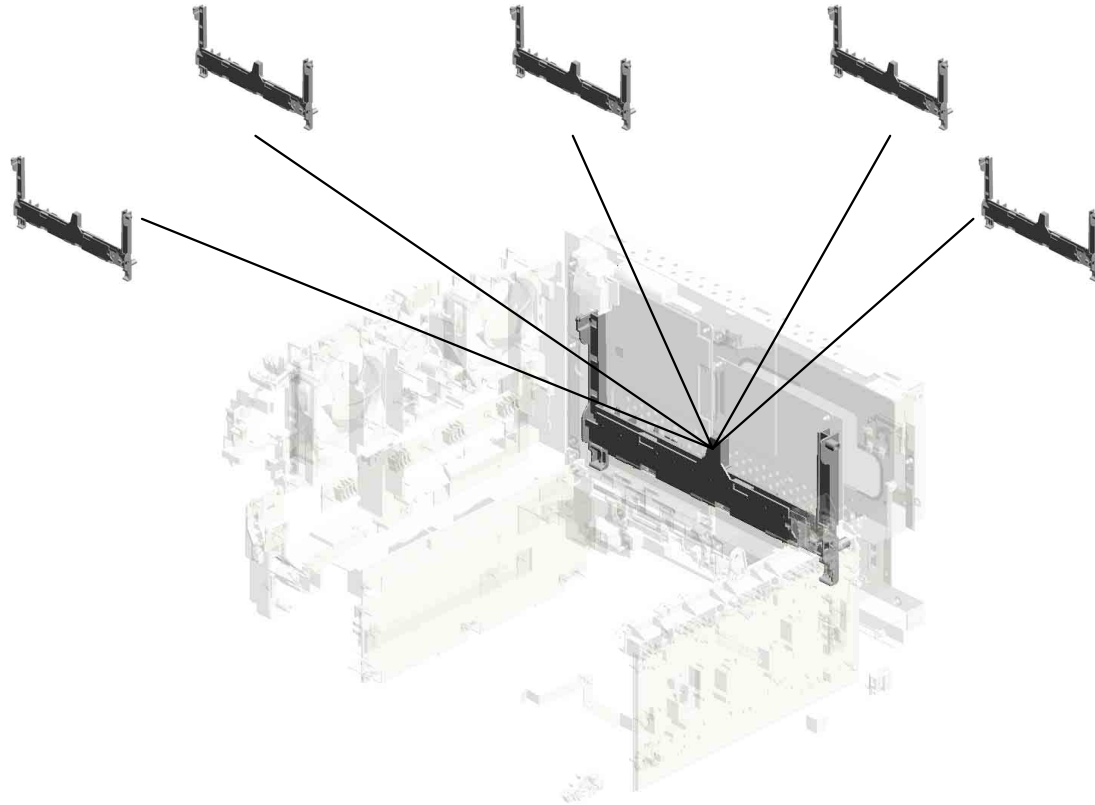
U013 S001
M1986003
DENSITY SENSOR:ASSY

U013 S002
M1986003
DENSITY SENSOR:ASSY

U013 S003
M1986003
DENSITY SENSOR:ASSY

U013 S005
M1986003
DENSITY SENSOR:ASSY

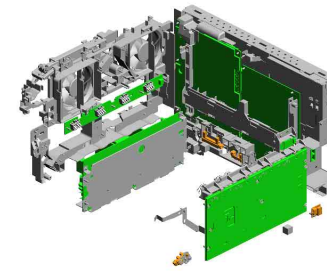
U013 S004
M1986003
DENSITY SENSOR:ASSY



U001	U002	U003	U004	U005	U006	U007	U008	U009	U010	U011	U012	U013	U014	U015
------	------	------	------	------	------	------	------	------	------	------	------	------	------	------

U013 ELECTRICAL

- 16.12042612 (x15) MICRO SWITCH:D3 V-16506-3C25
- 22.AX640199 (x10) FAN:MM80:25MM:D C 2.16W
- 25.G1635728 (x20) SEAL:FAN:2
- 17.14077935 (x5) EEPROM:BR24T16-W
- 5.04543006Q (x60) TAPPING SCREW - M3X6



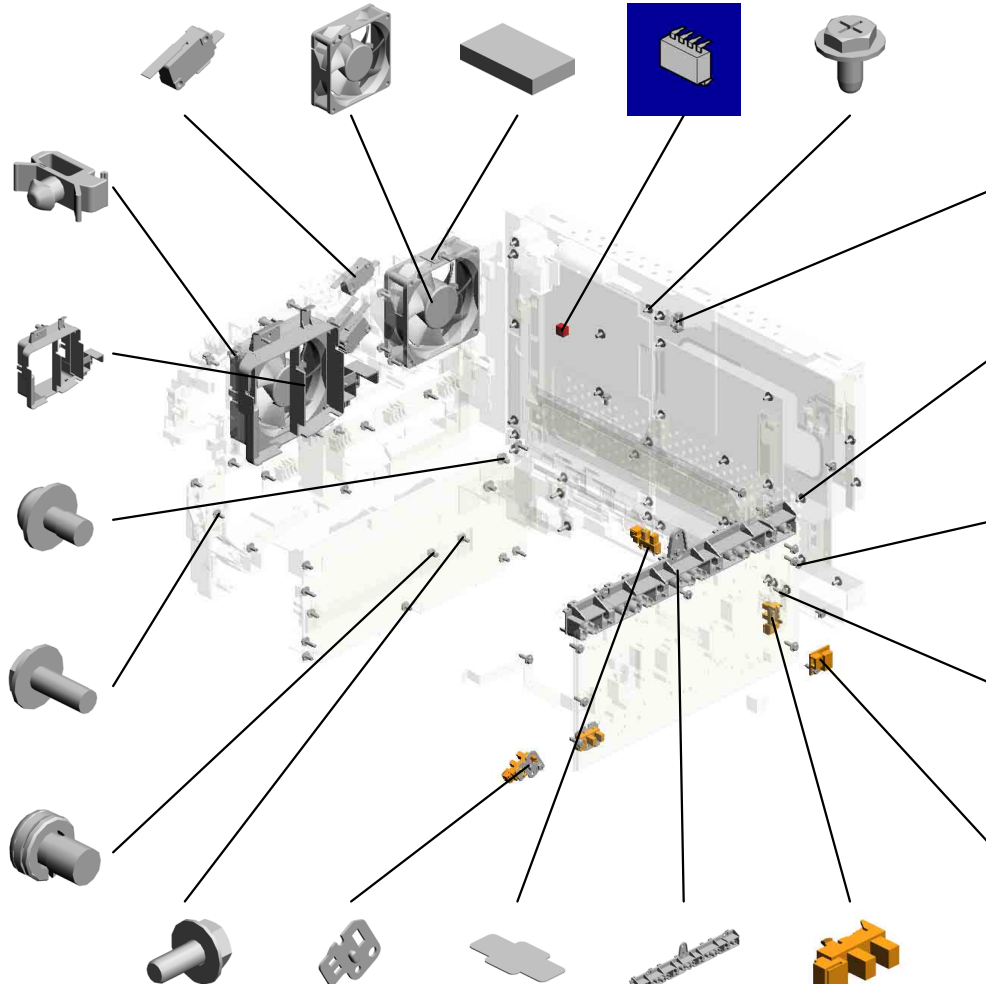
- 11.11050758 (x4) CLAMP:LWSM-030 6A

- 27.G1661058 (x5) EXIT DUCT

- 9.09543008N (x10) SCREW - M3X8

- 6.04543008Q (x20) TAPPING SCREW: 3X8

- 19.AA143592 (x5) SCREW- M4X6



- 12.11050760 (x5) CLAMP:LWSM-051 1A

- 3.03603006N (x130) SCREW - M3X6

- 2.03530040N (x5) SCREW - M3X4

- 4.04503010N (x175) TAPPING SCREW - M3X10

- 21.AW140015 (x5) TEMPERATURE & HUMIDITY SENSOR

- 10.11050724 (x5) CLAMPS:WES-121 0

- 12.11050760 (x5) CLAMP:LWSM-051 1A

- 14.11050762 (x20) CLAMP:LWS-0711A

- 6.04543008Q (x 5) TAPPING SCREW:3X8

- 11.11050758 CLAMP:LWSM-030 6A

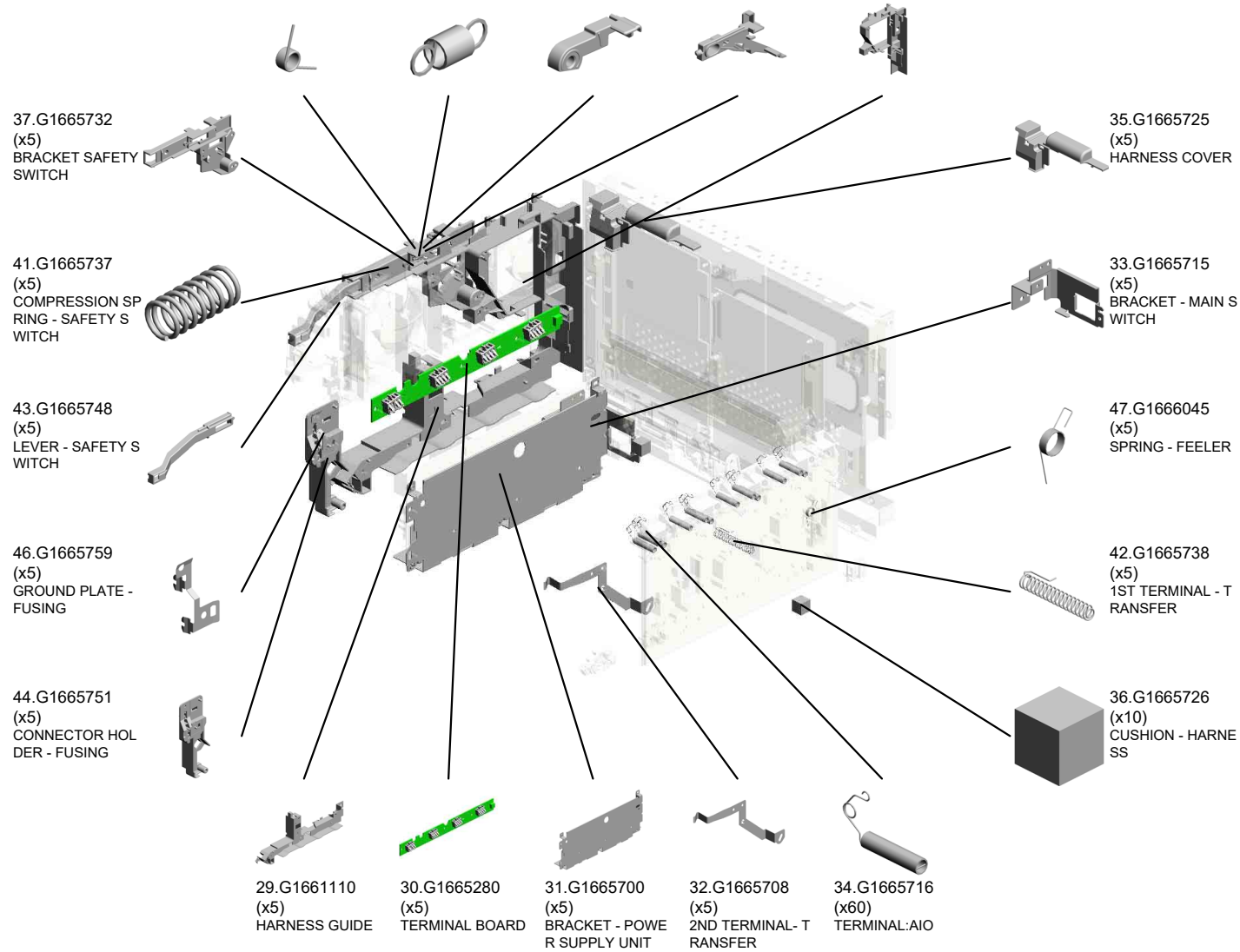
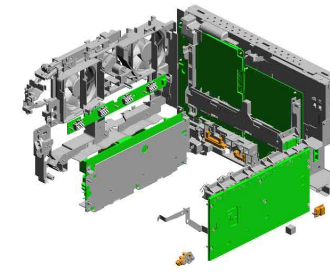
- 13.11050761 (x10) CLAMP:LWS-0511A

- 15.11050789 (x5) CLAMP:LBWS-0511 S-V03.5

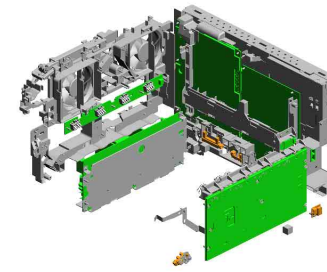
- 7.08046123 (x30) HEXAGONAL BOLT :W/WASHER:M3X8
- 24.G1631068 (x10) BRACKET - PHOTO INTERRUPTOR
- 23.G1022789 (x5) STOPPER:PHOTO INTERRUPTOR
- 26.G1635731 (x5) BASE:HIGH VOLTAGE:3
- 20.AW020198 (x20) PHOTOINTERRUPTOR:LG2A14NL1

U013 ELECTRICAL

- 39.G1665734 (x5) TORSION SPRING - SAFETY SWITCH
- 40.G1665736 (x5) TENSION SPRING - SAFETY SWITCH
- 45.G1665754 (x5) ARM:LINK:SAFETY SWITCH
- 38.G1665733 (x5) LINK - SAFETY SWITCH
- 28.G1661059 (x5) DUCT



U013 ELECTRICAL



- 50.G1666107 (x5) GROUNDING PLATE
- 73.M0AX5126 (x5) PCB:EGB:ASSY
- 59.G1666584 (x5) USED TONER SENSOR
- 63.G1835826 (x5) BRACKET - SPEAKER
- 64.G1835831 (x5) COVER - CONTROL BOARD

- 70.M0AW1111 (x5) GUIDE:FFC:OPERATION SUB-UNIT

- 71.M0AW1480 (x5) CASE:FFC

- 65.GZ230100 (x2) (NA):POWER SUPPLY UNIT:127W:DO N/NA

- 66.GZ230102 (x3) (EU/AA):POWER SUPPLY UNIT:127W

- 69.M0965711 (x5) SHADEING PLATE: HARNESS:POWER SUPPLY UNIT

- 58.G1666580 (x5) STOPPER SHEET - PHOTOINTERRUPTOR

- 61.G1666587 (x5) SENSOR BRACKET

- 60.G1666586 (x5) FEELER - SET SENSOR

- 67.GZ300011 (x5) POWER PACK

- 49.G1666103 (x5) SENSOR HOLDER

- 68.M0185752 (x5) SPACER:GROUND PLATE:FLAT CABLE:SCANNER UNIT

- 62.G1835824 (x5) CASE - CORE

- 72.M0AW5650 (SP C260SFNw):PC B:CTL:ASSY

- 74.M0AX5650 (x2) (SP C262SFNw):PC B:CTL:ASSY

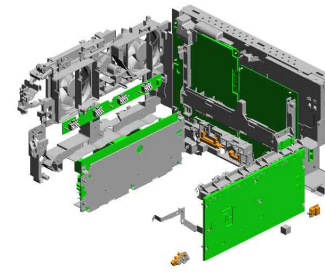
- 48.G1666046 (x5) SENSOR FEELER

U013 ELECTRICAL

80.M2025678
(x5)
SPEAKER:DIA50

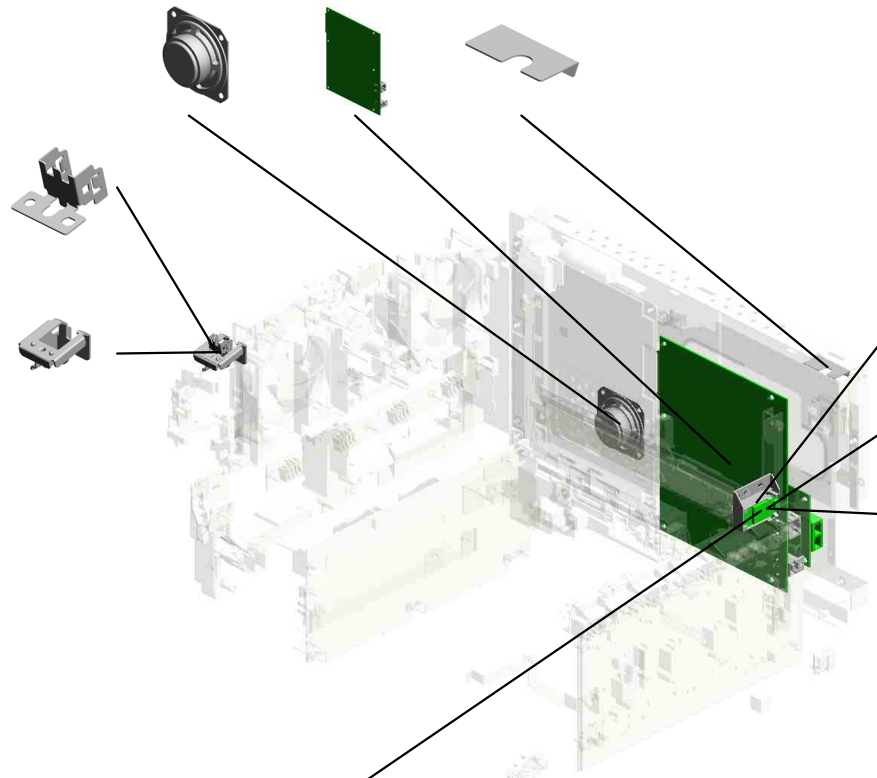
75.M0AX5660
(x2)
(SP C261SFNw):PC
B:CTL:ASS'Y

81.M2025825
(x5)
SHEET:FFC:SCAN
NER



76.M1001060
(x5)
HOLDER:USB

77.M1001061
(x5)
BASE:USB



78.M1985721
(x5)
BASE:TRANCEIVE
R:LAN ADAPTER

82.M2045672
(x2)
(NA):PCB:FAX:ASS'
Y

83.M2045674
(x3)
(EU/AA):PCB:FAX:A
SS'Y

84.M2875003
(x5)
PCB:WIFI

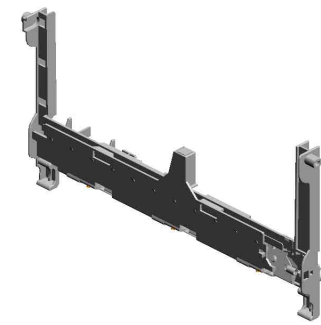
U001	U002	U003	U004	U005	U006	U007	U008	U009	U010	U011	U012	U013	U014	U015
------	------	------	------	------	------	------	------	------	------	------	------	-------------	------	------

U013_S001
 DENSITY SENSOR:ASS'Y

55.G1666185
 GROUNDING PLATE - DENSITY SENSOR

57.G1666191
 CLEANER DECAL - DENSITY SENSOR

54.G1666184
 HOLDER - DENSITY SENSOR



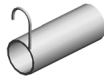
79.M1986003
 DENSITY SENSOR: ASS'Y



18.AA063568
 PRESSURE SPRING



51.G1666181
 COMPRESSION SPRING - RIGHT LOWER



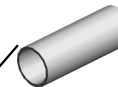
8.09543006N
 (x3)
 SCREW - M3X6



1.03130040N
 (x3)
 SCREW:M3X4



52.G1666182
 COMPRESSION SPRING - LEFT LOWER



53.G1666183
 BRACKET - DENSITY SENSOR



56.G1666188
 CLEANER - DENSITY SENSOR



U001	U002	U003	U004	U005	U006	U007	U008	U009	U010	U011	U012	U013	U014	U015
------	------	------	------	------	------	------	------	------	------	------	------	------	------	------

U013_S002
DENSITY SENSOR:ASS'Y

8.09543006N
(x3)
SCREW - M3X6

54.G1666184
HOLDER - DENSIT
Y SENSOR

57.G1666191
CLEANER DECAL -
DENSITY SENSOR

79.M1986003
DENSITY SENSOR:
ASS'Y



52.G1666182
COMPRESSION SP
RING - LEFT LOWE
R

1.03130040N
(x3)
SCREW:M3X4

55.G1666185
GROUNDING PLAT
E - DENSITY SENS
OR

18.AA063568
PRESSURE SPRIN
G

51.G1666181
COMPRESSION SP
RING - RIGHT LOW
ER

56.G1666188
CLEANER - DENSIT
Y SENSOR

53.G1666183
BRACKET - DENSIT
Y SENSOR

U001	U002	U003	U004	U005	U006	U007	U008	U009	U010	U011	U012	U013	U014	U015
------	------	------	------	------	------	------	------	------	------	------	------	------	------	------

U013_S003
 DENSITY SENSOR:ASS'Y

8.09543006N
 (x3)
 SCREW - M3X6

54.G1666184
 HOLDER - DENSIT
 Y SENSOR

57.G1666191
 CLEANER DECAL -
 DENSITY SENSOR

79.M1986003
 DENSITY SENSOR:
 ASS'Y



52.G1666182
 COMPRESSION SP
 RING - LEFT LOWE
 R

1.03130040N
 (x3)
 SCREW:M3X4

55.G1666185
 GROUNDING PLAT
 E - DENSITY SENS
 OR

18.AA063568
 PRESSURE SPRIN
 G

51.G1666181
 COMPRESSION SP
 RING - RIGHT LOW
 ER

56.G1666188
 CLEANER - DENSIT
 Y SENSOR

53.G1666183
 BRACKET - DENSIT
 Y SENSOR

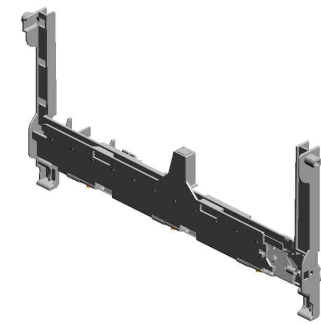
U001	U002	U003	U004	U005	U006	U007	U008	U009	U010	U011	U012	U013	U014	U015
------	------	------	------	------	------	------	------	------	------	------	------	------	------	------

U013_S004
 DENSITY SENSOR:ASS'Y

55.G1666185
 GROUNDING PLATE - DENSITY SENSOR

57.G1666191
 CLEANER DECAL - DENSITY SENSOR

54.G1666184
 HOLDER - DENSITY SENSOR



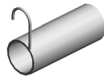
79.M1986003
 DENSITY SENSOR: ASS'Y



18.AA063568
 PRESSURE SPRING



51.G1666181
 COMPRESSION SPRING - RIGHT LOWER



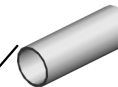
8.09543006N
 (x3)
 SCREW - M3X6



1.03130040N
 (x3)
 SCREW:M3X4



52.G1666182
 COMPRESSION SPRING - LEFT LOWER



53.G1666183
 BRACKET - DENSITY SENSOR



56.G1666188
 CLEANER - DENSITY SENSOR



U001	U002	U003	U004	U005	U006	U007	U008	U009	U010	U011	U012	U013	U014	U015
------	------	------	------	------	------	------	------	------	------	------	------	------	------	------

U013_S005
 DENSITY SENSOR:ASS'Y

8.09543006N
 (x3)
 SCREW - M3X6

54.G1666184
 HOLDER - DENSIT
 Y SENSOR

57.G1666191
 CLEANER DECAL -
 DENSITY SENSOR

79.M1986003
 DENSITY SENSOR:
 ASS'Y



52.G1666182
 COMPRESSION SP
 RING - LEFT LOWE
 R

1.03130040N
 (x3)
 SCREW:M3X4

55.G1666185
 GROUNDING PLAT
 E - DENSITY SENS
 OR

18.AA063568
 PRESSURE SPRIN
 G

51.G1666181
 COMPRESSION SP
 RING - RIGHT LOW
 ER

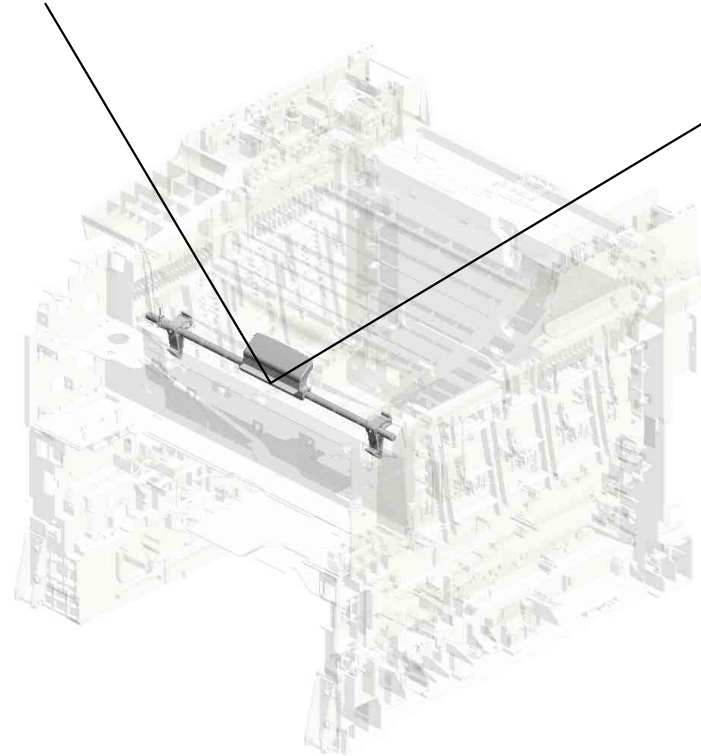
56.G1666188
 CLEANER - DENSIT
 Y SENSOR

53.G1666183
 BRACKET - DENSIT
 Y SENSOR

U001	U002	U003	U004	U005	U006	U007	U008	U009	U010	U011	U012	U013	U014	U015
------	------	------	------	------	------	------	------	------	------	------	------	------	------	------

U014.MAIN FRAME

U014_S001
M2021012
SHAFT:LOCK:ASS'Y



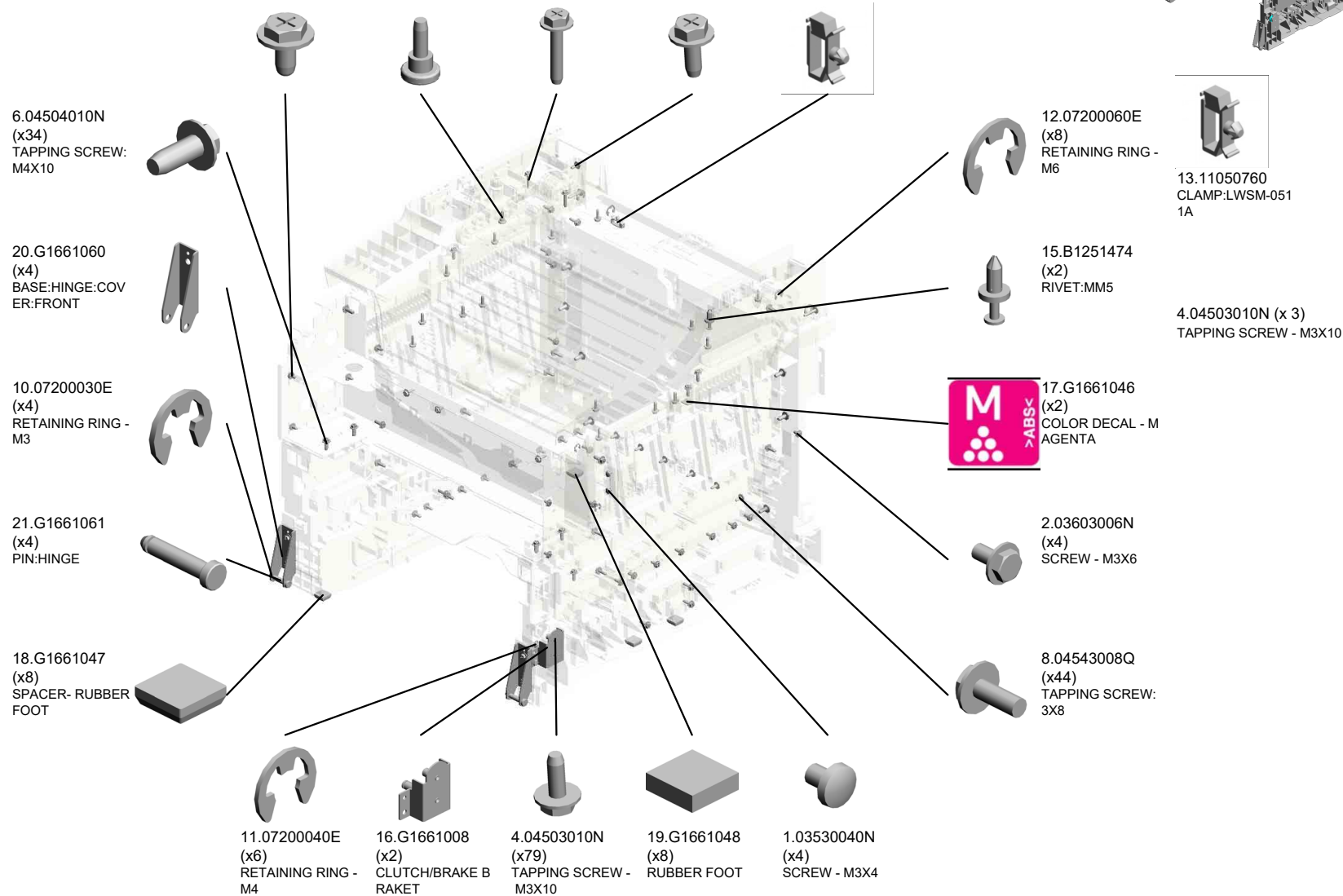
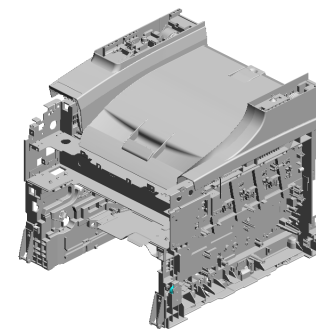
U014_S002
M2021012
SHAFT:LOCK:ASS'Y



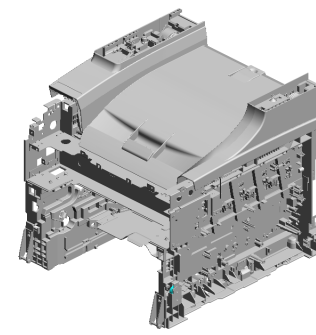
U001	U002	U003	U004	U005	U006	U007	U008	U009	U010	U011	U012	U013	U014	U015
------	------	------	------	------	------	------	------	------	------	------	------	------	------	------

U014 MAIN FRAME

- 7.04543006Q (x14) TAPPING SCREW - M3X6
- 14.B0394480 (x2) STEPPED SCREW - M5
- 5.04503016N (x8) TAPPING SCREW: 3X16
- 3.04503008N (x8) TAPPING SCREW - M3X8
- 13.11050760 CLAMP:LWSM-051 1A



U014 MAIN FRAME



- 28.G1661070 (x2) FRAME:UPPER LEFT
- 33.G1661081 (x2) TWIST SPRING - LEFT
- 30.G1661072 (x8) SPRING:PLATE:AI O
- 29.G1661071 (x2) FRAME:UPPER RIGHT
- 31.G1661073 (x2) SHAFT

- 40.G1661090 (x2) GROUND PLATE - DCHIP

- 38.G1661088 (x2) UPPER FRONT DUCT

- 35.G1661084 (x8) SPRING:PLATE:AI O:BLACK

- 26.G1661068 (x2) FUSING DUCT

- 39.G1661089 (x16) PIN:PLATE:DEVELOPMENT UNIT

- 32.G1661078 (x4) COMPRESSION SPRING
- 23.G1661065 (x2) CLUTCH SPRING
- 24.G1661066 (x2) CLUTCH/BRAKE CASE
- 22.G1661064 (x2) CLUTCH/BRAKE SPRING
- 25.G1661067 (x2) GEAR - 14Z

- 37.G1661087 (x4) SPRING:CUSHION:FRAME:UPPER

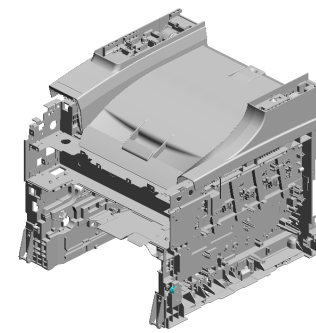
- 36.G1661086 (x4) BRACKET:OPTICAL UNIT:FRAME:UPPER

- 34.G1661083 (x2) GROUNDING PLATE - HIGH VOLTAGE

- 27.G1661069 (x2) RACK SUPPORTER

- 41.G1661093 (x2) GEAR - 20Z

U014 MAIN FRAME

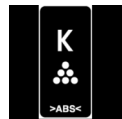


- 46.G1661280 (x2) CUSHION - IMAGING UNIT
- 44.G1661097 (x2) GROUND PLATE - LEFT
- 52.G1661382 (x2) BRACKET: BRAKE COVER: UPPER
- 57.G1662588 (x2) HOLDER: PAPER TRAY: POSITIONING
- 50.G1661323 (x6) SHEET: FRAME: RIGHT

51.G1661343 (x2) KEY: FUSING

45.G1661112 (x2) GEAR COVER

61.G1663331 (x2) DECAL - BLACK



43.G1661096 (x2) GROUND PLATE - FRONT

56.G1662586 (x2) FEELER HOLDER

47.G1661314 (x2) LOWER SEAL - 1

55.G1662585 (x2) FEELER - PAPER END SENSOR

42.G1661095 (x4) SHEET: BASE: FRAME

53.G1662582 (x2) GROUNDING SPRING

48.G1661315 (x6) LOWER SEAL - 2

49.G1661316 (x4) LOWER SEAL - 3

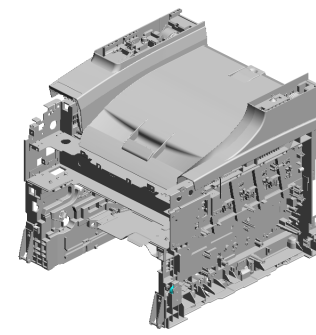
60.G1662598 (x2) SPRING PLATE: RESISTOR: BASE: UPPER

58.G1662596 (x2) HOLDER: RESISTOR: BASE

59.G1662597 (x2) SPRING PLATE: RESISTOR: BASE: LOWER

54.G1662583 (x2) SPRING PLATE: PAPER TRAY: POSITIONING

U014 MAIN FRAME



- 74.G1831066 (x2) TORSION SPRING-SLIDE STOPPER
- 67.G1831050 (x2) LEFT SLIDE ARM
- 69.G1831052 (x2) LEFT TORSION SPRING - ARM
- 65.G1665724 (x2) HARNESS CLAMP HOLDER
- 78.G1831070 (x2) UPPER SUPPORTING PLATE - COVER

- 75.G1831067 (x2) STOPPER PLATE - SCANNER

- 79.G1831071 (x2) RIGHT ACTUATOR - STOPPER

- 73.G1831061 (x2) TORSION SPRING - SEPARATION PLATE

- 71.G1831054 (x2) SLIDE RAIL:LEFT

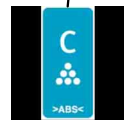
- 81.G1831075 (x2) PLATE:SHAFT

- 66.G1666592 (x4) SPRING PLATE - COLLECTION BOTTLE



- 63.G1663334 (x2) DECAL - YELLOW

- 80.G1831072 (x2) WIRE - SCANNER LOCK



- 62.G1663333 (x2) DECAL - CYAN

- 72.G1831055 (x2) SLIDE RAIL:RIGHT

- 77.G1831069 (x2) COMPRESSION SPRING - STOPPER

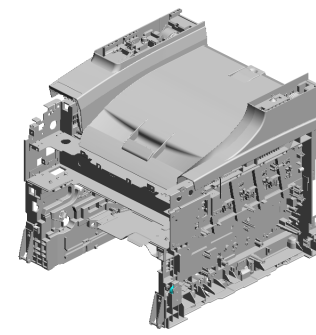
- 76.G1831068 (x2) RIGHT SLIDE STOPPER - SCANNER

- 64.G1665706 (x2) GROUND PLATE:SHAFT:IMAGING UNIT

- 70.G1831053 (x2) RIGHT TORSION SPRING - ARM

- 68.G1831051 (x2) RIGHT SLIDE ARM

U014 MAIN FRAME



- 85.G1831090 (x2) GROUND PLATE: SUPPORTING PLATE:LEFT
- 95.M1001056 (x2) HINGE:TORQUE LIMITER
- 87.G1831834 (x2) LEFT GROUND PLATE - SCANNER
- 88.M0185757 (x2) HARNESS COVER SHEET:ADF
- 94.M0AX1252 (SP C261SFNW/C262SFNW):COVER:HARNESS:SCANNER:LEFT

- 103.M2021065 (x2) STOPPER:SLIDE:SCANNER:LEFT

- 102.M2021060 (x2) SEPARATION PLATE:SLIDE

- 83.G1831085 (x2) BRACKET - ARM

- 82.G1831082 (x2) ARM - LOCK LEVEL

- 84.G1831088 (x2) TENSION SPRING - LOCK ARM

- 91.M0965760 (x2) GROUND PLATE:REGISTRATION ROLLER
- 92.M0965761 (x2) GROUND PLATE:BASE:PSU
- 93.M0AX1250 (SP C261SFNW/C262SFNW):COVER:UPPER
- 90.M0965703 (x2) DC SOLENOID:FUSING:ASSY
- 89.M0963993 (x2) RESISTOR:EARTH:PAPER FEED

- 98.M1981281 (x2) BASE:END FENCE:EXIT

- 99.M1981282 (x2) END FENCE:EXIT:REAR

- 100.M1981283 (x2) END FENCE:EXIT:FRONT

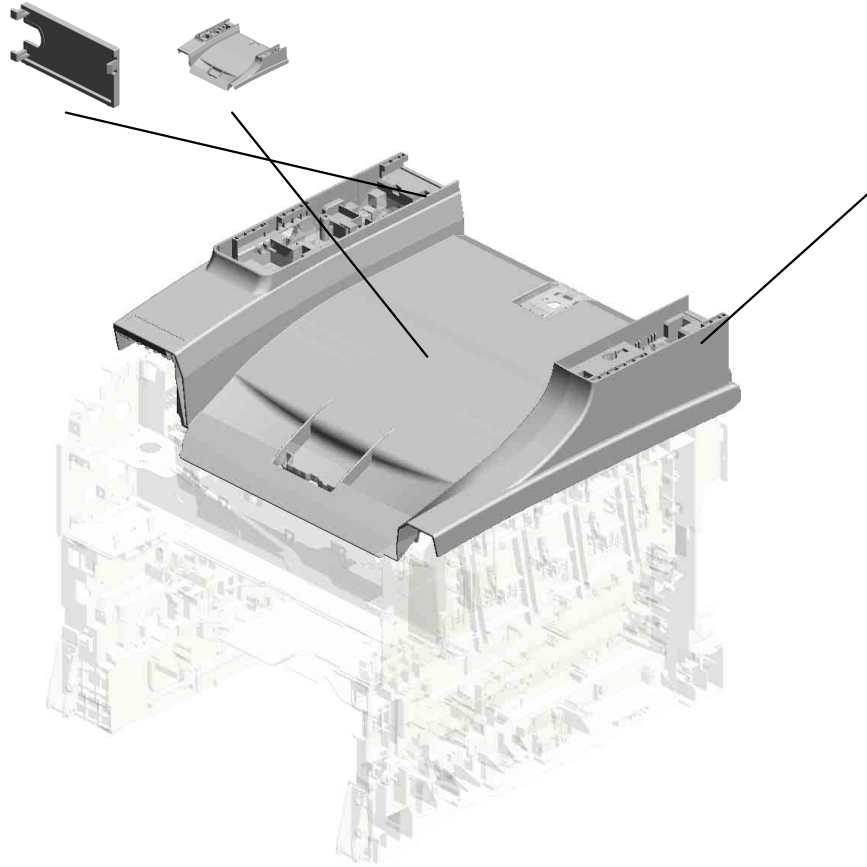
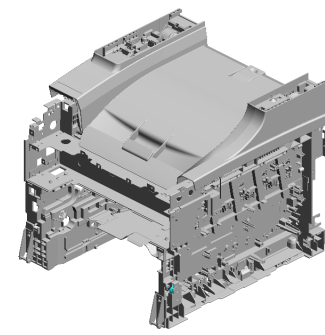
- 86.G1831091 (x2) GROUND PLATE: SUPPORTING PLATE:RIGHT

- 97.M1981085 (x2) SPRING PLATE:LSU:POSITIONING

U014 MAIN FRAME

106.M2021252
(SP C260SFNw);CO
VER:HARNESS:SC
ANNER:LEFT

104.M2021250
(SP C260SFNw);CO
VER:UPPER

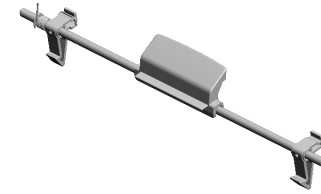


105.M2021251
(x2)
COVER:HARNESS:
SCANNER:RIGHT

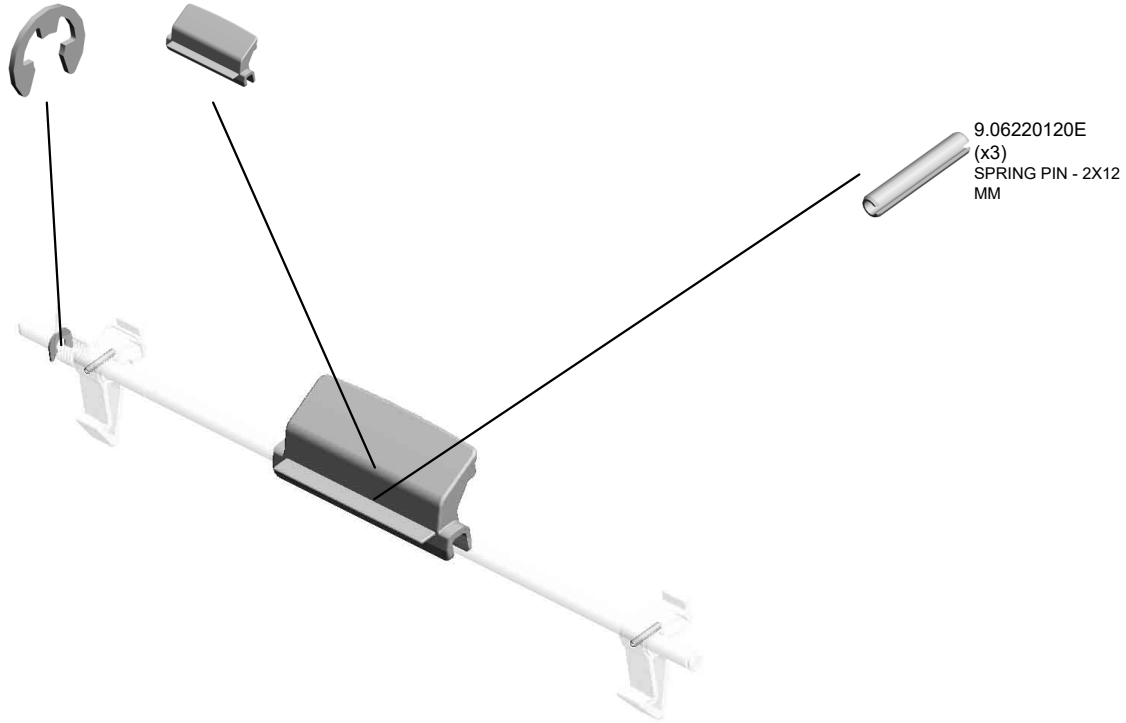
U014_S001
SHAFT:LOCK:ASS'Y

11.07200040E
RETAINING RING -
M4

96.M1981076
LEVER:LOCK:UPP
ER



101.M2021012
SHAFT:LOCK:ASS'
Y

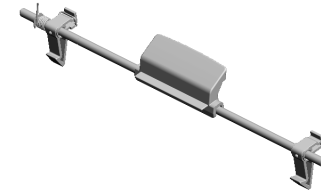


9.06220120E
(x3)
SPRING PIN - 2X12
MM

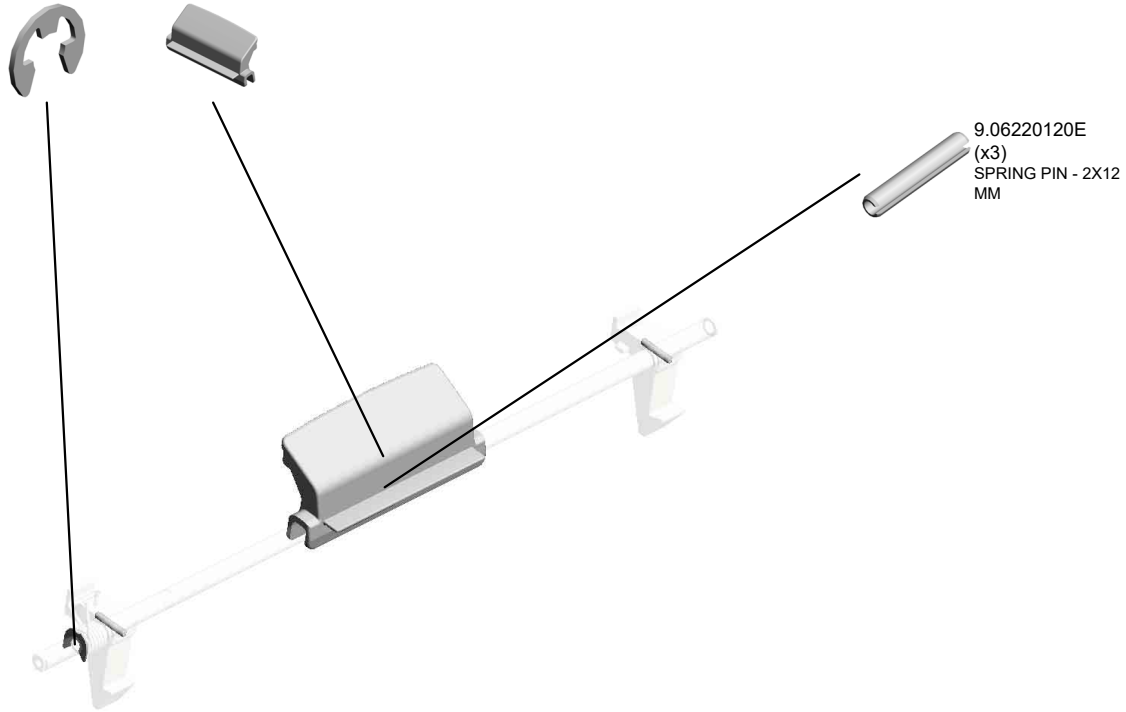
U001	U002	U003	U004	U005	U006	U007	U008	U009	U010	U011	U012	U013	U014	U015
------	------	------	------	------	------	------	------	------	------	------	------	------	------	------

U014_S002
SHAFT:LOCK:ASS'Y

11.07200040E 96.M1981076
RETAINING RING - LEVER:LOCK:UPP
M4 ER

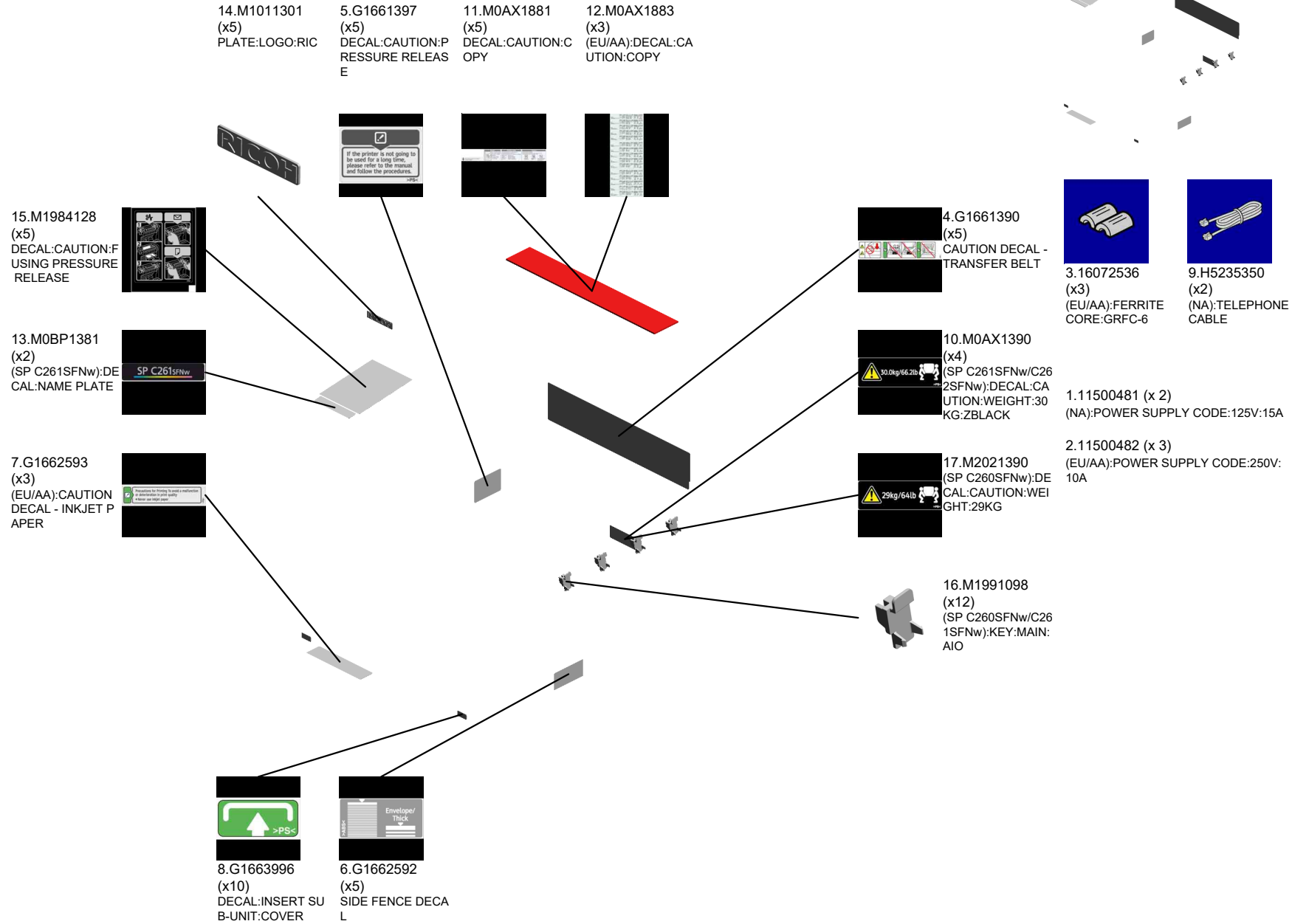


101.M2021012
SHAFT:LOCK:ASS'
Y



U001	U002	U003	U004	U005	U006	U007	U008	U009	U010	U011	U012	U013	U014	U015
------	------	------	------	------	------	------	------	------	------	------	------	------	------	------

U015 ACCESSORIES



Exclusive Parts

Number	Part Name	Group	ID
52152713	BOTTOM PLATE PAD	U005_S001_S001	4
A2672869	GEAR - 16Z	U005_S001	5
AA063568	PRESSURE SPRING	U013_S001	18
		U013_S002	18
		U013_S003	18
		U013_S004	18
		U013_S005	18
AA082101	BUSHING - 6X10X6	U005	6
		U012	9
AA132013	SPACER	U005_S001	7
AA143592	SCREW- M4X6	U013	19
AF031061	PAPER FEED ROLLER	U005	8
AW020198	PHOTOINTERRUPTOR:LG2A14NL 1	U011_S001	7
		U013	20
AW140015	TEMPERATURE & HUMIDITY SEN SOR	U013	21
AX640199	FAN:MM80:25MM:DC 2.16W	U013	22
B0394480	STEPPED SCREW - M5	U014	14
B1251474	RIVET:MM5	U014	15
D0094511	SPACER:DIA8.0:1.5MM	U005_S001	9
D1441085	STEPPED SCREW:M3	U010_S001	5
		U010_S002	5
G1022789	STOPPER:PHOTOINTERRUPTOR	U011_S001	8
		U013	23
G1631068	BRACKET - PHOTOINTERRUPTOR	U013	24
G1635728	SEAL:FAN:2	U013	25
G1635731	BASE:HIGH VOLTAGE:3	U013	26
G1661008	CLUTCH/BRAKE BRAKET	U014	16
G1661046	COLOR DECAL - MAGENTA	U014	17
G1661047	SPACER- RUBBER FOOT	U014	18
G1661048	RUBBER FOOT	U014	19
G1661058	EXIT DUCT	U013	27
G1661059	DUCT	U013	28
G1661060	BASE:HINGE:COVER:FRONT	U014	20
G1661061	PIN:HINGE	U014	21
G1661064	CLUTCH/BRAKE SPRING	U014	22
G1661065	CLUTCH SPRING	U014	23
G1661066	CLUTCH/BRAKE CASE	U014	24

Number	Part Name	Group	ID
G1661067	GEAR - 14Z	U014	25
G1661068	FUSING DUCT	U014	26
G1661069	RACK SUPPORTER	U014	27
G1661070	FRAME:UPPER LEFT	U014	28
G1661071	FRAME:UPPER RIGHT	U014	29
G1661072	SPRING:PLATE:AIO	U014	30
G1661073	SHAFT	U014	31
G1661078	COMPRESSION SPRING	U014	32
G1661081	TWIST SPRING - LEFT	U014	33
G1661083	GROUNDING PLATE - HIGH VOLT AGE	U014	34
G1661084	SPRING:PLATE:AIO:BLACK	U014	35
G1661086	BRACKET:OPTICAL UNIT:FRAME: UPPER	U014	36
		U014	37
G1661087	SPRING:CUSHION:FRAME:UPPER	U014	37
G1661088	UPPER FRONT DUCT	U014	38
G1661089	PIN:PLATE:DEVELOPMENT UNIT	U014	39
G1661090	GROUND PLATE - DCHIP	U014	40
G1661093	GEAR - 20Z	U014	41
G1661095	SHEET:BASE:FRAME	U014	42
G1661096	GROUND PLATE - FRONT	U014	43
G1661097	GROUND PLATE - LEFT	U014	44
G1661110	HARNESS GUIDE	U013	29
G1661111	FRAME - TRANSFER DRIVE UNIT	U012	10
G1661112	GEAR COVER	U014	45
G1661118	GROUNDING WIRE	U012	11
G1661119	MOTOR BRACKET	U012	12
G1661123	FRAME - ON-OFF DRIVE UNIT	U012	13
G1661125	SHIELDING PLATE	U012	14
G1661131	DC MOTOR - DC24V 5.3W	U012	15
G1661135	MOTOR - DC24V 1.6W	U012	16
G1661139	FRAME - TRANSPORT DRIVE UNIT	U012	17
G1661151	MOTOR BRACKET	U012	18
G1661152	GROUNDING PLATE	U012	19
G1661194	FRAME - DUPLEX DRIVE UNIT	U012	20
G1661280	CUSHION - IMAGING UNIT	U014	46
G1661311	SEAL - 5X15X222MM	U001	7
G1661312	SEAL - 7X25X176MM	U001	8

Exclusive Parts

Number	Part Name	Group	ID
G1661313	SEAL - 3X8X411MM	U001	9
G1661314	LOWER SEAL - 1	U014	47
G1661315	LOWER SEAL - 2	U014	48
G1661316	LOWER SEAL - 3	U014	49
G1661318	SHEET - CASSETTE COVER	U001	10
G1661319	SEAL:COVER:LEFT:7	U001	11
G1661323	SHEET:FRAME:RIGHT	U014	50
G1661343	KEY:FUSING	U014	51
G1661382	BRACKET:BRAKE:COVER:UPPER	U014	52
G1661390	CAUTION DECAL - TRANSFER BELT	U015	4
G1661397	DECAL:CAUTION:PRESSURE RELEASE	U015	5
G1662551	PAPER TRAY	U005_S001	10
G1662555	LEFT SIDE FENCE	U005_S001	11
G1662556	RIGHT SIDE FENCE	U005_S001	12
G1662558	EXTENSION TRAY	U005_S001	13
G1662559	END FENCE	U005_S001	14
G1662567	BOTTOM PLATE STOPPER	U005_S001	15
G1662568	COMPRESSION SPRING	U005_S001	16
G1662569	LEVER PAPER VOLUME SENSOR	U005_S001	17
G1662570	COMPRESSION SPRING	U005_S001	18
G1662572	EARTH SPRING	U005_S001	19
G1662573	HOLDER SHEET	U005_S001	20
G1662577	END FENCE - PRESSURE	U005_S001	21
G1662578	COMPRESSION SPRING	U005_S001	22
G1662582	GROUNDING SPRING	U014	53
G1662583	SPRING PLATE:PAPER TRAY:POSITIONING	U014	54
G1662585	FEELER - PAPER END SENSOR	U014	55
G1662586	FEELER HOLDER	U014	56
G1662588	HOLDER:PAPER TRAY:POSITIONING	U014	57
G1662589	DAMPING INSULATION	U005_S001	23
G1662592	SIDE FENCE DECAL	U015	6
G1662593	(EU/AA):CAUTION DECAL - INKJET PAPER	U015	7
G1662596	HOLDER:RESISTOR:BASE	U014	58

Number	Part Name	Group	ID
G1662597	SPRING PLATE:RESISTOR:BASE:LOWER	U014	59
G1662598	SPRING PLATE:RESISTOR:BASE:UPPER	U014	60
G1662606	COMPRESSION SPRING	U005_S001	24
G1662619	SHEET:BASE	U005_S001	25
G1663331	DECAL - BLACK	U006 U014	4 61
G1663333	DECAL - CYAN	U006 U014	5 62
G1663334	DECAL - YELLOW	U006 U014	6 63
G1663852	REGISTRATION ROLLER - DRIVEN	U009_S001	4
G1663855	TENSION SPRING	U009_S001	5
G1663859	REGISTRATION SENSOR FEELER	U009_S001	6
G1663860	TORSION SPRING	U009_S001	7
G1663862	GUIDE SHEET - REGISTRATION	U009_S001	8
G1663863	REGISTRATION GUIDE	U009_S001	9
G1663865	GEAR - 14Z	U009_S001	10
G1663867	DRIVE GEAR - 14Z	U009_S001	11
G1663903	RIGHT FRAME - FRONT COVER	U009	12
G1663904	LEFT FRAME - FRONT COVER	U009	13
G1663906	LEFT LOCK LEVER	U009	14
G1663907	LOCK GUIDE	U009	15
G1663908	LOCK LEVER ARM	U009	16
G1663909	TENSION SPRING	U009	17
G1663921	GUIDE PLATE SPRING - MIDDLE	U009	18
G1663925	TORSION SPRING - FEELER	U009	19
G1663927	STOPPER BAND	U009	20
G1663928	BRAKE RACK - FRONT COVER	U009	21
G1663933	STOPPER:FEELER:PAPER FEED SENSOR	U009	22
G1663957	WASHER - 0.8X10.8MM	U009 U011_S001	23 9
G1663961	COMPRESSION SPRING	U009_S001	24
G1663962	COMPRESSION SPRING HOLDER	U009	25
G1663967	ELECTRODE PLATE - LINK	U009_S001	26
G1663968	ELECTRODE PLATE - CONTACT P	U009_S001	27

Exclusive Parts

Number	Part Name	Group	ID
	OINT		
G1663970	LEFT HOOK	U009	28
G1663971	RIGHT FHOOK	U009	29
G1663972	COMPRESSION SPRING - GRIP	U009	30
G1663983	SPACER:GROUND PLATE:TRANS PORT	U009_S001	31
G1663996	DECAL:INSERT SUB-UNIT:COVER	U015	8
G1664310	DECAL:WARNING (HIGH TEMPER ATURE):1:CUD	U010_S001 U010_S002	6 6
G1664456	GUIDE ROLLER - EXIT	U011_S001	10
G1664457	DRIVEN ROLLER - EXIT	U011_S001	11
G1664463	EXIT GUIDE PLATE	U011_S001	12
G1664464	DECAL:HIGHTEMPERATURE	U009	32
G1664606	DUPLEX ROLLER	U009	33
G1665280	TERMINAL BOARD	U013	30
G1665700	BRACKET - POWER SUPPLY UNIT	U013	31
G1665706	GROUND PLATE:SHAFT:IMAGING UNIT	U014	64
G1665708	2ND TERMINAL- TRANSFER	U013	32
G1665715	BRACKET - MAIN SWITCH	U013	33
G1665716	TERMINAL:AIO	U013	34
G1665724	HARNESS CLAMP HOLDER	U014	65
G1665725	HARNESS COVER	U013	35
G1665726	CUSHION - HARNESS	U013	36
G1665732	BRACKET SAFETY SWITCH	U013	37
G1665733	LINK - SAFETY SWITCH	U013	38
G1665734	TORSION SPRING - SAFETY SWIT CH	U013	39
G1665736	TENSION SPRING - SAFETY SWIT CH	U013	40
G1665737	COMPRESSION SPRING - SAFETY SWITCH	U013	41
G1665738	1ST TERMINAL - TRANSFER	U013	42
G1665745	HARNESS COVER	U012	21
G1665748	LEVER - SAFETY SWITCH	U013	43
G1665751	CONNECTOR HOLDER - FUSING	U013	44
G1665754	ARM:LINK:SAFETY SWITCH	U013	45
G1665759	GROUND PLATE - FUSING	U013	46

Number	Part Name	Group	ID
G1666026	BUSHING - 19MM	U007_S001	3
G1666045	SPRING - FEELER	U013	47
G1666046	SENSOR FEELER	U013	48
G1666099	COMPRESSION SPRING	U007_S001	4
G1666103	SENSOR HOLDER	U013	49
G1666107	GROUNDING PLATE	U013	50
G1666181	COMPRESSION SPRING - RIGHT L OWER	U013_S001 U013_S002 U013_S003 U013_S004 U013_S005	51 51 51 51 51
G1666182	COMPRESSION SPRING - LEFT LO WER	U013_S001 U013_S002 U013_S003 U013_S004 U013_S005	52 52 52 52 52
G1666183	BRACKET - DENSITY SENSOR	U013_S001 U013_S002 U013_S003 U013_S004 U013_S005	53 53 53 53 53
G1666184	HOLDER - DENSITY SENSOR	U013_S001 U013_S002 U013_S003 U013_S004 U013_S005	54 54 54 54 54
G1666185	GROUNDING PLATE - DENSITY SE NSOR	U013_S001 U013_S002 U013_S003 U013_S004 U013_S005	55 55 55 55 55
G1666188	CLEANER - DENSITY SENSOR	U013_S001 U013_S002 U013_S003 U013_S004 U013_S005	56 56 56 56 56
G1666191	CLEANER DECAL - DENSITY SENS OR	U013_S001 U013_S002	57 57

Exclusive Parts

Number	Part Name	Group	ID
		U013_S003	57
		U013_S004	57
		U013_S005	57
G1666193	LEFT HOLDER - TRANSFER BELT UNIT	U007_S001	5
G1666194	RIGHT HOLDER - TRANSFER BELT UNIT	U007_S001	6
G1666196	RIGHT SLIDER - TRANSFER BELT UNIT	U007_S001	7
G1666197	LEFT SLIDER - TRANSFER BELT UNIT	U007_S001	8
G1666580	STOPPER SHEET - PHOTOINTERRUPTOR	U013	58
G1666584	USED TONER SENSOR	U013	59
G1666586	FEELER - SET SENSOR	U013	60
G1666587	SENSOR BRACKET	U013	61
G1666592	SPRING PLATE -COLLECTION BOTTLE	U014	66
G1831050	LEFT SLIDE ARM	U014	67
G1831051	RIGHT SLIDE ARM	U014	68
G1831052	LEFT TORSION SPRING - ARM	U014	69
G1831053	RIGHT TORSION SPRING - ARM	U014	70
G1831054	SLIDE RAIL:LEFT	U014	71
G1831055	SLIDE RAIL:RIGHT	U014	72
G1831061	TORSION SPRING - SEPARATION PLATE	U014	73
G1831066	TORSION SPRING- SLIDE STOPPER	U014	74
G1831067	STOPPER PLATE - SCANNER	U014	75
G1831068	RIGHT SLIDE STOPPER - SCANNER	U014	76
G1831069	COMPRESSION SPRING - STOPPER	U014	77
G1831070	UPPER SUPPORTING PLATE - COVER	U014	78
G1831071	RIGHT ACTUATOR - STOPPER	U014	79
G1831072	WIRE - SCANNER LOCK	U014	80
G1831075	PLATE:SHAFT	U014	81

Number	Part Name	Group	ID
G1831082	ARM - LOCK LEVER	U014	82
G1831085	BRACKET - ARM	U014	83
G1831088	TENSION SPRING -LOCK ARM	U014	84
G1831090	GROUND PLATE:SUPPORTING PLATE:LEFT	U014	85
G1831091	GROUND PLATE:SUPPORTING PLATE:RIGHT	U014	86
G1831834	LEFT GROUND PLATE - SCANNER	U014	87
G1835824	CASE - CORE	U013	62
G1835826	BRACKET - SPEAKER	U013	63
G1835831	COVER - CONTROL BOARD	U013	64
G8003133	SIDE FENCE GEAR	U005_S001	26
GA043030	TIMING BELT - 60S2M280	U012	22
GA082014	PLAIN SHAFT BEARING:DIA6:DIA10:9	U011_S001	13
GA082015	PLAIN SHAFT BEARING:DIA6:DIA9:7	U009_S001	34
GA120011	DISCHARGE BRUSH EXIT	U011_S001	14
GA132101	SPACER - 0.13 X 12MM	U012	23
GA145013	SHAFT - 6 X 39.5MM	U012	24
GA145014	SHAFT - 6 X 55.3MM	U012	25
GA148016	SHAFT - 6 X 26.7MM	U012	26
GA148018	SHAFT - 6 X 21.9MM	U012	27
GB010039	GEAR:AIO:DRIVE:MIDDLE	U012	28
GB010040	GEAR:AIO:DRIVE:1	U012	29
GB011101	GEAR - 37Z	U012	30
GB011102	GEAR - 19/38Z	U012	31
GB011103	GEAR - 28/36Z	U012	32
GB011104	GEAR - 20/35Z	U012	33
GB011105	GEAR - 29Z	U012	34
GB011106	GEAR - 22/31Z	U012	35
GB011108	GEAR - 21Z	U012	36
GB011109	GEAR - 28Z	U012	37
GB011110	GEAR - 31Z	U012	38
GB011111	GEAR - 19Z	U012	39
GB011112	GEAR - 29Z	U012	40
GB011118	REGIST DRIVE GEAR	U012	41
GB011133	GEAR - 15Z	U009_S001	35

Exclusive Parts

Number	Part Name	Group	ID
		U011_S001	15
GB012102	GEAR - 54Z	U012	42
GB013114	GEAR - 35Z	U012	43
GB013115	GEAR - 21Z	U012	44
GB013117	GEAR - 19Z	U012	45
GB017103	GEAR - 21/45Z	U012	46
GB017104	GEAR - 24/57Z	U012	47
GB017109	GEAR - 16/42Z	U012	48
GB017111	GEAR - 16/51Z	U012	49
GB017112	GEAR - 21/73Z	U012	50
GB017113	GEAR - 40/65Z	U012	51
GB017116	GEAR - 17/42Z	U012	52
GB017120	GEAR:AIO:JOINT:2	U012	53
GB017123	GEAR:AIO:DRIVE	U012	54
GB017124	GEAR:TRANSFER:DRIVE:MIDDLE	U012	55
GB030036	PULLEY - 18T	U012	56
GF020000	REGISTRATION ROLLER - DRIVE	U009_S001	36
GF020060	TRANSPORT ROLLER:DUPLEX	U009_S001	37
GF020061	EXIT ROLLER	U011_S001	16
GX041120	STEPPER MOTOR - DC 14.8W	U012	57
GX061148	BRUSHLESS MOTOR:DC24V:10W	U012	58
GX061149	BRUSHLESS MOTOR:DC24V:21W	U012	59
GX061150	BRUSHLESS MOTOR:DC24V:35W	U012	60
GX201123	MAGNETIC CLUTCH:0.25N	U005	27
		U012	61
GX450008	(NA):HEATER:120V:1000W:INFRARED	U010_S001	7
GX450009	(EU/AA):HEATER:230V:1000W	U010_S002	8
GZ230100	(NA):POWER SUPPLY UNIT:127W:DON/NA	U013	65
GZ230102	(EU/AA):POWER SUPPLY UNIT:127W	U013	66
GZ300011	POWER PACK	U013	67
H5213355	C RING - PAPER FEED ROLLER	U005	28
H5235350	(NA):TELEPHONE CABLE	U015	9
M0182562	BASE:ADHESION	U005_S001_S001	29
M0182608	COVER:BASE	U005_S001	30
M0184459	ROLLER:DRIVEN:EXIT:OUTER	U011_S001	17

Number	Part Name	Group	ID
M0184464	GUIDE:PLATE:EXIT:OUTER	U011_S001	18
M0185752	SPACER:GROUND PLATE:FLAT CABLE:SCANNER UNIT	U013	68
M0185757	HARNESS COVER SHEET:ADF	U014	88
M0352620	FRICTION PAD	U005_S001	31
M0353974	COMPRESSION SPRING:HOUSING:TRANSPORT	U009	38
M0751105	BRACKET:MOTOR	U012	62
M0751107	SHIELDING PLATE:GEAR:2	U012	63
M0751251	GUIDE:LOUVER	U001	12
M0751252	SEAL:STOPPER:LOUVER	U001	13
M0751308	SEAL:GUIDE:LOUVER:UPPER	U001	14
M0751309	SEAL:GUIDE:LOUVER:LOWER	U001	15
M0754607	SPRING:PRESSURE:DUPLEX	U009	39
M0931851	IMAGING UNIT:ASS'Y	U004	1
M0963802	HOUSING:TRANSPORT SUB-UNIT:ASS'Y	U009_S001	40
M0963912	HOLDER:GUIDE PLATE:REVERSE	U009	41
M0963923	GUIDE PLATE:EXIT:MIDDLE	U009	42
M0963924	FEELER:PAPER FEED SENSOR	U009	43
M0963926	ROLLER:GUIDE:EXIT:MIDDLE	U009	44
M0963987	DECAL:GRIP:HOUSING	U009_S001	45
M0963988	DECAL:INSERT SUB-UNIT:TRANSPORT UNIT	U009_S001	46
M0963989	RESISTOR:TRANSFER/SEPARATION	U009_S001	47
M0963993	RESISTOR:EARTH:PAPER FEED	U014	89
M0963994	RESISTOR:EARTH:EXIT:DISCHARGE SECTION	U011_S001	19
M0964018	(NA):FUSING UNIT:ASS'Y	U010_S001	9
M0964028	(EU/AA):FUSING UNIT:ASS'Y	U010_S002	10
M0964076	FUSING ENTRANCE GUIDE PLATE:UPPER	U010_S001	11
		U010_S002	11
M0964077	FUSING ENTRANCE GUIDE PLATE:LOWER	U010_S001	12
		U010_S002	12
M0964084	HOLDER:FUSING ENTRANCE GUIDE PLATE:RIGHT	U010_S001	13
		U010_S002	13
M0964085	HOLDER:FUSING ENTRANCE GUI	U010_S001	14

Exclusive Parts

Number	Part Name	Group	ID
	DE PLATE:LEFT	U010_S002	14
M0964089	TORSION SPRING:ENTRANCE:RIGHT	U010_S001	15
		U010_S002	15
M0964090	TORSION SPRING:ENTRANCE:LEFT	U010_S001	16
		U010_S002	16
M0964111	COVER:FUSING	U010_S001	17
		U010_S002	17
M0964112	PRESSURE COVER	U010_S001	18
		U010_S002	18
M0964114	EXIT GUIDE PLATE - PRESSURE	U010_S001	19
		U010_S002	19
M0964115	TORSION SPRING:GUIDE PLATE:PRESSURE:RIGHT	U010_S001	20
		U010_S002	20
M0964116	TORSION SPRING:GUIDE PLATE:PRESSURE:LEFT	U010_S001	21
		U010_S002	21
M0964117	DECAL:FUSING EXIT:OPEN AND CLOSE	U010_S001	22
		U010_S002	22
M0964126	DECAL:FUSING:LEVER:LEFT	U010_S001	23
		U010_S002	23
M0964127	DECAL:FUSING:LEVER:RIGHT	U010_S001	24
		U010_S002	24
M0964455	GROUND PLATE:EXIT:1	U011_S001	20
M0964456	GROUND PLATE:EXIT:2	U011_S001	21
M0964458	SPRING:PRESSURE:EXIT:INNER	U011_S001	22
M0964459	FEELER:L	U011_S001	23
M0964460	SPRING:PRESSURE:EXIT:OUTER	U011_S001	24
M0964461	FEELER:R	U011_S001	25
M0964462	LINK:SLIDE	U011_S001	26
M0964463	LINK:TURN	U011_S001	27
M0964464	COMPRESSION SPRING	U011_S001	28
M0964465	TORSION SPRING:1	U011_S001	29
M0964466	TORSION SPRING:2	U011_S001	30
M0965703	DC SOLENOID:FUSING:ASS'Y	U014	90
M0965711	SHADEING PLATE:HARNESS:POWER SUPPLY UNIT	U013	69
M0965760	GROUND PLATE:REGISTRATION ROLLER	U014	91
M0965761	GROUND PLATE:BASE:PSU	U014	92

Number	Part Name	Group	ID
M0966000	INTERMEDIATE TRANSFER SECTION:ASS'Y	U007_S001	9
M0966202	TRANSFER ROLLER:SUB-ASS'Y	U009_S001_S001	48
M0976250	TRANSFER ROLLER:TRANSFER/SEPARATION	U009_S001_S001	49
M0AD1253	LOUVER	U001	16
M0AD3905	LEVER:LOCK:RIGHT	U009	50
M0AR0640	TONER RECYCLING SECTION	U008_S001	2
M0AR1261	INNER COVER:EXIT	U001	17
M0AR1306	COVER:LEFT	U001	18
M0AR1310	COVER:SWITCH	U001	19
M0AR1468	PCB:NFC:ASS'Y	U002	3
M0AR2550	PAPER TRAY:ASS'Y	U005_S001	32
M0AR2553	CASSETTE COVER	U005_S001	33
M0AR2554	GUIDE:DUPLEX	U005	34
M0AR2560	SIDE FENCE:LEFT:MANUAL FEED	U005_S001	35
M0AR2561	SIDE FENCE:RIGHT:MANUAL FEED	U005_S001	36
M0AR2571	SHEET:CASSETTE	U005_S001	37
M0AW1111	GUIDE:FFC:OPERATION SUB-UNIT	U013	70
M0AW1278	COVER:PAPER EXIT SUB-UNIT	U001	20
M0AW1400	(SP C260SFNw/C261SFNw):OPERATION PANEL:ASS'Y	U002	4
M0AW1465	GROUND PLATE:OPERATION SUB-UNIT:RIGHT	U002	5
M0AW1480	CASE:FFC	U013	71
M0AW1600	(SP C260SFNw):SCANNER:ASS'Y	U003	1
M0AW1642	(SP C260SFNw):ADF:ASS'Y	U003_S002	2
M0AW1750	(SP C260SFNw):COVER:REAR:ADF	U003_S002	3
M0AW1751	(SP C260SFNw):COVER:FRONT:ADF	U003_S002	4
M0AW1752	(SP C260SFNw):COVER:UPPER:ADF	U003_S002	5
M0AW1766	(SP C260SFNw):EXTENSION TRAY:EXIT	U003_S002	6
M0AW1767	(SP C260SFNw):HINGE:LEFT	U003_S002	7
M0AW1768	(SP C260SFNw):SCREW:4X10	U003_S002	8
M0AW1769	(SP C260SFNw):HINGE:RIGHT	U003_S002	9

Exclusive Parts

Number	Part Name	Group	ID
M0AW1771	(SP C260SFNw):COVER:LOWER:ADF	U003_S002	10
M0AW3903	COVER:FRONT	U009	51
M0AW5650	(SP C260SFNw):PCB:CTL:ASS'Y	U013	72
M0AX0070	(SP SP C261SFNw/C262SFNw):SCANNER:DADF	U003_S001	11
M0AX1250	(SP C261SFNw/C262SFNw):COVER:UPPER	U014	93
M0AX1252	(SP C261SFNw/C262SFNw):COVER:HARNESS:SCANNER:LEFT	U014	94
M0AX1390	(SP C261SFNw/C262SFNw):DECAL:CAUTION:WEIGHT:30KG:ZBLACK	U015	10
M0AX1400	(SP C262SFNw):OPERATION PANEL:ASS'Y	U002	6
M0AX1881	DECAL:CAUTION:COPY	U015	11
M0AX1883	(EU/AA):DECAL:CAUTION:COPY	U015	12
M0AX5126	PCB:EGB:ASS'Y	U013	73
M0AX5650	(SP C262SFNw):PCB:CTL:ASS'Y	U013	74
M0AX5660	(SP C261SFNw):PCB:CTL:ASS'Y	U013	75
M0BP1381	(SP C261SFNw):DECAL:NAME PLATE	U015	13
M1001056	HINGE:TORQUE LIMITER	U014	95
M1001060	HOLDER:USB	U013	76
M1001061	BASE:USB	U013	77
M1011301	PLATE:LOGO:RIC	U015	14
M1561761	(SP C260SFNw):SCREW:3X8	U003_S002	12
M1562822	(SP C260SFNw):FRAME:PICKUP	U003_S002_S001	13
M1562823	(SP C260SFNw):PICKUP ROLLER	U003_S002_S001	14
M1562824	(SP C260SFNw):ARM:STOPPER	U003_S002	15
M1562826	(SP C260SFNw):COIL SPRING:PICKUP	U003_S002_S001	16
M1562828	(SP C260SFNw):GEAR:28T	U003_S002_S001	17
M1562829	(SP C260SFNw):PAWL:PICKUP	U003_S002_S001	18
M1562830	(SP C260SFNw):FEED ROLLER	U003_S002_S001	19
M1562832	(SP C260SFNw):SHAFT:TRANSPORT ROLLER:UPPER PAPER FEED	U003_S002	20
M1562833	(SP C260SFNw):ARM:ORIGINAL SENSOR	U003_S002	21

Number	Part Name	Group	ID
M1562834	(SP C260SFNw):SHAFT:PICKUP	U003_S002	22
M1562835	(SP C260SFNw):GEAR:28T	U003_S002	23
M1562836	(SP C260SFNw):COIL SPRING:FEED ROLLER:UPPER	U003_S002	24
M1562837	(SP C260SFNw):COIL SPRING:PAWL	U003_S002_S001	25
M1562845	(SP C260SFNw):GROUND PLATE	U003_S002	26
M1562846	(SP C260SFNw):SCREW:3X4	U003_S002	27
M1562847	(SP C260SFNw):GEAR:21T	U003_S002	28
M1562848	(SP C260SFNw):GEAR:28T	U003_S002	29
M1562849	(SP C260SFNw):GEAR:37T	U003_S002	30
M1562850	(SP C260SFNw):GEAR:39T	U003_S002	31
M1562851	(SP C260SFNw):GEAR:46T	U003_S002	32
M1562852	(SP C260SFNw):GEAR:43T	U003_S002	33
M1562853	(SP C260SFNw):GEAR:53T	U003_S002	34
M1562856	(SP C260SFNw):EXIT ROLLER	U003_S002	35
M1562857	(SP C260SFNw):PLAIN SHAFT BEARING:LEFT:EXIT ROLLER	U003_S002	36
M1562858	(SP C260SFNw):PLAIN SHAFT BEARING:RIGHT:EXIT ROLLER	U003_S002	37
M1562861	(SP C260SFNw):REGISTRATION ROLLER:ASS'Y	U003_S002	38
M1562862	(SP C260SFNw):ARM:REGISTRATION SENSOR	U003_S002	39
M1562864	(SP C260SFNw):DISCHARGE BRUSH	U003_S002	40
M1562865	(SP C260SFNw):FRAME:MOTOR:ADF	U003_S002	41
M1562868	(SP C260SFNw):COIL SPRING:PLATE:ADF	U003_S002	42
M1562886	(SP C260SFNw):SHAFT:EXIT ROLLER	U003_S002	43
M1562890	(SP C260SFNw):COIL SPRING:REAR	U003_S002	44
M1562892	(SP C260SFNw):SCREW:3X8	U003_S002	45
M1562896	(SP C260SFNw):PAD:PICKUP	U003_S002	46
M1562898	(SP C260SFNw):SCREW:3X6	U003_S002	47
M1562899	(SP C260SFNw):SHEET:OUTLET	U003_S002	48

Exclusive Parts

Number	Part Name	Group	ID
M1981076	LEVER:LOCK:UPPER	U014_S001	96
		U014_S002	96
M1981085	SPRING PLATE:LSU:POSITIONING	U014	97
M1981262	COVER:CASSETTE	U001	21
M1981281	BASE:END FENCE:EXIT	U014	98
M1981282	END FENCE:EXIT:REAR	U014	99
M1981283	END FENCE:EXIT:FRONT	U014	100
M1981333	COVER:RIGHT	U001	22
M1982580	SHAFT:PAPER FEED ROLLER	U005	38
M1984128	DECAL:CAUTION:FUSING PRESSURE RELEASE	U015	15
M1984450	GUIDE:EXIT:ASS'Y	U011_S001	31
M1984453	GUIDE:EXIT:LOWER	U011_S001	32
M1985721	BASE:TRANCEIVER:LAN ADAPTER	U013	78
M1986003	DENSITY SENSOR:ASS'Y	U013_S001	79
		U013_S002	79
		U013_S003	79
		U013_S004	79
		U013_S005	79
M1991098	(SP C260SFNw/C261SFNw):KEY:MAIN:AIO	U015	16
M2021012	SHAFT:LOCK:ASS'Y	U014_S001	101
		U014_S002	101
M2021060	SEPARATION PLATE:SLIDE	U014	102
M2021065	STOPPER:SLIDE:SCANNER:LEFT	U014	103
M2021250	(SP C260SFNw):COVER:UPPER	U014	104
M2021251	COVER:HARNESS:SCANNER:RIGHT	U014	105
M2021252	(SP C260SFNw):COVER:HARNESS:SCANNER:LEFT	U014	106
M2021258	COVER:INTERFACE	U001	23
M2021259	COVER:MEMORY	U001	24
M2021274	COVER:REAR	U001	25
M2021390	(SP C260SFNw):DECAL:CAUTION:WEIGHT:29KG	U015	17
M2021634	(SP C260SFNw):SEPARATION SUB-UNIT:ASS'Y	U003_S002	49

Number	Part Name	Group	ID
M2021643	(SP C260SFNw):PICKUP ROLLER:ASS'Y	U003_S002_S001	50
M2021755	(SP C260SFNw):ORIGINAL SENSOR	U003_S002	51
M2021756	(SP C260SFNw):DC STEPPER MOTOR:ADF	U003_S002	52
M2021759	(SP C260SFNw):TRAY:ORIGINAL	U003_S002	53
M2021760	(SP C260SFNw):COVER:TRAY:ORIGINAL	U003_S002	54
M2021761	(SP C260SFNw):SIDE FENCE:RIGHT	U003_S002	55
M2021762	(SP C260SFNw):SIDE FENCE:LEFT	U003_S002	56
M2021763	(SP C260SFNw):GEAR:18T	U003_S002	57
M2021764	(SP C260SFNw):COIL SPRING:GEAR:SIDE FENCE	U003_S002	58
M2021770	(SP C260SFNw):EXIT ROLLER	U003_S002	59
M2021772	(SP C260SFNw):DRIVEN ROLLER:TRANSPORT:UPPER:ADF	U003_S002	60
M2021775	(SP C260SFNw):PRESSURE PLATE	U003_S002	61
M2021776	(SP C260SFNw):SPONGE:ADF	U003_S002	62
M2021777	(SP C260SFNw):SHAFT:DRIVEN ROLLER:TRANSPORT:ADF	U003_S002	63
M2021778	(SP C260SFNw):DRIVEN ROLLER:TRANSPORT:ADF	U003_S002	64
M2021779	(SP C260SFNw):DISCHARGE BRUSH:MECHANICAL SPRING CLUTCH	U003_S002_S001	65
M2021780	(SP C260SFNw):GEAR:22T	U003_S002_S001	66
M2021781	(SP C260SFNw):PAWL:MECHANICAL SPRING CLUTCH	U003_S002_S001	67
M2025678	SPEAKER:DIA50	U013	80
M2025825	SHEET:FFC:SCANNER	U013	81
M2045672	(NA):PCB:FAX:ASS'Y	U013	82
M2045674	(EU/AA):PCB:FAX:ASS'Y	U013	83
M2875003	PCB:WIFI	U013	84
Note	(SP SP C261SFNw/C262SFNw):See 2D parts catalog for the components	U003_S001	68

Exclusive Parts

Number	Part Name	Group	ID
	of the SCANNER/DADF.		

Standard Parts



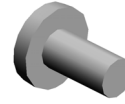
03130040N
SCREW:M3X4



03530030N
SCREW:M3X3



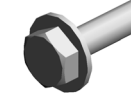
03530040N
SCREW - M3X4



03530060N
BIND SCREW - M3X6



03603006N
SCREW - M3X6



03603010N
SCREW:M3X10



04503008N
TAPPING SCREW - M3X8



04503010N
TAPPING SCREW - M3X10



04503016N
TAPPING SCREW:3X16



04504010N
TAPPING SCREW:M4X10



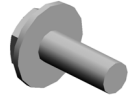
04523010N
BINDING SELF-TAPPING SCREW:3X10



04524010N
BINDING SELF-TAPPING SCREW:4X10



04543006Q
TAPPING SCREW - M3X6



04543008Q
TAPPING SCREW:3X8



06220120E
SPRING PIN - 2X12MM



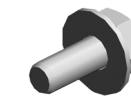
07200030E
RETAINING RING - M3



07200040E
RETAINING RING - M4



07200060E
RETAINING RING - M6



08046123
HEXAGONAL BOLT:W/WASHER:M3X8



08050088
RETAINING RING - M6



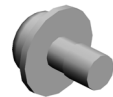
08050089
RETAINING RING - M4



08050092
RETAINING RING - 3M



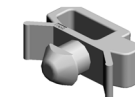
09543006N
SCREW - M3X6



09543008N
SCREW - M3X8



11050724
CLAMPS:WES-1210



11050758
CLAMP:LWSM-0306A



11050760
CLAMP:LWSM-0511A



11050761
CLAMP:LWS-0511A

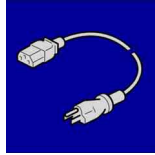
Standard Parts



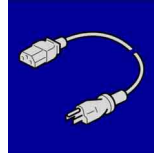
11050762
CLAMP:LWS-0711A



11050789
CLAMP:LBWS-0511S-V03.5



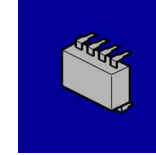
11500481
(NA):POWER SUPPLY CODE:
125V:15A



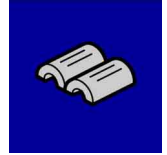
11500482
(EU/AA):POWER SUPPLY CO
DE:250V:10A



12042612
MICRO SWITCH:D3V-16506-3
C25



14077935
EEPROM:BR24T16-W



16072536
(EU/AA):FERRITE CORE:GRF
C-6

PM Part List

Number	Part Name	Num	Group	ID
M0964018	(NA):FUSING UNIT:ASS'Y	1	U010_S001	9
M0964028	(EU/AA):FUSING UNIT:ASS'Y	1	U010_S002	10
M0966000	INTERMEDIATE TRANSFER SECTION:ASS'Y	1	U007_S001	9
M0966202	TRANSFER ROLLER:SUB-AS S'Y	1	U009_S001_S001	48

