



**RICOH UNIVERSITY**

Learning ♦ Knowledge ♦ Performance



# **D137/D138 PARTS CATALOG**

**LANIER RICOH SAVIN®**

It is the reader's responsibility when discussing the information contained within this document to maintain a level of confidentiality that is in the best interest of Ricoh Americas Corporation and its member companies.

**NO PART OF THIS DOCUMENT MAY BE REPRODUCED IN ANY  
FASHION AND DISTRIBUTED WITHOUT THE PRIOR  
PERMISSION OF RICOH AMERICAS CORPORATION.**

All product names, domain names or product illustrations, including desktop images, used in this document are trademarks, registered trademarks or the property of their respective companies.

They are used throughout this book in an informational or editorial fashion only and for the benefit of such companies. No such use, or the use of any trade name, or web site is intended to convey endorsement or other affiliation with Ricoh products.

# LEGEND

PRODUCT CODE	COMPANY		
	LANIER	RICOH	SAVIN
D137	Pro C5100S	Pro C5100S	Pro C5100S
D138	Pro C5110S	Pro C5110S	Pro C5110S

# DOCUMENTATION HISTORY

REV. NO.	DATE	COMMENTS
*	07/2013	Original Printing

**Digital Color Copiers**  
**(D137/D138-NA)**  
**Parts Catalog**

**Parts change information sample**

 **Add**

 **Update**

 **Delete**

# Unit All



U001  
EXTERIOR



U002  
OPERATION



U003  
ADF



U004  
SCANNER



U005  
LASER UNIT



U006  
PAPER FEED



U007  
TONNER SUPPLY



U008  
PCU



U009  
ITB UNIT



U010  
ITB CLEANING



U011  
PAPER TRANSFER



U012  
USED TONER

# Unit All



U013  
PAPER TRANSPORT



U014  
FUSING



U015  
PAPER EXIT



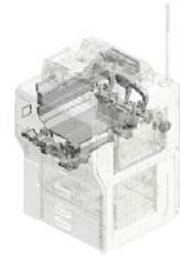
U016  
DUPLEX



U017  
MAIN DRIVE



U018  
ELECTRICAL



U019  
AIR COOLING



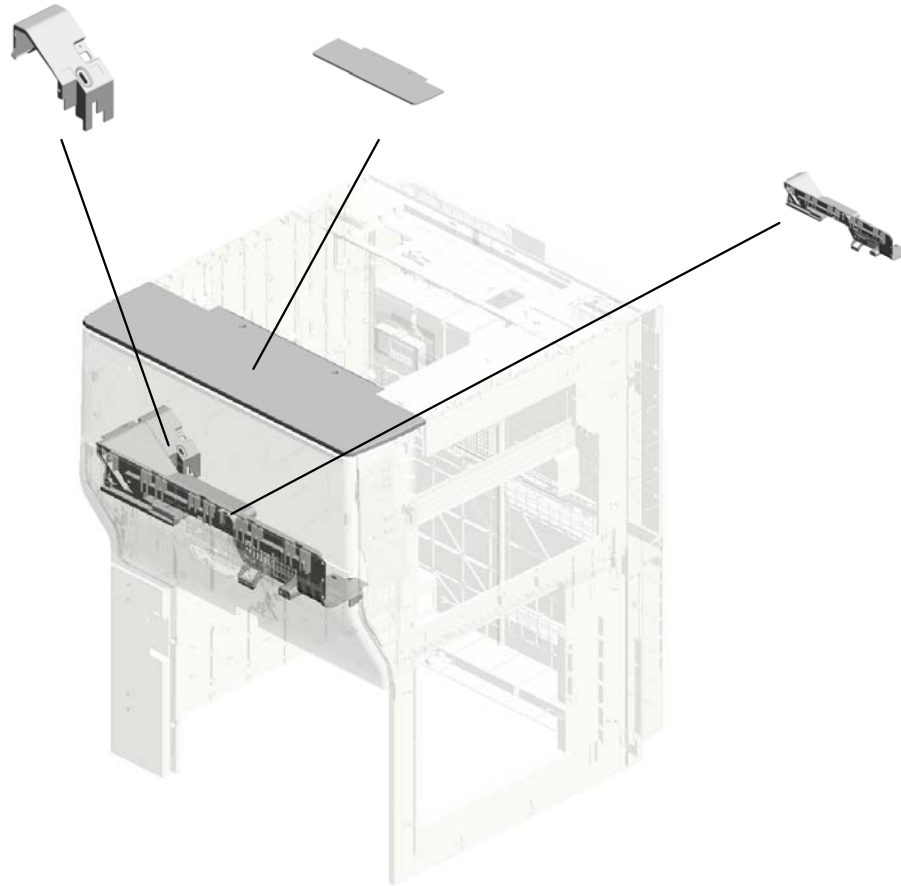
U020  
MAIN FRAME

# U001.EXTERIOR

U001\_S001  
D1351486  
INNER COVER:EXIT:UPPER:  
ASSY

U001\_S002  
D1381470  
COVER:UPPER FRONT:PRO:  
ASSY

U001\_S003  
D1371492  
INNER COVER:FRONT MIDD  
LE:UPPER:PRO:ASSY

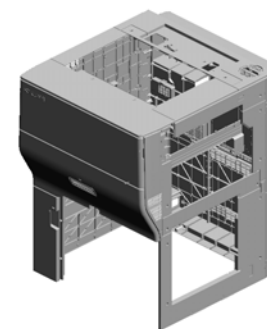


U001	U002	U003	U004	U005	U006	U007	U008	U009	U010	U011	U012	U013	U014	U015	U016	U017	U018	U019	U020
------	------	------	------	------	------	------	------	------	------	------	------	------	------	------	------	------	------	------	------



# U001 EXTERIOR

- 2.04543006Q (x20) TAPPING SCREW - M3X6
- 1.04543006N (x42) TAPPING SCREW: ROUND POINT:3X6
- 15.AA143537 (x2) SCREW:M3:BLACK
- 4.04583008N (x3) HEXAGON HEAD TAPPING SCREW:3 X8
- 7.11050758 (x4) CLAMP:LWSM-030 6A



25.D1351451  
SUPPORTER:COVER:FRONT MIDDLE:LEFT

8.11050759 (x5)  
CLAMP:LWSM-060 5A

3.04543008Q (x8)  
TAPPING SCREW: 3X8

18.AG070513  
MAGNET CATCH

17.AC020150  
LENS:LED:1

10.AA000291 (x6)  
DECAL:POSITIONING DISPLAY:SCREW:PP

21.B2342390 (x7)  
FLANGED HEXAGONAL HEAD BOLT: M4X8

26.D1351452  
BRACKET:COVER:FRONT MIDDLE:LOWER

20.AW020198  
PHOTOINTERRUPTOR:LG2A14NL1

5.04583010N (x13)  
HEXAGON HEAD TAPPING SCREW:3 X10

6.11050604  
CLAMP:RFC-16V0

9.11050760 (x5)  
CLAMP:LWSM-051 1A

19.AG070514 (x2)  
MAGNET CATCH

16.AA143702  
SCREW:PIN:POSITIONING

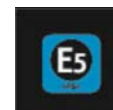
24.D1351450  
SUPPORTER:COVER:FRONT MIDDLE:RIGHT



7.11050758  
CLAMP:LWSM-030 6A



71.D1363395  
DECAL:OPERATE:TONER CARTRIDGE



73.D1364976  
DECAL:INNER COVER:RECEIVING SUB-UNIT:UPPER



75.D1364979  
DECAL:ARROW LABEL:RIGHT



42.D1351480 (x2)  
BRACKET:COVER:TONER SUPPLY UNIT:ASSY



72.D1363891  
DECAL:LED:GRIP:VACUUM

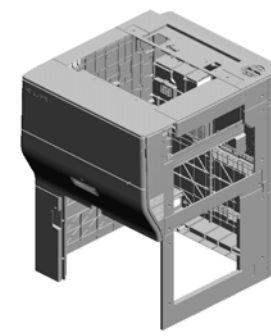


74.D1364978  
DECAL:ARROW LABEL:LEFT

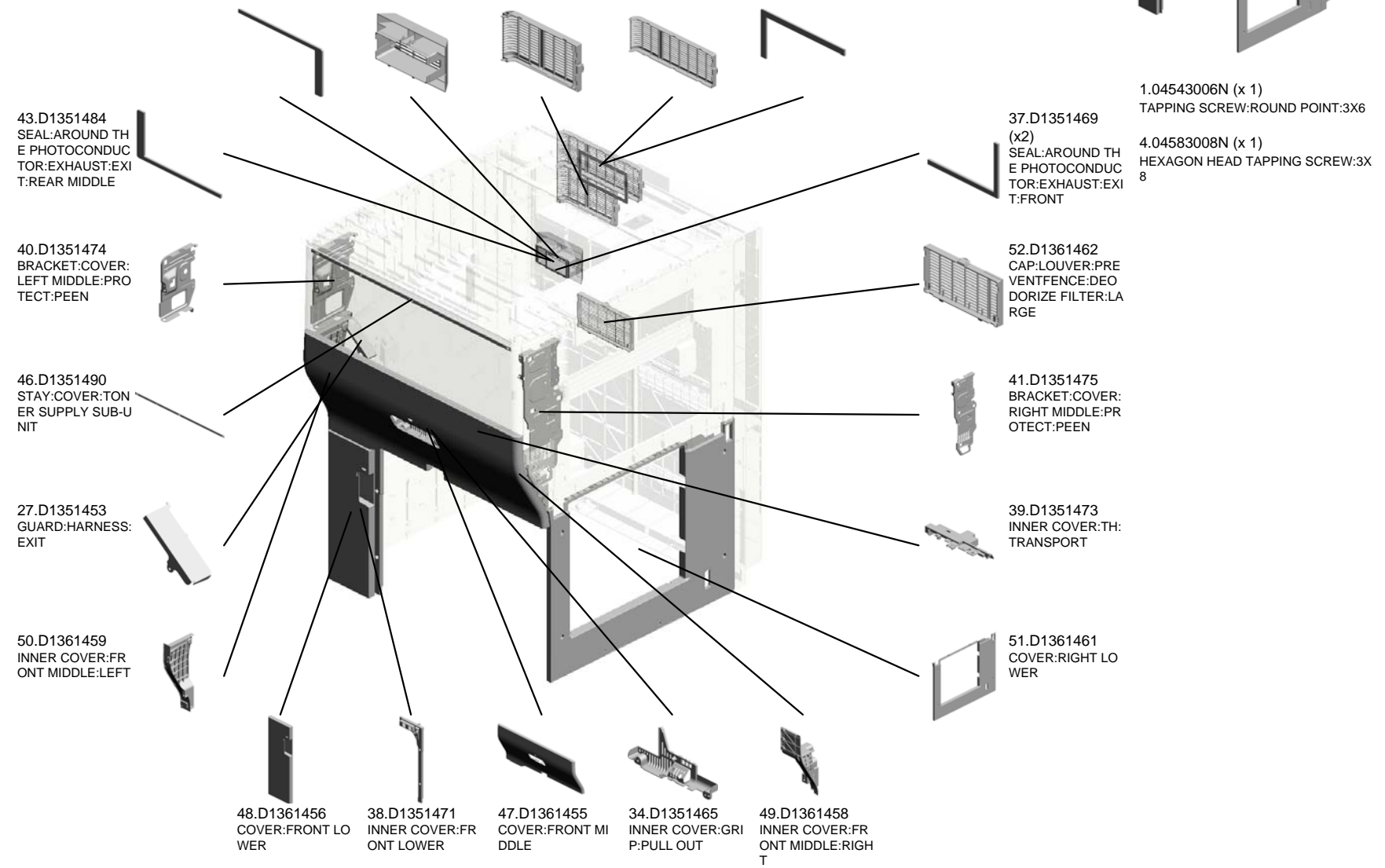


93.D1441085 (x4)  
STEPPED SCREW: M3

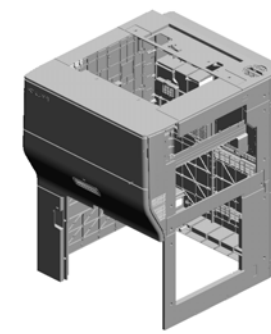
# U001 EXTERIOR



- 36.D1351468 SEAL:AROUND THE PHOTOCONDUCTOR:EXHAUST:EXIT:REAR
- 44.D1351485 CAP:LOUVER:PRE VENTFENCE:OZONE FILTER:ASSY
- 33.D1351459 CAP:LOUVER:DEODORIZE FILTER:SMALL
- 32.D1351458 CAP:LOUVER:OZONE FILTER:LARGE
- 35.D1351467 (x2) SEAL:DEVELOPMENT:EXHAUST:EXIT



# U001 EXTERIOR



53.D1361465 COVER:LEFT MIDDLE  
 63.D1361476 COVER:UPPER LEFT  
 57.D1361469 CAP:CONNECTOR:DECURA  
 61.D1361474 COVER:UPPER REAR:SMALL  
 64.D1361478 COVER:UPPER REAR

66.D1361484 INNER COVER:MAIN SWITCH

78.D1381454 COVER:TONER SUPPLY SUB-UNIT:PRO

70.D1362150 CLEANER:SHIELD GLASS:ASSY

65.D1361479 (x2) BRACKET:HINGE:COVER:FRONT LOWER

54.D1361466 COVER:LEFT LOWER

68.D1361491 COVER:CABLE:AC POWER SUPPLY

79.D1381460 COVER:RIGHT MIDDLE:FRONT:PRO

67.D1361486 COVER:LARGE CAPACITY TRAY

60.D1361472 COVER:REAR LOWER

55.D1361467 (x2) CAP:CONNECTOR

62.D1361475 COVER:UPPER RIGHT

59.D1361471 COVER:REAR MIDDLE

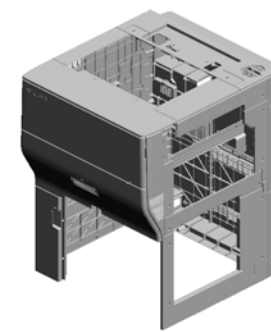
69.D1361496 INNER COVER:RIGHT MIDDLE

56.D1361468 COVER:RIGHT MIDDLE:UPPER

58.D1361470 COVER:RIGHT MIDDLE:REAR

U001	U002	U003	U004	U005	U006	U007	U008	U009	U010	U011	U012	U013	U014	U015	U016	U017	U018	U019	U020
------	------	------	------	------	------	------	------	------	------	------	------	------	------	------	------	------	------	------	------

# U001 EXTERIOR



84.D1381490 COVER:MAIN SWITCH  
 97.D1495883 KEYTOP:MAIN SWITCH  
 98.D1495884 COMPRESSION SPRING:KEYTOP  
 83.D1381479 COVER:LEFT MIDDLE:SMALL:PRO  
 82.D1381474 BRACKET:UPPER FRONT:LEFT:PRO

85.D1381569 COMPRESSION SPRING:RING:PULL OUT:GRIP:10N

89.D1381573 BRACKET:GRIP:PULL OUT

101.D1381579 LEVER:PULL OUT

96.D1491306 MAGNET CATCH:COVER:FRONT

100.G0201332 (x4) HINGE - FRONT COVER

86.D1381570 TORSION SPRING:CAP:GRIP:PULL OUT:0.5N

88.D1381572 CAP:GRIP:PULL OUT

87.D1381571 COMPRESSION SPRING:RING:PULL OUT:GRIP:3N

90.D1381576 LINK:LEVER:PULL OUT

92.D1381578 LINK:GRIP:LENGTHWISE

93.D1441085 (x2) STEPPED SCREW: M3

95.D1491305 CAP:TOTAL COUNTER

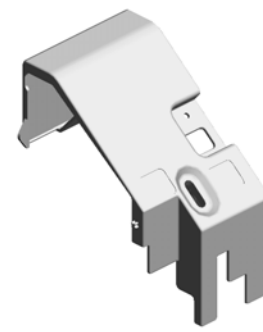
81.D1381473 BRACKET:UPPER FRONT:RIGHT:PRO

91.D1381577 BRACKET:CONTACT POINT:LINK

94.D1491291 (x2) CAP:HARNESS

U001	U002	U003	U004	U005	U006	U007	U008	U009	U010	U011	U012	U013	U014	U015	U016	U017	U018	U019	U020
------	------	------	------	------	------	------	------	------	------	------	------	------	------	------	------	------	------	------	------

U001\_S001  
INNER COVER:EXIT:UPPER:ASS'Y



45.D1351486  
INNER COVER:EXI  
T:UPPER:ASS'Y



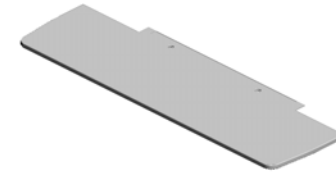
12.AA003060  
DECAL:LED:EXIT:U  
PPER



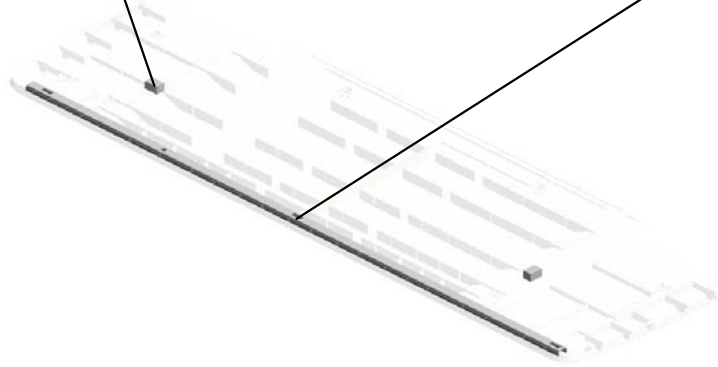
14.AA003063  
DECAL:LED:GATE  
PAWL:REVERSE:E  
NTRANCE

U001\_S002  
COVER:UPPER FRONT:PRO:ASS'Y

99.D4573963  
(x2)  
CUSHION:COVER:  
GUIDE PLATE



80.D1381470  
COVER:UPPER FR  
ONT:PRO:ASS'Y



46.D1351490  
STAY:COVER:TON  
ER SUPPLY SUB-U  
NIT

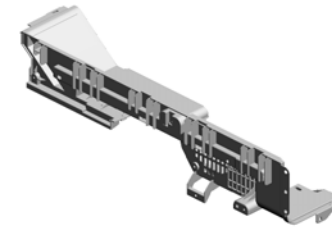


U001	U002	U003	U004	U005	U006	U007	U008	U009	U010	U011	U012	U013	U014	U015	U016	U017	U018	U019	U020
------	------	------	------	------	------	------	------	------	------	------	------	------	------	------	------	------	------	------	------

U001\_S003

INNER COVER:FRONT MIDDLE:UPPER:PRO:ASS'Y

31.D1351457 COVER:LED:HORIZONTAL:TRANSPORT  
13.AA003061 DECAL:PICK-UP PAPER JAM:DUPLICATE  
5.04583010N (x2) HEXAGON HEAD TAPPING SCREW:3X10

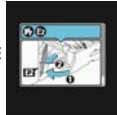


77.D1371492  
INNER COVER:FRONT MIDDLE:UPPER:PRO:ASS'Y

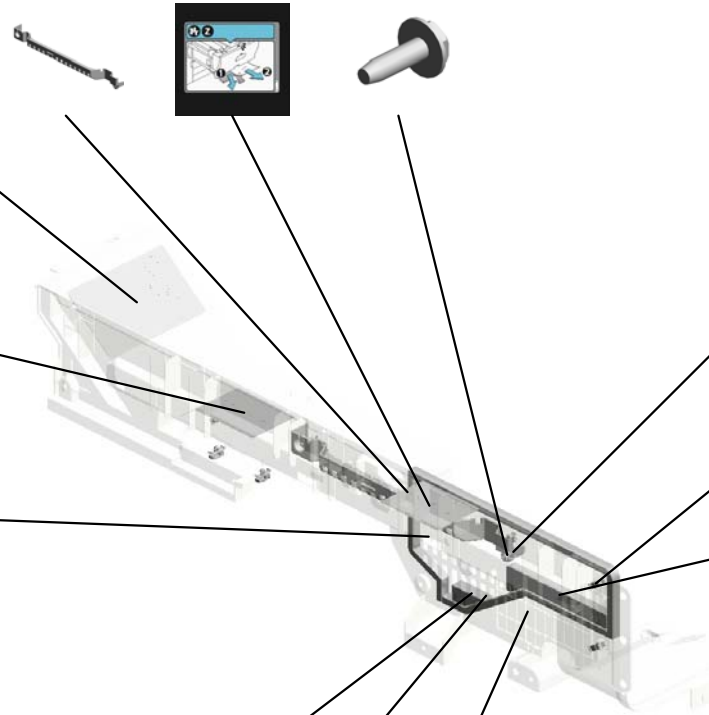
76.D1367617  
DECAL:CAUTION:FULL OUT



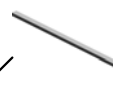
11.AA003058  
DECAL:PICK-UP PAPER JAM:EXIT:LEFT LOWER



29.D1351455  
SEAL:COVER:FRONT MIDDLE:LEFT LOWER



28.D1351454  
SEAL:COVER:FRONT MIDDLE:LEFT UPPER



7.11050758 (x7)  
CLAMP:LWSM-0306A



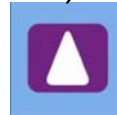
22.D1351441  
SEAL:COVER:FRONT MIDDLE:MIDDLE



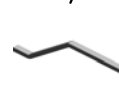
23.D1351442  
SEAL:COVER:FRONT MIDDLE:MIDDLE LOWER



10.AA000291  
DECAL:POSITIONING DISPLAY:SCREEN:PP

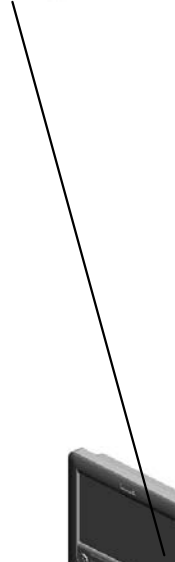


30.D1351456  
SEAL:COVER:FRONT MIDDLE:RIGHT LOWER



# U002.OPERATION

U002\_S002  
D1387211  
OPERATION PANEL:NA:ASS'  
Y



U002\_S001  
D1387249  
ARM:OPERATION SUB-UNIT:  
ASS'Y



U001	<b>U002</b>	U003	U004	U005	U006	U007	U008	U009	U010	U011	U012	U013	U014	U015	U016	U017	U018	U019	U020
------	-------------	------	------	------	------	------	------	------	------	------	------	------	------	------	------	------	------	------	------



# U002 OPERATION

48.M0771861  
TUBE TYPE LAMP:  
TAC:ASSY

4.04543006N  
(x2)  
TAPPING SCREW:  
ROUND POINT:3X6

8.11050516  
CLAMP

30.D1387281  
BRACKET:PILOT L  
AMP

U001	<b>U002</b>	U003	U004	U005	U006	U007	U008	U009	U010	U011	U012	U013	U014	U015	U016	U017	U018	U019	U020
------	-------------	------	------	------	------	------	------	------	------	------	------	------	------	------	------	------	------	------	------

U002\_S001

ARM:OPERATION SUB-UNIT:ASS'Y



15.D1387249  
ARM:OPERATION  
SUB-UNIT:ASS'Y

20.D1387259  
ARM:OPERATION  
SUB-UNIT

27.D1387274  
COVER:ARM:OPERATION  
SUB-UNIT:LOWER

21.D1387260  
SUPPORTING PLATE:  
ARM:OPERATION SUB-UNIT

2.03530040N  
SCREW - M3X4

24.D1387265  
GUARD:HARNESS:  
ARM

23.D1387262  
GUIDE PLATE:OPERATION  
PANEL:ASSY

22.D1387261  
HINGE:OPERATION  
PANEL:ASSY

11.50530447  
BUSHING - 6MM

6.07200040E  
RETAINING RING -  
M4

28.D1387276  
COVER:OPERATION  
PANEL:REAR LOWER

4.04543006N  
(x27)  
TAPPING SCREW:  
ROUND POINT:3X6

16.D1387252  
POST:ARM:OPERATION  
SUB-UNIT:RIGHT

17.D1387253  
POST:ARM:OPERATION  
SUB-UNIT:LEFT

8.11050516  
(x11)  
CLAMP

10.11050724  
CLAMPS:WES-1210

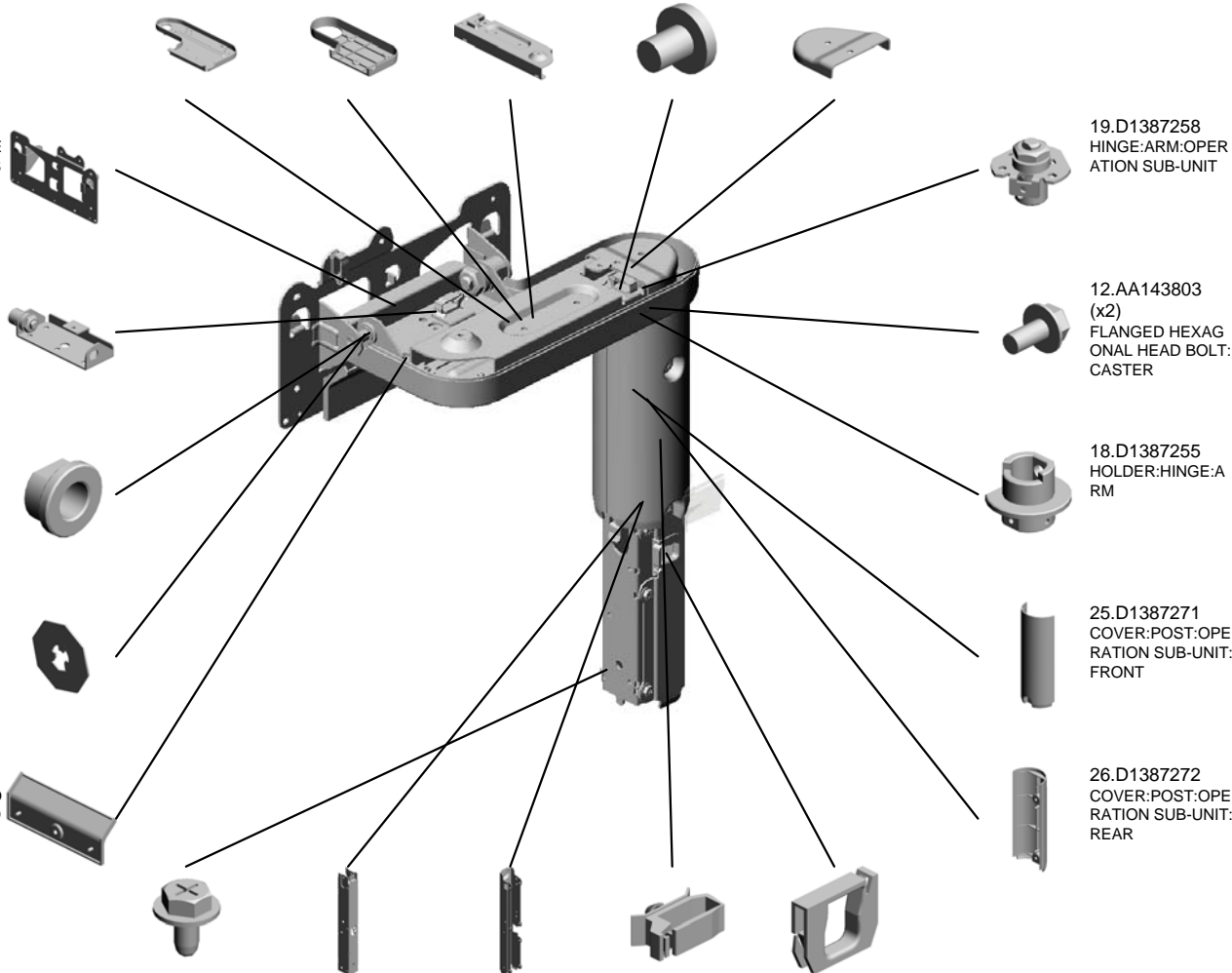
19.D1387258  
HINGE:ARM:OPERATION  
SUB-UNIT

12.AA143803  
(x2)  
FLANGED HEXAGONAL  
HEAD BOLT:  
CASTER

18.D1387255  
HOLDER:HINGE:  
ARM

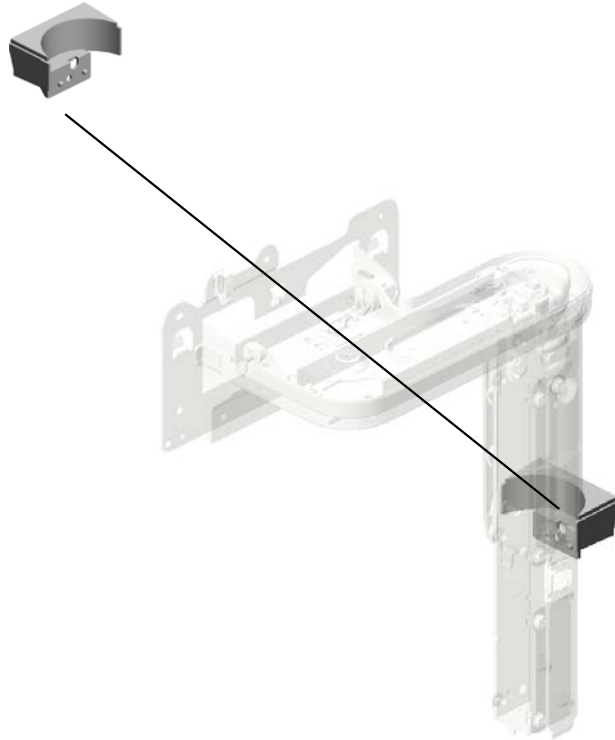
25.D1387271  
COVER:POST:OPERATION  
SUB-UNIT:  
FRONT

26.D1387272  
COVER:POST:OPERATION  
SUB-UNIT:  
REAR



U002\_S001  
ARM:OPERATION SUB-UNIT:ASS'Y

29.D1387278  
COVER:POST:OPE  
RATION SUB-UNIT:  
LOWER LEFT



15.D1387249  
ARM:OPERATION  
SUB-UNIT:ASS'Y

U001	<b>U002</b>	U003	U004	U005	U006	U007	U008	U009	U010	U011	U012	U013	U014	U015	U016	U017	U018	U019	U020
------	-------------	------	------	------	------	------	------	------	------	------	------	------	------	------	------	------	------	------	------

U002\_S002  
OPERATION PANEL:NA:ASS'Y

42.D1387361  
LENS:LED:UPPER

37.D1387312  
KEYTOP:RESET S  
WITCH

32.D1387301  
COVER:FRONT:NA

33.D1387305  
COVER:REAR

44.D1491424  
LCD:TFT:WVGA-9:  
LED:SH

14.D1387211  
OPERATION PANE  
L:NA:ASS'Y



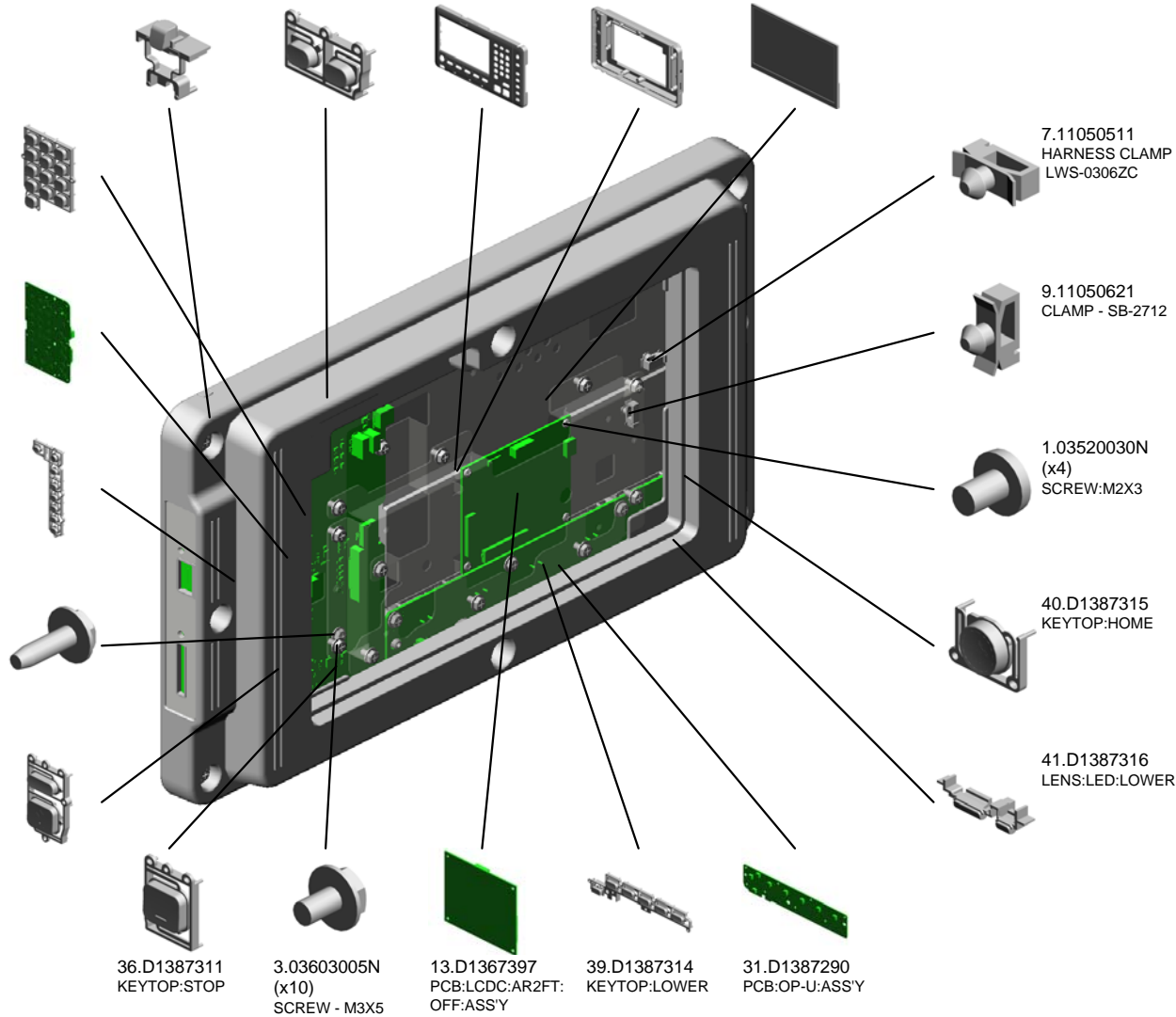
34.D1387308  
KEYTOP:10KEY:AA

43.D1387395  
PCB:OP-R:ASS'Y

38.D1387313  
KEYTOP:RIGHT

5.04583010N  
(x34)  
HEXAGON HEAD T  
APPING SCREW:3  
X10

35.D1387310  
KEYTOP:START



7.11050511  
HARNES CLAMP -  
LWS-0306ZC

9.11050621  
CLAMP - SB-2712

1.03520030N  
(x4)  
SCREW:M2X3

40.D1387315  
KEYTOP:HOME

41.D1387316  
LENS:LED:LOWER

36.D1387311  
KEYTOP:STOP

3.03603005N  
(x10)  
SCREW - M3X5

13.D1367397  
PCB:LCDC:AR2FT:  
OFF:ASS'Y

39.D1387314  
KEYTOP:LOWER

31.D1387290  
PCB:OP-U:ASS'Y

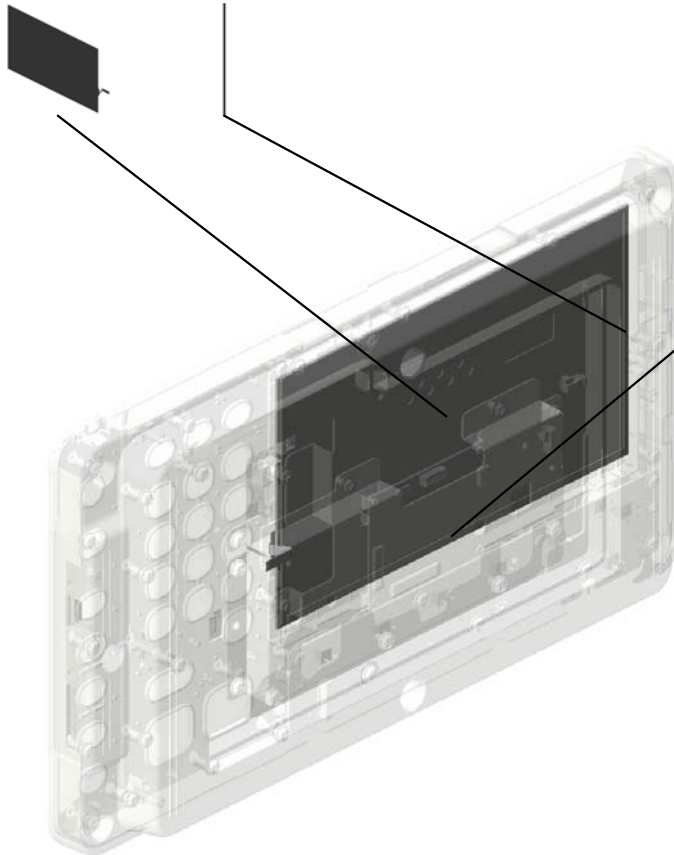
U002\_S002  
OPERATION PANEL:NA:ASS'Y

45.D1491427 TOUCH PANEL:WV  
GA-9:MV

47.D1491531 (x2)  
SPACER:LCD:B



14.D1387211  
OPERATION PANE  
L:NA:ASS'Y

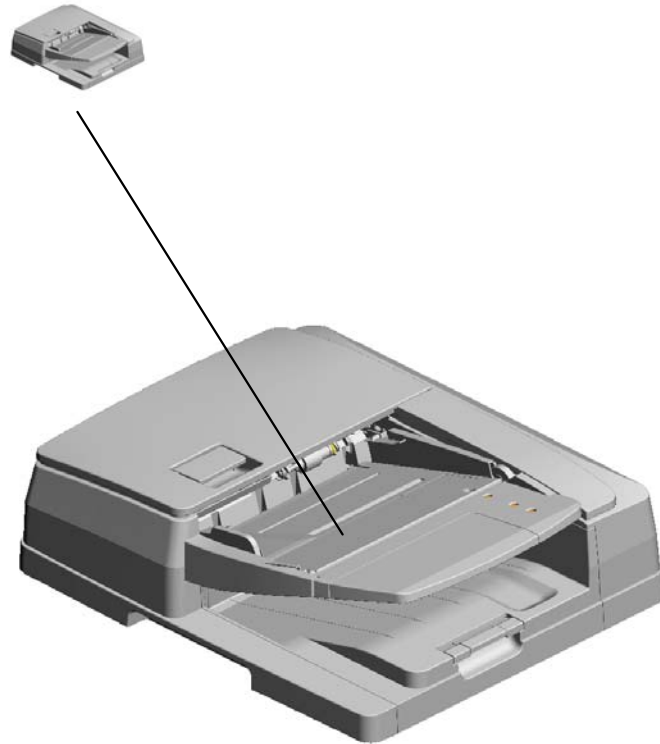


46.D1491530  
(x2)  
SPACER:LCD:A

U001	<b>U002</b>	U003	U004	U005	U006	U007	U008	U009	U010	U011	U012	U013	U014	U015	U016	U017	U018	U019	U020
------	-------------	------	------	------	------	------	------	------	------	------	------	------	------	------	------	------	------	------	------

# U003.ADF

U003\_S001  
D7747000  
ADF:ASS'Y



U001	U002	U003	U004	U005	U006	U007	U008	U009	U010	U011	U012	U013	U014	U015	U016	U017	U018	U019	U020
------	------	------	------	------	------	------	------	------	------	------	------	------	------	------	------	------	------	------	------

# U003\_S001.ADF:ASS'Y

U003\_S001\_S001  
D6831480  
BRACKET:SHEET:CONTACT  
IMAGE SENSOR:ASS'Y

U003\_S001\_S009  
D6832110  
ROLLER:PULL OUT:DRIVE

U003\_S001\_S010  
D6832210  
ROLLER:MIDDLE:DRIVE

U003\_S001\_S008  
D6831855  
TIMING PULLEY:TENSIONER  
:SCANNING:FRONT

U003\_S001\_S005  
D6831680  
CAM:PICKUP

U003\_S001\_S011  
D6832200  
SHAFT:SEPARATION:ASS'Y

U003\_S001\_S002  
D6831620  
SHAFT:SEPARATION:DRIVE:  
INPUT:SUB-ASS'Y

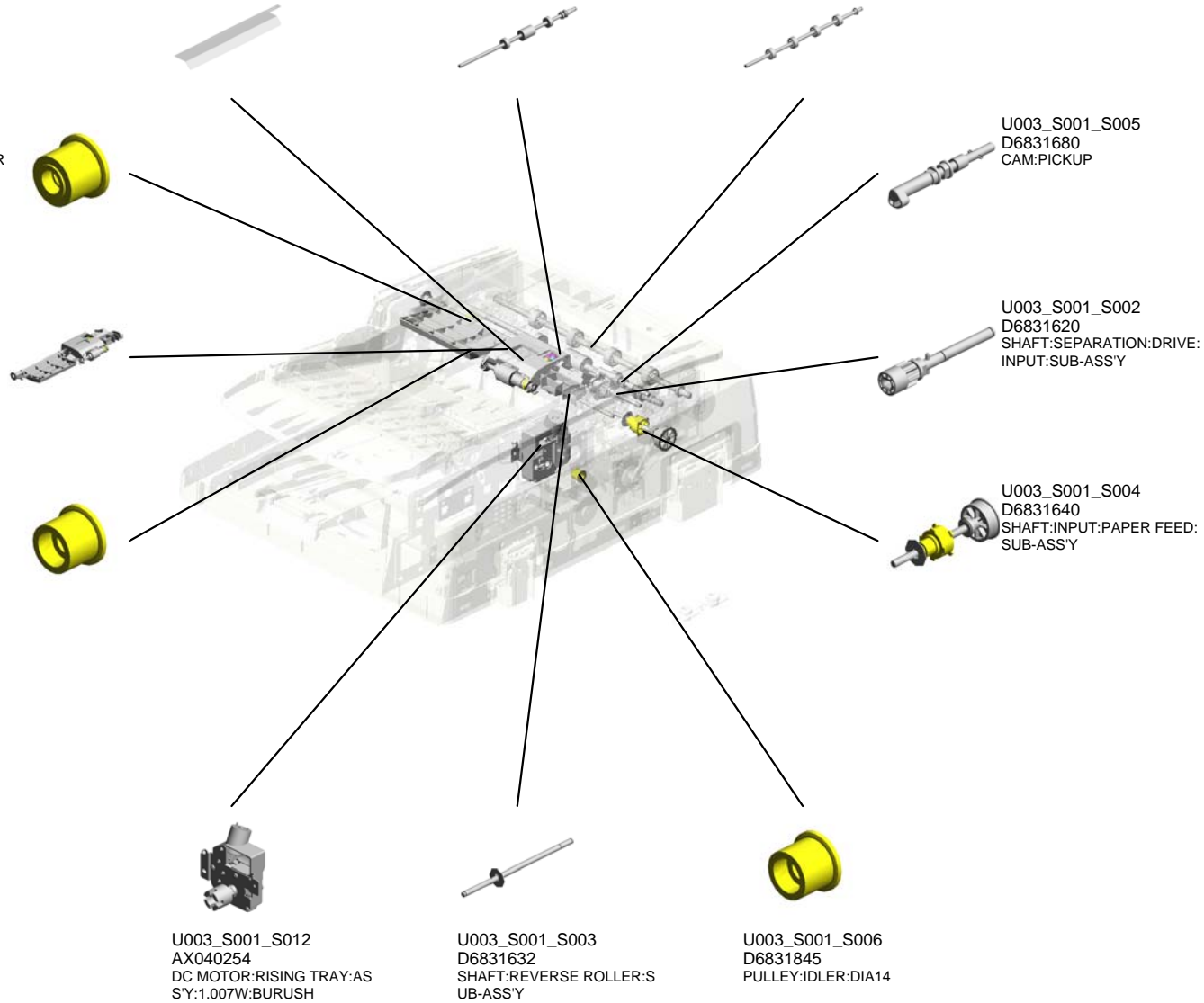
U003\_S001\_S007  
D6831845  
PULLEY:IDLER:DIA14

U003\_S001\_S004  
D6831640  
SHAFT:INPUT:PAPER FEED:  
SUB-ASS'Y

U003\_S001\_S012  
AX040254  
DC MOTOR:RISING TRAY:AS  
S'Y:1.007W:BRUSH

U003\_S001\_S003  
D6831632  
SHAFT:REVERSE ROLLER:S  
UB-ASS'Y

U003\_S001\_S006  
D6831845  
PULLEY:IDLER:DIA14



U001	U002	U003	U004	U005	U006	U007	U008	U009	U010	U011	U012	U013	U014	U015	U016	U017	U018	U019	U020
------	------	------	------	------	------	------	------	------	------	------	------	------	------	------	------	------	------	------	------

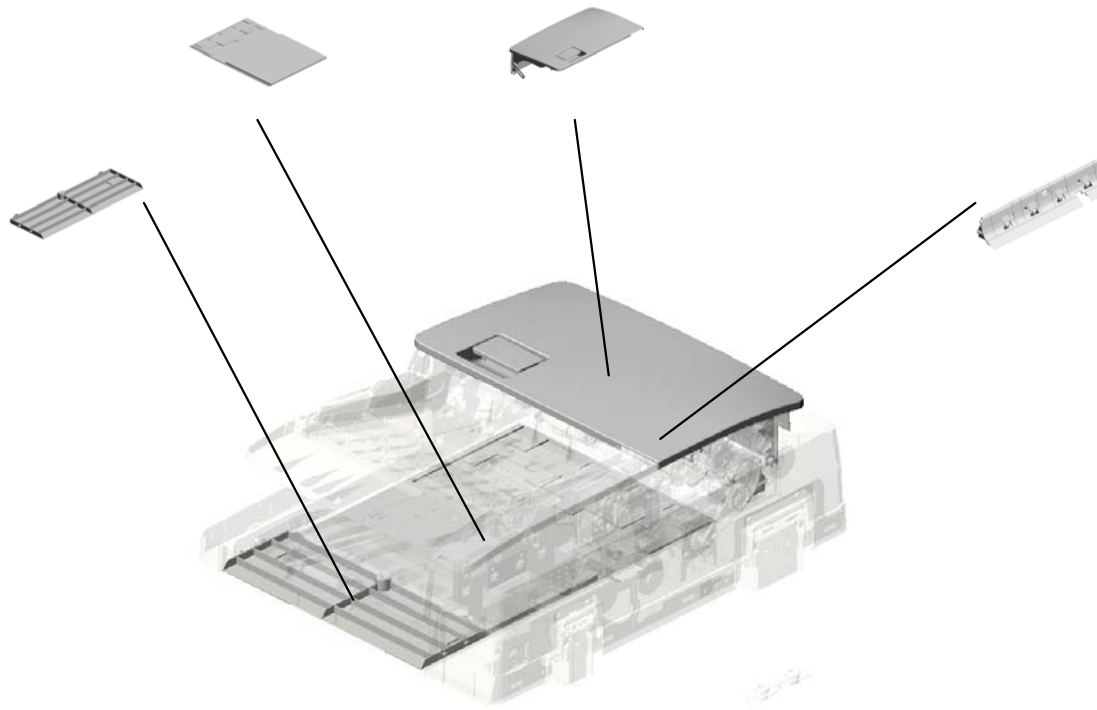
# U003\_S001.ADF:ASS'Y

U003\_S001\_S015  
D6834720  
PRESSURE PLATE:ASS'Y

U003\_S001\_S013  
D6834320  
COVER:PAPER FEED:ASS'Y

U003\_S001\_S014  
D6834510  
COVER:LOWER RIGHT:ASS'  
Y

U003\_S001\_S017  
D6833411  
GUIDE:SCANNING:ENTRANC  
E:LOWER:SUB-ASSY



U003\_S001\_S016  
D6834615  
SHIELDING PLATE:LEFT LO  
WER:ASS'Y

U001	U002	U003	U004	U005	U006	U007	U008	U009	U010	U011	U012	U013	U014	U015	U016	U017	U018	U019	U020
------	------	------	------	------	------	------	------	------	------	------	------	------	------	------	------	------	------	------	------



# U003\_S001\_S011.SHAFT:SEPARATION:ASS'Y

U003\_S001\_S011\_S001  
D6832240  
GUIDE:PAPER FEED:ENTRA  
NCE:INNER BACK:ASS'Y



U001	U002	U003	U004	U005	U006	U007	U008	U009	U010	U011	U012	U013	U014	U015	U016	U017	U018	U019	U020
------	------	------	------	------	------	------	------	------	------	------	------	------	------	------	------	------	------	------	------

U003  
ADF

85.D5406121  
(x2)  
FULL DUG POINT  
SCREW:FIX:HINGE



U001	U002	U003	U004	U005	U006	U007	U008	U009	U010	U011	U012	U013	U014	U015	U016	U017	U018	U019	U020
------	------	------	------	------	------	------	------	------	------	------	------	------	------	------	------	------	------	------	------

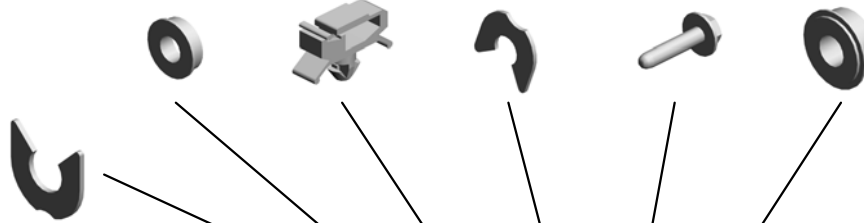
U003\_S001  
ADF:ASS'Y

14.07433808 (x5) RADIAL BALL BEARING: DIA8X DIA16X5  
 21.11050758 (x18) CLAMP:LWSM-0306A  
 16.08050089 (x9) RETAINING RING - M4  
 6.04543014Q (x4) TAPPING SCREW: 3X14  
 13.07433806 RADIAL BALL BEARING: DIA6X DIA13X5



239.D7747000  
ADF:ASS'Y

15.08050088 (x5) RETAINING RING - M6



20.11050692 (x5) CLAMP:LES-0503



7.04583008N (x25) HEXAGON HEAD TAPPING SCREW: 3X8



19.11050508 (x2) HARNESS CLAMP - LWS-0711



22.11050760 CLAMP:LWSM-0511A



3.03603006N (x4) SCREW - M3X6



10.07200040E (x3) RETAINING RING - M4



11.07200060E RETAINING RING - M6



2.03530060N (x2) BIND SCREW - M3X6



17.08050092 (x2) RETAINING RING - 3M



4.04543006N (x7) TAPPING SCREW: ROUND POINT: 3X6



18.11050487 (x2) HARNESS CLAMP



5.04543006Q (x109) TAPPING SCREW - M3X6



9.07200030E (x2) RETAINING RING - M3



8.07074060N BUSHING: DIA4X6



16.08050089 RETAINING RING - M4



90.D5431821 TIMING PULLEY: T3 3/24

91.D5431822 FLANGE: DIA24



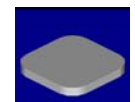
101.D6831386 SHAFT: CONTACT POINT: ON OFF DETECTOR: PAPER FEED



132.D6831822 DC MOTOR: 20W: S CANNING: 20W: BRUSHLESS



164.D6832733 FEELER: SENSOR: ORIGINAL SENSOR



169.D6832747 (x3) PAD: SIDE FENCE: SMALL



170.D6832748 (x2) PAD: SIDE FENCE: LARGE

U003\_S001  
ADF:ASS'Y

26.54472681  
SNAP RING

41.AA043685  
SYNCHRONOUS B  
ELT:40S2M258

24.52062686  
SNAP RING

28.A4221063  
(x2)  
SEAL - 0.7X13X20

23.12042612  
(x2)  
MICRO SWITCH:D3  
V-16506-3C25



239.D7747000  
ADF:ASS'Y

37.AA043669  
TIMING BELT:40S2  
M158

46.AA080346  
(x3)  
BUSHING:FLANGE  
TYPE:DIA6

47.AA080347  
BUSHING - 8MM

25.52152621  
SNAP RING - M6

36.AA043632  
TIMING BELT - 40S  
2M126

39.AA043682  
SYNCHRONOUS B  
ELT:60S1.5M150

40.AA043683  
SYNCHRONOUS B  
ELT:60S1.5M204

43.AA043698  
SYNCHRONOUS B  
ELT:40S1.5M300

44.AA060842  
(x3)  
TENSION SPRING

49.AA082104  
(x2)  
BUSHING - 8X12X7

38.AA043681  
SYNCHRONOUS B  
ELT:40S2M108

35.AA043339  
TIMING BELT:PAP  
ER EXIT:40S2M122

48.AA082101  
(x6)  
BUSHING - 6X10X6

29.A5482139  
PULLEY

42.AA043694  
SYNCHRONOUS B  
ELT:B40S2M202



235.D6836041  
DECAL:DESIGN SK  
ETCH:MISFEED RE  
MOVAL:P2



236.D6836051  
DECAL:BASE:ORIG  
INAL



238.D7316241  
DECAL:STOPPER:  
SEPARATION UNIT

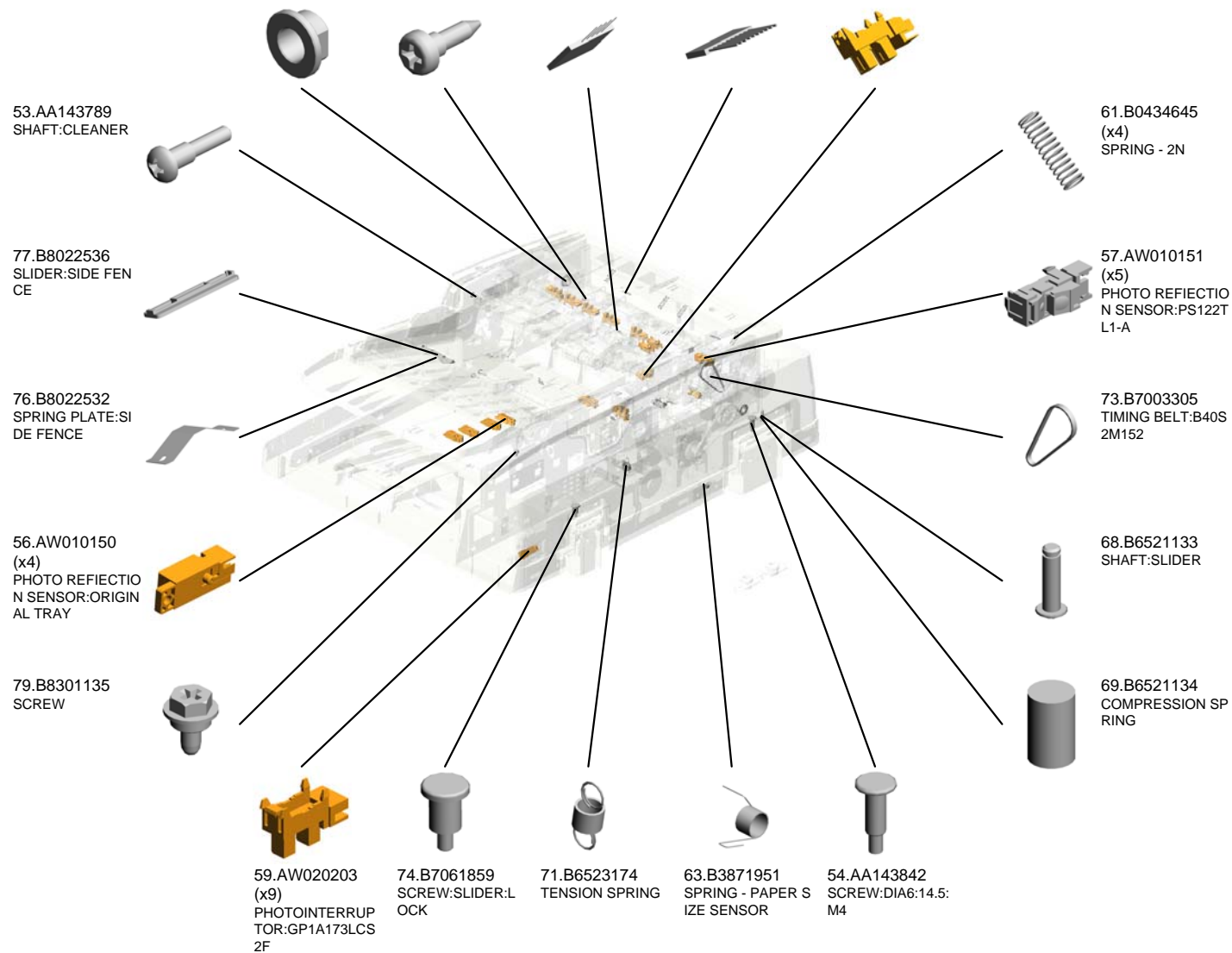
240.G0602652  
(x4)  
BUSHING - M4

U003\_S001  
ADF:ASS'Y

- 50.AA082144 (x2) BUSHING - 8X12X7
- 52.AA143788 (x3) PIN:GUIDE PLATE: PAPER FEED
- 78.B8041180 (x10) DISCHARGE BRUS H:PUNCH UNIT
- 66.B4772622 (x3) DISCHARGE BRUS H:L11
- 58.AW020198 PHOTOINTERRUPTOR:LG2A14NL1



239.D7747000  
ADF:ASS'Y



U001	U002	U003	U004	U005	U006	U007	U008	U009	U010	U011	U012	U013	U014	U015	U016	U017	U018	U019	U020
------	------	------	------	------	------	------	------	------	------	------	------	------	------	------	------	------	------	------	------

U003\_S001  
ADF:ASS'Y



239.D7747000  
ADF:ASS'Y

94.D5434393 (x7)  
CUSHION:GUIDE PLATE:ENTRANCE:  
PAPER FEED:INNER BACK

93.D5434382 (x2)  
COMPRESSION SPRING:PULL OUT

88.D5431625  
GEAR:Z24:SEPARATION

102.D6831387  
TENSION SPRING:ON OFF DETECTOR:PAPER FEED

92.D5433314 (x4)  
SHEET:SCANNING:ENTRANCE:MIDDLE

84.D5224906 (x9)  
STEPPED SCREW:M3:DIA:1.7MM:ROUND POINT

95.D5435125 (x2)  
SPRING PLATE:CONTACT IMAGE SENSOR

87.D5412241  
REVERSE ROLLER:PAPER FEED

100.D6831385  
BRACKET:SAFETY SWITCH:PAPER FEED

104.D6831414  
SPRING PLATE:SAFETY SWITCH

103.D6831413  
BRACKET:SAFETY SWITCH

105.D6831415  
FEELER:SENSOR:ON OFF DETECTOR

98.D6831350  
HINGE:RIGHT:ASS'Y

99.D6831362  
COMPRESSION SPRING:HINGE:RIGHT

89.D5431717  
SHAFT:PULLEY:SCANNING:EXIT

83.D4123145  
TENSION SPRING:LEVER:MISFEED REMOVAL

81.D4122662 (x2)  
SPACER:GUIDE PLATE:CONTACT IMAGE SENSOR:ENTRANCE

82.D4122669 (x2)  
TENSION SPRING:GUIDE PLATE:PRESSURE:2N

97.D6831320  
HINGE:LEFT:ASS'Y

96.D6421454  
FEELER:APS

U001	U002	U003	U004	U005	U006	U007	U008	U009	U010	U011	U012	U013	U014	U015	U016	U017	U018	U019	U020
------	------	------	------	------	------	------	------	------	------	------	------	------	------	------	------	------	------	------	------

U003\_S001  
ADF:ASS'Y

124.D6831691 GEAR:PAPER FEE  
D:COUPLING  
117.D6831643 GEAR:INPUT:PAPE  
R FEED  
123.D6831682 TIMING PULLEY:PI  
CKUP:DRIVE  
118.D6831644 SPACER:SHAFT:IN  
PUT:PAPER FEED  
116.D6831642 TIMING PULLEY:ID  
LER:PULL OUT



239.D7747000  
ADF:ASS'Y

114.D6831635  
GEAR:REVERSE R  
OLLER:DRIVE



126.D6831718  
(x2)  
STAY:MOTOR:PUL  
L OUT



125.D6831711  
BRACKET:MOTOR:  
PULL OUT



130.D6831813  
TIMING PULLEY:C  
OUPLING:SCANNI  
NG:INNER BACK



131.D6831814  
TIMING PULLEY:C  
OUPLING:EXIT



129.D6831811  
BRACKET:MOTOR:  
SCANNING:EXIT



132.D6831822  
DC MOTOR:20W:S  
CANNING:20W:BR  
USHLESS



109.D6831614  
BRACKET:MOTOR:  
PAPER FEED



111.D6831617  
DC MOTOR:ASS'Y:  
20W:BRUSHLESS



106.D6831451  
HOLDER:FEELER:  
APS



127.D6831762  
BRACKET:MOTOR:  
MIDDLE



128.D6831766  
(x2)  
DC MOTOR:10W:B  
RUSHLESS



121.D6831675  
DC STEPPER MOT  
OR:DIA42:T15:S2M:  
ASSY



120.D6831671  
BRACKET:MOTOR:  
PICK UP



110.D6831615  
STAY:MOTOR:PAP  
ER FEED

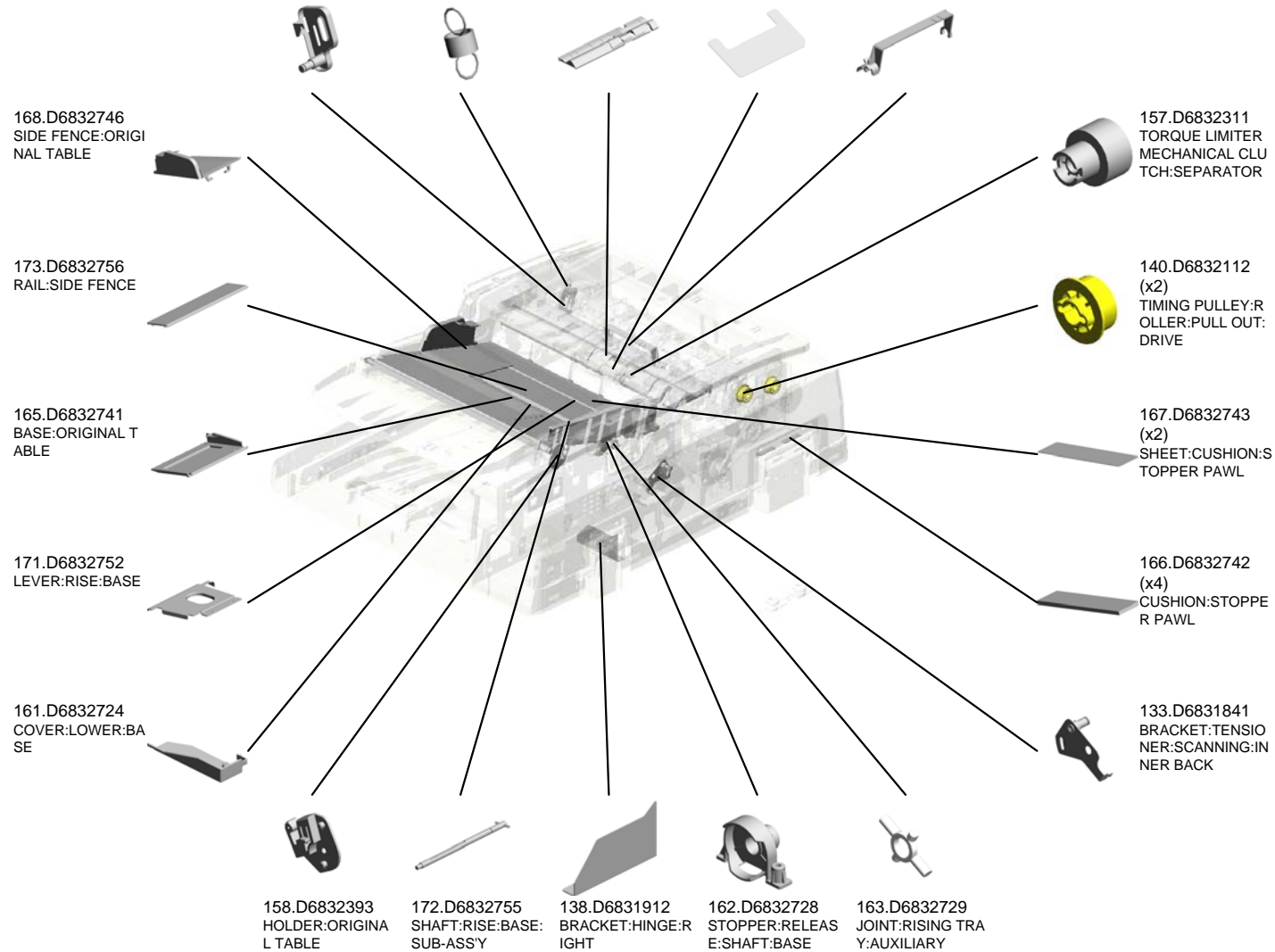


U003\_S001  
ADF:ASS'Y

135.D6831851 BRACKET:TENSIONER:SCANNING:FRONT  
 137.D6831856 TENSION SPRING:TENSION:SCANNING:FRONT  
 160.D6832510 GUIDE PLATE:PAPER FEED:LOWER:ASSY  
 159.D6832417 SHEET:ENTRANCE:SEPARATION PAD  
 144.D6832222 STOPPER:SHAFT:SEPARATION:DRIVE



239.D7747000  
ADF:ASS'Y





U003\_S001  
ADF:ASS'Y

187.D6833666  
LEVER:GUIDE PLATE:CONTACT IMAGE SENSOR:FRONT

180.D6833361  
(x2)  
SPRING PLATE:GUIDE PLATE:SCANNING

193.D6834312  
GUIDE:PAPER FEED:UPPER

176.D6832911  
GUIDE PLATE:PULLEY:LOWER

177.D6832912  
(x6)  
FEELER:PAPER SIZE SENSOR



239.D7747000  
ADF:ASS'Y

190.D6834112  
COVER:FRONT RIGHT

189.D6834111  
COVER:FRONT

174.D6832771  
ORIGINAL TABLE

175.D6832781  
ORIGINAL TABLE:BEHIND

192.D6834212  
COVER:UPPER REAR

184.D6833643  
(x4)  
COMPRESSION SPRING:CONTACT IMAGE SENSOR:EXIT

191.D6834211  
COVER:REAR

185.D6833644  
(x4)  
SHEET:GUIDE:CONTACT IMAGE SENSOR:EXIT:LOWER

179.D6833350  
GUIDE PLATE:SCANNING

188.D6833667  
LEVER:GUIDE PLATE:CONTACT IMAGE SENSOR:REAR

186.D6833645  
(x4)  
ROLLER:MIDDLE:DRIVEN

195.D6834323  
SHAFT:CONTACT POINT:GUIDE:PAPER FEED

178.D6833111  
ROLLER:SCANNING:ENTRANCE:DRIVE

182.D6833421  
BASE:SCANNING:ENTRANCE:LOWER

183.D6833422  
(x2)  
LEVER:PRESSURE RELEASE

U003\_S001  
ADF:ASS'Y

218.D6834421  
(x2)  
SHAFT:EXIT:DRIVE  
N

219.D6834430  
(x4)  
ROLLER:EXIT:DRIV  
EN

214.D6834396  
CUSHION:GUIDE P  
LATE:ENTRANCE:  
PAPER FEED:STO  
PPER

213.D6834395  
CUSHION:GUIDE P  
LATE:ENTRANCE:  
PAPER FEED:FRO  
NT

196.D6834325  
BRACKET:GUIDE:P  
APER FEED:FRO  
NT



239.D7747000  
ADF:ASS'Y

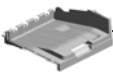
234.D6836011  
DECAL:SIZE:ORIGI  
NAL



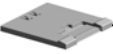
220.D6834441  
(x2)  
HOLDER:CUSHION  
:PRESSURE PLAT  
E



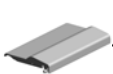
215.D6834411  
TRAY:EXIT



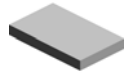
216.D6834412  
TRAY:EXIT:AUXILI  
ARY:LARGE



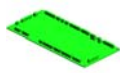
217.D6834413  
TRAY:EXIT:AUXILI  
ARY:SMALL



221.D6834442  
(x8)  
TAPE:PRESSURE  
PLATE



232.D6835501  
PCB:MAIN CONTR  
OL BOARD:DOCU  
MENT FEEDER:AS  
S'Y



233.D6835860  
CONTACT IMAGE  
SENSOR:ASS'Y



212.D6834394  
GUIDE PLATE:ENT  
RANCE:PAPER FE  
ED:UPPER



231.D6835121  
GUIDE:HARNESS:  
SUB



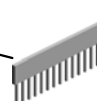
200.D6834341  
BRACKET:PULL O  
UT:DRIVEN



205.D6834350  
DRIVEN ROLLER:P  
ULL OUT



204.D6834345  
DISCHARGE BRUS  
H:EXIT:L37



223.D6834611  
COVER:LEFT LOW  
ER

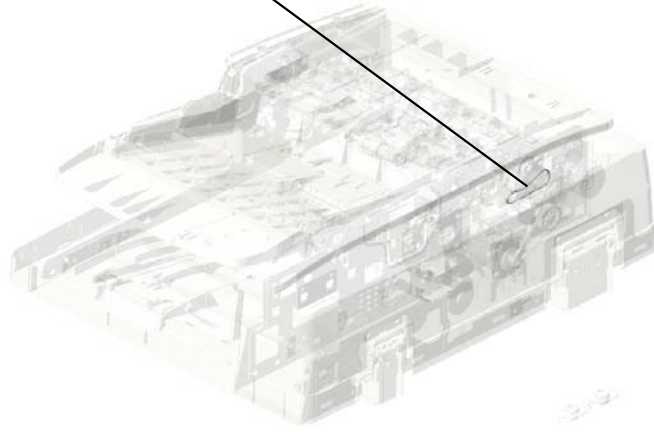
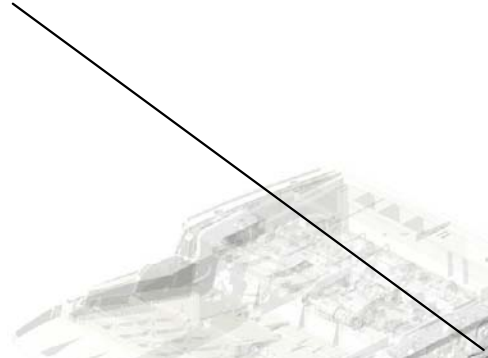


197.D6834328  
BRACKET:GUIDE:P  
APER FEED:INNER  
BACK



U003\_S001  
ADF:ASS'Y

242.M3644131  
TIMING BELT:B40S  
2M160



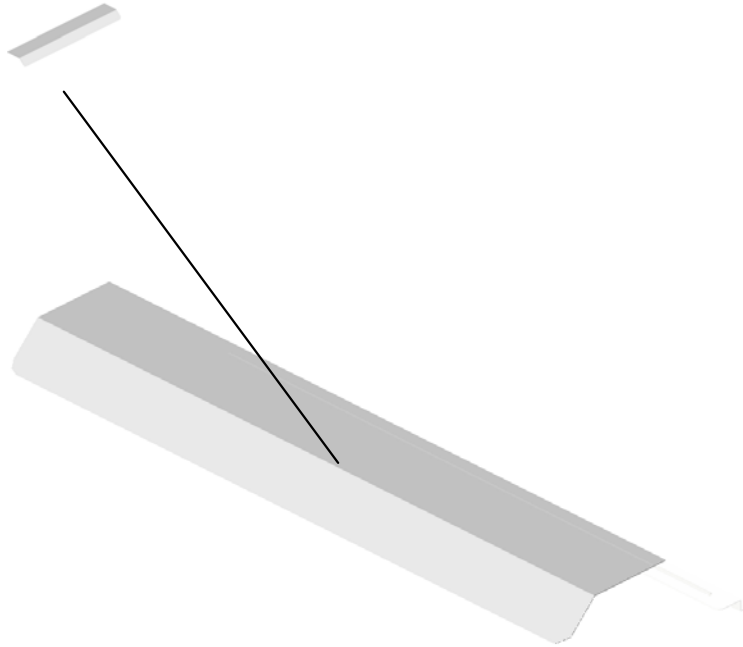
239.D7747000  
ADF:ASS'Y

U001	U002	U003	U004	U005	U006	U007	U008	U009	U010	U011	U012	U013	U014	U015	U016	U017	U018	U019	U020
------	------	------	------	------	------	------	------	------	------	------	------	------	------	------	------	------	------	------	------

U003\_S001\_S001  
BRACKET:SHEET:CONTACT IMAGE SENSOR:ASS'Y

108.D6831482  
SHEET:CONTACT I  
MAGE SENSOR

107.D6831480  
BRACKET:SHEET:  
CONTACT IMAGE  
SENSOR:ASS'Y

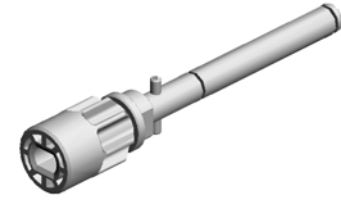
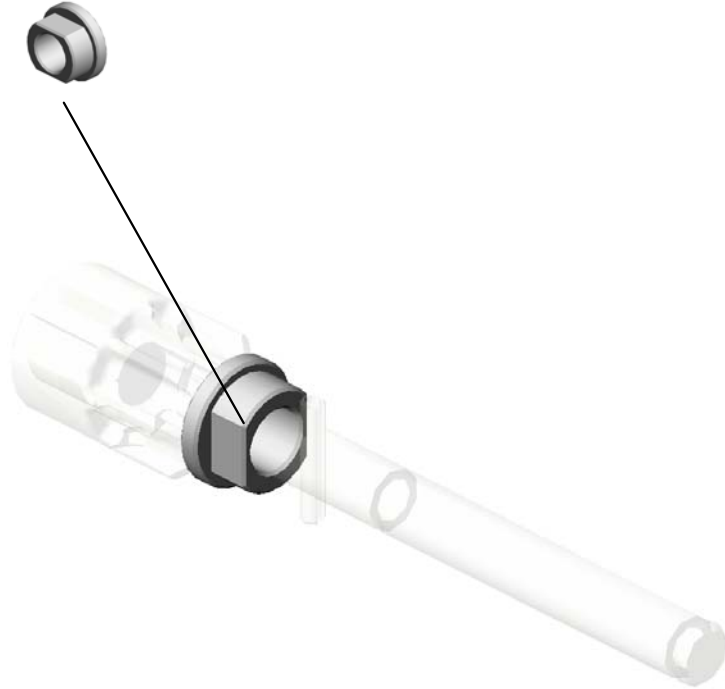


U001	U002	U003	U004	U005	U006	U007	U008	U009	U010	U011	U012	U013	U014	U015	U016	U017	U018	U019	U020
------	------	------	------	------	------	------	------	------	------	------	------	------	------	------	------	------	------	------	------

U003\_S001\_S002

SHAFT:SEPARATION:DRIVE:INPUT:SUB-ASS'Y

48.AA082101  
BUSHING - 6X10X6



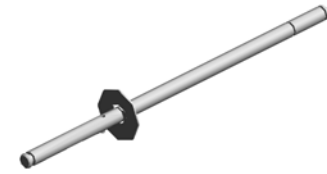
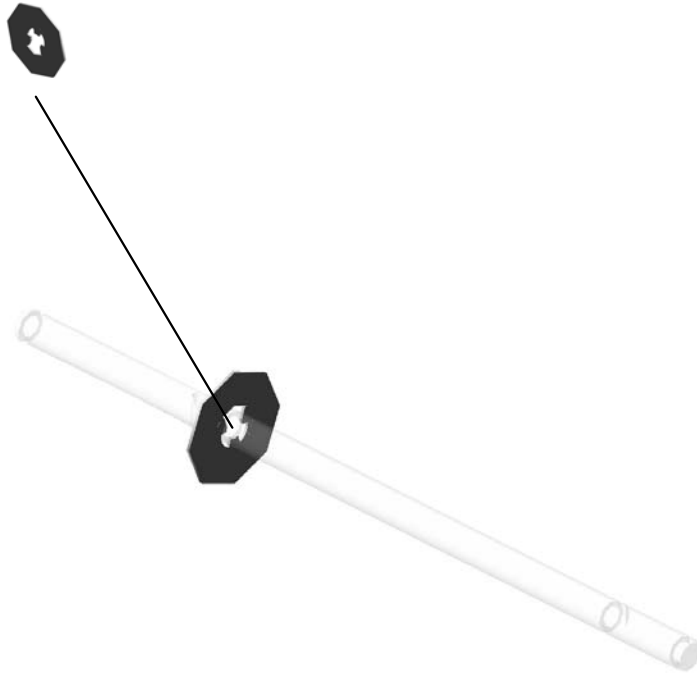
112.D6831620  
SHAFT:SEPARATI  
ON:DRIVE:INPUT:S  
UB-ASSY

U001	U002	U003	U004	U005	U006	U007	U008	U009	U010	U011	U012	U013	U014	U015	U016	U017	U018	U019	U020
------	------	------	------	------	------	------	------	------	------	------	------	------	------	------	------	------	------	------	------

U003\_S001\_S003

SHAFT:REVERSE ROLLER:SUB-ASS'Y

10.07200040E  
RETAINING RING -  
M4



113.D6831632  
SHAFT:REVERSE  
ROLLER:SUB-ASS'  
Y

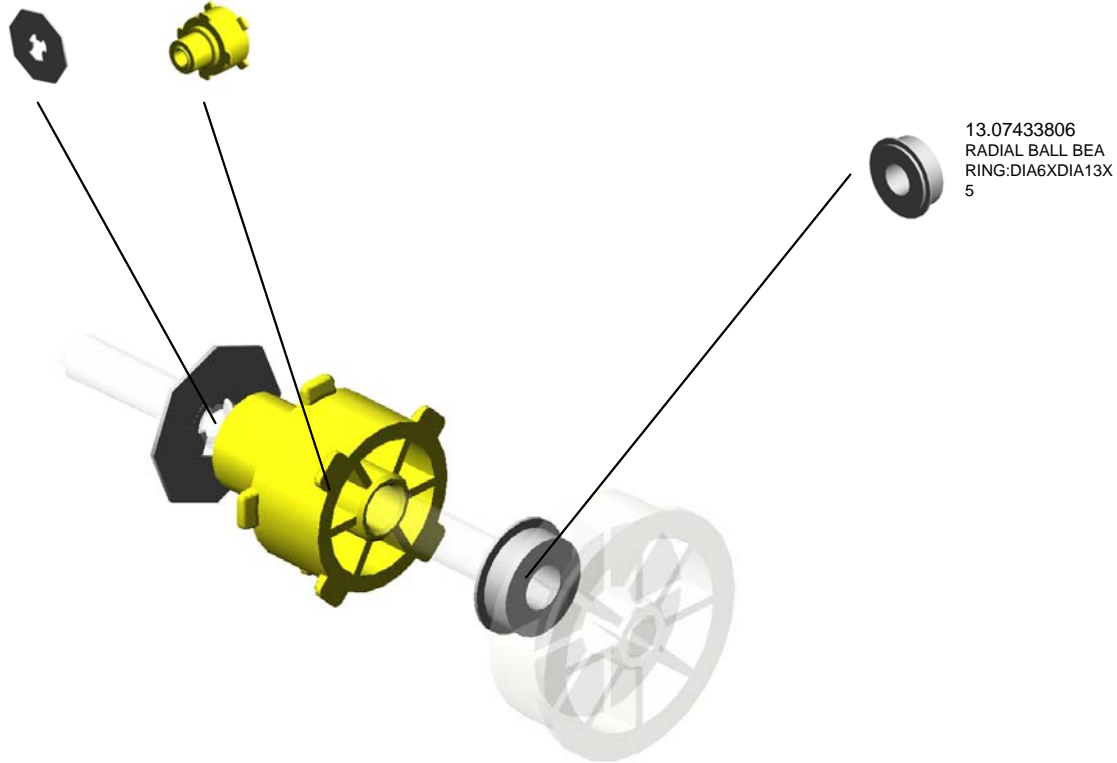
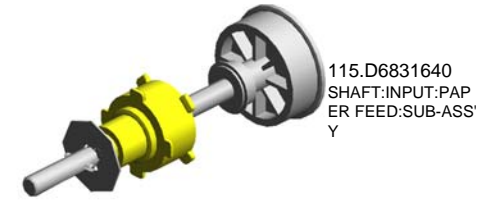
U001	U002	U003	U004	U005	U006	U007	U008	U009	U010	U011	U012	U013	U014	U015	U016	U017	U018	U019	U020
------	------	------	------	------	------	------	------	------	------	------	------	------	------	------	------	------	------	------	------

U003\_S001\_S004

SHAFT:INPUT:PAPER FEED:SUB-ASS'Y

10.07200040E  
RETAINING RING -  
M4

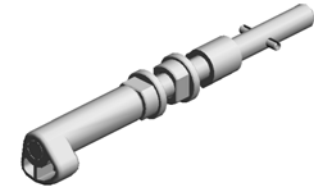
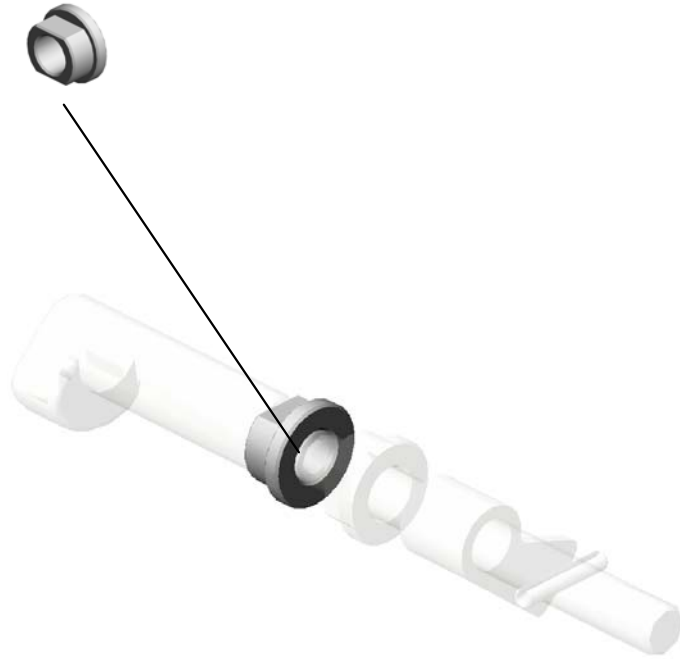
119.D6831645  
TIMING PULLEY:C  
OUPLING:PULL OU  
T



U001	U002	U003	U004	U005	U006	U007	U008	U009	U010	U011	U012	U013	U014	U015	U016	U017	U018	U019	U020
------	------	------	------	------	------	------	------	------	------	------	------	------	------	------	------	------	------	------	------

U003\_S001\_S005  
CAM:PICKUP

48.AA082101  
BUSHING - 6X10X6



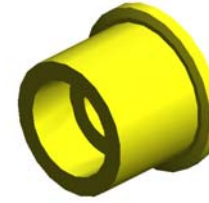
122.D6831680  
CAM:PICKUP

U001	U002	U003	U004	U005	U006	U007	U008	U009	U010	U011	U012	U013	U014	U015	U016	U017	U018	U019	U020
------	------	------	------	------	------	------	------	------	------	------	------	------	------	------	------	------	------	------	------

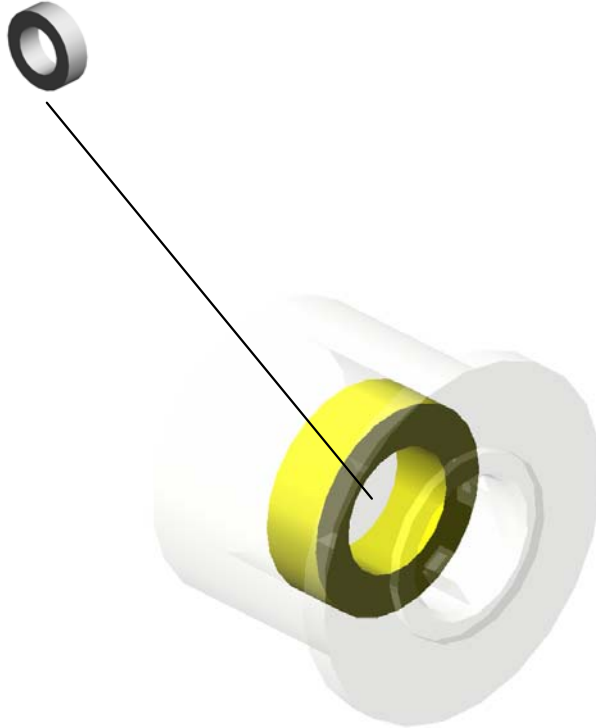


U003\_S001\_S006  
PULLEY:IDLER:DIA14

12.07403706  
BALL BEARING - M  
6X10X3



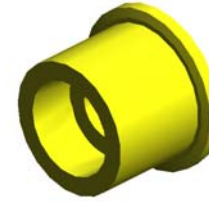
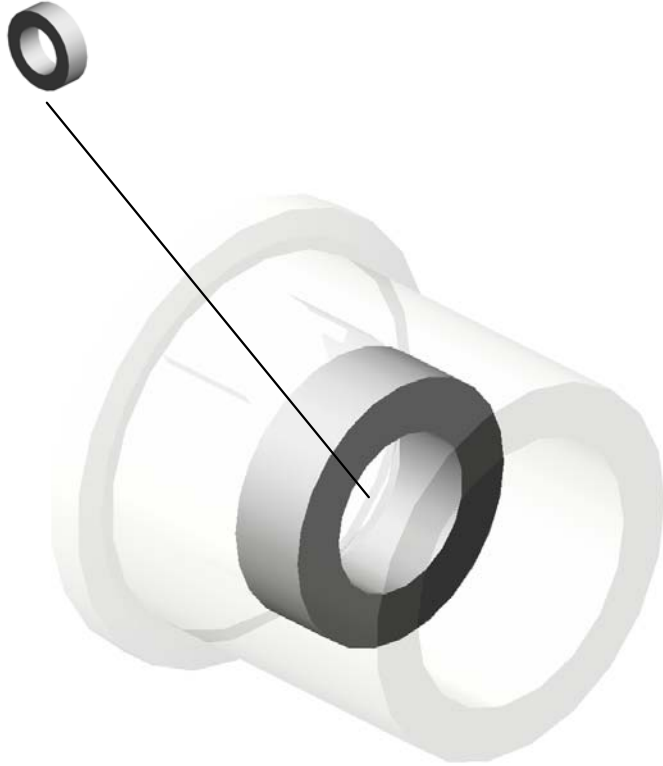
134.D6831845  
PULLEY:IDLER:DIA  
14



U001	U002	U003	U004	U005	U006	U007	U008	U009	U010	U011	U012	U013	U014	U015	U016	U017	U018	U019	U020
------	------	------	------	------	------	------	------	------	------	------	------	------	------	------	------	------	------	------	------

U003\_S001\_S007  
PULLEY:IDLER:DIA14

12.07403706  
BALL BEARING - M  
6X10X3

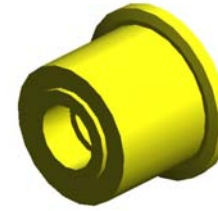


134.D6831845  
PULLEY:IDLER:DIA  
14

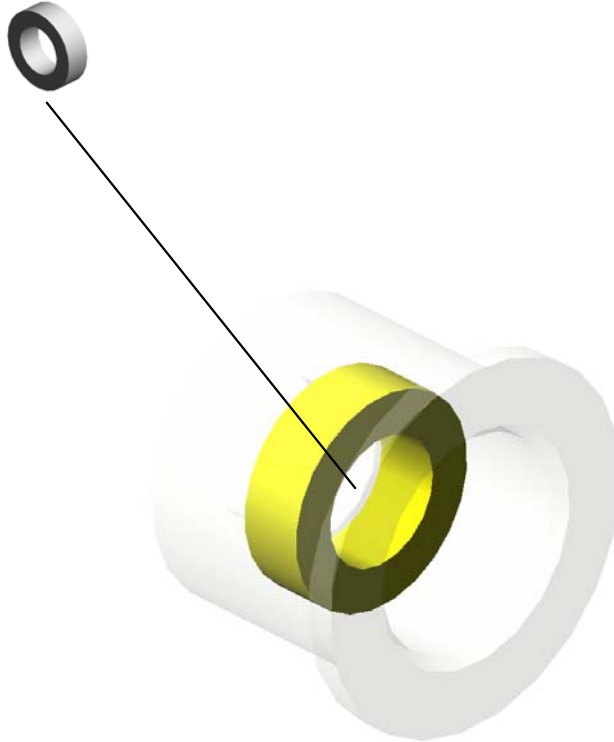
U001	U002	U003	U004	U005	U006	U007	U008	U009	U010	U011	U012	U013	U014	U015	U016	U017	U018	U019	U020
------	------	------	------	------	------	------	------	------	------	------	------	------	------	------	------	------	------	------	------

U003\_S001\_S008  
TIMING PULLEY:TENSIONER:SCANNING:FRONT

12.07403706  
BALL BEARING - M  
6X10X3



136.D6831855  
TIMING PULLEY:TE  
NSIONER:SCANNI  
NG:FRONT



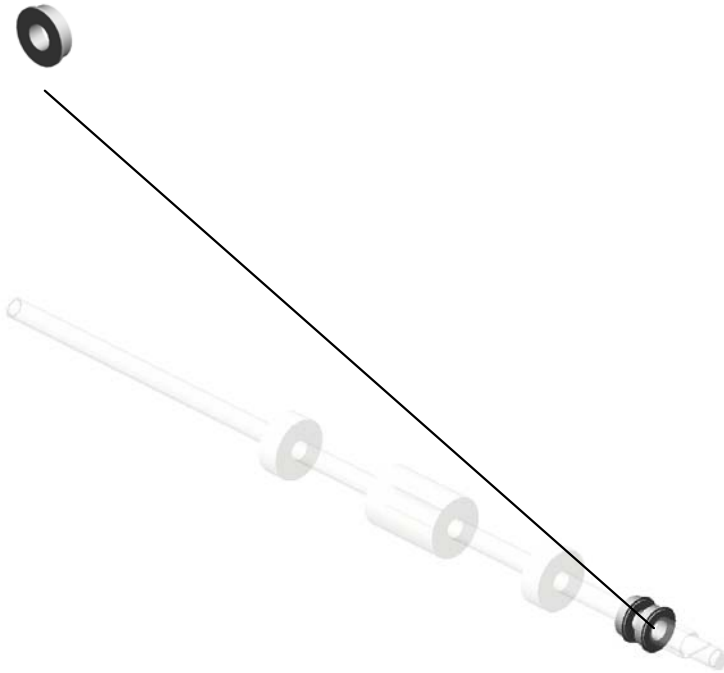
U001	U002	U003	U004	U005	U006	U007	U008	U009	U010	U011	U012	U013	U014	U015	U016	U017	U018	U019	U020
------	------	------	------	------	------	------	------	------	------	------	------	------	------	------	------	------	------	------	------

U003\_S001\_S009  
ROLLER:PULL OUT:DRIVE

14.07433808  
(x2)  
RADIAL BALL BEA  
RING: DIA8X DIA16X  
5



139.D6832110  
ROLLER:PULL OUT  
:DRIVE



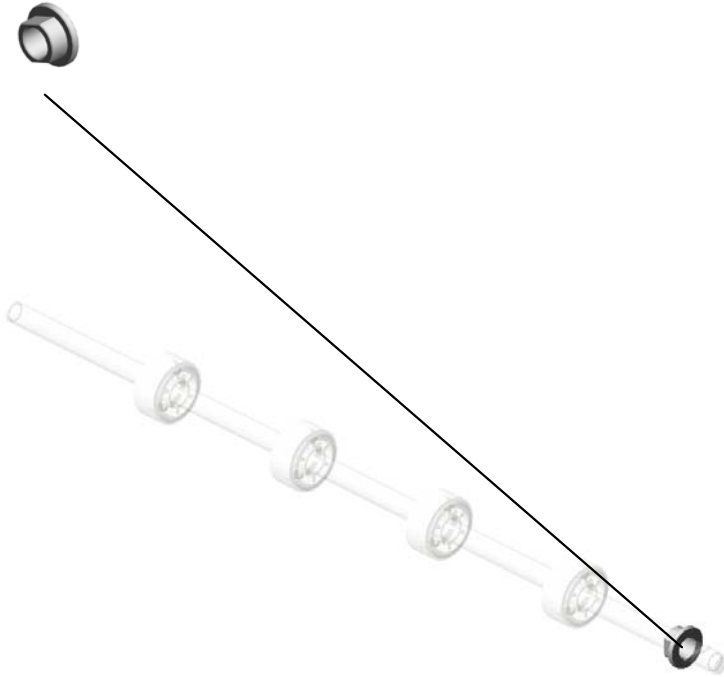
U001	U002	U003	U004	U005	U006	U007	U008	U009	U010	U011	U012	U013	U014	U015	U016	U017	U018	U019	U020
------	------	------	------	------	------	------	------	------	------	------	------	------	------	------	------	------	------	------	------

U003\_S001\_S010  
ROLLER:MIDDLE:DRIVE

49.AA082104  
BUSHING - 8X12X7

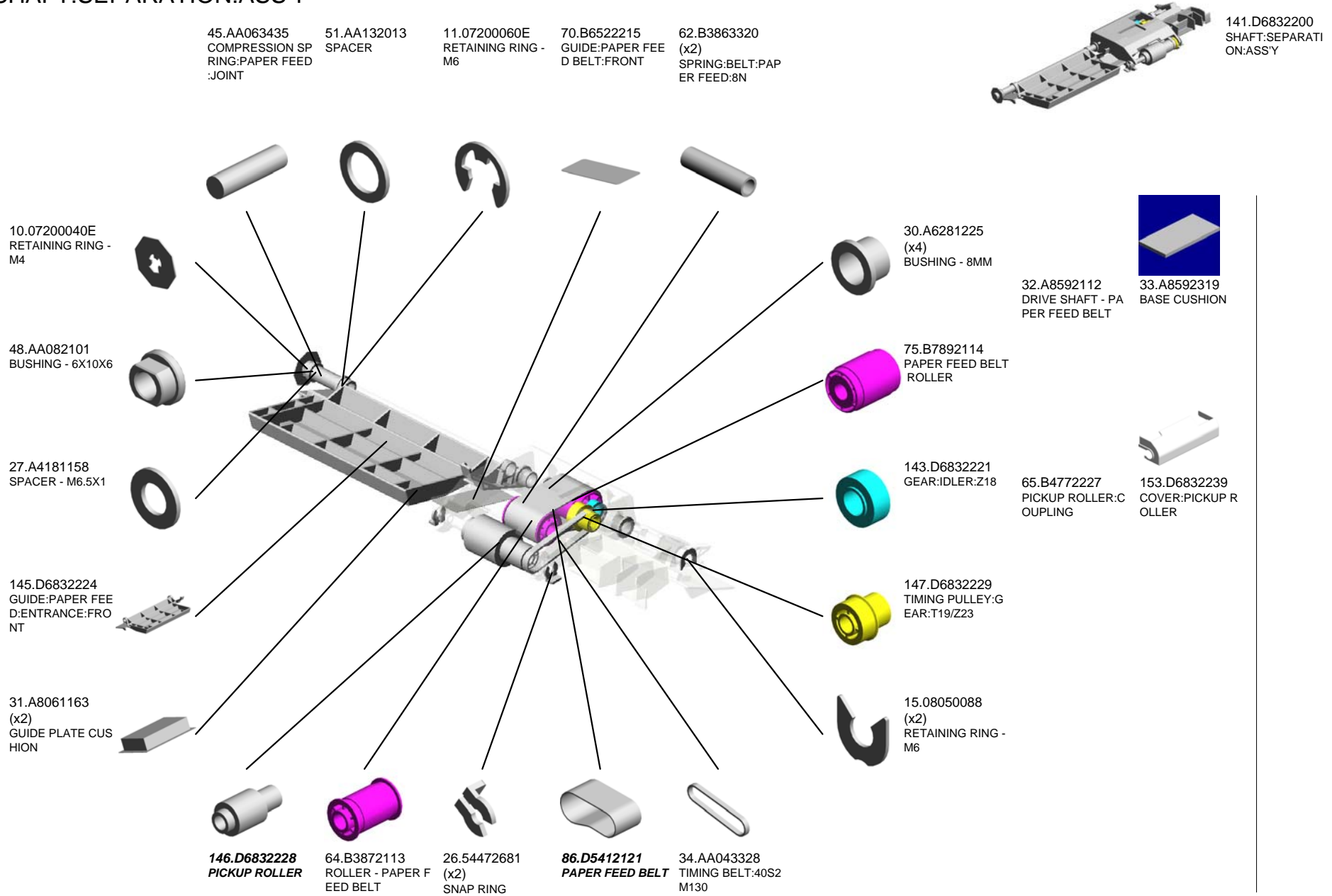


142.D6832210  
ROLLER:MIDDLE:D  
RIVE



U001	U002	U003	U004	U005	U006	U007	U008	U009	U010	U011	U012	U013	U014	U015	U016	U017	U018	U019	U020
------	------	------	------	------	------	------	------	------	------	------	------	------	------	------	------	------	------	------	------

U003\_S001\_S011  
SHAFT:SEPARATION:ASS'Y



U001	U002	U003	U004	U005	U006	U007	U008	U009	U010	U011	U012	U013	U014	U015	U016	U017	U018	U019	U020
------	------	------	------	------	------	------	------	------	------	------	------	------	------	------	------	------	------	------	------

U003\_S001\_S011  
SHAFT:SEPARATION:ASS'Y

149.D6832232  
TIMING PULLEY:PI  
CKUP:T21

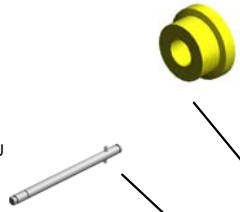
150.D6832233  
BRACKET:PAPER  
FEED BELT

148.D6832231  
BRACKET:PICKUP



141.D6832200  
SHAFT:SEPARATI  
ON:ASSY

151.D6832235  
SHAFT:PICKUP:SU  
B-ASS'Y



156.D6832272  
LEVER:PICKUP RO  
LLER:RISE



152.D6832236  
SHEET:BRACKET:  
PICKUP:INNER BA  
CK



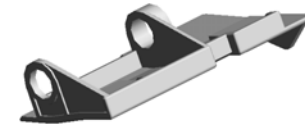
241.H0602126  
(x2)  
BUSHING - M6X7



U001	U002	U003	U004	U005	U006	U007	U008	U009	U010	U011	U012	U013	U014	U015	U016	U017	U018	U019	U020
------	------	------	------	------	------	------	------	------	------	------	------	------	------	------	------	------	------	------	------

U003\_S001\_S011\_S001  
GUIDE:PAPER FEED:ENTRANCE:INNER BACK:ASS'Y

31.A8061163  
(x2)  
GUIDE PLATE CUS  
HION



154.D6832240  
GUIDE:PAPER FEE  
D:ENTRANCE:INNE  
R BACK:ASS'Y



155.D6832242  
SHEET:GUIDE:PAP  
ER FEED:INNER B  
ACK

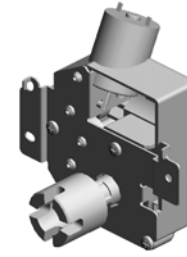
U001	U002	U003	U004	U005	U006	U007	U008	U009	U010	U011	U012	U013	U014	U015	U016	U017	U018	U019	U020
------	------	------	------	------	------	------	------	------	------	------	------	------	------	------	------	------	------	------	------



U003\_S001\_S012

DC MOTOR:RISING TRAY:ASS'Y:1.007W:BRUSH

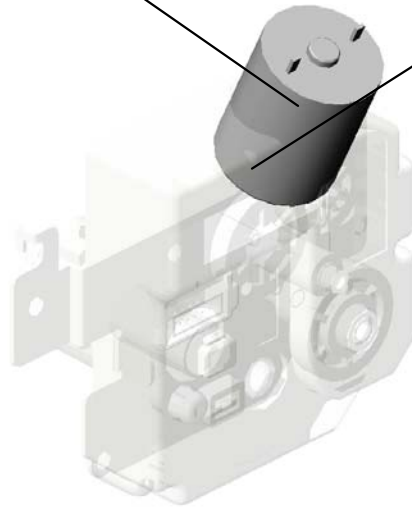
80.D0812966  
DC MOTOR:ASS'Y:  
1.007W:BRUSH



60.AX040254  
DC MOTOR:RISING  
TRAY:ASS'Y:1.007  
W:BRUSH



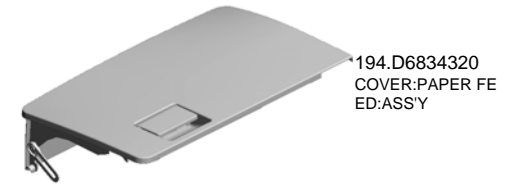
1.03530030N  
(x2)  
SCREW:M3X3



U001	U002	U003	U004	U005	U006	U007	U008	U009	U010	U011	U012	U013	U014	U015	U016	U017	U018	U019	U020
------	------	------	------	------	------	------	------	------	------	------	------	------	------	------	------	------	------	------	------

U003\_S001\_S013  
COVER:PAPER FEED:ASS'Y

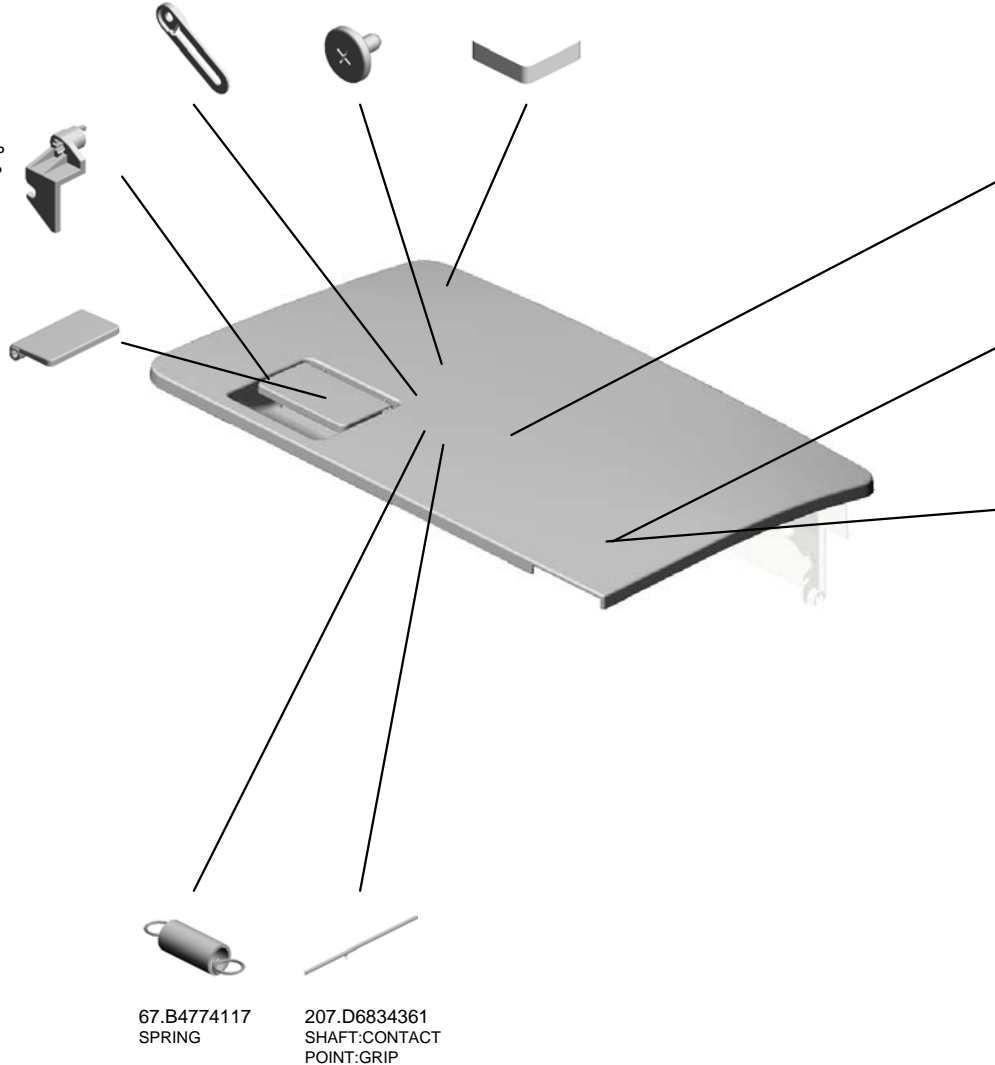
206.D6834351 LINK:STOPPER:COVER:PAPER FEED  
 55.AA143846 TAPPING SCREW:M3X6  
 237.D6866128 SPONGE:COVER:FRONT:SMALL



194.D6834320  
COVER:PAPER FEED:ASS'Y

210.D6834372  
HOOK:CONTACT POINT:FRONT:GRIP

209.D6834371  
GRIP:COVER:PAPER FEED



67.B4774117  
SPRING

207.D6834361  
SHAFT:CONTACT POINT:GRIP

199.D6834338  
COVER:PAPER FEED:UPPER



28.A4221063  
SEAL - 0.7X13X20



198.D6834329  
SHEET:BASE:SEAL:PAPER FEED

208.D6834367  
GROUND PLATE:HOOK:INNER BACK



211.D6834374  
HOOK:CONTACT POINT:INNER BACK:GRIP



201.D6834342  
BRACKET:PRESSURE: PICKUP



202.D6834343  
PRESSURE PLATE: PICKUP

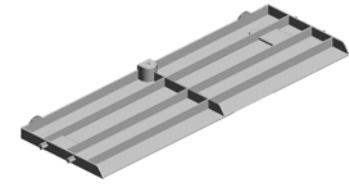
203.D6834344  
COMPRESSION SPRING: PICKUP:2.1N



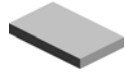
225.D6834617  
SEAL:LEFT LOWER

U003\_S001\_S014  
COVER:LOWER RIGHT:ASS'Y

221.D6834442  
(x2)  
TAPE:PRESSURE  
PLATE



222.D6834510  
COVER:LOWER RI  
GHT:ASS'Y

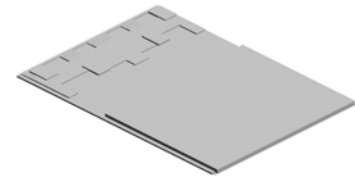


U001	U002	U003	U004	U005	U006	U007	U008	U009	U010	U011	U012	U013	U014	U015	U016	U017	U018	U019	U020
------	------	------	------	------	------	------	------	------	------	------	------	------	------	------	------	------	------	------	------

U003\_S001\_S015  
 PRESSURE PLATE:ASS'Y

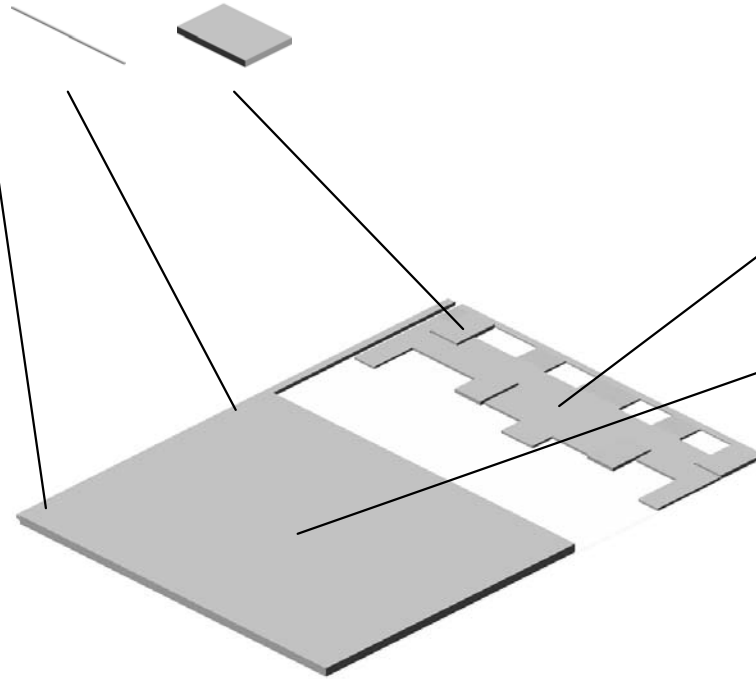
230.D6834725  
 CUSHION:PRESSU  
 RE PLATE:SMALL

228.D6834722  
 (x4)  
 CUSHION:TAPE:S  
 MALL



227.D6834720  
 PRESSURE PLATE  
 :ASS'Y

72.B6524743  
 SHEET:PRESSURE  
 PLATE:SMALL

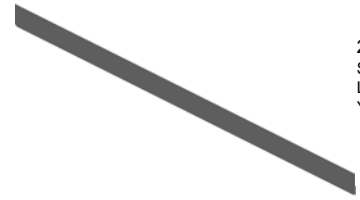


226.D6834711  
 GUIDE PLATE:PRE  
 SSURE PLATE:LEF  
 T

229.D6834724  
 CUSHION:PRESSU  
 RE PLATE:LARGE

U001	U002	U003	U004	U005	U006	U007	U008	U009	U010	U011	U012	U013	U014	U015	U016	U017	U018	U019	U020
------	------	------	------	------	------	------	------	------	------	------	------	------	------	------	------	------	------	------	------

U003\_S001\_S016  
SHIELDING PLATE:LEFT LOWER:ASS'Y



224.D6834615  
SHIELDING PLATE:  
LEFT LOWER:ASS'  
Y

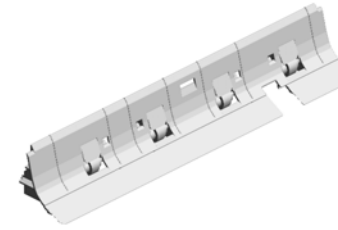


225.D6834617  
SEAL:LEFT LOWE  
R

U001	U002	U003	U004	U005	U006	U007	U008	U009	U010	U011	U012	U013	U014	U015	U016	U017	U018	U019	U020
------	------	------	------	------	------	------	------	------	------	------	------	------	------	------	------	------	------	------	------

U003\_S001\_S017  
GUIDE:SCANNING:ENTRANCE:LOWER:SUB-ASS'Y

92.D5433314  
(x4)  
SHEET:SCANNING:  
ENTRANCE:MIDDLE



181.D6833411  
GUIDE:SCANNING:  
ENTRANCE:LOWER:  
SUB-ASS'Y



U001	U002	U003	U004	U005	U006	U007	U008	U009	U010	U011	U012	U013	U014	U015	U016	U017	U018	U019	U020
------	------	------	------	------	------	------	------	------	------	------	------	------	------	------	------	------	------	------	------

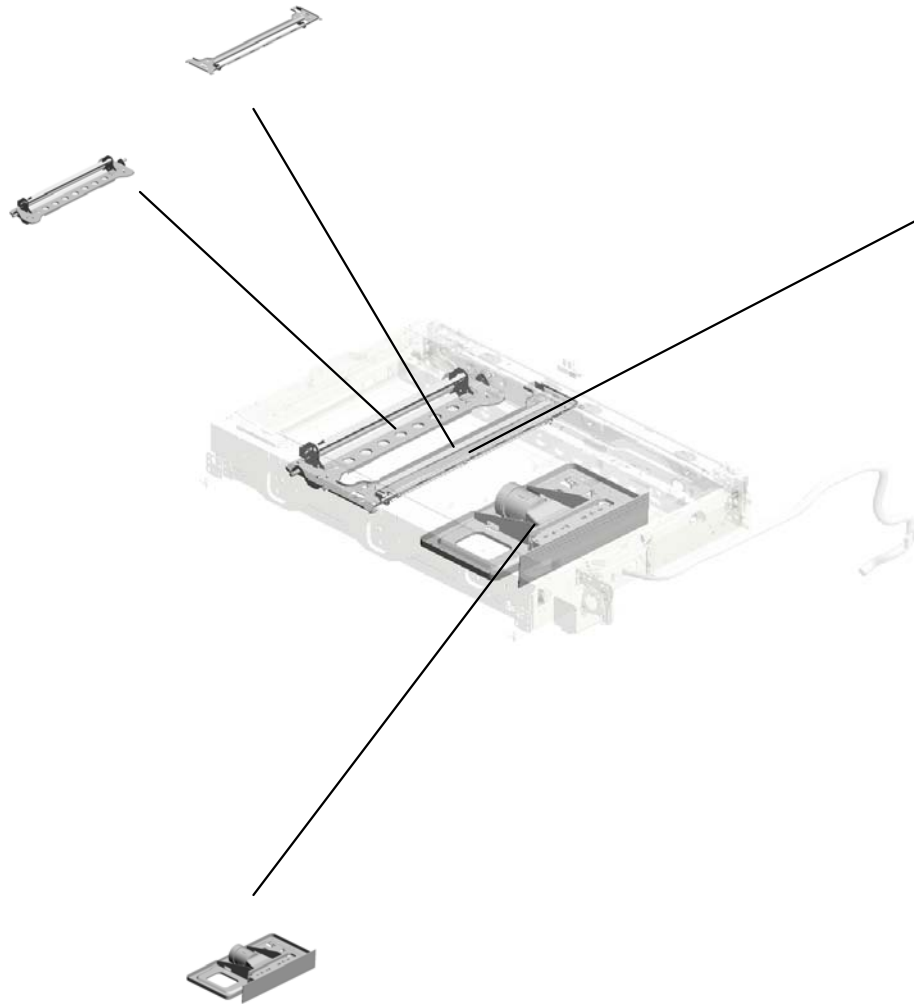
# U004.SCANNER

U004\_S002  
D1361751  
CARRIAGE:NO.1:ASS'Y

U004\_S004  
D1361776  
CARRIAGE:NO.2:ASS'Y

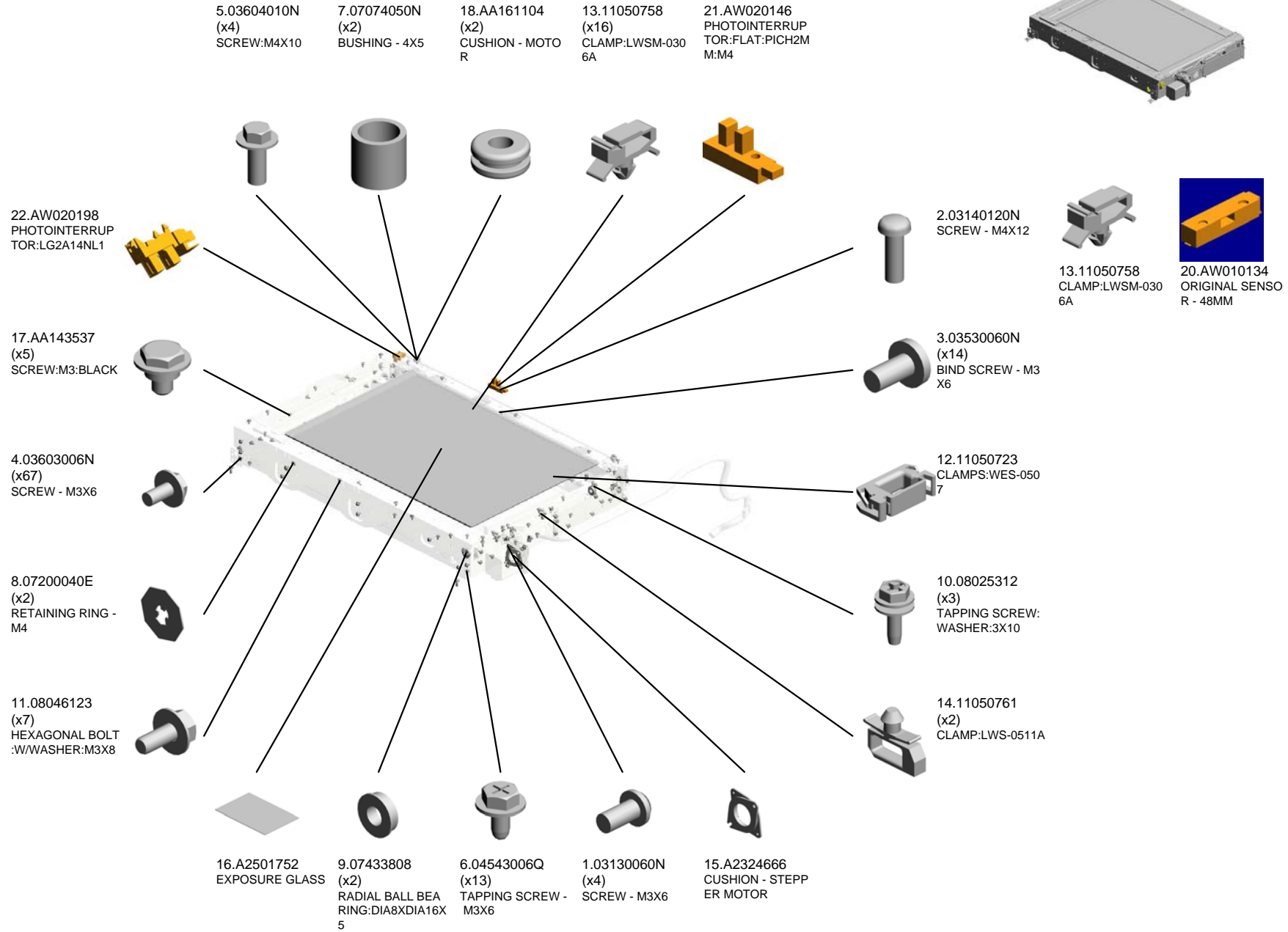
U004\_S003  
D1491721  
ILLUMINATION UNIT:LED-B:A  
SS'Y

U004\_S001  
D1361731  
LENSBLOCK SMD:ASS'Y



U001	U002	U003	<b>U004</b>	U005	U006	U007	U008	U009	U010	U011	U012	U013	U014	U015	U016	U017	U018	U019	U020
------	------	------	-------------	------	------	------	------	------	------	------	------	------	------	------	------	------	------	------	------

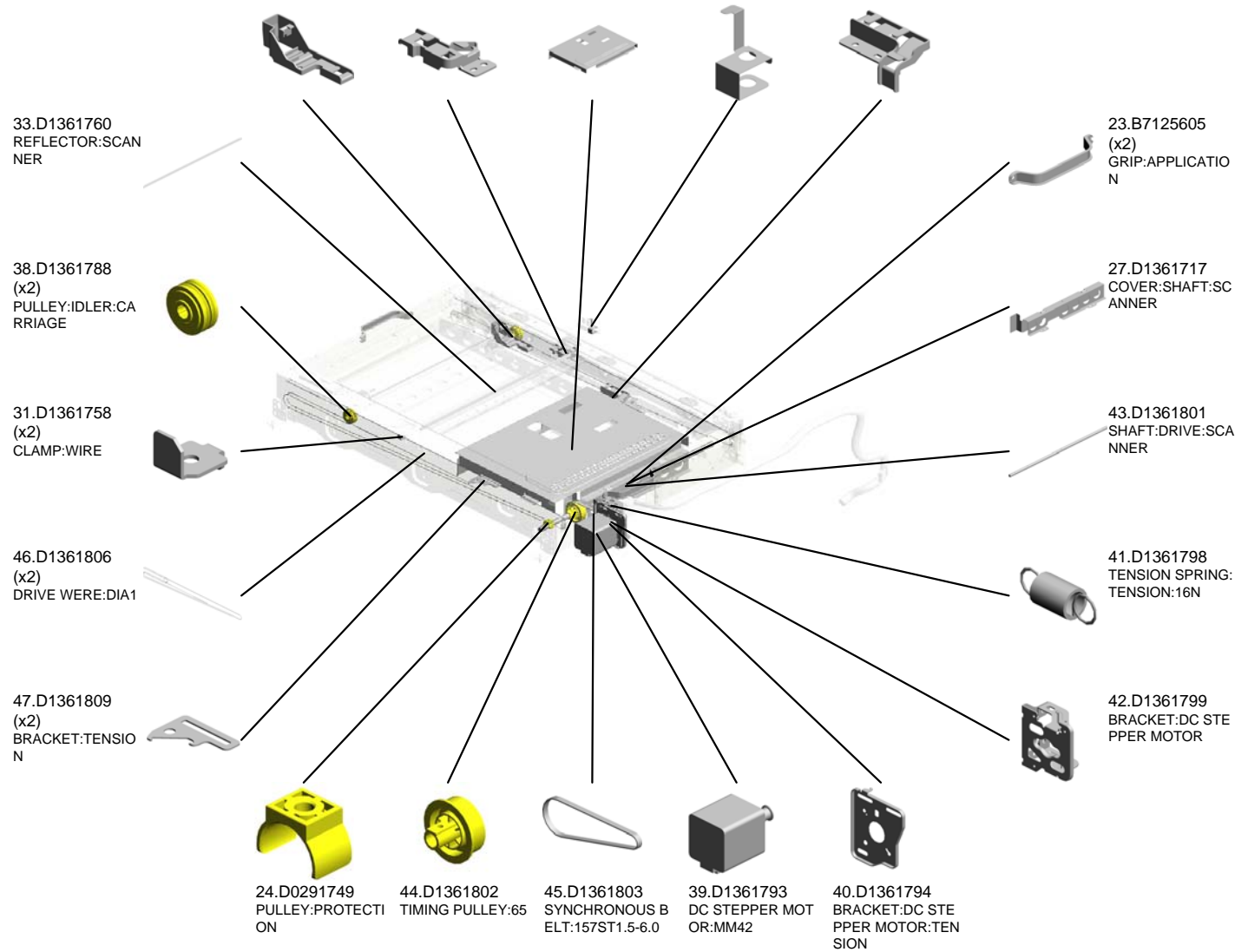
# U004 SCANNER





# U004 SCANNER

37.D1361787 GUIDE:FFC:CARRIAGE:NO.2  
 32.D1361759 GUIDE:FFC:CARRIAGE:NO.1  
 28.D1361727 INNER COVER:SCANNER  
 25.D1361687 GROUND PLATE:SENSOR:AKS  
 26.D1361715 GUIDE:HARNESS:LED



# U004 SCANNER

51.D1361828  
SCALE:LEFT:NA:  
ASSY

49.D1361811  
(x4)  
PULLEY:PEEN

63.G5701225  
SENSOR SHIELDIN  
G PLATE

64.M0261778  
GUIDE:FFC

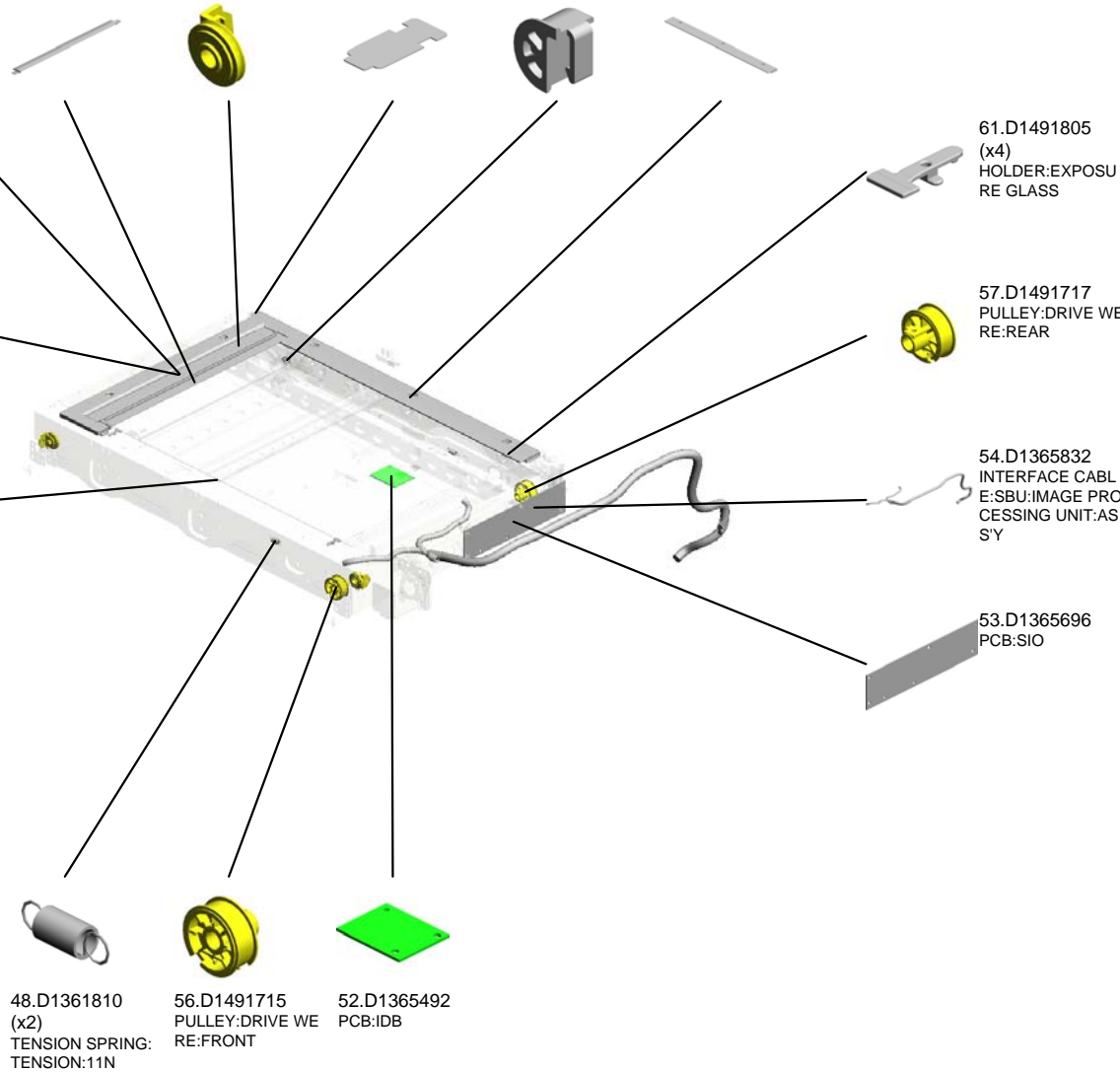
59.D1491795  
SCALE:REAR:PRIN  
TING



50.D1361821  
COVER:EXPOSUR  
E GLASS:DOCUME  
NT FEEDER

55.D1471805  
EXPOSURE GLASS  
:DOCUMENT FEED  
ER:APPLY

60.D1491804  
(x2)  
HOLDER:EXPOSU  
RE GLASS:SCANN  
ER



61.D1491805  
(x4)  
HOLDER:EXPOSU  
RE GLASS

57.D1491717  
PULLEY:DRIVE WE  
RE:REAR

54.D1365832  
INTERFACE CABL  
E:SBU:IMAGE PRO  
CESSING UNIT:AS  
SY

53.D1365696  
PCB:SIO

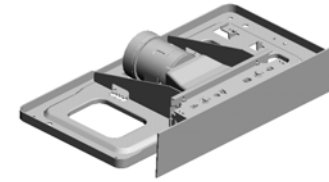
48.D1361810  
(x2)  
TENSION SPRING:  
TENSION:11N

56.D1491715  
PULLEY:DRIVE WE  
RE:FRONT

52.D1365492  
PCB:IDB

U004\_S001  
LENSBLOCK SMD:ASS'Y

4.03603006N  
(x4)  
SCREW - M3X6



29.D1361731  
LENSBLOCK SMD:  
ASS'Y

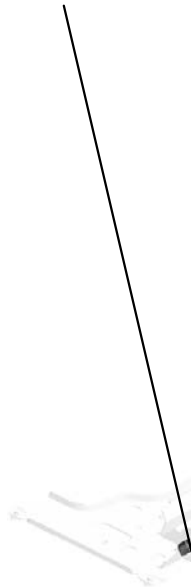


11.08046123  
(x8)  
HEXAGONAL BOLT  
:W/WASHER:M3X8

U001	U002	U003	U004	U005	U006	U007	U008	U009	U010	U011	U012	U013	U014	U015	U016	U017	U018	U019	U020
------	------	------	------	------	------	------	------	------	------	------	------	------	------	------	------	------	------	------	------

U004\_S002  
CARRIAGE:NO.1:ASS'Y

65.M0261815  
(x2)  
CLAMP:MIRROR:N  
O.1



19.AC030211  
MIRROR:NO.1



U001	U002	U003	U004	U005	U006	U007	U008	U009	U010	U011	U012	U013	U014	U015	U016	U017	U018	U019	U020
------	------	------	------	------	------	------	------	------	------	------	------	------	------	------	------	------	------	------	------

U004\_S003  
ILLUMINATION UNIT:LED-B:ASS'Y

3.03530060N  
(x3)  
BIND SCREW - M3  
X6



58.D1491721  
ILLUMINATION UNI  
T:LED-B:ASS'Y

U001	U002	U003	U004	U005	U006	U007	U008	U009	U010	U011	U012	U013	U014	U015	U016	U017	U018	U019	U020
------	------	------	------	------	------	------	------	------	------	------	------	------	------	------	------	------	------	------	------

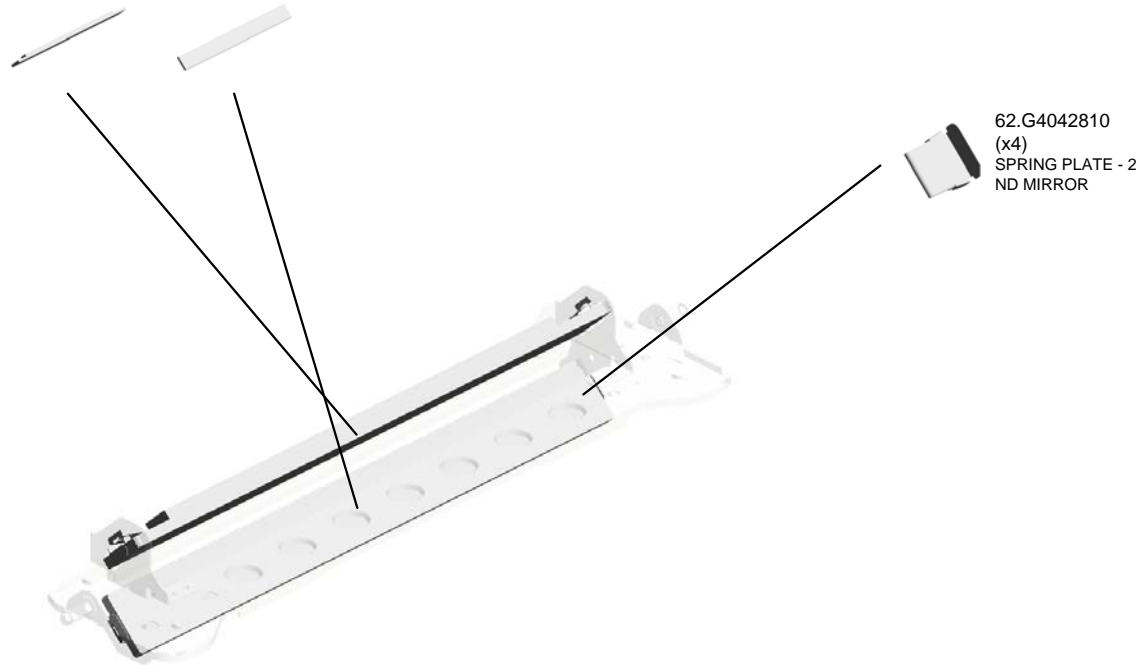
U004\_S004  
CARRIAGE:NO.2:ASS'Y

35.D1361784  
MIRROR:NO.2:ASS'  
Y

36.D1361785  
MIRROR:NO.3:ASS'  
Y



34.D1361776  
CARRIAGE:NO.2:A  
SS'Y



62.G4042810  
(x4)  
SPRING PLATE - 2  
ND MIRROR

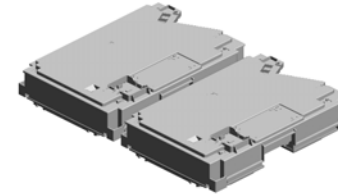
U001	U002	U003	U004	U005	U006	U007	U008	U009	U010	U011	U012	U013	U014	U015	U016	U017	U018	U019	U020
------	------	------	------	------	------	------	------	------	------	------	------	------	------	------	------	------	------	------	------

# U005 LASER UNIT

8.D1381860  
OPTICAL WRITING  
UNIT:BK-C:ASS'Y

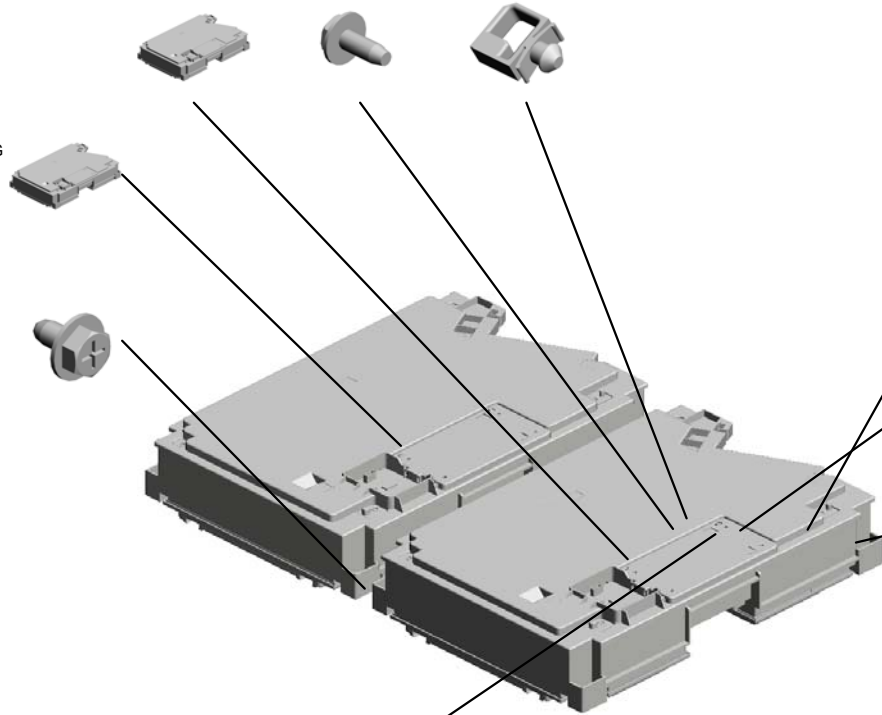
3.04583008N  
(x22)  
HEXAGON HEAD T  
APPING SCREW:3  
X8

6.11050759  
(x36)  
CLAMP:LWSM-060  
5A



9.D1381861  
OPTICAL WRITING  
UNIT:M-Y:ASS'Y

2.04543008Q  
(x8)  
TAPPING SCREW:  
3X8



7.AW020198  
PHOTOINTERRUP  
TOR:LG2A14NL1

5.08050092  
RETAINING RING -  
3M

1.04543006Q  
(x2)  
TAPPING SCREW -  
M3X6

4.04583010N  
(x29)  
HEXAGON HEAD T  
APPING SCREW:3  
X10

U001	U002	U003	U004	U005	U006	U007	U008	U009	U010	U011	U012	U013	U014	U015	U016	U017	U018	U019	U020
------	------	------	------	------	------	------	------	------	------	------	------	------	------	------	------	------	------	------	------

# U006.PAPER FEED

U006\_S002  
D1382638  
COVER:REGISTRATION:UPP  
ER:PRO:ASS'Y

U006\_S001  
D1362702  
GUIDE PLATE:CONNECTING  
:FRONT RIGHT:ASS'Y

U006\_S003  
D1382851  
MANUAL FEED UNIT:250:AS  
S'Y

U006\_S009  
D1366698  
DC SOLENOID:TANDEM TRA  
Y:LOCK:ASS'Y

U006\_S005  
D1356684  
PAPER FEED UNIT:NO.1:ASS  
'Y

U006\_S008  
D1492768  
TRANSPORT ROLLER:VERTI  
CAL TRANSPORT:ASS'Y

U006\_S012  
AX040281  
DC MOTOR:RISING TRAY:1.0  
07W:BRUSH

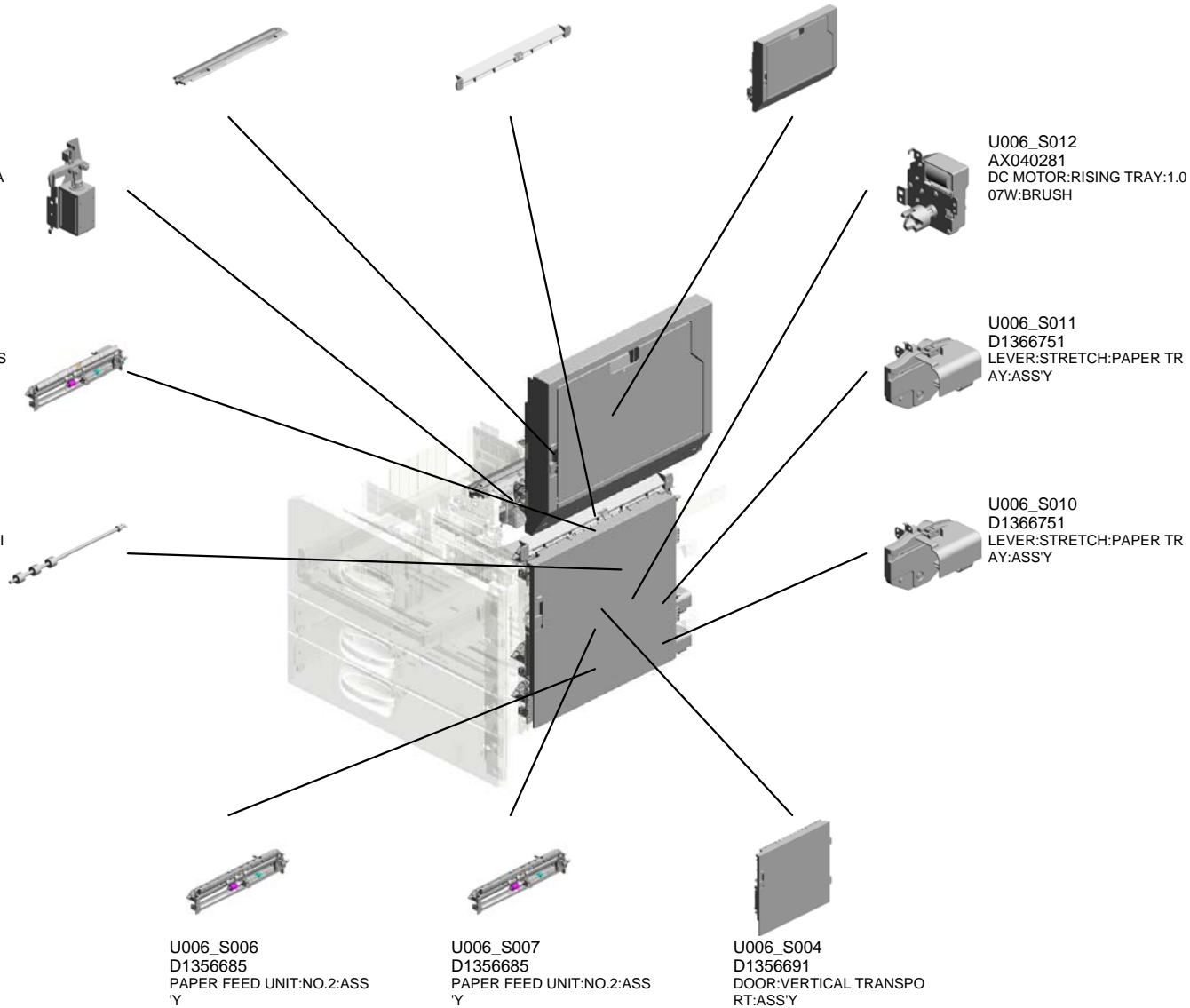
U006\_S011  
D1366751  
LEVER:STRETCH:PAPER TR  
AY:ASS'Y

U006\_S010  
D1366751  
LEVER:STRETCH:PAPER TR  
AY:ASS'Y

U006\_S006  
D1356685  
PAPER FEED UNIT:NO.2:ASS  
'Y

U006\_S007  
D1356685  
PAPER FEED UNIT:NO.2:ASS  
'Y

U006\_S004  
D1356691  
DOOR:VERTICAL TRANSP  
ORT:ASS'Y



U001	U002	U003	U004	U005	U006	U007	U008	U009	U010	U011	U012	U013	U014	U015	U016	U017	U018	U019	U020
------	------	------	------	------	------	------	------	------	------	------	------	------	------	------	------	------	------	------	------



# U006.PAPER FEED

U006\_S017  
D1357584  
TANDEM LCT:LEFT:NA:ASS'  
Y

U006\_S019  
D0596690  
PLATE:PAPER:ASS'Y

U006\_S014  
D1386682  
HEAT SINK:HEATER:UPPER:  
EU:ASS'Y

U006\_S020  
D1357531  
GRIP:INNER COVER:ASS'Y

U006\_S018  
D0596690  
PLATE:PAPER:ASS'Y

U006\_S016  
D1356727  
PAPER TRAY:ASS'Y

U006\_S021  
D1367593  
TRAY BOTTOM PLATE:ASS'Y

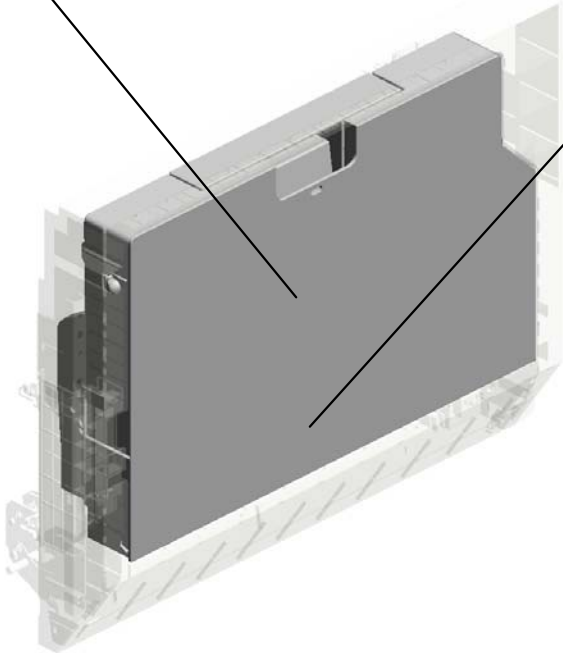
U006\_S013  
AX040281  
DC MOTOR:RISING TRAY:1.0  
07W:BRUSH

U006\_S015  
D1356726  
PAPER TRAY:NO.4:ASS'Y

U001	U002	U003	U004	U005	<b>U006</b>	U007	U008	U009	U010	U011	U012	U013	U014	U015	U016	U017	U018	U019	U020
------	------	------	------	------	-------------	------	------	------	------	------	------	------	------	------	------	------	------	------	------

# U006\_S003.MANUAL FEED UNIT:250:ASS'Y

U006\_S003\_S002  
D1382752  
MANUAL FEED TABLE:250:A  
SS'Y



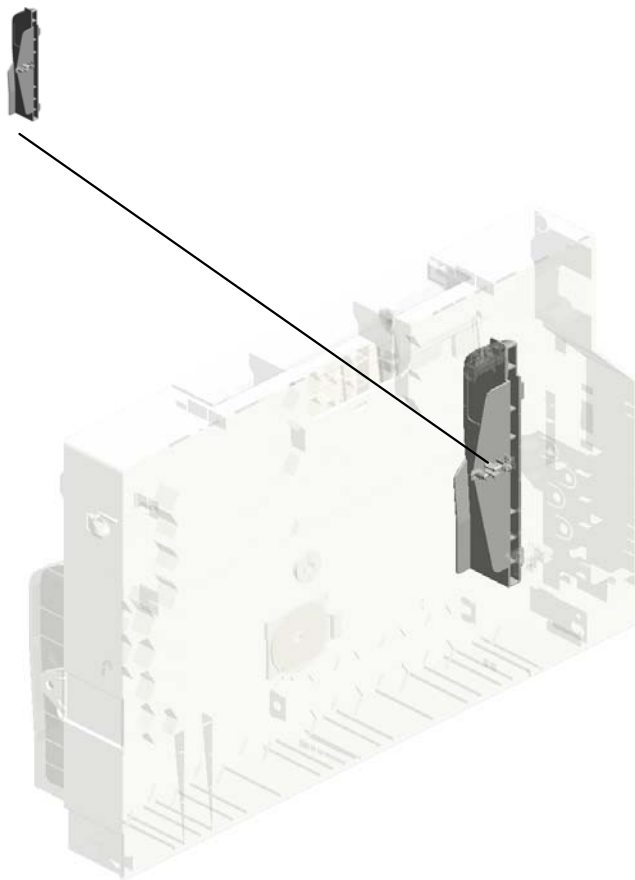
U006\_S003\_S001  
D1362803  
SHAFT:SEPARATOR:DRIVEN  
:ASSY



U001	U002	U003	U004	U005	<b>U006</b>	U007	U008	U009	U010	U011	U012	U013	U014	U015	U016	U017	U018	U019	U020
------	------	------	------	------	-------------	------	------	------	------	------	------	------	------	------	------	------	------	------	------

# U006\_S003\_S002.MANUAL FEED TABLE:250:ASS'Y

U006\_S003\_S002\_S001  
D1382784  
SIDE FENCE:REAR:ASS'Y



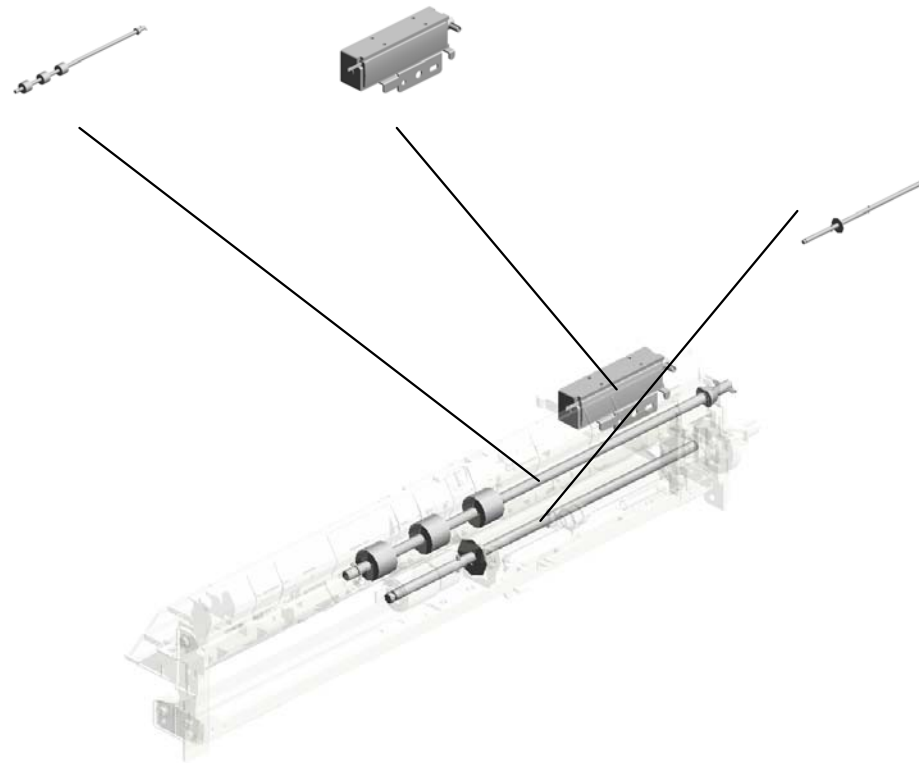
U001	U002	U003	U004	U005	<b>U006</b>	U007	U008	U009	U010	U011	U012	U013	U014	U015	U016	U017	U018	U019	U020
------	------	------	------	------	-------------	------	------	------	------	------	------	------	------	------	------	------	------	------	------

# U006\_S005.PAPER FEED UNIT:NO.1:ASS'Y

U006\_S005\_S003  
D1492768  
TRANSPORT ROLLER:VERTI  
CAL TRANSPORT:ASSY

U006\_S005\_S001  
D1492726  
DC SOLENOID:PICKUP:NO.2:  
ASSY

U006\_S005\_S002  
D1356667  
SHAFT:SEPARATE:DRIVEN:A  
SSY



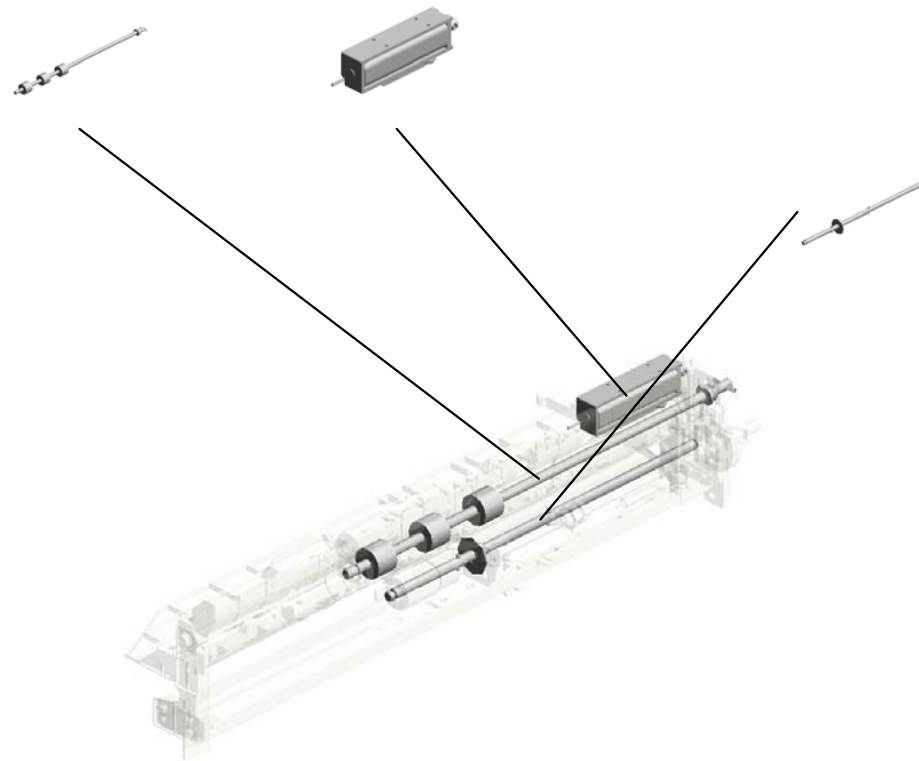
U001	U002	U003	U004	U005	<b>U006</b>	U007	U008	U009	U010	U011	U012	U013	U014	U015	U016	U017	U018	U019	U020
------	------	------	------	------	-------------	------	------	------	------	------	------	------	------	------	------	------	------	------	------

# U006\_S006.PAPER FEED UNIT:NO.2:ASS'Y

U006\_S006\_S002  
D1492768  
TRANSPORT ROLLER:VERTI  
CAL TRANSPORT:ASSY

U006\_S006\_S003  
D1492716  
DC SOLENOID:PICKUP:NO.1:  
ASSY

U006\_S006\_S001  
D1356667  
SHAFT:SEPARATE:DRIVEN:A  
SSY



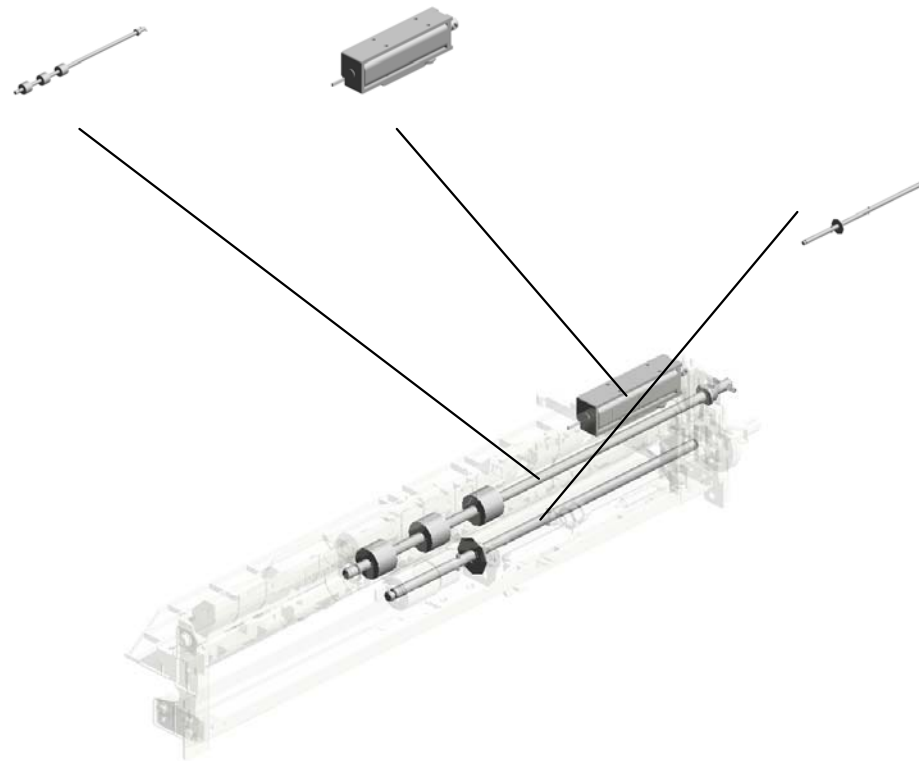
U001	U002	U003	U004	U005	<b>U006</b>	U007	U008	U009	U010	U011	U012	U013	U014	U015	U016	U017	U018	U019	U020
------	------	------	------	------	-------------	------	------	------	------	------	------	------	------	------	------	------	------	------	------

# U006\_S007.PAPER FEED UNIT:NO.2:ASS'Y

U006\_S007\_S002  
D1492768  
TRANSPORT ROLLER:VERTI  
CAL TRANSPORT:ASSY

U006\_S007\_S003  
D1492716  
DC SOLENOID:PICKUP:NO.1:  
ASSY

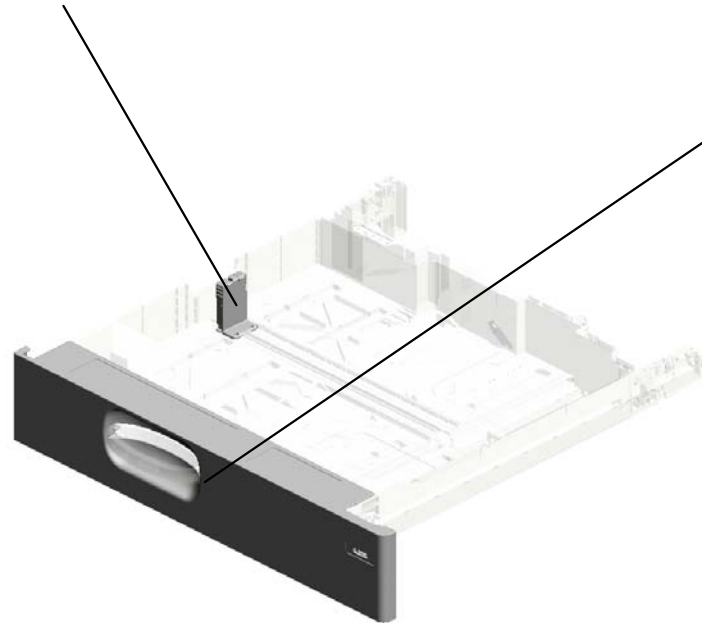
U006\_S007\_S001  
D1356667  
SHAFT:SEPARATE:DRIVEN:A  
SSY



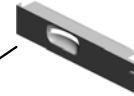
U001	U002	U003	U004	U005	<b>U006</b>	U007	U008	U009	U010	U011	U012	U013	U014	U015	U016	U017	U018	U019	U020
------	------	------	------	------	-------------	------	------	------	------	------	------	------	------	------	------	------	------	------	------

# U006\_S015.PAPER TRAY:NO.4:ASS'Y

U006\_S015\_S002  
D1492840  
END FENCE:PAPER TRAY:A  
SS'Y



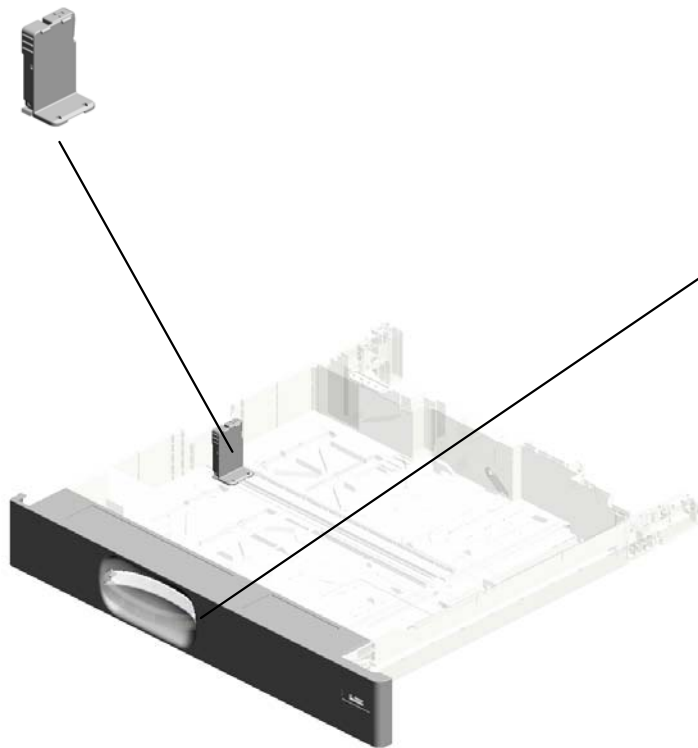
U006\_S015\_S001  
D1356732  
COVER:PAPER TRAY:NO.4:A  
SS'Y



U001	U002	U003	U004	U005	<b>U006</b>	U007	U008	U009	U010	U011	U012	U013	U014	U015	U016	U017	U018	U019	U020
------	------	------	------	------	-------------	------	------	------	------	------	------	------	------	------	------	------	------	------	------

# U006\_S016.PAPER TRAY:ASS'Y

U006\_S016\_S002  
D1492840  
END FENCE:PAPER TRAY:A  
SS'Y



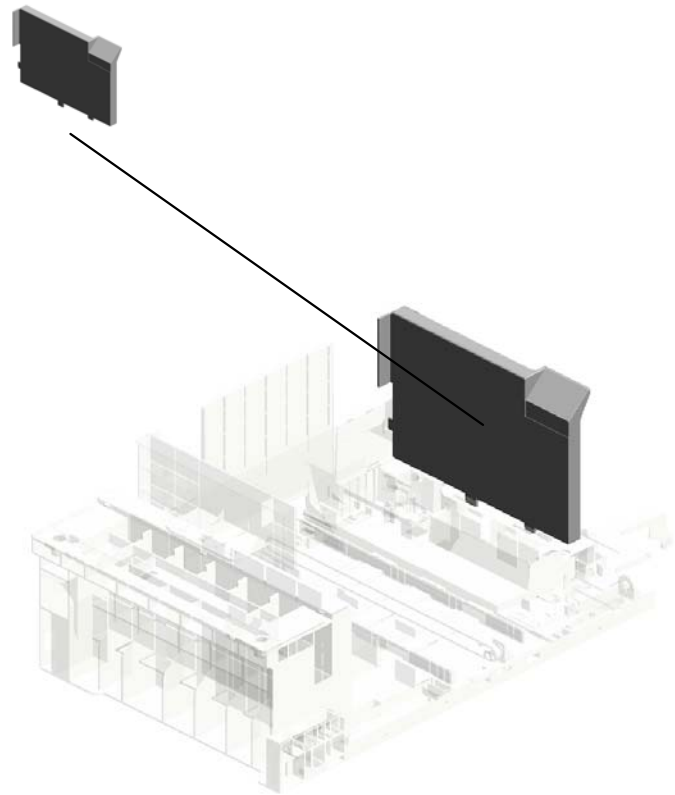
U006\_S016\_S001  
D1356730  
COVER:PAPER TRAY:NO.3:A  
SS'Y

U001	U002	U003	U004	U005	<b>U006</b>	U007	U008	U009	U010	U011	U012	U013	U014	U015	U016	U017	U018	U019	U020
------	------	------	------	------	-------------	------	------	------	------	------	------	------	------	------	------	------	------	------	------



# U006\_S017.TANDEM LCT:LEFT:NA:ASS'Y

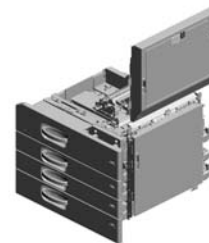
U006\_S017\_S001  
D1357516  
SIDE FENCE:LEFT REAR:TA  
NDEM LCT:ASS'Y



U001	U002	U003	U004	U005	<b>U006</b>	U007	U008	U009	U010	U011	U012	U013	U014	U015	U016	U017	U018	U019	U020
------	------	------	------	------	-------------	------	------	------	------	------	------	------	------	------	------	------	------	------	------

# U006 PAPER FEED

- 20.07200060E (x7) RETAINING RING - M6
- 22.07413708 (x6) BALL BEARING - 8 X12X3.5MM
- 1.03130040N (x2) SCREW:M3X4
- 26.08050092 (x8) RETAINING RING - 3M
- 19.07200040E (x5) RETAINING RING - M4



10.04543006N (x9) TAPPING SCREW: ROUND POINT:3X6



18.07200030E (x4) RETAINING RING - M3



21.07200080E (x8) RETAINING RING - M8



7.03603008N (x3) SCREW:M3X8



23.08046123 (x2) HEXAGONAL BOLT :W/WASHER:M3X8



24.08050088 (x3) RETAINING RING - M6



11.04543006Q (x130) TAPPING SCREW - M3X6



12.04543008Q (x9) TAPPING SCREW: 3X8



13.04583008N (x4) HEXAGON HEAD T APPING SCREW:3 X8



17.06330140G PARALLEL PIN - 3X 14



6.03603006N SCREW - M3X6



9.04504010N (x3) TAPPING SCREW: M4X10



25.08050089 (x3) RETAINING RING - M4



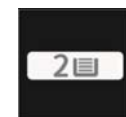
30.11050551 (x2) CLAMP:LES-0505



14.04583010N (x9) HEXAGON HEAD T APPING SCREW:3 X10



38.AA000285  
DECAL:PAPER TR AY:DESIGN SKETC H1



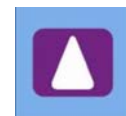
39.AA000286  
DECAL:PAPER TR AY:DESIGN SKETC H2



40.AA000287  
DECAL:PAPER TR AY:DESIGN SKETC H3



41.AA000289 (x3)  
DECAL:LED



42.AA000291 (x2)  
DECAL:POSITIONI NG DISPLAY:SCRE W:PP



43.AA000292  
DECAL:CAUTION C HART:TANDEM LC T



47.AA000392  
SHEET:PAPER SE T DIRECTION:TAN DEM TRAY



48.AA000395  
DECAL:CAUTION:T ANDEM LCT:RIGHT :SET

# U006 PAPER FEED

67.AA140944  
SHAFT:LEVER:OP  
EN AND CLOSE

84.AF020792  
REGISTRATION R  
OLLER:DRIVE

92.AW020198  
(x5)  
PHOTOINTERRUP  
TOR:LG2A14NL1

54.AA063723  
COMPRESSION SP  
RING:STAY:REGIS  
TRATION:5N

66.AA100014  
RETAINING RING  
C - SEPARATE



77.AB011570  
GEAR:Z20:DRIVEN:  
REGISTRATION R  
OLLER



76.AB011569  
GEAR:Z25:DRIVE:  
REGISTRATION ROL  
LER



57.AA071020  
SLIDE RAIL:LARGE  
CAPACITY TRAY:L  
EFT:ASS'Y



32.11050692  
(x4)  
CLAMP:LES-0503



36.11050760  
(x7)  
CLAMP:LWSM-051  
1A



58.AA071021  
SLIDE RAIL:LARGE  
CAPACITY TRAY:  
MIDDLE:ASS'Y



61.AA082173  
(x2)  
PLAIN SHAFT BEA  
RING:6X10X6



78.AB014135  
GEAR - 18Z



79.AB019475  
GEAR - 48T



59.AA071022  
SLIDE RAIL:LARGE  
CAPACITY TRAY:  
RIGHT:ASS'Y



35.11050758  
(x9)  
CLAMP:LWSM-030  
6A



34.11050724  
CLAMPS:WES-121  
0



70.AB000201  
DC MOTOR:TANDE  
M LCT:RISE:ASS'Y:  
19.2W:BRUSH



63.AA082175  
(x3)  
PLAIN SHAFT BEA  
RING:8X12X7



37.52062686  
(x5)  
SNAP RING



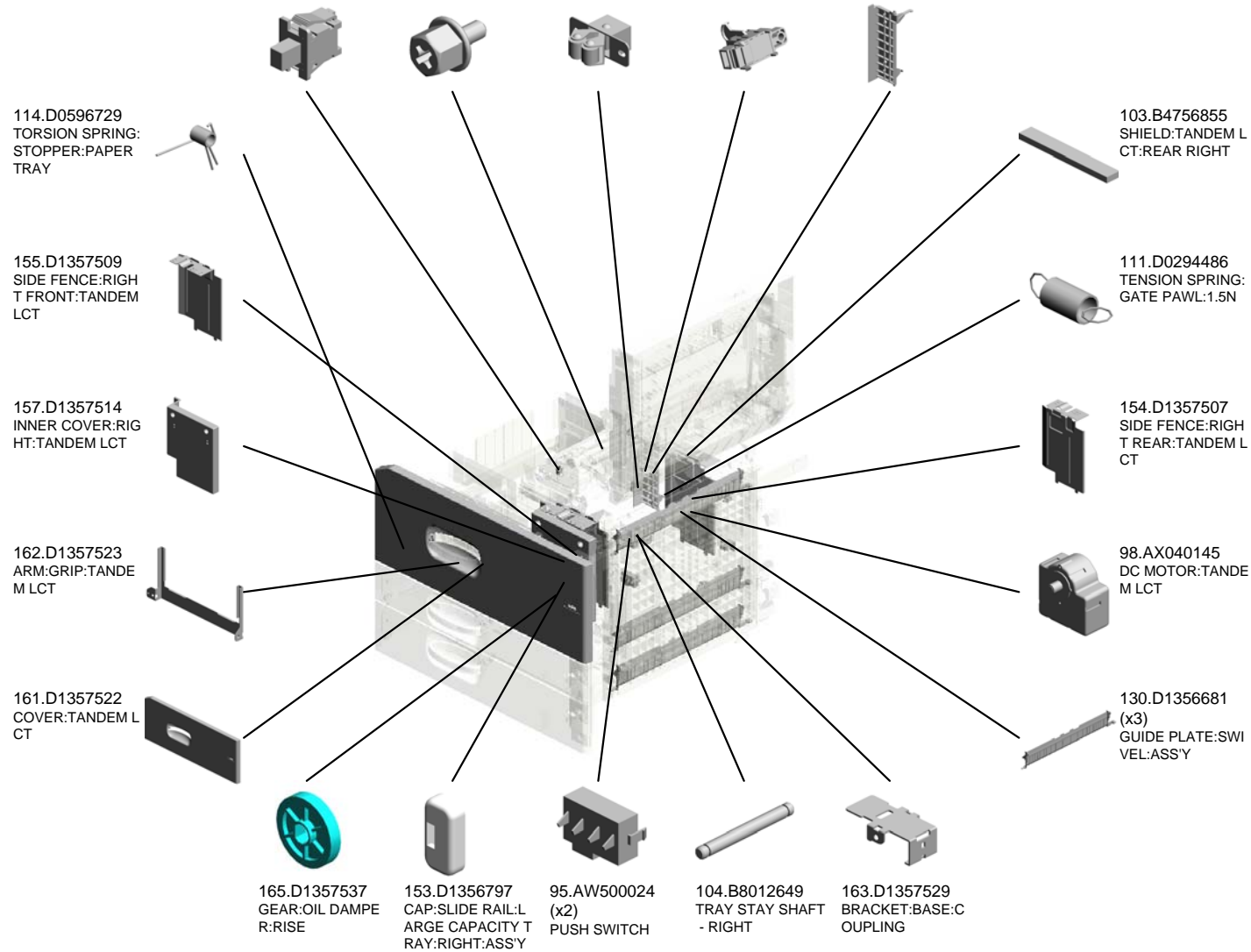
81.AC020152  
(x3)  
LENS:LED:3



382.M0262657  
SHEET:VERTICAL  
TRANSPORT:SENS  
OR

# U006 PAPER FEED

- 97.AW500040 (x4) PUSH SWITCH:SW 1AG-550:10MA
- 102.B2342399 (x2) BOLT - M3X6
- 107.C2592267 (x2) LOCK HOLDER
- 94.AW020209 (x2) ENCODER:PAPER THICK
- 156.D1357511 END FENCE:REAR: TANDEM LCT



U001	U002	U003	U004	U005	U006	U007	U008	U009	U010	U011	U012	U013	U014	U015	U016	U017	U018	U019	U020
------	------	------	------	------	------	------	------	------	------	------	------	------	------	------	------	------	------	------	------

# U006 PAPER FEED

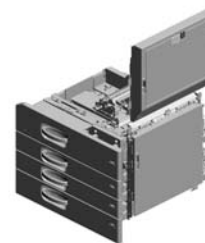
178.D1362608  
REGISTRATION R  
OLLER:DRIVEN  
201309-07 X/X

176.D1362586  
GUIDE PLATE:REG  
ISTRATION:LOWE  
R:ASSY

177.D1362591  
GUIDE PLATE:REG  
ISTRATION:UPPER  
:ASSY

185.D1362652  
GUIDE PLATE:CON  
NECTING:REGIST  
RATION:ASSY

173.D1362579  
LEVER:LOCK:INNE  
R BACK



181.D1362611  
(x2)  
COLLAR:REGISTR  
ATION:DRIVEN:OU  
TER



179.D1362605  
PLAIN SHAFT BEA  
RING:REGISTRATI  
ON:DRIVEN:FRON  
T



172.D1362577  
LEVER:LOCK:FRO  
NT:ASSY



182.D1362616  
HINGE:GUIDE PLA  
TE:REGISTRATION  
:FRONT



174.D1362580  
PLAIN SHAFT BEA  
RING:LEVER:OPEN  
AND CLOSE:FRON  
T



188.D1362660  
GUIDE PLATE:CON  
NECTING:MANUAL  
FEED:LOWER:AS  
S'Y

189.D1362663  
GUIDE:CONNECTI  
NG:MANUAL FEED:  
LOWER

190.D1362665  
GUIDE PLATE:CON  
NECTING:MANUAL  
FEED:UPPER:ASS'  
Y

166.D1357567  
(x2)  
HOLDER:SYNCHR  
ONOUS BELT

186.D1362656  
TRANSPORT ROLL  
ER:CONNECTING:  
MANUAL FEED:DRI  
VE

175.D1362581  
PLAIN SHAFT BEA  
RING:LEVER:OPEN  
AND CLOSE:INNE  
R BACK



171.D1362573  
(x3)  
COLLAR:REGISTR  
ATION:DRIVE



180.D1362607  
PLAIN SHAFT BEA  
RING:REGISTRATI  
ON:DRIVEN:INNER  
BACK



183.D1362618  
HINGE:GUIDE PLA  
TE:REGISTRATION  
:INNER BACK



187.D1362657  
(x2)  
JOINT:CONNECTIN  
G:DRIVE



# U006 PAPER FEED

195.D1362678  
COVER:MANUAL FEED:ENTRANCE:UPPER

191.D1362670  
(x3)  
ROLLER:DIA18:CONNECTING:MANUAL FEED

198.D1362712  
GUIDE:CONNECTING:DRIVEN

215.D1362814  
INNER COVER:MANUAL FEED:LOWER:ASSY

216.D1362815  
BRACKET:HINGE:MANUAL FEED:UPPER:ASSY



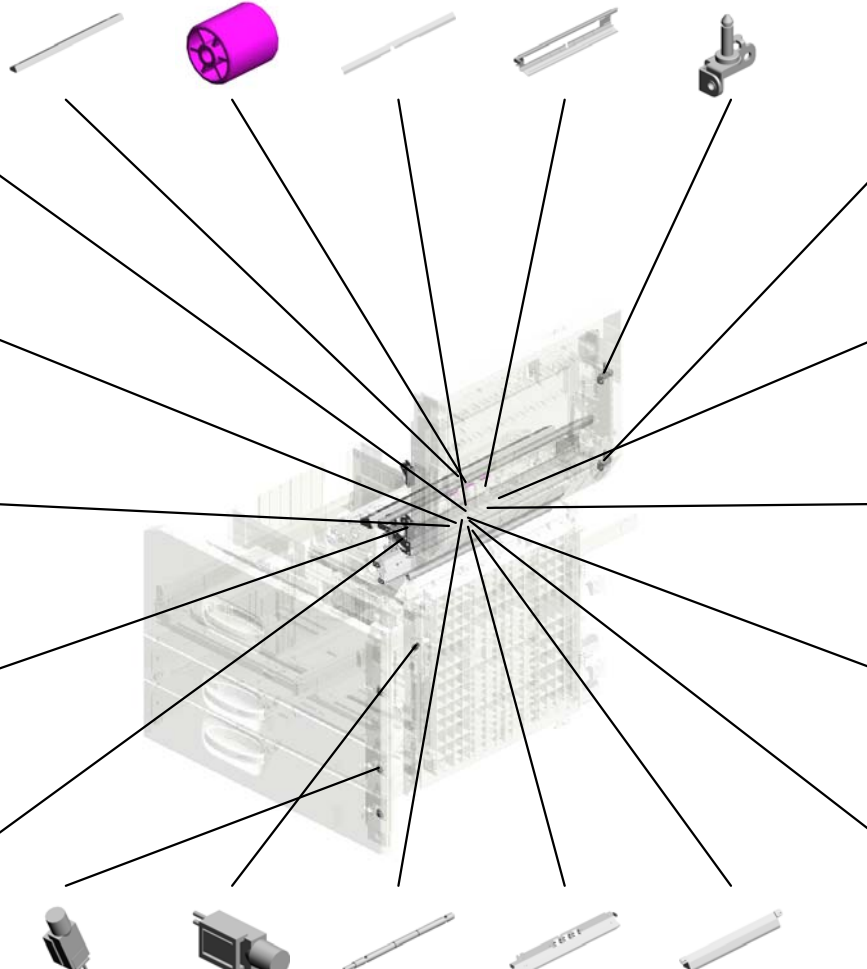
203.D1362721  
GUIDE PLATE:CONNECTING:DRIVE

199.D1362714  
(x3)  
ROLLER:CONNECTING:DIA20

200.D1362715  
(x12)  
TENSION SPRING:DRIVEN:CONNECTING

211.D1362801  
(x2)  
BRACKET:LEVER:FRONT:MANUAL FEED:ASSY

220.D1362848  
GUIDE:POSITIONING:FRONT:MANUAL FEED UNIT



217.D1362816  
BRACKET:HINGE:MANUAL FEED:LOWER:ASSY

204.D1362729  
TRANSPORT ROLLER:CONNECTING:DRIVE

193.D1362672  
(x2)  
SHAFT:DRIVEN ROLLER

194.D1362673  
(x8)  
PLAIN SHAFT BEARING:CONNECTING

202.D1362719  
GUIDE:CONNECTING:FRONT LEFT

228.D1365511  
(x3)  
LED:CONNECTOR:BLUE

227.D1365510  
LED:CONNECTOR:RED

192.D1362671  
(x2)  
SHAFT:DRIVEN ROLLER:ENCODER

197.D1362708  
GUIDE PLATE:DRIVEN:CONNECTING:ASSY

201.D1362718  
GUIDE PLATE:CONNECTING:FRONT LEFT

U001	U002	U003	U004	U005	<b>U006</b>	U007	U008	U009	U010	U011	U012	U013	U014	U015	U016	U017	U018	U019	U020
------	------	------	------	------	-------------	------	------	------	------	------	------	------	------	------	------	------	------	------	------

# U006 PAPER FEED

243.D1366718 COVER:DC SOLENOID:REAR  
 244.D1366719 DC SOLENOID:END FENCE:REAR:ASSY  
 241.D1366714 BRACKET:DC SOLENOID:REAR:ASSY  
 249.D1366744 TENSION SPRING:END FENCE:SOLENOID  
 242.D1366717 LEVER:RELEASE:REAR



240.D1366710 BRACKET:CONNECTOR:LEFT

237.D1366703 COVER:PAPER TRAY:REAR LEFT

247.D1366741 COVER:CONNECTOR:HEATER:UPPER

234.D1366678 (x2) SUPPORTER:LEFT:ASSY

229.D1366665 BRACKET:LED:VERTICAL TRANSPORT

232.D1366675 (x2) HOLDER:POSITIONING

230.D1366666 INNER COVER:LED:VERTICAL TRANSPORT

248.D1366743 PLATE:CONNECTOR:HEATER:LOWER

231.D1366672 (x2) SUPPORTER:RIGHT:ASSY

246.D1366729 BRACKET:STOPPER:VERTICAL TRANSPORT:RIGHT LOWER:ASSY

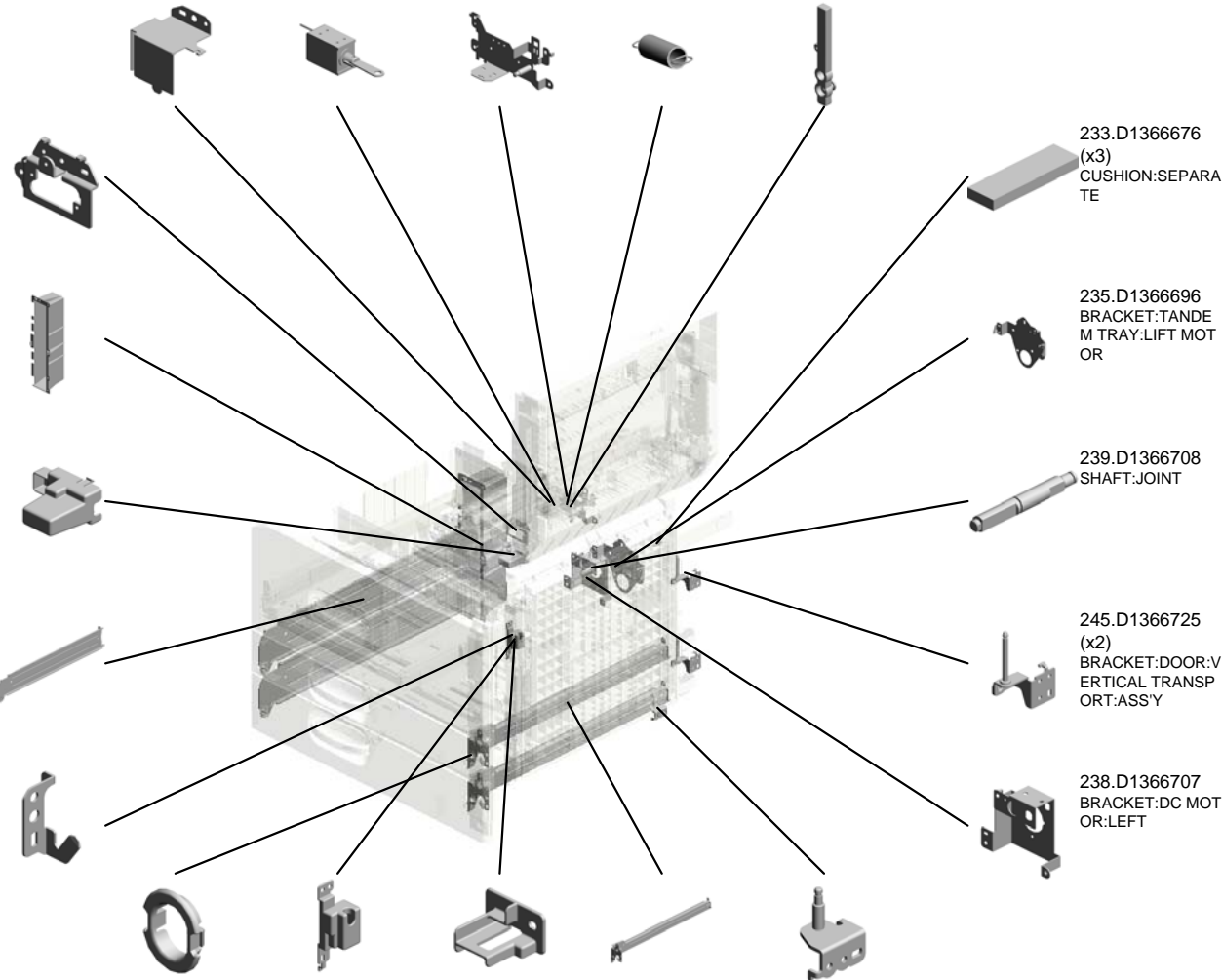
233.D1366676 (x3) CUSHION:SEPARATE

235.D1366696 BRACKET:TANDEM TRAY:LIFT MOTOR

239.D1366708 SHAFT:JOINT

245.D1366725 (x2) BRACKET:DOOR:VERTICAL TRANSPORT:ASSY

238.D1366707 BRACKET:DC MOTOR:LEFT



# U006 PAPER FEED

277.D1367570  
GRIP:TANDEM TRAY:REAR

269.D1367538  
OIL DAMPER:FALL

287.D1367599 (x2)  
TIMING PULLEY:TRAY BOTTOM PLATE:TANDEM TRAY:DRIVEN

334.D1386669  
COVER:SIDE PLATE:REAR:TANDEM LCT

285.D1367588  
STOPPER:END FE



275.D1367566  
STOPPER:TANDEM TRAY

278.D1367571  
GRIP:PAPER TRAY:TANDEM TRAY

279.D1367572  
BRACKET:STOPPER:TANDEM TRAY:LEFT

274.D1367565  
SHAFT:GRIP:TANDEM TRAY

276.D1367567  
BRACKET:STOPPER:TANDEM TRAY:RIGHT:ASSY

267.D1366797 (x2)  
COIL SPRING:SHUTTER:LED

266.D1366796 (x2)  
SHUTTER:LED

265.D1366793  
INNER COVER:LED:LENGTHWISE:RIGHT FRONT

264.D1366792  
BRACKET:LED:TANDEM TRAY

284.D1367584  
SHAFT:RISING TRAY:ASSY

333.D1386668  
SIDE PLATE:REAR:PAPER VOLUME SENSOR:THREE WAY

250.D1366746  
JOINT:TANDEM LCT

268.D1367532  
GROUND PLATE:REAR:SIDE PLATE

332.D1386665  
COVER:LIFT MOTOR

272.D1367549  
BRACKET:COUPLING:RIGHT:ASSY

U001	U002	U003	U004	U005	<b>U006</b>	U007	U008	U009	U010	U011	U012	U013	U014	U015	U016	U017	U018	U019	U020
------	------	------	------	------	-------------	------	------	------	------	------	------	------	------	------	------	------	------	------	------



# U006 PAPER FEED

385.D1357512  
GUIDE PLATE:END  
FENCE:TANDEM L  
CT  
201310-01

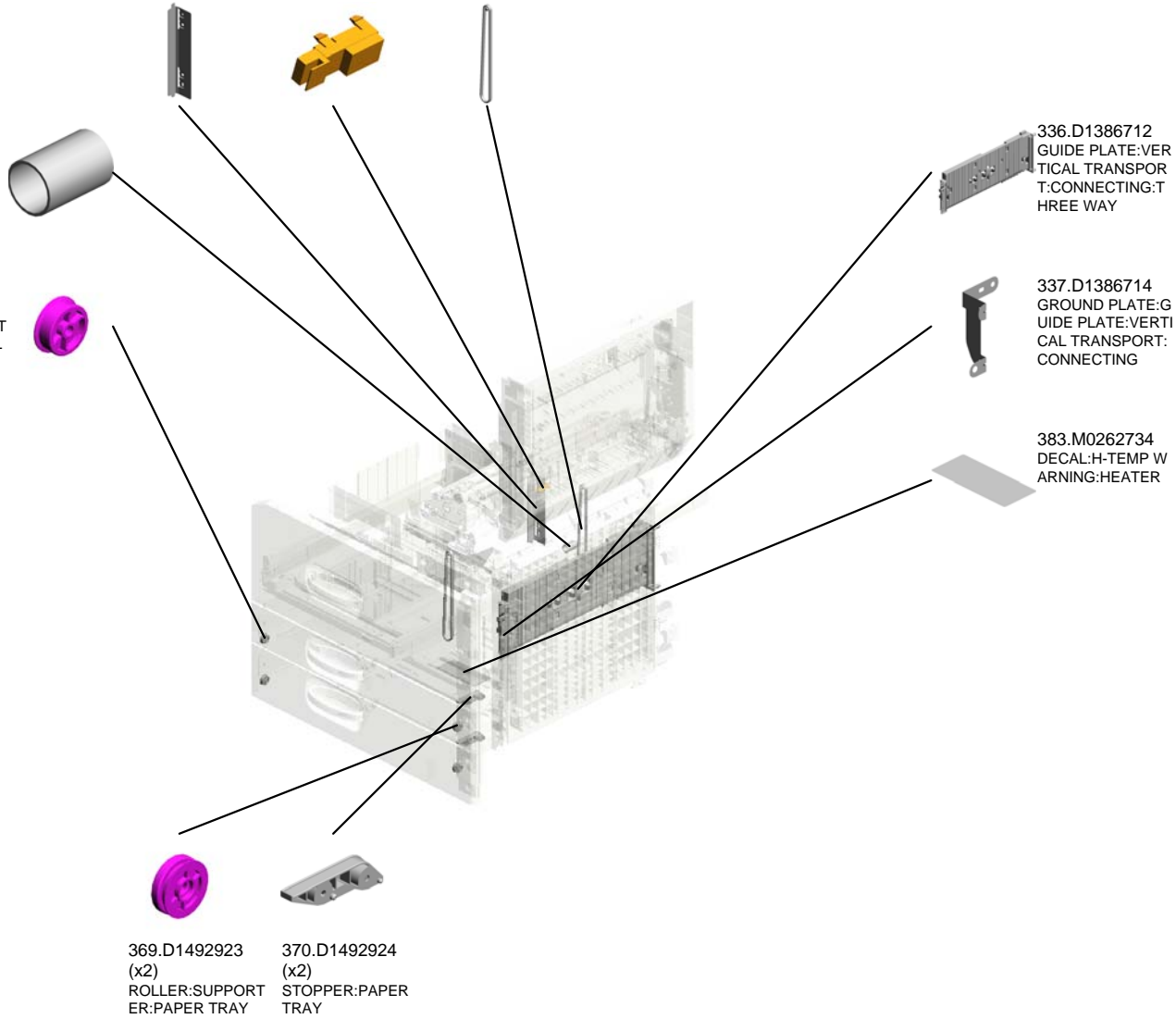
381.GW010007  
(x3)  
PHOTO REFLECTI  
ON SENSOR:EXIT

379.G5527022  
(x2)  
TIMING BELT



380.G5692901  
SPRING - LIFT MO  
TOR

371.D1492928  
(x2)  
ROLLER:SUPPORT  
ER:PAPER TRAY:L  
EFT



U001	U002	U003	U004	U005	<b>U006</b>	U007	U008	U009	U010	U011	U012	U013	U014	U015	U016	U017	U018	U019	U020
------	------	------	------	------	-------------	------	------	------	------	------	------	------	------	------	------	------	------	------	------

U006\_S001  
GUIDE PLATE:CONNECTING:FRONT RIGHT:ASS'Y



196.D1362702  
GUIDE PLATE:CON  
NECTING:FRONT  
RIGHT:ASS'Y

382.M0262657  
SHEET:VERTICAL  
TRANSPORT:SENS  
OR

U001	U002	U003	U004	U005	U006	U007	U008	U009	U010	U011	U012	U013	U014	U015	U016	U017	U018	U019	U020
------	------	------	------	------	------	------	------	------	------	------	------	------	------	------	------	------	------	------	------

U006\_S002  
COVER:REGISTRATION:UPPER:PRO:ASS'Y

49.AA003055  
DECAL:COVER:PU  
SH



288.D1382638  
COVER:REGISTRA  
TION:UPPER:PRO:  
ASS'Y



42.AA000291  
(x2)  
DECAL:POSITIONI  
NG DISPLAY:SCRE  
W:PP

184.D1362639  
(x2)  
COMPRESSION SP  
RING:COVER:REGI  
STRATION

U001	U002	U003	U004	U005	U006	U007	U008	U009	U010	U011	U012	U013	U014	U015	U016	U017	U018	U019	U020
------	------	------	------	------	------	------	------	------	------	------	------	------	------	------	------	------	------	------	------

U006\_S003  
MANUAL FEED UNIT:250:ASS'Y

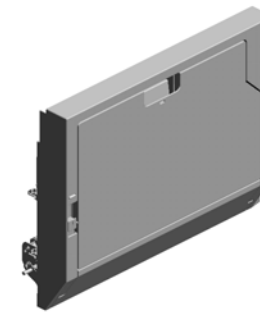
33.11050723  
CLAMPS:WES-050  
7

56.AA063763  
COIL SPRING:PRE  
SSURE:PICKUP

4.03530040N  
(x2)  
SCREW - M3X4

13.04583008N  
(x3)  
HEXAGON HEAD T  
APPING SCREW:3  
X8

25.08050089  
(x7)  
RETAINING RING -  
M4



331.D1382851  
MANUAL FEED UNI  
T:250:ASS'Y

61.AA082173  
(x5)  
PLAIN SHAFT BEA  
RING:6X10X6



66.AA100014  
(x2)  
RETAINING RING  
C - SEPARATE



6.03603006N  
SCREW - M3X6



14.04583010N  
(x15)  
HEXAGON HEAD T  
APPING SCREW:3  
X10



18.07200030E  
(x2)  
RETAINING RING -  
M3



52.AA062172  
COIL SPRING:PRE  
SSURE:SEPARATO  
R



64.AA083014  
ONE-WAY CLUTCH



65.AA083018  
ROLLER CLUTCH -  
6X14X10



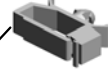
19.07200040E  
(x2)  
RETAINING RING -  
M4



16.06320140G  
(x2)  
PARALLEL PIN



36.11050760  
(x3)  
CLAMP:LWSM-051  
1A



53.AA062173  
COIL SPRING:LEV  
ER:COVER:MANUA  
L FEED

55.AA063761  
COIL SPRING:REL  
EASE:PICKUP:MAN  
UAL FEED

31.11050600  
CLAMP:LWSM-030  
6-2M



35.11050758  
(x4)  
CLAMP:LWSM-030  
6A



11.04543006Q  
(x4)  
TAPPING SCREW -  
M3X6

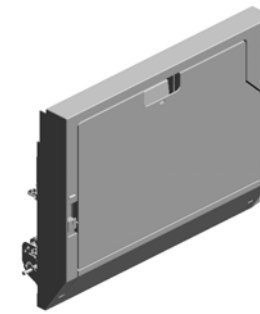


32.11050692  
(x2)  
CLAMP:LES-0503



U006\_S003  
MANUAL FEED UNIT:250:ASS'Y

206.D1362786 GROUND PLATE:SENSOR:MANUAL FEED  
 205.D1362778 COVER:MANUAL FEED UNIT  
 73.AB011387 GEAR - 23Z  
 209.D1362790 ARM:PICKUP:MANUAL FEED  
 92.AW020198 PHOTOINTERRUPTOR:LG2A14NL1



331.D1382851  
MANUAL FEED UNIT:250:ASSY

82.AC020153  
LENS:LED:4



87.AF031046  
FEED ROLLER - MANUAL FEED



219.D1362844  
SHAFT:LEVER:MANUAL FEED:FRONT



89.AF032046  
SEPARATION ROLLER - MANUAL FEED



213.D1362810  
GROUND PLATE:MANUAL FEED UNIT:FRONT



119.D1292783  
TORQUE LIMITER MECHANICAL CLUTCH:40MM:DIA18



85.AF030049  
PICK-UP ROLLER



75.AB011562  
GEAR:SEPARATOR:DRIVE:MANUAL FEED



100.B2232608  
GEAR:Z16



208.D1362789  
SHAFT:FEED:MANUAL FEED



218.D1362829  
GROUND PLATE:MANUAL FEED:COVER:REAR



207.D1362788  
GROUND PLATE:MANUAL FEED UNIT:REAR



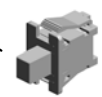
210.D1362795  
DC SOLENOID PICKUP:MANUAL FEED:ASSY



214.D1362812  
SHAFT:SEPARATOR:DRIVE



97.AW500040  
PUSH SWITCH:SW1AG-550:10MA



U001	U002	U003	U004	U005	<b>U006</b>	U007	U008	U009	U010	U011	U012	U013	U014	U015	U016	U017	U018	U019	U020
------	------	------	------	------	-------------	------	------	------	------	------	------	------	------	------	------	------	------	------	------

U006\_S003  
MANUAL FEED UNIT:250:ASS'Y

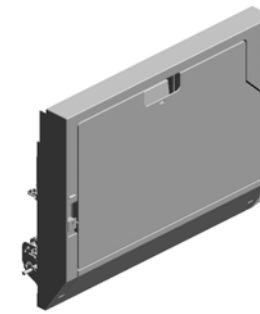
314.D138282  
LENS:LED:AUXILIARY

323.D1382836  
DAMPER:MANUAL FEED:OPEN AND CLOSE

313.D1382820  
COVER:MANUAL FEED

225.D1362872  
BRACKET:STOPPER:MANUAL FEED

226.D1362873  
ARM:STOPPER:MANUAL FEED



331.D1382851  
MANUAL FEED UNIT:250:ASS'Y

315.D1382823  
BRACKET:COVER:MANUAL FEED:FRONT:ASS'Y

316.D1382825  
LEVER:COVER:MANUAL FEED

324.D1382837  
SHAFT:MANUAL FEED:OPEN AND CLOSE:PRESS FIT

325.D1382839  
TORSION SPRING:MANUAL FEED:OPEN AND CLOSE

293.D1382772  
ARM:MANUAL FEED:SHORT:FRONT

317.D1382826  
TORSION SPRING:COVER:MANUAL FEED:FRONT

291.D1382766  
GUIDE PLATE:SEPARATOR:ASS'Y

319.D1382828  
COVER:MANUAL FEED:LOWER

290.D1382762  
BRACKET:ARM:MANUAL FEED:REAR:ASS'Y

318.D1382827  
TORSION SPRING:COVER:MANUAL FEED:REAR

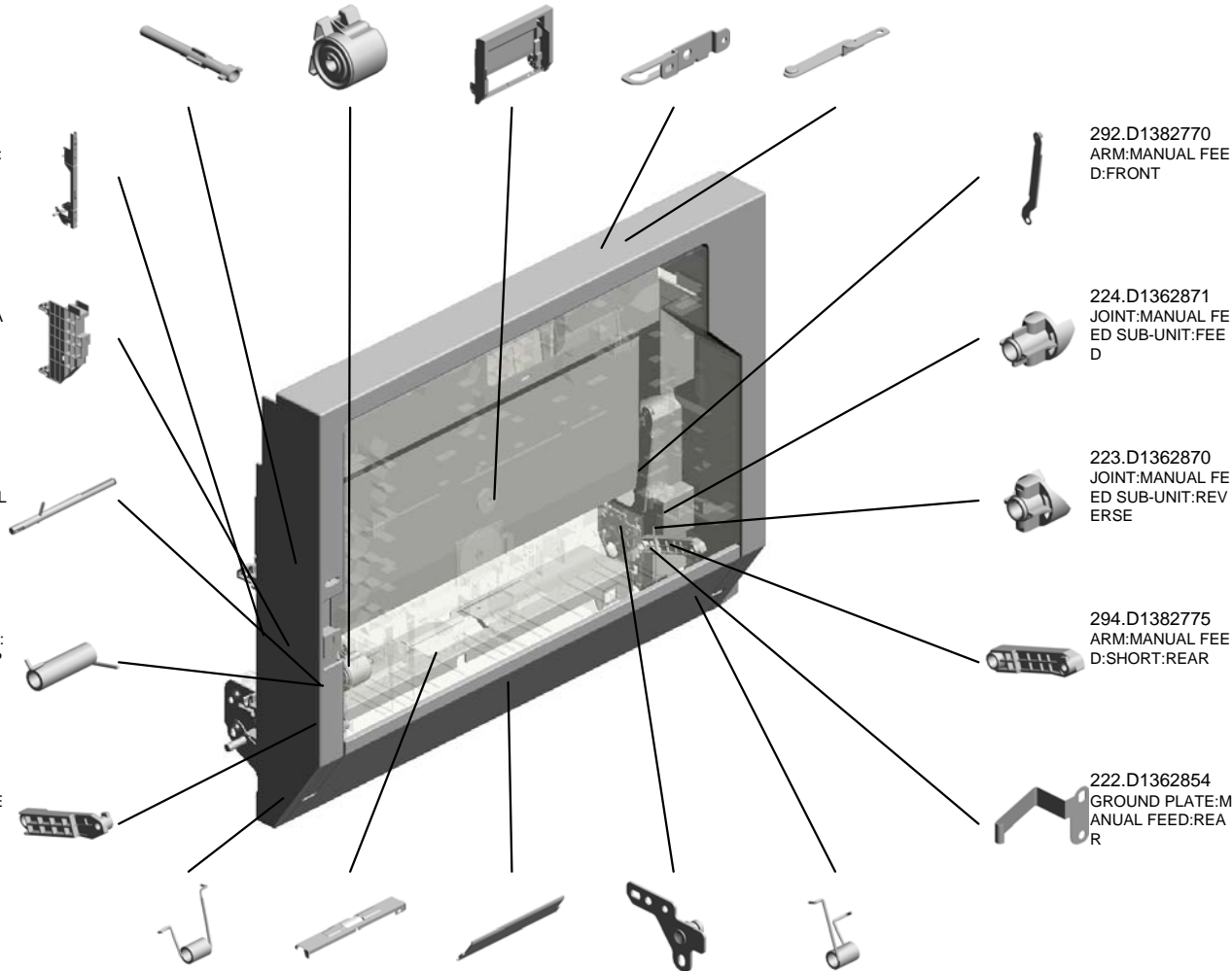
292.D1382770  
ARM:MANUAL FEED:FRONT

224.D1362871  
JOINT:MANUAL FEED SUB-UNIT:FEED

223.D1362870  
JOINT:MANUAL FEED SUB-UNIT:REVERSE

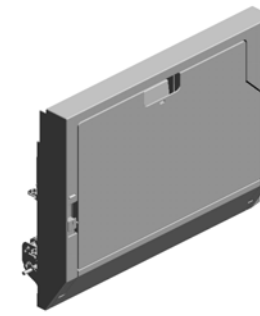
294.D1382775  
ARM:MANUAL FEED:SHORT:REAR

222.D1362854  
GROUND PLATE:MANUAL FEED:REAR

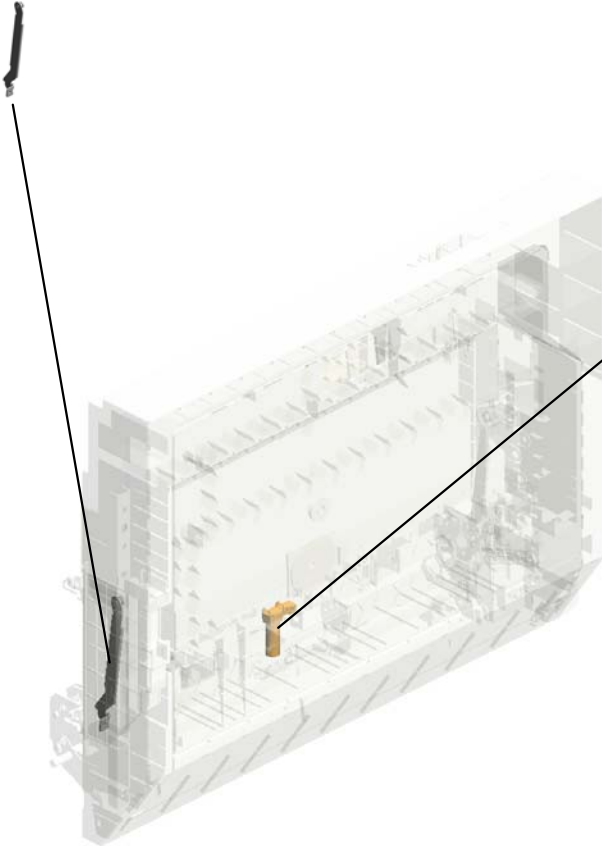


U006\_S003  
MANUAL FEED UNIT:250:ASS'Y

326.D1382840  
ARM:MANUAL FEE  
D:FRONT



331.D1382851  
MANUAL FEED UNI  
T:250:ASS'Y



381.GW010007  
PHOTO REFLECTI  
ON SENSOR:EXIT

U001	U002	U003	U004	U005	<b>U006</b>	U007	U008	U009	U010	U011	U012	U013	U014	U015	U016	U017	U018	U019	U020
------	------	------	------	------	-------------	------	------	------	------	------	------	------	------	------	------	------	------	------	------

U006\_S003\_S001  
SHAFT:SEPARATOR:DRIVEN:ASS'Y

19.07200040E  
RETAINING RING -  
M4

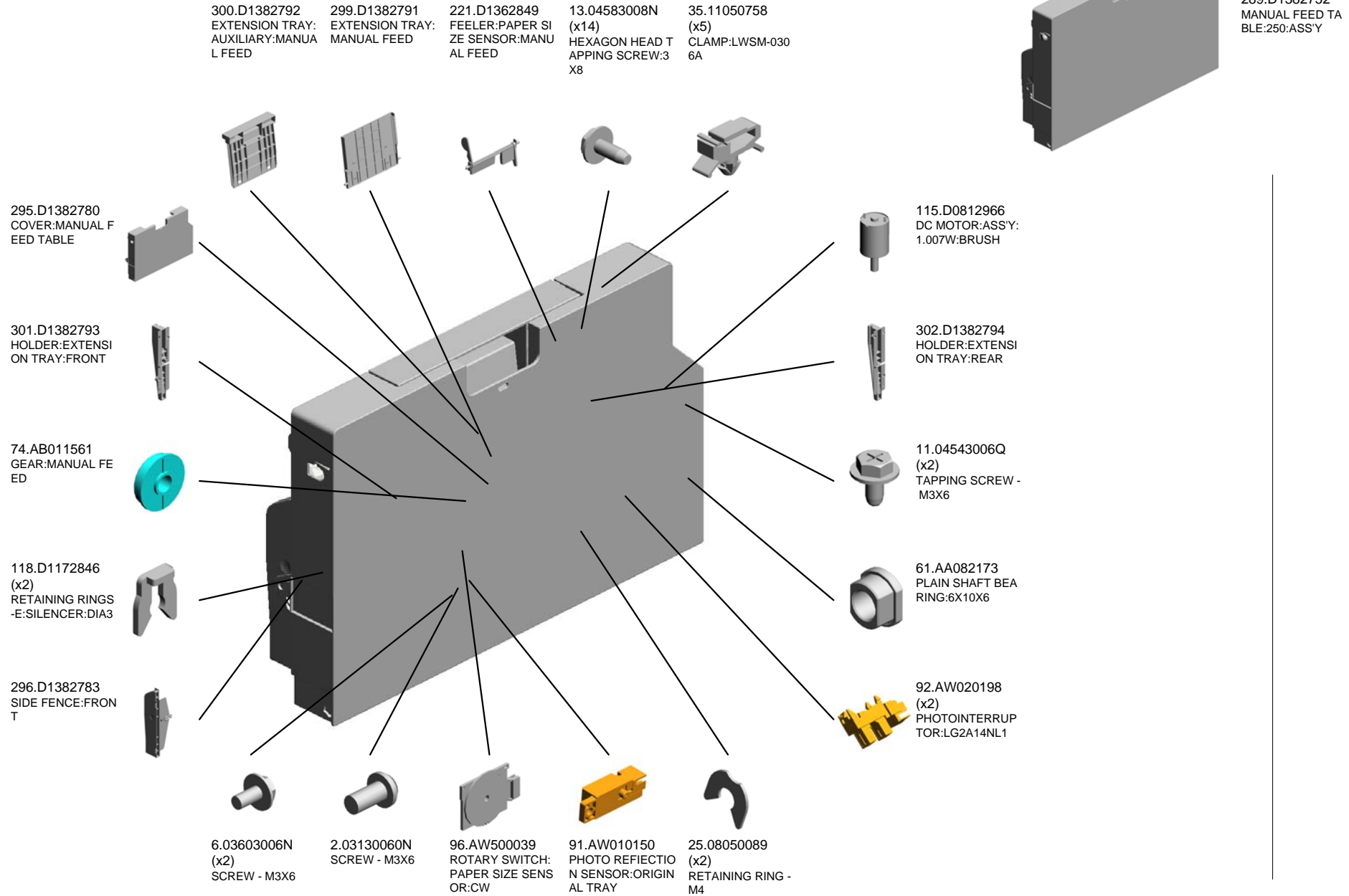


212.D1362803  
SHAFT:SEPARATO  
R:DRIVEN:ASS'Y

U001	U002	U003	U004	U005	<b>U006</b>	U007	U008	U009	U010	U011	U012	U013	U014	U015	U016	U017	U018	U019	U020
------	------	------	------	------	-------------	------	------	------	------	------	------	------	------	------	------	------	------	------	------



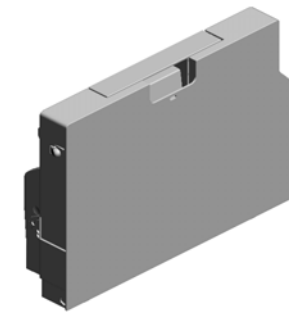
U006\_S003\_S002  
 MANUAL FEED TABLE:250:ASS'Y



U001	U002	U003	U004	U005	U006	U007	U008	U009	U010	U011	U012	U013	U014	U015	U016	U017	U018	U019	U020
------	------	------	------	------	------	------	------	------	------	------	------	------	------	------	------	------	------	------	------

U006\_S003\_S002  
 MANUAL FEED TABLE:250:ASS'Y

327.D1382843 DECAL:CAUTION:PA  
 PAPER SET DIRECT  
 ION:MANUAL FEED  
 310.D1382807 GEAR:TORQUE LI  
 MITER MECHANIC  
 AL CLUTCH  
 329.D1382845 STOPPER:COVER:  
 MANUAL FEED:RE  
 AR  
 305.D1382802 GEAR:LIFT MOTOR  
 :1  
 311.D1382808 BRACKET:LIFT MO  
 TOR:2



289.D1382752  
 MANUAL FEED TA  
 BLE:250:ASS'Y

328.D1382844  
 STOPPER:COVER:  
 MANUAL FEED:FR  
 ONT

330.D1382849  
 (x2)  
 RACK:MANUAL FE  
 ED

339.D1492668  
 (x2)  
 COMPRESSION SP  
 RING:RACK:MANU  
 AL FEED

304.D1382798  
 GROUND PLATE:P  
 APER END

321.D1382833  
 LEVER:RISE

320.D1382831  
 SHAFT:RISE:ASS'Y

303.D1382797  
 COVER:HARNES:  
 MANUAL FEED TA  
 BLE

309.D1382806  
 GEAR:LIFT MOTOR  
 :JOINT

322.D1382835  
 COVER:LIFT MOTO  
 R

306.D1382803  
 GEAR:LIFT MOTOR  
 :2

307.D1382804  
 GEAR:LIFT MOTOR  
 :3

312.D1382810  
 BRACKET:LIFT MO  
 TOR:ASS'Y

308.D1382805  
 GEAR:LIFT MOTOR  
 :4

U001	U002	U003	U004	U005	<b>U006</b>	U007	U008	U009	U010	U011	U012	U013	U014	U015	U016	U017	U018	U019	U020
------	------	------	------	------	-------------	------	------	------	------	------	------	------	------	------	------	------	------	------	------

U006\_S003\_S002\_S001  
SIDE FENCE:REAR:ASS'Y

298.D1382786  
DECAL:SIDE FENC  
E:MANUAL FEED:2  
50



297.D1382784  
SIDE FENCE:REAR  
:ASS'Y

U001	U002	U003	U004	U005	<b>U006</b>	U007	U008	U009	U010	U011	U012	U013	U014	U015	U016	U017	U018	U019	U020
------	------	------	------	------	-------------	------	------	------	------	------	------	------	------	------	------	------	------	------	------

U006\_S004

DOOR:VERTICAL TRANSPORT:ASS'Y

340.D1492675  
(x4)  
HOLDER:DRIVEN:BELT

342.D1492678  
(x4)  
SHAFT:FLAT CONVEYER BELT:DRIVEN

138.D1356699  
GUIDE PLATE:FLAT CONVEYER BELT:NO.1

109.D0092574  
(x12)  
PULLEY - IDLER

338.D1444489  
(x8)  
STOPPER:DRIVEN ROLLER

133.D1356691  
DOOR:VERTICAL TRANSPORT:ASS'Y

341.D1492676  
(x8)  
COMPRESSION SPRING:FLAT CONVEYER BELT:DRIVEN

112.D0392993  
(x4)  
SHAFT:TRANSPORT BELT:PULLEY

108.D0092573  
(x12)  
PULLEY - VERTICAL TRANSPORT

110.D0292677  
(x12)  
TRANSPORT BELT:DRIVEN:VERTICAL TRANSPORT

81.AC020152  
LENS:LED:3

15.04583012N  
(x18)  
HEXAGON HEAD TAPPING SCREW:3X12

136.D1356696  
SHAFT:LEVER:DOOR:VERTICAL TRANSPORT

134.D1356694  
STAY:DOOR:VERTICAL TRANSPORT

135.D1356695  
LEVER:VERTICAL TRANSPORT

137.D1356697  
COVER:VERTICAL TRANSPORT

53.AA062173  
COIL SPRING:LEVER:COVER:MANUAL FEED

140.D1356702  
BRACKET:STOPPER:DOOR:VERTICAL TRANSPORT

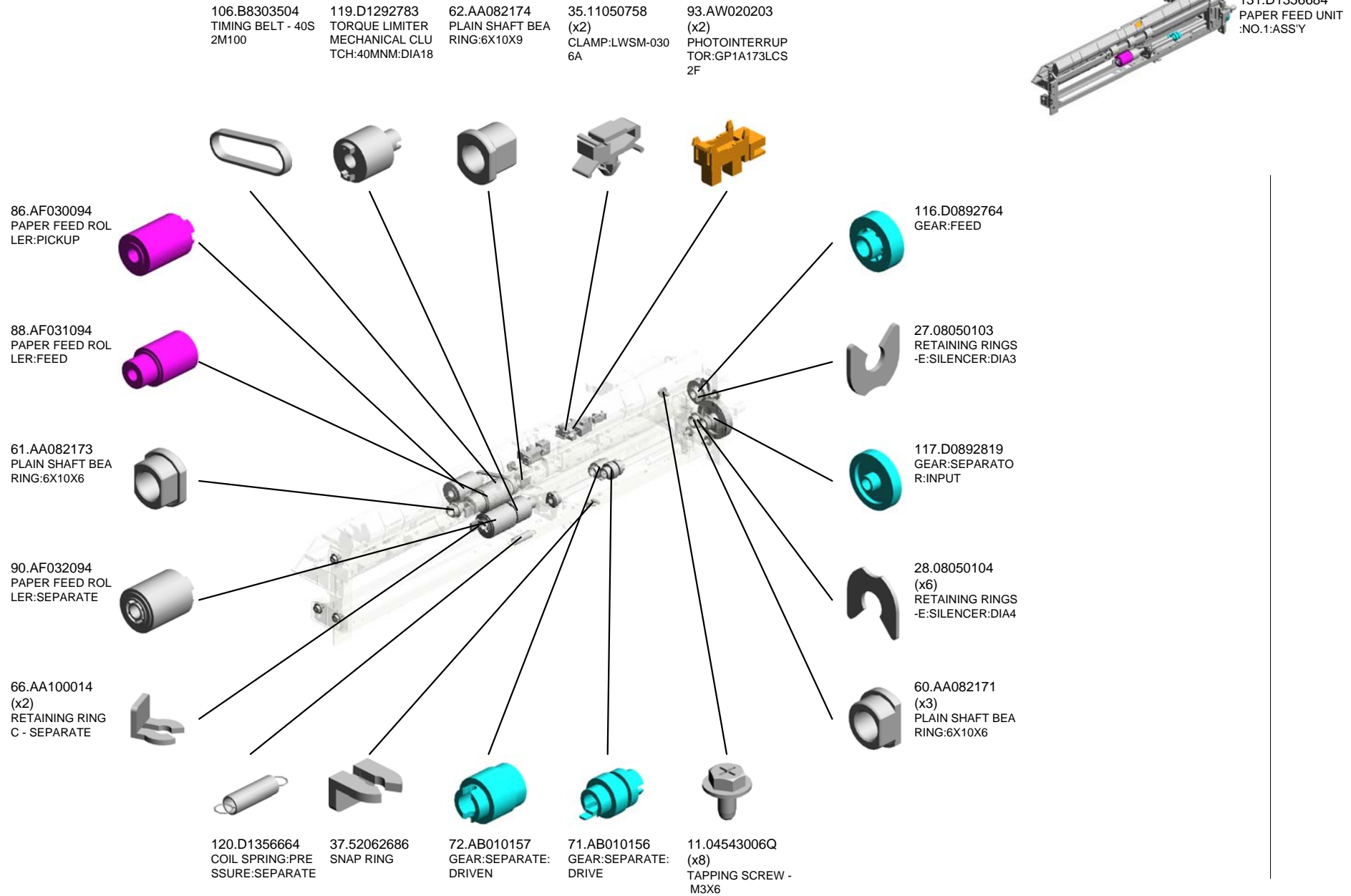
68.AA143555  
SCREW - M3X5

141.D1356703  
STOPPER:DOOR:VERTICAL TRANSPORT

139.D1356701  
(x3)  
GUIDE PLATE:FLAT CONVEYER BELT:NO.2

U001	U002	U003	U004	U005	<b>U006</b>	U007	U008	U009	U010	U011	U012	U013	U014	U015	U016	U017	U018	U019	U020
------	------	------	------	------	-------------	------	------	------	------	------	------	------	------	------	------	------	------	------	------

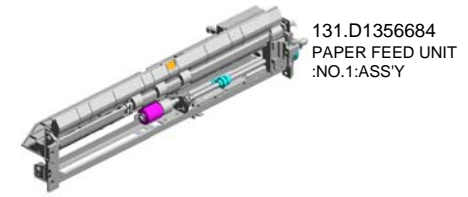
U006\_S005  
PAPER FEED UNIT:NO.1:ASS'Y



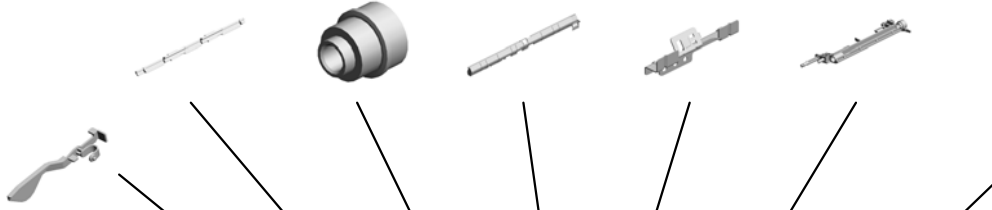
U001	U002	U003	U004	U005	<b>U006</b>	U007	U008	U009	U010	U011	U012	U013	U014	U015	U016	U017	U018	U019	U020
------	------	------	------	------	-------------	------	------	------	------	------	------	------	------	------	------	------	------	------	------

U006\_S005  
 PAPER FEED UNIT:NO.1:ASS'Y

356.D1492782 PLATE:HARNESS:  
 PAPER FEED UNIT  
 349.D1492773 PULLEY:PICKUP:M  
 ECHANICAL ROLL  
 ER CLUTCH  
 125.D1356671 GUIDE PLATE:VER  
 TICAL TRANSPOR  
 T:PAPER FEED UN  
 IT:NO.1  
 126.D1356672 BRACKET:SENSO  
 R:VERTICAL TRAN  
 SPORT:NO.1  
 348.D1492772 ARM:PICKUP



129.D1356678  
 FEELER:PAPER E  
 ND:NO.1



350.D1492774  
 PULLEY:IDLER:PIC  
 KUP



357.D1492791  
 GUIDE:FEED



354.D1492780  
 GROUND WIRE:SE  
 NSOR:PAPER FEE  
 D



355.D1492781  
 GROUND PLATE:P  
 APER FEED UNIT



377.G0652774  
 PRESSURE LEVER



351.D1492775  
 SHAFT:FEED:ASS'  
 Y



122.D1356666  
 LINK:RELEASE



124.D1356669  
 SHAFT:SEPARATE:  
 DRIVE:ASS'Y



121.D1356665  
 COIL SPRING:REL  
 EASE



346.D1492767  
 LEVER:PRESSURE  
 :PICKUP



376.G0652767  
 LEVER - FEED



352.D1492777  
 COIL SPRING:PRE  
 SSURE:PICKUP



345.D1492739  
 LEVER:PRESSURE  
 RELEASE



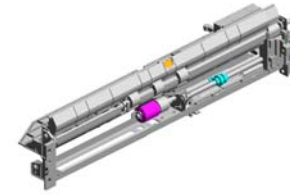
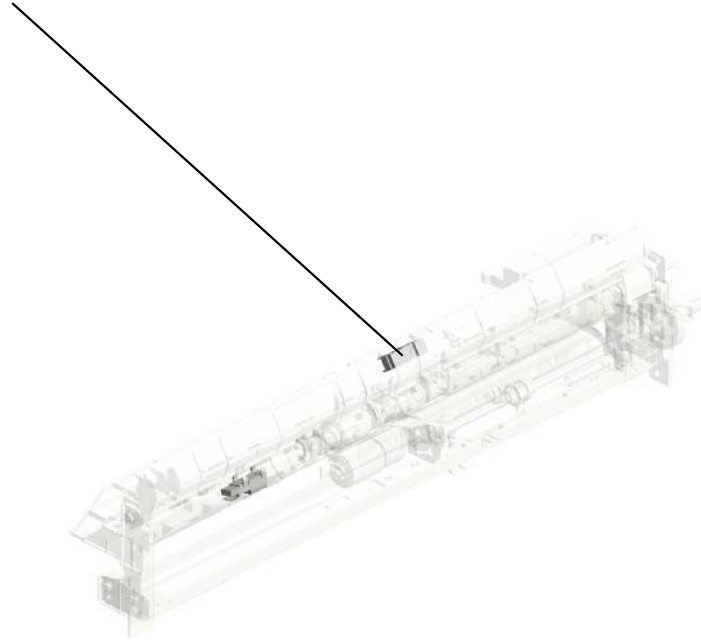
128.D1356675  
 COVER:HARNESS:  
 PAPER FEED UNIT



U001	U002	U003	U004	U005	<b>U006</b>	U007	U008	U009	U010	U011	U012	U013	U014	U015	U016	U017	U018	U019	U020
------	------	------	------	------	-------------	------	------	------	------	------	------	------	------	------	------	------	------	------	------

U006\_S005  
PAPER FEED UNIT:NO.1:ASS'Y

381.GW010007  
(x2)  
PHOTO REFLECTI  
ON SENSOR:EXIT



131.D1356684  
PAPER FEED UNIT  
:NO.1:ASS'Y

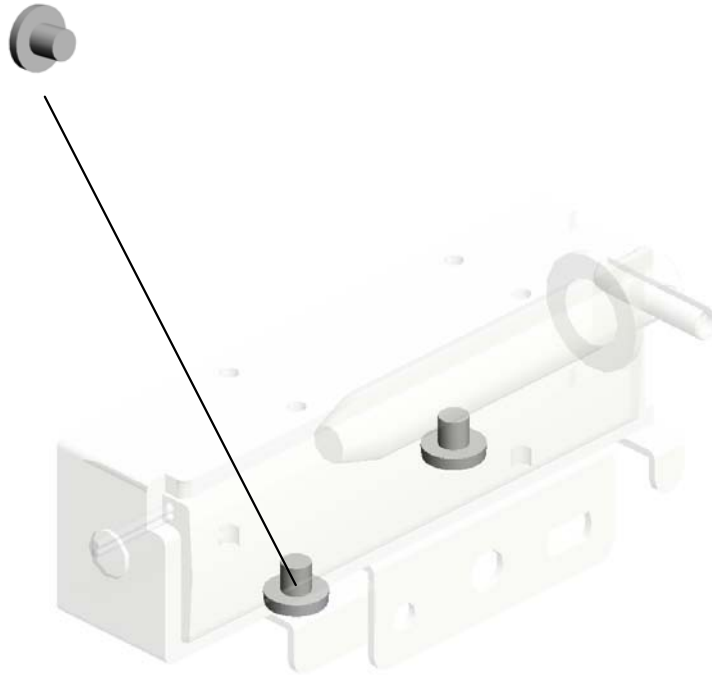
U001	U002	U003	U004	U005	<b>U006</b>	U007	U008	U009	U010	U011	U012	U013	U014	U015	U016	U017	U018	U019	U020
------	------	------	------	------	-------------	------	------	------	------	------	------	------	------	------	------	------	------	------	------

U006\_S005\_S001  
DC SOLENOID:PICKUP:NO.2:ASS'Y

3.03530030N  
(x2)  
SCREW:M3X3



344.D1492726  
DC SOLENOID:PIC  
KUP:NO.2:ASS'Y

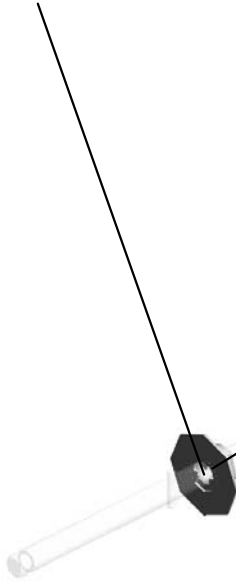


U001	U002	U003	U004	U005	<b>U006</b>	U007	U008	U009	U010	U011	U012	U013	U014	U015	U016	U017	U018	U019	U020
------	------	------	------	------	-------------	------	------	------	------	------	------	------	------	------	------	------	------	------	------



U006\_S005\_S002  
SHAFT:SEPARATE:DRIVEN:ASS'Y

19.07200040E  
RETAINING RING -  
M4



61.AA082173  
PLAIN SHAFT BEA  
RING:6X10X6



123.D1356667  
SHAFT:SEPARATE:  
DRIVEN:ASS'Y

U001	U002	U003	U004	U005	<b>U006</b>	U007	U008	U009	U010	U011	U012	U013	U014	U015	U016	U017	U018	U019	U020
------	------	------	------	------	-------------	------	------	------	------	------	------	------	------	------	------	------	------	------	------

U006\_S005\_S003

TRANSPORT ROLLER:VERTICAL TRANSPORT:ASS'Y

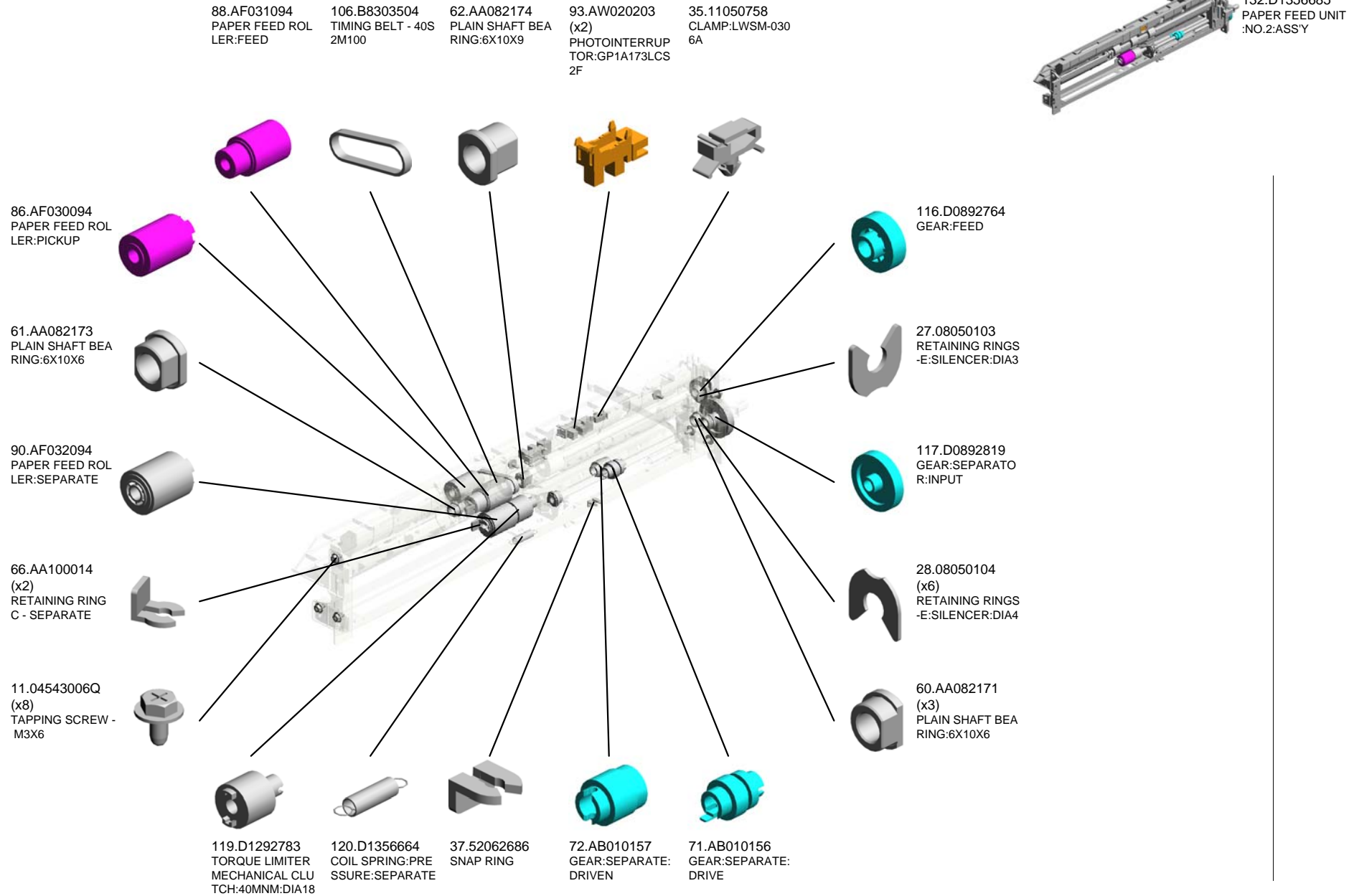
61.AA082173  
PLAIN SHAFT BEARING  
RING:6X10X6



347.D1492768  
TRANSPORT ROLLER:VERTICAL TRANSPORT:ASS'Y

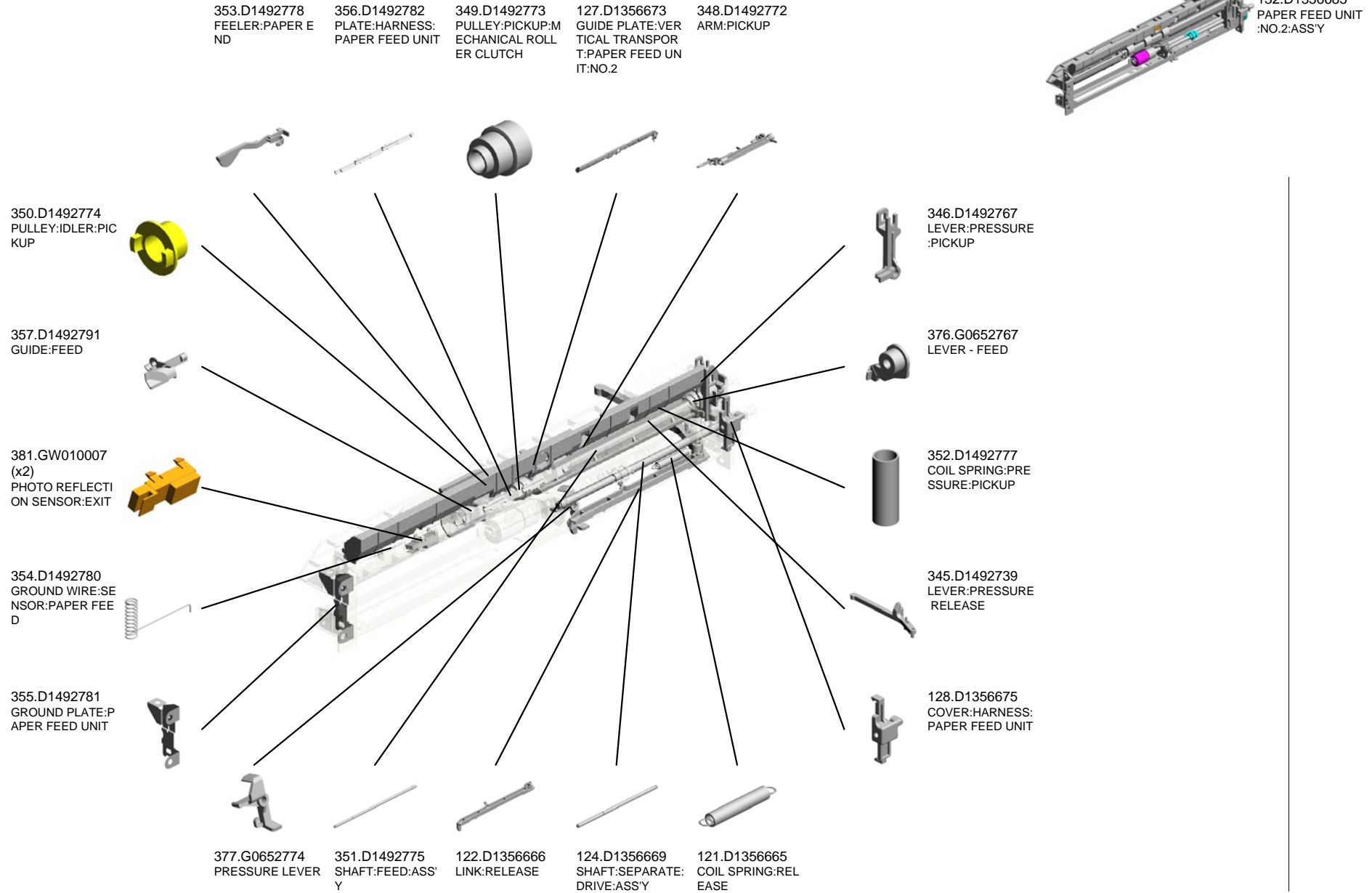
U001	U002	U003	U004	U005	<b>U006</b>	U007	U008	U009	U010	U011	U012	U013	U014	U015	U016	U017	U018	U019	U020
------	------	------	------	------	-------------	------	------	------	------	------	------	------	------	------	------	------	------	------	------

U006\_S006  
PAPER FEED UNIT:NO.2:ASS'Y



U001	U002	U003	U004	U005	<b>U006</b>	U007	U008	U009	U010	U011	U012	U013	U014	U015	U016	U017	U018	U019	U020
------	------	------	------	------	-------------	------	------	------	------	------	------	------	------	------	------	------	------	------	------

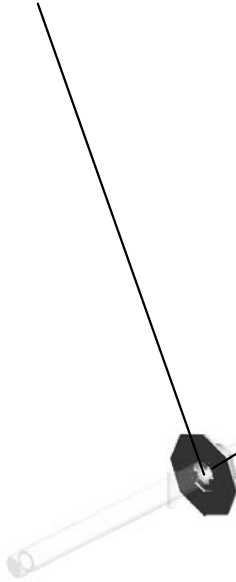
U006\_S006  
PAPER FEED UNIT:NO.2:ASS'Y



U001	U002	U003	U004	U005	<b>U006</b>	U007	U008	U009	U010	U011	U012	U013	U014	U015	U016	U017	U018	U019	U020
------	------	------	------	------	-------------	------	------	------	------	------	------	------	------	------	------	------	------	------	------

U006\_S006\_S001  
SHAFT:SEPARATE:DRIVEN:ASS'Y

19.07200040E  
RETAINING RING -  
M4



61.AA082173  
PLAIN SHAFT BEA  
RING:6X10X6



123.D1356667  
SHAFT:SEPARATE:  
DRIVEN:ASS'Y

U001	U002	U003	U004	U005	<b>U006</b>	U007	U008	U009	U010	U011	U012	U013	U014	U015	U016	U017	U018	U019	U020
------	------	------	------	------	-------------	------	------	------	------	------	------	------	------	------	------	------	------	------	------

U006\_S006\_S002

TRANSPORT ROLLER:VERTICAL TRANSPORT:ASS'Y

61.AA082173  
PLAIN SHAFT BEARING  
RING:6X10X6

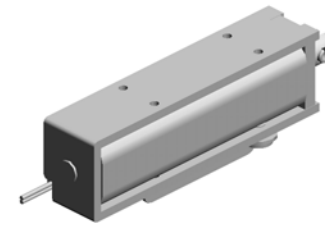


347.D1492768  
TRANSPORT ROLLER:VERTICAL TRANSPORT:ASS'Y

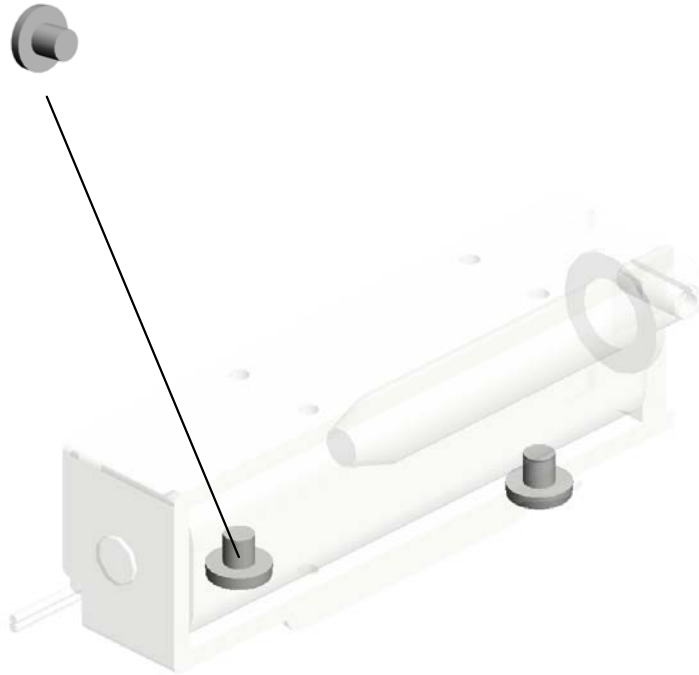
U001	U002	U003	U004	U005	<b>U006</b>	U007	U008	U009	U010	U011	U012	U013	U014	U015	U016	U017	U018	U019	U020
------	------	------	------	------	-------------	------	------	------	------	------	------	------	------	------	------	------	------	------	------

U006\_S006\_S003  
DC SOLENOID:PICKUP:NO.1:ASS'Y

3.03530030N  
(x2)  
SCREW:M3X3

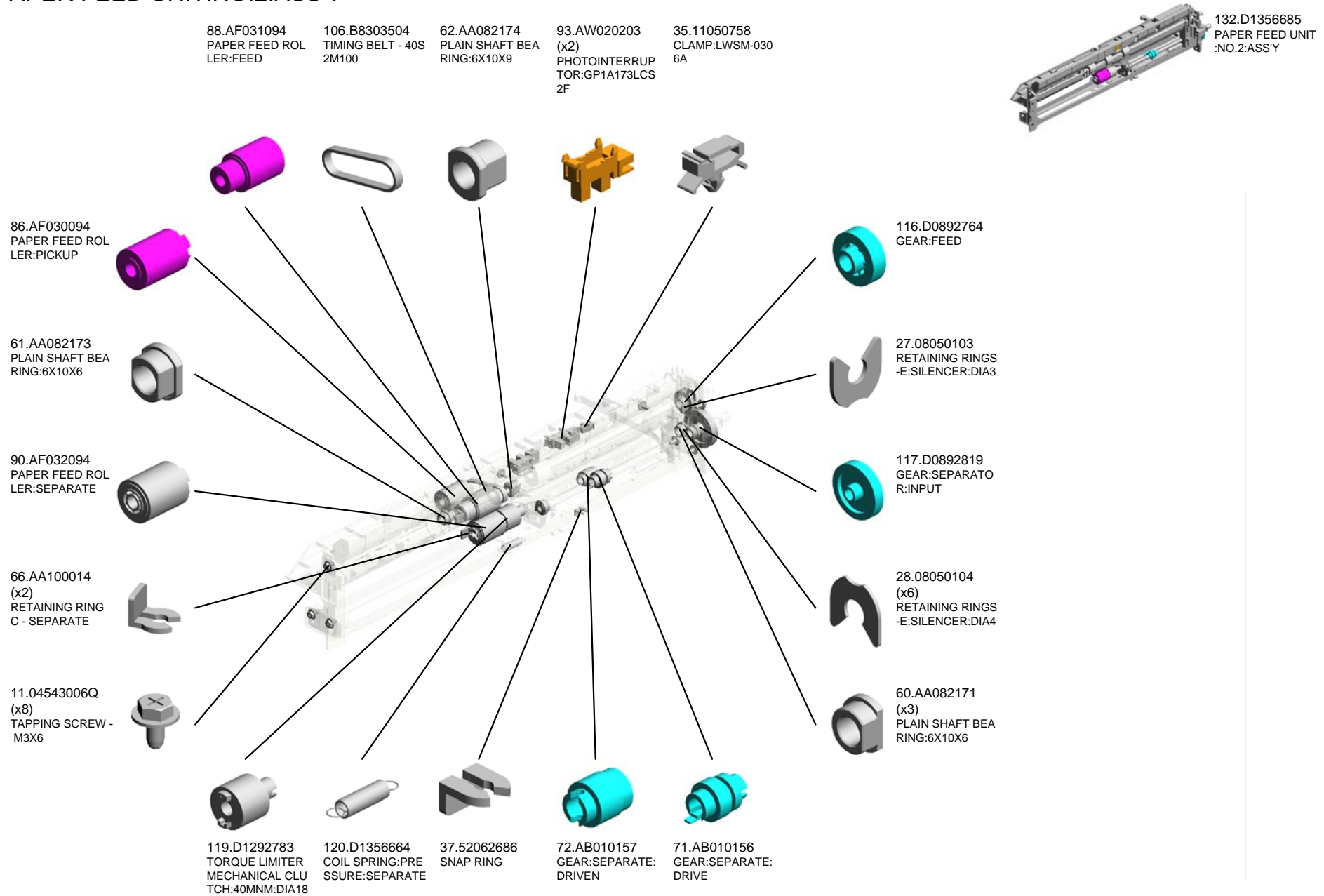


343.D1492716  
DC SOLENOID:PIC  
KUP:NO.1:ASS'Y



U001	U002	U003	U004	U005	<b>U006</b>	U007	U008	U009	U010	U011	U012	U013	U014	U015	U016	U017	U018	U019	U020
------	------	------	------	------	-------------	------	------	------	------	------	------	------	------	------	------	------	------	------	------

U006\_S007  
PAPER FEED UNIT:NO.2:ASS'Y



U001	U002	U003	U004	U005	<b>U006</b>	U007	U008	U009	U010	U011	U012	U013	U014	U015	U016	U017	U018	U019	U020
------	------	------	------	------	-------------	------	------	------	------	------	------	------	------	------	------	------	------	------	------



U006\_S007  
 PAPER FEED UNIT:NO.2:ASS'Y

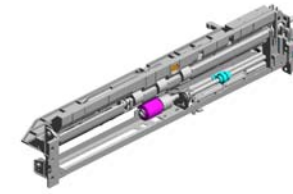
353.D1492778  
 FEELER:PAPER E  
 ND

356.D1492782  
 PLATE:HARNESS:  
 PAPER FEED UNIT

349.D1492773  
 PULLEY:PICKUP:M  
 ECHANICAL ROLL  
 ER CLUTCH

127.D1356673  
 GUIDE PLATE:VER  
 TICAL TRANSPOR  
 T:PAPER FEED UN  
 IT:NO.2

348.D1492772  
 ARM:PICKUP



132.D1356685  
 PAPER FEED UNIT  
 :NO.2:ASS'Y

350.D1492774  
 PULLEY:IDLER:PIC  
 KUP



357.D1492791  
 GUIDE:FEED



381.GW010007  
 (x2)  
 PHOTO REFLECTI  
 ON SENSOR:EXIT



354.D1492780  
 GROUND WIRE:SE  
 NSOR:PAPER FEE  
 D



355.D1492781  
 GROUND PLATE:P  
 APER FEED UNIT



377.G0652774  
 PRESSURE LEVER



351.D1492775  
 SHAFT:FEED:ASS'  
 Y



122.D1356666  
 LINK:RELEASE



124.D1356669  
 SHAFT:SEPARATE:  
 DRIVE:ASS'Y



121.D1356665  
 COIL SPRING:REL  
 EASE



346.D1492767  
 LEVER:PRESSURE  
 :PICKUP



376.G0652767  
 LEVER - FEED



352.D1492777  
 COIL SPRING:PRE  
 SSURE:PICKUP



345.D1492739  
 LEVER:PRESSURE  
 RELEASE

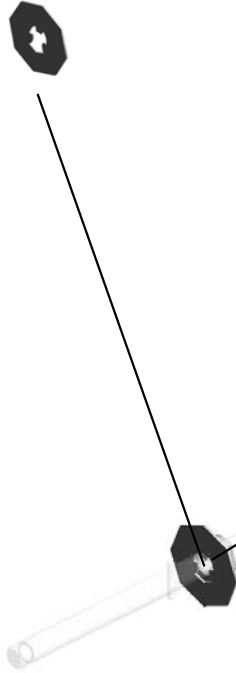


128.D1356675  
 COVER:HARNESS:  
 PAPER FEED UNIT

U001	U002	U003	U004	U005	<b>U006</b>	U007	U008	U009	U010	U011	U012	U013	U014	U015	U016	U017	U018	U019	U020
------	------	------	------	------	-------------	------	------	------	------	------	------	------	------	------	------	------	------	------	------

U006\_S007\_S001  
SHAFT:SEPARATE:DRIVEN:ASS'Y

19.07200040E  
RETAINING RING -  
M4



61.AA082173  
PLAIN SHAFT BEA  
RING:6X10X6



123.D1356667  
SHAFT:SEPARATE:  
DRIVEN:ASS'Y



U001	U002	U003	U004	U005	<b>U006</b>	U007	U008	U009	U010	U011	U012	U013	U014	U015	U016	U017	U018	U019	U020
------	------	------	------	------	-------------	------	------	------	------	------	------	------	------	------	------	------	------	------	------

U006\_S007\_S002

TRANSPORT ROLLER:VERTICAL TRANSPORT:ASS'Y

61.AA082173  
PLAIN SHAFT BEARING  
RING:6X10X6

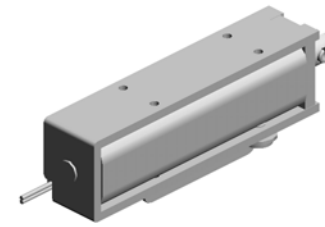


347.D1492768  
TRANSPORT ROLLER:VERTICAL TRANSPORT:ASS'Y

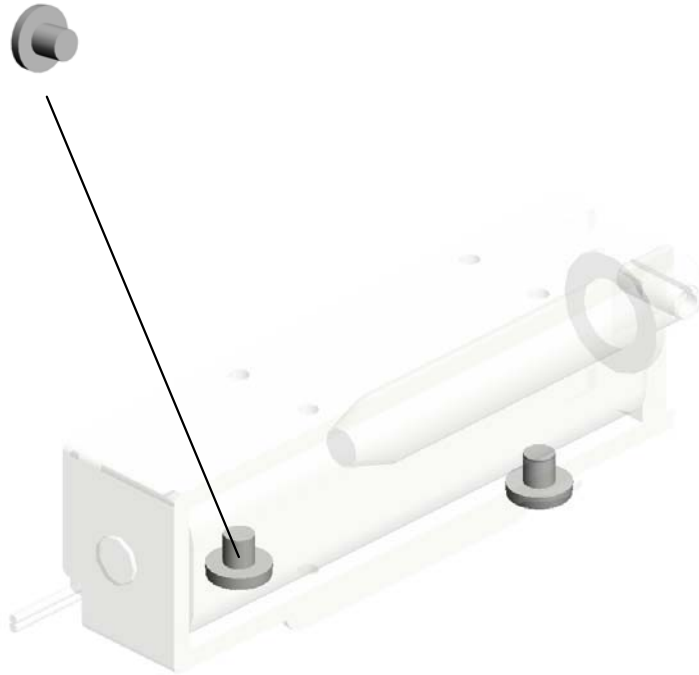
U001	U002	U003	U004	U005	<b>U006</b>	U007	U008	U009	U010	U011	U012	U013	U014	U015	U016	U017	U018	U019	U020
------	------	------	------	------	-------------	------	------	------	------	------	------	------	------	------	------	------	------	------	------

U006\_S007\_S003  
DC SOLENOID:PICKUP:NO.1:ASS'Y

3.03530030N  
(x2)  
SCREW:M3X3



343.D1492716  
DC SOLENOID:PIC  
KUP:NO.1:ASS'Y



U001	U002	U003	U004	U005	<b>U006</b>	U007	U008	U009	U010	U011	U012	U013	U014	U015	U016	U017	U018	U019	U020
------	------	------	------	------	-------------	------	------	------	------	------	------	------	------	------	------	------	------	------	------

U006\_S008  
TRANSPORT ROLLER:VERTICAL TRANSPORT:ASS'Y

61.AA082173  
PLAIN SHAFT BEARING  
RING:6X10X6

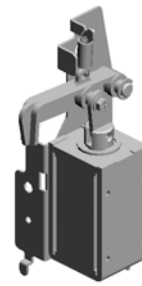


347.D1492768  
TRANSPORT ROLLER:VERTICAL TRANSPORT:ASS'Y

U001	U002	U003	U004	U005	<b>U006</b>	U007	U008	U009	U010	U011	U012	U013	U014	U015	U016	U017	U018	U019	U020
------	------	------	------	------	-------------	------	------	------	------	------	------	------	------	------	------	------	------	------	------

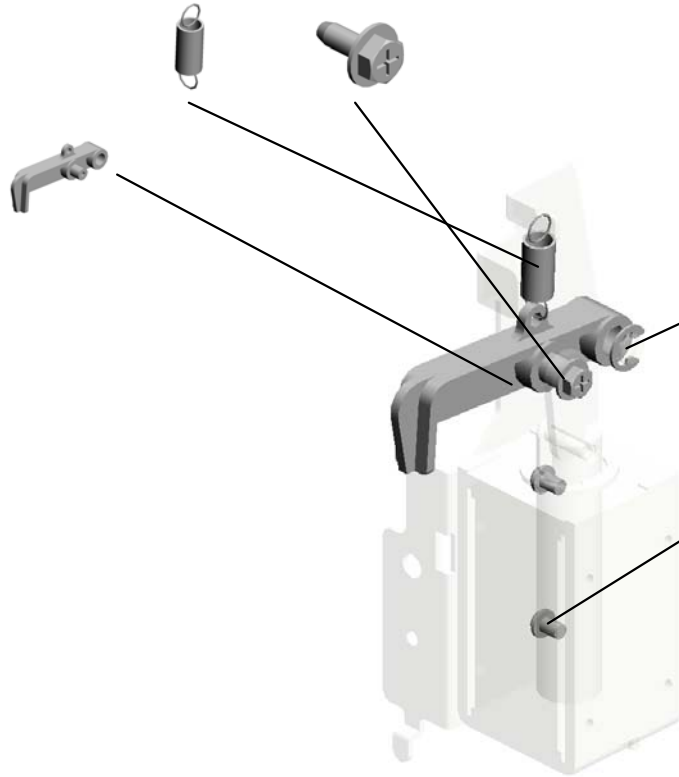
U006\_S009  
DC SOLENOID:TANDEM TRAY:LOCK:ASS'Y

51.AA060986 8.04503008N  
TENSION SPRING: TAPPING SCREW -  
DC SOLENOID:LO M3X8  
CK



236.D1366698  
DC SOLENOID:TAN  
DEM TRAY:LOCK:A  
SS'Y

378.G1782971  
LEVER:LOCK:TAN  
DEM LCT



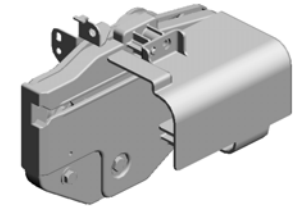
1.03130040N  
(x2)  
SCREW:M3X4

19.07200040E  
RETAINING RING -  
M4

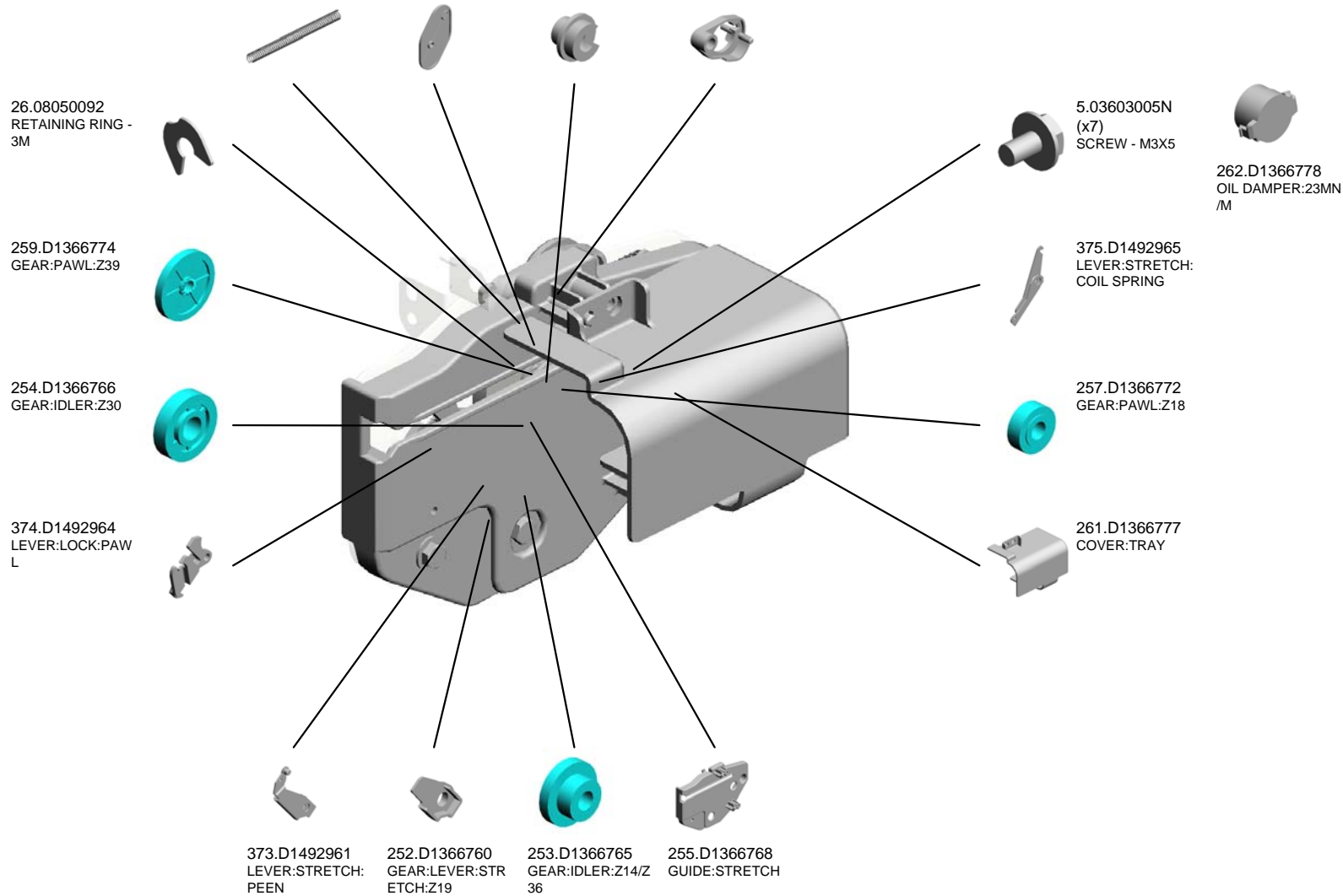
U001	U002	U003	U004	U005	<b>U006</b>	U007	U008	U009	U010	U011	U012	U013	U014	U015	U016	U017	U018	U019	U020
------	------	------	------	------	-------------	------	------	------	------	------	------	------	------	------	------	------	------	------	------

U006\_S010  
LEVER:STRETCH:PAPER TRAY:ASS'Y

372.D1492943 TENSION SPRING: LEVER:AUXILIARY  
 260.D1366775 COVER:GEAR  
 258.D1366773 COLLAR:GEAR  
 256.D1366770 HOLDER:OIL DAMPER



251.D1366751 LEVER:STRETCH: PAPER TRAY:ASS'Y



U001	U002	U003	U004	U005	<b>U006</b>	U007	U008	U009	U010	U011	U012	U013	U014	U015	U016	U017	U018	U019	U020
------	------	------	------	------	-------------	------	------	------	------	------	------	------	------	------	------	------	------	------	------

U006\_S011  
LEVER:STRETCH:PAPER TRAY:ASS'Y

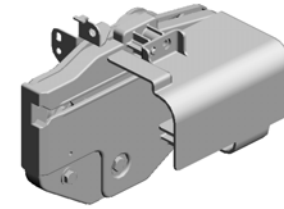
372.D1492943  
TENSION SPRING:  
LEVER:AUXILIARY

260.D1366775  
COVER:GEAR

258.D1366773  
COLLAR:GEAR

262.D1366778  
OIL DAMPER:23MM  
/M

256.D1366770  
HOLDER:OIL DAM  
PER



251.D1366751  
LEVER:STRETCH:  
PAPER TRAY:ASS'  
Y

26.08050092  
RETAINING RING -  
3M

259.D1366774  
GEAR:PAWL:Z39

254.D1366766  
GEAR:IDLER:Z30

374.D1492964  
LEVER:LOCK:PAW  
L

373.D1492961  
LEVER:STRETCH:  
PEEN

252.D1366760  
GEAR:LEVER:STR  
ETCH:Z19

253.D1366765  
GEAR:IDLER:Z14/Z  
36

5.03603005N  
(x7)  
SCREW - M3X5

375.D1492965  
LEVER:STRETCH:  
COIL SPRING

257.D1366772  
GEAR:PAWL:Z18

261.D1366777  
COVER:TRAY

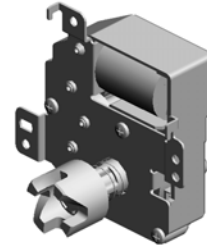
255.D1366768  
GUIDE:STRETCH

U001	U002	U003	U004	U005	<b>U006</b>	U007	U008	U009	U010	U011	U012	U013	U014	U015	U016	U017	U018	U019	U020
------	------	------	------	------	-------------	------	------	------	------	------	------	------	------	------	------	------	------	------	------



U006\_S012  
DC MOTOR:RISING TRAY:1.007W:BRUSH

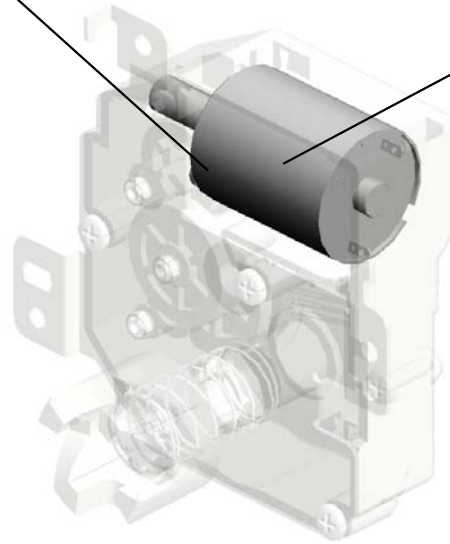
3.03530030N  
(x2)  
SCREW:M3X3



99.AX040281  
DC MOTOR:RISING  
TRAY:1.007W:BRU  
SH



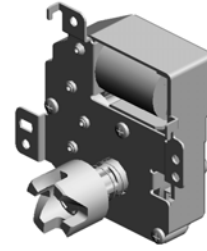
115.D0812966  
DC MOTOR:ASSY:  
1.007W:BRUSH



U001	U002	U003	U004	U005	<b>U006</b>	U007	U008	U009	U010	U011	U012	U013	U014	U015	U016	U017	U018	U019	U020
------	------	------	------	------	-------------	------	------	------	------	------	------	------	------	------	------	------	------	------	------

U006\_S013  
DC MOTOR:RISING TRAY:1.007W:BRUSH

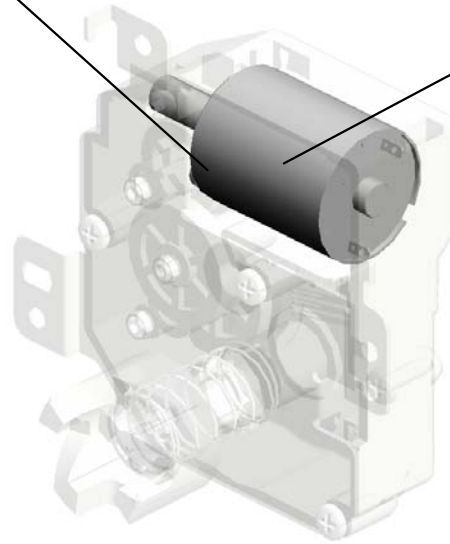
3.03530030N  
(x2)  
SCREW:M3X3



99.AX040281  
DC MOTOR:RISING  
TRAY:1.007W:BRU  
SH



115.D0812966  
DC MOTOR:ASSY:  
1.007W:BRUSH



U001	U002	U003	U004	U005	<b>U006</b>	U007	U008	U009	U010	U011	U012	U013	U014	U015	U016	U017	U018	U019	U020
------	------	------	------	------	-------------	------	------	------	------	------	------	------	------	------	------	------	------	------	------

U006\_S014  
HEAT SINK:HEATER:UPPER:EU:ASS'Y

36.11050760  
(x2)  
CLAMP:LWSM-051  
1A

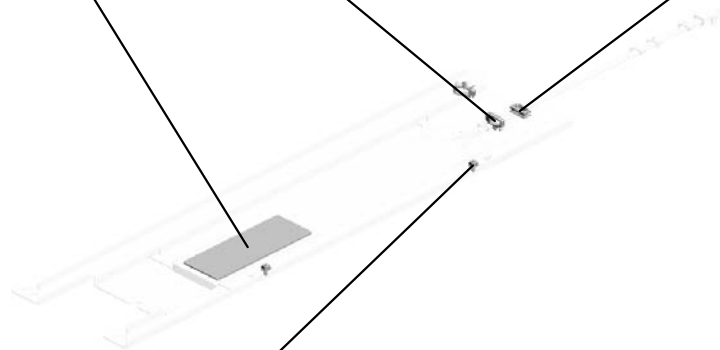


335.D1386682  
HEAT SINK:HEATE  
R:UPPER:EU:ASS'  
Y

263.D1366788  
DECAL:H-TEMP W  
ARNING:HEATER



33.11050723  
CLAMPS:WES-050  
7

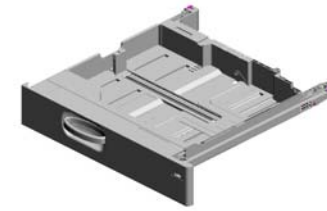


11.04543006Q  
(x2)  
TAPPING SCREW -  
M3X6

U001	U002	U003	U004	U005	<b>U006</b>	U007	U008	U009	U010	U011	U012	U013	U014	U015	U016	U017	U018	U019	U020
------	------	------	------	------	-------------	------	------	------	------	------	------	------	------	------	------	------	------	------	------

U006\_S015  
PAPER TRAY:NO.4:ASS'Y

150.D1356740 LINK:END FENCE:  
PAPER SIZE SENS  
OR  
29.08050106 RETAINING RINGS  
-E:SILENCER:DIA6  
367.D1492858 LEVER:RELEASE:P  
APER TRAY:OUTE  
R  
151.D1356742 TRAY BOTTOM PL  
ATE  
360.D1492814 COIL SPRING:EAR  
TH



142.D1356726  
PAPER TRAY:NO.4  
:ASS'Y

368.D1492861  
HOLDER:GRIP:PAP  
ER TRAY



149.D1356739  
GRIP:PAPER TRAY



101.B2232862  
LEVER - RELEASE  
INNER



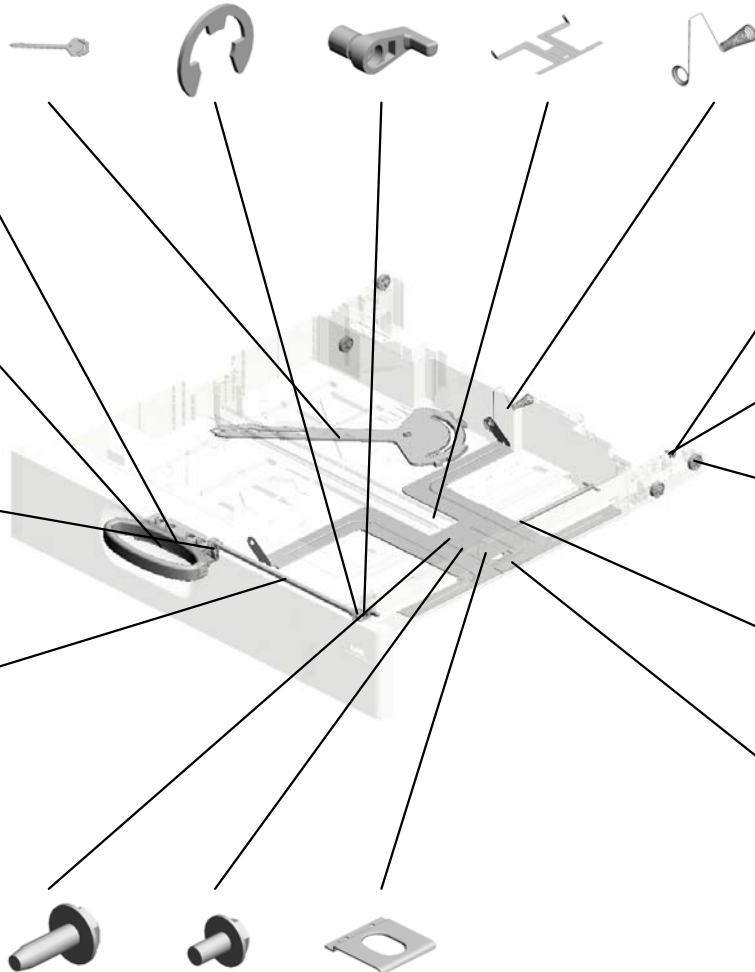
148.D1356738  
SHAFT:RELEASE:P  
APER TRAY:NO.2



14.04583010N  
(x3)  
HEXAGON HEAD T  
APPING SCREW:3  
X10

6.03603006N  
(x2)  
SCREW - M3X6

362.D1492818  
LEVER:RISE



25.08050089  
RETAINING RING -  
M4



359.D1492813  
PIN:STRETCH:TRA  
Y



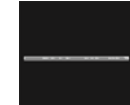
358.D1492812  
(x4)  
ROLLER:PAPER T  
RAY:DIA19



361.D1492816  
SHAFT:RISE:ASS'Y



83.AF013006  
BOTTOM PLATE P  
AD



146.D1366748  
DECAL:SIZE INDIC  
ATION:END FENCE  
:FRONT  
201308-05 X/O



147.D1356737  
DECAL:SIZE INDIC  
ATION:SIDE FENCE

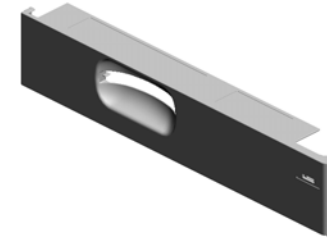
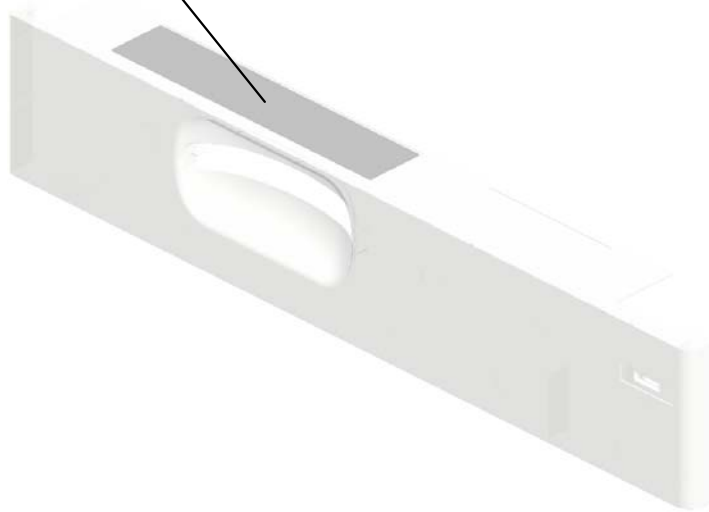


386.D1366749  
DECAL:SIZE INDIC  
ATION:END FENCE  
:REAR  
201308-06

384.D1356747  
SHEET:GUIDE:FEE  
LER:PAPER END  
201309-14

U006\_S015\_S001  
COVER:PAPER TRAY:NO.4:ASS'Y

152.D1356745  
DECAL:PAPER SE  
T DIRECTION:TRA  
Y



145.D1356732  
COVER:PAPER TR  
AY:NO.4:ASS'Y

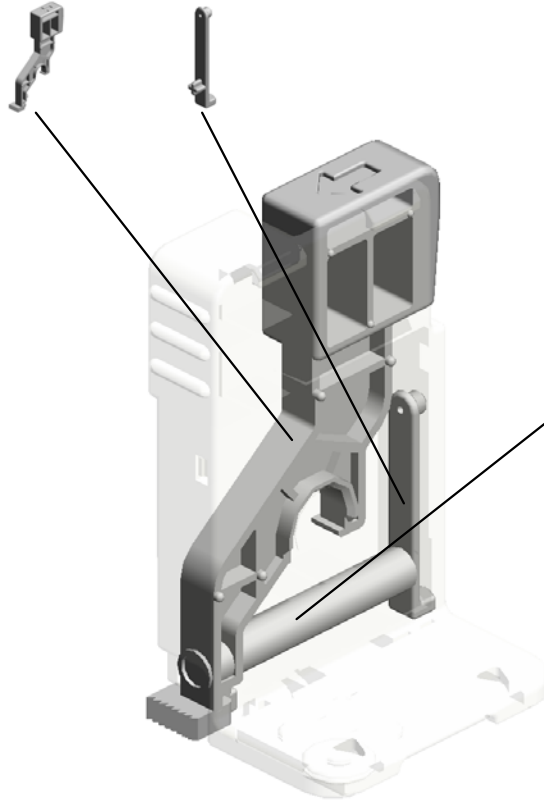
U001	U002	U003	U004	U005	<b>U006</b>	U007	U008	U009	U010	U011	U012	U013	U014	U015	U016	U017	U018	U019	U020
------	------	------	------	------	-------------	------	------	------	------	------	------	------	------	------	------	------	------	------	------

U006\_S015\_S002  
END FENCE:PAPER TRAY:ASS'Y

364.D1492842 365.D1492843  
LEVER:END FENC CLICK:END FENCE  
E



363.D1492840  
END FENCE:PAPE  
R TRAY:ASS'Y



366.D1492845  
COMPRESSION SP  
RING:END FENCE:  
LEVER:5N

U001	U002	U003	U004	U005	<b>U006</b>	U007	U008	U009	U010	U011	U012	U013	U014	U015	U016	U017	U018	U019	U020
------	------	------	------	------	-------------	------	------	------	------	------	------	------	------	------	------	------	------	------	------

U006\_S016  
PAPER TRAY:ASS'Y

150.D1356740  
LINK:END FENCE:  
PAPER SIZE SENS  
OR

29.08050106  
RETAINING RINGS

14.04583010N  
(x3)  
HEXAGON HEAD T  
APPING SCREW:3  
X10

151.D1356742  
TRAY BOTTOM PL  
ATE

360.D1492814  
COIL SPRING:EAR  
TH



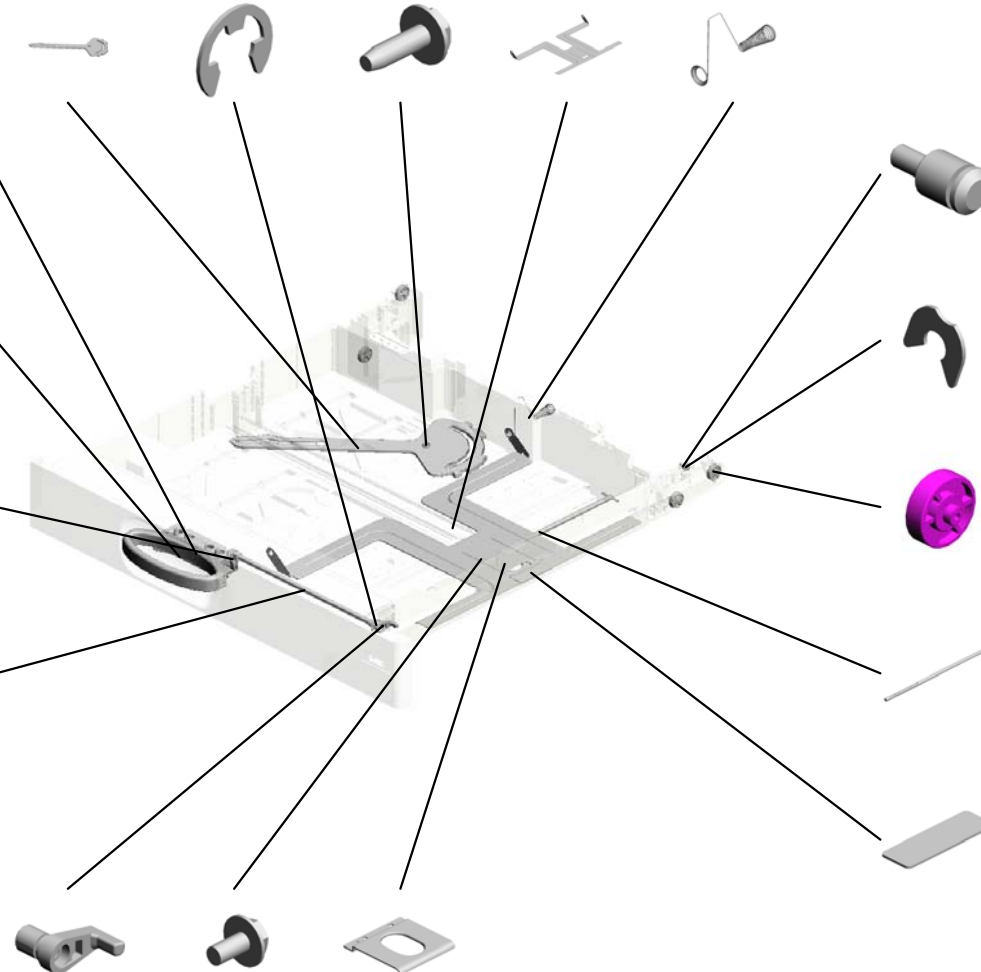
143.D1356727  
PAPER TRAY:ASS'  
Y

368.D1492861  
HOLDER:GRIP:PAP  
ER TRAY

149.D1356739  
GRIP:PAPER TRAY

101.B2232862  
LEVER - RELEASE  
INNER

148.D1356738  
SHAFT:RELEASE:P  
APER TRAY:NO.2



359.D1492813  
PIN:STRETCH:TRA  
Y

25.08050089  
RETAINING RING -  
M4

358.D1492812  
(x4)  
ROLLER:PAPER T  
RAY:DIA19

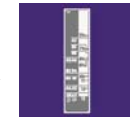
361.D1492816  
SHAFT:RISE:ASS'Y

83.AF013006  
BOTTOM PLATE P  
AD

367.D1492858  
LEVER:RELEASE:P  
APER TRAY:OUTE  
R

6.03603006N  
(x2)  
SCREW - M3X6

362.D1492818  
LEVER:RISE



146.D1356736  
DECAL:SIZE INDIC  
ATION:END FENCE

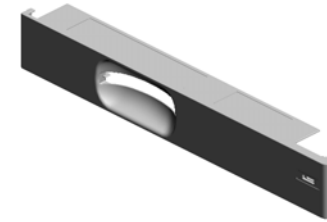


147.D1356737  
DECAL:SIZE INDIC  
ATION:SIDE FENCE

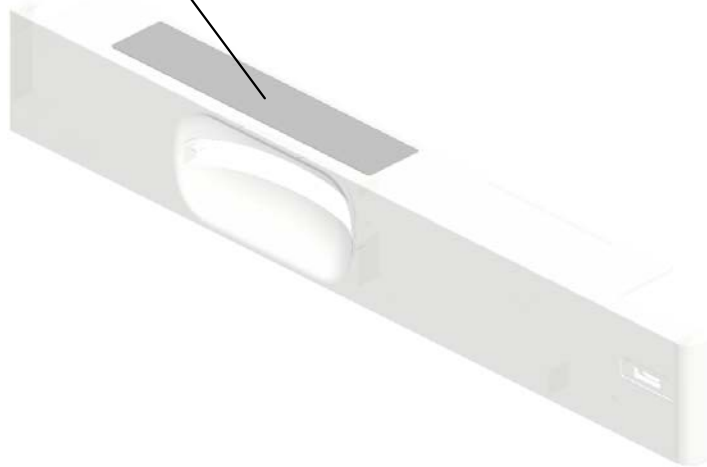
384.D1356747  
SHEET:GUIDE:FEE  
LER:PAPER END  
201309-14

U006\_S016\_S001  
COVER:PAPER TRAY:NO.3:ASS'Y

152.D1356745  
DECAL:PAPER SE  
T DIRECTION:TRA  
Y



144.D1356730  
COVER:PAPER TR  
AY:NO.3:ASS'Y



U001	U002	U003	U004	U005	U006	U007	U008	U009	U010	U011	U012	U013	U014	U015	U016	U017	U018	U019	U020
------	------	------	------	------	------	------	------	------	------	------	------	------	------	------	------	------	------	------	------

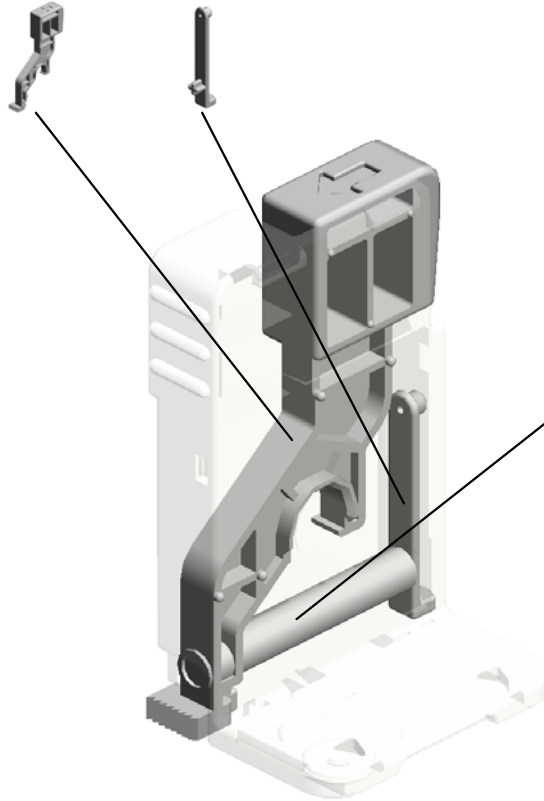


U006\_S016\_S002  
END FENCE:PAPER TRAY:ASS'Y

364.D1492842 365.D1492843  
LEVER:END FENC CLICK:END FENCE  
E



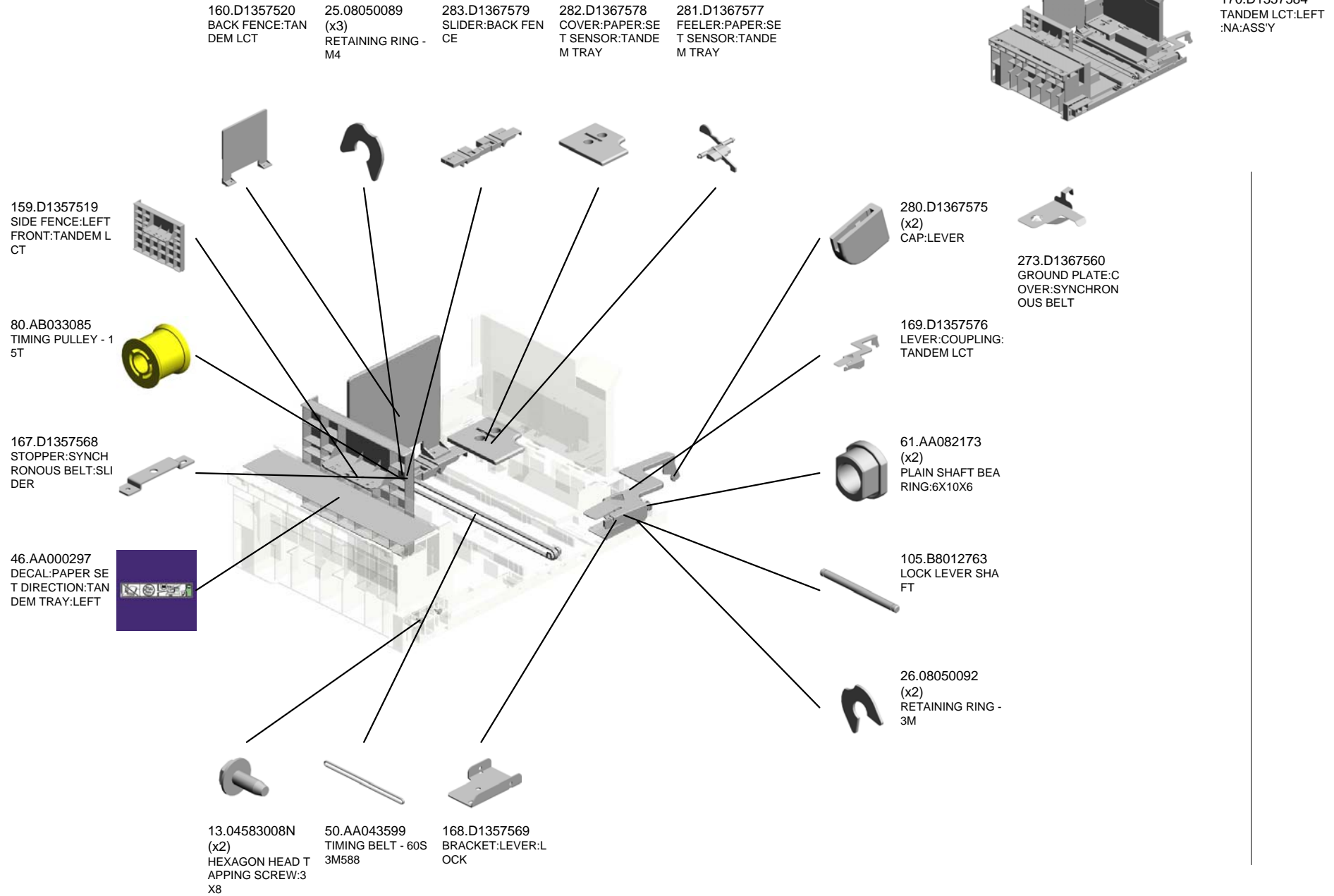
363.D1492840  
END FENCE:PAPE  
R TRAY:ASS'Y



366.D1492845  
COMPRESSION SP  
RING:END FENCE:  
LEVER:5N

U001	U002	U003	U004	U005	<b>U006</b>	U007	U008	U009	U010	U011	U012	U013	U014	U015	U016	U017	U018	U019	U020
------	------	------	------	------	-------------	------	------	------	------	------	------	------	------	------	------	------	------	------	------

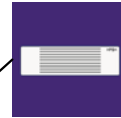
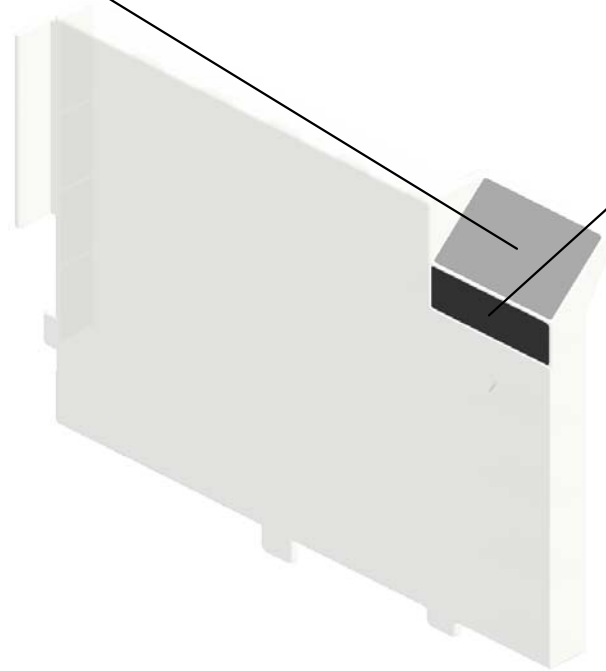
U006\_S017  
TANDEM LCT:LEFT:NA:ASS'Y



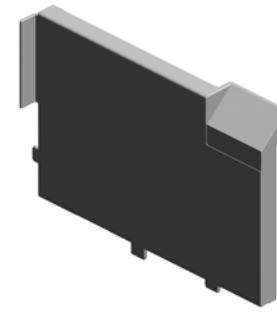
U001	U002	U003	U004	U005	<b>U006</b>	U007	U008	U009	U010	U011	U012	U013	U014	U015	U016	U017	U018	U019	U020
------	------	------	------	------	-------------	------	------	------	------	------	------	------	------	------	------	------	------	------	------

U006\_S017\_S001  
SIDE FENCE:LEFT REAR:TANDEM LCT:ASS'Y

270.D1367546  
DECAL:PAPER VO  
LUME:SIDE FENCE  
:LEFT REAR:1



271.D1367547  
DECAL:PAPER VO  
LUME:SIDE FENCE  
:LEFT REAR:2

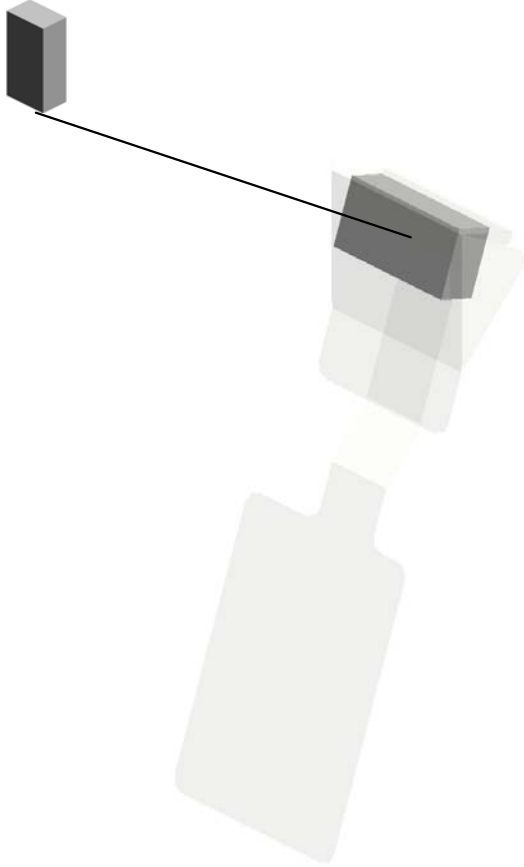


158.D1357516  
SIDE FENCE:LEFT  
REAR:TANDEM LC  
T:ASSY

U001	U002	U003	U004	U005	<b>U006</b>	U007	U008	U009	U010	U011	U012	U013	U014	U015	U016	U017	U018	U019	U020
------	------	------	------	------	-------------	------	------	------	------	------	------	------	------	------	------	------	------	------	------

U006\_S018  
PLATE:PAPER:ASS'Y

69.AA162082  
CUSHION:PLATE:P  
APER

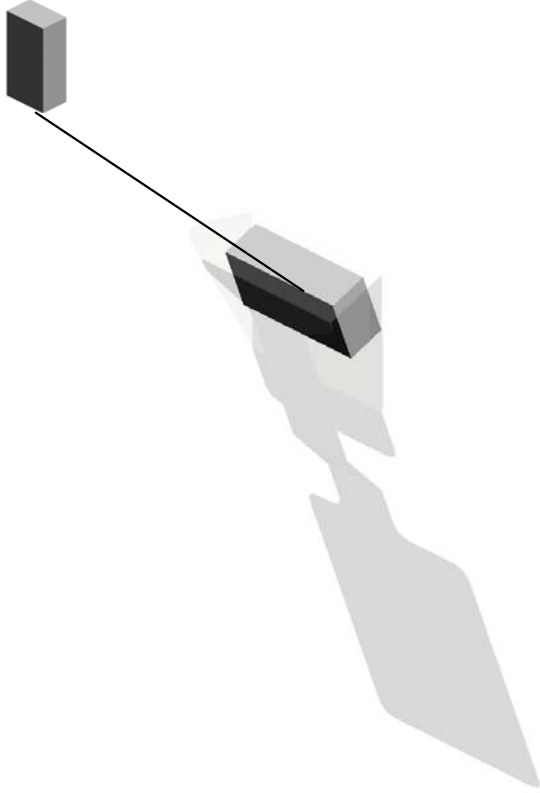


113.D0596690  
PLATE:PAPER:ASS  
Y

U001	U002	U003	U004	U005	<b>U006</b>	U007	U008	U009	U010	U011	U012	U013	U014	U015	U016	U017	U018	U019	U020
------	------	------	------	------	-------------	------	------	------	------	------	------	------	------	------	------	------	------	------	------

U006\_S019  
PLATE:PAPER:ASS'Y

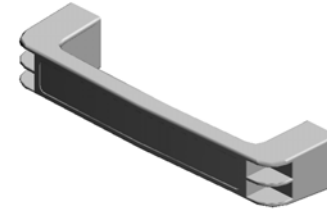
69.AA162082  
CUSHION:PLATE:P  
APER



113.D0596690  
PLATE:PAPER:ASS  
Y

U001	U002	U003	U004	U005	U006	U007	U008	U009	U010	U011	U012	U013	U014	U015	U016	U017	U018	U019	U020
------	------	------	------	------	------	------	------	------	------	------	------	------	------	------	------	------	------	------	------

U006\_S020  
GRIP:INNER COVER:ASS'Y



164.D1357531  
GRIP:INNER COVE  
R:ASS'Y

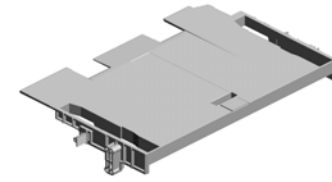


45.AA000295  
DECAL:GRIP:INNE  
R COVER:RIGHT

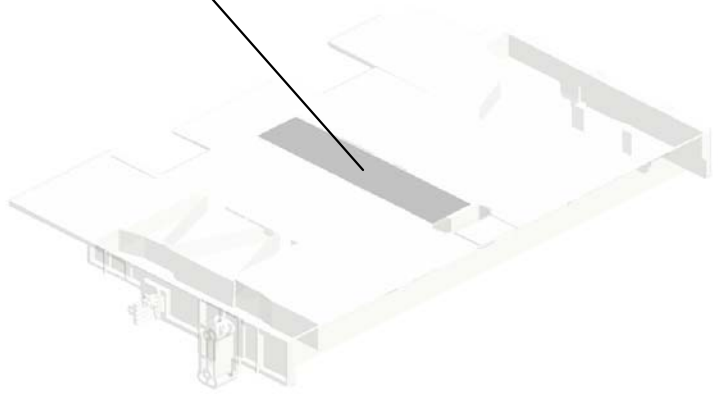
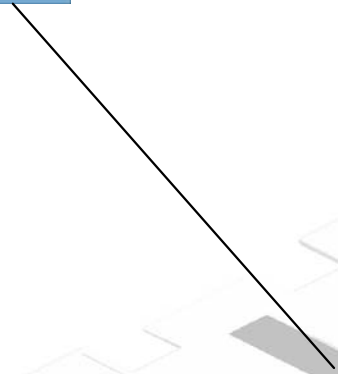
U001	U002	U003	U004	U005	U006	U007	U008	U009	U010	U011	U012	U013	U014	U015	U016	U017	U018	U019	U020
------	------	------	------	------	------	------	------	------	------	------	------	------	------	------	------	------	------	------	------

U006\_S021  
TRAY BOTTOM PLATE:ASS'Y

44.AA000294  
DECAL:PAPER SE  
T DIRECTION:TAN  
DEM TRAY:RIGHT



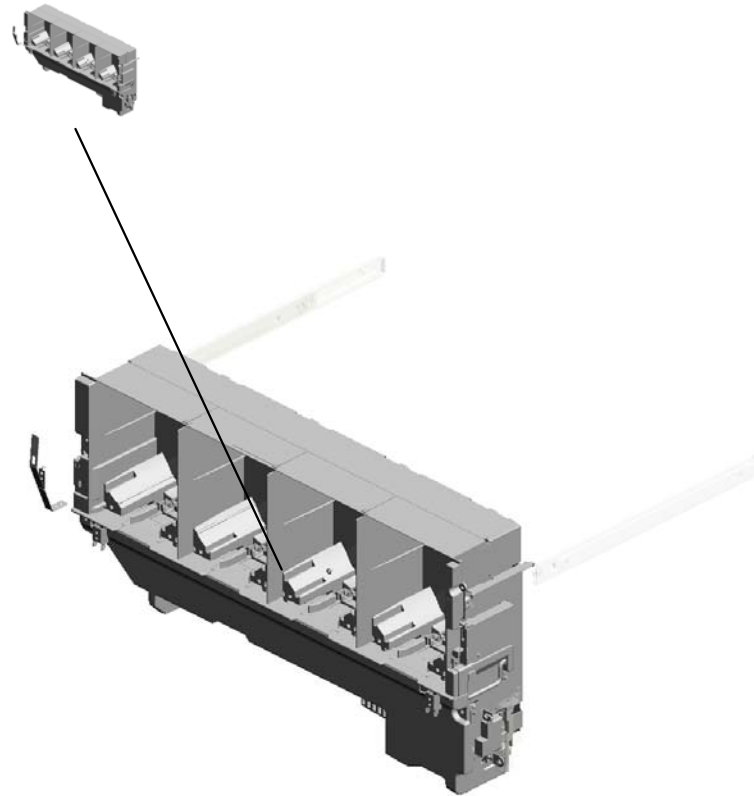
286.D1367593  
TRAY BOTTOM PL  
ATE:ASS'Y



U001	U002	U003	U004	U005	<b>U006</b>	U007	U008	U009	U010	U011	U012	U013	U014	U015	U016	U017	U018	U019	U020
------	------	------	------	------	-------------	------	------	------	------	------	------	------	------	------	------	------	------	------	------

# U007.TONNER SUPPRY

U007\_S001  
D1383023  
TONER SUPPLY UNIT:MAIN:  
ASS'Y



U001	U002	U003	U004	U005	U006	U007	U008	U009	U010	U011	U012	U013	U014	U015	U016	U017	U018	U019	U020
------	------	------	------	------	------	------	------	------	------	------	------	------	------	------	------	------	------	------	------



# U007\_S001.TONER SUPPLY UNIT:MAIN:ASS'Y

U007\_S001\_S001  
D1363305  
TONER SUPPLY UNIT:ASS'Y

U007\_S001\_S006  
D1383206  
BASE:SHUTTER:OPEN AND  
CLOSE:PRO:ASS'Y

U007\_S001\_S005  
D1383206  
BASE:SHUTTER:OPEN AND  
CLOSE:PRO:ASS'Y

U007\_S001\_S008  
D1383206  
BASE:SHUTTER:OPEN AND  
CLOSE:PRO:ASS'Y

U007\_S001\_S003  
D1363305  
TONER SUPPLY UNIT:ASS'Y

U007\_S001\_S002  
D1363305  
TONER SUPPLY UNIT:ASS'Y

U007\_S001\_S004  
D1363305  
TONER SUPPLY UNIT:ASS'Y

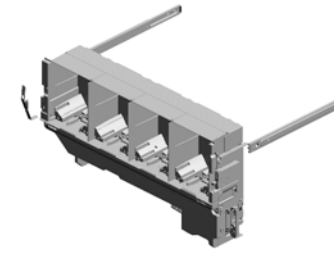
U007\_S001\_S007  
D1383206  
BASE:SHUTTER:OPEN AND  
CLOSE:PRO:ASS'Y

U001	U002	U003	U004	U005	U006	U007	U008	U009	U010	U011	U012	U013	U014	U015	U016	U017	U018	U019	U020
------	------	------	------	------	------	------	------	------	------	------	------	------	------	------	------	------	------	------	------

# U007 TONNER SUPPRY

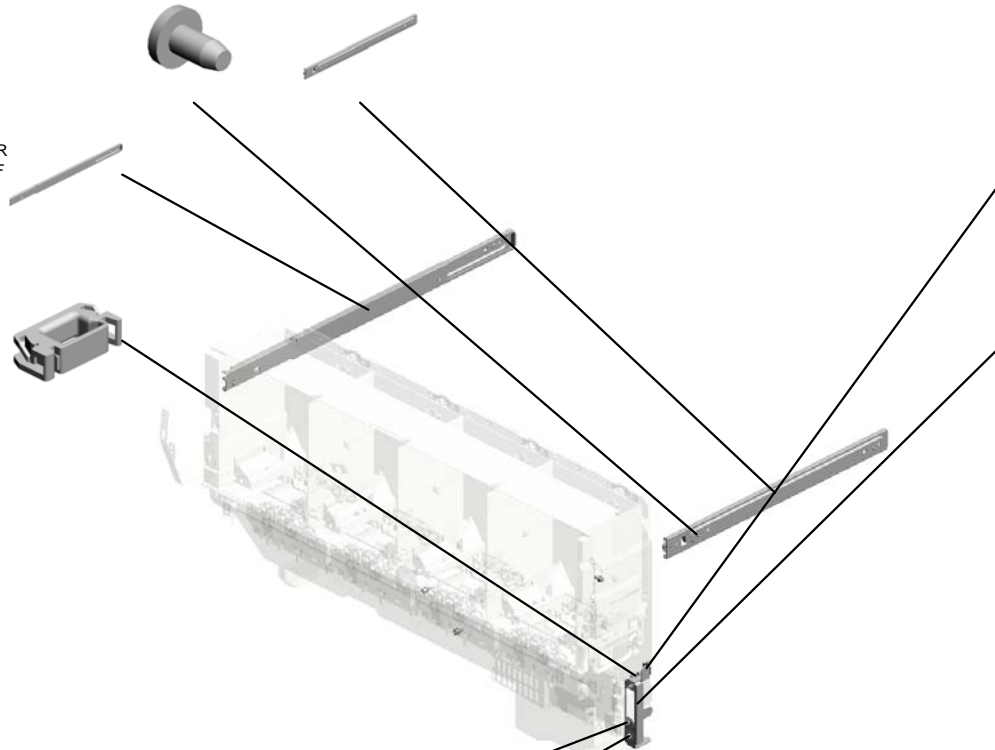
13.08025305 (x4)  
TAPPING SCREW - M3X6

27.AA071024  
SLIDE RAIL:TONER  
SUPPLY UNIT:RIG  
HT:ASS'Y



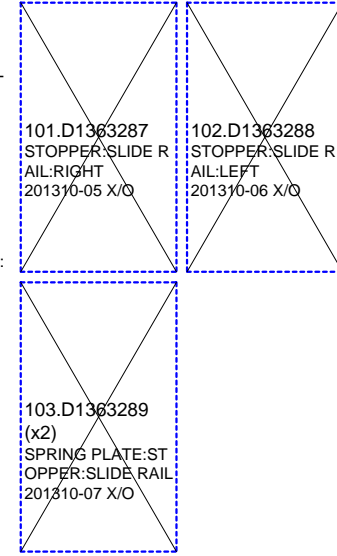
26.AA071023  
SLIDE RAIL:TONER  
SUPPLY UNIT:LEF  
T:ASS'Y

19.11050723  
CLAMPS:WES-050  
7



5.04543006Q  
TAPPING SCREW - M3X6

77.D1363373  
BRACKET:DRAWE  
R:TONER SUPPLY:  
MAIN



~~101.D1363287  
STOPPER:SLIDE R  
AIL:RIGHT  
201310-05 X/O~~

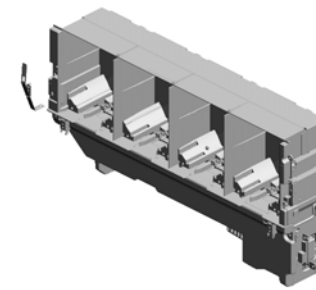
~~102.D1363288  
STOPPER:SLIDE R  
AIL:LEFT  
201310-06 X/O~~

~~103.D1363289  
(x2)  
SPRING PLATE:ST  
OPPER:SLIDE RAIL  
201310-07 X/O~~

28.AA143579  
(x2)  
SCREW - M3

32.B2342390  
(x5)  
FLANGED HEXAG  
ONAL HEAD BOLT:  
M4X8

U007\_S001  
 TONER SUPPLY UNIT:MAIN:ASS'Y



92.D1383023  
 [A]  
 TONER SUPPLY U  
 NIT:MAIN:ASS'Y  
 201309-09 X/O

12.07200040E (x8) RETAINING RING - M4  
 1.03530030N (x8) SCREW:M3X3  
 8.04583008N (x12) HEXAGON HEAD TAPPING SCREW:3X8  
 17.11050568 (x8) CLAMP:LWSS-0504  
 18.11050692 (x7) CLAMP:LES-0503

3.04513006N (x8) TAPPING SCREW - 3X6

5.04543006Q (x60) TAPPING SCREW - M3X6

23.11050761 (x4) CLAMP:LWS-0511A

4.04543006N (x12) TAPPING SCREW: ROUND POINT:3X6

22.11050760 (x9) CLAMP:LWSM-051A

21.11050758 (x17) CLAMP:LWSM-0306A

15.11050410 CARD SPACER - 9.4MM

20.11050724 CLAMPS:WES-1210

16.11050508 HARNESS CLAMP - LWS-0711

6.04543008Q (x2) TAPPING SCREW: 3X8

25.AA000291 (x5) DECAL:POSITIONING DISPLAY:SCREW:PP

29.AW020198 PHOTOINTERRUPTOR:LG2A14NL1

14.08050092 RETAINING RING - 3M

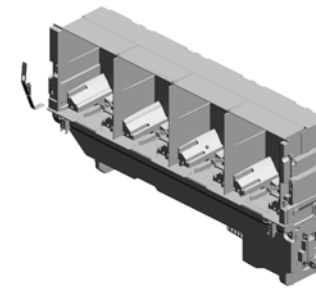
4.04543006N (x 1) TAPPING SCREW:ROUND POINT:3X6

24.12042612 MICRO SWITCH:D3V-16506-3C25

7.04543014Q TAPPING SCREW: 3X14

2.04503014N (x8) TAPPING SCREW: M3X14

# U007\_S001 TONER SUPPLY UNIT:MAIN:ASS'Y



92.D1383023  
[A]  
TONER SUPPLY U  
NIT:MAIN:ASS'Y  
201309-09 X/O

41.D1353255 (x4) GEAR:IDLER:TONER CARTRIDGE:NO.2  
40.D1353254 (x4) GEAR:IDLER:TONER CARTRIDGE:NO.1  
43.D1353260 (x4) JOINT:DRIVE:AGITATOR:ASS'Y  
44.D1353263 (x4) TORSION SPRING:DRIVE:AGITATOR  
42.D1353258 (x4) GEAR:DRIVE:AGITATOR:ASS'Y

33.D0141248  
PLATE:LEVER:DRUM STAY:LEFT

34.D0391253  
BAND:COVER:FRONT

35.D0391254  
SPRING PLATE:BACK

39.D1353253 (x4)  
GEAR:DRIVE:TRANSPORT SCREW:ASSY

45.D1353264 (x4)  
JOINT:DRIVE:TRANSPORT SCREW

36.D1353250 (x4)  
GEAR:IDLER:DC MOTOR:NO.1

38.D1353252 (x4)  
GEAR:IDLER:CONNECTING

52.D1363266 (x8)  
STUD:IDLER:DRIVE:TONER SUPPLY

49.D1363221 (x4)  
DC MOTOR:TONER CARTRIDGE:ASSY

46.D1362296 (x4)  
GROUND PLATE:PCU:ASSY

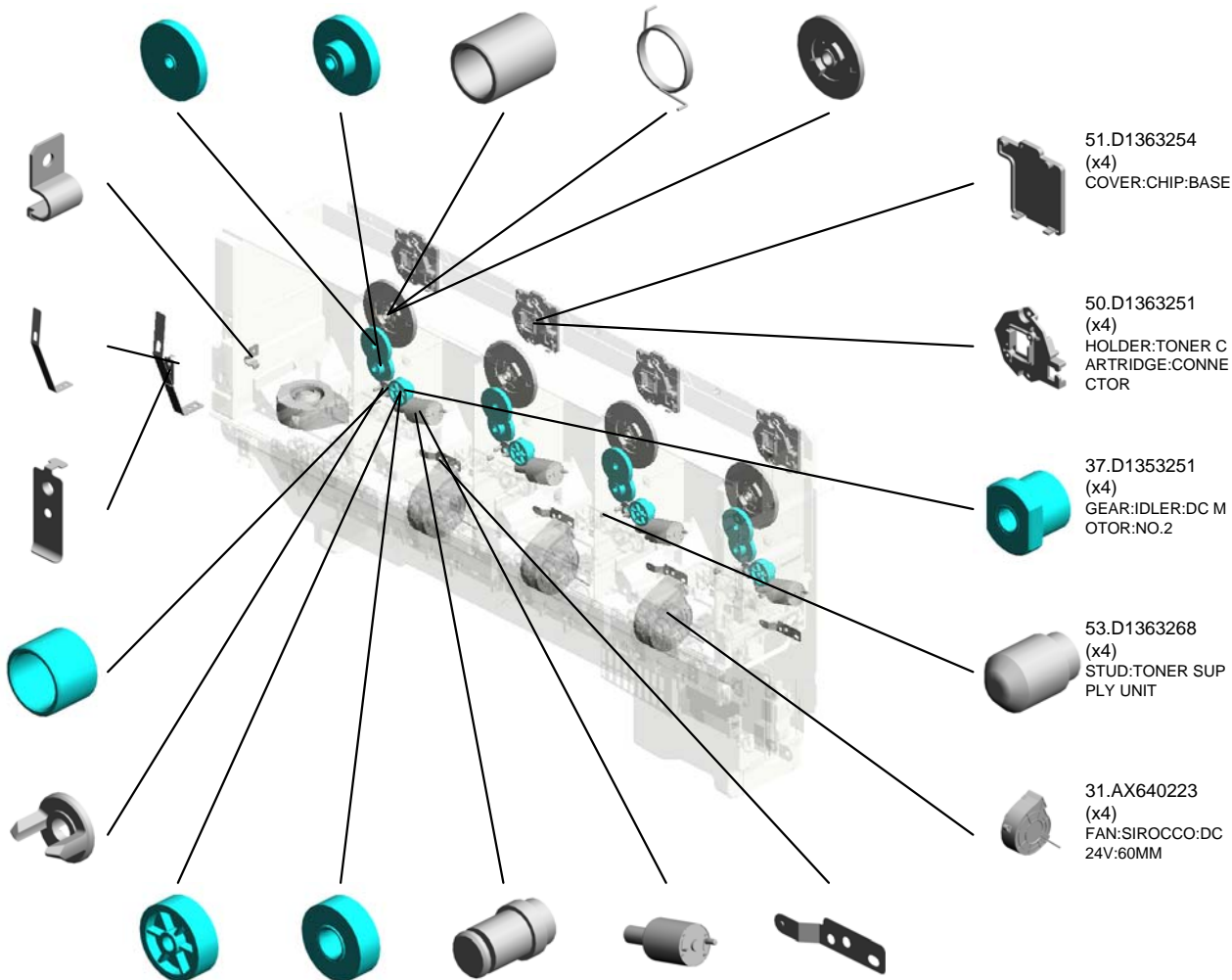
51.D1363254 (x4)  
COVER:CHIP:BASE

50.D1363251 (x4)  
HOLDER:TONER CARTRIDGE:CONNECTOR

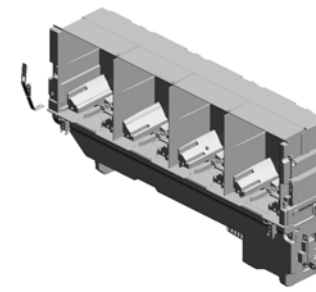
37.D1353251 (x4)  
GEAR:IDLER:DC MOTOR:NO.2

53.D1363268 (x4)  
STUD:TONER SUPPLY UNIT

31.AX640223 (x4)  
FAN:SIROCCO:DC 24V:60MM

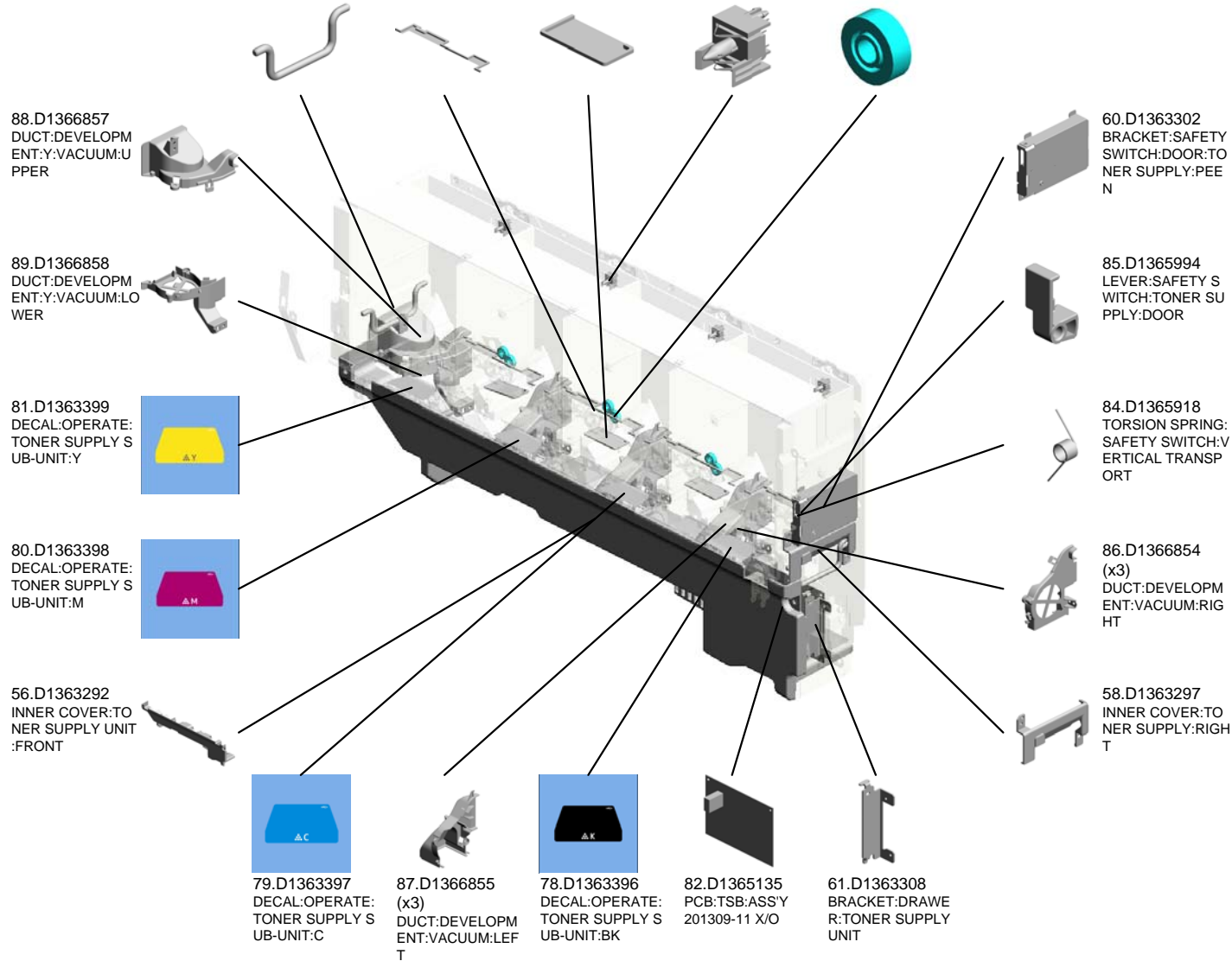


U007\_S001  
 TONER SUPPLY UNIT:MAIN:ASS'Y



92.D1383023  
 [A]  
 TONER SUPPLY U  
 NIT:MAIN:ASS'Y  
 201309-09 X/O

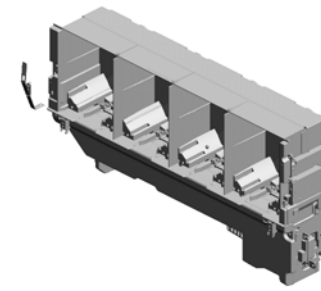
55.D1363273 (x2) LEVER:TONER SUPPLY UNIT  
 57.D1363295 (x4) SEAL:GUIDE PLATE:TONER SUPPLY  
 59.D1363298 (x4) SEAL:SIDE PLATE:TONER SUPPLY  
 83.D1365428 (x4) PCB:TCB  
 54.D1363270 (x8) GEAR:IDLER:TONE R END SENSOR



U001	U002	U003	U004	U005	U006	U007	U008	U009	U010	U011	U012	U013	U014	U015	U016	U017	U018	U019	U020
------	------	------	------	------	------	------	------	------	------	------	------	------	------	------	------	------	------	------	------

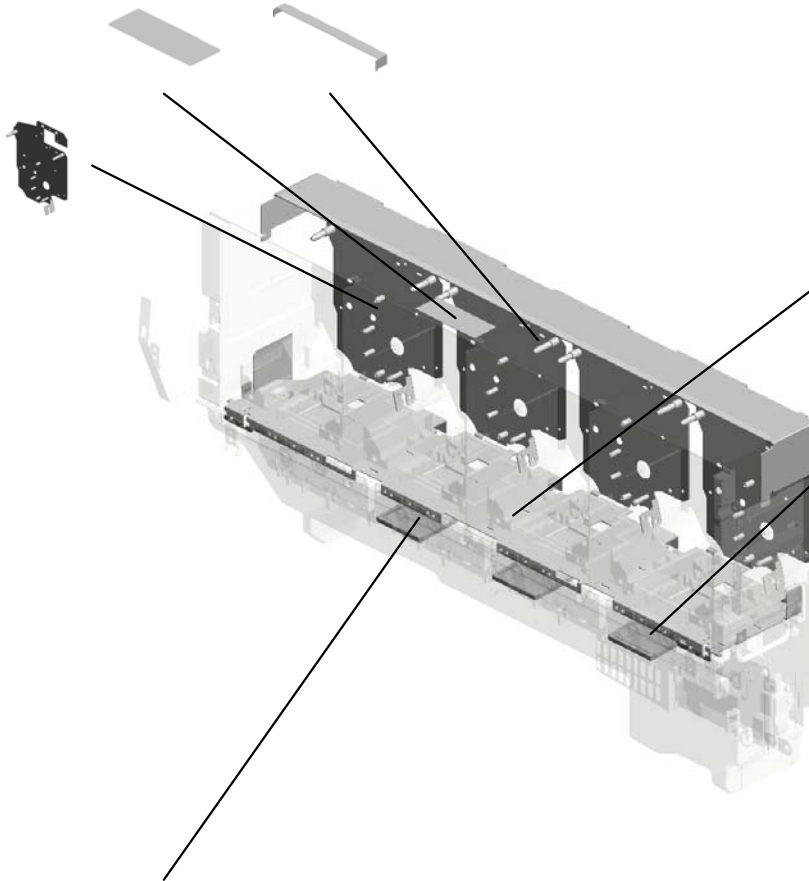
U007\_S001  
 TONER SUPPLY UNIT:MAIN:ASS'Y

97.D1383391 96.D1383269  
 DECAL:CAUTION:T COVER:UPPER:TO  
 ONER SUPPLY SU NER CARTRIDGE:  
 B-UNIT:PRO PRO



92.D1383023  
 [A]  
 TONER SUPPLY U  
 NIT:MAIN:ASS'Y  
 201309-09 X/O

94.D1383228  
 (x4)  
 BRACKET:DRIVE:T  
 ONER CARTRIDGE  
 :PRO:ASS'Y



95.D1383268  
 GUIDE PLATE:BAS  
 E:TONER CARTRID  
 GE:PRO

91.D1366939  
 (x4)  
 FILTER:DEVELOP  
 MENT:VACUUM

90.D1366931  
 (x3)  
 SEAL:DUCT:DEVEL  
 OPMENT

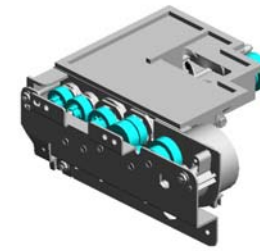


D1383021  
 [A]  
 TONER SUPPLY U  
 NIT:MAIN:ASS'Y  
 201309-09 X/O

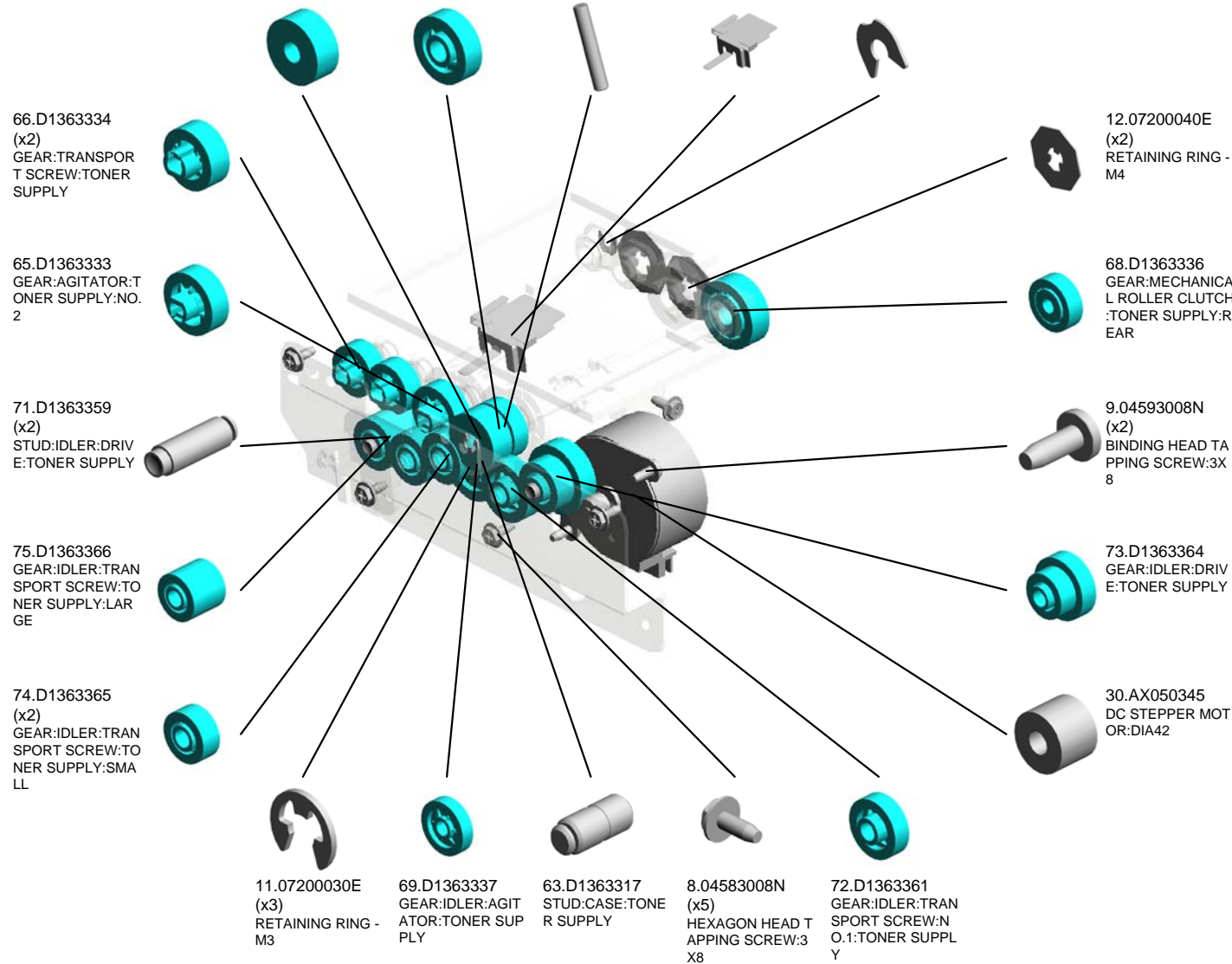
U001	U002	U003	U004	U005	U006	U007	U008	U009	U010	U011	U012	U013	U014	U015	U016	U017	U018	U019	U020
------	------	------	------	------	------	------	------	------	------	------	------	------	------	------	------	------	------	------	------

U007\_S001\_S001  
 TONER SUPPLY UNIT:ASS'Y

67.D1363335 GEAR:MECHANICAL ROLLER CLUTCH :TONER SUPPLY:FRONT  
 70.D1363338 GEAR:AGITATOR:TONER SUPPLY:NO.1  
 10.06320120G PARALLEL PIN - 2X12  
 64.D1363331 SHUTTER:CASE:TONER SUPPLY  
 14.08050092 RETAINING RING - 3M



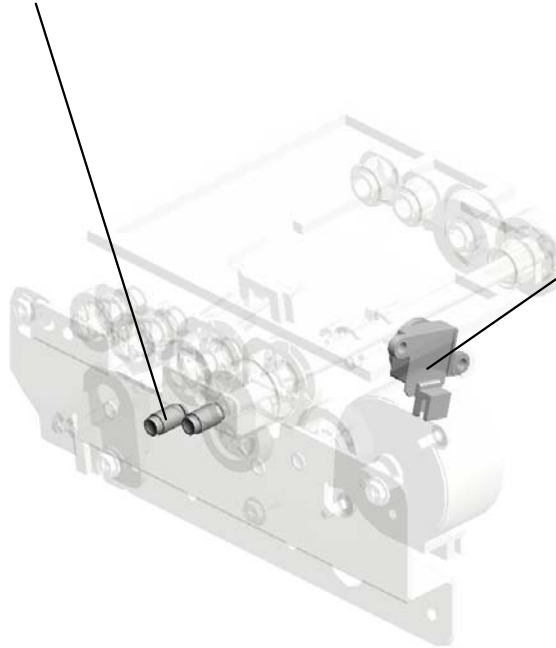
62.D1363305  
 [A]  
 TONER SUPPLY UNIT:ASS'Y  
 201309-10 X/O



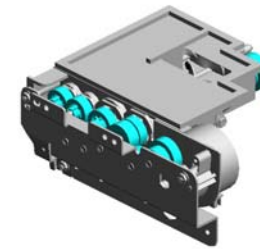
U001	U002	U003	U004	U005	U006	U007	U008	U009	U010	U011	U012	U013	U014	U015	U016	U017	U018	U019	U020
------	------	------	------	------	------	------	------	------	------	------	------	------	------	------	------	------	------	------	------

U007\_S001\_S001  
TONER SUPPLY UNIT:ASS'Y

76.D1363367  
(x2)  
STUD:IDLER:TRAN  
SPORT SCREW:N  
O.3:TONER SUPPL  
Y



98.GW230008  
TONER END SENS  
OR



62.D1363305  
[A]  
TONER SUPPLY U  
NIT:ASS'Y  
201309-10 X/O

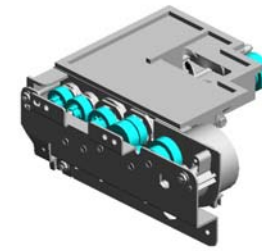
D1363311  
[A]  
TONER SUPPLY U  
NIT:ASS'Y  
201309-10 X/O

U001	U002	U003	U004	U005	U006	U007	U008	U009	U010	U011	U012	U013	U014	U015	U016	U017	U018	U019	U020
------	------	------	------	------	------	------	------	------	------	------	------	------	------	------	------	------	------	------	------

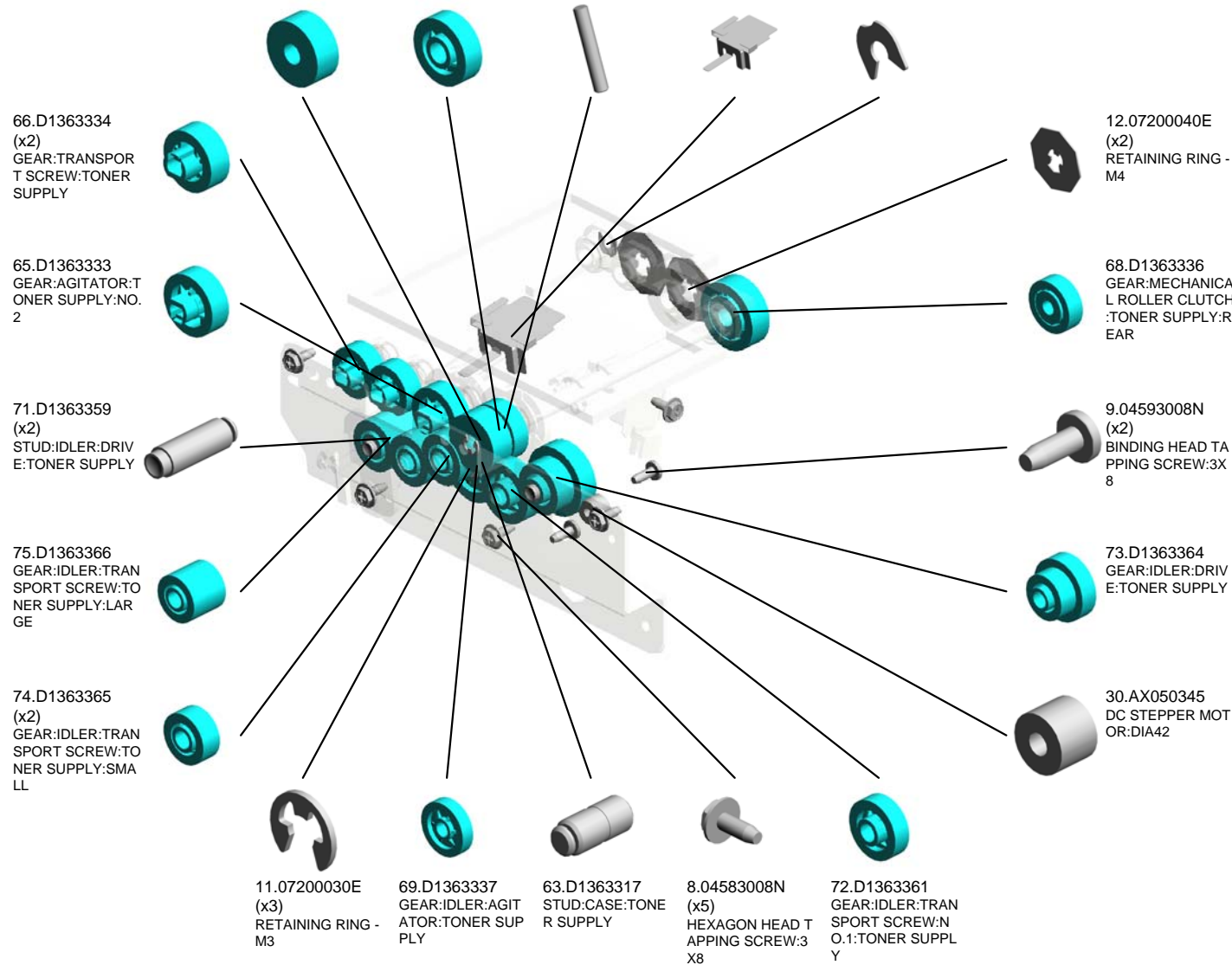


U007\_S001\_S002  
 TONER SUPPLY UNIT:ASS'Y

67.D1363335 GEAR:MECHANICAL ROLLER CLUTCH :TONER SUPPLY:FRONT  
 70.D1363338 GEAR:AGITATOR:TONER SUPPLY:NO.1  
 10.06320120G PARALLEL PIN - 2X12  
 64.D1363331 SHUTTER:CASE:TONER SUPPLY  
 14.08050092 RETAINING RING - 3M



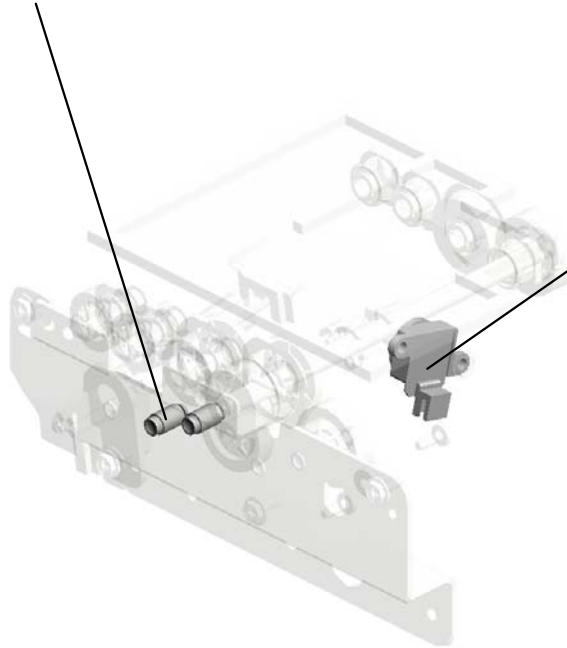
62.D1363305  
 [A]  
 TONER SUPPLY UNIT:ASS'Y  
 201309-10 X/O



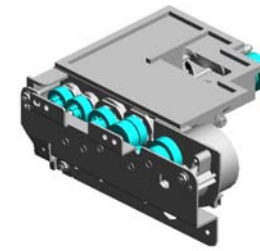
U001	U002	U003	U004	U005	U006	U007	U008	U009	U010	U011	U012	U013	U014	U015	U016	U017	U018	U019	U020
------	------	------	------	------	------	------	------	------	------	------	------	------	------	------	------	------	------	------	------

U007\_S001\_S002  
TONER SUPPLY UNIT:ASS'Y

76.D1363367  
(x2)  
STUD:IDLER:TRAN  
SPORT SCREW:IN  
O.3:TONER SUPPL  
Y



98.GW230008  
TONER END SENS  
OR



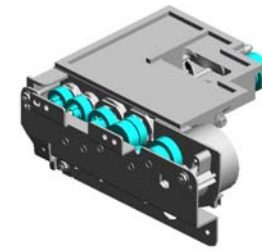
62.D1363305  
[A]  
TONER SUPPLY U  
NIT:ASS'Y  
201309-10 X/O

D1363311  
[A]  
TONER SUPPLY U  
NIT:ASS'Y  
201309-10 X/O

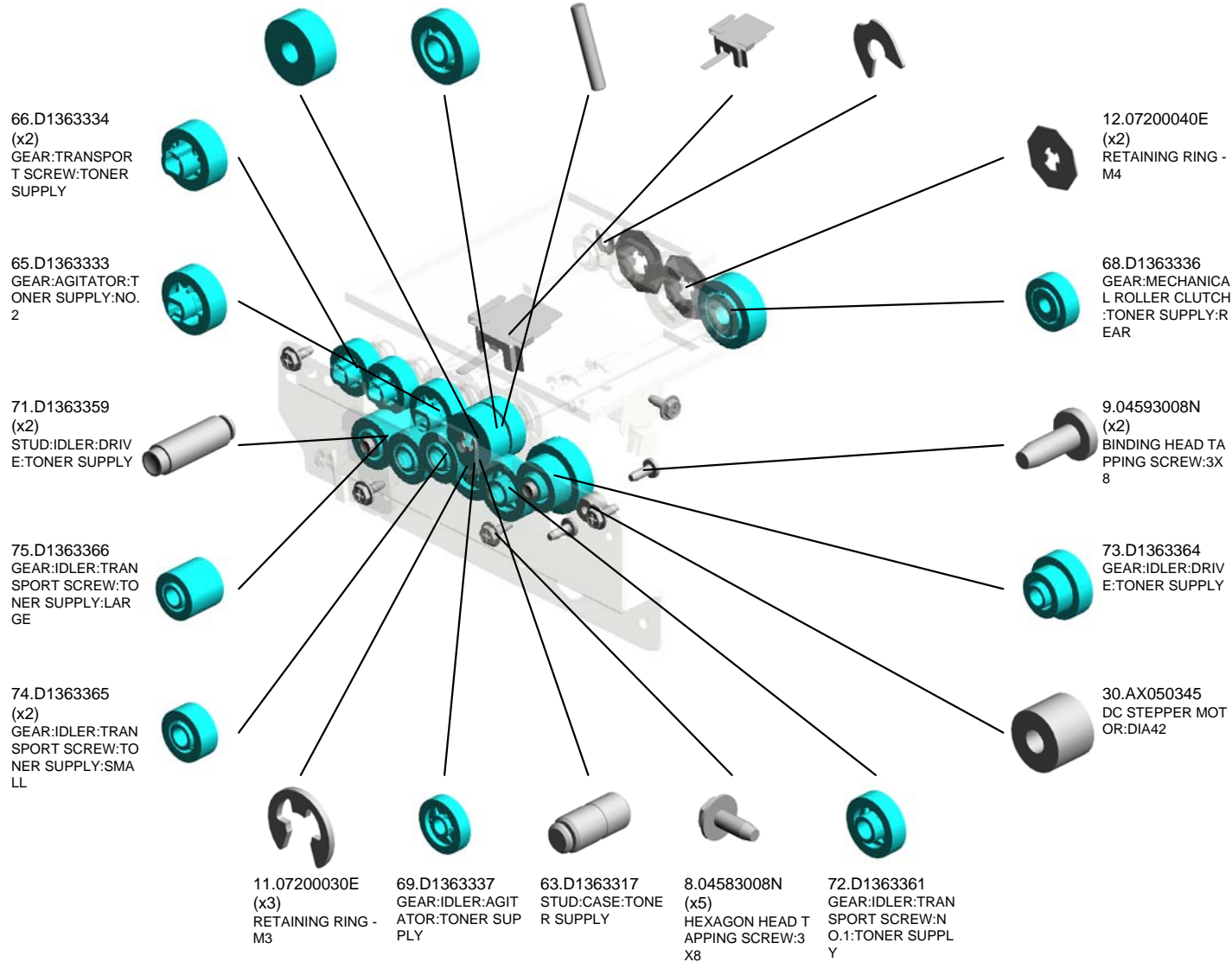
U001	U002	U003	U004	U005	U006	U007	U008	U009	U010	U011	U012	U013	U014	U015	U016	U017	U018	U019	U020
------	------	------	------	------	------	------	------	------	------	------	------	------	------	------	------	------	------	------	------

U007\_S001\_S003  
 TONER SUPPLY UNIT:ASS'Y

67.D1363335 GEAR:MECHANICAL ROLLER CLUTCH :TONER SUPPLY:FRONT  
 70.D1363338 GEAR:AGITATOR:TONER SUPPLY:NO.1  
 10.06320120G PARALLEL PIN - 2X12  
 64.D1363331 SHUTTER:CASE:TONER SUPPLY  
 14.08050092 RETAINING RING - 3M



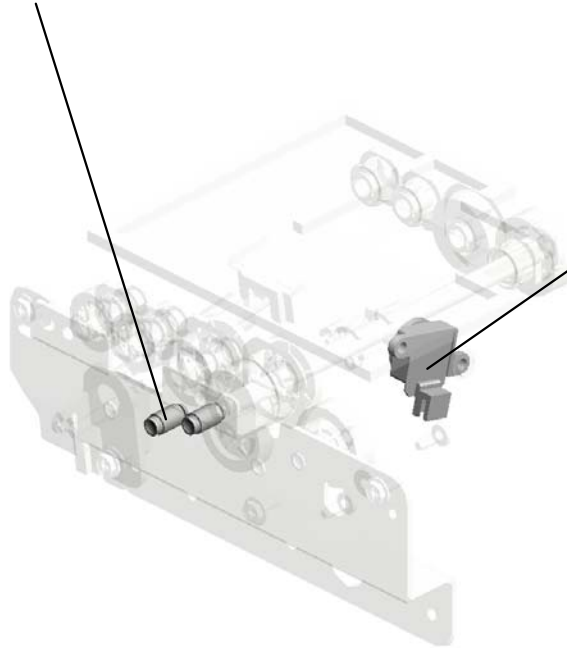
62.D1363305  
 [A]  
 TONER SUPPLY UNIT:ASS'Y  
 201309-10 X/O



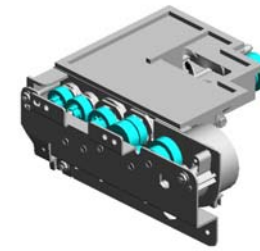
U001	U002	U003	U004	U005	U006	U007	U008	U009	U010	U011	U012	U013	U014	U015	U016	U017	U018	U019	U020
------	------	------	------	------	------	------	------	------	------	------	------	------	------	------	------	------	------	------	------

U007\_S001\_S003  
TONER SUPPLY UNIT:ASS'Y

76.D1363367  
(x2)  
STUD:IDLER:TRAN  
SPORT SCREW:N  
O.3:TONER SUPPL  
Y



98.GW230008  
TONER END SENS  
OR



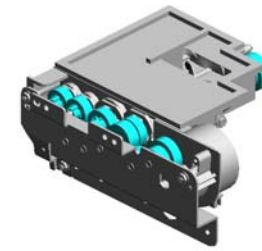
62.D1363305  
[A]  
TONER SUPPLY U  
NIT:ASS'Y  
201309-10 X/O

D1363311  
[A]  
TONER SUPPLY U  
NIT:ASS'Y  
201309-10 X/O

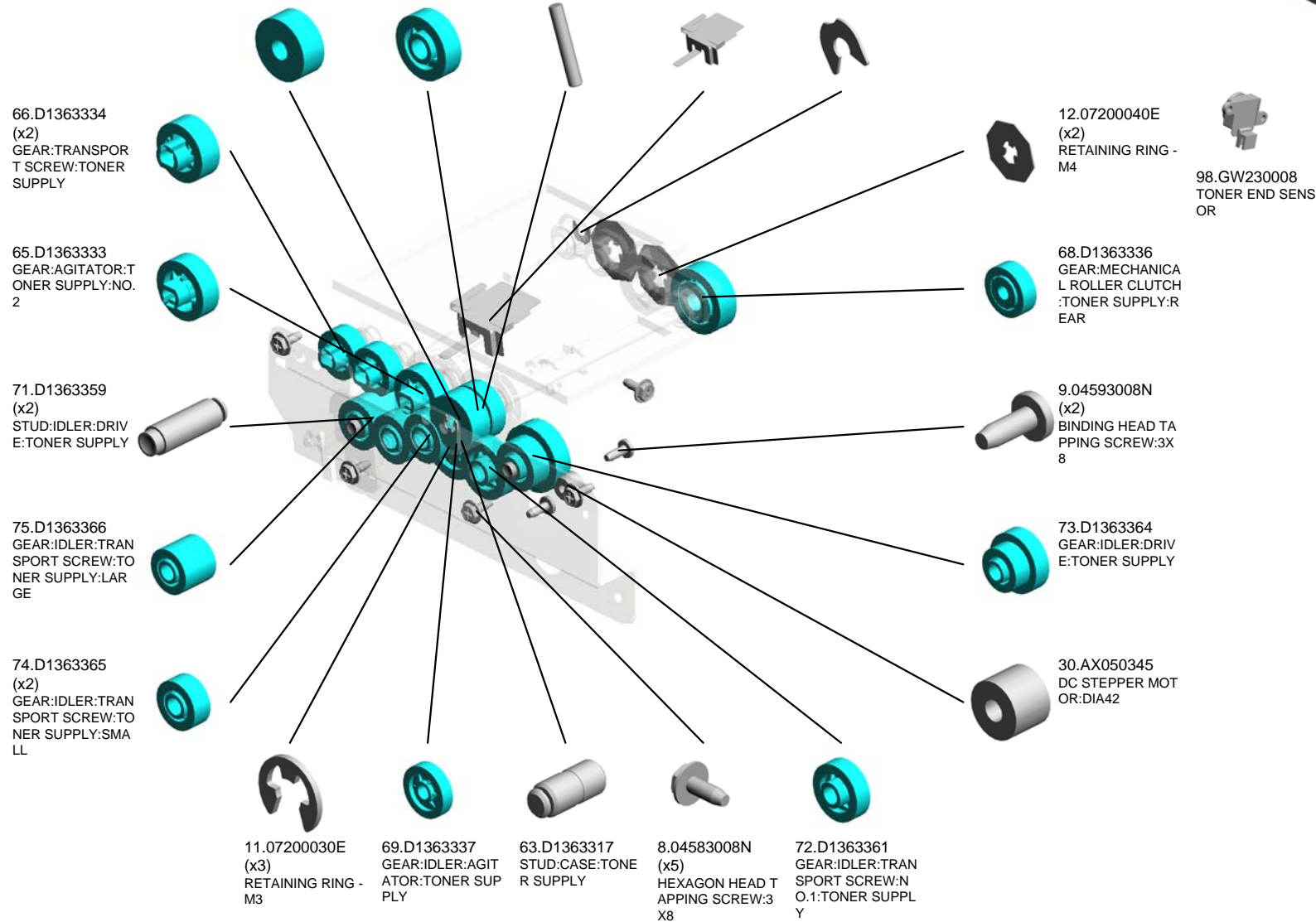
U001	U002	U003	U004	U005	U006	U007	U008	U009	U010	U011	U012	U013	U014	U015	U016	U017	U018	U019	U020
------	------	------	------	------	------	------	------	------	------	------	------	------	------	------	------	------	------	------	------

U007\_S001\_S004  
 TONER SUPPLY UNIT:ASS'Y

67.D1363335 GEAR:MECHANICAL ROLLER CLUTCH :TONER SUPPLY:FRONT  
 70.D1363338 GEAR:AGITATOR:TONER SUPPLY:NO.1  
 10.06320120G PARALLEL PIN - 2X12  
 64.D1363331 SHUTTER:CASE:TONER SUPPLY  
 14.08050092 RETAINING RING - 3M



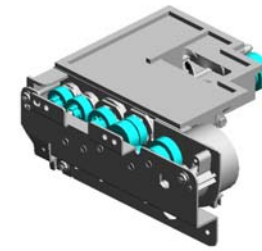
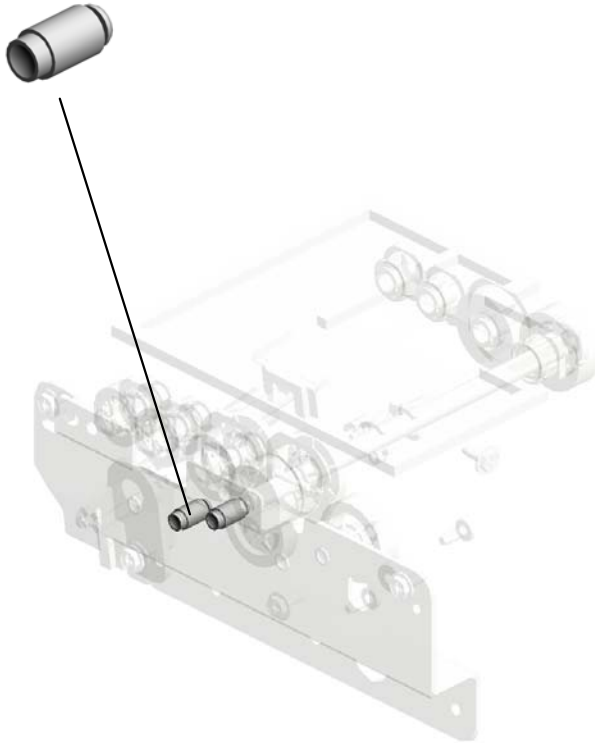
62.D1363305  
 [A]  
 TONER SUPPLY UNIT:ASS'Y  
 201309-10 X/O



U001	U002	U003	U004	U005	U006	U007	U008	U009	U010	U011	U012	U013	U014	U015	U016	U017	U018	U019	U020
------	------	------	------	------	------	------	------	------	------	------	------	------	------	------	------	------	------	------	------

U007\_S001\_S004  
TONER SUPPLY UNIT:ASS'Y

76.D1363367  
(x2)  
STUD:IDLER:TRAN  
SPORT SCREW:N  
O.3:TONER SUPPL  
Y



62.D1363305  
[A]  
TONER SUPPLY U  
NIT:ASS'Y  
201309-10 X/O

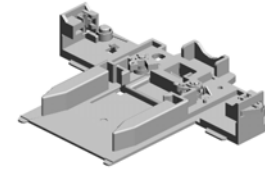
D1363311  
[A]  
TONER SUPPLY U  
NIT:ASS'Y  
201309-10 X/O

U001	U002	U003	U004	U005	U006	U007	U008	U009	U010	U011	U012	U013	U014	U015	U016	U017	U018	U019	U020
------	------	------	------	------	------	------	------	------	------	------	------	------	------	------	------	------	------	------	------

U007\_S001\_S005

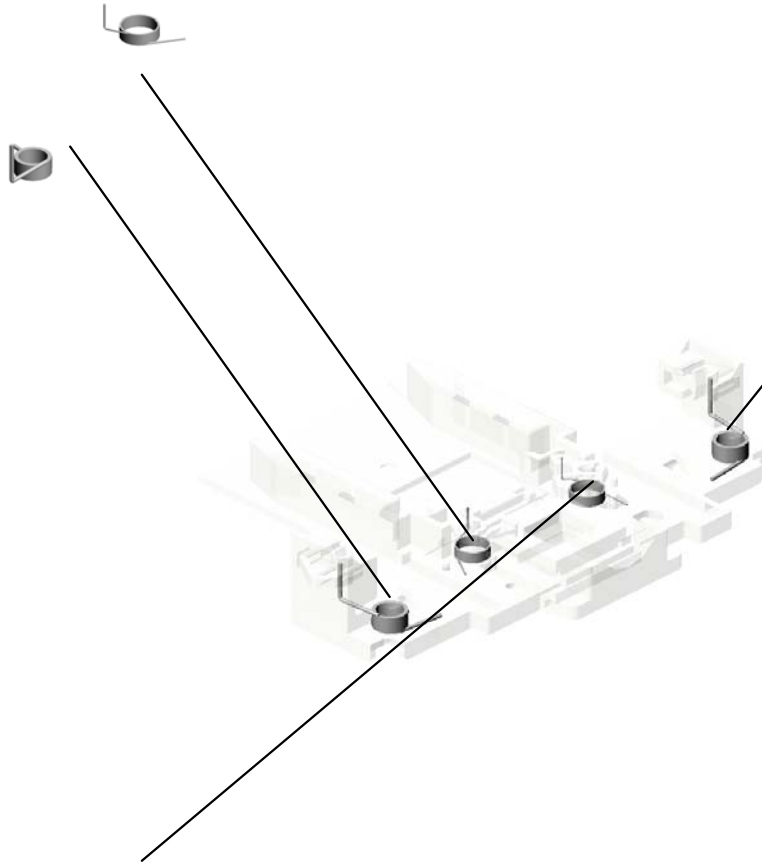
BASE:SHUTTER:OPEN AND CLOSE:PRO:ASS'Y

99.M0263343  
TORSION SPRING:  
STOPPER:RIGHT



93.D1383206  
BASE:SHUTTER:O  
PEN AND CLOSE:P  
RO:ASSY

48.D1363212  
TORSION SPRING:  
STOPPER:TONER  
CARTRIDGE:LEFT



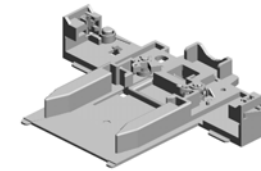
47.D1363211  
TORSION SPRING:  
STOPPER:TONER  
CARTRIDGE:RIGH  
T

100.M0263344  
TORSION SPRING:  
STOPPER:LEFT

U001	U002	U003	U004	U005	U006	U007	U008	U009	U010	U011	U012	U013	U014	U015	U016	U017	U018	U019	U020
------	------	------	------	------	------	------	------	------	------	------	------	------	------	------	------	------	------	------	------

U007\_S001\_S006

BASE:SHUTTER:OPEN AND CLOSE:PRO:ASS'Y



93.D1383206  
BASE:SHUTTER:O  
PEN AND CLOSE:P  
RO:ASSY

99.M0263343  
TORSION SPRING:  
STOPPER:RIGHT

48.D1363212  
TORSION SPRING:  
STOPPER:TONER  
CARTRIDGE:LEFT

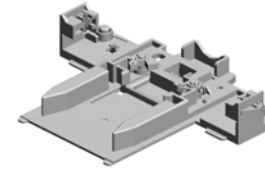
47.D1363211  
TORSION SPRING:  
STOPPER:TONER  
CARTRIDGE:RIGH  
T

100.M0263344  
TORSION SPRING:  
STOPPER:LEFT

U001	U002	U003	U004	U005	U006	U007	U008	U009	U010	U011	U012	U013	U014	U015	U016	U017	U018	U019	U020
------	------	------	------	------	------	------	------	------	------	------	------	------	------	------	------	------	------	------	------



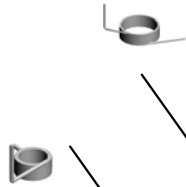
U007\_S001\_S007  
BASE:SHUTTER:OPEN AND CLOSE:PRO:ASS'Y



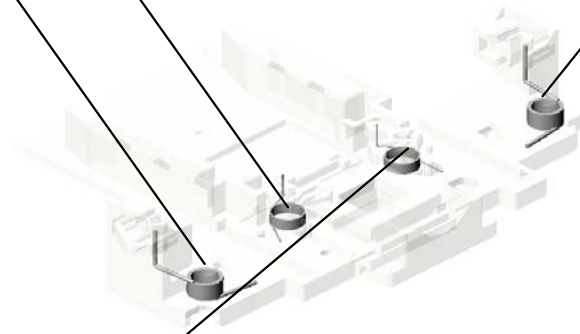
93.D1383206  
BASE:SHUTTER:O  
PEN AND CLOSE:P  
RO:ASSY

99.M0263343  
TORSION SPRING:  
STOPPER:RIGHT

48.D1363212  
TORSION SPRING:  
STOPPER:TONER  
CARTRIDGE:LEFT



47.D1363211  
TORSION SPRING:  
STOPPER:TONER  
CARTRIDGE:RIGH  
T



100.M0263344  
TORSION SPRING:  
STOPPER:LEFT

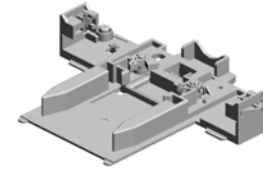


U001	U002	U003	U004	U005	U006	U007	U008	U009	U010	U011	U012	U013	U014	U015	U016	U017	U018	U019	U020
------	------	------	------	------	------	------	------	------	------	------	------	------	------	------	------	------	------	------	------

U007\_S001\_S008

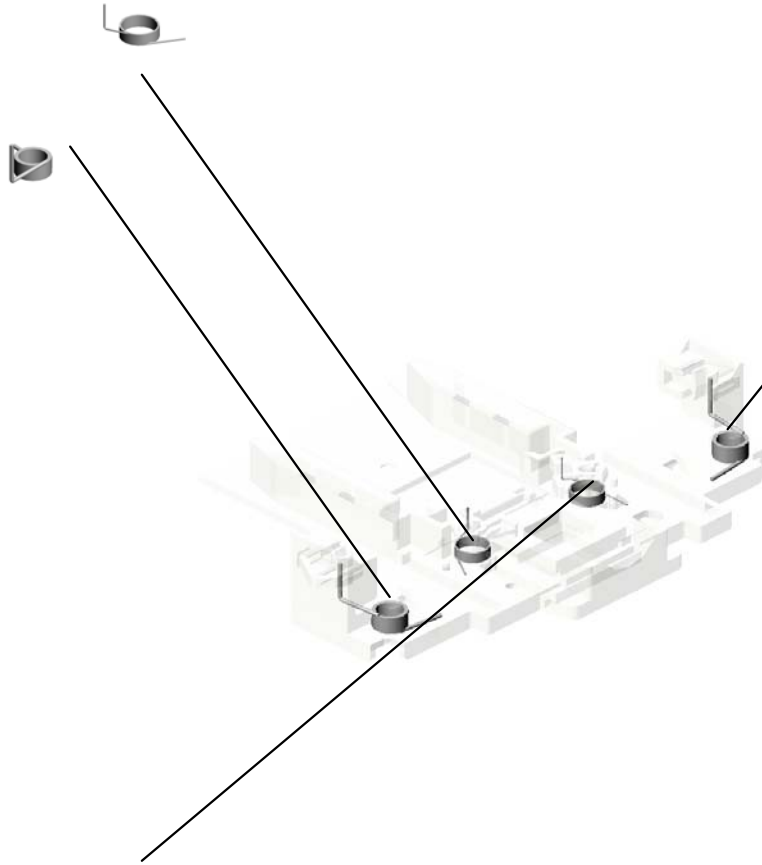
BASE:SHUTTER:OPEN AND CLOSE:PRO:ASS'Y

99.M0263343  
TORSION SPRING:  
STOPPER:RIGHT



93.D1383206  
BASE:SHUTTER:O  
PEN AND CLOSE:P  
RO:ASSY

48.D1363212  
TORSION SPRING:  
STOPPER:TONER  
CARTRIDGE:LEFT



47.D1363211  
TORSION SPRING:  
STOPPER:TONER  
CARTRIDGE:RIGH  
T

100.M0263344  
TORSION SPRING:  
STOPPER:LEFT

U001	U002	U003	U004	U005	U006	U007	U008	U009	U010	U011	U012	U013	U014	U015	U016	U017	U018	U019	U020
------	------	------	------	------	------	------	------	------	------	------	------	------	------	------	------	------	------	------	------

# U008.PCU

U008\_S003  
D1382204  
CHARGE UNIT:PRO:ASS'Y

U008\_S006  
D1382204  
CHARGE UNIT:PRO:ASS'Y

U008\_S005  
D1382203  
CLEANING UNIT:PRO:ASS'Y

U008\_S001  
D1382201  
DEVELOPMENT UNIT:D137/D  
138

U008\_S009  
D1382204  
CHARGE UNIT:PRO:ASS'Y

U008\_S002  
D1382203  
CLEANING UNIT:PRO:ASS'Y

U008\_S012  
D1382204  
CHARGE UNIT:PRO:ASS'Y

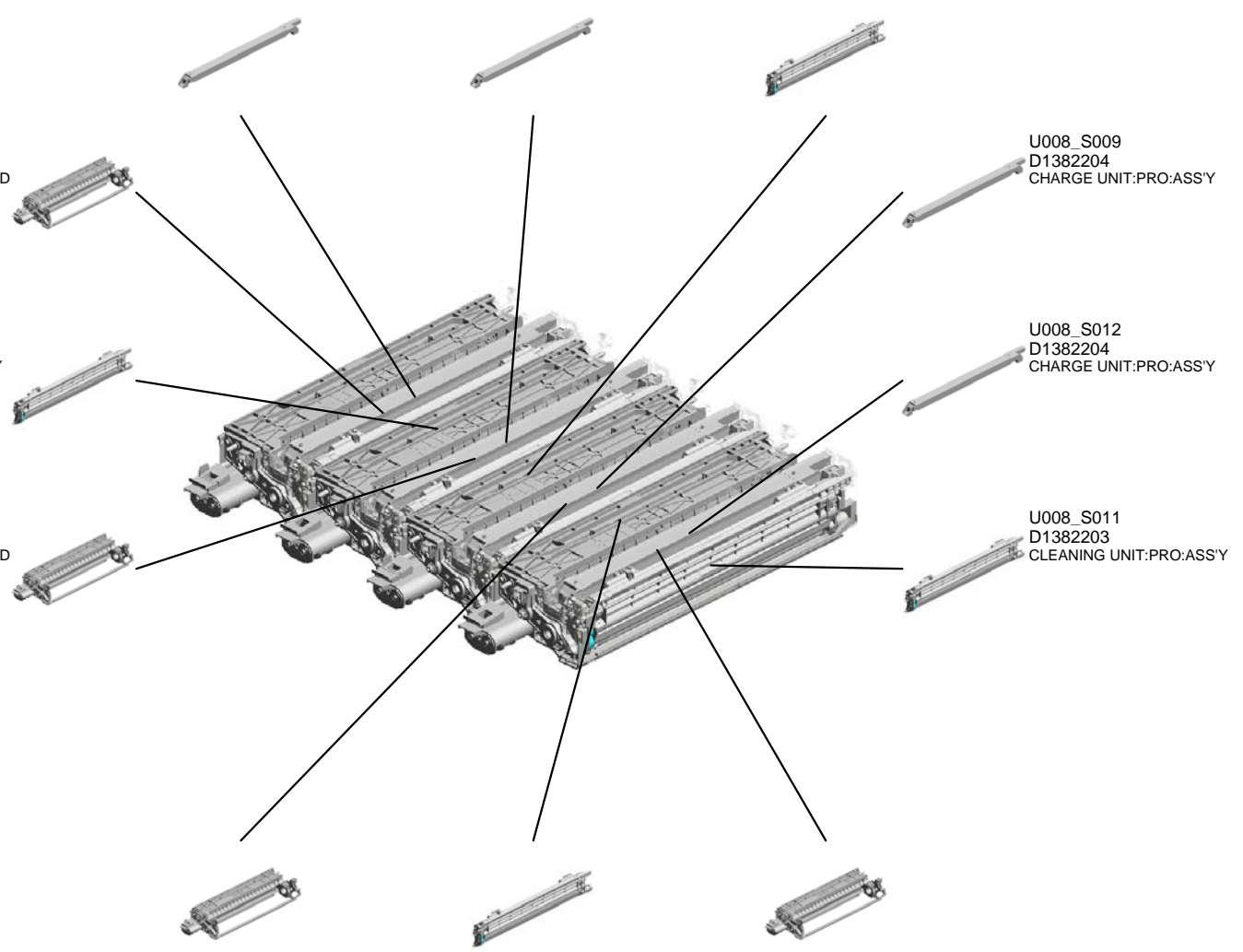
U008\_S004  
D1382201  
DEVELOPMENT UNIT:D137/D  
138

U008\_S011  
D1382203  
CLEANING UNIT:PRO:ASS'Y

U008\_S007  
D1382201  
DEVELOPMENT UNIT:D137/D  
138

U008\_S008  
D1382203  
CLEANING UNIT:PRO:ASS'Y

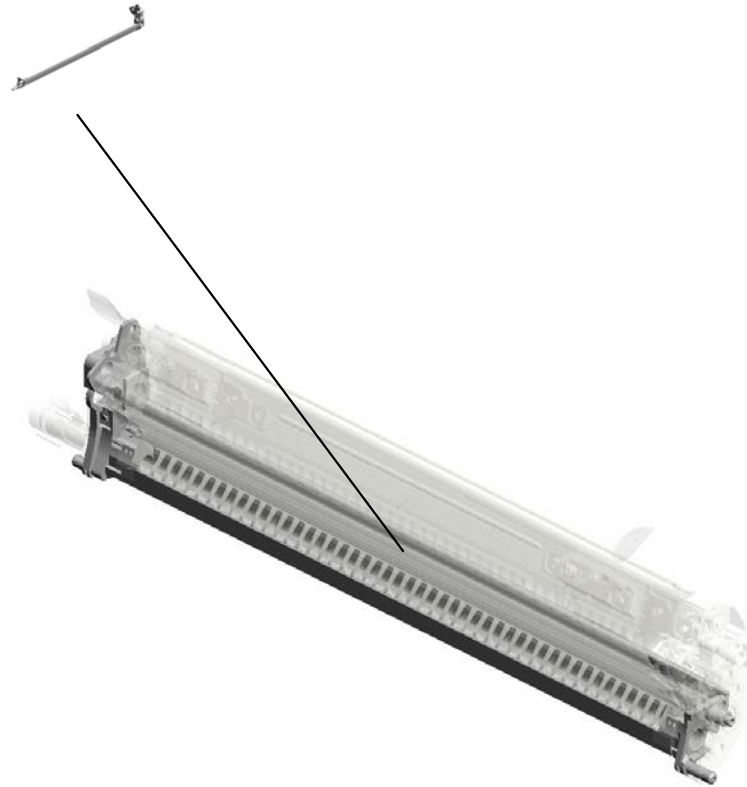
U008\_S010  
D1382201  
DEVELOPMENT UNIT:D137/D  
138



U001	U002	U003	U004	U005	U006	U007	U008	U009	U010	U011	U012	U013	U014	U015	U016	U017	U018	U019	U020
------	------	------	------	------	------	------	------	------	------	------	------	------	------	------	------	------	------	------	------

# U008\_S002.CLEANING UNIT:PRO:ASS'Y

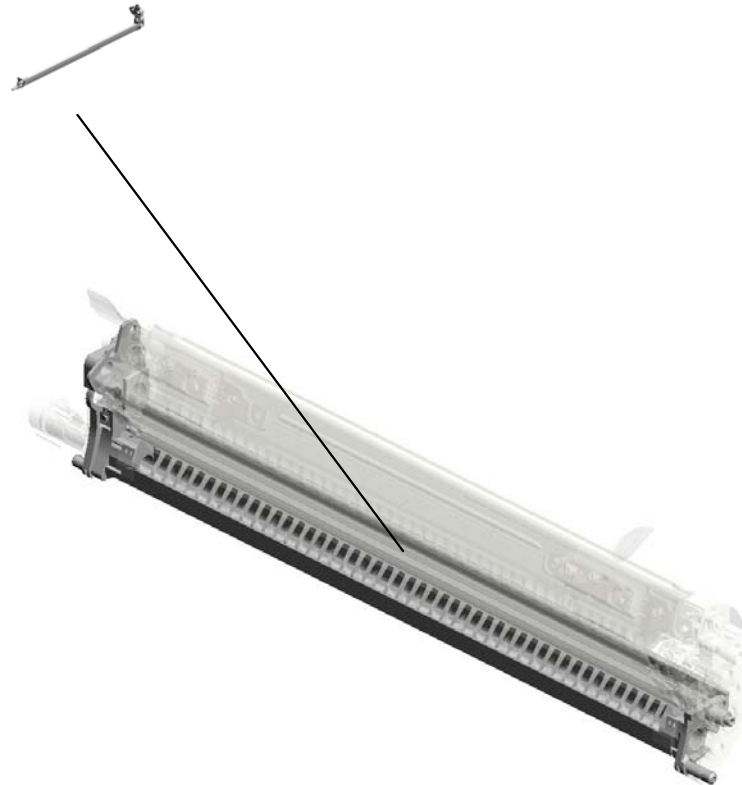
U008\_S002\_S001  
D1362341  
FRAME:BASE:ASSY



U001	U002	U003	U004	U005	U006	U007	<b>U008</b>	U009	U010	U011	U012	U013	U014	U015	U016	U017	U018	U019	U020
------	------	------	------	------	------	------	-------------	------	------	------	------	------	------	------	------	------	------	------	------

# U008\_S005.CLEANING UNIT:PRO:ASS'Y

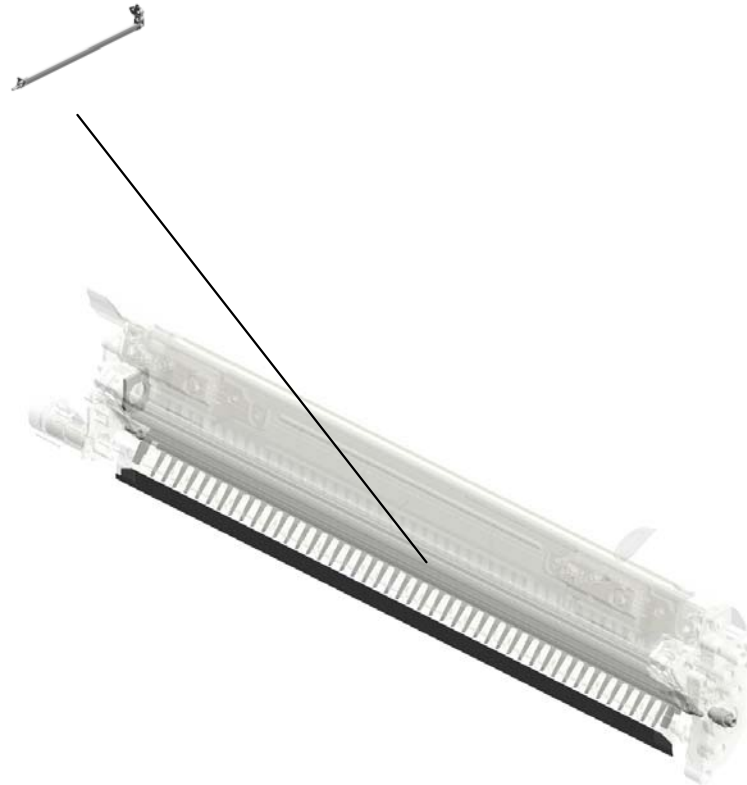
U008\_S005\_S001  
D1362341  
FRAME:BASE:ASSY



U001	U002	U003	U004	U005	U006	U007	<b>U008</b>	U009	U010	U011	U012	U013	U014	U015	U016	U017	U018	U019	U020
------	------	------	------	------	------	------	-------------	------	------	------	------	------	------	------	------	------	------	------	------

# U008\_S008.CLEANING UNIT:PRO:ASS'Y

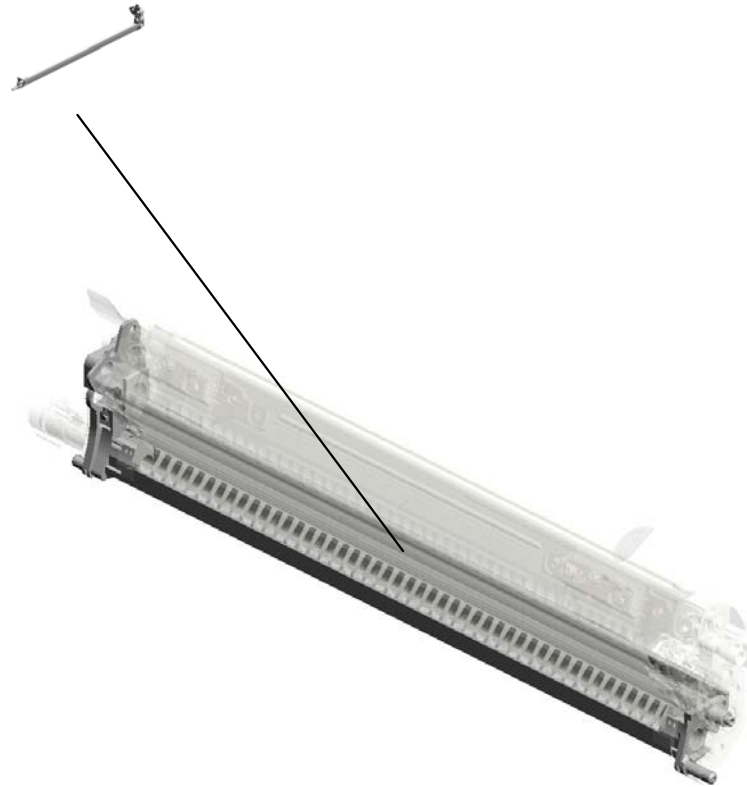
U008\_S008\_S001  
D1362341  
FRAME:BASE:ASSY



U001	U002	U003	U004	U005	U006	U007	<b>U008</b>	U009	U010	U011	U012	U013	U014	U015	U016	U017	U018	U019	U020
------	------	------	------	------	------	------	-------------	------	------	------	------	------	------	------	------	------	------	------	------

# U008\_S011.CLEANING UNIT:PRO:ASS'Y

U008\_S011\_S001  
D1362341  
FRAME:BASE:ASSY



U001	U002	U003	U004	U005	U006	U007	<b>U008</b>	U009	U010	U011	U012	U013	U014	U015	U016	U017	U018	U019	U020
------	------	------	------	------	------	------	-------------	------	------	------	------	------	------	------	------	------	------	------	------

# U008 PCU

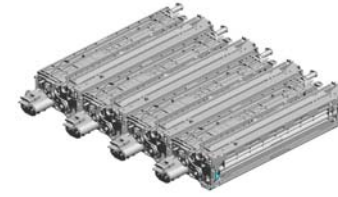
37.D1362307  
(x4)  
LEVER:LOCK:PCU

34.D1362304  
(x4)  
TORSION SPRING:  
LOCK:PCU

35.D1362305  
(x4)  
GROUND PLATE:H  
OLDER:CLEANING  
UNIT

14.AA003056  
(x8)  
DECAL:GRIP:SHO  
RT:PP

4.04543008Q  
(x4)  
TAPPING SCREW:  
3X8



19.B2342399  
(x24)  
BOLT - M3X6

36.D1362306  
(x4)  
COMPRESSION SP  
RING:GROUND PL  
ATE:HOLDER:CLE  
ANING UNIT

33.D1362302  
(x4)  
HOLDER:LOCK:CL  
EANING UNIT:FRO  
NT

21.D0142380  
(x4)  
COMPRESSION SP  
RING - DRUM

13.AA000291  
(x16)  
DECAL:POSITIONI  
NG DISPLAY:SCRE  
W:PP

20.B2591131  
(x8)  
SCREW:PCU

22.D0143655  
(x4)  
ELECTRIC POTEN  
TIAL SENSOR

28.D1362268  
(x4)  
SHIELDING PLATE:  
ELECTRIC POTEN  
TIAL SENSOR

12.11050760  
(x4)  
CLAMP:LWSM-051  
1A

16.AW140016  
TEMPERATURE &  
HUMIDITY SENSO  
R

11.11050724  
(x4)  
CLAMPS:WES-121  
0

29.D1362276  
(x4)  
CONNECTOR:1PO  
LE

3.04543006Q  
(x10)  
TAPPING SCREW -  
M3X6

27.D1362258  
(x4)  
CONNECTOR:DRA  
WER:8POLE:REC

17.AW500040  
(x4)  
PUSH SWITCH:SW  
1AG-550:10MA

36.D1362306  
COMPRESSION SP  
RING:GROUND PL  
ATE:HOLDER:CLE  
ANING UNIT

71.D1363439  
DECAL:COLORED  
DISPLAY:DEVELO  
PMENT UNIT:C

73.D1363441  
DECAL:COLORED  
DISPLAY:DEVELO  
PMENT UNIT:Y

75.D1363443  
DECAL:COLORED  
DISPLAY:MAIN:C

70.D1363438  
DECAL:COLORED  
DISPLAY:DEVELO  
PMENT UNIT:BK

72.D1363440  
DECAL:COLORED  
DISPLAY:DEVELO  
PMENT UNIT:M

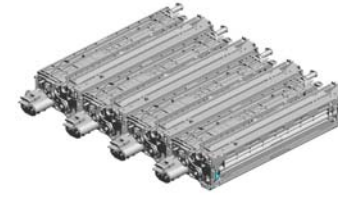
74.D1363442  
DECAL:COLORED  
DISPLAY:MAIN:BK

76.D1363444  
DECAL:COLORED  
DISPLAY:MAIN:M

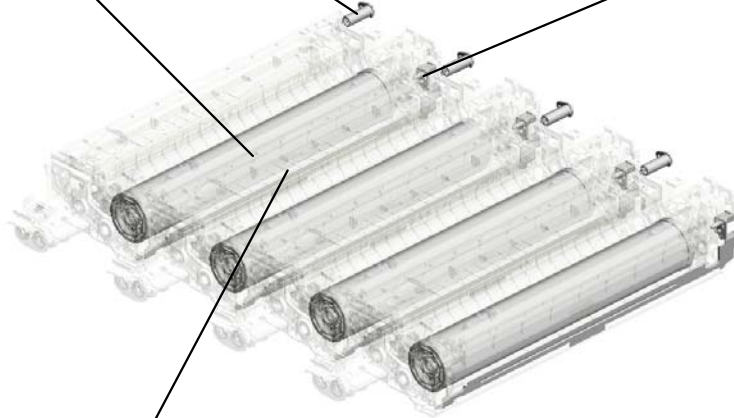
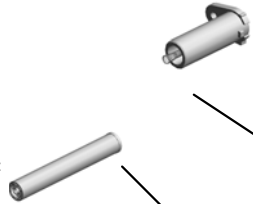


U008  
PCU

82.D1363490  
(x4)  
RECEPTACLE:DEV  
ELOPMENT VIAS:A  
SS'Y



93.D0749510  
(x4)  
OPC DRUM:DIA60:  
ASS'Y



39.D1362312  
(x4)  
HOLDER:LOCK:CL  
EANING UNIT:REA  
R



77.D1363445  
DECAL:COLORED  
DISPLAY:MAIN:Y



78.D1363446  
DECAL:COLORED  
DISPLAY:DRUM ST  
AY:BK



79.D1363447  
DECAL:COLORED  
DISPLAY:DRUM ST  
AY:C



80.D1363448  
DECAL:COLORED  
DISPLAY:DRUM ST  
AY:M



81.D1363449  
DECAL:COLORED  
DISPLAY:DRUM ST  
AY:Y



**83.D1369640**  
DEVELOPER BLAC  
K

38.D1362308  
(x4)  
STAY:PCU



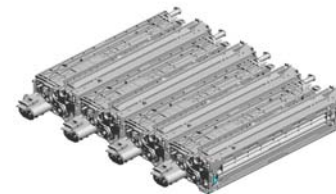
**84.D1369660**  
DEVELOPER CYAN



**85.D1369670**  
DEVELOPER MAG  
ENTA

U001	U002	U003	U004	U005	U006	U007	U008	U009	U010	U011	U012	U013	U014	U015	U016	U017	U018	U019	U020
------	------	------	------	------	------	------	------	------	------	------	------	------	------	------	------	------	------	------	------

U008  
PCU

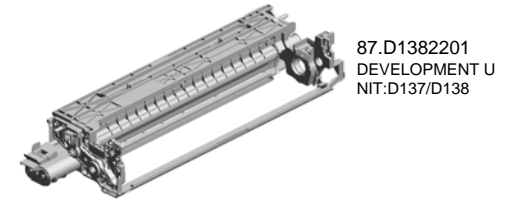


**86.D1369680**  
**DEVELOPER YELL**  
**OW**

U001	U002	U003	U004	U005	U006	U007	<b>U008</b>	U009	U010	U011	U012	U013	U014	U015	U016	U017	U018	U019	U020
------	------	------	------	------	------	------	-------------	------	------	------	------	------	------	------	------	------	------	------	------

U008\_S001  
DEVELOPMENT UNIT:D137/D138

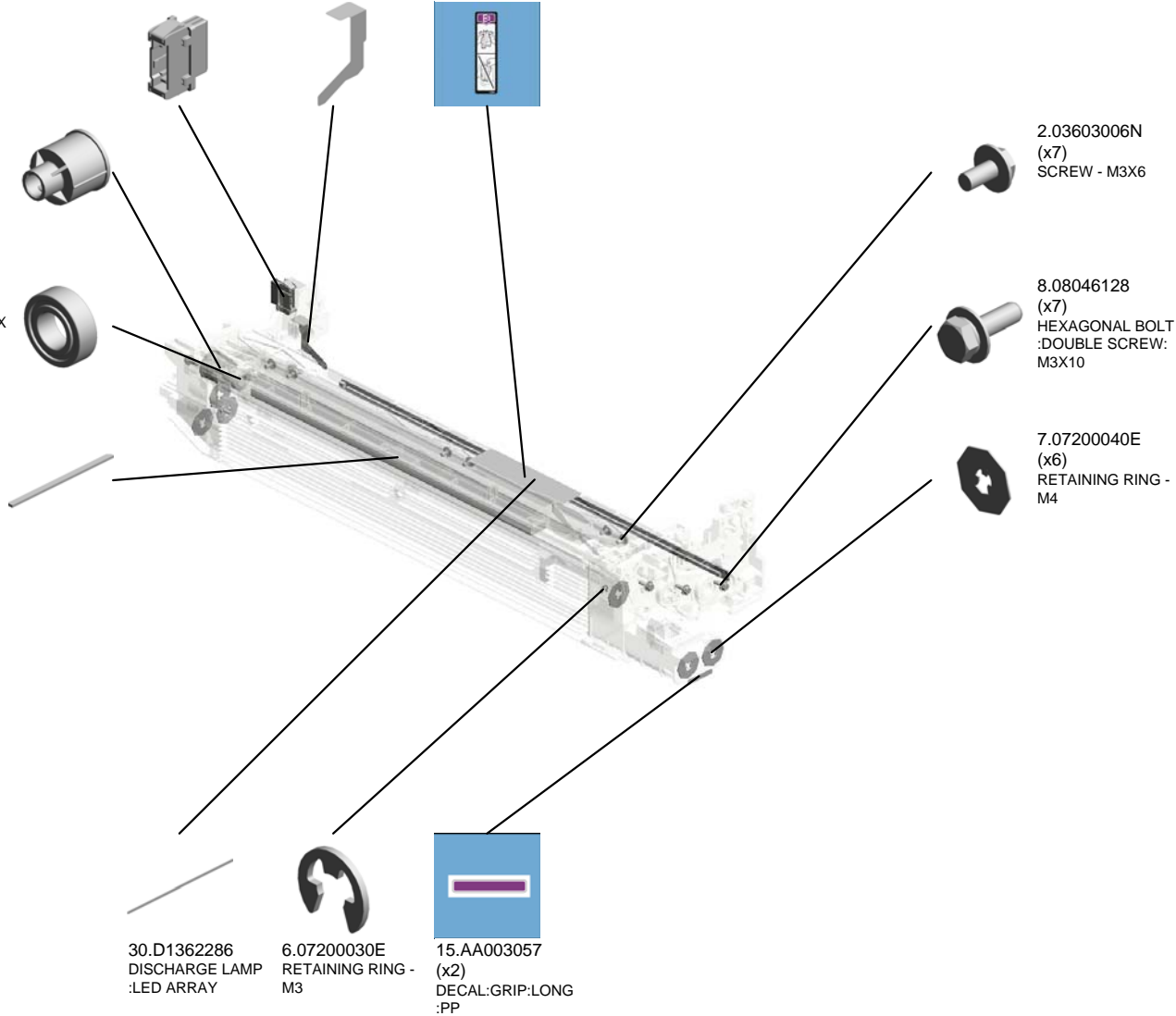
32.D1362288 CONNECTOR:DRA  
WER:8POLE:PLUG  
31.D1362287 SHEET:DISCHARG  
E LAMP:REAR  
90.D1382496 DECAL:CAUTION:R  
EMOVER/INSTALL



25.D0743416  
JOINT:DRIVE:DEV  
ELOPMENT UNIT

9.08053573  
RADIAL BALL BEA  
RING:DIA8XDIA16X  
5

69.D1363431  
FILTER:DEVELOP  
MENT



U008\_S002  
CLEANING UNIT:PRO:ASS'Y

55.D1362417  
(x2)  
ARM:COATING BAR

50.D1362401  
DRUM LUBRICANT  
SUPPLY ROLLER:  
ASS'Y

54.D1362411  
COATING BAR:AS  
S'Y

49.D1362391  
TRANSPORT SCR  
EW:APPLY:ASS'Y

15.AA003057  
DECAL:GRIP:LONG  
:PP

88.D1382203  
CLEANING UNIT:PRO:ASS'Y

23.D0742459  
JOINT:CLEANING  
UNIT

52.D1362406  
COVER:BEARING:  
OIL SUPPLY ROLL  
ER:REAR

1.03530060N  
(x4)  
BIND SCREW - M3  
X6

48.D1362369  
SEAL:CLEANING B  
LADE:REAR

44.D1362356  
TRANSPORT SCR  
EW:BASE:ASS'Y

46.D1362365  
CLEANING BLADE:  
ASS'Y

47.D1362368  
SEAL:CLEANING B  
LADE:FRONT

51.D1362404  
COVER:BEARING:  
OIL SUPPLY ROLL  
ER:FRONT

45.D1362362  
(x2)  
BUSHING:TRANSP  
ORT SCREW

7.07200040E  
(x2)  
RETAINING RING -  
M4

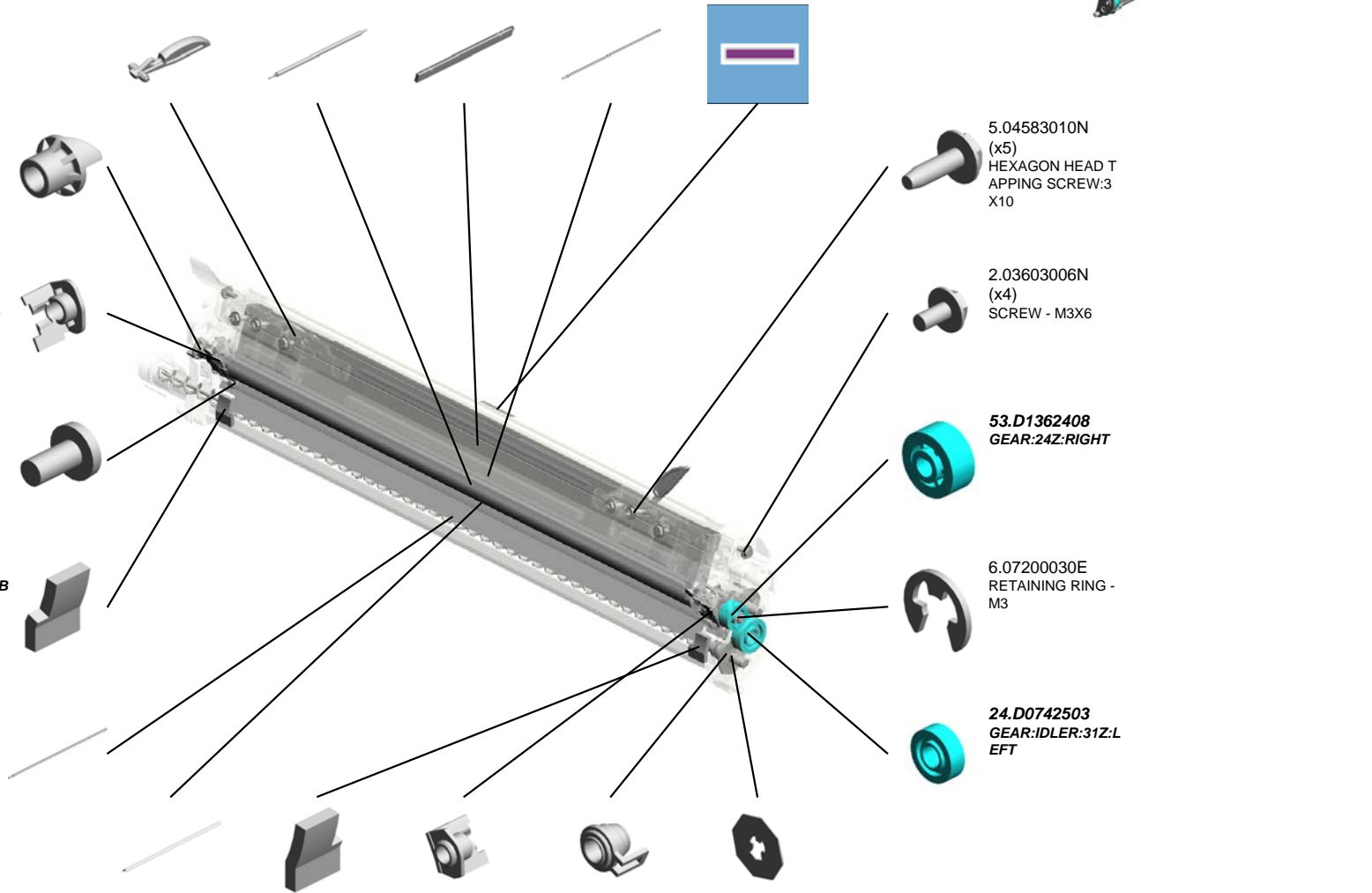
5.04583010N  
(x5)  
HEXAGON HEAD T  
APPING SCREW:3  
X10

2.03603006N  
(x4)  
SCREW - M3X6

53.D1362408  
GEAR:24Z:RIGHT

6.07200030E  
RETAINING RING -  
M3

24.D0742503  
GEAR:IDLER:31Z:L  
EFT



U008\_S002  
CLEANING UNIT:PRO:ASS'Y

60.D1362441 BLADE:APPLY:AS  
S'Y  
57.D1362423 SEAL:STAY:APPLY  
58.D1362424 SEAL:STAY:APPLY:  
UPPER  
56.D1362418 TENSION SPRING:  
COATING BAR:18N



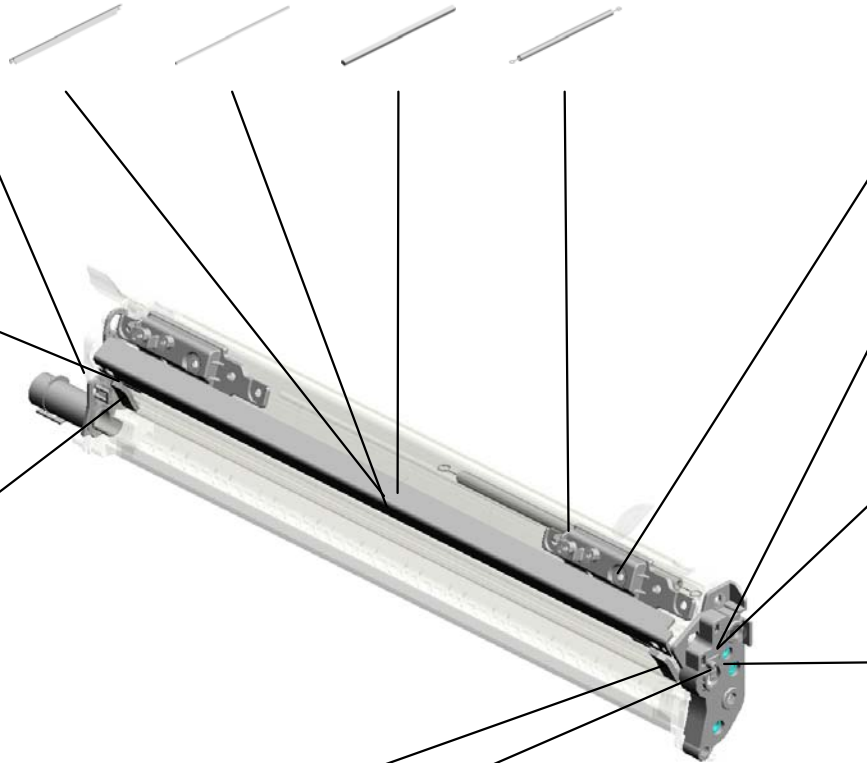
63.D1362451  
COVER:TONER OUTLET  
SUB-UNIT:CLEANING  
UNIT:ASS'Y



64.D1362458  
VIBRATING PLATE:  
TONER OUTLET  
SUB-UNIT



62.D1362447  
SEAL:BLADE:APPLY:  
REAR



59.D1362431  
(x2)  
COVER:STAY:COATING  
BAR:ASS'Y



68.D1362467  
GROUND PLATE:  
CLEANING UNIT:  
ASS'Y



66.D1362462  
GEAR:IDLER:19Z:  
LEFT



65.D1362461  
(x2)  
GEAR:18Z:  
RIGHT



61.D1362446  
SEAL:BLADE:APPLY:  
FRONT



67.D1362466  
DRUM STAY:  
CLEANING UNIT



U008\_S002\_S001  
FRAME:BASE:ASS'Y

43.D1362350  
SEAL:FRAME:BAS  
E:TONER OUTLET  
SUB-UNIT

42.D1362348  
(x3)  
SEAL:FRAME:BAS  
E:SIDE

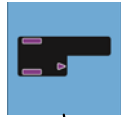


U001	U002	U003	U004	U005	U006	U007	<b>U008</b>	U009	U010	U011	U012	U013	U014	U015	U016	U017	U018	U019	U020
------	------	------	------	------	------	------	-------------	------	------	------	------	------	------	------	------	------	------	------	------

U008\_S003  
CHARGE UNIT:PRO:ASS'Y

92.D1382498  
DECAL:POSITIONI  
NG DISPLAY:CHAR  
GE UNIT:REAR:PP

91.D1382497  
DECAL:POSITIONI  
NG DISPLAY:CHAR  
GE UNIT:FRONT:P  
P



18.B1322264  
(x2)  
BUSHING:TERMIN  
AL

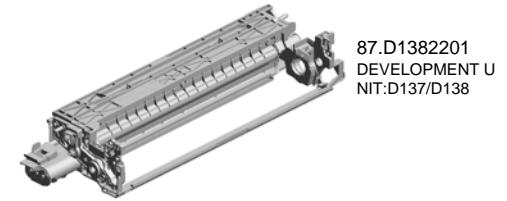


89.D1382204  
CHARGE UNIT:PR  
O:ASS'Y

U001	U002	U003	U004	U005	U006	U007	<b>U008</b>	U009	U010	U011	U012	U013	U014	U015	U016	U017	U018	U019	U020
------	------	------	------	------	------	------	-------------	------	------	------	------	------	------	------	------	------	------	------	------

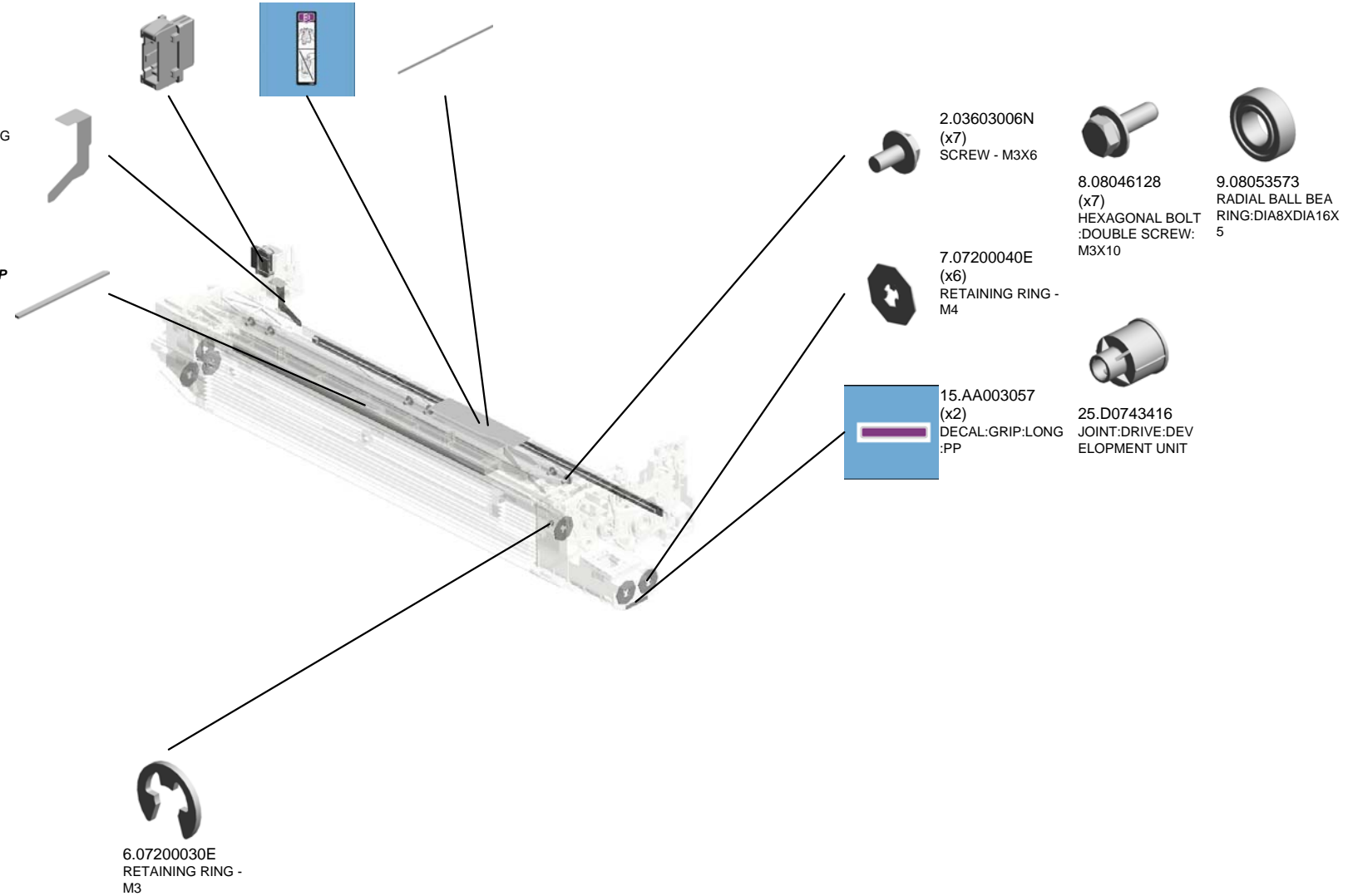
U008\_S004  
DEVELOPMENT UNIT:D137/D138

32.D1362288 CONNECTOR:DRA  
WER:8POLE:PLUG  
90.D1382496 DECAL:CAUTION:R  
EMOVER/INSTALL  
30.D1362286 DISCHARGE LAMP  
:LED ARRAY



31.D1362287  
SHEET:DISCHARG  
E LAMP:REAR

69.D1363431  
FILTER:DEVELOP  
MENT



U001	U002	U003	U004	U005	U006	U007	U008	U009	U010	U011	U012	U013	U014	U015	U016	U017	U018	U019	U020
------	------	------	------	------	------	------	------	------	------	------	------	------	------	------	------	------	------	------	------



U008\_S005  
CLEANING UNIT:PRO:ASS'Y

55.D1362417  
(x2)  
ARM:COATING BAR

50.D1362401  
DRUM LUBRICANT  
SUPPLY ROLLER:  
ASS'Y

54.D1362411  
COATING BAR:AS  
S'Y

49.D1362391  
TRANSPORT SCR  
EW:APPLY:ASS'Y

15.AA003057  
DECAL:GRIP:LONG  
:PP

88.D1382203  
CLEANING UNIT:P  
RO:ASSY

23.D0742459  
JOINT:CLEANING  
UNIT

52.D1362406  
COVER:BEARING:  
OIL SUPPLY ROLL  
ER:REAR

1.03530060N  
(x4)  
BIND SCREW - M3  
X6

48.D1362369  
SEAL:CLEANING B  
LADE:REAR

44.D1362356  
TRANSPORT SCR  
EW:BASE:ASS'Y

46.D1362365  
CLEANING BLADE:  
ASS'Y

47.D1362368  
SEAL:CLEANING B  
LADE:FRONT

51.D1362404  
COVER:BEARING:  
OIL SUPPLY ROLL  
ER:FRONT

45.D1362362  
(x2)  
BUSHING:TRANSP  
ORT SCREW

7.07200040E  
(x2)  
RETAINING RING -  
M4

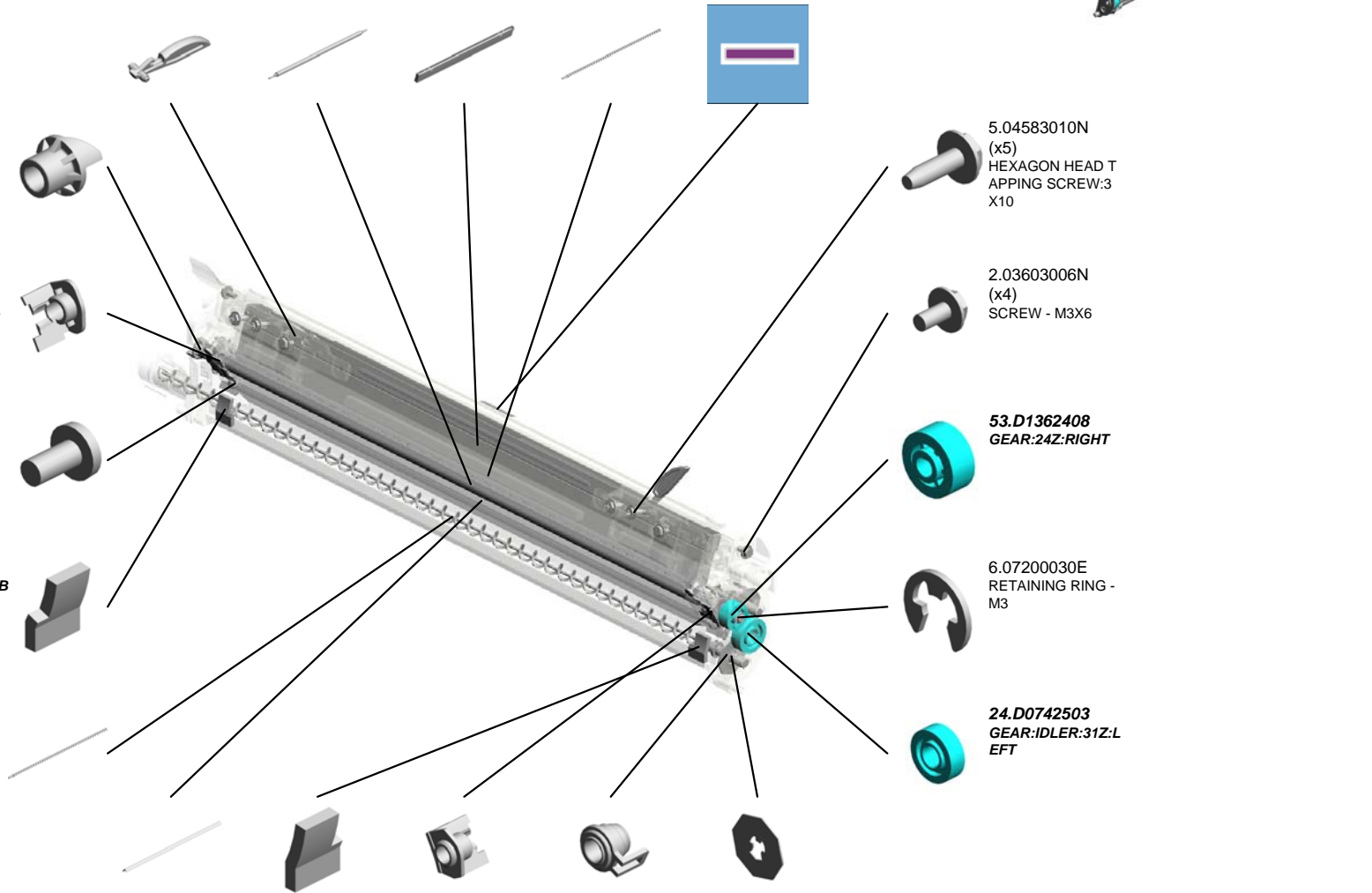
5.04583010N  
(x5)  
HEXAGON HEAD T  
APPING SCREW:3  
X10

2.03603006N  
(x4)  
SCREW - M3X6

53.D1362408  
GEAR:24Z:RIGHT

6.07200030E  
RETAINING RING -  
M3

24.D0742503  
GEAR:IDLER:31Z:L  
EFT



U008\_S005  
CLEANING UNIT:PRO:ASS'Y

60.D1362441 BLADE:APPLY:AS  
S'Y  
57.D1362423 SEAL:STAY:APPLY  
58.D1362424 SEAL:STAY:APPLY:  
UPPER  
56.D1362418 TENSION SPRING:  
COATING BAR:18N



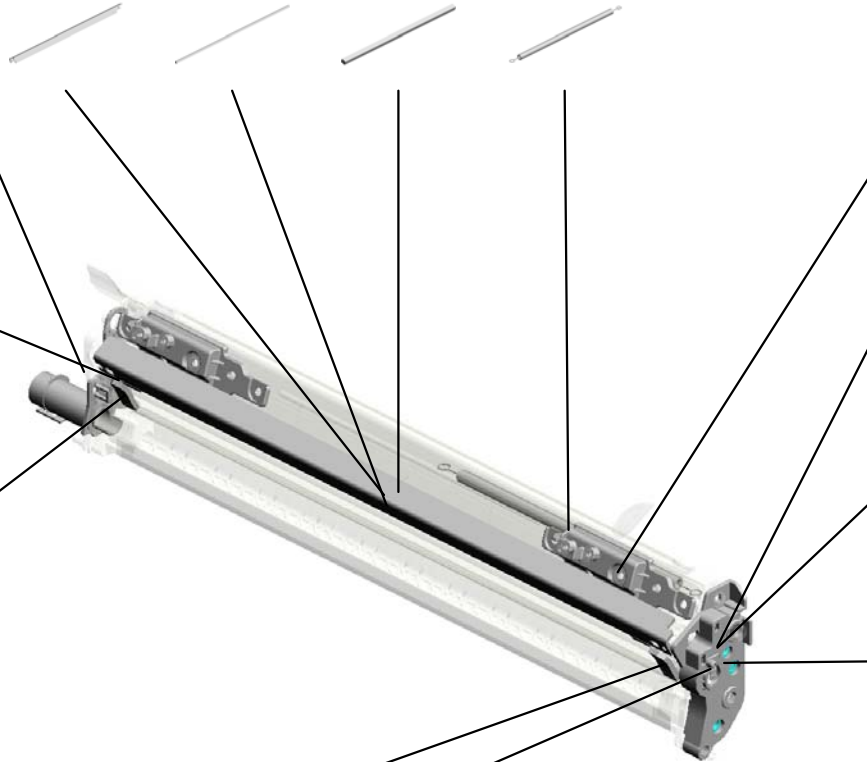
63.D1362451  
COVER:TONER OUTLET  
SUB-UNIT:CLEANING  
UNIT:ASS'Y



64.D1362458  
VIBRATING PLATE:  
TONER OUTLET  
SUB-UNIT



62.D1362447  
SEAL:BLADE:APPLY:  
REAR



59.D1362431  
(x2)  
COVER:STAY:COATING  
BAR:ASS'Y



68.D1362467  
GROUND PLATE:  
CLEANING UNIT:  
ASS'Y



66.D1362462  
GEAR:IDLER:19Z:  
LEFT



65.D1362461  
(x2)  
GEAR:18Z:  
RIGHT



61.D1362446  
SEAL:BLADE:APPLY:  
FRONT



67.D1362466  
DRUM STAY:  
CLEANING UNIT



U008\_S005\_S001  
FRAME:BASE:ASS'Y

43.D1362350  
SEAL:FRAME:BAS  
E:TONER OUTLET  
SUB-UNIT

42.D1362348  
(x3)  
SEAL:FRAME:BAS  
E:SIDE

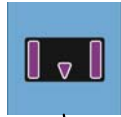


U001	U002	U003	U004	U005	U006	U007	<b>U008</b>	U009	U010	U011	U012	U013	U014	U015	U016	U017	U018	U019	U020
------	------	------	------	------	------	------	-------------	------	------	------	------	------	------	------	------	------	------	------	------

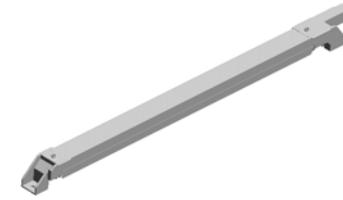
U008\_S006  
CHARGE UNIT:PRO:ASS'Y

91.D1382497  
DECAL:POSITIONI  
NG DISPLAY:CHAR  
GE UNIT:FRONT:P  
P

92.D1382498  
DECAL:POSITIONI  
NG DISPLAY:CHAR  
GE UNIT:REAR:PP



18.B1322264  
(x2)  
BUSHING:TERMIN  
AL

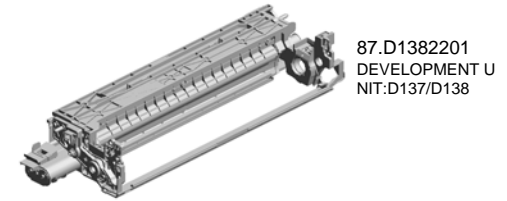


89.D1382204  
CHARGE UNIT:PR  
O:ASS'Y

U001	U002	U003	U004	U005	U006	U007	U008	U009	U010	U011	U012	U013	U014	U015	U016	U017	U018	U019	U020
------	------	------	------	------	------	------	------	------	------	------	------	------	------	------	------	------	------	------	------

U008\_S007  
DEVELOPMENT UNIT:D137/D138

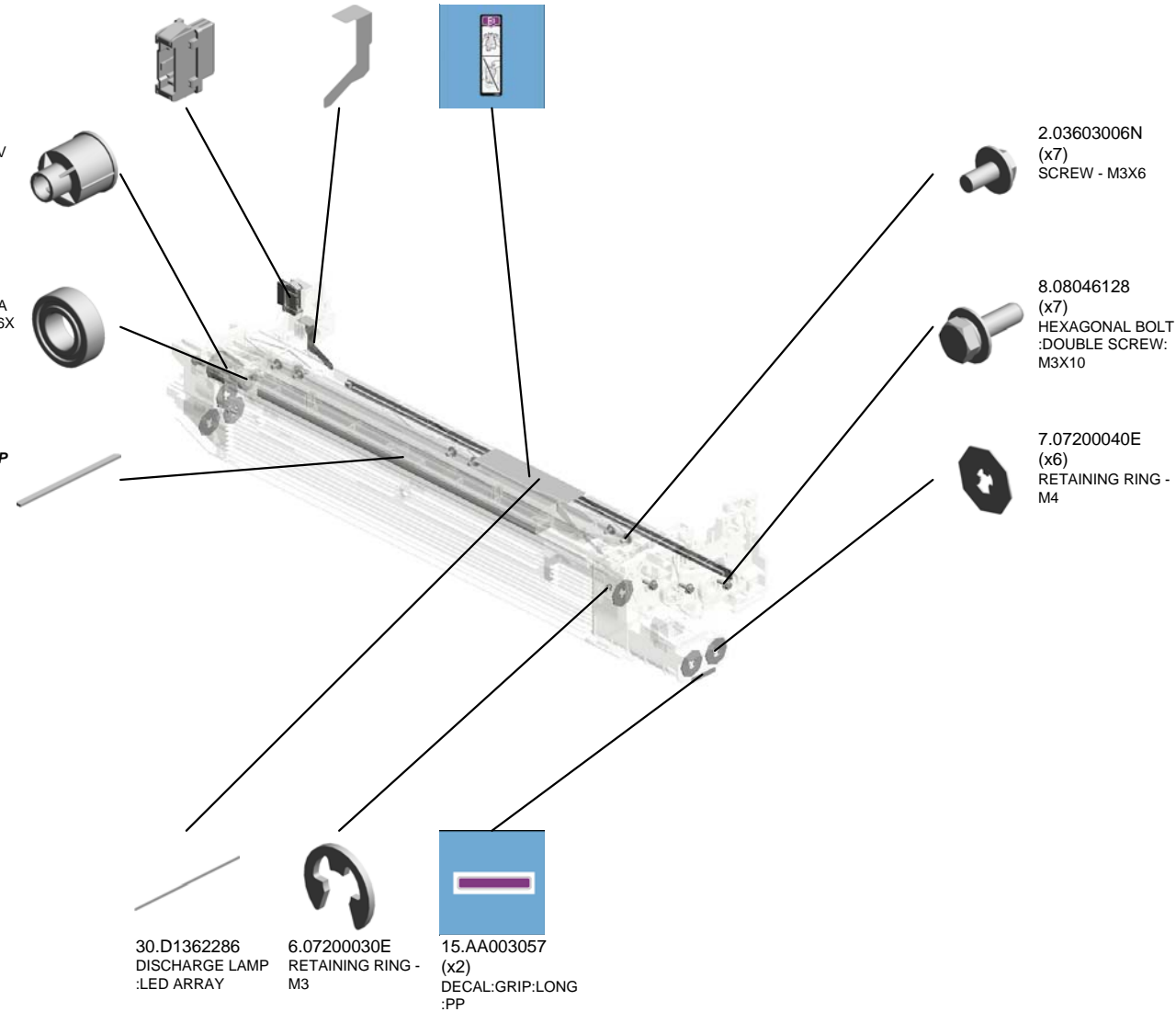
32.D1362288 CONNECTOR:DRA  
WER:8POLE:PLUG  
31.D1362287 SHEET:DISCHARG  
E LAMP:REAR  
90.D1382496 DECAL:CAUTION:R  
EMOVER/INSTALL



25.D0743416  
JOINT:DRIVE:DEV  
ELOPMENT UNIT

9.08053573  
RADIAL BALL BEA  
RING:DIA8XDIA16X  
5

69.D1363431  
FILTER:DEVELOP  
MENT



U008\_S008  
CLEANING UNIT:PRO:ASS'Y

55.D1362417  
(x2)  
ARM:COATING BAR

50.D1362401  
DRUM LUBRICANT  
SUPPLY ROLLER:  
ASS'Y

54.D1362411  
COATING BAR:AS  
S'Y

49.D1362391  
TRANSPORT SCR  
EW:APPLY:ASS'Y

15.AA003057  
DECAL:GRIP:LONG  
:PP

88.D1382203  
CLEANING UNIT:PRO:ASS'Y

23.D0742459  
JOINT:CLEANING  
UNIT

52.D1362406  
COVER:BEARING:  
OIL SUPPLY ROLL  
ER:REAR

1.03530060N  
(x4)  
BIND SCREW - M3  
X6

48.D1362369  
SEAL:CLEANING B  
LADE:REAR

44.D1362356  
TRANSPORT SCR  
EW:BASE:ASS'Y

46.D1362365  
CLEANING BLADE:  
ASS'Y

47.D1362368  
SEAL:CLEANING B  
LADE:FRONT

51.D1362404  
COVER:BEARING:  
OIL SUPPLY ROLL  
ER:FRONT

45.D1362362  
(x2)  
BUSHING:TRANSP  
ORT SCREW

7.07200040E  
(x2)  
RETAINING RING -  
M4

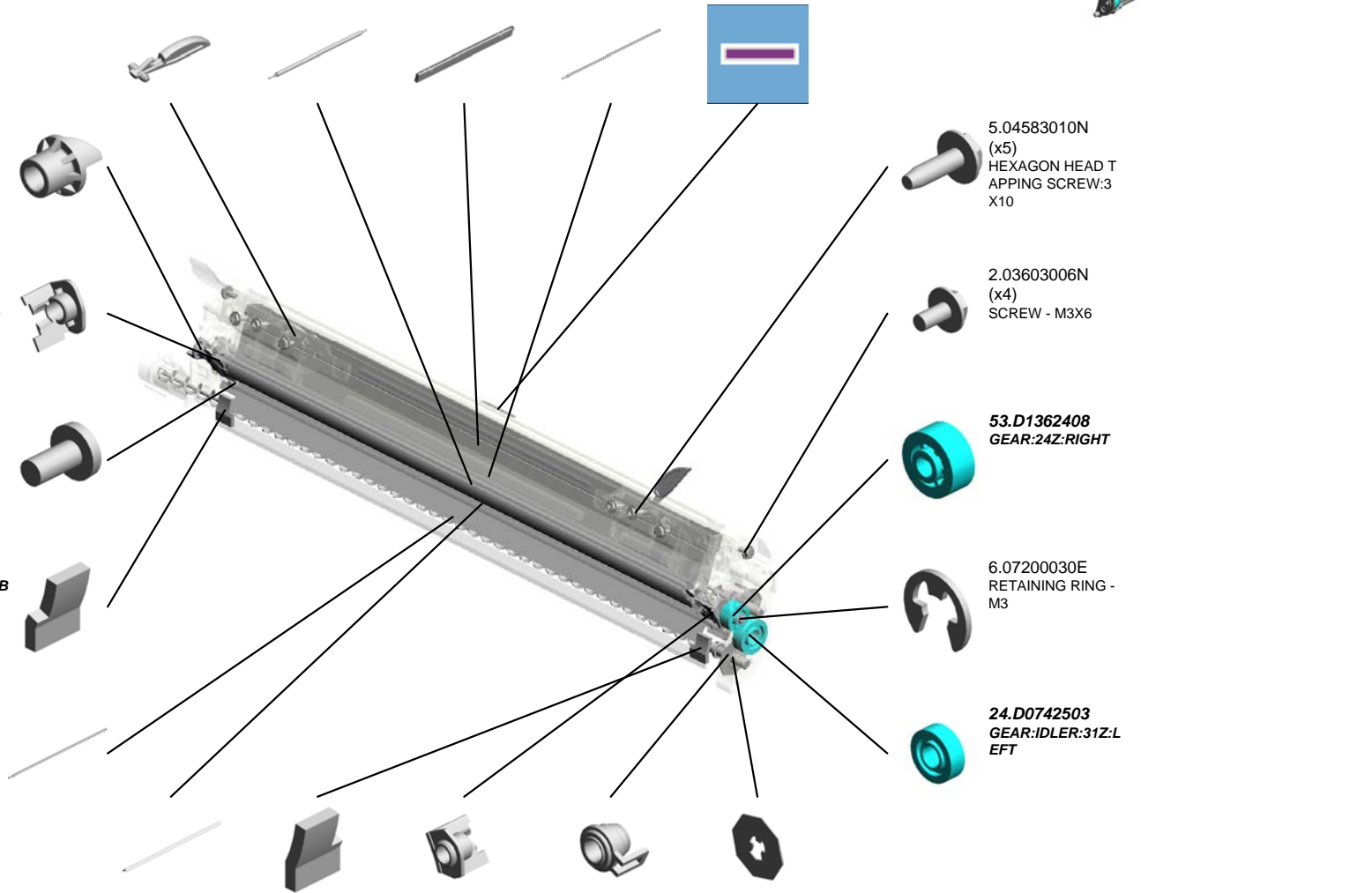
5.04583010N  
(x5)  
HEXAGON HEAD T  
APPING SCREW:3  
X10

2.03603006N  
(x4)  
SCREW - M3X6

53.D1362408  
GEAR:24Z:RIGHT

6.07200030E  
RETAINING RING -  
M3

24.D0742503  
GEAR:IDLER:31Z:L  
EFT



U008\_S008  
CLEANING UNIT:PRO:ASS'Y

60.D1362441 BLADE:APPLY:AS  
S'Y  
57.D1362423 SEAL:STAY:APPLY  
58.D1362424 SEAL:STAY:APPLY:  
UPPER  
56.D1362418 TENSION SPRING:  
COATING BAR:18N



88.D1382203  
CLEANING UNIT:P  
RO:ASSY

63.D1362451  
COVER:TONER OU  
TLET SUB-UNIT:CL  
EANING UNIT:ASS'  
Y



64.D1362458  
VIBRATING PLATE:  
TONER OUTLET S  
UB-UNIT



62.D1362447  
SEAL:BLADE:APP  
LY:REAR



59.D1362431  
(x2)  
COVER:STAY:COA  
TING BAR:ASSY



66.D1362462  
GEAR:IDLER:19Z:L  
EFT



68.D1362467  
GROUND PLATE:C  
LEANING UNIT:AS  
S'Y



65.D1362461  
(x2)  
GEAR:18Z:RIGHT



61.D1362446  
SEAL:BLADE:APP  
LY:FRONT



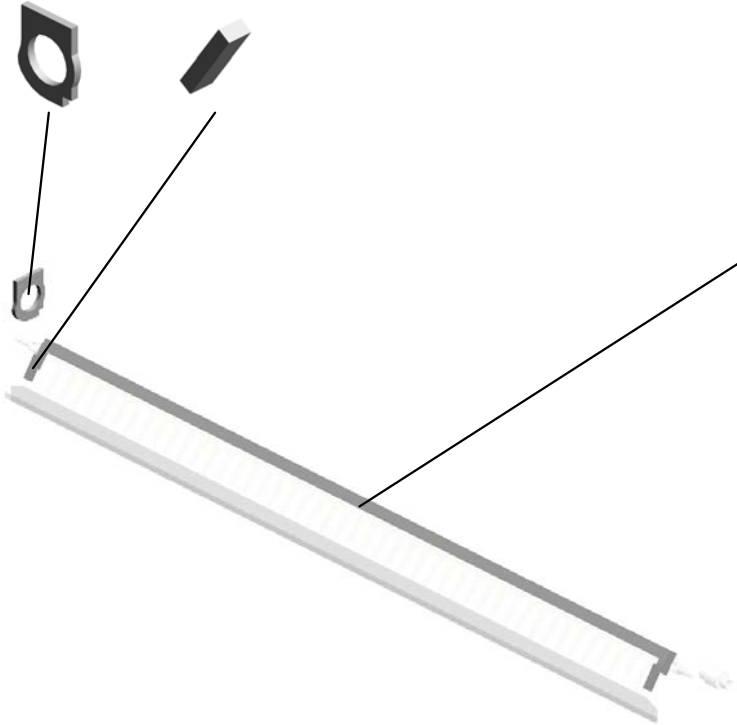
67.D1362466  
DRUM STAY:CLEA  
NING UNIT



U008\_S008\_S001  
FRAME:BASE:ASS'Y

43.D1362350  
SEAL:FRAME:BAS  
E:TONER OUTLET  
SUB-UNIT

42.D1362348  
(x3)  
SEAL:FRAME:BAS  
E:SIDE



41.D1362347  
SEAL:FRAME:BAS  
E:MIDDLE

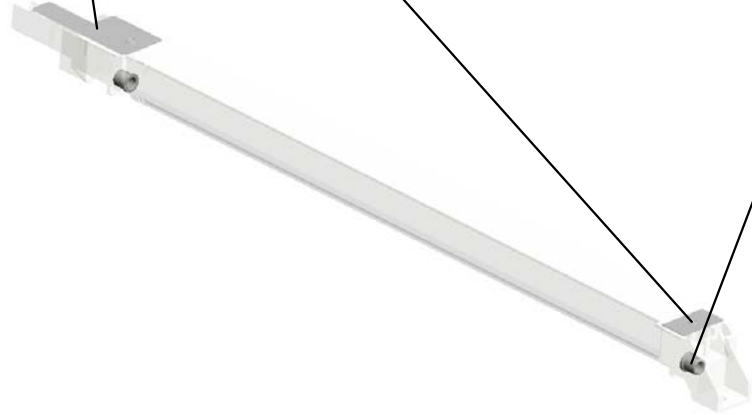
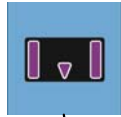
U001	U002	U003	U004	U005	U006	U007	<b>U008</b>	U009	U010	U011	U012	U013	U014	U015	U016	U017	U018	U019	U020
------	------	------	------	------	------	------	-------------	------	------	------	------	------	------	------	------	------	------	------	------



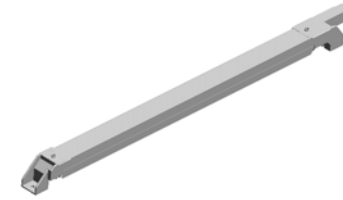
U008\_S009  
CHARGE UNIT:PRO:ASS'Y

91.D1382497  
DECAL:POSITIONI  
NG DISPLAY:CHAR  
GE UNIT:FRONT:P  
P

92.D1382498  
DECAL:POSITIONI  
NG DISPLAY:CHAR  
GE UNIT:REAR:PP



18.B1322264  
(x2)  
BUSHING:TERMIN  
AL

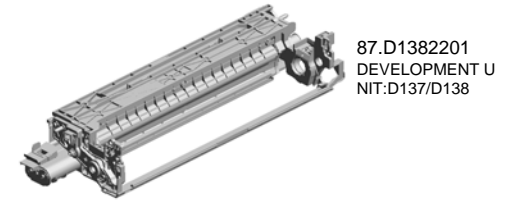


89.D1382204  
CHARGE UNIT:PR  
O:ASS'Y

U001	U002	U003	U004	U005	U006	U007	U008	U009	U010	U011	U012	U013	U014	U015	U016	U017	U018	U019	U020
------	------	------	------	------	------	------	------	------	------	------	------	------	------	------	------	------	------	------	------

U008\_S010  
DEVELOPMENT UNIT:D137/D138

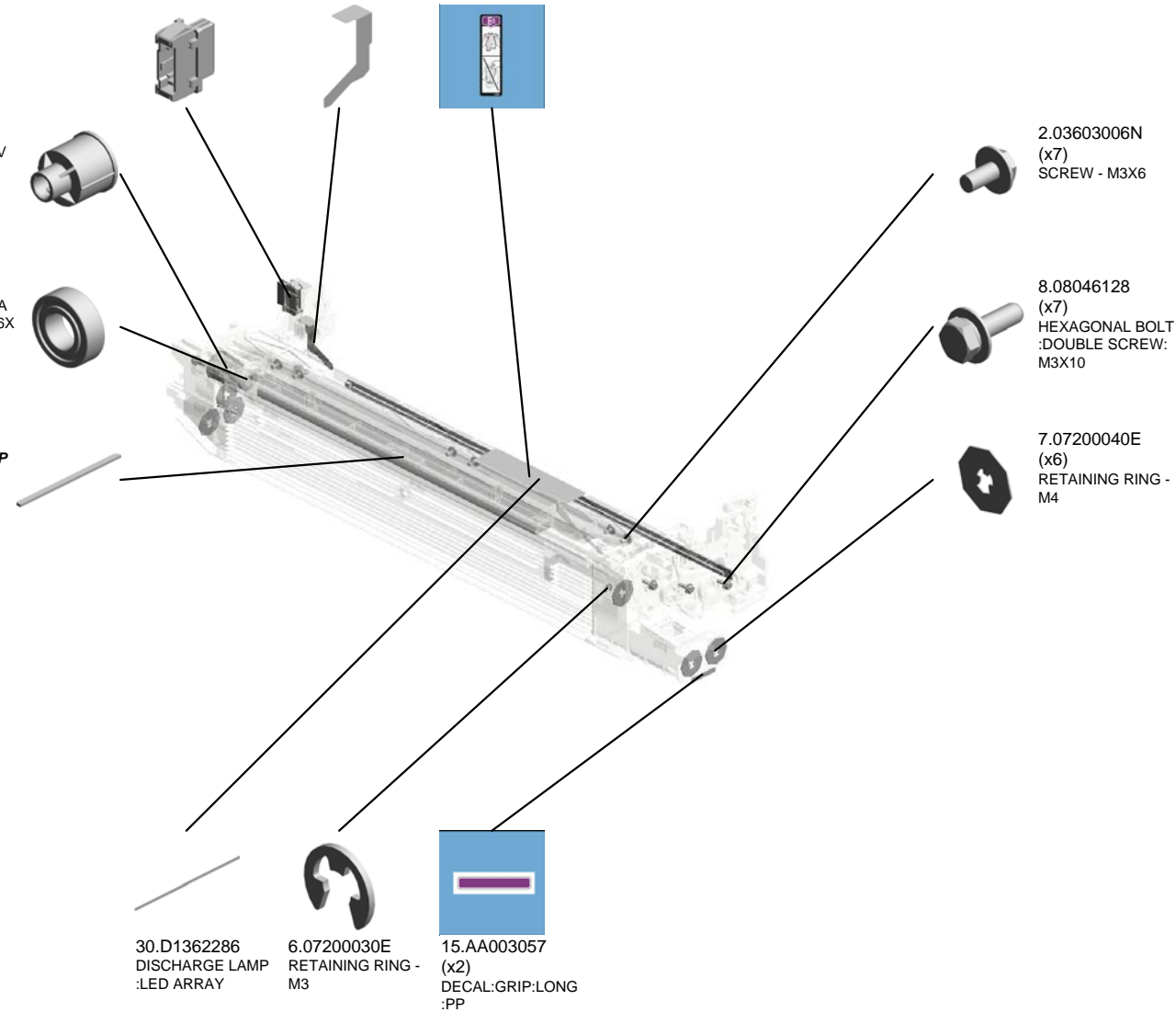
32.D1362288 CONNECTOR:DRA  
WER:8POLE:PLUG  
31.D1362287 SHEET:DISCHARG  
E LAMP:REAR  
90.D1382496 DECAL:CAUTION:R  
EMOVER/INSTALL



25.D0743416  
JOINT:DRIVE:DEV  
ELOPMENT UNIT

9.08053573  
RADIAL BALL BEA  
RING:DIA8XDIA16X  
5

69.D1363431  
FILTER:DEVELOP  
MENT



U008\_S011  
CLEANING UNIT:PRO:ASS'Y

55.D1362417  
(x2)  
ARM:COATING BAR

50.D1362401  
DRUM LUBRICANT  
SUPPLY ROLLER:  
ASS'Y

54.D1362411  
COATING BAR:AS  
S'Y

49.D1362391  
TRANSPORT SCR  
EW:APPLY:ASS'Y

15.AA003057  
DECAL:GRIP:LONG  
:PP

88.D1382203  
CLEANING UNIT:PRO:ASS'Y



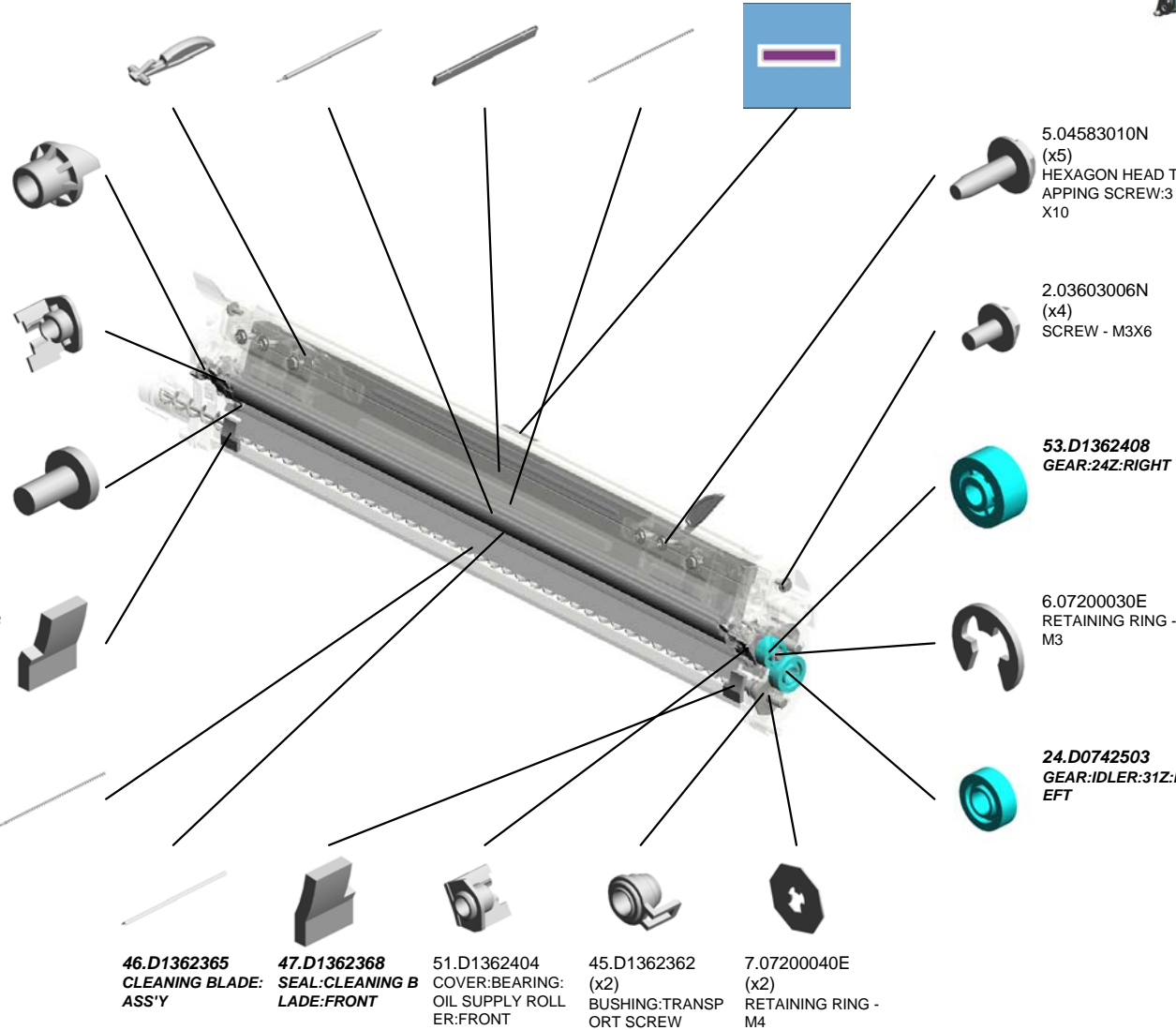
23.D0742459  
JOINT:CLEANING  
UNIT

52.D1362406  
COVER:BEARING:  
OIL SUPPLY ROLL  
ER:REAR

1.03530060N  
(x4)  
BIND SCREW - M3  
X6

48.D1362369  
SEAL:CLEANING B  
LADE:REAR

44.D1362356  
TRANSPORT SCR  
EW:BASE:ASS'Y



5.04583010N  
(x5)  
HEXAGON HEAD T  
APPING SCREW:3  
X10

2.03603006N  
(x4)  
SCREW - M3X6

53.D1362408  
GEAR:24Z:RIGHT

6.07200030E  
RETAINING RING -  
M3

24.D0742503  
GEAR:IDLER:31Z:L  
EFT

46.D1362365  
CLEANING BLADE:  
ASS'Y

47.D1362368  
SEAL:CLEANING B  
LADE:FRONT

51.D1362404  
COVER:BEARING:  
OIL SUPPLY ROLL  
ER:FRONT

45.D1362362  
(x2)  
BUSHING:TRANSP  
ORT SCREW

7.07200040E  
(x2)  
RETAINING RING -  
M4

U008\_S011  
CLEANING UNIT:PRO:ASS'Y

60.D1362441 BLADE:APPLY:AS  
S'Y  
57.D1362423 SEAL:STAY:APPLY  
58.D1362424 SEAL:STAY:APPLY:  
UPPER  
56.D1362418 TENSION SPRING:  
COATING BAR:18N



88.D1382203  
CLEANING UNIT:P  
RO:ASSY

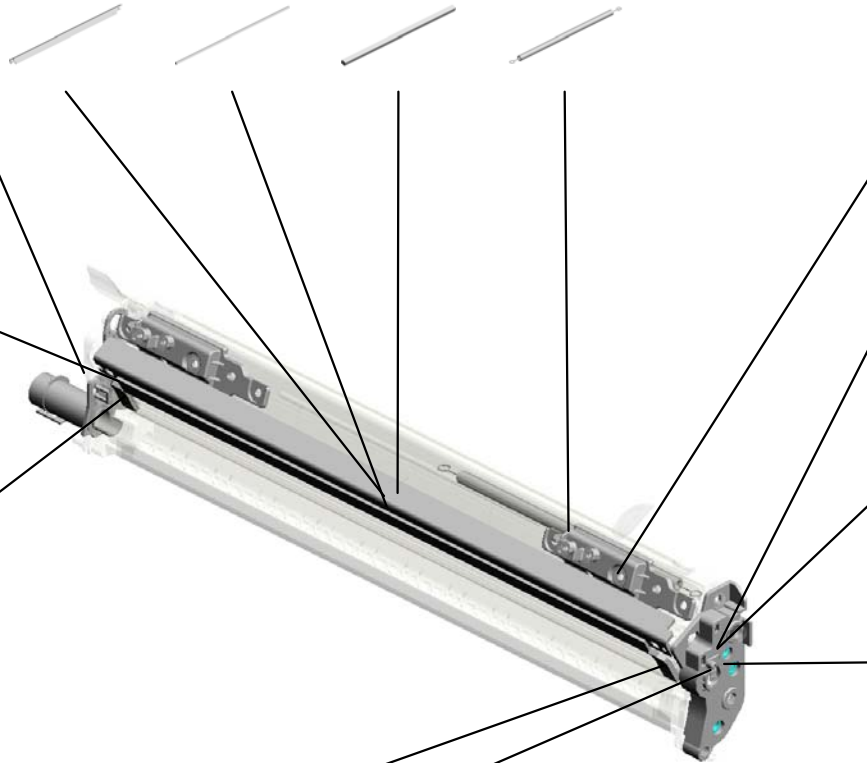
63.D1362451  
COVER:TONER OU  
TLET SUB-UNIT:CL  
EANING UNIT:ASS'  
Y



64.D1362458  
VIBRATING PLATE:  
TONER OUTLET S  
UB-UNIT



62.D1362447  
SEAL:BLADE:APP  
LY:REAR



59.D1362431  
(x2)  
COVER:STAY:COA  
TING BAR:ASSY



68.D1362467  
GROUND PLATE:C  
LEANING UNIT:AS  
S'Y



66.D1362462  
GEAR:IDLER:19Z:L  
EFT



65.D1362461  
(x2)  
GEAR:18Z:RIGHT



61.D1362446  
SEAL:BLADE:APP  
LY:FRONT



67.D1362466  
DRUM STAY:CLEA  
NING UNIT



U008\_S011\_S001  
FRAME:BASE:ASS'Y

43.D1362350  
SEAL:FRAME:BAS  
E:TONER OUTLET  
SUB-UNIT

42.D1362348  
(x3)  
SEAL:FRAME:BAS  
E:SIDE



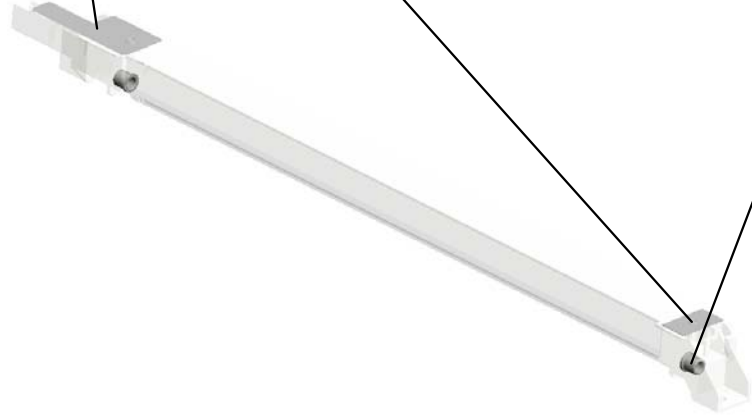
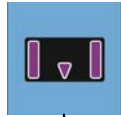
41.D1362347  
SEAL:FRAME:BAS  
E:MIDDLE

U001	U002	U003	U004	U005	U006	U007	<b>U008</b>	U009	U010	U011	U012	U013	U014	U015	U016	U017	U018	U019	U020
------	------	------	------	------	------	------	-------------	------	------	------	------	------	------	------	------	------	------	------	------

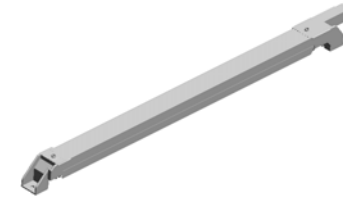
U008\_S012  
CHARGE UNIT:PRO:ASS'Y

91.D1382497  
DECAL:POSITIONI  
NG DISPLAY:CHAR  
GE UNIT:FRONT:P  
P

92.D1382498  
DECAL:POSITIONI  
NG DISPLAY:CHAR  
GE UNIT:REAR:PP



18.B1322264  
(x2)  
BUSHING:TERMIN  
AL



89.D1382204  
CHARGE UNIT:PR  
O:ASS'Y

U001	U002	U003	U004	U005	U006	U007	U008	U009	U010	U011	U012	U013	U014	U015	U016	U017	U018	U019	U020
------	------	------	------	------	------	------	------	------	------	------	------	------	------	------	------	------	------	------	------

# U009.ITB UNIT

U009\_S007  
D1366171  
ROLLER:TENSION:ASS'Y

U009\_S005  
D1366143  
SLIDE RAIL:ON-OFF:INTERM  
EDIATE TRANSFER:REAR:A  
SS'Y

U009\_S003  
D1366134  
ROLLER:ENCODER:ASS'Y

U009\_S008  
D1366180  
DENSITY SENSOR:ASS'Y

U009\_S004  
D1366141  
SLIDE RAIL:ON-OFF:INTERM  
EDIATE TRANSFER:FRONT:  
ASS'Y

U009\_S002  
D1366070  
DRIVE ROLLER:INTERMEDIA  
TE TRANSFER:ASS'Y

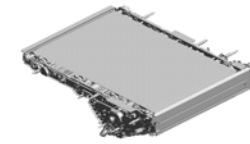
U009\_S001  
D1366034  
ROLLER:OPPOSED:CLEANIN  
G BLADE:ASS'Y

U009\_S006  
D1366130  
ROLLER:OPPOSED:BELT CL  
EANING:ASS'Y

U001	U002	U003	U004	U005	U006	U007	U008	U009	U010	U011	U012	U013	U014	U015	U016	U017	U018	U019	U020
------	------	------	------	------	------	------	------	------	------	------	------	------	------	------	------	------	------	------	------

U009  
ITB UNIT

- 8.07200030E RETAINING RING - M3
- 11.07403804 BALL BEARING: DIA 4XDIA9X4
- 19.11050758 (x29) CLAMP:LWSM-030 6A
- 18.11050723 CLAMPS:WES-050 7
- 10.07200060E (x6) RETAINING RING - M6



15.08010236 (x4) HEXAGONAL BOLT :DOUBLE SCREW: M4X8

20.11050762 (x6) CLAMP:LWS-0711A

22.A2324666 CUSHION - STEPPER MOTOR

12.07403808 BALL BEARING - 8 X16X5MM

21.54472681 (x2) SNAP RING

7.06330140G PARALLEL PIN - 3X 14

9.07200040E (x16) RETAINING RING - M4

17.08053573 (x5) RADIAL BALL BEARING: DIA8XDIA16X 5

5.04583008N HEXAGON HEAD TAPPING SCREW: 3 X8

4.04543006Q (x5) TAPPING SCREW - M3X6

16.08046123 HEXAGONAL BOLT :W/WASHER:M3X8

2.03603006N (x92) SCREW - M3X6

3.04513006N (x2) TAPPING SCREW - 3X6

6.04583010N (x11) HEXAGON HEAD TAPPING SCREW: 3 X10

1.03520060N (x2) SCREW:M2X6

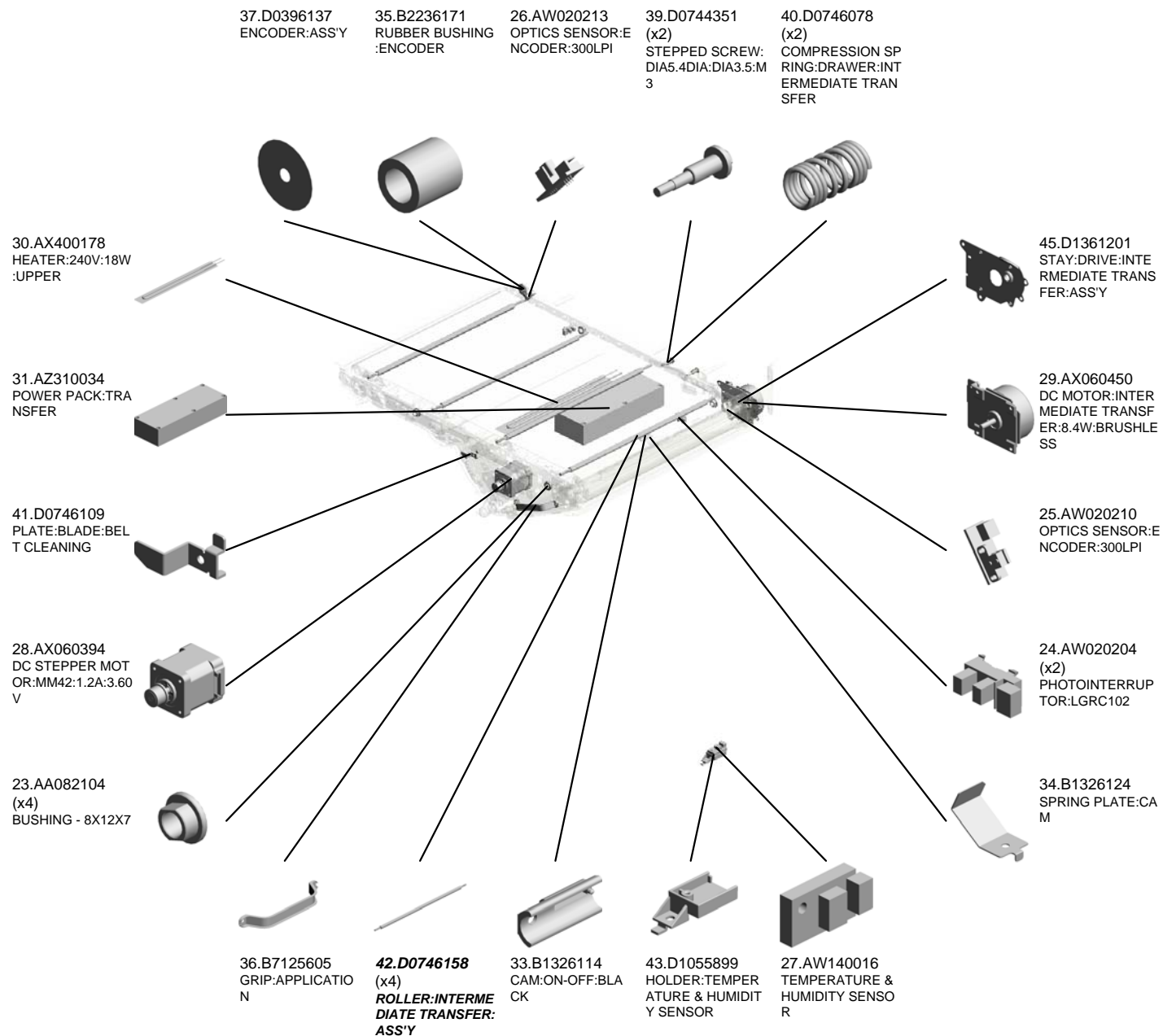
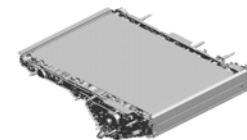
32.AZ320133 POWER PACK:T1/T 2

90.D1366152 SEPARATION PLATE:INTERMEDIATE TRANSFER:240V

U001	U002	U003	U004	U005	U006	U007	U008	U009	U010	U011	U012	U013	U014	U015	U016	U017	U018	U019	U020
------	------	------	------	------	------	------	------	------	------	------	------	------	------	------	------	------	------	------	------

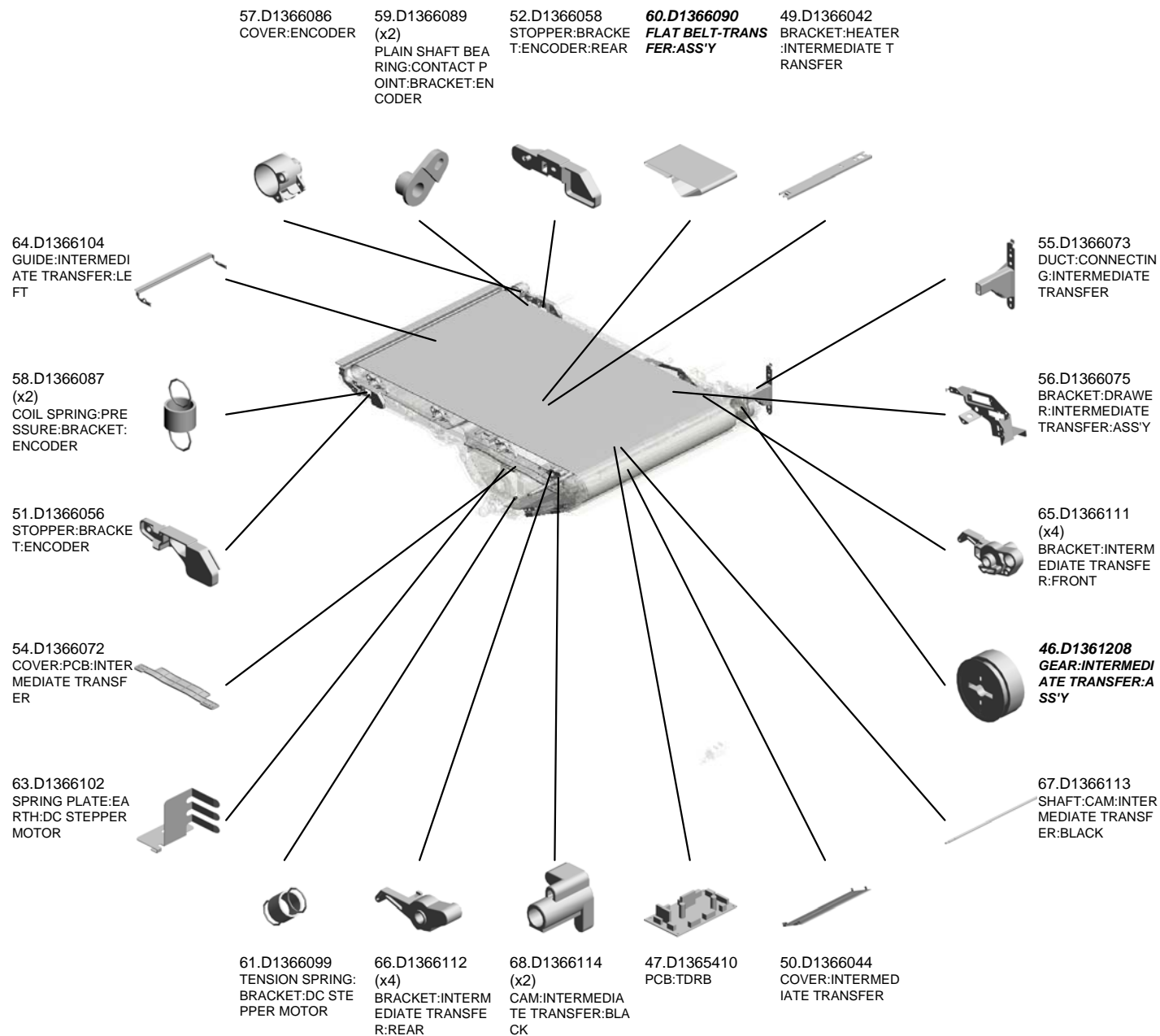
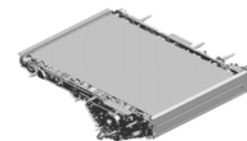


U009  
ITB UNIT



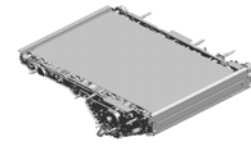
U001	U002	U003	U004	U005	U006	U007	U008	U009	U010	U011	U012	U013	U014	U015	U016	U017	U018	U019	U020
------	------	------	------	------	------	------	------	------	------	------	------	------	------	------	------	------	------	------	------

U009  
ITB UNIT



U001	U002	U003	U004	U005	U006	U007	U008	U009	U010	U011	U012	U013	U014	U015	U016	U017	U018	U019	U020
------	------	------	------	------	------	------	------	------	------	------	------	------	------	------	------	------	------	------	------

U009  
ITB UNIT



- 72.D1366121 (x6) COVER:ON-OFF:SLIDE RAIL
- 86.D1366145 (x6) ROLLER:ON-OFF:INTERMEDIATE TRANSFER
- 89.D1366149 (x4) BUSHING:SLIDE RAIL:ON-OFF
- 91.D1366154 FEELER:INTERMEDIATE TRANSFER
- 84.D1366139 (x2) TENSION SPRING:ON-OFF:SLIDE RAIL

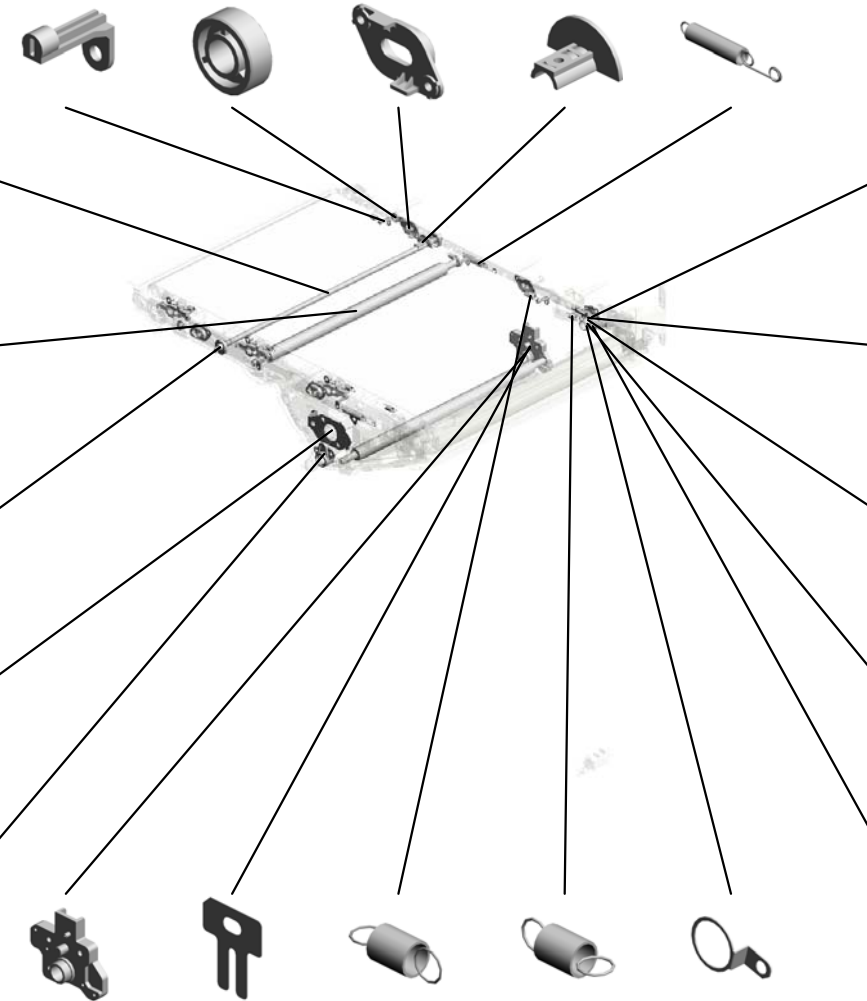
87.D1366146  
SHAFT:CAM:INTERMEDIATE TRANSFER:COLOR

81.D1366132 (x2)  
ROLLER:TRANSFER:FRONT:ASSY

88.D1366147 (x2)  
CAM:INTERMEDIATE TRANSFER:COLOR

92.D1366162  
BRACKET:ON-OFF:TRANSFER ROLLER

78.D1366128  
CASE:OPPOSED:TRANSFER ROLLER:FRONT



70.D1366118  
SEPARATION PLATE:INTERMEDIATE TRANSFER:MAIN:240V

74.D1366124 (x4)  
BRACKET:BIAS:INTERMEDIATE TRANSFER

75.D1366125 (x4)  
TERMINAL:INTERMEDIATE TRANSFER

76.D1366126 (x4)  
COMPRESSION SPRING:BIAS:INTERMEDIATE TRANSFER

73.D1366123 (x4)  
PLAIN SHAFT BEARING:INTERMEDIATE TRANSFER

79.D1366129  
GUIDE:TRANSFER:PAPER:REAR

83.D1366138  
SPRING PLATE:TRANSFER:OPPOSED:PAPER

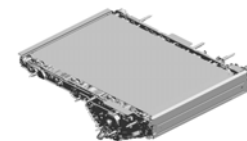
69.D1366115 (x6)  
TENSION SPRING:PRESSURE:INTERMEDIATE TRANSFER

77.D1366127 (x2)  
TENSION SPRING:PRESSURE:INTERMEDIATE TRANSFER:BLACK

71.D1366119 (x4)  
TERMINAL:CONNECTING:INTERMEDIATE TRANSFER

U001	U002	U003	U004	U005	U006	U007	U008	U009	U010	U011	U012	U013	U014	U015	U016	U017	U018	U019	U020
------	------	------	------	------	------	------	------	------	------	------	------	------	------	------	------	------	------	------	------

U009  
ITB UNIT



116.G1073834  
(x2)  
RIVET - 2.0

96.D1366174  
BRACKET:TENSIO  
N:ROLLER

100.D1366179  
(x2)  
COIL SPRING:PRE  
SSURE:TENSION:I  
NTERMEDIATE TR  
ANSFER

98.D1366176  
(x2)  
GUIDE:TENSION:IN  
TERMEDIATE TRA  
NSFER

99.D1366177  
(x2)  
PLAIN SHAFT BEA  
RING:TENSION:INT  
ERMEDIATE TRAN  
SFER

104.D1366186  
ROLLER:OPPOSED  
:PAPER:ASS'Y

105.D1366187  
CORE:OPPOSED:T  
RANSFER ROLLER

103.D1366183  
GRIP:ON-OFF:INTE  
RMEDIATE TRANS  
FER:TCRU

107.D1366190  
CAM:ON-OFF:TRA  
NSFER ROLLER:F  
RONT

112.D1366199  
PULLEY:ON-OFF:T  
RANSFER ROLLER

97.D1366175  
SLIDE RAIL:CASE:  
TENSION:ROLLER

113.D1366306  
GUIDE:TRANSPOR  
T:INTERMEDIATE  
TRANSFER:R

108.D1366191  
CAM:ON-OFF:TRA  
NSFER ROLLER:R  
EAR

114.D1386052  
GUIDE:INTERMEDI  
ATE TRANSFER:RI  
GHT

106.D1366189  
PLATE:ROLLER:OP  
POSED:PAPER

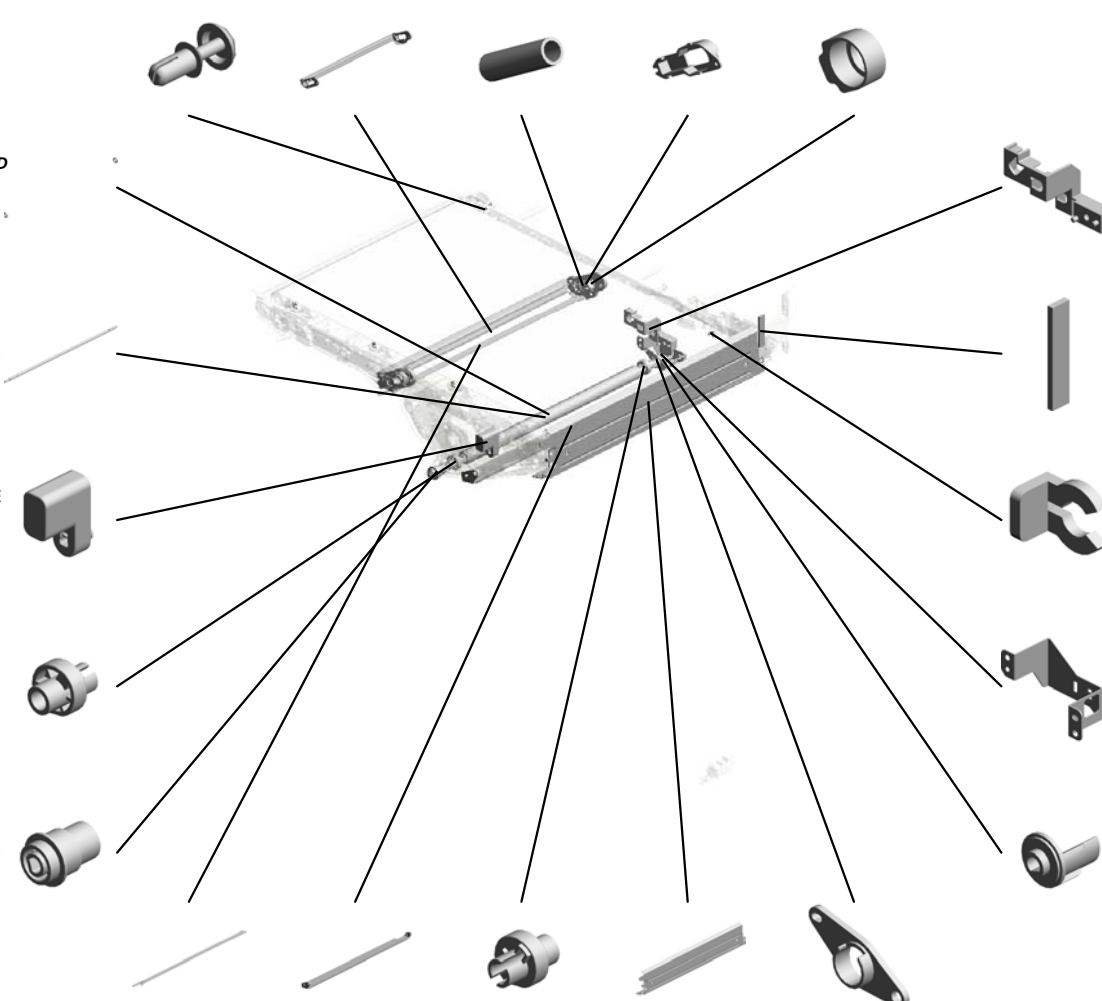
111.D1366197  
COVER:HARNES  
S:SECOND:INTERME  
DIATE TRANSFER

109.D1366195  
SEAL:DUCT:TM SE  
NSOR

115.G0143291  
(x4)  
SNAP RING - PICK  
UP

93.D1366164  
BRACKET:SENSO  
R:ON-OFF:TRANSF  
ER:PAPER

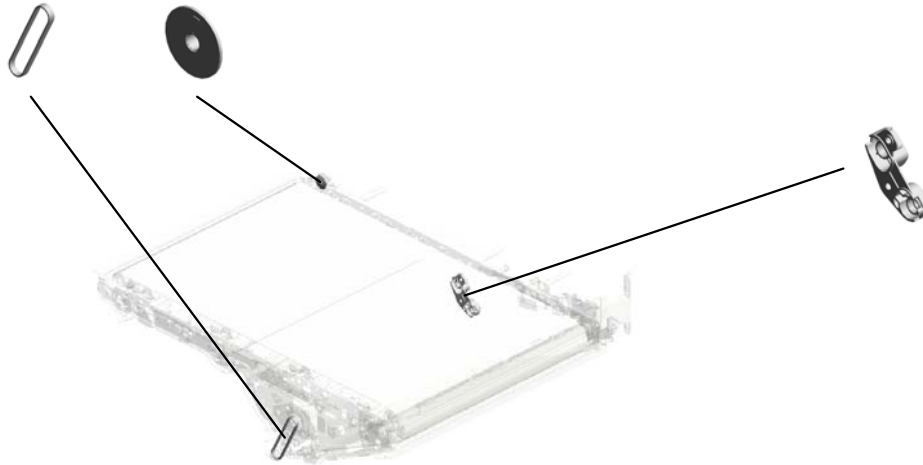
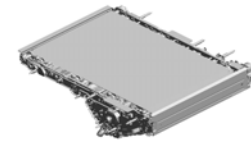
94.D1366165  
FEELER:ON-OFF:T  
RANSFER:PAPER



U009  
ITB UNIT

117.G1785023  
TIMING BELT:S2M1  
90

118.G1786352  
GUIDE PLATE:ENC  
ODER

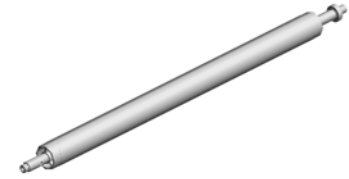


119.D1356040  
HOLDER:ROLLER:  
OPPOSED:BELT C  
LEANING  
201309-06

U001	U002	U003	U004	U005	U006	U007	U008	U009	U010	U011	U012	U013	U014	U015	U016	U017	U018	U019	U020
------	------	------	------	------	------	------	------	------	------	------	------	------	------	------	------	------	------	------	------

U009\_S001  
ROLLER:OPPOSED:CLEANING BLADE:ASS'Y

17.08053573  
RADIAL BALL BEA  
RING:DIA8XDIA16X  
5

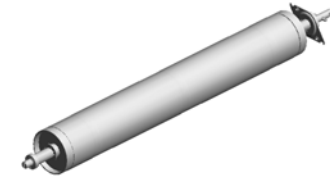


48.D1366034  
ROLLER:OPPOSE  
D:CLEANING BLAD  
E:ASSY

U001	U002	U003	U004	U005	U006	U007	U008	U009	U010	U011	U012	U013	U014	U015	U016	U017	U018	U019	U020
------	------	------	------	------	------	------	------	------	------	------	------	------	------	------	------	------	------	------	------

U009\_S002  
DRIVE ROLLER:INTERMEDIATE TRANSFER:ASS'Y

17.08053573  
RADIAL BALL BEA  
RING:DIA8XDIA16X  
5



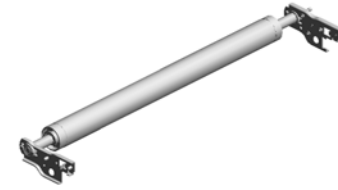
53.D1366070  
DRIVE ROLLER:IN  
TERMEDIATE TRA  
NSFER:ASSY



U001	U002	U003	U004	U005	U006	U007	U008	U009	U010	U011	U012	U013	U014	U015	U016	U017	U018	U019	U020
------	------	------	------	------	------	------	------	------	------	------	------	------	------	------	------	------	------	------	------

U009\_S003  
ROLLER:ENCODER:ASS'Y

17.08053573  
(x2)  
RADIAL BALL BEA  
RING:DIA8XDIA16X  
5



82.D1366134  
ROLLER:ENCODE  
R:ASS'Y

U001	U002	U003	U004	U005	U006	U007	U008	U009	U010	U011	U012	U013	U014	U015	U016	U017	U018	U019	U020
------	------	------	------	------	------	------	------	------	------	------	------	------	------	------	------	------	------	------	------



U009\_S004  
SLIDE RAIL:ON-OFF:INTERMEDIATE TRANSFER:FRONT:ASS'Y

13.07403906  
BALL BEARING - 6  
X15X5



44.D1356141  
SLIDE RAIL:ON-OFF  
F:INTERMEDIATE  
TRANSFER:FRONT  
:ASS'Y

U001	U002	U003	U004	U005	U006	U007	U008	U009	U010	U011	U012	U013	U014	U015	U016	U017	U018	U019	U020
------	------	------	------	------	------	------	------	------	------	------	------	------	------	------	------	------	------	------	------

U009\_S005  
SLIDE RAIL:ON-OFF:INTERMEDIATE TRANSFER:REAR:ASS'Y

13.07403906  
BALL BEARING - 6  
X15X5

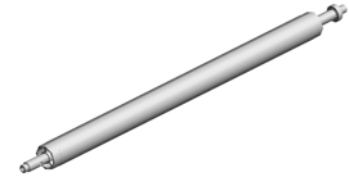


85.D1366143  
SLIDE RAIL:ON-OFF  
F:INTERMEDIATE  
TRANSFER:REAR:  
ASS'Y

U001	U002	U003	U004	U005	U006	U007	U008	U009	U010	U011	U012	U013	U014	U015	U016	U017	U018	U019	U020
------	------	------	------	------	------	------	------	------	------	------	------	------	------	------	------	------	------	------	------

U009\_S006  
ROLLER:OPPOSED:BELT CLEANING:ASS'Y

17.08053573  
RADIAL BALL BEA  
RING: DIA8XDIA16X  
5

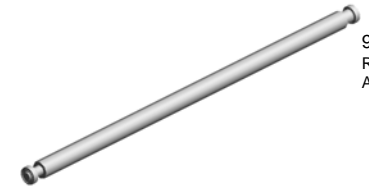


80.D1366130  
ROLLER:OPPOSE  
D:BELT CLEANING:  
ASS'Y

U001	U002	U003	U004	U005	U006	U007	U008	U009	U010	U011	U012	U013	U014	U015	U016	U017	U018	U019	U020
------	------	------	------	------	------	------	------	------	------	------	------	------	------	------	------	------	------	------	------

U009\_S007  
ROLLER:TENSION:ASS'Y

17.08053573  
(x2)  
RADIAL BALL BEA  
RING:DIA8XDIA16X  
5



95.D1366171  
ROLLER:TENSION:  
ASS'Y

U001	U002	U003	U004	U005	U006	U007	U008	U009	U010	U011	U012	U013	U014	U015	U016	U017	U018	U019	U020
------	------	------	------	------	------	------	------	------	------	------	------	------	------	------	------	------	------	------	------

U009\_S008  
 DENSITY SENSOR:ASS'Y

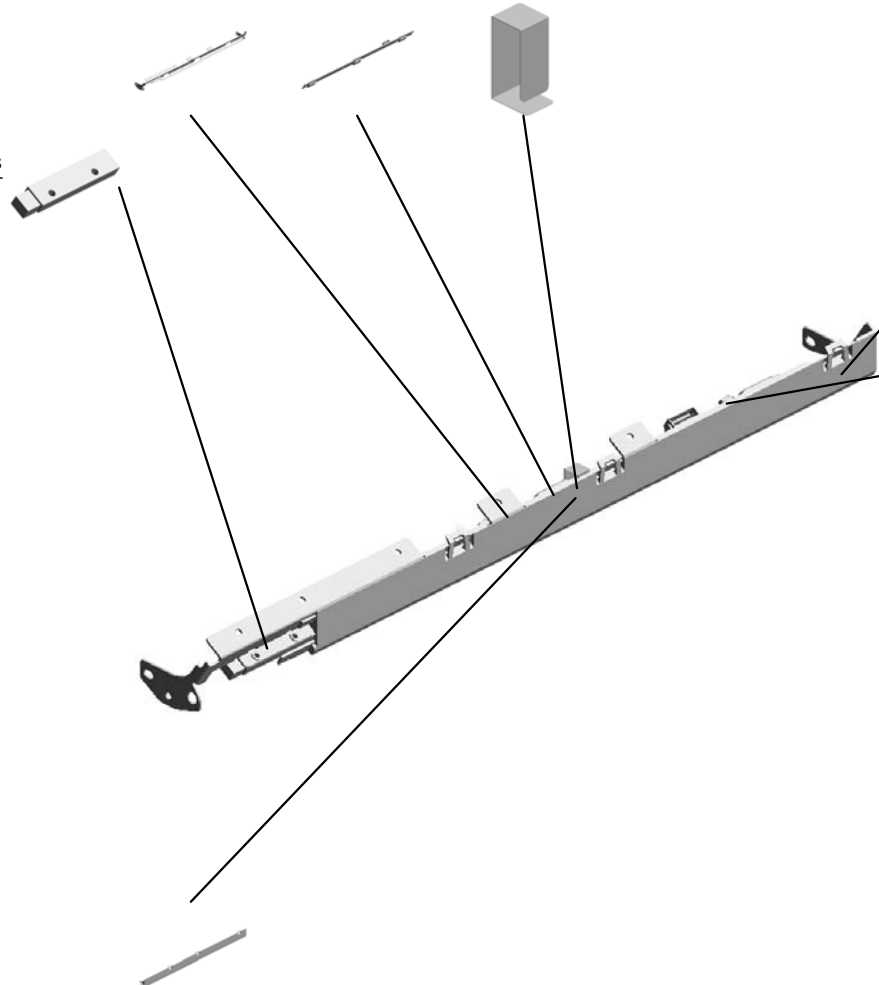
101.D1366181  
 BRACKET:DENSIT  
 Y SENSOR

62.D1366100  
 DENSITY SENSOR:  
 P/TM

120.D1366041  
 SEAL:FIX:HARNES  
 S:DENSITY SENSO  
 R

121.D1366180  
 DENSITY SENSOR:  
 ASS'Y

110.D1366196  
 HOME POSITION S  
 ENSOR:FLAT BELT  
 -TRANSFER



14.08010231  
 (x7)  
 HEXAGONAL HEA  
 D BOLT W/WASHE  
 R:M3X6

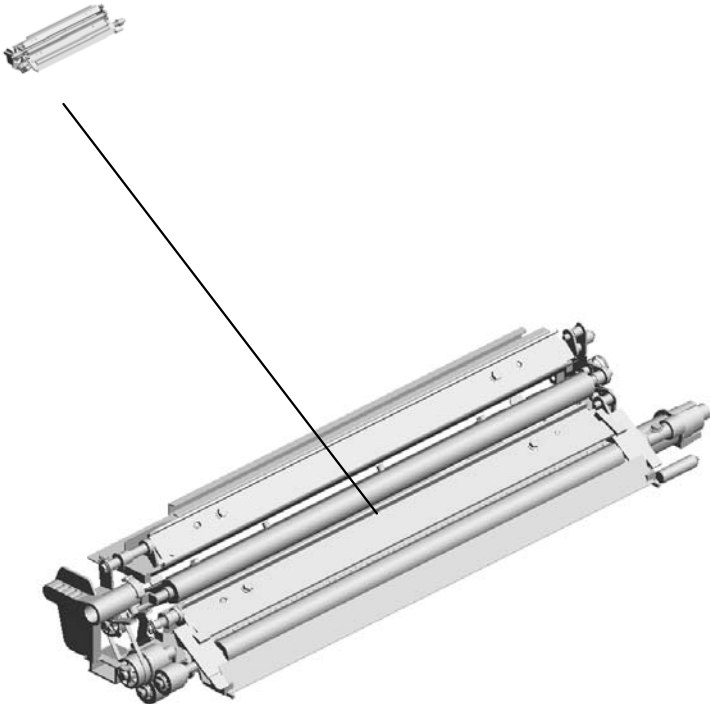
38.D0396327  
 (x6)  
 SPACER:SENSOR:  
 TM

102.D1366182  
 DUCT:TM SENSOR

U001	U002	U003	U004	U005	U006	U007	U008	U009	U010	U011	U012	U013	U014	U015	U016	U017	U018	U019	U020
------	------	------	------	------	------	------	------	------	------	------	------	------	------	------	------	------	------	------	------

# U010.ITB CLEANING

U010\_S001  
D1386401  
BELT CLEANING:PRO:ASSY



U001	U002	U003	U004	U005	U006	U007	U008	U009	U010	U011	U012	U013	U014	U015	U016	U017	U018	U019	U020
------	------	------	------	------	------	------	------	------	------	------	------	------	------	------	------	------	------	------	------

U010  
ITB CLEANING

11.B2342390  
FLANGED HEXAG  
ONAL HEAD BOLT:  
M4X8



U001	U002	U003	U004	U005	U006	U007	U008	U009	U010	U011	U012	U013	U014	U015	U016	U017	U018	U019	U020
------	------	------	------	------	------	------	------	------	------	------	------	------	------	------	------	------	------	------	------

U010\_S001  
BELT CLEANING:PRO:ASS'Y

7.AA000291  
DECAL:POSITIONING  
DISPLAY:SCREW:PP

5.08050089  
(x2)  
RETAINING RING -  
M4

10.B1322264  
(x2)  
BUSHING:TERMINAL

18.D0746450  
COATING BAR:ASS'Y

19.D0746457  
BLADE:APPLY:ASS'Y



63.D1386401  
BELT CLEANING:PRO:ASS'Y

9.AA143807  
SCREW:A

21.D0746478  
GEAR:PULLEY:IDLER:  
BELT CLEANING

6.54472681  
(x2)  
SNAP RING

20.D0746477  
GEAR:BRUSH:REMOVE  
PAPER DUST:Z17

4.07200040E  
(x3)  
RETAINING RING -  
M4

8.AA082137  
BUSHING:6X10X6

2.04583008N  
(x4)  
HEXAGON HEAD TAPPING  
SCREW:3X8

17.D0746446  
BRUSH:APPLY:BELT  
CLEANING

15.D0746420  
BRUSH:REMOVE  
PAPER DUST:BELT  
CLEANING

13.D0746415  
DUAL FACES TEPE  
ENTRANCE SEAL:  
BELT CLEANING

12.D0746411  
COIL SPRING:EAR  
TH:BELT CLEANING

1.03603006N  
(x14)  
SCREW - M3X6

3.07080060N  
(x2)  
WASHER:DIA6

16.D0746424  
BLADE:CLEANING:  
BELT CLEANING:ASS'Y

14.D0746416  
SEAL:ENTRANCE  
SEAL:BELT CLEANING

U001	U002	U003	U004	U005	U006	U007	U008	U009	U010	U011	U012	U013	U014	U015	U016	U017	U018	U019	U020
------	------	------	------	------	------	------	------	------	------	------	------	------	------	------	------	------	------	------	------



U010\_S001  
BELT CLEANING:PRO:ASS'Y

40.D1366469  
SLIDE RAIL:UPPER  
:BELT CLEANING

39.D1366461  
HOLDER:APPLY:B  
ELT CLEANING:AS  
S'Y

25.D1366404  
COVER:CASE:DUCC  
T:BELT CLEANING

32.D1366431  
COIL SPRING:BLA  
DE:CLEANING:BEL  
T CLEANING

33.D1366434  
TONER COLLECTI  
ON COIL:BELT CLE  
ANING:ASS'Y



63.D1386401  
BELT CLEANING:P  
RO:ASS'Y

41.D1366471  
RELEASE PLATE:BR  
USH:APPLY



23.D0746480  
PULLEY:BRUSH:AP  
PLY:Z30



38.D1366444  
SYNCHRONOUS BR  
USH:30S2M126



34.D1366439  
PLAIN SHAFT BEA  
RING:REMOVE PA  
PER DUST:TRANSP  
ORT SCREW



22.D0746479  
GEAR:COLLECTIO  
N:Z19



30.D1366418  
SEAL:SCRAPER:BR  
USH

29.D1366414  
SCRAPER:BRUSH:  
REMOVE PAPER D  
UST

26.D1366405  
DUCT:BELT CLEAN  
ING:REAR UPPER

28.D1366411  
(x2)  
PLAIN SHAFT BEA  
RING:DIA6:DIA8:BR  
USH

31.D1366427  
(x2)  
SEAL:SCRAPER

27.D1366410  
GROUND PLATE:BR  
USH:ELT CLEANING



37.D1366443  
CAP:TONER COLLE  
CTION COIL:BELT  
CLEANING



35.D1366441  
SHUTTER:TRANSP  
ORT SCREW:BELT  
CLEANING



24.D0746481  
JOINT:BRUSH:RE  
MOVE PAPER DUST:  
BELT CLEANING



36.D1366442  
COIL SPRING:DISC  
CHARGE USED TON  
ER



U010\_S001  
BELT CLEANING:PRO:ASS'Y

61.D1366497  
(x2)  
SEAL:CASE:DUCT:  
BOTH ENDS

45.D1366480  
SEAL:HOLDER:CL  
EANING BLADE:FR  
ONT UPPER

47.D1366483  
SEAL:HOLDER:CL  
EANING BLADE:FR  
ONT LOWER

54.D1366490  
SEAL:BASE:CASE:  
BELT CLEANING

43.D1366476  
(x2)  
SHEET:SLIDE RAIL  
:BELT CLEANING



63.D1386401  
BELT CLEANING:P  
RO:ASSY

42.D1366475  
(x2)  
SEAL:CASE:SLIDE  
RAIL

59.D1366495  
LEVER:RELEASE:B  
LADE

44.D1366478  
RELEASE PLATE:B  
LADE:CLEANING

56.D1366492  
SEAL:CASE:CLEAN  
ING BLADE:FRONT  
LOWER

49.D1366485  
SEAL:CASE:BRUS  
H:FRONT

51.D1366487  
SEAL:CASE:BRUS  
H:FRONT LOWER

60.D1366496  
SEAL:CASE:DUCT:  
BELT CLEANING

55.D1366491  
SHEET:OPPOSED:  
OPTICS SENSOR:B  
ASE:BELT CLEANI  
NG

52.D1366488  
SEAL:HOLDER:BE  
HIND:BELT CLEANI  
NG

53.D1366489  
VIBRATING PLATE:  
TRANSPORT SCR  
EW:BELT CLEANIN  
G

46.D1366481  
SEAL:HOLDER:CL  
EANING BLADE:RE  
AR UPPER

48.D1366484  
SEAL:HOLDER:CL  
EANING BLADE:RE  
AR LOWER

57.D1366493  
SEAL:CASE:CLEAN  
ING BLADE:REAR  
LOWER

50.D1366486  
SEAL:CASE:BRUS  
H:REAR

58.D1366494  
(x2)  
SEAL:CASE:SCRA  
PER

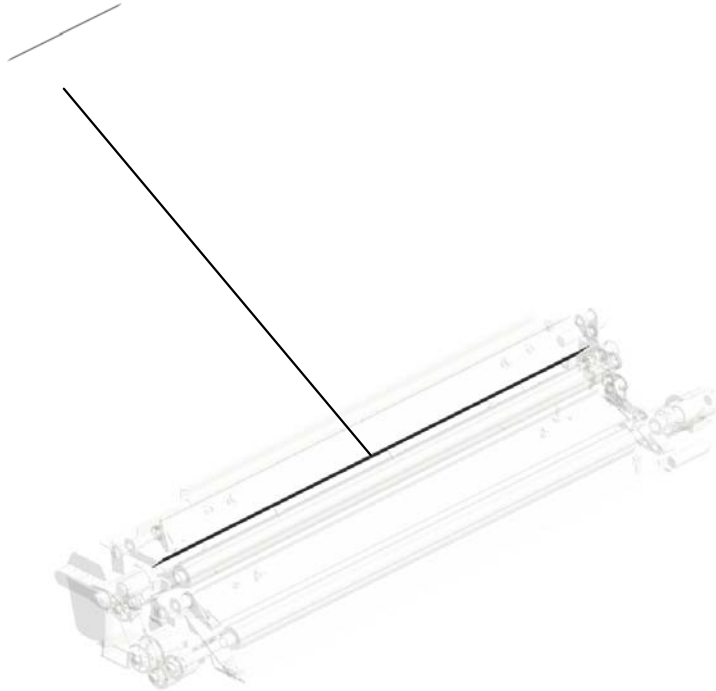
U001	U002	U003	U004	U005	U006	U007	U008	U009	U010	U011	U012	U013	U014	U015	U016	U017	U018	U019	U020
------	------	------	------	------	------	------	------	------	------	------	------	------	------	------	------	------	------	------	------

U010\_S001  
BELT CLEANING:PRO:ASS'Y

62.D1366498  
SEAL:APPLY:HOLD  
ER:BEHIND



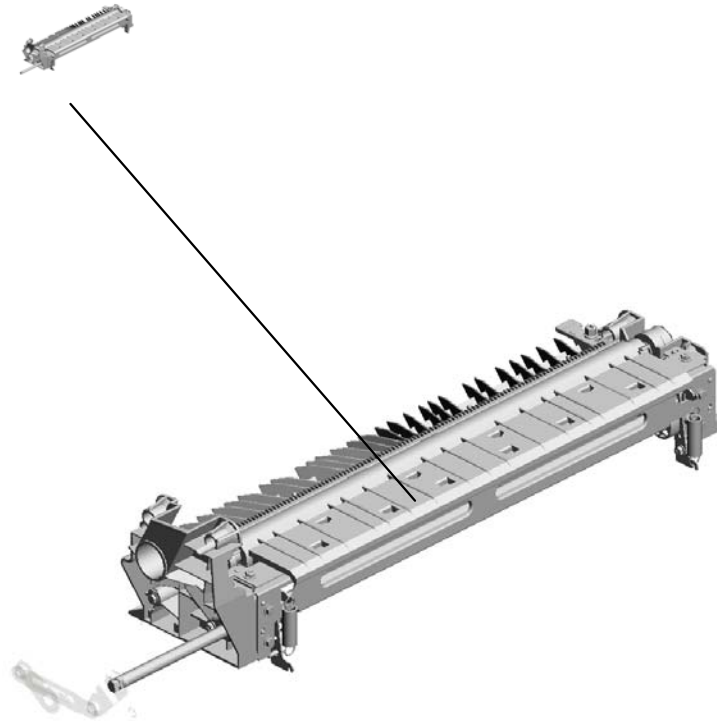
63.D1386401  
BELT CLEANING:P  
RO:ASSY



U001	U002	U003	U004	U005	U006	U007	U008	U009	U010	U011	U012	U013	U014	U015	U016	U017	U018	U019	U020
------	------	------	------	------	------	------	------	------	------	------	------	------	------	------	------	------	------	------	------

# U011.PAPER TRANSFER

U011\_S001  
D1386210  
TRANSFER/SEPARATION UN  
IT:PRO:ASSY



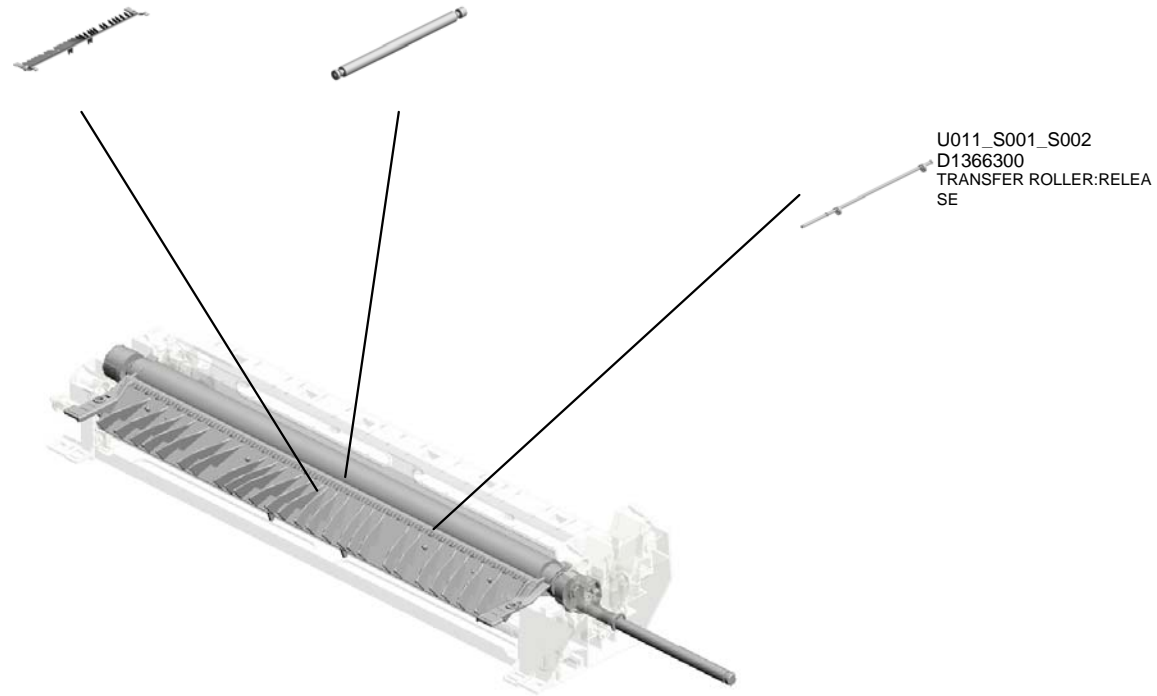
U001	U002	U003	U004	U005	U006	U007	U008	U009	U010	U011	U012	U013	U014	U015	U016	U017	U018	U019	U020
------	------	------	------	------	------	------	------	------	------	------	------	------	------	------	------	------	------	------	------

# U011\_S001.TRANSFER/SEPARATION UNIT:PRO:ASS'Y

U011\_S001\_S003  
D1386259  
SEPARATION CORONA:PRO:  
ASS'Y

U011\_S001\_S001  
D1366240  
TRANSFER ROLLER:ASS'Y

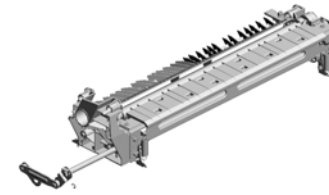
U011\_S001\_S002  
D1366300  
TRANSFER ROLLER:RELEA  
SE



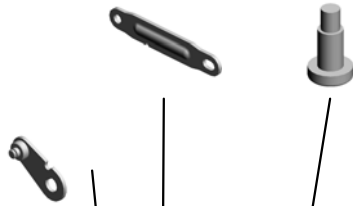
U001	U002	U003	U004	U005	U006	U007	U008	U009	U010	U011	U012	U013	U014	U015	U016	U017	U018	U019	U020
------	------	------	------	------	------	------	------	------	------	------	------	------	------	------	------	------	------	------	------

# U011 PAPER TRANSFER

32.D1366354  
LINK:CONNECTIN  
G  
12.AA143183  
(x2)  
STEPPED SCREW



31.D1366352  
LINK:RELEASE:LO  
WER



9.52152621  
SNAP RING - M6



4.07200030G  
(x2)  
RETAINING RING -  
M3



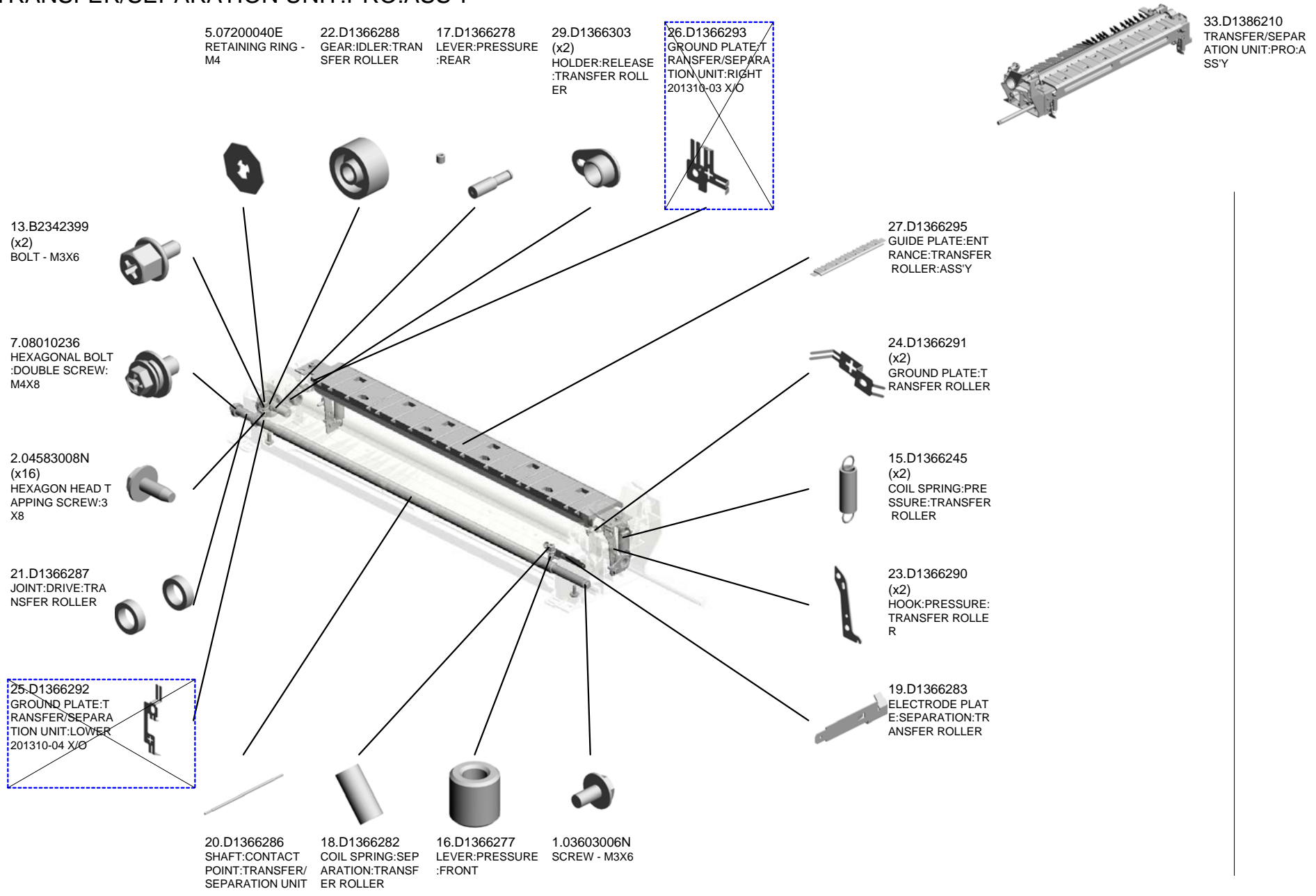
30.D1366350  
LINK:RELEASE:RIG  
HT



U001	U002	U003	U004	U005	U006	U007	U008	U009	U010	U011	U012	U013	U014	U015	U016	U017	U018	U019	U020
------	------	------	------	------	------	------	------	------	------	------	------	------	------	------	------	------	------	------	------

U011\_S001

TRANSFER/SEPARATION UNIT:PRO:ASS'Y



U001	U002	U003	U004	U005	U006	U007	U008	U009	U010	U011	U012	U013	U014	U015	U016	U017	U018	U019	U020
------	------	------	------	------	------	------	------	------	------	------	------	------	------	------	------	------	------	------	------

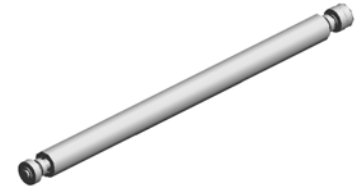
U011\_S001\_S001  
TRANSFER ROLLER:ASS'Y

5.07200040E  
RETAINING RING -  
M4

8.08053573  
(x2)  
RADIAL BALL BEA  
RING: DIA8XDIA16X  
5



6.07200060E  
(x3)  
RETAINING RING -  
M6



14.D1366240  
TRANSFER ROLLE  
R:ASS'Y

U001	U002	U003	U004	U005	U006	U007	U008	U009	U010	U011	U012	U013	U014	U015	U016	U017	U018	U019	U020
------	------	------	------	------	------	------	------	------	------	------	------	------	------	------	------	------	------	------	------



U011\_S001\_S002  
TRANSFER ROLLER:RELEASE

3.06330140G  
(x2)  
PARALLEL PIN - 3X  
14

28.D1366300  
TRANSFER ROLLE  
R:RELEASE



U001	U002	U003	U004	U005	U006	U007	U008	U009	U010	U011	U012	U013	U014	U015	U016	U017	U018	U019	U020
------	------	------	------	------	------	------	------	------	------	------	------	------	------	------	------	------	------	------	------

U011\_S001\_S003  
SEPARATION CORONA:PRO:ASS'Y

11.AA003056  
(x2)  
DECAL:GRIP:SHO  
RT:PP



34.D1386259  
SEPARATION COR  
ONA:PRO:ASS'Y



10.AA000291  
(x2)  
DECAL:POSITIONI  
NG DISPLAY:SCRE  
W:PP

U001	U002	U003	U004	U005	U006	U007	U008	U009	U010	U011	U012	U013	U014	U015	U016	U017	U018	U019	U020
------	------	------	------	------	------	------	------	------	------	------	------	------	------	------	------	------	------	------	------

# U012.USED TONER

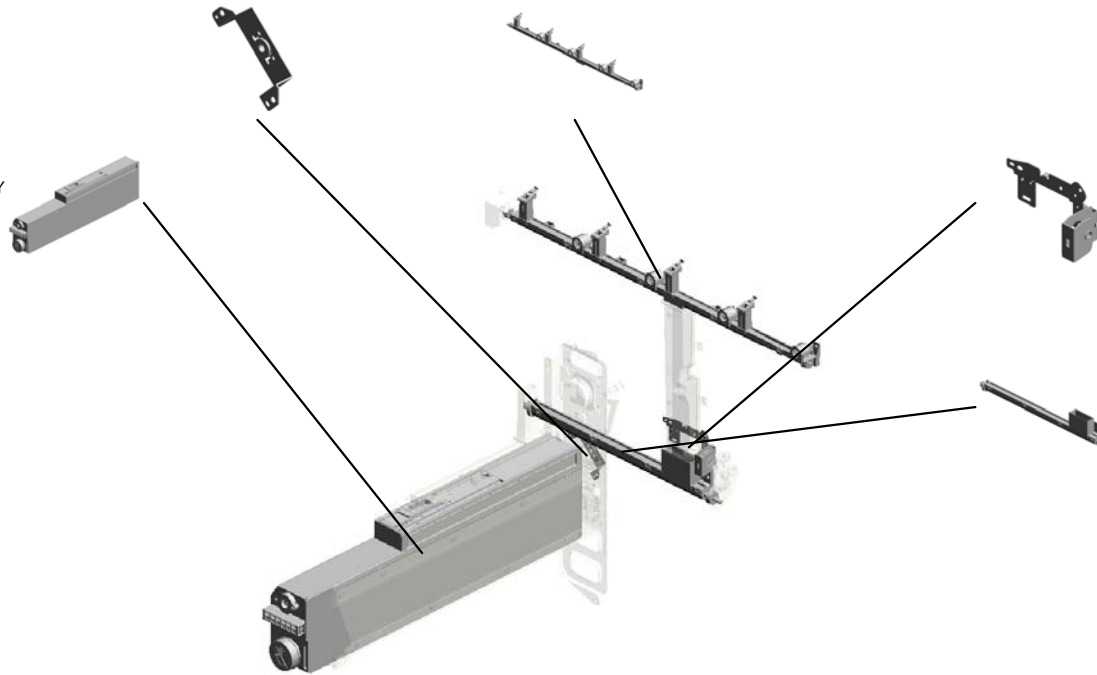
U012\_S004  
D1363642  
HOLDER:RADIAL BALL BEAR  
ING:JOINT:PRESS FIT

U012\_S001  
D1363550  
PIPE:UPPER:ASS'Y

U012\_S005  
D1363505  
COLLECTION BOTTLE:ASS'Y

U012\_S002  
D1363571  
BRACKET:SWIVEL

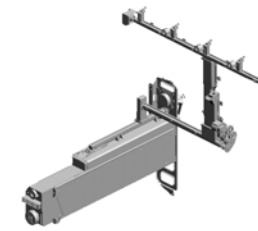
U012\_S003  
D1363610  
PIPE:MIDDLE:ASS'Y



U001	U002	U003	U004	U005	U006	U007	U008	U009	U010	U011	U012	U013	U014	U015	U016	U017	U018	U019	U020
------	------	------	------	------	------	------	------	------	------	------	------	------	------	------	------	------	------	------	------

# U012 USED TONER

- 28.D1363564 SPACER:DIA9:0.13MM
- 29.D1363566 BRACKET:GEAR:USED TONER:PCU:PEEN
- 30.D1363569 GEAR:Z35:TRANSPORT SCREW:PCU:MAIN
- 1.04543006Q (x42) TAPPING SCREW - M3X6
- 13.AW020145 (x2) PHOTO INTERRUPTOR:FLAT



16.D0741454  
DC MOTOR:DIA49:  
9.8W:BLS



10.11050758  
(x8)  
CLAMP:LWSM-030  
6A



25.D0746665  
GEAR:JOINT:COLLECTION BOTTLE:Z  
65



24.D0746659  
SHAFT:JOINT:COLLECTION BOTTLE:  
ASS'Y



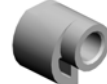
15.AW500040  
PUSH SWITCH:SW  
1AG-550:10MA



12.AG071012  
MAGNET CATCH:AS  
SSY



19.D0746577  
CAM:VERTICAL TRANSPORT:DIA15



21.D0746579  
SEAL:COVER:CAM:VERTICAL TRANSPORT



18.D0746575  
SHAFT:CAM:VERTICAL TRANSPORT



17.D0746574  
COVER:CAM:VERTICAL TRANSPORT



2.04543010Q  
TAPPING SCREW:  
3X10



8.08072089  
WASHER - 10MM

9.11050046  
(x7)  
HARNESS BAND

20.D0746578  
GEAR:Z37:CAM:VERTICAL TRANSPORT



22.D0746585  
(x2)  
GEAR:Z38/Z24:VERTICAL TRANSPORT



5.07200040E  
(x2)  
RETAINING RING - M4



23.D0746586  
GEAR:Z35:IDLER:VERTICAL TRANSPORT



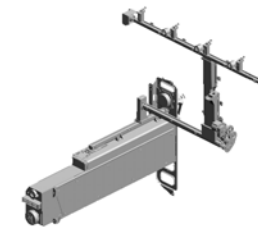
# U012 USED TONER

38.D1363622  
SEAL:RELAY DUCT

37.D1363621  
VIBRATING PLATE:  
RELAY DUCT

40.D1363641  
GEAR:TRANSPOR  
T SCREW:LOWER:  
Z41

42.D1363646  
TORQUE LIMITER  
MECHANICAL CLU  
TCH:GEAR:Z65/Z35



36.D1363620  
CASE:RELAY DUC  
T

39.D1363623  
SEAL:RELAY DUCT  
:SPONGE

44.D1363652  
PIPE:LOWER:ASS'  
Y

32.D1363575  
PIPE:LENGTHWIS  
E:ASSY

50.GA082010  
BUSHING:DIA6:DIA  
10:9

33.D1363603  
BRACKET:DRIVE:P  
IPE:MIDDLE:PEEN

34.D1363608  
BRACKET:DRIVE:T  
RANSPORT SCRE  
W:MIDDLE

45.D1363662  
SEPARATION PLA  
TE:COLLECTION B  
OTTLE

43.D1363647  
GEAR:IDLER:Z49/Z  
27

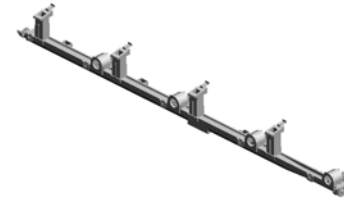
49.D1366089  
PLAIN SHAFT BEA  
RING:CONTACT P  
OINT:BRACKET:EN  
CODER

U001	U002	U003	U004	U005	U006	U007	U008	U009	U010	U011	U012	U013	U014	U015	U016	U017	U018	U019	U020
------	------	------	------	------	------	------	------	------	------	------	------	------	------	------	------	------	------	------	------

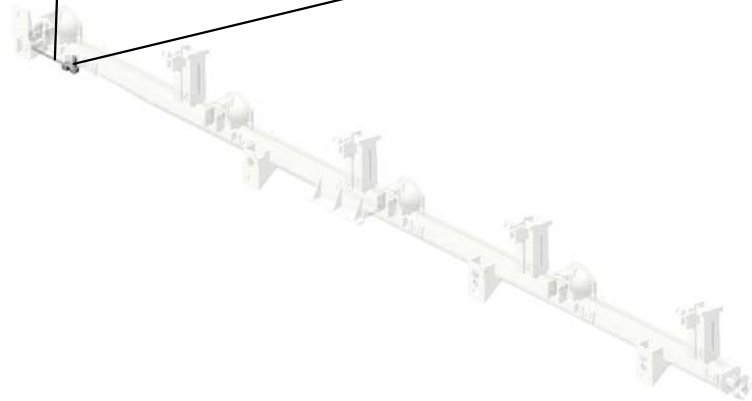
U012\_S001  
PIPE:UPPER:ASS'Y

14.AW100107  
THERMISTOR

27.D1363550  
PIPE:UPPER:ASS'Y



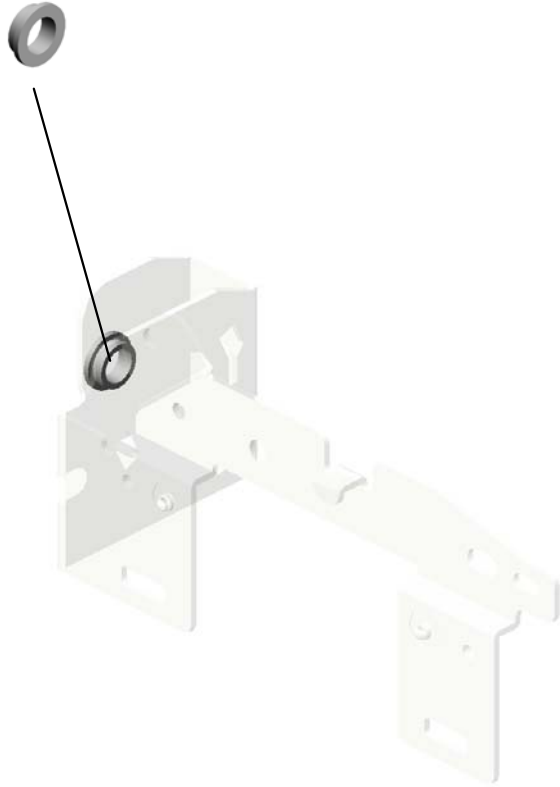
4.04593010N  
BINDING HEAD TA  
PPING SCREW:3X  
10



U001	U002	U003	U004	U005	U006	U007	U008	U009	U010	U011	U012	U013	U014	U015	U016	U017	U018	U019	U020
------	------	------	------	------	------	------	------	------	------	------	------	------	------	------	------	------	------	------	------

U012\_S002  
BRACKET:SWIVEL

11.AA080247  
BUSHING - B-F6-3



31.D1363571  
BRACKET:SWIVEL

U001	U002	U003	U004	U005	U006	U007	U008	U009	U010	U011	U012	U013	U014	U015	U016	U017	U018	U019	U020
------	------	------	------	------	------	------	------	------	------	------	------	------	------	------	------	------	------	------	------

U012\_S003  
PIPE:MIDDLE:ASS'Y

5.07200040E  
RETAINING RING -  
M4



35.D1363610  
PIPE:MIDDLE:ASS'  
Y

U001	U002	U003	U004	U005	U006	U007	U008	U009	U010	U011	U012	U013	U014	U015	U016	U017	U018	U019	U020
------	------	------	------	------	------	------	------	------	------	------	------	------	------	------	------	------	------	------	------



U012\_S004  
HOLDER:RADIAL BALL BEARING:JOINT:PRESS FIT

6.07403906  
BALL BEARING - 6  
X15X5



41.D1363642  
HOLDER:RADIAL B  
ALL BEARING:JOIN  
T:PRESS FIT

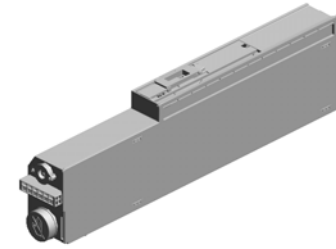
U001	U002	U003	U004	U005	U006	U007	U008	U009	U010	U011	U012	U013	U014	U015	U016	U017	U018	U019	U020
------	------	------	------	------	------	------	------	------	------	------	------	------	------	------	------	------	------	------	------

U012\_S005  
COLLECTION BOTTLE:ASS'Y

3.04583008N  
(x7)  
HEXAGON HEAD TAPPING SCREW:3  
X8



7.08050089  
RETAINING RING -  
M4



26.D1363505  
COLLECTION BOT  
TLE:ASS'Y



46.D1363690  
DECAL:COLLECTI  
ON BOTTLE:CAUTI  
ON



47.D1363691  
DECAL:COLLECTI  
ON BOTTLE:GRIP:  
FRONT

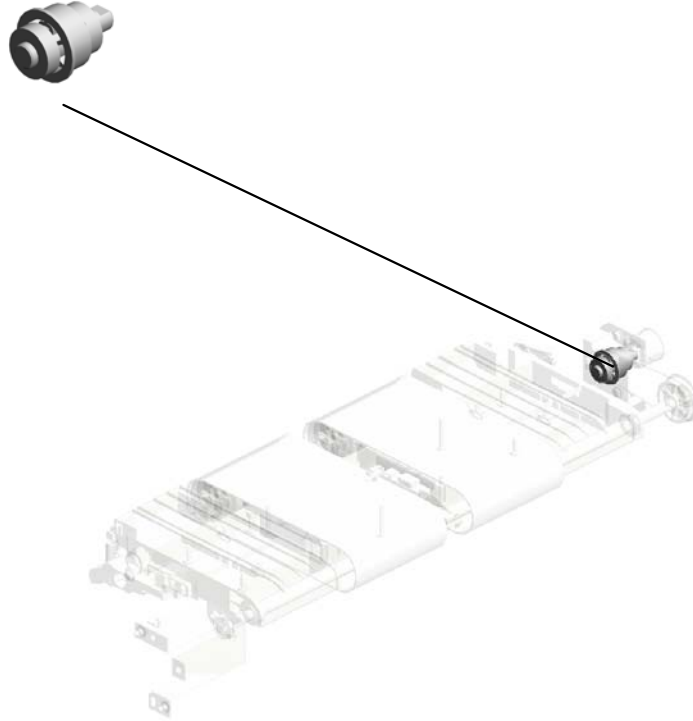


48.D1363692  
(x2)  
DECAL:COLLECTI  
ON BOTTLE:GRIP:  
UPPER

U001	U002	U003	U004	U005	U006	U007	U008	U009	U010	U011	U012	U013	U014	U015	U016	U017	U018	U019	U020
------	------	------	------	------	------	------	------	------	------	------	------	------	------	------	------	------	------	------	------

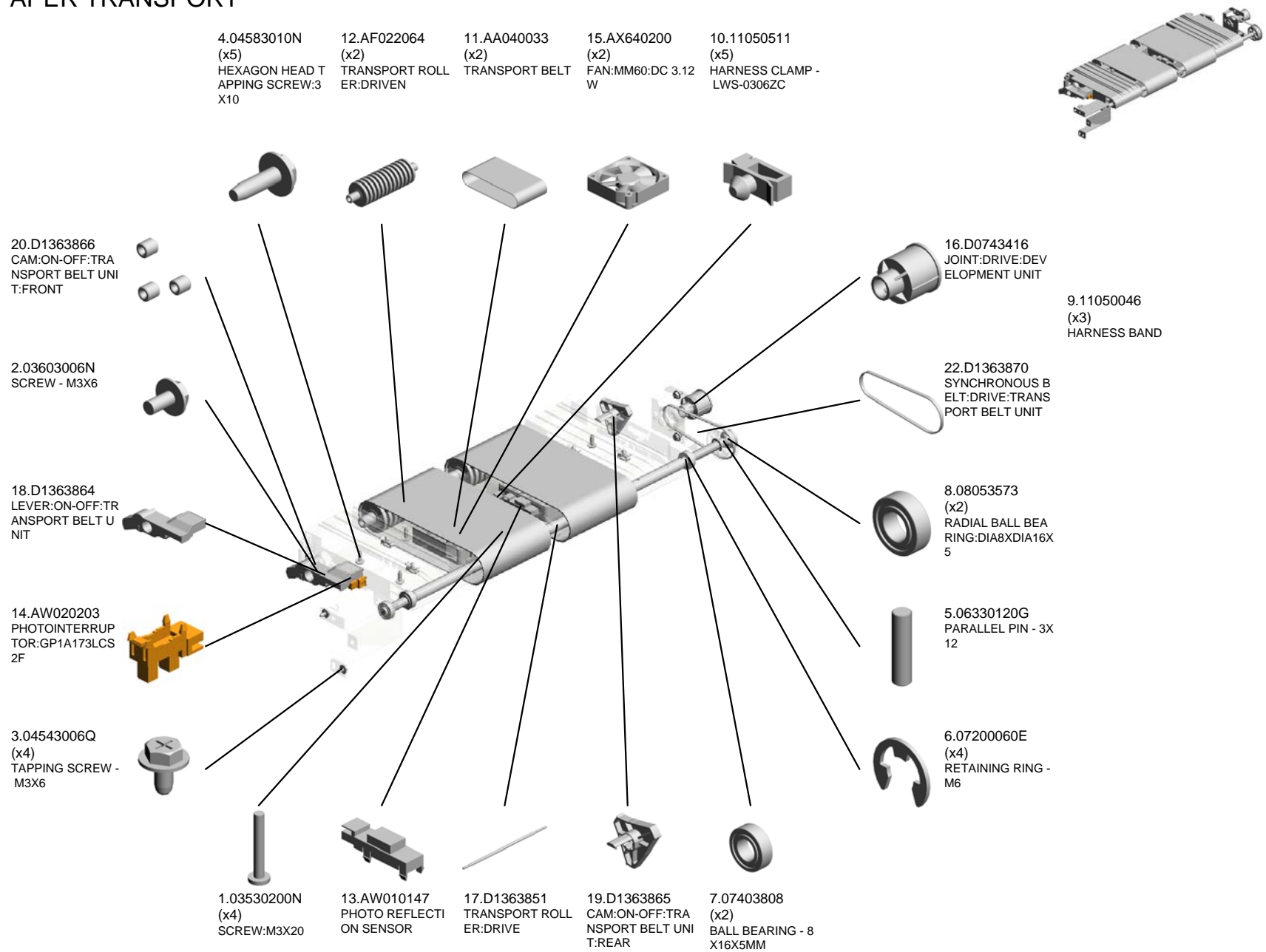
# U013.PAPER TRANSPORT

U013\_S001  
D1363869  
SHAFT:JOINT:VACUUM:ASS'  
Y



U001	U002	U003	U004	U005	U006	U007	U008	U009	U010	U011	U012	U013	U014	U015	U016	U017	U018	U019	U020
------	------	------	------	------	------	------	------	------	------	------	------	------	------	------	------	------	------	------	------

# U013 PAPER TRANSPORT

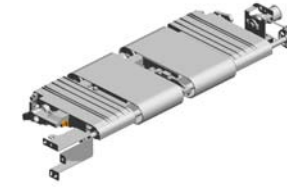


U001	U002	U003	U004	U005	U006	U007	U008	U009	U010	U011	U012	<b>U013</b>	U014	U015	U016	U017	U018	U019	U020
------	------	------	------	------	------	------	------	------	------	------	------	-------------	------	------	------	------	------	------	------

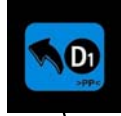
# U013 PAPER TRANSPORT

28.D1363890  
DECAL:VACUUM:G  
RIP:D1

25.D1363877  
SHAFT:ON-OFF:TR  
ANSPORT BELT U  
NIT



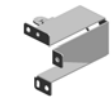
27.D1363882  
(x2)  
TENSION SPRING:  
PRESSURE:TRANS  
PORT BELT UNIT



23.D1363871  
BRACKET:SHAFT:J  
OINT:VACUUM



24.D1363872  
PULLEY:SHAFT:DR  
IVE:VACUUM



26.D1363879  
BRACKET:VACUU  
M:PULL OUT:FRON  
T

U001	U002	U003	U004	U005	U006	U007	U008	U009	U010	U011	U012	U013	U014	U015	U016	U017	U018	U019	U020
------	------	------	------	------	------	------	------	------	------	------	------	------	------	------	------	------	------	------	------

U013\_S001  
SHAFT:JOINT:VACUUM:ASS'Y

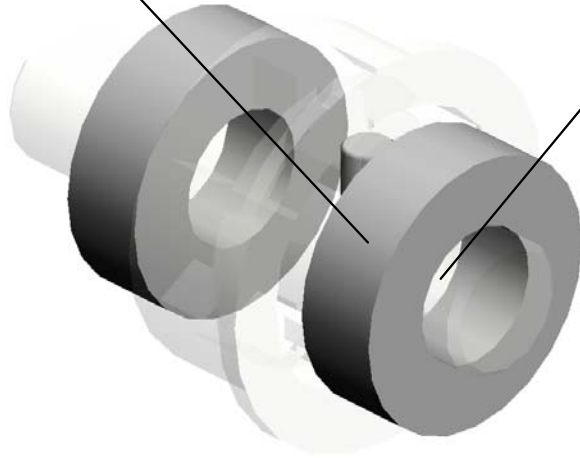
5.06330120G  
PARALLEL PIN - 3X  
12



21.D1363869  
SHAFT:JOINT:VAC  
UUM:ASSY



7.07403808  
(x2)  
BALL BEARING - 8  
X16X5MM



U001	U002	U003	U004	U005	U006	U007	U008	U009	U010	U011	U012	U013	U014	U015	U016	U017	U018	U019	U020
------	------	------	------	------	------	------	------	------	------	------	------	------	------	------	------	------	------	------	------

# U014.FUSING

U014\_S006  
D1384063  
ROLLER:POLISH:FLAT BELT-  
FUSING:SUB-ASS'Y

U014\_S001  
D1384141  
BRACKET:DC STEPPER MOT  
OR:WEB:ON-OFF

U014\_S005  
D1384058  
WEB:CLEANING UNIT:ASS'Y

U014\_S002  
AB012201  
GEAR:IDLER:ROLLER:FUSIN  
G

U014\_S003  
D1364302  
COIL:IH:200V:ASS'Y

U014\_S004  
D1384050  
FUSING UNIT:PRO:ASS'Y

U001	U002	U003	U004	U005	U006	U007	U008	U009	U010	U011	U012	U013	U014	U015	U016	U017	U018	U019	U020
------	------	------	------	------	------	------	------	------	------	------	------	------	------	------	------	------	------	------	------

# U014\_S004.FUSING UNIT:PRO:ASS'Y

U014\_S004\_S002  
D1384160  
STRIPPER PLATE:UNI:FUSIN  
G:D137/D138:ASS'Y

U014\_S004\_S006  
D1384091  
FUSING COVER:UPPER:ASS'  
Y

U014\_S004\_S004  
AB012216  
GEAR:POLISH:ROLLER:B

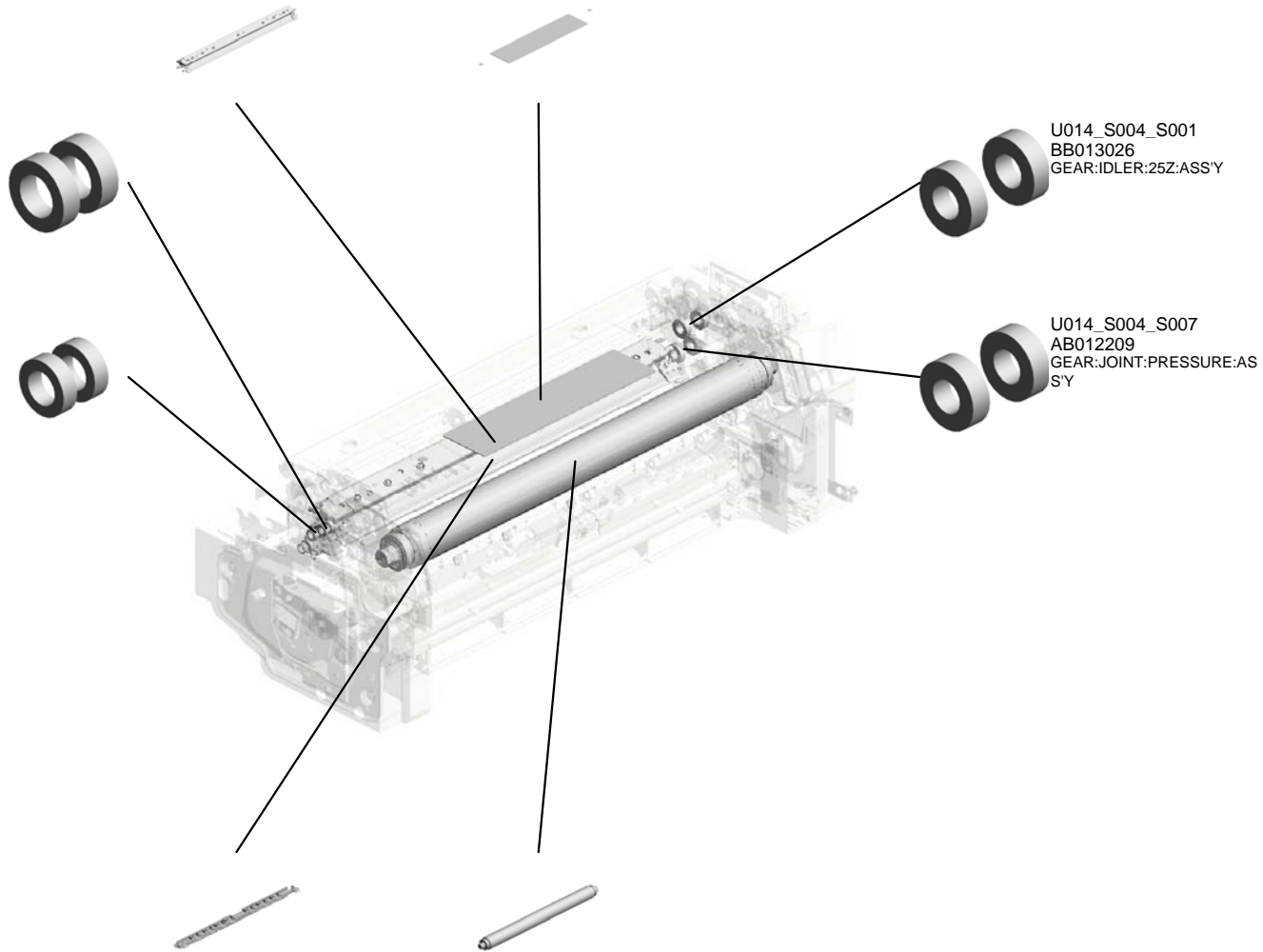
U014\_S004\_S003  
AB012207  
GEAR:POLISH:ROLLER:A

U014\_S004\_S001  
BB013026  
GEAR:IDLER:25Z:ASS'Y

U014\_S004\_S007  
AB012209  
GEAR:JOINT:PRESSURE:AS  
S'Y

U014\_S004\_S008  
D1364090  
STRIPPER PLATE:UNIT:PRE  
SSURE ROLLER:ASS'Y

U014\_S004\_S005  
D1364184  
HEAT ROLLER:ASS'Y



U001	U002	U003	U004	U005	U006	U007	U008	U009	U010	U011	U012	U013	U014	U015	U016	U017	U018	U019	U020
------	------	------	------	------	------	------	------	------	------	------	------	------	------	------	------	------	------	------	------



# U014\_S005.WEB:CLEANING UNIT:ASS'Y

U014\_S005\_S001  
D1384072  
COVER:WEB:CLEANING FEL  
T



U001	U002	U003	U004	U005	U006	U007	U008	U009	U010	U011	U012	U013	U014	U015	U016	U017	U018	U019	U020
------	------	------	------	------	------	------	------	------	------	------	------	------	------	------	------	------	------	------	------

# U014 FUSING

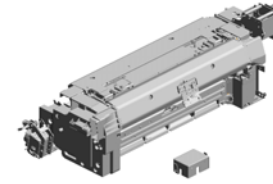
54.AA066397  
TORSION SPRING:  
WEB:MECHANICAL  
DRIVE SECTION

73.AB011523  
GEAR - 24Z

15.07403810  
(x3)  
BALL BEARING:DIA  
10XDIA19X5

10.07200080E  
(x4)  
RETAINING RING -  
M8

9.07200060E  
RETAINING RING -  
M6



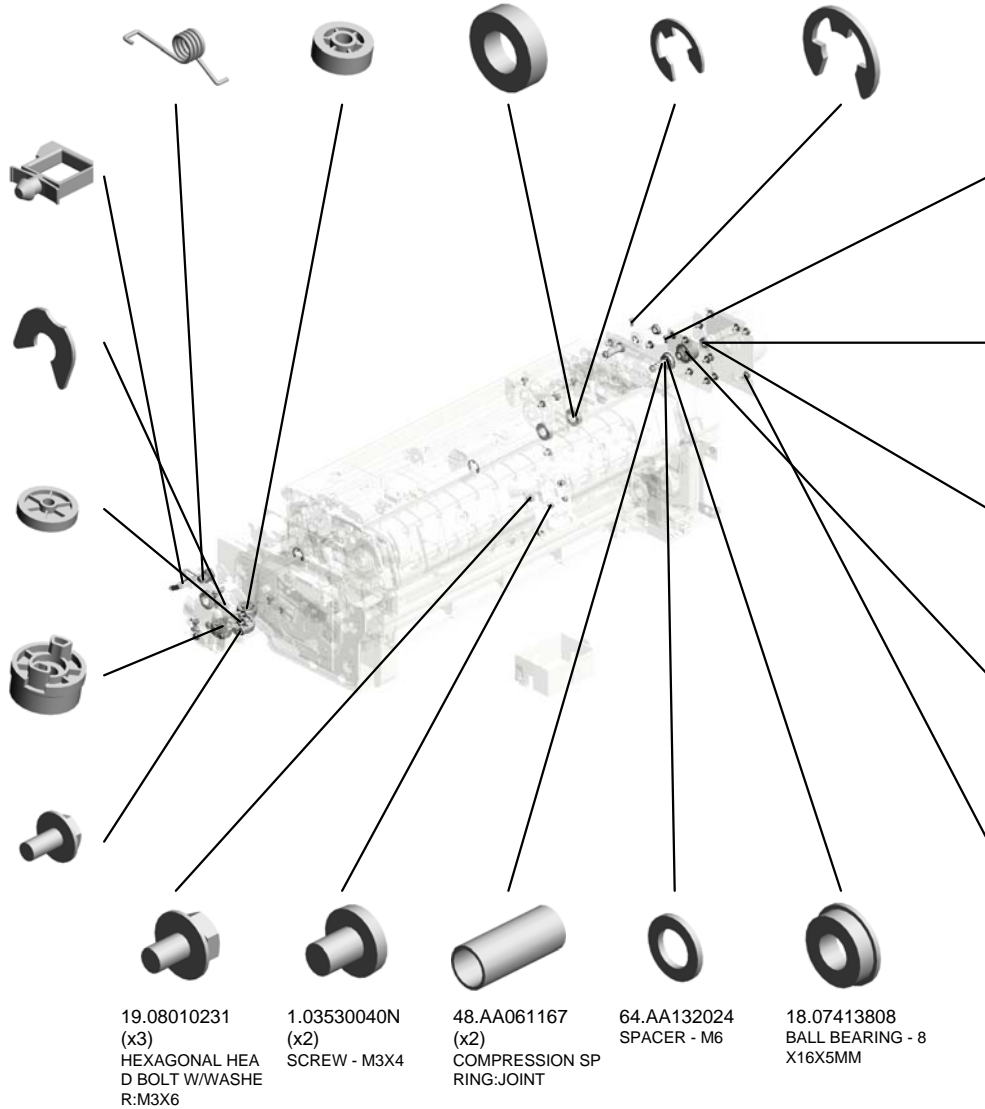
29.11050763  
CLAMP:LWS-1211A

22.08050089  
(x2)  
RETAINING RING -  
M4

74.AB011524  
GEAR - 36Z

75.AB011526  
GEAR - 24Z

3.03603006N  
(x20)  
SCREW - M3X6



19.08010231  
(x3)  
HEXAGONAL HEA  
D BOLT W/WASHE  
R:M3X6

1.03530040N  
(x2)  
SCREW - M3X4

48.AA061167  
(x2)  
COMPRESSION SP  
RING:JOINT

64.AA132024  
SPACER - M6

18.07413808  
BALL BEARING - 8  
X16X5MM

2.03530060N  
BIND SCREW - M3  
X6

8.07200040E  
(x5)  
RETAINING RING -  
M4

16.07413706  
(x4)  
BALL BEARING - 6  
X10X3

77.AB012202  
GEAR:DRIVE:ROLL  
ER:POLISH

4.04543006Q  
(x16)  
TAPPING SCREW -  
M3X6



25.11050682  
CLAMP:JCF-1S



27.11050758  
(x2)  
CLAMP:LWSM-030  
6A



28.11050760  
CLAMP:LWSM-051  
1A



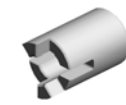
102.AW020198  
(x2)  
PHOTOINTERRUP  
TOR:LG2A14NL1



109.AX040268  
DC STEPPER MOT  
OR:DIA42:24V:ON-  
OFF:ROLLER

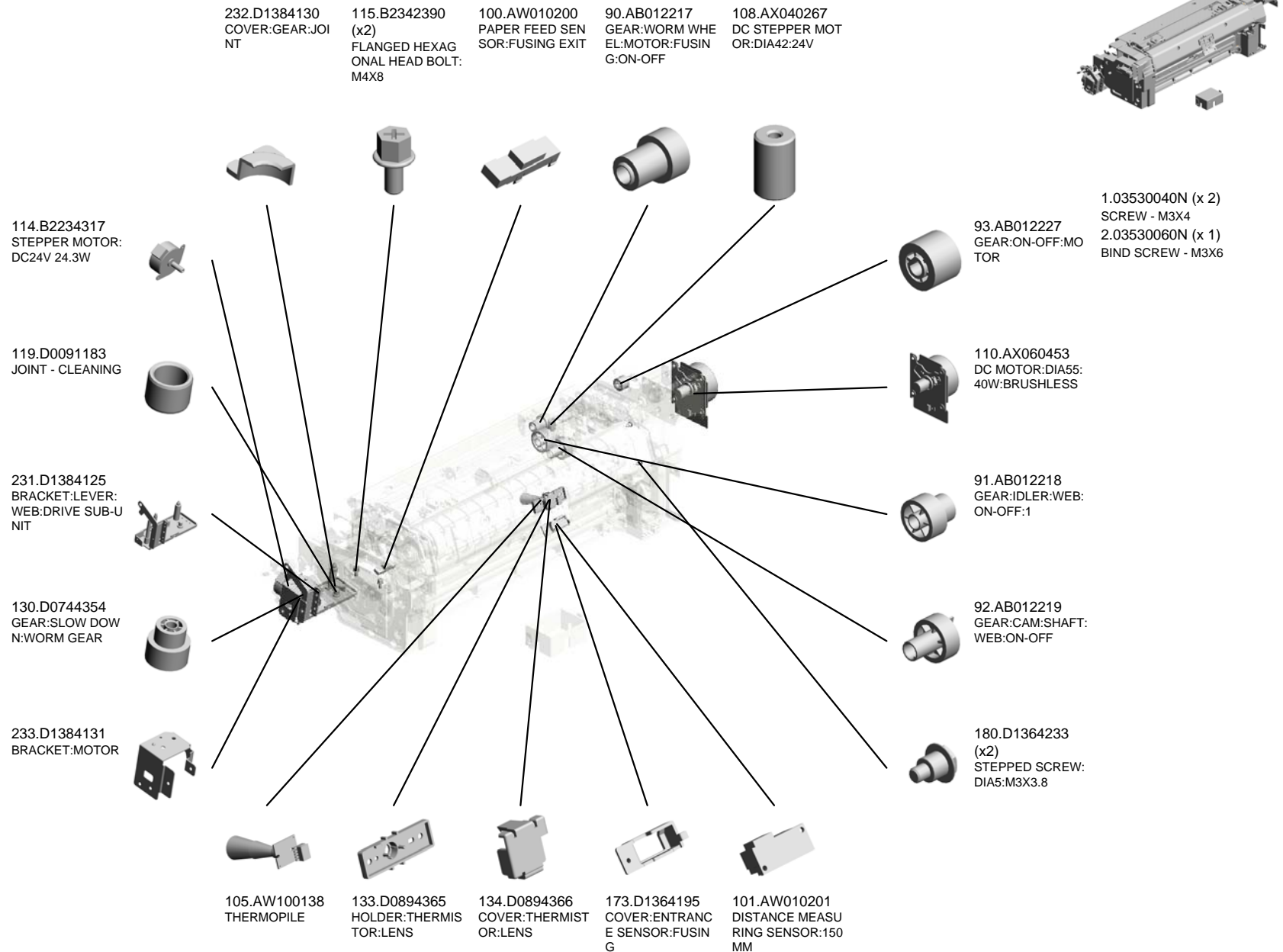


243.D1384146  
BRACKET:ON-OFF:  
MOTOR:GEAR



261.G1786679  
(x2)  
JOINT:DRIVE:BRU  
SH ROLLER

# U014 FUSING



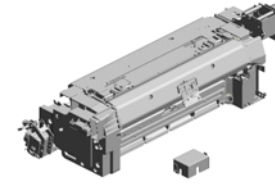
# U014 FUSING

234.D1384133 BRACKET:WEB:LE  
VER:ROLLING:SUB

237.D1384136 SHAFT:ON-OFF:W  
EB

238.D1384137 (x2)  
CAM:WEB:A

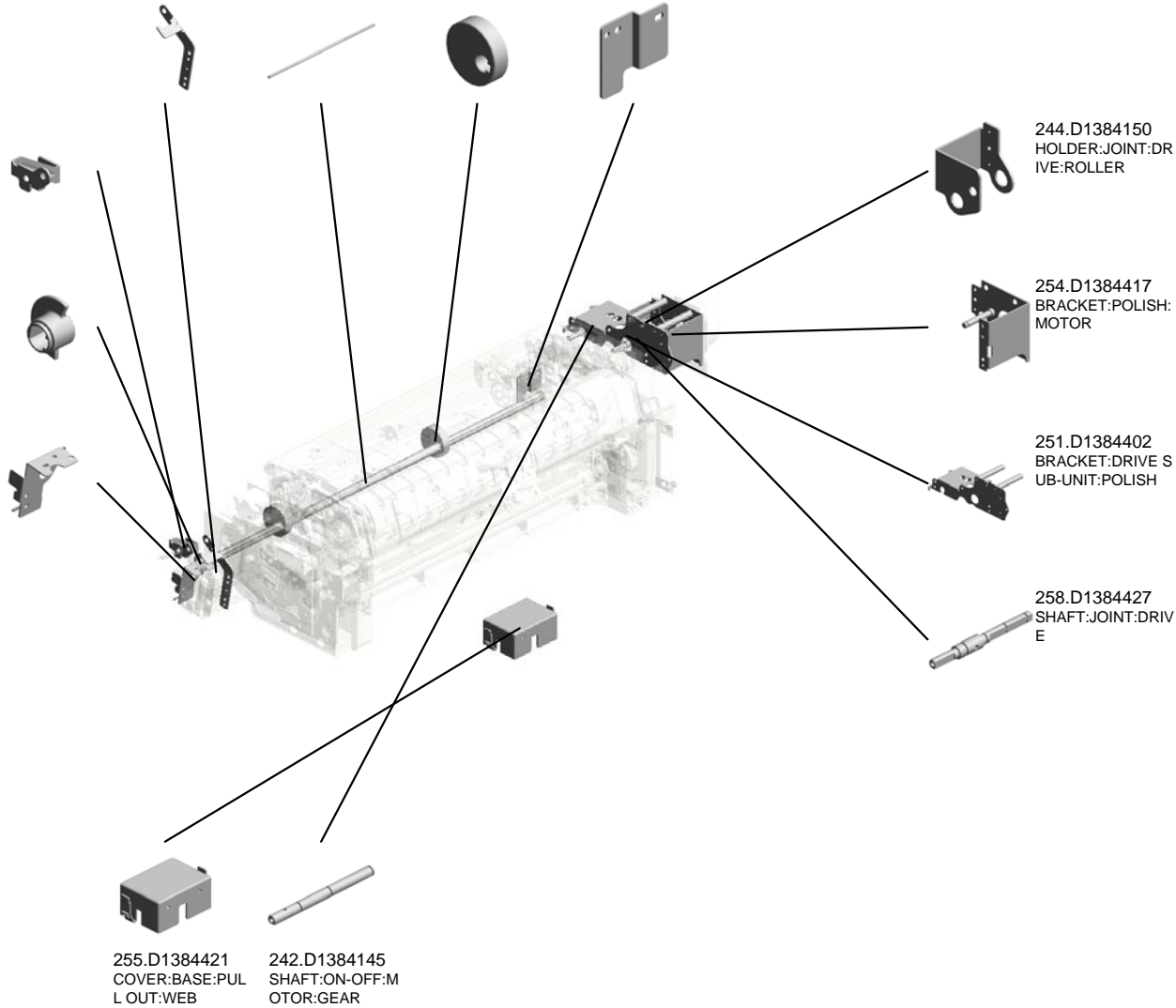
239.D1384138 BRACKET:AUXILIA  
RY:DC STEPPER M  
OTOR:WEB:ON-OF  
F



236.D1384135  
BRACKET:CONTA  
CT POINT:WEB:RO  
LLING

240.D1384139  
FEELER:CAM:WEB  
:ON-OFF

235.D1384134  
HOLDER:DC STEP  
PER MOTOR

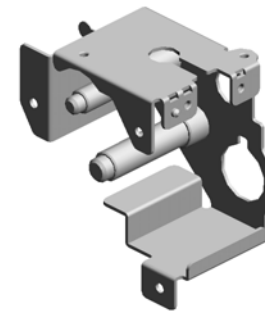
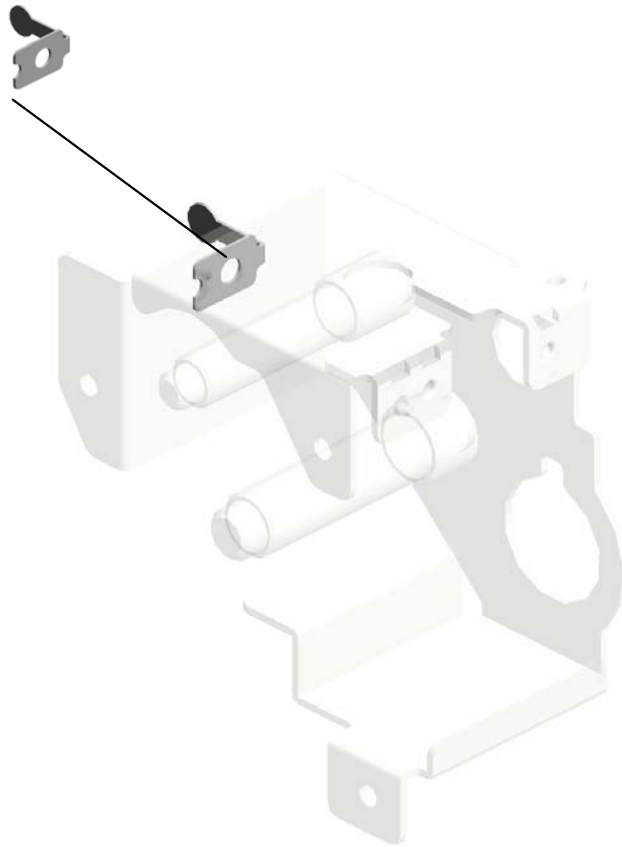


255.D1384421  
COVER:BASE:PUL  
L OUT:WEB

242.D1384145  
SHAFT:ON-OFF:M  
OTOR:GEAR

U014\_S001  
BRACKET:DC STEPPER MOTOR:WEB:ON-OFF

174.D1364198  
CLAMP:HARNESS

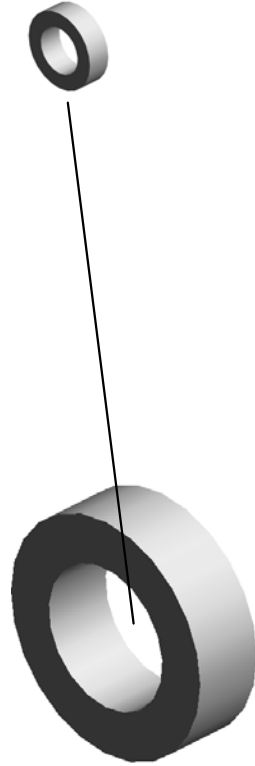


241.D1384141  
BRACKET:DC STE  
PPER MOTOR:WE  
B:ON-OFF

U001	U002	U003	U004	U005	U006	U007	U008	U009	U010	U011	U012	U013	U014	U015	U016	U017	U018	U019	U020
------	------	------	------	------	------	------	------	------	------	------	------	------	------	------	------	------	------	------	------

U014\_S002  
GEAR:IDLER:ROLLER:FUSING

14.07403706  
(x2)  
BALL BEARING - M  
6X10X3



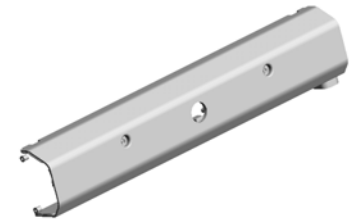
76.AB012201  
GEAR:IDLER:ROLL  
ER:FUSING

U001	U002	U003	U004	U005	U006	U007	U008	U009	U010	U011	U012	U013	U014	U015	U016	U017	U018	U019	U020
------	------	------	------	------	------	------	------	------	------	------	------	------	------	------	------	------	------	------	------

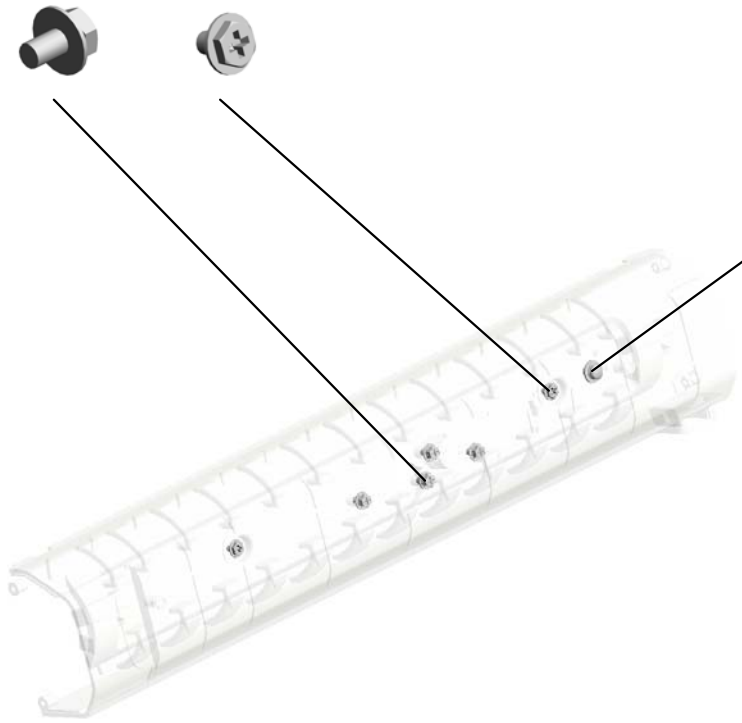
U014\_S003  
COIL:IH:200V:ASS'Y

19.08010231  
(x4)  
HEXAGONAL HEAD BOLT W/WASHER  
R:M3X6

259.D1441085  
(x2)  
STEPPED SCREW:  
M3



194.D1364302  
COIL:IH:200V:ASS'Y



24.09544006N  
SCREW:POLISHED  
ROUND/SPRING:M  
4X6

U001	U002	U003	U004	U005	U006	U007	U008	U009	U010	U011	U012	U013	U014	U015	U016	U017	U018	U019	U020
------	------	------	------	------	------	------	------	------	------	------	------	------	------	------	------	------	------	------	------

U014\_S004  
FUSING UNIT:PRO:ASS'Y

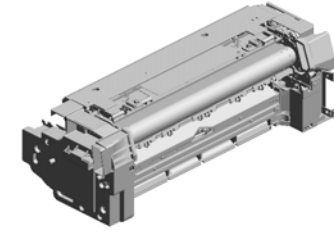
33.AA000283  
DECAL:GRIP:FUSI  
NG:FRONT

1.03530040N  
(x9)  
SCREW - M3X4

19.08010231  
(x5)  
HEXAGONAL HEA  
D BOLT W/WASHE  
R:M3X6

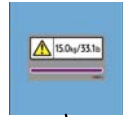
20.08046123  
(x35)  
HEXAGONAL BOLT  
:W/WASHER:M3X8

9.07200060E  
(x14)  
RETAINING RING -  
M6



202.D1384050  
FUSING UNIT:PRO:  
ASS'Y

34.AA000290  
(x3)  
DECAL:POSITIONI  
NG DISPLAY:SCRE  
W:PET



21.08046128  
(x3)  
HEXAGONAL BOLT  
:DOUBLE SCREW:  
M3X10



3.03603006N  
(x83)  
SCREW - M3X6



5.04543010Q  
(x4)  
TAPPING SCREW:  
3X10



35.AA061148  
(x2)  
COMPRESSION SP  
RING:PRESSURE



23.09543005N  
(x5)  
SCREW:POLISHED  
ROUND/SPRING:M  
3X5

30.54472768  
(x2)  
STEPPED SCREW  
- M3

31.A2171340  
KNOB SCREW - M4  
X10

7.07010060N  
WASHER DIA6

13.07270060E  
RETAINING RING -  
M6



8.07200040E  
(x21)  
RETAINING RING -  
M4



16.07413706  
(x7)  
BALL BEARING - 6  
X10X3



26.11050714  
(x4)  
CLAMP:LWSM-051  
1H GRAY



12.07250200E  
(x3)  
RETAINING RING  
C - M20



11.07250150E  
(x2)  
RETAINING RING  
C - M15



34.AA000290  
DECAL:POSITIONI  
NG DISPLAY:SCRE  
W:PET

43.AA061161  
(x2)  
COMPRESSION SP  
RING:POLISH:ROL  
LER



247.D1384184  
(x2)  
GRIP:BRACKET:R  
OLLER:POLISH



261.G1786679  
(x2)  
JOINT:DRIVE:BRU  
SH ROLLER



U014\_S004  
FUSING UNIT:PRO:ASS'Y

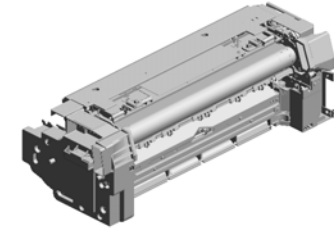
56.AA066699  
TORSION SPRING:  
LOCK:STRIPPER P  
LATE:FRONT

36.AA061151  
TENSION SPRING:  
FUSING:PAPER EX  
IT SUB-UNIT:LEVE  
R

63.AA082172  
BUSHING:DIA6XDI  
A10X4:EG-1

53.AA061195  
TORSION SPRING:  
STOPPER:ROLLER

61.AA082093  
BUSHING:3XMM6M  
M8



202.D1384050  
FUSING UNIT:PRO:  
ASS'Y

44.AA061162  
TORSION SPRING:  
ROLLER:POLISH:R  
EAR

37.AA061152  
TORSION SPRING:  
STRIPPER PLATE:  
STOPPER GUIDE:F  
RONT

45.AA061163  
TENSION SPRING:  
SWIVEL:GEAR

66.AA143517  
(x2)  
GUIDE PLATE SCR  
EW

49.AA061175  
TORSION SPRING:  
STRIPPER PLATE:  
STOPPER GUIDE:T  
URN:FRONT

40.AA061158  
(x2)  
TENSION SPRING:  
HEAT ROLLER

39.AA061157  
COIL SPRING:GUI  
DE PLATE:UPPER

46.AA061164  
TENSION SPRING:  
GEAR:ON-OFF

38.AA061153  
TORSION SPRING:  
STRIPPER PLATE:  
STOPPER GUIDE:F  
RONT:REAR

50.AA061176  
TORSION SPRING:  
STRIPPER PLATE:  
STOPPER GUIDE:T  
URN:REAR

62.AA082101  
(x2)  
BUSHING - 6X10X6

47.AA061166  
TORSION SPRING:  
ROLLER:POLISH:F  
RONT

57.AA066700  
TORSION SPRING:  
LOCK:STRIPPER P  
LATE:REAR

41.AA061159  
TENSION SPRING:  
HEAT ROLLER:TU  
RN

65.AA132204  
COLLAR

U014\_S004  
FUSING UNIT:PRO:ASS'Y

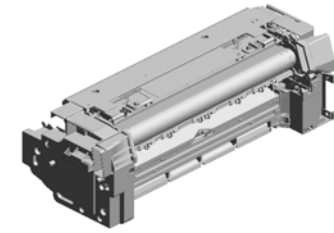
94.AE010115  
HOT ROLLER:DIAS  
2:PRO

104.AW100133  
TEMPERATURE SE  
NSOR:NC-F10

88.AB012214  
(x2)  
GEAR:POLISH:ROL  
LER:A

79.AB012205  
GEAR:IDLER:ON-O  
FF

80.AB012206  
(x2)  
GEAR:DRIVE:ROLL  
ER:FUSING:A



202.D1384050  
FUSING UNIT:PRO:  
ASSY

100.AW010200  
PAPER FEED SEN  
SOR:FUSING EXIT

95.AE020215  
PRESSURE ROLLE  
R:DIAS50

98.AE030059  
(x4)  
BALL BEARING:MM  
20XMM32X7

103.AW100120  
THERMISTOR:FUSI  
NG

96.AE030035  
(x4)  
BALL BEARING - 6  
X16X5

105.AW100138  
THERMOPILE

82.AB012208  
GEAR:IDLER:PRES  
SURE ROLLER:AS  
SY

84.AB012210  
GEAR:PRESSURE  
ROLLER

106.AW100161  
THERMISTOR:FUSI  
NG:70ANG

97.AE030044  
(x2)  
BALL BEARING - 1  
0X22X6

78.AB012203  
GEAR:DRIVE:ROLL  
ER:FUSING:B

87.AB012213  
GEAR:IDLER:FUSI  
NG

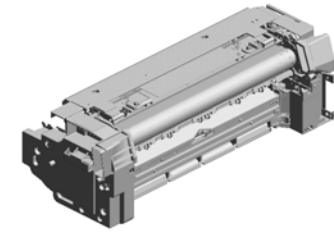
102.AW020198  
(x4)  
PHOTOINTERRUP  
TOR:LG2A14NL1

85.AB012211  
GEAR:HEAT ROLL  
ER:TURN

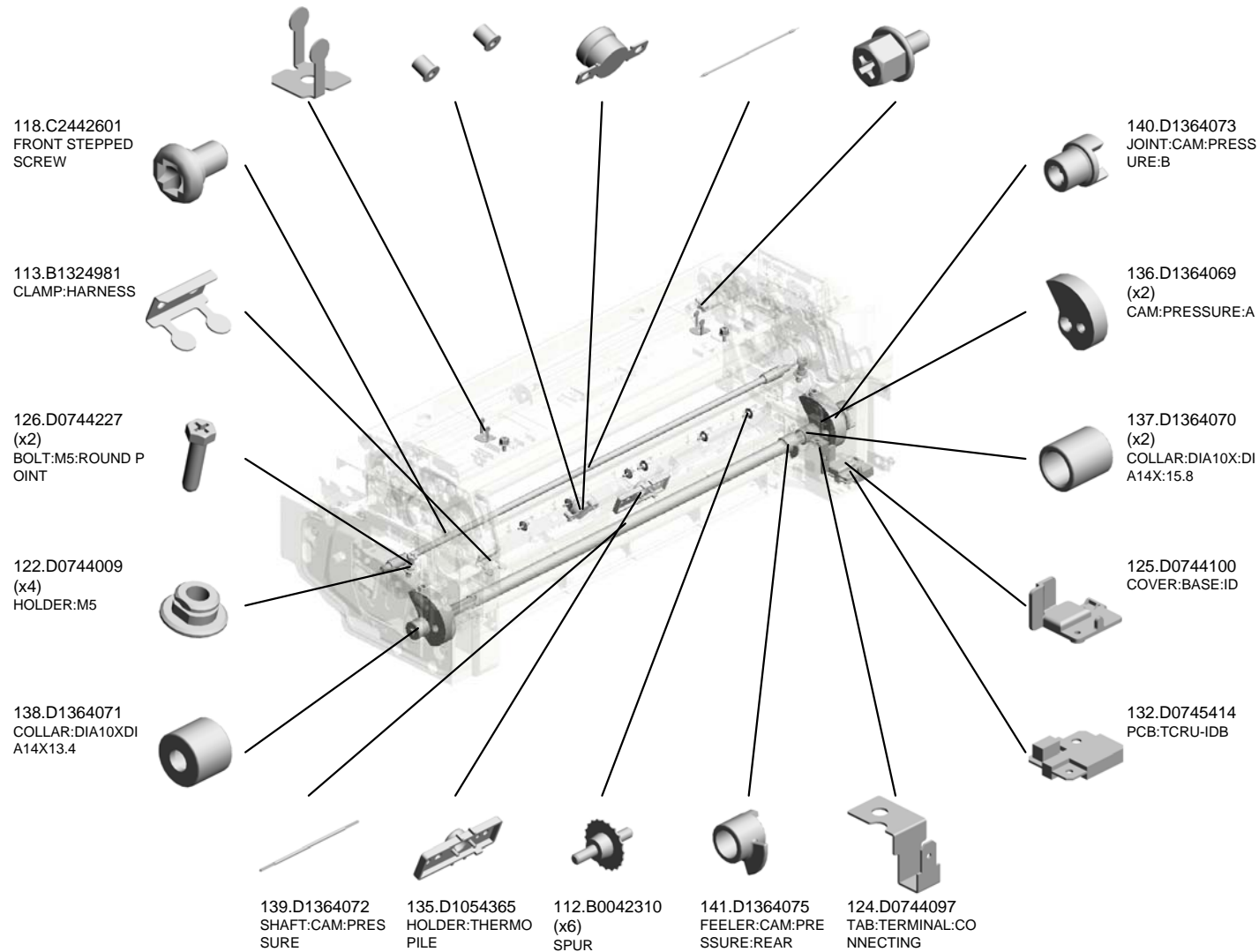
86.AB012212  
GEAR:HOT ROLLE  
R

U014\_S004  
FUSING UNIT:PRO:ASS'Y

- 121.D0144192 (x2) CLAMP:HARNES
- 123.D0744063 HOUSING:THERM  
OSTAT:ASS'Y
- 107.AW110044 THERMOSTAT:150  
C:250V/17A
- 111.AX430209 HEATER:PRESSUR  
E ROLLER:208V:60  
0W:INFRARED
- 116.B2342399 (x3) BOLT - M3X6

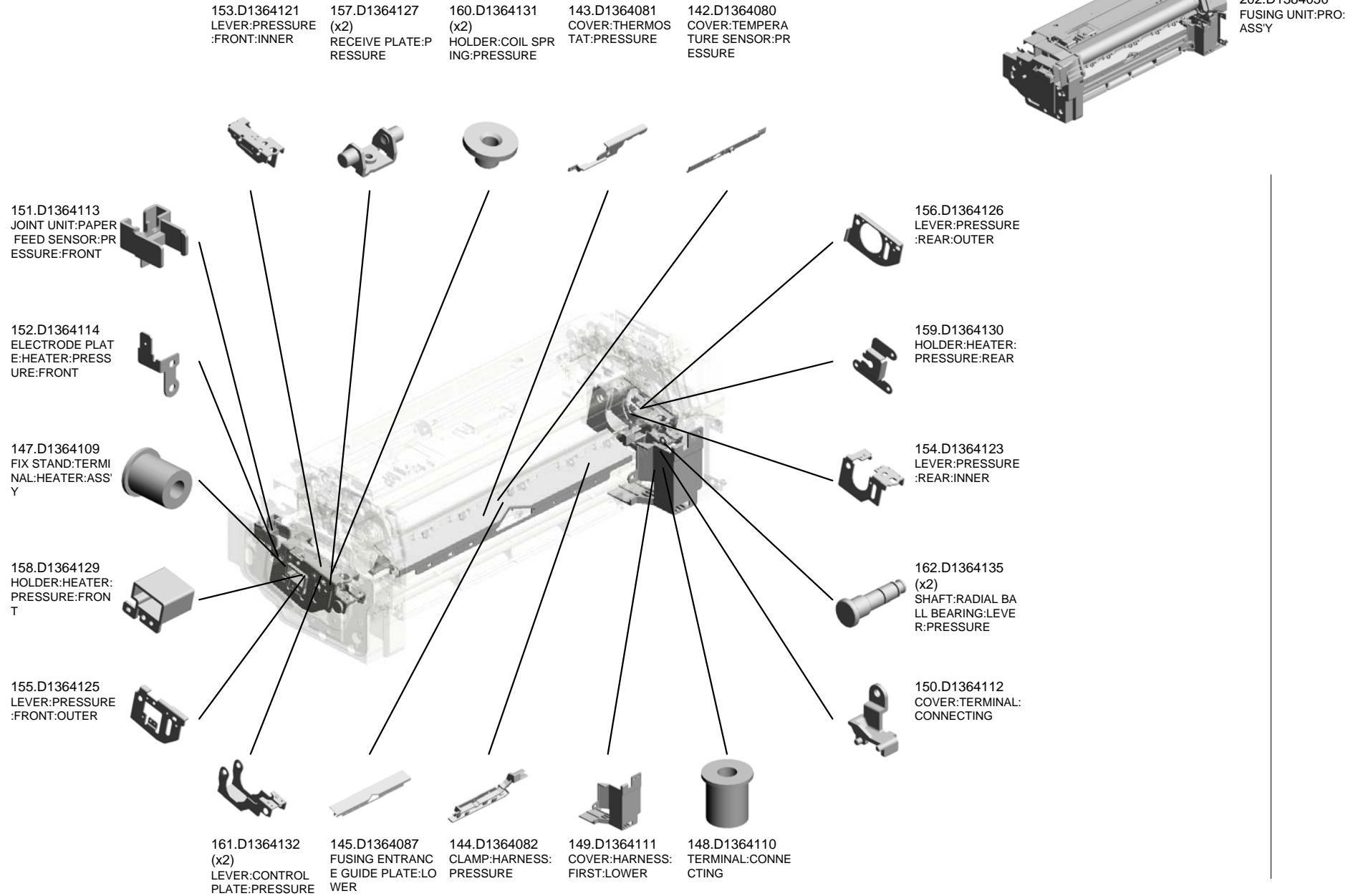


202.D1384050  
FUSING UNIT:PRO:  
ASS'Y



U001	U002	U003	U004	U005	U006	U007	U008	U009	U010	U011	U012	U013	U014	U015	U016	U017	U018	U019	U020
------	------	------	------	------	------	------	------	------	------	------	------	------	------	------	------	------	------	------	------

U014\_S004  
FUSING UNIT:PRO:ASS'Y



U014\_S004  
FUSING UNIT:PRO:ASS'Y

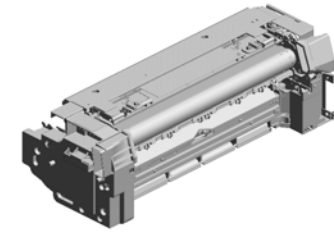
181.D1364236  
SPONGE:IH:DUCT:  
FRONT

164.D1364143  
HOOK:COIL SPRIN  
G:OPEN AND CLO  
SE:LEVER

171.D1364178  
COVER:FUSING E  
XIT:UPPER

165.D1364144  
COVER:SEPARATI  
ON:OPEN AND CL  
OSE:FIBER

169.D1364170  
BRACKET:STRIPP  
ER PLATE:REAR



202.D1384050  
FUSING UNIT:PRO:  
ASSY

168.D1364148  
GRIP:SEPARATION  
:OPEN AND CLOSE

174.D1364198  
(x2)  
CLAMP:HARNESS

167.D1364147  
LEVER:PAPER EXI  
T SUB-UNIT:OPEN  
AND CLOSE:FRON  
T

170.D1364173  
BRACKET:STRIPP  
ER PLATE:FRONT

175.D1364216  
(x2)  
BUSHING:HEAT R  
OLLER:SHAFT

185.D1364254  
STAY:FUSING:ENT  
RANCE

166.D1364146  
LEVER:PAPER EXI  
T SUB-UNIT:OPEN  
AND CLOSE:REAR

183.D1364241  
CLAMP:HARNESS:  
PRESSURE:HEATE  
R:REAR

182.D1364240  
COVER:FUSING U  
NIT:REAR

163.D1364136  
(x2)  
STEPPED SCREW:  
M5

177.D1364230  
FEELER:HEAT ROL  
LER:TURN

179.D1364232  
SHAFT:HEAT ROL  
LER:TURN:FEELER

178.D1364231  
BRACKET:SHAFT:  
HEAT ROLLER:TU  
RN:FEELER

176.D1364217  
LEVER:TENSION:H  
EAT ROLLER:REA  
R

184.D1364247  
SPONGE:IH:DUCT:  
REAR

U001	U002	U003	U004	U005	U006	U007	U008	U009	U010	U011	U012	U013	U014	U015	U016	U017	U018	U019	U020
------	------	------	------	------	------	------	------	------	------	------	------	------	------	------	------	------	------	------	------

U014\_S004  
FUSING UNIT:PRO:ASS'Y

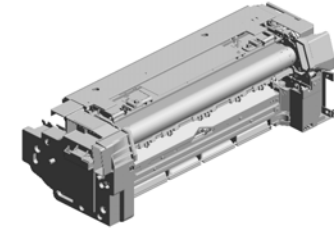
188.D1364263  
BRACKET:PAPER  
EXIT SUB-UNIT

215.D1384098  
(x2)  
CAM:ON-OFF:POLI  
SH:ROLLER

193.D1364281  
STOPPER:STRIPP  
ER PLATE:REAR

211.D1384090  
BRACKET:POLISH:  
ROLLER:REAR

216.D1384099  
SHAFT:JOINT:POLI  
SH:ROLLER:DRIVE



202.D1384050  
FUSING UNIT:PRO:  
ASS'Y

214.D1384097  
SHAFT:ON-OFF:CA  
M:POLISH

189.D1364265  
FILM:BRACKET:EXI  
T SENSOR

197.D1364430  
(x2)  
GRIP:GUIDE PIN:S  
EPARATION SUB-U  
NIT:OPEN AND CL  
OSE

213.D1384092  
BRACKET:POLISH:  
ROLLER:FRONT

192.D1364280  
STOPPER:STRIPP  
ER PLATE:FRONT

190.D1364275  
SHEET:PRESSURE  
:CAM:LOWER FRO  
NT

186.D1364258  
HOLDER:GUIDE:E  
NTRANCE:MIDDLE

195.D1364412  
LEVER:WEB:ASS'Y

201.D1364441  
COVER:HARNASS:  
LEFT INNER REAR

187.D1364259  
(x4)  
HOLDER:GUIDE:E  
NTRANCE

199.D1364435  
COVER:GRIP:FUSI  
NG UNIT:REAR

196.D1364428  
GRIP:FUSING UNIT  
:REAR

198.D1364431  
(x2)  
STOPPER:GUIDE P  
IN:SEPARATION S  
UB-UNIT:OPEN AN  
D CLOSE

200.D1364436  
COVER:CAM:REAR

191.D1364276  
SHEET:PRESSURE  
:CAM:LOWER REA  
R

U014\_S004  
FUSING UNIT:PRO:ASS'Y

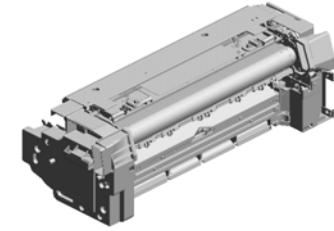
249.D1384190  
STOPPER:HOLDE  
R:ROLLER

219.D1384109  
HOOK:GEAR:ON-O  
FF

252.D1384405  
HOLDER:GEAR:ON  
-OFF

257.D1384426  
(x2)  
PLAIN SHAFT BEA  
RING:ROLLER:POL  
ISH

220.D1384110  
FEELER:SENSOR:  
ON-OFF



202.D1384050  
FUSING UNIT:PRO:  
ASS'Y

218.D1384101  
SHAFT:LEVER:PAP  
ER EXIT SUB-UNIT:  
OPEN AND CLOSE

217.D1384100  
SHAFT:TRANSMIS  
SION:POLISH:ROL  
LER:DRIVE

**246.D1384181**  
**FUSING BELT:DIAT**  
**5:PRO**

253.D1384411  
BRACKET:POLISH:  
FRONT

230.D1384124  
CAM:SHUTTER:DU  
CT:PRESSURE RO  
LLER:FUSING UNIT

227.D1384121  
FEELER:CAM:PRE  
SSURE:FRONT:PR  
O

229.D1384123  
TORSION SPRING:  
SHUTTER:DUCT:F  
USING UNIT

223.D1384117  
DUCT:PRESSURE:  
EXIT:CONNECTIN  
G:A

221.D1384115  
DUCT:PRESSURE:  
LOWER

228.D1384122  
SHUTTER:DUCT:P  
RESSURE ROLLER  
:FUSING UNIT

256.D1384423  
SHAFT:JOINT:POLI  
SH:ROLLER

224.D1384118  
DUCT:PRESSURE:  
EXIT

222.D1384116  
DUCT:PRESSURE:  
UPPER

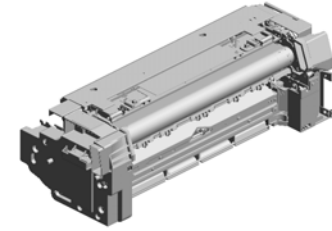
225.D1384119  
SEAL:DUCT:PRES  
SURE:LOWER:A

226.D1384120  
SEAL:DUCT:PRES  
SURE:ENTRANCE

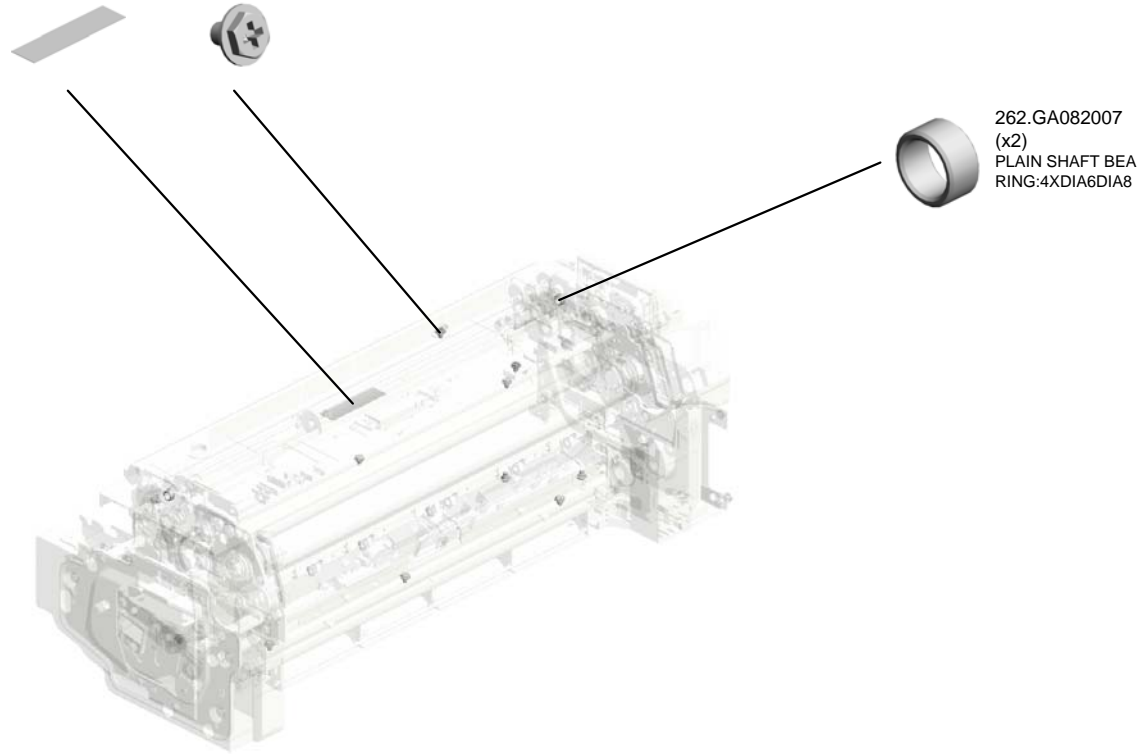
U014\_S004  
FUSING UNIT:PRO:ASS'Y

260.G1026341  
SHEET:SENSOR

259.D1441085  
(x14)  
STEPPED SCREW:  
M3



202.D1384050  
FUSING UNIT:PRO:  
ASS'Y



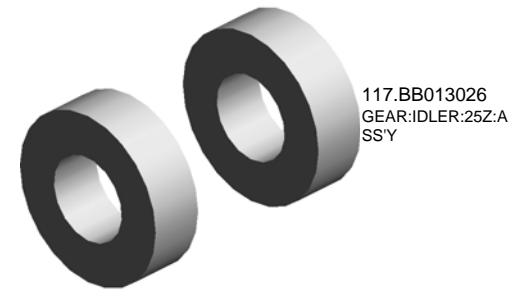
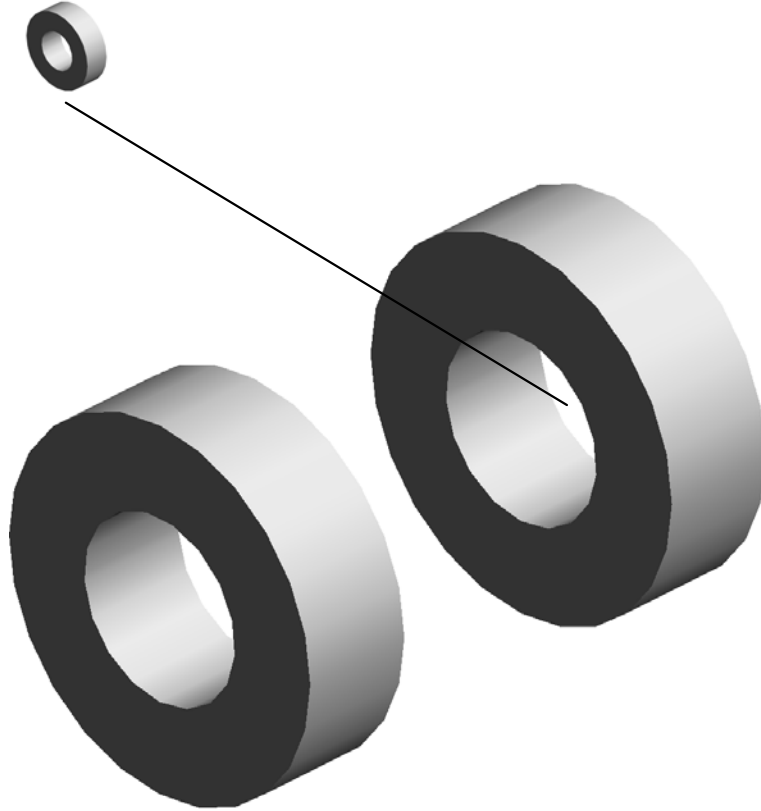
262.GA082007  
(x2)  
PLAIN SHAFT BEA  
RING:4XDIA6DIA8

U001	U002	U003	U004	U005	U006	U007	U008	U009	U010	U011	U012	U013	U014	U015	U016	U017	U018	U019	U020
------	------	------	------	------	------	------	------	------	------	------	------	------	------	------	------	------	------	------	------



U014\_S004\_S001  
GEAR:IDLER:25Z:ASS'Y

96.AE030035  
(x2)  
BALL BEARING - 6  
X16X5



117.BB013026  
GEAR:IDLER:25Z:A  
SS'Y

U001	U002	U003	U004	U005	U006	U007	U008	U009	U010	U011	U012	U013	U014	U015	U016	U017	U018	U019	U020
------	------	------	------	------	------	------	------	------	------	------	------	------	------	------	------	------	------	------	------

U014\_S004\_S002  
STRIPPER PLATE:UNI:FUSING:D137/D138:ASS'Y

259.D1441085  
(x2)  
STEPPED SCREW:  
M3



245.D1384160  
STRIPPER PLATE:  
UNI:FUSING:D137/  
D138:ASSY



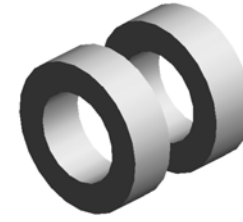
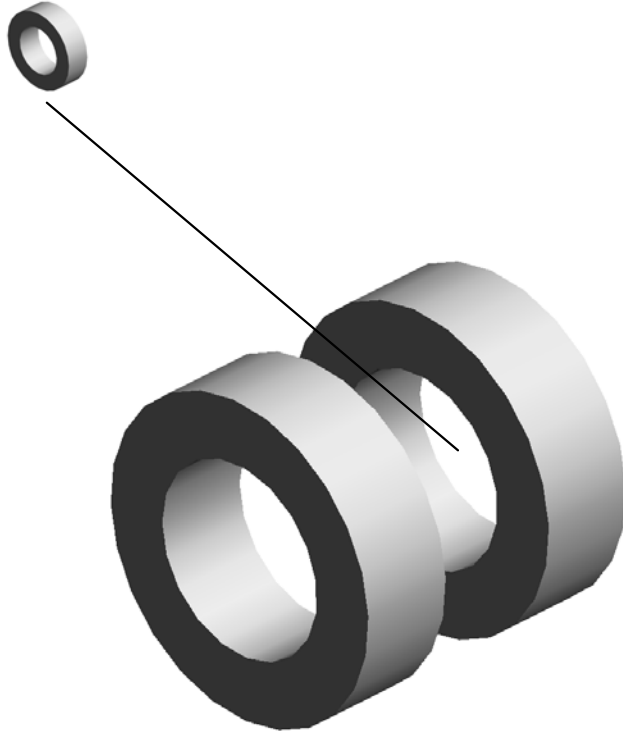
19.08010231  
(x3)  
HEXAGONAL HEA  
D BOLT W/WASHE  
R:M3X6



U001	U002	U003	U004	U005	U006	U007	U008	U009	U010	U011	U012	U013	U014	U015	U016	U017	U018	U019	U020
------	------	------	------	------	------	------	------	------	------	------	------	------	------	------	------	------	------	------	------

U014\_S004\_S003  
GEAR:POLISH:ROLLER:A

14.07403706  
(x2)  
BALL BEARING - M  
6X10X3

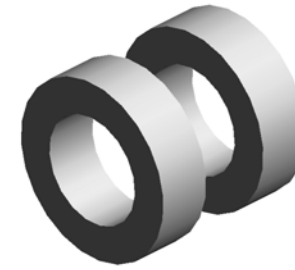
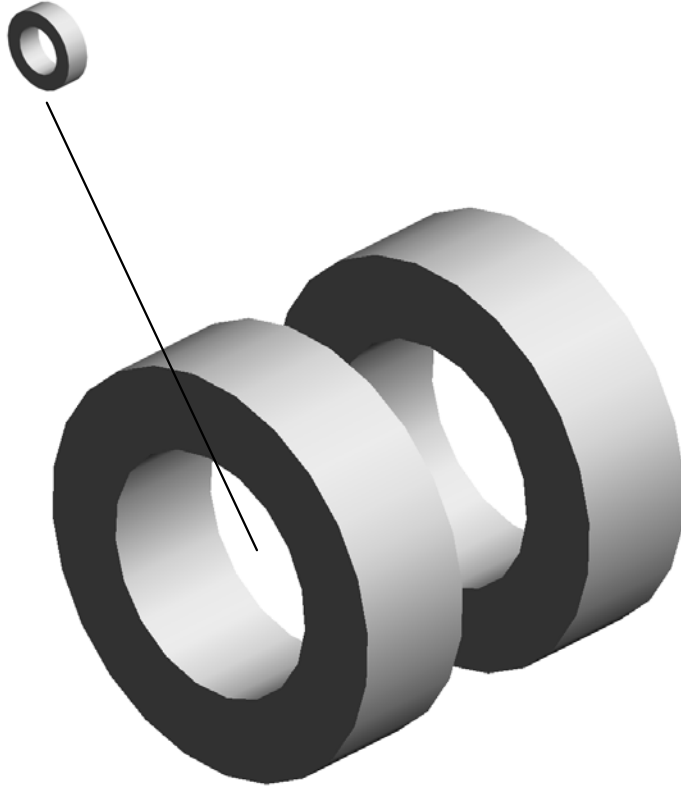


81.AB012207  
GEAR:POLISH:ROL  
LER:A

U001	U002	U003	U004	U005	U006	U007	U008	U009	U010	U011	U012	U013	U014	U015	U016	U017	U018	U019	U020
------	------	------	------	------	------	------	------	------	------	------	------	------	------	------	------	------	------	------	------

U014\_S004\_S004  
GEAR:POLISH:ROLLER:B

14.07403706  
(x2)  
BALL BEARING - M  
6X10X3

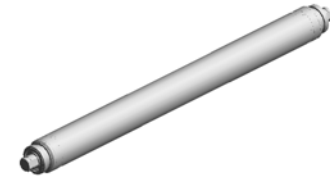


89.AB012216  
GEAR:POLISH:ROL  
LER:B

U001	U002	U003	U004	U005	U006	U007	U008	U009	U010	U011	U012	U013	U014	U015	U016	U017	U018	U019	U020
------	------	------	------	------	------	------	------	------	------	------	------	------	------	------	------	------	------	------	------

U014\_S004\_S005  
HEAT ROLLER:ASS'Y

11.07250150E  
(x4)  
RETAINING RING  
C - M15



172.D1364184  
HEAT ROLLER:AS  
SY



3.03603006N  
(x2)  
SCREW - M3X6



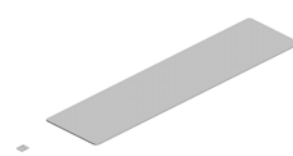
U001	U002	U003	U004	U005	U006	U007	U008	U009	U010	U011	U012	U013	U014	U015	U016	U017	U018	U019	U020
------	------	------	------	------	------	------	------	------	------	------	------	------	------	------	------	------	------	------	------

U014\_S004\_S006  
FUSING COVER:UPPER:ASS'Y

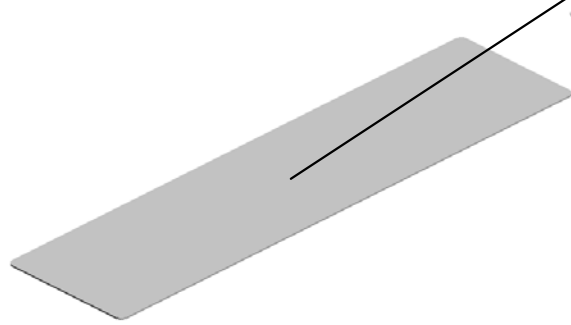
34.AA000290  
(x2)  
DECAL:POSITIONI  
NG DISPLAY:SCRE  
W:PET



32.AA000282  
DECAL:H-TEMP W  
ARNING:FUSING



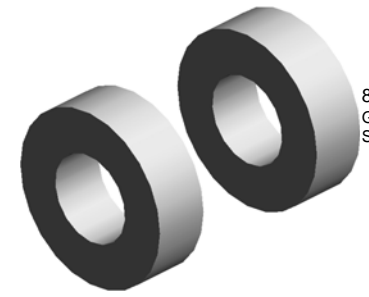
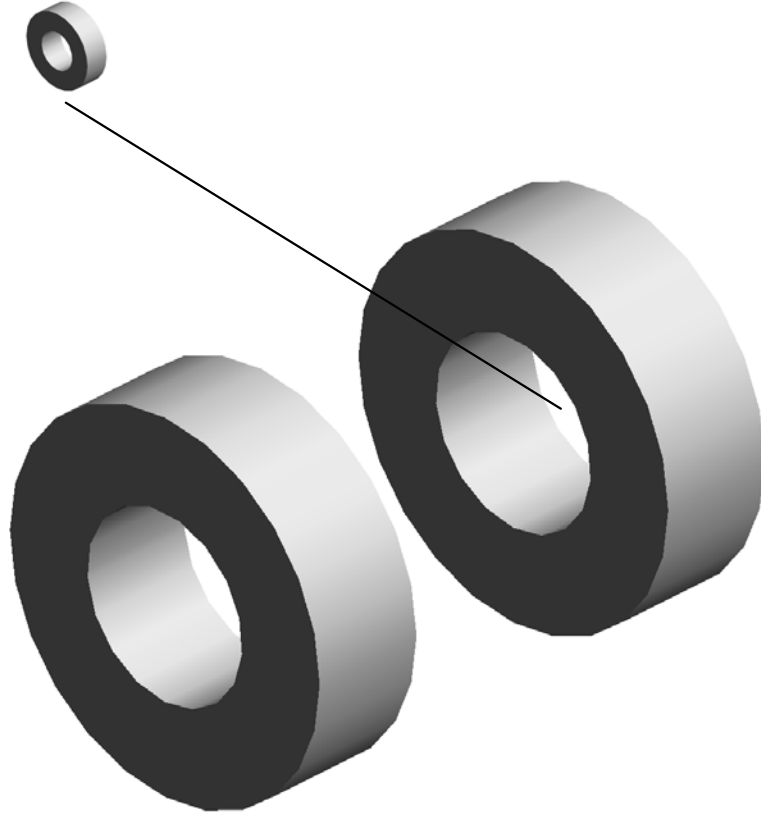
212.D1384091  
FUSING COVER:U  
PPER:ASS'Y



U001	U002	U003	U004	U005	U006	U007	U008	U009	U010	U011	U012	U013	U014	U015	U016	U017	U018	U019	U020
------	------	------	------	------	------	------	------	------	------	------	------	------	------	------	------	------	------	------	------

U014\_S004\_S007  
GEAR:JOINT:PRESSURE:ASS'Y

96.AE030035  
(x2)  
BALL BEARING - 6  
X16X5

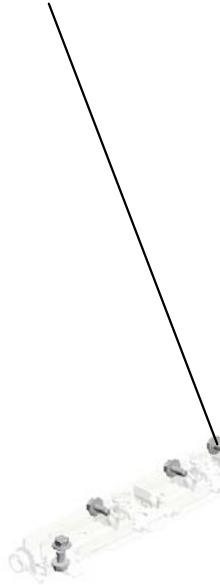


83.AB012209  
GEAR:JOINT:PRES  
SURE:ASS'Y

U001	U002	U003	U004	U005	U006	U007	U008	U009	U010	U011	U012	U013	U014	U015	U016	U017	U018	U019	U020
------	------	------	------	------	------	------	------	------	------	------	------	------	------	------	------	------	------	------	------

U014\_S004\_S008  
STRIPPER PLATE:UNIT:PRESSURE ROLLER:ASS'Y

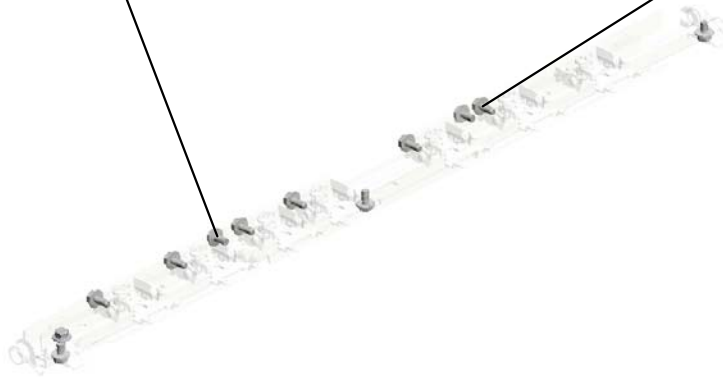
3.03603006N  
(x3)  
SCREW - M3X6



146.D1364090  
STRIPPER PLATE:  
UNIT:PRESSURE R  
OLLER:ASS'Y



19.08010231  
(x9)  
HEXAGONAL HEA  
D BOLT W/WASHE  
R:M3X6



U001	U002	U003	U004	U005	U006	U007	U008	U009	U010	U011	U012	U013	U014	U015	U016	U017	U018	U019	U020
------	------	------	------	------	------	------	------	------	------	------	------	------	------	------	------	------	------	------	------



U014\_S005  
WEB:CLEANING UNIT:ASS'Y

59.AA080355  
(x2)  
BUSHING - 7MM

55.AA066401  
TORSION SPRING:  
FEELER

60.AA080356  
(x3)  
BUSHING - 6MM

14.07403706  
(x4)  
BALL BEARING - M  
6X10X3

20.08046123  
HEXAGONAL BOLT  
:W/WASHER:M3X8



**203.D1384058**  
WEB:CLEANING U  
NIT:ASS'Y

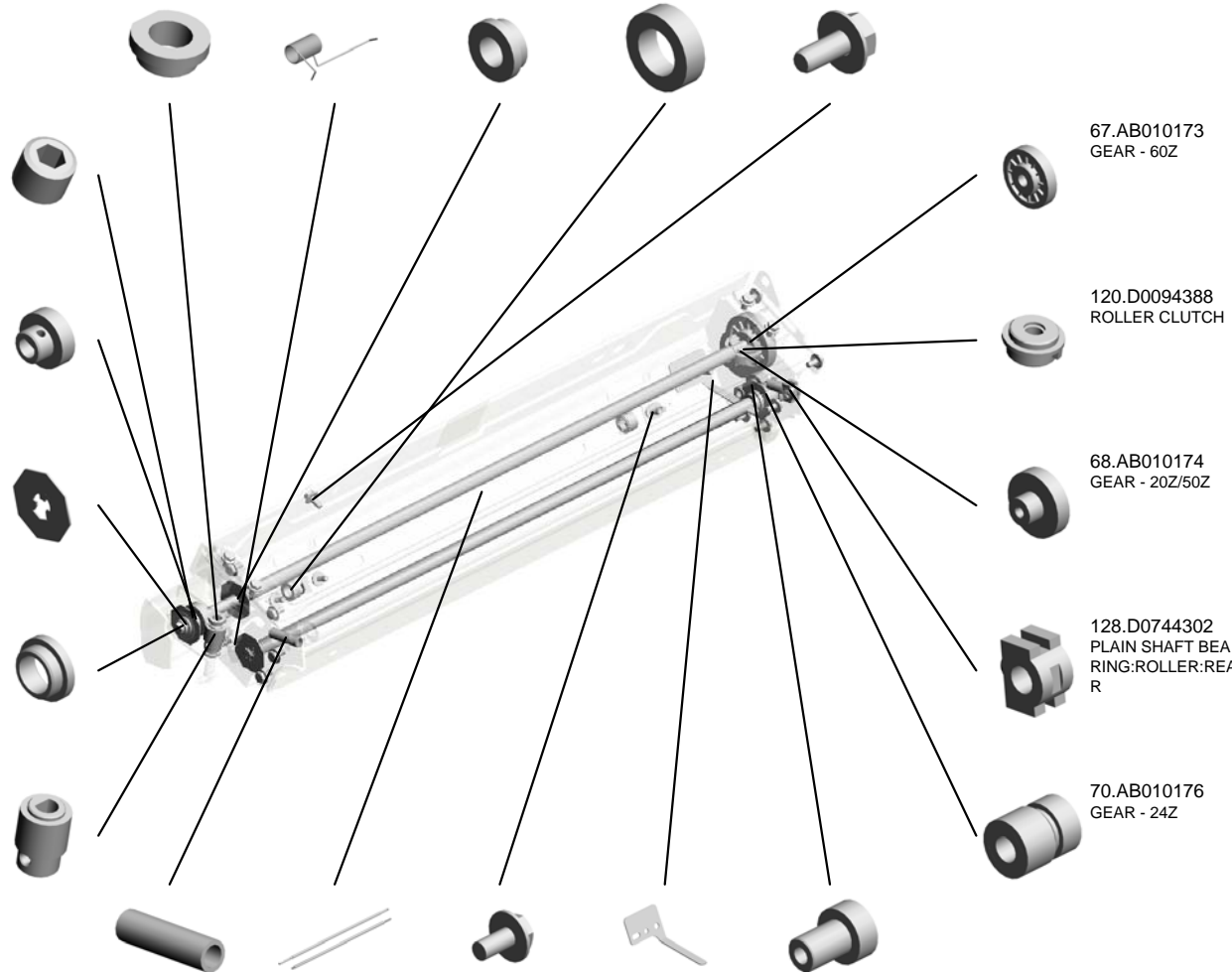
6.05730030E  
HEXAGON HEADL  
ESS SET SCREW -  
M3X3

71.AB010177  
GEAR - 32Z

8.07200040E  
(x6)  
RETAINING RING -  
M4

58.AA080354  
(x3)  
BUSHING - 6MM

72.AB010178  
WORM GEAR



67.AB010173  
GEAR - 60Z

120.D0094388  
ROLLER CLUTCH

68.AB010174  
GEAR - 20Z/50Z

128.D0744302  
PLAIN SHAFT BEA  
RING:ROLLER:REA  
R

70.AB010176  
GEAR - 24Z

42.AA061160  
(x2)  
COIL SPRING:WEB  
:TENSION:ROLLER

**99.AE045059**  
WEB:SUB-ASS'Y

3.03603006N  
(x19)  
SCREW - M3X6

**127.D0744300**  
SPRING PLATE:CL  
EANING UNIT:FUSI  
NG

69.AB010175  
GEAR - 24Z

U014\_S005  
 WEB:CLEANING UNIT:ASS'Y

208.D1384080  
 BRACKET:WEB:FRONT

207.D1384079  
 FEELER:CLEANING

206.D1384076  
 (x2)  
 BRACKET:CAM FOLLOWER:WEB:ON-OFF



203.D1384058  
 WEB:CLEANING UNIT:ASS'Y

250.D1384401  
 BRACKET:WEB:FRONT:AUXILIARY



209.D1384081  
 SHAFT:WORM GEAR:WEB:SUB-ASS'Y



259.D1441085  
 STEPPED SCREW:M3



210.D1384084  
 BRACKET:REAR:WEB:PEEN



129.D0744333  
 ROLLER:PLATE



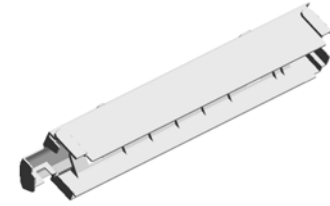
263.M0774200  
 MECHANICAL ROLLER CLUTCH:ROLLER



U001	U002	U003	U004	U005	U006	U007	U008	U009	U010	U011	U012	U013	U014	U015	U016	U017	U018	U019	U020
------	------	------	------	------	------	------	------	------	------	------	------	------	------	------	------	------	------	------	------

U014\_S005\_S001  
COVER:WEB:CLEANING FELT

131.D0744380  
DECAL:H-TEMP W  
ARNING:FUSING:  
WEB



205.D1384072  
COVER:WEB:CLEA  
NING FELT

U001	U002	U003	U004	U005	U006	U007	U008	U009	U010	U011	U012	U013	U014	U015	U016	U017	U018	U019	U020
------	------	------	------	------	------	------	------	------	------	------	------	------	------	------	------	------	------	------	------

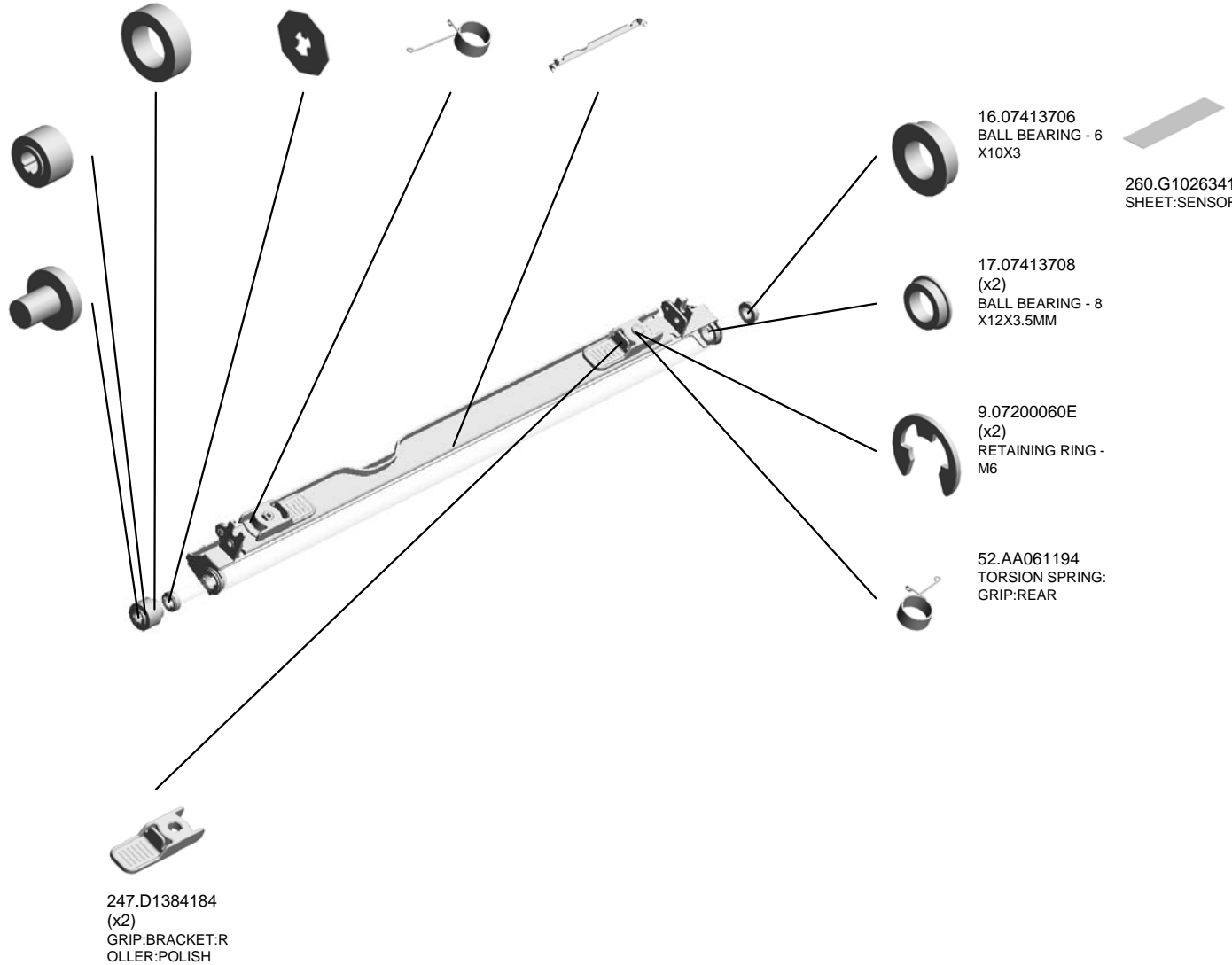
U014\_S006  
 ROLLER:POLISH:FLAT BELT-FUSING:SUB-ASS'Y

14.07403706 (x2) BALL BEARING - M6X10X3  
 8.07200040E (x3) RETAINING RING - M4  
 51.AA061193 TORSION SPRING: GRIP:FRONT  
 248.D1384185 BRACKET:ROLLER :POLISH:PEEN



78.AB012203  
 GEAR:DRIVE:ROLL  
 ER:FUSING:B

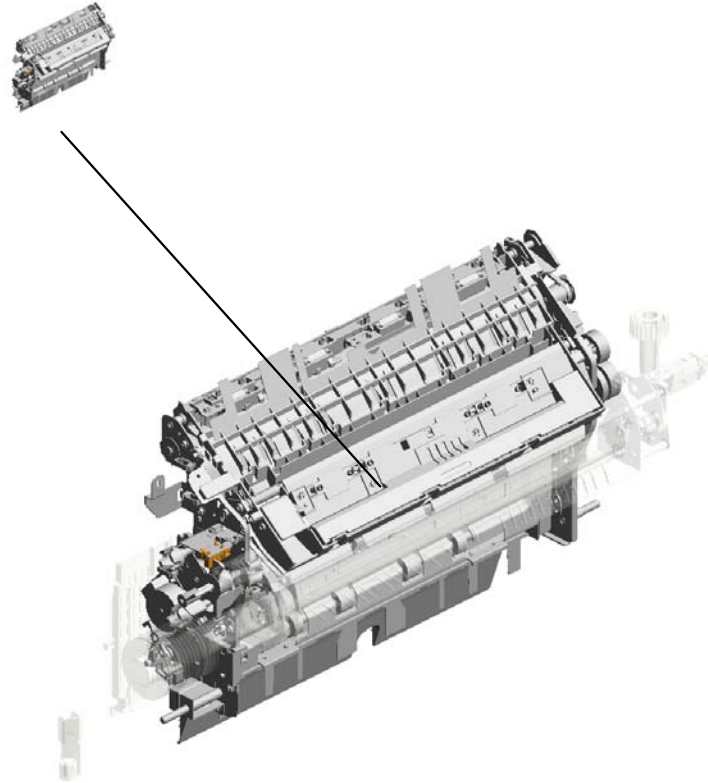
1.03530040N  
 (x2)  
 SCREW - M3X4



U001	U002	U003	U004	U005	U006	U007	U008	U009	U010	U011	U012	U013	U014	U015	U016	U017	U018	U019	U020
------	------	------	------	------	------	------	------	------	------	------	------	------	------	------	------	------	------	------	------

# U015.PAPER EXIT

U015\_S001  
D1367002  
PAPER EXIT UNIT:ASSY



U001	U002	U003	U004	U005	U006	U007	U008	U009	U010	U011	U012	U013	U014	U015	U016	U017	U018	U019	U020
------	------	------	------	------	------	------	------	------	------	------	------	------	------	------	------	------	------	------	------

# U015\_S001.PAPER EXIT UNIT:ASS'Y

U015\_S001\_S007  
D1367100  
GUIDE PLATE:EXIT:LEFT UP  
PER:ASS'Y

U015\_S001\_S011  
D1367181  
ROLLER:EXIT:MIDDLE:ASS'Y

U015\_S001\_S008  
D1367034  
HOLDER:DRIVEN ROLLER:EXIT:CONNECTING:ASS'Y

U015\_S001\_S010  
D1367190  
SHAFT:EXIT:EXIT:ASS'Y

U015\_S001\_S001  
D1357139  
GATE PAWL:PAPER EXIT SUB-UNIT:REVERSE:ENTRANCE:ASS'Y

U015\_S001\_S006  
D1367086  
GUIDE PLATE:EXIT:MIDDLE:ASS'Y

U015\_S001\_S003  
D1357162  
ROLLER:DRIVEN:NO.2:SHORT:ASS'Y

U015\_S001\_S012  
D1367183  
ROLLER:REVERSE:EXIT:ASS'Y

U015\_S001\_S002  
D1357145  
GRIP:OPEN AND CLOSE:GATE PAWL:ASS'Y

U015\_S001\_S009  
D1367110  
GUIDE PLATE:EXIT:LEFT LOWER:ASS'Y

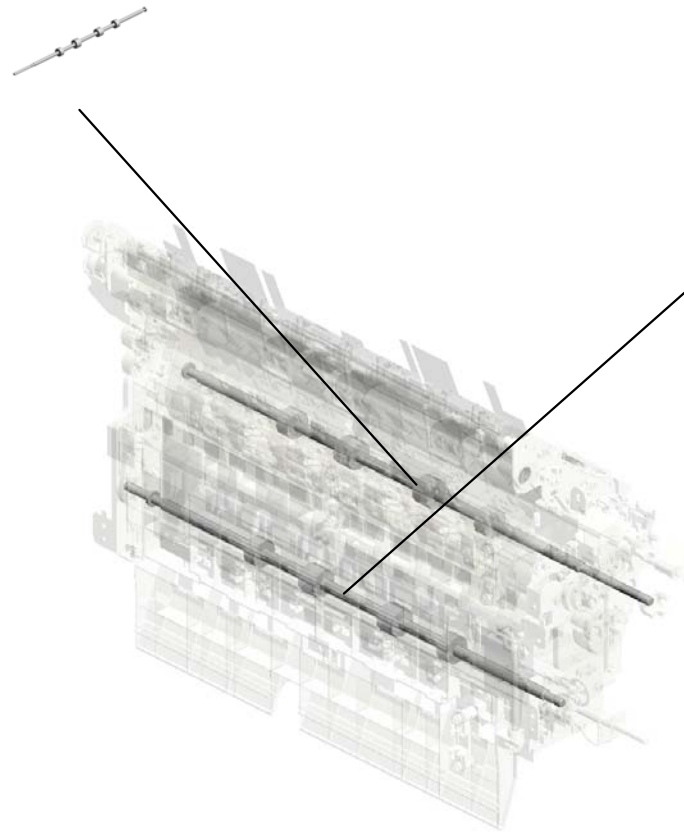
U015\_S001\_S005  
D1357164  
ROLLER:DRIVEN:NO.2:LONG:ASS'Y

U015\_S001\_S004  
D1357162  
ROLLER:DRIVEN:NO.2:SHORT:ASS'Y

U001	U002	U003	U004	U005	U006	U007	U008	U009	U010	U011	U012	U013	U014	U015	U016	U017	U018	U019	U020
------	------	------	------	------	------	------	------	------	------	------	------	------	------	------	------	------	------	------	------

# U015\_S001.PAPER EXIT UNIT:ASS'Y

U015\_S001\_S013  
D1367185  
ROLLER:REVERSE:ENTRAN  
CE:ASS'Y

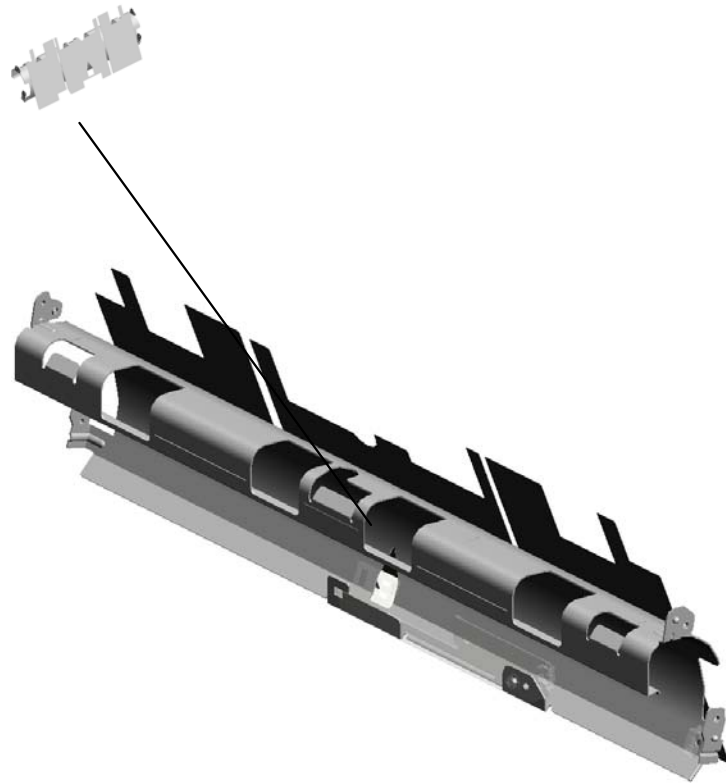


U015\_S001\_S014  
D1367183  
ROLLER:REVERSE:EXIT:ASS  
'Y

U001	U002	U003	U004	U005	U006	U007	U008	U009	U010	U011	U012	U013	U014	U015	U016	U017	U018	U019	U020
------	------	------	------	------	------	------	------	------	------	------	------	------	------	------	------	------	------	------	------

# U015\_S001\_S007.GUIDE PLATE:EXIT:LEFT UPPER:ASS'Y

U015\_S001\_S007\_S001  
D1367101  
GUIDE PLATE:EXIT:LEFT UP  
PER:ASS'Y



U001	U002	U003	U004	U005	U006	U007	U008	U009	U010	U011	U012	U013	U014	U015	U016	U017	U018	U019	U020
------	------	------	------	------	------	------	------	------	------	------	------	------	------	------	------	------	------	------	------



# U015\_S001\_S009.GUIDE PLATE:EXIT:LEFT LOWER:ASS'Y

U015\_S001\_S009\_S002  
D1357166  
ROLLER:DRIVEN:REVERSE  
EXIT:ASS'Y

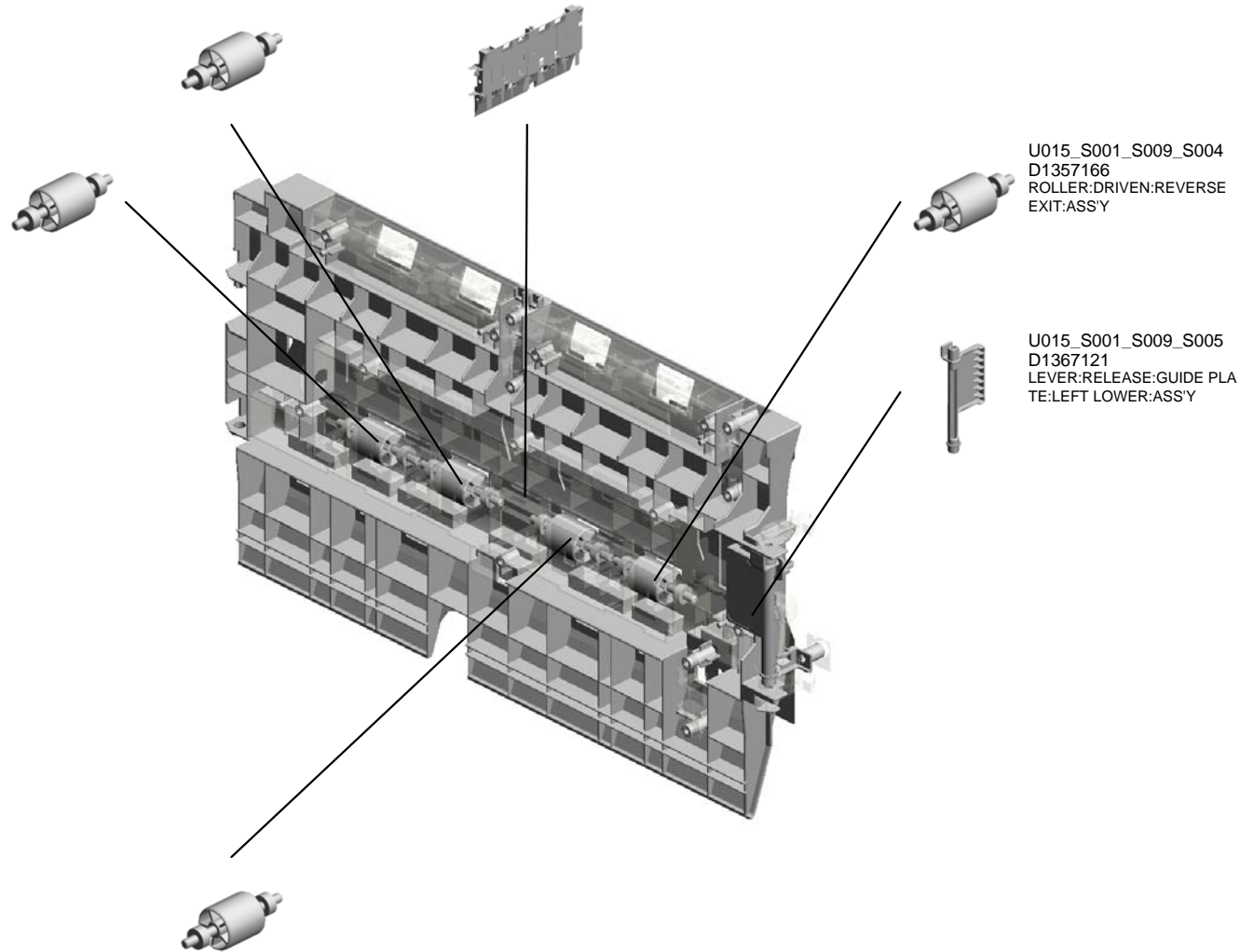
U015\_S001\_S009\_S006  
D1367111  
GUIDE PLATE:EXIT:LEFT LO  
WER:SUB-ASS'Y

U015\_S001\_S009\_S003  
D1357166  
ROLLER:DRIVEN:REVERSE  
EXIT:ASS'Y

U015\_S001\_S009\_S004  
D1357166  
ROLLER:DRIVEN:REVERSE  
EXIT:ASS'Y

U015\_S001\_S009\_S005  
D1367121  
LEVER:RELEASE:GUIDE PLA  
TE:LEFT LOWER:ASS'Y

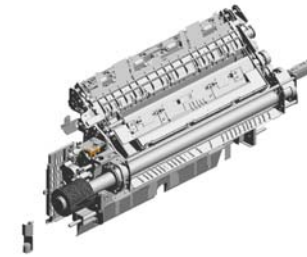
U015\_S001\_S009\_S001  
D1357166  
ROLLER:DRIVEN:REVERSE  
EXIT:ASS'Y



U001	U002	U003	U004	U005	U006	U007	U008	U009	U010	U011	U012	U013	U014	U015	U016	U017	U018	U019	U020
------	------	------	------	------	------	------	------	------	------	------	------	------	------	------	------	------	------	------	------

# U015 PAPER EXIT

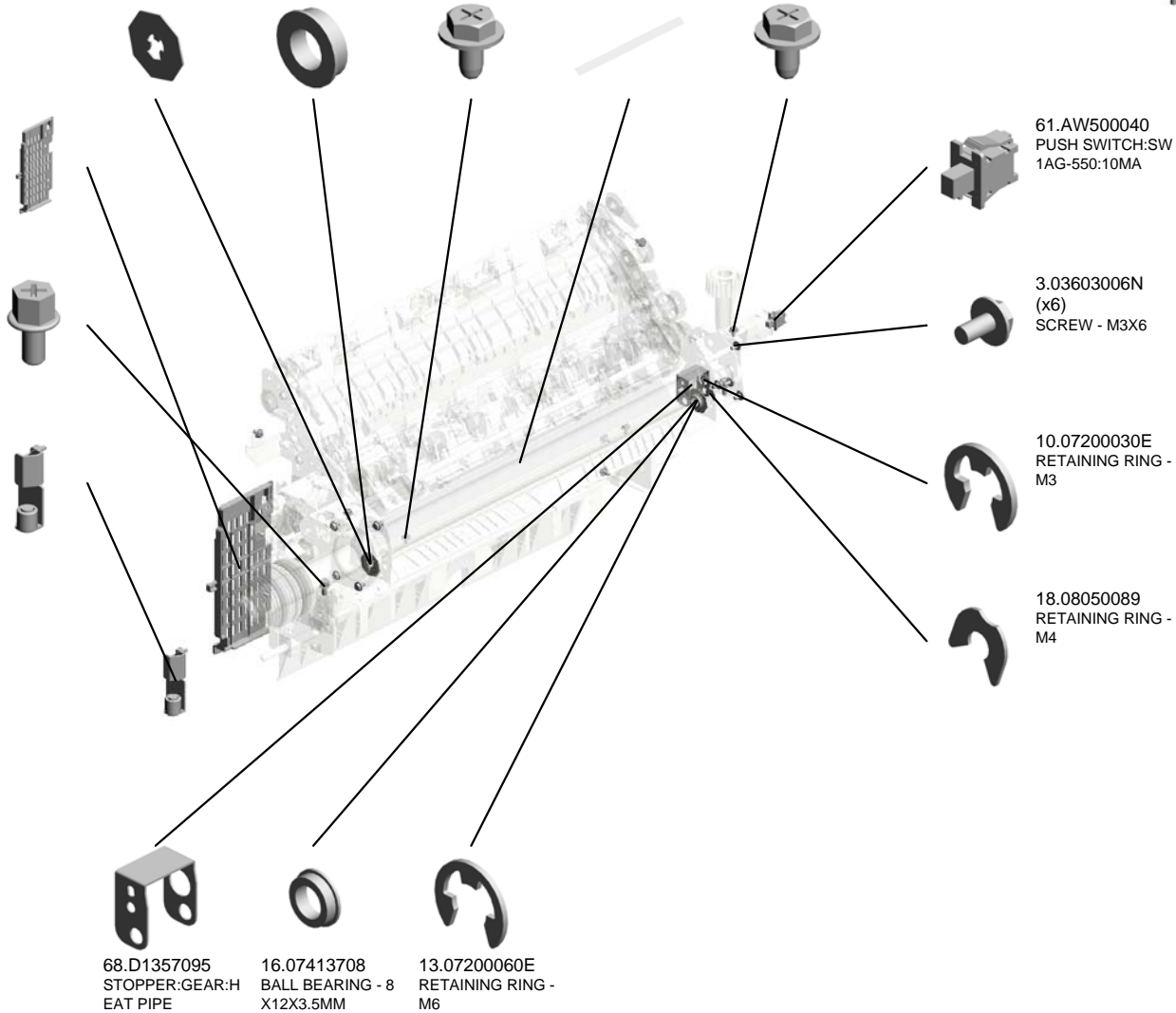
12.07200040E (x2) RETAINING RING - M4  
 15.07413706 BALL BEARING - 6 X10X3  
 5.04543006Q (x6) TAPPING SCREW - M3X6  
 67.D1357094 SHEET:GUIDE PLATE:HEAT PIPE:LEFT  
 4.04543006N (x8) TAPPING SCREW: ROUND POINT:3X6



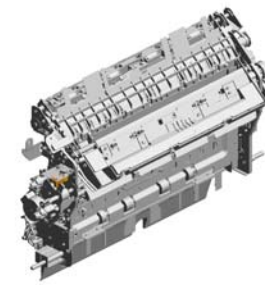
70.D1357105  
INNER COVER:EXIT:LEFT LOWER

63.B2342390 (x2)  
FLANGED HEXAGONAL HEAD BOLT: M4X8

69.D1357100  
BRACKET:HOLDER:ASSY



U015\_S001  
PAPER EXIT UNIT:ASS'Y



97.D1367002  
PAPER EXIT UNIT:  
ASS'Y

- 30.AA043677 SYNCHRONOUS B (x2) ELT:40S3M120
- 23.54472681 (x2) SNAP RING
- 8.06330120G (x4) PARALLEL PIN - 3X 12
- 9.07200020G (x2) RETAINING RING - M2
- 33.AA061146 TENSION SPRING: LINK:GATE PAWL

25.A4701703  
SHIFT CLUTCH

24.59374158  
SPRING WASHER - BD10

32.AA061145  
TENSION SPRING:  
TIGHTENER:EXIT

6.04583010N  
(x16)  
HEXAGON HEAD TAPPING SCREW:3 X10

5.04543006Q  
(x27)  
TAPPING SCREW - M3X6

12.07200040E  
(x22)  
RETAINING RING - M4

34.AA063717  
(x10)  
COMPRESSION SPRING:DRIVEN:EXIT :NO.2

18.08050089  
RETAINING RING - M4

1.03530040N  
(x2)  
SCREW - M3X4

2.03530060N  
(x2)  
BIND SCREW - M3 X6

22.11050760  
(x4)  
CLAMP:LWSM-051 1A

17.07433806  
(x5)  
RADIAL BALL BEARING: DIA6XDIA13X 5

20.11050692  
(x5)  
CLAMP:LES-0503

21.11050758  
(x12)  
CLAMP:LWSM-030 6A

11.07200030G  
(x2)  
RETAINING RING - M3

19.11050046  
(x23)  
HARNES BAND

34.AA063717  
(x2)  
COMPRESSION SPRING:DRIVEN:EXIT :NO.2

147.GW010007  
(x3)  
PHOTO REFLECTOR:EXIT

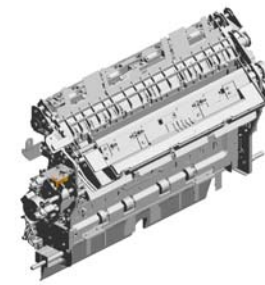


31.AA043702  
SYNCHRONOUS BELT: 80S3M204

82.D1357168  
ROLLER:DRIVEN:EXIT:EXIT

U001	U002	U003	U004	U005	U006	U007	U008	U009	U010	U011	U012	U013	U014	U015	U016	U017	U018	U019	U020
------	------	------	------	------	------	------	------	------	------	------	------	------	------	------	------	------	------	------	------

U015\_S001  
PAPER EXIT UNIT:ASS'Y



97.D1367002  
PAPER EXIT UNIT:  
ASSY

- 57.AB030884 PULLEY:EXIT:NO.2
- 47.AB012972 GEAR:SHAFT:HEAT PIPE
- 56.AB030883 PULLEY:EXIT:NO.1
- 42.AA066434 COIL SPRING:GUIDE PLATE:UPPER: OPEN AND CLOSE: REAR
- 43.AA082173 (x4) PLAIN SHAFT BEARING:6X10X6

54.AB030881 PULLEY:TORQUE LIMITER MECHANICAL CLUTCH

46.AB012971 GEAR:COUPLING:HEAT PIPE

53.AB017933 PULLEY:GEAR:EXIT

45.AB012970 GEAR:ROLLER:REVERSE:EXIT

50.AB017930 GEAR:REVERSE EXIT:IDLER:NO.1

55.AB030882 TIMING PULLEY:EXIT

44.AA120145 DISCHARGE BRUSH:REVERSE:17MM

35.AA063718 (x2) COMPRESSION SPRING:DRIVEN:EXIT:NO.1

38.AA063721 (x7) COMPRESSION SPRING:GATE:REVERSE EXIT

51.AB017931 GEAR:IDLER:DC STEPPER MOTOR:GATE PAWL

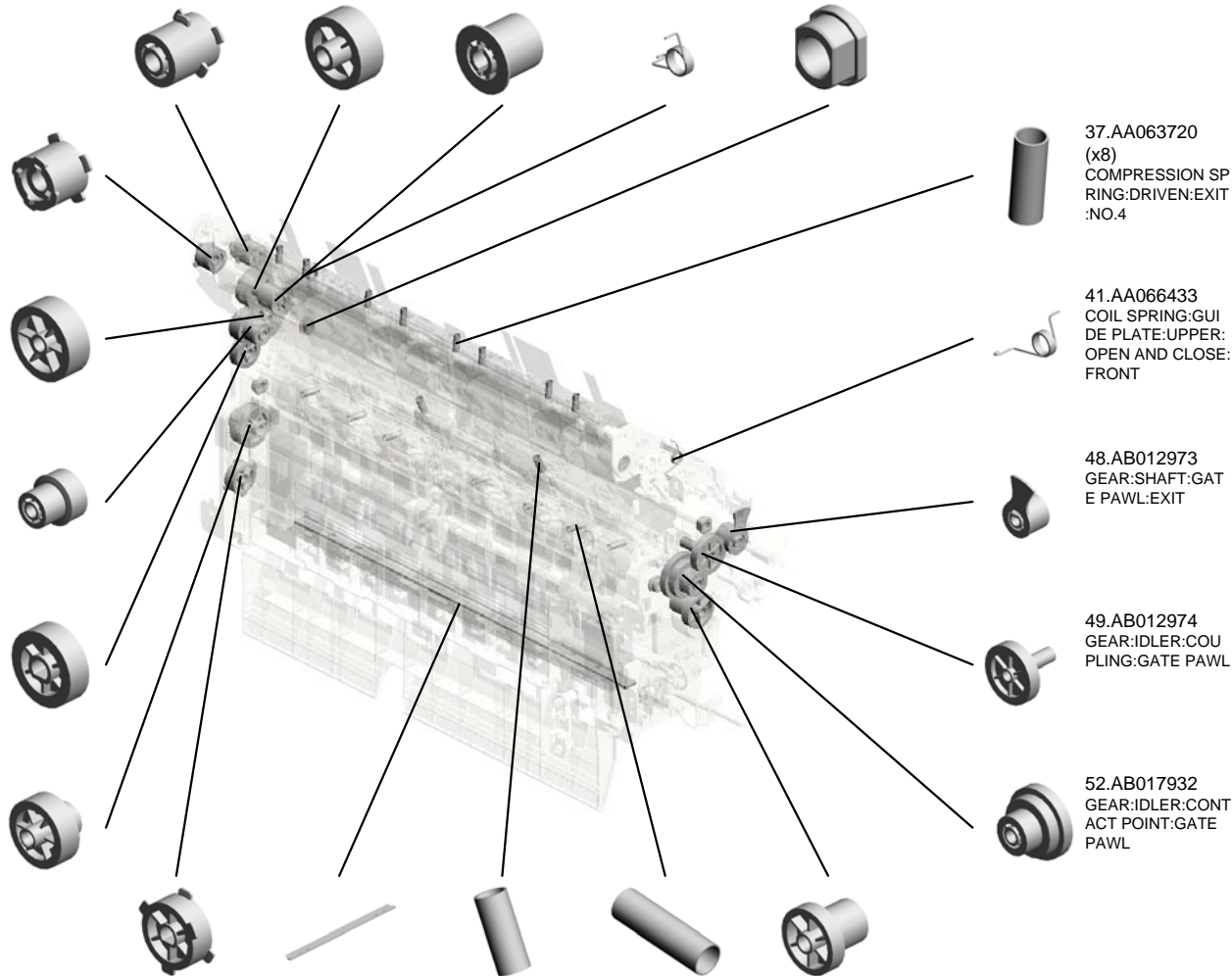
37.AA063720 (x8) COMPRESSION SPRING:DRIVEN:EXIT:NO.4

41.AA066433 COIL SPRING:GUIDE PLATE:UPPER: OPEN AND CLOSE: FRONT

48.AB012973 GEAR:SHAFT:GATE PAWL:EXIT

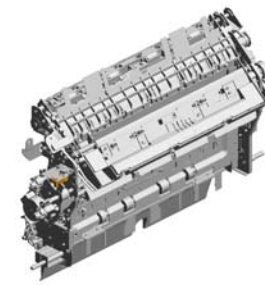
49.AB012974 GEAR:IDLER:COUPLING:GATE PAWL

52.AB017932 GEAR:IDLER:CONTACT POINT:GATE PAWL



U001	U002	U003	U004	U005	U006	U007	U008	U009	U010	U011	U012	U013	U014	U015	U016	U017	U018	U019	U020
------	------	------	------	------	------	------	------	------	------	------	------	------	------	------	------	------	------	------	------

# U015\_S001 PAPER EXIT UNIT:ASS'Y



97.D1367002  
PAPER EXIT UNIT:  
ASSY

72.D1357130  
BRACKET:TIGHTEN  
ER:EXIT:ASS'Y

82.D1357168  
(x3)  
ROLLER:DRIVEN:EX  
IT:EXIT

99.D1367081  
LINK:GATE PAWL:  
RETURN

78.D1357161  
(x4)  
ROLLER:DRIVEN:R  
O.1:SHORT

102.D1367088  
GUIDE PLATE:MID  
DLE:LEFT

64.B2474456  
SPRING - LOWER  
EXIT ROLLER

73.D1357134  
COLLAR:COUPLIN  
G:HEAT PIPE

104.D1367093  
(x4)  
GUIDE PLATE:DRIVE  
N:MIDDLE:SHORT

75.D1357136  
BRACKET:PAPER  
EXIT SUB-UNIT:RE  
VERSE:NO.1

65.B7002649  
TIMING BELT:40S2  
M144

105.D1367096  
SHAFT:GATE:REVER  
SE EXIT

100.D1367084  
GUIDE PLATE:EXIT  
:RIGHT LOWER

103.D1367090  
GUIDE PLATE:DRIVE  
N:MIDDLE:LONG

61.AW500040  
(x2)  
PUSH SWITCH:SW  
1AG-550:10MA

66.D0294439  
STOPPER:GATE PA  
WL:ENTRANCE

59.AF040071  
(x4)  
ROLLER:EXIT:EXIT

60.AW020203  
PHOTOINTERRUPTOR:  
GP1A173LCS 2F

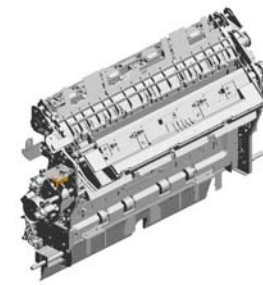
74.D1357135  
(x2)  
JOINT:EXIT:DRIVE

71.D1357122  
BRACKET:DC STEPPER  
MOTOR:GATE PAWL:  
ASSY

62.B2234441  
STEPPER MOTOR:  
DC24V 70.2W

U001	U002	U003	U004	U005	U006	U007	U008	U009	U010	U011	U012	U013	U014	U015	U016	U017	U018	U019	U020
------	------	------	------	------	------	------	------	------	------	------	------	------	------	------	------	------	------	------	------

U015\_S001  
PAPER EXIT UNIT:ASS'Y



97.D1367002  
PAPER EXIT UNIT:  
ASS'Y

- 132.D1367145 DISCHARGE BRUSH:EXIT:SUS
- 130.D1367139 HOLDER:DRIVEN ROLLER:EXIT:EXIT
- 141.D1367188 (x4) ROLLER:EXIT:EXIT :DUMMY
- 125.D1367131 GUIDE PLATE:EXIT :UPPER:ASS'Y
- 144.D1367194 (x16) PLAIN SHAFT BEARING:DIA4:EXIT

136.D1367159 CUSHION:STOPPER:GUIDE PLATE:EXIT:UPPER

135.D1367158 STOPPER:GUIDE PLATE:EXIT:UPPER

137.D1367160 BRACKET:CONTACT POINT:STOPPER:ASS'Y

127.D1367134 (x2) LEVER:FIX:GUIDE PLATE:UPPER

143.D1367193 (x6) HOLDER:PRESSURE:RADIAL BALL BEARING:EXIT

107.D1367098 (x3) GATE:REVERSE EXIT:REAR

146.D1444484 (x4) SHOULDER SCREW - M3

106.D1367097 (x4) GATE:REVERSE EXIT:FRONT

133.D1367151 DC SOLENOID:REVERSE EXIT:ASS'Y

134.D1367153 BRACKET:DC SOLENOID:REVERSE EXIT:ASS'Y

126.D1367133 SHAFT:RELEASE:GUIDE PLATE:UPPER

145.D1367199 SHEET:OPPOSED: REFLECTION PHOTO SENSOR

131.D1367140 GROUND PLATE:EXIT:GUIDE PLATE:UPPER

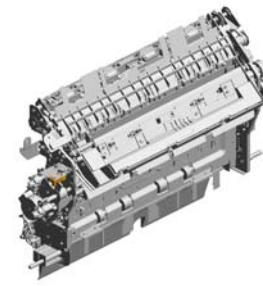
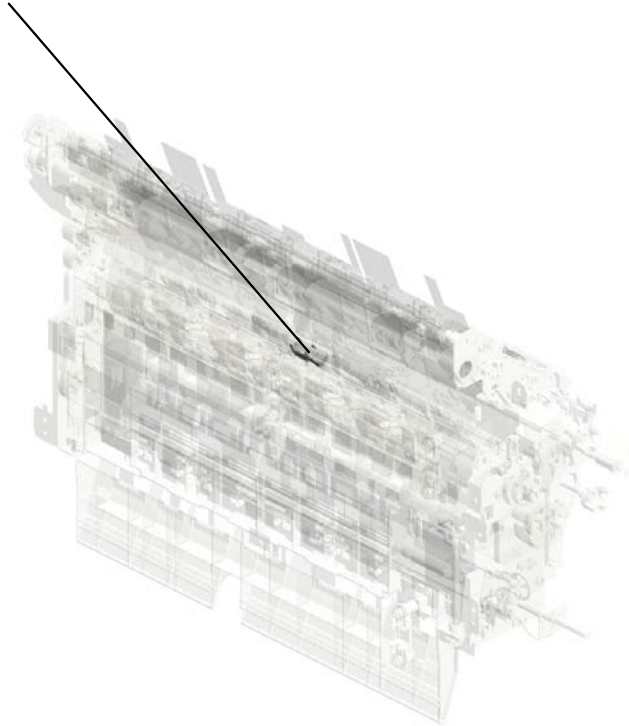
128.D1367135 LINK:GRIP:GUIDE PLATE:UPPER

129.D1367136 GRIP:GUIDE PLATE:EXIT:UPPER:ASS'Y

U001	U002	U003	U004	U005	U006	U007	U008	U009	U010	U011	U012	U013	U014	U015	U016	U017	U018	U019	U020
------	------	------	------	------	------	------	------	------	------	------	------	------	------	------	------	------	------	------	------

U015\_S001  
PAPER EXIT UNIT:ASS'Y

147.GW010007  
PHOTO REFLECTI  
ON SENSOR:EXIT



97.D1367002  
PAPER EXIT UNIT:  
ASS'Y

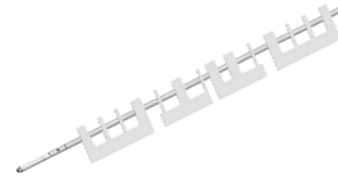
U001	U002	U003	U004	U005	U006	U007	U008	U009	U010	U011	U012	U013	U014	U015	U016	U017	U018	U019	U020
------	------	------	------	------	------	------	------	------	------	------	------	------	------	------	------	------	------	------	------

U015\_S001\_S001

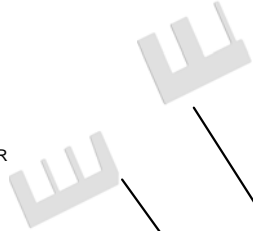
GATE PAWL:PAPER EXIT SUB-UNIT:REVERSE:ENTRANCE:ASS'Y

95.D1357185  
SHEET:TRANSPOR  
T:GATE PAWL:EXI  
T:REAR MIDDLE

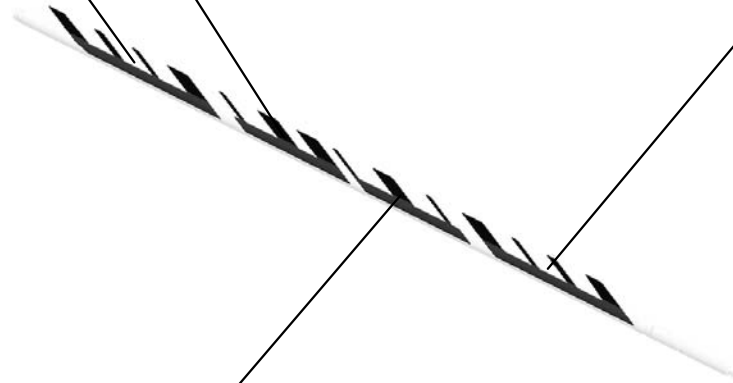
76.D1357139  
GATE PAWL:PAPE  
R EXIT SUB-UNIT:  
REVERSE:ENTRAN  
CE:ASSY



96.D1357186  
SHEET:TRANSPOR  
T:GATE PAWL:EXI  
T:REAR



93.D1357183  
SHEET:TRANSPOR  
T:GATE PAWL:EXI  
T:FRONT



94.D1357184  
SHEET:TRANSPOR  
T:GATE PAWL:EXI  
T:FRONT MIDDLE



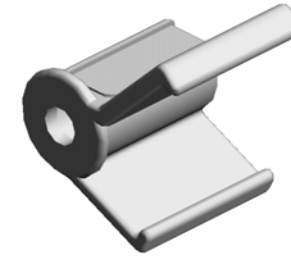
U001	U002	U003	U004	U005	U006	U007	U008	U009	U010	U011	U012	U013	U014	U015	U016	U017	U018	U019	U020
------	------	------	------	------	------	------	------	------	------	------	------	------	------	------	------	------	------	------	------



U015\_S001\_S002

GRIP:OPEN AND CLOSE:GATE PAWL:ASS'Y

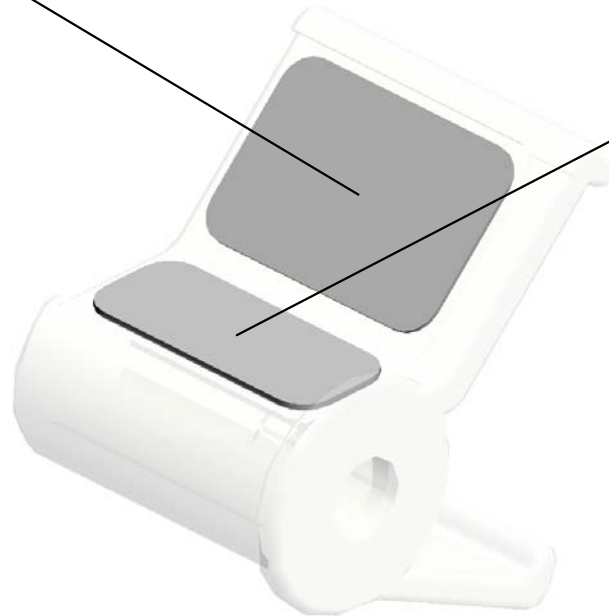
28.AA003062  
DECAL:GRIP:OPEN  
AND CLOSE:GATE  
PAWL:NO.1



77.D1357145  
GRIP:OPEN AND C  
LOSE:GATE PAWL:  
ASSY



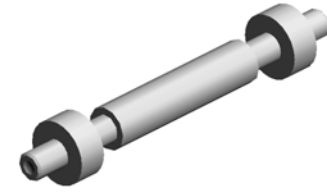
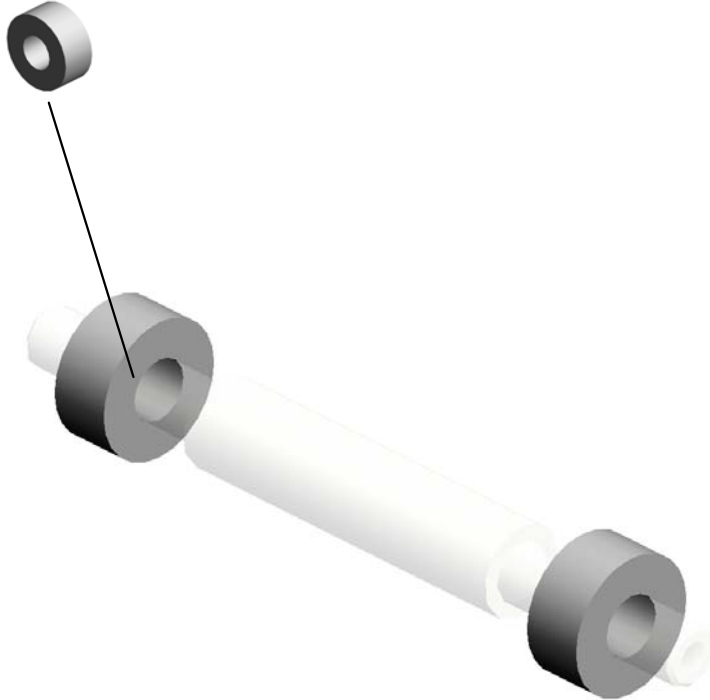
29.AA003064  
DECAL:GRIP:OPEN  
AND CLOSE:GATE  
PAWL:NO.2



U001	U002	U003	U004	U005	U006	U007	U008	U009	U010	U011	U012	U013	U014	U015	U016	U017	U018	U019	U020
------	------	------	------	------	------	------	------	------	------	------	------	------	------	------	------	------	------	------	------

U015\_S001\_S003  
ROLLER:DRIVEN:NO.2:SHORT:ASS'Y

14.07403804  
(x2)  
BALL BEARING:DIA  
4XDIA9X4

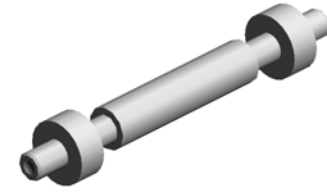
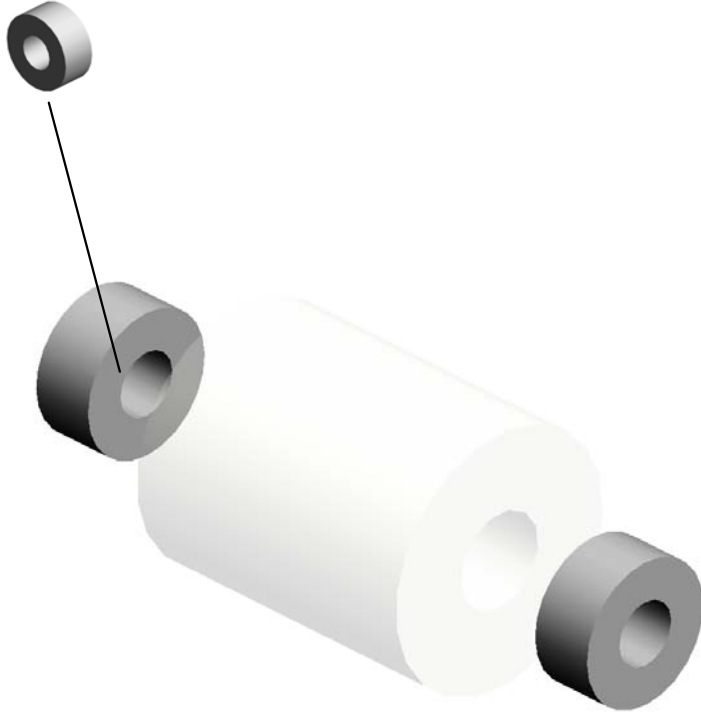


79.D1357162  
ROLLER:DRIVEN:NO.2:SHORT:ASS'Y

U001	U002	U003	U004	U005	U006	U007	U008	U009	U010	U011	U012	U013	U014	U015	U016	U017	U018	U019	U020
------	------	------	------	------	------	------	------	------	------	------	------	------	------	------	------	------	------	------	------

U015\_S001\_S004  
ROLLER:DRIVEN:NO.2:SHORT:ASS'Y

14.07403804  
(x2)  
BALL BEARING:DIA  
4XDIA9X4

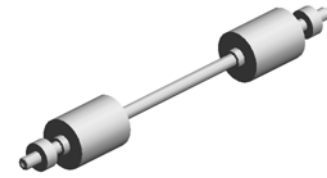


79.D1357162  
ROLLER:DRIVEN:NO.2:SHORT:ASS'Y

U001	U002	U003	U004	U005	U006	U007	U008	U009	U010	U011	U012	U013	U014	U015	U016	U017	U018	U019	U020
------	------	------	------	------	------	------	------	------	------	------	------	------	------	------	------	------	------	------	------

U015\_S001\_S005  
ROLLER:DRIVEN:NO.2:LONG:ASS'Y

14.07403804  
(x2)  
BALL BEARING:DIA  
4XDIA9X4



80.D1357164  
ROLLER:DRIVEN:N  
O.2:LONG:ASS'Y

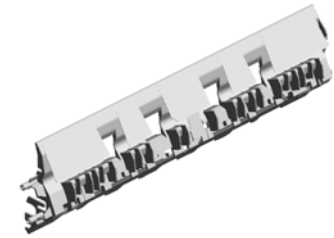


U001	U002	U003	U004	U005	U006	U007	U008	U009	U010	U011	U012	U013	U014	U015	U016	U017	U018	U019	U020
------	------	------	------	------	------	------	------	------	------	------	------	------	------	------	------	------	------	------	------

U015\_S001\_S006  
 GUIDE PLATE:EXIT:MIDDLE:ASS'Y

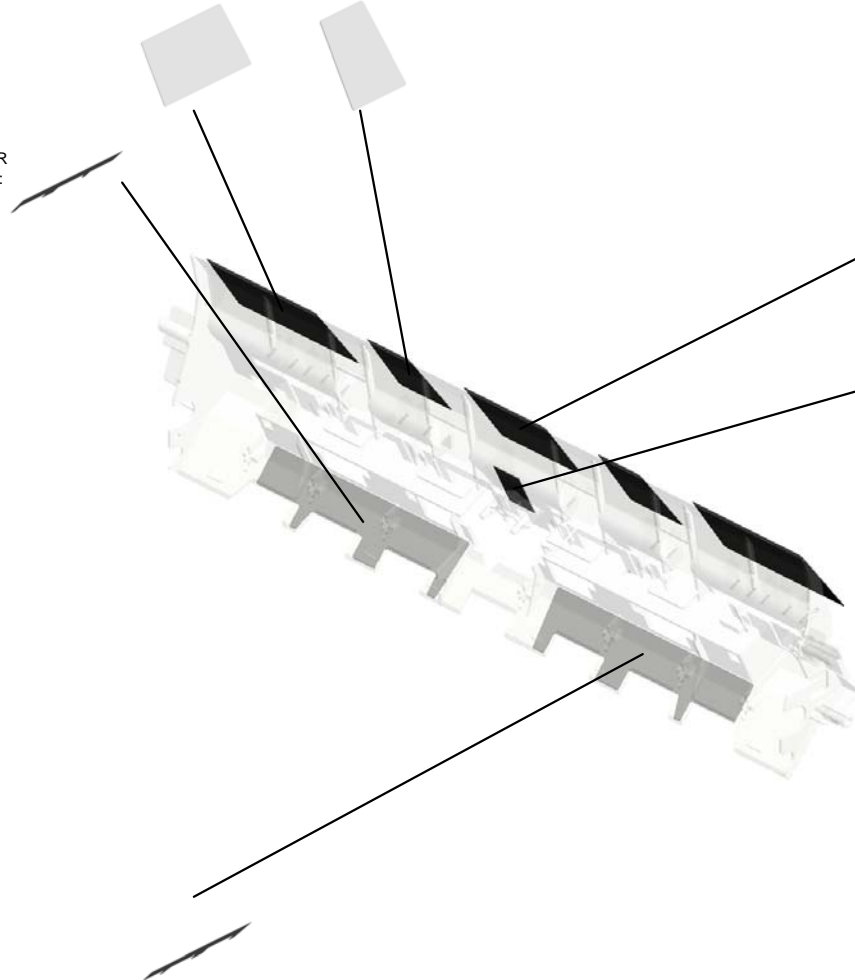
90.D1357178 (x2)  
 SHEET:TRANSPOR  
 T:MIDDLE:UPPER:  
 FRONT REAR

91.D1357179 (x2)  
 SHEET:TRANSPOR  
 T:MIDDLE:UPPER:  
 MIDDLE SIDEWAY  
 S



101.D1367086  
 GUIDE PLATE:EXIT  
 :MIDDLE:ASS'Y

88.D1357176  
 SHEET:TRANSPOR  
 T:MIDDLE:LOWER:  
 FRONT



92.D1357180  
 SHEET:TRANSPOR  
 T:MIDDLE:UPPER:  
 MIDDLE

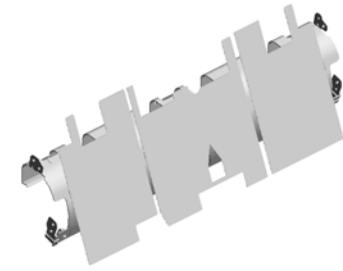
145.D1367199  
 SHEET:OPPOSED:  
 REFLECTION PHO  
 TO SENSOR

89.D1357177  
 SHEET:TRANSPOR  
 T:MIDDLE:LOWER:  
 REAR

U001	U002	U003	U004	U005	U006	U007	U008	U009	U010	U011	U012	U013	U014	U015	U016	U017	U018	U019	U020
------	------	------	------	------	------	------	------	------	------	------	------	------	------	------	------	------	------	------	------

U015\_S001\_S007  
GUIDE PLATE:EXIT:LEFT UPPER:ASS'Y

5.04543006Q 20.11050692  
TAPPING SCREW - CLAMP:LES-0503  
M3X6



148.D1367100  
GUIDE PLATE:EXIT  
:LEFT UPPER:ASS'  
Y



21.11050758  
CLAMP:LWSM-030  
6A



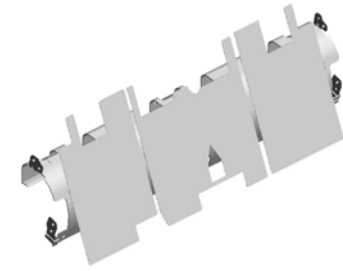
147.GW010007  
PHOTO REFLECTI  
ON SENSOR:EXIT



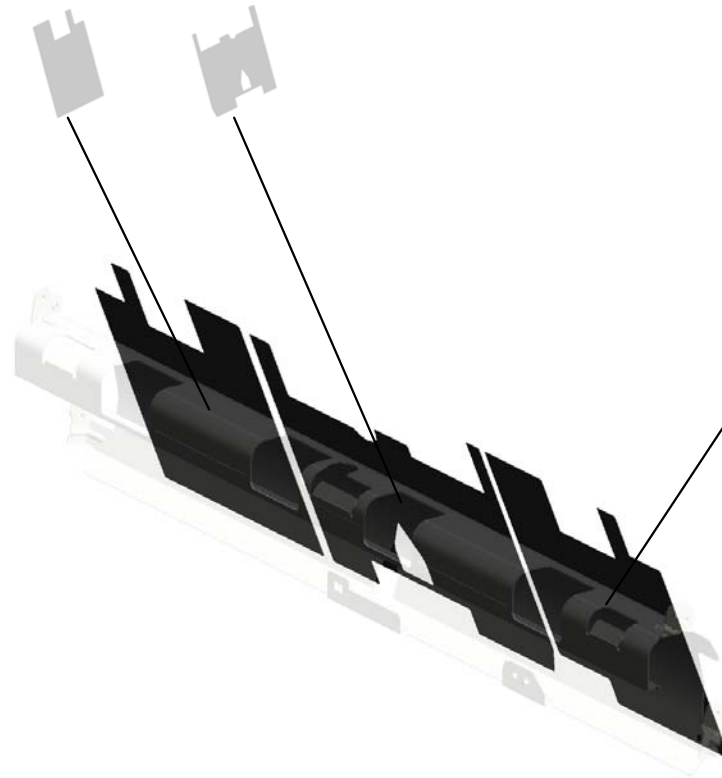
U001	U002	U003	U004	U005	U006	U007	U008	U009	U010	U011	U012	U013	U014	U015	U016	U017	U018	U019	U020
------	------	------	------	------	------	------	------	------	------	------	------	------	------	------	------	------	------	------	------

U015\_S001\_S007\_S001  
GUIDE PLATE:EXIT:LEFT UPPER:ASS'Y

111.D1367106    109.D1367104  
SHEET:TRANSPOR    SHEET:TRANSPOR  
T:REVERSE:EXIT:R    T:REVERSE:EXIT  
EAR



108.D1367101  
GUIDE PLATE:EXIT  
:LEFT UPPER:ASS'  
Y

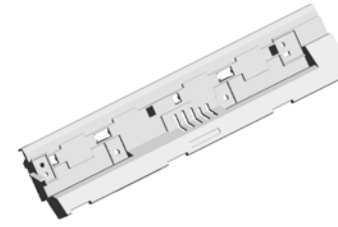


110.D1367105  
SHEET:TRANSPOR  
T:REVERSE:EXIT:F  
RONT

U001	U002	U003	U004	U005	U006	U007	U008	U009	U010	U011	U012	U013	U014	U015	U016	U017	U018	U019	U020
------	------	------	------	------	------	------	------	------	------	------	------	------	------	------	------	------	------	------	------

U015\_S001\_S008  
HOLDER:DRIVEN ROLLER:EXIT:CONNECTING:ASS'Y

27.AA003059  
DECAL:EXIT:GUID  
E PLATE:UPPER:P  
USH



98.D1367034  
HOLDER:DRIVEN  
ROLLER:EXIT:CON  
NECTING:ASSY



U001	U002	U003	U004	U005	U006	U007	U008	U009	U010	U011	U012	U013	U014	U015	U016	U017	U018	U019	U020
------	------	------	------	------	------	------	------	------	------	------	------	------	------	------	------	------	------	------	------



U015\_S001\_S009

GUIDE PLATE:EXIT:LEFT LOWER:ASS'Y

114.D1367114  
HOLDER:DRIVEN  
ROLLER:REVERSE  
:EXIT:REAR

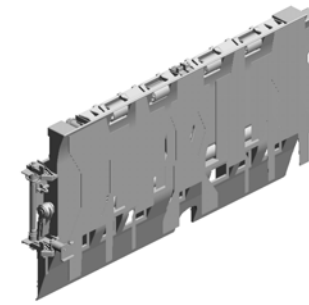
78.D1357161  
(x4)  
ROLLER:DRIVEN:N  
O.1:SHORT

113.D1367113  
HOLDER:DRIVEN  
ROLLER:REVERSE  
:EXIT:FRONT

119.D1367120  
(x2)  
BRACKET:LEVER:F  
IX:GUIDE PLATE:L  
EFT LOWER

39.AA066431  
COIL SPRING:OPE  
N AND CLOSE:LEF  
T LOWER:GUIDE P  
LATE:UPPER

149.D1367110  
GUIDE PLATE:EXIT  
:LEFT LOWER:ASS'  
Y



6.04583010N  
(x15)  
HEXAGON HEAD T  
APPING SCREW:3  
X10

12.07200040E  
RETAINING RING -  
M4

115.D1367115  
LINK:ON-OFF:REV  
ERSE EXIT

122.D1367124  
HOLDER:DRIVEN  
ROLLER:REVERSE  
EXIT

34.AA063717  
(x16)  
COMPRESSION SP  
RING:DRIVEN:EXIT  
:NO.2

121.D1367123  
(x3)  
HOLDER:PRESSU  
RE:GUIDE PLATE:  
EXIT

36.AA063719  
(x6)  
COMPRESSION SP  
RING:HOLDER:GUI  
DE PLATE:EXIT

9.07200020G  
(x3)  
RETAINING RING -  
M2

40.AA066432  
COIL SPRING:OPE  
N AND CLOSE:LEF  
T LOWER:GUIDE P  
LATE:LOWER

116.D1367117  
LEVER:LINK:ON-O  
FF:REVERSE EXIT

117.D1367118  
(x2)  
LEVER:FIX:GUIDE  
PLATE:LEFT LOWE  
R

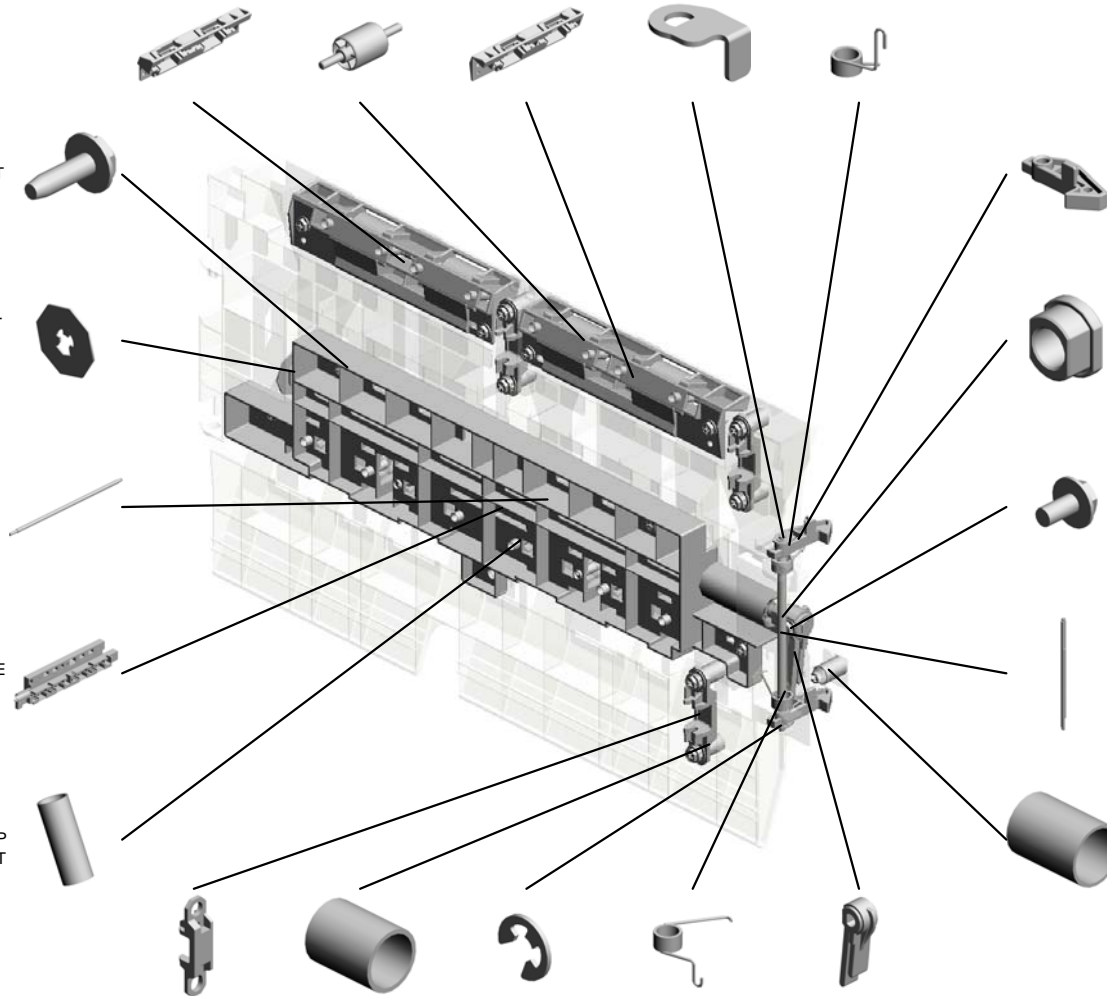
58.AF022067  
(x3)  
GUIDE STOPPER  
ROLLER

43.AA082173  
(x2)  
PLAIN SHAFT BEA  
RING:6X10X6

3.03603006N  
SCREW - M3X6

118.D1367119  
SHAFT:LEVER:GUI  
DE PLATE:LEFT LO  
WER

123.D1367125  
COMPRESSION SP  
RING:PLATE:ON O  
FF DETECTOR:LEF  
T LOWER

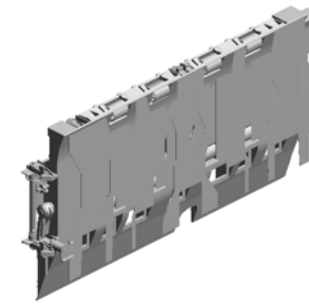


U015\_S001\_S009

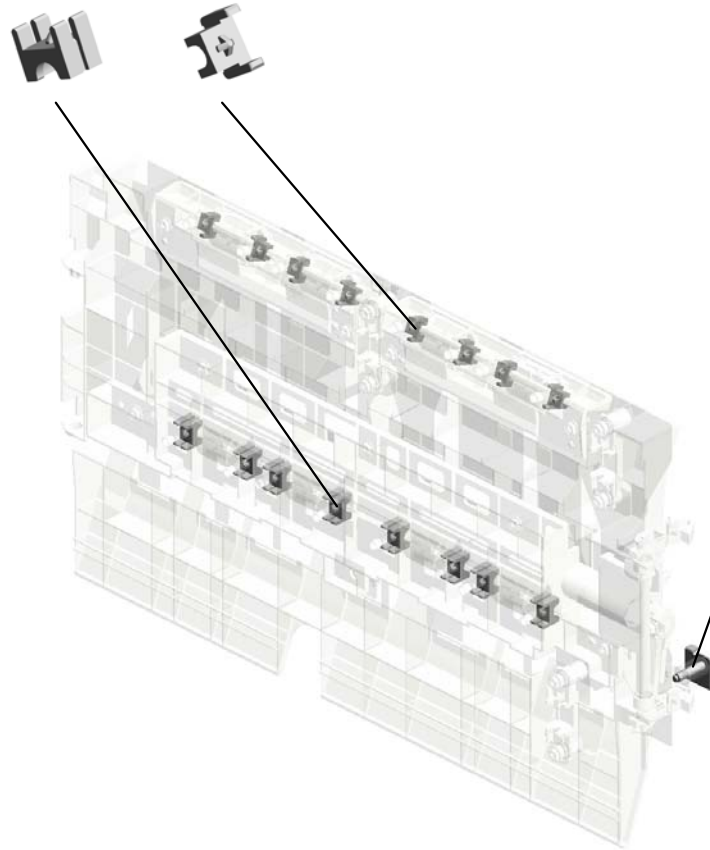
GUIDE PLATE:EXIT:LEFT LOWER:ASS'Y

143.D1367193 (x8)  
HOLDER:PRESSURE  
RE:RADIAL BALL BEARING  
EARING:EXIT

144.D1367194 (x8)  
PLAIN SHAFT BEARING  
RING:DIA4:EXIT



149.D1367110  
GUIDE PLATE:EXIT  
:LEFT LOWER:ASS'Y

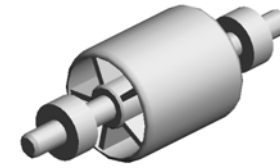


124.D1367126  
BRACKET:PLATE:  
ON OFF DETECTOR  
R:LEFT LOWER:AS  
S'Y

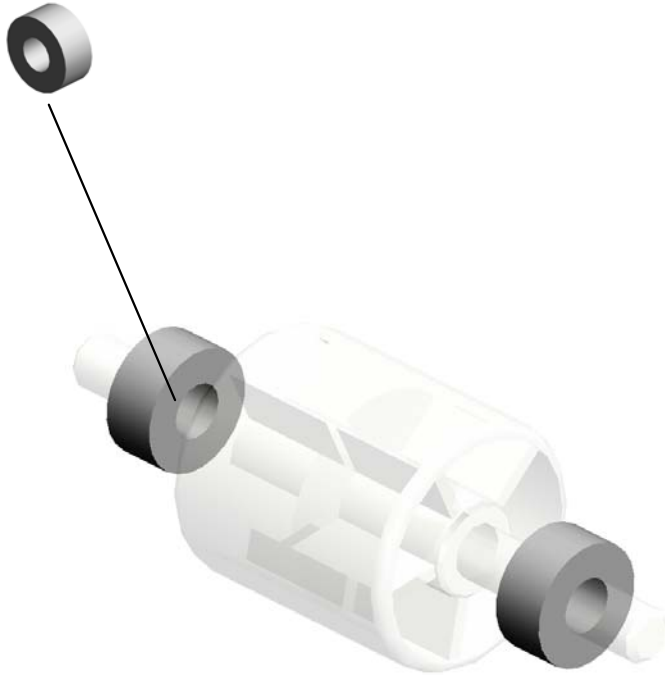
U001	U002	U003	U004	U005	U006	U007	U008	U009	U010	U011	U012	U013	U014	U015	U016	U017	U018	U019	U020
------	------	------	------	------	------	------	------	------	------	------	------	------	------	------	------	------	------	------	------

U015\_S001\_S009\_S001  
ROLLER:DRIVEN:REVERSE EXIT:ASS'Y

14.07403804  
(x2)  
BALL BEARING:DIA  
4XDIA9X4



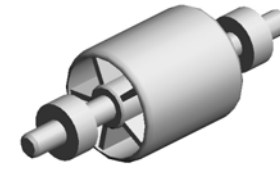
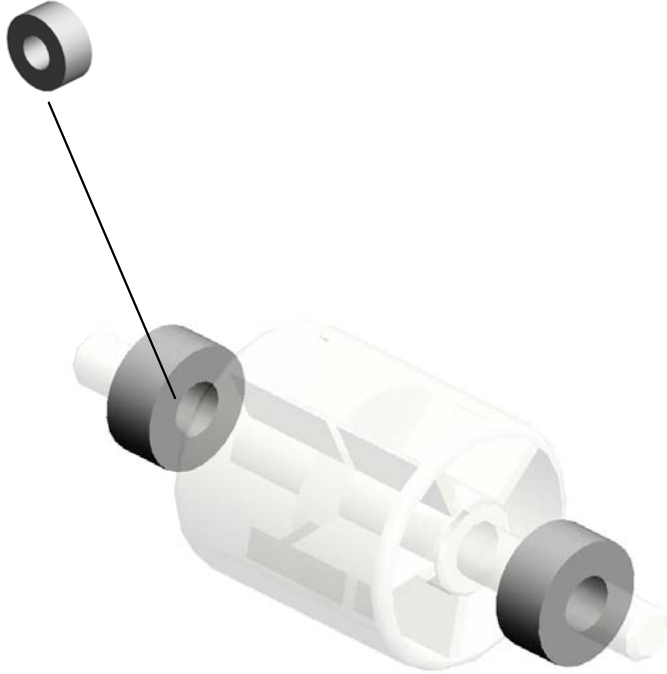
81.D1357166  
ROLLER:DRIVEN:R  
EVERSE EXIT:ASS'  
Y



U001	U002	U003	U004	U005	U006	U007	U008	U009	U010	U011	U012	U013	U014	U015	U016	U017	U018	U019	U020
------	------	------	------	------	------	------	------	------	------	------	------	------	------	------	------	------	------	------	------

U015\_S001\_S009\_S002  
ROLLER:DRIVEN:REVERSE EXIT:ASS'Y

14.07403804  
(x2)  
BALL BEARING:DIA  
4XDIA9X4

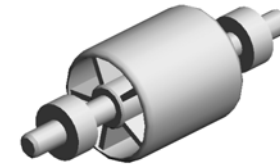
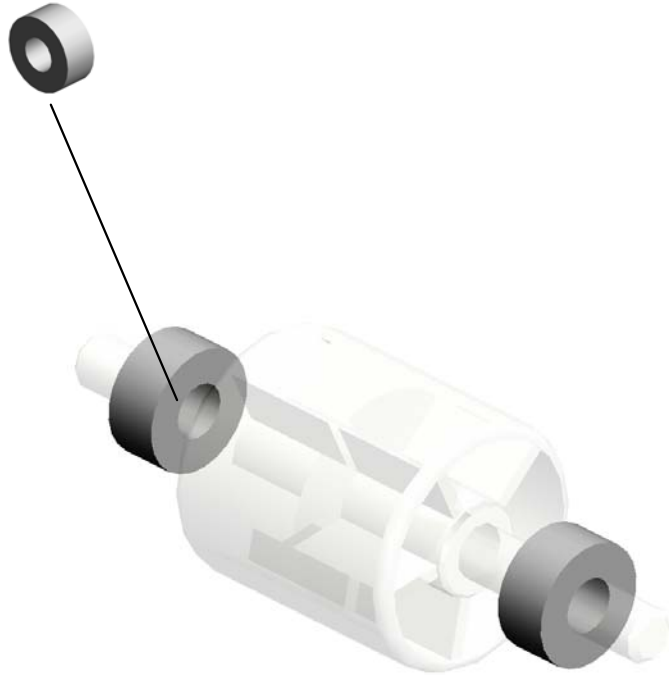


81.D1357166  
ROLLER:DRIVEN:R  
EVERSE EXIT:ASS'  
Y

U001	U002	U003	U004	U005	U006	U007	U008	U009	U010	U011	U012	U013	U014	U015	U016	U017	U018	U019	U020
------	------	------	------	------	------	------	------	------	------	------	------	------	------	------	------	------	------	------	------

U015\_S001\_S009\_S003  
ROLLER:DRIVEN:REVERSE EXIT:ASS'Y

14.07403804  
(x2)  
BALL BEARING:DIA  
4XDIA9X4

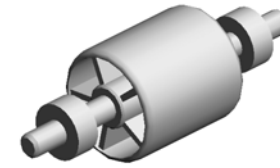
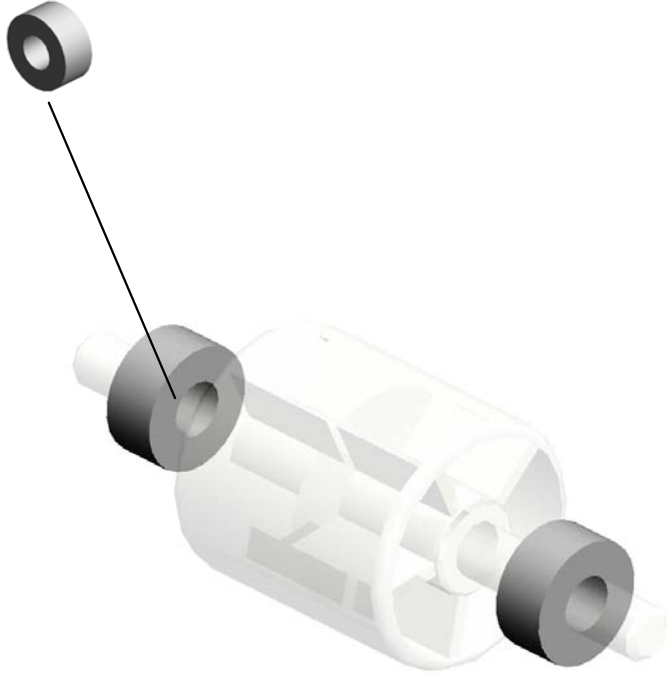


81.D1357166  
ROLLER:DRIVEN:R  
EVERSE EXIT:ASS'  
Y

U001	U002	U003	U004	U005	U006	U007	U008	U009	U010	U011	U012	U013	U014	U015	U016	U017	U018	U019	U020
------	------	------	------	------	------	------	------	------	------	------	------	------	------	------	------	------	------	------	------

U015\_S001\_S009\_S004  
ROLLER:DRIVEN:REVERSE EXIT:ASS'Y

14.07403804  
(x2)  
BALL BEARING: DIA  
4XDIA9X4

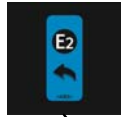


81.D1357166  
ROLLER:DRIVEN:R  
EVERSE EXIT:ASS'  
Y

U001	U002	U003	U004	U005	U006	U007	U008	U009	U010	U011	U012	U013	U014	U015	U016	U017	U018	U019	U020
------	------	------	------	------	------	------	------	------	------	------	------	------	------	------	------	------	------	------	------

U015\_S001\_S009\_S005  
LEVER:RELEASE:GUIDE PLATE:LEFT LOWER:ASS'Y

26.AA003050  
DECAL:LEVER:REL  
EASE:GUIDE PLAT  
E:LEFT LOWER

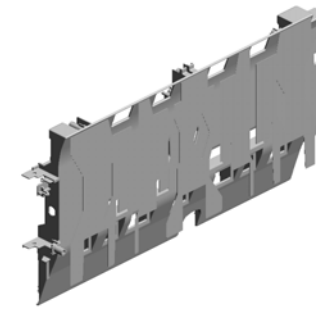


120.D1367121  
LEVER:RELEASE:  
GUIDE PLATE:LEF  
T LOWER:ASSY

U001	U002	U003	U004	U005	U006	U007	U008	U009	U010	U011	U012	U013	U014	U015	U016	U017	U018	U019	U020
------	------	------	------	------	------	------	------	------	------	------	------	------	------	------	------	------	------	------	------

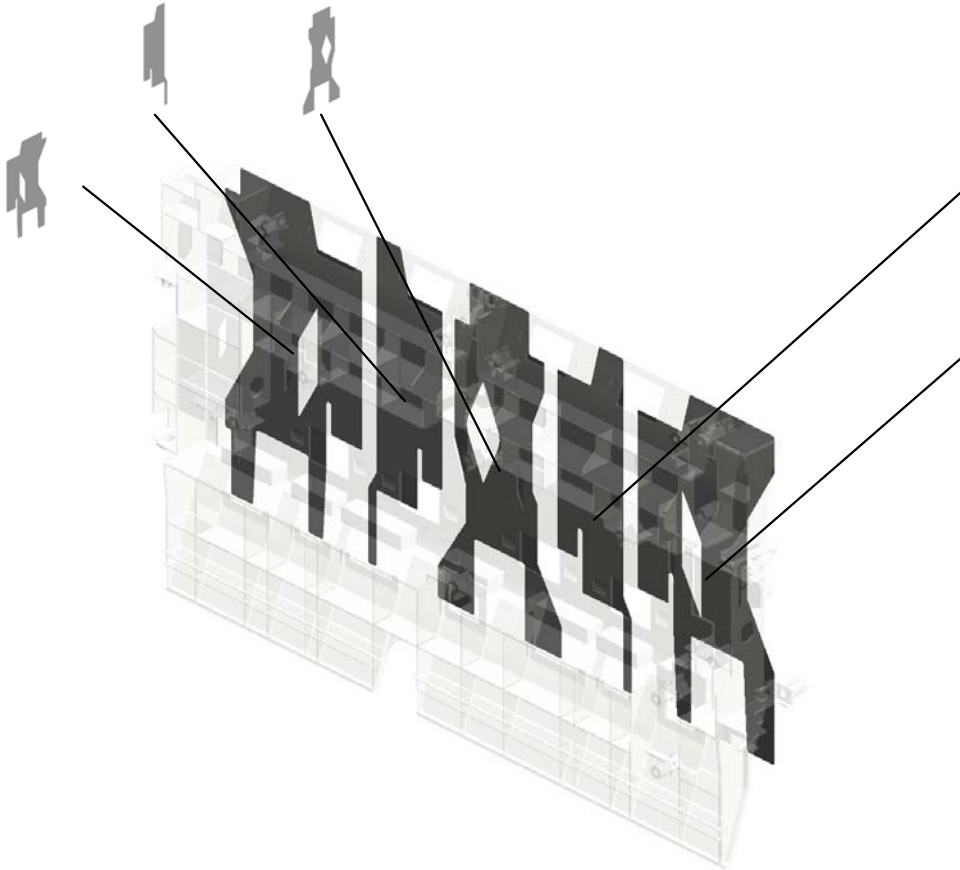
U015\_S001\_S009\_S006  
GUIDE PLATE:EXIT:LEFT LOWER:SUB-ASS'Y

86.D1357174    85.D1357173  
SHEET:EXIT:LEFT    SHEET:EXIT:LEFT  
LOWER:REAR MID    LOWER:MIDDLE  
DLE



112.D1367111  
GUIDE PLATE:EXIT  
:LEFT LOWER:SUB  
-ASS'Y

87.D1357175  
SHEET:EXIT:LEFT  
LOWER:REAR



84.D1357172  
SHEET:EXIT:LEFT  
LOWER:FRONT MI  
DDLE

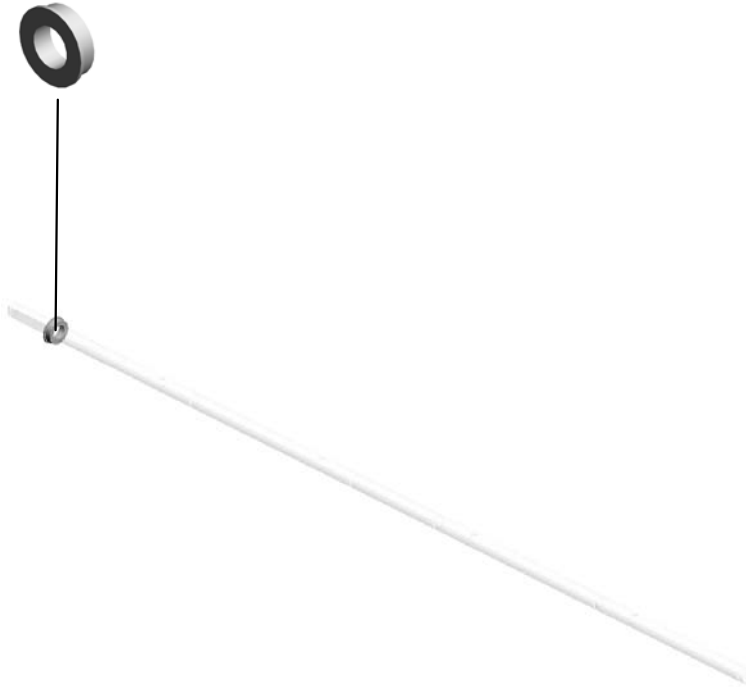
83.D1357171  
SHEET:EXIT:LEFT  
LOWER:FRONT

U001	U002	U003	U004	U005	U006	U007	U008	U009	U010	U011	U012	U013	U014	U015	U016	U017	U018	U019	U020
------	------	------	------	------	------	------	------	------	------	------	------	------	------	------	------	------	------	------	------



U015\_S001\_S010  
SHAFT:EXIT:EXIT:ASS'Y

15.07413706  
BALL BEARING - 6  
X10X3



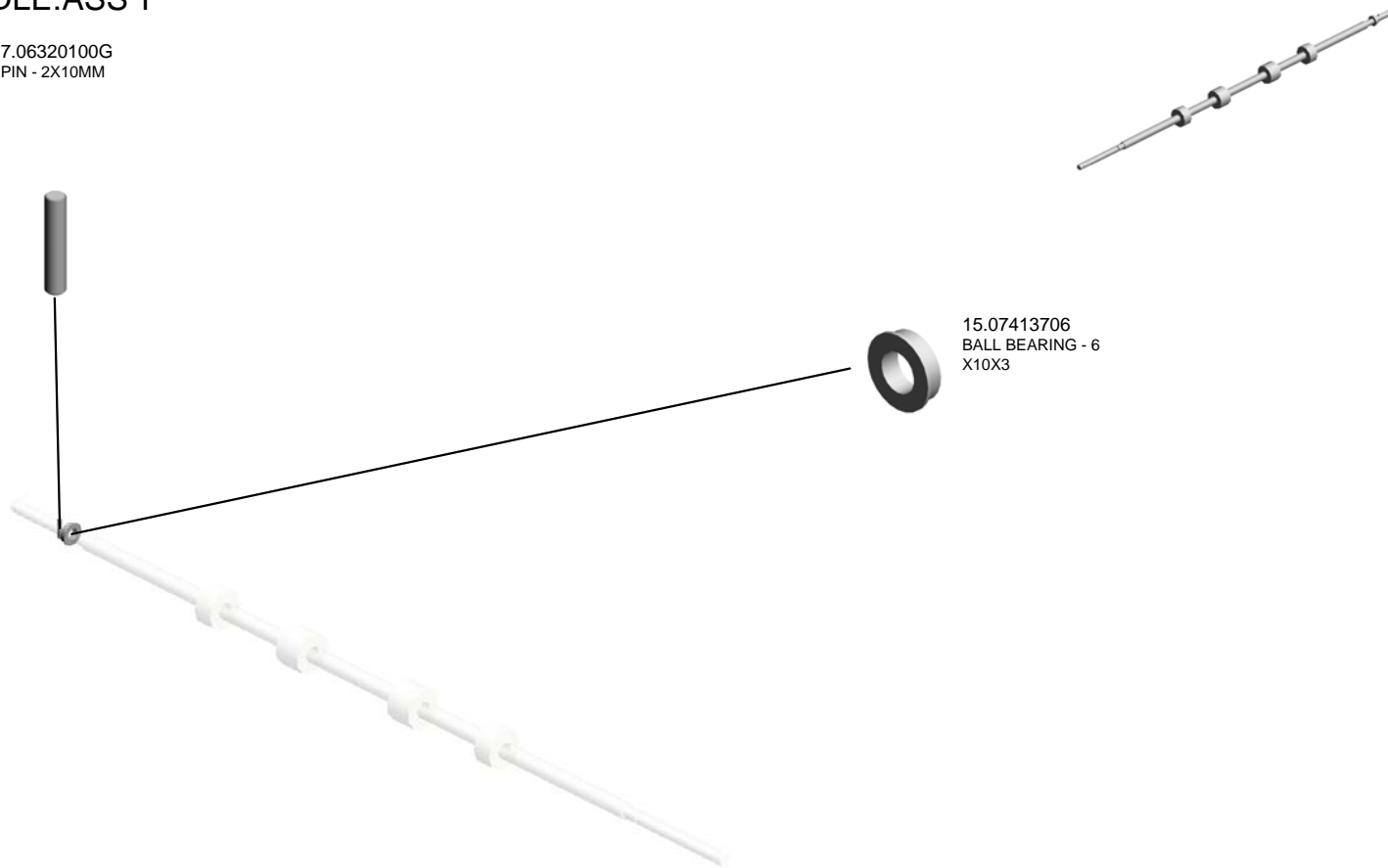
142.D1367190  
SHAFT:EXIT:EXIT:  
ASS'Y

U001	U002	U003	U004	U005	U006	U007	U008	U009	U010	U011	U012	U013	U014	U015	U016	U017	U018	U019	U020
------	------	------	------	------	------	------	------	------	------	------	------	------	------	------	------	------	------	------	------

U015\_S001\_S011  
ROLLER:EXIT:MIDDLE:ASS'Y

7.06320100G  
PIN - 2X10MM

138.D1367181  
ROLLER:EXIT:MID  
DLE:ASS'Y



15.07413706  
BALL BEARING - 6  
X10X3

U001	U002	U003	U004	U005	U006	U007	U008	U009	U010	U011	U012	U013	U014	U015	U016	U017	U018	U019	U020
------	------	------	------	------	------	------	------	------	------	------	------	------	------	------	------	------	------	------	------

U015\_S001\_S012  
ROLLER:REVERSE:EXIT:ASS'Y

15.07413706  
BALL BEARING - 6  
X10X3

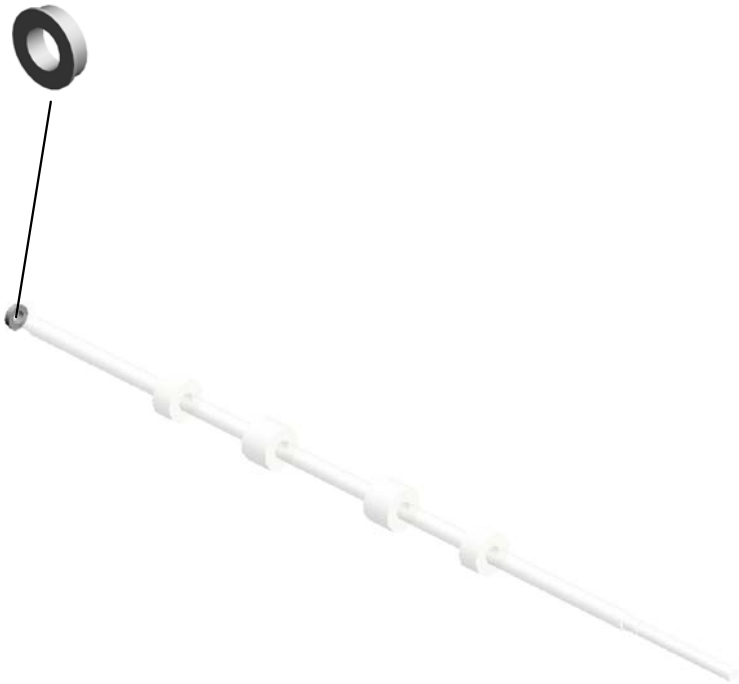


139.D1367183  
ROLLER:REVERSE  
:EXIT:ASS'Y

U001	U002	U003	U004	U005	U006	U007	U008	U009	U010	U011	U012	U013	U014	U015	U016	U017	U018	U019	U020
------	------	------	------	------	------	------	------	------	------	------	------	------	------	------	------	------	------	------	------

U015\_S001\_S013  
ROLLER:REVERSE:ENTRANCE:ASS'Y

15.07413706  
BALL BEARING - 6  
X10X3



140.D1367185  
ROLLER:REVERSE  
:ENTRANCE:ASS'Y

U001	U002	U003	U004	U005	U006	U007	U008	U009	U010	U011	U012	U013	U014	U015	U016	U017	U018	U019	U020
------	------	------	------	------	------	------	------	------	------	------	------	------	------	------	------	------	------	------	------

U015\_S001\_S014  
ROLLER:REVERSE:EXIT:ASS'Y

15.07413706  
BALL BEARING - 6  
X10X3



139.D1367183  
ROLLER:REVERSE  
:EXIT:ASS'Y

U001	U002	U003	U004	U005	U006	U007	U008	U009	U010	U011	U012	U013	U014	U015	U016	U017	U018	U019	U020
------	------	------	------	------	------	------	------	------	------	------	------	------	------	------	------	------	------	------	------

# U016.DUPLEX

U016\_S006  
D1364611  
TRANSPORT ROLLER:DUPL  
EX:DRIVEN:1

U016\_S011  
D1367167  
ROLLER:DRIVEN:NO.2:SHOR  
T:ASSY

U016\_S008  
AF020795  
TRANSPORT ROLLER:DRIVE  
:REVERSE:ASSY

U016\_S009  
D1364823  
ROLLER:DRIVEN:REVERSE:  
106MM

U016\_S003  
D1364602  
ROLLER:DRIVEN:DUPLEX

U016\_S010  
D1367167  
ROLLER:DRIVEN:NO.2:SHOR  
T:ASSY

U016\_S004  
D1364602  
ROLLER:DRIVEN:DUPLEX

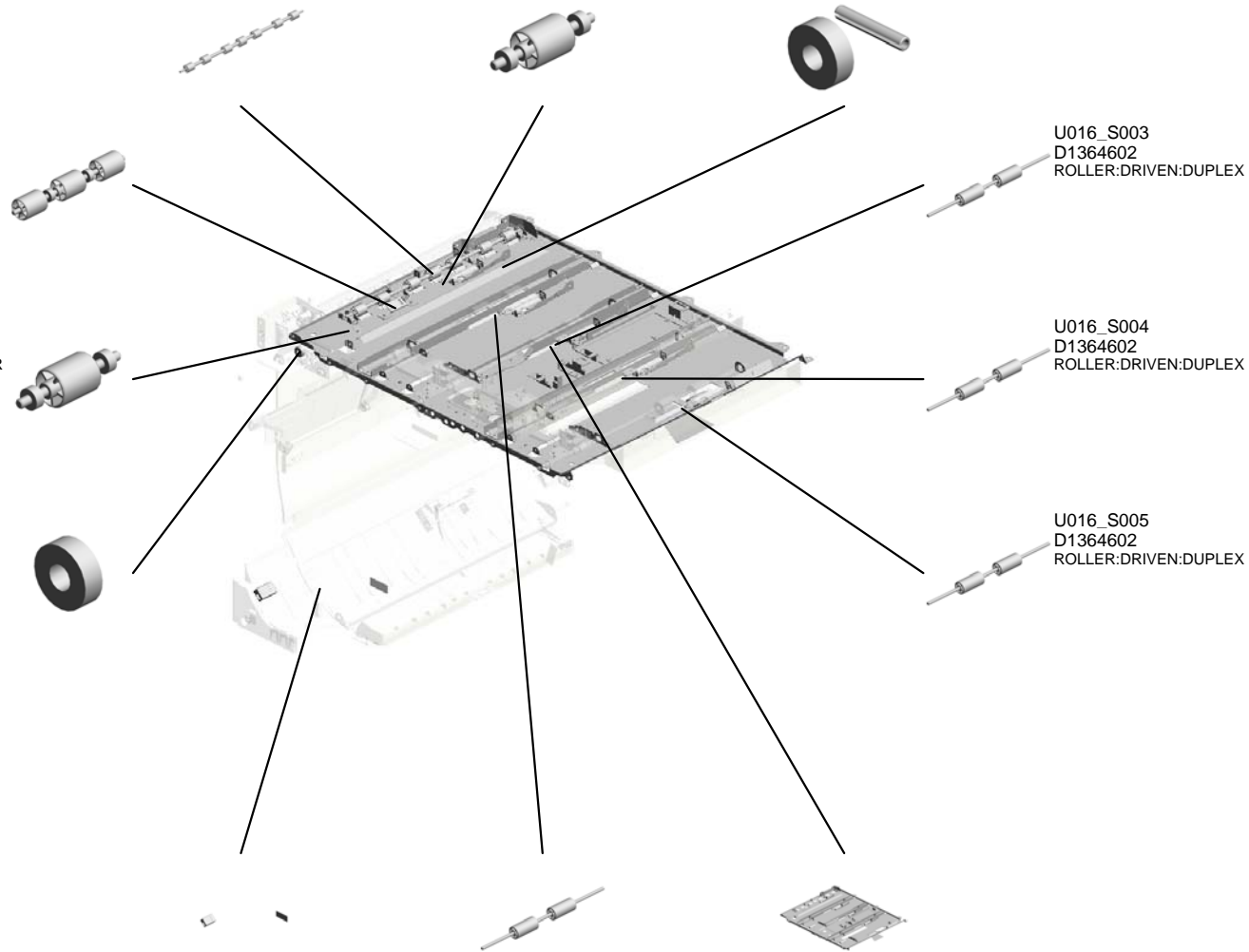
U016\_S001  
AF020793  
TRANSPORT ROLLER:DUPL  
EX:DRIVE:1

U016\_S005  
D1364602  
ROLLER:DRIVEN:DUPLEX

U016\_S012  
D1364921  
GRIP:VIBRATING PLATE:RE  
CEIVING SUB-UNIT:LOWER:  
ASSY

U016\_S002  
D1364602  
ROLLER:DRIVEN:DUPLEX

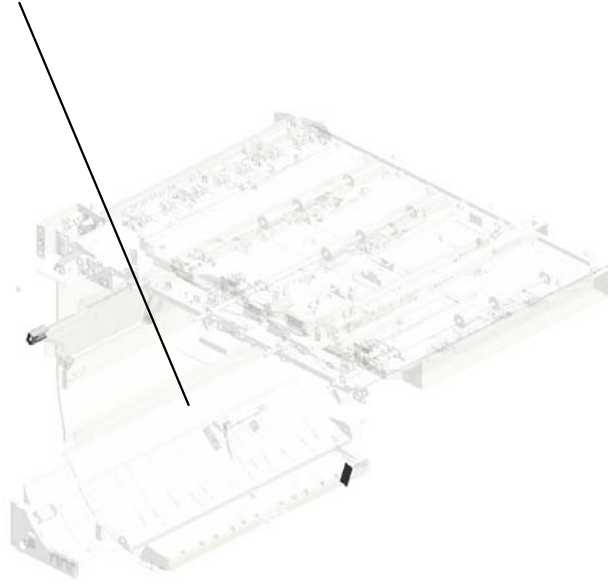
U016\_S007  
D1364543  
GUIDE PLATE:DUPLEX:UPPE  
R:ADHESION



U001	U002	U003	U004	U005	U006	U007	U008	U009	U010	U011	U012	U013	U014	U015	U016	U017	U018	U019	U020
------	------	------	------	------	------	------	------	------	------	------	------	------	------	------	------	------	------	------	------

# U016.DUPLEX

U016\_S013  
D1364922  
GRIP:VIBRATING PLATE:RE  
CEIVING SUB-UNIT:UPPER:A  
SS'Y



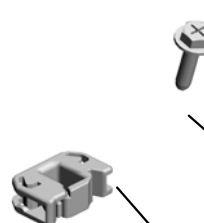
U001	U002	U003	U004	U005	U006	U007	U008	U009	U010	U011	U012	U013	U014	U015	U016	U017	U018	U019	U020
------	------	------	------	------	------	------	------	------	------	------	------	------	------	------	------	------	------	------	------

# U016 DUPLEX

5.04543012Q TAPPING SCREW: 3X12  
 17.11050724 CLAMPS:WES-121 0  
 8.07200040E (x3) RETAINING RING - M4  
 10.07403906 (x2) BALL BEARING - 6 X15X5  
 21.54472681 (x4) SNAP RING



15.11050692 (x2) CLAMP:LES-0503



11.08025299 TAPPING SCREW - M3X8



22.A0964928 GUIDE PLATE BAND



3.04543006N TAPPING SCREW: ROUND POINT:3X6



1.03530040N (x12) SCREW - M3X4



2.04513006N TAPPING SCREW - 3X6



20.11050762 CLAMP:LWS-0711A



7.07200030E (x6) RETAINING RING - M3



12.08050089 (x6) RETAINING RING - M4



14.11050328 (x2) HARNESS CLAMP - ES-0505



19.11050760 (x2) CLAMP:LWSM-051 1A



4.04543006Q (x71) TAPPING SCREW - M3X6



18.11050758 (x27) CLAMP:LWSM-030 6A



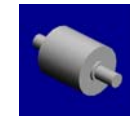
16.11050723 CLAMPS:WES-050 7



6.04583008N (x8) HEXAGON HEAD TAPPING SCREW:3 X8



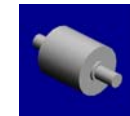
13.11050046 (x7) HARNESS BAND



26.AA082173 (x4) PLAIN SHAFT BEARING:6X10X6



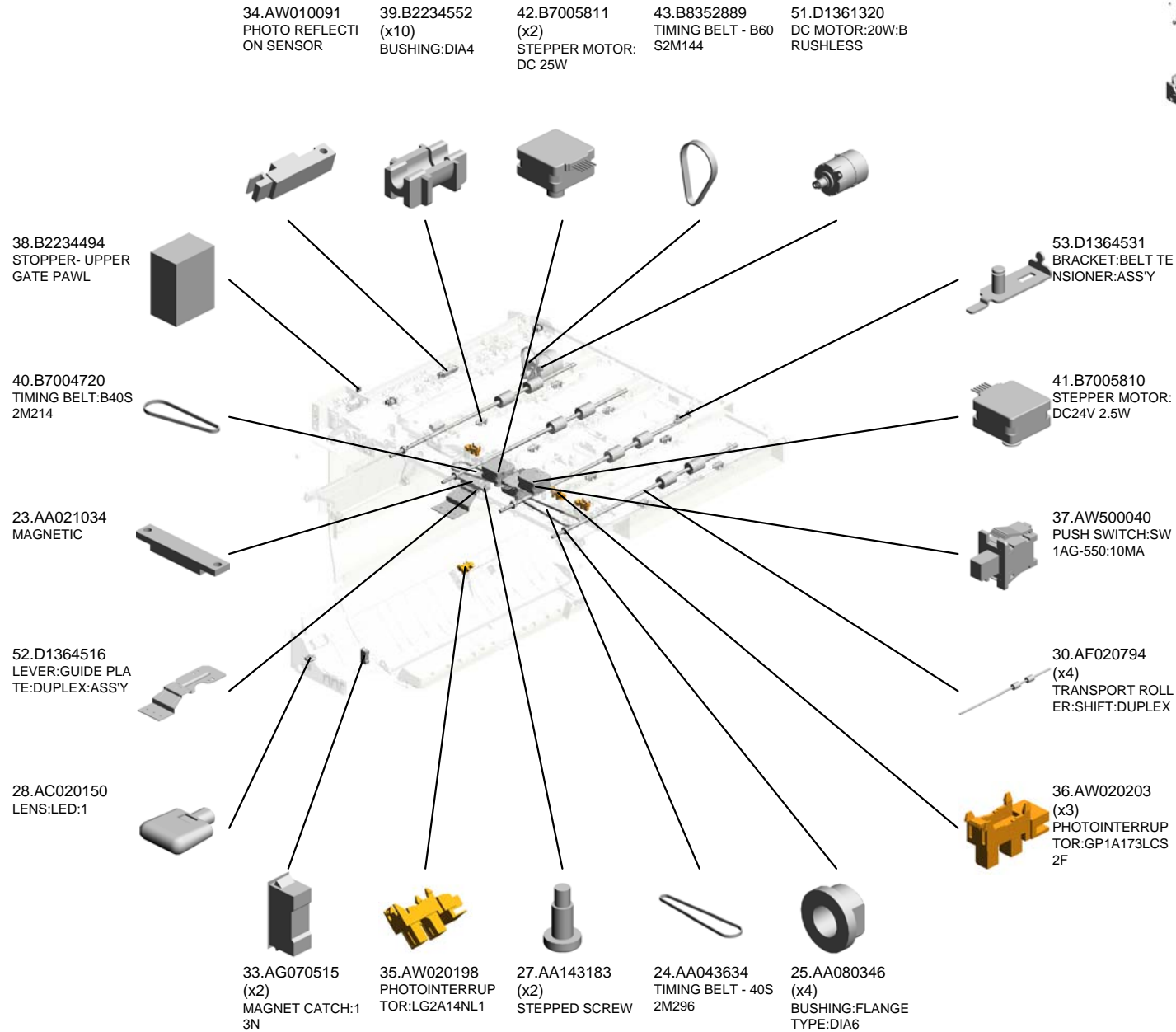
32.AF022067 (x2) GUIDE STOPPER ROLLER



121.M0262657 SHEET:VERTICAL TRANSPORT:SENSOR



# U016 DUPLIX



U001	U002	U003	U004	U005	U006	U007	U008	U009	U010	U011	U012	U013	U014	U015	U016	U017	U018	U019	U020
------	------	------	------	------	------	------	------	------	------	------	------	------	------	------	------	------	------	------	------

# U016 DUPLEX



- 55.D1364584 GATE PAWL:DUPLEX:ENTRANCE:NO.2:ASSY
- 66.D1364615 (x4) TENSION SPRING:TRANSPORT ROLLER:DUPLEX:1
- 56.D1364601 GUIDE PLATE:DUPLEX:LOWER
- 73.D1364642 SHAFT:SLIDE:POSITIONING SENSOR
- 74.D1364644 GUIDE PLATE:POSITIONING SENSOR:DUPLEX

65.D1364614 (x2) PLAIN SHAFT BEARING:TRANSPORT ROLLER:DUPLEX:DRIVEN:INNER

76.D1364646 BRACKET:DC STEPPER MOTOR:DUPLEX

75.D1364645 GUIDE:PLATE:POSITIONING SENSOR

71.D1364622 (x2) LINK:SHIFT:DUPLEX

70.D1364621 (x4) SHAFT:LINK:SHIFT

72.D1364638 (x2) GEAR:PULLEY:ROLLER:SHIFT

67.D1364617 (x4) LINK:ROLLER:SHIFT

60.D1364606 (x2) HOLDER:PRESSURE:GUIDE PLATE

61.D1364607 (x4) COMPRESSION SPRING:HOLDER:GUIDE PLATE

68.D1364619 (x4) BUSHING:FLANGE TYPE:DIA6

77.D1364647 TENSION SPRING:BELT TENSIONER

78.D1364650 TIMING PULLEY:T18:S2M

69.D1364620 (x4) BUSHING:DIA6:DIA10:6

62.D1364608 GUIDE PLATE:POSITIONING SENSOR:LOWER

63.D1364609 TENSION SPRING:GUIDE PLATE:MOVIE

U001	U002	U003	U004	U005	U006	U007	U008	U009	U010	U011	U012	U013	U014	U015	U016	U017	U018	U019	U020
------	------	------	------	------	------	------	------	------	------	------	------	------	------	------	------	------	------	------	------

# U016 DUPLX



98.D1364825 (x4)  
TENSION SPRING:  
DRIVEN:REVERSE:  
DUPLX

99.D1364826 (x6)  
HOLDER:PRESSU  
RE:RADIAL BALL B  
EARING:REVERSE

92.D1364768 (x7)  
COIL SPRING:GAT  
E PAWL:DUPLX:E  
NTRANCE:NO.2

85.D1364749  
GUIDE PLATE:DUP  
LEX:ENTRANCE:LE  
FT LOWER:SUB-A  
SSY

88.D1364752  
GATE PAWL:DUPL  
EX:ENTRANCE:NO.  
1

94.D1364771  
TENSION SPRING:  
DC SOLENOID:REL  
EASE

90.D1364762  
LEVER:GATE PAW  
L:REVERSE

93.D1364770  
TENSION SPRING:  
GATE PAWL:DUPL  
EX

87.D1364751  
BRACKET:DUPLX  
:ENTRANCE:FRON  
T

95.D1364780  
DC SOLENOID:DU  
PLEX:ENTRANCE

91.D1364763  
GUIDE PLATE:DUP  
LEX:ENTRANCE:RI  
GHT UPPER

100.D1364828  
BRACKET:DC MOT  
OR:REVERSE

89.D1364761  
GUIDE PLATE:DUP  
LEX:ENTRANCE:MI  
DDLE

83.D1364666  
(x6)  
TENSION SPRING:  
DRIVEN ROLLER:D  
UPLX

82.D1364665  
(x2)  
TENSION SPRING:  
DRIVEN ROLLER:E  
XIT

81.D1364653  
STOPPER:PULLEY:  
LEFT

96.D1364802  
GUIDE PLATE:MID  
DLE:REVERSE:DU  
PLEX:ASSY

86.D1364750  
GUIDE PLATE:DUP  
LEX:ENTRANCE:RI  
GHT

80.D1364652  
STOPPER:PULLEY:  
MIDDLE

79.D1364651  
STOPPER:PULLEY:  
RIGHT

# U016 DUPLIX

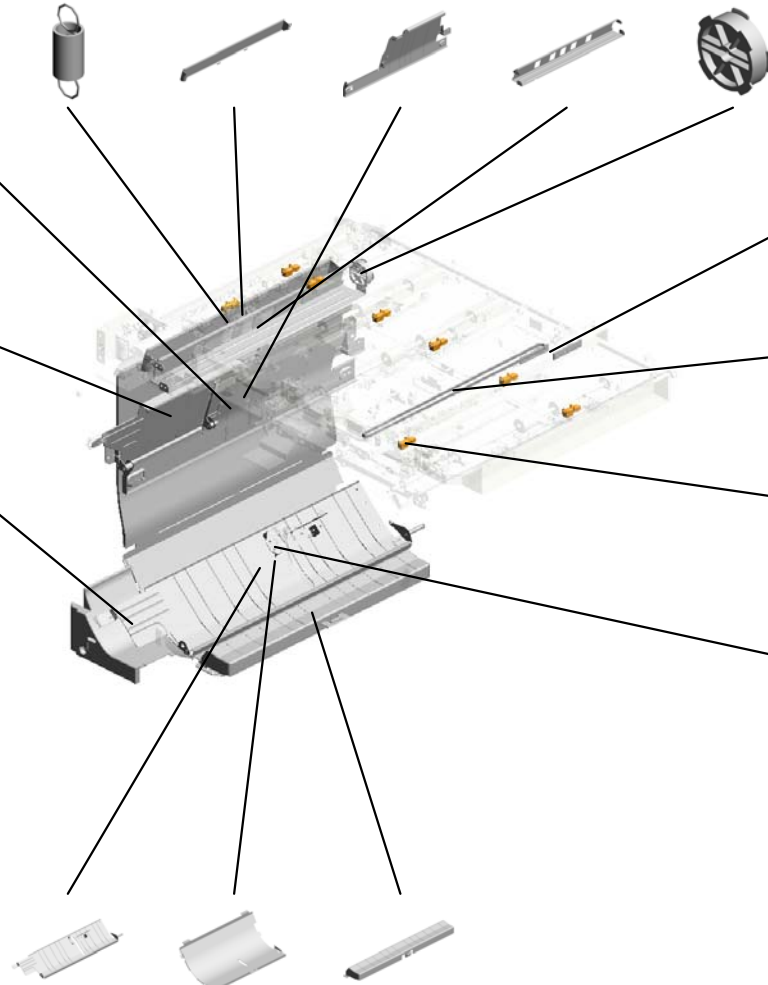


- 104.D1364837 (x2) TENSION SPRING: DRIVEN:REVERSE: DUPLIX:MIDDLE
- 102.D1364830 GUIDE PLATE:LEF T:REVERSE:DUPL EX
- 112.D1364948 GUIDE PLATE:REC EIVING SUB-UNIT: UPPER:SUB-ASS'Y
- 103.D1364834 GUIDE PLATE:REV ERSE ROLLER:DRI VE:LEFT
- 101.D1364829 TIMING PULLEY:D UPLEX:REVERSE: S2M54T

110.D1364928  
GUIDE PLATE:REC EIVING SUB-UNIT: LEFT LOWER

106.D1364914  
GUIDE PLATE:SWI VEL:RECEIVING S UB-UNIT:UPPER:S UB-ASS'Y

107.D1364919  
INNER COVER:RE CEIVING SUB-UNIT :LEFT LOWER:ASS' Y



118.D6885150  
PCB:PUNCH:SENS OR:CONNECTING: ASSY

117.D4543636  
TIMING BELT:40S2 M672

120.GW010007 (x8)  
PHOTO REFLECTI ON SENSOR:EXIT

119.G0143291  
SNAP RING - PICK UP

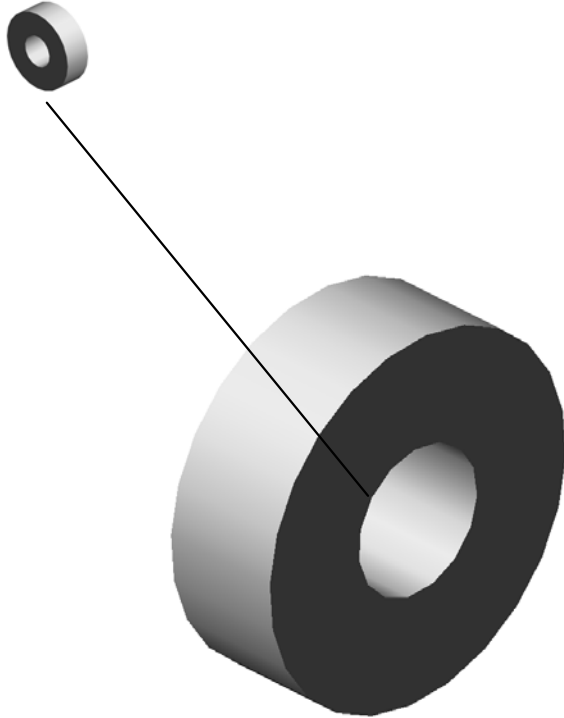
105.D1364912  
GUIDE PLATE:SWI VEL:RECEIVING S UB-UNIT:LOWER:S UB-ASS'Y

111.D1364936  
GUIDE PLATE:REC EIVING SUB-UNIT: LOWER

113.D1364949  
COVER:RECEIVIN G SUB-UNIT:RIGHT LOWER

U016\_S001  
TRANSPORT ROLLER:DUPLEX:DRIVE:1

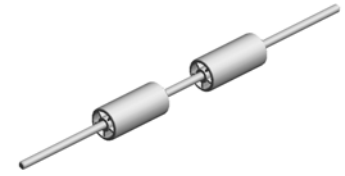
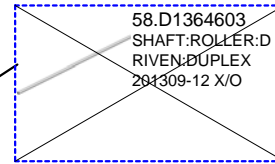
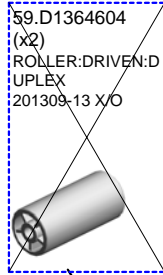
10.07403906  
BALL BEARING - 6  
X15X5



29.AF020793  
TRANSPORT ROLL  
ER:DUPLEX:DRIVE  
:1

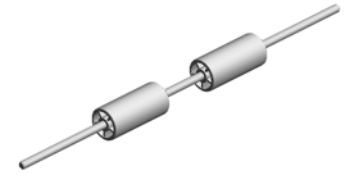
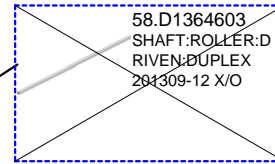
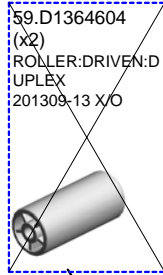
U001	U002	U003	U004	U005	U006	U007	U008	U009	U010	U011	U012	U013	U014	U015	U016	U017	U018	U019	U020
------	------	------	------	------	------	------	------	------	------	------	------	------	------	------	------	------	------	------	------

U016\_S002  
ROLLER:DRIVEN:DUPLEX



U001	U002	U003	U004	U005	U006	U007	U008	U009	U010	U011	U012	U013	U014	U015	U016	U017	U018	U019	U020
------	------	------	------	------	------	------	------	------	------	------	------	------	------	------	------	------	------	------	------

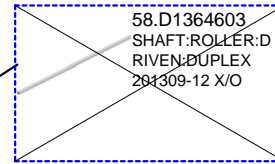
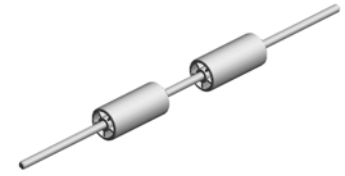
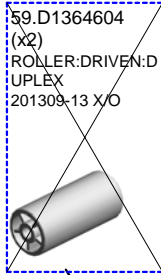
U016\_S003  
ROLLER:DRIVEN:DUPLEX



57.D1364602  
ROLLER:DRIVEN:D  
UPLEX

U001	U002	U003	U004	U005	U006	U007	U008	U009	U010	U011	U012	U013	U014	U015	U016	U017	U018	U019	U020
------	------	------	------	------	------	------	------	------	------	------	------	------	------	------	------	------	------	------	------

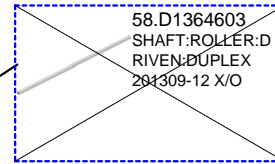
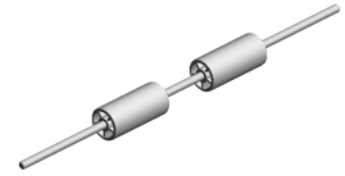
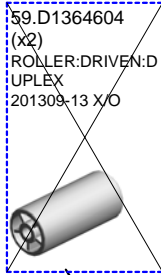
U016\_S004  
ROLLER:DRIVEN:DUPLEX



U001	U002	U003	U004	U005	U006	U007	U008	U009	U010	U011	U012	U013	U014	U015	U016	U017	U018	U019	U020
------	------	------	------	------	------	------	------	------	------	------	------	------	------	------	------	------	------	------	------



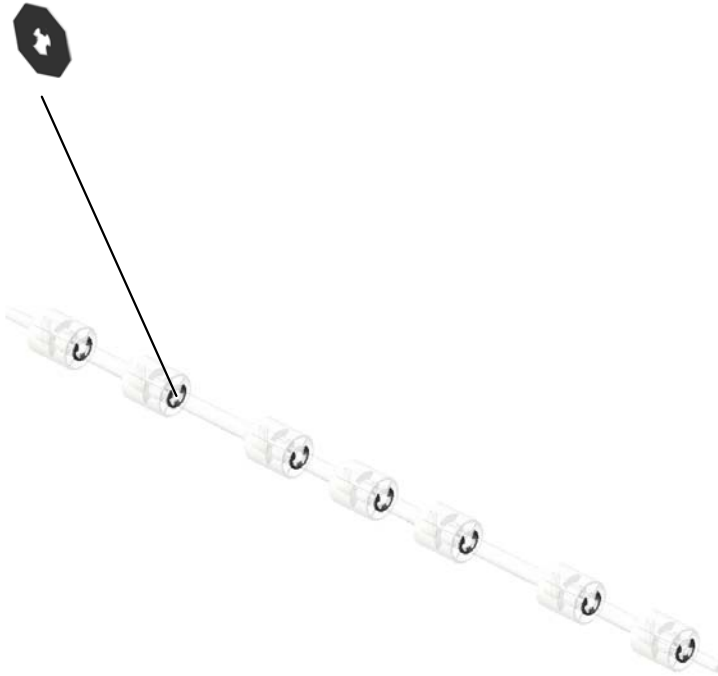
U016\_S005  
ROLLER:DRIVEN:DUPLEX



U001	U002	U003	U004	U005	U006	U007	U008	U009	U010	U011	U012	U013	U014	U015	U016	U017	U018	U019	U020
------	------	------	------	------	------	------	------	------	------	------	------	------	------	------	------	------	------	------	------

U016\_S006  
TRANSPORT ROLLER:DUPLEX:DRIVEN:1

8.07200040E  
(x7)  
RETAINING RING -  
M4



64.D1364611  
TRANSPORT ROLL  
ER:DUPLEX:DRIVE  
N:1

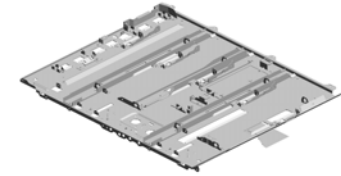
U001	U002	U003	U004	U005	U006	U007	U008	U009	U010	U011	U012	U013	U014	U015	U016	U017	U018	U019	U020
------	------	------	------	------	------	------	------	------	------	------	------	------	------	------	------	------	------	------	------

GUIDE PLATE:DUPLEX:UPPER:ADHESION

49.D1357193 SHEET:TRANSPOR  
T:DUPLEX:MIDDLE  
:NO.4

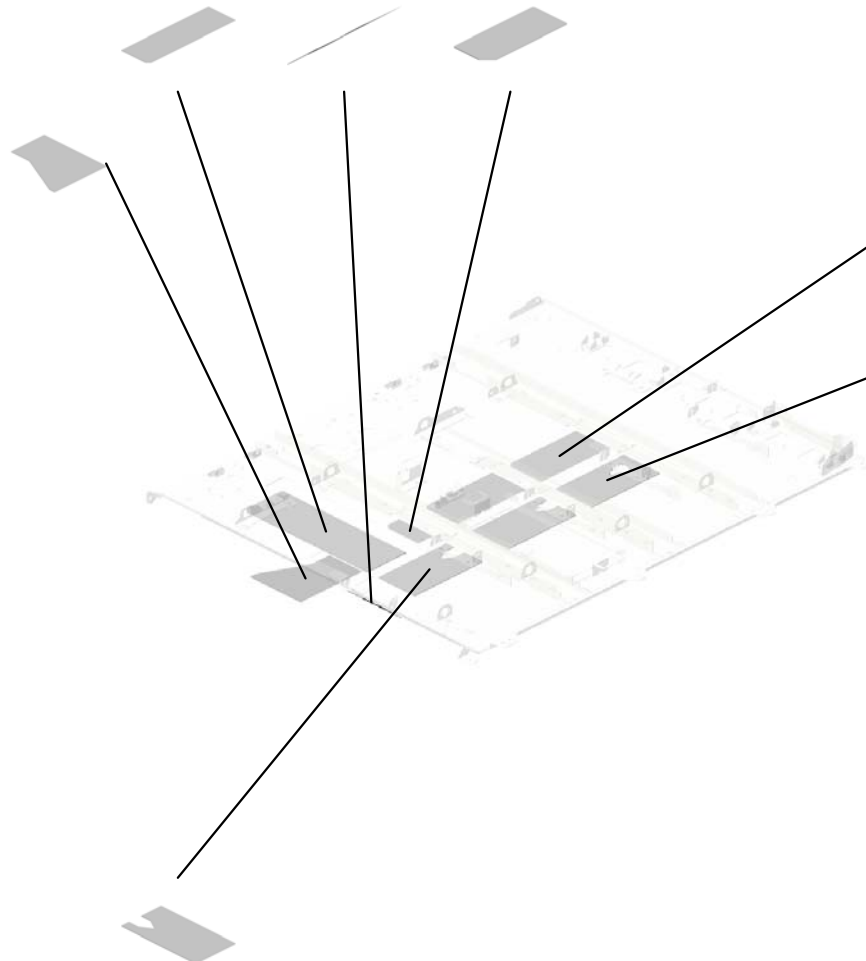
44.D1357187 SHEET:TRANSPOR  
T:DUPLEX:EXIT:FR  
ONT MIDDLE

50.D1357194 SHEET:TRANSPOR  
T:DUPLEX:MIDDLE  
:NO.5



54.D1364543  
GUIDE PLATE:DUP  
LEX:UPPER:ADHE  
SION

45.D1357188  
SHEET:TRANSPOR  
T:DUPLEX:EXIT:RE  
AR MIDDLE



46.D1357190  
(x2)  
SHEET:TRANSPOR  
T:DUPLEX:MIDDLE  
:NO.1

84.D1364667  
(x2)  
SHEET:DUPLEX:E  
NTRANCE

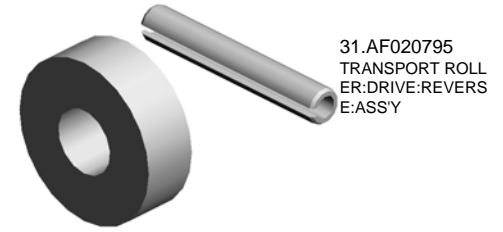
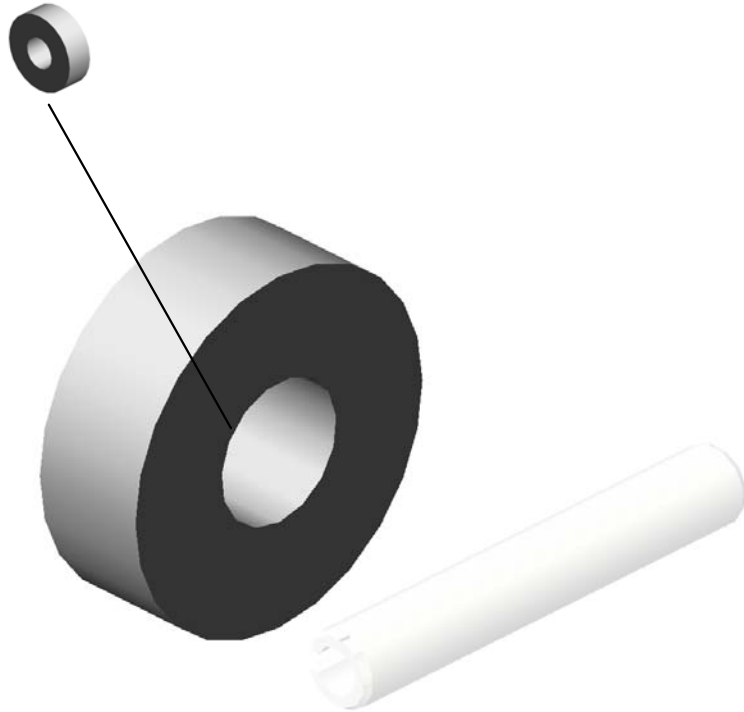
48.D1357192  
SHEET:TRANSPOR  
T:DUPLEX:MIDDLE  
:NO.3

47.D1357191  
(x2)  
SHEET:TRANSPOR  
T:DUPLEX:MIDDLE  
:NO.2

U001	U002	U003	U004	U005	U006	U007	U008	U009	U010	U011	U012	U013	U014	U015	U016	U017	U018	U019	U020
------	------	------	------	------	------	------	------	------	------	------	------	------	------	------	------	------	------	------	------

U016\_S008  
TRANSPORT ROLLER:DRIVE:REVERSE:ASS'Y

10.07403906  
BALL BEARING - 6  
X15X5

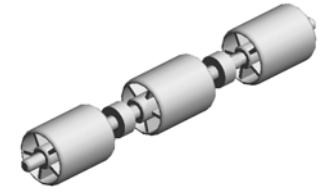


31.AF020795  
TRANSPORT ROLL  
ER:DRIVE:REVERS  
E:ASSY

U001	U002	U003	U004	U005	U006	U007	U008	U009	U010	U011	U012	U013	U014	U015	U016	U017	U018	U019	U020
------	------	------	------	------	------	------	------	------	------	------	------	------	------	------	------	------	------	------	------

U016\_S009  
ROLLER:DRIVEN:REVERSE:106MM

9.07403804  
(x2)  
BALL BEARING:DIA  
4XDIA9X4

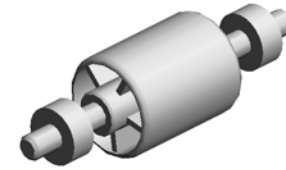


97.D1364823  
ROLLER:DRIVEN:R  
EVERSE:106MM

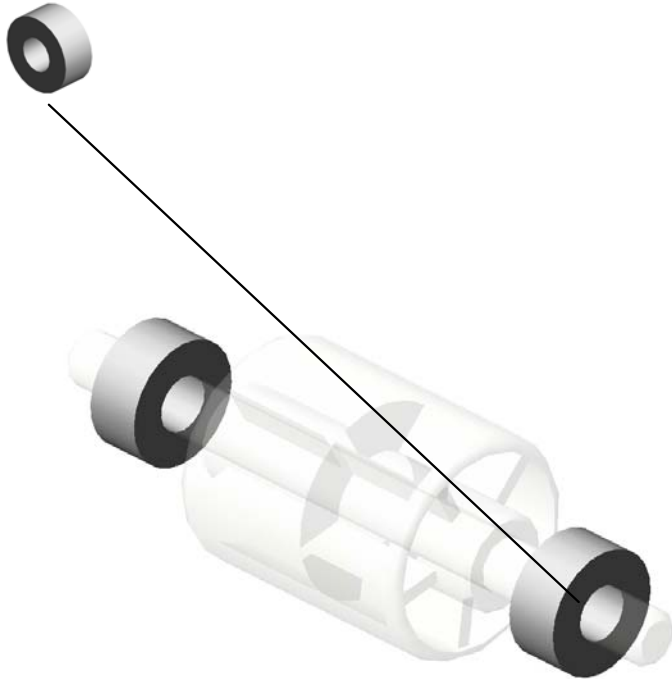
U001	U002	U003	U004	U005	U006	U007	U008	U009	U010	U011	U012	U013	U014	U015	U016	U017	U018	U019	U020
------	------	------	------	------	------	------	------	------	------	------	------	------	------	------	------	------	------	------	------

U016\_S010  
ROLLER:DRIVEN:NO.2:SHORT:ASS'Y

9.07403804  
(x2)  
BALL BEARING:DIA  
4XDIA9X4



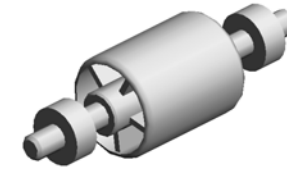
116.D1367167  
ROLLER:DRIVEN:N  
O.2:SHORT:ASSY



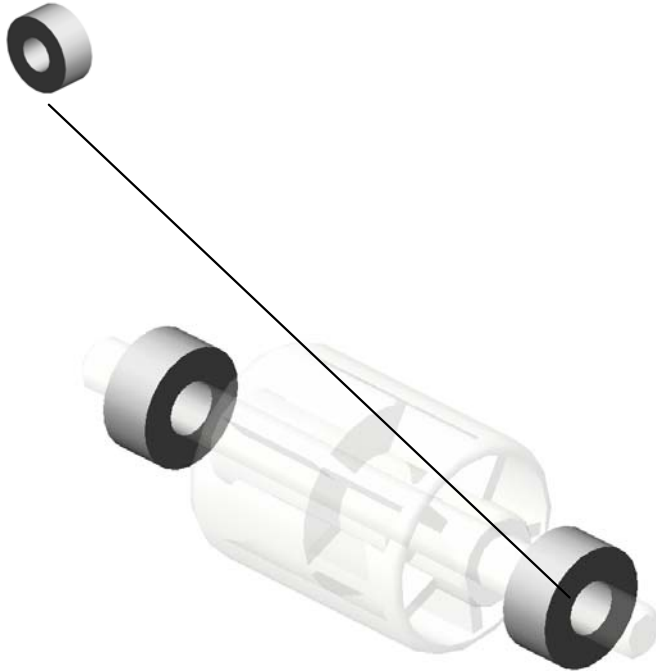
U001	U002	U003	U004	U005	U006	U007	U008	U009	U010	U011	U012	U013	U014	U015	U016	U017	U018	U019	U020
------	------	------	------	------	------	------	------	------	------	------	------	------	------	------	------	------	------	------	------

U016\_S011  
ROLLER:DRIVEN:NO.2:SHORT:ASS'Y

9.07403804  
(x2)  
BALL BEARING:DIA  
4XDIA9X4



116.D1367167  
ROLLER:DRIVEN:N  
O.2:SHORT:ASSY



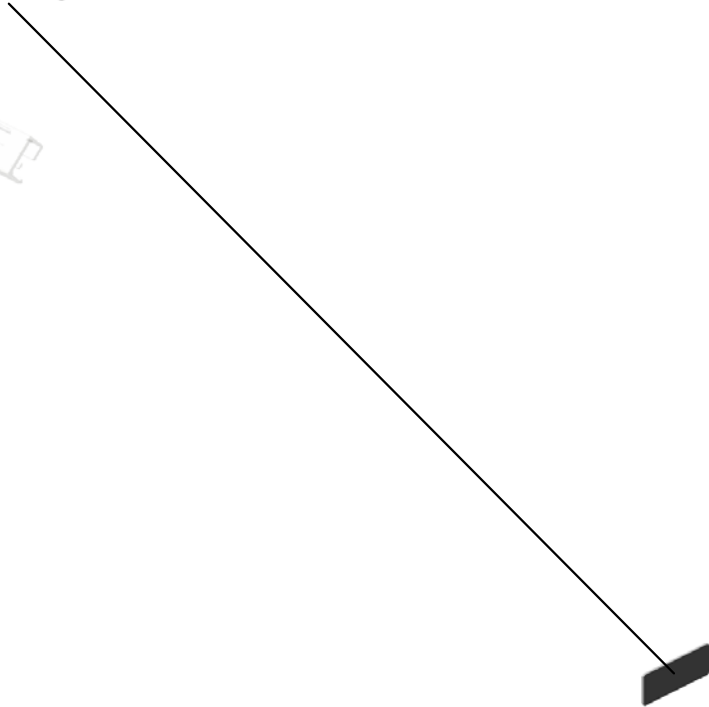
U001	U002	U003	U004	U005	U006	U007	U008	U009	U010	U011	U012	U013	U014	U015	U016	U017	U018	U019	U020
------	------	------	------	------	------	------	------	------	------	------	------	------	------	------	------	------	------	------	------

U016\_S012

GRIP:VIBRATING PLATE:RECEIVING SUB-UNIT:LOWER:ASS'Y

115.D1364975  
DECAL:GRIP:RECE  
IVING SUB-UNIT:L  
OWER

108.D1364921  
GRIP:VIBRATING P  
LATE:RECEIVING  
SUB-UNIT:LOWER:  
ASS'Y



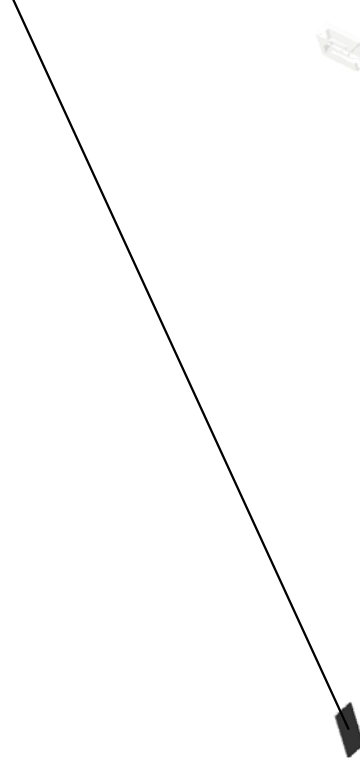
U001	U002	U003	U004	U005	U006	U007	U008	U009	U010	U011	U012	U013	U014	U015	U016	U017	U018	U019	U020
------	------	------	------	------	------	------	------	------	------	------	------	------	------	------	------	------	------	------	------



U016\_S013  
GRIP:VIBRATING PLATE:RECEIVING SUB-UNIT:UPPER:ASS'Y

114.D1364974  
DECAL:GRIP:RECE  
IVING SUB-UNIT:U  
PPER

109.D1364922  
GRIP:VIBRATING P  
LATE:RECEIVING  
SUB-UNIT:UPPER:  
ASS'Y



U001	U002	U003	U004	U005	U006	U007	U008	U009	U010	U011	U012	U013	U014	U015	U016	U017	U018	U019	U020
------	------	------	------	------	------	------	------	------	------	------	------	------	------	------	------	------	------	------	------

# U017.MAIN DRIVE

U017\_S010  
D1381014  
DRIVE UNIT:PHOTOCONDU  
CTOR:PRO:ASS'Y

U017\_S002  
D1361249  
BRACKET:ON-OFF:TRANSFE  
R:ASS'Y

U017\_S011  
D1381014  
DRIVE UNIT:PHOTOCONDU  
CTOR:PRO:ASS'Y

U017\_S004  
D1361034  
DRIVE UNIT:USED TONER:U  
PPER:ASS'Y

U017\_S012  
D1381014  
DRIVE UNIT:PHOTOCONDU  
CTOR:PRO:ASS'Y

U017\_S003  
D1361032  
DRIVE UNIT:USED TONER:L  
OWER:ASS'Y

U017\_S005  
D1361362  
DRIVE UNIT:TRANSPORT SU  
B-UNIT:CONNECTING:ASS'Y

U017\_S006  
D1361380  
DRIVE UNIT:PAPER EXIT SU  
B-UNIT:ASS'Y

U017\_S007  
D1361311  
DRIVE UNIT:PAPER FEED S  
UB-UNIT:NO.1:ASS'Y

U017\_S001  
D1361210  
DRIVE UNIT:TRANSFER:SEC  
OND:ASS'Y

U017\_S009  
D1361341  
DRIVE UNIT:PAPER FEED S  
UB-UNIT:NO.2:EU:ASS'Y

U017\_S008  
D1361331  
DRIVE UNIT:PAPER FEED S  
UB-UNIT:NO.3:ASS'Y

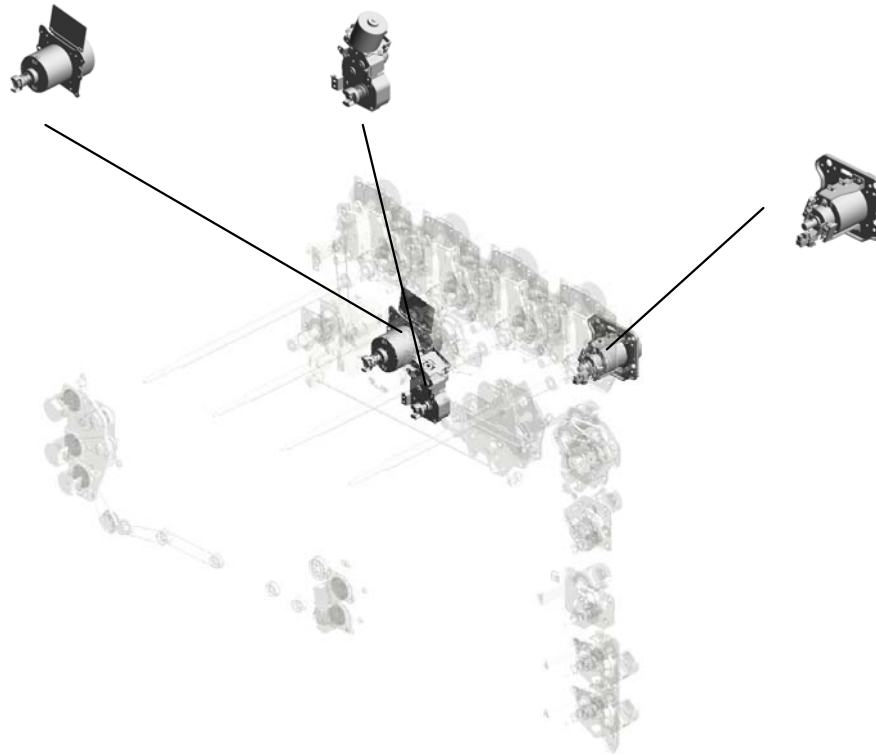
U001	U002	U003	U004	U005	U006	U007	U008	U009	U010	U011	U012	U013	U014	U015	U016	<b>U017</b>	U018	U019	U020
------	------	------	------	------	------	------	------	------	------	------	------	------	------	------	------	-------------	------	------	------

# U017.MAIN DRIVE

U017\_S014  
D1381028  
FUSING DRIVE UNIT:GEAR:S  
LOW DOWN:PRO:ASS'Y

U017\_S015  
AX060460  
DRIVE UNIT:ON-OFF:PRESS  
URE ROLLER

U017\_S013  
D1381014  
DRIVE UNIT:PHOTOCONDU  
CTOR:PRO:ASS'Y



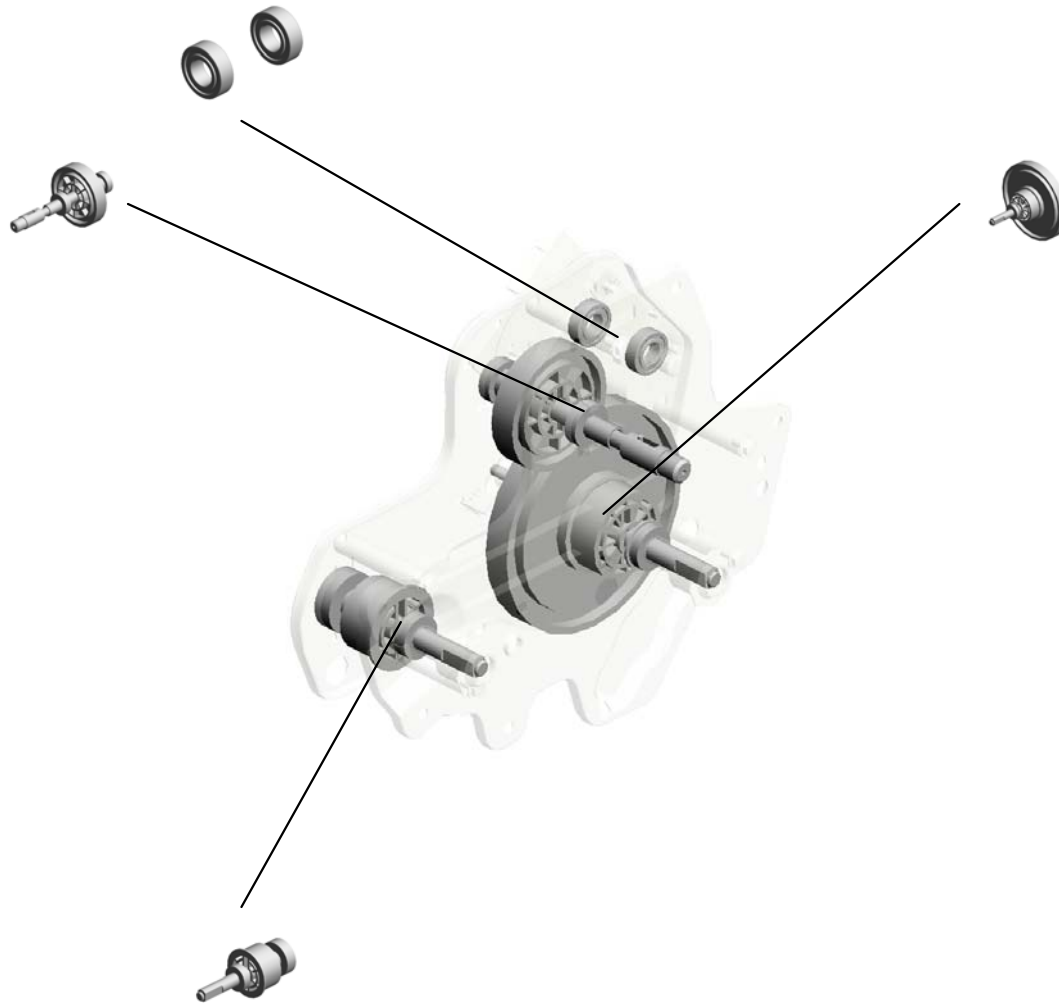
U001	U002	U003	U004	U005	U006	U007	U008	U009	U010	U011	U012	U013	U014	U015	U016	U017	U018	U019	U020
------	------	------	------	------	------	------	------	------	------	------	------	------	------	------	------	------	------	------	------

# U017\_S001.DRIVE UNIT:TRANSFER:SECOND:ASS'Y

U017\_S001\_S001  
AB017839  
GEAR:IDLER:BELT CLEANIN  
G

U017\_S001\_S003  
D1361235  
SHAFT:DRIVE:BELT CLEANI  
NG:ASS'Y

U017\_S001\_S002  
D1361232  
SHAFT:DRIVE:TRANSFER:S  
ECOND:ASS'Y

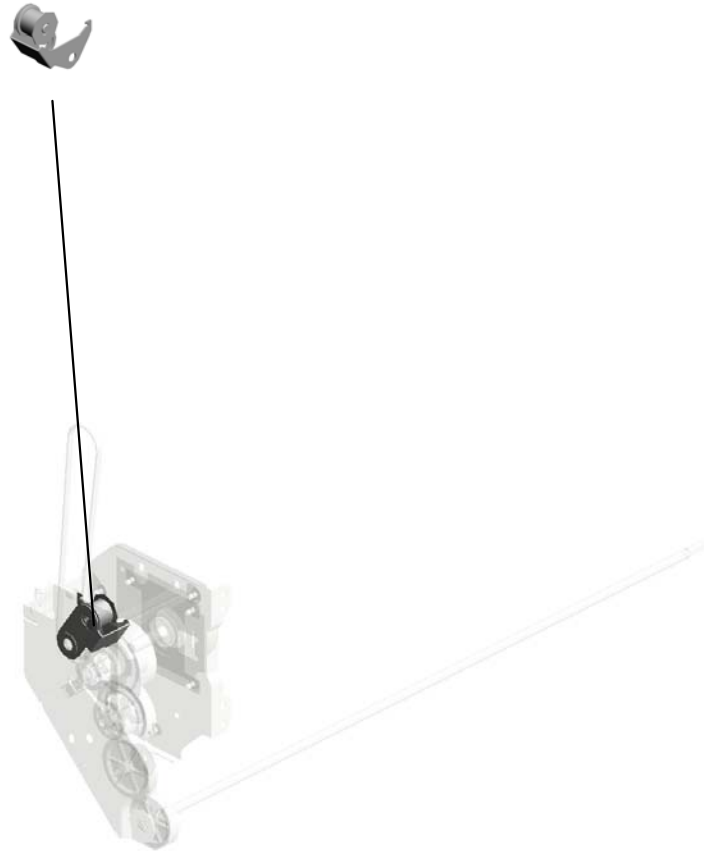


U017\_S001\_S004  
D1361240  
SHAFT:OUTPUT:DRIVE:VAC  
UUM:ASS'Y

U001	U002	U003	U004	U005	U006	U007	U008	U009	U010	U011	U012	U013	U014	U015	U016	U017	U018	U019	U020
------	------	------	------	------	------	------	------	------	------	------	------	------	------	------	------	------	------	------	------

# U017\_S003.DRIVE UNIT:USED TONER:LOWER:ASS'Y

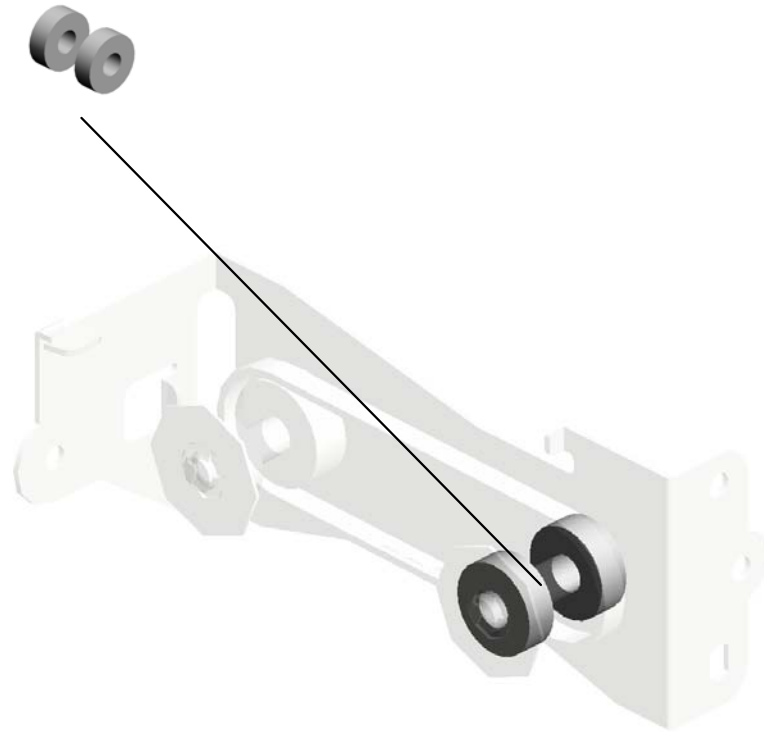
U017\_S003\_S001  
D1361288  
BRACKET:TENSIONER:DRIV  
E:USED TONER:ASS'Y



U001	U002	U003	U004	U005	U006	U007	U008	U009	U010	U011	U012	U013	U014	U015	U016	U017	U018	U019	U020
------	------	------	------	------	------	------	------	------	------	------	------	------	------	------	------	------	------	------	------

# U017\_S004.DRIVE UNIT:USED TONER:UPPER:ASS'Y

U017\_S004\_S001  
AB017915  
GEAR:PULLEY:USED TONER  
:UPPER:Z37/S2M31T



U001	U002	U003	U004	U005	U006	U007	U008	U009	U010	U011	U012	U013	U014	U015	U016	U017	U018	U019	U020
------	------	------	------	------	------	------	------	------	------	------	------	------	------	------	------	------	------	------	------

# U017\_S005.DRIVE UNIT:TRANSPORT SUB-UNIT:CONNECTING:ASS'Y

U017\_S005\_S003  
D1361374  
SHAFT:MANUAL FEED UNIT

U017\_S005\_S001  
D1361370  
SHAFT:MANUAL FEED UNIT:  
CONNECTING

U017\_S005\_S004  
D1361374  
SHAFT:MANUAL FEED UNIT

U017\_S005\_S002  
D1361372  
SHAFT:JOINT UNIT

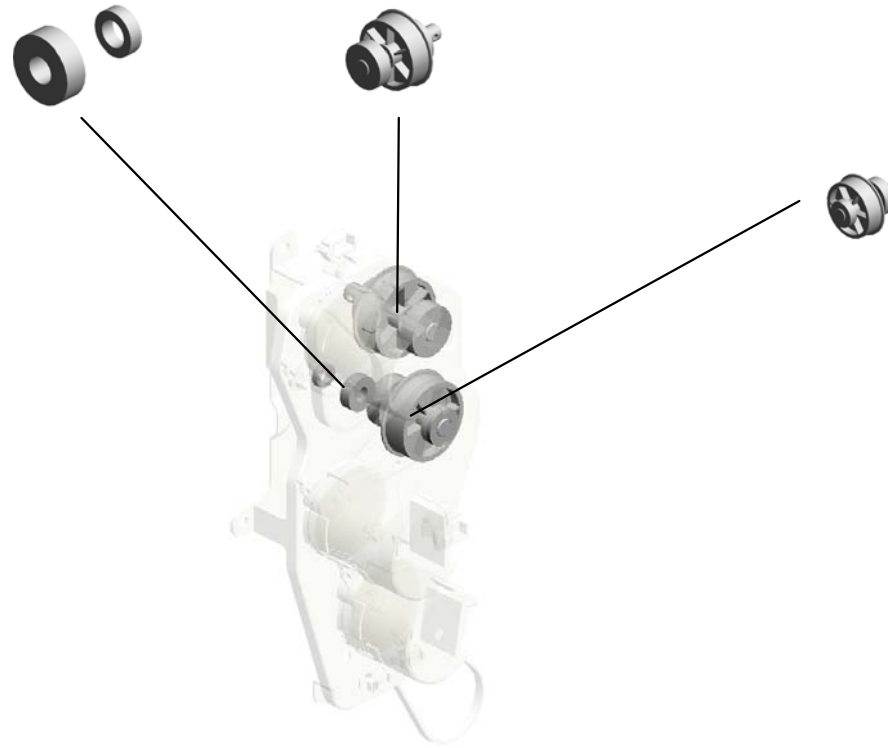
U001	U002	U003	U004	U005	U006	U007	U008	U009	U010	U011	U012	U013	U014	U015	U016	U017	U018	U019	U020
------	------	------	------	------	------	------	------	------	------	------	------	------	------	------	------	------	------	------	------

# U017\_S006.DRIVE UNIT:PAPER EXIT SUB-UNIT:ASS'Y

U017\_S006\_S001  
AB033117  
PULLEY:IDLER:EXIT

U017\_S006\_S003  
D1361386  
SHAFT:DRIVE:PAPER EXIT S  
UB-UNIT:ASS'Y

U017\_S006\_S002  
D1361384  
SHAFT:DRIVE:PAPER EXIT S  
UB-UNIT:ENTRANCE:ASS'Y



U001	U002	U003	U004	U005	U006	U007	U008	U009	U010	U011	U012	U013	U014	U015	U016	U017	U018	U019	U020
------	------	------	------	------	------	------	------	------	------	------	------	------	------	------	------	------	------	------	------



# U017\_S007.DRIVE UNIT:PAPER FEED SUB-UNIT:NO.1:ASS'Y

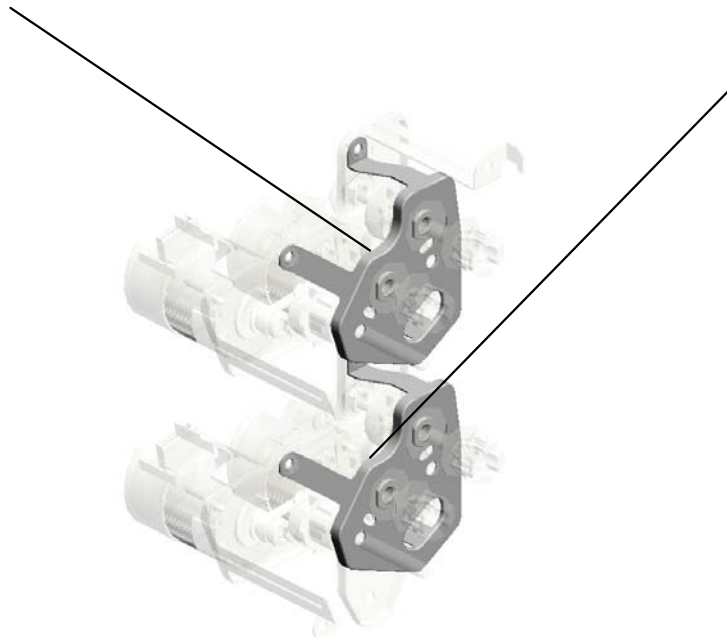
U017\_S007\_S001  
D1361317  
DRUM STAY:PAPER FEED S  
UB-UNIT:NO.1



U001	U002	U003	U004	U005	U006	U007	U008	U009	U010	U011	U012	U013	U014	U015	U016	U017	U018	U019	U020
------	------	------	------	------	------	------	------	------	------	------	------	------	------	------	------	------	------	------	------

# U017\_S008.DRIVE UNIT:PAPER FEED SUB-UNIT:NO.3:ASS'Y

U017\_S008\_S002  
D1361337  
DRUM STAY:PAPER FEED S  
UB-UNIT:NO.3

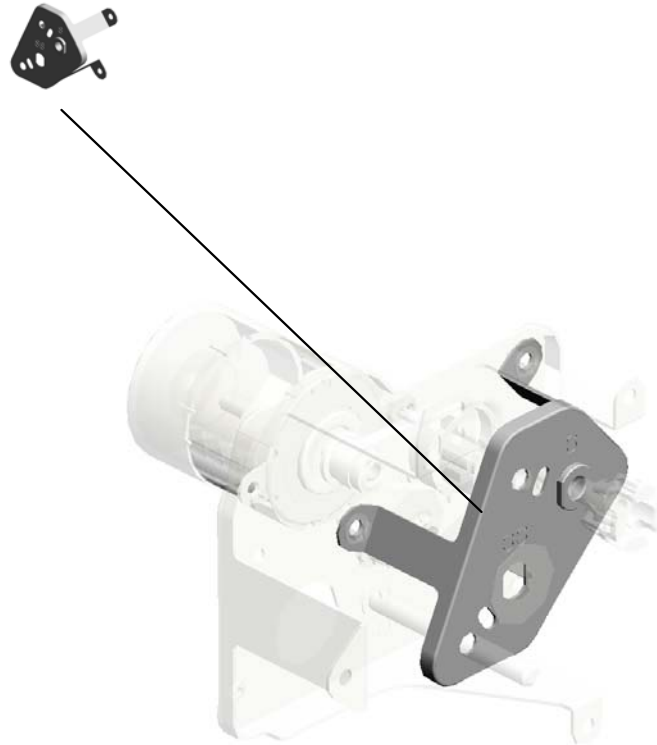


U017\_S008\_S001  
D1361337  
DRUM STAY:PAPER FEED S  
UB-UNIT:NO.3

U001	U002	U003	U004	U005	U006	U007	U008	U009	U010	U011	U012	U013	U014	U015	U016	U017	U018	U019	U020
------	------	------	------	------	------	------	------	------	------	------	------	------	------	------	------	------	------	------	------

# U017\_S009.DRIVE UNIT:PAPER FEED SUB-UNIT:NO.2:EU:ASS'Y

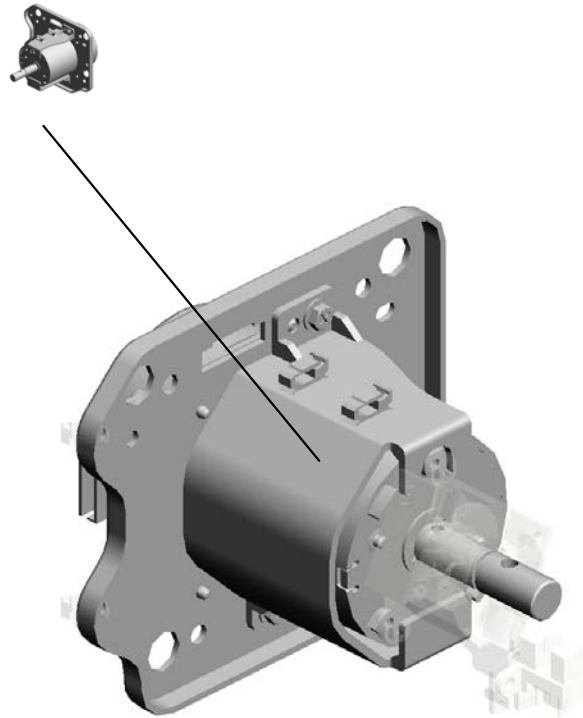
U017\_S009\_S001  
D1361347  
DRUM STAY:PAPER FEED S  
UB-UNIT:NO.2:EU



U001	U002	U003	U004	U005	U006	U007	U008	U009	U010	U011	U012	U013	U014	U015	U016	U017	U018	U019	U020
------	------	------	------	------	------	------	------	------	------	------	------	------	------	------	------	------	------	------	------

# U017\_S010.DRIVE UNIT:PHOTOCONDUCTOR:PRO:ASS'Y

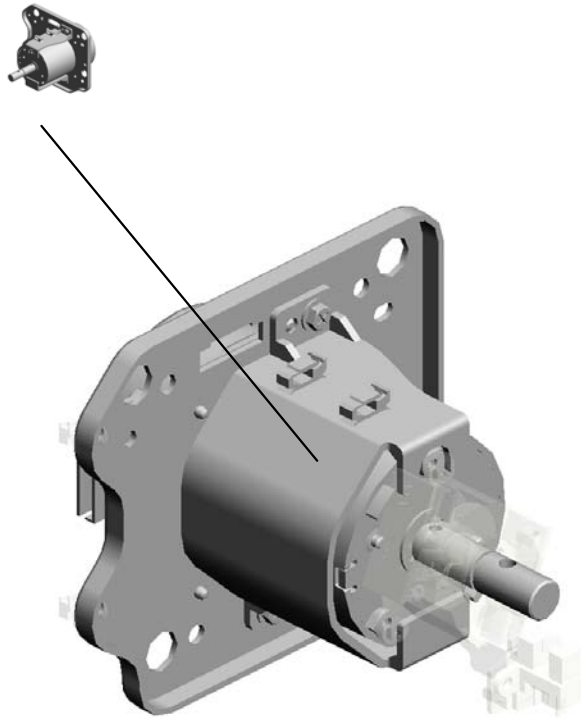
U017\_S010\_S001  
D1361100  
DRUM:GEAR:SLOW DOWN:A  
SS'Y



U001	U002	U003	U004	U005	U006	U007	U008	U009	U010	U011	U012	U013	U014	U015	U016	U017	U018	U019	U020
------	------	------	------	------	------	------	------	------	------	------	------	------	------	------	------	------	------	------	------

# U017\_S011.DRIVE UNIT:PHOTOCONDUCTOR:PRO:ASS'Y

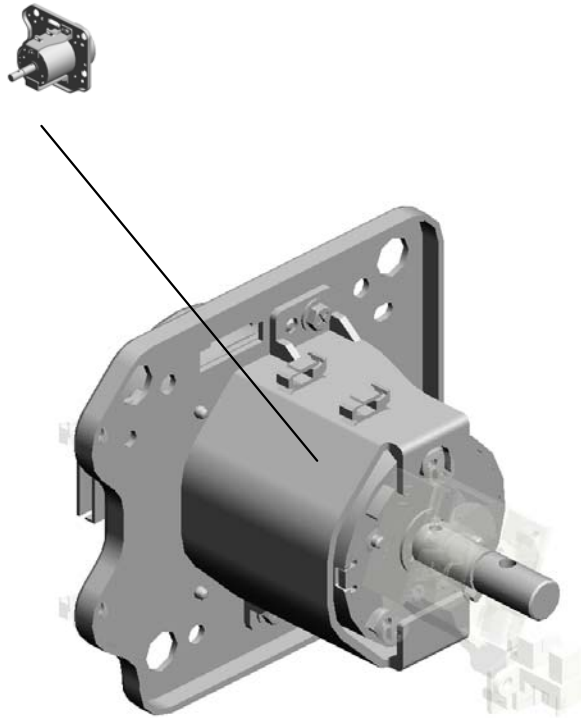
U017\_S011\_S001  
D1361100  
DRUM:GEAR:SLOW DOWN:A  
SS'Y



U001	U002	U003	U004	U005	U006	U007	U008	U009	U010	U011	U012	U013	U014	U015	U016	U017	U018	U019	U020
------	------	------	------	------	------	------	------	------	------	------	------	------	------	------	------	------	------	------	------

# U017\_S012.DRIVE UNIT:PHOTOCONDUCTOR:PRO:ASS'Y

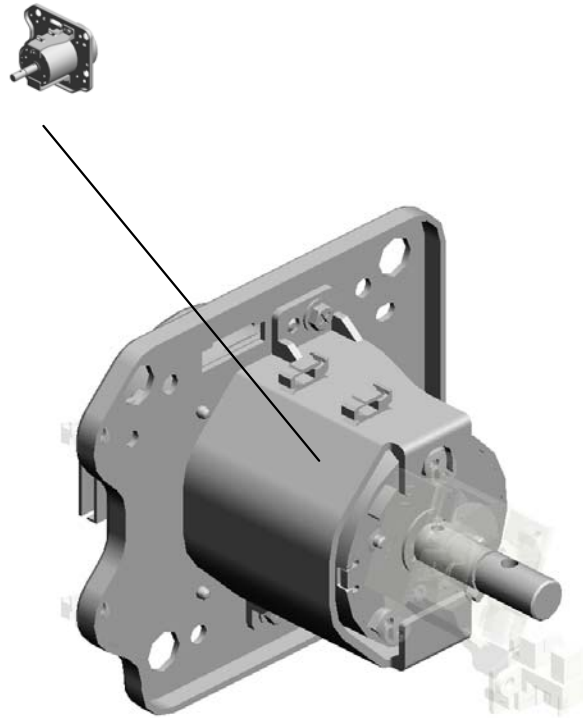
U017\_S012\_S001  
D1361100  
DRUM:GEAR:SLOW DOWN:A  
SS'Y



U001	U002	U003	U004	U005	U006	U007	U008	U009	U010	U011	U012	U013	U014	U015	U016	U017	U018	U019	U020
------	------	------	------	------	------	------	------	------	------	------	------	------	------	------	------	------	------	------	------

# U017\_S013.DRIVE UNIT:PHOTOCONDUCTOR:PRO:ASS'Y

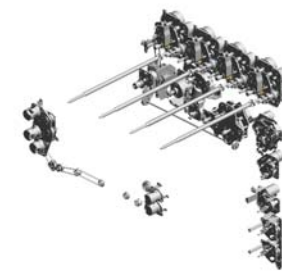
U017\_S013\_S001  
D1361100  
DRUM:GEAR:SLOW DOWN:A  
SS'Y



U001	U002	U003	U004	U005	U006	U007	U008	U009	U010	U011	U012	U013	U014	U015	U016	U017	U018	U019	U020
------	------	------	------	------	------	------	------	------	------	------	------	------	------	------	------	------	------	------	------

# U017 MAIN DRIVE

17.07403808 (x16) BALL BEARING - 8 X16X5MM  
 18.07403906 (x8) BALL BEARING - 6 X15X5  
 4.03603014N (x4) SCREW - M3X14  
 1.03130040N (x12) SCREW:M3X4  
 42.AA082173 PLAIN SHAFT BEARING:6X10X6



5.04513006N (x32) TAPPING SCREW - 3X6

43.AB011607 GEAR:ON-OFF:TRANSFER

12.07200040E (x11) RETAINING RING - M4

38.AA043929 TIMING BELT - B40 S2M114

29.AA043311 TIMING BELT:40S2 M302G

13.07200060E RETAINING RING - M6

25.11050758 (x3) CLAMP:LWSM-030 6A

34.AA043660 TIMING BELT:40S2 M172

37.AA043694 SYNCHRONOUS BELT: B40S2M202

3.03603006N (x59) SCREW - M3X6

7.04583010N (x3) HEXAGON HEAD TAPPING SCREW:3 X10

2.03530030N (x2) SCREW:M3X3

26.11050760 (x6) CLAMP:LWSM-051 1A

6.04543006Q (x47) TAPPING SCREW - M3X6

28.11050763 CLAMP:LWS-1211A

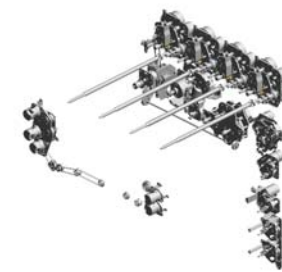
26.11050760 (x3) CLAMP:LWSM-051 1A

31.AA043334 TIMING BELT:40S2 M174

37.AA043694 SYNCHRONOUS BELT: B40S2M202



# U017 MAIN DRIVE



- 58.AB017918 GEAR:REVERSE  
XIT:IDLER:NO.2
- 69.AW020198 (x4)  
PHOTOINTERRUP  
TOR:LG2A14NL1
- 89.D1361157 (x4)  
DC MOTOR:24V:23.  
1W:BRUSHLESS
- 77.D0141265 (x4)  
BRACKET:DC MOT  
OR
- 90.D1361159 (x4)  
DC MOTOR:24V:8.8  
W:BRUSHLESS

88.D1361132  
(x4)  
DRUM SHAFT:ASS'  
Y

48.AB016002  
GEAR:Z36

61.AB030866  
PULLEY:DUPLX S  
UB-UNIT:REGISTR  
ATION:S2M54T

59.AB017919  
GEAR:Z26/26T

65.AB033114  
PULLEY:DUPLX S  
UB-UNIT:S2M:36T:  
COUPLING

63.AB030876  
(x2)  
PULLEY:S2M:36T

66.AB033115  
PULLEY:DUPLX S  
UB-UNIT:IDLER:S2  
M:36T

62.AB030867  
PULLEY:T60

67.AB033116  
PULLEY:DUPLX S  
UB-UNIT:54T/36T

46.AB011612  
GEAR:USED TONE  
R:MIDDLE

94.D1361219  
SHAFT:ON-OFF:TR  
ANSFER:ASS'Y

49.AB017837  
GEAR:ON-OFF:TR  
ANSFER:IDLER:NO  
.1

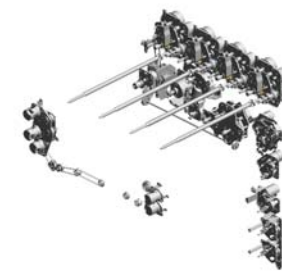
93.D1361217  
JOINT:ON-OFF:INT  
ERMEDIATE TRAN  
SFER

50.AB017838  
GEAR:ON-OFF:TR  
ANSFER:IDLER:NO  
.2

92.D1361216  
DC MOTOR:ON-OF  
F:TRANSFER:5.28  
W:BRUSH

U001	U002	U003	U004	U005	U006	U007	U008	U009	U010	U011	U012	U013	U014	U015	U016	U017	U018	U019	U020
------	------	------	------	------	------	------	------	------	------	------	------	------	------	------	------	------	------	------	------

# U017 MAIN DRIVE



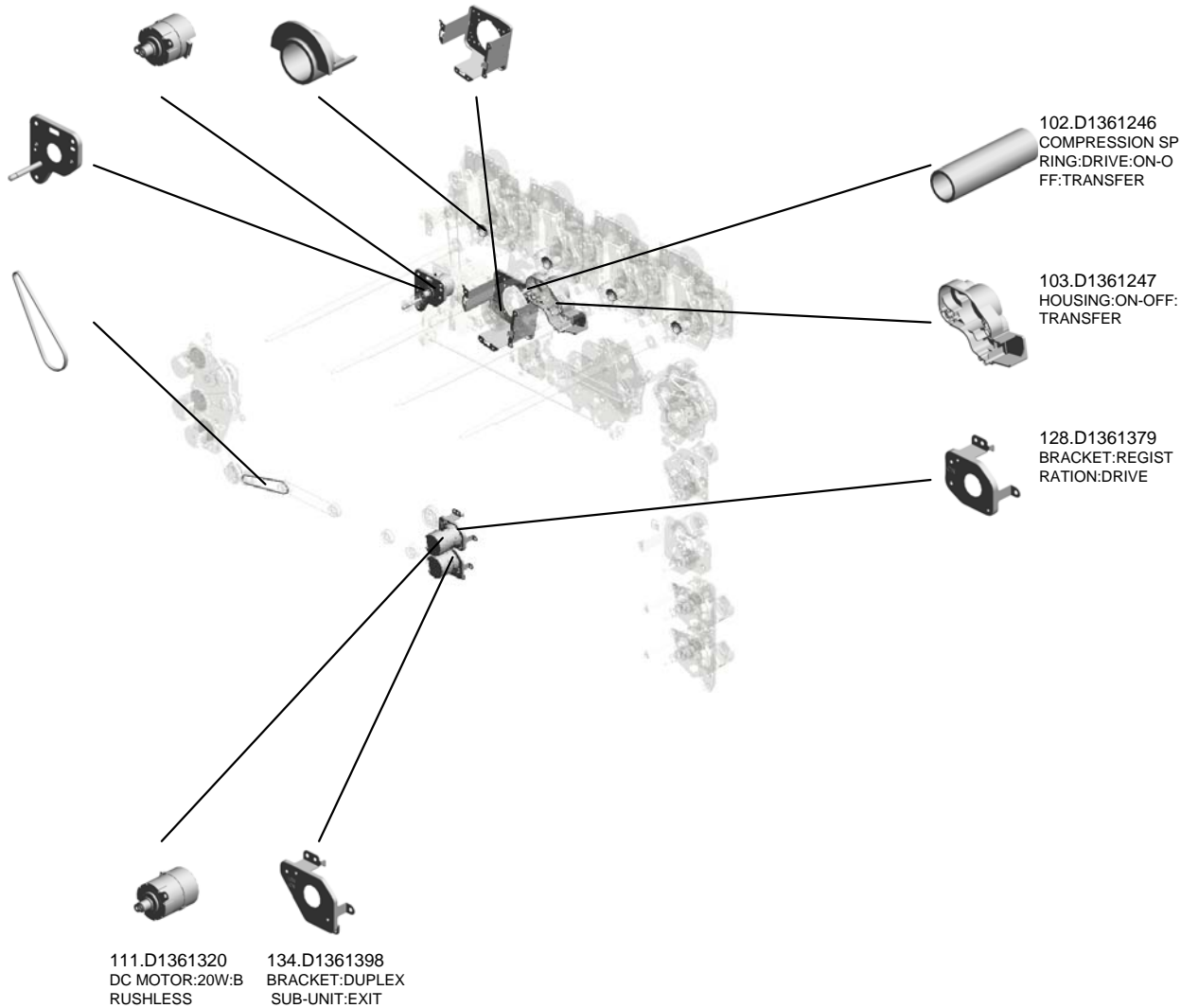
108.D1361310 (x2)  
DC MOTOR:10W:B RUSHLESS

138.D1381137 (x4)  
FEELER:POSITIONING SENSOR:PHOTOCONDUCTOR

105.D1361275  
BRACKET:DRIVE:FEELING

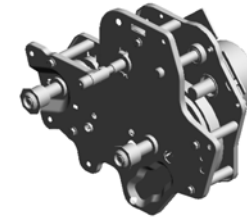
133.D1361391  
BRACKET:PAPER EXIT SUB-UNIT:REVERSE:NO.2

139.D4345209  
TIMING BELT:B40S 2M246



U001	U002	U003	U004	U005	U006	U007	U008	U009	U010	U011	U012	U013	U014	U015	U016	U017	U018	U019	U020
------	------	------	------	------	------	------	------	------	------	------	------	------	------	------	------	------	------	------	------

U017\_S001  
 DRIVE UNIT:TRANSFER:SECOND:ASS'Y



91.D1361210  
 DRIVE UNIT:TRAN  
 SFER:SECOND:AS  
 SY

- 81.D0896171 RUBBER BUSHING :ENCODER
- 78.D0396137 ENCODER:ASS'Y
- 72.AX060451 DC MOTOR:TRANS FER:SECOND:9.8 W:BRUSHLESS
- 13.07200060E RETAINING RING - M6

71.AW020212 (x2)  
 OPTICS SENSOR:ENCODER:300LPI

16.07403804 BALL BEARING: DIA 4XDIA9X4

11.07200030E RETAINING RING - M3

140.G1073834 (x4)  
 RIVET - 2.0

99.D1361243 (x2)  
 JOINT:DRIVE:TRANSFER

12.07200040E (x2)  
 RETAINING RING - M4

29.AA043311 TIMING BELT:40S2 M302G

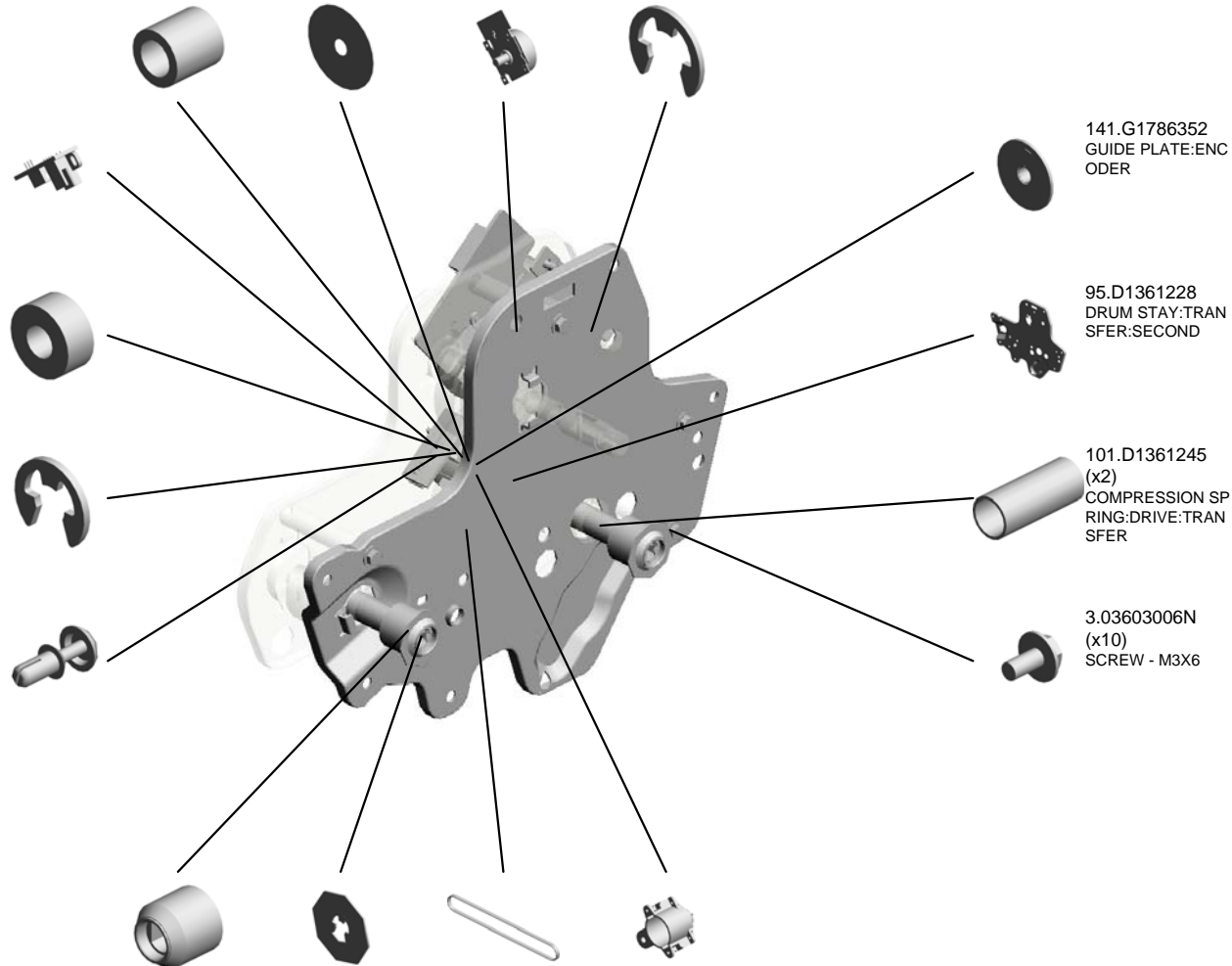
100.D1361244 COVER:ENCODER

141.G1786352 GUIDE PLATE:ENCODER

95.D1361228 DRUM STAY:TRANSFER:SECOND

101.D1361245 (x2)  
 COMPRESSION SPRING:DRIVE:TRANSFER

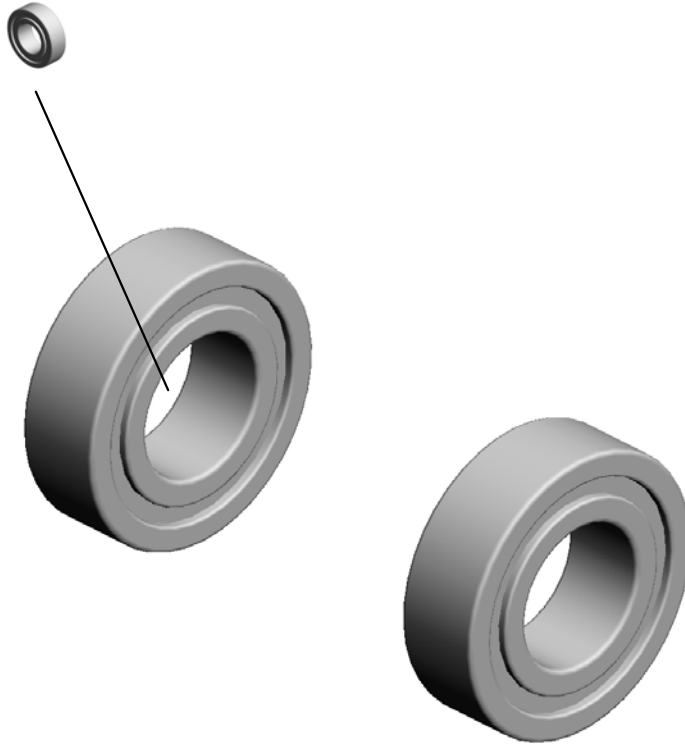
3.03603006N (x10)  
 SCREW - M3X6



U001	U002	U003	U004	U005	U006	U007	U008	U009	U010	U011	U012	U013	U014	U015	U016	U017	U018	U019	U020
------	------	------	------	------	------	------	------	------	------	------	------	------	------	------	------	------	------	------	------

U017\_S001\_S001  
GEAR:IDLER:BELT CLEANING

17.07403808  
(x2)  
BALL BEARING - 8  
X16X5MM



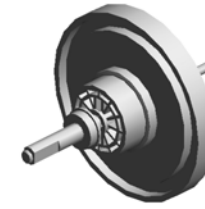
51.AB017839  
GEAR:IDLER:BELT  
CLEANING

U001	U002	U003	U004	U005	U006	U007	U008	U009	U010	U011	U012	U013	U014	U015	U016	U017	U018	U019	U020
------	------	------	------	------	------	------	------	------	------	------	------	------	------	------	------	------	------	------	------

U017\_S001\_S002

SHAFT:DRIVE:TRANSFER:SECOND:ASS'Y

17.07403808 BALL BEARING - 8 X16X5MM  
13.07200060E RETAINING RING - M6



96.D1361232  
SHAFT:DRIVE:TRA  
NSFER:SECOND:A  
SS'Y

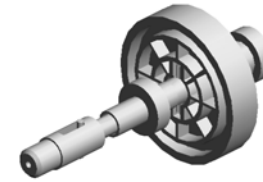


U001	U002	U003	U004	U005	U006	U007	U008	U009	U010	U011	U012	U013	U014	U015	U016	U017	U018	U019	U020
------	------	------	------	------	------	------	------	------	------	------	------	------	------	------	------	------	------	------	------

U017\_S001\_S003

SHAFT:DRIVE:BELT CLEANING:ASS'Y

17.07403808  
(x2)  
BALL BEARING - 8  
X16X5MM



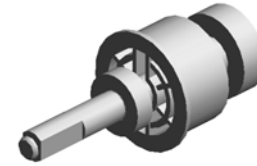
97.D1361235  
SHAFT:DRIVE:BEL  
T CLEANING:ASS'Y



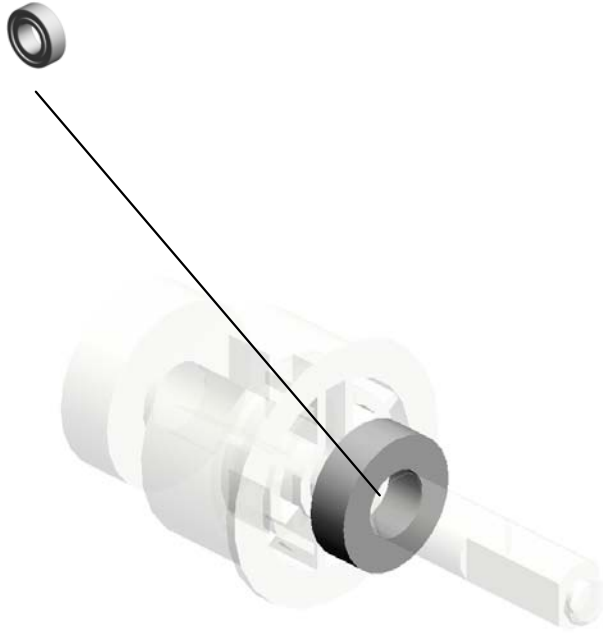
U001	U002	U003	U004	U005	U006	U007	U008	U009	U010	U011	U012	U013	U014	U015	U016	U017	U018	U019	U020
------	------	------	------	------	------	------	------	------	------	------	------	------	------	------	------	------	------	------	------

U017\_S001\_S004  
SHAFT:OUTPUT:DRIVE:VACUUM:ASS'Y

17.07403808  
BALL BEARING - 8  
X16X5MM



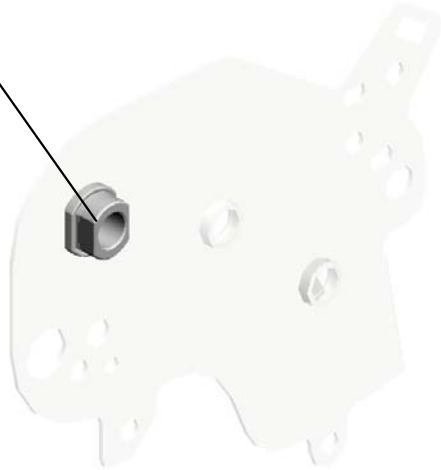
98.D1361240  
SHAFT:OUTPUT:DRIVE:VACUUM:ASS'Y



U001	U002	U003	U004	U005	U006	U007	U008	U009	U010	U011	U012	U013	U014	U015	U016	U017	U018	U019	U020
------	------	------	------	------	------	------	------	------	------	------	------	------	------	------	------	------	------	------	------

U017\_S002  
BRACKET:ON-OFF:TRANSFER:ASS'Y

42.AA082173  
PLAIN SHAFT BEA  
RING:6X10X6



104.D1361249  
BRACKET:ON-OFF:  
TRANSFER:ASSY

U001	U002	U003	U004	U005	U006	U007	U008	U009	U010	U011	U012	U013	U014	U015	U016	U017	U018	U019	U020
------	------	------	------	------	------	------	------	------	------	------	------	------	------	------	------	------	------	------	------



U017\_S003

DRIVE UNIT:USED TONER:LOWER:ASS'Y

39.AA061129 TENSION SPRING:  
TIGHTENER:DRIVE  
:USED TONER

36.AA043693 SYNCHRONOUS B  
ELT:40S2M364

12.07200040E (x4)  
RETAINING RING -  
M4

52.AB017912 GEAR:USED TONE  
R:IDLER:NO.1

82.D1361032  
DRIVE UNIT:USED  
TONER:LOWER:AS  
SY

54.AB017914  
GEAR:PULLEY:LO  
WER:Z33/S2M43T

13.07200060E  
RETAINING RING -  
M6

69.AW020198  
PHOTOINTERRUP  
TOR:LG2A14NL1

25.11050758  
(x2)  
CLAMP:LWSM-030  
6A

44.AB011610  
GEAR:USED TONE  
R:IDLER:NO.3

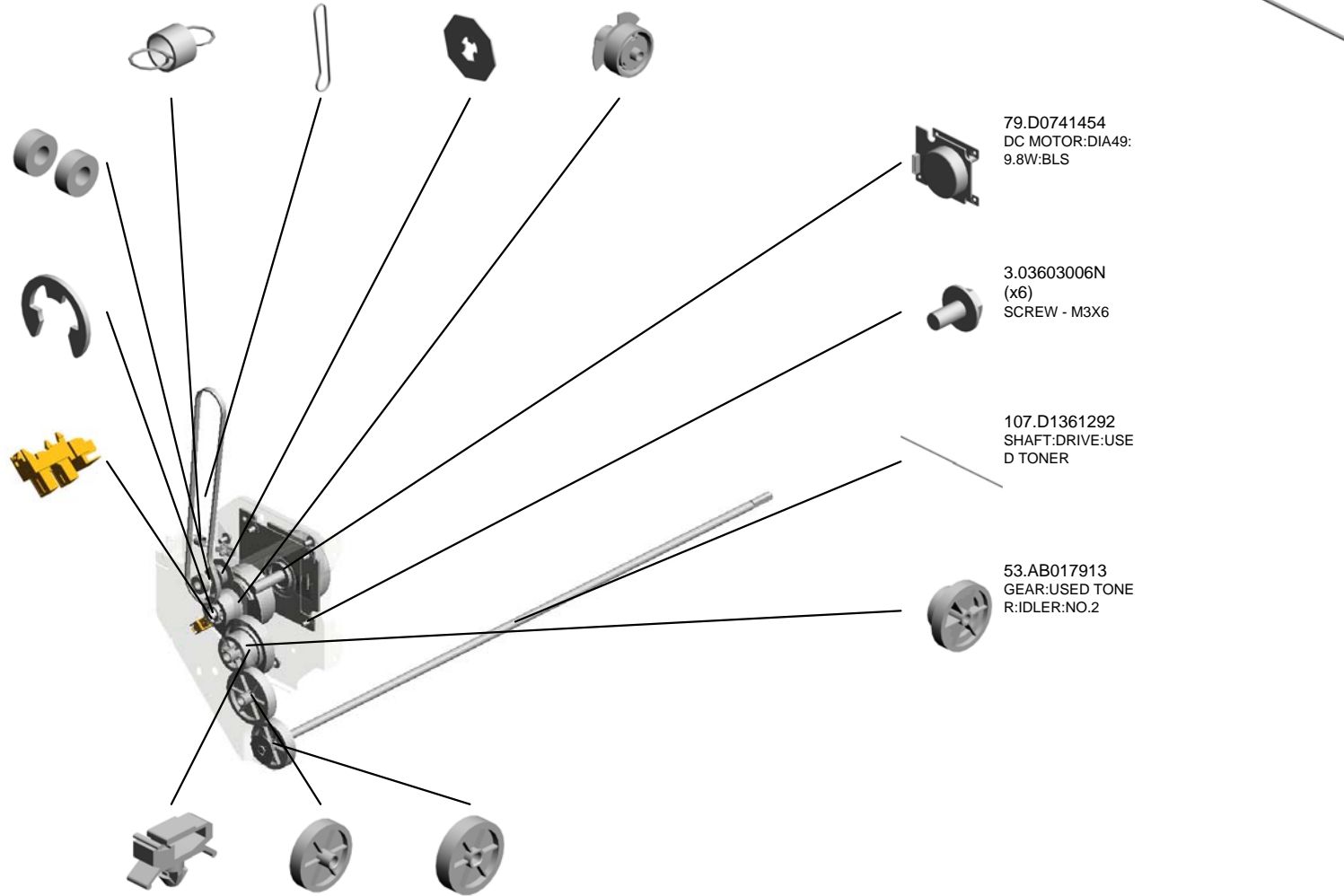
45.AB011611  
GEAR:USED TONE  
R:DRIVE:LOWER

79.D0741454  
DC MOTOR:DIA49:  
9.8W:BLS

3.03603006N  
(x6)  
SCREW - M3X6

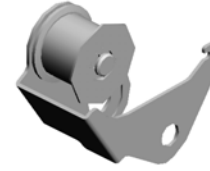
107.D1361292  
SHAFT:DRIVE:USE  
D TONER

53.AB017913  
GEAR:USED TONE  
R:IDLER:NO.2

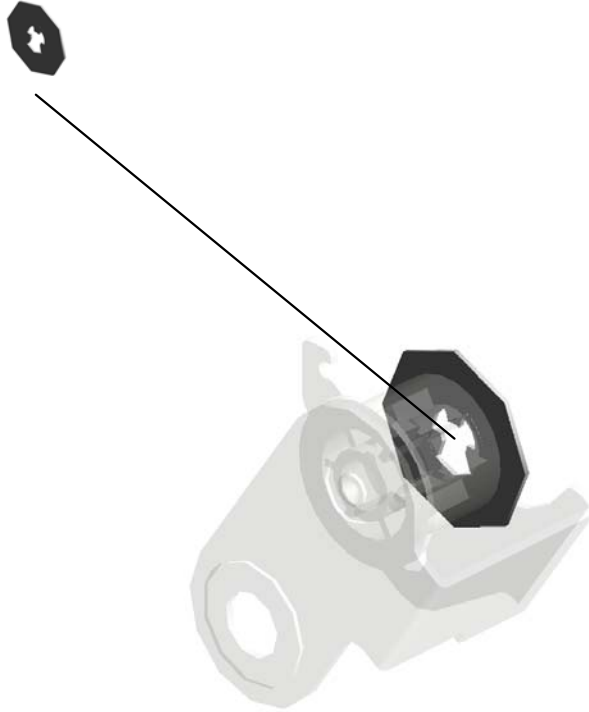


U017\_S003\_S001  
BRACKET:TENSIONER:DRIVE:USED TONER:ASS'Y

12.07200040E  
RETAINING RING -  
M4



106.D1361288  
BRACKET:TENSIO  
NER:DRIVE:USED  
TONER:ASSY

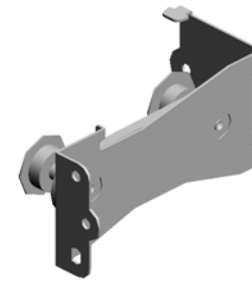


U001	U002	U003	U004	U005	U006	U007	U008	U009	U010	U011	U012	U013	U014	U015	U016	U017	U018	U019	U020
------	------	------	------	------	------	------	------	------	------	------	------	------	------	------	------	------	------	------	------

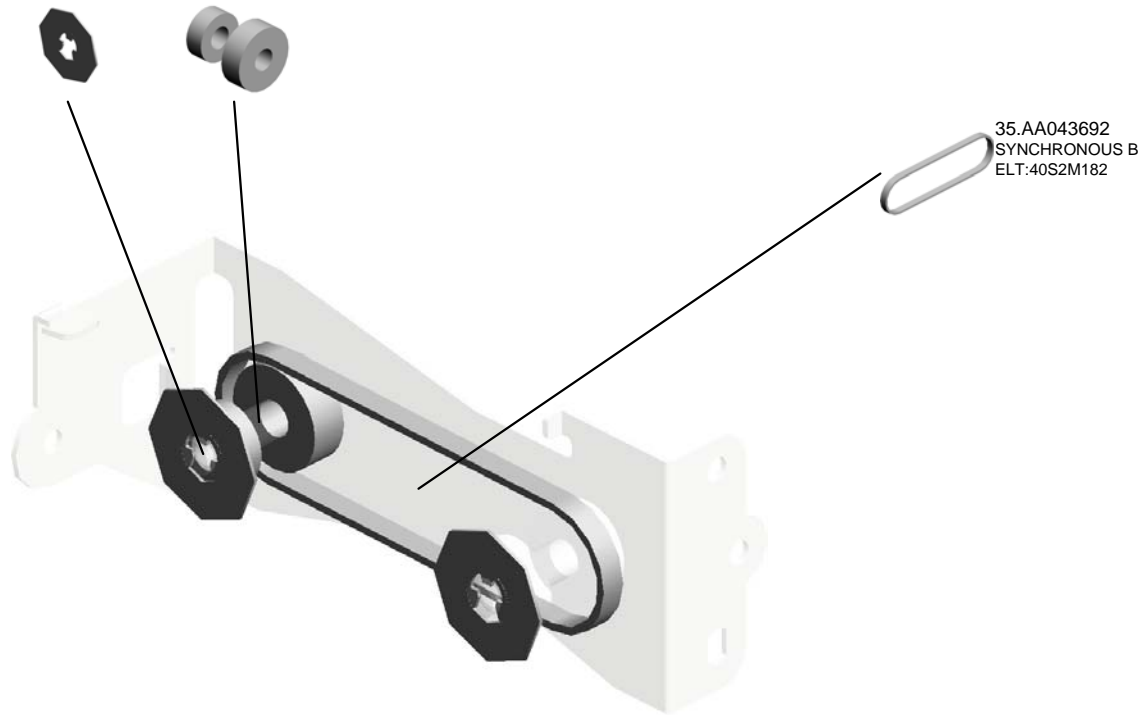
U017\_S004

DRIVE UNIT:USED TONER:UPPER:ASS'Y

12.07200040E 64.AB033113  
(x2) TIMING PULLEY:S2  
RETAINING RING - M41T:S2M33T  
M4



83.D1361034  
DRIVE UNIT:USED  
TONER:UPPER:AS  
SY

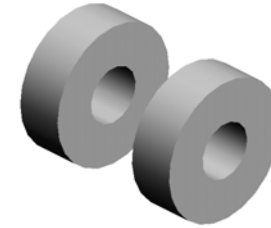
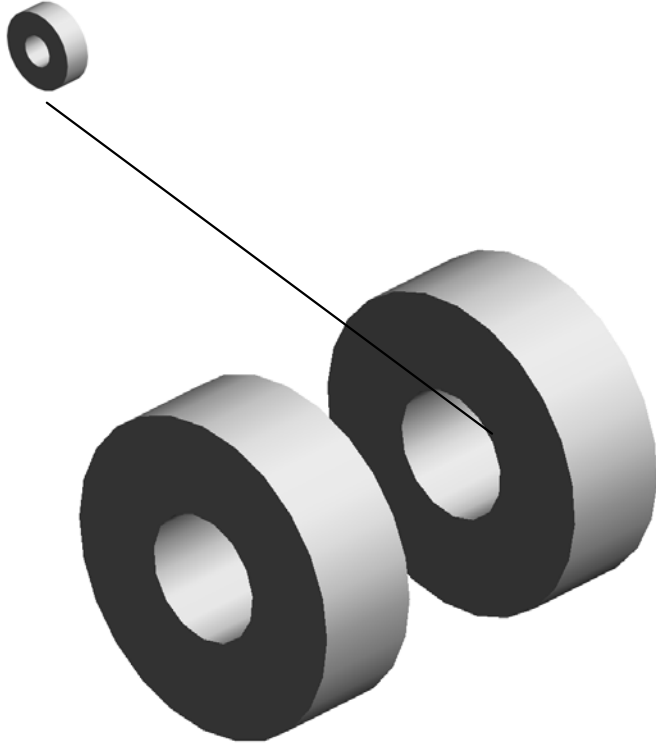


35.AA043692  
SYNCHRONOUS B  
ELT:40S2M182

U001	U002	U003	U004	U005	U006	U007	U008	U009	U010	U011	U012	U013	U014	U015	U016	U017	U018	U019	U020
------	------	------	------	------	------	------	------	------	------	------	------	------	------	------	------	------	------	------	------

U017\_S004\_S001  
GEAR:PULLEY:USED TONER:UPPER:Z37/S2M31T

18.07403906  
(x2)  
BALL BEARING - 6  
X15X5



55.AB017915  
GEAR:PULLEY:US  
ED TONER:UPPER:  
Z37/S2M31T

U001	U002	U003	U004	U005	U006	U007	U008	U009	U010	U011	U012	U013	U014	U015	U016	U017	U018	U019	U020
------	------	------	------	------	------	------	------	------	------	------	------	------	------	------	------	------	------	------	------

U017\_S005

DRIVE UNIT:TRANSPORT SUB-UNIT:CONNECTING:ASS'Y

40.AA061130 TENSION SPRING:  
TIGHTENER:DRIVE  
:TRANSPORT  
30.AA043325 TIMING BELT - B40  
S2M250  
76.B8301456 TIMING BELT - 40S  
2M190  
60.AB030865 PULLEY:S2M:54T/2  
7T



120.D1361362  
DRIVE UNIT:TRAN  
SPORT SUB-UNIT:  
CONNECTING:ASS  
'Y

108.D1361310  
(x2)  
DC MOTOR:10W:B  
RUSHLESS



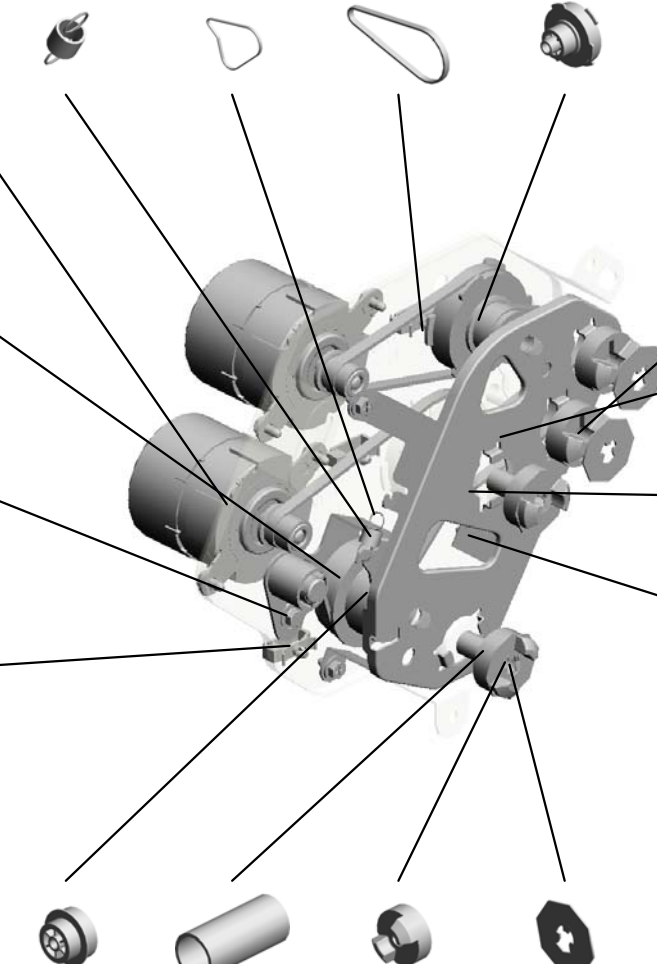
121.D1361367  
BRACKET:TENSIO  
N



21.08046123  
HEXAGONAL BOLT  
:W/WASHER:M3X8



26.11050760  
(x3)  
CLAMP:LWSM-051  
1A



127.D1361378  
(x2)  
JOINT:DRIVE:MAN  
UAL FEED SUB-UN  
IT



75.B7003535  
(x2)  
TIMING BELT:B40S  
2M116



125.D1361376  
BRACKET:TRANSP  
ORT SUB-UNIT:LO  
WER



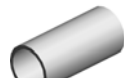
6.04543006Q  
(x8)  
TAPPING SCREW -  
M3X6



57.AB017917  
GEAR:IDLER:48T/Z  
28



41.AA063715  
(x2)  
COMPRESSION SP  
RING:JOINT:CONN  
ECTING:DRIVE SU  
B-UNIT



126.D1361377  
(x2)  
JOINT:DRIVE:MAN  
UAL FEED SUB-UN  
IT



12.07200040E  
(x4)  
RETAINING RING -  
M4



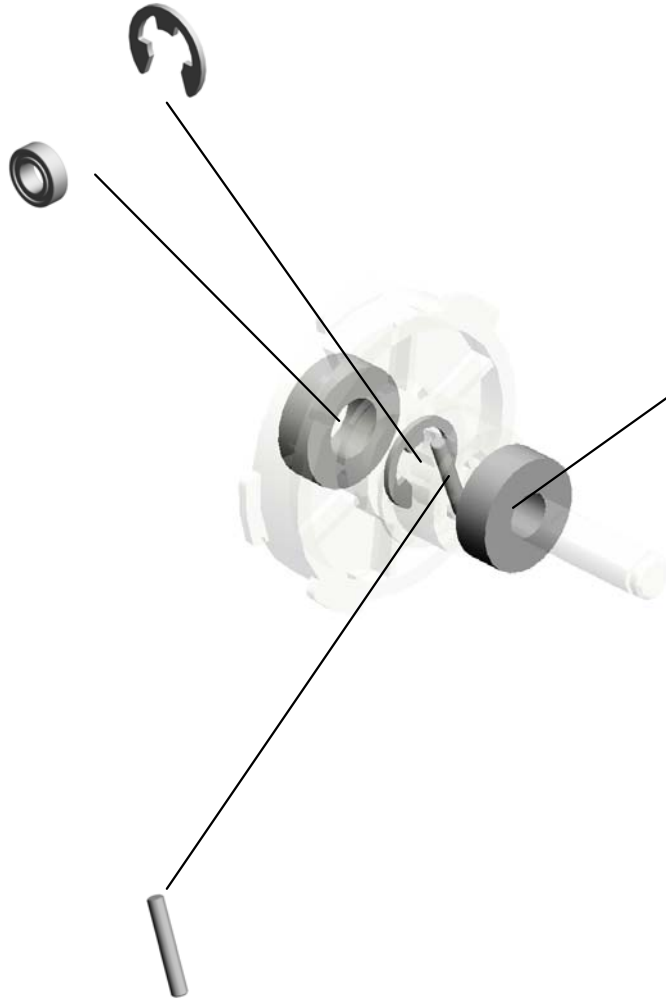
U017\_S005\_S001  
SHAFT:MANUAL FEED UNIT:CONNECTING



122.D1361370  
SHAFT:MANUAL F  
EED UNIT:CONNE  
CTING

13.07200060E  
RETAINING RING -  
M6

17.07403808  
BALL BEARING - 8  
X16X5MM



18.07403906  
BALL BEARING - 6  
X15X5

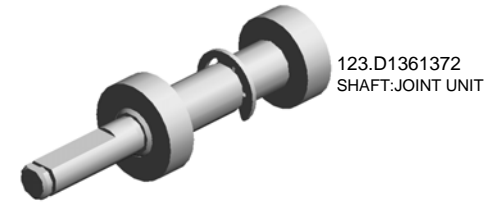
9.06320120G  
PARALLEL PIN - 2X  
12

U001	U002	U003	U004	U005	U006	U007	U008	U009	U010	U011	U012	U013	U014	U015	U016	U017	U018	U019	U020
------	------	------	------	------	------	------	------	------	------	------	------	------	------	------	------	------	------	------	------

U017\_S005\_S002  
SHAFT:JOINT UNIT

18.07403906  
BALL BEARING - 6  
X15X5

13.07200060E  
RETAINING RING -  
M6



123.D1361372  
SHAFT:JOINT UNIT

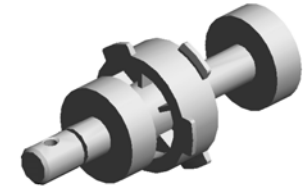


17.07403808  
BALL BEARING - 8  
X16X5MM

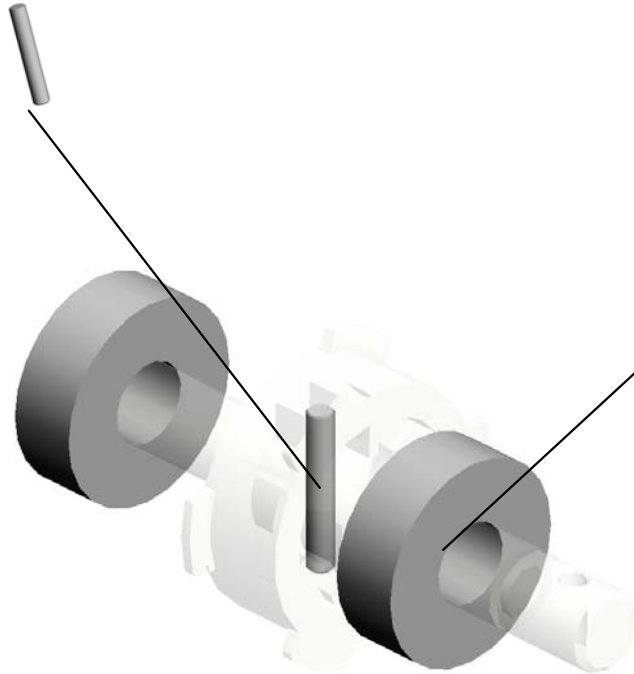
U001	U002	U003	U004	U005	U006	U007	U008	U009	U010	U011	U012	U013	U014	U015	U016	U017	U018	U019	U020
------	------	------	------	------	------	------	------	------	------	------	------	------	------	------	------	------	------	------	------

U017\_S005\_S003  
SHAFT:MANUAL FEED UNIT

9.06320120G  
PARALLEL PIN - 2X  
12



124.D1361374  
SHAFT:MANUAL F  
EED UNIT



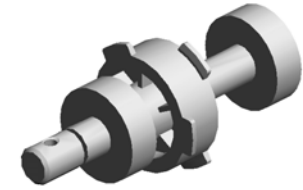
18.07403906  
(x2)  
BALL BEARING - 6  
X15X5

U001	U002	U003	U004	U005	U006	U007	U008	U009	U010	U011	U012	U013	U014	U015	U016	U017	U018	U019	U020
------	------	------	------	------	------	------	------	------	------	------	------	------	------	------	------	------	------	------	------

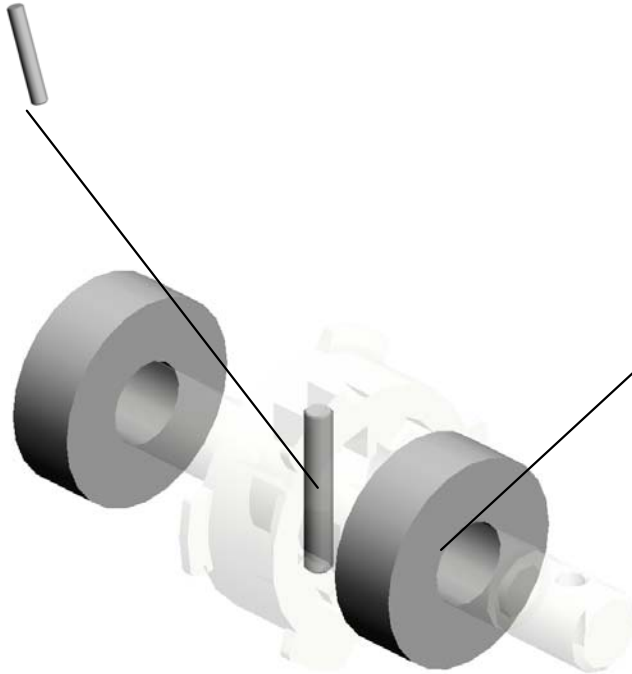


U017\_S005\_S004  
SHAFT:MANUAL FEED UNIT

9.06320120G  
PARALLEL PIN - 2X  
12



124.D1361374  
SHAFT:MANUAL F  
EED UNIT



18.07403906  
(x2)  
BALL BEARING - 6  
X15X5

U001	U002	U003	U004	U005	U006	U007	U008	U009	U010	U011	U012	U013	U014	U015	U016	U017	U018	U019	U020
------	------	------	------	------	------	------	------	------	------	------	------	------	------	------	------	------	------	------	------

U017\_S006

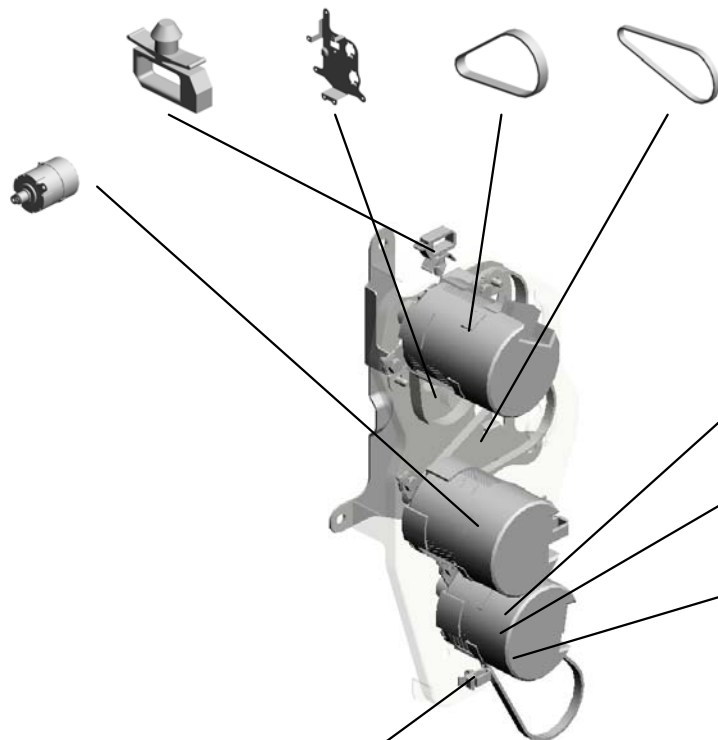
DRIVE UNIT:PAPER EXIT SUB-UNIT:ASS'Y

27.11050761 (x2) CLAMP:LWS-0511A  
 132.D1361388 DRUM STAY:DRIV E:EXIT  
 32.AA043621 (x2) TIMING BELT - 60S 2M156  
 76.B8301456 TIMING BELT - 40S 2M190



129.D1361380  
 DRIVE UNIT:PAPE  
 R EXIT SUB-UNIT:A  
 SS'Y

111.D1361320  
 (x2)  
 DC MOTOR:20W:B  
 RUSHLESS



108.D1361310  
 DC MOTOR:10W:B  
 RUSHLESS

6.04543006Q  
 (x9)  
 TAPPING SCREW -  
 M3X6

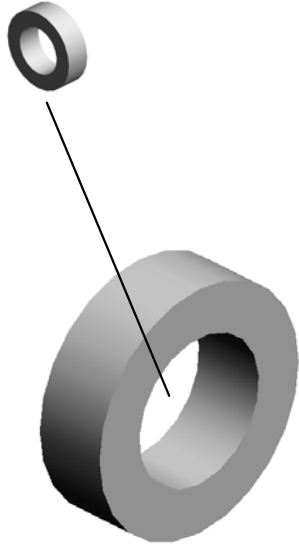
139.D4345209  
 TIMING BELT:B40S  
 2M246

25.11050758  
 (x2)  
 CLAMP:LWSM-030  
 6A

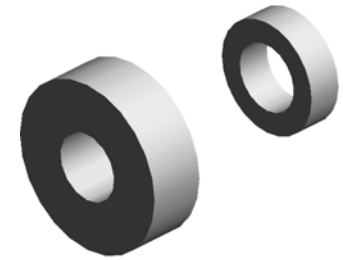
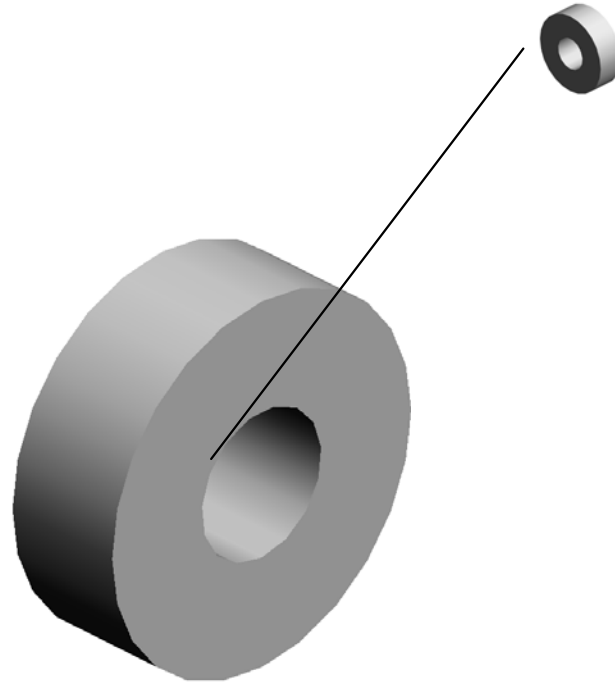
U001	U002	U003	U004	U005	U006	U007	U008	U009	U010	U011	U012	U013	U014	U015	U016	U017	U018	U019	U020
------	------	------	------	------	------	------	------	------	------	------	------	------	------	------	------	------	------	------	------

U017\_S006\_S001  
PULLEY:IDLER:EXIT

15.07403706  
BALL BEARING - M  
6X10X3



18.07403906  
BALL BEARING - 6  
X15X5



68.AB033117  
PULLEY:IDLER:EXI  
T

U001	U002	U003	U004	U005	U006	U007	U008	U009	U010	U011	U012	U013	U014	U015	U016	U017	U018	U019	U020
------	------	------	------	------	------	------	------	------	------	------	------	------	------	------	------	------	------	------	------

U017\_S006\_S002

SHAFT:DRIVE:PAPER EXIT SUB-UNIT:ENTRANCE:ASS'Y

17.07403808  
BALL BEARING - 8  
X16X5MM



130.D1361384  
SHAFT:DRIVE:PAP  
ER EXIT SUB-UNIT:  
ENTRANCE:ASSY



U001	U002	U003	U004	U005	U006	U007	U008	U009	U010	U011	U012	U013	U014	U015	U016	U017	U018	U019	U020
------	------	------	------	------	------	------	------	------	------	------	------	------	------	------	------	------	------	------	------

U017\_S006\_S003

SHAFT:DRIVE:PAPER EXIT SUB-UNIT:ASS'Y

13.07200060E  
RETAINING RING -  
M6



131.D1361386  
SHAFT:DRIVE:PAP  
ER EXIT SUB-UNIT:  
ASS'Y

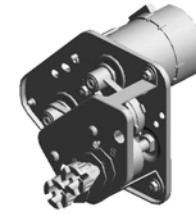


U001	U002	U003	U004	U005	U006	U007	U008	U009	U010	U011	U012	U013	U014	U015	U016	U017	U018	U019	U020
------	------	------	------	------	------	------	------	------	------	------	------	------	------	------	------	------	------	------	------

U017\_S007

DRIVE UNIT:PAPER FEED SUB-UNIT:NO.1:ASS'Y

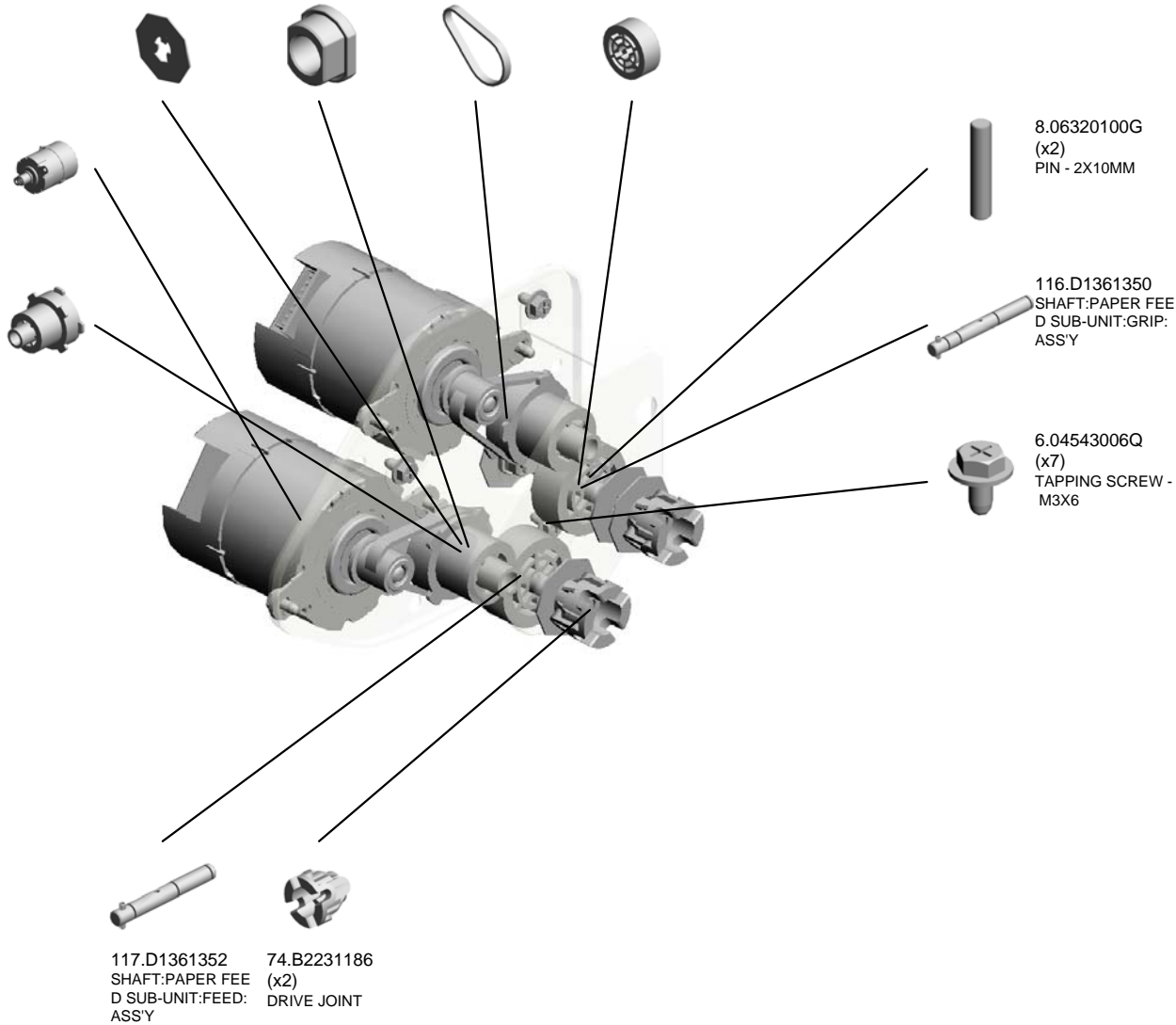
- 12.07200040E (x7) RETAINING RING - M4
- 42.AA082173 (x2) PLAIN SHAFT BEARING:6X10X6
- 80.D0894466 (x2) SYNCHRONOUS BELT: S2M:104
- 47.AB011616 (x2) GEAR:PAPER FEED SUB-UNIT



109.D1361311  
DRIVE UNIT:PAPE  
R FEED SUB-UNIT:  
NO.1:ASS'Y

111.D1361320  
(x2)  
DC MOTOR:20W:B  
RUSHLESS

56.AB017916  
(x2)  
GEAR:PAPER FEE  
D SUB-UNIT:IDLER



8.06320100G  
(x2)  
PIN - 2X10MM

116.D1361350  
SHAFT:PAPER FEE  
D SUB-UNIT:GRIP:  
ASSY

6.04543006Q  
(x7)  
TAPPING SCREW -  
M3X6

117.D1361352  
SHAFT:PAPER FEE  
D SUB-UNIT:FEED:  
ASSY

74.B2231186  
(x2)  
DRIVE JOINT

U001	U002	U003	U004	U005	U006	U007	U008	U009	U010	U011	U012	U013	U014	U015	U016	U017	U018	U019	U020
------	------	------	------	------	------	------	------	------	------	------	------	------	------	------	------	------	------	------	------

U017\_S007\_S001  
DRUM STAY:PAPER FEED SUB-UNIT:NO.1

42.AA082173  
(x2)  
PLAIN SHAFT BEA  
RING:6X10X6



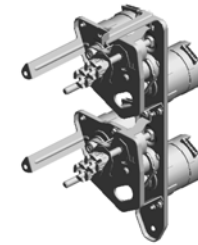
110.D1361317  
DRUM STAY:PAPE  
R FEED SUB-UNIT:  
NO.1

U001	U002	U003	U004	U005	U006	U007	U008	U009	U010	U011	U012	U013	U014	U015	U016	U017	U018	U019	U020
------	------	------	------	------	------	------	------	------	------	------	------	------	------	------	------	------	------	------	------

U017\_S008

DRIVE UNIT:PAPER FEED SUB-UNIT:NO.3:ASS'Y

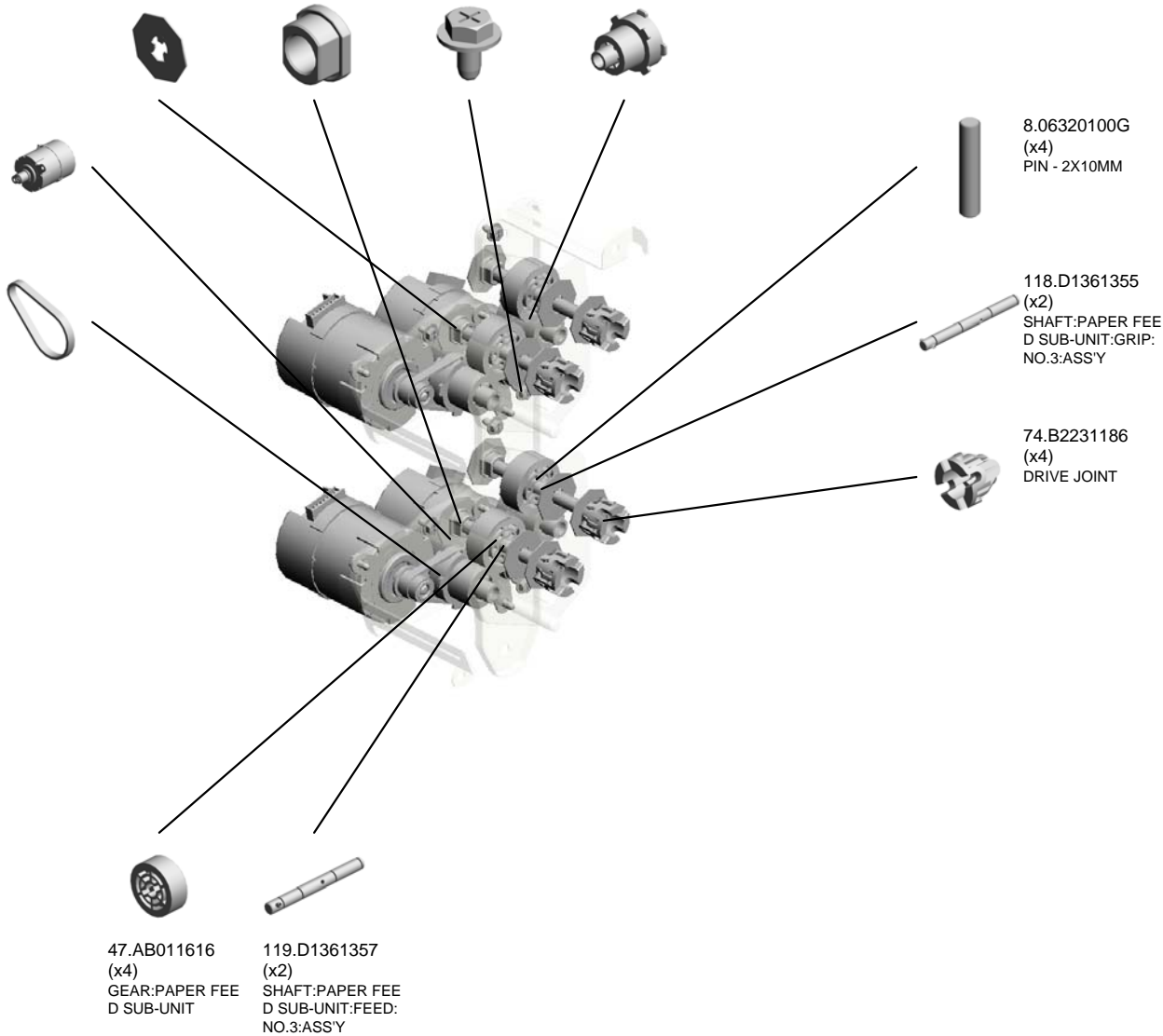
12.07200040E (x16) RETAINING RING - M4  
 42.AA082173 (x4) PLAIN SHAFT BEARING:6X10X6  
 6.04543006Q (x14) TAPPING SCREW - M3X6  
 56.AB017916 (x4) GEAR:PAPER FEED SUB-UNIT:IDLER



112.D1361331  
 DRIVE UNIT:PAPE  
 R FEED SUB-UNIT:  
 NO.3:ASS'Y

111.D1361320  
 (x4)  
 DC MOTOR:20W:B  
 RUSHLESS

80.D0894466  
 (x4)  
 SYNCHRONOUS B  
 ELT:S2M:104





U017\_S008\_S001  
DRUM STAY:PAPER FEED SUB-UNIT:NO.3

42.AA082173  
(x2)  
PLAIN SHAFT BEA  
RING:6X10X6



113.D1361337  
DRUM STAY:PAPE  
R FEED SUB-UNIT:  
NO.3

U001	U002	U003	U004	U005	U006	U007	U008	U009	U010	U011	U012	U013	U014	U015	U016	U017	U018	U019	U020
------	------	------	------	------	------	------	------	------	------	------	------	------	------	------	------	------	------	------	------

U017\_S008\_S002  
DRUM STAY:PAPER FEED SUB-UNIT:NO.3

42.AA082173  
(x2)  
PLAIN SHAFT BEA  
RING:6X10X6

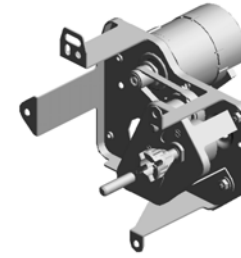


113.D1361337  
DRUM STAY:PAPE  
R FEED SUB-UNIT:  
NO.3

U001	U002	U003	U004	U005	U006	U007	U008	U009	U010	U011	U012	U013	U014	U015	U016	U017	U018	U019	U020
------	------	------	------	------	------	------	------	------	------	------	------	------	------	------	------	------	------	------	------

U017\_S009  
 DRIVE UNIT:PAPER FEED SUB-UNIT:NO.2:EU:ASS'Y

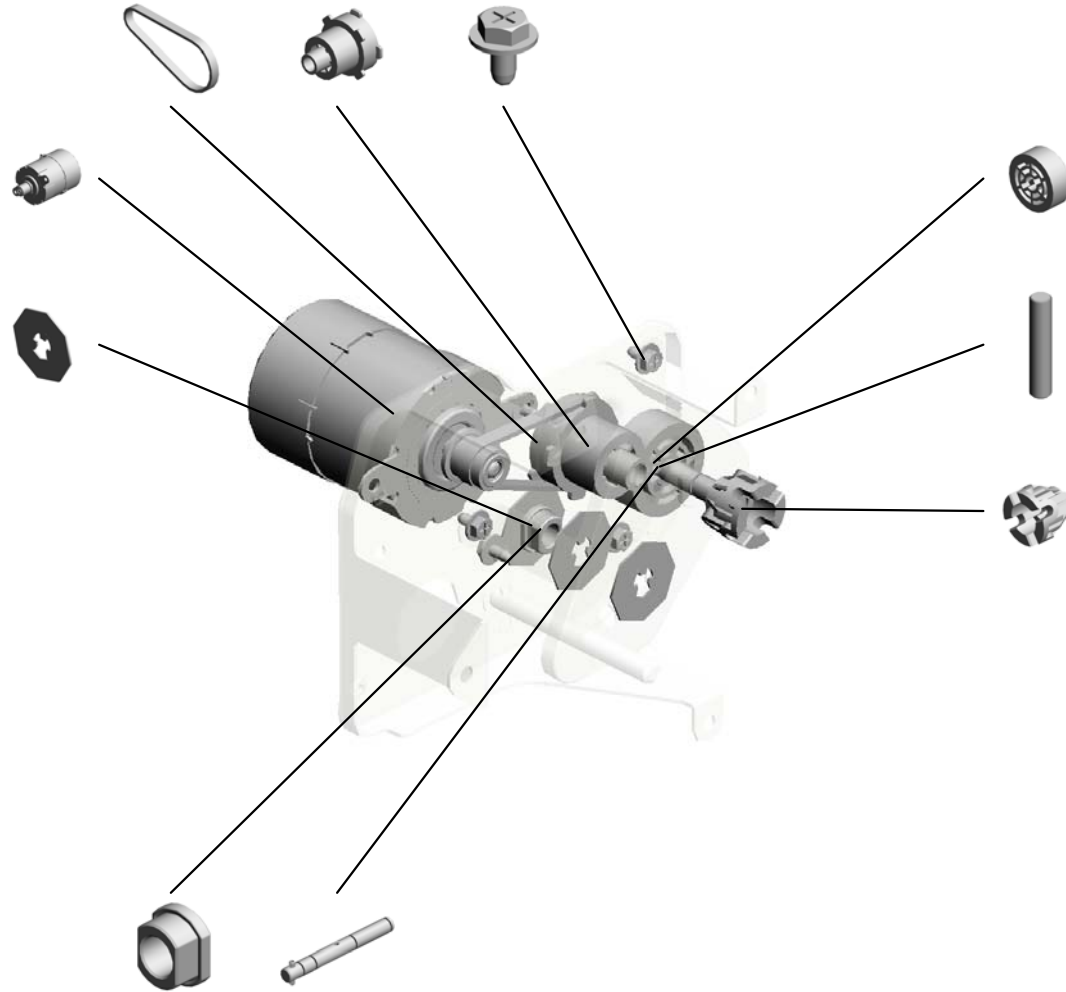
33.AA043637 56.AB017916 6.04543006Q  
 TIMING BELT - 40S GEAR:PAPER FEE (x5)  
 2M124 D SUB-UNIT:IDLER TAPPING SCREW -  
 M3X6



114.D1361341  
 DRIVE UNIT:PAPE  
 R FEED SUB-UNIT:  
 NO.2:EU:ASS'Y

111.D1361320  
 DC MOTOR:20W:B  
 RUSHLESS

12.07200040E  
 (x4)  
 RETAINING RING -  
 M4



47.AB011616  
 GEAR:PAPER FEE  
 D SUB-UNIT

8.06320100G  
 PIN - 2X10MM

74.B2231186  
 DRIVE JOINT

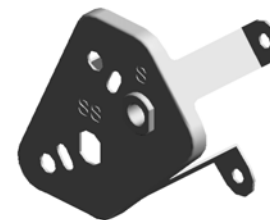
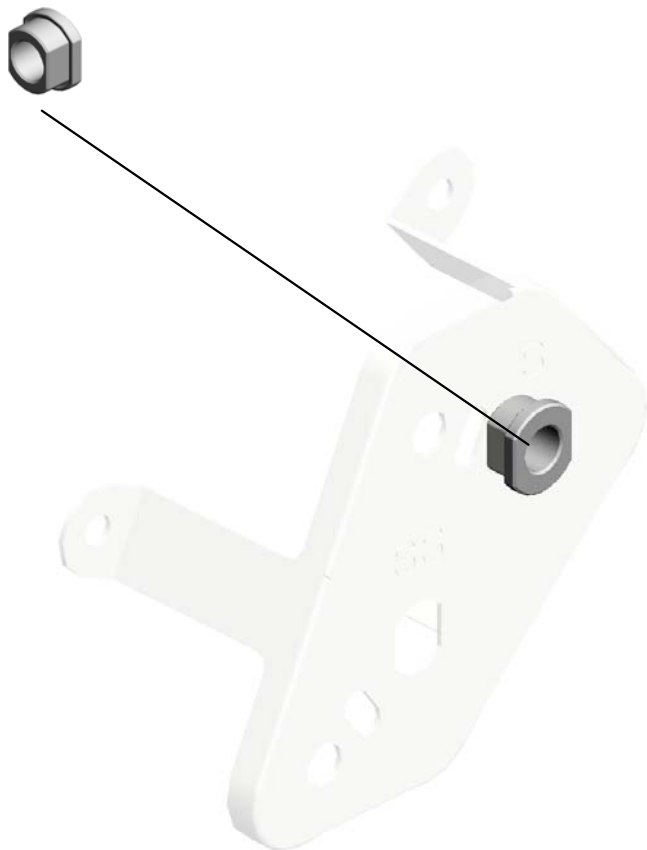
42.AA082173  
 PLAIN SHAFT BEA  
 RING:6X10X6

116.D1361350  
 SHAFT:PAPER FEE  
 D SUB-UNIT:GRIP:  
 ASS'Y

U001	U002	U003	U004	U005	U006	U007	U008	U009	U010	U011	U012	U013	U014	U015	U016	U017	U018	U019	U020
------	------	------	------	------	------	------	------	------	------	------	------	------	------	------	------	------	------	------	------

U017\_S009\_S001  
DRUM STAY:PAPER FEED SUB-UNIT:NO.2:EU

42.AA082173  
PLAIN SHAFT BEA  
RING:6X10X6



115.D1361347  
DRUM STAY:PAPE  
R FEED SUB-UNIT:  
NO.2:EU

U001	U002	U003	U004	U005	U006	U007	U008	U009	U010	U011	U012	U013	U014	U015	U016	U017	U018	U019	U020
------	------	------	------	------	------	------	------	------	------	------	------	------	------	------	------	------	------	------	------

U017\_S010

DRIVE UNIT:PHOTOCONDUCTOR:PRO:ASS'Y

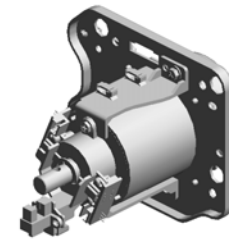
140.G1073834  
(x4)  
RIVET - 2.0

7.04583010N  
(x2)  
HEXAGON HEAD TAPPING SCREW:3X10

10.06330140G  
PARALLEL PIN - 3X14

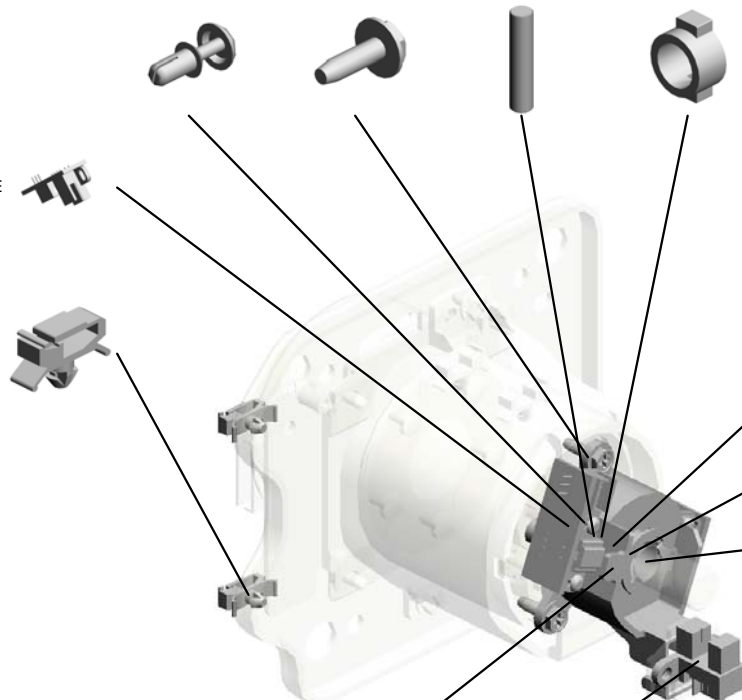
85.D1361125  
GUIDE PLATE:ENCODER

135.D1381014  
DRIVE UNIT:PHOTOCONDUCTOR:PRO:ASS'Y



71.AW020212  
(x2)  
OPTICS SENSOR:ENCODER:300LPI

25.11050758  
(x2)  
CLAMP:LWSM-0306A



137.D1381128  
COVER:ENCODER:PRO

70.AW020211  
PHOTOINTERRUPTOR:PHOTOCONDUCTOR:HOME POSITION SENSOR

86.D1361126  
ENCODER:300LPI:900CT

23.11050046  
(x4)  
HARNESS BAND

87.D1361127  
RUBBER BUSHING:ENCODER

22.10050734 (x 2)  
NYLON RIVET - NRP355

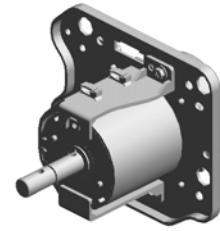
14.07200080E  
RETAINING RING - M8

U001	U002	U003	U004	U005	U006	U007	U008	U009	U010	U011	U012	U013	U014	U015	U016	U017	U018	U019	U020
------	------	------	------	------	------	------	------	------	------	------	------	------	------	------	------	------	------	------	------

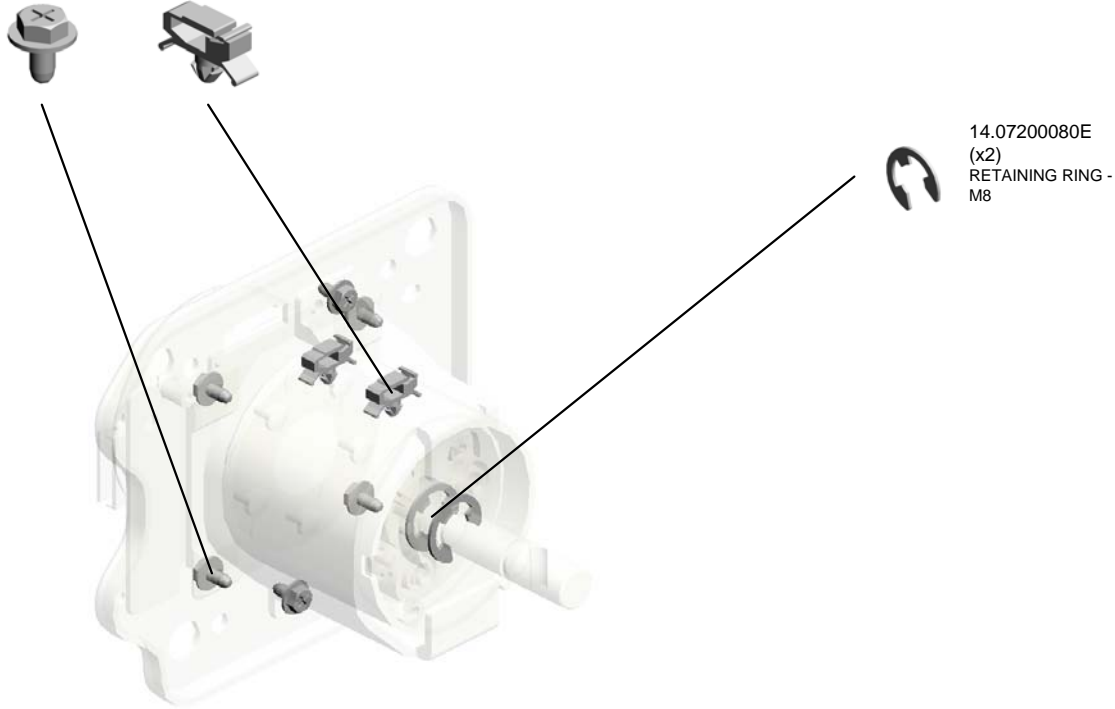
U017\_S010\_S001  
DRUM:GEAR:SLOW DOWN:ASS'Y

6.04543006Q (x6)  
TAPPING SCREW - M3X6

24.11050600 (x2)  
CLAMP:LWSM-030 6-2M



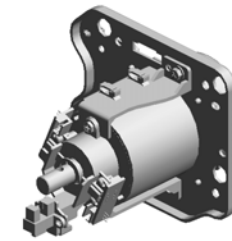
84.D1361100  
DRUM:GEAR:SLO  
W DOWN:ASS'Y



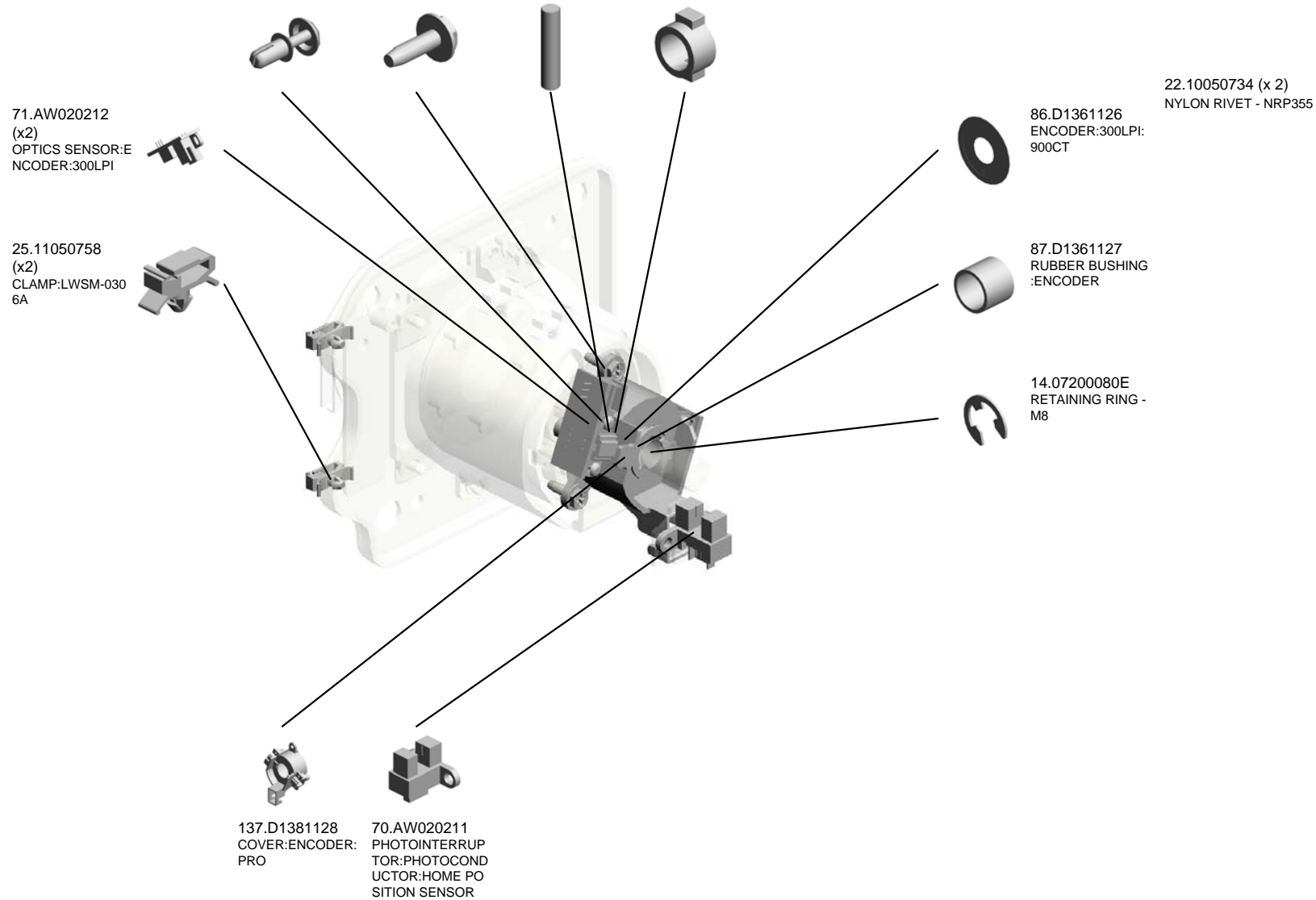
U001	U002	U003	U004	U005	U006	U007	U008	U009	U010	U011	U012	U013	U014	U015	U016	U017	U018	U019	U020
------	------	------	------	------	------	------	------	------	------	------	------	------	------	------	------	------	------	------	------

U017\_S011  
 DRIVE UNIT:PHOTOCONDUCTOR:PRO:ASS'Y

- 140.G1073834 (x4) RIVET - 2.0
- 7.04583010N (x2) HEXAGON HEAD TAPPING SCREW:3 X10
- 10.06330140G PARALLEL PIN - 3X 14
- 85.D1361125 GUIDE PLATE:ENCODER



135.D1381014  
 DRIVE UNIT:PHOTOCONDUCTOR:PRO:ASS'Y

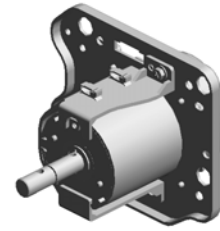


U001	U002	U003	U004	U005	U006	U007	U008	U009	U010	U011	U012	U013	U014	U015	U016	U017	U018	U019	U020
------	------	------	------	------	------	------	------	------	------	------	------	------	------	------	------	------	------	------	------

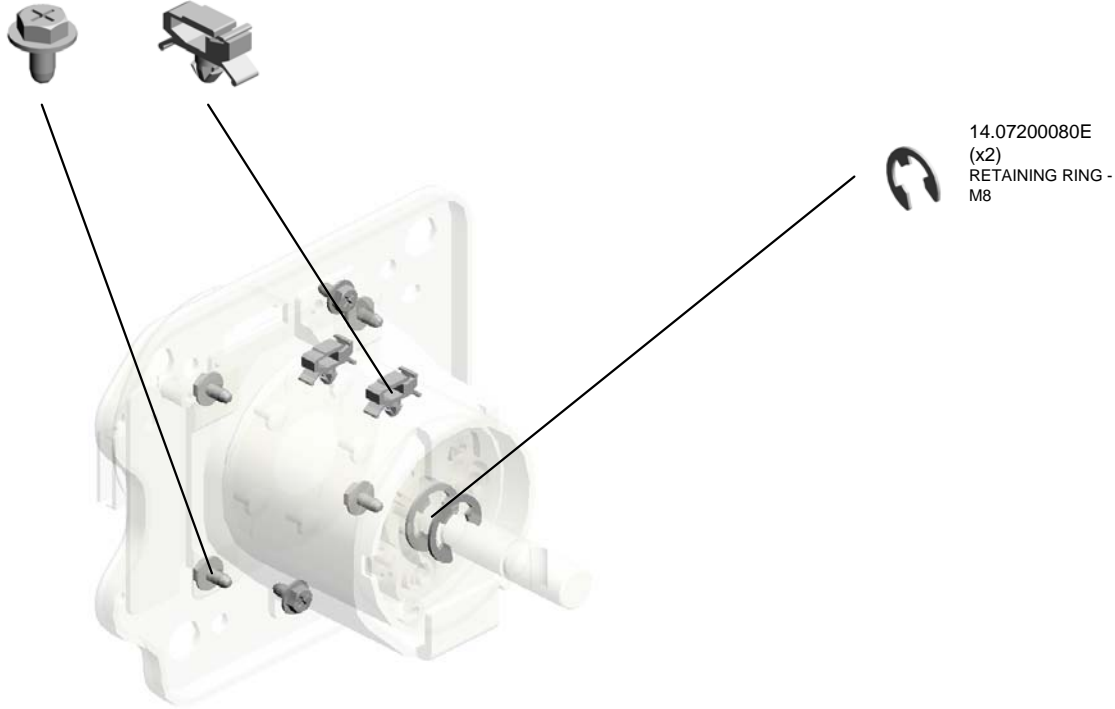
U017\_S011\_S001  
DRUM:GEAR:SLOW DOWN:ASS'Y

6.04543006Q (x6)  
TAPPING SCREW - M3X6

24.11050600 (x2)  
CLAMP:LWSM-030 6-2M



84.D1361100  
DRUM:GEAR:SLO  
W DOWN:ASS'Y



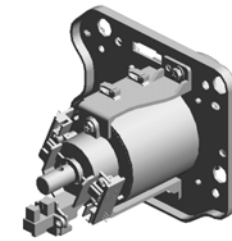
14.07200080E  
(x2)  
RETAINING RING - M8

U001	U002	U003	U004	U005	U006	U007	U008	U009	U010	U011	U012	U013	U014	U015	U016	U017	U018	U019	U020
------	------	------	------	------	------	------	------	------	------	------	------	------	------	------	------	------	------	------	------



U017\_S012  
 DRIVE UNIT:PHOTOCONDUCTOR:PRO:ASS'Y

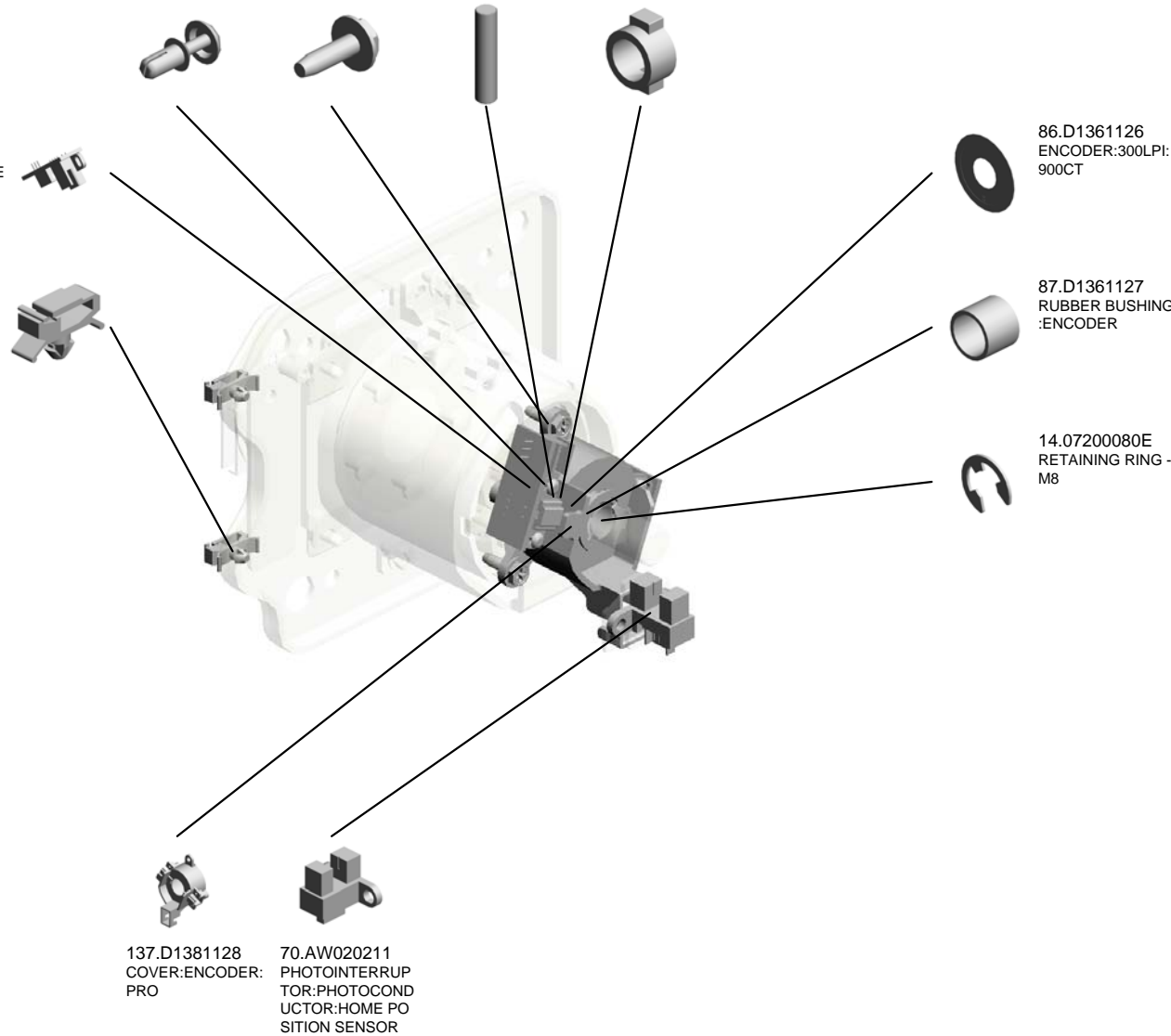
- 140.G1073834 (x4) RIVET - 2.0
- 7.04583010N (x2) HEXAGON HEAD TAPPING SCREW:3 X10
- 10.06330140G PARALLEL PIN - 3X 14
- 85.D1361125 GUIDE PLATE:ENCODER



135.D1381014  
 DRIVE UNIT:PHOTOCONDUCTOR:PRO:ASS'Y

71.AW020212 (x2) OPTICS SENSOR:ENCODER:300LPI

25.11050758 (x2) CLAMP:LWSM-030 6A

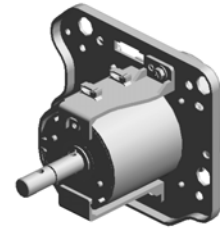


U001	U002	U003	U004	U005	U006	U007	U008	U009	U010	U011	U012	U013	U014	U015	U016	U017	U018	U019	U020
------	------	------	------	------	------	------	------	------	------	------	------	------	------	------	------	------	------	------	------

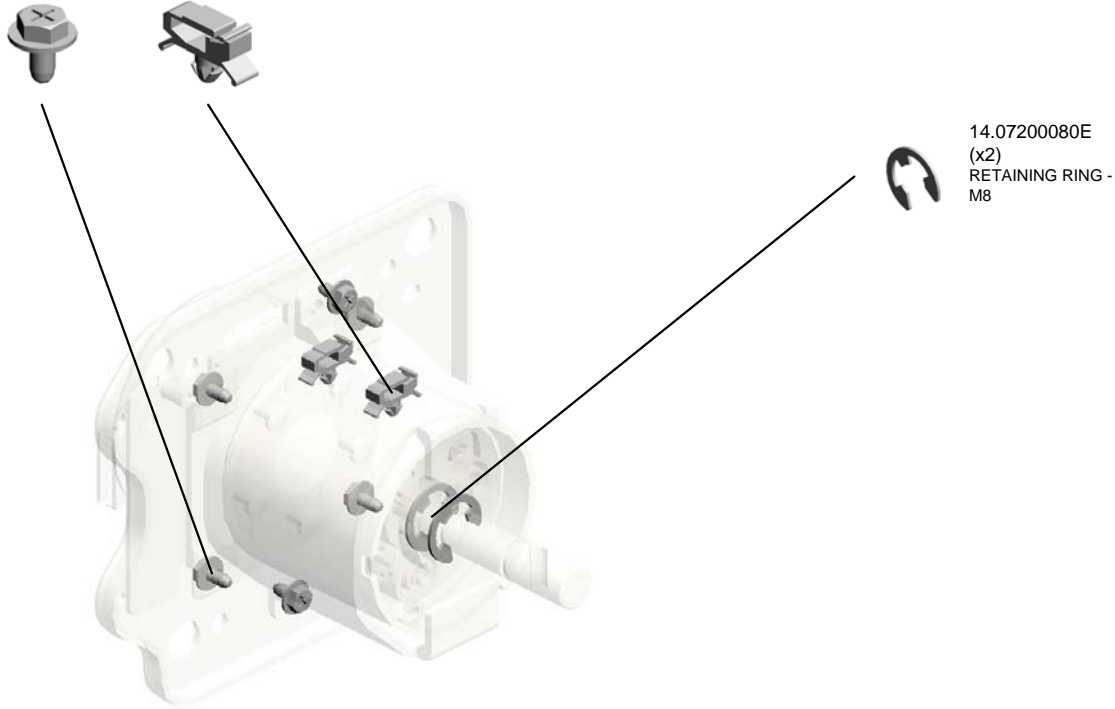
U017\_S012\_S001  
DRUM:GEAR:SLOW DOWN:ASS'Y

6.04543006Q (x6)  
TAPPING SCREW - M3X6

24.11050600 (x2)  
CLAMP:LWSM-030 6-2M



84.D1361100  
DRUM:GEAR:SLO  
W DOWN:ASS'Y

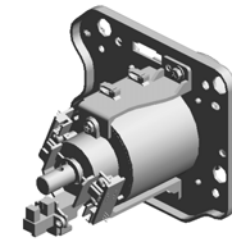


14.07200080E  
(x2)  
RETAINING RING - M8

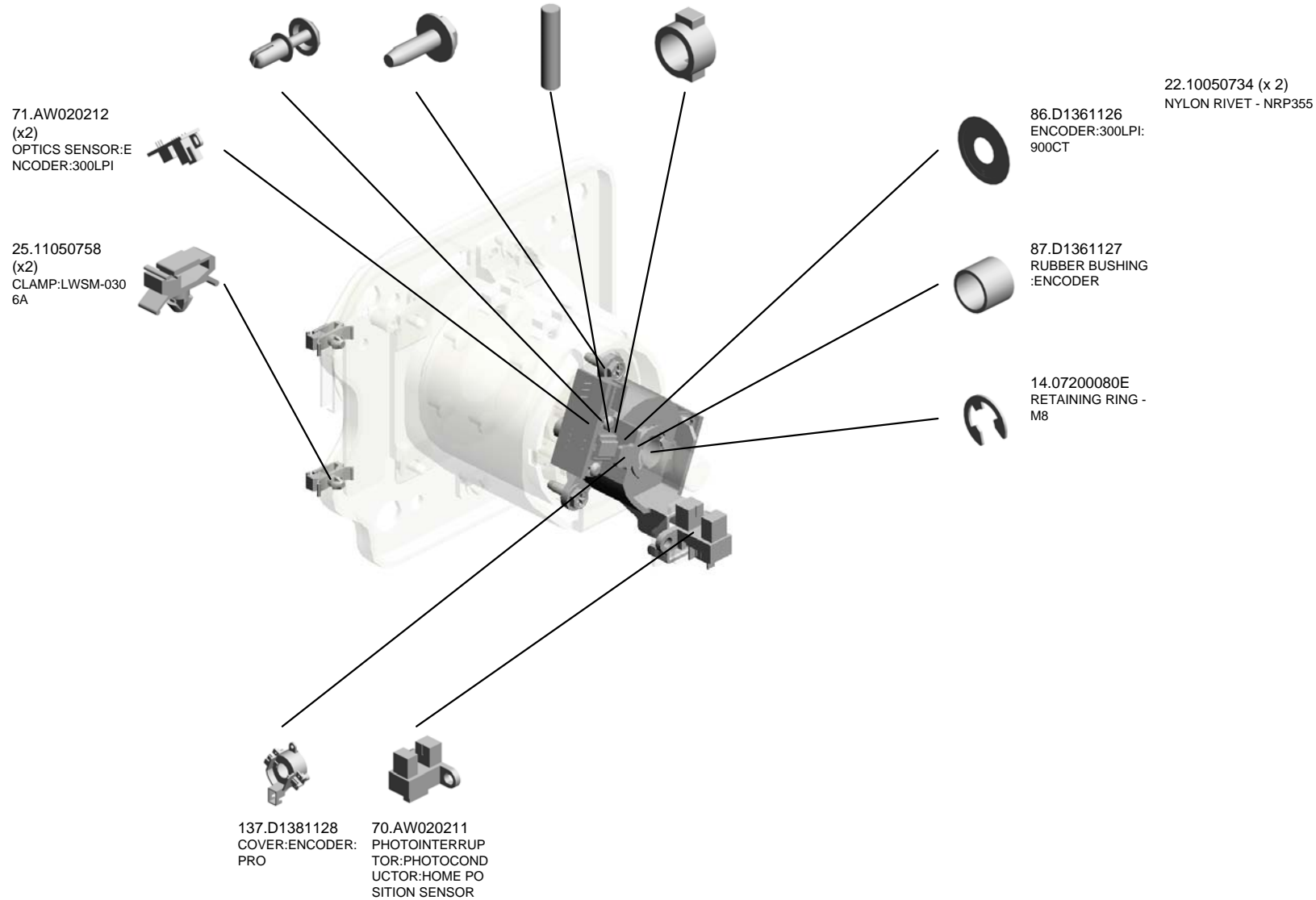
U001	U002	U003	U004	U005	U006	U007	U008	U009	U010	U011	U012	U013	U014	U015	U016	U017	U018	U019	U020
------	------	------	------	------	------	------	------	------	------	------	------	------	------	------	------	------	------	------	------

U017\_S013  
 DRIVE UNIT:PHOTOCONDUCTOR:PRO:ASS'Y

- 140.G1073834 (x4) RIVET - 2.0
- 7.04583010N (x2) HEXAGON HEAD TAPPING SCREW:3 X10
- 10.06330140G PARALLEL PIN - 3X 14
- 85.D1361125 GUIDE PLATE:ENCODER



135.D1381014  
 DRIVE UNIT:PHOTOCONDUCTOR:PRO:ASS'Y

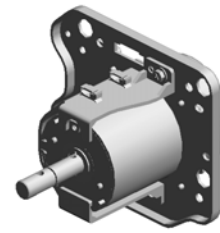


U001	U002	U003	U004	U005	U006	U007	U008	U009	U010	U011	U012	U013	U014	U015	U016	U017	U018	U019	U020
------	------	------	------	------	------	------	------	------	------	------	------	------	------	------	------	------	------	------	------

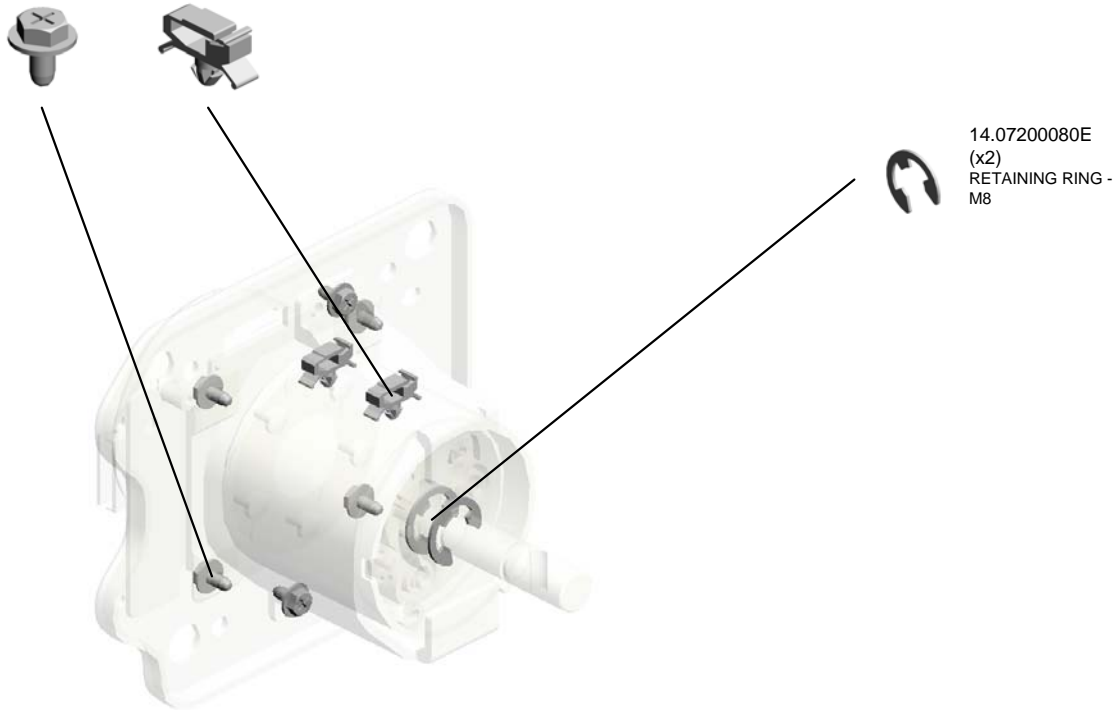
U017\_S013\_S001  
DRUM:GEAR:SLOW DOWN:ASS'Y

6.04543006Q (x6)  
TAPPING SCREW - M3X6

24.11050600 (x2)  
CLAMP:LWSM-030 6-2M



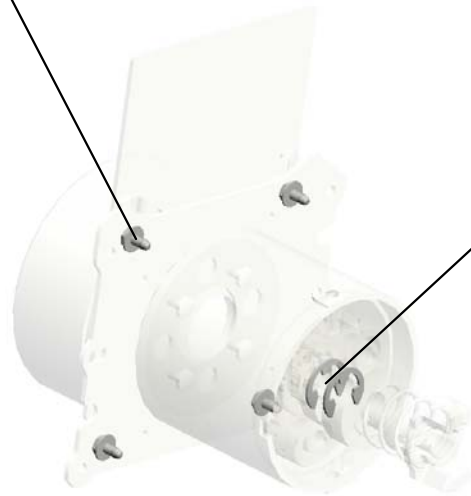
84.D1361100  
DRUM:GEAR:SLO  
W DOWN:ASS'Y



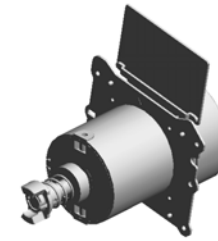
U001	U002	U003	U004	U005	U006	U007	U008	U009	U010	U011	U012	U013	U014	U015	U016	U017	U018	U019	U020
------	------	------	------	------	------	------	------	------	------	------	------	------	------	------	------	------	------	------	------

U017\_S014  
FUSING DRIVE UNIT:GEAR:SLOW DOWN:PRO:ASS'Y

6.04543006Q  
(x4)  
TAPPING SCREW -  
M3X6



14.07200080E  
(x2)  
RETAINING RING -  
M8

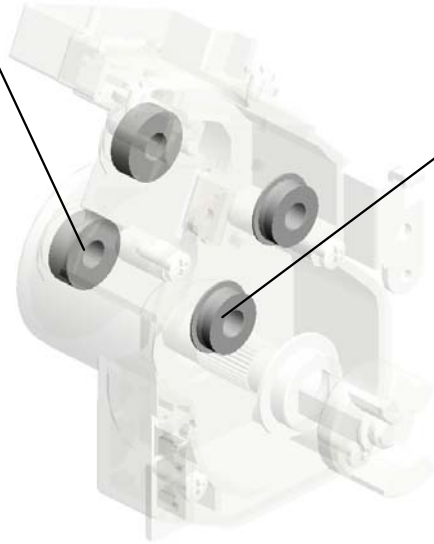


136.D1381028  
FUSING DRIVE UNI  
T:GEAR:SLOW DO  
WN:PRO:ASS'Y

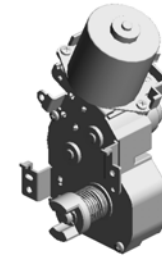
U001	U002	U003	U004	U005	U006	U007	U008	U009	U010	U011	U012	U013	U014	U015	U016	U017	U018	U019	U020
------	------	------	------	------	------	------	------	------	------	------	------	------	------	------	------	------	------	------	------

U017\_S015  
DRIVE UNIT:ON-OFF:PRESSURE ROLLER

18.07403906  
(x2)  
BALL BEARING - 6  
X15X5



20.07433806  
(x2)  
RADIAL BALL BEA  
RING:DIA6XDIA13X  
5



73.AX060460  
DRIVE UNIT:ON-OFF  
F:PRESSURE ROL  
LER

U001	U002	U003	U004	U005	U006	U007	U008	U009	U010	U011	U012	U013	U014	U015	U016	U017	U018	U019	U020
------	------	------	------	------	------	------	------	------	------	------	------	------	------	------	------	------	------	------	------

# U018 ELECTRICAL

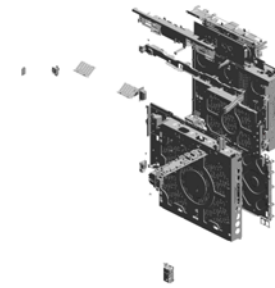
6.04583010N (x2)  
HEXAGON HEAD TAPPING SCREW:3 X10

15.11050758 (x7)  
CLAMP:LWSM-030 6A

5.04543030Q (x4)  
TAPPING SCREW: ROUND POINT:3X3 0

12.11050692 (x4)  
CLAMP:LES-0503

11.11050532 (x2)  
EDGE SADDLE - L ES-25L



18.11050762 (x14)  
CLAMP:LWS-0711A



16.11050760 (x20)  
CLAMP:LWSM-0511A



1.04543006N (x10)  
TAPPING SCREW: ROUND POINT:3X6



13.11050724 (x5)  
CLAMPS:WES-1210



4.04543025Q (x2)  
TAPPING SCREW: ROUND POINT:3X2 5



8.08010234  
SCREW WITH WASHER:SMALL ROUND WITH SPRING WASHER:M5X8



3.04543014Q (x2)  
TAPPING SCREW: 3X14



14.11050726 (x2)  
CLAMPS:WES-2217



9.08050092 (x6)  
RETAINING RING - 3M



7.08010231 (x2)  
HEXAGONAL HEAD BOLT W/WASHER:M3X6



17.11050761 (x4)  
CLAMP:LWS-0511A



20.11050764 (x9)  
CLAMP:LWS-1316A



2.04543006Q (x221)  
TAPPING SCREW - M3X6



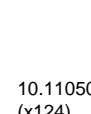
19.11050763 (x32)  
CLAMP:LWS-1211A



21.11050765 (x8)  
CLAMP:LWS-2218A



10.11050046 (x124)  
HARNESS BAND



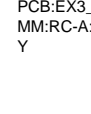
36.D1355918  
COVER:SD-CARD



47.D1365709  
PCB:EX3\_DDR3-DIMM:RC-A:2GB:ASS'Y



77.D1385413  
PCB:FDB-D



30.AZ310032  
POWER PACK:D



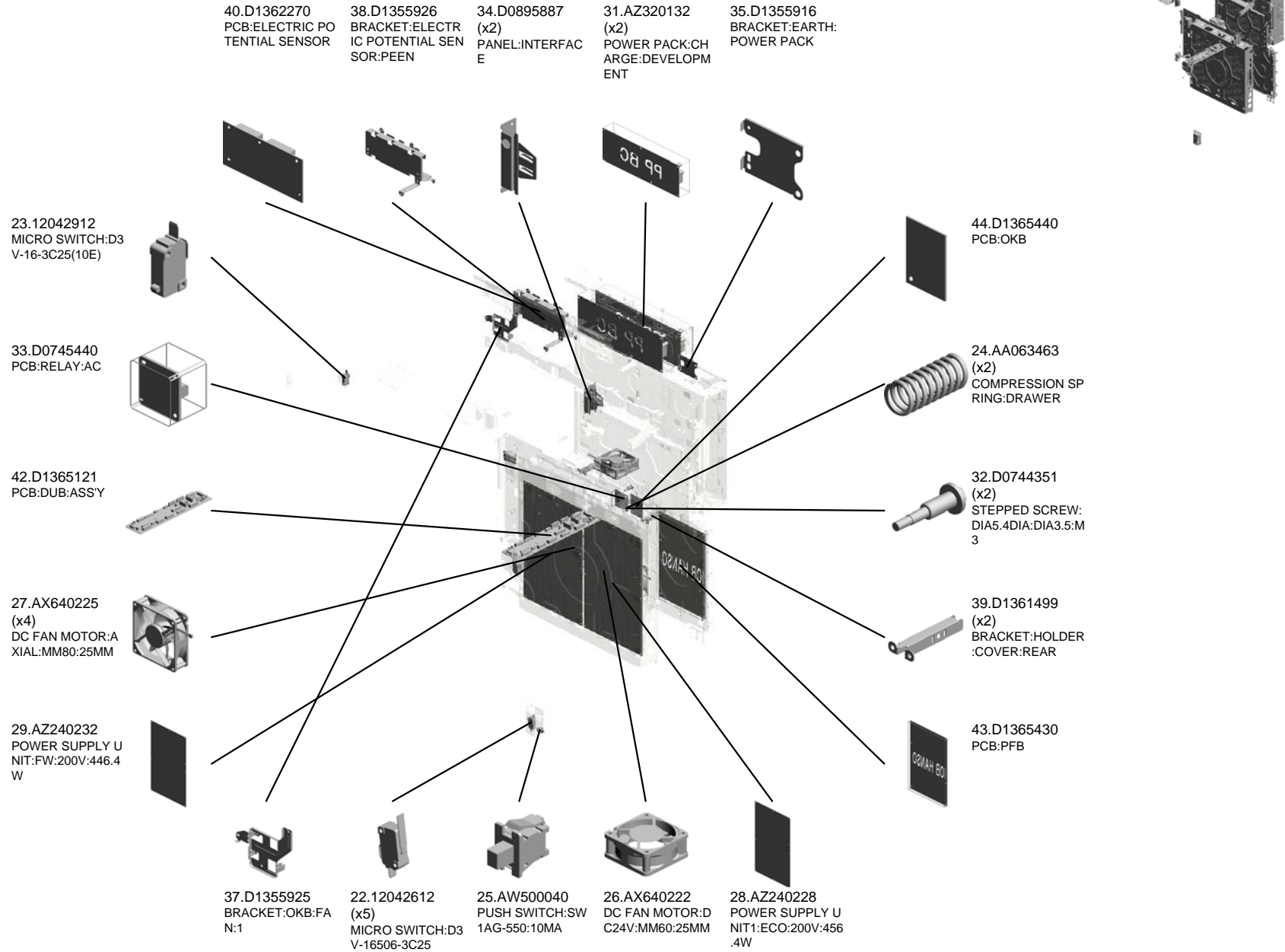
41.D1365101  
PCB:BCU:SUB-ASS'Y



48.D1365716  
PCB:DDR3-DIMM:RC-C:512MB:ASS'Y



# U018 ELECTRICAL

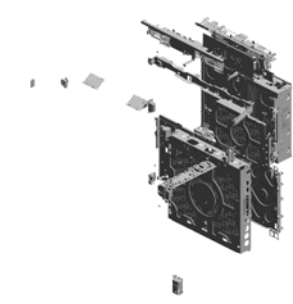


U001	U002	U003	U004	U005	U006	U007	U008	U009	U010	U011	U012	U013	U014	U015	U016	U017	U018	U019	U020
------	------	------	------	------	------	------	------	------	------	------	------	------	------	------	------	------	------	------	------

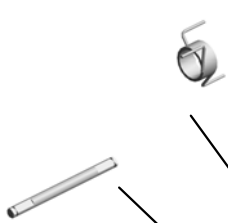


# U018 ELECTRICAL

65.D1365931 TORSION SPRING: SAFETY SWITCH  
 46.D1365465 AC CONTROL BOARD:200V  
 51.D1365797 PCB:CTL:D135/D137:ASS'Y:(for D137)  
 52.D1365798 PCB:CTL:D136/D138:ASS'Y:(for D138)  
 50.D1365725 PCB:IMAGE PROCESSING UNIT:TYP E-S15MDA-SUB



66.D1365932 SHAFT:SAFETY SWITCH:LEVER:1



62.D1365923 LEVER:SAFETY SWITCH:3



61.D1365922 COVER:SAFETY SWITCH:PULL OUT:MANUAL FEED



63.D1365924 BRACKET:SAFETY SWITCH:SWIVEL



60.D1365920 LEVER:SAFETY SWITCH:4



64.D1365927 BRACKET:SAFETY SWITCH



58.D1365914 BRACKET:SAFETY SWITCH:VERTICAL TRANSPORT



56.D1365912 LEVER:SAFETY SWITCH:VERTICAL TRANSPORT



57.D1365913 COVER:SAFETY SWITCH:VERTICAL TRANSPORT



59.D1365918 (x2) TORSION SPRING: SAFETY SWITCH:VERTICAL TRANSPORT



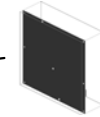
49.D1365724 PCB:IMAGE PROCESSING UNIT:TYP E-S15MDA



55.D1365905 BRACKET:INDUCTION HEATING UNIT:AC CONTROL BOARD



45.D1365455 INVERTOR:IH:200V



53.D1365903 (x2) DUCT:POWER SUPPLY UNIT

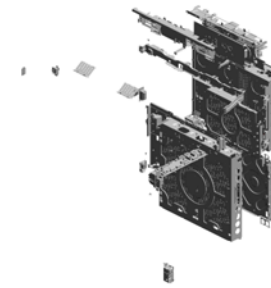


54.D1365904 BRACKET:DC FAN MOTOR:INDUCTION HEATING UNIT



# U018 ELECTRICAL

80.D1385989 BRACKET:SAFETY SWITCH:TONER SUPPLY UNIT  
 70.D1365949 COVER:ELECTRIC POTENTIAL SENSOR  
 83.D1495776 COVER:USB:SMALL  
 71.D1365969 PANEL:CONTROL BOARD  
 69.D1365938 GUIDE:HARNESS:HVP

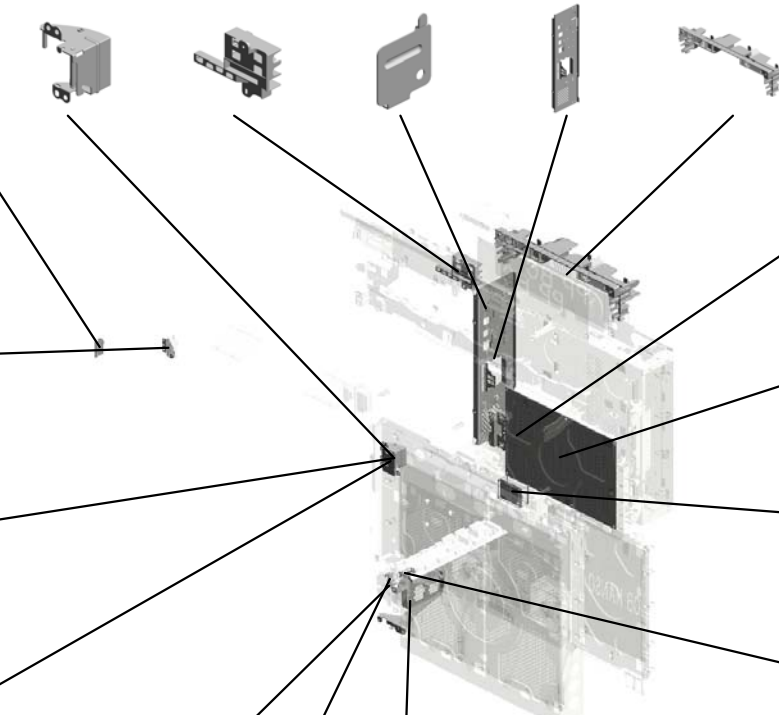


82.D1495686 PCB:DCSW

78.D1385985 BRACKET:SAFETY SWITCH:DRUM STAY

81.D1385992 LEVER:SAFETY SWITCH:TONER SUPPLY UNIT

79.D1385987 COVER:SAFETY SWITCH:TONER SUPPLY UNIT



72.D1365977 HDD:ASSY

75.D1385110 PCB:IOB:PRO:ASSY

76.D1385411 PCB:FDB-M

67.D1365933 LEVER:SAFETY SWITCH:1

73.D1365990 TENSION SPRING:SAFETY SWITCH:FULL OUT

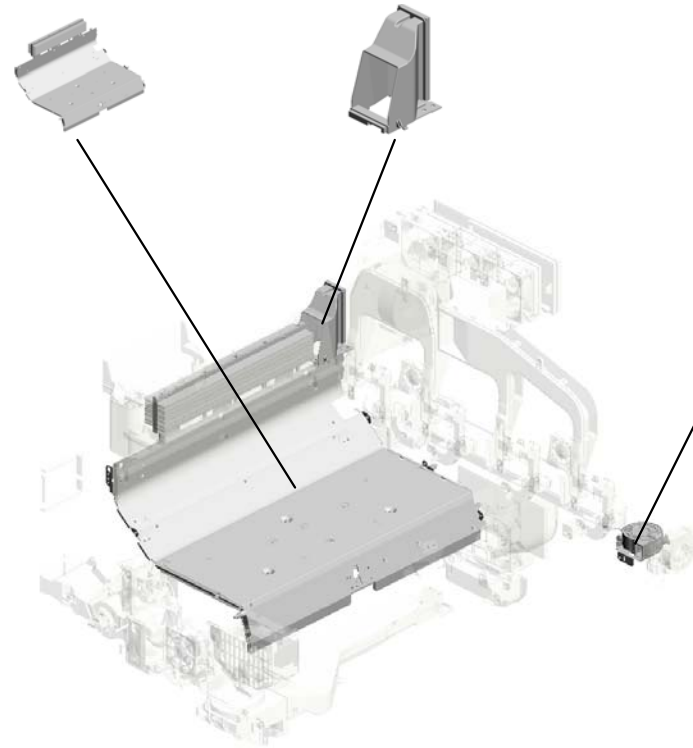
68.D1365934 LEVER:SAFETY SWITCH:2

74.D1365992 BRACKET:INLET:1 POINT

# U019.AIR COOLING

U019\_S001  
D1366871  
HEAT PIPE:ASS'Y

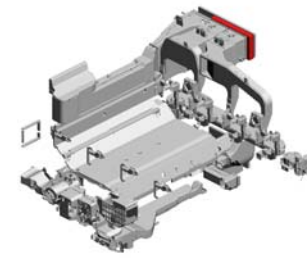
U019\_S002  
D1366966  
DUCT:HEAT SINKER:REAR:A  
SS'Y



U019\_S003  
D1366957  
DC FAN MOTOR:INTERMEDI  
ATE TRANSFER:ASS'Y

U001	U002	U003	U004	U005	U006	U007	U008	U009	U010	U011	U012	U013	U014	U015	U016	U017	U018	U019	U020
------	------	------	------	------	------	------	------	------	------	------	------	------	------	------	------	------	------	------	------

# U019 AIR COOLING



14.11050692  
(x4)  
CLAMP:LES-0503

12.04583008N  
(x10)  
HEXAGON HEAD TAPPING SCREW:3X8

22.AW100107  
THERMISTOR

8.04543006Q  
(x67)  
TAPPING SCREW - M3X6

13.08025328  
(x6)  
HEXAGON HEAD TAPPING SCREW:3X8

11.04543030Q  
(x2)  
TAPPING SCREW: ROUND POINT:3X30

9.04543008Q  
(x27)  
TAPPING SCREW: 3X8

20.AA000291  
(x2)  
DECAL:POSITIONING DISPLAY:SCREW:PP

21.AW010147  
PHOTO REFLECTION SENSOR

17.11050761  
CLAMP:LWS-0511A

19.11050764  
(x6)  
CLAMP:LWS-1316A

3.03540400N  
(x2)  
SCREW:M4X40

5.04503020N  
(x2)  
TAPPING SCREW: M3X20

1.03530040N  
(x2)  
SCREW - M3X4

15.11050758  
(x25)  
CLAMP:LWSM-0306A

16.11050760  
CLAMP:LWSM-0511A

18.11050763  
CLAMP:LWS-1211A

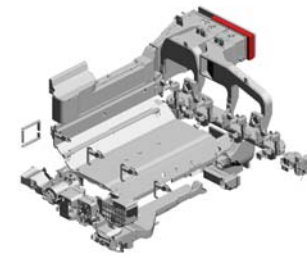
6.04503035N  
(x4)  
TAPPING SCREW: 3X35

2.03530060N  
BIND SCREW - M3X6

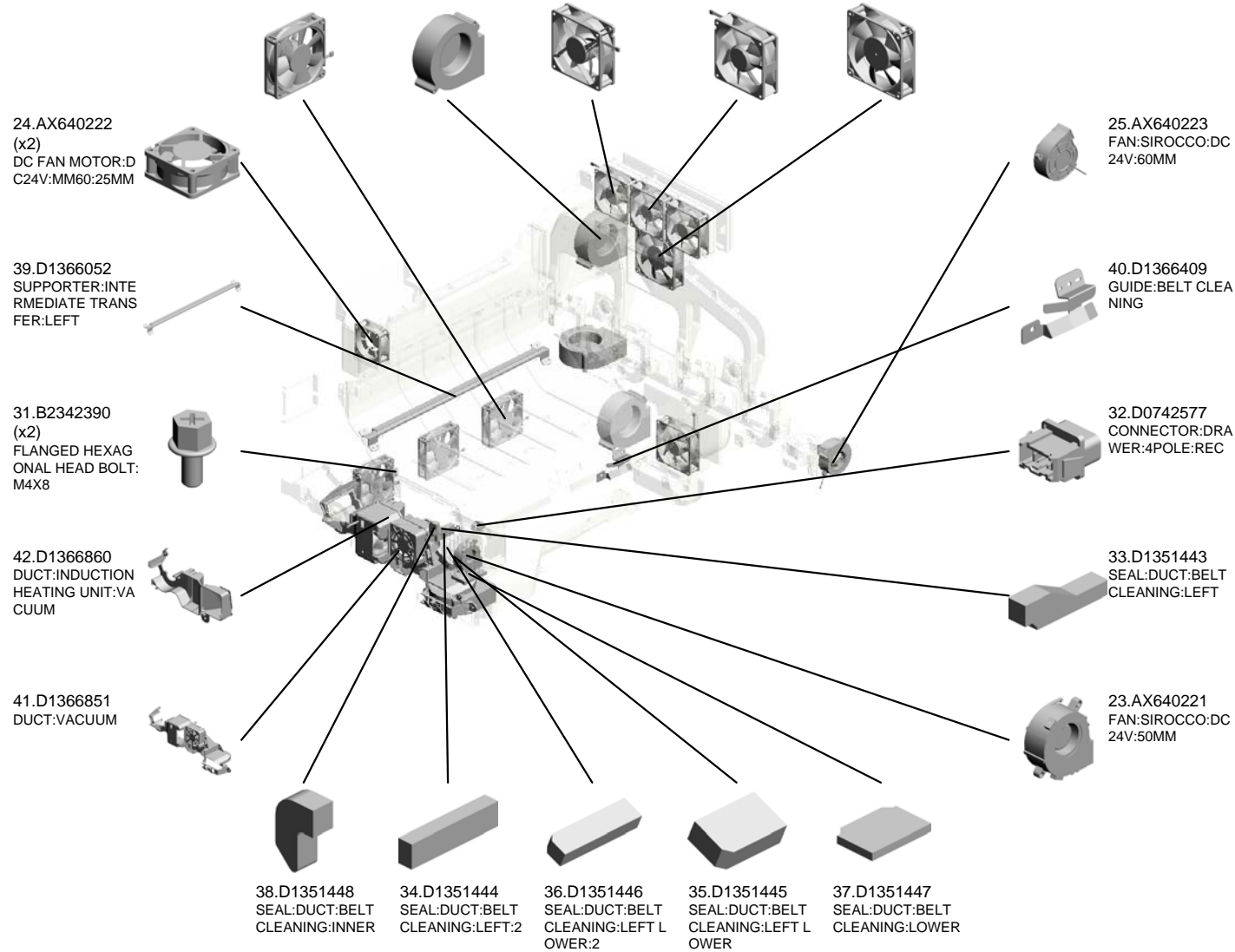
4.04503014N  
(x2)  
TAPPING SCREW: M3X14



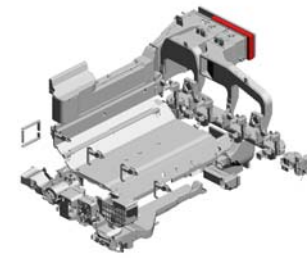
# U019 AIR COOLING



- 28.AX640226 (x3) DC FAN MOTOR:A XIAL:MM80:20MM
- 29.AX650054 (x4) DC FAN MOTOR:SI ROCCO:DC24V:PW M
- 27.AX640225 (x3) DC FAN MOTOR:A XIAL:MM80:25MM
- 26.AX640224 (x2) DC FAN MOTOR:A XIAL:MM80
- 30.AX650056 DC FAN MOTOR:A XIAL:MM92



# U019 AIR COOLING



- 50.D1366882 DUCT:HEAT SINKE R:MIDDLE
- 52.D1366886 DUCT:HEAT SINKE R:EXHAUST:LEFT
- 57.D1366894 DUCT:DEVELOPM ENT:EXHAUST:LEF T:FRONT
- 51.D1366885 DUCT:HEAT SINKE R:EXHAUST:RIGHT
- 58.D1366895 DUCT:DEVELOPM ENT:EXHAUST:LEF T:REAR

53.D1366887  
DUCT:HEAT SINKE  
R:UPPER

49.D1366879  
DUCT:FUSING:EXI  
T:LEFT

48.D1366878  
DUCT:FUSING:EXI  
T:RIGHT

44.D1366865  
DUCT:HEAT PIPE:  
ROLLER:EXIT

43.D1366861  
DUCT:HEAT PIPE:  
ROLLER

45.D1366868  
DUCT:BELT CLEAN  
ING:VACUUM:FRO  
NT

46.D1366869  
DUCT:BELT CLEAN  
ING:VACUUM:REA  
R

62.D1366904  
RELAY DUCT:ARO  
UND THE PHOTOC  
ONDUCTOR:Y:ASS'  
Y

59.D1366896  
SEAL:AROUND TH  
E PHOTOCONDC  
TOR:EXHAUST

63.D1366907  
DUCT:AROUND TH  
E PHOTOCONDC  
TOR:EXHAUST:LO  
WER

54.D1366890  
DUCT:DEVELOPM  
ENT:EXHAUST:RIG  
HT:FRONT

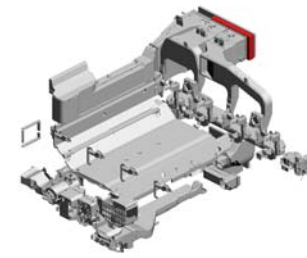
55.D1366891  
DUCT:DEVELOPM  
ENT:EXHAUST:RIG  
HT:REAR

56.D1366893  
DUCT:AROUND TH  
E PHOTOCONDC  
TOR:EXHAUST:UP  
PER

61.D1366900  
(x3)  
RELAY DUCT:ARO  
UND THE PHOTOC  
ONDUCTOR:ASS'Y

60.D1366899  
(x4)  
DUCT:AROUND TH  
E PHOTOCONDC  
TOR:ENTRANCE

# U019 AIR COOLING



- 70.D1366920 (x2) DUCT:DEVELOPMENT:EXHAUST:EXIT:LEFT
- 71.D1366921 (x2) DUCT:DEVELOPMENT:EXHAUST:EXIT:RIGHT
- 73.D1366923 (x2) SEAL:DEVELOPMENT:EXHAUST:LEFT
- 74.D1366924 (x2) SEAL:DEVELOPMENT:EXHAUST:RIGHT
- 78.D1366935** FILTER:DEVELOPMENT:EXHAUST:LEFT:ARGE

76.D1366928 (x2) DUCT:DC FAN MOTOR:OPTICAL WRITING UNIT

**67.D1366917** FILTER:DEVELOPMENT:EXHAUST:SMALL:ASS'Y

83.D1366944 SUPPORTER:PCU:LEFT

80.D1366940 HEAT INSULATING PLATE:HEAT PIPE:UPPER

65.D1366910 (x3) SPONGE:HEAT PIPE:LEFT

77.D1366932 FILTER:PRESSURE ROLLER:VACUUM

64.D1366909 (x3) SPONGE:HEAT PIPE:LOWER

81.D1366941 HEAT INSULATING PLATE:HEAT PIPE:RIGHT

72.D1366922 BRACKET:DUCT:EXHAUST

66.D1366913 DUCT:TRANSFER:EXHAUST:ASS'Y

**79.D1366938** OZONE FILTER:SMALL

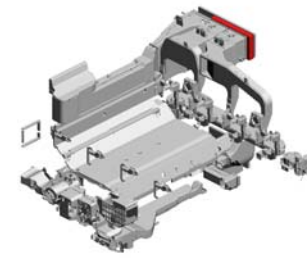
82.D1366943 SEAL:DUCT:EXHAUST:INDUCTION HEATING UNIT

75.D1366927 (x4) SEAL:DUCT:AROUND THE PHOTOCOINDUCTOR:ENTRANCE

69.D1366919 DUCT:TRANSFER:FUSING:EXHAUST:REAR

68.D1366918 DUCT:TRANSFER:FUSING:EXHAUST:FRONT

# U019 AIR COOLING



105.D1366986  
BRACKET:DC FAN  
MOTOR:HEAT SIN  
KER:VACUUM

102.D1366982  
(x2)  
SEAL:HEAT SINKE  
R:LEFT AND RIGH  
T

87.D1366948  
BRACKET:THERMI  
STOR

**90.D1366956**  
**DEODORIZE FILTE**  
**R:SMALL**

89.D1366955  
OZONE FILTER:LA  
RGE

103.D1366983  
SEAL:HEAT SINKE  
R:FRONT

93.D1366959  
SEAL:DEVELOPME  
NT:VACUUM:Y:UP  
PER

95.D1366961  
SEAL:DEVELOPME  
NT:VACUUM:Y:FR  
ONT

94.D1366960  
SEAL:DEVELOPME  
NT:VACUUM:Y:LO  
WER

97.D1366971  
BRACKET:HINGE:D  
UCT:HEAT PIPE:R  
OLLER

101.D1366980  
SEAL:INDUCTION  
HEATING UNIT:VA  
CUUM

108.D1366998  
SEAL:DUCT:BELT  
CLEANING:VACUUM

86.D1366947  
(x3)  
OZONE FILTER:EXI  
T

84.D1366945  
(x3)  
BRACKET:DC FAN  
MOTOR:DUPLX:EX  
IT

85.D1366946  
(x3)  
BRACKET:SETTIN  
G LEVER JUMMPE  
R:DC FAN MOTOR:  
DUPLX:EXIT

107.D1366995  
BRACKET:DEVELO  
PMENT:EXHAUST

106.D1366990  
DUCT:MECHANICA  
L DRIVE SECTION:  
LEFT UPPER

**88.D1366953**  
**DEODORIZE FILTE**  
**R:LARGE**

98.D1366972  
DUCT:DENSITY SE  
NSOR:RIGHT

99.D1366974  
DUCT:DENSITY SE  
NSOR:LEFT

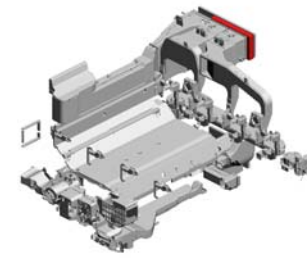


# U019 AIR COOLING

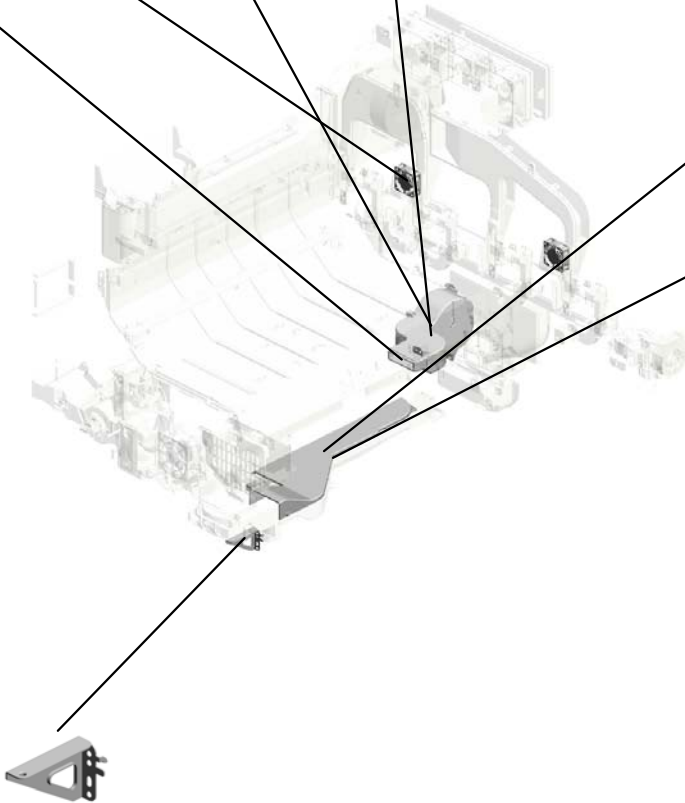
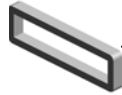
115.GX640028  
(x2)  
FAN MOTOR DC24  
V 1.92W

112.D1386924  
DUCT:PRESSURE  
ROLLER:EXHAUST  
:UPPER

111.D1386923  
DUCT:PRESSURE  
ROLLER:EXHAUST  
:LOWER



113.D1386946  
SEAL:DUCT:PRES  
SURE ROLLER:EX  
HAUST



114.D1386972  
SEAL:DUCT:PRES  
SURE ROLLER:VA  
CUUM:LOWER



110.D1386863  
DUCT:PRESSURE  
ROLLER:VACUUM:  
UPPER



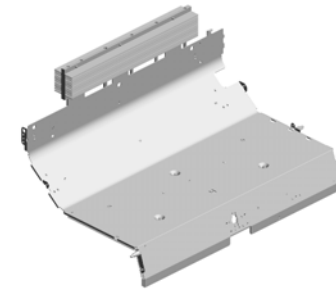
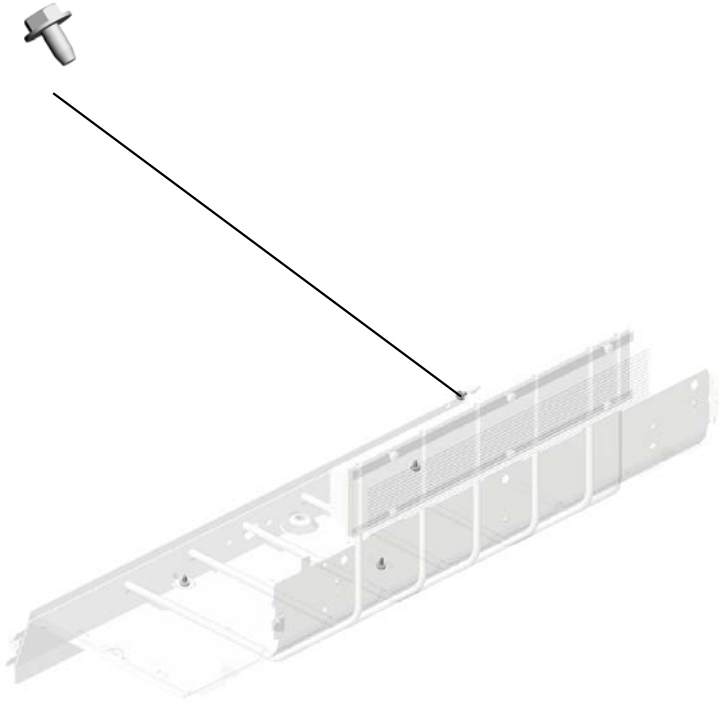
109.D1386862  
BRACKET:PRESSU  
RE ROLLER:VACU  
UM:FRONT



U001	U002	U003	U004	U005	U006	U007	U008	U009	U010	U011	U012	U013	U014	U015	U016	U017	U018	U019	U020
------	------	------	------	------	------	------	------	------	------	------	------	------	------	------	------	------	------	------	------

U019\_S001  
HEAT PIPE:ASS'Y

7.04513006N  
(x4)  
TAPPING SCREW -  
3X6

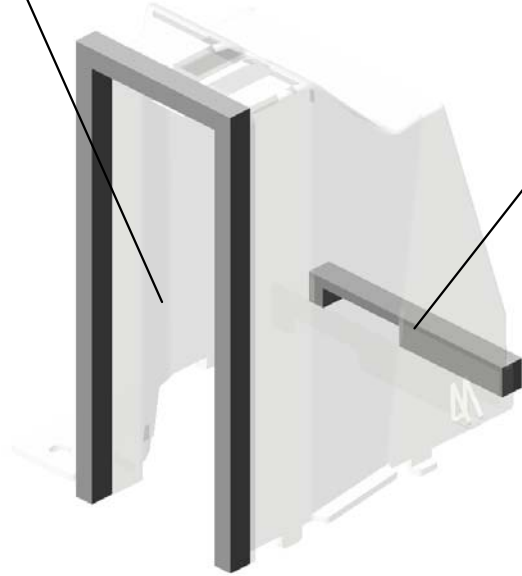


47.D1366871  
HEAT PIPE:ASSY

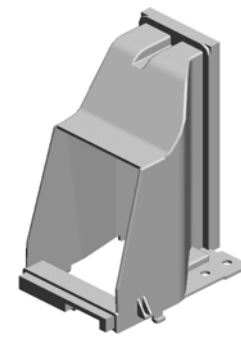
U001	U002	U003	U004	U005	U006	U007	U008	U009	U010	U011	U012	U013	U014	U015	U016	U017	U018	U019	U020
------	------	------	------	------	------	------	------	------	------	------	------	------	------	------	------	------	------	------	------

U019\_S002  
DUCT:HEAT SINKER:REAR:ASS'Y

100.D1366979  
SEAL:HEAT SINKE  
R:EXIT



104.D1366984  
SEAL:HEAT SINKE  
R:REAR

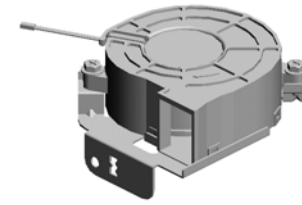


96.D1366966  
DUCT:HEAT SINKE  
R:REAR:ASS'Y

U001	U002	U003	U004	U005	U006	U007	U008	U009	U010	U011	U012	U013	U014	U015	U016	U017	U018	U019	U020
------	------	------	------	------	------	------	------	------	------	------	------	------	------	------	------	------	------	------	------

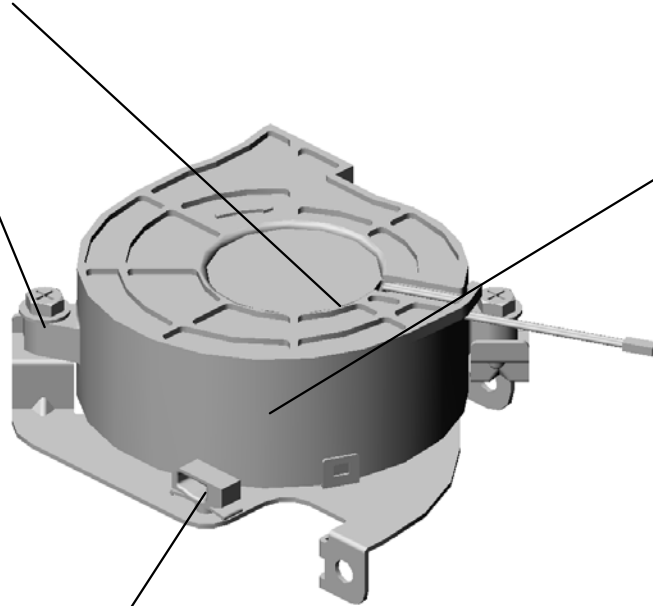
U019\_S003  
DC FAN MOTOR:INTERMEDIATE TRANSFER:ASS'Y

25.AX640223  
FAN:SIROCCO:DC  
24V:60MM



91.D1366957  
DC FAN MOTOR:IN  
TERMEDIATE TRA  
NSFER:ASSY

10.04543010Q  
(x2)  
TAPPING SCREW:  
3X10



92.D1366958  
BRACKET:DC FAN  
MOTOR:INTERME  
DIATE TRANSFER

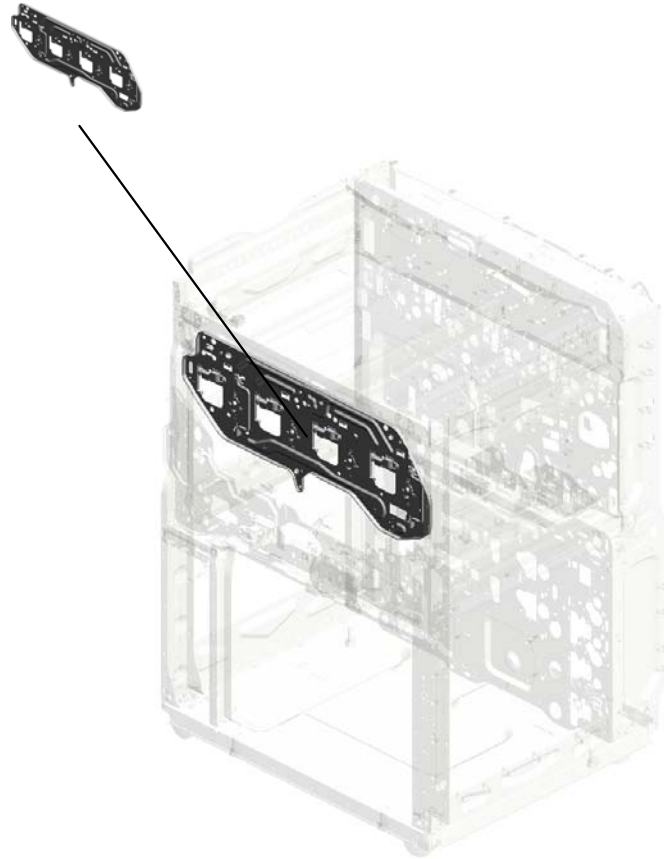


15.11050758  
CLAMP:LWSM-030  
6A

U001	U002	U003	U004	U005	U006	U007	U008	U009	U010	U011	U012	U013	U014	U015	U016	U017	U018	U019	U020
------	------	------	------	------	------	------	------	------	------	------	------	------	------	------	------	------	------	------	------

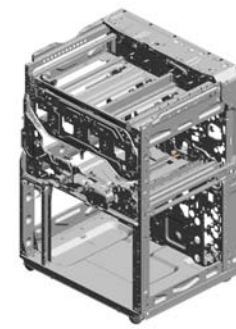
# U020.MAIN FRAME

U020\_S001  
D1381415  
DRUM STAY:AROUND THE P  
HOTOCONDUCTOR:PRO:AS  
SY



U001	U002	U003	U004	U005	U006	U007	U008	U009	U010	U011	U012	U013	U014	U015	U016	U017	U018	U019	U020
------	------	------	------	------	------	------	------	------	------	------	------	------	------	------	------	------	------	------	------

# U020 MAIN FRAME



- 8.04583010N (x8) HEXAGON HEAD TAPPING SCREW:3X6X10
- 4.04543006N (x4) TAPPING SCREW: ROUND POINT:3X6
- 5.04543006Q (x147) TAPPING SCREW - M3X6
- 19.11050760 (x25) CLAMP:LWSM-0511A
- 20.11050761 (x18) CLAMP:LWS-0511A

3.03604008N (x6) SCREW - M4X8

14.11050551 CLAMP:LES-0505

15.11050692 CLAMP:LES-0503

11.08010240 (x2) BINDING HEAD SCREW:M2.6X4

7.04583008N (x4) HEXAGON HEAD TAPPING SCREW:3X8

10.07200060E (x5) RETAINING RING - M6

9.07200040E (x3) RETAINING RING - M4

16.11050723 (x5) CLAMPS:WES-0507

21.11050762 (x22) CLAMP:LWS-0711A

17.11050724 (x3) CLAMPS:WES-1210

18.11050758 (x68) CLAMP:LWSM-0306A

6.04543008Q (x174) TAPPING SCREW: 3X8

1.03140180N PAN HEAD SCREW :M4X18

13.11050328 HARNESS CLAMP - ES-0505

12.08046123 (x2) HEXAGONAL BOLT :W/WASHER:M3X8



25.AA000291 DECAL:POSITIONING DISPLAY:SCREW:PP

26.AA070089 (x2) SLIDE RAIL:PULL OUT



32.AA143870 (x4) STEPPED SCREW

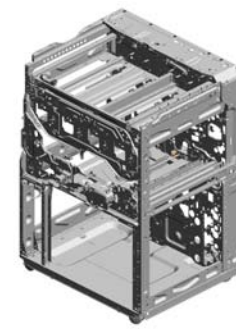
41.AW020198 PHOTOINTERRUPTOR:LG2A14NL1

84.D1381565 BRACKET:PULL OUT:LOCK:REAR:ASY

85.D1381568 GUIDE:PULL OUT:LOCK

2.03540060N (x 3) SCREW-M4X6  
5.04543006Q (x 8) TAPPING SCREW - M3X6

# U020 MAIN FRAME



- 31.AA143579 SCREW - M3
- 35.AB017920 GEAR:PULL OUT:L  
OCK:NO.1
- 36.AB017921 GEAR:PULL OUT:L  
OCK:NO.2
- 22.11050763 (x36)  
CLAMP:LWS-1211A
- 23.11050764 (x27)  
CLAMP:LWS-1316A

39.AC020151  
(x6)  
LENS:LED:2

27.AA082104  
(x2)  
BUSHING - 8X12X7

34.AB012078  
GEAR:PULL OUT:L  
OCK:DRIVE

38.AC020150  
LENS:LED:1

40.AH012031  
(x4)  
CASTER:1470N

33.AA145909  
SHAFT:STOPPER:  
PULL OUT

37.AB017922  
GEAR:PULL OUT:L  
OCK:NO.3

43.B1881125  
(x12)  
FLANGED HEXAG  
ONAL HEAD BOLT:  
M5X14

30.AA140945  
SHAFT:LOCK:PULL  
OUT

42.AW500040  
(x2)  
PUSH SWITCH:SW  
1AG-550:10MA

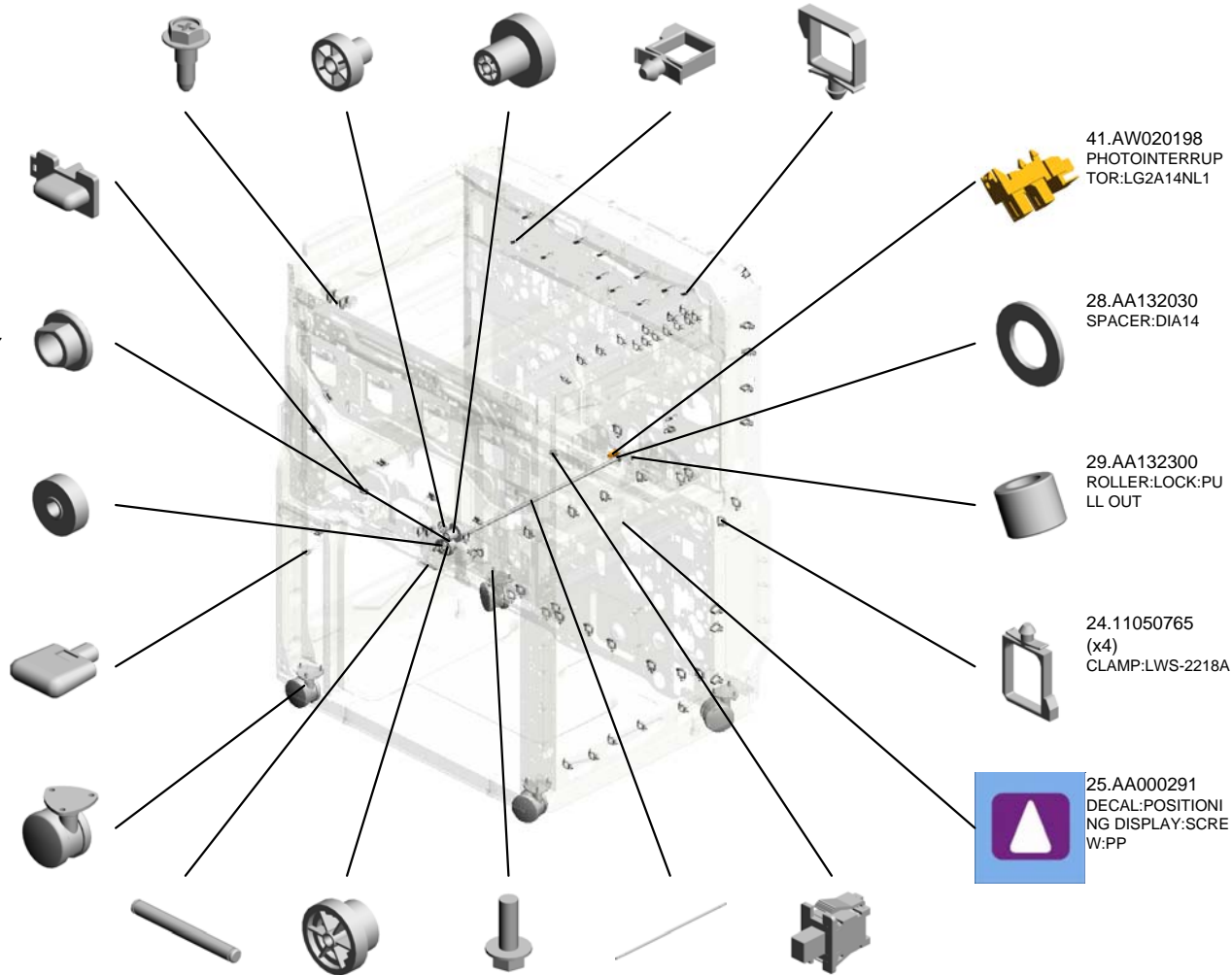
41.AW020198  
PHOTOINTERRUP  
TOR:LG2A14NL1

28.AA132030  
SPACER:DIA14

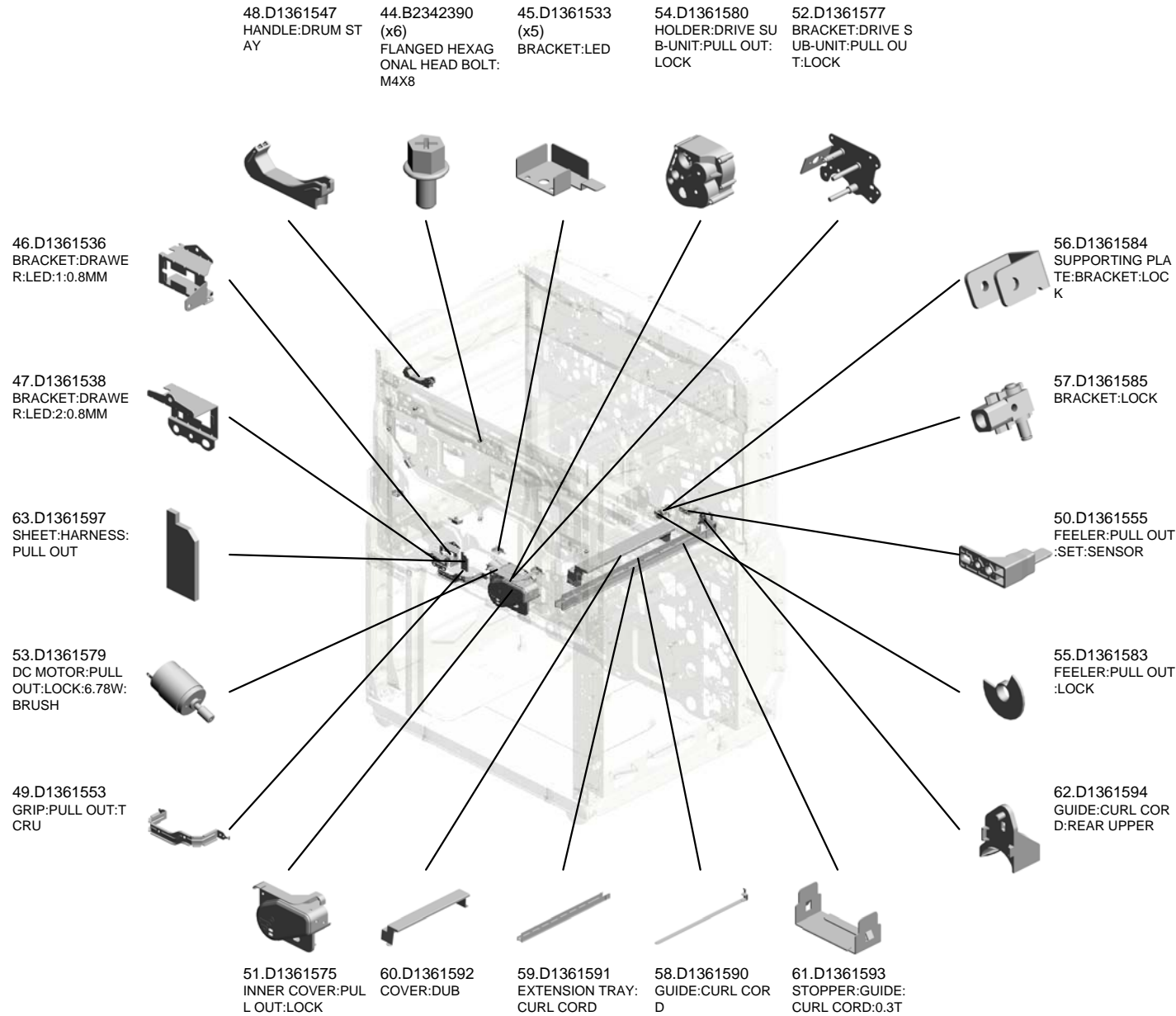
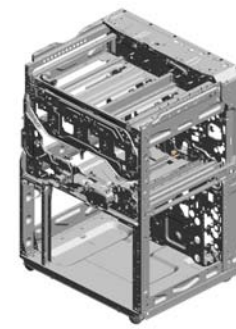
29.AA132300  
ROLLER:LOCK:PU  
LL OUT

24.11050765  
(x4)  
CLAMP:LWS-2218A

25.AA000291  
DECAL:POSITIONI  
NG DISPLAY:SCRE  
W:PP

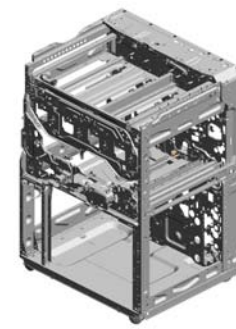


# U020 MAIN FRAME





# U020 MAIN FRAME



71.D1365467  
PCB:LSB

67.D1364942  
BRACKET:PUSH S  
WITCH:LED

87.D1381545  
STAY:DRUM STAY:  
FRONT LEFT  
201309-02

72.D1365510  
(x10)  
LED:CONNECTOR:  
RED

82.D1381562  
BRACKET:STOPPE  
R:PULL OUT

69.D1364961  
LED:SWITCH:REV  
ERSE EXIT:ASSY

70.D1364971  
LED:SWITCH:DUPL  
EX:ASSY

68.D1364952  
BRACKET:LED:RE  
CEIVING SUB-UNIT  
:LEFT LOWER

65.D1362852  
BRACKET:LED:MA  
NUAL FEED

66.D1362853  
INNER COVER:LED  
:MANUAL FEED

86.D1361567  
SUPPORTING PLA  
TE:PULL OUT:REA  
R RIGHT  
201309-08

74.D1366390  
COVER:POWER P  
ACK

83.D1381563  
STOPPER:PULL O  
UT

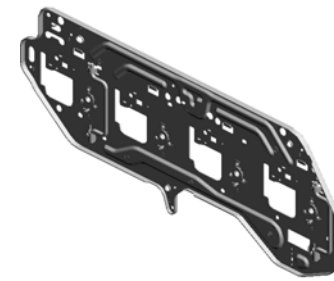
81.D1381561  
COMPRESSION SP  
RING:PULL OUT:L  
OCK:0.5N

73.D1366381  
INSULATING SHEE  
T:PULL OUT

U020\_S001  
 DRUM STAY:AROUND THE PHOTOCONDUCTOR:PRO:ASS'Y

75.D1366897 (x4)  
 DUCT:DRUM STAY :SMALL

78.D1366978 (x4)  
 SEAL:DUCT:DRUM STAY:DEVELOPME NT

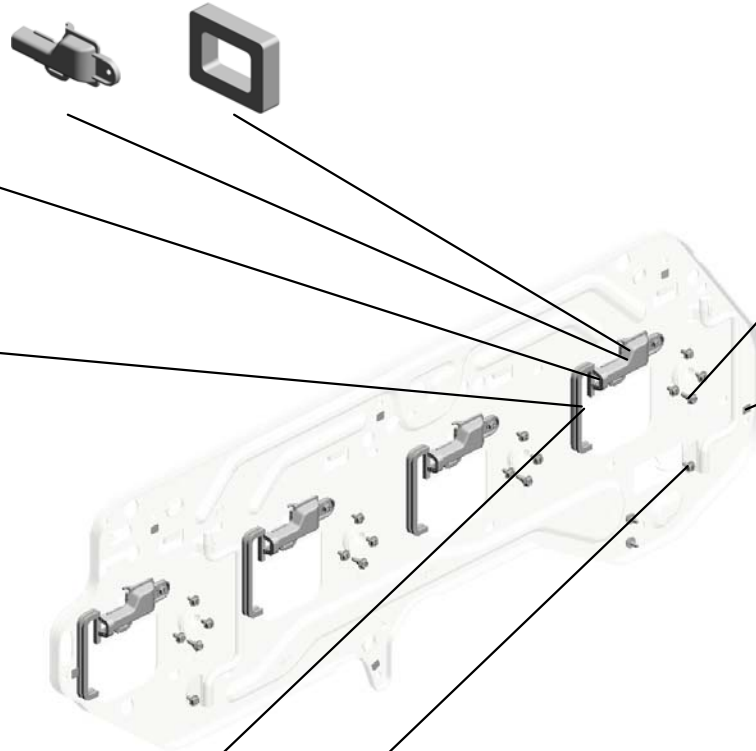


80.D1381415  
 DRUM STAY:AROU ND THE PHOTOCO NDUCTOR:PRO:AS SY

79.D1366985 (x4)  
 SEAL:DRUM STAY: FRONT:RIGHT

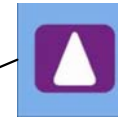


77.D1366977 (x4)  
 SEAL:DRUM STAY: REAR



31.AA143579 (x4)  
 SCREW - M3

64.D1362642  
 SLOPE:COVER:RE GISTRATION



25.AA000291 (x6)  
 DECAL:POSITIONI NG DISPLAY:SCRE W:PP

76.D1366976 (x4)  
 SEAL:DRUM STAY: FRONT

5.04543006Q (x20)  
 TAPPING SCREW - M3X6



U001	U002	U003	U004	U005	U006	U007	U008	U009	U010	U011	U012	U013	U014	U015	U016	U017	U018	U019	U020
------	------	------	------	------	------	------	------	------	------	------	------	------	------	------	------	------	------	------	------

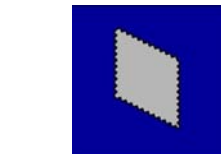
ACCESSORIES



1.03603006N  
SCREW - M3X6



2.11500447  
POWER SUPPLY CODE:250V:20A:NA PLATE:LOGOTYPE:RIC



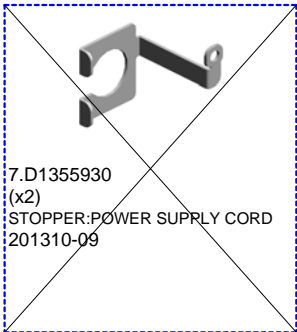
4.B0651374  
CLOTH - DF EXPOSURE GLASS



5.B1321226  
(x4)  
HOLDER:STAND



6.D1201315  
HOLDER:OPERATING INSTRUCTION S



7.D1355930  
(x2)  
STOPPER:POWER SUPPLY CORD  
201310-09



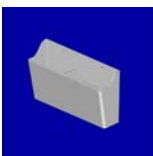
7.D1355930  
STOPPER:POWER SUPPLY CORD  
201309-18 X/O



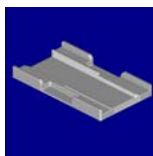
8.D1362490  
HOLDER:DRUM:FRONT



9.D1362493  
HOLDER:DRUM:REAR



10.D1362495  
HOLDER:PCU



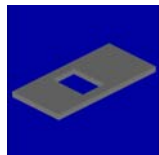
11.D1362498  
HOLDER:PCU



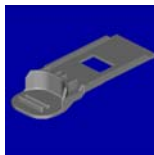
12.D1363480  
(x4)  
CAP:DEVELOPMENT



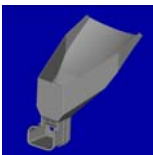
13.D1363485  
JIG:DEVELOPMENT UNIT



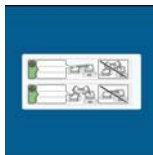
14.D1363497  
SEAL:SHUTTER:FUNNEL



15.D1363498  
SHUTTER:FUNNEL



16.D1363499  
FUNNEL:DEVELOPER



17.D1367541  
(x3)  
DECAL:CAUTION CHART:PAPER SE  
T DIRECTION



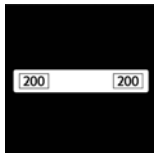
18.D1367600  
DECAL:CAUTION:PULL OUT:PAPER  
FEED



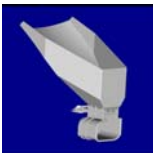
19.D1367601  
DECAL:CAUTION:PULL OUT:EXIT



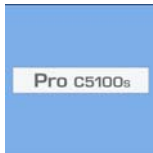
20.D1367607  
DECAL:POWER SUPPLY CORD:200V  
:MAIN



21.D1367608  
DECAL:POWER SUPPLY CORD:200V



22.D1367985  
DEVELOPER:EXCHANGEABLE:ASS'  
Y



23.D1377603  
(D137):DECAL:MODEL NAME PLATE:  
RIC

## ACCESSORIES



24.D1387250  
GUIDE PLATE:POST:ARM:OPERATION  
SUB-UNIT



25.D1387270  
COVER:POST:OPERATION SUB-UNI  
T:LOWER



26.D1387273  
COVER:ARM:OPERATION SUB-UNIT:  
UPPER

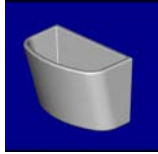


27.D1387275  
COVER:OPERATION PANEL:REAR U  
PPER



28.D1387333  
DECAL:APPLICATION:MULTI-LANGU  
AGE:NA

29.D1387353  
DECAL:FUNCTION:BLANK:MULTI-LA  
NGUAGE



30.D1491317  
HOLDER:GLASS:CLEANER:ASS'Y



31.D1491553  
SHEET:LOGO



32.D1494390  
DECAL:CAUTION:INKJET:NA



33.D1496766  
DECAL:CAUTION:ORIGINAL:ENGLIS  
H



34.D1496851  
DECAL:MAIN SWITCH:ON-STANDBY:  
ENGLISH



35.D6457902  
SEAL:CAUTION:20LANGUAGES



36.D6836031  
DECAL:SET:ORIGINAL TABLE



37.D6846061  
DECAL::ORIGINAL:MANY LANGUAG  
ES

## Special tools

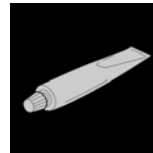


1.A0929503  
C4 Color Test Chart (3 pcs/set)

2.A1849501  
(x2)  
OPTICS ADJUSTMENT TOOL



3.A2579100  
SILICONE OIL TYPE SS



4.A2579300  
GREASE - BARRIERTA S552R



5.B6455020  
SD Card

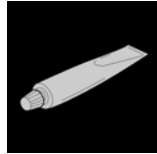


6.B6456705  
PCMCIA Card Adapter

## Special tools



7.B6795100  
Plug - IEEE1284 Type C



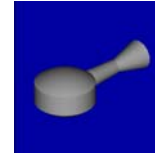
9.D0149800  
GREASE-KS660B



10.D0159500  
G104 YELLOW TONER



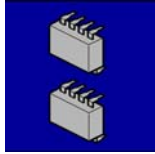
11.D0159501  
ZINC STEARATE



12.D0747690  
BRUSH:BLOWER



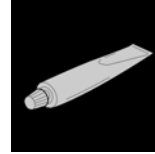
13.D0749510  
OPC DRUM DIA60



14.D1389590  
NVRAM



16.VSSA9001  
LAUNA OIL 40N



17.VSSG9002  
FLUOTRIBO MG GREASE : 100

15.G0219350  
Loop-back Connector ? Parallel

## Exclusive Parts

Number	Part Name	Group	ID
50530447	BUSHING - 6MM	U002_S001	11
52062686	SNAP RING	U003_S001	24
		U006	37
		U006_S005	37
		U006_S006	37
		U006_S007	37
52152621	SNAP RING - M6	U003_S001	25
		U011	9
54472681	SNAP RING	U003_S001	26
		U003_S001_S011	26
		U009	21
		U010_S001	6
		U015_S001	23
		U016	21
54472768	STEPPED SCREW - M3	U014_S004	30
59374158	SPRING WASHER - BD10	U015_S001	24
A0929503	C4 Color Test Chart (3 pcs/set)	Special tools	1
A0964928	GUIDE PLATE BAND	U016	22
A1849501	OPTICS ADJUSTMENT TOOL	Special tools	2
A2171340	KNOB SCREW - M4X10	U014_S004	31
A2324666	CUSHION - STEPPER MOTOR	U004	15
		U009	22
A2501752	EXPOSURE GLASS	U004	16
A2579100	SILICONE OIL TYPE SS	Special tools	3
A2579300	GREASE - BARRIERTA S552R	Special tools	4
A4181158	SPACER - M6.5X1	U003_S001_S011	27
A4221063	SEAL - 0.7X13X20	U003_S001	28
		U003_S001_S013	28
A4701703	SHIFT CLUTCH	U015_S001	25
A5482139	PULLEY	U003_S001	29
A6281225	BUSHING - 8MM	U003_S001_S011	30
A8061163	GUIDE PLATE CUSHION	U003_S001_S011	31
		U003_S001_S011_S001	31
A8592112	DRIVE SHAFT - PAPER FEED BELT	U003_S001_S011	32
A8592319	BASE CUSHION	U003_S001_S011	33
AA000282	DECAL:H-TEMP WARNING:FUSIN	U014_S004_S006	32

Number	Part Name	Group	ID
	G		
AA000283	DECAL:GRIP:FUSING:FRONT	U014_S004	33
AA000285	DECAL:PAPER TRAY:DESIGN SKE TCH1	U006	38
AA000286	DECAL:PAPER TRAY:DESIGN SKE TCH2	U006	39
AA000287	DECAL:PAPER TRAY:DESIGN SKE TCH3	U006	40
AA000289	DECAL:LED	U006	41
AA000290	DECAL:POSITIONING DISPLAY:SCREW:PET	U014_S004	34
		U014_S004_S006	34
AA000291	DECAL:POSITIONING DISPLAY:SCREW:PP	U001	10
		U001_S003	10
		U006	42
		U006_S002	42
		U007_S001	25
		U008	13
		U010_S001	7
		U011_S001_S003	10
		U019	20
		U020	25
		U020_S001	25
AA000292	DECAL:CAUTION CHART:TANDEM LCT	U006	43
AA000294	DECAL:PAPER SET DIRECTION:TANDEM TRAY:RIGHT	U006_S021	44
AA000295	DECAL:GRIP:INNER COVER:RIGHT	U006_S020	45
AA000297	DECAL:PAPER SET DIRECTION:TANDEM TRAY:LEFT	U006_S017	46
AA000392	SHEET:PAPER SET DIRECTION:TANDEM TRAY	U006	47
AA000395	DECAL:CAUTION:TANDEM LCT:RIGHT:SET	U006	48
AA001611	PLATE:LOGOTYPE:RIC	ACCESSORIES	3
AA003050	DECAL:LEVER:RELEASE:GUIDE PLATE:LEFT LOWER	U015_S001_S009_S005	26
AA003055	DECAL:COVER:PUSH	U006_S002	49

## Exclusive Parts

Number	Part Name	Group	ID
AA003056	DECAL:GRIP:SHORT:PP	U008	14
		U011_S001_S003	11
AA003057	DECAL:GRIP:LONG:PP	U008_S001	15
		U008_S002	15
		U008_S004	15
		U008_S005	15
		U008_S007	15
		U008_S008	15
		U008_S010	15
		U008_S011	15
AA003058	DECAL:PICK-UP PAPER JAM:EXIT:LEFT LOWER	U001_S003	11
AA003059	DECAL:EXIT:GUIDE PLATE:UPPER:PUSH	U015_S001_S008	27
AA003060	DECAL:LED:EXIT:UPPER	U001_S001	12
AA003061	DECAL:PICK-UP PAPER JAM:DUPL EX	U001_S003	13
AA003062	DECAL:GRIP:OPEN AND CLOSE:GATE PAWL:NO.1	U015_S001_S002	28
AA003063	DECAL:LED:GATE PAWL:REVERSE:ENTRANCE	U001_S001	14
AA003064	DECAL:GRIP:OPEN AND CLOSE:GATE PAWL:NO.2	U015_S001_S002	29
AA021034	MAGNETIC	U016	23
AA040033	TRANSPORT BELT	U013	11
AA043311	TIMING BELT:40S2M302G	U017	29
		U017_S001	29
AA043325	TIMING BELT - B40S2M250	U017_S005	30
AA043328	TIMING BELT:40S2M130	U003_S001_S011	34
AA043334	TIMING BELT:40S2M174	U017	31
AA043339	TIMING BELT:PAPER EXIT:40S2M122	U003_S001	35
AA043599	TIMING BELT - 60S3M588	U006_S017	50
AA043621	TIMING BELT - 60S2M156	U017_S006	32
AA043632	TIMING BELT - 40S2M126	U003_S001	36
AA043634	TIMING BELT - 40S2M296	U016	24
AA043637	TIMING BELT - 40S2M124	U017_S009	33
AA043660	TIMING BELT:40S2M172	U017	34

Number	Part Name	Group	ID
AA043669	TIMING BELT:40S2M158	U003_S001	37
AA043677	SYNCHRONOUS BELT:40S3M120	U015_S001	30
AA043681	SYNCHRONOUS BELT:40S2M108	U003_S001	38
AA043682	SYNCHRONOUS BELT:60S1.5M150	U003_S001	39
		U003_S001	40
AA043683	SYNCHRONOUS BELT:60S1.5M204	U003_S001	40
AA043685	SYNCHRONOUS BELT:40S2M258	U003_S001	41
AA043692	SYNCHRONOUS BELT:40S2M182	U017_S004	35
AA043693	SYNCHRONOUS BELT:40S2M364	U017_S003	36
AA043694	SYNCHRONOUS BELT:B40S2M202	U003_S001	42
		U017	37
AA043698	SYNCHRONOUS BELT:40S1.5M300	U003_S001	43
AA043702	SYNCHRONOUS BELT:80S3M204	U015_S001	31
AA043929	TIMING BELT - B40S2M114	U017	38
AA060842	TENSION SPRING	U003_S001	44
AA060986	TENSION SPRING:DC SOLENOID:LOCK	U006_S009	51
AA061129	TENSION SPRING:TIGHTENER:DRIVE:USED TONER	U017_S003	39
AA061130	TENSION SPRING:TIGHTENER:DRIVE:TRANSPORT	U017_S005	40
AA061145	TENSION SPRING:TIGHTENER:EXIT	U015_S001	32
AA061146	TENSION SPRING:LINK:GATE PAWL	U015_S001	33
AA061148	COMPRESSION SPRING:PRESSURE	U014_S004	35
AA061151	TENSION SPRING:FUSING:PAPER EXIT SUB-UNIT:LEVER	U014_S004	36
AA061152	TORSION SPRING:STRIPPER PLATE:STOPPER GUIDE:FRONT	U014_S004	37
AA061153	TORSION SPRING:STRIPPER PLATE:STOPPER GUIDE:FRONT:REAR	U014_S004	38
AA061157	COIL SPRING:GUIDE PLATE:UPPER	U014_S004	39
AA061158	TENSION SPRING:HEAT ROLLER	U014_S004	40

## Exclusive Parts

Number	Part Name	Group	ID
AA061159	TENSION SPRING:HEAT ROLLER:TURN	U014_S004	41
AA061160	COIL SPRING:WEB:TENSION:ROLLER	U014_S005	42
AA061161	COMPRESSION SPRING:POLISH:ROLLER	U014_S004	43
AA061162	TORSION SPRING:ROLLER:POLISH:REAR	U014_S004	44
AA061163	TENSION SPRING:SWIVEL:GEAR	U014_S004	45
AA061164	TENSION SPRING:GEAR:ON-OFF	U014_S004	46
AA061166	TORSION SPRING:ROLLER:POLISH:FRONT	U014_S004	47
AA061167	COMPRESSION SPRING:JOINT	U014	48
AA061175	TORSION SPRING:STRIPPER PLATE:STOPPER GUIDE:TURN:FRONT	U014_S004	49
AA061176	TORSION SPRING:STRIPPER PLATE:STOPPER GUIDE:TURN:REAR	U014_S004	50
AA061193	TORSION SPRING:GRIP:FRONT	U014_S006	51
AA061194	TORSION SPRING:GRIP:REAR	U014_S006	52
AA061195	TORSION SPRING:STOPPER:ROLLER	U014_S004	53
AA062172	COIL SPRING:PRESSURE:SEPARATOR	U006_S003	52
AA062173	COIL SPRING:LEVER:COVER:MANUAL FEED	U006_S003 U006_S004	53 53
AA063435	COMPRESSION SPRING:PAPER FEED:JOINT	U003_S001_S011	45
AA063463	COMPRESSION SPRING:DRAWER	U018	24
AA063715	COMPRESSION SPRING:JOINT:CONNECTING:DRIVE SUB-UNIT	U017_S005	41
AA063717	COMPRESSION SPRING:DRIVEN:EXIT:NO.2	U015_S001 U015_S001_S009	34 34
AA063718	COMPRESSION SPRING:DRIVEN:EXIT:NO.1	U015_S001	35
AA063719	COMPRESSION SPRING:HOLDER:GUIDE PLATE:EXIT	U015_S001_S009	36
AA063720	COMPRESSION SPRING:DRIVEN:EXIT:NO.4	U015_S001	37

Number	Part Name	Group	ID
AA063721	COMPRESSION SPRING:GATE:REVERSE EXIT	U015_S001	38
AA063723	COMPRESSION SPRING:STAY:REGISTRATION:5N	U006	54
AA063761	COIL SPRING:RELEASE:PICKUP:MANUAL FEED	U006_S003	55
AA063763	COIL SPRING:PRESSURE:PICKUP	U006_S003	56
AA066397	TORSION SPRING:WEB:MECHANICAL DRIVE SECTION	U014	54
AA066401	TORSION SPRING:FEELER	U014_S005	55
AA066431	COIL SPRING:OPEN AND CLOSE:LEFT LOWER:GUIDE PLATE:UPPER	U015_S001_S009	39
AA066432	COIL SPRING:OPEN AND CLOSE:LEFT LOWER:GUIDE PLATE:LOWER	U015_S001_S009	40
AA066433	COIL SPRING:GUIDE PLATE:UPPER:OPEN AND CLOSE:FRONT	U015_S001	41
AA066434	COIL SPRING:GUIDE PLATE:UPPER:OPEN AND CLOSE:REAR	U015_S001	42
AA066699	TORSION SPRING:LOCK:STRIPPER PLATE:FRONT	U014_S004	56
AA066700	TORSION SPRING:LOCK:STRIPPER PLATE:REAR	U014_S004	57
AA070089	SLIDE RAIL:PULL OUT	U020	26
AA071020	SLIDE RAIL:LARGE CAPACITY TRAY:LEFT:ASS'Y	U006	57
AA071021	SLIDE RAIL:LARGE CAPACITY TRAY:MIDDLE:ASS'Y	U006	58
AA071022	SLIDE RAIL:LARGE CAPACITY TRAY:RIGHT:ASS'Y	U006	59
AA071023	SLIDE RAIL:TONER SUPPLY UNIT:LEFT:ASS'Y	U007	26
AA071024	SLIDE RAIL:TONER SUPPLY UNIT:RIGHT:ASS'Y	U007	27
AA080247	BUSHING - B-F6-3	U012_S002	11
AA080346	BUSHING:FLANGE TYPE:DIA6	U003_S001 U016	46 25
AA080347	BUSHING - 8MM	U003_S001	47



## Exclusive Parts

Number	Part Name	Group	ID
AA080354	BUSHING - 6MM	U014_S005	58
AA080355	BUSHING - 7MM	U014_S005	59
AA080356	BUSHING - 6MM	U014_S005	60
AA082093	BUSHING:3XMM6MM8	U014_S004	61
AA082101	BUSHING - 6X10X6	U003_S001	48
		U003_S001_S002	48
		U003_S001_S005	48
		U003_S001_S011	48
		U014_S004	62
AA082104	BUSHING - 8X12X7	U003_S001	49
		U003_S001_S010	49
		U009	23
		U020	27
AA082137	BUSHING:6X10X6	U010_S001	8
AA082144	BUSHING - 8X12X7	U003_S001	50
AA082171	PLAIN SHAFT BEARING:6X10X6	U006_S005	60
		U006_S006	60
		U006_S007	60
AA082172	BUSHING:DIA6XDIA10X4:EG-1	U014_S004	63
AA082173	PLAIN SHAFT BEARING:6X10X6	U006	61
		U006_S003	61
		U006_S003_S002	61
		U006_S005	61
		U006_S005_S002	61
		U006_S005_S003	61
		U006_S006	61
		U006_S006_S001	61
		U006_S006_S002	61
		U006_S007	61
		U006_S007_S001	61
		U006_S007_S002	61
		U006_S008	61
		U006_S017	61
		U015_S001	43
		U015_S001_S009	43
		U016	26
		U017	42
		U017_S002	42

Number	Part Name	Group	ID
		U017_S007	42
		U017_S007_S001	42
		U017_S008	42
		U017_S008_S001	42
		U017_S008_S002	42
		U017_S009	42
		U017_S009_S001	42
AA082174	PLAIN SHAFT BEARING:6X10X9	U006_S005	62
		U006_S006	62
		U006_S007	62
AA082175	PLAIN SHAFT BEARING:8X12X7	U006	63
AA083014	ONE-WAY CLUTCH	U006_S003	64
AA083018	ROLLER CLUTCH - 6X14X10	U006_S003	65
AA100014	RETAINING RING C - SEPARATE	U006	66
		U006_S003	66
		U006_S005	66
		U006_S006	66
		U006_S007	66
AA120145	DISCHARGE BRUSH:REVERSE:17MM	U015_S001	44
AA132013	SPACER	U003_S001_S011	51
AA132024	SPACER - M6	U014	64
AA132030	SPACER:DIA14	U020	28
AA132204	COLLAR	U014_S004	65
AA132300	ROLLER:LOCK:PULL OUT	U020	29
AA140944	SHAFT:LEVER:OPEN AND CLOSE	U006	67
AA140945	SHAFT:LOCK:PULL OUT	U020	30
AA143183	STEPPED SCREW	U011	12
		U016	27
AA143517	GUIDE PLATE SCREW	U014_S004	66
AA143537	SCREW:M3:BLACK	U001	15
		U004	17
AA143555	SCREW - M3X5	U006_S004	68
AA143579	SCREW - M3	U007	28
		U020	31
		U020_S001	31
AA143702	SCREW:PIN:POSITIONING	U001	16
AA143788	PIN:GUIDE PLATE:PAPER FEED	U003_S001	52

## Exclusive Parts

Number	Part Name	Group	ID
AA143789	SHAFT:CLEANER	U003_S001	53
AA143803	FLANGED HEXAGONAL HEAD BOLT:CASTER	U002_S001	12
AA143807	SCREW:A	U010_S001	9
AA143842	SCREW:DIA6:14.5:M4	U003_S001	54
AA143846	TAPPING SCREW:M3X6	U003_S001_S013	55
AA143870	STEPPED SCREW	U020	32
AA145909	SHAFT:STOPPER:PULL OUT	U020	33
AA161104	CUSHION - MOTOR	U004	18
AA162082	CUSHION:PLATE:PAPER	U006_S018	69
		U006_S019	69
AB000201	DC MOTOR:TANDEM LCT:RISE:ASSY:19.2W:BRUSH	U006	70
AB010156	GEAR:SEPARATE:DRIVE	U006_S005	71
		U006_S006	71
		U006_S007	71
AB010157	GEAR:SEPARATE:DRIVEN	U006_S005	72
		U006_S006	72
		U006_S007	72
AB010173	GEAR - 60Z	U014_S005	67
AB010174	GEAR - 20Z/50Z	U014_S005	68
AB010175	GEAR - 24Z	U014_S005	69
AB010176	GEAR - 24Z	U014_S005	70
AB010177	GEAR - 32Z	U014_S005	71
AB010178	WORM GEAR	U014_S005	72
AB011387	GEAR - 23Z	U006_S003	73
AB011523	GEAR - 24Z	U014	73
AB011524	GEAR - 36Z	U014	74
AB011526	GEAR - 24Z	U014	75
AB011561	GEAR:MANUAL FEED	U006_S003_S002	74
AB011562	GEAR:SEPARATOR:DRIVE:MANUAL FEED	U006_S003	75
AB011569	GEAR:Z25:DRIVE:REGISTRATION ROLLER	U006	76
AB011570	GEAR:Z20:DRIVEN:REGISTRATION ROLLER	U006	77
AB011607	GEAR:ON-OFF:TRANSFER	U017	43
AB011610	GEAR:USED TONER:IDLER:NO.3	U017_S003	44

Number	Part Name	Group	ID
AB011611	GEAR:USED TONER:DRIVE:LOWE R	U017_S003	45
AB011612	GEAR:USED TONER:MIDDLE	U017	46
AB011616	GEAR:PAPER FEED SUB-UNIT	U017_S007	47
		U017_S008	47
		U017_S009	47
AB012078	GEAR:PULL OUT:LOCK:DRIVE	U020	34
AB012201	GEAR:IDLER:ROLLER:FUSING	U014_S002	76
AB012202	GEAR:DRIVE:ROLLER:POLISH	U014	77
AB012203	GEAR:DRIVE:ROLLER:FUSING:B	U014_S004	78
		U014_S006	78
AB012205	GEAR:IDLER:ON-OFF	U014_S004	79
AB012206	GEAR:DRIVE:ROLLER:FUSING:A	U014_S004	80
AB012207	GEAR:POLISH:ROLLER:A	U014_S004_S003	81
AB012208	GEAR:IDLER:PRESSURE ROLLER:ASSY	U014_S004	82
AB012209	GEAR:JOINT:PRESSURE:ASSY	U014_S004_S007	83
AB012210	GEAR:PRESSURE ROLLER	U014_S004	84
AB012211	GEAR:HEAT ROLLER:TURN	U014_S004	85
AB012212	GEAR:HOT ROLLER	U014_S004	86
AB012213	GEAR:IDLER:FUSING	U014_S004	87
AB012214	GEAR:POLISH:ROLLER:A	U014_S004	88
AB012216	GEAR:POLISH:ROLLER:B	U014_S004_S004	89
AB012217	GEAR:WORM WHEEL:MOTOR:FUSING:ON-OFF	U014	90
AB012218	GEAR:IDLER:WEB:ON-OFF:1	U014	91
AB012219	GEAR:CAM:SHAFT:WEB:ON-OFF	U014	92
AB012227	GEAR:ON-OFF:MOTOR	U014	93
AB012970	GEAR:ROLLER:REVERSE:EXIT	U015_S001	45
AB012971	GEAR:COUPLING:HEAT PIPE	U015_S001	46
AB012972	GEAR:SHAFT:HEAT PIPE	U015_S001	47
AB012973	GEAR:SHAFT:GATE PAWL:EXIT	U015_S001	48
AB012974	GEAR:IDLER:COUPLING:GATE PAWL	U015_S001	49
AB014135	GEAR - 18Z	U006	78
AB016002	GEAR:Z36	U017	48
AB017837	GEAR:ON-OFF:TRANSFER:IDLER:NO.1	U017	49

## Exclusive Parts

Number	Part Name	Group	ID
AB017838	GEAR:ON-OFF:TRANSFER:IDLER: NO.2	U017	50
AB017839	GEAR:IDLER:BELT CLEANING	U017_S001_S001	51
AB017912	GEAR:USED TONER:IDLER:NO.1	U017_S003	52
AB017913	GEAR:USED TONER:IDLER:NO.2	U017_S003	53
AB017914	GEAR:PULLEY:LOWER:Z33/S2M43 T	U017_S003	54
AB017915	GEAR:PULLEY:USED TONER:UPPER:Z37/S2M31T	U017_S004_S001	55
AB017916	GEAR:PAPER FEED SUB-UNIT:IDLER	U017_S007	56
		U017_S008	56
		U017_S009	56
AB017917	GEAR:IDLER:48T/Z28	U017_S005	57
AB017918	GEAR:REVERSE EXIT:IDLER:NO.2	U017	58
AB017919	GEAR:Z26/26T	U017	59
AB017920	GEAR:PULL OUT:LOCK:NO.1	U020	35
AB017921	GEAR:PULL OUT:LOCK:NO.2	U020	36
AB017922	GEAR:PULL OUT:LOCK:NO.3	U020	37
AB017930	GEAR:REVERSE EXIT:IDLER:NO.1	U015_S001	50
AB017931	GEAR:IDLER:DC STEPPER MOTOR:GATE PAWL	U015_S001	51
AB017932	GEAR:IDLER:CONTACT POINT:GATE PAWL	U015_S001	52
AB017933	PULLEY:GEAR:EXIT	U015_S001	53
AB019475	GEAR - 48T	U006	79
AB030865	PULLEY:S2M:54T/27T	U017_S005	60
AB030866	PULLEY:DUPLEX SUB-UNIT:REGISTRATION:S2M54T	U017	61
AB030867	PULLEY:T60	U017	62
AB030876	PULLEY:S2M:36T	U017	63
AB030881	PULLEY:TORQUE LIMITER MECHANICAL CLUTCH	U015_S001	54
AB030882	TIMING PULLEY:EXIT	U015_S001	55
AB030883	PULLEY:EXIT:NO.1	U015_S001	56
AB030884	PULLEY:EXIT:NO.2	U015_S001	57
AB033085	TIMING PULLEY - 15T	U006_S017	80
AB033113	TIMING PULLEY:S2M41T:S2M33T	U017_S004	64
AB033114	PULLEY:DUPLEX SUB-UNIT:S2M:3	U017	65

Number	Part Name	Group	ID
	6T:COUPLING		
AB033115	PULLEY:DUPLEX SUB-UNIT:IDLER:S2M:36T	U017	66
AB033116	PULLEY:DUPLEX SUB-UNIT:54T/36T	U017	67
AB033117	PULLEY:IDLER:EXIT	U017_S006_S001	68
AC020150	LENS:LED:1	U001	17
		U016	28
		U020	38
AC020151	LENS:LED:2	U020	39
AC020152	LENS:LED:3	U006	81
		U006_S004	81
AC020153	LENS:LED:4	U006_S003	82
AC030211	MIRROR:NO.1	U004_S002	19
AE010115	HOT ROLLER:DIA52:PRO	U014_S004	94
AE020215	PRESSURE ROLLER:DIA50	U014_S004	95
AE030035	BALL BEARING - 6X16X5	U014_S004	96
		U014_S004_S001	96
		U014_S004_S007	96
AE030044	BALL BEARING - 10X22X6	U014_S004	97
AE030059	BALL BEARING:MM20XMM32X7	U014_S004	98
AE045059	WEB:SUB-ASS'Y	U014_S005	99
AF013006	BOTTOM PLATE PAD	U006_S015	83
		U006_S016	83
AF020792	REGISTRATION ROLLER:DRIVE	U006	84
AF020793	TRANSPORT ROLLER:DUPLEX:DRIVE:1	U016_S001	29
AF020794	TRANSPORT ROLLER:SHIFT:DUPLICATE	U016	30
AF020795	TRANSPORT ROLLER:DRIVE:REVERSE:ASS'Y	U016_S008	31
AF022064	TRANSPORT ROLLER:DRIVEN	U013	12
AF022067	GUIDE STOPPER ROLLER	U015_S001_S009	58
		U016	32
AF030049	PICK-UP ROLLER	U006_S003	85
AF030094	PAPER FEED ROLLER:PICKUP	U006_S005	86
		U006_S006	86
		U006_S007	86

## Exclusive Parts

Number	Part Name	Group	ID
AF031046	FEED ROLLER - MANUAL FEED	U006_S003	87
AF031094	PAPER FEED ROLLER:FEED	U006_S005	88
		U006_S006	88
		U006_S007	88
		U006_S003	89
AF032046	SEPARATION ROLLER - MANUAL FEED	U006_S003	89
AF032094	PAPER FEED ROLLER:SEPARATE	U006_S005	90
		U006_S006	90
		U006_S007	90
AF040071	ROLLER:EXIT:EXIT	U015_S001	59
AG070513	MAGNET CATCH	U001	18
AG070514	MAGNET CATCH	U001	19
AG070515	MAGNET CATCH:13N	U016	33
AG071012	MAGNET CATCH:ASS'Y	U012	12
AH012031	CASTER:1470N	U020	40
AW010091	PHOTO REFLECTION SENSOR	U016	34
AW010134	ORIGINAL SENSOR - 48MM	U004	20
AW010147	PHOTO REFLECTION SENSOR	U013	13
		U019	21
AW010150	PHOTO REFLECTION SENSOR:ORIGINAL TRAY	U003_S001	56
		U006_S003_S002	91
AW010151	PHOTO REFLECTION SENSOR:PS122TL1-A	U003_S001	57
AW010200	PAPER FEED SENSOR:FUSING EXIT	U014	100
		U014_S004	100
AW010201	DISTANCE MEASURING SENSOR:150MM	U014	101
AW020145	PHOTOINTERRUPTOR:FLAT	U012	13
AW020146	PHOTOINTERRUPTOR:FLAT:PICH2MM:M4	U004	21
AW020198	PHOTOINTERRUPTOR:LG2A14NL1	U001	20
		U003_S001	58
		U004	22
		U005	7
		U006	92
		U006_S003	92
		U006_S003_S002	92
U007_S001	29		

Number	Part Name	Group	ID
		U014	102
		U014_S004	102
		U016	35
		U017	69
		U017_S003	69
		U020	41
AW020203	PHOTOINTERRUPTOR:GP1A173LCS2F	U003_S001	59
		U006_S005	93
		U006_S006	93
		U006_S007	93
		U013	14
		U015_S001	60
		U016	36
AW020204	PHOTOINTERRUPTOR:LGRC102	U009	24
AW020209	ENCODER:PAPER THICK	U006	94
AW020210	OPTICS SENSOR:ENCODER:300LPI	U009	25
AW020211	PHOTOINTERRUPTOR:PHOTOCOINDUCTOR:HOME POSITION SENSOR	U017_S010	70
		U017_S011	70
		U017_S012	70
		U017_S013	70
AW020212	OPTICS SENSOR:ENCODER:300LPI	U017_S001	71
		U017_S010	71
		U017_S011	71
		U017_S012	71
		U017_S013	71
AW020213	OPTICS SENSOR:ENCODER:300LPI	U009	26
AW100107	THERMISTOR	U012_S001	14
		U019	22
AW100120	THERMISTOR:FUSING	U014_S004	103
AW100133	TEMPERATURE SENSOR:NC-F10	U014_S004	104
AW100138	THERMOPILE	U014	105
		U014_S004	105
AW100161	THERMISTOR:FUSING:70ANG	U014_S004	106
AW110044	THERMOSTAT:150C:250V/17A	U014_S004	107
AW140016	TEMPERATURE & HUMIDITY SENSOR	U008	16
		U009	27

## Exclusive Parts

Number	Part Name	Group	ID
AW500024	PUSH SWITCH	U006	95
AW500039	ROTARY SWITCH:PAPER SIZE SENSOR: CW	U006_S003_S002	96
AW500040	PUSH SWITCH:SW1AG-550:10MA	U006	97
		U006_S003	97
		U008	17
		U012	15
		U015	61
		U015_S001	61
		U016	37
		U018	25
		U020	42
AX040145	DC MOTOR:TANDEM LCT	U006	98
AX040254	DC MOTOR:RISING TRAY:ASS'Y:1.007W:BRUSH	U003_S001_S012	60
AX040267	DC STEPPER MOTOR:DIA42:24V	U014	108
AX040268	DC STEPPER MOTOR:DIA42:24V:ON-OFF:ROLLER	U014	109
AX040281	DC MOTOR:RISING TRAY:1.007W:BRUSH	U006_S012	99
		U006_S013	99
AX050345	DC STEPPER MOTOR:DIA42	U007_S001_S001	30
		U007_S001_S002	30
		U007_S001_S003	30
		U007_S001_S004	30
AX060394	DC STEPPER MOTOR:MM42:1.2A:3.60V	U009	28
AX060450	DC MOTOR:INTERMEDIATE TRANSFER:8.4W:BRUSHLESS	U009	29
AX060451	DC MOTOR:TRANSFER:SECOND:9.8W:BRUSHLESS	U017_S001	72
AX060453	DC MOTOR:DIA55:40W:BRUSHLESS	U014	110
AX060460	DRIVE UNIT:ON-OFF:PRESSURE ROLLER	U017_S015	73
AX400178	HEATER:240V:18W:UPPER	U009	30
AX430209	HEATER:PRESSURE ROLLER:208V:600W:INFRARED	U014_S004	111
AX640200	FAN:MM60:DC 3.12W	U013	15

Number	Part Name	Group	ID
AX640221	FAN:SIROCCO:DC24V:50MM	U019	23
AX640222	DC FAN MOTOR:DC24V:MM60:25MM	U018	26
		U019	24
AX640223	FAN:SIROCCO:DC24V:60MM	U007_S001	31
		U019	25
		U019_S003	25
AX640224	DC FAN MOTOR:AXIAL:MM80	U019	26
AX640225	DC FAN MOTOR:AXIAL:MM80:25MM	U018	27
		U019	27
AX640226	DC FAN MOTOR:AXIAL:MM80:20MM	U019	28
AX650054	DC FAN MOTOR:SIROCCO:DC24V:PWM	U019	29
AX650056	DC FAN MOTOR:AXIAL:MM92	U019	30
AZ240228	POWER SUPPLY UNIT1:ECO:200V:456.4W	U018	28
AZ240232	POWER SUPPLY UNIT:FW:200V:446.4W	U018	29
AZ310032	POWER PACK:D	U018	30
AZ310034	POWER PACK:TRANSFER	U009	31
AZ320132	POWER PACK:CHARGE:DEVELOPMENT	U018	31
AZ320133	POWER PACK:T1/T2	U009	32
B0042310	SPUR	U014_S004	112
B0434645	SPRING - 2N	U003_S001	61
B0651374	CLOTH - DF EXPOSURE GLASS	ACCESSORIES	4
B1321226	HOLDER:STAND	ACCESSORIES	5
B1322264	BUSHING:TERMINAL	U008_S003	18
		U008_S006	18
		U008_S009	18
		U008_S012	18
		U010_S001	10
B1324981	CLAMP:HARNESS	U014_S004	113
B1326114	CAM:ON-OFF:BLACK	U009	33
B1326124	SPRING PLATE:CAM	U009	34
B1881125	FLANGED HEXAGONAL HEAD BOLT:M5X14	U020	43
B2231186	DRIVE JOINT	U017_S007	74

## Exclusive Parts

Number	Part Name	Group	ID
		U017_S008	74
		U017_S009	74
B2232608	GEAR:Z16	U006_S003	100
B2232862	LEVER - RELEASE INNER	U006_S015	101
		U006_S016	101
B2234317	STEPPER MOTOR:DC24V 24.3W	U014	114
B2234441	STEPPER MOTOR:DC24V 70.2W	U015_S001	62
B2234494	STOPPER- UPPERGATE PAWL	U016	38
B2234552	BUSHING:DIA4	U016	39
B2236171	RUBBER BUSHING:ENCODER	U009	35
B2342390	FLANGED HEXAGONAL HEAD BOL T:M4X8	U001	21
		U007	32
		U010	11
		U014	115
		U015	63
		U019	31
		U020	44
B2342399	BOLT - M3X6	U006	102
		U008	19
		U011_S001	13
		U014_S004	116
B2474456	SPRING - LOWER EXIT ROLLER	U015_S001	64
B2591131	SCREW:PCU	U008	20
B3863320	SPRING:BELT:PAPER FEED:8N	U003_S001_S011	62
B3871951	SPRING - PAPER SIZE SENSOR	U003_S001	63
B3872113	ROLLER - PAPER FEED BELT	U003_S001_S011	64
B4756855	SHIELD:TANDEM LCT:REAR RIGH T	U006	103
B4772227	PICKUP ROLLER:COUPLING	U003_S001_S011	65
B4772622	DISCHARGE BRUSH:L11	U003_S001	66
B4774117	SPRING	U003_S001_S013	67
B6455020	SD Card	Special tools	5
B6456705	PCMCIA Card Adapter	Special tools	6
B6521133	SHAFT:SLIDER	U003_S001	68
B6521134	COMPRESSION SPRING	U003_S001	69
B6522215	GUIDE:PAPER FEED BELT:FRONT	U003_S001_S011	70
B6523174	TENSION SPRING	U003_S001	71
B6524743	SHEET:PRESSURE PLATE:SMALL	U003_S001_S015	72

Number	Part Name	Group	ID
B6795100	Plug - IEEE1284 Type C	Special tools	7
B7002649	TIMING BELT:40S2M144	U015_S001	65
B7003305	TIMING BELT:B40S2M152	U003_S001	73
B7003535	TIMING BELT:B40S2M116	U017_S005	75
B7004720	TIMING BELT:B40S2M214	U016	40
B7005810	STEPPER MOTOR:DC24V 2.5W	U016	41
B7005811	STEPPER MOTOR:DC 25W	U016	42
B7061859	SCREW:SLIDER:LOCK	U003_S001	74
B7125605	GRIP:APPLICATION	U004	23
		U009	36
B7892114	PAPER FEED BELT ROLLER	U003_S001_S011	75
B8012649	TRAY STAY SHAFT - RIGHT	U006	104
B8012763	LOCK LEVER SHAFT	U006_S017	105
B8022532	SPRING PLATE:SIDE FENCE	U003_S001	76
B8022536	SLIDER:SIDE FENCE	U003_S001	77
B8041180	DISCHARGE BRUSH:PUNCH UNIT	U003_S001	78
B8301135	SCREW	U003_S001	79
B8301456	TIMING BELT - 40S2M190	U017_S005	76
		U017_S006	76
B8303504	TIMING BELT - 40S2M100	U006_S005	106
		U006_S006	106
		U006_S007	106
B8352889	TIMING BELT - B60S2M144	U016	43
BB013026	GEAR:IDLER:25Z:ASS'Y	U014_S004_S001	117
C2442601	FRONT STEPPED SCREW	U014_S004	118
C2592267	LOCK HOLDER	U006	107
C4019503	20X Magnification Scope	Special tools	8
D0091183	JOINT - CLEANING	U014	119
D0092573	PULLEY - VERTICAL TRANSPORT	U006_S004	108
D0092574	PULLEY - IDLER	U006_S004	109
D0094388	ROLLER CLUTCH	U014_S005	120
D0141248	PLATE:LEVER:DRUM STAY:LEFT	U007_S001	33
D0141265	BRACKET:DC MOTOR	U017	77
D0142380	COMPRESSION SPRING - DRUM	U008	21
D0143655	ELECTRIC POTENTIAL SENSOR	U008	22
D0144192	CLAMP:HARNESS	U014_S004	121
D0149800	GREASE-KS660B	Special tools	9
D0159500	G104 YELLOW TONER	Special tools	10

## Exclusive Parts

Number	Part Name	Group	ID
D0159501	ZINC STEARATE	Special tools	11
D0291749	PULLEY:PROTECTION	U004	24
D0292677	TRANSPORT BELT:DRIVEN:VERTICAL TRANSPORT	U006_S004	110
D0294439	STOPPER:GATE PAWL:ENTRANCE	U015_S001	66
D0294486	TENSION SPRING:GATE PAWL:1.5N	U006	111
D0391253	BAND:COVER:FRONT	U007_S001	34
D0391254	SPRING PLATE:BAND	U007_S001	35
D0392993	SHAFT:TRANSPORT BELT:PULLEY	U006_S004	112
D0396137	ENCODER:ASS'Y	U009	37
		U017_S001	78
D0396327	SPACER:SENSOR:TM	U009_S008	38
D0596690	PLATE:PAPER:ASS'Y	U006_S018	113
		U006_S019	113
D0596729	TORSION SPRING:STOPPER:PAPER TRAY	U006	114
D0741454	DC MOTOR:DIA49:9.8W:BLS	U012	16
		U017_S003	79
D0742459	JOINT:CLEANING UNIT	U008_S002	23
		U008_S005	23
		U008_S008	23
		U008_S011	23
D0742503	GEAR:IDLER:31Z:LEFT	U008_S002	24
		U008_S005	24
		U008_S008	24
		U008_S011	24
D0742577	CONNECTOR:DRAWER:4POLE:REC	U019	32
D0743416	JOINT:DRIVE:DEVELOPMENT UNIT	U008_S001	25
		U008_S004	25
		U008_S007	25
		U008_S010	25
		U013	16
D0744009	HOLDER:M5	U014_S004	122
D0744063	HOUSING:THERMOSTAT:ASS'Y	U014_S004	123

Number	Part Name	Group	ID
D0744097	TAB:TERMINAL:CONNECTING	U014_S004	124
D0744100	COVER:BASE:ID	U014_S004	125
D0744227	BOLT:M5:ROUND POINT	U014_S004	126
D0744300	SPRING PLATE:CLEANING UNIT:FUSING	U014_S005	127
D0744302	PLAIN SHAFT BEARING:ROLLER:REAR	U014_S005	128
D0744333	ROLLER:PLATE	U014_S005	129
D0744351	STEPPED SCREW:DIA5.4DIA:DIA3.5:M3	U009	39
		U018	32
D0744354	GEAR:SLOW DOWN:WORM GEAR	U014	130
D0744380	DECAL:H-TEMP WARNING:FUSING:WEB	U014_S005_S001	131
D0745414	PCB:TCRU-IDB	U014_S004	132
D0745440	PCB:RELAY:AC	U018	33
D0746078	COMPRESSION SPRING:DRAWER:INTERMEDIATE TRANSFER	U009	40
D0746109	PLATE:BLADE:BELT CLEANING	U009	41
D0746158	ROLLER:INTERMEDIATE TRANSFER:ASS'Y	U009	42
D0746411	COIL SPRING:EARTH:BELT CLEANING	U010_S001	12
D0746415	DUAL FACES TEPE:ENTRANCE SEAL:BELT CLEANING	U010_S001	13
D0746416	SEAL:ENTRANCE SEAL:BELT CLEANING	U010_S001	14
D0746420	BRUSH:REMOVE PAPER DUST:BELT CLEANING	U010_S001	15
D0746424	BLADE:CLEANING:BELT CLEANING:ASS'Y	U010_S001	16
D0746446	BRUSH:APPLY:BELT CLEANING	U010_S001	17
D0746450	COATING BAR:ASS'Y	U010_S001	18
D0746457	BLADE:APPLY:ASS'Y	U010_S001	19
D0746477	GEAR:BRUSH:REMOVE PAPER DUST:Z17	U010_S001	20
D0746478	GEAR:PULLEY:IDLER:BELT CLEANING	U010_S001	21
D0746479	GEAR:COLLECT:COIL:Z19	U010_S001	22

## Exclusive Parts

Number	Part Name	Group	ID
D0746480	PULLEY:BRUSH:APPLY:Z30	U010_S001	23
D0746481	JOINT:BRUSH:REMOVE PAPER D UST:BELT CLEANING	U010_S001	24
D0746574	COVER:CAM:VERTICAL TRANSP ORT	U012	17
D0746575	SHAFT:CAM:VERTICAL TRANSP ORT	U012	18
D0746577	CAM:VERTICAL TRANSPORT:DIA1 5	U012	19
D0746578	GEAR:Z37:CAM:VERTICAL TRAN SPORT	U012	20
D0746579	SEAL:COVER:CAM:VERTICAL TRA NSPORT	U012	21
D0746585	GEAR:Z38/Z24:VERTICAL TRANSP ORT	U012	22
D0746586	GEAR:Z35:IDLER:VERTICAL TRAN SPORT	U012	23
D0746659	SHAFT:JOINT:COLLECTION BOTT LE:ASS'Y	U012	24
D0746665	GEAR:JOINT:COLLECTION BOTTL E:Z65	U012	25
D0747690	BRUSH:BLOWER	Special tools	12
D0749510	OPC DRUM:DIA60:ASS'Y	Special tools	13
		U008	93
D0812966	DC MOTOR:ASS'Y:1.007W:BRUSH	U003_S001_S012	80
		U006_S003_S002	115
		U006_S012	115
		U006_S013	115
D0892764	GEAR:FEED	U006_S005	116
		U006_S006	116
		U006_S007	116
D0892819	GEAR:SEPARATOR:INPUT	U006_S005	117
		U006_S006	117
		U006_S007	117
D0894365	HOLDER:THERMISTOR:LENS	U014	133
D0894366	COVER:THERMISTOR:LENS	U014	134
D0894466	SYNCHRONOUS BELT:S2M:104	U017_S007	80
		U017_S008	80

Number	Part Name	Group	ID
D0895887	PANEL:INTERFACE	U018	34
D0896171	RUBBER BUSHING:ENCODER	U017_S001	81
D1054365	HOLDER:THERMOPILE	U014_S004	135
D1055899	HOLDER:TEMPERATURE & HUMID ITY SENSOR	U009	43
D1172846	RETAINING RINGS-E:SILENCER:DI A3	U006_S003_S002	118
D1201315	HOLDER:OPERATING INSTRUCTI ONS	ACCESSORIES	6
D1292783	TORQUE LIMITER MECHANICAL C LUTCH:40MM:DIA18	U006_S003	119
		U006_S005	119
		U006_S006	119
		U006_S007	119
D1351441	SEAL:COVER:FRONT MIDDLE:MID DLE	U001_S003	22
D1351442	SEAL:COVER:FRONT MIDDLE:MID DLE LOWER	U001_S003	23
D1351443	SEAL:DUCT:BELT CLEANING:LEFT	U019	33
D1351444	SEAL:DUCT:BELT CLEANING:LEFT :2	U019	34
D1351445	SEAL:DUCT:BELT CLEANING:LEFT LOWER	U019	35
D1351446	SEAL:DUCT:BELT CLEANING:LEFT LOWER:2	U019	36
D1351447	SEAL:DUCT:BELT CLEANING:LOW ER	U019	37
D1351448	SEAL:DUCT:BELT CLEANING:INNE R	U019	38
D1351450	SUPPORTER:COVER:FRONT MID DLE:RIGHT	U001	24
D1351451	SUPPORTER:COVER:FRONT MID DLE:LEFT	U001	25
D1351452	BRACKET:COVER:FRONT MIDDLE :LOWER	U001	26
D1351453	GUARD:HARNESS:EXIT	U001	27
D1351454	SEAL:COVER:FRONT MIDDLE:LEF T UPPER	U001_S003	28
D1351455	SEAL:COVER:FRONT MIDDLE:LEF	U001_S003	29



## Exclusive Parts

Number	Part Name	Group	ID
	T LOWER		
D1351456	SEAL:COVER:FRONT MIDDLE:RIG HT LOWER	U001_S003	30
D1351457	COVER:LED:HORIZONTAL:TRANS PORT	U001_S003	31
D1351458	CAP:LOUVER:OZONE FILTER:LAR GE	U001	32
D1351459	CAP:LOUVER:DEODORIZE FILTER :SMALL	U001	33
D1351465	INNER COVER:GRIP:PULL OUT	U001	34
D1351467	SEAL:DEVELOPMENT:EXHAUST:E XIT	U001	35
D1351468	SEAL:AROUND THE PHOTOCOND UCTOR:EXHAUST:EXIT:REAR	U001	36
D1351469	SEAL:AROUND THE PHOTOCOND UCTOR:EXHAUST:EXIT:FRONT	U001	37
D1351471	INNER COVER:FRONT LOWER	U001	38
D1351473	INNER COVER:TH:TRANSPORT	U001	39
D1351474	BRACKET:COVER:LEFT MIDDLE:P ROTECT:PEEN	U001	40
D1351475	BRACKET:COVER:RIGHT MIDDLE: PROTECT:PEEN	U001	41
D1351480	BRACKET:COVER:TONER SUPPLY UNIT:ASS'Y	U001	42
D1351484	SEAL:AROUND THE PHOTOCOND UCTOR:EXHAUST:EXIT:REAR MID DLE	U001	43
D1351485	CAP:LOUVER:PREVENTFENCE:OZ ONE FILTER:ASS'Y	U001	44
D1351486	INNER COVER:EXIT:UPPER:ASS'Y	U001_S001	45
D1351490	STAY:COVER:TONER SUPPLY SU B-UNIT	U001 U001_S002	46 46
D1353250	GEAR:IDLER:DC MOTOR:NO.1	U007_S001	36
D1353251	GEAR:IDLER:DC MOTOR:NO.2	U007_S001	37
D1353252	GEAR:IDLER:CONNECTING	U007_S001	38
D1353253	GEAR:DRIVE:TRANSPORT SCRE W:ASS'Y	U007_S001	39
D1353254	GEAR:IDLER:TONER CARTRIDGE:	U007_S001	40

Number	Part Name	Group	ID
	NO.1		
D1353255	GEAR:IDLER:TONER CARTRIDGE: NO.2	U007_S001	41
D1353258	GEAR:DRIVE:AGITATOR:ASS'Y	U007_S001	42
D1353260	JOINT:DRIVE:AGITATOR:ASS'Y	U007_S001	43
D1353263	TORSION SPRING:DRIVE:AGITAT OR	U007_S001	44
D1353264	JOINT:DRIVE:TRANSPORT SCRE W	U007_S001	45
D1355916	BRACKET:EARTH:POWER PACK	U018	35
D1355918	COVER:SD-CARD	U018	36
D1355925	BRACKET:OKB:FAN:1	U018	37
D1355926	BRACKET:ELECTRIC POTENTIAL SENSOR:PEEN	U018	38
D1355930	STOPPER:POWER SUPPLY CORD	ACCESSORIES	7
D1356040	HOLDER:ROLLER:OPPOSED:BELT CLEANING	U009	119
D1356141	SLIDE RAIL:ON-OFF:INTERMEDIAT E TRANSFER:FRONT:ASS'Y	U009_S004	44
D1356664	COIL SPRING:PRESSURE:SEPARA TE	U006_S005 U006_S006 U006_S007	120 120 120
D1356665	COIL SPRING:RELEASE	U006_S005 U006_S006 U006_S007	121 121 121
D1356666	LINK:RELEASE	U006_S005 U006_S006 U006_S007	122 122 122
D1356667	SHAFT:SEPARATE:DRIVEN:ASS'Y	U006_S005_S002 U006_S006_S001 U006_S007_S001	123 123 123
D1356669	SHAFT:SEPARATE:DRIVE:ASS'Y	U006_S005 U006_S006 U006_S007	124 124 124
D1356671	GUIDE PLATE:VERTICAL TRANSP ORT:PAPER FEED UNIT:NO.1	U006_S005	125
D1356672	BRACKET:SENSOR:VERTICAL TR ANSPORT:NO.1	U006_S005	126

## Exclusive Parts

Number	Part Name	Group	ID
D1356673	GUIDE PLATE:VERTICAL TRANSP ORT:PAPER FEED UNIT:NO.2	U006_S006	127
		U006_S007	127
D1356675	COVER:HARNESS:PAPER FEED U NIT	U006_S005	128
		U006_S006	128
		U006_S007	128
D1356678	FEELER:PAPER END:NO.1	U006_S005	129
D1356681	GUIDE PLATE:SWIVEL:ASS'Y	U006	130
D1356684	PAPER FEED UNIT:NO.1:ASS'Y	U006_S005	131
D1356685	PAPER FEED UNIT:NO.2:ASS'Y	U006_S006	132
		U006_S007	132
D1356691	DOOR:VERTICAL TRANSPORT:AS S'Y	U006_S004	133
D1356694	STAY:DOOR:VERTICAL TRANSP ORT	U006_S004	134
D1356695	LEVER:VERTICAL TRANSPORT	U006_S004	135
D1356696	SHAFT:LEVER:DOOR:VERTICAL T RANSPORT	U006_S004	136
D1356697	COVER:VERTICAL TRANSPORT	U006_S004	137
D1356699	GUIDE PLATE:FLAT CONVEYER B ELT:NO.1	U006_S004	138
D1356701	GUIDE PLATE:FLAT CONVEYER B ELT:NO.2	U006_S004	139
D1356702	BRACKET:STOPPER:DOOR:VERTI CAL TRANSPORT	U006_S004	140
D1356703	STOPPER:DOOR:VERTICAL TRAN SPORT	U006_S004	141
D1356726	PAPER TRAY:NO.4:ASS'Y	U006_S015	142
D1356727	PAPER TRAY:ASS'Y	U006_S016	143
D1356730	COVER:PAPER TRAY:NO.3:ASS'Y	U006_S016_S001	144
D1356732	COVER:PAPER TRAY:NO.4:ASS'Y	U006_S015_S001	145
D1356736	DECAL:SIZE INDICATION:END FEN CE	U006_S016	146
D1356737	DECAL:SIZE INDICATION:SIDE FE NCE	U006_S015	147
		U006_S016	147
D1356738	SHAFT:RELEASE:PAPER TRAY:NO .2	U006_S015	148
		U006_S016	148
D1356739	GRIP:PAPER TRAY	U006_S015	149
		U006_S016	149

Number	Part Name	Group	ID
D1356740	LINK:END FENCE:PAPER SIZE SE NSOR	U006_S015	150
		U006_S016	150
D1356742	TRAY BOTTOM PLATE	U006_S015	151
		U006_S016	151
D1356745	DECAL:PAPER SET DIRECTION:T RAY	U006_S015_S001	152
		U006_S016_S001	152
D1356747	SHEET:GUIDE:FEELER:PAPER EN D	U006_S015	384
		U006_S016	384
D1356797	CAP:SLIDE RAIL:LARGE CAPACIT Y TRAY:RIGHT:ASS'Y	U006	153
D1357094	SHEET:GUIDE PLATE:HEAT PIPE:L EFT	U015	67
D1357095	STOPPER:GEAR:HEAT PIPE	U015	68
D1357100	BRACKET:HOLDER:ASS'Y	U015	69
D1357105	INNER COVER:EXIT:LEFT LOWER	U015	70
D1357122	BRACKET:DC STEPPER MOTOR:G ATE PAWL:ASS'Y	U015_S001	71
D1357130	BRACKET:TIGHTENER:EXIT:ASS'Y	U015_S001	72
D1357134	COLLAR:COUPLING:HEAT PIPE	U015_S001	73
D1357135	JOINT:EXIT:DRIVE	U015_S001	74
D1357136	BRACKET:PAPER EXIT SUB-UNIT: REVERSE:NO.1	U015_S001	75
D1357139	GATE PAWL:PAPER EXIT SUB-UNI T:REVERSE:ENTRANCE:ASS'Y	U015_S001_S001	76
D1357145	GRIP:OPEN AND CLOSE:GATE PA WL:ASS'Y	U015_S001_S002	77
D1357161	ROLLER:DRIVEN:NO.1:SHORT	U015_S001	78
		U015_S001_S009	78
D1357162	ROLLER:DRIVEN:NO.2:SHORT:AS S'Y	U015_S001_S003	79
		U015_S001_S004	79
D1357164	ROLLER:DRIVEN:NO.2:LONG:ASS' Y	U015_S001_S005	80
D1357166	ROLLER:DRIVEN:REVERSE EXIT:A SS'Y	U015_S001_S009	81
		U015_S001_S009	81
		U015_S001_S009	81

## Exclusive Parts

Number	Part Name	Group	ID
		U015_S001_S009_S004	81
D1357168	ROLLER:DRIVEN:EXIT:EXIT	U015_S001	82
D1357171	SHEET:EXIT:LEFT LOWER:FRONT	U015_S001_S009_S006	83
D1357172	SHEET:EXIT:LEFT LOWER:FRONT MIDDLE	U015_S001_S009_S006	84
D1357173	SHEET:EXIT:LEFT LOWER:MIDDLE	U015_S001_S009_S006	85
D1357174	SHEET:EXIT:LEFT LOWER:REAR MIDDLE	U015_S001_S009_S006	86
D1357175	SHEET:EXIT:LEFT LOWER:REAR	U015_S001_S009_S006	87
D1357176	SHEET:TRANSPORT:MIDDLE:LOWER:FRONT	U015_S001_S006	88
D1357177	SHEET:TRANSPORT:MIDDLE:LOWER:REAR	U015_S001_S006	89
D1357178	SHEET:TRANSPORT:MIDDLE:UPPER:FRONT REAR	U015_S001_S006	90
D1357179	SHEET:TRANSPORT:MIDDLE:UPPER:MIDDLE SIDEWAYS	U015_S001_S006	91
D1357180	SHEET:TRANSPORT:MIDDLE:UPPER:MIDDLE	U015_S001_S006	92
D1357183	SHEET:TRANSPORT:GATE PAWL:EXIT:FRONT	U015_S001_S001	93
D1357184	SHEET:TRANSPORT:GATE PAWL:EXIT:FRONT MIDDLE	U015_S001_S001	94
D1357185	SHEET:TRANSPORT:GATE PAWL:EXIT:REAR MIDDLE	U015_S001_S001	95
D1357186	SHEET:TRANSPORT:GATE PAWL:EXIT:REAR	U015_S001_S001	96
D1357187	SHEET:TRANSPORT:DUPLEX:EXIT:FRONT MIDDLE	U016_S007	44
D1357188	SHEET:TRANSPORT:DUPLEX:EXIT:REAR MIDDLE	U016_S007	45
D1357190	SHEET:TRANSPORT:DUPLEX:MIDDLE:NO.1	U016_S007	46
D1357191	SHEET:TRANSPORT:DUPLEX:MIDDLE	U016_S007	47

Number	Part Name	Group	ID
	DLE:NO.2		
D1357192	SHEET:TRANSPORT:DUPLEX:MIDDLE:NO.3	U016_S007	48
D1357193	SHEET:TRANSPORT:DUPLEX:MIDDLE:NO.4	U016_S007	49
D1357194	SHEET:TRANSPORT:DUPLEX:MIDDLE:NO.5	U016_S007	50
D1357507	SIDE FENCE:RIGHT REAR:TANDEM LCT	U006	154
D1357509	SIDE FENCE:RIGHT FRONT:TANDEM LCT	U006	155
D1357511	END FENCE:REAR:TANDEM LCT	U006	156
D1357512	GUIDE PLATE:END FENCE:TANDEM LCT	U006	385
D1357514	INNER COVER:RIGHT:TANDEM LCT	U006	157
D1357516	SIDE FENCE:LEFT REAR:TANDEM LCT:ASS'Y	U006_S017_S001	158
D1357519	SIDE FENCE:LEFT FRONT:TANDEM LCT	U006_S017	159
D1357520	BACK FENCE:TANDEM LCT	U006_S017	160
D1357522	COVER:TANDEM LCT	U006	161
D1357523	ARM:GRIP:TANDEM LCT	U006	162
D1357529	BRACKET:BASE:COUPLING	U006	163
D1357531	GRIP:INNER COVER:ASS'Y	U006_S020	164
D1357537	GEAR:OIL DAMPER:RISE	U006	165
D1357567	HOLDER:SYNCHRONOUS BELT	U006	166
D1357568	STOPPER:SYNCHRONOUS BELT:SLIDER	U006_S017	167
D1357569	BRACKET:LEVER:LOCK	U006_S017	168
D1357576	LEVER:COUPLING:TANDEM LCT	U006_S017	169
D1357584	TANDEM LCT:LEFT:NA:ASS'Y	U006_S017	170
D1361032	DRIVE UNIT:USED TONER:LOWER:ASS'Y	U017_S003	82
D1361034	DRIVE UNIT:USED TONER:UPPER:ASS'Y	U017_S004	83
D1361100	DRUM:GEAR:SLOW DOWN:ASS'Y	U017_S010_S001	84
		U017_S011_S001	84

## Exclusive Parts

Number	Part Name	Group	ID
		U017_S012_S001	84
		U017_S013_S001	84
D1361125	GUIDE PLATE:ENCODER	U017_S010	85
		U017_S011	85
		U017_S012	85
		U017_S013	85
D1361126	ENCODER:300LPI:900CT	U017_S010	86
		U017_S011	86
		U017_S012	86
		U017_S013	86
D1361127	RUBBER BUSHING:ENCODER	U017_S010	87
		U017_S011	87
		U017_S012	87
		U017_S013	87
D1361132	DRUM SHAFT:ASS'Y	U017	88
D1361157	DC MOTOR:24V:23.1W:BRUSHLESS	U017	89
D1361159	DC MOTOR:24V:8.8W:BRUSHLESS	U017	90
D1361201	STAY:DRIVE:INTERMEDIATE TRANSFER:ASS'Y	U009	45
D1361208	GEAR:INTERMEDIATE TRANSFER:ASS'Y	U009	46
D1361210	DRIVE UNIT:TRANSFER:SECOND:ASS'Y	U017_S001	91
D1361216	DC MOTOR:ON-OFF:TRANSFER:5.28W:BRUSH	U017	92
D1361217	JOINT:ON-OFF:INTERMEDIATE TRANSFER	U017	93
D1361219	SHAFT:ON-OFF:TRANSFER:ASS'Y	U017	94
D1361228	DRUM STAY:TRANSFER:SECOND	U017_S001	95
D1361232	SHAFT:DRIVE:TRANSFER:SECOND:ASS'Y	U017_S001_S002	96
D1361235	SHAFT:DRIVE:BELT CLEANING:ASS'Y	U017_S001_S003	97
D1361240	SHAFT:OUTPUT:DRIVE:VACUUM:ASS'Y	U017_S001_S004	98
D1361243	JOINT:DRIVE:TRANSFER	U017_S001	99
D1361244	COVER:ENCODER	U017_S001	100

Number	Part Name	Group	ID
D1361245	COMPRESSION SPRING:DRIVE:TRANSFER	U017_S001	101
D1361246	COMPRESSION SPRING:DRIVE:ON-OFF:TRANSFER	U017	102
D1361247	HOUSING:ON-OFF:TRANSFER	U017	103
D1361249	BRACKET:ON-OFF:TRANSFER:ASS'Y	U017_S002	104
D1361275	BRACKET:DRIVE:FUSING	U017	105
D1361288	BRACKET:TENSIONER:DRIVE:USED TONER:ASS'Y	U017_S003_S001	106
D1361292	SHAFT:DRIVE:USED TONER	U017_S003	107
D1361310	DC MOTOR:10W:BRUSHLESS	U017	108
		U017_S005	108
		U017_S006	108
D1361311	DRIVE UNIT:PAPER FEED SUB-UNIT:NO.1:ASS'Y	U017_S007	109
D1361317	DRUM STAY:PAPER FEED SUB-UNIT:NO.1	U017_S007_S001	110
D1361320	DC MOTOR:20W:BRUSHLESS	U016	51
		U017	111
		U017_S006	111
		U017_S007	111
		U017_S008	111
		U017_S009	111
D1361331	DRIVE UNIT:PAPER FEED SUB-UNIT:NO.3:ASS'Y	U017_S008	112
D1361337	DRUM STAY:PAPER FEED SUB-UNIT:NO.3	U017_S008_S001	113
		U017_S008_S002	113
D1361341	DRIVE UNIT:PAPER FEED SUB-UNIT:NO.2:EU:ASS'Y	U017_S009	114
D1361347	DRUM STAY:PAPER FEED SUB-UNIT:NO.2:EU	U017_S009_S001	115
D1361350	SHAFT:PAPER FEED SUB-UNIT:GRIP:ASS'Y	U017_S007	116
		U017_S009	116
D1361352	SHAFT:PAPER FEED SUB-UNIT:FEED:ASS'Y	U017_S007	117
D1361355	SHAFT:PAPER FEED SUB-UNIT:GRIP:NO.3:ASS'Y	U017_S008	118

## Exclusive Parts

Number	Part Name	Group	ID
D1361357	SHAFT:PAPER FEED SUB-UNIT:FEED:NO.3:ASSY	U017_S008	119
D1361362	DRIVE UNIT:TRANSPORT SUB-UNIT:CONNECTING:ASSY	U017_S005	120
D1361367	BRACKET:TENSION	U017_S005	121
D1361370	SHAFT:MANUAL FEED UNIT:CONNECTING	U017_S005_S001	122
D1361372	SHAFT:JOINT UNIT	U017_S005_S002	123
D1361374	SHAFT:MANUAL FEED UNIT	U017_S005_S003	124
		U017_S005_S004	124
D1361376	BRACKET:TRANSPORT SUB-UNIT:LOWER	U017_S005	125
D1361377	JOINT:DRIVE:MANUAL FEED SUB-UNIT	U017_S005	126
D1361378	JOINT:DRIVE:MANUAL FEED SUB-UNIT	U017_S005	127
D1361379	BRACKET:REGISTRATION:DRIVE	U017	128
D1361380	DRIVE UNIT:PAPER EXIT SUB-UNIT:ASSY	U017_S006	129
D1361384	SHAFT:DRIVE:PAPER EXIT SUB-UNIT:ENTRANCE:ASSY	U017_S006_S002	130
D1361386	SHAFT:DRIVE:PAPER EXIT SUB-UNIT:ASSY	U017_S006_S003	131
D1361388	DRUM STAY:DRIVE:EXIT	U017_S006	132
D1361391	BRACKET:PAPER EXIT SUB-UNIT:REVERSE:NO.2	U017	133
D1361398	BRACKET:DUPLEX SUB-UNIT:EXIT	U017	134
D1361455	COVER:FRONT MIDDLE	U001	47
D1361456	COVER:FRONT LOWER	U001	48
D1361458	INNER COVER:FRONT MIDDLE:RIGHT	U001	49
D1361459	INNER COVER:FRONT MIDDLE:LEFT	U001	50
D1361461	COVER:RIGHT LOWER	U001	51
D1361462	CAP:LOUVER:PREVENTFENCE:DEODORIZE FILTER:LARGE	U001	52
D1361465	COVER:LEFT MIDDLE	U001	53
D1361466	COVER:LEFT LOWER	U001	54

Number	Part Name	Group	ID
D1361467	CAP:CONNECTOR	U001	55
D1361468	COVER:RIGHT MIDDLE:UPPER	U001	56
D1361469	CAP:CONNECTOR:DECURA	U001	57
D1361470	COVER:RIGHT MIDDLE:REAR	U001	58
D1361471	COVER:REAR MIDDLE	U001	59
D1361472	COVER:REAR LOWER	U001	60
D1361474	COVER:UPPER REAR:SMALL	U001	61
D1361475	COVER:UPPER RIGHT	U001	62
D1361476	COVER:UPPER LEFT	U001	63
D1361478	COVER:UPPER REAR	U001	64
D1361479	BRACKET:HINGE:COVER:FRONT LOWER	U001	65
D1361484	INNER COVER:MAIN SWITCH	U001	66
D1361486	COVER:LARGE CAPACITY TRAY	U001	67
D1361491	COVER:CABLE:AC POWER SUPPLY	U001	68
D1361496	INNER COVER:RIGHT MIDDLE	U001	69
D1361499	BRACKET:HOLDER:COVER:REAR	U018	39
D1361533	BRACKET:LED	U020	45
D1361536	BRACKET:DRAWER:LED:1:0.8MM	U020	46
D1361538	BRACKET:DRAWER:LED:2:0.8MM	U020	47
D1361547	HANDLE:DRUM STAY	U020	48
D1361553	GRIP:PULL OUT:TCRU	U020	49
D1361555	FEELER:PULL OUT:SET:SENSOR	U020	50
D1361567	SUPPORTING PLATE:PULL OUT:REAR RIGHT	U020	86
D1361575	INNER COVER:PULL OUT:LOCK	U020	51
D1361577	BRACKET:DRIVE SUB-UNIT:PULL OUT:LOCK	U020	52
D1361579	DC MOTOR:PULL OUT:LOCK:6.78W:BRUSH	U020	53
D1361580	HOLDER:DRIVE SUB-UNIT:PULL OUT:LOCK	U020	54
D1361583	FEELER:PULL OUT:LOCK	U020	55
D1361584	SUPPORTING PLATE:BRACKET:LOCK	U020	56
D1361585	BRACKET:LOCK	U020	57
D1361590	GUIDE:CURL CORD	U020	58

## Exclusive Parts

Number	Part Name	Group	ID
D1361591	EXTENSION TRAY:CURL CORD	U020	59
D1361592	COVER:DUB	U020	60
D1361593	STOPPER:GUIDE:CURL CORD:0.3 T	U020	61
D1361594	GUIDE:CURL CORD:REAR UPPER	U020	62
D1361597	SHEET:HARNESS:PULL OUT	U020	63
D1361687	GROUND PLATE:SENSOR:AKS	U004	25
D1361715	GUIDE:HARNESS:LED	U004	26
D1361717	COVER:SHAFT:SCANNER	U004	27
D1361727	INNER COVER:SCANNER	U004	28
D1361731	LENSBLOCK SMD:ASS'Y	U004_S001	29
D1361751	CARRIAGE:NO.1:ASS'Y	U004_S002	30
D1361758	CLAMP:WIRE	U004	31
D1361759	GUIDE:FFC:CARRIAGE:NO.1	U004	32
D1361760	REFLECTOR:SCANNER	U004	33
D1361776	CARRIAGE:NO.2:ASS'Y	U004_S004	34
D1361784	MIRROR:NO.2:ASS'Y	U004_S004	35
D1361785	MIRROR:NO.3:ASS'Y	U004_S004	36
D1361787	GUIDE:FFC:CARRIAGE:NO.2	U004	37
D1361788	PULLEY:IDLER:CARRIAGE	U004	38
D1361793	DC STEPPER MOTOR:MM42	U004	39
D1361794	BRACKET:DC STEPPER MOTOR:T ENSION	U004	40
D1361798	TENSION SPRING:TENSION:16N	U004	41
D1361799	BRACKET:DC STEPPER MOTOR	U004	42
D1361801	SHAFT:DRIVE:SCANNER	U004	43
D1361802	TIMING PULLEY:65	U004	44
D1361803	SYNCHRONOUS BELT:157ST1.5-6. 0	U004	45
D1361806	DRIVE WERE:DIA1	U004	46
D1361809	BRACKET:TENSION	U004	47
D1361810	TENSION SPRING:TENSION:11N	U004	48
D1361811	PULLEY:PEEN	U004	49
D1361821	COVER:EXPOSURE GLASS:DOCU MENT FEEDER	U004	50
D1361828	SCALE:LEFT:NA:ASS'Y	U004	51
D1362150	CLEANER:SHIELD GLASS:ASS'Y	U001	70
D1362258	CONNECTOR:DRAWER:8POLE:RE	U008	27

Number	Part Name	Group	ID
	C		
D1362268	SHIELDING PLATE:ELECTRIC POT ENTIAL SENSOR	U008	28
D1362270	PCB:ELECTRIC POTENTIAL SENS OR	U018	40
D1362276	CONNECTOR:1POLE	U008	29
D1362286	DISCHARGE LAMP:LED ARRAY	U008_S001	30
		U008_S004	30
		U008_S007	30
		U008_S010	30
D1362287	SHEET:DISCHARGE LAMP:REAR	U008_S001	31
		U008_S004	31
		U008_S007	31
		U008_S010	31
D1362288	CONNECTOR:DRAWER:8POLE:PL UG	U008_S001	32
		U008_S004	32
		U008_S007	32
		U008_S010	32
D1362296	GROUND PLATE:PCU:ASS'Y	U007_S001	46
D1362302	HOLDER:LOCK:CLEANING UNIT:F RONT	U008	33
D1362304	TORSION SPRING:LOCK:PCU	U008	34
D1362305	GROUND PLATE:HOLDER:CLEANI NG UNIT	U008	35
D1362306	COMPRESSION SPRING:GROUND PLATE:HOLDER:CLEANING UNIT	U008	36
D1362307	LEVER:LOCK:PCU	U008	37
D1362308	STAY:PCU	U008	38
D1362312	HOLDER:LOCK:CLEANING UNIT:R EAR	U008	39
D1362341	FRAME:BASE:ASS'Y	U008_S002_S001	40
		U008_S005_S001	40
		U008_S008_S001	40
		U008_S011_S001	40
D1362347	SEAL:FRAME:BASE:MIDDLE	U008_S002_S001	41
		U008_S005_S001	41
		U008_S008_S001	41
		U008_S011_S001	41

Exclusive Parts

Number	Part Name	Group	ID
D1362348	SEAL:FRAME:BASE:SIDE	U008_S002_S001	42
		U008_S005_S001	42
		U008_S008_S001	42
		U008_S011_S001	42
D1362350	SEAL:FRAME:BASE:TONER OUTLET SUB-UNIT	U008_S002_S001	43
		U008_S005_S001	43
		U008_S008_S001	43
		U008_S011_S001	43
D1362356	TRANSPORT SCREW:BASE:ASS'Y	U008_S002	44
		U008_S005	44
		U008_S008	44
		U008_S011	44
D1362362	BUSHING:TRANSPORT SCREW	U008_S002	45
		U008_S005	45
		U008_S008	45
		U008_S011	45
D1362365	CLEANING BLADE:ASS'Y	U008_S002	46
		U008_S005	46
		U008_S008	46
		U008_S011	46
D1362368	SEAL:CLEANING BLADE:FRONT	U008_S002	47
		U008_S005	47
		U008_S008	47
		U008_S011	47
D1362369	SEAL:CLEANING BLADE:REAR	U008_S002	48
		U008_S005	48
		U008_S008	48
		U008_S011	48
D1362391	TRANSPORT SCREW:APPLY:ASS'Y	U008_S002	49
		U008_S005	49
		U008_S008	49
		U008_S011	49
D1362401	DRUM LUBRICANT SUPPLY ROLLER:ASS'Y	U008_S002	50
		U008_S005	50
		U008_S008	50
		U008_S011	50
D1362404	COVER:BEARING:OIL SUPPLY ROLLER:FRONT	U008_S002	51
		U008_S005	51

Number	Part Name	Group	ID
		U008_S008	51
		U008_S011	51
D1362406	COVER:BEARING:OIL SUPPLY ROLLER:REAR	U008_S002	52
		U008_S005	52
		U008_S008	52
		U008_S011	52
D1362408	GEAR:24Z:RIGHT	U008_S002	53
		U008_S005	53
		U008_S008	53
D1362411	COATING BAR:ASS'Y	U008_S002	54
		U008_S005	54
		U008_S008	54
D1362417	ARM:COATING BAR	U008_S002	55
		U008_S005	55
		U008_S008	55
D1362418	TENSION SPRING:COATING BAR:18N	U008_S002	56
		U008_S005	56
		U008_S008	56
D1362423	SEAL:STAY:APPLY	U008_S002	57
		U008_S005	57
		U008_S008	57
D1362424	SEAL:STAY:APPLY:UPPER	U008_S002	58
		U008_S005	58
		U008_S008	58
D1362431	COVER:STAY:COATING BAR:ASS'Y	U008_S002	59
		U008_S005	59
		U008_S008	59
D1362441	BLADE:APPLY:ASS'Y	U008_S002	60
		U008_S005	60
		U008_S008	60
		U008_S011	60

## Exclusive Parts

Number	Part Name	Group	ID
D1362446	SEAL:BLADE:APPLY:FRONT	U008_S002	61
		U008_S005	61
		U008_S008	61
		U008_S011	61
D1362447	SEAL:BLADE:APPLY:REAR	U008_S002	62
		U008_S005	62
		U008_S008	62
		U008_S011	62
D1362451	COVER:TONER OUTLET SUB-UNIT :CLEANING UNIT:ASS'Y	U008_S002	63
		U008_S005	63
		U008_S008	63
		U008_S011	63
D1362458	VIBRATING PLATE:TONER OUTLET SUB-UNIT	U008_S002	64
		U008_S005	64
		U008_S008	64
		U008_S011	64
D1362461	GEAR:18Z:RIGHT	U008_S002	65
		U008_S005	65
		U008_S008	65
		U008_S011	65
D1362462	GEAR:IDLER:19Z:LEFT	U008_S002	66
		U008_S005	66
		U008_S008	66
		U008_S011	66
D1362466	DRUM STAY:CLEANING UNIT	U008_S002	67
		U008_S005	67
		U008_S008	67
		U008_S011	67
D1362467	GROUND PLATE:CLEANING UNIT: ASS'Y	U008_S002	68
		U008_S005	68
		U008_S008	68
		U008_S011	68
D1362490	HOLDER:DRUM:FRONT	ACCESSORIES	8
D1362493	HOLDER:DRUM:REAR	ACCESSORIES	9
D1362495	HOLDER:PCU	ACCESSORIES	10
D1362498	HOLDER:PCU	ACCESSORIES	11
D1362573	COLLAR:REGISTRATION:DRIVE	U006	171
D1362577	LEVER:LOCK:FRONT:ASS'Y	U006	172

Number	Part Name	Group	ID
D1362579	LEVER:LOCK:INNER BACK	U006	173
D1362580	PLAIN SHAFT BEARING:LEVER:OP EN AND CLOSE:FRONT	U006	174
		U006	175
D1362581	PLAIN SHAFT BEARING:LEVER:OP EN AND CLOSE:INNER BACK	U006	175
D1362586	GUIDE PLATE:REGISTRATION:LO WER:ASS'Y	U006	176
D1362591	GUIDE PLATE:REGISTRATION:UP PER:ASS'Y	U006	177
D1362605	PLAIN SHAFT BEARING:REGISTR ATION:DRIVEN:FRONT	U006	179
D1362607	PLAIN SHAFT BEARING:REGISTR ATION:DRIVEN:INNER BACK	U006	180
D1362608	REGISTRATION ROLLER:DRIVEN	U006	178
D1362611	COLLAR:REGISTRATION:DRIVEN: OUTER	U006	181
D1362616	HINGE:GUIDE PLATE:REGISTRATI ON:FRONT	U006	182
D1362618	HINGE:GUIDE PLATE:REGISTRATI ON:INNER BACK	U006	183
D1362639	COMPRESSION SPRING:COVER:R EGISTRATION	U006_S002	184
D1362642	SLOPE:COVER:REGISTRATION	U020_S001	64
D1362652	GUIDE PLATE:CONNECTING:REGI STRATION:ASS'Y	U006	185
D1362656	TRANSPORT ROLLER:CONNECTI NG:MANUAL FEED:DRIVE	U006	186
D1362657	JOINT:CONNECTING:DRIVE	U006	187
D1362660	GUIDE PLATE:CONNECTING:MAN UAL FEED:LOWER:ASS'Y	U006	188
D1362663	GUIDE:CONNECTING:MANUAL FE ED:LOWER	U006	189
D1362665	GUIDE PLATE:CONNECTING:MAN UAL FEED:UPPER:ASS'Y	U006	190
D1362670	ROLLER:DIA18:CONNECTING:MAN UAL FEED	U006	191
D1362671	SHAFT:DRIVEN ROLLER:ENCODE R	U006	192



## Exclusive Parts

Number	Part Name	Group	ID
D1362672	SHAFT:DRIVEN ROLLER	U006	193
D1362673	PLAIN SHAFT BEARING:CONNECTING	U006	194
D1362678	COVER:MANUAL FEED:ENTRANCE:UPPER	U006	195
D1362702	GUIDE PLATE:CONNECTING:FRONT RIGHT:ASS'Y	U006_S001	196
D1362708	GUIDE PLATE:DRIVEN:CONNECTING:ASS'Y	U006	197
D1362712	GUIDE:CONNECTING:DRIVEN	U006	198
D1362714	ROLLER:CONNECTING:DIA20	U006	199
D1362715	TENSION SPRING:DRIVEN:CONNECTING	U006	200
D1362718	GUIDE PLATE:CONNECTING:FRONT LEFT	U006	201
D1362719	GUIDE:CONNECTING:FRONT LEFT	U006	202
D1362721	GUIDE PLATE:CONNECTING:DRIVE	U006	203
D1362729	TRANSPORT ROLLER:CONNECTING:DRIVE	U006	204
D1362778	COVER:MANUAL FEED UNIT	U006_S003	205
D1362786	GROUND PLATE:SENSOR:MANUAL FEED	U006_S003	206
D1362788	GROUND PLATE:MANUAL FEED UNIT:REAR	U006_S003	207
D1362789	SHAFT:FEED:MANUAL FEED	U006_S003	208
D1362790	ARM:PICKUP:MANUAL FEED	U006_S003	209
D1362795	DC SOLENOID:PICKUP:MANUAL FEED:ASS'Y	U006_S003	210
D1362801	BRACKET:LEVER:FRONT:MANUAL FEED:ASS'Y	U006	211
D1362803	SHAFT:SEPARATOR:DRIVEN:ASS'Y	U006_S003_S001	212
D1362810	GROUND PLATE:MANUAL FEED UNIT:FRONT	U006_S003	213
D1362812	SHAFT:SEPARATOR:DRIVE	U006_S003	214
D1362814	INNER COVER:MANUAL FEED:LO	U006	215

Number	Part Name	Group	ID
	WER:ASS'Y		
D1362815	BRACKET:HINGE:MANUAL FEED:UPPER:ASS'Y	U006	216
D1362816	BRACKET:HINGE:MANUAL FEED:LOWER:ASS'Y	U006	217
D1362829	GROUND PLATE:MANUAL FEED:COVER:REAR	U006_S003	218
D1362844	SHAFT:LEVER:MANUAL FEED:FRONT	U006_S003	219
D1362848	GUIDE:POSITIONING:FRONT:MANUAL FEED UNIT	U006	220
D1362849	FEELER:PAPER SIZE SENSOR:MANUAL FEED	U006_S003_S002	221
D1362852	BRACKET:LED:MANUAL FEED	U020	65
D1362853	INNER COVER:LED:MANUAL FEED	U020	66
D1362854	GROUND PLATE:MANUAL FEED:REAR	U006_S003	222
D1362870	JOINT:MANUAL FEED SUB-UNIT:REVERSE	U006_S003	223
D1362871	JOINT:MANUAL FEED SUB-UNIT:FEED	U006_S003	224
D1362872	BRACKET:STOPPER:MANUAL FEED	U006_S003	225
D1362873	ARM:STOPPER:MANUAL FEED	U006_S003	226
D1363211	TORSION SPRING:STOPPER:TONER CARTRIDGE:RIGHT	U007_S001_S005	47
		U007_S001_S006	47
		U007_S001_S007	47
		U007_S001_S008	47
D1363212	TORSION SPRING:STOPPER:TONER CARTRIDGE:LEFT	U007_S001_S005	48
		U007_S001_S006	48
		U007_S001_S007	48
		U007_S001_S008	48
D1363221	DC MOTOR:TONER CARTRIDGE:ASS'Y	U007_S001	49
D1363251	HOLDER:TONER CARTRIDGE:CONNECTOR	U007_S001	50
D1363254	COVER:CHIP:BASE	U007_S001	51
D1363266	STUD:IDLER:DRIVE:TONER SUPP	U007_S001	52

## Exclusive Parts

Number	Part Name	Group	ID
	LY		
D1363268	STUD:TONER SUPPLY UNIT	U007_S001	53
D1363270	GEAR:IDLER:TONER END SENSOR	U007_S001	54
D1363273	LEVER:TONER SUPPLY UNIT	U007_S001	55
D1363292	INNER COVER:TONER SUPPLY UNIT:FRONT	U007_S001	56
D1363295	SEAL:GUIDE PLATE:TONER SUPPLY	U007_S001	57
D1363297	INNER COVER:TONER SUPPLY:RIGHT	U007_S001	58
D1363298	SEAL:SIDE PLATE:TONER SUPPLY	U007_S001	59
D1363302	BRACKET:SAFETY SWITCH:DOOR:TONER SUPPLY:PEEN	U007_S001	60
D1363305	TONER SUPPLY UNIT:ASS'Y	U007_S001_S001	62
		U007_S001_S002	62
		U007_S001_S003	62
		U007_S001_S004	62
D1363308	BRACKET:DRAWER:TONER SUPPLY UNIT	U007_S001	61
D1363317	STUD:CASE:TONER SUPPLY	U007_S001_S001	63
		U007_S001_S002	63
		U007_S001_S003	63
		U007_S001_S004	63
D1363331	SHUTTER:CASE:TONER SUPPLY	U007_S001_S001	64
		U007_S001_S002	64
		U007_S001_S003	64
		U007_S001_S004	64
D1363333	GEAR:AGITATOR:TONER SUPPLY:NO.2	U007_S001_S001	65
		U007_S001_S002	65
		U007_S001_S003	65
		U007_S001_S004	65
D1363334	GEAR:TRANSPORT SCREW:TONER SUPPLY	U007_S001_S001	66
		U007_S001_S002	66
		U007_S001_S003	66
		U007_S001_S004	66
D1363335	GEAR:MECHANICAL ROLLER CLUTCH	U007_S001_S001	67

Number	Part Name	Group	ID
	TCH:TONER SUPPLY:FRONT	U007_S001_S002	67
		U007_S001_S003	67
		U007_S001_S004	67
D1363336	GEAR:MECHANICAL ROLLER CLUTCH:TONER SUPPLY:REAR	U007_S001_S001	68
		U007_S001_S002	68
		U007_S001_S003	68
		U007_S001_S004	68
D1363337	GEAR:IDLER:AGITATOR:TONER SUPPLY	U007_S001_S001	69
		U007_S001_S002	69
		U007_S001_S003	69
		U007_S001_S004	69
D1363338	GEAR:AGITATOR:TONER SUPPLY:NO.1	U007_S001_S001	70
		U007_S001_S002	70
		U007_S001_S003	70
		U007_S001_S004	70
D1363359	STUD:IDLER:DRIVE:TONER SUPPLY	U007_S001_S001	71
		U007_S001_S002	71
		U007_S001_S003	71
		U007_S001_S004	71
D1363361	GEAR:IDLER:TRANSPORT SCREW:NO.1:TONER SUPPLY	U007_S001_S001	72
		U007_S001_S002	72
		U007_S001_S003	72
		U007_S001_S004	72
D1363364	GEAR:IDLER:DRIVE:TONER SUPPLY	U007_S001_S001	73
		U007_S001_S002	73
		U007_S001_S003	73
		U007_S001_S004	73
D1363365	GEAR:IDLER:TRANSPORT SCREW:TONER SUPPLY:SMALL	U007_S001_S001	74
		U007_S001_S002	74
		U007_S001_S003	74
		U007_S001_S004	74
D1363366	GEAR:IDLER:TRANSPORT SCREW:TONER SUPPLY:LARGE	U007_S001_S001	75
		U007_S001_S002	75
		U007_S001_S003	75
		U007_S001_S004	75
D1363367	STUD:IDLER:TRANSPORT SCREW:NO.3:TONER SUPPLY	U007_S001_S001	76
		U007_S001_S002	76
		U007_S001_S003	76

## Exclusive Parts

Number	Part Name	Group	ID
		U007_S001_S004	76
D1363373	BRACKET:DRAWER:TONER SUPPLY:MAIN	U007	77
D1363395	DECAL:OPERATE:TONER CARTRIDGE	U001	71
D1363396	DECAL:OPERATE:TONER SUPPLY SUB-UNIT:BK	U007_S001	78
D1363397	DECAL:OPERATE:TONER SUPPLY SUB-UNIT:C	U007_S001	79
D1363398	DECAL:OPERATE:TONER SUPPLY SUB-UNIT:M	U007_S001	80
D1363399	DECAL:OPERATE:TONER SUPPLY SUB-UNIT:Y	U007_S001	81
D1363431	FILTER:DEVELOPMENT	U008_S001	69
		U008_S004	69
		U008_S007	69
		U008_S010	69
D1363438	DECAL:COLORED DISPLAY:DEVELOPMENT UNIT:BK	U008	70
D1363439	DECAL:COLORED DISPLAY:DEVELOPMENT UNIT:C	U008	71
D1363440	DECAL:COLORED DISPLAY:DEVELOPMENT UNIT:M	U008	72
D1363441	DECAL:COLORED DISPLAY:DEVELOPMENT UNIT:Y	U008	73
D1363442	DECAL:COLORED DISPLAY:MAIN: BK	U008	74
D1363443	DECAL:COLORED DISPLAY:MAIN: C	U008	75
D1363444	DECAL:COLORED DISPLAY:MAIN: M	U008	76
D1363445	DECAL:COLORED DISPLAY:MAIN: Y	U008	77
D1363446	DECAL:COLORED DISPLAY:DRUM STAY:BK	U008	78
D1363447	DECAL:COLORED DISPLAY:DRUM STAY:C	U008	79
D1363448	DECAL:COLORED DISPLAY:DRUM	U008	80

Number	Part Name	Group	ID
	STAY:M		
D1363449	DECAL:COLORED DISPLAY:DRUM STAY:Y	U008	81
D1363480	CAP:DEVELOPMENT	ACCESSORIES	12
D1363485	JIG:DEVELOPMENT UNIT	ACCESSORIES	13
D1363490	RECEPTACLE:DEVELOPMENT VIAS:ASS'Y	U008	82
D1363497	SEAL:SHUTTER:FUNNEL	ACCESSORIES	14
D1363498	SHUTTER:FUNNEL	ACCESSORIES	15
D1363499	FUNNEL:DEVELOPER	ACCESSORIES	16
D1363505	COLLECTION BOTTLE:ASS'Y	U012_S005	26
D1363550	PIPE:UPPER:ASS'Y	U012_S001	27
D1363564	SPACER:DIA9:0.13MM	U012	28
D1363566	BRACKET:GEAR:USED TONER:PC U:PEEN	U012	29
D1363569	GEAR:Z35:TRANSPORT SCREW:PCU:MAIN	U012	30
D1363571	BRACKET:SWIVEL	U012_S002	31
D1363575	PIPE:LENGTHWISE:ASS'Y	U012	32
D1363603	BRACKET:DRIVE:PIPE:MIDDLE:PEEN	U012	33
D1363608	BRACKET:DRIVE:TRANSPORT SCREW:MIDDLE	U012	34
D1363610	PIPE:MIDDLE:ASS'Y	U012_S003	35
D1363620	CASE:RELAY DUCT	U012	36
D1363621	VIBRATING PLATE:RELAY DUCT	U012	37
D1363622	SEAL:RELAY DUCT	U012	38
D1363623	SEAL:RELAY DUCT:SPONGE	U012	39
D1363641	GEAR:TRANSPORT SCREW:LOWER:Z41	U012	40
D1363642	HOLDER:RADIAL BALL BEARING:JOINT:PRESS FIT	U012_S004	41
D1363646	TORQUE LIMITER MECHANICAL CLUTCH:GEAR:Z65/Z35	U012	42
D1363647	GEAR:IDLER:Z49/Z27	U012	43
D1363652	PIPE:LOWER:ASS'Y	U012	44
D1363662	SEPARATION PLATE:COLLECTION BOTTLE	U012	45

## Exclusive Parts

Number	Part Name	Group	ID
D1363690	DECAL:COLLECTION BOTTLE:CAUTION	U012_S005	46
D1363691	DECAL:COLLECTION BOTTLE:GRIP:FRONT	U012_S005	47
D1363692	DECAL:COLLECTION BOTTLE:GRIP:UPPER	U012_S005	48
D1363851	TRANSPORT ROLLER:DRIVE	U013	17
D1363864	LEVER:ON-OFF:TRANSPORT BELT UNIT	U013	18
D1363865	CAM:ON-OFF:TRANSPORT BELT UNIT:REAR	U013	19
D1363866	CAM:ON-OFF:TRANSPORT BELT UNIT:FRONT	U013	20
D1363869	SHAFT:JOINT:VACUUM:ASS'Y	U013_S001	21
D1363870	SYNCHRONOUS BELT:DRIVE:TRANSPORT BELT UNIT	U013	22
D1363871	BRACKET:SHAFT:JOINT:VACUUM	U013	23
D1363872	PULLEY:SHAFT:DRIVE:VACUUM	U013	24
D1363877	SHAFT:ON-OFF:TRANSPORT BELT UNIT	U013	25
D1363879	BRACKET:VACUUM:PULL OUT:FRONT	U013	26
D1363882	TENSION SPRING:PRESSURE:TRANSPORT BELT UNIT	U013	27
D1363890	DECAL:VACUUM:GRIP:D1	U013	28
D1363891	DECAL:LED:GRIP:VACUUM	U001	72
D1364069	CAM:PRESSURE:A	U014_S004	136
D1364070	COLLAR:DIA10X:DIA14X:15.8	U014_S004	137
D1364071	COLLAR:DIA10XDIA14X13.4	U014_S004	138
D1364072	SHAFT:CAM:PRESSURE	U014_S004	139
D1364073	JOINT:CAM:PRESSURE:B	U014_S004	140
D1364075	FEELER:CAM:PRESSURE:REAR	U014_S004	141
D1364080	COVER:TEMPERATURE SENSOR:PRESSURE	U014_S004	142
D1364081	COVER:THERMOSTAT:PRESSURE	U014_S004	143
D1364082	CLAMP:HARNESS:PRESSURE	U014_S004	144
D1364087	FUSING ENTRANCE GUIDE PLATE:LOWER	U014_S004	145

Number	Part Name	Group	ID
D1364090	STRIPPER PLATE:UNIT:PRESSURE ROLLER:ASS'Y	U014_S004_S008	146
D1364109	FIX STAND:TERMINAL:HEATER:ASS'Y	U014_S004	147
D1364110	TERMINAL:CONNECTING	U014_S004	148
D1364111	COVER:HARNESS:FIRST:LOWER	U014_S004	149
D1364112	COVER:TERMINAL:CONNECTING	U014_S004	150
D1364113	JOINT UNIT:PAPER FEED SENSOR:PRESSURE:FRONT	U014_S004	151
D1364114	ELECTRODE PLATE:HEATER:PRESSURE:FRONT	U014_S004	152
D1364121	LEVER:PRESSURE:FRONT:INNER	U014_S004	153
D1364123	LEVER:PRESSURE:REAR:INNER	U014_S004	154
D1364125	LEVER:PRESSURE:FRONT:OUTER	U014_S004	155
D1364126	LEVER:PRESSURE:REAR:OUTER	U014_S004	156
D1364127	RECEIVE PLATE:PRESSURE	U014_S004	157
D1364129	HOLDER:HEATER:PRESSURE:FRONT	U014_S004	158
D1364130	HOLDER:HEATER:PRESSURE:REAR	U014_S004	159
D1364131	HOLDER:COIL SPRING:PRESSURE	U014_S004	160
D1364132	LEVER:CONTROL PLATE:PRESSURE	U014_S004	161
D1364135	SHAFT:RADIAL BALL BEARING:LEVER:PRESSURE	U014_S004	162
D1364136	STEPPED SCREW:M5	U014_S004	163
D1364143	HOOK:COIL SPRING:OPEN AND CLOSE:LEVER	U014_S004	164
D1364144	COVER:SEPARATION:OPEN AND CLOSE:FIBER	U014_S004	165
D1364146	LEVER:PAPER EXIT SUB-UNIT:OPEN AND CLOSE:REAR	U014_S004	166
D1364147	LEVER:PAPER EXIT SUB-UNIT:OPEN AND CLOSE:FRONT	U014_S004	167
D1364148	GRIP:SEPARATION:OPEN AND CLOSE	U014_S004	168
D1364170	BRACKET:STRIPPER PLATE:REAR	U014_S004	169

## Exclusive Parts

Number	Part Name	Group	ID
D1364173	BRACKET:STRIPPER PLATE:FRONT	U014_S004	170
D1364178	COVER:FUSING EXIT:UPPER	U014_S004	171
D1364184	HEAT ROLLER:ASS'Y	U014_S004_S005	172
D1364195	COVER:ENTRANCE SENSOR:FUSING	U014	173
D1364198	CLAMP:HARNESS	U014_S001	174
		U014_S004	174
D1364216	BUSHING:HEAT ROLLER:SHAFT	U014_S004	175
D1364217	LEVER:TENSION:HEAT ROLLER:REAR	U014_S004	176
D1364230	FEELER:HEAT ROLLER:TURN	U014_S004	177
D1364231	BRACKET:SHAFT:HEAT ROLLER:TURN:FEELER	U014_S004	178
D1364232	SHAFT:HEAT ROLLER:TURN:FEELER	U014_S004	179
D1364233	STEPPED SCREW:DIA5:M3X3.8	U014	180
D1364236	SPONGE:IH:DUCT:FRONT	U014_S004	181
D1364240	COVER:FUSING UNIT:REAR	U014_S004	182
D1364241	CLAMP:HARNESS:PRESSURE:HEATER:REAR	U014_S004	183
D1364247	SPONGE:IH:DUCT:REAR	U014_S004	184
D1364254	STAY:FUSING:ENTRANCE	U014_S004	185
D1364258	HOLDER:GUIDE:ENTRANCE:MIDDLE	U014_S004	186
D1364259	HOLDER:GUIDE:ENTRANCE	U014_S004	187
D1364263	BRACKET:PAPER EXIT SUB-UNIT	U014_S004	188
D1364265	FILM:BRACKET:EXIT SENSOR	U014_S004	189
D1364275	SHEET:PRESSURE:CAM:LOWER FRONT	U014_S004	190
D1364276	SHEET:PRESSURE:CAM:LOWER REAR	U014_S004	191
D1364280	STOPPER:STRIPPER PLATE:FRONT	U014_S004	192
D1364281	STOPPER:STRIPPER PLATE:REAR	U014_S004	193
D1364302	COIL:IH:200V:ASS'Y	U014_S003	194
D1364412	LEVER:WEB:ASS'Y	U014_S004	195
D1364428	GRIP:FUSING UNIT:REAR	U014_S004	196

Number	Part Name	Group	ID
D1364430	GRIP:GUIDE PIN:SEPARATION SUB-UNIT:OPEN AND CLOSE	U014_S004	197
D1364431	STOPPER:GUIDE PIN:SEPARATION SUB-UNIT:OPEN AND CLOSE	U014_S004	198
D1364435	COVER:GRIP:FUSING UNIT:REAR	U014_S004	199
D1364436	COVER:CAM:REAR	U014_S004	200
D1364441	COVER:HARNESS:LEFT INNER REAR	U014_S004	201
D1364516	LEVER:GUIDE PLATE:DUPLEX:ASS'Y	U016	52
D1364531	BRACKET:BELT TENSIONER:ASS'Y	U016	53
D1364543	GUIDE PLATE:DUPLEX:UPPER:ADHESION	U016_S007	54
D1364584	GATE PAWL:DUPLEX:ENTRANCE:NO.2:ASS'Y	U016	55
D1364601	GUIDE PLATE:DUPLEX:LOWER	U016	56
D1364602	ROLLER:DRIVEN:DUPLEX	U016_S002	57
		U016_S003	57
		U016_S004	57
		U016_S005	57
D1364606	HOLDER:PRESSURE:GUIDE PLATE	U016	60
D1364607	COMPRESSION SPRING:HOLDER:GUIDE PLATE	U016	61
D1364608	GUIDE PLATE:POSITIONING SENSOR:LOWER	U016	62
D1364609	TENSION SPRING:GUIDE PLATE:MOVABLE	U016	63
D1364611	TRANSPORT ROLLER:DUPLEX:DRIVEN:1	U016_S006	64
D1364614	PLAIN SHAFT BEARING:TRANSPORT ROLLER:DUPLEX:DRIVEN:INNER	U016	65
D1364615	TENSION SPRING:TRANSPORT ROLLER:DUPLEX:1	U016	66
D1364617	LINK:ROLLER:SHIFT	U016	67
D1364619	BUSHING:FLANGE TYPE:DIA6	U016	68

## Exclusive Parts

Number	Part Name	Group	ID
D1364620	BUSHING:DIA6:DIA10:6	U016	69
D1364621	SHAFT:LINK:SHIFT	U016	70
D1364622	LINK:SHIFT:DUPLEX	U016	71
D1364638	GEAR:PULLEY:ROLLER:SHIFT	U016	72
D1364642	SHAFT:SLIDE:POSITIONING SENSOR	U016	73
D1364644	GUIDE PLATE:POSITIONING SENSOR:DUPLEX	U016	74
D1364645	GUIDE:PLATE:POSITIONING SENSOR	U016	75
D1364646	BRACKET:DC STEPPER MOTOR:DUPLEX	U016	76
D1364647	TENSION SPRING:BELT TENSIONER	U016	77
D1364650	TIMING PULLEY:T18:S2M	U016	78
D1364651	STOPPER:PULLEY:RIGHT	U016	79
D1364652	STOPPER:PULLEY:MIDDLE	U016	80
D1364653	STOPPER:PULLEY:LEFT	U016	81
D1364665	TENSION SPRING:DRIVEN ROLLER:EXIT	U016	82
D1364666	TENSION SPRING:DRIVEN ROLLER:DUPLEX	U016	83
D1364667	SHEET:DUPLEX:ENTRANCE	U016_S007	84
D1364749	GUIDE PLATE:DUPLEX:ENTRANCE:LEFT LOWER:SUB-ASS'Y	U016	85
D1364750	GUIDE PLATE:DUPLEX:ENTRANCE:RIGHT	U016	86
D1364751	BRACKET:DUPLEX:ENTRANCE:FRONT	U016	87
D1364752	GATE PAWL:DUPLEX:ENTRANCE:NO.1	U016	88
D1364761	GUIDE PLATE:DUPLEX:ENTRANCE:MIDDLE	U016	89
D1364762	LEVER:GATE PAWL:REVERSE	U016	90
D1364763	GUIDE PLATE:DUPLEX:ENTRANCE:RIGHT UPPER	U016	91
D1364768	COIL SPRING:GATE PAWL:DUPLEX:ENTRANCE:NO.2	U016	92

Number	Part Name	Group	ID
D1364770	TENSION SPRING:GATE PAWL:DUPLEX	U016	93
D1364771	TENSION SPRING:DC SOLENOID:RELEASE	U016	94
D1364780	DC SOLENOID:DUPLEX:ENTRANCE	U016	95
D1364802	GUIDE PLATE:MIDDLE:REVERSE:DUPLEX:ASS'Y	U016	96
D1364823	ROLLER:DRIVEN:REVERSE:106MM	U016_S009	97
D1364825	TENSION SPRING:DRIVEN:REVERSE:DUPLEX	U016	98
D1364826	HOLDER:PRESSURE:RADIAL BALL BEARING:REVERSE	U016	99
D1364828	BRACKET:DC MOTOR:REVERSE	U016	100
D1364829	TIMING PULLEY:DUPLEX:REVERSE:S2M54T	U016	101
D1364830	GUIDE PLATE:LEFT:REVERSE:DUPLEX	U016	102
D1364834	GUIDE PLATE:REVERSE ROLLER:DRIVE:LEFT	U016	103
D1364837	TENSION SPRING:DRIVEN:REVERSE:DUPLEX:MIDDLE	U016	104
D1364912	GUIDE PLATE:SWIVEL:RECEIVING SUB-UNIT:LOWER:SUB-ASS'Y	U016	105
D1364914	GUIDE PLATE:SWIVEL:RECEIVING SUB-UNIT:UPPER:SUB-ASS'Y	U016	106
D1364919	INNER COVER:RECEIVING SUB-UNIT:LEFT LOWER:ASS'Y	U016	107
D1364921	GRIP:VIBRATING PLATE:RECEIVING SUB-UNIT:LOWER:ASS'Y	U016_S012	108
D1364922	GRIP:VIBRATING PLATE:RECEIVING SUB-UNIT:UPPER:ASS'Y	U016_S013	109
D1364928	GUIDE PLATE:RECEIVING SUB-UNIT:LEFT LOWER	U016	110
D1364936	GUIDE PLATE:RECEIVING SUB-UNIT:LOWER	U016	111
D1364942	BRACKET:PUSH SWITCH:LED	U020	67

## Exclusive Parts

Number	Part Name	Group	ID
D1364948	GUIDE PLATE:RECEIVING SUB-UNIT:UPPER:SUB-ASS'Y	U016	112
D1364949	COVER:RECEIVING SUB-UNIT:RIGHT LOWER	U016	113
D1364952	BRACKET:LED:RECEIVING SUB-UNIT:LEFT LOWER	U020	68
D1364961	LED:SWITCH:REVERSE EXIT:ASS'Y	U020	69
D1364971	LED:SWITCH:DUPLEX:ASS'Y	U020	70
D1364974	DECAL:GRIP:RECEIVING SUB-UNIT:UPPER	U016_S013	114
D1364975	DECAL:GRIP:RECEIVING SUB-UNIT:LOWER	U016_S012	115
D1364976	DECAL:INNER COVER:RECEIVING SUB-UNIT:UPPER	U001	73
D1364978	DECAL:ARROW LABEL:LEFT	U001	74
D1364979	DECAL:ARROW LABEL:RIGHT	U001	75
D1365101	PCB:BCU:SUB-ASS'Y	U018	41
D1365121	PCB:DUB:ASS'Y	U018	42
D1365135	PCB:TSB:ASS'Y	U007_S001	82
D1365410	PCB:TDRB	U009	47
D1365428	PCB:TCB	U007_S001	83
D1365430	PCB:PFB	U018	43
D1365440	PCB:OKB	U018	44
D1365455	INVERTOR:IH:200V	U018	45
D1365465	AC CONTROL BOARD:200V	U018	46
D1365467	PCB:LSB	U020	71
D1365492	PCB:IDB	U004	52
D1365510	LED:CONNECTOR:RED	U006	227
		U020	72
D1365511	LED:CONNECTOR:BLUE	U006	228
D1365696	PCB:SIO	U004	53
D1365709	PCB:EX3_DDR3-DIMM:RC-A:2GB:ASS'Y	U018	47
D1365716	PCB:DDR3-DIMM:RC-C:512MB:ASS'Y	U018	48
D1365724	PCB:IMAGE PROCESSING UNIT:TYPE-S15MDA	U018	49

Number	Part Name	Group	ID
D1365725	PCB:IMAGE PROCESSING UNIT:TYPE-S15MDA-SUB	U018	50
D1365797	PCB:CTL:D135/D137:ASS'Y:(for D137)	U018	51
D1365798	PCB:CTL:D136/D138:ASS'Y:(for D138)	U018	52
D1365832	INTERFACE CABLE:SBU:IMAGE PROCESSING UNIT:ASS'Y	U004	54
D1365903	DUCT:POWER SUPPLY UNIT	U018	53
D1365904	BRACKET:DC FAN MOTOR:INDUCTION HEATING UNIT	U018	54
D1365905	BRACKET:INDUCTION HEATING UNIT:AC CONTROL BOARD	U018	55
D1365912	LEVER:SAFETY SWITCH:VERTICAL TRANSPORT	U018	56
D1365913	COVER:SAFETY SWITCH:VERTICAL TRANSPORT	U018	57
D1365914	BRACKET:SAFETY SWITCH:VERTICAL TRANSPORT	U018	58
D1365918	TORSION SPRING:SAFETY SWITCH:VERTICAL TRANSPORT	U007_S001	84
		U018	59
D1365920	LEVER:SAFETY SWITCH:4	U018	60
D1365922	COVER:SAFETY SWITCH:PULL OUT:MANUAL FEED	U018	61
D1365923	LEVER:SAFETY SWITCH:3	U018	62
D1365924	BRACKET:SAFETY SWITCH:SWIVEL	U018	63
D1365927	BRACKET:SAFETY SWITCH	U018	64
D1365931	TORSION SPRING:SAFETY SWITCH	U018	65
D1365932	SHAFT:SAFETY SWITCH:LEVER:1	U018	66
D1365933	LEVER:SAFETY SWITCH:1	U018	67
D1365934	LEVER:SAFETY SWITCH:2	U018	68
D1365938	GUIDE:HARNES:HPV	U018	69
D1365949	COVER:ELECTRIC POTENTIAL SENSOR	U018	70
D1365969	PANEL:CONTROL BOARD	U018	71
D1365977	HDD:ASS'Y	U018	72

## Exclusive Parts

Number	Part Name	Group	ID
D1365990	TENSION SPRING:SAFETY SWITC H:PULL OUT	U018	73
D1365992	BRACKET:INLET:1POINT	U018	74
D1365994	LEVER:SAFETY SWITCH:TONER S UPPLY:DOOR	U007_S001	85
D1366034	ROLLER:OPPOSED:CLEANING BL ADE:ASS'Y	U009_S001	48
D1366041	SEAL:FIX:HARNESS:DENSITY SEN SOR	U009_S008	120
D1366042	BRACKET:HEATER:INTERMEDIAT E TRANSFER	U009	49
D1366044	COVER:INTERMEDIATE TRANSFE R	U009	50
D1366052	SUPPORTER:INTERMEDIATE TRA NSFER:LEFT	U019	39
D1366056	STOPPER:BRACKET:ENCODER	U009	51
D1366058	STOPPER:BRACKET:ENCODER:R EAR	U009	52
D1366070	DRIVE ROLLER:INTERMEDIATE T RANSFER:ASS'Y	U009_S002	53
D1366072	COVER:PCB:INTERMEDIATE TRA NSFER	U009	54
D1366073	DUCT:CONNECTING:INTERMEDIA TE TRANSFER	U009	55
D1366075	BRACKET:DRAWER:INTERMEDIAT E TRANSFER:ASS'Y	U009	56
D1366086	COVER:ENCODER	U009	57
D1366087	COIL SPRING:PRESSURE:BRACK ET:ENCODER	U009	58
D1366089	PLAIN SHAFT BEARING:CONTACT POINT:BRACKET:ENCODER	U009 U012	59 49
D1366090	FLAT BELT-TRANSFER:ASS'Y	U009	60
D1366099	TENSION SPRING:BRACKET:DC S TEPPER MOTOR	U009	61
D1366100	DENSITY SENSOR:P/TM	U009_S008	62
D1366102	SPRING PLATE:EARTH:DC STEPP ER MOTOR	U009	63
D1366104	GUIDE:INTERMEDIATE TRANSFER	U009	64

Number	Part Name	Group	ID
	:LEFT		
D1366111	BRACKET:INTERMEDIATE TRANS FER:FRONT	U009	65
D1366112	BRACKET:INTERMEDIATE TRANS FER:REAR	U009	66
D1366113	SHAFT:CAM:INTERMEDIATE TRAN SFER:BLACK	U009	67
D1366114	CAM:INTERMEDIATE TRANSFER:B LACK	U009	68
D1366115	TENSION SPRING:PRESSURE:INT ERMEDIATE TRANSFER	U009	69
D1366118	SEPARATION PLATE:INTERMEDIA TE TRANSFER:MAIN:240V	U009	70
D1366119	TERMINAL:CONNECTING:INTERM EDIATE TRANSFER	U009	71
D1366121	COVER:ON-OFF:SLIDE RAIL	U009	72
D1366123	PLAIN SHAFT BEARING:INTERME DIATE TRANSFER	U009	73
D1366124	BRACKET:BIAS:INTERMEDIATE T RANSFER	U009	74
D1366125	TERMINAL:INTERMEDIATE TRANS FER	U009	75
D1366126	COMPRESSION SPRING:BIAS:INT ERMEDIATE TRANSFER	U009	76
D1366127	TENSION SPRING:PRESSURE:INT ERMEDIATE TRANSFER:BLACK	U009	77
D1366128	CASE:OPPOSED:TRANSFER ROLL ER:FRONT	U009	78
D1366129	GUIDE:TRANSFER:PAPER:REAR	U009	79
D1366130	ROLLER:OPPOSED:BELT CLEANI NG:ASS'Y	U009_S006	80
D1366132	ROLLER:TRANSFER:FRONT:ASS'Y	U009	81
D1366134	ROLLER:ENCODER:ASS'Y	U009_S003	82
D1366138	SPRING PLATE:TRANSFER:OPPO SED:PAPER	U009	83
D1366139	TENSION SPRING:ON-OFF:SLIDE RAIL	U009	84
D1366143	SLIDE RAIL:ON-OFF:INTERMEDIAT	U009_S005	85



## Exclusive Parts

Number	Part Name	Group	ID
	E TRANSFER:REAR:ASS'Y		
D1366145	ROLLER:ON-OFF:INTERMEDIATE TRANSFER	U009	86
D1366146	SHAFT:CAM:INTERMEDIATE TRANSFER:COLOR	U009	87
D1366147	CAM:INTERMEDIATE TRANSFER:COLOR	U009	88
D1366149	BUSHING:SLIDE RAIL:ON-OFF	U009	89
D1366152	SEPARATION PLATE:INTERMEDIATE TRANSFER:240V	U009	90
D1366154	FEELER:INTERMEDIATE TRANSFER	U009	91
D1366162	BRACKET:ON-OFF:TRANSFER ROLLER	U009	92
D1366164	BRACKET:SENSOR:ON-OFF:TRANSFER:PAPER	U009	93
D1366165	FEELER:ON-OFF:TRANSFER:PAPER	U009	94
D1366171	ROLLER:TENSION:ASS'Y	U009_S007	95
D1366174	BRACKET:TENSION:ROLLER	U009	96
D1366175	SLIDE RAIL:CASE:TENSION:ROLLER	U009	97
D1366176	GUIDE:TENSION:INTERMEDIATE TRANSFER	U009	98
D1366177	PLAIN SHAFT BEARING:TENSION:INTERMEDIATE TRANSFER	U009	99
D1366179	COIL SPRING:PRESSURE:TENSION:INTERMEDIATE TRANSFER	U009	100
D1366180	DENSITY SENSOR:ASS'Y	U009_S008	121
D1366181	BRACKET:DENSITY SENSOR	U009_S008	101
D1366182	DUCT:TM SENSOR	U009_S008	102
D1366183	GRIP:ON-OFF:INTERMEDIATE TRANSFER:TCRU	U009	103
D1366186	ROLLER:OPPOSED:PAPER:ASS'Y	U009	104
D1366187	CORE:OPPOSED:TRANSFER ROLLER	U009	105
D1366189	PLATE:ROLLER:OPPOSED:PAPER	U009	106
D1366190	CAM:ON-OFF:TRANSFER ROLLER:	U009	107

Number	Part Name	Group	ID
	FRONT		
D1366191	CAM:ON-OFF:TRANSFER ROLLER:REAR	U009	108
D1366195	SEAL:DUCT:TM SENSOR	U009	109
D1366196	HOME POSITION SENSOR:FLAT BELT-TRANSFER	U009_S008	110
D1366197	COVER:HARNESS:SECOND:INTERMEDIATE TRANSFER	U009	111
D1366199	PULLEY:ON-OFF:TRANSFER ROLLER	U009	112
D1366240	TRANSFER ROLLER:ASS'Y	U011_S001_S001	14
D1366245	COIL SPRING:PRESSURE:TRANSFER ROLLER	U011_S001	15
D1366277	LEVER:PRESSURE:FRONT	U011_S001	16
D1366278	LEVER:PRESSURE:REAR	U011_S001	17
D1366282	COIL SPRING:SEPARATION:TRANSFER ROLLER	U011_S001	18
D1366283	ELECTRODE PLATE:SEPARATION:TRANSFER ROLLER	U011_S001	19
D1366286	SHAFT:CONTACT POINT:TRANSFER/SEPARATION UNIT	U011_S001	20
D1366287	JOINT:DRIVE:TRANSFER ROLLER	U011_S001	21
D1366288	GEAR:IDLER:TRANSFER ROLLER	U011_S001	22
D1366290	HOOK:PRESSURE:TRANSFER ROLLER	U011_S001	23
D1366291	GROUND PLATE:TRANSFER ROLLER	U011_S001	24
D1366295	GUIDE PLATE:ENTRANCE:TRANSFER ROLLER:ASS'Y	U011_S001	27
D1366300	TRANSFER ROLLER:RELEASE	U011_S001_S002	28
D1366303	HOLDER:RELEASE:TRANSFER ROLLER	U011_S001	29
D1366306	GUIDE:TRANSPORT:INTERMEDIATE TRANSFER:R	U009	113
D1366350	LINK:RELEASE:RIGHT	U011	30
D1366352	LINK:RELEASE:LOWER	U011	31
D1366354	LINK:CONNECTING	U011	32
D1366381	INSULATING SHEET:PULL OUT	U020	73

## Exclusive Parts

Number	Part Name	Group	ID
D1366390	COVER:POWER PACK	U020	74
D1366404	COVER:CASE:DUCT:BELT CLEANING	U010_S001	25
D1366405	DUCT:BELT CLEANING:REAR UPPER	U010_S001	26
D1366409	GUIDE:BELT CLEANING	U019	40
D1366410	GROUND PLATE:BELT CLEANING	U010_S001	27
D1366411	PLAIN SHAFT BEARING:DIA6:DIA8:BRUSH	U010_S001	28
D1366414	SCRAPER:BRUSH:REMOVE PAPER DUST	U010_S001	29
D1366418	SEAL:SCRAPER:BRUSH	U010_S001	30
D1366427	SEAL:SCRAPER	U010_S001	31
D1366431	COIL SPRING:BLADE:CLEANING:BELT CLEANING	U010_S001	32
D1366434	TONER COLLECTION COIL:BELT CLEANING:ASS'Y	U010_S001	33
D1366439	PLAIN SHAFT BEARING:REMOVE PAPER DUST:TRANSPORT SCREW	U010_S001	34
D1366441	SHUTTER:TRANSPORT SCREW:BELT CLEANING	U010_S001	35
D1366442	COIL SPRING:DISCHARGE USED TONER	U010_S001	36
D1366443	CAP:TONER COLLECTION COIL:BELT CLEANING	U010_S001	37
D1366444	SYNCHRONOUS BELT:30S2M126	U010_S001	38
D1366461	HOLDER:APPLY:BELT CLEANING:ASS'Y	U010_S001	39
D1366469	SLIDE RAIL:UPPER:BELT CLEANING	U010_S001	40
D1366471	RELEASE PLATE:BLADE:APPLY	U010_S001	41
D1366475	SEAL:CASE:SLIDE RAIL	U010_S001	42
D1366476	SHEET:SLIDE RAIL:BELT CLEANING	U010_S001	43
D1366478	RELEASE PLATE:BLADE:CLEANING	U010_S001	44
D1366480	SEAL:HOLDER:CLEANING BLADE:	U010_S001	45

Number	Part Name	Group	ID
	FRONT UPPER		
D1366481	SEAL:HOLDER:CLEANING BLADE:REAR UPPER	U010_S001	46
D1366483	SEAL:HOLDER:CLEANING BLADE:FRONT LOWER	U010_S001	47
D1366484	SEAL:HOLDER:CLEANING BLADE:REAR LOWER	U010_S001	48
D1366485	SEAL:CASE:BRUSH:FRONT	U010_S001	49
D1366486	SEAL:CASE:BRUSH:REAR	U010_S001	50
D1366487	SEAL:CASE:BRUSH:FRONT LOWER	U010_S001	51
D1366488	SEAL:HOLDER:BEHIND:BELT CLEANING	U010_S001	52
D1366489	VIBRATING PLATE:TRANSPORT SCREW:BELT CLEANING	U010_S001	53
D1366490	SEAL:BASE:CASE:BELT CLEANING	U010_S001	54
D1366491	SHEET:OPPOSED:OPTICS SENSOR:BASE:BELT CLEANING	U010_S001	55
D1366492	SEAL:CASE:CLEANING BLADE:FRONT LOWER	U010_S001	56
D1366493	SEAL:CASE:CLEANING BLADE:REAR LOWER	U010_S001	57
D1366494	SEAL:CASE:SCRAPER	U010_S001	58
D1366495	LEVER:RELEASE:BLADE	U010_S001	59
D1366496	SEAL:CASE:DUCT:BELT CLEANING	U010_S001	60
D1366497	SEAL:CASE:DUCT:BOTH ENDS	U010_S001	61
D1366498	SEAL:APPLY:HOLDER:BEHIND	U010_S001	62
D1366665	BRACKET:LED:VERTICAL TRANSPORT	U006	229
D1366666	INNER COVER:LED:VERTICAL TRANSPORT	U006	230
D1366672	SUPPORTER:RIGHT:ASS'Y	U006	231
D1366675	HOLDER:POSITIONING	U006	232
D1366676	CUSHION:SEPARATE	U006	233
D1366678	SUPPORTER:LEFT:ASS'Y	U006	234
D1366696	BRACKET:TANDEM TRAY:LIFT MO	U006	235

## Exclusive Parts

Number	Part Name	Group	ID
	TOR		
D1366698	DC SOLENOID:TANDEM TRAY:LO CK:ASS'Y	U006_S009	236
D1366703	COVER:PAPER TRAY:REAR LEFT	U006	237
D1366707	BRACKET:DC MOTOR:LEFT	U006	238
D1366708	SHAFT:JOINT	U006	239
D1366710	BRACKET:CONNECTOR:LEFT	U006	240
D1366714	BRACKET:DC SOLENOID:REAR:AS S'Y	U006	241
D1366717	LEVER:RELEASE:REAR	U006	242
D1366718	COVER:DC SOLENOID:REAR	U006	243
D1366719	DC SOLENOID:END FENCE:REAR: ASS'Y	U006	244
D1366725	BRACKET:DOOR:VERTICAL TRAN SPORT:ASS'Y	U006	245
D1366729	BRACKET:STOPPER:VERTICAL TR ANSPORT:RIGHT LOWER:ASS'Y	U006	246
D1366741	COVER:CONNECTOR:HEATER:UP PER	U006	247
D1366743	PLATE:CONNECTOR:HEATER:LO WER	U006	248
D1366744	TENSION SPRING:END FENCE:SO LENOID	U006	249
D1366746	JOINT:TANDEM LCT	U006	250
D1366748	DECAL:SIZE INDICATION:END FEN CE:FRONT	U006_S015	146
D1366749	DECAL:SIZE INDICATION:END FEN CE:REAR	U006_S015	386
D1366751	LEVER:STRETCH:PAPER TRAY:AS S'Y	U006_S010 U006_S011	251 251
D1366760	GEAR:LEVER:STRETCH:Z19	U006_S010 U006_S011	252 252
D1366765	GEAR:IDLER:Z14/Z36	U006_S010 U006_S011	253 253
D1366766	GEAR:IDLER:Z30	U006_S010 U006_S011	254 254
D1366768	GUIDE:STRETCH	U006_S010 U006_S011	255 255

Number	Part Name	Group	ID
D1366770	HOLDER:OIL DAMPER	U006_S010 U006_S011	256 256
D1366772	GEAR:PAWL:Z18	U006_S010 U006_S011	257 257
D1366773	COLLAR:GEAR	U006_S010 U006_S011	258 258
D1366774	GEAR:PAWL:Z39	U006_S010 U006_S011	259 259
D1366775	COVER:GEAR	U006_S010 U006_S011	260 260
D1366777	COVER:TRAY	U006_S010 U006_S011	261 261
D1366778	OIL DAMPER:23MN/M	U006_S010 U006_S011	262 262
D1366788	DECAL:H-TEMP WARNING:HEATE R	U006_S014	263
D1366792	BRACKET:LED:TANDEM TRAY	U006	264
D1366793	INNER COVER:LED:LENGTHWISE: RIGHT FRONT	U006	265
D1366796	SHUTTER:LED	U006	266
D1366797	COIL SPRING:SHUTTER:LED	U006	267
D1366851	DUCT:VACUUM	U019	41
D1366854	DUCT:DEVELOPMENT:VACUUM:RI GHT	U007_S001	86
D1366855	DUCT:DEVELOPMENT:VACUUM:L EFT	U007_S001	87
D1366857	DUCT:DEVELOPMENT:Y:VACUUM: UPPER	U007_S001	88
D1366858	DUCT:DEVELOPMENT:Y:VACUUM: LOWER	U007_S001	89
D1366860	DUCT:INDUCTION HEATING UNIT: VACUUM	U019	42
D1366861	DUCT:HEAT PIPE:ROLLER	U019	43
D1366865	DUCT:HEAT PIPE:ROLLER:EXIT	U019	44
D1366868	DUCT:BELT CLEANING:VACUUM:F RONT	U019	45
D1366869	DUCT:BELT CLEANING:VACUUM:R EAR	U019	46

## Exclusive Parts

Number	Part Name	Group	ID
D1366871	HEAT PIPE:ASS'Y	U019_S001	47
D1366878	DUCT:FUSING:EXIT:RIGHT	U019	48
D1366879	DUCT:FUSING:EXIT:LEFT	U019	49
D1366882	DUCT:HEAT SINKER:MIDDLE	U019	50
D1366885	DUCT:HEAT SINKER:EXHAUST:RIGHT	U019	51
D1366886	DUCT:HEAT SINKER:EXHAUST:LEFT	U019	52
D1366887	DUCT:HEAT SINKER:UPPER	U019	53
D1366890	DUCT:DEVELOPMENT:EXHAUST:RIGHT:FRONT	U019	54
D1366891	DUCT:DEVELOPMENT:EXHAUST:RIGHT:REAR	U019	55
D1366893	DUCT:AROUND THE PHOTOCONDUCTOR:EXHAUST:UPPER	U019	56
D1366894	DUCT:DEVELOPMENT:EXHAUST:LEFT:FRONT	U019	57
D1366895	DUCT:DEVELOPMENT:EXHAUST:LEFT:REAR	U019	58
D1366896	SEAL:AROUND THE PHOTOCONDUCTOR:EXHAUST	U019	59
D1366897	DUCT:DRUM STAY:SMALL	U020_S001	75
D1366899	DUCT:AROUND THE PHOTOCONDUCTOR:ENTRANCE	U019	60
D1366900	RELAY DUCT:AROUND THE PHOTOCONDUCTOR:ASS'Y	U019	61
D1366904	RELAY DUCT:AROUND THE PHOTOCONDUCTOR:Y:ASS'Y	U019	62
D1366907	DUCT:AROUND THE PHOTOCONDUCTOR:EXHAUST:LOWER	U019	63
D1366909	SPONGE:HEAT PIPE:LOWER	U019	64
D1366910	SPONGE:HEAT PIPE:LEFT	U019	65
D1366913	DUCT:TRANSFER:EXHAUST:ASS'Y	U019	66
D1366917	FILTER:DEVELOPMENT:EXHAUST:SMALL:ASS'Y	U019	67
D1366918	DUCT:TRANSFER:FUSING:EXHAUST:FRONT	U019	68
D1366919	DUCT:TRANSFER:FUSING:EXHAUST:REAR	U019	69

Number	Part Name	Group	ID
	ST:REAR		
D1366920	DUCT:DEVELOPMENT:EXHAUST:EXIT:LEFT	U019	70
D1366921	DUCT:DEVELOPMENT:EXHAUST:EXIT:RIGHT	U019	71
D1366922	BRACKET:DUCT:EXHAUST	U019	72
D1366923	SEAL:DEVELOPMENT:EXHAUST:LEFT	U019	73
D1366924	SEAL:DEVELOPMENT:EXHAUST:RIGHT	U019	74
D1366927	SEAL:DUCT:AROUND THE PHOTOCONDUCTOR:ENTRANCE	U019	75
D1366928	DUCT:DC FAN MOTOR:OPTICAL WRITING UNIT	U019	76
D1366931	SEAL:DUCT:DEVELOPMENT	U007_S001	90
D1366932	FILTER:PRESSURE ROLLER:VACUUM	U019	77
D1366935	FILTER:DEVELOPMENT:EXHAUST:LARGE	U019	78
D1366938	OZONE FILTER:SMALL	U019	79
D1366939	FILTER:DEVELOPMENT:VACUUM	U007_S001	91
D1366940	HEAT INSULATING PLATE:HEAT PIPE:UPPER	U019	80
D1366941	HEAT INSULATING PLATE:HEAT PIPE:RIGHT	U019	81
D1366943	SEAL:DUCT:EXHAUST:INDUCTION HEATING UNIT	U019	82
D1366944	SUPPORTER:PCU:LEFT	U019	83
D1366945	BRACKET:DC FAN MOTOR:DUPLEX:EXIT	U019	84
D1366946	BRACKET:SETTING LEVER JUMPPER:DC FAN MOTOR:DUPLEX:EXIT	U019	85
D1366947	OZONE FILTER:EXIT	U019	86
D1366948	BRACKET:THERMISTOR	U019	87
D1366953	DEODORIZE FILTER:LARGE	U019	88
D1366955	OZONE FILTER:LARGE	U019	89
D1366956	DEODORIZE FILTER:SMALL	U019	90

## Exclusive Parts

Number	Part Name	Group	ID
D1366957	DC FAN MOTOR:INTERMEDIATE TRANSFER:ASS'Y	U019_S003	91
D1366958	BRACKET:DC FAN MOTOR:INTERMEDIATE TRANSFER	U019_S003	92
D1366959	SEAL:DEVELOPMENT:VACUUM:Y:UPPER	U019	93
D1366960	SEAL:DEVELOPMENT:VACUUM:Y:LOWER	U019	94
D1366961	SEAL:DEVELOPMENT:VACUUM:Y:FRONT	U019	95
D1366966	DUCT:HEAT SINKER:REAR:ASS'Y	U019_S002	96
D1366971	BRACKET:HINGE:DUCT:HEAT PIPE:ROLLER	U019	97
D1366972	DUCT:DENSITY SENSOR:RIGHT	U019	98
D1366974	DUCT:DENSITY SENSOR:LEFT	U019	99
D1366976	SEAL:DRUM STAY:FRONT	U020_S001	76
D1366977	SEAL:DRUM STAY:REAR	U020_S001	77
D1366978	SEAL:DUCT:DRUM STAY:DEVELOPMENT	U020_S001	78
D1366979	SEAL:HEAT SINKER:EXIT	U019_S002	100
D1366980	SEAL:INDUCTION HEATING UNIT:VACUUM	U019	101
D1366982	SEAL:HEAT SINKER:LEFT AND RIGHT	U019	102
D1366983	SEAL:HEAT SINKER:FRONT	U019	103
D1366984	SEAL:HEAT SINKER:REAR	U019_S002	104
D1366985	SEAL:DRUM STAY:FRONT:RIGHT	U020_S001	79
D1366986	BRACKET:DC FAN MOTOR:HEAT SINKER:VACUUM	U019	105
D1366990	DUCT:MECHANICAL DRIVE SECTION:LEFT UPPER	U019	106
D1366995	BRACKET:DEVELOPMENT:EXHAUST	U019	107
D1366998	SEAL:DUCT:BELT CLEANING:VACUUM	U019	108
D1367002	PAPER EXIT UNIT:ASS'Y	U015_S001	97
D1367034	HOLDER:DRIVEN ROLLER:EXIT:CONNECTING:ASS'Y	U015_S001_S008	98

Number	Part Name	Group	ID
D1367081	LINK:GATE PAWL:RETURN	U015_S001	99
D1367084	GUIDE PLATE:EXIT:RIGHT LOWER	U015_S001	100
D1367086	GUIDE PLATE:EXIT:MIDDLE:ASS'Y	U015_S001_S006	101
D1367088	GUIDE PLATE:MIDDLE:LEFT	U015_S001	102
D1367090	GUIDE PLATE:DRIVEN:MIDDLE:LONG	U015_S001	103
D1367093	GUIDE PLATE:DRIVEN:MIDDLE:SHORT	U015_S001	104
D1367096	SHAFT:GATE:REVERSE EXIT	U015_S001	105
D1367097	GATE:REVERSE EXIT:FRONT	U015_S001	106
D1367098	GATE:REVERSE EXIT:REAR	U015_S001	107
D1367100	GUIDE PLATE:EXIT:LEFT UPPER:ASS'Y	U015_S001_S007	148
D1367101	GUIDE PLATE:EXIT:LEFT UPPER:ASS'Y	U015_S001_S007_S001	108
D1367104	SHEET:TRANSPORT:REVERSE:EXIT	U015_S001_S007_S001	109
D1367105	SHEET:TRANSPORT:REVERSE:EXIT:FRONT	U015_S001_S007_S001	110
D1367106	SHEET:TRANSPORT:REVERSE:EXIT:REAR	U015_S001_S007_S001	111
D1367110	GUIDE PLATE:EXIT:LEFT LOWER:ASS'Y	U015_S001_S009	149
D1367111	GUIDE PLATE:EXIT:LEFT LOWER:SUB-ASS'Y	U015_S001_S009_S006	112
D1367113	HOLDER:DRIVEN ROLLER:REVERSE:EXIT:FRONT	U015_S001_S009	113
D1367114	HOLDER:DRIVEN ROLLER:REVERSE:EXIT:REAR	U015_S001_S009	114
D1367115	LINK:ON-OFF:REVERSE EXIT	U015_S001_S009	115
D1367117	LEVER:LINK:ON-OFF:REVERSE EXIT	U015_S001_S009	116
D1367118	LEVER:FIX:GUIDE PLATE:LEFT LOWER	U015_S001_S009	117
D1367119	SHAFT:LEVER:GUIDE PLATE:LEFT LOWER	U015_S001_S009	118
D1367120	BRACKET:LEVER:FIX:GUIDE PLATE:LEFT LOWER	U015_S001_S009	119

## Exclusive Parts

Number	Part Name	Group	ID
D1367121	LEVER:RELEASE:GUIDE PLATE:LEFT LOWER:ASS'Y	U015_S001_S009_S005	120
D1367123	HOLDER:PRESSURE:GUIDE PLATE:EXIT	U015_S001_S009	121
D1367124	HOLDER:DRIVEN ROLLER:REVERSE EXIT	U015_S001_S009	122
D1367125	COMPRESSION SPRING:PLATE:ON OFF DETECTOR:LEFT LOWER	U015_S001_S009	123
D1367126	BRACKET:PLATE:ON OFF DETECTOR:LEFT LOWER:ASS'Y	U015_S001_S009	124
D1367131	GUIDE PLATE:EXIT:UPPER:ASS'Y	U015_S001	125
D1367133	SHAFT:RELEASE:GUIDE PLATE:UPPER	U015_S001	126
D1367134	LEVER:FIX:GUIDE PLATE:UPPER	U015_S001	127
D1367135	LINK:GRIP:GUIDE PLATE:UPPER	U015_S001	128
D1367136	GRIP:GUIDE PLATE:EXIT:UPPER:ASS'Y	U015_S001	129
D1367139	HOLDER:DRIVEN ROLLER:EXIT:EXIT	U015_S001	130
D1367140	GROUND PLATE:EXIT:GUIDE PLATE:UPPER	U015_S001	131
D1367145	DISCHARGE BRUSH:EXIT:SUS	U015_S001	132
D1367151	DC SOLENOID:REVERSE EXIT:ASS'Y	U015_S001	133
D1367153	BRACKET:DC SOLENOID:REVERSE EXIT:ASS'Y	U015_S001	134
D1367158	STOPPER:GUIDE PLATE:EXIT:UPPER	U015_S001	135
D1367159	CUSHION:STOPPER:GUIDE PLATE:EXIT:UPPER	U015_S001	136
D1367160	BRACKET:CONTACT POINT:STOPPER:ASS'Y	U015_S001	137
D1367167	ROLLER:DRIVEN:NO.2:SHORT:ASS'Y	U016_S010 U016_S011	116 116
D1367181	ROLLER:EXIT:MIDDLE:ASS'Y	U015_S001_S011	138
D1367183	ROLLER:REVERSE:EXIT:ASS'Y	U015_S001_S012 U015_S001_S014	139 139
D1367185	ROLLER:REVERSE:ENTRANCE:ASS'Y	U015_S001_S013	140

Number	Part Name	Group	ID
	S'Y		
D1367188	ROLLER:EXIT:EXIT:DUMMY	U015_S001	141
D1367190	SHAFT:EXIT:EXIT:ASS'Y	U015_S001_S010	142
D1367193	HOLDER:PRESSURE:RADIAL BALL BEARING:EXIT	U015_S001 U015_S001_S009	143 143
D1367194	PLAIN SHAFT BEARING:DIA4:EXIT	U015_S001 U015_S001_S009	144 144
D1367199	SHEET:OPPOSED:REFLECTION PHOTO SENSOR	U015_S001 U015_S001_S006	145 145
D1367397	PCB:LCDC:AR2FT:OFF:ASS'Y	U002_S002	13
D1367532	GROUND PLATE:REAR:SIDE PLATE	U006	268
D1367538	OIL DAMPER:FALL	U006	269
D1367541	DECAL:CAUTION CHART:PAPER SHEET DIRECTION	ACCESSORIES	17
D1367546	DECAL:PAPER VOLUME:SIDE FENCE:LEFT REAR:1	U006_S017_S001	270
D1367547	DECAL:PAPER VOLUME:SIDE FENCE:LEFT REAR:2	U006_S017_S001	271
D1367549	BRACKET:COUPLING:RIGHT:ASS'Y	U006	272
D1367560	GROUND PLATE:COVER:SYNCHRONOUS BELT	U006_S017	273
D1367565	SHAFT:GRIP:TANDEM TRAY	U006	274
D1367566	STOPPER:TANDEM TRAY	U006	275
D1367567	BRACKET:STOPPER:TANDEM TRAY:RIGHT:ASS'Y	U006	276
D1367570	GRIP:TANDEM TRAY:REAR	U006	277
D1367571	GRIP:PAPER TRAY:TANDEM TRAY	U006	278
D1367572	BRACKET:STOPPER:TANDEM TRAY:LEFT	U006	279
D1367575	CAP:LEVER	U006_S017	280
D1367577	FEELER:PAPER:SET SENSOR:TANDEM TRAY	U006_S017	281
D1367578	COVER:PAPER:SET SENSOR:TANDEM TRAY	U006_S017	282
D1367579	SLIDER:BACK FENCE	U006_S017	283
D1367584	SHAFT:RISING TRAY:ASS'Y	U006	284

## Exclusive Parts

Number	Part Name	Group	ID
D1367588	STOPPER:END FENCE	U006	285
D1367593	TRAY BOTTOM PLATE:ASS'Y	U006_S021	286
D1367599	TIMING PULLEY:TRAY BOTTOM PLATE:TANDEM TRAY:DRIVEN	U006	287
D1367600	DECAL:CAUTION:PULL OUT:PAPE R FEED	ACCESSORIES	18
D1367601	DECAL:CAUTION:PULL OUT:EXIT	ACCESSORIES	19
D1367607	DECAL:POWER SUPPLY CORD:20 0V:MAIN	ACCESSORIES	20
D1367608	DECAL:POWER SUPPLY CORD:20 0V	ACCESSORIES	21
D1367617	DECAL:CAUTION:PULL OUT	U001_S003	76
D1367985	DEVELOPER:EXCHANGEABLE:AS S'Y	ACCESSORIES	22
D1369640	DEVELOPER BLACK	U008	83
D1369660	DEVELOPER CYAN	U008	84
D1369670	DEVELOPER MAGENTA	U008	85
D1369680	DEVELOPER YELLOW	U008	86
D1371492	INNER COVER:FRONT MIDDLE:UP PER:PRO:ASS'Y	U001_S003	77
D1377603	(D137):DECAL:MODEL NAME PLAT E:RIC	ACCESSORIES	23
D1381014	DRIVE UNIT:PHOTOCONDUCTOR: PRO:ASS'Y	U017_S010	135
		U017_S011	135
		U017_S012	135
		U017_S013	135
D1381028	FUSING DRIVE UNIT:GEAR:SLOW DOWN:PRO:ASS'Y	U017_S014	136
D1381128	COVER:ENCODER:PRO	U017_S010	137
		U017_S011	137
		U017_S012	137
		U017_S013	137
D1381137	FEELER:POSITIONING SENSOR:P HOTOCONDUCTOR	U017	138
D1381415	DRUM STAY:AROUND THE PHOT OCONDUCTOR:PRO:ASS'Y	U020_S001	80
D1381454	COVER:TONER SUPPLY SUB-UNIT :PRO	U001	78

Number	Part Name	Group	ID
D1381460	COVER:RIGHT MIDDLE:FRONT:PR O	U001	79
D1381470	COVER:UPPER FRONT:PRO:ASS'Y	U001_S002	80
D1381473	BRACKET:UPPER FRONT:RIGHT:P RO	U001	81
D1381474	BRACKET:UPPER FRONT:LEFT:PR O	U001	82
D1381479	COVER:LEFT MIDDLE:SMALL:PRO	U001	83
D1381490	COVER:MAIN SWITCH	U001	84
D1381545	STAY:DRUM STAY:FRONT LEFT	U020	87
D1381561	COMPRESSION SPRING:PULL OU T:LOCK:0.5N	U020	81
D1381562	BRACKET:STOPPER:PULL OUT	U020	82
D1381563	STOPPER:PULL OUT	U020	83
D1381565	BRACKET:PULL OUT:LOCK:REAR: ASS'Y	U020	84
D1381568	GUIDE:PULL OUT:LOCK	U020	85
D1381569	COMPRESSION SPRING:PULL OU T:GRIP:10N	U001	85
D1381570	TORSION SPRING:CAP:GRIP:PULL OUT:0.5N	U001	86
D1381571	COMPRESSION SPRING:PULL OU T:GRIP:3N	U001	87
D1381572	CAP:GRIP:PULL OUT	U001	88
D1381573	BRACKET:GRIP:PULL OUT	U001	89
D1381576	LINK:LEVER:PULL OUT	U001	90
D1381577	BRACKET:CONTACT POINT:LINK	U001	91
D1381578	LINK:GRIP:LENGTHWISE	U001	92
D1381579	LEVER:PULL OUT	U001	101
D1381860	OPTICAL WRITING UNIT:BK-C:ASS 'Y	U005	8
D1381861	OPTICAL WRITING UNIT:M-Y:ASS 'Y	U005	9
D1382201	DEVELOPMENT UNIT:D137/D138	U008_S001	87
		U008_S004	87
		U008_S007	87
		U008_S010	87
D1382203	CLEANING UNIT:PRO:ASS'Y	U008_S002	88

## Exclusive Parts

Number	Part Name	Group	ID
		U008_S005	88
		U008_S008	88
		U008_S011	88
D1382204	CHARGE UNIT:PRO:ASS'Y	U008_S003	89
		U008_S006	89
		U008_S009	89
		U008_S012	89
D1382496	DECAL:CAUTION:REMOVER/INST ALL	U008_S001	90
		U008_S004	90
		U008_S007	90
		U008_S010	90
D1382497	DECAL:POSITIONING DISPLAY:CHARGE UNIT:FRONT:PP	U008_S003	91
		U008_S006	91
		U008_S009	91
		U008_S012	91
D1382498	DECAL:POSITIONING DISPLAY:CHARGE UNIT:REAR:PP	U008_S003	92
		U008_S006	92
		U008_S009	92
		U008_S012	92
D1382638	COVER:REGISTRATION:UPPER:PRO:ASS'Y	U006_S002	288
D1382752	MANUAL FEED TABLE:250:ASS'Y	U006_S003_S002	289
D1382762	BRACKET:ARM:MANUAL FEED:REAR:ASS'Y	U006_S003	290
D1382766	GUIDE PLATE:SEPARATOR:ASS'Y	U006_S003	291
D1382770	ARM:MANUAL FEED:FRONT	U006_S003	292
D1382772	ARM:MANUAL FEED:SHORT:FRONT	U006_S003	293
D1382775	ARM:MANUAL FEED:SHORT:REAR	U006_S003	294
D1382780	COVER:MANUAL FEED TABLE	U006_S003_S002	295
D1382783	SIDE FENCE:FRONT	U006_S003_S002	296
D1382784	SIDE FENCE:REAR:ASS'Y	U006_S003_S002_S001	297
D1382786	DECAL:SIDE FENCE:MANUAL FEED:250	U006_S003_S002_S001	298
D1382791	EXTENSION TRAY:MANUAL FEED	U006_S003_S002	299
D1382792	EXTENSION TRAY:AUXILIARY:MANUAL FEED	U006_S003_S002	300

Number	Part Name	Group	ID
D1382793	HOLDER:EXTENSION TRAY:FRONT	U006_S003_S002	301
D1382794	HOLDER:EXTENSION TRAY:REAR	U006_S003_S002	302
D1382797	COVER:HARNESS:MANUAL FEED TABLE	U006_S003_S002	303
D1382798	GROUND PLATE:PAPER END	U006_S003_S002	304
D1382802	GEAR:LIFT MOTOR:1	U006_S003_S002	305
D1382803	GEAR:LIFT MOTOR:2	U006_S003_S002	306
D1382804	GEAR:LIFT MOTOR:3	U006_S003_S002	307
D1382805	GEAR:LIFT MOTOR:4	U006_S003_S002	308
D1382806	GEAR:LIFT MOTOR:JOINT	U006_S003_S002	309
D1382807	GEAR:TORQUE LIMITER MECHANICAL CLUTCH	U006_S003_S002	310
D1382808	BRACKET:LIFT MOTOR:2	U006_S003_S002	311
D1382810	BRACKET:LIFT MOTOR:ASS'Y	U006_S003_S002	312
D1382820	COVER:MANUAL FEED	U006_S003	313
D1382822	LENS:LED:AUXILIARY	U006_S003	314
D1382823	BRACKET:COVER:MANUAL FEED:FRONT:ASS'Y	U006_S003	315
D1382825	LEVER:COVER:MANUAL FEED	U006_S003	316
D1382826	TORSION SPRING:COVER:MANUAL FEED:FRONT	U006_S003	317
D1382827	TORSION SPRING:COVER:MANUAL FEED:REAR	U006_S003	318
D1382828	COVER:MANUAL FEED:LOWER	U006_S003	319
D1382831	SHAFT:RISE:ASS'Y	U006_S003_S002	320
D1382833	LEVER:RISE	U006_S003_S002	321
D1382835	COVER:LIFT MOTOR	U006_S003_S002	322
D1382836	DAMPER:MANUAL FEED:OPEN AND CLOSE	U006_S003	323
D1382837	SHAFT:MANUAL FEED:OPEN AND CLOSE:PRESS FIT	U006_S003	324
D1382839	TORSION SPRING:MANUAL FEED:OPEN AND CLOSE	U006_S003	325
D1382840	ARM:MANUAL FEED:FRONT	U006_S003	326
D1382843	DECAL:CAUTION:PAPER SET DIRECTION:MANUAL FEED	U006_S003_S002	327
D1382844	STOPPER:COVER:MANUAL FEED:	U006_S003_S002	328



## Exclusive Parts

Number	Part Name	Group	ID
	FRONT		
D1382845	STOPPER:COVER:MANUAL FEED: REAR	U006_S003_S002	329
D1382849	RACK:MANUAL FEED	U006_S003_S002	330
D1382851	MANUAL FEED UNIT:250:ASS'Y	U006_S003	331
D1383023	TONER SUPPLY UNIT:MAIN:ASS'Y	U007_S001	92
D1383206	BASE:SHUTTER:OPEN AND CLOSE:PRO:ASS'Y	U007_S001_S005	93
		U007_S001_S006	93
		U007_S001_S007	93
		U007_S001_S008	93
D1383228	BRACKET:DRIVE:TONER CARTRIDGE:PRO:ASS'Y	U007_S001	94
D1383268	GUIDE PLATE:BASE:TONER CART RIDGE:PRO	U007_S001	95
D1383269	COVER:UPPER:TONER CARTRIDGE:PRO	U007_S001	96
D1383391	DECAL:CAUTION:TONER SUPPLY SUB-UNIT:PRO	U007_S001	97
D1384050	FUSING UNIT:PRO:ASS'Y	U014_S004	202
D1384058	WEB:CLEANING UNIT:ASS'Y	U014_S005	203
D1384063	ROLLER:POLISH:FLAT BELT-FUSING:SUB-ASS'Y	U014_S006	204
D1384072	COVER:WEB:CLEANING FELT	U014_S005_S001	205
D1384076	BRACKET:CAM FOLLOWER:WEB:ON-OFF	U014_S005	206
D1384079	FEELER:CLEANING	U014_S005	207
D1384080	BRACKET:WEB:FRONT	U014_S005	208
D1384081	SHAFT:WORM GEAR:WEB:SUB-ASS'Y	U014_S005	209
D1384084	BRACKET:REAR:WEB:PEEN	U014_S005	210
D1384090	BRACKET:POLISH:ROLLER:REAR	U014_S004	211
D1384091	FUSING COVER:UPPER:ASS'Y	U014_S004_S006	212
D1384092	BRACKET:POLISH:ROLLER:FRONT	U014_S004	213
D1384097	SHAFT:ON-OFF:CAM:POLISH	U014_S004	214
D1384098	CAM:ON-OFF:POLISH:ROLLER	U014_S004	215
D1384099	SHAFT:JOINT:POLISH:ROLLER:DRIVE	U014_S004	216

Number	Part Name	Group	ID
D1384100	SHAFT:TRANSMISSION:POLISH:ROLLER:DRIVE	U014_S004	217
D1384101	SHAFT:LEVER:PAPER EXIT SUB-UNIT:OPEN AND CLOSE	U014_S004	218
D1384109	HOOK:GEAR:ON-OFF	U014_S004	219
D1384110	FEELER:SENSOR:ON-OFF	U014_S004	220
D1384115	DUCT:PRESSURE:LOWER	U014_S004	221
D1384116	DUCT:PRESSURE:UPPER	U014_S004	222
D1384117	DUCT:PRESSURE:EXIT:CONNECTING:A	U014_S004	223
D1384118	DUCT:PRESSURE:EXIT	U014_S004	224
D1384119	SEAL:DUCT:PRESSURE:LOWER:A	U014_S004	225
D1384120	SEAL:DUCT:PRESSURE:ENTRANCE	U014_S004	226
D1384121	FEELER:CAM:PRESSURE:FRONT:PRO	U014_S004	227
D1384122	SHUTTER:DUCT:PRESSURE ROLLER:FUSING UNIT	U014_S004	228
D1384123	TORSION SPRING:SHUTTER:DUCT:FUSING UNIT	U014_S004	229
D1384124	CAM:SHUTTER:DUCT:PRESSURE ROLLER:FUSING UNIT	U014_S004	230
D1384125	BRACKET:LEVER:WEB:DRIVE SUB-UNIT	U014	231
D1384130	COVER:GEAR:JOINT	U014	232
D1384131	BRACKET:MOTOR	U014	233
D1384133	BRACKET:WEB:LEVER:ROLLING:SUB	U014	234
D1384134	HOLDER:DC STEPPER MOTOR	U014	235
D1384135	BRACKET:CONTACT POINT:WEB:ROLLING	U014	236
D1384136	SHAFT:ON-OFF:WEB	U014	237
D1384137	CAM:WEB:A	U014	238
D1384138	BRACKET:AUXILIARY:DC STEPPER MOTOR:WEB:ON-OFF	U014	239
D1384139	FEELER:CAM:WEB:ON-OFF	U014	240
D1384141	BRACKET:DC STEPPER MOTOR:WEB:ON-OFF	U014_S001	241

## Exclusive Parts

Number	Part Name	Group	ID
D1384145	SHAFT:ON-OFF:MOTOR:GEAR	U014	242
D1384146	BRACKET:ON-OFF:MOTOR:GEAR	U014	243
D1384150	HOLDER:JOINT:DRIVE:ROLLER	U014	244
D1384160	STRIPPER PLATE:UNI:FUSING:D137/D138:ASS'Y	U014_S004_S002	245
D1384181	FUSING BELT:DIA75:PRO	U014_S004	246
D1384184	GRIP:BRACKET:ROLLER:POLISH	U014_S004 U014_S006	247 247
D1384185	BRACKET:ROLLER:POLISH:PEEN	U014_S006	248
D1384190	STOPPER:HOLDER:ROLLER	U014_S004	249
D1384401	BRACKET:WEB:FRONT:AUXILIARY	U014_S005	250
D1384402	BRACKET:DRIVE SUB-UNIT:POLISH	U014	251
D1384405	HOLDER:GEAR:ON-OFF	U014_S004	252
D1384411	BRACKET:POLISH:FRONT	U014_S004	253
D1384417	BRACKET:POLISH:MOTOR	U014	254
D1384421	COVER:BASE:PULL OUT:WEB	U014	255
D1384423	SHAFT:JOINT:POLISH:ROLLER	U014_S004	256
D1384426	PLAIN SHAFT BEARING:ROLLER:POLISH	U014_S004	257
D1384427	SHAFT:JOINT:DRIVE	U014	258
D1385110	PCB:IOB:PRO:ASS'Y	U018	75
D1385411	PCB:FDB-M	U018	76
D1385413	PCB:FDB-D	U018	77
D1385985	BRACKET:SAFETY SWITCH:DRUM STAY	U018	78
D1385987	COVER:SAFETY SWITCH:TONER SUPPLY UNIT	U018	79
D1385989	BRACKET:SAFETY SWITCH:TONER SUPPLY UNIT	U018	80
D1385992	LEVER:SAFETY SWITCH:TONER SUPPLY UNIT	U018	81
D1386052	GUIDE:INTERMEDIATE TRANSFER:RIGHT	U009	114
D1386210	TRANSFER/SEPARATION UNIT:PRO:ASS'Y	U011_S001	33
D1386259	SEPARATION CORONA:PRO:ASS'Y	U011_S001_S003	34

Number	Part Name	Group	ID
D1386401	BELT CLEANING:PRO:ASS'Y	U010_S001	63
D1386665	COVER:LIFT MOTOR	U006	332
D1386668	SIDE PLATE:REAR:PAPER VOLUME SENSOR:THREE WAY	U006	333
D1386669	COVER:SIDE PLATE:REAR:TANDEM LCT	U006	334
D1386682	HEAT SINK:HEATER:UPPER:EU:ASS'Y	U006_S014	335
D1386712	GUIDE PLATE:VERTICAL TRANSPORT:CONNECTING:THREE WAY	U006	336
D1386714	GROUND PLATE:GUIDE PLATE:VERTICAL TRANSPORT:CONNECTING	U006	337
D1386862	BRACKET:PRESSURE ROLLER:VACUUM:FRONT	U019	109
D1386863	DUCT:PRESSURE ROLLER:VACUUM:UPPER	U019	110
D1386923	DUCT:PRESSURE ROLLER:EXHAUST:LOWER	U019	111
D1386924	DUCT:PRESSURE ROLLER:EXHAUST:UPPER	U019	112
D1386946	SEAL:DUCT:PRESSURE ROLLER:EXHAUST	U019	113
D1386972	SEAL:DUCT:PRESSURE ROLLER:VACUUM:LOWER	U019	114
D1387211	OPERATION PANEL:NA:ASS'Y	U002_S002	14
D1387249	ARM:OPERATION SUB-UNIT:ASS'Y	U002_S001	15
D1387250	GUIDE PLATE:POST:ARM:OPERATION SUB-UNIT	ACCESSORIES	24
D1387252	POST:ARM:OPERATION SUB-UNIT:RIGHT	U002_S001	16
D1387253	POST:ARM:OPERATION SUB-UNIT:LEFT	U002_S001	17
D1387255	HOLDER:HINGE:ARM	U002_S001	18
D1387258	HINGE:ARM:OPERATION SUB-UNIT	U002_S001	19
D1387259	ARM:OPERATION SUB-UNIT	U002_S001	20
D1387260	SUPPORTING PLATE:ARM:OPERATION	U002_S001	21

## Exclusive Parts

Number	Part Name	Group	ID
	TION SUB-UNIT		
D1387261	HINGE:OPERATION PANEL:ASS'Y	U002_S001	22
D1387262	GUIDE PLATE:OPERATION PANEL:ASS'Y	U002_S001	23
D1387265	GUARD:HARNESS:ARM	U002_S001	24
D1387270	COVER:POST:OPERATION SUB-UNIT:LOWER	ACCESSORIES	25
D1387271	COVER:POST:OPERATION SUB-UNIT:FRONT	U002_S001	25
D1387272	COVER:POST:OPERATION SUB-UNIT:REAR	U002_S001	26
D1387273	COVER:ARM:OPERATION SUB-UNIT:UPPER	ACCESSORIES	26
D1387274	COVER:ARM:OPERATION SUB-UNIT:LOWER	U002_S001	27
D1387275	COVER:OPERATION PANEL:REAR UPPER	ACCESSORIES	27
D1387276	COVER:OPERATION PANEL:REAR LOWER	U002_S001	28
D1387278	COVER:POST:OPERATION SUB-UNIT:LOWER LEFT	U002_S001	29
D1387281	BRACKET:PILOT LAMP	U002	30
D1387290	PCB:OP-U:ASS'Y	U002_S002	31
D1387301	COVER:FRONT:NA	U002_S002	32
D1387305	COVER:REAR	U002_S002	33
D1387308	KEYTOP:10KEY:AA	U002_S002	34
D1387310	KEYTOP:START	U002_S002	35
D1387311	KEYTOP:STOP	U002_S002	36
D1387312	KEYTOP:RESET SWITCH	U002_S002	37
D1387313	KEYTOP:RIGHT	U002_S002	38
D1387314	KEYTOP:LOWER	U002_S002	39
D1387315	KEYTOP:HOME	U002_S002	40
D1387316	LENS:LED:LOWER	U002_S002	41
D1387333	DECAL:APPLICATION:MULTI-LANGUAGE:NA	ACCESSORIES	28
D1387353	DECAL:FUNCTION:BLANK:MULTI-LANGUAGE	ACCESSORIES	29
D1387361	LENS:LED:UPPER	U002_S002	42

Number	Part Name	Group	ID
D1387395	PCB:OP-R:ASS'Y	U002_S002	43
D1389590	NVRAM	Special tools	14
D1441085	STEPPED SCREW:M3	U001	93
		U014_S003	259
		U014_S004	259
		U014_S004_S002	259
		U014_S005	259
D1444484	SHOULDER SCREW - M3	U015_S001	146
D1444489	STOPPER:DRIVEN ROLLER	U006_S004	338
D1471805	EXPOSURE GLASS:DOCUMENT FEEDER:APPLY	U004	55
D1491291	CAP:HARNESS	U001	94
D1491305	CAP:TOTAL COUNTER	U001	95
D1491306	MAGNET CATCH:COVER:FRONT	U001	96
D1491317	HOLDER:GLASS:CLEANER:ASS'Y	ACCESSORIES	30
D1491424	LCD:TFT:WVGA-9:LED:SH	U002_S002	44
D1491427	TOUCH PANEL:WVGA-9:MV	U002_S002	45
D1491530	SPACER:LCD:A	U002_S002	46
D1491531	SPACER:LCD:B	U002_S002	47
D1491553	SHEET:LOGO	ACCESSORIES	31
D1491715	PULLEY:DRIVE WERE:FRONT	U004	56
D1491717	PULLEY:DRIVE WERE:REAR	U004	57
D1491721	ILLUMINATION UNIT:LED-B:ASS'Y	U004_S003	58
D1491795	SCALE:REAR:PRINTING	U004	59
D1491804	HOLDER:EXPOSURE GLASS:SCANNER	U004	60
D1491805	HOLDER:EXPOSURE GLASS	U004	61
D1492668	COMPRESSION SPRING:RACK:MANUAL FEED	U006_S003_S002	339
D1492675	HOLDER:DRIVEN:BELT	U006_S004	340
D1492676	COMPRESSION SPRING:FLAT CONVEYER BELT:DRIVEN	U006_S004	341
D1492678	SHAFT:FLAT CONVEYER BELT:DRIVEN	U006_S004	342
D1492716	DC SOLENOID:PICKUP:NO.1:ASS'Y	U006_S006_S003	343
		U006_S007_S003	343
D1492726	DC SOLENOID:PICKUP:NO.2:ASS'Y	U006_S005_S001	344

Exclusive Parts

Number	Part Name	Group	ID
D1492739	LEVER:PRESSURE RELEASE	U006_S005	345
		U006_S006	345
		U006_S007	345
D1492767	LEVER:PRESSURE:PICKUP	U006_S005	346
		U006_S006	346
		U006_S007	346
D1492768	TRANSPORT ROLLER:VERTICAL T RANSPORT:ASS'Y	U006_S005_S003	347
		U006_S006_S002	347
		U006_S007_S002	347
		U006_S008	347
D1492772	ARM:PICKUP	U006_S005	348
		U006_S006	348
		U006_S007	348
D1492773	PULLEY:PICKUP:MECHANICAL RO LLER CLUTCH	U006_S005	349
		U006_S006	349
		U006_S007	349
D1492774	PULLEY:IDLER:PICKUP	U006_S005	350
		U006_S006	350
		U006_S007	350
D1492775	SHAFT:FEED:ASS'Y	U006_S005	351
		U006_S006	351
		U006_S007	351
D1492777	COIL SPRING:PRESSURE:PICKUP	U006_S005	352
		U006_S006	352
		U006_S007	352
D1492778	FEELER:PAPER END	U006_S006	353
		U006_S007	353
D1492780	GROUND WIRE:SENSOR:PAPER F EED	U006_S005	354
		U006_S006	354
		U006_S007	354
D1492781	GROUND PLATE:PAPER FEED UNI T	U006_S005	355
		U006_S006	355
		U006_S007	355
D1492782	PLATE:HARNESS:PAPER FEED U NIT	U006_S005	356
		U006_S006	356
		U006_S007	356
D1492791	GUIDE:FEED	U006_S005	357
		U006_S006	357

Number	Part Name	Group	ID
		U006_S007	357
D1492812	ROLLER:PAPER TRAY:DIA19	U006_S015	358
		U006_S016	358
D1492813	PIN:STRETCH:TRAY	U006_S015	359
		U006_S016	359
D1492814	COIL SPRING:EARTH	U006_S015	360
		U006_S016	360
D1492816	SHAFT:RISE:ASS'Y	U006_S015	361
		U006_S016	361
D1492818	LEVER:RISE	U006_S015	362
		U006_S016	362
D1492840	END FENCE:PAPER TRAY:ASS'Y	U006_S015_S002	363
		U006_S016_S002	363
D1492842	LEVER:END FENCE	U006_S015_S002	364
		U006_S016_S002	364
D1492843	CLICK:END FENCE	U006_S015_S002	365
		U006_S016_S002	365
D1492845	COMPRESSION SPRING:END FEN CE:LEVER:5N	U006_S015_S002	366
		U006_S016_S002	366
D1492858	LEVER:RELEASE:PAPER TRAY:OU TER	U006_S015	367
		U006_S016	367
D1492861	HOLDER:GRIP:PAPER TRAY	U006_S015	368
		U006_S016	368
D1492923	ROLLER:SUPPORTER:PAPER TRA Y	U006	369
D1492924	STOPPER:PAPER TRAY	U006	370
D1492928	ROLLER:SUPPORTER:PAPER TRA Y:LEFT	U006	371
D1492943	TENSION SPRING:LEVER:AUXILIA RY	U006_S010	372
		U006_S011	372
D1492961	LEVER:STRETCH:PEEN	U006_S010	373
		U006_S011	373
D1492964	LEVER:LOCK:PAWL	U006_S010	374
		U006_S011	374
D1492965	LEVER:STRETCH:COIL SPRING	U006_S010	375
		U006_S011	375
D1494390	DECAL:CAUTION:INKJET:NA	ACCESSORIES	32
D1495686	PCB:DCSW	U018	82

## Exclusive Parts

Number	Part Name	Group	ID
D1495776	COVER:USB:SMALL	U018	83
D1495883	KEYTOP:MAIN SWITCH	U001	97
D1495884	COMPRESSION SPRING:KEYTOP	U001	98
D1496766	DECAL:CAUTION:ORIGINAL:ENGLISH	ACCESSORIES	33
D1496851	DECAL:MAIN SWITCH:ON-STANDBY:ENGLISH	ACCESSORIES	34
D4122662	SPACER:GUIDE PLATE:CONTACT IMAGE SENSOR:ENTRANCE	U003_S001	81
D4122669	TENSION SPRING:GUIDE PLATE:PRESSURE:2N	U003_S001	82
D4123145	TENSION SPRING:LEVER:MISFEED REMOVAL	U003_S001	83
D4345209	TIMING BELT:B40S2M246	U017	139
		U017_S006	139
D4543636	TIMING BELT:40S2M672	U016	117
D4573963	CUSHION:COVER:GUIDE PLATE	U001_S002	99
D5224906	STEPPED SCREW:M3:DIA6:1.7MM:ROUND POINT	U003_S001	84
D5406121	FULL DUG POINT SCREW:FIX:HINGE	U003	85
D5412121	PAPER FEED BELT	U003_S001_S011	86
D5412241	REVERSE ROLLER:PAPER FEED	U003_S001	87
D5431625	GEAR:Z24:SEPARATION	U003_S001	88
D5431717	SHAFT:PULLEY:SCANNING:EXIT	U003_S001	89
D5431821	TIMING PULLEY:T33/Z24	U003_S001	90
D5431822	FLANGE:DIA24	U003_S001	91
D5433314	SHEET:SCANNING:ENTRANCE:MIDDLE	U003_S001	92
		U003_S001_S017	92
D5434382	COMPRESSION SPRING:PULL OUT	U003_S001	93
D5434393	CUSHION:GUIDE PLATE:ENTRANCE:PAPER FEED:INNER BACK	U003_S001	94
D5435125	SPRING PLATE:CABLE:CONTACT IMAGE SENSOR	U003_S001	95
D6421454	FEELER:APS	U003_S001	96
D6457902	SEAL:CAUTION:20LANGUAGES	ACCESSORIES	35
D6831320	HINGE:LEFT:ASS'Y	U003_S001	97

Number	Part Name	Group	ID
D6831350	HINGE:RIGHT:ASS'Y	U003_S001	98
D6831362	COMPRESSION SPRING:HINGE:RIGHT	U003_S001	99
D6831385	BRACKET:SAFETY SWITCH:PAPER FEED	U003_S001	100
D6831386	SHAFT:CONTACT POINT:ON OFF DETECTOR:PAPER FEED	U003_S001	101
D6831387	TENSION SPRING:ON OFF DETECTOR:PAPER FEED	U003_S001	102
D6831413	BRACKET:SAFETY SWITCH	U003_S001	103
D6831414	SPRING PLATE:SAFETY SWITCH	U003_S001	104
D6831415	FEELER:SENSOR:ON OFF DETECTOR	U003_S001	105
D6831451	HOLDER:FEELER:APS	U003_S001	106
D6831480	BRACKET:SHEET:CONTACT IMAGE SENSOR:ASS'Y	U003_S001_S001	107
D6831482	SHEET:CONTACT IMAGE SENSOR	U003_S001_S001	108
D6831614	BRACKET:MOTOR:PAPER FEED	U003_S001	109
D6831615	STAY:MOTOR:PAPER FEED	U003_S001	110
D6831617	DC MOTOR:ASS'Y:20W:BRUSHLESS	U003_S001	111
D6831620	SHAFT:SEPARATION:DRIVE:INPUT:SUB-ASS'Y	U003_S001_S002	112
D6831632	SHAFT:REVERSE ROLLER:SUB-ASS'Y	U003_S001_S003	113
D6831635	GEAR:REVERSE ROLLER:DRIVE	U003_S001	114
D6831640	SHAFT:INPUT:PAPER FEED:SUB-ASS'Y	U003_S001_S004	115
D6831642	TIMING PULLEY:IDLER:PULL OUT	U003_S001	116
D6831643	GEAR:INPUT:PAPER FEED	U003_S001	117
D6831644	SPACER:SHAFT:INPUT:PAPER FEED	U003_S001	118
D6831645	TIMING PULLEY:COUPLING:PULL OUT	U003_S001_S004	119
D6831671	BRACKET:MOTOR:PICK UP	U003_S001	120
D6831675	DC STEPPER MOTOR:DIA42:T15:52M:ASS'Y	U003_S001	121
D6831680	CAM:PICKUP	U003_S001_S005	122

## Exclusive Parts

Number	Part Name	Group	ID
D6831682	TIMING PULLEY:PICKUP:DRIVE	U003_S001	123
D6831691	GEAR:PAPER FEED:COUPLING	U003_S001	124
D6831711	BRACKET:MOTOR:PULL OUT	U003_S001	125
D6831718	STAY:MOTOR:PULL OUT	U003_S001	126
D6831762	BRACKET:MOTOR:MIDDLE	U003_S001	127
D6831766	DC MOTOR:10W:BRUSHLESS	U003_S001	128
D6831811	BRACKET:MOTOR:SCANNING:EXIT	U003_S001	129
D6831813	TIMING PULLEY:COUPLING:SCANNING:INNER BACK	U003_S001	130
D6831814	TIMING PULLEY:COUPLING:EXIT	U003_S001	131
D6831822	DC MOTOR:20W:SCANNING:20W:BRUSHLESS	U003_S001	132
D6831841	BRACKET:TENSIONER:SCANNING:INNER BACK	U003_S001	133
D6831845	PULLEY:IDLER:DIA14	U003_S001_S006	134
		U003_S001_S007	134
D6831851	BRACKET:TENSIONER:SCANNING:FRONT	U003_S001	135
D6831855	TIMING PULLEY:TENSIONER:SCANNING:FRONT	U003_S001_S008	136
D6831856	TENSION SPRING:TENSION:SCANNING:FRONT	U003_S001	137
D6831912	BRACKET:HINGE:RIGHT	U003_S001	138
D6832110	ROLLER:PULL OUT:DRIVE	U003_S001_S009	139
D6832112	TIMING PULLEY:ROLLER:PULL OUT:DRIVE	U003_S001	140
D6832200	SHAFT:SEPARATION:ASS'Y	U003_S001_S011	141
D6832210	ROLLER:MIDDLE:DRIVE	U003_S001_S010	142
D6832221	GEAR:IDLER:Z18	U003_S001_S011	143
D6832222	STOPPER:SHAFT:SEPARATION:DRIVE	U003_S001	144
D6832224	GUIDE:PAPER FEED:ENTRANCE:FRONT	U003_S001_S011	145
D6832228	PICKUP ROLLER	U003_S001_S011	146
D6832229	TIMING PULLEY:GEAR:T19/Z23	U003_S001_S011	147
D6832231	BRACKET:PICKUP	U003_S001_S011	148
D6832232	TIMING PULLEY:PICKUP:T21	U003_S001_S011	149

Number	Part Name	Group	ID
D6832233	BRACKET:PAPER FEED BELT	U003_S001_S011	150
D6832235	SHAFT:PICKUP:SUB-ASS'Y	U003_S001_S011	151
D6832236	SHEET:BRACKET:PICKUP:INNER BACK	U003_S001_S011	152
D6832239	COVER:PICKUP ROLLER	U003_S001_S011	153
D6832240	GUIDE:PAPER FEED:ENTRANCE:INNER BACK:ASS'Y	U003_S001_S011_S001	154
D6832242	SHEET:GUIDE:PAPER FEED:INNER BACK	U003_S001_S011_S001	155
D6832272	LEVER:PICKUP ROLLER:RISE	U003_S001_S011	156
D6832311	TORQUE LIMITER MECHANICAL CLUTCH:SEPARATOR	U003_S001	157
D6832393	HOLDER:ORIGINAL TABLE	U003_S001	158
D6832417	SHEET:ENTRANCE:SEPARATION PAD	U003_S001	159
D6832510	GUIDE PLATE:PAPER FEED:LOWER:ASS'Y	U003_S001	160
D6832724	COVER:LOWER:BASE	U003_S001	161
D6832728	STOPPER:RELEASE:SHAFT:BASE	U003_S001	162
D6832729	JOINT:RISING TRAY:AUXILIARY	U003_S001	163
D6832733	FEELER:SENSOR:ORIGINAL SENSOR	U003_S001	164
D6832741	BASE:ORIGINAL TABLE	U003_S001	165
D6832742	CUSHION:STOPPER PAWL	U003_S001	166
D6832743	SHEET:CUSHION:STOPPER PAWL	U003_S001	167
D6832746	SIDE FENCE:ORIGINAL TABLE	U003_S001	168
D6832747	PAD:SIDE FENCE:SMALL	U003_S001	169
D6832748	PAD:SIDE FENCE:LARGE	U003_S001	170
D6832752	LEVER:RISE:BASE	U003_S001	171
D6832755	SHAFT:RISE:BASE:SUB-ASS'Y	U003_S001	172
D6832756	RAIL:SIDE FENCE	U003_S001	173
D6832771	ORIGINAL TABLE	U003_S001	174
D6832781	ORIGINAL TABLE:BEHIND	U003_S001	175
D6832911	GUIDE PLATE:PULL OUT:LOWER	U003_S001	176
D6832912	FEELER:PAPER SIZE SENSOR	U003_S001	177
D6833111	ROLLER:SCANNING:ENTRANCE:DRIVE	U003_S001	178
D6833350	GUIDE PLATE:SCANNING	U003_S001	179

## Exclusive Parts

Number	Part Name	Group	ID
D6833361	SPRING PLATE:GUIDE PLATE:SCANNING	U003_S001	180
D6833411	GUIDE:SCANNING:ENTRANCE:LOWER:SUB-ASS'Y	U003_S001_S017	181
D6833421	BASE:SCANNING:ENTRANCE:LOWER	U003_S001	182
D6833422	LEVER:PRESSURE RELEASE	U003_S001	183
D6833643	COMPRESSION SPRING:CONTACT IMAGE SENSOR:EXIT	U003_S001	184
D6833644	SHEET:GUIDE:CONTACT IMAGE SENSOR:EXIT:LOWER	U003_S001	185
D6833645	ROLLER:MIDDLE:DRIVEN	U003_S001	186
D6833666	LEVER:GUIDE PLATE:CONTACT IMAGE SENSOR:FRONT	U003_S001	187
D6833667	LEVER:GUIDE PLATE:CONTACT IMAGE SENSOR:REAR	U003_S001	188
D6834111	COVER:FRONT	U003_S001	189
D6834112	COVER:FRONT RIGHT	U003_S001	190
D6834211	COVER:REAR	U003_S001	191
D6834212	COVER:UPPER REAR	U003_S001	192
D6834312	GUIDE:PAPER FEED:UPPER	U003_S001	193
D6834320	COVER:PAPER FEED:ASS'Y	U003_S001_S013	194
D6834323	SHAFT:CONTACT POINT:GUIDE:PAPER FEED	U003_S001	195
D6834325	BRACKET:GUIDE:PAPER FEED:FRONT	U003_S001	196
D6834328	BRACKET:GUIDE:PAPER FEED:INNER BACK	U003_S001	197
D6834329	SHEET:BASE:SEAL:PAPER FEED	U003_S001_S013	198
D6834338	COVER:PAPER FEED:UPPER	U003_S001_S013	199
D6834341	BRACKET:PULL OUT:DRIVEN	U003_S001	200
D6834342	BRACKET:PRESSURE:PICKUP	U003_S001_S013	201
D6834343	PRESSURE PLATE:PICKUP	U003_S001_S013	202
D6834344	COMPRESSION SPRING:PICKUP:2.1N	U003_S001_S013	203
D6834345	DISCHARGE BRUSH:EXIT:L37	U003_S001	204
D6834350	DRIVEN ROLLER:PULL OUT	U003_S001	205
D6834351	LINK:STOPPER:COVER:PAPER FEED	U003_S001_S013	206

Number	Part Name	Group	ID
	ED		
D6834361	SHAFT:CONTACT POINT:GRIP	U003_S001_S013	207
D6834367	GROUND PLATE:HOOK:INNER BACK	U003_S001_S013	208
D6834371	GRIP:COVER:PAPER FEED	U003_S001_S013	209
D6834372	HOOK:CONTACT POINT:FRONT:GRIP	U003_S001_S013	210
D6834374	HOOK:CONTACT POINT:INNER BACK:GRIP	U003_S001_S013	211
D6834394	GUIDE PLATE:ENTRANCE:PAPER FEED:UPPER	U003_S001	212
D6834395	CUSHION:GUIDE PLATE:ENTRANCE:PAPER FEED:FRONT	U003_S001	213
D6834396	CUSHION:GUIDE PLATE:ENTRANCE:PAPER FEED:STOPPER	U003_S001	214
D6834411	TRAY:EXIT	U003_S001	215
D6834412	TRAY:EXIT:AUXILIARY:LARGE	U003_S001	216
D6834413	TRAY:EXIT:AUXILIARY:SMALL	U003_S001	217
D6834421	SHAFT:EXIT:DRIVEN	U003_S001	218
D6834430	ROLLER:EXIT:DRIVEN	U003_S001	219
D6834441	HOLDER:CUSHION:PRESSURE PLATE	U003_S001	220
D6834442	TAPE:PRESSURE PLATE	U003_S001 U003_S001_S014	221 221
D6834510	COVER:LOWER RIGHT:ASS'Y	U003_S001_S014	222
D6834611	COVER:LEFT LOWER	U003_S001	223
D6834615	SHIELDING PLATE:LEFT LOWER:ASS'Y	U003_S001_S016	224
D6834617	SEAL:LEFT LOWER	U003_S001_S013 U003_S001_S016	225 225
D6834711	GUIDE PLATE:PRESSURE PLATE:LEFT	U003_S001_S015	226
D6834720	PRESSURE PLATE:ASS'Y	U003_S001_S015	227
D6834722	CUSHION:TAPE:SMALL	U003_S001_S015	228
D6834724	CUSHION:PRESSURE PLATE:LARGE	U003_S001_S015	229
D6834725	CUSHION:PRESSURE PLATE:SMALL	U003_S001_S015	230

## Exclusive Parts

Number	Part Name	Group	ID
D6835121	GUIDE:HARNESSES:SUB	U003_S001	231
D6835501	PCB:MAIN CONTROL BOARD:DOCUMENT FEEDER:ASS'Y	U003_S001	232
D6835860	CONTACT IMAGE SENSOR:ASS'Y	U003_S001	233
D6836011	DECAL:SIZE:ORIGINAL	U003_S001	234
D6836031	DECAL:SET:ORIGINAL TABLE	ACCESSORIES	36
D6836041	DECAL:DESIGN SKETCH:MISFEED REMOVAL:P2	U003_S001	235
D6836051	DECAL:BASE:ORIGINAL	U003_S001	236
D6846061	DECAL::ORIGINAL:MANY LANGUAGES	ACCESSORIES	37
D6866128	SPONGE:COVER:FRONT:SMALL	U003_S001_S013	237
D6885150	PCB:PUNCH:SENSOR:CONNECTING:ASS'Y	U016	118
D7316241	DECAL:STOPPER:SEPARATION UNIT	U003_S001	238
D7747000	ADF:ASS'Y	U003_S001	239
G0143291	SNAP RING - PICK UP	U009	115
		U016	119
G0201332	HINGE - FRONT COVER	U001	100
G0219350	Loop-back Connector ? Parallel	Special tools	15
G0602652	BUSHING - M4	U003_S001	240
G0652767	LEVER - FEED	U006_S005	376
		U006_S006	376
		U006_S007	376
G0652774	PRESSURE LEVER	U006_S005	377
		U006_S006	377
		U006_S007	377
G1026341	SHEET:SENSOR	U014_S004	260
		U014_S006	260
G1073834	RIVET - 2.0	U009	116
		U017_S001	140
		U017_S010	140
		U017_S011	140
		U017_S012	140
		U017_S013	140
G1782971	LEVER:LOCK:TANDEM LCT	U006_S009	378
G1785023	TIMING BELT:S2M190	U009	117

Number	Part Name	Group	ID
G1786352	GUIDE PLATE:ENCODER	U009	118
		U017_S001	141
G1786679	JOINT:DRIVE:BRUSH ROLLER	U014	261
		U014_S004	261
G4042810	SPRING PLATE - 2ND MIRROR	U004_S004	62
G5527022	TIMING BELT	U006	379
G5692901	SPRING - LIFT MOTOR	U006	380
G5701225	SENSOR SHIELDING PLATE	U004	63
GA082007	PLAIN SHAFT BEARING:4XDIA6DIA8	U014_S004	262
GA082010	BUSHING:DIA6:DIA10:9	U012	50
GW010007	PHOTO REFLECTION SENSOR:EXIT	U006	381
		U006_S003	381
		U006_S005	381
		U006_S006	381
		U006_S007	381
		U015_S001	147
		U015_S001_S007	147
		U016	120
GW230008	TONER END SENSOR	U007_S001_S001	98
		U007_S001_S002	98
		U007_S001_S003	98
		U007_S001_S004	98
GX640028	FAN MOTOR DC24V 1.92W	U019	115
H0602126	BUSHING - M6X7	U003_S001_S011	241
M0261778	GUIDE:FFC	U004	64
M0261815	CLAMP:MIRROR:NO.1	U004_S002	65
M0262657	SHEET:VERTICAL TRANSPORT:SENSOR	U006	382
		U006_S001	382
		U016	121
M0262734	DECAL:H-TEMP WARNING:HEATER	U006	383
M0263343	TORSION SPRING:STOPPER:RIGHT	U007_S001_S005	99
		U007_S001_S006	99
		U007_S001_S007	99
		U007_S001_S008	99
M0263344	TORSION SPRING:STOPPER:LEFT	U007_S001_S005	100
		U007_S001_S006	100



## Exclusive Parts

Number	Part Name	Group	ID
		U007_S001_S007	100
		U007_S001_S008	100
M0771861	TUBE TYPE LAMP:TAC:ASS'Y	U002	48
M0774200	MECHANICAL ROLLER CLUTCH:R OLLER	U014_S005	263
M3644131	TIMING BELT:B40S2M160	U003_S001	242
VSSA9001	LAUNA OIL 40N	Special tools	16
VSSG9002	FLUOTRIBO MG GREASE : 100	Special tools	17

## Standard Parts



03130040N  
SCREW:M3X4



03130060N  
SCREW - M3X6



03140120N  
SCREW - M4X12



03140180N  
PAN HEAD SCREW:M4X18



03520030N  
SCREW:M2X3



03520060N  
SCREW:M2X6



03530030N  
SCREW:M3X3



03530040N  
SCREW - M3X4



03530060N  
BIND SCREW - M3X6



03530200N  
SCREW:M3X20

03540060N  
SCREW-M4X6



03540400N  
SCREW:M4X40



03603005N  
SCREW - M3X5



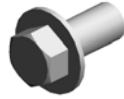
03603006N  
SCREW - M3X6



03603008N  
SCREW:M3X8



03603014N  
SCREW - M3X14



03604008N  
SCREW - M4X8



03604010N  
SCREW:M4X10



04503008N  
TAPPING SCREW - M3X8



04503014N  
TAPPING SCREW:M3X14



04503020N  
TAPPING SCREW:M3X20



04503035N  
TAPPING SCREW:3X35



04504010N  
TAPPING SCREW:M4X10



04513006N  
TAPPING SCREW - 3X6



04543006N  
TAPPING SCREW:ROUND P  
OINT:3X6



04543006Q  
TAPPING SCREW - M3X6



04543008Q  
TAPPING SCREW:3X8



04543010Q  
TAPPING SCREW:3X10

## Standard Parts



04543012Q  
TAPPING SCREW:3X12



04543014Q  
TAPPING SCREW:3X14



04543025Q  
TAPPING SCREW:ROUND P  
OINT:3X25



04543030Q  
TAPPING SCREW:ROUND P  
OINT:3X30



04583008N  
HEXAGON HEAD TAPPING S  
CREW:3X8



04583010N  
HEXAGON HEAD TAPPING S  
CREW:3X10



04583012N  
HEXAGON HEAD TAPPING S  
CREW:3X12



04593008N  
BINDING HEAD TAPPING SC  
REW:3X8



04593010N  
BINDING HEAD TAPPING SC  
REW:3X10



05730030E  
HEXAGON HEADLESS SET S  
CREW - M3X3



06320100G  
PIN - 2X10MM



06320120G  
PARALLEL PIN - 2X12



06320140G  
PARALLEL PIN



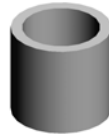
06330120G  
PARALLEL PIN - 3X12



06330140G  
PARALLEL PIN - 3X14



07010060N  
WASHER DIA6



07074050N  
BUSHING - 4X5



07074060N  
BUSHING:DIA4X6



07080060N  
WASHER:DIA6



07200020G  
RETAINING RING - M2



07200030E  
RETAINING RING - M3



07200030G  
RETAINING RING - M3



07200040E  
RETAINING RING - M4



07200060E  
RETAINING RING - M6



07200080E  
RETAINING RING - M8



07250150E  
RETAINING RING C - M15



07250200E  
RETAINING RING C - M20



07270060E  
RETAINING RING - M6

## Standard Parts



07403706  
BALL BEARING - M6X10X3



07403804  
BALL BEARING:DIA4XDIA9X4



07403808  
BALL BEARING - 8X16X5MM



07403810  
BALL BEARING:DIA10XDIA19X5



07403906  
BALL BEARING - 6X15X5



07413706  
BALL BEARING - 6X10X3



07413708  
BALL BEARING - 8X12X3.5MM



07413808  
BALL BEARING - 8X16X5MM



07433806  
RADIAL BALL BEARING:DIA6XDIA13X5



07433808  
RADIAL BALL BEARING:DIA8XDIA16X5



08010231  
HEXAGONAL HEAD BOLT W/WASHER:M3X6



08010234  
SCREW WITH WASHER:SMALL ROUND WITH SPRING WASHER:M5X8



08010236  
HEXAGONAL BOLT:DOUBLE SCREW:M4X8



08010240  
BINDING HEAD SCREW:M2.6X4



08025299  
TAPPING SCREW - M3X8



08025305  
TAPPING SCREW - M3X6



08025312  
TAPPING SCREW:WASHER:3X10



08025328  
HEXAGON HEAD TAPPING SCREW:3X40



08046123  
HEXAGONAL BOLT:W/WASHER:M3X8



08046128  
HEXAGONAL BOLT:DOUBLE SCREW:M3X10



08050088  
RETAINING RING - M6



08050089  
RETAINING RING - M4



08050092  
RETAINING RING - 3M



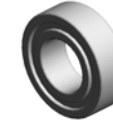
08050103  
RETAINING RINGS-E:SILENCER:DIA3



08050104  
RETAINING RINGS-E:SILENCER:DIA4



08050106  
RETAINING RINGS-E:SILENCER:DIA6



08053573  
RADIAL BALL BEARING:DIA8XDIA16X5

08072089  
WASHER - 10MM

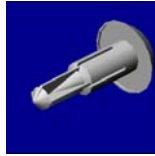
## Standard Parts



09543005N  
SCREW:POLISHED ROUND/  
SPRING:M3X5



09544006N  
SCREW:POLISHED ROUND/  
SPRING:M4X6

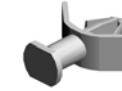


10050734  
NYLON RIVET - NRP355

11050046  
HARNESS BAND



11050328  
HARNESS CLAMP - ES-0505



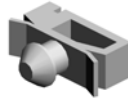
11050410  
CARD SPACER - 9.4MM



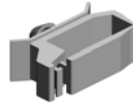
11050487  
HARNESS CLAMP



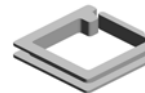
11050508  
HARNESS CLAMP - LWS-071  
1



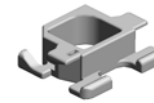
11050511  
HARNESS CLAMP - LWS-030  
6ZC



11050516  
CLAMP



11050532  
EDGE SADDLE - LES-25L



11050551  
CLAMP:LES-0505



11050568  
CLAMP:LWSS-0504



11050600  
CLAMP:LWSM-0306-2M



11050604  
CLAMP:RFC-16V0



11050621  
CLAMP - SB-2712



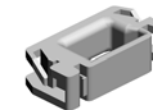
11050682  
CLAMP:JCF-1S



11050692  
CLAMP:LES-0503



11050714  
CLAMP:LWSM-0511H GRAY



11050723  
CLAMPS:WES-0507



11050724  
CLAMPS:WES-1210



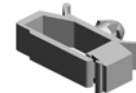
11050726  
CLAMPS:WES-2217



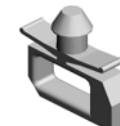
11050758  
CLAMP:LWSM-0306A



11050759  
CLAMP:LWSM-0605A



11050760  
CLAMP:LWSM-0511A



11050761  
CLAMP:LWS-0511A



11050762  
CLAMP:LWS-0711A



11050763  
CLAMP:LWS-1211A

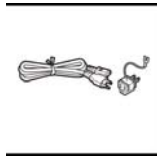
## Standard Parts



11050764  
CLAMP:LWS-1316A



11050765  
CLAMP:LWS-2218A



11500447  
POWER SUPPLY CODE:250V  
:20A:NA



12042612  
MICRO SWITCH:D3V-16506-3  
C25



12042912  
MICRO SWITCH:D3V-16-3C2  
5(10E)

PM Part List

Number	Part Name	Num	Group	ID
AE010115	HOT ROLLER:DIA52:PRO	1	U014_S004	94
AE020215	PRESSURE ROLLER:DIA50	1	U014_S004	95
AE045059	WEB:SUB-ASS'Y	1	U014_S005	99
D0742459	JOINT:CLEANING UNIT	4	U008_S002	23
			U008_S005	23
			U008_S008	23
			U008_S011	23
D0742503	GEAR:IDLER:31Z:LEFT	4	U008_S002	24
			U008_S005	24
			U008_S008	24
			U008_S011	24
D0744300	SPRING PLATE:CLEANING UNIT:FUSING	1	U014_S005	127
D0744333	ROLLER:PLATE	1	U014_S005	129
D0746158	ROLLER:INTERMEDIATE TRANSFER:ASS'Y	4	U009	42
D0746424	BLADE:CLEANING:BELT CLEANING:ASS'Y	1	U010_S001	16
D0746446	BRUSH:APPLY:BELT CLEANING	1	U010_S001	17
D0746450	COATING BAR:ASS'Y	1	U010_S001	18
D0746457	BLADE:APPLY:ASS'Y	1	U010_S001	19
D1361208	GEAR:INTERMEDIATE TRANSFER:ASS'Y	1	U009	46
D1362365	CLEANING BLADE:ASS'Y	4	U008_S002	46
			U008_S005	46
			U008_S008	46
			U008_S011	46
D1362368	SEAL:CLEANING BLADE:FRONT	4	U008_S002	47
			U008_S005	47
			U008_S008	47
			U008_S011	47
D1362369	SEAL:CLEANING BLADE:REAR	4	U008_S002	48
			U008_S005	48
			U008_S008	48
			U008_S011	48
D1362401	DRUM LUBRICANT SUPPLY ROLLER:ASS'Y	4	U008_S002	50
			U008_S005	50

Number	Part Name	Num	Group	ID
			U008_S008	50
			U008_S011	50
D1362408	GEAR:24Z:RIGHT	4	U008_S002	53
			U008_S005	53
			U008_S008	53
			U008_S011	53
D1362411	COATING BAR:ASS'Y	4	U008_S002	54
			U008_S005	54
			U008_S008	54
			U008_S011	54
D1362441	BLADE:APPLY:ASS'Y	4	U008_S002	60
			U008_S005	60
			U008_S008	60
			U008_S011	60
D1362446	SEAL:BLADE:APPLY:FRONT	4	U008_S002	61
			U008_S005	61
			U008_S008	61
			U008_S011	61
D1362447	SEAL:BLADE:APPLY:REAR	4	U008_S002	62
			U008_S005	62
			U008_S008	62
			U008_S011	62
D1362461	GEAR:18Z:RIGHT	8	U008_S002	65
			U008_S005	65
			U008_S008	65
			U008_S011	65
D1362462	GEAR:IDLER:19Z:LEFT	4	U008_S002	66
			U008_S005	66
			U008_S008	66
			U008_S011	66
D1363431	FILTER:DEVELOPMENT	4	U008_S001	69
			U008_S004	69
			U008_S007	69
			U008_S010	69
D1363505	COLLECTION BOTTLE:ASS'Y	1	U012_S005	26
D1366090	FLAT BELT-TRANSFER:ASS'Y	1	U009	60
D1366186	ROLLER:OPPOSED:PAPER:	1	U009	104

## PM Part List

Number	Part Name	Num	Group	ID
	ASS'Y			
D1366240	TRANSFER ROLLER:ASS'Y	1	U011_S001_S001	14
D1366917	FILTER:DEVELOPMENT:EXH AUST:SMALL:ASS'Y	1	U019	67
D1366935	FILTER:DEVELOPMENT:EXH AUST:LARGE	1	U019	78
D1366938	OZONE FILTER:SMALL	1	U019	79
D1366953	DEODORIZE FILTER:LARGE	1	U019	88
D1366956	DEODORIZE FILTER:SMALL	1	U019	90
D1369640	DEVELOPER BLACK	1	U008	83
D1369660	DEVELOPER CYAN	1	U008	84
D1369670	DEVELOPER MAGENTA	1	U008	85
D1369680	DEVELOPER YELLOW	1	U008	86
D1382204	CHARGE UNIT:PRO:ASS'Y	4	U008_S003	89
			U008_S006	89
			U008_S009	89
			U008_S012	89
D1384058	WEB:CLEANING UNIT:ASS'Y	1	U014_S005	203
D1384063	ROLLER:POLISH:FLAT BELT- FUSING:SUB-ASS'Y	1	U014_S006	204
D1384181	FUSING BELT:DIA75:PRO	1	U014_S004	246
D5412121	PAPER FEED BELT	1	U003_S001_S011	86
D5412241	REVERSE ROLLER:PAPER F EED	1	U003_S001	87
D6832228	PICKUP ROLLER	1	U003_S001_S011	146



## Design Change List

Number	Title	Set	Old Part		New Part		Index No.		Q'ty	Interchg		Reason	Cut-in S/N
			P/N	Name	P/N	Name	Group	ID		Indiv.	Set		
201308-03	1308 Modification	-			D1366041	SEAL:FIX:HARNESS:DENSITY SENSOR	U009_S008	120	1				D13717:
201308-04	1308 Modification	-			D1366180	DENSITY SENSOR:ASS'Y	U009_S008	121	1				D13717:
201308-05	1308 Modification	-	D1356736	DECAL:SIZE INDICATION:END FENCE	D1366748	DECAL:SIZE INDICATION:END FENCE:FRONT	U006_S015	146	1	X/O			D13717:
201308-06	1308 Modification	-			D1366749	DECAL:SIZE INDICATION:END FENCE:REAR	U006_S015	386	1				D13717:
201309-01	1309 Modification	-			D1361545	STAY:DRUM STAY:FRONT LEFT							D13717:
201309-02	1309 Modification	-	D1361545	STAY:DRUM STAY:FRONT LEFT	D1381545	STAY:DRUM STAY:FRONT LEFT	U020	87	1				D13717:
201309-06	1309 Modification	A			D1356040	HOLDER:ROLLER:OPPOSED:BELT CLEANING	U009	119	1				D13717:
201309-07	1309 Modification	A	D1362603	REGISTRATION ROLLER:DRIVEN	D1362608	REGISTRATION ROLLER:DRIVEN	U006	178	1	X/X			D13717:
201309-08	1309 Modification	A			D1361567	SUPPORTING PLATE:PULL OUT:REAR RIGHT	U020	86	1				D13717:
201309-09	1309 Modification	-	D1383021	TONER SUPPLY UNIT:MAIN:ASS'Y	D1383023	TONER SUPPLY UNIT:MAIN:ASS'Y	U007_S001	92	1	X/O			D13717:
201309-10	1309 Modification	-	D1363311	TONER SUPPLY UNIT:ASS'Y	D1363305	TONER SUPPLY UNIT:ASS'Y	U007_S001_S001	62	1	X/O			D13717:
			D1363311	TONER SUPPLY UNIT:ASS'Y	D1363305	TONER SUPPLY UNIT:ASS'Y	U007_S001_S002	62	1	X/O			
			D1363311	TONER SUPPLY	D1363305	TONER SUPPLY	U007_S001	62	1	X/O			

## Design Change List

Number	Title	Set	Old Part		New Part		Index No.		Q'ty	Interchg		Reason	Cut-in S/N
			P/N	Name	P/N	Name	Group	ID		Indiv.	Set		
		-		UNIT:ASS'Y		UNIT:ASS'Y	_S003						
			D1363311	TONER SUPPLY UNIT:ASS'Y	D1363305	TONER SUPPLY UNIT:ASS'Y	U007_S001 _S004	62	1	X/O			
201309-11	1309 Modification	-	D1365130	PCB:TSB:ASS'Y	D1365135	PCB:TSB:ASS'Y	U007_S001	82	1	X/O			D13717:
201309-12	1309 Modification	-	D1364603	SHAFT:ROLLER: DRIVEN:DUPLEX			U016_S002	58	1	X/O			D13717:
			D1364603	SHAFT:ROLLER: DRIVEN:DUPLEX			U016_S003	58	1	X/O			
			D1364603	SHAFT:ROLLER: DRIVEN:DUPLEX			U016_S004	58	1	X/O			
			D1364603	SHAFT:ROLLER: DRIVEN:DUPLEX			U016_S005	58	1	X/O			
201309-13	1309 Modification	-	D1364604	ROLLER:DRIVEN :DUPLEX			U016_S002	59	1	X/O			D13717:
			D1364604	ROLLER:DRIVEN :DUPLEX			U016_S002	59	1	X/O			
			D1364604	ROLLER:DRIVEN :DUPLEX			U016_S003	59	1	X/O			
			D1364604	ROLLER:DRIVEN :DUPLEX			U016_S003	59	1	X/O			
			D1364604	ROLLER:DRIVEN :DUPLEX			U016_S004	59	1	X/O			
			D1364604	ROLLER:DRIVEN :DUPLEX			U016_S004	59	1	X/O			
			D1364604	ROLLER:DRIVEN :DUPLEX			U016_S005	59	1	X/O			
			D1364604	ROLLER:DRIVEN :DUPLEX			U016_S005	59	1	X/O			
201309-14	1309 Modification	-			D1356747	SHEET:GUIDE:F EELER:PAPER E	U006_S015	384	1				D13717:

## Design Change List

Number	Title	Set	Old Part		New Part		Index No.		Q'ty	Interchg		Reason	Cut-in S/N
			P/N	Name	P/N	Name	Group	ID		Indiv.	Set		
		-				ND							
					D1356747	SHEET:GUIDE:FEELER:PAPER END	U006_S016	384	1				
201309-15	1309 Modification	-			D1367100	GUIDE PLATE:EXIT:LEFT UPPER:ASS'Y	U015_S001_S007	148	1	O/O			D13717:
201309-16	1309 Modification	-			D1367110	GUIDE PLATE:EXIT:LEFT LOWER:ASS'Y	U015_S001_S009	149	1	O/O			D13717:
201309-17	1309 Modification	-			D1355921	STOPPER:POWER SUPPLY CORD				X/O			D13717:
201309-18	1309 Modification	-	D1355921	STOPPER:POWER SUPPLY CORD	D1355930	STOPPER:POWER SUPPLY CORD	ACCESSORIES	7	1	X/O			D13717:
201310-01	1310 Modification	-			D1357512	GUIDE PLATE:END FENCE:TANDEM LCT	U006	385	1				D13717:
201310-02	1310 Modification	-			D1381579	LEVER:PULL OUT	U001	101	1	X/O			D13717:
201310-03	1310 Modification	-	D1366293	GROUND PLATE:TRANSFER/SEPARATION UNIT:RIGHT			U011_S001	26	1	X/O			D13717:
201310-04	1310 Modification	-	D1366292	GROUND PLATE:TRANSFER/SEPARATION UNIT:LOWER			U011_S001	25	1	X/O			D13717:
201310-05	1310 Modification	A	D1363287	STOPPER:SLIDE RAIL:RIGHT			U007	101	1	X/O			D13717:
201310-06	1310 Modification	A	D1363288	STOPPER:SLIDE			U007	102	1	X/O			D13717:

## Design Change List

Number	Title	Set	Old Part		New Part		Index No.		Q'ty	Interchg		Reason	Cut-in S/N
			P/N	Name	P/N	Name	Group	ID		Indiv.	Set		
				RAIL:LEFT									
201310-07	1310 Modification	A	D1363289	SPRING PLATE:STOPPER:SLIDE RAIL			U007	103	1	X/O			D13717:
			D1363289	SPRING PLATE:STOPPER:SLIDE RAIL			U007	103	1	X/O			
201310-08	1310 Modification	-	D1366041	SEAL:FIX:HARNESS:DENSITY SENSOR			U009_S008		1				D13717:
201310-09	1310 Modification	-	D1355930	STOPPER:POWER SUPPLY CORD			ACCESSORIES	7	1				D13717:
			D1355930	STOPPER:POWER SUPPLY CORD			ACCESSORIES	7	1				

