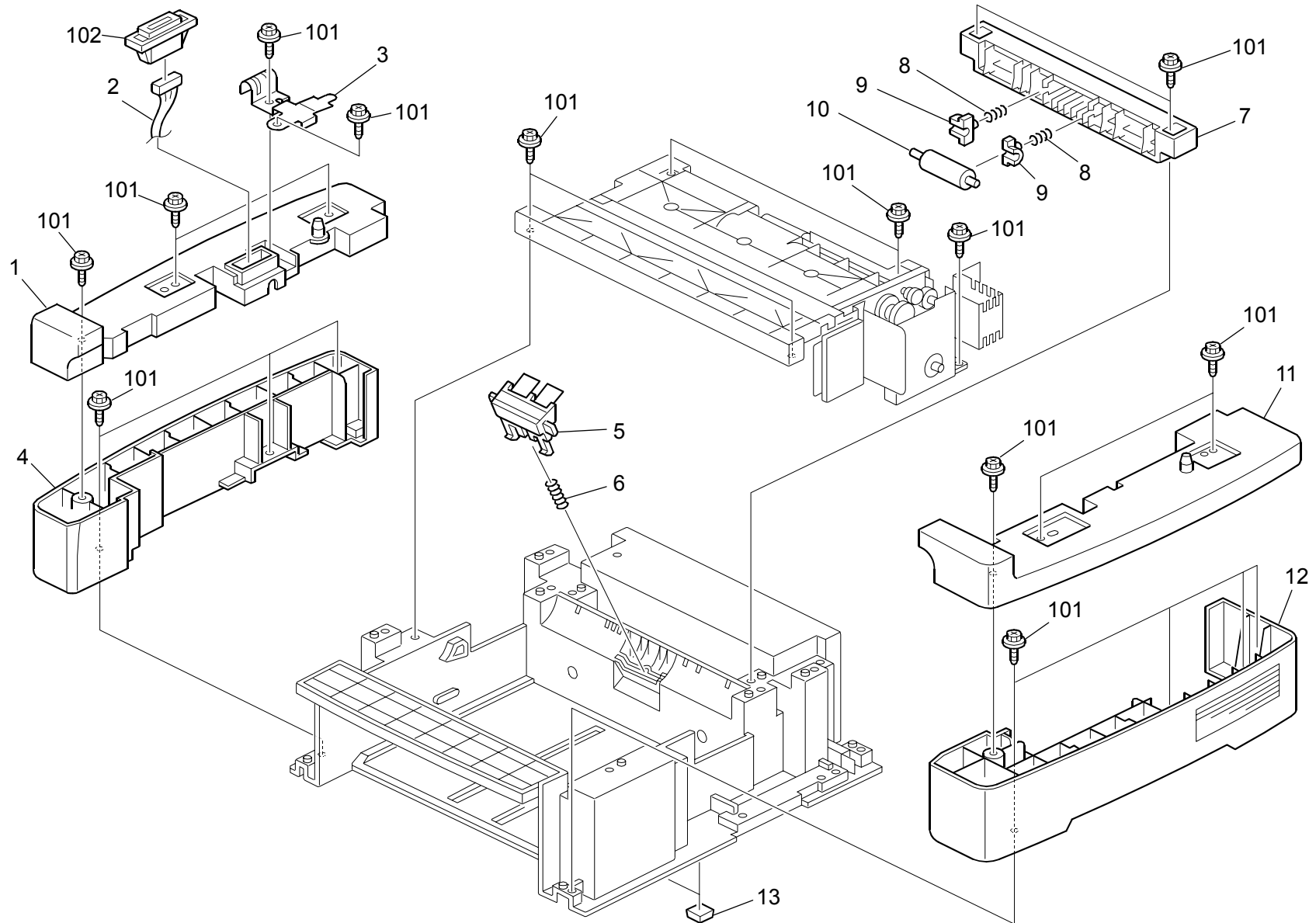


**Paper Feed Unit TK2000  
(J509)  
PARTS LOCATION AND LIST**



This section instructs you as to the numbers and names of parts on this machine.

# 1.Paper Feed Unit 1 (J509)

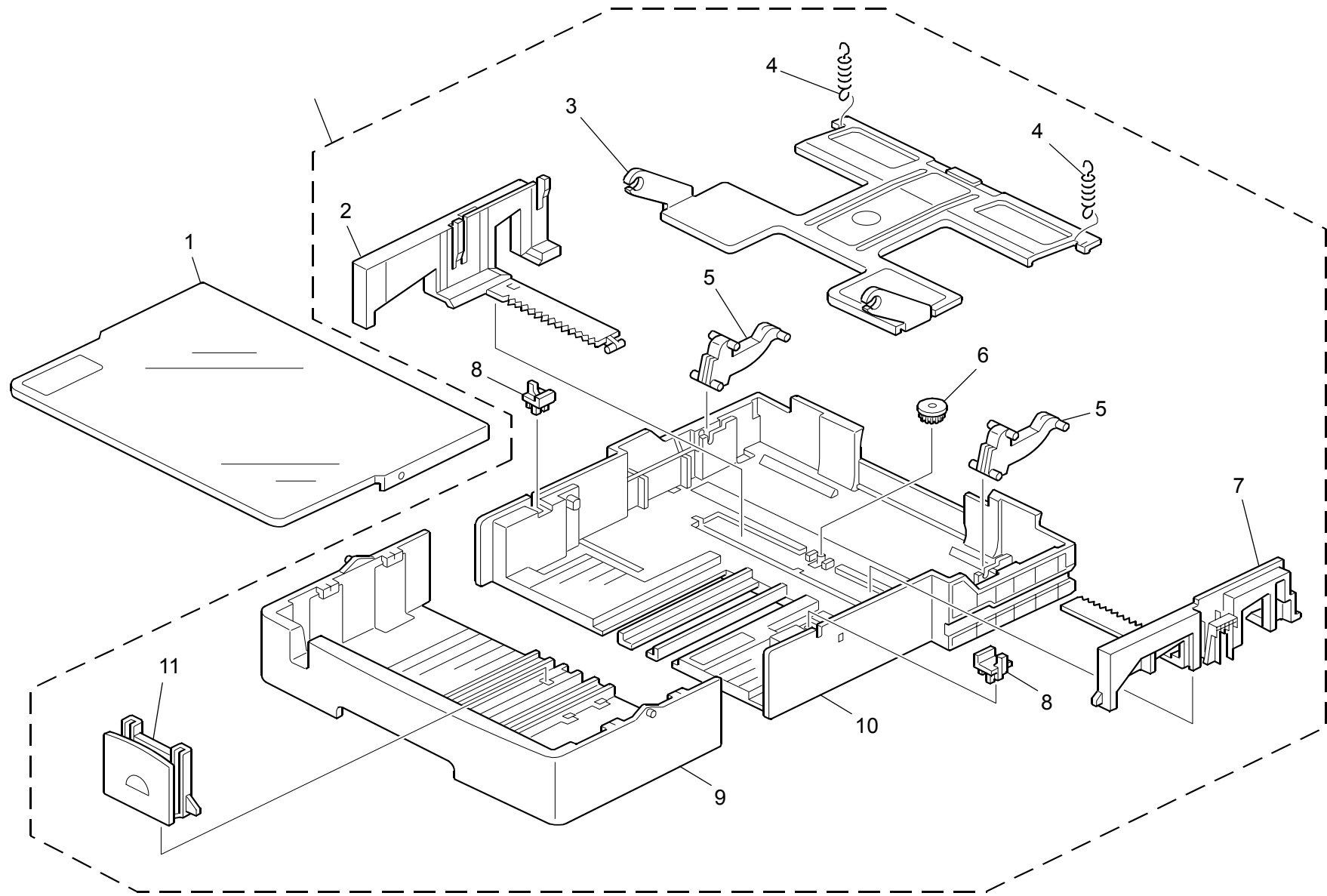


## 1.Paper Feed Unit 1 (J509)

Index No.	Part No.	Description	Q'ty Per Assembly
1	J509 1082	Cover:Frame:Left Upper	1
2	J506 5300	Harness:I/F:Ass'y	1
3	J506 1099	Ground Plate:Safety	1
4	J509 1084	Cover:Frame:Left Lower	1
5	J503 3250	Friction Pad:Ass'y	1
6	G800 3147	Pressure Spring - 2.8N	1
7	J509 3210	Inner Cover:Vertical Transport:C1	1
8	J502 3220	Compression Spring:Vertical Transport:6N	2
9	AA08 0249	Bushing - Vertical Transport	2
10	AF02 2118	Pull Out Roller - Option Tray	1
11	J509 1083	Cover:Frame:Right Upper	1
12	J509 1085	Cover:Frame:Right Lower	1
13	G555 1057	Rubber Foot	2

Index No.	Part No.	Description	Q'ty Per Assembly
101	0450 3008N	Tapping Screw - M3x8	
102	1103 3780	Connector:04RH178-3122	

## 2.Paper Feed Unit 2 (J509)

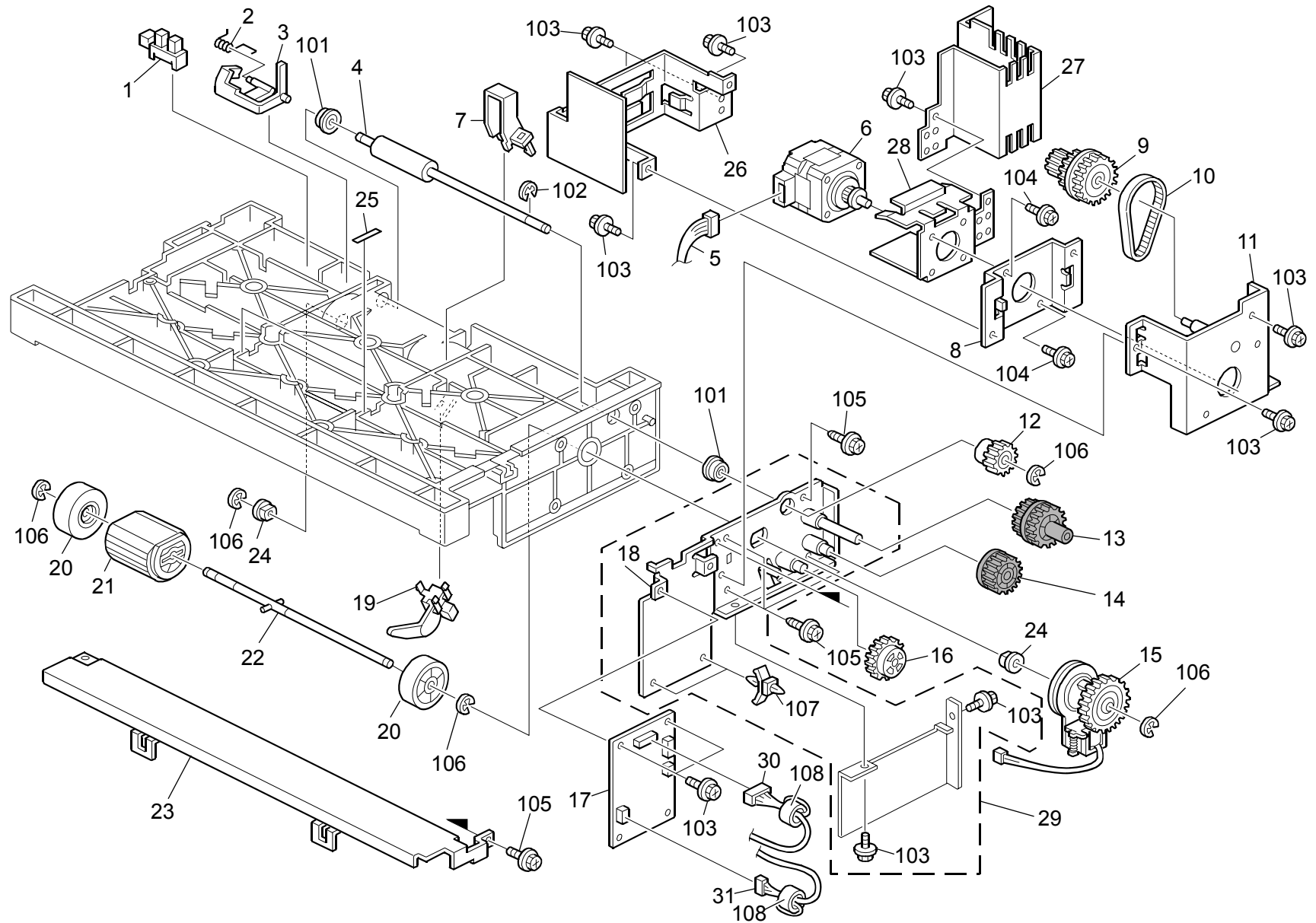


## 2.Paper Feed Unit 2 (J509)

Index No.	Part No.	Description	Q'ty Per Assembly
*	J509 3505	Paper Tray:C1:Ass'y	1
1	J509 3540	Cover:Cassette:C1:Ass'y	1
2	J506 3058	Side Fence:Left	1
3	J506 3070	Base Plate:Mustard:Ass'y	1
4	J506 3049	Tension Spring:Paper Feed	2
5	J506 3056	Arm:Base Plate	2
6	G800 3133	Side Fence Gear	1
7	J506 3057	Side Fence:Right	1
8	J506 3066	Protection:Cassette:Paper Bank:Pie-P1	2
9	J504 3075	End Fence:Ass'y	1
10	J509 3511	Paper Tray:C1:Ass'y	1
11	J509 3075	End Fence:C1:Ass'y	1

Index No.	Part No.	Description	Q'ty Per Assembly

### 3.Paper Feed Unit 3 (J509)





### 3.Paper Feed Unit 3 (J509)

Index No.	Part No.	Description	Q'ty Per Assembly
1	AW02 0156	Photointerruptor:EE-SX4235A-P2	1
2	G555 3127	Feeler Spring	1
3	J506 3030	Feeler:Transport Sensor	1
4	J506 3006	Transport Roller	1
5	J506 5320	Harness:Motor:Ass'y	1
6	J506 7000	Stepper Motor DC4.29V	1
7	J506 3041	Plate:Pe-sw	1
8	J506 3016	Bracket:Motor	1
9	J506 3026	Pulley:48t:Gear:Z21	1
10	AA04 3976	Timing Belt:40S2M142	1
11	J506 3020	Bracket:Drive Sub-unit:Front:Peen	1
12	J502 3118	Gear:Roller Clutch	1
13	J506 3028	Gear:17Z:29Z	1
14	J502 3116	Gear:20Z	1
15	J007 3016	Spring Clutch:Feed	1
16	J502 3115	Gear:Paper Feed:Z21	1
17	J506 5100	PCB Main	1
18	J506 3010	Bracket:Drive Sub-unit:Inner Back:Peen	1
19	J506 3048	Paper End Sensor	1
20	J502 3013	Pressure Roller:Separation:Paper Bank	2
21	J502 3010	Paper Feed Roller	1
22	J506 3004	Shaft:Paper Feed Roller:Ass'y	1
23	J506 3001	Cover:Harness	1
24	AA08 2116	Bushing - M8	2
25	J506 3040	Sheet:Plate:Harness:I/F	1
26	J506 3027	Heat Sink:Rear:Motor	1
27	J506 3031	Heat Sink:Side:Motor	1
28	J506 3029	Heat Sink:Front:Motor	1
29	J506 3009	Bracket:Drive Sub-unit:Inner Back:Ass'y	1
30	J506 5300	Harness:I/F:Ass'y	1
31	J506 5310	Harness:Sensor:Ass'y	1

Index No.	Part No.	Description	Q'ty Per Assembly
101	0741 3706	Ball Bearing - 6x10x3	
102	0720 0040E	Retaining Ring - M4	
103	0451 3006N	Tapping Screw - 3x6	
104	0360 3006N	Screw - M3x6	
105	0450 3008N	Tapping Screw - M3x8	
106	0720 0060E	Retaining Ring - M6	
107	1105 0192	Locking Support	
108	1607 1535	Ferrite Core:F18T 14.5x8x10	



**Paper Feed Unit TK2000  
(J509)  
PARTS INDEX**



This section instructs you as to the numbers and names of parts on this machine.

## Parts Index

Part No.	Description	Page and Index No.
J509 1082	Cover:Frame:Left Upper	3 - 1
J509 1083	Cover:Frame:Right Upper	3 - 11
J509 1084	Cover:Frame:Left Lower	3 - 4
J509 1085	Cover:Frame:Right Lower	3 - 12
J509 3075	End Fence:C1:Ass'y	5 - 11
J509 3210	Inner Cover:Vertical Transport:C1	3 - 7
J509 3505	Paper Tray:C1:Ass'y	5 - *
J509 3511	Paper Tray:C1:Ass'y	5 - 10
J509 3540	Cover:Cassette:C1:Ass'y	5 - 1

Part No.	Description	Page and Index No.
G555 1057	Rubber Foot	3 - 13
G555 3127	Feeler Spring	7 - 2
G800 3133	Side Fence Gear	5 - 6
G800 3147	Pressure Spring - 2.8N	3 - 6
J007 3016	Spring Clutch:Feed	7 - 15
J502 3010	Paper Feed Roller	7 - 21
J502 3013	Pressure Roller:Separation:Paper Bank	7 - 20
J502 3115	Gear:Paper Feed:Z21	7 - 16
J502 3116	Gear:20Z	7 - 14
J502 3118	Gear:Roller Clutch	7 - 12
J502 3220	Compression Spring:Vertical Transport:6N	3 - 8
J503 3250	Friction Pad:Ass'y	3 - 5
J504 3075	End Fence:Ass'y	5 - 9
J506 1099	Ground Plate:Safety	3 - 3
J506 3001	Cover:Harness	7 - 23
J506 3004	Shaft:Paper Feed Roller:Ass'y	7 - 22
J506 3006	Transport Roller	7 - 4
J506 3009	Bracket:Drive Sub-unit:Inner Back:Ass'y	7 - 29
J506 3010	Bracket:Drive Sub-unit:Inner Back:Peen	7 - 18
J506 3016	Bracket:Motor	7 - 8
J506 3020	Bracket:Drive Sub-unit:Front:Peen	7 - 11
J506 3026	Pulley:48t:Gear:Z21	7 - 9
J506 3027	Heat Sink:Rear:Motor	7 - 26
J506 3028	Gear:17Z:29Z	7 - 13
J506 3029	Heat Sink:Front:Motor	7 - 28
J506 3030	Feeler:Transport Sensor	7 - 3
J506 3031	Heat Sink:Side:Motor	7 - 27
J506 3040	Sheet:Plate:Harness:I/F	7 - 25
J506 3041	Plate:Pe-sw	7 - 7
J506 3048	Paper End Sensor	7 - 19
J506 3049	Tension Spring:Paper Feed	5 - 4
J506 3056	Arm:Base Plate	5 - 5
J506 3057	Side Fence:Right	5 - 7
J506 3058	Side Fence:Left	5 - 2
J506 3066	Protection:Cassette:Paper Bank:Pie-P1	5 - 8

Part No.	Description	Page and Index No.
J506 3070	Base Plate:Mustard:Ass'y	5 - 3
J506 5100	PCB Main	7 - 17
J506 5300	Harness:I/F:Ass'y	7 - 30
J506 5300	Harness:I/F:Ass'y	3 - 2
J506 5310	Harness:Sensor:Ass'y	7 - 31
J506 5320	Harness:Motor:Ass'y	7 - 5
J506 7000	Stepper Motor DC4.29V	7 - 6

Part No.	Description	Page and Index No.
AA04 3976	Timing Belt:40S2M142	7 - 10
AA08 0249	Bushing - Vertical Transport	3 - 9
AA08 2116	Bushing - M8	7 - 24
AF02 2118	Pull Out Roller - Option Tray	3 - 10
AW02 0156	Photointerruptor:EE-SX4235A-P2	7 - 1

Part No.	Description	Page and Index No.
0360 3006N	Screw - M3x6	7 - 104
0450 3008N	Tapping Screw - M3x8	3 - 101
0450 3008N	Tapping Screw - M3x8	7 - 105
0451 3006N	Tapping Screw - 3x6	7 - 103
0720 0040E	Retaining Ring - M4	7 - 102
0720 0060E	Retaining Ring - M6	7 - 106
0741 3706	Ball Bearing - 6x10x3	7 - 101
1103 3780	Connector:04RH178-3122	3 - 102
1105 0192	Locking Support	7 - 107
1607 1535	Ferrite Core:F18T 14.5x8x10	7 - 108

Part No.	Description	Page and Index No.
----------	-------------	--------------------



