

Paper Feed Unit TK1010 (G849)

Paper Feed Unit TK1010 (G849)

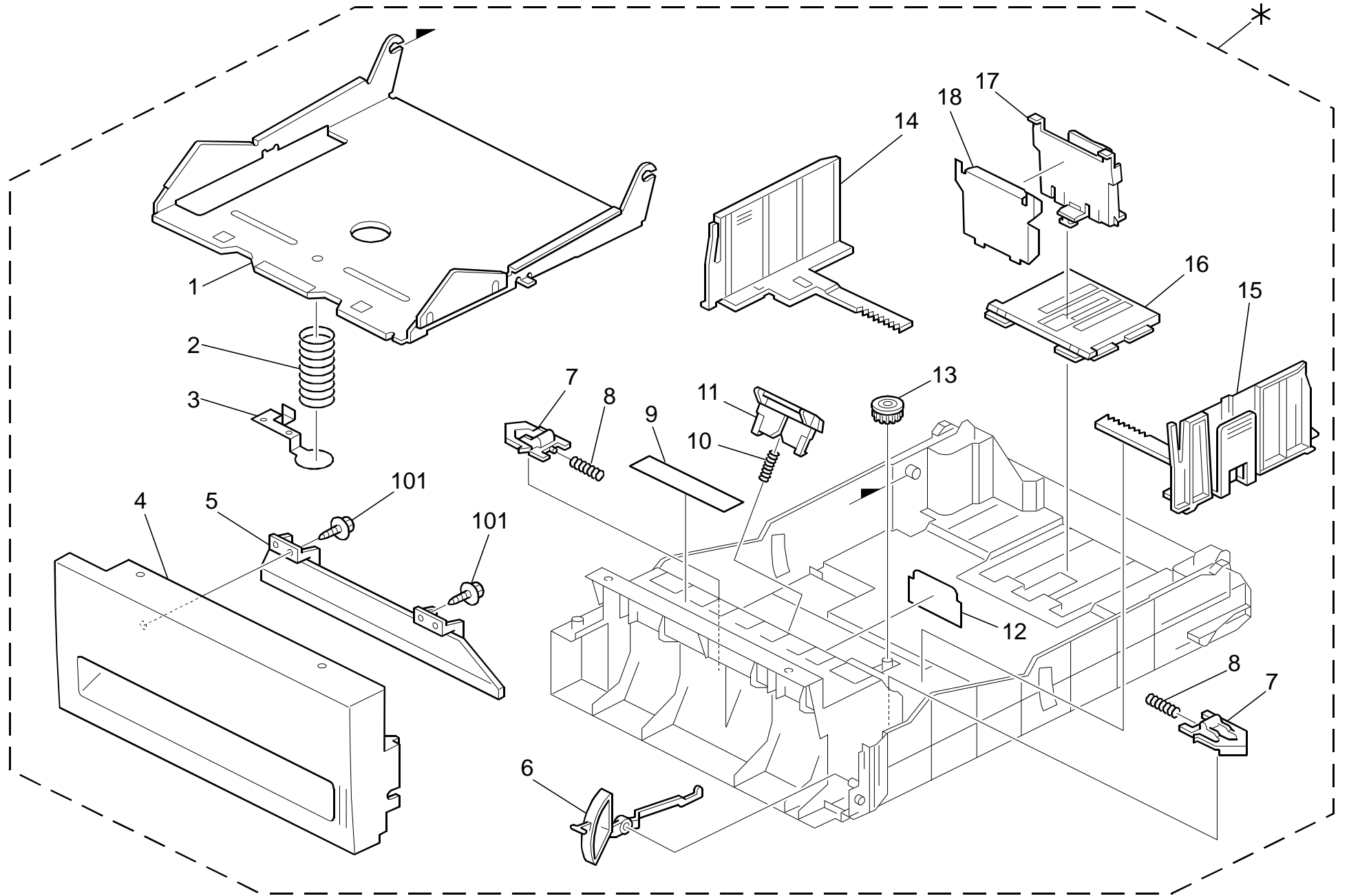
PARTS CATALOG

This catalog gives the numbers and names of parts on this machine.

1.Paper Tray (G849).....	2
2.Paper Feed Drive (G849)	4
3.Frame Section (G849)	6
Parts Index.....	10

October ,12 ' 2007

1. Paper Tray (G849)

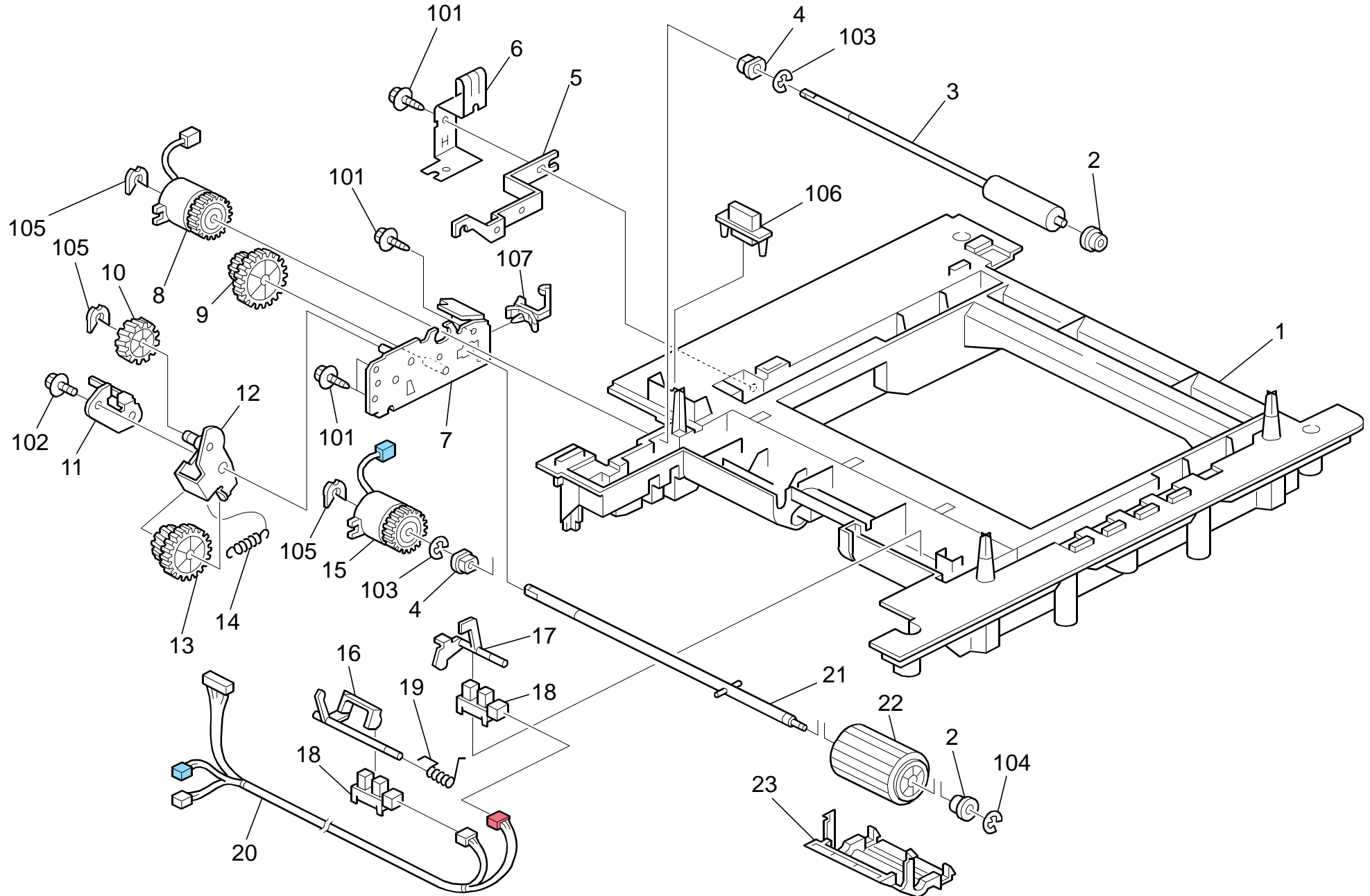


1.Paper Tray (G849)

Index No.	Part No.	Description	Q'ty Per Assembly
*	G849 3027	Paper Tray Unit	1
1	G849 2818	Tray Bottom Plate	1
2	G849 3104	Compression Spring - Paper Feed	1
3	G849 3125	Grounding Plate	1
4	G849 3052	Paper Tray Cover	1
5	G849 3065	Plate	1
6	G849 1141	Paper Volume Indicator	1
7	G849 3117	Stopper - Tray Bottom Plate	2
8	C409 3118	Compression Spring	2
9	G166 2593	Cautiondecal - Inkjet Paper	1
10	G849 3147	Compression Spring - Separation	1
11	G849 3135	Friction Pad:Adhesion	1
12	G849 2833	Sheet - Frction Pad Holder	1
13	G800 3133	Side Fence Gear	1
14	G849 3055	Left Side Fence	1
15	G849 3056	Right Side Fence	1
16	G849 3060	Plate - End Fence	1
17	G849 2565	End Fence	1
18	G849 2566	End Fence Sheet	1

Index No.	Part No.	Description	Q'ty Per Assembly
101	0450 3008N	Tapping Screw - M3x8	

2.Paper Feed Drive (G849)



2.Paper Feed Drive (G849)

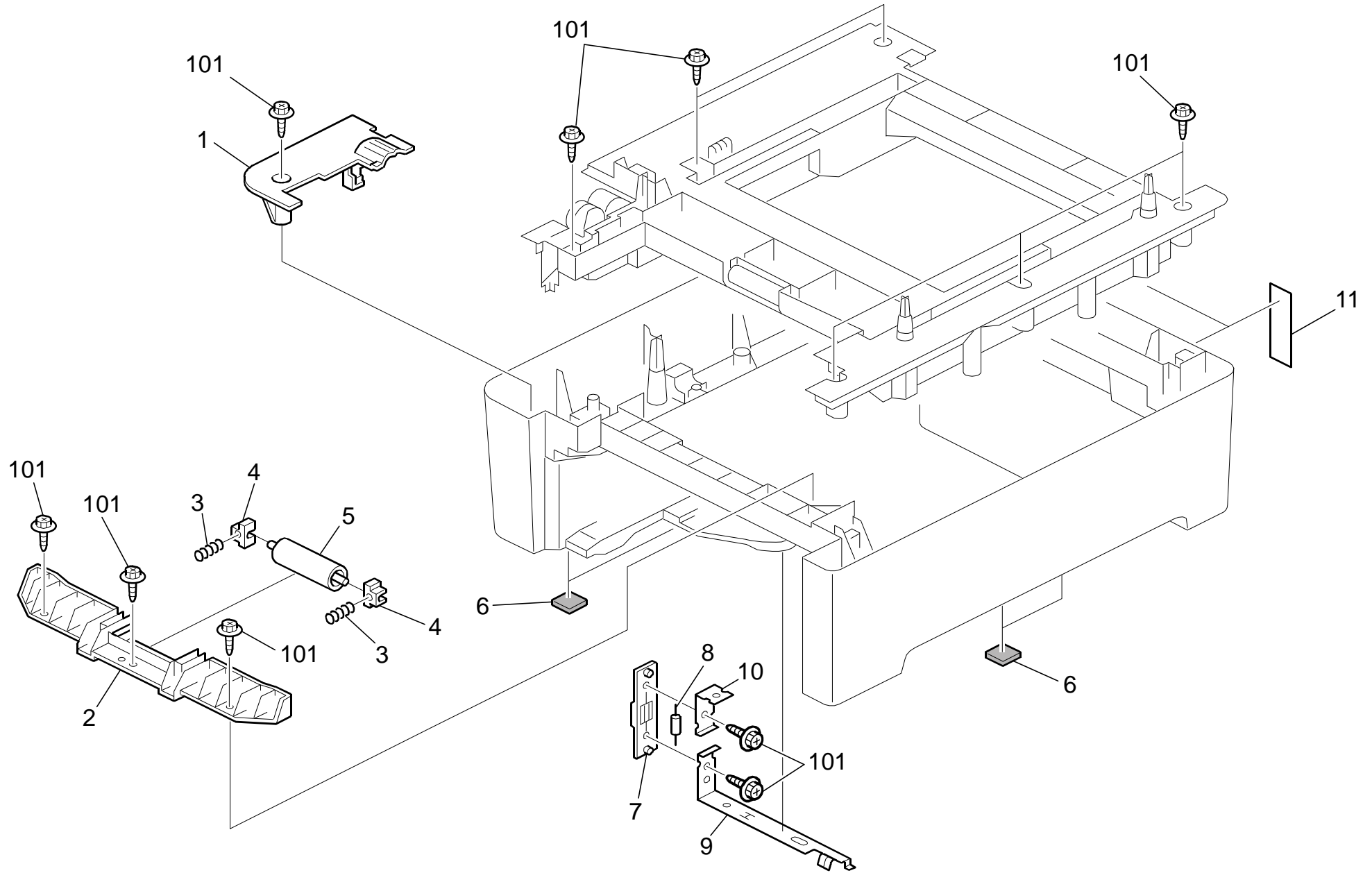
Index No.	Part No.	Description	Q'ty Per Assembly
1	G849 3111	Housing - Paper Feed Unit	1
2	AA08 0252	Bushing - M4	2
3	G849 3114	Drive Roller - Middle	1
4	AA08 2118	Bushing - M6	2
5	G849 3129	Grounding Plate - Middle	1
6	G849 3128	Grounding Plate - Upper	1
7	G849 1121	Gear Bracket	1
8	AX20 2010	Magnetic Clutch - Transport Roller	1
9	G849 1116	Gear - 38/20Z	1
10	G849 1106	Gear - 29Z	1
11	G849 1132	Gear Holder	1
12	G849 1107	Gear Bracket	1
13	G849 1115	Gear - 20/37Z	1
14	G849 1110	Tension Spring	1
15	AX20 2011	Magnetic Clutch - Paper Feed Roller	1
16	G849 3119	Feeler - Transport Sensor	1
17	G849 3120	Feeler - Paper End Sensor	1
18	AW02 0145	Photointerruptor:Flat	2
19	G555 3127	Feeler Spring	1
20	G849 5300	Interface Harness	1
21	G849 3112	Shaft - Paper Feed	1
22	AF03 1061	Paper Feed Roller	1
23	G849 3115	Cover - Paper Feed Roller	1



Index No.	Part No.	Description	Q'ty Per Assembly
101	0450 3008N	Tapping Screw - M3x8	
102	0451 3006N	Tapping Screw - 3x6	
103	0720 0040E	Retaining Ring - M4	
104	0720 0030E	Retaining Ring - M3	
105	0805 0089	Retaining Ring - M4	
106	1103 3944	Connector - 10R	
107	1105 0511	Harness Clamp - LWS-0306ZC	



3.Frame Section (G849)



3.Frame Section (G849)

Index No.	Part No.	Description	Q'ty Per Assembly
1	G849 1053	Left Upper Cover	1
2	G849 1063	Guide Plate - Transport	1
3	G363 3129	Compression Spring 7N	2
4	AA08 0249	Bushing - Vertical Transport	2
5	AF02 2118	Pull Out Roller - Option Tray	1
6	G102 1042	Rubber Foot:Frame	4
7	G849 3134	Grounding Plate	1
8	G166 3993	Resistor - 100M Ω \pm 10% 0.5W	1
9	G849 3133	Lower Grounding Plate	1
10	G849 3132	Upper Grounding Plate	1
11	G849 3130	Raer Seal	2

Index No.	Part No.	Description	Q'ty Per Assembly
101	0450 3008N	Tapping Screw - M3x8	

Parts Index

Parts Index

Part No.	Description	Page and Index No.
G849 1053	Left Upper Cover	7 - 1
G849 1063	Guide Plate - Transport	7 - 2
G849 1106	Gear - 29Z	5 - 10
G849 1107	Gear Bracket	5 - 12
G849 1110	Tension Spring	5 - 14
G849 1115	Gear - 20/37Z	5 - 13
G849 1116	Gear - 38/20Z	5 - 9
G849 1121	Gear Bracket	5 - 7
G849 1132	Gear Holder	5 - 11
G849 1141	Paper Volume Indicator	3 - 6
G849 2565	End Fence	3 - 17
G849 2566	End Fence Sheet	3 - 18
G849 2818	Tray Bottom Plate	3 - 1
G849 2833	Sheet - Frction Pad Holder	3 - 12
G849 3027	Paper Tray Unit	3 - *
G849 3052	Paper Tray Cover	3 - 4
G849 3055	Left Side Fence	3 - 14
G849 3056	Right Side Fence	3 - 15
G849 3060	Plate - End Fence	3 - 16
G849 3065	Plate	3 - 5
G849 3104	Compression Spring - Paper Feed	3 - 2
G849 3111	Housing - Paper Feed Unit	5 - 1
G849 3112	Shaft - Paper Feed	5 - 21
G849 3114	Drive Roller - Middle	5 - 3
G849 3115	Cover - Paper Feed Roller	5 - 23
G849 3117	Stopper - Tray Bottom Plate	3 - 7
G849 3119	Feeler - Transport Sensor	5 - 16
G849 3120	Feeler - Paper End Sensor	5 - 17
G849 3125	Grounding Plate	3 - 3
G849 3128	Grounding Plate - Upper	5 - 6
G849 3129	Grounding Plate - Middle	5 - 5
G849 3130	Raer Seal	7 - 11
G849 3132	Upper Grounding Plate	7 - 10
G849 3133	Lower Grounding Plate	7 - 9
G849 3134	Grounding Plate	7 - 7

Part No.	Description	Page and Index No.
G849 3135	Friction Pad:Adhesion	3 - 11
G849 3147	Compression Spring - Separation	3 - 10
G849 5300	Interface Harness	5 - 20

Part No.	Description	Page and Index No.
C409 3118	Compression Spring	3 - 8
G102 1042	Rubber Foot:Frame	7 - 6
G166 2593	Cautiondecal - Inkjet Paper	3 - 9
G166 3993	Resistor - 100M Ω \pm 10% 0.5W	7 - 8
G363 3129	Compression Spring 7N	7 - 3
G555 3127	Feeler Spring	5 - 19
G800 3133	Side Fence Gear	3 - 13

Part No.	Description	Page and Index No.
AA08 0249	Bushing - Vertical Transport	7 - 4
AA08 0252	Bushing - M4	5 - 2
AA08 2118	Bushing - M6	5 - 4
AF02 2118	Pull Out Roller - Option Tray	7 - 5
AF03 1061	Paper Feed Roller	5 - 22
AW02 0145	Photointerruptor:Flat	5 - 18
AX20 2010	Magnetic Clutch - Transport Roller	5 - 8
AX20 2011	Magnetic Clutch - Paper Feed Roller	5 - 15

Part No.	Description	Page and Index No.
0450 3008N	Tapping Screw - M3x8	3 - 101
0450 3008N	Tapping Screw - M3x8	5 - 101
0450 3008N	Tapping Screw - M3x8	7 - 101
0451 3006N	Tapping Screw - 3x6	5 - 102
0720 0030E	Retaining Ring - M3	5 - 104
0720 0040E	Retaining Ring - M4	5 - 103
0805 0089	Retaining Ring - M4	5 - 105
1103 3944	Connector - 10R	5 - 106
1105 0511	Harness Clamp - LWS-0306ZC	5 - 107

Part No.	Description	Page and Index No.