

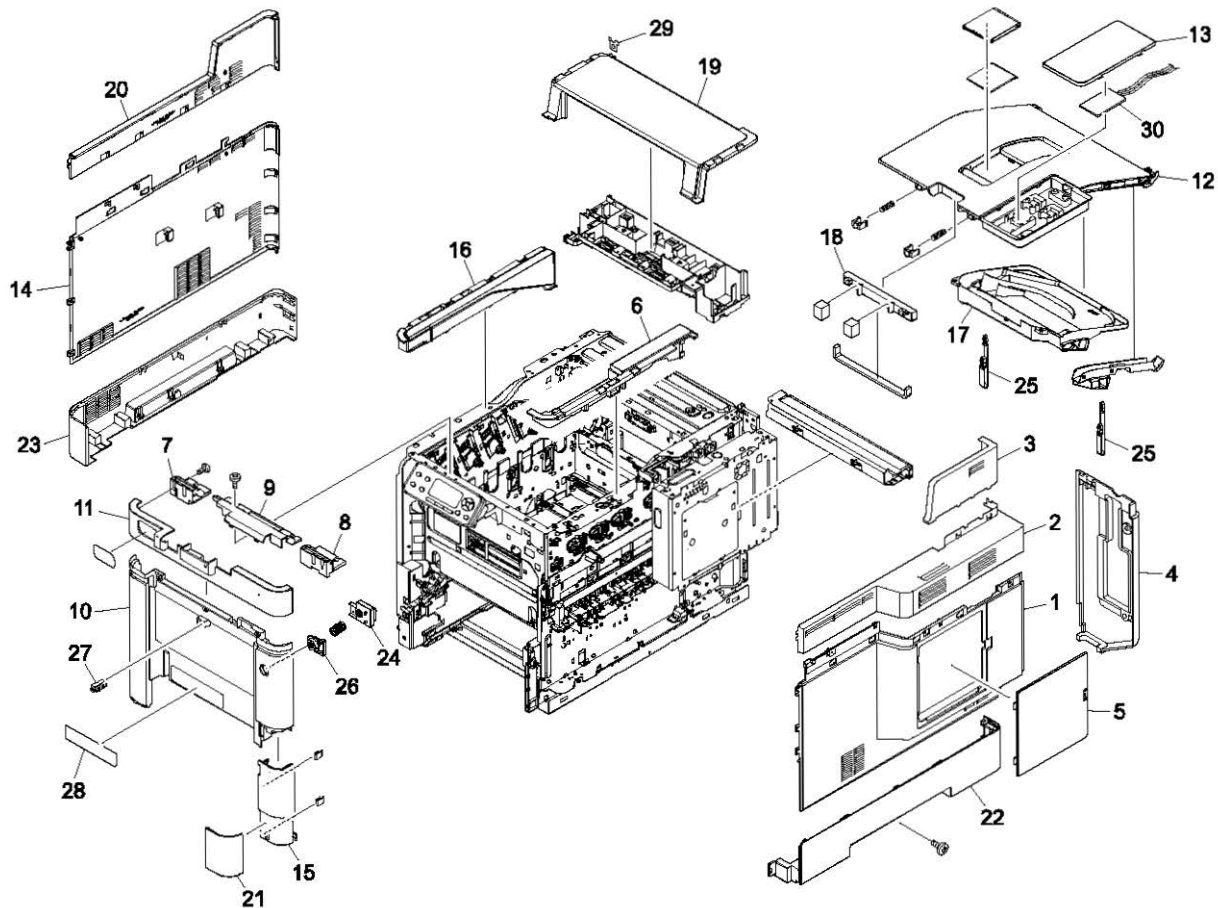
P C600

PARTS CATALOG

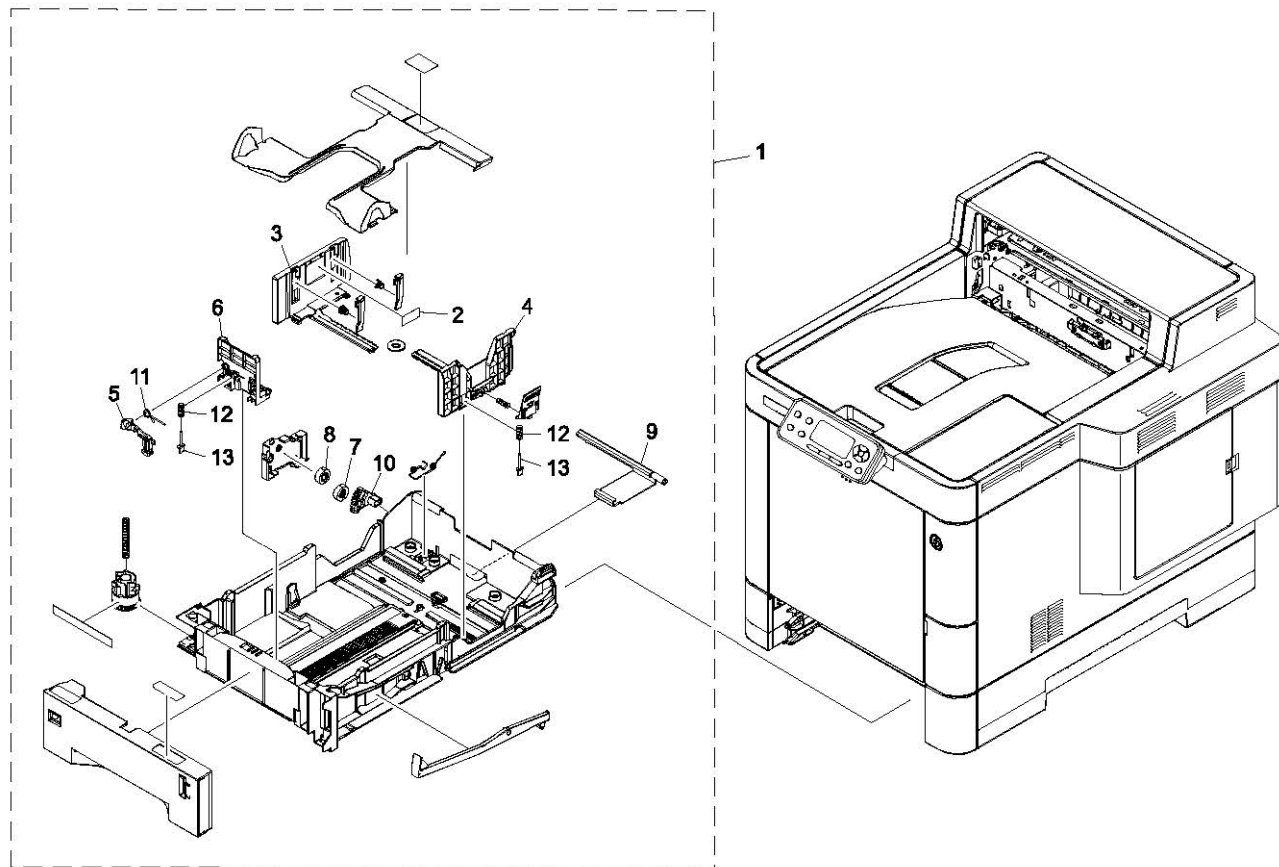
This catalog gives the numbers and names of parts on this machine.

1	Covers	3P
2	Paper Cassette	5P
3	Paper Feed Section 1	7P
4	Paper Feed Section 2	9P
5	Conveying Section 1	11P
6	Conveying Section 2	13P
7	Laser Scanner Section	15P
8	Developer Section	17P
9	Image Formation Section	19P
10	Transfer Section	21P
11	Fuser Section	23P
12	Drive Section	25P
13	Electrical Components 1	27P
14	Electrical Components 2	29P
15	Operation Section	31P
16	Accessories	33P
17	Special Tools	35P
	Parts Index	37P

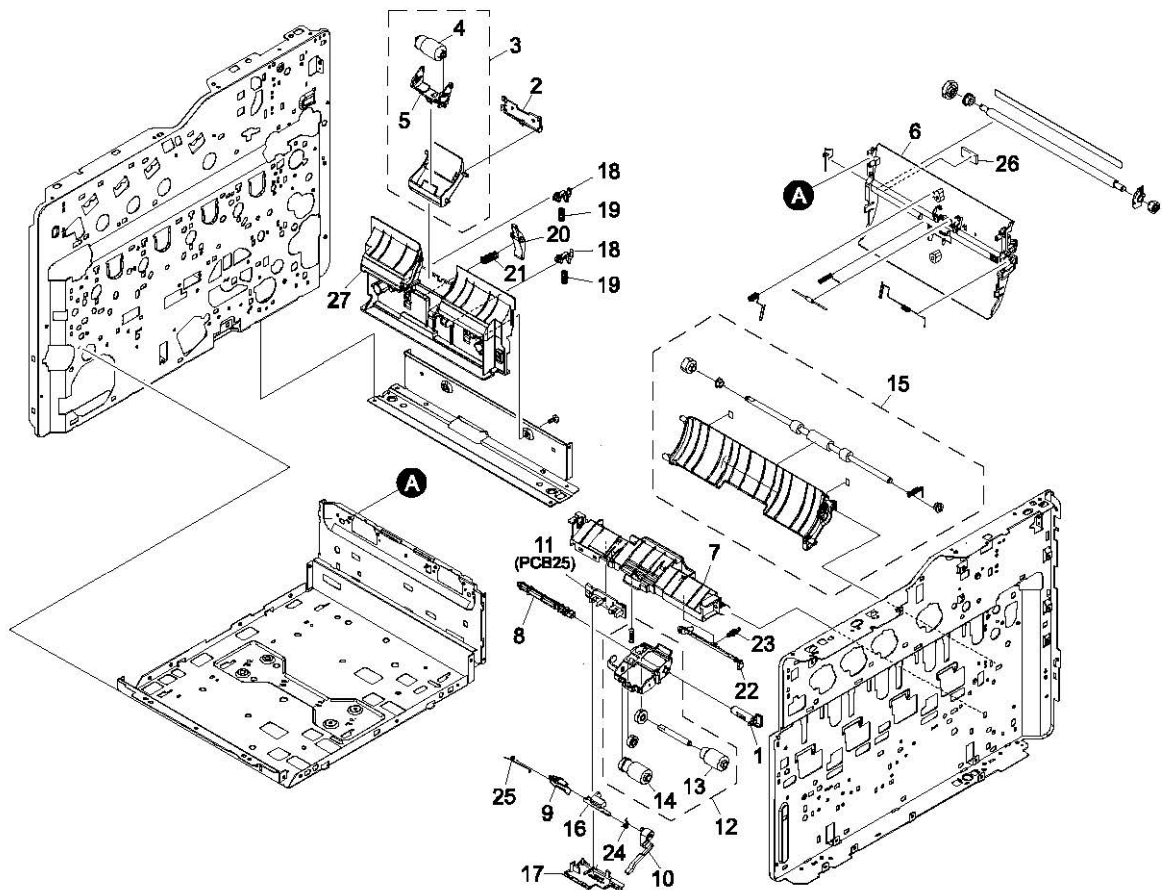
1. Covers



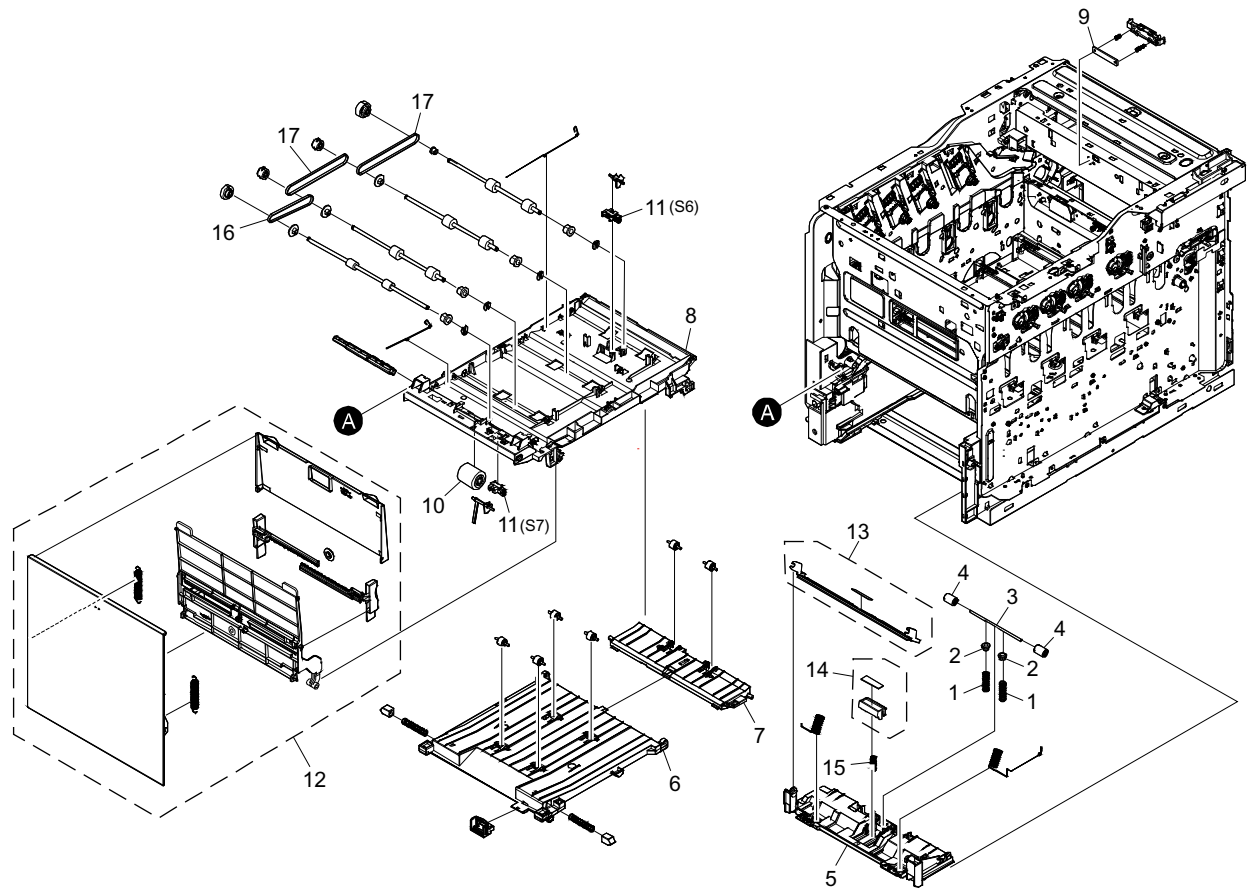
2. Paper Cassette



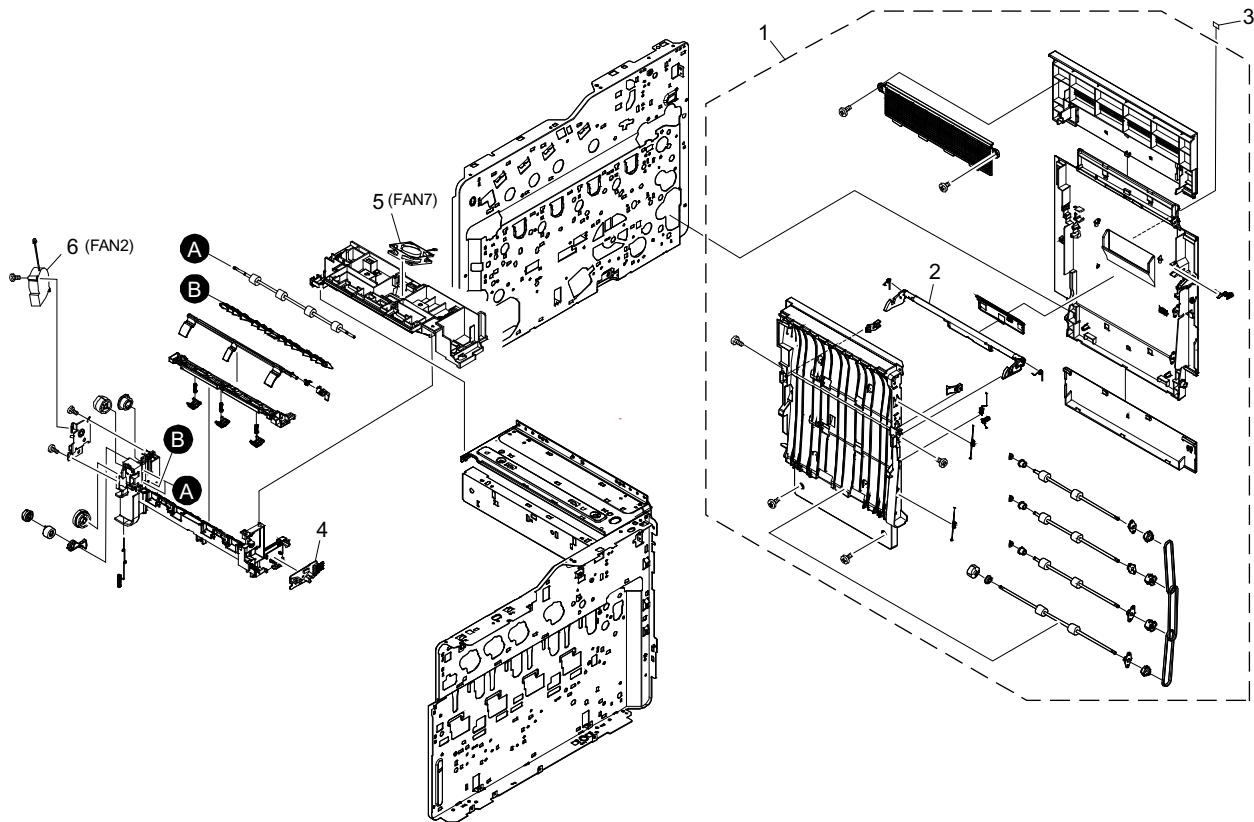
3. Paper Feed Section 1



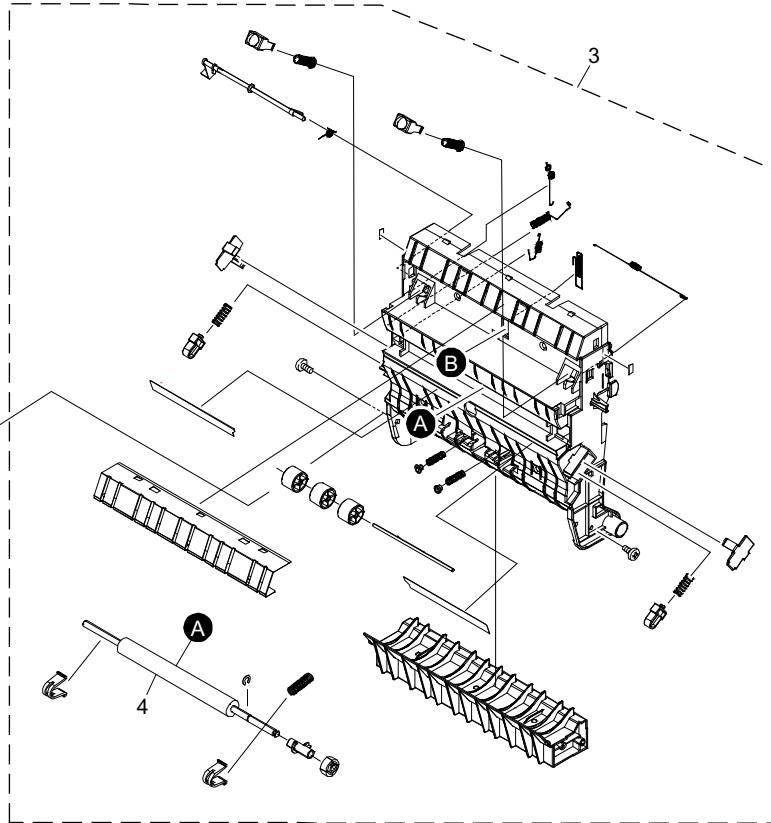
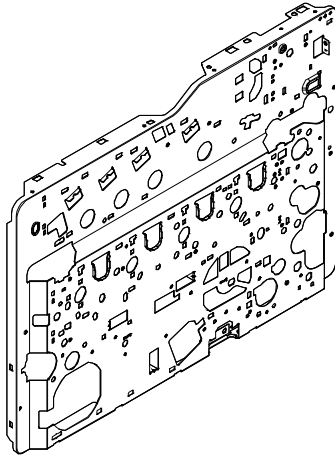
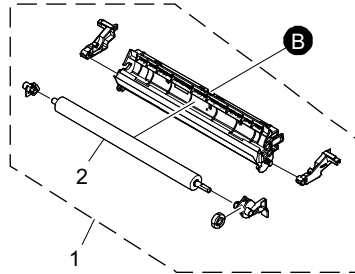
4. Paper Feed Section 2



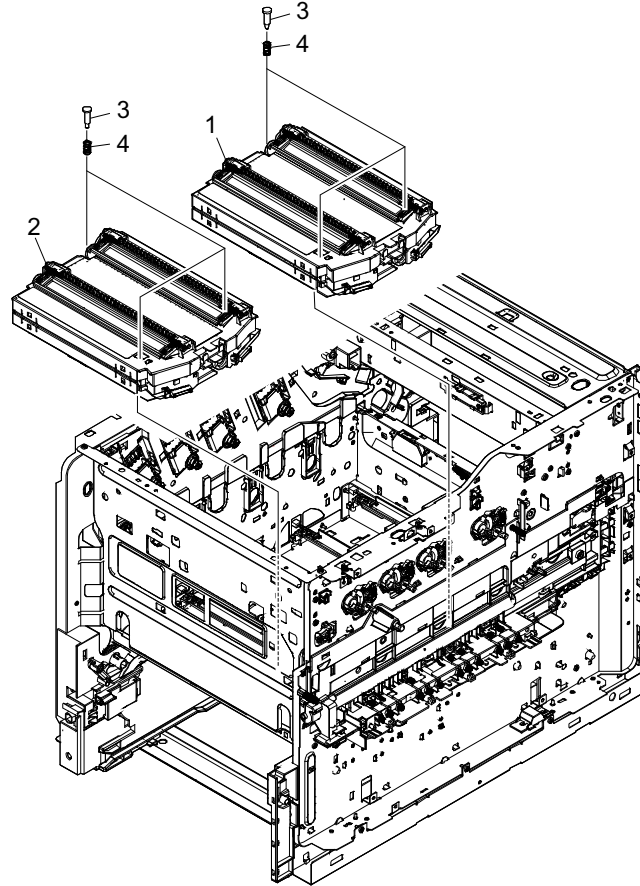
5. Conveying Section 1



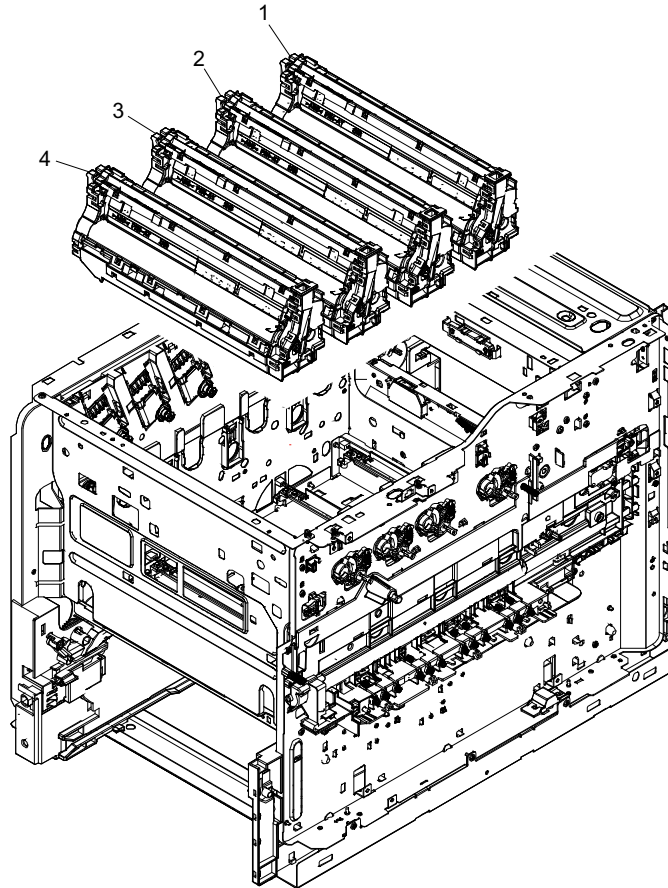
6. Conveying Section 2



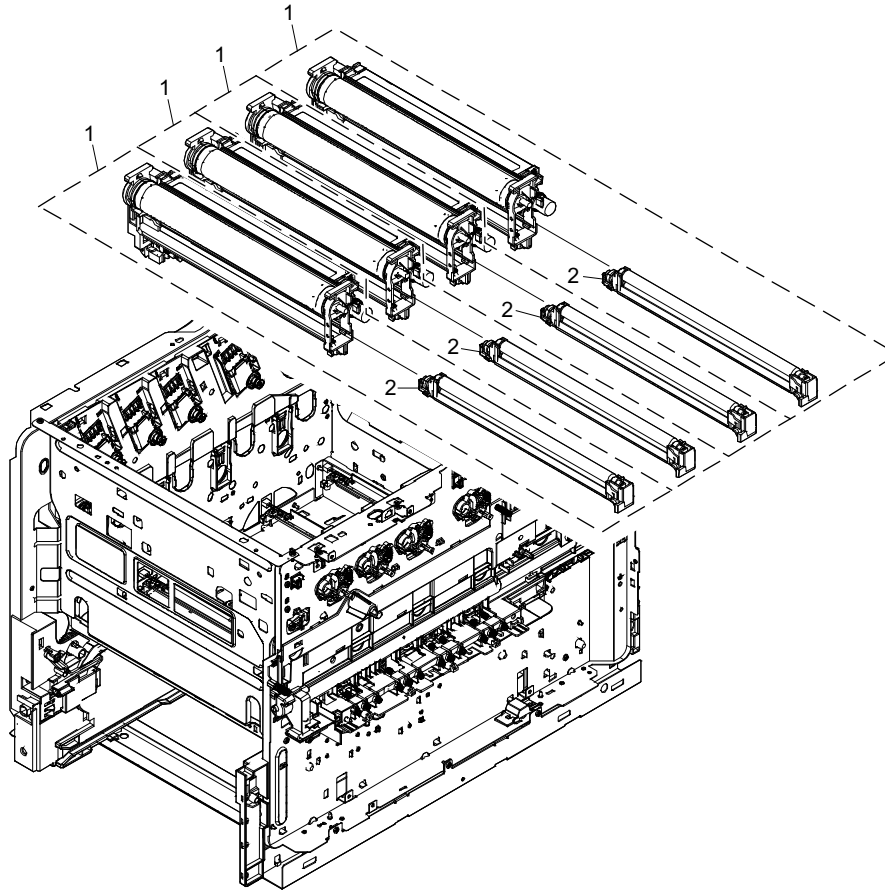
7. Laser Scanner Section



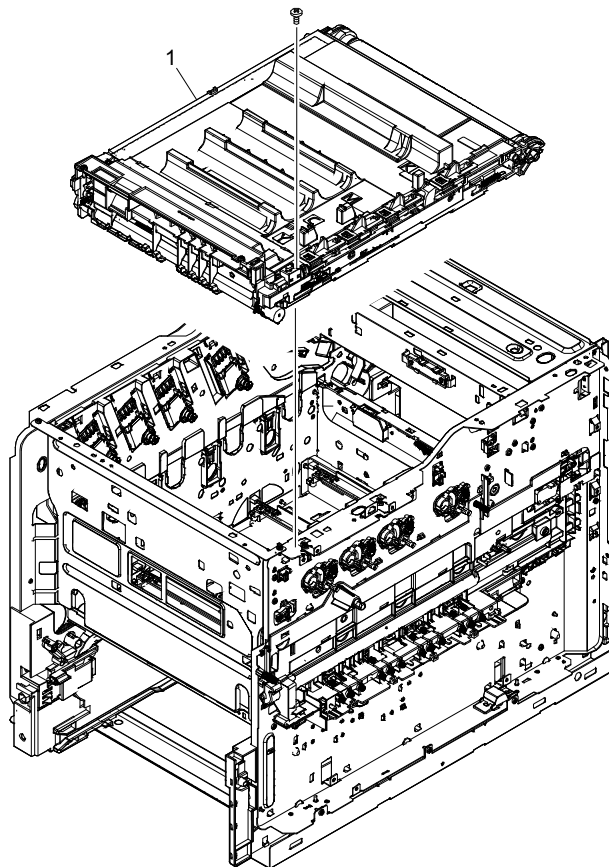
8. Developer Section



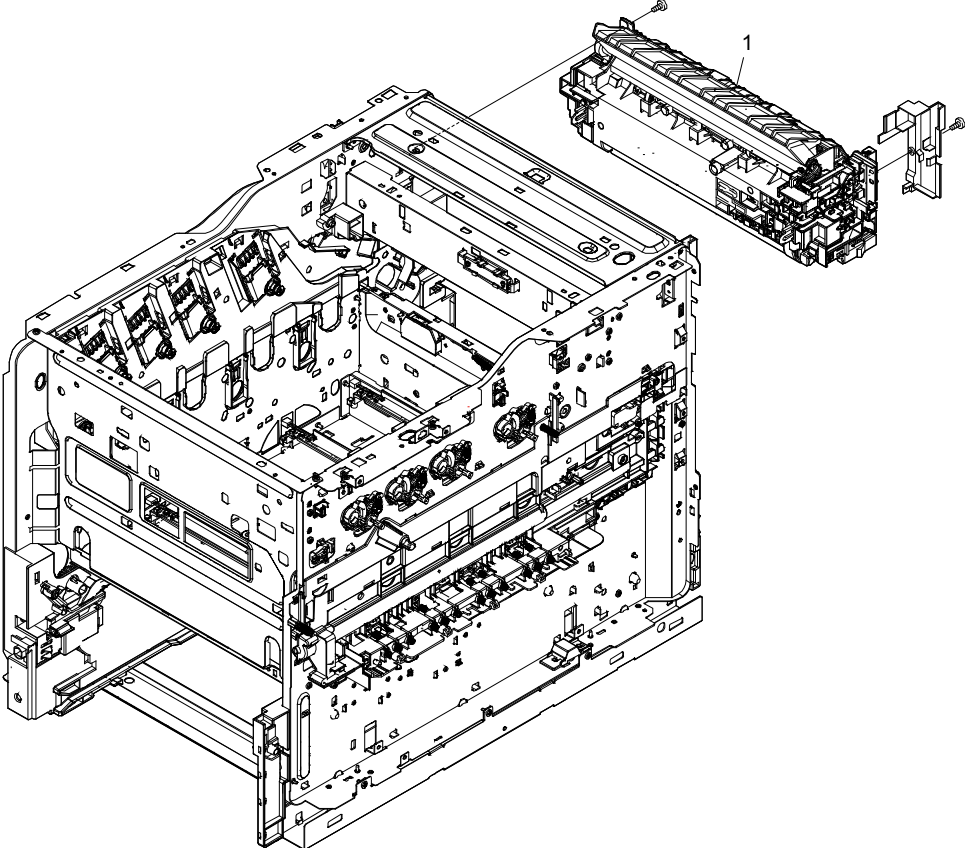
9. Image Formation Section



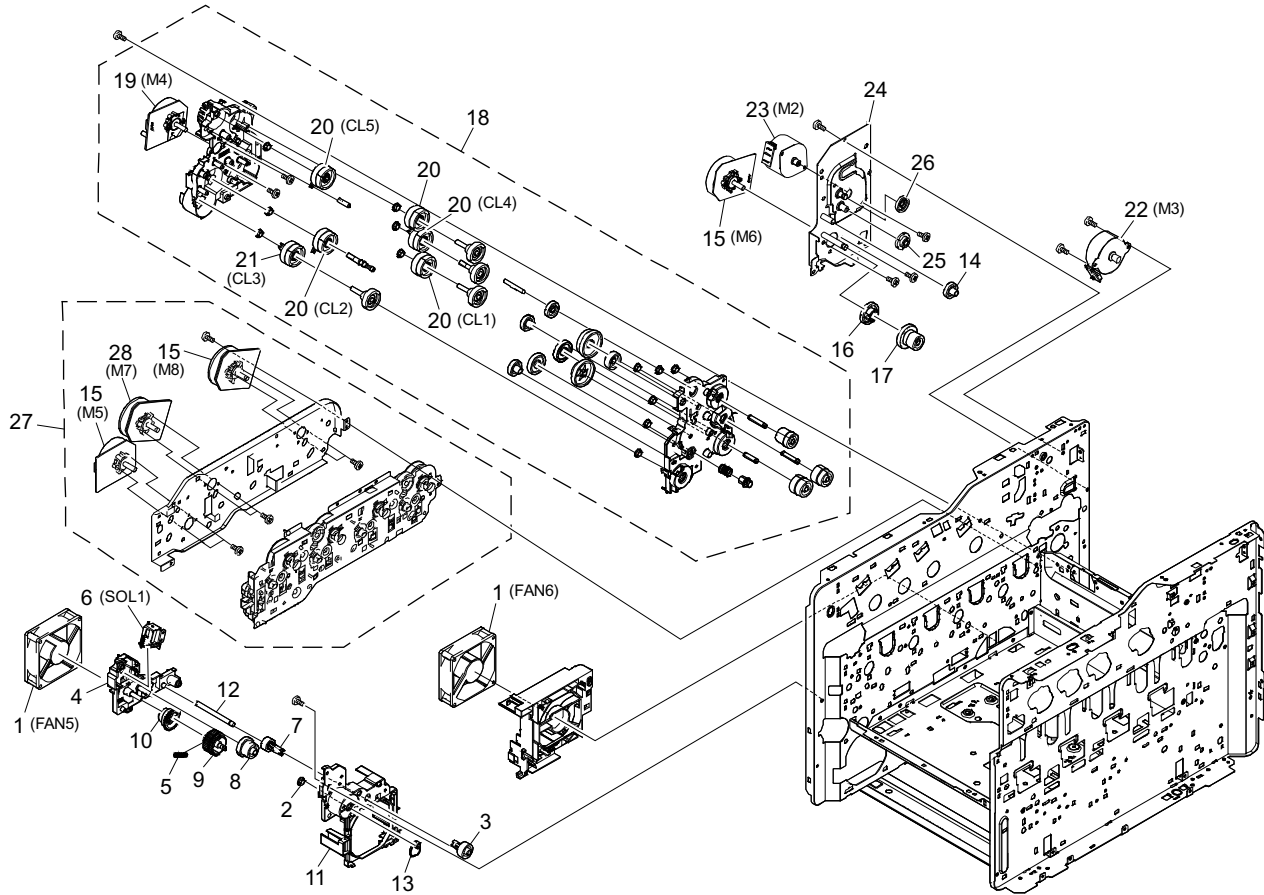
10. Transfer Section



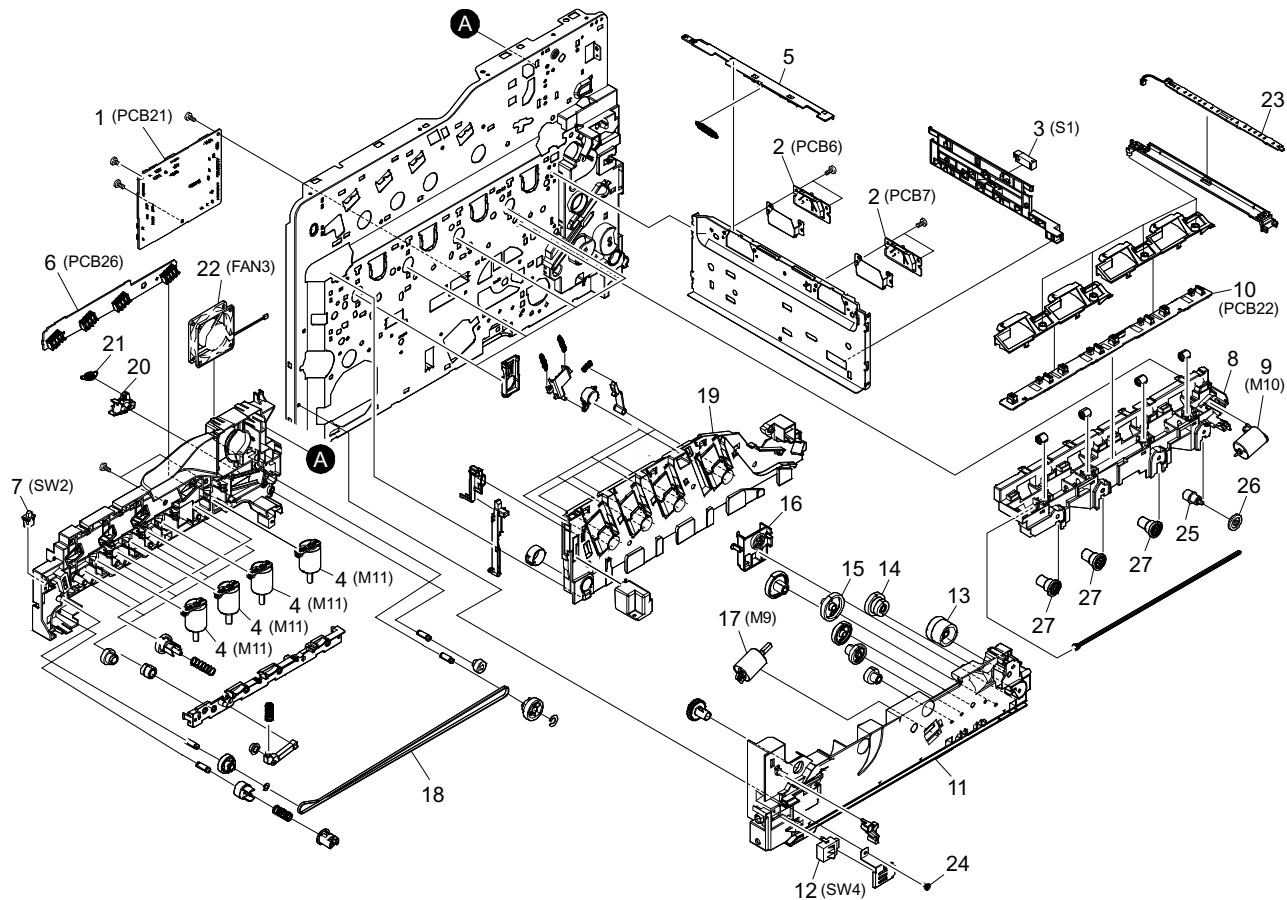
11. Fuser Section



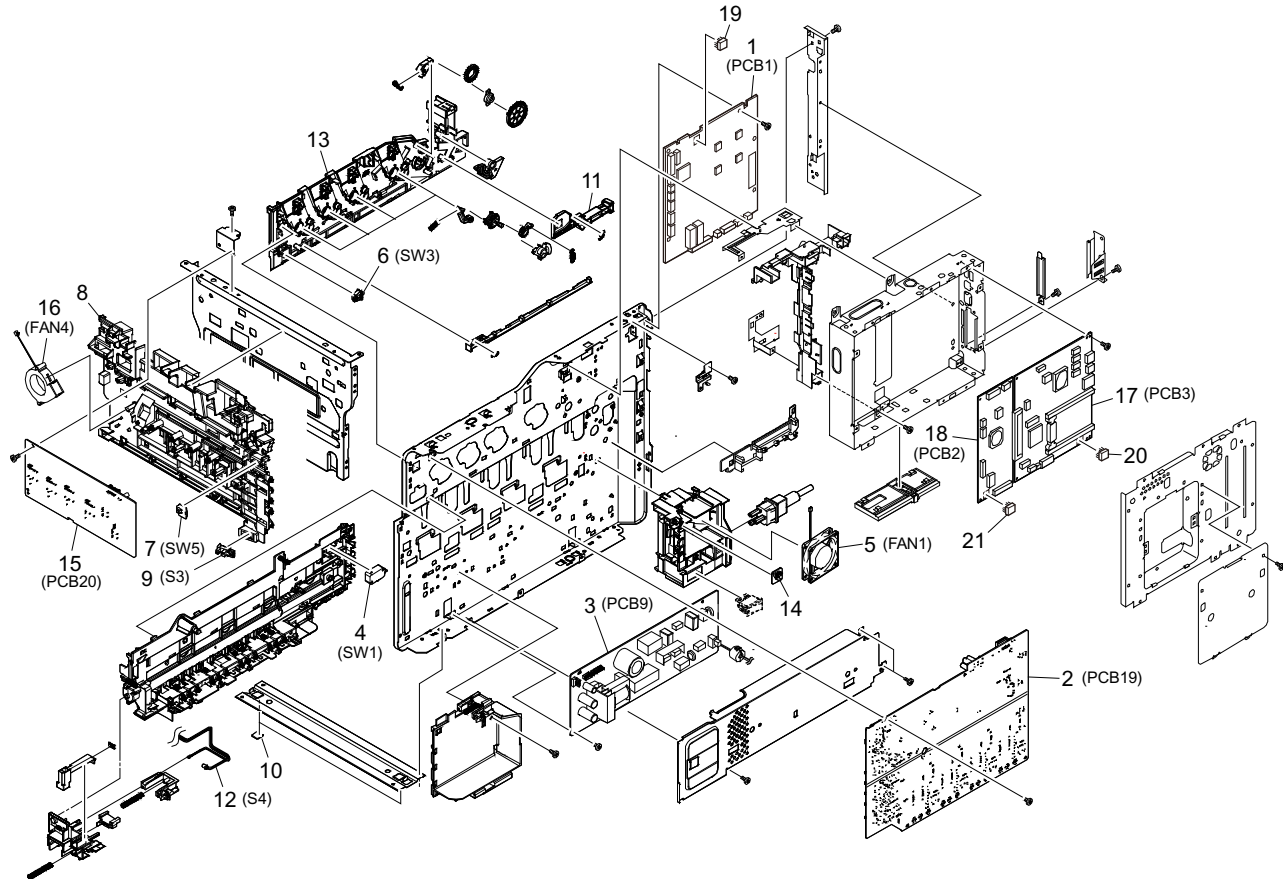
12. Drive Section



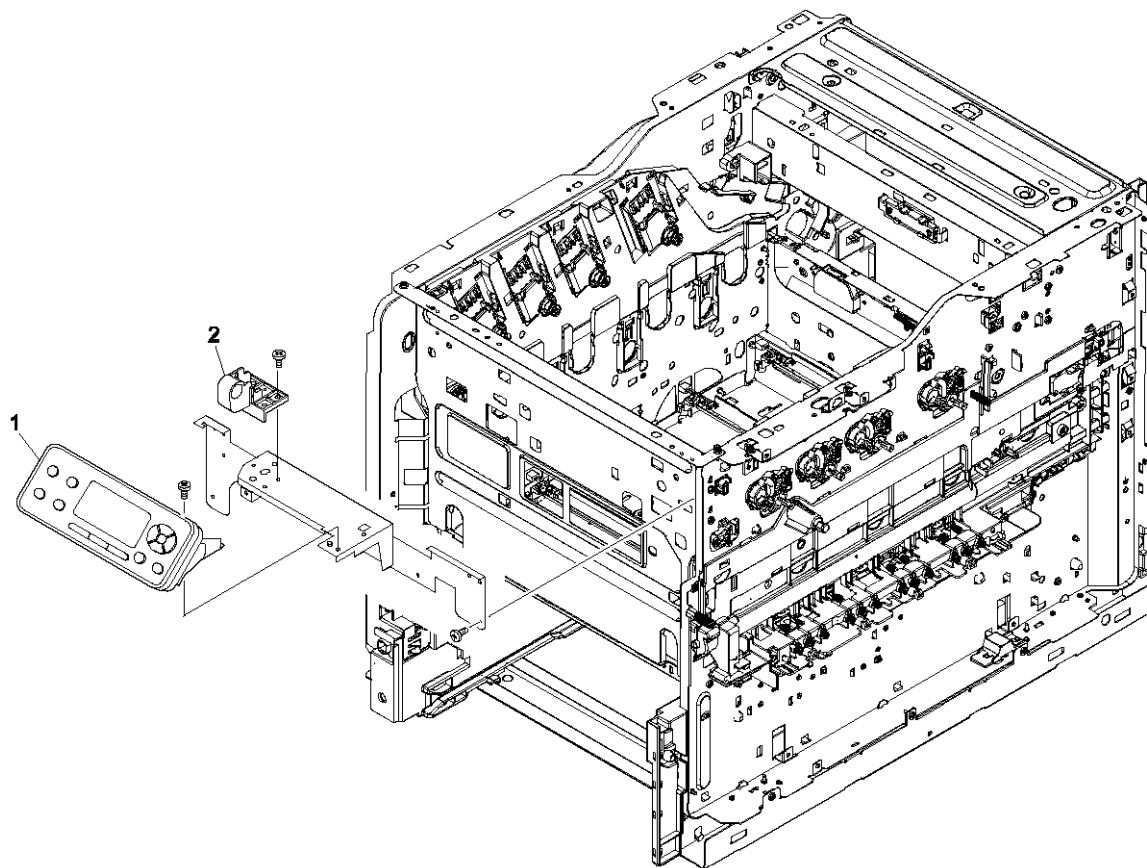
13. Electrical Components 1



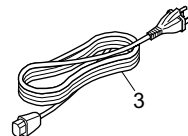
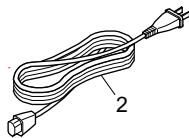
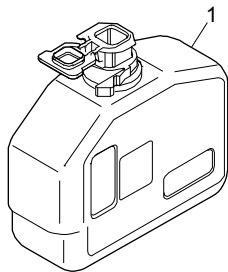
14. Electrical Components 2



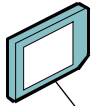
15. Operation Section



16. Accessories



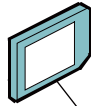
17. Special Tools



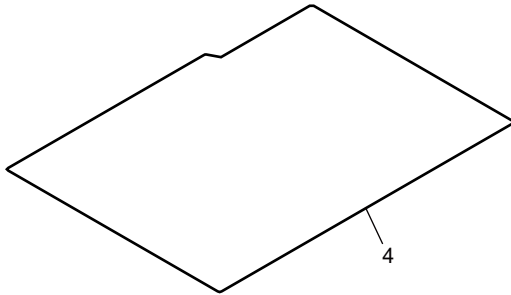
1



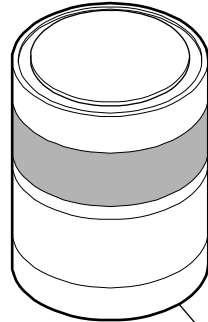
2



3



4



5

Parts Index

Parts Index

Part No.	Description	Page and Index No.
B6455030	SD Card 2GB	17-1
B6455040	SD Card 8GB	17-2
B6455060	SD Card 16GB	17-3
D0A45750	PCB:NFC:ASS'Y	1-30
MOCJ1050	LABEL:PUSH	5-3
MOCJ1056	HOLDER:LEFT	15-2
MOCJ1057	BRACKET:FRONT:HV	14-8
MOCJ1105	SW.PUSH:(SW3)	14-6
MOCJ1106	DUCT:LEFT:INNER	13-8
MOCJ1109	GUIDE:CASSETTE:LEFT	13-11
MOCJ1110	SWITCH:SIZE:(SW4)	13-12
MOCJ1111	GEAR:Z33R-Z32R	13-13
MOCJ1112	GEAR:Z28S-Z13S	13-14
MOCJ1113	GEAR:Z41S	13-15
MOCJ1114	HOLDER:GEAR	13-16
MOCJ1116	BELT:S2M:Z350	13-18
MOCJ1117	GUIDE:TOP:LEFT	13-19
MOCJ1118	SLIDER:CLEANER:ID	13-20
MOCJ1120	PIN:COVER	13-24
MOCJ1122	LEVER:INTERLOCK	14-11
MOCJ1123	GUIDE:TOP:RIGHT	14-13
MOCJ1151	BUSH:DRIVE	12-2
MOCJ1152	GEAR:Z23L	12-3
MOCJ1153	HOUSING:MPF:DRIVE:A	12-4
MOCJ1154	SPRING:INPUT:MPF	12-5
MOCJ1155	SOLENOID:TONER:(SOL1)	12-6
MOCJ1156	GEAR:Z14L:MPF	12-7
MOCJ1157	GEAR:Z31R-Z24S	12-8
MOCJ1158	GEAR:INPUT:A:Z36S	12-9
MOCJ1159	GEAR:INPUT:B:Z36S	12-10
MOCJ1160	HOUSING:MPF:DRIVE:B	12-11
MOCJ1161	PIN:DRIVE:MPF:A	12-12
MOCJ1162	CAM:MPF	12-13
MOCJ1163	GEAR:Z24L	12-14
MOCJ1165	GEAR:Z35R	12-16

Part No.	Description	Page and Index No.
MOCJ1166	GEAR:Z63R-Z24R	12-17
MOCJ1173	PLATE:MIDDLE:DRIVE:A	12-24
MOCJ1174	GEAR:Z43R-Z16S	12-25
MOCJ1175	GEAR:Z26S	12-26
MOCJ1251	COVER:RIGHT	1-1
MOCJ1252	COVER:RIGHT:UPPER:A	1-2
MOCJ1253	COVER:RIGHT:UPPER:B	1-3
MOCJ1254	COVER:CONNECTOR	1-4
MOCJ1255	COVER:OPTION	1-5
MOCJ1256	COVER:INNER:RIGHT	1-6
MOCJ1257	COVER:FRONT:UPPER:LEFT	1-7
MOCJ1258	COVER:FRONT:UPPER:RIGHT	1-8
MOCJ1259	COVER:FRONT:UPPER:MID	1-9
MOCJ1260	COVER:FRONT:MID:A	1-10
MOCJ1261	COVER:FRONT:MID:B	1-11
MOCJ1262	LID:TOP:PRINTER	1-12
MOCJ1263	COVER:NFC	1-13
MOCJ1265	COVER:LEFT	1-14
MOCJ1266	COVER:WASTE	1-15
MOCJ1267	COVER:INNER:LEFT	1-16
MOCJ1268	DUCT:LID:TOP	1-17
MOCJ1269	STAY:LID:TOP	1-18
MOCJ1270	COVER:TOP	1-19
MOCJ1271	COVER:LEFT:UPPER	1-20
MOCJ1272	COVER:WASTE:LOW	1-21
MOCJ1274	COVER:RIGHT:BOTTOM	1-22
MOCJ1275	COVER:LEFT:BOTTOM	1-23
MOCJ1290	HOLDER:MAIN:SWITCH	1-24
MOCJ1291	STRAP:COVER:REAR	1-25
MOCJ1292	KEY:SW	1-26
MOCJ1293	LUTCH	1-27
MOCJ1400	OPERATION SUB-UNIT:ASS'Y	15-1
MOCJ1651	PCU	9-1
MOCJ1652	CHARGE UNIT	9-2
MOCJ1653	INTERMEDIATE TRANSFER UNIT	10-1

Part No.	Description	Page and Index No.
MOCJ1654	OPTICAL WRITTING UNIT:KM	7-1
MOCJ1655	OPTICAL WRITTING UNIT:CY	7-2
MOCJ1658	DEVELOPMENT UNIT:BK	8-1
MOCJ1659	DEVELOPMENT UNIT:Y	8-4
MOCJ1660	DEVELOPMENT UNIT:M	8-2
MOCJ1661	DEVELOPMENT UNIT:C	8-3
MOCJ1662	REAR COVER:500 PRT ASSY(NA/AP)	5-1
MOCJ1663	REAR COVER:500 PRT ASSY(EU)	5-1
MOCJ1666	HOOK:DU:RELEASE	5-2
MOCJ1667	PLATE:NUT	1-29
MOCJ1668	DRIVE UNIT	12-27
MOCJ1669	FEED:DRIVE:ASSY:SP	12-18
MOCJ1670	PARTS_MOTOR-B:(M5, M6, M8)	12-15
MOCJ1671	MOTOR-BL:W10:SP:(M4)	12-19
MOCJ1672	MOTOR-PM:FUSER:SP:(M2)	12-23
MOCJ1673	CLUTCH:35:Z35R:SP:(CL1, CL2, CL4, CL5)	12-20
MOCJ1674	DC:MOTOR:ASSY:SP:(M7)	12-28
MOCJ1675	ID SENSOR:SP:(PCB6, PCB7)	13-2
MOCJ1676	PCB:ENGINE CONNECT:(PCB21)	13-1
MOCJ1677	PCB:ENGINE:(PCB1)	14-1
MOCJ1678	PCB:DRUM CONNECT:(PCB22)	13-10
MOCJ1680	PCB:SWITCH:(SW5)	14-7
MOCJ1681	HIGH VOLTAGE UNIT:SP:(PCB19)	14-2
MOCJ1682	PCB:EXIT	5-4
MOCJ1683	SWITCHING:REGULATOR:230V:SP(EU/AP):(PCB9)	14-3
MOCJ1684	SWITCHING:REGULATOR:100V:SP(NA):(PCB9)	14-3
MOCJ1685	PCB:CASSETTE:(PCB25)	3-11
MOCJ1686	HVU2:(PCB20)	14-15
MOCJ1688	TONER:FULL:DETECT:ASSY:SP:(S4)	14-12
MOCJ1729	SW.MICRO:(SW1)	14-4
MOCJ1730	SENSOR:OPT.:SP:(S6, S7)	4-11
MOCJ1730	SENSOR:OPT.:SP:(S3)	14-9
MOCJ1731	CASSETTE ASSY	2-1
MOCJ1732	CONVEYING:500:SI:ASSY:SP	6-3
MOCJ1733	ROLLER:TRANSFER:SP	6-1

Part No.	Description	Page and Index No.
MOCJ1734	ROLLER:TRANSFER:ASSY:SP	6-2
MOCJ1735	DC:MOTOR:ASSY:SP:(M11)	13-4
MOCJ1736	PCB:CONTAINER CONN:(PCB26)	13-6
MOCJ1737	PCB:DRUM HEATER	13-23
MOCJ1738	HOLDER:FEED:ASSY:SP	3-12
MOCJ1739	RETARD:ASSY:SP	3-3
MOCJ1740	MOTOR:EJECT:SP:(M3)	12-22
MOCJ1742	CLEANER:ID:ASSY:SP	13-5
MOCJ1743	COVER:MPF:ASSY:SP	4-12
MOCJ1744	PLATE:BOTTOM:MPF:ASSY:SP	4-13
MOCJ1745	MIDDLE:ROLLER:ASSY:SP	3-15
MOCJ1746	DC:MOTOR:ASSY:SP:(M10)	13-9
MOCJ1747	SEPARATOR:MPF:ASSY:SP	4-14
MOCJ1748	SENSOR:OPT.:SP:(S1)	13-3
MOCJ1749	FAN:MOTOR:SP:(FAN5, FAN6)	12-1
MOCJ1750	DC:MOTOR:ASSY:SP:(M9)	13-17
MOCJ1751	ROLLER:REGIST:RUBBER:SP	6-4
MOCJ1752	PIN:READING:GUIDE	7-3
MOCJ1753	SPRING:LSU:HOLD	7-4
MOCJ1754	SPRING:SEPARATION:MPF	4-15
MOCJ1755	BELT:S2M:Z95	4-16
MOCJ1756	BELT:S2M:Z130	4-17
MOCJ1757	ACTUATOR:PE	3-16
MOCJ1758	COVER:SENSOR	3-17
MOCJ1759	LOCK:CASSETTE	3-18
MOCJ1760	SPRING:LOCK:CASSETTE	3-19
MOCJ1761	HOOK:RETARD:RELEASE:B	3-20
MOCJ1762	SPRING:RELEASE	3-21
MOCJ1763	SPRING:SHUTTER	3-23
MOCJ1764	SPRING:PULLEY:MPF	4-1
MOCJ1765	SPRING:ACT	3-24
MOCJ1766	SPRING:ACTUATOR	3-25
MOCJ1770	SW.PUSH:(SW2)	13-7
MOCJ1771	PAD:REGIST:FEED	3-26
MOCJ1772	GUIDE:CASSETTE	3-27

Part No.	Description	Page and Index No.
MOCJ1773	SPRING:SLIDER:CLEANER	13-21
MOCJ1780	COLLECTION BOTTLE	16-1
MOCJ1783	FUSING UNIT(EU/AP)	11-1
MOCJ1784	FUSING UNIT(NA)	11-1
MOCJ2563	LABEL:CURSOR	2-2
MOCJ2568	CURSOR:LEFT	2-3
MOCJ2569	CURSOR:RIGHT	2-4
MOCJ2571	ARM:CURSOR:END	2-5
MOCJ2572	CURSOR:END	2-6
MOCJ2580	GEAR:Z13S:JOINT	2-7
MOCJ2581	GEAR:Z13	2-8
MOCJ2582	WORKPLATE:LIFT	2-9
MOCJ2583	GEAR:Z48S:LIFT	2-10
MOCJ2662	PIN:FEED	3-1
MOCJ2663	COVER:RETARD	3-2
MOCJ2669	HOLDER:RETARD:A	3-5
MOCJ2681	FRAME:FEED	3-6
MOCJ2682	GUIDE:PICK:HOLDER	3-7
MOCJ2683	SHAFT:FEED	3-8
MOCJ2684	RELEASE:ACTUATOR:PE	3-9
MOCJ2686	ACTUATOR:B	3-10
MOCJ2760	LABEL:JAM	1-28
MOCJ2771	CAP:SPRING_B-11	4-2
MOCJ2772	SHAFT:EXIT	4-3
MOCJ2773	PULLEY:FEED:DU	4-4
MOCJ2774	FRAME:MPF	4-5
MOCJ2777	GUIDE:MPF:FEED:LOW:B	4-6
MOCJ2778	GUIDE:MPF:FEED:LOW:A	4-7
MOCJ2780	GUIDE:MPF:FEED:UP	4-8
MOCJ2782	P.W.BOARD:ASSY:FUSER:ZENER	4-9
MOCJ4451	FAN:MOTOR:(FAN2)	5-6
MOCJ4451	FAN:MOTOR:(FAN4)	14-16
MOCJ5020	PCB:IMAGE PROCESSING UNIT:ASS'Y:(PCB2)	14-18
MOCJ5501	PCB:CTL:SUB-ASS'Y:(PCB3)	14-17
MOCJ7490	Color Calibration Sheet	17-4

Part No.	Description	Page and Index No.
M2811054	ROLLER M/P ASS'Y	4-10
M2811055	CLUTCH:50 Z35:(CL3)	12-21
M2811069	FAN:COOLING ONVEYING SP:(FAN7)	5-5
M2811069	FAN:COOLING ONVEYING SP:(FAN3)	13-22
M2811069	FAN:COOLING ONVEYING SP:(FAN1)	14-5
M2811430	PARTS_PWB_ASS	14-14
M2811503	FOOT	14-10
M2812520	RETARD ROLLER	3-4
M2812821	PULLEY:FEED:ASSY	3-13
M2812824	PULLEY:PICK-UP:ASSY	3-14
M2815567	POWER_CORD(120)(NA)	16-3
M2815568	AC CODE ASS'Y(EU/AP)	16-2
M5441664	LEVER PAPER	3-22
M5441672	SPRING FIX	2-12
M5441673	SIZE FIX	2-13
M5441679	SPRING STOPPER	2-11
VSSG9005	MOLYKOTE EM-50L (Grease)	17-5