

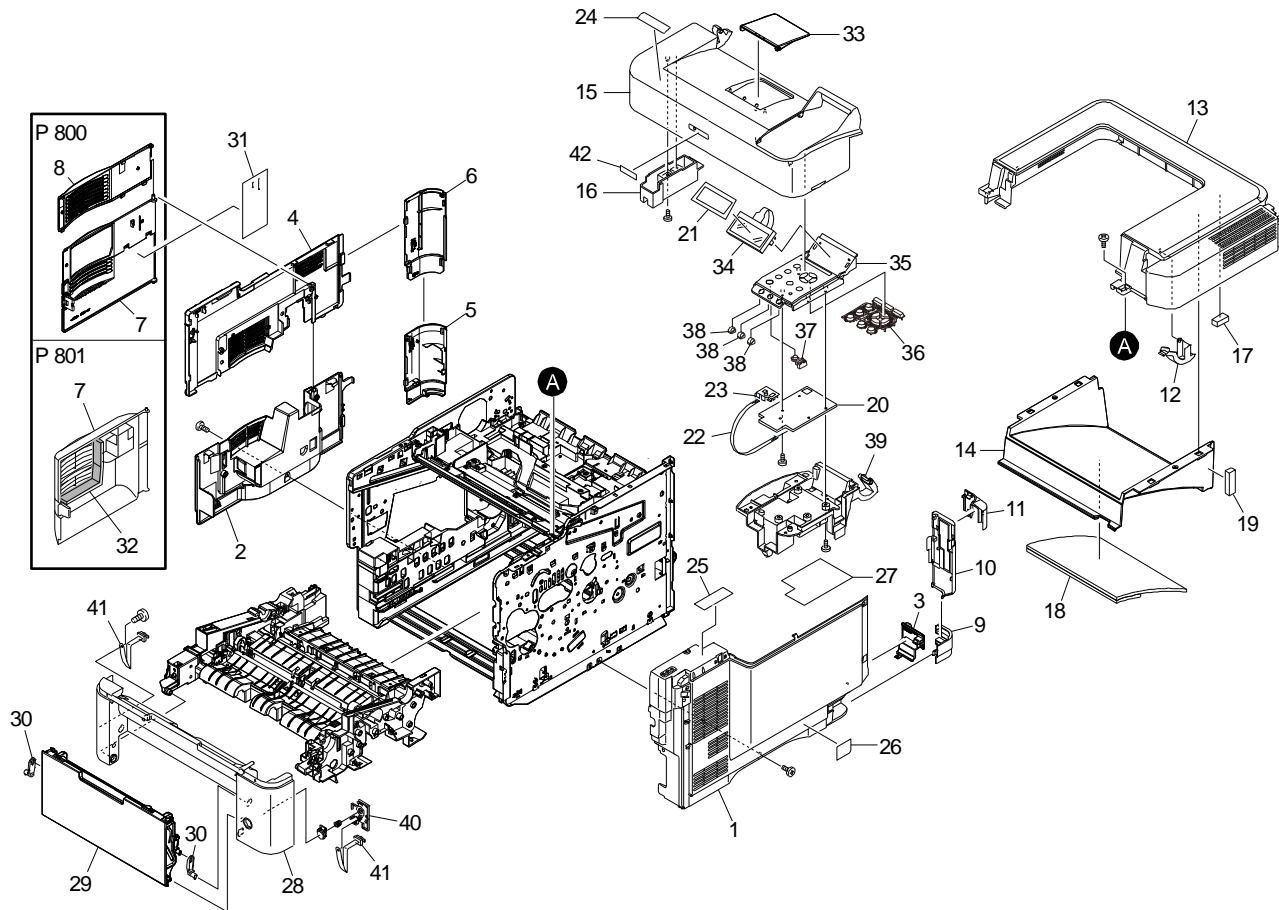
# P 800/P 801

## PARTS CATALOG

This catalog gives the numbers and names of parts on this machine.

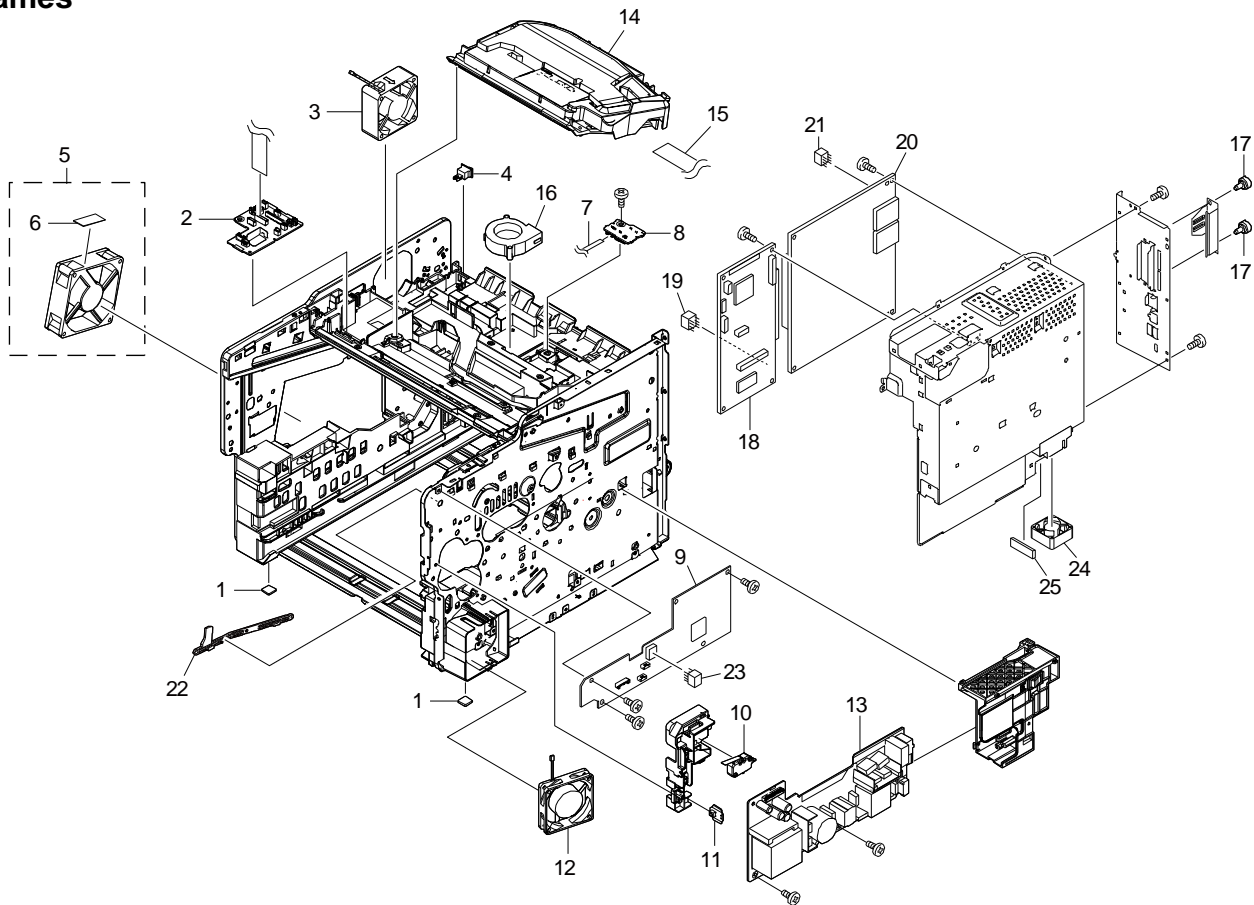
1	Covers	.....	2P
2	Frames	.....	4P
3	Paper Cassette	.....	6P
4	Paper Feed Section	.....	8P
5	Drum Unit Section	.....	10P
6	Developer Section	.....	12P
7	Fuser Section	.....	14P
8	Exit Section	.....	16P
9	Drive Section	.....	18P
10	Accessories/Special Tools	.....	20P
	Parts Index	.....	22P

# 1. Covers



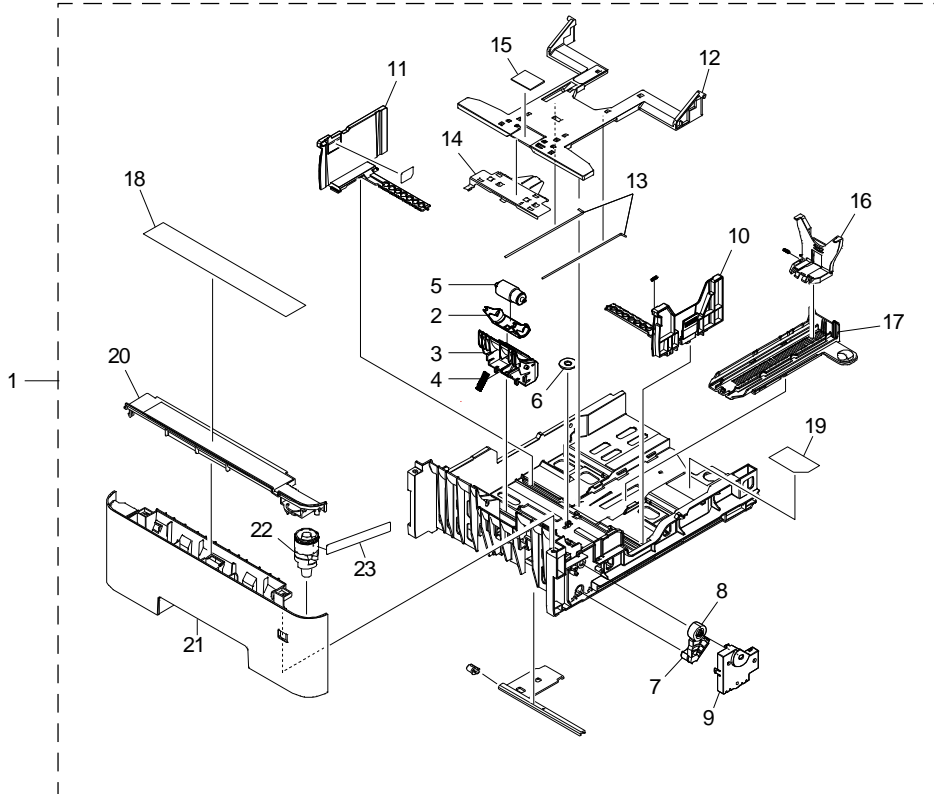


## 2. Frames



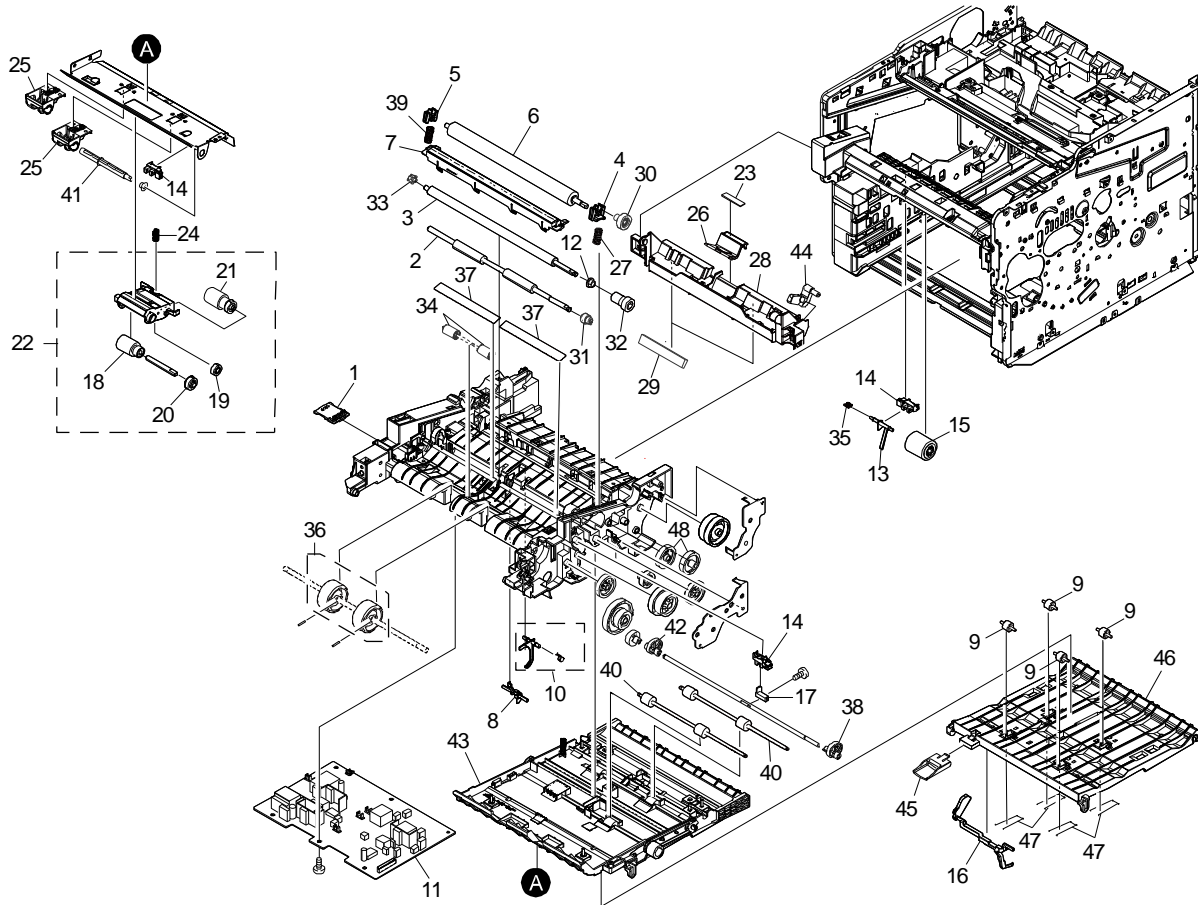


### 3. Paper Cassette





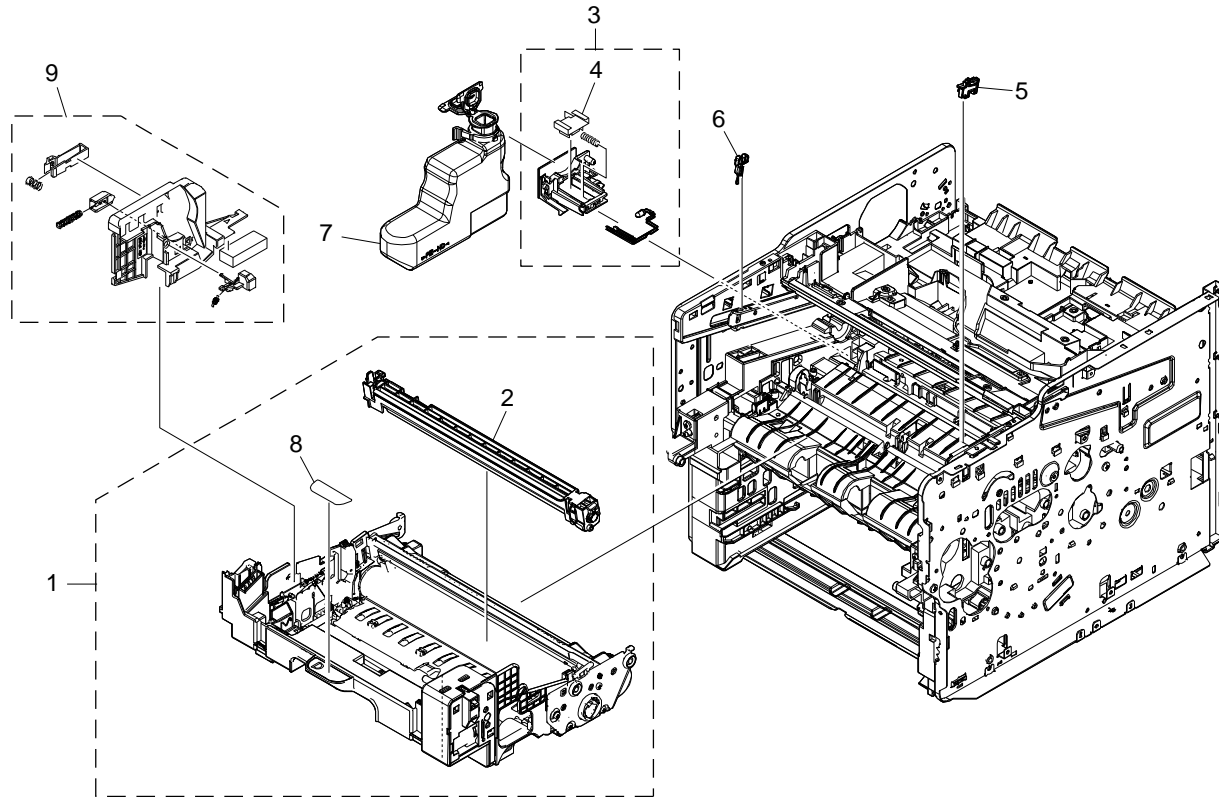
## 4. Paper Feed Section





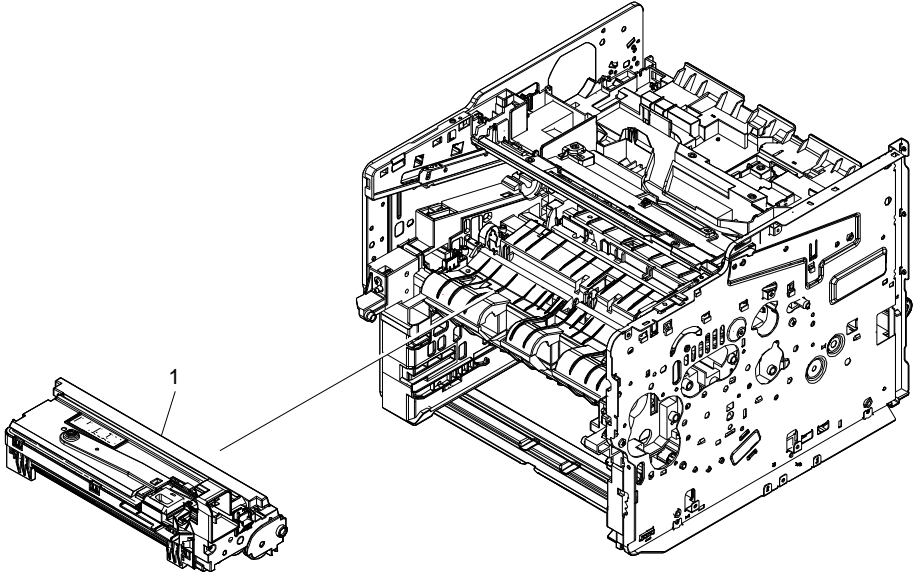


## 5. Drum Unit Section



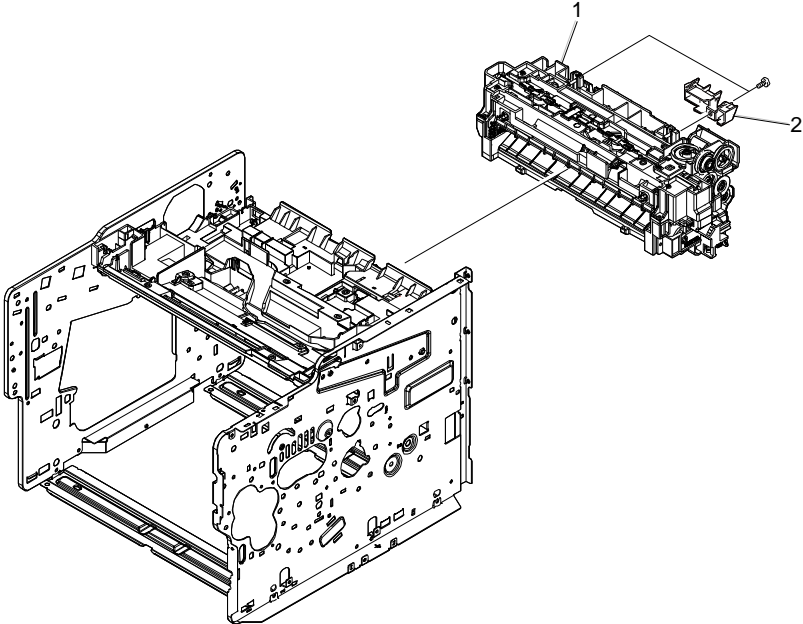


# 6. Developer Section



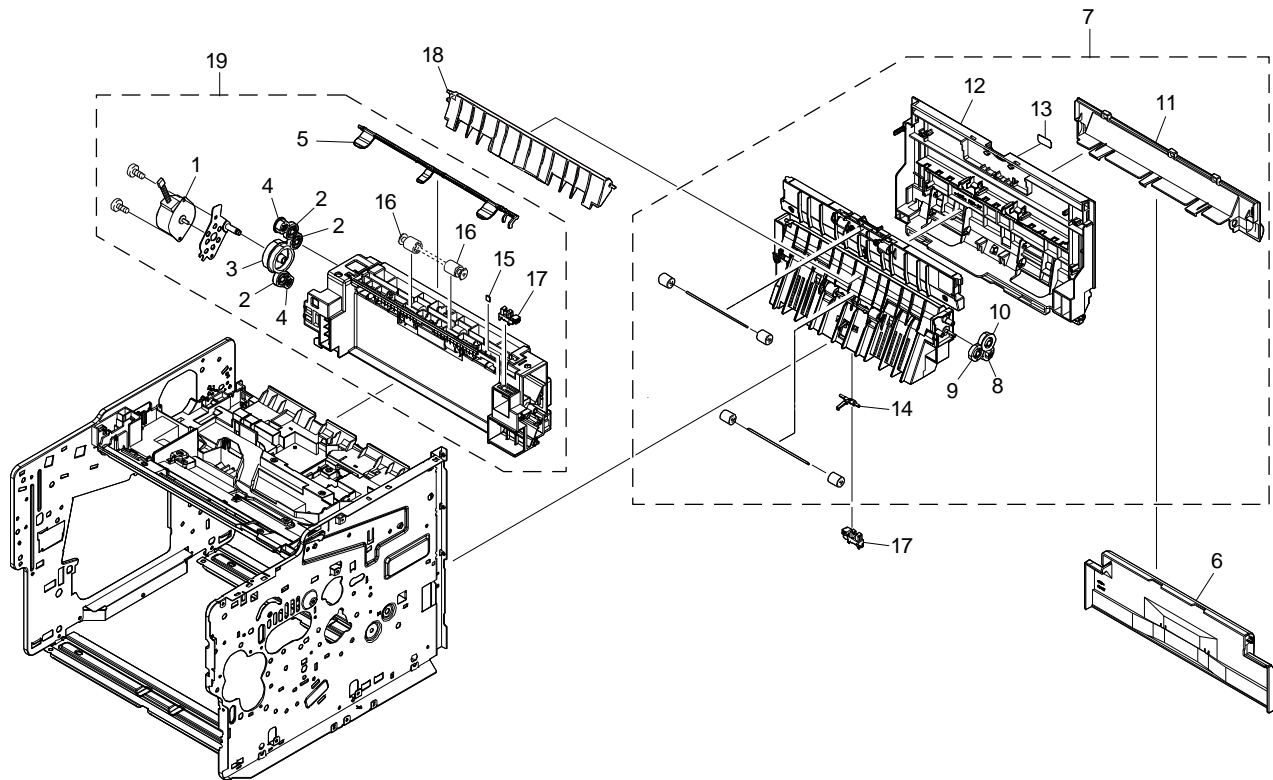


# 7. Fuser Section





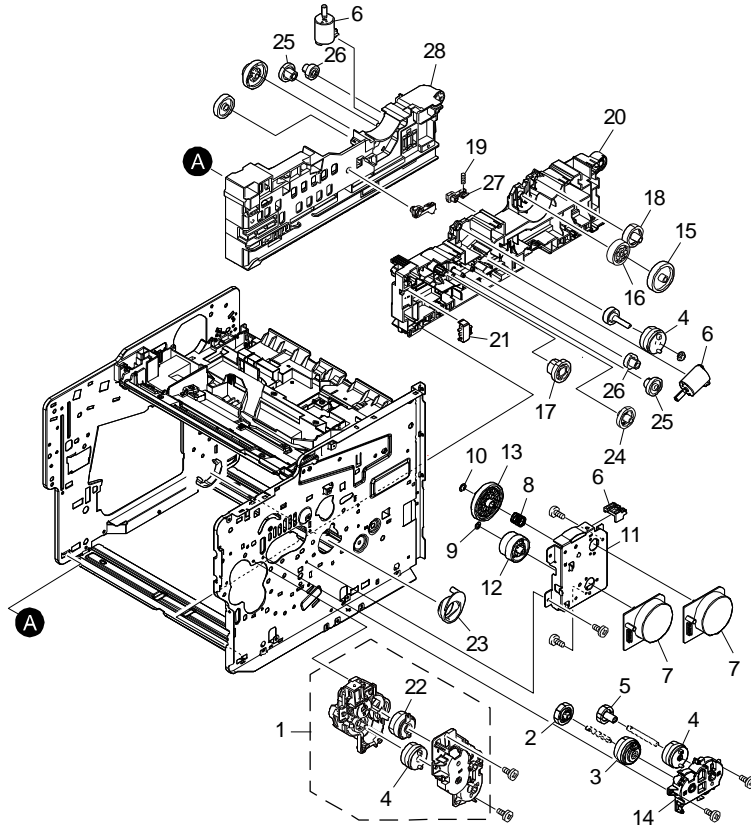
## 8. Exit Section





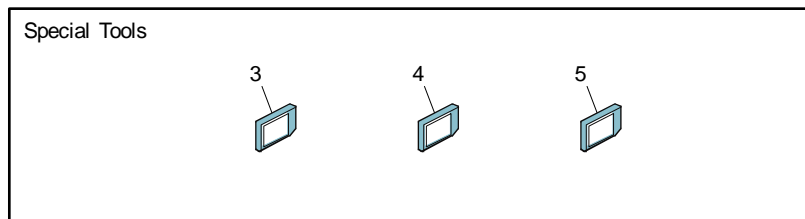
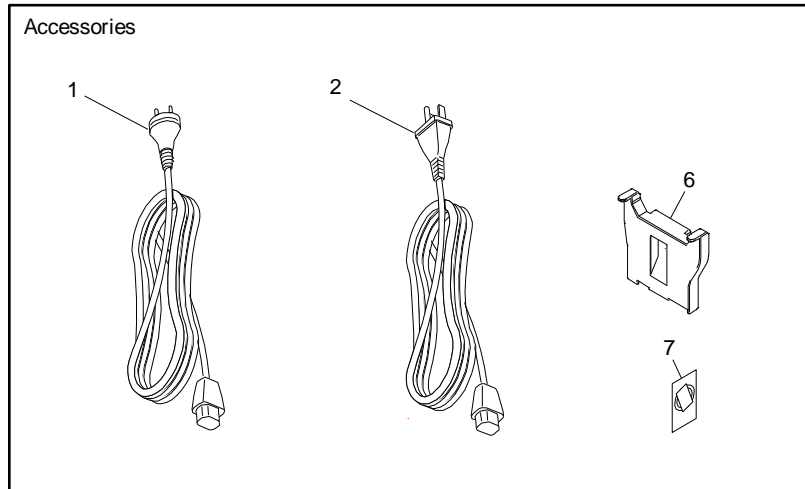


# 9. Drive Section





## 10. Accessories/Special Tools





# Parts Index

## Parts Index

Part No.	Description	Section and Index No.
14077726	EEPROM	2-19
14078552	INTERFACE HIC:SCTPA1216R	10-7
18310007	LCD:4LINE:STN:VX(P 801)	1-34
18310008	LCD:4LINE:STN:SVE(P 800)	1-34
B6455030	SD-CARD:SERVICE PARTS:2GB:ASS'Y	10-3
B6455040	SD-CARD:SERVICE PARTS:8GB:ASS'Y	10-4
B6455060	SD-CARD:SERVICE PARTS:16GB:ASS'Y	10-5
D0BT1073	FAN MOTOR PS4(FAN4)	2-24
D0BT1074	SHEET HOLDER	2-25
D0BW5516	PCB:CTL:ASS'Y(P 800)(PCB15)	2-20
D0BW5518	PCB:CTL:ASS'Y(P 801)(PCB15)	2-20
D2551252	STRAP COVER FRONT	1-41
D2551285	GUIDE:CHANGE	8-18
D2555321	PARTS_IC_EEPR	2-23
D2555570	HARNESS:ENG-APC:FFC	2-15
M0CG1070	PARTS PWB ASSY ENGINE SP(P 800)(PCB17)	2-9
M0CG1250	LID TOP(P 800)	1-15
M0CG1251	SHEET COVER SIDE	1-31
M0CG1252	COVER SIDE UP(P 800)	1-8
M0CG1253	COVER SIDE LOW(P 800)	1-7
M0CG1254	COVER TOP(P 800)	1-13
M0CG1255	TRAY TOP(P 800)	1-14
M0CG1256	LID TOP B(P 800)	1-16
M0CG1257	PAPER STOPPER	1-33
M0CG1258	COVER OPERATION(P 800)	1-39
M0CG1259	KEY A	1-36
M0CG1300	PLATE:NAME PLATE(P 800)	1-24
M0CG9590	NVRAM:ZERO COUNTER	2-21
M0CH1253	LID TOP(P 801)	1-15
M0CH1254	COVER TOP(P 801)	1-13
M0CH1255	COVER SIDE LEFT(P 801)	1-7
M0CH1257	COVER LEFT UP REAR	1-6
M0CH1258	COVER OPERATION(P 801)	1-39
M0CH1259	LID OPERATION	1-35
M0CH1262	LABEL LEVER A	1-25

Part No.	Description	Section and Index No.
M0CH1265	COVER LEFT LOW	1-2
M0CH1266	COVER REAR LOW	8-11
M0CH1267	COVER REAR UP	8-12
M0CH1268	COVER CASSETTE	8-6
M0CH1269	COVER CONT LOW	1-9
M0CH1270	COVER LEFT LOW REAR	1-5
M0CH1271	PARTS COVER REAR ASSY SP	8-7
M0CH1272	LID TOP B(P 801)	1-16
M0CH1273	SPONGE EXIT	1-17
M0CH1274	SPONGE COVER SIDE LEFT	1-32
M0CH1275	TRAY TOP(P 801)	1-14
M0CH1276	COVER LEFT UP	1-4
M0CH1277	COVER CONT UP	1-11
M0CH1278	COVER CONT MIDDLE	1-10
M0CH1279	COVER RIGHT	1-11
M0CH1280	COVER CABLE	1-12
M0CH1300	PLATE:NAME PLATE(P 801)	1-24
M0CH1470	PCB:OPU(PCB2)	1-20
M0CH1850	LASER UNIT	2-14
M0CH2551	CURSOL END STMT(for HLT)	10-6
M0CH3050	DRUM UNIT	5-1
M0CH4060	FUSING UNIT(EU/AA)	7-1
M0CH4070	FUSING UNIT(NA)	7-1
M0CH4450	PARTS EXIT UNIT SP	8-19
M0CH4451	PARTS MOTOR EJECT SP(M10)	8-1
M0CH4601	PARTS ROLLER DU ASSY SP	4-40
M0CH5020	PCB:IMAGE PROCESSING UNIT:ASS'Y(PCB16)	2-18
M0CH5310	PARTS UNIT LOW VOLTAGE 200V SP(PCB18)	2-13
M0CH5320	PARTS UNIT LOW VOLTAGE 100V SP(PCB18)	2-13
M0CH5341	HOLDER CLUTCH	9-14
M0CH5342	PARTS PWB ASSY CONNECT-L FIN SP(PCB20)	2-2
M0CH5343	PARTS PWB ASSY DRUM CONNECT SP(PCB11)	4-1
M0CH5344	PARTS PWB ASSY ENGINE SP(P 801)(PCB17)	2-9
M0CH6550	COLLECTION BOTTLE(P 801)	5-7
M0CJ1051	LABEL:PUSH	8-13

Part No.	Description	Section and Index No.
M0CJ1301	PLATE:LOGO:RIC	1-42
M0CJ1673	CLUTCH:35:Z35R:SP(CL2)	9-22
M0CJ1730	SENSOR:OPT.:SP(S8)	8-17
M0CJ7604	LABEL DRAWER CAUTION	1-26
M2811050	INTER LOCK SW(SW3)	2-10
M2811051	SCREW:BOX	2-17
M2811052	FAN:LSU 60-25(FAN1)	2-3
M2811053	FOOT	2-1
M2811054	ROLLER M/P ASS'Y	4-15
M2811056	ACTUATOR:MPF	4-13
M2811057	SPRING ACTUATOR MPF	4-35
M2811059	GEAR:Z26L:DLP CLUTCH	9-5
M2811060	GEAR:Z32L:REG CL	9-2
M2811061	STOPPER:PROCESS	5-5
M2811062	STOPPER:PROCESS	5-6
M2811063	FAN MOTOR:ASS'Y SP(FAN2)	2-5
M2811066	PCB:SWITCH SP:ASS'Y	2-11
M2811067	PCB:TH CONNECT:ASS'Y(PCB13)	2-8
M2811068	DC MOTOR ASS'Y(M8/M9)	9-6
M2811069	FAN:COOLING ONVEYING SP(FAN3)	2-12
M2811072	SHEET:FAN L	2-6
M2811074	HARNESS	2-7
M2811080	SWITCH:PUSH(SW1)	2-4
M2811082	PARTS FAN MOTOR SP(FAN6)	2-16
M2811083	LEVER COUPLING DRUM	9-23
M2811084	GEAR Z46L FREE	9-15
M2811085	GEAR Z37S FREE	9-16
M2811087	COVER SENSOR	7-2
M2811088	HOLDER KEY SW	1-40
M2811089	GUIDE CASSETTE R	9-20
M2811090	GUIDE CASSETTE L	9-28
M2811091	CLUTCH 50 Z35R SP(CL3)	9-3
M2811120	CUT WASHER 5	9-9
M2811121	CUT WASHER:7	9-10
M2811122	PLATE:DRIVE	9-11

Part No.	Description	Section and Index No.
M2811123	GEAR:Z119R	9-13
M2811124	GEAR:Z80R-Z36	9-12
M2811125	SPRING:COUPLING DRUM	9-8
M2811126	DRIVE:FEED:ASS'Y(CL2+CL4+SOL2)	9-1
M2811127	CLUTCH:20-2W Z35R(CL1/CL4/CL5)	9-4
M2811129	PARTS_MOTOR-B(M6/M11)	9-7
M2811130	GEAR_Z35S-Z13	9-17
M2811139	ARM_COUPLING_	2-22
M2811185	SHEET GUIDE TURN A	4-29
M2811245	COVER FRONT	1-28
M2811246	SPRING LOCK CASSETTE	9-19
M2811270	COVER:RIGHT REAR	1-3
M2811271	SPONGE:COVER TOP	1-18
M2811272	SPONGE:TRAY REAR	1-19
M2811273	GEAR:Z20S	8-8
M2811274	GEAR:Z22S A	8-10
M2811276	GEAR:Z22S B	8-9
M2811299	ACTUATOR:DU	8-14
M2811316	LABEL_DIAL	3-23
M2811423	SHIELD LCD	1-21
M2811425	KEY_PAUSE	1-37
M2811427	LENS_LED	1-38
M2811430	PARTS_PWB_ASS(PCB14) RETARD	1-23
M2812520	ROLLER	3-5
M2812522	GEAR:Z15S:JOINT	3-8
M2812523	GEAR:Z48S:LIFT	3-7
M2812524	SPRING:RETARD B	3-4
M2812525	CASSETTE BOTTOM	3-12
M2812528	RAIL:CURSOR END	3-17
M2812529	COVER:LIFT GEAR	3-9
M2812530	GUIDE:RETARD B	3-3
M2812532	CURSOR:END:ASS'Y	3-16
M2812534	PLATE:BOTTOM	3-14
M2812535	WIRE:CASSETTE BOTTOM	3-13
M2812536	HOLDER:RETARD B	3-2



Part No.	Description	Section and Index No.
M2812537	GEAR:CASSETTE	3-6
M2812539	CURSOR:LEFT	3-11
M2812541	GEAR_Z34S-Z13	9-24
M2812542	GEAR_Z46S-Z13	9-25
M2812543	GEAR_Z36L-Z20	9-26
M2812544	PAD_BOTTOM	3-15
M2812545	PULLEY FEED	4-34
M2812805	BASE CASSETTE FRONT	3-21
M2812806	COVER CASSETTE TOP	3-20
M2812807	DIAL CASSETTE	3-22
M2812820	GEAR:FEED:Z26	4-19
M2812821	PULLEY:FEED:ASS'Y	4-18
M2812822	GEAR:FEED:Z30	4-20
M2812823	SHAFT:FEED:R	4-41
M2812824	PULLEY:PICK-UP:ASS'Y	4-21
M2812826	HOLDER:FEED:ASS'Y	4-22
M2812827	GUIDE:FEED SIDE	4-25
M2812828	BUSH:TRANSFER R	4-4
M2812829	ACTUATOR:IMAGE	4-8
M2812831	GEAR:Z22R:TC	4-30
M2812832	BUSH:TRANSFER L	4-5
M2812833	ACTUATOR:ENVELOP	4-17
M2812834	ROLLER:MIDDLE:ASS'Y	4-36
M2812835	TONER FULL DETECT ASS'Y SP	5-3
M2812836	GUIDE:PAPER CHUTE SP	4-7
M2812837	HIGH VOLTAGE UNIT SP(PCB19)	4-11
M2812838	ROLLER:TRANSFER	4-6
M2812839	ROLLER:REGIST LOW	4-2
M2812840	ROLLER REGIST UP	4-3
M2812841	SENSOR:OPT SP(S7/S9/S10)	4-14
M2812842	SHUTTER:WASTE	5-4
M2812843	ACTUATOR:PE	4-16
M2812844	PAD:SEPARATOR	4-23
M2812846	HOLDER:SEPARATION MPF	4-26
M2812847	LEVER:LINK	1-30

Part No.	Description	Section and Index No.
M2812849	SPRING:PICKUP B	4-24
M2812850	ACTUATOR:DU	4-10
M2812851	GUIDE_TURN_MP	4-28
M2812852	BASE_DU	4-43
M2812853	LEVER CAM MPF	4-44
M2812854	BUSH 6 EW	4-33
M2812855	LOCK ENVELOPE L	4-42
M2812856	SPRING TRANSFER R	4-27
M2812857	SPRING TRANSFER L	4-39
M2812859	LOCK ENVELOPE R	4-38
M2812860	SW.PUSH	9-21
M2812861	GEAR Z19R-Z22R REGIST UP	4-32
M2812862	GEAR Z22L REGIST LOW	4-31
M2812863	GEAR Z35R IDLE	4-48
M2812864	BUSH SCREW	4-12
M2812866	PARTS COVER MPF ASSY SP	1-29
M2813030	DEVELOPMENT UNIT (DV-3100)	6-1
M2813051	MC-3160	5-2
M2814451	GEAR:Z66R-Z40	8-3
M2814452	GEAR:Z17S	8-4
M2814453	GEAR:Z22S	8-2
M2814454	ACTUATOR OVERFLOW	8-5
M2814455	SEAL:EXIT C	8-15
M2814456	PULLEY EXIT	8-16
M2815403	HARNESS:PANEL-THERM	1-22
M2815567	POWER_CORD(120)(NA)	10-1
M2815568	AC CODE ASS'Y(EU/AA)	10-2
M2816550	TONER COLLECTION BOTTLE(P 800)	5-7
M2816684	LEVER_DU_RELE	4-45
M2817501	GEAR Z34S INPUT	9-18
M2817502	GUIDE DU	4-46
M2817503	PULLEY PA	4-9
MM2817504	SPRING DU	4-47
M2817505	SHEET REGIST	4-37
M2817506	LEVER LOCK CASSETTE L	9-27

## Parts Index

Part No.	Description	Section and Index No.
M2818534	LABEL:OPERATION:CASSETTE	3-18
M2818535	LABEL:OPERATION:END	3-19
M2818536	LABEL:DRUM UP	5-8
M2818538	SHEET_LID_TOP	1-27
M2822541	CASSETTE ASS'Y (CT-3160)	3-1
M2822550	PARTS_GUIDE_C	5-9
M2822861	CURSOR_RIGHT	3-10

Part No.	Description	Section and Index No.
----------	-------------	-----------------------