

P 501/502
(M0BQ/M0D1-NA)
Parts Catalog

Parts change information sample

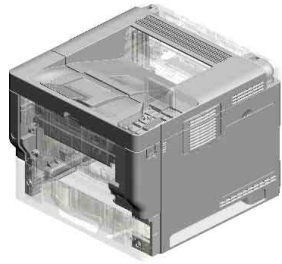
 **Add**

 **Update**

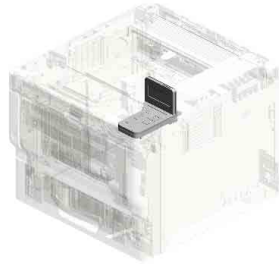
 **Delete**

Model	Product Code	PC Style
IM 350/350F/430F/430Fb	D0AP/D0C4/D0C5/D0C6	3D
P 501/502	M0BQ/M0D1	3D
Paper Feed Unit PB1110	D3EQ	3D
Paper Feed Unit PB1110TE	D3EY	3D
Paper Feed Unit PB1110LE	D3EY	3D
Paper Feed Unit PB1120	D3ER	3D
Paper Feed Unit PB1120TE	D3EY	3D
Paper Feed Unit PB1120LE	D3EY	3D
Offline Stapler Type M34	D3EP	3D
Caster Table Type M34	D3EP	Traditional
IEEE 1284 Interface Board Type M19	D3C0	Traditional
SD Card for Fonts Type E	M500	Traditional
Handset HS1010	M444	Traditional
Page Keeper Type M28	D3DQ	Traditional
FAX Connection Unit Type M34	D3EM	Traditional
PostScript3 Unit Type M34	D3EN	Traditional
Optional Counter Interface Unit Type M12	B870	Traditional
Extended USB Board Type M19	D3BS	Traditional
IPDS Unit Type P18	M543	Traditional
Hard Disk Drive Option Type P18	M543	Traditional
Enhanced Security HDD Option Type M10	D792	Traditional
NFC Card Reader Type M27	M502	Traditional
IEEE 802.11 Interface Unit Type M24	M500	Traditional
USB Device Server Option Type M19A	D3BC	Traditional
XPS Direct Print Option Type M34	D3EN	Traditional
IPDS Unit Type M34	D3EN	Traditional
File Format Converter Type M19	D3BR	Traditional
CR Unit Type M13	D3AC	Traditional
Data Overwrite Security Unit Type M19	D3BS	Traditional
XPS Direct Print Option Type P18	M543	Traditional
PostScript3 Unit Type P18	M543	Traditional
VM Card Type P18	D3EN	Traditional

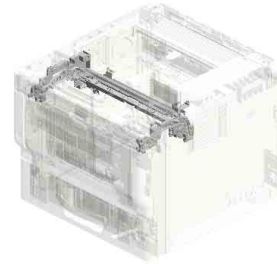
Unit All



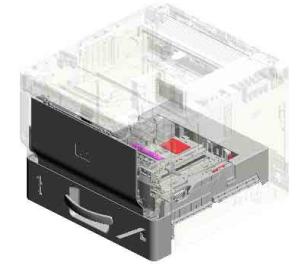
U001
EXTERIOR



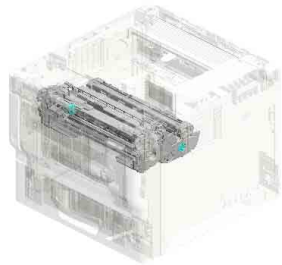
U002
OPERATION



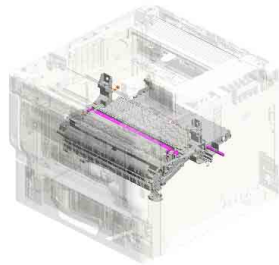
U003
LASER UNIT



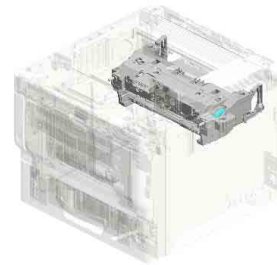
U004
PAPER FEED



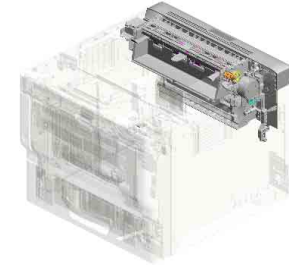
U005
PCDU



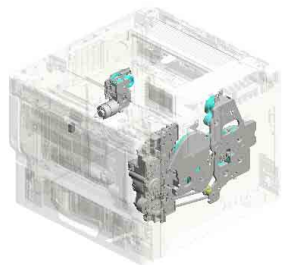
U006
TRANSFER/SEPARATION



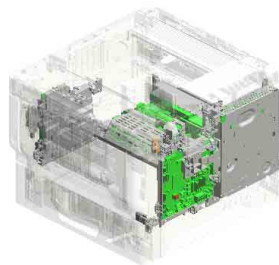
U007
FUSING



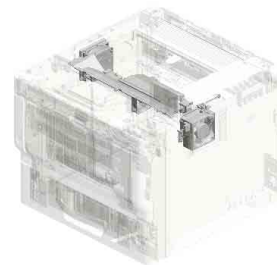
U008
PAPER EXIT



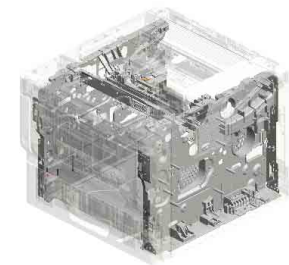
U009
MAIN DRIVE



U010
ELECTRICAL

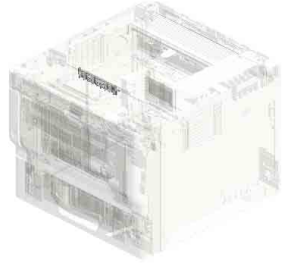


U011
AIR COOLING



U012
MAIN FRAME

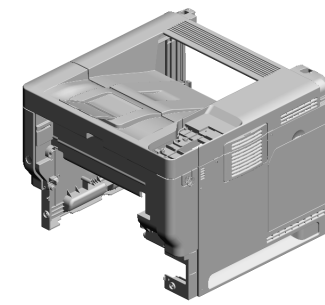
Unit All



U013
ACCESSORIES

U001 EXTERIOR

- 2.04583010N (x7)
HEXAGON HEAD TAPPING SCREW:3X10
- 6.D0A41331
COVER:NFC:2
- 9.D0A41334 (x2)
LEVER:DOOR:FRO
NT
- 12.D0A41344
LINK:LATCH:COVE
R:FRONT
- 8.D0A41333 (x2)
FILTER:LOUVER



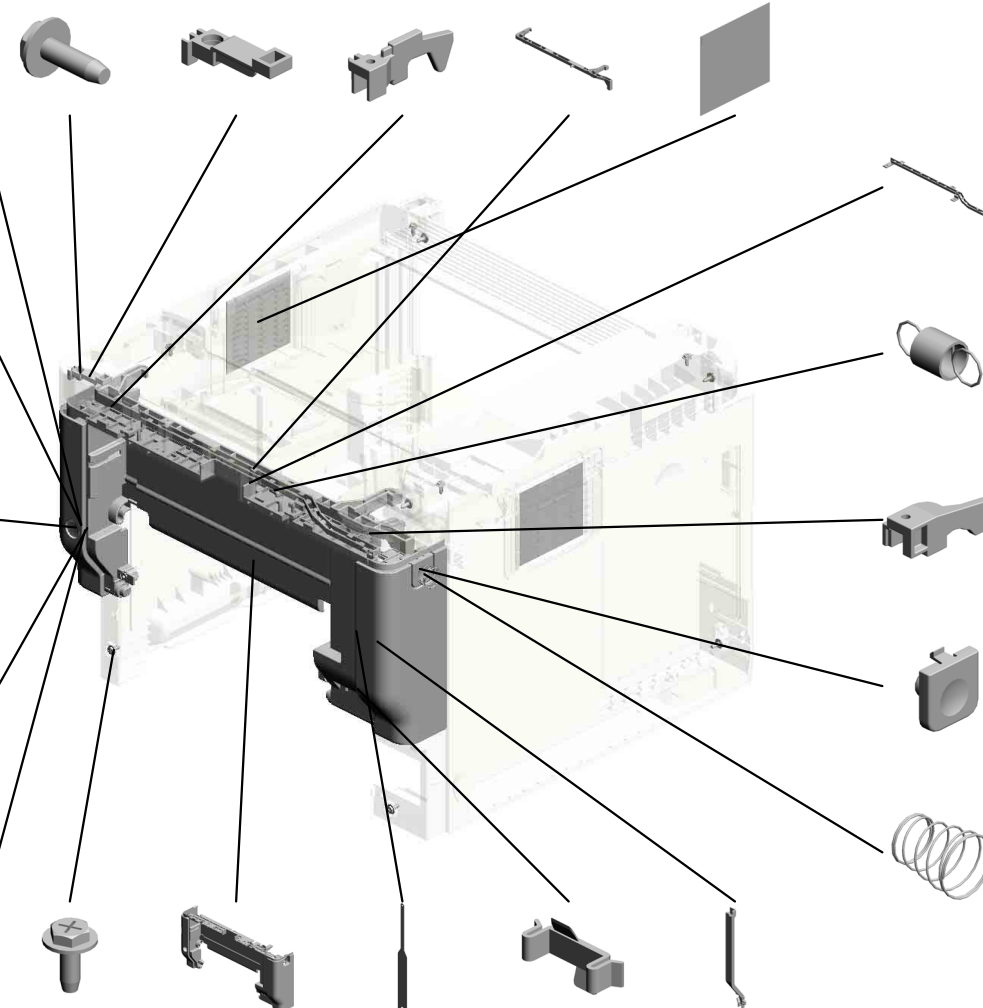
- 17.D0A45643
COIL SPRING:MAI
N SWITCH

- 20.D0A45650
SPACER:MAIN SWI
TCH

- 16.D0A45641
BUTTON:MAIN SWI
TCH

- 19.D0A45648
COVER:MAIN SWIT
CH:FRONT

- 18.D0A45647
FEELER:MAIN SWI
TCH



- 1.04513008N (x12)
TAPPING SCREW -
M3X8
- 4.D0A41328
DOOR:FRONT
- 11.D0A41338
BAND:DOOR:FRO
NT
- 3.11050604
CLAMP:RFC-16V0
- 7.D0A41332
COVER:NFC:3

- 5.D0A41330
COVER:NFC:1

- 13.D0A41345
COIL SPRING:LAT
CH:DOOR:FRONT

- 10.D0A41337
LEVER:SHUTTER:
DOOR:FRONT

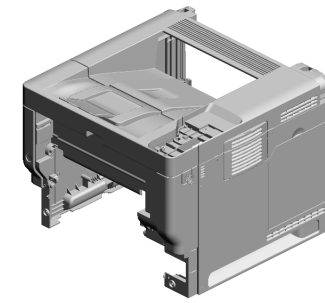
- 14.D0A41346
COVER:BUTTON:D
OOR:FRONT

- 15.D0A41347
COMPRESSION SP
RING:DOOR:FRO
NT:BUTTON

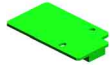
- 2.04583010N (x 2)
HEXAGON HEAD TAPPING SCREW:3X
10

U001 EXTERIOR

28.M0BQ1343 COVER:LOUVER:L
EFT UPPER
29.M0BQ1344 COVER:LOUVER:L
EFT LOWER
22.M0BQ1320 COVER:LEFT



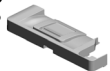
21.D0A45750
PCB:NFC:ASSY



32.M0BQ4575
EXTENSION TRAY:
EXIT



26.M0BQ1329
COVER:FRONT UP
PER



24.M0BQ1322
COVER:UPPER



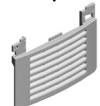
30.M0BQ1345
COVER:LOUVER:R
IGHT UPPER



27.M0BQ1338
COVER:HDD:MAIN



25.M0BQ1323 SHEET:STATIC EL
ECTRICITY CAUTI
ON:COVER:UPPER
31.M0BQ1346 COVER:LOUVER:R
IGHT LOWER
23.M0BQ1321 COVER:RIGHT



U002 OPERATION

1-04593010N
BINDING HEAD TA
PPING SCREW:3X
10



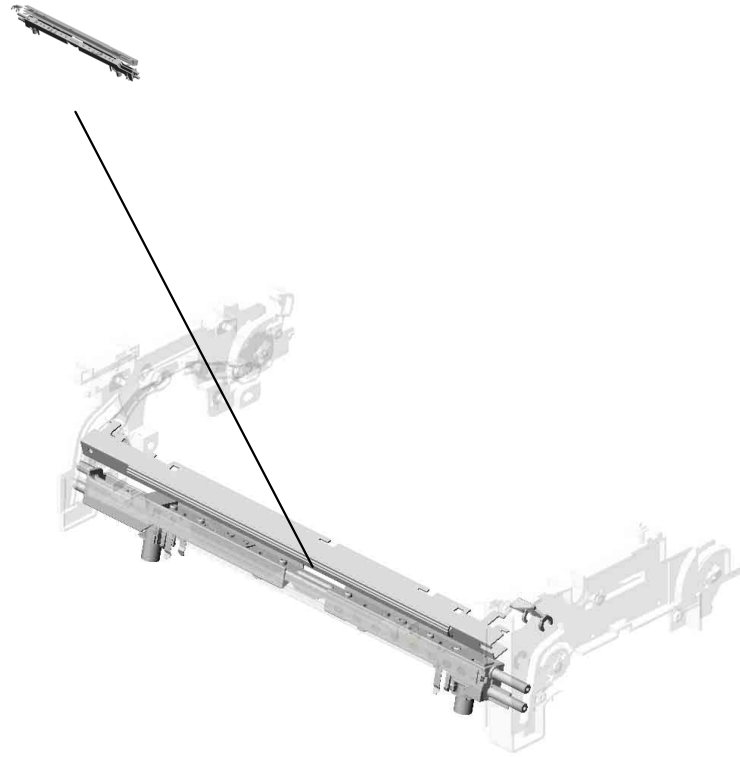
3-M0BQ1401
(NA/EU/AA/KOR):O
PERATION SUB-U
NIT:ASSY



U001	U002	U003	U004	U005	U006	U007	U008	U009	U010	U011	U012	U013
------	-------------	------	------	------	------	------	------	------	------	------	------	------

U003.LASER UNIT

U003 S001
D0A41850
LED:ASS'Y



U001	U002	U003	U004	U005	U006	U007	U008	U009	U010	U011	U012	U013
------	------	------	------	------	------	------	------	------	------	------	------	------

U003 LASER UNIT

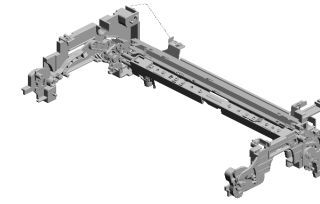
14.D0A41923
LINK:LED:RIGHT:B

2.04543006Q
(x8)
TAPPING SCREW -
M3X6

13.D0A41922
LINK:LED:RIGHT:A

4.08050104
(x7)
RETAINING RINGS
-E:SILENCER:DIA4

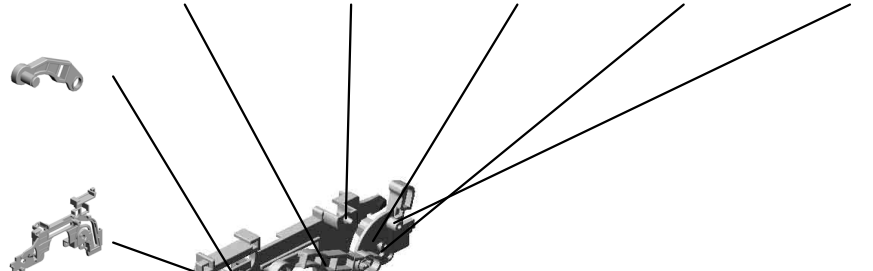
16.D0A41925
LEVER:LINK:LED:R
IGHT:B



15.D0A41924
LINK:LED:RIGHT:C



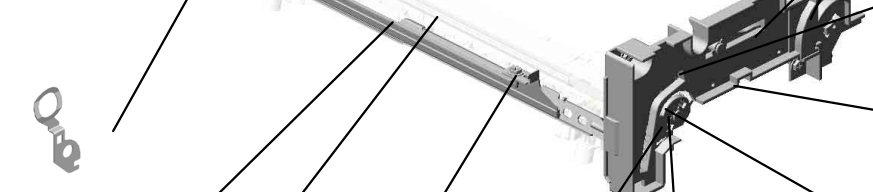
12.D0A41921
GUIDE:LINK:LED:RI
GHT



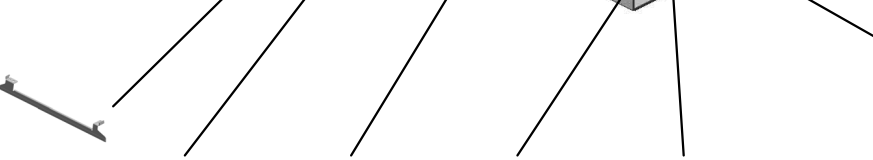
18.D0A41927
COIL SPRING:LINK
:LED:RIGHT



17.D0A41926
GROUND PLATE:HI
NGE:LED:RIGHT



27.D0A41950
CLEANER:LED:AS
SY



1.03130040N(x 1)
SCREW:M3X4

20.D0A41932
LINK:LED:LEFT:A

21.D0A41933
LINK:LED:LEFT:B

22.D0A41934
LINK:LED:LEFT:C

19.D0A41931
GUIDE:LINK:LED:L
EFT

26.D0A41945
(x2)
PIN:HINGE

25.D0A41942
HINGE:LED:PEEN

3.04583010N
(x2)
HEXAGON HEAD T
APPING SCREW:3
X10

23.D0A41935
GROUND PLATE:HI
NGE:LED:LEFT

24.D0A41936
COIL SPRING:LINK
:LED:LEFT

U003_S001
LED:ASS'Y

28.M1601900 LED HEAD:1200DPI
:211.3MM
8.D0A41905 FRAME:HOLDER:L
ED:PEEN
7.D0A41902 HOLDER:LED:LEFT



5.D0A41850
LED:ASS'Y

6.D0A41901
HOLDER:LED:RIGH
T

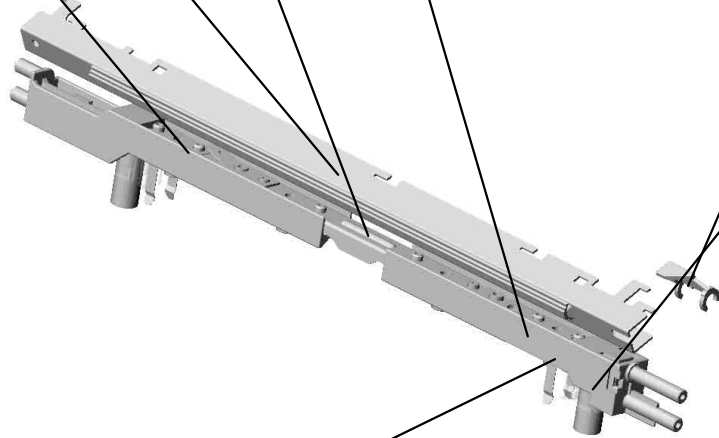


11.D0A41909
SPACER:HOLDER:
LED:K



3.04583010N(x 4)
HEXAGON HEAD TAPPING SCREW:3X
10

10.D0A41908
(x2)
COIL SPRING:HOL
DER:LED



9.D0A41907
(x2)
SPRING PLATE:LE
D

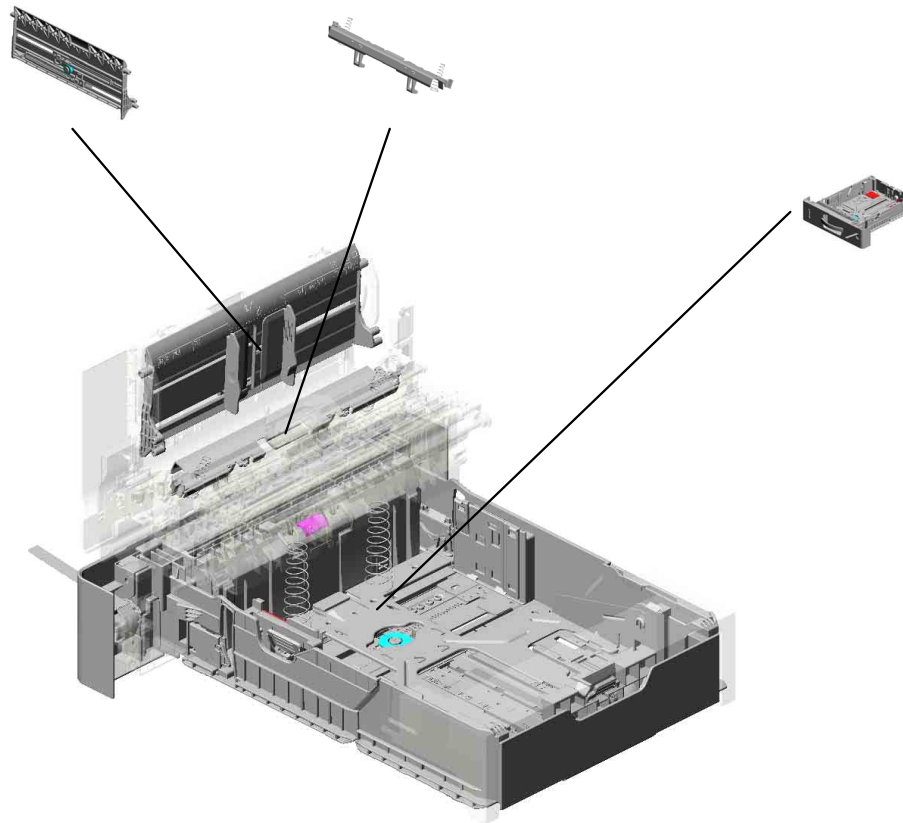


U004.PAPER FEED

U004 S001
D0A42710
MANUAL FEED TABLE:ASS'Y

U004 S002
D0A42713
BASE:MANUAL FEED:ASS'Y

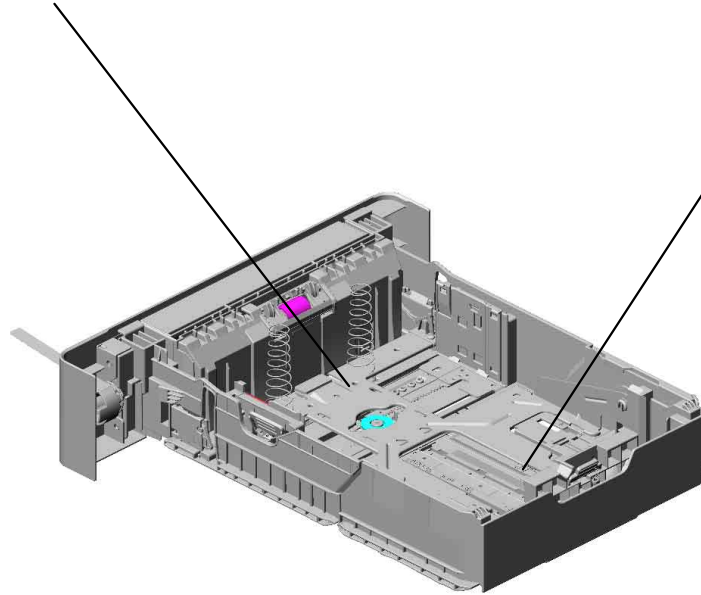
U004 S003
D0A42512
PAPER TRAY:500TYPE



U001	U002	U003	U004	U005	U006	U007	U008	U009	U010	U011	U012	U013
------	------	------	------	------	------	------	------	------	------	------	------	------

U004_S003.PAPER TRAY:500TYPE

U004 S003 S001
D0A42603
PAPER TRAY:FRONT:500TY
PE

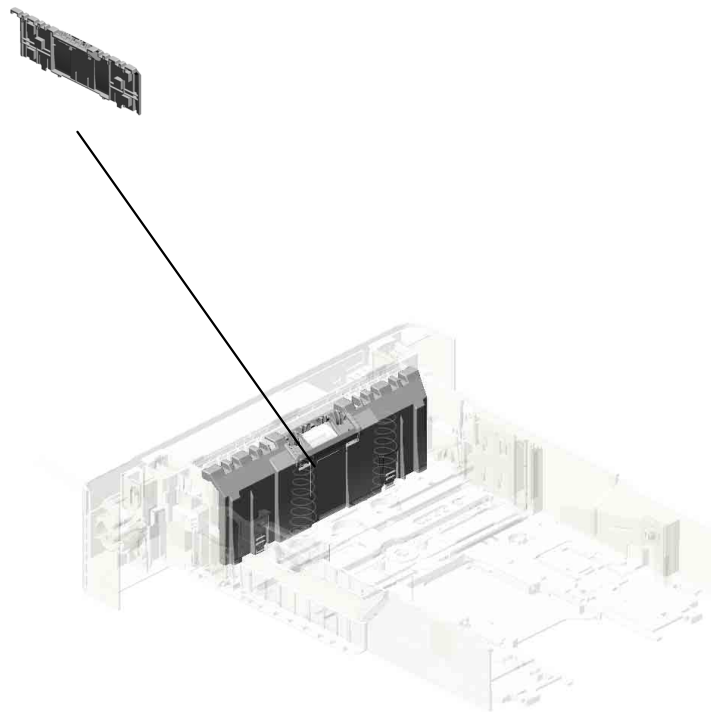


U004 S003 S002
D0A42630
PAPER TRAY:REAR:500TYP
E:ASS'Y

U001	U002	U003	U004	U005	U006	U007	U008	U009	U010	U011	U012	U013
------	------	------	------	------	------	------	------	------	------	------	------	------

U004_S003_S001.PAPER TRAY:FRONT:500TYPE

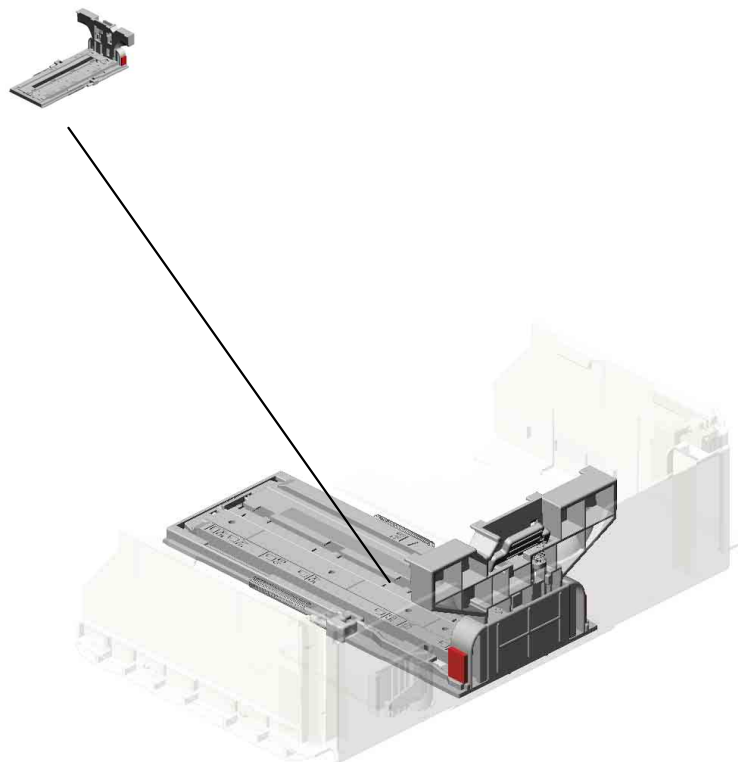
U004 S003 S001 S001
D0A42625
GUIDE PLATE:PAPER TRAY:
MAIN:500TYPE:ASS'Y



U001	U002	U003	U004	U005	U006	U007	U008	U009	U010	U011	U012	U013
------	------	------	-------------	------	------	------	------	------	------	------	------	------

U004_S003_S002.PAPER TRAY:REAR:500TYPE:ASS'Y

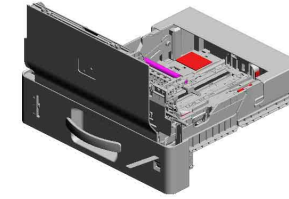
U004 S003 S002 S001
D0A42666
END FENCE:500TYPE:ASS'Y



U001	U002	U003	U004	U005	U006	U007	U008	U009	U010	U011	U012	U013
------	------	------	------	------	------	------	------	------	------	------	------	------

U004 PAPER FEED

- 21.AA143846 (x2) TAPPING SCREW: M3X6
- 20.AA132208 (x2) SPACER - M6
- 6.04583010N (x15) HEXAGON HEAD TAPPING SCREW:3 X10
- 23.AF020846 (x2) ROLLER:CONNECTION:DRIVE:PAPER FEED
- 9.07200030E (x2) RETAINING RING - M3



14.11050758
CLAMP:LWSM-030
6A



15.54472681
(x2)
SNAP RING



4.04543008Q
(x4)
TAPPING SCREW:
3X8



11.08050104
(x5)
RETAINING RINGS
-E:SILENCER:DIA4



3.04543006Q
(x2)
TAPPING SCREW -
M3X6



5.04543010Q
TAPPING SCREW:
3X10



17.AA082173
(x6)
PLAIN SHAFT BEARING:
RING:6X10X6



18.AA082175
(x2)
PLAIN SHAFT BEARING:
RING:8X12X7



10.07200040E
(x2)
RETAINING RING -
M4



24.AF020848
REGISTRATION ROLLER:
DRIVE



8.07200025E
RETAINING RING -
M2.5



19.AA082190
BUSHING:DIA4XDIA
A7X3



12.08050106
RETAINING RINGS
-E:SILENCER:DIA6



13.11050692
CLAMP:LES-0503



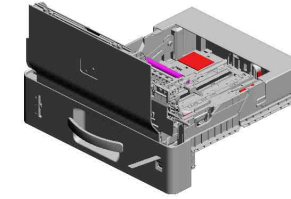
25.AF021421
REGISTRATION ROLLER:
DRIVEN



2.03603006N (x 1)
SCREW - M3X6
3.04543006Q (x 1)
TAPPING SCREW - M3X6

U004 PAPER FEED

- 87.D0A42730 FEELER:PAPER END SENSOR:MANUAL FEED
- 82.D0A42724 SHAFT:CAM:MANUAL FEED:PRESS FIT
- 88.D0A42733 SHEET:BASE:MANUAL FEED
- 86.D0A42729 GUIDE:FEED INLET:MANUAL FEED
- 89.D0A42737 HOLDER:FRICTION PAD:MANUAL FEED



84.D0A42727
CAM:MANUAL FEED:RIGHT



92.D0A42741
COIL SPRING:FEELER:CAM:MANUAL FEED



95.D0A42744
SHEET:SENSOR COVER



96.D0A42746
BRACKET:ADJUSTMENT:REGISTRATION



91.D0A42740
FEELER:CAM:MANUAL FEED



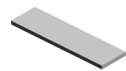
90.D0A42738
BRACKET:FRICTION PAD:MANUAL FEED



26.AF031100
PAPER FEED ROLLER:MANUAL FEED:GM30X



29.AF033012
FRICTION PAD:MANUAL FEED



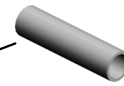
94.D0A42743
SHEET:PAPER FEED ROLLER:EXIT:MANUAL FEED



27.AF031103
PAPER FEED ROLLER



81.D0A42723
COMPRESSION SPRING:SHAFT:PAPER FEED ROLLER:MANUAL FEED



93.D0A42742
GROUND PLATE:SHAFT:CAM:MANUAL FEED



80.D0A42721
SHAFT:PAPER FEED ROLLER:MANUAL FEED:PRESS FIT



83.D0A42726
CAM:MANUAL FEED:LEFT

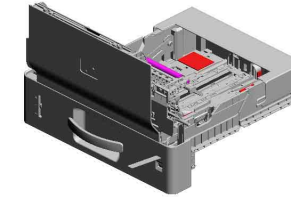


85.D0A42728
SPRING PLATE:HOME POSITION SENSOR:MANUAL FEED



U004 PAPER FEED

- 111.D0A42767 EXTENSION TRAY: MANUAL FEED
- 110.D0A42766 COVER:EXTENSION TRAY
- 98.D0A42748 DAMPING INSULATION:MANUAL FEED
- 97.D0A42747 COMPRESSION SPRING:FRICTION PA D:MANUAL FEED
- 113.D0A42769 (x2) HOLDER:COMPRESSION SPRING:EXTENSION TRAY



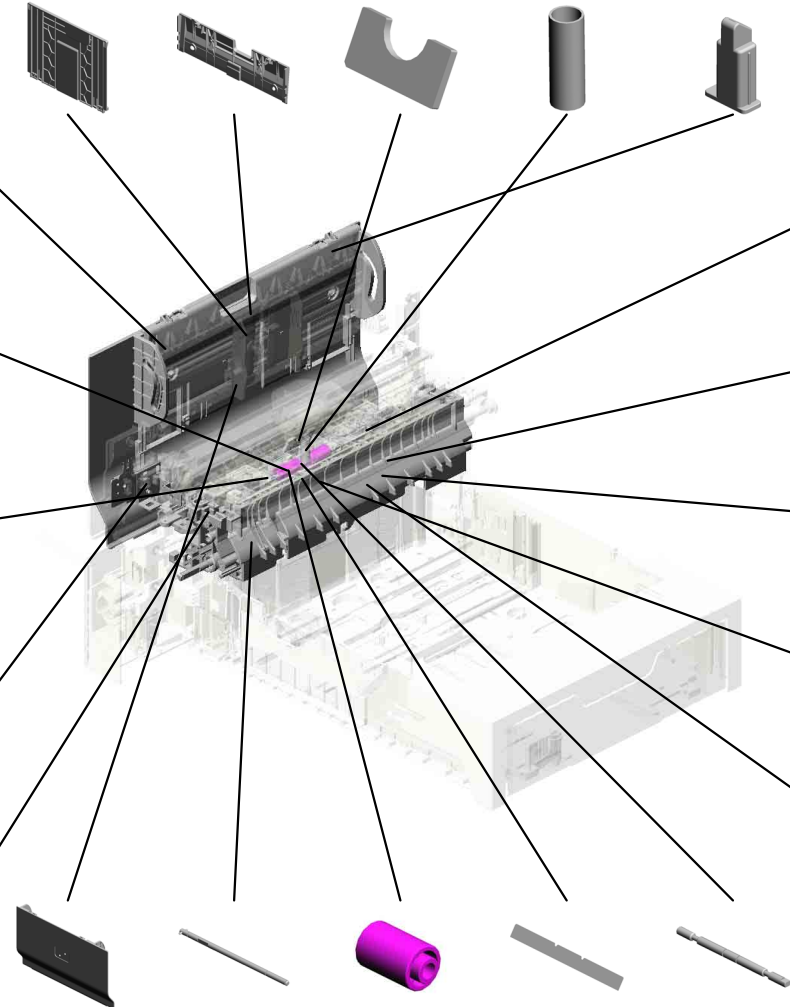
- 114.D0A42770 (x2) COMPRESSION SPRING:EXTENSION TRAY

- 100.D0A42755 GUIDE PLATE:MANUAL FEED:LOWER

- 115.D0A42780 (x2) COMPRESSION SPRING:DRIVEN ROLLER:CONNECTING

- 99.D0A42750 STAY:ADJUSTMENT:REGISTRATION:PEEN

- 103.D0A42758 (x2) COMPRESSION SPRING:HOLDER:DAMPER:DOOR:FRONT



- 102.D0A42757 (x2) HOLDER:DAMPER:DOOR:FRONT

- 121.D0A42808 COMPRESSION SPRING:LEVER:PAPER FEED ROLLER

- 120.D0A42806 SHAFT:PLAIN SHAFT BEARING:PAPER FEED ROLLER

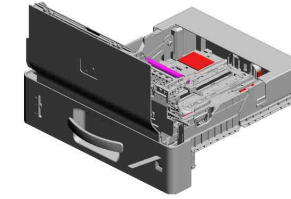
- 118.D0A42801 STAY:PAPER FEED

- 122.D0A42809 LEVER:PAPER FEED ROLLER

- 112.D0A42768 COVER:MANUAL FEED TABLE
- 119.D0A42804 SHAFT:PAPER FEED:PRESS FIT
- 116.D0A42781 (x2) ROLLER:DRIVEN:CONNECTING
- 101.D0A42756 SHEET:CONNECTING:ENTRANCE
- 117.D0A42782 SHAFT:CONNECTING:DRIVEN:PAPER FEED

U004 PAPER FEED

126.D0A42821 GROUND PLATE:STAY:PAPER FEED:RIGHT
 136.D0A42848 COMPRESSION SPRING:PRESSURE:DRIVE:CONNECTING
 134.D0A42844 SPACER:ROLLER:CONNECTING:PAPER FEED
 140.D0A43822 COVER:GUIDE:REGISTRATION:UPPER
 139.D0A43815 DECAL:B



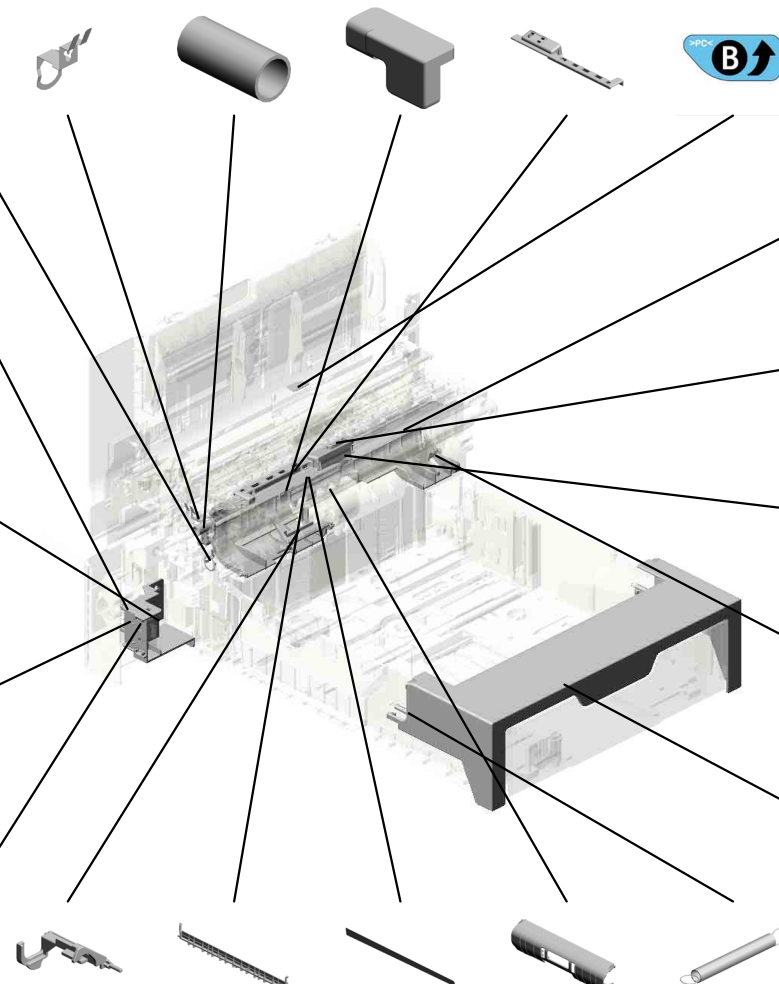
127.D0A42822 GROUND PLATE:SHAFT:PAPER FEED

130.D0A42840 (x2) SPACER:PAPER SIZE SENSOR BOARD:OUTER

132.D0A42842 SENSOR CASE:PAPER SIZE SENSOR BOARD

131.D0A42841 SPACER:PAPER SIZE SENSOR BOARD:MIDDLE

133.D0A42843 GROUND PLATE:PAPER SIZE SENSOR:PAPER FEED:TRAY



142.D0A43824 SHEET:GUIDE:REGISTRATION ROLLER:UPPER LEFT

141.D0A43823 STOPPER:SENSOR:PLATE

124.D0A42816 SHEET:STAY:PAPER FEED:UPPER

128.D0A42826 FEELER:PAPER VOLUME SENSOR

138.D0A42853 COVER:PREVENTFENCE:PAPER TRAY

135.D0A42847 FEELER:PAPER END SENSOR

125.D0A42820 GUIDE PLATE:PAPER FEED:ENTRANCE

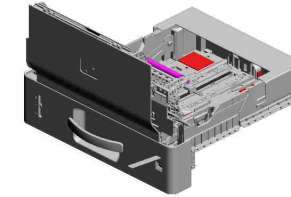
129.D0A42833 SHEET:PAPER FEED:ENTRANCE

123.D0A42813 GUIDE PLATE:PAPER FEED:UPPER

137.D0A42852 (x2) TENSION SPRING:COVER:PREVENTFENCE:PAPER TRAY

U004 PAPER FEED

148.D0A45642 149.D0A45644 153.GA132000
 HOLDER:MAIN SWITC
 BRACKET:MAIN SWITC
 (x2)
 SPACER:DIA4.2XDI
 A10X1



143.D0A43825
 SHEET:GUIDE:REGISTRATION ROLLER:UPPER RIGHT

145.D0A43831
 LEVER:PRESSURE:REGISTRATION:RIGHT

156.GW500004
 PUSH SWITCH:CASETTE:TYCO:(S W4)

154.GW010007 144.D0A43826
 PHOTO REFLECTOR:EXIT:REGISTRATION:UPPER
 S1/S5)

155.GW020024
 (x4)
 PHOTO INTERRUPTOR:LG2A24BL1:GF:(S2/S3/S4/S6/S7/S8/S10)

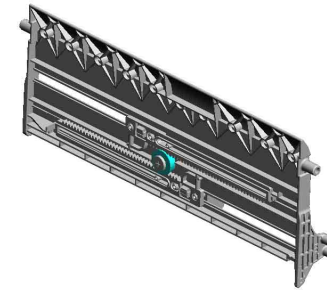
150.D1775686
 PCB:DCSW:(SW3)

146.D0A43832
 LEVER:PRESSURE:REGISTRATION:LEFT

147.D0A43833
 (x2)
 COMPRESSION SPRING:LEVER:PRESSURE:REGISTRATION

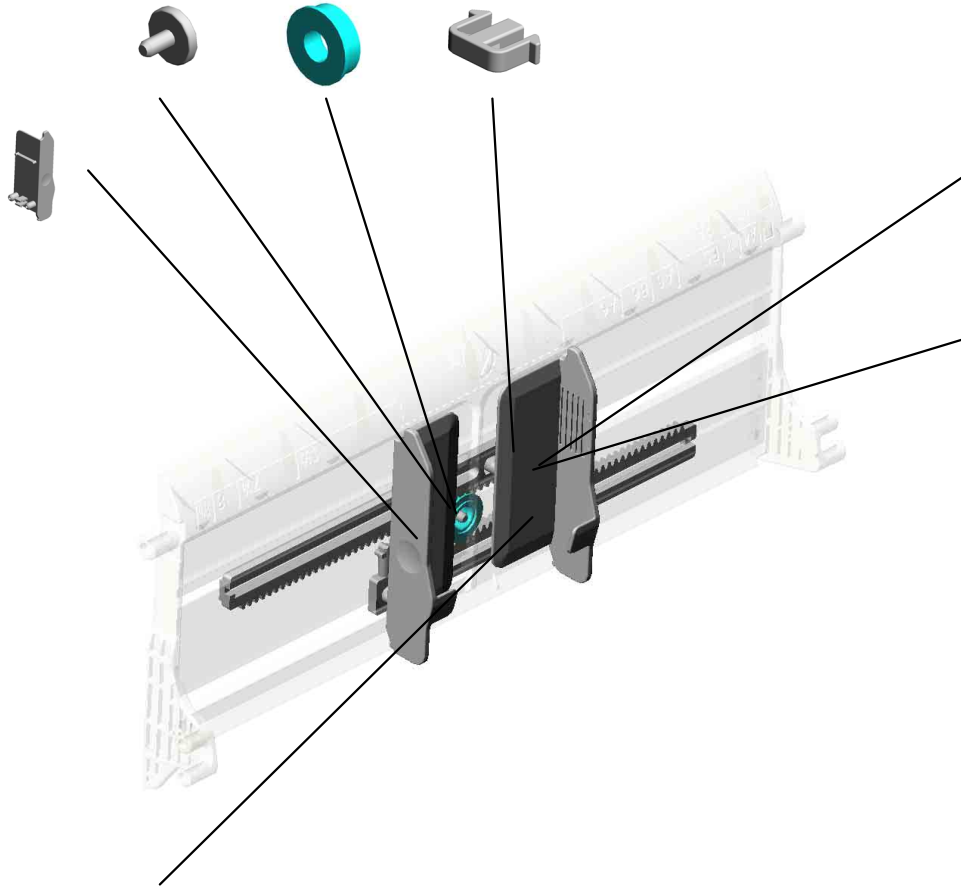
U004_S001
MANUAL FEED TABLE:ASS'Y

21.AA143846 TAPPING SCREW: M3X6
 107.D0A42762 GEAR:SIDE FENCE
 104.D0A42759 (x2) SPACER:SIDE FENCE:MANUAL FEED



78.D0A42710
MANUAL FEED TABLE:ASS'Y

106.D0A42761
SIDE FENCE:MANUAL FEED:RIGHT



105.D0A42760
SIDE FENCE:MANUAL FEED:LEFT

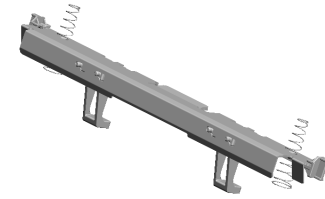
109.D0A42764 (x2)
COMPRESSION SPRING:RACK:MANUAL FEED

108.D0A42763 (x2)
RACK:SIDE FENCE

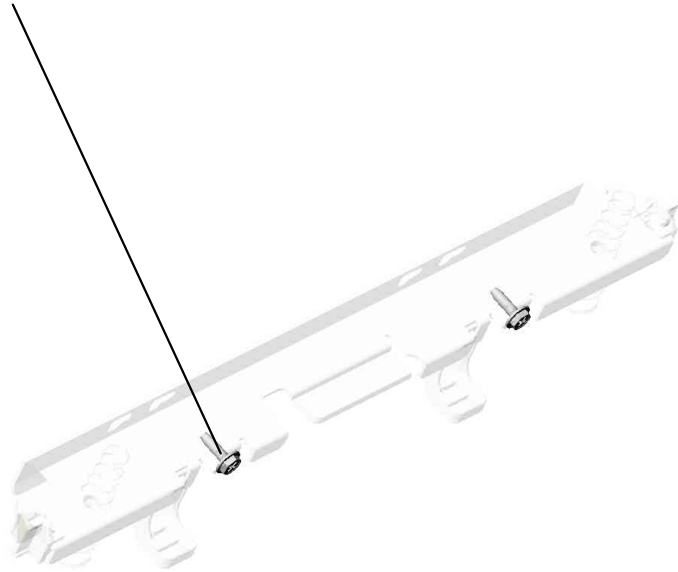
U001	U002	U003	U004	U005	U006	U007	U008	U009	U010	U011	U012	U013
------	------	------	------	------	------	------	------	------	------	------	------	------

U004_S002
BASE:MANUAL FEED:ASS'Y

6.04583010N
(x2)
HEXAGON HEAD TAPPING SCREW:3
X10

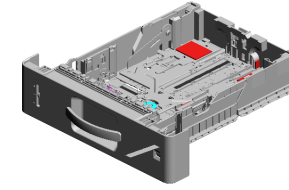


79.D0A42713
BASE:MANUAL FE
ED:ASS'Y



U001	U002	U003	U004	U005	U006	U007	U008	U009	U010	U011	U012	U013
------	------	------	------	------	------	------	------	------	------	------	------	------

U004_S003
PAPER TRAY:500TYPE



30.D0A42512
PAPER TRAY:500T
YPE

U001	U002	U003	U004	U005	U006	U007	U008	U009	U010	U011	U012	U013
------	------	------	------	------	------	------	------	------	------	------	------	------

U004_S003_S001
PAPER TRAY:FRONT:500TYPE

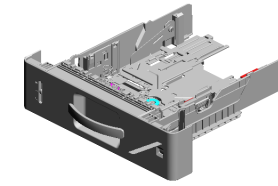
33.D0A42611
BASE:PAPER FEE
D ROLLER:SEPAR
ATE

39.D0A42622
BRACKET:PAPER
FEED ROLLER:SE
PARATE

28.AF032100
PAPER FEED ROL
LER:SEPARATE:M
AIN:EA45G

6.04583010N
(x9)
HEXAGON HEAD T
APPING SCREW:3
X10

37.D0A42618
LEVER:PAPER VO
LUME SENSOR:50
0TYPE



31.D0A42603
PAPER TRAY:FRO
NT:500TYPE

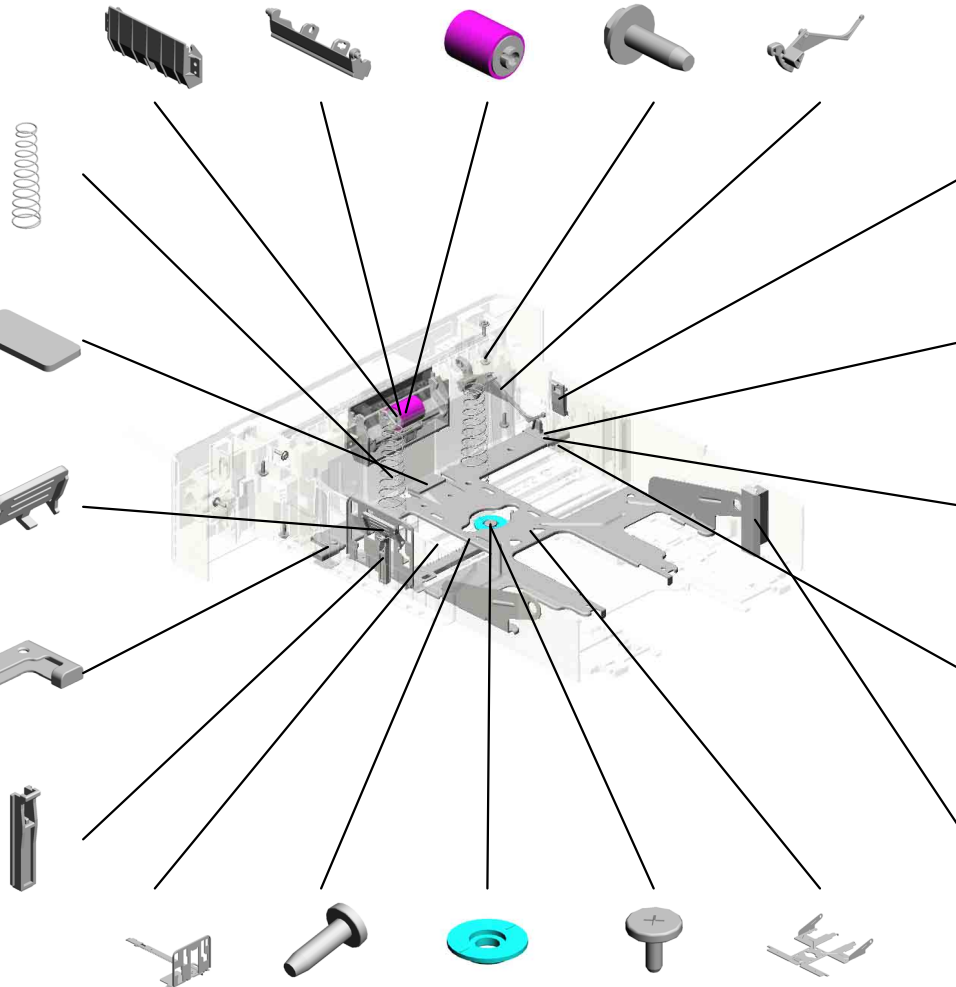
44.D0A42636
(x2)
COMPRESSION SP
RING:PAPER TRAY

42.D0A42629
PAD:BASE:URETH
ANE:WHITE

47.D0A42639
LEVER:LOCK:SIDE
FENCE

35.D0A42616
COVER:TRAY BOT
TOM PLATE:RIGHT

46.D0A42638
PAWL:LOCK:SIDE
FENCE



45.D0A42637
PRESSURE PLATE
:SIDE FENCE:LEFT

11.08050104
RETAINING RINGS
-E:SILENCER:DIA4

36.D0A42617
COVER:TRAY BOT
TOM PLATE:LEFT

1.03530040N
(x2)
SCREW - M3X4

34.D0A42612
(x2)
SHEET:SPACER:R
AIL:PAPER TRAY

49.D0A42643
(x2)
SHEET:SPONGE:P
APER TRAY:FRON
T

48.D0A42642
SIDE FENCE:RIGH
T:500TYPE:PEEN

7.04593010N
(x2)
BINDING HEAD TA
PPING SCREW:3X
10

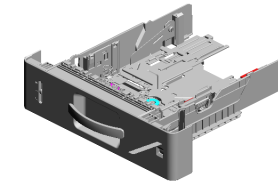
16.A2672869
GEAR - 16Z

22.AA143853
FLAT FILLISTER H
EAD TAPPING SCR
EW:M3X8

32.D0A42606
TRAY BOTTOM PL
ATE:500TYPE:PEE
N

U004_S003_S001
PAPER TRAY:FRONT:500TYPE

- 70.D0A42682 DECAL:PAPER TRAY:PAPER SET DI RECTION
- 54.D0A42652 GUIDE:FRONT:PAPER TRAY:500TYPE
- 68.D0A42680 DECAL:SIDE FENCE:UPPER LIMIT
- 53.D0A42649 SHAFT:PAPER FEE D ROLLER:SHORT: PRESS FIT
- 55.D0A42654 COMPRESSION SPRING:PRESSURE: SEPARATE:0.75N



- 31.D0A42603 PAPER TRAY:FRONT:500TYPE

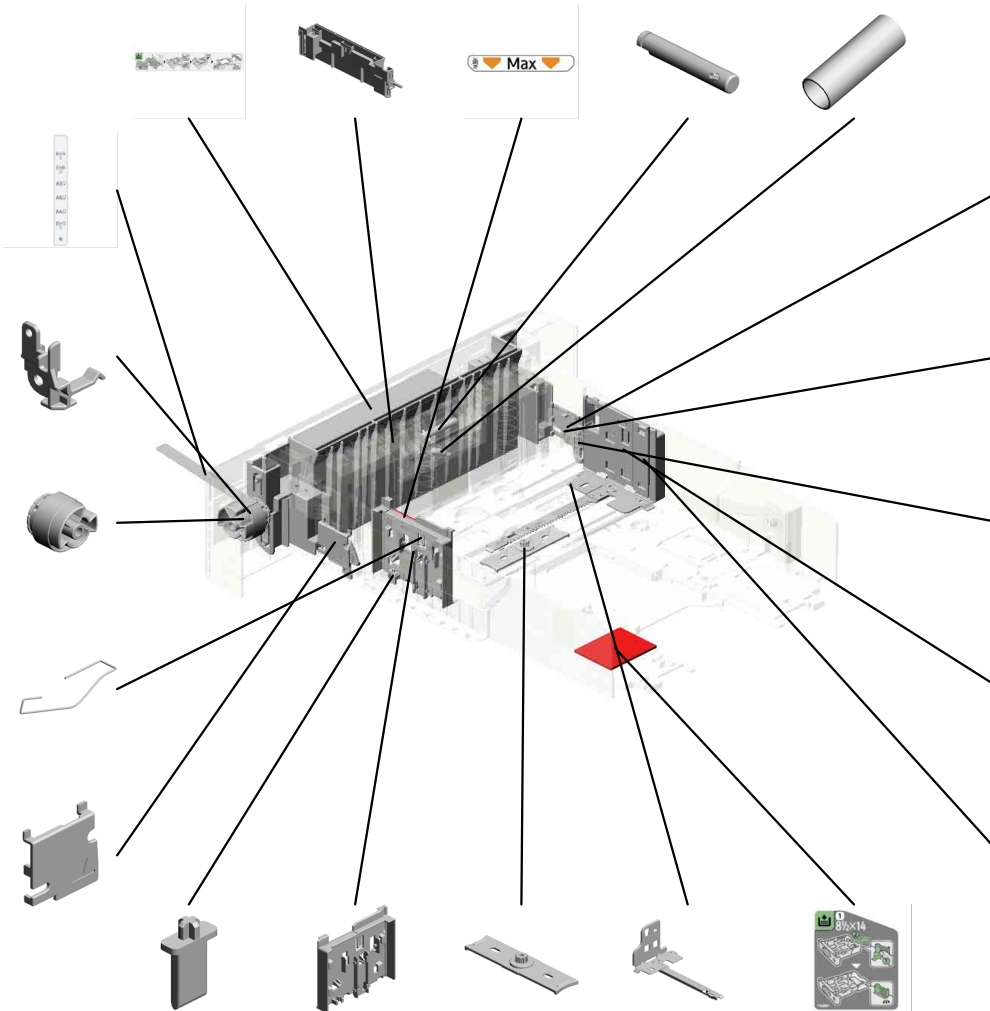
- 67.D0A42679 DECAL:DIAL:PAPER SIZE SENSOR

- 71.D0A42683 LEVER:PAPER SIZE SENSOR BOARD

- 72.D0A42685 DIAL:PAPER SIZE SENSOR BOARD

- 50.D0A42645 GROUND WIRE:BASE:PAPER TRAY

- 61.D0A42667 COVER:LEVER:LOCK:TRAY BOTTOM PLATE:RIGHT



- 69.D0A42681 COVER:LEVER:LOCK:TRAY BOTTOM PLATE:LEFT

- 63.D0A42673 (x2) TENSION SPRING: LOCK:BASE:PAPER TRAY

- 64.D0A42674 (x2) LEVER:LOCK:TRAY BOTTOM PLATE

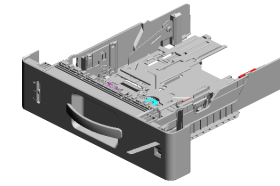
- 62.D0A42668 COVER:SIDE FENCE:LEFT

- 66.D0A42677 PRESSURE PLATE:SIDE FENCE:LEFT

- 51.D0A42647 CLICK:SIDE FENCE
- 52.D0A42648 COVER:SIDE FENCE:RIGHT
- 65.D0A42676 HOLDER:PINION:SCREW
- 58.D0A42662 SIDE FENCE:LEFT:500TYPE:PEEN
- 73.D0A42687 DECAL:EXTENSION TRAY:RIGHT

U004_S003_S001
PAPER TRAY:FRONT:500TYPE

76.D0A42692
COVER:PAPER TR
AY:500TYPE

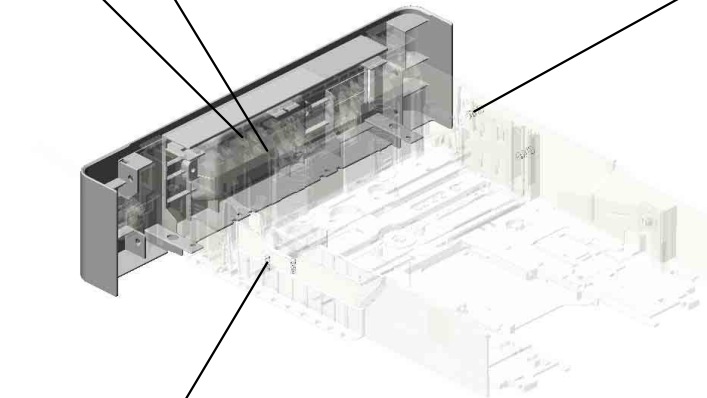


31.D0A42603
PAPER TRAY:FRO
NT:500TYPE

77.D0A42695
GRIP:PAPER TRAY



151.D3EQ2671
(x2)
COMPRESSION SP
RING:AUXILIARY:S
IDE FENCE



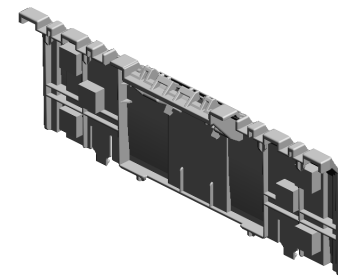
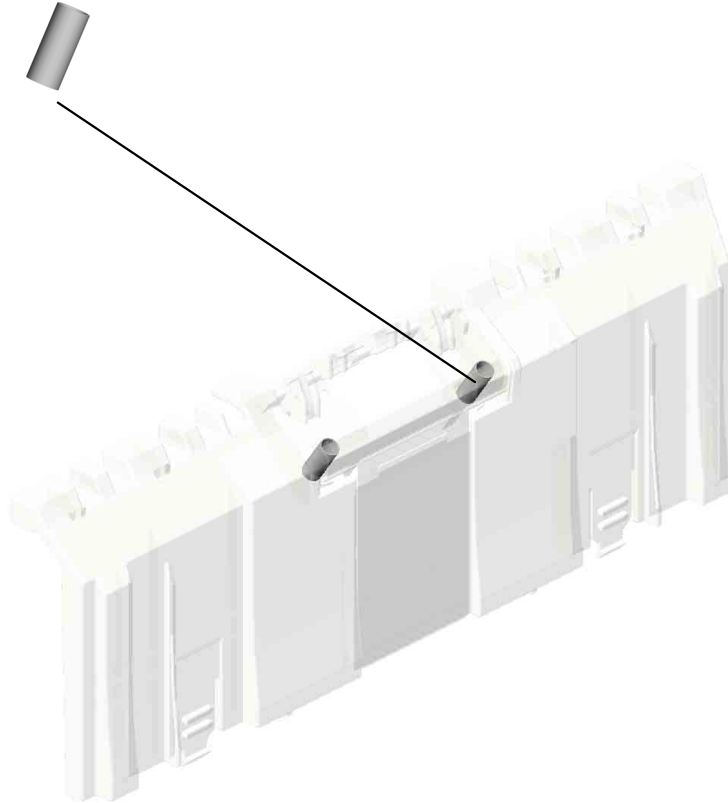
157.M0752610
(x2)
COMPRESSION SP
RING:LOCK:SIDE F
ENCE



U001	U002	U003	U004	U005	U006	U007	U008	U009	U010	U011	U012	U013
------	------	------	-------------	------	------	------	------	------	------	------	------	------

U004_S003_S001_S001
GUIDE PLATE:PAPER TRAY:MAIN:500TYPE:ASS'Y

38.D0A42620
(x2)
COMPRESSION SP
RING:SEPARATE:P
RE:0.3N

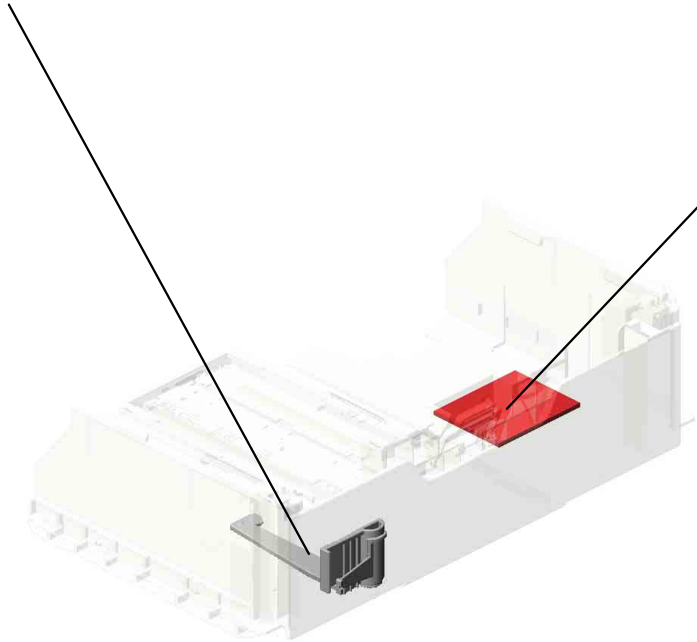


40.D0A42625
GUIDE PLATE:PAP
ER TRAY:MAIN:500
TYPE:ASSY

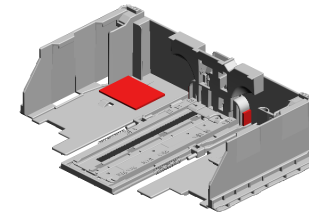
U001	U002	U003	U004	U005	U006	U007	U008	U009	U010	U011	U012	U013
------	------	------	------	------	------	------	------	------	------	------	------	------

U004_S003_S002
PAPER TRAY:REAR:500TYPE:ASS'Y

41.D0A42626
LEVER:EXTENSIO
N TRAY:PAPER TR
AY



74.D0A42688
DECAL:EXTENSIO
N TRAY:LEFT

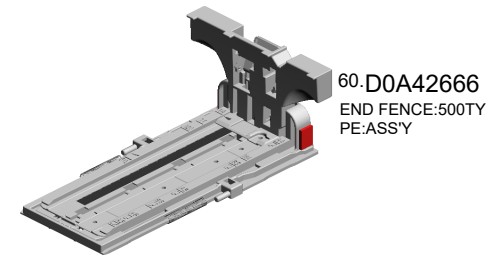


43.D0A42630
PAPER TRAY:REA
R:500TYPE:ASSY

U001	U002	U003	U004	U005	U006	U007	U008	U009	U010	U011	U012	U013
------	------	------	-------------	------	------	------	------	------	------	------	------	------

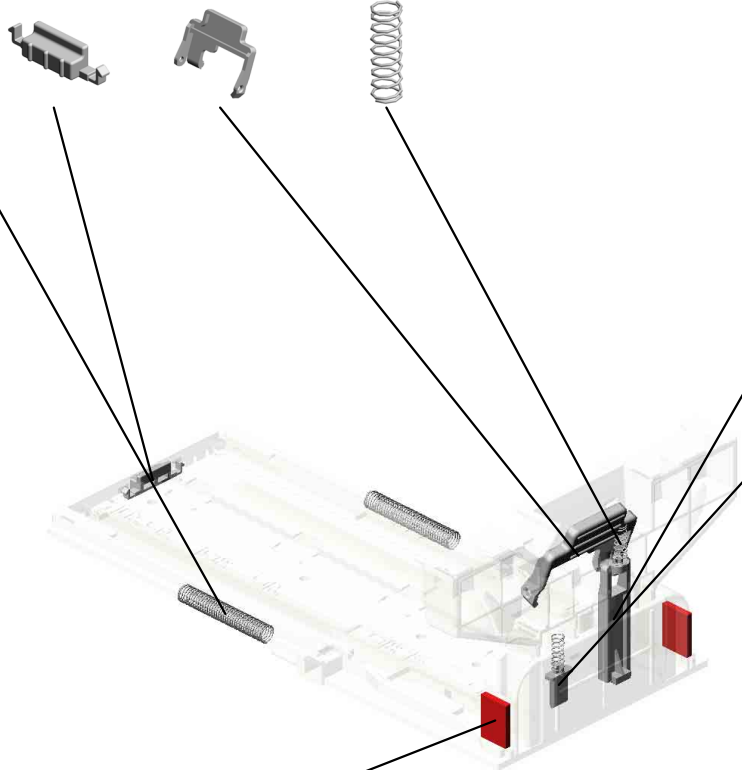
U004_S003_S002_S001
 END FENCE:500TYPE:ASS'Y

- 59.D0A42663 STOPPER:END FENCE
- 56.D0A42655 LEVER:LOCK:END FENCE
- 157.M0752610 (x2) COMPRESSION SPRING:LOCK:SIDE FENCE



60.D0A42666
 END FENCE:500TYPE:ASS'Y

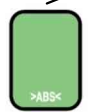
152.D5732949 (x2) COMPRESSION SPRING:RAIL:END FENCE



57.D0A42657
 PAWL:LOCK:END FENCE
 201905-01



51.D0A42647
 CLICK:SIDE FENCE

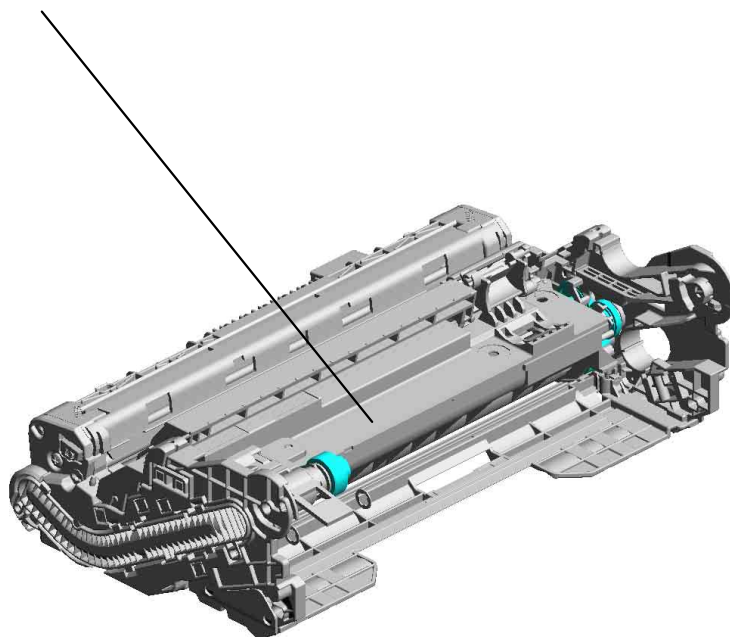
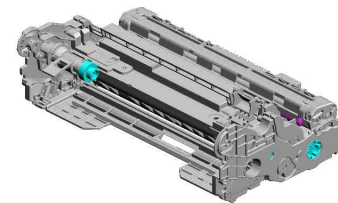


75.D0A42691 (x2) DECAL:UN LOCK:END FENCE

U001	U002	U003	U004	U005	U006	U007	U008	U009	U010	U011	U012	U013
------	------	------	------	------	------	------	------	------	------	------	------	------

U005
PCDU

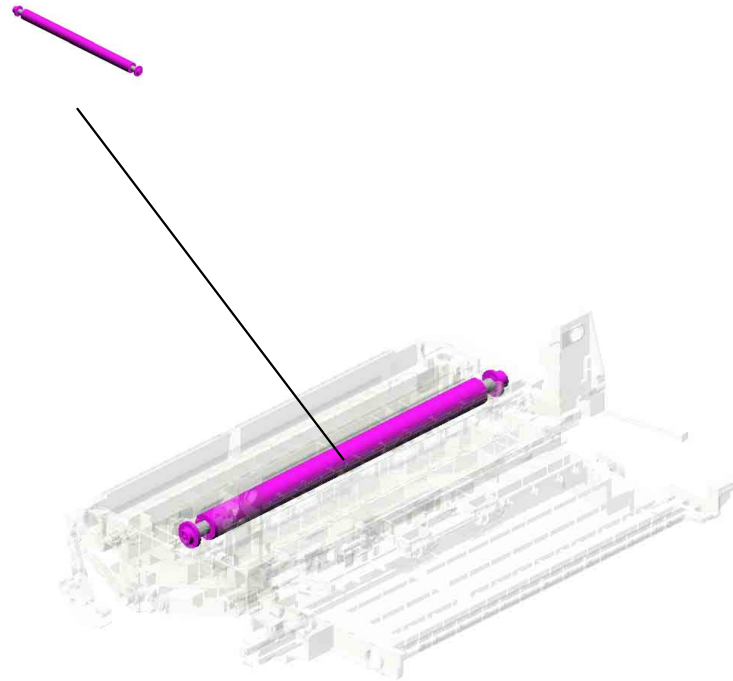
1-D0A42021
PCDU:SERVICE:AS
S'Y



U001	U002	U003	U004	U005	U006	U007	U008	U009	U010	U011	U012	U013
------	------	------	------	------	------	------	------	------	------	------	------	------

U006.TRANSFER/SEPARATION

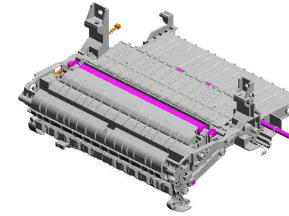
U006 S001
D0A46202
TRANSFER ROLLER:ASS'Y



U001	U002	U003	U004	U005	U006	U007	U008	U009	U010	U011	U012	U013
------	------	------	------	------	-------------	------	------	------	------	------	------	------

U006 TRANSFER/SEPARATION

- 9.D0A44851 GUIDE:UPPER:DU
PLEX
- 18.D0A44872 PUSH SWITCH:PIC
K-UP PAPER JAM:
DUPLEX
- 12.D0A44862 (x2)
COMPRESSION SP
RING:EXIT:DUPL
X
- 13.D0A44863 (x2)
PLAIN SHAFT BEA
RING:DRIVEN:DU
PLEX:EXIT
- 19.D0A44873 HOLDER:PUSH SW
ITCH:PICK-UP PAP
ER JAM:DUPLEX



- 11.D0A44861
DRIVEN ROLLER:EXIT:
DUPLEX:ASSY



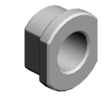
- 17.D0A44871
GUIDE:FRONT:DU
PLEX



- 20.D0A44874
GROUND PLATE:FRONT:
DUPLEX



- 6.AA082173
(x3)
PLAIN SHAFT BEARING:
6X10X6



- 4.08050104
(x6)
RETAINING RINGS
-E:SILENCER:DIA4



- 21.D0A44881
ROLLER:EXIT:DRIVE:
DUPLEX



- 2.04593008N
(x2)
BINDING HEAD TAPPING
SCREW:3X8



- 7.D0A43823
STOPPER:SENSOR:
PLATE



- 10.D0A44854
FEELER:UPPER:
DUPLEX



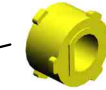
- 15.D0A44867
TORSION SPRING:
PRESSURE:DUPLEX:
CONNECTING



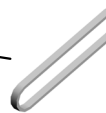
- 1.04583010N
(x11)
HEXAGON HEAD TAPPING
SCREW:3X10



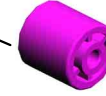
- 8.D0A44664
PULLEY:DRIVE:
DUPLEX UNIT



- 5.AA043319
TIMING BELT - 40S
2M156



- 14.D0A44866
(x2)
ROLLER:DRIVEN:
DUPLEX:CONNECTING



- 16.D0A44869
SHAFT:ROLLER:
DRIVEN:DUPLEX:
CONNECTING

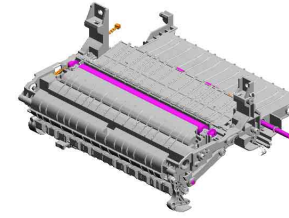


- 4.08050104
RETAINING RINGS
-E:SILENCER:DIA4
- 6.AA082173
PLAIN SHAFT BEARING:
RING:6X10X6

- 1.04583010N(x 8)
HEXAGON HEAD TAPPING
SCREW:3X10
- 3.04593010N(x 1)
BINDING HEAD TAPPING
SCREW:3X10

U006 TRANSFER/SEPARATION

- 25.D0A44891 HOOK:PICK-UP PAPER JAM:FRONT:DUPL
UPLEX
- 39.D0A46230 SHEET:GUIDE:REGISTRATION:ENTRANCE:LEFT
- 41.D0A46233 GUIDE PLATE:TRANSFER:ENTRANCE
- 40.D0A46232 SHEET:GUIDE PLATE:TRANSFER
- 26.D0A44892 HOLDER:HOOK:PICK-UP PAPER JAM:DUPL
EX



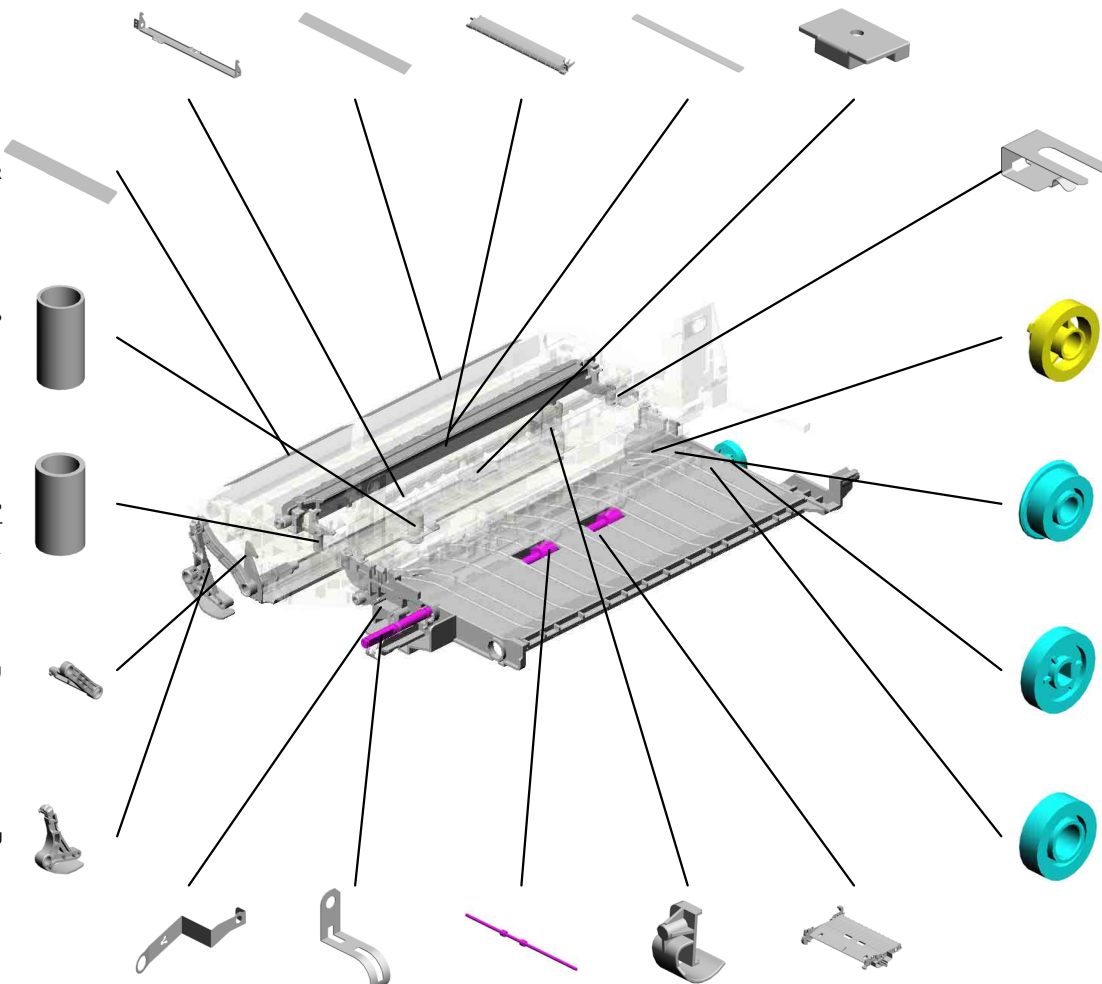
- 38.D0A46228 SHEET:GUIDE:REGISTRATION:ENTRANCE:RIGHT

- 22.D0A44886 COMPRESSION SPRING:HOOK:DUPL
EX

- 37.D0A46223 (x2)
COMPRESSION SPRING:PRESSURE:TRANSFER ROLLER

- 24.D0A44888 LINK:PICK-UP PAPER JAM:FRONT:DUPL
PLEX

- 23.D0A44887 LINK:PICK-UP PAPER JAM:FRAME:DUPL
PLEX



- 42.D0A46234 TERMINAL:TRANSFER

- 31.D0A44917 PULLEY:GEAR:DUPL
EX:Z26T18

- 34.D0A44924 GEAR:IDLER:DUPL
EX:Z19:FLANGE TYPE

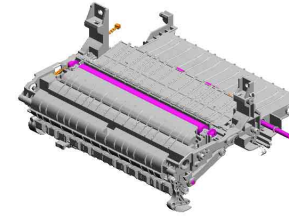
- 33.D0A44922 GEAR:DRIVE:DUPL
EX:Z26

- 35.D0A44931 (x2)
GEAR:IDLER:DUPL
EX:Z19

- 29.D0A44913 GROUND PLATE:CONNECTING:DUPL
EX
- 30.D0A44914 GROUND PLATE:CONNECTING:DUPL
EX:SMALL
- 32.D0A44921 ROLLER:CONNECTING:DRIVE:DUPL
EX
- 27.D0A44897 DAMPER:FRONT:DUPL
EX
- 28.D0A44911 GUIDE:CONNECTING:DUPL
EX

U006 TRANSFER/SEPARATION

52.D0A46270 ELECTRODE PLATE:STRIPPER PLATE
 53.D0A46271 COVER:ELECTRODE PLATE
 55.D0A46280 SEAL:THERMISTOR



46.D0A46248 FRAME:TRANSFER/SEPARATION UNIT



44.D0A46236 PLAIN SHAFT BEARING:TRANSFER ROLLER:RIGHT



43.D0A46235 SEAL:TRANSFER/SEPARATION UNIT:K



45.D0A46237 PLAIN SHAFT BEARING:TRANSFER ROLLER:LEFT



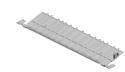
56.D1175303 THERMISTOR:(TH5)



51.D0A46263 TERMINAL:TRANSFER:EXIT:SEPARATION



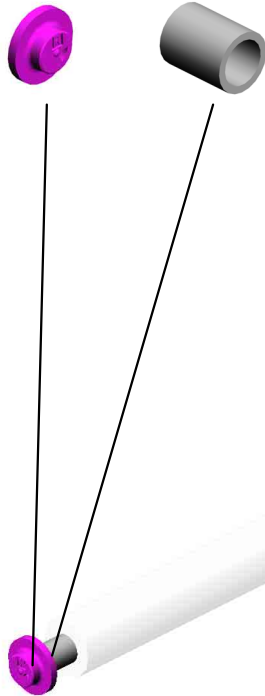
57.GW020024 PHOTOINTERRUPTOR:LG2A24BL1:GF:(S2/S3/S4/S6/S7/S8/S10)
 54.D0A46276 GROUND PLATE:HOLDER:PHOTOINTERRUPTOR
 50.D0A46260 GUIDE PLATE:TRANSFER:EXIT:ASSY



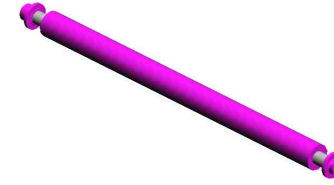
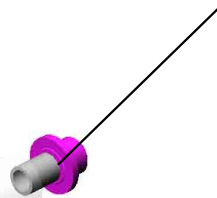
U001	U002	U003	U004	U005	U006	U007	U008	U009	U010	U011	U012	U013
------	------	------	------	------	------	------	------	------	------	------	------	------

U006_S001
TRANSFER ROLLER:ASS'Y

48.D0A46251 ROLLER:POSITION
ING:TRANSFER R
OLLER:K
47.D0A46250 (x2)
PLAIN SHAFT BEA
RING



49.D0A46252 ROLLER:POSITION
ING:TRANSFER R
OLLER:HK

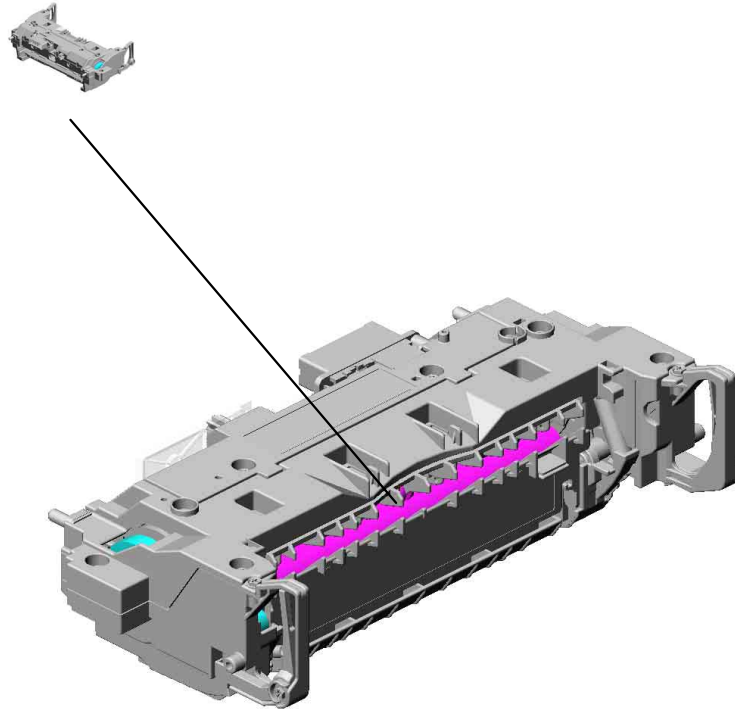


36.D0A46202
TRANSFER ROLLE
R:ASS'Y

U001	U002	U003	U004	U005	U006	U007	U008	U009	U010	U011	U012	U013
------	------	------	------	------	-------------	------	------	------	------	------	------	------

U007.FUSING

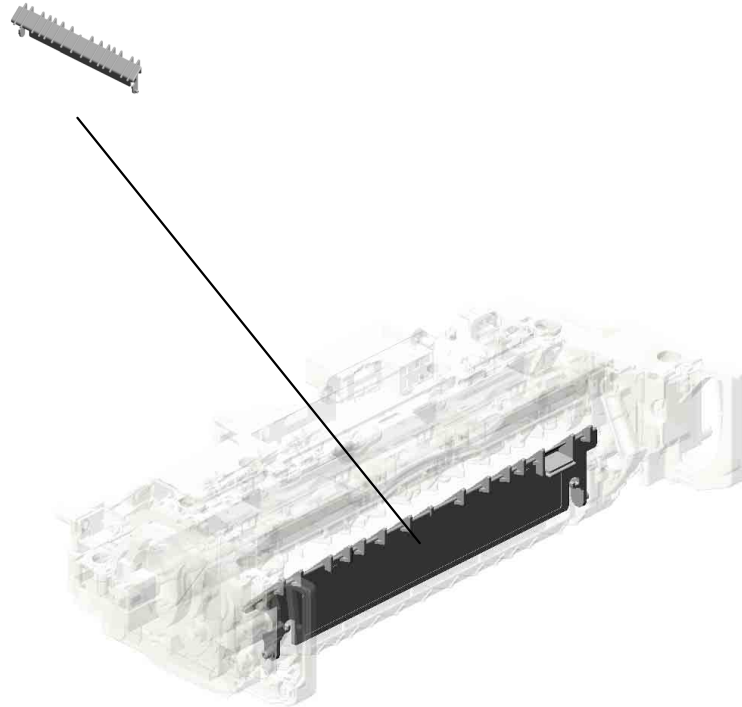
U007 S001
D0A44017
(NA):FUSING SECTION:ASS'
Y



U001	U002	U003	U004	U005	U006	U007	U008	U009	U010	U011	U012	U013
------	------	------	------	------	------	------	------	------	------	------	------	------

U007_S001.(NA):FUSING SECTION:ASS'Y

U007 S001 S001
D0A44216
GUIDE PLATE:FUSING EXIT:
LOWER:ASS'Y

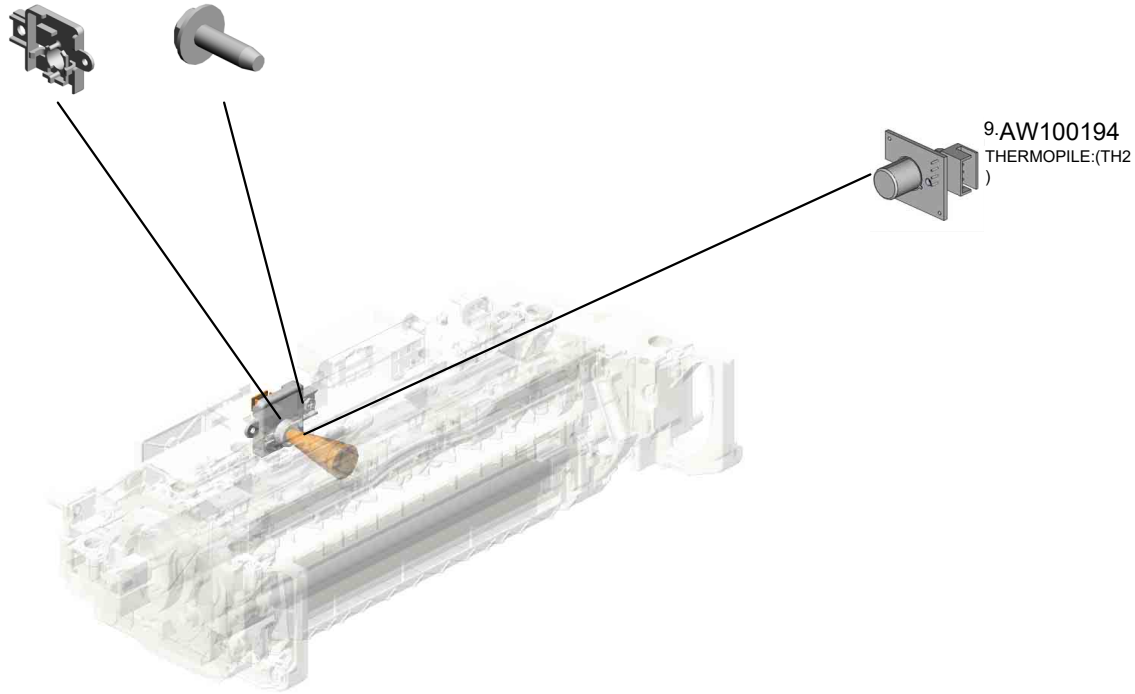
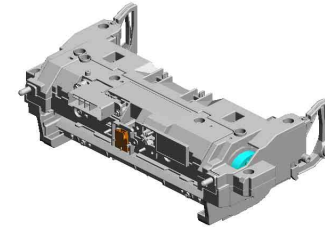


U001	U002	U003	U004	U005	U006	U007	U008	U009	U010	U011	U012	U013
------	------	------	------	------	------	------	------	------	------	------	------	------

U007
FUSING

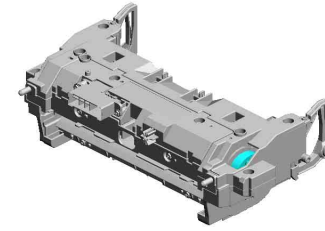
51.D0A44241
HOLDER:THERMO
PILE

1.04583010N
HEXAGON HEAD T
APPING SCREW:3
X10



U001	U002	U003	U004	U005	U006	U007	U008	U009	U010	U011	U012	U013
------	------	------	------	------	------	------	------	------	------	------	------	------

U007_S001
(NA):FUSING SECTION:ASS'Y



58.D0A44017
(NA):FUSING SECTION:ASS'Y

- 7.AE011135 HOT ROLLER:DIA30
- 13.D0A44101 DRAWER:FUSING UNIT
- 3.08046127 (x16) HEXAGONAL BOLT :DOUBLE SCREW: M3X8
- 14.D0A44105 THERMISTOR:FUSION:(TH1)
- 5.09543012N SCREW:POLISHED ROUND/SPRING:M3X12

10.AW110127 (x2) THERMOSTAT:210 &C: (TH3/TH4)

6.09574008N (x3) SCREW:SMALL ROUND/SPRING:M4X8

21.D0A44165 GEAR:HOT ROLLER

1.04583010N (x14) HEXAGON HEAD TAPPING SCREW:3X10

19.D0A44155 DISCHARGE BRUSH:PRESSURE ROLLER

17.D0A44152 LEVER:LOCK:RIGHT

20.D0A44164 PRESSURE ROLLER:ASS'Y

8.AE030101 (x2) RADIAL BALL BEARING:RING:DIA35XDIA47X7

23.D0A44167 (x2) RETAINING RINGS-C:HOT ROLLER

24.D0A44173 (x2) COVER:LEVER:PRESSURE

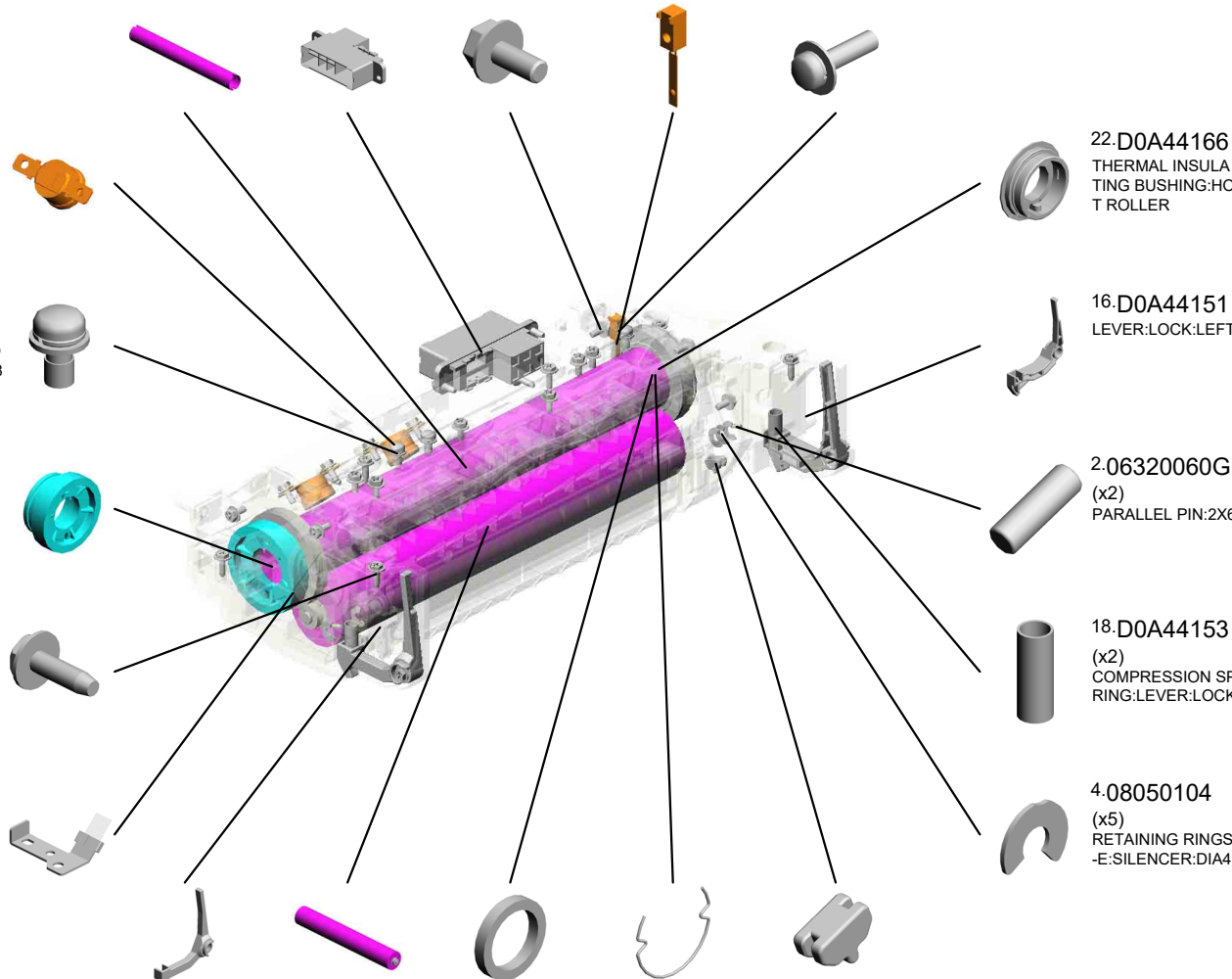
22.D0A44166 THERMAL INSULATING BUSHING:HOT ROLLER

16.D0A44151 LEVER:LOCK:LEFT

2.06320060G (x2) PARALLEL PIN:2X6

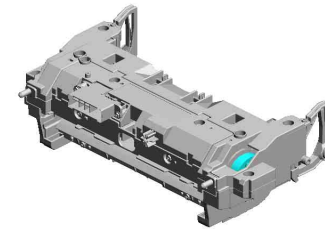
18.D0A44153 (x2) COMPRESSION SPRING:LEVER:LOCK

4.08050104 (x5) RETAINING RINGS-E:SILENCER:DIA4



U001	U002	U003	U004	U005	U006	U007	U008	U009	U010	U011	U012	U013
------	------	------	------	------	------	------	------	------	------	------	------	------

U007_S001
(NA):FUSING SECTION:ASS'Y



58.D0A44017
(NA):FUSING SECTION:ASS'Y

- 43.D0A44230 FUSING ENTRANCE GUIDE PLATE: UPPER
- 37.D0A44221 (x4) TENSION SPRING: PICKOFF PAWL
- 41.D0A44227 STAY:HEATER:M3
- 28.D0A44183 (x2) THERMAL INSULATING BUSHING:POSITIONING PIN:FUSING
- 27.D0A44182 (x2) GUIDE:HARNES

42.D0A44228
STAY:HEATER:M4

39.D0A44225
ELECTRODE PLATE:CONNECTING:THERMOSTAT

40.D0A44226
(x4)
STAY:THERMOSTAT

45.D0A44234
(x2)
ROLLER:FUSING EXIT

32.D0A44211
GEAR:FUSING UNIT:NO.1

33.D0A44212
GEAR:FUSING UNIT:NO.2

34.D0A44214 (x2)
TENSION SPRING:GUIDE PLATE:FUSING EXIT

38.D0A44222 (x4)
STRIPPER PAWLS

44.D0A44233
ROLLER:FUSING EXIT:MIDDLE

30.D0A44204
SHAFT:PRESSURE:PRESS FIT

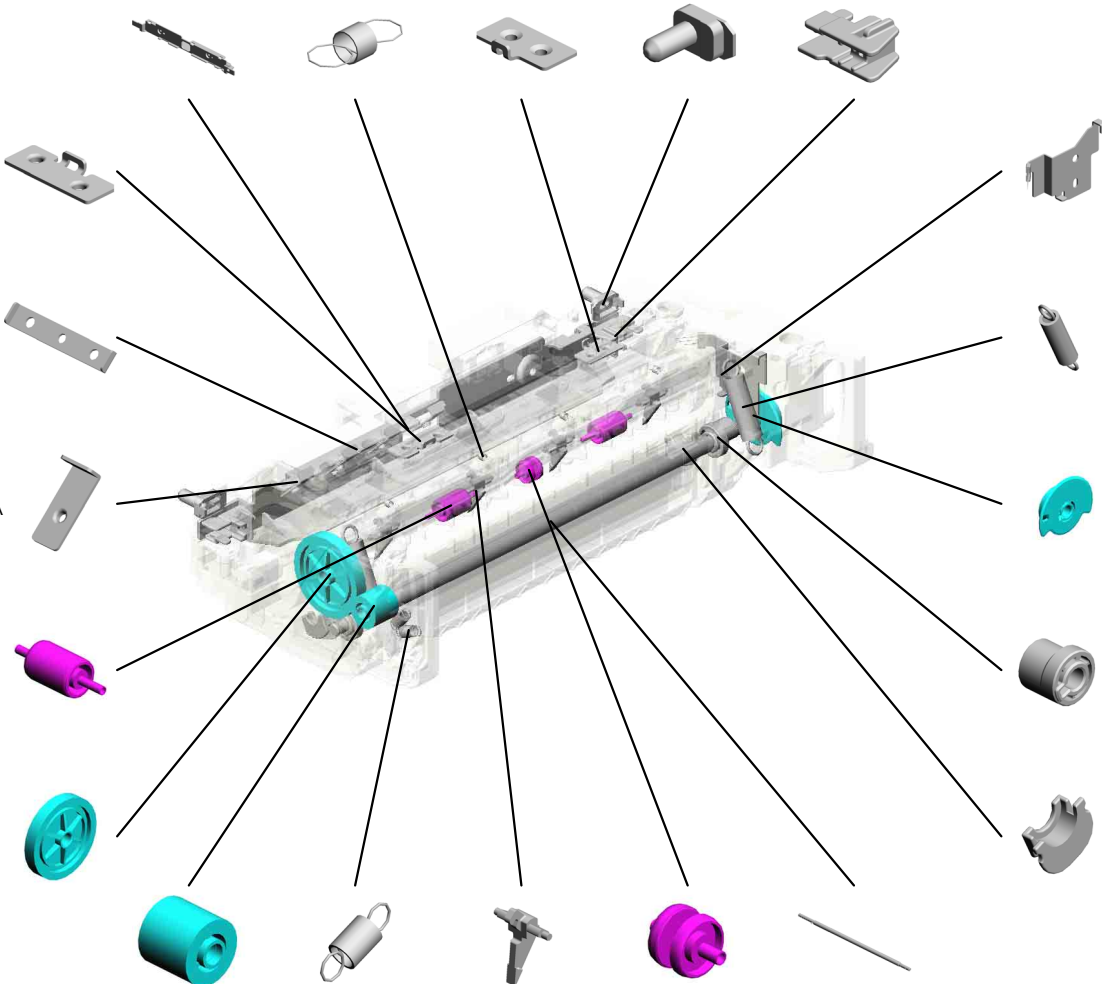
36.D0A44218
DISCHARGE BRUSH:HOT ROLLER

25.D0A44174 (x2)
TENSION SPRING:PRESSURE

29.D0A44202
GEAR:PRESSURE

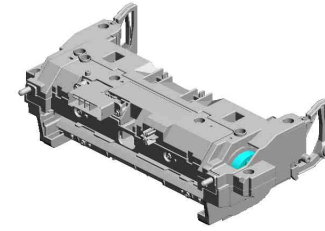
31.D0A44206 (x2)
CAM:ON-OFF:PRESSURE RELEASE

26.D0A44181 (x2)
GUIDE:BEARING



U007_S001
(NA):FUSING SECTION:ASS'Y

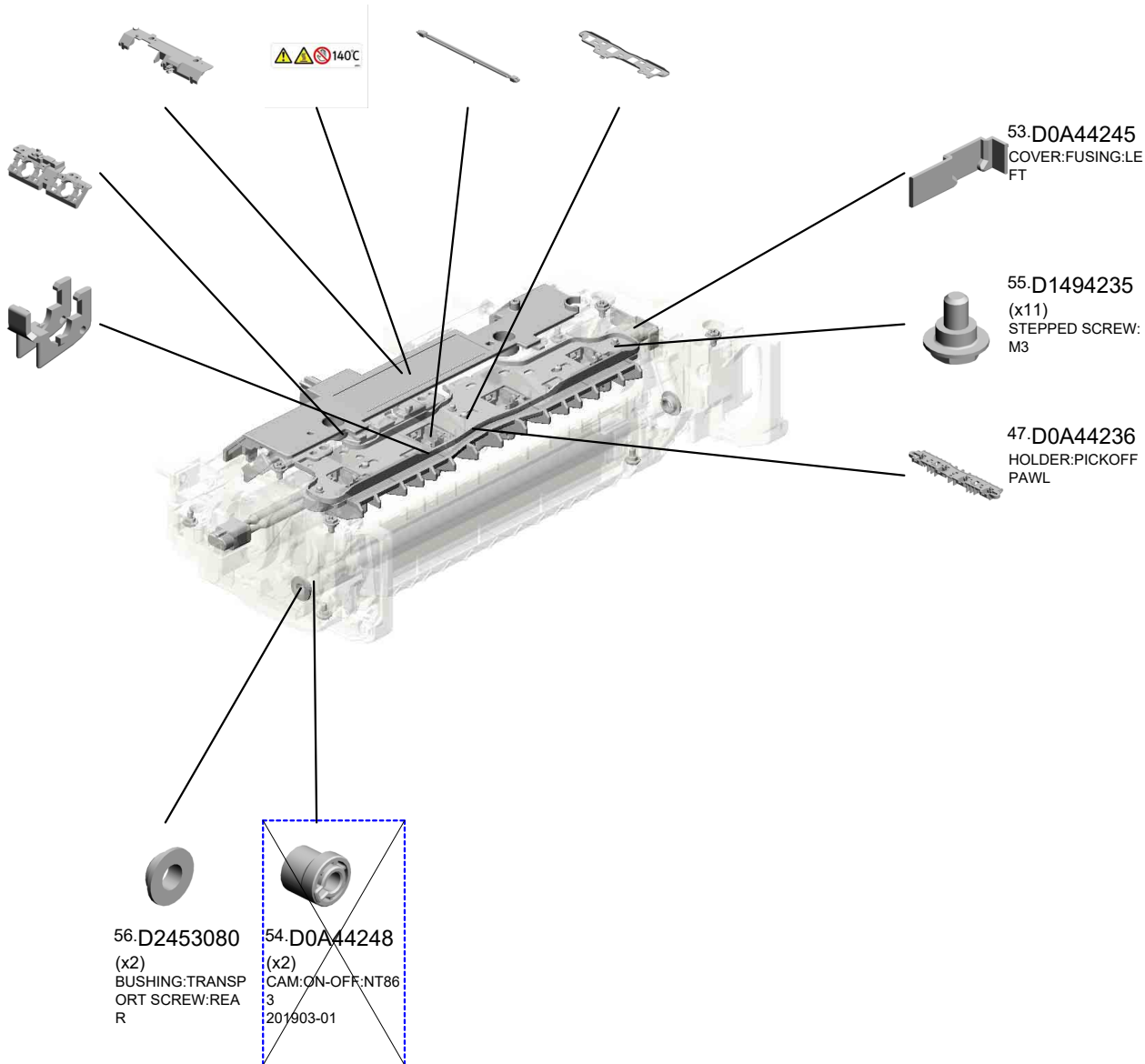
- 59.D0A44121 (NA/TWN):FUSING COVER:UPPER
- 49.D0A44238 DECAL:H-TEMP W ARNING:FUSING U NIT
- 57.AX440336 (NA):HEATER:116V :700W:350W:INFRA RED
- 48.D0A44237 STAY:HOLDER:PIC KOFF PAWL



58.D0A44017
(NA):FUSING SECT ION:ASS'Y

46.D0A44235
HOLDER:THERMO STAT:B2

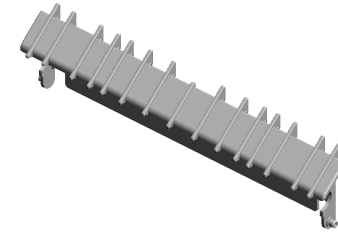
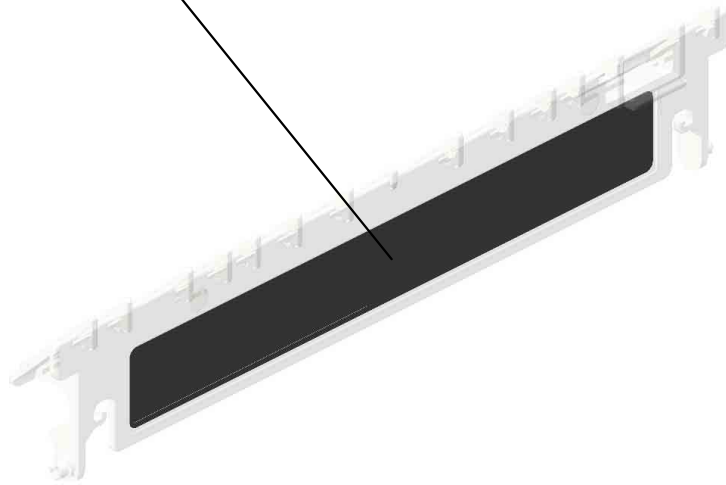
52.D0A44243
(x4)
GUIDE:STRIPPER PAWLS



U001	U002	U003	U004	U005	U006	U007	U008	U009	U010	U011	U012	U013
------	------	------	------	------	------	------	------	------	------	------	------	------

U007_S001_S001
GUIDE PLATE:FUSING EXIT:LOWER:ASS'Y

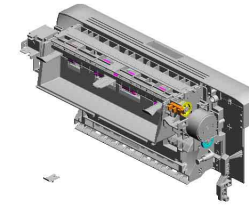
50.D0A44239
DECAL:MISFEED R
EMOVAL:FUSING
UNIT



35.D0A44216
GUIDE PLATE:FUSI
NG EXIT:LOWER:A
SS'Y

U001	U002	U003	U004	U005	U006	U007	U008	U009	U010	U011	U012	U013
------	------	------	------	------	------	------	------	------	------	------	------	------

U008 PAPER EXIT



- 13.D0A44523 (x4) SPRING PLATE:ROLLER:REVERSE
- 12.D0A44522 (x6) ROLLER:DRIVEN:REVERSE
- 11.D0A44521 GUIDE PLATE:EXIT:UPPER
- 14.D0A44524 SUPPORTING PLATE:GUIDE:EXIT:UPPER
- 18.D0A44533 DISCHARGE BRUSH:EXIT

4.04583010N (x13) HEXAGON HEAD TAPPING SCREW:3X10

15.D0A44525 GROUND PLATE:PROTECT:EXIT ROLLER

10.AX050370 DC STEPPER MOTOR:EXIT:(M1)

2.03530060N (x2) BIND SCREW - M3X6

5.07200020E RETAINING RING - M2

16.D0A44531 GUIDE PLATE:EXIT:MIDDLE

19.D0A44541 GUIDE PLATE:EXIT:LOWER

6.08050103 (x2) RETAINING RINGS -E:SILENCER:DIA3

9.AA143853 FLAT FILLISTER HEAD TAPPING SCREW:M3X8

7.08050104 (x4) RETAINING RINGS -E:SILENCER:DIA4

17.D0A44532 FEELER:SENSOR:OVERFLOW

20.D0A44543 (x2) EXIT ROLLER:DRIVEN

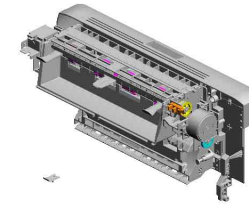
8.AA082173 (x4) PLAIN SHAFT BEARING:6X10X6

1.03530030N (x2) SCREW:M3X3

3.04543008Q TAPPING SCREW:3X8

3.04543008Q (x 5) TAPPING SCREW:3X8
4.04583010N (x 5) HEXAGON HEAD TAPPING SCREW:3X10

U008 PAPER EXIT



- 28.D0A44553 TIMING PULLEY:EXIT ROLLER:34T
- 21.D0A44544 (x2) SPRING PLATE:EXIT ROLLER:OUTER
- 22.D0A44545 SPRING PLATE:EXIT ROLLER:INNER:RIGHT
- 26.D0A44551 EXIT ROLLER
- 30.D0A44556 (x2) EXIT ROLLER:IDLE R

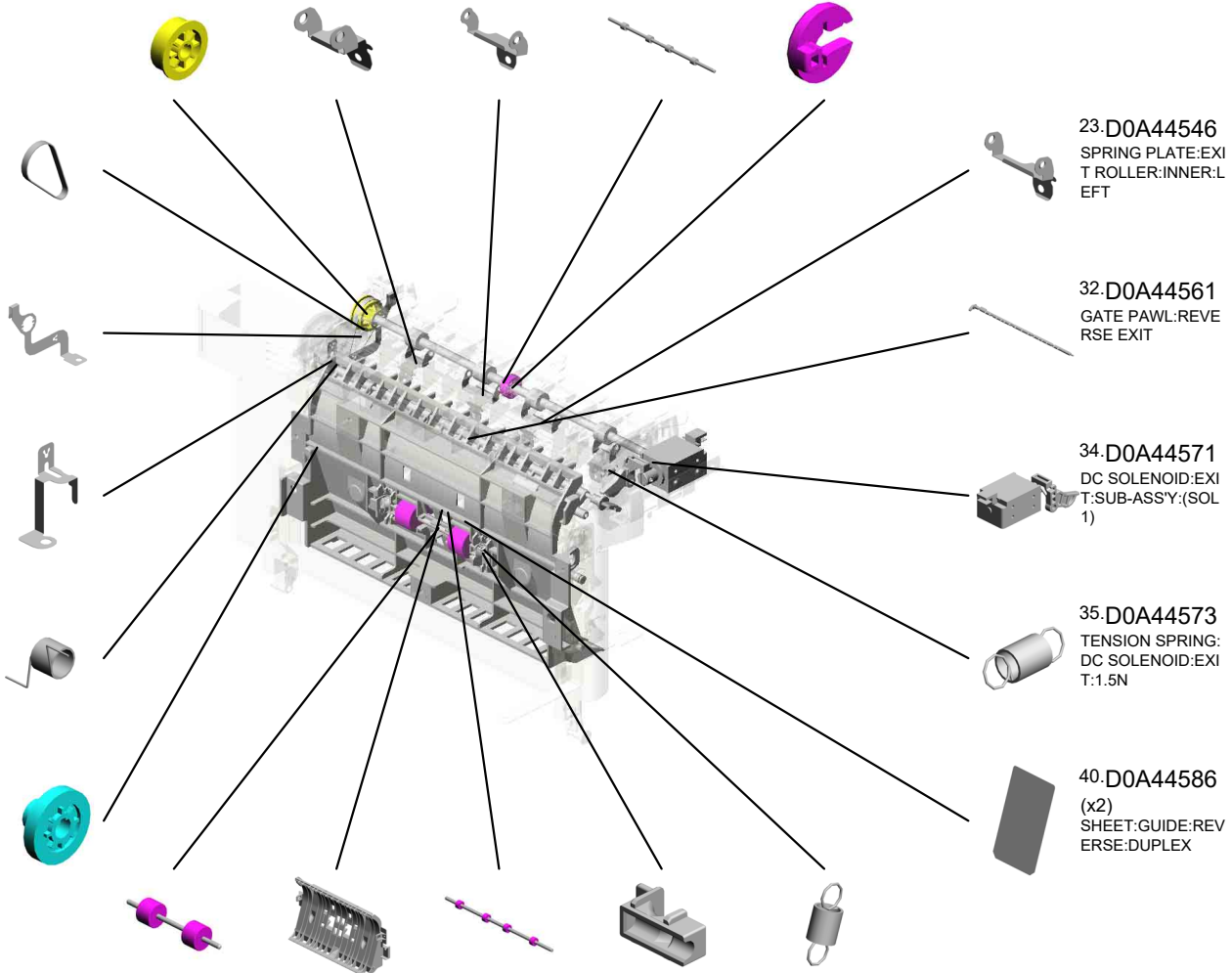
- 31.D0A44557 SYNCHRONOUS BELT:B40S2M106:50

- 24.D0A44547 GROUND PLATE:EXIT:500

- 33.D0A44563 GROUND PLATE:EXIT:GATE PAWL

- 25.D0A44548 TORSION SPRING:GATE PAWL:EXIT:0.5N

- 29.D0A44554 GEAR:FUSING EXIT:T:219



- 23.D0A44546 SPRING PLATE:EXIT ROLLER:INNER:LEFT

- 32.D0A44561 GATE PAWL:REVERSE EXIT

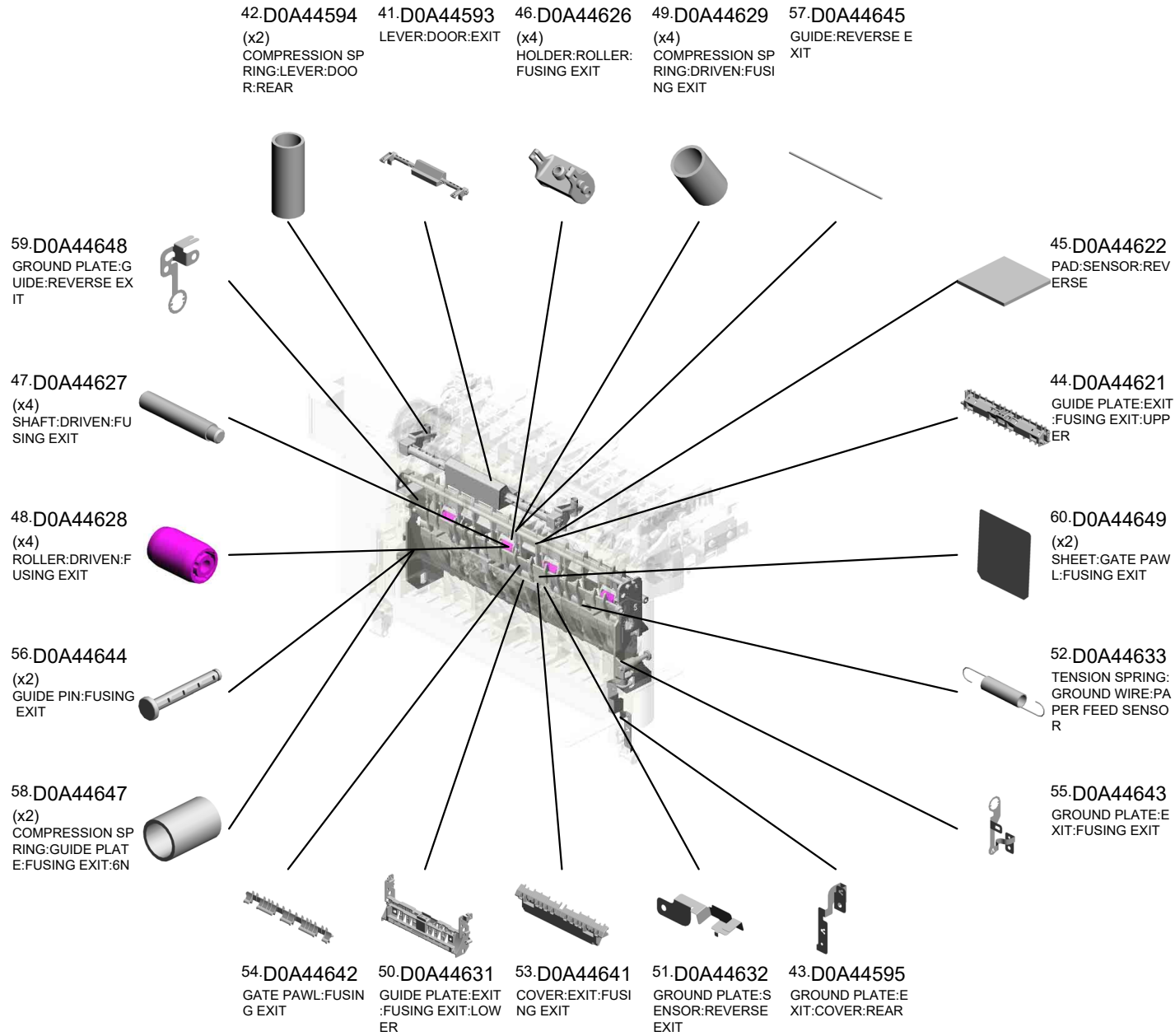
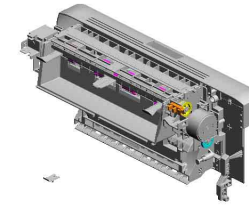
- 34.D0A44571 DC SOLENOID:EXIT:SUB-ASSY:(SOL1)

- 35.D0A44573 TENSION SPRING:DC SOLENOID:EXIT:1.5N

- 40.D0A44586 (x2) SHEET:GUIDE:REVERSE:DUPLX

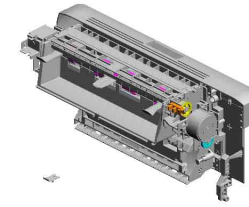
- 37.D0A44582 ROLLER:DRIVEN:DUPLX:ENTRANCE
- 36.D0A44581 GUIDE:REVERSE:DUPLX
- 27.D0A44552 TRANSPORT ROLLER:FUSING EXIT
- 39.D0A44585 (x2) PLAIN SHAFT BEARING:DRIVEN:DUPLX:ENTRANCE
- 38.D0A44584 (x2) TENSION SPRING:DUPLX:ENTRANCE:5N

U008 PAPER EXIT



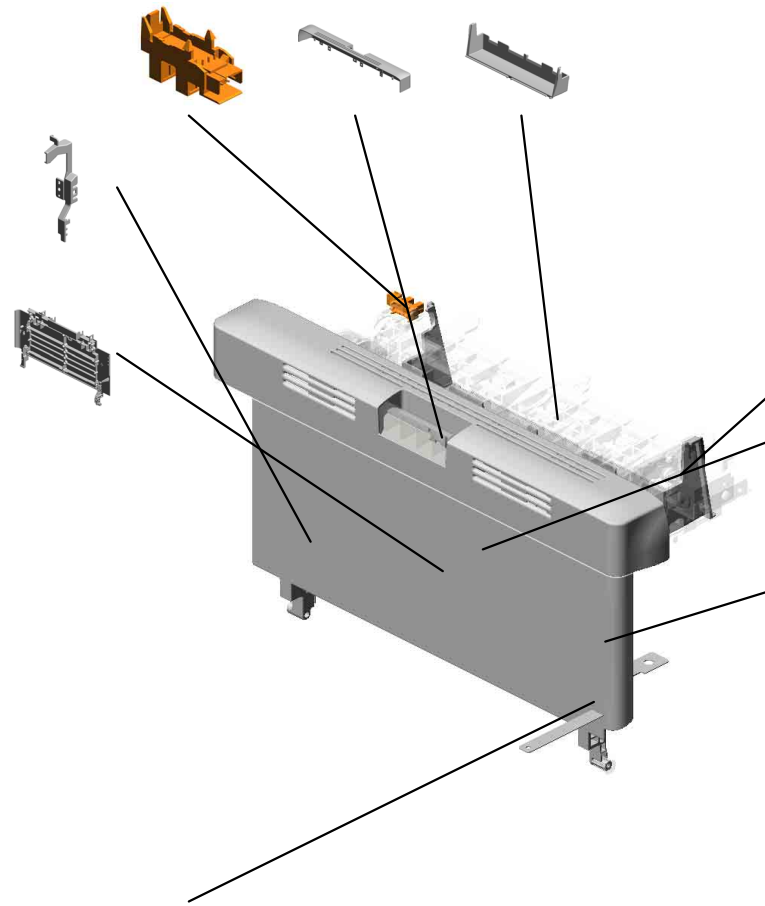
U008 PAPER EXIT

66.GW020024 PHOTOINTERRUPTOR:LG2A24BL1:GF:(S2/S3/S4/S6/S7/S8/S10)
 69.M0BQ4592 COVER:REAR:UPPER
 67.M0BQ4549 COVER:EXIT:500



61.D0A44651 COVER:HARNESS:REAR:DOOR

68.M0BQ4591 COVER:REAR



62.D0A44652 PLATE:BAND:STOPPER

65.GW010007 PHOTO REFLECTOR SENSOR:EXIT:(S1/S5)

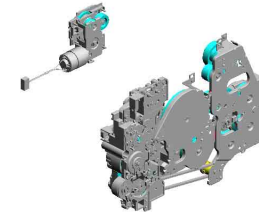
64.D0A44654 HOLDER:STOPPER:BAND

63.D0A44653 BAND:STOPPER:COVER:REAR

U001	U002	U003	U004	U005	U006	U007	U008	U009	U010	U011	U012	U013
------	------	------	------	------	------	------	------	------	------	------	------	------

U009 MAIN DRIVE

- 2.03603006N (x4) SCREW - M3X6
- 1.03530040N (x15) SCREW - M3X4
- 20.AB010223 GEAR.DRIVE:FUSI NG:NO.1
- 14.AA043717 (x2) SYNCHRONOUS B ELT:50S3M162
- 5.04583010N (x12) HEXAGON HEAD T APPING SCREW:3 X10



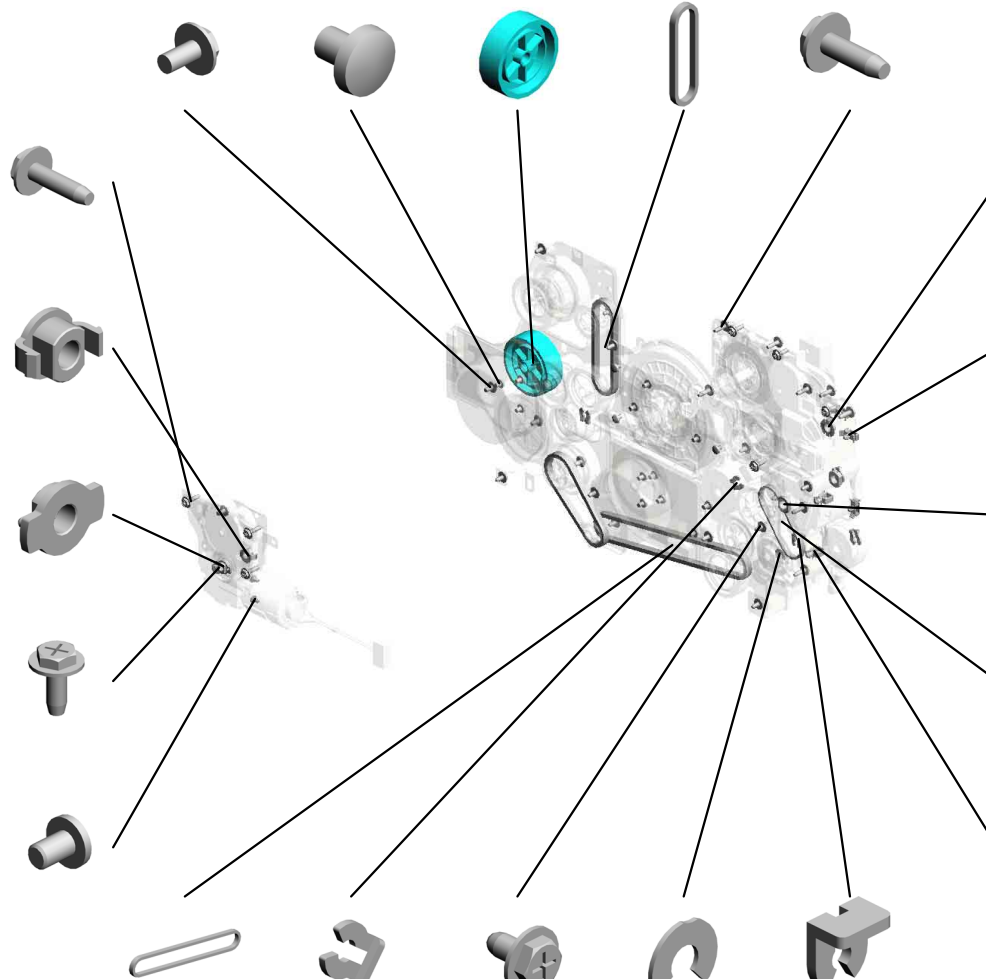
- 6.04583012N (x3) HEXAGON HEAD T APPING SCREW:3 X12

- 19.AA080396 PLAIN SHAFT BEA RING:4X8X5

- 18.AA080395 PLAIN SHAFT BEA RING:4X8X2.8

- 3.04513008N TAPPING SCREW - M3X8

- 7.08010240 (x2) BINDING HEAD SC REV:M2.6X4



- 16.AA080213 BUSHING:DIA6

- 10.11050758 (x3) CLAMP:LWSM-030 6A

- 17.AA080393 (x2) PLAIN SHAFT BEA RING:DIA6XDIA10X 6

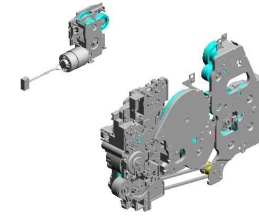
- 13.AA043716 SYNCHRONOUS B ELT:40S2M124

- 11.11050759 (x2) CLAMP:LWSM-060 5A

- 15.AA043718 SYNCHRONOUS B ELT:50S3M312
- 8.08050097 (x4) RING SEPARATOR
- 4.04543006Q (x13) TAPPING SCREW - M3X6
- 9.08050104 RETAINING RINGS -E:SILENCER:DIA4
- 12.52062686 SNAP RING

U009 MAIN DRIVE

- 21.AB010224 GEAR:DRIVE:TRANSPORT:NO.1
- 22.AB010225 GEAR:DRIVE:FUSILING:NO.2
- 24.AB010227 GEAR:DRUM:NO.1
- 23.AB010226 GEAR:DRIVE:DRUM
- 25.AB011628 GEAR:DRIVE:TONER SUPPLY:NO.6



39.AB014354
GEAR:DRIVE:PRESURE RELEASE:NO.2



37.AB011640
(x3)
GEAR:DRIVE:PRESURE RELEASE:PLANETARY



38.AB014353
GEAR:DRIVE:PRESURE RELEASE:NO.1



35.AB011638
GEAR:DRIVE:PRESURE RELEASE:SHUN



36.AB011639
GEAR:DRIVE:PRESURE RELEASE:TORQUE LIMITER MECHANICAL CLUTCH



27.AB011630
GEAR:DRIVE:PAPER FEED:NO.1



40.AB017963
GEAR:DRIVE:PAPER FEED:NO.2



28.AB011631
GEAR:DRIVE:PAPER FEED:NO.3



29.AB011632
GEAR:DRIVE:MANUAL FEED:JOINT:NO.1



34.AB011637
GEAR:DRIVE:CONNECTING:NO.3



33.AB011636
GEAR:DRIVE:TONER SUPPLY:NO.3



26.AB011629
GEAR:DRIVE:TONER RECYCLING:NO.2



32.AB011635
GEAR:DRIVE:COLLECT:NO.1



31.AB011634
GEAR:DRIVE:SUPPLY:NO.1

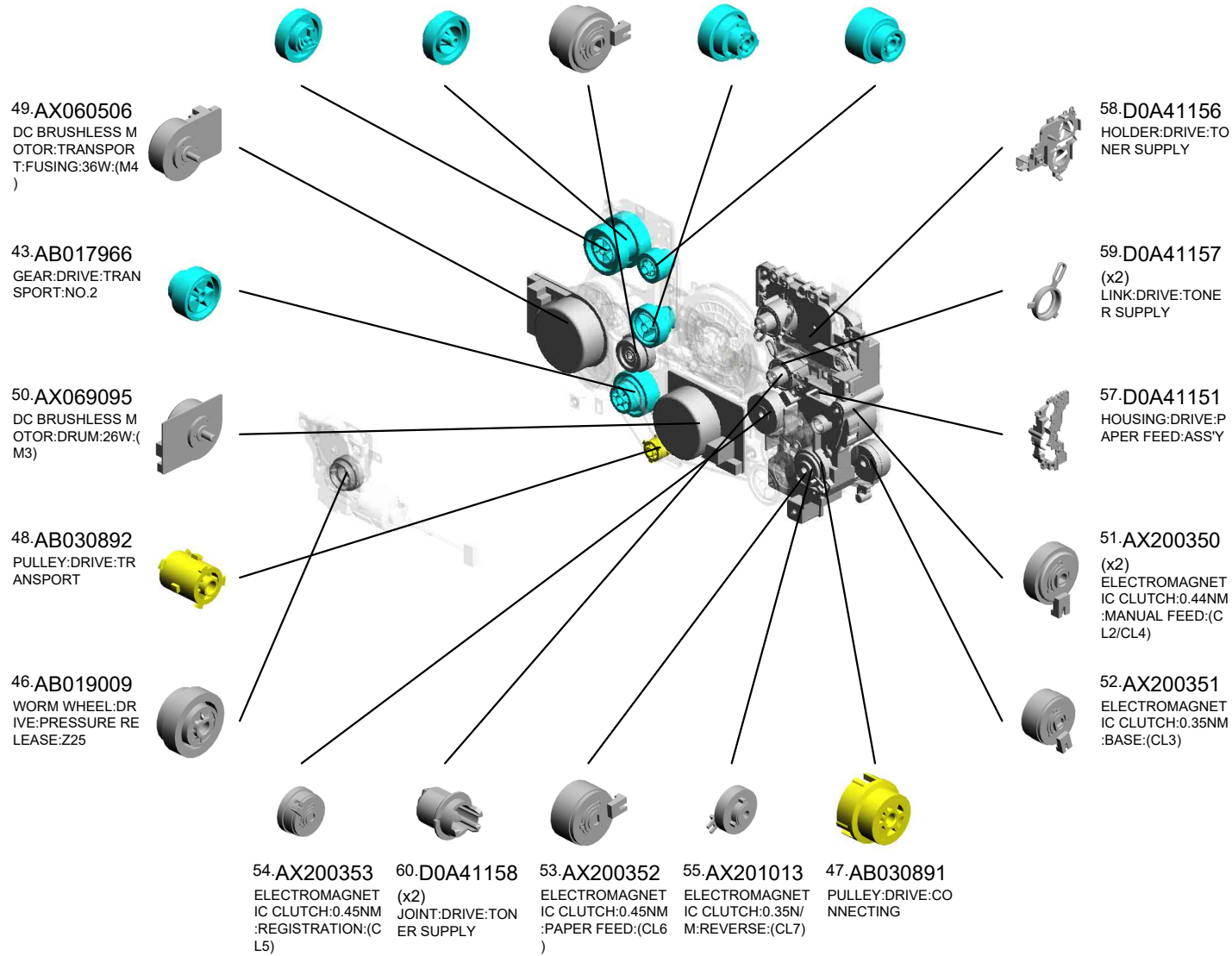
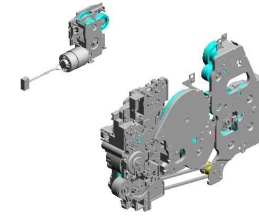


30.AB011633
GEAR:DRIVE:MANUAL FEED:JOINT:NO.2



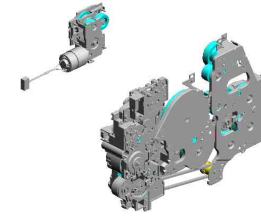
U009 MAIN DRIVE

- 45.AB019002 GEAR:DRIVE:FUSI NG:NO.6
- 44.AB019001 GEAR:DRIVE:FUSI NG:NO.5
- 56.AX202354 ELECTROMAGNET IC CLUTCH:0.35NM :DUPLEX:(CL1)
- 41.AB017964 GEAR:DRIVE:FUSI NG:NO.3
- 42.AB017965 GEAR:DRIVE:FUSI NG:NO.4



U009 MAIN DRIVE

66.D0A41187 BRACKET:DRIVE:F USING:NO.1:PEEN
 67.D0A41191 COMPRESSION SP RING:DRIVE:FUSIN G
 70.D0A41209 LINK:DRIVE:DRUM
 76.D0A41221 ARM:JOINT:DRUM
 72.D0A41211 JOINT:DRIVE:DRU M



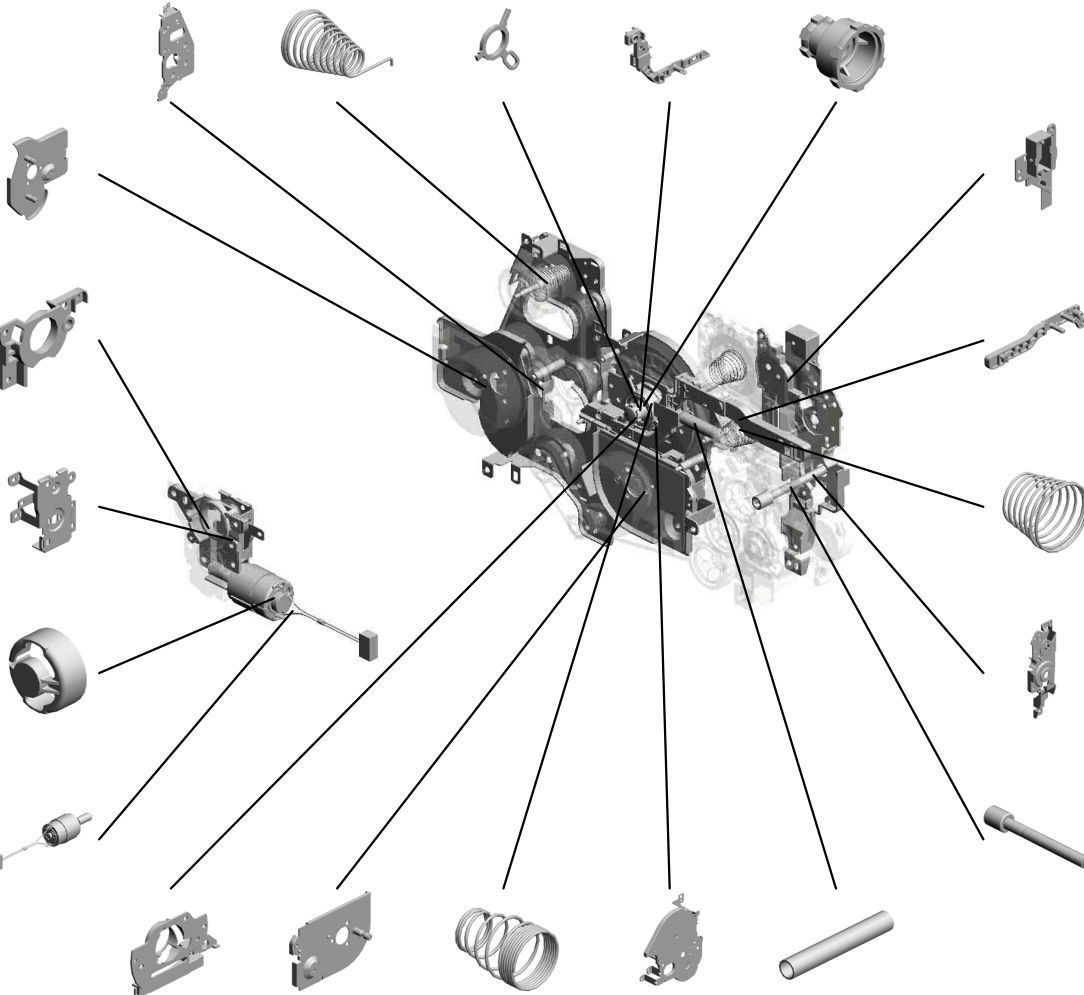
65.D0A41182 BRACKET:DRIVE:F USING:MOTOR:PE EN

79.D0A41226 HOUSING:DRIVE:P RESSURE RELEAS E:NO.1:INTERNAL

80.D0A41227 BRACKET:DRIVE:P RESSURE RELEAS E:NO.2

74.D0A41215 COVER:DC MOTO R

75.D0A41216 DC MOTOR:DRIVE: PRESSURE RELEA SE:ASSY:(M2)



64.D0A41169 COVER:DRIVE:SU PPLY:GEAR

78.D0A41223 ARM:JOINT:TRANS PORT

61.D0A41159 (x2) COMPRESSION SP RING:DRIVE:TONE R SUPPLY

63.D0A41166 COVER:DRIVE:SU PPLY:CLUTCH

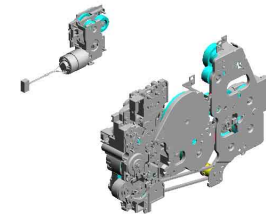
62.D0A41163 SHAFT:DRIVE:MAN UAL FEED:ASS'Y

73.D0A41212 CAM:DRIVE:DRUM
 68.D0A41195 BRACKET:DRIVE:M OTOR:PEEN
 71.D0A41210 COMPRESSION SP RING:DRIVE:DRUM
 69.D0A41206 BRACKET:DRIVE:D RUM:PEEN
 77.D0A41222 COMPRESSION SP RING:ARM

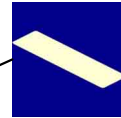
U001	U002	U003	U004	U005	U006	U007	U008	U009	U010	U011	U012	U013
------	------	------	------	------	------	------	------	------	------	------	------	------

U009 MAIN DRIVE

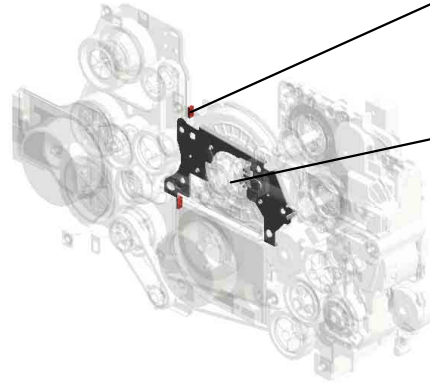
86.D0A41246 BRACKET:DRIVE:PRESSURE RELEASE:PEEN
 85.D0A41245 CAP:DRIVE:PRESSURE RELEASE:PLANETARY
 84.D0A41244 SUPPORT SHAFT:DRIVE:PRESSURE RELEASE:PLANETARY



82.D0A41236 TORQUE LIMITER MECHANICAL CLUTCH:9.8MN#M:DIA14



87.D0A45204 (x2) GASKET:65TSV4-3D(ZD)HL10



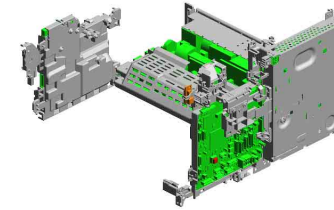
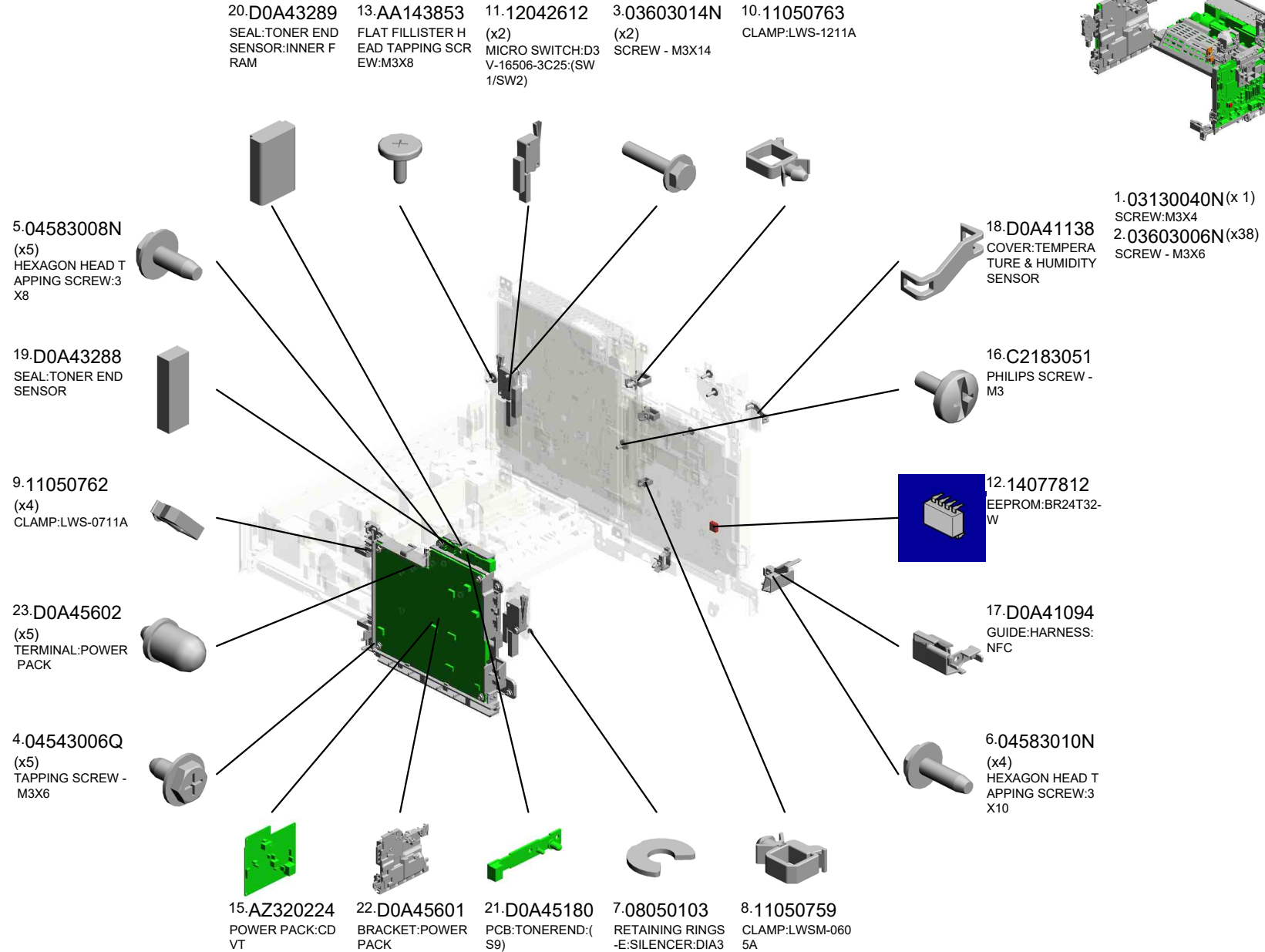
83.D0A41240 BRACKET:DRIVE:DRUM:CAM

81.D0A41234 SHAFT:DRIVE:PRESSURE RELEASE:PRESS FIT



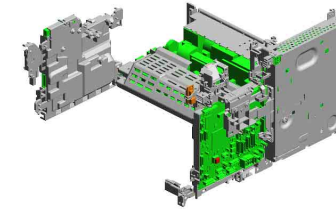
U001	U002	U003	U004	U005	U006	U007	U008	U009	U010	U011	U012	U013
------	------	------	------	------	------	------	------	------	------	------	------	------

U010 ELECTRICAL



U010 ELECTRICAL

- 28.D0A45625 BRACKET:SAFETY SWITCH:REAR
- 34.G1045141 (x3) KNOB SCREW:M3
- 30.D0A45634 (x2) TENSION SPRING: SAFETY SWITCH
- 39.M0BQ5855 COVER:CONTROL BOARD:BEHIND:G W(P)
- 37.M0BQ5788 SERVICE PARTS:CTL:ASSY



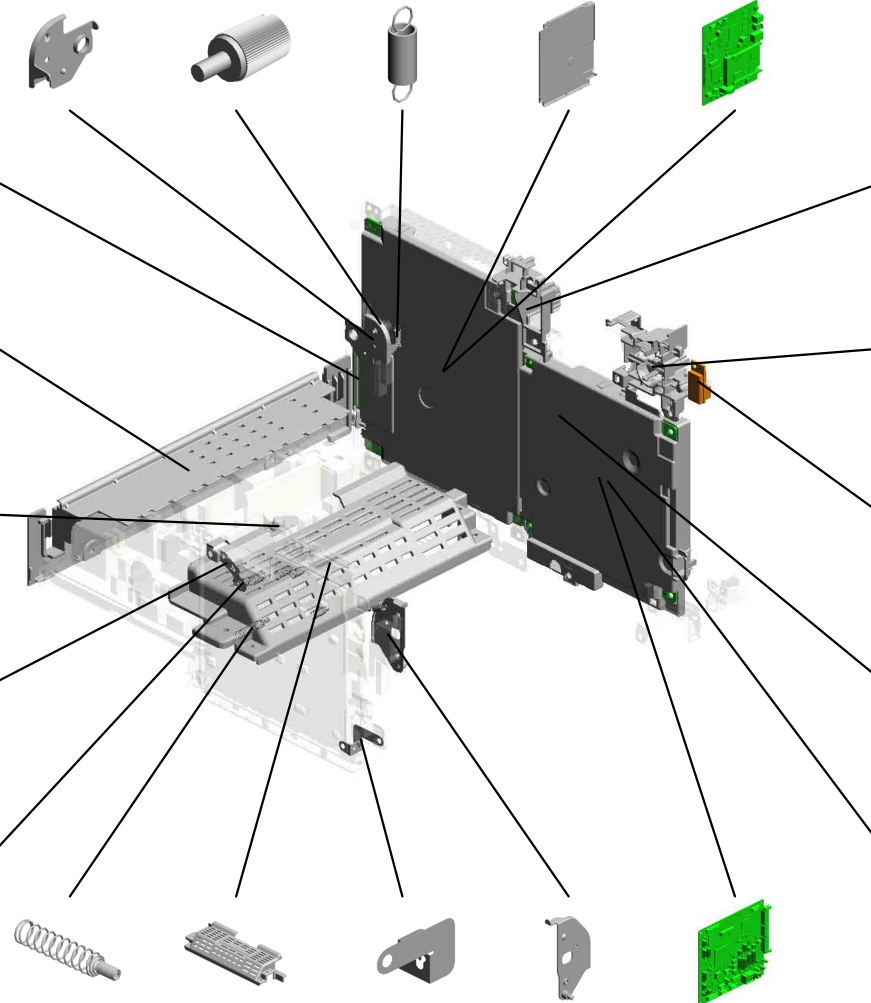
33.D0A45853
COVER:CARD:GW

38.M0BQ5806
COVER:POWER SUPPLY UNIT:REAR

32.D0A45813
(x2)
HOLDER:POWER SUPPLY UNIT

27.D0A45608
GROUND PLATE:POWER PACK:PHOTOCONDUCTOR

24.D0A45603
(x5)
COMPRESSION SPRING:POWER PACK:PCDU



42.M0BQ5882
GUIDE:HARNESS:MAIN:UPPER

43.M0BQ5887
GUIDE:HARNESS:OPERATION SUB-UNIT:UPPER

35.GW140027
TEMPERATURE & HUMIDITY SENSOR:(S11)

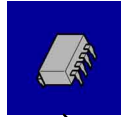
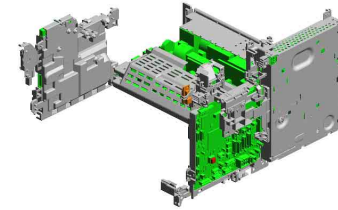
41.M0BQ5881
GUIDE:HARNESS:MIDDLE

40.M0BQ5880
COVER:BCU:BEHIND

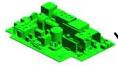
- 26.D0A45606 COMPRESSION SPRING:POWER PACK:TRANSFER
- 31.D0A45805 COVER:POWER SUPPLY UNIT:FRONT
- 25.D0A45605 GROUND PLATE:POWER PACK:BASE
- 29.D0A45631 SAFETY SWITCH:FRONT:PEEN
- 36.M0BQ5053 PCB:EGB:ASSY

U010 ELECTRICAL

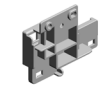
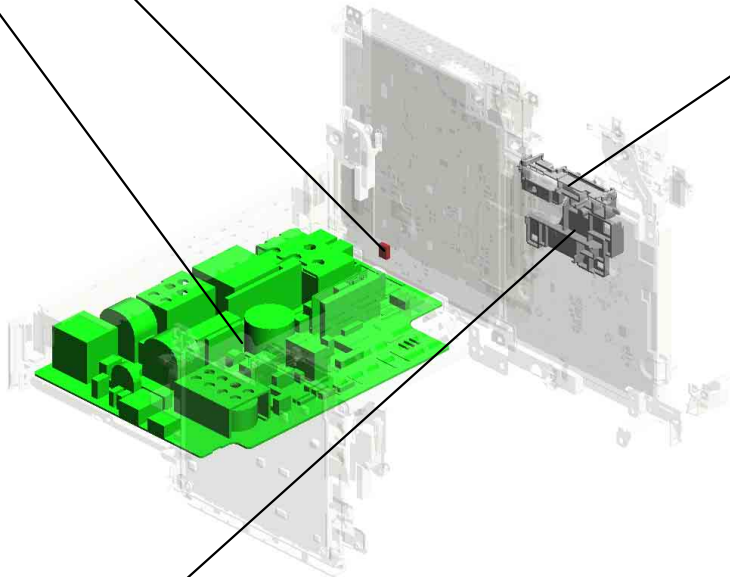
46.M0D19590
TOTAL COUNTER
SERVICE



48.AZ230324
(NA/TWN):POWER
SUPPLY UNIT



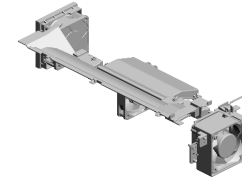
44.M0BQ5889
GUIDE:HARNESS:
OPERATION SUB-
UNIT:LOWER



45.M0BQ5890
GUIDE:HARNESS:
OPERATION SUB-
UNIT:EGB

U001	U002	U003	U004	U005	U006	U007	U008	U009	U010	U011	U012	U013
------	------	------	------	------	------	------	------	------	------	------	------	------

U011 AIR COOLING

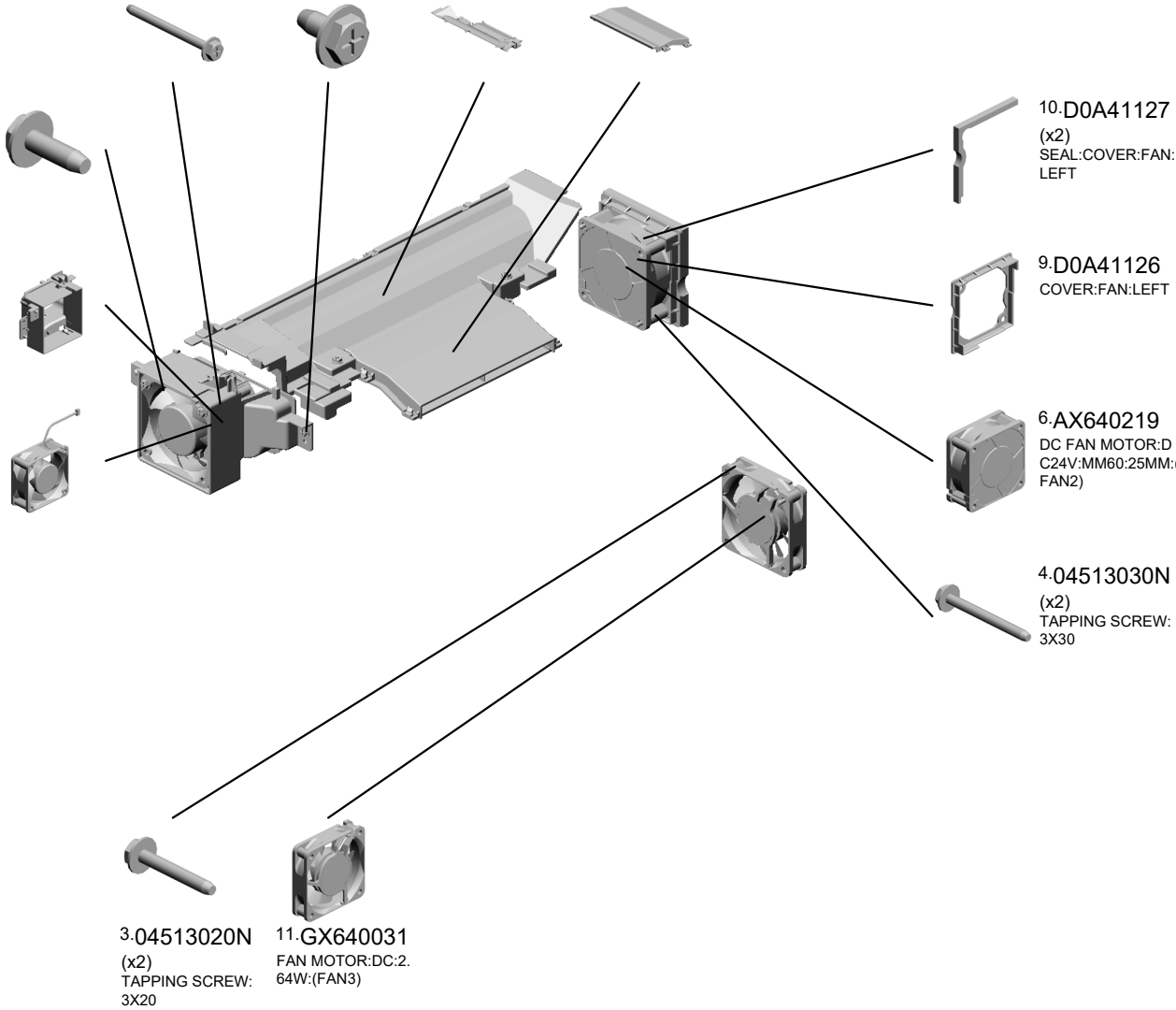


- 1.04503035N (x2) TAPPING SCREW: 3X35
- 2.04513006N TAPPING SCREW - 3X6
- 13.M0BQ1123 DUCT:UPPER
- 8.D0A41124 DUCT:EXIT

- 5.04583010N (x3) HEXAGON HEAD TAPPING SCREW: 3X10

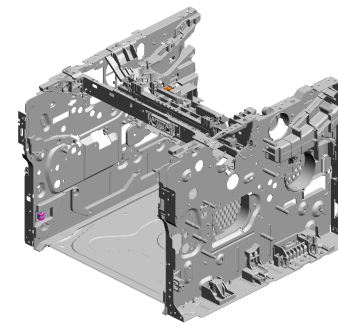
- 12.M0BQ1121 DUCT:DEVELOPMENT:RIGHT

- 7.AX640235 DC FAN MOTOR:M M60:25MM:PWM:4.2W:(FAN1)



U001	U002	U003	U004	U005	U006	U007	U008	U009	U010	U011	U012	U013
------	------	------	------	------	------	------	------	------	------	------	------	------

U012 MAIN FRAME



- 8.08025305 (x2) TAPPING SCREW - M3X6
- 12.11050692 (x3) CLAMP:LES-0503
- 1.03603006N (x5) SCREW - M3X6
- 15.11050760 (x2) CLAMP:LWSM-051A
- 19.D0A41055 FRAME:REAR

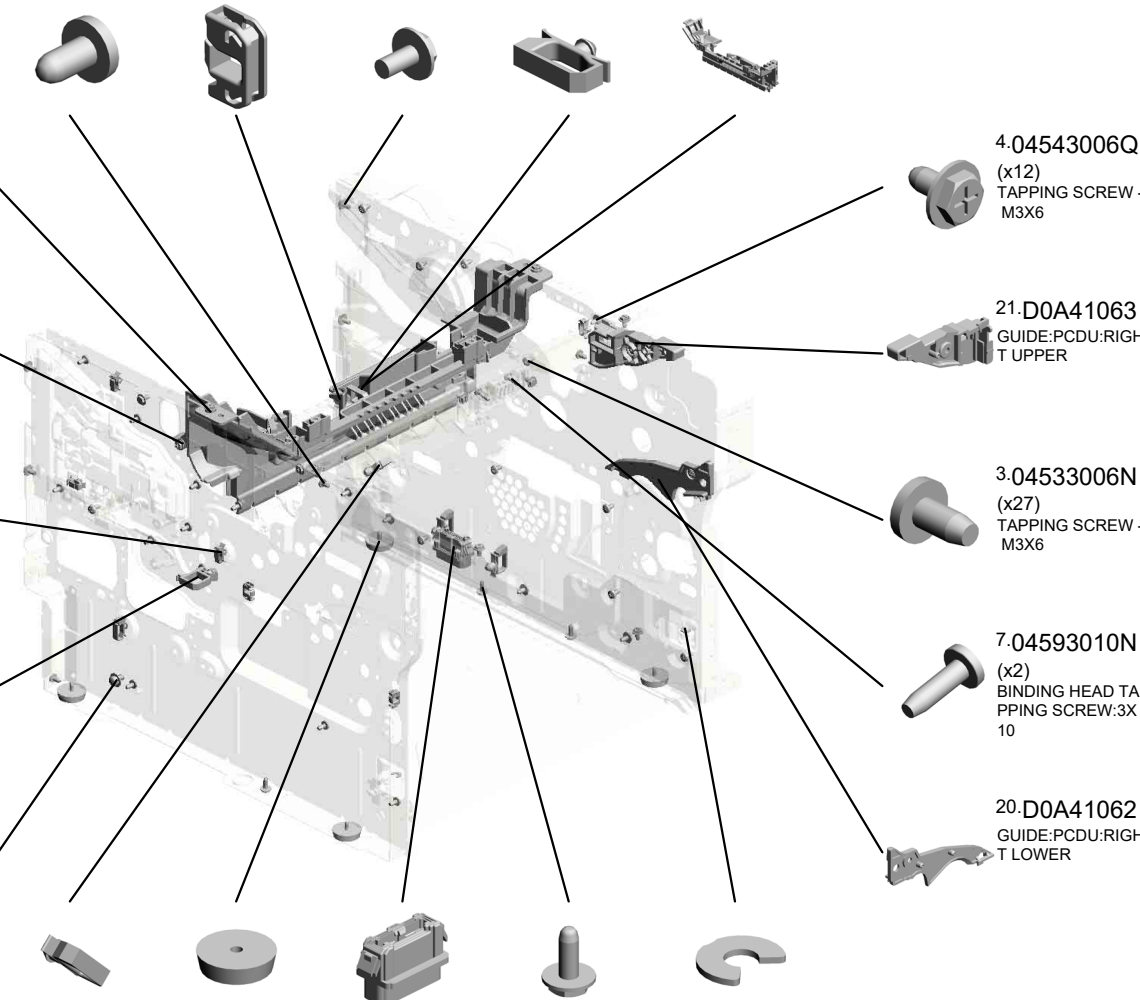
- 2.04513008N (x2) TAPPING SCREW - M3X8

- 6.04583010N (x2) HEXAGON HEAD TAPPING SCREW:3X10

- 14.11050758 (x5) CLAMP:LWSM-0306A

- 17.11050763 (x2) CLAMP:LWS-1211A

- 10.09544008N SCREW - M4X8



- 4.04543006Q (x12) TAPPING SCREW - M3X6

- 13.11050724 (x2) CLAMPS:WES-1210

- 21.D0A41063 GUIDE:PCDU:RIGHT UPPER

- 6.04583010N (x 4) HEXAGON HEAD TAPPING SCREW:3X10

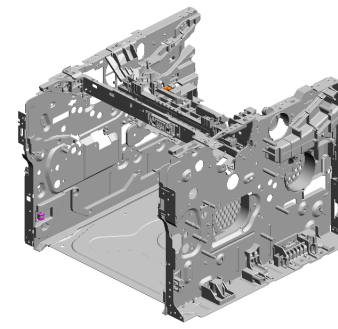
- 3.04533006N (x27) TAPPING SCREW - M3X6

- 7.04593010N (x2) BINDING HEAD TAPPING SCREW:3X10

- 20.D0A41062 GUIDE:PCDU:RIGHT LOWER

- 16.11050762 (x6) CLAMP:LWS-0711A
- 18.AH010011 (x4) RUBBER FOOT:H5
- 11.11036243 CONNECTOR:16R G017-3210
- 5.04543008Q (x7) TAPPING SCREW: 3X8
- 9.08050103 (x2) RETAINING RINGS -E:SILENCER:DIA3

U012 MAIN FRAME



- 28.D0A41088 SHIELD PLATE:MOTOR
- 34.D0A42192 CASE:DISCHARGE LAMP:CHARGE
- 39.D0A42499 (x2) CONNECTOR:ID_CARD
- 27.D0A41085 GROUND WIRE:SHIELD PLATE:MOTOR
- 35.D0A42194 GUIDE:SHUTTER:PHOTOCONDUCTOR:RIGHT

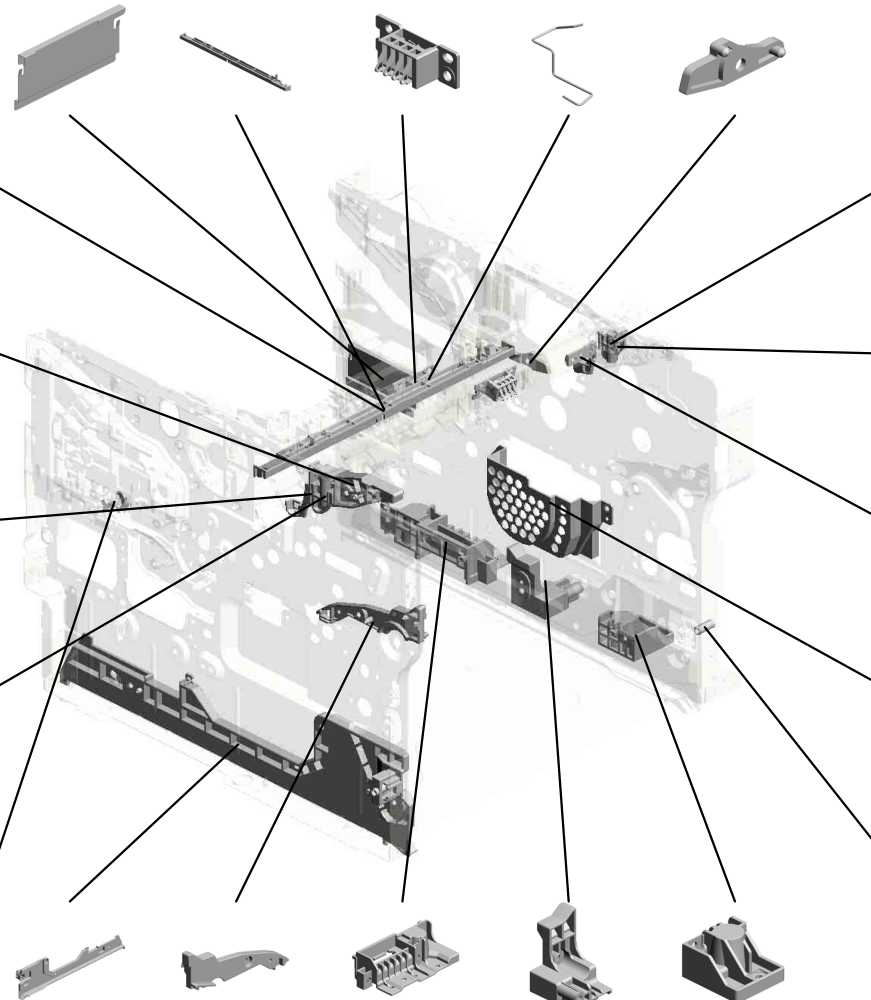
36.D0A42196
DISCHARGE LAMP:CHARGE:MULTI

25.D0A41075
GUIDE:PCDU:LEFT UPPER

37.D0A42246
GUIDE:STOPPER:PCU:LEFT

26.D0A41076
TIGHTENER:PCDU:LEFT

32.D0A41102
GROUND PLATE:SENSOR:FUSING:PRESSURE RELEASE



22.D0A41064
TIGHTENER:PCDU:RIGHT

23.D0A41065
(x2)
COIL SPRING:TIGHTENER:PCDU

38.D0A42247
GUIDE:STOPPER:PCU:RIGHT

33.D0A41225
COVER:MOTOR:DRUM

40.D0A42872
(x2)
COMPRESSION SPRING:DETENT:PAPER TRAY

41.D0A42873
GUIDE:PAPER TRAY:LEFT

24.D0A41074
GUIDE:PCDU:LEFT LOWER

30.D0A41090
COVER:LOWER:RIGHT REAR

31.D0A41097
BRACKET:LOWER MIDDLE

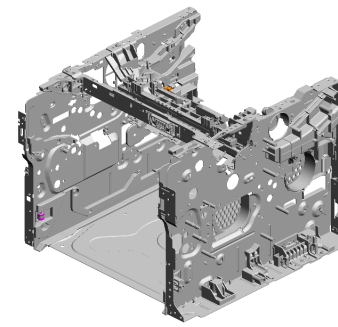
29.D0A41089
COVER:LOWER:RIGHT FRONT

U012 MAIN FRAME

46.D0A46290 FRAME:REAR:LOW
ER:ASS'Y

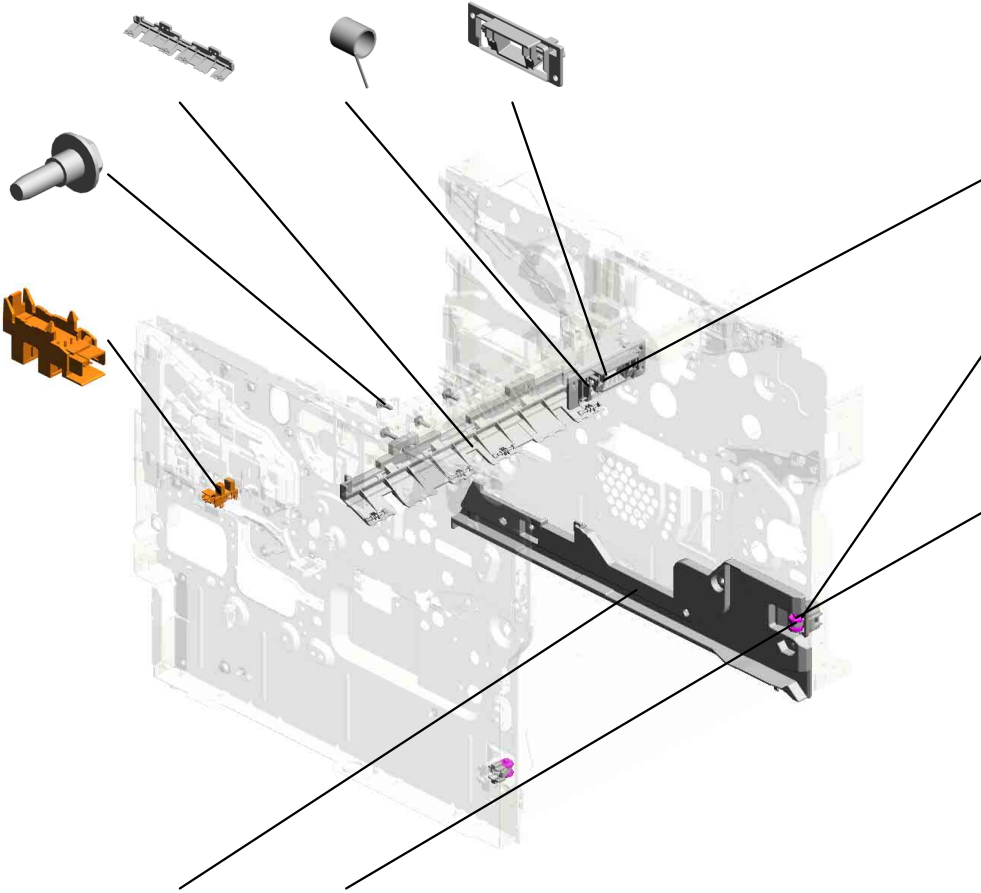
45.D0A43463 TORSION SPRING:
COVER:TERMINAL:
ID_CHIP

43.D0A43461 HOLDER:TERMINA
L:ID_CHIP:MAIN



51.M1871082
(x4)
STEPPED SCREW:
M3:SECOND KIND:
DRAWER

50.GW020024
PHOTOINTERRUP
TOR:LG2A24BL1:G
F:(S2/S3/S4/S6/S7/
S8/S10)



44.D0A43462
COVER:TERMINAL:
ID_CHIP:MAIN

47.D3ER1067
(x2)
DETENT:PAPER T
RAY

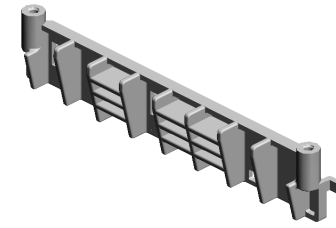
49.D3ER1069
(x2)
ROLLER:DETENT:
PAPER TRAY:NO.2

42.D0A42874
GUIDE:PAPER TRA
Y:RIGHT

48.D3ER1068
(x2)
ROLLER:DETENT:
PAPER TRAY

U001	U002	U003	U004	U005	U006	U007	U008	U009	U010	U011	U012	U013
------	------	------	------	------	------	------	------	------	------	------	------	------

U013
ACCESSORIES



P 501

3.D0A41301
(x2)
PLATE:LOGO:RIC

4.M0BQ6851
(P 501):PLATE:NA
ME PLATE:P_501

P 502

6.MOD16851
(P 502):PLATE:NA
ME PLATE:P_502

1.04583010N(x 4)
HEXAGON HEAD TAPPING SCREW:3X
10
7.11500481(x 2)
(NA):POWER SUPPLY CODE:125V:15A

Exclusive Parts

Number	Part Name	Group	ID
52062686	SNAP RING	U009	12
54472681	SNAP RING	U004	15
A2672869	GEAR - 16Z	U004_S003_S001	16
AA043319	TIMING BELT - 40S2M156	U006	5
AA043716	SYNCHRONOUS BELT:40S2M124	U009	13
AA043717	SYNCHRONOUS BELT:50S3M162	U009	14
AA043718	SYNCHRONOUS BELT:50S3M312	U009	15
AA080213	BUSHING:DIA6	U009	16
AA080393	PLAIN SHAFT BEARING:DIA6XDIA10X6	U009	17
AA080395	PLAIN SHAFT BEARING:4X8X2.8	U009	18
AA080396	PLAIN SHAFT BEARING:4X8X5	U009	19
AA082173	PLAIN SHAFT BEARING:6X10X6	U004	17
		U006	6
		U008	8
AA082175	PLAIN SHAFT BEARING:8X12X7	U004	18
AA082190	BUSHING:DIA4XDIA7X3	U004	19
AA132208	SPACER - M6	U004	20
AA143846	TAPPING SCREW:M3X6	U004	21
		U004_S001	21
AA143853	FLAT FILLISTER HEAD TAPPING SCREW:M3X8	U004_S003_S001	22
		U008	9
		U010	13
AB010223	GEAR:DRIVE:FUSING:NO.1	U009	20
AB010224	GEAR:DRIVE:TRANSPORT:NO.1	U009	21
AB010225	GEAR:DRIVE:FUSING:NO.2	U009	22
AB010226	GEAR:DRIVE:DRUM	U009	23
AB010227	GEAR:DRUM:NO.1	U009	24
AB011628	GEAR:DRIVE:TONER SUPPLY:NO.6	U009	25
AB011629	GEAR:DRIVE:TONER RECYCLING:NO.2	U009	26
AB011630	GEAR:DRIVE:PAPER FEED:NO.1	U009	27
AB011631	GEAR:DRIVE:PAPER FEED:NO.3	U009	28
AB011632	GEAR:DRIVE:MANUAL FEED:JOINT:NO.1	U009	29
AB011633	GEAR:DRIVE:MANUAL FEED:JOINT:NO.2	U009	30

Number	Part Name	Group	ID
AB011634	GEAR:DRIVE:SUPPLY:NO.1	U009	31
AB011635	GEAR:DRIVE:COLLECT:NO.1	U009	32
AB011636	GEAR:DRIVE:TONER SUPPLY:NO.3	U009	33
AB011637	GEAR:DRIVE:CONNECTING:NO.3	U009	34
AB011638	GEAR:DRIVE:PRESSURE RELEASE:SUN	U009	35
AB011639	GEAR:DRIVE:PRESSURE RELEASE:TORQUE LIMITER MECHANICAL CLUTCH	U009	36
AB011640	GEAR:DRIVE:PRESSURE RELEASE:PLANETARY	U009	37
AB014353	GEAR:DRIVE:PRESSURE RELEASE:NO.1	U009	38
AB014354	GEAR:DRIVE:PRESSURE RELEASE:NO.2	U009	39
AB017963	GEAR:DRIVE:PAPER FEED:NO.2	U009	40
AB017964	GEAR:DRIVE:FUSING:NO.3	U009	41
AB017965	GEAR:DRIVE:FUSING:NO.4	U009	42
AB017966	GEAR:DRIVE:TRANSPORT:NO.2	U009	43
AB019001	GEAR:DRIVE:FUSING:NO.5	U009	44
AB019002	GEAR:DRIVE:FUSING:NO.6	U009	45
AB019009	WORM WHEEL:DRIVE:PRESSURE RELEASE:Z25	U009	46
AB030891	PULLEY:DRIVE:CONNECTING	U009	47
AB030892	PULLEY:DRIVE:TRANSPORT	U009	48
AE011135	HOT ROLLER:DIA30	U007_S001	7
AE030101	RADIAL BALL BEARING:DIA35XDIA47X7	U007_S001	8
AF020846	ROLLER:CONNECTING:DRIVE:PAPER FEED	U004	23
AF020848	REGISTRATION ROLLER:DRIVE	U004	24
AF021421	REGISTRATION ROLLER:DRIVEN	U004	25
AF031100	PAPER FEED ROLLER:MANUAL FEED:GM30X	U004	26
AF031103	PAPER FEED ROLLER	U004	27
AF032100	PAPER FEED ROLLER:SEPARATE:MAIN:EA45G	U004_S003_S001	28

Exclusive Parts

Number	Part Name	Group	ID
AF033012	FRICTION PAD:MANUAL FEED	U004	29
AH010011	RUBBER FOOT:H5	U012	18
AW100194	THERMOPILE:(TH2)	U007	9
AW110127	THERMOSTAT:210 β C: (TH3/TH4)	U007_S001	10
AX050370	DC STEPPER MOTOR:EXIT:(M1)	U008	10
AX060506	DC BRUSHLESS MOTOR:TRANSP ORT:FUSING:36W:(M4)	U009	49
AX069095	DC BRUSHLESS MOTOR:DRUM:26 W:(M3)	U009	50
AX200350	ELECTROMAGNETIC CLUTCH:0.4 4NM:MANUAL FEED:(CL2/CL4)	U009	51
AX200351	ELECTROMAGNETIC CLUTCH:0.3 5NM:BASE:(CL3)	U009	52
AX200352	ELECTROMAGNETIC CLUTCH:0.4 5NM:PAPER FEED:(CL6)	U009	53
AX200353	ELECTROMAGNETIC CLUTCH:0.4 5NM:REGISTRATION:(CL5)	U009	54
AX201013	ELECTROMAGNETIC CLUTCH:0.3 5N/M:REVERSE:(CL7)	U009	55
AX202354	ELECTROMAGNETIC CLUTCH:0.3 5NM:DUPLEX:(CL1)	U009	56
AX440336	(NA):HEATER:116V:700W:350W:IN FRARED	U007_S001	57
AX640219	DC FAN MOTOR:DC24V:MM60:25M M:(FAN2)	U011	6
AX640235	DC FAN MOTOR:MM60:25MM:PW M:4.2W:(FAN1)	U011	7
AZ230324	(NA/TWN):POWER SUPPLY UNIT	U010	48
AZ320224	POWER PACK:CDVT	U010	15
C2183051	PHILIPS SCREW - M3	U010	16
D0A41055	FRAME:REAR	U012	19
D0A41062	GUIDE:PCDU:RIGHT LOWER	U012	20
D0A41063	GUIDE:PCDU:RIGHT UPPER	U012	21
D0A41064	TIGHTENER:PCDU:RIGHT	U012	22
D0A41065	COIL SPRING:TIGHTENER:PCDU	U012	23
D0A41074	GUIDE:PCDU:LEFT LOWER	U012	24
D0A41075	GUIDE:PCDU:LEFT UPPER	U012	25
D0A41076	TIGHTENER:PCDU:LEFT	U012	26

Number	Part Name	Group	ID
D0A41085	GROUND WIRE:SHIELD PLATE:MO TOR	U012	27
D0A41088	SHIELD PLATE:MOTOR	U012	28
D0A41089	COVER:LOWER:RIGHT FRONT	U012	29
D0A41090	COVER:LOWER:RIGHT REAR	U012	30
D0A41094	GUIDE:HARNESS:NFC	U010	17
D0A41097	BRACKET:LOWER MIDDLE	U012	31
D0A41102	GROUND PLATE:SENSOR:FUSING :PRESSURE RELEASE	U012	32
D0A41124	DUCT:EXIT	U011	8
D0A41126	COVER:FAN:LEFT	U011	9
D0A41127	SEAL:COVER:FAN:LEFT	U011	10
D0A41138	COVER:TEMPERATURE & HUMIDI TY SENSOR	U010	18
D0A41151	HOUSING:DRIVE:PAPER FEED:AS S'Y	U009	57
D0A41156	HOLDER:DRIVE:TONER SUPPLY	U009	58
D0A41157	LINK:DRIVE:TONER SUPPLY	U009	59
D0A41158	JOINT:DRIVE:TONER SUPPLY	U009	60
D0A41159	COMPRESSION SPRING:DRIVE:T ONER SUPPLY	U009	61
D0A41163	SHAFT:DRIVE:MANUAL FEED:ASS' Y	U009	62
D0A41166	COVER:DRIVE:SUPPLY:CLUTCH	U009	63
D0A41169	COVER:DRIVE:SUPPLY:GEAR	U009	64
D0A41182	BRACKET:DRIVE:FUSING:MOTOR: PEEN	U009	65
D0A41187	BRACKET:DRIVE:FUSING:NO.1:PE EN	U009	66
D0A41191	COMPRESSION SPRING:DRIVE:FU SING	U009	67
D0A41195	BRACKET:DRIVE:MOTOR:PEEN	U009	68
D0A41206	BRACKET:DRIVE:DRUM:PEEN	U009	69
D0A41209	LINK:DRIVE:DRUM	U009	70
D0A41210	COMPRESSION SPRING:DRIVE:D RUM	U009	71
D0A41211	JOINT:DRIVE:DRUM	U009	72
D0A41212	CAM:DRIVE:DRUM	U009	73

Exclusive Parts

Number	Part Name	Group	ID
D0A41215	COVER:DC MOTOR	U009	74
D0A41216	DC MOTOR:DRIVE:PRESSURE RELEASE:ASS'Y:(M2)	U009	75
D0A41221	ARM:JOINT:DRUM	U009	76
D0A41222	COMPRESSION SPRING:ARM	U009	77
D0A41223	ARM:JOINT:TRANSPORT	U009	78
D0A41225	COVER:MOTOR:DRUM	U012	33
D0A41226	HOUSING:DRIVE:PRESSURE RELEASE:NO.1:INTERNAL	U009	79
D0A41227	BRACKET:DRIVE:PRESSURE RELEASE:NO.2	U009	80
D0A41234	SHAFT:DRIVE:PRESSURE RELEASE:PRESS FIT	U009	81
D0A41236	TORQUE LIMITER MECHANICAL CLUTCH:9.8MN \times M:DIA14	U009	82
D0A41240	BRACKET:DRIVE:DRUM:CAM	U009	83
D0A41244	SUPPORT SHAFT:DRIVE:PRESSURE RELEASE:PLANETARY	U009	84
D0A41245	CAP:DRIVE:PRESSURE RELEASE:PLANETARY	U009	85
D0A41246	BRACKET:DRIVE:PRESSURE RELEASE:PEEN	U009	86
D0A41301	PLATE:LOGO:RIC	U013	3
D0A41328	DOOR:FRONT	U001	4
D0A41330	COVER:NFC:1	U001	5
D0A41331	COVER:NFC:2	U001	6
D0A41332	COVER:NFC:3	U001	7
D0A41333	FILTER:LOUVER	U001	8
D0A41334	LEVER:DOOR:FRONT	U001	9
D0A41337	LEVER:SHUTTER:DOOR:FRONT	U001	10
D0A41338	BAND:DOOR:FRONT	U001	11
D0A41344	LINK:LATCH:COVER:FRONT	U001	12
D0A41345	COIL SPRING:LATCH:DOOR:FRONT	U001	13
D0A41346	COVER:BUTTON:DOOR:FRONT	U001	14
D0A41347	COMPRESSION SPRING:DOOR:FRONT:BUTTON	U001	15
D0A41850	LED:ASS'Y	U003_S001	5

Number	Part Name	Group	ID
D0A41901	HOLDER:LED:RIGHT	U003_S001	6
D0A41902	HOLDER:LED:LEFT	U003_S001	7
D0A41905	FRAME:HOLDER:LED:PEEN	U003_S001	8
D0A41907	SPRING PLATE:LED	U003_S001	9
D0A41908	COIL SPRING:HOLDER:LED	U003_S001	10
D0A41909	SPACER:HOLDER:LED:K	U003_S001	11
D0A41921	GUIDE:LINK:LED:RIGHT	U003	12
D0A41922	LINK:LED:RIGHT:A	U003	13
D0A41923	LINK:LED:RIGHT:B	U003	14
D0A41924	LINK:LED:RIGHT:C	U003	15
D0A41925	LEVER:LINK:LED:RIGHT:B	U003	16
D0A41926	GROUND PLATE:HINGE:LED:RIGHT	U003	17
D0A41927	COIL SPRING:LINK:LED:RIGHT	U003	18
D0A41931	GUIDE:LINK:LED:LEFT	U003	19
D0A41932	LINK:LED:LEFT:A	U003	20
D0A41933	LINK:LED:LEFT:B	U003	21
D0A41934	LINK:LED:LEFT:C	U003	22
D0A41935	GROUND PLATE:HINGE:LED:LEFT	U003	23
D0A41936	COIL SPRING:LINK:LED:LEFT	U003	24
D0A41942	HINGE:LED:PEEN	U003	25
D0A41945	PIN:HINGE	U003	26
D0A41950	CLEANER:LED:ASS'Y	U003	27
D0A42021	PCDU:SERVICE:ASS'Y	U005	1
D0A42192	CASE:DISCHARGE LAMP:CHARGE	U012	34
D0A42194	GUIDE:SHUTTER:PHOTOCONDUCTOR:RIGHT	U012	35
D0A42196	DISCHARGE LAMP:CHARGE:MULTI	U012	36
D0A42246	GUIDE:STOPPER:PCU:LEFT	U012	37
D0A42247	GUIDE:STOPPER:PCU:RIGHT	U012	38
D0A42499	CONNECTOR:ID_CHIP	U012	39
D0A42512	PAPER TRAY:500TYPE	U004_S003	30
D0A42603	PAPER TRAY:FRONT:500TYPE	U004_S003_S001	31
D0A42606	TRAY BOTTOM PLATE:500TYPE:PEEN	U004_S003_S001	32
D0A42611	BASE:PAPER FEED ROLLER:SEPARATE	U004_S003_S001	33

Exclusive Parts

Number	Part Name	Group	ID
D0A42612	SHEET:SPACER:RAIL:PAPER TRAY	U004_S003_S001	34
D0A42616	COVER:TRAY BOTTOM PLATE:RIGHT	U004_S003_S001	35
D0A42617	COVER:TRAY BOTTOM PLATE:LEFT	U004_S003_S001	36
D0A42618	LEVER:PAPER VOLUME SENSOR:500TYPE	U004_S003_S001	37
D0A42620	COMPRESSION SPRING:SEPARATE:PRE:0.3N	U004_S003_S001	38
D0A42622	BRACKET:PAPER FEED ROLLER:SEPARATE	U004_S003_S001	39
D0A42625	GUIDE PLATE:PAPER TRAY:MAIN:500TYPE:ASS'Y	U004_S003_S001	40
D0A42626	LEVER:EXTENSION TRAY:PAPER TRAY	U004_S003_S002	41
D0A42629	PAD:BASE:URETHANE:WHITE	U004_S003_S001	42
D0A42630	PAPER TRAY:REAR:500TYPE:ASS'Y	U004_S003_S002	43
D0A42636	COMPRESSION SPRING:PAPER TRAY	U004_S003_S001	44
D0A42637	PRESSURE PLATE:SIDE FENCE:LEFT	U004_S003_S001	45
D0A42638	PAWL:LOCK:SIDE FENCE	U004_S003_S001	46
D0A42639	LEVER:LOCK:SIDE FENCE	U004_S003_S001	47
D0A42642	SIDE FENCE:RIGHT:500TYPE:PEEN	U004_S003_S001	48
D0A42643	SHEET:SPONGE:PAPER TRAY:FRONT	U004_S003_S001	49
D0A42645	GROUND WIRE:BASE:PAPER TRAY	U004_S003_S001	50
D0A42647	CLICK:SIDE FENCE	U004_S003_S001	51
		U004_S003_S002	51
		S001	
D0A42648	COVER:SIDE FENCE:RIGHT	U004_S003_S001	52
D0A42649	SHAFT:PAPER FEED ROLLER:SHORT:PRESS FIT	U004_S003_S001	53
D0A42652	GUIDE:FRONT:PAPER TRAY:500T	U004_S003_S001	54

Number	Part Name	Group	ID
	TYPE		
D0A42654	COMPRESSION SPRING:PRESSURE:SEPARATE:0.75N	U004_S003_S001	55
D0A42655	LEVER:LOCK:END FENCE	U004_S003_S002	56
		S001	
D0A42657	PAWL:LOCK:END FENCE	U004_S003_S002	57
		S001	
D0A42662	SIDE FENCE:LEFT:500TYPE:PEEN	U004_S003_S001	58
D0A42663	STOPPER:END FENCE	U004_S003_S002	59
		S001	
D0A42666	END FENCE:500TYPE:ASS'Y	U004_S003_S002	60
		S001	
D0A42667	COVER:LEVER:LOCK:TRAY BOTTOM PLATE:RIGHT	U004_S003_S001	61
D0A42668	COVER:SIDE FENCE:LEFT	U004_S003_S001	62
D0A42673	TENSION SPRING:LOCK:BASE:PAPER TRAY	U004_S003_S001	63
D0A42674	LEVER:LOCK:TRAY BOTTOM PLATE	U004_S003_S001	64
D0A42676	HOLDER:PINION:SCREW	U004_S003_S001	65
D0A42677	PRESSURE PLATE:SIDE FENCE:LEFT	U004_S003_S001	66
D0A42679	DECAL:DIAL:PAPER SIZE SENSOR	U004_S003_S001	67
D0A42680	DECAL:SIDE FENCE:UPPER LIMIT	U004_S003_S001	68
D0A42681	COVER:LEVER:LOCK:TRAY BOTTOM PLATE:LEFT	U004_S003_S001	69
D0A42682	DECAL:PAPER TRAY:PAPER SET DIRECTION	U004_S003_S001	70
D0A42683	LEVER:PAPER SIZE SENSOR BOARD	U004_S003_S001	71
D0A42685	DIAL:PAPER SIZE SENSOR BOARD	U004_S003_S001	72
D0A42687	DECAL:EXTENSION TRAY:RIGHT	U004_S003_S001	73
D0A42688	DECAL:EXTENSION TRAY:LEFT	U004_S003_S002	74
D0A42691	DECAL:UN LOCK:END FENCE	U004_S003_S002	75
		S001	
D0A42692	COVER:PAPER TRAY:500TYPE	U004_S003_S001	76
D0A42695	GRIP:PAPER TRAY	U004_S003_S001	77

Exclusive Parts

Number	Part Name	Group	ID
D0A42710	MANUAL FEED TABLE:ASS'Y	U004_S001	78
D0A42713	BASE:MANUAL FEED:ASS'Y	U004_S002	79
D0A42721	SHAFT:PAPER FEED ROLLER:MANUAL FEED:PRESS FIT	U004	80
D0A42723	COMPRESSION SPRING:SHAFT:PAPER FEED ROLLER:MANUAL FEED	U004	81
D0A42724	SHAFT:CAM:MANUAL FEED:PRESS FIT	U004	82
D0A42726	CAM:MANUAL FEED:LEFT	U004	83
D0A42727	CAM:MANUAL FEED:RIGHT	U004	84
D0A42728	SPRING PLATE:HOME POSITION SENSOR:MANUAL FEED	U004	85
D0A42729	GUIDE:FEED INLET:MANUAL FEED	U004	86
D0A42730	FEELER:PAPER END SENSOR:MANUAL FEED	U004	87
D0A42733	SHEET:BASE:MANUAL FEED	U004	88
D0A42737	HOLDER:FRICTION PAD:MANUAL FEED	U004	89
D0A42738	BRACKET:FRICTION PAD:MANUAL FEED	U004	90
D0A42740	FEELER:CAM:MANUAL FEED	U004	91
D0A42741	COIL SPRING:FEELER:CAM:MANUAL FEED	U004	92
D0A42742	GROUND PLATE:SHAFT:CAM:MANUAL FEED	U004	93
D0A42743	SHEET:PAPER FEED ROLLER:EXIT:MANUAL FEED	U004	94
D0A42744	SHEET:SENSOR COVER	U004	95
D0A42746	BRACKET:ADJUSTMENT:REGISTRATION	U004	96
D0A42747	COMPRESSION SPRING:FRICTION PAD:MANUAL FEED	U004	97
D0A42748	DAMPING INSULATION:MANUAL FEED	U004	98
D0A42750	STAY:ADJUSTMENT:REGISTRATION:PEEN	U004	99

Number	Part Name	Group	ID
D0A42755	GUIDE PLATE:MANUAL FEED:LOWER	U004	100
D0A42756	SHEET:CONNECTING:ENTRANCE	U004	101
D0A42757	HOLDER:DAMPER:DOOR:FRONT	U004	102
D0A42758	COMPRESSION SPRING:HOLDER:DAMPER:DOOR:FRONT	U004	103
D0A42759	SPACER:SIDE FENCE:MANUAL FEED	U004_S001	104
D0A42760	SIDE FENCE:MANUAL FEED:LEFT	U004_S001	105
D0A42761	SIDE FENCE:MANUAL FEED:RIGHT	U004_S001	106
D0A42762	GEAR:SIDE FENCE	U004_S001	107
D0A42763	RACK:SIDE FENCE	U004_S001	108
D0A42764	COMPRESSION SPRING:RACK:MANUAL FEED	U004_S001	109
D0A42766	COVER:EXTENSION TRAY	U004	110
D0A42767	EXTENSION TRAY:MANUAL FEED	U004	111
D0A42768	COVER:MANUAL FEED TABLE	U004	112
D0A42769	HOLDER:COMPRESSION SPRING:EXTENSION TRAY	U004	113
D0A42770	COMPRESSION SPRING:EXTENSION TRAY	U004	114
D0A42780	COMPRESSION SPRING:DRIVEN ROLLER:CONNECTING	U004	115
D0A42781	ROLLER:DRIVEN:CONNECTING	U004	116
D0A42782	SHAFT:CONNECTING:DRIVEN:PAPER FEED	U004	117
D0A42801	STAY:PAPER FEED	U004	118
D0A42804	SHAFT:PAPER FEED:PRESS FIT	U004	119
D0A42806	SHAFT:PLAIN SHAFT BEARING:PAPER FEED ROLLER	U004	120
D0A42808	COMPRESSION SPRING:LEVER:PAPER FEED ROLLER	U004	121
D0A42809	LEVER:PAPER FEED ROLLER	U004	122
D0A42813	GUIDE PLATE:PAPER FEED:UPPER	U004	123
D0A42816	SHEET:STAY:PAPER FEED:UPPER	U004	124
D0A42820	GUIDE PLATE:PAPER FEED:ENTRANCE	U004	125

Exclusive Parts

Number	Part Name	Group	ID
	ANCE		
D0A42821	GROUND PLATE:STAY:PAPER FEED:RIGHT	U004	126
D0A42822	GROUND PLATE:SHAFT:PAPER FEED	U004	127
D0A42826	FEELER:PAPER VOLUME SENSOR	U004	128
D0A42833	SHEET:PAPER FEED:ENTRANCE	U004	129
D0A42840	SPACER:PAPER SIZE SENSOR BOARD:OUTER	U004	130
D0A42841	SPACER:PAPER SIZE SENSOR BOARD:MIDDLE	U004	131
D0A42842	SENSOR CASE:PAPER SIZE SENSOR BOARD	U004	132
D0A42843	GROUND PLATE:PAPER SIZE SENSOR:PAPER FEED:TRAY	U004	133
D0A42844	SPACER:ROLLER:CONNECTING:PAPER FEED	U004	134
D0A42847	FEELER:PAPER END SENSOR	U004	135
D0A42848	COMPRESSION SPRING:PRESSURE:DRIVE:CONNECTING	U004	136
D0A42852	TENSION SPRING:COVER:PREVENTFENCE:PAPER TRAY	U004	137
D0A42853	COVER:PREVENTFENCE:PAPER TRAY	U004	138
D0A42872	COMPRESSION SPRING:DETENT:PAPER TRAY	U012	40
D0A42873	GUIDE:PAPER TRAY:LEFT	U012	41
D0A42874	GUIDE:PAPER TRAY:RIGHT	U012	42
D0A43288	SEAL:TONER END SENSOR	U010	19
D0A43289	SEAL:TONER END SENSOR:INNER FRAM	U010	20
D0A43461	HOLDER:TERMINAL:ID_CHIP:MAIN	U012	43
D0A43462	COVER:TERMINAL:ID_CHIP:MAIN	U012	44
D0A43463	TORSION SPRING:COVER:TERMINAL:ID_CHIP	U012	45
D0A43815	DECAL:B	U004	139
D0A43822	COVER:GUIDE:REGISTRATION:UPPER	U004	140

Number	Part Name	Group	ID
D0A43823	STOPPER:SENSOR:PLATE	U004	141
		U006	7
D0A43824	SHEET:GUIDE:REGISTRATION ROLLER:UPPER LEFT	U004	142
D0A43825	SHEET:GUIDE:REGISTRATION ROLLER:UPPER RIGHT	U004	143
D0A43826	GUIDE PLATE:REGISTRATION:UPPER	U004	144
D0A43831	LEVER:PRESSURE:REGISTRATION:RIGHT	U004	145
D0A43832	LEVER:PRESSURE:REGISTRATION:LEFT	U004	146
D0A43833	COMPRESSION SPRING:LEVER:PRESSURE:REGISTRATION	U004	147
D0A44017	(NA):FUSING SECTION:ASS'Y	U007_S001	58
D0A44101	DRAWER:FUSING UNIT	U007_S001	13
D0A44105	THERMISTOR:FUSING:(TH1)	U007_S001	14
D0A44121	(NA/TWN):FUSING COVER:UPPER	U007_S001	59
D0A44151	LEVER:LOCK:LEFT	U007_S001	16
D0A44152	LEVER:LOCK:RIGHT	U007_S001	17
D0A44153	COMPRESSION SPRING:LEVER:LOCK	U007_S001	18
D0A44155	DISCHARGE BRUSH:PRESSURE ROLLER	U007_S001	19
D0A44164	PRESSURE ROLLER:ASS'Y	U007_S001	20
D0A44165	GEAR:HOT ROLLER	U007_S001	21
D0A44166	THERMAL INSULATING BUSHING:HOT ROLLER	U007_S001	22
D0A44167	RETAINING RINGS-C:HOT ROLLER	U007_S001	23
D0A44173	COVER:LEVER:PRESSURE	U007_S001	24
D0A44174	TENSION SPRING:PRESSURE	U007_S001	25
D0A44181	GUIDE:BEARING	U007_S001	26
D0A44182	GUIDE:HARNESS	U007_S001	27
D0A44183	THERMAL INSULATING BUSHING:POSITIONING PIN:FUSING	U007_S001	28
D0A44202	GEAR:PRESSURE	U007_S001	29
D0A44204	SHAFT:PRESSURE:PRESS FIT	U007_S001	30

Exclusive Parts

Number	Part Name	Group	ID
D0A44206	CAM:ON-OFF:PRESSURE RELEASE	U007_S001	31
D0A44211	GEAR:FUSING UNIT:NO.1	U007_S001	32
D0A44212	GEAR:FUSING UNIT:NO.2	U007_S001	33
D0A44214	TENSION SPRING:GUIDE PLATE:FUSING EXIT	U007_S001	34
D0A44216	GUIDE PLATE:FUSING EXIT:LOWER:ASS'Y	U007_S001_S001	35
D0A44218	DISCHARGE BRUSH:HOT ROLLER	U007_S001	36
D0A44221	TENSION SPRING:PICKOFF PAWL	U007_S001	37
D0A44222	STRIPPER PAWLS	U007_S001	38
D0A44225	ELECTRODE PLATE:CONNECTING:THERMOSTAT	U007_S001	39
D0A44226	STAY:THERMOSTAT	U007_S001	40
D0A44227	STAY:HEATER:M3	U007_S001	41
D0A44228	STAY:HEATER:M4	U007_S001	42
D0A44230	FUSING ENTRANCE GUIDE PLATE:UPPER	U007_S001	43
D0A44233	ROLLER:FUSING EXIT:MIDDLE	U007_S001	44
D0A44234	ROLLER:FUSING EXIT	U007_S001	45
D0A44235	HOLDER:THERMOSTAT:B2	U007_S001	46
D0A44236	HOLDER:PICKOFF PAWL	U007_S001	47
D0A44237	STAY:HOLDER:PICKOFF PAWL	U007_S001	48
D0A44238	DECAL:H-TEMP WARNING:FUSING UNIT	U007_S001	49
D0A44239	DECAL:MISFEED REMOVAL:FUSING UNIT	U007_S001_S001	50
D0A44241	HOLDER:THERMOPILE	U007	51
D0A44243	GUIDE:STRIPPER PAWLS	U007_S001	52
D0A44245	COVER:FUSING:LEFT	U007_S001	53
D0A44521	GUIDE PLATE:EXIT:UPPER	U008	11
D0A44522	ROLLER:DRIVEN:REVERSE	U008	12
D0A44523	SPRING PLATE:ROLLER:REVERSE	U008	13
D0A44524	SUPPORTING PLATE:GUIDE:EXIT:UPPER	U008	14
D0A44525	GROUND PLATE:PROTECT:EXIT ROLLER	U008	15

Number	Part Name	Group	ID
D0A44531	GUIDE PLATE:EXIT:MIDDLE	U008	16
D0A44532	FEELER:SENSOR:OVERFLOW	U008	17
D0A44533	DISCHARGE BRUSH:EXIT	U008	18
D0A44541	GUIDE PLATE:EXIT:LOWER	U008	19
D0A44543	EXIT ROLLER:DRIVEN	U008	20
D0A44544	SPRING PLATE:EXIT ROLLER:OUTER	U008	21
D0A44545	SPRING PLATE:EXIT ROLLER:INNER:RIGHT	U008	22
D0A44546	SPRING PLATE:EXIT ROLLER:INNER:LEFT	U008	23
D0A44547	GROUND PLATE:EXIT:500	U008	24
D0A44548	TORSION SPRING:GATE PAWL:EXIT:0.5N	U008	25
D0A44551	EXIT ROLLER	U008	26
D0A44552	TRANSPORT ROLLER:FUSING EXIT	U008	27
D0A44553	TIMING PULLEY:EXIT ROLLER:34T	U008	28
D0A44554	GEAR:FUSING EXIT:Z19	U008	29
D0A44556	EXIT ROLLER:IDLER	U008	30
D0A44557	SYNCHRONOUS BELT:B40S2M106:500	U008	31
D0A44561	GATE PAWL:REVERSE EXIT	U008	32
D0A44563	GROUND PLATE:EXIT:GATE PAWL	U008	33
D0A44571	DC SOLENOID:EXIT:SUB-ASS'Y:(SOLE1)	U008	34
D0A44573	TENSION SPRING:DC SOLENOID:EXIT:1.5N	U008	35
D0A44581	GUIDE:REVERSE:DUPLEX	U008	36
D0A44582	ROLLER:DRIVEN:DUPLEX:ENTRANCE	U008	37
D0A44584	TENSION SPRING:DUPLEX:ENTRANCE:5N	U008	38
D0A44585	PLAIN SHAFT BEARING:DRIVEN:DUPLEX:ENTRANCE	U008	39
D0A44586	SHEET:GUIDE:REVERSE:DUPLEX	U008	40
D0A44593	LEVER:DOOR:EXIT	U008	41
D0A44594	COMPRESSION SPRING:LEVER:DRIVEN	U008	42

Exclusive Parts

Number	Part Name	Group	ID
	OOR:REAR		
D0A44595	GROUND PLATE:EXIT:COVER:REAR	U008	43
D0A44621	GUIDE PLATE:EXIT:FUSING EXIT:UPPER	U008	44
D0A44622	PAD:SENSOR:REVERSE	U008	45
D0A44626	HOLDER:ROLLER:FUSING EXIT	U008	46
D0A44627	SHAFT:DRIVEN:FUSING EXIT	U008	47
D0A44628	ROLLER:DRIVEN:FUSING EXIT	U008	48
D0A44629	COMPRESSION SPRING:DRIVEN:FUSING EXIT	U008	49
D0A44631	GUIDE PLATE:EXIT:FUSING EXIT:LOWER	U008	50
D0A44632	GROUND PLATE:SENSOR:REVERSE EXIT	U008	51
D0A44633	TENSION SPRING:GROUND WIRE:PAPER FEED SENSOR	U008	52
D0A44641	COVER:EXIT:FUSING EXIT	U008	53
D0A44642	GATE PAWL:FUSING EXIT	U008	54
D0A44643	GROUND PLATE:EXIT:FUSING EXIT	U008	55
D0A44644	GUIDE PIN:FUSING EXIT	U008	56
D0A44645	GUIDE:REVERSE EXIT	U008	57
D0A44647	COMPRESSION SPRING:GUIDE PLATE:FUSING EXIT:6N	U008	58
D0A44648	GROUND PLATE:GUIDE:REVERSE EXIT	U008	59
D0A44649	SHEET:GATE PAWL:FUSING EXIT	U008	60
D0A44651	COVER:HARNESS:REAR:DOOR	U008	61
D0A44652	PLATE:BAND:STOPPER	U008	62
D0A44653	BAND:STOPPER:COVER:REAR	U008	63
D0A44654	HOLDER:STOPPER:BAND	U008	64
D0A44664	PULLEY:DRIVE:DUPLEX UNIT	U006	8
D0A44851	GUIDE:UPPER:DUPLEX	U006	9
D0A44854	FEELER:UPPER:DUPLEX	U006	10
D0A44861	DRIVEN ROLLER:EXIT:DUPLEX:ASSY	U006	11
D0A44862	COMPRESSION SPRING:EXIT:DUPLEX	U006	12

Number	Part Name	Group	ID
	LEX		
D0A44863	PLAIN SHAFT BEARING:DRIVEN:DUPLEX:EXIT	U006	13
D0A44866	ROLLER:DRIVEN:DUPLEX:CONNECTING	U006	14
D0A44867	TORSION SPRING:PRESSURE:DUPLEX:CONNECTING	U006	15
D0A44869	SHAFT:ROLLER:DRIVEN:DUPLEX:CONNECTING	U006	16
D0A44871	GUIDE:FRONT:DUPLEX	U006	17
D0A44872	PUSH SWITCH:PICK-UP PAPER JAM:DUPLEX	U006	18
D0A44873	HOLDER:PUSH SWITCH:PICK-UP PAPER JAM:DUPLEX	U006	19
D0A44874	GROUND PLATE:FRONT:DUPLEX	U006	20
D0A44881	ROLLER:EXIT:DRIVE:DUPLEX	U006	21
D0A44886	COMPRESSION SPRING:HOOK:DUPLEX	U006	22
D0A44887	LINK:PICK-UP PAPER JAM:FRAME:DUPLEX	U006	23
D0A44888	LINK:PICK-UP PAPER JAM:FRONT:DUPLEX	U006	24
D0A44891	HOOK:PICK-UP PAPER JAM:FRONT:DUPLEX	U006	25
D0A44892	HOLDER:HOOK:PICK-UP PAPER JAM:DUPLEX	U006	26
D0A44897	DAMPER:FRONT:DUPLEX UNIT	U006	27
D0A44911	GUIDE:CONNECTING:DUPLEX	U006	28
D0A44913	GROUND PLATE:CONNECTING:DUPLEX	U006	29
D0A44914	GROUND PLATE:CONNECTING:DUPLEX:SMALL	U006	30
D0A44917	PULLEY:GEAR:DUPLEX:Z26T18	U006	31
D0A44921	ROLLER:CONNECTING:DRIVE:DUPLEX	U006	32
D0A44922	GEAR:DRIVE:DUPLEX:Z26	U006	33
D0A44924	GEAR:IDLER:DUPLEX:Z19:FLANGE TYPE	U006	34

Exclusive Parts

Number	Part Name	Group	ID
D0A44931	GEAR:IDLER:DUPLEX:Z19	U006	35
D0A45180	PCB:TONEREND:(S9)	U010	21
D0A45204	GASKET:65TSV4-3D(ZD)HL10	U009	87
D0A45601	BRACKET:POWER PACK	U010	22
D0A45602	TERMINAL:POWER PACK	U010	23
D0A45603	COMPRESSION SPRING:POWER PACK:PCDU	U010	24
D0A45605	GROUND PLATE:POWER PACK:BASE	U010	25
D0A45606	COMPRESSION SPRING:POWER PACK:TRANSFER	U010	26
D0A45608	GROUND PLATE:POWER PACK:PHOTOCONDUCTOR	U010	27
D0A45625	BRACKET:SAFETY SWITCH:REAR	U010	28
D0A45631	SAFETY SWITCH:FRONT:PEEN	U010	29
D0A45634	TENSION SPRING:SAFETY SWITCH	U010	30
D0A45641	BUTTON:MAIN SWITCH	U001	16
D0A45642	HOLDER:MAIN SWITCH	U004	148
D0A45643	COIL SPRING:MAIN SWITCH	U001	17
D0A45644	BRACKET:MAIN SWITCH:PEEN	U004	149
D0A45647	FEELER:MAIN SWITCH	U001	18
D0A45648	COVER:MAIN SWITCH:FRONT	U001	19
D0A45650	SPACER:MAIN SWITCH	U001	20
D0A45750	PCB:NFC:ASS'Y	U001	21
D0A45805	COVER:POWER SUPPLY UNIT:FRONT	U010	31
D0A45813	HOLDER:POWER SUPPLY UNIT	U010	32
D0A45853	COVER:CARD:GW	U010	33
D0A46202	TRANSFER ROLLER:ASS'Y	U006_S001	36
D0A46223	COMPRESSION SPRING:PRESSURE:TRANSFER ROLLER	U006	37
D0A46228	SHEET:GUIDE:REGISTRATION:ENTRANCE:RIGHT	U006	38
D0A46230	SHEET:GUIDE:REGISTRATION:ENTRANCE:LEFT	U006	39
D0A46232	SHEET:GUIDE PLATE:TRANSFER	U006	40
D0A46233	GUIDE PLATE:TRANSFER:ENTRANCE	U006	41

Number	Part Name	Group	ID
	NCE		
D0A46234	TERMINAL:TRANSFER	U006	42
D0A46235	SEAL:TRANSFER/SEPARATION UNIT:K	U006	43
D0A46236	PLAIN SHAFT BEARING:TRANSFER ROLLER:RIGHT	U006	44
D0A46237	PLAIN SHAFT BEARING:TRANSFER ROLLER:LEFT	U006	45
D0A46248	FRAME:TRANSFER/SEPARATION UNIT	U006	46
D0A46250	PLAIN SHAFT BEARING	U006_S001	47
D0A46251	ROLLER:POSITIONING:TRANSFER ROLLER:K	U006_S001	48
D0A46252	ROLLER:POSITIONING:TRANSFER ROLLER:HK	U006_S001	49
D0A46260	GUIDE PLATE:TRANSFER:EXIT:ASS'Y	U006	50
D0A46263	TERMINAL:TRANSFER:EXIT:SEPARATION	U006	51
D0A46270	ELECTRODE PLATE:STRIPPER PLATE	U006	52
D0A46271	COVER:ELECTRODE PLATE	U006	53
D0A46276	GROUND PLATE:HOLDER:PHOTO INTERRUPTOR	U006	54
D0A46280	SEAL:THERMISTOR	U006	55
D0A46290	FRAME:REAR:LOWER:ASS'Y	U012	46
D1175303	THERMISTOR:(TH5)	U006	56
D1494235	STEPPED SCREW:M3	U007_S001	55
D1775686	PCB:DCSW:(SW3)	U004	150
D2453080	BUSHING:TRANSPORT SCREW:REAR	U007_S001	56
D3EQ2671	COMPRESSION SPRING:AUXILIARY:SIDE FENCE	U004_S003_S001	151
D3ER1067	DETENT:PAPER TRAY	U012	47
D3ER1068	ROLLER:DETENT:PAPER TRAY	U012	48
D3ER1069	ROLLER:DETENT:PAPER TRAY:NO.2	U012	49
D5732949	COMPRESSION SPRING:RAIL:END	U004_S003_S002	152

Exclusive Parts

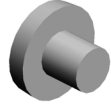
Number	Part Name	Group	ID
	FENCE	S001	
G1045141	KNOB SCREW:M3	U010	34
GA132000	SPACER:DIA4.2XDIA10X1	U004	153
GW010007	PHOTO REFLECTION SENSOR:EXI T:(S1/S5)	U004	154
		U008	65
GW020024	PHOTOINTERRUPTOR:LG2A24BL1 :GF:(S2/S3/S4/S6/S7/S8/S10)	U004	155
		U006	57
		U008	66
		U012	50
GW140027	TEMPERATURE & HUMIDITY SEN SOR:(S11)	U010	35
GW500004	PUSH SWITCH:CASSETTE:TYCO:(SW4)	U004	156
GX640031	FAN MOTOR:DC:2.64W:(FAN3)	U011	11
M0752610	COMPRESSION SPRING:LOCK:SID E FENCE	U004_S003_S001	157
		U004_S003_S002 S001	157
M0BQ1121	DUCT:DEVELOPMENT:RIGHT	U011	12
M0BQ1123	DUCT:UPPER	U011	13
M0BQ1320	COVER:LEFT	U001	22
M0BQ1321	COVER:RIGHT	U001	23
M0BQ1322	COVER:UPPER	U001	24
M0BQ1323	SHEET:STATIC ELECTRICITY CAU TION:COVER:UPPER	U001	25
M0BQ1329	COVER:FRONT UPPER	U001	26
M0BQ1338	COVER:HDD:MAIN	U001	27
M0BQ1343	COVER:LOUVER:LEFT UPPER	U001	28
M0BQ1344	COVER:LOUVER:LEFT LOWER	U001	29
M0BQ1345	COVER:LOUVER:RIGHT UPPER	U001	30
M0BQ1346	COVER:LOUVER:RIGHT LOWER	U001	31
M0BQ1401	(NA/EU/AA/KOR):OPERATION SUB -UNIT:ASS'Y	U002	3
M0BQ4549	COVER:EXIT:500	U008	67
M0BQ4575	EXTENSION TRAY:EXIT	U001	32
M0BQ4591	COVER:REAR	U008	68
M0BQ4592	COVER:REAR:UPPER	U008	69
M0BQ5053	PCB:EGB:ASS'Y	U010	36
M0BQ5788	SERVICE PARTS:CTL:ASS'Y	U010	37

Number	Part Name	Group	ID
M0BQ5806	COVER:POWER SUPPLY UNIT:RE AR	U010	38
M0BQ5855	COVER:CONTROL BOARD:BEHIN D:GW(P)	U010	39
M0BQ5880	COVER:BCU:BEHIND	U010	40
M0BQ5881	GUIDE:HARNESS:MIDDLE	U010	41
M0BQ5882	GUIDE:HARNESS:MAIN:UPPER	U010	42
M0BQ5887	GUIDE:HARNESS:OPERATION SU B-UNIT:UPPER	U010	43
M0BQ5889	GUIDE:HARNESS:OPERATION SU B-UNIT:LOWER	U010	44
M0BQ5890	GUIDE:HARNESS:OPERATION SU B-UNIT:EGB	U010	45
M0BQ6851	(P 501):PLATE:NAME PLATE:P_501	U013	4
M0D16851	(P 502):PLATE:NAME PLATE:P_502	U013	6
M0D19590	TOTAL COUNTER SERVICE	U010	46
M1601900	LED HEAD:1200DPI:211.3MM	U003_S001	28
M1871082	STEPPED SCREW:M3:SECOND KI ND:DRAWER	U012	51

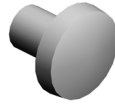
Standard Parts



03130040N
SCREW:M3X4



03530030N
SCREW:M3X3



03530040N
SCREW - M3X4



03530060N
BIND SCREW - M3X6



03603006N
SCREW - M3X6



03603014N
SCREW - M3X14



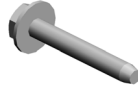
04503035N
TAPPING SCREW:3X35



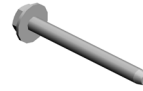
04513006N
TAPPING SCREW - 3X6



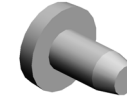
04513008N
TAPPING SCREW - M3X8



04513020N
TAPPING SCREW:3X20



04513030N
TAPPING SCREW:3X30



04533006N
TAPPING SCREW - M3X6



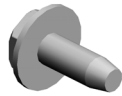
04543006Q
TAPPING SCREW - M3X6



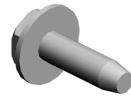
04543008Q
TAPPING SCREW:3X8



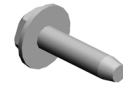
04543010Q
TAPPING SCREW:3X10



04583008N
HEXAGON HEAD TAPPING S
CREW:3X8



04583010N
HEXAGON HEAD TAPPING S
CREW:3X10



04583012N
HEXAGON HEAD TAPPING S
CREW:3X12



04593008N
BINDING HEAD TAPPING SC
REW:3X8



04593010N
BINDING HEAD TAPPING SC
REW:3X10



06320060G
PARALLEL PIN:2X6



07200020E
RETAINING RING - M2



07200025E
RETAINING RING - M2.5



07200030E
RETAINING RING - M3



07200040E
RETAINING RING - M4



08010240
BINDING HEAD SCREW:M2.6
X4



08025305
TAPPING SCREW - M3X6



08046127
HEXAGONAL BOLT:DOUBLE
SCREW:M3X8

Standard Parts



08050097
RING SEPARATOR



08050103
RETAINING RINGS-E:SILENC
ER:DIA3



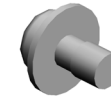
08050104
RETAINING RINGS-E:SILENC
ER:DIA4



08050106
RETAINING RINGS-E:SILENC
ER:DIA6



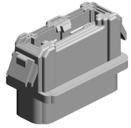
09543012N
SCREW:POLISHED ROUND/
SPRING:M3X12



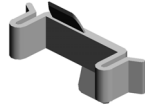
09544008N
SCREW - M4X8



09574008N
SCREW:SMALL ROUND/SPRI
NG:M4X8



11036243
CONNECTOR:16RG017-3210



11050604
CLAMP:RFC-16V0



11050692
CLAMP:LES-0503



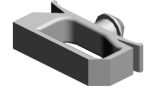
11050724
CLAMPS:WES-1210



11050758
CLAMP:LWSM-0306A



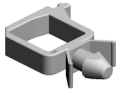
11050759
CLAMP:LWSM-0605A



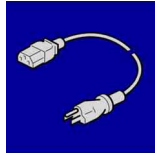
11050760
CLAMP:LWSM-0511A



11050762
CLAMP:LWS-0711A



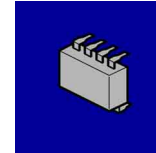
11050763
CLAMP:LWS-1211A



11500481
(NA):POWER SUPPLY CODE:
125V:15A



12042612
MICRO SWITCH:D3V-16506-3
C25:(SW1/SW2)



14077812
EEPROM:BR24T32-W

PM Part List

Number	Part Name	Num	Group	ID
D0A42021	PCDU:SERVICE:ASS'Y	1	U005	1
D0A44017	(NA):FUSING SECTION:ASS' Y	1	U007_S001	58
D0A46202	TRANSFER ROLLER:ASS'Y	1	U006_S001	36

Design Change List

Number	Title	Set	Old Part		New Part		Index No.		Q'ty	Interchg		Reason	Cut-in S/N
			P/N	Name	P/N	Name	Group	ID		Indiv.	Set		
201905-01	1905 Modification	-			D0A42657	PAWL:LOCK:END FENCE	U004_S003 _S002_S00 1	57	1				
201903-01	1903 Modification	-	D0A44248	CAM:ON-OFF:NT 863			U007_S001	54	1				
			D0A44248	CAM:ON-OFF:NT 863			U007_S001	54	1				

