

**MP W6700SP**  
**(D212)**  
**Parts Catalog**

**Parts change information sample**

 **Add**

 **Update**

 **Delete**

Model	Product Code	PC Style
MP W6700SP	D212	3D

# Unit All



U001  
EXTERIOR



U002  
OPERATION



U003  
SCANNER



U004  
DISCHARGE/CHARGE



U005  
LASER UNIT



U006  
PAPER FEED



U007  
DEVELOPMENT



U008  
TRANSFER/SEPARATION



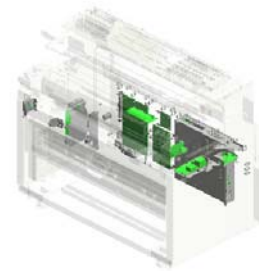
U009  
CLEANING/USED TONER



U010  
FUSING



U011  
PAPER EXIT



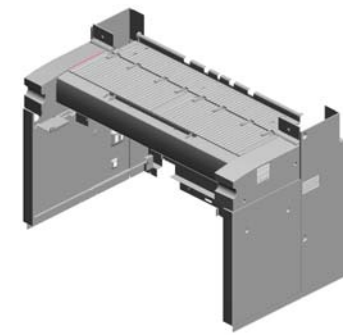
U012  
ELECTRICAL

# Unit All

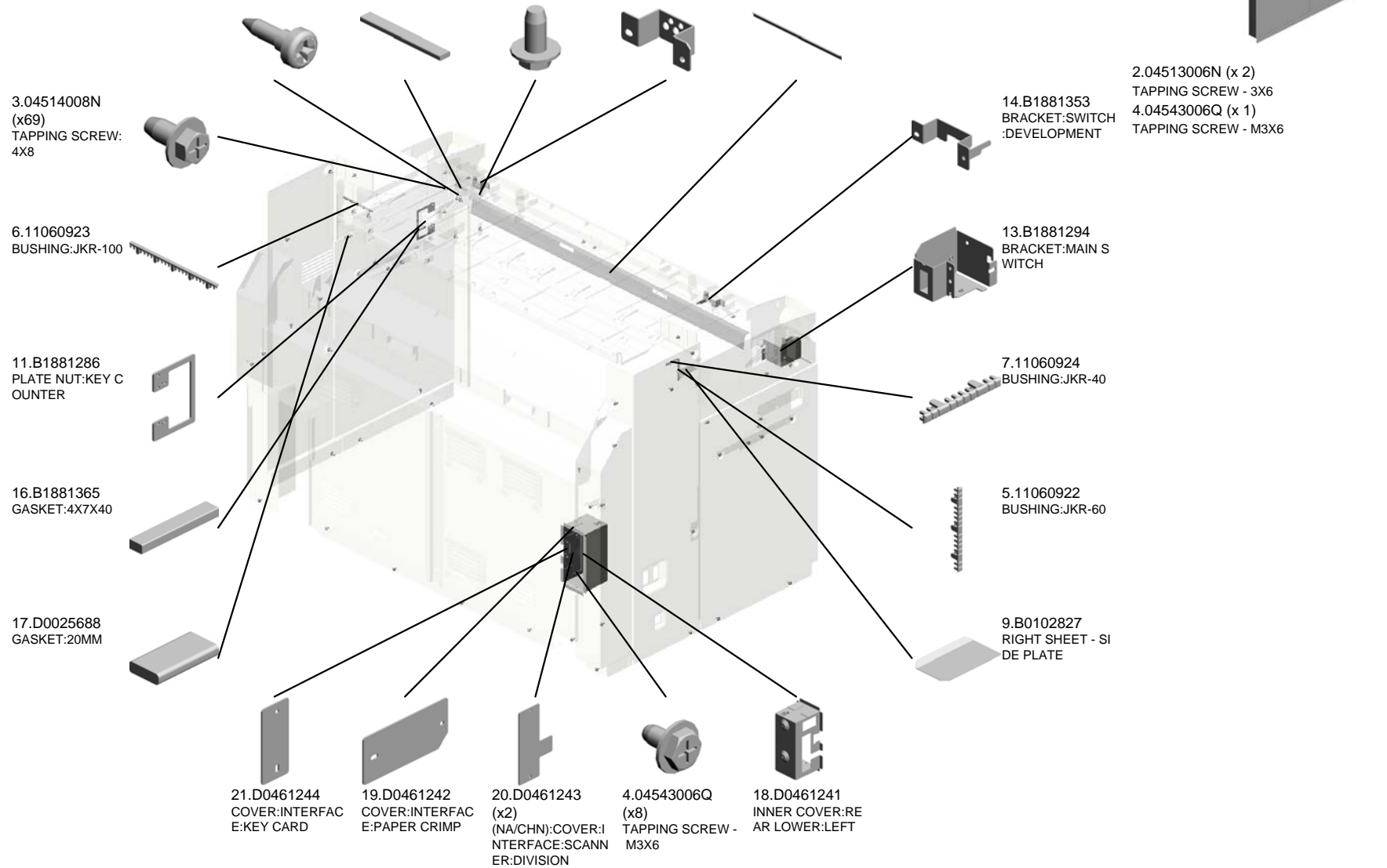


U013  
MAIN DRIVE/MAIN FRAME

# U001 EXTERIOR



- 8.AA143788 (x2) PIN:GUIDE PLATE: PAPER FEED
- 12.B1881291 (x2) GASKET:RIGHT FRONT:LEFT FRONT
- 1.04504008N (x8) TAPPING SCREW - M4X8
- 15.B1881354 BRACKET:MAGNET CATCH
- 10.B1254841 COVER SHEET - TONER CARTRIDGE



# U001 EXTERIOR

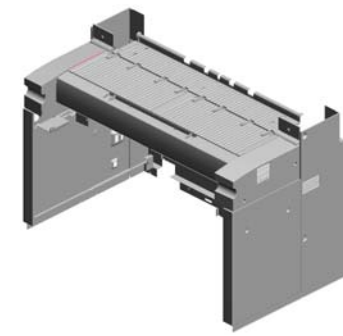
36.D2061265  
(x4)  
SHEET:BLOCK LIG  
HT:DRUM

39.D2061275  
INNER COVER:RIG  
HT

38.D2061273  
COVER:KEY COUN  
TER

37.D2061272  
BRACKET:KEY CO  
UNTER

31.D2061251  
COVER:INNER:RIG  
HT



41.D2061279  
(x2)  
COVER:REAR:SM  
ALL

32.D2061252  
(x2)  
BRACKET:COVER:  
FIX

25.D0461272  
INNER COVER:RIG  
HT:REAR

28.D2061230  
COVER:RIGHT RE  
AR:ASSY

23.D0461265  
(x2)  
BRACKET:COVER:  
40

30.D2061250  
COVER:INTERFAC  
E:MAIN

33.D2061254  
COVER:RIGHT LO  
WER

29.D2061245  
COVER:REAR LO  
WER:ASSY

22.D0461263  
GUARD:POWER S  
UPPLY CORD

35.D2061261  
INNER COVER:AS  
SY

24.D0461269  
SHEET:COVER:ST  
AY

27.D0461353  
SUPPORTING PLA  
TE:COVER:DEVEL  
OPMENT

34.D2061258  
COVER:INNER:LEF  
T

40.D2061276  
INNER COVER:LEF  
T

26.D0461273  
INNER COVER:LEF  
T:REAR

# U001 EXTERIOR

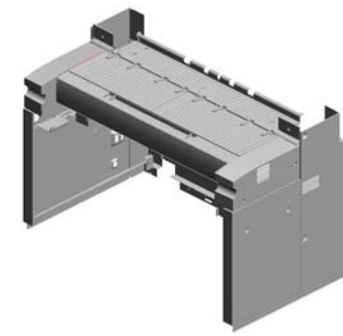
52.D2121266  
(x2)  
SEAL:LIGHT SHIELDING  
PLATE:TRAY:  
EXIT

46.D2061340  
COVER:RIGHT UPPER

43.D2061289  
INNER COVER:RIGHT  
UPPER

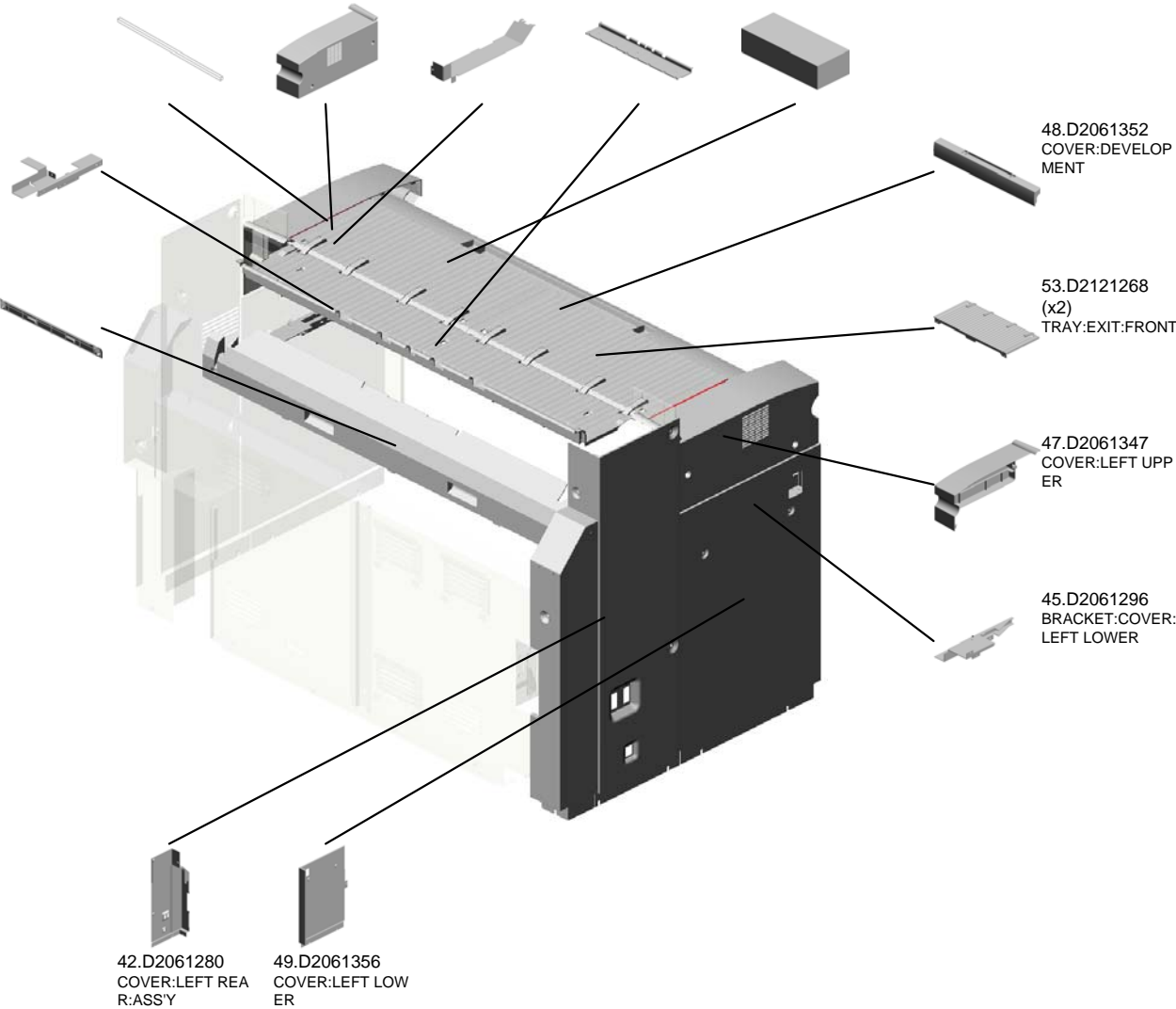
50.D2061358  
TRAY:EXIT:REAR

51.D2063206  
HOLDER:TONER CARTRIDGE



44.D2061295  
BRACKET:COVER:  
RIGHT LOWER

54.D2121355  
COVER:EXIT:LOWER



48.D2061352  
COVER:DEVELOPMENT

53.D2121268  
(x2)  
TRAY:EXIT:FRONT

47.D2061347  
COVER:LEFT UPPER

45.D2061296  
BRACKET:COVER:  
LEFT LOWER

42.D2061280  
COVER:LEFT REAR:  
ASSY

49.D2061356  
COVER:LEFT LOWER

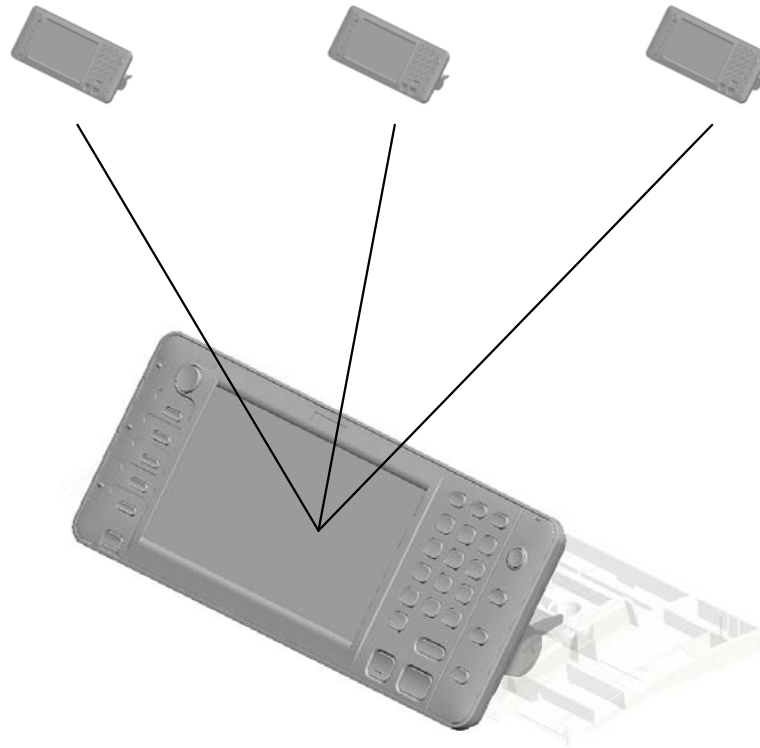


# U002.OPERATION

U002\_S001  
D2121411  
(NA):OPERATION PANEL:AS  
S'Y

U002\_S002  
D2121414  
(CHN):OPERATION PANEL

U002\_S003  
D2121412  
(EU):OPERATION SUB-UNIT:  
ASS'Y



U001	<b>U002</b>	U003	U004	U005	U006	U007	U008	U009	U010	U011	U012	U013
------	-------------	------	------	------	------	------	------	------	------	------	------	------

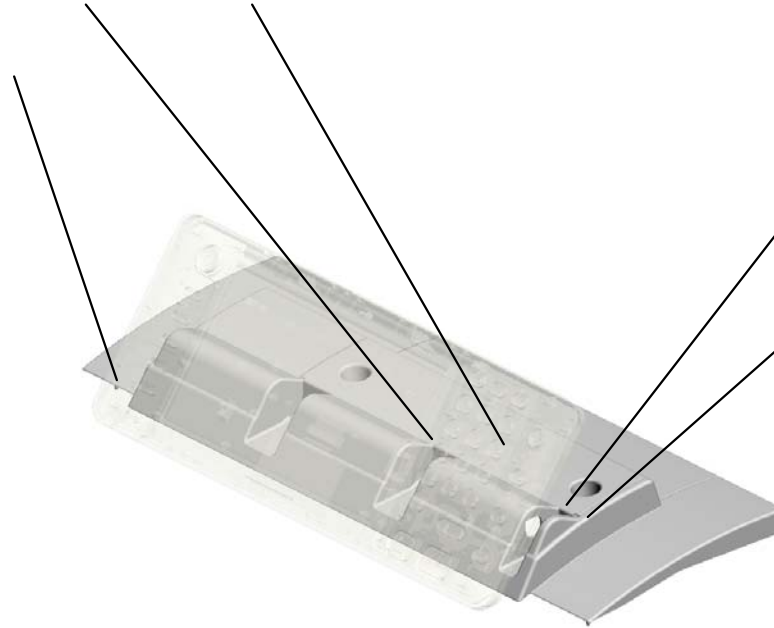
# U002 OPERATION

40.D2121527  
COVER:BRACKET:  
OPERATION SUB-  
UNIT:LOWER

41.D2121528  
COVER:BRACKET:  
OPERATION SUB-  
UNIT:UPPER



3.04503010N  
(x2)  
TAPPING SCREW -  
M3X10



5.04543008Q  
(x6)  
TAPPING SCREW:  
3X8



4.04513008N  
(x2)  
TAPPING SCREW -  
M3X8



U002\_S001  
(NA):OPERATION PANEL:ASS'Y



36.D2121411  
(NA):OPERATION P  
ANEL:ASS'Y

12.D1491425 LCD:TFT:WVGA-9:  
LED:CM1  
13.D1491427 TOUCH PANEL:WV  
GA-9:MV  
20.D1491512 COVER:REAR:LAR  
GE  
21.D1491513 COVER:REAR:SM  
ALL:LEFT  
17.D1491508 KEYTOP:RESET S  
WITCH

1.03520030N  
(x4)  
SCREW:M2X3

9.D1291508  
KEYTOP:HOME

14.D1491469  
PCB:OP-L:USB:AS  
SY

10.D1291528  
SHEET:KEYTOP:LE  
FT

18.D1491510  
KEYTOP:LEFT

19.D1491511  
LENS:FRONT

22.D1491514  
COVER:REAR:SM  
ALL:MIDDLE

8.11050724  
CLAMPS:WES-121  
0

6.04593010N  
(x21)  
BINDING HEAD TA  
PPING SCREW:3X  
10

2.03530040N  
(x13)  
SCREW - M3X4

2.03530040N (x 2)  
SCREW - M3X4

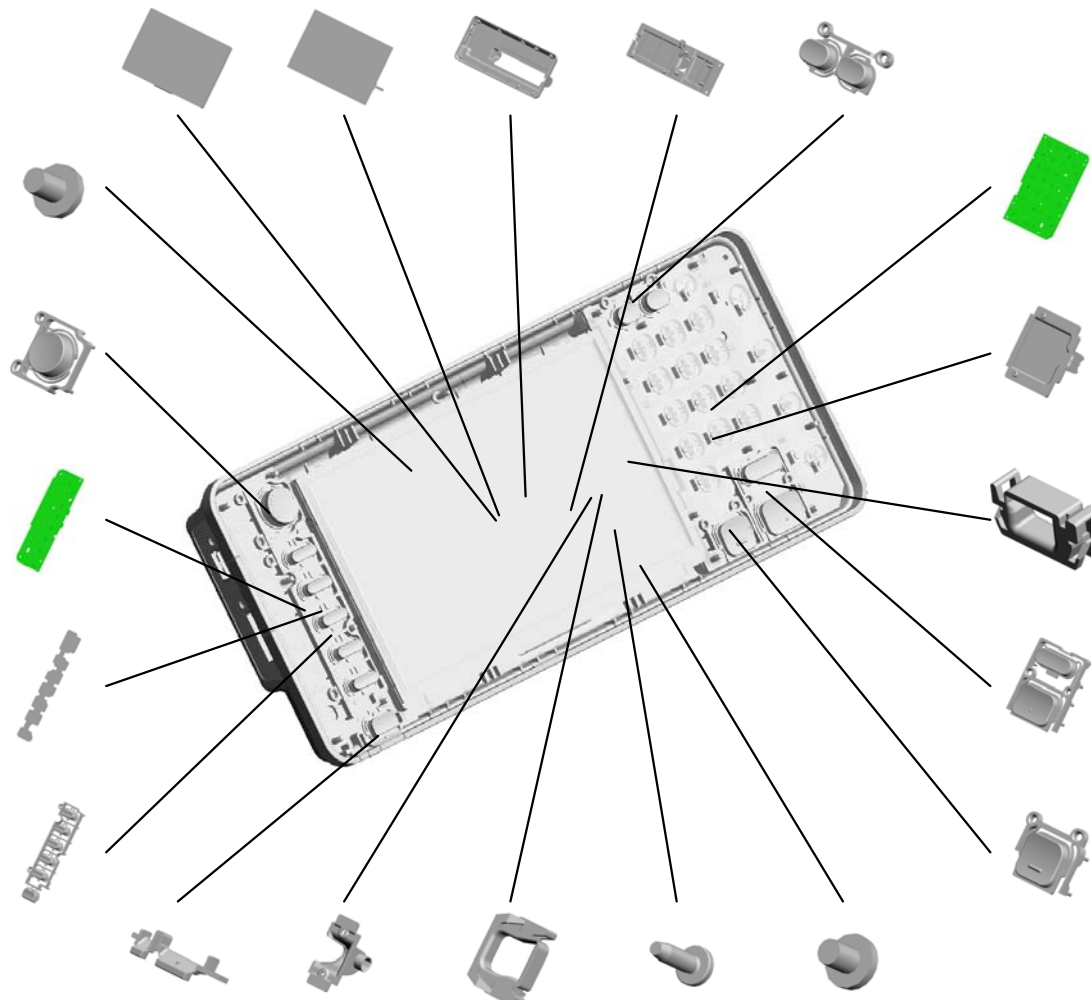
11.D1461488  
PCB:OP-R:ASS'Y

23.D1491515  
COVER:REAR:SM  
ALL:RIGHT

7.11050723  
CLAMPS:WES-050  
7

15.D1491504  
KEYTOP:START

16.D1491505  
KEYTOP:STOP



U002\_S001  
 (NA):OPERATION PANEL:ASS'Y

39.D2121455 PCB:L CDC:AR2FT: ASS'Y  
 32.D1821500 SHIELD CASE:L CD  
 26.D1491534 (NA):COVER:UPPE R:CM



36.D2121411 (NA):OPERATION P ANEL:ASS'Y

35.D2021518 BRACKET:L CDC:CM

24.D1491530 (x2) SPACER:L CD:A

30.D1491588 KEYTOP:POWER S OURCE:BA

28.D1491539 (NA):KEYTOP:10KE Y

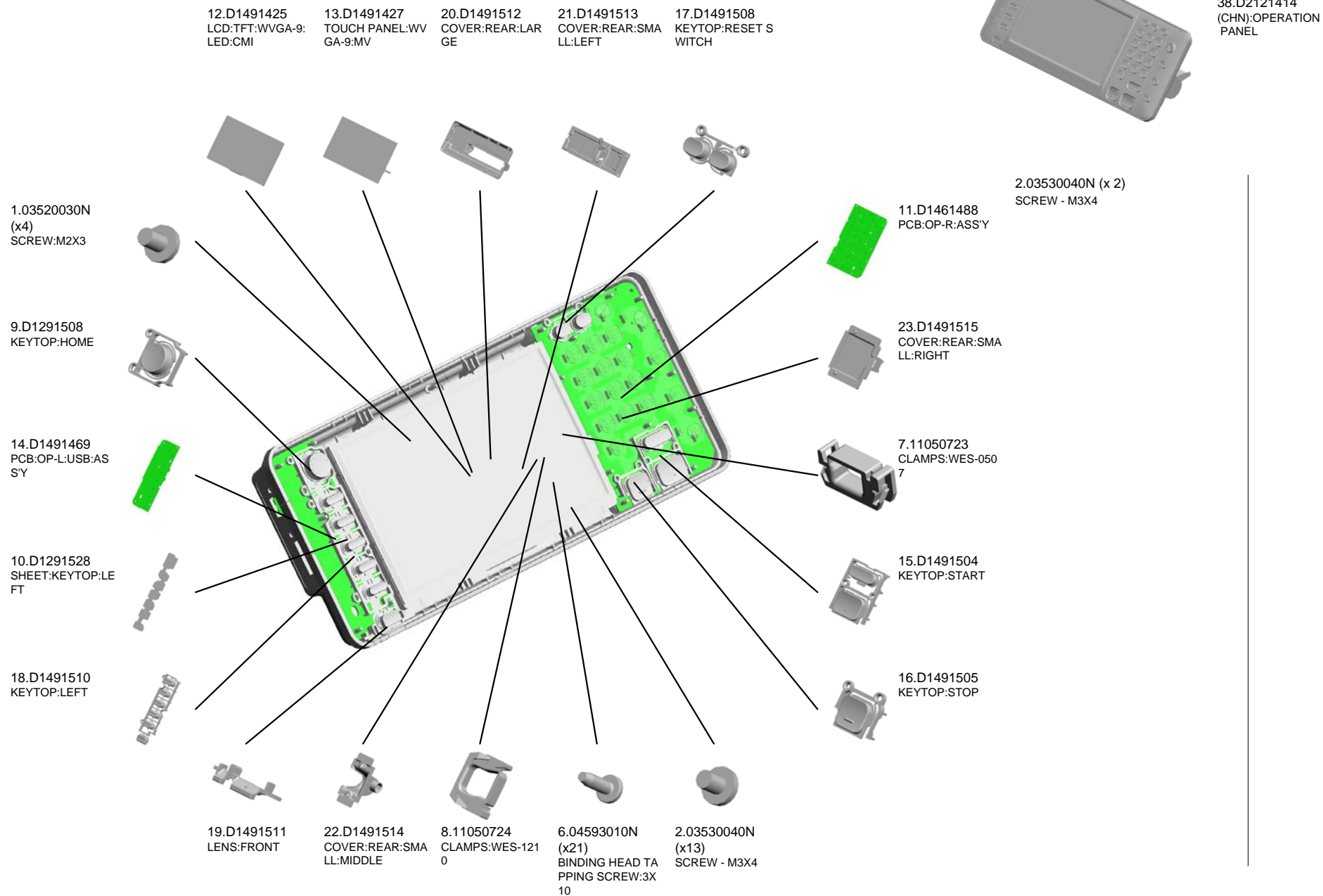
33.D1821502 SHIELD TAPE:FFC

34.D2021500 SHEET:L CD:LOWE R

25.D1491531 (x2) SPACER:L CD:B

U001	<b>U002</b>	U003	U004	U005	U006	U007	U008	U009	U010	U011	U012	U013
------	-------------	------	------	------	------	------	------	------	------	------	------	------

# U002\_S002 (CHN):OPERATION PANEL



# U002\_S002 (CHN):OPERATION PANEL

39.D2121455 PCB:L CDC:AR2FT: ASS'Y  
 32.D1821500 SHIELD CASE:L CD C  
 29.D1491556 (CHN):COVER:UPP ER:CM



38.D2121414 (CHN):OPERATION PANEL

35.D2021518 BRACKET:L CDC:CM

24.D1491530 (x2) SPACER:L CD:A



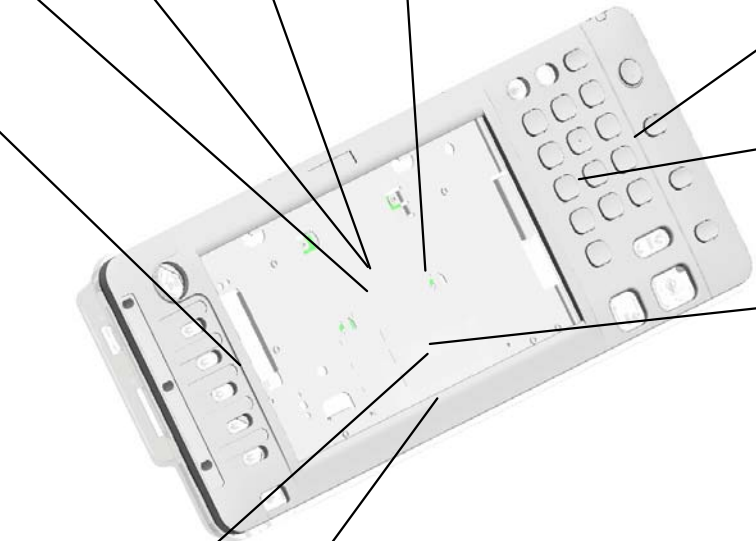
30.D1491588 KEYTOP:POWER SOURCE:BA

27.D1491538 (EU/CHN):KEYTOP: 10KEY

33.D1821502 SHIELD TAPE:FFC

34.D2021500 SHEET:L CD:LOWE R

25.D1491531 (x2) SPACER:L CD:B



U001	U002	U003	U004	U005	U006	U007	U008	U009	U010	U011	U012	U013
------	------	------	------	------	------	------	------	------	------	------	------	------

U002\_S003  
(EU):OPERATION SUB-UNIT:ASS'Y



37.D2121412  
(EU):OPERATION S  
UB-UNIT:ASS'Y

12.D1491425 LCD:TFT:WVGA-9:  
LED:CM1  
13.D1491427 TOUCH PANEL:WV  
GA-9:MV  
20.D1491512 COVER:REAR:LAR  
GE  
21.D1491513 COVER:REAR:SMAL  
L:LEFT  
17.D1491508 KEYTOP:RESET S  
WITCH

1.03520030N  
(x4)  
SCREW:M2X3

9.D1291508  
KEYTOP:HOME

14.D1491469  
PCB:OP-L:USB:AS  
SY

10.D1291528  
SHEET:KEYTOP:LE  
FT

18.D1491510  
KEYTOP:LEFT

19.D1491511  
LENS:FRONT

22.D1491514  
COVER:REAR:SMAL  
L:MIDDLE

8.11050724  
CLAMPS:WES-121  
0

6.04593010N  
(x21)  
BINDING HEAD TA  
PPING SCREW:3X  
10

2.03530040N  
(x14)  
SCREW - M3X4

2.03530040N (x 1)  
SCREW - M3X4

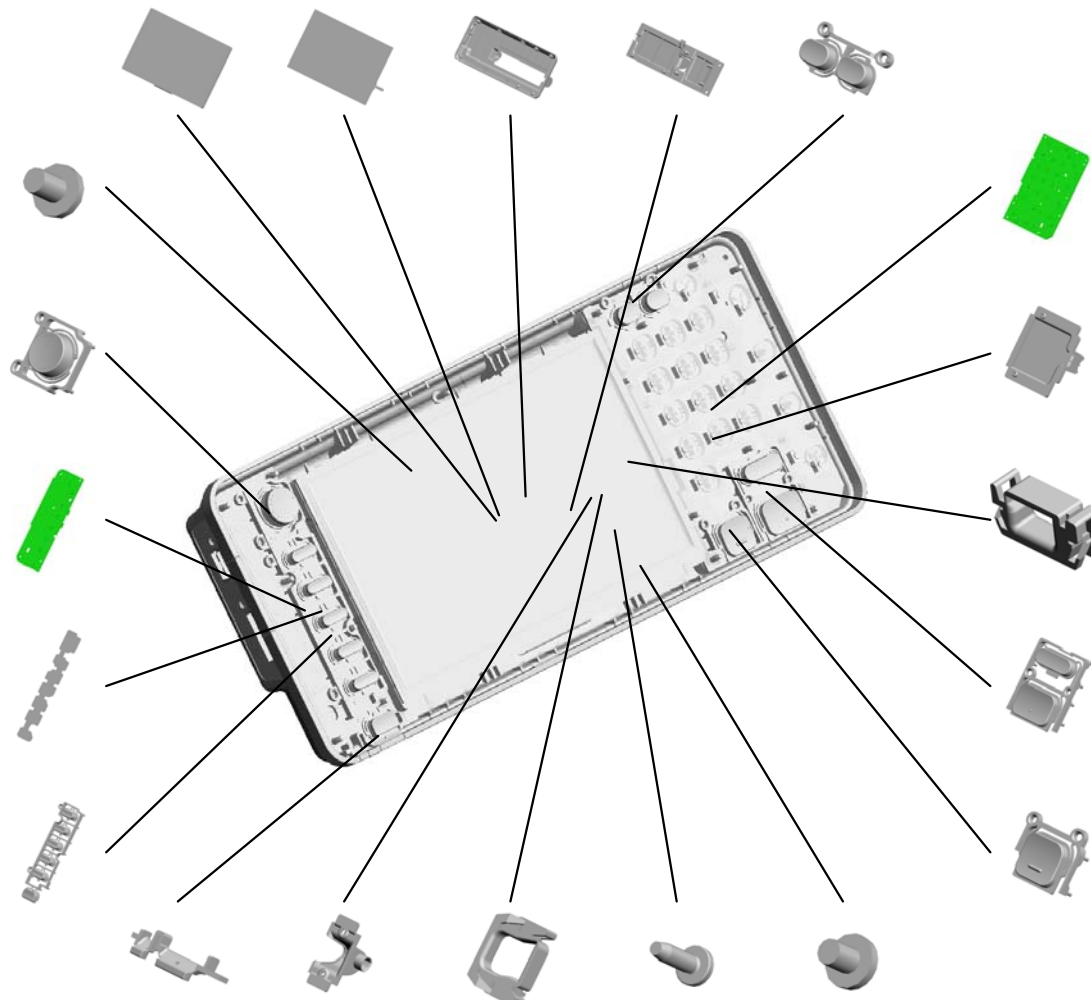
11.D1461488  
PCB:OP-R:ASS'Y

23.D1491515  
COVER:REAR:SMAL  
L:RIGHT

7.11050723  
CLAMPS:WES-050  
7

15.D1491504  
KEYTOP:START

16.D1491505  
KEYTOP:STOP



U002\_S003  
 (EU):OPERATION SUB-UNIT:ASS'Y

39.D2121455 PCB:LCDC:AR2FT:  
 ASS'Y  
 32.D1821500 SHIELD CASE:LCD  
 C  
 31.D1491592 (EU):COVER:UPPE  
 R:CM:BA

37.D2121412  
 (EU):OPERATION S  
 UB-UNIT:ASS'Y



35.D2021518  
 BRACKET:LCDC:C  
 M

24.D1491530  
 (x2)  
 SPACER:LCD:A

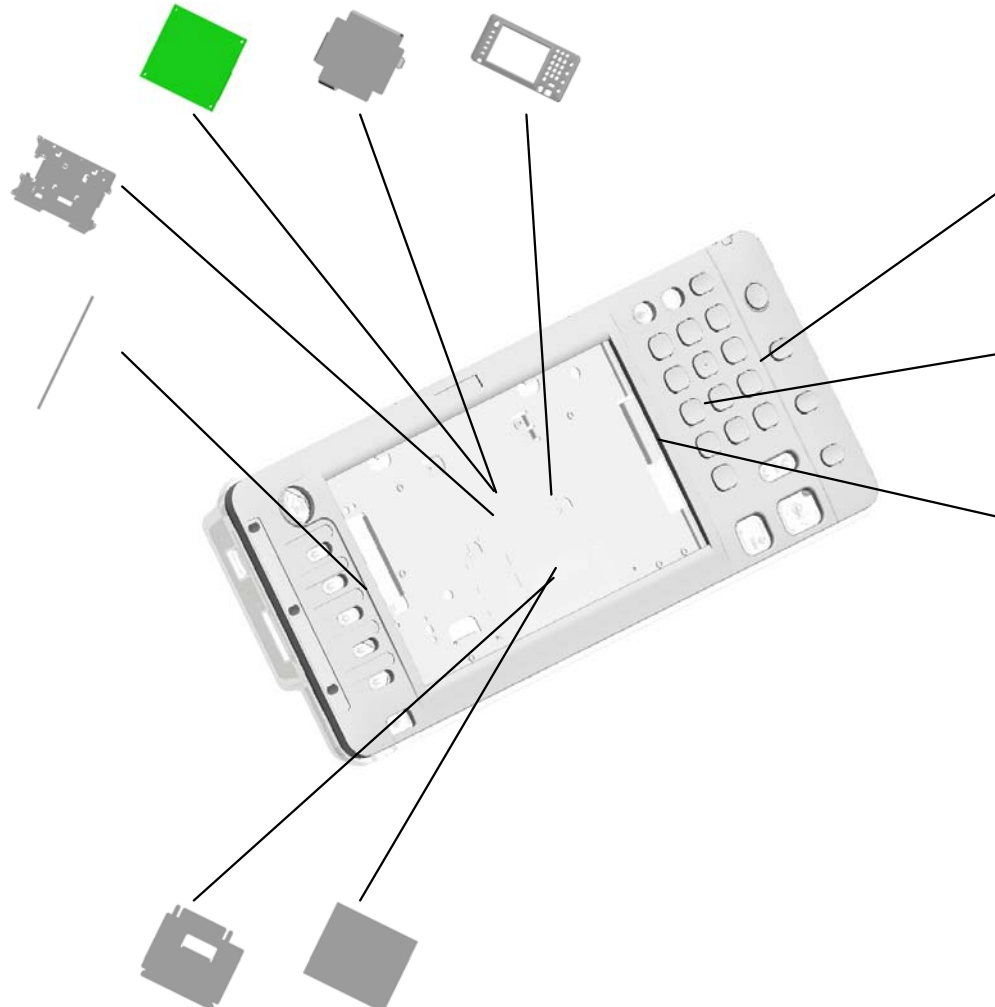
30.D1491588  
 KEYTOP:POWER S  
 OURCE:BA

27.D1491538  
 (EU/CHN):KEYTOP:  
 10KEY

25.D1491531  
 (x2)  
 SPACER:LCD:B

34.D2021500  
 SHEET:LCD:LOWE  
 R

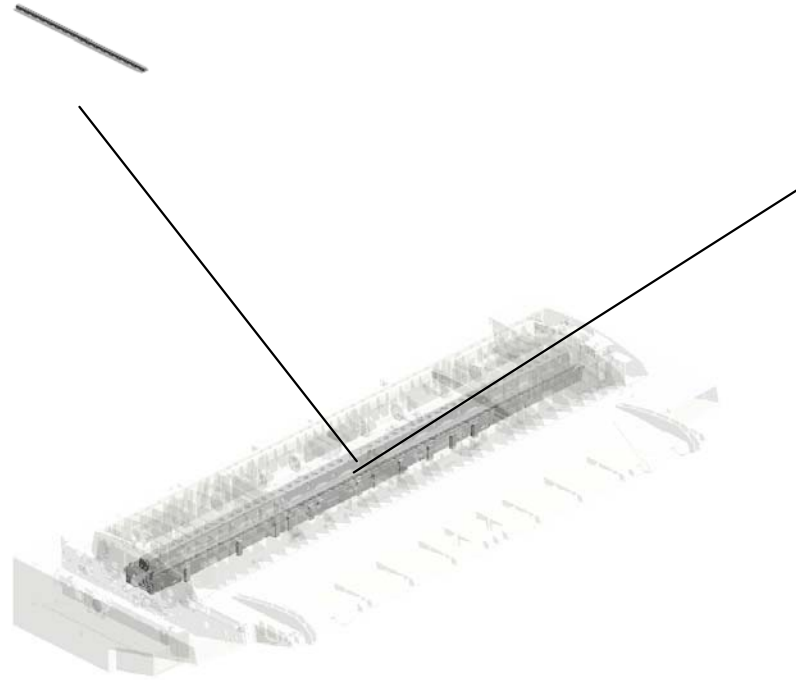
33.D1821502  
 SHIELD TAPE:FFC





# U003.SCANNER

U003\_S002  
D2621728  
PRESSURE PLATE:SHEET:A  
SS'Y

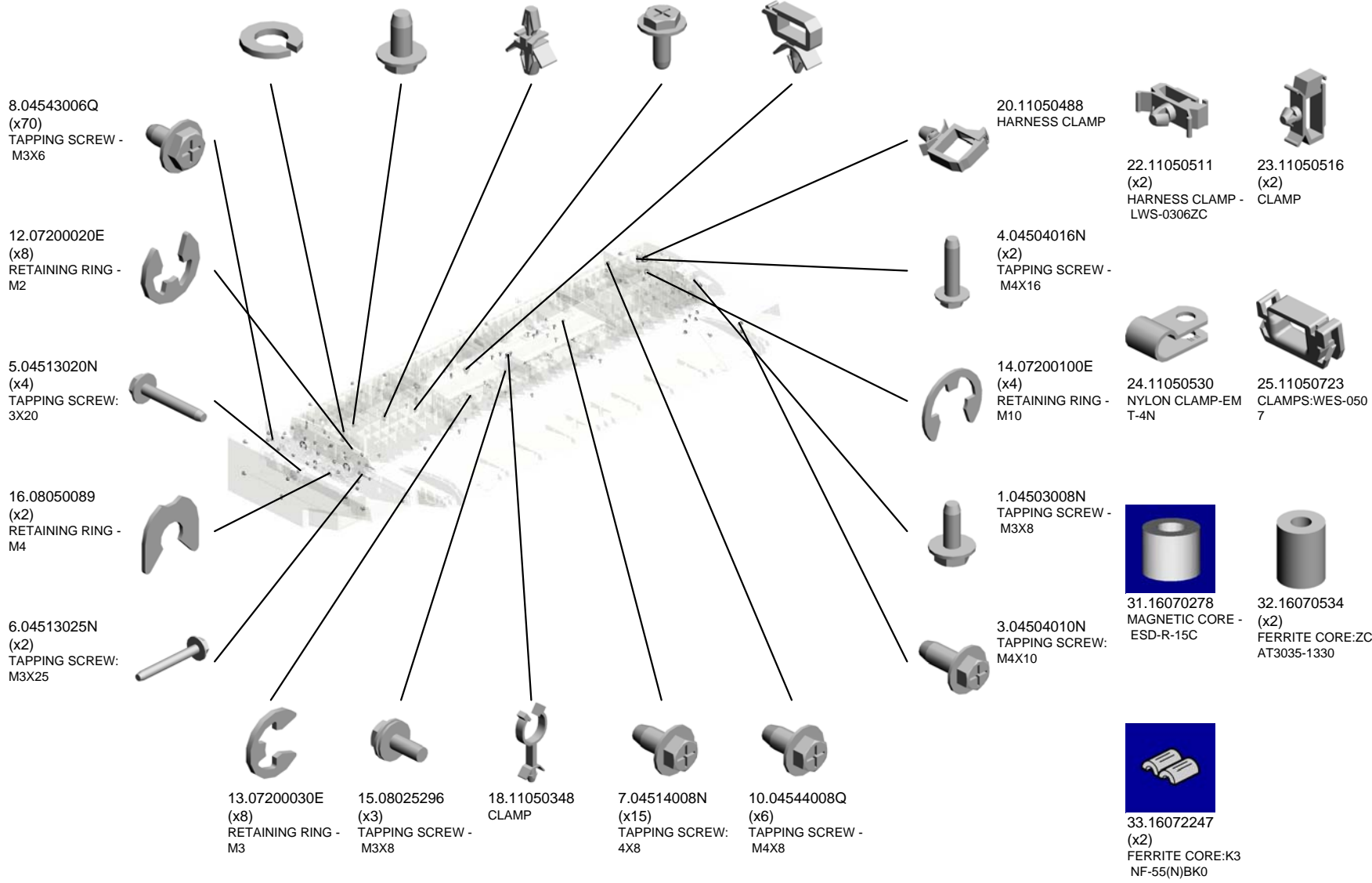


U003\_S001  
D2621701  
CONTACT IMAGE SENSOR:S  
ERVICE:ASS'Y

U001	U002	U003	U004	U005	U006	U007	U008	U009	U010	U011	U012	U013
------	------	------	------	------	------	------	------	------	------	------	------	------

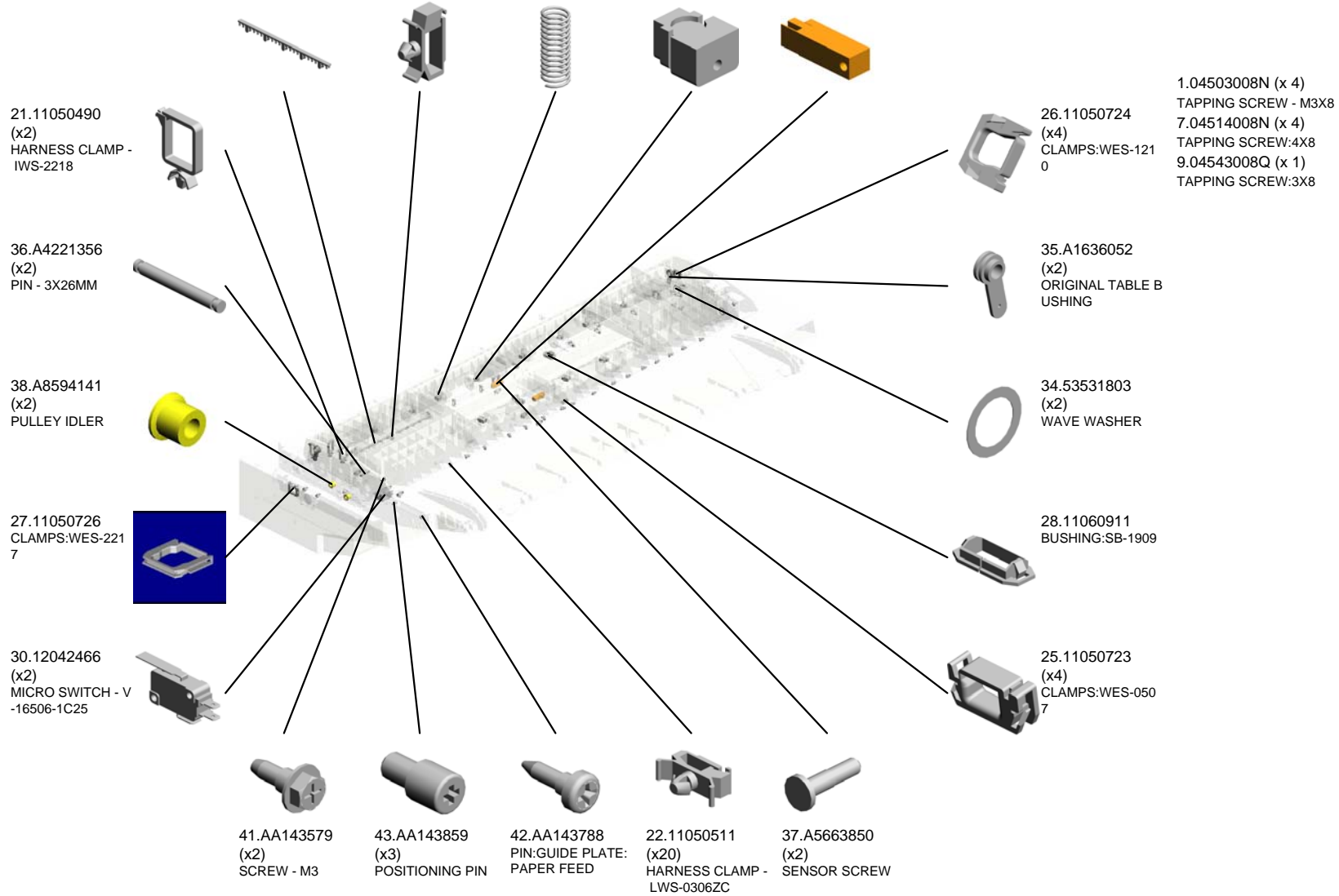
# U003 SCANNER

11.07030030N (x2) SPRING WASHER: DIA3  
 2.04504008N (x4) TAPPING SCREW - M4X8  
 17.11050192 (x3) LOCKING SUPPOR T  
 9.04543008Q (x8) TAPPING SCREW: 3X8  
 19.11050487 (x2) HARNESS CLAMP

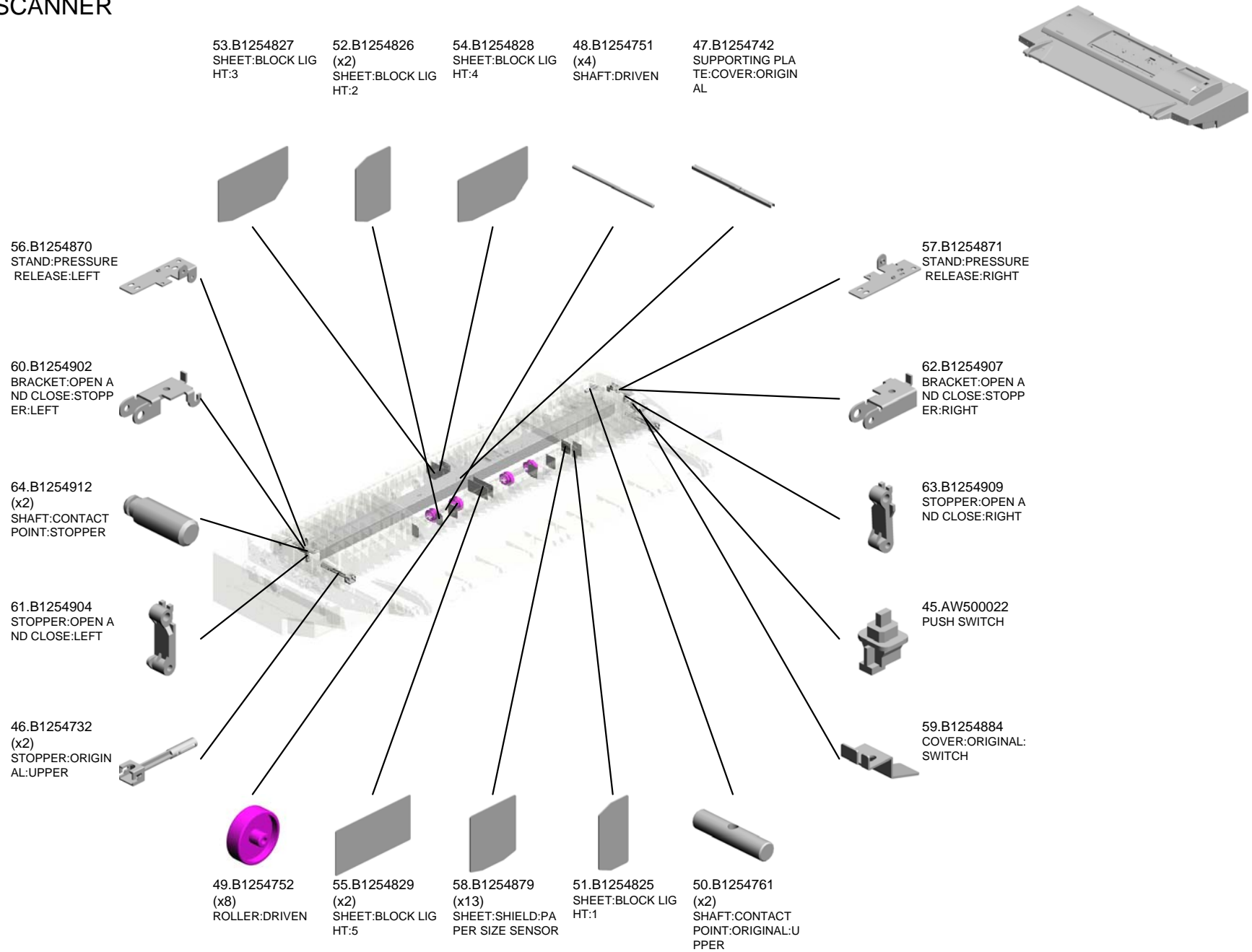


# U003 SCANNER

- 29.11060923 (x2) BUSHING:JKR-100
- 23.11050516 (x22) CLAMP
- 39.AA063416 (x8) SPRING - 3.4N
- 40.AA082135 (x16) BUSHING - DIA4
- 44.AW010109 (x2) PHOTO REFLECTIO  
N SENSOR:PS117E  
D1



# U003 SCANNER



U001	U002	U003	U004	U005	U006	U007	U008	U009	U010	U011	U012	U013
------	------	------	------	------	------	------	------	------	------	------	------	------

# U003 SCANNER

65.B1254913 (x2) SHAFT:SPRING:ST  
OPPER  
84.D1241716 (x3) GASKET:SCANNER  
83.D1241715 COVER:SCANNER:  
REAR  
70.D0934717 SHEET:BLOCK LIG  
HT:CIS:LEFT  
72.D0934734 (x4) DRIVEN ROLLER:A  
SS'Y



75.D1241663 (x2) TIMING PULLEY:S1  
.5M:101



76.D1241677 (x2) PLAIN SHAFT BEA  
RING:TRANSPORT  
ROLLER:SIDE PLA  
TE:EXIT



74.D1241662 SYNCHRONOUS B  
ELT:S1.5M



68.B3874311 ADJUSTING BRAC  
KET



73.D1241661 COIL SPRING:BEL  
T TENSIONER



69.D0934653 LEVER:MICRO SWI  
TCH



81.D1241708 GUIDE PLATE:ORI  
GINAL:REAR LOW  
ER:FRONT



78.D1241704 SHEET:GUIDE:CIS



80.D1241707 GUIDE PLATE:ORI  
GINAL:FRONT LO  
WER:REAR



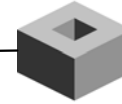
82.D1241712 (NA):GUIDE PLATE  
:ORIGINAL:FRONT  
LOWER:FRONT



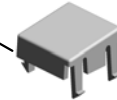
66.B2293237 (x2) SPRING PLATE:EA  
RTH:TRANSPORT  
ROLLER



67.B2864854 CUSHION:KEYTOP  
:ORIGINAL:STOP



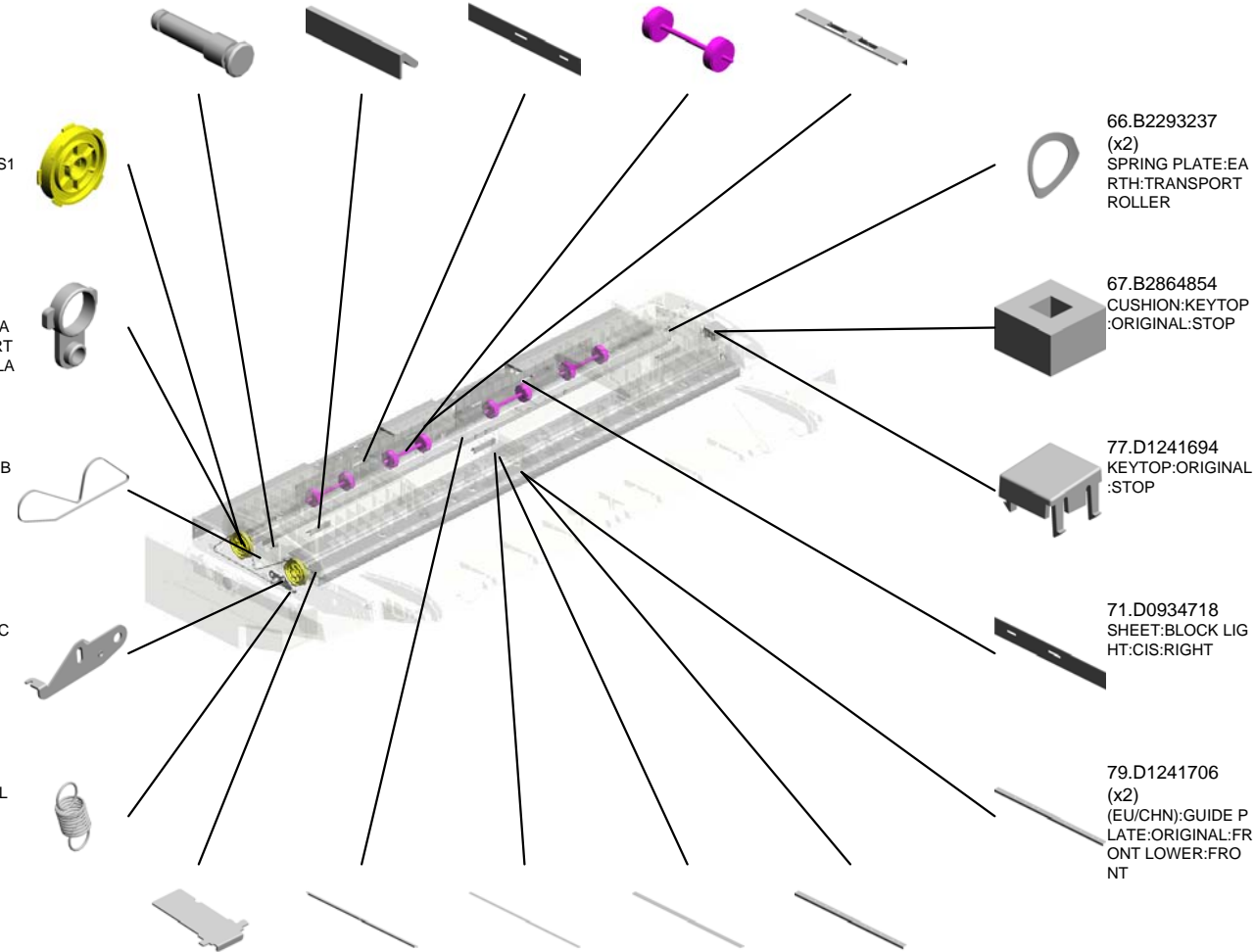
77.D1241694 KEYTOP:ORIGINAL  
:STOP



71.D0934718 SHEET:BLOCK LIG  
HT:CIS:RIGHT



79.D1241706 (x2) (EU/CHN):GUIDE P  
LATE:ORIGINAL:FR  
ONT LOWER:FRON  
T



# U003 SCANNER



- 100.D2121645 COVER:COUPLING :SCANNER UNIT:REAR
- 86.D1241719 (x4) COIL SPRING:DRIVEN:7N
- 89.D1241724 GUIDE PLATE:ORIGINAL:REAR LOWER:REAR
- 87.D1241721 TRANSPORT ROLLER:URETHANE:EXT
- 85.D1241717 (x2) COVER:SCANNER:REAR MIDDLE

88.D1241722 (x2) SHIELDING PLATE:COVER:SCANNER:REAR

102.D2121732 BRACKET:PRESSURE PLATE:LEFT

105.D2121735 (x2) TENSION SPRING:STOPPER:9.18N

104.D2121734 (x2) COMPRESSION SPRING:STOPPER:ORIGINAL:39.8N

97.D1243852 (x2) PLAIN SHAFT BEARING:REGISTRATION ROLLER:SIDE PLATE

92.D1241764 SIDE FENCE:LEFT:ASSY

94.D1241767 COVER:ORIGINAL:UPPER

99.D2121644 COVER:COUPLING :SCANNER UNIT:FRONT

90.D1241743 (x2) (EU/CHN):ORIGINAL TABLE

91.D1241749 (NA):ORIGINAL TABLE:PRINTING

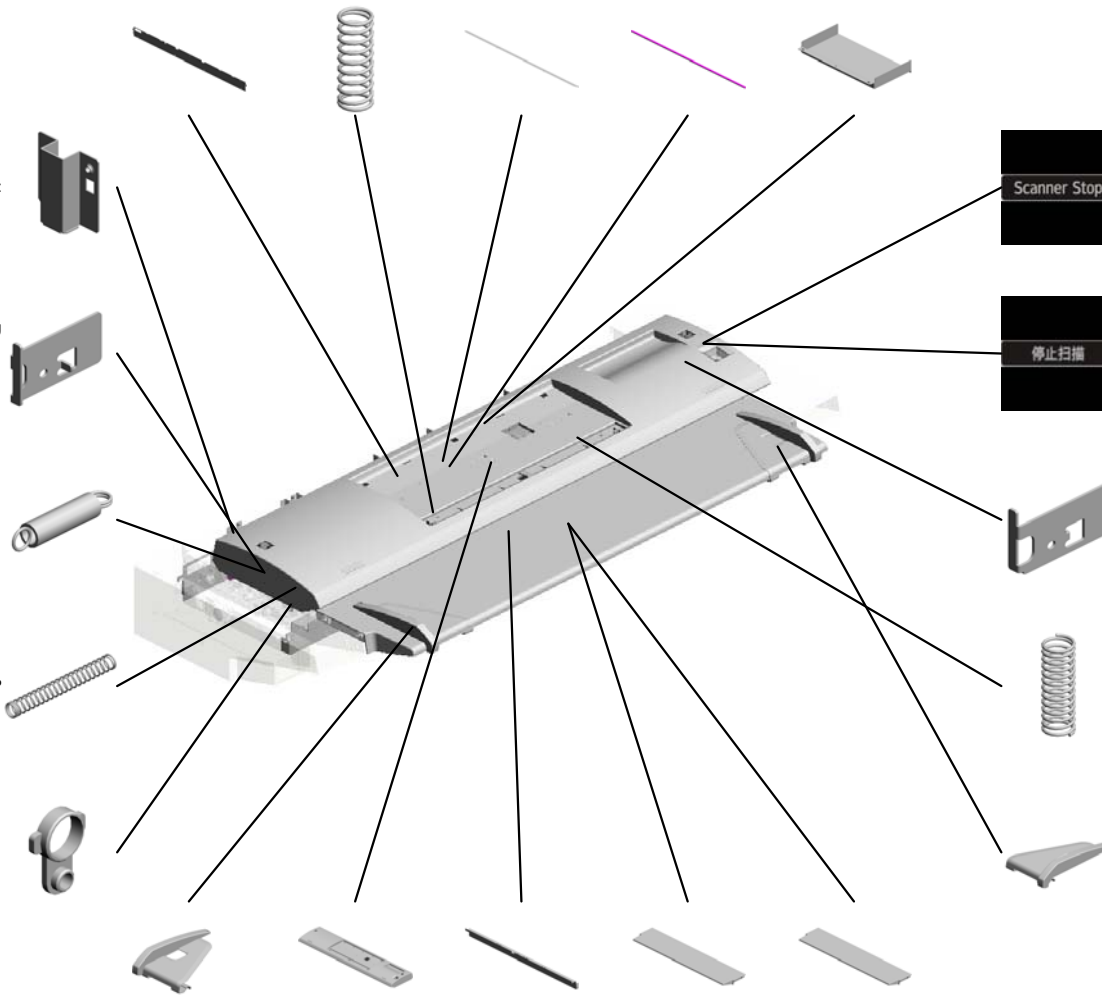
95.D1241777 (NA):DECAL:ORIGINAL:STOP

96.D1241778 (CHN):DECAL:ORIGINAL:STOP

103.D2121733 BRACKET:PRESSURE PLATE:RIGHT

98.D2121626 (x4) COIL SPRING:DRIVEN:5N

93.D1241765 SIDE FENCE:RIGHT:ASSY



# U003 SCANNER

106.D2121745 DC STEPPER MOTOR:ASS'Y  
 112.D2125405 PCB:SIB  
 107.D2121746 SHEET:SCANNER:FFC:PLATE



109.D2121752 SUPPORTING PLATE:COVER:SCANNER:LEFT



117.GX640028 (x2) FAN MOTOR DC24V 1.92W



111.D2121757 SUPPORTING PLATE:COVER:SCANNER:RIGHT



110.D2121756 COVER:SCANNER:RIGHT



114.D2621664 TRANSPORT ROLLER:URETHANE



108.D2121751 COVER:SCANNER:LEFT



116.GW010007 (x10) PHOTO REFLECTION SENSOR:EXIT



U003\_S001  
CONTACT IMAGE SENSOR:SERVICE:ASS'Y

9.04543008Q 28.11060911  
(x10) (x5)  
TAPPING SCREW: BUSHING:SB-1909  
3X8



115.D2621701  
CONTACT IMAGE  
SENSOR:SERVICE:  
ASS'Y



8.04543006Q  
(x10)  
TAPPING SCREW -  
M3X6

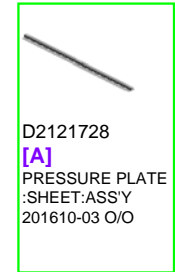
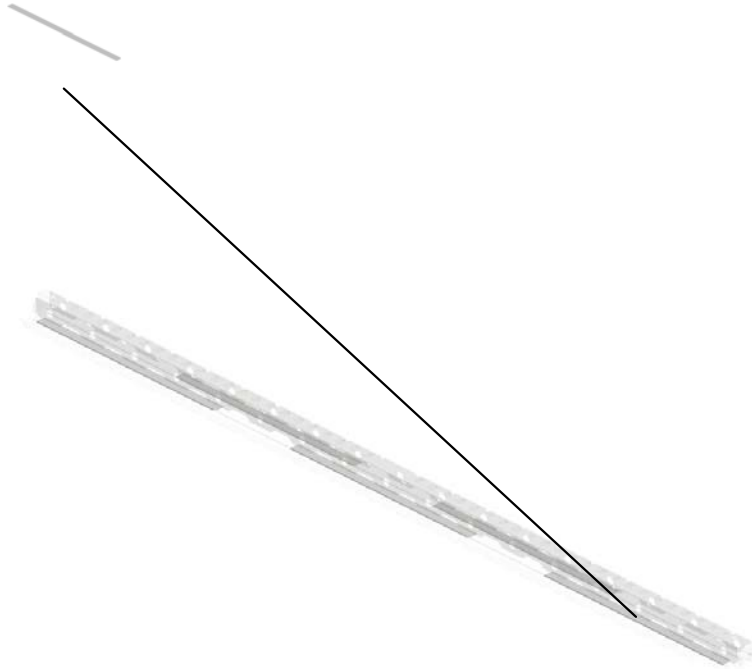
8.04543006Q (x 4)  
TAPPING SCREW - M3X6

U001	U002	U003	U004	U005	U006	U007	U008	U009	U010	U011	U012	U013
------	------	------	------	------	------	------	------	------	------	------	------	------



U003\_S002  
PRESSURE PLATE:SHEET:ASS'Y

113.D2621662  
(x5)  
TEST TARGET SH  
EET:PRESSURE P  
LATE



U001	U002	U003	U004	U005	U006	U007	U008	U009	U010	U011	U012	U013
------	------	------	------	------	------	------	------	------	------	------	------	------

# U004.DISCHARGE/CHARGE

U004\_S001  
AD004107  
CHARGE CORONA:ASS'Y



U001	U002	U003	U004	U005	U006	U007	U008	U009	U010	U011	U012	U013
------	------	------	------	------	------	------	------	------	------	------	------	------

# U004 DISCHARGE/CHARGE

22.AB032727 18.AA143571 8.07403704 7.07080040N 15.AA050113  
 PULLEY:ENCODER SHAFT BALL BEARING:DIA 4XDIA7X2.5 (x2) WASHER - DIA4 WIRE:CLEANER



5.04514008N  
(x4)  
TAPPING SCREW:  
4X8



19.AA143786  
(x2)  
STEPPED SCREW:  
M3X10.3



21.AB032723  
(x2)  
PULLEY:LEFT



34.B0102062  
LEFT HOLDER - C  
HARGE CORONA



3.04513006N  
(x3)  
TAPPING SCREW -  
3X6



9.11050511  
(x8)  
HARNES CLAMP -  
LWS-0306ZC



31.AX500099  
(x3)  
DISCHARGE LAMP  
:P2



11.11060241  
BUSHING - 6.7MM



4.04514006N  
(x2)  
TAPPING SCREW -  
4X6



33.B0102061  
RIGHT HOLDER - C  
HARGE CORONA



1.02520020N  
(x2)  
PAN HEAD SCREW  
:M2X2



10.11050516  
CLAMP



6.04543006Q  
(x3)  
TAPPING SCREW -  
M3X6



20.AB017664  
(x2)  
GEAR:PULLEY:RIG  
HT



12.11060458  
BUSHING - 9.9MM



U001	U002	U003	U004	U005	U006	U007	U008	U009	U010	U011	U012	U013
------	------	------	------	------	------	------	------	------	------	------	------	------

# U004 DISCHARGE/CHARGE

44.D0462132  
TENSION SPRING:  
CLEANER

42.D0462113  
BRACKET:ENCOD  
ER

38.B1252130  
SHIELDING PLATE:  
CHARGE CORONA

43.D0462130  
HOLDER:WIRE

46.D2062110  
STAY:DISCHARGE  
LAMP:PEEN



37.B1252128  
(x2)  
GUARD:SPRING P  
LATE:RIGHT

49.GW020020  
PHOTOINTERRUP  
TOR:LG248NL1

45.D2062050  
DC MOTOR:CLEAN  
ER:ASS'Y:BRUSH:0  
.76W

47.D2062121  
BRACKET:DISCHA  
RGE LAMP:CLEAN  
ER:PEEN

35.B0654241  
GEAR

36.B1252127  
(x2)  
SPRING PLATE:CH  
ARGE CORONA:RI  
GHT

48.D2062131  
SEAL:LIGHT SHIEL  
DING PLATE:CHAR  
GE CORONA

39.C2442016  
(x2)  
SCREW:GUIDE

U001	U002	U003	U004	U005	U006	U007	U008	U009	U010	U011	U012	U013
------	------	------	------	------	------	------	------	------	------	------	------	------

U004\_S001  
CHARGE CORONA:ASS'Y

29.AD022383  
END BLOCK:CHAR  
GE CORONA:LEFT

14.A1742065  
(x2)  
RUBBER DAMPER

**24.AD020089**  
**CHARGE CORONA**  
**WIRE - G**

30.AD023144  
CASING:CHARGE  
CORONA

40.D0462060  
SLIDER:CLEANER

23.AD004107  
CHARGE CORONA  
:ASS'Y

13.A1632052  
LEFT GRID TERMINAL

16.AA060749  
(x4)  
SPRING

26.AD022317  
LEFT END BLOCK  
COVER - CHARGE

2.03130050N  
(x4)  
PHILIPS PAN HEAD  
SCREW - M3X5

28.AD022382  
END BLOCK:CHAR  
GE CORONA:RIGH  
T

17.AA060965  
SPRING:CORONA  
WIRE:CHARGE

32.B0102052  
RIGHT GRID TERM  
INAL

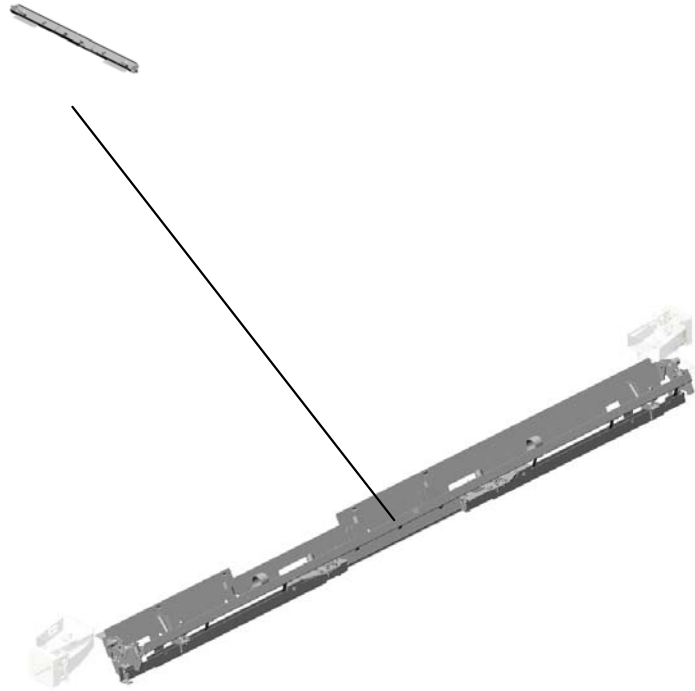
25.AD020090  
(x4)  
GRID WIRE

**41.D0462061**  
**CLEANER:CHARG**  
**E CORONA:ASS'Y**

27.AD022369  
END BLOCK COVE  
R - CHARGE CORO  
NA

# U005.LASER UNIT

U005\_S001  
D2061859  
LED HEAD:ASS'Y



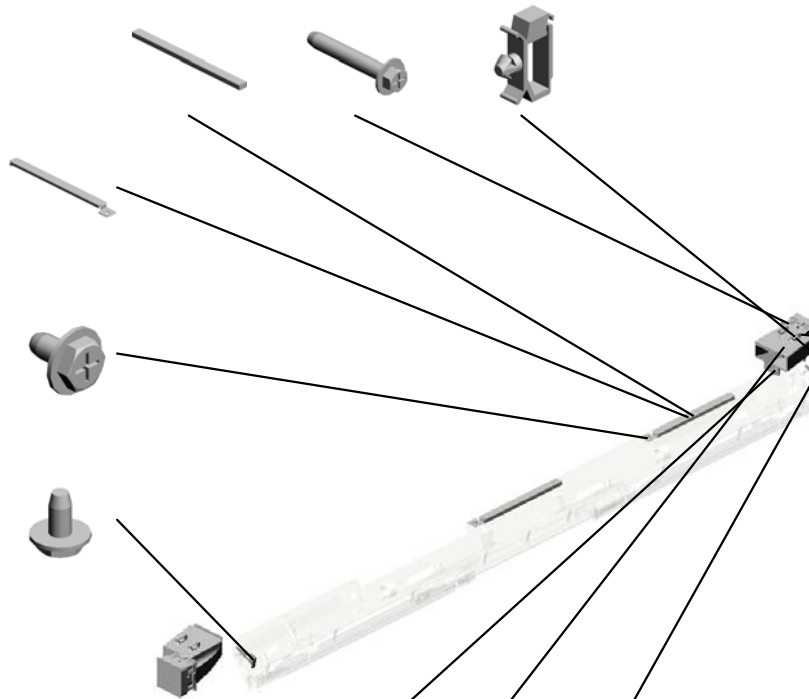
U001	U002	U003	U004	U005	U006	U007	U008	U009	U010	U011	U012	U013
------	------	------	------	------	------	------	------	------	------	------	------	------

# U005 LASER UNIT

16.B2865620 (x2) GASKET:STAY:FFC  
 1.04504025N (x4) TAPPING SCREW: 4X25  
 10.11050516 (x4) CLAMP



15.B2865617 (x2) STAY:FFC



6.04543006Q (x2) TAPPING SCREW - M3X6

2.04513006N (x2) TAPPING SCREW - 3X6

6.04543006Q (x 2) TAPPING SCREW - M3X6

14.B1322466 (x2) FILTER:DUCT:INTERMEDIATE TRANSFER

17.D0461959 (x2) DUCT:DC FAN MOTOR:OUTER

20.GX640028 (x2) FAN MOTOR DC24 V 1.92W

5.04514008N (x2) TAPPING SCREW: 4X8

18.D0461961 (x2) DUCT:FAN:INNER

13.B1251971 (x2) PLATE:SHAFT

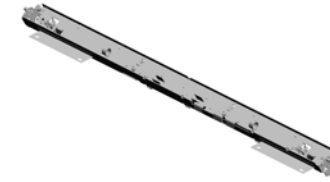
U001	U002	U003	U004	U005	U006	U007	U008	U009	U010	U011	U012	U013
------	------	------	------	------	------	------	------	------	------	------	------	------

U005\_S001  
LED HEAD:ASS'Y

7.07010040N  
(x2)  
WASHER:DIA4

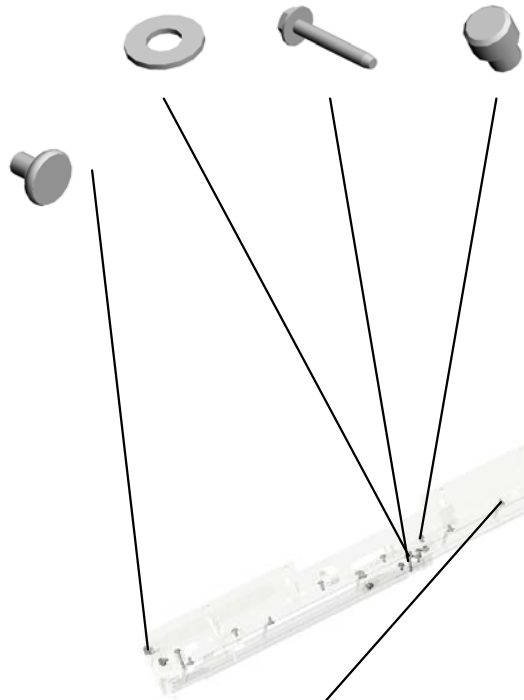
4.04513020N  
(x4)  
TAPPING SCREW:  
3X20

11.59183120  
(x2)  
STUD - M4



19.D2061859  
LED HEAD:ASS'Y

12.AA143802  
(x4)  
SCREW:6X1.7



8.07010050N (x 2)  
WASHER:DIA5

9.08050104  
(x2)  
RETAINING RINGS  
-E:SILENCER:DIA4

3.04513008N  
(x2)  
TAPPING SCREW -  
M3X8

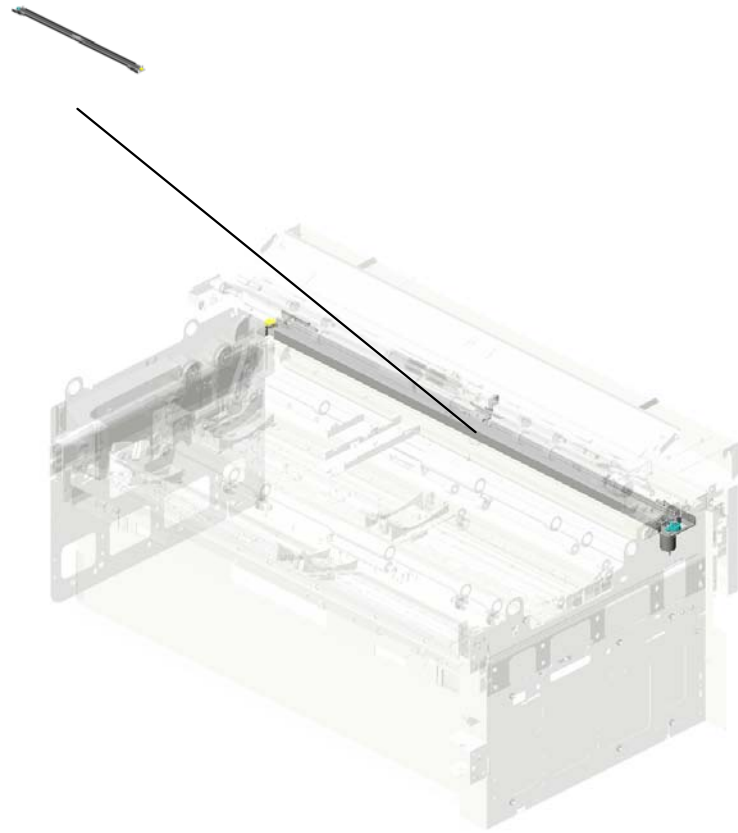
2.04513006N  
(x26)  
TAPPING SCREW -  
3X6

U001	U002	U003	U004	U005	U006	U007	U008	U009	U010	U011	U012	U013
------	------	------	------	------	------	------	------	------	------	------	------	------



# U006.PAPER FEED

U006\_S001  
D2062741  
CUTTER UNIT:ASS'Y



U001	U002	U003	U004	U005	<b>U006</b>	U007	U008	U009	U010	U011	U012	U013
------	------	------	------	------	-------------	------	------	------	------	------	------	------

# U006 PAPER FEED

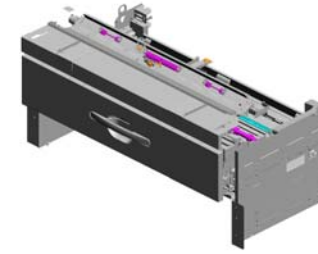
10.04514008N  
(x115)  
TAPPING SCREW:  
4X8

7.04513014N  
TAPPING SCREW:  
3X14

21.04544008Q  
(x7)  
TAPPING SCREW -  
M4X8

2.03530140N  
SCREW:M3X14

16.04524008N  
(x5)  
TAPPING SCREW:  
M4X8



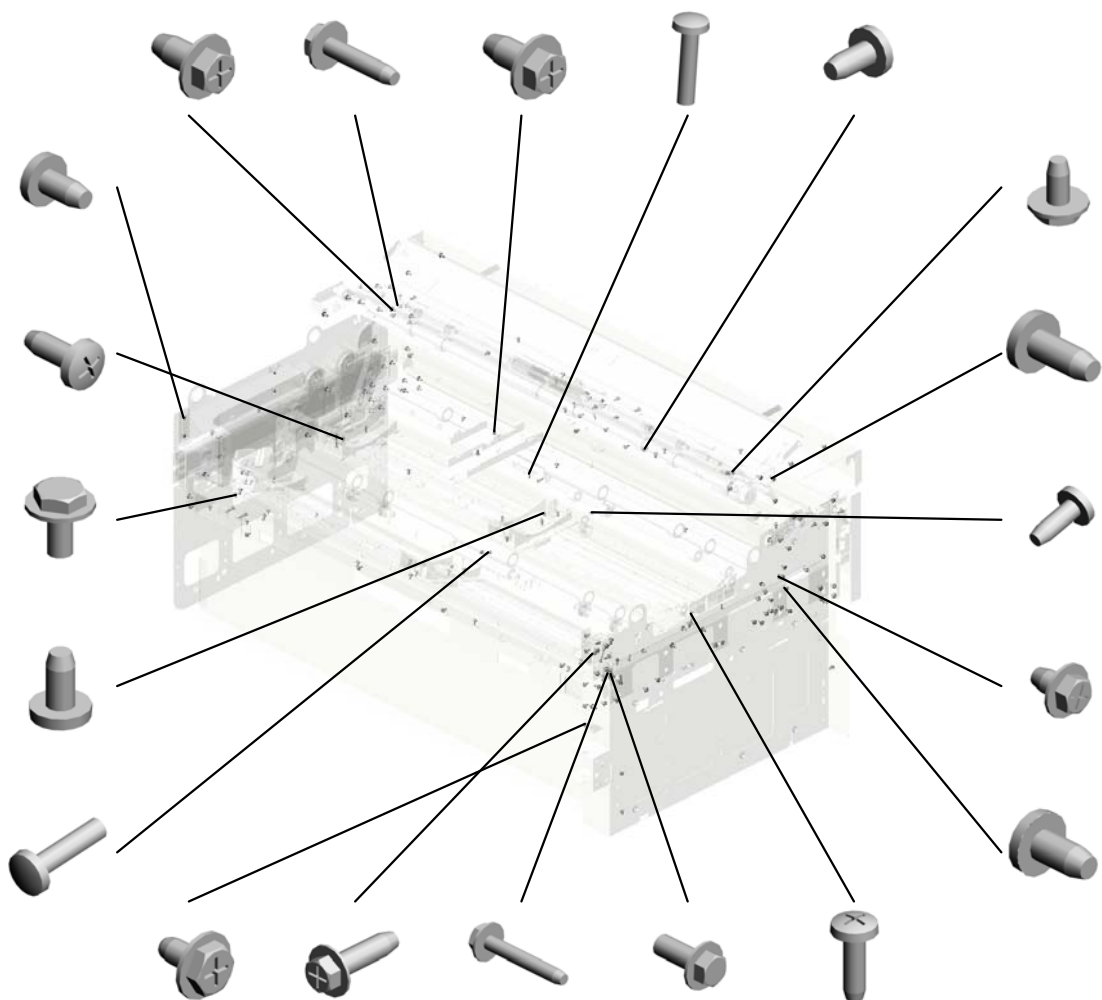
17.04533006N  
(x4)  
TAPPING SCREW -  
M3X6

14.04523008N  
(x8)  
TAPPING SCREW -  
M3X8

3.03603006N  
(x4)  
SCREW - M3X6

13.04523006N  
(x2)  
BINDING SELF-TA  
PPING SCREW:3X  
6

1.03530120N  
(x3)  
SCREW M3X12



20.04543006Q  
(x2)  
TAPPING SCREW -  
M3X6

12.04514014N  
(x2)  
TAPPING SCREW:  
M4X14

8.04513020N  
(x4)  
TAPPING SCREW:  
3X20

4.03604010N  
(x8)  
SCREW:M4X10

15.04523010N  
(x14)  
BINDING SELF-TA  
PPING SCREW:3X  
10

5.04513006N  
(x7)  
TAPPING SCREW -  
3X6

11.04514010N  
(x6)  
TAPPING SCREW:  
4X10

18.04533008N  
BINDING SELF TAP  
PING SCREW:3X8

9.04514006N  
(x12)  
TAPPING SCREW -  
4X6

19.04534008N  
(x15)  
BINDING SELF TAP  
PING SCREW:4X8



36.11050328  
HARNESS CLAMP -  
ES-0505

39.11050511  
(x2)  
HARNESS CLAMP -  
LWS-0306ZC



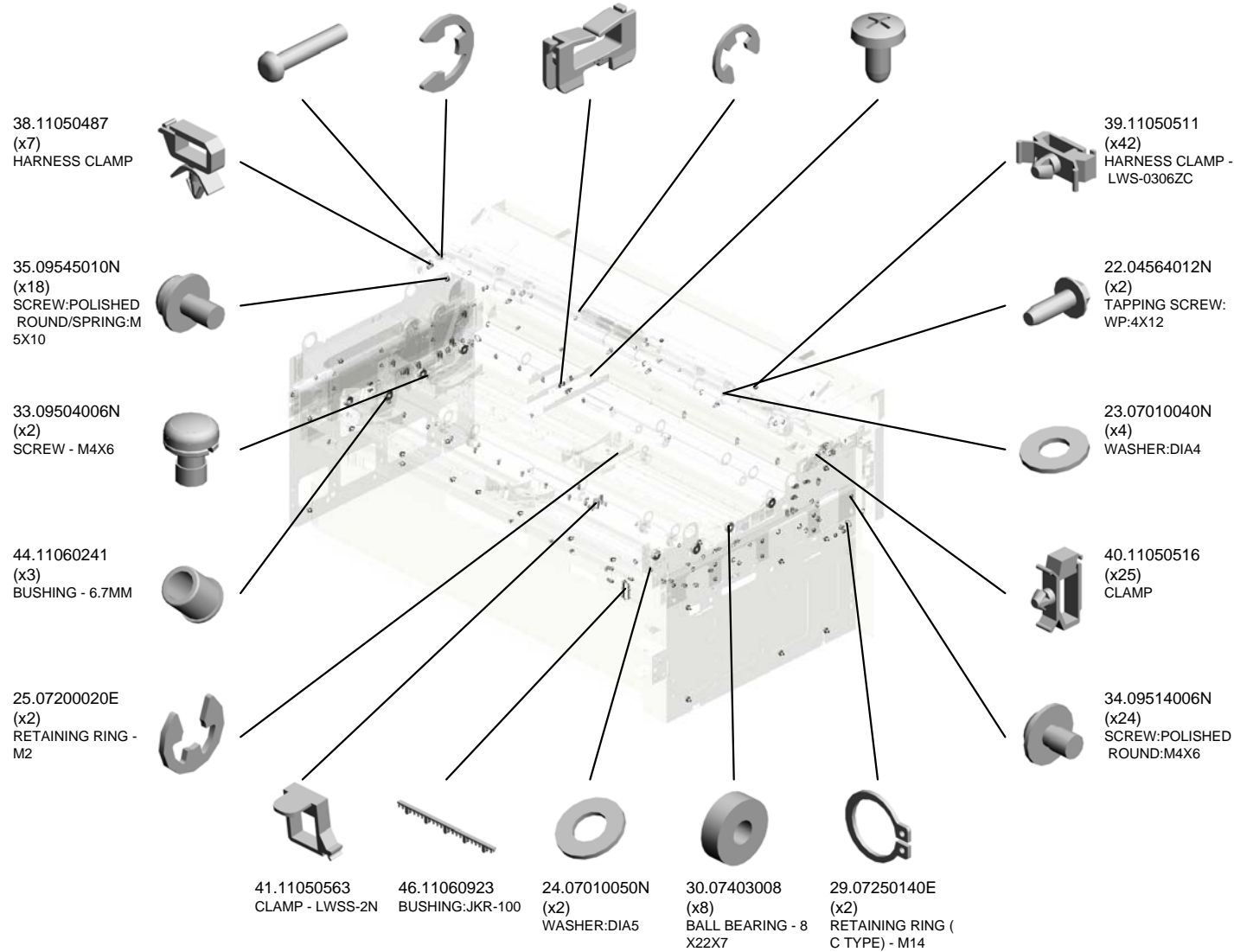
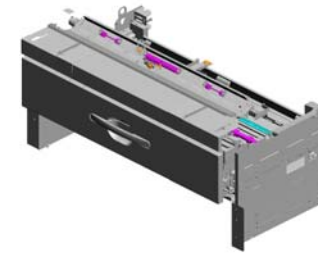
42.11050723  
CLAMPS:WES-050  
7

43.11050724  
(x2)  
CLAMPS:WES-121  
0

6.04513008N (x 1)  
TAPPING SCREW - M3X8  
45.11060411 (x 1)  
BUSHING - 11.5MM

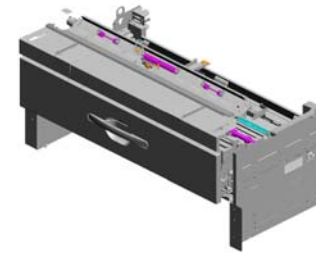
# U006 PAPER FEED

- 31.08010228 PAN HEAD SCREW :M2.3X12
- 28.07200060E (x27) RETAINING RING - M6
- 37.11050329 (x4) CLAMP - ES-0510
- 27.07200040E (x17) RETAINING RING - M4
- 32.08025305 (x3) TAPPING SCREW - M3X6



# U006 PAPER FEED

- 47.12042466 MICRO SWITCH - V-16506-1C25
- 57.A1743861 (x12) GUIDE PLATE
- 52.54422751 (x10) BUSHING - UPPER REGISTRATION ROLLER
- 64.AA060974 (x2) SPRING:PRESSURE:BRUSH ROLLER
- 51.54036246 (x4) STEPPED SCREW - CLEANING



58.A2222680 TORQUE LIMITER



49.52152621 (x4) SNAP RING - M6



59.A2293232 (x2) CHUCK ROLLER



65.AA060975 (x4) SPRING:MIDDLE:PRESSURE



48.12042634 ROCKER SWITCH - AJ76200B



66.AA060976 (x2) SPRING:CONNECTOR



62.AA060854 TIGHTENER SPRING



61.A8594141 PULLEY IDLER



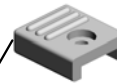
55.54472769 STEPPED SCREW



53.54471778 (x10) STEPPED SCREW - M4



60.A3532243 LEVER KNOB



50.54031030 (x2) TENSION SPRING



63.AA060970 (x4) SPRING:COATING BAR:PRESSURE



54.54472681 SNAP RING

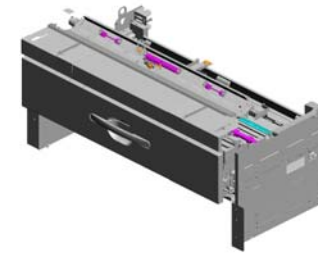


56.59183120 (x4) STUD - M4



U001	U002	U003	U004	U005	U006	U007	U008	U009	U010	U011	U012	U013
------	------	------	------	------	------	------	------	------	------	------	------	------

# U006 PAPER FEED



- 77.AA080203 (x6) BUSHING - 6MM
- 71.AA063427 (x2) SPRING:9.8N
- 79.AA082135 (x12) BUSHING - DIA4
- 73.AA063910 (x4) COMPRESSION SPRING:REGISTRATION:2.5N
- 78.AA082070 (x16) BUSHING - 8X16X7

70.AA063122 (x4) EXIT ROLLER SPRING



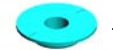
74.D2062589 [A] FEELER SPRING 201610-01 X/O



72.AA063612 (x2) COMPRESSION SPRING - TRAY RELEASE



87.AB013868 (x2) GEAR - 16Z



75.AA066368 (x6) SPRING - EXIT



80.AA143253 (x2) PIN - LEVER - PAPER SPOOL UNIT



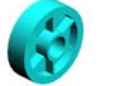
88.AB030678 TIMING PULLEY - 25T



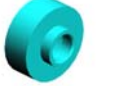
84.AA143859 (x2) POSITIONING PIN



85.AB011412 (x4) GEAR - 36Z



86.AB011413 (x2) DRIVE GEAR - 27Z



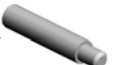
83.AA143788 (x4) PIN:GUIDE PLATE: PAPER FEED



67.AA060981 (x2) SPRING:TIGHTENER



81.AA143347 (x2) LEVER STOPPER SHAFT



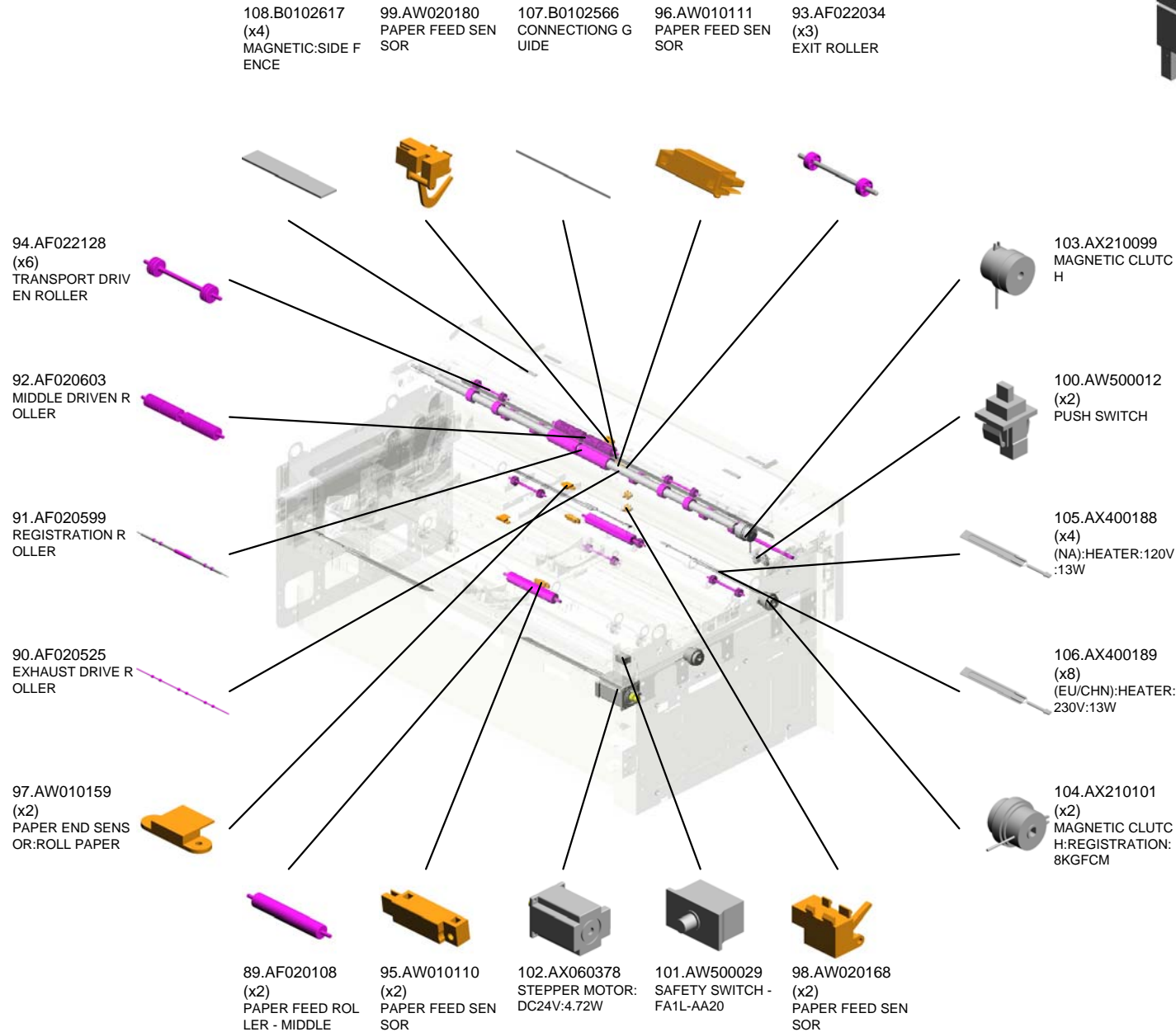
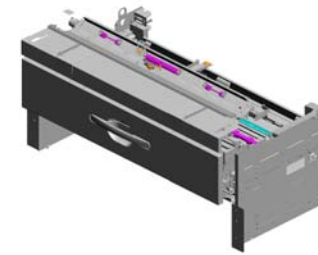
82.AA143718 (x8) STEPPED SCREW - M4



76.AA080049 (x2) BUSHING - 10X18



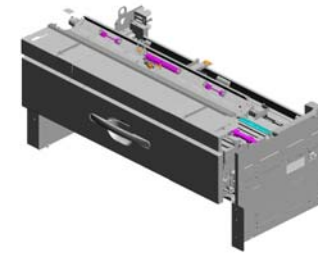
# U006 PAPER FEED



U001	U002	U003	U004	U005	U006	U007	U008	U009	U010	U011	U012	U013
------	------	------	------	------	------	------	------	------	------	------	------	------

# U006 PAPER FEED

- 113.B0102916 (x2) POSITIONING PIN
- 121.B1252579 FEELER:REGISTRATION SENSOR
- 122.B1252580 HOLDER:FEELER
- 123.B1252581 BRACKET:SENSOR
- 110.B0102726 ROLLER GUIDE PLATE



116.B0102964  
TIMING BELT - S2  
M 252

117.B0102966  
TIMING BELT - S2  
M 334

127.B1882664  
(x2)  
HOLDER:PAPER HOLDER:RIGHT

111.B0102827  
RIGHT SHEET - SIDE PLATE

114.B0102947  
(x3)  
HARNES CLAMP - FCW-52

124.B1254912  
(x2)  
SHAFT:CONTACT POINT:STOPPER

115.B0102956  
CONNECTOR BRACKET

125.B1882579  
MOTOR CUSHION

126.B1882663  
(x2)  
HOLDER:PAPER HOLDER:LEFT

128.B1882666  
(x4)  
BRAKE:PAPER HOLDER

112.B0102902  
LEVER SHAFT

109.B0102717  
(x2)  
EXIT GUIDE ROLLER

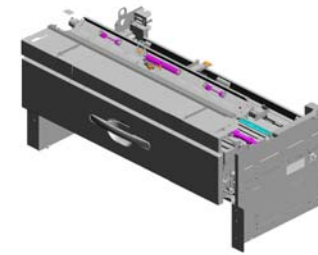
118.B0102978  
(x2)  
KEYTOP

119.B0102979  
(x2)  
SWITCH PLATE

120.B0391192  
GEAR - 57Z

# U006 PAPER FEED

147.B1882898 LEVER:LOCK:RIGHT  
 130.B1882705 BRACKET:MICRO SWITCH  
 135.B1882722 GUIDE PLATE:EXIT:INNER  
 131.B1882710 GUIDE PLATE:EXIT:OUTER:PEEN  
 129.B1882704 HOLDER:ROLL PAPER



148.B1882917 (x16) SPACER



134.B1882719 RELEASE PLATE:RIGHT



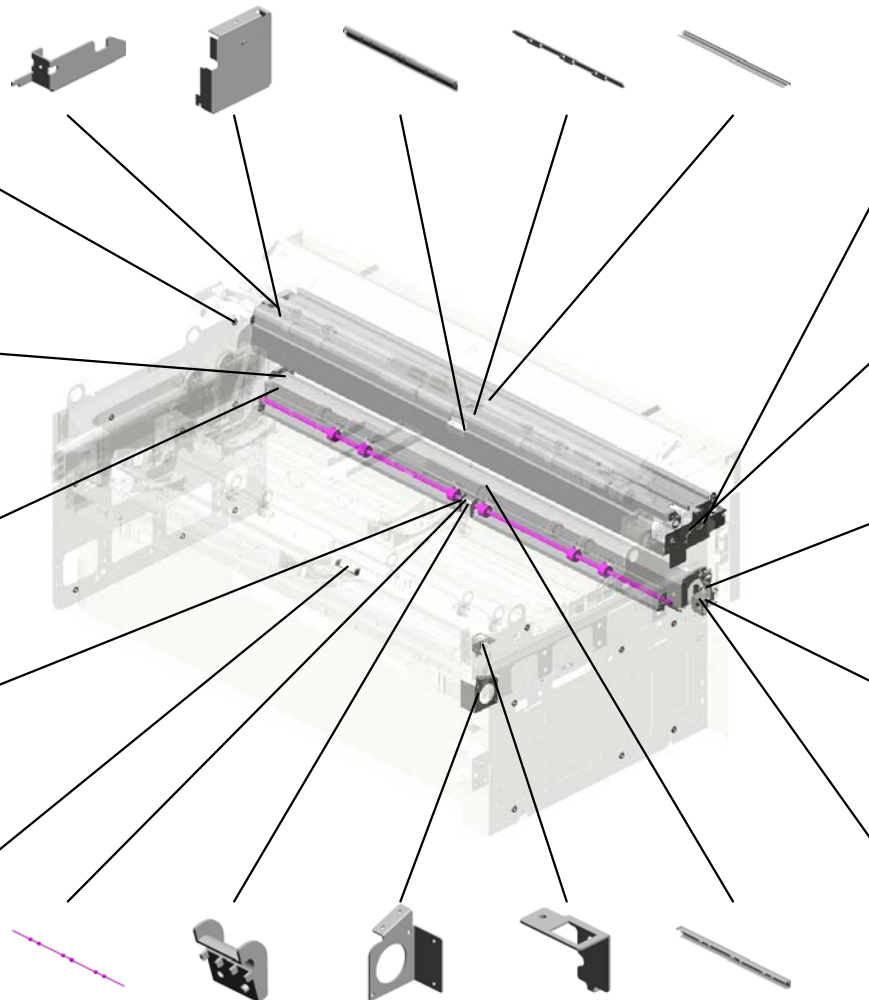
140.B1882760 STOPPER:RIGHT:UPPER PAPER FEED



141.B1882772 GUIDE PLATE:CONNECTING:FRONT



143.B1882802 GUIDE PLATE:GUIDE PLATE:LOWER



138.B1882736 ROLLER:CONNECTING:DRIVE

136.B1882726 HOLDER:ROLLER

145.B1882876 BRACKET:MOTOR

144.B1882820 BRACKET:ROCKER SWITCH

132.B1882715 GUIDE PLATE:LOWER FRONT

146.B1882896 LEVER:LOCK:LEFT



142.B1882773 COVER:CUTTER UNIT:LEFT



133.B1882718 RELEASE PLATE:LEFT



137.B1882735 (x2) GUIDE:RELEASE PLATE



139.B1882759 STOPPER:LEFT:UPPER PAPER FEED



U001	U002	U003	U004	U005	U006	U007	U008	U009	U010	U011	U012	U013
------	------	------	------	------	------	------	------	------	------	------	------	------



# U006 PAPER FEED

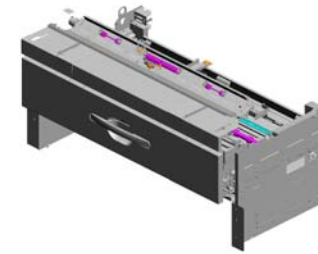
153.B1882979  
(x2)  
BRACKET:PIN

168.D0462536  
(x2)  
HOLDER:PAPER H  
OLDER:MIDDLE

164.D0462527  
(x2)  
BASE:PAPER SIZE  
SENSOR

154.B2593890  
DENSITY SENSOR

160.C2292113  
(x4)  
RELEASE ROLLER



150.B1882938  
SLIDE RAIL - RIGH  
T

162.D0462525  
(x2)  
(NA):BRACKET:PL  
ATE:MICRO SWITC  
H

163.D0462526  
(x4)  
(EU/CHN):BRACK  
ET:PLATE:MICRO S  
WITCH

165.D0462528  
(x2)  
GEAR:HOLDER:RI  
GHT

161.D0462524  
BRACKET:HEATER

152.B1882958  
CABLE:CONNECT  
OR

151.B1882950  
BRACKET:CONNE  
CTOR:TRAY

155.B2751670  
(x4)  
GUARD BURRING

167.D0462532  
(x8)  
SHEET:PAPER SIZ  
E SENSOR

159.B6243014  
REVERSE ROLLER  
TENSION SPRING

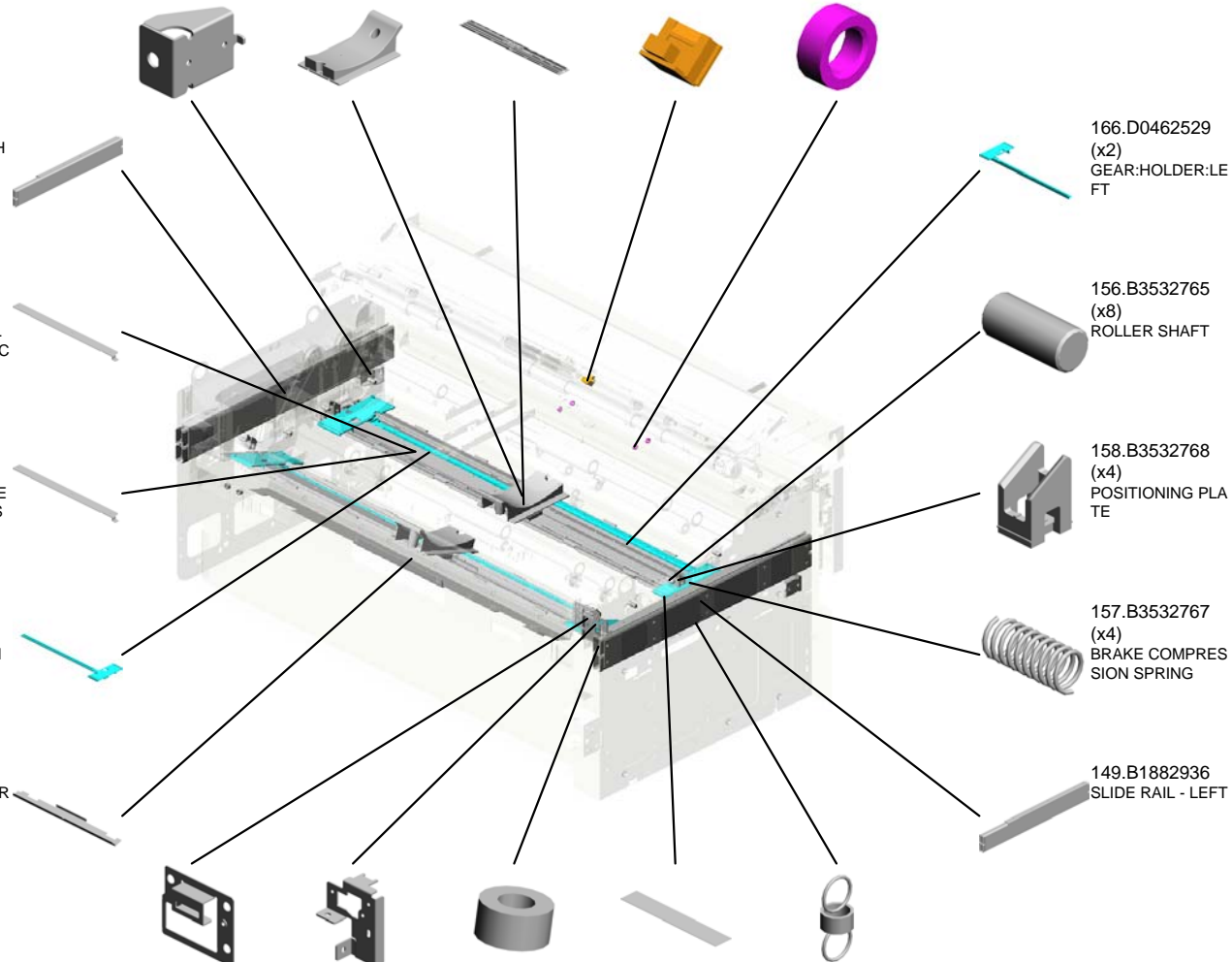
166.D0462529  
(x2)  
GEAR:HOLDER:LE  
FT

156.B3532765  
(x8)  
ROLLER SHAFT

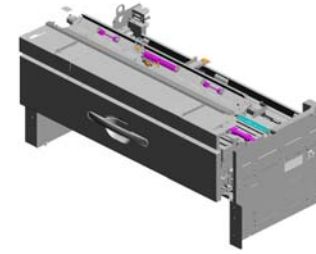
158.B3532768  
(x4)  
POSITIONING PLA  
TE

157.B3532767  
(x4)  
BRAKE COMPRES  
SION SPRING

149.B1882936  
SLIDE RAIL - LEFT



# U006 PAPER FEED



- 170.D0462572 GUIDE PLATE:MIDDLE
- 187.D0462771 GUIDE PLATE:CONNECTING:UPPER
- 181.D0462733 (x2) FEED ROLLER:ASY
- 184.D0462740 GUIDE PLATE:UPPER
- 180.D0462706 SHEET:HOLDER:ROLL PAPER

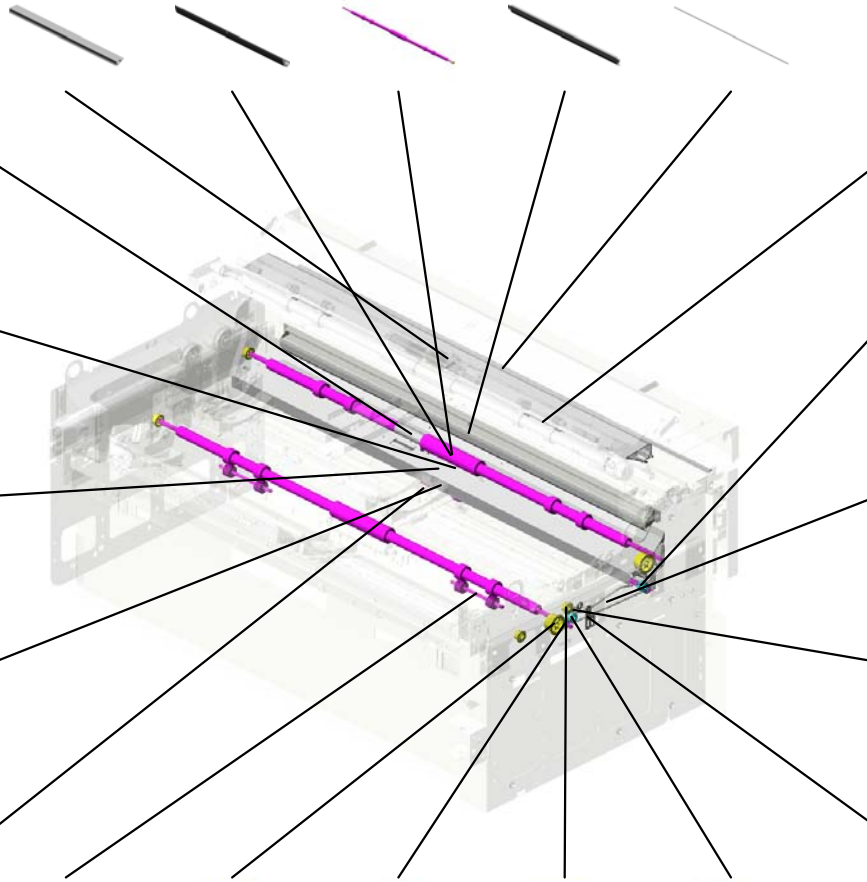
183.D0462737 SHEET:FEED ROLLER

186.D0462770 GUIDE PLATE:CONNECTING:LOWER

188.D0462784 GUIDE PLATE:LOWER

182.D0462736 ROLLER:MIDDLE:DRIVE

178.D0462661 (x2) COMPRESSION SPRING:MIDDLE:MIDDLE



171.D0462612 (x2) SHEET:MANUAL FEED:LEFT AND RIGHT

174.D0462653 GEAR:PULLEY:Z23 T24

172.D0462651 TIMING BELT:S2M:420

169.D0462568 DRUM STAY:DRIVE

175.D0462654 BRACKET:TIGHTENER:PEEN

185.D0462747 (x2) PAPER FEED ROLLER:LEFT AND RIGHT

176.D0462657 (x2) TIMING PULLEY:TWO STEP SPEED VARYING

173.D0462652 (x2) GEAR:Z20

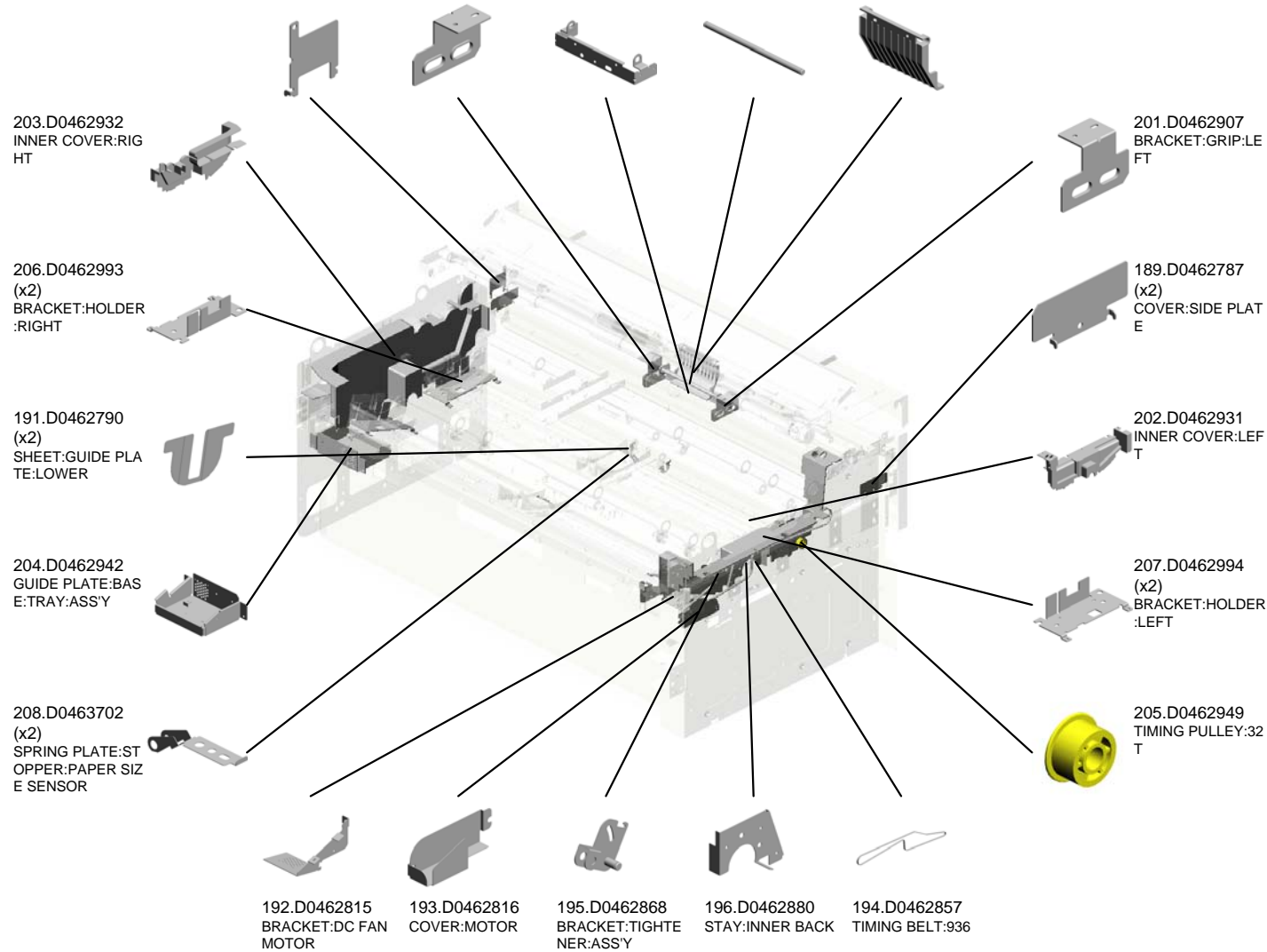
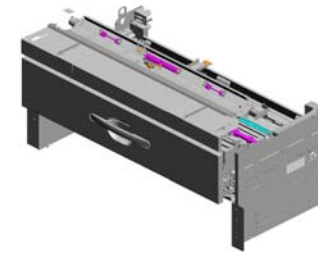
179.D0462671 (x2) PULLEY:DIA17:1

177.D0462659 GEAR:PULLEY:Z21:T28

U001	U002	U003	U004	U005	U006	U007	U008	U009	U010	U011	U012	U013
------	------	------	------	------	------	------	------	------	------	------	------	------

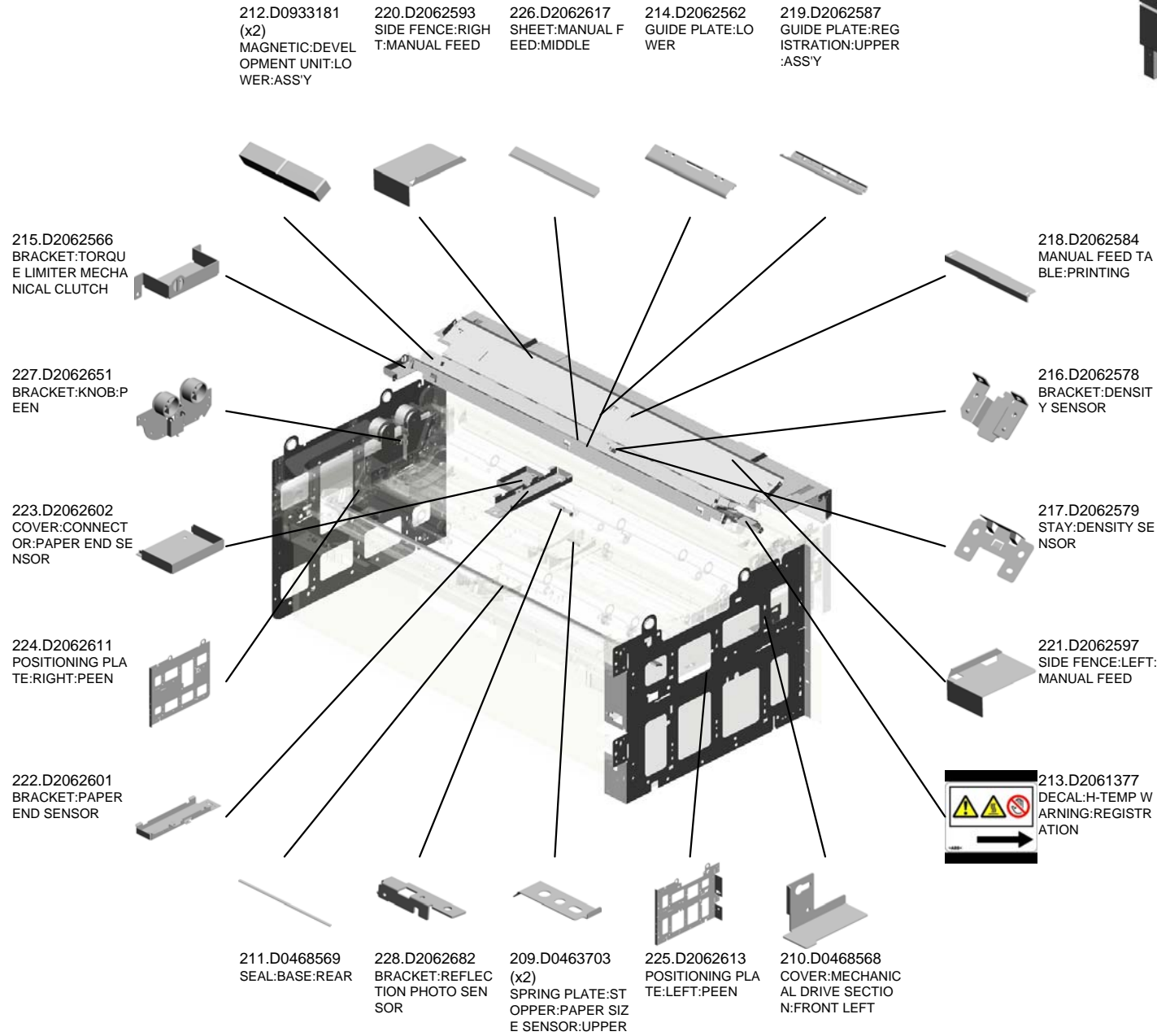
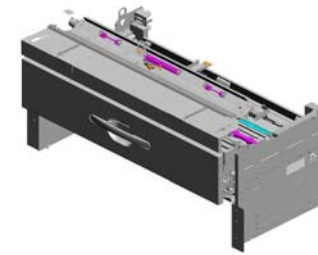
# U006 PAPER FEED

190.D0462788 INNER COVER:RIGHT:MICRO SWITCH  
 198.D0462902 BRACKET:GRIP:RIGHT  
 197.D0462901 GUIDE PLATE:GRIP  
 200.D0462904 SHAFT:GRIP  
 199.D0462903 VIBRATING PLATE:GRIP



U001	U002	U003	U004	U005	<b>U006</b>	U007	U008	U009	U010	U011	U012	U013
------	------	------	------	------	-------------	------	------	------	------	------	------	------

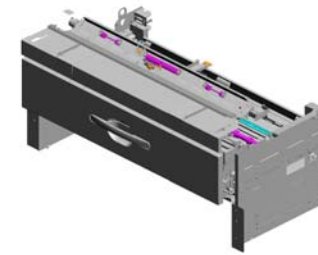
# U006 PAPER FEED



U001	U002	U003	U004	U005	U006	U007	U008	U009	U010	U011	U012	U013
------	------	------	------	------	------	------	------	------	------	------	------	------

# U006 PAPER FEED

- 243.D2065338 GUARD:TORQUE LIMITER MECHANICAL CLUTCH
- 247.GW020020 PHOTOINTERRUPTOR:LG248NL1
- 229.D2062693 GUIDE PLATE:REFLECTION PHOTO SENSOR
- 230.D2062698 STAY:GUIDE PLATE:EXIT
- 234.D2062753 GUIDE PLATE:VERTICAL TRANSPORT:UPPER FRONT:PEEN



241.D2063878  
(x2)  
SHEET:HARNES

245.D2125510  
PCB:RFDB:LETTER

235.D2062765  
GUIDE PLATE:LOWER:PEEN

236.D2062768  
COVER:SENSOR

244.D2122911  
INNER COVER:LOWER

242.D2065319  
COVER:TOTAL COVER

248.GX640028  
(x2)  
FAN MOTOR DC24V 1.92W

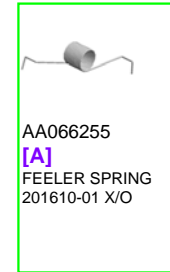
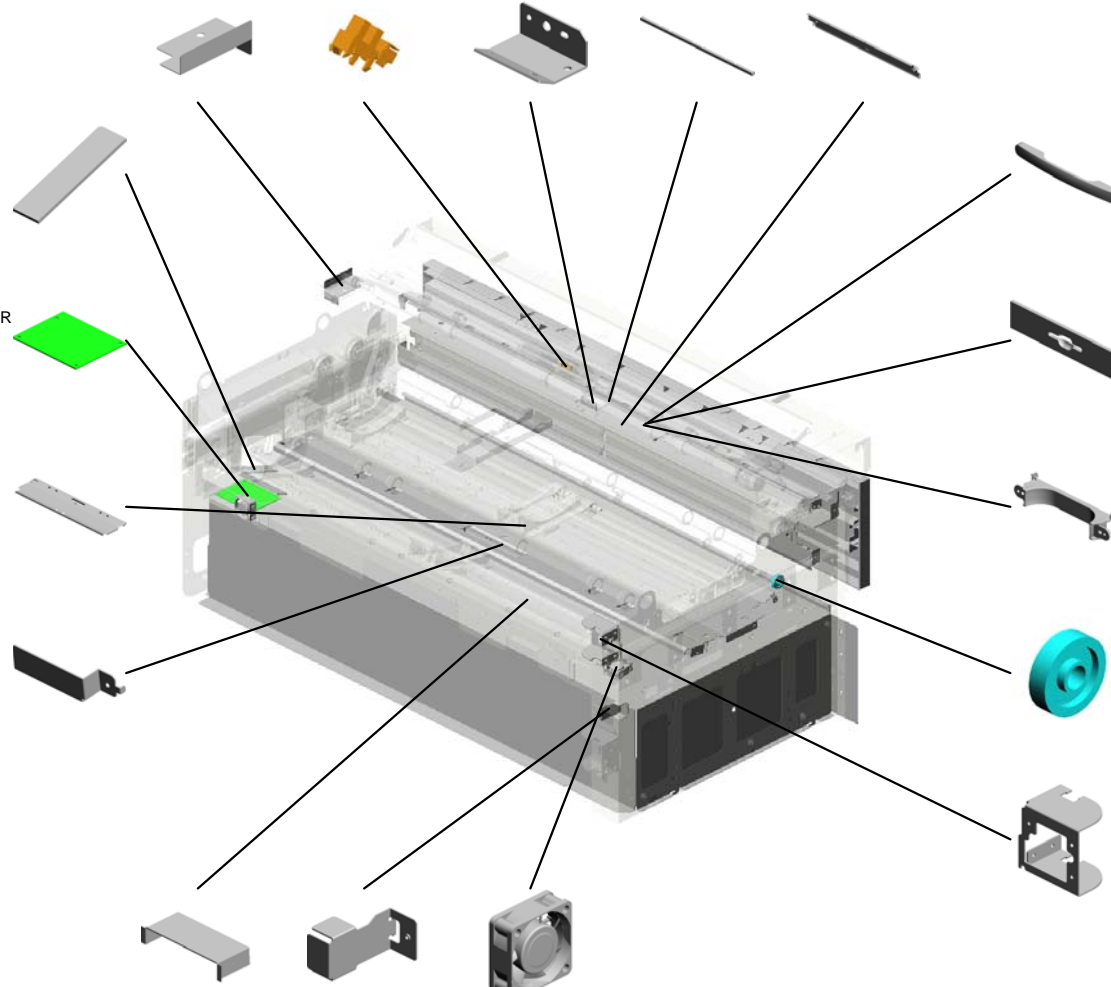
239.D2062786  
GRIP:FRONT:PAPER TRAY

237.D2062780  
COVER:FRONT

238.D2062785  
GRIP:REAR:PAPER TRAY

246.G0521112  
GEAR - PAPER FEED 5

240.D2062801  
GUIDE PLATE



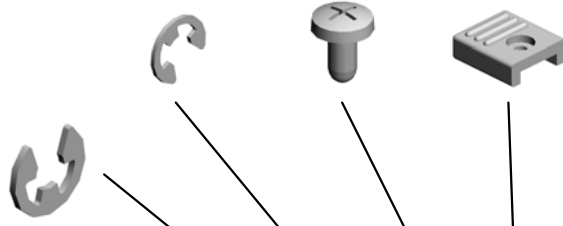
U006\_S001  
CUTTER UNIT:ASS'Y

27.07200040E (x2) RETAINING RING - M4  
 32.08025305 TAPPING SCREW - M3X6  
 60.A3532243 LEVER KNOB



231.D2062741  
CUTTER UNIT:ASS'Y

25.07200020E  
RETAINING RING - M2



69.AA061974  
COIL SPRING:WIRE:CUTTER UNIT:30



232.D2062744 (x2)  
MICRO SWITCH:ASS'Y



26.07200030E  
RETAINING RING - M3



233.D2062746  
DC MOTOR:CUTTER UNIT:ASS'Y:BRUSH:13.7W



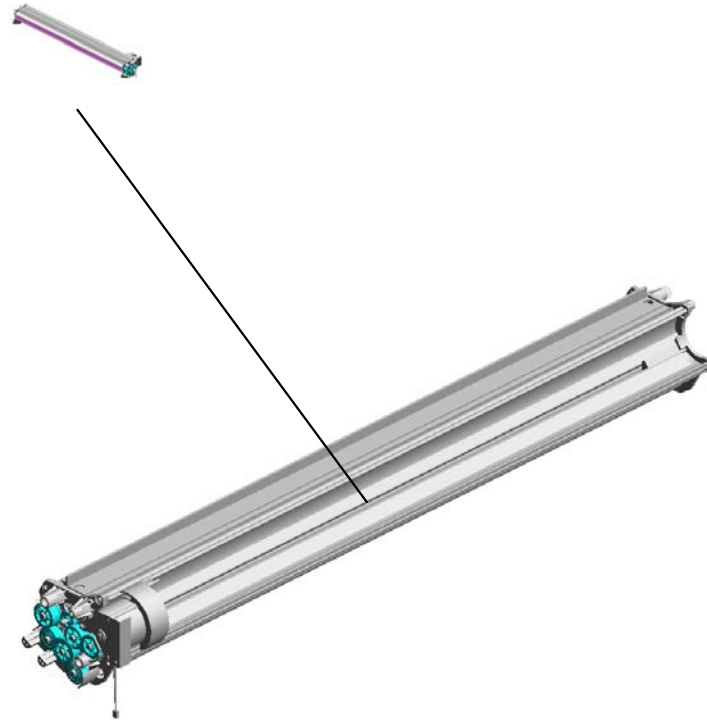
68.AA061973  
COIL SPRING:WIRE:CUTTER UNIT:20



U001	U002	U003	U004	U005	U006	U007	U008	U009	U010	U011	U012	U013
------	------	------	------	------	------	------	------	------	------	------	------	------

# U007.DEVELOPMENT

U007\_S001  
D2123007  
DEVELOPMENT UNIT:ASS'Y



U001	U002	U003	U004	U005	U006	U007	U008	U009	U010	U011	U012	U013
------	------	------	------	------	------	------	------	------	------	------	------	------

U007  
DEVELOPMENT

8.09515020N (x4)  
SCREW:POLISHED  
ROUND:M5X20

35.D2063320 (x4)  
COLLAR:DEVELOP  
MENT UNIT



9.09545010N (x2)  
SCREW:POLISHED  
ROUND/SPRING:M  
5X10



U001	U002	U003	U004	U005	U006	U007	U008	U009	U010	U011	U012	U013
------	------	------	------	------	------	------	------	------	------	------	------	------



U007\_S001  
DEVELOPMENT UNIT:ASS'Y

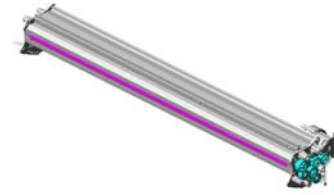
2.04514010N  
(x4)  
TAPPING SCREW:  
4X10

23.AA153451  
LEFT SHIELD - SID  
E PLATE

16.A2576592  
GEAR - 20Z

18.AA080336  
(x2)  
BUSHING: DIA6

21.AA143788  
(x2)  
PIN: GUIDE PLATE:  
PAPER FEED



36.D2123007  
DEVELOPMENT U  
NIT: ASSY

6.08053516  
BALL BEARING - 1  
0X26X8

19.AA084057  
BEARING CASE: DI  
A26

13.A1741163  
DEVELOPMENT SL  
EEVE GEAR

3.06330200G  
(x2)  
PIN - M3X20

14.A1741164  
AUGER GEAR

15.A1741167  
PADDLE GEAR

7.08053517  
(x2)  
BALL BEARING - 8  
X16X5

11.52193326  
(x2)  
RUBBER SEAL - P  
ADDLE ROLLER

12.54466214  
SHAFT HOLDER -  
PICK-UP ROLLER

17.AA012081  
DEVELOPMENT FI  
LTER

22.AA153450  
RIGHT SHIELD - SI  
DE PLATE

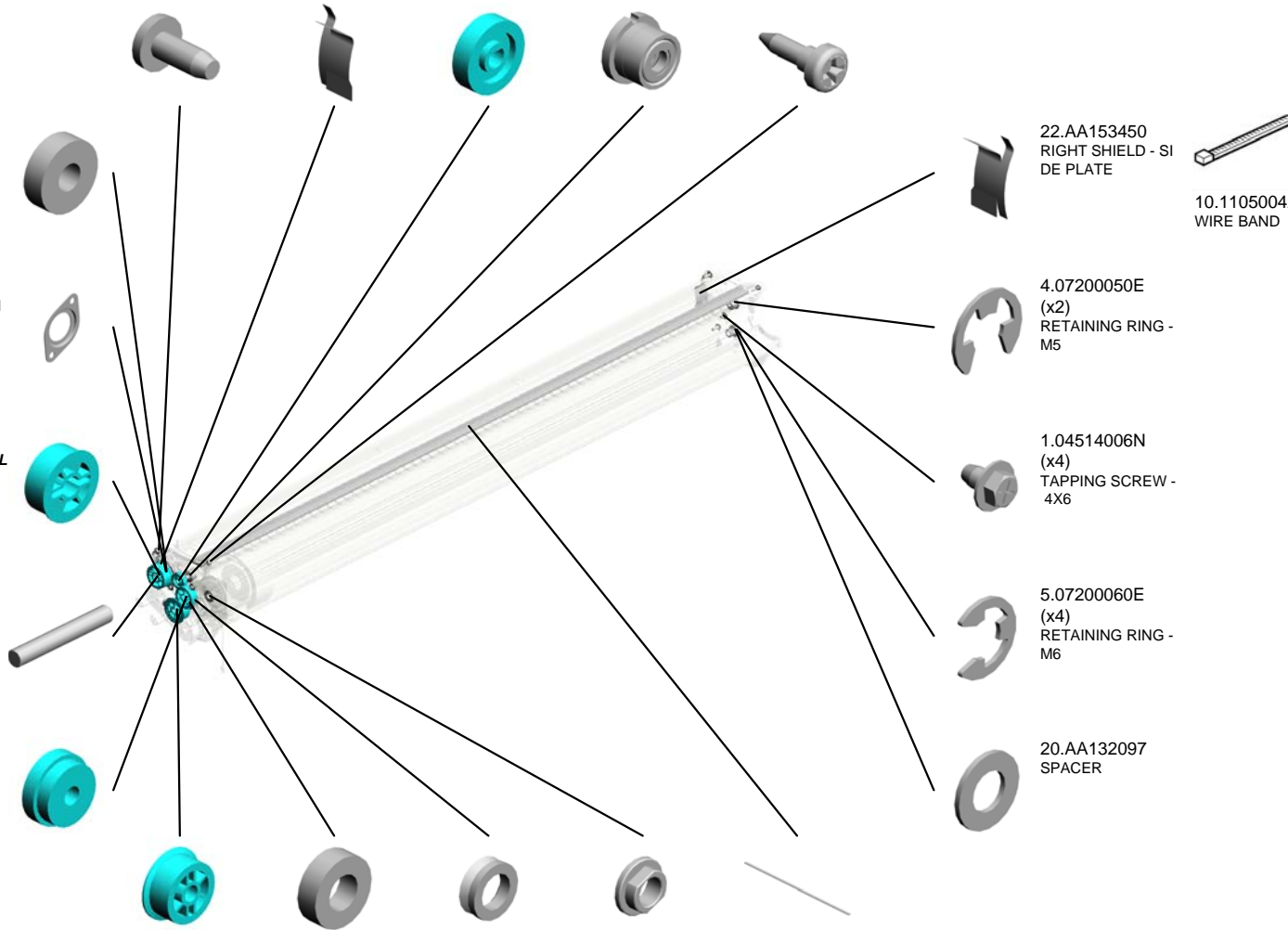
4.07200050E  
(x2)  
RETAINING RING -  
M5

1.04514006N  
(x4)  
TAPPING SCREW -  
4X6

5.07200060E  
(x4)  
RETAINING RING -  
M6

20.AA132097  
SPACER

10.11050042  
WIRE BAND



U001	U002	U003	U004	U005	U006	U007	U008	U009	U010	U011	U012	U013
------	------	------	------	------	------	------	------	------	------	------	------	------

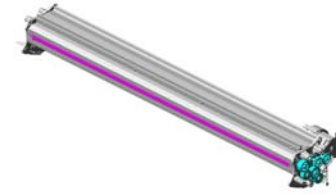
U007\_S001  
DEVELOPMENT UNIT:ASS'Y

29.B1253205  
STAY:TONER HOP  
PER

28.B0103212  
SPRING:JOINT

26.B0103206  
JOINT:TONER HOP  
PER:UNIT

27.B0103211  
DRUM STAY:SPRI  
NG



36.D2123007  
DEVELOPMENT U  
NIT:ASS'Y

25.B0103121  
(x2)  
GEAR - 28Z



33.D0463331  
GEAR:IDLER:DEVE  
LOPMENT:Z28/Z23



30.B1253230  
(x3)  
SPACER - 0.3



31.B1253233  
(x2)  
BEARING CASE

32.B1883101  
FILTER BRACKET

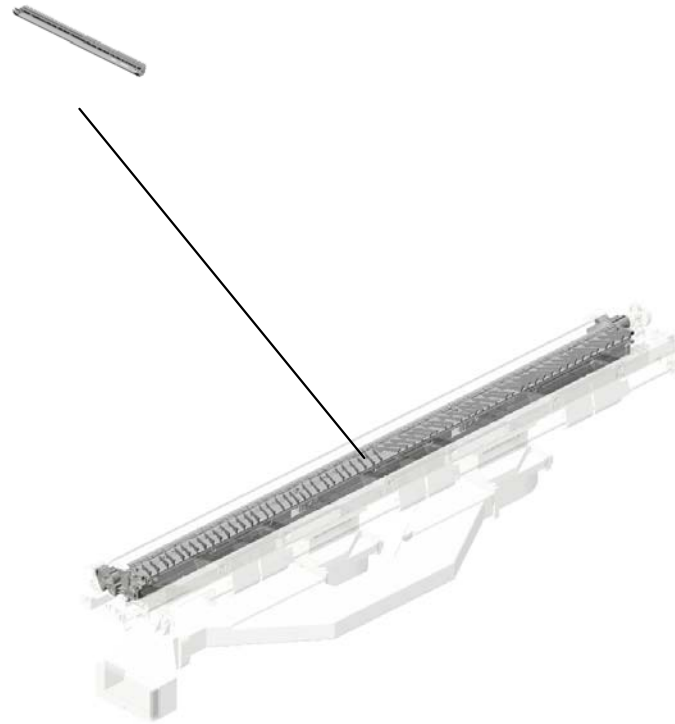
24.AX200334  
MECHANICAL SPRI  
NG CLUTCH:TONE  
R HOPPER

34.D2063150  
ENTRANCE SEAL:  
ASS'Y

U001	U002	U003	U004	U005	U006	U007	U008	U009	U010	U011	U012	U013
------	------	------	------	------	------	------	------	------	------	------	------	------

# U008.TRANSFER/SEPARATION

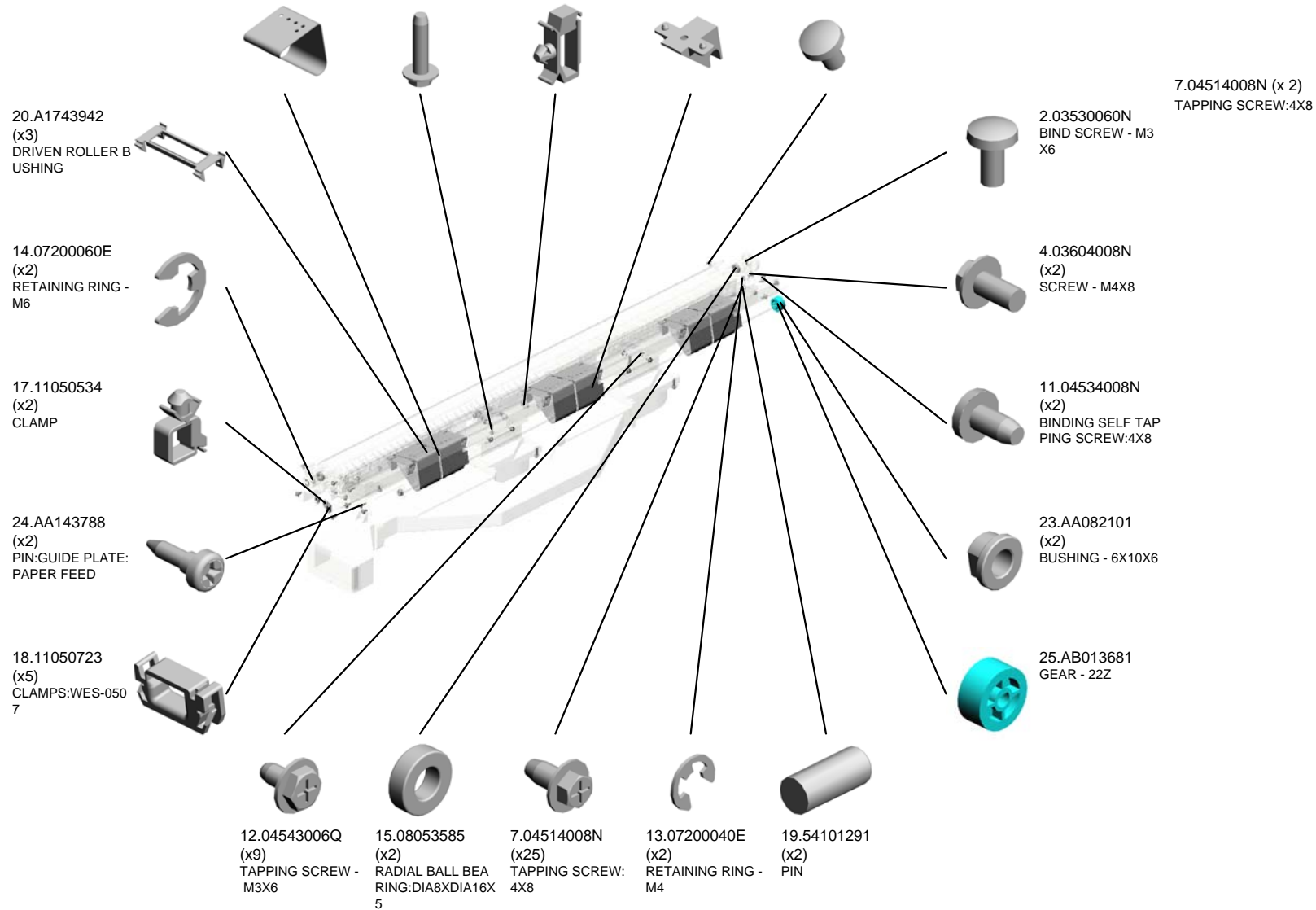
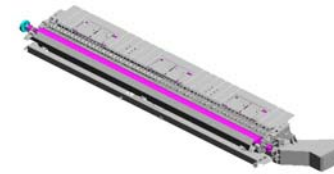
U008\_S001  
D2123826  
TRANSFER/SEPARATION UN  
IT:SUB-ASS'Y



U001	U002	U003	U004	U005	U006	U007	U008	U009	U010	U011	U012	U013
------	------	------	------	------	------	------	------	------	------	------	------	------

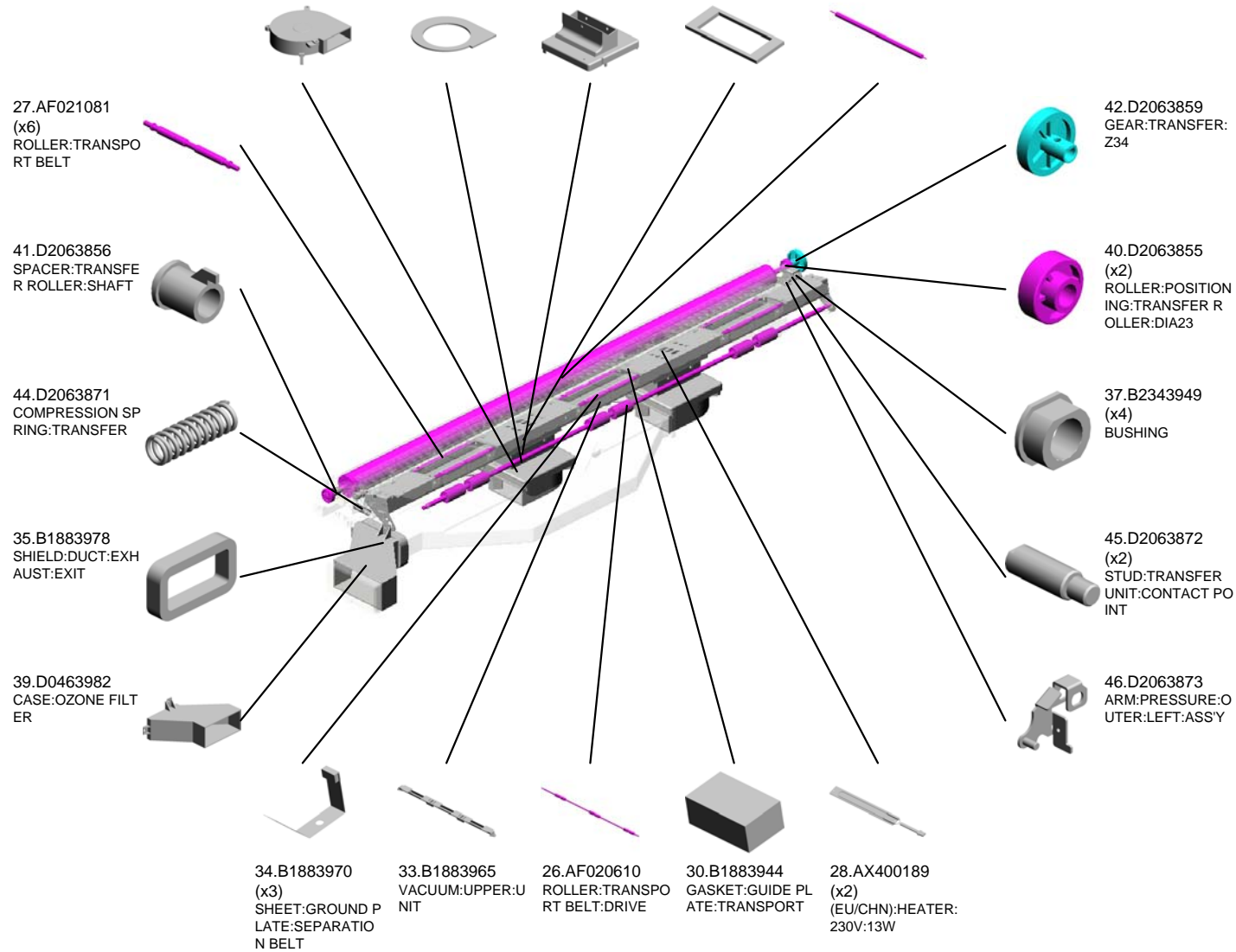
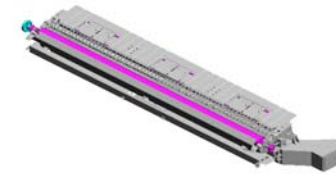
# U008 TRANSFER/SEPARATION

22.AA040020 (x6) DECURLER TRANS-PORT BELT  
 5.04504016N (x6) TAPPING SCREW - M4X16  
 16.11050516 (x4) CLAMP  
 21.A1743946 (x3) ARM BUSHING  
 3.03540060N (x2) SCREW-M4X6



# U008 TRANSFER/SEPARATION

- 29.AX650058 (x2) FAN:SIROCCO:DC 24V
- 31.B1883953 (x2) SHIELD:FAN:SIROCCO
- 38.D0463954 (x2) VACUUM:DUCT
- 32.B1883961 (x2) SHIELD:VACUUM:UPPER
- 43.D2063861** TRANSFER ROLLER:ASS'Y

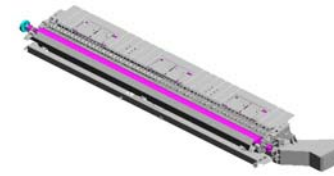


# U008 TRANSFER/SEPARATION

48.D2063878  
SHEET:HARNES

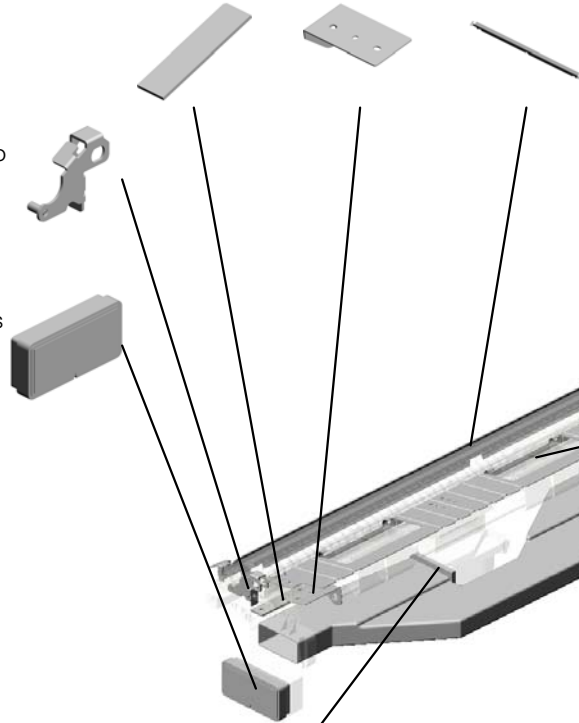
53.D2063958  
BRACKET:BEARIN  
G

52.D2063899  
GUIDE PLATE:ENT  
RANCE:TRANSFER



47.D2063876  
ARM:PRESSURE:O  
UTER:RIGHT:ASS'  
Y

54.D2063961  
OZONE FILTER:AS  
SY



49.D2063879  
COMPRESSION SP  
RING:TRANSFER:6  
8

58.D2123957  
GUIDE PLATE:TRA  
NSPORT

56.D2063977  
(x2)  
SEAL:DUCT:EXHA  
UST:ENTRANCE

55.D2063976  
DUCT:EXHAUST:L  
ARGE

U001	U002	U003	U004	U005	U006	U007	U008	U009	U010	U011	U012	U013
------	------	------	------	------	------	------	------	------	------	------	------	------

U008\_S001

TRANSFER/SEPARATION UNIT:SUB-ASS'Y

17.11050534  
(x9)  
CLAMP

51.D2063898  
INSULATING SHEET:  
TRANSFER/SEPARATION UNIT

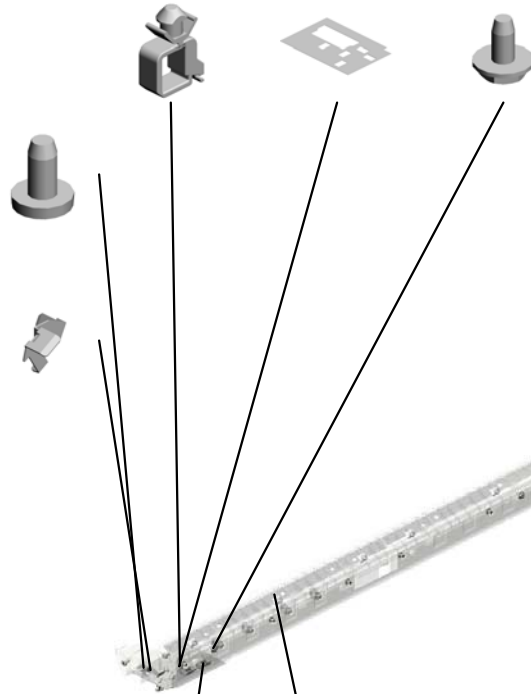
6.04513006N  
(x3)  
TAPPING SCREW -  
M3X6



57.D2123826  
TRANSFER/SEPARATION UNIT:SUB-ASS'Y

8.04523006N  
BINDING SELF-TAPPING SCREW:3X6

50.D2063885  
TERMINAL:ELECTRODE:TRANSFER



10.04533006N  
(x4)  
TAPPING SCREW -  
M3X6

9.04523008N  
(x9)  
TAPPING SCREW -  
M3X8

1.03530040N  
(x9)  
SCREW - M3X4

18.11050723  
(x2)  
CLAMPS:WES-050

36.B2236274  
(x3)  
ELECTRODE PLATE:  
TRANSFER ROLLER

# U009.CLEANING/USED TONER

U009\_S007  
D2063610  
PICKOFF PAWL:ASSY

U009\_S006  
D2063610  
PICKOFF PAWL:ASSY

U009\_S003  
D2063571  
CASING:CLEANING:ASS'Y

U009\_S001  
D2063551  
SIDE PLATE:AROUND THE P  
HOTOCONDUCTOR:RIGHT:AS  
SS'Y

U009\_S002  
D2063555  
SIDE PLATE:AROUND THE P  
HOTOCONDUCTOR:LEFT:AS  
S'Y

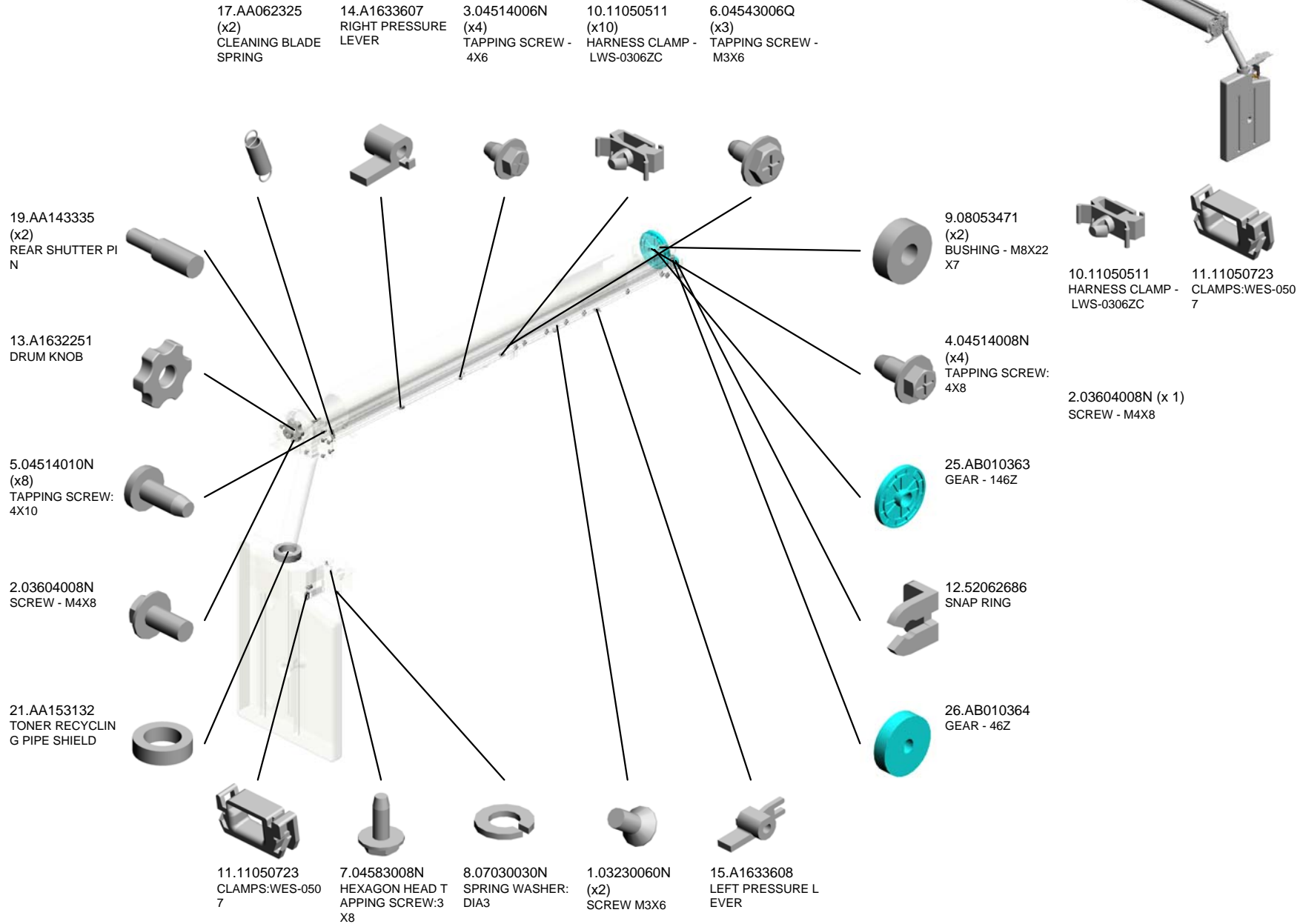
U009\_S004  
D2063610  
PICKOFF PAWL:ASS'Y

U009\_S005  
D2063610  
PICKOFF PAWL:ASSY

U001	U002	U003	U004	U005	U006	U007	U008	U009	U010	U011	U012	U013
------	------	------	------	------	------	------	------	------	------	------	------	------



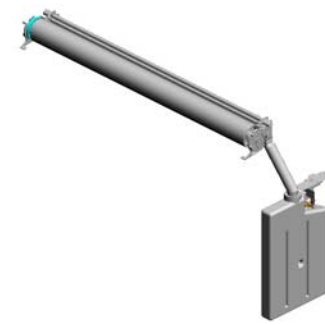
# U009 CLEANING/USED TONER



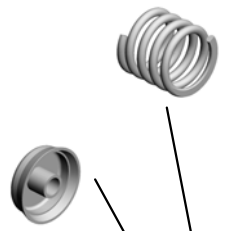
U001	U002	U003	U004	U005	U006	U007	U008	U009	U010	U011	U012	U013
------	------	------	------	------	------	------	------	------	------	------	------	------

# U009 CLEANING/USED TONER

47.D0932304 COMPRESSION SPRING:PRESSURE:DRUM  
 33.B1042322 (x2) PLATE:ENTRANCE SEAL  
 39.B1883575 SCREW:LEVER:RELEASE:BLADE  
 40.B1883582 LEVER:RELEASE:BLADE  
 49.D2062300 SHAFT:DRUM:ASSY



27.AD014030  
DRUM FLANGE



46.D0932303  
STOPPER:DRUM



37.B1882255  
SPACER:COMPRESSION SPRING:DRUM



45.D0932253  
(x2)  
HOLDER:BALL BEARING



44.D0463671  
PIPE:TONER RECYCLING:ASSY



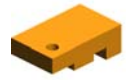
29.AW020164  
OIL END SENSOR



48.D1055899  
HOLDER:TEMPERATURE & HUMIDITY SENSOR



30.AW140026  
TEMPERATURE & HUMIDITY SENSOR



43.D0463570  
TONER COLLECTION COIL:CLEANING:ASSY



41.B2863581  
CLEANING BLADE



38.B1882256  
STOPPER:BALL BEARING



34.B1252469  
C-RING:DRUM SHAFT



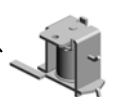
42.D0463559  
SHEET:CLEANING:LEFT



35.B1252472  
(x2)  
BALANCER:OPCDRUM



31.AX100042  
DC SOLENOID:PRESSURE RELEASE: PICKOFF PAWL



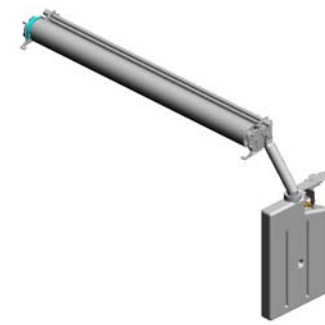
U001	U002	U003	U004	U005	U006	U007	U008	U009	U010	U011	U012	U013
------	------	------	------	------	------	------	------	------	------	------	------	------

U009  
CLEANING/USED TONER

57.D2063609  
SHAFT:LEVER:PIC  
KOFF PAWL:LONG

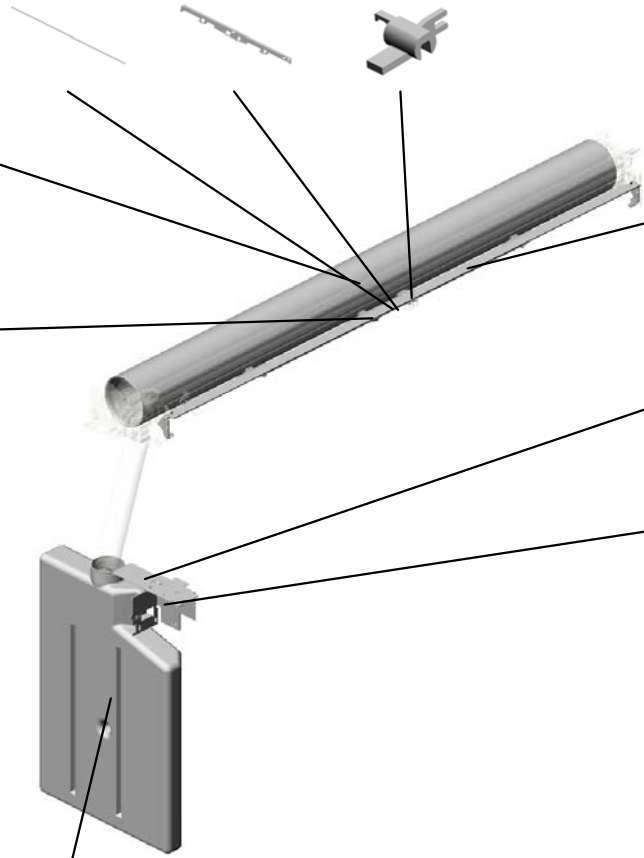
52.D2063566  
STAY:PICKOFF PA  
WL

55.D2063604  
LEVER:PRESSURE  
:PICKOFF PAWL:IN  
NER:LEFT



63.D2069510  
ORGANIC PHOTO  
CONDUCTOR DRU  
M

56.D2063605  
LEVER:PRESSURE  
:PICKOFF PAWL:IN  
NER:RIGHT



54.D2063576  
(x2)  
STAY:STAY:PICKO  
FF PAWL

62.D2065334  
GUARD:POWER P  
ACK:REAR LOWER

61.D2063680  
BRACKET:USED T  
ONER SENSOR:TE  
MPERATURE & HU  
MIDITY SENSOR

60.D2063661  
COLLECTION BOT  
TLE:ASSY

U001	U002	U003	U004	U005	U006	U007	U008	U009	U010	U011	U012	U013
------	------	------	------	------	------	------	------	------	------	------	------	------

U009\_S001  
SIDE PLATE:AROUND THE PHOTOCONDUCTOR:RIGHT:ASS'Y

22.AA153133  
BLADE RIGHT SHI  
ELD

24.AA153135  
DRUM RIGHT SHIE  
LD

18.AA066664  
TONER OUTLET S  
HUTTER SPRING

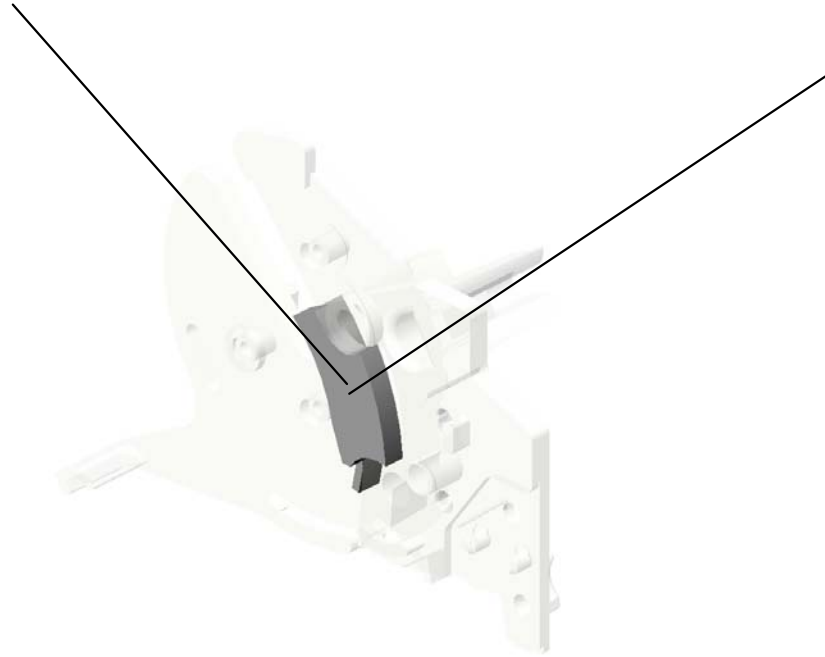
36.B1253554  
SHUTTER:DISCHA  
RGE USED TONER

50.D2063551  
SIDE PLATE:AROU  
ND THE PHOTOCO  
NDUCTOR:RIGHT:  
ASS'Y

U001	U002	U003	U004	U005	U006	U007	U008	U009	U010	U011	U012	U013
------	------	------	------	------	------	------	------	------	------	------	------	------

U009\_S002  
SIDE PLATE:AROUND THE PHOTOCONDUCTOR:LEFT:ASS'Y

23.AA153134  
BLADE LEFT SHIELD



24.AA153135  
DRUM RIGHT SHIELD



51.D2063555  
SIDE PLATE:AROUND THE PHOTOCONDUCTOR:LEFT:ASS'Y

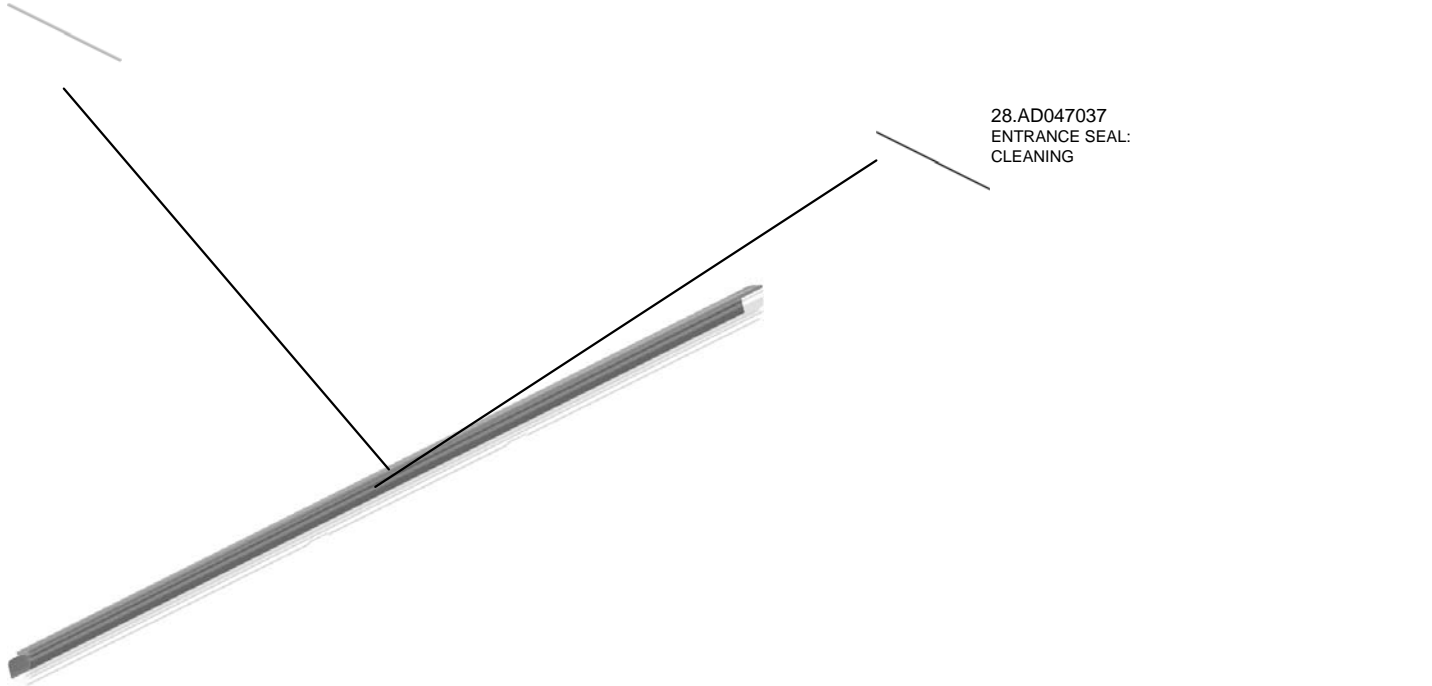
U001	U002	U003	U004	U005	U006	U007	U008	U009	U010	U011	U012	U013
------	------	------	------	------	------	------	------	------	------	------	------	------

U009\_S003  
CASING:CLEANING:ASS'Y

20.AA151961  
UPPER SEAL

53.D2063571  
CASING:CLEANIN  
G:ASS'Y

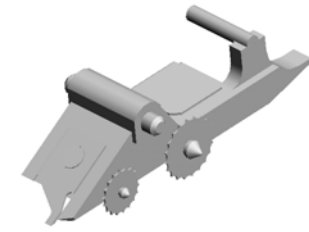
28.AD047037  
ENTRANCE SEAL:  
CLEANING



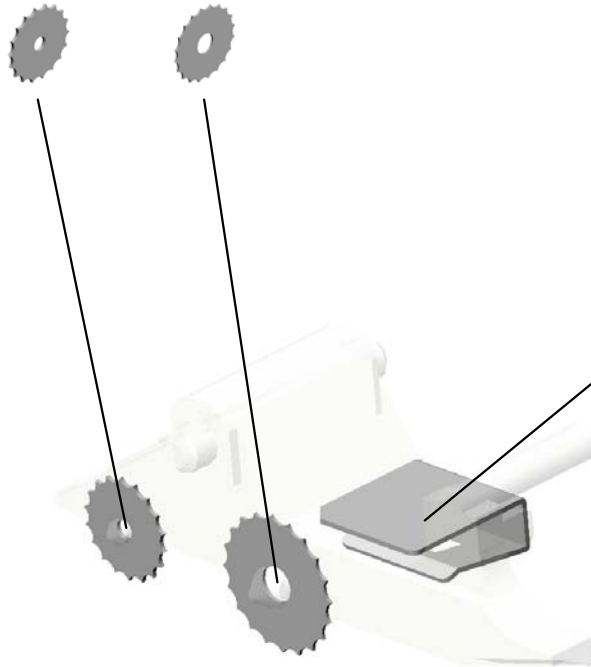
U001	U002	U003	U004	U005	U006	U007	U008	U009	U010	U011	U012	U013
------	------	------	------	------	------	------	------	------	------	------	------	------

U009\_S004  
PICKOFF PAWL:ASS'Y

16.A2673256    32.B0392333  
GUIDE:PAPER:LEA    GUIDE:PAPER:SEP  
DING EDGE:PICKO    ARATION  
FF PAWL



58.D2063610  
PICKOFF PAWL:AS  
S'Y

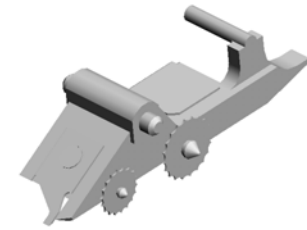


59.D2063613  
SPRING PLATE:PI  
CKOFF PAWL

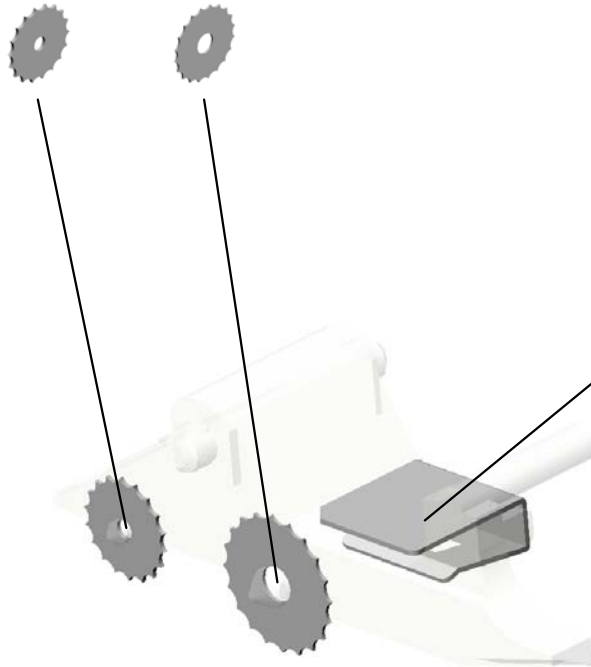
U001	U002	U003	U004	U005	U006	U007	U008	U009	U010	U011	U012	U013
------	------	------	------	------	------	------	------	------	------	------	------	------

U009\_S005  
PICKOFF PAWL:ASS'Y

16.A2673256 32.B0392333  
GUIDE:PAPER:LEA GUIDE:PAPER:SEP  
DING EDGE:PICKO ARATION  
FF PAWL



58.D2063610  
PICKOFF PAWL:AS  
S'Y



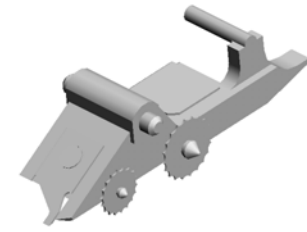
59.D2063613  
SPRING PLATE:PI  
CKOFF PAWL

U001	U002	U003	U004	U005	U006	U007	U008	U009	U010	U011	U012	U013
------	------	------	------	------	------	------	------	------	------	------	------	------

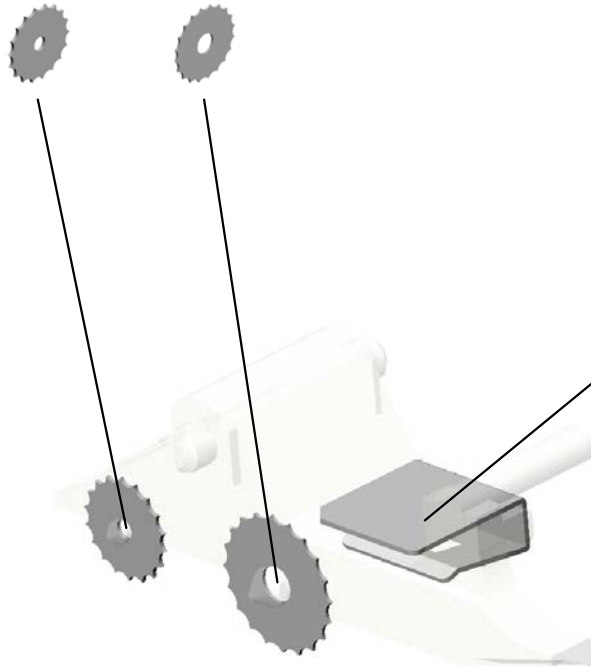


U009\_S006  
PICKOFF PAWL:ASS'Y

16.A2673256 32.B0392333  
GUIDE:PAPER:LEA GUIDE:PAPER:SEP  
DING EDGE:PICKO ARATION  
FF PAWL



58.D2063610  
PICKOFF PAWL:AS  
S'Y

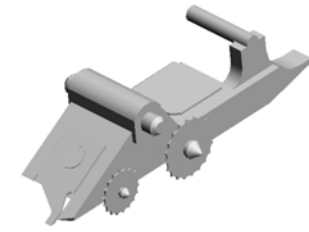


59.D2063613  
SPRING PLATE:PI  
CKOFF PAWL

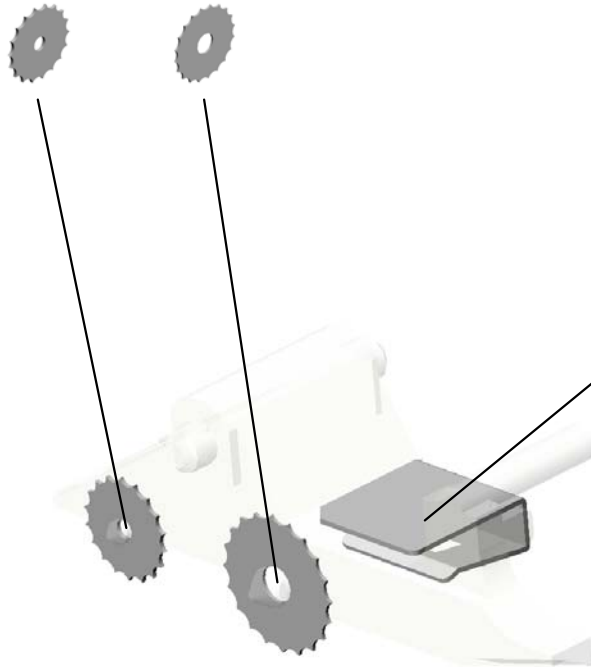
U001	U002	U003	U004	U005	U006	U007	U008	U009	U010	U011	U012	U013
------	------	------	------	------	------	------	------	------	------	------	------	------

U009\_S007  
PICKOFF PAWL:ASS'Y

16.A2673256    32.B0392333  
GUIDE:PAPER:LEA    GUIDE:PAPER:SEP  
DING EDGE:PICKO    ARATION  
FF PAWL



58.D2063610  
PICKOFF PAWL:AS  
S'Y



59.D2063613  
SPRING PLATE:PI  
CKOFF PAWL

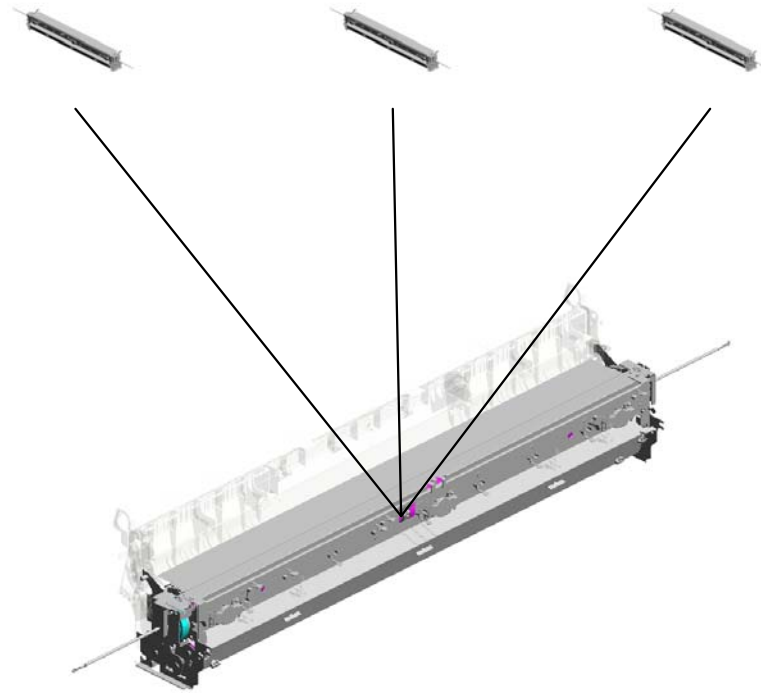
U001	U002	U003	U004	U005	U006	U007	U008	U009	U010	U011	U012	U013
------	------	------	------	------	------	------	------	------	------	------	------	------

# U010.FUSING

U010\_S001  
D2124051  
(NA):FUSING UNIT:230V:ASSY

U010\_S002  
D2124052  
(EU/CHN):FUSING UNIT:230V  
:ASSY

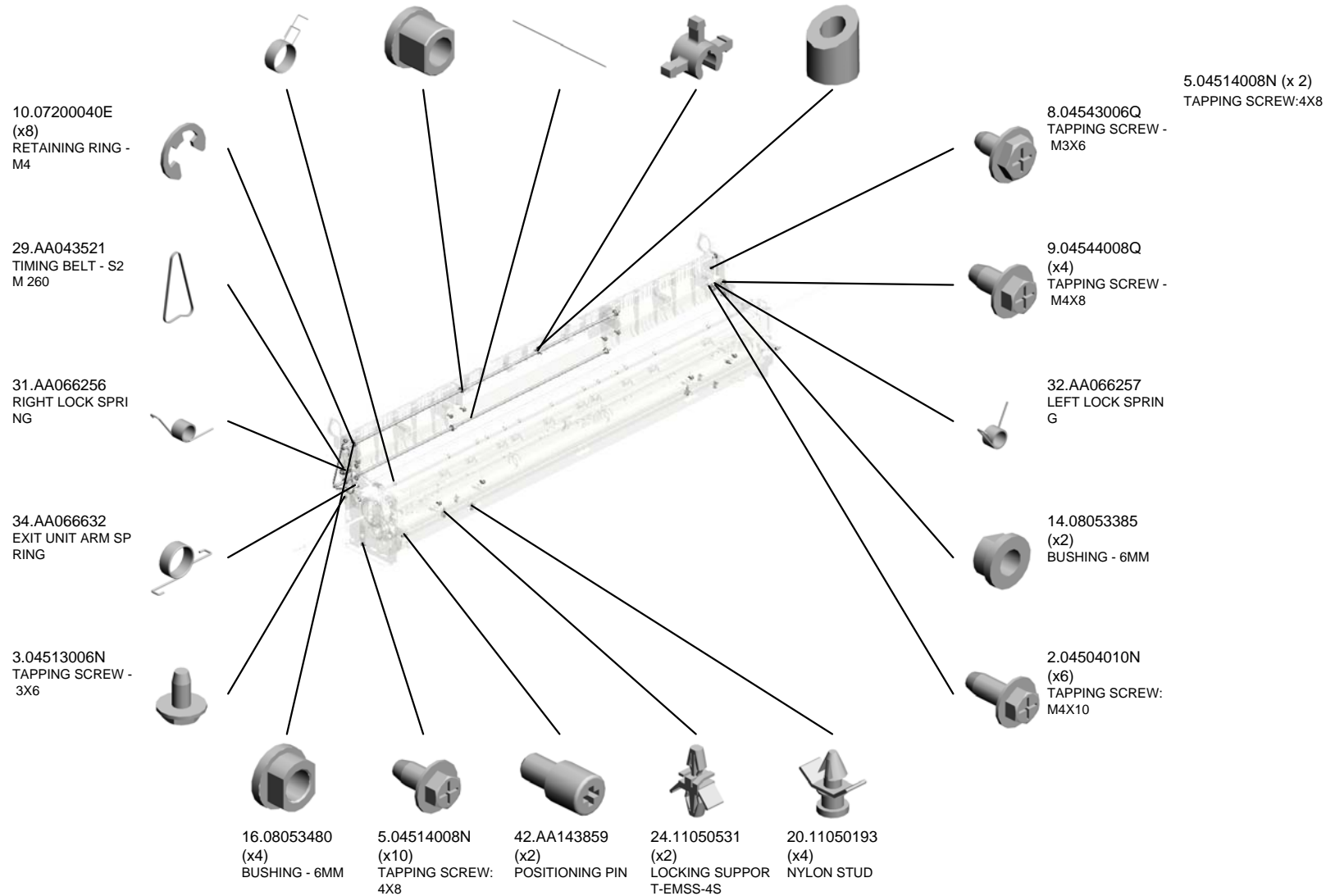
U010\_S003  
D2124052  
(EU/CHN):FUSING UNIT:230V  
:ASSY



U001	U002	U003	U004	U005	U006	U007	U008	U009	U010	U011	U012	U013
------	------	------	------	------	------	------	------	------	------	------	------	------

# U010 FUSING

- 30.AA066052 (x13) STRIPPER SPRING
- 35.AA082058 (x2) BUSHING - 6X10X9 MM
- 39.AA140802 (x2) EXIT ROLLER SHA FT
- 27.A1634235 TUBE HOLDER
- 28.A1634236 EXIT TUBE



U001	U002	U003	U004	U005	U006	U007	U008	U009	U010	U011	U012	U013
------	------	------	------	------	------	------	------	------	------	------	------	------

# U010 FUSING

- 68.B0104312 (x12) UPPER GUIDE
- 101.D1444484 (x13) SHOULDER SCREW - M3
- 67.B0104311 (x2) LEFT GUIDE
- 77.B1254479 (x4) LOWER DRIVE EXIT ROLLER
- 78.B1254481 (x4) UPPER DRIVE EXIT ROLLER



47.AB030474 (x2) PULLEY - 24T



113.D2124321 ARM:DRIVE:FUSING/PAPER EXIT UNIT:ASSY



46.AB017680 GEAR/PULLEY - 24Z/24T



71.B0104325 TIGHTENER SPRING PLATE



70.B0104324 IDLER GEAR - 30Z



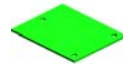
63.B0104178 (x4) FRONT FUSING ROLLER



64.B0104180 (x4) FUSING ROLLER BRACKET



103.D2065480 (x2) PCB:FPDB



69.B0104315 MIDDLE GUIDE - EXIT UNIT



54.AE044054 (x13) STRIPPER PAWLS



66.B0104309 (x2) GRIP CAP - EXIT UNIT



65.B0104308 (x2) EXIT UNIT GRIP



114.G0205626 PUSH SWITCH



81.B1884319 PAWL: PUSH SWITCH



80.B1884159 (x2) POSITIONING PLATE: LOCK

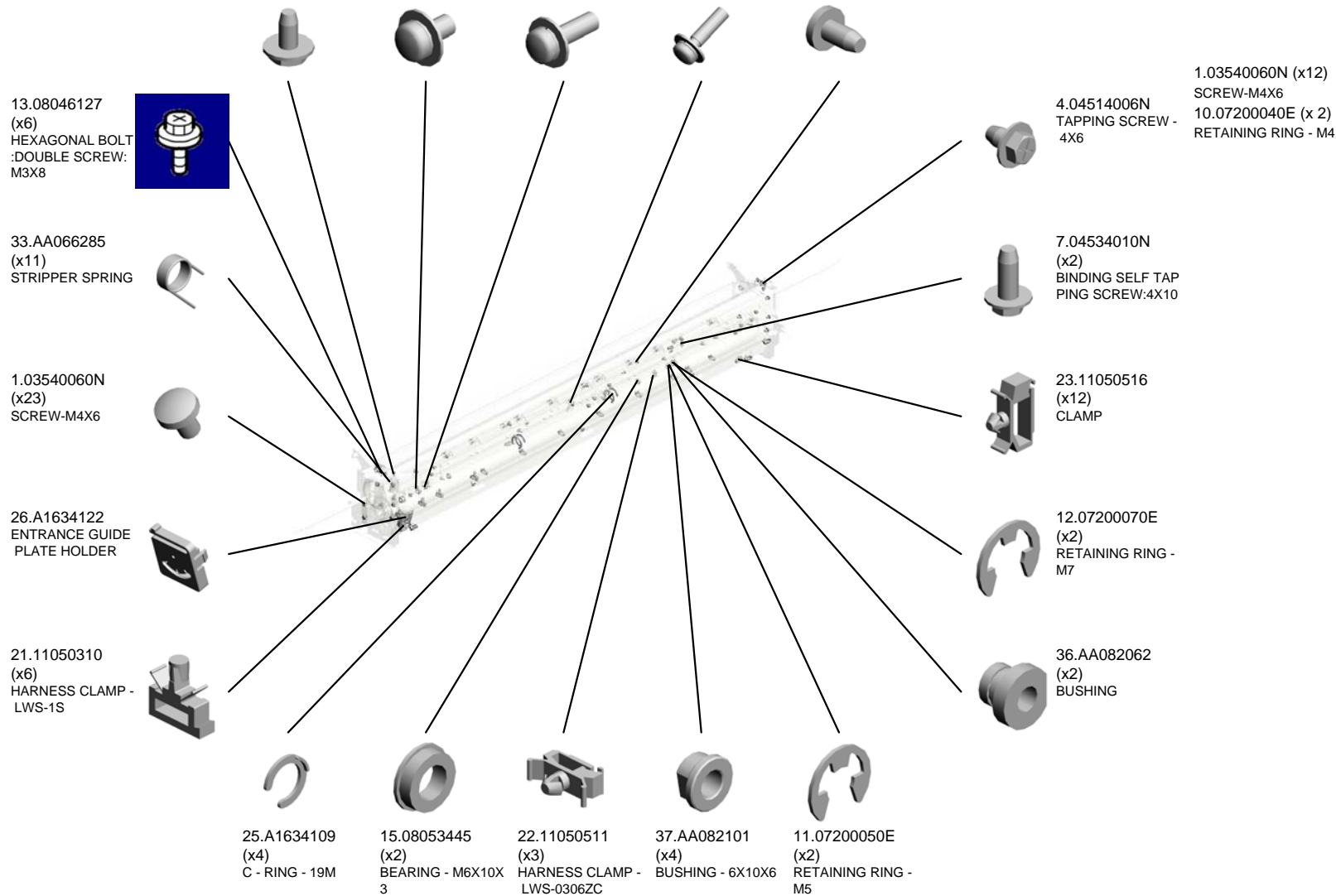


U010\_S001  
(NA):FUSING UNIT:230V:ASS'Y

- 3.04513006N (x6) TAPPING SCREW - 3X6
- 17.09543006N (x12) SCREW - M3X6
- 18.09543010N (x5) SCREW:POLISHED ROUND/SPRING:M 3X10
- 19.09543012N SCREW - M3X12
- 6.04533006N (x4) TAPPING SCREW - M3X6



104.D2124051  
(NA):FUSING UNIT:  
230V:ASS'Y



U010\_S001  
(NA):FUSING UNIT:230V:ASS'Y

72.B1044084  
(x3)  
THERMOSTAT HO  
USING

56.AW100073  
(x2)  
THERMISTOR

52.AE042047  
**FUSING CLEANING  
ROLLER**

48.AE011122  
**HOT ROLLER**

60.AX450042  
(NA):HEATER:120V  
:1150W



104.D2124051  
(NA):FUSING UNIT:  
230V:ASS'Y

41.AA143854  
(x2)  
SCREW



53.AE044031  
(x11)  
PRESSURE ROLLER  
STRIPPER



51.AE031056  
(x2)  
**BUSHING - FUSING**



45.AB014268  
GEAR:DRIVE:FUSING



40.AA143543  
(x4)  
SCREW:M4:DIA6X1  
.7:BLACK



49.AE020148  
**PRESSURE ROLLER:MM55**

57.AW100166  
THERMISTOR:FUSING

62.B0044087  
PLATE- THERMISTOR

58.AW110053  
THERMOSTAT - 19  
9C 250V/10A

50.AE030050  
(x2)  
BALL BEARING - 2  
0X32X7

38.AA120127  
DISCHARGE BRUSH:FUSING



59.AW110054  
THERMOSTAT - 20  
0C 250V/10A



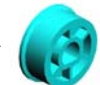
55.AW020139  
(x2)  
PAPER FEED SENSOR



43.AB010346  
(x2)  
GEAR - 48Z



44.AB010352  
(x2)  
GEAR - 40Z



U010\_S001  
(NA):FUSING UNIT:230V:ASS'Y



104.D2124051  
(NA):FUSING UNIT:  
230V:ASS'Y

79.B1884086  
(x3)  
COVER:THERMOS  
TAT

91.D0464129  
BRACKET:MOTOR:  
LEFT:ASS'Y

96.D0464188  
(x3)  
FUSING ENTRANC  
E GUIDE PLATE:A  
DJUSTING PLATE

89.D0464124  
(x2)  
BRACKET:THERMI  
STOR

87.B2864211  
FUSING COVER:U  
PPER

88.B2864214  
ARM:CLEANING R  
OLLER:LEFT

76.B1254156  
ELECTRODE PLAT  
E:THERMOSTAT

84.B2864137  
COVER:HEATER:L  
EFT

74.B1254130  
(x2)  
C-RING:MM50

95.D0464145  
BRACKET:PHOTOI  
NTERRUPTOR:LEF  
T

75.B1254145  
SHAFT:PRESSURE  
ROLLER

73.B1044086  
(x2)  
COVER - HOUSING  
THERMOSTAT

90.D0464128  
BRACKET:MOTOR:  
RIGHT:ASS'Y

93.D0464139  
(x2)  
SHAFT:PRESSURE  
SUB-UNIT

92.D0464136  
(x2)  
BRACKET:ANCHO  
R:PRESSURE

82.B2093882  
(x2)  
BUSHING - 6X8X10

85.B2864139  
COVER:HEATER

83.B2864132  
BRACKET:HEATER  
:RIGHT

86.B2864148  
(x2)  
HOLDER:PRESSU  
RE ROLLER

94.D0464144  
BRACKET:PHOTOI  
NTERRUPTOR:RIG  
HT

U001	U002	U003	U004	U005	U006	U007	U008	U009	U010	U011	U012	U013
------	------	------	------	------	------	------	------	------	------	------	------	------



U010\_S001  
 (NA):FUSING UNIT:230V:ASS'Y

106.D2124093 STAY:STRIPPER P  
 AWLS:PRESSURE  
 ROLLER:ASSY  
 100.D0934373 HEAT INSULATION  
 :COVER:FUSING  
 111.D2124161 STAY:FUSING:FRO  
 NT:ASSY



104.D2124051  
 (NA):FUSING UNIT:  
 230V:ASS'Y

98.D0934371  
 COVER:HARNES:  
 FUSING:LEFT



97.D0934096  
 (x2)  
 CUSHION:HEATER  
 :FUSING



108.D2124132  
 (x2)  
 LEVER:PRESSURE  
 :MIDDLE



112.D2124213  
 ARM:CLEANING R  
 OLLER:RIGHT



99.D0934372  
 COVER:HARNES:  
 FUSING:RIGHT



107.D2124131  
 (x2)  
 LEVER:PRESSURE



109.D2124146  
 FUSING ENTRANC  
 E GUIDE PLATE



102.D2064137  
 (x2)  
 STEPPER MOTOR:  
 ASSY



110.D2124147  
 (x2)  
 TENSION SPRING:  
 PRESSURE:FUSIN  
 G



U001	U002	U003	U004	U005	U006	U007	U008	U009	U010	U011	U012	U013
------	------	------	------	------	------	------	------	------	------	------	------	------

U010\_S002  
(EU/CHN):FUSING UNIT:230V:ASS'Y

3.04513006N  
(x6)  
TAPPING SCREW -  
3X6

17.09543006N  
(x12)  
SCREW - M3X6

18.09543010N  
(x5)  
SCREW:POLISHED  
ROUND/SPRING:M  
3X10

19.09543012N  
SCREW - M3X12

6.04533006N  
(x4)  
TAPPING SCREW -  
M3X6



105.D2124052  
(EU/CHN):FUSING  
UNIT:230V:ASS'Y

13.08046127  
(x6)  
HEXAGONAL BOLT  
:DOUBLE SCREW:  
M3X8



33.AA066285  
(x11)  
STRIPPER SPRING



1.03540060N  
(x23)  
SCREW-M4X6



26.A1634122  
ENTRANCE GUIDE  
PLATE HOLDER



21.11050310  
(x6)  
HARNESS CLAMP -  
LWS-1S



4.04514006N  
TAPPING SCREW -  
4X6



7.04534010N  
(x2)  
BINDING SELF TAP  
PING SCREW:4X10



23.11050516  
(x12)  
CLAMP



12.07200070E  
(x2)  
RETAINING RING -  
M7



36.AA082062  
(x2)  
BUSHING



25.A1634109  
(x4)  
C - RING - 19M



15.08053445  
(x2)  
BEARING - M6X10X  
3



22.11050511  
(x3)  
HARNESS CLAMP -  
LWS-0306ZC



37.AA082101  
(x4)  
BUSHING - 6X10X6



11.07200050E  
(x2)  
RETAINING RING -  
M5



1.03540060N (x12)  
SCREW-M4X6  
10.07200040E (x 2)  
RETAINING RING - M4

U010\_S002  
(EU/CHN):FUSING UNIT:230V:ASS'Y

72.B1044084  
(x3)  
THERMOSTAT HO  
USING

56.AW100073  
(x2)  
THERMISTOR

52.AE042047  
**FUSING CLEANING  
ROLLER**

48.AE011122  
**HOT ROLLER**

61.AX450043  
(EU/CHN):HEATER:  
230V:1150W



105.D2124052  
(EU/CHN):FUSING  
UNIT:230V:ASS'Y

41.AA143854  
(x2)  
SCREW



53.AE044031  
(x11)  
PRESSURE ROLLER  
STRIPPER



51.AE031056  
(x2)  
**BUSHING - FUSING**



45.AB014268  
GEAR:DRIVE:FUSING



40.AA143543  
(x4)  
SCREW:M4:DIA6X1  
.7:BLACK



49.AE020148  
**PRESSURE ROLLER:MM55**

57.AW100166  
THERMISTOR:FUSING

62.B0044087  
PLATE- THERMISTOR

58.AW110053  
THERMOSTAT - 19  
9C 250V/10A

50.AE030050  
(x2)  
BALL BEARING - 2  
0X32X7



38.AA120127  
DISCHARGE BRUSH:FUSING



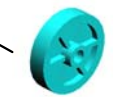
59.AW110054  
THERMOSTAT - 20  
0C 250V/10A



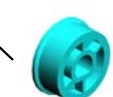
55.AW020139  
(x2)  
PAPER FEED SENSOR



43.AB010346  
(x2)  
GEAR - 48Z



44.AB010352  
(x2)  
GEAR - 40Z



U010\_S002  
(EU/CHN):FUSING UNIT:230V:ASS'Y

79.B1884086  
(x3)  
COVER:THERMOSTAT

91.D0464129  
BRACKET:MOTOR:  
LEFT:ASS'Y

96.D0464188  
(x3)  
FUSING ENTRANCE  
GUIDE PLATE:ADJUSTING PLATE

89.D0464124  
(x2)  
BRACKET:THERMOSTOR

87.B2864211  
FUSING COVER:UPPER

105.D2124052  
(EU/CHN):FUSING  
UNIT:230V:ASS'Y



88.B2864214  
ARM:CLEANING ROLLER:LEFT

76.B1254156  
ELECTRODE PLATE:THERMOSTAT

84.B2864137  
COVER:HEATER:LEFT

74.B1254130  
(x2)  
C-RING:MM50

95.D0464145  
BRACKET:PHOTO INTERRUPTOR:LEFT

75.B1254145  
SHAFT:PRESSURE ROLLER

73.B1044086  
(x2)  
COVER - HOUSING THERMOSTAT

90.D0464128  
BRACKET:MOTOR:RIGHT:ASS'Y

93.D0464139  
(x2)  
SHAFT:PRESSURE SUB-UNIT

92.D0464136  
(x2)  
BRACKET:ANCHOR:PRESSURE

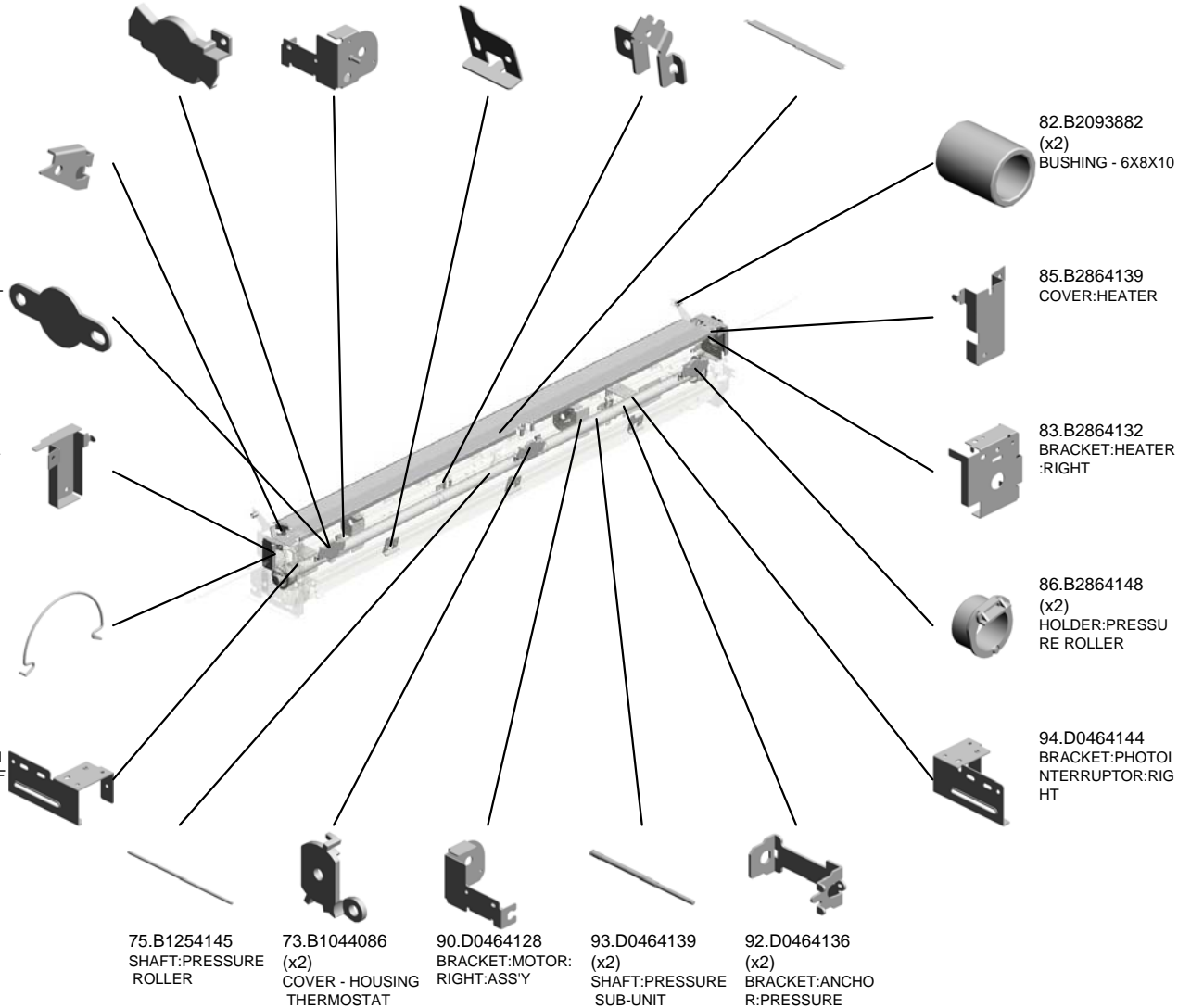
82.B2093882  
(x2)  
BUSHING - 6X8X10

85.B2864139  
COVER:HEATER

83.B2864132  
BRACKET:HEATER:RIGHT

86.B2864148  
(x2)  
HOLDER:PRESSURE ROLLER

94.D0464144  
BRACKET:PHOTO INTERRUPTOR:RIGHT

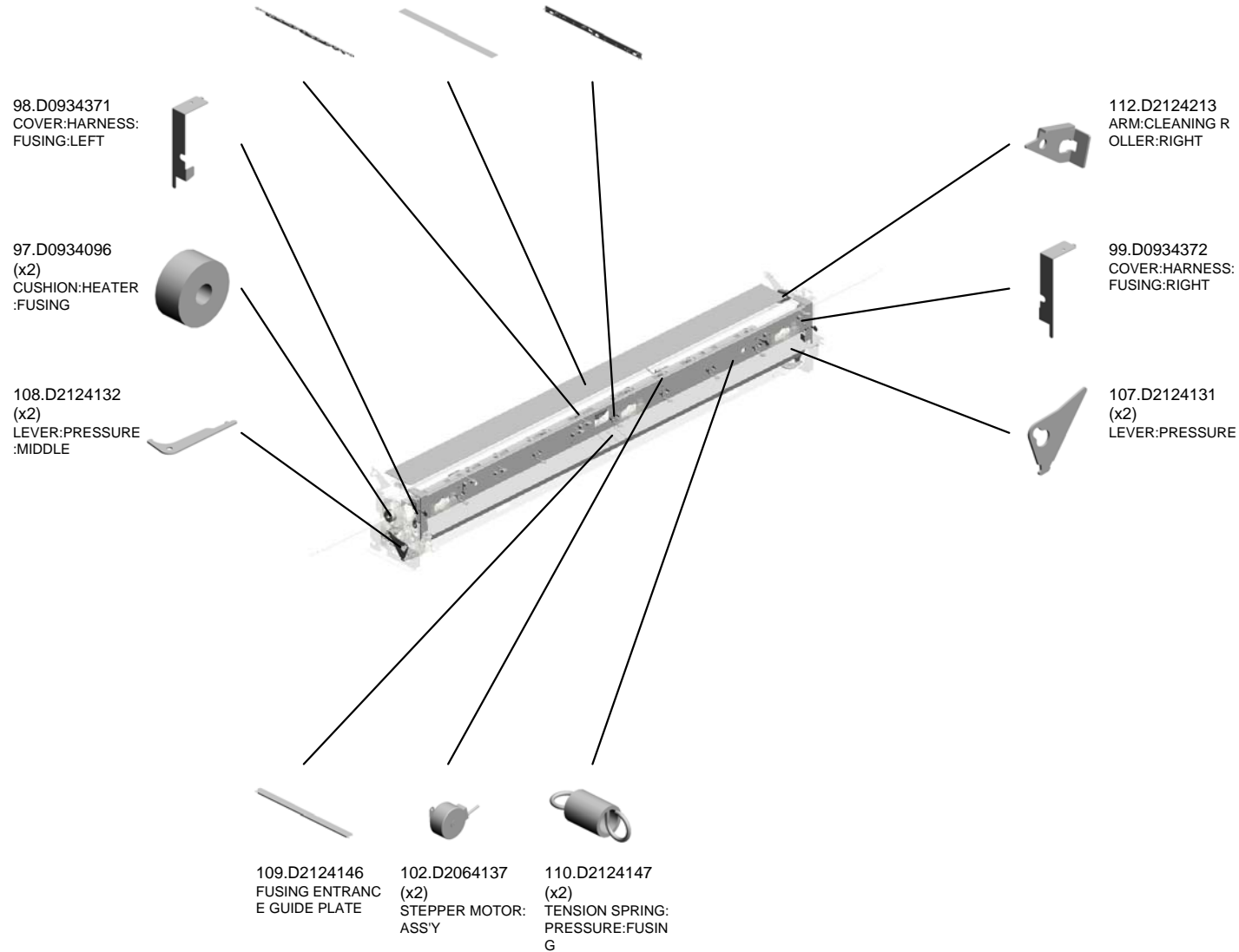


U010\_S002  
 (EU/CHN):FUSING UNIT:230V:ASS'Y

106.D2124093 STAY:STRIPPER P  
 AWLS:PRESSURE  
 ROLLER:ASSY  
 100.D0934373 HEAT INSULATION  
 :COVER:FUSING  
 111.D2124161 STAY:FUSING:FRO  
 NT:ASSY



105.D2124052  
 (EU/CHN):FUSING  
 UNIT:230V:ASS'Y



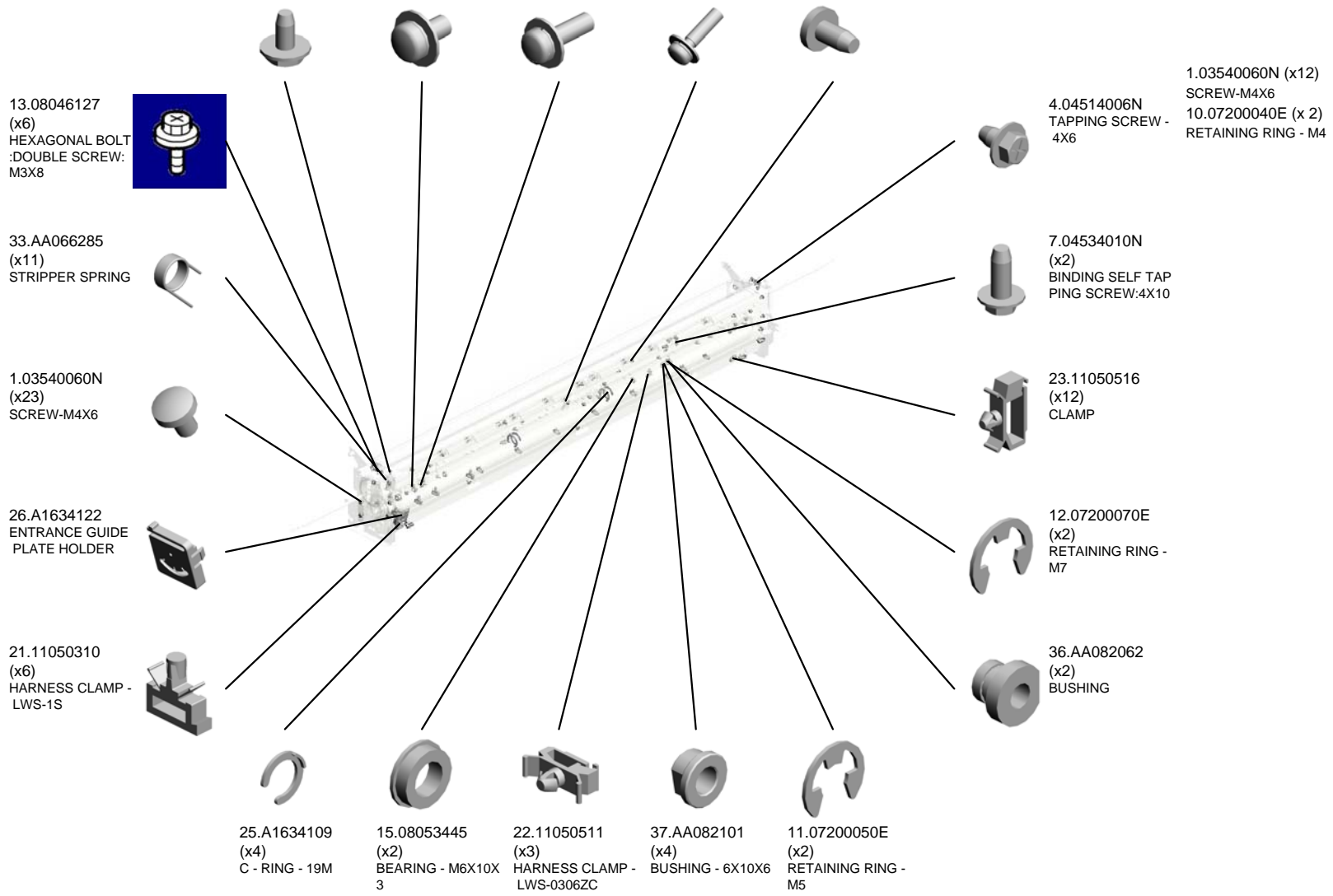
U001	U002	U003	U004	U005	U006	U007	U008	U009	U010	U011	U012	U013
------	------	------	------	------	------	------	------	------	------	------	------	------

U010\_S003  
(EU/CHN):FUSING UNIT:230V:ASS'Y

- 3.04513006N (x6) TAPPING SCREW - 3X6
- 17.09543006N (x12) SCREW - M3X6
- 18.09543010N (x5) SCREW:POLISHED ROUND/SPRING:M 3X10
- 19.09543012N SCREW - M3X12
- 6.04533006N (x4) TAPPING SCREW - M3X6



105.D2124052  
(EU/CHN):FUSING  
UNIT:230V:ASS'Y



U010\_S003  
(EU/CHN):FUSING UNIT:230V:ASS'Y

72.B1044084  
(x3)  
THERMOSTAT HO  
USING

56.AW100073  
(x2)  
THERMISTOR

52.AE042047  
**FUSING CLEANING  
ROLLER**

48.AE011122  
**HOT ROLLER**

61.AX450043  
(EU/CHN):HEATER:  
230V:1150W



105.D2124052  
(EU/CHN):FUSING  
UNIT:230V:ASS'Y

41.AA143854  
(x2)  
SCREW



53.AE044031  
(x11)  
PRESSURE ROLLER  
STRIPPER



51.AE031056  
(x2)  
**BUSHING - FUSING**



45.AB014268  
GEAR:DRIVE:FUSING



40.AA143543  
(x4)  
SCREW:M4:DIA6X1  
.7:BLACK



49.AE020148  
**PRESSURE ROLLER:MM55**

57.AW100166  
THERMISTOR:FUSING

62.B0044087  
PLATE- THERMISTOR

58.AW110053  
THERMOSTAT - 19  
9C 250V/10A

50.AE030050  
(x2)  
BALL BEARING - 2  
0X32X7

38.AA120127  
DISCHARGE BRUSH:FUSING



59.AW110054  
THERMOSTAT - 20  
0C 250V/10A



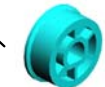
55.AW020139  
(x2)  
PAPER FEED SENSOR



43.AB010346  
(x2)  
GEAR - 48Z



44.AB010352  
(x2)  
GEAR - 40Z



U010\_S003  
(EU/CHN):FUSING UNIT:230V:ASS'Y



105.D2124052  
(EU/CHN):FUSING  
UNIT:230V:ASS'Y

79.B1884086  
(x3)  
COVER:THERMOS  
TAT

91.D0464129  
BRACKET:MOTOR:  
LEFT:ASS'Y

96.D0464188  
(x3)  
FUSING ENTRANC  
E GUIDE PLATE:A  
DJUSTING PLATE

89.D0464124  
(x2)  
BRACKET:THERMI  
STOR

87.B2864211  
FUSING COVER:U  
PPER

88.B2864214  
ARM:CLEANING R  
OLLER:LEFT

76.B1254156  
ELECTRODE PLAT  
E:THERMOSTAT

84.B2864137  
COVER:HEATER:L  
EFT

74.B1254130  
(x2)  
C-RING:MM50

95.D0464145  
BRACKET:PHOTOI  
NTERRUPTOR:LEF  
T

75.B1254145  
SHAFT:PRESSURE  
ROLLER

73.B1044086  
(x2)  
COVER - HOUSING  
THERMOSTAT

90.D0464128  
BRACKET:MOTOR:  
RIGHT:ASS'Y

93.D0464139  
(x2)  
SHAFT:PRESSURE  
SUB-UNIT

92.D0464136  
(x2)  
BRACKET:ANCHO  
R:PRESSURE

82.B2093882  
(x2)  
BUSHING - 6X8X10

85.B2864139  
COVER:HEATER

83.B2864132  
BRACKET:HEATER  
:RIGHT

86.B2864148  
(x2)  
HOLDER:PRESSU  
RE ROLLER

94.D0464144  
BRACKET:PHOTOI  
NTERRUPTOR:RIG  
HT

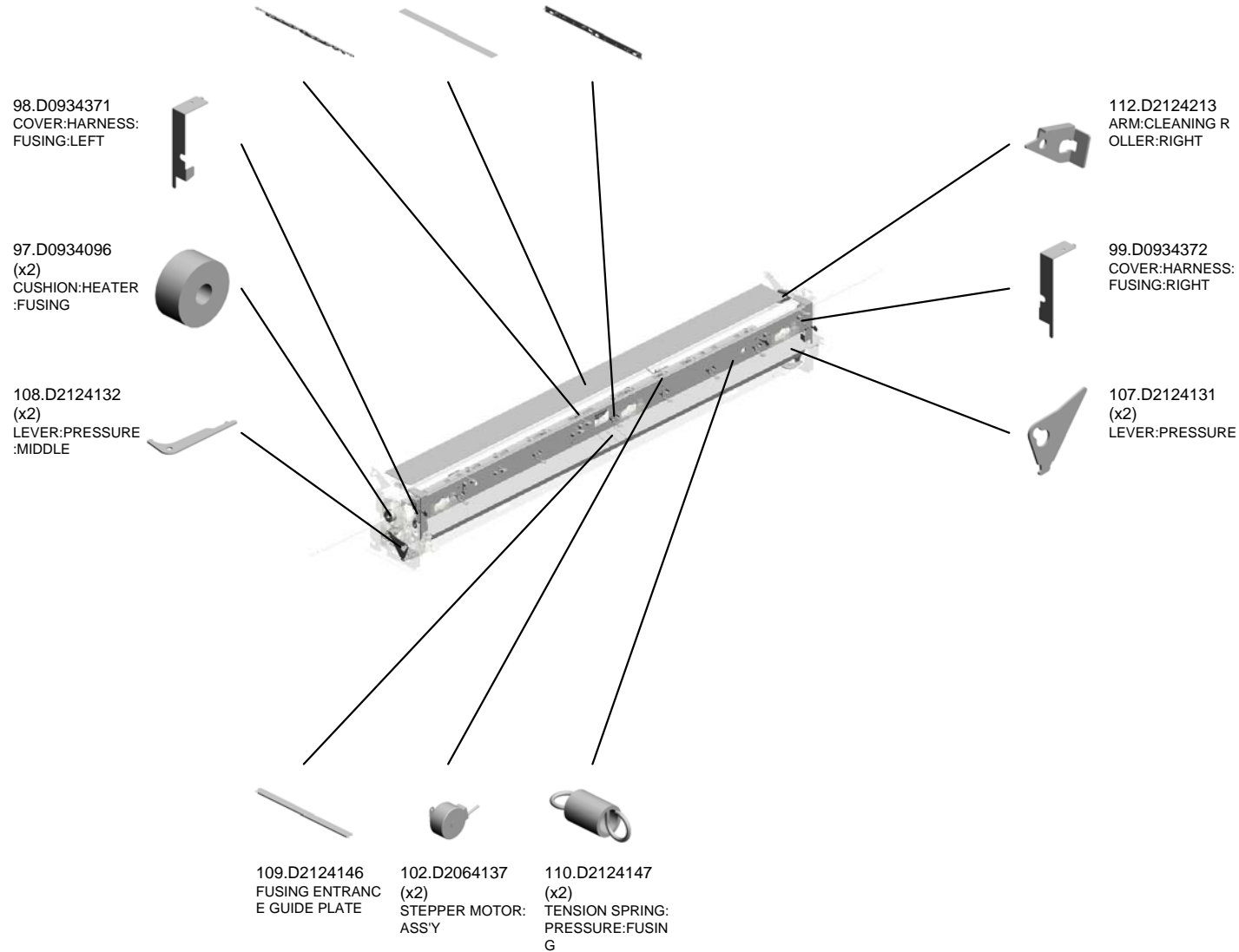


U010\_S003  
(EU/CHN):FUSING UNIT:230V:ASS'Y

106.D2124093 STAY:STRIPPER P  
AWLS:PRESSURE  
ROLLER:ASSY  
100.D0934373 HEAT INSULATION  
:COVER:FUSING  
111.D2124161 STAY:FUSING:FRO  
NT:ASSY

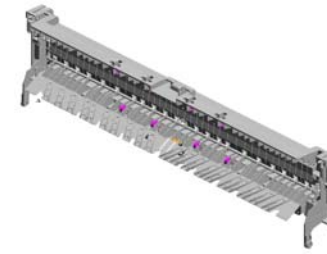


105.D2124052  
(EU/CHN):FUSING  
UNIT:230V:ASS'Y



U001	U002	U003	U004	U005	U006	U007	U008	U009	U010	U011	U012	U013
------	------	------	------	------	------	------	------	------	------	------	------	------

# U011 PAPER EXIT



- 18.AW010110 PAPER FEED SENSOR
- 15.AF025029 EXIT SEPARATION PAWL
- 10.11050511 (x4) HARNESS CLAMP - LWS-0306ZC
- 16.AF040576 (x8) DRIVEN EXIT ROLLER
- 20.B0104453 (x8) UPPER SPRING PLATE - EXIT ROLLER

5.04514006N (x3) TAPPING SCREW - 4X6

8.07200040E RETAINING RING - M4

14.AA082101 (x2) BUSHING - 6X10X6

6.04514008N TAPPING SCREW: 4X8

4.04513012N TAPPING SCREW: 3X12

2.04513005N (x2) TAPPING SCREW: M3X5

19.AX100041 DC SOLENOID:GATE PAWL:CHANGE

7.06230120E SPRING PIN - M3X12

3.04513006N TAPPING SCREW - 3X6

12.A1744387 GATE PAWL ARM

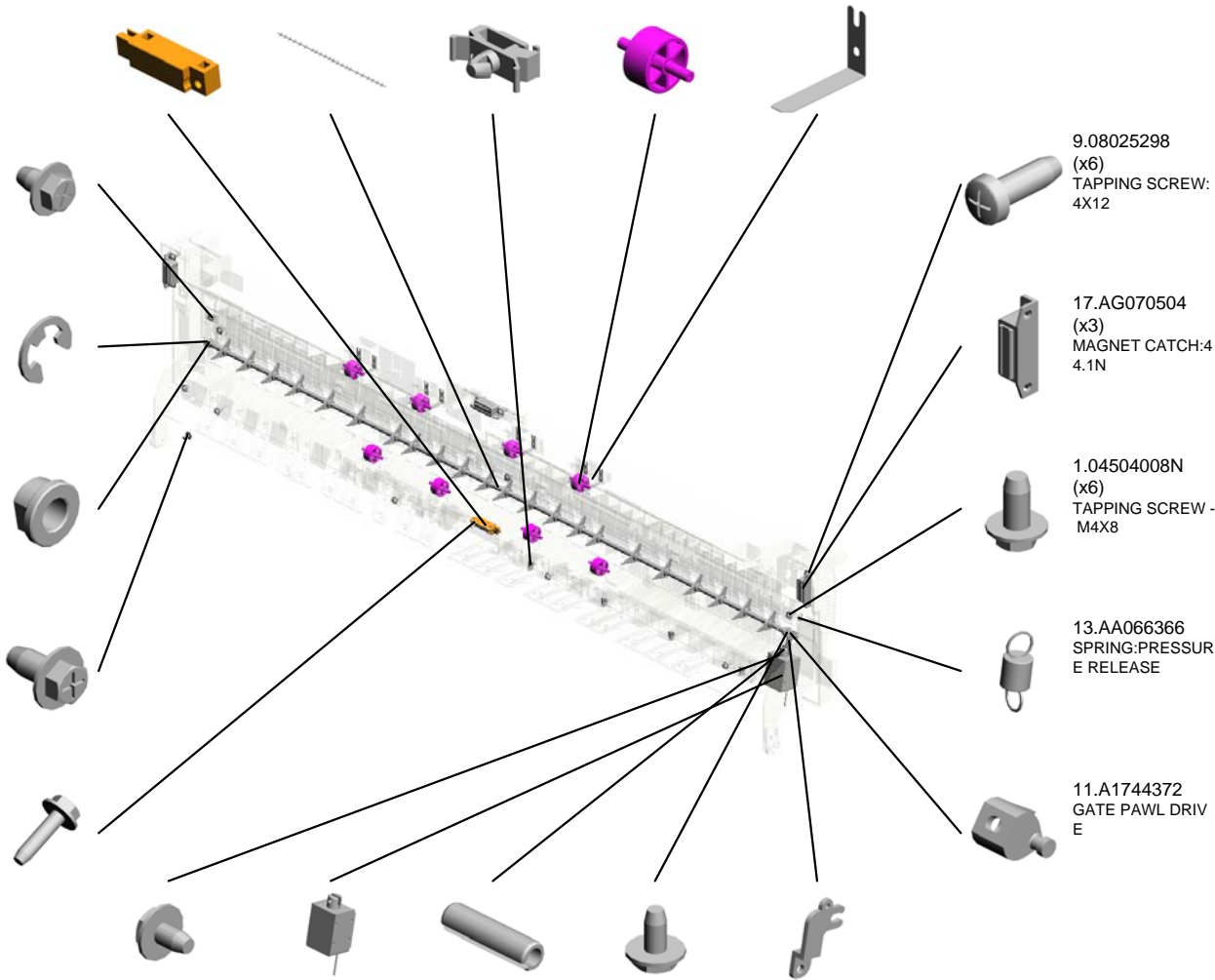
9.08025298 (x6) TAPPING SCREW: 4X12

17.AG070504 (x3) MAGNET CATCH:4 4.1N

1.04504008N (x6) TAPPING SCREW - M4X8

13.AA066366 SPRING:PRESSURE RELEASE

11.A1744372 GATE PAWL DRIVE

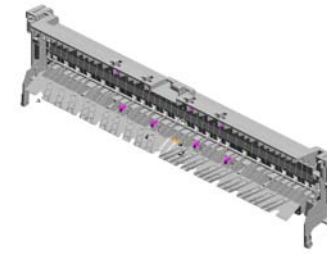


# U011 PAPER EXIT

30.D2124452  
COVER:EXIT

22.B0104458  
GATE PAWL PLAT  
E

24.B1884478  
GUIDE PLATE:EXIT



27.D2061376  
(x2)  
DECAL:H-TEMP W  
ARNING:FUSING



26.D0464484  
(x10)  
GUIDE:AUXILIARY:  
EXIT:ENTRANCE:L  
EFT



29.D2064499  
(x3)  
DISCHARGE BRUS  
H:300MM

21.B0104454  
(x4)  
LOWER SPRING P  
LATE - EXIT ROLLE  
R



23.B1884454  
(x4)  
SPRING PLATE:EXI  
T ROLLER:LOWER



28.D2064457  
GUIDE PLATE:EXIT  
:ENTRANCE:LOWE  
R

25.D0464483  
(x10)  
GUIDE:AUXILIARY:  
EXIT:ENTRANCE:R  
IGHT



# U012.ELECTRICAL

U012\_S001  
D0465664  
(EU):POWER SUPPLY CORD  
:250V:16A:ASS'Y

U012\_S002  
D2125689  
(NA):POWER SUPPLY CORD  
:125V:20A:ASS'Y

U012\_S003  
D2085685  
(CHN):POWER SUPPLY COR  
D:STOPPER:250V:ASS'Y DR  
AWING

U012\_S006  
D2065831  
HDD:ASS'Y

U012\_S005  
B1325835  
PANEL -INTERFACE

U012\_S004  
B1325835  
PANEL -INTERFACE

U001	U002	U003	U004	U005	U006	U007	U008	U009	U010	U011	U012	U013
------	------	------	------	------	------	------	------	------	------	------	------	------

# U012 ELECTRICAL

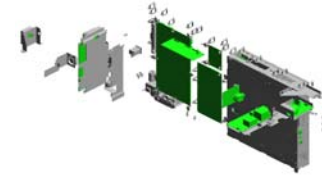
2.03150080N  
PAN HEAD SCREW  
:M5X8

10.07010050N  
WASHER: DIA5

12.07030050N  
SPRING WASHER:  
DIA5

22.11050490  
(x30)  
HARNESS CLAMP -  
IWS-2218

6.04513030N  
(x2)  
TAPPING SCREW:  
3X30



8.04543006Q  
(x5)  
TAPPING SCREW -  
M3X6

5.04513020N  
(x4)  
TAPPING SCREW:  
3X20

24.11050511  
(x2)  
HARNESS CLAMP -  
LWS-0306ZC

30.11050683  
(x2)  
CLAMP:LWSR-051  
1S

4.04513006N  
(x64)  
TAPPING SCREW -  
3X6

25.11050516  
(x8)  
CLAMP

28.11050531  
(x4)  
LOCKING SUPPOR  
T-EMSS-4S

31.11050687  
CLAMP:FC-30

21.11050487  
(x7)  
HARNESS CLAMP

1.03140200N  
(x2)  
PAN HEAD SCREW  
:M4X20

17.11050194  
PCB STUD

7.04514008N  
(x10)  
TAPPING SCREW:  
4X8

9.04544006Q  
(x3)  
TAPPING SCREW:  
4X6

16.11050193  
(x2)  
NYLON STUD

3.03603006N  
(x41)  
SCREW - M3X6

18.11050328  
(x2)  
HARNESS CLAMP -  
ES-0505

19.11050348  
CLAMP

20.11050462  
HARNESS CLAMP

23.11050508  
(x31)  
HARNESS CLAMP -  
LWS-0711

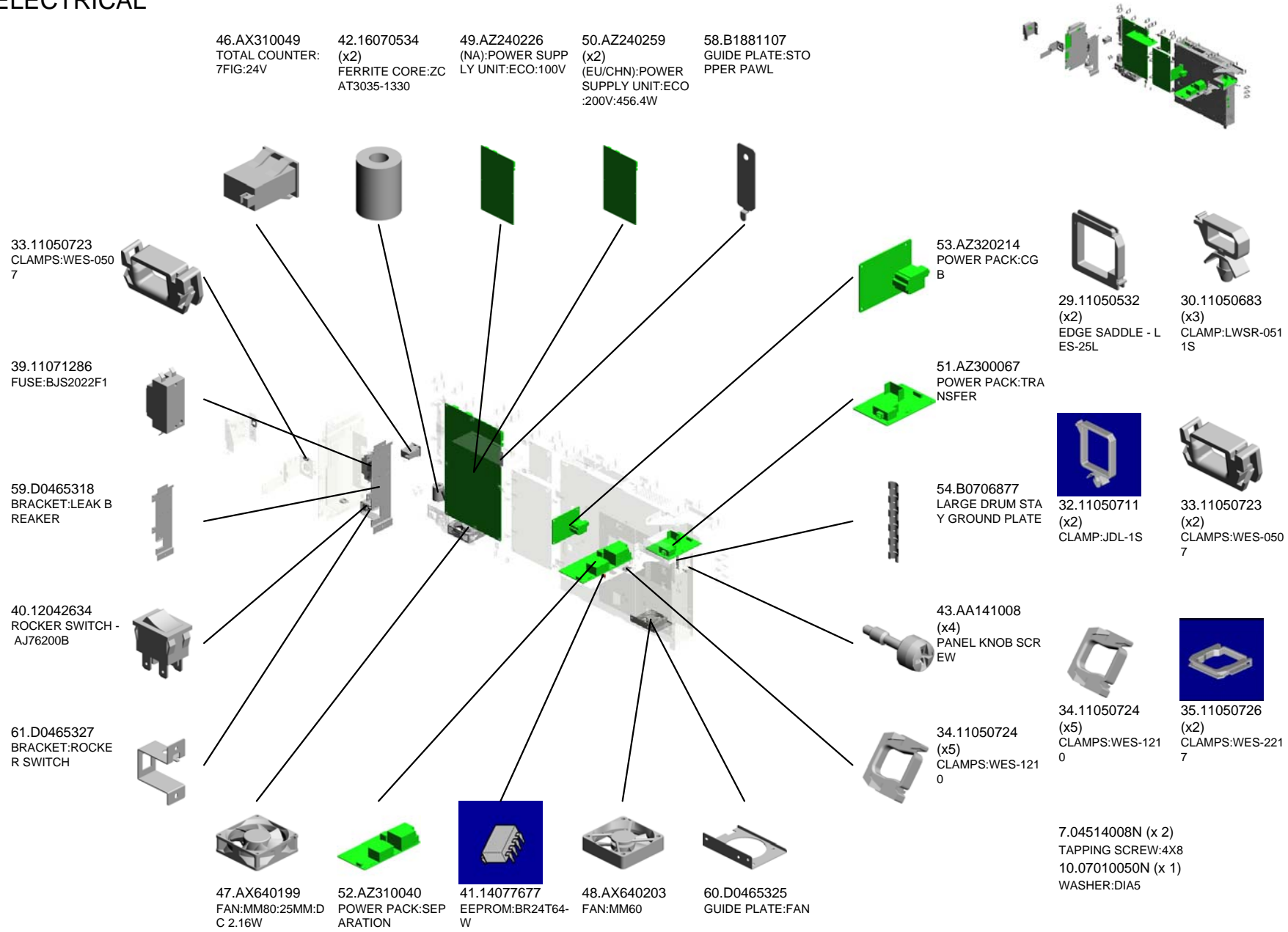
24.11050511  
(x20)  
HARNESS CLAMP -  
LWS-0306ZC

25.11050516  
(x13)  
CLAMP

26.11050517  
(x8)  
HARNESS CLAMP -  
LWS-2111Z

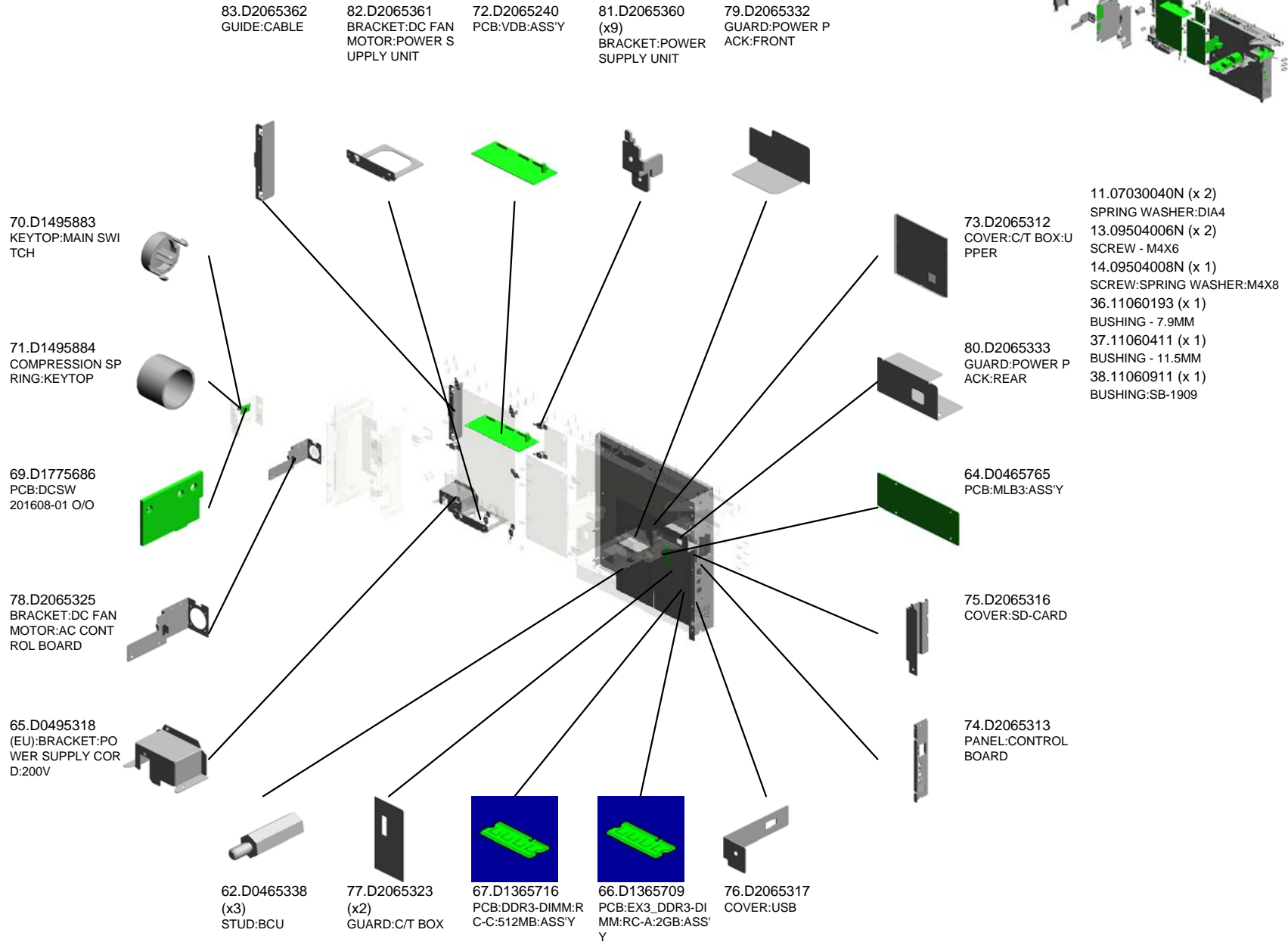
27.11050529  
(x3)  
NYLON CLAMP-EM  
T-3N

# U012 ELECTRICAL



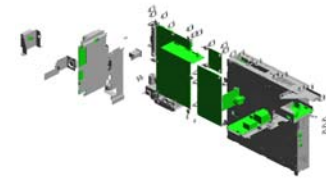
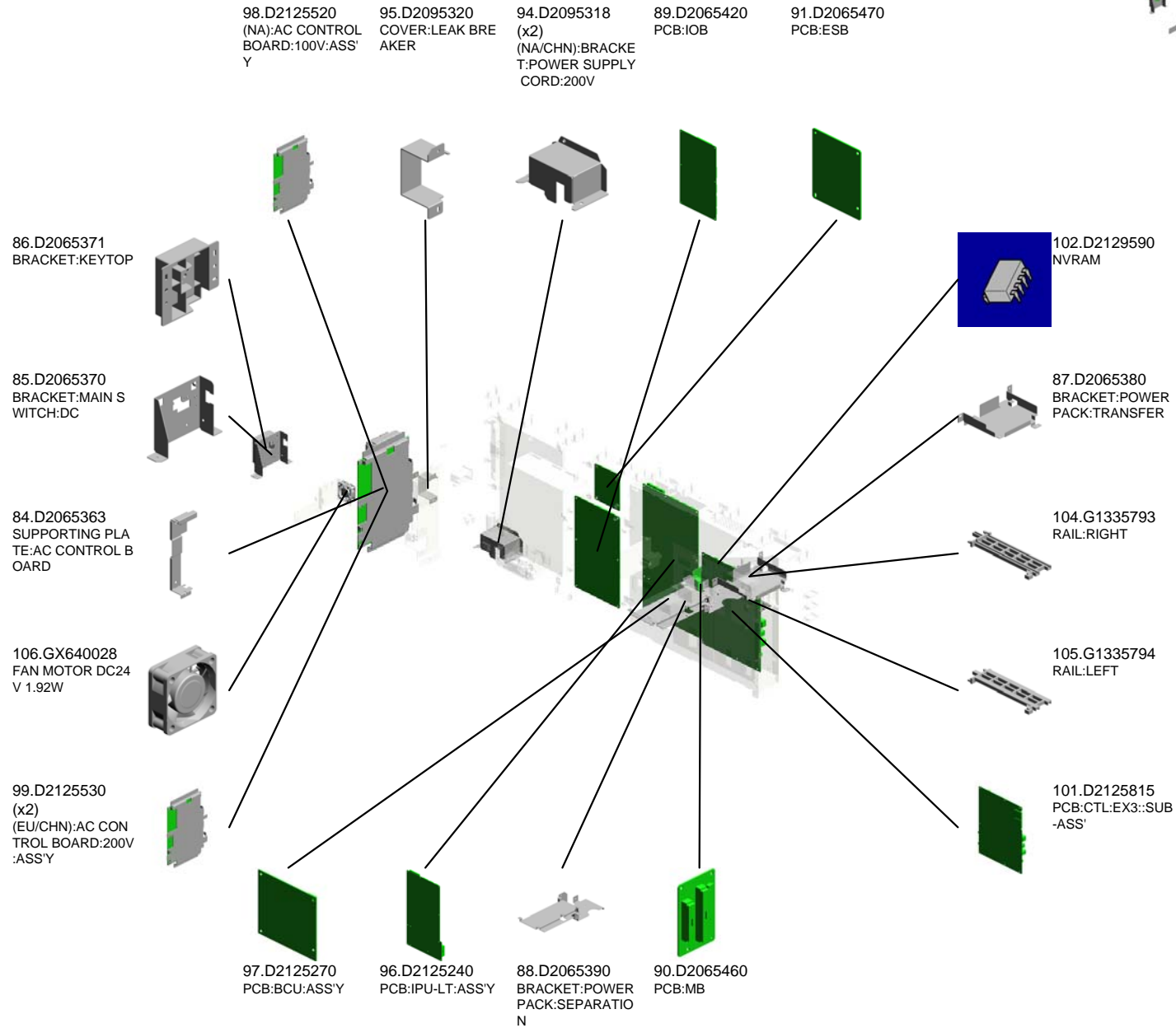
U001	U002	U003	U004	U005	U006	U007	U008	U009	U010	U011	U012	U013
------	------	------	------	------	------	------	------	------	------	------	------	------

# U012 ELECTRICAL



U001	U002	U003	U004	U005	U006	U007	U008	U009	U010	U011	U012	U013
------	------	------	------	------	------	------	------	------	------	------	------	------

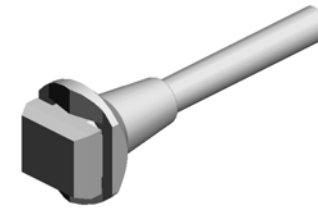
# U012 ELECTRICAL



U001	U002	U003	U004	U005	U006	U007	U008	U009	U010	U011	U012	U013
------	------	------	------	------	------	------	------	------	------	------	------	------



U012\_S001  
(EU):POWER SUPPLY CORD:250V:16A:ASS'Y



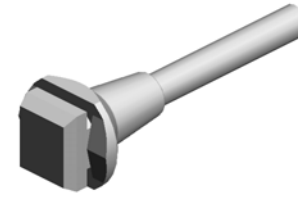
63.D0465664  
(EU):POWER SUPP  
LY CORD:250V:16A  
:ASS'Y



15.11050042  
(x5)  
WIRE BAND

U001	U002	U003	U004	U005	U006	U007	U008	U009	U010	U011	U012	U013
------	------	------	------	------	------	------	------	------	------	------	------	------

U012\_S002  
(NA):POWER SUPPLY CORD:125V:20A:ASS'Y



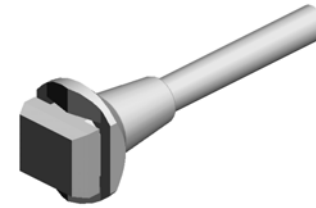
100.D2125689  
(NA):POWER SUPP  
LY CORD:125V:20A  
:ASS'Y



15.11050042  
(x5)  
WIRE BAND

U001	U002	U003	U004	U005	U006	U007	U008	U009	U010	U011	U012	U013
------	------	------	------	------	------	------	------	------	------	------	------	------

U012\_S003  
(CHN):POWER SUPPLY CORD:STOPPER:250V:ASS'Y DRAWING



93.D2085685  
(CHN):POWER SU  
PLY CORD:STOP  
PER:250V:ASS'Y D  
RAWING

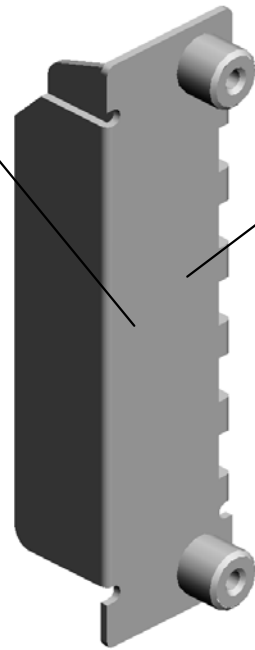


15.11050042  
(x5)  
WIRE BAND

U001	U002	U003	U004	U005	U006	U007	U008	U009	U010	U011	U012	U013
------	------	------	------	------	------	------	------	------	------	------	------	------

U012\_S004  
PANEL -INTERFACE

57.B1325836  
PANEL - INTERFAC  
E



55.B0706899  
GROUND PLATE:P  
ANEL

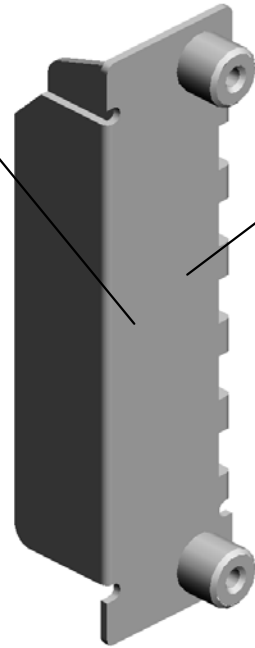


56.B1325835  
PANEL -INTERFAC  
E

U001	U002	U003	U004	U005	U006	U007	U008	U009	U010	U011	U012	U013
------	------	------	------	------	------	------	------	------	------	------	------	------

U012\_S005  
PANEL -INTERFACE

57.B1325836  
PANEL - INTERFAC  
E



55.B0706899  
GROUND PLATE:P  
ANEL

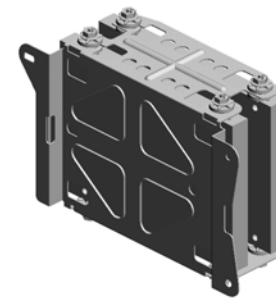


56.B1325835  
PANEL -INTERFAC  
E

U001	U002	U003	U004	U005	U006	U007	U008	U009	U010	U011	U012	U013
------	------	------	------	------	------	------	------	------	------	------	------	------

U012\_S006  
HDD:ASS'Y

44.AA143848  
(x8)  
STEPPED SCREW  
- M3

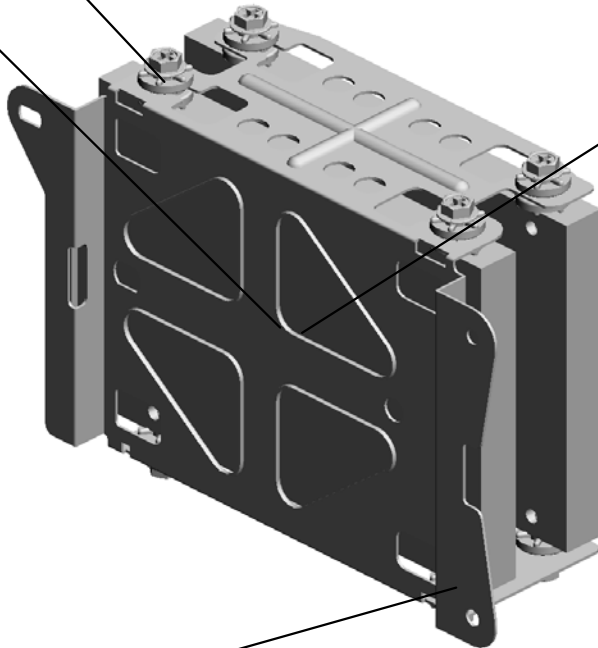
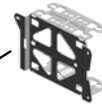


92.D2065831  
HDD:ASS'Y

103.D2235308  
(x2)  
HDD:320GB:MN500  
S-2:WD3200LUCT



68.D1365978  
BRACKET:HDD



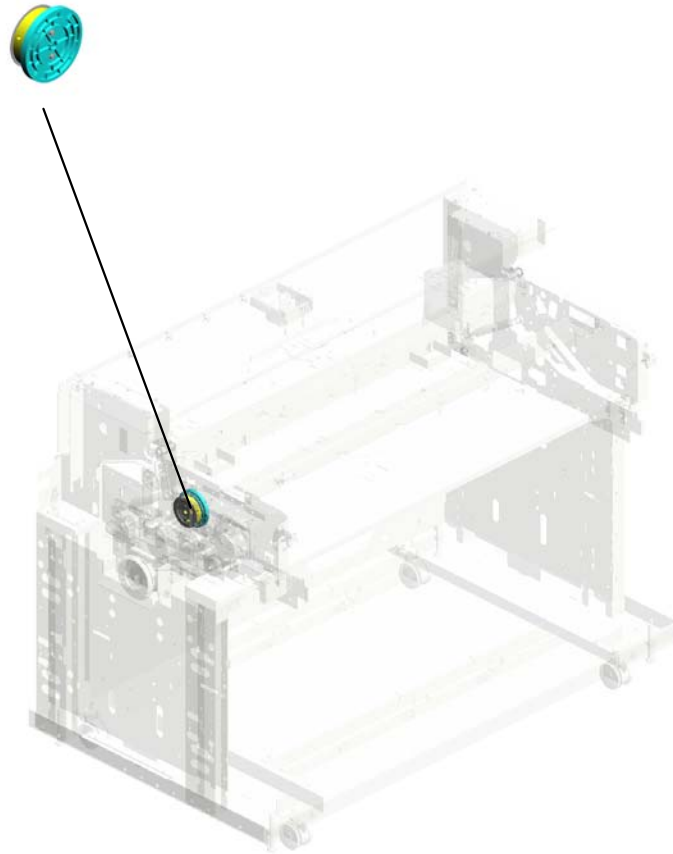
45.AA161167  
(x8)  
BUSHING:HDD



U001	U002	U003	U004	U005	U006	U007	U008	U009	U010	U011	U012	U013
------	------	------	------	------	------	------	------	------	------	------	------	------

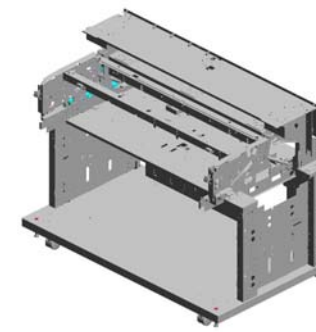
# U013.MAIN DRIVE/MAIN FRAME

U013\_S001  
D2061180  
TIMING PULLEY:T102:ASSY



U001	U002	U003	U004	U005	U006	U007	U008	U009	U010	U011	U012	U013
------	------	------	------	------	------	------	------	------	------	------	------	------

# U013 MAIN DRIVE/MAIN FRAME



- 23.11050530 NYLON CLAMP-EM T-4N
- 18.09544008N (x4) SCREW - M4X8
- 4.04513014N (x2) TAPPING SCREW: 3X14
- 6.04514008N (x121) TAPPING SCREW: 4X8
- 8.04544006Q (x10) TAPPING SCREW: 4X6

22.11050516  
(x5)  
CLAMP



15.07413706  
BALL BEARING - 6  
X10X3



12.07200040E  
RETAINING RING -  
M4



17.08050106  
RETAINING RINGS  
-E:SILENCER:DIA6



19.11050409  
(x4)  
CARD SPACER - 6.  
4MM



3.04513006N  
(x6)  
TAPPING SCREW -  
3X6



1.03603008N  
(x2)  
SCREW:M3X8



16.08050104  
RETAINING RINGS  
-E:SILENCER:DIA4



5.04513025N  
(x3)  
TAPPING SCREW:  
M3X25



20.11050487  
(x8)  
HARNESS CLAMP



14.07200080E  
(x2)  
RETAINING RING -  
M8



11.07010050N  
(x18)  
WASHER:DIA5



21.11050511  
(x5)  
HARNESS CLAMP -  
LWS-0306ZC



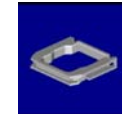
13.07200060E  
(x14)  
RETAINING RING -  
M6



9.04544008Q  
(x9)  
TAPPING SCREW -  
M4X8



27.11050724  
CLAMPS:WES-121  
0

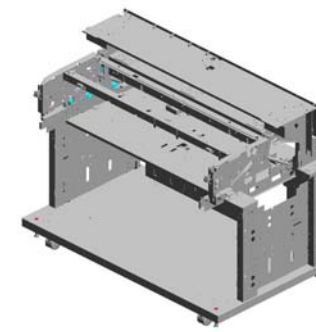


28.11050726  
CLAMPS:WES-221  
7

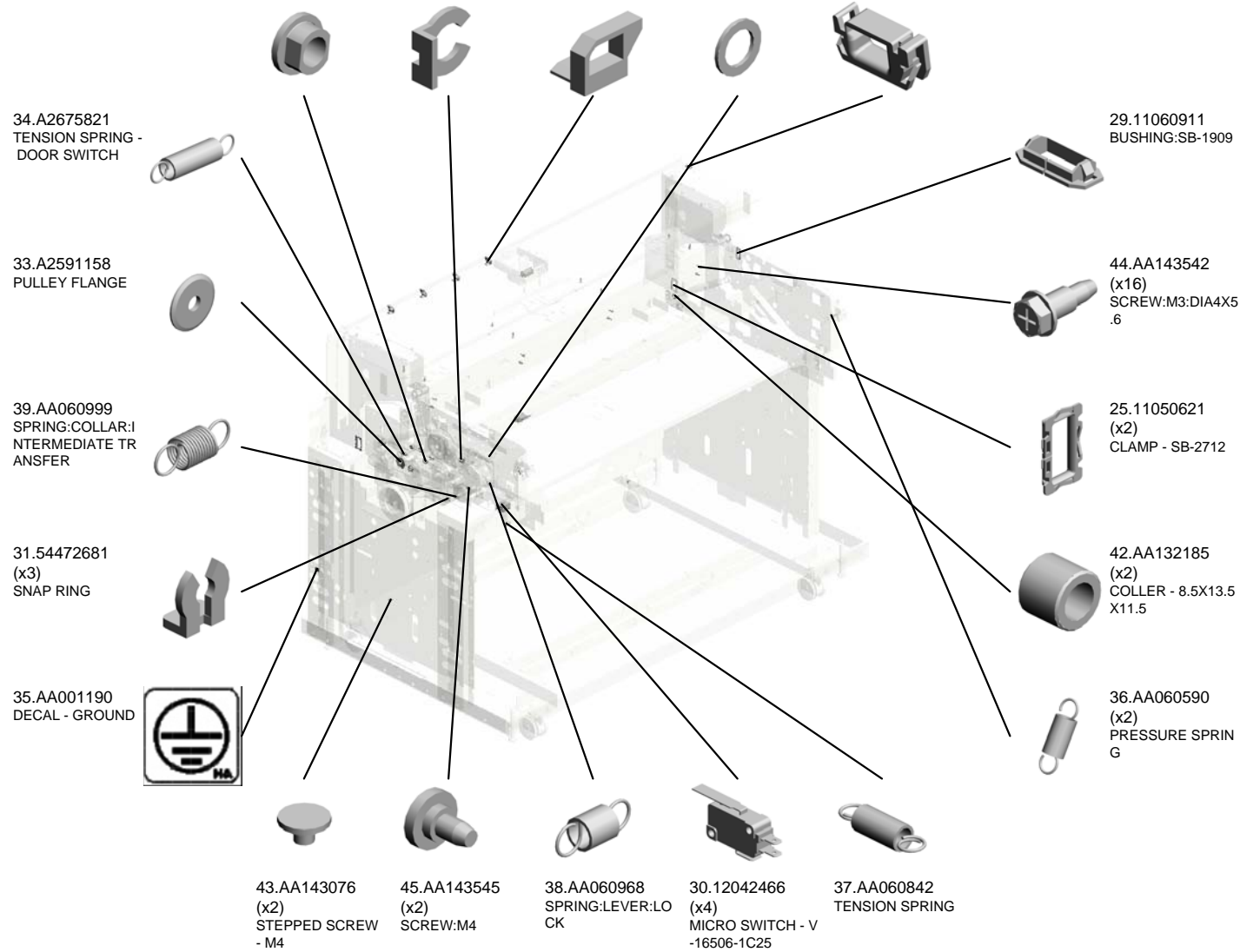
3.04513006N (x 1)  
TAPPING SCREW - 3X6  
6.04514008N (x 2)  
TAPPING SCREW:4X8



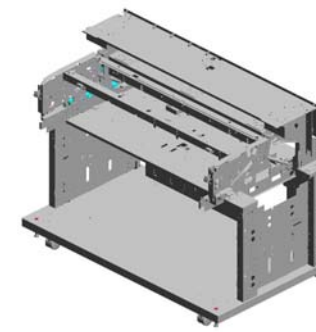
# U013 MAIN DRIVE/MAIN FRAME



- 40.AA082070 (x2) BUSHING - 8X16X7
- 32.A222724 EXTERNAL CIRCLIP - MM8
- 24.11050598 (x4) CLAMP:LWSS-1N
- 41.AA132025 SPACER - 1X8X12
- 26.11050723 CLAMPS:WES-0507



# U013 MAIN DRIVE/MAIN FRAME



55.AB017870 GEAR:COUPLING: T48:Z39  
 51.AA148603 VACUUM DRIVE S HAFT  
 53.AB013681 GEAR - 22Z  
 49.AA143859 POSITIONING PIN  
 54.AB014267 GEAR - 46Z

65.AX060479 BRUSHLESS MOT OR:33W:Z9

57.AB017873 GEAR:Z67/Z22

56.AB017871 GEAR:TIMING PULLEY:Z48/T25

58.AB030681 TIMING PULLEY - 4 1T

63.AX060372 BRUSHLESS MOT OR:45W:Z18

46.AA143546 ANCHOR:CASSETTE SENSOR

64.AX060478 (x2) BRUSHLESS MOT OR:24W:Z9

48.AA143802 SCREW:6X1.7

61.AH012031 (x4) CASTER:1470N

47.AA143547 (x4) HEXAGONAL BOLT :M12X80

50.AA145821 (x2) HINGE PIN

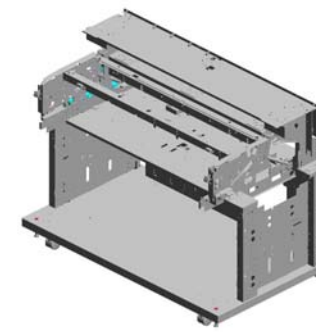
66.B1881093 RIGHT HINGE BRACKET

52.AA148606 (x2) UPPER SHAFT - GAS SPRING

60.AG070504 (x2) MAGNET CATCH:4 4.1N

62.AW020198 (x2) PHOTOINTERRUPTOR:LG2A14NL1

# U013 MAIN DRIVE/MAIN FRAME



- 68.B1881096 GUIDE PLATE:HIN  
GE:LEFT
- 79.B1884463 GUIDE:EXHAUST:P  
LATE
- 78.B1884195 HEAT INSULATION  
:FUSING:UPPER
- 75.B1881127 HEAT INSULATION  
:FUSING:FRONT
- 77.B1881365 (x3)  
GASKET:4X7X40

73.B1881115  
BRACKET:FIX:FUSI  
NG UNIT:LEFT

84.B8904149  
TIMING BELT:B60S  
3M420

76.B1881175  
TIGHTENER:DRIVE  
:FUSING

85.C2322024  
GEAR - 16Z

81.B2861146  
PULLEY:TIGHTENE  
R

80.B2861139  
FLANGE:PULLEY

83.B8902063  
(x2)  
CAP:BASE

70.B1881101  
STOPPER PAWL:L  
OCK:LEFT

72.B1881114  
BRACKET:FIX:FUSI  
NG UNIT:RIGHT

74.B1881122  
(x2)  
GAS SPRING:325N

67.B1881095  
GUIDE PLATE:HIN  
GE:RIGHT

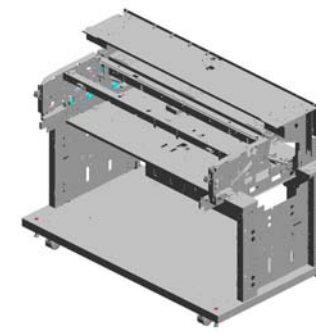
86.C6856661  
(x4)  
TAPPING SCRER:E  
XTERIOR:KM

71.B1881107  
(x2)  
GUIDE PLATE:STO  
PPER PAWL

69.B1881100  
RIGHT LOCK STOP  
PER

87.D0461056  
BRACKET:LATCH:  
RIGHT

# U013 MAIN DRIVE/MAIN FRAME



98.D0461144  
GEAR:Z90/Z75

93.D0461078  
GUIDE PLATE:MIC  
RO SWITCH

95.D0461081  
PLATE:GUIDE:EXH  
AUST

94.D0461080  
GUIDE:EXHAUST:P  
LATE:RIGHT

96.D0461082  
GUIDE:PLATE:FRO  
NT

97.D0461137  
BRACKET:MOTOR:  
FUSING:ASS'Y

92.D0461074  
BRACKET:GAS SP  
RING:LEFT LOWE  
R:ASS'Y

99.D0461145  
GEAR:Z90/Z25

106.D0461163  
BRACKET:TIGHTE  
NER:DEVELOPME  
NT:ASS'Y

105.D0461161  
TIMING BELT:100S  
3M447

107.D0461165  
SPACER:DIA8XDIA  
14X2.2

104.D0461159  
TIMING PULLEY:G  
EAR:T42/Z17:ASS'Y

102.D0461153  
BRACKET:COUPLI  
NG:DEVELOPME  
NT

100.D0461149  
GEAR:Z50/Z28:ASS  
'Y

90.D0461071  
BRACKET:MICRO  
SWITCH

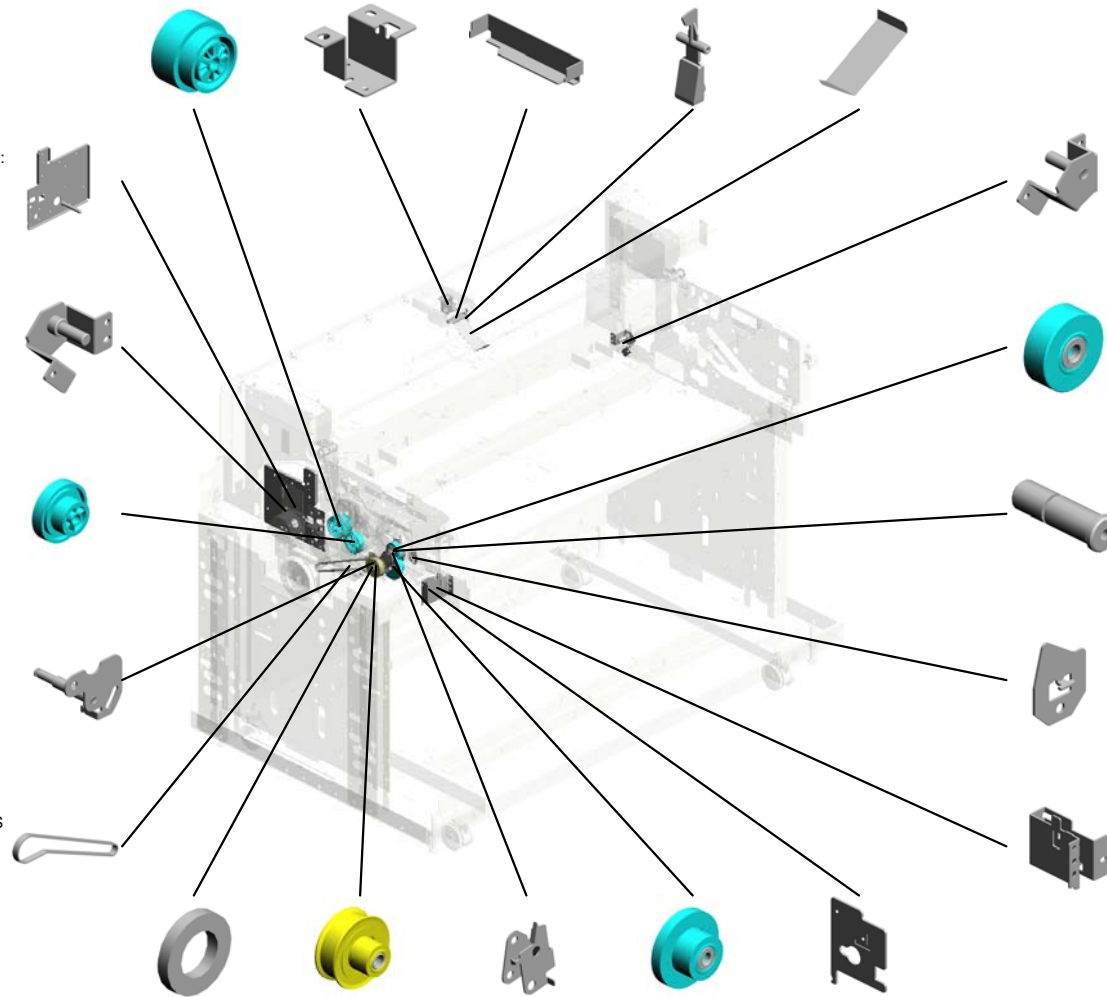
88.D0461058  
BRACKET:GAS SP  
RING:RIGHT LOWE  
R:ASS'Y

101.D0461151  
GEAR:Z36:ASS'Y

103.D0461154  
SHAFT:COUPLING:  
DEVELOPMENT

91.D0461072  
INNER COVER:DE  
VELOPMENT:COU  
PLING

89.D0461070  
BRACKET:LATCH:L  
EFT



# U013 MAIN DRIVE/MAIN FRAME

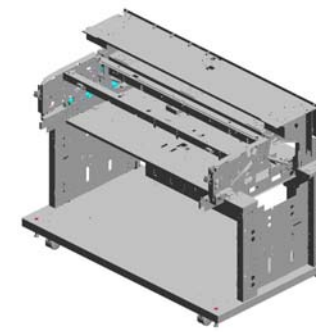
118.D2061190  
GUIDE:HARNES  
S:DRIVE

128.G0604243  
TENSION SPRING:  
PRESSURE:44N

109.D0461182  
TIMING BELT:135S  
2M338

111.D2061078  
COVER:MICRO SW  
ITCH:EXIT

120.D2061375  
DECAL:WARNING (HIGH TEMPERATU  
RE):FUSING/PAPE  
R EXIT UNIT



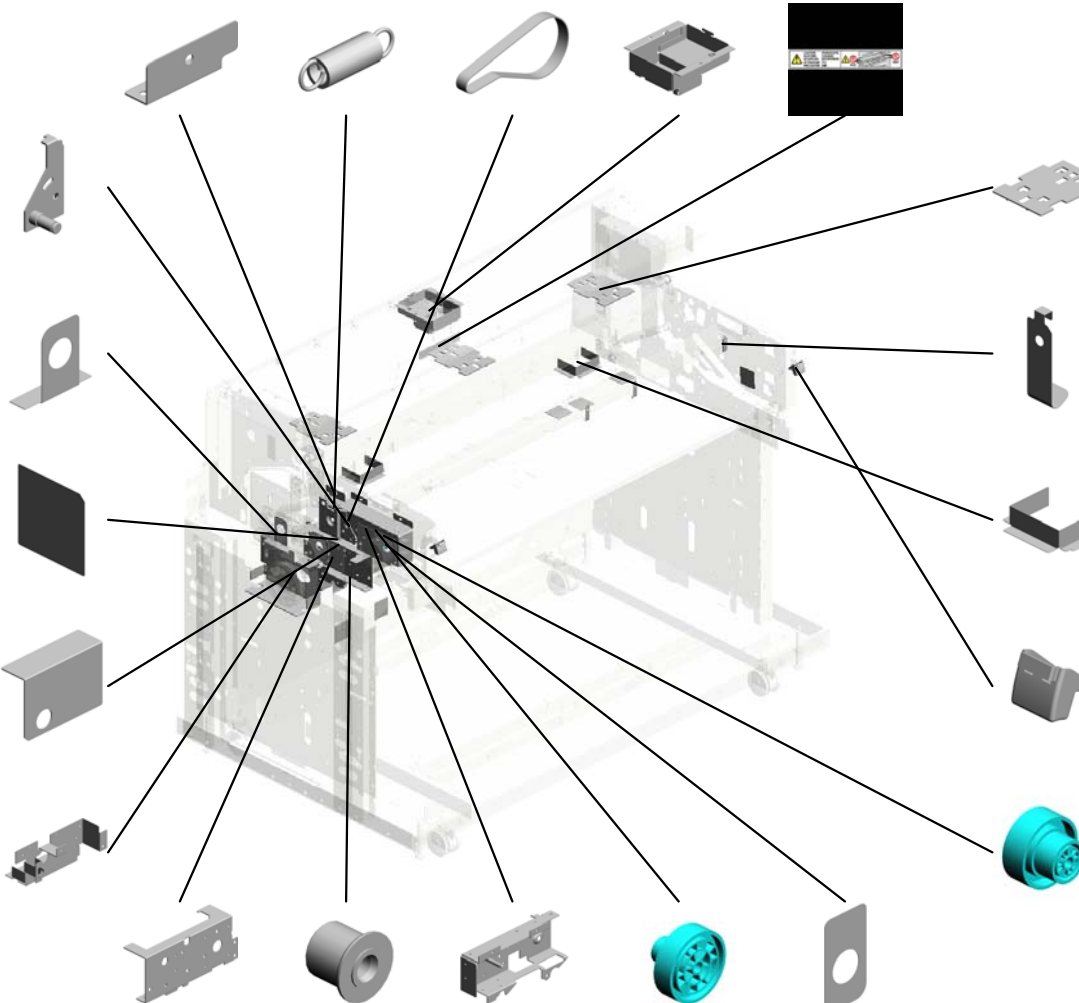
119.D2061192  
BRACKET:TIGHTE  
NER:DRUM:ASSY

123.D2065331  
GUARD:DC MOTO  
R:FUSING

121.D2065322  
(x9)  
GUARD:IOB

125.D2065337  
GUARD:DC MOTO  
R:REGISTRATION

114.D2061156  
BRACKET:MOTOR:  
DEVELOPMENT



126.D2121087  
(x3)  
SPACER:TRAY:EXI  
T:REAR

113.D2061103  
(x3)  
GROUND PLATE:D  
VELOPMENT

124.D2065336  
(x2)  
GUARD:MOTOR C  
ONTROL BOARD

112.D2061094  
(x2)  
LEVER:STOPPER  
PAWL

110.D0461190  
GEAR:Z100/Z59

115.D2061176  
BRACKET:MOTOR:  
REGISTRATION R  
OLLER

127.G0204444  
(x2)  
TIGHTENER

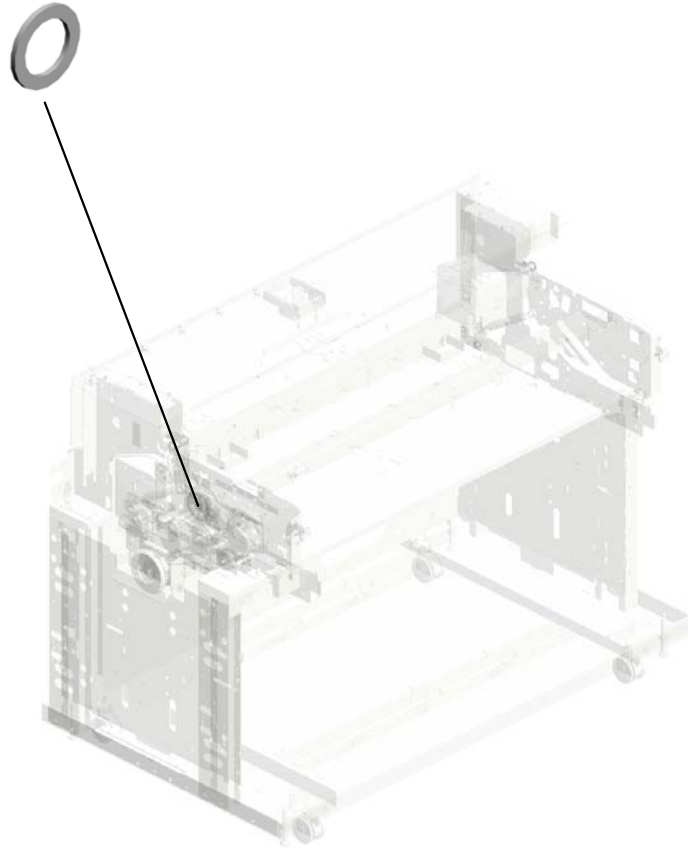
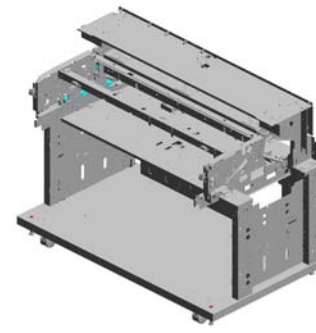
117.D2061187  
BRACKET:MOTOR:  
DRUM:ASSY

108.D0461181  
GEAR:TIMING PUL  
LEY:Z100/T31

122.D2065330  
GUARD:DC MOTO  
R:DRUM

# U013 MAIN DRIVE/MAIN FRAME

129.G0803918  
SPACER - M8.2X0.  
8

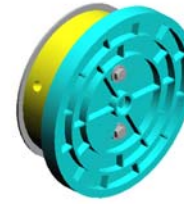


U001	U002	U003	U004	U005	U006	U007	U008	U009	U010	U011	U012	U013
------	------	------	------	------	------	------	------	------	------	------	------	------

U013\_S001  
TIMING PULLEY:T102:ASS'Y

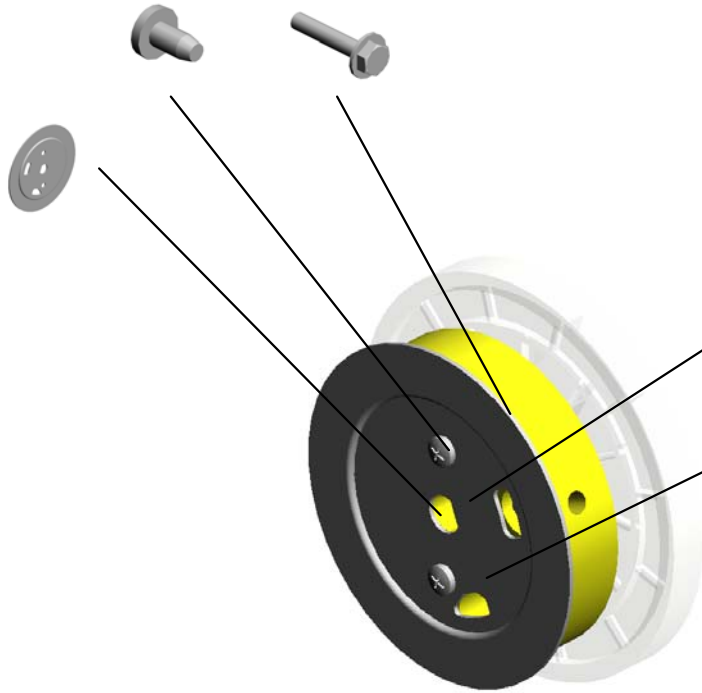
7.04533006N (x2)  
TAPPING SCREW - M3X6

2.03603016N (x2)  
SCREW - M3X16



116.D2061180  
TIMING PULLEY:T1  
02:ASS'Y

82.B2861151  
FLANGE:TIMING P  
ULLEY



59.AB030812  
TIMING PULLEY:T1  
02

10.05740040E  
(x2)  
HEXAGON HEADL  
ESS SET SCREW -  
M4X4

U001	U002	U003	U004	U005	U006	U007	U008	U009	U010	U011	U012	U013
------	------	------	------	------	------	------	------	------	------	------	------	------

# ACCESSORIES



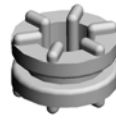
1.04543006Q  
(x5)  
TAPPING SCREW - M3X6



2.AA001564  
PLATE:LOGOTYPE:RIC



3.AA066681  
(x4)  
SPRING:ORIGINAL TRAY



4.AA161167  
(x6)  
BUSHING:HDD



5.B0651374  
CLOTH - DF EXPOSURE GLASS



6.B1321226  
(x4)  
HOLDER:STAND



7.B3532771  
(x4)  
ROLL PAPER HOLDER



8.B3532772  
(x4)  
PAPER HOLDER STOPPER



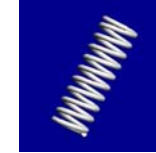
9.B3532773  
(x4)  
PAPER HOLDER LOCK LEVER



10.B3532774  
(x4)  
ARM STOPPER PAWL



11.B3532775  
(x12)  
PAPER HOLDER PAWL



12.B3532776  
(x4)  
LOCK COMPRESSION SPRING



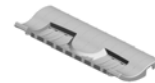
13.B3532777  
(x4)  
UPPER ARM STOPPER PAWL



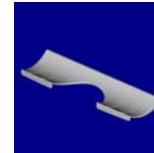
14.B3532778  
(x4)  
DECAL - PAPER HOLDER CHART



15.D0026189  
(x2)  
TAPPING SCREW:M3.4X6



16.D0464461  
COPY TRAY:FRONT



17.D0464462  
COPY TRAY:FRONT:AUXILIARY



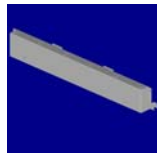
18.D0464463  
(x3)  
GUIDE:COPY TRAY:INNER



19.D0464468  
(x3)  
GUIDE:PLATE:REAR



20.D0464469  
STOPPER:COPY TRAY:REAR



21.D0464471  
HOLDER:COPY TRAY:REAR:PEEN



22.D1241731  
(x4)  
GUIDE:ORIGINAL



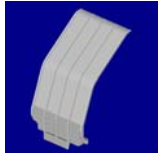
23.D1241733  
(x4)  
GUIDE PLATE:GUIDE:ORIGINAL



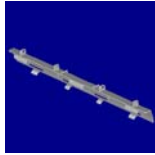
24.D1241737  
(x2)  
COPY TRAY:UPPER



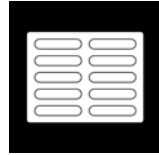
# ACCESSORIES



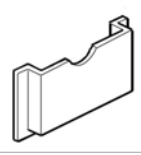
25.D1241739  
(x2)  
ORIGINAL TRAY



26.D1241741  
HOLDER:ORIGINAL TRAY



27.D1291568  
SHEET:APPLICATION:MULTI-LANGU  
AGE:BLANK



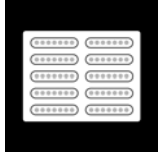
28.D1318521  
HOLDER:OPERATING INSTRUCTION  
S:B5:ASS'Y



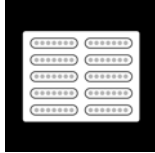
29.D2581317  
[A]  
HOLDER:GLASS:CLEANER:ASS'Y  
201610-02 O/O



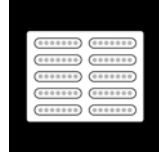
30.D1491553  
SHEET:LOGO



31.D1491575  
(NA):SHEET:APPLICATION:MULTI-LA  
NGUAGE



32.D1491576  
(EU):SHEET:APPLICATION:MULTI-LA  
NGUAGE



33.D1491577  
(CHN):SHEET:APPLICATION:MULTI-L  
NGUAGE



34.D1496852  
DECAL:MAIN SWITCH:ON-STANDBY



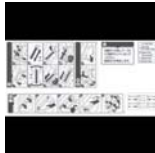
35.D1542560  
(x2)  
DECAL:CAUTION:MASS:PAPER FEE  
D



36.D1545342  
DECAL:DEHUMIDIFIER:SWITCH



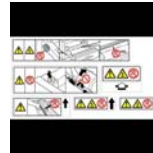
37.D1937656  
(x2)  
(EU/NA):SHEET:EULA:20LANG:JP



38.D2061360  
DECAL:CAPTION:MULTI-LANGUAGE



39.D2061361  
DECAL:CAPTION:ROLL PAPER:MULT  
I-LANGUAGE



40.D2061362  
DECAL:CAUTION CHART:ROLL PAP  
ER:MULTI-LANGUAGE



41.D2061365  
DECAL:PAPER TRAY:DESIGN SKET  
CH:1\_2



42.D2061369  
(x2)  
DECAL:H-TEMP WARNING:PAPER F  
EED



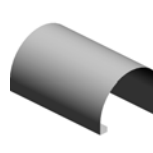
43.D2061371  
DECAL:ANTICONDENSATION SWITC  
H



44.D2061372  
DECAL:PAPER:SIZE INDICATION



45.D2064464  
(x3)  
COPY TRAY:REAR



46.D2064467  
(x2)  
GUIDE:EXIT:LOWER:594



47.D2121360  
DECAL:MODEL NAME PLATE:D212

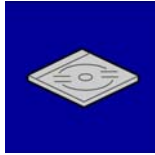


48.D2121368  
(x2)  
(EU/NA):DECAL:ORIGINAL:OPERATE

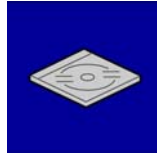
## ACCESSORIES



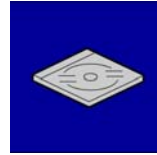
49.D2121388  
(CHN):DECAL:ORIGINAL:OPERATE



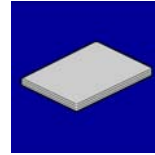
50.D2126300  
(NA):CD-ROM:DRV:ASS'Y



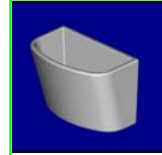
51.D2126400  
(x2)  
(EU/CHN):CD-ROM:DRV:ASS'Y



52.D2126600  
(NA):CD-ROM:OI\_A:ASS'Y



53.D2127503  
(NA):MANUAL:USER\_GUIDE

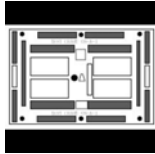


D1491317  
[A]  
HOLDER:GLASS:C  
LEANER:ASS'Y  
201610-02 O/O

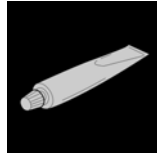
## SPECIAL TOOLS



1.52039502  
GREASE 501



2.A0239504  
TEST CHART OS-A-1 (2 SHEETS / SE  
T)



3.A2579300  
GREASE - BARRIERTA S552R



4.B1259640  
DEVELOPER TYPE 30W BLACK

## Exclusive Parts

Number	Part Name	Group	ID
52039502	GREASE 501	SPECIAL TOOLS	1
52062686	SNAP RING	U009	12
52152621	SNAP RING - M6	U006	49
52193326	RUBBER SEAL - PADDLE ROLLER	U007_S001	11
53531803	WAVE WASHER	U003	34
54031030	TENSION SPRING	U006	50
54036246	STEPPED SCREW - CLEANING	U006	51
54101291	PIN	U008	19
54422751	BUSHING - UPPER REGISTRATIO N ROLLER	U006	52
54466214	SHAFT HOLDER - PICK-UP ROLLE R	U007_S001	12
54471778	STEPPED SCREW - M4	U006	53
54472681	SNAP RING	U006	54
		U013	31
54472769	STEPPED SCREW	U006	55
59183120	STUD - M4	U005_S001	11
		U006	56
A0239504	TEST CHART OS-A-1 (2 SHEETS / SET)	SPECIAL TOOLS	2
A1632052	LEFT GRID TERMINAL	U004_S001	13
A1632251	DRUM KNOB	U009	13
A1633607	RIGHT PRESSURE LEVER	U009	14
A1633608	LEFT PRESSURE LEVER	U009	15
A1634109	C - RING - 19M	U010_S001	25
		U010_S002	25
		U010_S003	25
A1634122	ENTRANCE GUIDE PLATE HOLDE R	U010_S001	26
		U010_S002	26
		U010_S003	26
A1634235	TUBE HOLDER	U010	27
A1634236	EXIT TUBE	U010	28
A1636052	ORIGINAL TABLE BUSHING	U003	35
A1741163	DEVELOPMENT SLEEVE GEAR	U007_S001	13
A1741164	AUGER GEAR	U007_S001	14
A1741167	PADDLE GEAR	U007_S001	15
A1742065	RUBBER DAMPER	U004_S001	14
A1743861	GUIDE PLATE	U006	57

Number	Part Name	Group	ID
A1743942	DRIVEN ROLLER BUSHING	U008	20
A1743946	ARM BUSHING	U008	21
A1744372	GATE PAWL DRIVE	U011	11
A1744387	GATE PAWL ARM	U011	12
A2222680	TORQUE LIMITER	U006	58
A2222724	EXTERNAL CIRCLIP - MM8	U013	32
A2293232	CHUCK ROLLER	U006	59
A2576592	GEAR - 20Z	U007_S001	16
A2579300	GREASE - BARRIERTA S552R	SPECIAL TOOLS	3
A2591158	PULLEY FLANGE	U013	33
A2673256	GUIDE:PAPER:LEADING EDGE:PIC KOFF PAWL	U009_S004	16
		U009_S005	16
		U009_S006	16
		U009_S007	16
A2675821	TENSION SPRING - DOOR SWITC H	U013	34
A3532243	LEVER KNOB	U006	60
		U006_S001	60
A4221356	PIN - 3X26MM	U003	36
A5663850	SENSOR SCREW	U003	37
A8594141	PULLEY IDLER	U003	38
		U006	61
AA001190	DECAL - GROUND	U013	35
AA001564	PLATE:LOGOTYPE:RIC	ACCESSORIES	2
AA012081	DEVELOPMENT FILTER	U007_S001	17
AA040020	DECURLER TRANSPORT BELT	U008	22
AA043521	TIMING BELT - S2M 260	U010	29
AA050113	WIRE:CLEANER	U004	15
AA060590	PRESSURE SPRING	U013	36
AA060749	SPRING	U004_S001	16
AA060842	TENSION SPRING	U013	37
AA060854	TIGHTENER SPRING	U006	62
AA060965	SPRING:CORONA WIRE:CHARGE	U004_S001	17
AA060968	SPRING:LEVER:LOCK	U013	38
AA060970	SPRING:COATING BAR:PRESSUR E	U006	63
AA060974	SPRING:PRESSURE:BRUSH ROLL ER	U006	64

## Exclusive Parts

Number	Part Name	Group	ID
AA060975	SPRING:MIDDLE:PRESSURE	U006	65
AA060976	SPRING:CONNECTOR	U006	66
AA060981	SPRING:TIGHTENER	U006	67
AA060999	SPRING:COLLAR:INTERMEDIATE TRANSFER	U013	39
AA061973	COIL SPRING:WIRE:CUTTER UNIT:20	U006_S001	68
AA061974	COIL SPRING:WIRE:CUTTER UNIT:30	U006_S001	69
AA062325	CLEANING BLADE SPRING	U009	17
AA063122	EXIT ROLLER SPRING	U006	70
AA063416	SPRING - 3.4N	U003	39
AA063427	SPRING:9.8N	U006	71
AA063612	COMPRESSION SPRING - TRAY RELEASE	U006	72
AA063910	COMPRESSION SPRING:REGISTRATION:2.5N	U006	73
AA066052	STRIPPER SPRING	U010	30
AA066256	RIGHT LOCK SPRING	U010	31
AA066257	LEFT LOCK SPRING	U010	32
AA066285	STRIPPER SPRING	U010_S001	33
		U010_S002	33
		U010_S003	33
AA066366	SPRING:PRESSURE RELEASE	U011	13
AA066368	SPRING - EXIT	U006	75
AA066632	EXIT UNIT ARM SPRING	U010	34
AA066664	TONER OUTLET SHUTTER SPRING	U009_S001	18
AA066681	SPRING:ORIGINAL TRAY	ACCESSORIES	3
AA080049	BUSHING - 10X18	U006	76
AA080203	BUSHING - 6MM	U006	77
AA080336	BUSHING:DIA6	U007_S001	18
AA082058	BUSHING - 6X10X9MM	U010	35
AA082062	BUSHING	U010_S001	36
		U010_S002	36
		U010_S003	36
AA082070	BUSHING - 8X16X7	U006	78
		U013	40

Number	Part Name	Group	ID
AA082101	BUSHING - 6X10X6	U008	23
		U010_S001	37
		U010_S002	37
		U010_S003	37
		U011	14
AA082135	BUSHING - DIA4	U003	40
		U006	79
AA084057	BEARING CASE:DIA26	U007_S001	19
AA120127	DISCHARGE BRUSH:FUSING	U010_S001	38
		U010_S002	38
		U010_S003	38
AA132025	SPACER - 1X8X12	U013	41
AA132097	SPACER	U007_S001	20
AA132185	COLLER - 8.5X13.5X11.5	U013	42
AA140802	EXIT ROLLER SHAFT	U010	39
AA141008	PANEL KNOB SCREW	U012	43
AA143076	STEPPED SCREW - M4	U013	43
AA143253	PIN - LEVER - PAPER SPOOL UNIT	U006	80
AA143335	REAR SHUTTER PIN	U009	19
AA143347	LEVER STOPPER SHAFT	U006	81
AA143542	SCREW:M3:DIA4X5.6	U013	44
AA143543	SCREW:M4:DIA6X1.7:BLACK	U010_S001	40
		U010_S002	40
		U010_S003	40
AA143545	SCREW:M4	U013	45
AA143546	ANCHOR:CASSETTE SENSOR	U013	46
AA143547	HEXAGONAL BOLT:M12X80	U013	47
AA143571	SHAFT	U004	18
AA143579	SCREW - M3	U003	41
AA143718	STEPPED SCREW - M4	U006	82
AA143786	STEPPED SCREW:M3X10.3	U004	19
AA143788	PIN:GUIDE PLATE:PAPER FEED	U001	8
		U003	42
		U006	83
		U007_S001	21
		U008	24
AA143802	SCREW:6X1.7	U005_S001	12
		U013	48

## Exclusive Parts

Number	Part Name	Group	ID
AA143848	STEPPED SCREW - M3	U012_S006	44
AA143854	SCREW	U010_S001	41
		U010_S002	41
		U010_S003	41
AA143859	POSITIONING PIN	U003	43
		U006	84
		U010	42
		U013	49
AA145821	HINGE PIN	U013	50
AA148603	VACUUM DRIVE SHAFT	U013	51
AA148606	UPPER SHAFT - GAS SPRING	U013	52
AA151961	UPPER SEAL	U009_S003	20
AA153132	TONER RECYCLING PIPE SHIELD	U009	21
AA153133	BLADE RIGHT SHIELD	U009_S001	22
AA153134	BLADE LEFT SHIELD	U009_S002	23
AA153135	DRUM RIGHT SHIELD	U009_S001	24
		U009_S002	24
AA153450	RIGHT SHIELD - SIDE PLATE	U007_S001	22
AA153451	LEFT SHIELD - SIDE PLATE	U007_S001	23
AA161167	BUSHING:HDD	ACCESSORIES	4
		U012_S006	45
AB010346	GEAR - 48Z	U010_S001	43
		U010_S002	43
		U010_S003	43
AB010352	GEAR - 40Z	U010_S001	44
		U010_S002	44
		U010_S003	44
AB010363	GEAR - 146Z	U009	25
AB010364	GEAR - 46Z	U009	26
AB011412	GEAR - 36Z	U006	85
AB011413	DRIVE GEAR - 27Z	U006	86
AB013681	GEAR - 22Z	U008	25
		U013	53
AB013868	GEAR - 16Z	U006	87
AB014267	GEAR - 46Z	U013	54
AB014268	GEAR:DRIVE:FUSING	U010_S001	45
		U010_S002	45
		U010_S003	45

Number	Part Name	Group	ID
AB017664	GEAR:PULLEY:RIGHT	U004	20
AB017680	GEAR/PULLEY - 24Z/24T	U010	46
AB017870	GEAR:COUPLING:T48:Z39	U013	55
AB017871	GEAR:TIMING PULLEY:Z48/T25	U013	56
AB017873	GEAR:Z67/Z22	U013	57
AB030474	PULLEY - 24T	U010	47
AB030678	TIMING PULLEY - 25T	U006	88
AB030681	TIMING PULLEY - 41T	U013	58
AB030812	TIMING PULLEY:T102	U013_S001	59
AB032723	PULLEY:LEFT	U004	21
AB032727	PULLEY:ENCODER	U004	22
AD004107	CHARGE CORONA:ASS'Y	U004_S001	23
AD014030	DRUM FLANGE	U009	27
AD020089	CHARGE CORONA WIRE - G	U004_S001	24
AD020090	GRID WIRE	U004_S001	25
AD022317	LEFT END BLOCK COVER - CHAR GE	U004_S001	26
AD022369	END BLOCK COVER - CHARGE CO RONA	U004_S001	27
AD022382	END BLOCK:CHARGE CORONA:RI GHT	U004_S001	28
AD022383	END BLOCK:CHARGE CORONA:LE FT	U004_S001	29
AD023144	CASING:CHARGE CORONA	U004_S001	30
AD047037	ENTRANCE SEAL:CLEANING	U009_S003	28
AE011122	HOT ROLLER	U010_S001	48
		U010_S002	48
		U010_S003	48
AE020148	PRESSURE ROLLER:MM55	U010_S001	49
		U010_S002	49
		U010_S003	49
AE030050	BALL BEARING - 20X32X7	U010_S001	50
		U010_S002	50
		U010_S003	50
AE031056	BUSHING - FUSING	U010_S001	51
		U010_S002	51
		U010_S003	51
AE042047	FUSING CLEANING ROLLER	U010_S001	52

## Exclusive Parts

Number	Part Name	Group	ID
		U010_S002	52
		U010_S003	52
AE044031	PRESSURE ROLLER STRIPPER	U010_S001	53
		U010_S002	53
		U010_S003	53
AE044054	STRIPPER PAWLS	U010	54
AF020108	PAPER FEED ROLLER - MIDDLE	U006	89
AF020525	EXHAUST DRIVE ROLLER	U006	90
AF020599	REGISTRATION ROLLER	U006	91
AF020603	MIDDLE DRIVEN ROLLER	U006	92
AF020610	ROLLER:TRANSPORT BELT:DRIVE	U008	26
AF021081	ROLLER:TRANSPORT BELT	U008	27
AF022034	EXIT ROLLER	U006	93
AF022128	TRANSPORT DRIVEN ROLLER	U006	94
AF025029	EXIT SEPARATION PAWL	U011	15
AF040576	DRIVEN EXIT ROLLER	U011	16
AG070504	MAGNET CATCH:44.1N	U011	17
		U013	60
AH012031	CASTER:1470N	U013	61
AW010109	PHOTO REFLECTION SENSOR:PS17ED1	U003	44
AW010110	PAPER FEED SENSOR	U006	95
		U011	18
AW010111	PAPER FEED SENSOR	U006	96
AW010159	PAPER END SENSOR:ROLL PAPER	U006	97
AW020139	PAPER FEED SENSOR	U010_S001	55
		U010_S002	55
		U010_S003	55
AW020164	OIL END SENSOR	U009	29
AW020168	PAPER FEED SENSOR	U006	98
AW020180	PAPER FEED SENSOR	U006	99
AW020198	PHOTOINTERRUPTOR:LG2A14NL1	U013	62
AW100073	THERMISTOR	U010_S001	56
		U010_S002	56
		U010_S003	56
AW100166	THERMISTOR:FUSING	U010_S001	57

Number	Part Name	Group	ID
		U010_S002	57
		U010_S003	57
AW110053	THERMOSTAT - 199C 250V/10A	U010_S001	58
		U010_S002	58
		U010_S003	58
AW110054	THERMOSTAT - 200C 250V/10A	U010_S001	59
		U010_S002	59
		U010_S003	59
AW140026	TEMPERATURE & HUMIDITY SENSOR	U009	30
AW500012	PUSH SWITCH	U006	100
AW500022	PUSH SWITCH	U003	45
AW500029	SAFETY SWITCH - FA1L-AA20	U006	101
AX060372	BRUSHLESS MOTOR:45W:Z18	U013	63
AX060378	STEPPER MOTOR:DC24V:4.72W	U006	102
AX060478	BRUSHLESS MOTOR:24W:Z9	U013	64
AX060479	BRUSHLESS MOTOR:33W:Z9	U013	65
AX100041	DC SOLENOID:GATE PAWL:CHANGE	U011	19
AX100042	DC SOLENOID:PRESSURE RELEASE:PICKOFF PAWL	U009	31
AX200334	MECHANICAL SPRING CLUTCH:TONER HOPPER	U007_S001	24
AX210099	MAGNETIC CLUTCH	U006	103
AX210101	MAGNETIC CLUTCH:REGISTRATION:8KGFCM	U006	104
AX310049	TOTAL COUNTER:7FIG:24V	U012	46
AX400188	(NA):HEATER:120V:13W	U006	105
AX400189	(EU/CHN):HEATER:230V:13W	U006	106
		U008	28
AX450042	(NA):HEATER:120V:1150W	U010_S001	60
AX450043	(EU/CHN):HEATER:230V:1150W	U010_S002	61
		U010_S003	61
AX500099	DISCHARGE LAMP:P2	U004	31
AX640199	FAN:MM80:25MM:DC 2.16W	U012	47
AX640203	FAN:MM60	U012	48
AX650058	FAN:SIROCCO:DC24V	U008	29
AZ240226	(NA):POWER SUPPLY UNIT:ECO:1	U012	49

## Exclusive Parts

Number	Part Name	Group	ID
	00V		
AZ240259	(EU/CHN):POWER SUPPLY UNIT:ECO:200V:456.4W	U012	50
AZ300067	POWER PACK:TRANSFER	U012	51
AZ310040	POWER PACK:SEPARATION	U012	52
AZ320214	POWER PACK:CGB	U012	53
B0044087	PLATE- THERMISTOR	U010_S001	62
		U010_S002	62
		U010_S003	62
B0102052	RIGHT GRID TERMINAL	U004_S001	32
B0102061	RIGHT HOLDER - CHARGE CORONA	U004	33
B0102062	LEFT HOLDER - CHARGE CORONA	U004	34
B0102566	CONNECTION GUIDE	U006	107
B0102617	MAGNETIC:SIDE FENCE	U006	108
B0102717	EXIT GUIDE ROLLER	U006	109
B0102726	ROLLER GUIDE PLATE	U006	110
B0102827	RIGHT SHEET - SIDE PLATE	U001	9
		U006	111
B0102902	LEVER SHAFT	U006	112
B0102916	POSITIONING PIN	U006	113
B0102947	HARNESS CLAMP - FCW-52	U006	114
B0102956	CONNECTOR BRACKET	U006	115
B0102964	TIMING BELT - S2M 252	U006	116
B0102966	TIMING BELT - S2M 334	U006	117
B0102978	KEYTOP	U006	118
B0102979	SWITCH PLATE	U006	119
B0103121	GEAR - 28Z	U007_S001	25
B0103206	JOINT:TONER HOPPER:UNIT	U007_S001	26
B0103211	DRUM STAY:SPRING	U007_S001	27
B0103212	SPRING:JOINT	U007_S001	28
B0104178	FRONT FUSING ROLLER	U010	63
B0104180	FUSING ROLLER BRACKET	U010	64
B0104308	EXIT UNIT GRIP	U010	65
B0104309	GRIP CAP - EXIT UNIT	U010	66
B0104311	LEFT GUIDE	U010	67
B0104312	UPPER GUIDE	U010	68

Number	Part Name	Group	ID
B0104315	MIDDLE GUIDE - EXIT UNIT	U010	69
B0104324	IDLER GEAR - 30Z	U010	70
B0104325	TIGHTENER SPRING PLATE	U010	71
B0104453	UPPER SPRING PLATE - EXIT ROLLER	U011	20
B0104454	LOWER SPRING PLATE - EXIT ROLLER	U011	21
B0104458	GATE PAWL PLATE	U011	22
B0391192	GEAR - 57Z	U006	120
B0392333	GUIDE:PAPER:SEPARATION	U009_S004	32
		U009_S005	32
		U009_S006	32
		U009_S007	32
B0651374	CLOTH - DF EXPOSURE GLASS	ACCESSORIES	5
B0654241	GEAR	U004	35
B0706877	LARGE DRUM STAY GROUND PLATE	U012	54
B0706899	GROUND PLATE:PANEL	U012_S004	55
		U012_S005	55
B1042322	PLATE:ENTRANCE SEAL	U009	33
B1044084	THERMOSTAT HOUSING	U010_S001	72
		U010_S002	72
		U010_S003	72
B1044086	COVER - HOUSING THERMOSTAT	U010_S001	73
		U010_S002	73
		U010_S003	73
B1251971	PLATE:SHAFT	U005	13
B1252127	SPRING PLATE:CHARGE CORONA:RIGHT	U004	36
B1252128	GUARD:SPRING PLATE:RIGHT	U004	37
B1252130	SHIELDING PLATE:CHARGE CORONA	U004	38
B1252469	C-RING:DRUM SHAFT	U009	34
B1252472	BALANCER:OPC DRUM	U009	35
B1252579	FEELER:REGISTRATION SENSOR	U006	121
B1252580	HOLDER:FEELER	U006	122
B1252581	BRACKET:SENSOR	U006	123
B1253205	STAY:TONER HOPPER	U007_S001	29

## Exclusive Parts

Number	Part Name	Group	ID
B1253230	SPACER - 0.3	U007_S001	30
B1253233	BEARING CASE	U007_S001	31
B1253554	SHUTTER:DISCHARGE USED TONER	U009_S001	36
B1254130	C-RING:MM50	U010_S001	74
		U010_S002	74
		U010_S003	74
B1254145	SHAFT:PRESSURE ROLLER	U010_S001	75
		U010_S002	75
		U010_S003	75
B1254156	ELECTRODE PLATE:THERMOSTAT	U010_S001	76
		U010_S002	76
		U010_S003	76
B1254479	LOWER DRIVE EXIT ROLLER	U010	77
B1254481	UPPER DRIVE EXIT ROLLER	U010	78
B1254732	STOPPER:ORIGINAL:UPPER	U003	46
B1254742	SUPPORTING PLATE:COVER:ORIGINAL	U003	47
B1254751	SHAFT:DRIVEN	U003	48
B1254752	ROLLER:DRIVEN	U003	49
B1254761	SHAFT:CONTACT POINT:ORIGINAL:UPPER	U003	50
B1254825	SHEET:BLOCK LIGHT:1	U003	51
B1254826	SHEET:BLOCK LIGHT:2	U003	52
B1254827	SHEET:BLOCK LIGHT:3	U003	53
B1254828	SHEET:BLOCK LIGHT:4	U003	54
B1254829	SHEET:BLOCK LIGHT:5	U003	55
B1254841	COVER SHEET - TONER CARTRIDGE	U001	10
B1254870	STAND:PRESSURE RELEASE:LEFT	U003	56
B1254871	STAND:PRESSURE RELEASE:RIGHT	U003	57
B1254879	SHEET:SHIELD:PAPER SIZE SENSOR	U003	58
B1254884	COVER:ORIGINAL:SWITCH	U003	59
B1254902	BRACKET:OPEN AND CLOSE:STOPPER:LEFT	U003	60

Number	Part Name	Group	ID
B1254904	STOPPER:OPEN AND CLOSE:LEFT	U003	61
B1254907	BRACKET:OPEN AND CLOSE:STOPPER:RIGHT	U003	62
B1254909	STOPPER:OPEN AND CLOSE:RIGHT	U003	63
B1254912	SHAFT:CONTACT POINT:STOPPER	U003	64
		U006	124
B1254913	SHAFT:SPRING:STOPPER	U003	65
B1259640	DEVELOPER TYPE 30W BLACK	SPECIAL TOOLS	4
B1321226	HOLDER:STAND	ACCESSORIES	6
B1322466	FILTER:DUCT:INTERMEDIATE TRANSFER	U005	14
B1325835	PANEL -INTERFACE	U012_S004	56
		U012_S005	56
B1325836	PANEL - INTERFACE	U012_S004	57
		U012_S005	57
B1881093	RIGHT HINGE BRACKET	U013	66
B1881095	GUIDE PLATE:HINGE:RIGHT	U013	67
B1881096	GUIDE PLATE:HINGE:LEFT	U013	68
B1881100	RIGHT LOCK STOPPER	U013	69
B1881101	STOPPER PAWL:LOCK:LEFT	U013	70
B1881107	GUIDE PLATE:STOPPER PAWL	U012	58
		U013	71
B1881114	BRACKET:FIX:FUSING UNIT:RIGHT	U013	72
B1881115	BRACKET:FIX:FUSING UNIT:LEFT	U013	73
B1881122	GAS SPRING:325N	U013	74
B1881127	HEAT INSULATION:FUSING:FRONT	U013	75
B1881175	TIGHTENER:DRIVE:FUSING	U013	76
B1881286	PLATE NUT:KEY COUNTER	U001	11
B1881291	GASKET:RIGHT FRONT:LEFT FRONT	U001	12
B1881294	BRACKET:MAIN SWITCH	U001	13
B1881353	BRACKET:SWITCH:DEVELOPMENT	U001	14
B1881354	BRACKET:MAGNET CATCH	U001	15



## Exclusive Parts

Number	Part Name	Group	ID
B1881365	GASKET:4X7X40	U001	16
		U013	77
B1882255	SPACER:COMPRESSION SPRING:DRUM	U009	37
B1882256	STOPPER:BALL BEARING	U009	38
B1882579	MOTOR CUSHION	U006	125
B1882663	HOLDER:PAPER HOLDER:LEFT	U006	126
B1882664	HOLDER:PAPER HOLDER:RIGHT	U006	127
B1882666	BRAKE:PAPER HOLDER	U006	128
B1882704	HOLDER:ROLL PAPER	U006	129
B1882705	BRACKET:MICRO SWITCH	U006	130
B1882710	GUIDE PLATE:EXIT:OUTER:PEEN	U006	131
B1882715	GUIDE PLATE:LOWER FRONT	U006	132
B1882718	RELEASE PLATE:LEFT	U006	133
B1882719	RELEASE PLATE:RIGHT	U006	134
B1882722	GUIDE PLATE:EXIT:INNER	U006	135
B1882726	HOLDER:ROLLER	U006	136
B1882735	GUIDE:RELEASE PLATE	U006	137
B1882736	ROLLER:CONNECTING:DRIVE	U006	138
B1882759	STOPPER:LEFT:UPPER PAPER FEED	U006	139
B1882760	STOPPER:RIGHT:UPPER PAPER FEED	U006	140
B1882772	GUIDE PLATE:CONNECTING:FRONT	U006	141
B1882773	COVER:CUTTER UNIT:LEFT	U006	142
B1882802	GUIDE PLATE:GUIDE PLATE:LOWER	U006	143
B1882820	BRACKET:ROCKER SWITCH	U006	144
B1882876	BRACKET:MOTOR	U006	145
B1882896	LEVER:LOCK:LEFT	U006	146
B1882898	LEVER:LOCK:RIGHT	U006	147
B1882917	SPACER	U006	148
B1882936	SLIDE RAIL - LEFT	U006	149
B1882938	SLIDE RAIL - RIGHT	U006	150
B1882950	BRACKET:CONNECTOR:TRAY	U006	151
B1882958	CABLE:CONNECTOR	U006	152
B1882979	BRACKET:PIN	U006	153

Number	Part Name	Group	ID
B1883101	FILTER BRACKET	U007_S001	32
B1883575	SCREW:LEVER:RELEASE:BLADE	U009	39
B1883582	LEVER:RELEASE:BLADE	U009	40
B1883944	GASKET:GUIDE PLATE:TRANSPORT	U008	30
B1883953	SHIELD:FAN:SIROCCO	U008	31
B1883961	SHIELD:VACUUM:UPPER	U008	32
B1883965	VACUUM:UPPER:UNIT	U008	33
B1883970	SHEET:GROUND PLATE:SEPARATION BELT	U008	34
B1883978	SHIELD:DUCT:EXHAUST:EXIT	U008	35
B1884086	COVER:THERMOSTAT	U010_S001	79
		U010_S002	79
		U010_S003	79
B1884159	POSITIONING PLATE:LOCK	U010	80
B1884195	HEAT INSULATION:FUSING:UPPER	U013	78
B1884319	PAWL:PUSH SWITCH	U010	81
B1884454	SPRING PLATE:EXIT ROLLER:LOWER	U011	23
B1884463	GUIDE:EXHAUST:PLATE	U013	79
B1884478	GUIDE PLATE:EXIT	U011	24
B2093882	BUSHING - 6X8X10	U010_S001	82
		U010_S002	82
		U010_S003	82
B2236274	ELECTRODE PLATE:TRANSFER ROLLER	U008_S001	36
B2293237	SPRING PLATE:EARTH:TRANSPORT ROLLER	U003	66
B2343949	BUSHING	U008	37
B2593890	DENSITY SENSOR	U006	154
B2751670	GUARD BURRING	U006	155
B2861139	FLANGE:PULLEY	U013	80
B2861146	PULLEY:TIGHTENER	U013	81
B2861151	FLANGE:TIMING PULLEY	U013_S001	82
B2863581	CLEANING BLADE	U009	41
B2864132	BRACKET:HEATER:RIGHT	U010_S001	83
		U010_S002	83

## Exclusive Parts

Number	Part Name	Group	ID
		U010_S003	83
B2864137	COVER:HEATER:LEFT	U010_S001	84
		U010_S002	84
		U010_S003	84
B2864139	COVER:HEATER	U010_S001	85
		U010_S002	85
		U010_S003	85
B2864148	HOLDER:PRESSURE ROLLER	U010_S001	86
		U010_S002	86
		U010_S003	86
B2864211	FUSING COVER:UPPER	U010_S001	87
		U010_S002	87
		U010_S003	87
B2864214	ARM:CLEANING ROLLER:LEFT	U010_S001	88
		U010_S002	88
		U010_S003	88
B2864854	CUSHION:KEYTOP:ORIGINAL:STOP	U003	67
B2865617	STAY:FCC	U005	15
B2865620	GASKET:STAY:FFC	U005	16
B3532765	ROLLER SHAFT	U006	156
B3532767	BRAKE COMPRESSION SPRING	U006	157
B3532768	POSITIONING PLATE	U006	158
B3532771	ROLL PAPER HOLDER	ACCESSORIES	7
B3532772	PAPER HOLDER STOPPER	ACCESSORIES	8
B3532773	PAPER HOLDER LOCK LEVER	ACCESSORIES	9
B3532774	ARM STOPPER PAWL	ACCESSORIES	10
B3532775	PAPER HOLDER PAWL	ACCESSORIES	11
B3532776	LOCK COMPRESSION SPRING	ACCESSORIES	12
B3532777	UPPER ARM STOPPER PAWL	ACCESSORIES	13
B3532778	DECAL - PAPER HOLDER CHART	ACCESSORIES	14
B3874311	ADJUSTING BRACKET	U003	68
B6243014	REVERSE ROLLER TENSION SPRING	U006	159
B8902063	CAP:BASE	U013	83
B8904149	TIMING BELT:B60S3M420	U013	84
C2292113	RELEASE ROLLER	U006	160
C2322024	GEAR - 16Z	U013	85

Number	Part Name	Group	ID
C2442016	SCREW:GUIDE	U004	39
C6856661	TAPPING SCRER:EXTERIOR:KM	U013	86
D0025688	GASKET:20MM	U001	17
D0026189	TAPPING SCREW:M3.4X6	ACCESSORIES	15
D0461056	BRACKET:LATCH:RIGHT	U013	87
D0461058	BRACKET:GAS SPRING:RIGHT LOWER:ASS'Y	U013	88
D0461070	BRACKET:LATCH:LEFT	U013	89
D0461071	BRACKET:MICRO SWITCH	U013	90
D0461072	INNER COVER:DEVELOPMENT:COUPLING	U013	91
D0461074	BRACKET:GAS SPRING:LEFT LOWER:ASS'Y	U013	92
D0461078	GUIDE PLATE:MICRO SWITCH	U013	93
D0461080	GUIDE:EXHAUST:PLATE:RIGHT	U013	94
D0461081	PLATE:GUIDE:EXHAUST	U013	95
D0461082	GUIDE:PLATE:FRONT	U013	96
D0461137	BRACKET:MOTOR:FUSING:ASS'Y	U013	97
D0461144	GEAR:Z90/Z75	U013	98
D0461145	GEAR:Z90/Z25	U013	99
D0461149	GEAR:Z50/Z28:ASS'Y	U013	100
D0461151	GEAR:Z36:ASS'Y	U013	101
D0461153	BRACKET:COUPLING:DEVELOPMENT	U013	102
D0461154	SHAFT:COUPLING:DEVELOPMENT	U013	103
D0461159	TIMING PULLEY:GEAR:T42/Z17:ASS'Y	U013	104
D0461161	TIMING BELT:100S3M447	U013	105
D0461163	BRACKET:TIGHTENER:DEVELOPMENT:ASS'Y	U013	106
D0461165	SPACER:DIA8XDIA14X2.2	U013	107
D0461181	GEAR:TIMING PULLEY:Z100/T31	U013	108
D0461182	TIMING BELT:135S2M338	U013	109
D0461190	GEAR:Z100/Z59	U013	110
D0461241	INNER COVER:REAR LOWER:LEFT	U001	18
D0461242	COVER:INTERFACE:PAPER CRIMP	U001	19

## Exclusive Parts

Number	Part Name	Group	ID
	P		
D0461243	(NA/CHN):COVER:INTERFACE:SC ANNER:DIVISION	U001	20
D0461244	COVER:INTERFACE:KEY CARD	U001	21
D0461263	GUARD:POWER SUPPLY CORD	U001	22
D0461265	BRACKET:COVER:40	U001	23
D0461269	SHEET:COVER:STAY	U001	24
D0461272	INNER COVER:RIGHT:REAR	U001	25
D0461273	INNER COVER:LEFT:REAR	U001	26
D0461353	SUPPORTING PLATE:COVER:DEV ELOPMENT	U001	27
D0461959	DUCT:DC FAN MOTOR:OUTER	U005	17
D0461961	DUCT:FAN:INNER	U005	18
D0462060	SLIDER:CLEANER	U004_S001	40
D0462061	CLEANER:CHARGE CORONA:ASS' Y	U004_S001	41
D0462113	BRACKET:ENCODER	U004	42
D0462130	HOLDER:WIRE	U004	43
D0462132	TENSION SPRING:CLEANER	U004	44
D0462524	BRACKET:HEATER	U006	161
D0462525	(NA):BRACKET:PLATE:MICRO SWI TCH	U006	162
D0462526	(EU/CHN):BRACKET:PLATE:MICRO SWITCH	U006	163
D0462527	BASE:PAPER SIZE SENSOR	U006	164
D0462528	GEAR:HOLDER:RIGHT	U006	165
D0462529	GEAR:HOLDER:LEFT	U006	166
D0462532	SHEET:PAPER SIZE SENSOR	U006	167
D0462536	HOLDER:PAPER HOLDER:MIDDLE	U006	168
D0462568	DRUM STAY:DRIVE	U006	169
D0462572	GUIDE PLATE:MIDDLE	U006	170
D0462612	SHEET:MANUAL FEED:LEFT AND RIGHT	U006	171
D0462651	TIMING BELT:S2M:420	U006	172
D0462652	GEAR:Z20	U006	173
D0462653	GEAR:PULLEY:Z23T24	U006	174
D0462654	BRACKET:TIGHTENER:PEEN	U006	175
D0462657	TIMING PULLEY:TWO STEP SPEE	U006	176

Number	Part Name	Group	ID
	D VARYING		
D0462659	GEAR:PULLEY:Z21:T28	U006	177
D0462661	COMPRESSION SPRING:MIDDLE: MIDDLE	U006	178
D0462671	PULLEY:DIA17:1	U006	179
D0462706	SHEET:HOLDER:ROLL PAPER	U006	180
D0462733	FEED ROLLER:ASS'Y	U006	181
D0462736	ROLLER:MIDDLE:DRIVE	U006	182
D0462737	SHEET:FEED ROLLER	U006	183
D0462740	GUIDE PLATE:UPPER	U006	184
D0462747	PAPER FEED ROLLER:LEFT AND RIGHT	U006	185
D0462770	GUIDE PLATE:CONNECTING:LOW ER	U006	186
D0462771	GUIDE PLATE:CONNECTING:UPP ER	U006	187
D0462784	GUIDE PLATE:LOWER	U006	188
D0462787	COVER:SIDE PLATE	U006	189
D0462788	INNER COVER:RIGHT:MICRO SWI TCH	U006	190
D0462790	SHEET:GUIDE PLATE:LOWER	U006	191
D0462815	BRACKET:DC FAN MOTOR	U006	192
D0462816	COVER:MOTOR	U006	193
D0462857	TIMING BELT:936	U006	194
D0462868	BRACKET:TIGHTENER:ASS'Y	U006	195
D0462880	STAY:INNER BACK	U006	196
D0462901	GUIDE PLATE:GRIP	U006	197
D0462902	BRACKET:GRIP:RIGHT	U006	198
D0462903	VIBRATING PLATE:GRIP	U006	199
D0462904	SHAFT:GRIP	U006	200
D0462907	BRACKET:GRIP:LEFT	U006	201
D0462931	INNER COVER:LEFT	U006	202
D0462932	INNER COVER:RIGHT	U006	203
D0462942	GUIDE PLATE:BASE:TRAY:ASS'Y	U006	204
D0462949	TIMING PULLEY:32T	U006	205
D0462993	BRACKET:HOLDER:RIGHT	U006	206
D0462994	BRACKET:HOLDER:LEFT	U006	207
D0463331	GEAR:IDLER:DEVELOPMENT:Z28/	U007_S001	33

## Exclusive Parts

Number	Part Name	Group	ID
	Z23		
D0463559	SHEET:CLEANING:LEFT	U009	42
D0463570	TONER COLLECTION COIL:CLEANING:ASS'Y	U009	43
D0463671	PIPE:TONER RECYCLING:ASS'Y	U009	44
D0463702	SPRING PLATE:STOPPER:PAPER SIZE SENSOR	U006	208
D0463703	SPRING PLATE:STOPPER:PAPER SIZE SENSOR:UPPER	U006	209
D0463954	VACUUM:DUCT	U008	38
D0463982	CASE:OZONE FILTER	U008	39
D0464124	BRACKET:THERMISTOR	U010_S001	89
		U010_S002	89
		U010_S003	89
D0464128	BRACKET:MOTOR:RIGHT:ASS'Y	U010_S001	90
		U010_S002	90
		U010_S003	90
D0464129	BRACKET:MOTOR:LEFT:ASS'Y	U010_S001	91
		U010_S002	91
		U010_S003	91
D0464136	BRACKET:ANCHOR:PRESSURE	U010_S001	92
		U010_S002	92
		U010_S003	92
D0464139	SHAFT:PRESSURE SUB-UNIT	U010_S001	93
		U010_S002	93
		U010_S003	93
D0464144	BRACKET:PHOTOINTERRUPTOR:RIGHT	U010_S001	94
		U010_S002	94
		U010_S003	94
D0464145	BRACKET:PHOTOINTERRUPTOR:LEFT	U010_S001	95
		U010_S002	95
		U010_S003	95
D0464188	FUSING ENTRANCE GUIDE PLATE:ADJUSTING PLATE	U010_S001	96
		U010_S002	96
		U010_S003	96
D0464461	COPY TRAY:FRONT	ACCESSORIES	16
D0464462	COPY TRAY:FRONT:AUXILIARY	ACCESSORIES	17
D0464463	GUIDE:COPY TRAY:INNER	ACCESSORIES	18

Number	Part Name	Group	ID
D0464468	GUIDE:PLATE:REAR	ACCESSORIES	19
D0464469	STOPPER:COPY TRAY:REAR	ACCESSORIES	20
D0464471	HOLDER:COPY TRAY:REAR:PEEN	ACCESSORIES	21
D0464483	GUIDE:AUXILIARY:EXIT:ENTRANCE:RIGHT	U011	25
D0464484	GUIDE:AUXILIARY:EXIT:ENTRANCE:LEFT	U011	26
D0465318	BRACKET:LEAK BREAKER	U012	59
D0465325	GUIDE PLATE:FAN	U012	60
D0465327	BRACKET:ROCKER SWITCH	U012	61
D0465338	STUD:BCU	U012	62
D0465664	(EU):POWER SUPPLY CORD:250V:16A:ASS'Y	U012_S001	63
D0465765	PCB:MLB3:ASS'Y	U012	64
D0468568	COVER:MECHANICAL DRIVE SECTION:FRONT LEFT	U006	210
D0468569	SEAL:BASE:REAR	U006	211
D0495318	(EU):BRACKET:POWER SUPPLY CORD:200V	U012	65
D0932253	HOLDER:BALL BEARING	U009	45
D0932303	STOPPER:DRUM	U009	46
D0932304	COMPRESSION SPRING:PRESSURE:DRUM	U009	47
D0933181	MAGNETIC:DEVELOPMENT UNIT:LOWER:ASS'Y	U006	212
D0934096	CUSHION:HEATER:FUSING	U010_S001	97
		U010_S002	97
		U010_S003	97
D0934371	COVER:HARNESS:FUSING:LEFT	U010_S001	98
		U010_S002	98
		U010_S003	98
D0934372	COVER:HARNESS:FUSING:RIGHT	U010_S001	99
		U010_S002	99
		U010_S003	99
D0934373	HEAT INSULATION:COVER:FUSING	U010_S001	100
		U010_S002	100
		U010_S003	100
D0934653	LEVER:MICRO SWITCH	U003	69

## Exclusive Parts

Number	Part Name	Group	ID
D0934717	SHEET:BLOCK LIGHT:CIS:LEFT	U003	70
D0934718	SHEET:BLOCK LIGHT:CIS:RIGHT	U003	71
D0934734	DRIVEN ROLLER:ASS'Y	U003	72
D1055899	HOLDER:TEMPERATURE & HUMIDITY SENSOR	U009	48
D1241661	COIL SPRING:BELT TENSIONER	U003	73
D1241662	SYNCHRONOUS BELT:S1.5M	U003	74
D1241663	TIMING PULLEY:S1.5M:101	U003	75
D1241677	PLAIN SHAFT BEARING:TRANSPORT ROLLER:SIDE PLATE:EXIT	U003	76
D1241694	KEYTOP:ORIGINAL:STOP	U003	77
D1241704	SHEET:GUIDE:CIS	U003	78
D1241706	(EU/CHN):GUIDE PLATE:ORIGINAL:FRONT LOWER:FRONT	U003	79
D1241707	GUIDE PLATE:ORIGINAL:FRONT LOWER:REAR	U003	80
D1241708	GUIDE PLATE:ORIGINAL:REAR LOWER:FRONT	U003	81
D1241712	(NA):GUIDE PLATE:ORIGINAL:FRONT LOWER:FRONT	U003	82
D1241715	COVER:SCANNER:REAR	U003	83
D1241716	GASKET:SCANNER	U003	84
D1241717	COVER:SCANNER:REAR MIDDLE	U003	85
D1241719	COIL SPRING:DRIVEN:7N	U003	86
D1241721	TRANSPORT ROLLER:URETHANE:EXIT	U003	87
D1241722	SHIELDING PLATE:COVER:SCANNER:REAR	U003	88
D1241724	GUIDE PLATE:ORIGINAL:REAR LOWER:REAR	U003	89
D1241731	GUIDE:ORIGINAL	ACCESSORIES	22
D1241733	GUIDE PLATE:GUIDE:ORIGINAL	ACCESSORIES	23
D1241737	COPY TRAY:UPPER	ACCESSORIES	24
D1241739	ORIGINAL TRAY	ACCESSORIES	25
D1241741	HOLDER:ORIGINAL TRAY	ACCESSORIES	26
D1241743	(EU/CHN):ORIGINAL TABLE	U003	90
D1241749	(NA):ORIGINAL TABLE:PRINTING	U003	91
D1241764	SIDE FENCE:LEFT:ASS'Y	U003	92

Number	Part Name	Group	ID
D1241765	SIDE FENCE:RIGHT:ASS'Y	U003	93
D1241767	COVER:ORIGINAL:UPPER	U003	94
D1241777	(NA):DECAL:ORIGINAL:STOP	U003	95
D1241778	(CHN):DECAL:ORIGINAL:STOP	U003	96
D1243852	PLAIN SHAFT BEARING:REGISTRATION ROLLER:SIDE PLATE	U003	97
D1291508	KEYTOP:HOME	U002_S001	9
		U002_S002	9
		U002_S003	9
D1291528	SHEET:KEYTOP:LEFT	U002_S001	10
		U002_S002	10
		U002_S003	10
D1291568	SHEET:APPLICATION:MULTI-LANGUAGE:BLANK	ACCESSORIES	27
D1318521	HOLDER:OPERATING INSTRUCTIONS:B5:ASS'Y	ACCESSORIES	28
D1365709	PCB:EX3_DDR3-DIMM:RC-A:2GB:ASS'Y	U012	66
D1365716	PCB:DDR3-DIMM:RC-C:512MB:ASS'Y	U012	67
D1365978	BRACKET:HDD	U012_S006	68
D1444484	SHOULDER SCREW - M3	U010	101
D1461488	PCB:OP-R:ASS'Y	U002_S001	11
		U002_S002	11
		U002_S003	11
D1491425	LCD:TFT:WVGA-9:LED:CMI	U002_S001	12
		U002_S002	12
		U002_S003	12
D1491427	TOUCH PANEL:WVGA-9:MV	U002_S001	13
		U002_S002	13
		U002_S003	13
D1491469	PCB:OP-L:USB:ASS'Y	U002_S001	14
		U002_S002	14
		U002_S003	14
D1491504	KEYTOP:START	U002_S001	15
		U002_S002	15
		U002_S003	15
D1491505	KEYTOP:STOP	U002_S001	16

## Exclusive Parts

Number	Part Name	Group	ID
		U002_S002	16
		U002_S003	16
D1491508	KEYTOP:RESET SWITCH	U002_S001	17
		U002_S002	17
		U002_S003	17
D1491510	KEYTOP:LEFT	U002_S001	18
		U002_S002	18
		U002_S003	18
D1491511	LENS:FRONT	U002_S001	19
		U002_S002	19
		U002_S003	19
D1491512	COVER:REAR:LARGE	U002_S001	20
		U002_S002	20
		U002_S003	20
D1491513	COVER:REAR:SMALL:LEFT	U002_S001	21
		U002_S002	21
		U002_S003	21
D1491514	COVER:REAR:SMALL:MIDDLE	U002_S001	22
		U002_S002	22
		U002_S003	22
D1491515	COVER:REAR:SMALL:RIGHT	U002_S001	23
		U002_S002	23
		U002_S003	23
D1491530	SPACER:LCD:A	U002_S001	24
		U002_S002	24
		U002_S003	24
D1491531	SPACER:LCD:B	U002_S001	25
		U002_S002	25
		U002_S003	25
D1491534	(NA):COVER:UPPER:CM	U002_S001	26
D1491538	(EU/CHN):KEYTOP:10KEY	U002_S002	27
		U002_S003	27
D1491539	(NA):KEYTOP:10KEY	U002_S001	28
D1491553	SHEET:LOGO	ACCESSORIES	30
D1491556	(CHN):COVER:UPPER:CM	U002_S002	29
D1491575	(NA):SHEET:APPLICATION:MULTI-LANGUAGE	ACCESSORIES	31
D1491576	(EU):SHEET:APPLICATION:MULTI-	ACCESSORIES	32

Number	Part Name	Group	ID
	LANGUAGE		
D1491577	(CHN):SHEET:APPLICATION:MULTI-LANGUAGE	ACCESSORIES	33
D1491588	KEYTOP:POWER SOURCE:BA	U002_S001	30
		U002_S002	30
		U002_S003	30
D1491592	(EU):COVER:UPPER:CM:BA	U002_S003	31
D1495883	KEYTOP:MAIN SWITCH	U012	70
D1495884	COMPRESSION SPRING:KEYTOP	U012	71
D1496852	DECAL:MAIN SWITCH:ON-STANDBY	ACCESSORIES	34
D1542560	DECAL:CAUTION:MASS:PAPER FEED	ACCESSORIES	35
D1545342	DECAL:DEHUMIDIFIER:SWITCH	ACCESSORIES	36
D1775686	PCB:DCSW	U012	69
D1821500	SHIELD CASE:LCDC	U002_S001	32
		U002_S002	32
		U002_S003	32
D1821502	SHIELD TAPE:FFC	U002_S001	33
		U002_S002	33
		U002_S003	33
D1937656	(EU/NA):SHEET:EULA:20LANG:JP	ACCESSORIES	37
D2021500	SHEET:LCD:LOWER	U002_S001	34
		U002_S002	34
		U002_S003	34
D2021518	BRACKET:LCDC:CM	U002_S001	35
		U002_S002	35
		U002_S003	35
D2061078	COVER:MICRO SWITCH:EXIT	U013	111
D2061094	LEVER:STOPPER PAWL	U013	112
D2061103	GROUND PLATE:DEVELOPMENT	U013	113
D2061156	BRACKET:MOTOR:DEVELOPMENT	U013	114
D2061176	BRACKET:MOTOR:REGISTRATION ROLLER	U013	115
D2061180	TIMING PULLEY:T102:ASS'Y	U013_S001	116
D2061187	BRACKET:MOTOR:DRUM:ASS'Y	U013	117
D2061190	GUIDE:HARNESS:DRIVE	U013	118
D2061192	BRACKET:TIGHTENER:DRUM:ASS'Y	U013	119

## Exclusive Parts

Number	Part Name	Group	ID
	Y		
D2061230	COVER:RIGHT REAR:ASS'Y	U001	28
D2061245	COVER:REAR LOWER:ASS'Y	U001	29
D2061250	COVER:INTERFACE:MAIN	U001	30
D2061251	COVER:INNER:RIGHT	U001	31
D2061252	BRACKET:COVER:FIX	U001	32
D2061254	COVER:RIGHT LOWER	U001	33
D2061258	COVER:INNER:LEFT	U001	34
D2061261	INNER COVER:ASS'Y	U001	35
D2061265	SHEET:BLOCK LIGHT:DRUM	U001	36
D2061272	BRACKET:KEY COUNTER	U001	37
D2061273	COVER:KEY COUNTER	U001	38
D2061275	INNER COVER:RIGHT	U001	39
D2061276	INNER COVER:LEFT	U001	40
D2061279	COVER:REAR:SMALL	U001	41
D2061280	COVER:LEFT REAR:ASS'Y	U001	42
D2061289	INNER COVER:RIGHT UPPER	U001	43
D2061295	BRACKET:COVER:RIGHT LOWER	U001	44
D2061296	BRACKET:COVER:LEFT LOWER	U001	45
D2061340	COVER:RIGHT UPPER	U001	46
D2061347	COVER:LEFT UPPER	U001	47
D2061352	COVER:DEVELOPMENT	U001	48
D2061356	COVER:LEFT LOWER	U001	49
D2061358	TRAY:EXIT:REAR	U001	50
D2061360	DECAL:CAPTION:MULTI-LANGUAG E	ACCESSORIES	38
D2061361	DECAL:CAPTION:ROLL PAPER:MU LTI-LANGUAGE	ACCESSORIES	39
D2061362	DECAL:CAUTION CHART:ROLL PA PER:MULTI-LANGUAGE	ACCESSORIES	40
D2061365	DECAL:PAPER TRAY:DESIGN SKE TCH:1_2	ACCESSORIES	41
D2061369	DECAL:H-TEMP WARNING:PAPER FEED	ACCESSORIES	42
D2061371	DECAL:ANTICONDENSATION SWI TCH	ACCESSORIES	43
D2061372	DECAL:PAPER:SIZE INDICATION	ACCESSORIES	44
D2061375	DECAL:WARNING (HIGH TEMPER	U013	120

Number	Part Name	Group	ID
	ATURE):FUSING/PAPER EXIT UNIT		
D2061376	DECAL:H-TEMP WARNING:FUSIN G	U011	27
D2061377	DECAL:H-TEMP WARNING:REGIST RATION	U006	213
D2061859	LED HEAD:ASS'Y	U005_S001	19
D2062050	DC MOTOR:CLEANER:ASS'Y:BRU SH:0.76W	U004	45
D2062110	STAY:DISCHARGE LAMP:PEEN	U004	46
D2062121	BRACKET:DISCHARGE LAMP:CLE ANER:PEEN	U004	47
D2062131	SEAL:LIGHT SHIELDING PLATE:C HARGE CORONA	U004	48
D2062300	SHAFT:DRUM:ASS'Y	U009	49
D2062562	GUIDE PLATE:LOWER	U006	214
D2062566	BRACKET:TORQUE LIMITER MEC HANICAL CLUTCH	U006	215
D2062578	BRACKET:DENSITY SENSOR	U006	216
D2062579	STAY:DENSITY SENSOR	U006	217
D2062584	MANUAL FEED TABLE:PRINTING	U006	218
D2062587	GUIDE PLATE:REGISTRATION:UP PER:ASS'Y	U006	219
<b>D2062589</b>	<b>FEELER SPRING</b>	<b>U006</b>	<b>74</b>
D2062593	SIDE FENCE:RIGHT:MANUAL FEE D	U006	220
D2062597	SIDE FENCE:LEFT:MANUAL FEED	U006	221
D2062601	BRACKET:PAPER END SENSOR	U006	222
D2062602	COVER:CONNECTOR:PAPER END SENSOR	U006	223
D2062611	POSITIONING PLATE:RIGHT:PEEN	U006	224
D2062613	POSITIONING PLATE:LEFT:PEEN	U006	225
D2062617	SHEET:MANUAL FEED:MIDDLE	U006	226
D2062651	BRACKET:KNOB:PEEN	U006	227
D2062682	BRACKET:REFLECTION PHOTO S ENSOR	U006	228
D2062693	GUIDE PLATE:REFLECTION PHOT O SENSOR	U006	229
D2062698	STAY:GUIDE PLATE:EXIT	U006	230

## Exclusive Parts

Number	Part Name	Group	ID
D2062741	CUTTER UNIT:ASS'Y	U006_S001	231
D2062744	MICRO SWITCH:ASS'Y	U006_S001	232
D2062746	DC MOTOR:CUTTER UNIT:ASS'Y:BRUSH:13.7W	U006_S001	233
D2062753	GUIDE PLATE:VERTICAL TRANSPORT:UPPER FRONT:PEEN	U006	234
D2062765	GUIDE PLATE:LOWER:PEEN	U006	235
D2062768	COVER:SENSOR	U006	236
D2062780	COVER:FRONT	U006	237
D2062785	GRIP:REAR:PAPER TRAY	U006	238
D2062786	GRIP:FRONT:PAPER TRAY	U006	239
D2062801	GUIDE PLATE	U006	240
D2063150	ENTRANCE SEAL:ASS'Y	U007_S001	34
D2063206	HOLDER:TONER CARTRIDGE	U001	51
D2063320	COLLAR:DEVELOPMENT UNIT	U007	35
D2063551	SIDE PLATE:AROUND THE PHOTO CONDUCTOR:RIGHT:ASS'Y	U009_S001	50
D2063555	SIDE PLATE:AROUND THE PHOTO CONDUCTOR:LEFT:ASS'Y	U009_S002	51
D2063566	STAY:PICKOFF PAWL	U009	52
D2063571	CASING:CLEANING:ASS'Y	U009_S003	53
D2063576	STAY:STAY:PICKOFF PAWL	U009	54
D2063604	LEVER:PRESSURE:PICKOFF PAWL:INNER:LEFT	U009	55
D2063605	LEVER:PRESSURE:PICKOFF PAWL:INNER:RIGHT	U009	56
D2063609	SHAFT:LEVER:PICKOFF PAWL:LONG	U009	57
D2063610	PICKOFF PAWL:ASS'Y	U009_S004	58
		U009_S005	58
		U009_S006	58
		U009_S007	58
D2063613	SPRING PLATE:PICKOFF PAWL	U009_S004	59
		U009_S005	59
		U009_S006	59
		U009_S007	59
D2063661	COLLECTION BOTTLE:ASS'Y	U009	60
D2063680	BRACKET:USED TONER SENSOR:	U009	61

Number	Part Name	Group	ID
	TEMPERATURE & HUMIDITY SENSOR		
D2063855	ROLLER:POSITIONING:TRANSFER ROLLER:DIA23	U008	40
D2063856	SPACER:TRANSFER ROLLER:SHAFT	U008	41
D2063859	GEAR:TRANSFER:Z34	U008	42
D2063861	TRANSFER ROLLER:ASS'Y	U008	43
D2063871	COMPRESSION SPRING:TRANSFER	U008	44
D2063872	STUD:TRANSFER UNIT:CONTACT POINT	U008	45
D2063873	ARM:PRESSURE:OUTER:LEFT:ASS'Y	U008	46
D2063876	ARM:PRESSURE:OUTER:RIGHT:ASS'Y	U008	47
D2063878	SHEET:HARNESS	U006	241
		U008	48
D2063879	COMPRESSION SPRING:TRANSFER:68	U008	49
D2063885	TERMINAL:ELECTRODE:TRANSFER	U008_S001	50
D2063898	INSULATING SHEET:TRANSFER/SEPARATION UNIT	U008_S001	51
D2063899	GUIDE PLATE:ENTRANCE:TRANSFER	U008	52
D2063958	BRACKET:BEARING	U008	53
D2063961	OZONE FILTER:ASS'Y	U008	54
D2063976	DUCT:EXHAUST:LARGE	U008	55
D2063977	SEAL:DUCT:EXHAUST:ENTRANCE	U008	56
D2064137	STEPPER MOTOR:ASS'Y	U010_S001	102
		U010_S002	102
		U010_S003	102
D2064457	GUIDE PLATE:EXIT:ENTRANCE:LOWER	U011	28
D2064464	COPY TRAY:REAR	ACCESSORIES	45
D2064467	GUIDE:EXIT:LOWER:594	ACCESSORIES	46
D2064499	DISCHARGE BRUSH:300MM	U011	29



## Exclusive Parts

Number	Part Name	Group	ID
D2065240	PCB:VDB:ASS'Y	U012	72
D2065312	COVER:C/T BOX:UPPER	U012	73
D2065313	PANEL:CONTROL BOARD	U012	74
D2065316	COVER:SD-CARD	U012	75
D2065317	COVER:USB	U012	76
D2065319	COVER:TOTAL COUNTER	U006	242
D2065322	GUARD:IOB	U013	121
D2065323	GUARD:C/T BOX	U012	77
D2065325	BRACKET:DC FAN MOTOR:AC CONTROL BOARD	U012	78
D2065330	GUARD:DC MOTOR:DRUM	U013	122
D2065331	GUARD:DC MOTOR:FUSING	U013	123
D2065332	GUARD:POWER PACK:FRONT	U012	79
D2065333	GUARD:POWER PACK:REAR	U012	80
D2065334	GUARD:POWER PACK:REAR LOWER	U009	62
D2065336	GUARD:MOTOR CONTROL BOARD	U013	124
D2065337	GUARD:DC MOTOR:REGISTRATION	U013	125
D2065338	GUARD:TORQUE LIMITER MECHANICAL CLUTCH	U006	243
D2065360	BRACKET:POWER SUPPLY UNIT	U012	81
D2065361	BRACKET:DC FAN MOTOR:POWER SUPPLY UNIT	U012	82
D2065362	GUIDE:CABLE	U012	83
D2065363	SUPPORTING PLATE:AC CONTROL BOARD	U012	84
D2065370	BRACKET:MAIN SWITCH:DC	U012	85
D2065371	BRACKET:KEYTOP	U012	86
D2065380	BRACKET:POWER PACK:TRANSFER	U012	87
D2065390	BRACKET:POWER PACK:SEPARATION	U012	88
D2065420	PCB:IOB	U012	89
D2065460	PCB:MB	U012	90
D2065470	PCB:ESB	U012	91
D2065480	PCB:FPDB	U010	103

Number	Part Name	Group	ID
D2065831	HDD:ASS'Y	U012_S006	92
D2069510	ORGANIC PHOTO CONDUCTOR DRUM	U009	63
D2085685	(CHN):POWER SUPPLY CORD:STOPPER:250V:ASS'Y DRAWING	U012_S003	93
D2095318	(NA/CHN):BRACKET:POWER SUPPLY CORD:200V	U012	94
D2095320	COVER:LEAK BREAKER	U012	95
D2121087	SPACER:TRAY:EXIT:REAR	U013	126
D2121266	SEAL:LIGHT SHIELDING PLATE:TRAY:EXIT	U001	52
D2121268	TRAY:EXIT:FRONT	U001	53
D2121355	COVER:EXIT:LOWER	U001	54
D2121360	DECAL:MODEL NAME PLATE:D212	ACCESSORIES	47
D2121368	(EU/NA):DECAL:ORIGINAL:OPERATE	ACCESSORIES	48
D2121388	(CHN):DECAL:ORIGINAL:OPERATE	ACCESSORIES	49
D2121411	(NA):OPERATION PANEL:ASS'Y	U002_S001	36
D2121412	(EU):OPERATION SUB-UNIT:ASS'Y	U002_S003	37
D2121414	(CHN):OPERATION PANEL	U002_S002	38
D2121455	PCB:LCDC:AR2FT:ASS'Y	U002_S001	39
		U002_S002	39
		U002_S003	39
D2121527	COVER:BRACKET:OPERATION SUB-UNIT:LOWER	U002	40
D2121528	COVER:BRACKET:OPERATION SUB-UNIT:UPPER	U002	41
D2121626	COIL SPRING:DRIVEN:5N	U003	98
D2121644	COVER:COUPLING:SCANNER UNIT:FRONT	U003	99
D2121645	COVER:COUPLING:SCANNER UNIT:REAR	U003	100
D2121732	BRACKET:PRESSURE PLATE:LEFT	U003	102
D2121733	BRACKET:PRESSURE PLATE:RIGHT	U003	103
D2121734	COMPRESSION SPRING:STOPPER:ORIGINAL:39.8N	U003	104

## Exclusive Parts

Number	Part Name	Group	ID
D2121735	TENSION SPRING:STOPPER:9.18N	U003	105
D2121745	DC STEPPER MOTOR:ASS'Y	U003	106
D2121746	SHEET:SCANNER:FFC:PLATE	U003	107
D2121751	COVER:SCANNER:LEFT	U003	108
D2121752	SUPPORTING PLATE:COVER:SCANNER:LEFT	U003	109
D2121756	COVER:SCANNER:RIGHT	U003	110
D2121757	SUPPORTING PLATE:COVER:SCANNER:RIGHT	U003	111
D2122911	INNER COVER:LOWER	U006	244
D2123007	DEVELOPMENT UNIT:ASS'Y	U007_S001	36
D2123826	TRANSFER/SEPARATION UNIT:SUB-ASS'Y	U008_S001	57
D2123957	GUIDE PLATE:TRANSPORT	U008	58
D2124051	(NA):FUSING UNIT:230V:ASS'Y	U010_S001	104
D2124052	(EU/CHN):FUSING UNIT:230V:ASS'Y	U010_S002 U010_S003	105 105
D2124093	STAY:STRIPPER PAWLS:PRESSURE ROLLER:ASS'Y	U010_S001 U010_S002 U010_S003	106 106 106
D2124131	LEVER:PRESSURE	U010_S001 U010_S002 U010_S003	107 107 107
D2124132	LEVER:PRESSURE:MIDDLE	U010_S001 U010_S002 U010_S003	108 108 108
D2124146	FUSING ENTRANCE GUIDE PLATE	U010_S001 U010_S002 U010_S003	109 109 109
D2124147	TENSION SPRING:PRESSURE:FUSING	U010_S001 U010_S002 U010_S003	110 110 110
D2124161	STAY:FUSING:FRONT:ASS'Y	U010_S001 U010_S002 U010_S003	111 111 111
D2124213	ARM:CLEANING ROLLER:RIGHT	U010_S001 U010_S002 U010_S003	112 112 112

Number	Part Name	Group	ID
D2124321	ARM:DRIVE:FUSING/PAPER EXIT UNIT:ASS'Y	U010	113
D2124452	COVER:EXIT	U011	30
D2125240	PCB:IPU-LT:ASS'Y	U012	96
D2125270	PCB:BCU:ASS'Y	U012	97
D2125405	PCB:SIB	U003	112
D2125510	PCB:RFDB:LETTER	U006	245
D2125520	(NA):AC CONTROL BOARD:100V:ASS'Y	U012	98
D2125530	(EU/CHN):AC CONTROL BOARD:200V:ASS'Y	U012	99
D2125689	(NA):POWER SUPPLY CORD:125V:20A:ASS'Y	U012_S002	100
D2125815	PCB:CTL:EX3::SUB-ASS'	U012	101
D2126300	(NA):CD-ROM:DRV:ASS'Y	ACCESSORIES	50
D2126400	(EU/CHN):CD-ROM:DRV:ASS'Y	ACCESSORIES	51
D2126600	(NA):CD-ROM:OI_A:ASS'Y	ACCESSORIES	52
D2127503	(NA):MANUAL:USER_GUIDE	ACCESSORIES	53
D2129590	NVRAM	U012	102
D2235308	HDD:320GB:MN500S-2:WD3200LUCT	U012_S006	103
<b>D2581317</b>	<b>HOLDER:GLASS:CLEANER:ASS'Y</b>	<b>ACCESSORIES</b>	<b>29</b>
D2621662	TEST TARGET SHEET:PRESSURE PLATE	U003_S002	113
D2621664	TRANSPORT ROLLER:URETHANE	U003	114
D2621701	CONTACT IMAGE SENSOR:SERVICE:ASS'Y	U003_S001	115
<b>D2621728</b>	<b>PRESSURE PLATE:SHEET:ASS'Y</b>	<b>U003_S002</b>	<b>101</b>
G0204444	TIGHTENER	U013	127
G0205626	PUSH SWITCH	U010	114
G0521112	GEAR - PAPER FEED 5	U006	246
G0604243	TENSION SPRING:PRESSURE:44N	U013	128
G0803918	SPACER - M8.2X0.8	U013	129
G1335793	RAIL:RIGHT	U012	104
G1335794	RAIL:LEFT	U012	105
GW010007	PHOTO REFLECTION SENSOR:EXIT	U003	116
GW020020	PHOTOINTERRUPTOR:LG248NL1	U004	49

## Exclusive Parts

Number	Part Name	Group	ID
		U006	247
GX640028	FAN MOTOR DC24V 1.92W	U003	117
		U005	20
		U006	248
		U012	106

## Standard Parts



02520020N  
PAN HEAD SCREW:M2X2



03130050N  
PHILIPS PAN HEAD SCREW -  
M3X5



03140200N  
PAN HEAD SCREW:M4X20



03150080N  
PAN HEAD SCREW:M5X8



03230060N  
SCREW M3X6



03520030N  
SCREW:M2X3



03530040N  
SCREW - M3X4



03530060N  
BIND SCREW - M3X6



03530120N  
SCREW M3X12



03530140N  
SCREW:M3X14



03540060N  
SCREW-M4X6



03603006N  
SCREW - M3X6



03603008N  
SCREW:M3X8



03603016N  
SCREW - M3X16



03604008N  
SCREW - M4X8



03604010N  
SCREW:M4X10



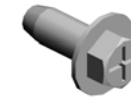
04503008N  
TAPPING SCREW - M3X8



04503010N  
TAPPING SCREW - M3X10



04504008N  
TAPPING SCREW - M4X8



04504010N  
TAPPING SCREW:M4X10



04504016N  
TAPPING SCREW - M4X16



04504025N  
TAPPING SCREW:4X25



04513005N  
TAPPING SCREW:M3X5



04513006N  
TAPPING SCREW - 3X6



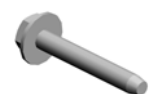
04513008N  
TAPPING SCREW - M3X8



04513012N  
TAPPING SCREW:3X12



04513014N  
TAPPING SCREW:3X14



04513020N  
TAPPING SCREW:3X20

## Standard Parts



04513025N  
TAPPING SCREW:M3X25



04513030N  
TAPPING SCREW:3X30



04514006N  
TAPPING SCREW - 4X6



04514008N  
TAPPING SCREW:4X8



04514010N  
TAPPING SCREW:4X10



04514014N  
TAPPING SCREW:M4X14



04523006N  
BINDING SELF-TAPPING SCREW:3X6



04523008N  
TAPPING SCREW - M3X8



04523010N  
BINDING SELF-TAPPING SCREW:3X10



04524008N  
TAPPING SCREW:M4X8



04533006N  
TAPPING SCREW - M3X6



04533008N  
BINDING SELF TAPPING SCREW:3X8



04534008N  
BINDING SELF TAPPING SCREW:4X8



04534010N  
BINDING SELF TAPPING SCREW:4X10



04543006Q  
TAPPING SCREW - M3X6



04543008Q  
TAPPING SCREW:3X8



04544006Q  
TAPPING SCREW:4X6



04544008Q  
TAPPING SCREW - M4X8



04564012N  
TAPPING SCREW:WP:4X12



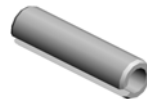
04583008N  
HEXAGON HEAD TAPPING SCREW:3X8



04593010N  
BINDING HEAD TAPPING SCREW:3X10



05740040E  
HEXAGON HEADLESS SET SCREW - M4X4



06230120E  
SPRING PIN - M3X12



06330200G  
PIN - M3X20



07010040N  
WASHER:DIA4



07010050N  
WASHER:DIA5



07030030N  
SPRING WASHER:DIA3



07030040N  
SPRING WASHER:DIA4

## Standard Parts



07030050N  
SPRING WASHER: DIA5



07080040N  
WASHER - DIA4



07200020E  
RETAINING RING - M2



07200030E  
RETAINING RING - M3



07200040E  
RETAINING RING - M4



07200050E  
RETAINING RING - M5



07200060E  
RETAINING RING - M6



07200070E  
RETAINING RING - M7



07200080E  
RETAINING RING - M8



07200100E  
RETAINING RING - M10



07250140E  
RETAINING RING (C TYPE) - M14



07403008  
BALL BEARING - 8X22X7



07403704  
BALL BEARING: DIA4xDIA7x2.5



07413706  
BALL BEARING - 6X10X3



08010228  
PAN HEAD SCREW: M2.3X12



08025296  
TAPPING SCREW - M3X8



08025298  
TAPPING SCREW: 4X12



08025305  
TAPPING SCREW - M3X6



08046127  
HEXAGONAL BOLT: DOUBLE SCREW: M3X8



08050089  
RETAINING RING - M4



08050104  
RETAINING RINGS-E: SILENCER: DIA4



08050106  
RETAINING RINGS-E: SILENCER: DIA6



08053385  
BUSHING - 6MM



08053445  
BEARING - M6X10X3



08053471  
BUSHING - M8X22X7



08053480  
BUSHING - 6MM



08053516  
BALL BEARING - 10X26X8



08053517  
BALL BEARING - 8X16X5

## Standard Parts



08053585  
RADIAL BALL BEARING: DIA8  
XDIA16X5



09504006N  
SCREW - M4X6



09504008N  
SCREW: SPRING WASHER: M  
4X8



09514006N  
SCREW: POLISHED ROUND:  
M4X6



09515020N  
SCREW: POLISHED ROUND:  
M5X20



09543006N  
SCREW - M3X6



09543010N  
SCREW: POLISHED ROUND/  
SPRING: M3X10



09543012N  
SCREW - M3X12



09544008N  
SCREW - M4X8



09545010N  
SCREW: POLISHED ROUND/  
SPRING: M5X10



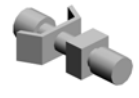
11050042  
WIRE BAND



11050192  
LOCKING SUPPORT



11050193  
NYLON STUD



11050194  
PCB STUD



11050310  
HARNESS CLAMP - LWS-1S



11050328  
HARNESS CLAMP - ES-0505



11050329  
CLAMP - ES-0510



11050348  
CLAMP



11050409  
CARD SPACER- 6.4MM



11050462  
HARNESS CLAMP



11050487  
HARNESS CLAMP



11050488  
HARNESS CLAMP



11050490  
HARNESS CLAMP - IWS-2218



11050508  
HARNESS CLAMP - LWS-071  
1



11050511  
HARNESS CLAMP - LWS-030  
6ZC



11050516  
CLAMP



11050517  
HARNESS CLAMP - LWS-211  
1Z



11050529  
NYLON CLAMP-EMT-3N

## Standard Parts



11050530  
NYLON CLAMP-EMT-4N



11050531  
LOCKING SUPPORT-EMSS-4  
S



11050532  
EDGE SADDLE - LES-25L



11050534  
CLAMP



11050563  
CLAMP - LWSS-2N



11050598  
CLAMP:LWSS-1N



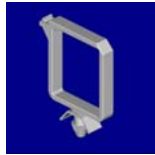
11050621  
CLAMP - SB-2712



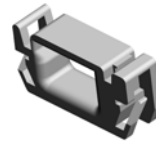
11050683  
CLAMP:LWSR-0511S



11050687  
CLAMP:FC-30



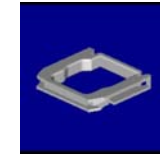
11050711  
CLAMP:JDL-1S



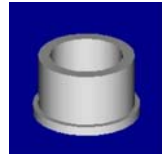
11050723  
CLAMPS:WES-0507



11050724  
CLAMPS:WES-1210



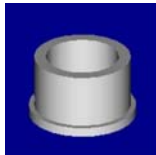
11050726  
CLAMPS:WES-2217



11060193  
BUSHING - 7.9MM



11060241  
BUSHING - 6.7MM



11060411  
BUSHING - 11.5MM



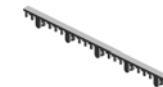
11060458  
BUSHING - 9.9MM



11060911  
BUSHING:SB-1909



11060922  
BUSHING:JKR-60



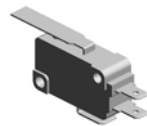
11060923  
BUSHING:JKR-100



11060924  
BUSHING:JKR-40



11071286  
FUSE:BJS2022F1



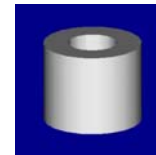
12042466  
MICRO SWITCH - V-16506-1C  
25



12042634  
ROCKER SWITCH - AJ76200  
B



14077677  
EEPROM:BR24T64-W



16070278  
MAGNETIC CORE - ESD-R-15  
C



16070534  
FERRITE CORE:ZCAT3035-1  
330



16072247  
FERRITE CORE:K3 NF-55(N)  
BK0



## PM Part List

Number	Part Name	Num	Group	ID
A1741163	DEVELOPMENT SLEEVE GE AR	1	U007_S001	13
A1741167	PADDLE GEAR	1	U007_S001	15
AA012081	DEVELOPMENT FILTER	1	U007_S001	17
AD020089	CHARGE CORONA WIRE - G	1	U004_S001	24
AE011122	HOT ROLLER	3	U010_S001	48
			U010_S002	48
			U010_S003	48
AE020148	PRESSURE ROLLER:MM55	3	U010_S001	49
			U010_S002	49
			U010_S003	49
AE031056	BUSHING - FUSING	6	U010_S001	51
			U010_S002	51
			U010_S003	51
AE042047	FUSING CLEANING ROLLER	3	U010_S001	52
			U010_S002	52
			U010_S003	52
B0103121	GEAR - 28Z	2	U007_S001	25
B1259640	DEVELOPER TYPE 30W BLA CK	1	SPECIAL TOOLS	4
B2236274	ELECTRODE PLATE:TRANS FER ROLLER	3	U008_S001	36
B2863581	CLEANING BLADE	1	U009	41
C2322024	GEAR - 16Z	1	U013	85
D0462061	CLEANER:CHARGE CORON A:ASS'Y	1	U004_S001	41
D2062741	CUTTER UNIT:ASS'Y	1	U006_S001	231
D2063861	TRANSFER ROLLER:ASS'Y	1	U008	43
D2069510	ORGANIC PHOTO CONDUCT OR DRUM	1	U009	63

## Design Change List

Number	Title	Set	Old Part		New Part		Index No.		Q'ty	Interchg		Reason	Cut-in S/N
			P/N	Name	P/N	Name	Group	ID		Indiv.	Set		
201610-01	1610 Modification	-	AA066255	FEELER SPRING	D2062589	FEELER SPRING	U006	74	1	X/O			MP W6700SP:
201610-02	1610 Modification	-	D1491317	HOLDER:GLASS: CLEANER:ASS'Y	D2581317	HOLDER:GLASS: CLEANER:ASS'Y	ACCESSO RIES	29	1	O/O			MP W6700SP:
201610-03	1610 Modification	-	D2121728	PRESSURE PLA TE:SHEET:ASS'Y	D2621728	PRESSURE PLA TE:SHEET:ASS'Y	U003_S002	101	1	O/O			MP W6700SP:
201608-01	1608 Modification	-	D1495686	PCB:DCSW	D1775686	PCB:DCSW	U012	69	1	O/O			MP W6700SP:

