



RICOH UNIVERSITY

Learning ♦ Knowledge ♦ Performance



D135/D136 PARTS CATALOG

LANIER RICOH SAVIN®

It is the reader's responsibility when discussing the information contained within this document to maintain a level of confidentiality that is in the best interest of Ricoh Americas Corporation and its member companies.

**NO PART OF THIS DOCUMENT MAY BE REPRODUCED IN ANY
FASHION AND DISTRIBUTED WITHOUT THE PRIOR
PERMISSION OF RICOH AMERICAS CORPORATION.**

All product names, domain names or product illustrations, including desktop images, used in this document are trademarks, registered trademarks or the property of their respective companies.

They are used throughout this book in an informational or editorial fashion only and for the benefit of such companies. No such use, or the use of any trade name, or web site is intended to convey endorsement or other affiliation with Ricoh products.

LEGEND

PRODUCT CODE	COMPANY		
	LANIER	RICOH	SAVIN
D135	MP C6502SP	MP C6502SP	MP C6502SP
D136	MP C8002SP	MP C8002SP	MP C8002SP

DOCUMENTATION HISTORY

REV. NO.	DATE	COMMENTS
*	07/2013	Original Printing

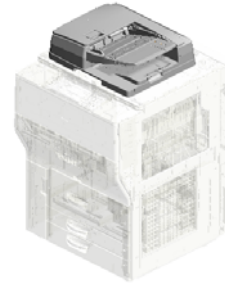
Unit All



U001
EXTERIOR



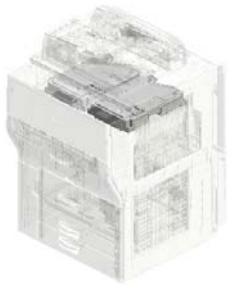
U002
OPERATION



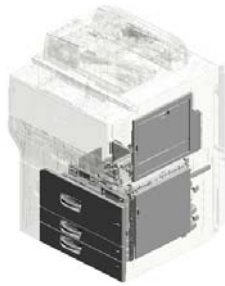
U003
ADF



U004
SCANNER



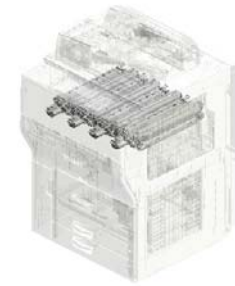
U005
LASER UNIT



U006
PAPER FEED



U007
TONNER SUPPLY



U008
PCU



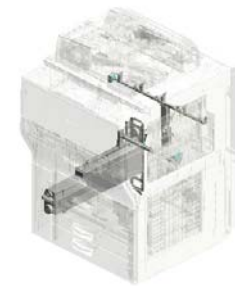
U009
ITB UNIT



U010
ITB CLEANING



U011
PAPER TRANSFER



U012
USUD TONER

Unit All



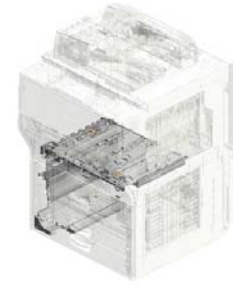
U013
PAPER TRANSPORT



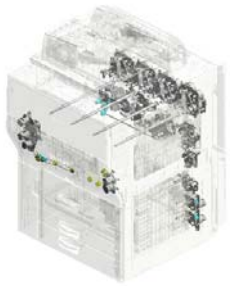
U014
FUSING



U015
PAPER EXIT



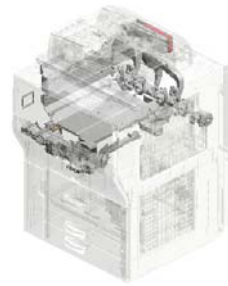
U016
DUPLEX



U017
MAIN DRIVE



U018
ELECTRICAL



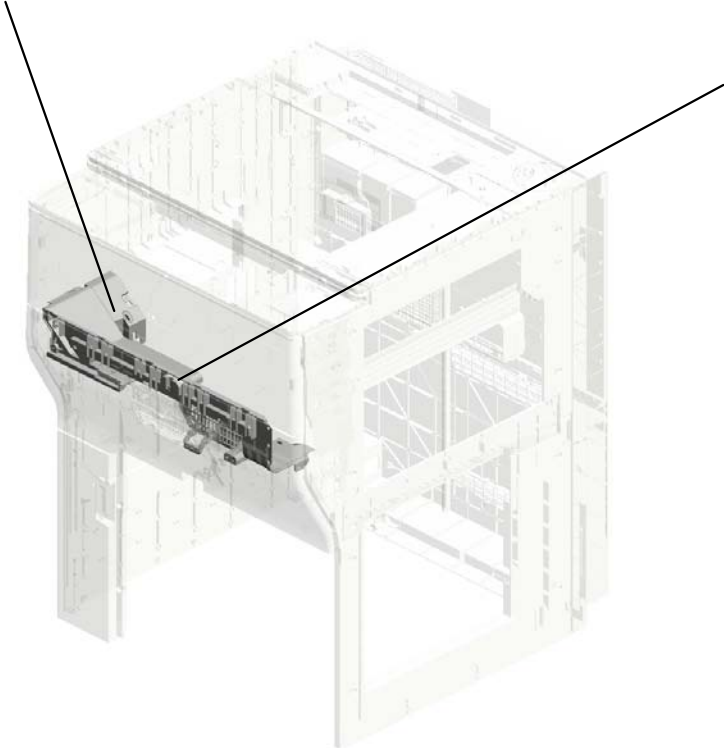
U019
AIR COOLING



U020
MAIN FRAME

U001.EXTERIOR

U001_S002
D1351486
INNER COVER:EXIT:UPPER:
ASS'Y

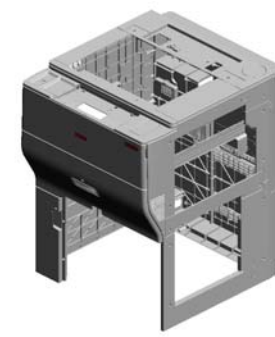


U001_S001
D1361492
INNER COVER:FRONT MIDD
LE:UPPER:ASS'Y



U001	U002	U003	U004	U005	U006	U007	U008	U009	U010	U011	U012	U013	U014	U015	U016	U017	U018	U019	U020
------	------	------	------	------	------	------	------	------	------	------	------	------	------	------	------	------	------	------	------

U001 EXTERIOR



- 7.11050758 (x5) CLAMP:LWSM-030 6A
- 3.04543008Q (x8) TAPPING SCREW: 3X8
- 2.04543006Q (x14) TAPPING SCREW - M3X6
- 24.D1351453 GUARD:HARNESS: EXIT
- 14.AA143537 (x2) SCREW:M3:BLACK

1.04543006N (x42) TAPPING SCREW: ROUND POINT:3X6

22.D1351451 SUPPORTER:COVER:FRONT MIDDLE:LEFT

8.11050759 (x5) CLAMP:LWSM-060 5A

17.AG070513 MAGNET CATCH

16.AC020150 LENS:LED:1

23.D1351452 BRACKET:COVER:FRONT MIDDLE:LOWER

15.AA143702 SCREW:PIN:POSITIONING

19.AW020198 PHOTOINTERRUPTOR:LG2A14NL1

5.04583010N (x13) HEXAGON HEAD TAPPING SCREW:3X10

21.D1351450 SUPPORTER:COVER:FRONT MIDDLE:RIGHT

4.04583008N (x5) HEXAGON HEAD TAPPING SCREW:3X8

9.11050760 (x8) CLAMP:LWSM-051 1A

6.11050604 CLAMP:RFC-16V0

18.AG070514 (x2) MAGNET CATCH

20.B2342390 (x7) FLANGED HEXAGONAL HEAD BOLT: M4X8

31.D1351463 (x2) SEAL:CAP:LOUVER:OZONE FILTER: UPPER

76.D1361491 COVER:CABLE:AC POWER SUPPLY



81.D1363891 DECAL:LED:GRIP: VACUUM



83.D1364978 DECAL:ARROW LABEL:LEFT

40.D1351480 (x2) BRACKET:COVER:TONER SUPPLY UNIT:ASSY



80.D1363395 DECAL:OPERATE:TONER CARTRIDGE



82.D1364976 DECAL:INNER COVER:RECEIVING SUB-UNIT:UPPER



84.D1364979 DECAL:ARROW LABEL:RIGHT

U001 EXTERIOR



- 34.D1351468 SEAL:AROUND THE PHOTOCONDUCTOR:EXHAUST:EXIT:REAR
- 42.D1351485 CAP:LOUVER:PRE VENTFENCE:OZONE FILTER:ASSY
- 30.D1351459 CAP:LOUVER:DEODORIZE FILTER:SMALL
- 29.D1351458 CAP:LOUVER:OZONE FILTER:LARGE
- 33.D1351467 (x2) SEAL:DEVELOPMENT:EXHAUST:EXIT

35.D1351469 (x2) SEAL:AROUND THE PHOTOCONDUCTOR:EXHAUST:EXIT:FRONT

38.D1351474 BRACKET:COVER:LEFT MIDDLE:PROTECT:PEEN

44.D1351490 STAY:COVER:TONER SUPPLY SUB-UNIT

47.D1361454 COVER:TONER SUPPLY SUB-UNIT

52.D1361459 INNER COVER:FRONT MIDDLE:LEFT

49.D1361456 COVER:FRONT LOWER

36.D1351471 INNER COVER:FRONT LOWER

48.D1361455 COVER:FRONT MIDDLE

32.D1351465 INNER COVER:GRIP:PULL OUT

51.D1361458 INNER COVER:FRONT MIDDLE:RIGHT

41.D1351484 SEAL:AROUND THE PHOTOCONDUCTOR:EXHAUST:EXIT:REAR MIDDLE

46.D1361453 BRACKET:COVER:DECURA

39.D1351475 BRACKET:COVER:RIGHT MIDDLE:PROTECT:PEEN

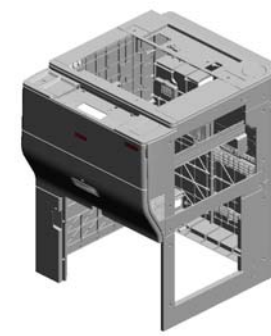
37.D1351473 INNER COVER:TH:TRANSPORT

45.D1351554 BRACKET:INNER COVER:FRONT MIDDLE:RIGHT

96.D1441085 (x2) STEPPED SCREW: M3

1.04543006N (x 1) TAPPING SCREW:ROUND POINT:3X6

U001 EXTERIOR



66.D1361476 COVER:UPPER LEFT
 71.D1361482 COVER:SCANNER:FRONT
 60.D1361469 CAP:CONNECTOR:DECURA
 64.D1361474 COVER:UPPER REAR:SMALL
 68.D1361478 COVER:UPPER REAR

56.D1361465 COVER:LEFT MIDDLE

72.D1361483 COVER:PILOT LAMP

67.D1361477 COVER:UPPER FRONT

65.D1361475 COVER:UPPER RIGHT

70.D1361480 COVER:IC CARD:REAR

62.D1361471 COVER:REAR MIDDLE

69.D1361479 (x2) BRACKET:HINGE:COVER:FRONT LOWER

55.D1361462 CAP:LOUVER:PREVENTENCE:DEODORIZE FILTER:LARGE

57.D1361466 COVER:LEFT LOWER

58.D1361467 (x3) CAP:CONNECTOR

53.D1361460 COVER:RIGHT MIDDLE:FRONT

59.D1361468 COVER:RIGHT MIDDLE:UPPER

61.D1361470 COVER:RIGHT MIDDLE:REAR

54.D1361461 COVER:RIGHT LOWER

63.D1361472 COVER:REAR LOWER

U001 EXTERIOR



86.D1381490 COVER:MAIN SWITCH
 100.D1495883 KEYTOP:MAIN SWITCH
 73.D1361484 INNER COVER:MAIN SWITCH
 79.D1362150 CLEANER:SHIELD GLASS:ASS'Y
 75.D1361489 COVER:SCANNER: UPPER FRONT

87.D1381569 COMPRESSION SPRING: PULL OUT:GRIP:10N

91.D1381573 BRACKET:GRIP:PULL OUT

92.D1381574 LEVER:PULL OUT

89.D1381571 COMPRESSION SPRING: PULL OUT:GRIP:3N

99.D1491306 MAGNET CATCH:COVER:FRONT

88.D1381570 TORSION SPRING: CAP:GRIP:PULL OUT:0.5N

90.D1381572 CAP:GRIP:PULL OUT

93.D1381576 LINK:LEVER:PULL OUT

95.D1381578 LINK:GRIP:LENGTHWISE

94.D1381577 BRACKET:CONTACT POINT:LINK

98.D1491305 CAP:TOTAL COUNTER

78.D1361496 INNER COVER:RIGHT MIDDLE

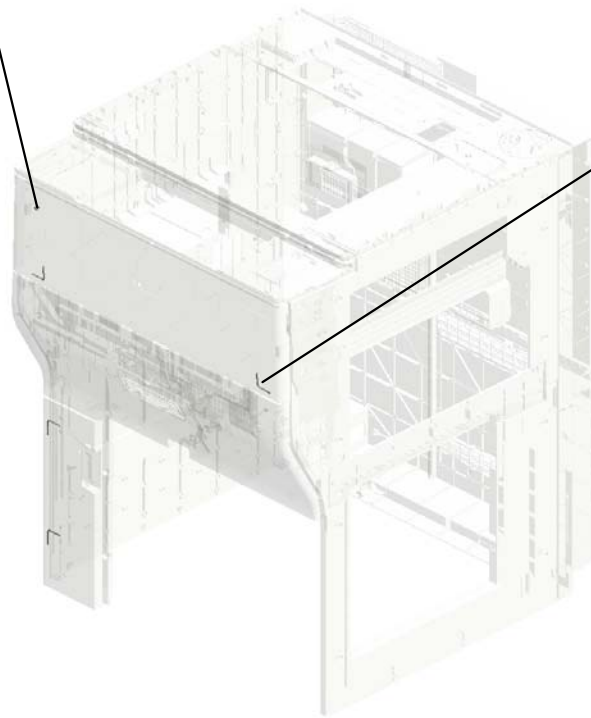
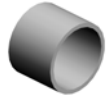
74.D1361486 COVER:LARGE CAPACITY TRAY

96.D1441085 (x4) STEPPED SCREW: M3

97.D1491291 (x2) CAP:HARNESS

U001
EXTERIOR

101.D1495884
COMPRESSION SP
RING:KEYTOP



102.G0201332
(x4)
HINGE - FRONT C
OVER



U001	U002	U003	U004	U005	U006	U007	U008	U009	U010	U011	U012	U013	U014	U015	U016	U017	U018	U019	U020
------	------	------	------	------	------	------	------	------	------	------	------	------	------	------	------	------	------	------	------

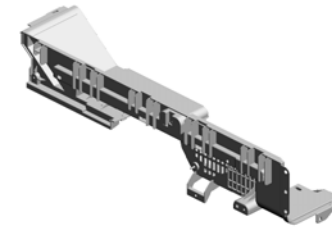
U001_S001

INNER COVER:FRONT MIDDLE:UPPER:ASS'Y

50.D1361457
INNER COVER:FR
ONT MIDDLE:UPPE
R

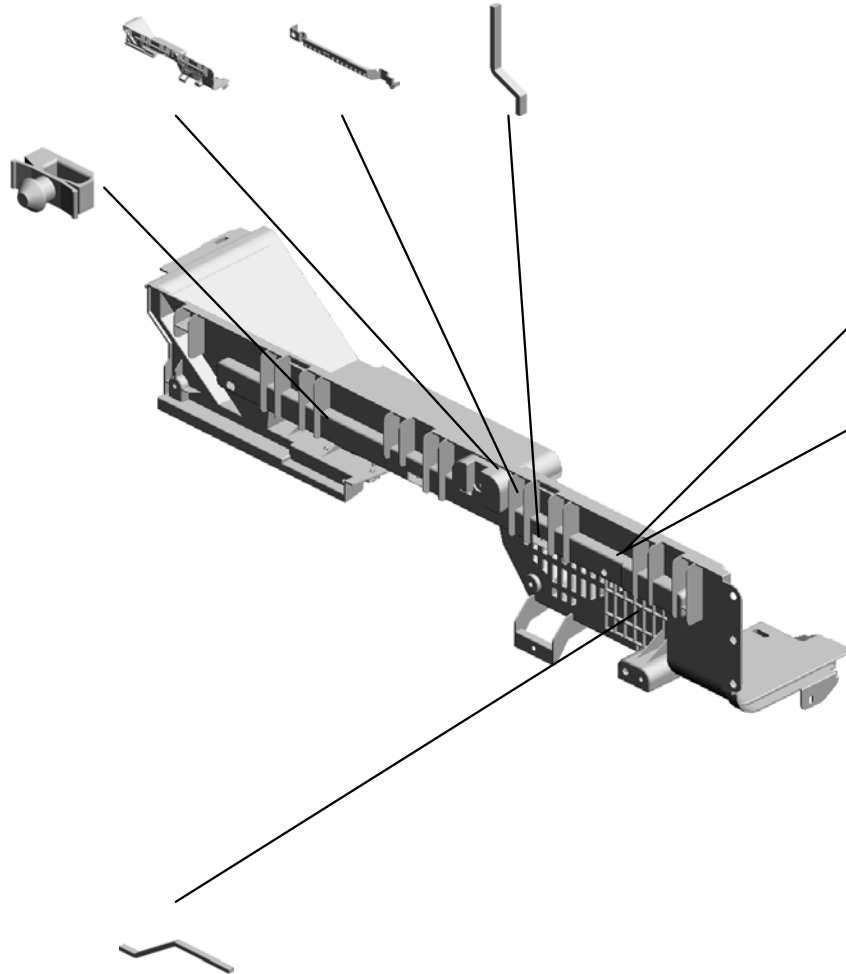
28.D1351457
COVER:LED:HORIZ
ONTAL:TRANSPOR
T

26.D1351455
SEAL:COVER:FRO
NT MIDDLE:LEFT L
OWER



77.D1361492
INNER COVER:FR
ONT MIDDLE:UPPE
R:ASS'Y

7.11050758
(x7)
CLAMP:LWSM-030
6A



27.D1351456
SEAL:COVER:FRO
NT MIDDLE:RIGHT
LOWER

25.D1351454
SEAL:COVER:FRO
NT MIDDLE:LEFT U
PPER

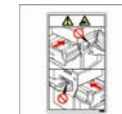
5.04583010N
(x2)
HEXAGON HEAD T
APPING SCREW:3
X10



10.AA003058
DECAL:PICK-UP P
APER JAM:EXIT:LE
FT LOWER

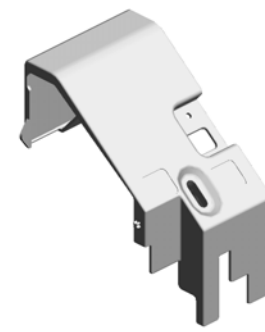


12.AA003061
DECAL:PICK-UP P
APER JAM:DUPL
X



85.D1367617
DECAL:CAUTION:P
ULL OUT

U001_S002
INNER COVER:EXIT:UPPER:ASS'Y



43.D1351486
INNER COVER:EXI
T:UPPER:ASS'Y



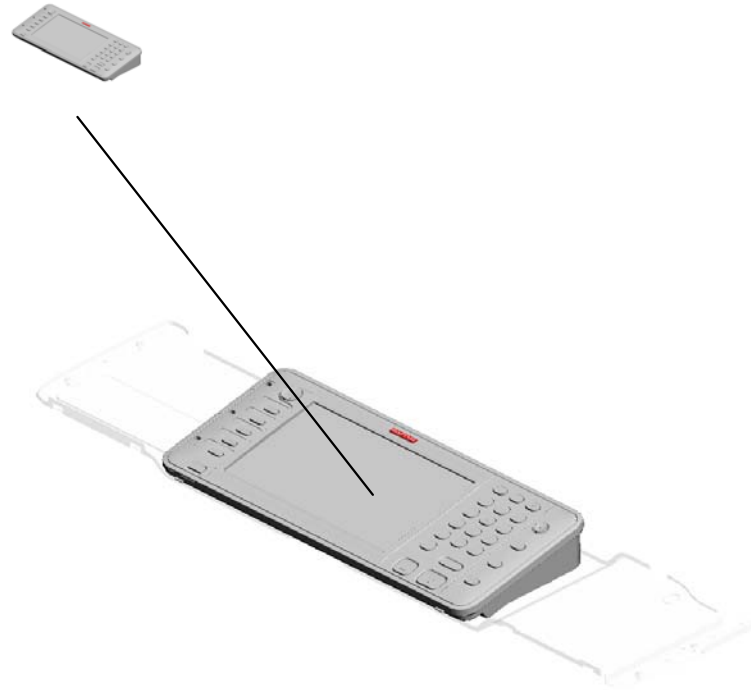
11.AA003060
DECAL:LED:EXIT:U
PPER



13.AA003063
DECAL:LED:GATE
PAWL:REVERSE:E
NTRANCE

U002.OPERATION

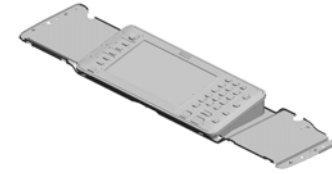
U002_S001
D1367211
OPERATION PANEL:NA:ASS'
Y



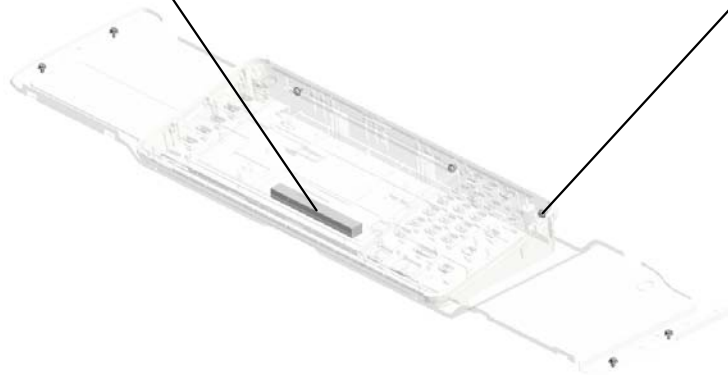
U001	U002	U003	U004	U005	U006	U007	U008	U009	U010	U011	U012	U013	U014	U015	U016	U017	U018	U019	U020
------	-------------	------	------	------	------	------	------	------	------	------	------	------	------	------	------	------	------	------	------

U002 OPERATION

11.D1367253
GASKET:13X10X10
0



3.04543006N
(x7)
TAPPING SCREW:
ROUND POINT:3X6



U002_S001
OPERATION PANEL:NA:ASS'Y



10.D1367211
OPERATION PANE
L:NA:ASS'Y

- 9.D1291508 KEYTOP:HOME
- 5.11050582 (x2) CLAMP:RBWS-051 0D-V0
- 15.D1367310 SPACER:USB
- 20.D1491427 TOUCH PANEL:WV GA-9:MV
- 1.03520030N (x4) SCREW:M2X3

21.D1491478 PCB:OP-L:ASS'Y

12.D1367290 CABLE:LCDC:USB

16.D1367311 GASKET:USB

14.D1367301 LENS:FRONT

19.D1491424 LCD:TFT:WVGA-9: LED:SH

2.03530040N (x5) SCREW - M3X4

13.D1367300 COVER:REAR

6.11050724 CLAMPS:WES-121 0

23.D1491505 KEYTOP:STOP

22.D1491504 KEYTOP:START

7.D1201556 SHEET:LOGO:LAN

8.D1201557 SHEET:LOGO:GES

18.D1367397 PCB:LCDC:AR2FT: OFF:ASS'Y

4.04593010N (x19) BINDING HEAD TA PPING SCREW:3X 10

17.D1367393 PCB:OP-R:ASS'Y

U002_S001
OPERATION PANEL:NA:ASS'Y

26.D1491510
KEYTOP:LEFT

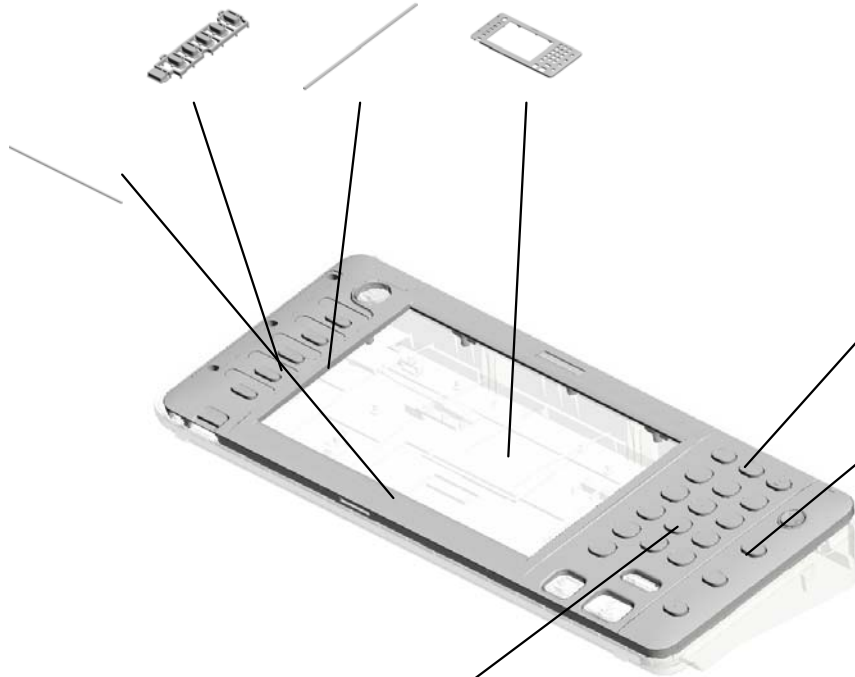
27.D1491530
(x2)
SPACER:LCD:A

29.D1491533
COVER:UPPER:SH
:NA



10.D1367211
OPERATION PANE
L:NA:ASS'Y

28.D1491531
(x2)
SPACER:LCD:B



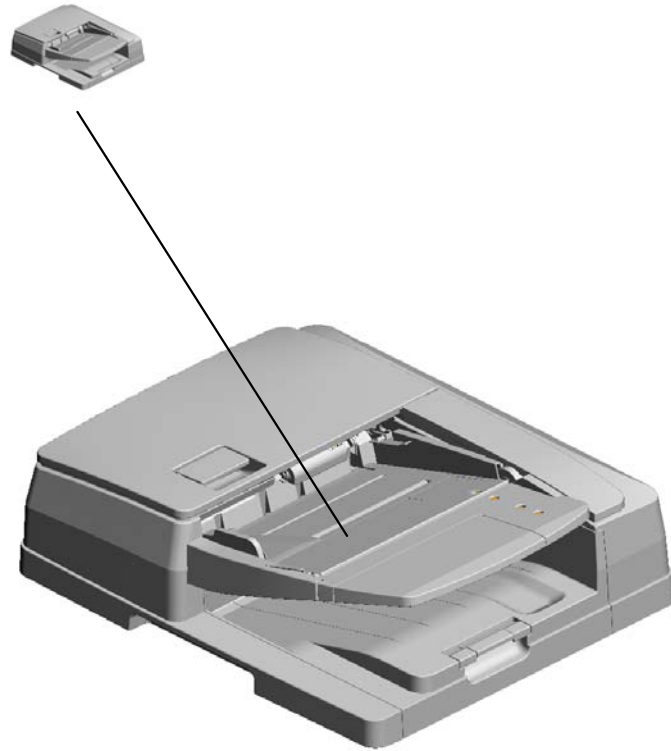
24.D1491508
KEYTOP:RESET S
WITCH

25.D1491509
KEYTOP:POWER S
OURCE

30.D1491539
KEYTOP:10KEY:AA

U003.ADF

U003_S001
D6837004
ADF:ASS'Y



U001	U002	U003	U004	U005	U006	U007	U008	U009	U010	U011	U012	U013	U014	U015	U016	U017	U018	U019	U020
------	------	------	------	------	------	------	------	------	------	------	------	------	------	------	------	------	------	------	------

U003_S001.ADF:ASS'Y

U003_S001_S006
D6832110
ROLLER:PULL OUT:DRIVE

U003_S001_S003
D6831632
SHAFT:REVERSE ROLLER:S
UB-ASS'Y

U003_S001_S007
D6832210
ROLLER:MIDDLE:DRIVE

U003_S001_S008
D6832200
SHAFT:SEPARATION:ASS'Y

U003_S001_S005
D6831680
CAM:PICKUP

U003_S001_S001
D6831480
BRACKET:SHEET:CONTACT
IMAGE SENSOR:ASS'Y

U003_S001_S002
D6831620
SHAFT:SEPARATION:DRIVE:
INPUT:SUB-ASS'Y

U003_S001_S010
D6833150
ROLLER:SCANNING:EXIT:DR
IVE:ASS'Y

U003_S001_S004
D6831640
SHAFT:INPUT:PAPER FEED:
SUB-ASS'Y

U003_S001_S009
AX040254
DC MOTOR:RISING TRAY:AS
S'Y:1.007W:BURUSH

U003_S001_S012
D6833461
GUIDE:SCANNING:ENTRANC
E:NON-CONTACT:SUB-ASS'Y

U003_S001_S011
D6834615
SHIELDING PLATE:LEFT LO
WER:ASS'Y

U001	U002	U003	U004	U005	U006	U007	U008	U009	U010	U011	U012	U013	U014	U015	U016	U017	U018	U019	U020
------	------	------	------	------	------	------	------	------	------	------	------	------	------	------	------	------	------	------	------

U003_S001.ADF:ASS'Y

U003_S001_S019
D6834720
PRESSURE PLATE:ASS'Y

U003_S001_S016
D6833710
ROLLER:CONTACT IMAGE S
ENSOR:EXIT:DRIVE:PRESS
FIT

U003_S001_S017
D6834320
COVER:PAPER FEED:ASS'Y

U003_S001_S018
D6834510
COVER:LOWER RIGHT:ASS'
Y

U003_S001_S015
D6833661
GUIDE PLATE:CONTACT IMA
GE SENSOR:ENTRANCE:AS
S'Y

U003_S001_S013
D5433631
ROLLER:SCANNING:BEHIND
:ASS'Y

U003_S001_S014
D6833641
GUIDE:CONTACT IMAGE SE
NSOR:EXIT:LOWER:ASS'Y

U001	U002	U003	U004	U005	U006	U007	U008	U009	U010	U011	U012	U013	U014	U015	U016	U017	U018	U019	U020
------	------	------	------	------	------	------	------	------	------	------	------	------	------	------	------	------	------	------	------

U003_S001_S008.SHAFT:SEPARATION:ASS'Y

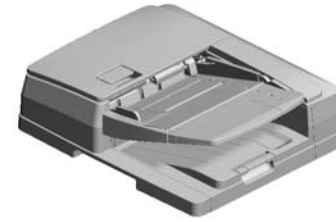
U003_S001_S008_S001
D6832240
GUIDE:PAPER FEED:ENTRA
NCE:INNER BACK:ASS'Y



U001	U002	U003	U004	U005	U006	U007	U008	U009	U010	U011	U012	U013	U014	U015	U016	U017	U018	U019	U020
------	------	------	------	------	------	------	------	------	------	------	------	------	------	------	------	------	------	------	------

U003
ADF

84.D5406121
(x2)
FULL DUG POINT
SCREW:FIX:HINGE



U001	U002	U003	U004	U005	U006	U007	U008	U009	U010	U011	U012	U013	U014	U015	U016	U017	U018	U019	U020
------	------	------	------	------	------	------	------	------	------	------	------	------	------	------	------	------	------	------	------

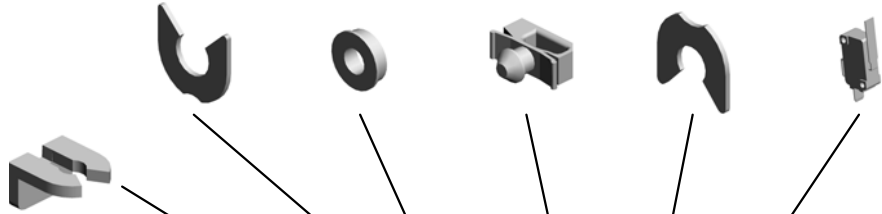
U003_S001
ADF:ASS'Y

- 14.08050088 (x5) RETAINING RING - M6
- 13.07433808 (x3) RADIAL BALL BEARING: DIA8XDIA16X5
- 20.11050758 (x18) CLAMP:LWSM-030 6A
- 15.08050089 (x9) RETAINING RING - M4
- 22.12042612 (x2) MICRO SWITCH:D3 V-16506-3C25



259.D6837004
ADF:ASS'Y

23.52062686
SNAP RING



7.04583008N
(x22)
HEXAGON HEAD TAPPING SCREW:3X8



19.11050692
(x5)
CLAMP:LES-0503



18.11050508
(x2)
HARNESS CLAMP - LWS-0711



21.11050760
CLAMP:LWSM-051 1A



6.04543014Q
(x4)
TAPPING SCREW: 3X14



12.07433806
(x3)
RADIAL BALL BEARING: DIA6XDIA13X5



10.07200040E
(x3)
RETAINING RING - M4



2.03530060N
(x2)
BIND SCREW - M3 X6



16.08050092
(x2)
RETAINING RING - 3M



4.04543006N
(x9)
TAPPING SCREW: ROUND POINT:3X6



89.D5431821
TIMING PULLEY:T3 3/24

90.D5431822
FLANGE:DIA24

17.11050487
(x2)
HARNESS CLAMP



5.04543006Q
(x113)
TAPPING SCREW - M3X6



97.D6421454
FEELER:APS

102.D6831386
SHAFT:CONTACT POINT:ON OFF DETECTOR:PAPER FEED



9.07200030E
(x2)
RETAINING RING - M3

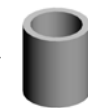


133.D6831822
DC MOTOR:20W:SCANNING:20W:BRUSHLESS



135.D6831845
PULLEY:IDLER:DIA14

8.07074060N
BUSHING:DIA4X6



163.D6832728
STOPPER:RELEASE:SHAFT:BASE



164.D6832729
JOINT:RISING TRAY:AUXILIARY

U003_S001
ADF:ASS'Y

52.AA143789
SHAFT:CLEANER

49.AA082144
(x2)
BUSHING - 8X12X7

46.AA080347
BUSHING - 8MM

25.54472681
SNAP RING

40.AA043685
SYNCHRONOUS B
ELT:40S2M258



259.D6837004
ADF:ASS'Y

36.AA043669
TIMING BELT:40S2
M158

51.AA143788
(x3)
PIN:GUIDE PLATE:
PAPER FEED

45.AA080346
(x3)
BUSHING:FLANGE
TYPE:DIA6

24.52152621
SNAP RING - M6

35.AA043632
TIMING BELT - 40S
2M126

38.AA043682
SYNCHRONOUS B
ELT:60S1.5M150

39.AA043683
SYNCHRONOUS B
ELT:60S1.5M204

42.AA043698
SYNCHRONOUS B
ELT:40S1.5M300

43.AA060842
(x3)
TENSION SPRING

41.AA043694
SYNCHRONOUS B
ELT:B40S2M202

37.AA043681
SYNCHRONOUS B
ELT:40S2M108

34.AA043339
TIMING BELT:PAP
ER EXIT:40S2M122

47.AA082101
(x6)
BUSHING - 6X10X6

28.A5482139
PULLEY

27.A4221063
(x2)
SEAL - 0.7X13X20

165.D6832733
FEELER:SENSOR:
ORIGINAL SENSO
R

167.D6832742
(x2)
CUSHION:STOPPE
R PAWL

170.D6832747
(x3)
PAD:SIDE FENCE:
SMALL

171.D6832748
(x2)
PAD:SIDE FENCE:
LARGE

252.D6835111
GUIDE:HARNES:
MAIN

256.D6836011
DECAL:SIZE:ORIG
INAL



257.D6836041
DECAL:DESIGN SK
ETCH:MISFEED RE
MOVAL:P2



258.D6836051
DECAL:BASE:ORIG
INAL

U003_S001
ADF:ASS'Y

77.B8041180
(x10)
DISCHARGE BRUS
H:PUNCH UNIT

57.AW020198
PHOTOINTERRUP
TOR:LG2A14NL1

56.AW010151
(x5)
PHOTO REFLECTIO
N SENSOR:PS122T
L1-A

65.B4772622
(x3)
DISCHARGE BRUS
H:L11

60.B0434645
(x4)
SPRING - 2N



259.D6837004
ADF:ASS'Y

76.B8022536
SLIDER:SIDE FEN
CE

75.B8022532
SPRING PLATE:SI
DE FENCE

55.AW010150
(x4)
PHOTO REFLECTIO
N SENSOR:ORIGIN
AL TRAY

78.B8301135
SCREW

58.AW020203
(x9)
PHOTOINTERRUP
TOR:GP1A173LCS
2F

73.B7061859
SCREW:SLIDER:L
OCK

70.B6523174
TENSION SPRING

81.D4122669
(x2)
TENSION SPRING:
GUIDE PLATE:PRE
SSURE:2N

79.D4122653
BUSHING:DIA6

62.B3871951
SPRING - PAPER S
IZE SENSOR

72.B7003305
TIMING BELT:B40S
2M152



261.D7316241
DECAL:STOPPER:
SEPARATION UNIT

67.B6521133
SHAFT:SLIDER

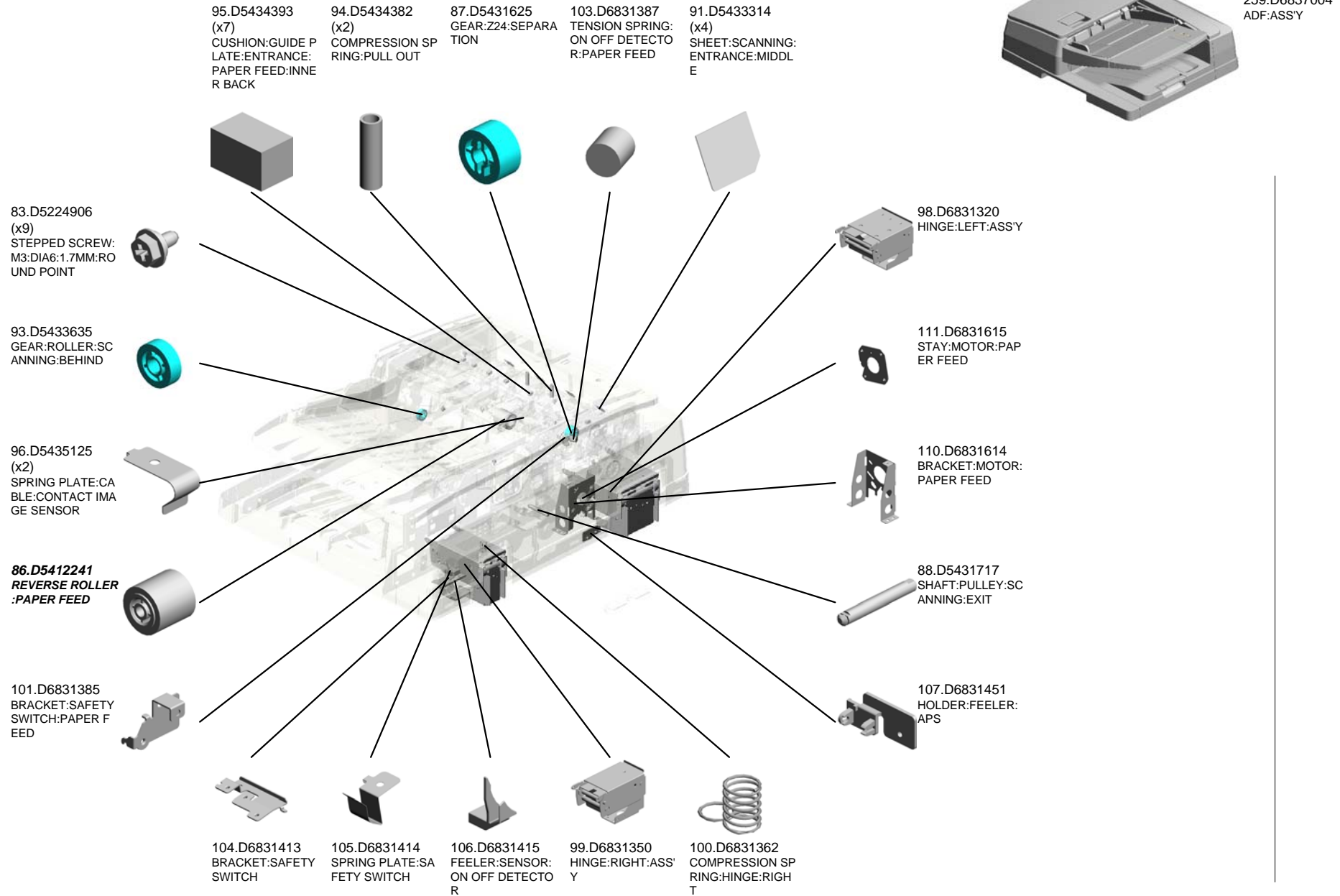
5.04543006Q (x 3)
TAPPING SCREW - M3X6

68.B6521134
COMPRESSION SP
RING

82.D4123145
TENSION SPRING:
LEVER:MISFEED R
EMOVAL

53.AA143842
SCREW:DIA6:14.5:
M4

U003_S001
ADF:ASS'Y



U003_S001
ADF:ASS'Y

136.D6831851
BRACKET:TENSIO
NER:SCANNING:F
RONT

115.D6831635
GEAR:REVERSE R
OLLER:DRIVE

125.D6831691
GEAR:PAPER FEE
D:COUPLING

118.D6831643
GEAR:INPUT:PAPE
R FEED

124.D6831682
TIMING PULLEY:PI
CKUP:DRIVE

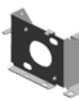


259.D6837004
ADF:ASS'Y

127.D6831718
(x2)
STAY:MOTOR:PUL
L OUT



126.D6831711
BRACKET:MOTOR:
PULL OUT



135.D6831845
PULLEY:IDLER:DI
A 14



134.D6831841
BRACKET:TENSIO
NER:SCANNING:IN
NER BACK



132.D6831814
TIMING PULLEY:C
OUPLING:EXIT



130.D6831811
BRACKET:MOTOR:
SCANNING:EXIT



133.D6831822
DC MOTOR:20W:S
CANNING:20W:BR
USHLESS



131.D6831813
TIMING PULLEY:C
OUPLING:SCANNI
NG:INNER BACK



112.D6831617
DC MOTOR:ASS'Y:
20W:BRUSHLESS



119.D6831644
SPACER:SHAFT:IN
PUT:PAPER FEED



117.D6831642
TIMING PULLEY:ID
LER:PULL OUT



128.D6831762
BRACKET:MOTOR:
MIDDLE



129.D6831766
(x2)
DC MOTOR:10W:B
RUSHLESS



122.D6831675
DC STEPPER MOT
OR: DIA42:T15:S2M:
ASS'Y



121.D6831671
BRACKET:MOTOR:
PICK UP



U003_S001
ADF:ASS'Y

174.D6832756
RAIL:SIDE FENCE

137.D6831855
TIMING PULLEY:TE
NSIONER:SCANNI
NG:FRONT

167.D6832742
(x2)
CUSHION:STOPPE
R PAWL

138.D6831856
TENSION SPRING:
TENSION:SCANNI
NG:FRONT

161.D6832510
GUIDE PLATE:PAP
ER FEED:LOWER:
ASS'Y



259.D6837004
ADF:ASS'Y

169.D6832746
SIDE FENCE:ORIGI
NAL TABLE

166.D6832741
BASE:ORIGINAL T
ABLE

162.D6832724
COVER:LOWER:BA
SE

175.D6832771
ORIGINAL TABLE

176.D6832781
ORIGINAL TABLE:B
EHIND

159.D6832393
HOLDER:ORIGINA
L TABLE

173.D6832755
SHAFT:RISE:BASE:
SUB-ASS'Y

172.D6832752
LEVER:RISE:BASE

168.D6832743
(x2)
SHEET:CUSHION:S
TOPPER PAWL

139.D6831912
BRACKET:HINGE:R
IGHT

177.D6832911
GUIDE PLATE:PUL
L OUT:LOWER

145.D6832222
STOPPER:SHAFT:
SEPARATION:DRIV
E

160.D6832417
SHEET:ENTRANCE
:SEPARATION PAD

158.D6832311
TORQUE LIMITER
MECHANICAL CLU
TCH:SEPARATOR

141.D6832112
(x2)
TIMING PULLEY:R
OLLER:PULL OUT:
DRIVE

U001	U002	U003	U004	U005	U006	U007	U008	U009	U010	U011	U012	U013	U014	U015	U016	U017	U018	U019	U020
------	------	------	------	------	------	------	------	------	------	------	------	------	------	------	------	------	------	------	------

U003_S001
ADF:ASS'Y

- 181.D6833155 (x2) TIMING PULLEY:ROLLER:SCANNING:EXIT:DRIVE
- 186.D6833361 (x2) SPRING PLATE:GUIDE PLATE:SCANNING
- 182.D6833221 GUIDE:SCANNING:UPPER
- 178.D6832912 (x6) FEELER:PAPER SIZE SENSOR
- 179.D6833111 ROLLER:SCANNING:ENTRANCE:DRIVE



259.D6837004
ADF:ASS'Y

205.D6833715
TIMING PULLEY:ROLLER:CIS:EXIT:FRONT



199.D6833651
COVER:SCANNING:EXIT



184.D6833260
SHEET:SCANNING:EXIT:UPPER:ASS'Y



206.D6833811
GUIDE PLATE:EXIT:UPPER



194.D6833621
GUIDE:EXIT:LOWER:SUB-ASS'Y



192.D6833511
HOOK:OPTICAL READING UNIT:FRONT



193.D6833616 (x2)
BRACKET:DISCHARGE BRUSH



191.D6833510
SHAFT:LEVER:MISS FEED REMOVAL:ASS'Y



187.D6833370
GUIDE PLATE:SCANNING:NON-CONTACT



204.D6833714
TIMING PULLEY:ROLLER:CIS:EXIT:DRIVE



198.D6833645 (x2)
ROLLER:MIDDLE:DRIVEN



188.D6833421
BASE:SCANNING:ENTRANCE:LOWER



189.D6833422 (x2)
LEVER:PRESSURE RELEASE



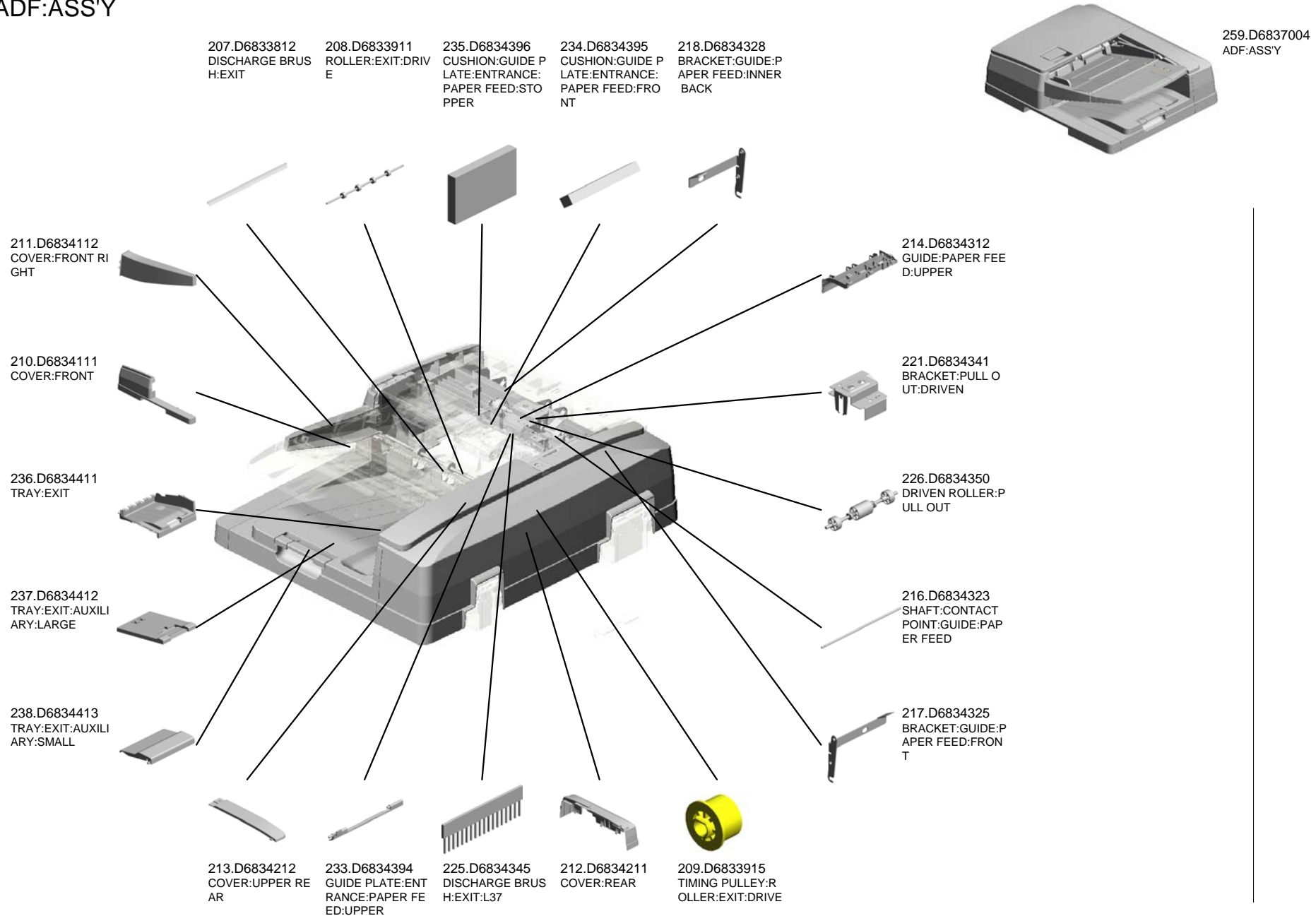
183.D6833251
GROUND PLATE:ROLLER



185.D6833311 (x2)
BRACKET:GUIDE:SCANNING:UPPER



U003_S001
ADF:ASS'Y



U003_S001
ADF:ASS'Y

255.D6835860
CONTACT IMAGE
SENSOR:ASS'Y

239.D6834421
(x2)
SHAFT:EXIT:DRIVE
N

244.D6834611
COVER:LEFT LOW
ER



259.D6837004
ADF:ASS'Y

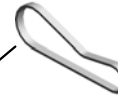
240.D6834430
(x4)
ROLLER:EXIT:DRIV
EN



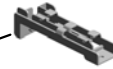
242.D6834442
(x8)
TAPE:PRESSURE
PLATE



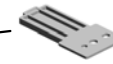
263.M3644131
TIMING BELT:B40S
2M160



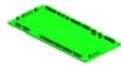
253.D6835121
GUIDE:HARNES
SUB



241.D6834441
(x2)
HOLDER:CUSHION
:PRESSURE PLAT
E



254.D6835501
PCB:MAIN CONTR
OL BOARD:DOCU
MENT FEEDER:AS
S'Y

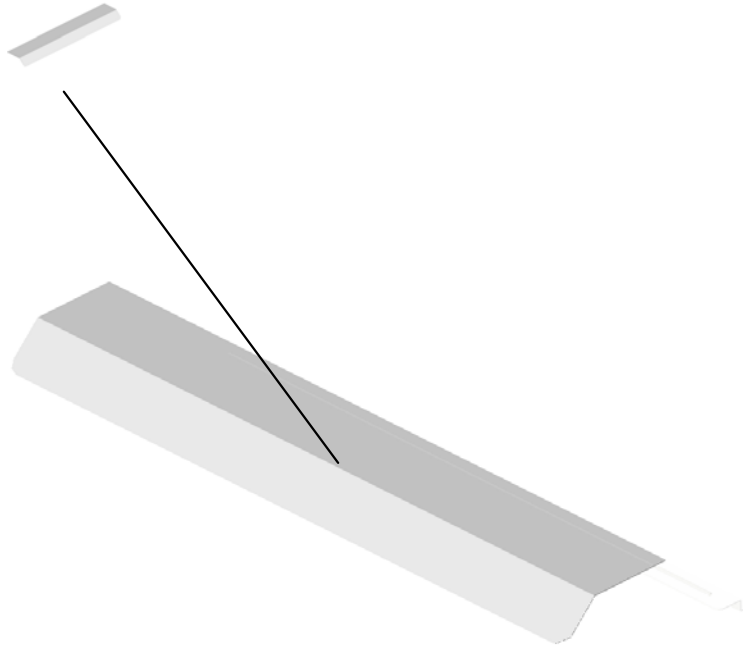


U001	U002	U003	U004	U005	U006	U007	U008	U009	U010	U011	U012	U013	U014	U015	U016	U017	U018	U019	U020
------	------	------	------	------	------	------	------	------	------	------	------	------	------	------	------	------	------	------	------

U003_S001_S001
BRACKET:SHEET:CONTACT IMAGE SENSOR:ASS'Y

109.D6831482
SHEET:CONTACT I
MAGE SENSOR

108.D6831480
BRACKET:SHEET:
CONTACT IMAGE
SENSOR:ASS'Y

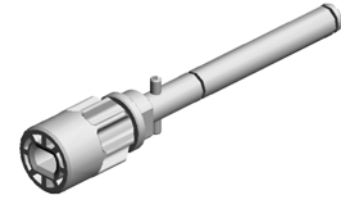
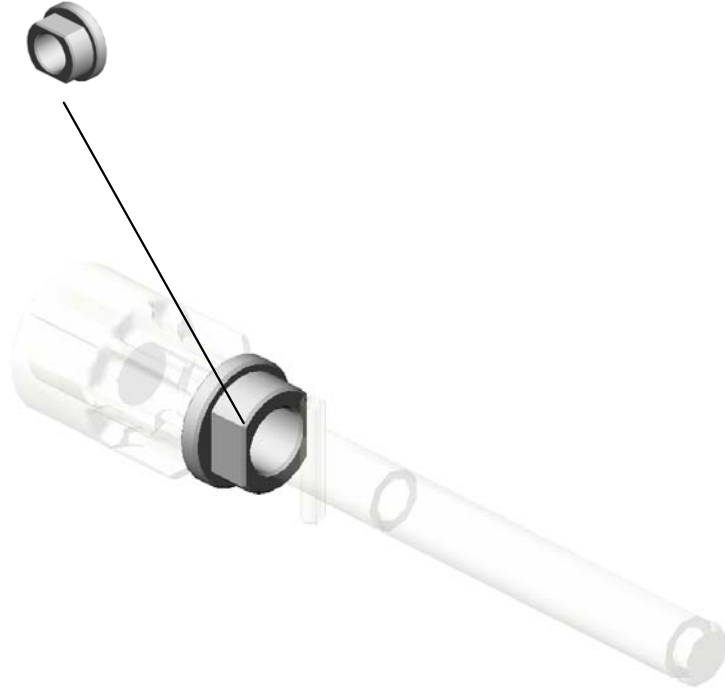


U001	U002	U003	U004	U005	U006	U007	U008	U009	U010	U011	U012	U013	U014	U015	U016	U017	U018	U019	U020
------	------	------	------	------	------	------	------	------	------	------	------	------	------	------	------	------	------	------	------

U003_S001_S002

SHAFT:SEPARATION:DRIVE:INPUT:SUB-ASS'Y

47.AA082101
BUSHING - 6X10X6



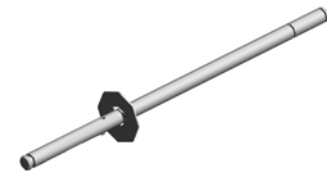
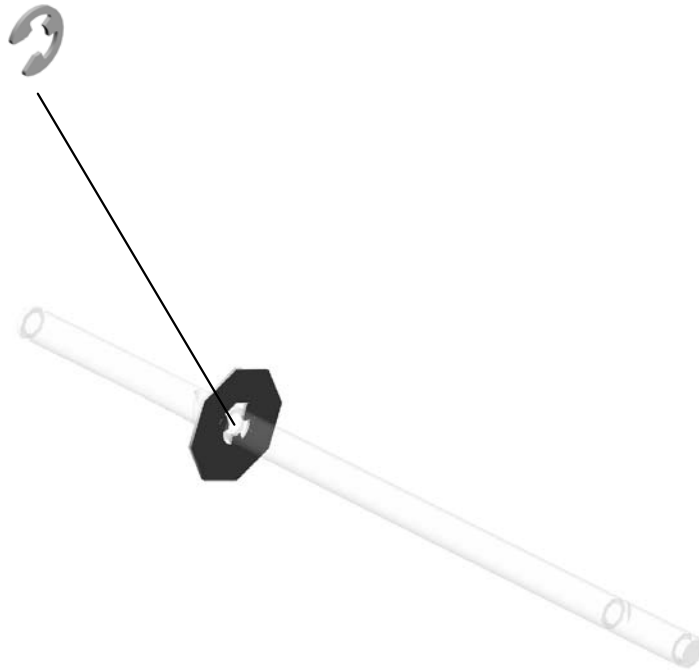
113.D6831620
SHAFT:SEPARATI
ON:DRIVE:INPUT:S
UB-ASSY

U001	U002	U003	U004	U005	U006	U007	U008	U009	U010	U011	U012	U013	U014	U015	U016	U017	U018	U019	U020
------	------	------	------	------	------	------	------	------	------	------	------	------	------	------	------	------	------	------	------

U003_S001_S003

SHAFT:REVERSE ROLLER:SUB-ASS'Y

10.07200040E
RETAINING RING -
M4



114.D6831632
SHAFT:REVERSE
ROLLER:SUB-ASS'
Y

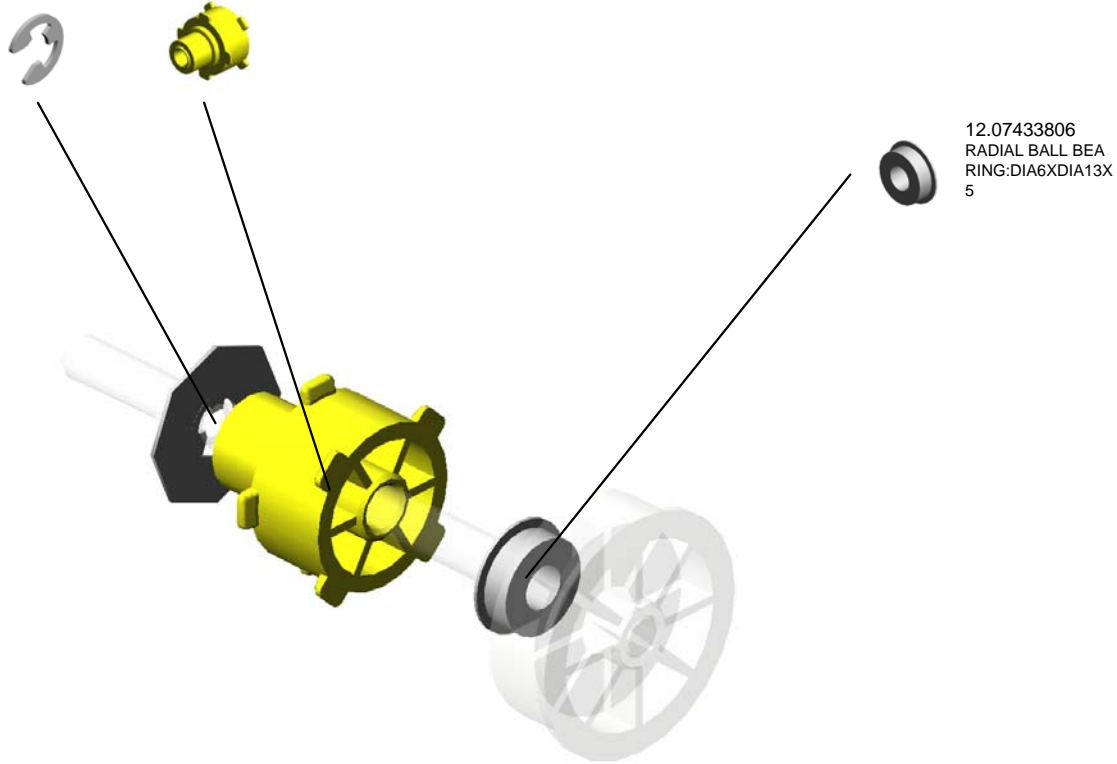
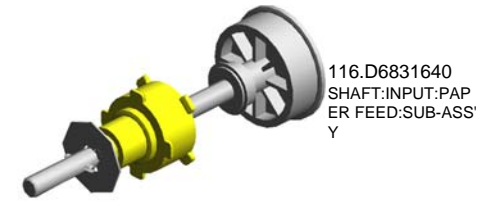
U001	U002	U003	U004	U005	U006	U007	U008	U009	U010	U011	U012	U013	U014	U015	U016	U017	U018	U019	U020
------	------	------	------	------	------	------	------	------	------	------	------	------	------	------	------	------	------	------	------

U003_S001_S004

SHAFT:INPUT:PAPER FEED:SUB-ASS'Y

10.07200040E
RETAINING RING -
M4

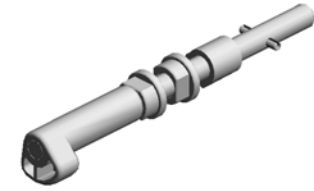
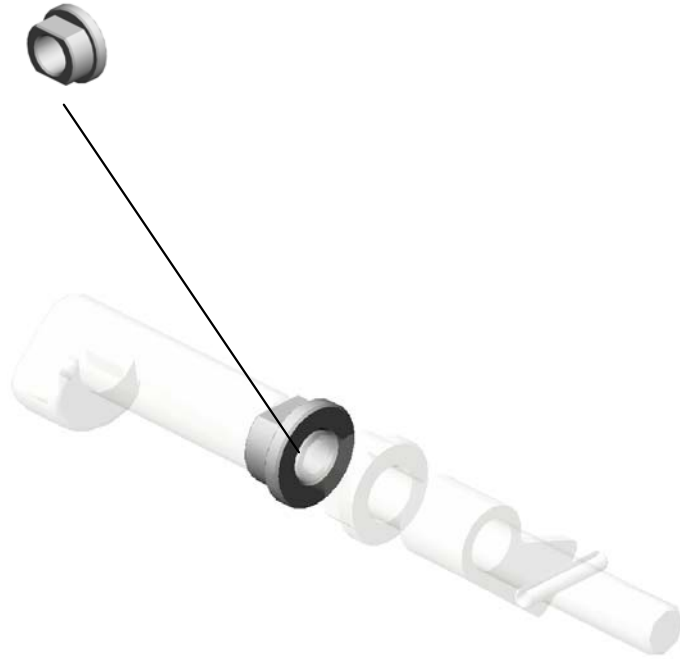
120.D6831645
TIMING PULLEY:C
OUPLING:PULL OU
T



U001	U002	U003	U004	U005	U006	U007	U008	U009	U010	U011	U012	U013	U014	U015	U016	U017	U018	U019	U020
------	------	------	------	------	------	------	------	------	------	------	------	------	------	------	------	------	------	------	------

U003_S001_S005
CAM:PICKUP

47.AA082101
BUSHING - 6X10X6



123.D6831680
CAM:PICKUP

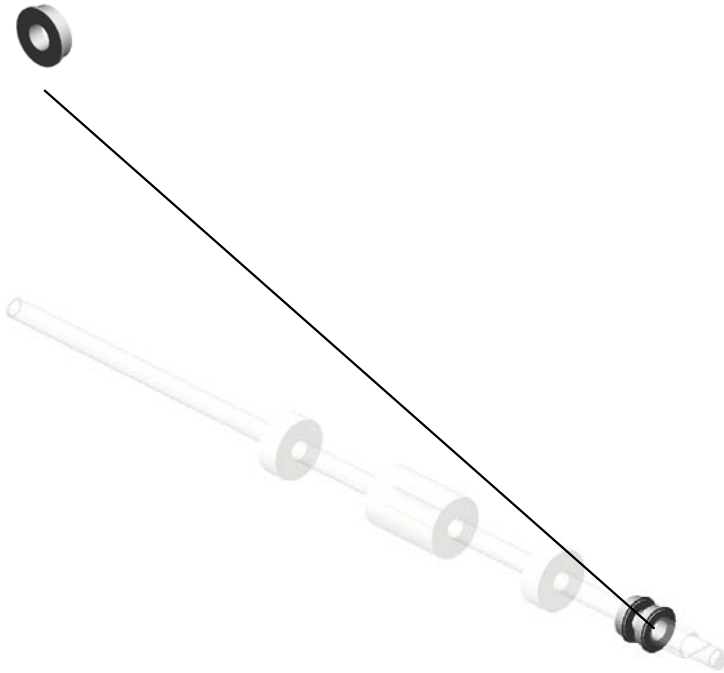
U001	U002	U003	U004	U005	U006	U007	U008	U009	U010	U011	U012	U013	U014	U015	U016	U017	U018	U019	U020
------	------	------	------	------	------	------	------	------	------	------	------	------	------	------	------	------	------	------	------

U003_S001_S006
ROLLER:PULL OUT:DRIVE

13.07433808
(x2)
RADIAL BALL BEA
RING:DIA8XDIA16X
5



140.D6832110
ROLLER:PULL OUT
:DRIVE



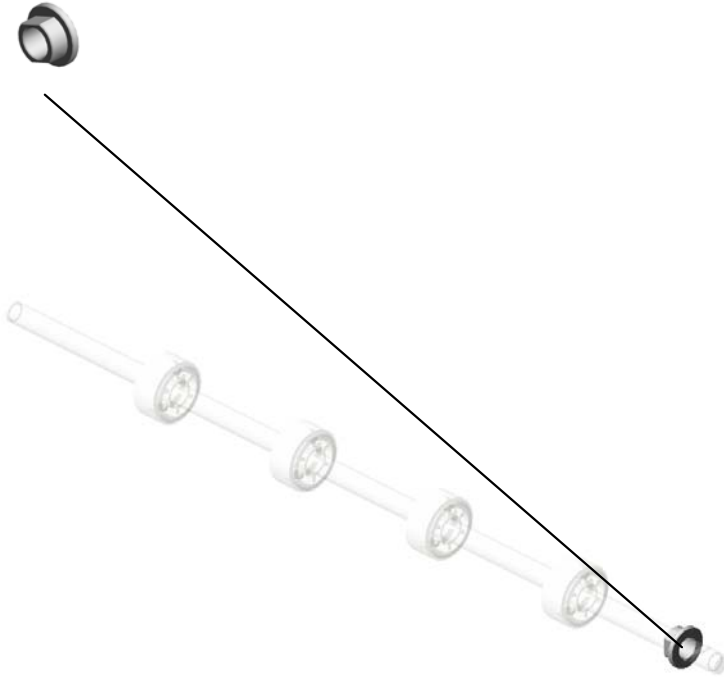
U001	U002	U003	U004	U005	U006	U007	U008	U009	U010	U011	U012	U013	U014	U015	U016	U017	U018	U019	U020
------	------	------	------	------	------	------	------	------	------	------	------	------	------	------	------	------	------	------	------

U003_S001_S07
ROLLER:MIDDLE:DRIVE

48.AA082104
BUSHING - 8X12X7

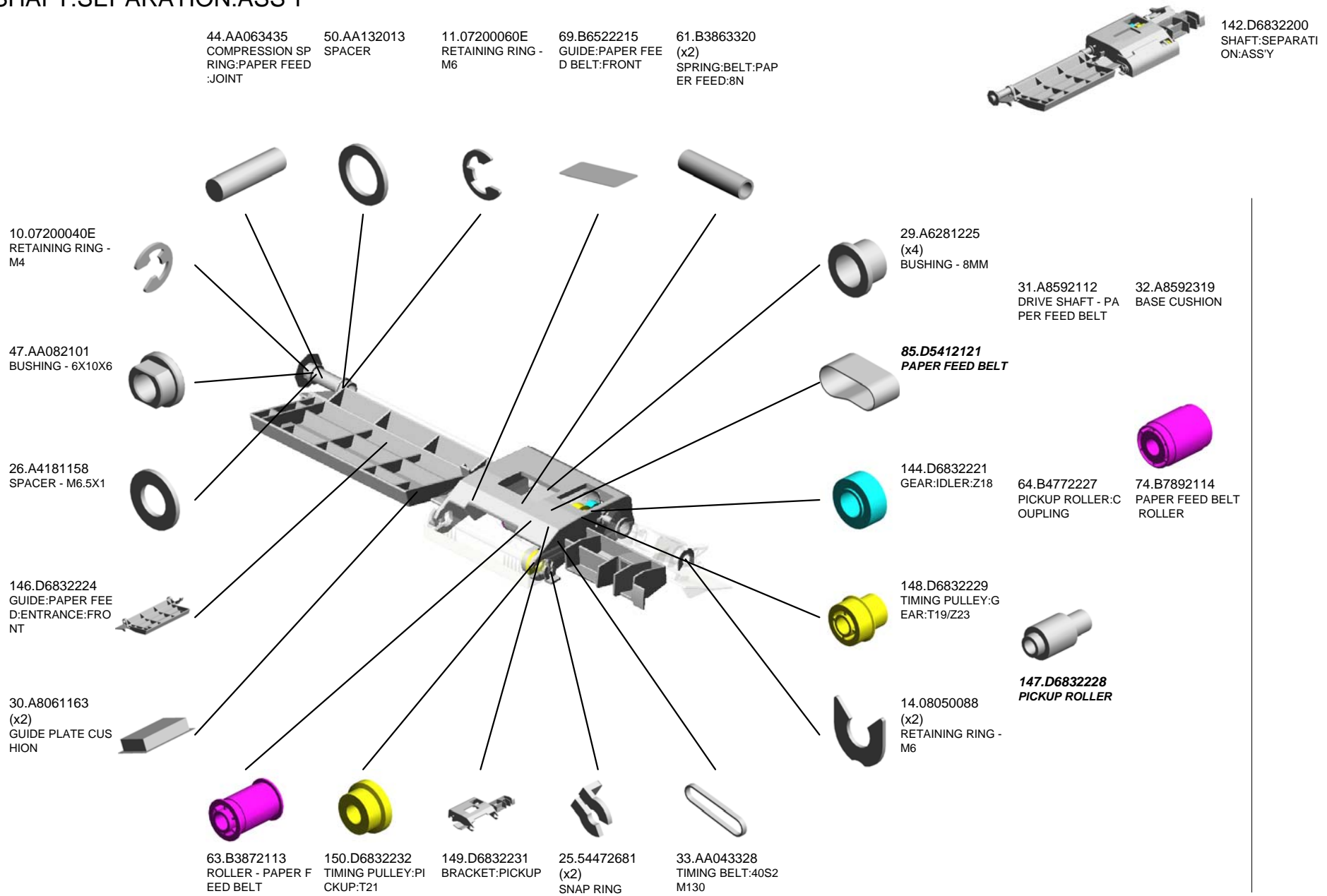


143.D6832210
ROLLER:MIDDLE:D
RIVE



U001	U002	U003	U004	U005	U006	U007	U008	U009	U010	U011	U012	U013	U014	U015	U016	U017	U018	U019	U020
------	------	------	------	------	------	------	------	------	------	------	------	------	------	------	------	------	------	------	------

U003_S001_S008
SHAFT:SEPARATION:ASS'Y



U001	U002	U003	U004	U005	U006	U007	U008	U009	U010	U011	U012	U013	U014	U015	U016	U017	U018	U019	U020
------	------	------	------	------	------	------	------	------	------	------	------	------	------	------	------	------	------	------	------

U003_S001_S008
SHAFT:SEPARATION:ASS'Y

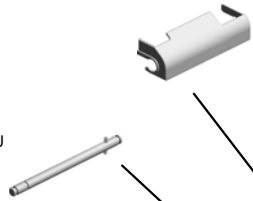
154.D6832239
COVER:PICKUP R
OLLER

151.D6832233
BRACKET:PAPER
FEED BELT



142.D6832200
SHAFT:SEPARATI
ON:ASSY

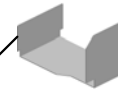
152.D6832235
SHAFT:PICKUP:SU
B-ASS'Y



157.D6832272
LEVER:PICKUP RO
LLER:RISE



153.D6832236
SHEET:BRACKET:
PICKUP:INNER BA
CK



262.H0602126
(x2)
BUSHING - M6X7



U001	U002	U003	U004	U005	U006	U007	U008	U009	U010	U011	U012	U013	U014	U015	U016	U017	U018	U019	U020
------	------	------	------	------	------	------	------	------	------	------	------	------	------	------	------	------	------	------	------

U003_S001_S008_S001
GUIDE:PAPER FEED:ENTRANCE:INNER BACK:ASS'Y

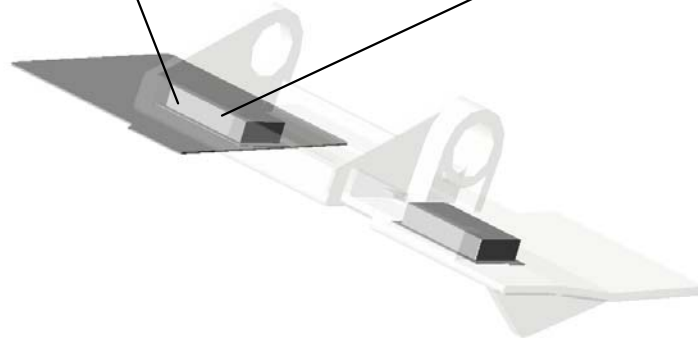
156.D6832242
SHEET:GUIDE:PAP
ER FEED:INNER B
ACK



155.D6832240
GUIDE:PAPER FEE
D:ENTRANCE:INNE
R BACK:ASS'Y



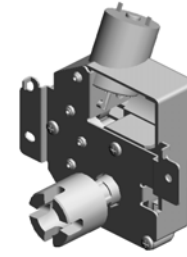
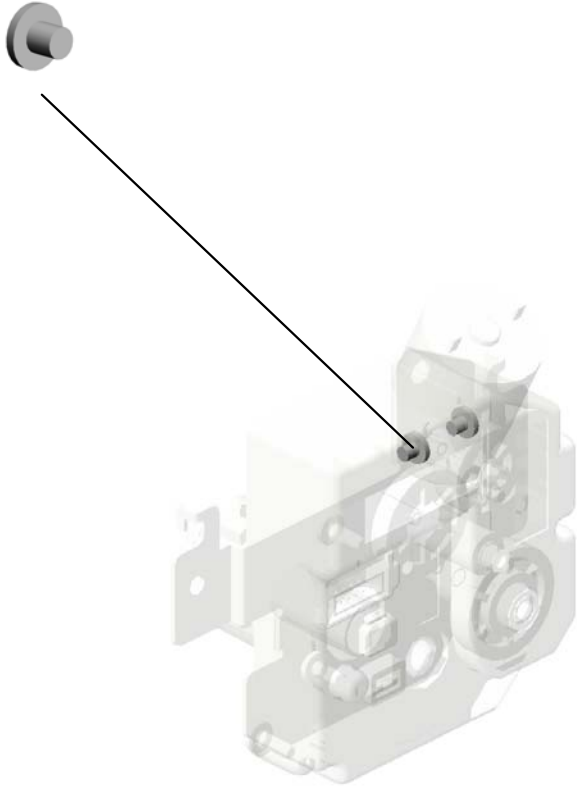
30.A8061163
(x2)
GUIDE PLATE CUS
HION



U001	U002	U003	U004	U005	U006	U007	U008	U009	U010	U011	U012	U013	U014	U015	U016	U017	U018	U019	U020
------	------	------	------	------	------	------	------	------	------	------	------	------	------	------	------	------	------	------	------

U003_S001_S009
DC MOTOR:RISING TRAY:ASS'Y:1.007W:BURUSH

1.03530030N
(x2)
SCREW:M3X3



59.AX040254
DC MOTOR:RISING
TRAY:ASS'Y:1.007
W:BURUSH

U001	U002	U003	U004	U005	U006	U007	U008	U009	U010	U011	U012	U013	U014	U015	U016	U017	U018	U019	U020
------	------	------	------	------	------	------	------	------	------	------	------	------	------	------	------	------	------	------	------

U003_S001_S010
ROLLER:SCANNING:EXIT:DRIVE:ASS'Y

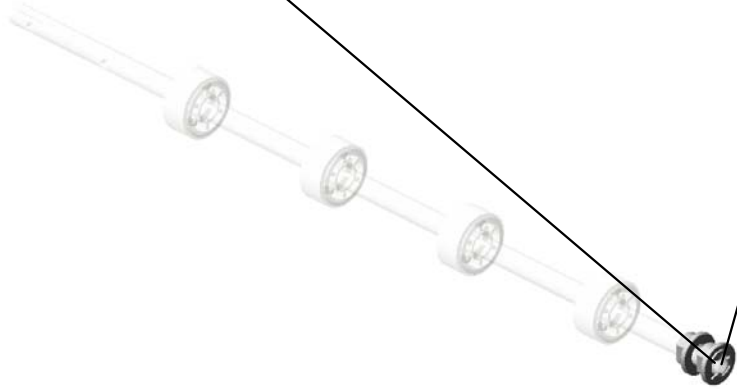
48.AA082104
(x2)
BUSHING - 8X12X7



180.D6833150
ROLLER:SCANNIN
G:EXIT:DRIVE:ASS'
Y



11.07200060E
RETAINING RING -
M6



U001	U002	U003	U004	U005	U006	U007	U008	U009	U010	U011	U012	U013	U014	U015	U016	U017	U018	U019	U020
------	------	------	------	------	------	------	------	------	------	------	------	------	------	------	------	------	------	------	------

U003_S001_S011
SHIELDING PLATE:LEFT LOWER:ASS'Y

245.D6834615
SHIELDING PLATE:
LEFT LOWER:ASS'
Y

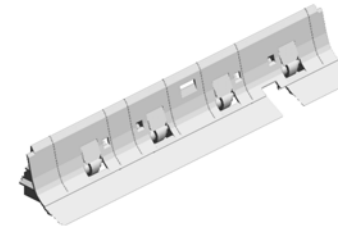
246.D6834617
SEAL:LEFT LOWE
R

U001	U002	U003	U004	U005	U006	U007	U008	U009	U010	U011	U012	U013	U014	U015	U016	U017	U018	U019	U020
------	------	------	------	------	------	------	------	------	------	------	------	------	------	------	------	------	------	------	------

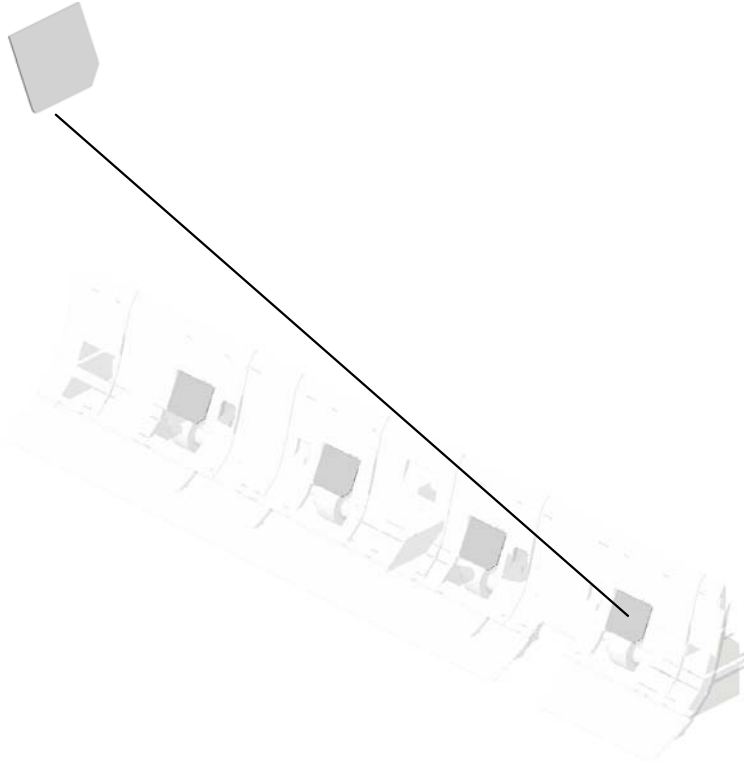
U003_S001_S012

GUIDE:SCANNING:ENTRANCE:NON-CONTACT:SUB-ASS'Y

91.D5433314
(x4)
SHEET:SCANNING:
ENTRANCE:MIDDLE



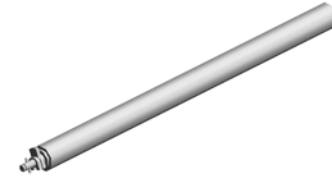
190.D6833461
GUIDE:SCANNING:
ENTRANCE:NON-C
ONTACT:SUB-ASS'
Y



U001	U002	U003	U004	U005	U006	U007	U008	U009	U010	U011	U012	U013	U014	U015	U016	U017	U018	U019	U020
------	------	------	------	------	------	------	------	------	------	------	------	------	------	------	------	------	------	------	------

U003_S001_S013
ROLLER:SCANNING:BEHIND:ASS'Y

79.D4122653
BUSHING:DIA6



92.D5433631
ROLLER:SCANNIN
G:BEHIND:ASS'Y

U001	U002	U003	U004	U005	U006	U007	U008	U009	U010	U011	U012	U013	U014	U015	U016	U017	U018	U019	U020
------	------	------	------	------	------	------	------	------	------	------	------	------	------	------	------	------	------	------	------

U003_S001_S014

GUIDE:CONTACT IMAGE SENSOR:EXIT:LOWER:ASS'Y

198.D6833645
(x2)
ROLLER:MIDDLE:DI
RIVEN

197.D6833644
(x4)
SHEET:GUIDE:CO
NTACT IMAGE SEN
SOR:EXIT:LOWER



195.D6833641
GUIDE:CONTACT I
MAGE SENSOR:EX
IT:LOWER:ASS'Y



196.D6833643
(x4)
COMPRESSION SP
RING:CONTACT IM
AGE SENSOR:EXIT

U001	U002	U003	U004	U005	U006	U007	U008	U009	U010	U011	U012	U013	U014	U015	U016	U017	U018	U019	U020
------	------	------	------	------	------	------	------	------	------	------	------	------	------	------	------	------	------	------	------

U003_S001_S015

GUIDE PLATE:CONTACT IMAGE SENSOR:ENTRANCE:ASS'Y

207.D6833812
DISCHARGE BRUSH:
H:EXIT

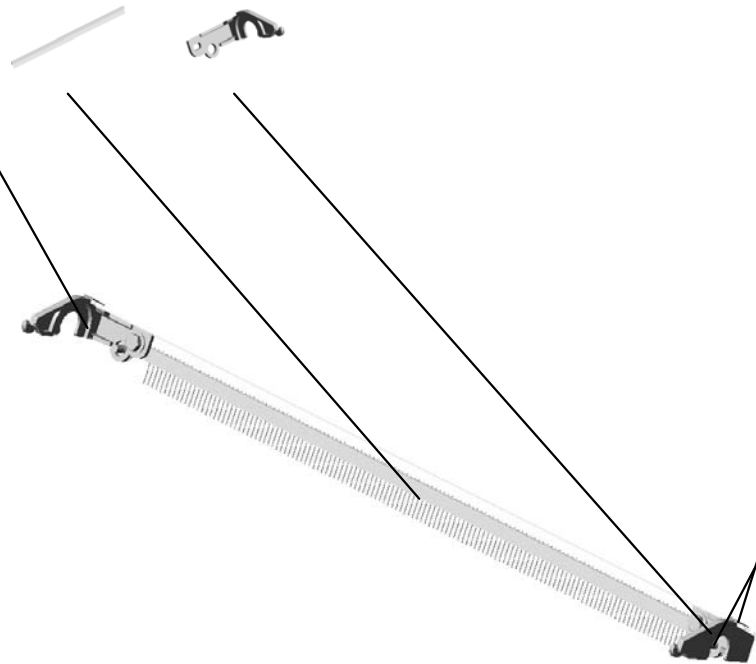
202.D6833667
LEVER:GUIDE PLATE:
CONTACT IMAGE SENSOR:
REAR

200.D6833661
GUIDE PLATE:CONTACT
IMAGE SENSOR:
ENTRANCE:ASS'Y

201.D6833666
LEVER:GUIDE PLATE:
CONTACT IMAGE SENSOR:
FRONT

80.D4122662
(x2)
SPACER:GUIDE PLATE:
CONTACT IMAGE SENSOR:
ENTRANCE

3.03603006N
(x4)
SCREW - M3X6



U001	U002	U003	U004	U005	U006	U007	U008	U009	U010	U011	U012	U013	U014	U015	U016	U017	U018	U019	U020
------	------	------	------	------	------	------	------	------	------	------	------	------	------	------	------	------	------	------	------

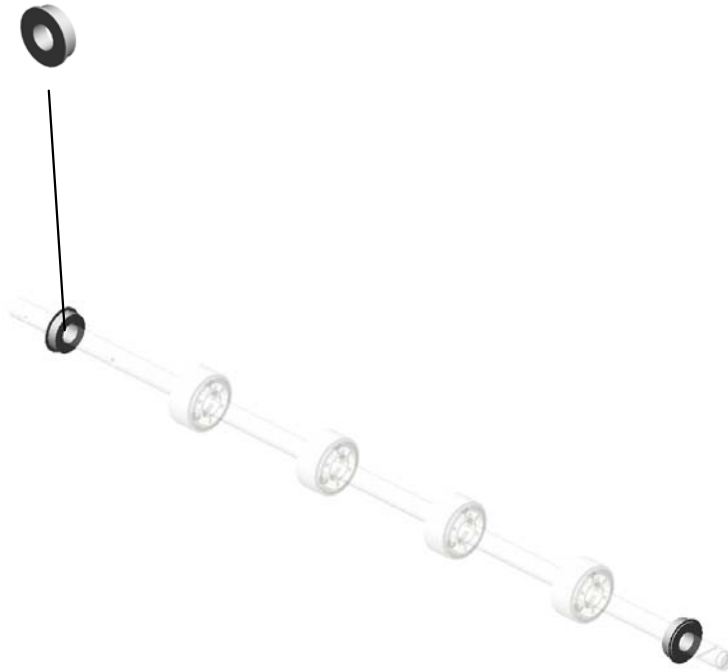
U003_S001_S016

ROLLER:CONTACT IMAGE SENSOR:EXIT:DRIVE:PRESS FIT

13.07433808
(x2)
RADIAL BALL BEA
RING:DIA8XDIA16X
5



203.D6833710
ROLLER:CONTACT
IMAGE SENSOR:E
XIT:DRIVE:PRESS
FIT



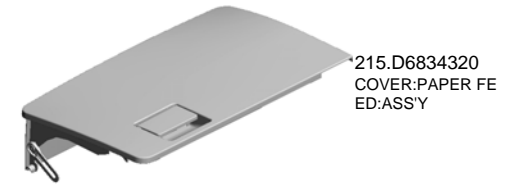
U001	U002	U003	U004	U005	U006	U007	U008	U009	U010	U011	U012	U013	U014	U015	U016	U017	U018	U019	U020
------	------	------	------	------	------	------	------	------	------	------	------	------	------	------	------	------	------	------	------

U003_S001_S017
COVER:PAPER FEED:ASS'Y

227.D6834351
LINK:STOPPER:CO
VER:PAPER FEED

66.B4774117
SPRING

54.AA143846
TAPPING SCREW:
M3X6

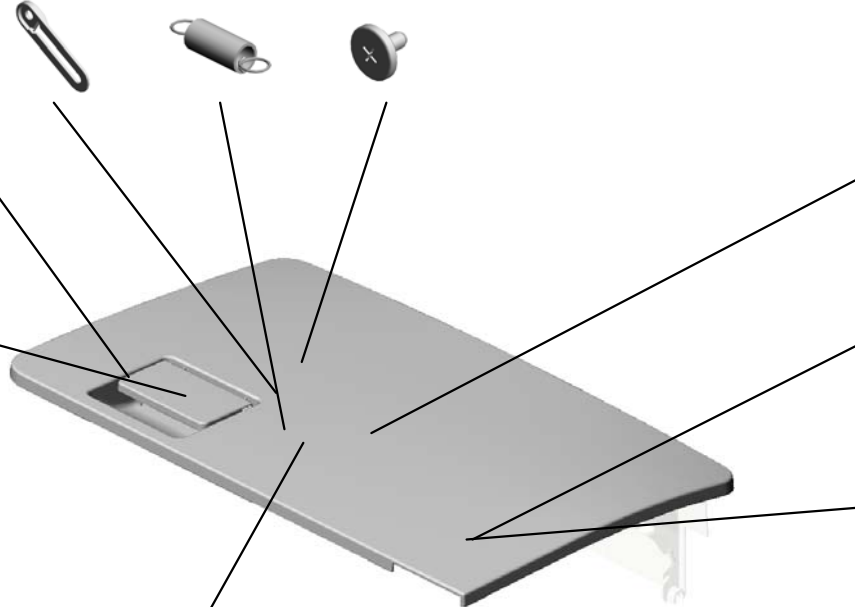


215.D6834320
COVER:PAPER FE
ED:ASS'Y

231.D6834372
HOOK:CONTACT P
OINT:FRONT:GRIP



230.D6834371
GRIP:COVER:PAP
ER FEED



220.D6834338
COVER:PAPER FE
ED:UPPER



27.A4221063
SEAL - 0.7X13X20

219.D6834329
SHEET:BASE:SEAL
:PAPER FEED

229.D6834367
GROUND PLATE:H
OOK:INNER BACK



232.D6834374
HOOK:CONTACT P
OINT:INNER BACK:
GRIP



222.D6834342
BRACKET:PRESSU
RE:PICKUP

223.D6834343
PRESSURE PLATE
:PICKUP

224.D6834344
COMPRESSION SP
RING:PICKUP:2.1N

246.D6834617
SEAL:LEFT LOWE
R

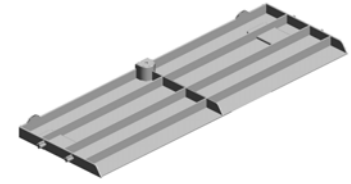
228.D6834361
SHAFT:CONTACT
POINT:GRIP



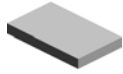
260.D6866128
SPONGE:COVER:F
RONT:SMALL

U003_S001_S018
COVER:LOWER RIGHT:ASS'Y

242.D6834442
(x2)
TAPE:PRESSURE
PLATE



243.D6834510
COVER:LOWER RI
GHT:ASS'Y

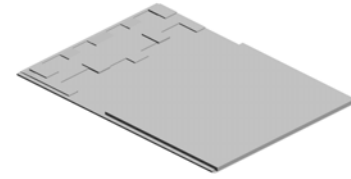


U001	U002	U003	U004	U005	U006	U007	U008	U009	U010	U011	U012	U013	U014	U015	U016	U017	U018	U019	U020
------	------	------	------	------	------	------	------	------	------	------	------	------	------	------	------	------	------	------	------

U003_S001_S019
PRESSURE PLATE:ASS'Y

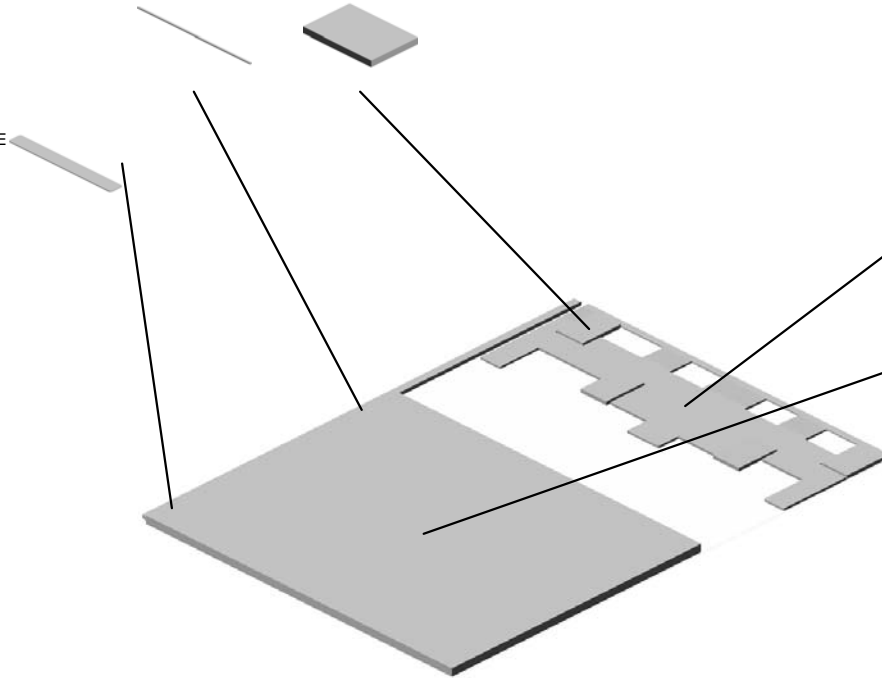
251.D6834725
CUSHION:PRESSU
RE PLATE:SMALL

249.D6834722
(x4)
CUSHION:TAPE:S
MALL



248.D6834720
PRESSURE PLATE
:ASS'Y

71.B6524743
SHEET:PRESSURE
PLATE:SMALL



247.D6834711
GUIDE PLATE:PRE
SSURE PLATE:LEF
T

250.D6834724
CUSHION:PRESSU
RE PLATE:LARGE

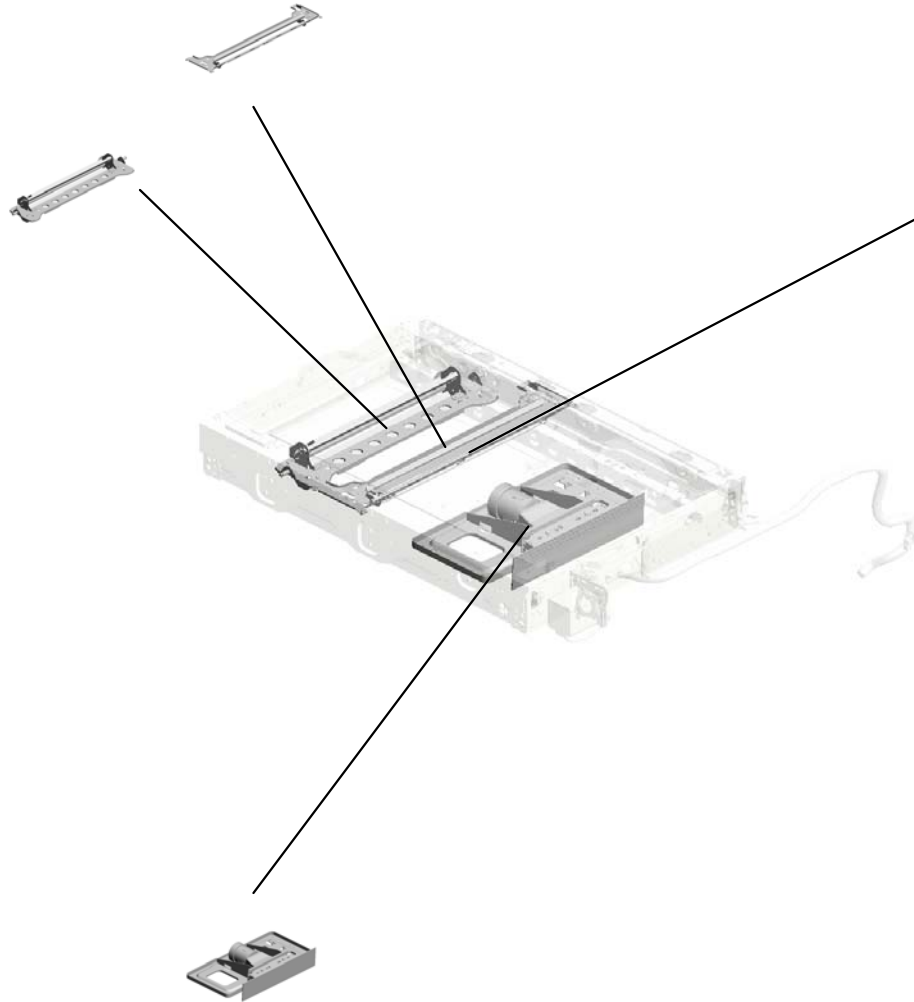
U001	U002	U003	U004	U005	U006	U007	U008	U009	U010	U011	U012	U013	U014	U015	U016	U017	U018	U019	U020
------	------	------	------	------	------	------	------	------	------	------	------	------	------	------	------	------	------	------	------

U004.SCANNER

U004_S002
D1361751
CARRIAGE:NO.1:ASS'Y

U004_S004
D1361776
CARRIAGE:NO.2:ASS'Y

U004_S003
D1491721
ILLUMINATION UNIT:LED-B:A
SS'Y



U004_S001
D1361731
LENSBLOCK SMD:ASS'Y

U001	U002	U003	U004	U005	U006	U007	U008	U009	U010	U011	U012	U013	U014	U015	U016	U017	U018	U019	U020
------	------	------	-------------	------	------	------	------	------	------	------	------	------	------	------	------	------	------	------	------

U004 SCANNER

17.AW020198
PHOTOINTERRUPTOR:LG2A14NL1

13.A2501752
EXPOSURE GLASS

10.11050758
(x17)
CLAMP:LWSM-030
6A

2.03530060N
(x14)
BIND SCREW - M3
X6

20.D1361715
GUIDE:HARNESSE:
L ED



14.AA143537
(x5)
SCREW:M3:BLACK

5.07200040E
(x2)
RETAINING RING -
M4

3.03603006N
(x63)
SCREW - M3X6

8.08046123
(x7)
HEXAGONAL BOLT
:W/WASHER:M3X8

22.D1361727
INNER COVER:SC
ANNER

19.D0291749
PULLEY:PROTECTI
ON

6.07433808
(x2)
RADIAL BALL BEA
RING:DIA8XDIA16X
5

4.04543006Q
(x13)
TAPPING SCREW -
M3X6

1.03130060N
(x4)
SCREW - M3X6

12.A2324666
CUSHION - STEPP
ER MOTOR

9.11050723
CLAMPS:WES-050
7

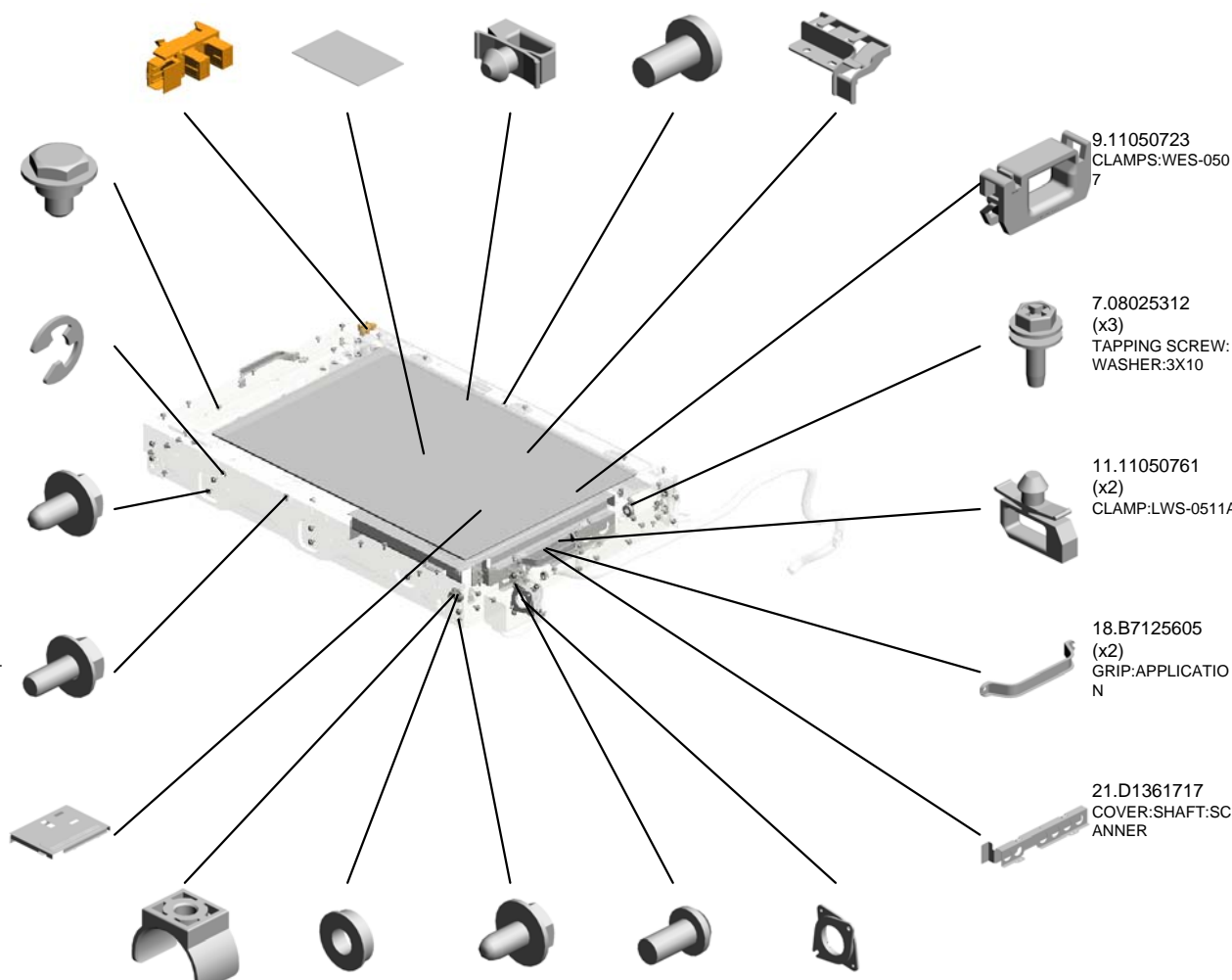
7.08025312
(x3)
TAPPING SCREW:
WASHER:3X10

11.11050761
(x2)
CLAMP:LWS-0511A

18.B7125605
(x2)
GRIP:APPLICATIO
N

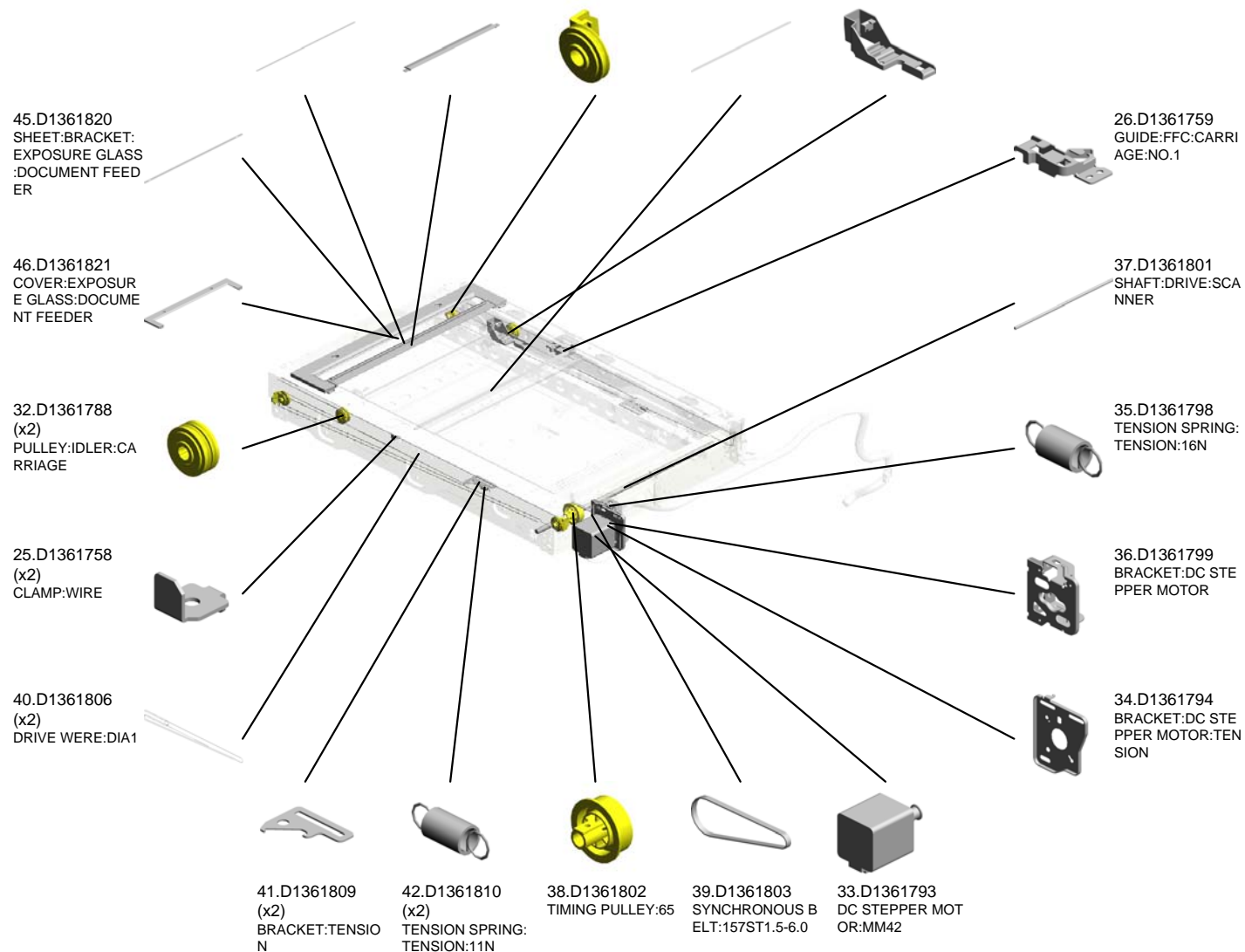
21.D1361717
COVER:SHAFT:SC
ANNER

16.AW010134
ORIGINAL SENSO
R - 48MM



U004 SCANNER

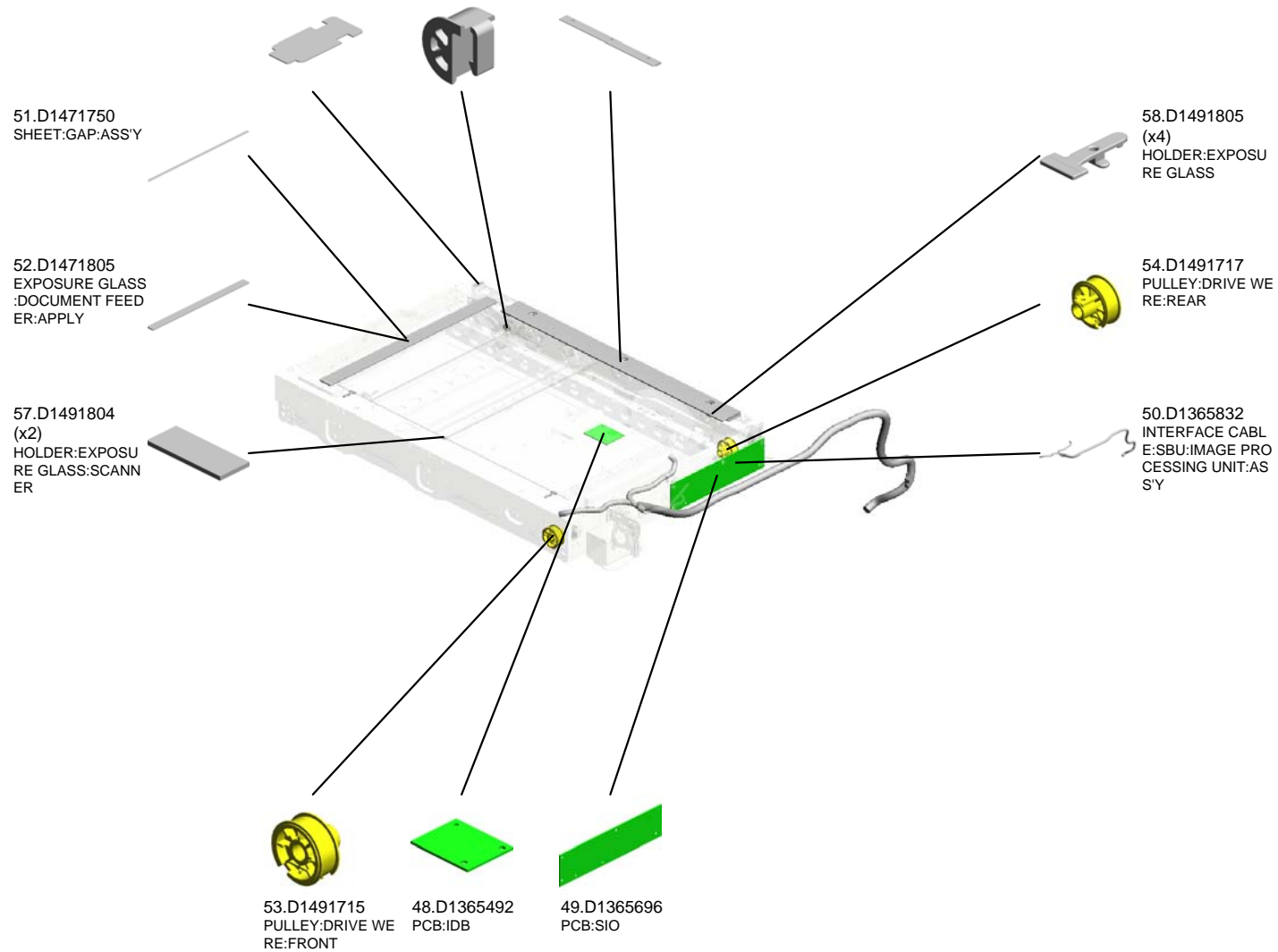
44.D1361819 SEAL:BRACKET:EXPOSURE GLASS:DOCUMENT FEEDER
 47.D1361828 SCALE:LEFT:NA:ASSY
 43.D1361811 (x4) PULLEY:PEEN
 27.D1361760 REFLECTOR:SCANNER
 31.D1361787 GUIDE:FFC:CARRIAGE:NO.2



U001	U002	U003	U004	U005	U006	U007	U008	U009	U010	U011	U012	U013	U014	U015	U016	U017	U018	U019	U020
------	------	------	------	------	------	------	------	------	------	------	------	------	------	------	------	------	------	------	------

U004 SCANNER

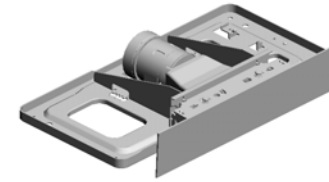
60.G5701225 61.M0261778 56.D1491795
 SENSOR SHIELDIN GUIDE:FFC SCALE:REAR:PRIN
 G PLATE TING



U001	U002	U003	U004	U005	U006	U007	U008	U009	U010	U011	U012	U013	U014	U015	U016	U017	U018	U019	U020
------	------	------	------	------	------	------	------	------	------	------	------	------	------	------	------	------	------	------	------

U004_S001
LENSBLOCK SMD:ASS'Y

3.03603006N
(x4)
SCREW - M3X6



23.D1361731
LENSBLOCK SMD:
ASS'Y



8.08046123
(x8)
HEXAGONAL BOLT
:W/WASHER:M3X8

U001	U002	U003	U004	U005	U006	U007	U008	U009	U010	U011	U012	U013	U014	U015	U016	U017	U018	U019	U020
------	------	------	------	------	------	------	------	------	------	------	------	------	------	------	------	------	------	------	------

U004_S002
CARRIAGE:NO.1:ASS'Y

62.M0261815
(x2)
CLAMP:MIRROR:N
O.1



24.D1361751
CARRIAGE:NO.1:ASS'Y



15.AC030211
MIRROR:NO.1



U001	U002	U003	U004	U005	U006	U007	U008	U009	U010	U011	U012	U013	U014	U015	U016	U017	U018	U019	U020
------	------	------	------	------	------	------	------	------	------	------	------	------	------	------	------	------	------	------	------

U004_S003
ILLUMINATION UNIT:LED-B:ASS'Y

2.03530060N
(x3)
BIND SCREW - M3
X6



55.D1491721
ILLUMINATION UNI
T:LED-B:ASS'Y

U001	U002	U003	U004	U005	U006	U007	U008	U009	U010	U011	U012	U013	U014	U015	U016	U017	U018	U019	U020
------	------	------	-------------	------	------	------	------	------	------	------	------	------	------	------	------	------	------	------	------

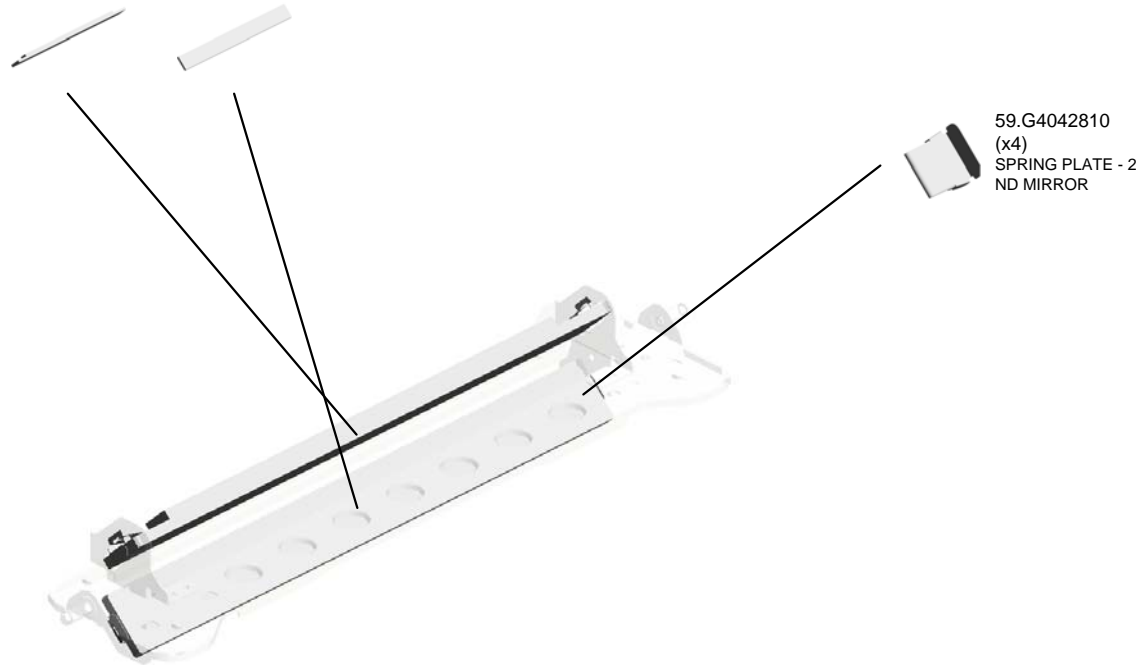
U004_S004
CARRIAGE:NO.2:ASS'Y

29.D1361784
MIRROR:NO.2:ASS'
Y

30.D1361785
MIRROR:NO.3:ASS'
Y



28.D1361776
CARRIAGE:NO.2:A
SS'Y



59.G4042810
(x4)
SPRING PLATE - 2
ND MIRROR

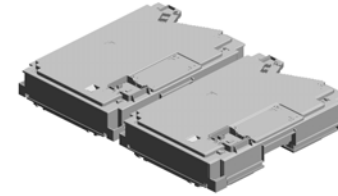
U001	U002	U003	U004	U005	U006	U007	U008	U009	U010	U011	U012	U013	U014	U015	U016	U017	U018	U019	U020
------	------	------	------	------	------	------	------	------	------	------	------	------	------	------	------	------	------	------	------

U005 LASER UNIT

9.D1381860
OPTICAL WRITING
UNIT:BK-C:ASS'Y

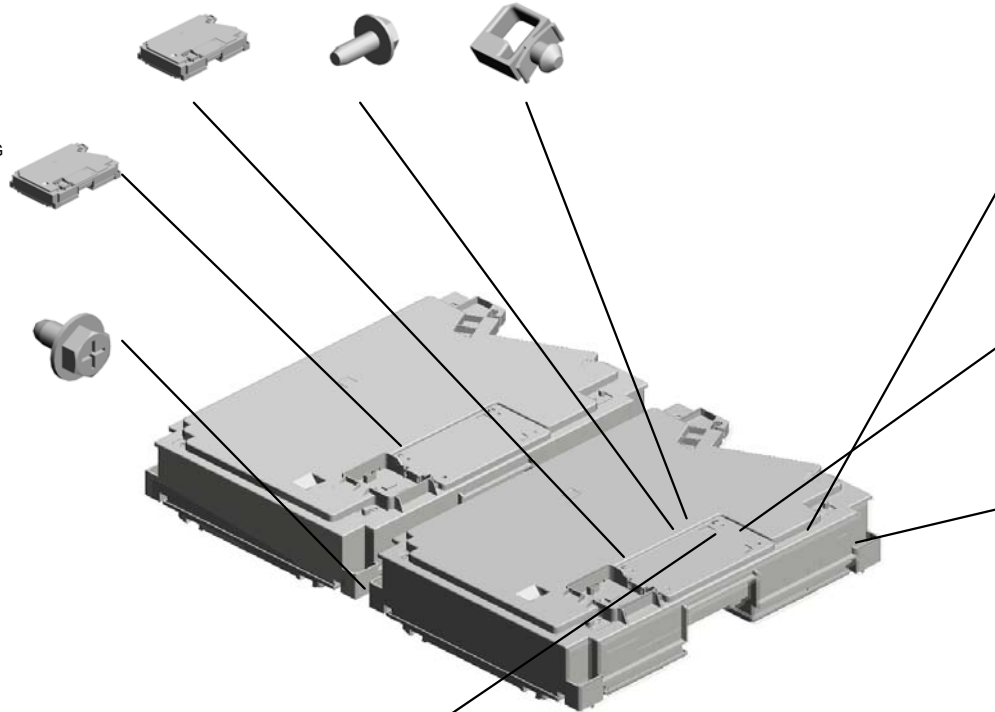
3.04583008N
(x22)
HEXAGON HEAD T
APPING SCREW:3
X8

7.11050759
(x38)
CLAMP:LWSM-060
5A



10.D1381861
OPTICAL WRITING
UNIT:M-Y:ASS'Y

2.04543008Q
(x8)
TAPPING SCREW:
3X8



8.AW020198
PHOTOINTERRUP
TOR:LG2A14NL1



11.G0291982
(x2)
LD DECAL

6.08050092
RETAINING RING -
3M

4.04583010N (x 1)
HEXAGON HEAD TAPPING SCREW:3X
10

5.04593008N (x 1)
BINDING HEAD TAPPING SCREW:3X8

1.04543006Q
(x2)
TAPPING SCREW -
M3X6

4.04583010N
(x29)
HEXAGON HEAD T
APPING SCREW:3
X10

U001	U002	U003	U004	U005	U006	U007	U008	U009	U010	U011	U012	U013	U014	U015	U016	U017	U018	U019	U020
------	------	------	------	------	------	------	------	------	------	------	------	------	------	------	------	------	------	------	------

U006.PAPER FEED

U006_S001
D1366698
DC SOLENOID:TANDEM TRAY:LOCK:ASS'Y

U006_S007
D1356684
PAPER FEED UNIT:NO.1:ASS'Y

U006_S010
D1492768
TRANSPORT ROLLER:VERTICAL TRANSPORT:ASS'Y

U006_S006
D1356691
DOOR:VERTICAL TRANSPORT:ASS'Y

U006_S004
AX040281
DC MOTOR:RISING TRAY:1.007W:BRUSH

U006_S012
D1356727
PAPER TRAY:ASS'Y

U006_S002
D1366751
LEVER:STRETCH:PAPER TRAY:ASS'Y

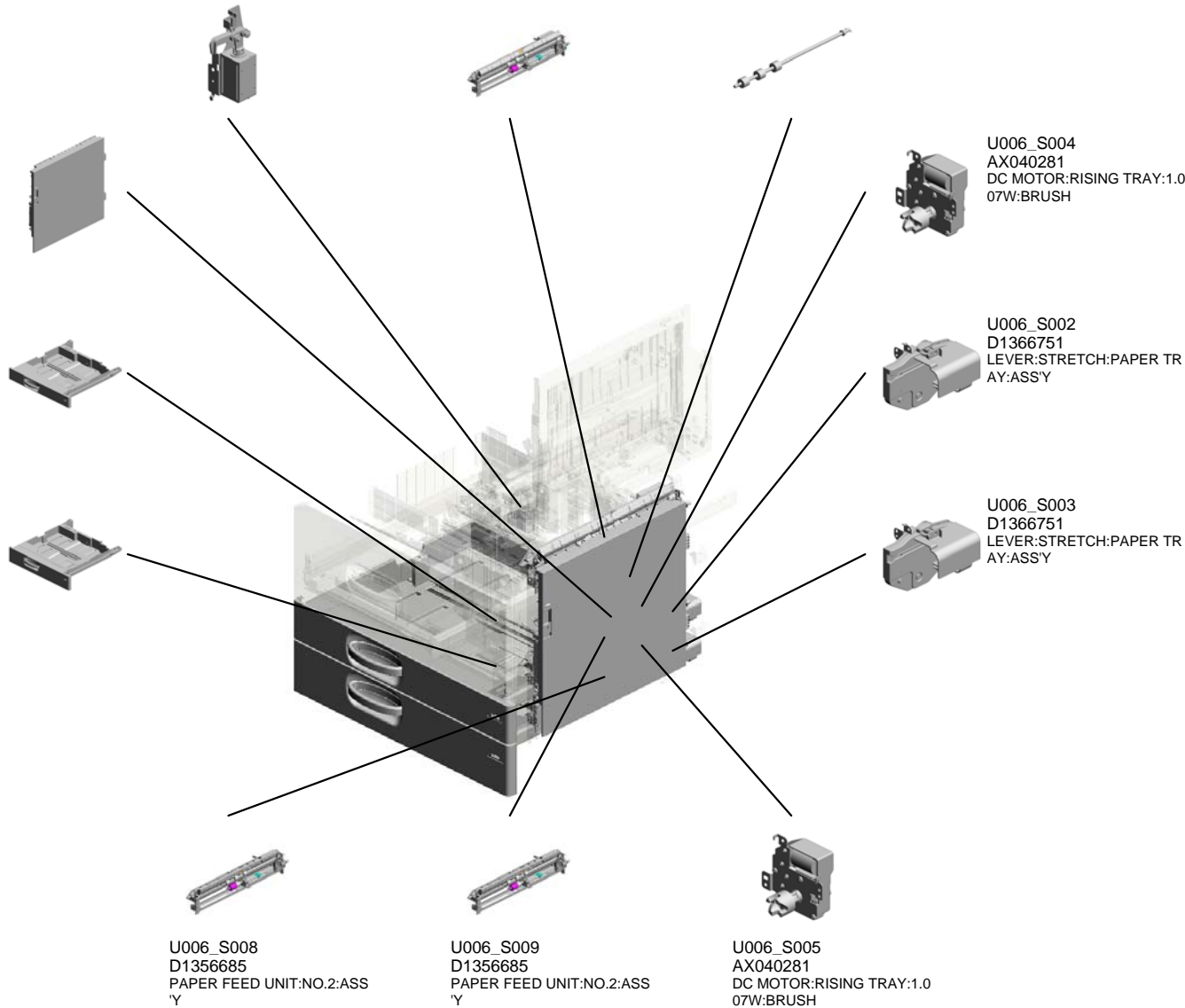
U006_S011
D1356726
PAPER TRAY:NO.4:ASS'Y

U006_S003
D1366751
LEVER:STRETCH:PAPER TRAY:ASS'Y

U006_S008
D1356685
PAPER FEED UNIT:NO.2:ASS'Y

U006_S009
D1356685
PAPER FEED UNIT:NO.2:ASS'Y

U006_S005
AX040281
DC MOTOR:RISING TRAY:1.007W:BRUSH



U001	U002	U003	U004	U005	U006	U007	U008	U009	U010	U011	U012	U013	U014	U015	U016	U017	U018	U019	U020
------	------	------	------	------	-------------	------	------	------	------	------	------	------	------	------	------	------	------	------	------

U006.PAPER FEED

U006_S015
D1362638
COVER:REGISTRATION:UPP
ER:ASSY

U006_S017
D1362766
MANUAL FEED TABLE:ASSY

U006_S014
D1357584
TANDEM LCT:LEFT:NA:ASSY

U006_S016
D1362803
SHAFT:SEPARATOR:DRIVEN
:ASSY

U006_S018
D1362702
GUIDE PLATE:CONNECTING
:FRONT RIGHT:ASSY

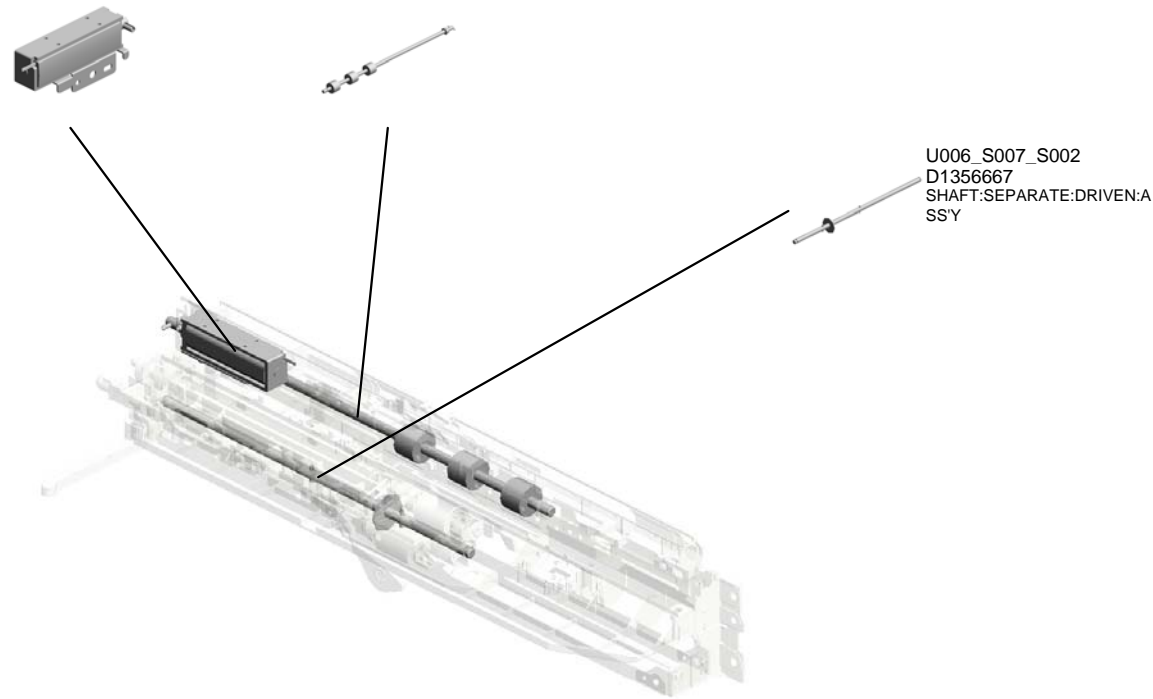
U006_S013
D1357553
TANDEM TRAY:RIGHT:NA:ASSY

U001	U002	U003	U004	U005	U006	U007	U008	U009	U010	U011	U012	U013	U014	U015	U016	U017	U018	U019	U020
------	------	------	------	------	------	------	------	------	------	------	------	------	------	------	------	------	------	------	------

U006_S007.PAPER FEED UNIT:NO.1:ASS'Y

U006_S007_S001
D1492726
DC SOLENOID:PICKUP:NO.2:
ASS'Y

U006_S007_S003
D1492768
TRANSPORT ROLLER:VERTI
CAL TRANSPORT:ASS'Y

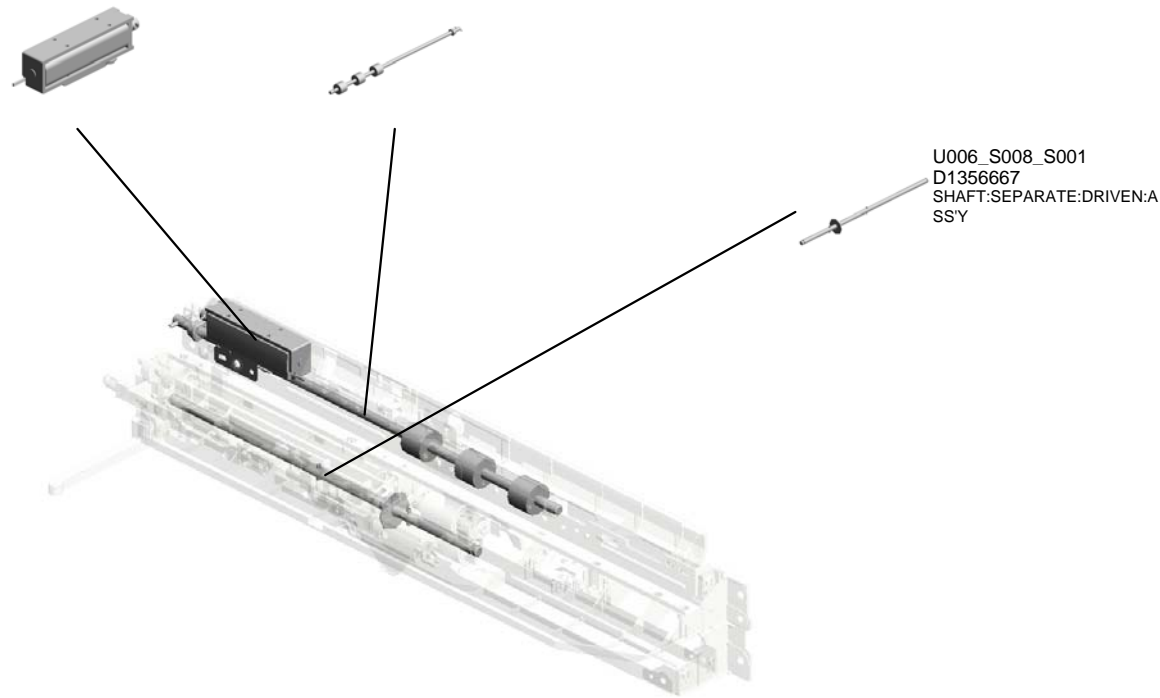


U001	U002	U003	U004	U005	U006	U007	U008	U009	U010	U011	U012	U013	U014	U015	U016	U017	U018	U019	U020
------	------	------	------	------	-------------	------	------	------	------	------	------	------	------	------	------	------	------	------	------

U006_S008.PAPER FEED UNIT:NO.2:ASS'Y

U006_S008_S003
D1492716
DC SOLENOID:PICKUP:NO.1:
ASS'Y

U006_S008_S002
D1492768
TRANSPORT ROLLER:VERTI
CAL TRANSPORT:ASS'Y

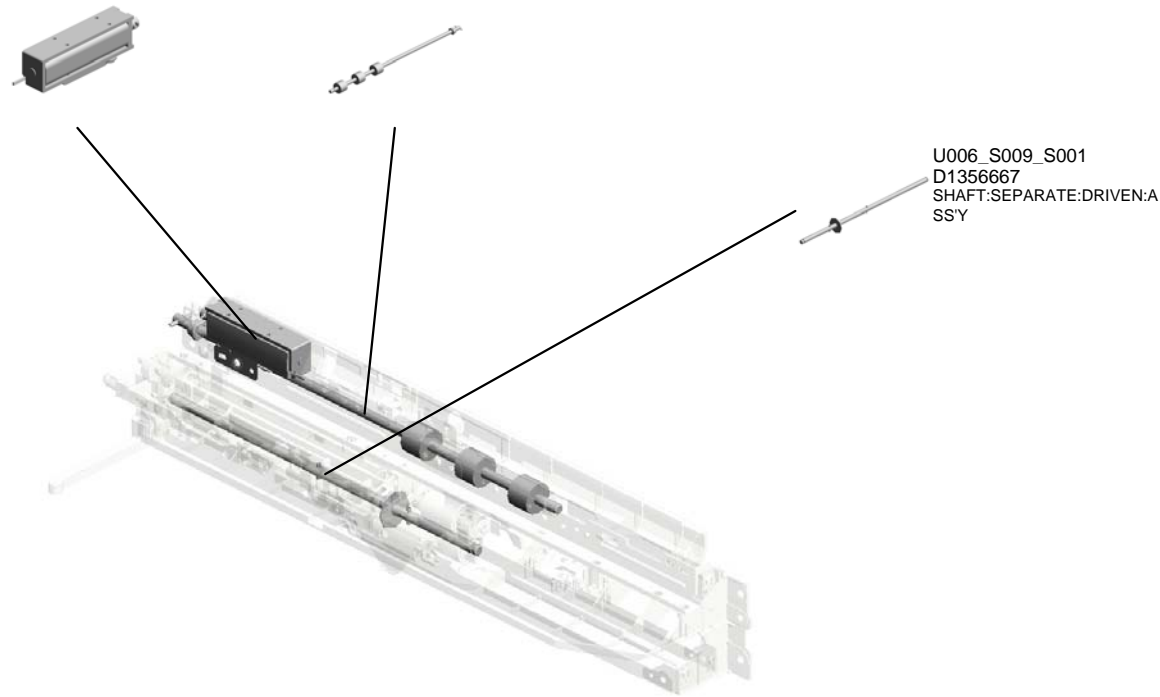


U001	U002	U003	U004	U005	U006	U007	U008	U009	U010	U011	U012	U013	U014	U015	U016	U017	U018	U019	U020
------	------	------	------	------	-------------	------	------	------	------	------	------	------	------	------	------	------	------	------	------

U006_S009.PAPER FEED UNIT:NO.2:ASS'Y

U006_S009_S003
D1492716
DC SOLENOID:PICKUP:NO.1:
ASS'Y

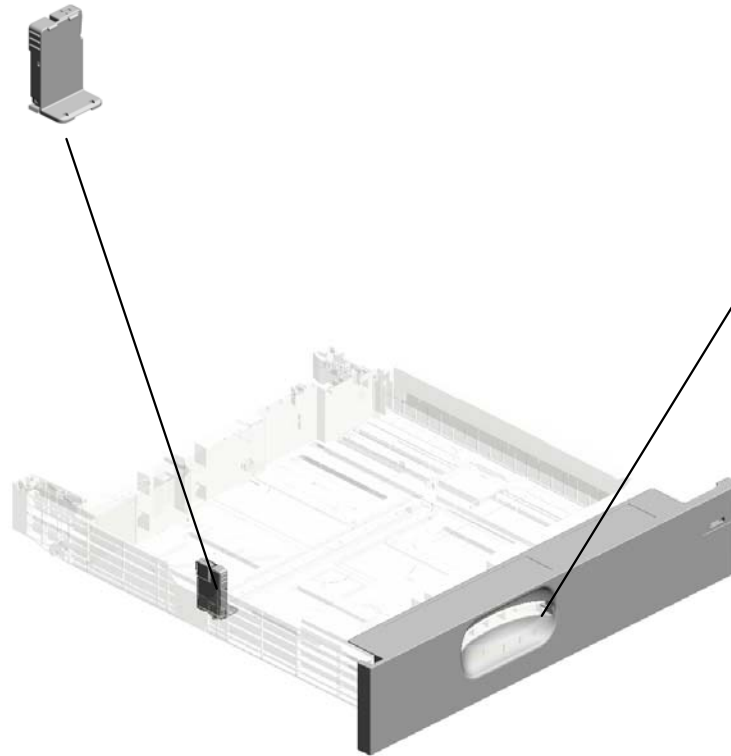
U006_S009_S002
D1492768
TRANSPORT ROLLER:VERTI
CAL TRANSPORT:ASS'Y



U001	U002	U003	U004	U005	U006	U007	U008	U009	U010	U011	U012	U013	U014	U015	U016	U017	U018	U019	U020
------	------	------	------	------	-------------	------	------	------	------	------	------	------	------	------	------	------	------	------	------

U006_S011.PAPER TRAY:NO.4:ASS'Y

U006_S011_S002
D1492840
END FENCE:PAPER TRAY:A
SS'Y

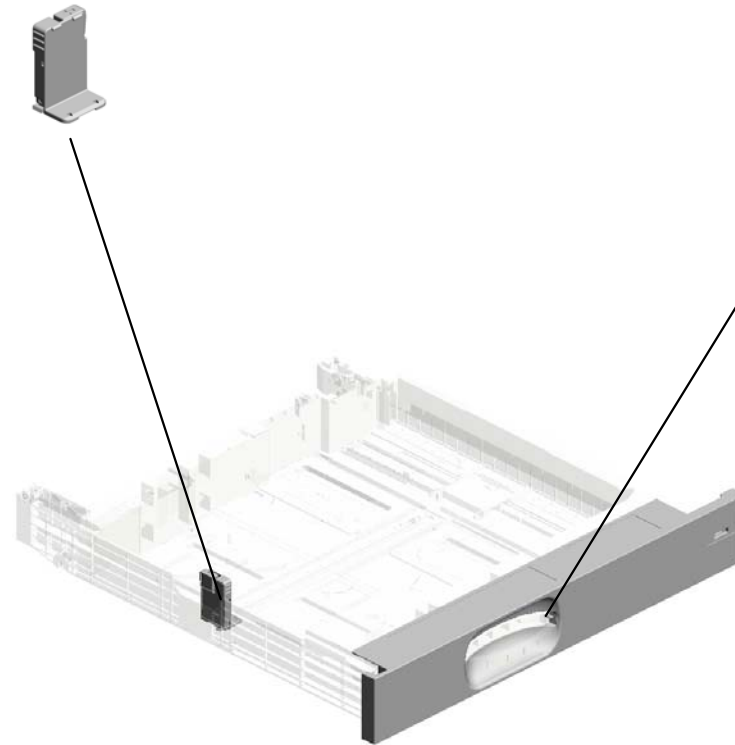


U006_S011_S001
D1356732
COVER:PAPER TRAY:NO.4:A
SS'Y

U001	U002	U003	U004	U005	U006	U007	U008	U009	U010	U011	U012	U013	U014	U015	U016	U017	U018	U019	U020
------	------	------	------	------	-------------	------	------	------	------	------	------	------	------	------	------	------	------	------	------

U006_S012.PAPER TRAY:ASS'Y

U006_S012_S002
D1492840
END FENCE:PAPER TRAY:A
SS'Y



U006_S012_S001
D1356730
COVER:PAPER TRAY:NO.3:A
SS'Y

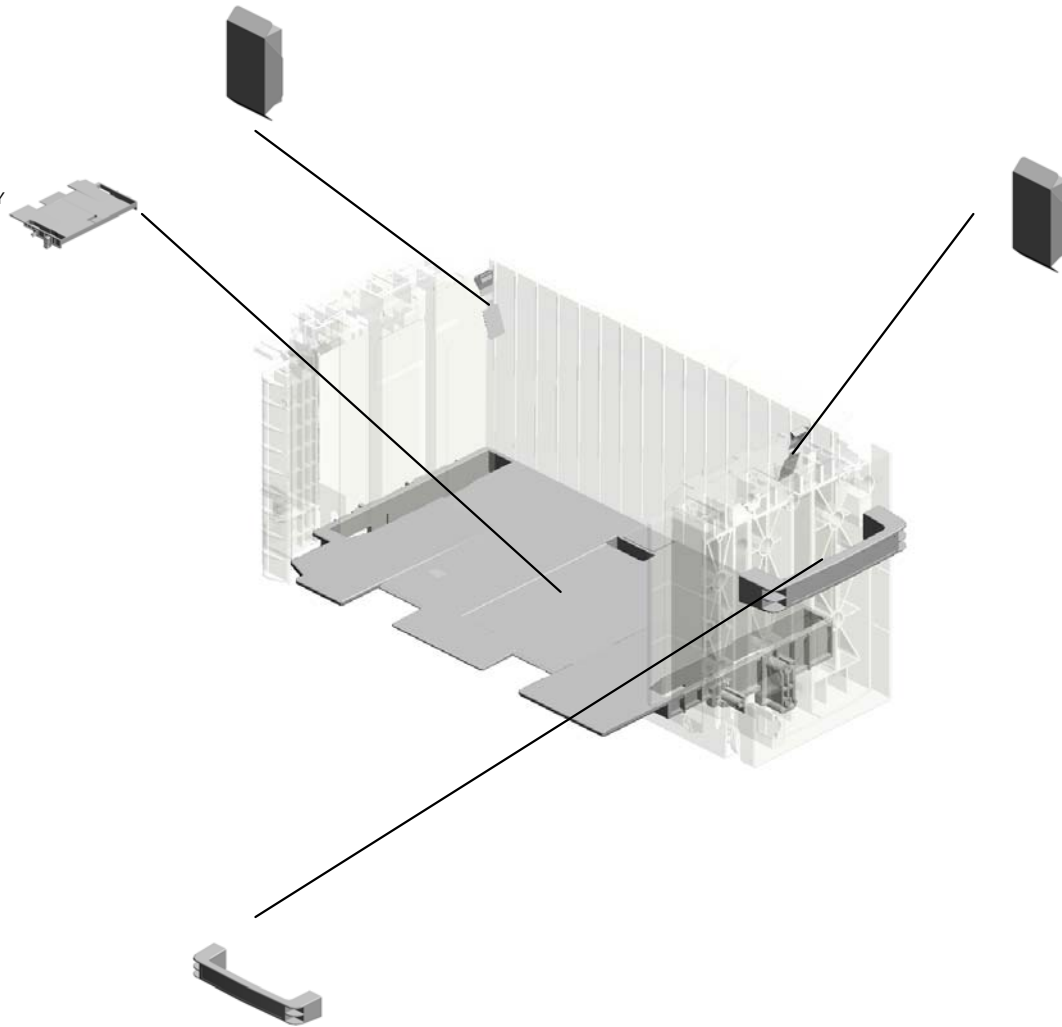
U001	U002	U003	U004	U005	U006	U007	U008	U009	U010	U011	U012	U013	U014	U015	U016	U017	U018	U019	U020
------	------	------	------	------	-------------	------	------	------	------	------	------	------	------	------	------	------	------	------	------

U006_S013.TANDEM TRAY:RIGHT:NA:ASS'Y

U006_S013_S001
D0596690
PLATE:PAPER:ASS'Y

U006_S013_S004
D1367593
TRAY BOTTOM PLATE:ASS'Y

U006_S013_S002
D0596690
PLATE:PAPER:ASS'Y

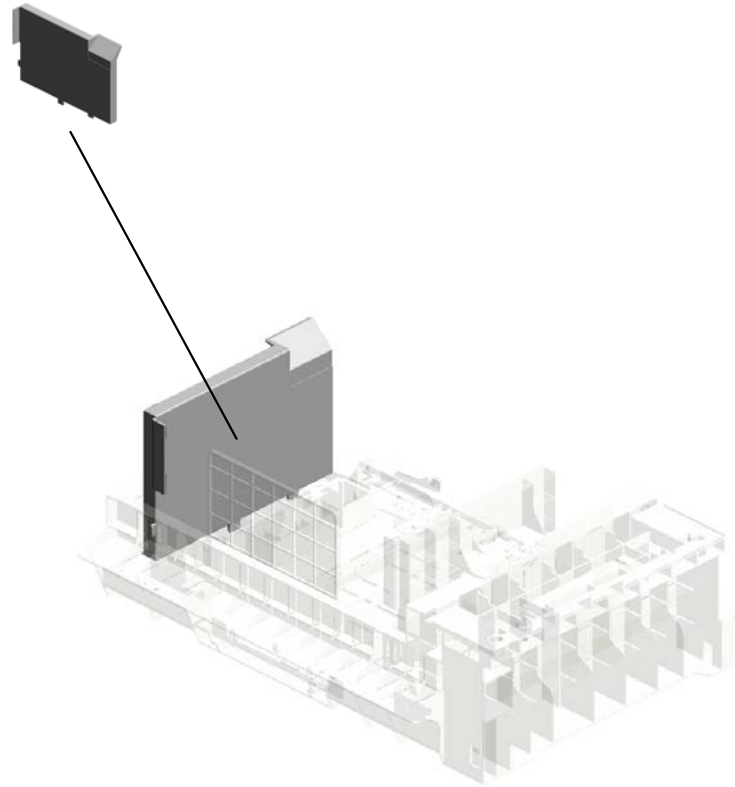


U006_S013_S003
D1357531
GRIP:INNER COVER:ASS'Y

U001	U002	U003	U004	U005	U006	U007	U008	U009	U010	U011	U012	U013	U014	U015	U016	U017	U018	U019	U020
------	------	------	------	------	-------------	------	------	------	------	------	------	------	------	------	------	------	------	------	------

U006_S014.TANDEM LCT:LEFT:NA:ASS'Y

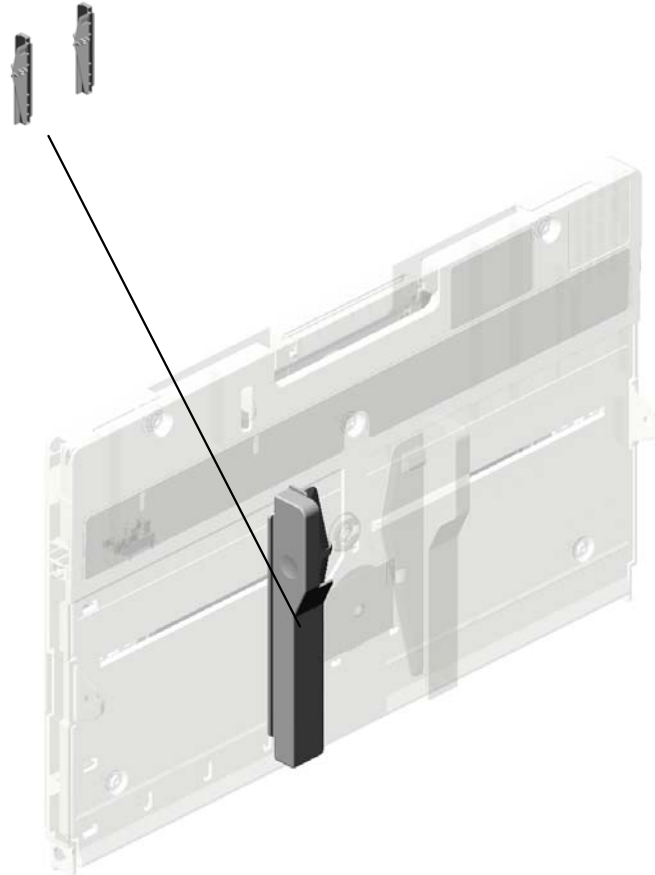
U006_S014_S001
D1357516
SIDE FENCE:LEFT REAR:TA
NDEM LCT:ASS'Y



U001	U002	U003	U004	U005	U006	U007	U008	U009	U010	U011	U012	U013	U014	U015	U016	U017	U018	U019	U020
------	------	------	------	------	-------------	------	------	------	------	------	------	------	------	------	------	------	------	------	------

U006_S017.MANUAL FEED TABLE:ASS'Y

U006_S017_S001
D1362841
SIDE FENCE:REAR:ASS'Y



U001	U002	U003	U004	U005	U006	U007	U008	U009	U010	U011	U012	U013	U014	U015	U016	U017	U018	U019	U020
------	------	------	------	------	-------------	------	------	------	------	------	------	------	------	------	------	------	------	------	------

U006 PAPER FEED

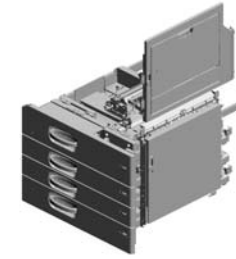
1.03130040N
(x2)
SCREW:M3X4

18.07200040E
(x7)
RETAINING RING -
M4

16.07200025E
(x2)
RETAINING RING -
M2.5

3.03530040N
(x2)
SCREW - M3X4

5.03603006N
SCREW - M3X6



17.07200030E
(x4)
RETAINING RING -
M3



20.07200080E
RETAINING RING -
M8

21.07413708
(x6)
BALL BEARING - 8
X12X3.5MM

6.03603008N
(x3)
SCREW:M3X8

22.08046123
(x2)
HEXAGONAL BOLT
:W/WASHER:M3X8

9.04543006Q
(x132)
TAPPING SCREW -
M3X6

25.08050092
(x8)
RETAINING RING -
3M

8.04543006N
(x8)
TAPPING SCREW:
ROUND POINT:3X6

10.04543008Q
(x8)
TAPPING SCREW:
3X8

11.04583008N
(x7)
HEXAGON HEAD T
APPING SCREW:3
X8

14.06320140G
(x2)
PARALLEL PIN

48.AA062173
COIL SPRING:LEV
ER:COVER:MANUA
L FEED

51.AA063761
COIL SPRING:REL
EASE:PICKUP:MAN
UAL FEED

19.07200060E
(x7)
RETAINING RING -
M6

7.04504010N
(x3)
TAPPING SCREW:
M4X10

52.AA063762
(x2)
COIL SPRING:COV
ER:MANUAL FEED:
LOWER

366.M0262657
SHEET:VERTICAL
TRANSPORT:SENS
OR

24.08050089
(x12)
RETAINING RING -
M4

12.04583010N
(x24)
HEXAGON HEAD T
APPING SCREW:3
X10

U006 PAPER FEED

45.AA061131
(x2)
TENSION SPRING:
REGISTRATION:D
RIVEN:16N

46.AA061135
(x2)
TENSION SPRING:
REGISTRATION:D
RIVEN:1N

53.AA063763
COIL SPRING:PRE
SSURE:PICKUP

47.AA062172
COIL SPRING:PRE
SSURE:SEPARATO
R

50.AA063723
COMPRESSION SP
RING:STAY:REGIS
TRATION:5N



31.11050692
(x4)
CLAMP:LES-0503



34.11050758
(x14)
CLAMP:LWSM-030
6A



49.AA063716
COMPRESSION SP
RING:LEVER:OPEN
AND CLOSE



54.AA071020
SLIDE RAIL:LARGE
CAPACITY TRAY:L
EFT:ASS'Y



40.AA000392
SHEET:PAPER SE
T DIRECTION:TAN
DEM TRAY



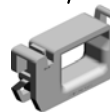
55.AA071021
SLIDE RAIL:LARGE
CAPACITY TRAY:
MIDDLE:ASS'Y



35.11050760
(x10)
CLAMP:LWSM-051
1A



32.11050723
(x2)
CLAMPS:WES-050
7



58.AA082173
(x5)
PLAIN SHAFT BEA
RING:6X10X6



56.AA071022
SLIDE RAIL:LARGE
CAPACITY TRAY:
RIGHT:ASS'Y



30.11050600
CLAMP:LWSM-030
6-2M



36.52062686
(x5)
SNAP RING



60.AA082175
PLAIN SHAFT BEA
RING:8X12X7



33.11050724
CLAMPS:WES-121
0



29.11050551
(x2)
CLAMP:LES-0505



U006 PAPER FEED

85.AF031046
FEED ROLLER - M
ANUAL FEED

87.AF032046
SEPARATION ROL
LER - MANUAL FE
ED

70.AB011387
GEAR - 23Z

65.AA143555
SCREW - M3X5

63.AA100014
(x3)
RETAINING RING
C - SEPARATE



64.AA140944
SHAFT:LEVER:OP
EN AND CLOSE

91.AW020209
(x2)
ENCODER:PAPER
THICK

82.AF020792
REGISTRATION R
OLLER:DRIVE

74.AB011570
GEAR:Z20:DRIVEN:
REGISTRATION R
OLLER

73.AB011569
GEAR:Z25:DRIVE:
REGISTRATION ROL
LER

80.AC020153
LENS:LED:4

92.AW500024
(x2)
PUSH SWITCH

76.AB019475
GEAR - 48T

75.AB014135
GEAR - 18Z

67.AB000201
DC MOTOR:TANDE
M LCT:RISE:ASSY:
19.2W:BRUSH

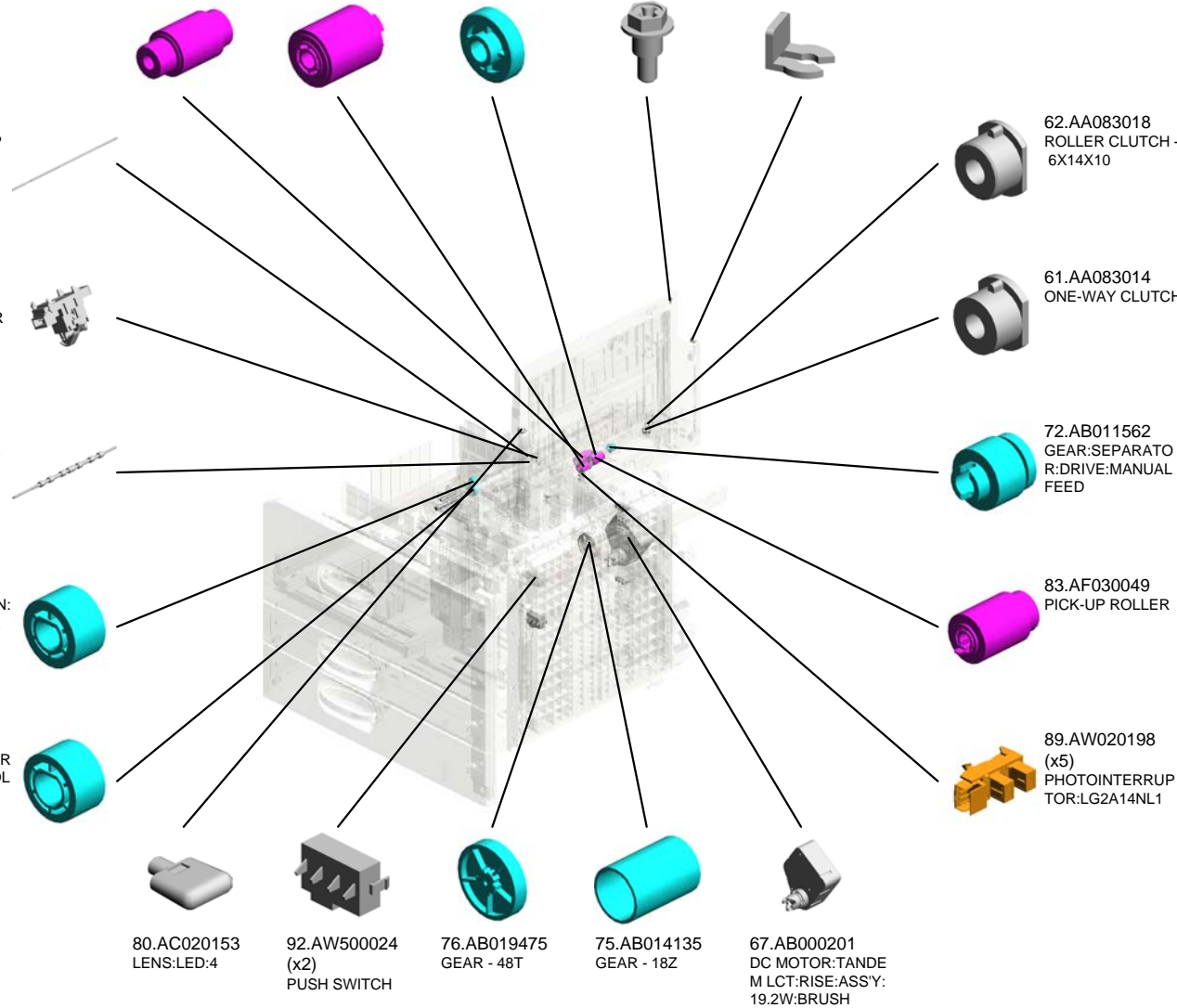
62.AA083018
ROLLER CLUTCH -
6X14X10

61.AA083014
ONE-WAY CLUTCH

72.AB011562
GEAR:SEPARATO
R:DRIVE:MANUAL
FEED

83.AF030049
PICK-UP ROLLER

89.AW020198
(x5)
PHOTOINTERRUP
TOR:LG2A14NL1



U006 PAPER FEED

180.D1362605
PLAIN SHAFT BEARING:REGISTRATION:DRIVEN:FRONT

150.D1356797
CAP:SLIDE RAIL: LARGE CAPACITY TRAY:RIGHT:ASSY

179.D1362603
REGISTRATION ROLLER:DRIVEN

177.D1362586
GUIDE PLATE:REGISTRATION:LOWER:ASSY

178.D1362591
GUIDE PLATE:REGISTRATION:UPPER:ASSY



173.D1362577
LEVER:LOCK:FRONT:ASSY

175.D1362580
PLAIN SHAFT BEARING:LEVER:OPEN AND CLOSE:FRONT

112.D0596729
TORSION SPRING: STOPPER:PAPER TRAY

158.D1357522
COVER:TANDEM LEFT

159.D1357523
ARM:GRIP:TANDEM LEFT

105.C2592267
(x2)
LOCK HOLDER

93.AW500035
PAPER END SENSOR

127.D1356681
(x3)
GUIDE PLATE:SWIVEL:ASSY

96.AX040145
DC MOTOR:TANDEM LEFT

95.AW500040
(x4)
PUSH SWITCH:SWITCH:1AG-550:10MA

174.D1362579
LEVER:LOCK:INNER BACK

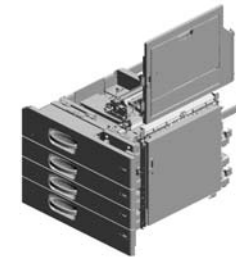
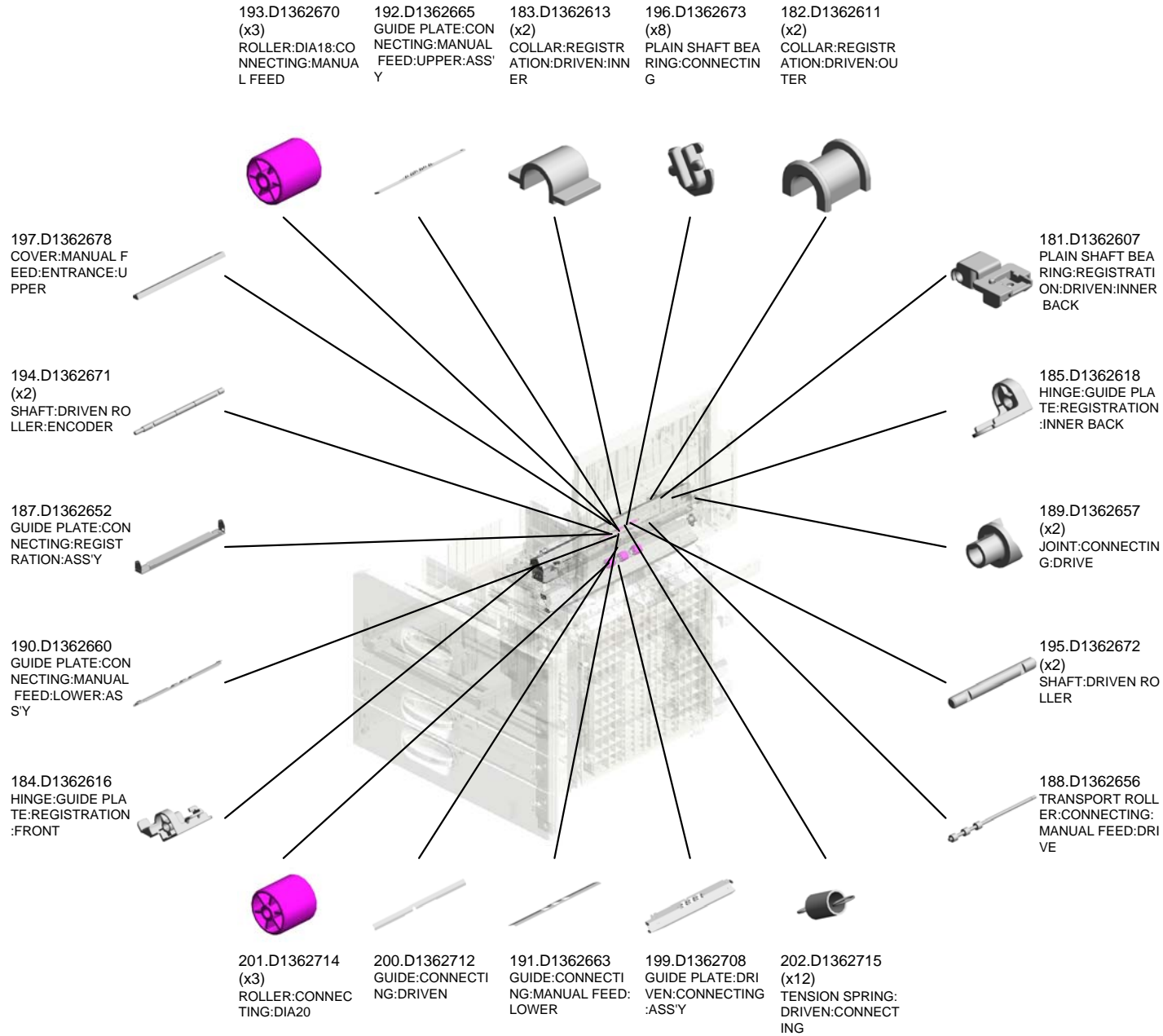
176.D1362581
PLAIN SHAFT BEARING:LEVER:OPEN AND CLOSE:INNER BACK

172.D1362573
(x3)
COLLAR:REGISTRATION:DRIVE

98.B2232608
GEAR:Z16

115.D1292783
TORQUE LIMITER MECHANICAL CLUTCH:40MMM:DIA18

U006 PAPER FEED

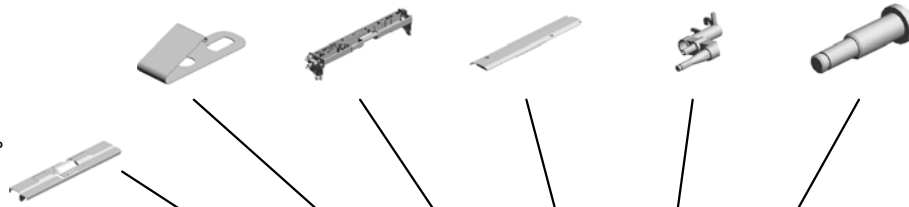


U006 PAPER FEED

214.D1362786 GROUND PLATE:SENSOR:MANUAL FEED
 208.D1362771 HOUSING:MANUAL FEED
 209.D1362778 COVER:MANUAL FEED UNIT
 217.D1362790 ARM:PICKUP:MANUAL FEED
 212.D1362783 SHAFT:LINK



223.D1362806 GUIDE PLATE:SEPARATOR:ASSY



205.D1362721 GUIDE PLATE:CONNECTING:DRIVE



220.D1362800 BRACKET:ARM:MANUAL FEED:FRONT:ASSY



221.D1362801 (x2) BRACKET:LEVER:FRONT:MANUAL FEED:ASSY



224.D1362810 GROUND PLATE:MANUAL FEED UNIT:FRONT



204.D1362719 GUIDE:CONNECTING:FRONT LEFT



203.D1362718 GUIDE PLATE:CONNECTING:FRONT LEFT



206.D1362729 TRANSPORT ROLLER:CONNECTING:DRIVE



210.D1362781 PAPER STOPPER:MANUAL FEED



211.D1362782 SHAFT:PAPER STOPPER



219.D1362797 BRACKET:ARM:MANUAL FEED:REAR:ASSY



215.D1362788 GROUND PLATE:MANUAL FEED UNIT:REAR



218.D1362795 DC SOLENOID:PICKUP:MANUAL FEED:ASSY



216.D1362789 SHAFT:FEED:MANUAL FEED

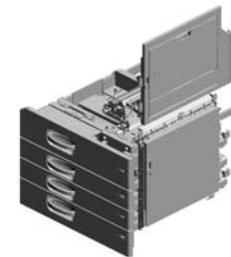


213.D1362784 LINK:PAPER STOPPER:MANUAL FEED



U006 PAPER FEED

229.D1362818 ARM:MANUAL FEED:FRONT:ASSY
 226.D1362814 INNER COVER:MANUAL FEED:LOWER:ASSY
 234.D1362832 COVER:MANUAL FEED
 252.D1362872 BRACKET:STOPPER:MANUAL FEED
 253.D1362873 ARM:STOPPER:MANUAL FEED



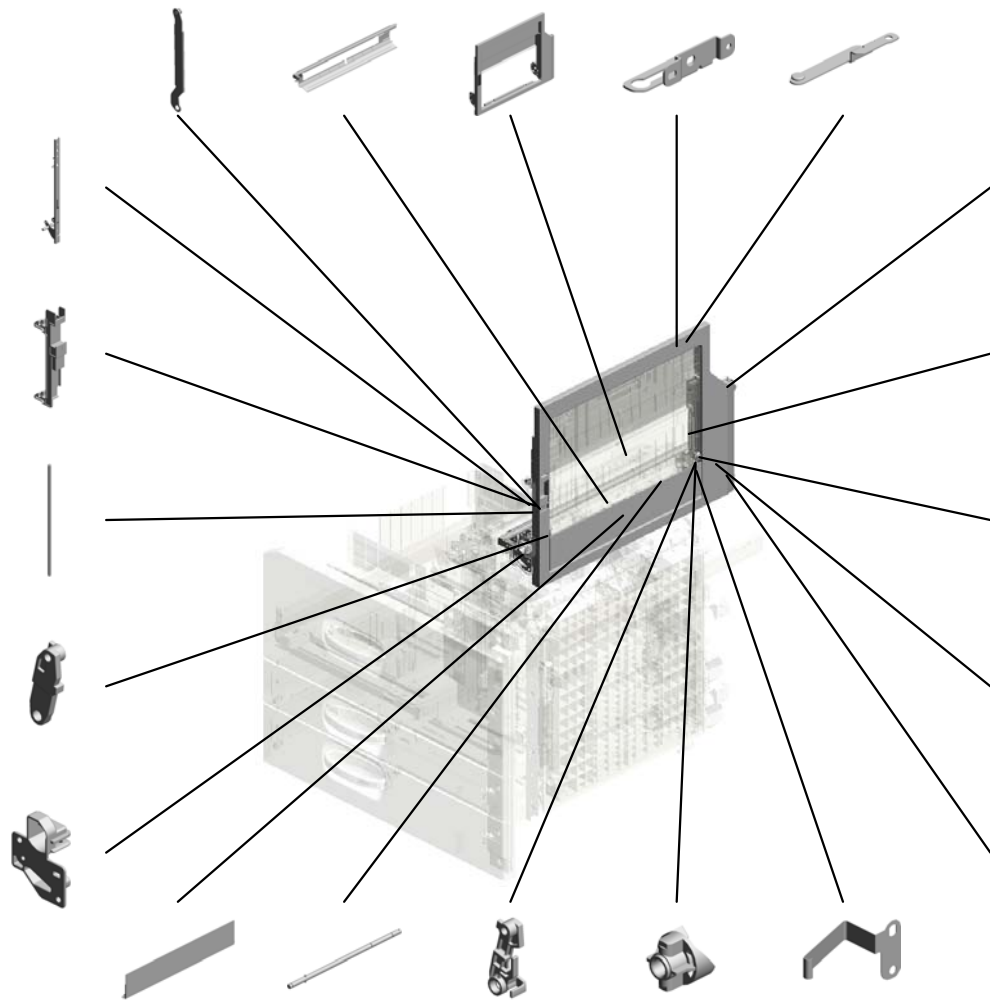
236.D1362835 BRACKET:COVER:MANUAL FEED:FRONT:ASSY

235.D1362834 LEVER:COVER:MANUAL FEED

240.D1362844 SHAFT:LEVER:MANUAL FEED:FRONT

230.D1362821 ARM:MANUAL FEED:SHORT:FRONT

244.D1362848 GUIDE:POSITIONING:FRONT:MANUAL FEED UNIT



227.D1362815 BRACKET:HINGE:MANUAL FEED:UPPER:ASSY

231.D1362822 ARM:MANUAL FEED:REAR:ASSY

251.D1362871 JOINT:MANUAL FEED SUB-UNIT:FEED

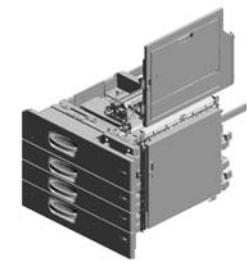
233.D1362829 GROUND PLATE:MANUAL FEED:COVER:REAR

228.D1362816 BRACKET:HINGE:MANUAL FEED:LOWER:ASSY

249.D1362868 COVER:MANUAL FEED:LOWER
 225.D1362812 SHAFT:SEPARATOR:DRIVE
 232.D1362825 ARM:MANUAL FEED:SHORT:REAR
 250.D1362870 JOINT:MANUAL FEED SUB-UNIT:REVERSE
 246.D1362854 GROUND PLATE:MANUAL FEED:REAR

U006 PAPER FEED

267.D1366710 BRACKET:CONNECTOR:LEFT
 270.D1366718 COVER:DC SOLENOID:REAR
 271.D1366719 DC SOLENOID:END FENCE:REAR:ASSY
 268.D1366714 BRACKET:DC SOLENOID:REAR:ASSY
 269.D1366717 LEVER:RELEASE:REAR



264.D1366703 COVER:PAPER TRAY:REAR LEFT



261.D1366678 (x2) SUPPORTER:LEFT:ASSY



256.D1366665 BRACKET:LED:VERTICAL TRANSPORT



257.D1366666 INNER COVER:LED:VERTICAL TRANSPORT



275.D1366743 PLATE:CONNECTOR:HEATER:LOWER



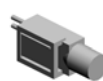
259.D1366675 (x2) HOLDER:POSITIONING



274.D1366741 COVER:CONNECTOR:HEATER:UPPER



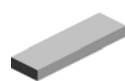
255.D1365510 LED:CONNECTOR:RED



258.D1366672 (x2) SUPPORTER:RIGHT:ASSY



260.D1366676 (x3) CUSHION:SEPARATE



262.D1366696 BRACKET:TANDEM TRAY:LIFT MOTOR



266.D1366708 SHAFT:JOINT



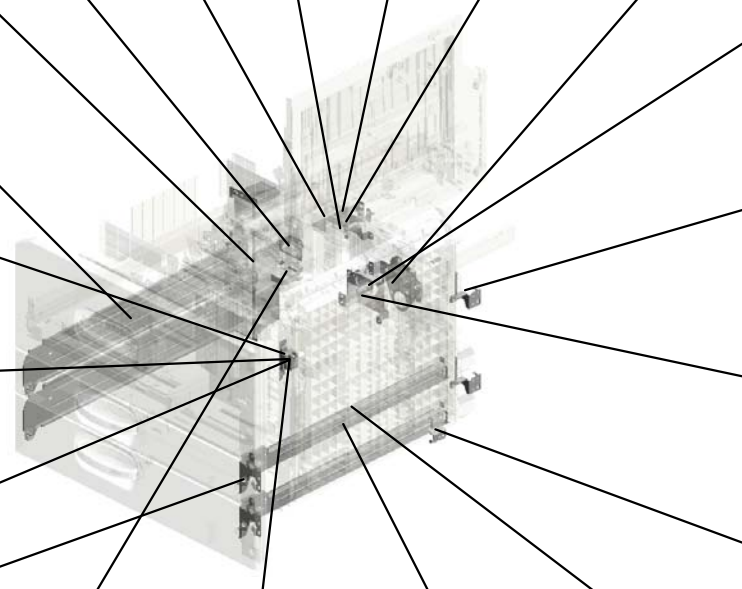
272.D1366725 (x2) BRACKET:DOOR:VERTICAL TRANSPORT:ASSY



265.D1366707 BRACKET:DC MOTOR:LEFT



273.D1366729 BRACKET:STOPPER:VERTICAL TRANSPORT:RIGHT LOWER:ASSY



U006 PAPER FEED

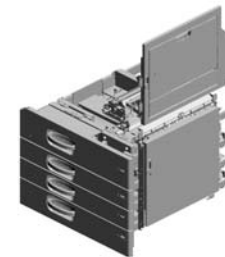
302.D1367571
GRIP:PAPER TRAY
:TANDEM TRAY

301.D1367570
GRIP:TANDEM TRAY:REAR

290.D1366788
DECAL:H-TEMP WARNING:HEATER

315.D1386669
COVER:SIDE PLATE REAR:TANDEM LCT

276.D1366744
TENSION SPRING: END FENCE:SOLE NOID



299.D1367566
STOPPER:TANDEM TRAY



303.D1367572
BRACKET:STOPPER:TANDEM TRAY:LEFT



298.D1367565
SHAFT:GRIP:TANDEM TRAY



351.D1492928
(x2)
ROLLER:SUPPORTER:PAPER TRAY:LEFT



300.D1367567
BRACKET:STOPPER:TANDEM TRAY:RIGHT:ASSY



349.D1492923
(x2)
ROLLER:SUPPORTER:PAPER TRAY



291.D1366793
INNER COVER:LED LENGTHWISE:RIGHT FRONT



350.D1492924
(x2)
STOPPER:PAPER TRAY



317.D1386714
GROUND PLATE:GUIDE PLATE:VERTICAL TRANSPORT:CONNECTING



316.D1386712
GUIDE PLATE:VERTICAL TRANSPORT:CONNECTING:THREE WAY



314.D1386668
SIDE PLATE:REAR:PAPER VOLUME SENSOR:THREE WAY



362.G5692901
SPRING - LIFT MOTOR



277.D1366746
JOINT:TANDEM LCT



313.D1386665
COVER:LIFT MOTOR



363.GW010007
(x4)
PHOTO REFLECTION SENSOR:EXIT



U006 PAPER FEED

365.M0262636
TORSION SPRING:
LINK



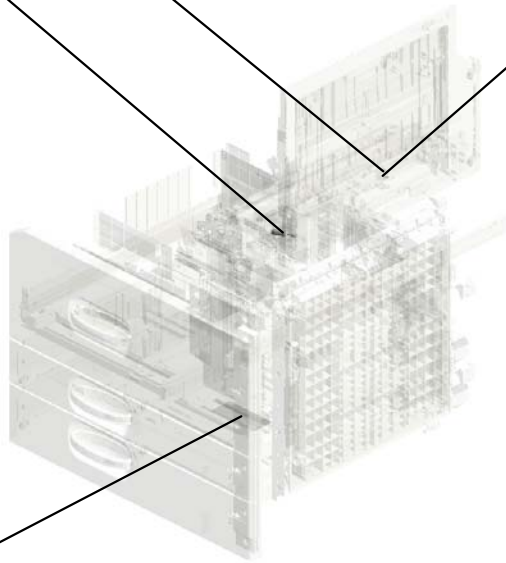
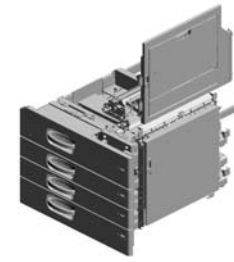
368.M0662749
OIL DAMPER:STRA
IGHT:30N



364.M0262635
TORSION SPRING:
PAPER STOPPER



367.M0262734
DECAL:H-TEMP W
ARNING:HEATER

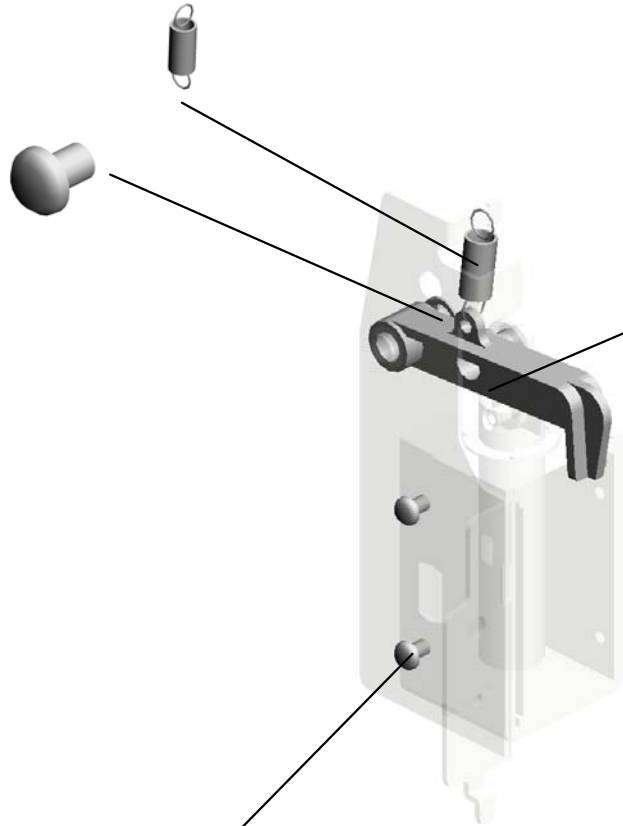


U001	U002	U003	U004	U005	U006	U007	U008	U009	U010	U011	U012	U013	U014	U015	U016	U017	U018	U019	U020
------	------	------	------	------	-------------	------	------	------	------	------	------	------	------	------	------	------	------	------	------

U006_S001
DC SOLENOID:TANDEM TRAY:LOCK:ASS'Y

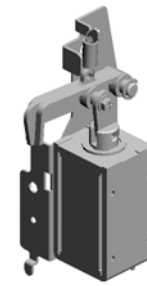
44.AA060986
TENSION SPRING:
DC SOLENOID:LO
CK

1.03130040N
(x2)
SCREW:M3X4



360.G1782971
LEVER:LOCK:TAN
DEM LCT

18.07200040E
RETAINING RING -
M4



263.D1366698
DC SOLENOID:TAN
DEM TRAY:LOCK:A
SS'Y

U001	U002	U003	U004	U005	U006	U007	U008	U009	U010	U011	U012	U013	U014	U015	U016	U017	U018	U019	U020
------	------	------	------	------	-------------	------	------	------	------	------	------	------	------	------	------	------	------	------	------

U006_S002

LEVER:STRETCH:PAPER TRAY:ASS'Y

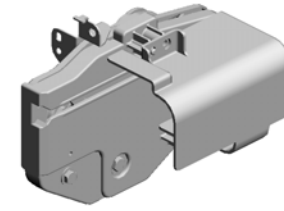
289.D1366778
OIL DAMPER:23MN
/M

283.D1366770
HOLDER:OIL DAM
PER

284.D1366772
GEAR:PAWL:Z18

4.03603005N
(x7)
SCREW - M3X5

355.D1492965
LEVER:STRETCH:
COIL SPRING



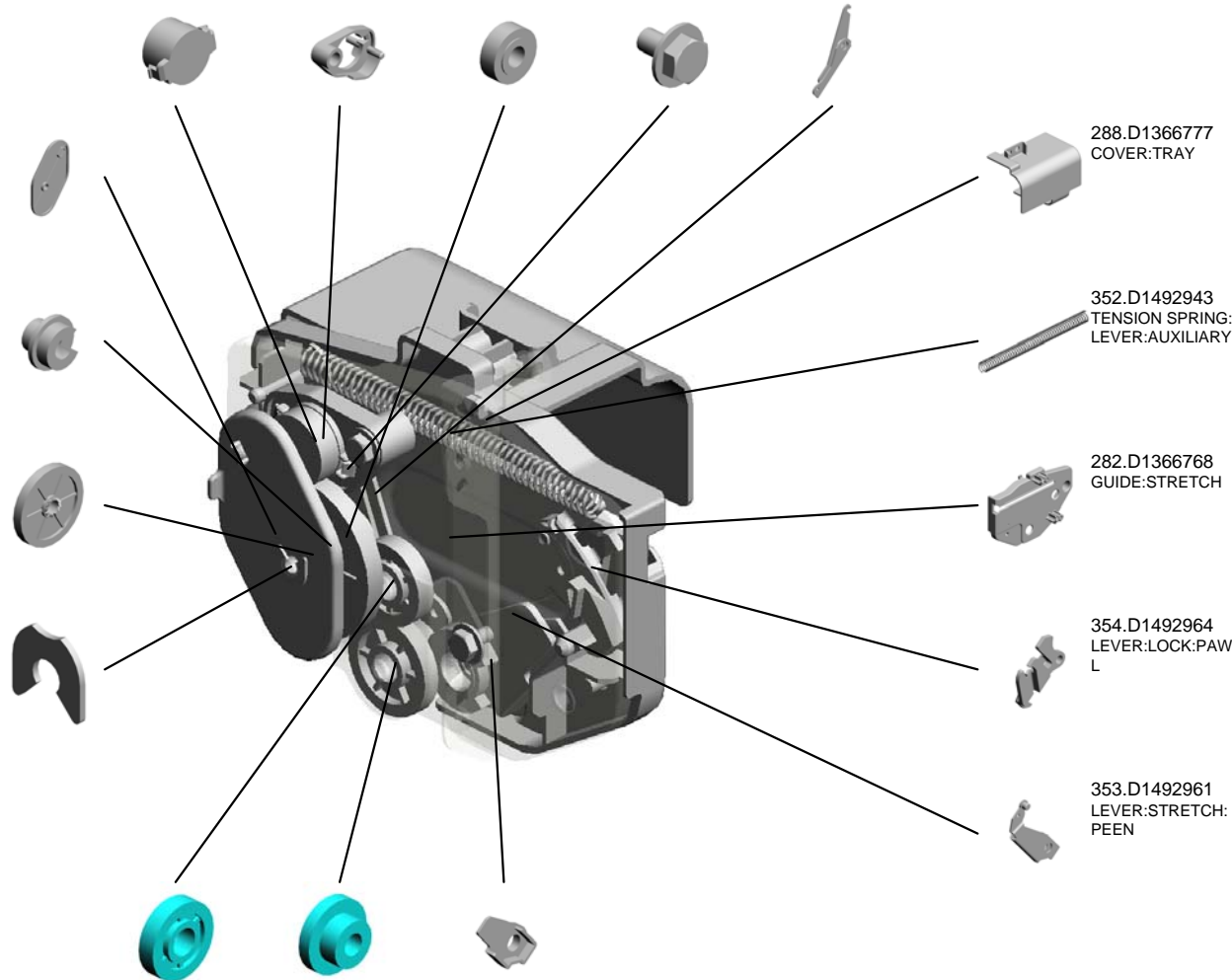
278.D1366751
LEVER:STRETCH:
PAPER TRAY:ASS'
Y

287.D1366775
COVER:GEAR

285.D1366773
COLLAR:GEAR

286.D1366774
GEAR:PAWL:Z39

25.08050092
RETAINING RING -
3M



281.D1366766
GEAR:IDLER:Z30

280.D1366765
GEAR:IDLER:Z14/
36

279.D1366760
GEAR:LEVER:STR
ETCH:Z19

288.D1366777
COVER:TRAY

352.D1492943
TENSION SPRING:
LEVER:AUXILIARY

282.D1366768
GUIDE:STRETCH

354.D1492964
LEVER:LOCK:PAW
L

353.D1492961
LEVER:STRETCH:
PEEN

U001	U002	U003	U004	U005	U006	U007	U008	U009	U010	U011	U012	U013	U014	U015	U016	U017	U018	U019	U020
------	------	------	------	------	-------------	------	------	------	------	------	------	------	------	------	------	------	------	------	------

U006_S003

LEVER:STRETCH:PAPER TRAY:ASS'Y

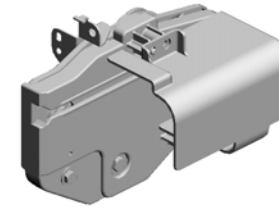
289.D1366778
OIL DAMPER:23MN
/M

283.D1366770
HOLDER:OIL DAM
PER

284.D1366772
GEAR:PAWL:Z18

4.03603005N
(x7)
SCREW - M3X5

355.D1492965
LEVER:STRETCH:
COIL SPRING



278.D1366751
LEVER:STRETCH:
PAPER TRAY:ASS'
Y

287.D1366775
COVER:GEAR



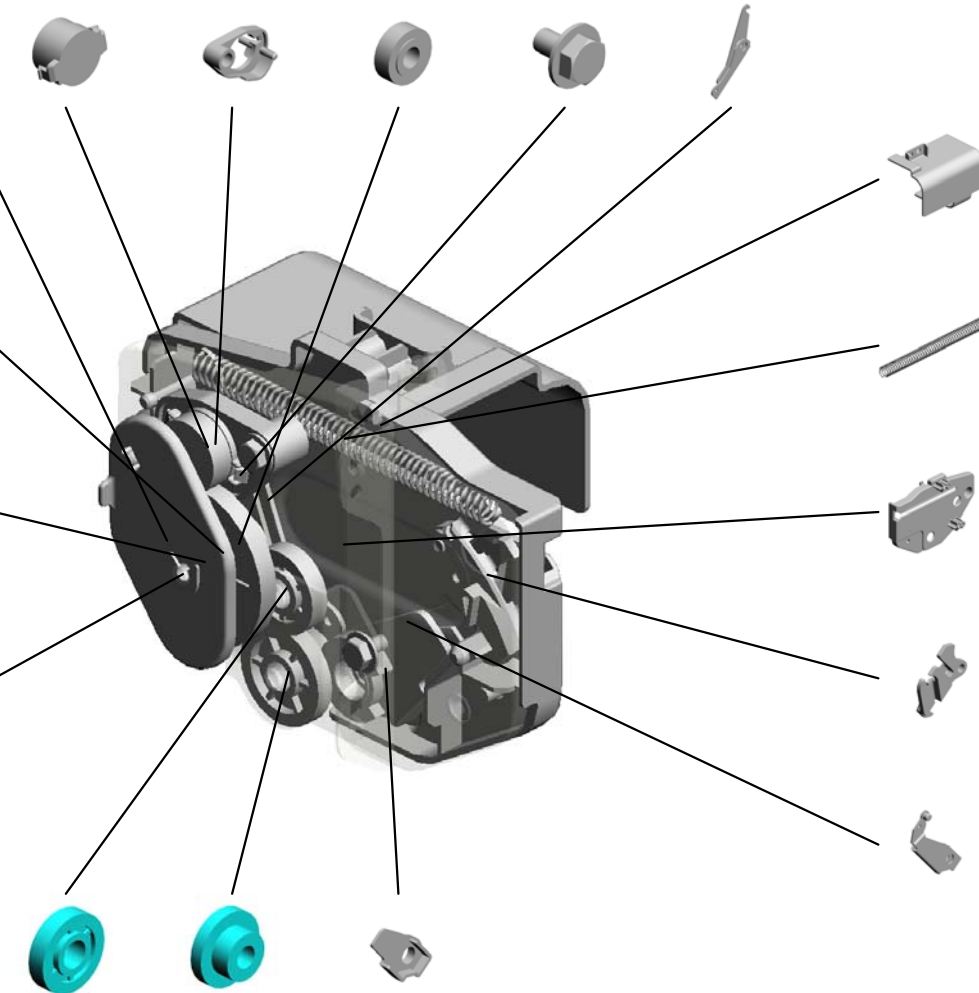
285.D1366773
COLLAR:GEAR



286.D1366774
GEAR:PAWL:Z39



25.08050092
RETAINING RING -
3M



288.D1366777
COVER:TRAY



352.D1492943
TENSION SPRING:
LEVER:AUXILIARY



282.D1366768
GUIDE:STRETCH



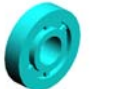
354.D1492964
LEVER:LOCK:PAW
L



353.D1492961
LEVER:STRETCH:
PEEN



281.D1366766
GEAR:IDLER:Z30



280.D1366765
GEAR:IDLER:Z14/
36



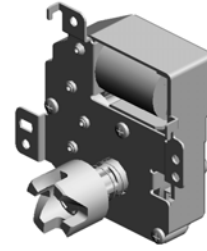
279.D1366760
GEAR:LEVER:STR
ETCH:Z19



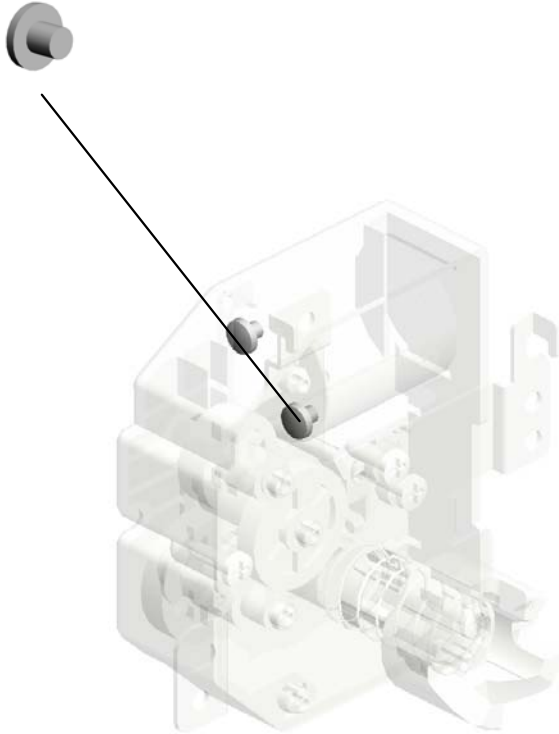
U001	U002	U003	U004	U005	U006	U007	U008	U009	U010	U011	U012	U013	U014	U015	U016	U017	U018	U019	U020
------	------	------	------	------	-------------	------	------	------	------	------	------	------	------	------	------	------	------	------	------

U006_S004
DC MOTOR:RISING TRAY:1.007W:BRUSH

2.03530030N
(x2)
SCREW:M3X3



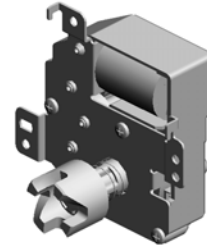
97.AX040281
DC MOTOR:RISING
TRAY:1.007W:BRU
SH



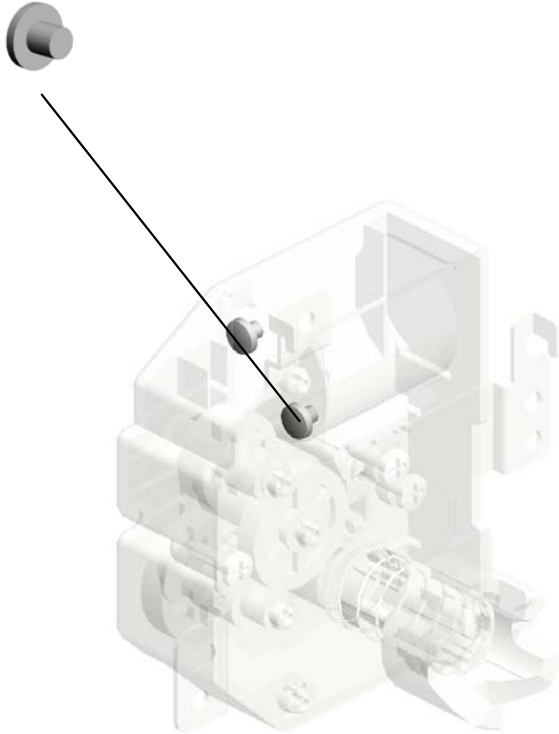
U001	U002	U003	U004	U005	U006	U007	U008	U009	U010	U011	U012	U013	U014	U015	U016	U017	U018	U019	U020
------	------	------	------	------	-------------	------	------	------	------	------	------	------	------	------	------	------	------	------	------

U006_S005
DC MOTOR:RISING TRAY:1.007W:BRUSH

2.03530030N
(x2)
SCREW:M3X3



97.AX040281
DC MOTOR:RISING
TRAY:1.007W:BRU
SH



U001	U002	U003	U004	U005	U006	U007	U008	U009	U010	U011	U012	U013	U014	U015	U016	U017	U018	U019	U020
------	------	------	------	------	-------------	------	------	------	------	------	------	------	------	------	------	------	------	------	------

U006_S006

DOOR:VERTICAL TRANSPORT:ASS'Y

322.D1492678
(x4)
SHAFT:FLAT CONVEYER BELT:DRIVEN

135.D1356699
GUIDE PLATE:FLAT CONVEYER BELT:NO.1

321.D1492676
(x8)
COMPRESSION SPRING:FLAT CONVEYER BELT:DRIVEN

106.D0092573
(x12)
PULLEY - VERTICAL TRANSPORT

108.D0292677
(x12)
TRANSPORT BELT:DRIVEN:VERTICAL TRANSPORT

130.D1356691
DOOR:VERTICAL TRANSPORT:ASS'Y

318.D1444489
(x8)
STOPPER:DRIVEN ROLLER

107.D0092574
(x12)
PULLEY - IDLER

320.D1492675
(x4)
HOLDER:DRIVEN BELT

110.D0392993
(x4)
SHAFT:TRANSPORT BELT:PULLEY

134.D1356697
COVER:VERTICAL TRANSPORT

65.AA143555
SCREW - M3X5

137.D1356702
BRACKET:STOPPER:DOOR:VERTICAL TRANSPORT

138.D1356703
STOPPER:DOOR:VERTICAL TRANSPORT

136.D1356701
(x3)
GUIDE PLATE:FLAT CONVEYER BELT:NO.2

79.AC020152
LENS:LED:3

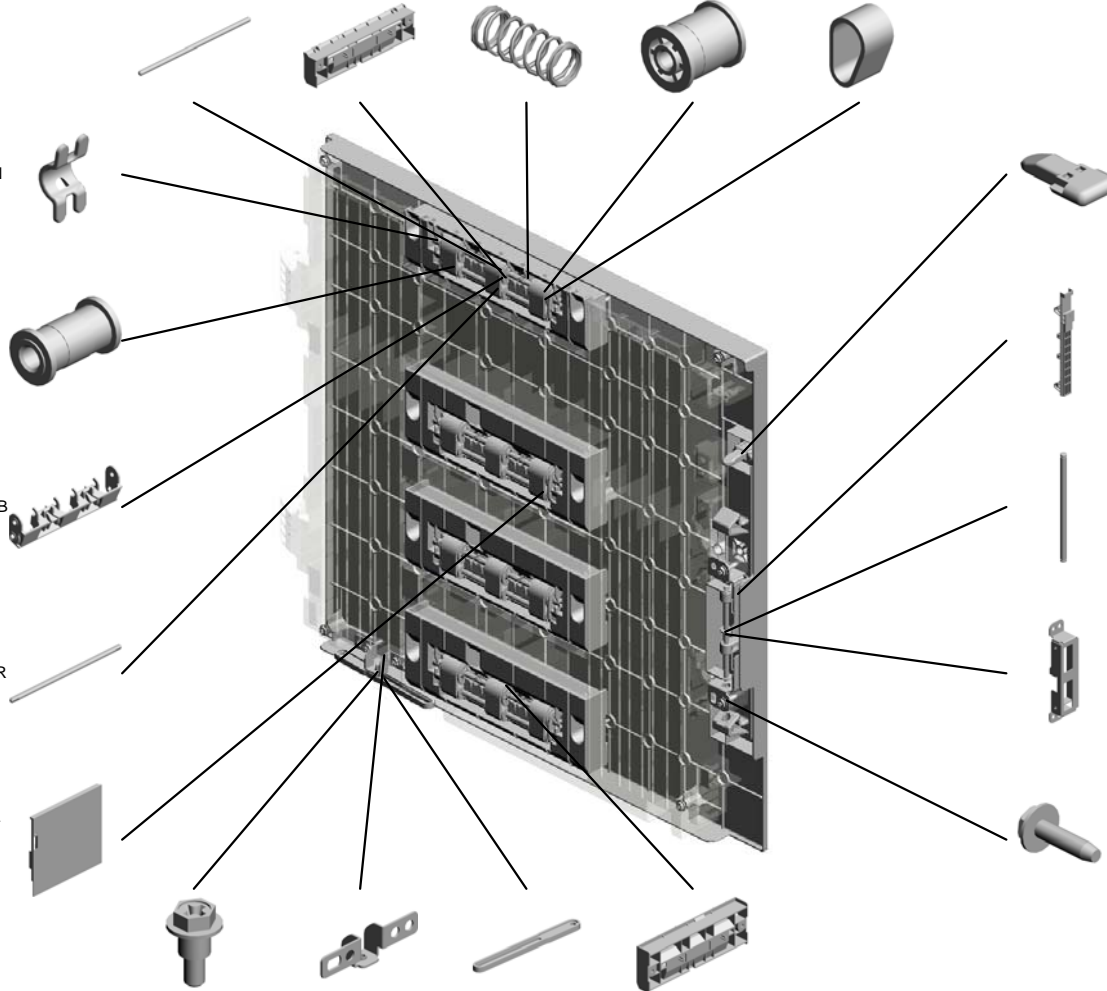
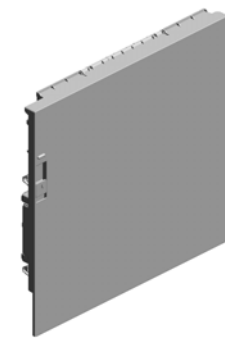
48.AA062173
COIL SPRING:LEVER:COVER:MANUAL FEED

132.D1356695
LEVER:VERTICAL TRANSPORT

133.D1356696
SHAFT:LEVER:DOOR:VERTICAL TRANSPORT

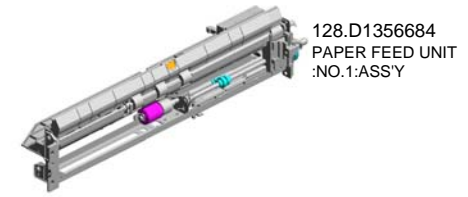
131.D1356694
STAY:DOOR:VERTICAL TRANSPORT

13.04583012N
(x18)
HEXAGON HEAD TAPPING SCREW:3 X12

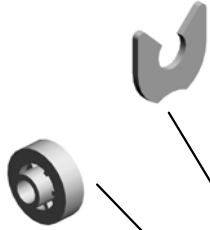


U006_S007
PAPER FEED UNIT:NO.1:ASS'Y

26.08050103 RETAINING RINGS (x8) -E:SILENCER:DIA3
 9.04543006Q (x8) TAPPING SCREW - M3X6
 69.AB010157 GEAR:SEPARATE: DRIVEN
 68.AB010156 GEAR:SEPARATE: DRIVE
 34.11050758 (x2) CLAMP:LWSM-030 6A



113.D0892764
GEAR:FEED



114.D0892819
GEAR:SEPARATO
R:INPUT



27.08050104
(x6)
RETAINING RINGS
-E:SILENCER:DIA4



57.AA082171
(x3)
PLAIN SHAFT BEA
RING:6X10X6



90.AW020203
(x2)
PHOTOINTERRUP
TOR:GP1A173LCS
2F



36.52062686
SNAP RING



104.B8303504
TIMING BELT - 40S
2M100



84.AF030094
PAPER FEED ROLL
ER:PICKUP



115.D1292783
TORQUE LIMITER
MECHANICAL CLU
TCH:40MMM:DIA18



117.D1356664
COIL SPRING:PRE
SSURE:SEPARATE



59.AA082174
PLAIN SHAFT BEA
RING:6X10X9



58.AA082173
PLAIN SHAFT BEA
RING:6X10X6



86.AF031094
PAPER FEED ROL
LER:FEED



88.AF032094
PAPER FEED ROL
LER:SEPARATE

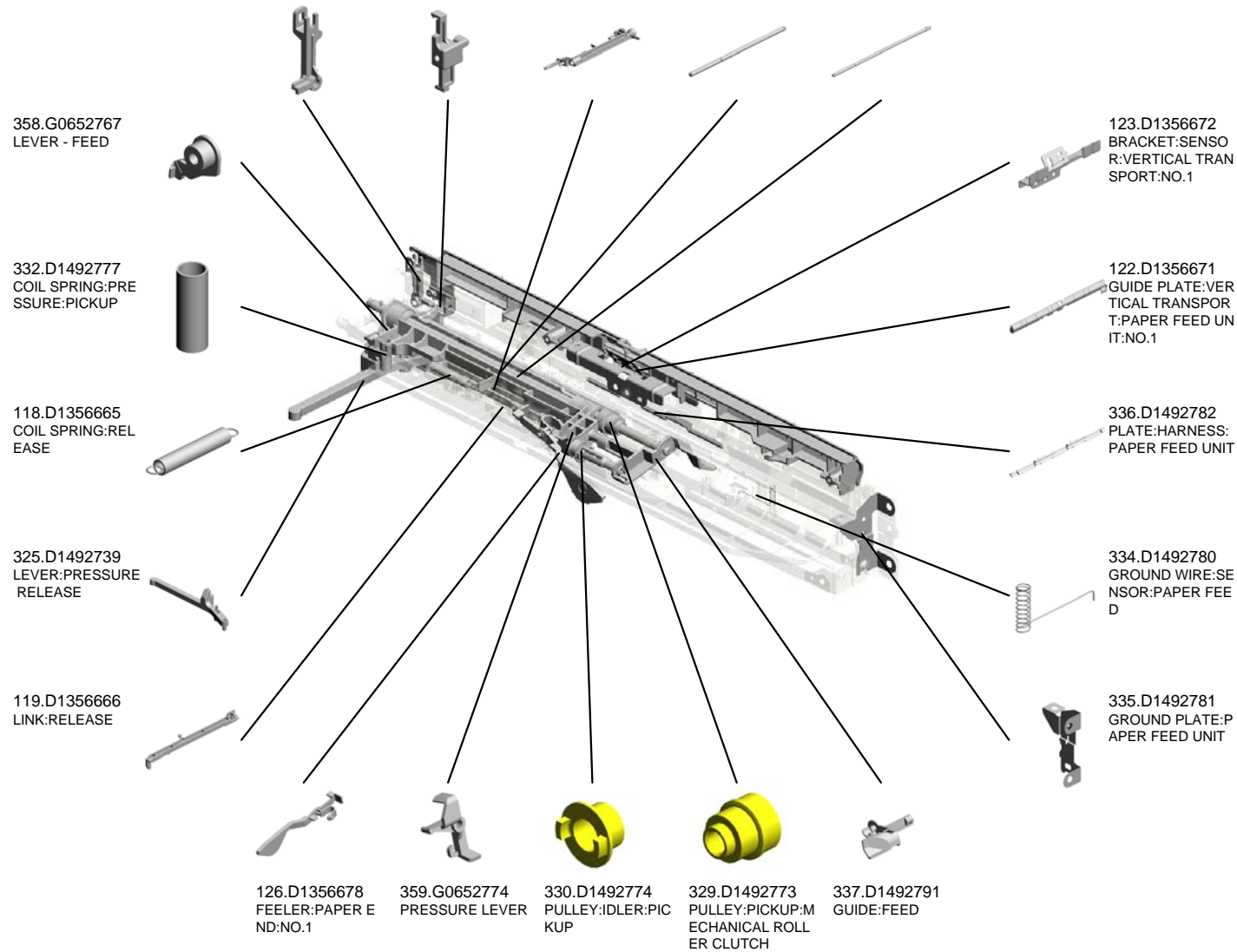
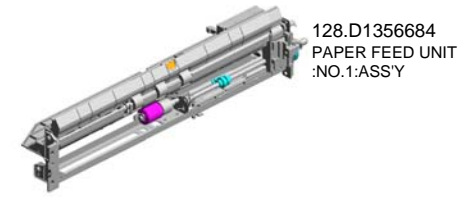


63.AA100014
(x2)
RETAINING RING
C - SEPARATE



U006_S007
PAPER FEED UNIT:NO.1:ASS'Y

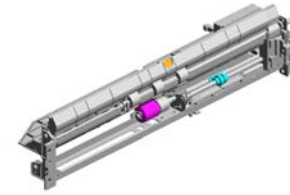
326.D1492767 LEVER:PRESSURE PICKUP
 125.D1356675 COVER:HARNES: PAPER FEED UNIT
 328.D1492772 ARM:PICKUP
 121.D1356669 SHAFT:SEPARATE: DRIVE:ASS'Y
 331.D1492775 SHAFT:FEED:ASS' Y



U001	U002	U003	U004	U005	U006	U007	U008	U009	U010	U011	U012	U013	U014	U015	U016	U017	U018	U019	U020
------	------	------	------	------	-------------	------	------	------	------	------	------	------	------	------	------	------	------	------	------

U006_S007
PAPER FEED UNIT:NO.1:ASS'Y

363.GW010007
(x2)
PHOTO REFLECTI
ON SENSOR:EXIT



128.D1356684
PAPER FEED UNIT
:NO.1:ASS'Y



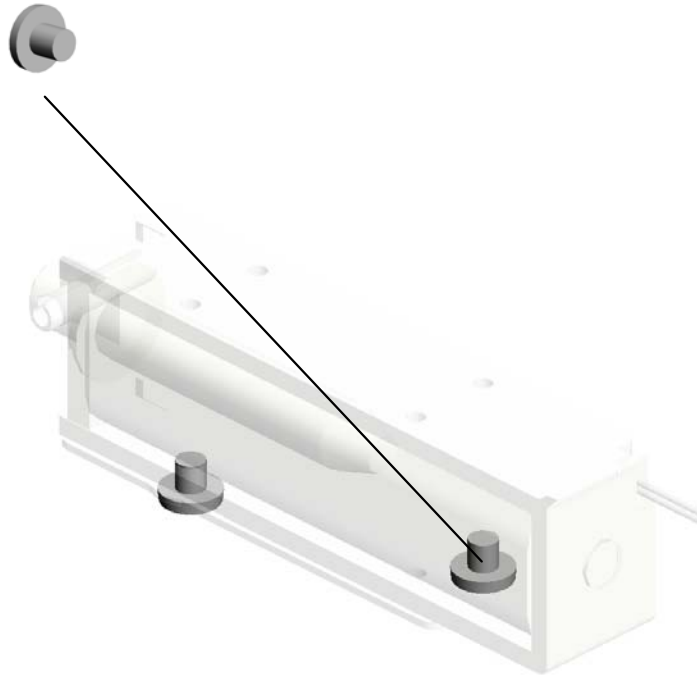
U001	U002	U003	U004	U005	U006	U007	U008	U009	U010	U011	U012	U013	U014	U015	U016	U017	U018	U019	U020
------	------	------	------	------	-------------	------	------	------	------	------	------	------	------	------	------	------	------	------	------

U006_S007_S001
DC SOLENOID:PICKUP:NO.2:ASS'Y

2.03530030N
(x2)
SCREW:M3X3



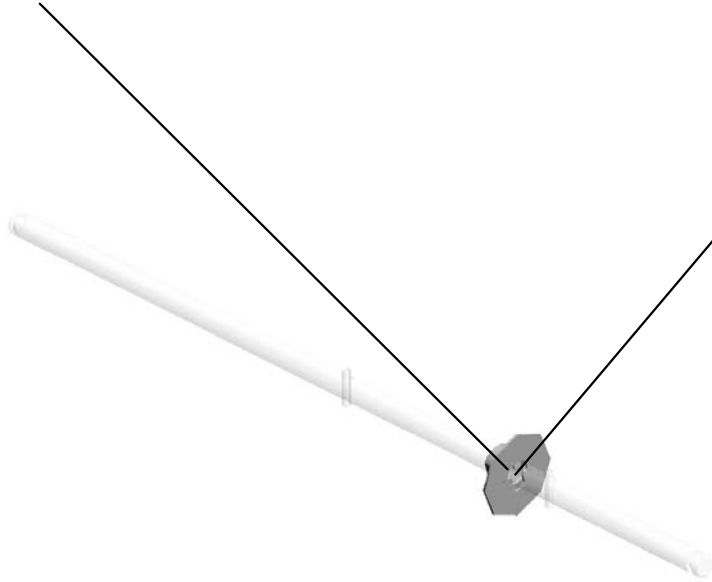
324.D1492726
DC SOLENOID:PIC
KUP:NO.2:ASS'Y



U001	U002	U003	U004	U005	U006	U007	U008	U009	U010	U011	U012	U013	U014	U015	U016	U017	U018	U019	U020
------	------	------	------	------	-------------	------	------	------	------	------	------	------	------	------	------	------	------	------	------

U006_S007_S002
SHAFT:SEPARATE:DRIVEN:ASS'Y

58.AA082173
PLAIN SHAFT BEA
RING:6X10X6



18.07200040E
RETAINING RING -
M4



120.D1356667
SHAFT:SEPARATE:
DRIVEN:ASS'Y

U001	U002	U003	U004	U005	U006	U007	U008	U009	U010	U011	U012	U013	U014	U015	U016	U017	U018	U019	U020
------	------	------	------	------	-------------	------	------	------	------	------	------	------	------	------	------	------	------	------	------

U006_S007_S003

TRANSPORT ROLLER:VERTICAL TRANSPORT:ASS'Y

58.AA082173
PLAIN SHAFT BEARING
RING:6X10X6



327.D1492768
TRANSPORT ROLLER:VERTICAL TRANSPORT:ASS'Y

U001	U002	U003	U004	U005	U006	U007	U008	U009	U010	U011	U012	U013	U014	U015	U016	U017	U018	U019	U020
------	------	------	------	------	-------------	------	------	------	------	------	------	------	------	------	------	------	------	------	------

U006_S008
PAPER FEED UNIT:NO.2:ASS'Y

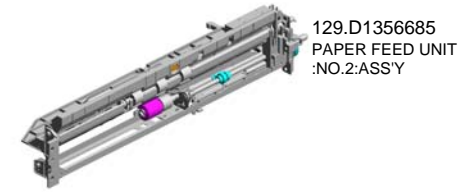
26.08050103 RETAINING RINGS
-E:SILENCER:DIA3

69.AB010157 GEAR:SEPARATE:
DRIVEN

68.AB010156 GEAR:SEPARATE:
DRIVE

34.11050758 CLAMP:LWSM-030
6A

36.52062686 SNAP RING



113.D0892764
GEAR:FEED



114.D0892819
GEAR:SEPARATO
R:INPUT



27.08050104
(x6)
RETAINING RINGS
-E:SILENCER:DIA4



57.AA082171
(x3)
PLAIN SHAFT BEA
RING:6X10X6



90.AW020203
(x2)
PHOTOINTERRUP
TOR:GP1A173LCS
2F



59.AA082174
PLAIN SHAFT BEA
RING:6X10X9



104.B8303504
TIMING BELT - 40S
2M100



84.AF030094
PAPER FEED ROLL
ER:PICKUP



115.D1292783
TORQUE LIMITER
MECHANICAL CLU
TCH:40MMM:DIA18



117.D1356664
COIL SPRING:PRE
SSURE:SEPARATE



58.AA082173
PLAIN SHAFT BEA
RING:6X10X6



86.AF031094
PAPER FEED ROL
LER:FEED



88.AF032094
PAPER FEED ROL
LER:SEPARATE



63.AA100014
(x2)
RETAINING RING
C - SEPARATE



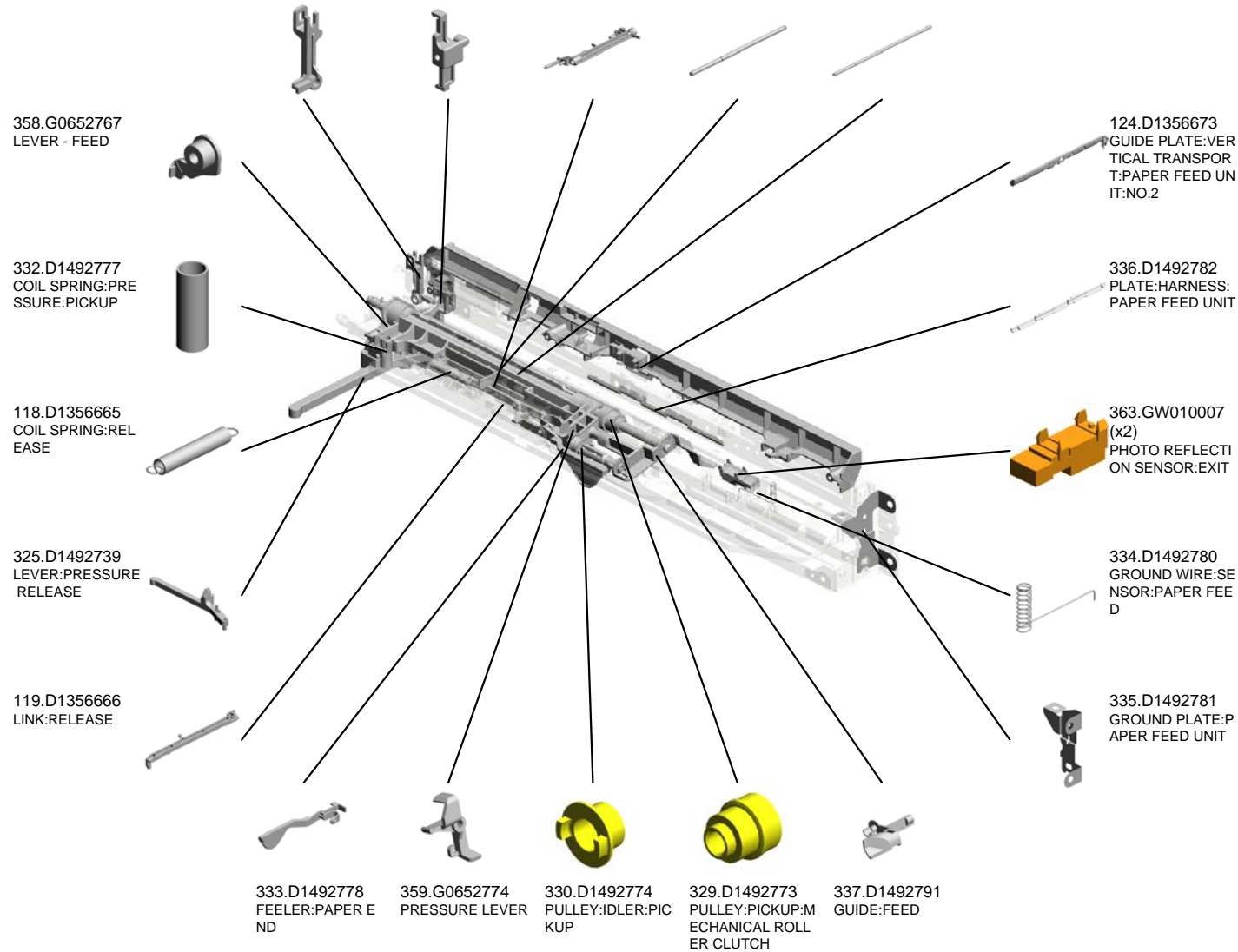
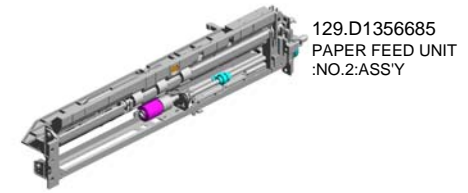
9.04543006Q
(x8)
TAPPING SCREW -
M3X6



U001 U002 U003 U004 U005 **U006** U007 U008 U009 U010 U011 U012 U013 U014 U015 U016 U017 U018 U019 U020

U006_S008
PAPER FEED UNIT:NO.2:ASS'Y

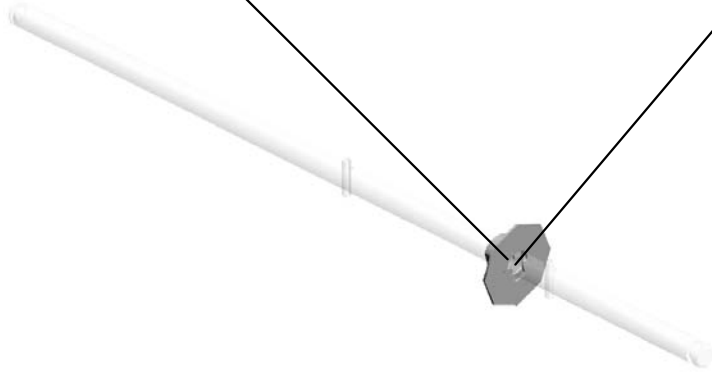
326.D1492767 LEVER:PRESSURE PICKUP
 125.D1356675 COVER:HARNESS: PAPER FEED UNIT
 328.D1492772 ARM:PICKUP
 121.D1356669 SHAFT:SEPARATE: DRIVE:ASS'Y
 331.D1492775 SHAFT:FEED:ASS'Y



U001	U002	U003	U004	U005	U006	U007	U008	U009	U010	U011	U012	U013	U014	U015	U016	U017	U018	U019	U020
------	------	------	------	------	------	------	------	------	------	------	------	------	------	------	------	------	------	------	------

U006_S008_S001
SHAFT:SEPARATE:DRIVEN:ASS'Y

58.AA082173
PLAIN SHAFT BEA
RING:6X10X6



18.07200040E
RETAINING RING -
M4



120.D1356667
SHAFT:SEPARATE:
DRIVEN:ASS'Y

U001	U002	U003	U004	U005	U006	U007	U008	U009	U010	U011	U012	U013	U014	U015	U016	U017	U018	U019	U020
------	------	------	------	------	-------------	------	------	------	------	------	------	------	------	------	------	------	------	------	------

U006_S008_S002

TRANSPORT ROLLER:VERTICAL TRANSPORT:ASS'Y

58.AA082173
PLAIN SHAFT BEARING
RING:6X10X6

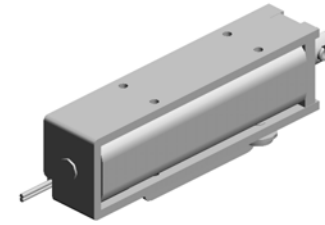


327.D1492768
TRANSPORT ROLLER:VERTICAL TRANSPORT:ASS'Y

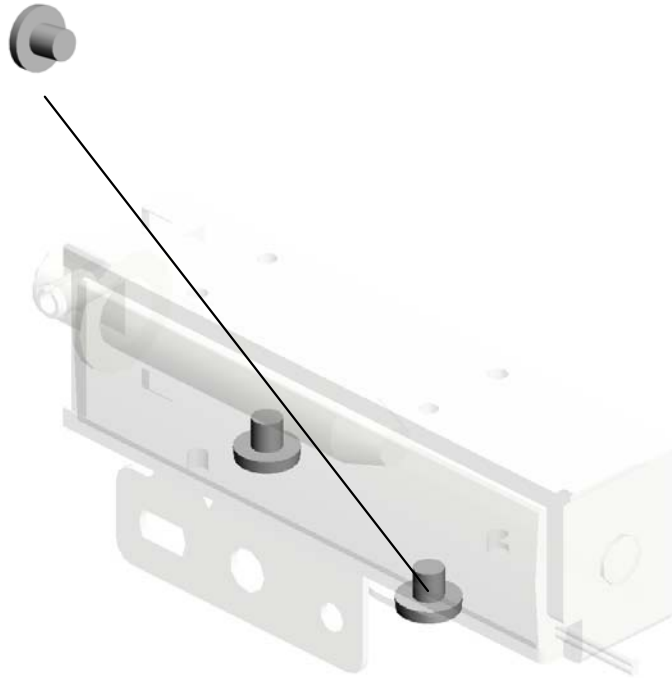
U001	U002	U003	U004	U005	U006	U007	U008	U009	U010	U011	U012	U013	U014	U015	U016	U017	U018	U019	U020
------	------	------	------	------	-------------	------	------	------	------	------	------	------	------	------	------	------	------	------	------

U006_S008_S003
DC SOLENOID:PICKUP:NO.1:ASS'Y

2.03530030N
(x2)
SCREW:M3X3



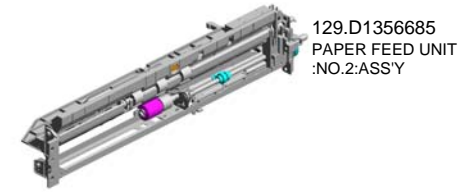
323.D1492716
DC SOLENOID:PIC
KUP:NO.1:ASS'Y



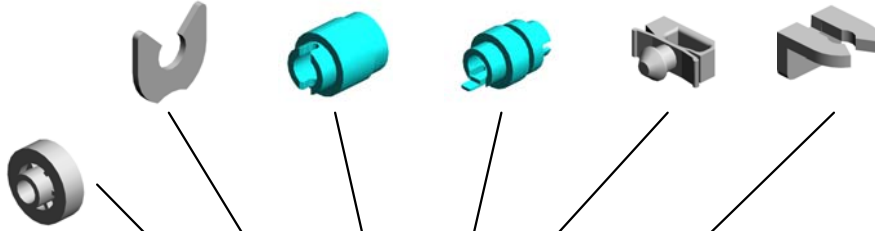
U001	U002	U003	U004	U005	U006	U007	U008	U009	U010	U011	U012	U013	U014	U015	U016	U017	U018	U019	U020
------	------	------	------	------	-------------	------	------	------	------	------	------	------	------	------	------	------	------	------	------

U006_S009
PAPER FEED UNIT:NO.2:ASS'Y

26.08050103 RETAINING RINGS
-E:SILENCER:DIA3
69.AB010157 GEAR:SEPARATE:
DRIVEN
68.AB010156 GEAR:SEPARATE:
DRIVE
34.11050758 CLAMP:LWSM-030
6A
36.52062686 SNAP RING



113.D0892764
GEAR:FEED



58.AA082173
PLAIN SHAFT BEA
RING:6X10X6

114.D0892819
GEAR:SEPARATO
R:INPUT



86.AF031094
PAPER FEED ROL
LER:FEED



27.08050104
(x6)
RETAINING RINGS
-E:SILENCER:DIA4



88.AF032094
PAPER FEED ROL
LER:SEPARATE



57.AA082171
(x3)
PLAIN SHAFT BEA
RING:6X10X6



63.AA100014
(x2)
RETAINING RING
C - SEPARATE



90.AW020203
(x2)
PHOTOINTERRUP
TOR:GP1A173LCS
2F



9.04543006Q
(x8)
TAPPING SCREW -
M3X6



59.AA082174
PLAIN SHAFT BEA
RING:6X10X9



104.B8303504
TIMING BELT - 40S
2M100



84.AF030094
PAPER FEED ROL
LER:PICKUP



115.D1292783
TORQUE LIMITER
MECHANICAL CLU
TCH:40MM:DIA18

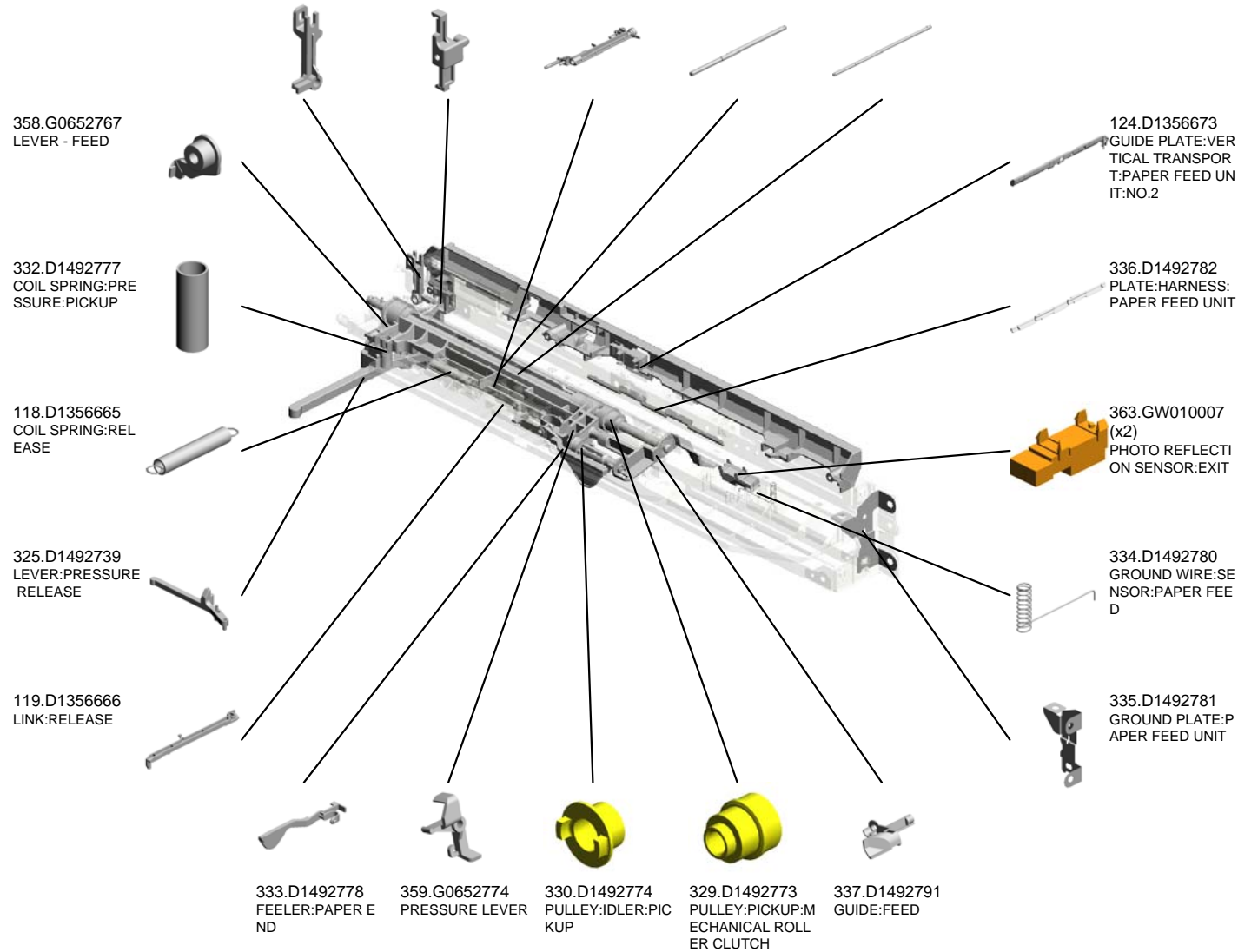
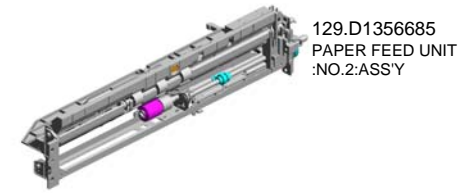


117.D1356664
COIL SPRING:PRE
SSURE:SEPARATE



U006_S009
PAPER FEED UNIT:NO.2:ASS'Y

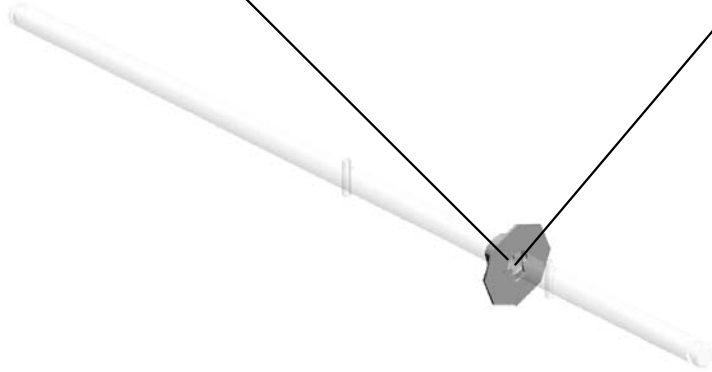
326.D1492767 LEVER:PRESSURE PICKUP
 125.D1356675 COVER:HARNESS: PAPER FEED UNIT
 328.D1492772 ARM:PICKUP
 121.D1356669 SHAFT:SEPARATE: DRIVE:ASS'Y
 331.D1492775 SHAFT:FEED:ASS' Y



U001	U002	U003	U004	U005	U006	U007	U008	U009	U010	U011	U012	U013	U014	U015	U016	U017	U018	U019	U020
------	------	------	------	------	-------------	------	------	------	------	------	------	------	------	------	------	------	------	------	------

U006_S009_S001
SHAFT:SEPARATE:DRIVEN:ASS'Y

58.AA082173
PLAIN SHAFT BEA
RING:6X10X6



18.07200040E
RETAINING RING -
M4



120.D1356667
SHAFT:SEPARATE:
DRIVEN:ASS'Y

U001	U002	U003	U004	U005	U006	U007	U008	U009	U010	U011	U012	U013	U014	U015	U016	U017	U018	U019	U020
------	------	------	------	------	-------------	------	------	------	------	------	------	------	------	------	------	------	------	------	------

U006_S009_S002

TRANSPORT ROLLER:VERTICAL TRANSPORT:ASS'Y

58.AA082173
PLAIN SHAFT BEARING
RING:6X10X6



327.D1492768
TRANSPORT ROLLER:VERTICAL TRANSPORT:ASS'Y

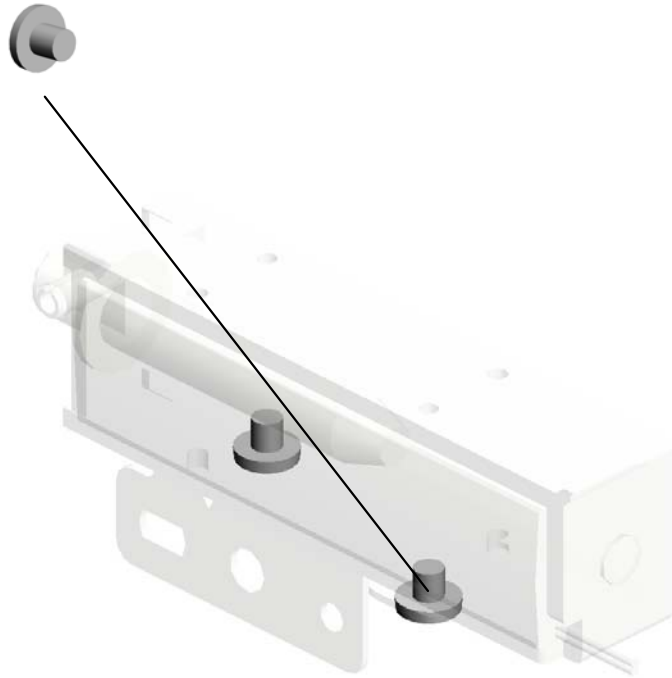
U001	U002	U003	U004	U005	U006	U007	U008	U009	U010	U011	U012	U013	U014	U015	U016	U017	U018	U019	U020
------	------	------	------	------	-------------	------	------	------	------	------	------	------	------	------	------	------	------	------	------

U006_S009_S003
DC SOLENOID:PICKUP:NO.1:ASS'Y

2.03530030N
(x2)
SCREW:M3X3



323.D1492716
DC SOLENOID:PICKUP:NO.1:ASS'Y



U001	U002	U003	U004	U005	U006	U007	U008	U009	U010	U011	U012	U013	U014	U015	U016	U017	U018	U019	U020
------	------	------	------	------	-------------	------	------	------	------	------	------	------	------	------	------	------	------	------	------

U006_S010
TRANSPORT ROLLER:VERTICAL TRANSPORT:ASS'Y

58.AA082173
PLAIN SHAFT BEARING
RING:6X10X6



327.D1492768
TRANSPORT ROLLER:VERTICAL TRANSPORT:ASS'Y

U001	U002	U003	U004	U005	U006	U007	U008	U009	U010	U011	U012	U013	U014	U015	U016	U017	U018	U019	U020
------	------	------	------	------	-------------	------	------	------	------	------	------	------	------	------	------	------	------	------	------

U006_S011
PAPER TRAY:NO.4:ASS'Y

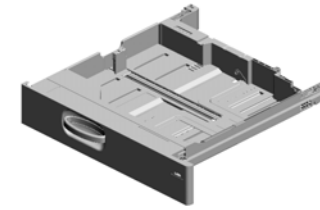
339.D1492813
PIN:STRETCH:TRA
Y

24.08050089
RETAINING RING -
M4

338.D1492812
(x4)
ROLLER:PAPER T
RAY:DIA19

341.D1492816
SHAFT:RISE:ASS'Y

342.D1492818
LEVER:RISE



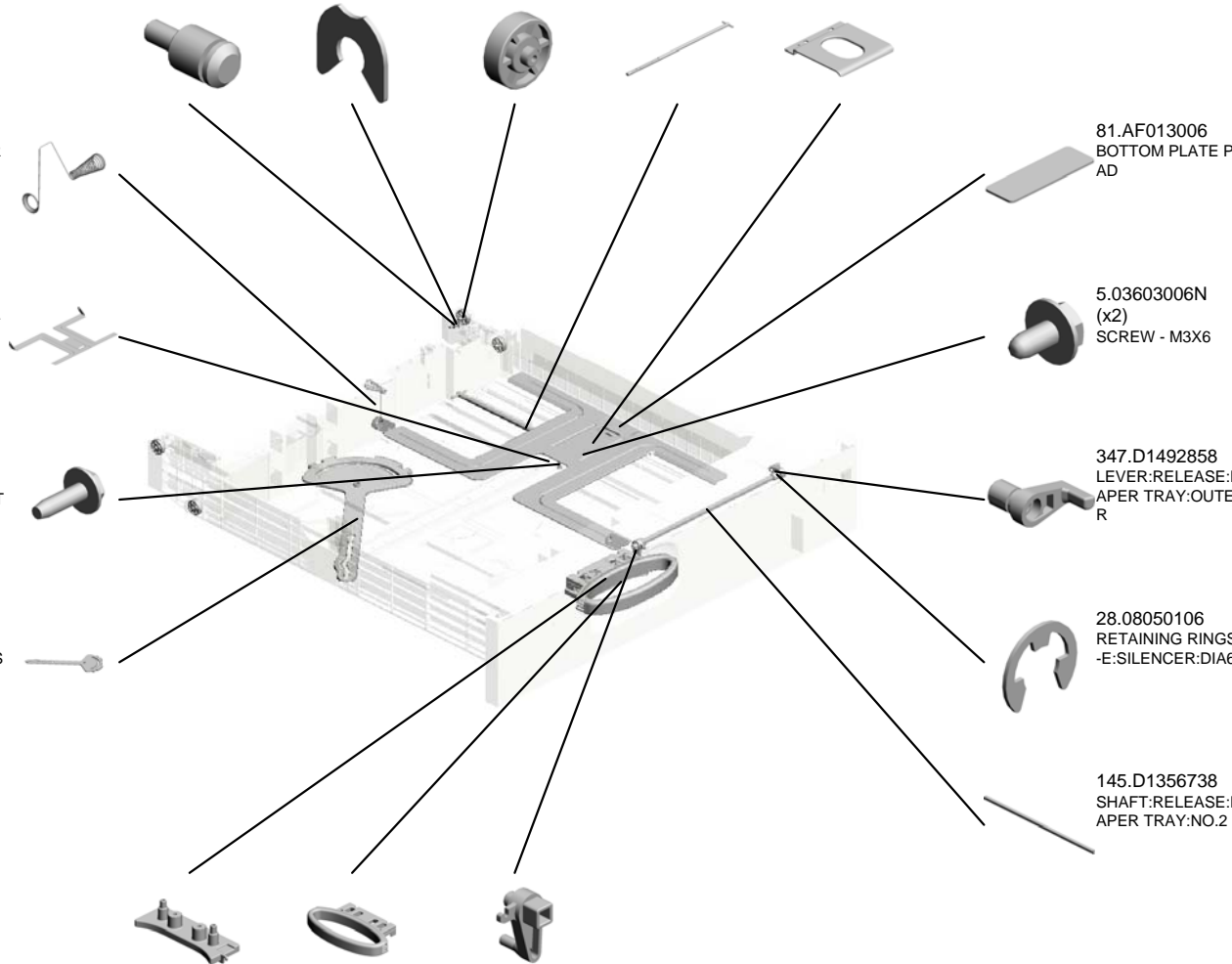
139.D1356726
PAPER TRAY:NO.4
:ASS'Y

340.D1492814
COIL SPRING:EAR
TH

148.D1356742
TRAY BOTTOM PL
ATE

12.04583010N
(x3)
HEXAGON HEAD T
APPING SCREW:3
X10

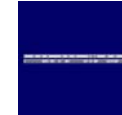
147.D1356740
LINK:END FENCE:
PAPER SIZE SENS
OR



81.AF013006
BOTTOM PLATE P
AD



143.D1356736
DECAL:SIZE INDIC
ATION:END FENCE



144.D1356737
DECAL:SIZE INDIC
ATION:SIDE FENC
E

5.03603006N
(x2)
SCREW - M3X6

347.D1492858
LEVER:RELEASE:P
APER TRAY:OUTE
R

28.08050106
RETAINING RINGS
-E:SILENCER:DIA6

145.D1356738
SHAFT:RELEASE:P
APER TRAY:NO.2

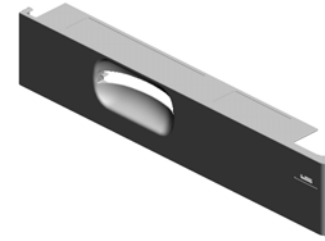
348.D1492861
HOLDER:GRIP:PAP
ER TRAY

146.D1356739
GRIP:PAPER TRAY

99.B2232862
LEVER - RELEASE
INNER

U001	U002	U003	U004	U005	U006	U007	U008	U009	U010	U011	U012	U013	U014	U015	U016	U017	U018	U019	U020
------	------	------	------	------	-------------	------	------	------	------	------	------	------	------	------	------	------	------	------	------

U006_S011_S001
COVER:PAPER TRAY:NO.4:ASS'Y



142.D1356732
COVER:PAPER TR
AY:NO.4:ASS'Y



149.D1356745
DECAL:PAPER SE
T DIRECTION:TRA
Y

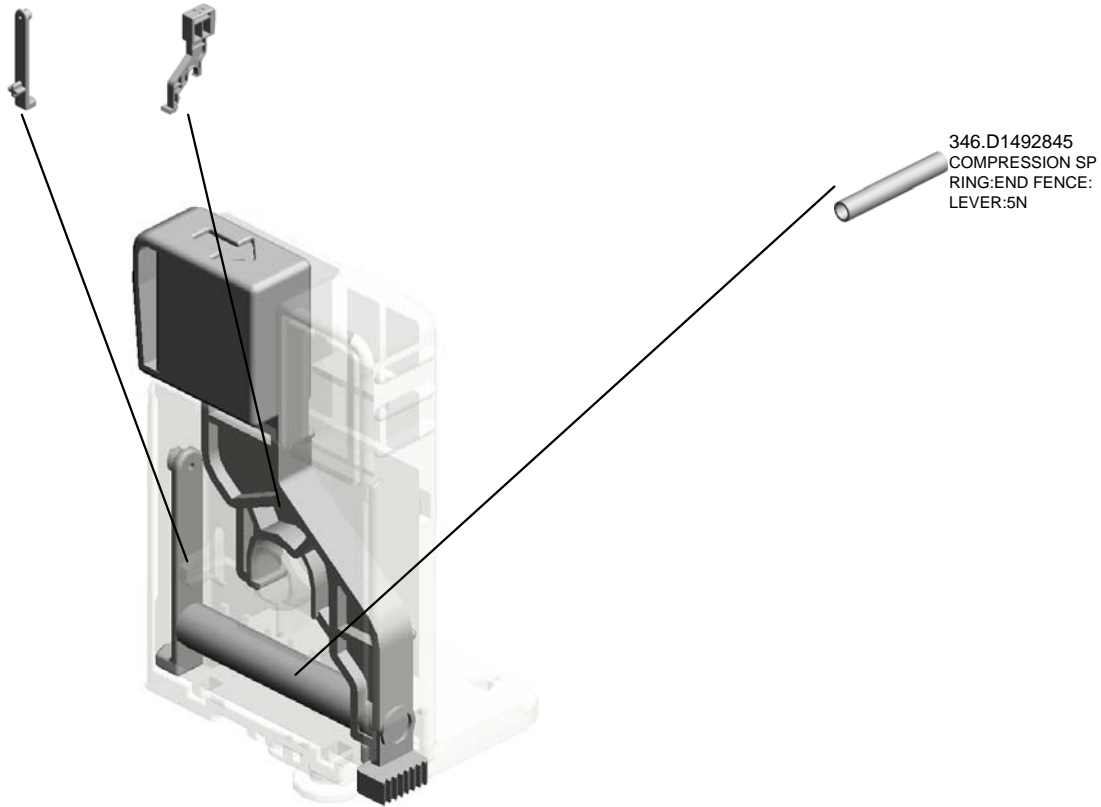
U001	U002	U003	U004	U005	U006	U007	U008	U009	U010	U011	U012	U013	U014	U015	U016	U017	U018	U019	U020
------	------	------	------	------	------	------	------	------	------	------	------	------	------	------	------	------	------	------	------

U006_S011_S002
END FENCE:PAPER TRAY:ASS'Y

345.D1492843 344.D1492842
CLICK:END FENCE LEVER:END FENCE



343.D1492840
END FENCE:PAPE
R TRAY:ASS'Y



346.D1492845
COMPRESSION SP
RING:END FENCE:
LEVER:5N

U001	U002	U003	U004	U005	U006	U007	U008	U009	U010	U011	U012	U013	U014	U015	U016	U017	U018	U019	U020
------	------	------	------	------	-------------	------	------	------	------	------	------	------	------	------	------	------	------	------	------

U006_S012
PAPER TRAY:ASS'Y

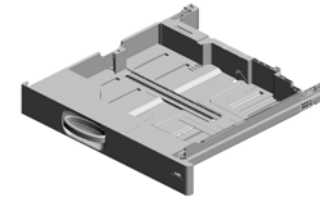
339.D1492813
PIN:STRETCH:TRAY

24.08050089
RETAINING RING - M4

338.D1492812
(x4)
ROLLER:PAPER TRAY: DIA19

341.D1492816
SHAFT:RISE:ASSY

342.D1492818
LEVER:RISE



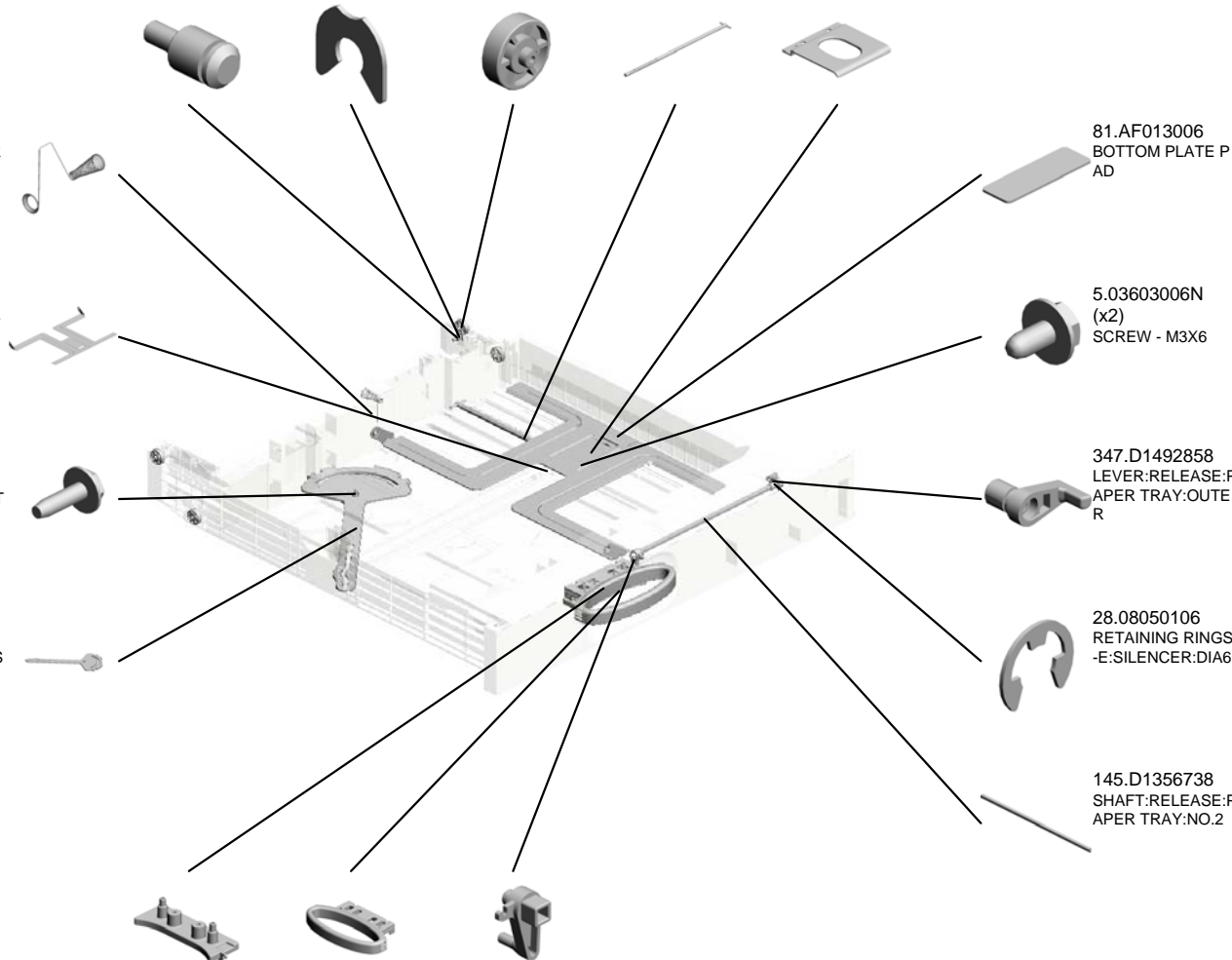
140.D1356727
PAPER TRAY:ASS'Y

340.D1492814
COIL SPRING:EAR TH

148.D1356742
TRAY BOTTOM PLATE

12.04583010N
(x3)
HEXAGON HEAD TAPPING SCREW:3 X10

147.D1356740
LINK:END FENCE: PAPER SIZE SENSOR



81.AF013006
BOTTOM PLATE PAD



143.D1356736
DECAL:SIZE INDICATION:END FENCE



144.D1356737
DECAL:SIZE INDICATION:SIDE FENCE

5.03603006N
(x2)
SCREW - M3X6

347.D1492858
LEVER:RELEASE:PAPER TRAY:OUTER

28.08050106
RETAINING RINGS -E:SILENCER:DIA6

145.D1356738
SHAFT:RELEASE:PAPER TRAY:NO.2

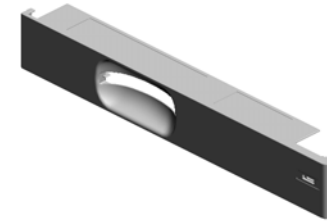
348.D1492861
HOLDER:GRIP:PAPER TRAY

146.D1356739
GRIP:PAPER TRAY

99.B2232862
LEVER - RELEASE INNER

U001	U002	U003	U004	U005	U006	U007	U008	U009	U010	U011	U012	U013	U014	U015	U016	U017	U018	U019	U020
------	------	------	------	------	-------------	------	------	------	------	------	------	------	------	------	------	------	------	------	------

U006_S012_S001
COVER:PAPER TRAY:NO.3:ASS'Y



141.D1356730
COVER:PAPER TR
AY:NO.3:ASS'Y



149.D1356745
DECAL:PAPER SE
T DIRECTION:TRA
Y

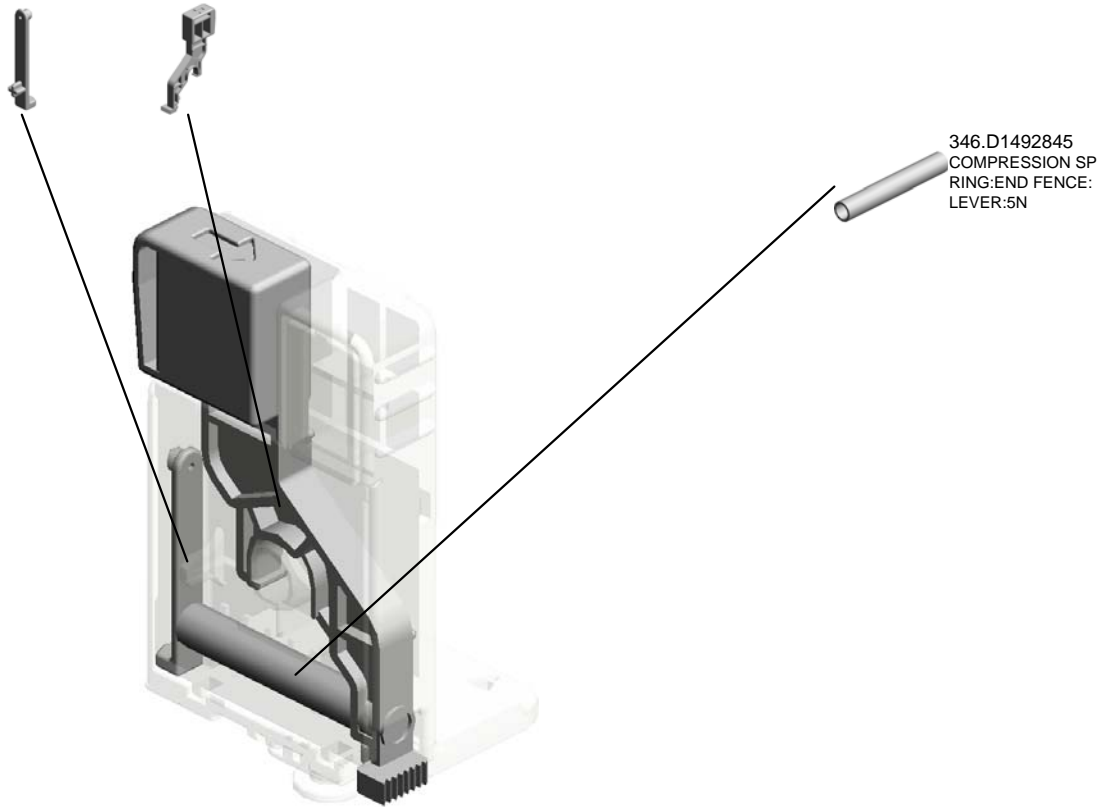
U001	U002	U003	U004	U005	U006	U007	U008	U009	U010	U011	U012	U013	U014	U015	U016	U017	U018	U019	U020
------	------	------	------	------	------	------	------	------	------	------	------	------	------	------	------	------	------	------	------

U006_S012_S002
END FENCE:PAPER TRAY:ASS'Y

345.D1492843 344.D1492842
CLICK:END FENCE LEVER:END FENCE



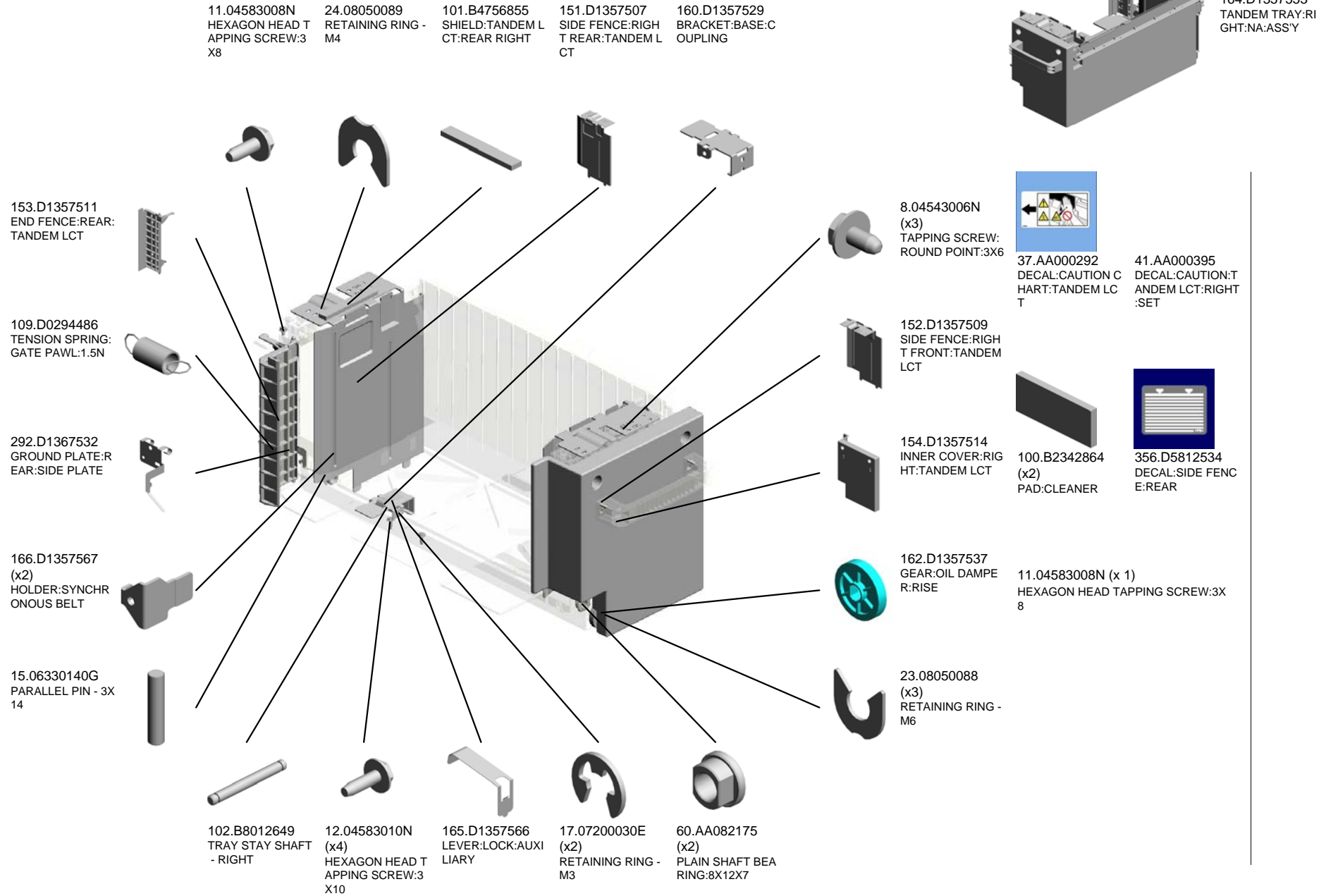
343.D1492840
END FENCE:PAPE
R TRAY:ASS'Y



346.D1492845
COMPRESSION SP
RING:END FENCE:
LEVER:5N

U001	U002	U003	U004	U005	U006	U007	U008	U009	U010	U011	U012	U013	U014	U015	U016	U017	U018	U019	U020
------	------	------	------	------	-------------	------	------	------	------	------	------	------	------	------	------	------	------	------	------

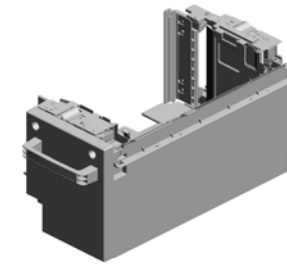
U006_S013
TANDEM TRAY:RIGHT:NA:ASS'Y



U001	U002	U003	U004	U005	U006	U007	U008	U009	U010	U011	U012	U013	U014	U015	U016	U017	U018	U019	U020
------	------	------	------	------	-------------	------	------	------	------	------	------	------	------	------	------	------	------	------	------

U006_S013
TANDEM TRAY:RIGHT:NA:ASS'Y

310.D1367588 361.G5527022
STOPPER:END FE (x2)
NCE TIMING BELT

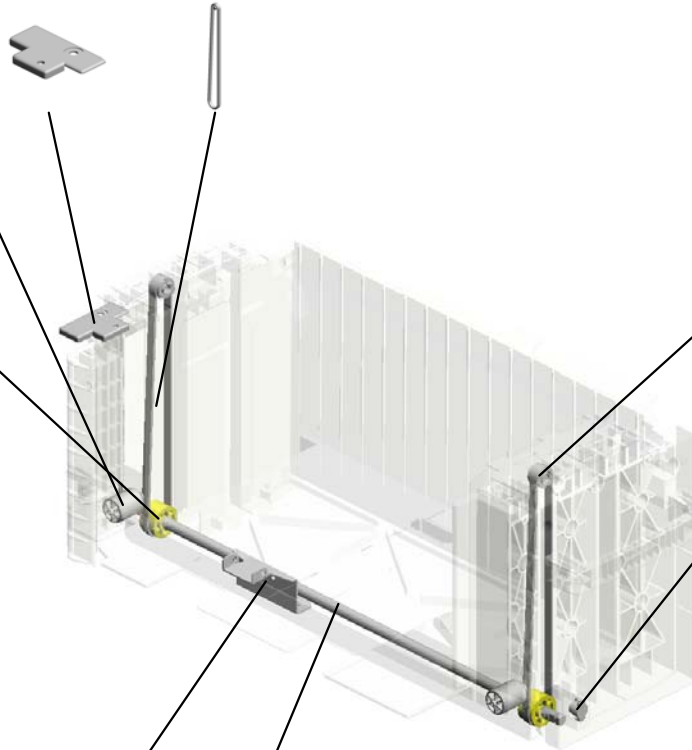


164.D1357553
TANDEM TRAY:RI
GHT:NA:ASS'Y

308.D1367583
(x2)
ROLLER:GUIDE



357.D6961194
(x2)
TIMING PULLEY:T
RAY BOTTOM PLA
TE



312.D1367599
(x2)
TIMING PULLEY:T
RAY BOTTOM PLA
TE:TANDEM TRAY:
DRIVEN



293.D1367538
OIL DAMPER:FALL



296.D1367549
BRACKET:COUPLI
NG:RIGHT:ASS'Y



309.D1367584
SHAFT:RISING TR
AY:ASS'Y



U001	U002	U003	U004	U005	U006	U007	U008	U009	U010	U011	U012	U013	U014	U015	U016	U017	U018	U019	U020
------	------	------	------	------	-------------	------	------	------	------	------	------	------	------	------	------	------	------	------	------

U006_S013_S001
PLATE:PAPER:ASS'Y

66.AA162082
CUSHION:PLATE:P
APER



111.D0596690
PLATE:PAPER:ASS
Y

U001	U002	U003	U004	U005	U006	U007	U008	U009	U010	U011	U012	U013	U014	U015	U016	U017	U018	U019	U020
------	------	------	------	------	-------------	------	------	------	------	------	------	------	------	------	------	------	------	------	------

U006_S013_S002
PLATE:PAPER:ASS'Y

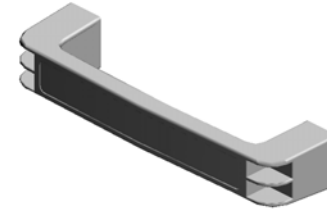
66.AA162082
CUSHION:PLATE:P
APER



111.D0596690
PLATE:PAPER:ASS
Y

U001	U002	U003	U004	U005	U006	U007	U008	U009	U010	U011	U012	U013	U014	U015	U016	U017	U018	U019	U020
------	------	------	------	------	-------------	------	------	------	------	------	------	------	------	------	------	------	------	------	------

U006_S013_S003
GRIP:INNER COVER:ASS'Y



161.D1357531
GRIP:INNER COVE
R:ASS'Y

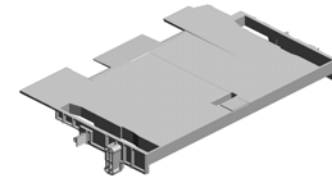


39.AA000295
DECAL:GRIP:INNE
R COVER:RIGHT

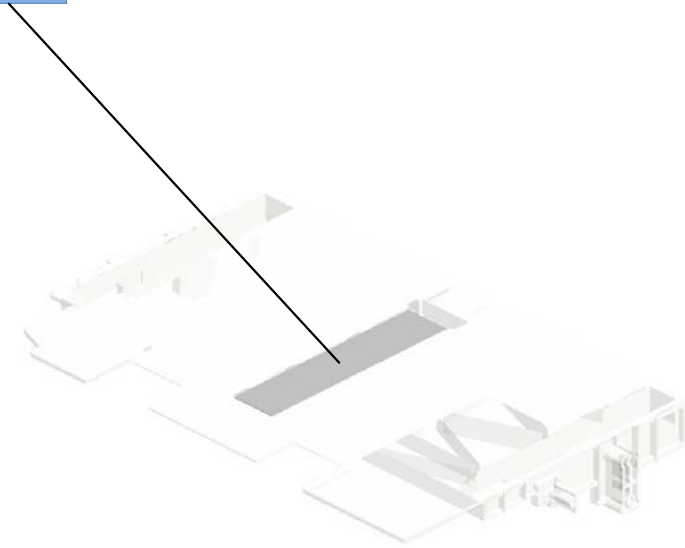
U001	U002	U003	U004	U005	U006	U007	U008	U009	U010	U011	U012	U013	U014	U015	U016	U017	U018	U019	U020
------	------	------	------	------	------	------	------	------	------	------	------	------	------	------	------	------	------	------	------

U006_S013_S004
TRAY BOTTOM PLATE:ASS'Y

38.AA000294
DECAL:PAPER SE
T DIRECTION:TAN
DEM TRAY:RIGHT

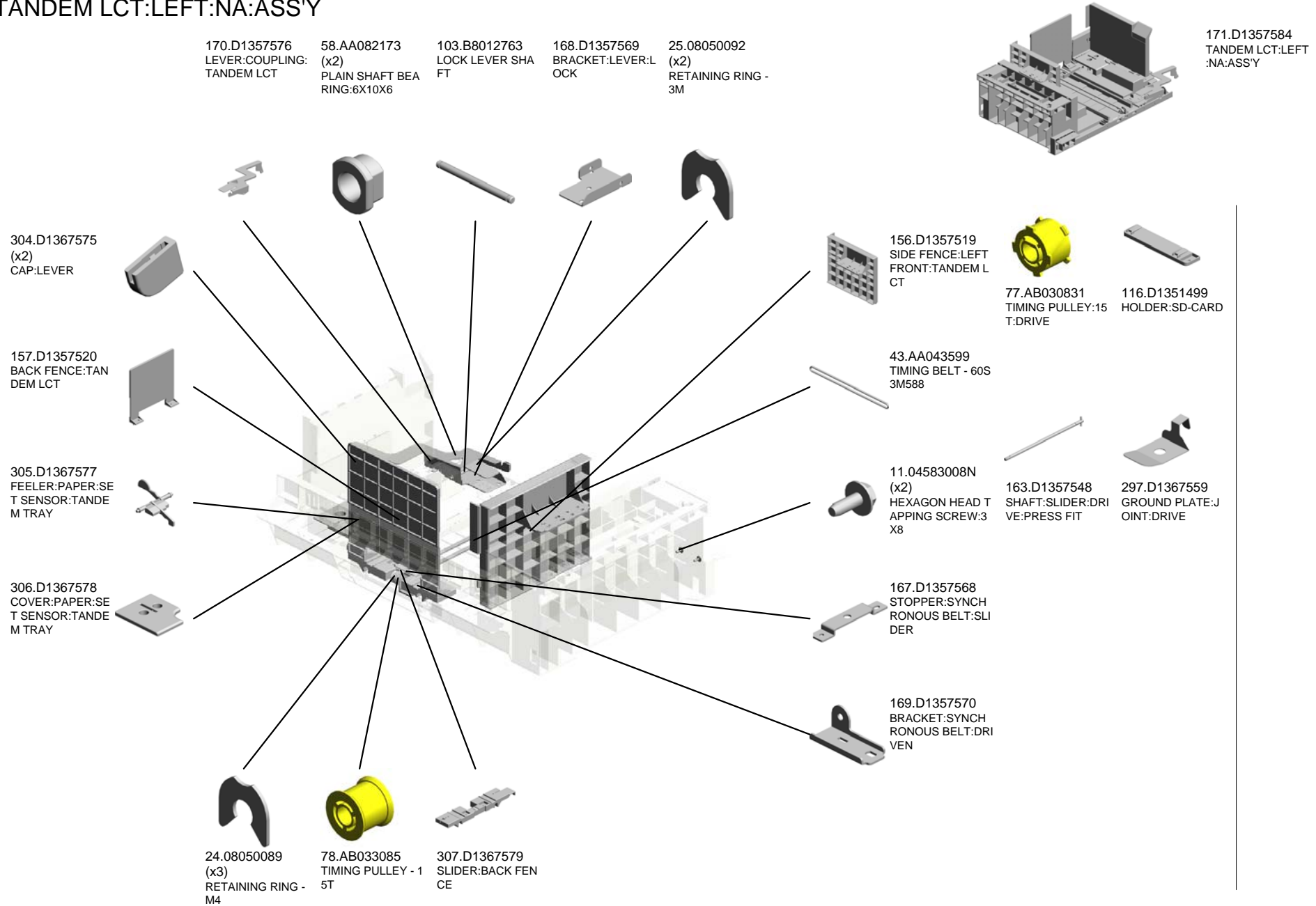


311.D1367593
TRAY BOTTOM PL
ATE:ASS'Y



U001	U002	U003	U004	U005	U006	U007	U008	U009	U010	U011	U012	U013	U014	U015	U016	U017	U018	U019	U020
------	------	------	------	------	-------------	------	------	------	------	------	------	------	------	------	------	------	------	------	------

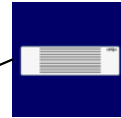
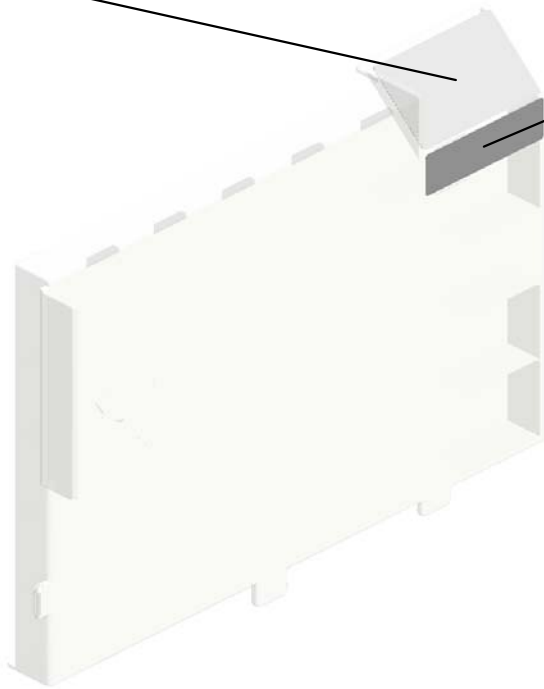
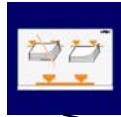
U006_S014
TANDEM LCT:LEFT:NA:ASS'Y



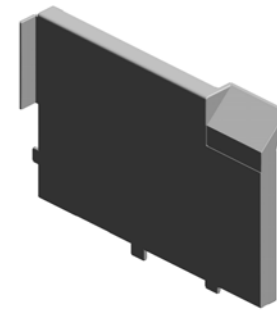
U001	U002	U003	U004	U005	U006	U007	U008	U009	U010	U011	U012	U013	U014	U015	U016	U017	U018	U019	U020
------	------	------	------	------	-------------	------	------	------	------	------	------	------	------	------	------	------	------	------	------

U006_S014_S001
SIDE FENCE:LEFT REAR:TANDEM LCT:ASS'Y

294.D1367546
DECAL:PAPER VO
LUME:SIDE FENCE
:LEFT REAR:1



295.D1367547
DECAL:PAPER VO
LUME:SIDE FENCE
:LEFT REAR:2



155.D1357516
SIDE FENCE:LEFT
REAR:TANDEM LC
T:ASSY

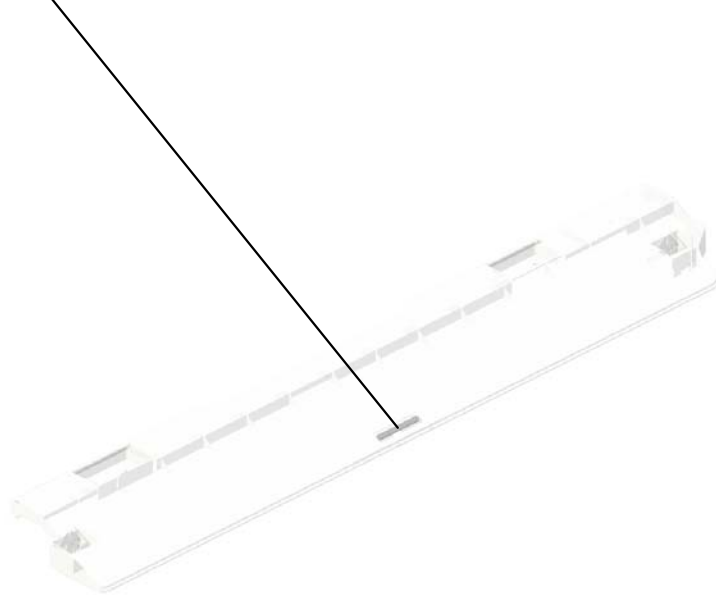
U001	U002	U003	U004	U005	U006	U007	U008	U009	U010	U011	U012	U013	U014	U015	U016	U017	U018	U019	U020
------	------	------	------	------	-------------	------	------	------	------	------	------	------	------	------	------	------	------	------	------

U006_S015
COVER:REGISTRATION:UPPER:ASS'Y

42.AA003055
DECAL:COVER:PU
SH



186.D1362638
COVER:REGISTRA
TION:UPPER:ASS'
Y



U001	U002	U003	U004	U005	U006	U007	U008	U009	U010	U011	U012	U013	U014	U015	U016	U017	U018	U019	U020
------	------	------	------	------	-------------	------	------	------	------	------	------	------	------	------	------	------	------	------	------

U006_S016
SHAFT:SEPARATOR:DRIVEN:ASS'Y

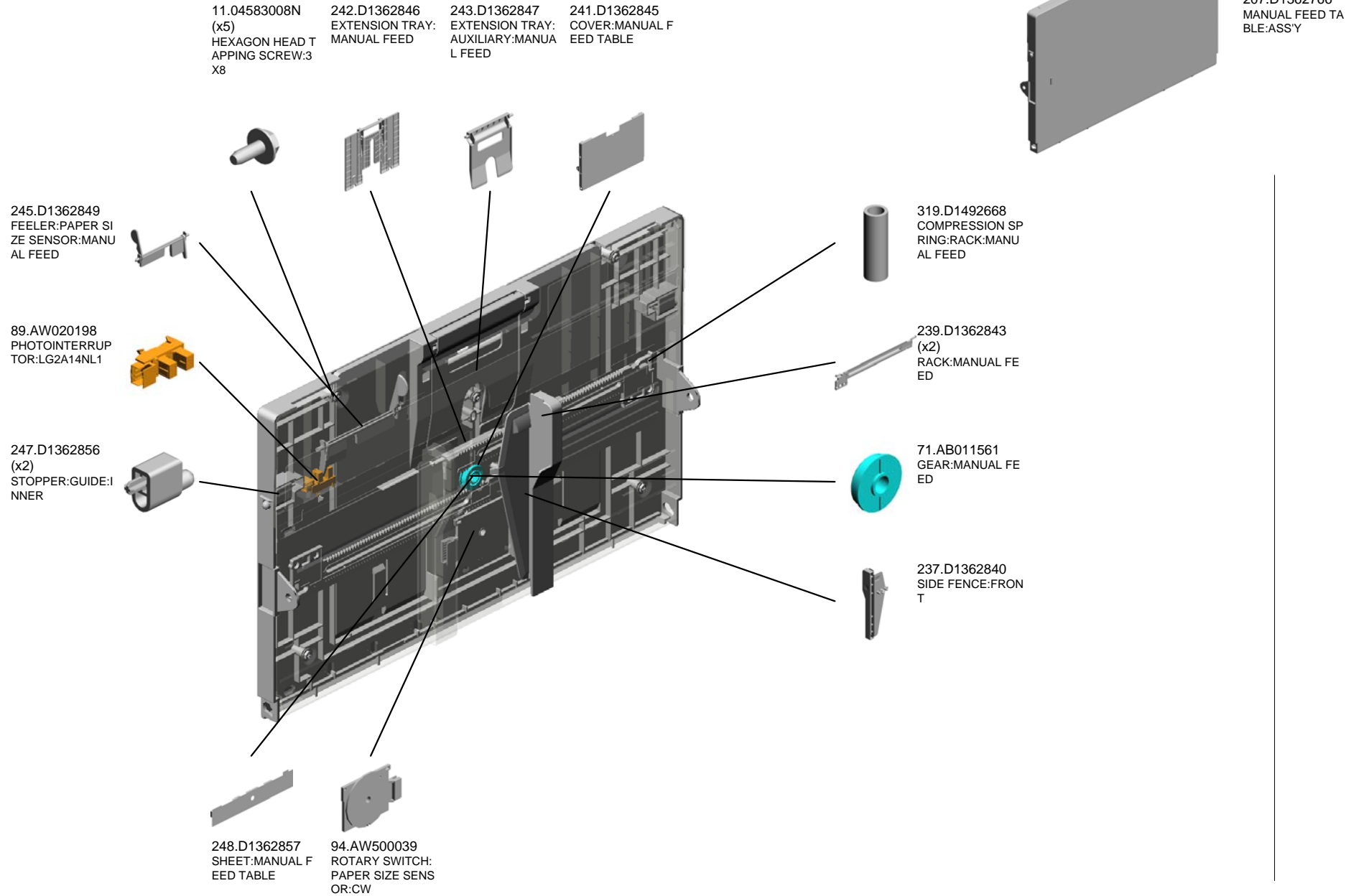
18.07200040E
RETAINING RING -
M4



222.D1362803
SHAFT:SEPARATO
R:DRIVEN:ASS'Y

U001	U002	U003	U004	U005	U006	U007	U008	U009	U010	U011	U012	U013	U014	U015	U016	U017	U018	U019	U020
------	------	------	------	------	-------------	------	------	------	------	------	------	------	------	------	------	------	------	------	------

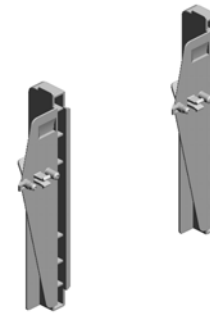
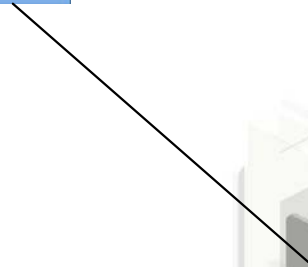
U006_S017 MANUAL FEED TABLE:ASS'Y



U001	U002	U003	U004	U005	U006	U007	U008	U009	U010	U011	U012	U013	U014	U015	U016	U017	U018	U019	U020
------	------	------	------	------	-------------	------	------	------	------	------	------	------	------	------	------	------	------	------	------

U006_S017_S001
SIDE FENCE:REAR:ASS'Y

254.D1362945
DECAL:SIDE FENC
E:MANUAL FEED



238.D1362841
SIDE FENCE:REAR
:ASS'Y

U001	U002	U003	U004	U005	U006	U007	U008	U009	U010	U011	U012	U013	U014	U015	U016	U017	U018	U019	U020
------	------	------	------	------	------	------	------	------	------	------	------	------	------	------	------	------	------	------	------

U006_S018
GUIDE PLATE:CONNECTING:FRONT RIGHT:ASS'Y



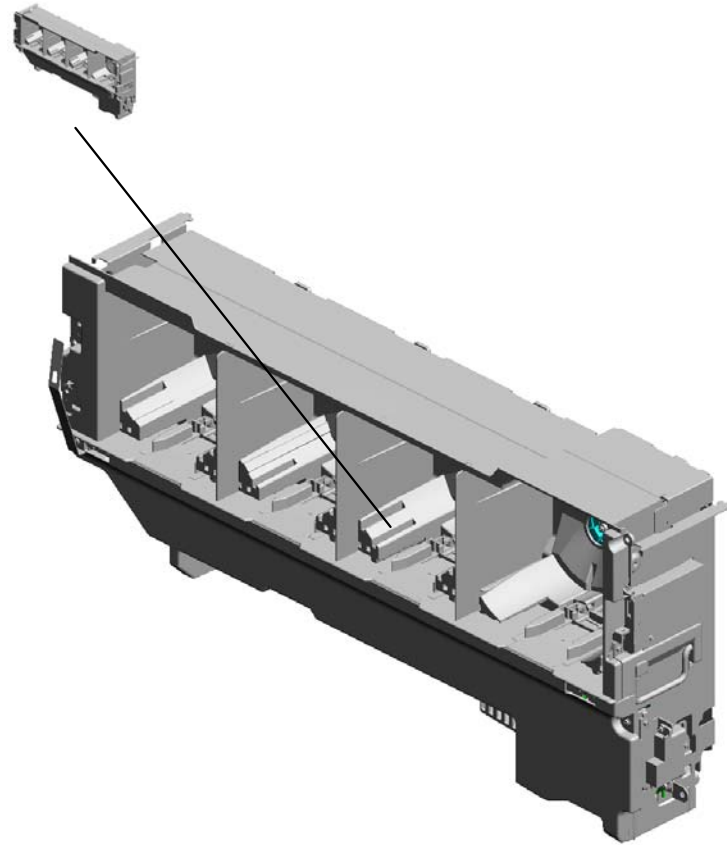
198.D1362702
GUIDE PLATE:CON
NECTING:FRONT
RIGHT:ASS'Y

366.M0262657
SHEET:VERTICAL
TRANSPORT:SENS
OR

U001	U002	U003	U004	U005	U006	U007	U008	U009	U010	U011	U012	U013	U014	U015	U016	U017	U018	U019	U020
------	------	------	------	------	------	------	------	------	------	------	------	------	------	------	------	------	------	------	------

U007.TONNER SUPPLY

U007_S001
D1363021
TONER SUPPLY UNIT:MAIN:
ASS'Y



U001	U002	U003	U004	U005	U006	U007	U008	U009	U010	U011	U012	U013	U014	U015	U016	U017	U018	U019	U020
------	------	------	------	------	------	------	------	------	------	------	------	------	------	------	------	------	------	------	------

U007_S001.TONER SUPPLY UNIT:MAIN:ASS'Y

U007_S001_S003
D1363207
BASE:SHUTTER:OPEN AND
CLOSE:FC:ASS'Y

U007_S001_S005
D1363310
TONER SUPPLY UNIT:ASS'Y

U007_S001_S001
D1363206
BASE:SHUTTER:OPEN AND
CLOSE:BK:ASS'Y

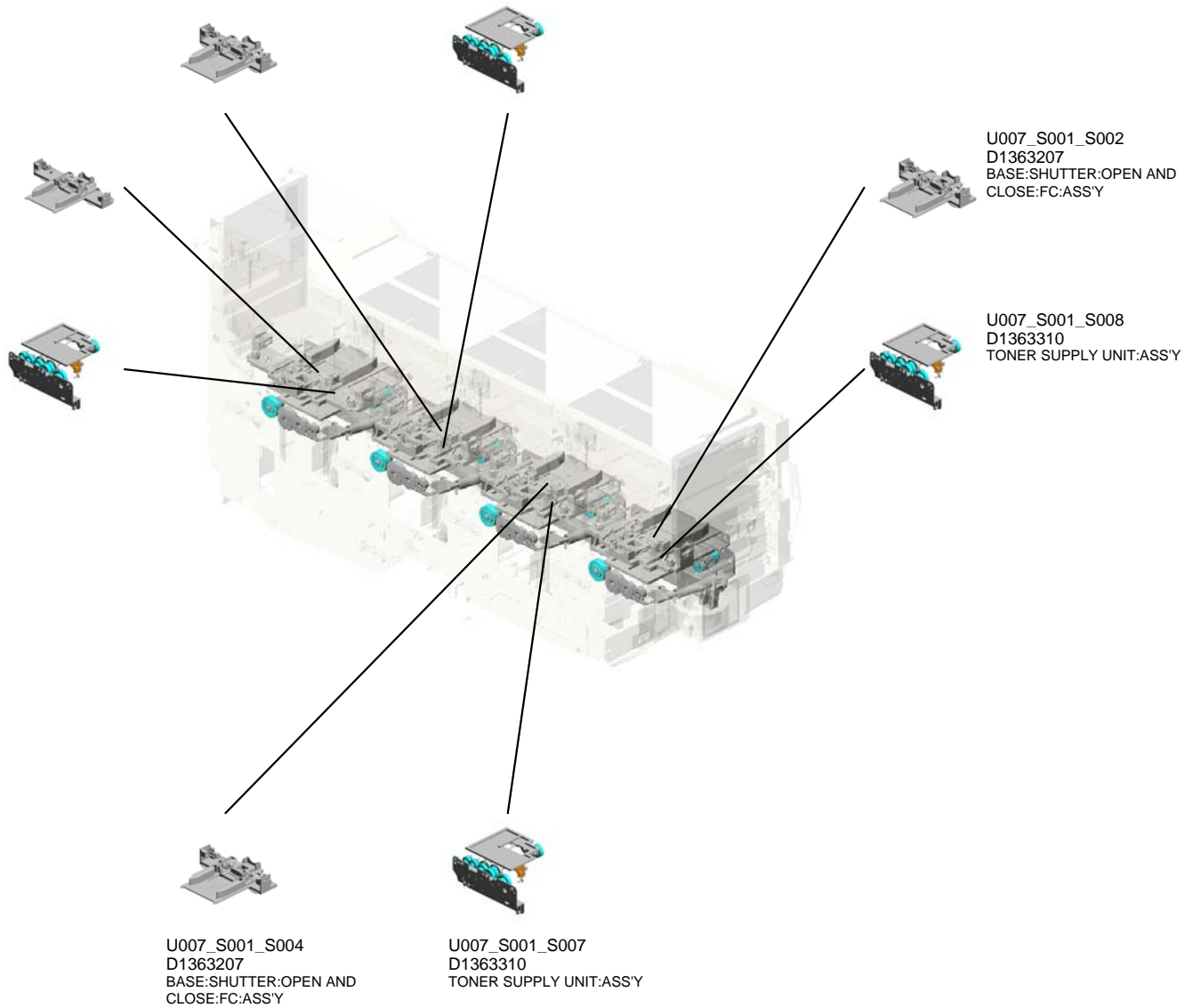
U007_S001_S002
D1363207
BASE:SHUTTER:OPEN AND
CLOSE:FC:ASS'Y

U007_S001_S006
D1363310
TONER SUPPLY UNIT:ASS'Y

U007_S001_S008
D1363310
TONER SUPPLY UNIT:ASS'Y

U007_S001_S004
D1363207
BASE:SHUTTER:OPEN AND
CLOSE:FC:ASS'Y

U007_S001_S007
D1363310
TONER SUPPLY UNIT:ASS'Y

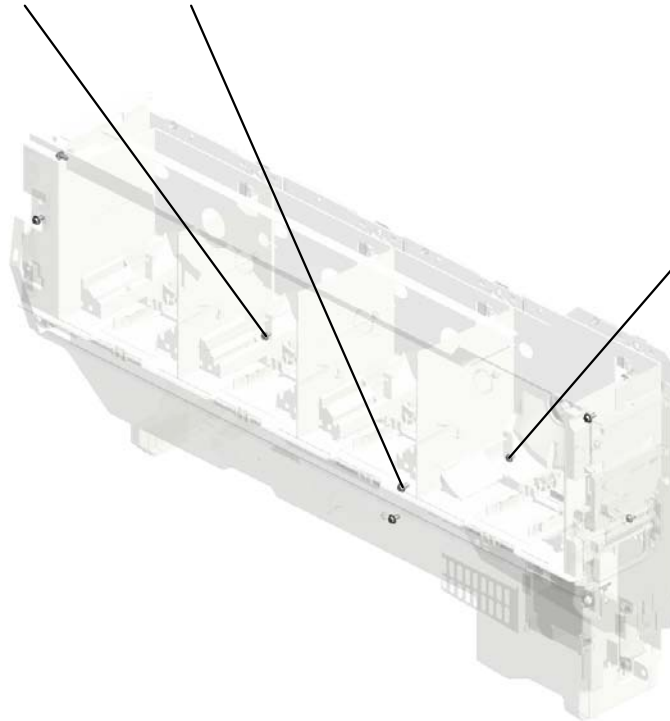


U001	U002	U003	U004	U005	U006	U007	U008	U009	U010	U011	U012	U013	U014	U015	U016	U017	U018	U019	U020
------	------	------	------	------	------	------	------	------	------	------	------	------	------	------	------	------	------	------	------

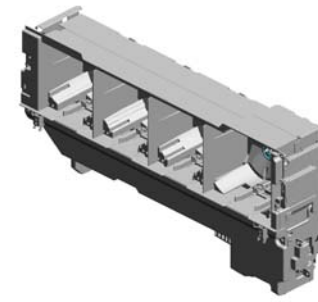
U007 TONNER SUPPRY

6.04543006Q
TAPPING SCREW -
M3X6

2.03604008N
(x5)
SCREW - M4X8



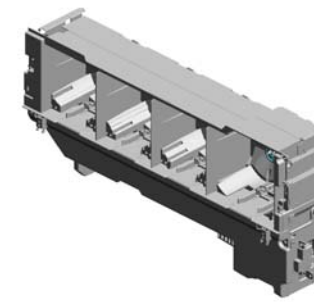
14.08025305
(x2)
TAPPING SCREW -
M3X6



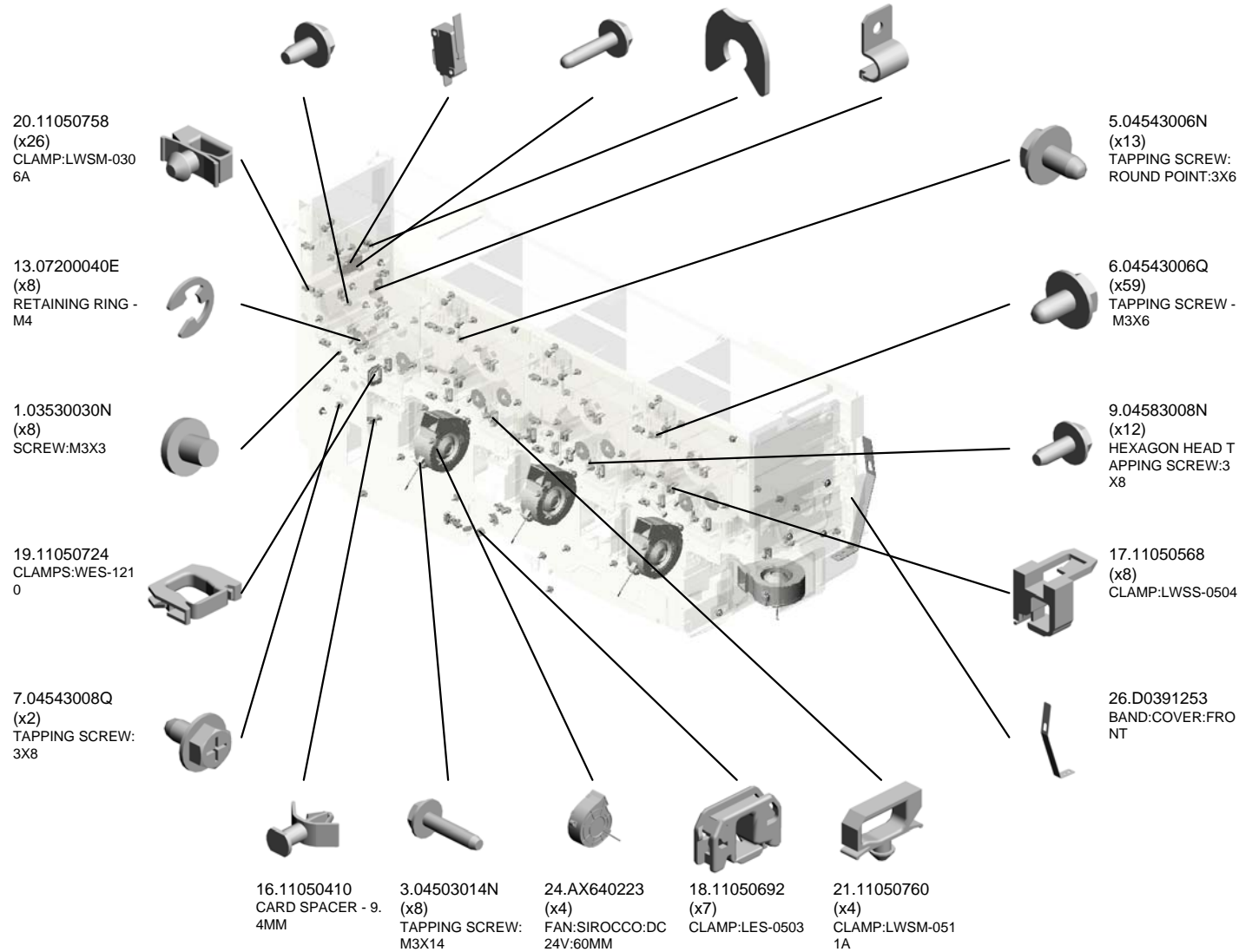
U001	U002	U003	U004	U005	U006	U007	U008	U009	U010	U011	U012	U013	U014	U015	U016	U017	U018	U019	U020
------	------	------	------	------	------	------	------	------	------	------	------	------	------	------	------	------	------	------	------

U007_S001 TONER SUPPLY UNIT:MAIN:ASS'Y

4.04513006N (x9) TAPPING SCREW - 3X6
 22.12042612 MICRO SWITCH:D3 V-16506-3C25
 8.04543014Q TAPPING SCREW: 3X14
 15.08050092 RETAINING RING - 3M
 25.D0141248 PLATE:LEVER:DRU M STAY:LEFT



39.D1363021
TONER SUPPLY U
NIT:MAIN:ASS'Y



U007_S001 TONER SUPPLY UNIT:MAIN:ASS'Y

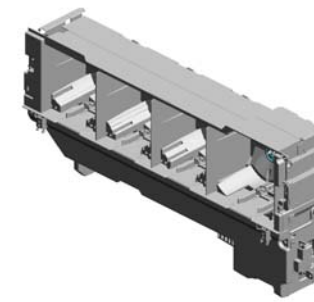
34.D1353258
(x5)
GEAR:DRIVE:AGITATOR:ASSY

35.D1353260
(x5)
JOINT:DRIVE:AGITATOR:ASSY

36.D1353263
(x5)
TORSION SPRING:DRIVE:AGITATOR

51.D1363297
INNER COVER:TONER SUPPLY:RIGHT

28.D1353250
(x4)
GEAR:IDLER:DC MOTOR:NO.1



39.D1363021
TONER SUPPLY UNIT:MAIN:ASSY

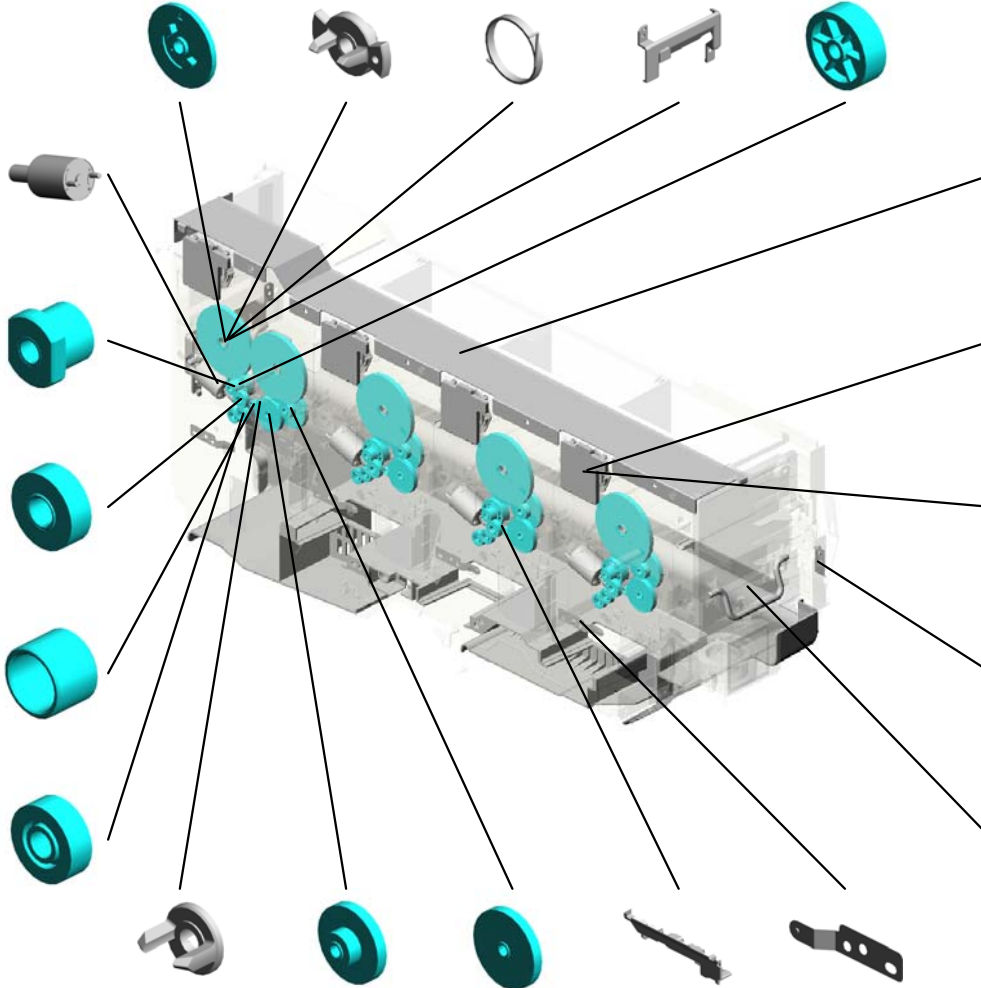
44.D1363216
(x4)
DC MOTOR:TONER CARTRIDGE:2.64W:BRUSH

29.D1353251
(x4)
GEAR:IDLER:DC MOTOR:NO.2

30.D1353252
(x4)
GEAR:IDLER:CONNECTING

31.D1353253
(x4)
GEAR:DRIVE:TRANSPORT SCREW:ASSY

48.D1363270
(x8)
GEAR:IDLER:TONER END SENSOR



37.D1353264
(x4)
JOINT:DRIVE:TRANSPORT SCREW

32.D1353254
(x4)
GEAR:IDLER:TONER CARTRIDGE:NO.1

33.D1353255
(x4)
GEAR:IDLER:TONER CARTRIDGE:NO.2

50.D1363292
INNER COVER:TONER SUPPLY UNIT:FRONT

38.D1362296
(x4)
GROUND PLATE:PCU:ASSY

47.D1363269
COVER:UPPER:TONER CARTRIDGE

45.D1363251
(x4)
HOLDER:TONER CARTRIDGE:CONNECTOR

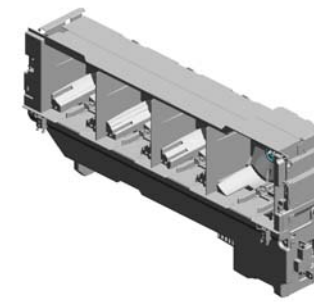
46.D1363254
(x4)
COVER:CHIP:BASE

27.D0391254
SPRING PLATE:BASE

49.D1363273
(x2)
LEVER:TONER SUPPLY UNIT

U007_S001
 TONER SUPPLY UNIT:MAIN:ASS'Y

- 52.D1363302 BRACKET:SAFETY SWITCH:DOOR:TONER SUPPLY:PEE N
- 73.D1365994 LEVER:SAFETY SWITCH:TONER SUPPLY:DOOR
- 72.D1365918 TORSION SPRING:SAFETY SWITCH:VERTICAL TRANSPORT
- 66.D1363396 DECAL:OPERATE:TONER SUPPLY SUB-UNIT:BK
- 80.G0291982 LD DECAL



39.D1363021
 TONER SUPPLY UNIT:MAIN:ASS'Y

53.D1363308
 BRACKET:DRAWER:TONER SUPPLY UNIT

70.D1365130
 PCB:TSB:ASS'Y

74.D1366854
 (x3)
 DUCT:DEVELOPMENT:VACUUM:RIGHT

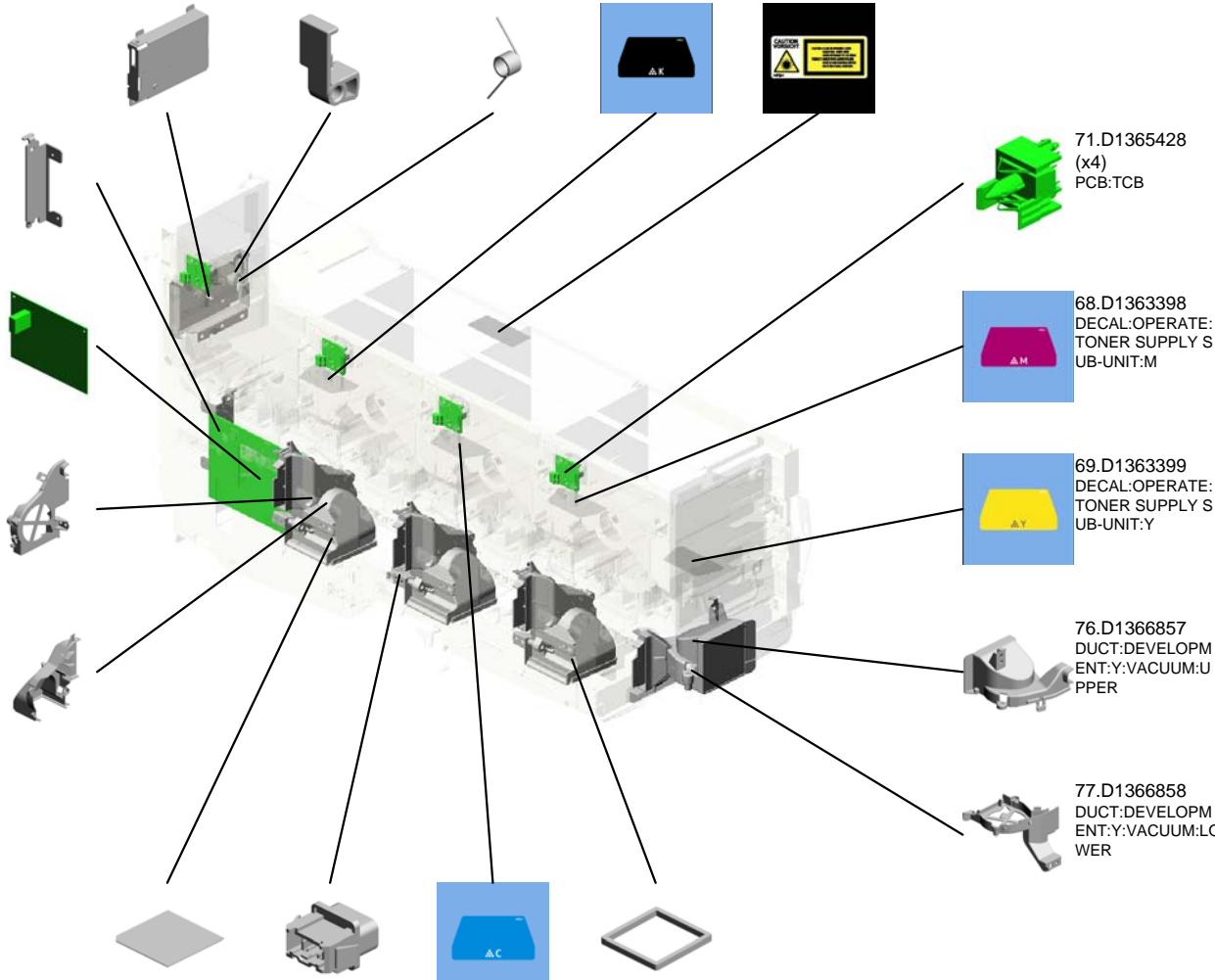
75.D1366855
 (x3)
 DUCT:DEVELOPMENT:VACUUM:LEFT

79.D1366939
 (x4)
 FILTER:DEVELOPMENT:VACUUM

82.J0155505
 DRAWER:CONNECTOR:USED DEVELOPMENT:PLUG

67.D1363397
 DECAL:OPERATE:TONER SUPPLY SUB-UNIT:C

78.D1366931
 (x3)
 SEAL:DUCT:DEVELOPMENT



71.D1365428
 (x4)
 PCB:TCB

68.D1363398
 DECAL:OPERATE:TONER SUPPLY SUB-UNIT:M

69.D1363399
 DECAL:OPERATE:TONER SUPPLY SUB-UNIT:Y

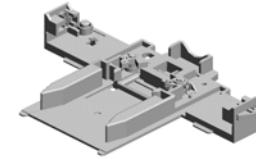
76.D1366857
 DUCT:DEVELOPMENT:Y:VACUUM:UPPER

77.D1366858
 DUCT:DEVELOPMENT:Y:VACUUM:LOWER

U007_S001_S001

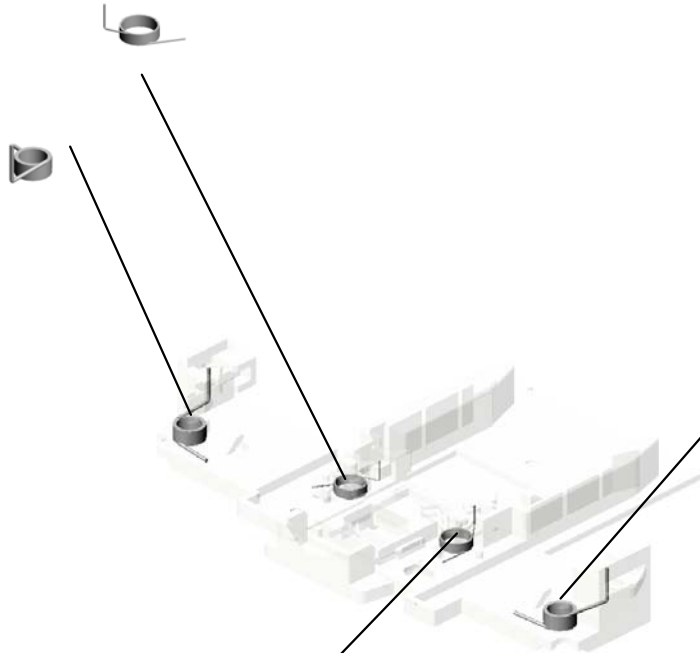
BASE:SHUTTER:OPEN AND CLOSE:BK:ASS'Y

83.M0263343
TORSION SPRING:
STOPPER:RIGHT



40.D1363206
BASE:SHUTTER:O
PEN AND CLOSE:B
K:ASSY

43.D1363212
TORSION SPRING:
STOPPER:TONER
CARTRIDGE:LEFT



42.D1363211
TORSION SPRING:
STOPPER:TONER
CARTRIDGE:RIGH
T

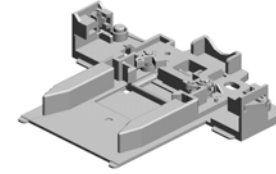
84.M0263344
TORSION SPRING:
STOPPER:LEFT

U001	U002	U003	U004	U005	U006	U007	U008	U009	U010	U011	U012	U013	U014	U015	U016	U017	U018	U019	U020
------	------	------	------	------	------	------	------	------	------	------	------	------	------	------	------	------	------	------	------

U007_S001_S002

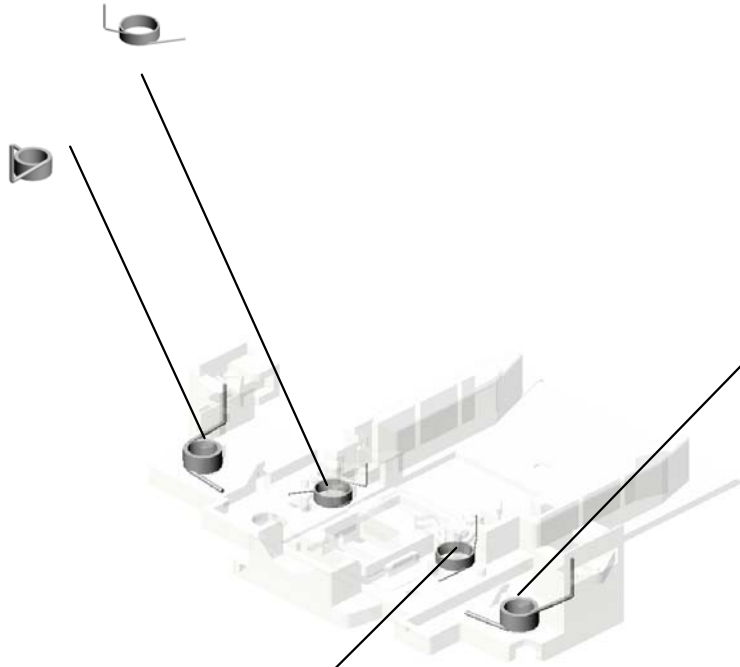
BASE:SHUTTER:OPEN AND CLOSE:FC:ASS'Y

83.M0263343
TORSION SPRING:
STOPPER:RIGHT



41.D1363207
BASE:SHUTTER:O
PEN AND CLOSE:F
C:ASS'Y

43.D1363212
TORSION SPRING:
STOPPER:TONER
CARTRIDGE:LEFT



42.D1363211
TORSION SPRING:
STOPPER:TONER
CARTRIDGE:RIGH
T

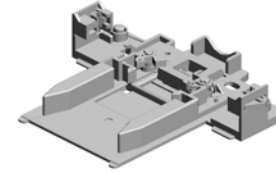
84.M0263344
TORSION SPRING:
STOPPER:LEFT

U001	U002	U003	U004	U005	U006	U007	U008	U009	U010	U011	U012	U013	U014	U015	U016	U017	U018	U019	U020
------	------	------	------	------	------	------	------	------	------	------	------	------	------	------	------	------	------	------	------

U007_S001_S003

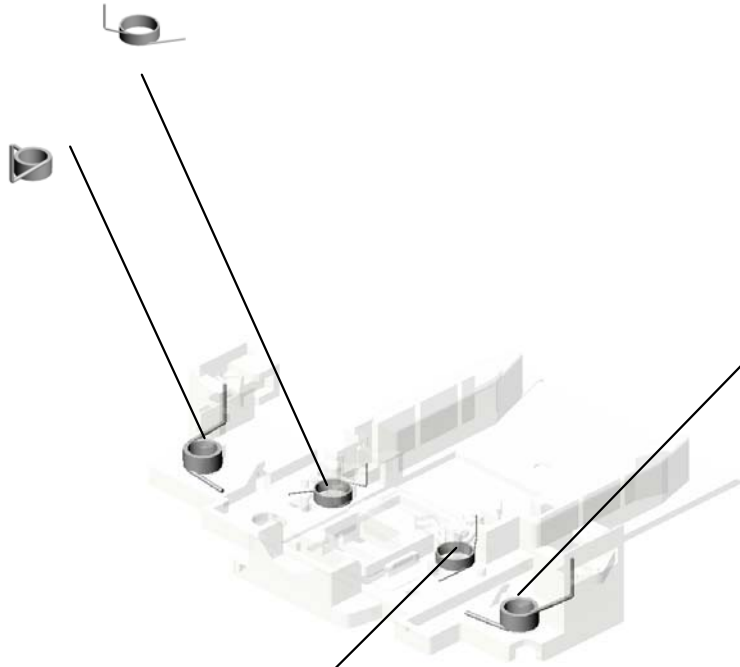
BASE:SHUTTER:OPEN AND CLOSE:FC:ASS'Y

83.M0263343
TORSION SPRING:
STOPPER:RIGHT



41.D1363207
BASE:SHUTTER:O
PEN AND CLOSE:F
C:ASS'Y

43.D1363212
TORSION SPRING:
STOPPER:TONER
CARTRIDGE:LEFT



42.D1363211
TORSION SPRING:
STOPPER:TONER
CARTRIDGE:RIGH
T

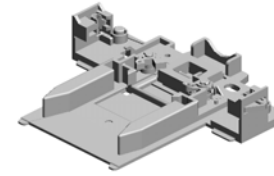
84.M0263344
TORSION SPRING:
STOPPER:LEFT

U001	U002	U003	U004	U005	U006	U007	U008	U009	U010	U011	U012	U013	U014	U015	U016	U017	U018	U019	U020
------	------	------	------	------	------	------	------	------	------	------	------	------	------	------	------	------	------	------	------

U007_S001_S004

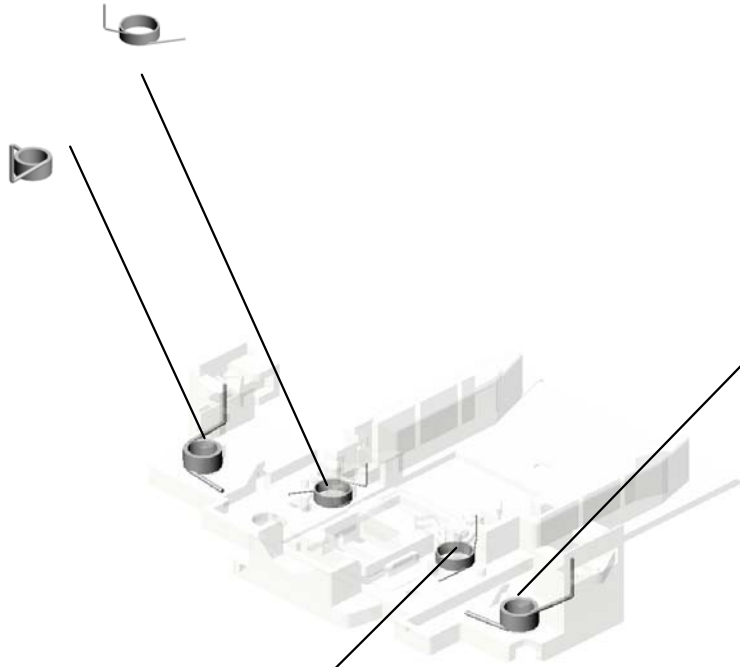
BASE:SHUTTER:OPEN AND CLOSE:FC:ASS'Y

83.M0263343
TORSION SPRING:
STOPPER:RIGHT



41.D1363207
BASE:SHUTTER:O
PEN AND CLOSE:F
C:ASS'Y

43.D1363212
TORSION SPRING:
STOPPER:TONER
CARTRIDGE:LEFT



42.D1363211
TORSION SPRING:
STOPPER:TONER
CARTRIDGE:RIGH
T

84.M0263344
TORSION SPRING:
STOPPER:LEFT

U001	U002	U003	U004	U005	U006	U007	U008	U009	U010	U011	U012	U013	U014	U015	U016	U017	U018	U019	U020
------	------	------	------	------	------	------	------	------	------	------	------	------	------	------	------	------	------	------	------

U007_S001_S005 TONER SUPPLY UNIT:ASS'Y

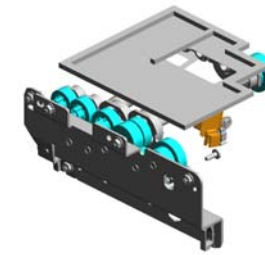
63.D1363364
GEAR:IDLER:DRIV
E:TONER SUPPLY

62.D1363361
GEAR:IDLER:TRAN
SPORT SCREW:N
O.1:TONER SUPPL
Y

11.06320120G
PARALLEL PIN - 2X
12

60.D1363338
GEAR:AGITATOR:T
ONER SUPPLY:NO.
1

57.D1363335
GEAR:MECHANICA
L ROLLER CLUTCH
:TONER SUPPLY:F
RONT



54.D1363310
TONER SUPPLY U
NIT:ASSY

10.04593008N
(x2)
BINDING HEAD TA
PPING SCREW:3X
8

23.AX050345
DC STEPPER MOT
OR:DIA42

81.GW230008
TONER END SENS
OR

58.D1363336
GEAR:MECHANICA
L ROLLER CLUTCH
:TONER SUPPLY:R
EAR

13.07200040E
(x2)
RETAINING RING -
M4

15.08050092
RETAINING RING -
3M

61.D1363339
SHUTTER:CASE:T
ONER SUPPLY

9.04583008N
(x5)
HEXAGON HEAD T
APPING SCREW:3
X8

59.D1363337
GEAR:IDLER:AGIT
ATOR:TONER SUP
PLY

64.D1363365
(x2)
GEAR:IDLER:TRAN
SPORT SCREW:TO
NER SUPPLY:SMAL
L

55.D1363333
GEAR:AGITATOR:T
ONER SUPPLY:NO.
2

12.07200030E
(x3)
RETAINING RING -
M3

56.D1363334
(x2)
GEAR:TRANSPOR
T SCREW:TONER
SUPPLY

65.D1363366
GEAR:IDLER:TRAN
SPORT SCREW:TO
NER SUPPLY:LAR
GE

U007_S001_S006
 TONER SUPPLY UNIT:ASS'Y

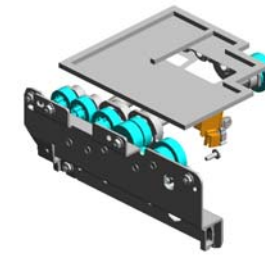
63.D1363364
 GEAR:IDLER:DRIV
 E:TONER SUPPLY

62.D1363361
 GEAR:IDLER:TRAN
 SPORT SCREW:N
 O.1:TONER SUPPL
 Y

11.06320120G
 PARALLEL PIN - 2X
 12

60.D1363338
 GEAR:AGITATOR:T
 ONER SUPPLY:NO.
 1

57.D1363335
 GEAR:MECHANICA
 L ROLLER CLUTCH
 :TONER SUPPLY:F
 RONT



54.D1363310
 TONER SUPPLY U
 NIT:ASSY

10.04593008N
 (x2)
 BINDING HEAD TA
 PPING SCREW:3X
 8

23.AX050345
 DC STEPPER MOT
 OR:DIA42

81.GW230008
 TONER END SENS
 OR

58.D1363336
 GEAR:MECHANICA
 L ROLLER CLUTCH
 :TONER SUPPLY:R
 EAR

13.07200040E
 (x2)
 RETAINING RING -
 M4

15.08050092
 RETAINING RING -
 3M

61.D1363339
 SHUTTER:CASE:T
 ONER SUPPLY

9.04583008N
 (x5)
 HEXAGON HEAD T
 APPING SCREW:3
 X8

59.D1363337
 GEAR:IDLER:AGIT
 ATOR:TONER SUP
 PLY

64.D1363365
 (x2)
 GEAR:IDLER:TRAN
 SPORT SCREW:TO
 NER SUPPLY:SMAL
 LL

55.D1363333
 GEAR:AGITATOR:T
 ONER SUPPLY:NO.
 2

12.07200030E
 (x3)
 RETAINING RING -
 M3

56.D1363334
 (x2)
 GEAR:TRANSPOR
 T SCREW:TONER
 SUPPLY

65.D1363366
 GEAR:IDLER:TRAN
 SPORT SCREW:TO
 NER SUPPLY:LAR
 GE

U007_S001_S007
 TONER SUPPLY UNIT:ASS'Y

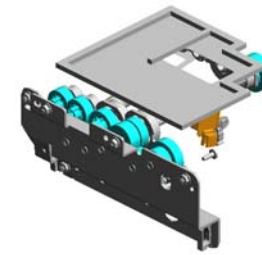
63.D1363364
 GEAR:IDLER:DRIV
 E:TONER SUPPLY

62.D1363361
 GEAR:IDLER:TRAN
 SPORT SCREW:N
 O.1:TONER SUPPL
 Y

11.06320120G
 PARALLEL PIN - 2X
 12

60.D1363338
 GEAR:AGITATOR:T
 ONER SUPPLY:NO.
 1

57.D1363335
 GEAR:MECHANICA
 L ROLLER CLUTCH
 :TONER SUPPLY:F
 RONT



54.D1363310
 TONER SUPPLY U
 NIT:ASSY

10.04593008N
 (x2)
 BINDING HEAD TA
 PPING SCREW:3X
 8

23.AX050345
 DC STEPPER MOT
 OR:DIA42

81.GW230008
 TONER END SENS
 OR

58.D1363336
 GEAR:MECHANICA
 L ROLLER CLUTCH
 :TONER SUPPLY:R
 EAR

13.07200040E
 (x2)
 RETAINING RING -
 M4

15.08050092
 RETAINING RING -
 3M

61.D1363339
 SHUTTER:CASE:T
 ONER SUPPLY

9.04583008N
 (x5)
 HEXAGON HEAD T
 APPING SCREW:3
 X8

59.D1363337
 GEAR:IDLER:AGIT
 ATOR:TONER SUP
 PLY

64.D1363365
 (x2)
 GEAR:IDLER:TRAN
 SPORT SCREW:TO
 NER SUPPLY:SMAL
 LL

55.D1363333
 GEAR:AGITATOR:T
 ONER SUPPLY:NO.
 2

12.07200030E
 (x3)
 RETAINING RING -
 M3

56.D1363334
 (x2)
 GEAR:TRANSPOR
 T SCREW:TONER
 SUPPLY

65.D1363366
 GEAR:IDLER:TRAN
 SPORT SCREW:TO
 NER SUPPLY:LAR
 GE

U007_S001_S008
 TONER SUPPLY UNIT:ASS'Y

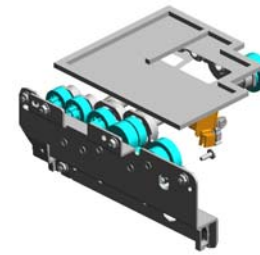
63.D1363364
 GEAR:IDLER:DRIV
 E:TONER SUPPLY

62.D1363361
 GEAR:IDLER:TRAN
 SPORT SCREW:N
 O.1:TONER SUPPL
 Y

11.06320120G
 PARALLEL PIN - 2X
 12

60.D1363338
 GEAR:AGITATOR:T
 ONER SUPPLY:NO.
 1

57.D1363335
 GEAR:MECHANICA
 L ROLLER CLUTCH
 :TONER SUPPLY:F
 RONT



54.D1363310
 TONER SUPPLY U
 NIT:ASSY

10.04593008N
 (x2)
 BINDING HEAD TA
 PPING SCREW:3X
 8

23.AX050345
 DC STEPPER MOT
 OR:DIA42

81.GW230008
 TONER END SENS
 OR

58.D1363336
 GEAR:MECHANICA
 L ROLLER CLUTCH
 :TONER SUPPLY:R
 EAR

13.07200040E
 (x2)
 RETAINING RING -
 M4

15.08050092
 RETAINING RING -
 3M

61.D1363339
 SHUTTER:CASE:T
 ONER SUPPLY

9.04583008N
 (x5)
 HEXAGON HEAD T
 APPING SCREW:3
 X8

59.D1363337
 GEAR:IDLER:AGIT
 ATOR:TONER SUP
 PLY

64.D1363365
 (x2)
 GEAR:IDLER:TRAN
 SPORT SCREW:TO
 NER SUPPLY:SMAL
 LL

55.D1363333
 GEAR:AGITATOR:T
 ONER SUPPLY:NO.
 2

12.07200030E
 (x3)
 RETAINING RING -
 M3

56.D1363334
 (x2)
 GEAR:TRANSPOR
 T SCREW:TONER
 SUPPLY

65.D1363366
 GEAR:IDLER:TRAN
 SPORT SCREW:TO
 NER SUPPLY:LAR
 GE

U008.PCU

U008_S003
D1362470
CHARGE UNIT:ASS'Y

U008_S006
D1362470
CHARGE UNIT:ASS'Y

U008_S005
D1362330
CLEANING UNIT:ASS'Y

U008_S001
D1360150
DEVELOPMENT UNIT:D135/D
136

U008_S009
D1362470
CHARGE UNIT:ASS'Y

U008_S002
D1362330
CLEANING UNIT:ASS'Y

U008_S012
D1362470
CHARGE UNIT:ASS'Y

U008_S004
D1360150
DEVELOPMENT UNIT:D135/D
136

U008_S011
D1362330
CLEANING UNIT:ASS'Y

U008_S007
D1360150
DEVELOPMENT UNIT:D135/D
136

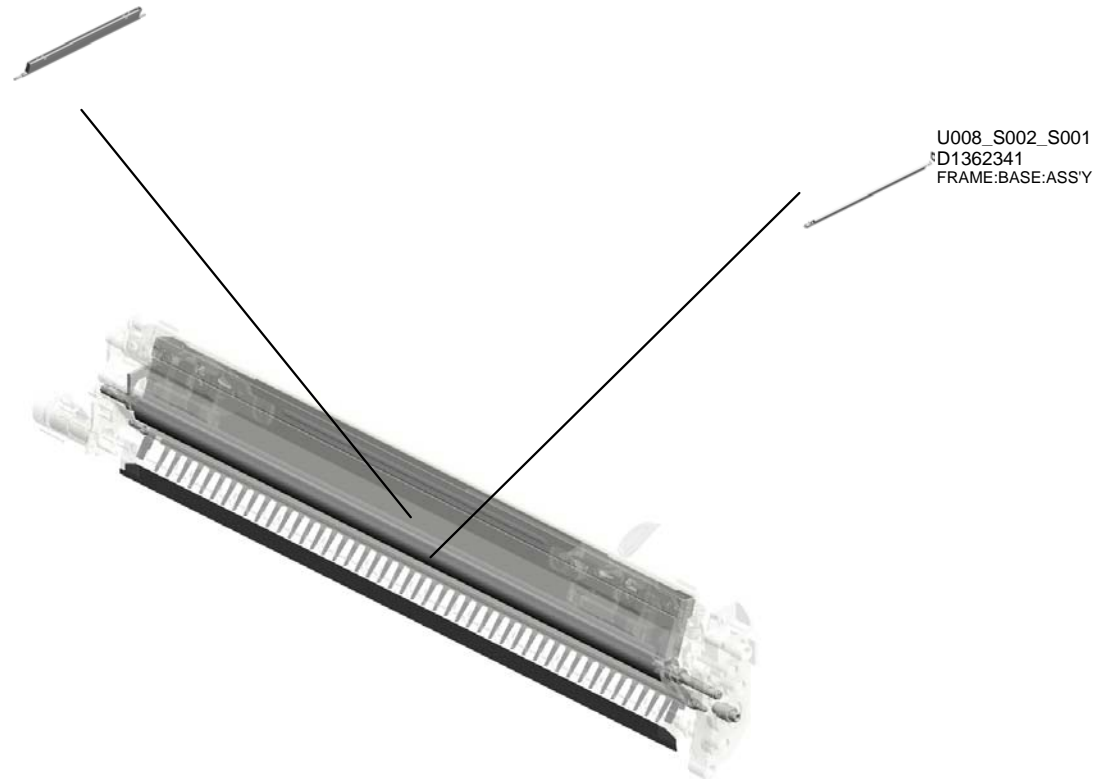
U008_S008
D1362330
CLEANING UNIT:ASS'Y

U008_S010
D1360150
DEVELOPMENT UNIT:D135/D
136

U001	U002	U003	U004	U005	U006	U007	U008	U009	U010	U011	U012	U013	U014	U015	U016	U017	U018	U019	U020
------	------	------	------	------	------	------	------	------	------	------	------	------	------	------	------	------	------	------	------

U008_S002.CLEANING UNIT:ASS'Y

U008_S002_S002
D1352400
DRUM:CLEANING:SERVICE:
ASS'Y



U008_S002_S001
D1362341
FRAME:BASE:ASS'Y

U001	U002	U003	U004	U005	U006	U007	U008	U009	U010	U011	U012	U013	U014	U015	U016	U017	U018	U019	U020
------	------	------	------	------	------	------	-------------	------	------	------	------	------	------	------	------	------	------	------	------

U008_S005.CLEANING UNIT:ASS'Y

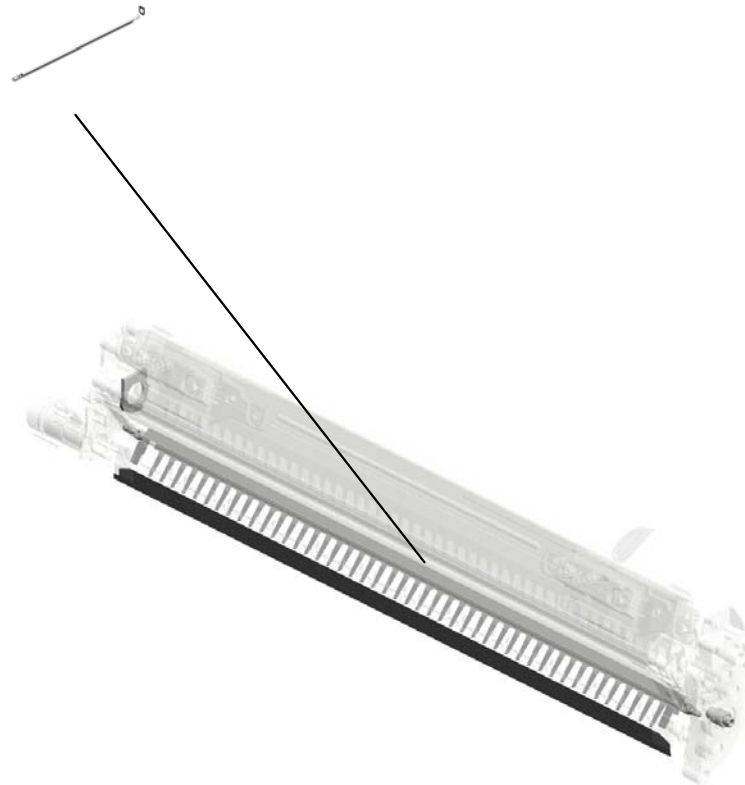
U008_S005_S001
D1362341
FRAME:BASE:ASSY



U001	U002	U003	U004	U005	U006	U007	U008	U009	U010	U011	U012	U013	U014	U015	U016	U017	U018	U019	U020
------	------	------	------	------	------	------	-------------	------	------	------	------	------	------	------	------	------	------	------	------

U008_S008.CLEANING UNIT:ASS'Y

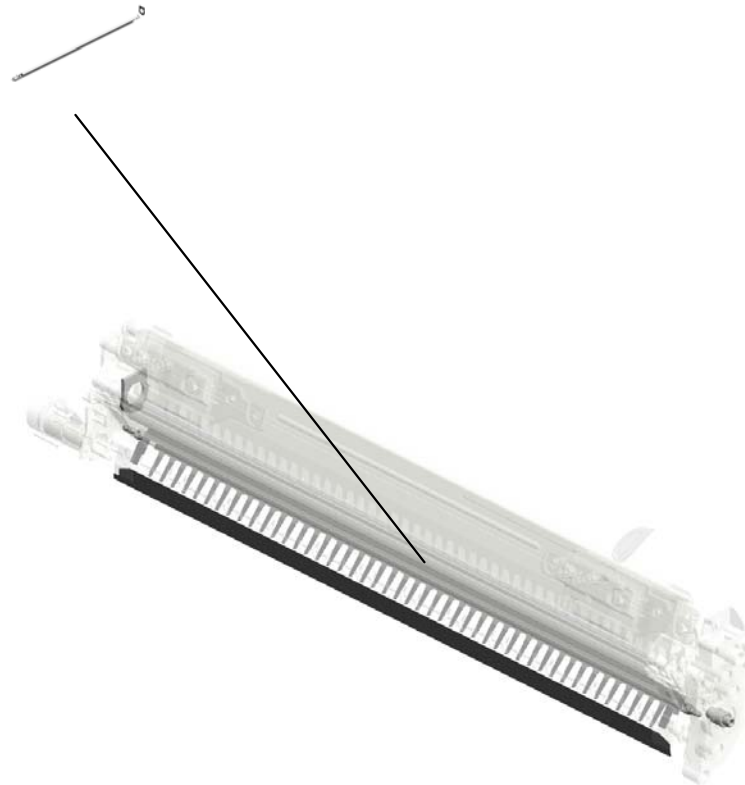
U008_S008_S001
D1362341
FRAME:BASE:ASSY



U001	U002	U003	U004	U005	U006	U007	U008	U009	U010	U011	U012	U013	U014	U015	U016	U017	U018	U019	U020
------	------	------	------	------	------	------	-------------	------	------	------	------	------	------	------	------	------	------	------	------

U008_S011.CLEANING UNIT:ASS'Y

U008_S011_S001
D1362341
FRAME:BASE:ASSY



U001	U002	U003	U004	U005	U006	U007	U008	U009	U010	U011	U012	U013	U014	U015	U016	U017	U018	U019	U020
------	------	------	------	------	------	------	-------------	------	------	------	------	------	------	------	------	------	------	------	------

U008
PCU

- 30.D1362304 (x4) TORSION SPRING: LOCK:PCU
- 29.D1362302 (x4) HOLDER:LOCK:CLEANING UNIT:FRONT
- 20.D0749510 (x4) OPC DRUM DIA60
- 4.04543008Q (x4) TAPPING SCREW: 3X8
- 14.B2591131 (x8) SCREW:PCU



2.03603006N (x24) SCREW - M3X6

33.D1362307 (x4) LEVER:LOCK:PCU

31.D1362305 (x4) GROUND PLATE:HOLDER:CLEANING UNIT

32.D1362306 (x4) COMPRESSION SPRING:GROUND PLATE:HOLDER:CLEANING UNIT

15.D0142380 (x4) COMPRESSION SPRING - DRUM

34.D1362308 (x4) STAY:PCU

35.D1362312 (x4) HOLDER:LOCK:CLEANING UNIT:REAR

16.D0143655 (x4) ELECTRIC POTENTIAL SENSOR

24.D1362268 (x4) SHIELDING PLATE: ELECTRIC POTENTIAL SENSOR

11.11050760 (x4) CLAMP:LWSM-051A

10.11050724 (x4) CLAMPS:WES-1210

25.D1362276 (x4) CONNECTOR:1POLE

23.D1362258 (x4) CONNECTOR:DRAWER:8POLE:REC

3.04543006Q (x10) TAPPING SCREW - M3X6

12.AW140016 TEMPERATURE & HUMIDITY SENSOR



68.D1363438 DECAL:COLORED DISPLAY:DEVELOPMENT UNIT:BK



69.D1363439 DECAL:COLORED DISPLAY:DEVELOPMENT UNIT:C



70.D1363440 DECAL:COLORED DISPLAY:DEVELOPMENT UNIT:M



71.D1363441 DECAL:COLORED DISPLAY:DEVELOPMENT UNIT:Y



72.D1363442 DECAL:COLORED DISPLAY:MAIN:BK



73.D1363443 DECAL:COLORED DISPLAY:MAIN:C



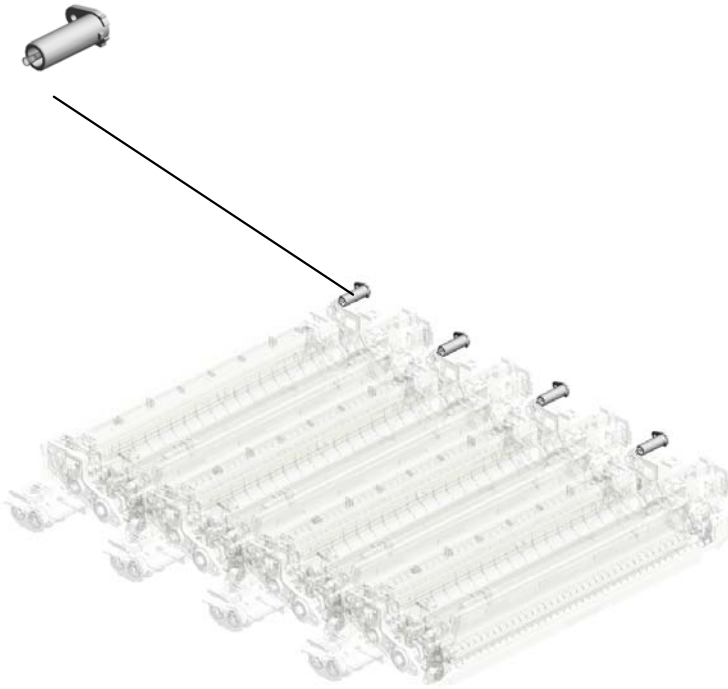
74.D1363444 DECAL:COLORED DISPLAY:MAIN:M



75.D1363445 DECAL:COLORED DISPLAY:MAIN:Y

U008
PCU

80.D1363490
(x4)
RECEPTACLE:DEV
ELOPMENT VIAS:A
SS'Y



76.D1363446
DECAL:COLORED
DISPLAY:DRUM ST
AY:BK



77.D1363447
DECAL:COLORED
DISPLAY:DRUM ST
AY:C



78.D1363448
DECAL:COLORED
DISPLAY:DRUM ST
AY:M



79.D1363449
DECAL:COLORED
DISPLAY:DRUM ST
AY:Y



81.D1369640
DEVELOPER BLAC
K



82.D1369660
DEVELOPER CYAN



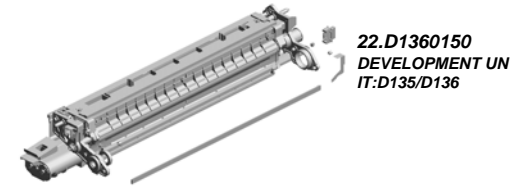
83.D1369670
DEVELOPER MAG
ENTA



84.D1369680
DEVELOPER YELL
OW

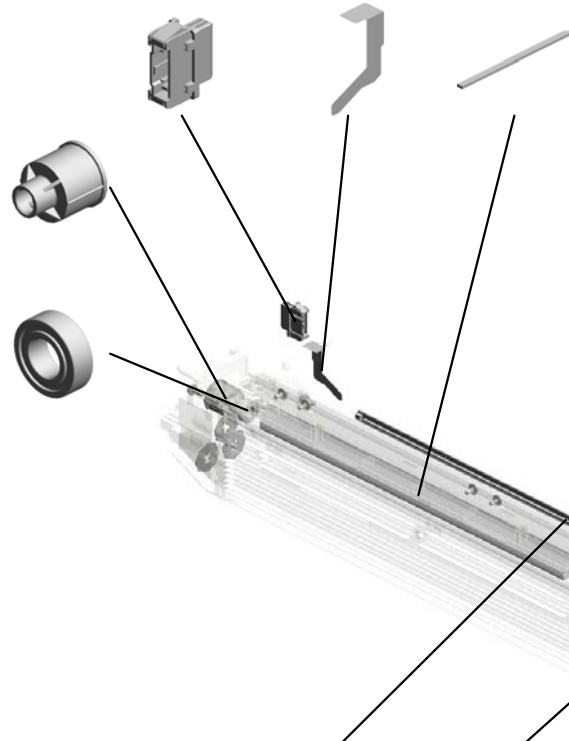
U008_S001
DEVELOPMENT UNIT:D135/D136

28.D1362288 CONNECTOR:DRIVER:8POLE:PLUG
27.D1362287 SHEET:DISCHARGE LAMP:REAR
67.D1363431 FILTER:DEVELOPMENT



19.D0743416
JOINT:DRIVE:DEVELOPMENT UNIT

9.08053573
RADIAL BALL BEARING: DIA8X DIA16X5



2.03603006N
(x7)
SCREW - M3X6

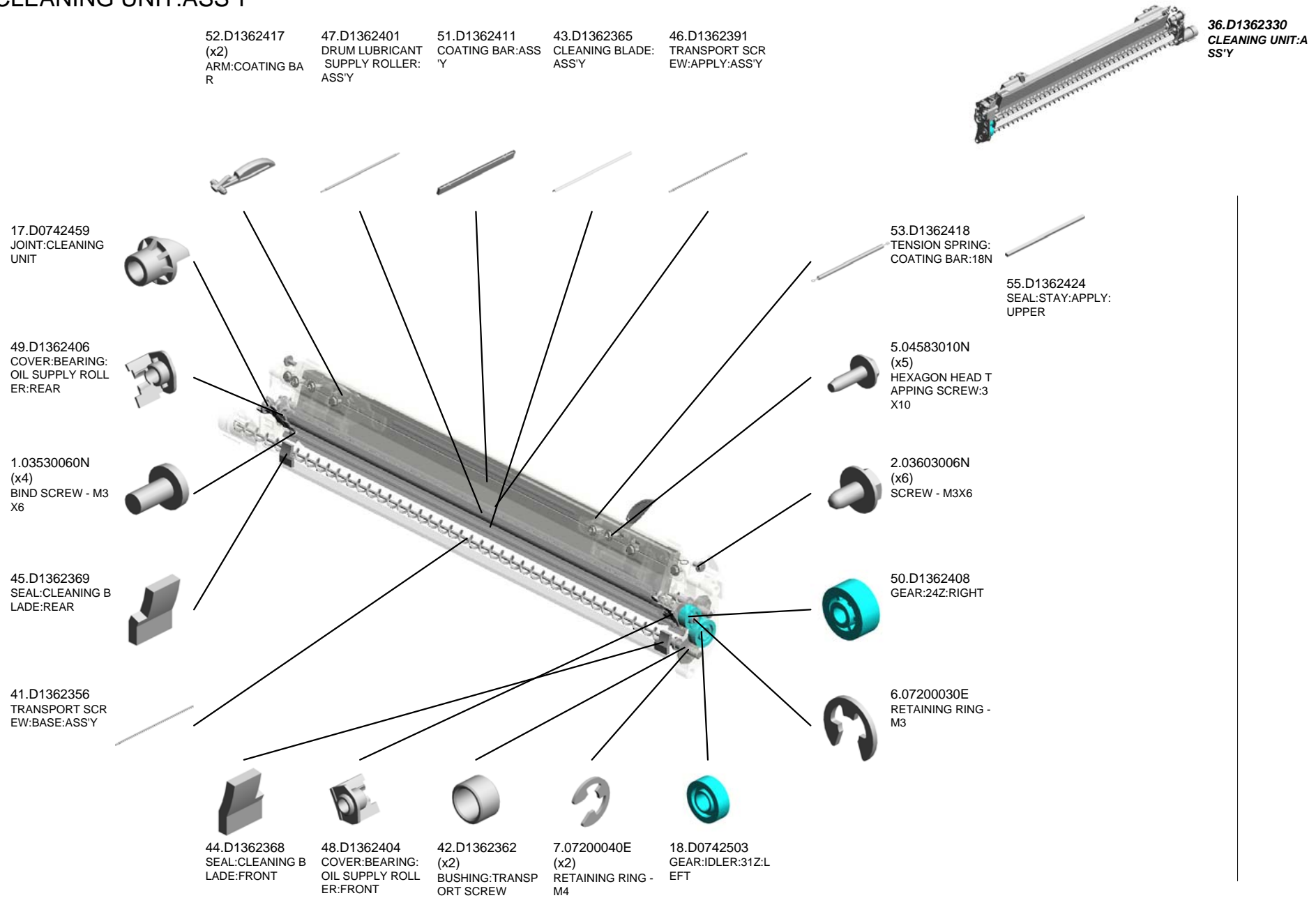
8.08046128
(x7)
HEXAGONAL BOLT: DOUBLE SCREW: M3X10

7.07200040E
(x6)
RETAINING RING - M4

26.D1362286
DISCHARGE LAMP: LED ARRAY

6.07200030E
RETAINING RING - M3

CLEANING UNIT:ASS'Y

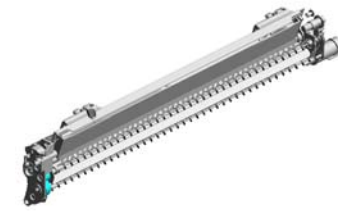


U001	U002	U003	U004	U005	U006	U007	U008	U009	U010	U011	U012	U013	U014	U015	U016	U017	U018	U019	U020
------	------	------	------	------	------	------	------	------	------	------	------	------	------	------	------	------	------	------	------

U008_S002

CLEANING UNIT:ASS'Y

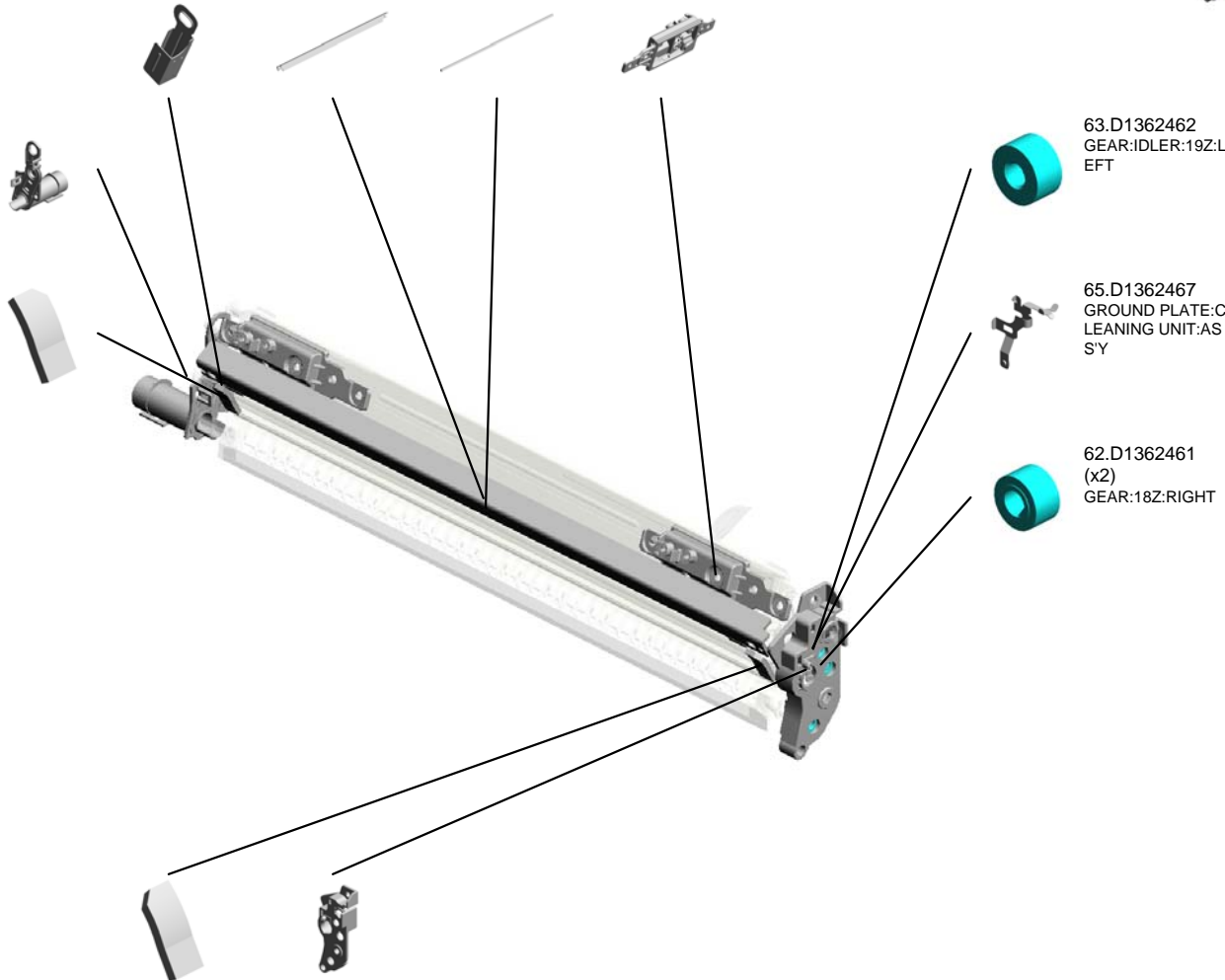
- 61.D1362458 VIBRATING PLATE: TONER OUTLET SUB-UNIT
- 57.D1362441 BLADE:APPLY:ASS'Y
- 54.D1362423 SEAL:STAY:APPLY
- 56.D1362431 (x2) COVER:STAY:COATING BAR:ASS'Y



36.D1362330
CLEANING UNIT:ASS'Y

60.D1362451 COVER:TONER OUTLET SUB-UNIT:CLEANING UNIT:ASS'Y

59.D1362447 SEAL:BLADE:APPLY:REAR



63.D1362462 GEAR:IDLER:19Z:LEFT

65.D1362467 GROUND PLATE:CLEANING UNIT:ASS'Y

62.D1362461 (x2) GEAR:18Z:RIGHT

58.D1362446 SEAL:BLADE:APPLY:FRONT

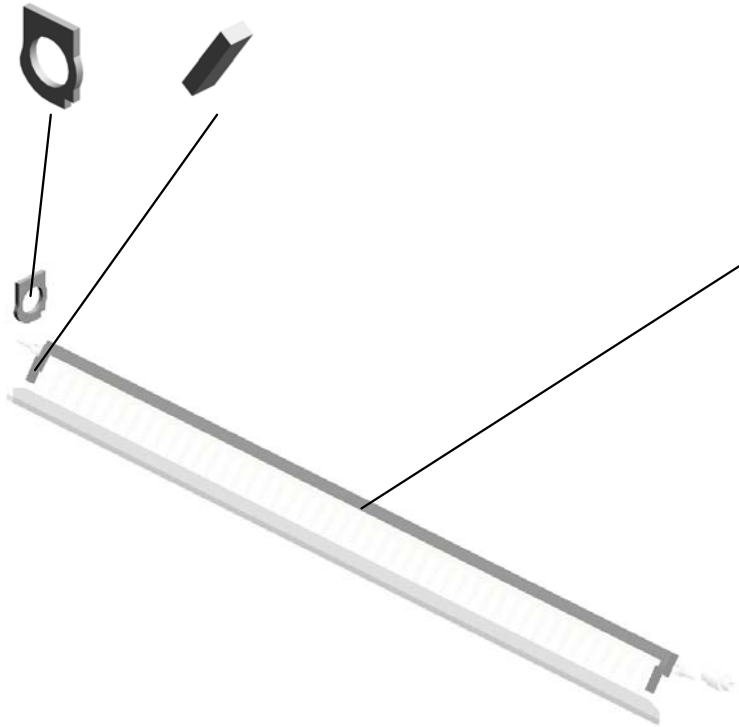
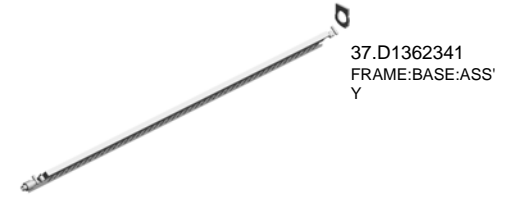
64.D1362466 DRUM STAY:CLEANING UNIT

U001	U002	U003	U004	U005	U006	U007	U008	U009	U010	U011	U012	U013	U014	U015	U016	U017	U018	U019	U020
------	------	------	------	------	------	------	-------------	------	------	------	------	------	------	------	------	------	------	------	------

U008_S002_S001
FRAME:BASE:ASS'Y

40.D1362350
SEAL:FRAME:BAS
E:TONER OUTLET
SUB-UNIT

39.D1362348
(x3)
SEAL:FRAME:BAS
E:SIDE



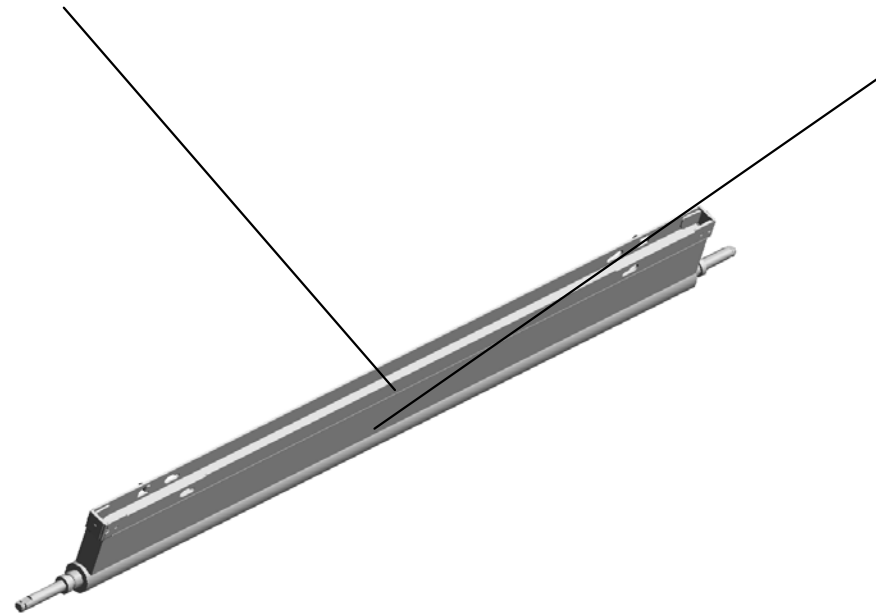
38.D1362347
SEAL:FRAME:BAS
E:MIDDLE

U001	U002	U003	U004	U005	U006	U007	U008	U009	U010	U011	U012	U013	U014	U015	U016	U017	U018	U019	U020
------	------	------	------	------	------	------	-------------	------	------	------	------	------	------	------	------	------	------	------	------

U008_S002_S002
DRUM:CLEANING:SERVICE:ASS'Y

51.D1362411
COATING BAR:ASS
'Y

21.D1352400
DRUM:CLEANING:
SERVICE:ASS'Y

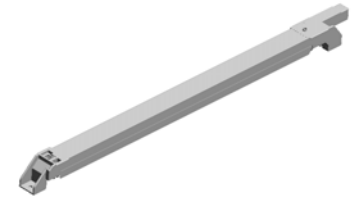


47.D1362401
DRUM LUBRICANT
SUPPLY ROLLER:
ASSY

U001	U002	U003	U004	U005	U006	U007	U008	U009	U010	U011	U012	U013	U014	U015	U016	U017	U018	U019	U020
------	------	------	------	------	------	------	-------------	------	------	------	------	------	------	------	------	------	------	------	------

U008_S003
CHARGE UNIT:ASS'Y

13.B1322264
(x2)
BUSHING:TERMIN
AL

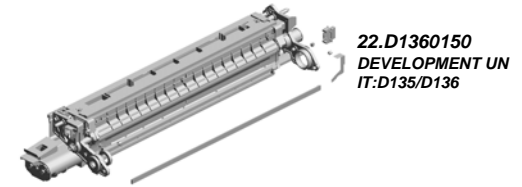


66.D1362470
CHARGE UNIT:ASS
'Y

U001	U002	U003	U004	U005	U006	U007	U008	U009	U010	U011	U012	U013	U014	U015	U016	U017	U018	U019	U020
------	------	------	------	------	------	------	-------------	------	------	------	------	------	------	------	------	------	------	------	------

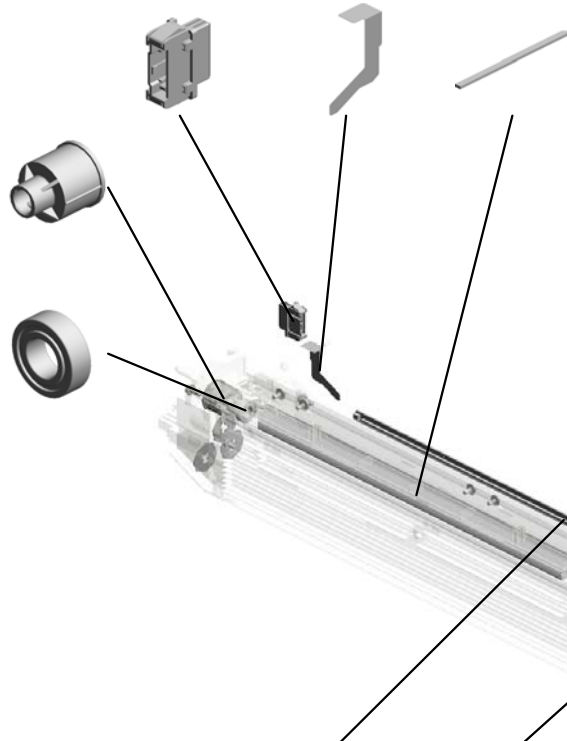
U008_S004
DEVELOPMENT UNIT:D135/D136

28.D1362288 CONNECTOR:DRIVER:8POLE:PLUG
27.D1362287 SHEET:DISCHARGE LAMP:REAR
67.D1363431 FILTER:DEVELOPMENT



19.D0743416 JOINT:DRIVE:DEVELOPMENT UNIT

9.08053573 RADIAL BALL BEARING: DIA8X DIA16X5



2.03603006N (x7) SCREW - M3X6

8.08046128 (x7) HEXAGONAL BOLT: DOUBLE SCREW: M3X10

7.07200040E (x6) RETAINING RING - M4

26.D1362286 DISCHARGE LAMP: LED ARRAY

6.07200030E RETAINING RING - M3

U001	U002	U003	U004	U005	U006	U007	U008	U009	U010	U011	U012	U013	U014	U015	U016	U017	U018	U019	U020
------	------	------	------	------	------	------	------	------	------	------	------	------	------	------	------	------	------	------	------

CLEANING UNIT:ASS'Y

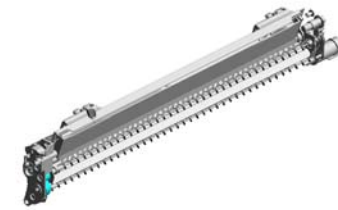
52.D1362417
(x2)
ARM:COATING BAR

47.D1362401
DRUM LUBRICANT
SUPPLY ROLLER:
ASSY

51.D1362411
COATING BAR:ASS
Y

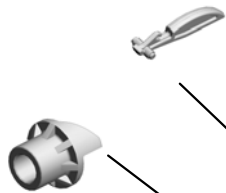
43.D1362365
CLEANING BLADE:
ASSY

46.D1362391
TRANSPORT SCR
EW:APPLY:ASSY



36.D1362330
CLEANING UNIT:ASSY

17.D0742459
JOINT:CLEANING
UNIT



49.D1362406
COVER:BEARING:
OIL SUPPLY ROLL
ER:REAR



1.03530060N
(x4)
BIND SCREW - M3
X6



45.D1362369
SEAL:CLEANING B
LADE:REAR



41.D1362356
TRANSPORT SCR
EW:BASE:ASSY



44.D1362368
SEAL:CLEANING B
LADE:FRONT



48.D1362404
COVER:BEARING:
OIL SUPPLY ROLL
ER:FRONT



42.D1362362
(x2)
BUSHING:TRANSP
ORT SCREW



7.07200040E
(x2)
RETAINING RING -
M4



18.D0742503
GEAR:IDLER:31Z:L
EFT



53.D1362418
TENSION SPRING:
COATING BAR:18N



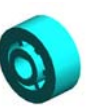
5.04583010N
(x5)
HEXAGON HEAD T
APPING SCREW:3
X10



2.03603006N
(x6)
SCREW - M3X6



50.D1362408
GEAR:24Z:RIGHT

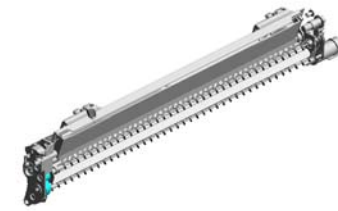


6.07200030E
RETAINING RING -
M3



CLEANING UNIT:ASS'Y

61.D1362458 VIBRATING PLATE:
TONER OUTLET S
UB-UNIT
57.D1362441 BLADE:APPLY:ASS
Y
54.D1362423 SEAL:STAY:APPLY

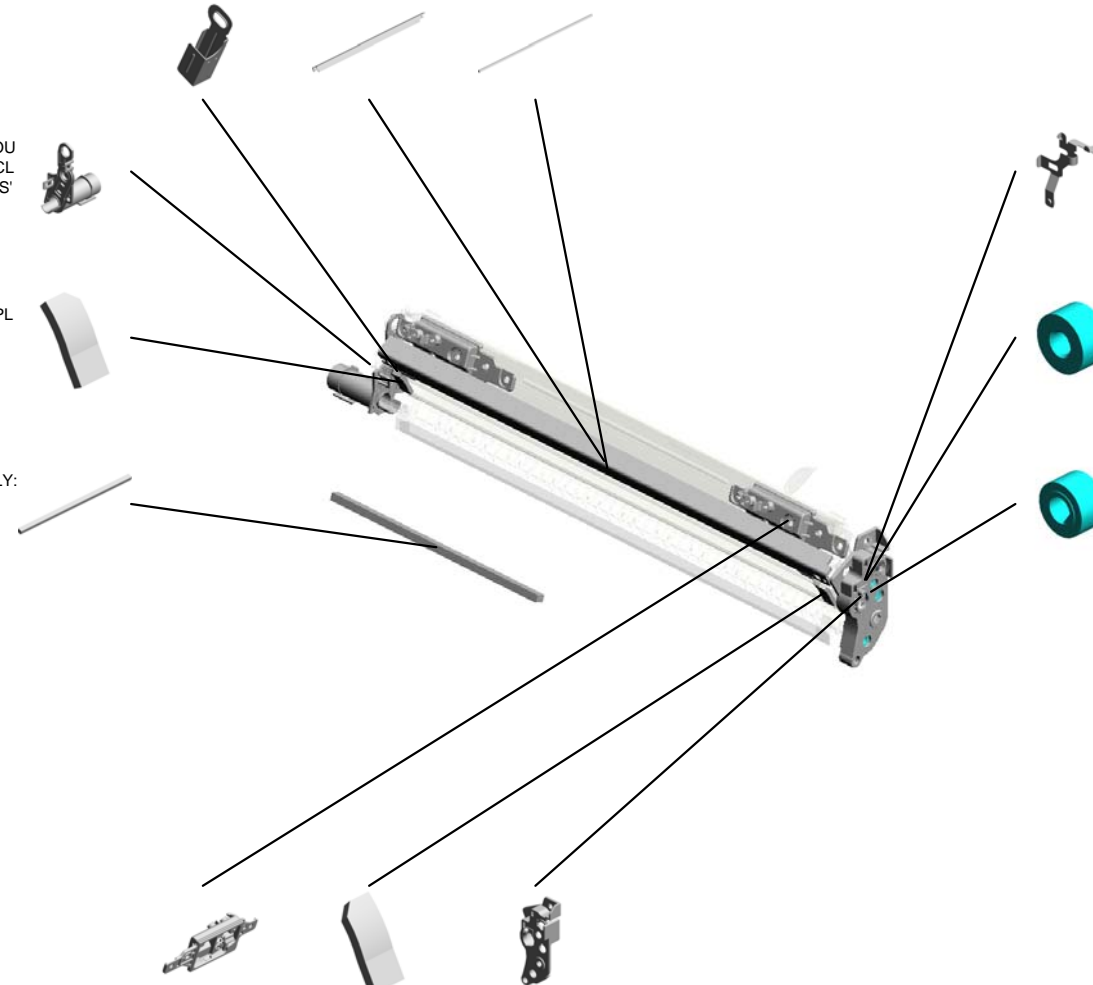


36.D1362330
CLEANING UNIT:AS
SS'Y

60.D1362451
COVER:TONER OU
TLET SUB-UNIT:CL
EANING UNIT:ASS'
Y

59.D1362447
SEAL:BLADE:APPL
Y:REAR

55.D1362424
SEAL:STAY:APPLY:
UPPER



65.D1362467
GROUND PLATE:C
LEANING UNIT:AS
S'Y

63.D1362462
GEAR:IDLER:19Z:L
EFT

62.D1362461
(x2)
GEAR:18Z:RIGHT

56.D1362431
(x2)
COVER:STAY:COA
TING BAR:ASS'Y

58.D1362446
SEAL:BLADE:APPL
Y:FRONT

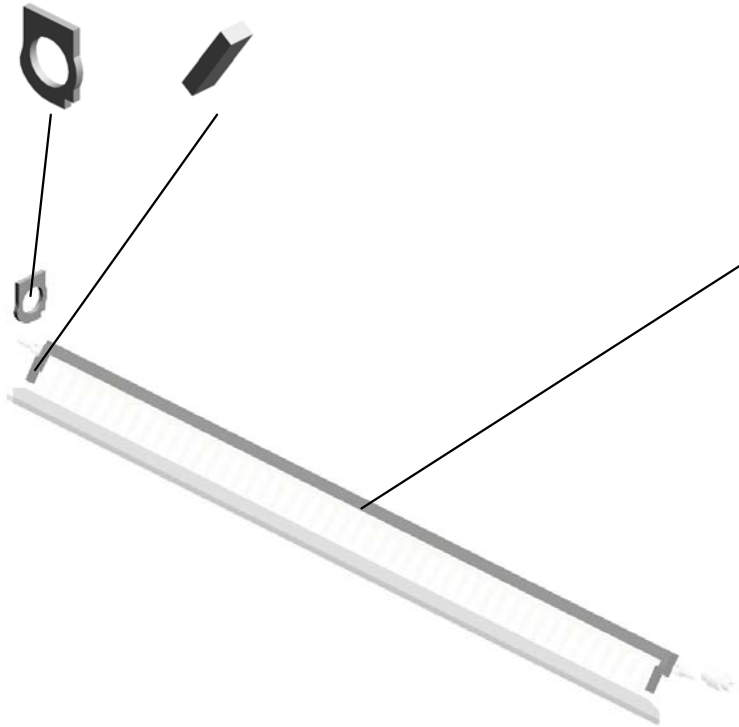
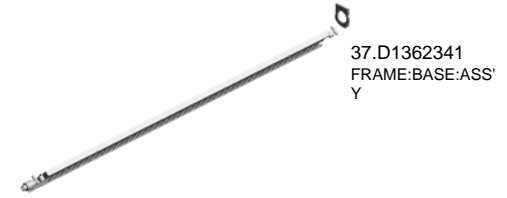
64.D1362466
DRUM STAY:CLEA
NING UNIT

U001	U002	U003	U004	U005	U006	U007	U008	U009	U010	U011	U012	U013	U014	U015	U016	U017	U018	U019	U020
------	------	------	------	------	------	------	------	------	------	------	------	------	------	------	------	------	------	------	------

U008_S005_S001
FRAME:BASE:ASS'Y

40.D1362350
SEAL:FRAME:BAS
E:TONER OUTLET
SUB-UNIT

39.D1362348
(x3)
SEAL:FRAME:BAS
E:SIDE

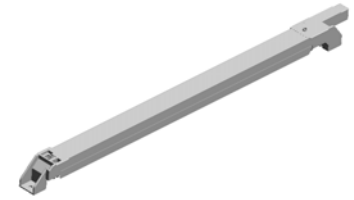


38.D1362347
SEAL:FRAME:BAS
E:MIDDLE

U001	U002	U003	U004	U005	U006	U007	U008	U009	U010	U011	U012	U013	U014	U015	U016	U017	U018	U019	U020
------	------	------	------	------	------	------	-------------	------	------	------	------	------	------	------	------	------	------	------	------

U008_S006
CHARGE UNIT:ASS'Y

13.B1322264
(x2)
BUSHING:TERMIN
AL

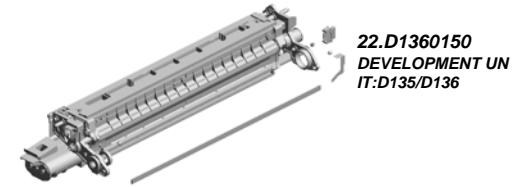


66.D1362470
CHARGE UNIT:ASS
'Y

U001	U002	U003	U004	U005	U006	U007	U008	U009	U010	U011	U012	U013	U014	U015	U016	U017	U018	U019	U020
------	------	------	------	------	------	------	------	------	------	------	------	------	------	------	------	------	------	------	------

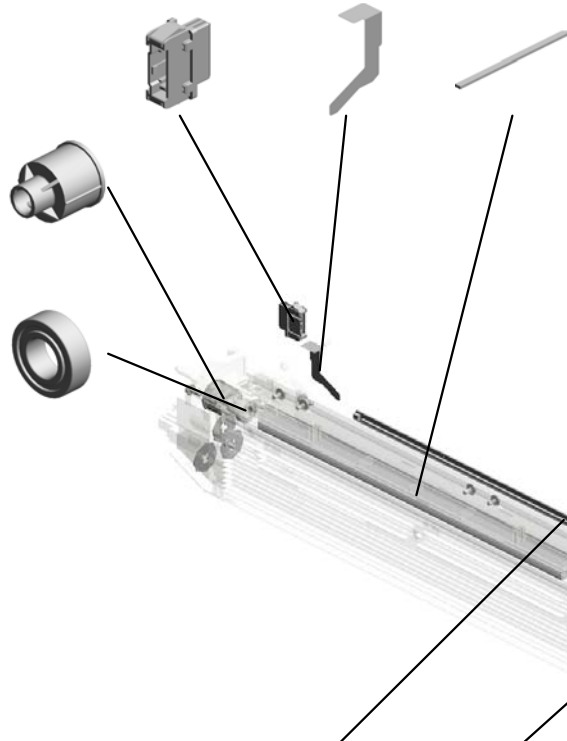
U008_S007
DEVELOPMENT UNIT:D135/D136

28.D1362288 CONNECTOR:DRIVER:8POLE:PLUG
27.D1362287 SHEET:DISCHARGE LAMP:REAR
67.D1363431 FILTER:DEVELOPMENT



19.D0743416
JOINT:DRIVE:DEVELOPMENT UNIT

9.08053573
RADIAL BALL BEARING: DIA8X DIA16X5



2.03603006N
(x7)
SCREW - M3X6

8.08046128
(x7)
HEXAGONAL BOLT: DOUBLE SCREW: M3X10

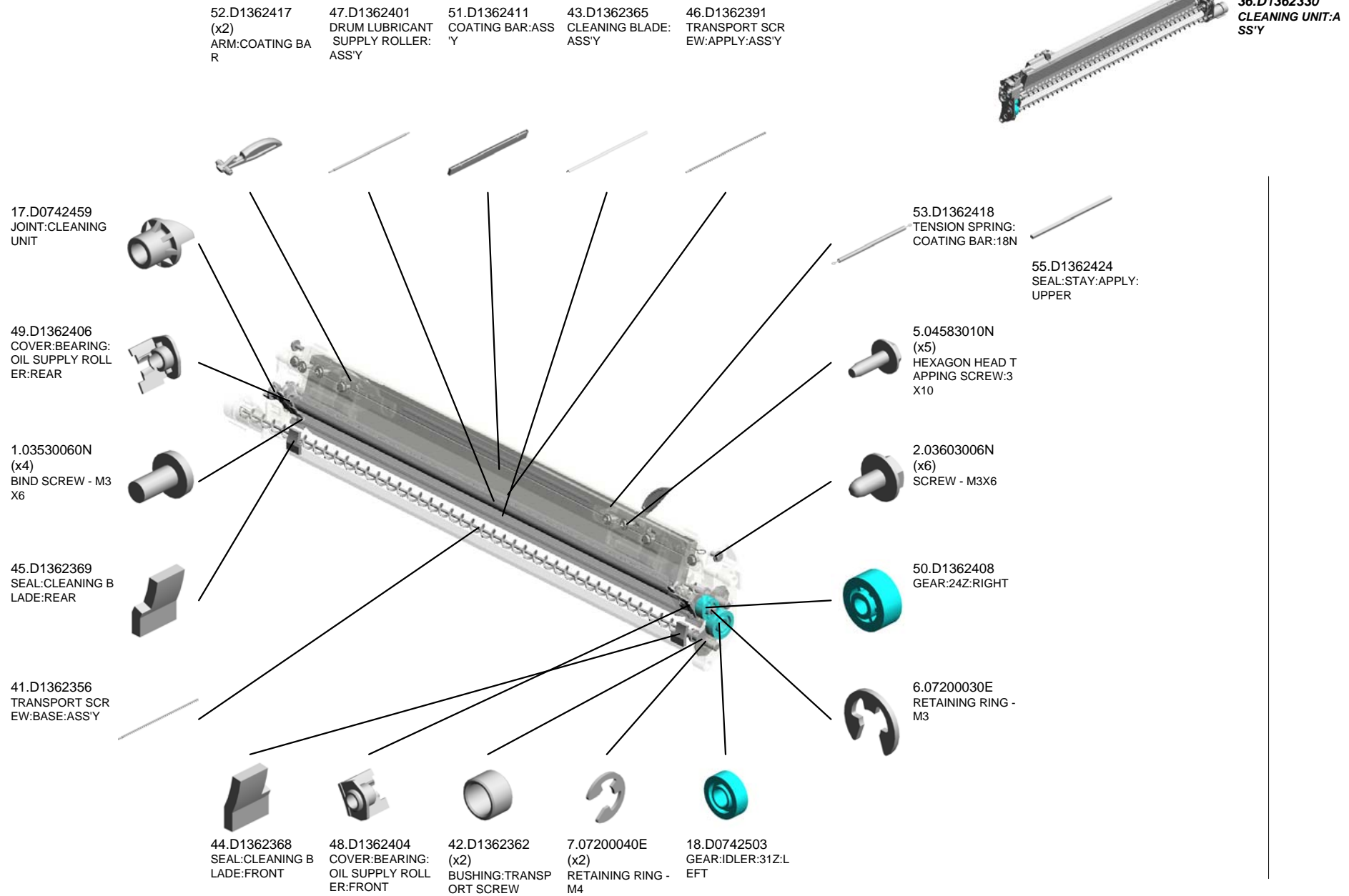
7.07200040E
(x6)
RETAINING RING - M4

26.D1362286
DISCHARGE LAMP: LED ARRAY

6.07200030E
RETAINING RING - M3

U001	U002	U003	U004	U005	U006	U007	U008	U009	U010	U011	U012	U013	U014	U015	U016	U017	U018	U019	U020
------	------	------	------	------	------	------	------	------	------	------	------	------	------	------	------	------	------	------	------

CLEANING UNIT:ASS'Y

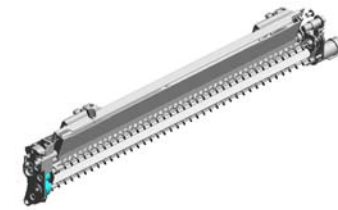


U001	U002	U003	U004	U005	U006	U007	U008	U009	U010	U011	U012	U013	U014	U015	U016	U017	U018	U019	U020
------	------	------	------	------	------	------	------	------	------	------	------	------	------	------	------	------	------	------	------

U008_S008

CLEANING UNIT:ASS'Y

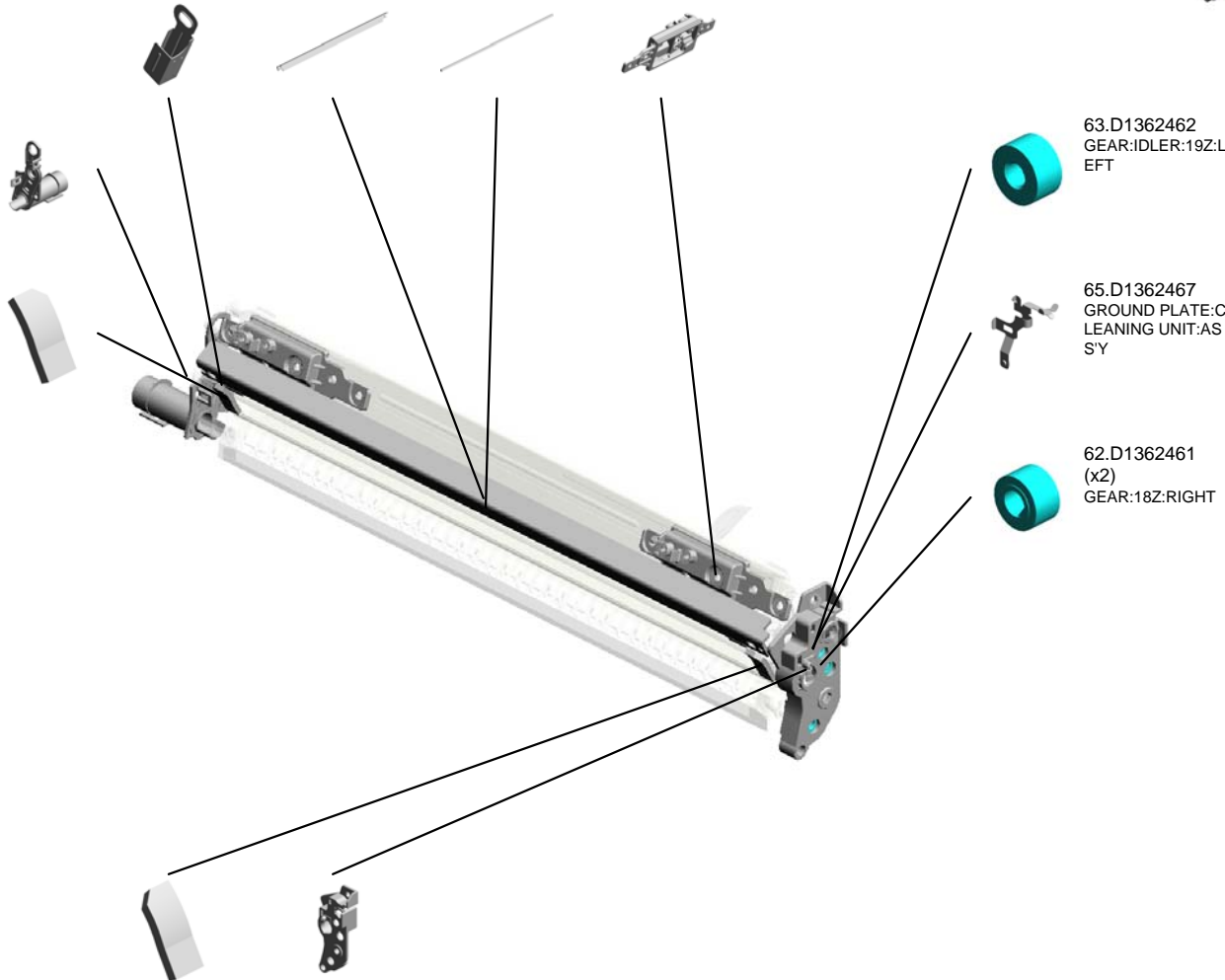
- 61.D1362458 VIBRATING PLATE: TONER OUTLET SUB-UNIT
- 57.D1362441 BLADE:APPLY:ASS'Y
- 54.D1362423 SEAL:STAY:APPLY
- 56.D1362431 (x2) COVER:STAY:COATING BAR:ASS'Y



36.D1362330
CLEANING UNIT:ASS'Y

60.D1362451
COVER:TONER OUTLET SUB-UNIT:CLEANING UNIT:ASS'Y

59.D1362447
SEAL:BLADE:APPLY:REAR



63.D1362462
GEAR:IDLER:19Z:LEFT

65.D1362467
GROUND PLATE:CLEANING UNIT:ASS'Y

62.D1362461 (x2)
GEAR:18Z:RIGHT

58.D1362446
SEAL:BLADE:APPLY:FRONT

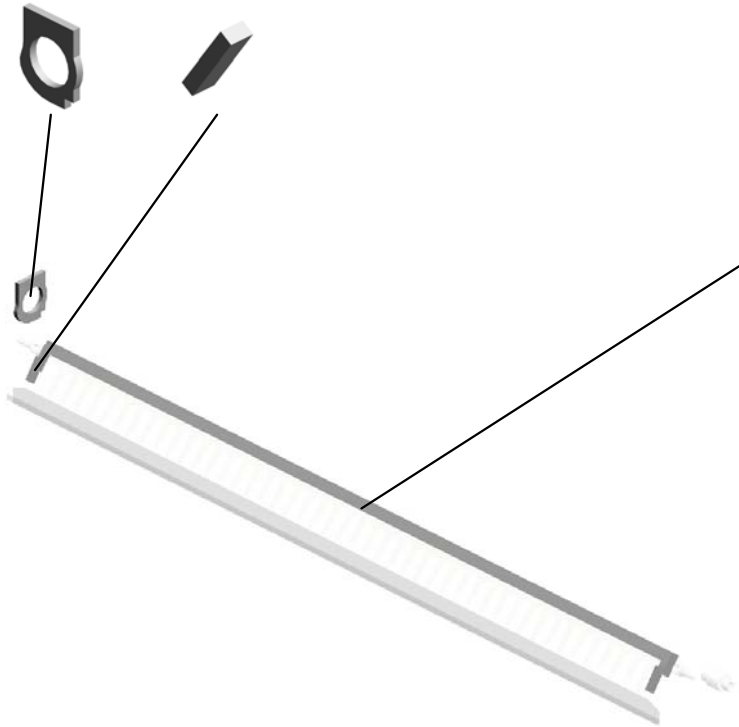
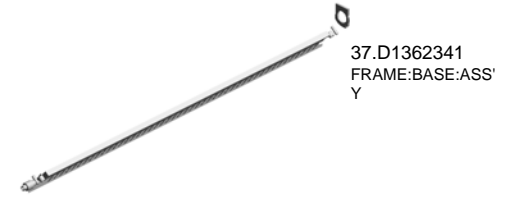
64.D1362466
DRUM STAY:CLEANING UNIT

U001	U002	U003	U004	U005	U006	U007	U008	U009	U010	U011	U012	U013	U014	U015	U016	U017	U018	U019	U020
------	------	------	------	------	------	------	------	------	------	------	------	------	------	------	------	------	------	------	------

U008_S008_S001
FRAME:BASE:ASS'Y

40.D1362350
SEAL:FRAME:BAS
E:TONER OUTLET
SUB-UNIT

39.D1362348
(x3)
SEAL:FRAME:BAS
E:SIDE

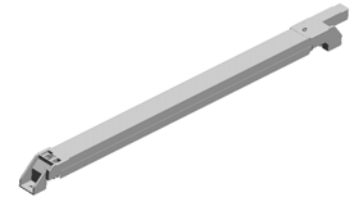


38.D1362347
SEAL:FRAME:BAS
E:MIDDLE

U001	U002	U003	U004	U005	U006	U007	U008	U009	U010	U011	U012	U013	U014	U015	U016	U017	U018	U019	U020
------	------	------	------	------	------	------	-------------	------	------	------	------	------	------	------	------	------	------	------	------

U008_S009
CHARGE UNIT:ASS'Y

13.B1322264
(x2)
BUSHING:TERMIN
AL

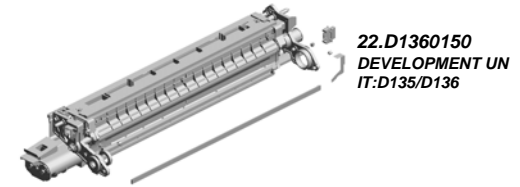


66.D1362470
CHARGE UNIT:ASS
'Y

U001	U002	U003	U004	U005	U006	U007	U008	U009	U010	U011	U012	U013	U014	U015	U016	U017	U018	U019	U020
------	------	------	------	------	------	------	------	------	------	------	------	------	------	------	------	------	------	------	------

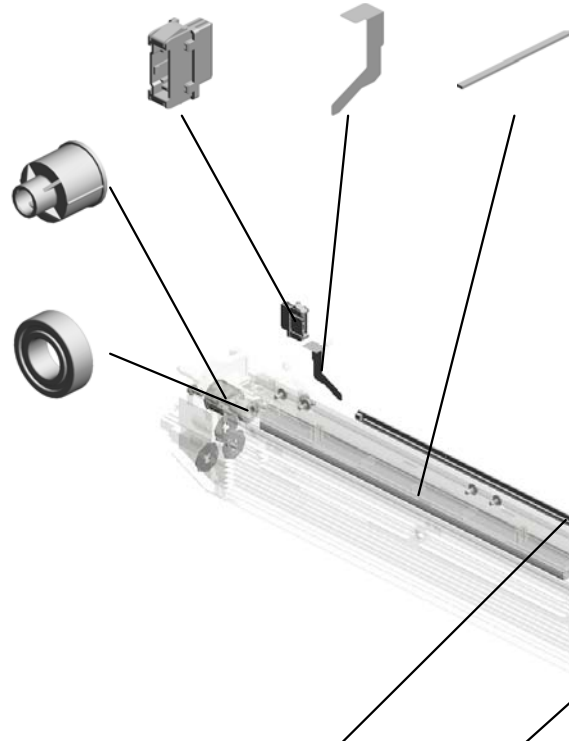
U008_S010
DEVELOPMENT UNIT:D135/D136

28.D1362288 CONNECTOR:DRIVER:8POLE:PLUG
27.D1362287 SHEET:DISCHARGE LAMP:REAR
67.D1363431 FILTER:DEVELOPMENT



19.D0743416
JOINT:DRIVE:DEVELOPMENT UNIT

9.08053573
RADIAL BALL BEARING: DIA8X DIA16X5



2.03603006N
(x7)
SCREW - M3X6

8.08046128
(x7)
HEXAGONAL BOLT: DOUBLE SCREW: M3X10

7.07200040E
(x6)
RETAINING RING - M4

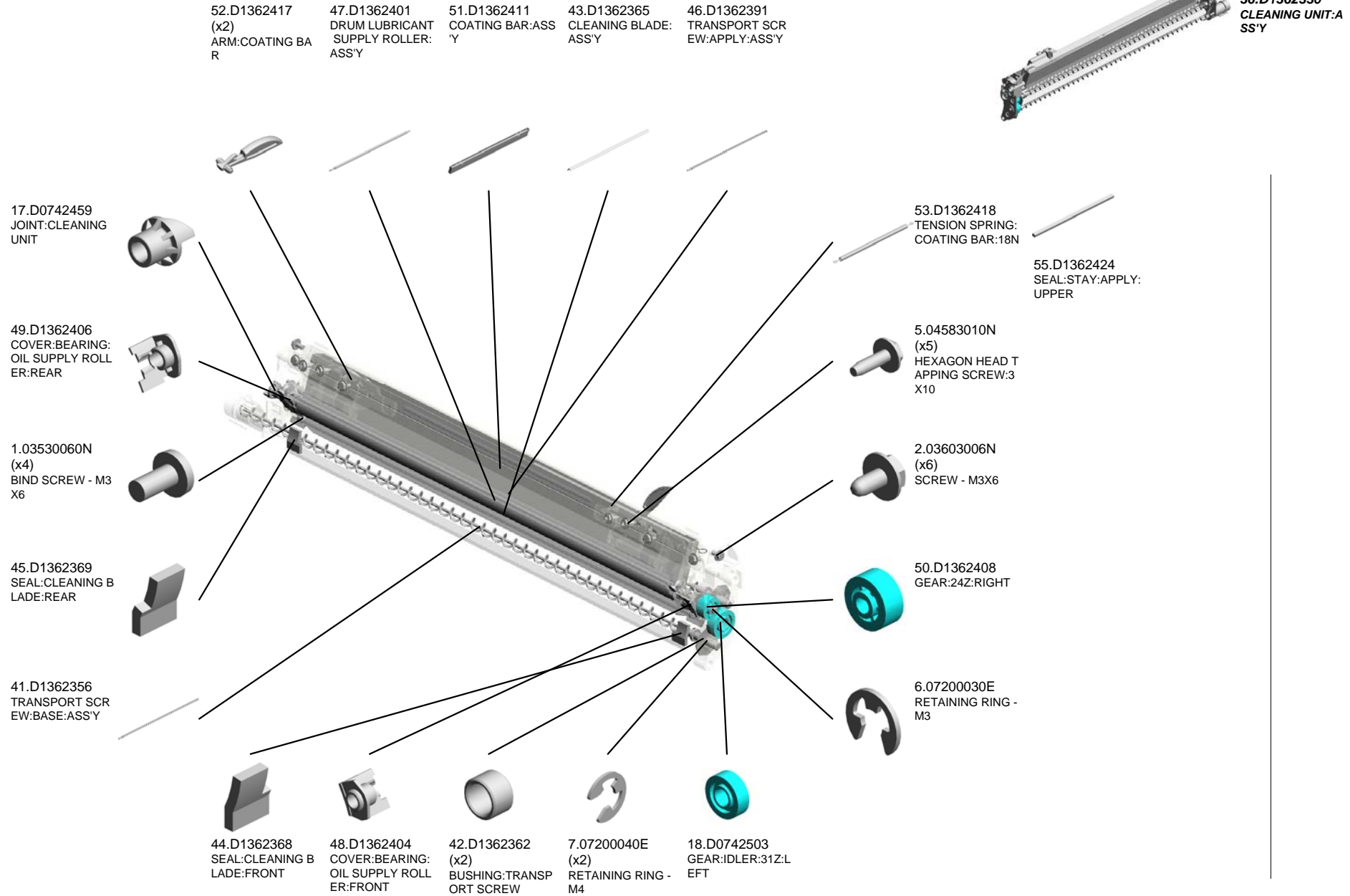
26.D1362286
DISCHARGE LAMP: LED ARRAY

6.07200030E
RETAINING RING - M3

U001	U002	U003	U004	U005	U006	U007	U008	U009	U010	U011	U012	U013	U014	U015	U016	U017	U018	U019	U020
------	------	------	------	------	------	------	------	------	------	------	------	------	------	------	------	------	------	------	------

U008_S011

CLEANING UNIT:ASS'Y

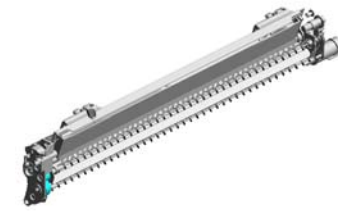


U001	U002	U003	U004	U005	U006	U007	U008	U009	U010	U011	U012	U013	U014	U015	U016	U017	U018	U019	U020
------	------	------	------	------	------	------	------	------	------	------	------	------	------	------	------	------	------	------	------

U008_S011

CLEANING UNIT:ASS'Y

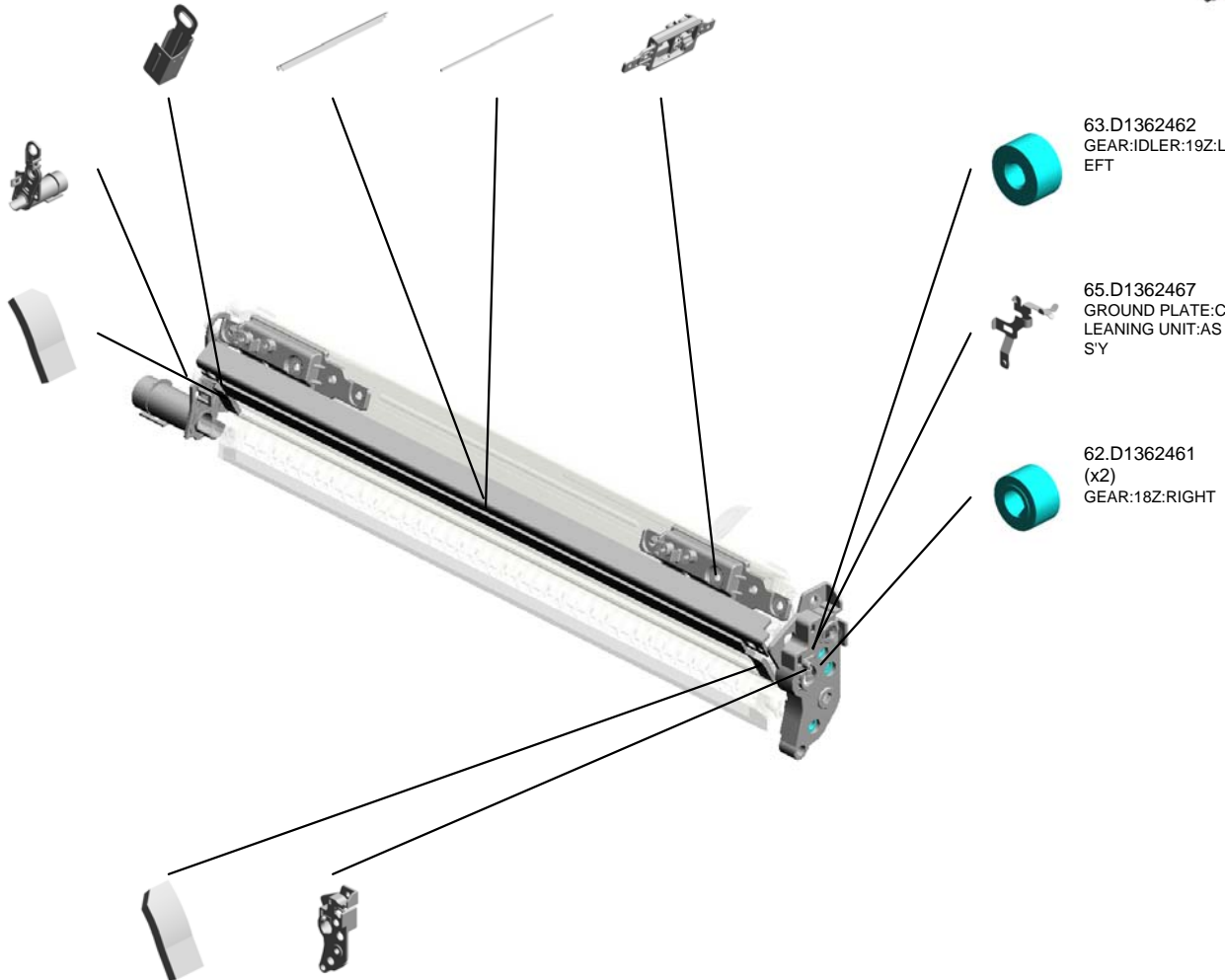
- 61.D1362458 VIBRATING PLATE: TONER OUTLET SUB-UNIT
- 57.D1362441 BLADE:APPLY:ASS'Y
- 54.D1362423 SEAL:STAY:APPLY
- 56.D1362431 (x2) COVER:STAY:COATING BAR:ASS'Y



36.D1362330
CLEANING UNIT:ASS'Y

60.D1362451
COVER:TONER OUTLET SUB-UNIT:CLEANING UNIT:ASS'Y

59.D1362447
SEAL:BLADE:APPLY:REAR



63.D1362462
GEAR:IDLER:19Z:LEFT

65.D1362467
GROUND PLATE:CLEANING UNIT:ASS'Y

62.D1362461 (x2)
GEAR:18Z:RIGHT

58.D1362446
SEAL:BLADE:APPLY:FRONT

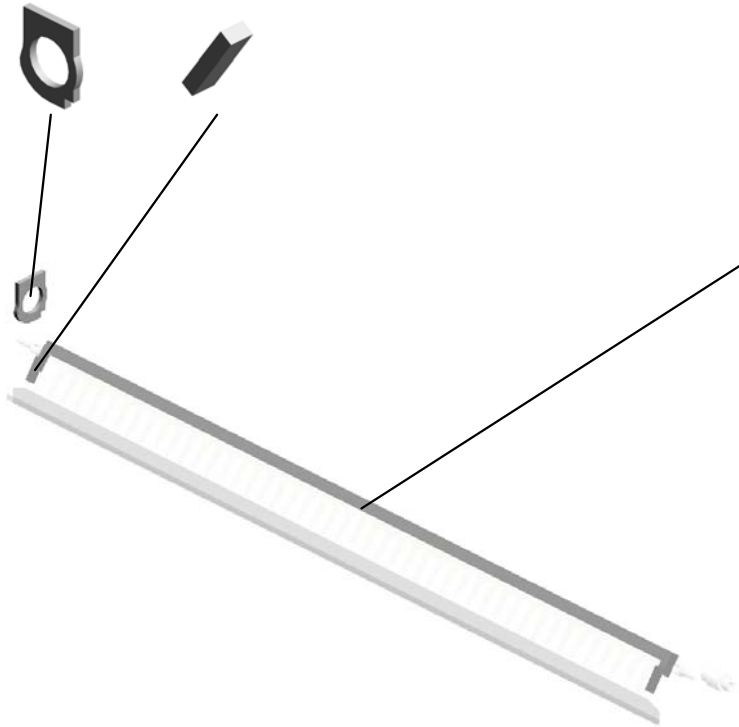
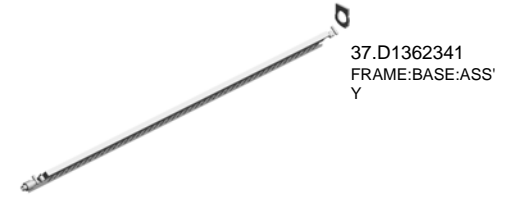
64.D1362466
DRUM STAY:CLEANING UNIT

U001	U002	U003	U004	U005	U006	U007	U008	U009	U010	U011	U012	U013	U014	U015	U016	U017	U018	U019	U020
------	------	------	------	------	------	------	------	------	------	------	------	------	------	------	------	------	------	------	------

U008_S011_S001
FRAME:BASE:ASS'Y

40.D1362350
SEAL:FRAME:BAS
E:TONER OUTLET
SUB-UNIT

39.D1362348
(x3)
SEAL:FRAME:BAS
E:SIDE



38.D1362347
SEAL:FRAME:BAS
E:MIDDLE

U001	U002	U003	U004	U005	U006	U007	U008	U009	U010	U011	U012	U013	U014	U015	U016	U017	U018	U019	U020
------	------	------	------	------	------	------	-------------	------	------	------	------	------	------	------	------	------	------	------	------

U008_S012
CHARGE UNIT:ASS'Y

13.B1322264
(x2)
BUSHING:TERMIN
AL



66.D1362470
CHARGE UNIT:ASS
'Y

U001	U002	U003	U004	U005	U006	U007	U008	U009	U010	U011	U012	U013	U014	U015	U016	U017	U018	U019	U020
------	------	------	------	------	------	------	-------------	------	------	------	------	------	------	------	------	------	------	------	------

U009.ITB UNIT

U009_S002
D1366134
ROLLER:ENCODER:ASSY

U009_S007
D1366171
ROLLER:TENSION:ASSY

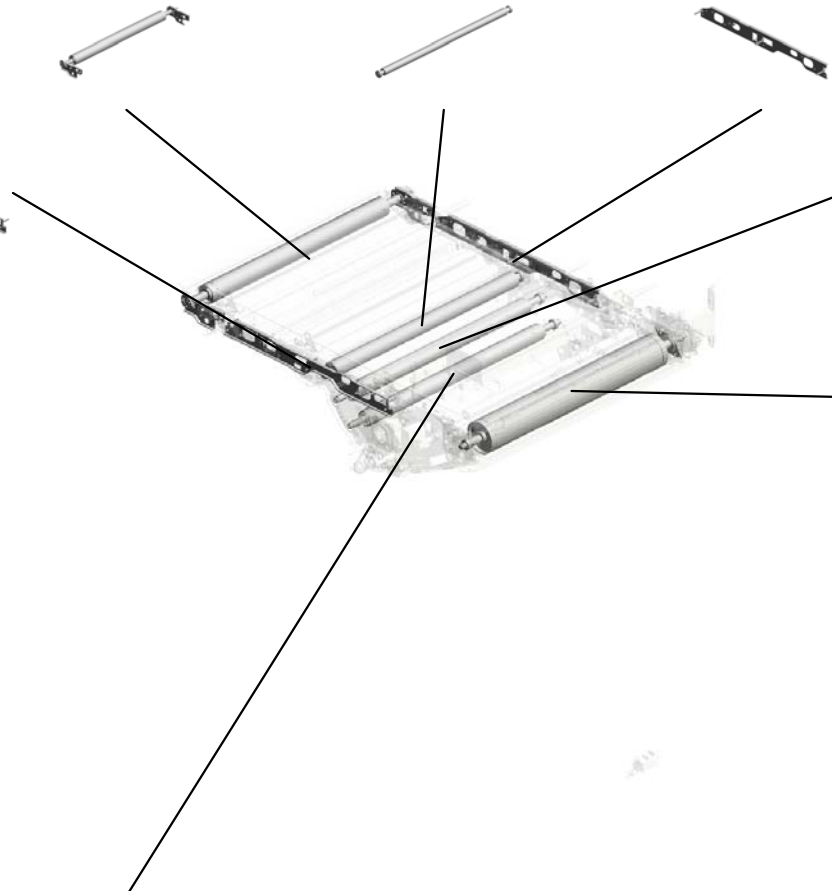
U009_S004
D1366143
SLIDE RAIL:ON-OFF:INTERM
EDIATE TRANSFER:REAR:ASSY

U009_S003
D1366141
SLIDE RAIL:ON-OFF:INTERM
EDIATE TRANSFER:FRONT:
ASSY

U009_S006
D1366130
ROLLER:OPPOSED:BELT CL
EANING:ASSY

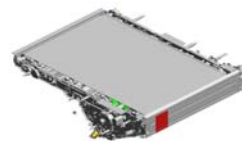
U009_S001
D1366070
DRIVE ROLLER:INTERMEDIA
TE TRANSFER:ASSY

U009_S005
D1366130
ROLLER:OPPOSED:BELT CL
EANING:ASSY



U001	U002	U003	U004	U005	U006	U007	U008	U009	U010	U011	U012	U013	U014	U015	U016	U017	U018	U019	U020
------	------	------	------	------	------	------	------	------	------	------	------	------	------	------	------	------	------	------	------

U009 ITB UNIT



- 9.07200030E RETAINING RING - M3
- 12.07403804 BALL BEARING: DIA 4XDIA9X4
- 18.11050723 CLAMPS: WES-050 7
- 5.04543006Q (x5) TAPPING SCREW - M3X6
- 11.07200060E (x6) RETAINING RING - M6

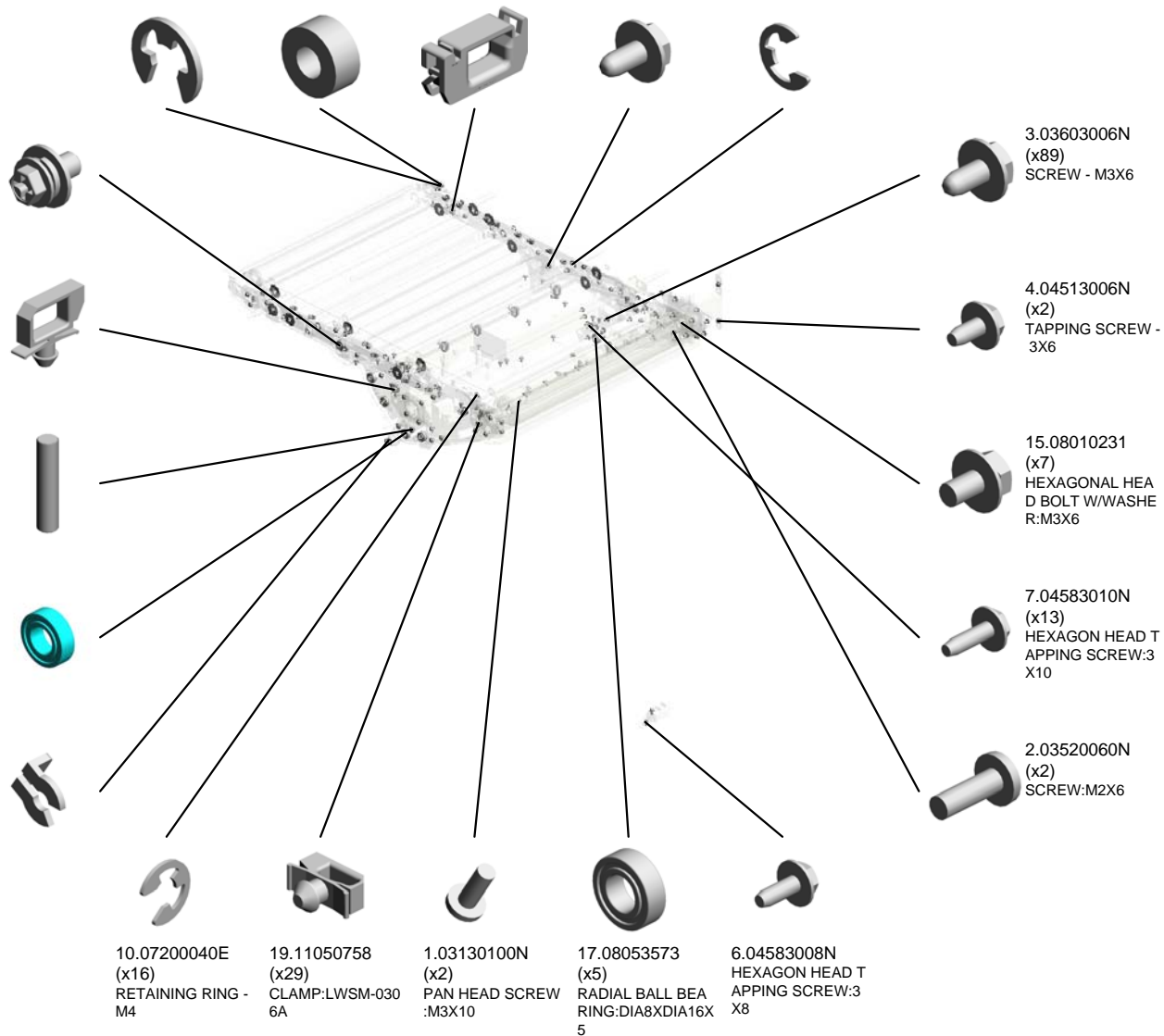
16.08010236 (x4) HEXAGONAL BOLT :DOUBLE SCREW: M4X8

20.11050762 (x6) CLAMP: LWS-0711A

8.06330140G PARALLEL PIN - 3X 14

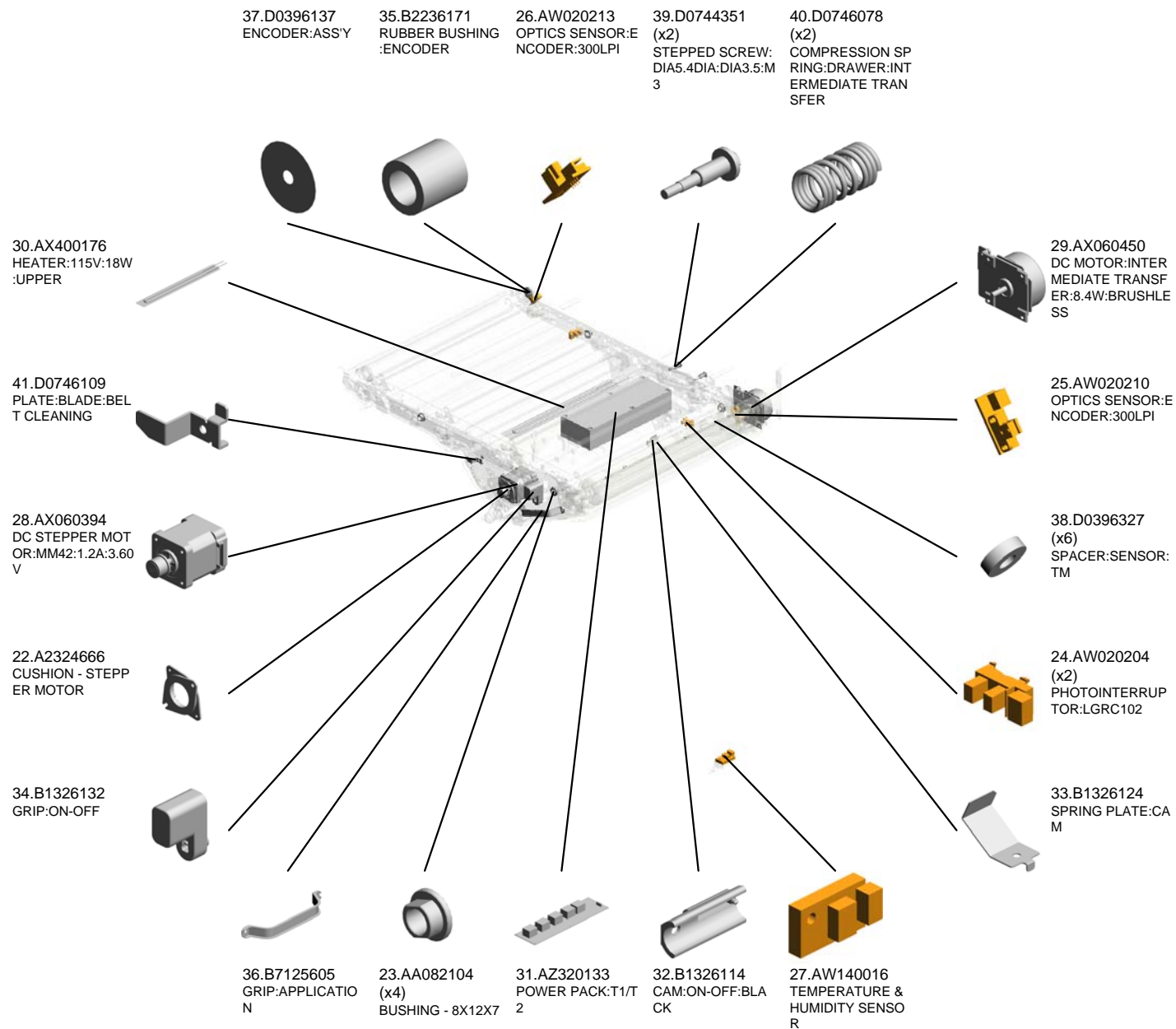
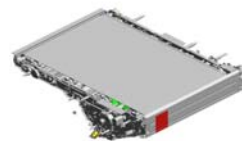
13.07403808 BALL BEARING - 8 X16X5MM

21.54472681 (x2) SNAP RING



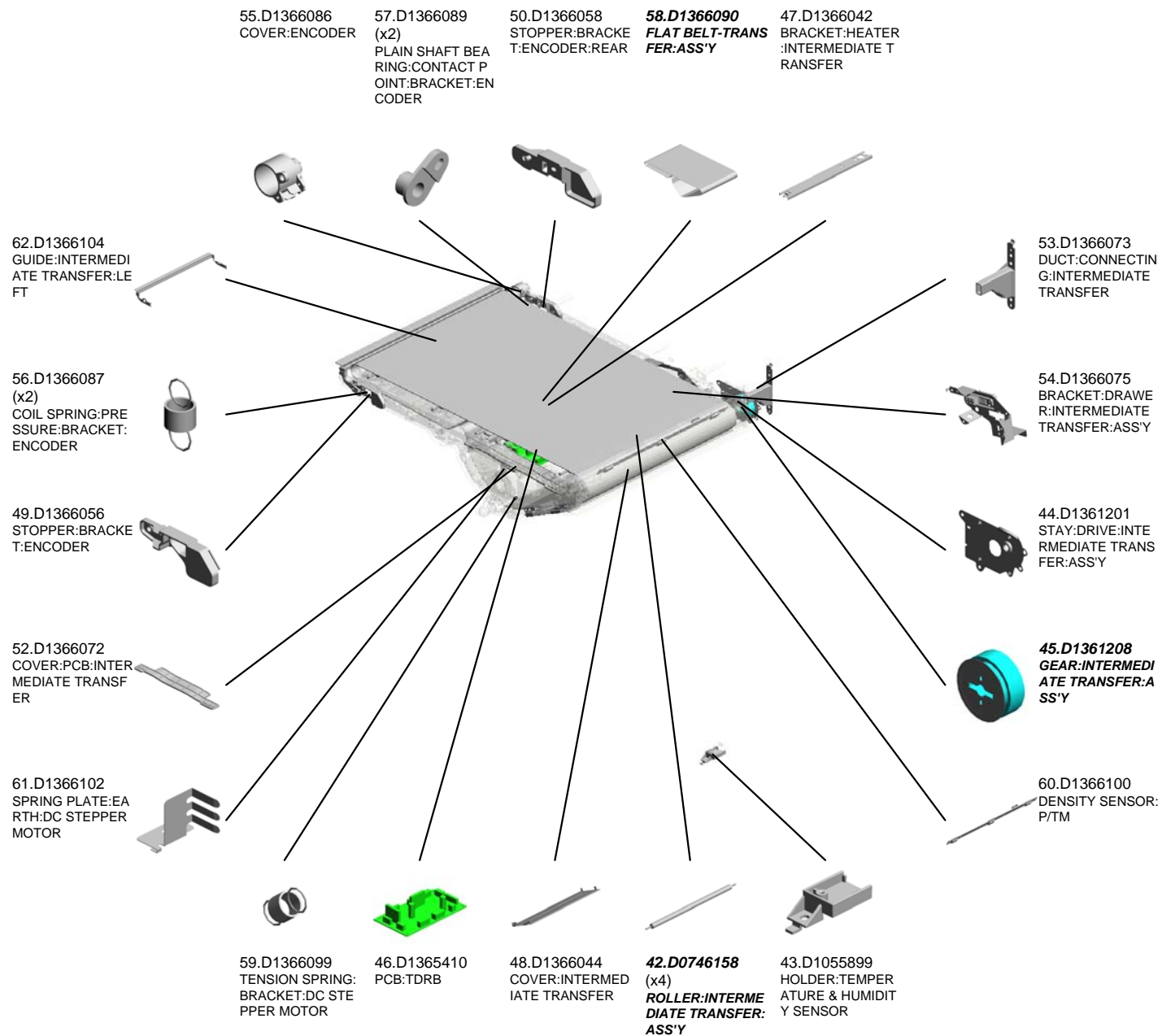
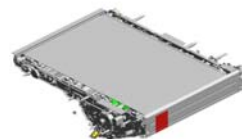
U001	U002	U003	U004	U005	U006	U007	U008	U009	U010	U011	U012	U013	U014	U015	U016	U017	U018	U019	U020
------	------	------	------	------	------	------	------	------	------	------	------	------	------	------	------	------	------	------	------

U009 ITB UNIT



U001	U002	U003	U004	U005	U006	U007	U008	U009	U010	U011	U012	U013	U014	U015	U016	U017	U018	U019	U020
------	------	------	------	------	------	------	------	------	------	------	------	------	------	------	------	------	------	------	------

U009
ITB UNIT



U009
ITB UNIT



- 86.D1366145 (x6) ROLLER:ON-OFF:INTERMEDIATE TRANSFER
- 83.D1366139 (x2) TENSION SPRING:ON-OFF:SLIDE RAIL
- 82.D1366138 SPRING PLATE:TRANSFER:OPPOSITE:PAPER
- 77.D1366129 GUIDE:TRANSFER:PAPER:REAR
- 67.D1366115 (x6) TENSION SPRING:PRESSURE:INTERMEDIATE TRANSFER

- 79.D1366132 (x2) ROLLER:TRANSFER:FRONT:ASSY

- 65.D1366113 SHAFT:CAM:INTERMEDIATE TRANSFER:BLACK

- 64.D1366112 (x4) BRACKET:INTERMEDIATE TRANSFER:REAR

- 66.D1366114 (x2) CAM:INTERMEDIATE TRANSFER:BLACK

- 76.D1366128 CASE:OPPOSITE:TRANSFER ROLLER:FRONT

- 70.D1366121 (x6) COVER:ON-OFF:SLIDE RAIL

- 75.D1366127 (x2) TENSION SPRING:PRESSURE:INTERMEDIATE TRANSFER:BLACK

- 63.D1366111 (x4) BRACKET:INTERMEDIATE TRANSFER:FRONT

- 69.D1366119 (x4) TERMINAL:CONNECTING:INTERMEDIATE TRANSFER

- 74.D1366126 (x4) COMPRESSION SPRING:BIAS:INTERMEDIATE TRANSFER

- 68.D1366117 SEPARATION PLATE:INTERMEDIATE TRANSFER:MAIN:120V

- 81.D1366137 SEPARATION PLATE:INTERMEDIATE TRANSFER:120V

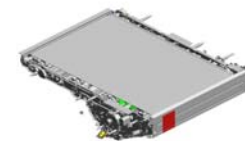
- 72.D1366124 (x4) BRACKET:BIAS:INTERMEDIATE TRANSFER

- 73.D1366125 (x4) TERMINAL:INTERMEDIATE TRANSFER

- 71.D1366123 (x4) PLAIN SHAFT BEARING:INTERMEDIATE TRANSFER

U001	U002	U003	U004	U005	U006	U007	U008	U009	U010	U011	U012	U013	U014	U015	U016	U017	U018	U019	U020
------	------	------	------	------	------	------	------	------	------	------	------	------	------	------	------	------	------	------	------

U009
ITB UNIT



- 89.D1366149 (x4) BUSHING:SLIDE RAIL:ON-OFF
- 90.D1366154 FEELER:INTERMEDIATE TRANSFER
- 99.D1366179 (x2) COIL SPRING:PRESSURE:TENSION:INTERMEDIATE TRANSFER
- 97.D1366176 (x2) GUIDE:TENSION:INTERMEDIATE TRANSFER
- 98.D1366177 (x2) PLAIN SHAFT BEARING:TENSION:INTERMEDIATE TRANSFER

87.D1366146
SHAFT:CAM:INTERMEDIATE TRANSFER:COLOR

95.D1366174
BRACKET:TENSION:ROLLER

96.D1366175
SLIDE RAIL:CASE:TENSION:ROLLER

88.D1366147 (x2)
CAM:INTERMEDIATE TRANSFER:COLOR

91.D1366162
BRACKET:ON-OFF:TRANSFER ROLLER

105.D1366190
CAM:ON-OFF:TRANSFER ROLLER:FRONT

103.D1366187
CORE:OPPOSED:TRANSFER ROLLER

102.D1366186
ROLLER:OPPOSED:TRANSFER ROLLER:ASS'Y

100.D1366181
BRACKET:DENSITY SENSOR

101.D1366182
DUCT:TM SENSOR

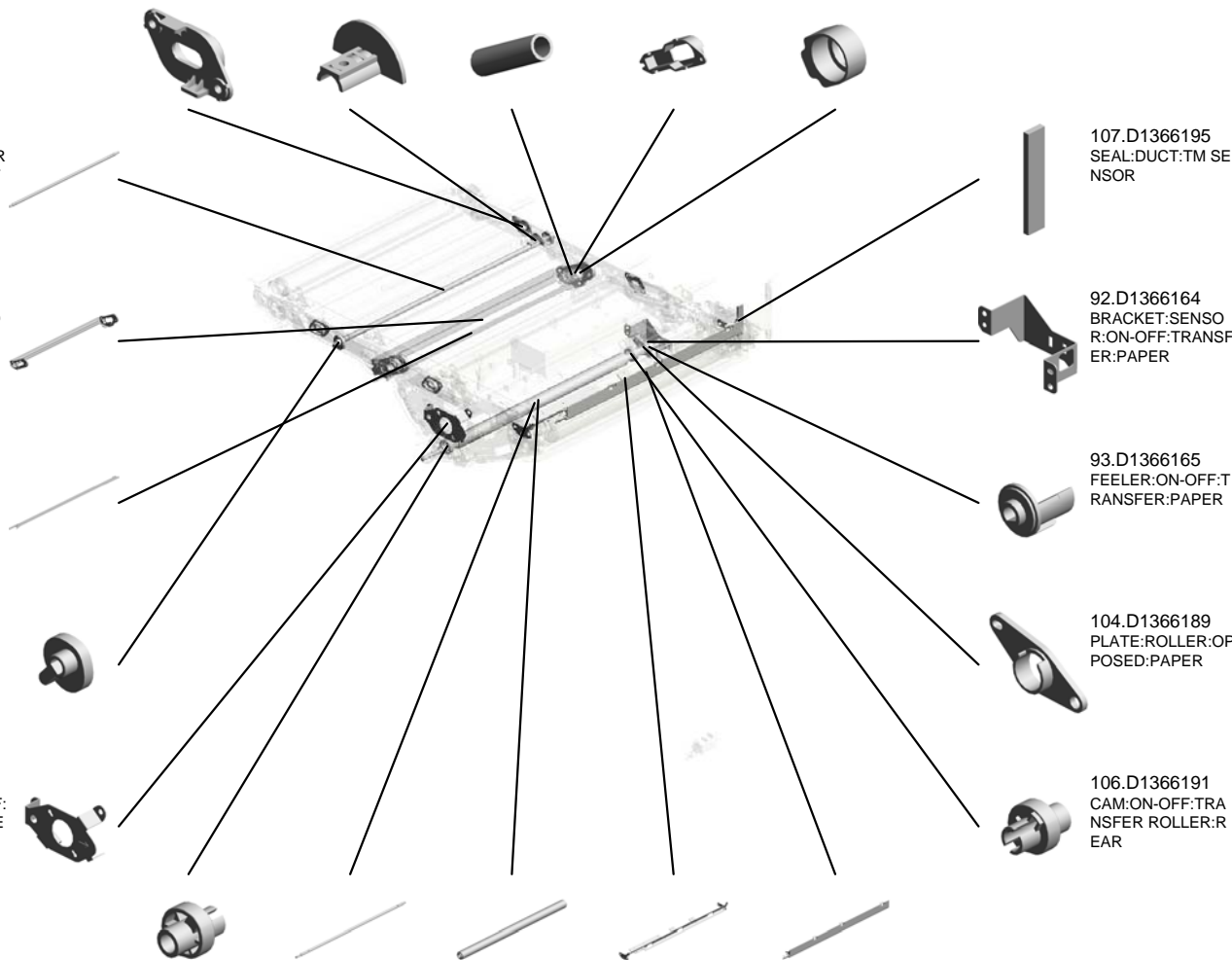
107.D1366195
SEAL:DUCT:TM SENSOR

92.D1366164
BRACKET:SENSOR:ON-OFF:TRANSFER:PAPER

93.D1366165
FEELER:ON-OFF:TRANSFER:PAPER

104.D1366189
PLATE:ROLLER:OPPOSED:PAPER

106.D1366191
CAM:ON-OFF:TRANSFER ROLLER:REAR



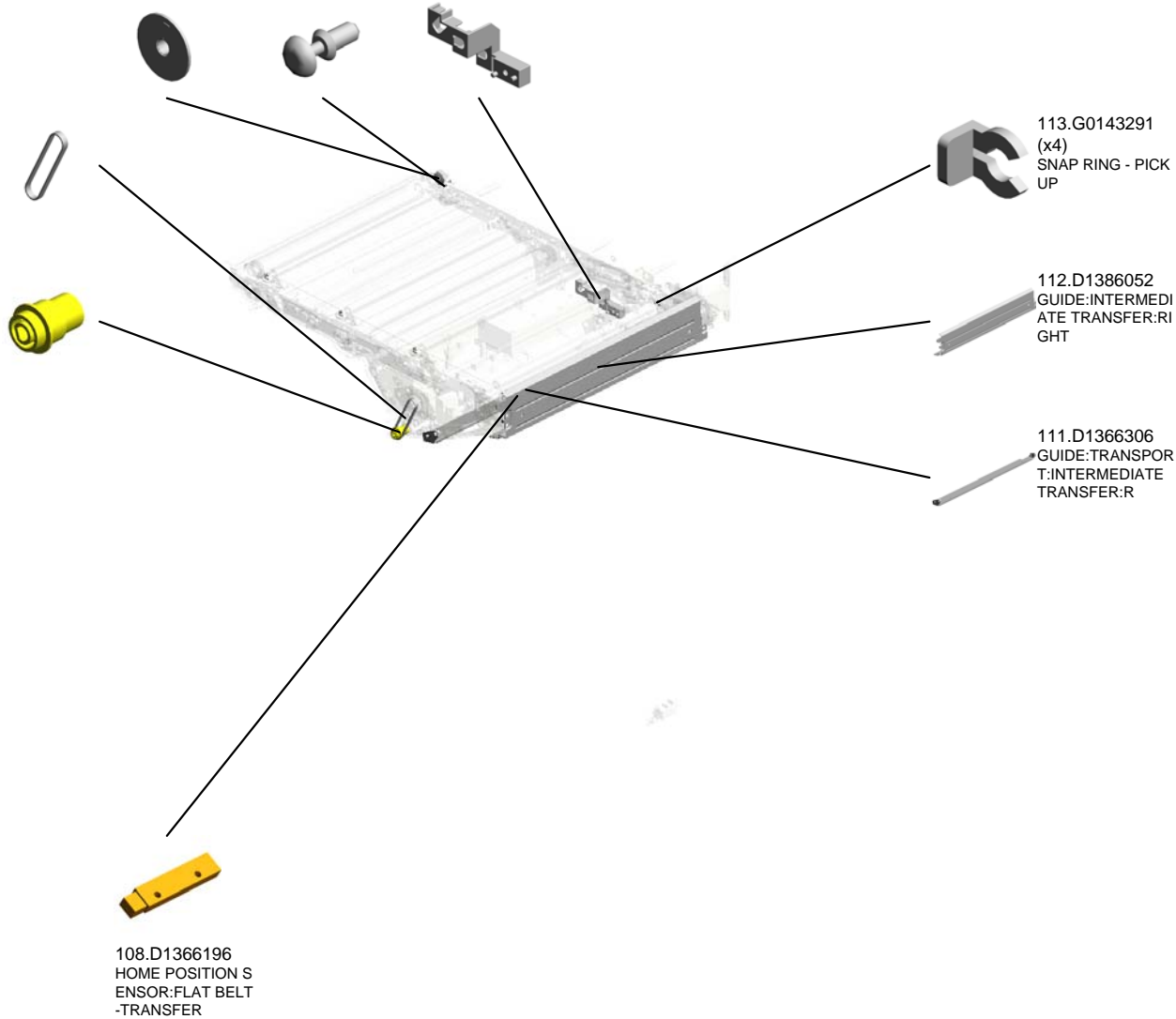
U009
ITB UNIT



116.G1786352 GUIDE PLATE:ENC
ODER
114.G1073834 (x2)
RIVET - 2.0
109.D1366197 COVER:HARNESS:
SECOND:INTERME
DIATE TRANSFER

115.G1785023
TIMING BELT:S2M1
90

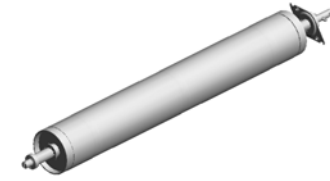
110.D1366199
PULLEY:ON-OFF:T
RANSFER ROLLER



U001	U002	U003	U004	U005	U006	U007	U008	U009	U010	U011	U012	U013	U014	U015	U016	U017	U018	U019	U020
------	------	------	------	------	------	------	------	------	------	------	------	------	------	------	------	------	------	------	------

U009_S001
DRIVE ROLLER:INTERMEDIATE TRANSFER:ASS'Y

17.08053573
RADIAL BALL BEA
RING: DIA8XDIA16X
5



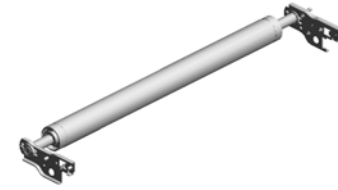
51.D1366070
DRIVE ROLLER:IN
TERMEDIATE TRA
NSFER:ASSY



U001	U002	U003	U004	U005	U006	U007	U008	U009	U010	U011	U012	U013	U014	U015	U016	U017	U018	U019	U020
------	------	------	------	------	------	------	------	------	------	------	------	------	------	------	------	------	------	------	------

U009_S002
ROLLER:ENCODER:ASS'Y

17.08053573
(x2)
RADIAL BALL BEA
RING:DIA8XDIA16X
5



80.D1366134
ROLLER:ENCODE
R:ASS'Y

U001	U002	U003	U004	U005	U006	U007	U008	U009	U010	U011	U012	U013	U014	U015	U016	U017	U018	U019	U020
------	------	------	------	------	------	------	------	------	------	------	------	------	------	------	------	------	------	------	------

U009_S003

SLIDE RAIL:ON-OFF:INTERMEDIATE TRANSFER:FRONT:ASS'Y

14.07403906
BALL BEARING - 6
X15X5



84.D1366141
SLIDE RAIL:ON-OFF
F:INTERMEDIATE
TRANSFER:FRONT
:ASS'Y

U001	U002	U003	U004	U005	U006	U007	U008	U009	U010	U011	U012	U013	U014	U015	U016	U017	U018	U019	U020
------	------	------	------	------	------	------	------	------	------	------	------	------	------	------	------	------	------	------	------

U009_S004
SLIDE RAIL:ON-OFF:INTERMEDIATE TRANSFER:REAR:ASS'Y

14.07403906
BALL BEARING - 6
X15X5

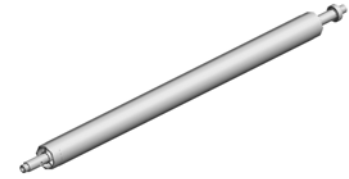


85.D1366143
SLIDE RAIL:ON-OFF
F:INTERMEDIATE
TRANSFER:REAR:
ASS'Y

U001	U002	U003	U004	U005	U006	U007	U008	U009	U010	U011	U012	U013	U014	U015	U016	U017	U018	U019	U020
------	------	------	------	------	------	------	------	------	------	------	------	------	------	------	------	------	------	------	------

U009_S005
ROLLER:OPPOSED:BELT CLEANING:ASS'Y

17.08053573
RADIAL BALL BEA
RING:DIA8XDIA16X
5

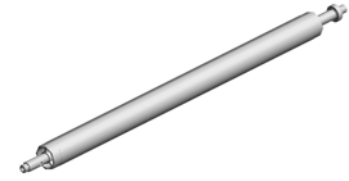


78.D1366130
ROLLER:OPPOSE
D:BELT CLEANING:
ASS'Y

U001	U002	U003	U004	U005	U006	U007	U008	U009	U010	U011	U012	U013	U014	U015	U016	U017	U018	U019	U020
------	------	------	------	------	------	------	------	------	------	------	------	------	------	------	------	------	------	------	------

U009_S006
ROLLER:OPPOSED:BELT CLEANING:ASS'Y

17.08053573
RADIAL BALL BEA
RING:DIA8XDIA16X
5

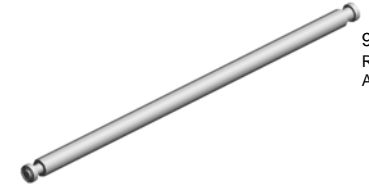


78.D1366130
ROLLER:OPPOSE
D:BELT CLEANING:
ASS'Y

U001	U002	U003	U004	U005	U006	U007	U008	U009	U010	U011	U012	U013	U014	U015	U016	U017	U018	U019	U020
------	------	------	------	------	------	------	------	------	------	------	------	------	------	------	------	------	------	------	------

U009_S007
ROLLER:TENSION:ASS'Y

17.08053573
(x2)
RADIAL BALL BEA
RING:DIA8XDIA16X
5

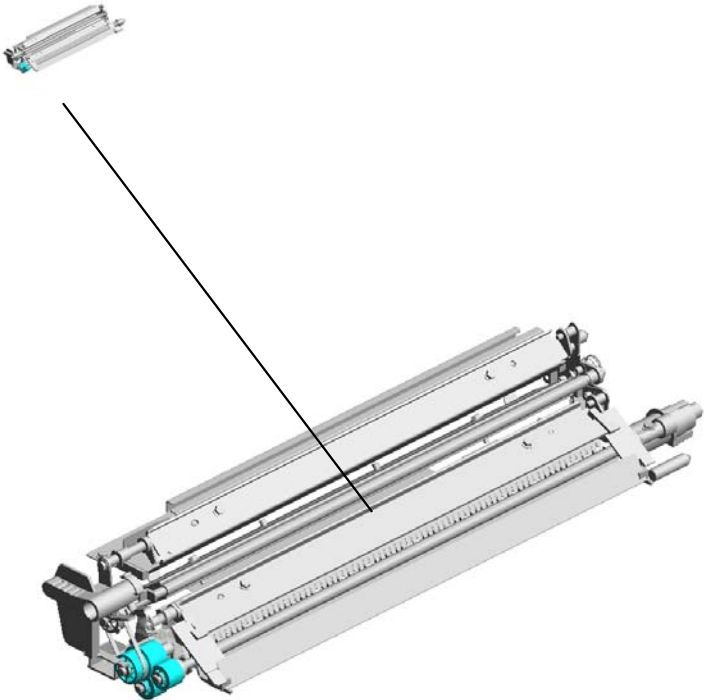


94.D1366171
ROLLER:TENSION:
ASS'Y

U001	U002	U003	U004	U005	U006	U007	U008	U009	U010	U011	U012	U013	U014	U015	U016	U017	U018	U019	U020
------	------	------	------	------	------	------	------	------	------	------	------	------	------	------	------	------	------	------	------

U010.ITB CLEANING

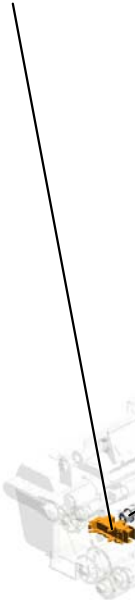
U010_S001
D1366400
BELT CLEANING:ASS'Y



U001	U002	U003	U004	U005	U006	U007	U008	U009	U010	U011	U012	U013	U014	U015	U016	U017	U018	U019	U020
------	------	------	------	------	------	------	------	------	------	------	------	------	------	------	------	------	------	------	------

U010 ITB CLEANING

9.AW020198
PHOTOINTERRUP
TOR:LG2A14NL1

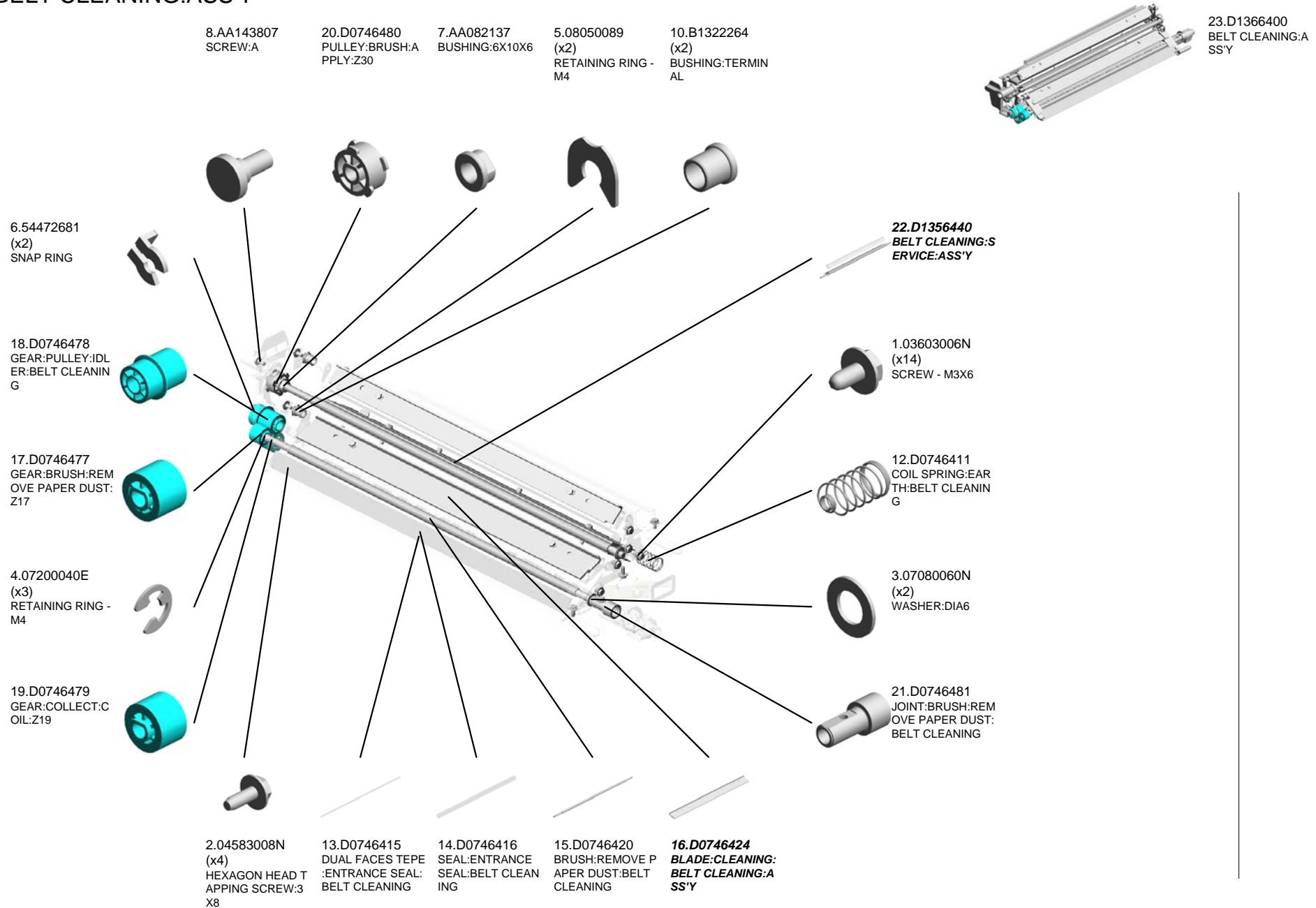


11.B2342390
FLANGED HEXAG
ONAL HEAD BOLT:
M4X8



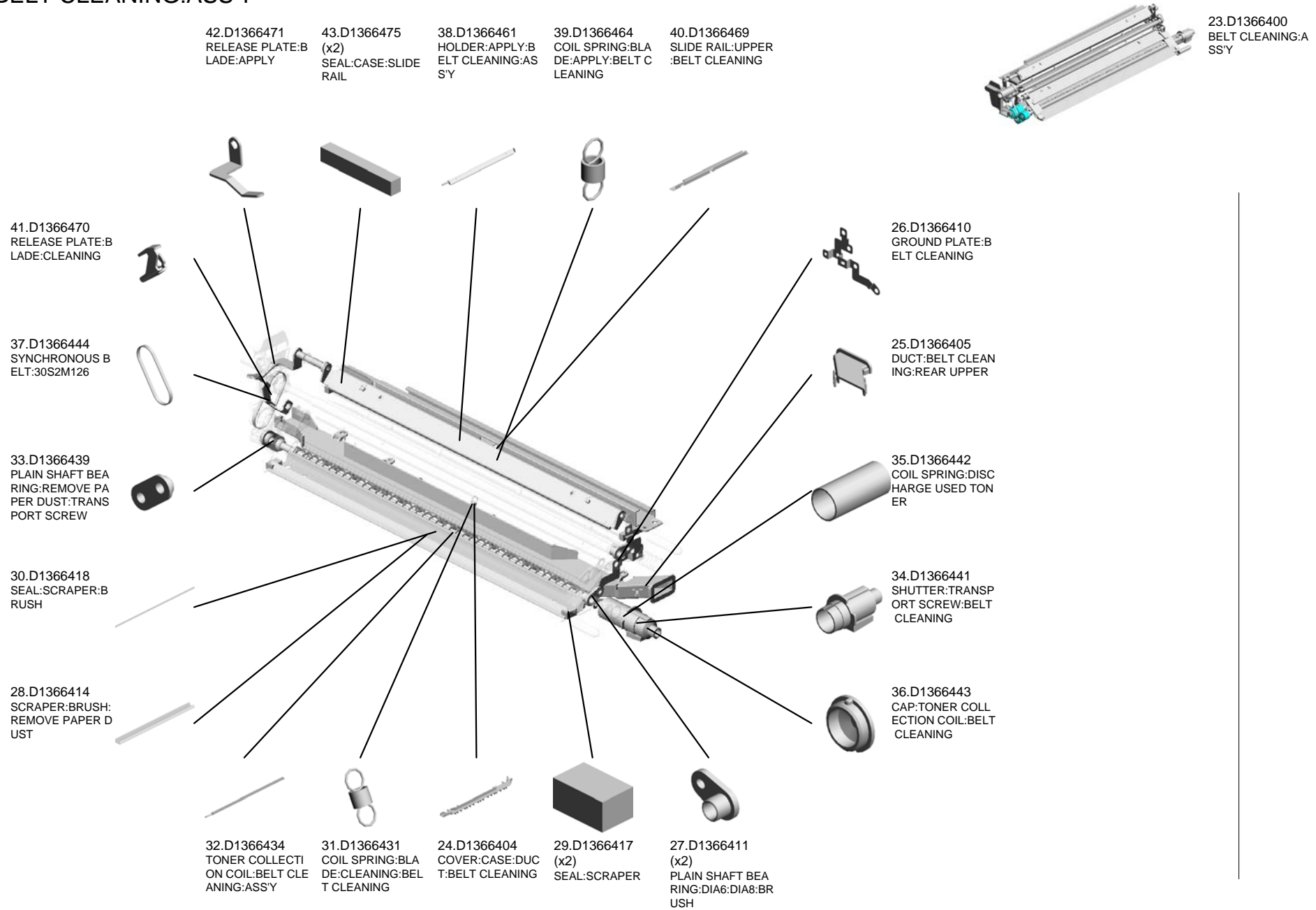
U001	U002	U003	U004	U005	U006	U007	U008	U009	U010	U011	U012	U013	U014	U015	U016	U017	U018	U019	U020
------	------	------	------	------	------	------	------	------	------	------	------	------	------	------	------	------	------	------	------

U010_S001
BELT CLEANING:ASS'Y



U001	U002	U003	U004	U005	U006	U007	U008	U009	U010	U011	U012	U013	U014	U015	U016	U017	U018	U019	U020
------	------	------	------	------	------	------	------	------	-------------	------	------	------	------	------	------	------	------	------	------

U010_S001 BELT CLEANING:ASS'Y



U001	U002	U003	U004	U005	U006	U007	U008	U009	U010	U011	U012	U013	U014	U015	U016	U017	U018	U019	U020
------	------	------	------	------	------	------	------	------	------	------	------	------	------	------	------	------	------	------	------

U010_S001
BELT CLEANING:ASS'Y

59.D1366495
LEVER:RELEASE:BLADE

61.D1366497
(x2)
SEAL:CASE:DUCT: BOTH ENDS

60.D1366496
SEAL:CASE:DUCT: BELT CLEANING

52.D1366488
SEAL:HOLDER:BEHIND:BELT CLEANING

62.D1366498
SEAL:APPLY:HOLDER:BEHIND



23.D1366400
BELT CLEANING:ASS'Y

45.D1366480
SEAL:HOLDER:CLEANING BLADE:FRONT UPPER

47.D1366483
SEAL:HOLDER:CLEANING BLADE:FRONT LOWER

56.D1366492
SEAL:CASE:CLEANING BLADE:FRONT LOWER

49.D1366485
SEAL:CASE:BRUSH:FRONT

51.D1366487
SEAL:CASE:BRUSH:FRONT LOWER

53.D1366489
VIBRATING PLATE: TRANSPORT SCREW:BELT CLEANING

55.D1366491
SHEET:OPPOSED: OPTICS SENSOR:BASE:BELT CLEANING

54.D1366490
SEAL:BASE:CASE: BELT CLEANING

58.D1366494
(x2)
SEAL:CASE:SCRAPPER

44.D1366476
(x2)
SHEET:SLIDE RAIL:BELT CLEANING

48.D1366484
SEAL:HOLDER:CLEANING BLADE:REAR LOWER

46.D1366481
SEAL:HOLDER:CLEANING BLADE:REAR UPPER

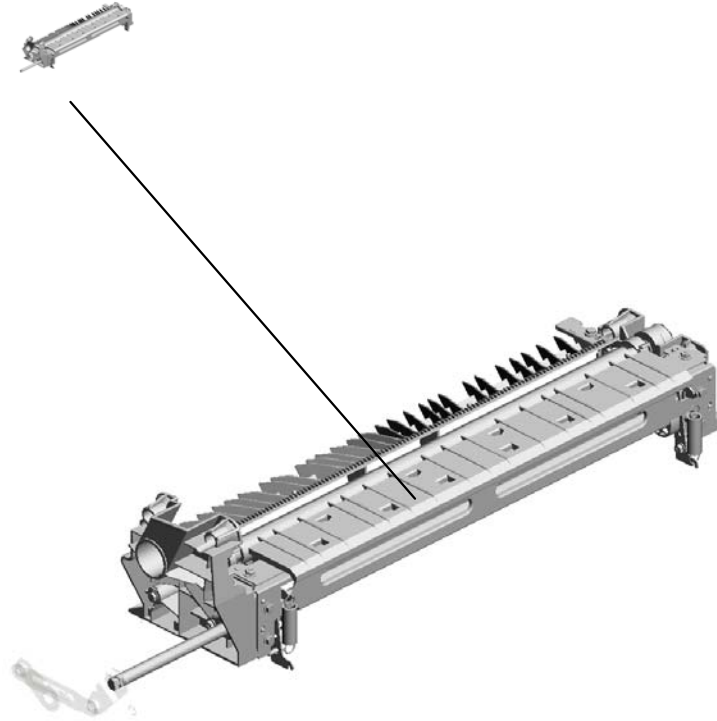
57.D1366493
SEAL:CASE:CLEANING BLADE:REAR LOWER

50.D1366486
SEAL:CASE:BRUSH:REAR

U001	U002	U003	U004	U005	U006	U007	U008	U009	U010	U011	U012	U013	U014	U015	U016	U017	U018	U019	U020
------	------	------	------	------	------	------	------	------	------	------	------	------	------	------	------	------	------	------	------

U011.PAPER TRANSFER

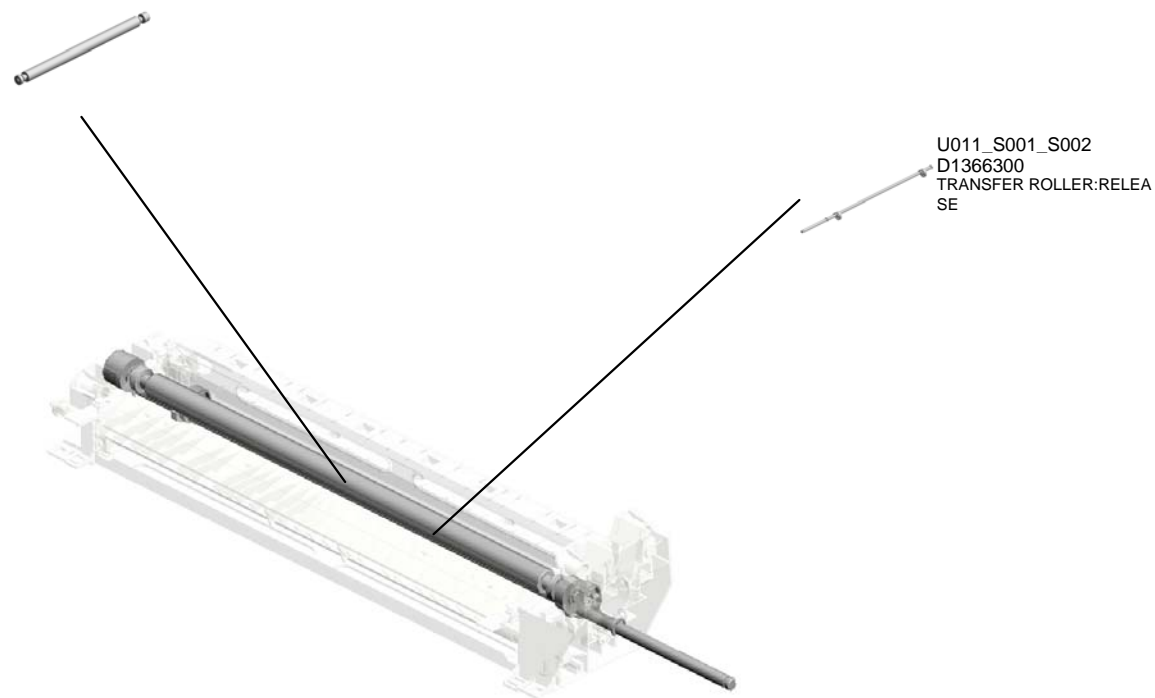
U011_S001
D1366200
TRANSFER/SEPARATION UN
IT:ASS'Y



U001	U002	U003	U004	U005	U006	U007	U008	U009	U010	U011	U012	U013	U014	U015	U016	U017	U018	U019	U020
------	------	------	------	------	------	------	------	------	------	------	------	------	------	------	------	------	------	------	------

U011_S001.TRANSFER/SEPARATION UNIT:ASS'Y

U011_S001_S001
D1366250
TRANSFER ROLLER:ASS'Y

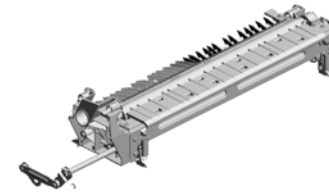


U011_S001_S002
D1366300
TRANSFER ROLLER:RELEASE

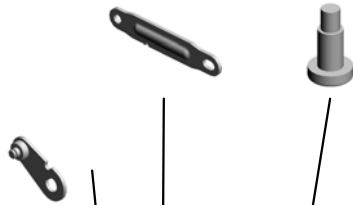
U001	U002	U003	U004	U005	U006	U007	U008	U009	U010	U011	U012	U013	U014	U015	U016	U017	U018	U019	U020
------	------	------	------	------	------	------	------	------	------	------	------	------	------	------	------	------	------	------	------

U011 PAPER TRANSFER

31.D1366354
LINK:CONNECTIN
G
10.AA143183
(x2)
STEPPED SCREW



30.D1366352
LINK:RELEASE:LO
WER



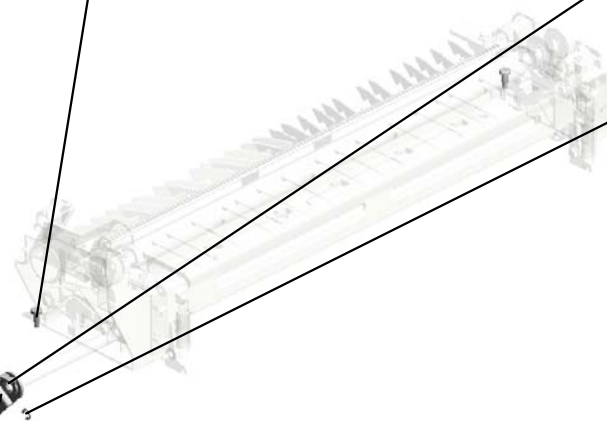
9.52152621
SNAP RING - M6



4.07200030G
(x2)
RETAINING RING -
M3



29.D1366350
LINK:RELEASE:RIG
HT



U001	U002	U003	U004	U005	U006	U007	U008	U009	U010	U011	U012	U013	U014	U015	U016	U017	U018	U019	U020
------	------	------	------	------	------	------	------	------	------	------	------	------	------	------	------	------	------	------	------

U011_S001 TRANSFER/SEPARATION UNIT:ASS'Y

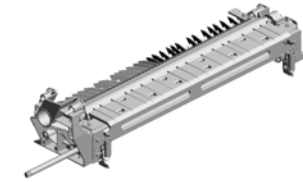
5.07200040E
RETAINING RING -
M4

20.D1366288
GEAR:IDLER:TRAN
SFER ROLLER

15.D1366278
LEVER:PRESSURE
:REAR

27.D1366303
(x2)
HOLDER:RELEASE
:TRANSFER ROLL
ER

24.D1366293
GROUND PLATE:T
RANSFER/SEPARA
TION UNIT:RIGHT



11.D1366200
TRANSFER/SEPAR
ATION UNIT:ASS'Y

7.08010236
HEXAGONAL BOLT
:DOUBLE SCREW:
M4X8

1.03603006N
(x3)
SCREW - M3X6

2.04583008N
(x16)
HEXAGON HEAD T
APPING SCREW:3
X8

19.D1366287
JOINT:DRIVE:TRA
NSFER ROLLER

23.D1366292
GROUND PLATE:T
RANSFER/SEPARA
TION UNIT:LOWER

18.D1366286
SHAFT:CONTACT
POINT:TRANSFER/
SEPARATION UNIT

13.D1366260
SEPARATION COR
ONA:ASS'Y

16.D1366282
COIL SPRING:SEP
ARATION:TRANSF
ER ROLLER

14.D1366277
LEVER:PRESSURE
:FRONT

25.D1366295
GUIDE PLATE:ENT
RANCE:TRANSFER
ROLLER:ASS'Y

22.D1366291
(x2)
GROUND PLATE:T
RANSFER ROLLER

28.D1366310
(x2)
COIL SPRING:PRE
SSURE:TRANSFER
ROLLER

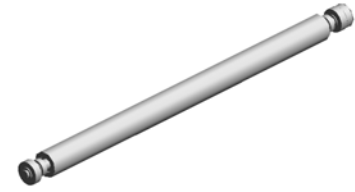
21.D1366290
(x2)
HOOK:PRESSURE:
TRANSFER ROLLE
R

17.D1366283
ELECTRODE PLAT
E:SEPARATION:TR
ANSFER ROLLER

U011_S001_S001
TRANSFER ROLLER:ASS'Y

5.07200040E
RETAINING RING -
M4

8.08053573
(x2)
RADIAL BALL BEA
RING: DIA8XDIA16X
5



12.D1366250
TRANSFER ROLLE
R:ASS'Y



6.07200060E
(x3)
RETAINING RING -
M6

U001	U002	U003	U004	U005	U006	U007	U008	U009	U010	U011	U012	U013	U014	U015	U016	U017	U018	U019	U020
------	------	------	------	------	------	------	------	------	------	------	------	------	------	------	------	------	------	------	------

U011_S001_S002
TRANSFER ROLLER:RELEASE

3.06330140G
(x2)
PARALLEL PIN - 3X
14

26.D1366300
TRANSFER ROLLE
R:RELEASE



U001	U002	U003	U004	U005	U006	U007	U008	U009	U010	U011	U012	U013	U014	U015	U016	U017	U018	U019	U020
------	------	------	------	------	------	------	------	------	------	------	------	------	------	------	------	------	------	------	------

U012.USUD TONER

U012_S001
D1363550
PIPE:UPPER:ASS'Y

U012_S004
D1363505
COLLECTION BOTTLE:ASS'Y

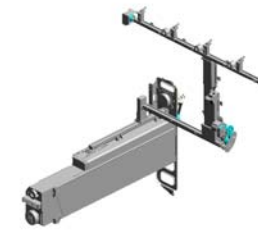
U012_S002
D1363610
PIPE:MIDDLE:ASS'Y

U012_S003
D1363642
HOLDER:RADIAL BALL BEAR
ING:JOINT:PRESS FIT

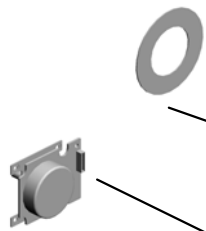
U001	U002	U003	U004	U005	U006	U007	U008	U009	U010	U011	U012	U013	U014	U015	U016	U017	U018	U019	U020
------	------	------	------	------	------	------	------	------	------	------	------	------	------	------	------	------	------	------	------

U012 USUD TONER

27.D1363564 SPACER:DIA9:0.13 MM
 10.AA143555 SCREW - M3X5
 28.D1363566 BRACKET:GEAR:USED TONER:PCU:PEEN
 1.04543006Q (x42) TAPPING SCREW - M3X6
 12.AW020145 (x2) PHOTOINTERRUPTOR:FLAT



15.D0741454 DC MOTOR:DIA49:9.8W:BLS



9.11050758 (x8) CLAMP:LWSM-0306A



24.D0746665 GEAR:JOINT:COLLECTION BOTTLE:Z65



23.D0746659 SHAFT:JOINT:COLLECTION BOTTLE:ASSY



14.AW500040 PUSH SWITCH:SW1AG-550:10MA



11.AG071012 MAGNET CATCH:ASSY



18.D0746577 CAM:VERTICAL TRANSPORT:DIA15



20.D0746579 SEAL:COVER:CAM:VERTICAL TRANSPORT



17.D0746575 SHAFT:CAM:VERTICAL TRANSPORT



16.D0746574 COVER:CAM:VERTICAL TRANSPORT



2.04543010Q TAPPING SCREW:3X10



8.08072089 WASHER - 10MM

19.D0746578 GEAR:Z37:CAM:VERTICAL TRANSPORT



21.D0746585 (x2) GEAR:Z38/Z24:VERTICAL TRANSPORT



5.07200040E (x2) RETAINING RING - M4



22.D0746586 GEAR:Z35:IDLER:VERTICAL TRANSPORT



U012 USUD TONER

29.D1363569 GEAR:Z35:TRANSP
PORT SCREW:PCU:
MAIN

37.D1363622 SEAL:RELAY DUCT

39.D1363641 GEAR:TRANSPOR
T SCREW:LOWER:
Z41

41.D1363646 TORQUE LIMITER
MECHANICAL CLU
TCH:GEAR:Z65/Z35

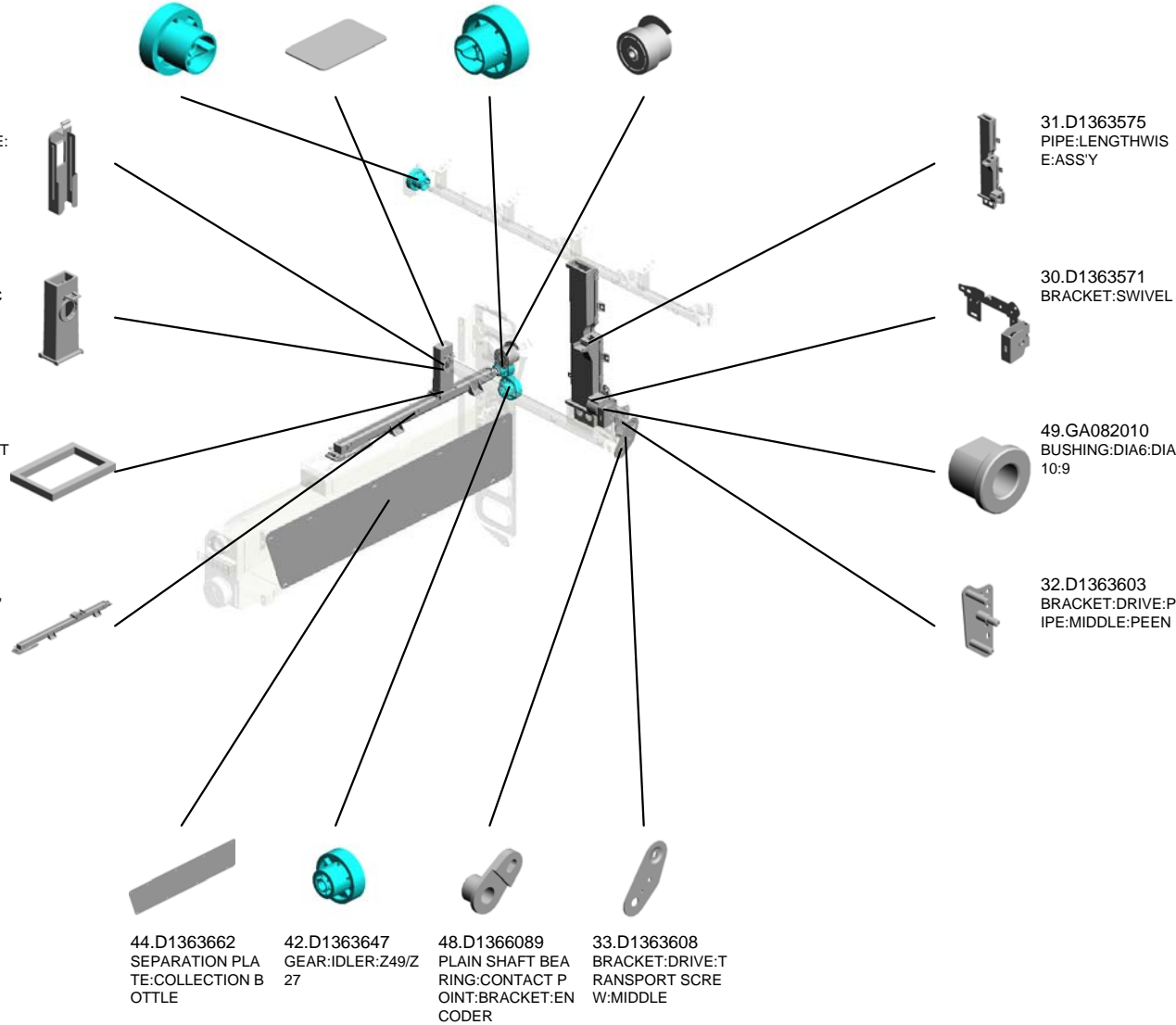


36.D1363621
VIBRATING PLATE:
RELAY DUCT

35.D1363620
CASE:RELAY DUC
T

38.D1363623
SEAL:RELAY DUCT
:SPONGE

43.D1363652
PIPE:LOWER:ASS'
Y



44.D1363662
SEPARATION PLA
TE:COLLECTION B
OTTLE

42.D1363647
GEAR:IDLER:Z49/Z
27

48.D1366089
PLAIN SHAFT BEA
RING:CONTACT P
OINT:BRACKET:EN
CODER

33.D1363608
BRACKET:DRIVE:T
RANSPORT SCRE
W:MIDDLE

31.D1363575
PIPE:LENGTHWIS
E:ASSY

30.D1363571
BRACKET:SWIVEL

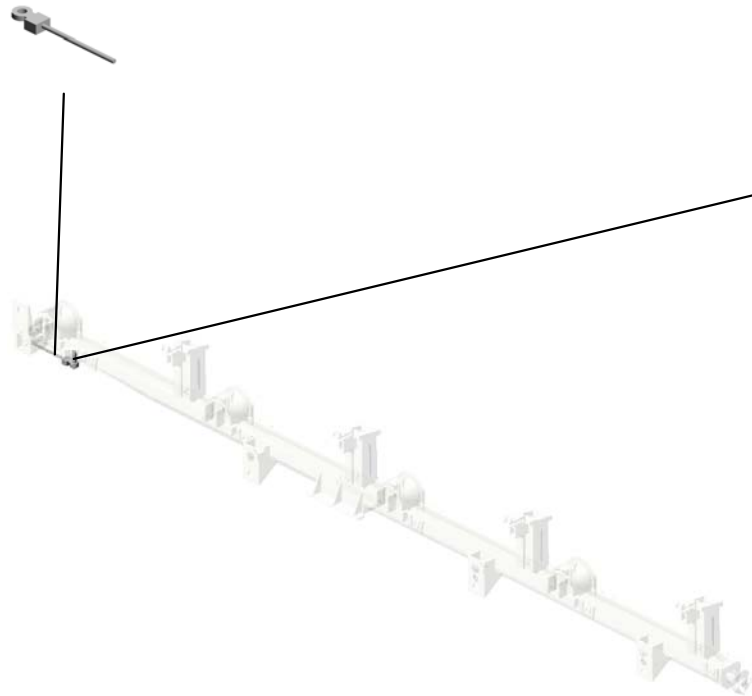
49.GA082010
BUSHING:DIA6:DIA
10:9

32.D1363603
BRACKET:DRIVE:P
IPE:MIDDLE:PEEN

U012_S001
PIPE:UPPER:ASS'Y

13.AW100107
THERMISTOR

26.D1363550
PIPE:UPPER:ASS'Y



4.04593010N
BINDING HEAD TA
PPING SCREW:3X
10

U001	U002	U003	U004	U005	U006	U007	U008	U009	U010	U011	U012	U013	U014	U015	U016	U017	U018	U019	U020
------	------	------	------	------	------	------	------	------	------	------	------	------	------	------	------	------	------	------	------

U012_S002
PIPE:MIDDLE:ASS'Y

5.07200040E
RETAINING RING -
M4



34.D1363610
PIPE:MIDDLE:ASS'
Y

U001	U002	U003	U004	U005	U006	U007	U008	U009	U010	U011	U012	U013	U014	U015	U016	U017	U018	U019	U020
------	------	------	------	------	------	------	------	------	------	------	------	------	------	------	------	------	------	------	------

U012_S003
HOLDER:RADIAL BALL BEARING:JOINT:PRESS FIT

6.07403906
BALL BEARING - 6
X15X5

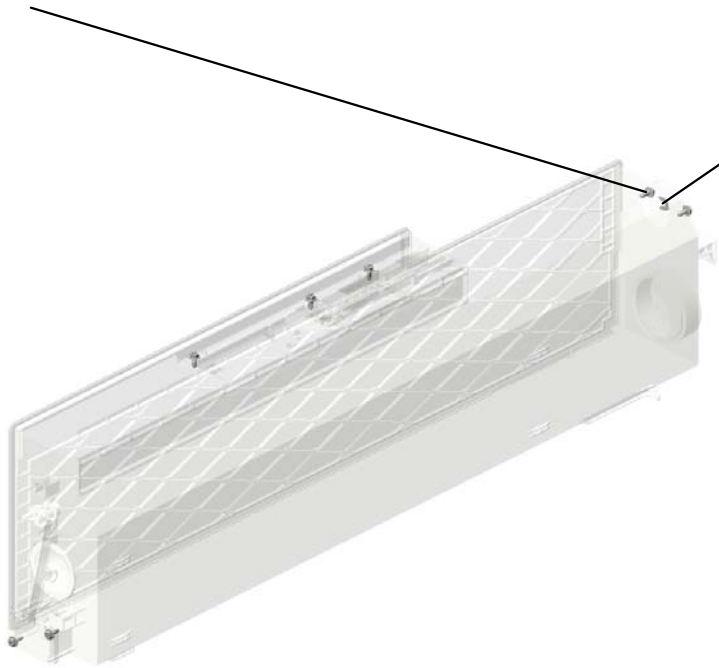


40.D1363642
HOLDER:RADIAL B
ALL BEARING:JOIN
T:PRESS FIT

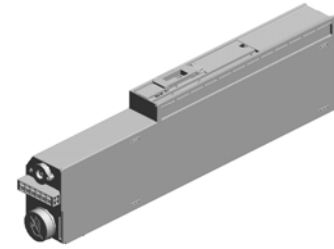
U001	U002	U003	U004	U005	U006	U007	U008	U009	U010	U011	U012	U013	U014	U015	U016	U017	U018	U019	U020
------	------	------	------	------	------	------	------	------	------	------	------	------	------	------	------	------	------	------	------

U012_S004
COLLECTION BOTTLE:ASS'Y

3.04583008N
(x7)
HEXAGON HEAD TAPPING SCREW:3
X8



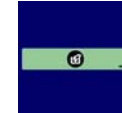
7.08050089
RETAINING RING -
M4



25.D1363505
COLLECTION BOT
TLE:ASS'Y



45.D1363690
DECAL:COLLECTI
ON BOTTLE:CAUTI
ON



46.D1363691
DECAL:COLLECTI
ON BOTTLE:GRIP:
FRONT

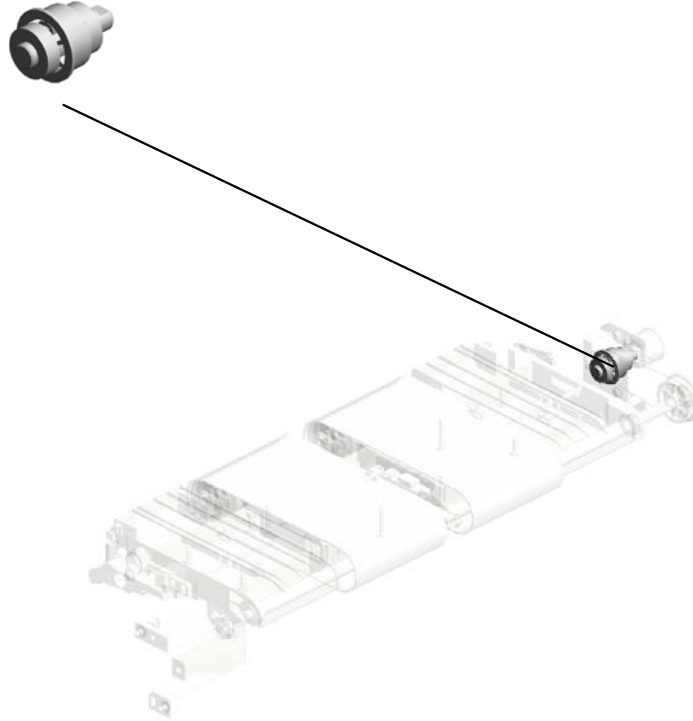


47.D1363692
(x2)
DECAL:COLLECTI
ON BOTTLE:GRIP:
UPPER

U001	U002	U003	U004	U005	U006	U007	U008	U009	U010	U011	U012	U013	U014	U015	U016	U017	U018	U019	U020
------	------	------	------	------	------	------	------	------	------	------	------	------	------	------	------	------	------	------	------

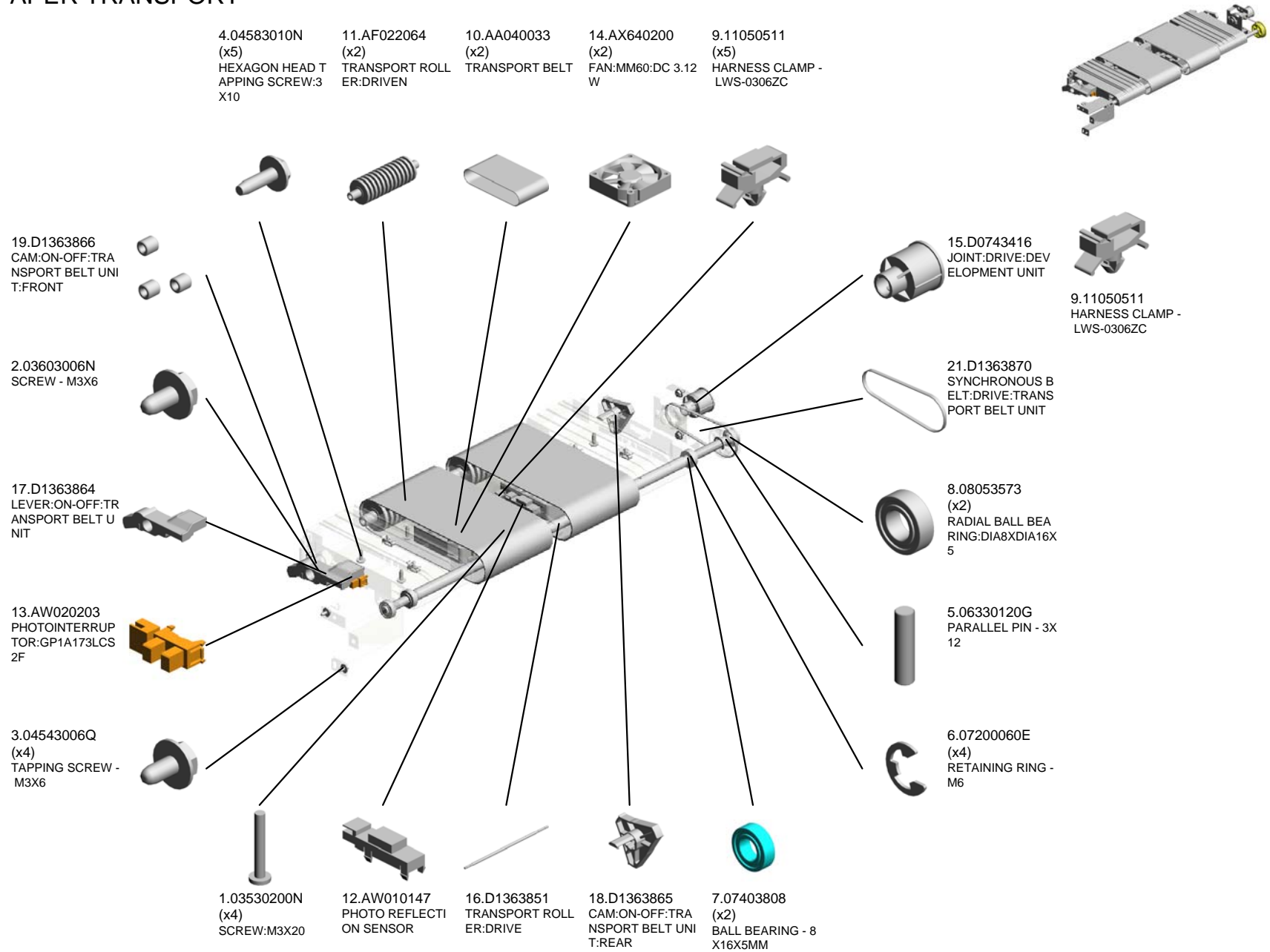
U013.PAPER TRANSPORT

U013_S001
D1363869
SHAFT:JOINT:VACUUM:ASS'
Y



U001	U002	U003	U004	U005	U006	U007	U008	U009	U010	U011	U012	U013	U014	U015	U016	U017	U018	U019	U020
------	------	------	------	------	------	------	------	------	------	------	------	------	------	------	------	------	------	------	------

U013 PAPER TRANSPORT



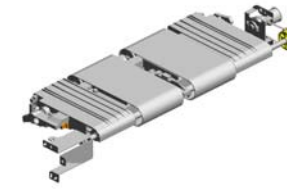
U001	U002	U003	U004	U005	U006	U007	U008	U009	U010	U011	U012	U013	U014	U015	U016	U017	U018	U019	U020
------	------	------	------	------	------	------	------	------	------	------	------	-------------	------	------	------	------	------	------	------

U013 PAPER TRANSPORT

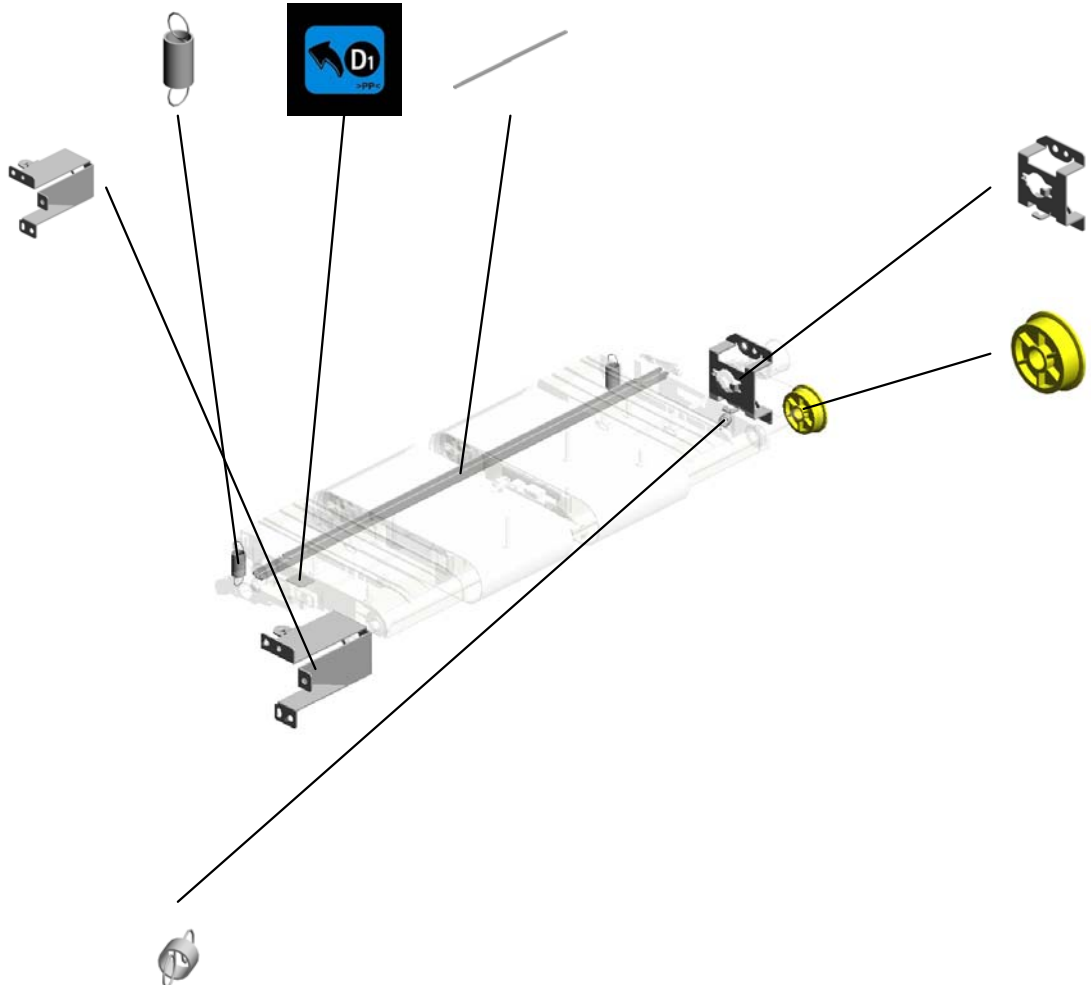
26.D1363882
(x2)
TENSION SPRING:
PRESSURE:TRANS
PORT BELT UNIT

28.D1363890
DECAL:VACUUM:G
RIP:D1

24.D1363877
SHAFT:ON-OFF:TR
ANSPORT BELT U
NIT



25.D1363879
BRACKET:VACUUM:
PULL OUT:FRONT



22.D1363871
BRACKET:SHAFT:JOINT:
VACUUM

23.D1363872
PULLEY:SHAFT:DRIVE:
VACUUM

27.D1363889
COIL SPRING:
VACUUM:GROUND

U001	U002	U003	U004	U005	U006	U007	U008	U009	U010	U011	U012	U013	U014	U015	U016	U017	U018	U019	U020
------	------	------	------	------	------	------	------	------	------	------	------	------	------	------	------	------	------	------	------

U013_S001
SHAFT:JOINT:VACUUM:ASS'Y

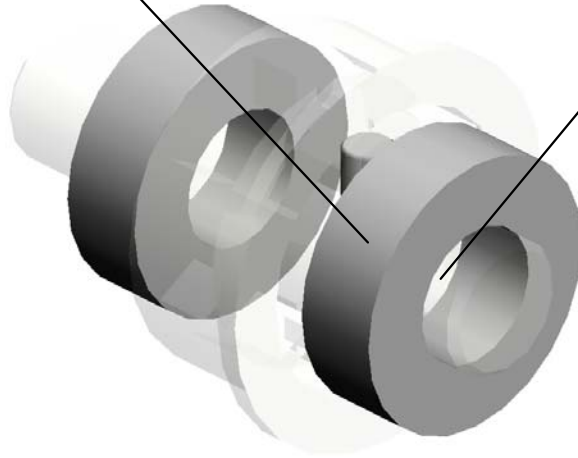
5.06330120G
PARALLEL PIN - 3X
12



20.D1363869
SHAFT:JOINT:VAC
UUM:ASS'Y



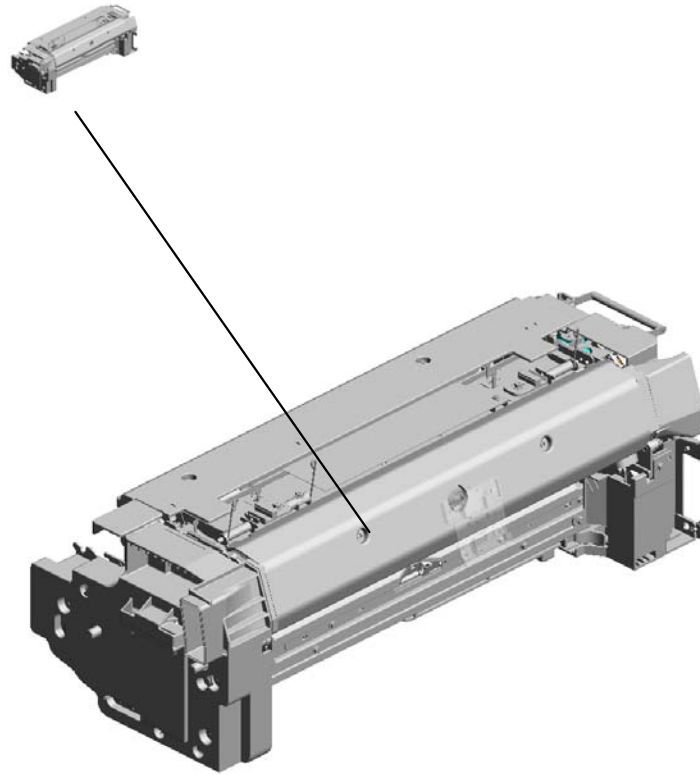
7.07403808
(x2)
BALL BEARING - 8
X16X5MM



U001	U002	U003	U004	U005	U006	U007	U008	U009	U010	U011	U012	U013	U014	U015	U016	U017	U018	U019	U020
------	------	------	------	------	------	------	------	------	------	------	------	------	------	------	------	------	------	------	------

U014.FUSING

U014_S001
D1364004
FUSING UNIT:ASSY:NA:D135



U001	U002	U003	U004	U005	U006	U007	U008	U009	U010	U011	U012	U013	U014	U015	U016	U017	U018	U019	U020
------	------	------	------	------	------	------	------	------	------	------	------	------	------	------	------	------	------	------	------

U014_S001.FUSING UNIT:ASS'Y:NA:D135

U014_S001_S007
D1364301
COIL:IH:100V:ASS'Y:NA:D135

U014_S001_S005
D1364184
HEAT ROLLER:ASS'Y

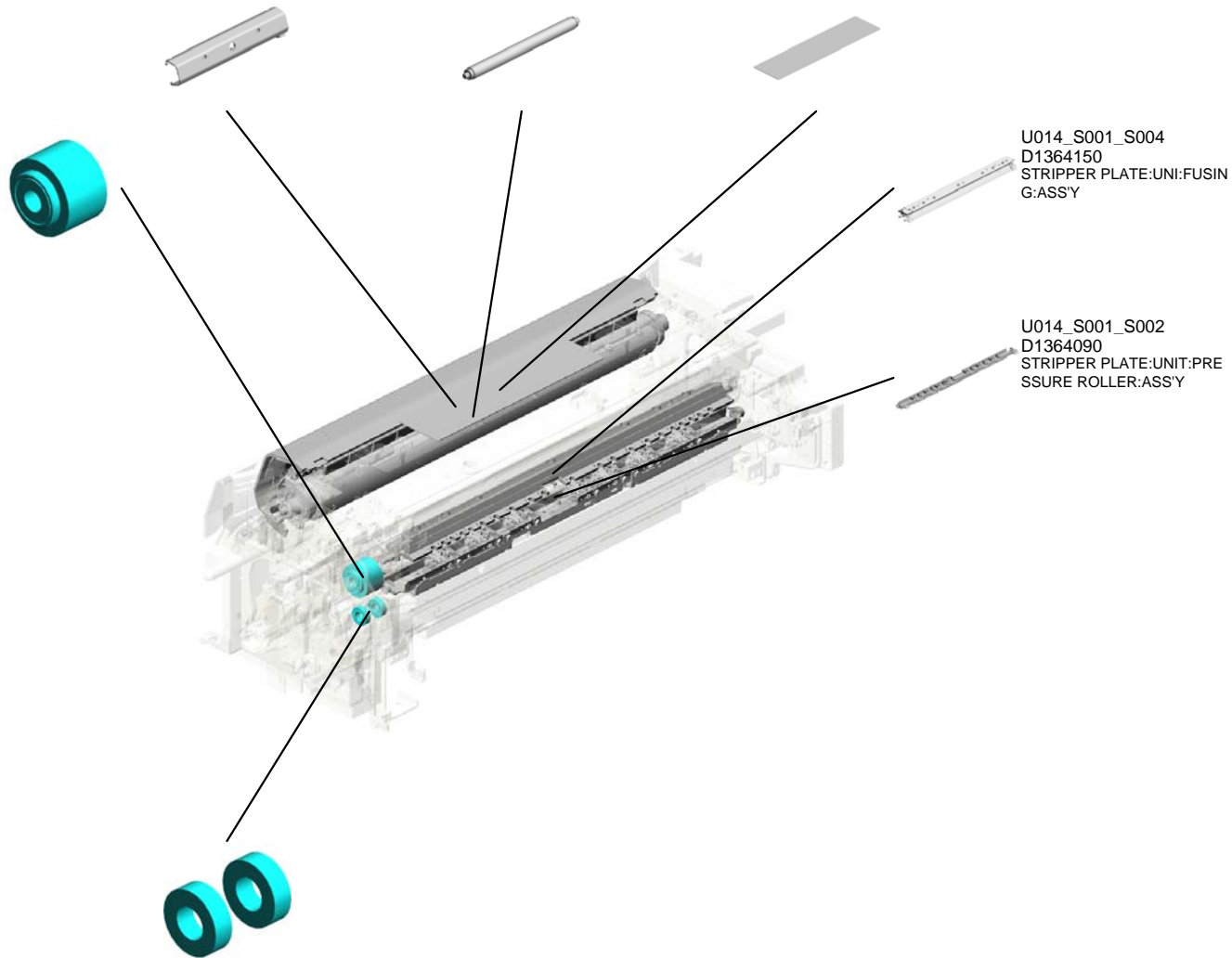
U014_S001_S006
D1364067
FUSING COVER:UPPER:ASS'Y

U014_S001_S003
AB012230
GEAR:IDLER:27Z:ASS'Y

U014_S001_S004
D1364150
STRIPPER PLATE:UNI:FUSING:ASS'Y

U014_S001_S002
D1364090
STRIPPER PLATE:UNIT:PRESSURE ROLLER:ASS'Y

U014_S001_S001
AB012209
GEAR:JOINT:PRESSURE:ASS'Y



U001	U002	U003	U004	U005	U006	U007	U008	U009	U010	U011	U012	U013	U014	U015	U016	U017	U018	U019	U020
------	------	------	------	------	------	------	------	------	------	------	------	------	------	------	------	------	------	------	------

U014 FUSING

64.D0894366
COVER:THERMIST
OR:LENS

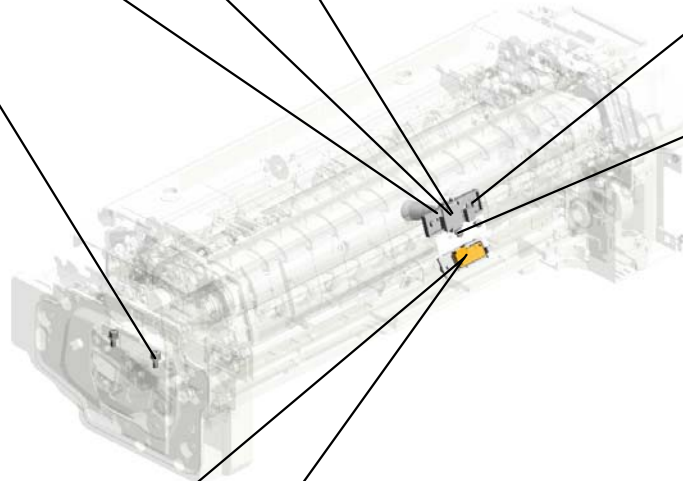
63.D0894365
HOLDER:THERMIS
TOR:LENS



50.AW100138
THERMOPILE



12.08046123
(x2)
HEXAGONAL BOLT
:W/WASHER:M3X8



11.08010231
(x3)
HEXAGONAL HEA
D BOLT W/WASHE
R:M3X6



1.03530040N
(x2)
SCREW - M3X4



3.03604006N (x 2)
SCREW - M4X6

108.D1364195
COVER:ENTRANC
E SENSOR:FUSIN
G

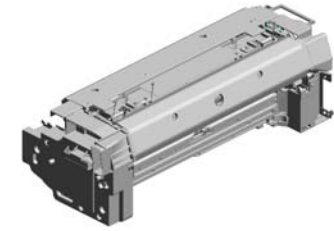


47.AW010201
DISTANCE MEASU
RING SENSOR:150
MM



U001	U002	U003	U004	U005	U006	U007	U008	U009	U010	U011	U012	U013	U014	U015	U016	U017	U018	U019	U020
------	------	------	------	------	------	------	------	------	------	------	------	------	------	------	------	------	------	------	------

U014_S001
FUSING UNIT:ASS'Y:NA:D135



66.D1364004
FUSING UNIT:ASS'
Y:NA:D135

16.11050714 (x2)
CLAMP:LWSM-051
1H GRAY

8.07250150E (x2)
RETAINING RING
C - M15

1.03530040N (x9)
SCREW - M3X4

14.09543005N (x5)
SCREW:POLISHED
ROUND/SPRING:M
3X5

11.08010231 (x9)
HEXAGONAL HEA
D BOLT W/WASHE
R:M3X6

4.04543010Q (x4)
TAPPING SCREW:
3X10

15.09544006N
SCREW:POLISHED
ROUND/SPRING:M
4X6

5.07010060N
WASHER DIA6

10.07270060E
RETAINING RING -
M6

13.08046128 (x2)
HEXAGONAL BOLT
:DOUBLE SCREW:
M3X10

9.07250200E (x3)
RETAINING RING
C - M20

7.07200060E (x12)
RETAINING RING -
M6

18.A2171340
KNOB SCREW - M4
X10

17.54472768 (x2)
STEPPED SCREW
- M3

12.08046123 (x29)
HEXAGONAL BOLT
:W/WASHER:M3X8

2.03603006N (x77)
SCREW - M3X6

129.D1364275
SHEET:PRESSURE
:CAM:LOWER FRO
NT

130.D1364276
SHEET:PRESSURE
:CAM:LOWER REA
R

22.AA061152
TORSION SPRING:
STRIPPER PLATE:
STOPPER GUIDE:F
RONT

20.AA061148 (x2)
COMPRESSION SP
RING:PRESSURE

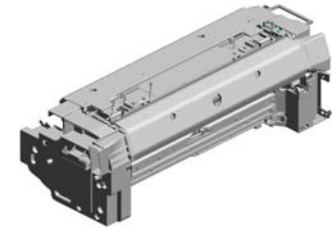
140.D1364441
COVER:HARNESS:
LEFT INNER REAR

141.D1441085
STEPPED SCREW:
M3

21.AA061151
TENSION SPRING:
FUSING:PAPER EX
IT SUB-UNIT:LEVE
R

6.07200040E (x11)
RETAINING RING -
M4

U014_S001
FUSING UNIT:ASS'Y:NA:D135



66.D1364004
FUSING UNIT:ASS'
Y:NA:D135

37.AB012211
GEAR:HEAT ROLL
ER:TURN

30.AA066698
TORSION SPRING:
LOCK:STRIPPER P
LATE:FRONT:13N

31.AA082101
(x2)
BUSHING - 6X10X6

23.AA061153
TORSION SPRING:
STRIPPER PLATE:
STOPPER GUIDE:F
RONT:REAR

29.AA066697
TORSION SPRING:
LOCK:STRIPPER P
LATE:REAR:13N

26.AA061159
TENSION SPRING:
HEAT ROLLER:TU
RN

38.AB012212
GEAR:HOT ROLLE
R

32.AA132204
COLLAR

39.AB012229
GEAR:IDLER:FUSI
NG:OFFICE

44.AE030044
(x2)
BALL BEARING - 1
0X22X6

36.AB012210
GEAR:PRESSURE
ROLLER

34.AB012208
GEAR:IDLER:PRES
SURE ROLLER:AS
SY

28.AA061176
TORSION SPRING:
STRIPPER PLATE:
STOPPER GUIDE:T
URN:REAR

24.AA061157
COIL SPRING:GUI
DE PLATE:UPPER

42.AE020215
PRESSURE ROLLE
R:DIA50

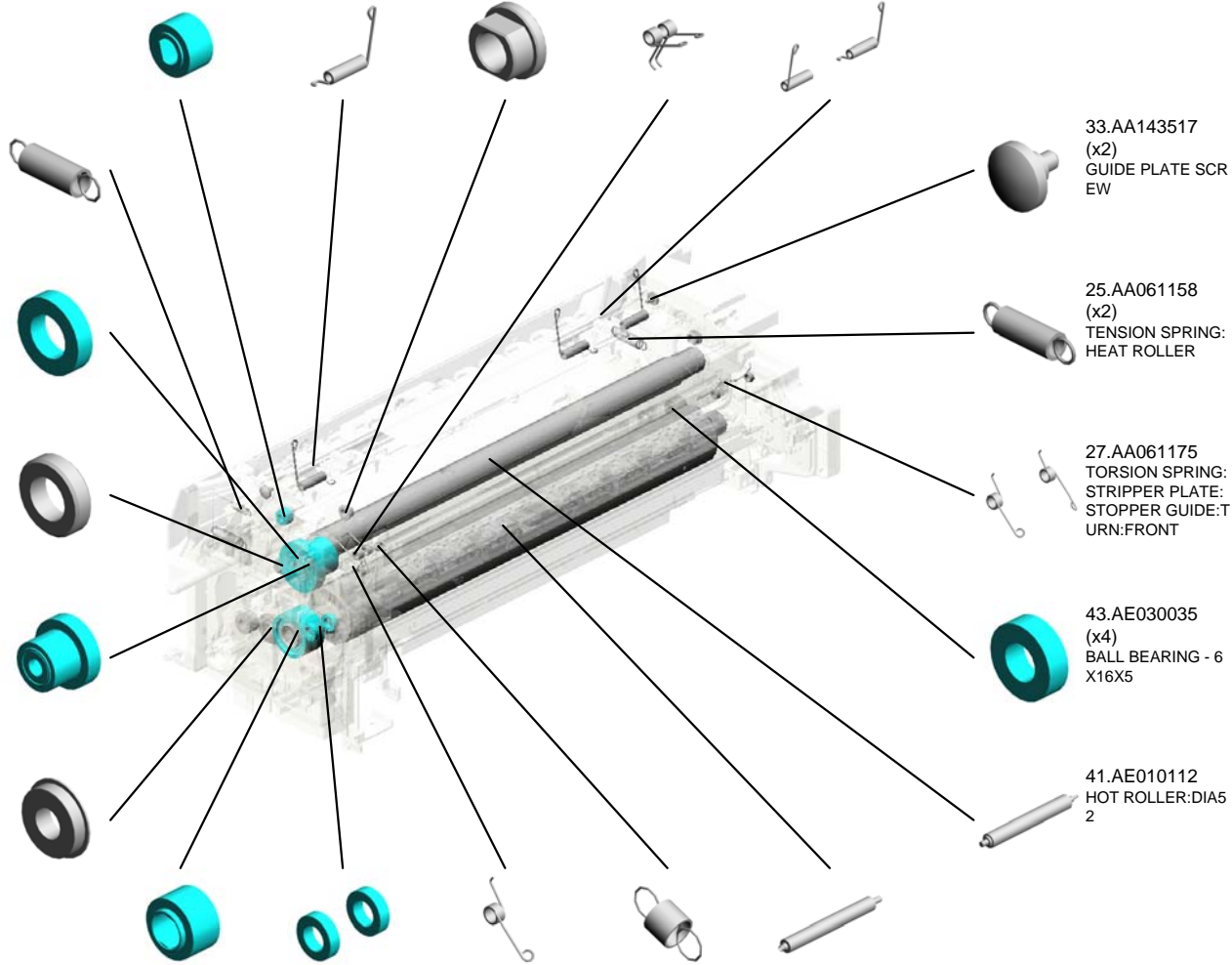
33.AA143517
(x2)
GUIDE PLATE SCR
EW

25.AA061158
(x2)
TENSION SPRING:
HEAT ROLLER

27.AA061175
TORSION SPRING:
STRIPPER PLATE:
STOPPER GUIDE:T
URN:FRONT

43.AE030035
(x4)
BALL BEARING - 6
X16X5

41.AE010112
HOT ROLLER:DIA5
2



U001	U002	U003	U004	U005	U006	U007	U008	U009	U010	U011	U012	U013	U014	U015	U016	U017	U018	U019	U020
------	------	------	------	------	------	------	------	------	------	------	------	------	------	------	------	------	------	------	------

U014_S001
FUSING UNIT:ASS'Y:NA:D135

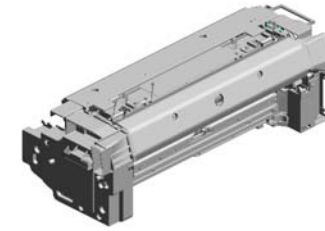
51.AW100161
THERMISTOR:FUSI
NG:70ANG

45.AE030059
(x4)
BALL BEARING:MM
20XMM32X7

54.B0042310
(x6)
SPUR

49.AW100133
TEMPERATURE SE
NSOR:NC-F10

57.D0144192
(x2)
CLAMP:HARNESS



66.D1364004
FUSING UNIT:ASS'
Y:NA:D135

60.D0744097
TAB:TERMINAL:CO
NNECTING

68.D1364069
(x2)
CAM:PRESSURE:A

69.D1364070
(x2)
COLLAR:DIA10X:DI
A14X:15.8

61.D0744100
COVER:BASE:ID

48.AW020198
(x3)
PHOTOINTERRUP
TOR:LG2A14NL1

65.D1054365
HOLDER:THERMO
PILE

50.AW100138
THERMOPILE

53.AX430208
HEATER:PRESSUR
E ROLLER:120V:60
0W:NA:D135:INFRA
RED

52.AW110044
THERMOSTAT:150
C:250V/17A

59.D0744063
HOUSING:THERM
OSTAT:ASS'Y

56.C2442601
FRONT STEPPED
SCREW

62.D0744227
(x2)
BOLT:M5:ROUND P
OINT

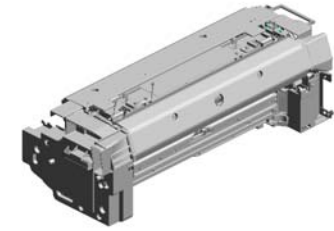
58.D0744009
(x4)
HOLDER:M5

55.B1324981
CLAMP:HARNESS

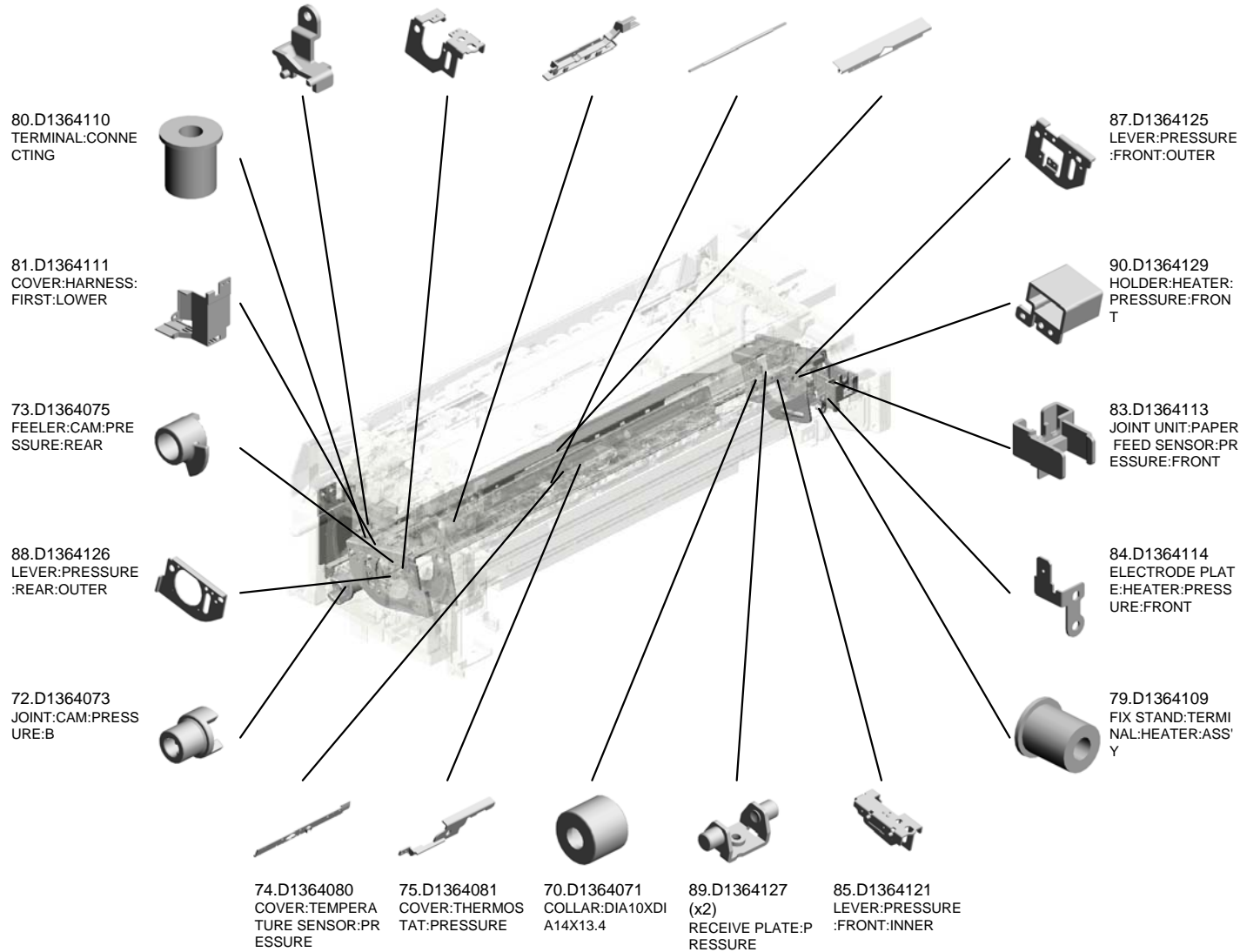
46.AW010200
PAPER FEED SEN
SOR:FUSING EXIT

U014_S001
FUSING UNIT:ASS'Y:NA:D135

- 82.D1364112 COVER:TERMINAL:CONNECTING
- 86.D1364123 LEVER:PRESSURE:REAR:INNER
- 76.D1364082 CLAMP:HARNES:PRESSURE
- 71.D1364072 SHAFT:CAM:PRESSURE
- 77.D1364087 FUSING ENTRANCE GUIDE PLATE:LOWER



66.D1364004
FUSING UNIT:ASS'Y:NA:D135



U001	U002	U003	U004	U005	U006	U007	U008	U009	U010	U011	U012	U013	U014	U015	U016	U017	U018	U019	U020
------	------	------	------	------	------	------	------	------	------	------	------	------	------	------	------	------	------	------	------

U014_S001
FUSING UNIT:ASS'Y:NA:D135

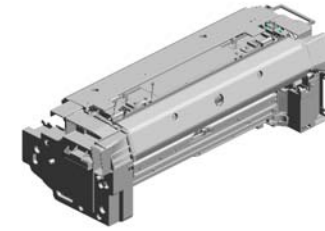
99.D1364146
LEVER:PAPER EXIT
SUB-UNIT:OPEN
AND CLOSE:REAR

103.D1364170
BRACKET:STRIPPER
PLATE:REAR

106.D1364181
FLAT BELT-FUSING
G:DIA75:SEAL

98.D1364144
COVER:SEPARATION
ON:OPEN AND CLOSE:FIBER

112.D1364224
LEVER:TENSION:HEAT
ROLLER:FRONT



66.D1364004
FUSING UNIT:ASS'Y:
NA:D135

111.D1364217
LEVER:TENSION:HEAT
ROLLER:REAR

113.D1364230
FEELER:HEAT ROLLER:
TURN

95.D1364136
(x2)
STEPPED SCREW:
M5

94.D1364135
(x2)
SHAFT:RADIAL BALL
BEARING:LEVER:
PRESSURE

91.D1364130
HOLDER:HEATER:
PRESSURE:REAR

105.D1364178
COVER:FUSING EXIT:
UPPER

97.D1364143
HOOK:COIL SPRING:
OPEN AND CLOSE:
LEVER

96.D1364139
FEELER:CAM:PRESSURE:
FRONT:OFFICE

92.D1364131
(x2)
HOLDER:COIL SPRING:
PRESSURE

93.D1364132
(x2)
LEVER:CONTROL
PLATE:PRESSURE

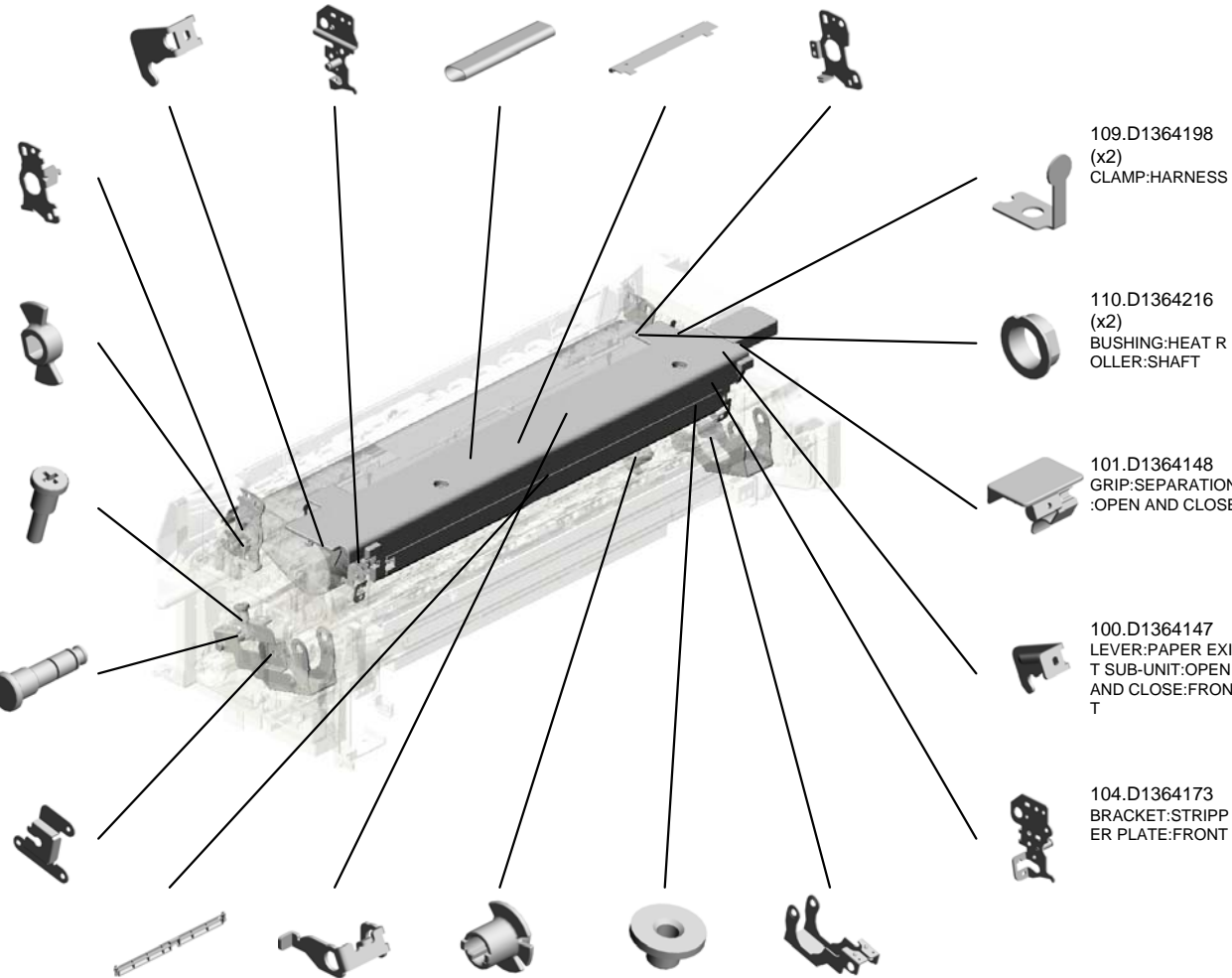
109.D1364198
(x2)
CLAMP:HARNESS

110.D1364216
(x2)
BUSHING:HEAT ROLLER:
SHAFT

101.D1364148
GRIP:SEPARATION:
OPEN AND CLOSE

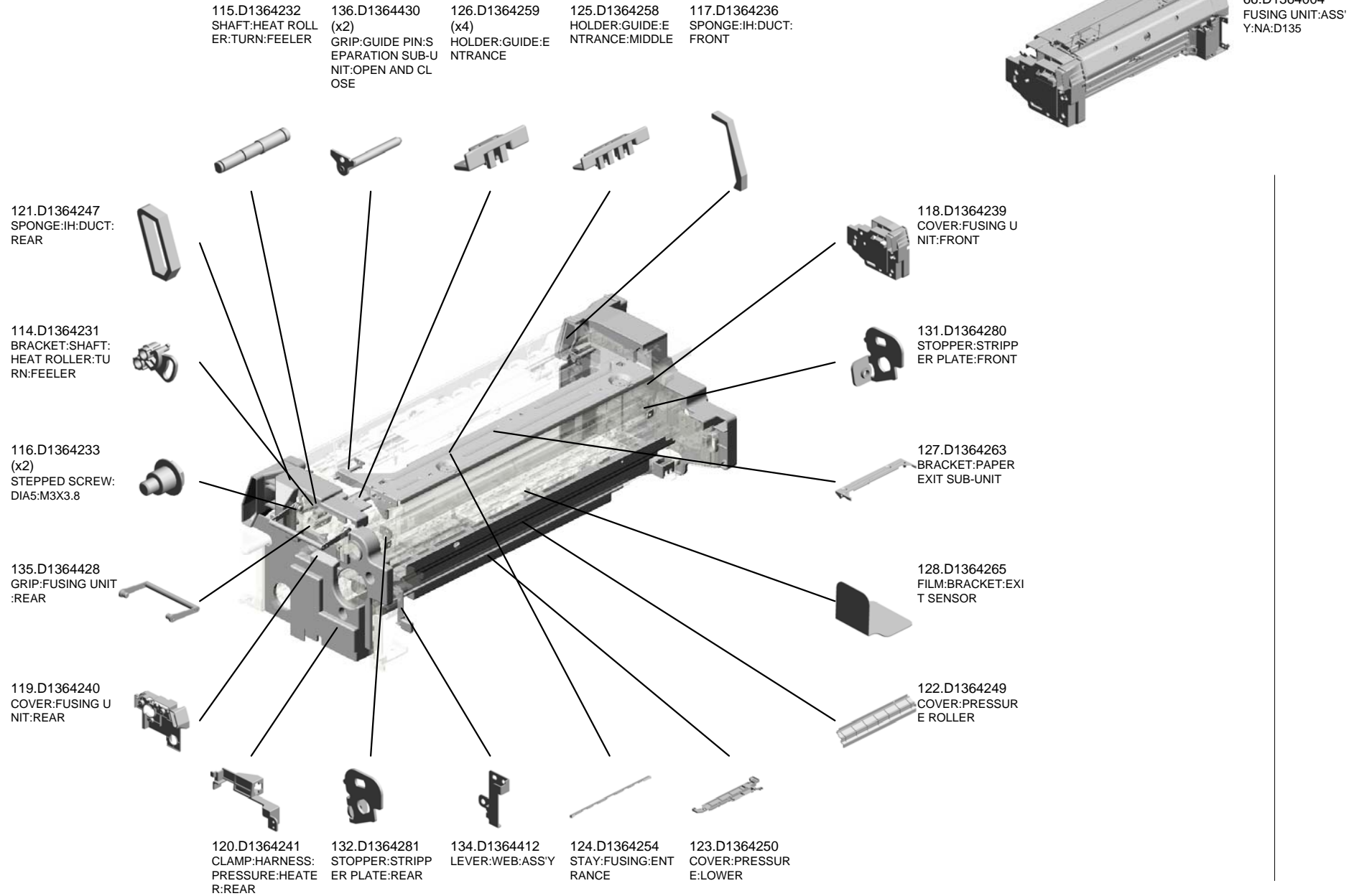
100.D1364147
LEVER:PAPER EXIT
SUB-UNIT:OPEN
AND CLOSE:FRONT

104.D1364173
BRACKET:STRIPPER
PLATE:FRONT



U001	U002	U003	U004	U005	U006	U007	U008	U009	U010	U011	U012	U013	U014	U015	U016	U017	U018	U019	U020
------	------	------	------	------	------	------	------	------	------	------	------	------	------	------	------	------	------	------	------

U014_S001
FUSING UNIT:ASS'Y:NA:D135

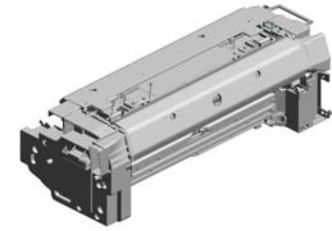


U001	U002	U003	U004	U005	U006	U007	U008	U009	U010	U011	U012	U013	U014	U015	U016	U017	U018	U019	U020
------	------	------	------	------	------	------	------	------	------	------	------	------	------	------	------	------	------	------	------

U014_S001
 FUSING UNIT:ASS'Y:NA:D135

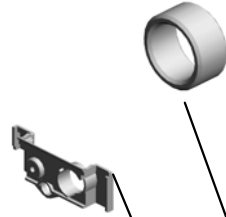
143.GA082007
 (x2)
 PLAIN SHAFT BEARING
 RING:4XDIA6DIA8

137.D1364431
 (x2)
 STOPPER:GUIDE PIN
 IN:SEPARATION SUB-UNIT:
 OPEN AND CLOSE



66.D1364004
 FUSING UNIT:ASS'Y:
 NA:D135

138.D1364435
 COVER:GRIP:FUSING UNIT:
 REAR



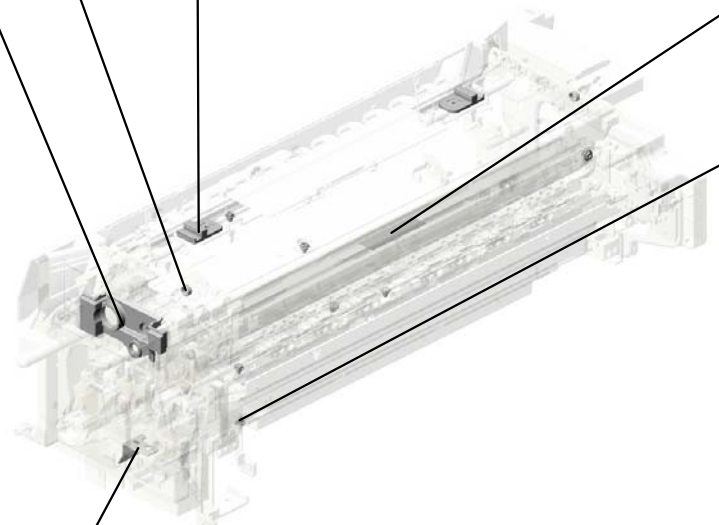
142.G1026341
 SHEET:SENSOR



141.D1441085
 (x9)
 STEPPED SCREW:
 M3



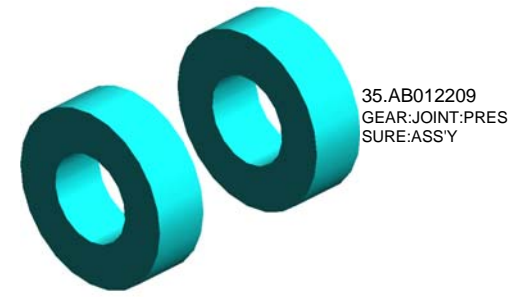
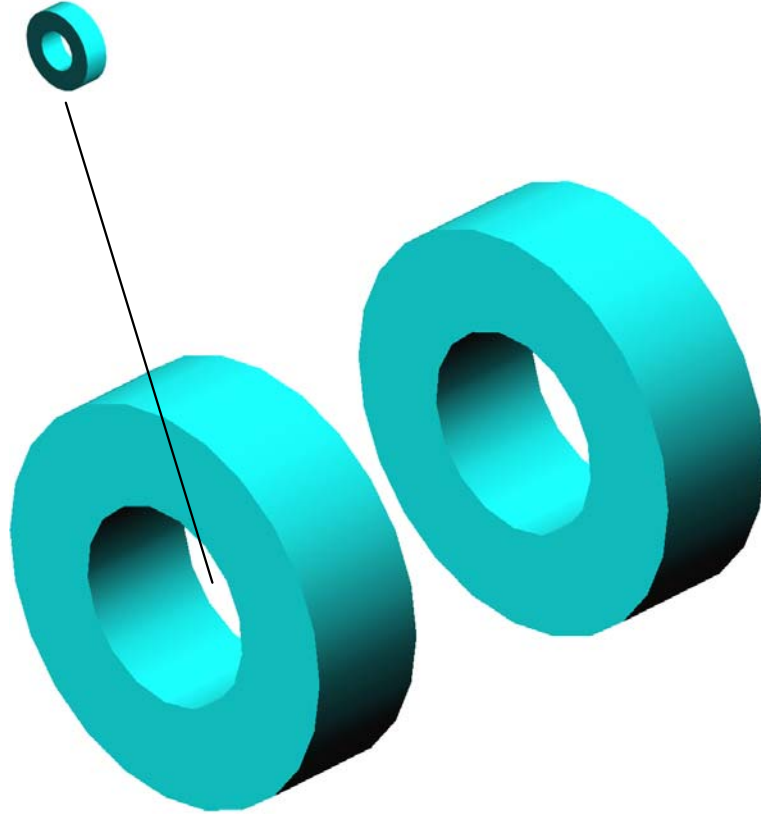
139.D1364436
 COVER:CAM:REAR



U001	U002	U003	U004	U005	U006	U007	U008	U009	U010	U011	U012	U013	U014	U015	U016	U017	U018	U019	U020
------	------	------	------	------	------	------	------	------	------	------	------	------	------	------	------	------	------	------	------

U014_S001_S001
GEAR:JOINT:PRESSURE:ASS'Y

43.AE030035
(x2)
BALL BEARING - 6
X16X5



35.AB012209
GEAR:JOINT:PRES
SURE:ASS'Y

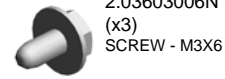
U001	U002	U003	U004	U005	U006	U007	U008	U009	U010	U011	U012	U013	U014	U015	U016	U017	U018	U019	U020
------	------	------	------	------	------	------	------	------	------	------	------	------	------	------	------	------	------	------	------

U014_S001_S002
STRIPPER PLATE:UNIT:PRESSURE ROLLER:ASS'Y

11.08010231
(x7)
HEXAGONAL HEAD BOLT W/WASHER
R:M3X6



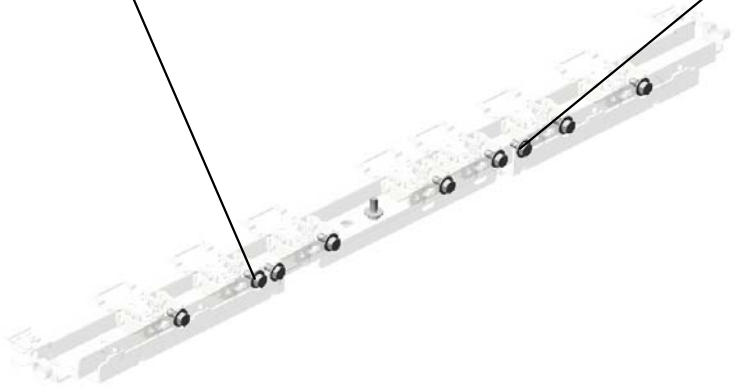
78.D1364090
STRIPPER PLATE:
UNIT:PRESSURE R
OLLER:ASS'Y



2.03603006N
(x3)
SCREW - M3X6



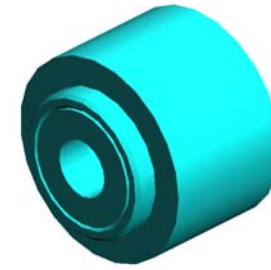
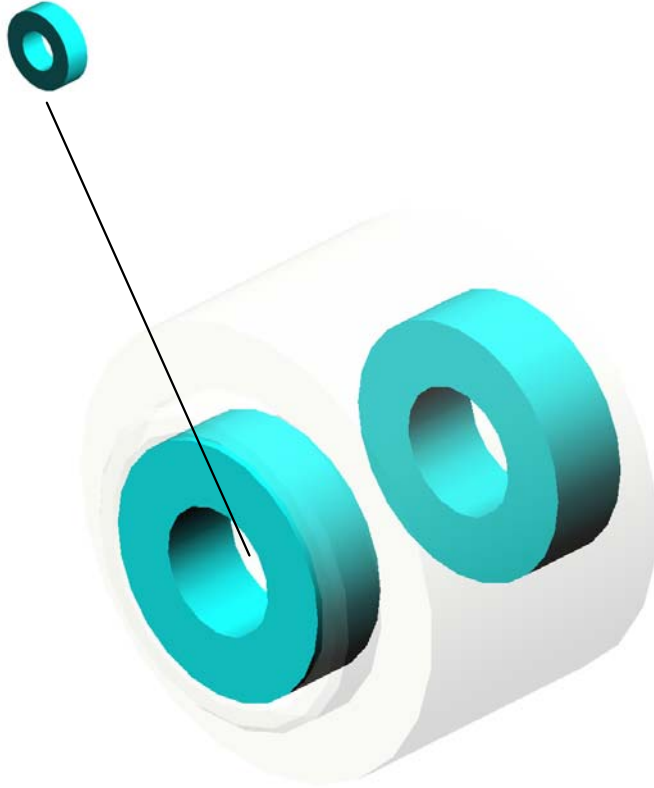
11.08010231
(x2)
HEXAGONAL HEAD BOLT W/WASHER
R:M3X6



U001	U002	U003	U004	U005	U006	U007	U008	U009	U010	U011	U012	U013	U014	U015	U016	U017	U018	U019	U020
------	------	------	------	------	------	------	------	------	------	------	------	------	------	------	------	------	------	------	------

U014_S001_S003
GEAR:IDLER:27Z:ASS'Y

43.AE030035
(x2)
BALL BEARING - 6
X16X5



40.AB012230
GEAR:IDLER:27Z:A
SS'Y

U001	U002	U003	U004	U005	U006	U007	U008	U009	U010	U011	U012	U013	U014	U015	U016	U017	U018	U019	U020
------	------	------	------	------	------	------	------	------	------	------	------	------	------	------	------	------	------	------	------

U014_S001_S004
STRIPPER PLATE:UNI:FUSING:ASS'Y

141.D1441085
(x2)
STEPPED SCREW:
M3



102.D1364150
STRIPPER PLATE:
UNI:FUSING:ASS'Y



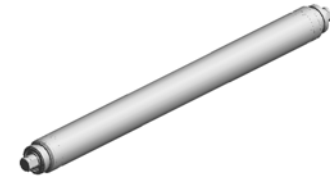
11.08010231
(x3)
HEXAGONAL HEA
D BOLT W/WASHE
R:M3X6



U001	U002	U003	U004	U005	U006	U007	U008	U009	U010	U011	U012	U013	U014	U015	U016	U017	U018	U019	U020
------	------	------	------	------	------	------	------	------	------	------	------	------	------	------	------	------	------	------	------

U014_S001_S005
HEAT ROLLER:ASS'Y

2.03603006N
(x2)
SCREW - M3X6



107.D1364184
HEAT ROLLER:AS
SY



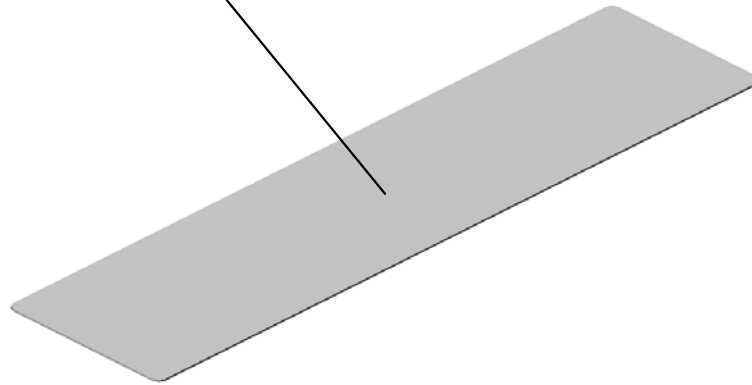
8.07250150E
(x4)
RETAINING RING
C - M15



U001	U002	U003	U004	U005	U006	U007	U008	U009	U010	U011	U012	U013	U014	U015	U016	U017	U018	U019	U020
------	------	------	------	------	------	------	------	------	------	------	------	------	------	------	------	------	------	------	------

U014_S001_S006
FUSING COVER:UPPER:ASS'Y

19.AA000282
DECAL:H-TEMP W
ARNING:FUSING



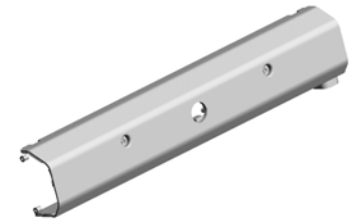
67.D1364067
FUSING COVER:U
PPER:ASS'Y

U001	U002	U003	U004	U005	U006	U007	U008	U009	U010	U011	U012	U013	U014	U015	U016	U017	U018	U019	U020
------	------	------	------	------	------	------	------	------	------	------	------	------	------	------	------	------	------	------	------

U014_S001_S007
COIL:IH:100V:ASS'Y:NA:D135

15.09544006N
SCREW:POLISHED
ROUND/SPRING:M
4X6

11.08010231
(x4)
HEXAGONAL HEA
D BOLT W/WASHE
R:M3X6



133.D1364301
COIL:IH:100V:ASS'
Y:NA:D135

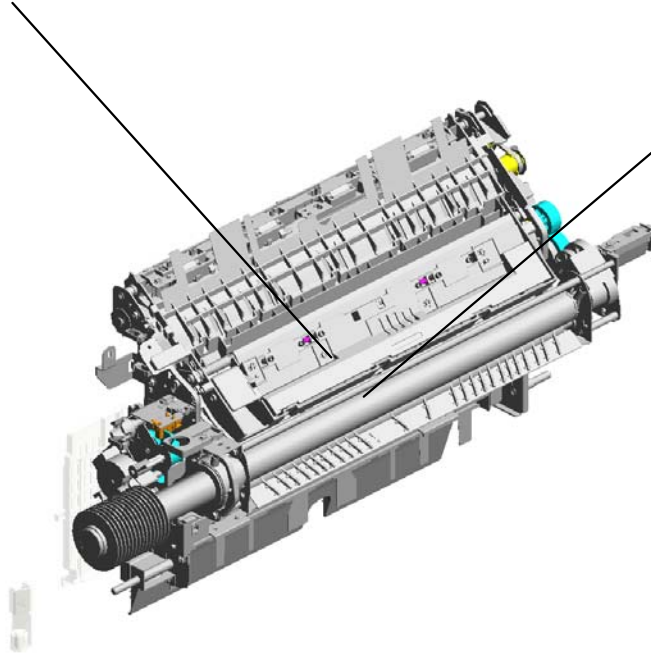


141.D1441085
(x2)
STEPPED SCREW:
M3

U001	U002	U003	U004	U005	U006	U007	U008	U009	U010	U011	U012	U013	U014	U015	U016	U017	U018	U019	U020
------	------	------	------	------	------	------	------	------	------	------	------	------	------	------	------	------	------	------	------

U015.PAPER EXIT

U015_S002
D1367002
PAPER EXIT UNIT:ASSY



U015_S001
D1357012
HEAT PIPE:PAPER EXIT SUB
-UNIT:ASSY



U001	U002	U003	U004	U005	U006	U007	U008	U009	U010	U011	U012	U013	U014	U015	U016	U017	U018	U019	U020
------	------	------	------	------	------	------	------	------	------	------	------	------	------	------	------	------	------	------	------

U015_S002.PAPER EXIT UNIT:ASS'Y

U015_S002_S001
D1357139
GATE PAWL:PAPER EXIT SU
B-UNIT:REVERSE:ENTRANC
E:ASS'Y

U015_S002_S006
D1367086
GUIDE PLATE:EXIT:MIDDLE:
ASS'Y

U015_S002_S007
D1367101
GUIDE PLATE:EXIT:LEFT UP
PER:ASS'Y

U015_S002_S008
D1367034
HOLDER:DRIVEN ROLLER:E
XIT:CONNECTING:ASS'Y

U015_S002_S002
D1357145
GRIP:OPEN AND CLOSE:GA
TE PAWL:ASS'Y

U015_S002_S005
D1357164
ROLLER:DRIVEN:NO.2:LONG
:ASS'Y

U015_S002_S004
D1357162
ROLLER:DRIVEN:NO.2:SHOR
T:ASS'Y

U015_S002_S003
D1357162
ROLLER:DRIVEN:NO.2:SHOR
T:ASS'Y

U015_S002_S012
D1357166
ROLLER:DRIVEN:REVERSE
EXIT:ASS'Y

U015_S002_S011
D1357166
ROLLER:DRIVEN:REVERSE
EXIT:ASS'Y

U015_S002_S010
D1357166
ROLLER:DRIVEN:REVERSE
EXIT:ASS'Y

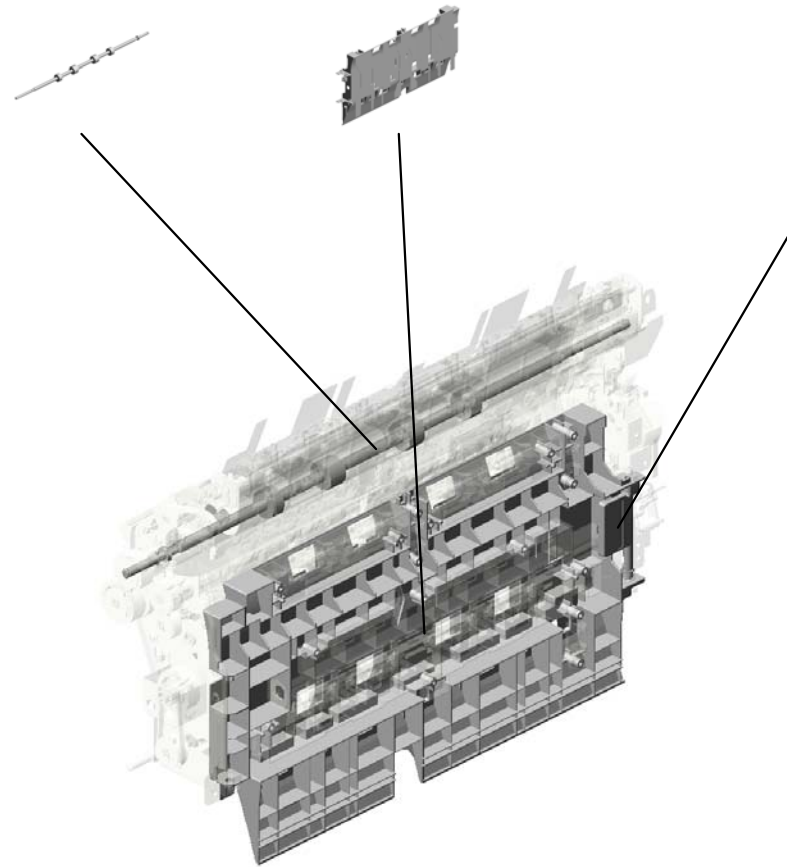
U015_S002_S009
D1357166
ROLLER:DRIVEN:REVERSE
EXIT:ASS'Y

U001	U002	U003	U004	U005	U006	U007	U008	U009	U010	U011	U012	U013	U014	U015	U016	U017	U018	U019	U020
------	------	------	------	------	------	------	------	------	------	------	------	------	------	------	------	------	------	------	------

U015_S002.PAPER EXIT UNIT:ASS'Y

U015_S002_S015
D1367181
ROLLER:EXIT:MIDDLE:ASS'Y

U015_S002_S014
D1367111
GUIDE PLATE:EXIT:LEFT LOWER:ASS'Y



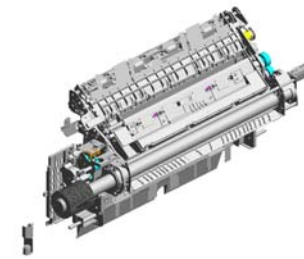
U015_S002_S013
D1367121
LEVER:RELEASE:GUIDE PLATE:LEFT LOWER:ASS'Y

U001	U002	U003	U004	U005	U006	U007	U008	U009	U010	U011	U012	U013	U014	U015	U016	U017	U018	U019	U020
------	------	------	------	------	------	------	------	------	------	------	------	------	------	------	------	------	------	------	------

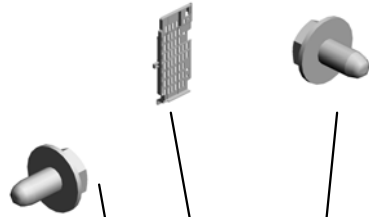
U015 PAPER EXIT

69.D1357105
INNER COVER:EXI
T:LEFT LOWER

4.04543006N
(x4)
TAPPING SCREW:
ROUND POINT:3X6



5.04543006Q
(x3)
TAPPING SCREW -
M3X6



59.AW500040
PUSH SWITCH:SW
1AG-550:10MA



61.B2342390
(x2)
FLANGED HEXAG
ONAL HEAD BOLT:
M4X8



68.D1357100
BRACKET:HOLDER
:ASSY



U001	U002	U003	U004	U005	U006	U007	U008	U009	U010	U011	U012	U013	U014	U015	U016	U017	U018	U019	U020
------	------	------	------	------	------	------	------	------	------	------	------	------	------	------	------	------	------	------	------

U015_S001
HEAT PIPE:PAPER EXIT SUB-UNIT:ASS'Y

4.04543006N (x4)
TAPPING SCREW:
ROUND POINT:3X6

10.07200030E
RETAINING RING -
M3

13.07200060E
RETAINING RING -
M6



65.D1357012
HEAT PIPE:PAPER
EXIT SUB-UNIT:AS
SY

3.03603006N
(x6)
SCREW - M3X6



17.08050089
RETAINING RING -
M4



15.07413708
BALL BEARING - 8
X12X3.5MM



67.D1357095
STOPPER:GEAR:H
EAT PIPE



12.07200040E
(x2)
RETAINING RING -
M4



5.04543006Q
(x3)
TAPPING SCREW -
M3X6



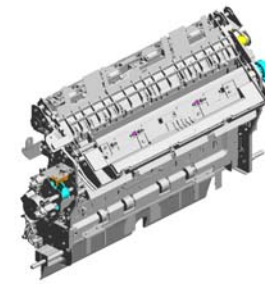
66.D1357094
SHEET:GUIDE PLA
TE:HEAT PIPE:LEF
T



U001	U002	U003	U004	U005	U006	U007	U008	U009	U010	U011	U012	U013	U014	U015	U016	U017	U018	U019	U020
------	------	------	------	------	------	------	------	------	------	------	------	------	------	------	------	------	------	------	------

U015_S002
PAPER EXIT UNIT:ASS'Y

28.AA043677 SYNCHRONOUS B
ELT:40S3M120
23.A4701703 SHIFT CLUTCH
22.59374158 SPRING WASHER -
BD10
21.54472681 (x2)
SNAP RING
8.06330120G (x4)
PARALLEL PIN - 3X
12



96.D1367002
PAPER EXIT UNIT:
ASS'Y

9.07200020G
(x5)
RETAINING RING -
M2

30.AA061145
TENSION SPRING:
TIGHTENER:EXIT

31.AA061146
TENSION SPRING:
LINK:GATE PAWL

6.04583010N
(x31)
HEXAGON HEAD T
APPING SCREW:3
X10

5.04543006Q
(x28)
TAPPING SCREW -
M3X6

12.07200040E
(x23)
RETAINING RING -
M4

17.08050089
RETAINING RING -
M4

1.03530040N
(x2)
SCREW - M3X4

3.03603006N
SCREW - M3X6

2.03530060N
(x2)
BIND SCREW - M3
X6

20.11050760
(x4)
CLAMP:LWSM-051
1A

16.07433806
(x5)
RADIAL BALL BEA
RING:DIA6XDIA13X
5

18.11050692
(x6)
CLAMP:LES-0503

19.11050758
(x13)
CLAMP:LWSM-030
6A

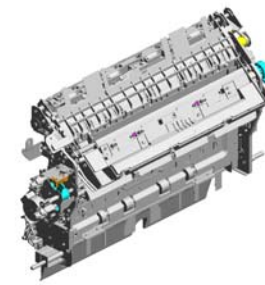
11.07200030G
(x2)
RETAINING RING -
M3

29.AA043702
SYNCHRONOUS B
ELT:80S3M204

56.AF022067
(x3)
GUIDE STOPPER
ROLLER

U001	U002	U003	U004	U005	U006	U007	U008	U009	U010	U011	U012	U013	U014	U015	U016	U017	U018	U019	U020
------	------	------	------	------	------	------	------	------	------	------	------	------	------	------	------	------	------	------	------

U015_S002
PAPER EXIT UNIT:ASS'Y



96.D1367002
PAPER EXIT UNIT:
ASS'Y

40.AA066434
COIL SPRING:GUI
DE PLATE:UPPER:
OPEN AND CLOSE:
REAR

51.AB017933
PULLEY:GEAR:EXI
T

32.AA063717
(x26)
COMPRESSION SP
RING:DRIVEN:EXIT
:NO.2

35.AA063720
(x8)
COMPRESSION SP
RING:DRIVEN:EXIT
:NO.4

39.AA066433
COIL SPRING:GUI
DE PLATE:UPPER:
OPEN AND CLOSE:
FRONT

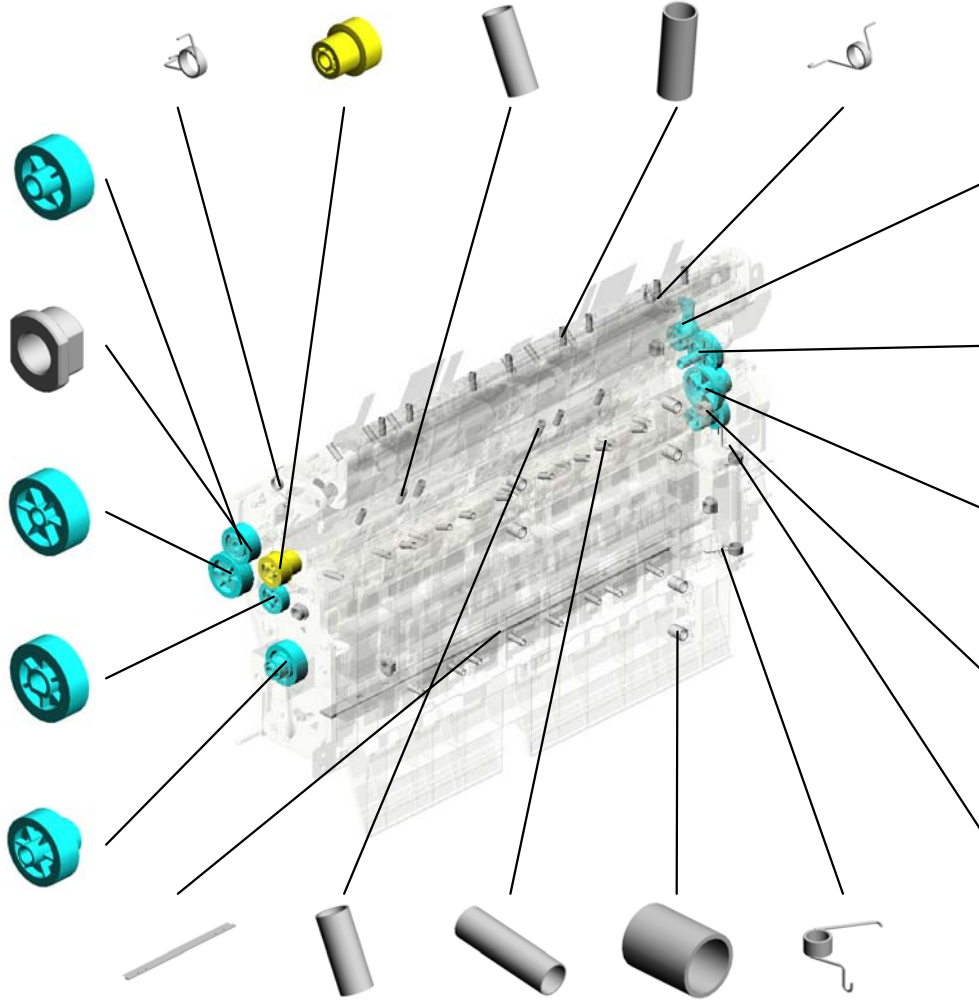
45.AB012972
GEAR:SHAFT:HEA
T PIPE

41.AA082173
(x6)
PLAIN SHAFT BEA
RING:6X10X6

44.AB012971
GEAR:COUPLING:
HEAT PIPE

43.AB012970
GEAR:ROLLER:RE
VERSE:EXIT

48.AB017930
GEAR:REVERSE E
XIT:IDLER:NO.1



46.AB012973
GEAR:SHAFT:GAT
E PAWL:EXIT

47.AB012974
GEAR:IDLER:COU
PLING:GATE PAWL

50.AB017932
GEAR:IDLER:CONT
ACT POINT:GATE
PAWL

49.AB017931
GEAR:IDLER:DC S
TEPPER MOTOR:G
ATE PAWL

37.AA066431
COIL SPRING:OPE
N AND CLOSE:LEF
T LOWER:GUIDE P
LATE:UPPER

42.AA120145
DISCHARGE BRUS
H:REVERSE:17MM

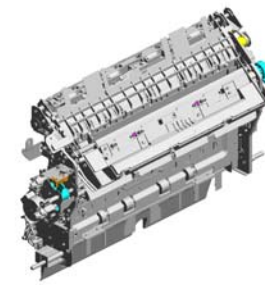
33.AA063718
(x2)
COMPRESSION SP
RING:DRIVEN:EXIT
:NO.1

36.AA063721
(x7)
COMPRESSION SP
RING:GATE:REVE
RSE EXIT

34.AA063719
(x6)
COMPRESSION SP
RING:HOLDER:GUI
DE PLATE:EXIT

38.AA066432
COIL SPRING:OPE
N AND CLOSE:LEF
T LOWER:GUIDE P
LATE:LOWER

U015_S002 PAPER EXIT UNIT:ASS'Y



96.D1367002
PAPER EXIT UNIT:
ASSY

55.AB030884
PULLEY:EXIT:NO.2

52.AB030881
PULLEY:TORQUE
LIMITER MECHANICAL CLUTCH

62.B2474456
SPRING - LOWER
EXIT ROLLER

77.D1357161
(x8)
ROLLER:DRIVEN:NON
O.1:SHORT

81.D1357168
(x4)
ROLLER:DRIVEN:EXIT:EXIT

71.D1357130
BRACKET:TIGHTENER:EXIT:ASSY

98.D1367081
LINK:GATE PAWL:RETURN

54.AB030883
PULLEY:EXIT:NO.1

72.D1357134
COLLAR:COUPLING:HEAT PIPE

74.D1357136
BRACKET:PAPER EXIT SUB-UNIT:REVERSE:NO.1

53.AB030882
TIMING PULLEY:EXIT

63.B7002649
TIMING BELT:40S2 M144

99.D1367084
GUIDE PLATE:EXIT:RIGHT LOWER

59.AW500040
(x2)
PUSH SWITCH:SWITCH:1AG-550:10MA

64.D0294439
STOPPER:GATE PAWL:ENTRANCE

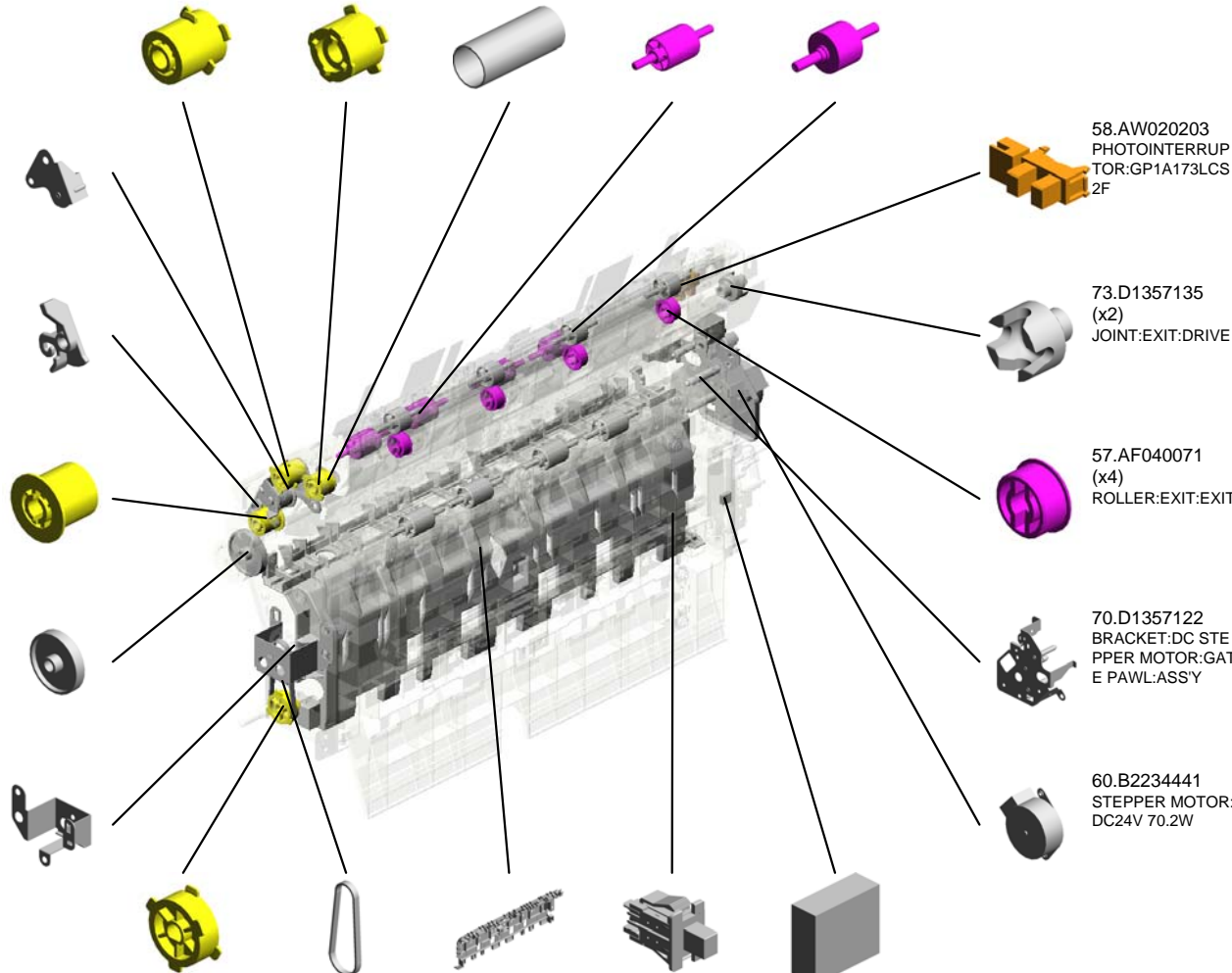
58.AW020203
PHOTO INTERRUPTOR:GP1A173LCS 2F

73.D1357135
(x2)
JOINT:EXIT:DRIVE

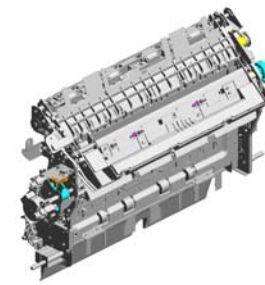
57.AF040071
(x4)
ROLLER:EXIT:EXIT

70.D1357122
BRACKET:DC STEPPER MOTOR:GATE PAWL:ASSY

60.B2234441
STEPPER MOTOR:DC24V 70.2W



U015_S002
PAPER EXIT UNIT:ASS'Y



96.D1367002
PAPER EXIT UNIT:
ASS'Y

- 125.D1367133 SHAFT:RELEASE:GUIDE PLATE:UPPER
- 102.D1367090 GUIDE PLATE:DRIVEN:MIDDLE:LONG
- 124.D1367131 GUIDE PLATE:EXIT:UPPER:ASS'Y
- 101.D1367088 GUIDE PLATE:MIDDLE:LEFT
- 105.D1367097 (x4) GATE:REVERSE EXIT:FRONT

126.D1367134 (x2) LEVER:FIX:GUIDE PLATE:UPPER

104.D1367096 SHAFT:GATE:REVERSE EXIT

113.D1367114 HOLDER:DRIVEN ROLLER:REVERSE EXIT:REAR

103.D1367093 (x4) GUIDE PLATE:DRIVEN:MIDDLE:SHORT

106.D1367098 (x3) GATE:REVERSE EXIT:REAR

121.D1367124 HOLDER:DRIVEN ROLLER:REVERSE EXIT

114.D1367115 LINK:ON-OFF:REVERSE EXIT

112.D1367113 HOLDER:DRIVEN ROLLER:REVERSE EXIT:FRONT

120.D1367123 (x3) HOLDER:PRESSURE:GUIDE PLATE:EXIT

123.D1367126 BRACKET:PLATE:ON OFF DETECTOR:LEFT LOWER:ASS'Y

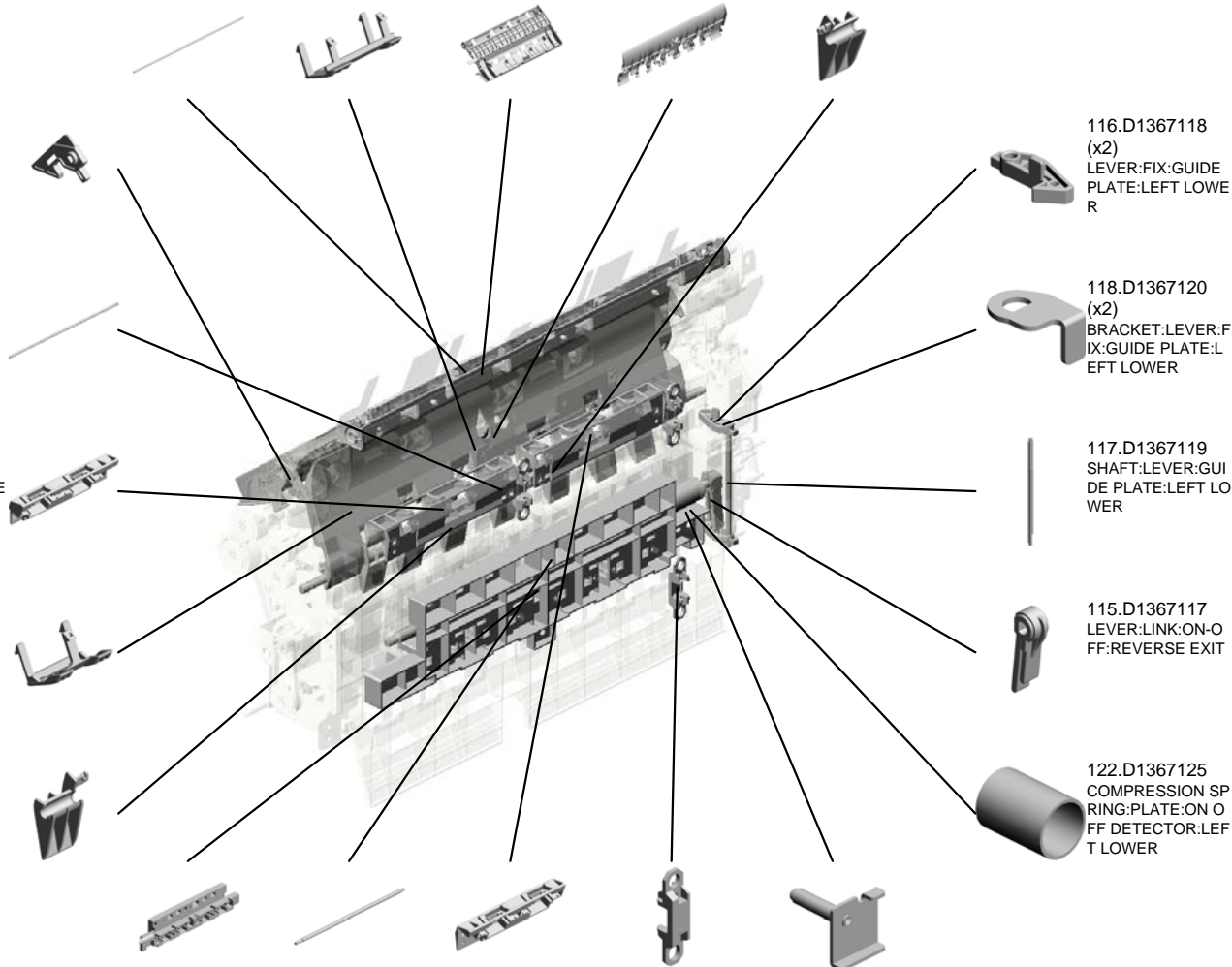
116.D1367118 (x2) LEVER:FIX:GUIDE PLATE:LEFT LOWER

118.D1367120 (x2) BRACKET:LEVER:FIX:GUIDE PLATE:LEFT LOWER

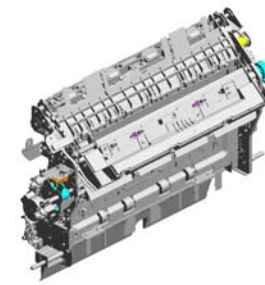
117.D1367119 SHAFT:LEVER:GUIDE PLATE:LEFT LOWER

115.D1367117 LEVER:LINK:ON-OFF:REVERSE EXIT

122.D1367125 COMPRESSION SPRING:PLATE:ON OFF DETECTOR:LEFT LOWER



U015_S002 PAPER EXIT UNIT:ASS'Y



96.D1367002
PAPER EXIT UNIT:
ASS'Y

- 144.D1367199 SHEET:OPPOSED: REFLECTION PHOTO SENSOR
- 141.D1367190 SHAFT:EXIT:EXIT: ASS'Y
- 129.D1367139 HOLDER:DRIVEN ROLLER:EXIT:EXIT
- 131.D1367145 DISCHARGE BRUSH:EXIT:SUS
- 128.D1367136 GRIP:GUIDE PLATE:EXIT:UPPER:ASS'Y

143.D1367194 (x24)
PLAIN SHAFT BEARING:DIA4:EXIT



136.D1367160 BRACKET:CONTACT POINT:STOPPER:ASS'Y



134.D1367158 STOPPER:GUIDE PLATE:EXIT:UPPER



135.D1367159 CUSHION:STOPPER:GUIDE PLATE:EXIT:UPPER



142.D1367193 (x14)
HOLDER:PRESSURE:RADIAL BALL BEARING:EXIT



146.GW010007 PHOTO REFLECTION SENSOR:EXIT



138.D1367183 (x2)
ROLLER:REVERSE:EXIT:ASS'Y



139.D1367185 ROLLER:REVERSE:ENTRANCE:ASS'Y



145.D1444484 (x4)
SHOULDER SCREW - M3



130.D1367140 GROUND PLATE:EXIT:GUIDE PLATE:UPPER



127.D1367135 LINK:GRIP:GUIDE PLATE:UPPER



140.D1367188 (x4)
ROLLER:EXIT:EXIT:DUMMY



133.D1367153 BRACKET:DC SOLENOID:REVERSE:EXIT:ASS'Y



132.D1367151 DC SOLENOID:REVERSE:EXIT:ASS'Y



U015_S002_S001

GATE PAWL:PAPER EXIT SUB-UNIT:REVERSE:ENTRANCE:ASS'Y

94.D1357185
SHEET:TRANSPOR
T:GATE PAWL:EXI
T:REAR MIDDLE

75.D1357139
GATE PAWL:PAPE
R EXIT SUB-UNIT:
REVERSE:ENTRAN
CE:ASSY

95.D1357186
SHEET:TRANSPOR
T:GATE PAWL:EXI
T:REAR

92.D1357183
SHEET:TRANSPOR
T:GATE PAWL:EXI
T:FRONT

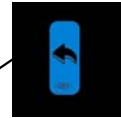
93.D1357184
SHEET:TRANSPOR
T:GATE PAWL:EXI
T:FRONT MIDDLE

U001	U002	U003	U004	U005	U006	U007	U008	U009	U010	U011	U012	U013	U014	U015	U016	U017	U018	U019	U020
------	------	------	------	------	------	------	------	------	------	------	------	------	------	------	------	------	------	------	------

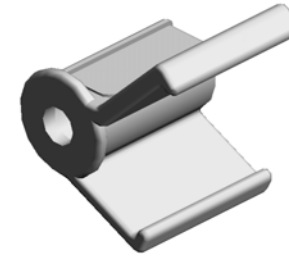
U015_S002_S002

GRIP:OPEN AND CLOSE:GATE PAWL:ASS'Y

26.AA003062
DECAL:GRIP:OPEN
AND CLOSE:GATE
PAWL:NO.1



27.AA003064
DECAL:GRIP:OPEN
AND CLOSE:GATE
PAWL:NO.2



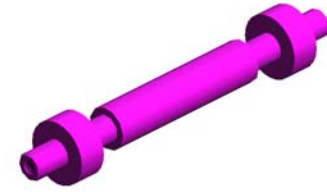
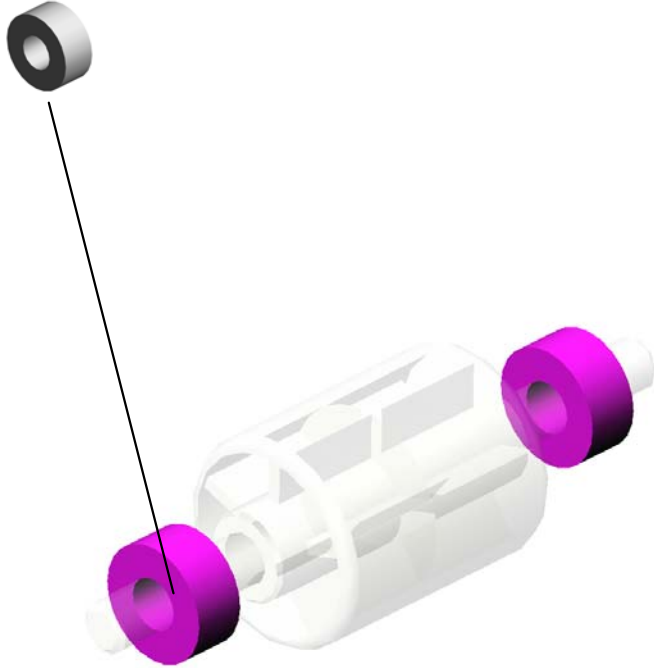
76.D1357145
GRIP:OPEN AND C
LOSE:GATE PAWL:
ASSY

U001	U002	U003	U004	U005	U006	U007	U008	U009	U010	U011	U012	U013	U014	U015	U016	U017	U018	U019	U020
------	------	------	------	------	------	------	------	------	------	------	------	------	------	------	------	------	------	------	------

U015_S002_S003

ROLLER:DRIVEN:NO.2:SHORT:ASS'Y

14.07403804
(x2)
BALL BEARING:DIA
4XDIA9X4

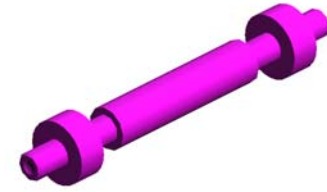
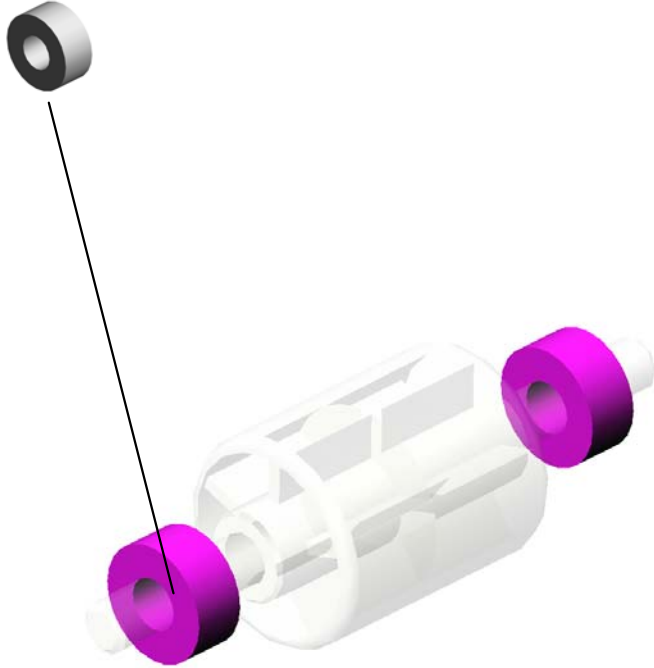


78.D1357162
ROLLER:DRIVEN:NO.2:SHORT:ASS'Y

U001	U002	U003	U004	U005	U006	U007	U008	U009	U010	U011	U012	U013	U014	U015	U016	U017	U018	U019	U020
------	------	------	------	------	------	------	------	------	------	------	------	------	------	------	------	------	------	------	------

U015_S002_S004
ROLLER:DRIVEN:NO.2:SHORT:ASS'Y

14.07403804
(x2)
BALL BEARING:DIA
4XDIA9X4

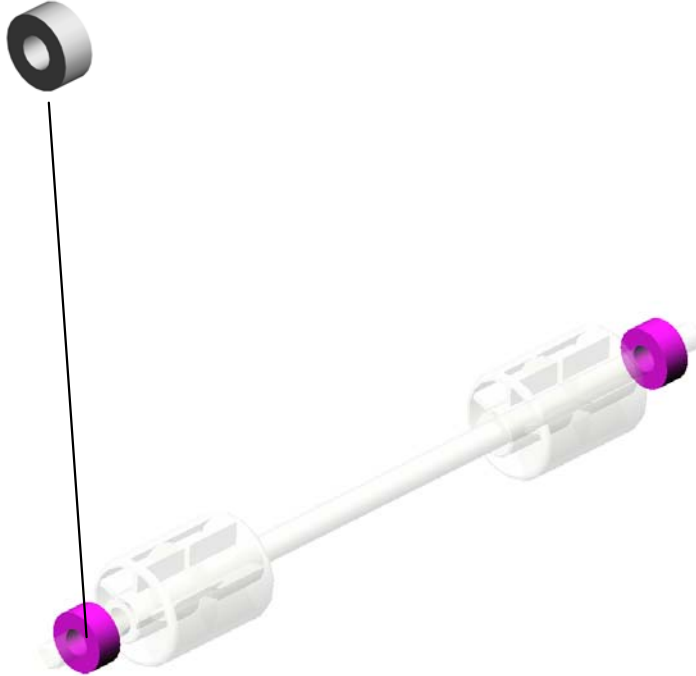


78.D1357162
ROLLER:DRIVEN:N
O.2:SHORT:ASSY

U001	U002	U003	U004	U005	U006	U007	U008	U009	U010	U011	U012	U013	U014	U015	U016	U017	U018	U019	U020
------	------	------	------	------	------	------	------	------	------	------	------	------	------	------	------	------	------	------	------

U015_S002_S005
ROLLER:DRIVEN:NO.2:LONG:ASS'Y

14.07403804
(x2)
BALL BEARING:DIA
4XDIA9X4



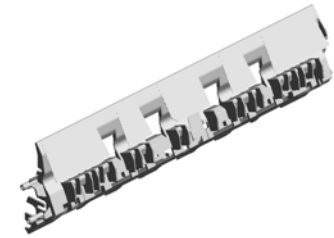
79.D1357164
ROLLER:DRIVEN:NO.2:LONG:ASS'Y

U001	U002	U003	U004	U005	U006	U007	U008	U009	U010	U011	U012	U013	U014	U015	U016	U017	U018	U019	U020
------	------	------	------	------	------	------	------	------	------	------	------	------	------	------	------	------	------	------	------

U015_S002_S006
GUIDE PLATE:EXIT:MIDDLE:ASS'Y

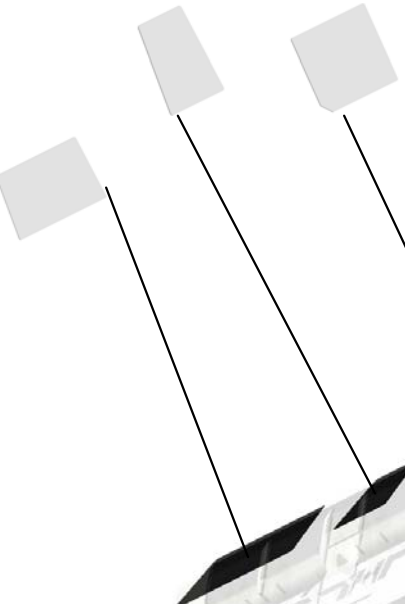
90.D1357179
(x2)
SHEET:TRANSPOR
T:MIDDLE:UPPER:
MIDDLE SIDEWAY
S

91.D1357180
SHEET:TRANSPOR
T:MIDDLE:UPPER:
MIDDLE



100.D1367086
GUIDE PLATE:EXIT
:MIDDLE:ASS'Y

89.D1357178
(x2)
SHEET:TRANSPOR
T:MIDDLE:UPPER:
FRONT REAR



144.D1367199
SHEET:OPPOSED:
REFLECTION PHO
TO SENSOR



88.D1357177
SHEET:TRANSPOR
T:MIDDLE:LOWER:
REAR



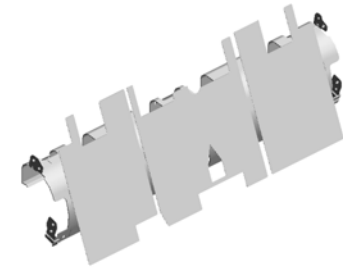
87.D1357176
SHEET:TRANSPOR
T:MIDDLE:LOWER:
FRONT



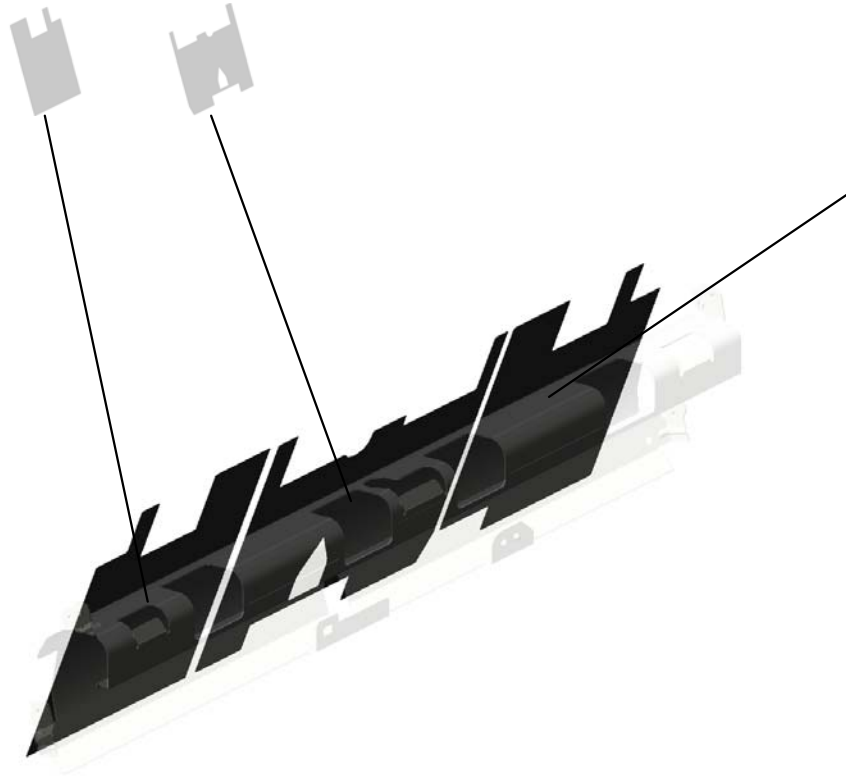
U001	U002	U003	U004	U005	U006	U007	U008	U009	U010	U011	U012	U013	U014	U015	U016	U017	U018	U019	U020
------	------	------	------	------	------	------	------	------	------	------	------	------	------	------	------	------	------	------	------

110.D1367106 SHEET:TRANSPOR
T:REVERSE:EXIT:R
EAR

108.D1367104 SHEET:TRANSPOR
T:REVERSE:EXIT



107.D1367101
GUIDE PLATE:EXIT
:LEFT UPPER:ASS'
Y

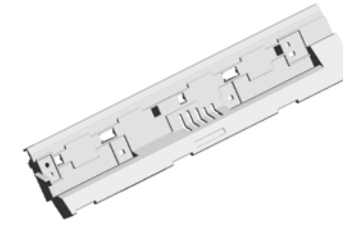
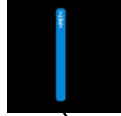


109.D1367105
SHEET:TRANSPOR
T:REVERSE:EXIT:F
RONT

U001	U002	U003	U004	U005	U006	U007	U008	U009	U010	U011	U012	U013	U014	U015	U016	U017	U018	U019	U020
------	------	------	------	------	------	------	------	------	------	------	------	------	------	------	------	------	------	------	------

U015_S002_S008
HOLDER:DRIVEN ROLLER:EXIT:CONNECTING:ASS'Y

25.AA003059
DECAL:EXIT:GUID
E PLATE:UPPER:P
USH



97.D1367034
HOLDER:DRIVEN
ROLLER:EXIT:CON
NECTING:ASSY

U001	U002	U003	U004	U005	U006	U007	U008	U009	U010	U011	U012	U013	U014	U015	U016	U017	U018	U019	U020
------	------	------	------	------	------	------	------	------	------	------	------	------	------	------	------	------	------	------	------

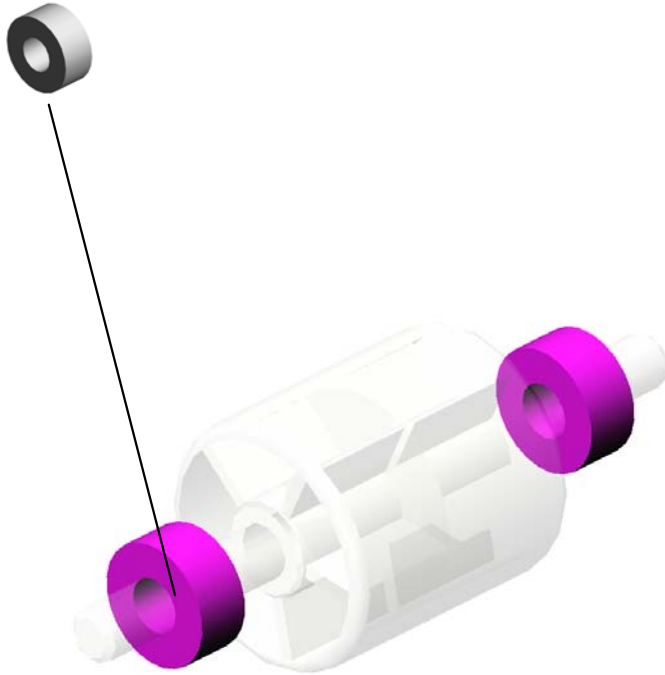
U015_S002_S009

ROLLER:DRIVEN:REVERSE EXIT:ASS'Y

14.07403804
(x2)
BALL BEARING:DIA
4XDIA9X4



80.D1357166
ROLLER:DRIVEN:R
EVERSE EXIT:ASS'
Y



U001	U002	U003	U004	U005	U006	U007	U008	U009	U010	U011	U012	U013	U014	U015	U016	U017	U018	U019	U020
------	------	------	------	------	------	------	------	------	------	------	------	------	------	------	------	------	------	------	------

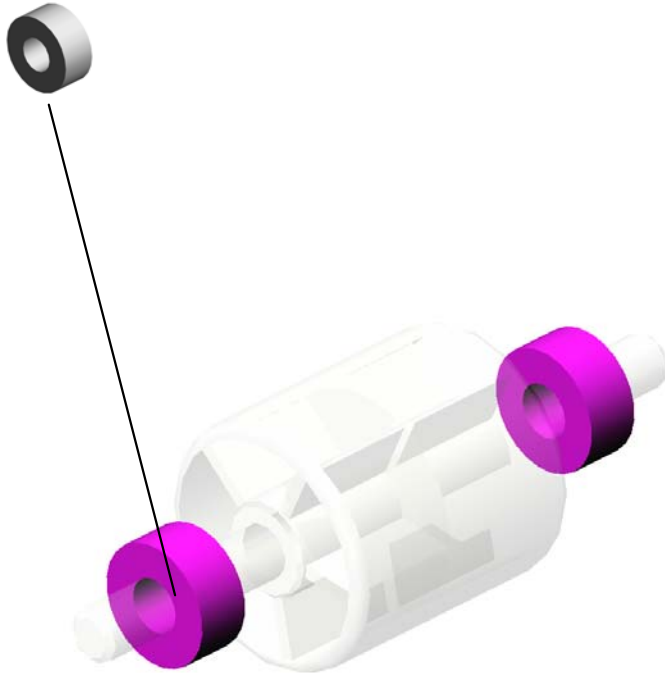
U015_S002_S010

ROLLER:DRIVEN:REVERSE EXIT:ASS'Y

14.07403804
(x2)
BALL BEARING:DIA
4XDIA9X4



80.D1357166
ROLLER:DRIVEN:R
EVERSE EXIT:ASS'
Y



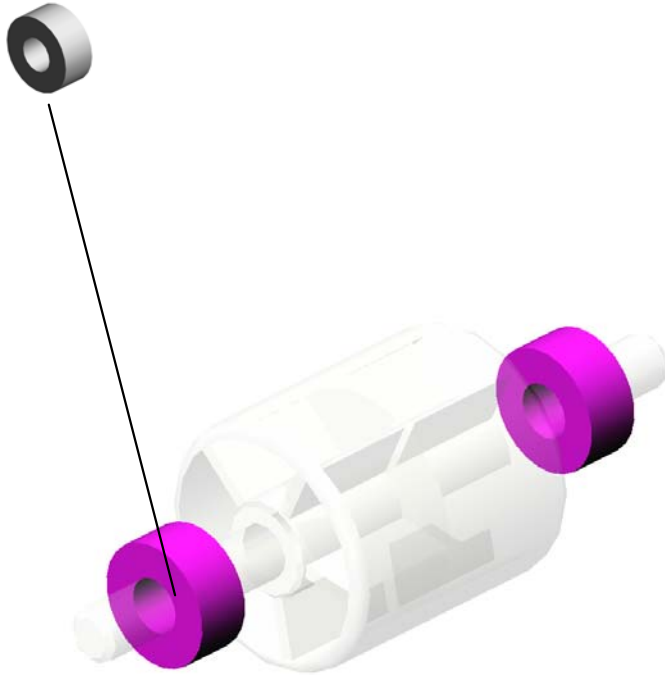
U001	U002	U003	U004	U005	U006	U007	U008	U009	U010	U011	U012	U013	U014	U015	U016	U017	U018	U019	U020
------	------	------	------	------	------	------	------	------	------	------	------	------	------	------	------	------	------	------	------

U015_S002_S011
ROLLER:DRIVEN:REVERSE EXIT:ASS'Y

14.07403804
(x2)
BALL BEARING:DIA
4XDIA9X4



80.D1357166
ROLLER:DRIVEN:R
EVERSE EXIT:ASS'
Y



U001	U002	U003	U004	U005	U006	U007	U008	U009	U010	U011	U012	U013	U014	U015	U016	U017	U018	U019	U020
------	------	------	------	------	------	------	------	------	------	------	------	------	------	------	------	------	------	------	------

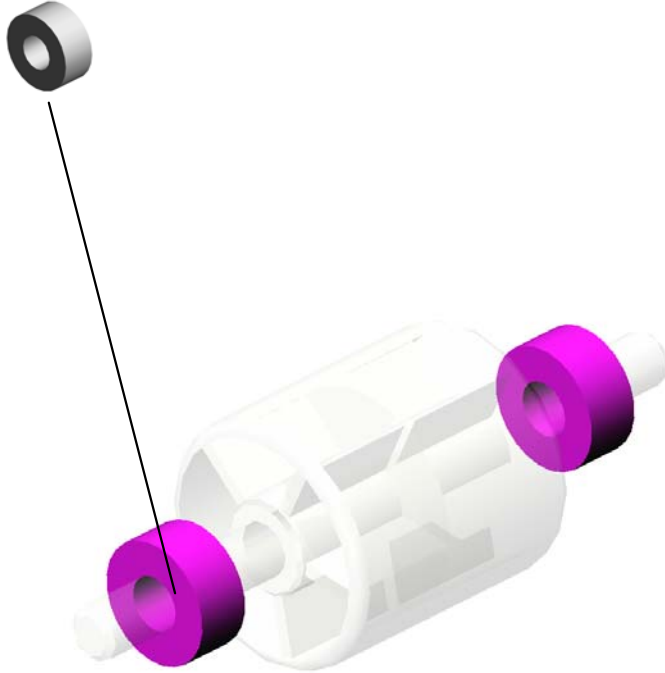
U015_S002_S012

ROLLER:DRIVEN:REVERSE EXIT:ASS'Y

14.07403804
(x2)
BALL BEARING:DIA
4XDIA9X4



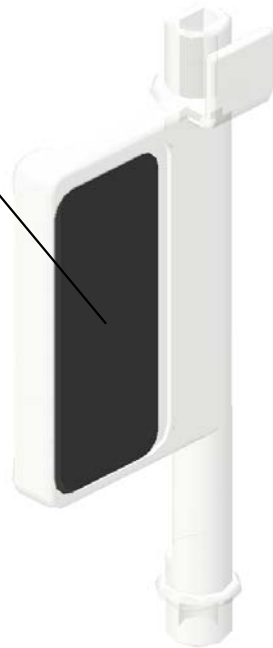
80.D1357166
ROLLER:DRIVEN:R
EVERSE EXIT:ASS'
Y



U001	U002	U003	U004	U005	U006	U007	U008	U009	U010	U011	U012	U013	U014	U015	U016	U017	U018	U019	U020
------	------	------	------	------	------	------	------	------	------	------	------	------	------	------	------	------	------	------	------

U015_S002_S013
LEVER:RELEASE:GUIDE PLATE:LEFT LOWER:ASS'Y

24.AA003050
DECAL:LEVER:REL
EASE:GUIDE PLAT
E:LEFT LOWER

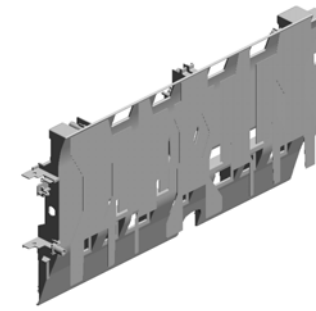


119.D1367121
LEVER:RELEASE:
GUIDE PLATE:LEF
T LOWER:ASSY

U001	U002	U003	U004	U005	U006	U007	U008	U009	U010	U011	U012	U013	U014	U015	U016	U017	U018	U019	U020
------	------	------	------	------	------	------	------	------	------	------	------	------	------	------	------	------	------	------	------

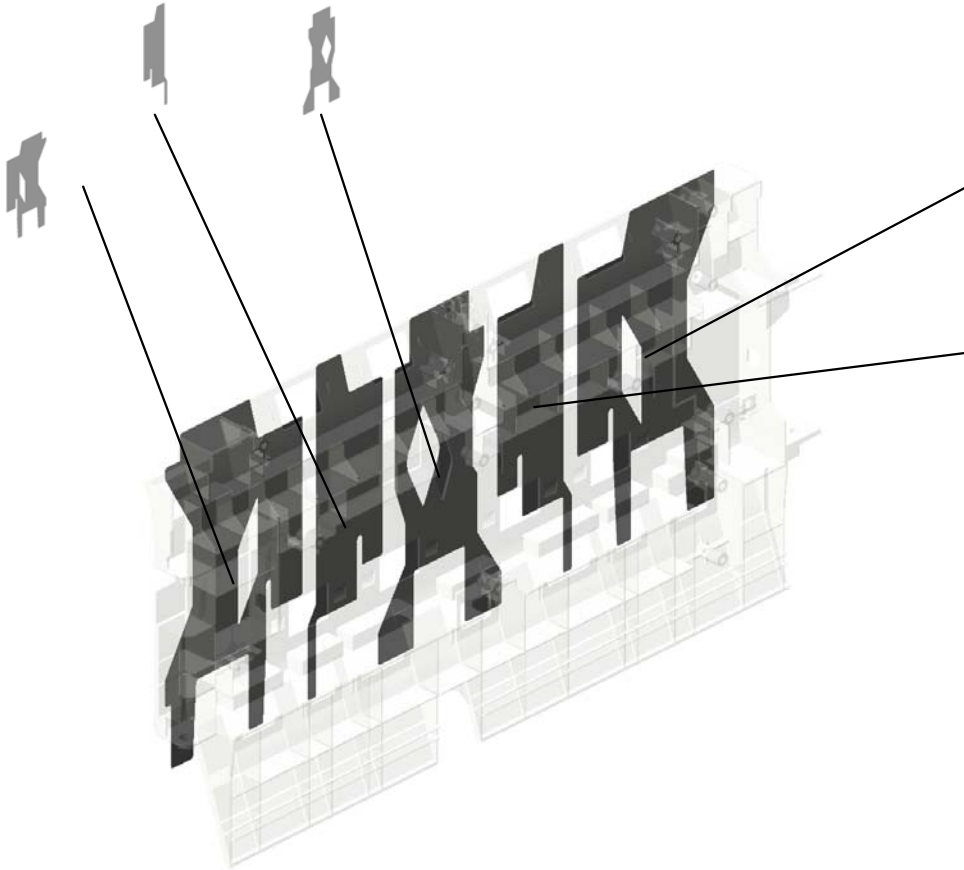
GUIDE PLATE:EXIT:LEFT LOWER:SUB-ASS'Y

85.D1357174 SHEET:EXIT:LEFT LOWER:REAR MIDDLE
84.D1357173 SHEET:EXIT:LEFT LOWER:MIDDLE



111.D1367111 GUIDE PLATE:EXIT:LEFT LOWER:SUB-ASS'Y

86.D1357175 SHEET:EXIT:LEFT LOWER:REAR



82.D1357171 SHEET:EXIT:LEFT LOWER:FRONT

83.D1357172 SHEET:EXIT:LEFT LOWER:FRONT MIDDLE

U015_S002_S015
ROLLER:EXIT:MIDDLE:ASS'Y

7.06320100G
PIN - 2X10MM



137.D1367181
ROLLER:EXIT:MID
DLE:ASS'Y



U001	U002	U003	U004	U005	U006	U007	U008	U009	U010	U011	U012	U013	U014	U015	U016	U017	U018	U019	U020
------	------	------	------	------	------	------	------	------	------	------	------	------	------	------	------	------	------	------	------

U016.DUPLEX

U016_S008
AF020795
TRANSPORT ROLLER:DRIVE
:REVERSE:ASS'Y

U016_S006
D1364611
TRANSPORT ROLLER:DUPL
EX:DRIVEN:1

U016_S011
D1367167
ROLLER:DRIVEN:NO.2:SHOR
T:ASS'Y

U016_S009
D1364823
ROLLER:DRIVEN:REVERSE:
106MM

U016_S003
D1364602
ROLLER:DRIVEN:DUPLEX

U016_S010
D1367167
ROLLER:DRIVEN:NO.2:SHOR
T:ASS'Y

U016_S004
D1364602
ROLLER:DRIVEN:DUPLEX

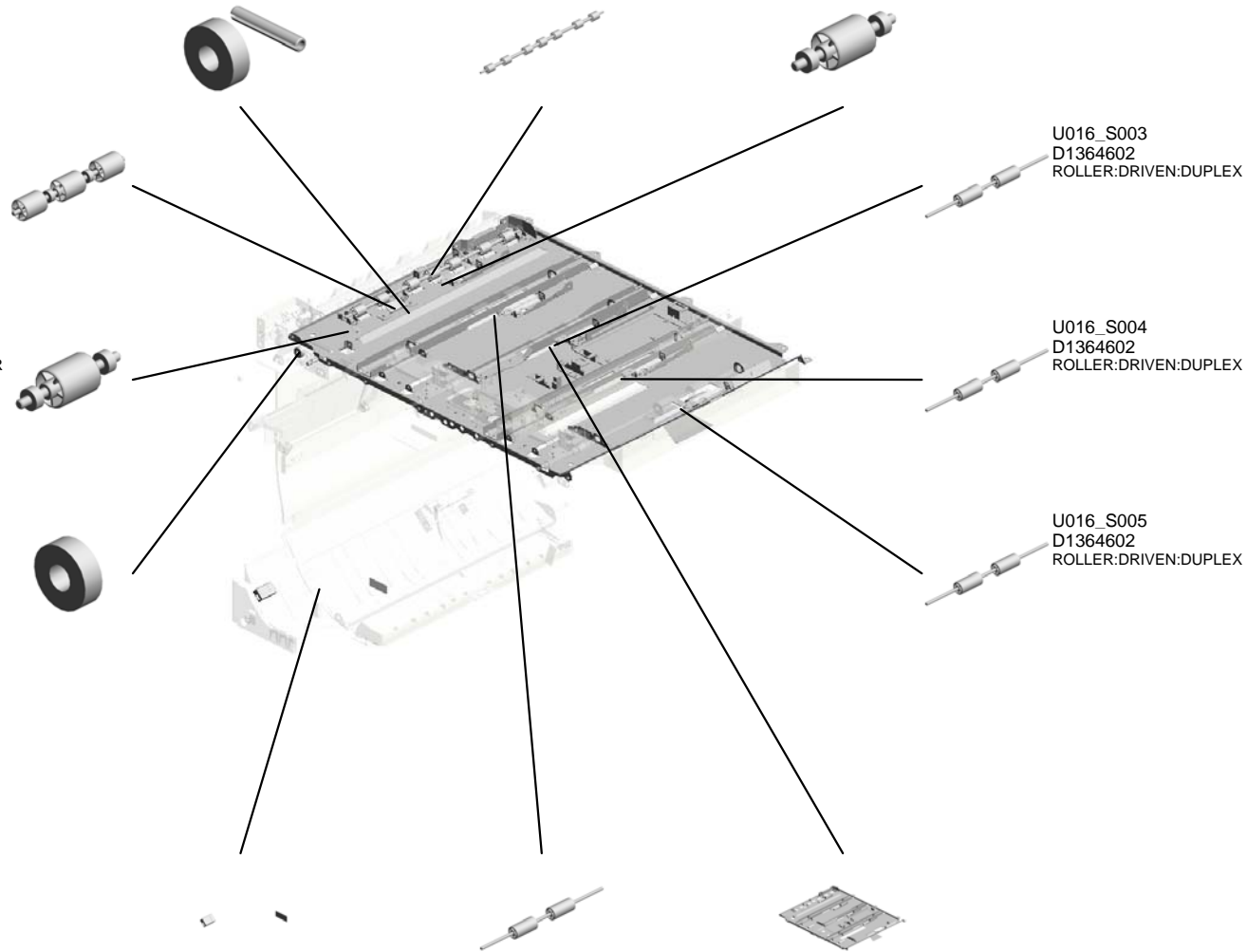
U016_S001
AF020793
TRANSPORT ROLLER:DUPL
EX:DRIVE:1

U016_S005
D1364602
ROLLER:DRIVEN:DUPLEX

U016_S012
D1364921
GRIP:VIBRATING PLATE:RE
CEIVING SUB-UNIT:LOWER:
ASS'Y

U016_S002
D1364602
ROLLER:DRIVEN:DUPLEX

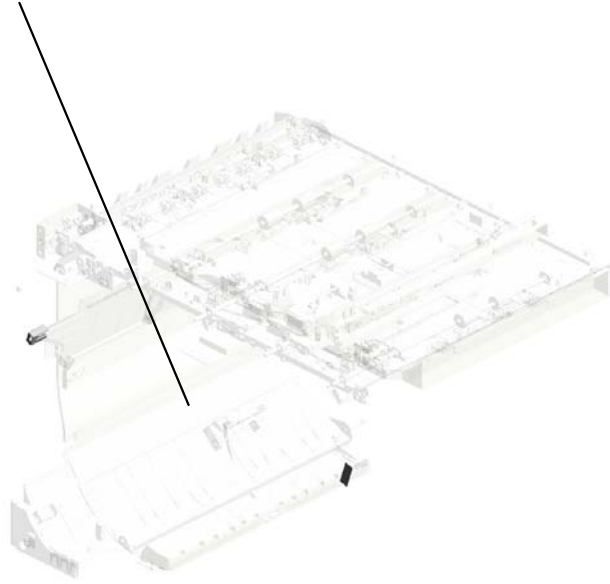
U016_S007
D1364543
GUIDE PLATE:DUPLEX:UPPE
R:ADHESION



U001	U002	U003	U004	U005	U006	U007	U008	U009	U010	U011	U012	U013	U014	U015	U016	U017	U018	U019	U020
------	------	------	------	------	------	------	------	------	------	------	------	------	------	------	------	------	------	------	------

U016.DUPLEX

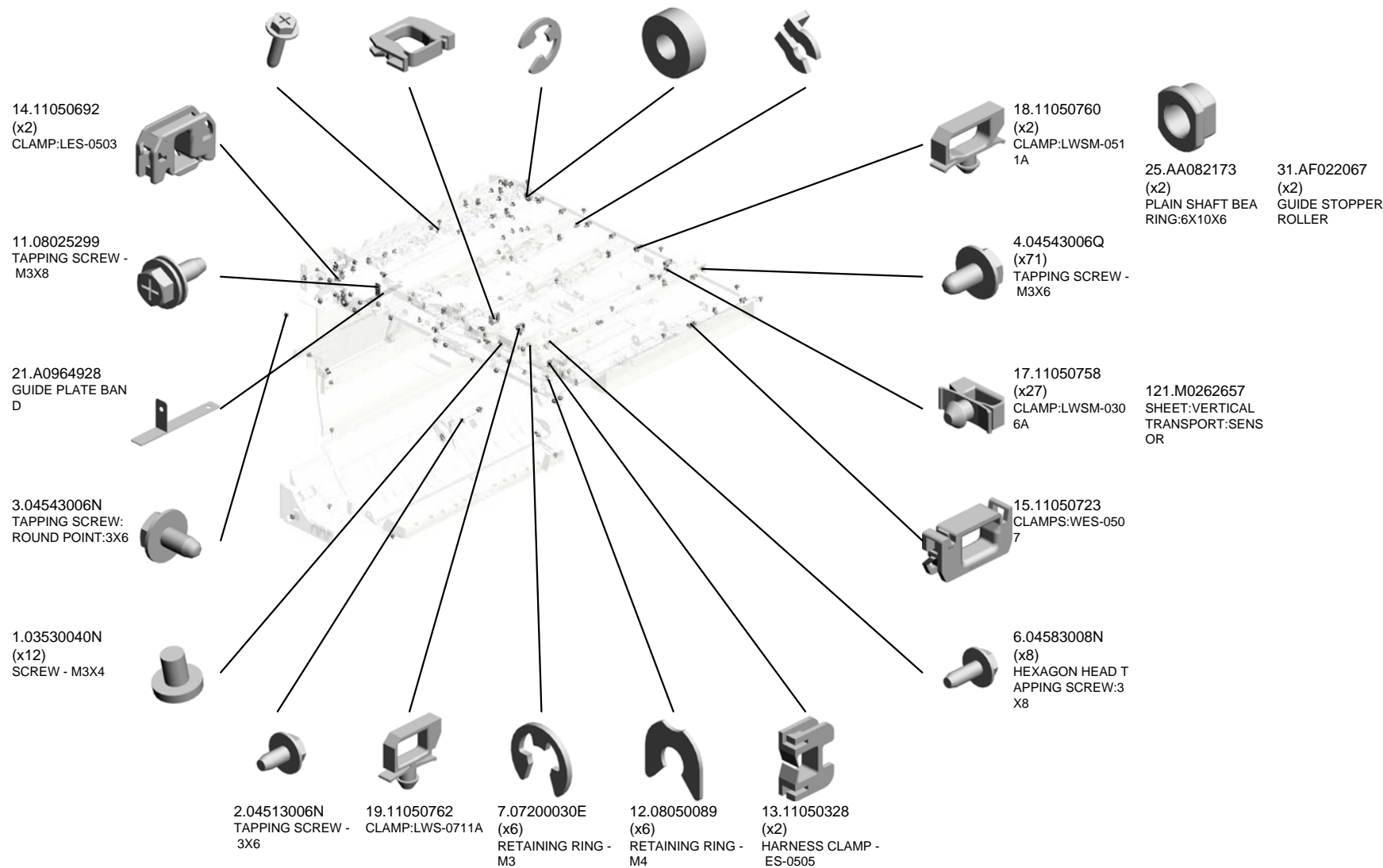
U016_S013
D1364922
GRIP:VIBRATING PLATE:RE
CEIVING SUB-UNIT:UPPER:A
SS'Y



U001	U002	U003	U004	U005	U006	U007	U008	U009	U010	U011	U012	U013	U014	U015	U016	U017	U018	U019	U020
------	------	------	------	------	------	------	------	------	------	------	------	------	------	------	------	------	------	------	------

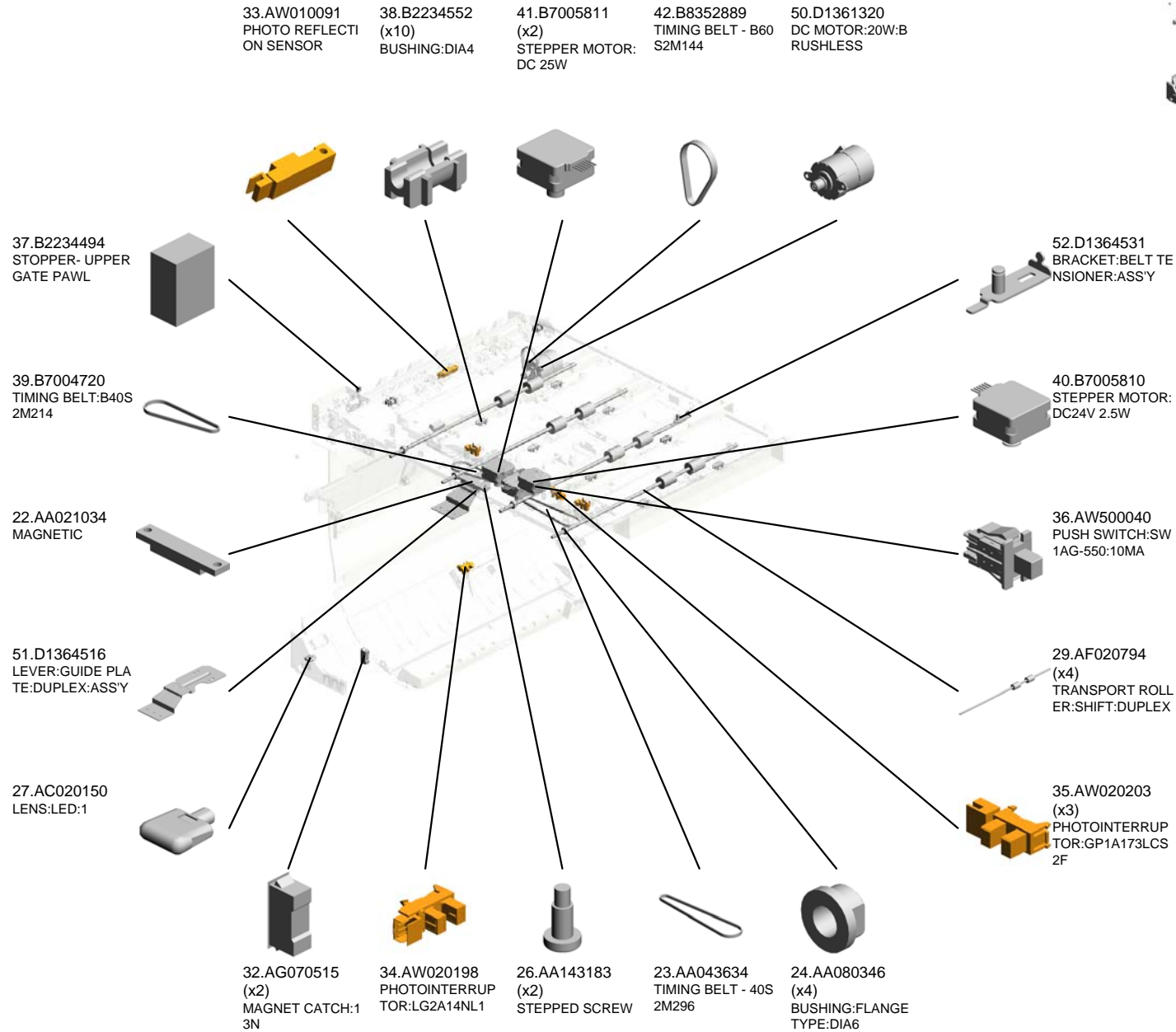
U016 DUPLEX

5.04543012Q TAPPING SCREW: 3X12
 16.11050724 CLAMPS:WES-121 0
 8.07200040E (x3) RETAINING RING - M4
 10.07403906 (x2) BALL BEARING - 6 X15X5
 20.54472681 (x5) SNAP RING



U001	U002	U003	U004	U005	U006	U007	U008	U009	U010	U011	U012	U013	U014	U015	U016	U017	U018	U019	U020
------	------	------	------	------	------	------	------	------	------	------	------	------	------	------	------	------	------	------	------

U016 DUPLEX



U001	U002	U003	U004	U005	U006	U007	U008	U009	U010	U011	U012	U013	U014	U015	U016	U017	U018	U019	U020
------	------	------	------	------	------	------	------	------	------	------	------	------	------	------	------	------	------	------	------

U016 DUPLEX



54.D1364584
GATE PAWL:DUPLEX:ENTRANCE:NO.2:ASSY

65.D1364615 (x4)
TENSION SPRING:TRANSPORT ROLLER:DUPLEX:1

70.D1364622 (x2)
LINK:SHIFT:DUPLEX

55.D1364601
GUIDE PLATE:DUPLEX:LOWER

73.D1364642
SHAFT:SLIDE:POSITIONING SENSOR

64.D1364614 (x2)
PLAIN SHAFT BEARING:TRANSPORT ROLLER:DUPLEX:DRIVEN:INNER

76.D1364646
BRACKET:DC STEPPER MOTOR:DUPLEX

72.D1364640
COVER:GUIDE PLATE:UPPER

75.D1364645
GUIDE:PLATE:POSITIONING SENSOR

69.D1364621 (x4)
SHAFT:LINK:SHIFT

71.D1364638 (x2)
GEAR:PULLEY:ROLLER:SHIFT

66.D1364617 (x4)
LINK:ROLLER:SHIFT

59.D1364606 (x2)
HOLDER:PRESSURE:GUIDE PLATE

60.D1364607 (x4)
COMPRESSION SPRING:HOLDER:GUIDE PLATE

67.D1364619 (x4)
BUSHING:FLANGE TYPE:DIA6

77.D1364647
TENSION SPRING:BELT TENSIONER

68.D1364620 (x4)
BUSHING:DIA6:DIA10:6

61.D1364608
GUIDE PLATE:POSITIONING SENSOR:LOWER

74.D1364644
GUIDE PLATE:POSITIONING SENSOR:DUPLEX

62.D1364609
TENSION SPRING:GUIDE PLATE:MOVIE

U016 DUPL



- 98.D1364825 (x4) TENSION SPRING: DC SOLENOID:REVERSE
- 99.D1364826 (x6) HOLDER:PRESSURE:RADIAL BALL BEARING:REVERSE
- 92.D1364768 (x7) COIL SPRING:GATE PAWL:DUPL EX:ENTRANCE:NO.2
- 85.D1364749 GUIDE PLATE:DUPL EX:ENTRANCE:LEFT LOWER:SUB-ASSY
- 88.D1364752 GATE PAWL:DUPL EX:ENTRANCE:NO.1

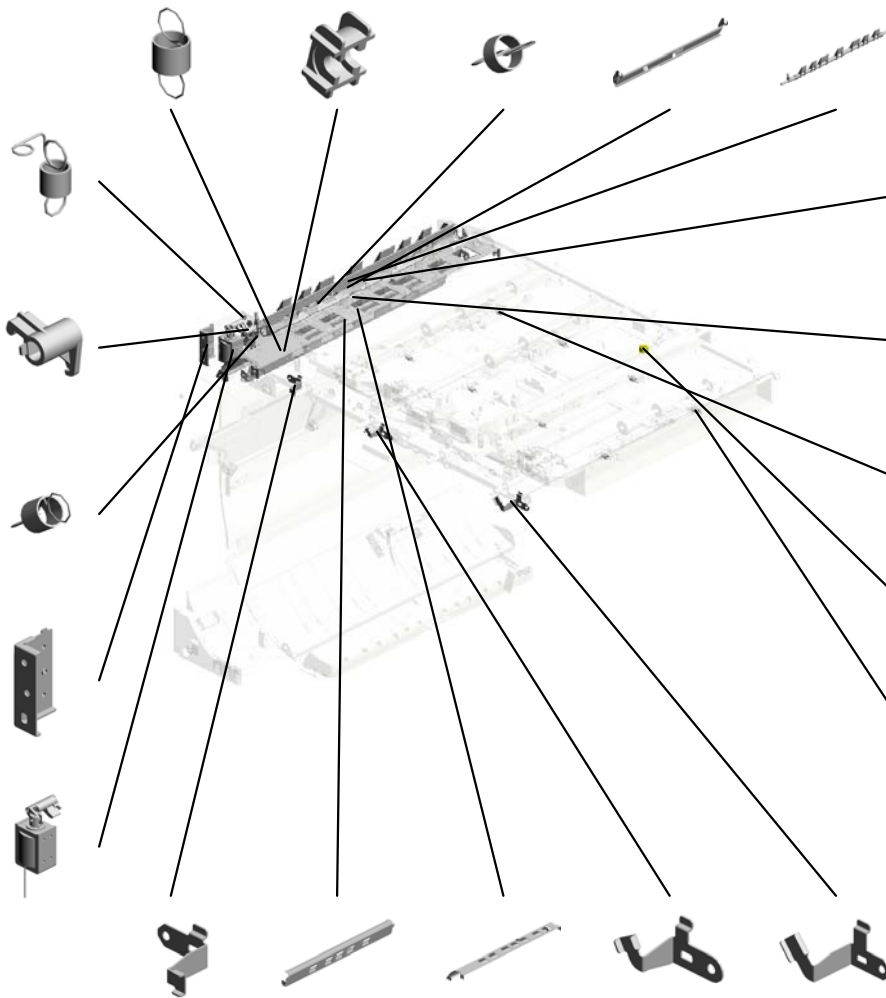
94.D1364771
TENSION SPRING:
DC SOLENOID:REL
EASE

90.D1364762
LEVER:GATE PAW
L:REVERSE

93.D1364770
TENSION SPRING:
GATE PAWL:DUPL
EX

87.D1364751
BRACKET:DUPL
EX:ENTRANCE:FRON
T

95.D1364780
DC SOLENOID:DU
PLEX:ENTRANCE



91.D1364763
GUIDE PLATE:DUPL
EX:ENTRANCE:RI
GHT UPPER

89.D1364761
GUIDE PLATE:DUPL
EX:ENTRANCE:MI
DDLE

83.D1364666
(x6)
TENSION SPRING:
DRIVEN ROLLER:D
UPL EX

78.D1364650
TIMING PULLEY:T
18:S2M

82.D1364665
(x2)
TENSION SPRING:
DRIVEN ROLLER:E
XIT

81.D1364653
STOPPER:PULLEY:
LEFT

96.D1364802
GUIDE PLATE:MI
DLE:REVERSE:DU
PLEX:ASSY

86.D1364750
GUIDE PLATE:DUPL
EX:ENTRANCE:RI
GHT

80.D1364652
STOPPER:PULLEY:
MIDDLE

79.D1364651
STOPPER:PULLEY:
RIGHT

U016 DUPLEX



102.D1364830 GUIDE PLATE:LEFT:REVERSE:DUPLEX
 103.D1364834 GUIDE PLATE:REVERSE ROLLER:DRIVE:LEFT
 101.D1364829 TIMING PULLEY:DRUPLEX:REVERSE:S2M54T
 100.D1364828 BRACKET:DC MOTOR:REVERSE

104.D1364837 (x2)
TENSION SPRING:DRIVEN:REVERSE:DUPLEX:MIDDLE

112.D1364948 GUIDE PLATE:RECEIVING SUB-UNIT:UPPER:SUB-ASSY

110.D1364928 GUIDE PLATE:RECEIVING SUB-UNIT:LEFT LOWER

106.D1364914 GUIDE PLATE:SWITCH:RECEIVING SUB-UNIT:UPPER:SUB-ASSY

107.D1364919 INNER COVER:RECEIVING SUB-UNIT:LEFT LOWER:SUB-ASSY

105.D1364912 GUIDE PLATE:SWITCH:RECEIVING SUB-UNIT:LOWER:SUB-ASSY

111.D1364936 GUIDE PLATE:RECEIVING SUB-UNIT:LOWER

113.D1364949 COVER:RECEIVING SUB-UNIT:RIGHT LOWER

119.D6885150 PCB:PUNCH:SENSOR:CONNECTING:ASSY

118.D4543636 TIMING BELT:40S2 M672

120.GW010007 (x8)
PHOTO REFLECTION SENSOR:EXIT

114.D1364957 FEELER:SENSOR:RECEIVING SUB-UNIT

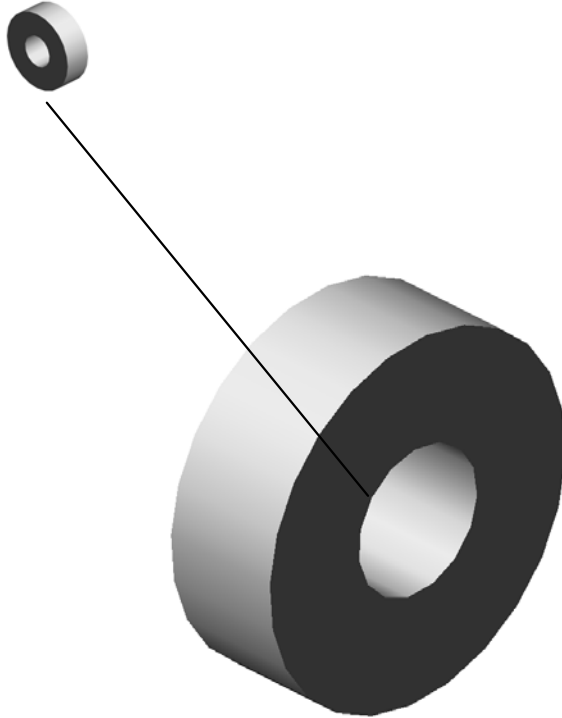
U001	U002	U003	U004	U005	U006	U007	U008	U009	U010	U011	U012	U013	U014	U015	U016	U017	U018	U019	U020
------	------	------	------	------	------	------	------	------	------	------	------	------	------	------	------	------	------	------	------

U016_S001
TRANSPORT ROLLER:DUPLEX:DRIVE:1

10.07403906
BALL BEARING - 6
X15X5



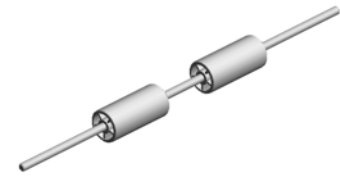
28.AF020793
TRANSPORT ROLL
ER:DUPLEX:DRIVE
:1



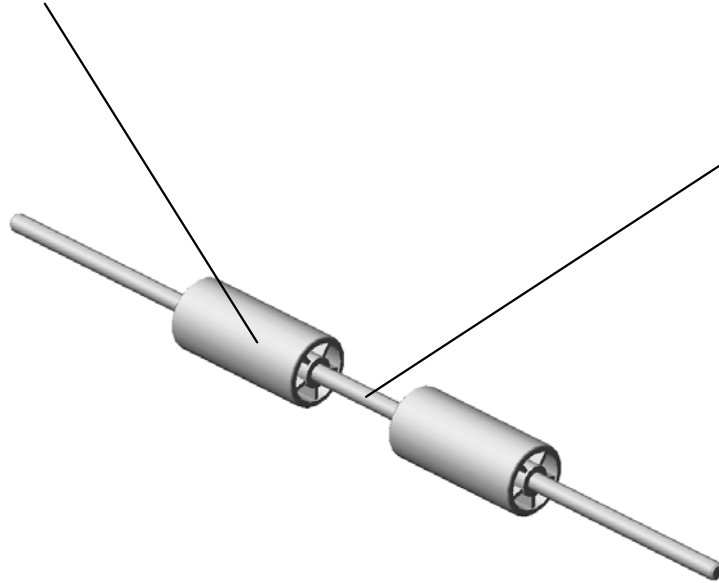
U001	U002	U003	U004	U005	U006	U007	U008	U009	U010	U011	U012	U013	U014	U015	U016	U017	U018	U019	U020
------	------	------	------	------	------	------	------	------	------	------	------	------	------	------	------	------	------	------	------

U016_S002
ROLLER:DRIVEN:DUPLEX

58.D1364604
(x2)
ROLLER:DRIVEN:D
UPLEX



56.D1364602
ROLLER:DRIVEN:D
UPLEX

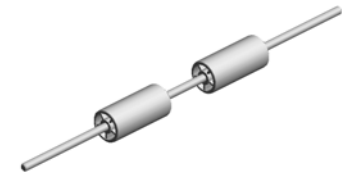


57.D1364603
SHAFT:ROLLER:D
RIVEN:DUPLEX

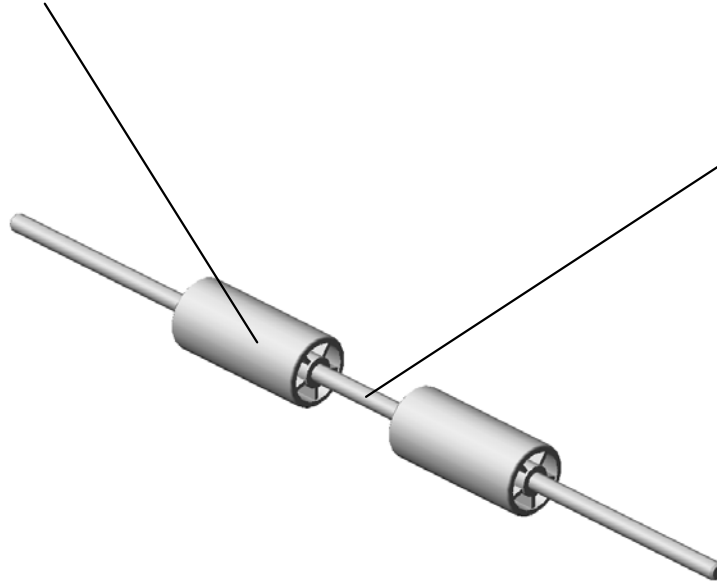
U001	U002	U003	U004	U005	U006	U007	U008	U009	U010	U011	U012	U013	U014	U015	U016	U017	U018	U019	U020
------	------	------	------	------	------	------	------	------	------	------	------	------	------	------	------	------	------	------	------

U016_S003
ROLLER:DRIVEN:DUPLEX

58.D1364604
(x2)
ROLLER:DRIVEN:D
UPLEX



56.D1364602
ROLLER:DRIVEN:D
UPLEX

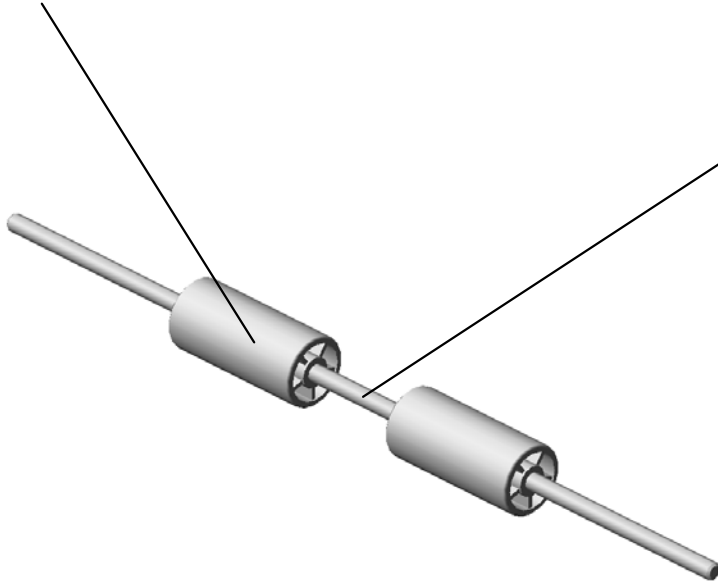


57.D1364603
SHAFT:ROLLER:D
RIVEN:DUPLEX

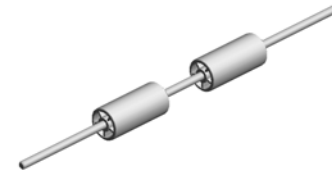
U001	U002	U003	U004	U005	U006	U007	U008	U009	U010	U011	U012	U013	U014	U015	U016	U017	U018	U019	U020
------	------	------	------	------	------	------	------	------	------	------	------	------	------	------	------	------	------	------	------

U016_S004
ROLLER:DRIVEN:DUPLEX

58.D1364604
(x2)
ROLLER:DRIVEN:D
UPLEX



57.D1364603
SHAFT:ROLLER:D
RIVEN:DUPLEX

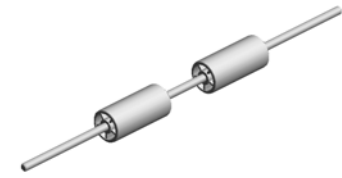


56.D1364602
ROLLER:DRIVEN:D
UPLEX

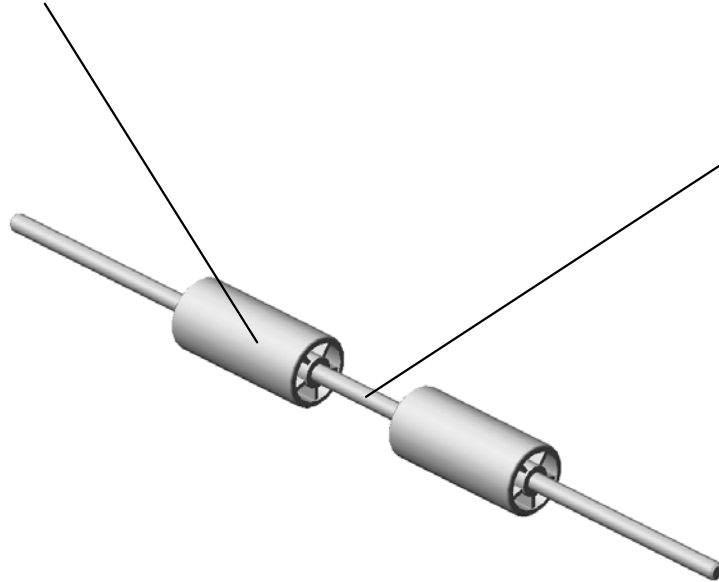
U001	U002	U003	U004	U005	U006	U007	U008	U009	U010	U011	U012	U013	U014	U015	U016	U017	U018	U019	U020
------	------	------	------	------	------	------	------	------	------	------	------	------	------	------	------	------	------	------	------

U016_S005
ROLLER:DRIVEN:DUPLEX

58.D1364604
(x2)
ROLLER:DRIVEN:D
UPLEX



56.D1364602
ROLLER:DRIVEN:D
UPLEX

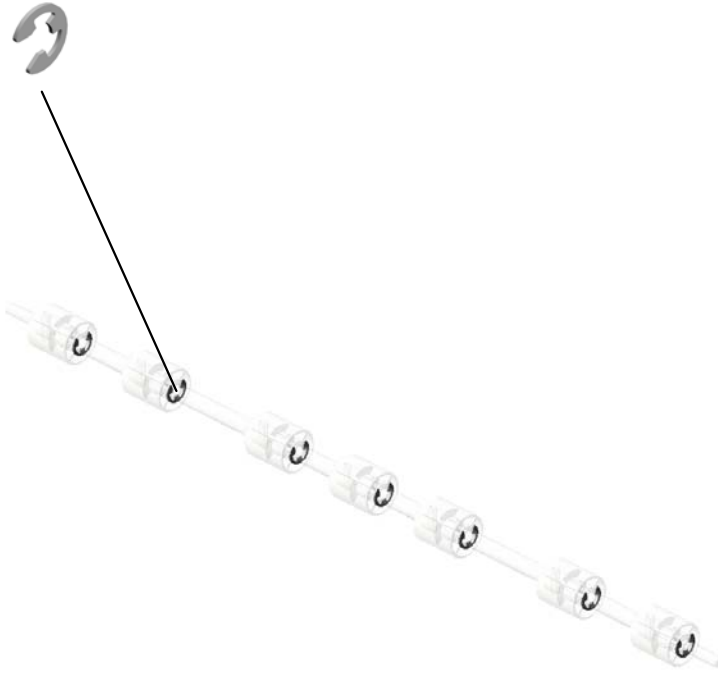


57.D1364603
SHAFT:ROLLER:D
RIVEN:DUPLEX

U001	U002	U003	U004	U005	U006	U007	U008	U009	U010	U011	U012	U013	U014	U015	U016	U017	U018	U019	U020
------	------	------	------	------	------	------	------	------	------	------	------	------	------	------	------	------	------	------	------

U016_S006
TRANSPORT ROLLER:DUPLEX:DRIVEN:1

8.07200040E
(x7)
RETAINING RING -
M4



63.D1364611
TRANSPORT ROLL
ER:DUPLEX:DRIVE
N:1

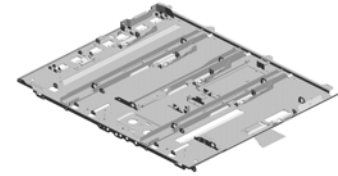
U001	U002	U003	U004	U005	U006	U007	U008	U009	U010	U011	U012	U013	U014	U015	U016	U017	U018	U019	U020
------	------	------	------	------	------	------	------	------	------	------	------	------	------	------	------	------	------	------	------

GUIDE PLATE:DUPLEX:UPPER:ADHESION

48.D1357193 SHEET:TRANSPOR
T:DUPLEX:MIDDLE
:NO.4

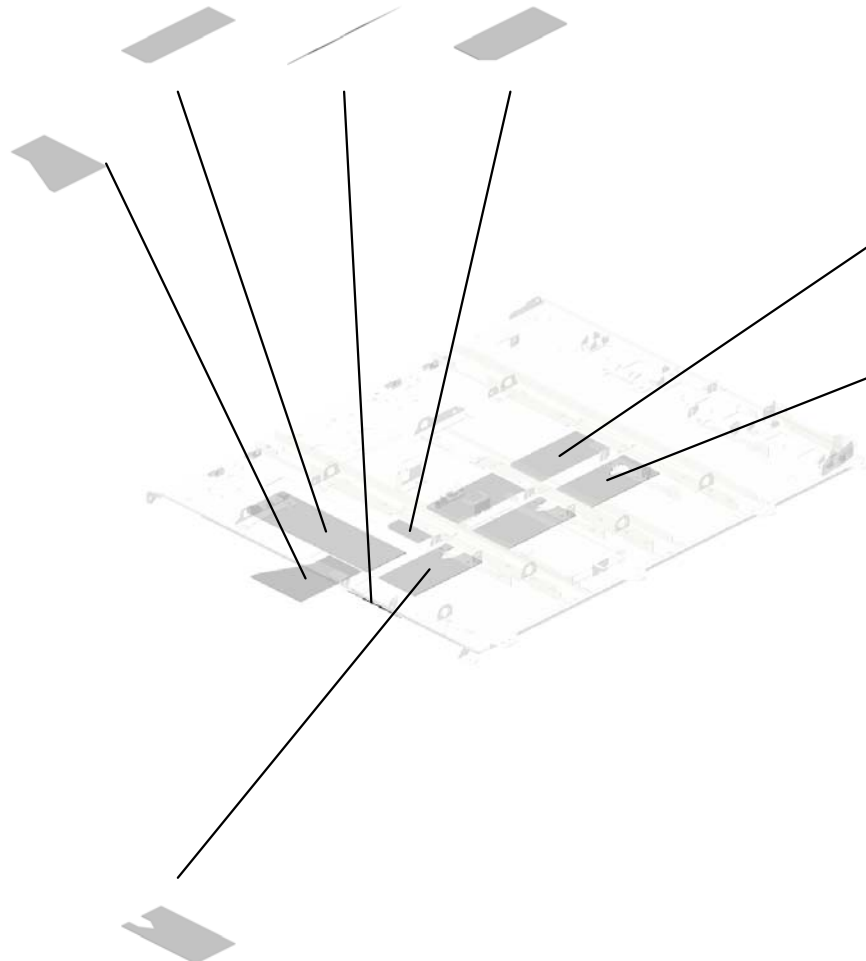
43.D1357187 SHEET:TRANSPOR
T:DUPLEX:EXIT:FR
ONT MIDDLE

49.D1357194 SHEET:TRANSPOR
T:DUPLEX:MIDDLE
:NO.5



53.D1364543
GUIDE PLATE:DUP
LEX:UPPER:ADHE
SION

44.D1357188
SHEET:TRANSPOR
T:DUPLEX:EXIT:RE
AR MIDDLE



45.D1357190
(x2)
SHEET:TRANSPOR
T:DUPLEX:MIDDLE
:NO.1

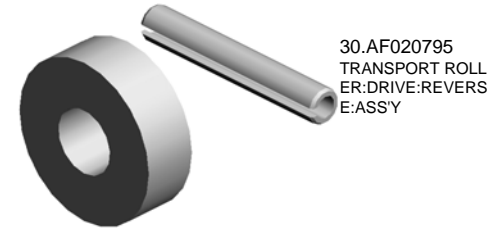
84.D1364667
(x2)
SHEET:DUPLEX:E
NTRANCE

47.D1357192
SHEET:TRANSPOR
T:DUPLEX:MIDDLE
:NO.3

46.D1357191
(x2)
SHEET:TRANSPOR
T:DUPLEX:MIDDLE
:NO.2

U016_S008
TRANSPORT ROLLER:DRIVE:REVERSE:ASS'Y

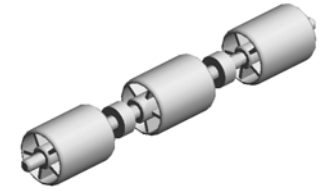
10.07403906
BALL BEARING - 6
X15X5



U001	U002	U003	U004	U005	U006	U007	U008	U009	U010	U011	U012	U013	U014	U015	U016	U017	U018	U019	U020
------	------	------	------	------	------	------	------	------	------	------	------	------	------	------	------	------	------	------	------

U016_S009
ROLLER:DRIVEN:REVERSE:106MM

9.07403804
(x2)
BALL BEARING:DIA
4XDIA9X4

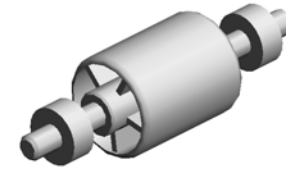


97.D1364823
ROLLER:DRIVEN:R
EVERSE:106MM

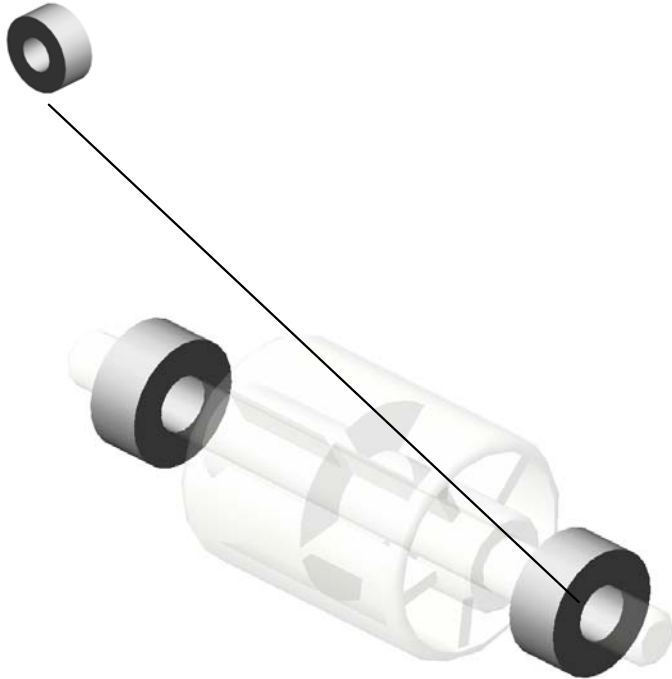
U001	U002	U003	U004	U005	U006	U007	U008	U009	U010	U011	U012	U013	U014	U015	U016	U017	U018	U019	U020
------	------	------	------	------	------	------	------	------	------	------	------	------	------	------	------	------	------	------	------

U016_S010
ROLLER:DRIVEN:NO.2:SHORT:ASS'Y

9.07403804
(x2)
BALL BEARING:DIA
4XDIA9X4



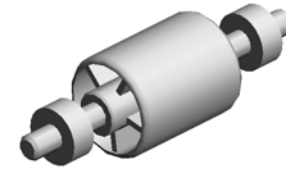
117.D1367167
ROLLER:DRIVEN:N
O.2:SHORT:ASSY



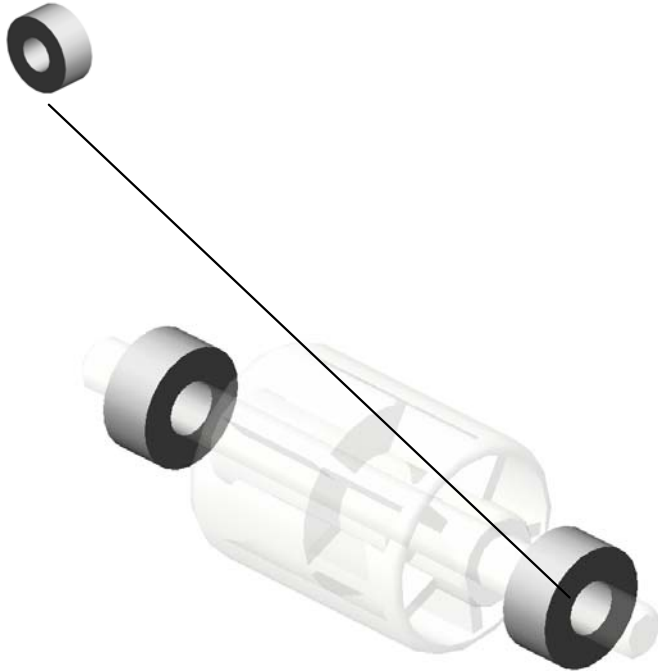
U001	U002	U003	U004	U005	U006	U007	U008	U009	U010	U011	U012	U013	U014	U015	U016	U017	U018	U019	U020
------	------	------	------	------	------	------	------	------	------	------	------	------	------	------	------	------	------	------	------

U016_S011
ROLLER:DRIVEN:NO.2:SHORT:ASS'Y

9.07403804
(x2)
BALL BEARING:DIA
4XDIA9X4



117.D1367167
ROLLER:DRIVEN:N
O.2:SHORT:ASSY



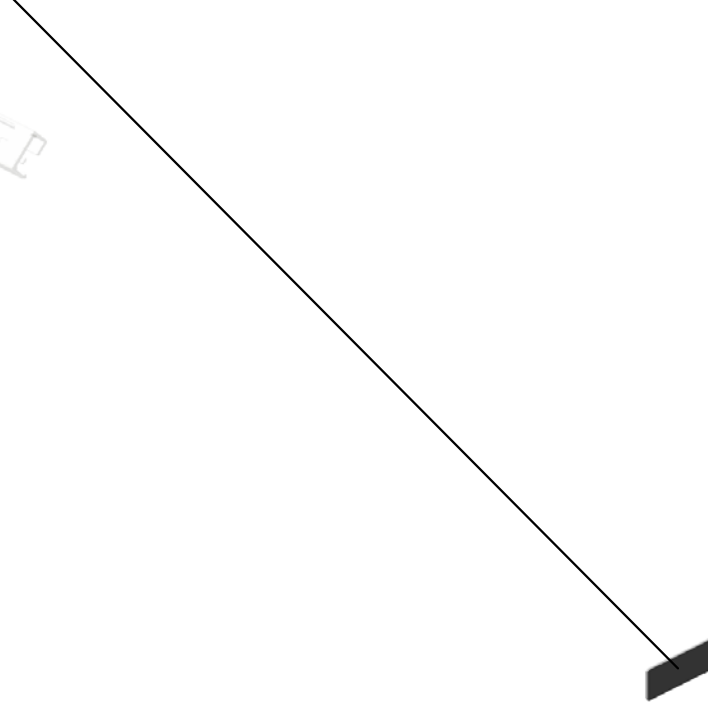
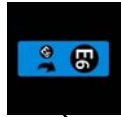
U001	U002	U003	U004	U005	U006	U007	U008	U009	U010	U011	U012	U013	U014	U015	U016	U017	U018	U019	U020
------	------	------	------	------	------	------	------	------	------	------	------	------	------	------	------	------	------	------	------

U016_S012

GRIP:VIBRATING PLATE:RECEIVING SUB-UNIT:LOWER:ASS'Y

116.D1364975
DECAL:GRIP:RECE
IVING SUB-UNIT:L
OWER

108.D1364921
GRIP:VIBRATING P
LATE:RECEIVING
SUB-UNIT:LOWER:
ASS'Y

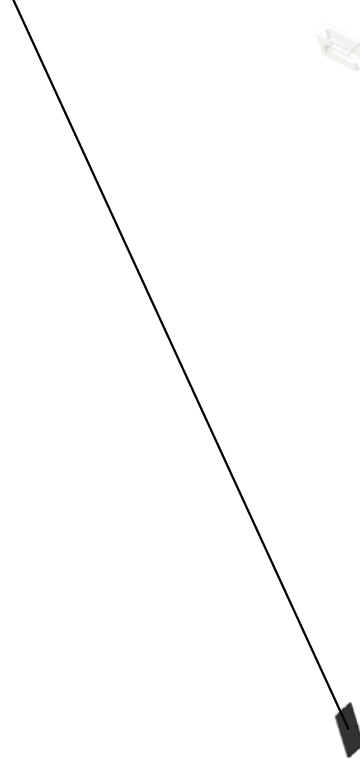


U001	U002	U003	U004	U005	U006	U007	U008	U009	U010	U011	U012	U013	U014	U015	U016	U017	U018	U019	U020
------	------	------	------	------	------	------	------	------	------	------	------	------	------	------	------	------	------	------	------

U016_S013
GRIP:VIBRATING PLATE:RECEIVING SUB-UNIT:UPPER:ASS'Y

115.D1364974
DECAL:GRIP:RECE
IVING SUB-UNIT:U
PPER

109.D1364922
GRIP:VIBRATING P
LATE:RECEIVING
SUB-UNIT:UPPER:
ASS'Y



U001	U002	U003	U004	U005	U006	U007	U008	U009	U010	U011	U012	U013	U014	U015	U016	U017	U018	U019	U020
------	------	------	------	------	------	------	------	------	------	------	------	------	------	------	------	------	------	------	------

U017.MAIN DRIVE

U017_S009
D1361034
DRIVE UNIT:USED TONER:U
PPER:ASS'Y

U017_S003
D1361014
DRIVE UNIT:PHOTOCONDU
CTOR:ASS'Y

U017_S004
D1361014
DRIVE UNIT:PHOTOCONDU
CTOR:ASS'Y

U017_S007
D1361028
FUSING DRIVE SUB-UNIT:GE
AR:SLOW DOWN:OFFICE:AS
S'Y

U017_S008
D1361032
DRIVE UNIT:USED TONER:L
OWER:ASS'Y

U017_S011
D1361380
DRIVE UNIT:PAPER EXIT SU
B-UNIT:ASS'Y

U017_S002
D1361014
DRIVE UNIT:PHOTOCONDU
CTOR:ASS'Y

U017_S001
D1361014
DRIVE UNIT:PHOTOCONDU
CTOR:ASS'Y

U017_S010
D1361362
DRIVE UNIT:TRANSPORT SU
B-UNIT:CONNECTING:ASS'Y

U017_S006
D1361249
BRACKET:ON-OFF:TRANSFE
R:ASS'Y

U017_S005
D1361210
DRIVE UNIT:TRANSFER:SEC
OND:ASS'Y

U017_S012
D1361311
DRIVE UNIT:PAPER FEED S
UB-UNIT:NO.1:ASS'Y

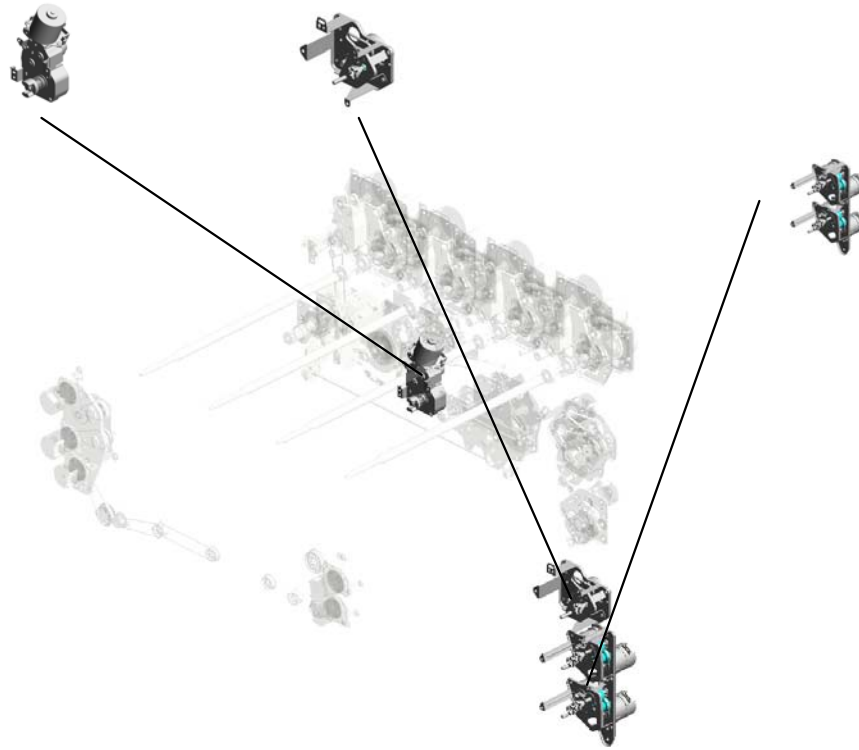
U001	U002	U003	U004	U005	U006	U007	U008	U009	U010	U011	U012	U013	U014	U015	U016	U017	U018	U019	U020
------	------	------	------	------	------	------	------	------	------	------	------	------	------	------	------	-------------	------	------	------

U017.MAIN DRIVE

U017_S015
AX060460
DRIVE UNIT:ON-OFF:PRESS
URE ROLLER

U017_S014
D1361341
DRIVE UNIT:PAPER FEED S
UB-UNIT:NO.2:EU:ASS'Y

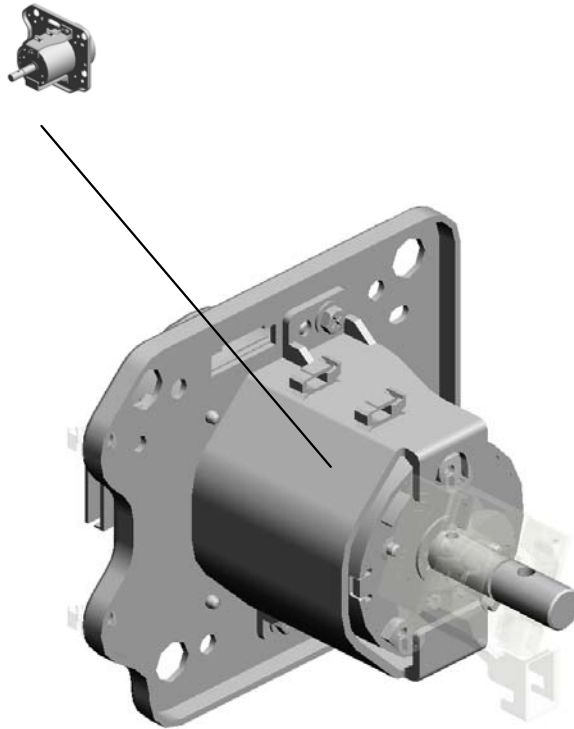
U017_S013
D1361331
DRIVE UNIT:PAPER FEED S
UB-UNIT:NO.3:ASS'Y



U001	U002	U003	U004	U005	U006	U007	U008	U009	U010	U011	U012	U013	U014	U015	U016	U017	U018	U019	U020
------	------	------	------	------	------	------	------	------	------	------	------	------	------	------	------	------	------	------	------

U017_S001.DRIVE UNIT:PHOTOCONDUCTOR:ASS'Y

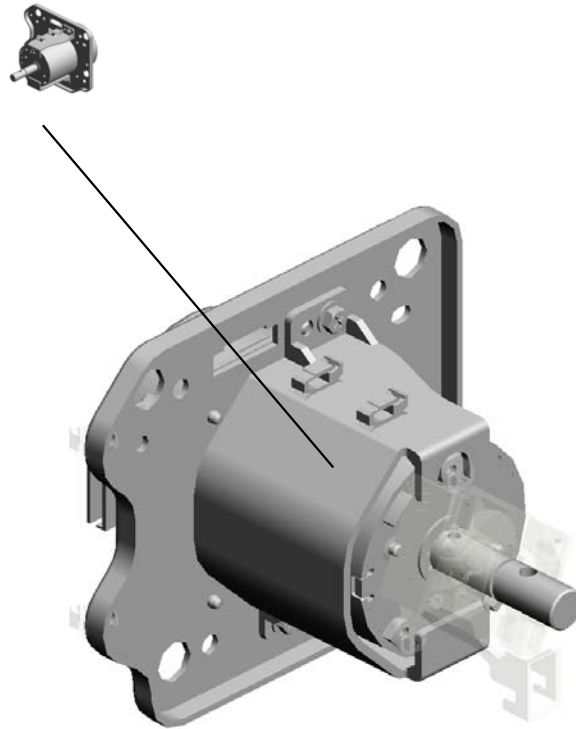
U017_S001_S001
D1361100
DRUM:GEAR:SLOW DOWN:A
SS'Y



U001	U002	U003	U004	U005	U006	U007	U008	U009	U010	U011	U012	U013	U014	U015	U016	U017	U018	U019	U020
------	------	------	------	------	------	------	------	------	------	------	------	------	------	------	------	------	------	------	------

U017_S002.DRIVE UNIT:PHOTOCONDUCTOR:ASS'Y

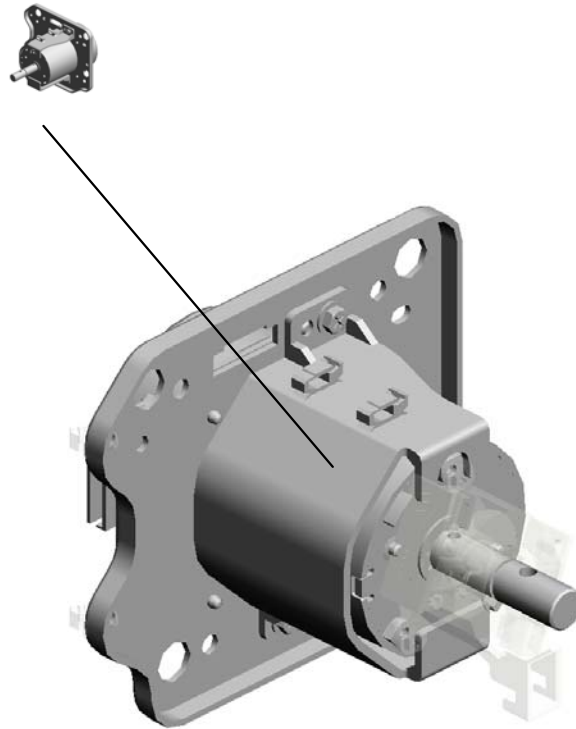
U017_S002_S001
D1361100
DRUM:GEAR:SLOW DOWN:A
SS'Y



U001	U002	U003	U004	U005	U006	U007	U008	U009	U010	U011	U012	U013	U014	U015	U016	U017	U018	U019	U020
------	------	------	------	------	------	------	------	------	------	------	------	------	------	------	------	------	------	------	------

U017_S003.DRIVE UNIT:PHOTOCONDUCTOR:ASS'Y

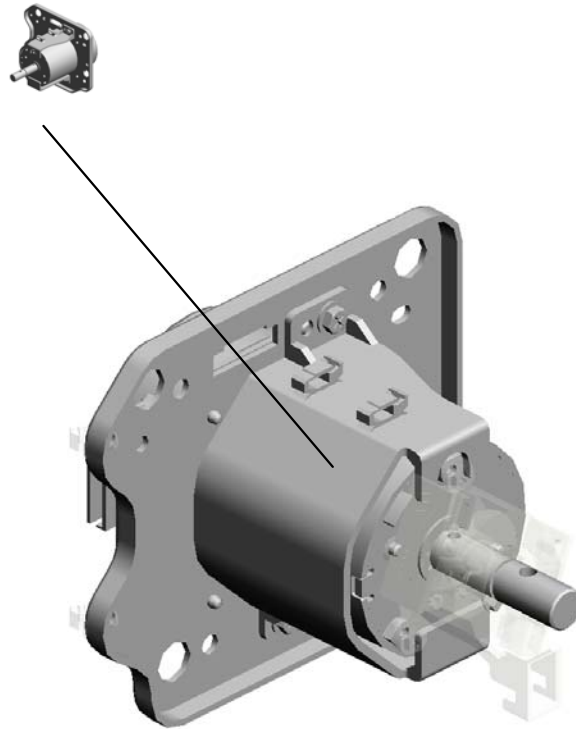
U017_S003_S001
D1361100
DRUM:GEAR:SLOW DOWN:A
SS'Y



U001	U002	U003	U004	U005	U006	U007	U008	U009	U010	U011	U012	U013	U014	U015	U016	U017	U018	U019	U020
------	------	------	------	------	------	------	------	------	------	------	------	------	------	------	------	------	------	------	------

U017_S004.DRIVE UNIT:PHOTOCONDUCTOR:ASS'Y

U017_S004_S001
D1361100
DRUM:GEAR:SLOW DOWN:A
SS'Y



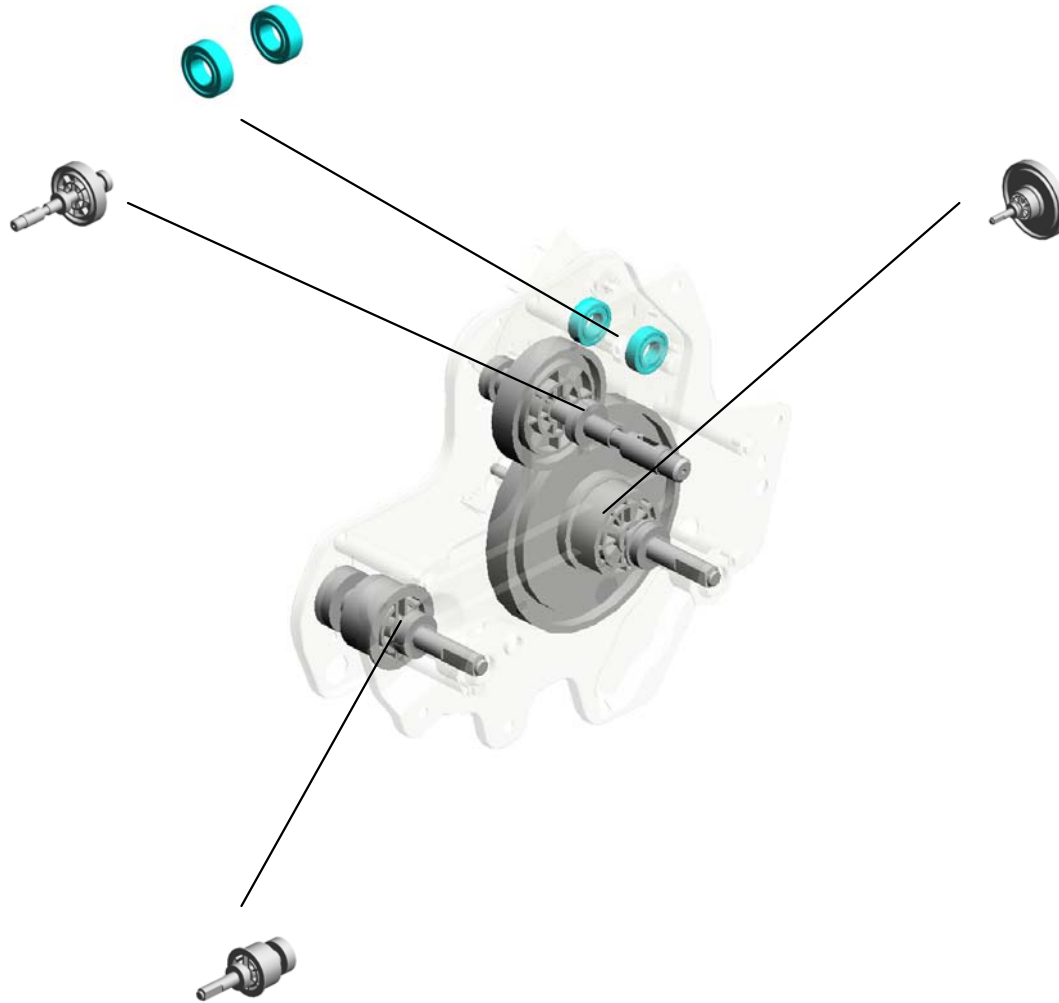
U001	U002	U003	U004	U005	U006	U007	U008	U009	U010	U011	U012	U013	U014	U015	U016	U017	U018	U019	U020
------	------	------	------	------	------	------	------	------	------	------	------	------	------	------	------	------	------	------	------

U017_S005.DRIVE UNIT:TRANSFER:SECOND:ASS'Y

U017_S005_S001
AB017839
GEAR:IDLER:BELT CLEANIN
G

U017_S005_S003
D1361235
SHAFT:DRIVE:BELT CLEANI
NG:ASS'Y

U017_S005_S002
D1361232
SHAFT:DRIVE:TRANSFER:S
ECOND:ASS'Y

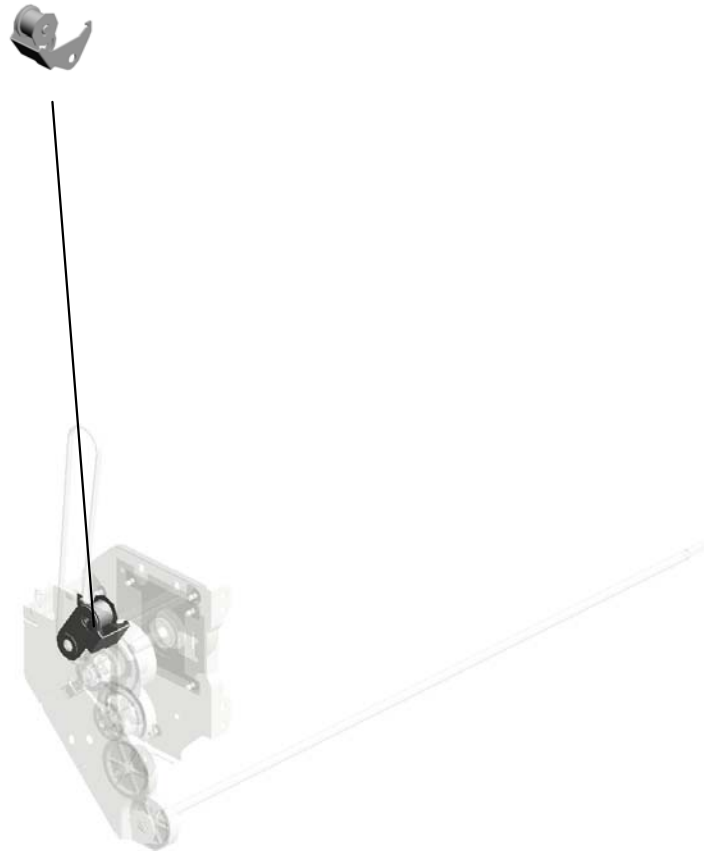


U017_S005_S004
D1361240
SHAFT:OUTPUT:DRIVE:VAC
UUM:ASS'Y

U001	U002	U003	U004	U005	U006	U007	U008	U009	U010	U011	U012	U013	U014	U015	U016	U017	U018	U019	U020
------	------	------	------	------	------	------	------	------	------	------	------	------	------	------	------	------	------	------	------

U017_S008.DRIVE UNIT:USED TONER:LOWER:ASS'Y

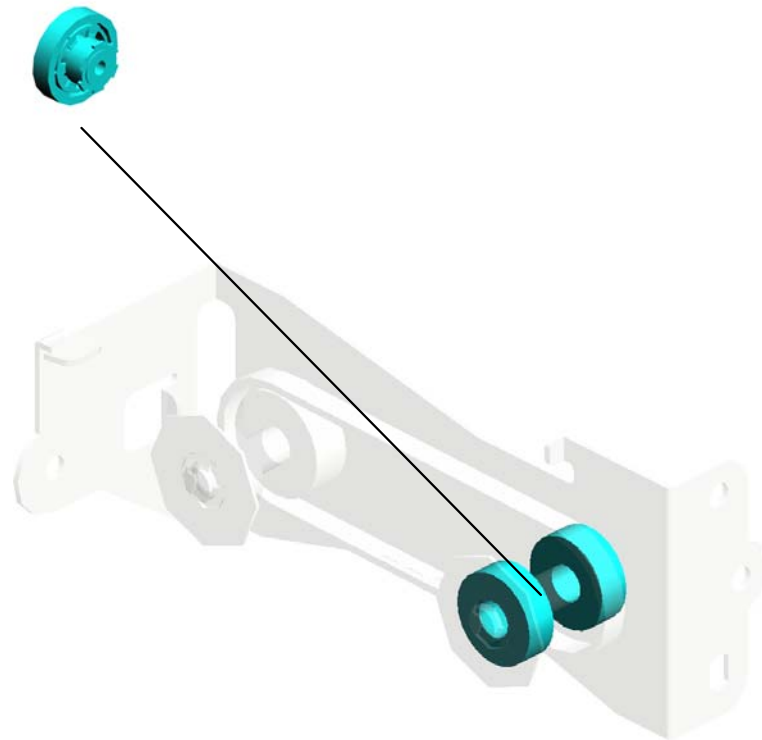
U017_S008_S001
D1361288
BRACKET:TENSIONER:DRIV
E:USED TONER:ASS'Y



U001	U002	U003	U004	U005	U006	U007	U008	U009	U010	U011	U012	U013	U014	U015	U016	U017	U018	U019	U020
------	------	------	------	------	------	------	------	------	------	------	------	------	------	------	------	------	------	------	------

U017_S009.DRIVE UNIT:USED TONER:UPPER:ASS'Y

U017_S009_S001
AB017915
GEAR:PULLEY:USED TONER
:UPPER:Z37/S2M31T



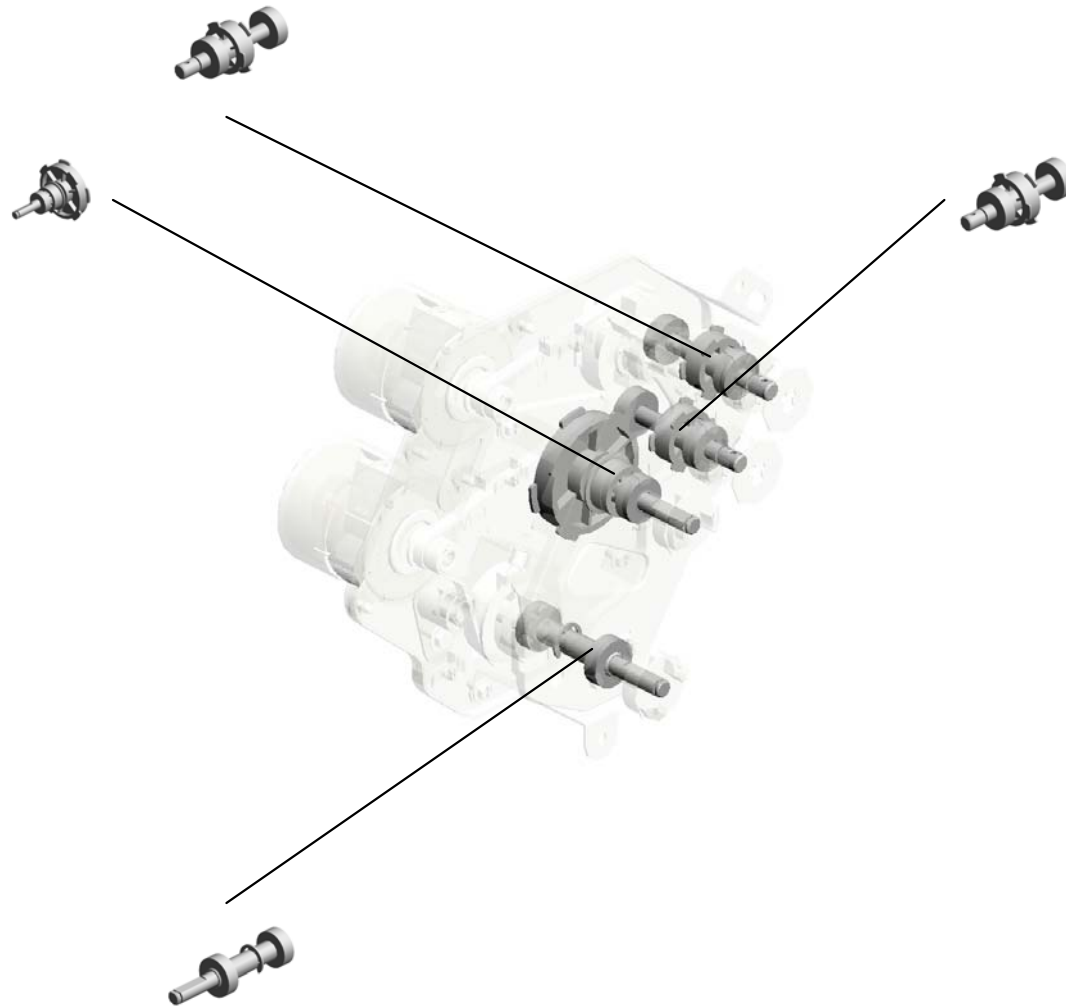
U001	U002	U003	U004	U005	U006	U007	U008	U009	U010	U011	U012	U013	U014	U015	U016	U017	U018	U019	U020
------	------	------	------	------	------	------	------	------	------	------	------	------	------	------	------	------	------	------	------

U017_S010.DRIVE UNIT:TRANSPORT SUB-UNIT:CONNECTING:ASS'Y

U017_S010_S003
D1361374
SHAFT:MANUAL FEED UNIT

U017_S010_S001
D1361370
SHAFT:MANUAL FEED UNIT:
CONNECTING

U017_S010_S004
D1361374
SHAFT:MANUAL FEED UNIT



U017_S010_S002
D1361372
SHAFT:JOINT UNIT

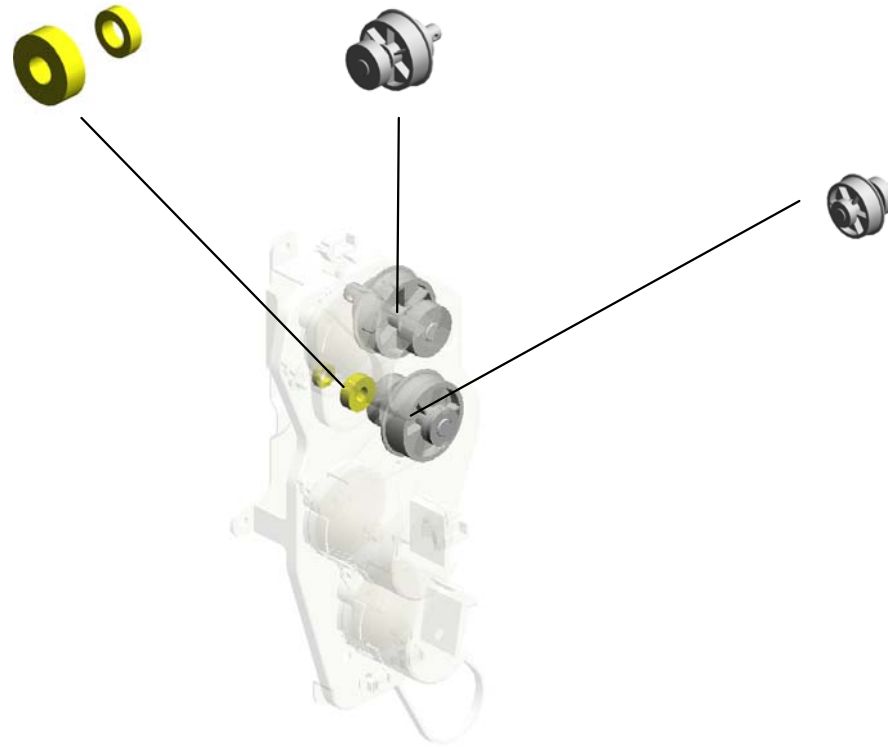
U001	U002	U003	U004	U005	U006	U007	U008	U009	U010	U011	U012	U013	U014	U015	U016	U017	U018	U019	U020
------	------	------	------	------	------	------	------	------	------	------	------	------	------	------	------	------	------	------	------

U017_S011.DRIVE UNIT:PAPER EXIT SUB-UNIT:ASS'Y

U017_S011_S001
AB033117
PULLEY:IDLER:EXIT

U017_S011_S003
D1361386
SHAFT:DRIVE:PAPER EXIT S
UB-UNIT:ASS'Y

U017_S011_S002
D1361384
SHAFT:DRIVE:PAPER EXIT S
UB-UNIT:ENTRANCE:ASS'Y



U001	U002	U003	U004	U005	U006	U007	U008	U009	U010	U011	U012	U013	U014	U015	U016	U017	U018	U019	U020
------	------	------	------	------	------	------	------	------	------	------	------	------	------	------	------	------	------	------	------

U017_S012.DRIVE UNIT:PAPER FEED SUB-UNIT:NO.1:ASS'Y

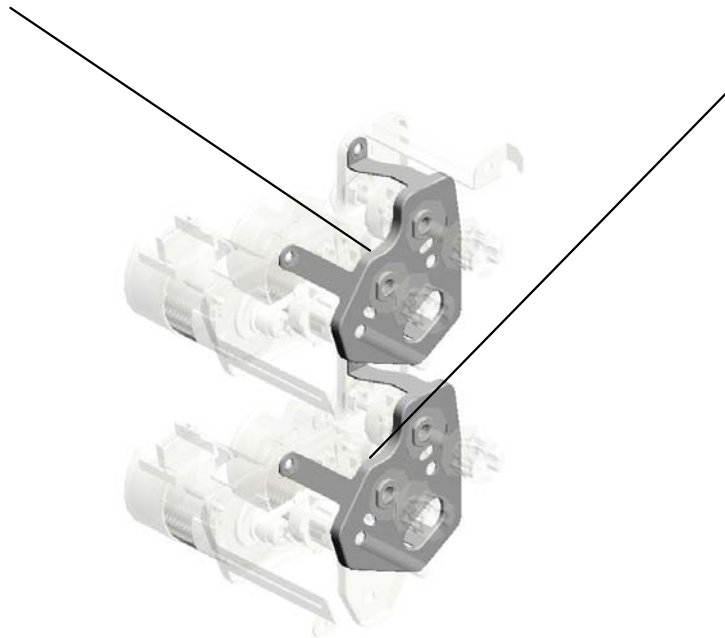
U017_S012_S001
D1361317
DRUM STAY:PAPER FEED S
UB-UNIT:NO.1



U001	U002	U003	U004	U005	U006	U007	U008	U009	U010	U011	U012	U013	U014	U015	U016	U017	U018	U019	U020
------	------	------	------	------	------	------	------	------	------	------	------	------	------	------	------	------	------	------	------

U017_S013.DRIVE UNIT:PAPER FEED SUB-UNIT:NO.3:ASS'Y

U017_S013_S002
D1361337
DRUM STAY:PAPER FEED S
UB-UNIT:NO.3



U017_S013_S001
D1361337
DRUM STAY:PAPER FEED S
UB-UNIT:NO.3

U001	U002	U003	U004	U005	U006	U007	U008	U009	U010	U011	U012	U013	U014	U015	U016	U017	U018	U019	U020
------	------	------	------	------	------	------	------	------	------	------	------	------	------	------	------	------	------	------	------

U017_S014.DRIVE UNIT:PAPER FEED SUB-UNIT:NO.2:EU:ASS'Y

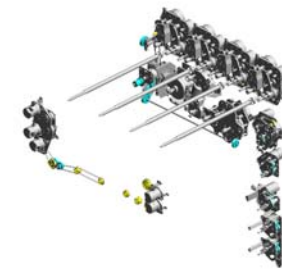
U017_S014_S001
D1361347
DRUM STAY:PAPER FEED S
UB-UNIT:NO.2:EU



U001	U002	U003	U004	U005	U006	U007	U008	U009	U010	U011	U012	U013	U014	U015	U016	U017	U018	U019	U020
------	------	------	------	------	------	------	------	------	------	------	------	------	------	------	------	------	------	------	------

U017 MAIN DRIVE

- 16.07403808 (x16) BALL BEARING - 8 X16X5MM
- 12.07200040E (x11) RETAINING RING - M4
- 5.04513006N (x28) TAPPING SCREW - M3X4
- 1.03130040N (x12) SCREW:M3X4
- 38.AA082173 PLAIN SHAFT BEARING:6X10X6



- 17.07403906 (x8) BALL BEARING - 6 X15X5

- 39.AB011607 GEAR:ON-OFF:TRANSFER

- 7.04583010N (x3) HEXAGON HEAD TAPPING SCREW:3 X10

- 34.AA043929 TIMING BELT - B40 S2M114

- 25.AA043311 TIMING BELT:40S2 M302G

- 13.07200060E RETAINING RING - M6

- 21.11050758 (x3) CLAMP:LWSM-030 6A

- 30.AA043660 TIMING BELT:40S2 M172

- 33.AA043694 SYNCHRONOUS BELT:B40S2M202

- 24.11050763 CLAMP:LWS-1211A

- 3.03603006N (x59) SCREW - M3X6

- 2.03530030N (x2) SCREW:M3X3

- 4.03603014N (x4) SCREW - M3X14

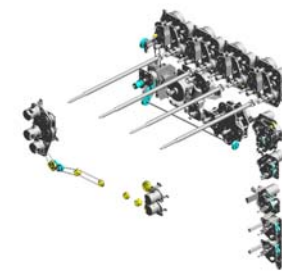
- 22.11050760 (x9) CLAMP:LWSM-051 1A

- 6.04543006Q (x49) TAPPING SCREW - M3X6

- 27.AA043334 TIMING BELT:40S2 M174

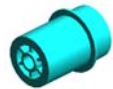
- 33.AA043694 SYNCHRONOUS BELT:B40S2M202

U017 MAIN DRIVE



- 86.D1361157 (x4) DC MOTOR:24V:23.1W:BRUSHLESS
- 72.D0141265 (x4) BRACKET:DC MOTOR
- 87.D1361159 (x4) DC MOTOR:24V:8.8W:BRUSHLESS
- 90.D1361217 JOINT:ON-OFF:INTERMEDIATE TRANSFER
- 99.D1361246 COMPRESSION SPRING:DRIVE:ON-OFF:TRANSFER

54.AB017918
GEAR:REVERSE EXCIT:IDLER:NO.2



44.AB016002
GEAR:Z36



57.AB030866
PULLEY:DUPLX SUB-UNIT:REGISTRATION:S2M54T



55.AB017919
GEAR:Z26/26T



61.AB033114
PULLEY:DUPLX SUB-UNIT:S2M:36T:COUPLING



59.AB030876 (x2)
PULLEY:S2M:36T



62.AB033115
PULLEY:DUPLX SUB-UNIT:IDLER:S2M:36T



58.AB030867
PULLEY:T60



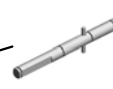
63.AB033116
PULLEY:DUPLX SUB-UNIT:54T/36T



42.AB011612
GEAR:USED TONE R:MIDDLE



91.D1361219
SHAFT:ON-OFF:TRANSFER:ASS'Y



45.AB017837
GEAR:ON-OFF:TRANSFER:IDLER:NO.1



46.AB017838
GEAR:ON-OFF:TRANSFER:IDLER:NO.2



89.D1361216
DC MOTOR:ON-OFF:TRANSFER:5.28W:BRUSH



85.D1361132 (x4)
DRUM SHAFT:ASS'Y

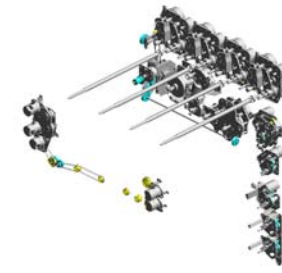


U017 MAIN DRIVE

106.D1361310
(x2)
DC MOTOR:10W:B
RUSHLESS

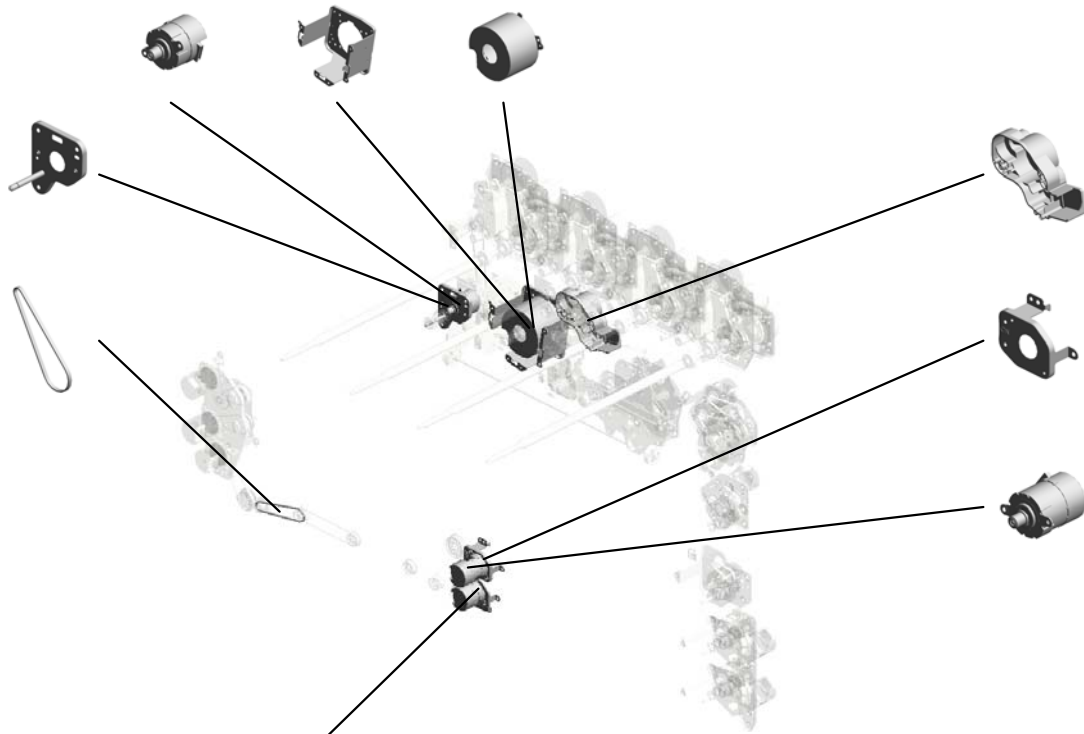
103.D1361275
BRACKET:DRIVE:F
USING

102.D1361272
COVER:FUSING:D
RIVE:ASS'Y



131.D1361391
BRACKET:PAPER
EXIT SUB-UNIT:RE
VERSE:NO.2

134.D4345209
TIMING BELT:B40S
2M246



100.D1361247
HOUSING:ON-OFF:
TRANSFER

126.D1361379
BRACKET:REGIST
RATION:DRIVE

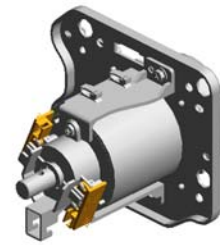
109.D1361320
DC MOTOR:20W:B
RUSHLESS

132.D1361398
BRACKET:DUPLIX
SUB-UNIT:EXIT

U001	U002	U003	U004	U005	U006	U007	U008	U009	U010	U011	U012	U013	U014	U015	U016	U017	U018	U019	U020
------	------	------	------	------	------	------	------	------	------	------	------	------	------	------	------	------	------	------	------

U017_S001
 DRIVE UNIT:PHOTOCONDUCTOR:ASS'Y

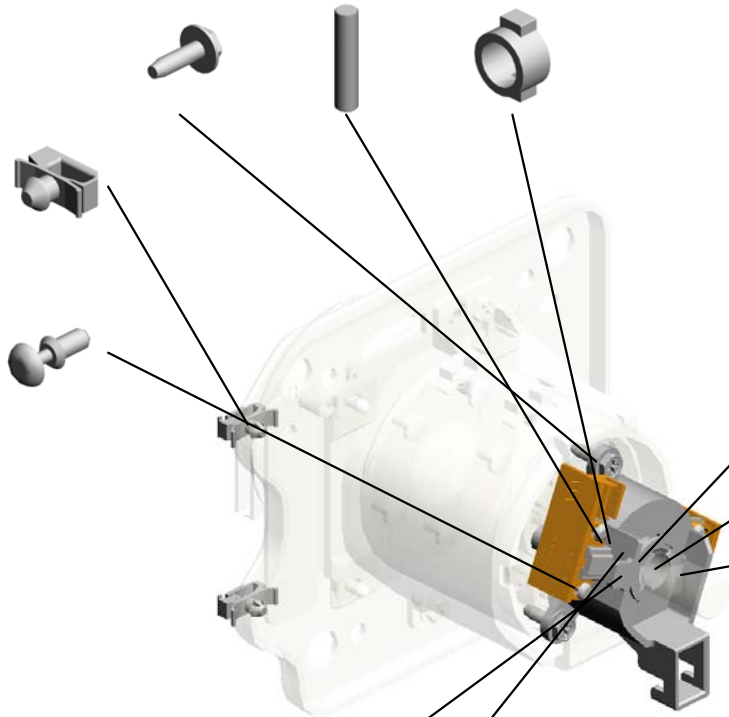
7.04583010N (x2) HEXAGON HEAD TAPPING SCREW:3X10
 10.06330140G PARALLEL PIN - 3X14
 82.D1361125 GUIDE PLATE:ENCODER



77.D1361014
 DRIVE UNIT:PHOTOCONDUCTOR:ASSY

21.11050758 (x2) CLAMP:LWSM-0306A

135.G1073834 (x4) RIVET - 2.0



84.D1361127 RUBBER BUSHING:ENCODER

14.07200080E RETAINING RING - M8

66.AW020212 (x2) OPTICS SENSOR:ENCODER:300LPI

133.D1381128 COVER:ENCODER:PRO

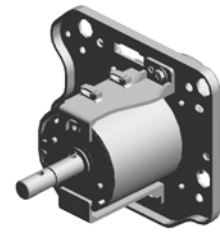
83.D1361126 ENCODER:300LPI:900CT

U001	U002	U003	U004	U005	U006	U007	U008	U009	U010	U011	U012	U013	U014	U015	U016	U017	U018	U019	U020
------	------	------	------	------	------	------	------	------	------	------	------	------	------	------	------	------	------	------	------

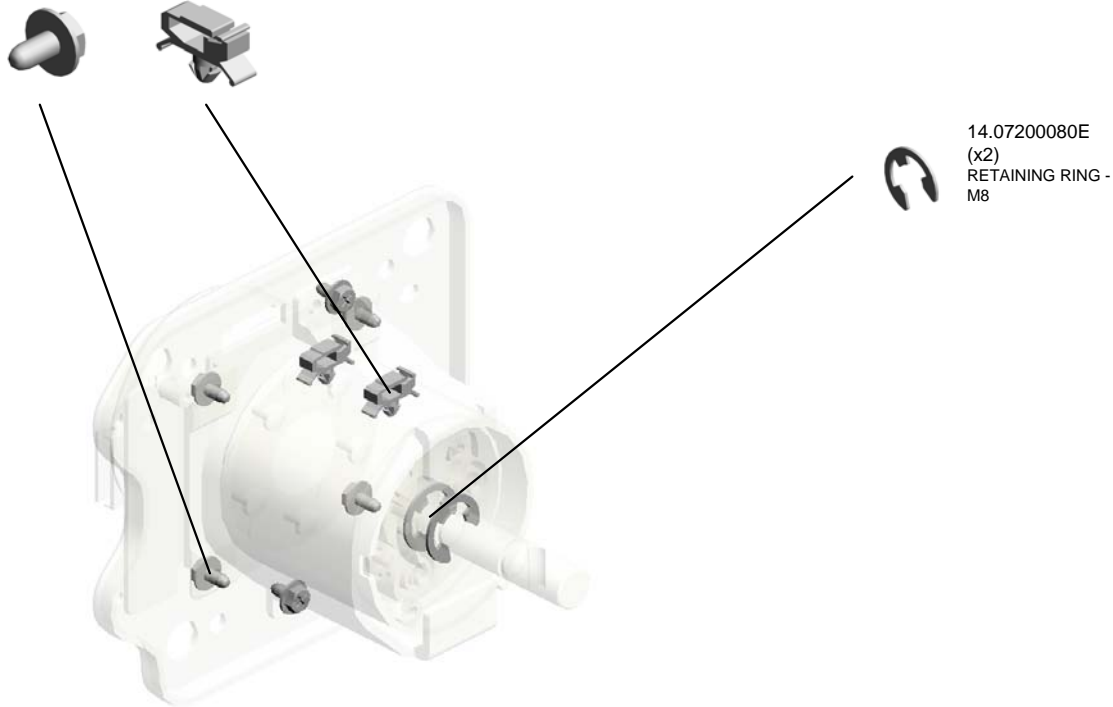
U017_S001_S001
DRUM:GEAR:SLOW DOWN:ASS'Y

6.04543006Q (x6)
TAPPING SCREW - M3X6

20.11050600 (x2)
CLAMP:LWSM-030 6-2M



81.D1361100
DRUM:GEAR:SLO
W DOWN:ASS'Y

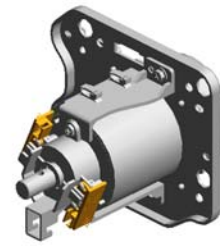


14.07200080E
(x2)
RETAINING RING - M8

U001	U002	U003	U004	U005	U006	U007	U008	U009	U010	U011	U012	U013	U014	U015	U016	U017	U018	U019	U020
------	------	------	------	------	------	------	------	------	------	------	------	------	------	------	------	------	------	------	------

U017_S002
 DRIVE UNIT:PHOTOCONDUCTOR:ASS'Y

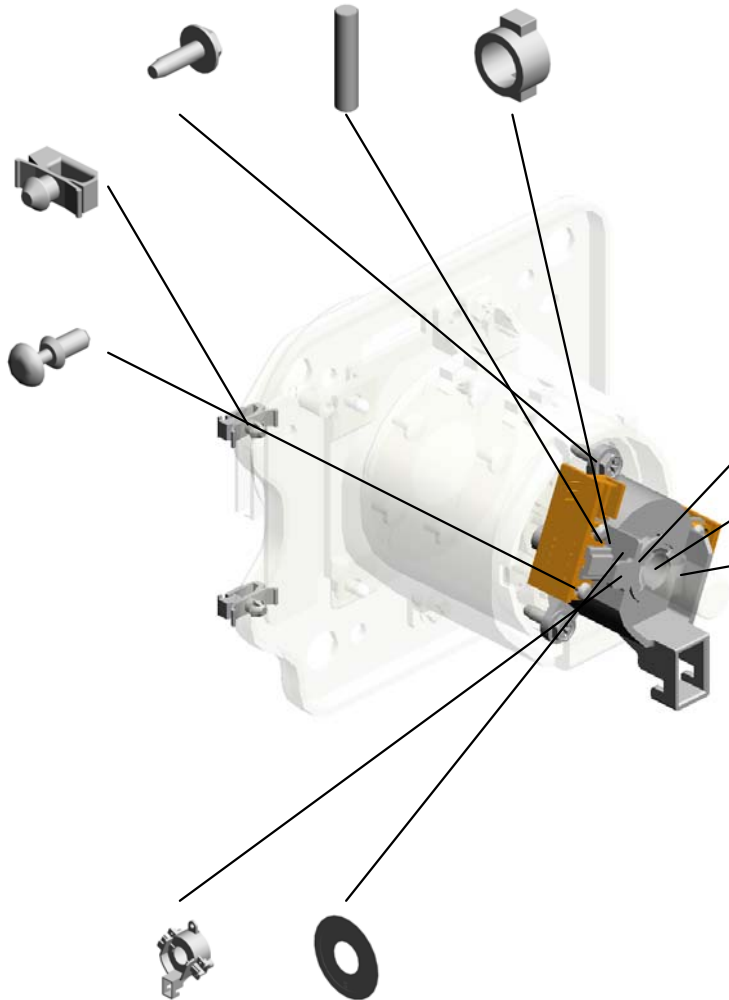
7.04583010N (x2) HEXAGON HEAD TAPPING SCREW:3X10
 10.06330140G PARALLEL PIN - 3X14
 82.D1361125 GUIDE PLATE:ENCODER



77.D1361014
 DRIVE UNIT:PHOTOCONDUCTOR:ASS'Y

21.11050758 (x2) CLAMP:LWSM-0306A

135.G1073834 (x4) RIVET - 2.0



84.D1361127 RUBBER BUSHING:ENCODER

14.07200080E RETAINING RING - M8

66.AW020212 (x2) OPTICS SENSOR:ENCODER:300LPI

133.D1381128 COVER:ENCODER:PRO

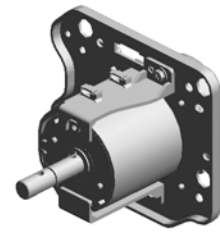
83.D1361126 ENCODER:300LPI:900CT

U001	U002	U003	U004	U005	U006	U007	U008	U009	U010	U011	U012	U013	U014	U015	U016	U017	U018	U019	U020
------	------	------	------	------	------	------	------	------	------	------	------	------	------	------	------	------	------	------	------

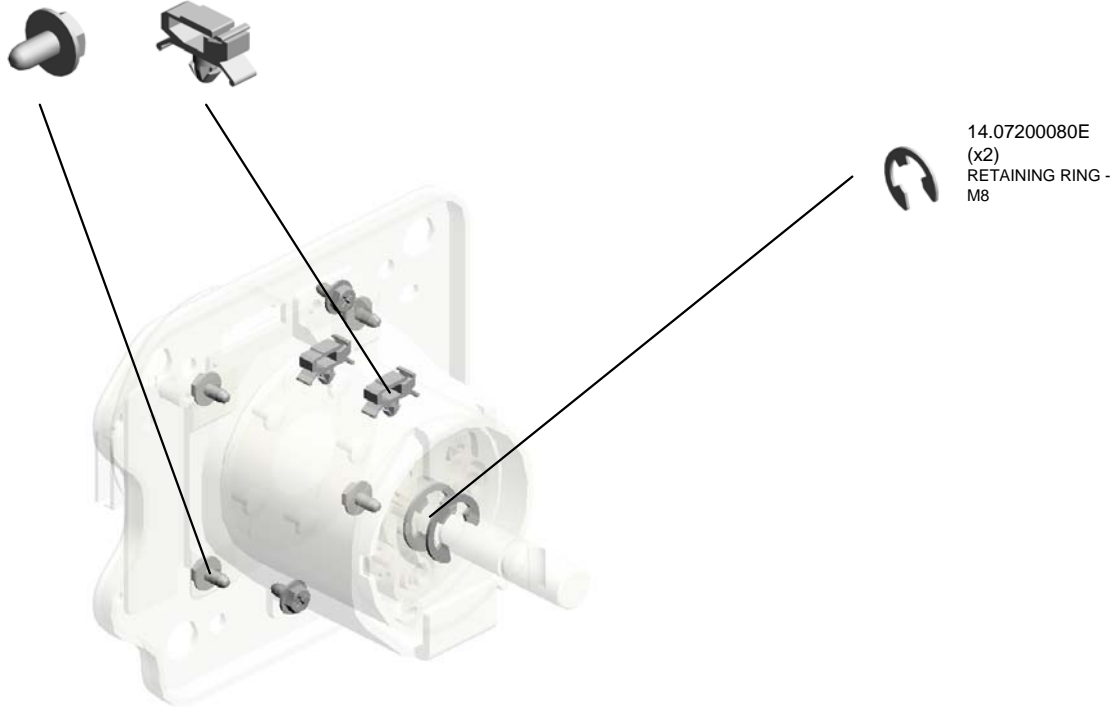
U017_S002_S001
DRUM:GEAR:SLOW DOWN:ASS'Y

6.04543006Q (x6)
TAPPING SCREW - M3X6

20.11050600 (x2)
CLAMP:LWSM-030 6-2M



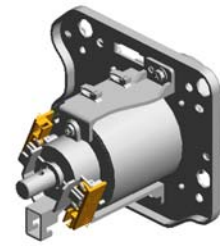
81.D1361100
DRUM:GEAR:SLO
W DOWN:ASS'Y



U001	U002	U003	U004	U005	U006	U007	U008	U009	U010	U011	U012	U013	U014	U015	U016	U017	U018	U019	U020
------	------	------	------	------	------	------	------	------	------	------	------	------	------	------	------	------	------	------	------

U017_S003
 DRIVE UNIT:PHOTOCONDUCTOR:ASS'Y

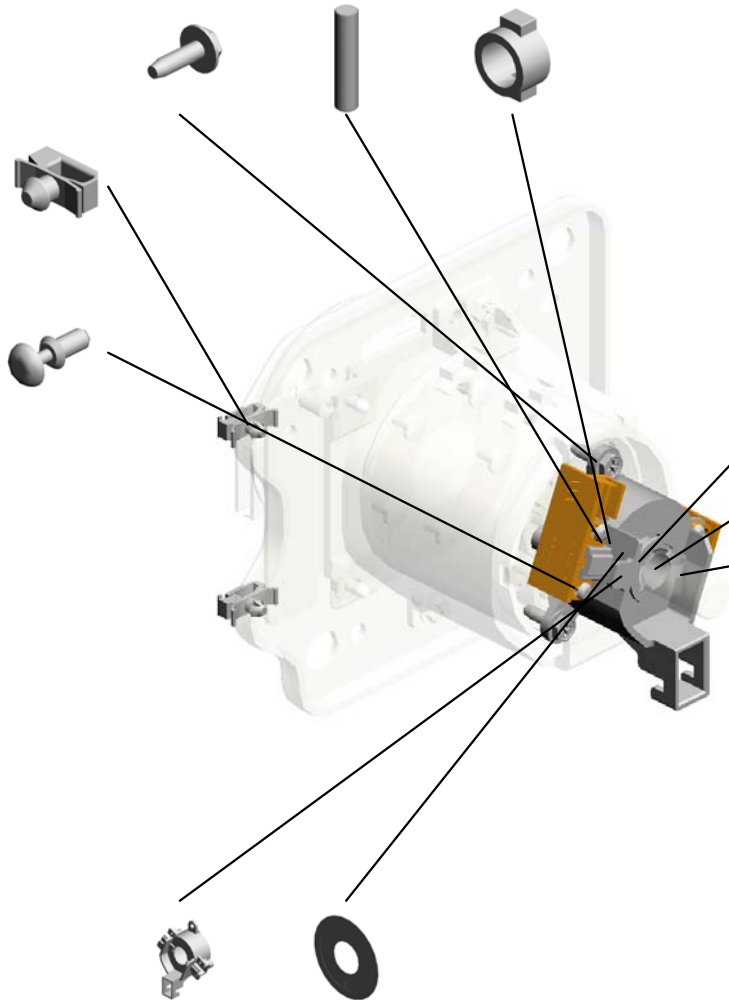
7.04583010N (x2) HEXAGON HEAD TAPPING SCREW:3X10
 10.06330140G PARALLEL PIN - 3X14
 82.D1361125 GUIDE PLATE:ENCODER



77.D1361014
 DRIVE UNIT:PHOTOCONDUCTOR:ASSY

21.11050758 (x2) CLAMP:LWSM-0306A

135.G1073834 (x4) RIVET - 2.0



84.D1361127 RUBBER BUSHING:ENCODER

14.07200080E RETAINING RING - M8

66.AW020212 (x2) OPTICS SENSOR:ENCODER:300LPI

133.D1381128 COVER:ENCODER:PRO

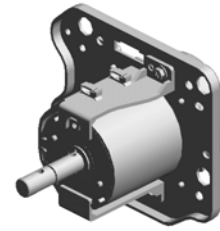
83.D1361126 ENCODER:300LPI:900CT

U001	U002	U003	U004	U005	U006	U007	U008	U009	U010	U011	U012	U013	U014	U015	U016	U017	U018	U019	U020
------	------	------	------	------	------	------	------	------	------	------	------	------	------	------	------	------	------	------	------

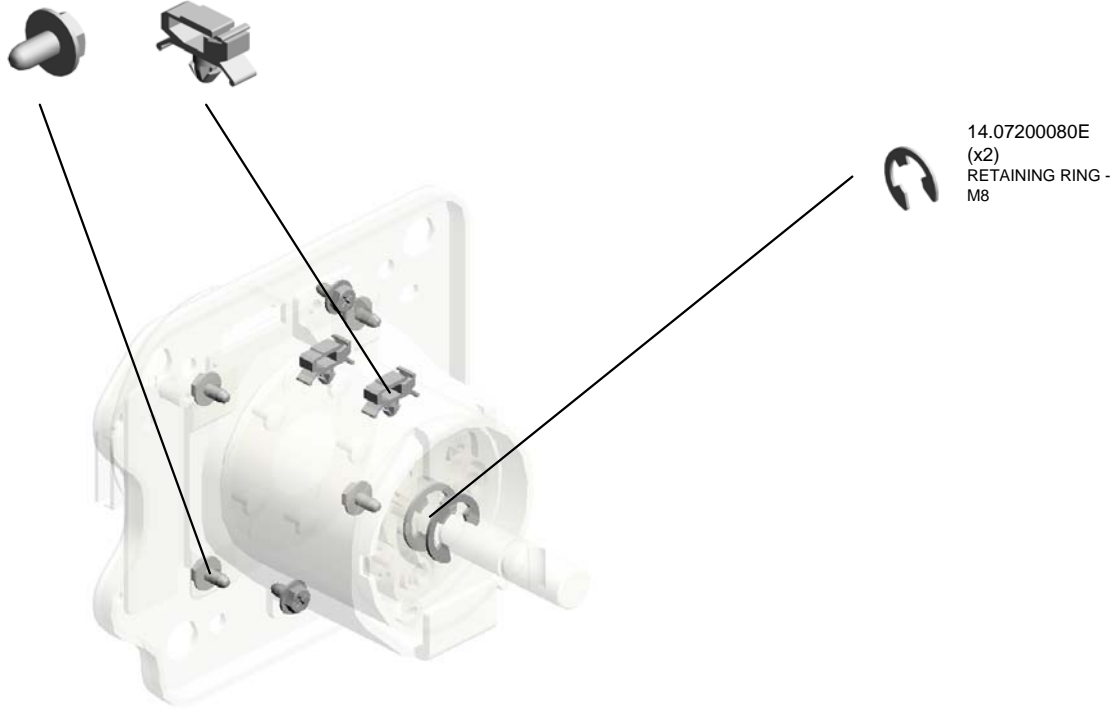
U017_S003_S001
DRUM:GEAR:SLOW DOWN:ASS'Y

6.04543006Q (x6)
TAPPING SCREW - M3X6

20.11050600 (x2)
CLAMP:LWSM-030 6-2M



81.D1361100
DRUM:GEAR:SLO
W DOWN:ASS'Y

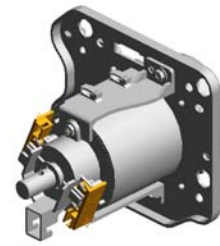


14.07200080E
(x2)
RETAINING RING - M8

U001	U002	U003	U004	U005	U006	U007	U008	U009	U010	U011	U012	U013	U014	U015	U016	U017	U018	U019	U020
------	------	------	------	------	------	------	------	------	------	------	------	------	------	------	------	------	------	------	------

U017_S004
 DRIVE UNIT:PHOTOCONDUCTOR:ASS'Y

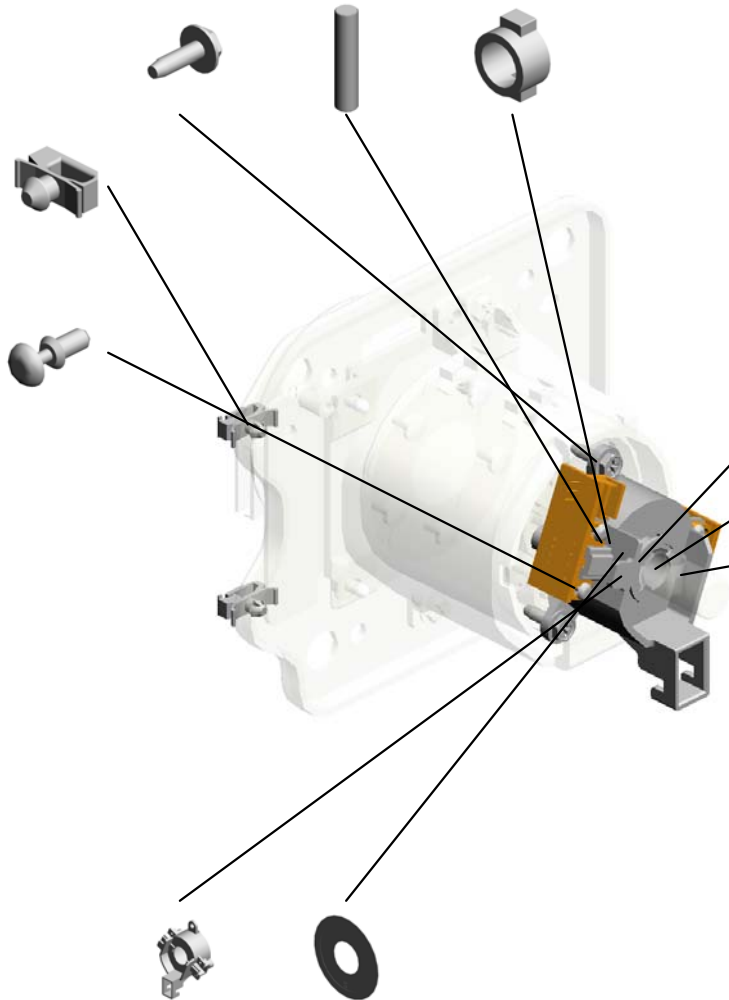
7.04583010N (x2) HEXAGON HEAD TAPPING SCREW:3X10
 10.06330140G PARALLEL PIN - 3X14
 82.D1361125 GUIDE PLATE:ENCODER



77.D1361014
 DRIVE UNIT:PHOTOCONDUCTOR:ASSY

21.11050758 (x2) CLAMP:LWSM-0306A

135.G1073834 (x4) RIVET - 2.0



84.D1361127 RUBBER BUSHING:ENCODER

14.07200080E RETAINING RING - M8

66.AW020212 (x2) OPTICS SENSOR:ENCODER:300LPI

133.D1381128 COVER:ENCODER:PRO

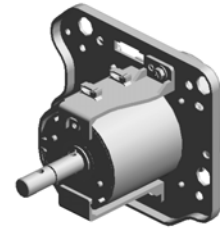
83.D1361126 ENCODER:300LPI:900CT

U001	U002	U003	U004	U005	U006	U007	U008	U009	U010	U011	U012	U013	U014	U015	U016	U017	U018	U019	U020
------	------	------	------	------	------	------	------	------	------	------	------	------	------	------	------	------	------	------	------

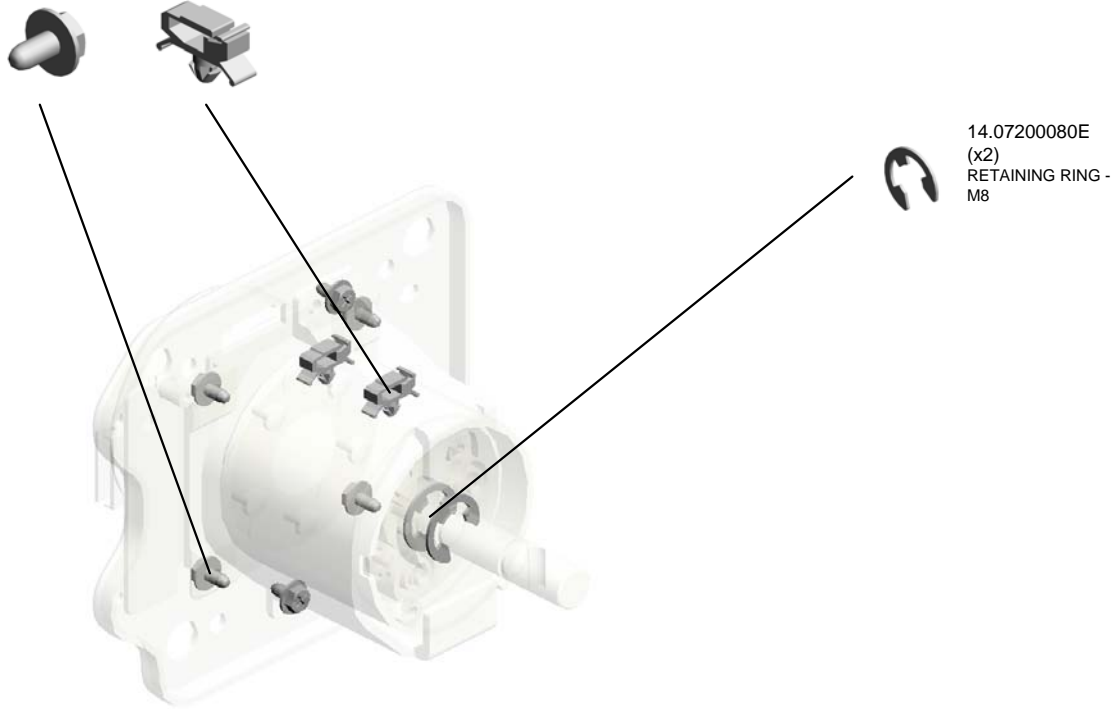
U017_S004_S001
DRUM:GEAR:SLOW DOWN:ASS'Y

6.04543006Q (x6)
TAPPING SCREW - M3X6

20.11050600 (x2)
CLAMP:LWSM-030 6-2M



81.D1361100
DRUM:GEAR:SLO
W DOWN:ASS'Y

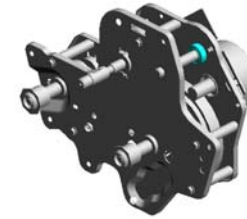


14.07200080E
(x2)
RETAINING RING - M8

U001	U002	U003	U004	U005	U006	U007	U008	U009	U010	U011	U012	U013	U014	U015	U016	U017	U018	U019	U020
------	------	------	------	------	------	------	------	------	------	------	------	------	------	------	------	------	------	------	------

U017_S005

DRIVE UNIT:TRANSFER:SECOND:ASS'Y



88.D1361210
DRIVE UNIT:TRAN
SFER:SECOND:AS
SY

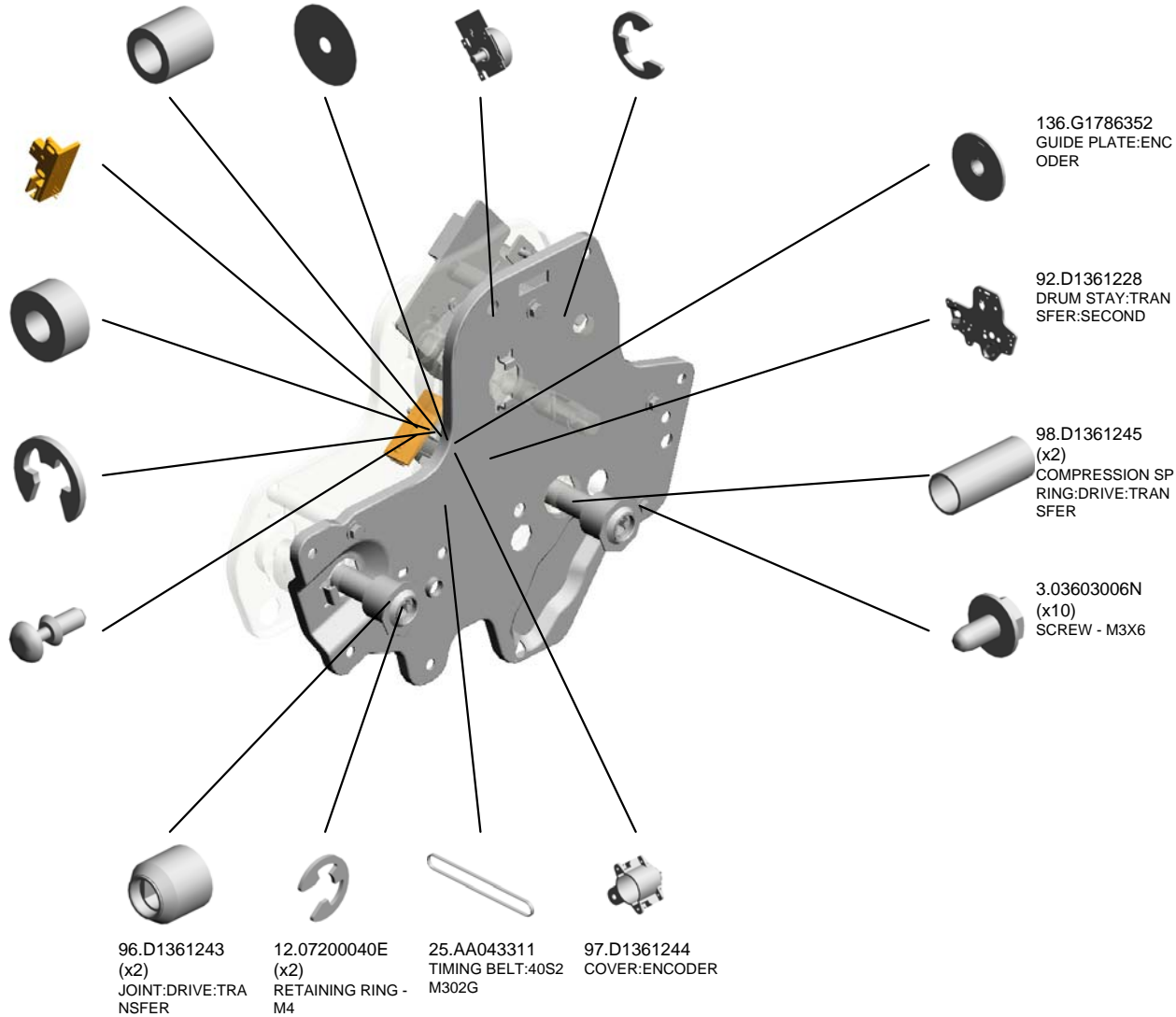
- 76.D0896171 RUBBER BUSHING :ENCODER
- 73.D0396137 ENCODER:ASS'Y
- 67.AX060451 DC MOTOR:TRANS FER:SECOND:9.8 W:BRUSHLESS
- 13.07200060E RETAINING RING - M6

66.AW020212 (x2)
OPTICS SENSOR:ENCODER:300LPI

15.07403804 BALL BEARING: DIA 4XDIA9X4

11.07200030E RETAINING RING - M3

135.G1073834 (x4)
RIVET - 2.0



136.G1786352 GUIDE PLATE:ENCODER

92.D1361228 DRUM STAY:TRANSFER:SECOND

98.D1361245 (x2)
COMPRESSION SPRING:DRIVE:TRANSFER

3.03603006N (x10)
SCREW - M3X6

96.D1361243 (x2)
JOINT:DRIVE:TRANSFER

12.07200040E (x2)
RETAINING RING - M4

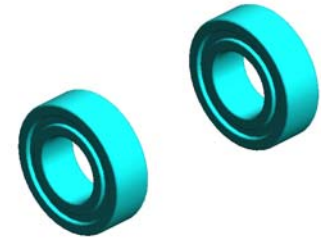
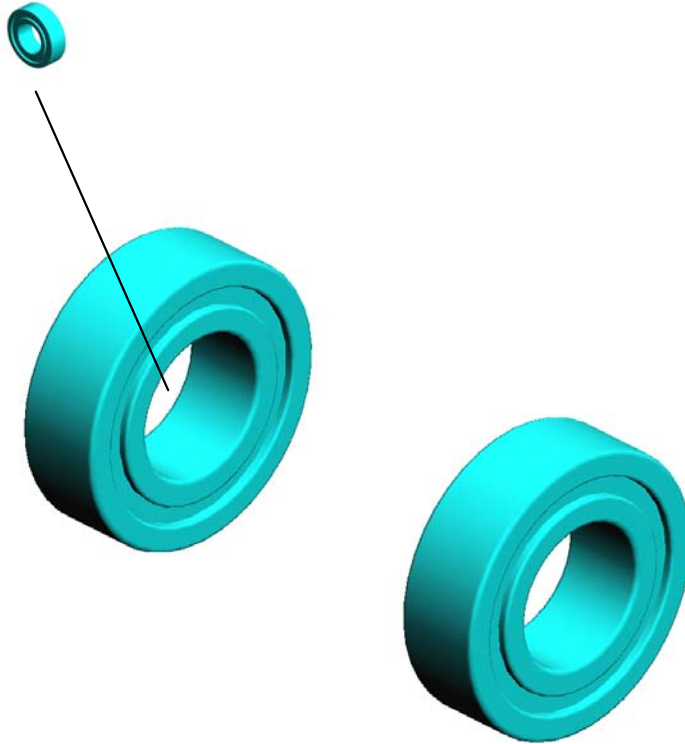
25.AA043311 TIMING BELT:40S2 M302G

97.D1361244 COVER:ENCODER

U001	U002	U003	U004	U005	U006	U007	U008	U009	U010	U011	U012	U013	U014	U015	U016	U017	U018	U019	U020
------	------	------	------	------	------	------	------	------	------	------	------	------	------	------	------	------	------	------	------

U017_S005_S001
GEAR:IDLER:BELT CLEANING

16.07403808
(x2)
BALL BEARING - 8
X16X5MM

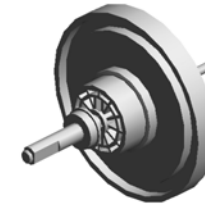


47.AB017839
GEAR:IDLER:BELT
CLEANING

U001	U002	U003	U004	U005	U006	U007	U008	U009	U010	U011	U012	U013	U014	U015	U016	U017	U018	U019	U020
------	------	------	------	------	------	------	------	------	------	------	------	------	------	------	------	------	------	------	------

U017_S005_S002
SHAFT:DRIVE:TRANSFER:SECOND:ASS'Y

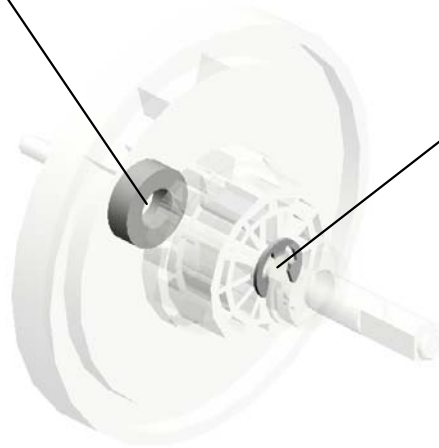
16.07403808
BALL BEARING - 8
X16X5MM



93.D1361232
SHAFT:DRIVE:TRA
NSFER:SECOND:A
SS'Y



13.07200060E
RETAINING RING -
M6

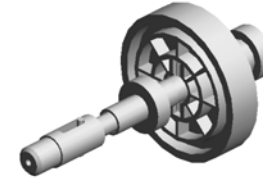
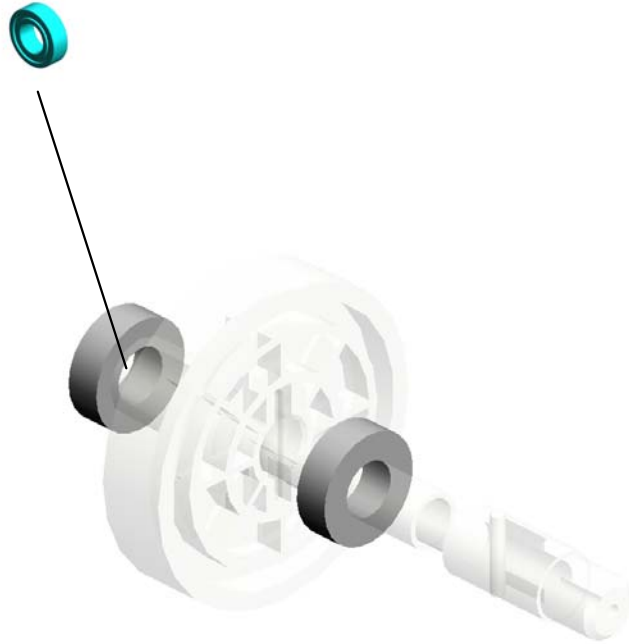


U001	U002	U003	U004	U005	U006	U007	U008	U009	U010	U011	U012	U013	U014	U015	U016	U017	U018	U019	U020
------	------	------	------	------	------	------	------	------	------	------	------	------	------	------	------	------	------	------	------

U017_S005_S003

SHAFT:DRIVE:BELT CLEANING:ASS'Y

16.07403808
(x2)
BALL BEARING - 8
X16X5MM

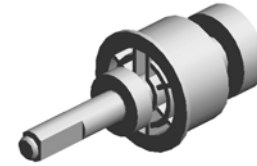
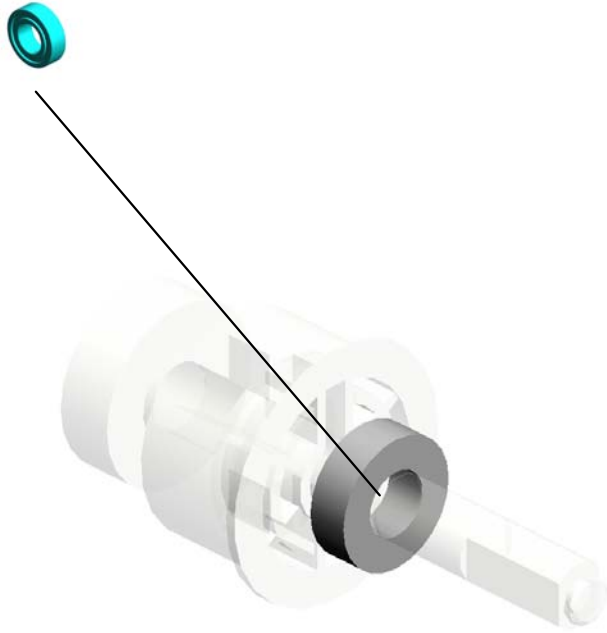


94.D1361235
SHAFT:DRIVE:BEL
T CLEANING:ASS'Y

U001	U002	U003	U004	U005	U006	U007	U008	U009	U010	U011	U012	U013	U014	U015	U016	U017	U018	U019	U020
------	------	------	------	------	------	------	------	------	------	------	------	------	------	------	------	------	------	------	------

U017_S005_S004
SHAFT:OUTPUT:DRIVE:VACUUM:ASS'Y

16.07403808
BALL BEARING - 8
X16X5MM



95.D1361240
SHAFT:OUTPUT:DRIVE:VACUUM:ASS'Y

U001	U002	U003	U004	U005	U006	U007	U008	U009	U010	U011	U012	U013	U014	U015	U016	U017	U018	U019	U020
------	------	------	------	------	------	------	------	------	------	------	------	------	------	------	------	------	------	------	------

U017_S006
BRACKET:ON-OFF:TRANSFER:ASS'Y

38.AA082173
PLAIN SHAFT BEA
RING:6X10X6



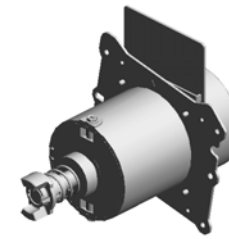
101.D1361249
BRACKET:ON-OFF:
TRANSFER:ASSY

U001	U002	U003	U004	U005	U006	U007	U008	U009	U010	U011	U012	U013	U014	U015	U016	U017	U018	U019	U020
------	------	------	------	------	------	------	------	------	------	------	------	------	------	------	------	------	------	------	------

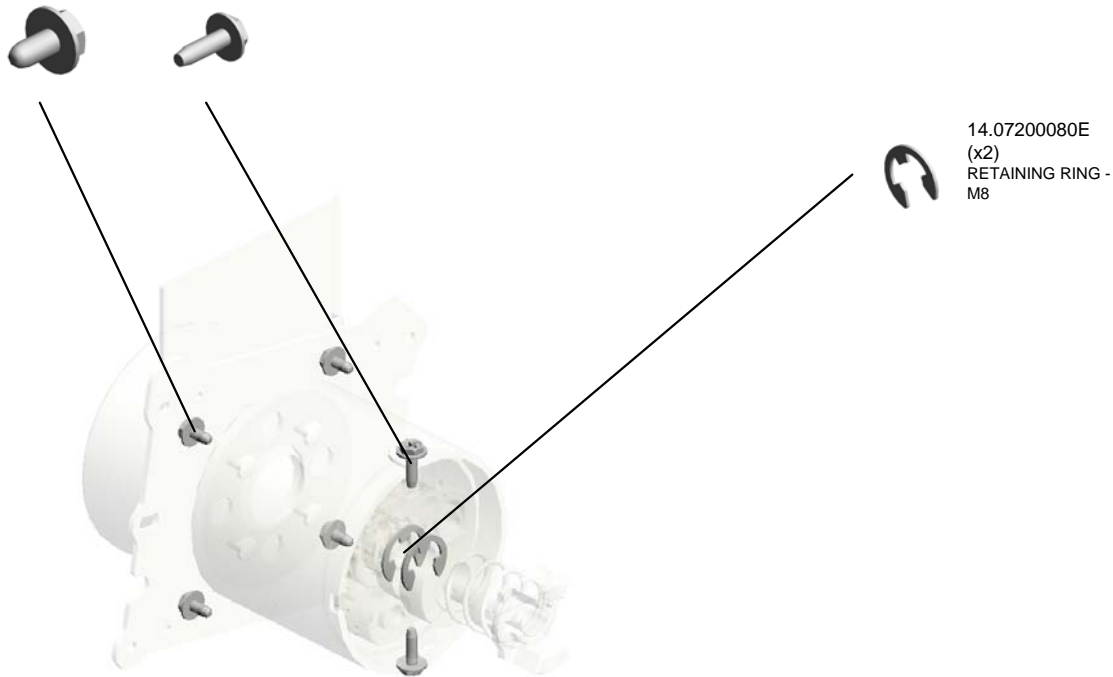
U017_S007
FUSING DRIVE SUB-UNIT:GEAR:SLOW DOWN:OFFICE:ASS'Y

6.04543006Q
(x4)
TAPPING SCREW -
M3X6

7.04583010N
(x2)
HEXAGON HEAD T
APPING SCREW:3
X10



78.D1361028
FUSING DRIVE SU
B-UNIT:GEAR:SLO
W DOWN:OFFICE:
ASS'Y



14.07200080E
(x2)
RETAINING RING -
M8

U001	U002	U003	U004	U005	U006	U007	U008	U009	U010	U011	U012	U013	U014	U015	U016	U017	U018	U019	U020
------	------	------	------	------	------	------	------	------	------	------	------	------	------	------	------	------	------	------	------

U017_S008

DRIVE UNIT:USED TONER:LOWER:ASS'Y

35.AA061129 TENSION SPRING:
TIGHTENER:DRIVE
:USED TONER

32.AA043693 SYNCHRONOUS B
ELT:40S2M364

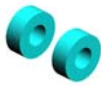
12.07200040E (x4)
RETAINING RING -
M4

48.AB017912 GEAR:USED TONE
R:IDLER:NO.1

79.D1361032
DRIVE UNIT:USED
TONER:LOWER:AS
SY



50.AB017914
GEAR:PULLEY:LO
WER:Z33/S2M43T



13.07200060E
RETAINING RING -
M6



65.AW020198
PHOTOINTERRUP
TOR:LG2A14NL1



74.D0741454
DC MOTOR:DIA49:
9.8W:BLS



3.03603006N
(x6)
SCREW - M3X6



105.D1361292
SHAFT:DRIVE:USE
D TONER



49.AB017913
GEAR:USED TONE
R:IDLER:NO.2



21.11050758
(x2)
CLAMP:LWSM-030
6A



40.AB011610
GEAR:USED TONE
R:IDLER:NO.3



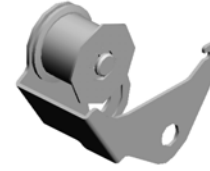
41.AB011611
GEAR:USED TONE
R:DRIVE:LOWER



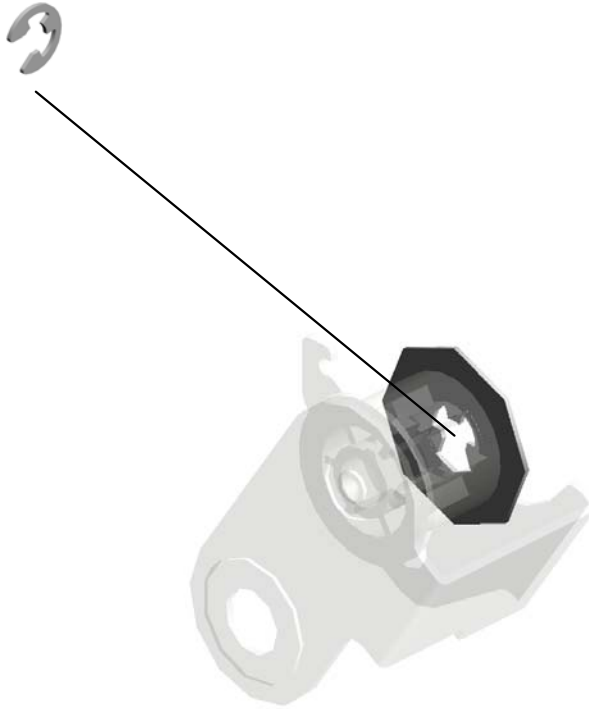
U001	U002	U003	U004	U005	U006	U007	U008	U009	U010	U011	U012	U013	U014	U015	U016	U017	U018	U019	U020
------	------	------	------	------	------	------	------	------	------	------	------	------	------	------	------	------	------	------	------

U017_S008_S001
BRACKET:TENSIONER:DRIVE:USED TONER:ASS'Y

12.07200040E
RETAINING RING -
M4



104.D1361288
BRACKET:TENSIO
NER:DRIVE:USED
TONER:ASSY

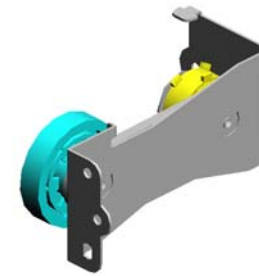


U001	U002	U003	U004	U005	U006	U007	U008	U009	U010	U011	U012	U013	U014	U015	U016	U017	U018	U019	U020
------	------	------	------	------	------	------	------	------	------	------	------	------	------	------	------	------	------	------	------

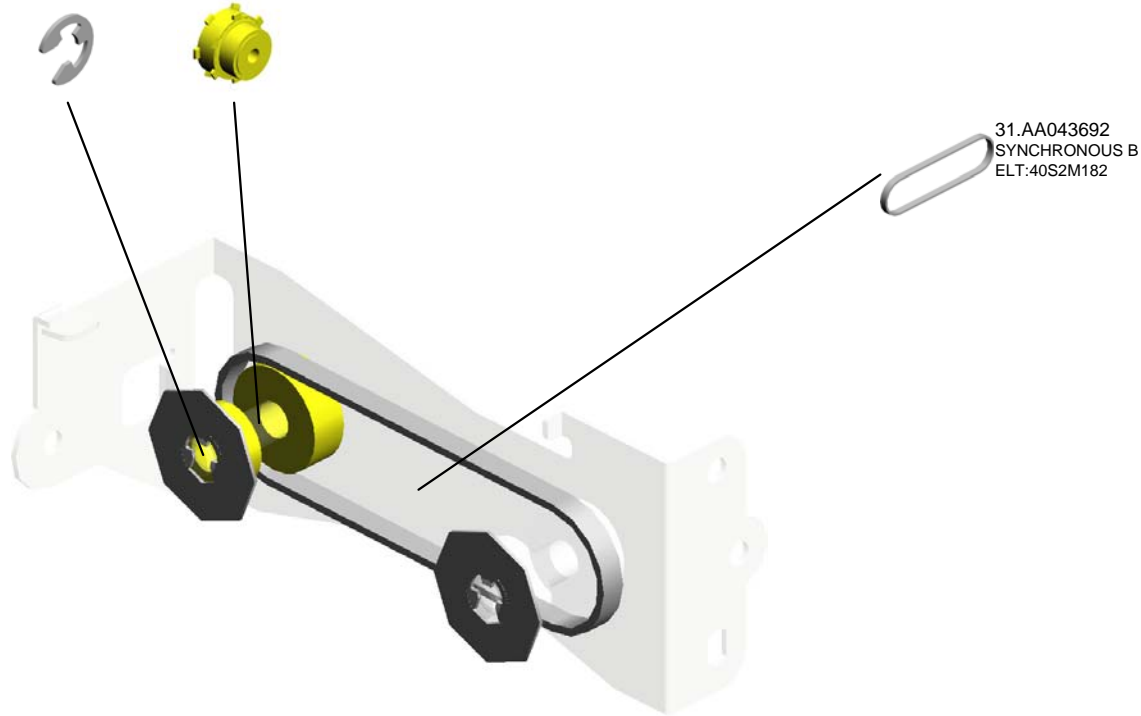
U017_S009

DRIVE UNIT:USED TONER:UPPER:ASS'Y

12.07200040E 60.AB033113
(x2) TIMING PULLEY:S2
RETAINING RING - M41T:S2M33T
M4



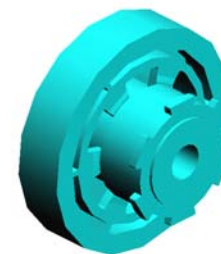
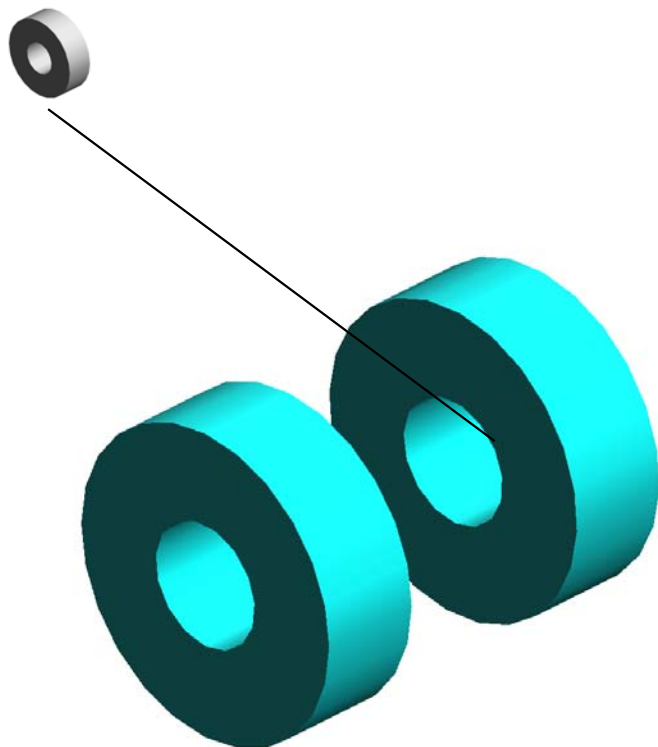
80.D1361034
DRIVE UNIT:USED
TONER:UPPER:AS
SY



U001	U002	U003	U004	U005	U006	U007	U008	U009	U010	U011	U012	U013	U014	U015	U016	U017	U018	U019	U020
------	------	------	------	------	------	------	------	------	------	------	------	------	------	------	------	------	------	------	------

U017_S009_S001
GEAR:PULLEY:USED TONER:UPPER:Z37/S2M31T

17.07403906
(x2)
BALL BEARING - 6
X15X5



51.AB017915
GEAR:PULLEY:US
ED TONER:UPPER:
Z37/S2M31T

U001	U002	U003	U004	U005	U006	U007	U008	U009	U010	U011	U012	U013	U014	U015	U016	U017	U018	U019	U020
------	------	------	------	------	------	------	------	------	------	------	------	------	------	------	------	------	------	------	------

U017_S010

DRIVE UNIT:TRANSPORT SUB-UNIT:CONNECTING:ASS'Y

36.AA061130 TENSION SPRING:
TIGHTENER:DRIVE
:TRANSPORT
26.AA043325 TIMING BELT - B40
S2M250
71.B8301456 TIMING BELT - 40S
2M190
56.AB030865 PULLEY:S2M:54T/2
7T



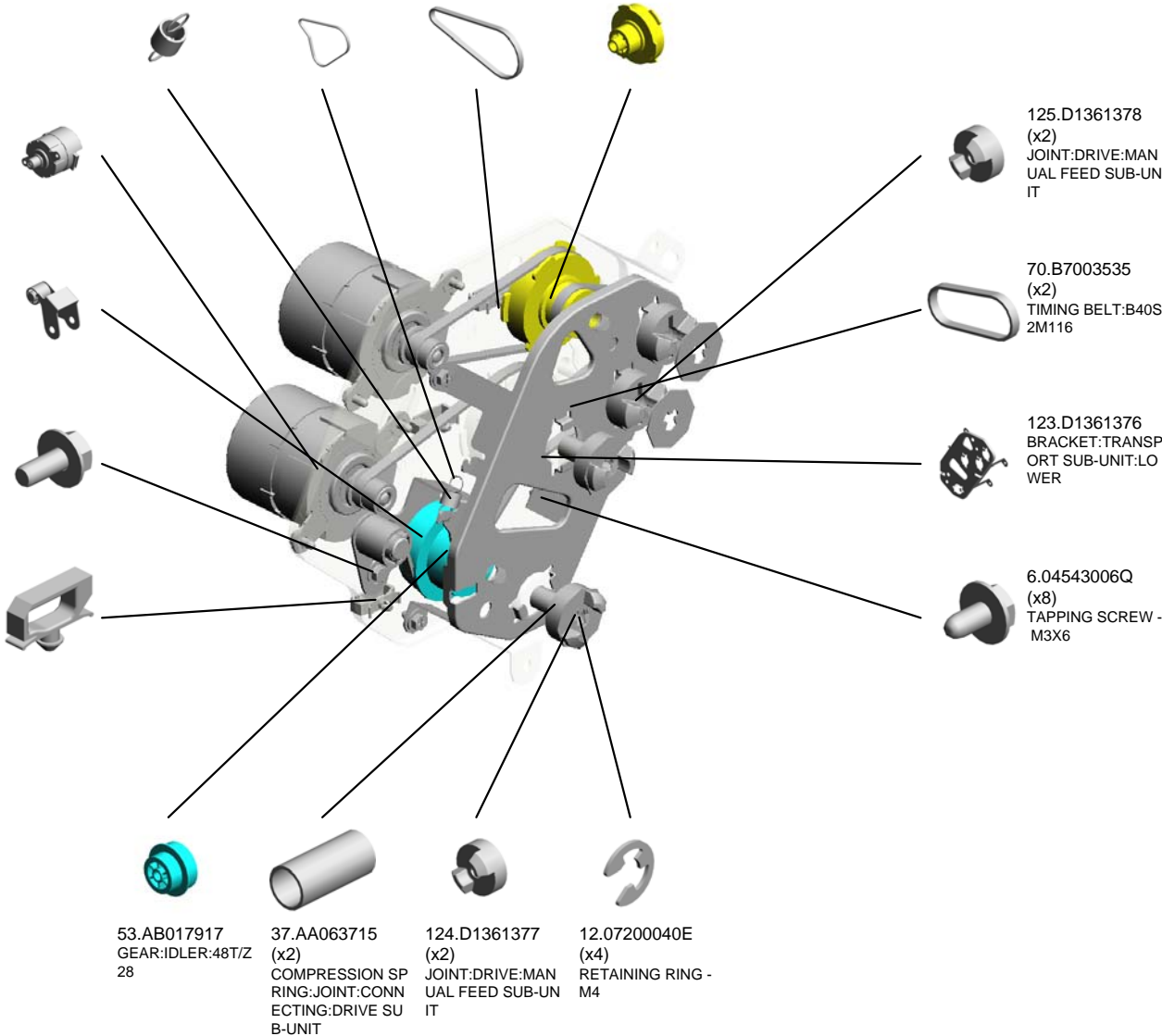
118.D1361362
DRIVE UNIT:TRAN
SPORT SUB-UNIT:
CONNECTING:ASS
'Y

106.D1361310
(x2)
DC MOTOR:10W:B
RUSHLESS

119.D1361367
BRACKET:TENSIO
N

19.08046123
HEXAGONAL BOLT
:W/WASHER:M3X8

22.11050760
(x3)
CLAMP:LWSM-051
1A



125.D1361378
(x2)
JOINT:DRIVE:MAN
UAL FEED SUB-UN
IT

70.B7003535
(x2)
TIMING BELT:B40S
2M116

123.D1361376
BRACKET:TRANSP
ORT SUB-UNIT:LO
WER

6.04543006Q
(x8)
TAPPING SCREW -
M3X6

53.AB017917
GEAR:IDLER:48T/Z
28

37.AA063715
(x2)
COMPRESSION SP
RING:JOINT:CONN
ECTING:DRIVE SU
B-UNIT

124.D1361377
(x2)
JOINT:DRIVE:MAN
UAL FEED SUB-UN
IT

12.07200040E
(x4)
RETAINING RING -
M4

U001	U002	U003	U004	U005	U006	U007	U008	U009	U010	U011	U012	U013	U014	U015	U016	U017	U018	U019	U020
------	------	------	------	------	------	------	------	------	------	------	------	------	------	------	------	------	------	------	------

U017_S010_S001
SHAFT:MANUAL FEED UNIT:CONNECTING



120.D1361370
SHAFT:MANUAL F
EED UNIT:CONNE
CTING

13.07200060E
RETAINING RING -
M6

16.07403808
BALL BEARING - 8
X16X5MM



17.07403906
BALL BEARING - 6
X15X5



9.06320120G
PARALLEL PIN - 2X
12

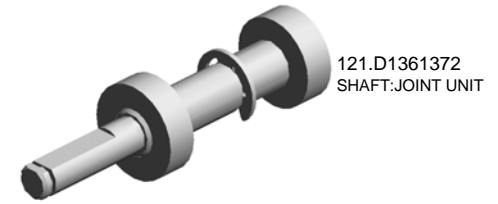


U001	U002	U003	U004	U005	U006	U007	U008	U009	U010	U011	U012	U013	U014	U015	U016	U017	U018	U019	U020
------	------	------	------	------	------	------	------	------	------	------	------	------	------	------	------	------	------	------	------

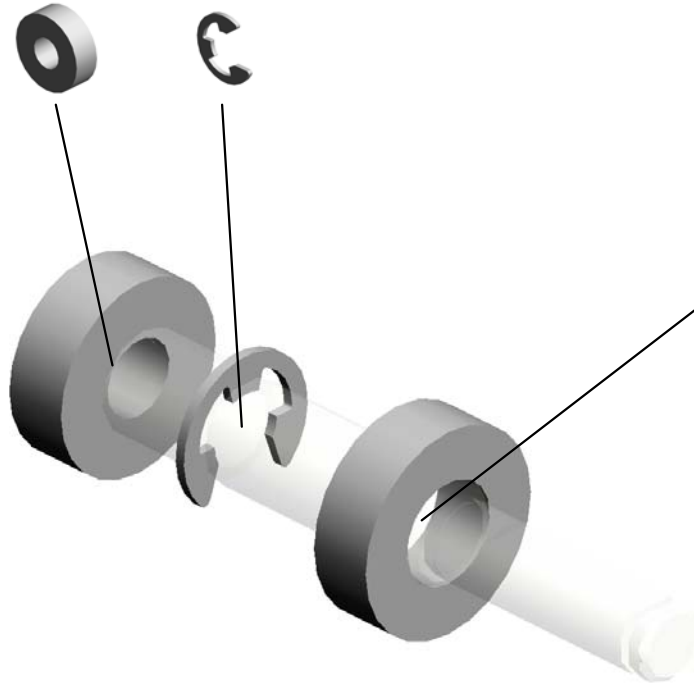
U017_S010_S002
SHAFT:JOINT UNIT

17.07403906
BALL BEARING - 6
X15X5

13.07200060E
RETAINING RING -
M6



121.D1361372
SHAFT:JOINT UNIT

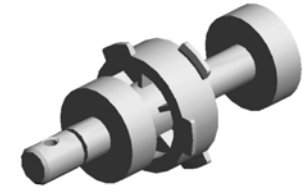


16.07403808
BALL BEARING - 8
X16X5MM

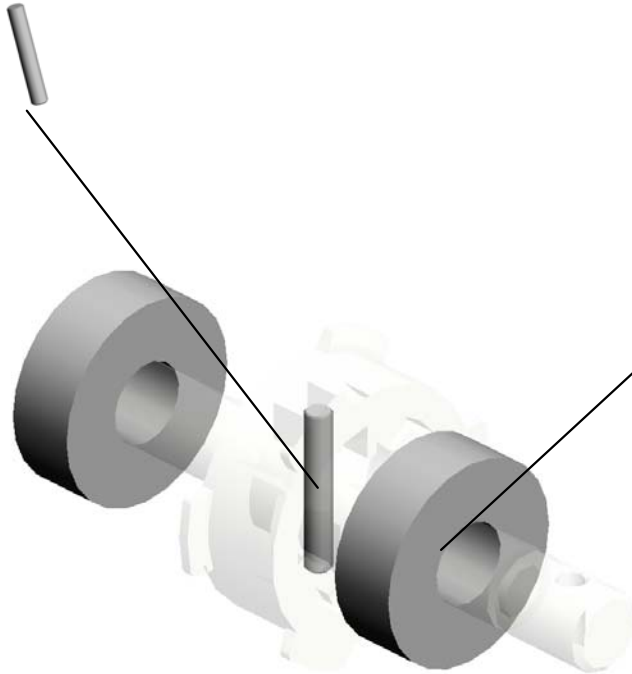
U001	U002	U003	U004	U005	U006	U007	U008	U009	U010	U011	U012	U013	U014	U015	U016	U017	U018	U019	U020
------	------	------	------	------	------	------	------	------	------	------	------	------	------	------	------	------	------	------	------

U017_S010_S003
SHAFT:MANUAL FEED UNIT

9.06320120G
PARALLEL PIN - 2X
12



122.D1361374
SHAFT:MANUAL F
EED UNIT

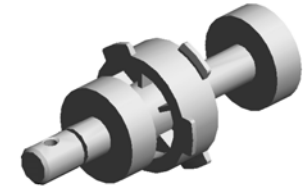


17.07403906
(x2)
BALL BEARING - 6
X15X5

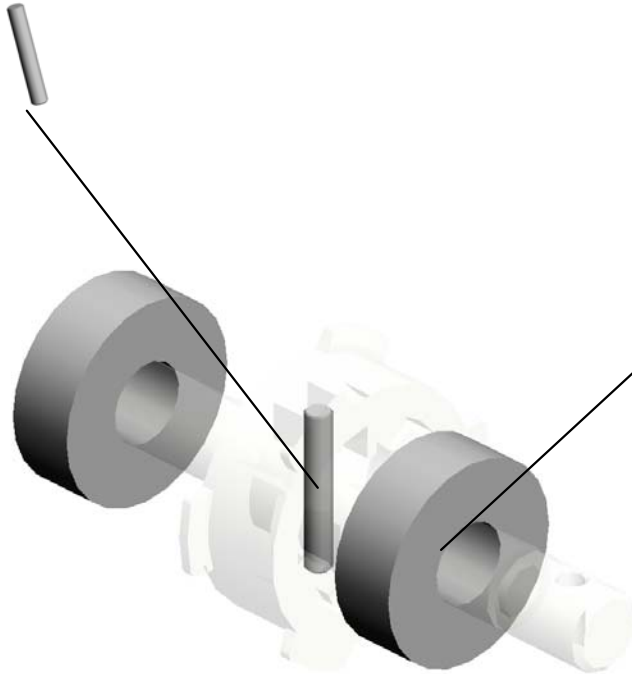
U001	U002	U003	U004	U005	U006	U007	U008	U009	U010	U011	U012	U013	U014	U015	U016	U017	U018	U019	U020
------	------	------	------	------	------	------	------	------	------	------	------	------	------	------	------	------	------	------	------

U017_S010_S004
SHAFT:MANUAL FEED UNIT

9.06320120G
PARALLEL PIN - 2X
12



122.D1361374
SHAFT:MANUAL F
EED UNIT



17.07403906
(x2)
BALL BEARING - 6
X15X5

U001	U002	U003	U004	U005	U006	U007	U008	U009	U010	U011	U012	U013	U014	U015	U016	U017	U018	U019	U020
------	------	------	------	------	------	------	------	------	------	------	------	------	------	------	------	------	------	------	------

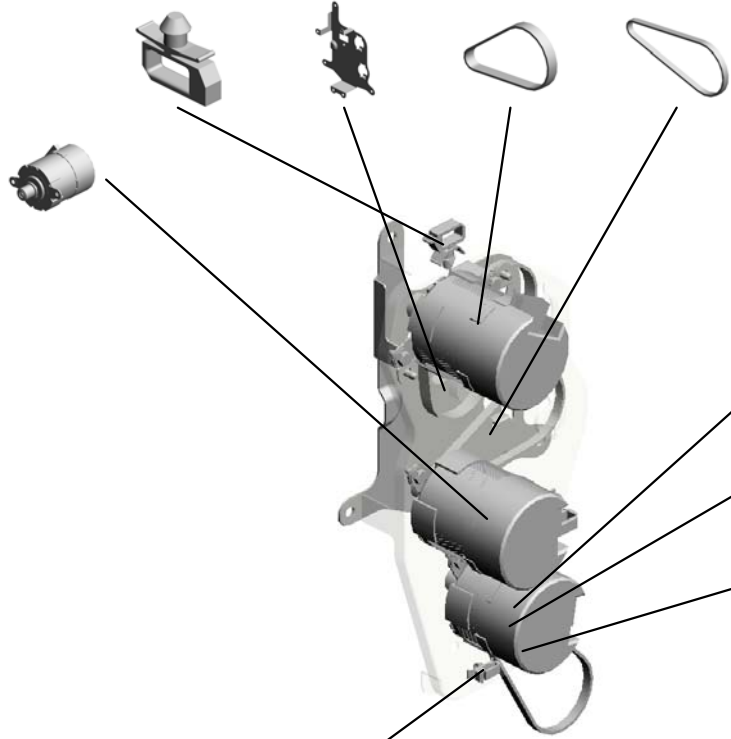
U017_S011
 DRIVE UNIT:PAPER EXIT SUB-UNIT:ASS'Y

23.11050761 (x2) CLAMP:LWS-0511A
 130.D1361388 DRUM STAY:DRIV E:EXIT
 28.AA043621 (x2) TIMING BELT - 60S 2M156
 71.B8301456 TIMING BELT - 40S 2M190



127.D1361380
 DRIVE UNIT:PAPE
 R EXIT SUB-UNIT:A
 SS'Y

109.D1361320
 (x2)
 DC MOTOR:20W:B
 RUSHLESS



106.D1361310
 DC MOTOR:10W:B
 RUSHLESS

6.04543006Q
 (x9)
 TAPPING SCREW -
 M3X6

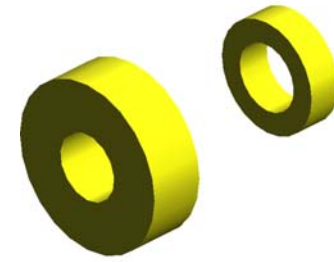
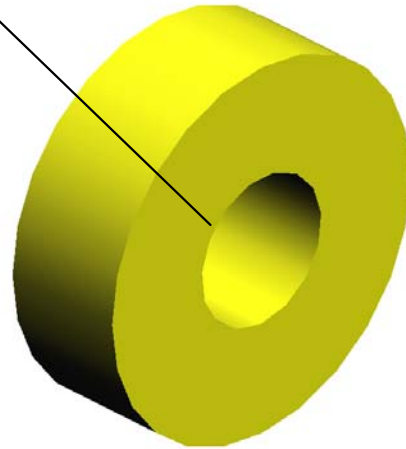
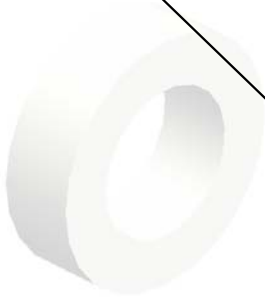
134.D4345209
 TIMING BELT:B40S
 2M246

21.11050758
 (x2)
 CLAMP:LWSM-030
 6A

U001	U002	U003	U004	U005	U006	U007	U008	U009	U010	U011	U012	U013	U014	U015	U016	U017	U018	U019	U020
------	------	------	------	------	------	------	------	------	------	------	------	------	------	------	------	------	------	------	------

U017_S011_S001
PULLEY:IDLER:EXIT

17.07403906
BALL BEARING - 6
X15X5



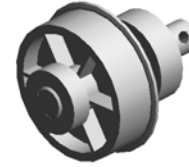
64.AB033117
PULLEY:IDLER:EXI
T

U001	U002	U003	U004	U005	U006	U007	U008	U009	U010	U011	U012	U013	U014	U015	U016	U017	U018	U019	U020
------	------	------	------	------	------	------	------	------	------	------	------	------	------	------	------	------	------	------	------

U017_S011_S002

SHAFT:DRIVE:PAPER EXIT SUB-UNIT:ENTRANCE:ASS'Y

16.07403808
BALL BEARING - 8
X16X5MM



128.D1361384
SHAFT:DRIVE:PAP
ER EXIT SUB-UNIT:
ENTRANCE:ASSY

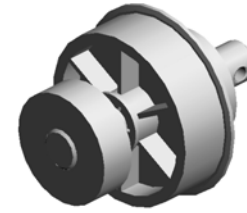


U001	U002	U003	U004	U005	U006	U007	U008	U009	U010	U011	U012	U013	U014	U015	U016	U017	U018	U019	U020
------	------	------	------	------	------	------	------	------	------	------	------	------	------	------	------	------	------	------	------

U017_S011_S003

SHAFT:DRIVE:PAPER EXIT SUB-UNIT:ASS'Y

13.07200060E
RETAINING RING -
M6



129.D1361386
SHAFT:DRIVE:PAP
ER EXIT SUB-UNIT:
ASS'Y



U001	U002	U003	U004	U005	U006	U007	U008	U009	U010	U011	U012	U013	U014	U015	U016	U017	U018	U019	U020
------	------	------	------	------	------	------	------	------	------	------	------	------	------	------	------	------	------	------	------

U017_S012

DRIVE UNIT:PAPER FEED SUB-UNIT:NO.1:ASS'Y

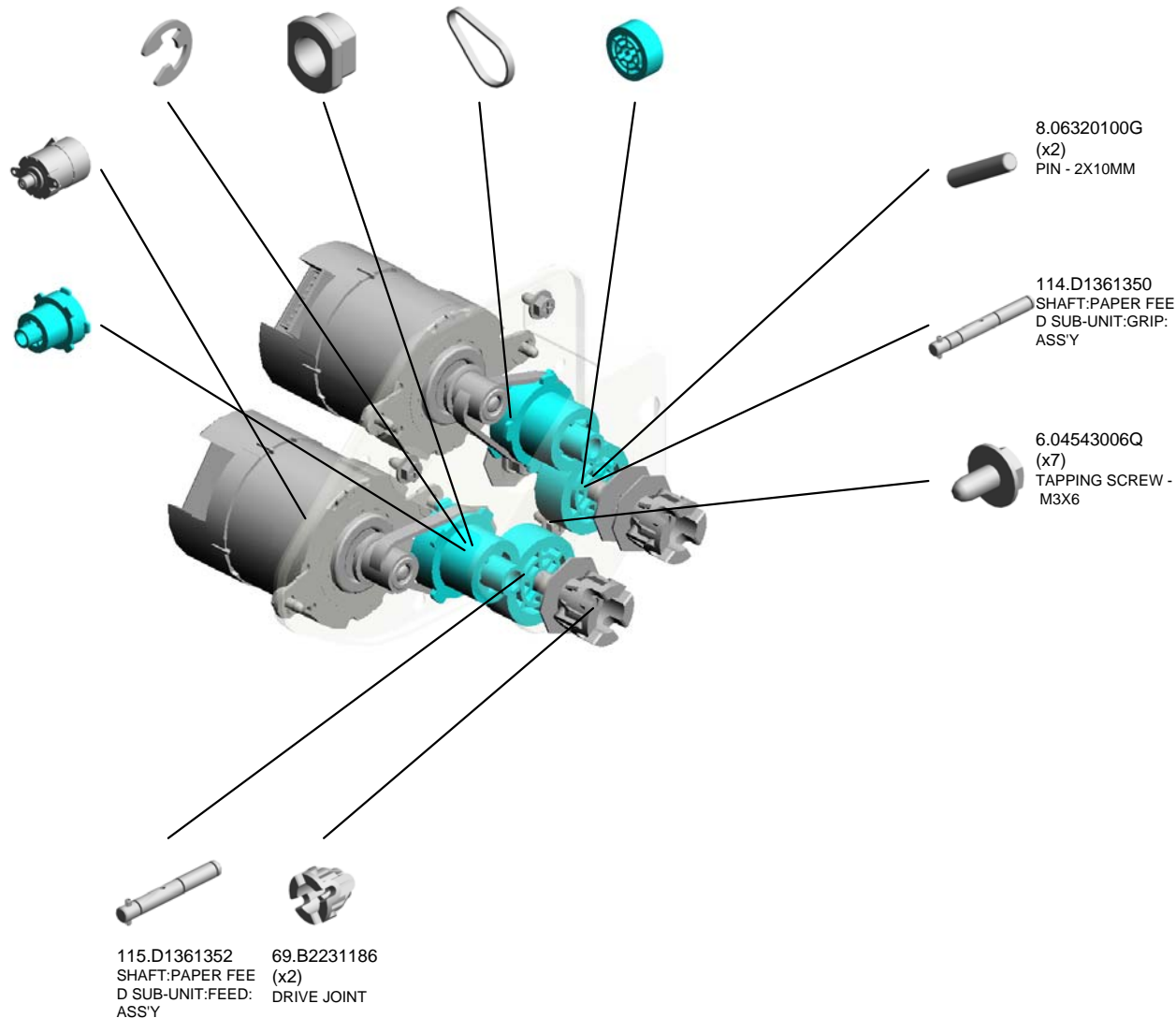
- 12.07200040E (x7) RETAINING RING - M4
- 38.AA082173 (x2) PLAIN SHAFT BEARING:6X10X6
- 75.D0894466 (x2) SYNCHRONOUS BELT: S2M:104
- 43.AB011616 (x2) GEAR:PAPER FEED SUB-UNIT



107.D1361311
DRIVE UNIT:PAPE
R FEED SUB-UNIT:
NO.1:ASS'Y

109.D1361320
(x2)
DC MOTOR:20W:B
RUSHLESS

52.AB017916
(x2)
GEAR:PAPER FEE
D SUB-UNIT:IDLER



U001	U002	U003	U004	U005	U006	U007	U008	U009	U010	U011	U012	U013	U014	U015	U016	U017	U018	U019	U020
------	------	------	------	------	------	------	------	------	------	------	------	------	------	------	------	------	------	------	------

U017_S012_S001
DRUM STAY:PAPER FEED SUB-UNIT:NO.1

38.AA082173
(x2)
PLAIN SHAFT BEA
RING:6X10X6



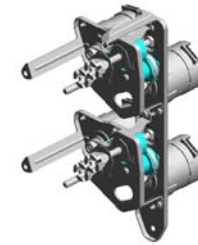
108.D1361317
DRUM STAY:PAPE
R FEED SUB-UNIT:
NO.1

U001	U002	U003	U004	U005	U006	U007	U008	U009	U010	U011	U012	U013	U014	U015	U016	U017	U018	U019	U020
------	------	------	------	------	------	------	------	------	------	------	------	------	------	------	------	------	------	------	------

U017_S013

DRIVE UNIT:PAPER FEED SUB-UNIT:NO.3:ASS'Y

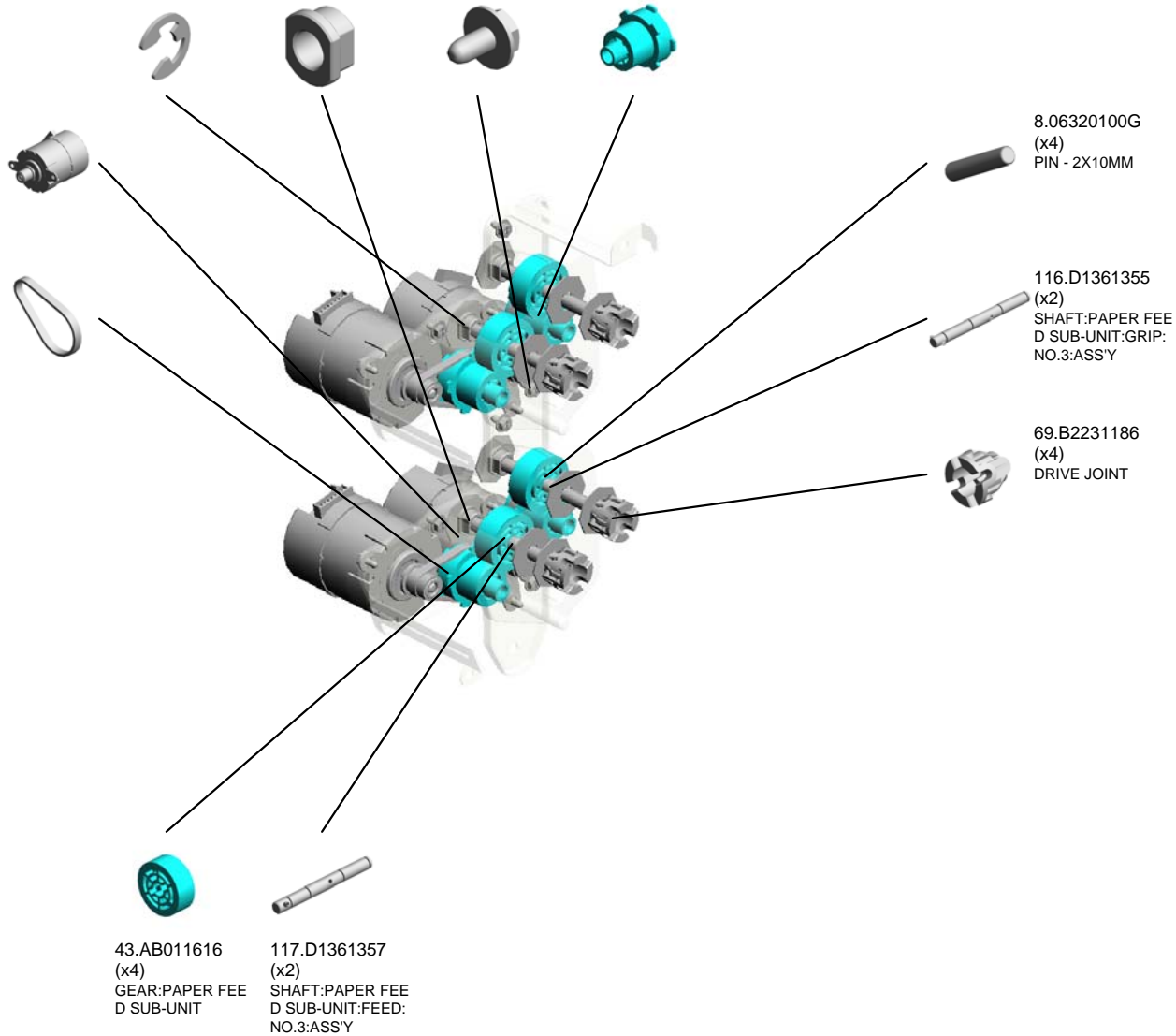
12.07200040E (x16) RETAINING RING - M4	38.AA082173 (x4) PLAIN SHAFT BEA RING:6X10X6	6.04543006Q (x14) TAPPING SCREW - M3X6	52.AB017916 (x4) GEAR:PAPER FEE D SUB-UNIT:IDLER
---	---	---	---



110.D1361331
DRIVE UNIT:PAPE
R FEED SUB-UNIT:
NO.3:ASS'Y

109.D1361320
(x4)
DC MOTOR:20W:B
RUSHLESS

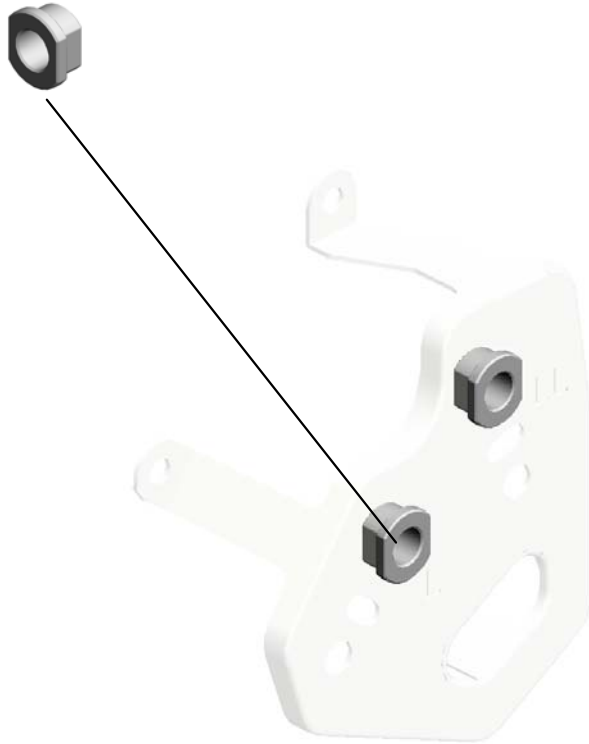
75.D0894466
(x4)
SYNCHRONOUS B
ELT:S2M:104



U001	U002	U003	U004	U005	U006	U007	U008	U009	U010	U011	U012	U013	U014	U015	U016	U017	U018	U019	U020
------	------	------	------	------	------	------	------	------	------	------	------	------	------	------	------	-------------	------	------	------

U017_S013_S001
DRUM STAY:PAPER FEED SUB-UNIT:NO.3

38.AA082173
(x2)
PLAIN SHAFT BEA
RING:6X10X6



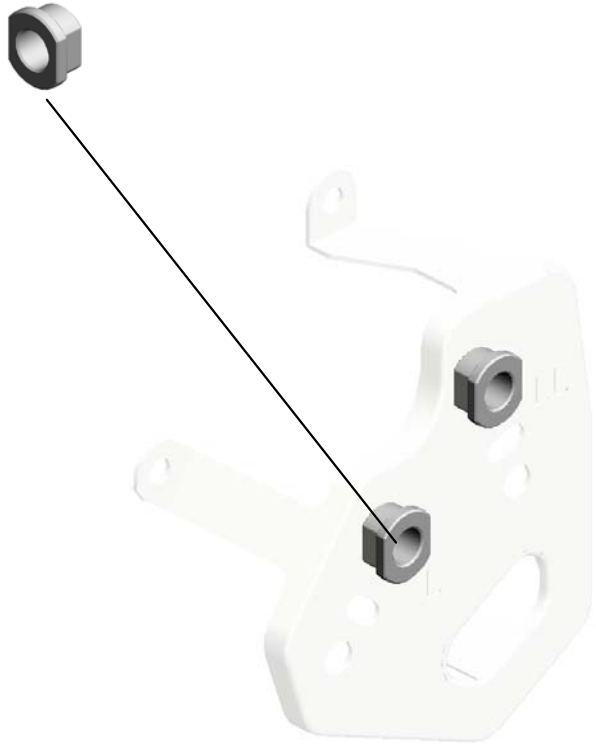
111.D1361337
DRUM STAY:PAPE
R FEED SUB-UNIT:
NO.3

U001	U002	U003	U004	U005	U006	U007	U008	U009	U010	U011	U012	U013	U014	U015	U016	U017	U018	U019	U020
------	------	------	------	------	------	------	------	------	------	------	------	------	------	------	------	------	------	------	------

U017_S013_S002

DRUM STAY:PAPER FEED SUB-UNIT:NO.3

38.AA082173
(x2)
PLAIN SHAFT BEA
RING:6X10X6

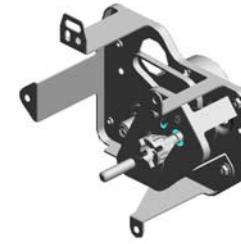


111.D1361337
DRUM STAY:PAPE
R FEED SUB-UNIT:
NO.3

U001	U002	U003	U004	U005	U006	U007	U008	U009	U010	U011	U012	U013	U014	U015	U016	U017	U018	U019	U020
------	------	------	------	------	------	------	------	------	------	------	------	------	------	------	------	------	------	------	------

U017_S014
 DRIVE UNIT:PAPER FEED SUB-UNIT:NO.2:EU:ASS'Y

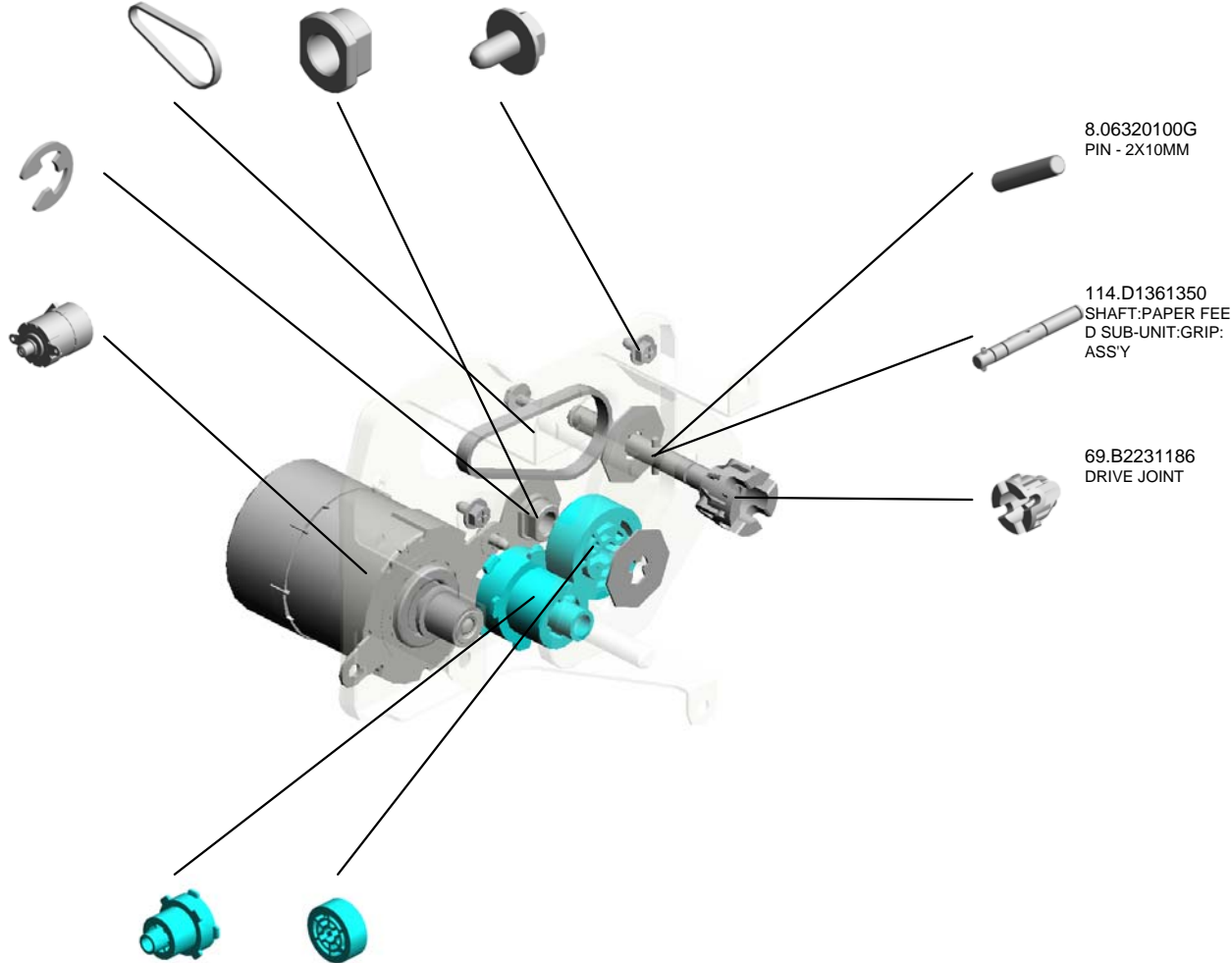
29.AA043637 38.AA082173 6.04543006Q
 TIMING BELT - 40S PLAIN SHAFT BEA (x5)
 2M124 RING:6X10X6 TAPPING SCREW -
 M3X6



112.D1361341
 DRIVE UNIT:PAPE
 R FEED SUB-UNIT:
 NO.2:EU:ASS'Y

12.07200040E
 (x4)
 RETAINING RING -
 M4

109.D1361320
 DC MOTOR:20W:B
 RUSHLESS



8.06320100G
 PIN - 2X10MM

114.D1361350
 SHAFT:PAPER FEE
 D SUB-UNIT:GRIP:
 ASSY

69.B2231186
 DRIVE JOINT

52.AB017916 43.AB011616
 GEAR:PAPER FEE GEAR:PAPER FEE
 D SUB-UNIT:IDLER D SUB-UNIT

U001	U002	U003	U004	U005	U006	U007	U008	U009	U010	U011	U012	U013	U014	U015	U016	U017	U018	U019	U020
------	------	------	------	------	------	------	------	------	------	------	------	------	------	------	------	------	------	------	------

U017_S014_S001
DRUM STAY:PAPER FEED SUB-UNIT:NO.2:EU

38.AA082173
PLAIN SHAFT BEA
RING:6X10X6

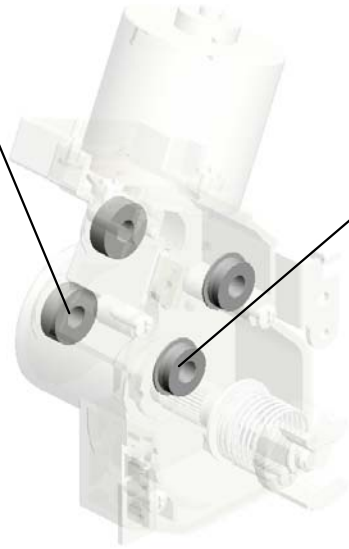


113.D1361347
DRUM STAY:PAPE
R FEED SUB-UNIT:
NO.2:EU

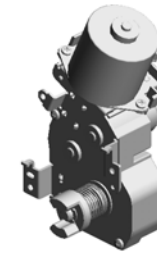
U001	U002	U003	U004	U005	U006	U007	U008	U009	U010	U011	U012	U013	U014	U015	U016	U017	U018	U019	U020
------	------	------	------	------	------	------	------	------	------	------	------	------	------	------	------	------	------	------	------

U017_S015
DRIVE UNIT:ON-OFF:PRESSURE ROLLER

17.07403906
(x2)
BALL BEARING - 6
X15X5



18.07433806
(x2)
RADIAL BALL BEA
RING:DIA6XDIA13X
5

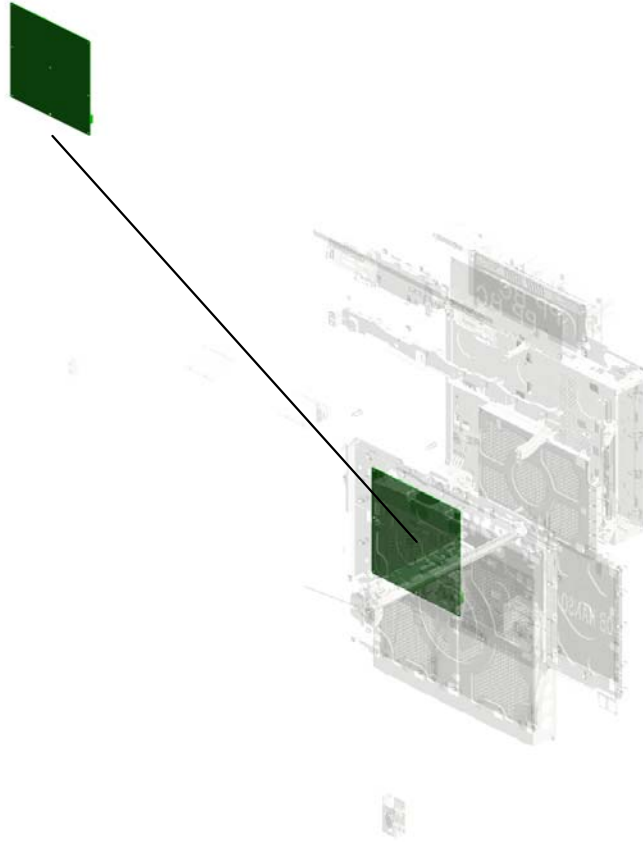


68.AX060460
DRIVE UNIT:ON-OFF
F:PRESSURE ROL
LER

U001	U002	U003	U004	U005	U006	U007	U008	U009	U010	U011	U012	U013	U014	U015	U016	U017	U018	U019	U020
------	------	------	------	------	------	------	------	------	------	------	------	------	------	------	------	------	------	------	------

U018.ELECTRICAL

U018_S001
D1365460
AC CONTROL BOARD:100V:
NA:D135



U001	U002	U003	U004	U005	U006	U007	U008	U009	U010	U011	U012	U013	U014	U015	U016	U017	U018	U019	U020
------	------	------	------	------	------	------	------	------	------	------	------	------	------	------	------	------	------	------	------

U018 ELECTRICAL

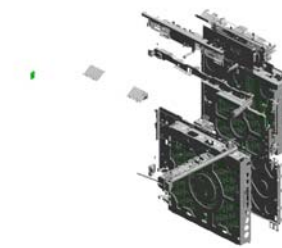
7.04583010N (x2)
HEXAGON HEAD TAPPING SCREW:3X6
X10

1.04543006N (x10)
TAPPING SCREW: ROUND POINT:3X6
6A

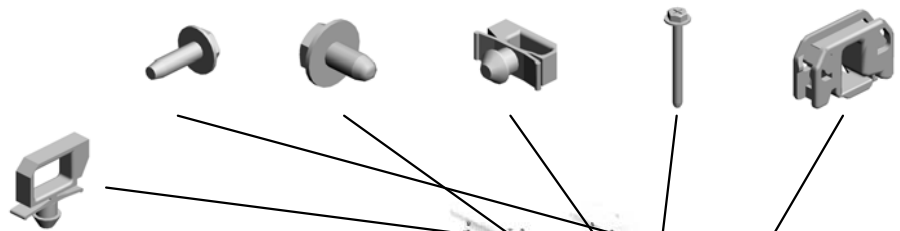
15.11050758 (x7)
CLAMP:LWSM-030
6A

6.04543030Q (x4)
TAPPING SCREW: ROUND POINT:3X3
0

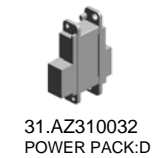
12.11050692 (x4)
CLAMP:LES-0503



18.11050762 (x14)
CLAMP:LWS-0711A



11.11050532 (x2)
EDGE SADDLE - L ES-25L



31.AZ310032 POWER PACK:D
37.D1355925 BRACKET:OKB:FA
N:1

16.11050760 (x20)
CLAMP:LWSM-0511A



17.11050761 (x4)
CLAMP:LWS-0511A



13.11050724 (x5)
CLAMPS:WES-1210



20.11050764 (x9)
CLAMP:LWS-1316A



49.D1365709 PCB:EX3_DDR3-DIMM:RC-A:2GB:ASS'Y
50.D1365716 PCB:DDR3-DIMM:RC-C:512MB:ASS'Y

2.04543006Q (x213)
TAPPING SCREW - M3X6



3.04543008Q (x4)
TAPPING SCREW: 3X8



5.04543025Q TAPPING SCREW: ROUND POINT:3X2
5



19.11050763 (x32)
CLAMP:LWS-1211A



9.08010234 SCREW WITH WASHER:SMALL ROUND WITH SPRING WASHER:M5X8



4.04543014Q TAPPING SCREW: 3X14



14.11050726 (x2)
CLAMPS:WES-2217



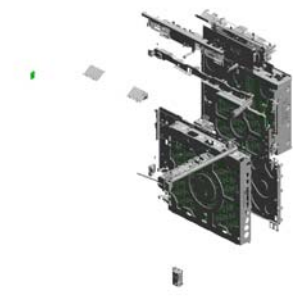
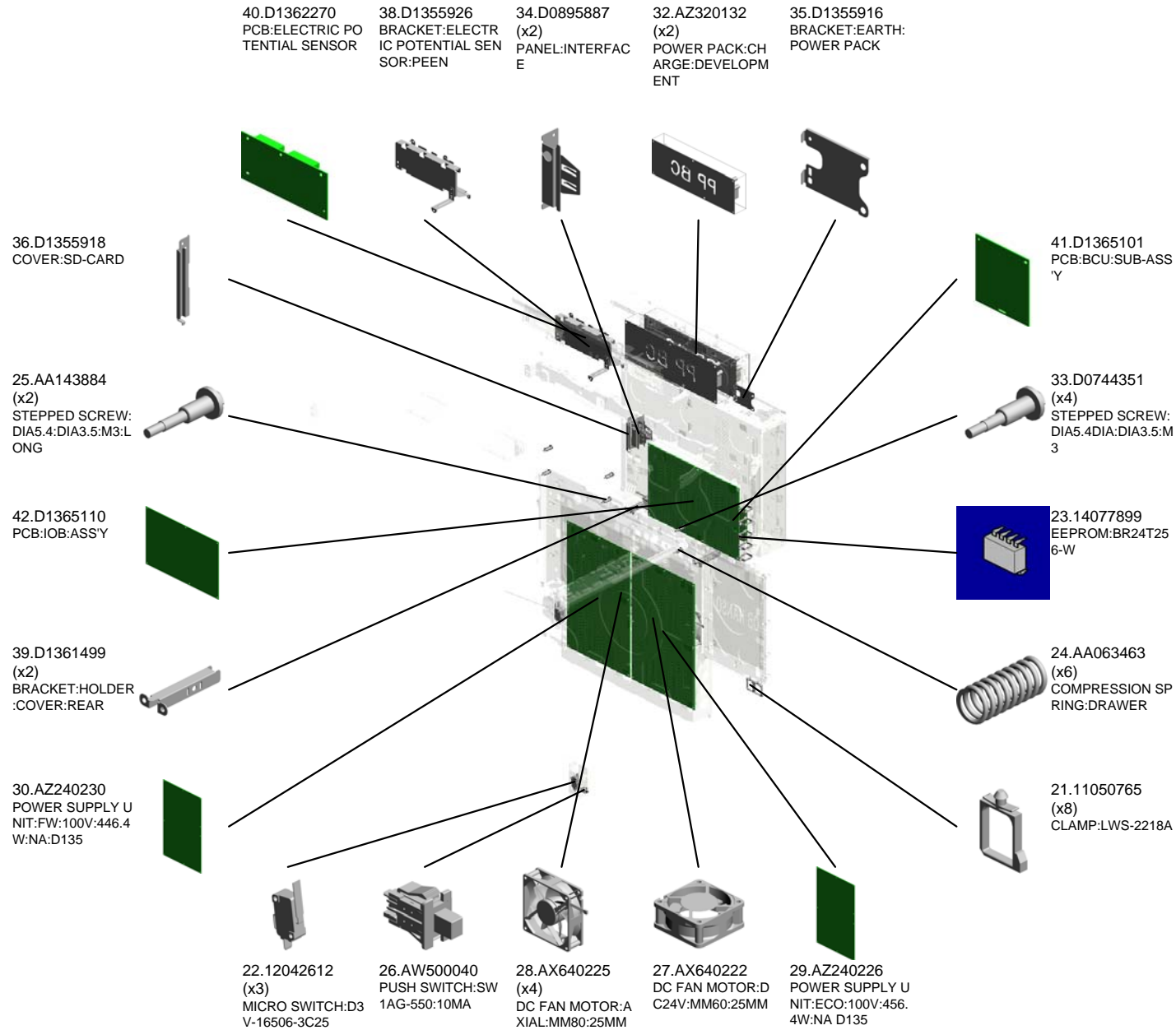
10.08050092 (x5)
RETAINING RING - 3M



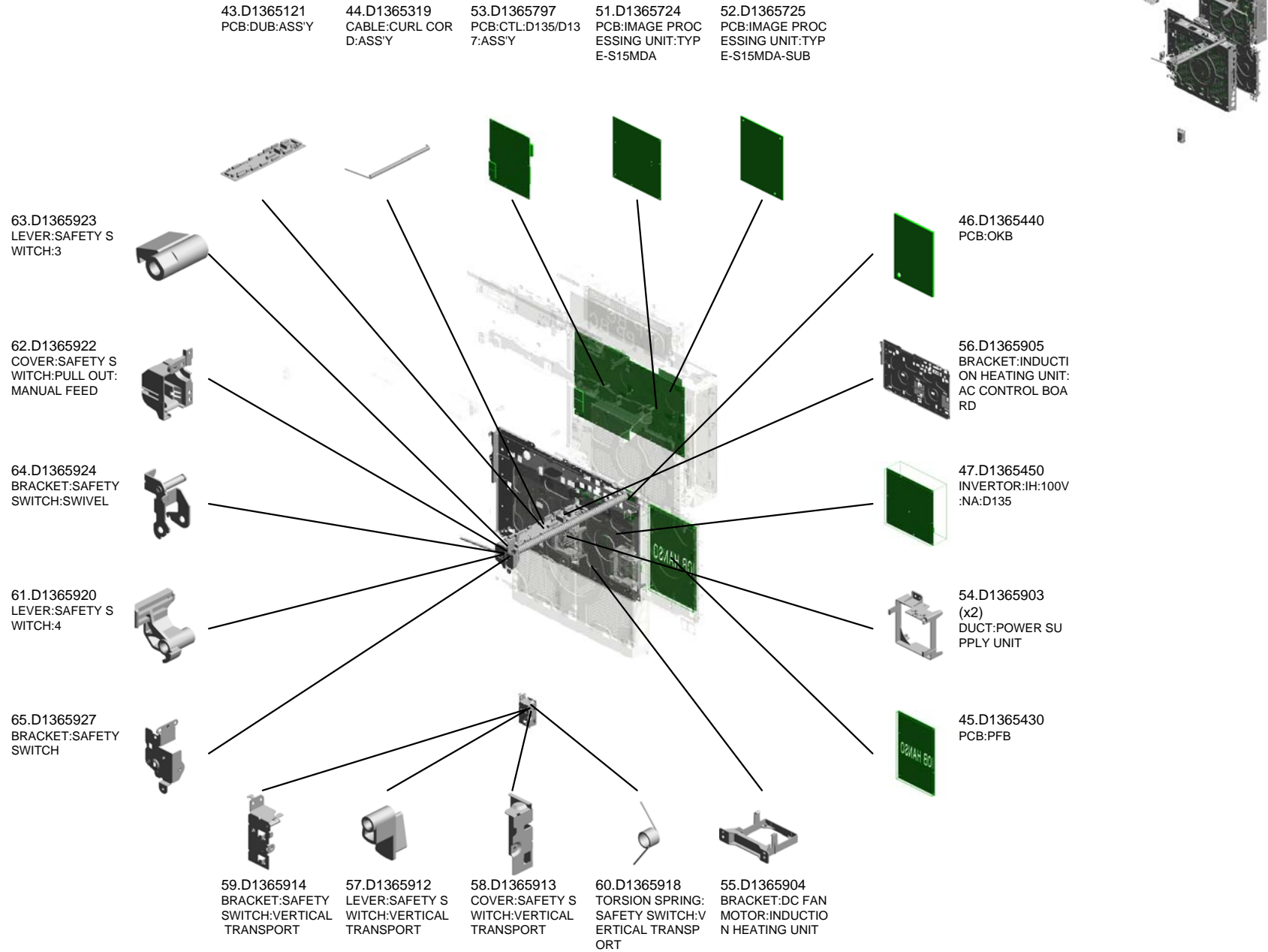
8.08010231 (x2)
HEXAGONAL HEAD BOLT W/WASHER:M3X6



U018 ELECTRICAL



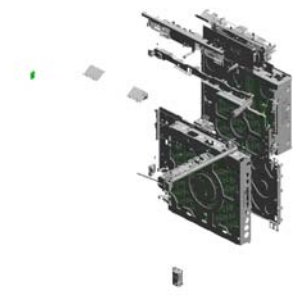
U018 ELECTRICAL



U001	U002	U003	U004	U005	U006	U007	U008	U009	U010	U011	U012	U013	U014	U015	U016	U017	U018	U019	U020
------	------	------	------	------	------	------	------	------	------	------	------	------	------	------	------	------	------	------	------

U018 ELECTRICAL

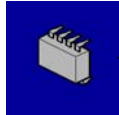
71.D1365949 COVER:ELECTRIC POTENTIAL SENSOR
 78.D1495776 COVER:USB:SMALL
 72.D1365969 PANEL:CONTROL BOARD
 70.D1365938 GUIDE:HARNESS:HVP



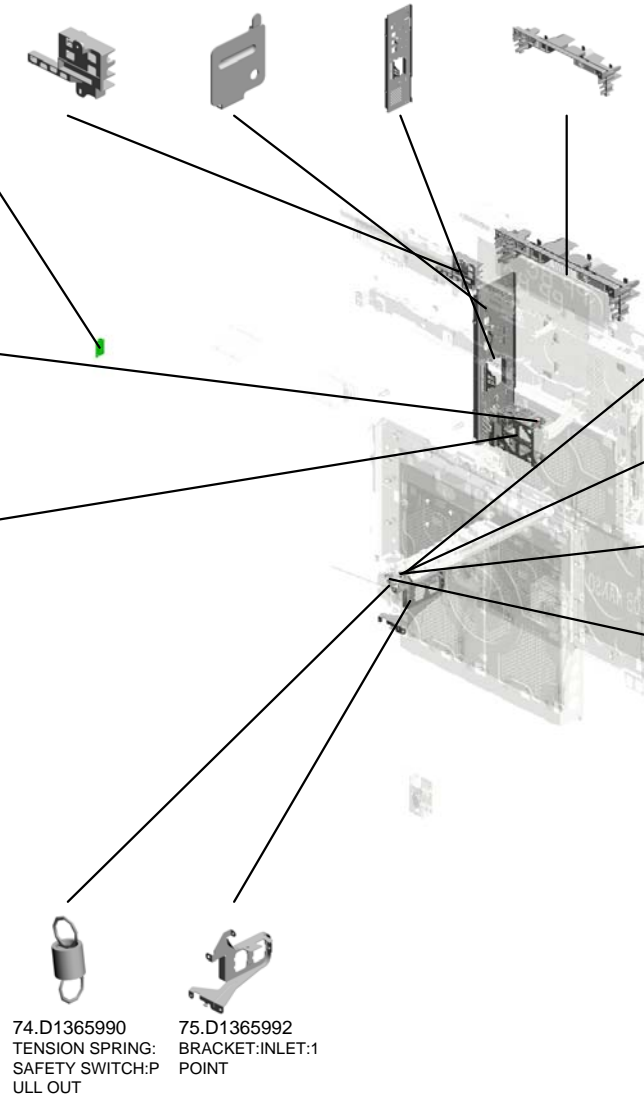
77.D1495686 PCB:DCSW



76.D1389590 NVRAM



73.D1365977 HDD:ASSY



68.D1365933 LEVER:SAFETY SWITCH:1



66.D1365931 TORSION SPRING:SAFETY SWITCH



67.D1365932 SHAFT:SAFETY SWITCH:LEVER:1



69.D1365934 LEVER:SAFETY SWITCH:2



74.D1365990 TENSION SPRING:SAFETY SWITCH:FULL OUT

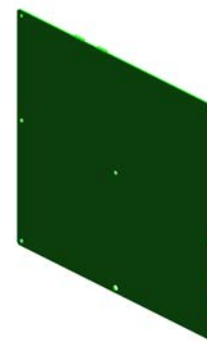


75.D1365992 BRACKET:INLET:1 POINT



U001	U002	U003	U004	U005	U006	U007	U008	U009	U010	U011	U012	U013	U014	U015	U016	U017	U018	U019	U020
------	------	------	------	------	------	------	------	------	------	------	------	------	------	------	------	------	------	------	------

U018_S001
AC CONTROL BOARD:100V:NA:D135



48.D1365460
AC CONTROL BOA
RD:100V:NA:D135



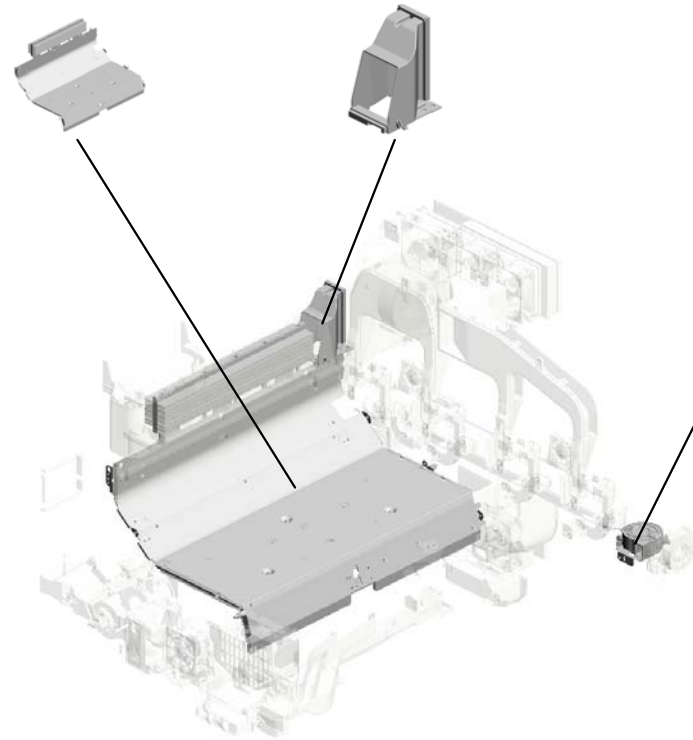
15.11050758
CLAMP:LWSM-030
6A

U001	U002	U003	U004	U005	U006	U007	U008	U009	U010	U011	U012	U013	U014	U015	U016	U017	U018	U019	U020
------	------	------	------	------	------	------	------	------	------	------	------	------	------	------	------	------	------	------	------

U019.AIR COOLING

U019_S001
D1366871
HEAT PIPE:ASS'Y

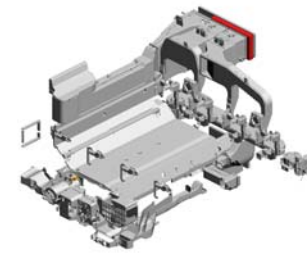
U019_S002
D1366966
DUCT:HEAT SINKER:REAR:A
SS'Y



U019_S003
D1366957
DC FAN MOTOR:INTERMEDI
ATE TRANSFER:ASS'Y

U001	U002	U003	U004	U005	U006	U007	U008	U009	U010	U011	U012	U013	U014	U015	U016	U017	U018	U019	U020
------	------	------	------	------	------	------	------	------	------	------	------	------	------	------	------	------	------	------	------

U019 AIR COOLING



14.11050692
(x4)
CLAMP:LES-0503

21.AW100107
THERMISTOR

2.03530060N
BIND SCREW - M3
X6

13.08025328
(x4)
HEXAGON HEAD T
APPING SCREW:3
X40

16.11050760
CLAMP:LWSM-051
1A

11.04543030Q
(x2)
TAPPING SCREW:
ROUND POINT:3X3
0

3.03604008N
(x2)
SCREW - M4X8

20.AW010147
PHOTO REFLECTI
ON SENSOR

17.11050761
CLAMP:LWS-0511A

12.04583008N
(x10)
HEXAGON HEAD T
APPING SCREW:3
X8

9.04543008Q
(x27)
TAPPING SCREW:
3X8

19.11050764
(x6)
CLAMP:LWS-1316A

15.11050758
(x24)
CLAMP:LWSM-030
6A

22.AX640221
(x6)
FAN:SIROCCO:DC
24V:50MM

8.04543006Q
(x65)
TAPPING SCREW -
M3X6

18.11050763
CLAMP:LWS-1211A

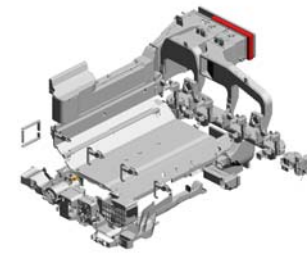
4.04503014N
(x2)
TAPPING SCREW:
M3X14

1.03530040N
(x2)
SCREW - M3X4

6.04503035N
(x4)
TAPPING SCREW:
3X35

5.04503020N
(x2)
TAPPING SCREW:
M3X20

U019 AIR COOLING



42.D1366882
DUCT:HEAT SINKE
R:MIDDLE

41.D1366879
DUCT:FUSING:EXI
T:LEFT

43.D1366885
DUCT:HEAT SINKE
R:EXHAUST:RIGHT

28.AX650054
(x2)
DC FAN MOTOR:SI
ROCCO:DC24V:PW
M

25.AX640224
(x2)
DC FAN MOTOR:A
XIAL:MM80

40.D1366878
DUCT:FUSING:EXI
T:RIGHT

31.D1366052
SUPPORTER:INTE
RMEDIATE TRANS
FER:LEFT

36.D1366865
DUCT:HEAT PIPE:
ROLLER:EXIT

35.D1366861
DUCT:HEAT PIPE:
ROLLER

26.AX640225
(x3)
DC FAN MOTOR:A
XIAL:MM80:25MM

34.D1366860
DUCT:INDUCTION
HEATING UNIT:VA
CUUM

33.D1366851
DUCT:VACUUM

23.AX640222
(x2)
DC FAN MOTOR:D
C24V:MM60:25MM

37.D1366868
DUCT:BELT CLEAN
ING:VACUUM:FRO
NT

38.D1366869
DUCT:BELT CLEAN
ING:VACUUM:REA
R

29.AX650056
DC FAN MOTOR:A
XIAL:MM92

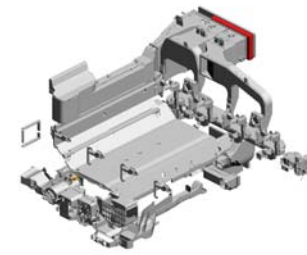
27.AX640226
(x3)
DC FAN MOTOR:A
XIAL:MM80:20MM

24.AX640223
FAN:SIROCCO:DC
24V:60MM

32.D1366409
GUIDE:BELT CLEAN
ING

30.D0742577
CONNECTOR:DRA
WER:4POLE:REC

U019 AIR COOLING



44.D1366886
DUCT:HEAT SINKE
R:EXHAUST:LEFT

49.D1366894
DUCT:DEVELOPM
ENT:EXHAUST:LEF
T:FRONT

50.D1366895
DUCT:DEVELOPM
ENT:EXHAUST:LEF
T:REAR

62.D1366920
(x2)
DUCT:DEVELOPM
ENT:EXHAUST:EXI
T:LEFT

63.D1366921
(x2)
DUCT:DEVELOPM
ENT:EXHAUST:EXI
T:RIGHT

45.D1366887
DUCT:HEAT SINKE
R:UPPER

59.D1366917
FILTER:DEVELOP
MENT:EXHAUST:S
MALL:ASS'Y

51.D1366896
SEAL:AROUND TH
E PHOTOCONDU
TOR:EXHAUST

54.D1366904
RELAY DUCT:ARO
UND THE PHOTOC
ONDUCTOR:Y:ASS'
Y

57.D1366910
(x3)
SPONGE:HEAT PIP
E:LEFT

56.D1366909
(x3)
SPONGE:HEAT PIP
E:LOWER

58.D1366913
DUCT:TRANSFER:
EXHAUST:ASS'Y

55.D1366907
DUCT:AROUND TH
E PHOTOCONDU
TOR:EXHAUST:LO
WER

60.D1366918
DUCT:TRANSFER:
FUSING:EXHAUST:
FRONT

61.D1366919
DUCT:TRANSFER:
FUSING:EXHAUST:
REAR

46.D1366890
DUCT:DEVELOPM
ENT:EXHAUST:RIG
HT:FRONT

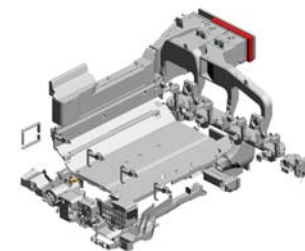
47.D1366891
DUCT:DEVELOPM
ENT:EXHAUST:RIG
HT:REAR

48.D1366893
DUCT:AROUND TH
E PHOTOCONDU
TOR:EXHAUST:UP
PER

53.D1366900
(x3)
RELAY DUCT:ARO
UND THE PHOTOC
ONDUCTOR:ASS'Y

52.D1366899
(x4)
DUCT:AROUND TH
E PHOTOCONDU
TOR:ENTRANCE

U019 AIR COOLING



65.D1366923
(x2)
SEAL:DEVELOPME
NT:EXHAUST:LEFT

82.D1366956
DEODORIZE FILTE
R:SMALL

66.D1366924
(x2)
SEAL:DEVELOPME
NT:EXHAUST:RIGH
T

81.D1366955
OZONE FILTER:LA
RGE

70.D1366935
FILTER:DEVELOP
MENT:EXHAUST:L
ARGE

79.D1366948
BRACKET:THERMI
STOR

75.D1366944
SUPPORTER:PCU:
LEFT

72.D1366940
HEAT INSULATING
PLATE:HEAT PIPE
:UPPER

85.D1366959
SEAL:DEVELOPME
NT:VACUUM:Y:UP
PER

78.D1366947
(x3)
OZONE FILTER:EXI
T

69.D1366932
FILTER:PRESSUR
E ROLLER:VACUU
M

76.D1366945
(x3)
BRACKET:DC FAN
MOTOR:DUPLEX:E
XIT

77.D1366946
(x3)
BRACKET:SETTIN
G LEVER JUMMPE
R:DC FAN MOTOR:
DUPLEX:EXIT

73.D1366941
HEAT INSULATING
PLATE:HEAT PIPE
:RIGHT

64.D1366922
BRACKET:DUCT:E
XHAUST

68.D1366928
(x2)
DUCT:DC FAN MO
TOR:OPTICAL WRI
TING UNIT

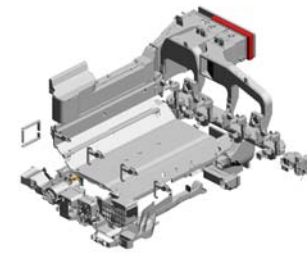
71.D1366938
OZONE FILTER:SM
ALL

80.D1366953
DEODORIZE FILTE
R:LARGE

74.D1366943
SEAL:DUCT:EXHA
UST:INDUCTION H
EATING UNIT

67.D1366927
(x4)
SEAL:DUCT:AROU
ND THE PHOTOCO
NDUCTOR:ENTRA
NCE

U019 AIR COOLING



97.D1366986
BRACKET:DC FAN
MOTOR:HEAT SIN
KER:VACUUM

95.D1366983
SEAL:HEAT SINKE
R:FRONT

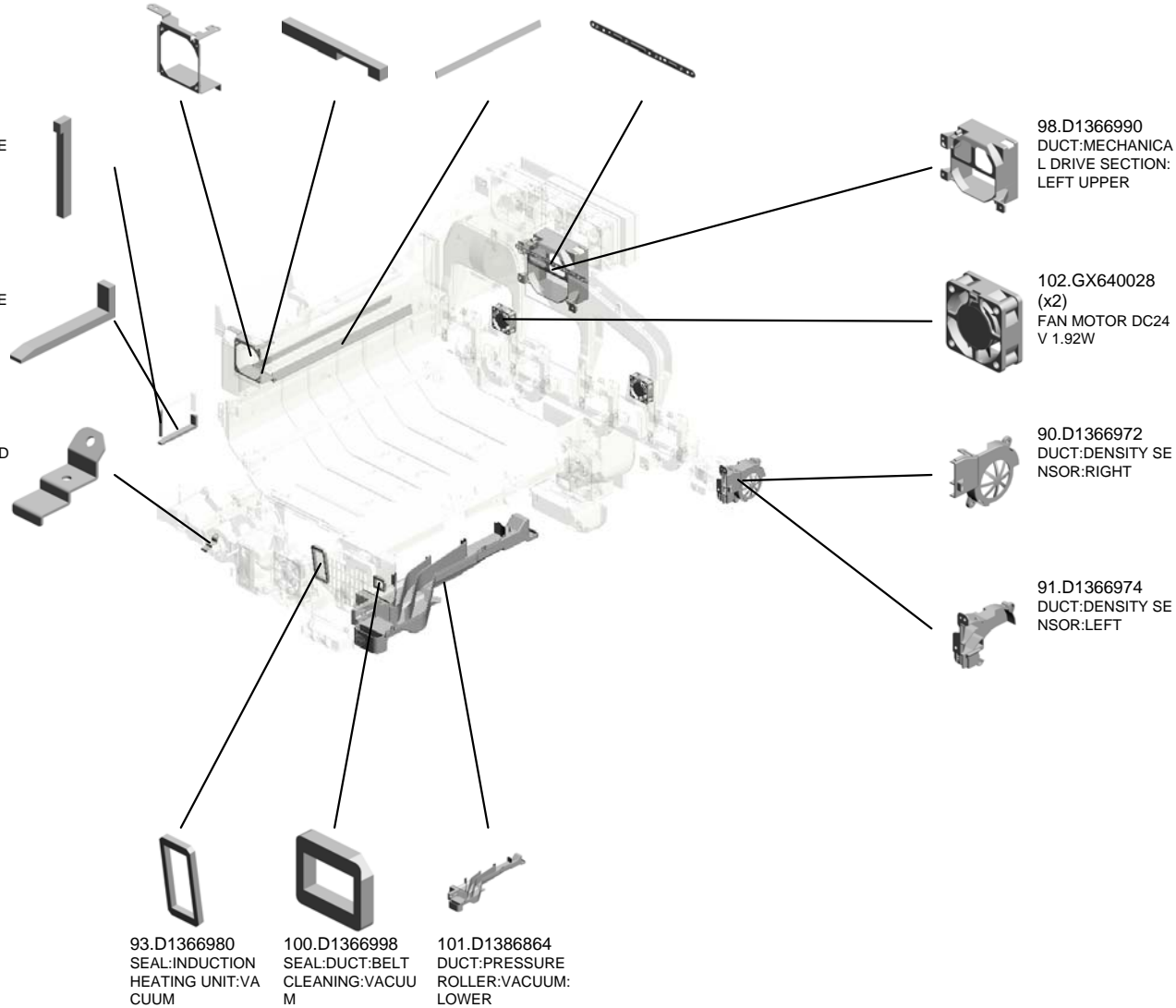
94.D1366982
(x2)
SEAL:HEAT SINKE
R:LEFT AND RIGH
T

99.D1366995
BRACKET:DEVELO
PMENT:EXHAUST

87.D1366961
SEAL:DEVELOPME
NT:VACUUM:Y:FR
ONT

86.D1366960
SEAL:DEVELOPME
NT:VACUUM:Y:LO
WER

89.D1366971
BRACKET:HINGE:D
UCT:HEAT PIPE:R
OLLER



98.D1366990
DUCT:MECHANICA
L DRIVE SECTION:
LEFT UPPER

102.GX640028
(x2)
FAN MOTOR DC24
V 1.92W

90.D1366972
DUCT:DENSITY SE
NSOR:RIGHT

91.D1366974
DUCT:DENSITY SE
NSOR:LEFT

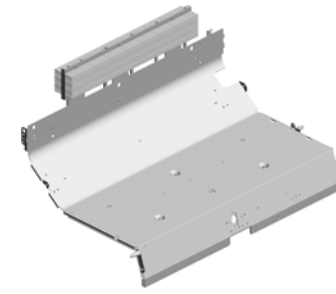
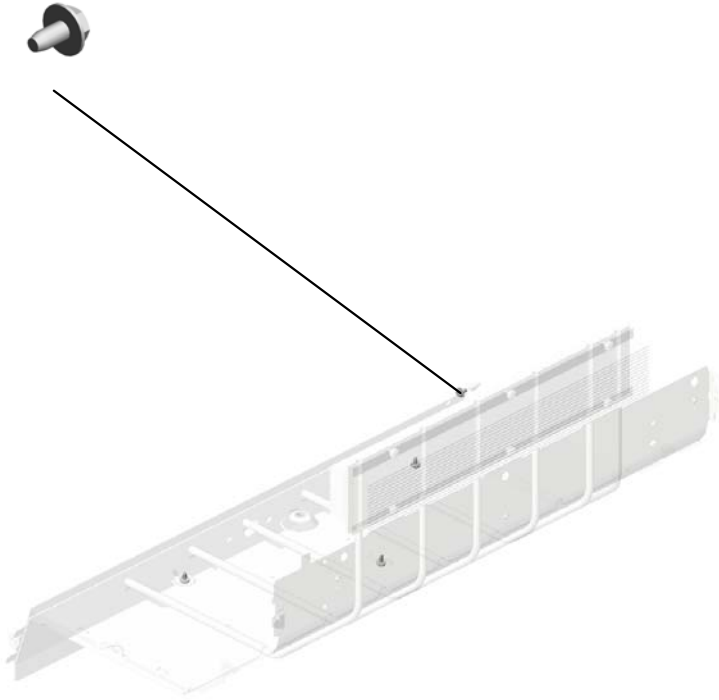
93.D1366980
SEAL:INDUCTION
HEATING UNIT:VA
CUUM

100.D1366998
SEAL:DUCT:BELT
CLEANING:VACU
UM

101.D1386864
DUCT:PRESSURE
ROLLER:VACUUM:
LOWER

U019_S001
HEAT PIPE:ASS'Y

7.04513006N
(x4)
TAPPING SCREW -
3X6

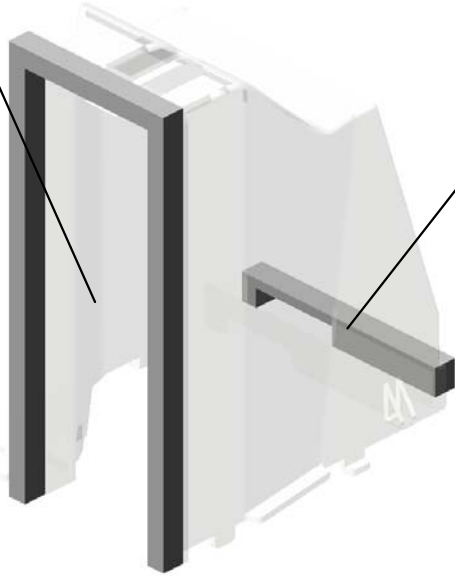


39.D1366871
HEAT PIPE:ASS'Y

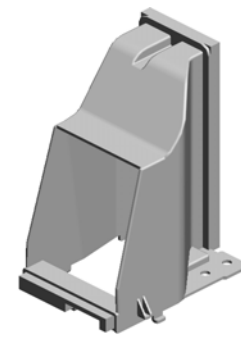
U001	U002	U003	U004	U005	U006	U007	U008	U009	U010	U011	U012	U013	U014	U015	U016	U017	U018	U019	U020
------	------	------	------	------	------	------	------	------	------	------	------	------	------	------	------	------	------	------	------

U019_S002
DUCT:HEAT SINKER:REAR:ASS'Y

92.D1366979
SEAL:HEAT SINKE
R:EXIT



96.D1366984
SEAL:HEAT SINKE
R:REAR

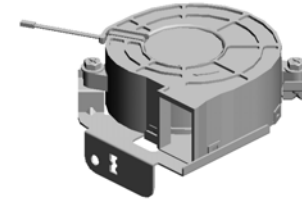


88.D1366966
DUCT:HEAT SINKE
R:REAR:ASS'Y

U001	U002	U003	U004	U005	U006	U007	U008	U009	U010	U011	U012	U013	U014	U015	U016	U017	U018	U019	U020
------	------	------	------	------	------	------	------	------	------	------	------	------	------	------	------	------	------	------	------

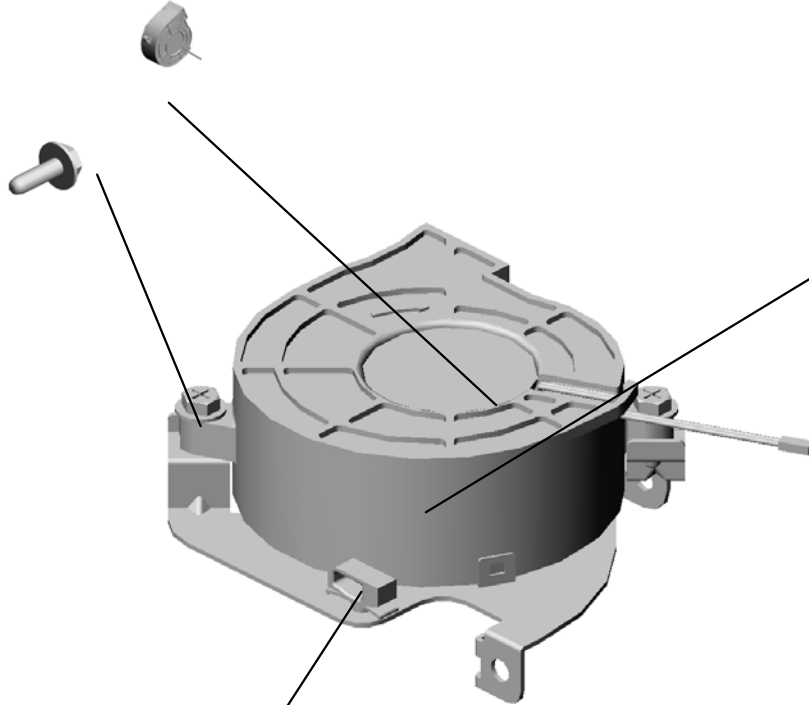
U019_S003
DC FAN MOTOR:INTERMEDIATE TRANSFER:ASS'Y

24.AX640223
FAN:SIROCCO:DC
24V:60MM



83.D1366957
DC FAN MOTOR:IN
TERMEDIATE TRA
NSFER:ASSY

10.04543010Q
(x2)
TAPPING SCREW:
3X10



84.D1366958
BRACKET:DC FAN
MOTOR:INTERME
DIATE TRANSFER

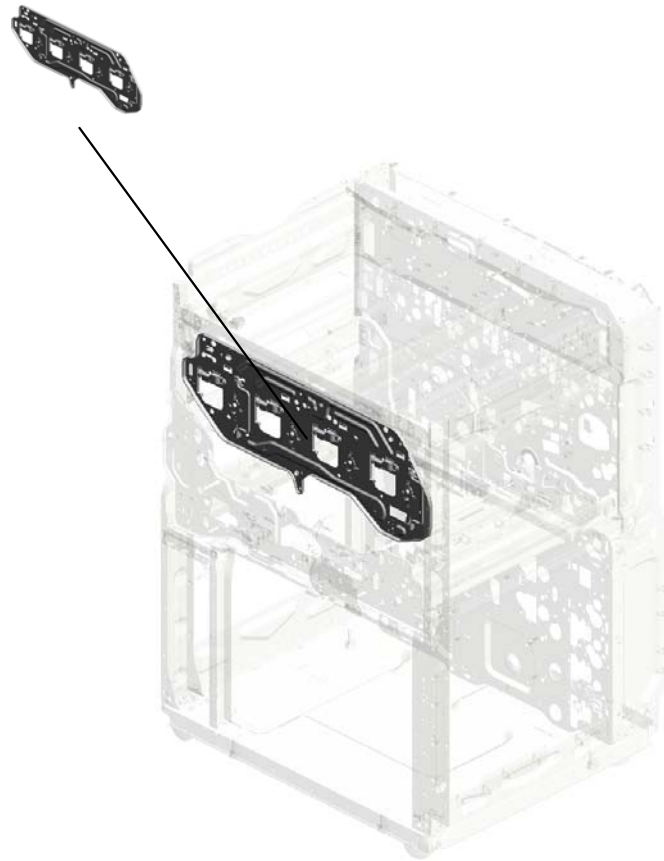
15.11050758
CLAMP:LWSM-030
6A



U001	U002	U003	U004	U005	U006	U007	U008	U009	U010	U011	U012	U013	U014	U015	U016	U017	U018	U019	U020
------	------	------	------	------	------	------	------	------	------	------	------	------	------	------	------	------	------	------	------

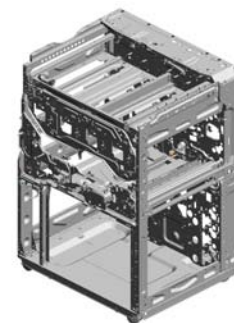
U020.MAIN FRAME

U020_S001
D1361415
DRUM STAY:AROUND THE P
HOTOCONDUCTOR:OFFICE:
ASS'Y



U001	U002	U003	U004	U005	U006	U007	U008	U009	U010	U011	U012	U013	U014	U015	U016	U017	U018	U019	U020
------	------	------	------	------	------	------	------	------	------	------	------	------	------	------	------	------	------	------	------

U020 MAIN FRAME



20.11050761 (x16) CLAMP:LWS-0511A
 8.04583010N (x8) HEXAGON HEAD TAPPING SCREW:3 X10
 4.04543006N (x4) TAPPING SCREW: ROUND POINT:3X6
 11.08010240 (x2) BINDING HEAD SCREW:M2.6X4
 19.11050760 (x26) CLAMP:LWSM-051 1A

3.03604008N (x12) SCREW - M4X8

14.11050551 CLAMP:LES-0505

15.11050692 CLAMP:LES-0503

5.04543006Q (x160) TAPPING SCREW - M3X6

6.04543008Q (x181) TAPPING SCREW: 3X8

10.07200060E (x5) RETAINING RING - M6

9.07200040E (x3) RETAINING RING - M4

7.04583008N (x4) HEXAGON HEAD TAPPING SCREW:3 X8

16.11050723 (x5) CLAMPS:WES-050

2.03540060N (x5) SCREW-M4X6

1.03140180N PAN HEAD SCREW :M4X18

62.D1361597 SHEET:HARNESS: PULL OUT

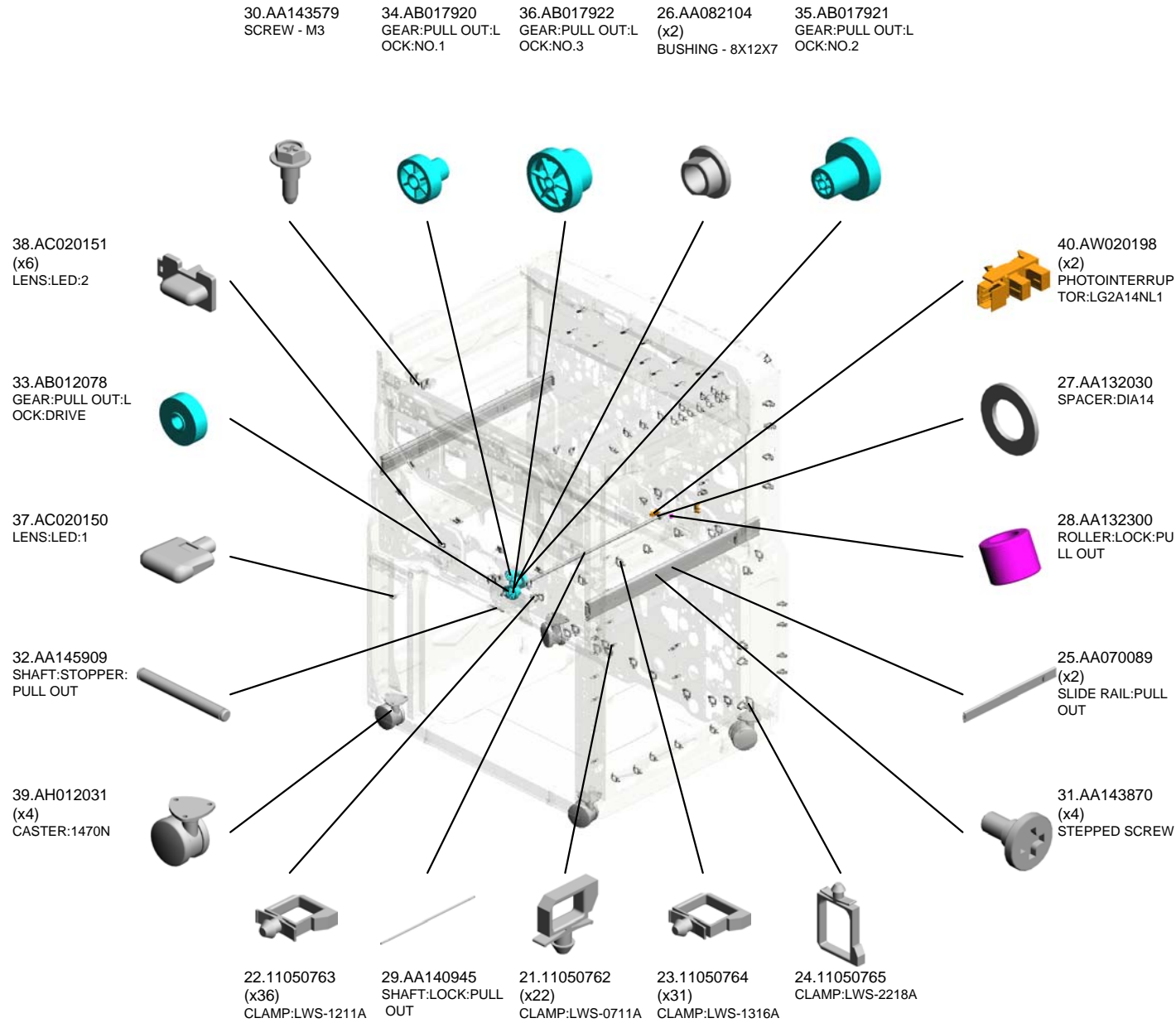
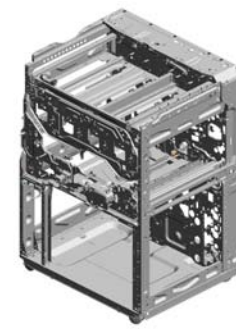
13.11050328 HARNESS CLAMP - ES-0505

12.08046123 (x2) HEXAGONAL BOLT :W/WASHER:M3X8

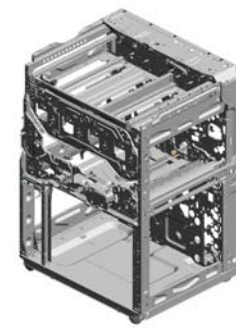
18.11050758 (x69) CLAMP:LWSM-030 6A

17.11050724 (x3) CLAMPS:WES-121 0

U020 MAIN FRAME



U020 MAIN FRAME



- 47.D1361547 HANDLE:DRUM STAY
- 44.D1361533 (x5) BRACKET:LED
- 53.D1361580 HOLDER:DRIVE SUB-UNIT:PULL OUT:LOCK
- 51.D1361577 BRACKET:DRIVE SUB-UNIT:PULL OUT:LOCK
- 41.AW500040 (x2) PUSH SWITCH:SW1AG-550:10MA

45.D1361536 BRACKET:DRAWER:LED:1:0.8MM

52.D1361579 DC MOTOR:PULL OUT:LOCK:6.78W:BRUSH

46.D1361538 BRACKET:DRAWER:LED:2:0.8MM

48.D1361553 GRIP:PULL OUT:TRUCK

50.D1361575 INNER COVER:PULL OUT:LOCK

42.B1881125 (x12) FLANGED HEXAGONAL HEAD BOLT:M5X14

59.D1361592 COVER:DUB

58.D1361591 EXTENSION TRAY:CURL CORD

57.D1361590 GUIDE:CURL CORD

60.D1361593 STOPPER:GUIDE:CURL CORD:0.3T

55.D1361584 SUPPORTING PLATE:BRACKET:LOCK

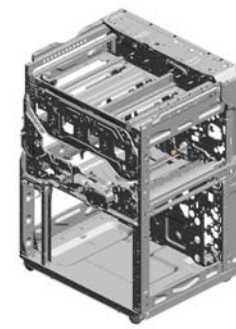
56.D1361585 BRACKET:LOCK

49.D1361555 FEELER:PULL OUT:SET:SENSOR

54.D1361583 FEELER:PULL OUT:LOCK

61.D1361594 GUIDE:CURL CORD:REAR UPPER

U020 MAIN FRAME



70.D1365467
PCB:LSB

66.D1364942
BRACKET:PUSH S
WITCH:LED

71.D1365510
(x10)
LED:CONNECTOR:
RED

80.D1381562
BRACKET:STOPPE
R:PULL OUT

79.D1381561
COMPRESSION SP
RING:PULL OUT:L
OCK:0.5N

68.D1364961
LED:SWITCH:REV
ERSE EXIT:ASSY

69.D1364971
LED:SWITCH:DUPL
EX:ASSY

67.D1364952
BRACKET:LED:RE
CEIVING SUB-UNIT
:LEFT LOWER

83.D1381568
GUIDE:PULL OUT:L
OCK

64.D1362852
BRACKET:LED:MA
NUAL FEED

65.D1362853
INNER COVER:LED
:MANUAL FEED

82.D1381565
BRACKET:PULL O
UT:LOCK:REAR:AS
S'Y

81.D1381563
STOPPER:PULL O
UT

73.D1366381
INSULATING SHEE
T:PULL OUT

72.D1366380
COVER:POWER P
ACK

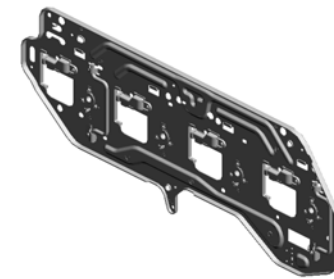
U020_S001

DRUM STAY:AROUND THE PHOTOCONDUCTOR:OFFICE:ASS'Y

78.D1366985
(x4)
SEAL:DRUM STAY:
FRONT:RIGHT

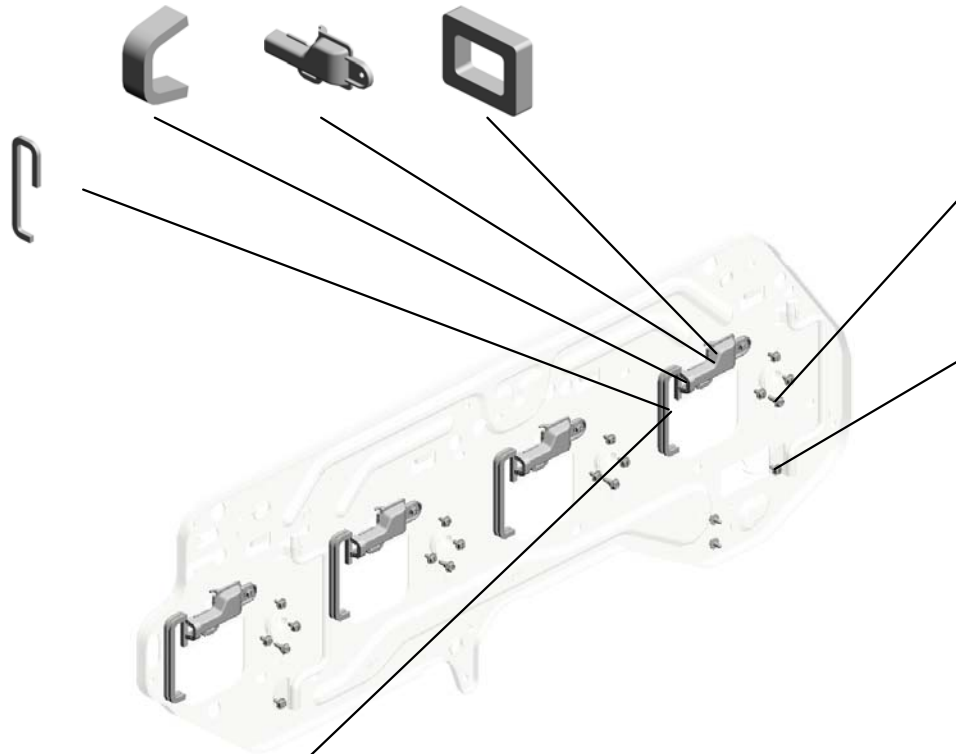
74.D1366897
(x4)
DUCT:DRUM STAY
:SMALL

77.D1366978
(x4)
SEAL:DUCT:DRUM
STAY:DEVELOPME
NT



43.D1361415
DRUM STAY:AROU
ND THE PHOTOCO
NDUCTOR:OFFICE
:ASS'Y

76.D1366977
(x4)
SEAL:DRUM STAY:
REAR



30.AA143579
(x4)
SCREW - M3

63.D1362642
SLOPE:COVER:RE
GISTRATION

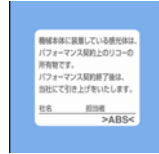
5.04543006Q
(x20)
TAPPING SCREW -
M3X6

75.D1366976
(x4)
SEAL:DRUM STAY:
FRONT

ACCESSORIES



1.03603006N
SCREW - M3X6



2.11500448
POWER SUPPLY CODE:125V:20A:NA

3.AA000229
DECAL CAUTION CHART DRUM ABS



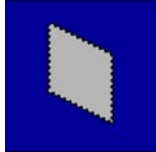
4.AA000278
DECAL:REMOTE



5.AA000718
DECAL:SIZE INDICATION:PAPER TR



6.AA001564
PLATE:LOGOTYPE:RIC



7.B0651374
CLOTH - DF EXPOSURE GLASS



8.B1321226
(x4)
HOLDER:STAND

9.D1201315
HOLDER:OPERATING INSTRUCTION

10.D1291568
SHEET:APPLICATION:MULTI-LANGU
AGE:BLANK



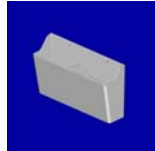
11.D1355921
(x3)
STOPPER:POWER SUPPLY CORD:(F
or C6502SP)



12.D1362490
HOLDER:DRUM:FRONT



13.D1362493
HOLDER:DRUM:REAR

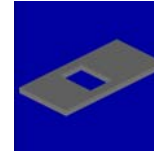


14.D1362495
HOLDER:PCU

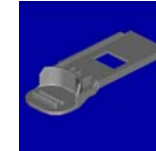
15.D1362498
HOLDER:PCU



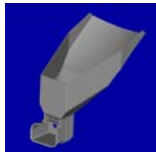
16.D1363485
JIG:DEVELOPMENT UNIT



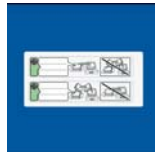
17.D1363497
SEAL:SHUTTER:FUNNEL



18.D1363498
SHUTTER:FUNNEL



19.D1363499
FUNNEL:DEVELOPER



20.D1367541
(x3)
DECAL:CAUTION CHART:PAPER SE
T DIRECTION



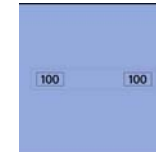
21.D1367600
DECAL:CAUTION:PULL OUT:PAPER
FEED



22.D1367601
DECAL:CAUTION:PULL OUT:EXIT

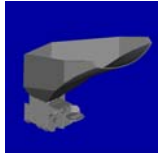


23.D1367605
DECAL:POWER SUPPLY CORD:100V
:MAIN



24.D1367606
DECAL:POWER SUPPLY CORD:100V

ACCESSORIES



25.D1367985
DEVELOPER:EXCHANGEABLE:ASSY



27.D1491553
SHEET:LOGO



30.D1496766
DECAL:CAUTION:ORIGINAL:ENGLISH

26.D1491317
HOLDER:GLASS:CLEANER:ASSY

28.D1491575
SHEET:APPLICATION:MULTI-LANGUAGE:NA

29.D1494390
DECAL:CAUTION:INKJET:NA



31.D1496851
DECAL:MAIN SWITCH:ON-STANDBY:ENGLISH



33.D6836031
DECAL:SET:ORIGINAL TABLE



35.GA003312
DECAL:CALLCENTER

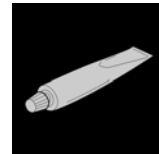
32.D6457902
SEAL:CAUTION:20LANGUAGES

34.D6846061
DECAL:ORIGINAL:MANY LANGUAGES

Special Tools



1.A0929503
C4 COLOR TEST CHART (3 PCS/SET)



4.A2579300
Grease Barrierta - S552R



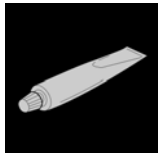
5.B6455020
SD-CARD:SERVICE:1GB:ASSY



6.C4019503
20X MAGNIFICATION SCOPE

2.A1849501
(x2)
OPTICS ADJUSTMENT TOOL

3.A2579100
SILICONE OIL TYPE SS



7.D0149800
GREASE-KS660B



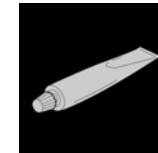
8.D0159500
G104 YELLOW TONER



9.D0159501
ZINC STEARATE



10.D0747690
BRUSH:BLOWER



12.VSSG9002
FLUOTRIBO MG GREASE : 100G

11.VSSA9001
LAUNA OIL 40N

Exclusive Parts

Number	Part Name	Group	ID
52062686	SNAP RING	U003_S001	23
		U006	36
		U006_S007	36
		U006_S008	36
		U006_S009	36
52152621	SNAP RING - M6	U003_S001	24
		U011	9
54472681	SNAP RING	U003_S001	25
		U003_S001_S008	25
		U009	21
		U010_S001	6
		U015_S002	21
		U016	20
54472768	STEPPED SCREW - M3	U014_S001	17
59374158	SPRING WASHER - BD10	U015_S002	22
A0929503	C4 COLOR TEST CHART (3 PCS/SET)	Special Tools	1
A0964928	GUIDE PLATE BAND	U016	21
A1849501	OPTICS ADJUSTMENT TOOL	Special Tools	2
A2171340	KNOB SCREW - M4X10	U014_S001	18
A2324666	CUSHION - STEPPER MOTOR	U004	12
		U009	22
A2501752	EXPOSURE GLASS	U004	13
A2579100	SILICONE OIL TYPE SS	Special Tools	3
A2579300	Grease Barrierta - S552R	Special Tools	4
A4181158	SPACER - M6.5X1	U003_S001_S008	26
A4221063	SEAL - 0.7X13X20	U003_S001	27
		U003_S001_S017	27
A4701703	SHIFT CLUTCH	U015_S002	23
A5482139	PULLEY	U003_S001	28
A6281225	BUSHING - 8MM	U003_S001_S008	29
A8061163	GUIDE PLATE CUSHION	U003_S001_S008	30
		U003_S001_S008_S001	30
A8592112	DRIVE SHAFT - PAPER FEED BELT	U003_S001_S008	31
A8592319	BASE CUSHION	U003_S001_S008	32
AA000229	DECAL CAUTION CHART DRUM A	ACCESSORIES	3

Number	Part Name	Group	ID
	BS		
AA000278	DECAL:REMOTE	ACCESSORIES	4
AA000282	DECAL:H-TEMP WARNING:FUSING	U014_S001_S006	19
AA000292	DECAL:CAUTION CHART:TANDEM LCT	U006_S013	37
AA000294	DECAL:PAPER SET DIRECTION:TANDEM TRAY:RIGHT	U006_S013_S004	38
AA000295	DECAL:GRIP:INNER COVER:RIGHT	U006_S013_S003	39
AA000392	SHEET:PAPER SET DIRECTION:TANDEM TRAY	U006	40
AA000395	DECAL:CAUTION:TANDEM LCT:RIGHT:SET	U006_S013	41
AA000718	DECAL:SIZE INDICATION:PAPER TRAY:OFFICE	ACCESSORIES	5
AA001564	PLATE:LOGOTYPE:RIC	ACCESSORIES	6
AA003050	DECAL:LEVER:RELEASE:GUIDE PLATE:LEFT LOWER	U015_S002_S013	24
AA003055	DECAL:COVER:PUSH	U006_S015	42
AA003058	DECAL:PICK-UP PAPER JAM:EXIT:LEFT LOWER	U001_S001	10
AA003059	DECAL:EXIT:GUIDE PLATE:UPPER:PUSH	U015_S002_S008	25
AA003060	DECAL:LED:EXIT:UPPER	U001_S002	11
AA003061	DECAL:PICK-UP PAPER JAM:DUPLICATE	U001_S001	12
AA003062	DECAL:GRIP:OPEN AND CLOSE:GUIDE PLATE PAWL:NO.1	U015_S002_S002	26
AA003063	DECAL:LED:GATE PAWL:REVERSE:ENTRANCE	U001_S002	13
AA003064	DECAL:GRIP:OPEN AND CLOSE:GUIDE PLATE PAWL:NO.2	U015_S002_S002	27
AA021034	MAGNETIC	U016	22
AA040033	TRANSPORT BELT	U013	10
AA043311	TIMING BELT:40S2M302G	U017	25
		U017_S005	25
AA043325	TIMING BELT - B40S2M250	U017_S010	26

Exclusive Parts

Number	Part Name	Group	ID
AA043328	TIMING BELT:40S2M130	U003_S001_S008	33
AA043334	TIMING BELT:40S2M174	U017	27
AA043339	TIMING BELT:PAPER EXIT:40S2M122	U003_S001	34
AA043599	TIMING BELT - 60S3M588	U006_S014	43
AA043621	TIMING BELT - 60S2M156	U017_S011	28
AA043632	TIMING BELT - 40S2M126	U003_S001	35
AA043634	TIMING BELT - 40S2M296	U016	23
AA043637	TIMING BELT - 40S2M124	U017_S014	29
AA043660	TIMING BELT:40S2M172	U017	30
AA043669	TIMING BELT:40S2M158	U003_S001	36
AA043677	SYNCHRONOUS BELT:40S3M120	U015_S002	28
AA043681	SYNCHRONOUS BELT:40S2M108	U003_S001	37
AA043682	SYNCHRONOUS BELT:60S1.5M150	U003_S001	38
AA043683	SYNCHRONOUS BELT:60S1.5M204	U003_S001	39
AA043685	SYNCHRONOUS BELT:40S2M258	U003_S001	40
AA043692	SYNCHRONOUS BELT:40S2M182	U017_S009	31
AA043693	SYNCHRONOUS BELT:40S2M364	U017_S008	32
AA043694	SYNCHRONOUS BELT:B40S2M202	U003_S001 U017	41 33
AA043698	SYNCHRONOUS BELT:40S1.5M300	U003_S001	42
AA043702	SYNCHRONOUS BELT:80S3M204	U015_S002	29
AA043929	TIMING BELT - B40S2M114	U017	34
AA060842	TENSION SPRING	U003_S001	43
AA060986	TENSION SPRING:DC SOLENOID:LOCK	U006_S001	44
AA061129	TENSION SPRING:TIGHTENER:DRIVE:USED TONER	U017_S008	35
AA061130	TENSION SPRING:TIGHTENER:DRIVE:TRANSPORT	U017_S010	36
AA061131	TENSION SPRING:REGISTRATION:DRIVEN:16N	U006	45
AA061135	TENSION SPRING:REGISTRATION:DRIVEN:1N	U006	46
AA061145	TENSION SPRING:TIGHTENER:EXI	U015_S002	30

Number	Part Name	Group	ID
	T		
AA061146	TENSION SPRING:LINK:GATE PAWL	U015_S002	31
AA061148	COMPRESSION SPRING:PRESSURE	U014_S001	20
AA061151	TENSION SPRING:FUSING:PAPER EXIT SUB-UNIT:LEVER	U014_S001	21
AA061152	TORSION SPRING:STRIPPER PLATE:STOPPER GUIDE:FRONT	U014_S001	22
AA061153	TORSION SPRING:STRIPPER PLATE:STOPPER GUIDE:FRONT:REAR	U014_S001	23
AA061157	COIL SPRING:GUIDE PLATE:UPPER	U014_S001	24
AA061158	TENSION SPRING:HEAT ROLLER	U014_S001	25
AA061159	TENSION SPRING:HEAT ROLLER:TURN	U014_S001	26
AA061175	TORSION SPRING:STRIPPER PLATE:STOPPER GUIDE:TURN:FRONT	U014_S001	27
AA061176	TORSION SPRING:STRIPPER PLATE:STOPPER GUIDE:TURN:REAR	U014_S001	28
AA062172	COIL SPRING:PRESSURE:SEPARATOR	U006	47
AA062173	COIL SPRING:LEVER:COVER:MANUAL FEED	U006 U006_S006	48 48
AA063435	COMPRESSION SPRING:PAPER FEED:JOINT	U003_S001_S008	44
AA063463	COMPRESSION SPRING:DRAWER	U018	24
AA063715	COMPRESSION SPRING:JOINT:CONNECTING:DRIVE SUB-UNIT	U017_S010	37
AA063716	COMPRESSION SPRING:LEVER:OPEN AND CLOSE	U006	49
AA063717	COMPRESSION SPRING:DRIVEN:EXIT:NO.2	U015_S002	32
AA063718	COMPRESSION SPRING:DRIVEN:EXIT:NO.1	U015_S002	33
AA063719	COMPRESSION SPRING:HOLDER:GUIDE PLATE:EXIT	U015_S002	34
AA063720	COMPRESSION SPRING:DRIVEN:	U015_S002	35

Exclusive Parts

Number	Part Name	Group	ID
	EXIT:NO.4		
AA063721	COMPRESSION SPRING:GATE:REVERSE EXIT	U015_S002	36
AA063723	COMPRESSION SPRING:STAY:REGISTRATION:5N	U006	50
AA063761	COIL SPRING:RELEASE:PICKUP:MANUAL FEED	U006	51
AA063762	COIL SPRING:COVER:MANUAL FEED:LOWER	U006	52
AA063763	COIL SPRING:PRESSURE:PICKUP	U006	53
AA066431	COIL SPRING:OPEN AND CLOSE:LEFT LOWER:GUIDE PLATE:UPPER	U015_S002	37
AA066432	COIL SPRING:OPEN AND CLOSE:LEFT LOWER:GUIDE PLATE:LOWER	U015_S002	38
AA066433	COIL SPRING:GUIDE PLATE:UPPER:OPEN AND CLOSE:FRONT	U015_S002	39
AA066434	COIL SPRING:GUIDE PLATE:UPPER:OPEN AND CLOSE:REAR	U015_S002	40
AA066697	TORSION SPRING:LOCK:STRIPPER PLATE:REAR:13N	U014_S001	29
AA066698	TORSION SPRING:LOCK:STRIPPER PLATE:FRONT:13N	U014_S001	30
AA070089	SLIDE RAIL:PULL OUT	U020	25
AA071020	SLIDE RAIL:LARGE CAPACITY TRAY:LEFT:ASS'Y	U006	54
AA071021	SLIDE RAIL:LARGE CAPACITY TRAY:MIDDLE:ASS'Y	U006	55
AA071022	SLIDE RAIL:LARGE CAPACITY TRAY:RIGHT:ASS'Y	U006	56
AA080346	BUSHING:FLANGE TYPE:DIA6	U003_S001	45
		U016	24
AA080347	BUSHING - 8MM	U003_S001	46
AA082101	BUSHING - 6X10X6	U003_S001	47
		U003_S001_S002	47
		U003_S001_S005	47
		U003_S001_S008	47
		U014_S001	31

Number	Part Name	Group	ID
AA082104	BUSHING - 8X12X7	U003_S001_S007	48
		U003_S001_S010	48
		U009	23
		U020	26
AA082137	BUSHING:6X10X6	U010_S001	7
AA082144	BUSHING - 8X12X7	U003_S001	49
AA082171	PLAIN SHAFT BEARING:6X10X6	U006_S007	57
		U006_S008	57
		U006_S009	57
AA082173	PLAIN SHAFT BEARING:6X10X6	U006	58
		U006_S007	58
		U006_S007_S002	58
		U006_S007_S003	58
		U006_S008	58
		U006_S008_S001	58
		U006_S008_S002	58
		U006_S009	58
		U006_S009_S001	58
		U006_S009_S002	58
		U006_S010	58
		U006_S014	58
		U015_S002	41
		U016	25
		U017	38
		U017_S006	38
		U017_S012	38
		U017_S012_S001	38
		U017_S013	38
		U017_S013_S001	38
		U017_S013_S002	38
		U017_S014	38
		U017_S014_S001	38
AA082174	PLAIN SHAFT BEARING:6X10X9	U006_S007	59
		U006_S008	59
		U006_S009	59
AA082175	PLAIN SHAFT BEARING:8X12X7	U006	60
		U006_S013	60
AA083014	ONE-WAY CLUTCH	U006	61

Exclusive Parts

Number	Part Name	Group	ID
AA083018	ROLLER CLUTCH - 6X14X10	U006	62
AA100014	RETAINING RING C - SEPARATE	U006	63
		U006_S007	63
		U006_S008	63
		U006_S009	63
AA120145	DISCHARGE BRUSH:REVERSE:17 MM	U015_S002	42
AA132013	SPACER	U003_S001_S008	50
AA132030	SPACER:DIA14	U020	27
AA132204	COLLAR	U014_S001	32
AA132300	ROLLER:LOCK:PULL OUT	U020	28
AA140944	SHAFT:LEVER:OPEN AND CLOSE	U006	64
AA140945	SHAFT:LOCK:PULL OUT	U020	29
AA143183	STEPPED SCREW	U011	10
		U016	26
AA143517	GUIDE PLATE SCREW	U014_S001	33
AA143537	SCREW:M3:BLACK	U001	14
		U004	14
AA143555	SCREW - M3X5	U006	65
		U006_S006	65
		U012	10
AA143579	SCREW - M3	U020	30
		U020_S001	30
AA143702	SCREW:PIN:POSITIONING	U001	15
AA143788	PIN:GUIDE PLATE:PAPER FEED	U003_S001	51
AA143789	SHAFT:CLEANER	U003_S001	52
AA143807	SCREW:A	U010_S001	8
AA143842	SCREW:DIA6:14.5:M4	U003_S001	53
AA143846	TAPPING SCREW:M3X6	U003_S001_S017	54
AA143870	STEPPED SCREW	U020	31
AA143884	STEPPED SCREW:DIA5.4:DIA3.5:M3:LONG	U018	25
AA145909	SHAFT:STOPPER:PULL OUT	U020	32
AA162082	CUSHION:PLATE:PAPER	U006_S013_S001	66
		U006_S013_S002	66
AB000201	DC MOTOR:TANDEM LCT:RISE:ASS'Y:19.2W:BRUSH	U006	67
AB010156	GEAR:SEPARATE:DRIVE	U006_S007	68

Number	Part Name	Group	ID
		U006_S008	68
		U006_S009	68
AB010157	GEAR:SEPARATE:DRIVEN	U006_S007	69
		U006_S008	69
		U006_S009	69
AB011387	GEAR - 23Z	U006	70
AB011561	GEAR:MANUAL FEED	U006_S017	71
AB011562	GEAR:SEPARATOR:DRIVE:MANUAL FEED	U006	72
AB011569	GEAR:Z25:DRIVE:REGISTRATION ROLLER	U006	73
AB011570	GEAR:Z20:DRIVEN:REGISTRATION ROLLER	U006	74
AB011607	GEAR:ON-OFF:TRANSFER	U017	39
AB011610	GEAR:USED TONER:IDLER:NO.3	U017_S008	40
AB011611	GEAR:USED TONER:DRIVE:LOWER	U017_S008	41
AB011612	GEAR:USED TONER:MIDDLE	U017	42
AB011616	GEAR:PAPER FEED SUB-UNIT	U017_S012	43
		U017_S013	43
		U017_S014	43
AB012078	GEAR:PULL OUT:LOCK:DRIVE	U020	33
AB012208	GEAR:IDLER:PRESSURE ROLLER:ASS'Y	U014_S001	34
AB012209	GEAR:JOINT:PRESSURE:ASS'Y	U014_S001_S001	35
AB012210	GEAR:PRESSURE ROLLER	U014_S001	36
AB012211	GEAR:HEAT ROLLER:TURN	U014_S001	37
AB012212	GEAR:HOT ROLLER	U014_S001	38
AB012229	GEAR:IDLER:FUSING:OFFICE	U014_S001	39
AB012230	GEAR:IDLER:27Z:ASS'Y	U014_S001_S003	40
AB012970	GEAR:ROLLER:REVERSE:EXIT	U015_S002	43
AB012971	GEAR:COUPLING:HEAT PIPE	U015_S002	44
AB012972	GEAR:SHAFT:HEAT PIPE	U015_S002	45
AB012973	GEAR:SHAFT:GATE PAWL:EXIT	U015_S002	46
AB012974	GEAR:IDLER:COUPLING:GATE PAWL	U015_S002	47
AB014135	GEAR - 18Z	U006	75
AB016002	GEAR:Z36	U017	44

Exclusive Parts

Number	Part Name	Group	ID
AB017837	GEAR:ON-OFF:TRANSFER:IDLER: NO.1	U017	45
AB017838	GEAR:ON-OFF:TRANSFER:IDLER: NO.2	U017	46
AB017839	GEAR:IDLER:BELT CLEANING	U017_S005_S001	47
AB017912	GEAR:USED TONER:IDLER:NO.1	U017_S008	48
AB017913	GEAR:USED TONER:IDLER:NO.2	U017_S008	49
AB017914	GEAR:PULLEY:LOWER:Z33/S2M43 T	U017_S008	50
AB017915	GEAR:PULLEY:USED TONER:UPPER:Z37/S2M31T	U017_S009_S001	51
AB017916	GEAR:PAPER FEED SUB-UNIT:IDLER	U017_S012	52
		U017_S013	52
		U017_S014	52
AB017917	GEAR:IDLER:48T/Z28	U017_S010	53
AB017918	GEAR:REVERSE EXIT:IDLER:NO.2	U017	54
AB017919	GEAR:Z26/26T	U017	55
AB017920	GEAR:PULL OUT:LOCK:NO.1	U020	34
AB017921	GEAR:PULL OUT:LOCK:NO.2	U020	35
AB017922	GEAR:PULL OUT:LOCK:NO.3	U020	36
AB017930	GEAR:REVERSE EXIT:IDLER:NO.1	U015_S002	48
AB017931	GEAR:IDLER:DC STEPPER MOTOR:GATE PAWL	U015_S002	49
AB017932	GEAR:IDLER:CONTACT POINT:GATE PAWL	U015_S002	50
AB017933	PULLEY:GEAR:EXIT	U015_S002	51
AB019475	GEAR - 48T	U006	76
AB030831	TIMING PULLEY:15T:DRIVE	U006_S014	77
AB030865	PULLEY:S2M:54T/27T	U017_S010	56
AB030866	PULLEY:DUPLEX SUB-UNIT:REGISTRATION:S2M54T	U017	57
AB030867	PULLEY:T60	U017	58
AB030876	PULLEY:S2M:36T	U017	59
AB030881	PULLEY:TORQUE LIMITER MECHANICAL CLUTCH	U015_S002	52
AB030882	TIMING PULLEY:EXIT	U015_S002	53
AB030883	PULLEY:EXIT:NO.1	U015_S002	54
AB030884	PULLEY:EXIT:NO.2	U015_S002	55

Number	Part Name	Group	ID
AB033085	TIMING PULLEY - 15T	U006_S014	78
AB033113	TIMING PULLEY:S2M41T:S2M33T	U017_S009	60
AB033114	PULLEY:DUPLEX SUB-UNIT:S2M:36T:COUPLING	U017	61
AB033115	PULLEY:DUPLEX SUB-UNIT:IDLER:S2M:36T	U017	62
AB033116	PULLEY:DUPLEX SUB-UNIT:54T/36T	U017	63
AB033117	PULLEY:IDLER:EXIT	U017_S011_S001	64
AC020150	LENS:LED:1	U001	16
		U016	27
		U020	37
AC020151	LENS:LED:2	U020	38
AC020152	LENS:LED:3	U006_S006	79
AC020153	LENS:LED:4	U006	80
AC030211	MIRROR:NO.1	U004_S002	15
AE010112	HOT ROLLER:DIA52	U014_S001	41
AE020215	PRESSURE ROLLER:DIA50	U014_S001	42
AE030035	BALL BEARING - 6X16X5	U014_S001	43
		U014_S001_S001	43
		U014_S001_S003	43
AE030044	BALL BEARING - 10X22X6	U014_S001	44
AE030059	BALL BEARING:MM20XMM32X7	U014_S001	45
AF013006	BOTTOM PLATE PAD	U006_S011	81
		U006_S012	81
AF020792	REGISTRATION ROLLER:DRIVE	U006	82
AF020793	TRANSPORT ROLLER:DUPLEX:DRIVE:1	U016_S001	28
AF020794	TRANSPORT ROLLER:SHIFT:DUPLICATION	U016	29
AF020795	TRANSPORT ROLLER:DRIVE:REVERSE:ASS'Y	U016_S008	30
AF022064	TRANSPORT ROLLER:DRIVEN	U013	11
AF022067	GUIDE STOPPER ROLLER	U015_S002	56
		U016	31
AF030049	PICK-UP ROLLER	U006	83
AF030094	PAPER FEED ROLLER:PICKUP	U006_S007	84
		U006_S008	84

Exclusive Parts

Number	Part Name	Group	ID
		U006_S009	84
AF031046	FEED ROLLER - MANUAL FEED	U006	85
AF031094	PAPER FEED ROLLER:FEED	U006_S007	86
		U006_S008	86
		U006_S009	86
AF032046	SEPARATION ROLLER - MANUAL FEED	U006	87
AF032094	PAPER FEED ROLLER:SEPARATE	U006_S007	88
		U006_S008	88
		U006_S009	88
AF040071	ROLLER:EXIT:EXIT	U015_S002	57
AG070513	MAGNET CATCH	U001	17
AG070514	MAGNET CATCH	U001	18
AG070515	MAGNET CATCH:13N	U016	32
AG071012	MAGNET CATCH:ASS'Y	U012	11
AH012031	CASTER:1470N	U020	39
AW010091	PHOTO REFLECTION SENSOR	U016	33
AW010134	ORIGINAL SENSOR - 48MM	U004	16
AW010147	PHOTO REFLECTION SENSOR	U013	12
		U019	20
AW010150	PHOTO REFLECTION SENSOR:ORIGINAL TRAY	U003_S001	55
AW010151	PHOTO REFLECTION SENSOR:PS122TL1-A	U003_S001	56
AW010200	PAPER FEED SENSOR:FUSING EXIT	U014_S001	46
AW010201	DISTANCE MEASURING SENSOR:150MM	U014	47
AW020145	PHOTOINTERRUPTOR:FLAT	U012	12
AW020198	PHOTOINTERRUPTOR:LG2A14NL1	U001	19
		U003_S001	57
		U004	17
		U005	8
		U006	89
		U006_S017	89
		U010	9
		U014_S001	48
		U016	34

Number	Part Name	Group	ID
		U017_S008	65
		U020	40
AW020203	PHOTOINTERRUPTOR:GP1A173LCS2F	U003_S001	58
		U006_S007	90
		U006_S008	90
		U006_S009	90
		U013	13
		U015_S002	58
		U016	35
AW020204	PHOTOINTERRUPTOR:LGRC102	U009	24
AW020209	ENCODER:PAPER THICK	U006	91
AW020210	OPTICS SENSOR:ENCODER:300LPI	U009	25
AW020212	OPTICS SENSOR:ENCODER:300LPI	U017_S001	66
		U017_S002	66
		U017_S003	66
		U017_S004	66
		U017_S005	66
AW020213	OPTICS SENSOR:ENCODER:300LPI	U009	26
AW100107	THERMISTOR	U012_S001	13
		U019	21
AW100133	TEMPERATURE SENSOR:NC-F10	U014_S001	49
AW100138	THERMOPILE	U014	50
		U014_S001	50
AW100161	THERMISTOR:FUSING:70ANG	U014_S001	51
AW110044	THERMOSTAT:150C:250V/17A	U014_S001	52
AW140016	TEMPERATURE & HUMIDITY SENSOR	U008	12
		U009	27
AW500024	PUSH SWITCH	U006	92
AW500035	PAPER END SENSOR	U006	93
AW500039	ROTARY SWITCH:PAPER SIZE SENSOR:CW	U006_S017	94
AW500040	PUSH SWITCH:SW1AG-550:10MA	U006	95
		U012	14
		U015	59
		U015_S002	59
		U016	36

Exclusive Parts

Number	Part Name	Group	ID
		U018	26
		U020	41
AX040145	DC MOTOR:TANDEM LCT	U006	96
AX040254	DC MOTOR:RISING TRAY:ASS'Y:1.007W:BRUSH	U003_S001_S009	59
AX040281	DC MOTOR:RISING TRAY:1.007W:BRUSH	U006_S004	97
		U006_S005	97
AX050345	DC STEPPER MOTOR:DIA42	U007_S001_S005	23
		U007_S001_S006	23
		U007_S001_S007	23
		U007_S001_S008	23
AX060394	DC STEPPER MOTOR:MM42:1.2A:3.60V	U009	28
AX060450	DC MOTOR:INTERMEDIATE TRANSFER:8.4W:BRUSHLESS	U009	29
AX060451	DC MOTOR:TRANSFER:SECOND:9.8W:BRUSHLESS	U017_S005	67
AX060460	DRIVE UNIT:ON-OFF:PRESSURE ROLLER	U017_S015	68
AX400176	HEATER:115V:18W:UPPER	U009	30
AX430208	HEATER:PRESSURE ROLLER:120V:600W:NA:D135:INFRARED	U014_S001	53
AX640200	FAN:MM60:DC 3.12W	U013	14
AX640221	FAN:SIROCCO:DC24V:50MM	U019	22
AX640222	DC FAN MOTOR:DC24V:MM60:25MM	U018	27
		U019	23
AX640223	FAN:SIROCCO:DC24V:60MM	U007_S001	24
		U019	24
		U019_S003	24
AX640224	DC FAN MOTOR:AXIAL:MM80	U019	25
AX640225	DC FAN MOTOR:AXIAL:MM80:25MM	U018	28
		U019	26
AX640226	DC FAN MOTOR:AXIAL:MM80:20MM	U019	27
AX650054	DC FAN MOTOR:SIROCCO:DC24V:PWM	U019	28
AX650056	DC FAN MOTOR:AXIAL:MM92	U019	29
AZ240226	POWER SUPPLY UNIT:ECO:100V:4	U018	29

Number	Part Name	Group	ID
	56.4W:NA D135		
AZ240230	POWER SUPPLY UNIT:FW:100V:446.4W:NA:D135	U018	30
AZ310032	POWER PACK:D	U018	31
AZ320132	POWER PACK:CHARGE:DEVELOPMENT	U018	32
AZ320133	POWER PACK:T1/T2	U009	31
B0042310	SPUR	U014_S001	54
B0434645	SPRING - 2N	U003_S001	60
B0651374	CLOTH - DF EXPOSURE GLASS	ACCESSORIES	7
B1321226	HOLDER:STAND	ACCESSORIES	8
B1322264	BUSHING:TERMINAL	U008_S003	13
		U008_S006	13
		U008_S009	13
		U008_S012	13
		U010_S001	10
B1324981	CLAMP:HARNESS	U014_S001	55
B1326114	CAM:ON-OFF:BLACK	U009	32
B1326124	SPRING PLATE:CAM	U009	33
B1326132	GRIP:ON-OFF	U009	34
B1881125	FLANGED HEXAGONAL HEAD BOLT:M5X14	U020	42
B2231186	DRIVE JOINT	U017_S012	69
		U017_S013	69
		U017_S014	69
B2232608	GEAR:Z16	U006	98
B2232862	LEVER - RELEASE INNER	U006_S011	99
		U006_S012	99
B2234441	STEPPER MOTOR:DC24V 70.2W	U015_S002	60
B2234494	STOPPER- UPPERGATE PAWL	U016	37
B2234552	BUSHING:DIA4	U016	38
B2236171	RUBBER BUSHING:ENCODER	U009	35
B2342390	FLANGED HEXAGONAL HEAD BOLT:M4X8	U001	20
		U010	11
		U015	61
B2342864	PAD:CLEANER	U006_S013	100
B2474456	SPRING - LOWER EXIT ROLLER	U015_S002	62
B2591131	SCREW:PCU	U008	14

Exclusive Parts

Number	Part Name	Group	ID
B3863320	SPRING:BELT:PAPER FEED:8N	U003_S001_S008	61
B3871951	SPRING - PAPER SIZE SENSOR	U003_S001	62
B3872113	ROLLER - PAPER FEED BELT	U003_S001_S008	63
B4756855	SHIELD:TANDEM LCT:REAR RIGH T	U006_S013	101
B4772227	PICKUP ROLLER:COUPLING	U003_S001_S008	64
B4772622	DISCHARGE BRUSH:L11	U003_S001	65
B4774117	SPRING	U003_S001_S017	66
B6455020	SD-CARD:SERVICE:1GB:ASS'Y	Special Tools	5
B6521133	SHAFT:SLIDER	U003_S001	67
B6521134	COMPRESSION SPRING	U003_S001	68
B6522215	GUIDE:PAPER FEED BELT:FRONT	U003_S001_S008	69
B6523174	TENSION SPRING	U003_S001	70
B6524743	SHEET:PRESSURE PLATE:SMALL	U003_S001_S019	71
B7002649	TIMING BELT:40S2M144	U015_S002	63
B7003305	TIMING BELT:B40S2M152	U003_S001	72
B7003535	TIMING BELT:B40S2M116	U017_S010	70
B7004720	TIMING BELT:B40S2M214	U016	39
B7005810	STEPPER MOTOR:DC24V 2.5W	U016	40
B7005811	STEPPER MOTOR:DC 25W	U016	41
B7061859	SCREW:SLIDER:LOCK	U003_S001	73
B7125605	GRIP:APPLICATION	U004	18
		U009	36
B7892114	PAPER FEED BELT ROLLER	U003_S001_S008	74
B8012649	TRAY STAY SHAFT - RIGHT	U006_S013	102
B8012763	LOCK LEVER SHAFT	U006_S014	103
B8022532	SPRING PLATE:SIDE FENCE	U003_S001	75
B8022536	SLIDER:SIDE FENCE	U003_S001	76
B8041180	DISCHARGE BRUSH:PUNCH UNIT	U003_S001	77
B8301135	SCREW	U003_S001	78
B8301456	TIMING BELT - 40S2M190	U017_S010	71
		U017_S011	71
B8303504	TIMING BELT - 40S2M100	U006_S007	104
		U006_S008	104
		U006_S009	104
B8352889	TIMING BELT - B60S2M144	U016	42
C2442601	FRONT STEPPED SCREW	U014_S001	56
C2592267	LOCK HOLDER	U006	105

Number	Part Name	Group	ID
C4019503	20X MAGNIFICATION SCOPE	Special Tools	6
D0092573	PULLEY - VERTICAL TRANSPORT	U006_S006	106
D0092574	PULLEY - IDLER	U006_S006	107
D0141248	PLATE:LEVER:DRUM STAY:LEFT	U007_S001	25
D0141265	BRACKET:DC MOTOR	U017	72
D0142380	COMPRESSION SPRING - DRUM	U008	15
D0143655	ELECTRIC POTENTIAL SENSOR	U008	16
D0144192	CLAMP:HARNESS	U014_S001	57
D0149800	GREASE-KS660B	Special Tools	7
D0159500	G104 YELLOW TONER	Special Tools	8
D0159501	ZINC STEARATE	Special Tools	9
D0291749	PULLEY:PROTECTION	U004	19
D0292677	TRANSPORT BELT:DRIVEN:VERTI CAL TRANSPORT	U006_S006	108
D0294439	STOPPER:GATE PAWL:ENTRANC E	U015_S002	64
D0294486	TENSION SPRING:GATE PAWL:1.5 N	U006_S013	109
D0391253	BAND:COVER:FRONT	U007_S001	26
D0391254	SPRING PLATE:BAND	U007_S001	27
D0392993	SHAFT:TRANSPORT BELT:PULLE Y	U006_S006	110
D0396137	ENCODER:ASS'Y	U009	37
		U017_S005	73
D0396327	SPACER:SENSOR:TM	U009	38
D0596690	PLATE:PAPER:ASS'Y	U006_S013_S001	111
		U006_S013_S002	111
D0596729	TORSION SPRING:STOPPER:PAP ER TRAY	U006	112
D0741454	DC MOTOR:DIA49:9.8W:BLS	U012	15
		U017_S008	74
D0742459	JOINT:CLEANING UNIT	U008_S002	17
		U008_S005	17
		U008_S008	17
		U008_S011	17
D0742503	GEAR:IDLER:31Z:LEFT	U008_S002	18
		U008_S005	18
		U008_S008	18

Exclusive Parts

Number	Part Name	Group	ID
		U008_S011	18
D0742577	CONNECTOR:DRAWER:4POLE:REC	U019	30
D0743416	JOINT:DRIVE:DEVELOPMENT UNIT	U008_S001	19
		U008_S004	19
		U008_S007	19
		U008_S010	19
		U013	15
D0744009	HOLDER:M5	U014_S001	58
D0744063	HOUSING:THERMOSTAT:ASS'Y	U014_S001	59
D0744097	TAB:TERMINAL:CONNECTING	U014_S001	60
D0744100	COVER:BASE:ID	U014_S001	61
D0744227	BOLT:M5:ROUND POINT	U014_S001	62
D0744351	STEPPED SCREW:DIA5.4DIA:DIA3.5:M3	U009	39
		U018	33
D0746078	COMPRESSION SPRING:DRAWER:INTERMEDIATE TRANSFER	U009	40
D0746109	PLATE:BLADE:BELT CLEANING	U009	41
D0746158	ROLLER:INTERMEDIATE TRANSFER:ASS'Y	U009	42
D0746411	COIL SPRING:EARTH:BELT CLEANING	U010_S001	12
D0746415	DUAL FACES TEPE:ENTRANCE SEAL:BELT CLEANING	U010_S001	13
D0746416	SEAL:ENTRANCE SEAL:BELT CLEANING	U010_S001	14
D0746420	BRUSH:REMOVE PAPER DUST:BELT CLEANING	U010_S001	15
D0746424	BLADE:CLEANING:BELT CLEANING:ASS'Y	U010_S001	16
D0746477	GEAR:BRUSH:REMOVE PAPER DUST:Z17	U010_S001	17
D0746478	GEAR:PULLEY:IDLER:BELT CLEANING	U010_S001	18
D0746479	GEAR:COLLECT:COIL:Z19	U010_S001	19
D0746480	PULLEY:BRUSH:APPLY:Z30	U010_S001	20
D0746481	JOINT:BRUSH:REMOVE PAPER DUST:BELT CLEANING	U010_S001	21

Number	Part Name	Group	ID
D0746574	COVER:CAM:VERTICAL TRANSPORT	U012	16
D0746575	SHAFT:CAM:VERTICAL TRANSPORT	U012	17
D0746577	CAM:VERTICAL TRANSPORT:DIA15	U012	18
D0746578	GEAR:Z37:CAM:VERTICAL TRANSPORT	U012	19
D0746579	SEAL:COVER:CAM:VERTICAL TRANSPORT	U012	20
D0746585	GEAR:Z38/Z24:VERTICAL TRANSPORT	U012	21
D0746586	GEAR:Z35:IDLER:VERTICAL TRANSPORT	U012	22
D0746659	SHAFT:JOINT:COLLECTION BOTTLE:ASS'Y	U012	23
D0746665	GEAR:JOINT:COLLECTION BOTTLE:Z65	U012	24
D0747690	BRUSH:BLOWER	Special Tools	10
D0749510	OPC DRUM DIA60	U008	20
D0892764	GEAR:FEED	U006_S007	113
		U006_S008	113
		U006_S009	113
D0892819	GEAR:SEPARATOR:INPUT	U006_S007	114
		U006_S008	114
		U006_S009	114
D0894365	HOLDER:THERMISTOR:LENS	U014	63
D0894366	COVER:THERMISTOR:LENS	U014	64
D0894466	SYNCHRONOUS BELT:S2M:104	U017_S012	75
		U017_S013	75
D0895887	PANEL:INTERFACE	U018	34
D0896171	RUBBER BUSHING:ENCODER	U017_S005	76
D1054365	HOLDER:THERMOPILE	U014_S001	65
D1055899	HOLDER:TEMPERATURE & HUMIDITY SENSOR	U009	43
D1201315	HOLDER:OPERATING INSTRUCTIONS	ACCESSORIES	9
D1201556	SHEET:LOGO:LAN	U002_S001	7

Exclusive Parts

Number	Part Name	Group	ID
D1201557	SHEET:LOGO:GES	U002_S001	8
D1291508	KEYTOP:HOME	U002_S001	9
D1291568	SHEET:APPLICATION:MULTI-LANG UAGE:BLANK	ACCESSORIES	10
D1292783	TORQUE LIMITER MECHANICAL C LUTCH:40MM: DIA18	U006	115
		U006_S007	115
		U006_S008	115
		U006_S009	115
D1351450	SUPPORTER:COVER:FRONT MID DLE:RIGHT	U001	21
D1351451	SUPPORTER:COVER:FRONT MID DLE:LEFT	U001	22
D1351452	BRACKET:COVER:FRONT MIDDLE :LOWER	U001	23
D1351453	GUARD:HARNESS:EXIT	U001	24
D1351454	SEAL:COVER:FRONT MIDDLE:LEF T UPPER	U001_S001	25
D1351455	SEAL:COVER:FRONT MIDDLE:LEF T LOWER	U001_S001	26
D1351456	SEAL:COVER:FRONT MIDDLE:RIG HT LOWER	U001_S001	27
D1351457	COVER:LED:HORIZONTAL:TRANS PORT	U001_S001	28
D1351458	CAP:LOUVER:OZONE FILTER:LAR GE	U001	29
D1351459	CAP:LOUVER:DEODORIZE FILTER :SMALL	U001	30
D1351463	SEAL:CAP:LOUVER:OZONE FILTE R:UPPER	U001	31
D1351465	INNER COVER:GRIP:PULL OUT	U001	32
D1351467	SEAL:DEVELOPMENT:EXHAUST:E XIT	U001	33
D1351468	SEAL:AROUND THE PHOTOCOND UCTOR:EXHAUST:EXIT:REAR	U001	34
D1351469	SEAL:AROUND THE PHOTOCOND UCTOR:EXHAUST:EXIT:FRONT	U001	35
D1351471	INNER COVER:FRONT LOWER	U001	36
D1351473	INNER COVER:TH:TRANSPORT	U001	37

Number	Part Name	Group	ID
D1351474	BRACKET:COVER:LEFT MIDDLE:P ROTECT:PEEN	U001	38
D1351475	BRACKET:COVER:RIGHT MIDDLE: PROTECT:PEEN	U001	39
D1351480	BRACKET:COVER:TONER SUPPLY UNIT:ASS'Y	U001	40
D1351484	SEAL:AROUND THE PHOTOCOND UCTOR:EXHAUST:EXIT:REAR MID DLE	U001	41
D1351485	CAP:LOUVER:PREVENTFENCE:OZ ONE FILTER:ASS'Y	U001	42
D1351486	INNER COVER:EXIT:UPPER:ASS'Y	U001_S002	43
D1351490	STAY:COVER:TONER SUPPLY SU B-UNIT	U001	44
D1351499	HOLDER:SD-CARD	U006_S014	116
D1351554	BRACKET:INNER COVER:FRONT MIDDLE:RIGHT	U001	45
D1352400	DRUM:CLEANING:SERVICE:ASS'Y	U008_S002_S002	21
D1353250	GEAR:IDLER:DC MOTOR:NO.1	U007_S001	28
D1353251	GEAR:IDLER:DC MOTOR:NO.2	U007_S001	29
D1353252	GEAR:IDLER:CONNECTING	U007_S001	30
D1353253	GEAR:DRIVE:TRANSPORT SCRE W:ASS'Y	U007_S001	31
D1353254	GEAR:IDLER:TONER CARTRIDGE: NO.1	U007_S001	32
D1353255	GEAR:IDLER:TONER CARTRIDGE: NO.2	U007_S001	33
D1353258	GEAR:DRIVE:AGITATOR:ASS'Y	U007_S001	34
D1353260	JOINT:DRIVE:AGITATOR:ASS'Y	U007_S001	35
D1353263	TORSION SPRING:DRIVE:AGITAT OR	U007_S001	36
D1353264	JOINT:DRIVE:TRANSPORT SCRE W	U007_S001	37
D1355916	BRACKET:EARTH:POWER PACK	U018	35
D1355918	COVER:SD-CARD	U018	36
D1355921	STOPPER:POWER SUPPLY CORD: (For C6502SP)	ACCESSORIES	11
D1355925	BRACKET:OKB:FAN:1	U018	37

Exclusive Parts

Number	Part Name	Group	ID
D1355926	BRACKET:ELECTRIC POTENTIAL SENSOR:PEEN	U018	38
D1356440	BELT CLEANING:SERVICE:ASS'Y	U010_S001	22
D1356664	COIL SPRING:PRESSURE:SEPARATE	U006_S007	117
		U006_S008	117
		U006_S009	117
D1356665	COIL SPRING:RELEASE	U006_S007	118
		U006_S008	118
		U006_S009	118
D1356666	LINK:RELEASE	U006_S007	119
		U006_S008	119
		U006_S009	119
D1356667	SHAFT:SEPARATE:DRIVEN:ASS'Y	U006_S007_S002	120
		U006_S008_S001	120
		U006_S009_S001	120
D1356669	SHAFT:SEPARATE:DRIVE:ASS'Y	U006_S007	121
		U006_S008	121
		U006_S009	121
D1356671	GUIDE PLATE:VERTICAL TRANSPORT:PAPER FEED UNIT:NO.1	U006_S007	122
D1356672	BRACKET:SENSOR:VERTICAL TRANSPORT:NO.1	U006_S007	123
D1356673	GUIDE PLATE:VERTICAL TRANSPORT:PAPER FEED UNIT:NO.2	U006_S008	124
		U006_S009	124
D1356675	COVER:HARNES: PAPER FEED UNIT	U006_S007	125
		U006_S008	125
		U006_S009	125
D1356678	FEELER:PAPER END:NO.1	U006_S007	126
D1356681	GUIDE PLATE:SWIVEL:ASS'Y	U006	127
D1356684	PAPER FEED UNIT:NO.1:ASS'Y	U006_S007	128
D1356685	PAPER FEED UNIT:NO.2:ASS'Y	U006_S008	129
		U006_S009	129
D1356691	DOOR:VERTICAL TRANSPORT:ASS'Y	U006_S006	130
D1356694	STAY:DOOR:VERTICAL TRANSPORT	U006_S006	131
D1356695	LEVER:VERTICAL TRANSPORT	U006_S006	132
D1356696	SHAFT:LEVER:DOOR:VERTICAL T	U006_S006	133

Number	Part Name	Group	ID
	RANSPORT		
D1356697	COVER:VERTICAL TRANSPORT	U006_S006	134
D1356699	GUIDE PLATE:FLAT CONVEYER BELT:NO.1	U006_S006	135
D1356701	GUIDE PLATE:FLAT CONVEYER BELT:NO.2	U006_S006	136
D1356702	BRACKET:STOPPER:DOOR:VERTICAL TRANSPORT	U006_S006	137
D1356703	STOPPER:DOOR:VERTICAL TRANSPORT	U006_S006	138
D1356726	PAPER TRAY:NO.4:ASS'Y	U006_S011	139
D1356727	PAPER TRAY:ASS'Y	U006_S012	140
D1356730	COVER:PAPER TRAY:NO.3:ASS'Y	U006_S012_S001	141
D1356732	COVER:PAPER TRAY:NO.4:ASS'Y	U006_S011_S001	142
D1356736	DECAL:SIZE INDICATION:END FENCE	U006_S011	143
		U006_S012	143
D1356737	DECAL:SIZE INDICATION:SIDE FENCE	U006_S011	144
		U006_S012	144
D1356738	SHAFT:RELEASE:PAPER TRAY:NO.2	U006_S011	145
		U006_S012	145
D1356739	GRIP:PAPER TRAY	U006_S011	146
		U006_S012	146
D1356740	LINK:END FENCE:PAPER SIZE SENSOR	U006_S011	147
		U006_S012	147
D1356742	TRAY BOTTOM PLATE	U006_S011	148
		U006_S012	148
D1356745	DECAL:PAPER SET DIRECTION:TRAY	U006_S011_S001	149
		U006_S012_S001	149
D1356797	CAP:SLIDE RAIL:LARGE CAPACITY TRAY:RIGHT:ASS'Y	U006	150
D1357012	HEAT PIPE:PAPER EXIT SUB-UNIT:ASS'Y	U015_S001	65
D1357094	SHEET:GUIDE PLATE:HEAT PIPE:LEFT	U015_S001	66
D1357095	STOPPER:GEAR:HEAT PIPE	U015_S001	67
D1357100	BRACKET:HOLDER:ASS'Y	U015	68
D1357105	INNER COVER:EXIT:LEFT LOWER	U015	69
D1357122	BRACKET:DC STEPPER MOTOR:G	U015_S002	70

Exclusive Parts

Number	Part Name	Group	ID
	ATE PAWL:ASS'Y		
D1357130	BRACKET:TIGHTENER:EXIT:ASS'Y	U015_S002	71
D1357134	COLLAR:COUPLING:HEAT PIPE	U015_S002	72
D1357135	JOINT:EXIT:DRIVE	U015_S002	73
D1357136	BRACKET:PAPER EXIT SUB-UNIT: REVERSE:NO.1	U015_S002	74
D1357139	GATE PAWL:PAPER EXIT SUB-UNI T:REVERSE:ENTRANCE:ASS'Y	U015_S002_S001	75
D1357145	GRIP:OPEN AND CLOSE:GATE PA WL:ASS'Y	U015_S002_S002	76
D1357161	ROLLER:DRIVEN:NO.1:SHORT	U015_S002	77
D1357162	ROLLER:DRIVEN:NO.2:SHORT:AS S'Y	U015_S002_S003 U015_S002_S004	78 78
D1357164	ROLLER:DRIVEN:NO.2:LONG:ASS' Y	U015_S002_S005	79
D1357166	ROLLER:DRIVEN:REVERSE EXIT:A SS'Y	U015_S002_S009 U015_S002_S010 U015_S002_S011 U015_S002_S012	80 80 80 80
D1357168	ROLLER:DRIVEN:EXIT:EXIT	U015_S002	81
D1357171	SHEET:EXIT:LEFT LOWER:FRONT	U015_S002_S014	82
D1357172	SHEET:EXIT:LEFT LOWER:FRONT MIDDLE	U015_S002_S014	83
D1357173	SHEET:EXIT:LEFT LOWER:MIDDLE	U015_S002_S014	84
D1357174	SHEET:EXIT:LEFT LOWER:REAR MIDDLE	U015_S002_S014	85
D1357175	SHEET:EXIT:LEFT LOWER:REAR	U015_S002_S014	86
D1357176	SHEET:TRANSPORT:MIDDLE:LOW ER:FRONT	U015_S002_S006	87
D1357177	SHEET:TRANSPORT:MIDDLE:LOW ER:REAR	U015_S002_S006	88
D1357178	SHEET:TRANSPORT:MIDDLE:UPP ER:FRONT REAR	U015_S002_S006	89
D1357179	SHEET:TRANSPORT:MIDDLE:UPP ER:MIDDLE SIDEWAYS	U015_S002_S006	90
D1357180	SHEET:TRANSPORT:MIDDLE:UPP ER:MIDDLE	U015_S002_S006	91
D1357183	SHEET:TRANSPORT:GATE PAWL:	U015_S002_S001	92

Number	Part Name	Group	ID
	EXIT:FRONT		
D1357184	SHEET:TRANSPORT:GATE PAWL: EXIT:FRONT MIDDLE	U015_S002_S001	93
D1357185	SHEET:TRANSPORT:GATE PAWL: EXIT:REAR MIDDLE	U015_S002_S001	94
D1357186	SHEET:TRANSPORT:GATE PAWL: EXIT:REAR	U015_S002_S001	95
D1357187	SHEET:TRANSPORT:DUPLEX:EXIT :FRONT MIDDLE	U016_S007	43
D1357188	SHEET:TRANSPORT:DUPLEX:EXIT :REAR MIDDLE	U016_S007	44
D1357190	SHEET:TRANSPORT:DUPLEX:MID DLE:NO.1	U016_S007	45
D1357191	SHEET:TRANSPORT:DUPLEX:MID DLE:NO.2	U016_S007	46
D1357192	SHEET:TRANSPORT:DUPLEX:MID DLE:NO.3	U016_S007	47
D1357193	SHEET:TRANSPORT:DUPLEX:MID DLE:NO.4	U016_S007	48
D1357194	SHEET:TRANSPORT:DUPLEX:MID DLE:NO.5	U016_S007	49
D1357507	SIDE FENCE:RIGHT REAR:TANDE M LCT	U006_S013	151
D1357509	SIDE FENCE:RIGHT FRONT:TAND EM LCT	U006_S013	152
D1357511	END FENCE:REAR:TANDEM LCT	U006_S013	153
D1357514	INNER COVER:RIGHT:TANDEM LC T	U006_S013	154
D1357516	SIDE FENCE:LEFT REAR:TANDEM LCT:ASS'Y	U006_S014_S001	155
D1357519	SIDE FENCE:LEFT FRONT:TANDE M LCT	U006_S014	156
D1357520	BACK FENCE:TANDEM LCT	U006_S014	157
D1357522	COVER:TANDEM LCT	U006	158
D1357523	ARM:GRIP:TANDEM LCT	U006	159
D1357529	BRACKET:BASE:COUPLING	U006_S013	160
D1357531	GRIP:INNER COVER:ASS'Y	U006_S013_S003	161
D1357537	GEAR:OIL DAMPER:RISE	U006_S013	162

Exclusive Parts

Number	Part Name	Group	ID
D1357548	SHAFT:SLIDER:DRIVE:PRESS FIT	U006_S014	163
D1357553	TANDEM TRAY:RIGHT:NA:ASS'Y	U006_S013	164
D1357566	LEVER:LOCK:AUXILIARY	U006_S013	165
D1357567	HOLDER:SYNCHRONOUS BELT	U006_S013	166
D1357568	STOPPER:SYNCHRONOUS BELT:SLIDER	U006_S014	167
D1357569	BRACKET:LEVER:LOCK	U006_S014	168
D1357570	BRACKET:SYNCHRONOUS BELT:DRIVEN	U006_S014	169
D1357576	LEVER:COUPLING:TANDEM LCT	U006_S014	170
D1357584	TANDEM LCT:LEFT:NA:ASS'Y	U006_S014	171
D1360150	DEVELOPMENT UNIT:D135/D136	U008_S001	22
		U008_S004	22
		U008_S007	22
		U008_S010	22
D1361014	DRIVE UNIT:PHOTOCONDUCTOR:ASS'Y	U017_S001	77
		U017_S002	77
		U017_S003	77
		U017_S004	77
D1361028	FUSING DRIVE SUB-UNIT:GEAR:SLOW DOWN:OFFICE:ASS'Y	U017_S007	78
D1361032	DRIVE UNIT:USED TONER:LOWER:ASS'Y	U017_S008	79
D1361034	DRIVE UNIT:USED TONER:UPPER:ASS'Y	U017_S009	80
D1361100	DRUM:GEAR:SLOW DOWN:ASS'Y	U017_S001_S001	81
		U017_S002_S001	81
		U017_S003_S001	81
		U017_S004_S001	81
D1361125	GUIDE PLATE:ENCODER	U017_S001	82
		U017_S002	82
		U017_S003	82
		U017_S004	82
D1361126	ENCODER:300LPI:900CT	U017_S001	83
		U017_S002	83
		U017_S003	83
		U017_S004	83
D1361127	RUBBER BUSHING:ENCODER	U017_S001	84

Number	Part Name	Group	ID
		U017_S002	84
		U017_S003	84
		U017_S004	84
D1361132	DRUM SHAFT:ASS'Y	U017	85
D1361157	DC MOTOR:24V:23.1W:BRUSHLESS	U017	86
D1361159	DC MOTOR:24V:8.8W:BRUSHLESS	U017	87
D1361201	STAY:DRIVE:INTERMEDIATE TRANSFER:ASS'Y	U009	44
D1361208	GEAR:INTERMEDIATE TRANSFER:ASS'Y	U009	45
D1361210	DRIVE UNIT:TRANSFER:SECOND:ASS'Y	U017_S005	88
D1361216	DC MOTOR:ON-OFF:TRANSFER:5.28W:BRUSH	U017	89
D1361217	JOINT:ON-OFF:INTERMEDIATE TRANSFER	U017	90
D1361219	SHAFT:ON-OFF:TRANSFER:ASS'Y	U017	91
D1361228	DRUM STAY:TRANSFER:SECOND	U017_S005	92
D1361232	SHAFT:DRIVE:TRANSFER:SECOND:ASS'Y	U017_S005_S002	93
D1361235	SHAFT:DRIVE:BELT CLEANING:ASS'Y	U017_S005_S003	94
D1361240	SHAFT:OUTPUT:DRIVE:VACUUM:ASS'Y	U017_S005_S004	95
D1361243	JOINT:DRIVE:TRANSFER	U017_S005	96
D1361244	COVER:ENCODER	U017_S005	97
D1361245	COMPRESSION SPRING:DRIVE:TRANSFER	U017_S005	98
D1361246	COMPRESSION SPRING:DRIVE:ON-OFF:TRANSFER	U017	99
D1361247	HOUSING:ON-OFF:TRANSFER	U017	100
D1361249	BRACKET:ON-OFF:TRANSFER:ASS'Y	U017_S006	101
D1361272	COVER:FUSING:DRIVE:ASS'Y	U017	102
D1361275	BRACKET:DRIVE:FUSING	U017	103
D1361288	BRACKET:TENSIONER:DRIVE:USED TONER:ASS'Y	U017_S008_S001	104

Exclusive Parts

Number	Part Name	Group	ID
D1361292	SHAFT:DRIVE:USED TONER	U017_S008	105
D1361310	DC MOTOR:10W:BRUSHLESS	U017	106
		U017_S010	106
		U017_S011	106
D1361311	DRIVE UNIT:PAPER FEED SUB-UNIT:NO.1:ASS'Y	U017_S012	107
D1361317	DRUM STAY:PAPER FEED SUB-UNIT:NO.1	U017_S012_S001	108
D1361320	DC MOTOR:20W:BRUSHLESS	U016	50
		U017	109
		U017_S011	109
		U017_S012	109
		U017_S013	109
D1361331	DRIVE UNIT:PAPER FEED SUB-UNIT:NO.3:ASS'Y	U017_S013	110
D1361337	DRUM STAY:PAPER FEED SUB-UNIT:NO.3	U017_S013_S001	111
		U017_S013_S002	111
D1361341	DRIVE UNIT:PAPER FEED SUB-UNIT:NO.2:EU:ASS'Y	U017_S014	112
D1361347	DRUM STAY:PAPER FEED SUB-UNIT:NO.2:EU	U017_S014_S001	113
D1361350	SHAFT:PAPER FEED SUB-UNIT:GRIP:ASS'Y	U017_S012	114
		U017_S014	114
D1361352	SHAFT:PAPER FEED SUB-UNIT:FEED:ASS'Y	U017_S012	115
D1361355	SHAFT:PAPER FEED SUB-UNIT:GRIP:NO.3:ASS'Y	U017_S013	116
D1361357	SHAFT:PAPER FEED SUB-UNIT:FEED:NO.3:ASS'Y	U017_S013	117
D1361362	DRIVE UNIT:TRANSPORT SUB-UNIT:CONNECTING:ASS'Y	U017_S010	118
D1361367	BRACKET:TENSION	U017_S010	119
D1361370	SHAFT:MANUAL FEED UNIT:CONNECTING	U017_S010_S001	120
D1361372	SHAFT:JOINT UNIT	U017_S010_S002	121
D1361374	SHAFT:MANUAL FEED UNIT	U017_S010_S003	122
		U017_S010_S004	122

Number	Part Name	Group	ID
D1361376	BRACKET:TRANSPORT SUB-UNIT:LOWER	U017_S010	123
D1361377	JOINT:DRIVE:MANUAL FEED SUB-UNIT	U017_S010	124
D1361378	JOINT:DRIVE:MANUAL FEED SUB-UNIT	U017_S010	125
D1361379	BRACKET:REGISTRATION:DRIVE	U017	126
D1361380	DRIVE UNIT:PAPER EXIT SUB-UNIT:ASS'Y	U017_S011	127
D1361384	SHAFT:DRIVE:PAPER EXIT SUB-UNIT:ENTRANCE:ASS'Y	U017_S011_S002	128
D1361386	SHAFT:DRIVE:PAPER EXIT SUB-UNIT:ASS'Y	U017_S011_S003	129
D1361388	DRUM STAY:DRIVE:EXIT	U017_S011	130
D1361391	BRACKET:PAPER EXIT SUB-UNIT:REVERSE:NO.2	U017	131
D1361398	BRACKET:DUPLEX SUB-UNIT:EXIT	U017	132
D1361415	DRUM STAY:AROUND THE PHOTOCONDUCTOR:OFFICE:ASS'Y	U020_S001	43
D1361453	BRACKET:COVER:DECURA	U001	46
D1361454	COVER:TONER SUPPLY SUB-UNIT	U001	47
D1361455	COVER:FRONT MIDDLE	U001	48
D1361456	COVER:FRONT LOWER	U001	49
D1361457	INNER COVER:FRONT MIDDLE:UPPER	U001_S001	50
D1361458	INNER COVER:FRONT MIDDLE:RIGHT	U001	51
D1361459	INNER COVER:FRONT MIDDLE:LEFT	U001	52
D1361460	COVER:RIGHT MIDDLE:FRONT	U001	53
D1361461	COVER:RIGHT LOWER	U001	54
D1361462	CAP:LOUVER:PREVENTFENCE:DEODORIZE FILTER:LARGE	U001	55
D1361465	COVER:LEFT MIDDLE	U001	56
D1361466	COVER:LEFT LOWER	U001	57
D1361467	CAP:CONNECTOR	U001	58
D1361468	COVER:RIGHT MIDDLE:UPPER	U001	59
D1361469	CAP:CONNECTOR:DECURA	U001	60

Exclusive Parts

Number	Part Name	Group	ID
D1361470	COVER:RIGHT MIDDLE:REAR	U001	61
D1361471	COVER:REAR MIDDLE	U001	62
D1361472	COVER:REAR LOWER	U001	63
D1361474	COVER:UPPER REAR:SMALL	U001	64
D1361475	COVER:UPPER RIGHT	U001	65
D1361476	COVER:UPPER LEFT	U001	66
D1361477	COVER:UPPER FRONT	U001	67
D1361478	COVER:UPPER REAR	U001	68
D1361479	BRACKET:HINGE:COVER:FRONT LOWER	U001	69
D1361480	COVER:IC CARD:R/W	U001	70
D1361482	COVER:SCANNER:FRONT	U001	71
D1361483	COVER:PILOT LAMP	U001	72
D1361484	INNER COVER:MAIN SWITCH	U001	73
D1361486	COVER:LARGE CAPACITY TRAY	U001	74
D1361489	COVER:SCANNER:UPPER FRONT	U001	75
D1361491	COVER:CABLE:AC POWER SUPPLY	U001	76
D1361492	INNER COVER:FRONT MIDDLE:UPPER:ASS'Y	U001_S001	77
D1361496	INNER COVER:RIGHT MIDDLE	U001	78
D1361499	BRACKET:HOLDER:COVER:REAR	U018	39
D1361533	BRACKET:LED	U020	44
D1361536	BRACKET:DRAWER:LED:1:0.8MM	U020	45
D1361538	BRACKET:DRAWER:LED:2:0.8MM	U020	46
D1361547	HANDLE:DRUM STAY	U020	47
D1361553	GRIP:PULL OUT:TCRU	U020	48
D1361555	FEELER:PULL OUT:SET:SENSOR	U020	49
D1361575	INNER COVER:PULL OUT:LOCK	U020	50
D1361577	BRACKET:DRIVE SUB-UNIT:PULL OUT:LOCK	U020	51
D1361579	DC MOTOR:PULL OUT:LOCK:6.78W:BRUSH	U020	52
D1361580	HOLDER:DRIVE SUB-UNIT:PULL OUT:LOCK	U020	53
D1361583	FEELER:PULL OUT:LOCK	U020	54
D1361584	SUPPORTING PLATE:BRACKET:LOCK	U020	55

Number	Part Name	Group	ID
D1361585	BRACKET:LOCK	U020	56
D1361590	GUIDE:CURL CORD	U020	57
D1361591	EXTENSION TRAY:CURL CORD	U020	58
D1361592	COVER:DUB	U020	59
D1361593	STOPPER:GUIDE:CURL CORD:0.3T	U020	60
D1361594	GUIDE:CURL CORD:REAR UPPER	U020	61
D1361597	SHEET:HARNESS:PULL OUT	U020	62
D1361715	GUIDE:HARNESS:LED	U004	20
D1361717	COVER:SHAFT:SCANNER	U004	21
D1361727	INNER COVER:SCANNER	U004	22
D1361731	LENSBLOCK SMD:ASS'Y	U004_S001	23
D1361751	CARRIAGE:NO.1:ASS'Y	U004_S002	24
D1361758	CLAMP:WIRE	U004	25
D1361759	GUIDE:FFC:CARRIAGE:NO.1	U004	26
D1361760	REFLECTOR:SCANNER	U004	27
D1361776	CARRIAGE:NO.2:ASS'Y	U004_S004	28
D1361784	MIRROR:NO.2:ASS'Y	U004_S004	29
D1361785	MIRROR:NO.3:ASS'Y	U004_S004	30
D1361787	GUIDE:FFC:CARRIAGE:NO.2	U004	31
D1361788	PULLEY:IDLER:CARRIAGE	U004	32
D1361793	DC STEPPER MOTOR:MM42	U004	33
D1361794	BRACKET:DC STEPPER MOTOR:TENSION	U004	34
D1361798	TENSION SPRING:TENSION:16N	U004	35
D1361799	BRACKET:DC STEPPER MOTOR	U004	36
D1361801	SHAFT:DRIVE:SCANNER	U004	37
D1361802	TIMING PULLEY:65	U004	38
D1361803	SYNCHRONOUS BELT:157ST1.5-6.0	U004	39
D1361806	DRIVE WERE:DIA1	U004	40
D1361809	BRACKET:TENSION	U004	41
D1361810	TENSION SPRING:TENSION:11N	U004	42
D1361811	PULLEY:PEEN	U004	43
D1361819	SEAL:BRACKET:EXPOSURE GLASS:DOCUMENT FEEDER	U004	44
D1361820	SHEET:BRACKET:EXPOSURE GLASS:DOCUMENT FEEDER	U004	45

Exclusive Parts

Number	Part Name	Group	ID
D1361821	COVER:EXPOSURE GLASS:DOCUMENT FEEDER	U004	46
D1361828	SCALE:LEFT:NA:ASS'Y	U004	47
D1362150	CLEANER:SHIELD GLASS:ASS'Y	U001	79
D1362258	CONNECTOR:DRAWER:8POLE:RE C	U008	23
D1362268	SHIELDING PLATE:ELECTRIC POTENTIAL SENSOR	U008	24
D1362270	PCB:ELECTRIC POTENTIAL SENSOR	U018	40
D1362276	CONNECTOR:1POLE	U008	25
D1362286	DISCHARGE LAMP:LED ARRAY	U008_S001	26
		U008_S004	26
		U008_S007	26
		U008_S010	26
D1362287	SHEET:DISCHARGE LAMP:REAR	U008_S001	27
		U008_S004	27
		U008_S007	27
		U008_S010	27
D1362288	CONNECTOR:DRAWER:8POLE:PLUG	U008_S001	28
		U008_S004	28
		U008_S007	28
		U008_S010	28
D1362296	GROUND PLATE:PCU:ASS'Y	U007_S001	38
D1362302	HOLDER:LOCK:CLEANING UNIT:FRONT	U008	29
D1362304	TORSION SPRING:LOCK:PCU	U008	30
D1362305	GROUND PLATE:HOLDER:CLEANING UNIT	U008	31
D1362306	COMPRESSION SPRING:GROUND PLATE:HOLDER:CLEANING UNIT	U008	32
D1362307	LEVER:LOCK:PCU	U008	33
D1362308	STAY:PCU	U008	34
D1362312	HOLDER:LOCK:CLEANING UNIT:REAR	U008	35
D1362330	CLEANING UNIT:ASS'Y	U008_S002	36
		U008_S005	36
		U008_S008	36

Number	Part Name	Group	ID
		U008_S011	36
D1362341	FRAME:BASE:ASS'Y	U008_S002_S001	37
		U008_S005_S001	37
		U008_S008_S001	37
		U008_S011_S001	37
D1362347	SEAL:FRAME:BASE:MIDDLE	U008_S002_S001	38
		U008_S005_S001	38
		U008_S008_S001	38
		U008_S011_S001	38
D1362348	SEAL:FRAME:BASE:SIDE	U008_S002_S001	39
		U008_S005_S001	39
		U008_S008_S001	39
		U008_S011_S001	39
D1362350	SEAL:FRAME:BASE:TONER OUTLET SUB-UNIT	U008_S002_S001	40
		U008_S005_S001	40
		U008_S008_S001	40
		U008_S011_S001	40
D1362356	TRANSPORT SCREW:BASE:ASS'Y	U008_S002	41
		U008_S005	41
		U008_S008	41
		U008_S011	41
D1362362	BUSHING:TRANSPORT SCREW	U008_S002	42
		U008_S005	42
		U008_S008	42
		U008_S011	42
D1362365	CLEANING BLADE:ASS'Y	U008_S002	43
		U008_S005	43
		U008_S008	43
		U008_S011	43
D1362368	SEAL:CLEANING BLADE:FRONT	U008_S002	44
		U008_S005	44
		U008_S008	44
		U008_S011	44
D1362369	SEAL:CLEANING BLADE:REAR	U008_S002	45
		U008_S005	45
		U008_S008	45
		U008_S011	45
D1362391	TRANSPORT SCREW:APPLY:ASS'	U008_S002	46

Exclusive Parts

Number	Part Name	Group	ID
	Y	U008_S005	46
		U008_S008	46
		U008_S011	46
D1362401	DRUM LUBRICANT SUPPLY ROLLER:ASS'Y	U008_S002	47
		U008_S002_S002	47
		U008_S005	47
		U008_S008	47
		U008_S011	47
D1362404	COVER:BEARING:OIL SUPPLY ROLLER:FRONT	U008_S002	48
		U008_S005	48
		U008_S008	48
		U008_S011	48
D1362406	COVER:BEARING:OIL SUPPLY ROLLER:REAR	U008_S002	49
		U008_S005	49
		U008_S008	49
		U008_S011	49
D1362408	GEAR:24Z:RIGHT	U008_S002	50
		U008_S005	50
		U008_S008	50
		U008_S011	50
D1362411	COATING BAR:ASS'Y	U008_S002	51
		U008_S002_S002	51
		U008_S005	51
		U008_S008	51
		U008_S011	51
D1362417	ARM:COATING BAR	U008_S002	52
		U008_S005	52
		U008_S008	52
		U008_S011	52
D1362418	TENSION SPRING:COATING BAR:18N	U008_S002	53
		U008_S005	53
		U008_S008	53
		U008_S011	53
D1362423	SEAL:STAY:APPLY	U008_S002	54
		U008_S005	54
		U008_S008	54
		U008_S011	54
D1362424	SEAL:STAY:APPLY:UPPER	U008_S002	55

Number	Part Name	Group	ID
		U008_S005	55
		U008_S008	55
		U008_S011	55
D1362431	COVER:STAY:COATING BAR:ASS'Y	U008_S002	56
		U008_S005	56
		U008_S008	56
		U008_S011	56
D1362441	BLADE:APPLY:ASS'Y	U008_S002	57
		U008_S005	57
		U008_S008	57
		U008_S011	57
D1362446	SEAL:BLADE:APPLY:FRONT	U008_S002	58
		U008_S005	58
		U008_S008	58
		U008_S011	58
D1362447	SEAL:BLADE:APPLY:REAR	U008_S002	59
		U008_S005	59
		U008_S008	59
		U008_S011	59
D1362451	COVER:TONER OUTLET SUB-UNIT:CLEANING UNIT:ASS'Y	U008_S002	60
		U008_S005	60
		U008_S008	60
		U008_S011	60
D1362458	VIBRATING PLATE:TONER OUTLET SUB-UNIT	U008_S002	61
		U008_S005	61
		U008_S008	61
		U008_S011	61
D1362461	GEAR:18Z:RIGHT	U008_S002	62
		U008_S005	62
		U008_S008	62
		U008_S011	62
D1362462	GEAR:IDLER:19Z:LEFT	U008_S002	63
		U008_S005	63
		U008_S008	63
		U008_S011	63
D1362466	DRUM STAY:CLEANING UNIT	U008_S002	64
		U008_S005	64
		U008_S008	64

Exclusive Parts

Number	Part Name	Group	ID
		U008_S011	64
D1362467	GROUND PLATE:CLEANING UNIT: ASS'Y	U008_S002	65
		U008_S005	65
		U008_S008	65
		U008_S011	65
D1362470	CHARGE UNIT:ASS'Y	U008_S003	66
		U008_S006	66
		U008_S009	66
		U008_S012	66
D1362490	HOLDER:DRUM:FRONT	ACCESSORIES	12
D1362493	HOLDER:DRUM:REAR	ACCESSORIES	13
D1362495	HOLDER:PCU	ACCESSORIES	14
D1362498	HOLDER:PCU	ACCESSORIES	15
D1362573	COLLAR:REGISTRATION:DRIVE	U006	172
D1362577	LEVER:LOCK:FRONT:ASS'Y	U006	173
D1362579	LEVER:LOCK:INNER BACK	U006	174
D1362580	PLAIN SHAFT BEARING:LEVER:OPEN AND CLOSE:FRONT	U006	175
D1362581	PLAIN SHAFT BEARING:LEVER:OPEN AND CLOSE:INNER BACK	U006	176
D1362586	GUIDE PLATE:REGISTRATION:LOWER:ASS'Y	U006	177
D1362591	GUIDE PLATE:REGISTRATION:UPPER:ASS'Y	U006	178
D1362603	REGISTRATION ROLLER:DRIVEN	U006	179
D1362605	PLAIN SHAFT BEARING:REGISTRATION:DRIVEN:FRONT	U006	180
D1362607	PLAIN SHAFT BEARING:REGISTRATION:DRIVEN:INNER BACK	U006	181
D1362611	COLLAR:REGISTRATION:DRIVEN:OUTER	U006	182
D1362613	COLLAR:REGISTRATION:DRIVEN:INNER	U006	183
D1362616	HINGE:GUIDE PLATE:REGISTRATION:FRONT	U006	184
D1362618	HINGE:GUIDE PLATE:REGISTRATION:INNER BACK	U006	185
D1362638	COVER:REGISTRATION:UPPER:A	U006_S015	186

Number	Part Name	Group	ID
	SS'Y		
D1362642	SLOPE:COVER:REGISTRATION	U020_S001	63
D1362652	GUIDE PLATE:CONNECTING:REGISTRATION:ASS'Y	U006	187
D1362656	TRANSPORT ROLLER:CONNECTING:MANUAL FEED:DRIVE	U006	188
D1362657	JOINT:CONNECTING:DRIVE	U006	189
D1362660	GUIDE PLATE:CONNECTING:MANUAL FEED:LOWER:ASS'Y	U006	190
D1362663	GUIDE:CONNECTING:MANUAL FEED:LOWER	U006	191
D1362665	GUIDE PLATE:CONNECTING:MANUAL FEED:UPPER:ASS'Y	U006	192
D1362670	ROLLER:DIA18:CONNECTING:MANUAL FEED	U006	193
D1362671	SHAFT:DRIVEN ROLLER:ENCODER	U006	194
D1362672	SHAFT:DRIVEN ROLLER	U006	195
D1362673	PLAIN SHAFT BEARING:CONNECTING	U006	196
D1362678	COVER:MANUAL FEED:ENTRANCE:UPPER	U006	197
D1362702	GUIDE PLATE:CONNECTING:FRONT RIGHT:ASS'Y	U006_S018	198
D1362708	GUIDE PLATE:DRIVEN:CONNECTING:ASS'Y	U006	199
D1362712	GUIDE:CONNECTING:DRIVEN	U006	200
D1362714	ROLLER:CONNECTING:DIA20	U006	201
D1362715	TENSION SPRING:DRIVEN:CONNECTING	U006	202
D1362718	GUIDE PLATE:CONNECTING:FRONT LEFT	U006	203
D1362719	GUIDE:CONNECTING:FRONT LEFT	U006	204
D1362721	GUIDE PLATE:CONNECTING:DRIVE	U006	205
D1362729	TRANSPORT ROLLER:CONNECTING:DRIVE	U006	206

Exclusive Parts

Number	Part Name	Group	ID
D1362766	MANUAL FEED TABLE:ASS'Y	U006_S017	207
D1362771	HOUSING:MANUAL FEED	U006	208
D1362778	COVER:MANUAL FEED UNIT	U006	209
D1362781	PAPER STOPPER:MANUAL FEED	U006	210
D1362782	SHAFT:PAPER STOPPER	U006	211
D1362783	SHAFT:LINK	U006	212
D1362784	LINK:PAPER STOPPER:MANUAL F EED	U006	213
D1362786	GROUND PLATE:SENSOR:MANUA L FEED	U006	214
D1362788	GROUND PLATE:MANUAL FEED U NIT:REAR	U006	215
D1362789	SHAFT:FEED:MANUAL FEED	U006	216
D1362790	ARM:PICKUP:MANUAL FEED	U006	217
D1362795	DC SOLENOID:PICKUP:MANUAL F EED:ASS'Y	U006	218
D1362797	BRACKET:ARM:MANUAL FEED:RE AR:ASS'Y	U006	219
D1362800	BRACKET:ARM:MANUAL FEED:FR ONT:ASS'Y	U006	220
D1362801	BRACKET:LEVER:FRONT:MANUAL FEED:ASS'Y	U006	221
D1362803	SHAFT:SEPARATOR:DRIVEN:ASS' Y	U006_S016	222
D1362806	GUIDE PLATE:SEPARATOR:ASS'Y	U006	223
D1362810	GROUND PLATE:MANUAL FEED U NIT:FRONT	U006	224
D1362812	SHAFT:SEPARATOR:DRIVE	U006	225
D1362814	INNER COVER:MANUAL FEED:LO WER:ASS'Y	U006	226
D1362815	BRACKET:HINGE:MANUAL FEED:U PPER:ASS'Y	U006	227
D1362816	BRACKET:HINGE:MANUAL FEED:L OWER:ASS'Y	U006	228
D1362818	ARM:MANUAL FEED:FRONT:ASS'Y	U006	229
D1362821	ARM:MANUAL FEED:SHORT:FRON T	U006	230
D1362822	ARM:MANUAL FEED:REAR:ASS'Y	U006	231

Number	Part Name	Group	ID
D1362825	ARM:MANUAL FEED:SHORT:REAR	U006	232
D1362829	GROUND PLATE:MANUAL FEED:C OVER:REAR	U006	233
D1362832	COVER:MANUAL FEED	U006	234
D1362834	LEVER:COVER:MANUAL FEED	U006	235
D1362835	BRACKET:COVER:MANUAL FEED: FRONT:ASS'Y	U006	236
D1362840	SIDE FENCE:FRONT	U006_S017	237
D1362841	SIDE FENCE:REAR:ASS'Y	U006_S017_S001	238
D1362843	RACK:MANUAL FEED	U006_S017	239
D1362844	SHAFT:LEVER:MANUAL FEED:FR ONT	U006	240
D1362845	COVER:MANUAL FEED TABLE	U006_S017	241
D1362846	EXTENSION TRAY:MANUAL FEED	U006_S017	242
D1362847	EXTENSION TRAY:AUXILIARY:MA NUAL FEED	U006_S017	243
D1362848	GUIDE:POSITIONING:FRONT:MAN UAL FEED UNIT	U006	244
D1362849	FEELER:PAPER SIZE SENSOR:MA NUAL FEED	U006_S017	245
D1362852	BRACKET:LED:MANUAL FEED	U020	64
D1362853	INNER COVER:LED:MANUAL FEED	U020	65
D1362854	GROUND PLATE:MANUAL FEED:R EAR	U006	246
D1362856	STOPPER:GUIDE:INNER	U006_S017	247
D1362857	SHEET:MANUAL FEED TABLE	U006_S017	248
D1362868	COVER:MANUAL FEED:LOWER	U006	249
D1362870	JOINT:MANUAL FEED SUB-UNIT:R EVERSE	U006	250
D1362871	JOINT:MANUAL FEED SUB-UNIT:F EED	U006	251
D1362872	BRACKET:STOPPER:MANUAL FEE D	U006	252
D1362873	ARM:STOPPER:MANUAL FEED	U006	253
D1362945	DECAL:SIDE FENCE:MANUAL FEE D	U006_S017_S001	254
D1363021	TONER SUPPLY UNIT:MAIN:ASS'Y	U007_S001	39
D1363206	BASE:SHUTTER:OPEN AND CLOS	U007_S001_S001	40

Exclusive Parts

Number	Part Name	Group	ID
	E:BK:ASS'Y		
D1363207	BASE:SHUTTER:OPEN AND CLOS E:FC:ASS'Y	U007_S001_S002	41
		U007_S001_S003	41
		U007_S001_S004	41
D1363211	TORSION SPRING:STOPPER:TONE R CARTRIDGE:RIGHT	U007_S001_S001	42
		U007_S001_S002	42
		U007_S001_S003	42
		U007_S001_S004	42
D1363212	TORSION SPRING:STOPPER:TONE R CARTRIDGE:LEFT	U007_S001_S001	43
		U007_S001_S002	43
		U007_S001_S003	43
		U007_S001_S004	43
D1363216	DC MOTOR:TONER CARTRIDGE:2. 64W:BRUSH	U007_S001	44
D1363251	HOLDER:TONER CARTRIDGE:CO NNECTOR	U007_S001	45
D1363254	COVER:CHIP:BASE	U007_S001	46
D1363269	COVER:UPPER:TONER CARTRIDGE	U007_S001	47
D1363270	GEAR:IDLER:TONER END SENS OR	U007_S001	48
D1363273	LEVER:TONER SUPPLY UNIT	U007_S001	49
D1363292	INNER COVER:TONER SUPPLY U NIT:FRONT	U007_S001	50
D1363297	INNER COVER:TONER SUPPLY:RI GHT	U007_S001	51
D1363302	BRACKET:SAFETY SWITCH:DOOR :TONER SUPPLY:PEEN	U007_S001	52
D1363308	BRACKET:DRAWER:TONER SUPP LY UNIT	U007_S001	53
D1363310	TONER SUPPLY UNIT:ASS'Y	U007_S001_S005	54
		U007_S001_S006	54
		U007_S001_S007	54
		U007_S001_S008	54
D1363333	GEAR:AGITATOR:TONER SUPPLY: NO.2	U007_S001_S005	55
		U007_S001_S006	55
		U007_S001_S007	55
		U007_S001_S008	55

Number	Part Name	Group	ID
D1363334	GEAR:TRANSPORT SCREW:TONE R SUPPLY	U007_S001_S005	56
		U007_S001_S006	56
		U007_S001_S007	56
		U007_S001_S008	56
D1363335	GEAR:MECHANICAL ROLLER CLU TCH:TONER SUPPLY:FRONT	U007_S001_S005	57
		U007_S001_S006	57
		U007_S001_S007	57
		U007_S001_S008	57
D1363336	GEAR:MECHANICAL ROLLER CLU TCH:TONER SUPPLY:REAR	U007_S001_S005	58
		U007_S001_S006	58
		U007_S001_S007	58
		U007_S001_S008	58
D1363337	GEAR:IDLER:AGITATOR:TONER S UPPLY	U007_S001_S005	59
		U007_S001_S006	59
		U007_S001_S007	59
		U007_S001_S008	59
D1363338	GEAR:AGITATOR:TONER SUPPLY: NO.1	U007_S001_S005	60
		U007_S001_S006	60
		U007_S001_S007	60
		U007_S001_S008	60
D1363339	SHUTTER:CASE:TONER SUPPLY	U007_S001_S005	61
		U007_S001_S006	61
		U007_S001_S007	61
		U007_S001_S008	61
D1363361	GEAR:IDLER:TRANSPORT SCREW :NO.1:TONER SUPPLY	U007_S001_S005	62
		U007_S001_S006	62
		U007_S001_S007	62
		U007_S001_S008	62
D1363364	GEAR:IDLER:DRIVE:TONER SUPP LY	U007_S001_S005	63
		U007_S001_S006	63
		U007_S001_S007	63
		U007_S001_S008	63
D1363365	GEAR:IDLER:TRANSPORT SCREW :TONER SUPPLY:SMALL	U007_S001_S005	64
		U007_S001_S006	64
		U007_S001_S007	64
		U007_S001_S008	64
D1363366	GEAR:IDLER:TRANSPORT SCREW :TONER SUPPLY:LARGE	U007_S001_S005	65
		U007_S001_S006	65

Exclusive Parts

Number	Part Name	Group	ID
		U007_S001_S007	65
		U007_S001_S008	65
D1363395	DECAL:OPERATE:TONER CARTRIDGE	U001	80
D1363396	DECAL:OPERATE:TONER SUPPLY SUB-UNIT:BK	U007_S001	66
D1363397	DECAL:OPERATE:TONER SUPPLY SUB-UNIT:C	U007_S001	67
D1363398	DECAL:OPERATE:TONER SUPPLY SUB-UNIT:M	U007_S001	68
D1363399	DECAL:OPERATE:TONER SUPPLY SUB-UNIT:Y	U007_S001	69
D1363431	FILTER:DEVELOPMENT	U008_S001	67
		U008_S004	67
		U008_S007	67
		U008_S010	67
D1363438	DECAL:COLORED DISPLAY:DEVELOPMENT UNIT:BK	U008	68
D1363439	DECAL:COLORED DISPLAY:DEVELOPMENT UNIT:C	U008	69
D1363440	DECAL:COLORED DISPLAY:DEVELOPMENT UNIT:M	U008	70
D1363441	DECAL:COLORED DISPLAY:DEVELOPMENT UNIT:Y	U008	71
D1363442	DECAL:COLORED DISPLAY:MAIN: BK	U008	72
D1363443	DECAL:COLORED DISPLAY:MAIN: C	U008	73
D1363444	DECAL:COLORED DISPLAY:MAIN: M	U008	74
D1363445	DECAL:COLORED DISPLAY:MAIN: Y	U008	75
D1363446	DECAL:COLORED DISPLAY:DRUM STAY:BK	U008	76
D1363447	DECAL:COLORED DISPLAY:DRUM STAY:C	U008	77
D1363448	DECAL:COLORED DISPLAY:DRUM STAY:M	U008	78

Number	Part Name	Group	ID
D1363449	DECAL:COLORED DISPLAY:DRUM STAY:Y	U008	79
D1363485	JIG:DEVELOPMENT UNIT	ACCESSORIES	16
D1363490	RECEPTACLE:DEVELOPMENT VIAS:ASS'Y	U008	80
D1363497	SEAL:SHUTTER:FUNNEL	ACCESSORIES	17
D1363498	SHUTTER:FUNNEL	ACCESSORIES	18
D1363499	FUNNEL:DEVELOPER	ACCESSORIES	19
D1363505	COLLECTION BOTTLE:ASS'Y	U012_S004	25
D1363550	PIPE:UPPER:ASS'Y	U012_S001	26
D1363564	SPACER:DIA9:0.13MM	U012	27
D1363566	BRACKET:GEAR:USED TONER:PC U:PEEN	U012	28
D1363569	GEAR:Z35:TRANSPORT SCREW:PCU:MAIN	U012	29
D1363571	BRACKET:SWIVEL	U012	30
D1363575	PIPE:LENGTHWISE:ASS'Y	U012	31
D1363603	BRACKET:DRIVE:PIPE:MIDDLE:PEEN	U012	32
D1363608	BRACKET:DRIVE:TRANSPORT SCREW:MIDDLE	U012	33
D1363610	PIPE:MIDDLE:ASS'Y	U012_S002	34
D1363620	CASE:RELAY DUCT	U012	35
D1363621	VIBRATING PLATE:RELAY DUCT	U012	36
D1363622	SEAL:RELAY DUCT	U012	37
D1363623	SEAL:RELAY DUCT:SPONGE	U012	38
D1363641	GEAR:TRANSPORT SCREW:LOWER:Z41	U012	39
D1363642	HOLDER:RADIAL BALL BEARING:JOINT:PRESS FIT	U012_S003	40
D1363646	TORQUE LIMITER MECHANICAL CLUTCH:GEAR:Z65/Z35	U012	41
D1363647	GEAR:IDLER:Z49/Z27	U012	42
D1363652	PIPE:LOWER:ASS'Y	U012	43
D1363662	SEPARATION PLATE:COLLECTION BOTTLE	U012	44
D1363690	DECAL:COLLECTION BOTTLE:CAUTION	U012_S004	45

Exclusive Parts

Number	Part Name	Group	ID
D1363691	DECAL:COLLECTION BOTTLE:GRIP:FRONT	U012_S004	46
D1363692	DECAL:COLLECTION BOTTLE:GRIP:UPPER	U012_S004	47
D1363851	TRANSPORT ROLLER:DRIVE	U013	16
D1363864	LEVER:ON-OFF:TRANSPORT BELT UNIT	U013	17
D1363865	CAM:ON-OFF:TRANSPORT BELT UNIT:REAR	U013	18
D1363866	CAM:ON-OFF:TRANSPORT BELT UNIT:FRONT	U013	19
D1363869	SHAFT:JOINT:VACUUM:ASS'Y	U013_S001	20
D1363870	SYNCHRONOUS BELT:DRIVE:TRANSPORT BELT UNIT	U013	21
D1363871	BRACKET:SHAFT:JOINT:VACUUM	U013	22
D1363872	PULLEY:SHAFT:DRIVE:VACUUM	U013	23
D1363877	SHAFT:ON-OFF:TRANSPORT BELT UNIT	U013	24
D1363879	BRACKET:VACUUM:PULL OUT:FRONT	U013	25
D1363882	TENSION SPRING:PRESSURE:TRANSPORT BELT UNIT	U013	26
D1363889	COIL SPRING:VACUUM:EARTH	U013	27
D1363890	DECAL:VACUUM:GRIP:D1	U013	28
D1363891	DECAL:LED:GRIP:VACUUM	U001	81
D1364004	FUSING UNIT:ASS'Y:NA:D135	U014_S001	66
D1364067	FUSING COVER:UPPER:ASS'Y	U014_S001_S006	67
D1364069	CAM:PRESSURE:A	U014_S001	68
D1364070	COLLAR:DIA10X:DIA14X:15.8	U014_S001	69
D1364071	COLLAR:DIA10XDIA14X13.4	U014_S001	70
D1364072	SHAFT:CAM:PRESSURE	U014_S001	71
D1364073	JOINT:CAM:PRESSURE:B	U014_S001	72
D1364075	FEELER:CAM:PRESSURE:REAR	U014_S001	73
D1364080	COVER:TEMPERATURE SENSOR:PRESSURE	U014_S001	74
D1364081	COVER:THERMOSTAT:PRESSURE	U014_S001	75
D1364082	CLAMP:HARNESS:PRESSURE	U014_S001	76
D1364087	FUSING ENTRANCE GUIDE PLATE	U014_S001	77

Number	Part Name	Group	ID
	:LOWER		
D1364090	STRIPPER PLATE:UNIT:PRESSURE ROLLER:ASS'Y	U014_S001_S002	78
D1364109	FIX STAND:TERMINAL:HEATER:ASS'Y	U014_S001	79
D1364110	TERMINAL:CONNECTING	U014_S001	80
D1364111	COVER:HARNESS:FIRST:LOWER	U014_S001	81
D1364112	COVER:TERMINAL:CONNECTING	U014_S001	82
D1364113	JOINT UNIT:PAPER FEED SENSOR:PRESSURE:FRONT	U014_S001	83
D1364114	ELECTRODE PLATE:HEATER:PRESSURE:FRONT	U014_S001	84
D1364121	LEVER:PRESSURE:FRONT:INNER	U014_S001	85
D1364123	LEVER:PRESSURE:REAR:INNER	U014_S001	86
D1364125	LEVER:PRESSURE:FRONT:OUTER	U014_S001	87
D1364126	LEVER:PRESSURE:REAR:OUTER	U014_S001	88
D1364127	RECEIVE PLATE:PRESSURE	U014_S001	89
D1364129	HOLDER:HEATER:PRESSURE:FRONT	U014_S001	90
D1364130	HOLDER:HEATER:PRESSURE:REAR	U014_S001	91
D1364131	HOLDER:COIL SPRING:PRESSURE	U014_S001	92
D1364132	LEVER:CONTROL PLATE:PRESSURE	U014_S001	93
D1364135	SHAFT:RADIAL BALL BEARING:LEVER:PRESSURE	U014_S001	94
D1364136	STEPPED SCREW:M5	U014_S001	95
D1364139	FEELER:CAM:PRESSURE:FRONT:OFFICE	U014_S001	96
D1364143	HOOK:COIL SPRING:OPEN AND CLOSE:LEVER	U014_S001	97
D1364144	COVER:SEPARATION:OPEN AND CLOSE:FIBER	U014_S001	98
D1364146	LEVER:PAPER EXIT SUB-UNIT:OPEN AND CLOSE:REAR	U014_S001	99
D1364147	LEVER:PAPER EXIT SUB-UNIT:OPEN AND CLOSE:FRONT	U014_S001	100

Exclusive Parts

Number	Part Name	Group	ID
D1364148	GRIP:SEPARATION:OPEN AND CLOSE	U014_S001	101
D1364150	STRIPPER PLATE:UNI:FUSING:ASS'Y	U014_S001_S004	102
D1364170	BRACKET:STRIPPER PLATE:REAR	U014_S001	103
D1364173	BRACKET:STRIPPER PLATE:FRONT	U014_S001	104
D1364178	COVER:FUSING EXIT:UPPER	U014_S001	105
D1364181	FLAT BELT-FUSING:DIA75:SEAL	U014_S001	106
D1364184	HEAT ROLLER:ASS'Y	U014_S001_S005	107
D1364195	COVER:ENTRANCE SENSOR:FUSING	U014	108
D1364198	CLAMP:HARNESS	U014_S001	109
D1364216	BUSHING:HEAT ROLLER:SHAFT	U014_S001	110
D1364217	LEVER:TENSION:HEAT ROLLER:REAR	U014_S001	111
D1364224	LEVER:TENSION:HEAT ROLLER:FRONT	U014_S001	112
D1364230	FEELER:HEAT ROLLER:TURN	U014_S001	113
D1364231	BRACKET:SHAFT:HEAT ROLLER:TURN:FEELER	U014_S001	114
D1364232	SHAFT:HEAT ROLLER:TURN:FEELER	U014_S001	115
D1364233	STEPPED SCREW:DIA5:M3X3.8	U014_S001	116
D1364236	SPONGE:IH:DUCT:FRONT	U014_S001	117
D1364239	COVER:FUSING UNIT:FRONT	U014_S001	118
D1364240	COVER:FUSING UNIT:REAR	U014_S001	119
D1364241	CLAMP:HARNESS:PRESSURE:HEATER:REAR	U014_S001	120
D1364247	SPONGE:IH:DUCT:REAR	U014_S001	121
D1364249	COVER:PRESSURE ROLLER	U014_S001	122
D1364250	COVER:PRESSURE:LOWER	U014_S001	123
D1364254	STAY:FUSING:ENTRANCE	U014_S001	124
D1364258	HOLDER:GUIDE:ENTRANCE:MIDDLE	U014_S001	125
D1364259	HOLDER:GUIDE:ENTRANCE	U014_S001	126
D1364263	BRACKET:PAPER EXIT SUB-UNIT	U014_S001	127
D1364265	FILM:BRACKET:EXIT SENSOR	U014_S001	128

Number	Part Name	Group	ID
D1364275	SHEET:PRESSURE:CAM:LOWER FRONT	U014_S001	129
D1364276	SHEET:PRESSURE:CAM:LOWER REAR	U014_S001	130
D1364280	STOPPER:STRIPPER PLATE:FRONT	U014_S001	131
D1364281	STOPPER:STRIPPER PLATE:REAR	U014_S001	132
D1364301	COIL:IH:100V:ASS'Y:NA:D135	U014_S001_S007	133
D1364412	LEVER:WEB:ASS'Y	U014_S001	134
D1364428	GRIP:FUSING UNIT:REAR	U014_S001	135
D1364430	GRIP:GUIDE PIN:SEPARATION SUB-UNIT:OPEN AND CLOSE	U014_S001	136
D1364431	STOPPER:GUIDE PIN:SEPARATION SUB-UNIT:OPEN AND CLOSE	U014_S001	137
D1364435	COVER:GRIP:FUSING UNIT:REAR	U014_S001	138
D1364436	COVER:CAM:REAR	U014_S001	139
D1364441	COVER:HARNESS:LEFT INNER REAR	U014_S001	140
D1364516	LEVER:GUIDE PLATE:DUPLEX:ASS'Y	U016	51
D1364531	BRACKET:BELT TENSIONER:ASS'Y	U016	52
D1364543	GUIDE PLATE:DUPLEX:UPPER:ADHESION	U016_S007	53
D1364584	GATE PAWL:DUPLEX:ENTRANCE:NO.2:ASS'Y	U016	54
D1364601	GUIDE PLATE:DUPLEX:LOWER	U016	55
D1364602	ROLLER:DRIVEN:DUPLEX	U016_S002	56
		U016_S003	56
		U016_S004	56
		U016_S005	56
D1364603	SHAFT:ROLLER:DRIVEN:DUPLEX	U016_S002	57
		U016_S003	57
		U016_S004	57
		U016_S005	57
D1364604	ROLLER:DRIVEN:DUPLEX	U016_S002	58
		U016_S003	58
		U016_S004	58

Exclusive Parts

Number	Part Name	Group	ID
		U016_S005	58
D1364606	HOLDER:PRESSURE:GUIDE PLATE	U016	59
D1364607	COMPRESSION SPRING:HOLDER:GUIDE PLATE	U016	60
D1364608	GUIDE PLATE:POSITIONING SENSOR:LOWER	U016	61
D1364609	TENSION SPRING:GUIDE PLATE:MOVE	U016	62
D1364611	TRANSPORT ROLLER:DUPLEX:DRIVEN:1	U016_S006	63
D1364614	PLAIN SHAFT BEARING:TRANSPORT ROLLER:DUPLEX:DRIVEN:INNER	U016	64
D1364615	TENSION SPRING:TRANSPORT ROLLER:DUPLEX:1	U016	65
D1364617	LINK:ROLLER:SHIFT	U016	66
D1364619	BUSHING:FLANGE TYPE:DIA6	U016	67
D1364620	BUSHING:DIA6:DIA10:6	U016	68
D1364621	SHAFT:LINK:SHIFT	U016	69
D1364622	LINK:SHIFT:DUPLEX	U016	70
D1364638	GEAR:PULLEY:ROLLER:SHIFT	U016	71
D1364640	COVER:GUIDE PLATE:UPPER	U016	72
D1364642	SHAFT:SLIDE:POSITIONING SENSOR	U016	73
D1364644	GUIDE PLATE:POSITIONING SENSOR:DUPLEX	U016	74
D1364645	GUIDE:PLATE:POSITIONING SENSOR	U016	75
D1364646	BRACKET:DC STEPPER MOTOR:DUPLEX	U016	76
D1364647	TENSION SPRING:BELT TENSIONER	U016	77
D1364650	TIMING PULLEY:T18:S2M	U016	78
D1364651	STOPPER:PULLEY:RIGHT	U016	79
D1364652	STOPPER:PULLEY:MIDDLE	U016	80
D1364653	STOPPER:PULLEY:LEFT	U016	81
D1364665	TENSION SPRING:DRIVEN ROLLER	U016	82

Number	Part Name	Group	ID
	R:EXIT		
D1364666	TENSION SPRING:DRIVEN ROLLER:DUPLEX	U016	83
D1364667	SHEET:DUPLEX:ENTRANCE	U016_S007	84
D1364749	GUIDE PLATE:DUPLEX:ENTRANCE:LEFT LOWER:SUB-ASS'Y	U016	85
D1364750	GUIDE PLATE:DUPLEX:ENTRANCE:RIGHT	U016	86
D1364751	BRACKET:DUPLEX:ENTRANCE:FRONT	U016	87
D1364752	GATE PAWL:DUPLEX:ENTRANCE:NO.1	U016	88
D1364761	GUIDE PLATE:DUPLEX:ENTRANCE:MIDDLE	U016	89
D1364762	LEVER:GATE PAWL:REVERSE	U016	90
D1364763	GUIDE PLATE:DUPLEX:ENTRANCE:RIGHT UPPER	U016	91
D1364768	COIL SPRING:GATE PAWL:DUPLICATION:ENTRANCE:NO.2	U016	92
D1364770	TENSION SPRING:GATE PAWL:DUPLICATION	U016	93
D1364771	TENSION SPRING:DC SOLENOID:RELEASE	U016	94
D1364780	DC SOLENOID:DUPLICATION:ENTRANCE	U016	95
D1364802	GUIDE PLATE:MIDDLE:REVERSE:DUPLICATION:ASS'Y	U016	96
D1364823	ROLLER:DRIVEN:REVERSE:106MM	U016_S009	97
D1364825	TENSION SPRING:DRIVEN:REVERSE:DUPLICATION	U016	98
D1364826	HOLDER:PRESSURE:RADIAL BALL BEARING:REVERSE	U016	99
D1364828	BRACKET:DC MOTOR:REVERSE	U016	100
D1364829	TIMING PULLEY:DUPLICATION:REVERSE:S2M54T	U016	101
D1364830	GUIDE PLATE:LEFT:REVERSE:DUPLICATION	U016	102

Exclusive Parts

Number	Part Name	Group	ID
D1364834	GUIDE PLATE:REVERSE ROLLER:DRIVE:LEFT	U016	103
D1364837	TENSION SPRING:DRIVEN:REVERSE:DUPLEX:MIDDLE	U016	104
D1364912	GUIDE PLATE:SWIVEL:RECEIVING SUB-UNIT:LOWER:SUB-ASS'Y	U016	105
D1364914	GUIDE PLATE:SWIVEL:RECEIVING SUB-UNIT:UPPER:SUB-ASS'Y	U016	106
D1364919	INNER COVER:RECEIVING SUB-UNIT:LEFT LOWER:ASS'Y	U016	107
D1364921	GRIP:VIBRATING PLATE:RECEIVING SUB-UNIT:LOWER:ASS'Y	U016_S012	108
D1364922	GRIP:VIBRATING PLATE:RECEIVING SUB-UNIT:UPPER:ASS'Y	U016_S013	109
D1364928	GUIDE PLATE:RECEIVING SUB-UNIT:LEFT LOWER	U016	110
D1364936	GUIDE PLATE:RECEIVING SUB-UNIT:LOWER	U016	111
D1364942	BRACKET:PUSH SWITCH:LED	U020	66
D1364948	GUIDE PLATE:RECEIVING SUB-UNIT:UPPER:SUB-ASS'Y	U016	112
D1364949	COVER:RECEIVING SUB-UNIT:RIGHT LOWER	U016	113
D1364952	BRACKET:LED:RECEIVING SUB-UNIT:LEFT LOWER	U020	67
D1364957	FEELER:SENSOR:RECEIVING SUB-UNIT	U016	114
D1364961	LED:SWITCH:REVERSE EXIT:ASS'Y	U020	68
D1364971	LED:SWITCH:DUPLEX:ASS'Y	U020	69
D1364974	DECAL:GRIP:RECEIVING SUB-UNIT:UPPER	U016_S013	115
D1364975	DECAL:GRIP:RECEIVING SUB-UNIT:LOWER	U016_S012	116
D1364976	DECAL:INNER COVER:RECEIVING SUB-UNIT:UPPER	U001	82
D1364978	DECAL:ARROW LABEL:LEFT	U001	83
D1364979	DECAL:ARROW LABEL:RIGHT	U001	84

Number	Part Name	Group	ID
D1365101	PCB:BCU:SUB-ASS'Y	U018	41
D1365110	PCB:IOB:ASS'Y	U018	42
D1365121	PCB:DUB:ASS'Y	U018	43
D1365130	PCB:TSB:ASS'Y	U007_S001	70
D1365319	CABLE:CURL CORD:ASS'Y	U018	44
D1365410	PCB:TDRB	U009	46
D1365428	PCB:TCB	U007_S001	71
D1365430	PCB:PFB	U018	45
D1365440	PCB:OKB	U018	46
D1365450	INVERTOR:IH:100V:NA:D135	U018	47
D1365460	AC CONTROL BOARD:100V:NA:D135	U018_S001	48
D1365467	PCB:LSB	U020	70
D1365492	PCB:IDB	U004	48
D1365510	LED:CONNECTOR:RED	U006	255
		U020	71
D1365696	PCB:SIO	U004	49
D1365709	PCB:EX3_DDR3-DIMM:RC-A:2GB:ASS'Y	U018	49
D1365716	PCB:DDR3-DIMM:RC-C:512MB:ASS'Y	U018	50
D1365724	PCB:IMAGE PROCESSING UNIT:TYPE-S15MDA	U018	51
D1365725	PCB:IMAGE PROCESSING UNIT:TYPE-S15MDA-SUB	U018	52
D1365797	PCB:CTL:D135/D137:ASS'Y	U018	53
D1365832	INTERFACE CABLE:SBU:IMAGE PROCESSING UNIT:ASS'Y	U004	50
D1365903	DUCT:POWER SUPPLY UNIT	U018	54
D1365904	BRACKET:DC FAN MOTOR:INDUCTION HEATING UNIT	U018	55
D1365905	BRACKET:INDUCTION HEATING UNIT:AC CONTROL BOARD	U018	56
D1365912	LEVER:SAFETY SWITCH:VERTICAL TRANSPORT	U018	57
D1365913	COVER:SAFETY SWITCH:VERTICAL TRANSPORT	U018	58
D1365914	BRACKET:SAFETY SWITCH:VERTICAL TRANSPORT	U018	59

Exclusive Parts

Number	Part Name	Group	ID
	CAL TRANSPORT		
D1365918	TORSION SPRING:SAFETY SWITCH:VERTICAL TRANSPORT	U007_S001	72
D1365920	LEVER:SAFETY SWITCH:4	U018	61
D1365922	COVER:SAFETY SWITCH:PULL OUT:MANUAL FEED	U018	62
D1365923	LEVER:SAFETY SWITCH:3	U018	63
D1365924	BRACKET:SAFETY SWITCH:SWIVEL	U018	64
D1365927	BRACKET:SAFETY SWITCH	U018	65
D1365931	TORSION SPRING:SAFETY SWITCH	U018	66
D1365932	SHAFT:SAFETY SWITCH:LEVER:1	U018	67
D1365933	LEVER:SAFETY SWITCH:1	U018	68
D1365934	LEVER:SAFETY SWITCH:2	U018	69
D1365938	GUIDE:HARNESS:HVP	U018	70
D1365949	COVER:ELECTRIC POTENTIAL SENSOR	U018	71
D1365969	PANEL:CONTROL BOARD	U018	72
D1365977	HDD:ASS'Y	U018	73
D1365990	TENSION SPRING:SAFETY SWITCH:PULL OUT	U018	74
D1365992	BRACKET:INLET:1POINT	U018	75
D1365994	LEVER:SAFETY SWITCH:TONER SUPPLY:DOOR	U007_S001	73
D1366042	BRACKET:HEATER:INTERMEDIATE TRANSFER	U009	47
D1366044	COVER:INTERMEDIATE TRANSFER	U009	48
D1366052	SUPPORTER:INTERMEDIATE TRANSFER:LEFT	U019	31
D1366056	STOPPER:BRACKET:ENCODER	U009	49
D1366058	STOPPER:BRACKET:ENCODER:REAR	U009	50
D1366070	DRIVE ROLLER:INTERMEDIATE TRANSFER:ASS'Y	U009_S001	51
D1366072	COVER:PCB:INTERMEDIATE TRANSFER	U009	52

Number	Part Name	Group	ID
D1366073	DUCT:CONNECTING:INTERMEDIATE TRANSFER	U009	53
D1366075	BRACKET:DRAWER:INTERMEDIATE TRANSFER:ASS'Y	U009	54
D1366086	COVER:ENCODER	U009	55
D1366087	COIL SPRING:PRESSURE:BRACKET:ENCODER	U009	56
D1366089	PLAIN SHAFT BEARING:CONTACT POINT:BRACKET:ENCODER	U009 U012	57 48
D1366090	FLAT BELT-TRANSFER:ASS'Y	U009	58
D1366099	TENSION SPRING:BRACKET:DC STEPPER MOTOR	U009	59
D1366100	DENSITY SENSOR:P/TM	U009	60
D1366102	SPRING PLATE:EARTH:DC STEPPER MOTOR	U009	61
D1366104	GUIDE:INTERMEDIATE TRANSFER:LEFT	U009	62
D1366111	BRACKET:INTERMEDIATE TRANSFER:FRONT	U009	63
D1366112	BRACKET:INTERMEDIATE TRANSFER:REAR	U009	64
D1366113	SHAFT:CAM:INTERMEDIATE TRANSFER:BLACK	U009	65
D1366114	CAM:INTERMEDIATE TRANSFER:BLACK	U009	66
D1366115	TENSION SPRING:PRESSURE:INTERMEDIATE TRANSFER	U009	67
D1366117	SEPARATION PLATE:INTERMEDIATE TRANSFER:MAIN:120V	U009	68
D1366119	TERMINAL:CONNECTING:INTERMEDIATE TRANSFER	U009	69
D1366121	COVER:ON-OFF:SLIDE RAIL	U009	70
D1366123	PLAIN SHAFT BEARING:INTERMEDIATE TRANSFER	U009	71
D1366124	BRACKET:BIAS:INTERMEDIATE TRANSFER	U009	72
D1366125	TERMINAL:INTERMEDIATE TRANSFER	U009	73

Exclusive Parts

Number	Part Name	Group	ID
D1366126	COMPRESSION SPRING:BIAS:INTERMEDIATE TRANSFER	U009	74
D1366127	TENSION SPRING:PRESSURE:INTERMEDIATE TRANSFER:BLACK	U009	75
D1366128	CASE:OPPOSED:TRANSFER ROLLER:FRONT	U009	76
D1366129	GUIDE:TRANSFER:PAPER:REAR	U009	77
D1366130	ROLLER:OPPOSED:BELT CLEANING:ASS'Y	U009_S005	78
		U009_S006	78
D1366132	ROLLER:TRANSFER:FRONT:ASS'Y	U009	79
D1366134	ROLLER:ENCODER:ASS'Y	U009_S002	80
D1366137	SEPARATION PLATE:INTERMEDIATE TRANSFER:120V	U009	81
D1366138	SPRING PLATE:TRANSFER:OPPOSED:PAPER	U009	82
D1366139	TENSION SPRING:ON-OFF:SLIDE RAIL	U009	83
D1366141	SLIDE RAIL:ON-OFF:INTERMEDIATE TRANSFER:FRONT:ASS'Y	U009_S003	84
D1366143	SLIDE RAIL:ON-OFF:INTERMEDIATE TRANSFER:REAR:ASS'Y	U009_S004	85
D1366145	ROLLER:ON-OFF:INTERMEDIATE TRANSFER	U009	86
D1366146	SHAFT:CAM:INTERMEDIATE TRANSFER:COLOR	U009	87
D1366147	CAM:INTERMEDIATE TRANSFER:COLOR	U009	88
D1366149	BUSHING:SLIDE RAIL:ON-OFF	U009	89
D1366154	FEELER:INTERMEDIATE TRANSFER	U009	90
D1366162	BRACKET:ON-OFF:TRANSFER ROLLER	U009	91
D1366164	BRACKET:SENSOR:ON-OFF:TRANSFER:PAPER	U009	92
D1366165	FEELER:ON-OFF:TRANSFER:PAPER	U009	93
D1366171	ROLLER:TENSION:ASS'Y	U009_S007	94
D1366174	BRACKET:TENSION:ROLLER	U009	95

Number	Part Name	Group	ID
D1366175	SLIDE RAIL:CASE:TENSION:ROLLER	U009	96
D1366176	GUIDE:TENSION:INTERMEDIATE TRANSFER	U009	97
D1366177	PLAIN SHAFT BEARING:TENSION:INTERMEDIATE TRANSFER	U009	98
D1366179	COIL SPRING:PRESSURE:TENSION:INTERMEDIATE TRANSFER	U009	99
D1366181	BRACKET:DENSITY SENSOR	U009	100
D1366182	DUCT:TM SENSOR	U009	101
D1366186	ROLLER:OPPOSED:PAPER:ASS'Y	U009	102
D1366187	CORE:OPPOSED:TRANSFER ROLLER	U009	103
D1366189	PLATE:ROLLER:OPPOSED:PAPER	U009	104
D1366190	CAM:ON-OFF:TRANSFER ROLLER:FRONT	U009	105
D1366191	CAM:ON-OFF:TRANSFER ROLLER:REAR	U009	106
D1366195	SEAL:DUCT:TM SENSOR	U009	107
D1366196	HOME POSITION SENSOR:FLAT BELT-TRANSFER	U009	108
D1366197	COVER:HARNES:SECOND:INTERMEDIATE TRANSFER	U009	109
D1366199	PULLEY:ON-OFF:TRANSFER ROLLER	U009	110
D1366200	TRANSFER/SEPARATION UNIT:ASS'Y	U011_S001	11
D1366250	TRANSFER ROLLER:ASS'Y	U011_S001_S001	12
D1366260	SEPARATION CORONA:ASS'Y	U011_S001	13
D1366277	LEVER:PRESSURE:FRONT	U011_S001	14
D1366278	LEVER:PRESSURE:REAR	U011_S001	15
D1366282	COIL SPRING:SEPARATION:TRANSFER ROLLER	U011_S001	16
D1366283	ELECTRODE PLATE:SEPARATION:TRANSFER ROLLER	U011_S001	17
D1366286	SHAFT:CONTACT POINT:TRANSFER/SEPARATION UNIT	U011_S001	18
D1366287	JOINT:DRIVE:TRANSFER ROLLER	U011_S001	19

Exclusive Parts

Number	Part Name	Group	ID
D1366288	GEAR:IDLER:TRANSFER ROLLER	U011_S001	20
D1366290	HOOK:PRESSURE:TRANSFER ROLLER	U011_S001	21
D1366291	GROUND PLATE:TRANSFER ROLLER	U011_S001	22
D1366292	GROUND PLATE:TRANSFER/SEPARATION UNIT:LOWER	U011_S001	23
D1366293	GROUND PLATE:TRANSFER/SEPARATION UNIT:RIGHT	U011_S001	24
D1366295	GUIDE PLATE:ENTRANCE:TRANSFER ROLLER:ASS'Y	U011_S001	25
D1366300	TRANSFER ROLLER:RELEASE	U011_S001_S002	26
D1366303	HOLDER:RELEASE:TRANSFER ROLLER	U011_S001	27
D1366306	GUIDE:TRANSPORT:INTERMEDIATE TRANSFER:R	U009	111
D1366310	COIL SPRING:PRESSURE:TRANSFER ROLLER	U011_S001	28
D1366350	LINK:RELEASE:RIGHT	U011	29
D1366352	LINK:RELEASE:LOWER	U011	30
D1366354	LINK:CONNECTING	U011	31
D1366380	COVER:POWER PACK	U020	72
D1366381	INSULATING SHEET:PULL OUT	U020	73
D1366400	BELT CLEANING:ASS'Y	U010_S001	23
D1366404	COVER:CASE:DUCT:BELT CLEANING	U010_S001	24
D1366405	DUCT:BELT CLEANING:REAR UPPER	U010_S001	25
D1366409	GUIDE:BELT CLEANING	U019	32
D1366410	GROUND PLATE:BELT CLEANING	U010_S001	26
D1366411	PLAIN SHAFT BEARING:DIA6:DIA8:BRUSH	U010_S001	27
D1366414	SCRAPER:BRUSH:REMOVE PAPER DUST	U010_S001	28
D1366417	SEAL:SCRAPER	U010_S001	29
D1366418	SEAL:SCRAPER:BRUSH	U010_S001	30
D1366431	COIL SPRING:BLADE:CLEANING:BELT CLEANING	U010_S001	31

Number	Part Name	Group	ID
D1366434	TONER COLLECTION COIL:BELT CLEANING:ASS'Y	U010_S001	32
D1366439	PLAIN SHAFT BEARING:REMOVE PAPER DUST:TRANSPORT SCREW	U010_S001	33
D1366441	SHUTTER:TRANSPORT SCREW:BELT CLEANING	U010_S001	34
D1366442	COIL SPRING:DISCHARGE USED TONER	U010_S001	35
D1366443	CAP:TONER COLLECTION COIL:BELT CLEANING	U010_S001	36
D1366444	SYNCHRONOUS BELT:30S2M126	U010_S001	37
D1366461	HOLDER:APPLY:BELT CLEANING:ASS'Y	U010_S001	38
D1366464	COIL SPRING:BLADE:APPLY:BELT CLEANING	U010_S001	39
D1366469	SLIDE RAIL:UPPER:BELT CLEANING	U010_S001	40
D1366470	RELEASE PLATE:BLADE:CLEANING	U010_S001	41
D1366471	RELEASE PLATE:BLADE:APPLY	U010_S001	42
D1366475	SEAL:CASE:SLIDE RAIL	U010_S001	43
D1366476	SHEET:SLIDE RAIL:BELT CLEANING	U010_S001	44
D1366480	SEAL:HOLDER:CLEANING BLADE:FRONT UPPER	U010_S001	45
D1366481	SEAL:HOLDER:CLEANING BLADE:REAR UPPER	U010_S001	46
D1366483	SEAL:HOLDER:CLEANING BLADE:FRONT LOWER	U010_S001	47
D1366484	SEAL:HOLDER:CLEANING BLADE:REAR LOWER	U010_S001	48
D1366485	SEAL:CASE:BRUSH:FRONT	U010_S001	49
D1366486	SEAL:CASE:BRUSH:REAR	U010_S001	50
D1366487	SEAL:CASE:BRUSH:FRONT LOWER	U010_S001	51
D1366488	SEAL:HOLDER:BEHIND:BELT CLEANING	U010_S001	52

Exclusive Parts

Number	Part Name	Group	ID
D1366489	VIBRATING PLATE:TRANSPORT S CREW:BELT CLEANING	U010_S001	53
D1366490	SEAL:BASE:CASE:BELT CLEANIN G	U010_S001	54
D1366491	SHEET:OPPOSED:OPTICS SENSO R:BASE:BELT CLEANING	U010_S001	55
D1366492	SEAL:CASE:CLEANING BLADE:FR ONT LOWER	U010_S001	56
D1366493	SEAL:CASE:CLEANING BLADE:RE AR LOWER	U010_S001	57
D1366494	SEAL:CASE:SCRAPER	U010_S001	58
D1366495	LEVER:RELEASE:BLADE	U010_S001	59
D1366496	SEAL:CASE:DUCT:BELT CLEANIN G	U010_S001	60
D1366497	SEAL:CASE:DUCT:BOTH ENDS	U010_S001	61
D1366498	SEAL:APPLY:HOLDER:BEHIND	U010_S001	62
D1366665	BRACKET:LED:VERTICAL TRANSP ORT	U006	256
D1366666	INNER COVER:LED:VERTICAL TR ANSPORT	U006	257
D1366672	SUPPORTER:RIGHT:ASS'Y	U006	258
D1366675	HOLDER:POSITIONING	U006	259
D1366676	CUSHION:SEPARATE	U006	260
D1366678	SUPPORTER:LEFT:ASS'Y	U006	261
D1366696	BRACKET:TANDEM TRAY:LIFT MO TOR	U006	262
D1366698	DC SOLENOID:TANDEM TRAY:LO CK:ASS'Y	U006_S001	263
D1366703	COVER:PAPER TRAY:REAR LEFT	U006	264
D1366707	BRACKET:DC MOTOR:LEFT	U006	265
D1366708	SHAFT:JOINT	U006	266
D1366710	BRACKET:CONNECTOR:LEFT	U006	267
D1366714	BRACKET:DC SOLENOID:REAR:AS S'Y	U006	268
D1366717	LEVER:RELEASE:REAR	U006	269
D1366718	COVER:DC SOLENOID:REAR	U006	270
D1366719	DC SOLENOID:END FENCE:REAR: ASS'Y	U006	271

Number	Part Name	Group	ID
D1366725	BRACKET:DOOR:VERTICAL TRAN SPORT:ASS'Y	U006	272
D1366729	BRACKET:STOPPER:VERTICAL TR ANSPORT:RIGHT LOWER:ASS'Y	U006	273
D1366741	COVER:CONNECTOR:HEATER:UP PER	U006	274
D1366743	PLATE:CONNECTOR:HEATER:LO WER	U006	275
D1366744	TENSION SPRING:END FENCE:SO LENOID	U006	276
D1366746	JOINT:TANDEM LCT	U006	277
D1366751	LEVER:STRETCH:PAPER TRAY:AS S'Y	U006_S002	278
		U006_S003	278
D1366760	GEAR:LEVER:STRETCH:Z19	U006_S002	279
		U006_S003	279
D1366765	GEAR:IDLER:Z14/Z36	U006_S002	280
		U006_S003	280
D1366766	GEAR:IDLER:Z30	U006_S002	281
		U006_S003	281
D1366768	GUIDE:STRETCH	U006_S002	282
		U006_S003	282
D1366770	HOLDER:OIL DAMPER	U006_S002	283
		U006_S003	283
D1366772	GEAR:PAWL:Z18	U006_S002	284
		U006_S003	284
D1366773	COLLAR:GEAR	U006_S002	285
		U006_S003	285
D1366774	GEAR:PAWL:Z39	U006_S002	286
		U006_S003	286
D1366775	COVER:GEAR	U006_S002	287
		U006_S003	287
D1366777	COVER:TRAY	U006_S002	288
		U006_S003	288
D1366778	OIL DAMPER:23MN/M	U006_S002	289
		U006_S003	289
D1366788	DECAL:H-TEMP WARNING:HEATE R	U006	290
D1366793	INNER COVER:LED:LENGTHWISE:	U006	291

Exclusive Parts

Number	Part Name	Group	ID
	RIGHT FRONT		
D1366851	DUCT:VACUUM	U019	33
D1366854	DUCT:DEVELOPMENT:VACUUM:RIGHT	U007_S001	74
D1366855	DUCT:DEVELOPMENT:VACUUM:LEFT	U007_S001	75
D1366857	DUCT:DEVELOPMENT:Y:VACUUM:UPPER	U007_S001	76
D1366858	DUCT:DEVELOPMENT:Y:VACUUM:LOWER	U007_S001	77
D1366860	DUCT:INDUCTION HEATING UNIT:VACUUM	U019	34
D1366861	DUCT:HEAT PIPE:ROLLER	U019	35
D1366865	DUCT:HEAT PIPE:ROLLER:EXIT	U019	36
D1366868	DUCT:BELT CLEANING:VACUUM:FRONT	U019	37
D1366869	DUCT:BELT CLEANING:VACUUM:REAR	U019	38
D1366871	HEAT PIPE:ASS'Y	U019_S001	39
D1366878	DUCT:FUSING:EXIT:RIGHT	U019	40
D1366879	DUCT:FUSING:EXIT:LEFT	U019	41
D1366882	DUCT:HEAT SINKER:MIDDLE	U019	42
D1366885	DUCT:HEAT SINKER:EXHAUST:RIGHT	U019	43
D1366886	DUCT:HEAT SINKER:EXHAUST:LEFT	U019	44
D1366887	DUCT:HEAT SINKER:UPPER	U019	45
D1366890	DUCT:DEVELOPMENT:EXHAUST:RIGHT:FRONT	U019	46
D1366891	DUCT:DEVELOPMENT:EXHAUST:RIGHT:REAR	U019	47
D1366893	DUCT:AROUND THE PHOTOCONDUCTOR:EXHAUST:UPPER	U019	48
D1366894	DUCT:DEVELOPMENT:EXHAUST:LEFT:FRONT	U019	49
D1366895	DUCT:DEVELOPMENT:EXHAUST:LEFT:REAR	U019	50
D1366896	SEAL:AROUND THE PHOTOCONDUCTOR:EXHAUST	U019	51

Number	Part Name	Group	ID
	DUCTOR:EXHAUST		
D1366897	DUCT:DRUM STAY:SMALL	U020_S001	74
D1366899	DUCT:AROUND THE PHOTOCONDUCTOR:ENTRANCE	U019	52
D1366900	RELAY DUCT:AROUND THE PHOTOCONDUCTOR:ASS'Y	U019	53
D1366904	RELAY DUCT:AROUND THE PHOTOCONDUCTOR:Y:ASS'Y	U019	54
D1366907	DUCT:AROUND THE PHOTOCONDUCTOR:EXHAUST:LOWER	U019	55
D1366909	SPONGE:HEAT PIPE:LOWER	U019	56
D1366910	SPONGE:HEAT PIPE:LEFT	U019	57
D1366913	DUCT:TRANSFER:EXHAUST:ASS'Y	U019	58
D1366917	FILTER:DEVELOPMENT:EXHAUST:SMALL:ASS'Y	U019	59
D1366918	DUCT:TRANSFER:FUSING:EXHAUST:FRONT	U019	60
D1366919	DUCT:TRANSFER:FUSING:EXHAUST:REAR	U019	61
D1366920	DUCT:DEVELOPMENT:EXHAUST:EXIT:LEFT	U019	62
D1366921	DUCT:DEVELOPMENT:EXHAUST:EXIT:RIGHT	U019	63
D1366922	BRACKET:DUCT:EXHAUST	U019	64
D1366923	SEAL:DEVELOPMENT:EXHAUST:LEFT	U019	65
D1366924	SEAL:DEVELOPMENT:EXHAUST:RIGHT	U019	66
D1366927	SEAL:DUCT:AROUND THE PHOTOCONDUCTOR:ENTRANCE	U019	67
D1366928	DUCT:DC FAN MOTOR:OPTICAL WRITING UNIT	U019	68
D1366931	SEAL:DUCT:DEVELOPMENT	U007_S001	78
D1366932	FILTER:PRESSURE ROLLER:VACUUM	U019	69
D1366935	FILTER:DEVELOPMENT:EXHAUST:LARGE	U019	70
D1366938	OZONE FILTER:SMALL	U019	71

Exclusive Parts

Number	Part Name	Group	ID
D1366939	FILTER:DEVELOPMENT:VACUUM	U007_S001	79
D1366940	HEAT INSULATING PLATE:HEAT PIPE:UPPER	U019	72
D1366941	HEAT INSULATING PLATE:HEAT PIPE:RIGHT	U019	73
D1366943	SEAL:DUCT:EXHAUST:INDUCTION HEATING UNIT	U019	74
D1366944	SUPPORTER:PCU:LEFT	U019	75
D1366945	BRACKET:DC FAN MOTOR:DUPLICATE:EXIT	U019	76
D1366946	BRACKET:SETTING LEVER JUMPPER:DC FAN MOTOR:DUPLICATE:EXIT	U019	77
D1366947	OZONE FILTER:EXIT	U019	78
D1366948	BRACKET:THERMISTOR	U019	79
D1366953	DEODORIZE FILTER:LARGE	U019	80
D1366955	OZONE FILTER:LARGE	U019	81
D1366956	DEODORIZE FILTER:SMALL	U019	82
D1366957	DC FAN MOTOR:INTERMEDIATE TRANSFER:ASS'Y	U019_S003	83
D1366958	BRACKET:DC FAN MOTOR:INTERMEDIATE TRANSFER	U019_S003	84
D1366959	SEAL:DEVELOPMENT:VACUUM:Y:UPPER	U019	85
D1366960	SEAL:DEVELOPMENT:VACUUM:Y:LOWER	U019	86
D1366961	SEAL:DEVELOPMENT:VACUUM:Y:FRONT	U019	87
D1366966	DUCT:HEAT SINKER:REAR:ASS'Y	U019_S002	88
D1366971	BRACKET:HINGE:DUCT:HEAT PIPE:ROLLER	U019	89
D1366972	DUCT:DENSITY SENSOR:RIGHT	U019	90
D1366974	DUCT:DENSITY SENSOR:LEFT	U019	91
D1366976	SEAL:DRUM STAY:FRONT	U020_S001	75
D1366977	SEAL:DRUM STAY:REAR	U020_S001	76
D1366978	SEAL:DUCT:DRUM STAY:DEVELOPMENT	U020_S001	77
D1366979	SEAL:HEAT SINKER:EXIT	U019_S002	92

Number	Part Name	Group	ID
D1366980	SEAL:INDUCTION HEATING UNIT:VACUUM	U019	93
D1366982	SEAL:HEAT SINKER:LEFT AND RIGHT	U019	94
D1366983	SEAL:HEAT SINKER:FRONT	U019	95
D1366984	SEAL:HEAT SINKER:REAR	U019_S002	96
D1366985	SEAL:DRUM STAY:FRONT:RIGHT	U020_S001	78
D1366986	BRACKET:DC FAN MOTOR:HEAT SINKER:VACUUM	U019	97
D1366990	DUCT:MECHANICAL DRIVE SECTION:LEFT UPPER	U019	98
D1366995	BRACKET:DEVELOPMENT:EXHAUST	U019	99
D1366998	SEAL:DUCT:BELT CLEANING:VACUUM	U019	100
D1367002	PAPER EXIT UNIT:ASS'Y	U015_S002	96
D1367034	HOLDER:DRIVEN ROLLER:EXIT:CONNECTING:ASS'Y	U015_S002_S008	97
D1367081	LINK:GATE PAWL:RETURN	U015_S002	98
D1367084	GUIDE PLATE:EXIT:RIGHT LOWER	U015_S002	99
D1367086	GUIDE PLATE:EXIT:MIDDLE:ASS'Y	U015_S002_S006	100
D1367088	GUIDE PLATE:MIDDLE:LEFT	U015_S002	101
D1367090	GUIDE PLATE:DRIVEN:MIDDLE:LONG	U015_S002	102
D1367093	GUIDE PLATE:DRIVEN:MIDDLE:SHORT	U015_S002	103
D1367096	SHAFT:GATE:REVERSE EXIT	U015_S002	104
D1367097	GATE:REVERSE EXIT:FRONT	U015_S002	105
D1367098	GATE:REVERSE EXIT:REAR	U015_S002	106
D1367101	GUIDE PLATE:EXIT:LEFT UPPER:ASS'Y	U015_S002_S007	107
D1367104	SHEET:TRANSPORT:REVERSE:EXIT	U015_S002_S007	108
D1367105	SHEET:TRANSPORT:REVERSE:EXIT:FRONT	U015_S002_S007	109
D1367106	SHEET:TRANSPORT:REVERSE:EXIT:REAR	U015_S002_S007	110
D1367111	GUIDE PLATE:EXIT:LEFT LOWER:	U015_S002_S014	111

Exclusive Parts

Number	Part Name	Group	ID
	SUB-ASS'Y		
D1367113	HOLDER:DRIVEN ROLLER:REVERSE:EXIT:FRONT	U015_S002	112
D1367114	HOLDER:DRIVEN ROLLER:REVERSE:EXIT:REAR	U015_S002	113
D1367115	LINK:ON-OFF:REVERSE EXIT	U015_S002	114
D1367117	LEVER:LINK:ON-OFF:REVERSE EXIT	U015_S002	115
D1367118	LEVER:FIX:GUIDE PLATE:LEFT LOWER	U015_S002	116
D1367119	SHAFT:LEVER:GUIDE PLATE:LEFT LOWER	U015_S002	117
D1367120	BRACKET:LEVER:FIX:GUIDE PLATE:LEFT LOWER	U015_S002	118
D1367121	LEVER:RELEASE:GUIDE PLATE:LEFT LOWER:ASS'Y	U015_S002_S013	119
D1367123	HOLDER:PRESSURE:GUIDE PLATE:EXIT	U015_S002	120
D1367124	HOLDER:DRIVEN ROLLER:REVERSE EXIT	U015_S002	121
D1367125	COMPRESSION SPRING:PLATE:ON OFF DETECTOR:LEFT LOWER	U015_S002	122
D1367126	BRACKET:PLATE:ON OFF DETECTOR:LEFT LOWER:ASS'Y	U015_S002	123
D1367131	GUIDE PLATE:EXIT:UPPER:ASS'Y	U015_S002	124
D1367133	SHAFT:RELEASE:GUIDE PLATE:UPPER	U015_S002	125
D1367134	LEVER:FIX:GUIDE PLATE:UPPER	U015_S002	126
D1367135	LINK:GRIP:GUIDE PLATE:UPPER	U015_S002	127
D1367136	GRIP:GUIDE PLATE:EXIT:UPPER:ASS'Y	U015_S002	128
D1367139	HOLDER:DRIVEN ROLLER:EXIT:EXIT	U015_S002	129
D1367140	GROUND PLATE:EXIT:GUIDE PLATE:UPPER	U015_S002	130
D1367145	DISCHARGE BRUSH:EXIT:SUS	U015_S002	131
D1367151	DC SOLENOID:REVERSE EXIT:ASS'Y	U015_S002	132

Number	Part Name	Group	ID
D1367153	BRACKET:DC SOLENOID:REVERSE EXIT:ASS'Y	U015_S002	133
D1367158	STOPPER:GUIDE PLATE:EXIT:UPPER	U015_S002	134
D1367159	CUSHION:STOPPER:GUIDE PLATE:EXIT:UPPER	U015_S002	135
D1367160	BRACKET:CONTACT POINT:STOPPER:ASS'Y	U015_S002	136
D1367167	ROLLER:DRIVEN:NO.2:SHORT:ASS'Y	U016_S010 U016_S011	117 117
D1367181	ROLLER:EXIT:MIDDLE:ASS'Y	U015_S002_S015	137
D1367183	ROLLER:REVERSE:EXIT:ASS'Y	U015_S002	138
D1367185	ROLLER:REVERSE:ENTRANCE:ASS'Y	U015_S002	139
D1367188	ROLLER:EXIT:EXIT:DUMMY	U015_S002	140
D1367190	SHAFT:EXIT:EXIT:ASS'Y	U015_S002	141
D1367193	HOLDER:PRESSURE:RADIAL BALL BEARING:EXIT	U015_S002	142
D1367194	PLAIN SHAFT BEARING:DIA4:EXIT	U015_S002	143
D1367199	SHEET:OPPOSED:REFLECTION PHOTO SENSOR	U015_S002 U015_S002_S006	144 144
D1367211	OPERATION PANEL:NA:ASS'Y	U002_S001	10
D1367253	GASKET:13X10X100	U002	11
D1367290	CABLE:LCDC:USB	U002_S001	12
D1367300	COVER:REAR	U002_S001	13
D1367301	LENS:FRONT	U002_S001	14
D1367310	SPACER:USB	U002_S001	15
D1367311	GASKET:USB	U002_S001	16
D1367393	PCB:OP-R:ASS'Y	U002_S001	17
D1367397	PCB:LCDC:AR2FT:OFF:ASS'Y	U002_S001	18
D1367532	GROUND PLATE:REAR:SIDE PLATE	U006_S013	292
D1367538	OIL DAMPER:FALL	U006_S013	293
D1367541	DECAL:CAUTION CHART:PAPER SHEET DIRECTION	ACCESSORIES	20
D1367546	DECAL:PAPER VOLUME:SIDE FENCE:LEFT REAR:1	U006_S014_S001	294
D1367547	DECAL:PAPER VOLUME:SIDE FENCE	U006_S014_S001	295

Exclusive Parts

Number	Part Name	Group	ID
	CE:LEFT REAR:2		
D1367549	BRACKET:COUPLING:RIGHT:ASS'Y	U006_S013	296
D1367559	GROUND PLATE:JOINT:DRIVE	U006_S014	297
D1367565	SHAFT:GRIP:TANDEM TRAY	U006	298
D1367566	STOPPER:TANDEM TRAY	U006	299
D1367567	BRACKET:STOPPER:TANDEM TRAY:RIGHT:ASS'Y	U006	300
D1367570	GRIP:TANDEM TRAY:REAR	U006	301
D1367571	GRIP:PAPER TRAY:TANDEM TRAY	U006	302
D1367572	BRACKET:STOPPER:TANDEM TRAY:LEFT	U006	303
D1367575	CAP:LEVER	U006_S014	304
D1367577	FEELER:PAPER:SET SENSOR:TANDEM TRAY	U006_S014	305
D1367578	COVER:PAPER:SET SENSOR:TANDEM TRAY	U006_S014	306
D1367579	SLIDER:BACK FENCE	U006_S014	307
D1367583	ROLLER:GUIDE	U006_S013	308
D1367584	SHAFT:RISING TRAY:ASS'Y	U006_S013	309
D1367588	STOPPER:END FENCE	U006_S013	310
D1367593	TRAY BOTTOM PLATE:ASS'Y	U006_S013_S004	311
D1367599	TIMING PULLEY:TRAY BOTTOM PLATE:TANDEM TRAY:DRIVEN	U006_S013	312
D1367600	DECAL:CAUTION:PULL OUT:PAPER FEED	ACCESSORIES	21
D1367601	DECAL:CAUTION:PULL OUT:EXIT	ACCESSORIES	22
D1367605	DECAL:POWER SUPPLY CORD:100V:MAIN	ACCESSORIES	23
D1367606	DECAL:POWER SUPPLY CORD:100V	ACCESSORIES	24
D1367617	DECAL:CAUTION:PULL OUT	U001_S001	85
D1367985	DEVELOPER:EXCHANGEABLE:ASS'Y	ACCESSORIES	25
D1369640	DEVELOPER BLACK	U008	81
D1369660	DEVELOPER CYAN	U008	82
D1369670	DEVELOPER MAGENTA	U008	83
D1369680	DEVELOPER YELLOW	U008	84

Number	Part Name	Group	ID
D1381128	COVER:ENCODER:PRO	U017_S001	133
		U017_S002	133
		U017_S003	133
		U017_S004	133
D1381490	COVER:MAIN SWITCH	U001	86
D1381561	COMPRESSION SPRING:PULL OUT:LOCK:0.5N	U020	79
D1381562	BRACKET:STOPPER:PULL OUT	U020	80
D1381563	STOPPER:PULL OUT	U020	81
D1381565	BRACKET:PULL OUT:LOCK:REAR:ASS'Y	U020	82
D1381568	GUIDE:PULL OUT:LOCK	U020	83
D1381569	COMPRESSION SPRING:PULL OUT:GRIP:10N	U001	87
D1381570	TORSION SPRING:CAP:GRIP:PULL OUT:0.5N	U001	88
D1381571	COMPRESSION SPRING:PULL OUT:GRIP:3N	U001	89
D1381572	CAP:GRIP:PULL OUT	U001	90
D1381573	BRACKET:GRIP:PULL OUT	U001	91
D1381574	LEVER:PULL OUT	U001	92
D1381576	LINK:LEVER:PULL OUT	U001	93
D1381577	BRACKET:CONTACT POINT:LINK	U001	94
D1381578	LINK:GRIP:LENGTHWISE	U001	95
D1381860	OPTICAL WRITING UNIT:BK-C:ASS'Y	U005	9
D1381861	OPTICAL WRITING UNIT:M-Y:ASS'Y	U005	10
D1386052	GUIDE:INTERMEDIATE TRANSFER:RIGHT	U009	112
D1386665	COVER:LIFT MOTOR	U006	313
D1386668	SIDE PLATE:REAR:PAPER VOLUME SENSOR:THREE WAY	U006	314
D1386669	COVER:SIDE PLATE:REAR:TANDEM LCT	U006	315
D1386712	GUIDE PLATE:VERTICAL TRANSFERT:CONNECTING:THREE WAY	U006	316
D1386714	GROUND PLATE:GUIDE PLATE:VE	U006	317

Exclusive Parts

Number	Part Name	Group	ID
	RTICAL TRANSPORT:CONNECTIN G		
D1386864	DUCT:PRESSURE ROLLER:VACU UM:LOWER	U019	101
D1389590	NVRAM	U018	76
D1441085	STEPPED SCREW:M3	U001	96
		U014_S001	141
		U014_S001_S004	141
		U014_S001_S007	141
D1444484	SHOULDER SCREW - M3	U015_S002	145
D1444489	STOPPER:DRIVEN ROLLER	U006_S006	318
D1471750	SHEET:GAP:ASS'Y	U004	51
D1471805	EXPOSURE GLASS:DOCUMENT F EEDER:APPLY	U004	52
D1491291	CAP:HARNESS	U001	97
D1491305	CAP:TOTAL COUNTER	U001	98
D1491306	MAGNET CATCH:COVER:FRONT	U001	99
D1491317	HOLDER:GLASS:CLEANER:ASS'Y	ACCESSORIES	26
D1491424	LCD:TFT:WVGA-9:LED:SH	U002_S001	19
D1491427	TOUCH PANEL:WVGA-9:MV	U002_S001	20
D1491478	PCB:OP-L:ASS'Y	U002_S001	21
D1491504	KEYTOP:START	U002_S001	22
D1491505	KEYTOP:STOP	U002_S001	23
D1491508	KEYTOP:RESET SWITCH	U002_S001	24
D1491509	KEYTOP:POWER SOURCE	U002_S001	25
D1491510	KEYTOP:LEFT	U002_S001	26
D1491530	SPACER:LCD:A	U002_S001	27
D1491531	SPACER:LCD:B	U002_S001	28
D1491533	COVER:UPPER:SH:NA	U002_S001	29
D1491539	KEYTOP:10KEY:AA	U002_S001	30
D1491553	SHEET:LOGO	ACCESSORIES	27
D1491575	SHEET:APPLICATION:MULTI-LANG UAGE:NA	ACCESSORIES	28
D1491715	PULLEY:DRIVE WERE:FRONT	U004	53
D1491717	PULLEY:DRIVE WERE:REAR	U004	54
D1491721	ILLUMINATION UNIT:LED-B:ASS'Y	U004_S003	55
D1491795	SCALE:REAR:PRINTING	U004	56
D1491804	HOLDER:EXPOSURE GLASS:SCA	U004	57

Number	Part Name	Group	ID
	NNER		
D1491805	HOLDER:EXPOSURE GLASS	U004	58
D1492668	COMPRESSION SPRING:RACK:MA NUAL FEED	U006_S017	319
D1492675	HOLDER:DRIVEN:BELT	U006_S006	320
D1492676	COMPRESSION SPRING:FLAT CO NVEYER BELT:DRIVEN	U006_S006	321
D1492678	SHAFT:FLAT CONVEYER BELT:DR IVEN	U006_S006	322
D1492716	DC SOLENOID:PICKUP:NO.1:ASS' Y	U006_S008_S003	323
		U006_S009_S003	323
D1492726	DC SOLENOID:PICKUP:NO.2:ASS' Y	U006_S007_S001	324
D1492739	LEVER:PRESSURE RELEASE	U006_S007	325
		U006_S008	325
		U006_S009	325
D1492767	LEVER:PRESSURE:PICKUP	U006_S007	326
		U006_S008	326
		U006_S009	326
D1492768	TRANSPORT ROLLER:VERTICAL T RANSPORT:ASS'Y	U006_S007_S003	327
		U006_S008_S002	327
		U006_S009_S002	327
		U006_S010	327
D1492772	ARM:PICKUP	U006_S007	328
		U006_S008	328
		U006_S009	328
D1492773	PULLEY:PICKUP:MECHANICAL RO LLER CLUTCH	U006_S007	329
		U006_S008	329
		U006_S009	329
D1492774	PULLEY:IDLER:PICKUP	U006_S007	330
		U006_S008	330
		U006_S009	330
D1492775	SHAFT:FEED:ASS'Y	U006_S007	331
		U006_S008	331
		U006_S009	331
D1492777	COIL SPRING:PRESSURE:PICKUP	U006_S007	332
		U006_S008	332
		U006_S009	332

Exclusive Parts

Number	Part Name	Group	ID
D1492778	FEELER:PAPER END	U006_S008	333
		U006_S009	333
D1492780	GROUND WIRE:SENSOR:PAPER FEED	U006_S007	334
		U006_S008	334
		U006_S009	334
D1492781	GROUND PLATE:PAPER FEED UNIT	U006_S007	335
		U006_S008	335
		U006_S009	335
D1492782	PLATE:HARNESS:PAPER FEED UNIT	U006_S007	336
		U006_S008	336
		U006_S009	336
D1492791	GUIDE:FEED	U006_S007	337
		U006_S008	337
		U006_S009	337
D1492812	ROLLER:PAPER TRAY:DIA19	U006_S011	338
		U006_S012	338
D1492813	PIN:STRETCH:TRAY	U006_S011	339
		U006_S012	339
D1492814	COIL SPRING:EARTH	U006_S011	340
		U006_S012	340
D1492816	SHAFT:RISE:ASS'Y	U006_S011	341
		U006_S012	341
D1492818	LEVER:RISE	U006_S011	342
		U006_S012	342
D1492840	END FENCE:PAPER TRAY:ASS'Y	U006_S011_S002	343
		U006_S012_S002	343
D1492842	LEVER:END FENCE	U006_S011_S002	344
		U006_S012_S002	344
D1492843	CLICK:END FENCE	U006_S011_S002	345
		U006_S012_S002	345
D1492845	COMPRESSION SPRING:END FENCE:LEVER:5N	U006_S011_S002	346
		U006_S012_S002	346
D1492858	LEVER:RELEASE:PAPER TRAY:OUTER	U006_S011	347
		U006_S012	347
D1492861	HOLDER:GRIP:PAPER TRAY	U006_S011	348
		U006_S012	348
D1492923	ROLLER:SUPPORTER:PAPER TRAY	U006	349

Number	Part Name	Group	ID
D1492924	STOPPER:PAPER TRAY	U006	350
D1492928	ROLLER:SUPPORTER:PAPER TRAY:LEFT	U006	351
D1492943	TENSION SPRING:LEVER:AUXILIARY	U006_S002	352
		U006_S003	352
D1492961	LEVER:STRETCH:PEEN	U006_S002	353
		U006_S003	353
D1492964	LEVER:LOCK:PAWL	U006_S002	354
		U006_S003	354
D1492965	LEVER:STRETCH:COIL SPRING	U006_S002	355
		U006_S003	355
D1494390	DECAL:CAUTION:INKJET:NA	ACCESSORIES	29
D1495686	PCB:DCSW	U018	77
D1495776	COVER:USB:SMALL	U018	78
D1495883	KEYTOP:MAIN SWITCH	U001	100
D1495884	COMPRESSION SPRING:KEYTOP	U001	101
D1496766	DECAL:CAUTION:ORIGINAL:ENGLISH	ACCESSORIES	30
D1496851	DECAL:MAIN SWITCH:ON-STANDBY:ENGLISH	ACCESSORIES	31
D4122653	BUSHING:DIA6	U003_S001	79
		U003_S001_S013	79
D4122662	SPACER:GUIDE PLATE:CONTACT IMAGE SENSOR:ENTRANCE	U003_S001_S015	80
D4122669	TENSION SPRING:GUIDE PLATE:PRESSURE:2N	U003_S001	81
D4123145	TENSION SPRING:LEVER:MISFEED REMOVAL	U003_S001	82
D4345209	TIMING BELT:B40S2M246	U017	134
		U017_S011	134
D4543636	TIMING BELT:40S2M672	U016	118
D5224906	STEPPED SCREW:M3:DIA6:1.7MM:ROUND POINT	U003_S001	83
D5406121	FULL DUG POINT SCREW:FIX:HINGE	U003	84
D5412121	PAPER FEED BELT	U003_S001_S008	85
D5412241	REVERSE ROLLER:PAPER FEED	U003_S001	86
D5431625	GEAR:Z24:SEPARATION	U003_S001	87

Exclusive Parts

Number	Part Name	Group	ID
D5431717	SHAFT:PULLEY:SCANNING:EXIT	U003_S001	88
D5431821	TIMING PULLEY:T33/Z24	U003_S001	89
D5431822	FLANGE:DIA24	U003_S001	90
D5433314	SHEET:SCANNING:ENTRANCE:MI DDLE	U003_S001 U003_S001_S012	91 91
D5433631	ROLLER:SCANNING:BEHIND:ASS' Y	U003_S001_S013	92
D5433635	GEAR:ROLLER:SCANNING:BEHIN D	U003_S001	93
D5434382	COMPRESSION SPRING:PULL OU T	U003_S001	94
D5434393	CUSHION:GUIDE PLATE:ENTRAN CE:PAPER FEED:INNER BACK	U003_S001	95
D5435125	SPRING PLATE:CABLE:CONTACT I MAGE SENSOR	U003_S001	96
D5812534	DECAL:SIDE FENCE:REAR	U006_S013	356
D6421454	FEELER:APS	U003_S001	97
D6457902	SEAL:CAUTION:20LANGUAGES	ACCESSORIES	32
D6831320	HINGE:LEFT:ASS'Y	U003_S001	98
D6831350	HINGE:RIGHT:ASS'Y	U003_S001	99
D6831362	COMPRESSION SPRING:HINGE:RI GHT	U003_S001	100
D6831385	BRACKET:SAFETY SWITCH:PAPE R FEED	U003_S001	101
D6831386	SHAFT:CONTACT POINT:ON OFF DETECTOR:PAPER FEED	U003_S001	102
D6831387	TENSION SPRING:ON OFF DETEC TOR:PAPER FEED	U003_S001	103
D6831413	BRACKET:SAFETY SWITCH	U003_S001	104
D6831414	SPRING PLATE:SAFETY SWITCH	U003_S001	105
D6831415	FEELER:SENSOR:ON OFF DETEC TOR	U003_S001	106
D6831451	HOLDER:FEELER:APS	U003_S001	107
D6831480	BRACKET:SHEET:CONTACT IMAG E SENSOR:ASS'Y	U003_S001_S001	108
D6831482	SHEET:CONTACT IMAGE SENSOR	U003_S001_S001	109
D6831614	BRACKET:MOTOR:PAPER FEED	U003_S001	110
D6831615	STAY:MOTOR:PAPER FEED	U003_S001	111

Number	Part Name	Group	ID
D6831617	DC MOTOR:ASS'Y:20W:BRUSHLE SS	U003_S001	112
D6831620	SHAFT:SEPARATION:DRIVE:INPU T:SUB-ASS'Y	U003_S001_S002	113
D6831632	SHAFT:REVERSE ROLLER:SUB-A SS'Y	U003_S001_S003	114
D6831635	GEAR:REVERSE ROLLER:DRIVE	U003_S001	115
D6831640	SHAFT:INPUT:PAPER FEED:SUB-A SS'Y	U003_S001_S004	116
D6831642	TIMING PULLEY:IDLER:PULL OUT	U003_S001	117
D6831643	GEAR:INPUT:PAPER FEED	U003_S001	118
D6831644	SPACER:SHAFT:INPUT:PAPER FE ED	U003_S001	119
D6831645	TIMING PULLEY:COUPLING:PULL OUT	U003_S001_S004	120
D6831671	BRACKET:MOTOR:PICK UP	U003_S001	121
D6831675	DC STEPPER MOTOR:DIA42:T15:S 2M:ASS'Y	U003_S001	122
D6831680	CAM:PICKUP	U003_S001_S005	123
D6831682	TIMING PULLEY:PICKUP:DRIVE	U003_S001	124
D6831691	GEAR:PAPER FEED:COUPLING	U003_S001	125
D6831711	BRACKET:MOTOR:PULL OUT	U003_S001	126
D6831718	STAY:MOTOR:PULL OUT	U003_S001	127
D6831762	BRACKET:MOTOR:MIDDLE	U003_S001	128
D6831766	DC MOTOR:10W:BRUSHLESS	U003_S001	129
D6831811	BRACKET:MOTOR:SCANNING:EXI T	U003_S001	130
D6831813	TIMING PULLEY:COUPLING:SCAN NING:INNER BACK	U003_S001	131
D6831814	TIMING PULLEY:COUPLING:EXIT	U003_S001	132
D6831822	DC MOTOR:20W:SCANNING:20W: BRUSHLESS	U003_S001	133
D6831841	BRACKET:TENSIONER:SCANNING :INNER BACK	U003_S001	134
D6831845	PULLEY:IDLER:DIA14	U003_S001	135
D6831851	BRACKET:TENSIONER:SCANNING :FRONT	U003_S001	136
D6831855	TIMING PULLEY:TENSIONER:SCA	U003_S001	137

Exclusive Parts

Number	Part Name	Group	ID
	NNING:FRONT		
D6831856	TENSION SPRING:TENSION:SCANNING:FRONT	U003_S001	138
D6831912	BRACKET:HINGE:RIGHT	U003_S001	139
D6832110	ROLLER:PULL OUT:DRIVE	U003_S001_S006	140
D6832112	TIMING PULLEY:ROLLER:PULL OUT:DRIVE	U003_S001	141
D6832200	SHAFT:SEPARATION:ASS'Y	U003_S001_S008	142
D6832210	ROLLER:MIDDLE:DRIVE	U003_S001_S007	143
D6832221	GEAR:IDLER:Z18	U003_S001_S008	144
D6832222	STOPPER:SHAFT:SEPARATION:DRIVE	U003_S001	145
D6832224	GUIDE:PAPER FEED:ENTRANCE:FRONT	U003_S001_S008	146
D6832228	PICKUP ROLLER	U003_S001_S008	147
D6832229	TIMING PULLEY:GEAR:T19/Z23	U003_S001_S008	148
D6832231	BRACKET:PICKUP	U003_S001_S008	149
D6832232	TIMING PULLEY:PICKUP:T21	U003_S001_S008	150
D6832233	BRACKET:PAPER FEED BELT	U003_S001_S008	151
D6832235	SHAFT:PICKUP:SUB-ASS'Y	U003_S001_S008	152
D6832236	SHEET:BRACKET:PICKUP:INNER BACK	U003_S001_S008	153
D6832239	COVER:PICKUP ROLLER	U003_S001_S008	154
D6832240	GUIDE:PAPER FEED:ENTRANCE:INNER BACK:ASS'Y	U003_S001_S008_S001	155
D6832242	SHEET:GUIDE:PAPER FEED:INNER BACK	U003_S001_S008_S001	156
D6832272	LEVER:PICKUP ROLLER:RISE	U003_S001_S008	157
D6832311	TORQUE LIMITER MECHANICAL CLUTCH:SEPARATOR	U003_S001	158
D6832393	HOLDER:ORIGINAL TABLE	U003_S001	159
D6832417	SHEET:ENTRANCE:SEPARATION PAD	U003_S001	160
D6832510	GUIDE PLATE:PAPER FEED:LOWER:ASS'Y	U003_S001	161
D6832724	COVER:LOWER:BASE	U003_S001	162
D6832728	STOPPER:RELEASE:SHAFT:BASE	U003_S001	163
D6832729	JOINT:RISING TRAY:AUXILIARY	U003_S001	164

Number	Part Name	Group	ID
D6832733	FEELER:SENSOR:ORIGINAL SENSOR	U003_S001	165
D6832741	BASE:ORIGINAL TABLE	U003_S001	166
D6832742	CUSHION:STOPPER PAWL	U003_S001	167
D6832743	SHEET:CUSHION:STOPPER PAWL	U003_S001	168
D6832746	SIDE FENCE:ORIGINAL TABLE	U003_S001	169
D6832747	PAD:SIDE FENCE:SMALL	U003_S001	170
D6832748	PAD:SIDE FENCE:LARGE	U003_S001	171
D6832752	LEVER:RISE:BASE	U003_S001	172
D6832755	SHAFT:RISE:BASE:SUB-ASS'Y	U003_S001	173
D6832756	RAIL:SIDE FENCE	U003_S001	174
D6832771	ORIGINAL TABLE	U003_S001	175
D6832781	ORIGINAL TABLE:BEHIND	U003_S001	176
D6832911	GUIDE PLATE:PULL OUT:LOWER	U003_S001	177
D6832912	FEELER:PAPER SIZE SENSOR	U003_S001	178
D6833111	ROLLER:SCANNING:ENTRANCE:DRIVE	U003_S001	179
D6833150	ROLLER:SCANNING:EXIT:DRIVE:ASS'Y	U003_S001_S010	180
D6833155	TIMING PULLEY:ROLLER:SCANNING:EXIT:DRIVE	U003_S001	181
D6833221	GUIDE:SCANNING:UPPER	U003_S001	182
D6833251	GROUND PLATE:ROLLER	U003_S001	183
D6833260	SHEET:SCANNING:EXIT:UPPER:ASS'Y	U003_S001	184
D6833311	BRACKET:GUIDE:SCANNING:UPPER	U003_S001	185
D6833361	SPRING PLATE:GUIDE PLATE:SCANNING	U003_S001	186
D6833370	GUIDE PLATE:SCANNING:NON-CONTACT	U003_S001	187
D6833421	BASE:SCANNING:ENTRANCE:LOWER	U003_S001	188
D6833422	LEVER:PRESSURE RELEASE	U003_S001	189
D6833461	GUIDE:SCANNING:ENTRANCE:NON-CONTACT:SUB-ASS'Y	U003_S001_S012	190
D6833510	SHAFT:LEVER:MISFEED REMOVAL:ASS'Y	U003_S001	191

Exclusive Parts

Number	Part Name	Group	ID
D6833511	HOOK:OPTICAL READING UNIT:FRONT	U003_S001	192
D6833616	BRACKET:DISCHARGE BRUSH	U003_S001	193
D6833621	GUIDE:EXIT:LOWER:SUB-ASS'Y	U003_S001	194
D6833641	GUIDE:CONTACT IMAGE SENSOR:EXIT:LOWER:ASS'Y	U003_S001_S014	195
D6833643	COMPRESSION SPRING:CONTACT IMAGE SENSOR:EXIT	U003_S001_S014	196
D6833644	SHEET:GUIDE:CONTACT IMAGE SENSOR:EXIT:LOWER	U003_S001_S014	197
D6833645	ROLLER:MIDDLE:DRIVEN	U003_S001 U003_S001_S014	198 198
D6833651	COVER:SCANNING:EXIT	U003_S001	199
D6833661	GUIDE PLATE:CONTACT IMAGE SENSOR:ENTRANCE:ASS'Y	U003_S001_S015	200
D6833666	LEVER:GUIDE PLATE:CONTACT IMAGE SENSOR:FRONT	U003_S001_S015	201
D6833667	LEVER:GUIDE PLATE:CONTACT IMAGE SENSOR:REAR	U003_S001_S015	202
D6833710	ROLLER:CONTACT IMAGE SENSOR:EXIT:DRIVE:PRESS FIT	U003_S001_S016	203
D6833714	TIMING PULLEY:ROLLER:CIS:EXIT:DRIVE	U003_S001	204
D6833715	TIMING PULLEY:ROLLER:CIS:EXIT:FRONT	U003_S001	205
D6833811	GUIDE PLATE:EXIT:UPPER	U003_S001	206
D6833812	DISCHARGE BRUSH:EXIT	U003_S001 U003_S001_S015	207 207
D6833911	ROLLER:EXIT:DRIVE	U003_S001	208
D6833915	TIMING PULLEY:ROLLER:EXIT:DRIVE	U003_S001	209
D6834111	COVER:FRONT	U003_S001	210
D6834112	COVER:FRONT RIGHT	U003_S001	211
D6834211	COVER:REAR	U003_S001	212
D6834212	COVER:UPPER REAR	U003_S001	213
D6834312	GUIDE:PAPER FEED:UPPER	U003_S001	214
D6834320	COVER:PAPER FEED:ASS'Y	U003_S001_S017	215
D6834323	SHAFT:CONTACT POINT:GUIDE:P	U003_S001	216

Number	Part Name	Group	ID
	APER FEED		
D6834325	BRACKET:GUIDE:PAPER FEED:FRONT	U003_S001	217
D6834328	BRACKET:GUIDE:PAPER FEED:INNER BACK	U003_S001	218
D6834329	SHEET:BASE:SEAL:PAPER FEED	U003_S001_S017	219
D6834338	COVER:PAPER FEED:UPPER	U003_S001_S017	220
D6834341	BRACKET:PULL OUT:DRIVEN	U003_S001	221
D6834342	BRACKET:PRESSURE:PICKUP	U003_S001_S017	222
D6834343	PRESSURE PLATE:PICKUP	U003_S001_S017	223
D6834344	COMPRESSION SPRING:PICKUP:2.1N	U003_S001_S017	224
D6834345	DISCHARGE BRUSH:EXIT:L37	U003_S001	225
D6834350	DRIVEN ROLLER:PULL OUT	U003_S001	226
D6834351	LINK:STOPPER:COVER:PAPER FEED	U003_S001_S017	227
D6834361	SHAFT:CONTACT POINT:GRIP	U003_S001_S017	228
D6834367	GROUND PLATE:HOOK:INNER BACK	U003_S001_S017	229
D6834371	GRIP:COVER:PAPER FEED	U003_S001_S017	230
D6834372	HOOK:CONTACT POINT:FRONT:GRIP	U003_S001_S017	231
D6834374	HOOK:CONTACT POINT:INNER BACK:GRIP	U003_S001_S017	232
D6834394	GUIDE PLATE:ENTRANCE:PAPER FEED:UPPER	U003_S001	233
D6834395	CUSHION:GUIDE PLATE:ENTRANCE:PAPER FEED:FRONT	U003_S001	234
D6834396	CUSHION:GUIDE PLATE:ENTRANCE:PAPER FEED:STOPPER	U003_S001	235
D6834411	TRAY:EXIT	U003_S001	236
D6834412	TRAY:EXIT:AUXILIARY:LARGE	U003_S001	237
D6834413	TRAY:EXIT:AUXILIARY:SMALL	U003_S001	238
D6834421	SHAFT:EXIT:DRIVEN	U003_S001	239
D6834430	ROLLER:EXIT:DRIVEN	U003_S001	240
D6834441	HOLDER:CUSHION:PRESSURE PLATE	U003_S001	241
D6834442	TAPE:PRESSURE PLATE	U003_S001	242

Exclusive Parts

Number	Part Name	Group	ID
		U003_S001_S018	242
D6834510	COVER:LOWER RIGHT:ASS'Y	U003_S001_S018	243
D6834611	COVER:LEFT LOWER	U003_S001	244
D6834615	SHIELDING PLATE:LEFT LOWER:ASS'Y	U003_S001_S011	245
D6834617	SEAL:LEFT LOWER	U003_S001_S011	246
		U003_S001_S017	246
D6834711	GUIDE PLATE:PRESSURE PLATE:LEFT	U003_S001_S019	247
D6834720	PRESSURE PLATE:ASS'Y	U003_S001_S019	248
D6834722	CUSHION:TAPE:SMALL	U003_S001_S019	249
D6834724	CUSHION:PRESSURE PLATE:LARGE	U003_S001_S019	250
D6834725	CUSHION:PRESSURE PLATE:SMALL	U003_S001_S019	251
D6835111	GUIDE:HARNESS:MAIN	U003_S001	252
D6835121	GUIDE:HARNESS:SUB	U003_S001	253
D6835501	PCB:MAIN CONTROL BOARD:DOCUMENT FEEDER:ASS'Y	U003_S001	254
D6835860	CONTACT IMAGE SENSOR:ASS'Y	U003_S001	255
D6836011	DECAL:SIZE:ORIGINAL	U003_S001	256
D6836031	DECAL:SET:ORIGINAL TABLE	ACCESSORIES	33
D6836041	DECAL:DESIGN SKETCH:MISFEED REMOVAL:P2	U003_S001	257
D6836051	DECAL:BASE:ORIGINAL	U003_S001	258
D6837004	ADF:ASS'Y	U003_S001	259
D6846061	DECAL::ORIGINAL:MANY LANGUAGES	ACCESSORIES	34
D6866128	SPONGE:COVER:FRONT:SMALL	U003_S001_S017	260
D6885150	PCB:PUNCH:SENSOR:CONNECTING:ASS'Y	U016	119
D6961194	TIMING PULLEY:TRAY BOTTOM PLATE	U006_S013	357
D7316241	DECAL:STOPPER:SEPARATION UNIT	U003_S001	261
G0143291	SNAP RING - PICK UP	U009	113
G0201332	HINGE - FRONT COVER	U001	102
G0291982	LD DECAL	U005	11

Number	Part Name	Group	ID
		U007_S001	80
G0652767	LEVER - FEED	U006_S007	358
		U006_S008	358
		U006_S009	358
G0652774	PRESSURE LEVER	U006_S007	359
		U006_S008	359
		U006_S009	359
G1026341	SHEET:SENSOR	U014_S001	142
G1073834	RIVET - 2.0	U009	114
		U017_S001	135
		U017_S002	135
		U017_S003	135
		U017_S004	135
		U017_S005	135
G1782971	LEVER:LOCK:TANDEM LCT	U006_S001	360
G1785023	TIMING BELT:S2M190	U009	115
G1786352	GUIDE PLATE:ENCODER	U009	116
		U017_S005	136
G4042810	SPRING PLATE - 2ND MIRROR	U004_S004	59
G5527022	TIMING BELT	U006_S013	361
G5692901	SPRING - LIFT MOTOR	U006	362
G5701225	SENSOR SHIELDING PLATE	U004	60
GA003312	DECAL:CALLCENTER	ACCESSORIES	35
GA082007	PLAIN SHAFT BEARING:4XDIA6DIA8	U014_S001	143
GA082010	BUSHING:DIA6:DIA10:9	U012	49
GW010007	PHOTO REFLECTION SENSOR:EXIT	U006	363
		U006_S007	363
		U006_S008	363
		U006_S009	363
		U015_S002	146
		U016	120
GW230008	TONER END SENSOR	U007_S001_S005	81
		U007_S001_S006	81
		U007_S001_S007	81
		U007_S001_S008	81
GX640028	FAN MOTOR DC24V 1.92W	U019	102
H0602126	BUSHING - M6X7	U003_S001_S008	262

Exclusive Parts

Number	Part Name	Group	ID
J0155505	DRAWER:CONNECTOR:USED DEV ELPER:PLUG	U007_S001	82
M0261778	GUIDE:FFC	U004	61
M0261815	CLAMP:MIRROR:NO.1	U004_S002	62
M0262635	TORSION SPRING:PAPER STOPP ER	U006	364
M0262636	TORSION SPRING:LINK	U006	365
M0262657	SHEET:VERTICAL TRANSPORT:SE NSOR	U006	366
		U006_S018	366
		U016	121
M0262734	DECAL:H-TEMP WARNING:HEATE R	U006	367
M0263343	TORSION SPRING:STOPPER:RIGH T	U007_S001_S001	83
		U007_S001_S002	83
		U007_S001_S003	83
		U007_S001_S004	83
M0263344	TORSION SPRING:STOPPER:LEFT	U007_S001_S001	84
		U007_S001_S002	84
		U007_S001_S003	84
		U007_S001_S004	84
M0662749	OIL DAMPER:STRAIGHT:30N	U006	368
M3644131	TIMING BELT:B40S2M160	U003_S001	263
VSSA9001	LAUNA OIL 40N	Special Tools	11
VSSG9002	FLUOTRIBO MG GREASE : 100G	Special Tools	12

Standard Parts



03130040N
SCREW:M3X4



03130060N
SCREW - M3X6



03130100N
PAN HEAD SCREW:M3X10



03140180N
PAN HEAD SCREW:M4X18



03520030N
SCREW:M2X3



03520060N
SCREW:M2X6



03530030N
SCREW:M3X3



03530040N
SCREW - M3X4



03530060N
BIND SCREW - M3X6



03530200N
SCREW:M3X20



03540060N
SCREW-M4X6



03603005N
SCREW - M3X5



03603006N
SCREW - M3X6



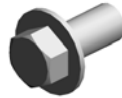
03603008N
SCREW:M3X8



03603014N
SCREW - M3X14



03604006N
SCREW - M4X6



03604008N
SCREW - M4X8



04503014N
TAPPING SCREW:M3X14



04503020N
TAPPING SCREW:M3X20



04503035N
TAPPING SCREW:3X35



04504010N
TAPPING SCREW:M4X10



04513006N
TAPPING SCREW - 3X6



04543006N
TAPPING SCREW:ROUND POINT:3X6



04543006Q
TAPPING SCREW - M3X6



04543008Q
TAPPING SCREW:3X8



04543010Q
TAPPING SCREW:3X10



04543012Q
TAPPING SCREW:3X12



04543014Q
TAPPING SCREW:3X14

Standard Parts



04543025Q
TAPPING SCREW:ROUND P
OINT:3X25



04543030Q
TAPPING SCREW:ROUND P
OINT:3X30



04583008N
HEXAGON HEAD TAPPING S
CREW:3X8



04583010N
HEXAGON HEAD TAPPING S
CREW:3X10



04583012N
HEXAGON HEAD TAPPING S
CREW:3X12



04593008N
BINDING HEAD TAPPING SC
REW:3X8



04593010N
BINDING HEAD TAPPING SC
REW:3X10



06320100G
PIN - 2X10MM



06320120G
PARALLEL PIN - 2X12



06320140G
PARALLEL PIN



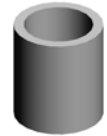
06330120G
PARALLEL PIN - 3X12



06330140G
PARALLEL PIN - 3X14



07010060N
WASHER DIA6



07074060N
BUSHING:DIA4X6



07080060N
WASHER:DIA6



07200020G
RETAINING RING - M2



07200025E
RETAINING RING - M2.5



07200030E
RETAINING RING - M3



07200030G
RETAINING RING - M3



07200040E
RETAINING RING - M4



07200060E
RETAINING RING - M6



07200080E
RETAINING RING - M8



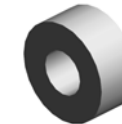
07250150E
RETAINING RING C - M15



07250200E
RETAINING RING C - M20



07270060E
RETAINING RING - M6



07403804
BALL BEARING:DIA4XDIA9X4



07403808
BALL BEARING - 8X16X5MM



07403906
BALL BEARING - 6X15X5

Standard Parts



07413708
BALL BEARING - 8X12X3.5MM



07433806
RADIAL BALL BEARING: DIA6
XDIA13X5



07433808
RADIAL BALL BEARING: DIA8
XDIA16X5



08010231
HEXAGONAL HEAD BOLT W/
WASHER: M3X6



08010234
SCREW WITH WASHER: SMA
LL ROUND WITH SPRING WA
SHER: M5X8



08010236
HEXAGONAL BOLT: DOUBLE
SCREW: M4X8



08010240
BINDING HEAD SCREW: M2.6
X4



08025299
TAPPING SCREW - M3X8



08025305
TAPPING SCREW - M3X6



08025312
TAPPING SCREW: WASHER: 3
X10



08025328
HEXAGON HEAD TAPPING S
CREW: 3X40



08046123
HEXAGONAL BOLT: W/WASH
ER: M3X8



08046128
HEXAGONAL BOLT: DOUBLE
SCREW: M3X10



08050088
RETAINING RING - M6



08050089
RETAINING RING - M4



08050092
RETAINING RING - 3M



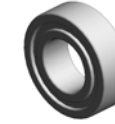
08050103
RETAINING RINGS-E: SILENC
ER: DIA3



08050104
RETAINING RINGS-E: SILENC
ER: DIA4



08050106
RETAINING RINGS-E: SILENC
ER: DIA6



08053573
RADIAL BALL BEARING: DIA8
XDIA16X5

08072089
WASHER - 10MM



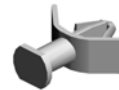
09543005N
SCREW: POLISHED ROUND/
SPRING: M3X5



09544006N
SCREW: POLISHED ROUND/
SPRING: M4X6



11050328
HARNESS CLAMP - ES-0505



11050410
CARD SPACER - 9.4MM



11050487
HARNESS CLAMP

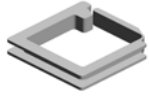


11050508
HARNESS CLAMP - LWS-071
1

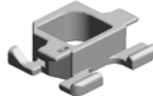


11050511
HARNESS CLAMP - LWS-030
6ZC

Standard Parts



11050532
EDGE SADDLE - LES-25L



11050551
CLAMP:LES-0505



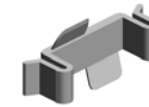
11050568
CLAMP:LWSS-0504



11050582
CLAMP:RBWS-0510D-V0



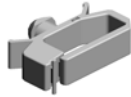
11050600
CLAMP:LWSM-0306-2M



11050604
CLAMP:RFC-16V0



11050692
CLAMP:LES-0503



11050714
CLAMP:LWSM-0511H GRAY



11050723
CLAMPS:WES-0507



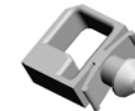
11050724
CLAMPS:WES-1210



11050726
CLAMPS:WES-2217



11050758
CLAMP:LWSM-0306A



11050759
CLAMP:LWSM-0605A



11050760
CLAMP:LWSM-0511A



11050761
CLAMP:LWS-0511A



11050762
CLAMP:LWS-0711A



11050763
CLAMP:LWS-1211A



11050764
CLAMP:LWS-1316A

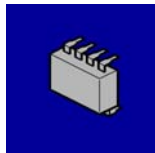


11050765
CLAMP:LWS-2218A



11500448
POWER SUPPLY CODE:125V
:20A:NA

12042612
MICRO SWITCH:D3V-16506-3
C25



14077899
EEPROM:BR24T256-W

PM Part List

Number	Part Name	Num	Group	ID
AF030094	PAPER FEED ROLLER:PICK UP	3	U006_S007	84
			U006_S008	84
			U006_S009	84
AF031046	FEED ROLLER - MANUAL FEED	1	U006	85
AF032046	SEPARATION ROLLER - MANUAL FEED	1	U006	87
D0746158	ROLLER:INTERMEDIATE TRANSFER:ASS'Y	4	U009	42
D0746424	BLADE:CLEANING:BELT CLEANING:ASS'Y	1	U010_S001	16
D0749510	OPC DRUM DIA60	4	U008	20
D1356440	BELT CLEANING:SERVICE:ASS'Y	1	U010_S001	22
D1360150	DEVELOPMENT UNIT:D135/D136	4	U008_S001	22
			U008_S004	22
			U008_S007	22
			U008_S010	22
D1361208	GEAR:INTERMEDIATE TRANSFER:ASS'Y	1	U009	45
D1362330	CLEANING UNIT:ASS'Y	4	U008_S002	36
			U008_S005	36
			U008_S008	36
			U008_S011	36
D1362470	CHARGE UNIT:ASS'Y	4	U008_S003	66
			U008_S006	66
			U008_S009	66
			U008_S012	66
D1363505	COLLECTION BOTTLE:ASS'Y	1	U012_S004	25
D1366090	FLAT BELT-TRANSFER:ASS'Y	1	U009	58
D1366186	ROLLER:OPPOSED:PAPER:ASS'Y	1	U009	102
D1366250	TRANSFER ROLLER:ASS'Y	1	U011_S001_S001	12
D1366260	SEPARATION CORONA:ASS'Y	1	U011_S001	13
D1366917	FILTER:DEVELOPMENT:EXHAUST:SMALL:ASS'Y	1	U019	59

Number	Part Name	Num	Group	ID
D1366935	FILTER:DEVELOPMENT:EXHAUST:LARGE	1	U019	70
D1366938	OZONE FILTER:SMALL	1	U019	71
D1366953	DEODORIZE FILTER:LARGE	1	U019	80
D1366956	DEODORIZE FILTER:SMALL	1	U019	82
D1369640	DEVELOPER BLACK	1	U008	81
D1369660	DEVELOPER CYAN	1	U008	82
D1369670	DEVELOPER MAGENTA	1	U008	83
D1369680	DEVELOPER YELLOW	1	U008	84
D5412121	PAPER FEED BELT	1	U003_S001_S008	85
D5412241	REVERSE ROLLER:PAPER FEED	1	U003_S001	86
D6832228	PICKUP ROLLER	1	U003_S001_S008	147

