

Product Support Guide D014 / D015

Introduction

Model Type	Color MFP
Launch Date	1/15/2008
S/N Configuration	M79/M80
Product Code	D014/D015

Brand/Model Name

Product Code	Gestetner	Lanier	Ricoh	Savin
D014 / D015	MP C6000/MP C7500	LD260c / LD275c	MP C6000 / MP C7500	C6055 / C7570

Product Concept

The Model D014/D015 is based on the engine platform of the B132/B200. Some enhanced specifications include, shorter warm up time, new scan-to-functions, new security features, wider paper handling capabilities and copy quality refinements.



Product Support Guide

D014 / D015

Order Number Main Frame

Item	Model Name	EDP Code	Lanier ID	Notes
Copier	Lanier LD260c Ricoh MP C6000 Savin C6055 Gestetner MP C6000	413959	216-1244	-
Copier	Lanier LC275c Ricoh MP C7500 Savin C7570 Gestetner MP C7500	413960	216-1245	-

Options

Item	Description	EDP Code	Lanier ID	Product Code	Common / Unique
Finisher	SR4010 - 50 sheet document stapler	413974	216-1246	D374	U
Finisher	SR4020 Saddle stitch finisher	413976	216-1247	D373	U
Finisher Adapter	Finisher Adapter Type C (for SR5000 finisher)	413973	216-7190	D375	U
Printer/Scanner	Ricoh Printer/Scanner Bundle	003187MIU	-	-	U
Printer/Scanner	Savin Printer/Scanner Bundle	003188MIU	-	-	U
Printer/Scanner	Gestetner (RLA) Printer/Scanner Bundle	003189MIU	-	-	U
Printer/Scanner	Lanier Printer/Scanner Bundle	003190MIU	-	-	U
PostScript	PostScript 3 Unit Type C7500	414000	216-7192	D378	U
LCT	RT4000 A3/12 x 18 LCT	413965	216-7193	D350	U
Fax Option	Fax Option Type C7500	413968	216-7194	D356	U
G3 Interface	Fax Option Type C7500	413971	216-7195	D357	U
File Format Converter	File Format Converter Type E	414007	216-7196	D377	U
Wireless	IEEE 802.11a/g Type J	414008	216-7197	D377-01	U
Copy Data Security	Copy Data Security Unit Type F	413985	216-7198	B829-07	C (D009)
DOSS	Disk Overwrite Security System Type H	414002	2167-199	D377-06	U
Browser	Web Browser Type D	414173	216-7200	D377-17	U
Java VM	Java VM Card Type F	414004	216-7201	D377-12	U
HDD Encryption	HDD Encryption Type A	414021	216-7202	D377-16	C (D009)
Tab Sheet	Tab Sheet Holder Type 3260	412203	216-7112	B499-04	C (B132)

Product Support Guide

D014 / D015

Item	Description	EDP Code	Lanier ID	Product Code	Common / Unique
Holder					
1 bin Tray	Copy Tray 2075	412190	216-7113	B756	C (B132)
LCT	RT43 LCT	411182	481-0534	B473	C (B132)
LCT Adapter	LCT Adapter Type B	412204	216-7114	B699	C (132)
LG Kit for RT43	Legal Unit for RT 43 Type 1075	411187	481-0534	B474	C (B132)
DLT Tray Kit	A3/11 x 17 Tray Type 2105	411398	481-0678	B331	C (B132)
Punch Unit	Punch Unit Type 3260	412209	216-7116	B702	C (B132)
Jogger Unit	Jogger Unit Type 3260	412212	216-7117	B703	C (B132)
Finisher	SR5000 100 Sheet Finisher	412981	479-1712	B830-17	C (B132)
Punch	Punch Unit Type 5000	412983	481-7052	B831	C (B234)
Cover Interposer	Cover Interposer Type 3260	412213	216-7118	B704	C (B132)
Dual Source Interposer CI5000	2 Source Cover Interposer	412976	4817051	B835	C (B234)
9-bin Mailbox	CS391 Mailbox	412191	216-1229	B762	C (B234)
Z Fold Unit	Z Folding Unit ZF4000	412805	479-1714	B660	C (B234)
Bluetooth	Bluetooth Type 3245	412866	216-7092	B826	C (B132)
Copy Connect	Copy Connector Type 3260	412415	216-7127	B328	C (B132)
Ethernet	Gigabit Ethernet Type B	414204	216-7203	D377-21	U
FAX Memory	FAX Memory (SAF)	001342MIU	481-0174	G578	C (B209)
Key Counter Interface	Key Counter I/F Unit 20pin (Type A)	413012	2167186	B870	C (B222)
Key Counter Bracket	Key Counter Bracket Type 1027	412537	481-0478	B452	C (B132)
Key Card Bracket	Key Card Bracket Type B	412279	216-7122	B498	C (B132)
IEEE 1284	IEEE 1284 Type A	411699	481-0786	B679-17	C (B132)
BK5010	Plockmatic Bookletmaker	413101	479-1720	-	-
CF5010	Plockmatic Cover Feeder	413102	481-7078	-	-
TR5010	Plockmatic Trimmer	413103	481-7076	-	-
BF5010	Plockmatic Book Folder (requires trimmer)	413104	481-7077	-	-
BK5010 Rail Unit	Plockmatic Rail Unit	413105	481-7079	-	-

Product Support Guide

D014 / D015

Item	Description	EDP Code	Lanier ID	Product Code	Common / Unique
BK5010 Staples	Staples	411476	116-7119	-	-
GBC	GBC StreamPunch III	414387	479-1745	-	-
GBC Die Set 3 Hole (Ring Binder)	Die Set	001450MIU	481-0736	-	-
GBC Die Set 11 Hole (Velobind)	Die Set	001451MIU	481-0737	-	-
GBC Die Set 19 Hole (Cerlox)	Die Set	001452MIU	481-0738	-	-
GBC Die Set 21 Hole (Twin Loop Wire 2:1)	Die Set	001453MIU	481-0739	-	-
GBC Die Set 32 Hole (Twin Loop Wire 3:1)	Die Set	001454MIU	481-0740	-	-
GBC Die Set 44 Hole (Color Coil)	Die Set	001455MIU	481-0741	-	-
GBC Die Set 32 Hole (Pro Click)	Die Set	002493MIU	481-7066	-	-

Note:

Additional information about the BK5010 can be found in the BK5010 Product Support Guide. (rfg022914)

Product Support Guide

D014 / D015

Supplies/Yields

Name/Description	Ricoh Product Code	Savin Product Code	Lanier Product Code	Memo for RLA only Gestetner Product Code	Yield (CTN)
Toner MP C7500 (Black) *2	841084	841092	4800459	841088	43,200*
Toner MP C7500 (Cyan) *2	841085	841093	4800460	841089	21,600*
Toner MP C7500 (Magenta) *2	841086	841094	4800461	841090	21,600*
Toner MP C7500 (Yellow) *2	841087	841095	4800462	841091	21,600*
Developer (Black)	D0149640	D0149640	D0149640	D0149640	450K*
Developer (Cyan)	D0149660	D0149660	D0149660	D0149660	450K*
Developer (Magenta)	D0149670	D0149670	D0149670	D0149670	450K*
Developer (Yellow)	D0149680	D0149680	D0149680	D0149680	450K*
Drum	D0149510	D0149510	D0149510	D0149510	450K
Staple Type K for SR4010/4020	410801	9858	410801	-	5,000
Staple Refill Type K for SR4010/4020	410802	9859	410802	-	15,000
Staple CSC760A for SR4010/4020	-	-	-	89858	5,000
Staple Refill CSC760B for SR4010/4020	-	-	-	89859	15,000
Staple Type L for SR4020 (Saddle Stitch)	411240	9885	480091	-	2,000
Staple Refill Type L for SR4020 (Saddle Stitch)	411241	9886	480092	-	8,000
Staple CSC860A for SR4020 (Saddle Stitch)	-	-	-	89885	2,000
Staple Refill CSC860B for SR4020 (Saddle Stitch)	-	-	-	89886	8,000
Staple Type M for SR5000	413013	9908	4800383	89908	5,000
Staple Refill Type M for SR5000	413026	9909	480383	89909	25,000

Note:

* A4, 5% chart is used to measure the above yield. Storage period for toner is max. 1 year.

*2 Newly developed 10% developer mixture. Not compatible with the B132 Series. See the 'Differences Between the D014/D015 & B132/B200' section of the Service Manual for complete details.

Product Support Guide

D014 / D015

Paper

Recommended Plain Paper

Not available at this time

Recommended Special Paper

Special Paper

Type	Brand	Product Name	Media Type	Size	Weight
Special Paper	IP Hammermill	HML Color Copy Gloss	Coated gloss	DLT	32lb
	IP Hammermill	Ultra Premium Photo Laser	Coated gloss	LT	8pt/180gsm
	IP Hammermill	Color Copy Gloss	Coated gloss	LT	80lb.cover
	Domter	Microprint Coated Laser	Coated gloss	DLT	32lb
	Domter	Microprint Coated Laser	Coated gloss	LT	32lb
	Domter	Microprint Coated Laser	Coated gloss	DLT	80lb.cover *1
	Mohawk	Color Copy Gloss	Coated gloss	DLT	32lb
	Mohawk	Color Copy Gloss	Coated gloss	LT	32lb
	Mohawk	Color Copy Gloss	Coated gloss	DLT	90lb
	Xerox	Color Elite Gloss	Coated gloss	LT	100lb.Text
	Xerox	Color Elite Gloss	Coated gloss	12x18	100lb.Text
	IP Carolina	C2S Digital	Thick paper	DLT	10pt/ 260gsm

Notes:

- The "Feeding quality using the DLT LCT" was tested with air assist. To activate the air assist function, select "Thick Paper 2" or "Thick Paper 3" mode. For lighter weighted paper, select "Special Paper 2" mode.
- If a misfeed occurs when using either the mainframe paper bank or LT LCT, please fan the paper. If the problem continues, try using the bypass tray setting a sheet at a time.

*1 Poor fusing may occur, use "Thick Paper 3".

Product Support Guide

D014 / D015

Option Compatibility

Hardware Options	1	2	3	4	5	6	7	8	9	10	11	12	13	14	15	16	17	18
1 11"x17" / A3 Tray																		
2 Tab Sheet Unit																		
3 A3/DLT LCT				X														
4 A4/LT LCT			X		M													
5 A4/LT LCT Adapter				M														
6 LG Unit for LCT				M	M													
7 Copy Tray							X	X	X						X	X	X	X
8 50 Staple Finisher							X	X	X								X	X
9 Saddle Stitch Finisher							X	X	X				X				X	
10 100 Staple Finisher							X	X	X		M	X			X			
11 SR5000										M					X			
12 PU for 50 staple								1	1	X	X		X			X		
13 PU for SR5000								X	X	M		X			X			
14 Jogger Unit 50 staple								1	1									
15 9-bin Mailbox							X	1	1	X	X		X			X	X	
16 Cover Interposer							X	1	1	X	X		X		X			
17 2 Source Interposer							X	X	X						X	X		
18 Z folding unit							X	X	1	1								

(X) Cannot be installed together
(M) Must be installed together
(1) Must be select one of these options & installed together

Software Option	19	20	21	22	23	24	25	26	27	28	29	30	31	32	33
19 Printer/Scanner Unit															
20 PostScript 3	M														
21 IEEE1284 Centro	M			X	X	X									
22 Wireless LAN	M		X		X	X									
23 Bluetooth Unit	M		X	X		X									
24 Gigabit Ethernet	M		X	X	X										
25 HDD Overwrite Unit															
26 Copy Data Security															
27 HDD Encryption Unit															
28 FAX Option															
29 G3 Interface Unit										M					
30 Copy Connector															
31 Java VM Card															
32 File Format Converter															
33 Browser Unit															

Product Support Guide

D014 / D015

Branding Information

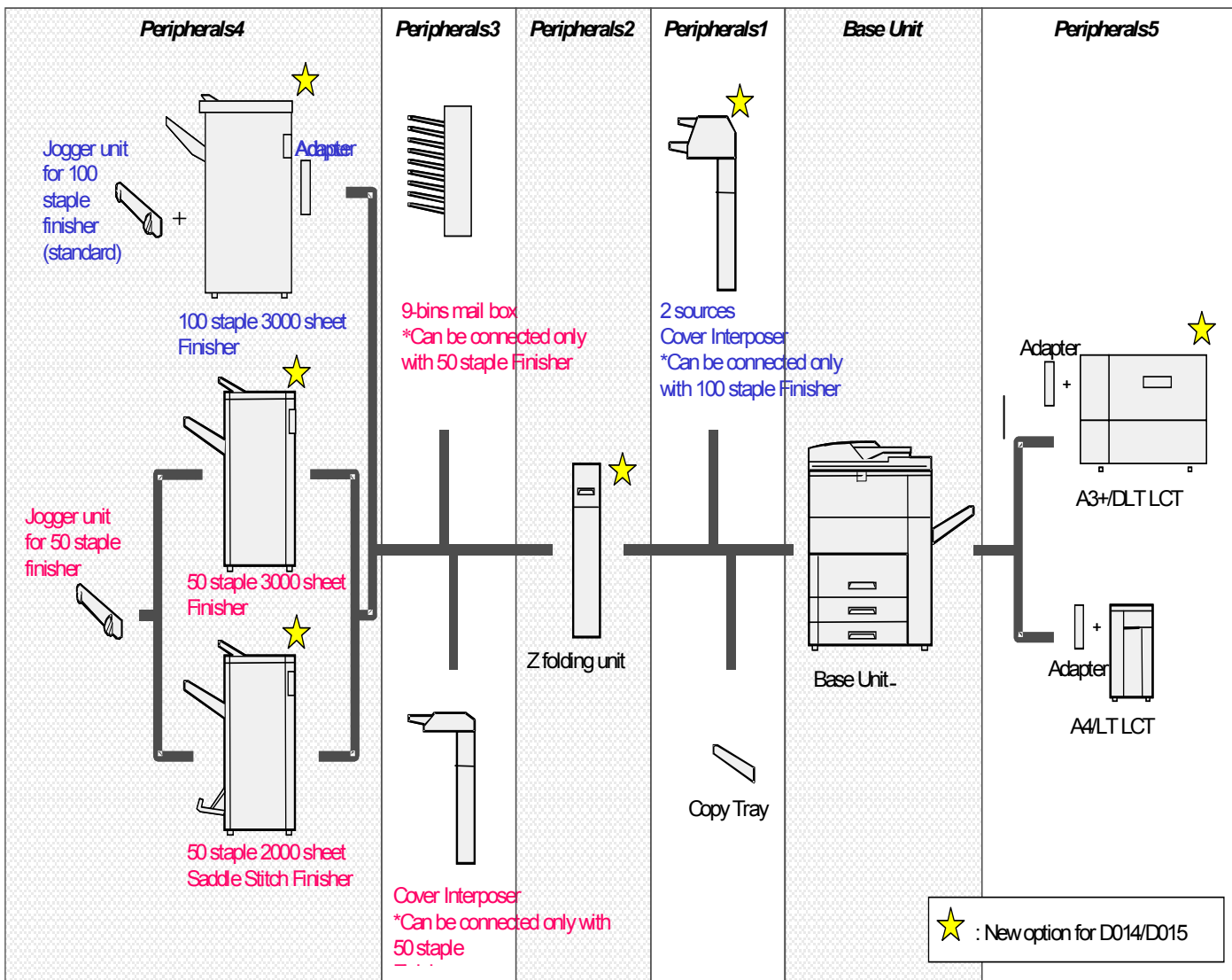
Branding is required as the machines are shipped as a generic version.

Ricoh version machines: You must attach the model label (provided) to the front cover.

Savin/Lanier: You must attach the model label (provided) to the front cover and set the Plug and Play name with SP 5-907.

Configuration

Main Frame Configuration



Product Support Guide

D014 / D015

MFP Options

Hardware Option

	Punch Unit for SR5000 NA 2/3
	Punch Unit for SR5000 EU 2/4
	Punch Unit for SR5000 SD 4
	Punch Unit for 50 staple Finisher NA 2/3
	Punch Unit for 50 staple Finisher EU 2/4
	Punch Unit for 50 staple Finisher SD 4
	LG Unit for LT/A4 LCT
	A3/DLT tray kit
	Copy connector
	Tab Sheet Unit
	File Format Converter

Security Option

	HDD Overwrite Security Kit
	Unauthorized copy Gard Unit
	HDD Encryption Unit

	New option
	Common to other models
	Common to B132/B200

Controller Option

	Printer/Scanner Unit (Inc. PictBridge)
	PostScript 3

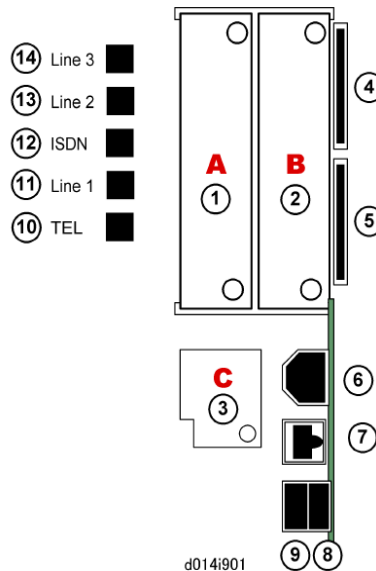
Network Option

	IEEE802.11a/b/g
	IEEE1284
	Bluetooth interface unit

Others

	Browser Unit
	JAVA VM Card
	FAX Unit
	G3 Interface unit
	NRS
	Key Counter Bracket
	Key Card Bracket
	Key card I/F Option

MFP Option Board Slot / SD Card Assignments



Product Support Guide

D014 / D015

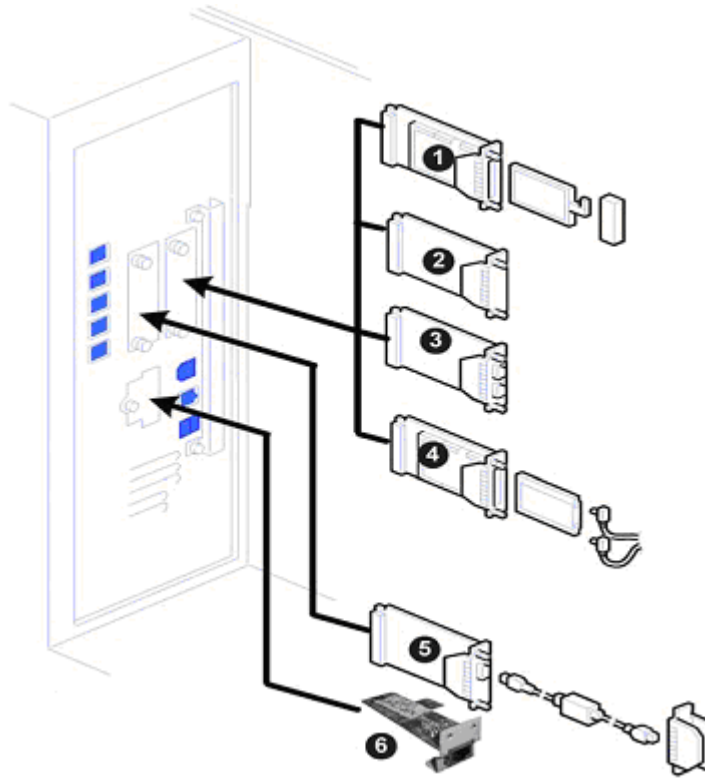
#	Slot	Option Name
1	A	Copy Connector (B328) only
2	B	• IEEE1284 (B679) • File Format Converter (D377) • IEEE802.11a/g (D377) • Bluetooth (B826)
3	C	Gigabit Ethernet (D377). The EFI (Fiery) controller is connected through Gigabit Ethernet.
4	Upper	• Browser Unit (D377) • Data Overwrite Security (D377) • HDD Encryption Unit (D377) • PostScript3 (D378) • Printer/Scanner Unit (D376)
5	Lower	• VM Card (D377) Also used as the Service Slot for firmware updates, moving applications to another SD card with SP5873 (Apli Move).
6	USB 2.0	Built-in for connection of USB devices.
7	100BaseT	Standard LAN connection point.
8	USB Ch1	For future use (PictaBridge, other application devices). Note: These connection points are covered with a plate. Remove the screw, rotate the plate and reattach it with the screw so that the slots are exposed, and then attach the connector.
9	USB Ch 2	
10	TEL	Jack for telephone connection
11	Line 1	Jack for main telephone line from the outside for connection to Fax Option (D356).
12	ISDN	Jack for ISDN connection Japan Only
13	Line 2	Jack for a 2nd line connection to Fax Interface Unit (D357) (G3) when this option is installed.
14	Line 3	Not used. (G4 is not available for installation outside Japan at this time.)

Important Notes

- Only two SD Card slots are available for applications.
- The VM card must be inserted in the lower slot.
- Other applications must be inserted in the upper slot.
- If more than one application is required in the upper slot, the applications must be moved to the same SD card with SP5873-1.
- The PostScript3 application cannot be moved to another card. However, other applications can be moved to the PostScript3 SD card.
- The VM Card must be inserted in the lower slot. This is because it requires about 22 MB of disk space, and cannot be merged onto the SD card in the upper slot if that card already contains all the other applications.
- If the customer needs more than one application in the upper slot, the applications must be moved to one SD card. (See "Moving Applications to One SD Card" in this section)

Product Support Guide

D014 / D015



#	Slot	Option Name
1	B	B826 Bluetooth
2	B	D377 File Format Converter
3	B	B679 IEEE1284
4	B	D377 IEEE802.11a/g
5	A	B328 Copy Connector
6	C	D377 Gigabit Ethernet*1
Inside Controller Box		B828 Copy Data Security Unit Type F (not shown, is attached to the IPU inside the controller box.)

*1: The EFI (Fiery) controller (when available) is connected through Gigabit Ethernet.

Note: Items 1 to 5 must be in the same slot. Only one of these cards can be installed at the same time.

Product Support Guide

D014 / D015

Main Frame Comparison

Feature		B132/B200	D014/D015
General Spec.	Copy / Print Speed	45/60 and 55/60	55/60 and 70/75
	Warm-up Time	300 seconds	75 seconds
	FCOT	6.5/7.5 seconds	4.9/6.4 seconds
	Self check duration	60 seconds	15 seconds
	Toner	Mechanically Ground	Chemical
	Cartridge Yield	18/36K	21.6/43.2K
	Op Panel	Monochrome LCD	Color VGA
	Security	DOSS	DOSS; Color Use Restriction; Copy Data Security; Encrypted PDF transmission
Scanner Features	Scanner Speed	45/60 ipm	60/75 ipm
	High compression PDF	No	Yes
	Preview transmission before	No	Yes
Fax	Fax option	No	Yes
Doc Server	Thumbnail preview	No	Yes
Printing	Job Type	Sample, Locked	Sample, Locked, Stored Print/shared, Store and Print/shared
	Mail to Print	No	Yes
	Pict Bridge Support	No	Yes
Paper Handling	Paper Weight	34lb bond/140lb index (127/256 gsm)	90lb index/110lb cover (163/300gsm)
	Max Paper Sizes	Tray 1: 11 x17 Tray2/3: 12 x 18 Bypass: 12 x 18 LCT: 8.5 x 14	Tray 1: 11 x17 Tray2/3: 12 x 18 Bypass: 12 x 18 LCT: 12 x 18
	Interposer	Single source Interposer	Dual or single source Interposer
Finishing		50 sheet; 100 sheet finisher; booklet finisher; GBC; Plockmatic BK5010	Z- folding; 50 sheet; 100 sheet finisher; booklet finisher; GBC; Plockmatic BK5010

Note:

The GBCIII and BK5010 can be installed onto the D014/D015. Refer to Technical Service Bulletin 65R. Custom firmware is no longer needed. The GBCIII and BK5010 are now compatible with the Fiery Controller. See TSB – 65R and Fiery TSB D380 – 15.

Product Support Guide

D014 / D015

Installation

Installation Requirements

Temperature Range:	10° C to 32° C (50° F to 89.6° F)
Humidity Range:	15% to 80% RH
Ambient Illumination:	Less than 1,500 lux (do not expose to direct sunlight)
Ventilation:	3 times/hr/person
Ambient Dust:	Less than 0.10 mg/m ³
Avoid areas exposed to sudden temperature changes:	
	<ul style="list-style-type: none"> • Areas directly exposed to cool air from an air conditioner. • Areas directly exposed to heat from a heater.
Do not place machine where it will be exposed to corrosive gas or vapor.	
Do not install the machine at any location over 2,000m (6,500 ft.) above sea level.	
Place the machine on a strong and level base. Inclination on any side should be no more than 5mm (0.2")	
Do not place the machine where it may be subject to strong vibrations.	
Machine level	<ul style="list-style-type: none"> • Front to back: within 5mm (0.2") of level • Right to left: within 5mm (0.2") of level

Power Requirements

Line voltage level:

D014: 120V 60 Hz 20A

D015: 208 to 240V 50~60 Hz 20A

Permissible voltage fluctuation: +/-10%

Never set anything on the power cord.

D014 (MP C6000) Only

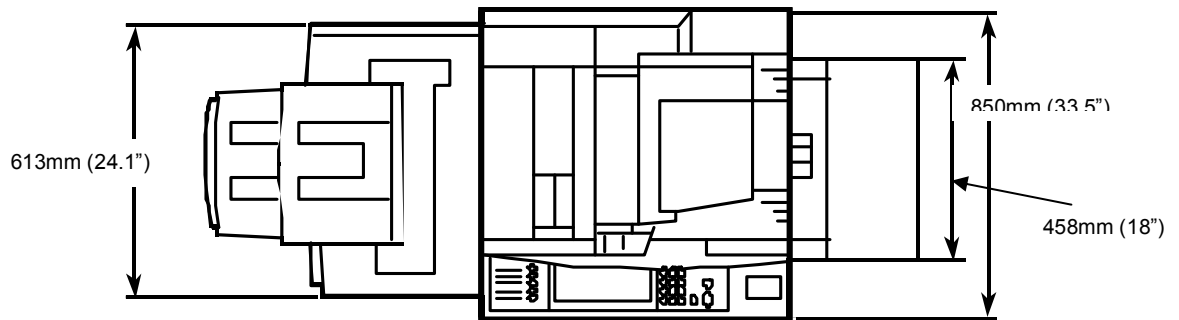
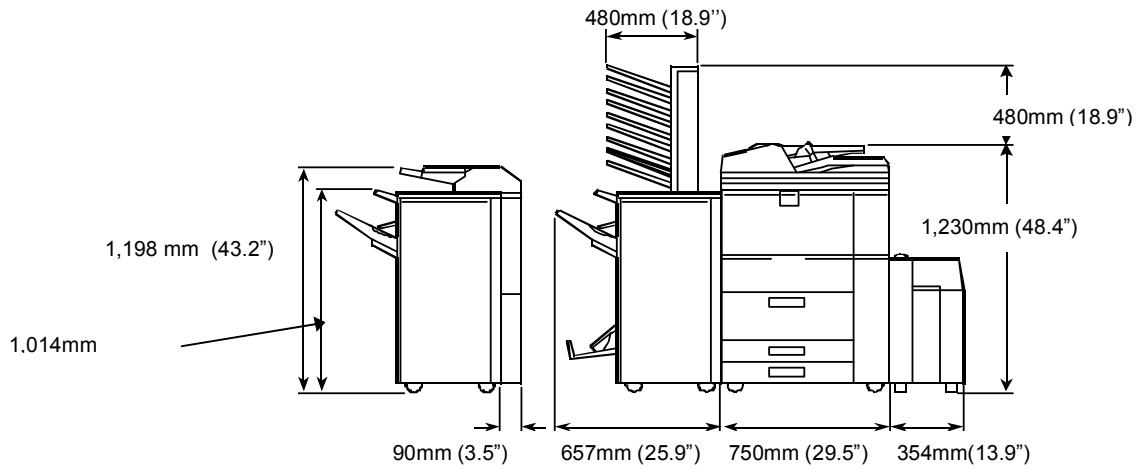
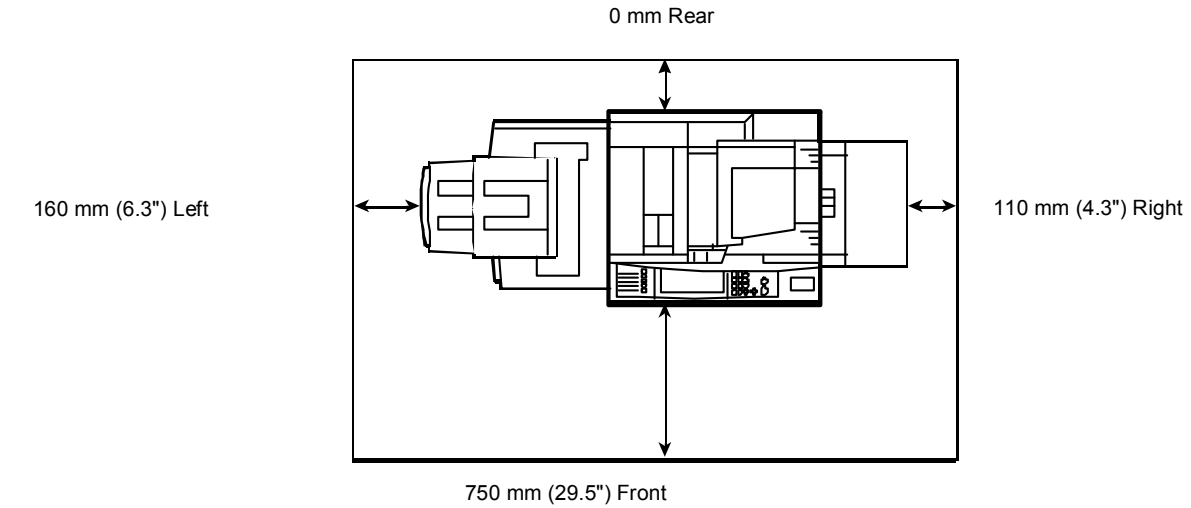
D015 (MP C7500) Only



Product Support Guide

D014 / D015

Space Requirements



Product Support Guide

D014 / D015

Power Consumption / Noise Emission

Power Consumption

Mode	Power Consumption
Auto Off Timer -Off Mode-	D014: less than 10W D015: less than 10W
Energy Save Timer -Sleep Mode-	D014: less than 236W D015: less than 294W
Panel Off Timer -Low Power Mode-	D014: less than 400W D015: less than 400W

Noise Emission

Mode	Model	Target
Standby	D014/D015	54 dB (A) or less / 56 dB(A) or less
Copying	D014/D015	71dB(A) or less / 73 dB(A) or less

NOTE: The above measurements were made in accordance with ISO7779. The measurements were taken from the normal position of the operator.

Installation Times

Unit	Installation Time (Minutes)	Unit	Installation Time (Minutes)
Finisher	15 minutes	Printer/Scanner:	5 minutes
Booklet Finisher	15 minutes	NIB:	5 minutes
Punch Unit	10 minutes	IEEE 1394:	5 minutes
Cover Interposer	15 minutes	USB 2.0:	5 minutes
By-pass Tray	15 minutes	Bluetooth:	5 minutes
A3/DLT Kit	15 minutes	Wireless LAN:	5 minutes
Z folding unit	15 minutes	MLB	5 minutes
A4/LT LCT	15 minutes	Gigabit Ethernet	5 minutes
A3/DLT LCT	15 minutes	-	-

Product Support Guide

D014 / D015

Storage/Transportation

Conditions for Storage & Transportation			
	Temperature	Humidity	Storage Period
Toner Developer	Under 35°C	15~80%	12 months
	36 ~ 40°C	15~80%	1 month
	41 ~ 50°C	15~80%	12 Hours

Remarks:

* Store in a dry, dark place where temperature does not exceed 40°C on continuance storage/transportation conditions.

* Do not store more than 12 hours under the temperature between 41 and 50 °C.

*Do not store more than a month under the temperature between 36 and 40 °C.

Parts / Special Tools / Maintenance

PM Parts / Yields

Mainframe

PM Kits

PMD014150K

PMD014300K

Unique/Common

U: Unique for this model

C: Common with listed model

Part Number	Description	Q'ty/ Unit	PM Interval (copies)	Unique or Common
Photo Conductor Unit				
D0149510	OPC Drum	4	450k	U
D0142441	Drum Charge Roller Assy	3	150k	U
D0142391	Drum Charge Wire Assy	1	200k	U
D0142352	Drum Cleaning Blade	3	150k (C, M, Y)	U
		1	200k (K)	
D0142368	Drum Lubricant Supply Blade	3	150k (C, M, Y)	U
		1	200k (K)	
D0142321	Drum Lubricant Bar	3	150k (C, M, Y)	U
		1	200k (K)	
D0142335	Drum Lubricant Supply Brush	3	300k (C, M, Y)	U
		1	400k (K)	
D0142338	Joint PCU	3	300k (C, M, Y)	U
		1	400k (K)	
D0142337	Drum Lubricant Supply Brush Gear	3	300k (C, M, Y)	U
		1	400k (K)	
D0142345	Idle Gear 1	3	300k (C, M, Y)	U
		1	400k (K)	
D0142346	Idle Gear 2	3	300k (C, M, Y)	U
		1	400k (K)	
D0142333	Drum Cleaning Brush Gear	3	300k (C, M, Y)	U
		1	400k (K)	

Product Support Guide

D014 / D015

Part Number	Description	Q'ty/ Unit	PM Interval (copies)	Unique or Common
Photo Conductor Unit (continued)				
D0142286	Waste Toner Collect Gear	3	300k (C, M, Y)	U
		1	400k (K)	
D0149640	Developer Cartridge Black	1	450k *1	U
D0149660	Developer Cartridge Cyan	1	450k *1	U
D0149670	Developer Cartridge Magenta	1	450k *1	U
D0149680	Developer Cartridge Yellow	1	450k *1	U
Image Transfer Belt Unit				
D0146050	Image Transfer Belt	1	600k	U
D0146455	Belt Cleaning Blade	1	300k	U
D0146470	Belt Cleaning Lubricant Bar	1	300k	U
D0146507	Belt Cleaning Lubricant Supply Blade	1	300k	U
D0146463	Belt Cleaning Lubricant Supply Brush	1	300k	U
Paper Transfer Roller Unit				
D0146280	Paper Transfer Roller	1	600k	U
D0146265	PTR Cleaning Blade	1	300k	U
D0146260	PTR Lubricant Bar	1	300k	U
B1326268	Paper Discharge Plate	1	300k	C
Fusing Unit				
D0144090	Fusing Belt	1	600k	U
AE010065	Hot Roller	1	300k	U
AE020165	Pressure Roller	1	600k	U
AE042080	Pressure Roller Cleaning Roller	1	300k	C
AE040042	Oil Supply Roller	1	300k	C
AE030049	Pressure Roller Bearing	2	600k	C
Filters				
D0143586	Dust Fiter	3	450k	U
D0146978	Dust Filter	2	300k	U
B1322435	Dust Filter	3	450k	C
B2473340	Filter Development	4	450k	C
Waste Toner Bottle				
B1326609	Waste Toner Bottle	1	150k	C

Note: *1 Significantly higher yields over the B132 Series developer. See the '**Differences Between the D014/D015 & B132/B200**' section of the Service Manual for complete details.

Product Support Guide

D014 / D015

PM Parts / Yields cont Options

Auto Reverse Document Feeder

Unique/Common
U: Unique for this model
C: Common with listed model

Part Number	Description	Q'ty/ Unit	PM Interval	Unique or Common
A8061295	Feed Belt	1	120k	C
B4772225	Pick-Up Roller	1	120k	C
A8592241	Reverse Roller	1	120k	C
B6523121	Transport Belt	1	120k	U

Special Tools & Lubricants

Item	Part Number	Description	Q'ty	Unique or Common
1	B6455010	SD Card	1	C (Model B070)
2	B6456700	PCMCIA Card Adapter	1	C (Model B070)
3	B6456800	USB Reader/Writer	1	C (Model B070)
4	G0219350	Loop Back Connector	1	C (Model B064)
5	C401 9503	20X Magnification Scope	1	C (General)
6	A2579300	Grease Barrierta – S552R	1	C (General)
7	52039501	Silicon Grease G-501	1	C (General)
8	B1329700	Lubricant Powder	1	C (Model B132)
9	A0929503	C4 Color Test Chart (3 pcs/set)	1	C (General)
10	VSST9501	Connection Kit Color Test Chart (3 sheets/set)	1	C (Model B132)

Target Reliability

Model	D014	D015
Average Monthly Volume	30kp	50kp
Max. Monthly Volume	150kp	150kp
PM Interval	150K	150K

Product Support Guide

D014 / D015

Specifications / Documentation

Configuration		Console	Remarks
Dimension W x D x H		750 x 850 x 1050mm 750 x 850 x 1230mm	Exclude ARDF Include ARDF
Weight		Less than 298kg	Include ARDF
Original Scanning		Flatbed with moving 3-line CCD array Image-scanning	
Copy Process		4-drum dry electrostatic transfer system with internal transfer belt	
ARDF		Standard	
Engine Speed	D014	FC 55cpm / BK 60cpm	
	D015	FC 70cpm / BK 75cpm	
Warm-up Time		D014: Less than 90 sec D015: Less than 75 sec	
First Copy Output Time	FC	D014/D015: less than 7.5 sec. / 6.4 sec.	
	BK	D014/D015: less than 5.7 sec. / 4.9 sec.	
Original Type		Sheet / Book / Object	
Max Original Size		A3 / 11"x 17"	
Resolution	Copy	600dpi 4bit	
	Print	600dpi 4bit	
	Scan/Send	600dpi 8bit	
Image-able Size	Default	297 (+4) x 457mm	-Image-able size depends on the application. -(+4) is out of guarantee
	Max	297 (+4) x 600mm	-Setting change via SP mode is required. -You cannot select the Max setting, if you use SR5000. -Image-able size depends on applications. -(+4) is out of guarantee
Magnification	NA Model	7 Reduction & 5 Enlargement 93%, 85%, 78%, 73%, 65%, 50%, 25%, 121%, 129%, 155%, 200%, 400%	
Zoom		25-400%	1% step
Paper Capacity	1 st Tray	1,100 x 2 Sheets	To be calculated with 80 g/m ² 20 lb. Bond paper
	2 nd Tray	550 Sheets	
	3 rd Tray	550 Sheets	
	Bypass Tray	100 Sheets	

Product Support Guide

D014 / D015

Configuration		Console	Remarks
	Max Capacity	7,400 Sheets	With 4,000 sheet LCT Option
Original Size Detection -Exposure Glass-	NA Model	11"x17" SEF, 8 1/2"x14" SEF, 8 1/2"x11" LEF/SEF	
Original Size Detection -ARDF-	NA Model	*Please refer to Service Manual	
Paper Size	1 st Tray	*Please refer to Operators Reference Manual.	
	2 nd & 3 rd Tray		
	Bypass Tray		
	Duplex Tray		
Paper Weight	1 st Tray	52.3-216g/m ² * 14lb Bond – 80 lb. Cover	Maximum paper weigh of 216 g/m ² (80lb.Cover) is dependant on paper condition. See information about paper condition for the maximum paper weight.
	2 nd Tray	52.3-216g/m ² * 14lb Bond – 80 lb. Cover	
	3 rd Tray	52.3-216 g/m ² * 14lb Bond – 80 lb. Cover	
	Bypass Tray	52.3-300 g/m ² 14 lb. Bond - 110 lb. Cover	
	Duplex Unit	64-163 g/m ² 17 lb. Bond – 90 lb. Index	
Output Capacity with Copy Tray		500 Sheet	A4 / 8 1/2" x 11"
Power Specification	NA Model	D014: 120V / 20A / 60Hz D015: 208-240V / 12A 60Hz	
Max Power Consumption	NA Model	D014: Less than 1920W D015: Less than 2400W	
Counter	NA Model	Electric counter & Mechanical counter x 2	
Counterfeit Prevention		Bill Recognition & Invisible Marking Function	

Product Support Guide

D014 / D015

Printer Specifications

Printer			
CPU		Intel Pentium-M 1.4GHz	
RAM	Standard	1,536MB	
HDD	Standard	320GB (160GB x 2)	
PDL	Standard	RPCS, PCL5c, PCL6	
	Option	PS3	
Print Resolution	Max.	600 dpi (4bit)	
Font	Standard	PCL: TrueType: 10 fonts, Intelli: 35 fonts International fonts: 13 Intellifonts	
	Option	PS3: 136 Adobe PostScript Type 1 fonts	
Connectivity	Host Interface	Standard	Ethernet (100 Base-TX/10 base-T) USB Host, USB2.0
		Option	IEEE1284, Wireless LAN (IEEE802.11a, b, g), Bluetooth, Ethernet 1000 Base-T
	Network Protocol		TCP/IP, IPX/SPX, SMB, Apple Talk
	MIB Support	Private MIB	RICOH Original
		Standard MIB	MIB-II (RFC1213), Host Resource (RFC1514), Printer (RFC1759)
Network/Operating System		Windows 2000/XP/Vista/Server 2003 Netware 3.12, 3.2, 4.1, 4.11, 5.0, 5.1, 6, 6.5 Unix; Sun Solaris, HP-UX, SCO OpenServer, RedHat Linux, IBM AIX Mac OS 8.6-9.2x, OS X 10.1 or later	

Document Server Specification

Document Server Capacity	
HDD Capacity for Document Server	191.8GB
Maximum Stored Document	3,000 documents
Maximum Page per Document	2,000 pages / document
Maximum Page of all stored Document	15,000 pages

Data Format	
Copy	RICOH Unique Format
Print	RICOH Unique Format
Scan	TIFF, JPEG, PDF

Remarks: Document Server capacity depends on the image coverage of each document. Actual capacity may vary.

Printing Speeds

PPM (print/minutes)	D014				D015			
	Simplex		Duplex		Simplex		Duplex	
	BW	FC	BW	FC	BW	FC	BW	FC
DLT SEF	32	29	30	28	37	36	34	33
LT LEF	60	55	60	55	75	70	75	70
LT SEF	47	43	32	30	60	56	37	35
LG SEF	38	34	30	28	50	46	35	33

Product Support Guide

D014 / D015

Copier Enhanced Features		Remarks	
Image Density	Auto Image Density		
	Manual Selection	9 Levels	
Color Model	Auto Color Selection		
	Full Color		
	Black & White		
	Single Color	Default: 12 colors + Black User Color: 15 colors	
Copy Mode	Twin-color	Black & Other color Red & Black	
	Auto Text-Photo Separation	Printed photo mode Glossy photo mode Copier photo mode	
	Photo	Printed photo mode Glossy photo mode Copier photo mode	
	Text		
	Map		
	Pale		
	Generation		
	Highlight Pen		
Paper Selection	Inkjet	3 modes	
	Auto Paper Selection		
	1 st Tray		
	2 nd Tray		
	3 rd Tray		
	LCT	LCT option is required	
Paper Tray Display	1 st Tray LCT	Plain Paper* Recycle Paper Special Paper1, 2 Color Paper 1, 2 Letter Head Prepunched Paper Preprinted Paper Bond Paper Cardstock Thin Plain1, 2 Middle thick Thick Paper 1, 2, 3**	*Not displayed as paper type **Only for A3/DLT LCT

Product Support Guide

D014 / D015

Copier Enhanced Features		Remarks
	2 nd & 3 rd Tray Plain Paper* Recycle Paper Special Paper1, 2 Color Paper 1, 2 Letter Head Prepunched Paper Preprinted Paper Bond Paper Cardstock Tab stock Thin Plain1, 2 Middle thick Thick Paper 1, 2	*Not displayed as paper type

Scanner		
Optical Resolution		Default: 200dpi 100, 150, 200, 300, 400, 600dpi
Scan Speed		60 / 75 (ADF – Copy Mode)
Max Scan Area		Maximum: 297 x 432mm
Auto Scan Size Detect	Contact Glass	Supported
	ARDF	Supported
Original Size	Standard	A3 SEF, A4 SEF, A4 LEF, A5 SEF, A5 LEF, B4 SEF, B5 SEF, B5 LEF 11"x17" SEF, 8 1/2"x14" SEF, 8 1/2"x13" SEF, 8 1/2"x11" SEF, 8 1/2"x 11" LEF, 5 1/2"x8 1/2"SEF, 5 1/2"x8 1/2" LEF
	Customized	Minimum: 10 x 10mm Maximum: 297 x 432mm
Compression Method		BW / Binary: TIFF MH/MR/MMR Grayscale / Full Color: JPEG (5 levels)
Interface Support		10/100base-TX, Wireless LAN,
Scan Mode	Default	BW_Text
	Support	BW_OCR (inc Drop-out Color), BW_Text-Photo, BW_Photo, Grayscale Auto Color Selection (ACS), FC_Photo, FC_Text-Photo,
Image Density		Auto Density Selection, Manual Setting_7 Levels
Image Rotation		Supported
SADF / Batch Mode		Supported
Mixed Size Original		Supported

Product Support Guide

D014 / D015

Scan-to-Email		
Requirement		SMTP Gateway and TCP/IP
Authentication		SMTP, POP before SMTP
Resolution		Default: 200dpi 100, 150, 200, 300, 400, 600dpi
Resister E-mail Address in HDD		Max. 2,000 Addresses
Resister Group Address in HDD		Max. 500 Addresses Maximum 100 Addresses in One Group Addresses
Maintain E-mail Address in HDD		Via Operation Panel, Web Image Monitor, Smart Net Monitor
Search E-mail Address in HDD		By name & E-mail address
LDAP		YES
Max Address Number per Send		Max 500 Addresses
Address Number per send	via Address Book	Max 500 Addresses
	Direct Input	Max 100 Addresses
	via LDAP	Max 100 Addresses
Attention		To, cc, bcc
Subject	Manual Input	Max. 128 characters
	Pre-resist	24 Subjects Max 20 Characters per a subject
Body Message	Manual Input	Max. 80 Characters
	Pre-resist	5 Body Message Max. 80 Characters x 5 lines per a body message
	Fixed Message	Supported "This e-mail included attached file sent from xxxxx"
E-mail Size Restriction		128-102,400KB* Default: On / 2,048KB
File Type		Single Page TIFF, Single Page PDF, Multi Page TIFF, Multi page PDF, High compression PDF
Program Registration		Supported Up to 10 Programs
Divide & Send E-mail		Supported by Size or Page* Default: On by Size
Resend		Supported Default: On

Product Support Guide

D014 / D015

Scan-to-Folder	
Protocol Support	SMB, FTP, NCP
Security	Client folder log-in -Log-in name and password- Encryption of log-in name and password during transmission
Resolution	Default: 200dpi 100, 150, 200, 300, 400, 600dpi
Max. Resisted Client Folder Address in HDD	Maximum 2,000 addresses
Maintain Client Folder Address in HDD	Via Operation Panel, Web Image Monitor, Smart Net Monitor
Max. Client Folders per send	Max.50 client folders per sent
Group Address	Max.100 destinations (50 client folders)
Subject	Not supported to input subject
Size Restriction	No limitation
Size Restriction combined with Scan to e-mail	Conforming to the scan to e-mail specification
File Type	Single Page TIFF, Single Page PDF, Multi Page TIFF, Multi page PDF
Program Registration	Supported Up to 10 Programs
Resend	Supported Default: On

Network TWAIN driver	
Correspondence OS	Windows 95, 98, 98SE, ME Windows NT Server4.0 (SP5 or later) Windows 2000 Server Windows XP, Vista
Resolution	100-1200dpi
Scan Mode	Standard, Photo, OCR, Filing
Image Adjustment	Brightness, Contrast, Threshold, Gamma Adjustment, Halftone Pattern
Stamp	Date, Page Number, Text

Product Support Guide

D014 / D015

Fax Specifications		Remarks
Circuit:		PSTN, PBX
Compatibility:		ITU-T (CCITT) G3, Additional G3 (option),
Resolution		8 x 3.85 line/mm, 200 x 100dpi (std.) 8 x 7.7 line/mm, 200 x 200dpi (std.), 8x15.4line/mm, 16x15.4 line/mm, 400x400dpi (with optional SAF memory)
Compression method:		MH, MR, MMR, JBIG
Scanning speed (DF Used):		0.5sec.(A4/LT SEF, Standard/Detail mode and Super Fine mode), *ITU-T No1 chart, 200 x 100 dpi(Standard mode), 200dpi(Detail mode), 400dpi(Super Fine mode)
Number of Pages Scanned Per Minutes: (DF Used)	A4/LT SEF	Standard mode: 40 cpm Detail mode: 40 cpm Super Fine mode: 35 cpm
	A4/LT LEF/image rotation	Standard mode: 65 cpm Detail mode: 60 cpm Super Fine mode: 35 cpm
Modem speed:		33.6K – 2,400bps (G3, Standard with Automatic Shift Down) (33600, 31200, 28800, 26400, 24000, 21600, 19200, 16800, 14400, 12000, 9600, 7200, 4800, 2400 bps)
Transmission speed:		G3: Approx.2 seconds (200x100 dpi, JBIG, ITUT #1 chart TTI off, memory transmission) G3: Approx.3 seconds (200x100dpi, MMR, ITUT #1 chart, TTI off, memory transmission)
Memory backup:		One hour
Smoothing:		Standard
TTI/RTI:		Standard
CSI:		Standard
Quick dial/ Speed dial:		Standard: 2,000 numbers
Group dial:		Standard: 100 groups (500 numbers per 1 group)
Program:		Standard: 100 numbers
Redial:		Standard
Direct fax number entry:		Standard
Dual access:		Standard
User Code:		Std. 100 Codes (Max. 500 codes with optional "User Account Enhance Unit")
Page counter:		Standard
Auto reduction:		Standard
Wild cards:		Standard
ID code programming:		Standard (4 digits)
Programming by OMR:		No
User function key:		Standard (3 keys)
Night timer:		No
Energy saver::		Standard
LCD prompt:		Standard
Remaining memory indication		Standard
Clock adjustment:		Standard
User parameter setting:		Standard
User data transfer:		Standard

Product Support Guide

D014 / D015

Transmission Features	
Immediate transmission:	Standard
Memory transmission:	Standard
Serial broadcasting	Standard (Max. 500 numbers)
Send later:	Standard
Error correction mode:	Standard
Page retransmission:	Standard
Forwarding:	Standard
Image rotation:	Standard
Book fax:	Standard:
Closed network (transmission):	Standard
Double sided transmission:	Yes
Immediate transmission:	Standard
Reception Features	
Automatic reception:	Standard
Manual reception:	Standard
Substitute reception:	Standard
Authorized reception:	Standard
Multi-copy:	Standard
Closed network:	Standard
Reception time printing:	Standard
Center mark:	Standard
Checkered mark:	Standard
Economy printing mode:	No

LAN Fax M 8 Basic Specifications	
Paper Size:	A3, DLT, B4, A4 (default for EU/Asia model), Letter (default for NA model), Legal, B5, A5
Resolution:	-Super Fine (400 x 400 dpi) -Detail (200 x 200 dpi) *default -Standard (200 x 100 dpi)
Gray Scale: (Available only for Win95/98/Me Driver)	-Off -On normal *default -On lighter
Number of Address:	500
OS:	Windows 95/98, Windows Me, Windows NT4.0, Windows2000, Windows XP, Vista (Gray Scale is only available for the driver of Windows95/98, Me)
LAN-Fax Editor support language:	1.English, 2.German, 3.French, 4.Italian, 5.Spanish, 6.Dutch, 7.Swedish, 8.Norwegian, 9.Danish, 10.Finnish, 11.Hungarian, 12.Czech, 13.Polish, 14.Portuguese, 15.Russian, 16.Korean, 17.Traditional Chinese, 18.Simplified Chinese Condition: OS need to have the same language.
Memory	Minimum required for each OS
CPU	Minimum required for each OS
HDD	Minimum required for each OS

Product Support Guide

D014 / D015

Internet Fax Basic Specifications	
Requirement of Mainframe:	G3 fax option is required. Printer Scanner option is required.
Number of Address:	2,000 HDD storage
E-mail Address Input:	From LCD operation panel, Web Image Monitor, Smart Device Monitor for Admin
Attention:	“to” or “bcc” (select only one), max 500 attentions
Destination Combination:	Internet Fax + G3 Fax, Internet Fax to PC + G3 Fax
Network:	LAN: Local Area Network Ethernet/10Base-T, 100Base-TX, IEEE802.11b (wireless LAN)
Transmit function:	E-mail
Scan line density:	200 x 100 dpi (Standard character), 200 x 200 dpi (Detail character), 200 x 400 dpi (Fine character: optional) *1, 400 x 400 dpi (Super Fine character: optional) *1
Original size: Scanning width:	A3 *1, B4 *1, A4
Communication Protocols:	Transmission SMTP, TCP/IP Reception POP3, SMTP, IMAP4, TCP/IP
E-mail format:	Single/Multi-part, MIME Conversion Attached file forms: TIFF-F (MH, MR *1, MMR*1 compression)
Authentication method:	SMTP-AUTH, POP before SMTP, A-POP
Internet communication:	Send and receive e-mail with a computer that has an e-mail address
E-mail send functions:	Automatic conversion of sent documents to e-mail format and e-mail transmission. Memory transmission only.
E-mail receive functions:	Automatic detection and printing of appended TIFF-F(MH) files and ASCII text. Memory reception only.

IP – FAX Basic Specifications	
Network:	LAN: Local Area Network Ethernet/10base-T, 100base-TX, IEEE802.11b (wireless LAN)
Scan line density:	8 x 3.85 lines/mm, 200 x 100 dpi (Standard character), 8 x 7.7 lines/mm, 200 x 200 dpi (Details character), 8 x 15.4 lines/mm (Fine character: optional expansion memory required), 16 x 15.4 lines/mm, 400 x 400 dpi (Super Fine character: optional expansion memory required) Maximum
Original size:	A3 or 11” x 17” (DLT)
Maximum scanning size:	Standard: A3, 297mm x 432mm, Irregular: 297mm x 1200mm
Transmission protocol:	Recommended: T.38Annex, TCP, UDP/IP communication, SIP (RFC 3261 compliant), H.323 v2
Compatible machines:	IP-Fax compatible machines
IP-Fax transmission function:	Specify an IP address and send faxes to an IP-Fax compatible fax through a network. Also capable of sending faxes from a G3 fax connected to a telephone line via a VoIP gateway.
IP-Fax reception function:	Receive faxes sent from an IP-Fax compatible fax through a network. Also capable of receiving faxes from a G3 fax connected to a telephone line via a VoIP gateway

Product Support Guide

D014 / D015

MFP Supported Environments

Windows Environments					
OS	Type	PCL5e	PCL6	RPCS	PostScript3
Windows 9x/Me	-	Y	Y	Y	Y
Windows NT	WorkStation 4.0	Y*1	Y*1	Y*1a	Y*1
	Server 4.0	Y*1	Y*1	Y*1a	Y*1
Windows 2000	Professional	Y	Y	Y	Y*2
	Server	Y	Y	Y	Y*2
	Advanced Server	Y*3	Y*3	Y*3	Y*2
	Datacenter Server	N	N	N	N
Windows XP	Professional	Y	Y	Y*4	Y*2
	Home Edition	Y	Y	Y*4	Y*2
Windows Server 2003	Standard Edition	Y	Y	Y*3	Y*2
	Enterprise Edition	Y*3	Y*3	Y*3	Y*2
	Datacenter Edition	N	N	N	N
	Web Edition	N	N	N	N
Windows VISTA	Home Basic	Y	Y	Y	Y*5
	Home Premium	Y	Y	Y	Y*5
	Business	Y	Y	Y	Y*5
	Enterprise	Y	Y	Y	Y*5
	Ultimate	Y	Y	Y	Y*5

*1: Service Pack 6 or later is required.

*1a: Service Pack 6a or later is required.

*2: Adobe does not release PS driver for Windows 2000 and XP. Only MS-PostScript driver is available and PPD file for MS-PS is included in the Driver CD.

*3: Cluster Server configuration is not supported.

*4: RPCS driver does not support "Fast User Switching" functions of Windows XP.

*5: PS3 driver for Windows Vista is not contained in a CD-ROM. Please download it from web site.

Important Note:

Windows NT4.0/9X (Windows 95/98/ME) drivers are available only from web site and these are available only until March 2008. Please note that Windows NT4.0/9X drivers are not available from April 2008 onwards.

Point & Print				
Windows OS		Drive		
Server	Client (push to)	PCL5e/6	RPCS*3	PostScript3
Windows VISTA	VISTA	Yes	Yes	Yes*1
	XP	Yes	Yes	Yes
	W2K Pro	Yes	Yes	Yes
	NT4.0 WS	No	No	No
	98/Me	No	No	No
Windows server2003	VISTA	Yes	Yes	Yes*1
	XP	Yes	Yes	Yes
	W2K Pro	Yes	Yes	Yes
	NT4.0 WS	Yes	Yes	Yes
	98 / Me	Yes	Yes	Yes
Windows XP Professional	VISTA	Yes	Yes	Yes*1
	XP	Yes	Yes	Yes
	W2K Pro	Yes	Yes	Yes
	NT4.0 WS	Yes	Yes	Yes
	98 / Me	Yes	Yes	Yes

Product Support Guide

D014 / D015

Point & Print				
Windows OS		Drive		
Windows 2000 Professional Server & Advance Server	VISTA	Yes	Yes	Yes*1
	XP	Yes	Yes	Yes
	W2K Pro	Yes	Yes	Yes
	NT4.0 WS	Yes	Yes	Yes
	98 / Me	Yes	Yes	Yes
NT4.0 Workstation & Server (Intel)	VISTA	No	No	No
	XP	No	No	No
	W2K Pro	Yes	No	No
	NT4.0 WS	Yes	Yes	Yes
	98 / Me	Yes	Yes	Yes

*1: PS3 driver for Windows Vista is not contained in a CD-ROM. Please download it from web site.

Terminal Service & Citrix MetaFrame			
Server	Driver		
	PCL5e/6	RPCS	PS
Windows Server 2003	PCL5e/6	RPCS	PS
Windows 2000 Server	Yes	Yes	Yes
Windows NT4.0 TSE	Yes	Yes	Yes
Win 2003 Servers: MetaFrame	Yes	Yes	Yes
Win 2000 Servers: MetaFrame	Yes	Yes	Yes
Win NT4.0 TSE: MetaFrame	Yes*1	Yes	Yes
Win 2003 Servers: Citrix PresentationServer4.0	Yes	Yes	Yes
Win 2000 Servers: Citrix PresentationServer4.0	Yes	Yes	Yes
Win NT4.0 TSE: Citrix PresentationServer4.0	Yes	Yes	Yes
Win 2003 Servers: Citrix PresentationServer4.5	No	No	No
Win 2000 Servers: Citrix PresentationServer4.5	Yes	No	Yes
Win NT4.0 TSE: Citrix PresentationServer4.5	No	No	No

[Operating Environments]

The following combinations of operating system and Citrix MetaFrame are supported:

[Windows NT Server 4.0 Terminal Server Edition with SP6 and later required]

1. Windows Terminal Service (RDP protocol)
2. MetaFrame 1.8 SP3/FR1+SP3/SP4 (ICA protocol)
3. MetaFrame XP 1.0 SP1/SP2/FR1 (ICA protocol)

[Windows 2000 Server /Advanced Server]

1. Windows Terminal Service (RDP protocol)
2. MetaFrame 1.8 SP3/FR1+SP3/SP4 (ICA protocol) *1
3. MetaFrame XP 1.0 SP1/SP2/SP3/SP4/FR1/FR2/FR3 (ICA protocol)
4. MetaFrame PresentationServer3.0
5. Citrix PresentationServer4.0 *2

[Windows 2003 Server]

Product Support Guide

D014 / D015

1. Windows Terminal Service (RDP protocol)
2. MetaFrame XP 1.0 SP4/FR3 (ICA protocol)
3. MetaFrame PresentationServer3.0
4. Citrix PresentationServer4.0 *2
5. Citrix PresentationServer4.5*2

*1: PCL mono-drivers do not support MetaFrame1.8 + SP3 Environment. Only mini-driver support Meta1.8+SP3 Environment.

*2: Only PCL/PS drivers are tested under this environment.

Note:

Even if "Yes" is put in the cell, there may be a case where a driver is not supported under the combination of FR and Service Pack of MetaFrame.

Mac OS

Mac	PostScript3	Printer Utility for MAC
Mac OS 8.6 or later, Mac OS X classic	Yes	Yes
Mac OS X Native: v. 10.1 or later *1	Yes	Yes*2

*1: Mac OS X v.10.0.X is not supported.

*2: Mac OS X v.10.2.0 is not supported.

UNIX Filter

Unix Platforms	Version
Sun Solaris	2.6 / 7 / 8 / 9 / 10
HP-UX	10.x / 11.x / 11iv2
Red Hat Linux	6.x / 7.x / 8.x / 9.x / Enterprise
SCO OpenServer	5.0.6 / 5.0.7 / 6.0
IBM AIX	V4.3 & 5L Version 5.1 / 5.2 / 5.3

Novell Netware

Netware Server	Supported Version	Netware 3.12 / 3.2 / 4.1 / 4.11 / 5.0 / 5.1 / 6.0 / 6.5
Client	Supported OS	Windows 95 / 98 / Me / NT4.0 / 2000 / XP (Professional)
Supported Print System		Q-base, NPDS Gateway, I-print

Product Support Guide

D014 / D015

SAP/R3 Environment (Device Type / Barcode & OCR Package)

Supported Environments	R/3 version	3.x or later, mySAP ERP2004 or later
	Platform	Independent
	PDL	PCL5e/PCL 5c
	Character Set	Latin 1(Western European), Latin 2 (Eastern European)
	Localization	English only
Supported features	i.e.: Input/Output Bin, Duplex, Stapling, Resolution, Collation,Econo Mode/Toner Saving, Smoothing, Page Protect, Auto Tray Change/Opt Tray select	
Supported Barcode & OCR Fonts* (* BOP will be procured locally.)	Barcode Fonts (Support Latin 1 only)	Code 128, Code 39, Code 93, Codabar, 2 of 5 interleaved/Industrial/Matrix, MSI, USPS, UPC/EAN
	OCR Fonts	OCR A, OCR B

Print Driver Information

Function	PCL 5c/ 6	RPCS	PostScript3					
			Windows 9x / Me	Windows NT4	Windows 2000 / XP	Windows Vista	Mac OS 8.6-9.2	Mac OSX
Send to Job Binding	N	Y	N	N	N	N	N	N
Send to Document Server	Y	Y	Y	Y	Y	Y	Y	Y*1
Sample Print	Y	Y	Y	Y	Y	Y	Y	Y*1
Locked Print	Y	Y	Y	Y	Y	Y	Y	Y*1
Hold Print	Y	Y	Y	Y	Y	Y	Y	Y*1
Stored Print	Y	Y	Y	Y	Y	Y	Y	Y*1
Stored Print (Shared)	Y	Y	N	N	N	N	N	N
Store and Print	Y	Y	Y	Y	Y	Y	Y	Y*1
Store and Print (Shared)	Y	Y	N	N	N	N	N	N
Reduce/Enlarge (Zoom/Scaling)	Y*2	Y	Y	Y	Y	Y	Y	Y
Fit to Paper size	Y	Y	Y	Y	Y	Y	Y	Y
Unauthorized Copy Control	N	Y	N	N	N	N	N	N
Layout (N-up)	Y	Y	Y	Y	Y	Y	Y	Y
Poster	N	Y	N	N	N	N	Y	N
Duplex	Y	Y	Y	Y	Y	Y	Y	Y
Booklet1	N	Y	N	N	N	N	N	N
Booklet2 (Magazine)	Y	Y	N	N	Y	Y	N	N
Non-Reduction Booklet	Y	Y	N	N	N	N	N	N
Watermark	Y	Y	Y	Y	Y	Y	Y	Y
Overlay	N	Y	N	N	N	N	N	N
Header/Footer	N	Y	N	N	N	N	N	N
Adjust image position	N	Y	N	N	N	N	N	N
Binding Margins	N	Y	N	N	N	N	N	N
Shift Image to Edge/Corner	N	Y	N	N	N	N	N	N
Creep for Booklet 2	N	Y	N	N	N	N	N	N
Imposition Setting (Speed, double)	N	Y	N	N	N	N	N	N
Crop Mark	N	Y	N	N	N	N	N	N
Collate	Y	Y	Y	Y	Y	Y	Y	Y
Punch	Y	Y	Y	Y	Y	Y	Y	Y
Staple	Y	Y	Y	Y	Y	Y	Y	Y
Z-Folding	Y	Y	Y	Y	Y	Y	Y	Y

Product Support Guide

D014 / D015

Function	PCL 5c/ 6	RPCS	PostScript3					
			Windows 9x / Me	Windows NT4	Windows 2000 / XP	Windows Vista	Mac OS 8.6-9.2	Mac OSX
Cover sheet(Front Cover)	Y	Y	Y	N	N	N	N	N
Back Cover	Y	Y	N	N	N	N	N	N
Front and Back Cover	Y	Y	N	N	N	N	N	N
Slip Sheet	Y	Y	Y	N	N	N	N	N
Chaptering	Y	Y	Y	N	N	N	N	N
Designated Sheet Print	N	Y	N	N	N	N	N	N
Tab Shift Printing	Y	Y	N	N	N	N	N	N
Rotate by 180 degrees	Y	Y	Y	Y	Y	Y	Y	Y
Reverse Order Print	N	Y	N	Y	Y	Y	Y	Y
Do not print Blank pages	Y*3	Y	N	N	N	N	N	N
Dithering	Y	Y	Y	Y	Y	Y	Y	Y
Edge Smoothing	N	Y	Y	Y	Y	Y	Y	Y
Toner Saving	N	Y	Y	Y	Y	Y	Y	Y
Quality	N	Y	N	N	N	N	N	N
Speed	N	Y	N	N	N	N	N	N
User ID	Y	Y	Y	Y	Y	Y	Y	Y*1
User Code	Y	Y	Y	Y	Y	Y	Y	Y*1
User Authentication	Y	Y	N	N	N	N	N	N
Encryption/Encoding	Y	Y	N	N	N	N	N	N
User Defined Pages	Y	N	N	N	N	N	N	N
Mirror Image Print	N	N	Y	Y	Y	Y	Y	N
Negative Image Print	N	N	Y	Y	Y	Y	Y	N
Edge to Edge Print	Y	Y	N	N	N	N	N	N
Limitation setting	Y	Y	N	N	N	N	N	N

Y: (Yes) supported

N: (No) not supported

***1:** Available with MAC OS X 10.2 or later

***2:** "Centering" feature cannot be selected from PCL driver. However PCL has this feature as the original function. When printing with Reduce/Enlarge (Zoom) feature of PCL driver, the output will be automatically centered by the PCL 's original centering function.

***3:** This feature cannot be selected from printer driver. But enables to set to "On" in "PCL setting" of MFP

Product Support Guide

D014 / D015

Counters

- User Tools → Counter → Print Counter List → Start
- User Tools → System Settings → Administrator Tools → Display / Print Counter → Print Counter List → Start
- Maximum 7 digits

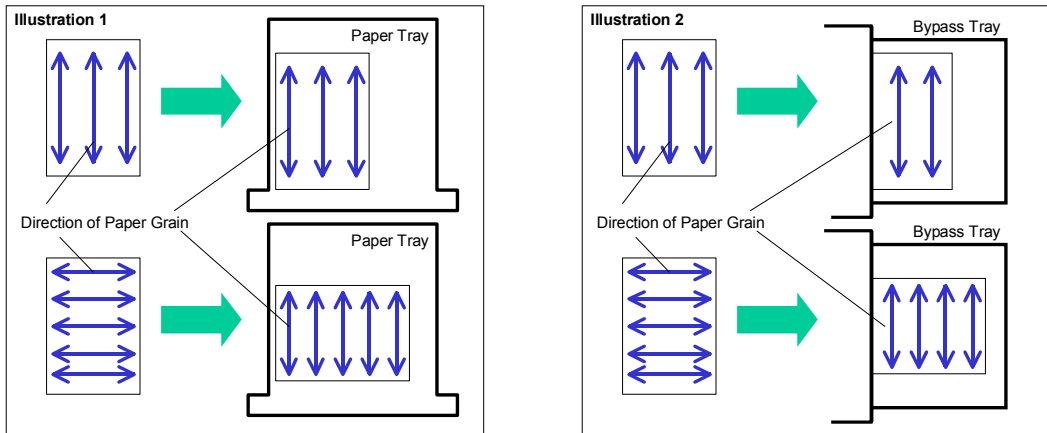
Paper

Recommended Paper Condition

All the paper should be stored where the room temperature is 20-25 degree C and the humidity is 30-65%. Any curls in the paper should be smoothed out before loading it.

When loading thick paper in paper trays1-3, or the wide LCT, set the paper direction according to the grain, as shown in the following illustration (1).

When loading thick paper in the bypass tray, set the paper direction according to the grain, as shown in the following illustration (2).



Product Support Guide

D014 / D015

Non Recommended Throughput Material

To prevent faults, do not use any of the following kinds of treated paper:

- Paper for inkjet printers
- Thermal fax paper
- Art paper
- Aluminum foil
- Carbon paper
- Conductive paper
- Paper with perforated lines
- Hemmed-edge paper
- Color OHP transparencies with easily melted coatings
- Bent, folded, or creased paper
- Perforated paper
- Slippery, torn, rough paper
- Thin paper with little stiffness
- Paper with a dusty surface
- If you copy or print onto rough grain paper, the output image might be blurred.
- Do not reuse copy paper that has been already copied or printed onto.

Firmware Information

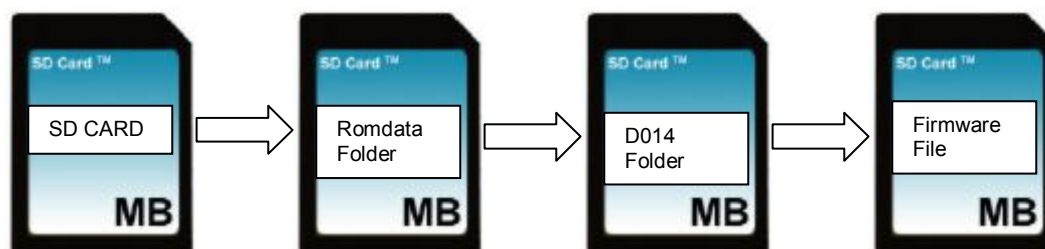
Firmware

Firmware SD Card	Firmware Type	Firmware File Name as Posted
ADF Document Feeder	ADF	D014 ADF vxxx SDcard.zip
Engine	Engine	D014 Engine vxxx SDcard.zip
Fax	Fax	D014 Fax vxxx SDcard.zip
Finisher (SR4010/SR4020)	Finisher SR4010/SR4020	D014 SR4010 4020 vxxx SDcard.zip
Finisher (SR5000 / Adapter Type C)	Finisher Adapter Type C	D014 SR5000 vxxx SDcard.zip
Font EXP	Font EXP	D014 Font EXP vxxx SDcard.zip
GWFCU3-f (WW)	FCU	D014 Fcu vxxx SDcard.zip
Language Install	Language Install	D014 Language vxxx SDcard.zip
Network DocBox	Net File	D014 NetFile Netdocbox vxxx SDcard.zip
Network Support	Network Support	D014 Network Support vxxx SDcard.zip
OpePanel.EXP	LCDC	D014 Opepanel Lcdc vxxx SDcard.zip
Option PCL	Option PCL	D014 Option PCL vxxx SDcard.zip
Option PCL Font	Option PCL Font	D014 Option PCL font vxxx SDcard.zip
Printer	Printer	D014 Printer vxxx SDcard.zip
PS3 Font	PS3 Font	D014 PS3 font vxxx SDcard.zip
PS3/PDF	PS3/PDF	D014 PS3 PDF vxxx SDcard.zip
Remote Fax	Rfax	D014 Rfax vxxx SDcard.zip
Scanner	Scanner	D014 Scanner vxxx SDcard.zip
System/Copy	System/Copy	D014 System vxxx SDcard.zip
Web Support	Web Support	D014 Web Support vxxx SDcard.zip
Web Uapl	Web Uapl	D014 Web Uapl vxxx SDcard.zip

Product Support Guide

D014 / D015

SD Card Firmware File Structure



Contact Information

Name	Contact
Technical Services Call Center (Hotline)	Ricoh: (800) 537-4264 Savin/Gestetner: (800) 291-6044 Lanier: (800) 333-3147
Application Help Desk (Software Issues)	Ricoh Phone Card: 2 Call - 000781MIU, 5 Call - 000900MIU Savin Phone Card: 2 Call - 12992, 5 Call - 12993 Gestetner Phone Card: 2 Call - 12994, 5 Call - 12995
National Reclamation Center	(800) 557-4264 http://www.nrc-usa.com
Technology Solutions Center Web Site	http://www.tscweb.net
Configurator	http://www.connectivity-cafe.com
Ricoh Web Site	http://www.ricoh-usa.com/
Savin iLINC Web Site	http://www.savin.com
Headquarter Web Sites	Ricoh Corporation: http://www.ricoh-usa.com Savin Corporation: http://www.savin.com Gestetner Corporation: http://www.gestetnerusa.com/ Lanier Corporation: http://www.lanier.com
Material Safety Data Sheets	(800) 336-MSDS (6737)
Eastern Training Center	(973) 808-7646 http://www.ricohuniversity.com
Western Training Center	(714) 566-3692 http://www.ricohuniversity.com

Training Information

Instructor-Led Training (ILT) – The current instructor-led training program (B132/B200) will be updated to include the D014/D015 information. This five-day course will be revised so that the D014/D015 models are the lead products to be emphasized during the course. All significant differences between the two models will also be covered during the course. The official name of the course will be D014/D015 Color MFP.

Documentation

Description	EDP Code	RFG E-Source Number
Service Manual	003379MIU	029235
Parts Catalog	003380MIU	030038
Point to Point	002281MIU	030035
CBT Self-Pace Update	003378MIU	-

Product Support Guide

D014 / D015

MFP Update Certified Service Personnel

CBT/WBT Self-Pace Update –Designed specifically for the B132/B200 certified service professionals. The main objective will be to emphasize the differences between the two models. The self-Pace update CBT/WBT will include a mandatory certifying exam consisting of 25 questions. A passing grade of 75% will be required.

Product Support Guide

D014 / D015

Revisions

- 1.0 Original
- 1.2 Added note on Pages 5 and 16 about developer yields
- 1.3 Change Order number for Option on p. 3 and 4.
- 1.4 Target reliability correction made. 40% removed. Did not apply.
- 1.5 Added Special Paper types to page 5.
- 1.6 Added notes about GBCIII and BK5010 Release dates.
- 1.7 Added Print Speeds to page 20.
- 1.8 Updated pages 3, 4, and 12 with GBCIII and BK5010 Information.
- 1.9 Removed Printer/Scanner Unit type C7500.
- 2.0 PM Kit part numbers added on page 16.
- 2.1 Update GBCIII and BK5010 compatibility information.