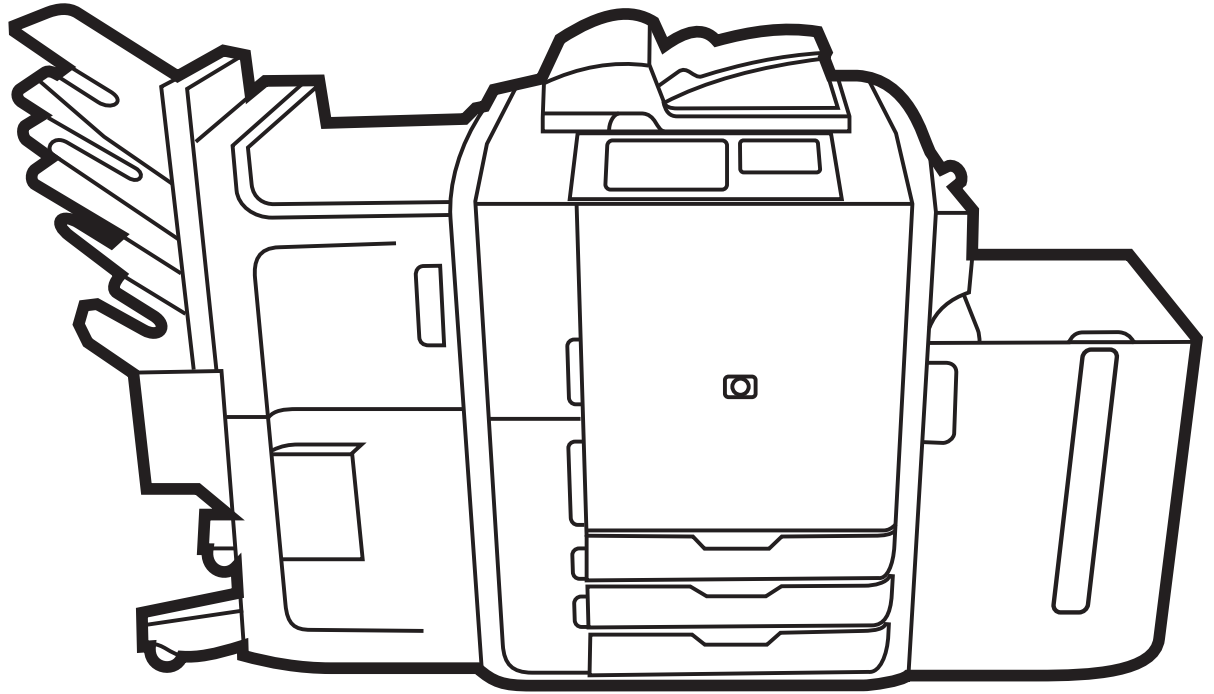


HP CM8060/CM8050 Color MFP with Edgeline Technology

Parts Manual





HP CM8060/CM8050 Color MFP with Edgeline Technology

Parts manual

Copyright and License

© 2014 Copyright Hewlett-Packard Development Company, L.P.

Reproduction, adaptation, or translation without prior written permission is prohibited, except as allowed under the copyright laws.

The information contained herein is subject to change without notice.

The only warranties for HP products and services are set forth in the express warranty statements accompanying such products and services. Nothing herein should be construed as constituting an additional warranty. HP shall not be liable for technical or editorial errors or omissions contained herein.

Edition 5.6, 7/2014

Trademark Credits

Adobe Photoshop® and PostScript® are trademarks of Adobe Systems Incorporated.

Microsoft®, Windows®, and Windows® XP are U.S. registered trademarks of Microsoft Corporation.

Windows Vista™ is either a registered trademark or trademark of Microsoft Corporation in the United States and/or other countries.

Safety information

Install the device in a protected location where no one can step on or trip over the power cord, and where the power cord will not be damaged.

Use only a grounded electrical outlet when connecting the device to a power source. If you do not know whether the outlet is grounded, check with a qualified electrician.

When the device is installed in the U.S.A. or Canada, it must be connected to a dedicated 20 Amp circuit.

AC Delta and AC Wye power system statement: The device is designed to use an IT power system.

There is a risk of explosion if the battery is replaced with an incorrect type. Dispose of used batteries according to the instructions.



Warning! Risk of injury from moving parts. Do not reach into the stapler. Do not reach below moving trays.

Document history

Version	Date	Content changes
1.1	03/16/2007	N/A
1.2	03/23/2007	<ul style="list-style-type: none">• Updated IDO section
1.3	03/30/2007	Completed updates to IDO section Updated the following sections <ul style="list-style-type: none">• Vacuum• Scanner• Covers• Electronics
1.4	04/06/2007	Updated following images: <ul style="list-style-type: none">• Front door lock• Front door switch• IDO door switch• Image Processing PCA• Vacuum assembly• Scanner lock cover• Scanner chamber filter• Scanner service cover
1.5	04/13/2007	Updates to the following sections <ul style="list-style-type: none">• Service kits• Tray 5 part numbers• Accumulator part numbers
1.6	04/20/2007	<ul style="list-style-type: none">• Drum diagrams completed• Dryer heater and fan are no longer FRUs• Update to finisher separator rails FRU
1.7	04/27/2007	Updated the following subsystems: <ul style="list-style-type: none">• Drum• Carriage• Trays 2, 3, and 4

Version	Date	Content changes
1.8	05/04/2007	<p>Updated the following subsystems:</p> <ul style="list-style-type: none"> ● Trays 2, 3, and 4 ● Tray 1 ● Dryer ● Horizontal ● Covers ● HP Multifunction Finisher: input paper path, handle 1, handle 2, handle 3, job separator, front covers, casters, and right side panel assembly
1.9	05/11/2007	<p>Updated the following subsystems:</p> <ul style="list-style-type: none"> ● HP Multifunction Finisher ● Trays 2, 3, and 4 ● IDS ● ADF ● Horizontal ● Covers
1.10	05/18/2007	<p>Updated the following subsystems:</p> <ul style="list-style-type: none"> ● HP Multifunction Finisher ● Trays 2, 3, and 4 ● HP 4-bin Job Separator ● Scanner ● Vertical ● Tray 1 ● IDO
2.0	05/25/2007	<p>Updated the following subsystems:</p> <ul style="list-style-type: none"> ● HP Multifunction Finisher ● HP 4-bin Job Separator ● Tray 5 ● IDO
3.0	11/2007	<ul style="list-style-type: none"> ● Updated all diagrams and parts lists with hardware fasteners (screws, clips, retainers) ● Added manufacturing numbers to all cable tables ● Updated power cord section

Version	Date	Content changes
4.0	03/2008	<p>Updated diagrams and parts lists for the following items:</p> <ul style="list-style-type: none"> ● IDO media eject assembly ● IDO media eject assembly ● Stapler 1 and Stapler 2 ● Finisher latch assemblies ● Accumulator paper guide and sensor holder assembly ● Accumulator shafts ● Finisher lower-middle cover assembly ● Single output bin ● Finisher front covers ● Single output bin ● Power cords 929 and 930 ● Drop detect assembly ● Drum tube fitting ● Tray 5 front and left covers ● Carriage structure
4.1	06/2008	Updated part numbers
5.0	02/2009	<p>New/updated part numbers:</p> <ul style="list-style-type: none"> ● Updated preventive maintenance kit C5956-67819 ● Tray 5 Elevator motor (M102) - C5956-67299 ● Finisher sheet metal edge protectors - C5959-67397 (Multifunction), C5964-67048 (4-bin separator) ● Finisher Accumulator Alignment Tool - C5959-67314 ● Finisher separator slide - C5959-67300 (SVC Slide-Linear) <p>Replaced existing trunk stock kit (C5957-67068) with HP Direct trunk stock kit (C5957-67187) and Channel Partner trunk stock kit (C5957-67190).</p>

Version	Date	Content changes
5.1	06/2009	<p>Updated graphics:</p> <ul style="list-style-type: none"> ● ADF drive system parts diagram (Figure 4-18) ● IDS door cover parts diagram (Figure 4-45) ● Drum drive parts diagram (Figure 4-73) ● IDS ISS assembly parts diagram (Figure 4-110) ● Ink Assist PCA (A3) assembly parts diagram (Figure 4-121) ● Tray 5 rear and right covers parts diagram (Figure 5-4) <p>Updated part numbers/descriptions:</p> <ul style="list-style-type: none"> ● C5957-67096 (Ink cleanup kit) ● 8120-8623 (904 power cord) ● C5957-67073 (Carriage 2 Encoder PCA (A24)) ● C5956-67443 (Output bin full sensor cover) ● C5956-67645 (Horizontal hook-and-loop fastener) ● C5957-67145 (Drop Detect buck with absorbers assembly), new number ● C5957-67195 (IDS assembly), new number ● C5956-67748 (PCIE cable), new connector numbers ● C5956-67013 (Tray 5 Media Door Open sensor), new number ● C5959-67108 (Tray 5 interface cable), new number ● C5961-67103 (SN104 bracket), new number ● C5964-67042 (Motor), new number ● C5957-67129 (Media eject paw, 7 claw), new number ● C5957-67128 (Guide, 7 claw), new number
5.2	07/2009	<p>Updated part number for Tray 5 interface cable (SVC-CABLE, HICAP/RT WALL) C5961-67108.</p>

Version	Date	Content changes
5.3	09/2009	<p>Updated graphics:</p> <ul style="list-style-type: none"> ● Tray 1 parts diagram (Figure 4–26) ● Carriage drive assembly parts diagram (Figure 4–32) ● Drum guide assembly parts diagram (Figure 4–80) ● IDO media eject assembly parts diagram (Figure 4–99) ● Trays 2, 3, and 4 main assembly parts diagram (Figure 4–124) ● Vertical outer guide parts diagram (Figure 4–133) ● Vertical inner guide parts diagram (Figure 4–134) ● Tray 5 front and left sensors parts diagram (Figure 5–5) ● Finisher rear covers parts diagram (Figure 6–2) ● Finisher removal guide parts diagram (Figure 6–3) ● Finisher top covers parts diagram (Figure 6–4) ● Finisher Separator safety switches parts diagram (Figure 6–31) <p>Updated part numbers/descriptions:</p> <ul style="list-style-type: none"> ● Table 4-14 Tray 1 parts list, added reference 20 ● Table 4-20 Carriage drive assembly parts list, updated reference 2 ● Table 4-58 Drum spittoon parts list, updated reference 1 ● Table 4-86 IDO RM core sensors parts list, updated reference 12 ● Table 4-87 IDO media eject assembly parts list, deleted reference 18 ● Table 4-112 Trays 2, 3, and 4 main assembly parts list, added reference 12 ● Table 4-121 Vertical outer guide parts list, added reference 14 ● Table 4-124 Web wipe parts list, updated reference 2 ● Table 5-4 Tray 5 rear and right covers parts list, updated reference 6 ● Table 5-5 Tray 5 front and left sensors parts list, updated references 8, 14 ● Table 6-39 Cable kits and harnesses, added C5959-67381 ● Cables for 4-Bin Job Separator, added C5959-67381
5.4	03/2010	Updated part numbers

Version	Date	Content changes
5.5	04/2010	Updated graphics
5.6	07/2014	<p>Updated graphics:</p> <ul style="list-style-type: none"> ● Carriage 1 assembly parts diagram (Figure 4-33) ● Carriage 2 assembly parts diagram (Figure 4-34) ● Drum guide assembly (Figure 4-80) ● Horizontal upper assembly parts diagram (Figure 4-90) ● IDO RM front parts diagram (Figure 4-92) ● IDO drive belts parts diagram (Figure 4-95) ● IDO media eject assembly parts diagram (Figure 4-99) ● IDO H-bar assembly parts diagram (Figure 4-107) ● Finisher front covers parts diagram (Figure 6-1) ● Input paper path (Figure 6-15) ● Finisher job support assembly parts diagram (Figure 6-35) <p>Updated part numbers/descriptions:</p> <ul style="list-style-type: none"> ● Table 4-6 ADF drive system parts list, updated reference 5 ● Table 4-7 ADF front side parts list, updated reference 1 ● Table 4-14 Tray 1 parts list, updated part numbers for references 7 and 8 ● Table 4-21 Carriage 1 assembly parts list, updated reference 12 ● Table 4-61 Drum drive parts list, updated reference 1 ● Table 4-68 Drum guide assembly parts list, added reference 11 ● Table 4-74 Formatter fan and hard drive parts list, updated reference 2 ● Formatter cables table, updated descriptions for C5957-67041, C5956-67063, C5956-67064, C5957-67079, C5956-67269 ● Table 4-78 Horizontal upper assembly parts list, updated part numbers for reference 2 ● Table 4-80 IDO RM front parts list, added reference 17 ● Table 4-83 IDO drive belts parts list, added reference 16 ● Table 4-90 IDO duplex door assembly parts list, updated reference 2 ● Table 4-94 IDO PI assembly parts list, updated reference 6 ● Table 4-95 IDO H-bar assembly parts list, added reference 14 ● Table 6-1 Finisher front covers parts list, added reference 14 ● Table 6-15 Input paper path parts list, added reference 31 ● Table 6-32 Finisher Separator paper gate assembly parts list, updated reference 5 ● Table 6-33 Finisher stack holder assembly parts list, updated reference 5 ● Table 6-35 Finisher job support assembly parts list, added reference 10 ● Table 6-38 Individual cables, updated C5959-67391

Table of contents

1 How to use the parts manual	1
How to use the parts diagrams and lists	2
Service part names	3
2 Service kits and tools	5
Service kits	6
Trunk stock recommendation	12
Edgeline tools	16
3 Hardware	19
Screws	20
Retainers	23
Wire management	24
ADF and scanner bushings and bearings	26
Tray 5 bearings	27
Multifunction finisher staples	28
4 HP CM8060/CM8050 Color MFP	29
Accessories	31
Supplies	32
Power cords	33
ADF parts diagrams	40
ADF input tray parts diagram	41
ADF main assembly parts diagram	43
ADF drive system parts diagram	45
ADF front side parts diagram	47
ADF conveying section parts diagram	49
Scanner parts diagrams	52
Scanner top parts diagram	53
Scanner front and rear wires parts diagram	55
Scanner drive and electronics parts diagram	57

Scanner chamber filter parts diagram	59
Cables	61
Aerosol parts diagrams	62
Tray 1 parts diagrams	64
Tray 1 parts diagram	65
Cables	67
Carriage parts diagrams	68
Carriage structure parts diagram	69
Carriage extraction mechanism parts diagram	71
Carriage TOF sensor assembly parts diagram	73
Carriage pen-out-of-cap sensor parts diagram	75
Printheads parts diagram	77
Carriage drive assembly parts diagram	79
Carriage 1 assembly parts diagram	81
Carriage 2 assembly parts diagram	83
Carriage 1 e-chain parts diagram	85
Carriage 2 e-chain parts diagram	87
Carriage PPS assembly parts diagram	89
Carriage Open sensor (SN19) and base parts diagram	91
Cables	93
Control panel parts diagrams	94
Control panel parts diagram	95
Control panel overlays	97
Cables	98
Covers parts diagrams	100
Front door parts diagram	102
Front door lock parts diagram	104
Front Door Open switch (SW3) parts diagram	106
Left-side Upper Panel switch (SW8) parts diagram	108
Left front door parts diagrams	110
IDS door cover parts diagrams	54
Tray 2, 3, and 4 covers parts diagrams	114
Upper inner cover parts diagrams	116
Lower inner cover parts diagrams	118
Scanner left trim parts diagrams	120
Scanner right trim parts diagram	122
Scanner rear trim parts diagram	124
Scanner service cover parts diagram	126
Scanner lock cover parts diagram	128
IDO cover parts diagrams	130
Left-side middle panel parts diagrams	132

Left-side lower panel parts diagrams	134
Lower left cover parts diagrams	136
Output bin door parts diagram	138
Web wipe access cover parts diagram	140
Lower left trim parts diagrams	142
Right-side middle panel parts diagram	144
Right-side lower panel parts diagrams	146
Upper right cover parts diagram	148
Lower right cover parts diagrams	150
Tray 5 input slot cover parts diagram	152
Lower right trim parts diagram	154
Rear covers parts diagram	156
MFP casters	158
ESD jacks parts diagram	160
Cables	162
Drum parts diagrams	164
Drum spittoon parts diagram	165
Drum screen parts diagram	167
Drum encoder parts diagram	169
Drum drive parts diagram	171
Drum vacuum parts diagram	173
Drum LED parts diagram	175
Drum tube fitting parts diagram	177
Poppet A1 assembly parts diagram	179
Poppet A2 assembly parts diagram	181
Poppet B assembly parts diagram	183
Drum guide assembly parts diagram	185
Drop Detect assembly parts diagram	187
Cables	189
Dryer parts diagrams	190
Dryer assembly parts diagram	191
Dryer left assembly parts diagram	193
Dryer right assembly parts diagram	195
Cables	197
Formatter parts diagrams	198
Formatter Main PCA (A26) parts diagram	199
Formatter fan and hard drive parts diagram	201
Formatter PCAs parts diagram	203
Formatter Coprocessor parts diagram	205
Formatter cables	207
Horizontal transport parts diagrams	208

Horizontal transmission parts diagram	209
Horizontal upper assembly parts diagram	211
Horizontal lower assembly parts diagram	213
Cables	215
IDO parts diagrams	216
IDO RM front parts diagram	217
IDO RM internal motors assembly parts diagram	219
IDO paper path rollers parts diagram	221
IDO drive belts parts diagram	223
IDO diverter parts diagram	225
IDO RM rear parts diagram	227
IDO RM core sensors parts diagram	229
IDO media eject assembly parts diagram	231
IDO curler assembly parts diagram	233
IDO decurler internals assembly parts diagram	236
IDO duplex door assembly parts diagram	238
IDO outer guide pinch assembly parts diagram	240
IDO outer lower guide assembly parts diagram	242
IDO secret door assembly parts diagram	244
IDO PI assembly parts diagram	246
IDO H-bar assembly parts diagram	248
Cables	250
IDS parts diagrams	252
IDS main assembly parts diagram	253
IDS APS assembly parts diagram	255
IDS ISS assembly parts diagram	257
Electronics parts diagrams	260
Ink catch pan parts diagram	261
Electronics Bay Cooling fan (FAN4) assembly parts diagram	263
Carriage PSU PCA (A7) assembly parts diagram	265
Main Engine PCA (A5) assembly parts diagram	267
Motion PCA (A2) assembly parts diagram	269
Power supply parts diagram	271
CPSU Cooling fan (FAN3) parts diagram	273
Power distribution PCA parts diagram	275
Image Processing PCA (A6) parts diagram	277
PSU recirculation duct parts diagram	279
Ink Assist PCA (A3) assembly parts diagram	281
Cables	283
Service Station parts diagrams	286
Service Station parts diagram	287

Service station pen cooling fans assembly parts diagram	289
Cables	291
Trays 2, 3, and 4 parts diagrams	292
Trays 2, 3, and 4 main assembly parts diagram	293
Trays 2, 3, and 4 rear parts diagram	295
Trays 2, 3, and 4 left side parts diagram	297
Trays 2, 3, and 4 drawer parts diagram	299
Trays 2, 3, and 4 paper path parts diagram	301
Trays 2, 3, and 4 drive parts diagram	303
Trays 2, 3, and 4 separation unit parts diagram	305
Cables	307
Single output bin parts diagrams	308
Vacuum parts diagrams	310
Vacuum supply assembly parts diagram	311
Cables	313
Vertical transport parts diagrams	314
Vertical outer guide parts diagram	315
Vertical inner guide parts diagram	317
Vertical transmission parts diagram	319
Cables	321
Web wipe parts diagrams	322
Alphabetical parts list	324
Numerical parts list	377
5 C5961A Tray 5 parts diagrams	431
Tray 5 casters parts diagram	432
Tray 5 front and left covers parts diagram	434
Tray 5 top covers parts diagram	436
Tray 5 rear and right covers parts diagram	438
Tray 5 front and left sensors parts diagram	440
Tray 5 elevator transmission assembly parts diagram	442
Tray 5 elevator cables diagram	444
Tray 5 elevator tray diagram	446
Tray 5 paper path assembly parts diagram	448
Tray 5 lower separator assembly parts diagram	450
Tray 5 pick assembly parts diagram	454
Cables	456
Alphabetical parts list	457
Numerical parts list	466

6 C5959A Multifunction Finisher parts diagrams	475
HP Multifunction Finisher service kits	477
Finisher front covers parts diagram	478
Finisher rear covers parts diagram	480
Finisher removal guide parts diagram	482
Finisher top covers parts diagram	484
Finisher inner covers parts diagrams	486
Bias spring and clamp parts diagrams	488
Finisher casters parts diagram	490
Finisher latch assemblies parts diagram	492
Finisher Main PCA (A200) assembly parts diagram	494
Right side panel assembly	496
Handle 1 (upper transport)	498
Handle 1 (upper transport) support parts diagrams	500
Handle 2 (upper transport)	502
Handle 3 (lower transport)	504
Input paper path	508
Accumulator parts diagram	512
Accumulator covers parts diagram	513
Accumulator shafts parts diagram	515
Accumulator front parts diagram	517
Accumulator traverse assembly parts diagram	519
Accumulator guide bar assembly parts diagram	521
Accumulator bearing bracket assembly parts diagram	523
Accumulator paper guide and sensor holder assembly parts diagram	525
Accumulator rear-side assembly parts diagram	527
Accumulator rear inside CPL assembly parts diagram	529
Accumulator support CPL assembly parts diagram	531
Finisher Separator diagrams	534
Finisher Separator main assembly parts diagram	535
Finisher Separator offset assembly parts diagram	537
Finisher Separator media path output parts diagram	539
Finisher Separator elevator transmission parts diagram	541
Finisher Separator paper back weldment parts diagram	543
Finisher Separator safety switches parts diagram	545
Finisher Separator paper gate assembly parts diagram	547
Finisher lower-middle cover assembly parts diagram	550
Bin 5 assembly parts diagram	552
Finisher job support assembly parts diagram	554
Stapler parts diagram	556
Stapler 1 parts diagram	557


Stapler 2 diagram	559
Cables	562
Alphabetical parts list	566
Numerical parts list	595
7 C5964A 4-Bin Job Separator parts diagrams	625
HP 4-Bin Job Separator service kits	626
Front covers parts diagram	628
Rear covers parts diagram	630
Input media path assembly	632
Input door assembly	633
Input door support assembly	635
Casters parts diagram	638
Latch assemblies parts diagram	640
Separator diagrams	642
Cables	644
Alphabetical parts list	646
Numerical parts list	650
Index	655

1 How to use the parts manual

- [How to use the parts diagrams and lists](#)
- [Service part names](#)

How to use the parts diagrams and lists

The figures in this chapter illustrate the major field replaceable unit (FRU) assemblies and sub assemblies in the MFP. A table (parts number list) follows each exploded assembly diagram. The tables list a reference number for each specific part, the Service part number, and a brief description of the part.

 **NOTE:** Parts that do not have a reference number, or Service part numbers that are not FRUs, cannot be ordered as individual replacement parts. However, all serviceable parts should be available as part of a larger orderable subassembly.

Components in a diagram that are orderable as an assembly or a kit have a dotted line around them. Some assemblies are orderable as parts of larger assemblies.

A quantity is listed with a Service part number represents how many of a component you get when you order the FRU. If a subsystem contains multiple instances of a FRU but the FRU is only orderable individually, the FRU is then called out multiple times in the diagram.

Service part names

Each service part is assigned a service name that starts with the acronym **SVC**. The prefix of the service part name indicates how the service part is packaged.

Prefix	Meaning
SVC ASSY	The assembly comes assembled.
SVC KIT	The kit contains multiple components that must be assembled.
SVC-	The part contains one component.

If a part name includes a tag number (such as **PE tag 3**), then the part belongs to a product retrofit change. For more information about retrofit tags, see the “Retrofit tags” section in the service manual.

2 Service kits and tools

- [Service kits](#)
- [Trunk stock recommendation](#)
- [Edgeline tools](#)

Service kits

Table 2-1 Service kits

Service part number	Description	Contents
C5956-67158	SVC KIT-SCAN FRONT WIRE	FRONT WIRE, SCANNER (1) TENSION SPRING, SCANNER WIRE (1) FRAME RETAINING SPECIAL TOOL (2)
C5956-67159	SVC KIT-SCAN REAR WIRE ASSY	REAR WIRE, SCANNER (1) FRAME RETAINING SPECIAL TOOL (2) TENSION SPRING, SCANNER WIRE (1)
C5956-67154	SVC-SCAN CCD ASSY	PARTS, ISU ASSY (1) PIN B POSITIONING (2)
C5956-67441	SVC KIT PM-CARRIAGE FELT	SPRING-AR FELT (2) RETAINER-FELT (4) ASSY-AR FELT (2) FELT-LUBRICATION (4)
C5956-67586	SVC KIT PM-CARRIAGE DRIVE	BELT-REDUCTION, 86T,FHT-2 X 6,FR-23 (2) ASSY CARRIAGE MOTOR (2) BELT-DRIVE, 1390T, FHT-1X8, FR-2 (2)
C5956-67290	SVC KIT PM-DRIVEROLLER, HORIZ TRANSPORT	ASSY-DRIVEROLLER, BRIDGE #1(4)
C5957-67108	SVC ASSY-DOUBLE DECKER SPITTOON	ASSY-VACUUM SPITTOON (1)
C5961-67028	SVC ASSEMBLY-ROLLER, PICK	ASSEMBLY-ROLLER, PICK (3)
C5962-67004	SVC KIT PM-ROLLER FEED	ROLLER FEED (3)
C5956-67787	SVC-IDO OUTPUT TRANSMISSION	BELT-162T (1) BELT-97T (1) BELT-71T (1) PULLEY-IDLER-FLANGED (2) PULLEY-IDLER_FLANGELESS (1) PULLEY -14MM_IDLER (1)

Table 2-1 Service kits (continued)

Service part number	Description	Contents
C5957-67075	SVC-KIT, LUBRICANTS	LUBRICANT-GREASE PAO-BLUE-HEAVY-CT-3 CC LUBRICANT-GREASE PAO-LIGHT-CT-3 CC MSDS, PB 040702 (C8974-80085) MSDS, PB 040513 (C8974-80084)
C5957-67096	Ink cleanup kit (SVC KIT-INK CLEANUP)	Absorbent wipes Vinyl gloves
C5962-67054	SVC KIT, SPACER, ADF HINGE. (This part is not yet available at the time of publishing.)	Spacer hinge (4) Bind screw, M4x08 (4)
C5957-67090	SVC KIT-FOIL, BRACKET MOTOR	Foil, bracket motor (right) Foil, bracket motor (left) 3.9mm spacer Spare screws (2) Separation strip
C5957-67136	SVC KIT-ARM LIFT, EDGE GUIDE	Drawer guide

Table 2-2 Preventive maintenance kits

Service part number	PM	Description	Contents
C5956-67420 C5957-67184	Input trays 2, 3, and 4 pick rollers	SVC-TRAY 2-4 PICK ROLLER SVC-PICK ROLLER, TRAY 2-4, 6 EA, BULK PACK	SHAFT, SEPARATION, CPL (3)
C5956-67424 C5956-67394	Input tray 1 pick roller and pad	SVC-ASSY-TRAY 1 PICK ROLLER BRACKET PAD PICKING CPL	KIT, ASSY-SEPARATION ROLLER (1) BRACKET PAD PICKING CPL (1)
C5956-67149	Scanner exposure lamp	SVC-LAMP, SCANNER	LAMP, SCANNER (1)
C5957-67085	Aerosol duct kit	SVC KIT PM-AEROSOL DUCTS	ASSY-DUCT WIPER C1C (1) ASSY-DUCT WIPER C2C (1) ASSY-AEROSOL FIXER (2) ASSY-AEROSOL COLOR (2) ASSY-AEROSOL MANIFOLD (2) ASSY-DDSPITTOON AND FIXER DUCT WIPERS (1)

Table 2-2 Preventive maintenance kits (continued)

Service part number	PM	Description	Contents
C5956-67441	Carriage felt oiler	SVC KIT PM-CARRIAGE FELT	SPRING-AR FELT (2) RETAINER-FELT (4) ASSY-AR FELT (2) FELT-LUBRICATION (4)
C5956-67586	Carriage drive belt	SVC KIT PM-CARRIAGE DRIVE	BELT-REDUCTION, 86T,FHT-2 X 6,FR-23 (2) ASSY CARRIAGE MOTOR (2) BELT-DRIVE, 1390T, FHT-1X8, FR-2 (2)
C5956-67819	Carriage encoder strip	SVC KIT PM-CARRIAGE ENCODER	ENCODER STRIP, CARRIAGE (2)
C5957-67145	Drop detect spittoon	SVC-DROP DETECT SPITTOON	SENSOR-DROP DETECT-6 CHANNEL (1)
C5956-67837	Web wipe	SVC KIT PM-WEB WIPE	ASSY-SPOOL WEB DRIVE (1) ASSY SPOOL WEB FEED (1)
C5956-67262	Charcoal filter	SVC ASSY-CHARCOAL FILTER	ASSY-VOC FILTER INSTALLATION (1)
C5956-67266	Aerosol filter	SVC ASSY-AEROSOL FILTER	ASSY-AEROSOL FILTER (1)
C5956-67290	Horizontal transport drive rollers	SVC KIT PM-DRIVEROLLER, HORIZ TRANSPORT	ASSY-DRIVEROLLER, BRIDGE #1(4)
C5957-67108	Drum spittoon	SVC ASSY-DOUBLE DECKER SPITTOON	ASSY-VACUUM SPITTOON (1) ASSY-LOWER SPITTOON SPACER W/GASKET (1)
C5957-67182	Drum spittoon	SVC DBL DECKER SPITTOON	Bulk Pak, 12ea
C5961-67028	Tray 5 pick rollers (pick, feed, and separation)	SVC ASSEMBLY-ROLLER, PICK	ASSEMBLY-ROLLER, PICK (3)
C5962-67004	ADF pick rollers	SVC KIT PM-ROLLER FEED	ROLLER FEED (3)

Table 2-2 Preventive maintenance kits (continued)

Service part number	PM	Description	Contents
C5956-67787	IDO curler output transmission (belts and pulleys)	SVC KIT PM-CURLER OUTPUT TRANSMISSION	BELT-162T (1) BELT-97T (1) BELT-71T (1) ASSY-TENSIONER, SHORT, FLANGED (1) ASSY-TENSIONER, SHORT, FLANGELESS (1) ASSY-TENSIONER, MID, FLANGED (1) PULLEY-IDLER-14MM (1)
C5956-67583	Cooling fan filter and scanner chamber filter	SVC KIT-COOLING FILTER	FILTER-SCANNER CHAMBER (1) FILTER-CPSU (1) FILTER-GAUNTLET (1) FILTER-INK ASSIST (1) FILTER-MAIN AND CONTROLLER (1) FILTER-PEN COOLING (2) RETAINER-PUSH-ON RECT INT .25-IN-DIA (12)
C5959-67365	Accumulator wheel shaft assembly	SVC-SHAFT EXIT 1 CPL	Shaft

Table 2-3 Calibration kits

Service part number	Description	Contents
C5956-67790	Tetris sensor calibration kit (SVC KIT-TETRIS CALIBRATION)	PKG-preprinted pages (1) USB thumbdrive (1)
C5959-67314	Bearing bracket alignment tool (SVC TOOL-TIMING PINS, ACCUMULATOR)	Gear pins

Table 2-4 Reshipment kits

Service part number	Description	Contents
C5957-67144	Shipping pens and restraints	Restraints, shipping pen pocket (keeps pen latches locked down) (6) Shipping pens (6)

Table 2-4 Reshipment kits (continued)

Service part number	Description	Contents
C5956-67709	Pen reshipment kit	Bag, bubble wrap (6) Pouch (6) Foam (6) Carton (6) Kit, pen single use (1) (C5956-67785)
C5956-67710	MFP restraints kit	Tape Restraint, scanner glass (covers the scanner glass and the control panel display) (1) Restraint, SIT drawer (Tray 2, Tray 3, and Tray 4) (prevents the pick arm from bouncing during shipment) (3)
C5956-67785	Pen single-use kit	Cap, nozzle (6) Block, foam (for the nozzle cap) (6) Cap, needle (6)
C5956-67708	MFP reshipment kit	ADF package (1) Bag, MFP (1) Box sealing tape (1) MFP crate (base and shell) (1) Carton, ink cartridge with inserts (1) Pen reshipment kit (C5956-67709) (1) MFP restraints kit (C5956-67710) (1)
C5962-67053	ADF reshipment kit	ADF package (1)
C5961-67090	4000-Sheet Input Tray reshipment kit	Carton, shipping (1) Bag, feeder (1)

Table 2-4 Reshipment kits (continued)

Service part number	Description	Contents
C5959-67374	Multifunction Finisher reshipment kit	Carton, shipping (1) Bag, finisher (1) Foam block (stapler restraint) (1) Bubble bags (5) Lock-accumulator shipping (2) Carton, output bins 1, 2, 3, 4 NOTE: Place bin 1, bin 2, bin 3, and bin 4 in this carton. Carton, output bin 5 NOTE: Place bin 5 in this carton. Staple cartridge box (1)
C5964-67035	4-Bin Job Separator reshipment kit	Carton, shipping (1) Bag, finisher (1) Bubble bags (4) Carton, output bins

Table 2-5 Regional kits

Service part number	Description	Contents
C5956-61374	Boost transformer (SVC-BOOST TRANSFORMER) (for Japan and Taiwan only)	Boost transformer (1)

Trunk stock recommendation

There are two recommended trunk stock kits for the MFP: HP Direct and Channel Partner.

Table 2-6 HP Direct trunk stock

Description	Service part number
SVC KIT-TRUNK, HP DIRECT (full kit)	C5957-67187
KEY- INTERLOCK CHEAT, PB SWITCH ¹	3101-4085
SVC-CABLE-RETAINER PANDUIT TWR-CO ¹	C5956-67051
SVC-COVER-SPOOL CARTRIDGE ¹	C5956-67085
SVC-OPTO SENSOR,LIGHT MODULATION IO=16M ¹	C5956-67088
CONTACT GLASS ADF ASSY ¹	C5956-67156
SVC-YOKE-DIVERTER ¹	C5956-67208
SVC ASSY-DRUM ENCODER DISK ¹	C5956-67252
SVC-SENSOR, MEDIA PRESENCE ¹	C5956-67255
SVC-PHOTOINTERRUPTER IF=50MA-MAX ROHS ¹	C5956-67256
SVC-HOLDER-PINCH ROLLER-SMALL ¹	C5956-67258
SVC ASSY-CHARCOAL FILTER ¹	C5956-67262
SVC ASSY-AEROSOL FILTER ¹	C5956-67266
SVC KIT PM-DRIVEROLLER, HORIZ TRANSP ¹	C5956-67290
SVC-PINCH ROLLER FEP ¹	C5956-67319
SVC-PLATE-THERMISTER ¹	C5956-67354
SVC ASSY-SENSOR ALEPH-ON 171-A8 W/SEAL ¹	C5956-67356
SVC-RETAINER-CAPTIVE FASTENER M4 ¹	C5956-67368
SVC-ROLL ¹	C5956-67388
SVC-SEPARATION, UNIT ¹	C5956-67419
SVC-ROLLER, PICK, TRAY 2-4 ¹	C5956-67420
SVC-ASSY-TRAY 1 PICK ROLLER ¹	C5956-67424
SVC KIT PM-CARRIAGE FELT ¹	C5956-67441
SVC ASSY-SURFACE DRUM ¹	C5956-67451
SVC KIT PM-CARRIAGE DRIVE ¹	C5956-67586
SVC ASSY-CARRIAGE DRIVE MOTOR W/BACKET ¹	C5956-67637
SVC KIT-WIRE MANAGEMENT 1 ¹	C5956-67648
SVC KIT-FASTENERS 1 ¹	C5956-67651
SVC-BLOWER-VACUUM ¹	C5956-67666
SVC-SENSOR-TRANSPARENCY ¹	C5956-67693

Table 2-6 HP Direct trunk stock (continued)

Description	Service part number
SVC-GASKET-BLOWER ¹	C5956-67695
SVC-SCR-SPCL 4-40 .394-IN-LG HEX STDOFF ROHS ¹	C5956-67714
PEN STATION CAP (SVC ASSY-CAP) ¹	C5956-67728
SVC KIT-AIR PURGER ¹	C5956-67735
SVC KIT-SCREWS,TRAY 1-4 ¹	C5956-67753
SVC-PHOTOINTERRUPTER WITH CONNECTOR ¹	C5956-67770
SVC-KIT-PEN, SINGLE USE ¹	C5956-67785
SVC KIT PM-CURLER OUTPUT TRANSMISSIO ¹	C5956-67787
SVC KIT PM-CARRIAGE ENCODER ¹	C5956-67819
SVC KIT PM-WEB WIPE ¹	C5956-67837
SVC KIT-TOF SENSOR ¹	C5957-67052
SVC-KIT, LUBRICANTS ¹	C5957-67075
SVC-JUMPER, SOB SENSOR CABLE ¹	C5957-67078
SVC KIT PM-AEROSOL DUCTS ¹	C5957-67085
SENSOR-DROP DETECT-6 CHANNEL ¹	C5957-67086
SVC KIT-INK CLEANUP ¹	C5957-67096
SVC-ASSY-DOUBLE DECKER SPITTOON ¹	C5957-67108
SVC-BRACKET-BRUSH, ESD ¹	C5959-67313
SVC TOOL-TIMING PINS, ACCUMULATOR ¹	C5959-67314
SVC-SPRING-85 T TENSIONER ¹	C5961-67006
SVC-STRAP-DUPLEX DOOR ¹	C5956-67215
SVC-SWITCH, CHERRY, F81AB110 ¹	C5959-67103
SVC-PHOTO INTERRUPTER TLP1243 ¹	C5961-67013
SVC-PHOTOINTERRUPTER IO=16MA ROHS ¹	C5961-67025
SVC ASSEMBLY-ROLLER, PICK ¹	C5961-67028
SVC-CASTER HI-CAP BDT ¹	C5961-67037
SVC KIT-STACK BIAS ¹	C5961-67044
SVC-CLUTCH, ELECTRIC, TESTED ¹	C5961-67107
SVC-CLUTCH-SLIPPER ¹	C5961-67070
SVC KIT-BRACKET TRAY 5 ¹	C5961-67077
SVC-MOTOR-PAPER HICAP ¹	C5961-67086
SVC KIT PM-ROLLER FEED ¹	C5962-67004

Table 2-6 HP Direct trunk stock (continued)

Description	Service part number
SVC KIT-ADF,SCANNER SCREWS ¹	C5962-67042
SVC KIT-ADF,SCANNER STOP RINGS ¹	C5962-67043
BRACKET-FRONT SOB ¹	C5963-67001
BRACKET-REAR SOB ¹	C5963-67002
SENSOR-SOB FULL ¹	C5963-67004
SVC-BIN-SINGLE OUTPUT ¹	C5963-67005
SVC-SCR-MACH M6X1.0 10MM-LG SKT-HD ROHS ¹	C5964-67002
SVC-GUIDE-FINGER ¹	C5964-67036
SVC-CABLE-JS INTERNAL ¹	C5964-67050
SERVICE BUILD BOX LABEL ¹	C7769-00200

¹ Part of the HP Direct Trunk Stock Kit (C5957-67187)

Table 2-7 Channel Partner trunk stock

Description	Service part number
SVC KIT-TRUNK, CHANNEL PARTNER (full kit)	C5957-67190
SVC-COVER-SPOOL CARTRIDGE ¹	C5956-67085
SVC-OPTO SENSOR,LIGHT MODULATION IO=16M ¹	C5956-67088
SVC ASSY-DRUM ENCODER DISK ¹	C5956-67252
SVC-SENSOR, MEDIA PRESENCE ¹	C5956-67255
SVC-PHOTOINTERRUPTER IF=50MA-MAX ROHS ¹	C5956-67256
SVC KIT PM-DRIVEROLLER, HORIZ TRANSP ¹	C5956-67290
SVC-PINCH ROLLER FEP ¹	C5956-67319
SVC ASSY-SENSOR ALEPH-ON 171-A8 W/SEAL ¹	C5956-67356
SVC-SEPARATION, UNIT ¹	C5956-67419
SVC ASSY-SURFACE DRUM ¹	C5956-67451
SVC KIT-WIRE MANAGEMENT 1 ¹	C5956-67648
SVC KIT-FASTENERS 1 ¹	C5956-67651
SVC-GASKET-BLOWER ¹	C5956-67695
SVC KIT-AIR PURGER ¹	C5956-67735
SVC-KIT-PEN, SINGLE USE ¹	C5956-67785
SVC KIT PM-CARRIAGE ENCODER ¹	C5956-67819
SVC KIT PM-WEB WIPE ¹	C5956-67837
SVC-JUMPER, SOB SENSOR CABLE ¹	C5957-67078

Table 2-7 Channel Partner trunk stock (continued)

Description	Service part number
SVC-ASSY-DOUBLE DECKER SPITTOON ¹	C5957-67108
SVC-ROLLER, PICK, TRAY 2-4 ¹	C5957-67123
SVC-PHOTO INTERRUPTER TLP1243 ¹	C5959-67313
SVC-PHOTOINTERRUPTER IO=16MA ROHS ¹	C5961-67025
SVC ASSEMBLY-ROLLER, PICK ¹	C5961-67028
SVC-CLUTCH-SLIPPER ¹	C5961-67070
SVC-MOTOR-PAPER HICAP ¹	C5961-67086
SVC-CLUTCH, ELECTRIC, TESTED ¹	C5961-67107
SVC KIT PM-ROLLER FEED ¹	C5962-67004
SENSOR-SOB FULL ¹	C5963-67004
SVC-GUIDE-FINGER ¹	C5964-67036
SERVICE BUILD BOX LABEL ¹	C7769-00200

¹ Part of the Channel Partner Trunk Stock Kit (C5957-67190)

Edgeline tools

You can order the entire Service Test Tool or each part individually.

Table 2-8 Service Test Tool components

Description	Service part number	Quantity
Service Test Tool kit (SVC KIT-ELECTRICAL TEST TOOL)	C5957-67001	1
Service Test Tool PCA (SVC-TEST TOOL PCA)	C5957-67036	1
Service Test Tool base cable (SVC ASSY-SERVICE TEST BASE CABLE)	C5957-67046	2
Service Test Tool patch cord (SVC-PATCH CORD BLACK 60-IN-LG ROHS)	C5957-67064	1

Table 2-9 Service Test Tool test cables

Cable	Service part number	Quantity
5 pin single row receptacle cable (SVC-MI2 5-POS RCPT TO MILLIGRID 40-POS)	C5957-67002	1
6 pin single row receptacle cable (SVC-MI2 6-POS RCPT TO MILLIGRID 40-POS)	C5957-67003	1
8 pin single row receptacle cable (SVC-CABLE, TEST, SGL ROW, 8-POS RECPT)	C5957-67060	1
12 pin single row receptacle cable (SVC-MI2 12-POS RCPT TO MILLIGRID 40-POS)	C5957-67004	1
18 pin single row receptacle cable (SVC-MI2 18-POS RCPT TO MILLIGRID 40-POS)	C5957-67005	1
5 pin single row plug cable (SVC-MI2 5-POS PLUG TO MILLIGRID 40-POS)	C5957-67006	1
6 pin single row plug cable (SVC-MI2 6-POS PLUG TO MILLIGRID 40-POS)	C5957-67007	1
8 pin single row plug cable (CABLE, TEST, SGL ROW, 8-POS PLUG)	C5957-67061	1
12 pin single row plug cable (SVC-MI2 12-POS PLUG TO MILLIGRID 40-POS)	C5957-67008	1
18 pin single row plug cable (SVC-MI2 18-POS PLUG TO MILLIGRID 40-POS)	C5957-67009	1
10 pin double row receptacle cable (SVC-MI2 10-POS RCPT TO MILLIGRID 40-POS)	C5957-67010	1

Table 2-9 Service Test Tool test cables (continued)

Cable	Service part number	Quantity
12 pin double row receptacle cable (SVC-MI2 12-POS RCPT TO MILLIGRID 40-POS)	C5957-67011	1
14 pin double row receptacle cable (SVC-MI2 14-POS RCPT TO MILLIGRID 40-POS)	C5957-67012	1
16 pin double row receptacle cable (SVC-MI2 16-POS RCPT TO MILLIGRID 40-POS)	C5957-67013	1
20 pin double row receptacle cable (SVC-MI2 20-POS RCPT TO MILLIGRID 40-POS)	C5957-67014	1
22 pin double row receptacle cable (SVC-MI2 22-POS RCPT TO MILLIGRID 40-POS)	C5957-67015	1
24 pin double row receptacle cable (SVC-MI2 24-POS RCPT TO MILLIGRID 40-POS)	C5957-67016	1
26 pin double row receptacle cable (SVC-MI2 26-POS RCPT TO MILLIGRID 40-POS)	C5957-67017	1
28 pin double row receptacle cable (SVC-MI2 28-POS RCPT TO MILLIGRID 40-POS)	C5957-67018	1
30 pin double row receptacle cable (SVC-MI2 30-POS RCPT TO MILLIGRID 40-POS)	C5957-67019	1
32 pin double row receptacle cable (SVC-MI2 32-POS RCPT TO MILLIGRID 40-POS)	C5957-67020	1
36 pin double row receptacle cable (SVC-MI2 36-POS RCPT TO MILLIGRID 40-POS)	C5957-67021	1
40 pin double row receptacle cable (SVC-MI2 40-POS RCPT TO MILLIGRID 40-POS)	C5957-67022	1
10 pin double row plug cable (SVC-MI2 10-POS PLUG TO MILLIGRID 40-POS)	C5957-67023	1
12 pin double row plug cable (SVC-MI2 12-POS PLUG TO MILLIGRID 40-POS)	C5957-67024	1
14 pin double row plug cable (SVC-MI2 14-POS PLUG TO MILLIGRID 40-POS)	C5957-67025	1
16 pin double row plug cable (SVC-MI2 16-POS PLUG TO MILLIGRID 40-POS)	C5957-67026	1
20 pin double row plug cable (SVC-MI2 20-POS PLUG TO MILLIGRID 40-POS)	C5957-67027	1

Table 2-9 Service Test Tool test cables (continued)

Cable	Service part number	Quantity
22 pin double row plug cable (SVC-MI2 22-POS PLUG TO MILLIGRID 40-POS)	C5957-67028	1
24 pin double row plug cable (SVC-MI2 24-POS PLUG TO MILLIGRID 40-POS)	C5957-67029	1
26 pin double row plug cable (SVC-MI2 26-POS PLUG TO MILLIGRID 40-POS)	C5957-67030	1
28 pin double row plug cable (SVC-MI2 28-POS PLUG TO MILLIGRID 40-POS)	C5957-67031	1
30 pin double row plug cable (SVC-MI2 30-POS PLUG TO MILLIGRID 40-POS)	C5957-67032	1
32 pin double row plug cable (SVC-MI2 32-POS PLUG TO MILLIGRID 40-POS)	C5957-67033	1
36 pin double row plug cable (SVC-MI2 36-POS PLUG TO MILLIGRID 40-POS)	C5957-67034	1
40 pin double row plug cable (SVC-MI2 40-POS PLUG TO MILLIGRID 40-POS)	C5957-67035	1

Table 2-10 Miscellaneous tools

Description	Service part number	Quantity
KEY-INTERLOCK CHEAT, PB SWITCH (KEY-INTERLOCK CHEAT, PB SWITCH)	3101-4085	1
Finisher accumulator alignment tool (SVC TOOL-TIMING PINS, ACCUMULATOR)	C5959-67314	1

3 Hardware

- [Screws](#)
- [Retainers](#)
- [Wire management](#)
- [ADF and scanner bushings and bearings](#)
- [Tray 5 bearings](#)
- [Multifunction finisher staples](#)

Screws

Table 3-1 Screw types available individually

Description	Diagram code	Service part number	Quantity	Use
SVC-SCREW-TPG M3X0.5 6MM-LG PAN HD ROHS	T-6MM	C5956-67001	20	Aerosol
SVC-SCREW-TPG M3X0.5 10MM-LG PAN HD ROHS	T-10MM	C5956-67002	20	Media path
SVC-SCREW-TPG M4X0.7 8MM-LG PAN HD ROHS	T-8MM	C5956-67003	20	General
SVC-SCR-MACH M3X0.5 10MM-LG PAN HD ROHS	M-10MM1	C5956-67004	20	Media path
SVC-SCREW-MACH M3X0.5 6MM-LG PAN HD ROHS	M-6MM	C5956-67005	20	General
SVC-SCREW-MACH M4X0.7 8MM-LG PAN HD ROHS	M-8MM	C5956-67006	20	General
SVC-SCRW-MACH M4X0.7 16MM-LG PAN HD ROHS	M-16MM	C5956-67007	20	Drum
SVC-SCREW-TPG M4X0.7 12MM-LG PAN- HD ROHS	T-12MM	C5956-67008	20	Media path
SVC-SCREW-METRIC SPCLTY MG3X1 8MMLG ROHS	Met-8MM	C5956-67009	20	Carriage
SVC-SCR-TPG M2.5X0.45 4MM-LG PAN HD ROHS	T-4MM1	C5956-67010	20	Media path
SVC-SCREW-MACH M4 X 0.7 9.5MM-LG ROHS	M-9.5MM	C5956-67011	20	Vacuum
SVC-SCR-SPCL 4-40 . 394-IN-LG HEX STDOFF ROHS	SPCL-1	C5956-67714	2	Electronics
SVC-SCREW-TPG 4-20X7.94MM 10IP ROHS	T-4MM2	C5956-67012	20	Media path
SVC-SCREW-TPG 4-20 0.427-IN-LG ROHS	T-.0427in	C5956-67018	20	Service station
SVC-SCREW, SOCKET HEAD CAP M6X1.0X14MM	S-14MM	C5956-67739	2	General

Table 3-1 Screw types available individually (continued)

Description	Diagram code	Service part number	Quantity	Use
SVC-SCREW-AEROSOL MANIFOLD	AERO	C5957-67089	10	Carriage
SVC-SCR-MACH M6X1.0 10MM-LG SKT-HD ROHS	M-10MM2	C5964-67002	10	HP 4-bin Job Separator

Table 3-2 Screw kits

Description	Service part number	Contents
SVC KIT-FASTENERS 1	C5956-67651	<ul style="list-style-type: none"> ● SCREW-TPG M3 X 0.5 6MM-LG PAN HD ROHS (20) ● SCREW-TPG 4-20 0.427-IN-LG ROHS (10) ● SCREW-TPG 4-20X7.94MM 10IP ROHS (10) ● SCREW-MACH M4 X 0.7 9.5MM-LG ROHS (10) ● SCREW-TPG M2.5X0.45 4MM-LG PAN HD ROHS (10) ● SCREW-METRIC SPECIALTY MG3X1 8MMLG ROHS (10) ● SCREW-TPG M4X0.7 12MM-LG PAN-HD ROHS (10) ● SCREW-MACH M4 X 0.7 16MM-LG PAN HD ROHS (10) ● SCREW-MACH M4 X 0.7 8MM-LG PAN HD ROHS (20) ● SCREW-MACH M3 X 0.5 6MM-LG PAN HD ROHS (20) ● SCREW-MACH M3 X 0.5 10MM-LG PAN HD ROHS (10) ● SCREW-TPG M4 X 0.7 8MM-LG PAN HD ROHS (10) ● SCREW-TPG M3 X 0.5 10MM-LG PAN HD ROHS (10)

Table 3-2 Screw kits (continued)

Description	Service part number	Contents
SVC KIT-FASTENERS 2	C5957-67054	<ul style="list-style-type: none"> ● SCREW-TPG M3 X 1.34 7.5MM-LG PAN-HD ROHS (10) ● SCREW-TPG 10-16 .5-IN-LG PAN-HD-TRX ROHS (5) ● SCREW-TPG 4-20 .625-IN-LG TORX (10) ● SCREW-TPG M3 X 0.5 5MM-LG 3.3MM-SHLD-LG (5) ● SCR-MACH M4X.7 24.5MM-LG PAN WASHER ROHS (5) ● SCR-MACH M4X.7 8.25MM-LG PAN WASHER ROHS (5) ● SCREW-MACH M4X0.7 13MM-LG HEX-HD ROHS (10) ● SCREW-MACH M8X1.25 20MM-LG HEX-HD ROHS (10) ● SCREW-MACH M8X1.25X12.5MM HEX-HD ROHS (16) ● SCREW-MACH M4X0.7 55MM-LG PAN HD ROHS (10) ● SCREW-MACH M3X0.5 30.3MM-LG PAN HD ROHS (10) ● SCR-MACH M3X0.5 16MM-LG T-10 PAN-HD ROHS (10) ● SCREW-TPG M2.9 X 1.27 12.3MM-LG ROHS (5) ● SCREW-TPG M3 X 0.5 5MM-LG PAN-HD ROHS (10) ● SCREW-SKT-FL-CAP M6 X 1.0 10MM-LG (5)
SVC KIT-SCREWS, FINISHER	C5959-67310	N/A
SVC KIT-ADF,SCANNER SCREWS	C5962-67042	<ul style="list-style-type: none"> ● BINDING SCREW,CVM3X4 (10) ● BINDING SCREW CVM3X5 (10) ● BINDING SCREW CVM3X10 (10) ● BINDING SCREW CVM3X14 (10) ● BINDING SCREW CVM4X6 (10) ● BIND T.T SCREW(+)/ M3 X 6 S-ZMC S-T (10) ● BINDING TAP-TIGHT SCREW M4X8 (10) ● TRIPLE SCREW M3X05 (10) ● TRIPLE TAPPING SCREW M3X8 B-TYP (10) ● TRIPLE TAP-TITE P SCREW M3X08 (10) ● TRIPLE SCREW M4X6(CHROMIUM) (10) ● BINDING TAP-TIGHT P SCREW M3X06 (10) ● BINDING TAP-TIGHT SCREW M3X08 (10)

Retainers

Table 3-3 Retainers available individually

Description	Service part number	Quantity	Use
SVC-RETAINER-CAPTIVE FASTENER M4	C5956-67368	20	General

Table 3-4 Retainer kits

Description	Service part number	Contents
SVC KIT-CLIPS	C5956-67650	<ul style="list-style-type: none"> ● CABLE CLAMP (10) ● RETAINER-RING E-CLIP (10) ● RETAINER-RING CIRCLIP 4MM-BSC DIA ROHS (10) ● RETAINER-RING CIRCLIP 5MM-BSC DIA ROHS (10) ● RETAINER-RING CIRCLIP 10MM K-STYLE ROHS (10) ● RETAINER-RING CIRCLIP 8MM K-STYLE ROHS (10) ● RETAINER-RING CIRCLIP 6MM K-STYLE ROHS (10) ● RETAINER-PUSH-ON RECT INT .25-IN-DIA (10) ● CLIP-BEARING SPACER (5)
SVC KIT-ADF,SCANNER STOP RINGS	C5962-67043	<ul style="list-style-type: none"> ● E STOP RING/X 3 X 0.6T S-UNICR (10) ● STOP RING E4 (10) ● STOP RING (E-5) (10) ● STOP RING (E-7) (10) ● STOP RING CSTW-5 (10) ● STOPPER, 6 (10)

Wire management

Table 3-5 Wire clips available individually

Description	Service part number	Quantity	Use
SVC-SADDLE-WIRE .2-WD NYL-6/6 ROHS	C5956-67014	20	Electronics
SVC-SDL-WIRE .2-WD NYL-6/6 ROHS	C5956-67015	20	General
SVC-SADDLE-WIRE .08-IN WD NYL-6/6 ROHS	C5956-67016	20	Media path
SVC-SDL-WIRE .2-WD NYL-6/6 ROHS	C5956-67017	20	Electronics
SVC-CLIP-WIRE .08 IN-WD NYL-6/6-ROHS	C5956-67374	20	General
SVC KIT-CLIPS,TRAY 1-4	C5956-67752	30	Trays 1, 2, 3, and 4
SVC-WIRE ROUTER	C5964-67001	5	HP 4-bin Job Separator

Table 3-6 Wire management kits

Description	Service part number	Contents
SVC KIT-WIRE MANAGEMENT 1	C5956-67648	<ul style="list-style-type: none"> ● SADDLE-WIRE .2-WD NYL-6/6 ROHS (10) ● CLIP WIRE-LOCKING 8.8MM (10) ● SADDLE-WIRE .08-IN WD NYL-6/6 ROHS (10) ● SDL-WIRE .2-WD NYL-6/6 ROHS (10) ● CLIP-WIRE, LOCKING, 2.6MM (10)
SVC KIT-WIRE MANAGEMENT 2	C5956-67649	<ul style="list-style-type: none"> ● SDL-WIRE .36-WD NYL-6/6 ROHS (10) ● SADDLE-WIRE EDGE NYL-6/6 ROHS (10) ● CLIP-WIRE, LOCKING, 14.1MM (10) ● CLAMP-CABLE KWICK KLIP LOCK NYL-6 (5) ● CLAMP-FLAT CABLE NYL-6/6 ROHS (5) ● BUSHING-WIRE (10) ● RETAINER-CABLE MEDIAPATH (10) ● SLEEVING-WIRE, HELICAL, 1/2OD (10) ● MICRO WIRE SADDLE, 3.5MM MTG HOLE (5)
SVC KIT-CLIPS,FINISHER	C5959-67311	N/A

Table 3-6 Wire management kits (continued)

Description	Service part number	Contents
SVC KIT-ADF,SCANNER CABLE MANAGEMENT	C5962-67044	<ul style="list-style-type: none">• LOCKING WIRE SADDLE, LWS-4NS (5)• WIRE SADDLE, YMC-05-H-0 (5)• BINDING BAND, PLT1M (5)• BINDING BAND SG-130 (5)• BINDING BAND,KB-100-1S (5)• EDGING,EDS-17L(KITAGAWA) (5)• EDGING,EDS-0607U(KITAGAWA) (5)• EDGING EDS-1 (5)• EDGING,EDS-0607L(KITAGAWA) (5)• MINIATURE CLAMP, UAMS-05-2 (5)• MINIATURE CLAMP,UAMS-07-0 (5)
Trays 2, 3, and 4 assembly wire clamps (SVC-CABLE CLAMP)	C5956-67768	20

ADF and scanner bushings and bearings

Description	Service part number	Contents
SVC KIT-ADF,SCANNER BEARINGS- BUSHINGS	C5962-67041	BEARING,688ZZNR (2) BEARING, 686ZZNR (2) BUSHING, 6 (10) BUSHING, 6 (10)

Tray 5 bearings

Description	Service part number	Contents
SVC KIT -BEARING-RDL BA	C5961-67001	BEARING-RDL BA .3543-IN-OD ROHS (5) BEARING-RDL BA .2362-IN-ID .3937-IN-OD (5)

Multifunction finisher staples

Description	Service part number	Contents
SVC-3-PACK STAPLE REFILL	C5959-67390	Staples, 3-pack, refill

4 HP CM8060/CM8050 Color MFP

This chapter contains information about the following topics:

- [Accessories](#)
- [Supplies](#)
- [Power cords](#)
- [ADF parts diagrams](#)
- [Scanner parts diagrams](#)
- [Aerosol parts diagrams](#)
- [Tray 1 parts diagrams](#)
- [Carriage parts diagrams](#)
- [Control panel parts diagrams](#)
- [Covers parts diagrams](#)
- [Drum parts diagrams](#)
- [Dryer parts diagrams](#)
- [Formatter parts diagrams](#)
- [Horizontal transport parts diagrams](#)
- [IDO parts diagrams](#)
- [IDS parts diagrams](#)
- [Electronics parts diagrams](#)
- [Service Station parts diagrams](#)
- [Trays 2, 3, and 4 parts diagrams](#)
- [Single output bin parts diagrams](#)
- [Vacuum parts diagrams](#)
- [Vertical transport parts diagrams](#)
- [Web wipe parts diagrams](#)

- [Alphabetical parts list](#)
- [Numerical parts list](#)

Accessories

The following accessories are available for the HP CM8050/8060 MFP (C5958A/C5957A):

Table 4-1 Accessories

Item	Product/part number
HP multifunction finisher	C5959A
HP 4-bin Job Separator	C5964A
HP 4000-sheet input tray	C5961A
HP single output bin	C5963A
HP analog fax accessory	C5954A
Carpet mat, 33x96 premium beveled	125859

Supplies

The following replacement ink cartridges and staple cartridges are available for the MFP:

Table 4-2 Supplies

Item	HP Service part number
Black ink cartridge	C8750A
Cyan ink cartridge	C8751A
Magenta ink cartridge	C8752A
Yellow ink cartridge	C8753A
Bonding Agent cartridge	C8754A
Single staple cartridge	C5967A
Multiple staple cartridge pack	C5968A

Power cords

Make sure your power source is adequate for the product voltage rating. The voltage rating is on the product label. The product uses either 110-127 Vac or 220-240 Vac and 50/60 Hz.

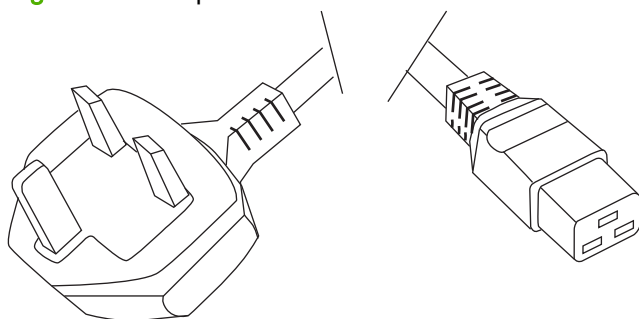
Connect the power cord between the product and a grounded AC outlet.

⚠ CAUTION: To prevent damage to the product, use only the power cord that is provided with the product.

Table 4-3 Label

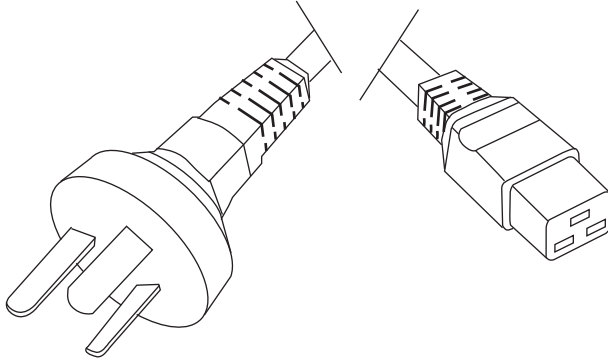
Item	HP Service part number
Label (SVC-LABEL-GROUND, EN)	C5957-67148

Figure 4-1 900 power cord



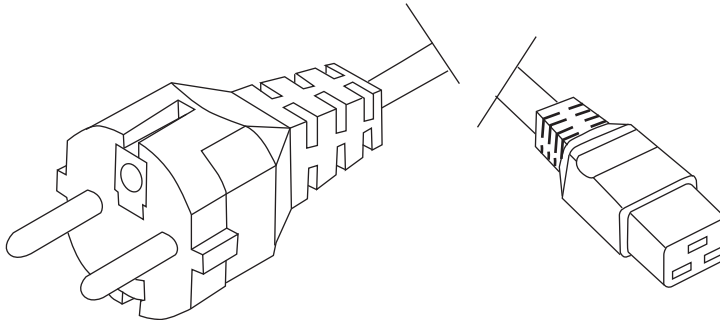
Description	Countries/Regions	Service part number	Power cord rating	Plug
SVC-PWR-CORD OPT-900 3 COND 2.5M-LG ROHS	United Kingdom, Bahrain, Hong Kong SAR, Ireland, Kuwait, Lebanon, Malaysia, Malta, Nigeria, Oman, Qatar, Saudi Arabia, Singapore, UAE	C5956-67772 or 8121-0907	13amps, 250V AC	BS1363/A

Figure 4-2 901 power cord



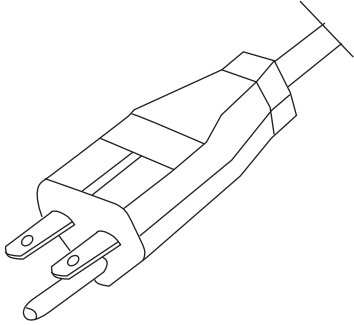
Description	Countries/Regions	Service part number	Power cord rating	Plug
SVC-PWR-CORD OPT-901 3 COND 2.5M-LG ROHS	Australia, New Zealand, Fiji, Solomon Islands, Tonga	C5956-67773 8121-1105	15amps, 250V AC 10amps, 250V AC	3-pin per AS/NZS 3112

Figure 4-3 902 power cord



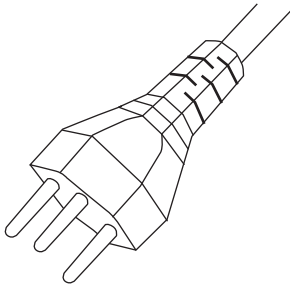
Description	Countries/Regions	Service part number	Power cord rating	Plug
SVC-PWR-CORD OPT-902 3 COND 2.5M-LG ROHS	Algeria, Antilles, Austria, Belgium, Croatia, Czech Republic, Egypt, Estonia, Ethiopia, Finland, France, Germany, Greece, Hungary, Iceland, Indonesia, Italy, Korea, Latvia, Lebanon, Lithuania, Luxembourg, Morocco, Norway, Serbia-Montenegro, Slovakia, Slovenia, Netherlands, Poland, Portugal, Russia, Spain, Sweden, Tunisia, Turkey, Vietnam	C5956-67774 or 8120-6352	16amps, 250VAC	CEE 7-VII

Figure 4-4 904 power cord



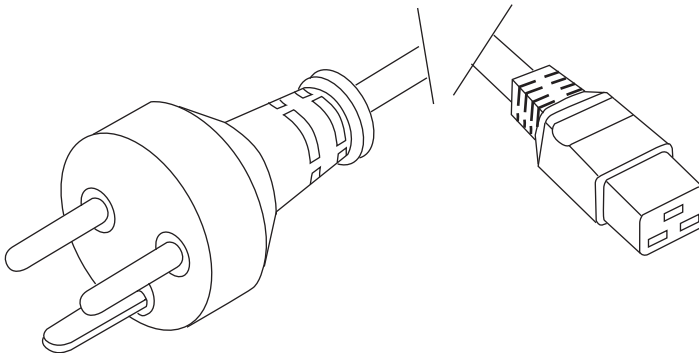
Description	Countries/Regions	Service part number	Power cord rating	Plug
SVC-PWR-CORD OPT-904 3 COND 2.5M-LG ROHS	Japan	8120-8623	15amps, 250VAC	NEMA 6-15P

Figure 4-5 906 power cord



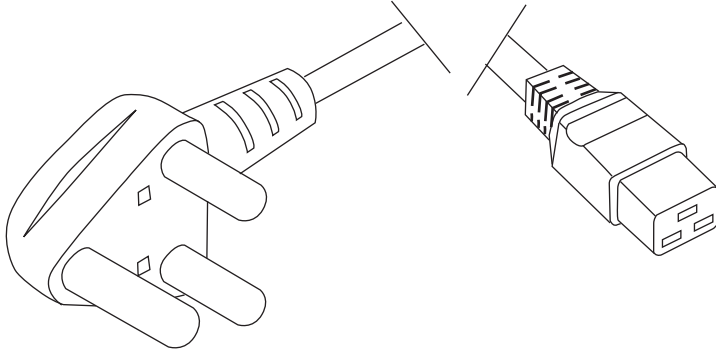
Description	Countries/Regions	Service part number	Power cord rating	Plug
SVC-PWR-CORD OPT-906 3 COND 2.5M-LG ROHS	Switzerland, Lichtenstein	8121-0916	10amps, 250VAC	SEV 1011

Figure 4-6 912 power cord



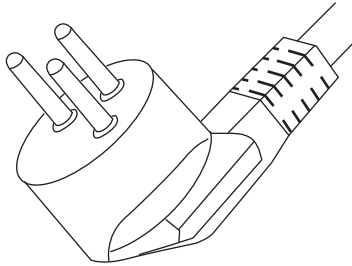
Description	Countries/Regions	Service part number	Power cord rating	Plug
SVC-PWR-CORD OPT-912 3 COND 2.5M-LG ROHS	Denmark	C5956-67793 or 8121-1077	10amps, 250VAC	DK2-5A

Figure 4-7 917 power cord



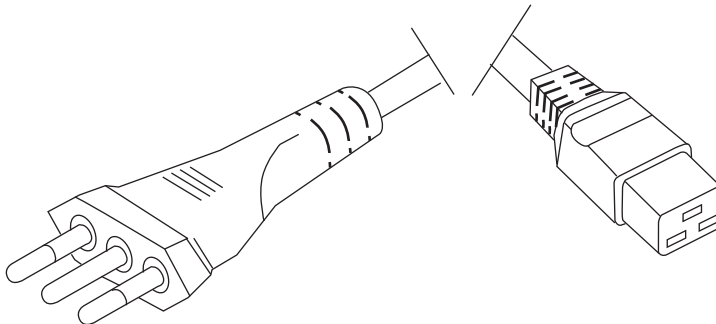
Description	Countries/Regions	Service part number	Power cord rating	Plug
SVC-PWR-CORD OPT-917 3 COND 2.5M-LG ROHS	South Africa, India, Namibia	C5956-67775 or 8121-0915	16amps, 250VAC	SANS164-1 /SABS 164-1 ZA-3

Figure 4-8 919 power cord



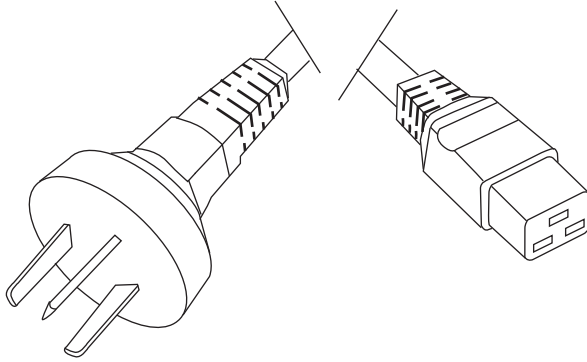
Description	Countries/Regions	Service part number	Power cord rating	Plug
SVC-PWR-CORD OPT-919 3 COND 2.5M-LG ROHS	Israel	C5957-67055 or 8121-1010	16amps, 250VAC	SI 32

Figure 4-9 921 power cord



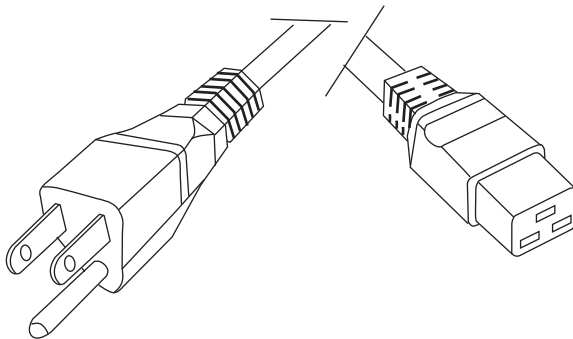
Description	Countries/Regions	Service part number	Power cord rating	Plug
SVC-PWR-CORD OPT-921 3 COND 2.5M-LG ROHS	Chile	C5956-67777 or 8121-0923	16amps, 250VAC	CEI 23-50

Figure 4-10 922 power cord



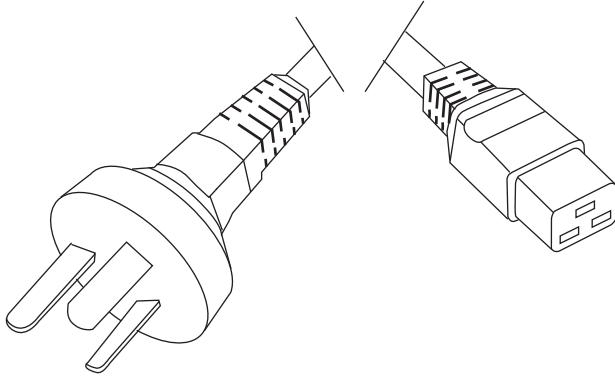
Description	Countries/Regions	Service part number	Power cord rating	Plug
SVC-PWR-CORD OPT-922 3 COND 2.5M-LG ROHS	China	8120-8934	10amps, 250VAC	GB1002-1996 PRC/ 3/10

Figure 4-11 927 power cord



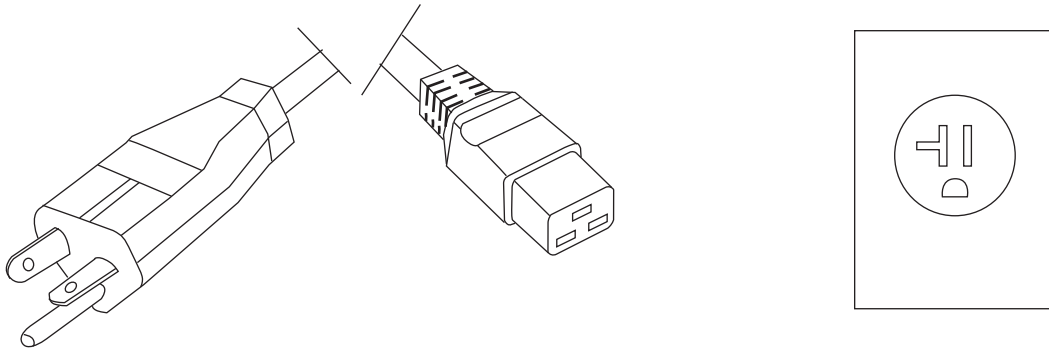
Description	Countries/Regions	Service part number	Power cord rating	Plug
SVC-PWR-CORD OPT-927 3 COND 2.5M-LG ROHS	Brazil, Philippines, Thailand	C5956-67779 or 8121-0922	15amps, 250VAC	NEMA 5-15P

Figure 4-12 928 power cord



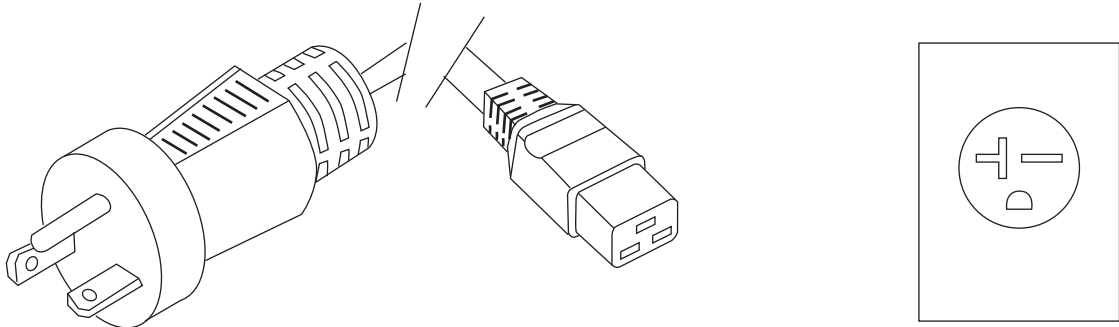
Description	Countries/Regions	Service part number	Power cord rating	Plug
SVC-PWR-CORD OPT-928 3 COND 2.5M-LG ROHS	Argentina	C5956-67783 or 8121-0925	16amps, 250VAC	IRAM 2073

Figure 4-13 929 power cord



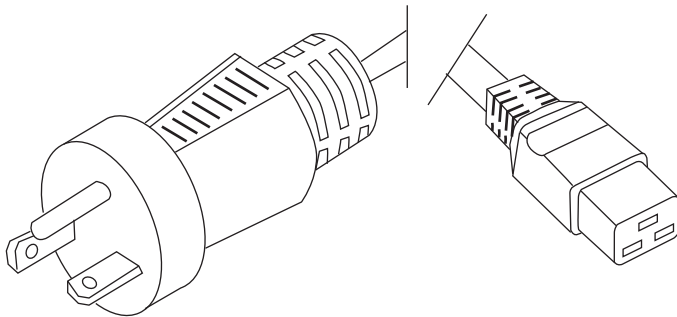
Description	Countries/Regions	Service part number	Power cord rating	Plug
SVC-PWR-CORD OPT-929 3 COND 2.5M-LG ROHS	USA, Bahrain, Canada, Colombia, Japan, Mexico, Oman, Peru, Puerto Rico, Saudi Arabia, Venezuela	C5956-67780 or 8120-6361	20amps, 125V AC	NEMA 5-20P

Figure 4-14 930 power cord



Description	Countries/Regions	Service part number	Power cord rating	Plug
SVC-PWR-CORD OPT-930 3 COND 2.5M-LG ROHS	USA, Canada	C5956-67781 or 8120-6360 8120-6903	20amps, 250V AC	NEMA 6-20P
SVC-PWR-CORD OPT-930 3 COND 4.5M-LG ROHS				

Figure 4-15 938 power cord



Description	Countries/Regions	Service part number	Power cord rating	Plug
SVC-PWR-CORD OPT-938	Taiwan	C5957-67084 or 8121-1033	20amps, 250VAC	CNS 690

ADF parts diagrams

- [ADF input tray parts diagram](#)
- [ADF main assembly parts diagram](#)
- [ADF drive system parts diagram](#)
- [ADF front side parts diagram](#)
- [ADF conveying section parts diagram](#)

ADF input tray parts diagram

Figure 4-16 ADF input tray parts diagram

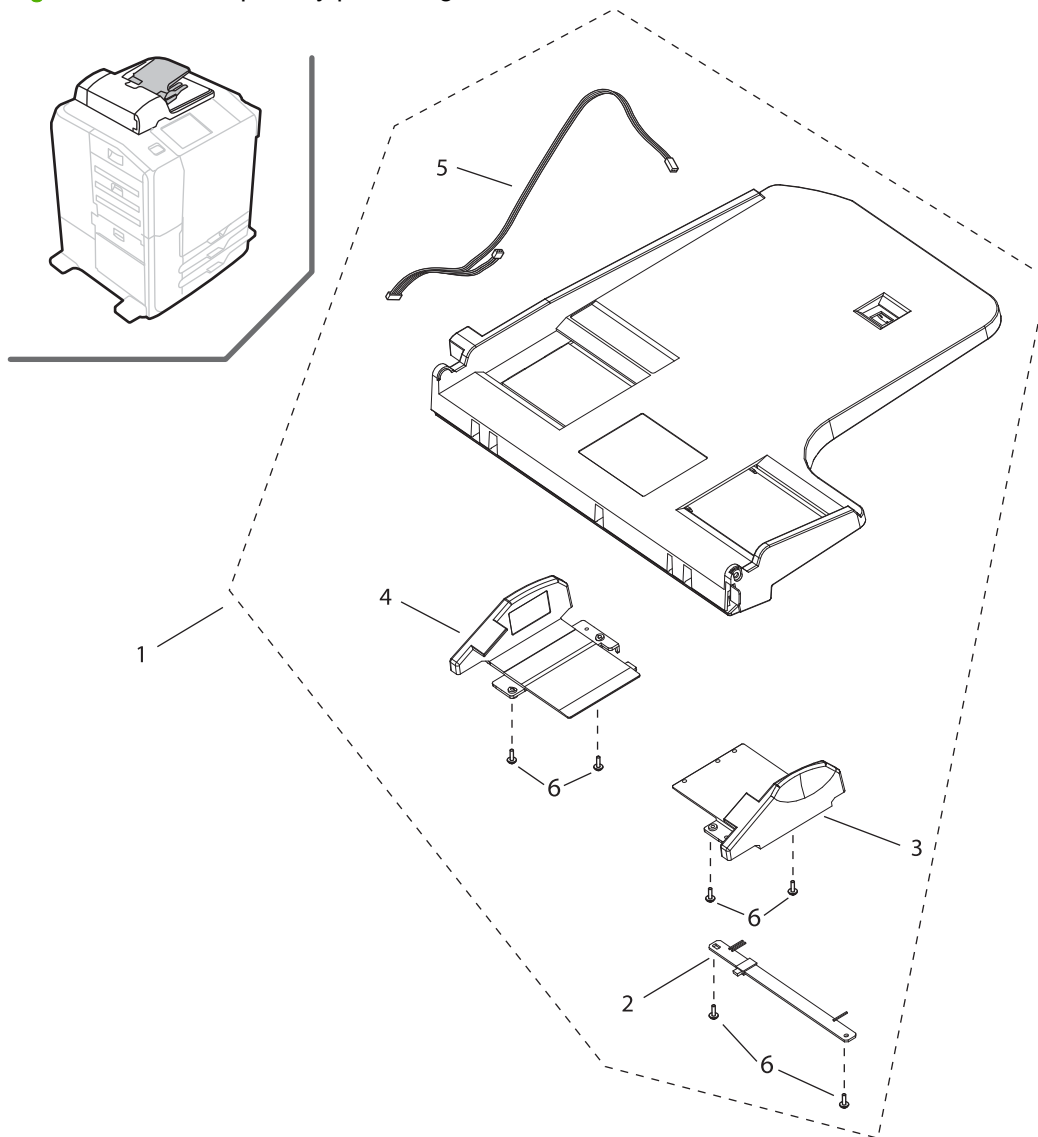


Table 4-4 ADF input tray parts list (for Figure 4-16)

Ref	Description	Part number	Qty
1	ADF input tray (SVC-FEED TABLE ASSEMBLY)	C5962-67017	1
2	ADF Width sensor (SN402) (SVC-SWITCH, SIZE DETECTION)	C5962-67001	1
3	ADF front paper width guide (SVC-FRONT GUIDE ASSEMBLY)	C5962-67019	1
4	ADF rear paper width guide (SVC-REAR GUIDE ASSEMBLY)	C5962-67018	1
5	ADF input tray wire (SVC-WIRE, TABLE)	C5962-67025	1
6	Screws (SVC KIT-ADF, SCANNER SCREWS, assortment)	C5962-67042	1

ADF main assembly parts diagram

Figure 4-17 ADF main assembly parts diagram

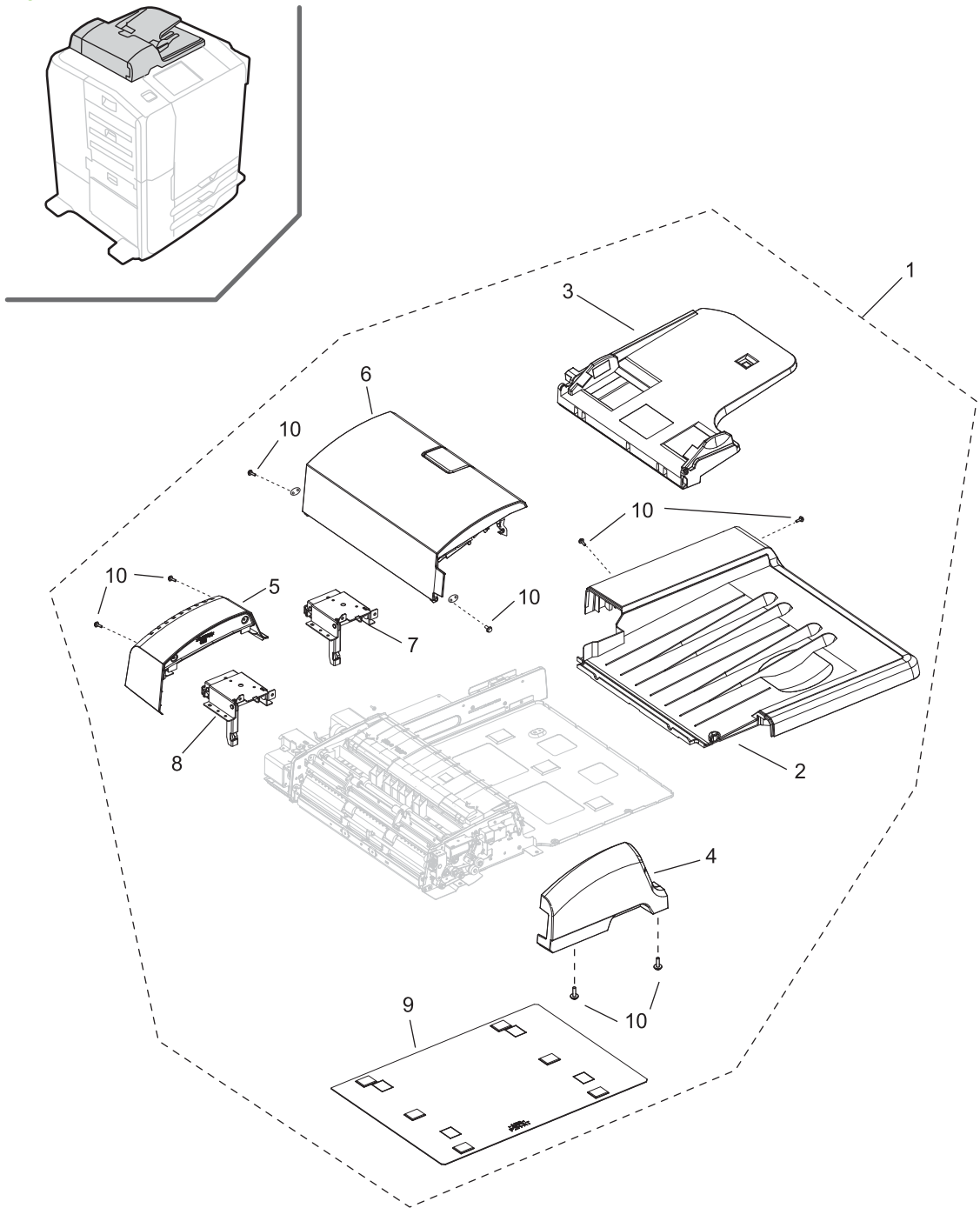


Table 4-5 ADF main assembly parts list (for Figure 4-17)

Ref	Description	Part number	Qty
1	ADF assembly (SVC ASSY-ADF)	C5962-67045	1
2	ADF output bin (SVC-RIGHT COVER ASSEMBLY)	C5962-67012	1
3	ADF input tray (SVC-FEED TABLE ASSEMBLY)	C5962-67017	1
4	ADF front cover (SVC-FRONT COVER ASSEMBLY)	C5962-67014	1
5	ADF rear cover (SVC-REAR COVER ASSEMBLY)	C5962-67016	1
6	ADF top cover (SVC-LEFT COVER ASSEMBLY)	C5962-67015	1
7	ADF right hinge (SVC-RIGHT_HINGE)	C5962-67003	1
8	ADF left hinge (SVC-LEFT_HINGE)	C5962-67002	1
9	ADF originals cover (SVC-ORIGINAL HOLDER ASSEMBLY)	C5962-67013	1
10	Screws (SVC KIT-ADF, SCANNER SCREWS, assortment)	C5962-67042	1

ADF drive system parts diagram

Figure 4-18 ADF drive system parts diagram

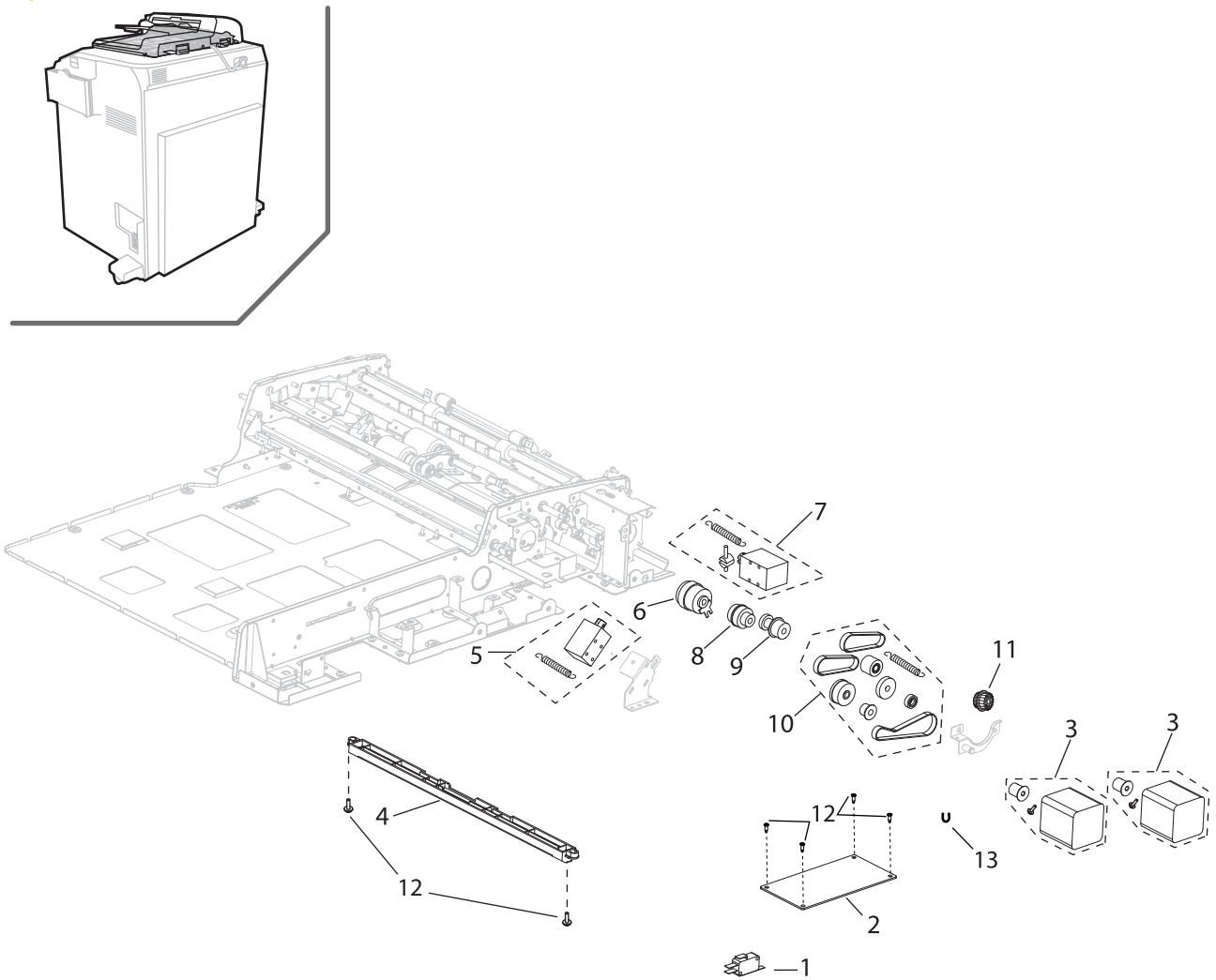


Table 4-6 ADF drive system parts list (for Figure 4-18)

Ref	Description	Part number	Qty
1	ADF Cover Open switch (SW402) (SVC KIT-SWITCH A, INTERLOCK)	C5962-67006	1
2	ADF Control PCA (A401) (SVC-DRIVER PCB SOFTWARE ASS'Y)	C5962-67007	1
3	ADF Feed motor (M401)/ADF Conveying motor (M402) (SVC ASSY-MOTOR PAPER FEED)	C5962-67040	1
4	ADF reading guide (SVC KIT-PAPER EJECT)	C5962-67038	1
5	ADF Original Lift solenoid (SOL401) (SVC-FEED SOLENOID ASSEMBLY)	Not available	1
6	ADF Feed clutch (CL401) (SVC-CLUTCH, PAPER FEED)	C5962-67009	1
7	ADF Duplex Pressure solenoid (SOL403) (SVC KIT-SOLENOID, LOOP PULLEY). Includes spring and spring pin.	C5962-67030	1
8	T35/T22/Z22 pulley (SVC-PULLEY, T35/T22/Z22)	C5962-67022	1
9	T28/Z18 pulley (SVC-PULLEY, T28/Z18)	C5962-67023	1
10	ADF drive system service kit (SVC KIT-DRIVE SECTION)	C5962-67039	1
11	Z22/T35P2M Gear (SVC-GEAR, Z22/T35P2M)	C5962-67024	1
12	Screws (SVC KIT-ADF, SCANNER SCREWS, assortment)	C5962-67042	1
13	Stop ring (SVC KIT-ADF, SCANNER STOP RINGS)	C5962-67043	1

ADF front side parts diagram

Figure 4-19 ADF front side parts diagram

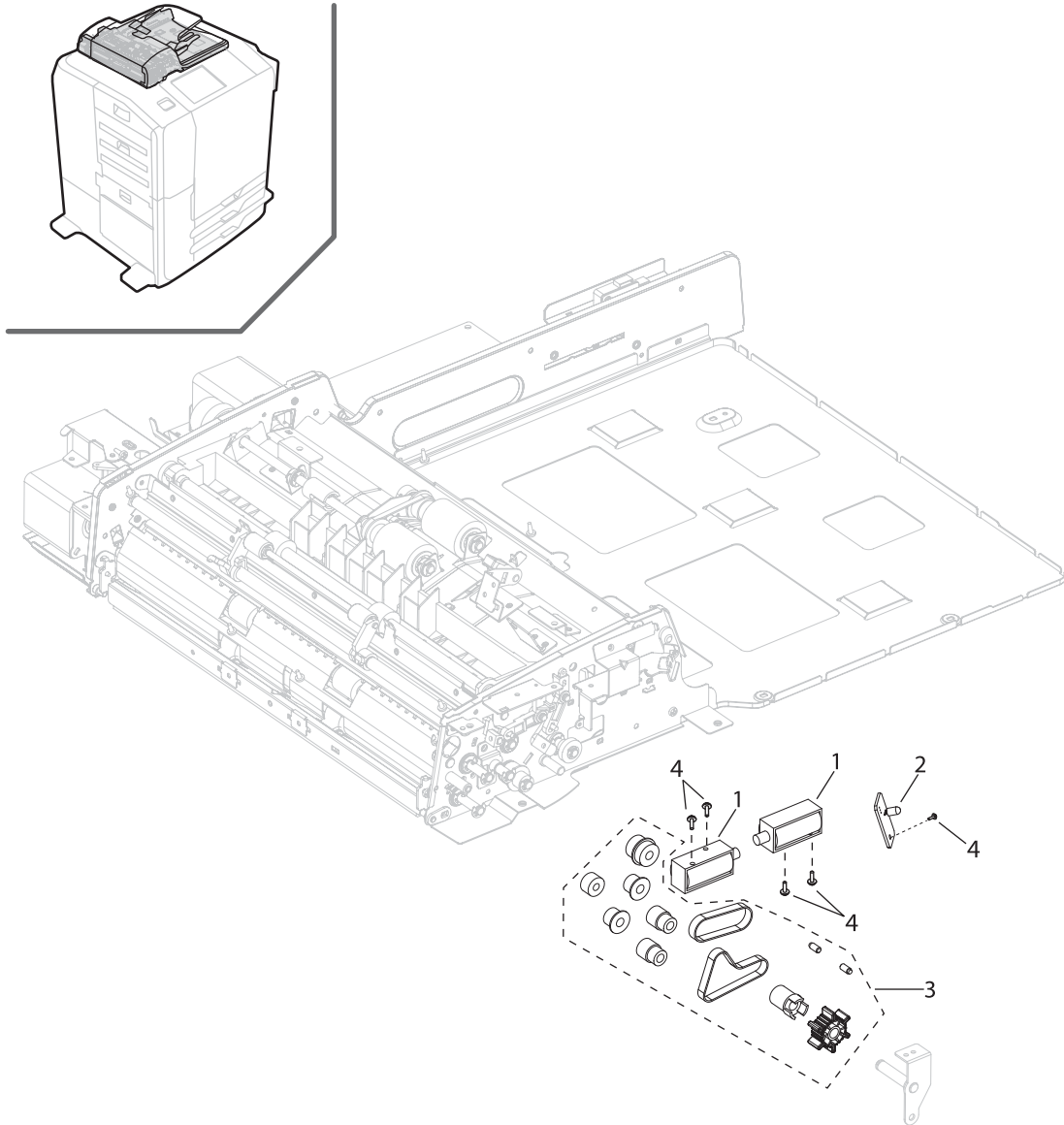


Table 4-7 ADF front side parts list (for Figure 4-19)

Ref	Description	Part number	Qty
1	ADF Duplex Shift solenoid (SOL402)/ADF Eject Shift solenoid (SOL404) (SVC-FEED SOLENOID ASSEMBLY)	Not available	1
2	ADF LED PCA (A402) (SVC-SET LED PCB ASS'Y)	C5962-67008	1
3	ADF eject drive kit (SVC KIT-PAPER EJECT)	C5962-67038	1
4	Screws (SVC KIT-ADF, SCANNER SCREWS, assortment)	C5962-67042	1

ADF conveying section parts diagram

Figure 4-20 ADF conveying section parts diagram

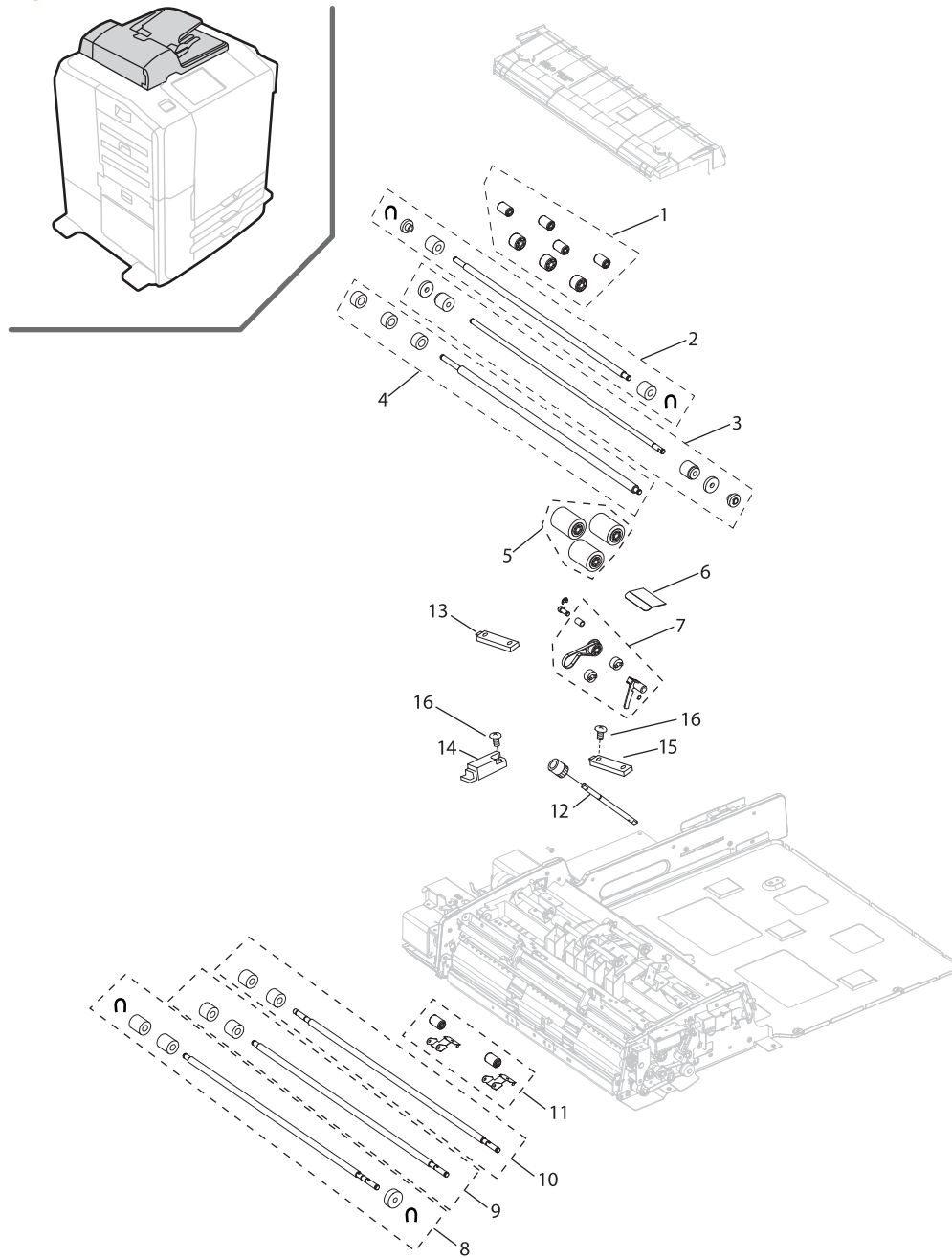


Table 4-8 ADF conveying section parts list (for Figure 4-20)

Ref	Description	Part number	Qty
1	ADF reversing section pulley kit (SVC KIT-REVERSING SECTION)	C5962-67031	1
2	Roller loop service kit (SVC KIT-ROLLER, LOOP)	C5962-67029	1
3	Eject roller service kit (SVC KIT-ROLLER, EJECT)	C5962-67036	1
4	Registration roller service kit (SVC KIT-ROLLER, REGISTRATION)	C5962-67034	1
5	Feed roller service kit (SVC KIT PM-ROLLER FEED)	C5962-67004	1
6	ADF lift pad (SVC-PAD, LIFT)	C5962-67026	1
7	Paper conveying kit (SVC KIT-PAPER CONVEYING)	C5962-67028	1
8	Upper conveying roller service kit (SVC KIT-UPPER ROLLER, CONVEYING)	C5962-67032	1
9	Lower conveying roller service kit (SVC KIT-LOWER ROLLER, CONVEYING)	C5962-67033	1
10	Inner conveying roller service kit (SVC KIT-INNER ROLLER, CONVEYING)	C5962-67035	1
11	Inner conveying pulley service kit (SVC KIT-INNER PULLEY)	C5962-67037	1
12	Torque limiter (SVC-TORQUE LIMITER DP)	C5962-67005	1
13	SVC-PT.SENSOR GP1A73AJ00/BK	C5962-67027	1
14	ADF Timing sensor (SN406) (SVC-SENSOR, TIMING)	C5962-67011	1
15	ADF Feed sensor (SN404) (SVC-SWITCH L, FEED)	C5962-67010	1
16	Screws (SVC KIT-ADF, SCANNER SCREWS, assortment)	C5962-67042	1

Scanner parts diagrams

- [Scanner top parts diagram](#)
- [Scanner front and rear wires parts diagram](#)
- [Scanner drive and electronics parts diagram](#)
- [Scanner chamber filter parts diagram](#)
- [Cables](#)

Scanner top parts diagram

Figure 4-21 Scanner top parts diagram

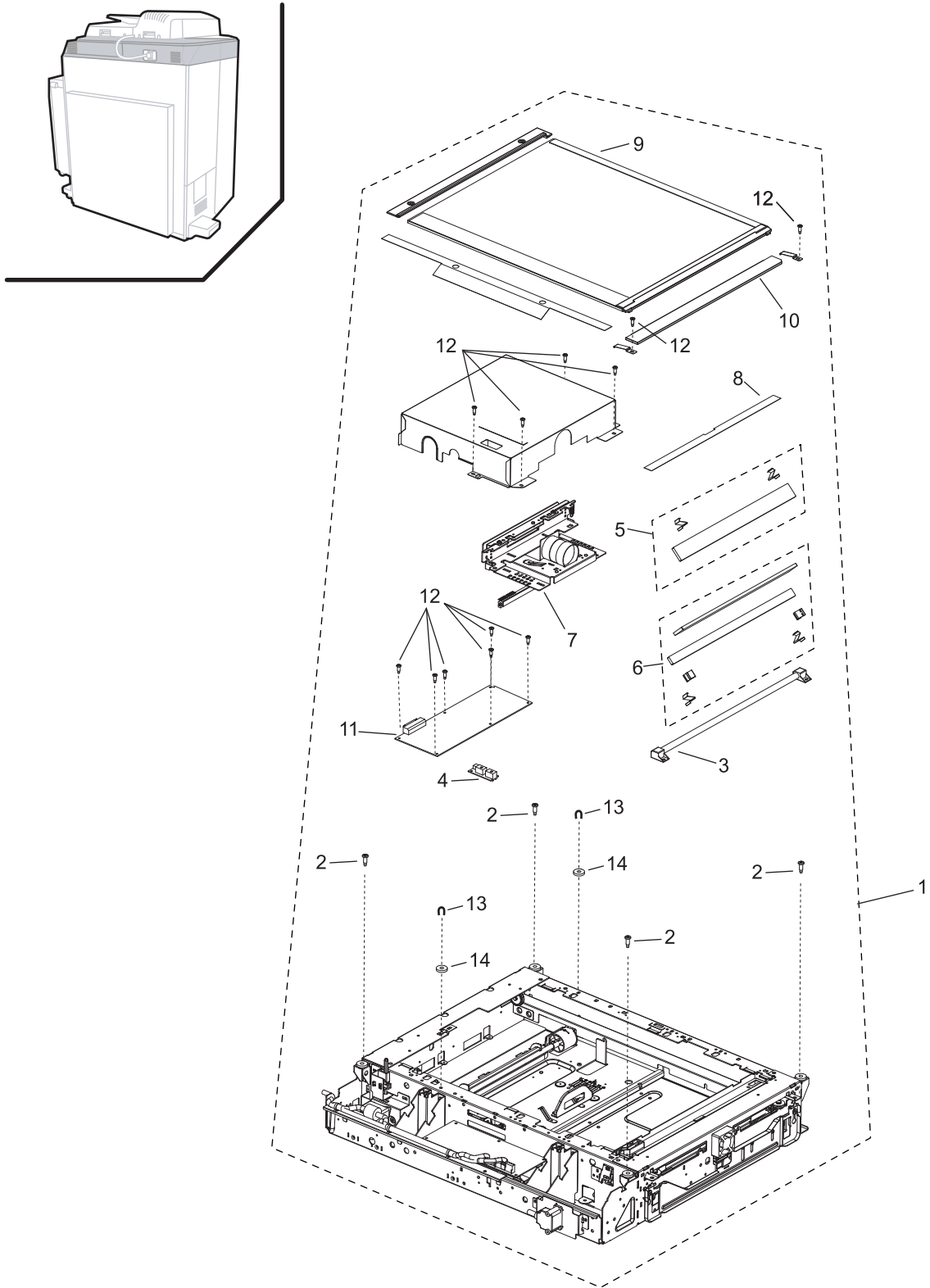


Table 4-9 Scanner top parts list (for Figure 4-21)

Ref	Description	Part number	Qty
1	Scanner assembly (SVC ASSY-SCANNER)	C5956-67249	1
2	Scanner retaining pins (SVC KIT-PIN SCANNER RETAINING)	C5956-67138	1
3	Scanner exposure lamp (SVC-LAMP, SCANNER)	C5956-67149	1
4	Scanner Length sensor (SN502) (SVC-SENSOR, ORIGINAL)	C5956-67142	1
5	Scanner mirror A (SVC KIT-MIRROR A)	C5956-67144	1
6	Scanner mirror B (SVC KIT-MIRROR B)	C5956-67146	1
7	Scanner CCD PCA (A503) (SVC-SCAN CCD ASSY)	C5956-67154	1
8	Dust shield C (SVC-FILM DUST SHIELD C)	C5956-67150	4
9	Scanner platen glass assembly (SVC-SCANNER FLAT BED GLASS ASSY)	C5956-67155	1
10	ADF contact glass assembly (SVC-PARTS,CONTACT GLASS ADF ASSY)	C5956-67156	1
11	AFE PCA (A502) (SVC-AFE PCB ASS'Y)	C5956-67147	1
12	Screws (SVC KIT-ADF, SCANNER SCREWS, assortment)	C5962-67042	1
13	Stop ring (SVC KIT-ADF, SCANNER STOP RINGS)	C5962-67043	1
14	Bearing, 68822NR (SVC KIT-ADF, SCANNER BEARINGS-BUSHINGS)	C5962-67041	1

Scanner front and rear wires parts diagram

Figure 4-22 Scanner front and rear wires parts diagram

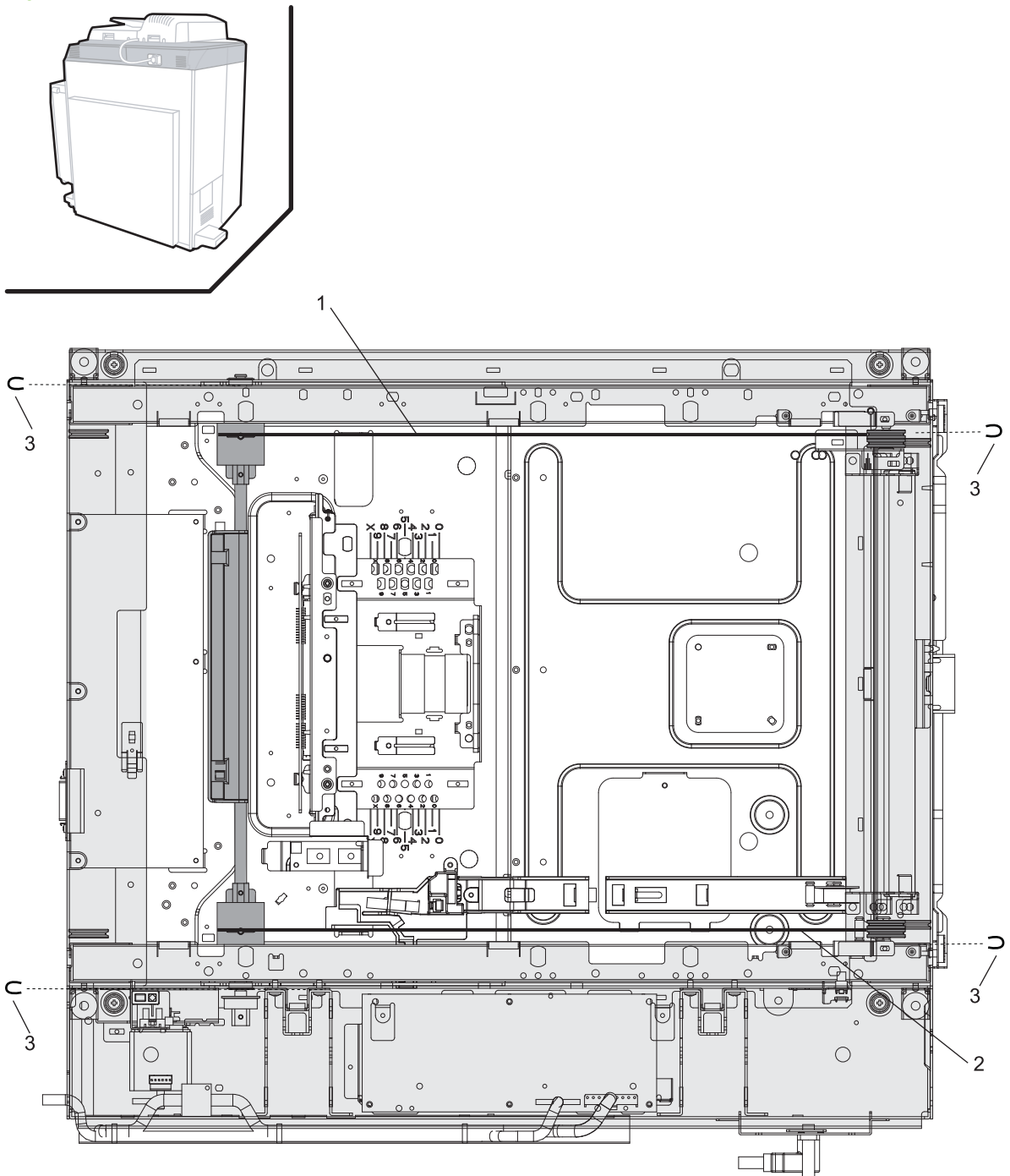


Table 4-10 Scanner front and rear wires parts list (for Figure 4-22)

Ref	Description	Part number	Qty
1	Scanner front wire (SVC KIT-SCAN FRONT WIRE)	C5956-67158	1
2	Scanner rear wire (SVC KIT-SCAN REAR WIRE ASSY)	C5956-67159	1
3	Stop ring (SVC KIT-ADF, SCANNER STOP RINGS)	C5962-67043	1

Scanner drive and electronics parts diagram

Figure 4-23 Scanner drive and electronics parts diagram

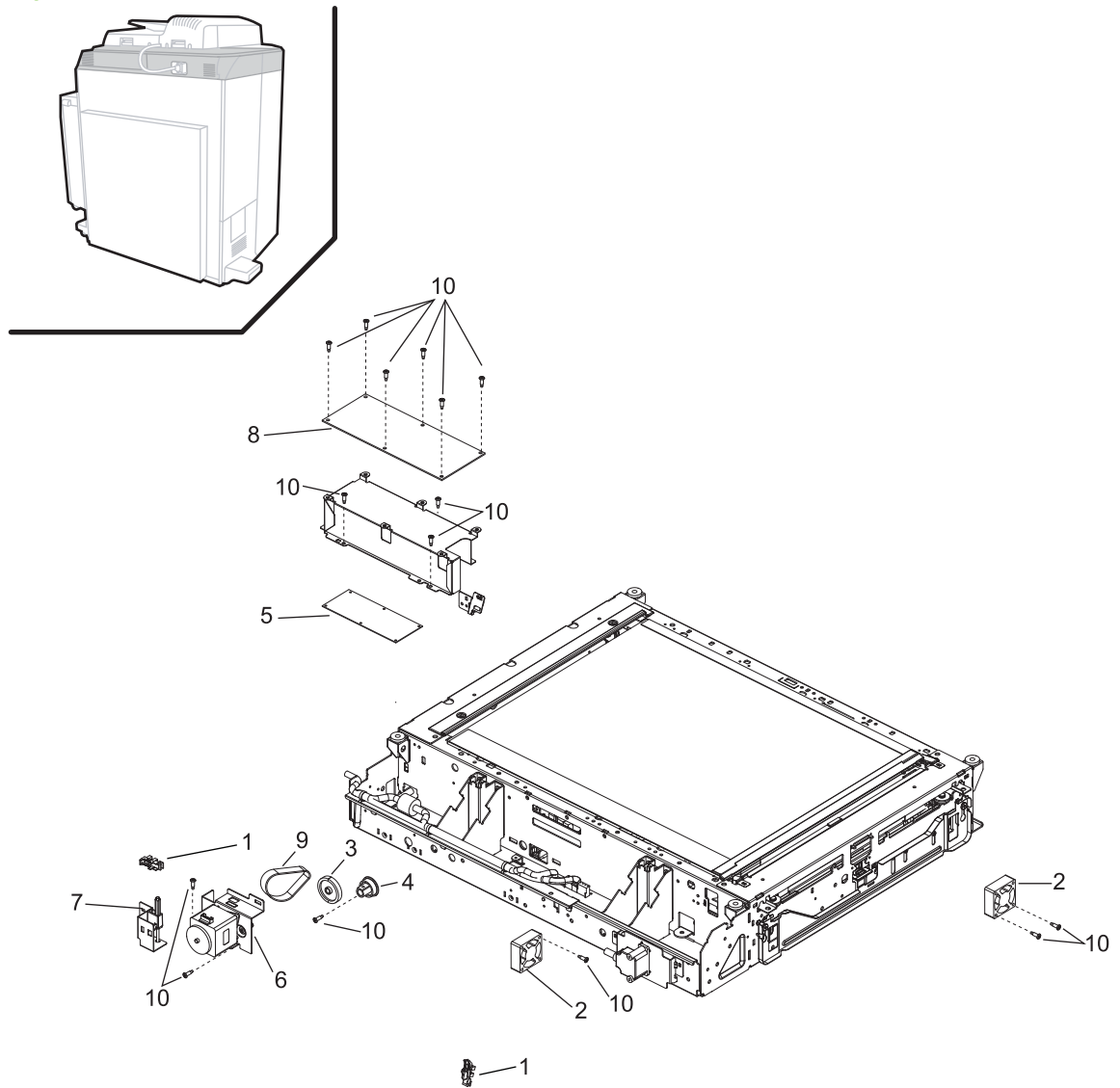


Table 4-11 Scanner drive and electronics parts list (for Figure 4-23)

Ref	Description	Part number	Qty
1	ADF Open Safety switch (SW401) and Scanner Home Position sensor (SN503) (SVC-SENSOR, 248NL1)	C5956-67143	2
2	Scanner Cooling fan (FAN501) and Scanner Inverter PCA Cooling fan (FAN502) (SVC-FAN DP)	C5956-67160	1
3	Gear Z36 (SVC-GEAR Z36)	C5956-67141	1
4	Gear Z18/39 (SVC-GEAR Z18/39)	C5956-67140	1
5	Scanner Inverter PCA (A504) (SVC-INVERTER PCB)	C5956-67151	1
6	Scanner motor (M501) (SVC-MOTOR, SCANNER)	C5956-67145	1
7	ADF open guide assembly (SVC KIT-SCANNER GUIDE ASSY)	C5956-67157	1
8	Scanner Control PCA (A501) (SVC-SCANNER PCB SOFTWARE ASS'Y)	C5956-67148	1
9	Scanner drive belt (SVC-BELT, SCANNER)	C5956-67139	1
10	Screws (SVC KIT-ADF, SCANNER SCREWS, assortment)	C5962-67042	1

Scanner chamber filter parts diagram

Figure 4-24 Scanner chamber filter parts diagram

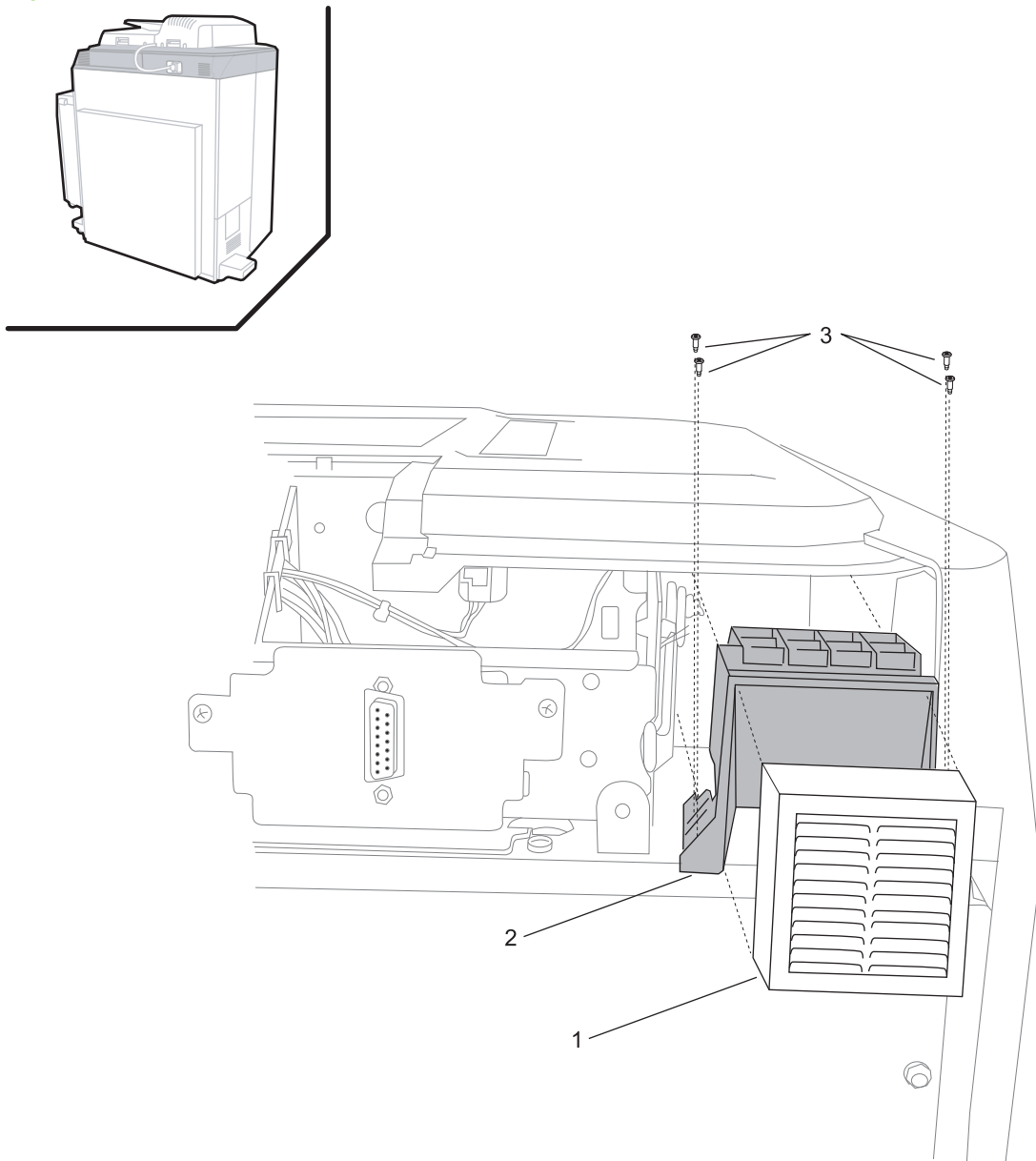


Table 4-12 Scanner chamber filter parts list (for Figure 4-24)

Ref	Description	Part number	Qty
1	Scanner chamber filter (SVC KIT-COOLING FILTERS)	C5956-67583	1
2	Scanner chamber duct (SVC-DUCT-SCANNER CHAMBER)	C5956-67047	1
3	Screw (SVC-SCREW-MACH M4 X 0.7 9.5MM-LG ROHS)	C5956-67011	1 (Qty 20)

Cables

Cable	Service part number	Manufacturer number	Connectors
SVC-WIRE SCANNER INVERTER	C5956-67152	303JB46060	YC3
SVC-WIRE SCANNER MOTOR	C5956-67153	303JB46070	YC11

Aerosol parts diagrams

Figure 4-25 Aerosol assembly

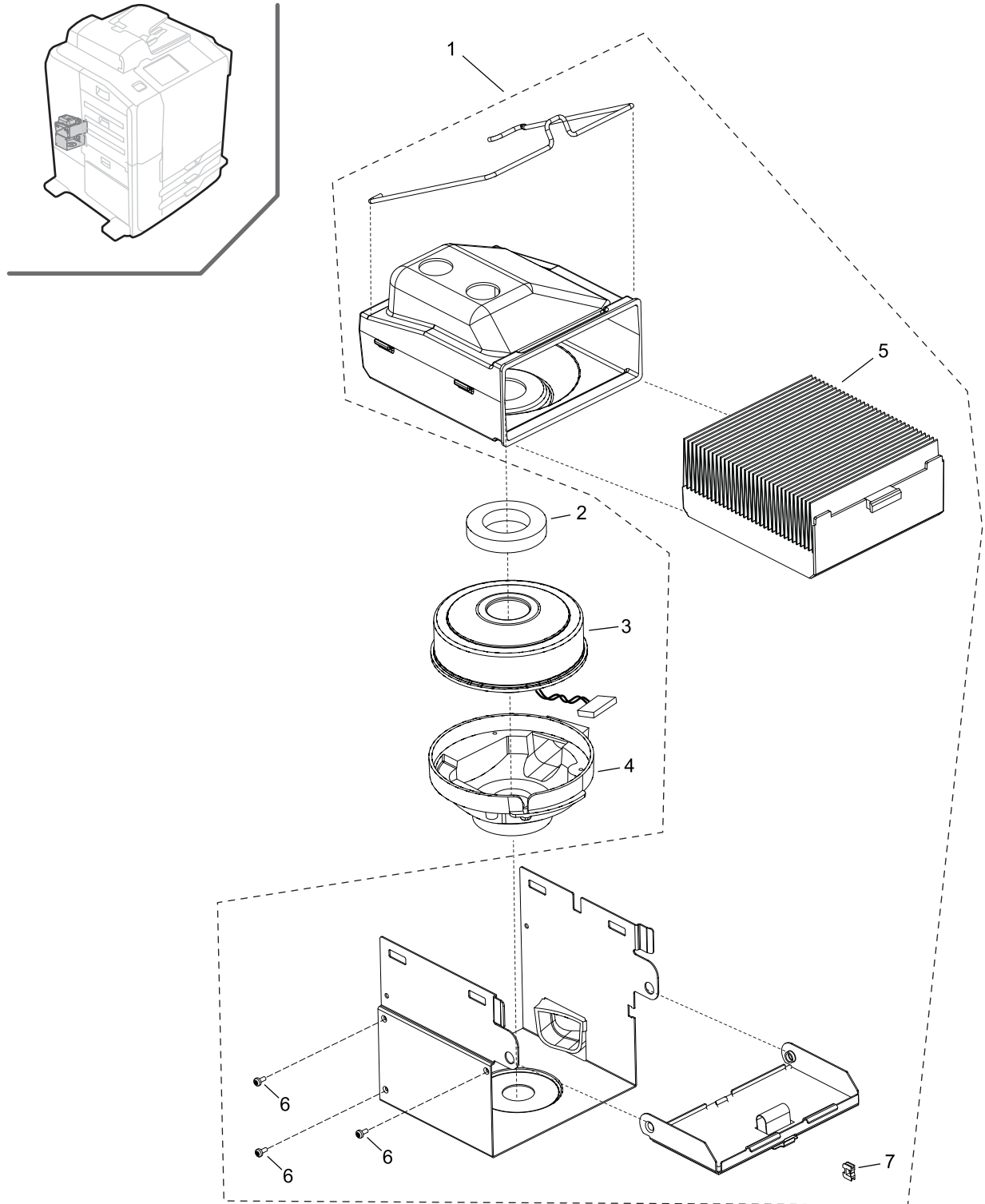


Table 4-13 Aerosol assembly parts list (for Figure 4-25)

Ref	Description	Part number	Qty
1	Aerosol assembly without blower and blower cover (SVC ASSY-AEROSOL FILTER BOX)	C5957-67038	1
2	Aerosol fan gasket (SVC-GASKET-BLOWER)	C5956-67695	1
3	Aerosol motor (AERO) (SVC-BLOWER-VACUUM)	C5956-67666	1
4	Aerosol fan cover (SVC ASSY-AEROSOL BLOWER COVER)	C5956-67626	1
5	Aerosol filter (SVC ASSY-AEROSOL FILTER)	C5956-67266	1
6	Screw (SCREW-TPG M3 X 0.5 6MM-LG PAN HD ROHS)(3)	C5956-67001	1 (Qty 20)
7	Saddle (SVC KIT-WIRE MANAGEMENT 2, SDL-WIRE .36-WD NYL-6/6 ROHS)	C5956-67649	1 (Qty 10)

Tray 1 parts diagrams

- [Tray 1 parts diagram](#)
- [Cables](#)

Tray 1 parts diagram

Figure 4-26 Tray 1 parts diagram

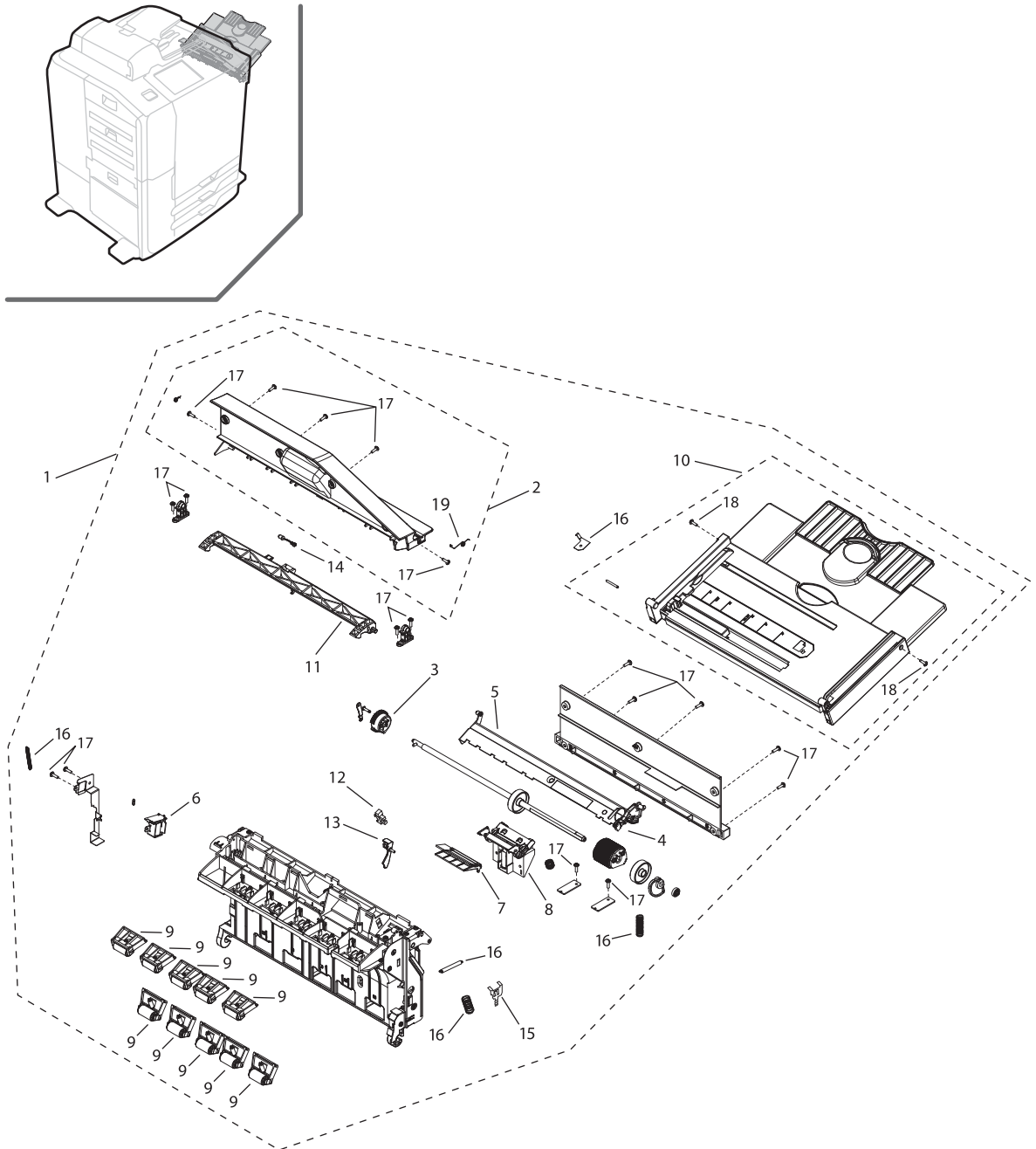


Table 4-14 Tray 1 parts list (for Figure 4-26)

Ref	Description	Part number	Qty
1	Tray 1 (SVC ASSY-BYPASS TRAY MECH)	C5956-67824	1
2	Tray 1 top cover (SVC ASSY-BYPASS COVER ASSY)	C5956-67440	1
3	T38 Gearwheel (SVC-GEARWHEEL, T38X0,8)	C5956-67647	1
4	Tray 1 pick roller assembly (SVC-ASSY-TRAY 1 PICK ROLLER)	C5956-67424	1
5	Tray 1 lift plate (SVC-PLATE, LIFT, CPL)	C5956-67423	1
6	Tray 1 Pick solenoid (SOL1) (SVC-SOLENOID CPL)	C5956-67415	1
7	Tray 1 pick pad bracket (SVC-BRACKET, PAD, PICKING, CPL)	C5956-67394	1
8	Tray 1 pick pad bracket holder (SVC-HOLDER, BRACKET, CPL)	C5956-67421	1
9	Pinchroller assembly (SVC ASSY-PINCH ROLLER)	C5956-67438	1
10	Tray 1 input tray assembly (SVC ASSY-TRAY)	C5956-67439	1
11	Tray 1 latch shaft (SVC-SHAFT, LATCH, MECH)	C5956-67403	1
12	SVC-PHOTOINTERRUPTER WITH CONNECTOR (SN27)	C5956-67770	1
13	Sensor flag (SVC-LEVER, PAPER, END)	C5956-67395	1
14	Tray 1 LED (LED12)	C5956-67376	1
15	ESD clip (SVC-CLIP, ESD, SHAFT)	C5956-67756	1
16	Spring (SPRING, LEAF, SIZE SENSITIVE)	C5956-67754	1
17	Screw (SVC-SCREW-TPG 4-20 0.427-IN-LG ROHS)	C5956-67018	1 (Qty 20)
18	Screw (SVC-SCREW-TPG 4-20X7.94MM 10IP ROHS)	C5956-67012	1 (Qty 20)
19	Spring (SPRING, TORSION)	C5956-67754	1
20	Door open limit strap (SVC-STRAP-DOOR OPEN LIMIT)	C5956-67084	1 (Qty 10)

Cables

Cable	Service part number	Manufacturer number
Tray 1 flat cable (SVC-CABLE, FLEXIBLE, FLAT)	C5956-67409	372495304-01
SVC-CABLE, RECOVERY, BYPASS	C5956-67412	372498304-01

Carriage parts diagrams

- [Carriage structure parts diagram](#)
- [Carriage extraction mechanism parts diagram](#)
- [Carriage TOF sensor assembly parts diagram](#)
- [Carriage pen-out-of-cap sensor parts diagram](#)
- [Printheads parts diagram](#)
- [Carriage drive assembly parts diagram](#)
- [Carriage 1 assembly parts diagram](#)
- [Carriage 2 assembly parts diagram](#)
- [Carriage 1 e-chain parts diagram](#)
- [Carriage 2 e-chain parts diagram](#)
- [Carriage PPS assembly parts diagram](#)
- [Carriage Open sensor \(SN19\) and base parts diagram](#)
- [Cables](#)

Carriage structure parts diagram

Figure 4-27 Carriage structure parts diagram

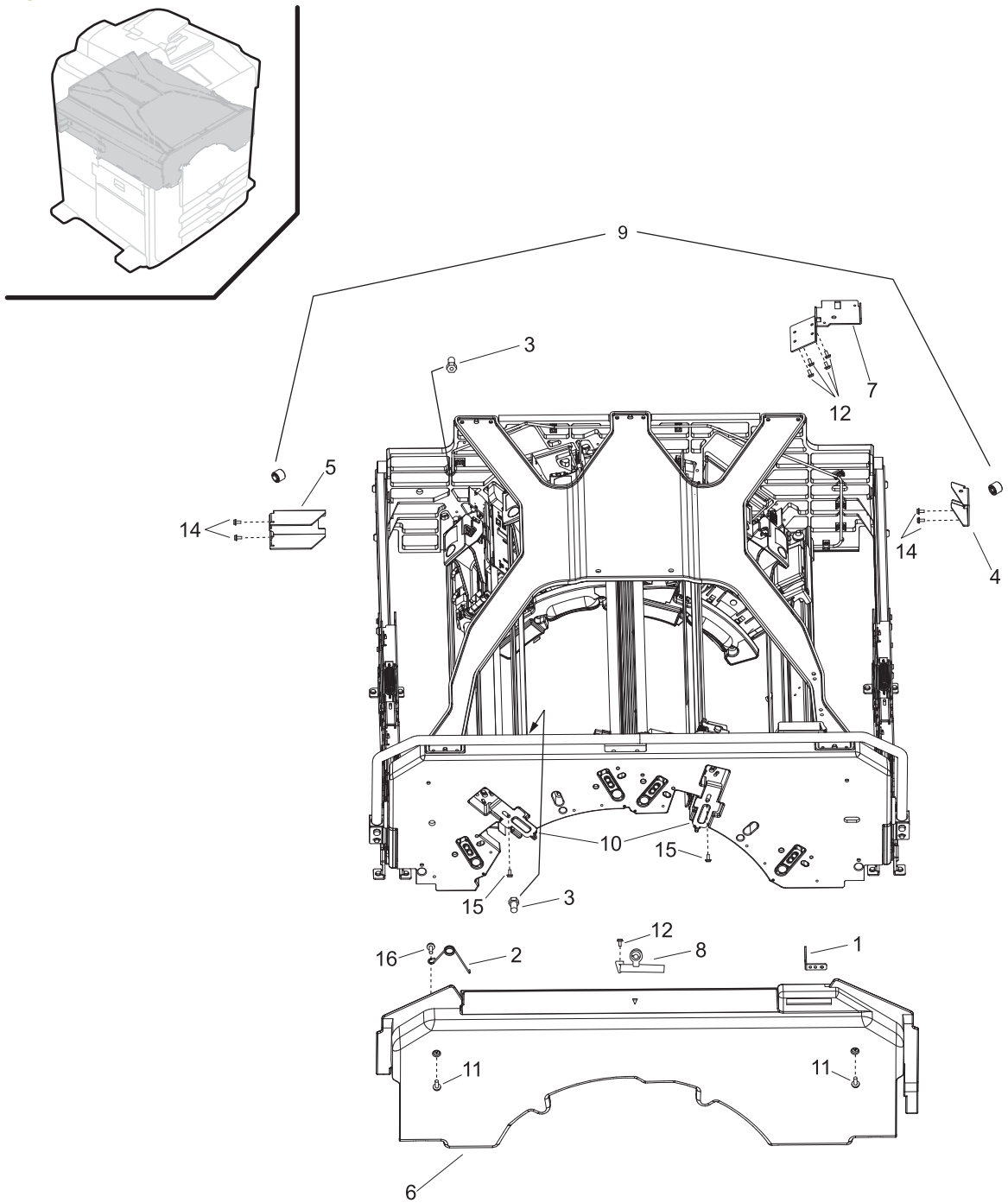


Table 4-15 Carriage structure parts list (for Figure 4-27)

Ref	Description	Part number	Qty
1	Carriage structure flag (SVC-CARRIAGE STRUCTURE FLAG)	C5956-67188	1
2	Stiffener spring (SVC-SPRING-STIFFENER BIAS)	C5956-67200	1
3	Carriage Front thermistor (SN61) and Carriage Back thermistor (SN62) (SVC-PLATE-THERMISTER)	C5956-67354	1
4	Carriage right X-brace (SVC-X-BRACE, RIGHT)	C5956-67186	1
5	Carriage left X-brace (SVC-X-BRACE, LEFT)	C5956-67187	1
6	Carriage cover plate (SVC-ASSY-CARRIAGE COVER PLATE)	C5956-67667	1
7	Ball slide attach (SVC-BALL SLIDE-ATTACH)	C5956-67180	1
8	Lightpipe (SVC-LIGHTPIPE-DRUM BAR LEFT)	C5956-67043	1
9	Carriage extraction wheels (SVC-EXTRACTION WHEEL)	C5956-67052	2
10	Carriage motor spring anchor (SVC-SPRING-ANCHOR)	C5956-67164	1
11	Screw (SVC-SCREW-MACH M4 X 0.7 9.5MM-LG ROHS)	C5956-67011	1 (Qty 20)
12	Screw (SVC-SCREW-MACH M3X0.5 6MM-LG PAN HD ROHS)	C5956-67005	1 (Qty 20)
13	Screw (SVC-SCREW-TPG 4-20X7.94MM 10IP ROHS)	C5956-67012	1 (Qty 20)
14	Screw (SVC-SCREW-TPG M3X0.5 6MM-LG PAN HD ROHS)	C5956-67001	1 (Qty 20)
15	Screw (SVC-SCRW-MACH M4X0.7 16MM-LG PAN HD ROHS)	C5956-67007	1 (Qty 20)
16	Screw (SVC-SCREW-TPG M4X0.7 12MM-LG PAN-HD ROHS)	C5956-67008	1 (Qty 20)

Carriage extraction mechanism parts diagram

Figure 4-28 Carriage extraction mechanism parts diagram

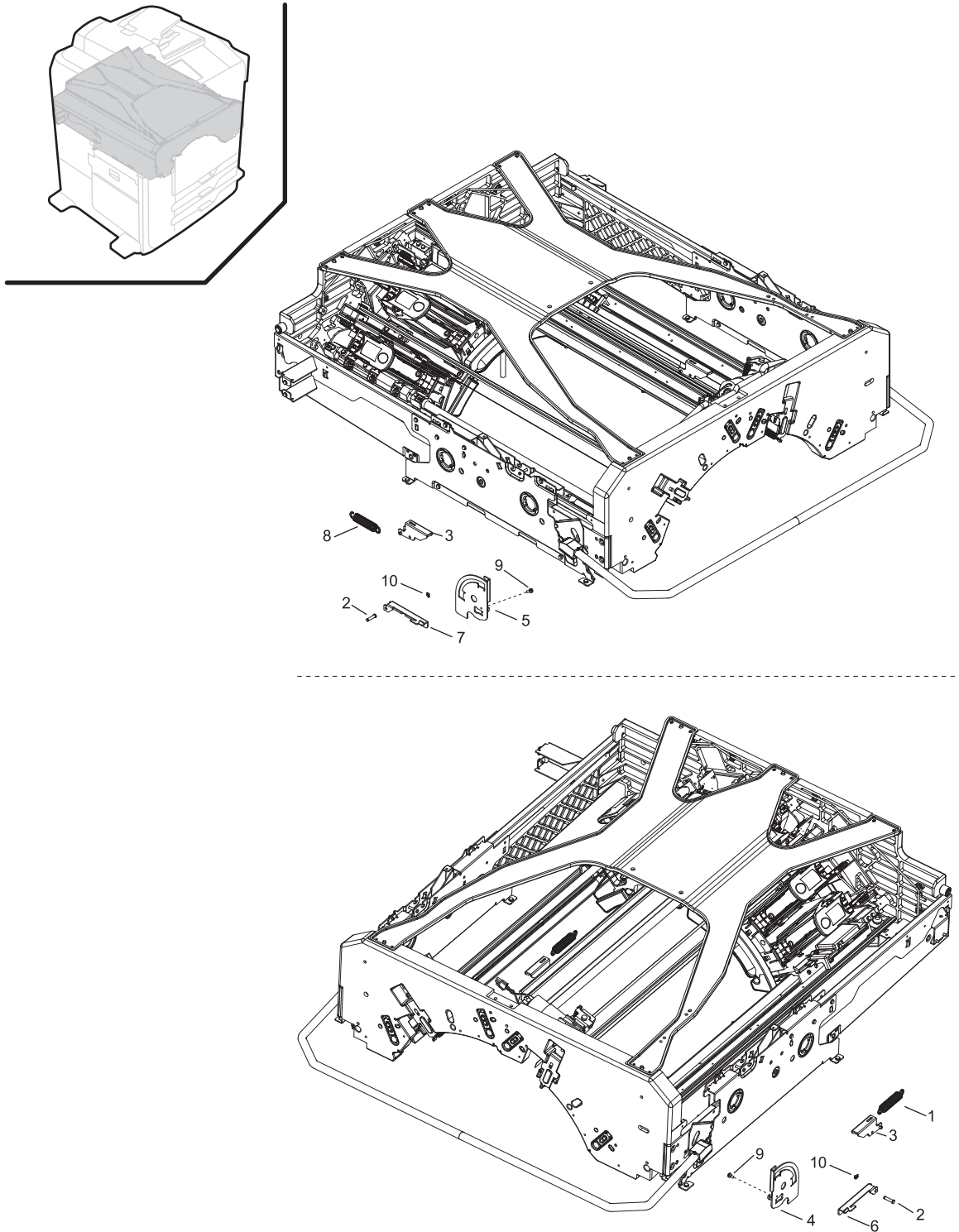


Table 4-16 Carriage extraction mechanism parts list (for Figure 4-28)

Ref	Description	Part number	Qty
1	Carriage extraction spring (SVC-SPRING-EXTRACTION)	C5956-67032	1
2	Carriage extraction latch pin (SVC-LATCH, PIN)	C5956-67033	1
3	Carriage extraction spring rocker (SVC-SPRING ROCKER)	C5956-67165	1
4	Carriage right extraction wheel catch (SVC-WHEEL CATCH RIGHT)	C5956-67169	1
5	Carriage left extraction wheel catch (SVC-WHEEL CATCH LEFT)	C5956-67170	1
6	Carriage right service latch (SVC-LATCH-SERVICE RIGHT)	C5956-67176	1
7	Carriage left service latch (SVC-LATCH-SERVICE LEFT)	C5956-67177	1
8	Carriage extraction latch spring (SVC-EXTRACTION LATCH SPRING)	C5956-67199	1
9	Screw (SVC-SCREW-TPG M3X0.5 6MM-LG PAN HD ROHS)	C5956-67001	1 (Qty 20)
10	Clip (SVC KIT-CLIPS, assortment)	C5956-67650	1

Carriage TOF sensor assembly parts diagram

Figure 4-29 Carriage TOF sensor assembly parts diagram

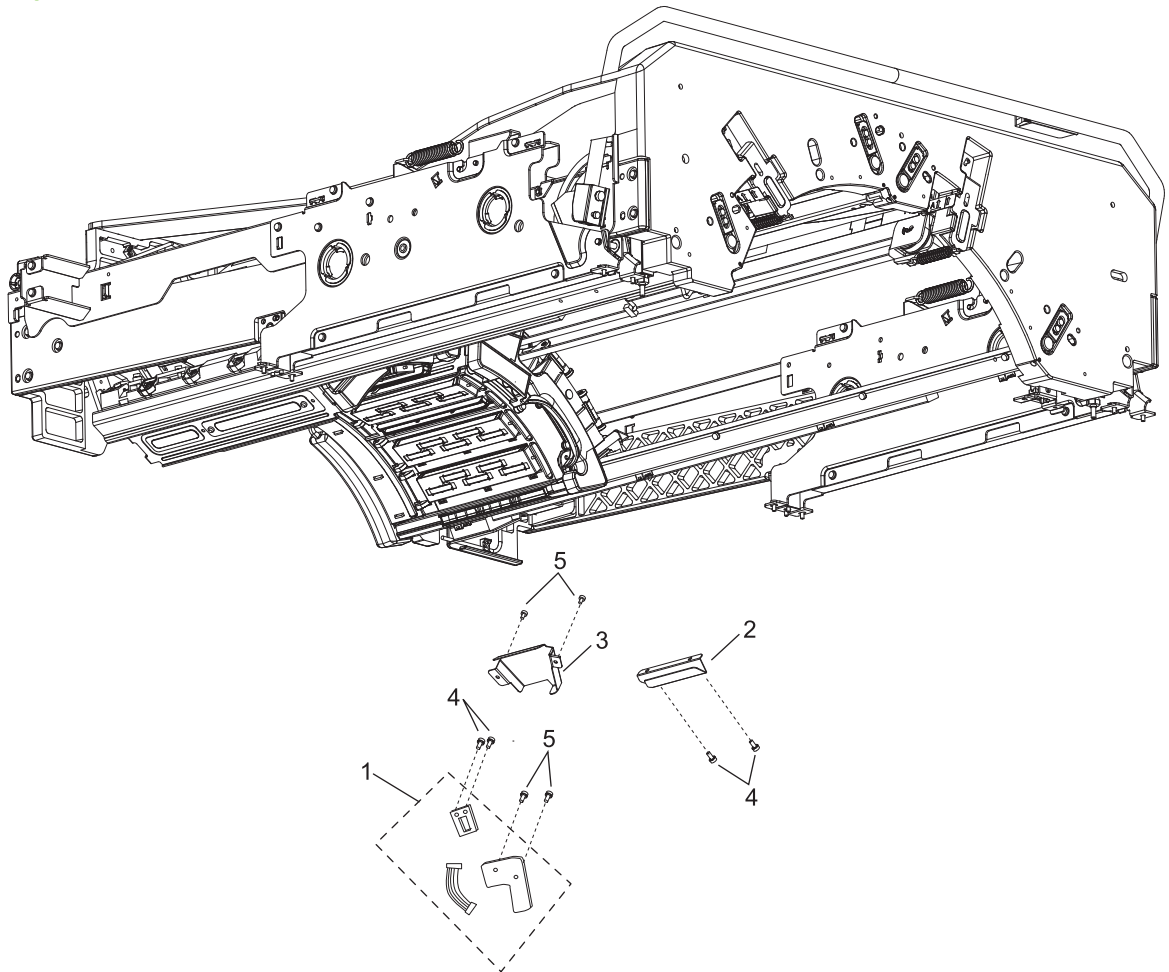


Table 4-17 Carriage TOF sensor assembly parts list (for Figure 4-29)

Ref	Description	Part number	Qty
1	Top-of-form sensor (SN22) kit (SVC KIT-TOF SENSOR)	C5957-67052	1
2	TOF cable cover (SVC-COVER-TOF CBL)	C5956-67791	1
3	TOF PCA cover (SVC-COVER-TOF PCA)	C5957-67053	1
4	Screw (SVC-SCREW-TPG M3X0.5 6MM-LG PAN HD ROHS)	C5956-67001	1 (Qty 20)
5	Screw (SVC-SCR-TPG M2.5X0.45 4MM-LG PAN HD ROHS)	C5956-67010	1 (Qty 20)

Carriage pen-out-of-cap sensor parts diagram

Figure 4-30 Carriage pen-out-of-cap sensor parts diagram

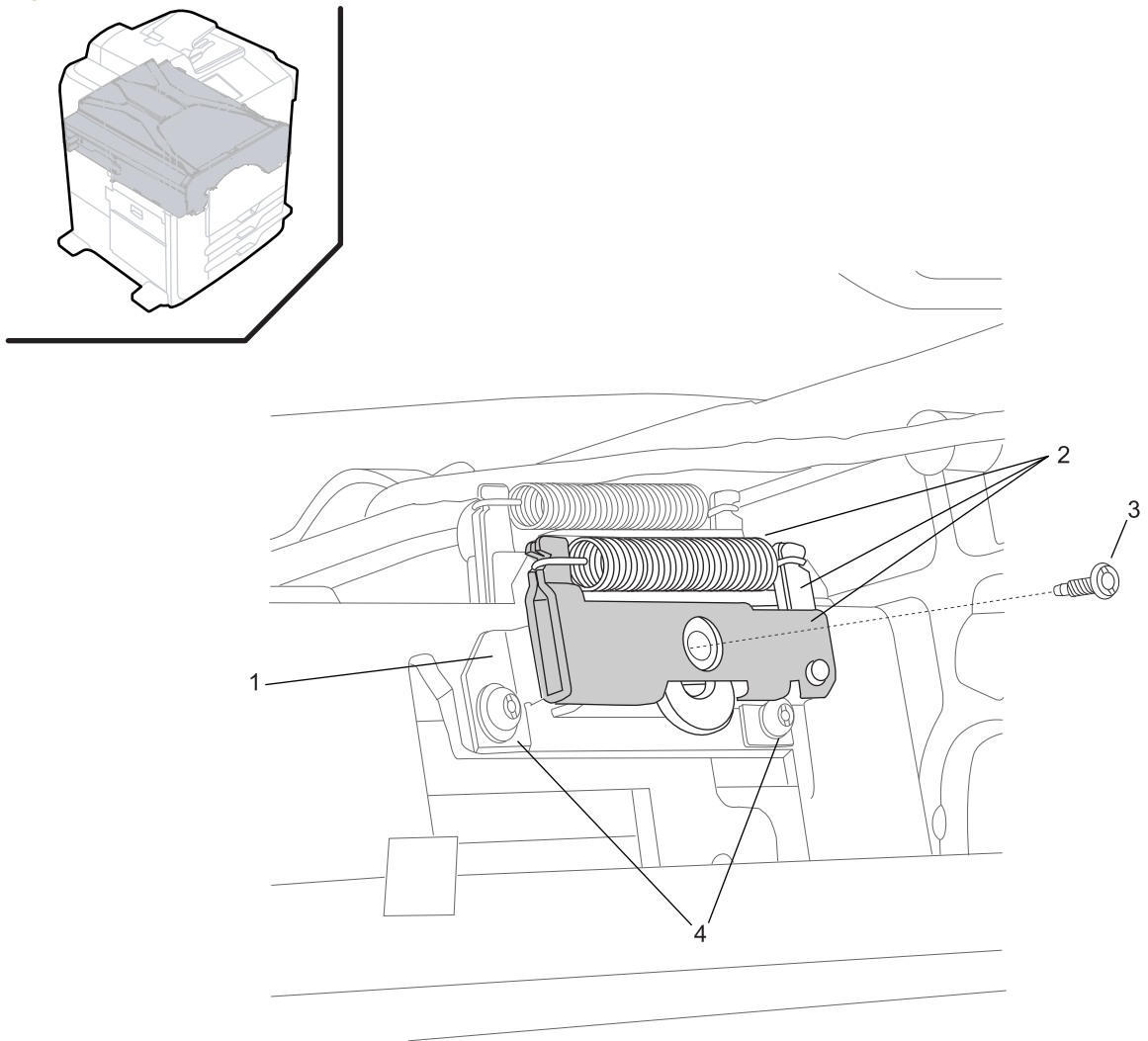


Table 4-18 Carriage pen-out-of-cap sensor parts list (for Figure 4-30)

Ref	Description	Part number	Qty
1	POOC bracket assembly (SVC ASSY-POOC)	C5956-67730	1
2	POOC latch assembly (SVC ASSY-POOC LATCH)	C5956-67751	1
3	Screw (SVC-SCREW-MACH M3X0.5 6MM-LG PAN HD ROHS)	C5956-67005	1 (Qty 20)
4	Screw (SVC-SCREW-TPG M3X0.5 6MM-LG PAN HD ROHS)	C5956-67001	1 (Qty 20)

Printheads parts diagram

Figure 4-31 Printheads parts diagram

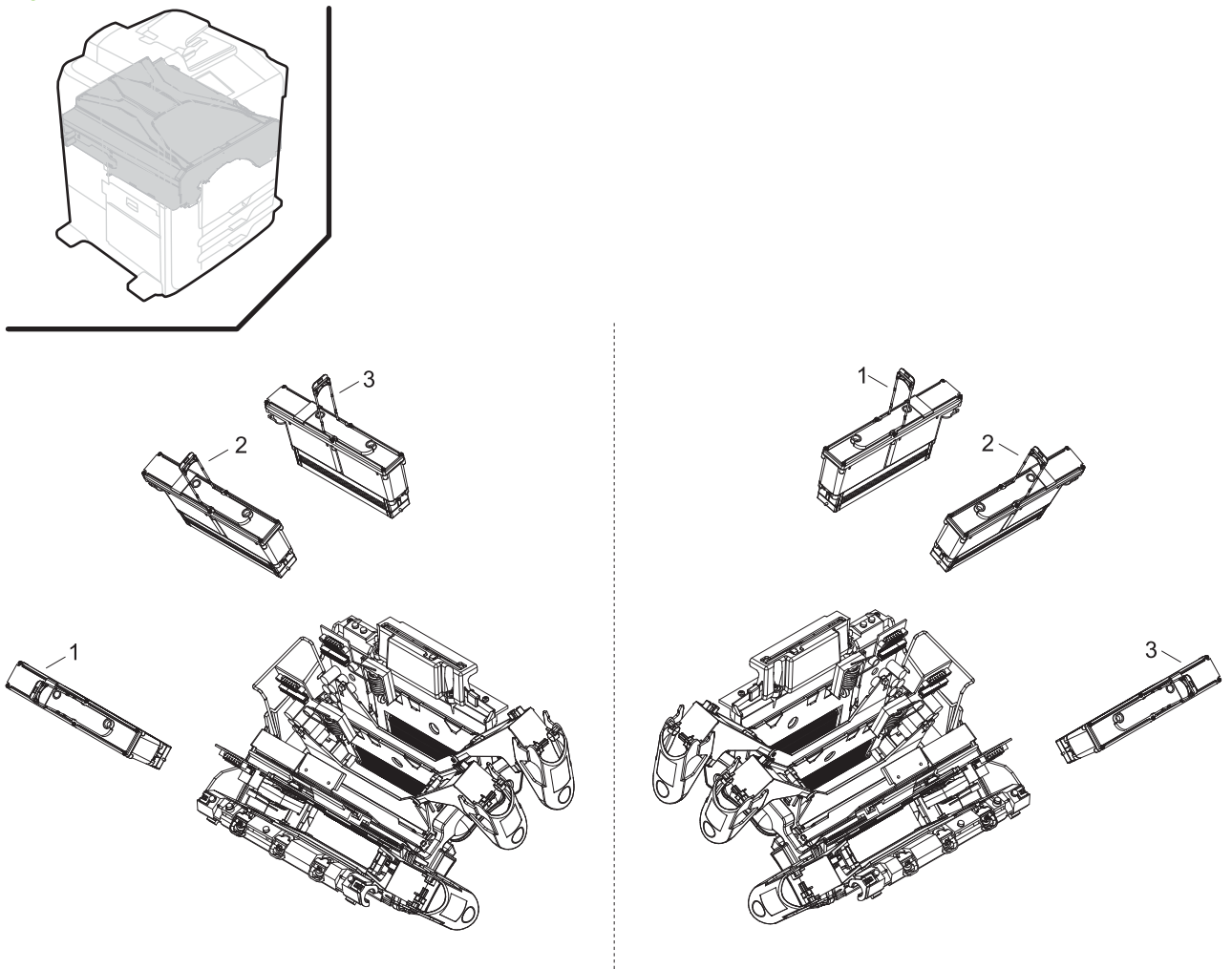


Table 4-19 Printheads parts list (for Figure 4-31)

Ref	Description	Part number	Qty
1	Bonding Agent pen (BONDING AGENT PRINthead)	C8749-69901	1
2	Black/yellow pen (KY PRINthead)	C8747-69901	1
3	Cyan/magenta pen (CM PRINthead)	C8748-69901	1
4	Pens for single carriage (1 each: KY, CM, Bonding Agent printheads) (SVC KIT-PRINtheadS, SINGLE CARRIAGE). Not shown in diagram.	C5957-67115	1

Carriage drive assembly parts diagram

Figure 4-32 Carriage drive assembly parts diagram

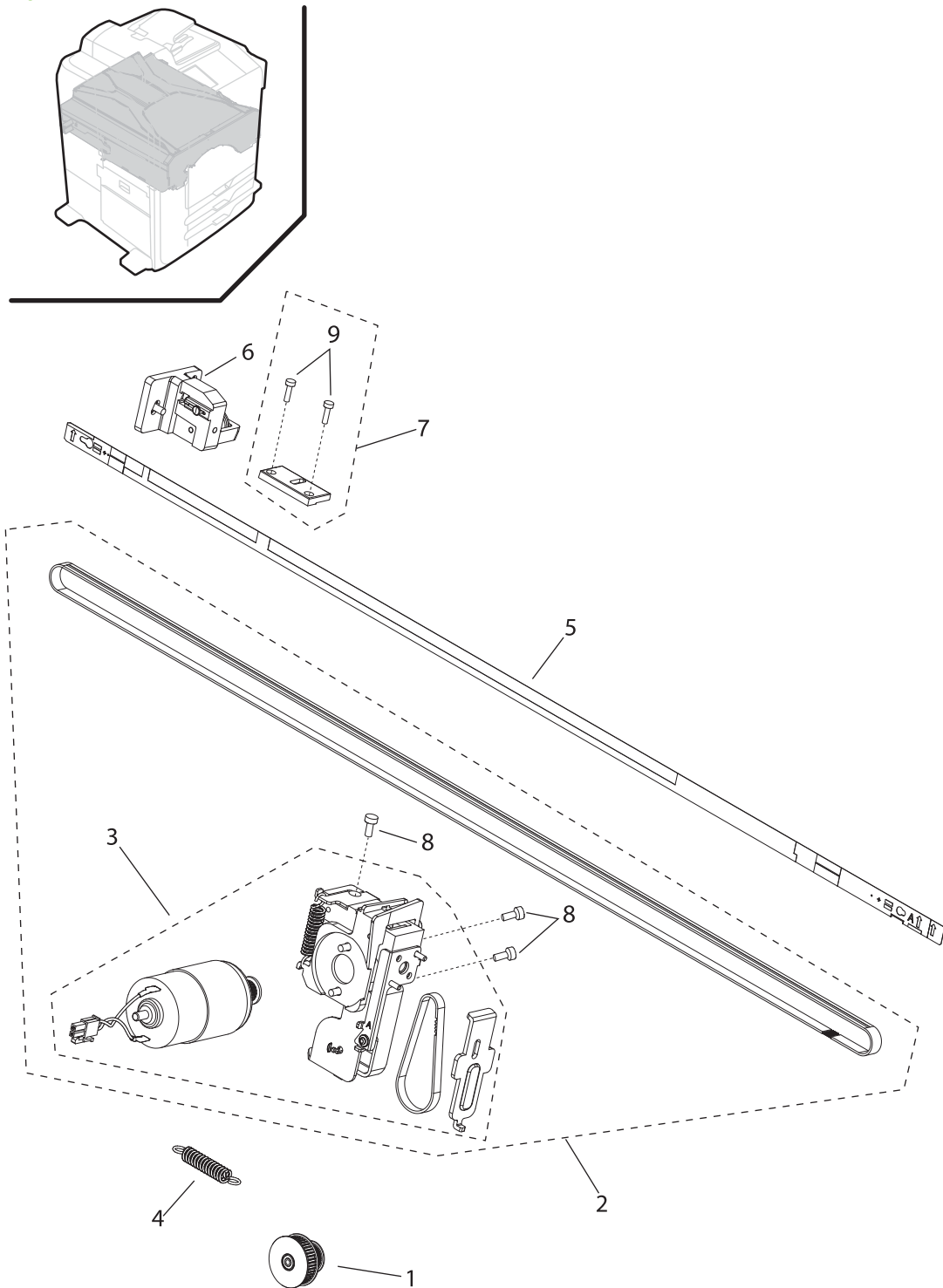


Table 4-20 Carriage drive assembly parts list (for Figure 4-32)

Ref	Description	Part number	Qty
1	Carriage drive pulley and pin assembly (SVC ASSY-DRIVE PULLEY WITH PIN) Note: Part number C5957-67198 replaces C5956-67687.	C5957-67198	1
2	Carriage drive assembly (SVC KIT PM-CARRIAGE DRIVE). Note: Includes motor and two belts. Does not include motor mount bracket.	C5956-67586	1
3	Carriage 1 motor (M1)/Carriage 2 motor (M2) with bracket (SVC ASSY-CARRIAGE DRIVE MOTOR W/BRACKET)	C5956-67637	1
4	Drive belt spring (SVC-SPRING-DRIVE BELT)	C5956-67193	1
5	Carriage encoder strips (SVC KIT PM-CARRIAGE ENCODER)	C5956-67819	2
6	Carriage idler pulley (SVC ASSY-IDLER PULLEY)	C5956-67826	1
7	Carriage drive belt attach bracket assembly (SVC ASSY-BELT ATTACH W/BRACKET)	C5957-67091	1
8	Screw (SVC-SCREW-MACH M4X0.7 8MM-LG PAN HD ROHS)	C5956-67006	1 (Qty 20)
9	Screw (SVC-SCR-MACH M3X0.5 10MM-LG PAN HD ROHS)	C5956-67004	1 (Qty 20)
10	Washer (SVC-WASHER-FL MTLC 3.0). Not shown in diagram.	C5957-67104	1 (Qty 20)

Carriage 1 assembly parts diagram

Figure 4-33 Carriage 1 assembly parts diagram

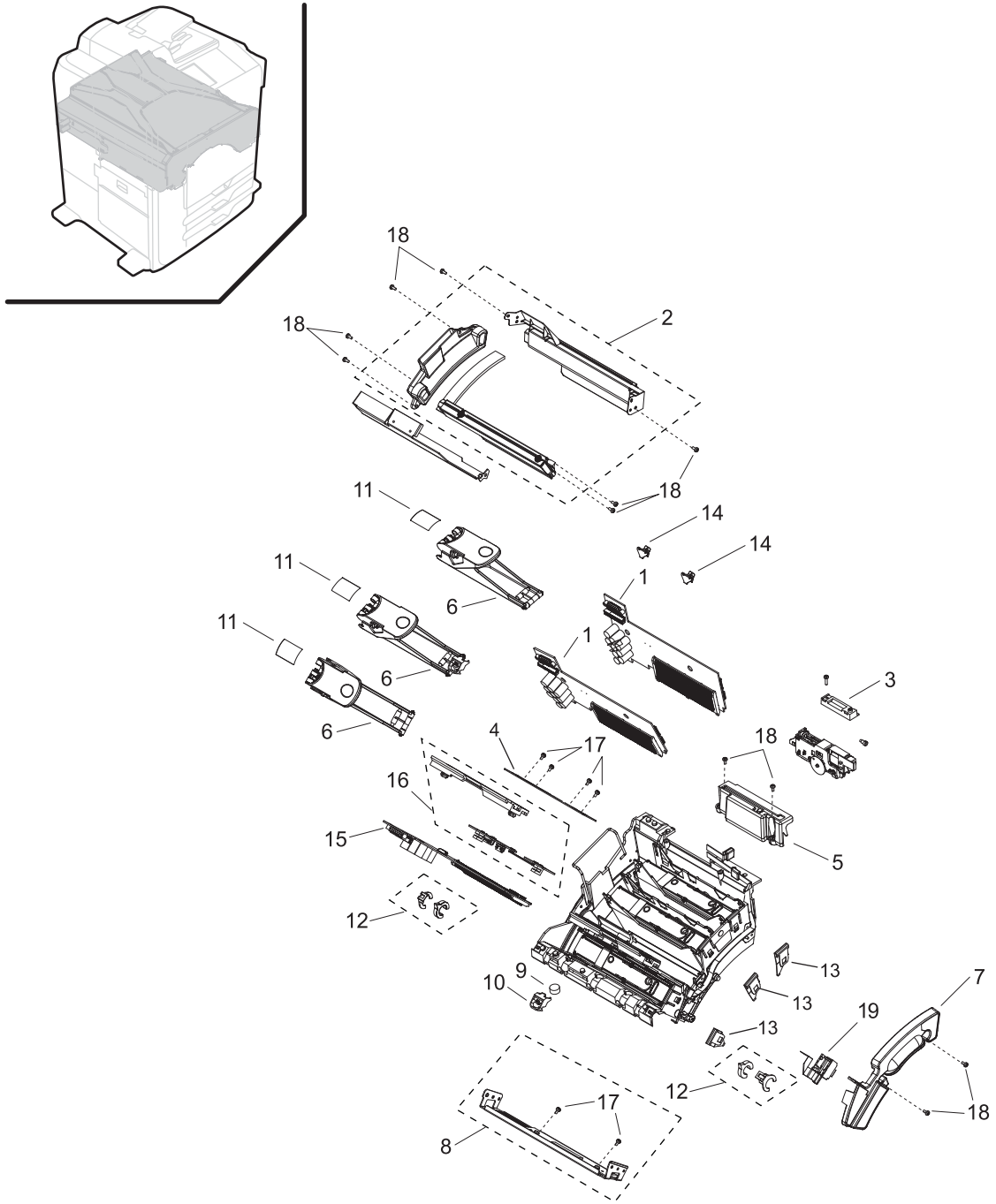


Table 4-21 Carriage 1 assembly parts list (for Figure 4-33)

Ref	Description	Part number	Qty
1	Pen Pocket 2 PCA (A17) and Pen Pocket 3 PCA (A18) (SVC KIT-PCA BORUS POCKET BOARD)	C5956-67582	1
2	Aerosol duct assembly(SVC KIT PM-AEROSOL DUCTS)	C5957-67085	1
3	Z retainer (SVC-Z RETENTION)	C5957-67101	1
4	Encoder PCA backer (SVC BACKER,ENCODER BOARD)	C5956-67021	2
5	PPS cover (SVC-COVER-ONBOARD PPS)	C5956-67229	1
6	Pen pocket latch (SVC KIT-CARRIAGE LATCH W/HANDLE)	C5956-67713	1
7	Carriage handle (SVC-HANDLE-CARRIAGE)	C5956-67050	1
8	Carriage 1 Pen Protection sensor (SN56) (SVC ASSY-TOUCHSENSOR)	C5956-67664	1
9	Carriage magnet (SVC-MAGNET-0.50 INCH DIA, 0.25 INCH HIGH)	C5956-67219	1
10	Carriage magnet retainer (SVC-RETAINER-MAGNET, CARRIAGE 1)	C5956-67053	1
11	Pen pocket handle labels (SVC KIT-PEN LATCH LABELS)	C5956-67584	1
12	Carriage felt and retainers (SVC KIT PM-CARRIAGE FELT) (Mylar side of felt to be placed towards carriage)	C5956-67441	2
13	Y-bias spring (SVC-Y-BIAS SPRING)	C5956-67675	3
14	Pocket PCA retainer (SVC-RETAINER, POCKET PCA)	C5956-67676	20
15	Pen Pocket 1 PCA (A16) (SVC KIT-PCA BORUS DELSOL W/O ENCODER)	C5957-67072	1
16	Carriage 1 Encoder PCA (A9) (EN18) (SVC KIT-PCA ENCODER BOARD)	C5957-67073	1
17	Screw (SVC-SCREW-TPG M3X0.5 6MM-LG PAN HD ROHS)	C5956-67001	1 (Qty 20)
18	Screw (SVC-SCREW-METRIC SPCLTY MG3X1 8MMLG ROHS)	C5956-67009	1 (Qty 20)
19	Tetris sensor (SN58) (SVC ASSY-TETRIS)	C5956-67263	1

Carriage 2 assembly parts diagram

Figure 4-34 Carriage 2 assembly parts diagram

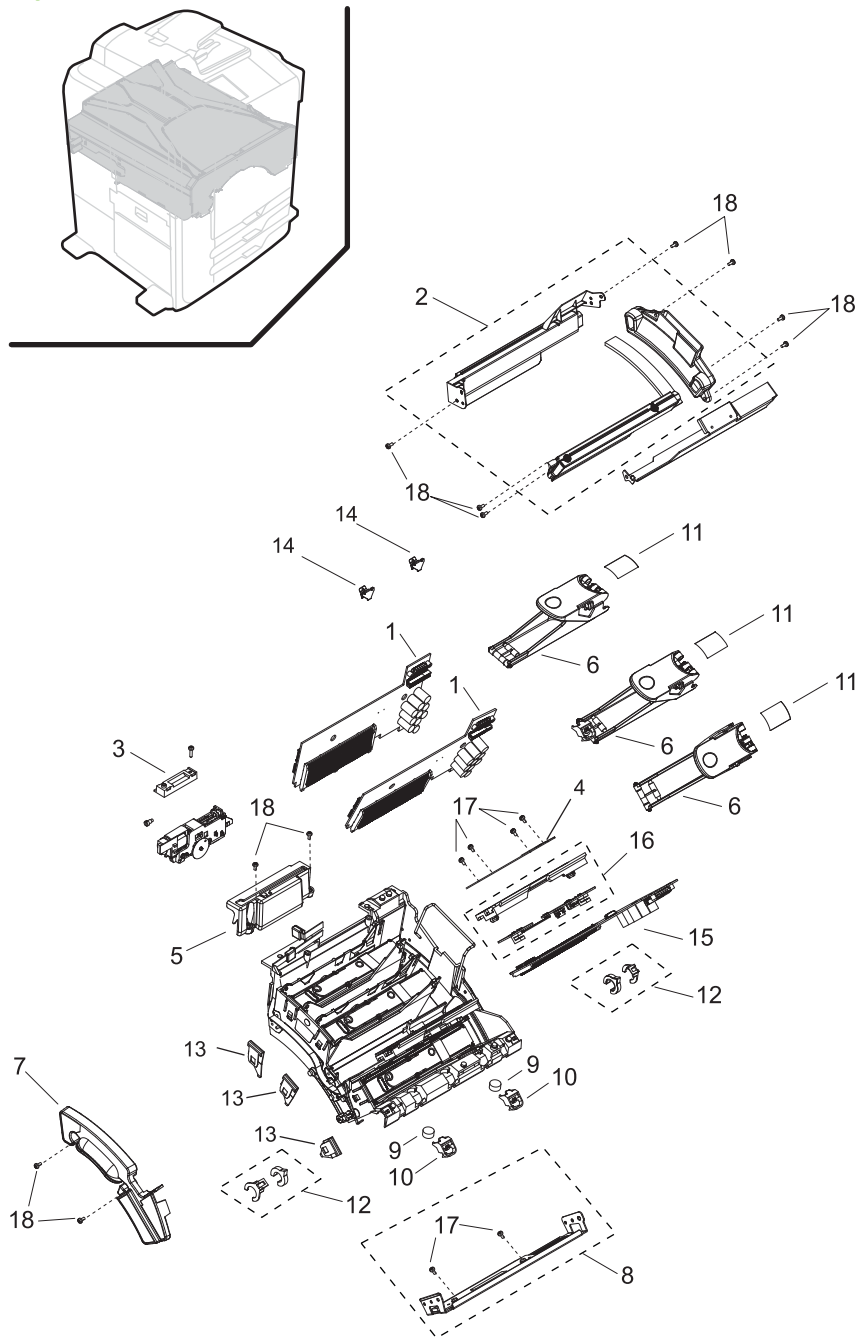


Table 4-22 Carriage 2 assembly parts list (for Figure 4-34)

Ref	Description	Part number	Qty
1	Pen Pocket 5 PCA (A20) and Pen Pocket 6 PCA (A21) (SVC KIT-PCA BORUS POCKET BOARD)	C5956-67582	1
2	Aerosol duct assembly (SVC KIT PM-AEROSOL DUCTS)	C5957-67085	1
3	Z retainer (SVC-Z RETENTION)	C5957-67101	1
4	Encoder PCA backer (SVC BACKER,ENCODER BOARD)	C5956-67021	2
5	PPS cover (SVC-COVER-ONBOARD PPS)	C5956-67229	1
6	Pen pocket latch (SVC KIT-CARRIAGE LATCH W/HANDLE)	C5956-67713	1
7	Carriage handle (SVC-HANDLE-CARRIAGE)	C5956-67050	1
8	Carriage 2 Pen Protection sensor (SN57) SVC ASSY-TOUCHSENSOR)	C5956-67664	1
9	Carriage magnet (SVC-MAGNET-0.50 INCH DIA, 0.25 INCH HIGH)	C5956-67219	1
10	Carriage magnet retainer (SVC-RETAINER-MAGNET, CARRIAGE 2)	C5956-67786	1
11	Pen pocket handle labels (SVC KIT-PEN LATCH LABELS)	C5956-67584	1
12	Carriage felt and retainers (SVC KIT PM-CARRIAGE FELT) (Mylar side of felt to be placed towards carriage)	C5956-67441	2
13	Y-bias spring (SVC-Y-BIAS SPRING)	C5956-67675	3
14	Pocket PCA retainer (SVC-RETAINER, POCKET PCA)	C5956-67676	20
15	Pen Pocket 4 PCA (A19) (SVC KIT-PCA BORUS DELSOL W/O ENCODER)	C5957-67072	1
16	Carriage 2 Encoder PCA (A24) (EN19) (SVC KIT-PCA ENCODER BOARD)	C5957-67073	1
17	Screw (SVC-SCREW-TPG M3X0.5 6MM-LG PAN HD ROHS)	C5956-67001	1 (Qty 20)
18	Screw (SVC-SCREW-METRIC SPCLTY MG3X1 8MMLG ROHS)	C5956-67009	1 (Qty 20)

Carriage 1 e-chain parts diagram

Figure 4-35 Carriage 1 e-chain parts diagram

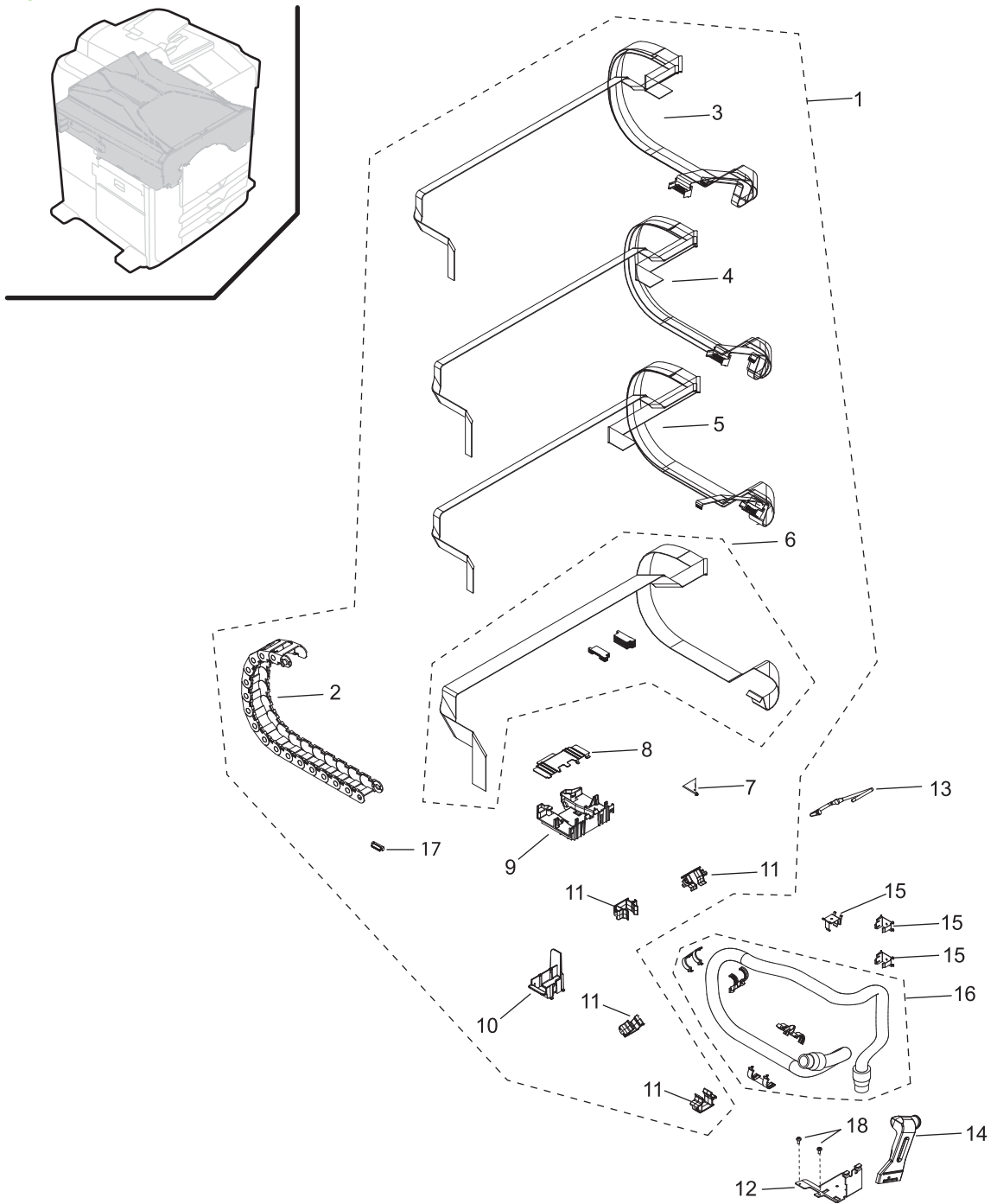


Table 4-23 Carriage 1 e-chain parts list (for Figure 4-35)

Ref	Description	Part number	Qty
1	Echain assembly Carriage 1 (SVC ASSY-ECHAIN, LEFT)	C5957-67146	1
2	Igus chain (SVC ASSY-ECHAIN, IGUS)	C5956-67688	1
3	Pen pocket 1 cable (W26) (SVC ASSY-CABLE, C1P1 COMBO)	C5956-67098	1
4	Pen pocket 2 cable (W27) (SVC ASSY-CABLE, C1P2 COMBO)	C5956-67099	1
5	Pen pocket 3 cable (W28) (SVC ASSY-CABLE, C1P3 COMBO)	C5956-67100	1
6	Carriage 1 encoder cable (W74) (SVC ASSY-ENCODER TRAILING CABLE, C1)	C5956-67097	1
7	Echain cable clamp lid (SVC-CLAMP-LID,TRAILING CABLES)	C5956-67096	5
8	Echain bracket cover (SVC-SCORPION BRACKET COVER)	C5956-67817	1
9	Echain bracket (SVC-SCORPION-TRAILING-CABLE-BRACKET)	C5956-67812	1
10	Carriage 1 echain cable clamp (SVC-CLAMP,TRAILING CABLES,LEFT)	C5956-67592	1
11	Echain clip (SVC-CLIP-ECHAIN)	C5956-67594	5
12	Carriage 1 echain sidecar (SVC-ECHAIN-SIDECAR-LEFT)	C5956-67167	1
13	Echain monkeybar (SVC-MONKEYBAR-ECHAIN)	C5956-67195	1
14	Carriage 1 aerosol snorkel (SVC-AEROSOL-SNORKEL-LEFT)	C5956-67203	1
15	Echain aerosol clip (SVC-ECHAIN-CLIP-AEROSOL)	C5956-67081	5
16	Carriage 1 aerosol hose and clamps assembly (SVC ASSY-AEROSOL HOSE + CLAMP-LEFT)	C5956-67350	1
17	Echain IDS clamp (SVC-ECHAIN IDS SNAP)	C5956-67682	1
18	Screw (SVC-SCR-MACH M3X0.5 10MM-LG PAN HD ROHS)	C5956-67004	1 (Qty 20)

Carriage 2 e-chain parts diagram

Figure 4-36 Carriage 2 e-chain parts diagram

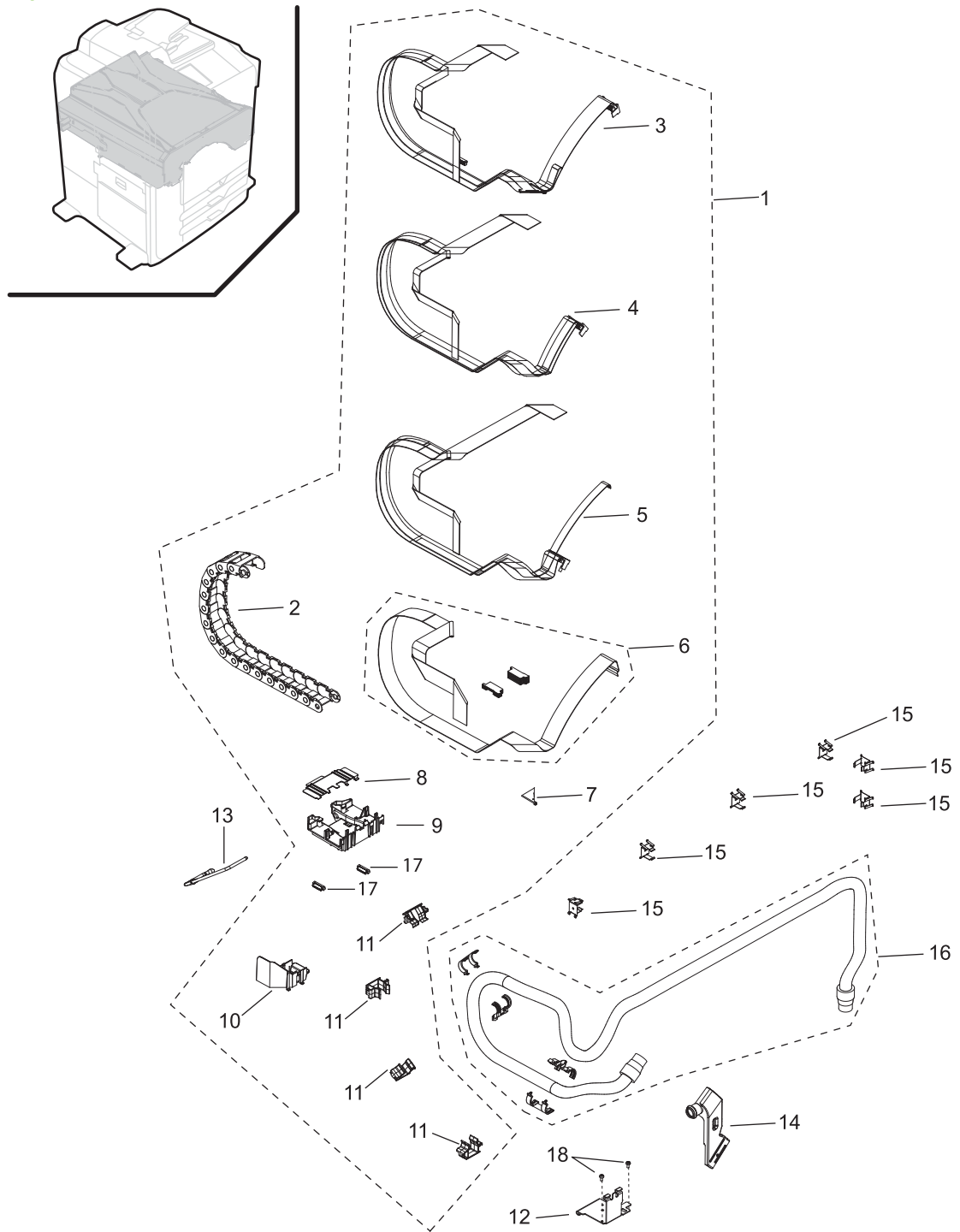


Table 4-24 Carriage 2 e-chain parts list (for Figure 4-36)

Ref	Description	Part number	Qty
1	Echain assembly Carriage 2 (SVC ASSY-ECHAIN, RIGHT)	C5957-67147	1
2	Igus chain (SVC ASSY-ECHAIN, IGUS)	C5956-67688	1
3	Pen pocket 4 cable (W29) (SVC ASSY-CABLE, C2P1 COMBO)	C5956-67102	1
4	Pen pocket 5 cable (W30) (SVC ASSY-CABLE, C2P2 COMBO)	C5956-67103	1
5	Pen pocket 6 cable (W31) (SVC ASSY-CABLE, C2P3 COMBO)	C5956-67104	1
6	Carriage 2 encoder cable (W75) (SVC ASSY-ENCODER TRAILING CABLE, C2)	C5956-67101	1
7	Echain cable clamp lid (SVC-CLAMP-LID,TRAILING CABLES)	C5956-67096	5
8	Echain bracket cover (SVC-SCORPION BRACKET COVER)	C5956-67817	1
9	Echain bracket (SVC-SCORPION-TRAILING-CABLE-BRACKET)	C5956-67812	1
10	Carriage 2 echain cable clamp (SVC-CLAMP,TRAILING CABLES,RIGHT)	C5956-67593	1
11	Echain clip (SVC-CLIP-ECHAIN)	C5956-67594	5
12	Carriage 2 echain sidecar (SVC-ECHAIN-SIDECAR-RIGHT)	C5956-67168	1
13	Echain monkeybar (SVC-MONKEYBAR-ECHAIN)	C5956-67195	1
14	Carriage 2 aerosol snorkel (SVC-AEROSOL-SNORKEL-RIGHT)	C5956-67204	1
15	Echain aerosol clip (SVC-ECHAIN-CLIP-AEROSOL)	C5956-67081	5
16	Carriage 2 aerosol hose and clamps assembly (SVC ASSY-AEROSOL HOSE + CLAMP RIGHT)	C5956-67351	1
17	Echain IDS clamp (SVC-ECHAIN IDS SNAP)	C5956-67682	1
18	Screw (SVC-SCR-MACH M3X0.5 10MM-LG PAN HD ROHS)	C5956-67004	1 (Qty 20)

Carriage PPS assembly parts diagram

Figure 4-37 Carriage PPS assembly parts diagram

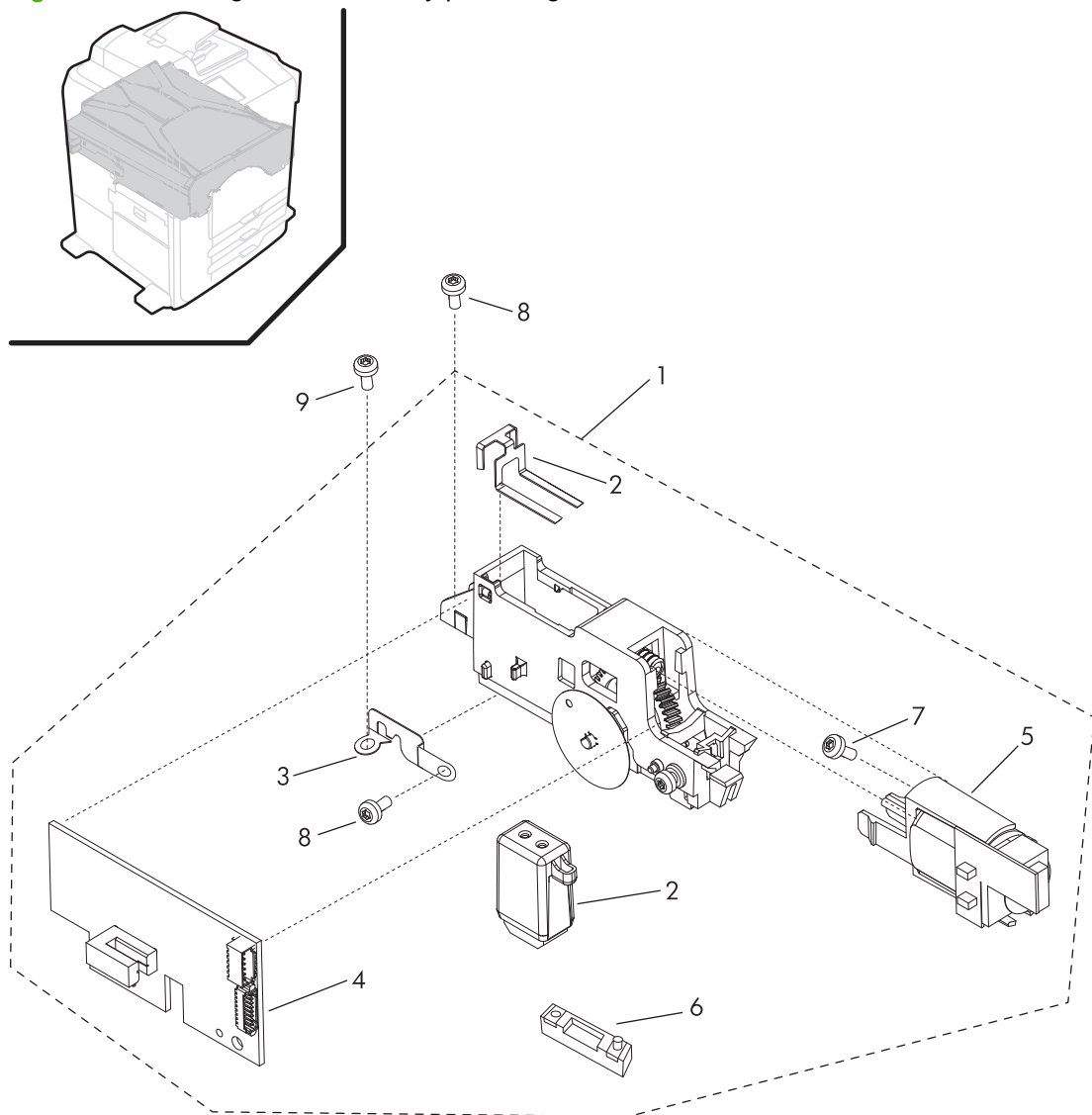


Table 4-25 Carriage PPS assembly parts list (for Figure 4-37)

Ref	Description	Part number	Qty
1	PPS assembly	C5957-67126	1
2	PPS felt assembly (SVC KIT PM-CARRIAGE FELT)	C5956-67441	1
3	PPS grounding clip (SVC-ONBOARD PPS GROUNDING CLIP)	C5956-67029	1
4	Carriage 1 PPS PCA (A25) (EN21) and Carriage 2 PPS PCA (A34) (EN22) (SVC-PPS COMBO BOARD)	C5956-67067	1
5	Carriage 1 PPS motor (M23) and Carriage 2 PPS motor (M24) (SVC ASSY-PPS MOTOR)	C5956-67691	1
6	Z retainer (SVC-Z RETENTION)	C5957-67101	1
7	Screw (SVC-SCREW-TPG M2 x 0.4 4MM-LG PAN HD)	C5957-67137	1
8	Screw (SVC-SCREW-TPG 4-20 0.427- IN-LG ROHS)	C5956-67018	1 (Qty 20)
9	Screw (SVC-SCREW-METRIC SPCLTY MG3X1 8MMLG ROHS)	C5956-67009	1 (Qty 20)

Carriage Open sensor (SN19) and base parts diagram

Figure 4-38 Carriage Open sensor (SN19) and base parts diagram

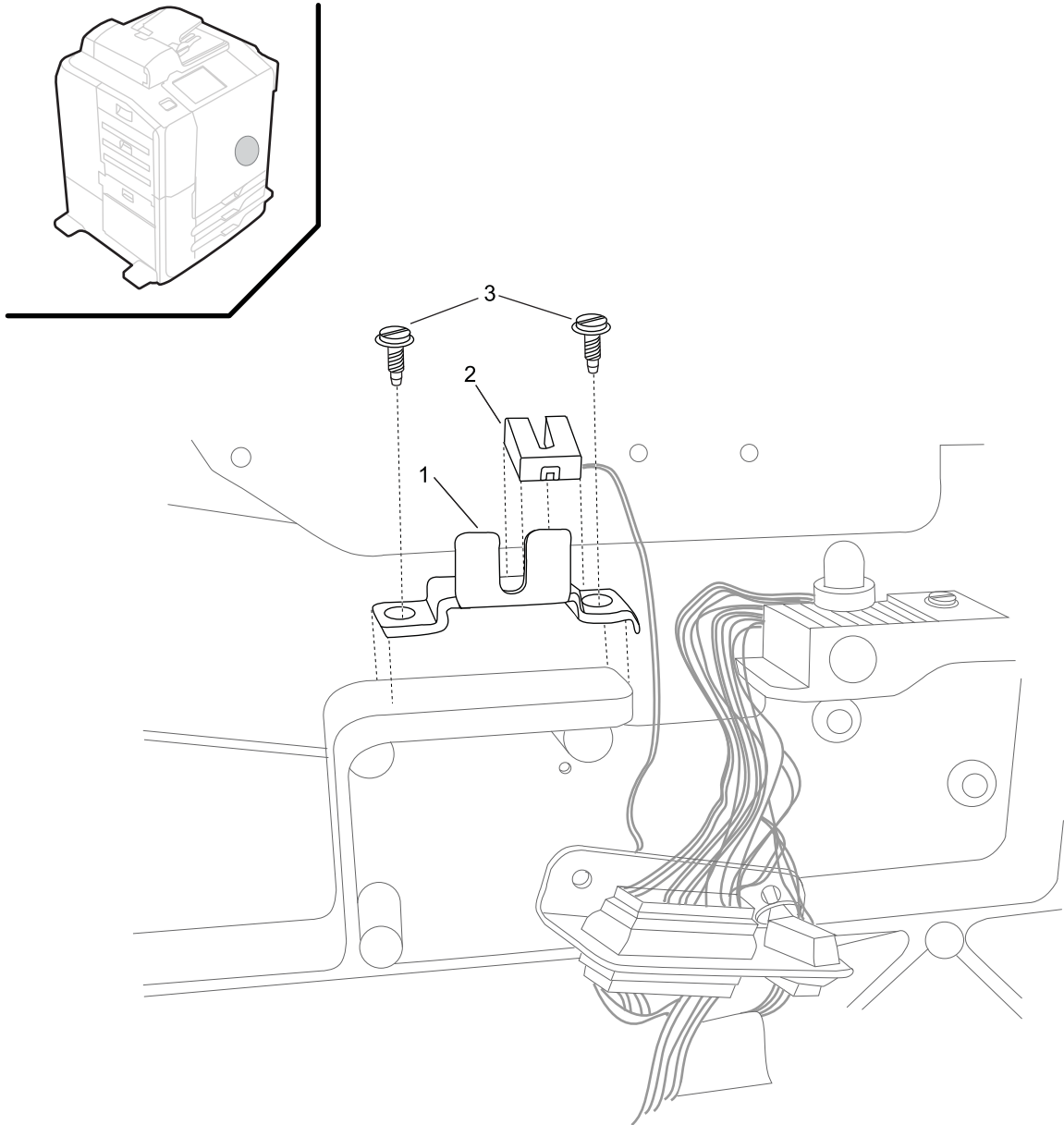


Table 4-26 Carriage Open sensor (SN19) and base parts list (for Figure 4-38)

Ref	Description	Part number	Qty
1	Carriage Open sensor base (SVC-SENSOR BASE)	C5956-67178	1
2	Carriage Open sensor (SN19) (SVC-PHOTOINTERRUPTER IF-MAX=50MA ROHS)	C5956-67162	5
3	Screw (SVC-SCREW-TPG M3X0.5 6MM-LG PAN HD ROHS)	C5956-67001	1 (Qty 20)

Cables

Description	Service part number	Manufacturer number	Connectors
SVC ASSY-ENCODER TRAILING CABLE, C1	C5956-67097	C5956-60205	W74P7-A16J7 W74P11-A6J11
SVC ASSY-ENCODER TRAILING CABLE, C2	C5956-67101	C5956-60206	W75P7-A19J7 W75P4-A6J4
SVC ASSY-CABLE,MOTOR CARR	C5957-67048	C5956-61287	W35P1-M1 W35P2-M2 W35P3-M3 W35P1-W10J1
SVC ASSY-CABLE, TOF	C5957-67043	C5956-61285	W48P22-SN22 W48P13-W47J13
SVC ASSY-CABLE, PPS MOTOR	C5956-67072	C5956-60850	N/A
SVC ASSY-CABLE, PPS COMBO	C5956-67073	C5956-60851	N/A
SVC-ASSY-CABLE, CARRIAGE THERMISTORS	C5956-67746	C5956-60913	W46P1-SN61 W46P2-SN62 W46P3-W25J3
SVC-GROUND WIRE, EXTRACTION HANDLE	C5956-67749	C5956-61102	N/A
SVC-GROUND STRAP, CHASSIS TO CARRIAGE	C5956-67677	C5956-00702	N/A

Control panel parts diagrams

- [Control panel parts diagram](#)
- [Control panel overlays](#)
- [Cables](#)

Control panel parts diagram

Figure 4-39 Control panel parts diagram

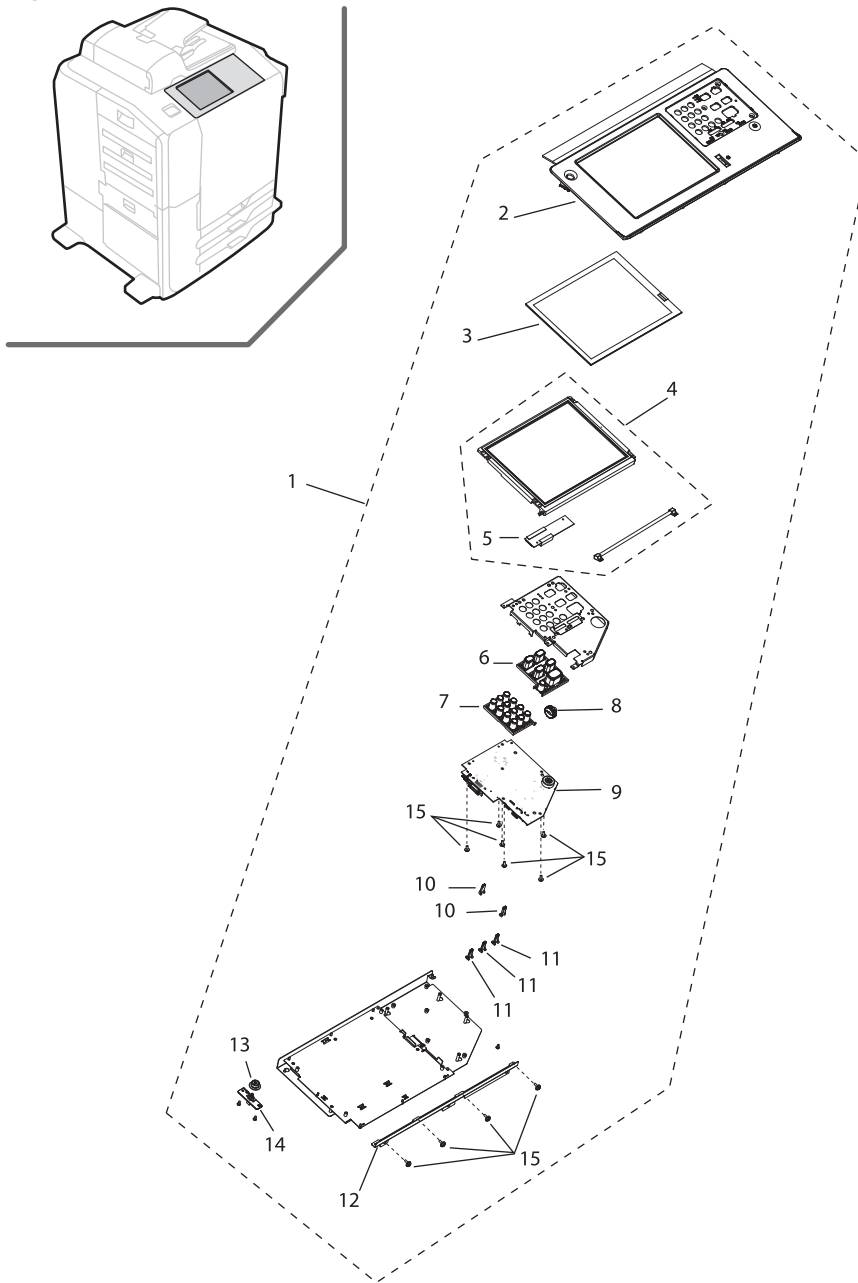


Table 4-27 Control panel parts list (for Figure 4-39)

Ref	Description	Part number	Qty
1	Control panel assembly (SVC ASSY-10.4 IN LCD CONTROL PANEL)	C5956-67134	1
2	Control panel bezel (SVC ASSY- CONTROL PANEL BEZEL)	C5956-67429	1
3	Control panel touchscreen (SVC-TOUCHSCREEN)	C5956-67427	1
4	Control panel LCD assembly (SVC-PRISM LCD ASSEMBLY)	C5956-67476	1
5	Control panel inverter PCA (SVC-BACKLIGHT INVERTER)	C5956-67383	1
6	Action key array (SVC ASSY-KEY, PLASTIC ACTION)	C5956-67477	1
7	Number key array (SVC-PLASTIC NUMBER-KEY ARRAY)	C5956-67472	1
8	Brightness wheel (SVC-PLASTIC BRIGHTNESS WHEEL)	C5956-67428	1
9	Control Panel PCA (A36) (SVC-PRISM PCA)	C5956-67475	1
10	Key lightpipe (SVC-PLASTIC KEY LIGHTPIPE)	C5956-67473	1
11	Lightpipe (SVC-PLASTIC LIGHTPIPE)	C5956-67474	1
12	Control panel mounting bracket (SVC-BRACKET - MOUNTING)	C5956-67431	1
13	Power switch button (SVC-PLASTIC KEY CAP - POWER)	C5956-67432	1
14	Power switch (SVC ASSY-POWER SWITCH)	C5956-67433	1
15	Screw (SCREW-MACH M3X0.5 6MM-LG PAN HD ROHS)	C5956-67005	1 (Qty 20)

Control panel overlays

Description	Service part number
Czech (SVC-CPO - CS CZECH)	C5956-67596
Danish (SVC-CPO - DA DANISH)	C5956-67597
German (SVC-CPO - DE GERMAN)	C5956-67598
English (SVC-CPO - EN ENGLISH)	C5956-67599
Spanish (SVC-CPO - ES SPANISH)	C5956-67600
Finnish (SVC-CPO - FI FINNISH)	C5956-67601
French (SVC-CPO - FR FRENCH)	C5956-67602
Hungarian (SVC-CPO - HU HUNGARIAN)	C5956-67603
Italian (SVC-CPO - IT ITALIAN)	C5956-67604
Japanese (SVC-CPO - JA JAPANESE)	C5956-67605
Korean (SVC-CPO - KO KOREAN)	C5956-67606
Dutch (SVC-CPO - NL DUTCH)	C5956-67607
Norwegian (SVC-CPO - NO NORWEGIAN)	C5956-67608
Polish (SVC-CPO - PL POLISH)	C5956-67609
Portuguese (SVC-CPO - PT PORTUGUESE)	C5956-67610
Russian (SVC-CPO - RU RUSSIAN)	C5956-67611
Swedish (SVC-CPO - SV SWEDISH)	C5956-67612
Turkish (SVC-CPO - TR TURKISH)	C5956-67613
Simplified Chinese (SVC-CPO - ZHCN SIMPLIFIED CHINESE)	C5956-67614
Traditional Chinese (SVC-CPO - ZHTW TRADITIONAL CHINESE)	C5956-67806
Arabic (SVC-CPO - AR ARABIC)	C5956-67807
Greek (SVC-CPO - EL GREEK)	C5956-67808
Hebrew (SVC-CPO - HE HEBREW)	C5956-67809
Slovak (SVC-CPO - SK SLOVAK)	C5956-67810
Thai (SVC-CPO - TH THAI)	C5956-67811

Cables

Cable	Service part number	Manufacturer number
SVC-LCD CABLE	C5956-67425	5851-2320
SVC-INVERTER CABLE	C5956-67426	5851-2321

Covers parts diagrams

- [Front door parts diagram](#)
- [Front door lock parts diagram](#)
- [Front Door Open switch \(SW3\) parts diagram](#)
- [Left-side Upper Panel switch \(SW8\) parts diagram](#)
- [Left front door parts diagrams](#)
- [IDS door cover parts diagrams](#)
- [Tray 2, 3, and 4 covers parts diagrams](#)
- [Upper inner cover parts diagrams](#)
- [Lower inner cover parts diagrams](#)
- [Scanner left trim parts diagrams](#)
- [Scanner right trim parts diagram](#)
- [Scanner rear trim parts diagram](#)
- [Scanner service cover parts diagram](#)
- [Scanner lock cover parts diagram](#)
- [IDO cover parts diagrams](#)
- [Left-side middle panel parts diagrams](#)
- [Left-side lower panel parts diagrams](#)
- [Lower left cover parts diagrams](#)
- [Output bin door parts diagram](#)
- [Web wipe access cover parts diagram](#)
- [Lower left trim parts diagrams](#)
- [Right-side middle panel parts diagram](#)
- [Right-side lower panel parts diagrams](#)
- [Upper right cover parts diagram](#)
- [Lower right cover parts diagrams](#)
- [Tray 5 input slot cover parts diagram](#)
- [Lower right trim parts diagram](#)
- [Rear covers parts diagram](#)
- [MFP casters](#)
- [ESD jacks parts diagram](#)

- [Cables](#)

Front door parts diagram

Figure 4-40 Front door parts diagram

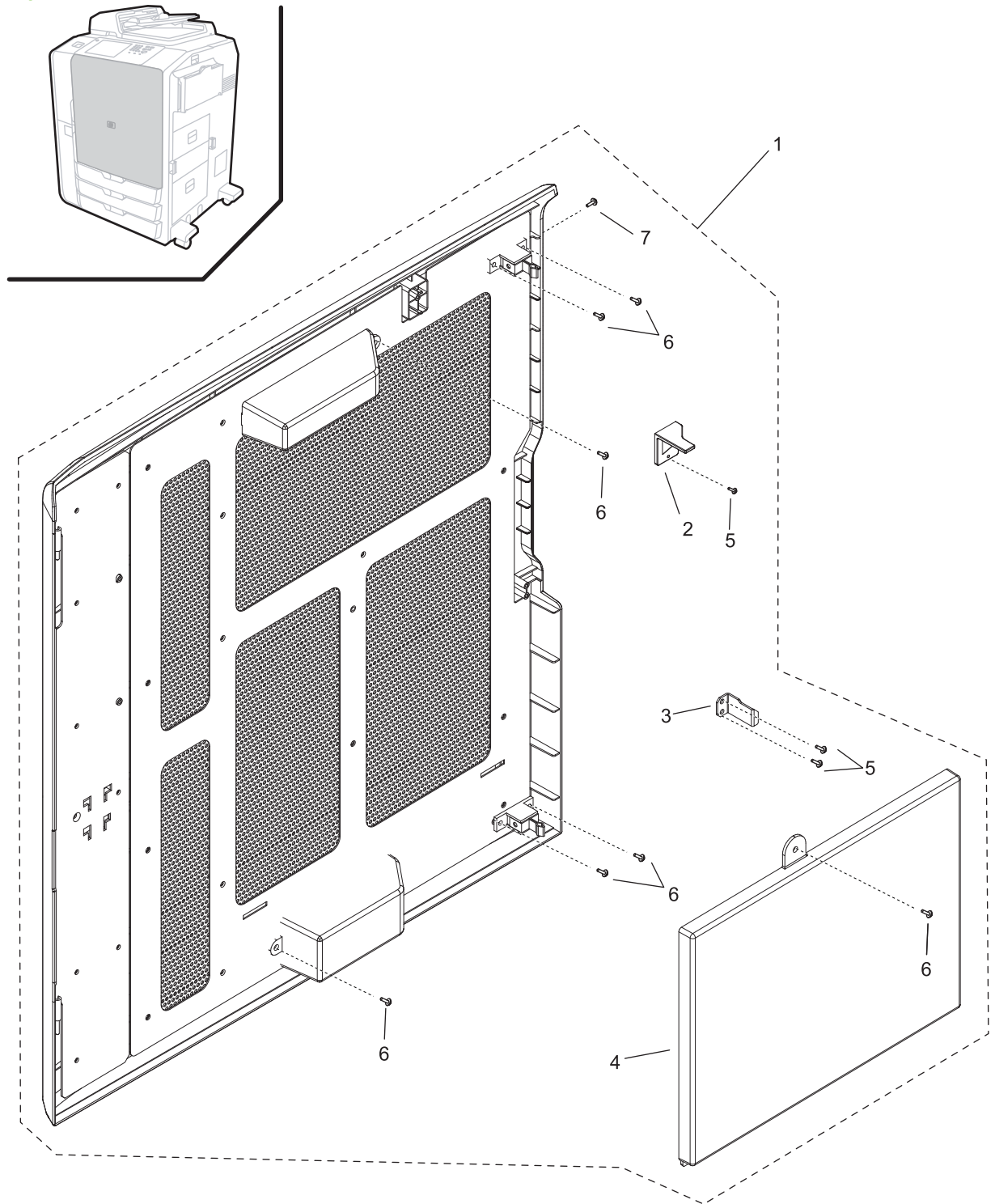


Table 4-28 Front door parts list (for Figure 4-40)

Ref	Description	Part number	Qty
1	Front door assembly (SVC KIT DOOR ENGINE RIGHT)	C5956-67458	1
2	Sensor actuator (SVC-ACTUATOR-DOOR SENSOR)	C5956-67212	1
3	Door catch (SVC-CATCH-DOOR LOCK)	C5956-67179	1
4	Maintenance log holder (SVC-HOLDER-SERVICE LOG)	C5956-67662	1
5	Screw (SVC-SCREW-TPG 4-20X7.94MM 10IP ROHS)	C5956-67012	1 (Qty 20)
6	Screw (SVC-SCREW-MACH M4X0.7 8MM-LG PAN HD ROHS)	C5956-67006	1 (Qty 20)
7	Screw (SVC-SCRW-MACH M4X0.7 16MM-LG PAN HD ROHS)	C5956-67007	1 (Qty 20)

Front door lock parts diagram

Figure 4-41 Front door lock parts diagram

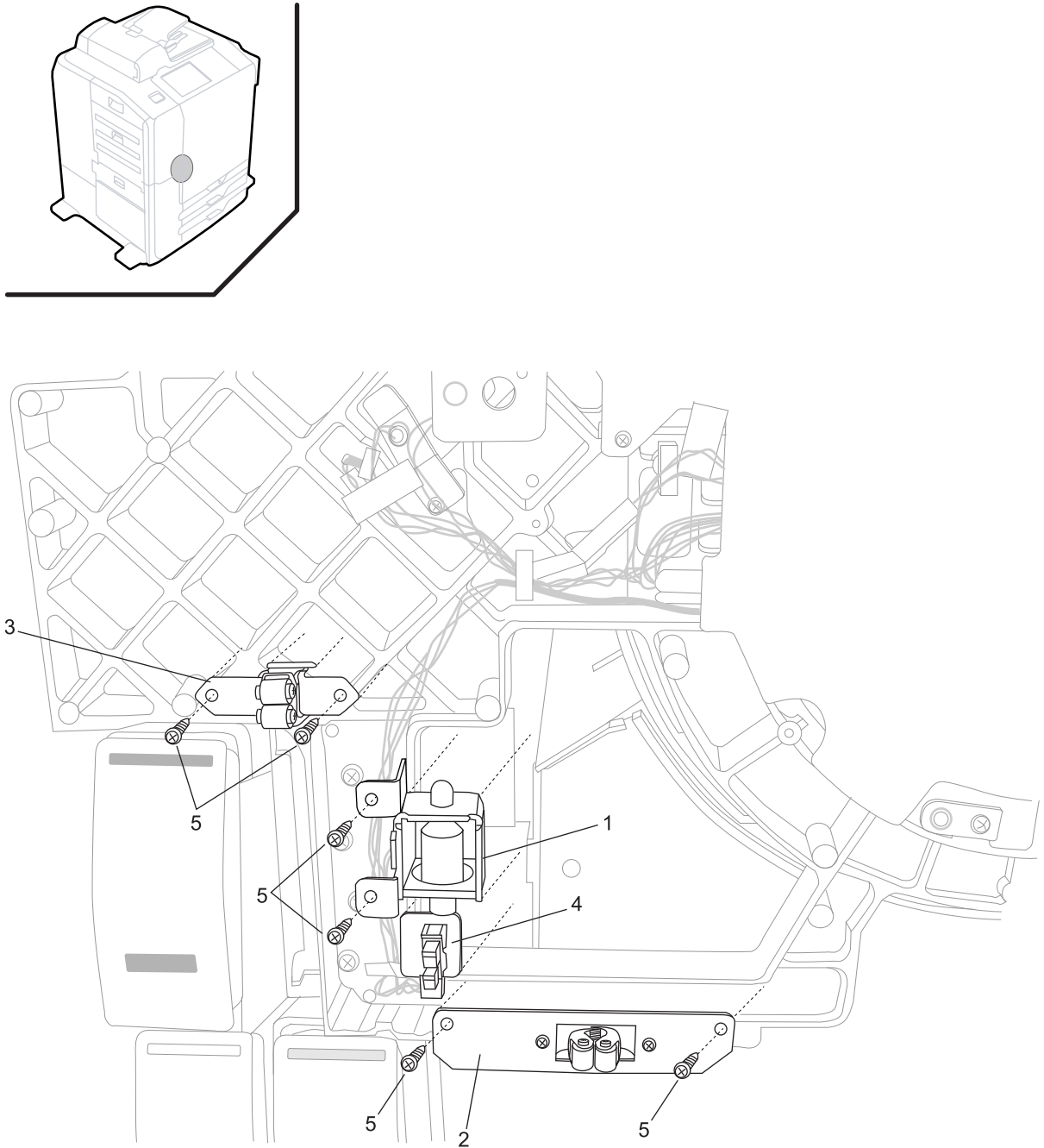


Table 4-29 Front door lock parts list (for Figure 4-41)

Ref	Description	Part number	Qty
1	Front Door Lock solenoid (SOL4) (SVC ASSY-DOOR LOCK SOLENOID)	C5956-67304	1
2	Upper right double roller catch (SVC-DOUBLE ROLLER CATCH BASE UPPER RIGHT)	C5956-67358	1
3	Double roller catch with spear (SVC ASSY-CATCH, DOUBLE ROLLER WITH SPEAR)	C5956-67324	1
4	Lower-left Door sensor (SN18) (SVC-PHOTOINTERRUPTER IF-MAX=50MA ROHS)	C5956-67162	1
5	Screw (SVC-SCREW-TPG M3X0.5 6MM-LG PAN HD ROHS)	C5956-67001	1 (Qty 20)

Front Door Open switch (SW3) parts diagram

Figure 4-42 Front Door Open switch (SW3) parts diagram

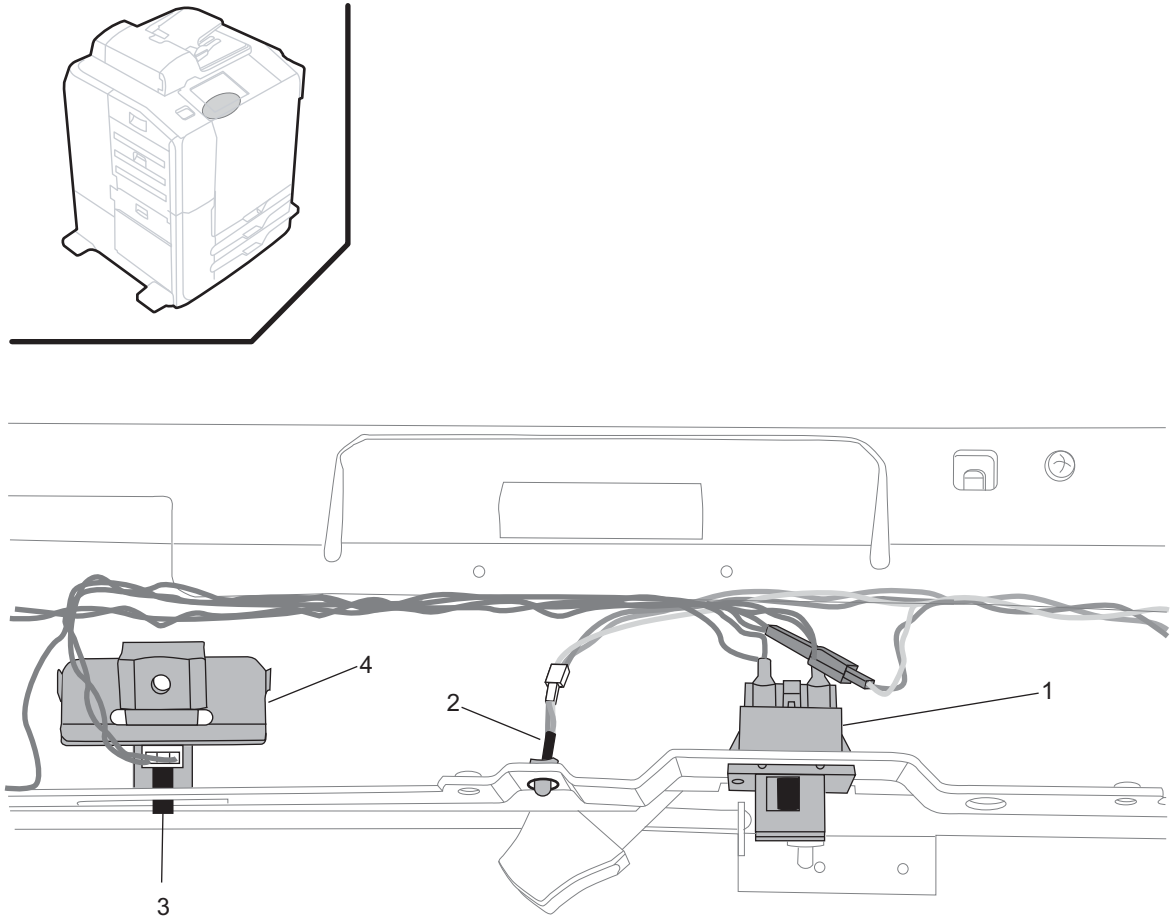


Table 4-30 Front Door Open switch (SW3) parts list (for Figure 4-42)

Ref	Description	Part number	Qty
1	Front Door Open switch (SW3) (SVC ASSY-SWITCH INTERLOCK)	C5956-67377	1
2	Horizontal Latch LED (LED1) (SVC-CABLE, LED, AMBER, ASSY)	C5956-67766	1
3	Upper-left Door Open sensor (SN37) (SVC-PHOTOINTERRUPTER WITH CONNECTOR)	C5956-67162	1
4	Door sensor bracket (SVC-BRACKET-L DOOR SENSOR)	C5956-67181	1

Left-side Upper Panel switch (SW8) parts diagram

Figure 4-43 Left-side Upper Panel switch (SW8) parts diagram

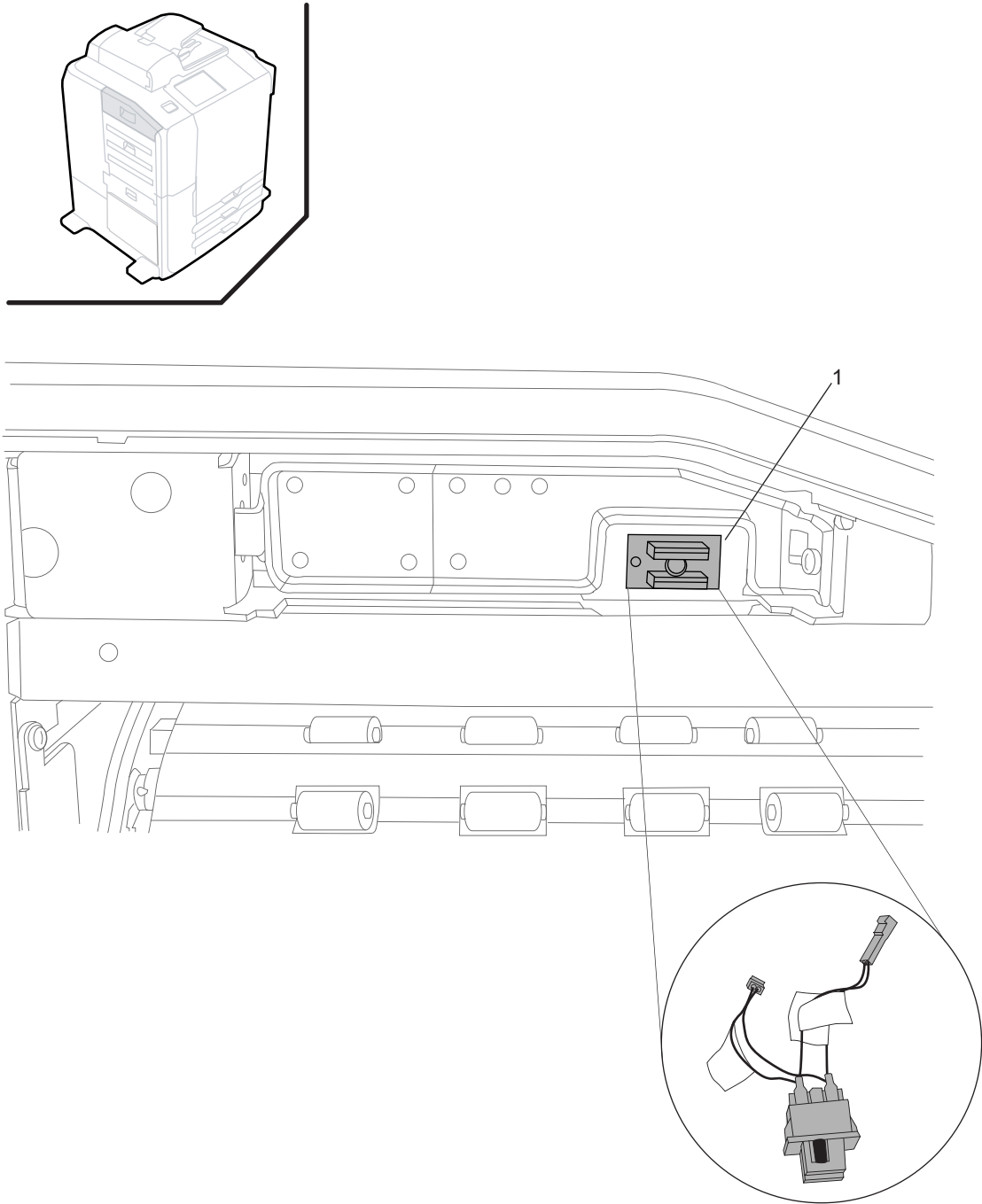


Table 4-31 Left-side Upper Panel switch (SW8) parts list (for Figure 4-43)

Ref	Description	Part number	Qty
1	Left-side Upper Panel switch (SW8) (SVC ASSY-SWITCH INTERLOCK)	C5956-67377	1

Left front door parts diagrams

Figure 4-44 Left front door parts diagrams

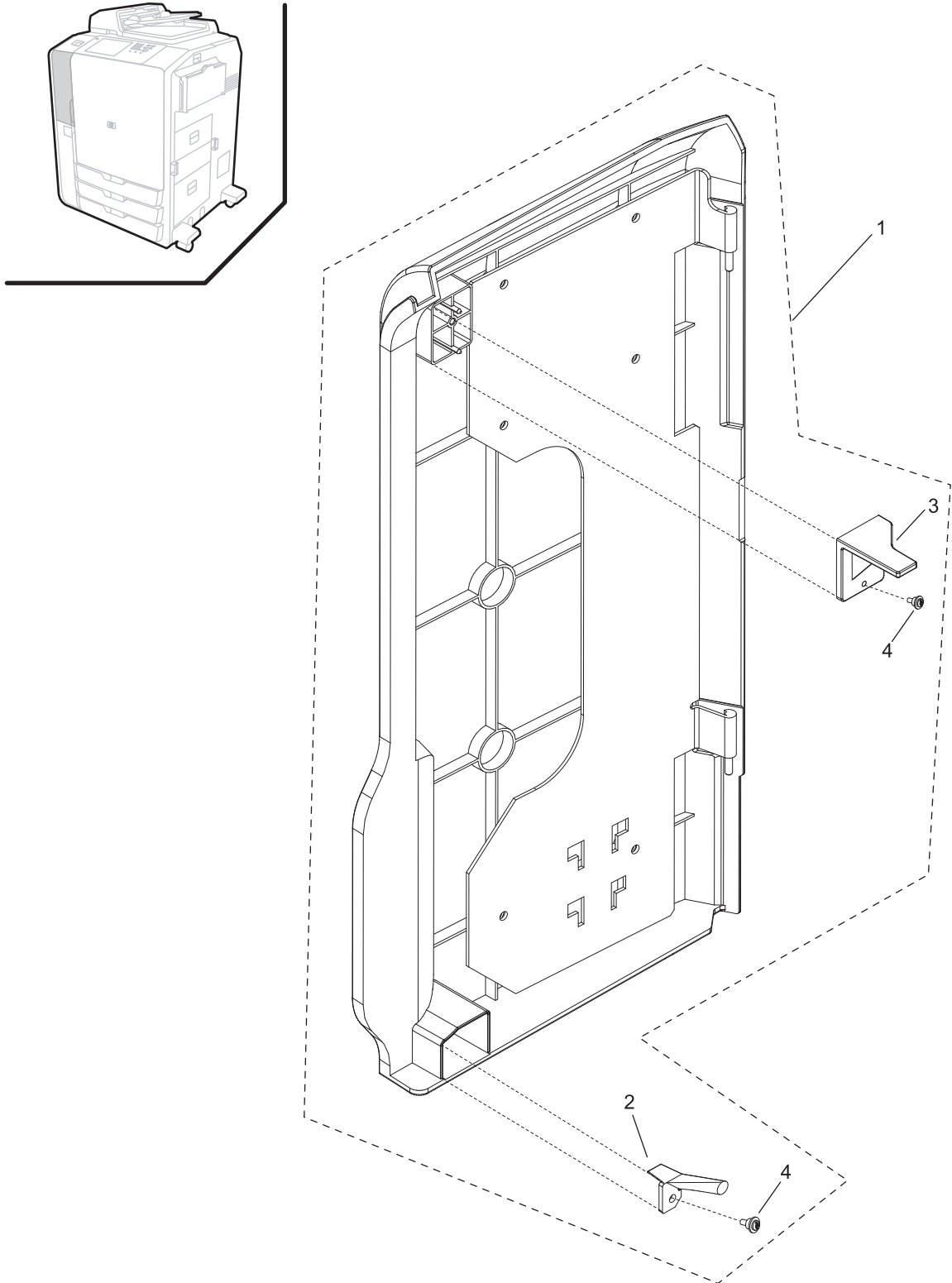


Table 4-32 Left front door parts list (for Figure 4-44)

Ref	Description	Part number	Qty
1	Left front door assembly (SVC ASSY-ENGINE DOOR LEFT)	C5956-67307	1
2	Left front door lightpipe (SVC-LIGHTPIPE-LEFT DOOR)	C5956-67041	1
3	Left front door sensor actuator (SVC-ACTUATOR-DOOR SENSOR)	C5956-67212	1
4	Screw (SVC-SCREW-TPG 4-20X7.94MM 10IP ROHS)	C5956-67012	1 (Qty 20)

IDS door cover parts diagrams

Figure 4-45 IDS door cover parts diagrams

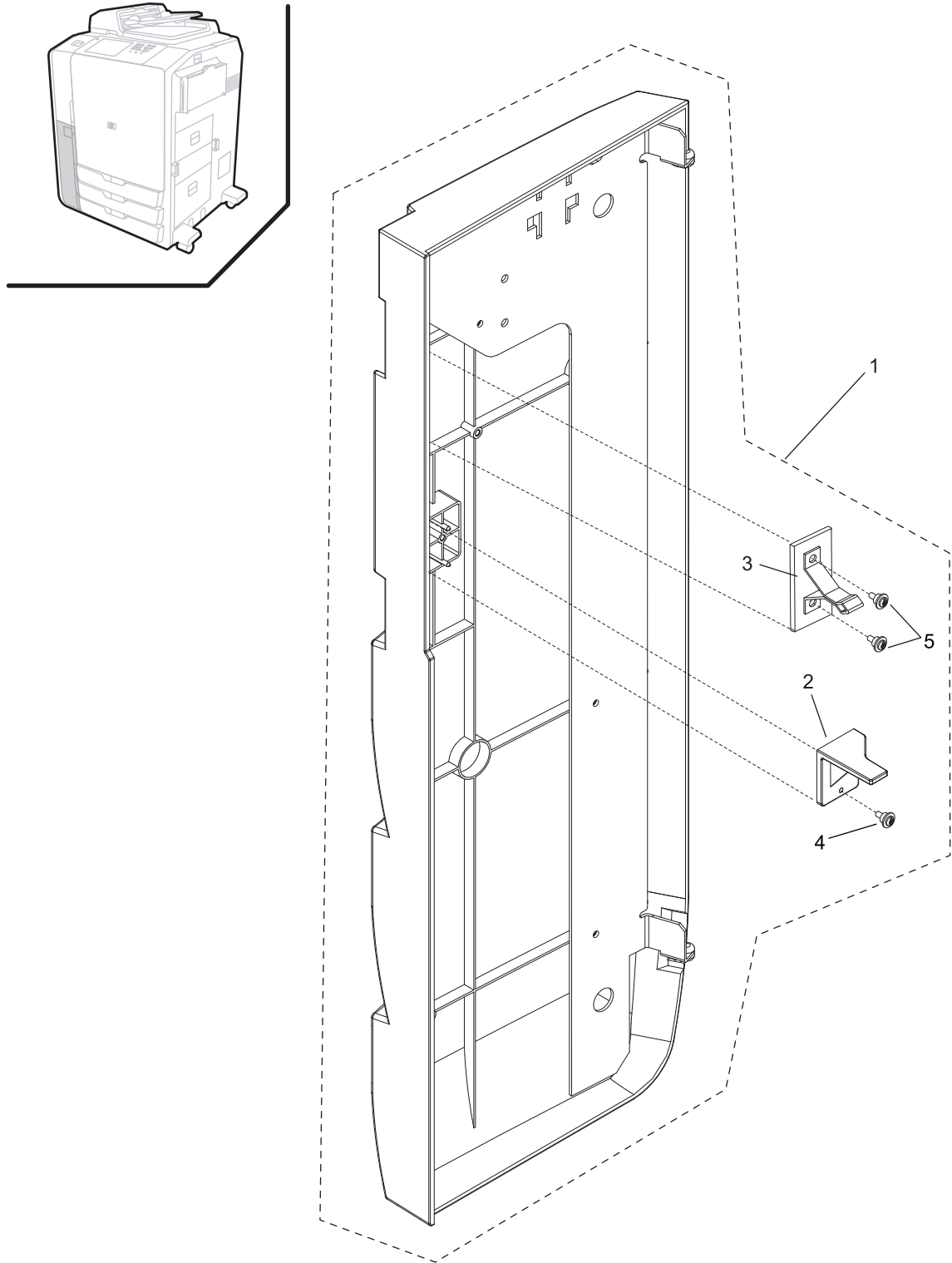


Table 4-33 IDS door cover parts list (for Figure 4-45)

Ref	Description	Part number	Qty
1	IDS door assembly (SVC ASSY-DOOR, IDS COMPLETE)	C5956-67732	1
2	Door sensor actuator (SVC-ACTUATOR-DOOR SENSOR)	C5956-67212	1
3	IDS door catch assembly (SVC KIT-LATCH, SPEAR)	C5956-67671	1
4	Screw (SVC-SCREW-TPG 4-20X7.94MM 10IP ROHS)	C5956-67012	1 (Qty 20)
5	Screw (SVC-SCREW-MACH M4X0.7 8MM-LG PAN HD ROHS)	C5956-67006	1 (Qty 20)

Tray 2, 3, and 4 covers parts diagrams

Figure 4-46 Tray 2, 3, and 4 covers parts diagrams

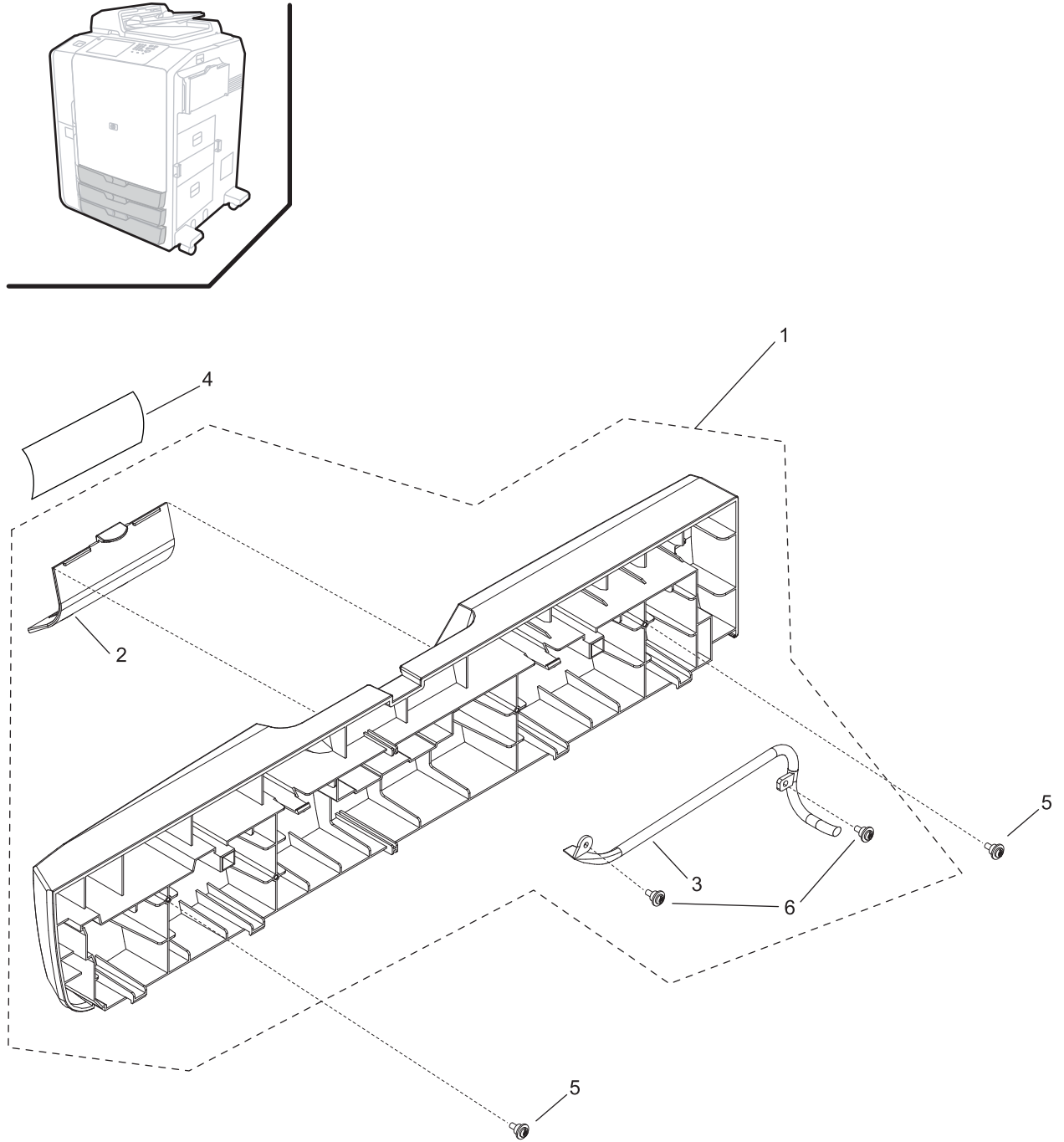


Table 4-34 Tray 2, 3, and 4 covers parts list (for Figure 4-46)

Ref	Description	Part number	Qty
1	Trays 2, 3, and 4 cover assembly (SVC ASSY-DRAWER FACE)	C5956-67459	1
2	Paper size plaque (SVC-PLAQUE-BLANK,PAPER SIZE)	C5956-67038	1
3	Trays 2, 3, and 4 lightpipe (SVC-LIGHTPIPE-SIT TRAY)	C5956-67715	1
4	Media descriptors (SVC KIT MEDIA DESCRIPTORS)	C5956-67585	1
5	Screw (SVC-SCREW-TPG 4-20 0.427-IN-LG ROHS)	C5956-67018	1 (Qty 20)
6	Screw (SVC-SCREW-MACH M3X0.5 6MM-LG PAN HD ROHS)	C5956-67005	1 (Qty 20)

Upper inner cover parts diagrams

Figure 4-47 Upper inner cover parts diagrams

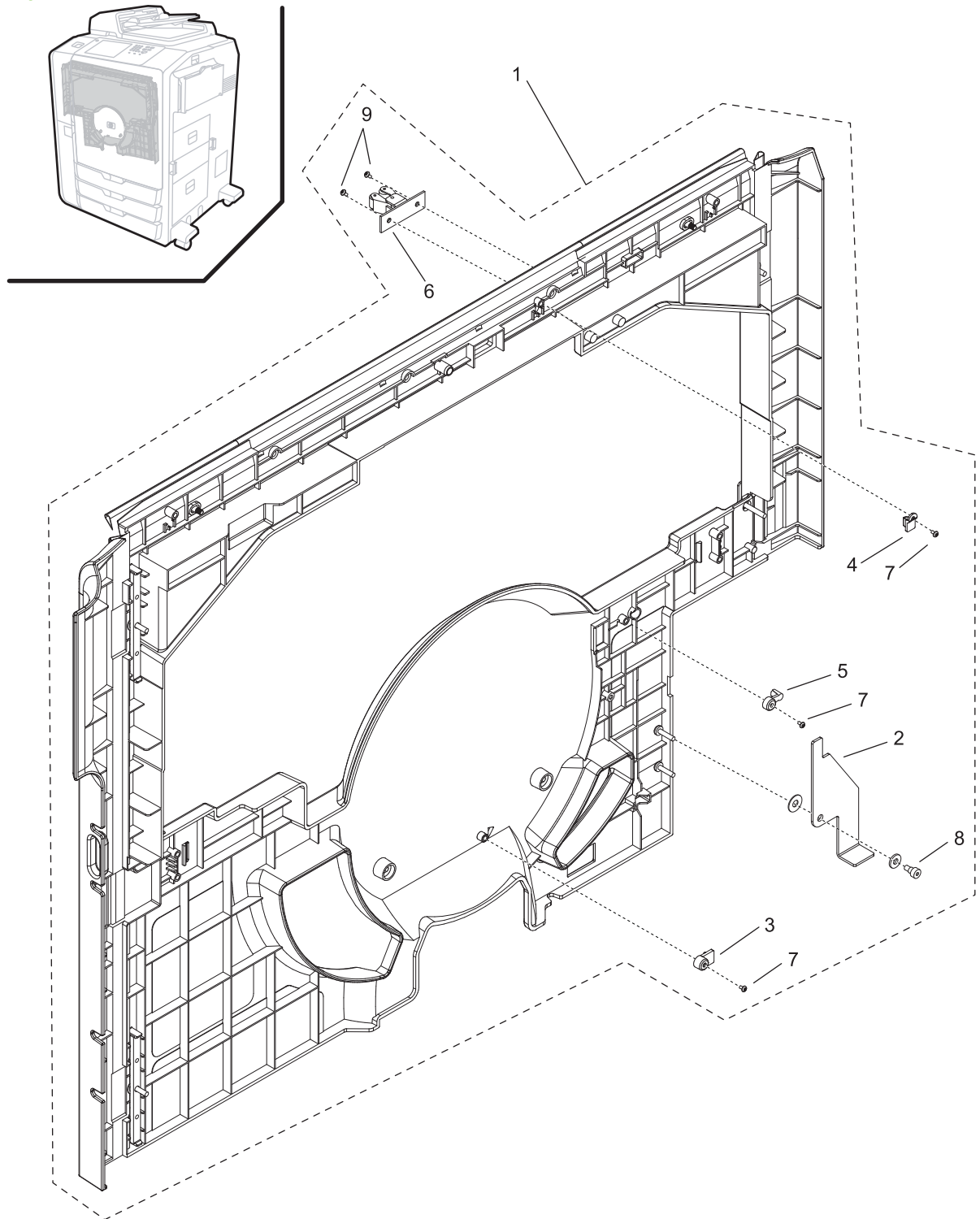


Table 4-35 Upper inner cover parts list (for Figure 4-47)

Ref	Description	Part number	Qty
1	Upper inner cover (SVC ASSY-INTEGRATION STRUCTURE)	C5956-67313	1
2	Door lock actuator (SVC-ACTUATOR-DOOR LOCK)	C5957-67044	1
3	Dryer LED lightpipe (SVC-LIGHTPIPE-DRYER)	C5956-67040	1
4	Horizontal LED lightpipe (SVC-LIGHTPIPE-HORIZONTAL TRANSPORT)	C5956-67044	1
5	Right front door LED lightpipe (SVC-LIGHTPIPE-INTEGRATION/LEFT DOOR)	C5956-67042	1
6	Right front roller catch assembly (SVC-DBL ROLLER CATCH ARMS ASSY RT DOOR)	C5956-67359	1
7	Screw (SVC-SCREW-MACH M3X0.5 6MM-LG PAN HD ROHS)	C5956-67005	1 (Qty 20)
8	Screw (SVC-SCREW-TPG 4-20X7.94MM 10IP ROHS)	C5956-67012	1 (Qty 20)
9	Screw (SVC-SCREW-TPG 4-20 0.427-IN-LG ROHS)	C5956-67018	1 (Qty 20)

Lower inner cover parts diagrams

Figure 4-48 Lower inner cover parts diagrams

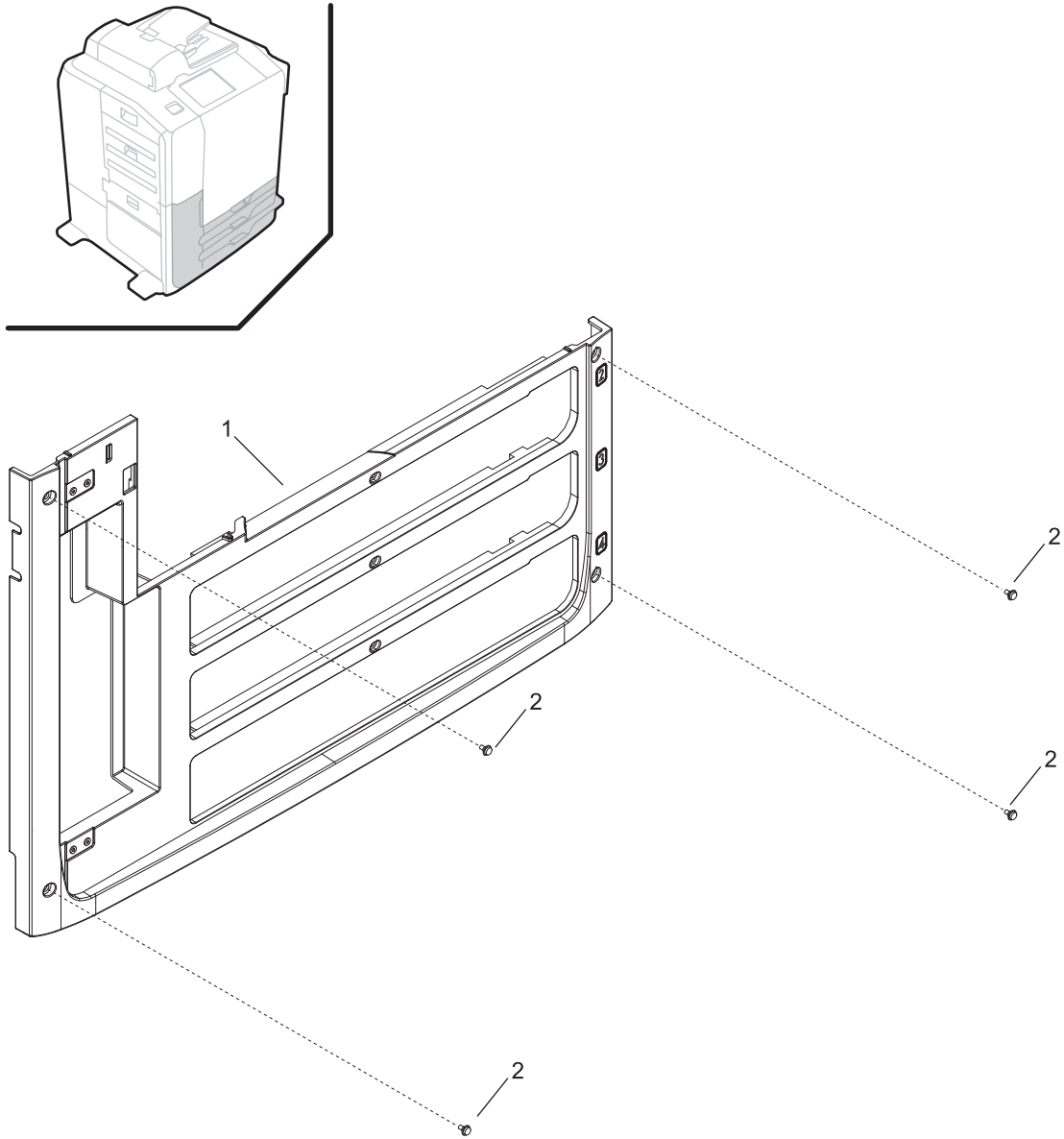


Table 4-36 Lower inner cover parts list (for Figure 4-48)

Ref	Description	Part number	Qty
1	Lower inner cover (SVC ASSY-TRIM FRONT LOWER)	C5956-67308	1
2	Screw (SVC KIT-FASTENER 2, assortment, SCR-MACH M4X. 7 8.25MM-LG PAN WASHER ROHS)	C5957-67054	1 (Qty 5)

Scanner left trim parts diagrams

Figure 4-49 Scanner left trim parts diagrams

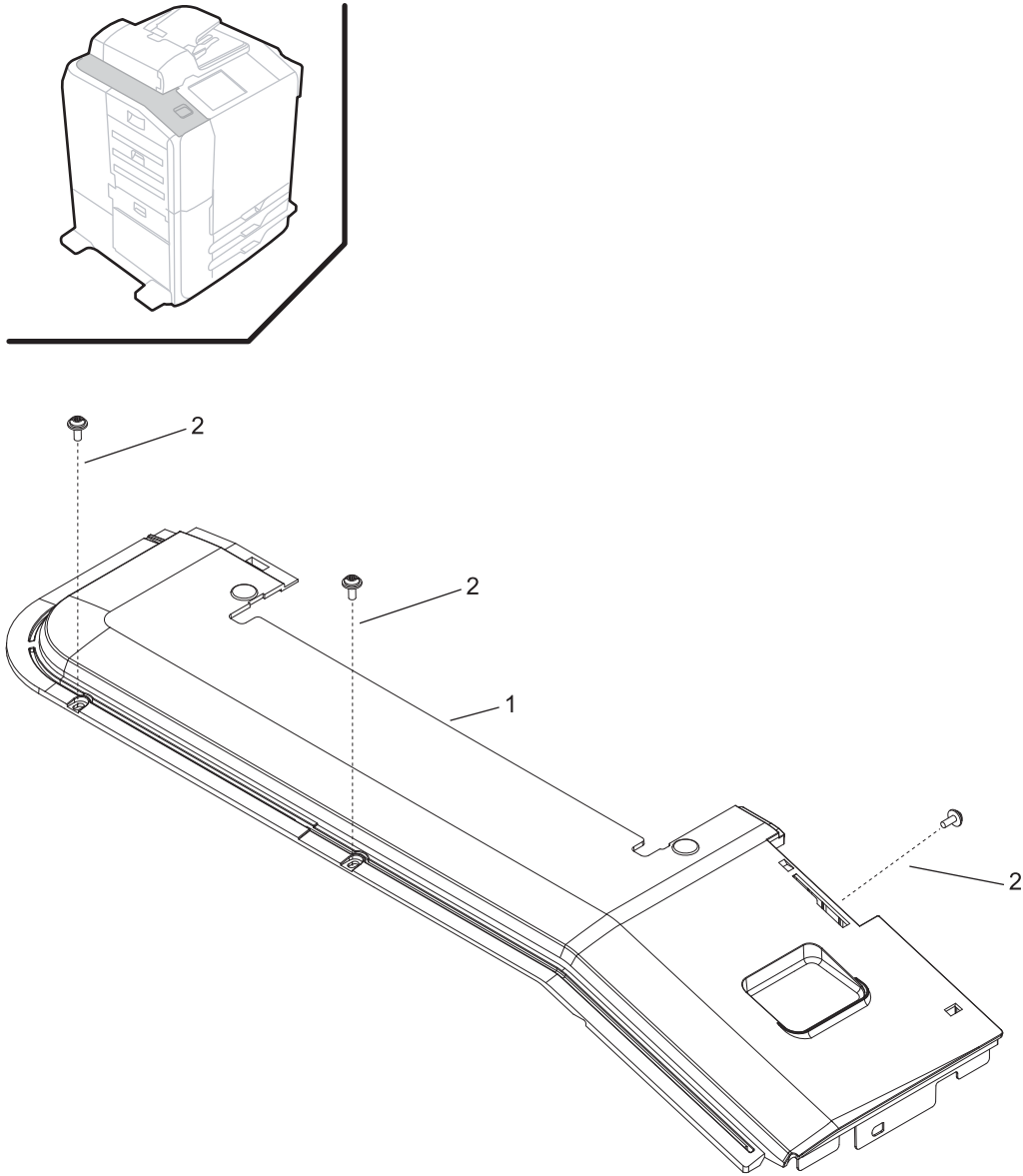


Table 4-37 Scanner left trim parts list (for Figure 4-49)

Ref	Description	Part number	Qty
1	Scanner left trim (SVC-TRIM SCANNER LEFT)	C5956-67214	1
2	Screw (SCREW-TPG M4 X 0.7 8MM-LG PAN HD ROHS)(3)	C5956-67006	1 (Qty 20)
3	Trim support (SVC-SUPPORT-SCANNER TRIM). Sheet metal part not shown in diagram.	C5956-67588	1

Scanner right trim parts diagram

Figure 4-50 Scanner right trim parts diagram

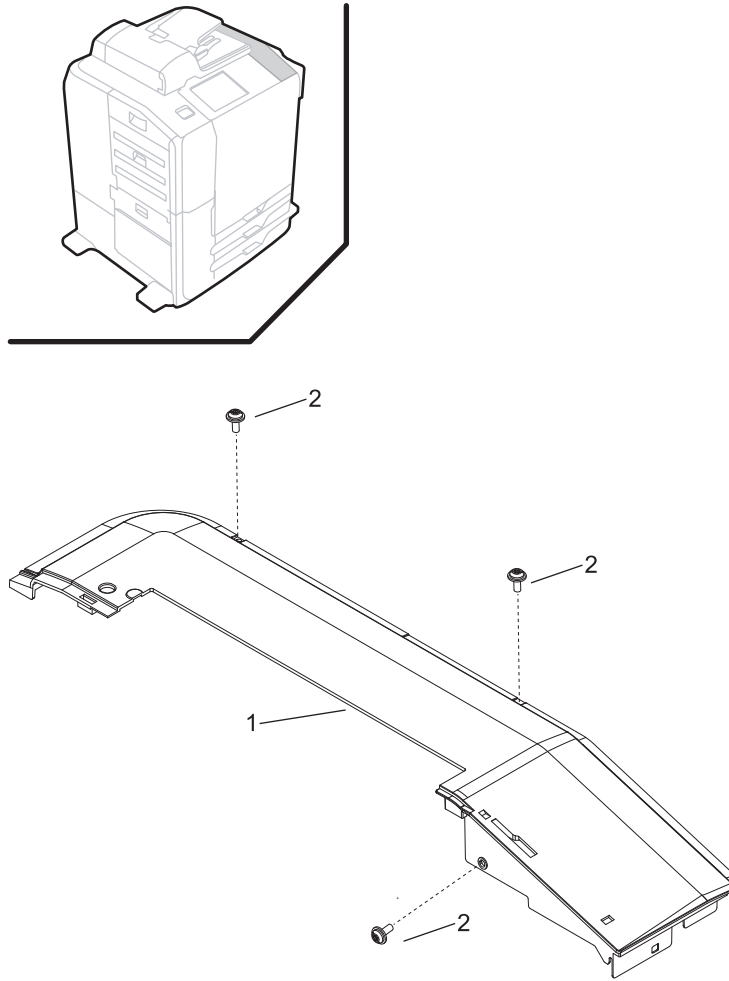


Table 4-38 Scanner right trim parts list (for Figure 4-50)

Ref	Description	Part number	Qty
1	Scanner right trim (SVC ASSY-TRIM SCANNER RIGHT)	C5956-67360	1
2	Screw (SVC-SCREW-MACH M4X0.7 8MM-LG PAN HD ROHS)	C5956-67006	1 (Qty 20)
3	Trim support (SVC-SUPPORT-SCANNER TRIM). Sheet metal part not shown in diagram.	C5956-67588	1

Scanner rear trim parts diagram

Figure 4-51 Scanner rear trim parts diagram

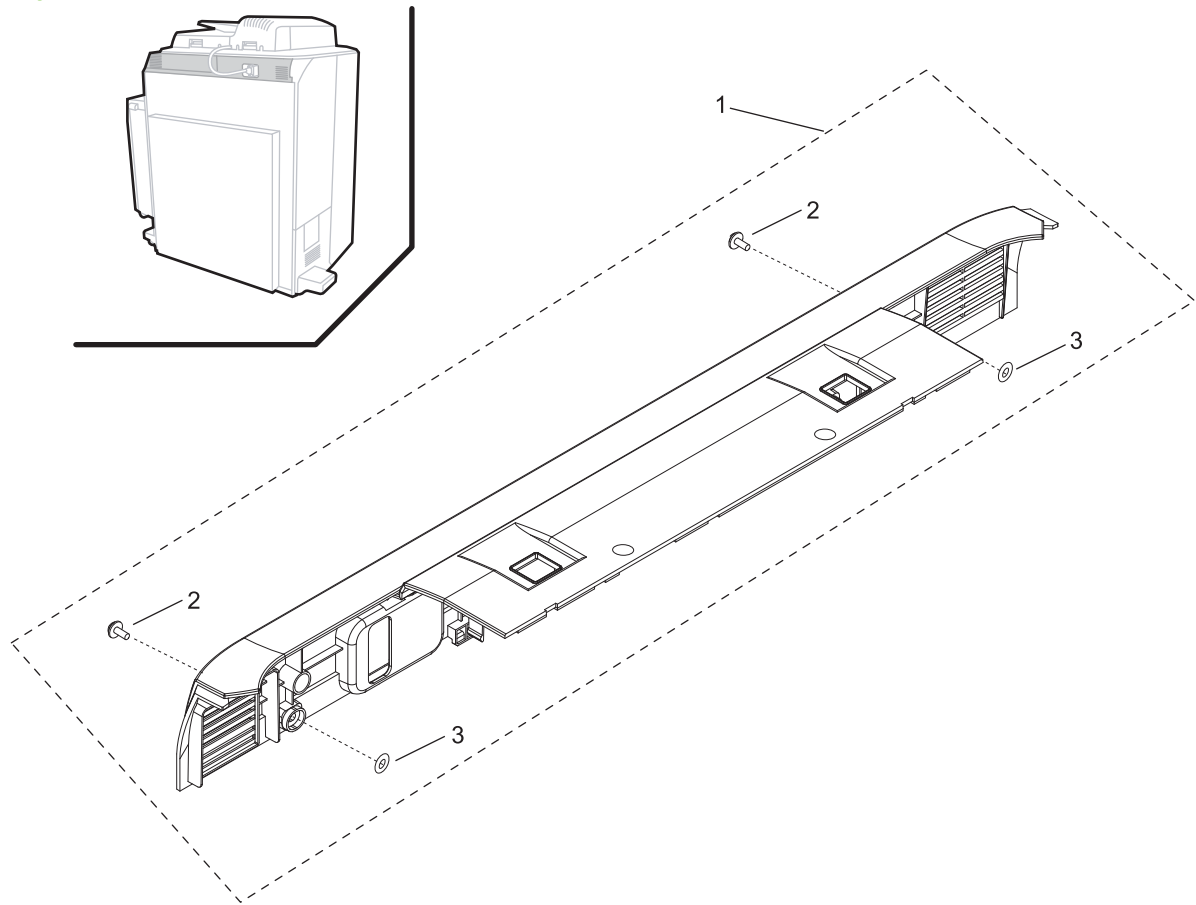


Table 4-39 Scanner rear trim parts list (for Figure 4-51)

Ref	Description	Part number	Qty
1	Scanner rear cover (SVC ASSY-SCANNER REAR COVERS)	C5956-67309	1
2	Screw (SVC KIT-FASTENERS 1, assortment, SCREW-MACH M4 X 0.7 9.5MM-LG ROHS)(2)	C5956-67651	1 (Qty 10)
3	Retainer (SVC-RETAINER-CAPTIVE FASTENER M4)(2)	C5956-67368	1 (Qty 20)

Scanner service cover parts diagram

Figure 4-52 Scanner service cover parts diagram

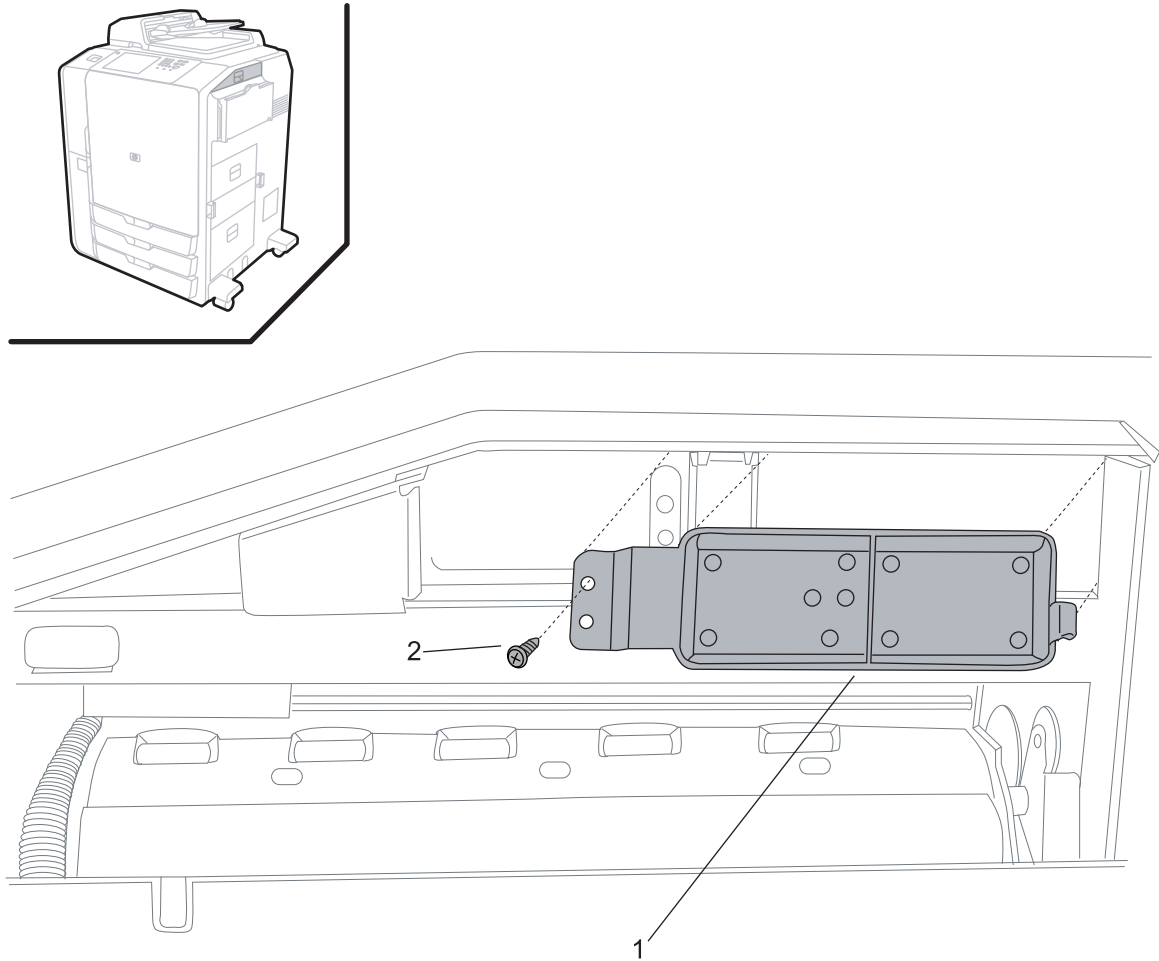


Table 4-40 Scanner service cover parts list (for Figure 4-52)

Ref	Description	Part number	Qty
1	Scanner service cover (SVC-COVER-SCANNER SERVICE)	C5956-67236	1
2	Screw (SCREW-MACH M4 X 0.7 8MM-LG PAN HD ROHS)	C5956-67006	1 (Qty 20)

Scanner lock cover parts diagram

Figure 4-53 Scanner lock cover parts diagram

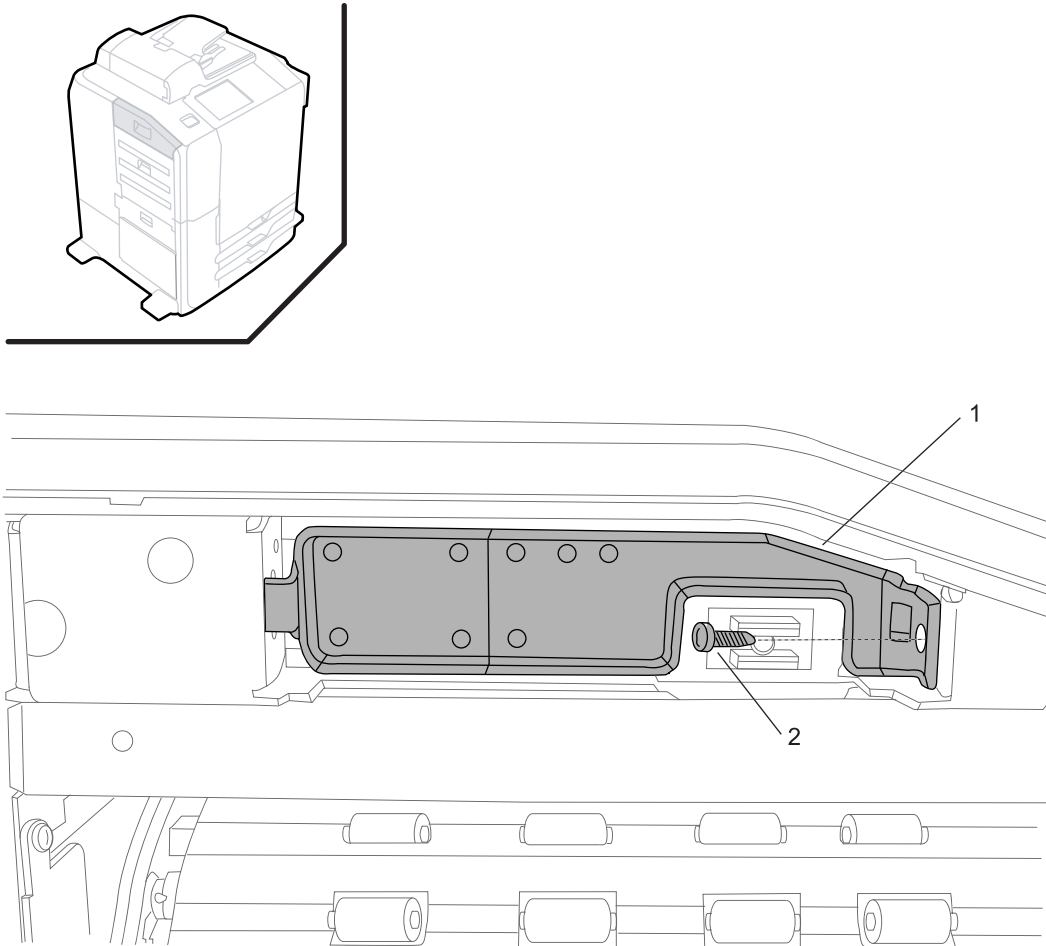


Table 4-41 Scanner lock cover parts list (for Figure 4-53)

Ref	Description	Part number	Qty
1	Scanner lock cover (SVC-COVER-SCANNER LOCK)	C5956-67235	1
2	Screw (SCREW-MACH M4 X 0.7 8MM-LG PAN HD ROHS)	C5956-67006	1 (Qty 20)

IDO cover parts diagrams

Figure 4-54 IDO cover parts diagrams

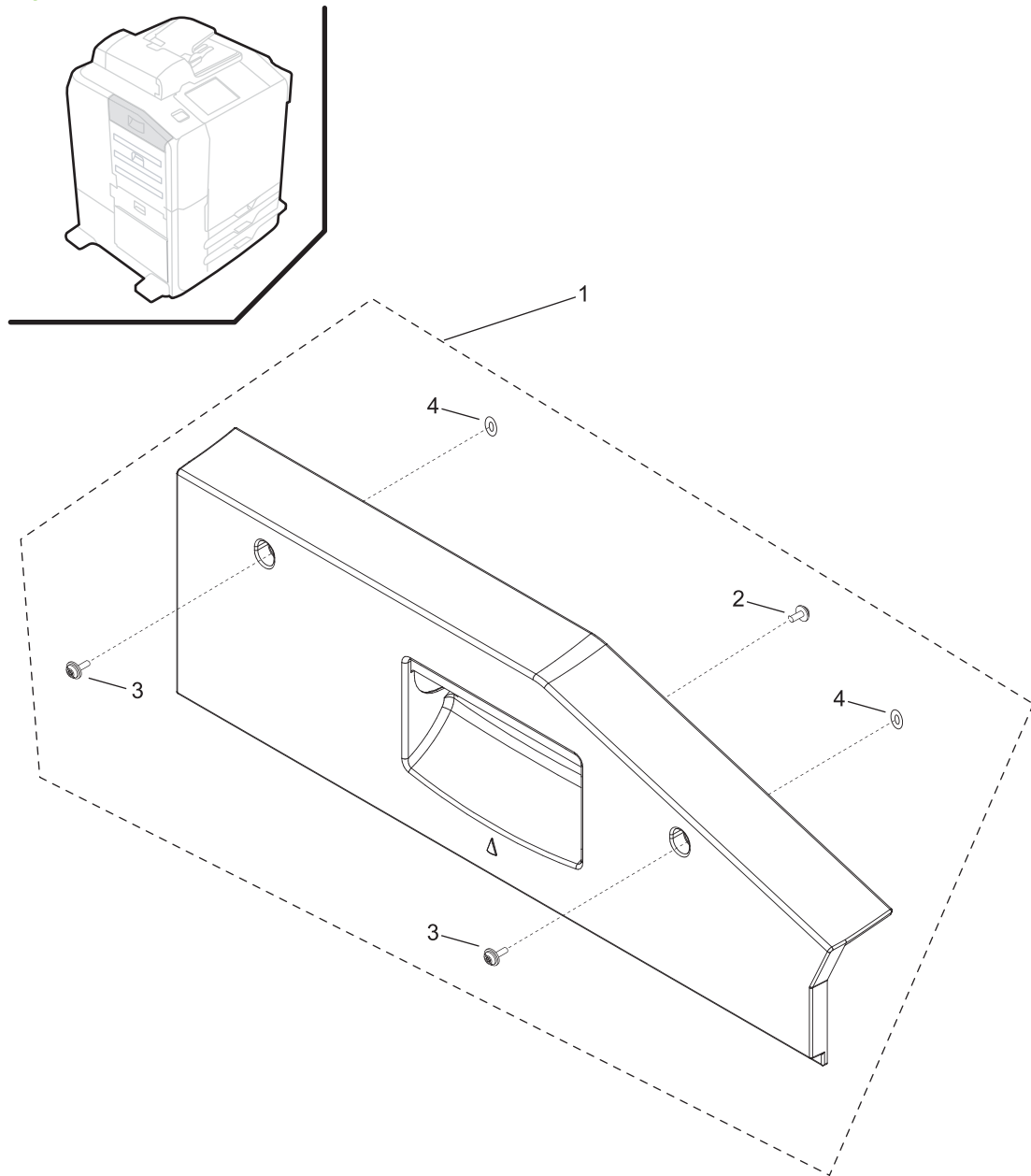


Table 4-42 IDO cover parts list (for Figure 4-54)

Ref	Description	Part number	Qty
1	IDO cover (SVC ASSY-IDO COVER)	C5956-67317	1
2	Screw (SVC-SCREW-MACH M3X0.5 6MM-LG PAN HD ROHS)	C5956-67005	1 (Qty 20)
3	Screw (SCREW-MACH M4 X 0.7 9.5MM-LG ROHS)	C5956-67011	1 (Qty 20)
4	Retainer (SVC-RETAINER-CAPTIVE FASTENER M4)	C5956-67368	1 (Qty 20)

Left-side middle panel parts diagrams

Figure 4-55 Left-side middle panel parts diagrams

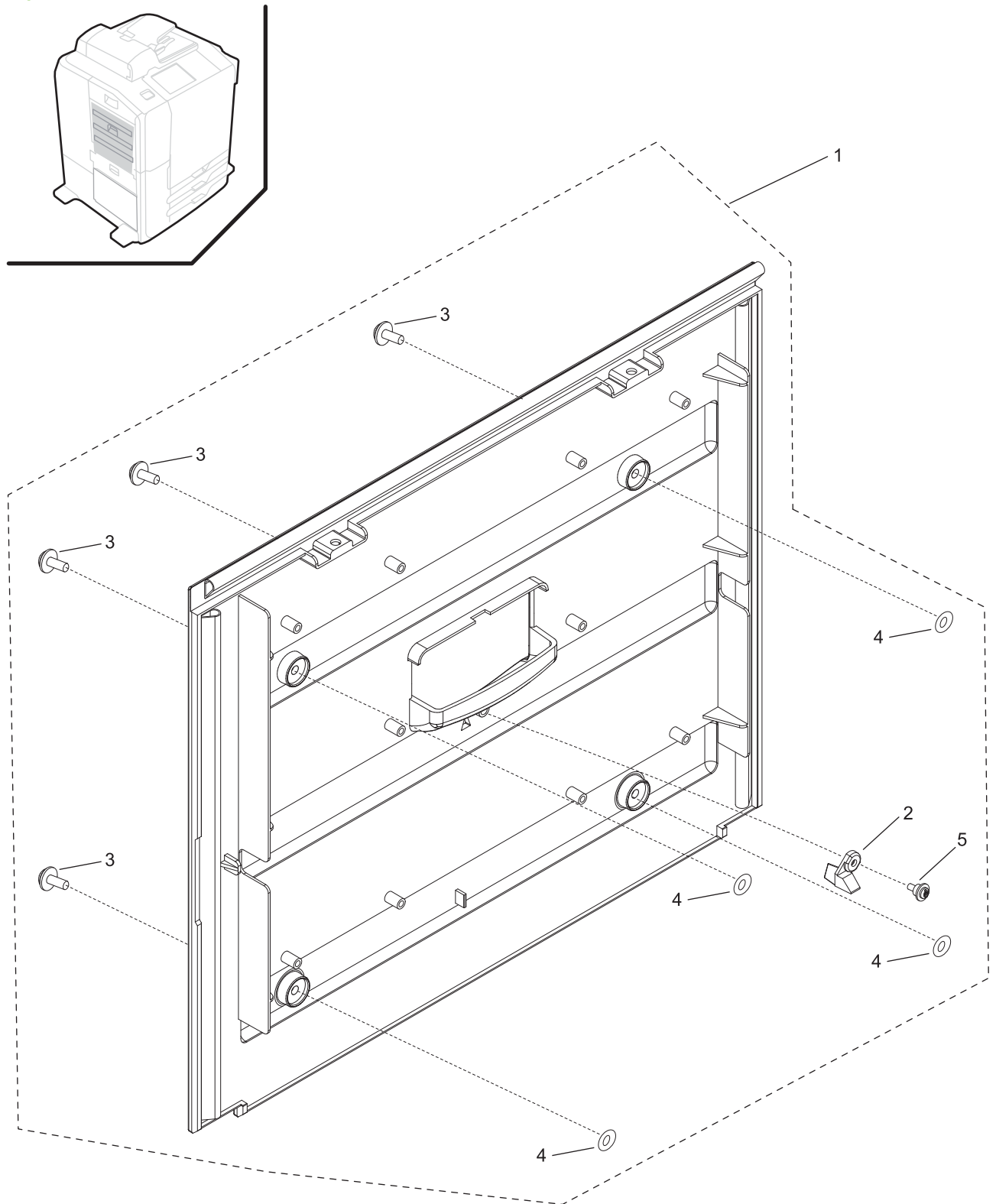


Table 4-43 Left-side middle panel parts list (for Figure 4-55)

Ref	Description	Part number	Qty
1	Left-side middle panel (SVC ASSY-DUPLEXER DOOR)	C5957-67042	1
2	Lightpipe (SVC-LIGHTPIPE-DUPLEXER DOOR)	C5956-67045	1
3	Screw (SCREW-MACH M4 X 0.7 9.5MM-LG ROHS)(4)	C5956-67011	1 (Qty 20)
4	Retainer (SVC-RETAINER-CAPTIVE FASTENER M4)(4)	C5956-67368	1 (Qty 20)
5	Screw (SCREW-MACH M3 X 0.5 6MM-LG PAN HD ROHS)(1)	C5956-67005	1 (Qty 20)

Left-side lower panel parts diagrams

Figure 4-56 Left-side lower panel parts diagrams

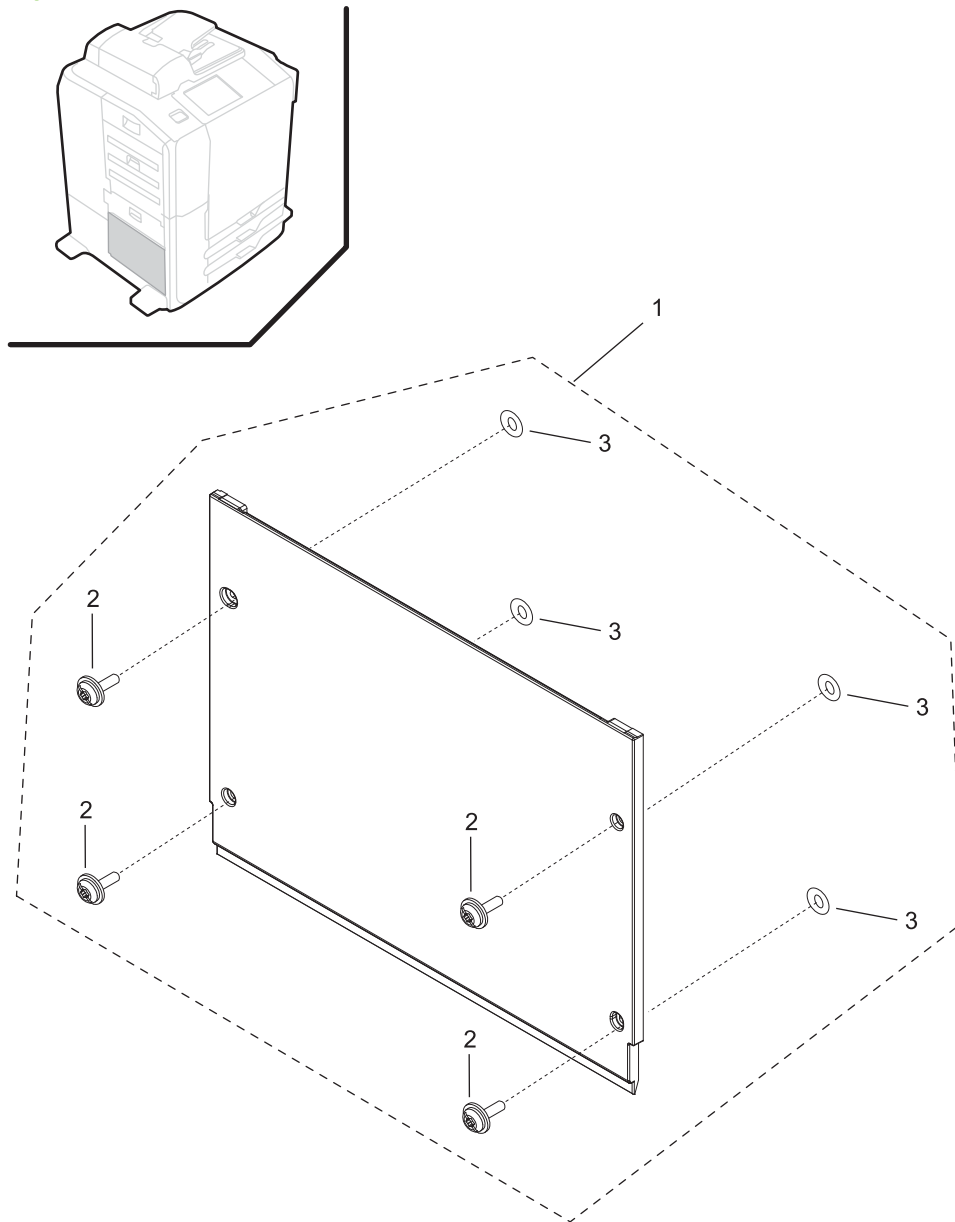


Table 4-44 Left-side lower panel parts list (for Figure 4-56)

Ref	Description	Part number	Qty
1	Left-side lower panel (SVC ASSY-COVER H FRAME)	C5956-67316	1
2	Screw (SCREW-MACH M4 X 0.7 9.5MM-LG ROHS)(4)	C5956-67011	1 (Qty 20)
3	Retainer (SVC-RETAINER-CAPTIVE FASTENER M4)(4)	C5956-67368	1 (Qty 20)

Lower left cover parts diagrams

Figure 4-57 Lower left cover parts diagrams

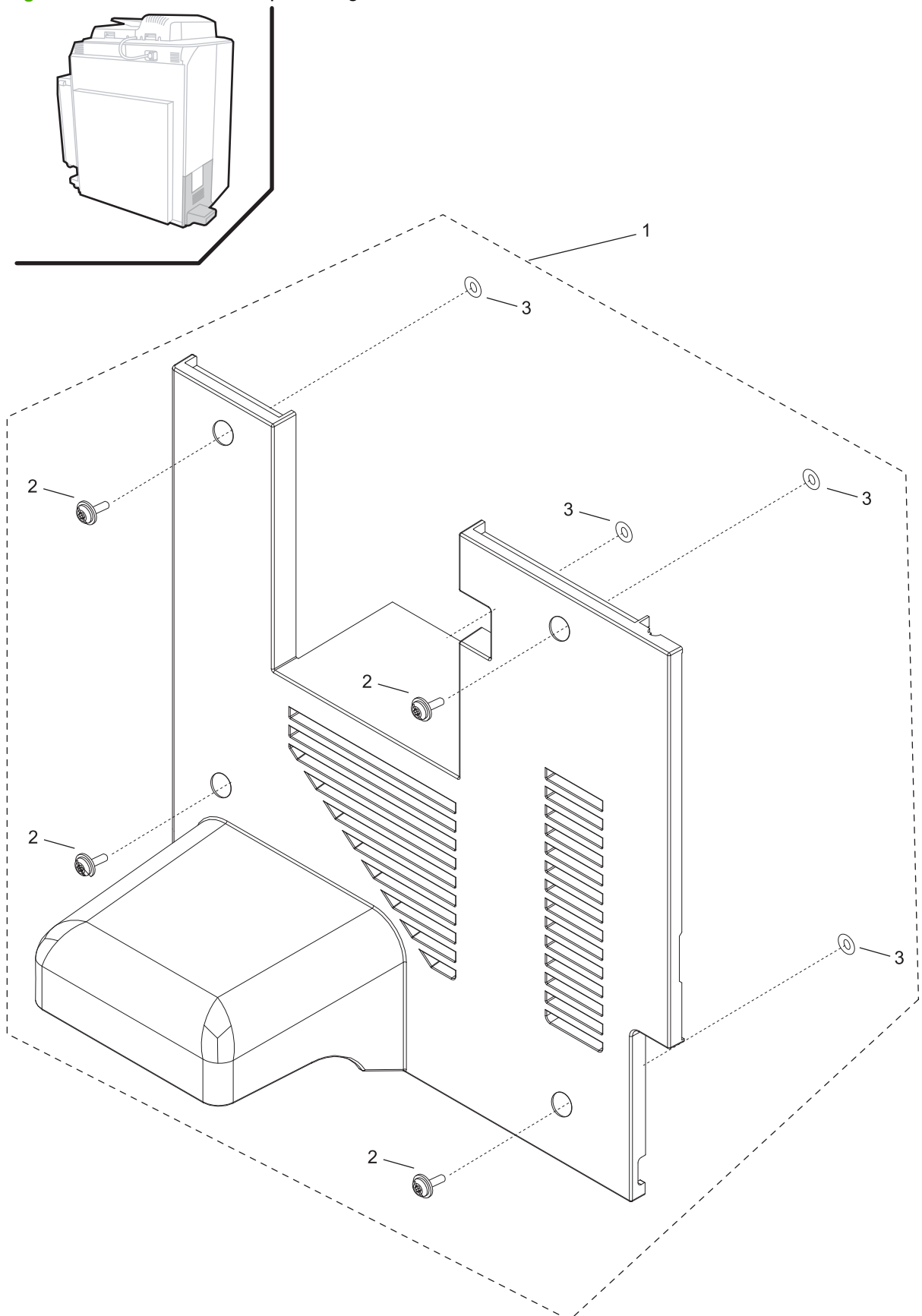


Table 4-45 Lower left cover parts list (for Figure 4-57)

Ref	Description	Part number	Qty
1	Lower left cover (SVC ASSY-COVER LEFT LOWER)	C5956-67312	1
2	Screw (SCREW-MACH M4 X 0.7 9.5MM-LG ROHS)(4)	C5956-67011	1 (Qty 20)
3	Retainer (SVC-RETAINER-CAPTIVE FASTENER M4)(4)	C5956-67368	1 (Qty 20)
4	Filter (SVC KIT-COOLING FILTER)(1) Not shown in diagram.	C5956-67583	1

Output bin door parts diagram

Figure 4-58 Output bin door parts diagram

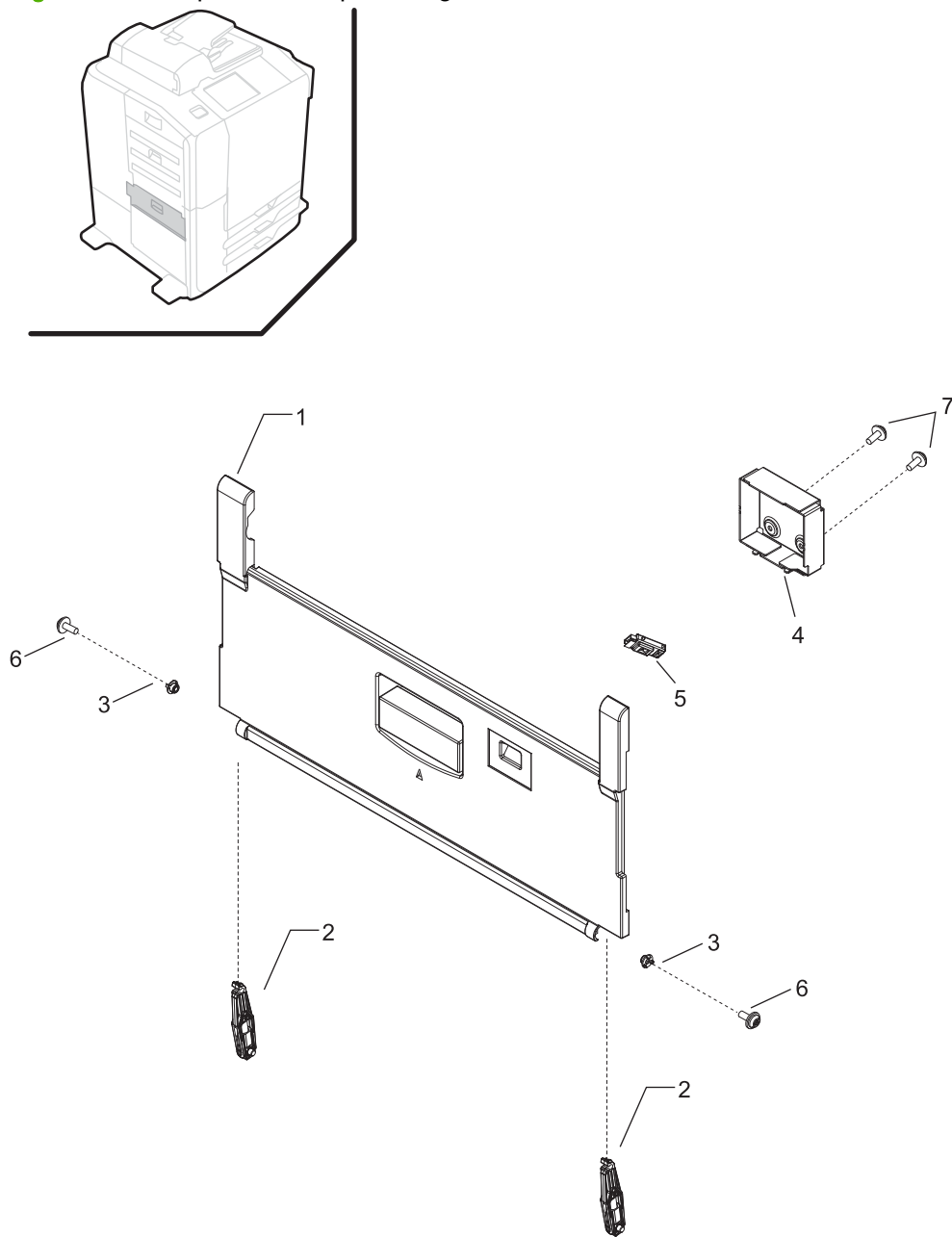


Table 4-46 Output bin door parts list (for Figure 4-58)

Ref	Description	Part number	Qty
1	Output bin door (SVC ASSY-OUTPUT COVER)	C5956-67633	1
2	Output bin door link (SVC ASSY-LINK OUTPUT DOOR BIAS)	C5956-67301	1
3	Captive clicker bushing (SVC-BUSHING-CAPTIVE CLICKER)	C5956-67216	1
4	Output bin full sensor cover (SVC COVER-SOB FULL SENSOR SM)	C5956-67443	1
5	Output Bin Full sensor (SN17) (SVC-OPTO SENSOR, LIGHT MODULATION IO=16M)	C5956-67088	1
6	Screw (SVC-SCREW-TPG M3X0.5 10MM-LG PAN HD ROHS)	C5956-67002	1 (Qty 20)
7	Screw (SVC-SCREW-MACH M3X0.5 6MM-LG PAN HD ROHS)	C5956-67005	1 (Qty 20)

Web wipe access cover parts diagram

Figure 4-59 Web wipe access cover parts diagram

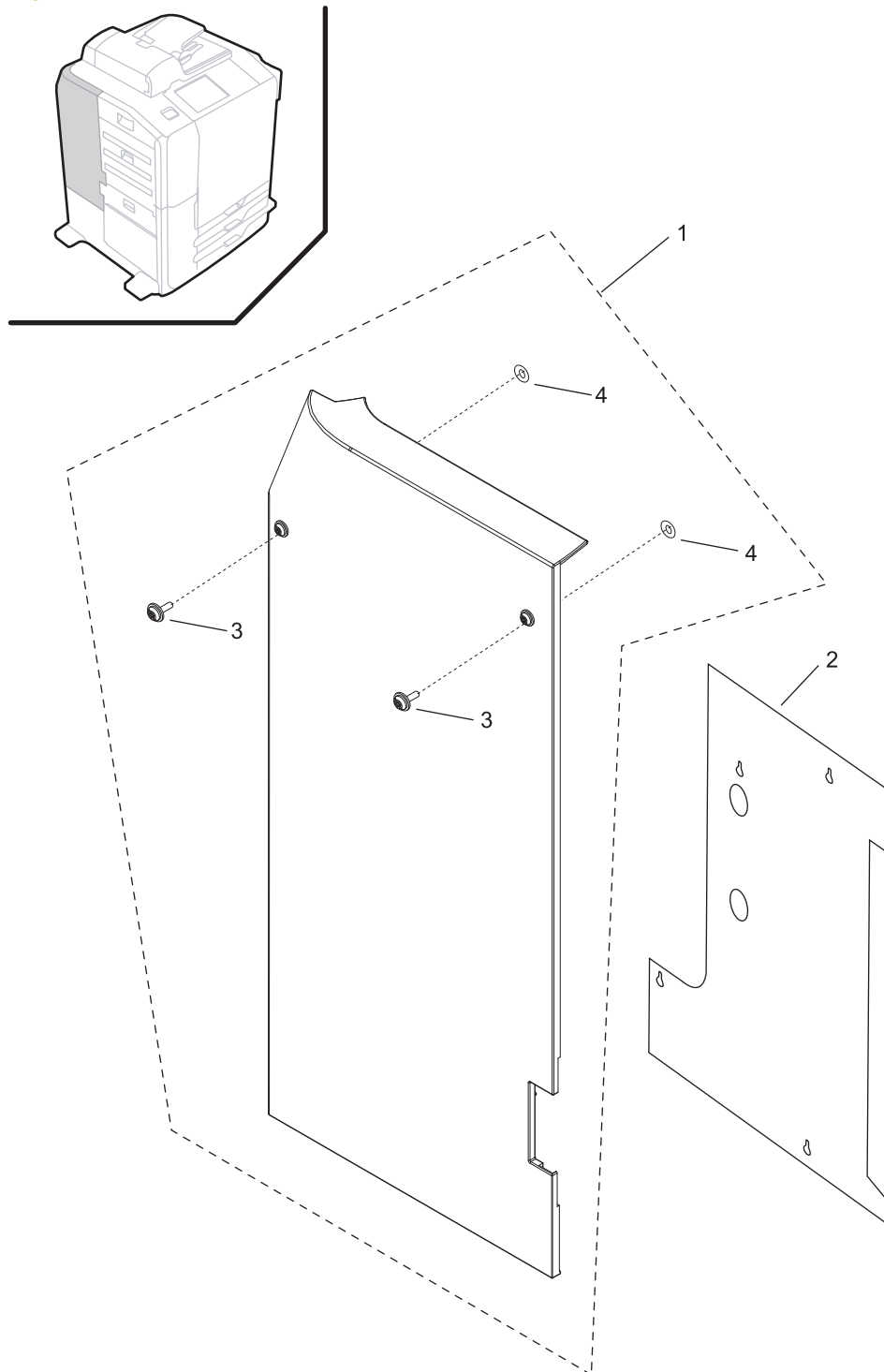


Table 4-47 Web wipe access cover parts list (for Figure 4-59)

Ref	Description	Part number	Qty
1	Left-side upper cover (SVC ASSY-COVER WEB WIPE)	C5956-67310	1
2	Web wipe access panel (SVC-PANEL-WEB WIPE ACCESS)	C5956-67175	1
3	Screw (SCREW-MACH M4 X 0.7 9.5MM-LG ROHS)(2)	C5956-67011	1 (Qty 20)
4	Retainer (SVC-RETAINER-CAPTIVE FASTENER M4)(2)	C5956-67368	1 (Qty 20)
5	Acoustic panel (pre-Tag 6) (SVC-ACOUSTIC PANEL-WEB WIPE COVER). Not shown in diagram.	C5957-67120	1

Lower left trim parts diagrams

Figure 4-60 Lower left trim parts diagrams

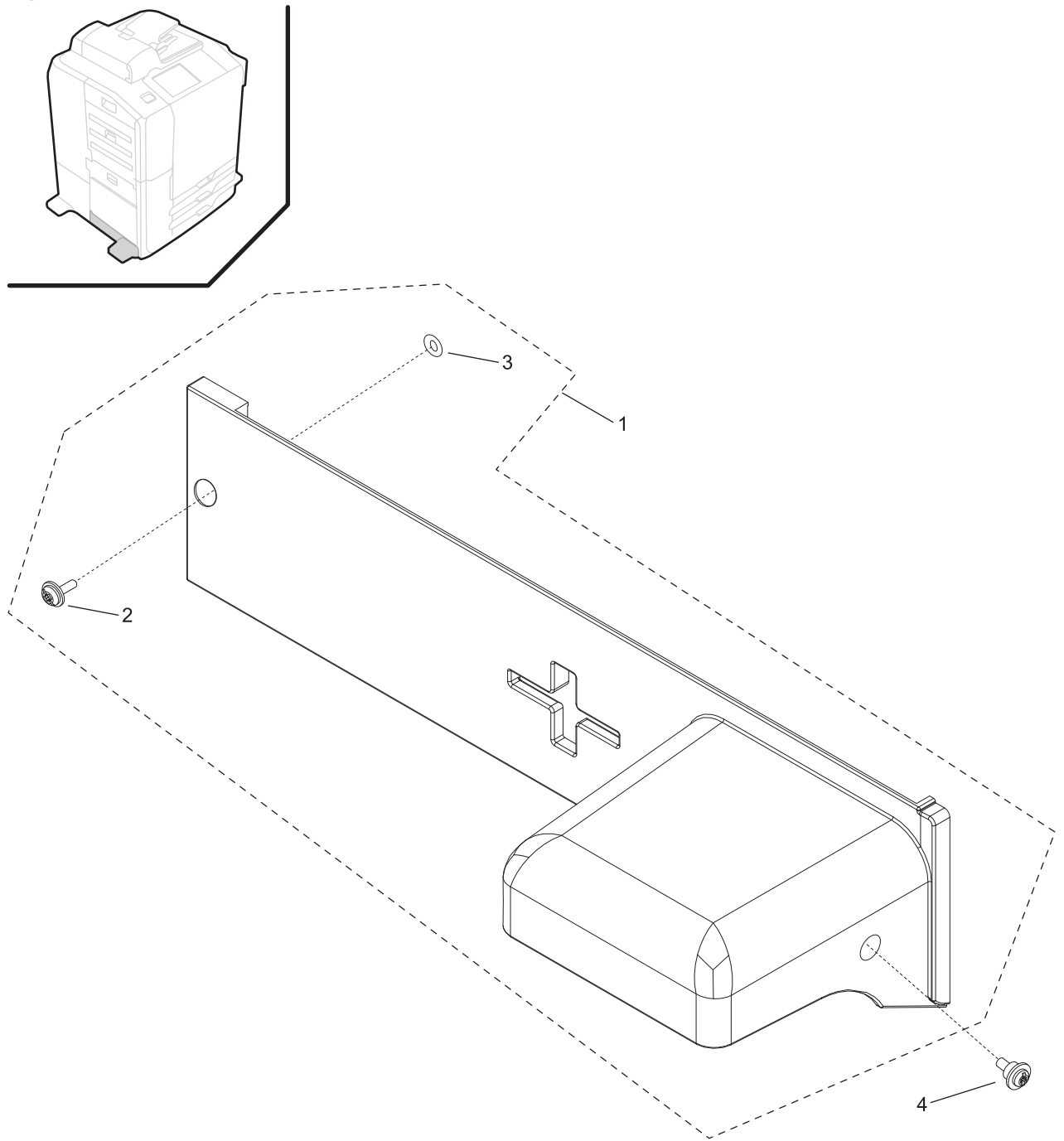


Table 4-48 Lower left trim parts list (for Figure 4-60)

Ref	Description	Part number	Qty
1	Lower left trim (SVC ASSY-TRIM LEFT LOWER)	C5956-67314	1
2	Screw (SCREW-MACH M4 X 0.7 9.5MM-LG ROHS)(1)	C5956-67011	1 (Qty 20)
3	Retainer (SVC-RETAINER-CAPTIVE FASTENER M4)(1)	C5956-67368	1 (Qty 20)
4	Screw (SCREW-MACH M4 X 0.7 8MM-LG PAN HD ROHS)(1)	C5956-67006	1 (Qty 20)

Right-side middle panel parts diagram

Figure 4-61 Right-side middle panel parts diagram

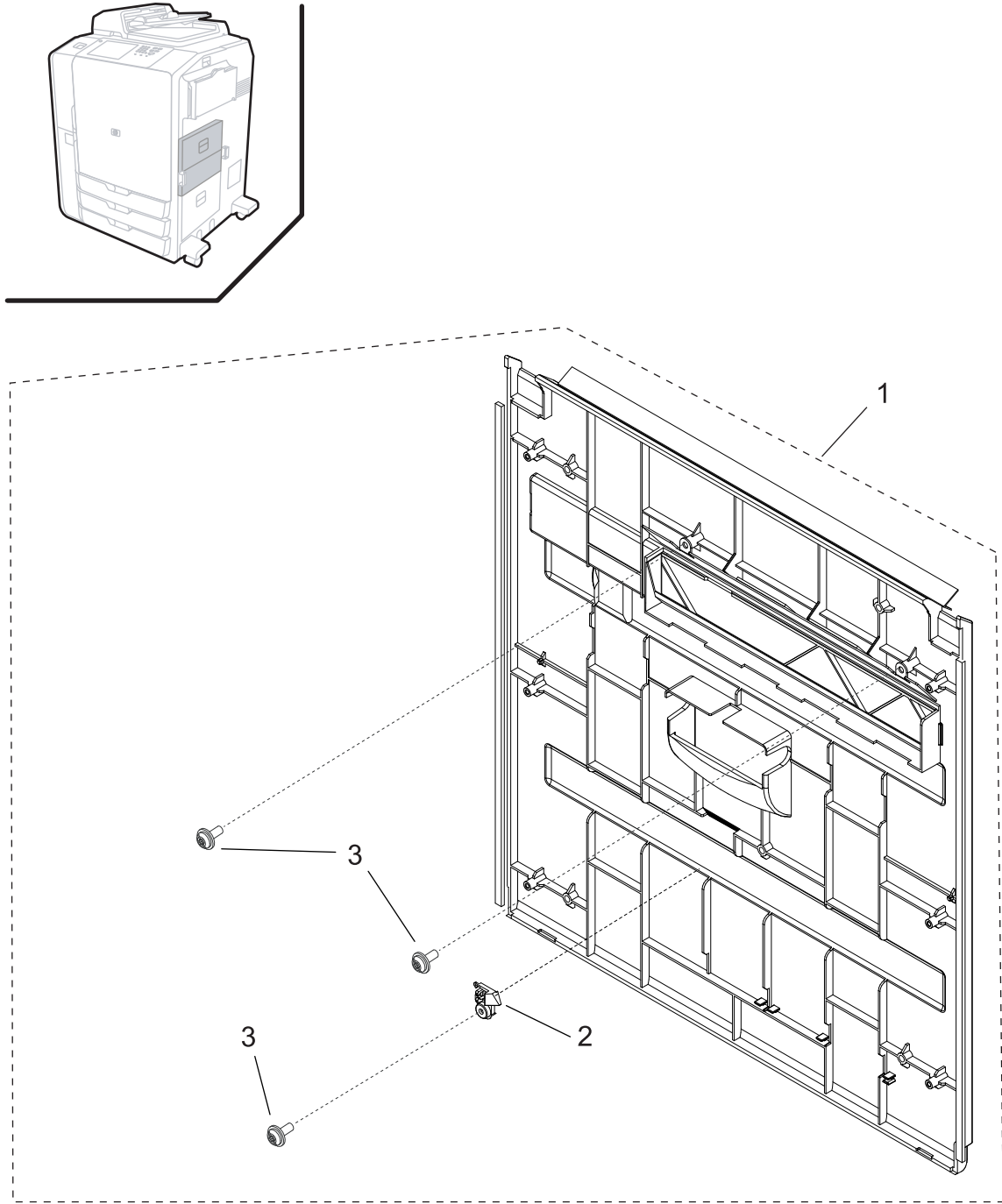


Table 4-49 Right-side middle panel parts list (for Figure 4-61)

Ref	Description	Part number	Qty
1	Vertical path door (SVC ASSY-VERTICAL PATH DOOR)	C5957-67045	1
2	Lightpipe (SVC-LIGHTPIPE-MINI/VERTICAL PATH)	C5956-67039	1
3	Screw (SVC-SCREW-MACH M3X0.5 6MM-LG PAN HD ROHS)	C5956-67005	1 (Qty 20)

Right-side lower panel parts diagrams

Figure 4-62 Right-side lower panel parts diagrams

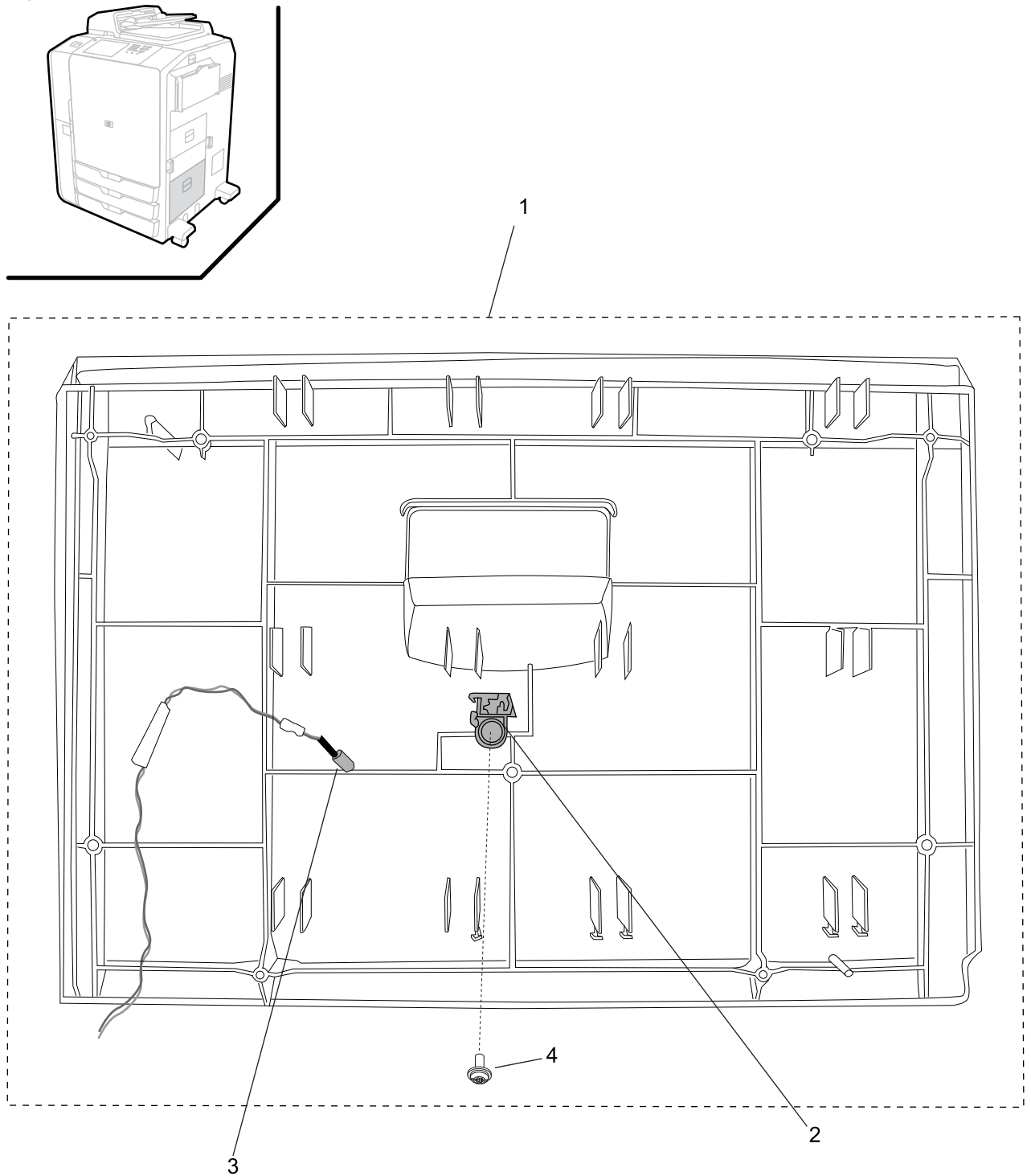


Table 4-50 Right-side lower panel parts list (for Figure 4-62)

Ref	Description	Part number	Qty
1	Right-side lower panel (SVC ASSY-DOOR PP LOWER)	C5956-67305	1
2	Lightpipe (SVC-LIGHTPIPE-MINI/VERTICAL PATH)	C5956-67039	1
3	Right-side Middle Panel LED (LED18) (SVC-LED, AMBER)	C5956-67070	1
4	Screw (SVC-SCREW-MACH M3X0.5 6MM-LG PAN HD ROHS)	C5956-67005	1 (Qty 20)

Upper right cover parts diagram

Figure 4-63 Upper right cover parts diagram

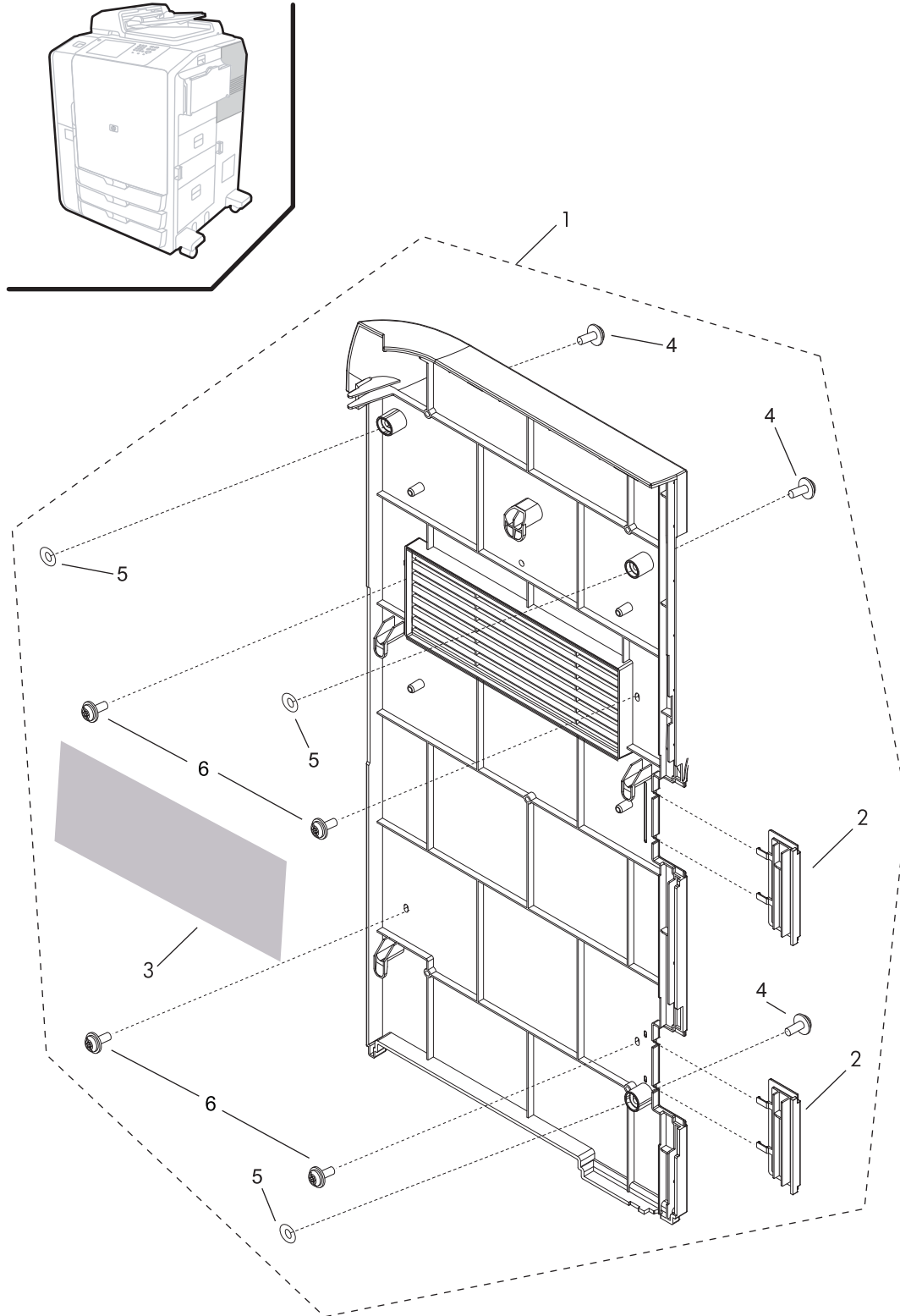


Table 4-51 Upper right cover parts list (for Figure 4-63)

Ref	Description	Part number	Qty
1	Upper right cover (SVC ASSY-COVER RIGHT UPPER)	C5956-67306	1
2	Upper right cover slider (SVC-SLIDER-COVER RIGHT UPPER)	C5956-67049	1
3	Image processing PCA fan filter (SVC KIT-COOLING FILTER)	C5956-67583	1
4	Screw (SCREW-MACH M4 X 0.7 9.5MM-LG ROHS)(3)	C5956-67011	1 (Qty 20)
5	Retainer (SVC-RETAINER-CAPTIVE FASTENER M4)(3)	C5956-67368	1 (Qty 20)
6	Screw (SCREW-TPG 4-20 0.427-IN-LG ROHS)(4)	C5956-67018	1 (Qty 20)
7	Retainer (PUSH-ON RET INT .25-IN-DIA (4), included with SVC KIT-COOLING FILTER)(4)	C5956-67583	1

Lower right cover parts diagrams

Figure 4-64 Lower right cover parts diagrams

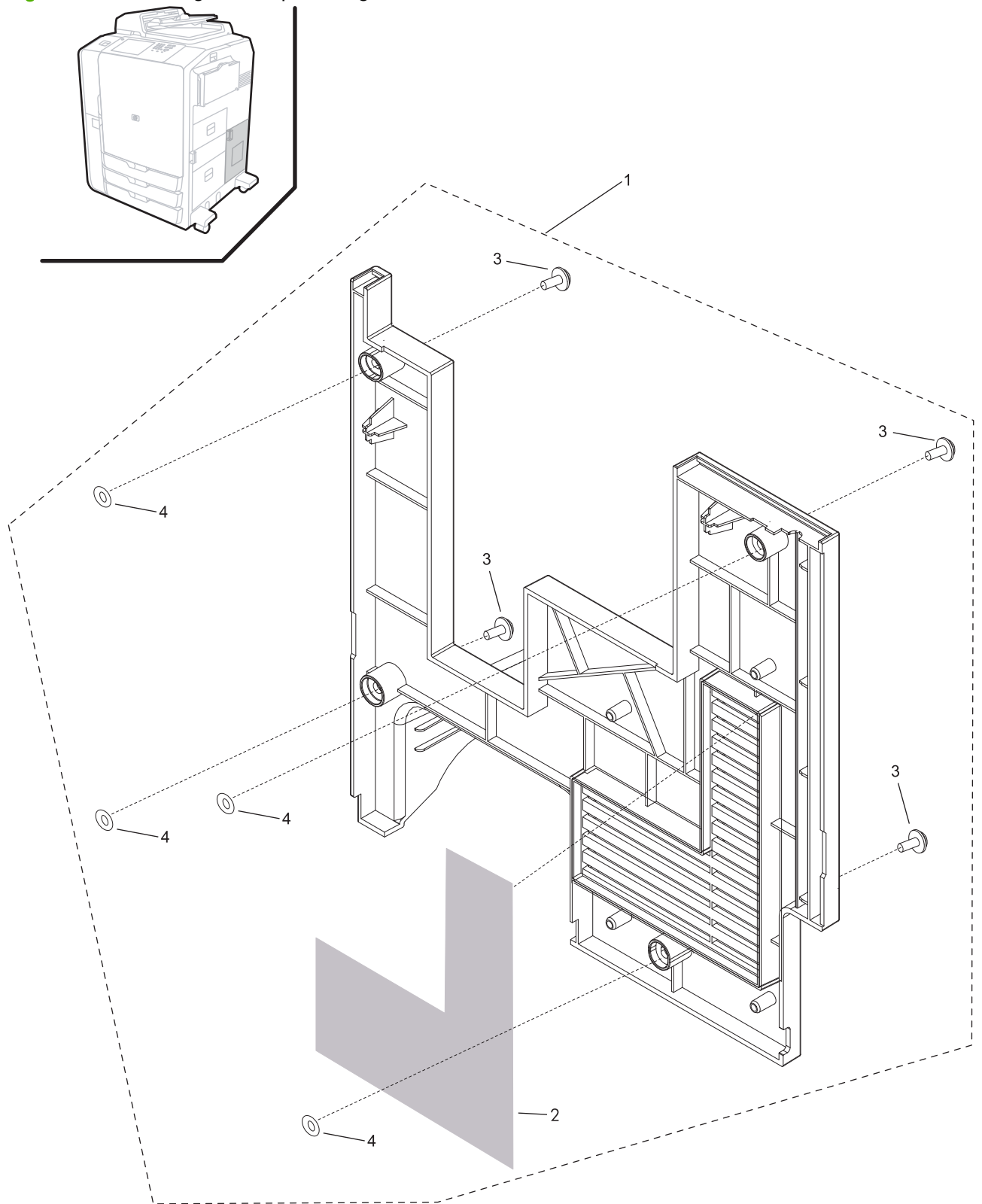


Table 4-52 Lower right cover parts list (for Figure 4-64)

Ref	Description	Part number	Qty
1	Lower right cover (SVC ASSY-COVER RIGHT LOWER)	C5956-67311	1
2	Ink assist fan filter (SVC KIT-COOLING FILTER)	C5956-67583	1
3	Screw (SCREW-MACH M4 X 0.7 9.5MM-LG ROHS)(4)	C5956-67011	1 (Qty 20)
4	Retainer (SVC-RETAINER-CAPTIVE FASTENER M4)(3)	C5956-67368	1 (Qty 20)

Tray 5 input slot cover parts diagram

Figure 4-65 Tray 5 input slot cover parts diagram

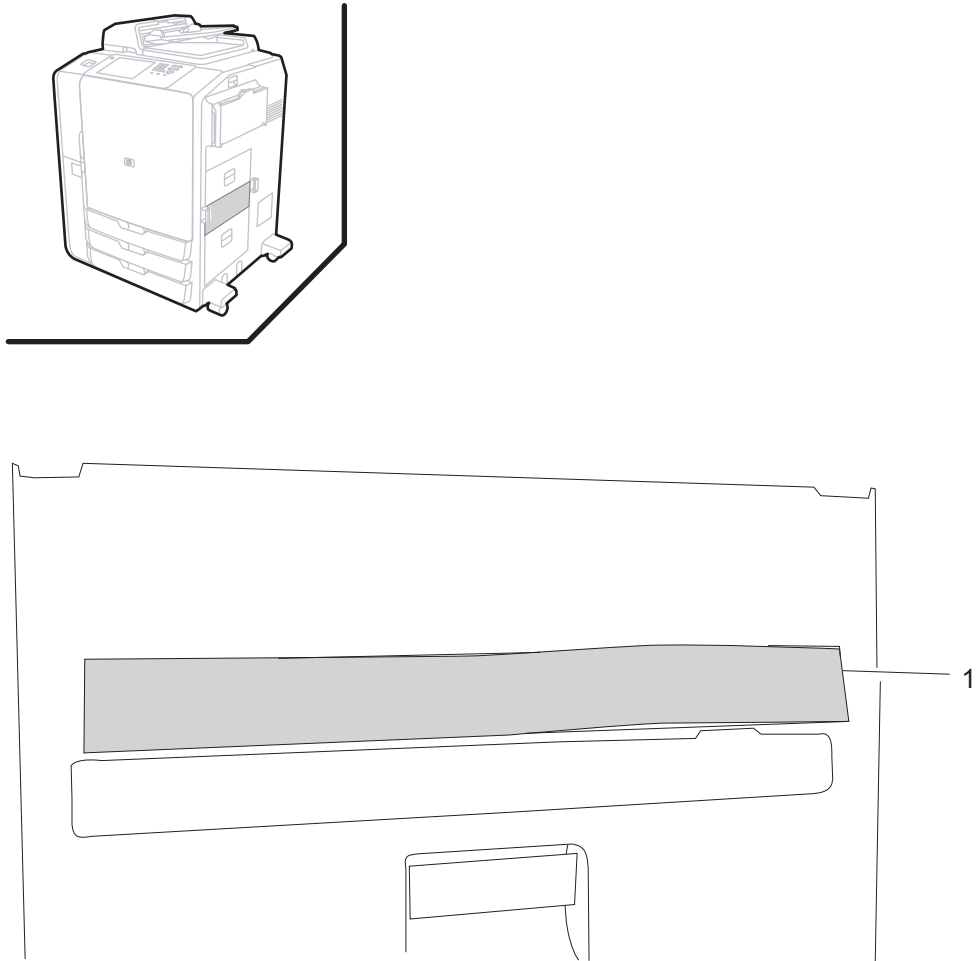


Table 4-53 Tray 5 input slot cover parts list (for Figure 4-65)

Ref	Description	Part number	Qty
1	Tray 5 input slot cover (SVC-COVER-HICAP, INPUT)	C5956-67079	1

Lower right trim parts diagram

Figure 4-66 Lower right trim parts diagram

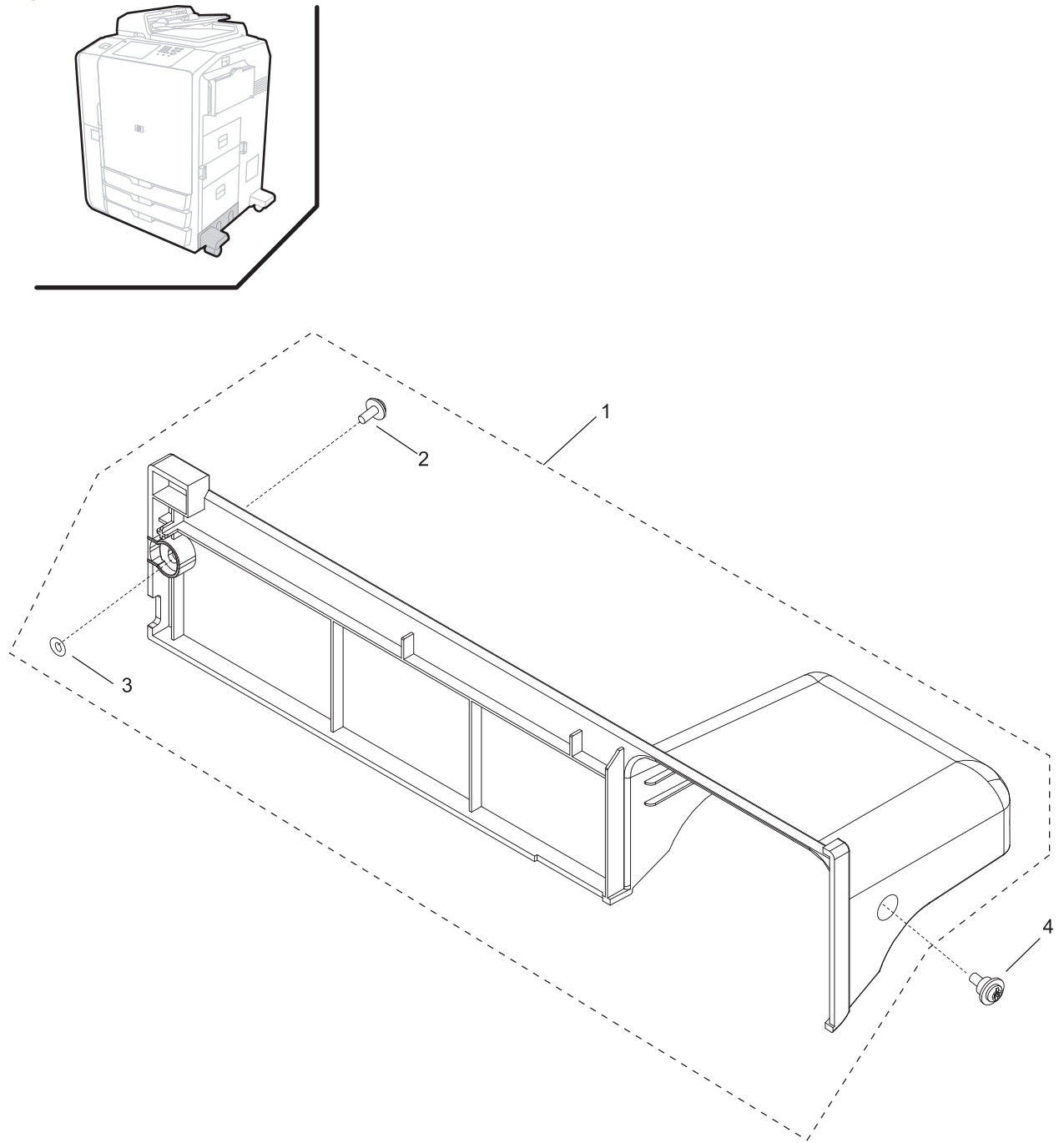


Table 4-54 Lower right trim parts list (for Figure 4-66)

Ref	Description	Part number	Qty
1	Lower right cover (SVC ASSY-TRIM RIGHT LOWER)	C5956-67315	1
2	Screw (SCREW-MACH M4 X 0.7 9.5MM-LG ROHS)(1)	C5956-67011	1 (Qty 20)
3	Retainer (SVC-RETAINER-CAPTIVE FASTENER M4)(1)	C5956-67368	1 (Qty 20)
4	Screw (SCREW-MACH M4 X 0.7 8MM-LG PAN HD ROHS)(1)	C5956-67006	1 (Qty 20)

Rear covers parts diagram

Figure 4-67 Rear covers parts diagram

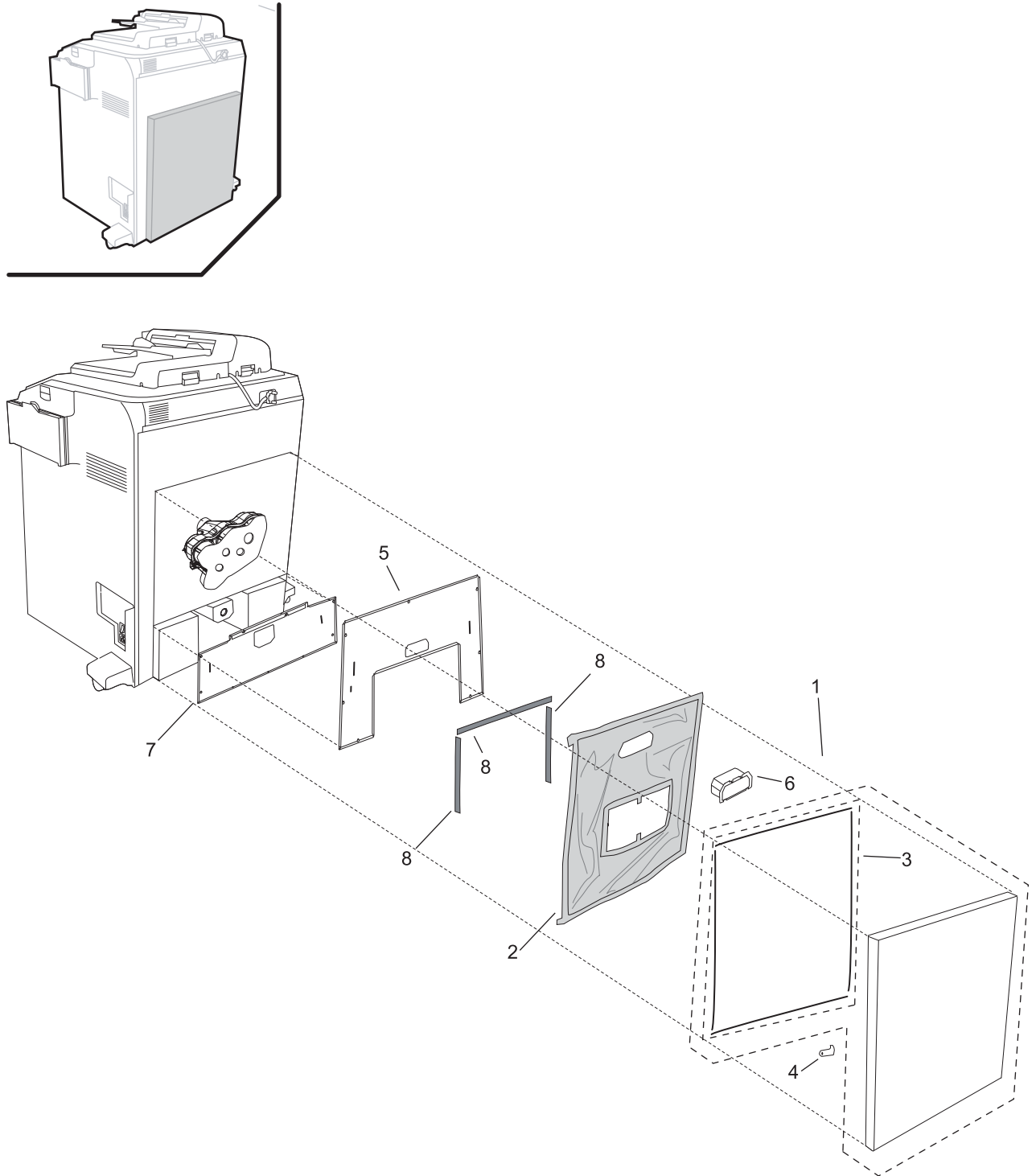


Table 4-55 Rear covers parts list (for Figure 4-67)

Ref	Description	Part number	Qty
1	Rear muffler (SVC ASSY-MUFFLER,ACOUSTIC)	C5956-67250	1
2	Rear muffler fabric (SVC ASSY-REAR COVER,FABRIC)	C5956-67840	1
3	Rear muffler seal kit (SVC KIT-SEAL, MUFFLER)	C5956-67733	1
4	Rear muffler latch (SVC-LATCH-MUFFLER LOCKING)	C5956-67030	1
5	Upper rear access panel (SVC-COVER-REAR SERVICE)	C5956-67723	1
6	Pen cooling fan duct (SVC-DUCT-INLET, PEN COOLING)	C5956-67080	1
7	Electronics bay cover (SVC-COVER-ELECTRONICS BACK)	C5956-67163	1
8	Horizontal hook-and-loop fastener (SVC-FASTENER-PILE-EXTERNAL-HORIZONTAL)	C5956-67645	1

NOTE: In order to replace any other MFP hook-and-loop fastener, order the horizontal hook-and-loop fastener, and trim it to size.

MFP casters

Figure 4-68 MFP casters parts diagram

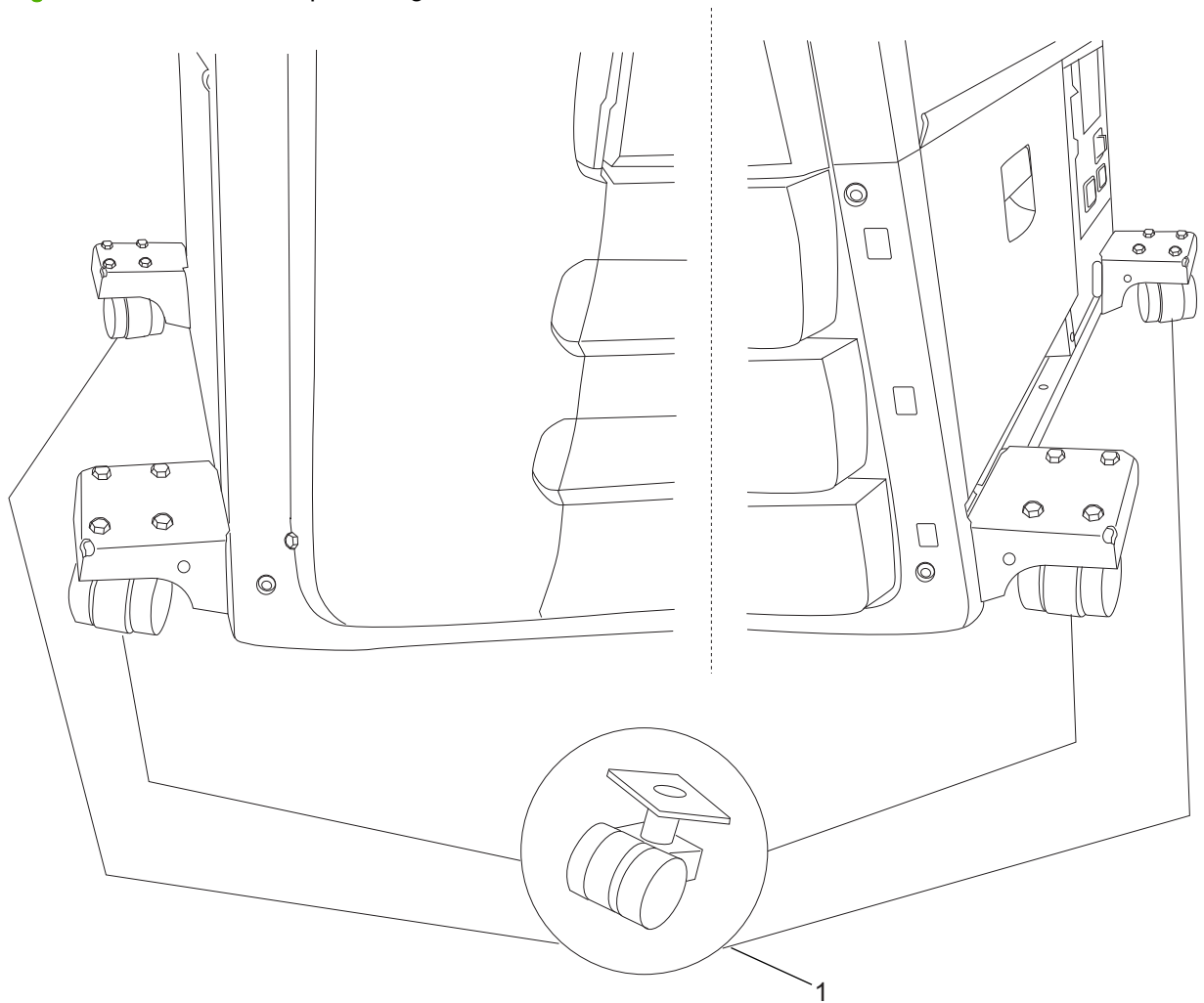


Table 4-56 MFP casters parts list (for Figure 4-68)

Ref	Description	Part number	Qty
1	MFP caster (SVC-CASTERS)	C5956-67268	1

ESD jacks parts diagram

Figure 4-69 ESD jacks parts diagram

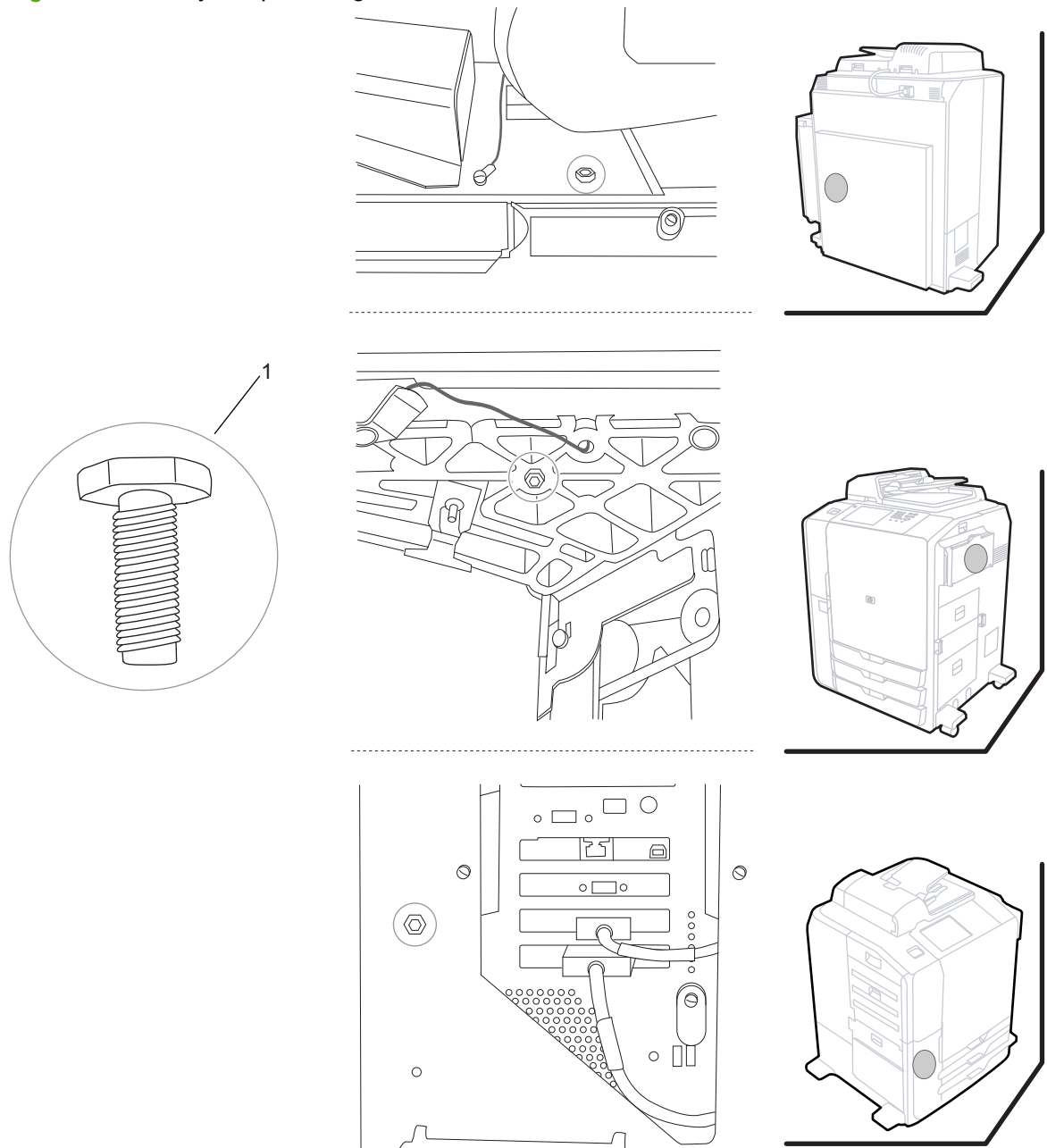


Table 4-57 ESD jacks parts list (for Figure 4-69)

Ref	Description	Part number	Qty
1	ESD jack (SVC-JACK-ESD BANANA)	C5956-67034	1

Cables

Cable	Service part number	Manufacturer number	Connectors
SVC ASSY-CABLE, FRONT DOOR SOLENOID	C5956-67638	C5956-60811	W100-J22 W100-P4 W100-J5

Drum parts diagrams

- [Drum spittoon parts diagram](#)
- [Drum screen parts diagram](#)
- [Drum encoder parts diagram](#)
- [Drum drive parts diagram](#)
- [Drum vacuum parts diagram](#)
- [Drum LED parts diagram](#)
- [Drum tube fitting parts diagram](#)
- [Poppet A1 assembly parts diagram](#)
- [Poppet A2 assembly parts diagram](#)
- [Poppet B assembly parts diagram](#)
- [Drum guide assembly parts diagram](#)
- [Drop Detect assembly parts diagram](#)
- [Cables](#)

Drum spittoon parts diagram

Figure 4-70 Drum spittoon parts diagram

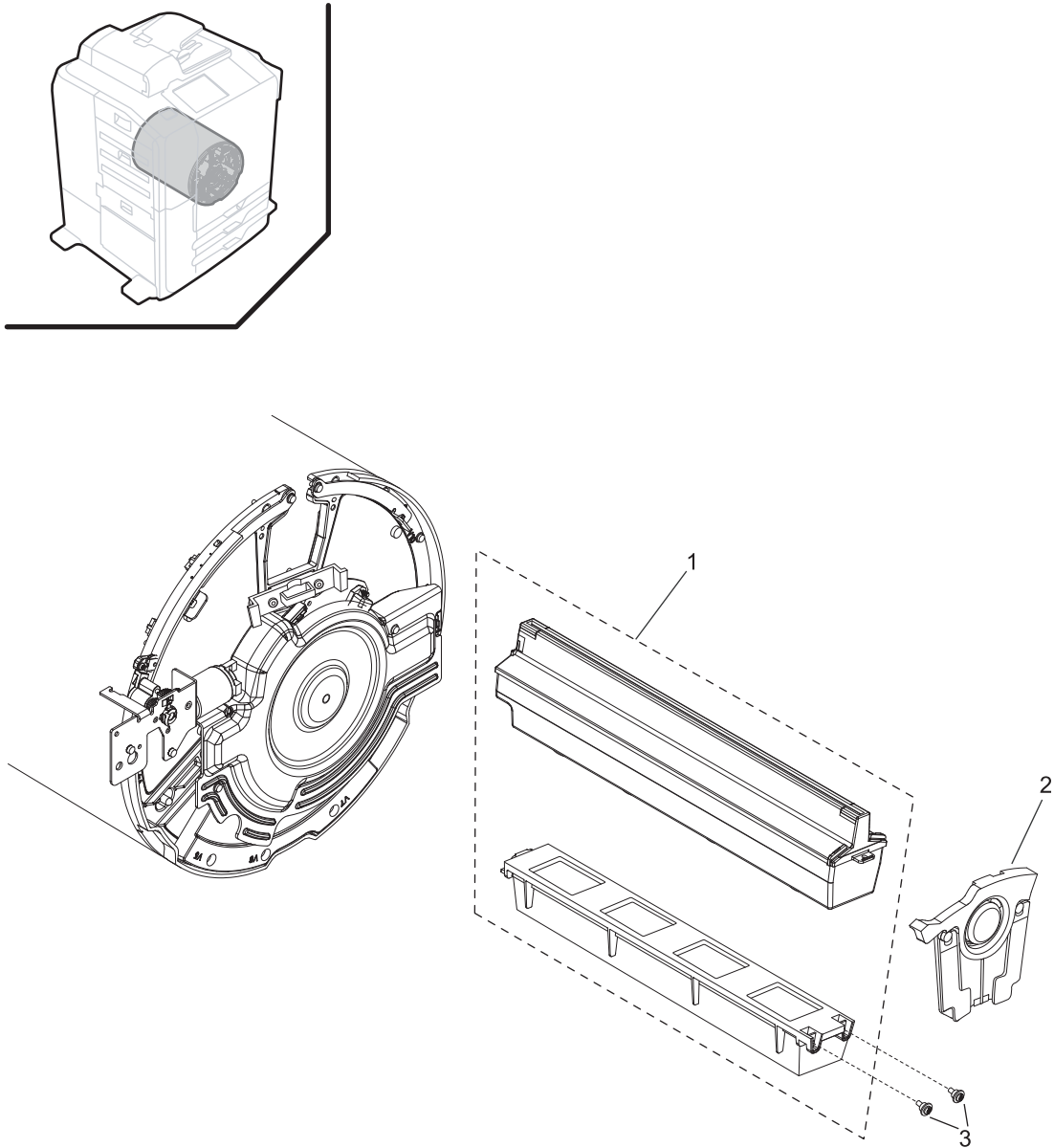


Table 4-58 Drum spittoon parts list (for Figure 4-70)

Ref	Description	Part number	Qty
1	Drum spittoon assembly (SVC ASSY-DOUBLE DECKER SPITTOON)	C5957-67108	1
	NOTE: Drum spittoon assembly bulk pack (SVC-DBL DECKER SPITTOON, 12 EA), C5957-67182, 1 (Qty 12)		
2	Bridge cam (SVC ASSY-HZ TRNSPT-CAM-CATSCRATCHER)	C5956-67366	1
3	Screw (SVC-SCREW-MACH M4 X 0.7 9.5MM-LG ROHS)	C5956-67011	1 (Qty 20)
4	Screw (SVC KIT-FASTENER 2, assortment, SCR-MACH M3X0.5 16MM-LG T-10 PAN-HD ROHS)	C5957-67054	1 (Qty 10)

Drum screen parts diagram

Figure 4-71 Drum screen parts diagram

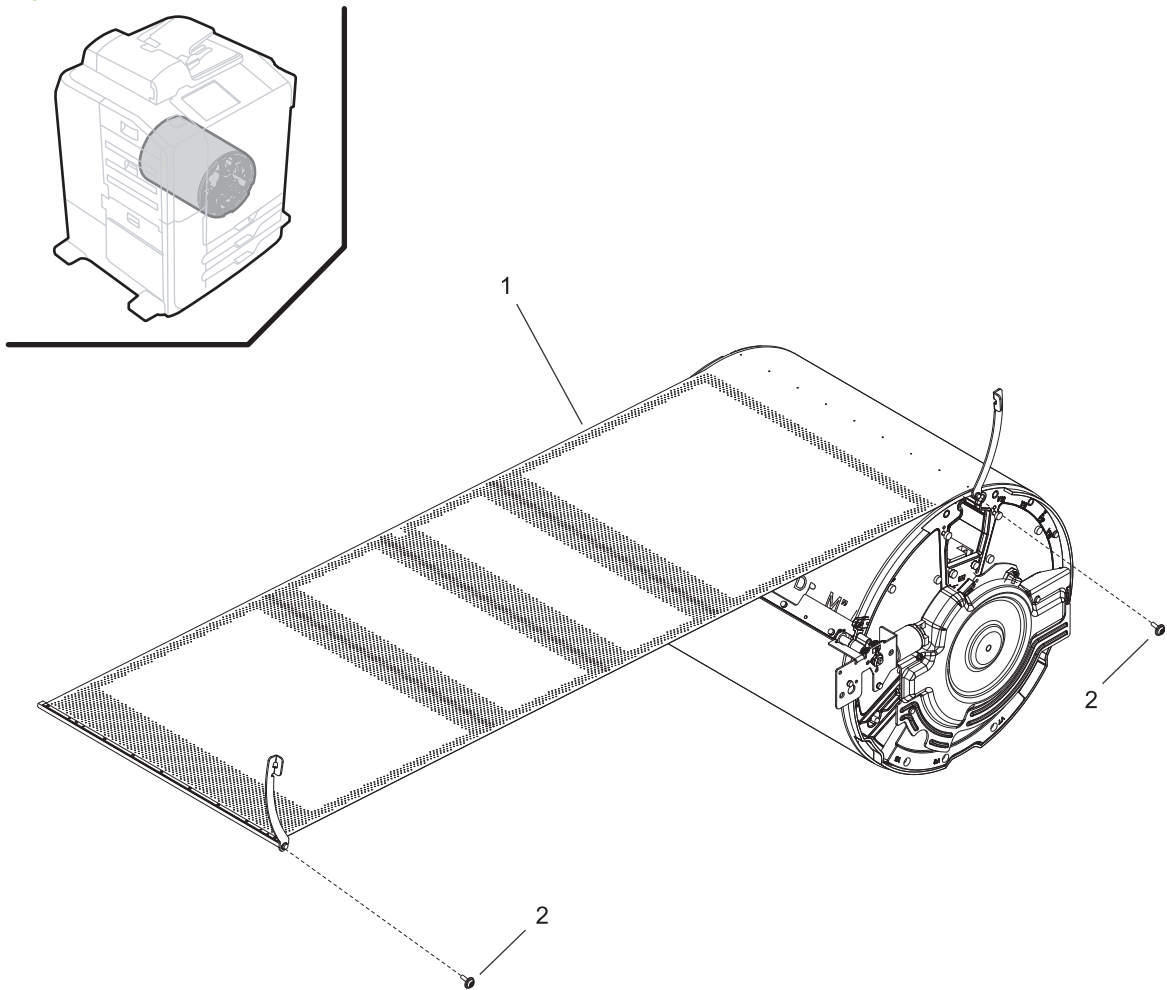


Table 4-59 Drum screen parts list (for Figure 4-71)

Ref	Description	Part number	Qty
1	Drum screen (SVC ASSY-SURFACE DRUM)	C5956-67451	1
2	Screw (SVC-SCREW-TPG M3X0.5 6MM-LG PAN HD ROHS)	C5956-67001	1 (Qty 20)

Drum encoder parts diagram

Figure 4-72 Drum encoder parts diagram

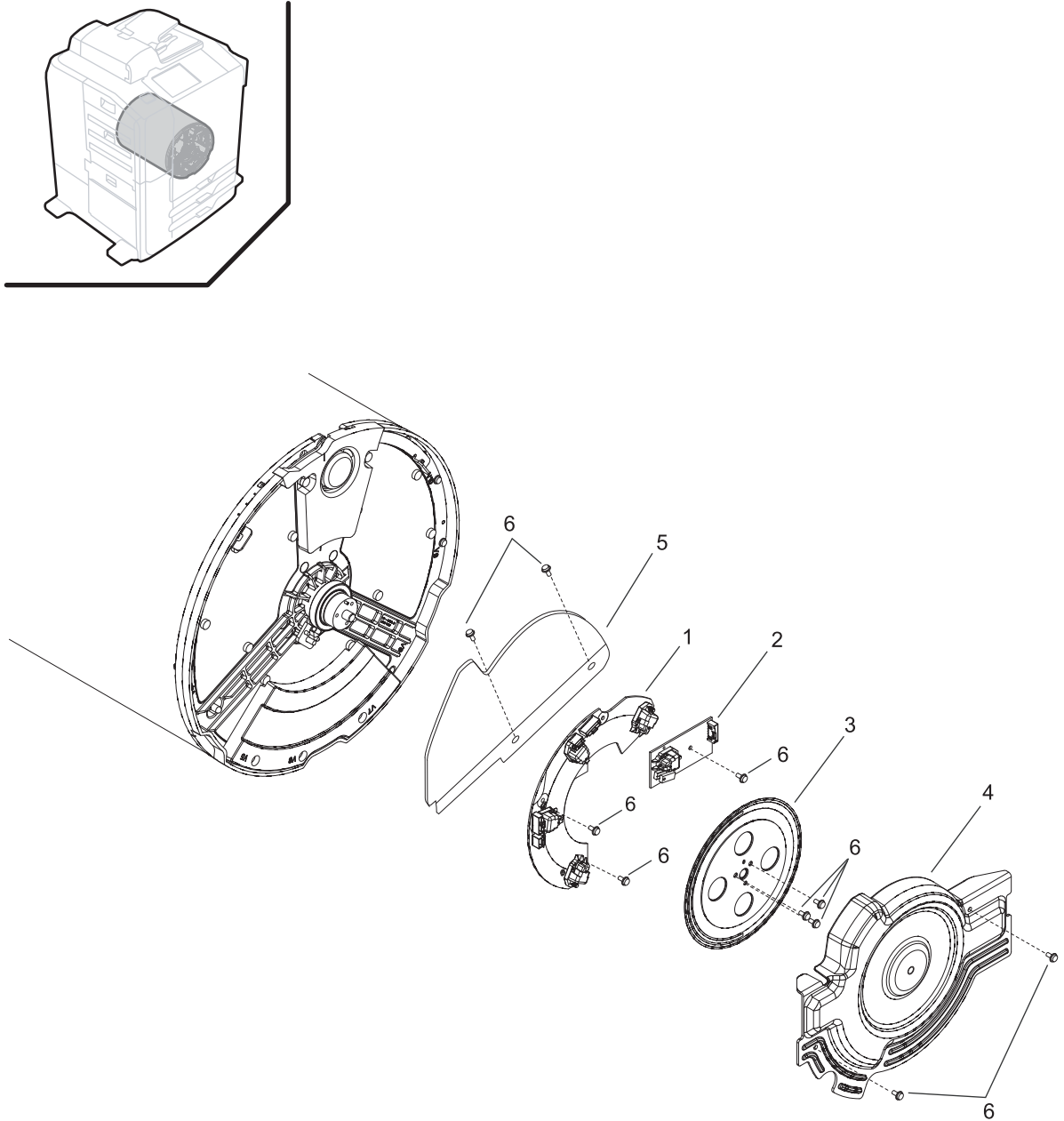


Table 4-60 Drum encoder parts list (for Figure 4-72)

Ref	Description	Part number	Qty
1	Drum encoder averager PCA (EN1) (SVC ASSY-PCA, DRUM ENCODER AVERAGER)	C5956-67076	1
2	Drum encoder PCA (EN2) (SVC-PCA-DRUM ENCODER)	C5956-67055	1
3	Drum encoder disk (SVC ASSY-DRUM ENCODER DISK)	C5956-67252	1
4	Drum encoder cover (SVC-COVER-DRUM ENCODER)	C5956-67054	1
5	Drum encoder shield (SVC-SHIELD-ENCODER)	C5956-67189	1
6	Screw (SVC-SCREW-TPG M3X0.5 6MM-LG PAN HD ROHS)	C5956-67001	1 (Qty 20)

Drum drive parts diagram

Figure 4-73 Drum drive parts diagram

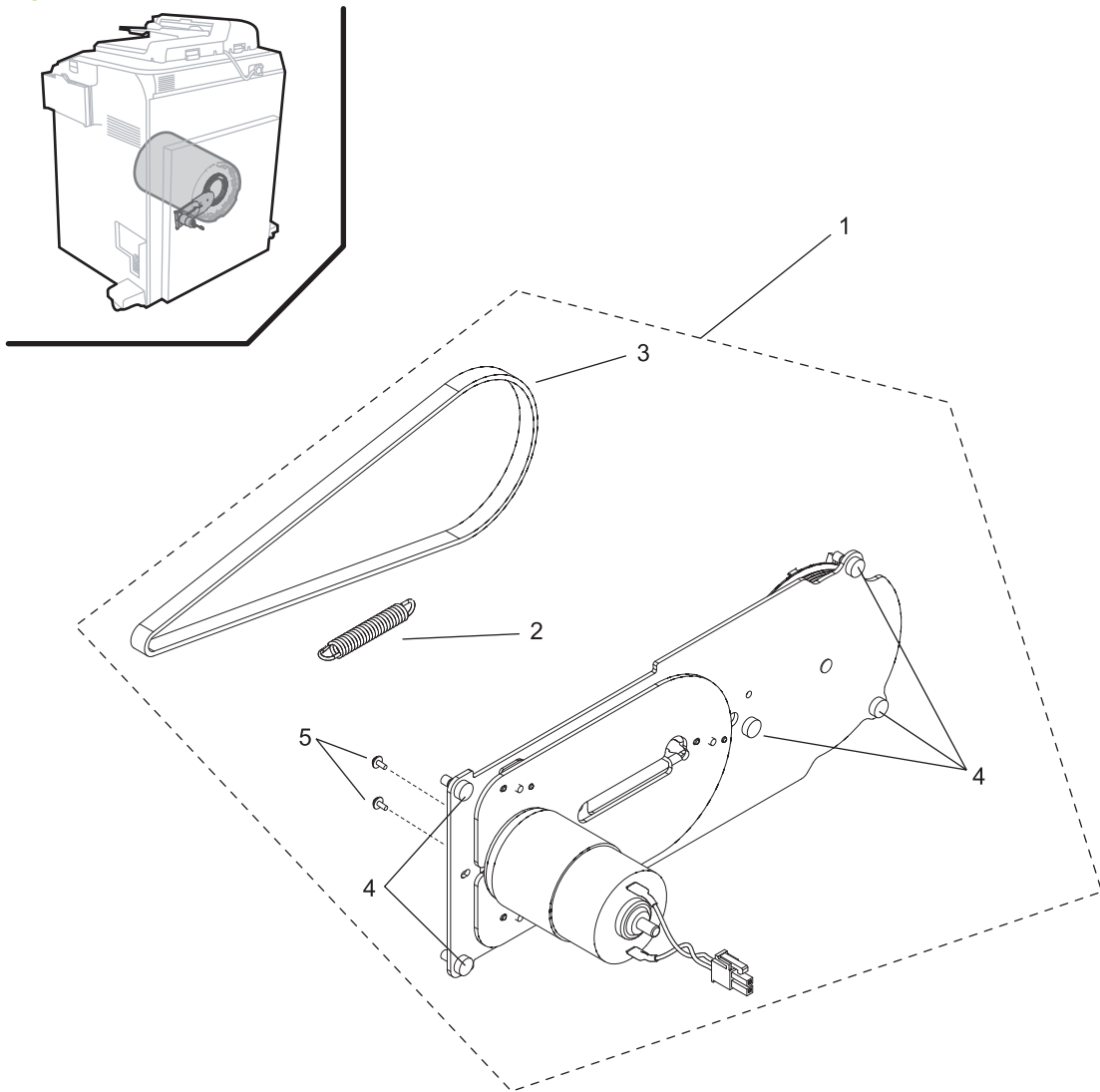


Table 4-61 Drum drive parts list (for Figure 4-73)

Ref	Description	Part number	Qty
1	Drum drive assembly (M3) (SVC ASSY-DRUM DRIVE)	C5956-67248	1
	NOTE: C5956-67248 has been replaced by CB205-67001.		
2	Spring (SVC-SPRING-DRUM DRIVE TENSION)	C5956-67131	1
3	Belt (SVC-BELT-DRUM DRIVE, 5-MULTI-VX20", POLY)	C5956-67132	1
4	Screw (SVC-SCREW-MACH M4 X 0.7 9.5MM-LG ROHS)	C5956-67011	1 (Qty 20)
5	Screw (SVC-SCREW-MACH M4X0.7 8MM-LG PAN HD ROHS)	C5956-67006	1 (Qty 20)

Drum vacuum parts diagram

Figure 4-74 Drum vacuum parts diagram

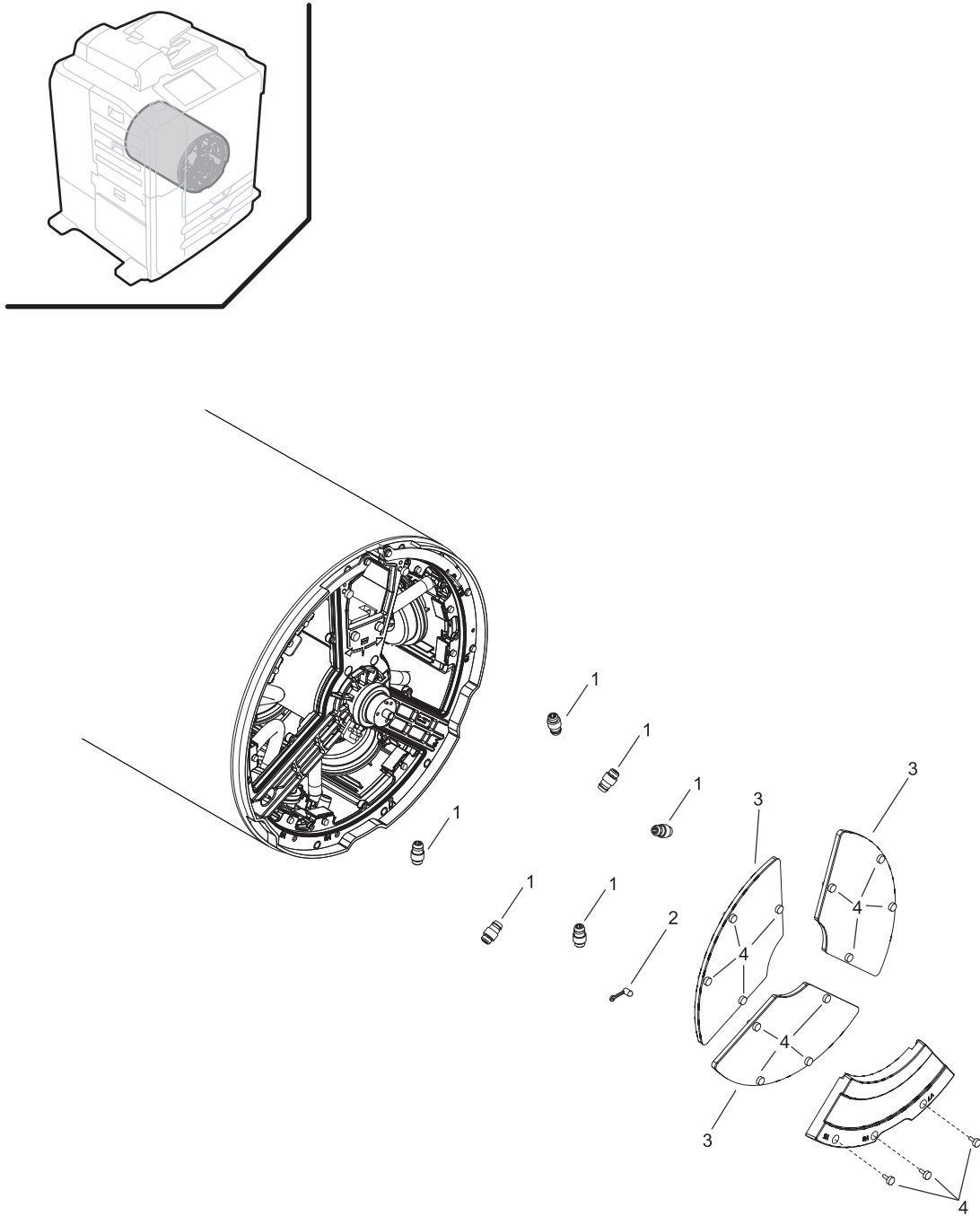


Table 4-62 Drum vacuum assembly parts list (for Figure 4-74)

Ref	Description	Part number	Qty
1	Barb (SVC-BARB M10)	C5956-67127	1
2	Tube cap (SVC-CAP-TUBE PANEL MOUNT)	C5956-67818	1
3	Drum access cover (SVC ASSY-COVER DRUM ACCESS)	C5956-67447	1
4	Screw (SVC-SCREW-MACH M4 X 0.7 9.5MM-LG ROHS)	C5956-67011	1 (Qty 20)

Drum LED parts diagram

Figure 4-75 Drum LED parts diagram

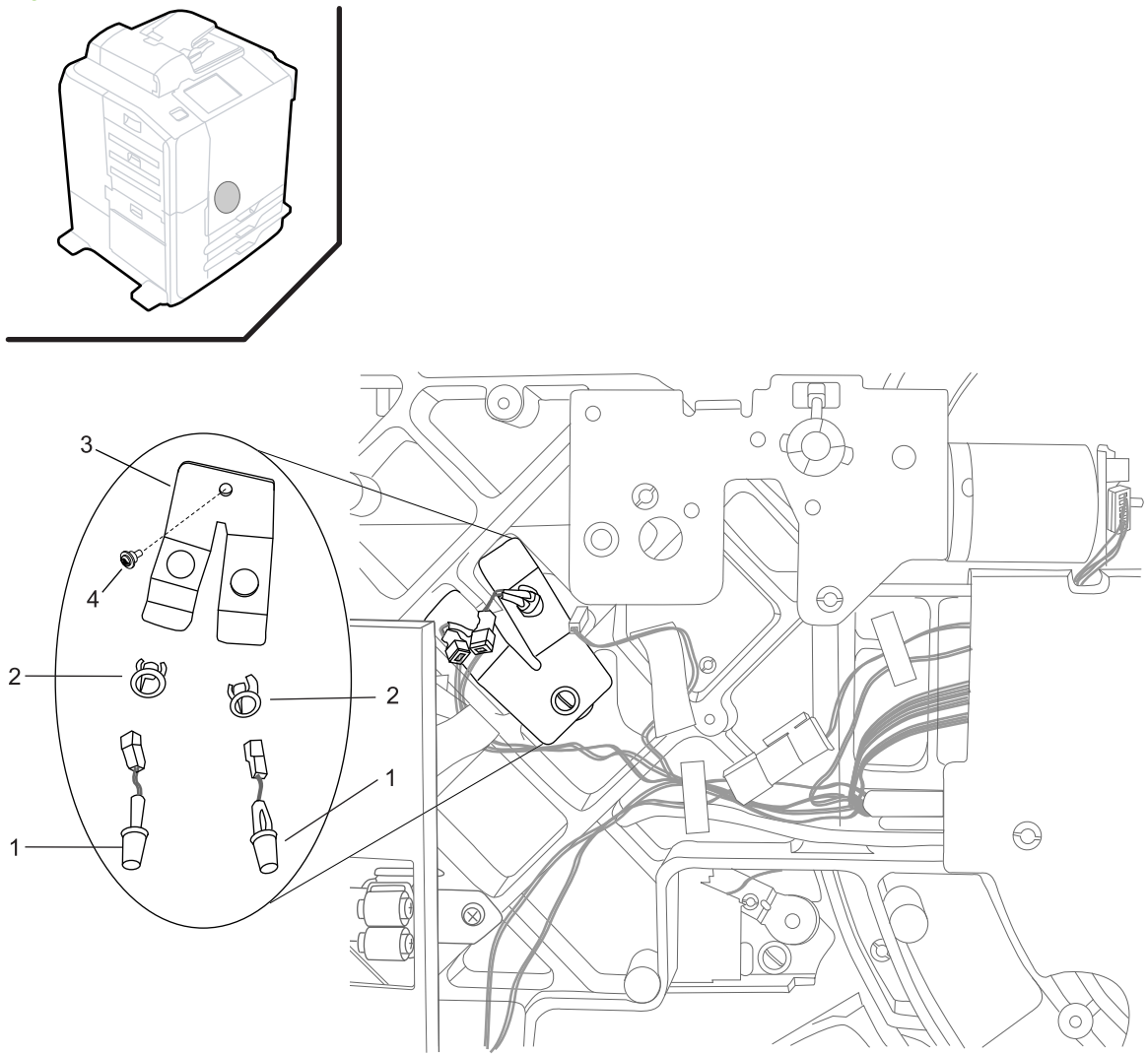


Table 4-63 Drum LED parts list (for Figure 4-75)

Ref	Description	Part number	Qty
1	Drum Illumination 1 LED (LED8)/Drum Illumination 2 LED (LED9) (SVC-LED, WHITE)	C5956-67071	5
2	LED holder (SVC-HOLDER-LED)	C5956-67376	10
3	LED bracket (SVC-BRACKET-LED, DRUM BAR)	C5956-67184	10
4	Screw (SVC-SCREW-TPG M3X0.5 6MM-LG PAN HD ROHS)	C5956-67001	1 (Qty 20)

Drum tube fitting parts diagram

Figure 4-76 Drum tube fitting parts diagram

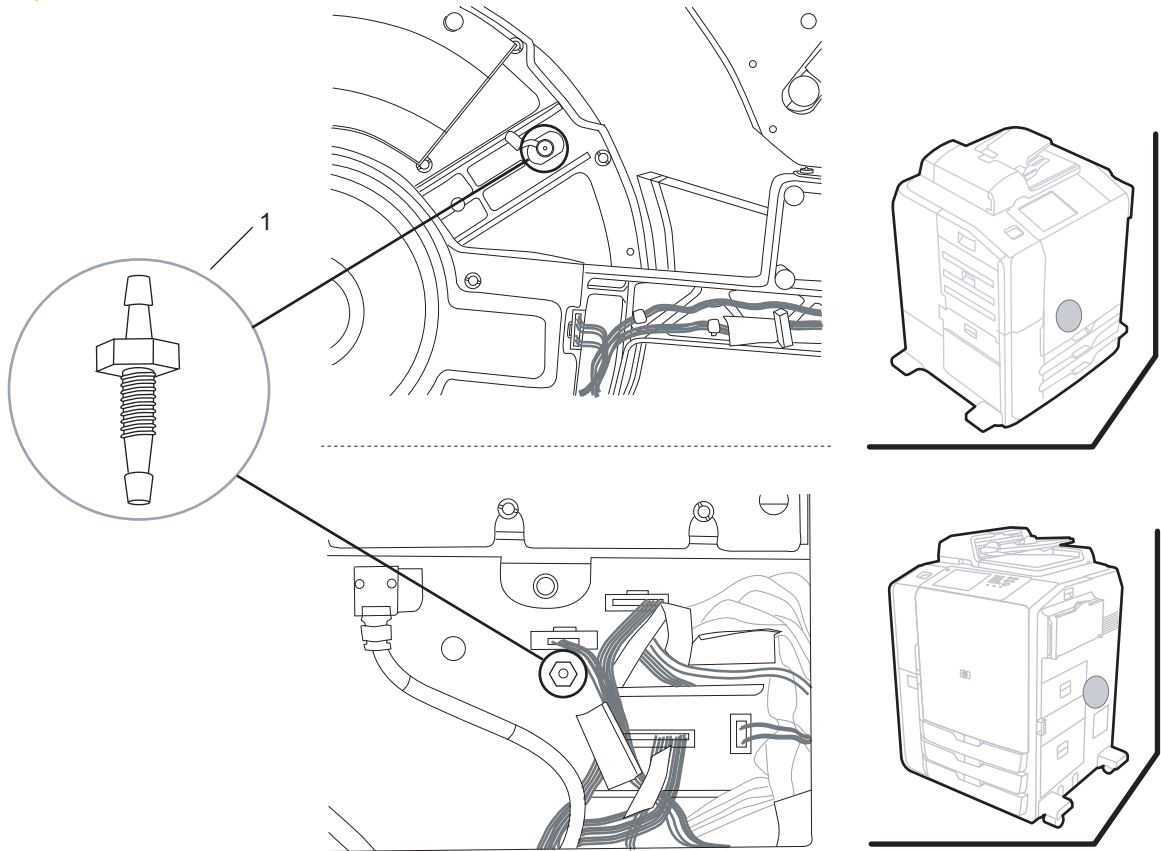


Table 4-64 Drum tube fitting parts list (for Figure 4-76)

Ref	Description	Part number	Qty
1	Drum tube fitting (SVC-FITTING-TUBE, PANEL MOUNT)	C5956-67201	1

Poppet A1 assembly parts diagram

Figure 4-77 Poppet A1 assembly parts diagram

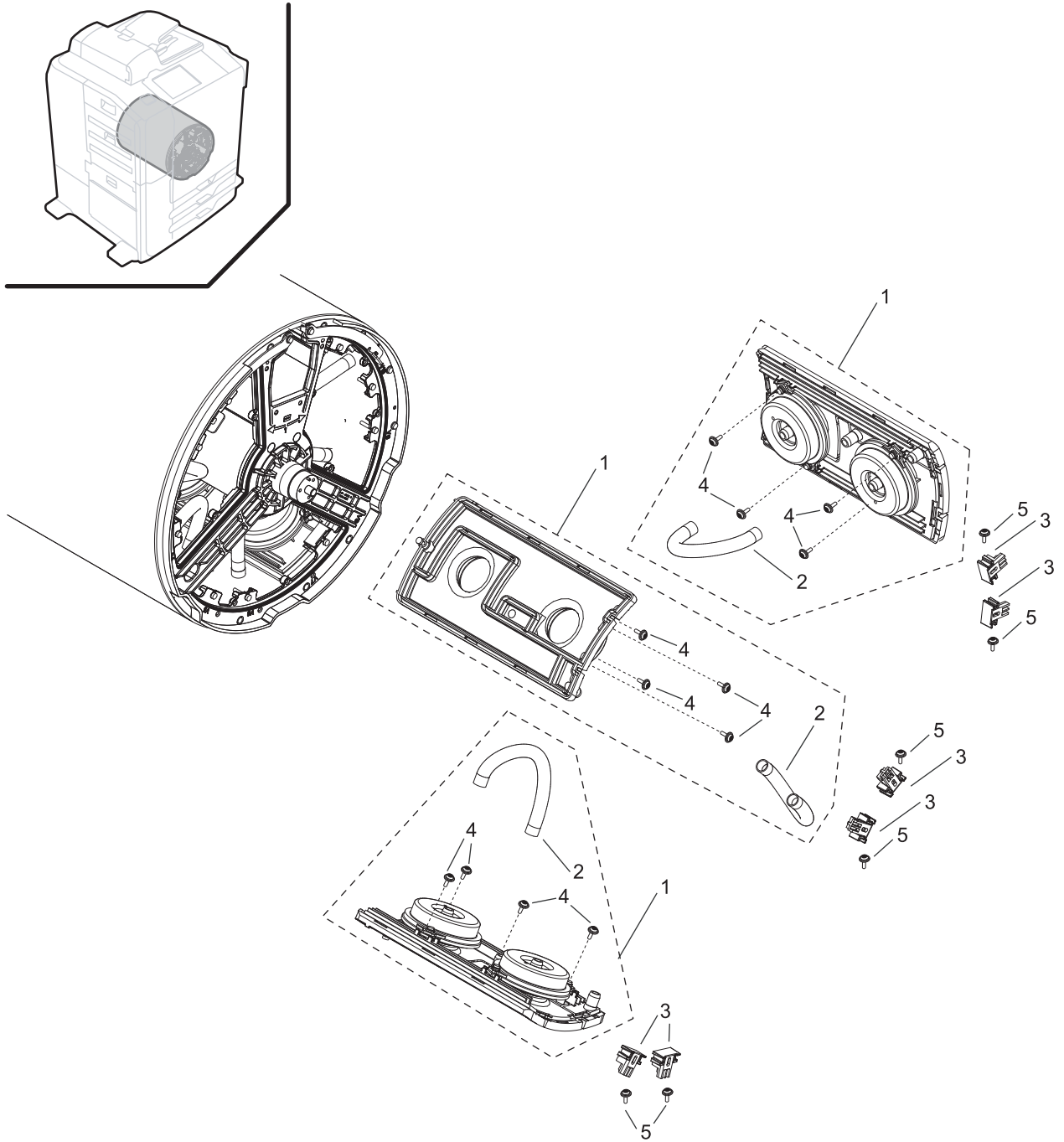


Table 4-65 Poppet A1 assembly parts list (for Figure 4-77)

Ref	Description	Part number	Qty
1	Poppet A1 assembly (SVC ASSY-POPPET-A1)	C5956-67282	1
2	Tube (SVC-TUBE-POPPET SHORT)	C5956-67128	1
3	Wedge/holder (SVC ASSY-WEDGE AND HOLDER)	C5956-67130	1
4	Screw (SVC-SCREW-TPG 4-20 0.427-IN-LG ROHS)	C5956-67018	1 (Qty 20)
5	Screw (SVC KIT-FASTENER 2, assortment, SCR-MACH M3X0.5 16MM-LG T-10 PAN-HD ROHS)	C5957-67054	1 (Qty 10)

Poppet A2 assembly parts diagram

Figure 4-78 Poppet A2 assembly parts diagram

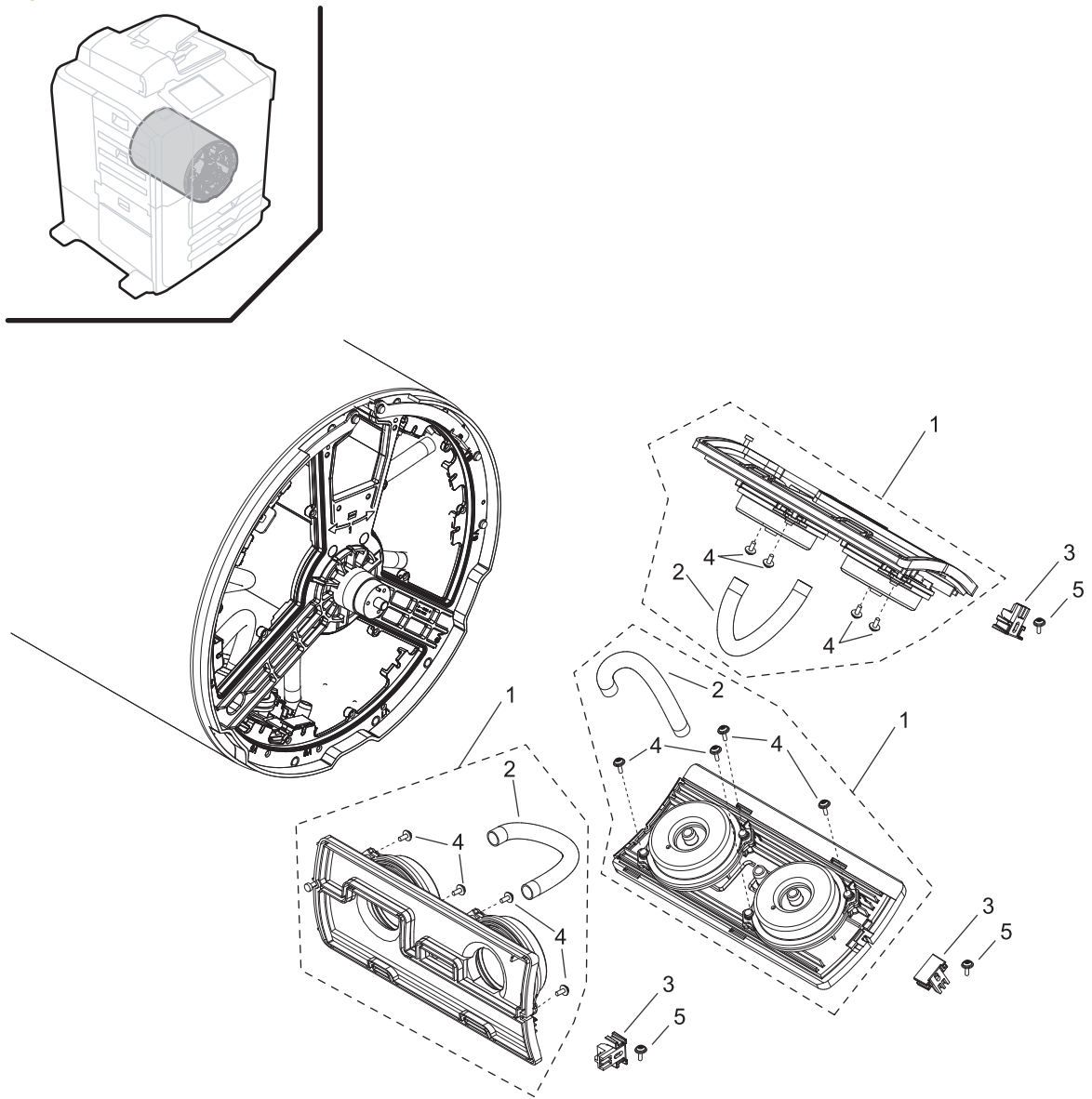


Table 4-66 Poppet A2 assembly parts list (for Figure 4-78)

Ref	Description	Part number	Qty
1	Poppet A2 assembly (SVC ASSY-POPPET-A2)	C5956-67283	1
2	Tube (SVC-TUBE-POPPET SHORT)	C5956-67128	1
3	Wedge/holder (SVC ASSY-WEDGE AND HOLDER)	C5956-67130	1
4	Screw (SVC-SCREW-TPG 4-20 0.427-IN-LG ROHS)	C5956-67018	1 (Qty 20)
5	Screw (SVC KIT-FASTENER 2, assortment, SCR-MACH M3X0.5 16MM-LG T-10 PAN-HD ROHS)	C5957-67054	1 (Qty 10)

Poppet B assembly parts diagram

Figure 4-79 Poppet B assembly parts diagram

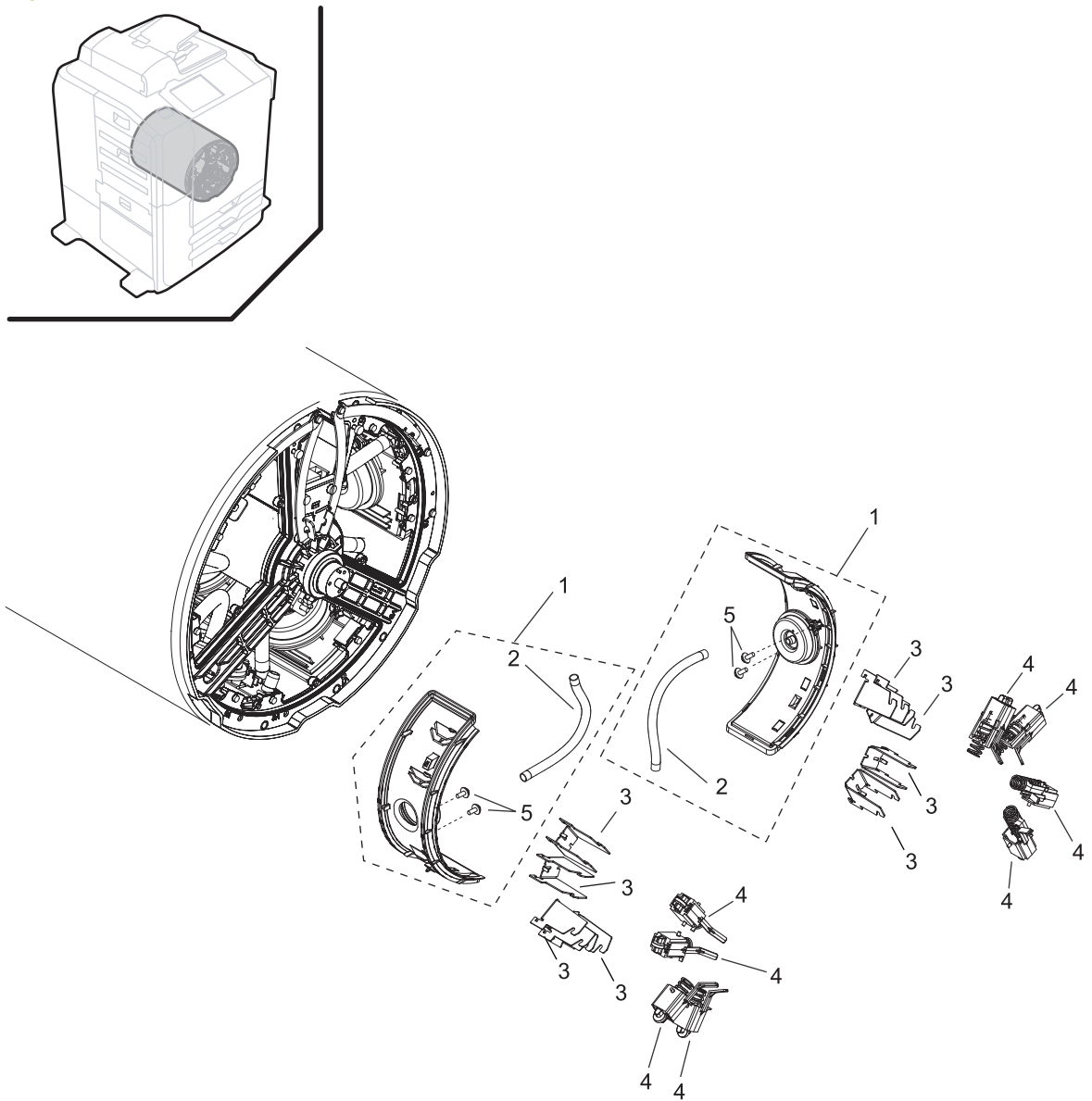


Table 4-67 Poppet B assembly parts list (for Figure 4-79)

Ref	Description	Part number	Qty
1	Poppet B assembly (SVC ASSY-POPPET-B)	C5956-67284	1
2	Tube (SVC-TUBE-POPPET LONG)	C5956-67129	1
3	Poppet arm bracket (SVC-BRACKET-POPPET ARM)	C5956-67126	1
4	Poppet attachment arm (SVC ASSY-POPPET ATTACHMENT ARM)	C5956-67296	1
5	Screw (SVC-SCREW-TPG 4-20 0.427-IN-LG ROHS)	C5956-67018	1 (Qty 20)

Drum guide assembly parts diagram

Figure 4-80 Drum guide assembly

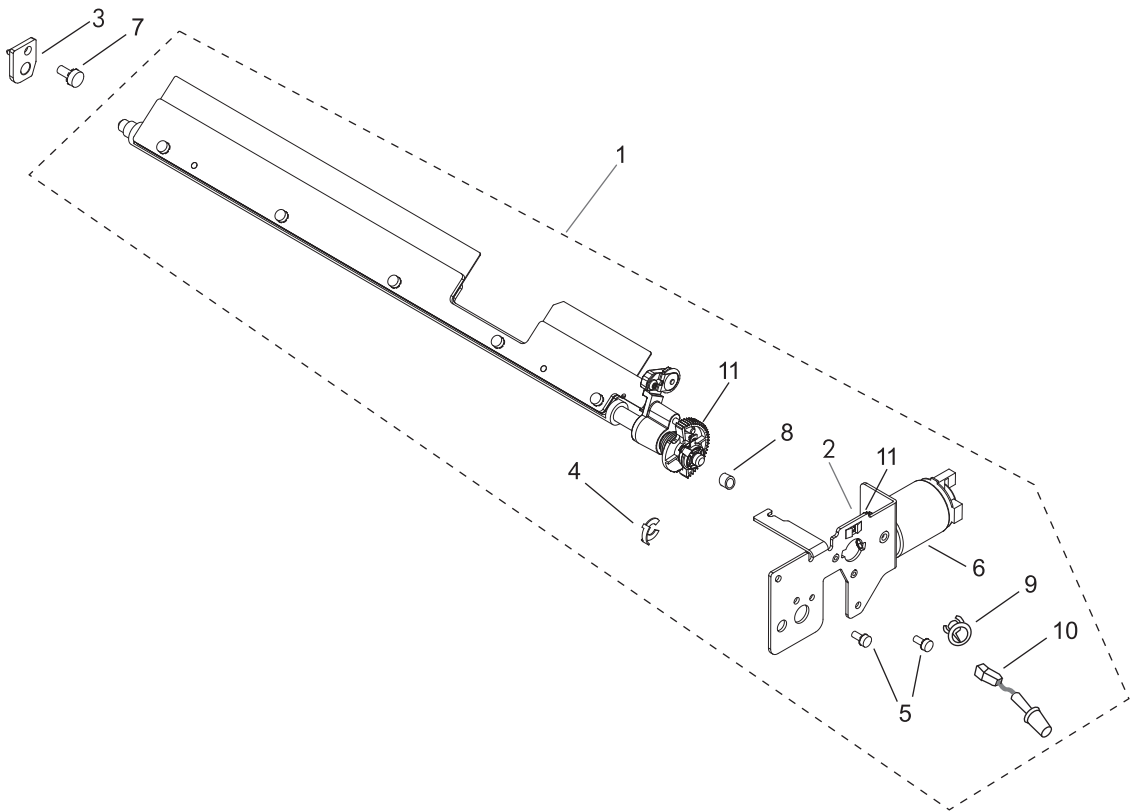
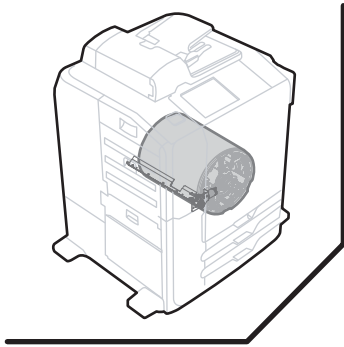


Table 4-68 Drum guide assembly parts list (for Figure 4-80)

Ref	Description	Part number	Qty
1	Drum guide assembly (SVC ASSY-DRUM GUIDE)	C5956-67466	1
2	Drum guide drive assembly (SVC ASSY-DRUM GUIDE DRIVE)	C5956-67467	1
3	Drum guide rear bracket (SVC-BRACKET-DRUM GUIDE REAR)	C5956-67233	1
4	Clip (SVC KIT-CLIPS, assortment)	C5956-67650	1
5	Screw (SVC-SCR-TPG M2.5X0.45 4MM-LG PAN HD ROHS)	C5956-67010	1 (Qty 20)
6	Drum Guide motor (M22)/(EN20) (ASSY-SS MOTOR/ ENCODER)	C5956-67734	1
7	Screw (SVC-SCREW-TPG M4X0.7 12MM-LG PAN-HD ROHS)	C5956-67008	1 (Qty 20)
8	YOKE-BUSHINGLESS	C5956-67231	1
9	HOLDER-LED	C5956-67376	1
10	Front Door LED (LED7) (SVC-LED, AMBER)	C5956-67070	1
11	Drum guide white nylon gears (SVC-GEARS, DRUM GUIDE)	C5957-67200	2

Drop Detect assembly parts diagram

Figure 4-81 Drop Detect assembly parts diagram

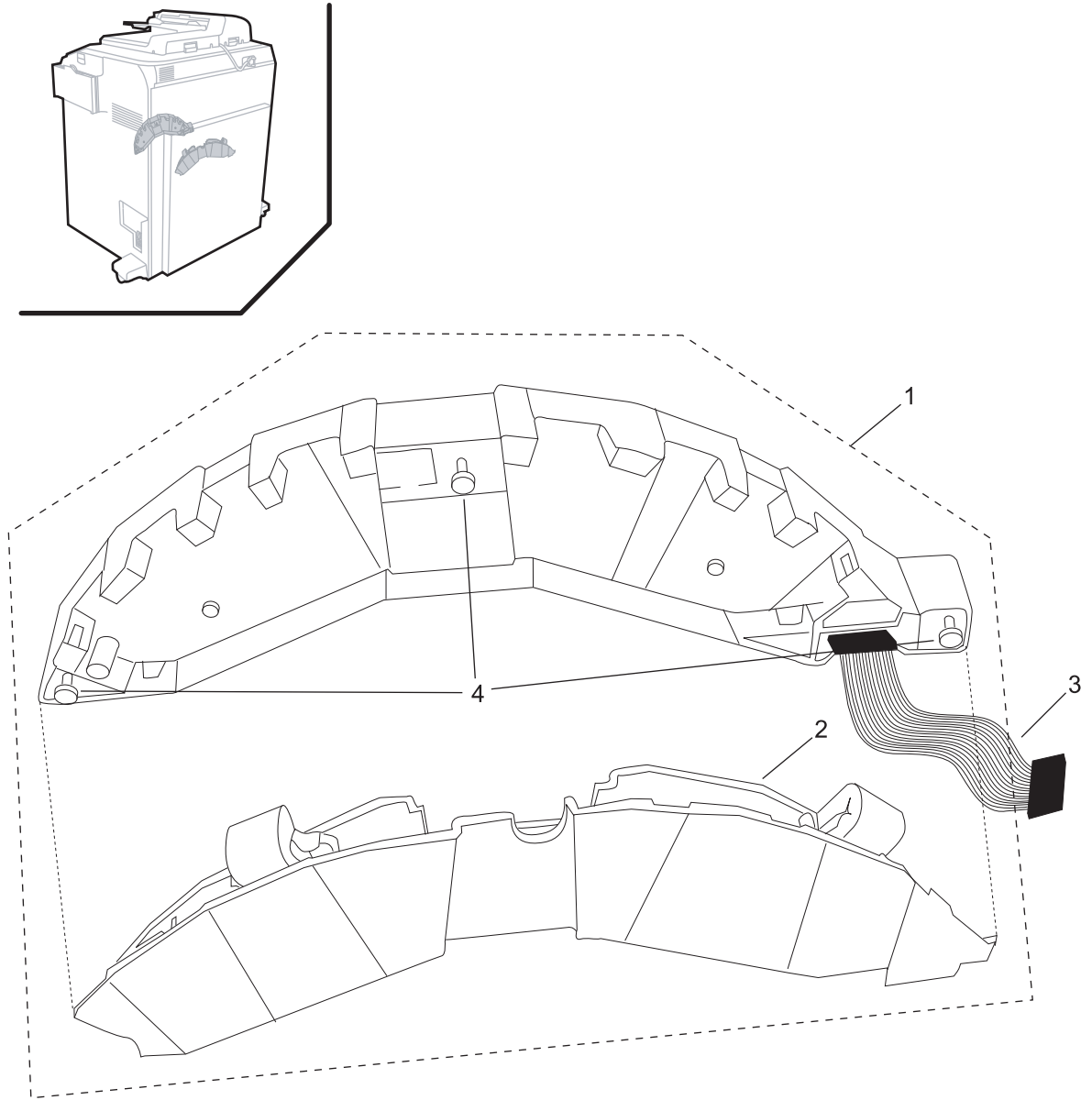


Table 4-69 Drop detect assembly parts list (for Figure 4-81)

Ref	Description	Part number	Qty
1	Drop Detect assembly (A22) (SVC-ASSY-SENSOR-DROP DETECT W/ABSORBERS)	C5957-67086	1
2	Drop Detect bucket with absorbers assembly (ASSY-DD SPITBUCKET, WIPERS AND ABSORBERS)	C5957-67145	1
3	Cable (ASSY-CABLE, DROP DETECT HARNESS)	C5956-67251	1
4	Screw (SVC-SCREW-MACH M4 X 0.7 9.5MM-LG ROHS)	C5956-67011	1 (Qty 20)

Cables

Description	Service part number	Manufacturer number	Connectors
SVC ASSY-CABLE,DROP DETECT HARNESS	C5956-67251	C5956-61402	W1P2-A4J2 W1P1-A22J1
SVC ASSY-CABLE, PRINTZONE SENSORS	C5956-67838	C5956-60220	W34P1-EN1 W34P2-EN2 W34P19-SN19 W34P1-EN1 W34P1-W85P1 W34P18-SN18 W34P6-LED6 W34P7-LED7 W34P8-LED8 W34P9-LED9 W34J9-W32P9 W34J9-W32P9

Dryer parts diagrams

- [Dryer assembly parts diagram](#)
- [Dryer left assembly parts diagram](#)
- [Dryer right assembly parts diagram](#)
- [Cables](#)

Dryer assembly parts diagram

Figure 4-82 Dryer assembly parts diagram

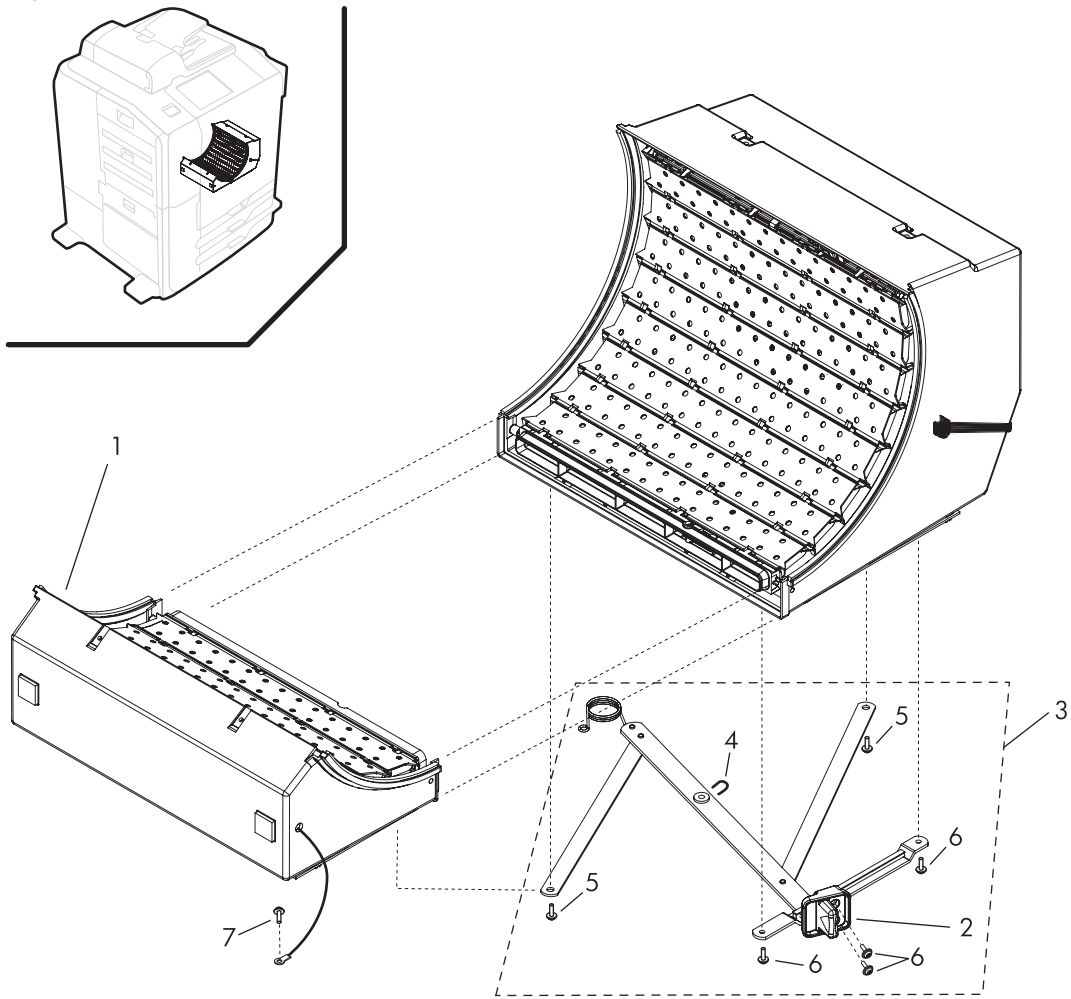


Table 4-70 Dryer assembly parts list (for Figure 4-82)

Ref	Description	Part number	Qty
1	Left dryer assembly (SVC ASSY-DRYER SYSTEM LEFT)	C5956-67825	1
2	Dryer handle (SVC-HANDLE-DRYER)	C5956-67237	1
3	Dryer slider assembly (SVC ASSY-DRYER SLIDER)	C5956-67619	1
4	Clip (SVC KIT-CLIPS, assortment)	C5956-67650	1
5	Screw (SVC-SCREW-TPG 4-20 0.427-IN-LG ROHS)	C5956-67018	1 (Qty 20)
6	Screw (SVC-SCREW-TPG M4X0.7 8MM-LG PAN HD ROHS)	C5956-67003	1 (Qty 20)
7	Screw (SVC-SCREW-MACH M3X0.5 6MM-LG PAN HD ROHS)	C5956-67005	1 (Qty 20)

Dryer left assembly parts diagram

Figure 4-83 Dryer left assembly parts diagram

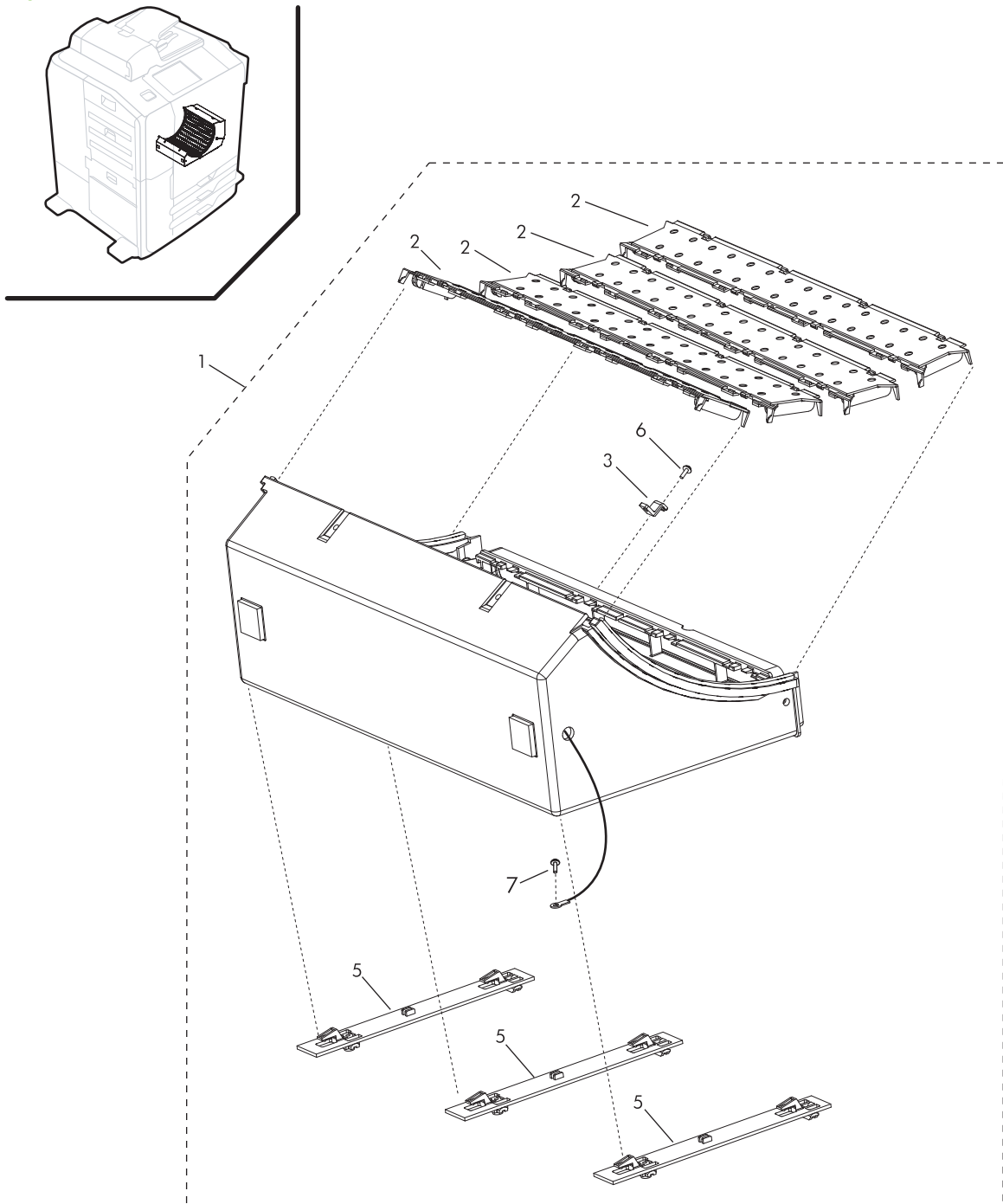


Table 4-71 Dryer left assembly parts list (for Figure 4-83)

Ref	Description	Part number	Qty
1	Left dryer assembly (SVC ASSY-DRYER SYSTEM LEFT)	C5956-67825	1
2	Nozzle plate (SVC-PLATE-DRYER NOZZLE)	C5956-67218	1
3	Safety clip (SVC-CLIP-DRYER SAFETY)	C5956-67234	1
5	Left dryer skid (SVC-SKID-DRYER-LEFT)	C5956-67207	1
6	Screw (SVC-SCREW-TPG 4-20 0.427-IN-LG ROHS)	C5956-67018	1 (Qty 20)
7	Screw (SVC-SCREW-MACH M3X0.5 6MM-LG PAN HD ROHS)	C5956-67005	1 (Qty 20)

Dryer right assembly parts diagram

Figure 4-84 Dryer right assembly parts diagram

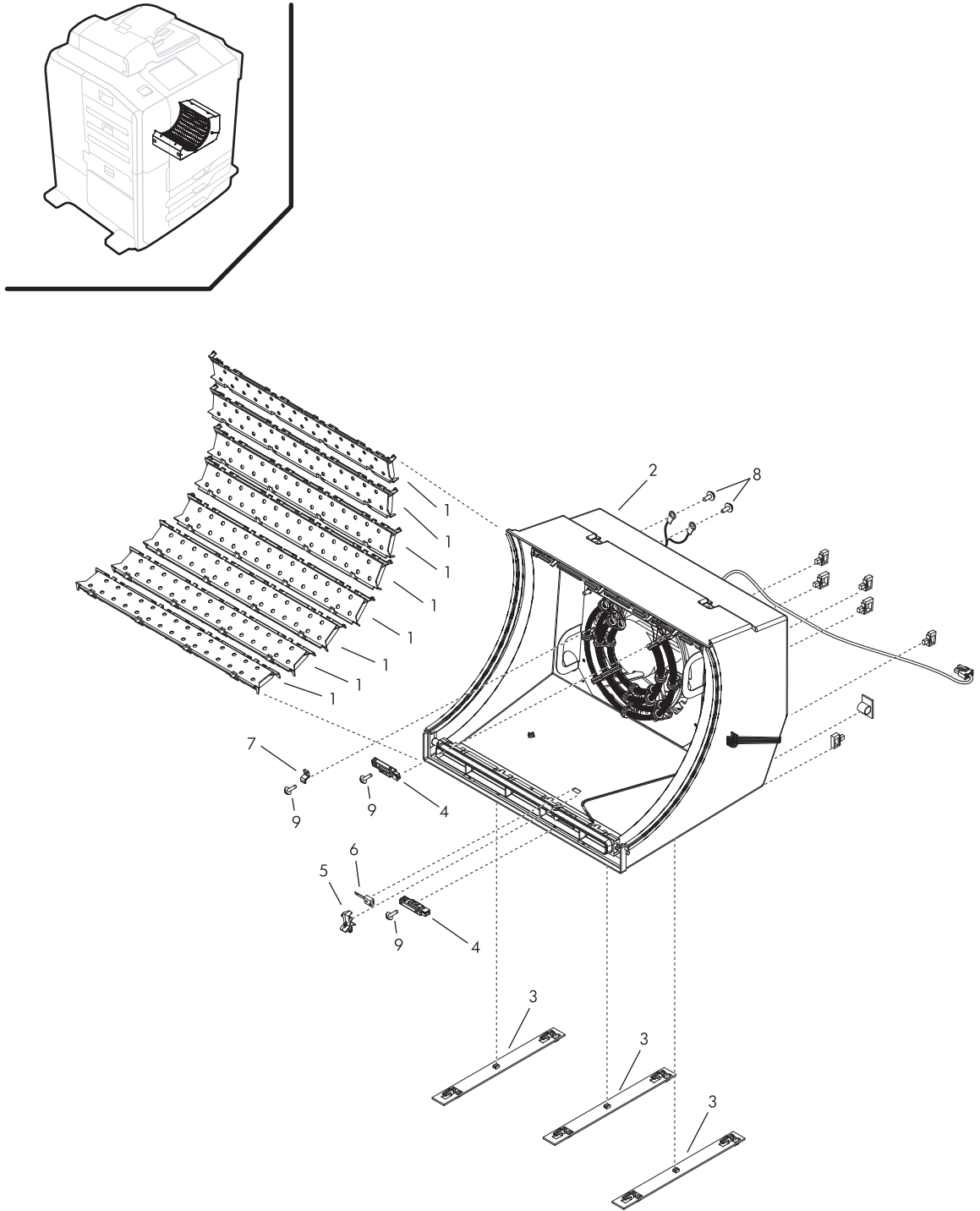


Table 4-72 Dryer right assembly parts list (for Figure 4-84)

Ref	Description	Part number	Qty
1	Nozzle plate (SVC-PLATE-DRYER NOZZLE)	C5956-67218	1
2	Right dryer housing (SVC ASSY-DRYER RIGHT STRUCTURE)	C5957-67092	1
	NOTE: In order to replace either the dryer heater or the dryer fan, order the right dryer housing. The dryer heater and the dryer fan are not available separately.		
3	Right dryer skid (SVC-SKID-DRYER-RIGHT)	C5956-67206	1
4	Drum 1 sensor (SN33) and Drum 2 sensor (SN34) (SVC-OPTO SENSOR, LIGHT MODULATION IO=16M)	C5956-67088	1
5	Temperature sensor clip (SVC KIT-WIRE MGMT, DRYER)	C5956-67717	1
6	Dryer Temperature 1 sensor (SN36) (SVC-DRYER TEMPERATURE SENSOR)	C5956-67640	1
7	Safety clip (SVC-CLIP-DRYER SAFETY)	C5956-67234	1
8	Screw (SVC-SCREW-MACH M3X0.5 6MM-LG PAN HD ROHS)	C5956-67005	1 (Qty 20)
9	Screw (SVC-SCREW-TPG 4-20 0.427-IN-LG ROHS)	C5956-67018	1 (Qty 20)

Cables

Description	Service part number	Manufacturer number	Connectors
SVC-CABLE, IA SENSORS	C5956-67833	C5956-60150	W25P36-SN36 W25P36-SN37 W25P4-A3J4
SVC-CABLE DRUM SENSORS	C5956-67133	C5956-60619	W85J33-SN33 W85J33-SN34 W34P1-W85P1
SVC-WIRE-DRYER RIGHT HEATER GROUND	C5956-67275	C5956-60464	N/A

Formatter parts diagrams

- [Formatter Main PCA \(A26\) parts diagram](#)
- [Formatter fan and hard drive parts diagram](#)
- [Formatter PCAs parts diagram](#)
- [Formatter Coprocessor parts diagram](#)
- [Formatter cables](#)

Formatter Main PCA (A26) parts diagram

Figure 4-85 Formatter Main PCA (A26) parts diagram

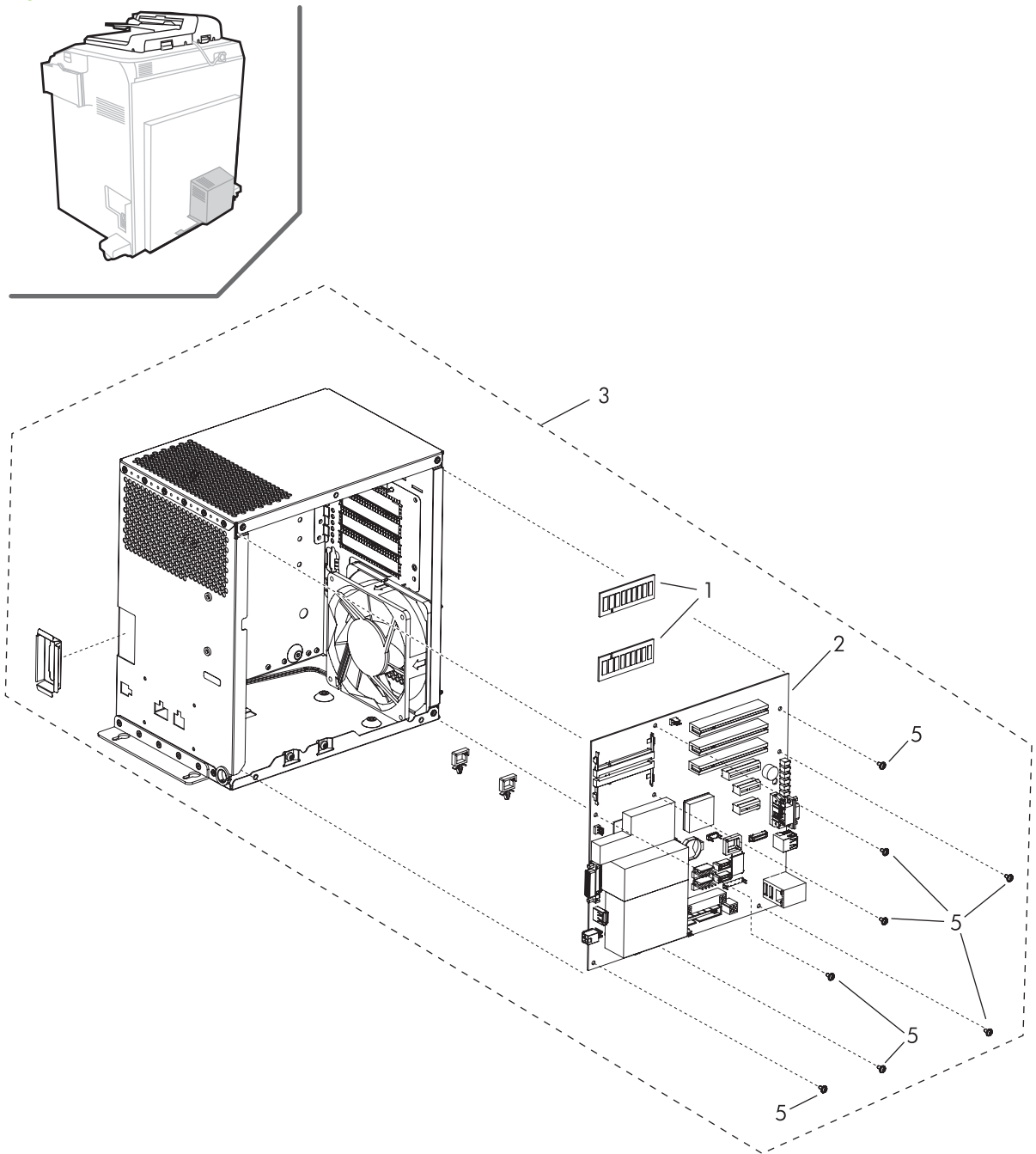


Table 4-73 Formatter Main PCA (A26) parts list (for Figure 4-85)

Ref	Description	Part number	Qty
1	512 MB DRAM (SYNC DDR-DRAM 64M X 64 200P)	2660-0159	1
2	Formatter Main PCA (A26) (SVC ASSY-PCA, ISLAND PARK)	C5956-67371	1
3	Formatter assembly (SVC ASSY-FORMATTER)	C5956-67727	1
4	Formatter battery (BAT 3V .22A-HR LI MANGANESE DIOXIDE) (Not shown in diagram)	1420-0887	1
5	Screw (SVC-SCREW-TPG M3X0.5 6MM-LG PAN HD ROHS)	C5956-67001	1 (Qty 20)

Formatter fan and hard drive parts diagram

Figure 4-86 Formatter fan and hard drive parts diagram

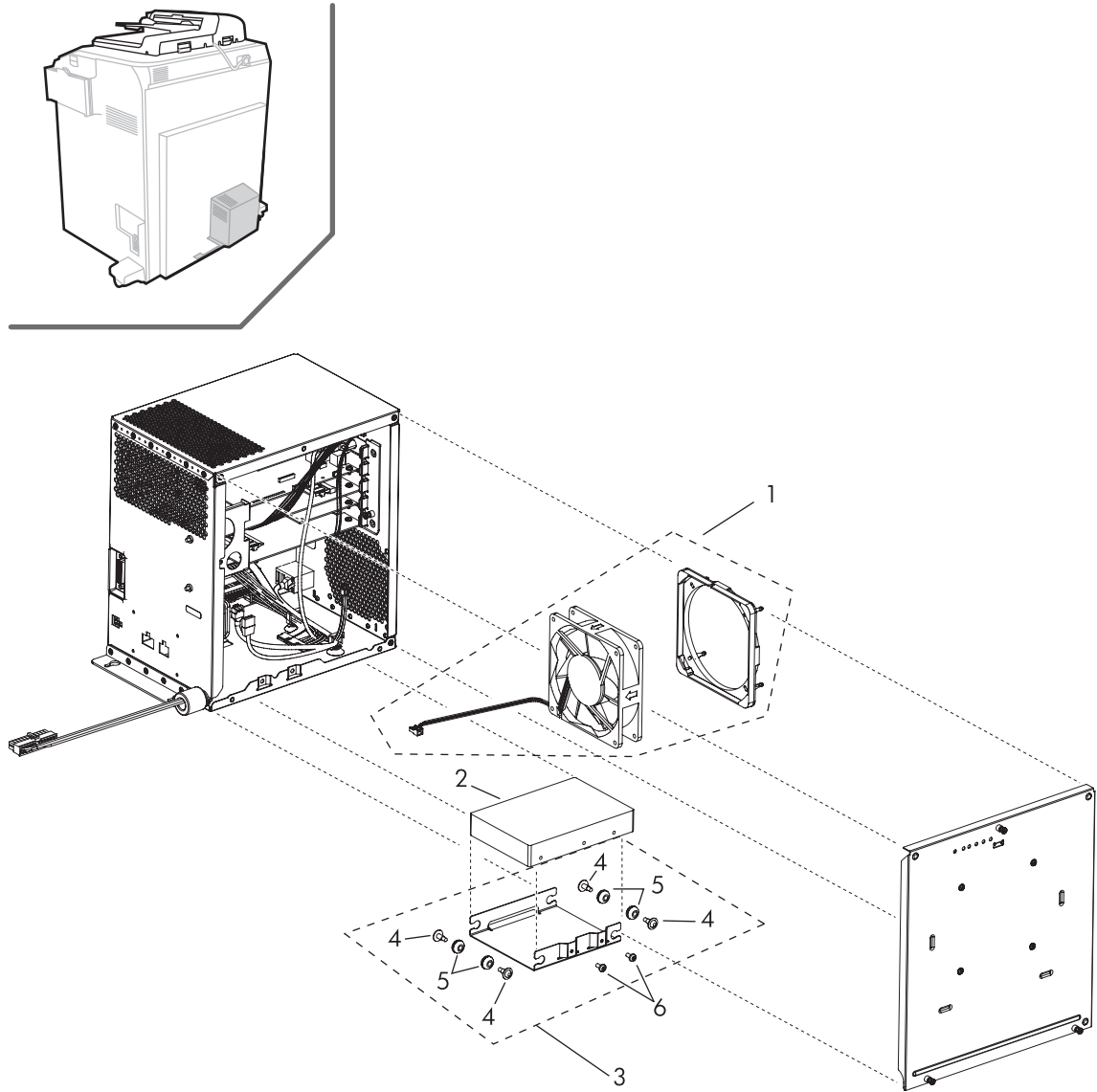


Table 4-74 Formatter fan and hard drive parts list (for Figure 4-86)

Ref	Description	Part number	Qty
1	Formatter fan assembly (SVC ASSY-FAN,FORMATTER W/ CONNECTOR)	C5956-67066	1
2	Formatter hard drive (DISC DRIVE HARD 80GB ROHS)	0950-4767	1
	NOTE: Part number 0950-4767 was replaced by 0950-4912, which was then replaced by 0950-4972.		
3	Formatter hard drive mount (SVC KIT-MOUNT, HARD DRIVE)	C5956-67678	1
4	Screw-mount, hard drive (SVC KIT-MOUNT, HARD DRIVE)	C5956-67678	1
5	Grommet, ear G-411-1 (SVC KIT-MOUNT, HARD DRIVE)	C5956-67678	1
6	Screw (SVC-SCREW-TPG M4X0.7 8MM-LG PAN HD ROHS)	C5956-67003	1 (Qty 20)

Formatter PCAs parts diagram

Figure 4-87 Formatter PCAs parts diagram

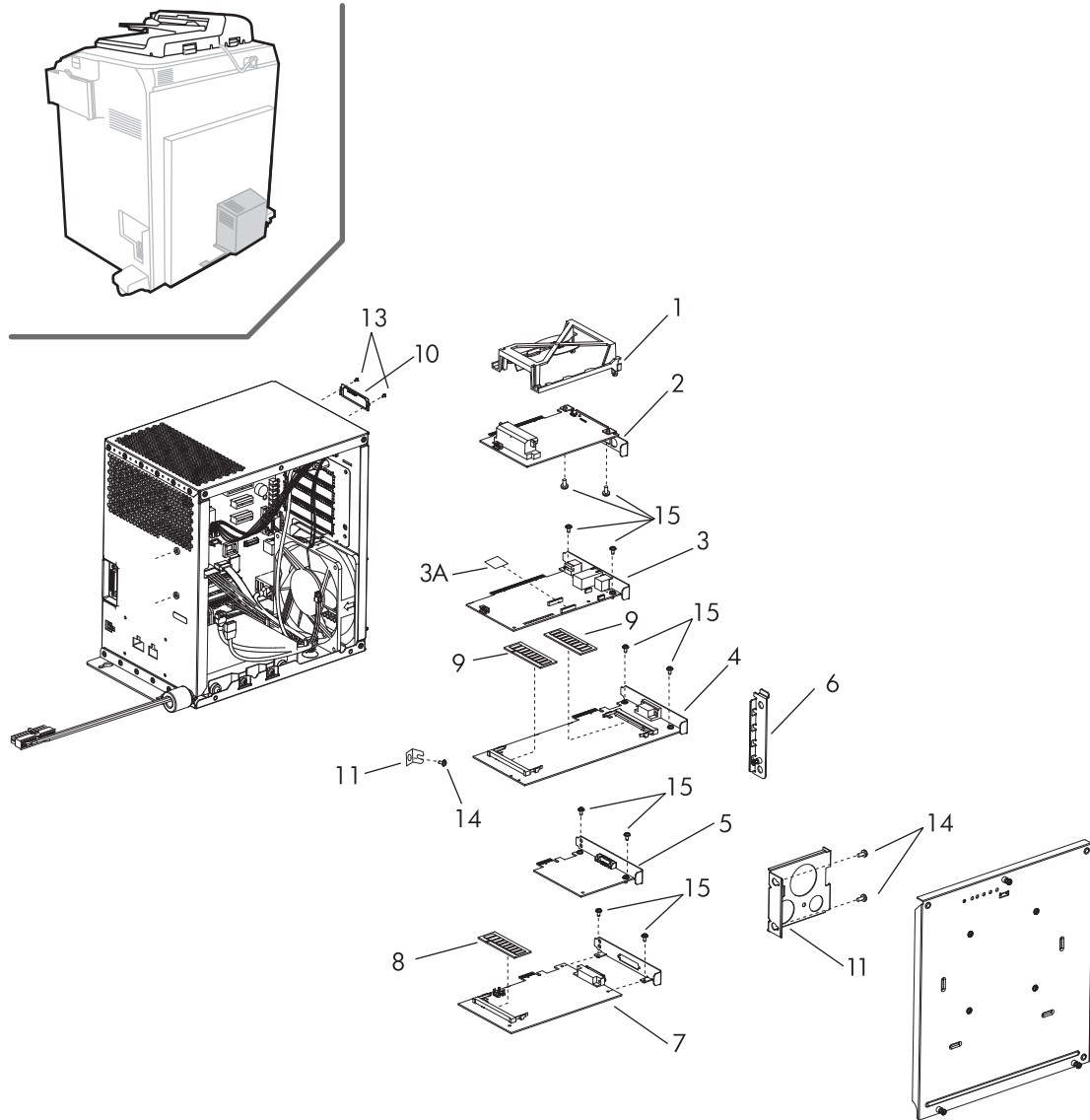


Table 4-75 Formatter PCAs parts list (for Figure 4-87)

Ref	Description	Part number	Qty
1	EIO riser card guide (SVC-CARD GUIDE EIO RISER)	C5956-67741	1
2	EIO Riser PCA (A31) (SVC ASSY-PCA & HARDWARE, EIO RISER)	C5956-67464	1
3	Network/Fax PCA (A30) (SVC ASSY-PCA, PCI/IO CARD)	C5956-67463	1
3A	MODEM-DATA/FAX, 90/56K, ROHS	0960-2416	1
4	Finisher Interface PCA (A29) (SVC ASSY-PCA, HP PRINT PIPELINE BOARD)	C5956-67462	1
5	PCI Express PCA (A28) (SVC ASSY-PCA & HDWR, PCI EXPRESS, SFP)	C5956-67355	1
6	Card support bracket (SVC-CLAMP-PC BRACKET, UPPER)	C5957-67066	1
7	Copy Processing PCA (A27) (SVC ASSY-PCA & HDWR, PCI EXPRESS, SFP)	C5956-67369	1
8	512 MB DIMM (HP 512MB 167HMZ 200 PIN DDR DIMM)	Q7559-60001	1
9	128 MB DIMM (HP 128MB 167HMZ 200 PIN DDR DIMM)	Q7557-60001	1
10	EIO PCA cover (SVC-COVER-EIO)	C5956-67020	1
11	Anti-vibration kit (SVC KIT-ANTI_VIBRATION, PCA)	C5956-67674	1
12	PC clamp (SVC-CLAMP-PC BRACKET, UPPER). Not shown in diagram.	C5957-67066	1
13	Screw (SVC-SCREW-TPG M3X0.5 6MM-LG PAN HD ROHS)	C5956-67001	1 (Qty 20)
14	Screw (SVC-SCREW-TPG M4X0.7 8MM-LG PAN HD ROHS)	C5956-67003	1 (Qty 20)
15	Screw (SVC KIT-FASTENER 2, assortment, SCREW-TPG M3 X 0.5 5MM-LG PAN-HD ROHS)	C5957-67054	1 (Qty 10)

Formatter Coprocessor parts diagram

Figure 4-88 Formatter Coprocessor parts diagram

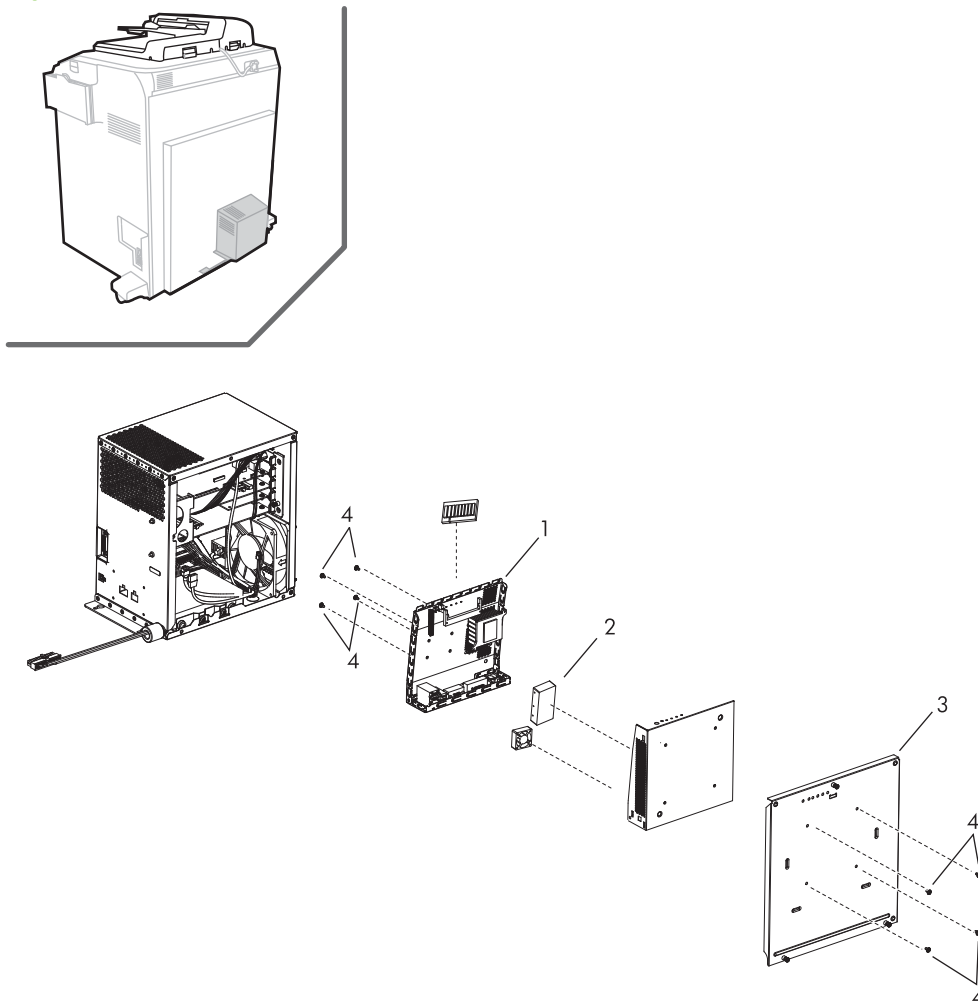


Table 4-76 Formatter Coprocessor parts list (for Figure 4-88)

Ref	Description	Part number	Qty
1	MFP Coprocessor PCA (A32) (SVC-ASSY-PCA SAWTOOTH)	C5956-67370	1
2	Coprocessor hard drive (PATA HDD 80 GB). Note: Part number 0950-4778 (PATA HDD 80 GB) replaces 0950-4697 (PATA HDD 40 GB)	0950-4778	1
3	Formatter access door (SVC-DOOR-ACCESS,FORMATTER)	C5956-67587	1
4	Screw (SVC-SCREW-TPG M3X0.5 6MM-LG PAN HD ROHS)	C5956-67001	1 (Qty 20)

Formatter cables

Cable	Service part number	Manufacturer number
Formatter power cable W58 (SVC-CABLE, POWER, FORMATTER/ POWER DIST)	C5957-67041	C5956-61281
Formatter hard drive data cable (SVC-CABLE HARDDRIVE, DATA, SATA)	C5956-67062	C5956-60382
Formatter hard drive power cable W60 (SVC-CABLE, POWER, HARDDRIVE, SATA)	C5956-67063	C5956-60383
Coprocessor power cable W62 (SVC-CABLE, POWER, MFP COMPANION)	C5956-67064	C5956-60385
PCI/IO PCA/EIO Riser PCA cable (SVC ASSY-CABLE, GAMIO/EIO RISER)	C5956-67065	C5956-60393
USB cable W91 (SVC ASSY-CABLE, USB TYPE A)	C5957-67079	C5956-61373
Coprocessor Ethernet cable W61 (SVC ASSY-CABLE,ETHERNET, MFP COMP/IP)	C5956-67269	C5956-60384
Formatter serial cable (SVC-CABLE, FORMATTER SERIAL LOG). This is a troubleshooting tool.	C5957-67077	C5957-67076
Foreign Interface Harness (FIH) interface cable (SVC KIT-CABLE UPGRADE, FORMATTER)	C5957-67143	C5957-67143

Horizontal transport parts diagrams

- [Horizontal transmission parts diagram](#)
- [Horizontal upper assembly parts diagram](#)
- [Horizontal lower assembly parts diagram](#)
- [Cables](#)

Horizontal transmission parts diagram

Figure 4-89 Horizontal transmission parts diagram

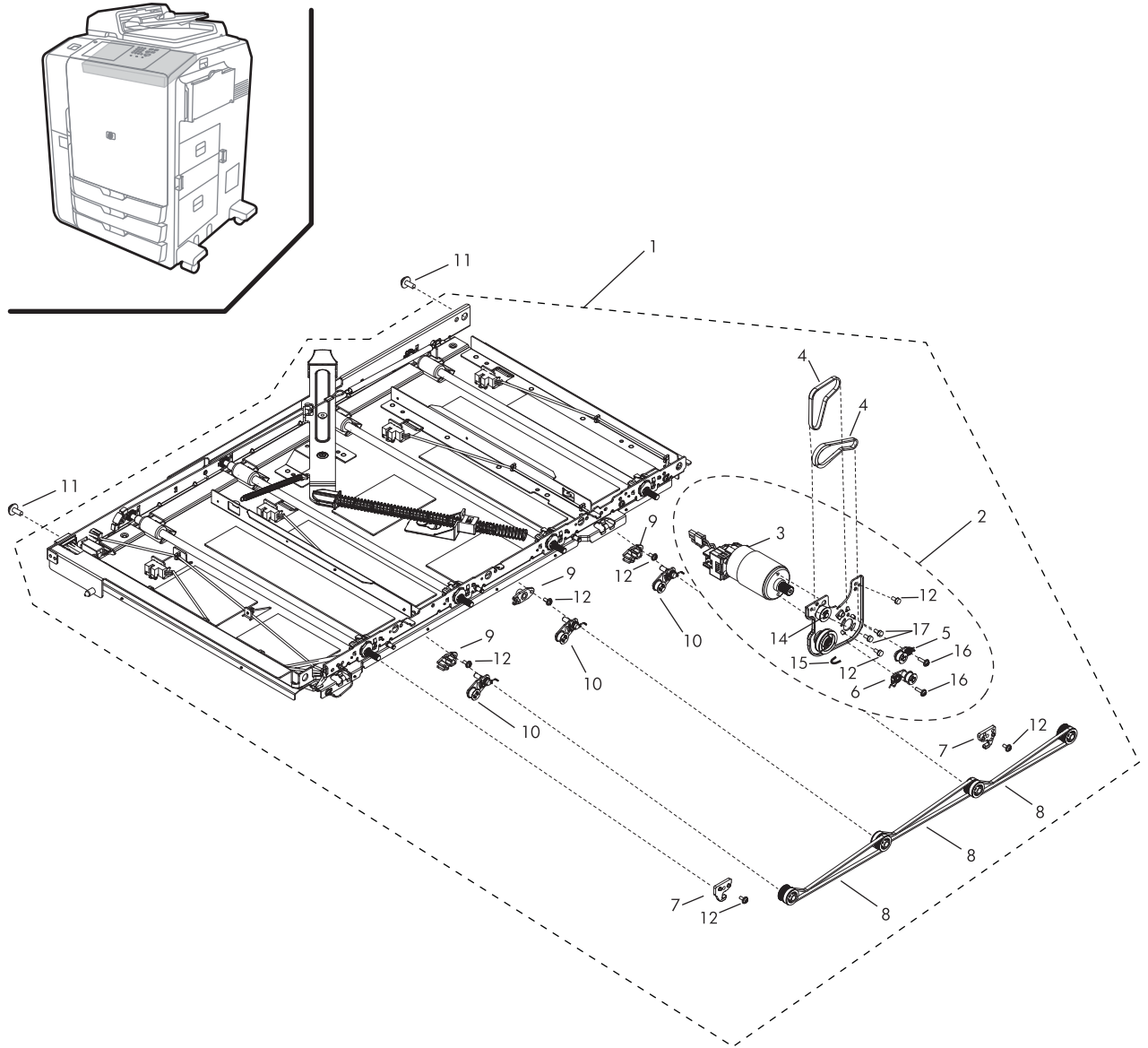


Table 4-77 Horizontal transmission parts list (for Figure 4-89)

Ref	Description	Part number	Qty
1	Horizontal assembly (SVC ASSY-HORIZONTAL TRANSPORT)	C5956-67446	1
2	Transmission assembly (SVC ASSY-MOUNT-TRANSMISSN-HORIZ TRNSPRT)	C5956-67643	1
3	Horizontal motor (M7)/(EN3) (SVC-MOTOR, MEDIAPATH)	C5956-67742	1
4	Belt (SVC-BELT-DRIVE, 73T, GT2, 2X4)	C5956-67227	1
5	Tensioner, short (SVC ASSY-TENSIONER, SHORT, FLANGED)	C5956-67344	1
6	Tensioner, mid (SVC ASSY-TENSIONER, MID, FLANGED)	C5956-67346	1
7	Hinge (SVC-HINGE-HORIZONTAL TRANSPORT)	C5956-67813	1
8	Belt (SVC-BELT-GT2-162T, 2MM PITCH X 4MM)	C5956-67221	1
9	Tensioner (SVC KIT-STANDOFFS, TENSIONER)	C5956-67711	1
10	CCW tensioner (SVC ASSY-TENSIONER, MEDIAPATH CCW)	C5956-67454	1
11	Screw (SCREW-TPG M4X0.7 12MM-LG PAN-HD ROHS)	C5956-67008	1 (Qty 20)
12	Screw (SCREW-TPG M3X0.5 6MM-LG PAN HD ROHS)	C5956-67001	1 (Qty 20)
13	Screw (SCREW-TPG 4-20X7.94MM 10IP ROHS)	C5956-67012	1 (Qty 20)
14	Idler (PULLEY-IDLER-14MM)	C5956-67686	1
15	Clip (SVC KIT-CLIPS, assortment)	C5956-67650	1
16	Screw (SCREW-MACH M3 X 0.5 10MM-LG PAN HD ROHS)	C5956-67004	1 (Qty 20)
17	Screw (SCREW-MACH M3X0.5 6MM-LG PAN HD ROHS)	C5956-67005	1 (Qty 20)

Horizontal upper assembly parts diagram

Figure 4-90 Horizontal upper assembly parts diagram

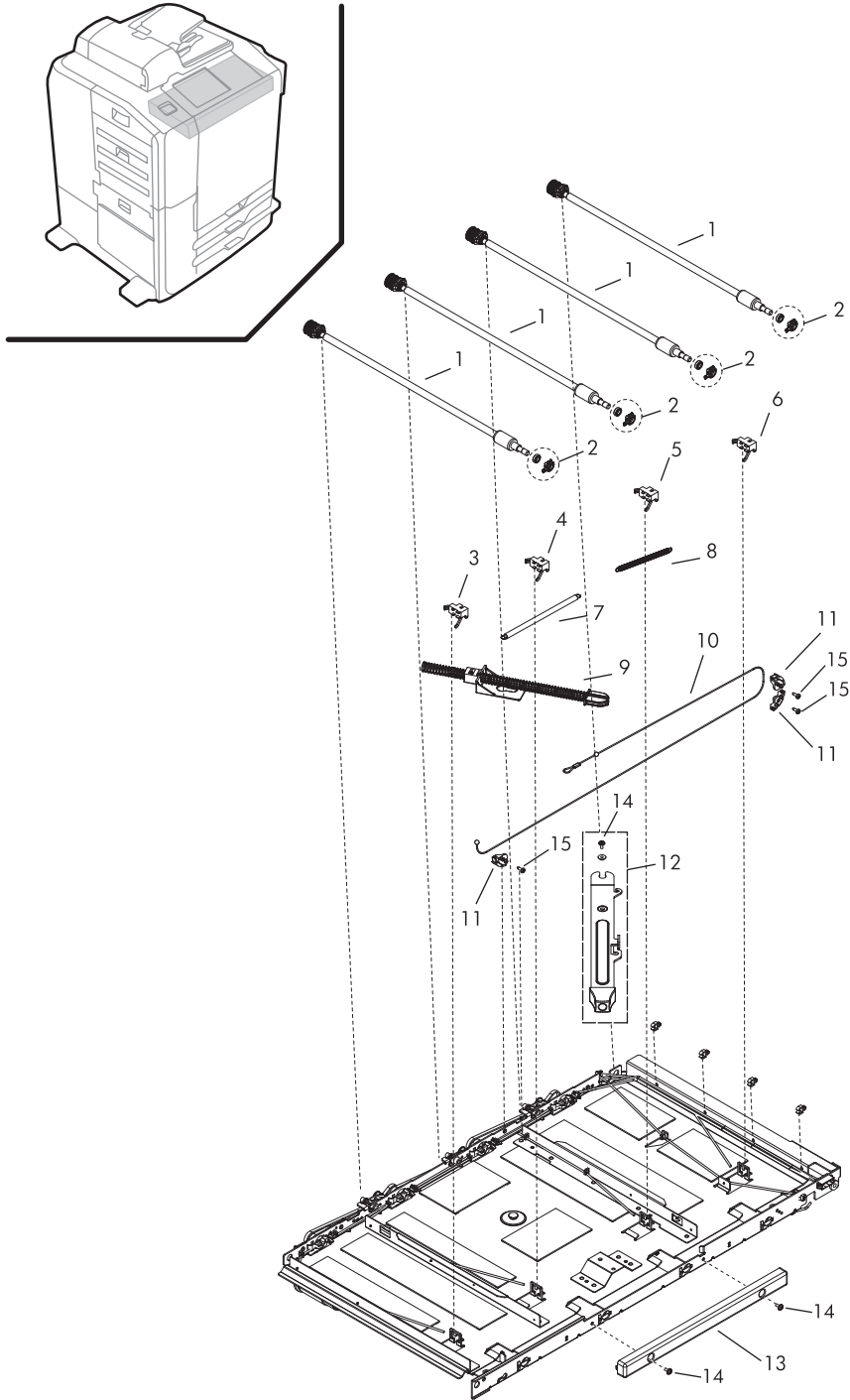


Table 4-78 Horizontal upper assembly parts list (for Figure 4-90)

Ref	Description	Part number	Qty
1	Drive roller (SVC KIT PM-DRIVEROLLER, HORIZ TRANSPORT)	C5956-67290	1
2	Bearing yoke (SVC ASSY-BEARING YOKE LARGE)	C5956-67330	1
3	Horizontal Transport 4 sensor (SN5) (SVC-SENSOR, MEDIA PRESENCE)	C5956-67255	1 (Qty 5)
4	Horizontal Open sensor (SN4) (SVC-SENSOR, MEDIA PRESENCE)	C5956-67255	1 (Qty 5)
5	Horizontal Transport 3 sensor (SN2) (SVC-SENSOR, MEDIA PRESENCE)	C5956-67255	1 (Qty 5)
6	Horizontal Transport 2 sensor (SN3) (SVC-SENSOR, MEDIA PRESENCE)	C5956-67255	1 (Qty 5)
7	Spring (SVC-SPRING-TAKEUP, CABLE, HORIZ TRANSPRT)	C5956-67116	1
8	Spring (SVC-SPRING-LATCH, EXTNSN-HORIZ TRANSPORT)	C5956-67198	1
9	Latch (SVC ASSY-SPRING BRIDGE LATCH)	C5956-67720	1
10	Cable (SVC-CABLE, HORIZ TRANSPORT LATCH)	C5956-67119	1
11	Cable guide (SVC-GUIDE-CABLE CORNER)	C5957-67110	1
12	Handle (SVC ASSY-HANDLE HORIZONTAL TRANSPORT)	C5956-67120	1
13	Trim (SVC-TRIM-HORIZONTAL TRANSPORT FRAME)	C5956-67118	1
14	Screw (SCREW-TPG M3X0.5 6MM-LG PAN HD ROHS)	C5956-67001	1 (Qty 20)
15	Screw (SCREW-TPG 4-20X7.94MM 10IP ROHS)	C5956-67012	1 (Qty 20)

Horizontal lower assembly parts diagram

Figure 4-91 Horizontal lower assembly parts diagram

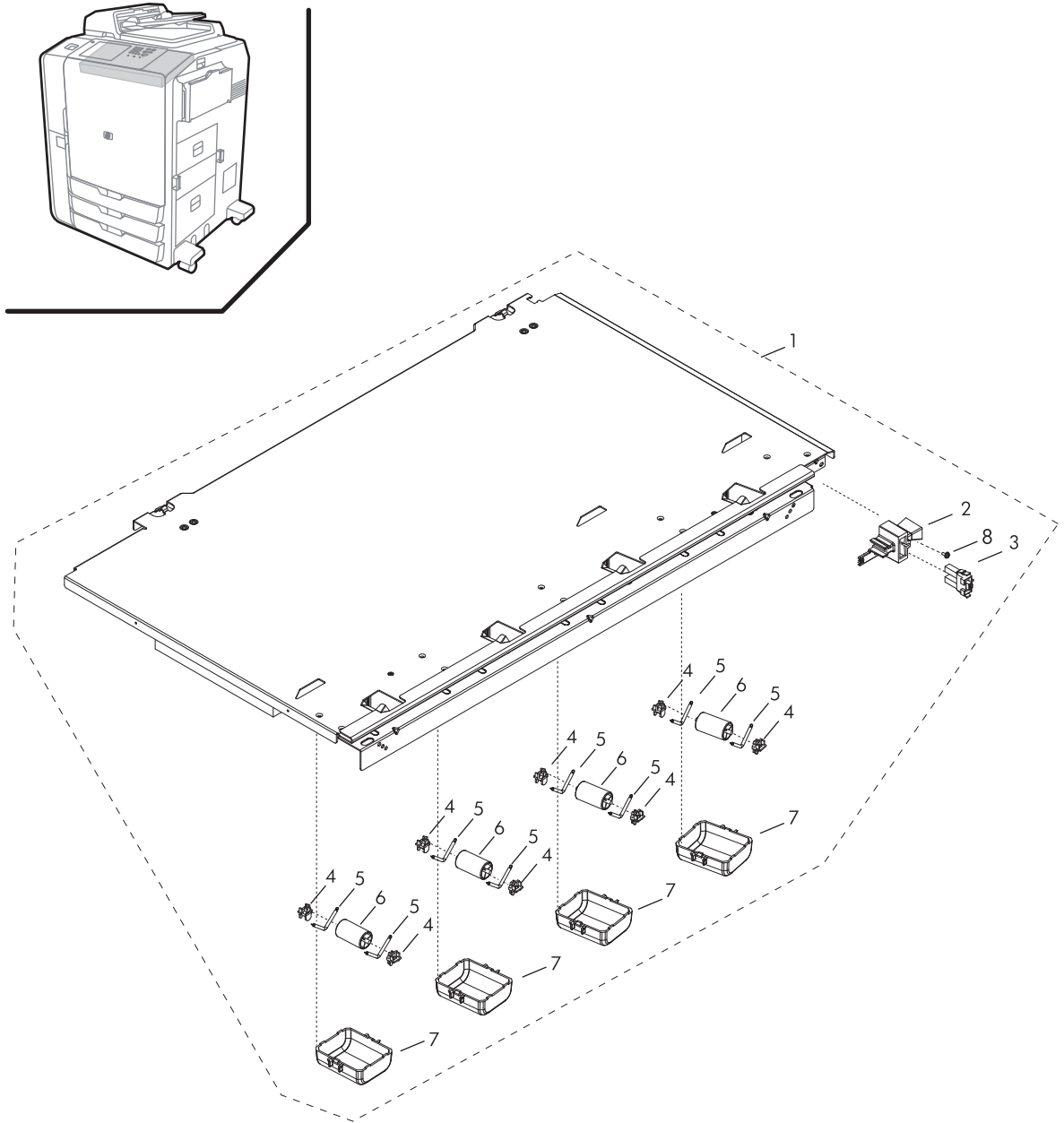


Table 4-79 Horizontal lower assembly parts list (for Figure 4-91)

Ref	Description	Part number	Qty
1	Lower horizontal (SVC ASSY-GUIDE LOWER HORIZ TRANSPORT)	C5956-67277	1
2	Funnel (SVC-FUNNEL-HORIZONTAL TRANSPORT)	C5956-67213	1
3	Transparency sensor 1 (SN1) (SVC-SENSOR-TRANSPARENCY)	C5956-67693	1
4	Pinch roller holder (SVC KIT-PINCH ROLLER,HORIZ TRANS)	C5956-67590	1
5	Pinch roller springs (SVC-SPRING-EXTEN-PINCH ROLLER-TRANSLATNG)	C5956-67122	1
6	Pinch roller (SVC KIT-PINCH ROLLER,HORIZ TRANS)	C5956-67590	1
7	Cover (SVC-COVER-CANTED ROLLER, HORIZ TRANSPORT)	C5956-67123	1
8	Screw (SCREW-TPG M3X0.5 6MM-LG PAN HD ROHS)	C5956-67001	1 (Qty 20)

Cables

Description	Service part number	Manufacturer number	Connectors
SVC ASSY-CABLE, MOTOR, HORIZ TRANSPORT	C5956-67253	C5956-60141	W18P7-M7 W18J4-W13P4
SVC ASSY-CABLE, PATH SNSRS-HORIZ TRNSPRT	C5956-67261	C5956-60223	W37P4-SN4 W37P3-EN3 W37P5-SN5 W37P3-SN3 W37P1-SN1 W37J5-W15P5

IDO parts diagrams

- [IDO RM front parts diagram](#)
- [IDO RM internal motors assembly parts diagram](#)
- [IDO paper path rollers parts diagram](#)
- [IDO drive belts parts diagram](#)
- [IDO diverter parts diagram](#)
- [IDO RM rear parts diagram](#)
- [IDO RM core sensors parts diagram](#)
- [IDO media eject assembly parts diagram](#)
- [IDO curler assembly parts diagram](#)
- [IDO decurler internals assembly parts diagram](#)
- [IDO duplex door assembly parts diagram](#)
- [IDO outer guide pinch assembly parts diagram](#)
- [IDO outer lower guide assembly parts diagram](#)
- [IDO secret door assembly parts diagram](#)
- [IDO PI assembly parts diagram](#)
- [IDO H-bar assembly parts diagram](#)
- [Cables](#)

IDO RM front parts diagram

Figure 4-92 IDO RM front parts diagram

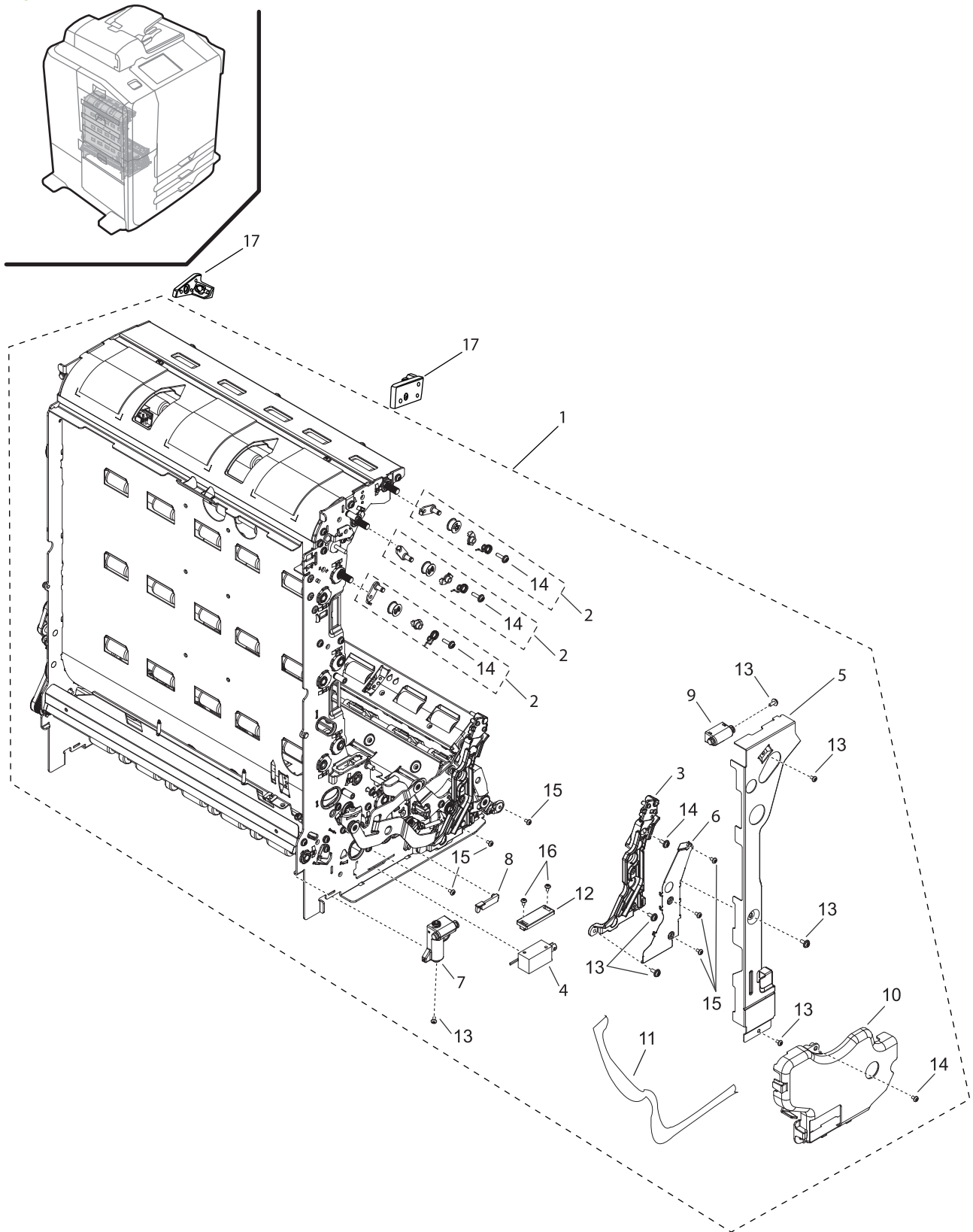


Table 4-80 IDO RM front parts list (for Figure 4-92)

Ref	Description	Part number	Qty
1	IDO RM assembly (SVC ASSY-MEDIA IDO-RM)	C5956-67615	1
2	Tensioner (SVC ASSY-TENSIONER, SHORT, FLANGED)	C5956-67344	1
3	Datum front (SVC ASSY-DATUM FRONT RM)	C5956-67320	1
4	IDO Diverter solenoid (SOL2) (SVC ASSY-SOLENOID-DIVERTER)	C5956-67267	1
5	IDO RM front top cover (SVC-COVER-IDO RM FRONT UPPER)	C5956-67185	1
6	IDO RM front datum cover (SVC-COVER-DATUM RM FRONT)	C5956-67190	1
7	IDO RM lower front datum plunger (SVC ASSY-DATUM PLUNGER IDO LOWER FRONT)	C5956-67456	1
8	Diverter extension (SVC-ARM-EXTENSION DIVERTER)	C5956-67684	1
9	Upper plunger datum (SVC ASSY-DATUM PLUNGER IDO UPPER)	C5956-67455	1
10	Media eject assembly cover (SVC-COVER-CATSCRATCH FEVER)	C5956-67222	1
11	Media eject wire guide (SVC-WIRE GUIDE, CATSCRATCHER, RM FRONT)	C5956-67240	1
12	Solenoid spacer (SVC-SPACER-SOLENOID)	C5956-67683	1
13	Screw (SVC-SCREW-TPG M3X0.5 6MM-LG PAN HD ROHS)	C5956-67001	1 (Qty 20)
14	Screw (SVC-SCREW-TPG M3X0.5 10MM-LG PAN HD ROHS)	C5956-67002	1 (Qty 20)
15	Screw (SVC-SCR-TPG M2.5X0.45 4MM-LG PAN HD ROHS)	C5956-67010	1 (Qty 20)
16	Screw (SVC-SCREW-MACH M3X0.5 6MM-LG PAN HD ROHS)	C5956-67005	1 (Qty 20)
17	Alignment pins	C5957-67202	2

IDO RM internal motors assembly parts diagram

Figure 4-93 IDO RM internal motors assembly parts diagram

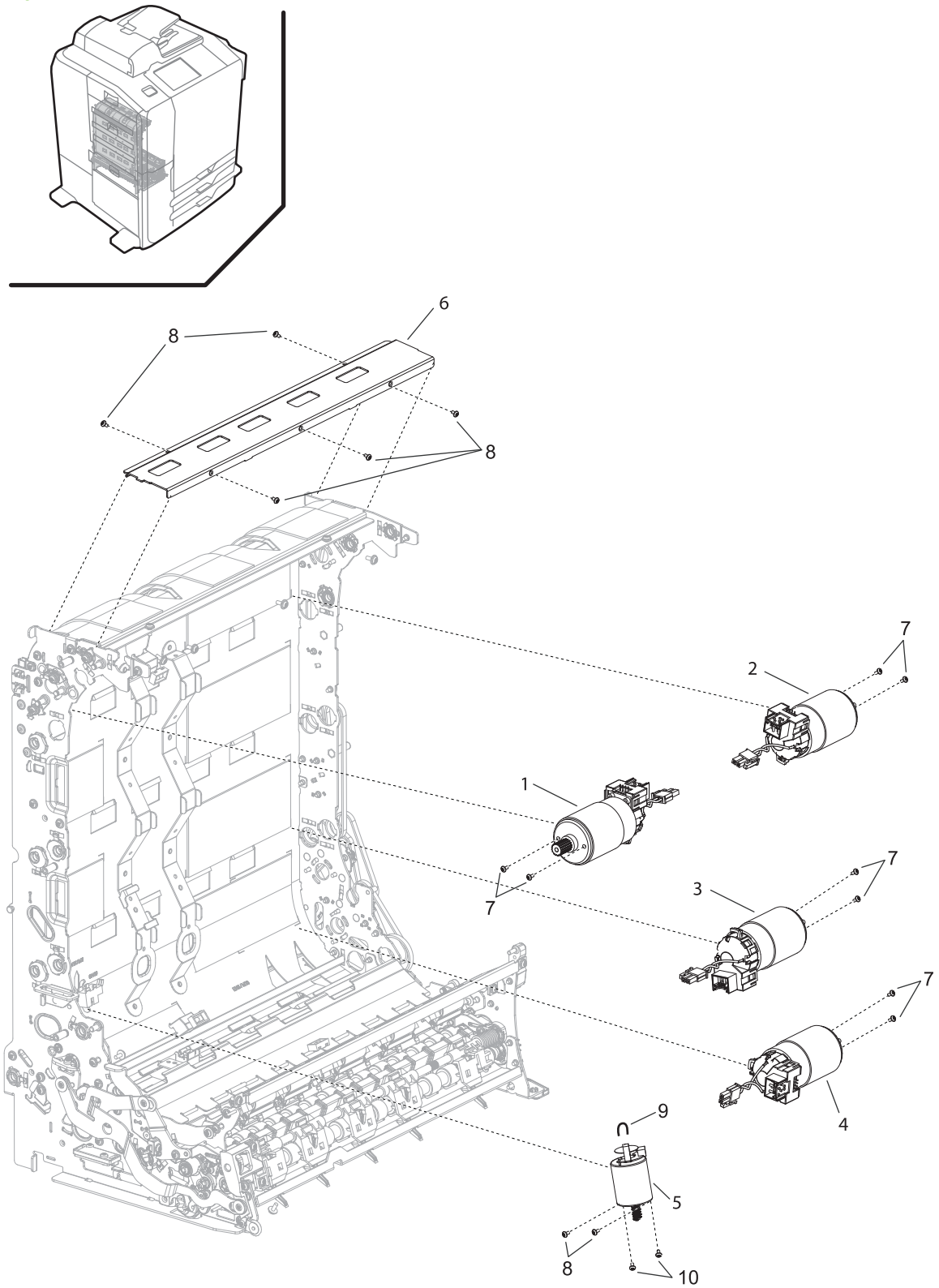


Table 4-81 IDO RM internal motors assembly parts list (for Figure 4-93)

Ref	Description	Part number	Qty
1	IDO Input 1 motor (M8) (SVC-MOTOR, MEDIAPATH)	C5956-67742	1
2	IDO Duplex motor (M12) (SVC-MOTOR, MEDIAPATH)	C5956-67742	1
3	IDO Output motor (M11) (SVC ASSY-MOTOR, OUTPUT)	C5956-67745	1
4	IDO Input 2 motor (M10) (SVC-MOTOR, MEDIAPATH)	C5956-67742	1
5	IDO Media Eject motor (M13) (SVC ASSY-CATSCRATCHER-DRIVE)	C5956-67629	1
6	IDO input 2 drive roller cover (SVC ASSY-HZ TRNSPT2 DRV RLLR COVER & DAMPER)	C5956-67349	1
7	Screw (SVC-SCREW-MACH M3X0.5 6MM-LG PAN HD ROHS)	C5956-67005	1 (Qty 20)
8	Screw (SVC-SCREW-TPG M3X0.5 6MM-LG PAN HD ROHS)	C5956-67001	1 (Qty 20)
9	Clip (SVC KIT-CLIPS, assortment)	C5956-67650	1
10	Screw (SVC-SCR-TPG M2.5X0.45 4MM-LG PAN HD ROHS)	C5956-67010	1 (Qty 20)

IDO paper path rollers parts diagram

Figure 4-94 IDO paper path rollers parts diagram

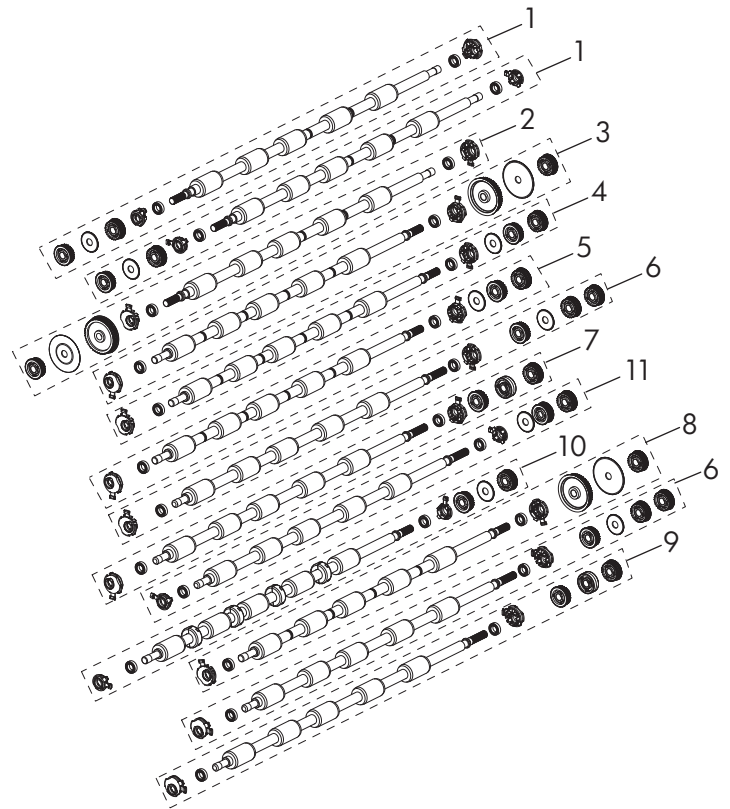
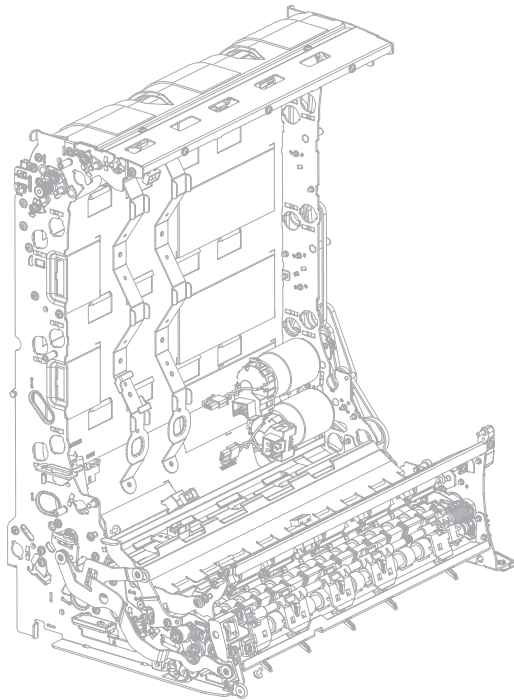
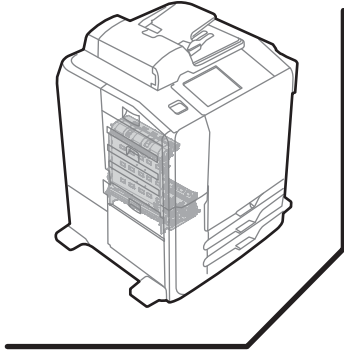
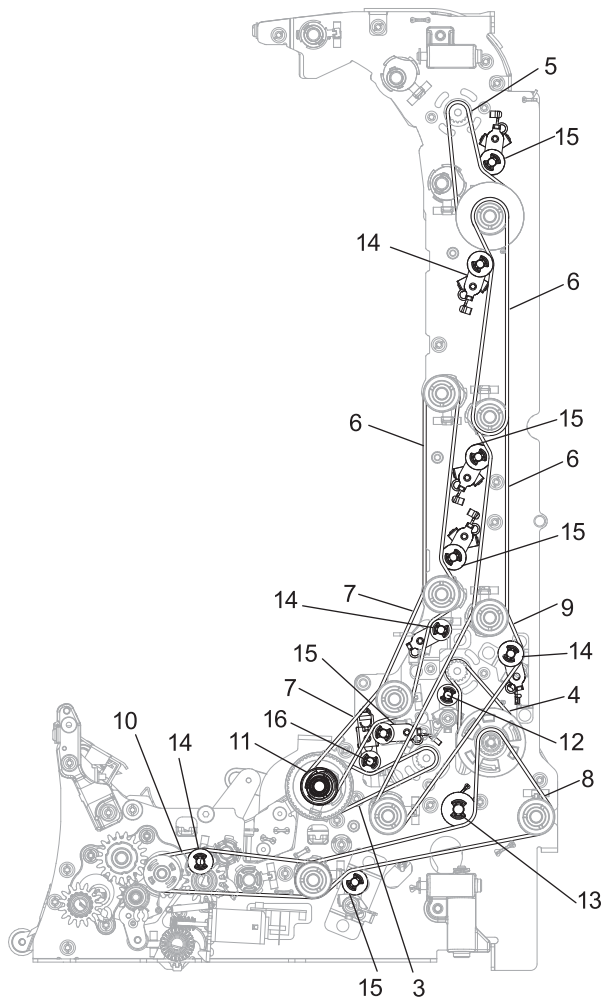
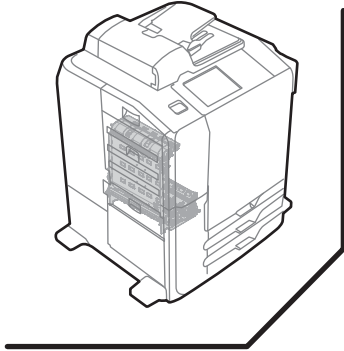


Table 4-82 IDO paper path rollers parts list (for Figure 4-94)

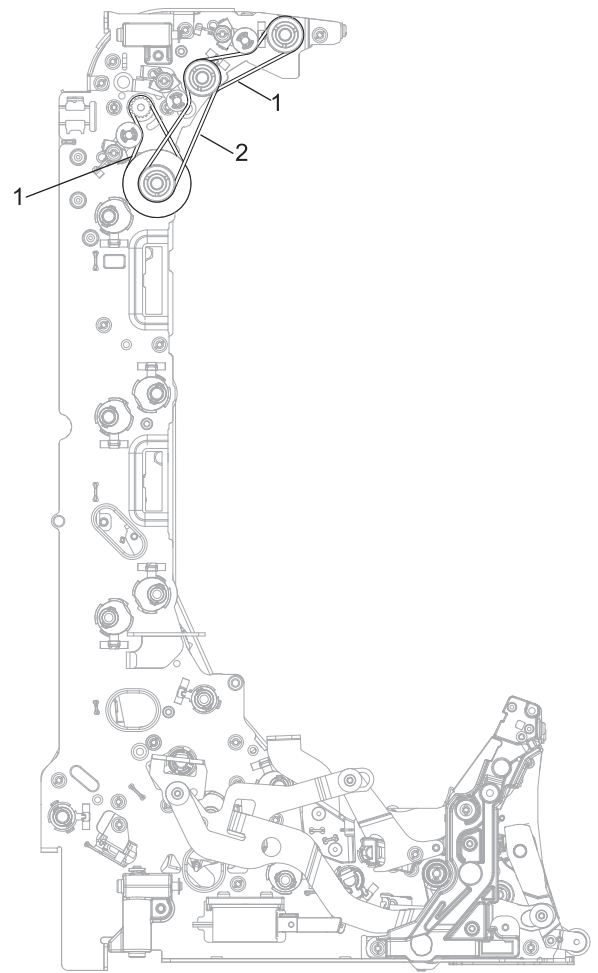
Ref	Description	Part number	Qty
1	Horizontal 1-2 drive roller assembly (SVC ASSY-DRV RLLR PULLEY 2-1 HORIZ TRNSP)	C5956-67285	1
2	Horizontal 2-3 drive roller assembly (SVC ASSY-DRV RLLR PULLEY 2-3 HORIZ TRNSP)	C5956-67286	1
3	IDO soft cluster drive roller assembly (SVC ASSY-DRV RLLR PULLEY IDO CLUSTR SOFT)	C5956-67327	1
4	Double pulley soft drive roller assembly (SVC ASSY-SOFT DRIVE ROLLER PULLEY DOUBLE)	C5956-67325	1
5	IDO double pulley drive roller assembly (SVC ASSY-DRIVE ROLLER PULLEY IDO DBL)	C5956-67287	1
6	IDO double pulley spacer drive roller assembly (SVC ASSY-DRV RLLR PULLEY IDO DBL SPCR)	C5956-67342	1
7	IDO triple pulley drive roller assembly (SVC ASSY-DRIVE ROLLER PULLEY IDO TRIPLE)	C5956-67639	1
8	IDO cluster drive roller assembly (SVC ASSY-DRIVE ROLLER PULLEY IDO CLUSTER)	C5956-67288	1
9	Triple pulley soft drive roller assembly (SVC ASSY-SOFT DRIVE ROLLER PULLEY TRIPLE)	C5956-67326	1
10	Output double pulley drive roller assembly (SVC ASSY-DRIVE ROLLER PULLEY OUTPUT DBL)]	C5956-67340	1
11	Vertical triple pulley drive roller assembly (SVC ASSY-DRV RLLR PULLEY VERTICAL TRIPLE)	C5956-67338	1

IDO drive belts parts diagram

Figure 4-95 IDO drive belts parts diagram



IDO-Spine Core Rear View



IDO-Spine Core Front View

Table 4-83 IDO drive belts parts list (for Figure 4-95)

Ref	Description	Part number	Qty
1	BELT-DRIVE, 71T, GT2, 2X4 (SVC KIT-BELTS, IDO)	C5956-67673	1
2	BELT-DRIVE, 81T, GT2, 2X4 (SVC KIT-BELTS, IDO)	C5956-67673	1
3	BELT-DRIVE, 87T, GT2, 2X4 (SVC-KIT-BELTS, IDO)	C5956-67673	1
4	BELT-DRIVE, 71T, GT2, 2X4 (SVC KIT-BELTS, IDO)	C5956-67673	1
5	Belt, 85T (C-BELT-GT2-2MM PITCH X 4MM, 85T)	C5956-67656	1
6	BELT-DRIVE, 121T, GT2, 2X4 (SVC KIT-BELTS, IDO)	C5956-67673	1
7	BELT-DRIVE, 81T, GT2, 2X4 (SVC KIT-BELTS, IDO)	C5956-67673	1
8	BELT, 162T (SVC-BELT-GT2-162T, 2MM PITCH X 4MM)	C5956-67221	1
9	BELT-DRIVE, 134T, GT2, 2X4 (SVC KIT-BELTS, IDO)	C5956-67673	1
10	BELT, 97T (SVC-BELT-DRIVE, 97T, GT2, 2X4)	C5956-67659	1
11	48T/20T reduction pulley (SVC ASSY-PULLEY, REDUCTION 48T/20T)	C5956-67364	1
12	Short flangeless tensioner (SVC ASSY-TENSIONER, SHORT, FLANGELESS)	C5956-67345	2
13	14 mm idler (SVC-PULLEY-IDLER-14MM)	C5956-67686	5
14	Mid flanged tensioner (SVC ASSY-TENSIONER, MID, FLANGED)	C5956-67346	4
15	Short flanged tensioner (SVC ASSY-TENSIONER, SHORT, FLANGED)	C5956-67344	5
16	Not available. Note that white idler wheel is the same as used in ref 12.	Not available	1

IDO diverter parts diagram

Figure 4-96 IDO diverter parts diagram

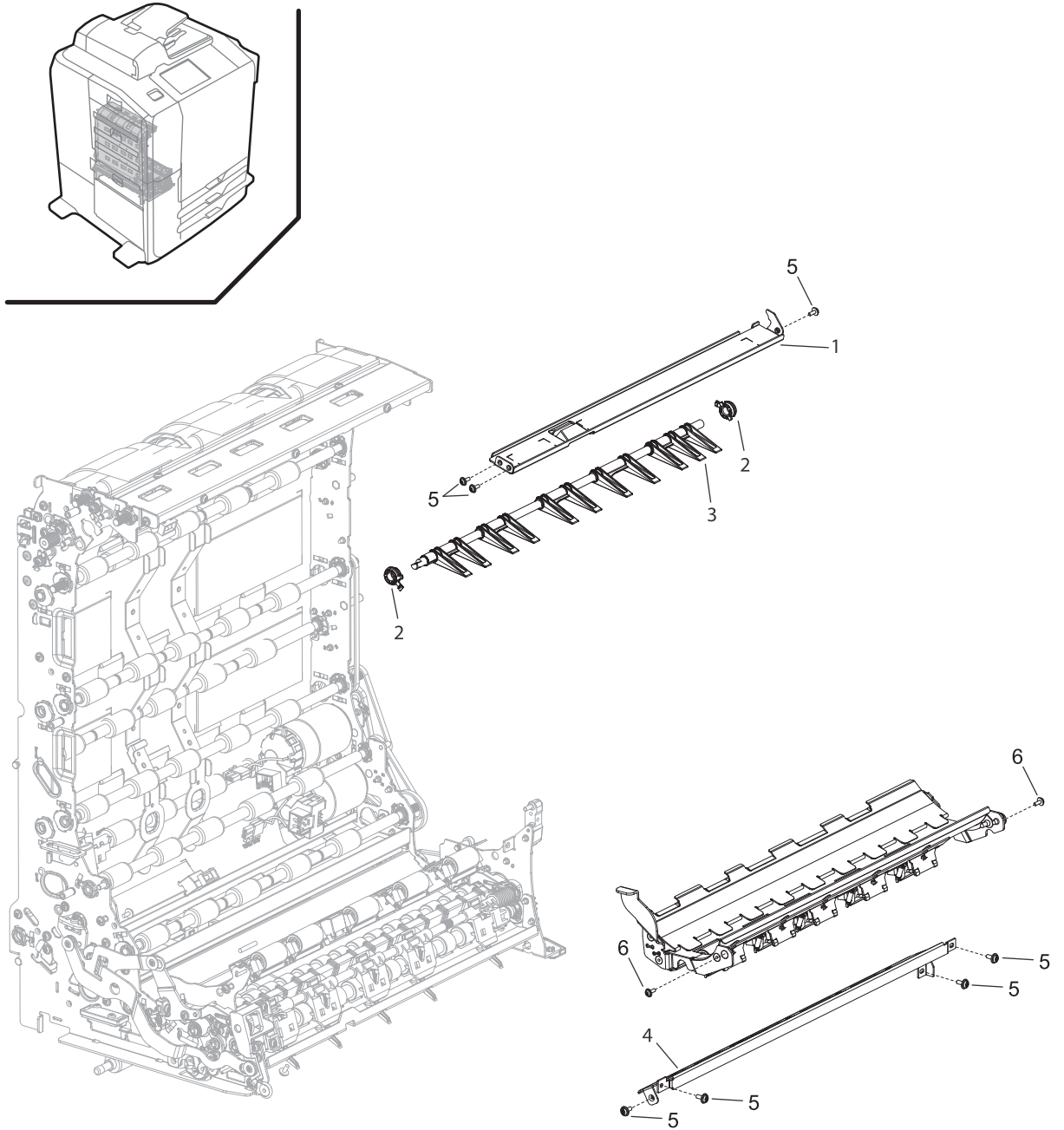


Table 4-84 IDO diverter parts list (for Figure 4-96)

Ref	Description	Part number	Qty
1	Diverter upper guide (SVC ASSY-GUIDE, DIVERTER UPPER)	C5956-67335	1
2	Diverter bushingless yoke (SVC-YOKE-BUSHINGLESS)	C5956-67231	1
3	Diverter SVC ASSY-DIVERTER OVERMOLDED)	C5956-67328	1
4	Input onramp guide (SVC-ASSY-GUIDE INPUT ONRAMP)	C5956-67452	1
5	Screw (SVC-SCREW-TPG M3X0.5 6MM-LG PAN HD ROHS)	C5956-67001	1 (Qty 20)
6	Screw (SVC KIT-FASTENER 2, assortment, SCREW-TPG M3 X 0.5 5MM-LG PAN-HD ROHS)	C5957-67054	1 (Qty 10)

IDO RM rear parts diagram

Figure 4-97 IDO RM rear parts diagram

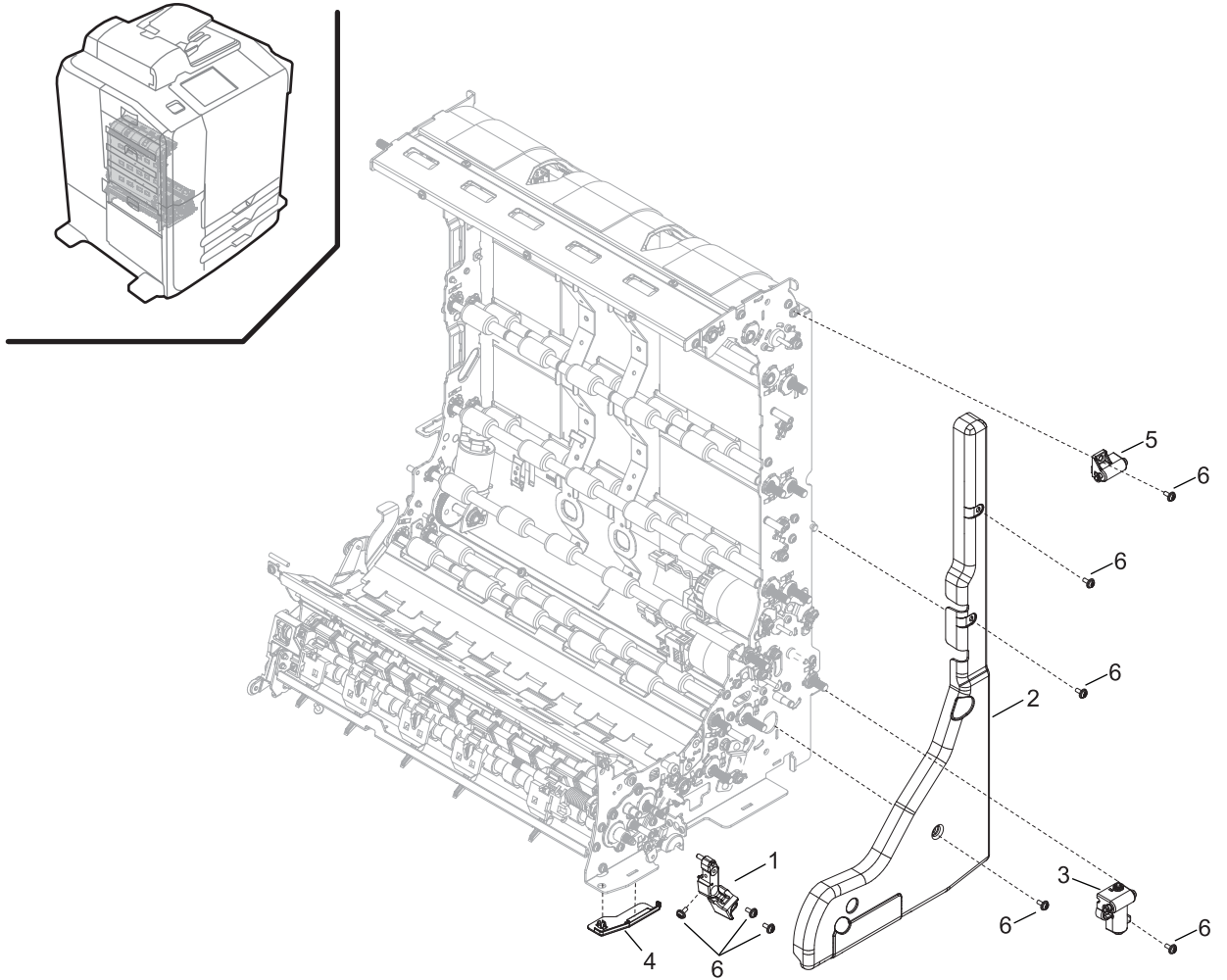


Table 4-85 IDO RM rear parts list (for Figure 4-97)

Ref	Description	Part number	Qty
1	IDO RM rear datum cover (SVC ASSY-DATUM REAR RM)]	C5956-67321	1
2	IDO RM rear transmission cover (SVC-COVER-TRANSMISSION REAR)	C5956-67223	1
3	IDO RM rear datum plunger (SVC ASSY-DATUM PLUNGER IDO LOWER REAR)	C5956-67457	1
4	IDO RM skid plate (SVC-SKID PLATE-FRAME REAR)	C5956-67816	1
5	Upper plunger datum (SVC ASSY-DATUM PLUNGER IDO UPPER)	C5956-67455	1
6	Screw (SVC-SCREW-TPG M3X0.5 6MM-LG PAN HD ROHS)	C5956-67001	1 (Qty 20)

IDO RM core sensors parts diagram

Figure 4-98 IDO RM core sensors parts diagram

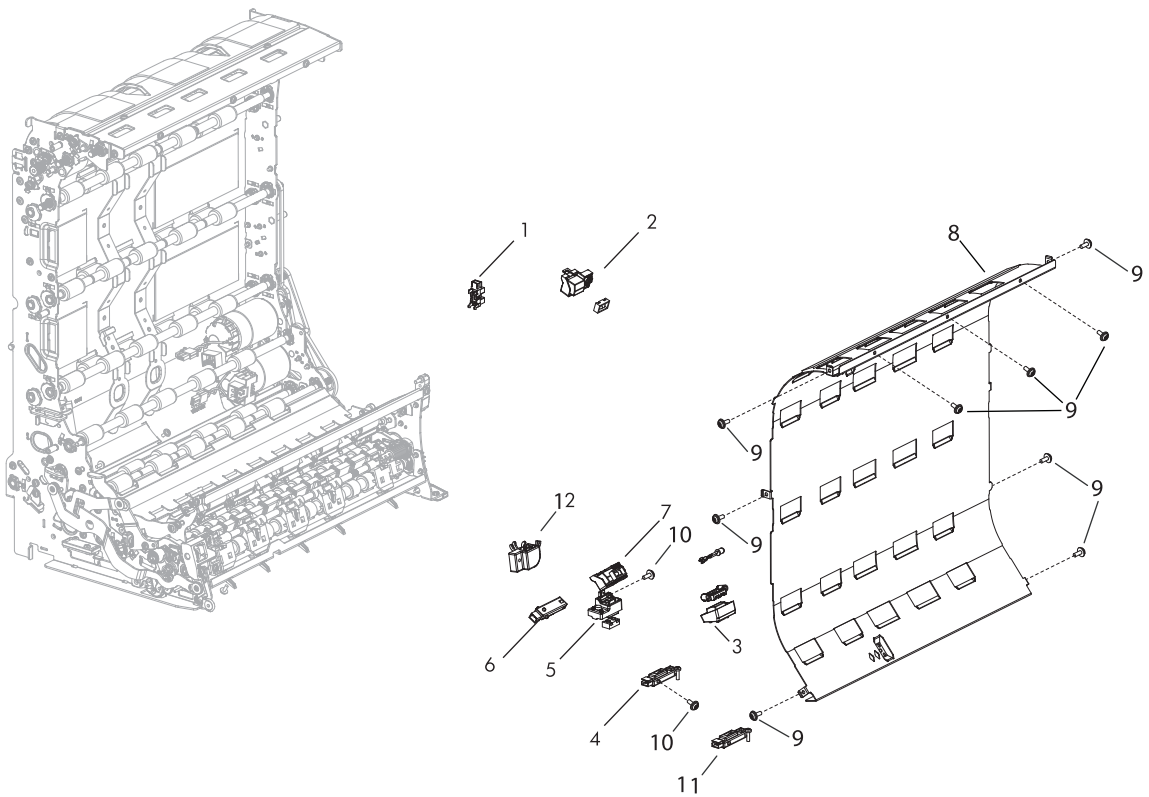
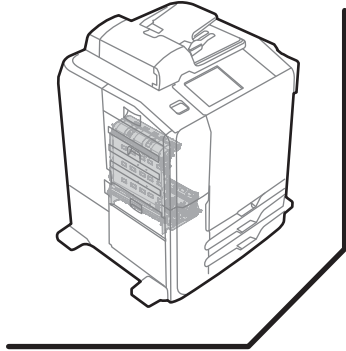


Table 4-86 IDO RM core sensors parts list (for Figure 4-98)

Ref	Description	Part number	Qty
1	Left-side Middle Panel sensor (SN13) (SVC-PHOTOINTERRUPTER IF=50MA-MAX ROHS)	C5956-67256	1
2	IDO Input Staging 2 sensor (SN10) (SVC ASSY-SENSOR ALEPH-ON 171-A8 W/SEAL)	C5956-67356	1
3	IDO Input Media sensor (SN8) (SVC ASSY-SENSOR ALEPH-ON 171-A8 W/SEAL)	C5956-67356	1
4	IDO Output 1 sensor (SN15) (SVC-OPTO SENSOR, LIGHT MODULATION IO=16M)	C5956-67088	1
5	IDO Duplex Staging sensor (SN11) (SVC ASSY-SENSOR ALEPH-ON 171-A8 W/SEAL)	C5956-67356	1
6	IDO Output 2 sensor (SN12) (SVC-OPTO SENSOR, LIGHT MODULATION IO=16M)	C5956-67088	1
7	IDO Input Staging 1 sensor (SN7) (SVC ASSY-SENSOR ALEPH-ON 171-A8 W/SEAL)	C5956-67356	1
8	Input outer guide (SVC ASSY-GUIDE INPUT OUTER)	C5956-67331	1
9	Screw (SVC-SCREW-TPG M3X0.5 6MM-LG PAN HD ROHS)	C5956-67001	1 (Qty 20)
10	Screw (SVC-SCREW-TPG 4-20X7.94MM 10IP ROHS)	C5956-67012	1 (Qty 20)
11	IDO Output Media sensor (SN9) (SVC-OPTO SENSOR, LIGHT MODULATION IO=16M)	C5956-67088	1
12	IDO Duplex Media sensor (SN16) (SVC-SENSOR, MEDIA PRESENCE) (Note: Sensor only. Reuse mounting bracket)	C5956-67255	1

IDO media eject assembly parts diagram

Figure 4-99 IDO media eject assembly parts diagram

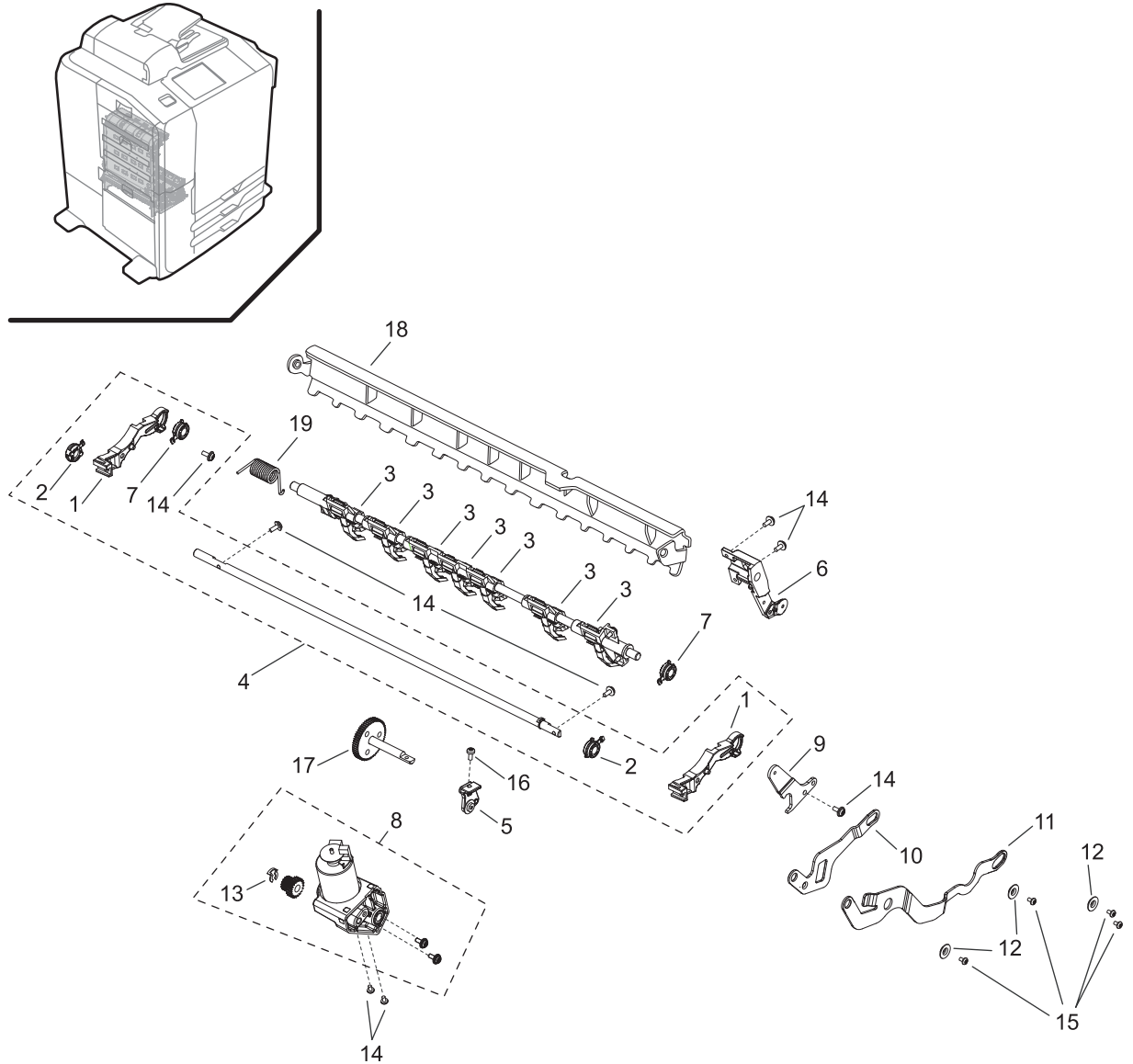


Table 4-87 IDO media eject assembly parts list (for Figure 4-99)

Ref	Description	Part number	Qty
1	Pivotshaft arm (SVC-ARM-PIVOTSHAFT-CATSCRATCHER)	C5956-67681	1
2	Bearing yoke, small (SVC ASSY-BEARING YOKE SMALL)	C5956-67330	1
3	Media eject paw, 7 claw (SVC KIT-MEDIA EJECT PAW, SEVENCLAWS). Note: Part number C5957-67129 (7 claw) replaces C5956-67280 (5 claw). C5957-67129 (7 claw) only compatible with C5957-67128 "Guide, 7 claw).	C5957-67129	1
4	Pivot shaft (SVC KIT-ARM, PIVOT SHAFT)	C5956-67469	1
5	Media eject drive arm (SVC-DRIVEARM-CATSCRATCHER)	C5956-67712	1
6	Follower cam arm (SVC-ASSY-ARM FOLLOWER CAM CATSCRATCHER)	C5956-67333	1
7	Yoke diverter (SVC-YOKE-DIVERTER)	C5956-67208	1
8	IDO Media Eject motor (M13)/(EN17) (SVC-ASSY-ENCODER, SS MOTOR)	C5956-67629	1
9	Pivotlink (SVC-PIVOTLINK-CATSCRATCHER)	C5956-67174	1
10	Draglink pivotlink (SVC-DRAGLINK-PIVOTLINK-CATSCRATCHER)	C5956-67173	1
11	Draglink follower arm (SVC-DRAGLINK-FOLLOWER-ARM-CATSCRATCHER)	C5956-67172	1
12	Linkbushing (SVC-LINKBUSHING-SHORT-CATSCRATCHER)	C5956-67095	1
13	Retainer ring clip (RETAINER-RING CIRCLIP 5MM-BSC DIA ROHS)	0510-1782	1
14	Screw (SVC-SCREW-TPG M3X0.5 6MM-LG PAN HD ROHS)	C5956-67001	1 (Qty 20)
15	Screw (SVC-SCR-TPG M2.5X0.45 4MM-LG PAN HD ROHS)	C5956-67010	1 (Qty 20)
16	Screw (SVC-SCREW-MACH M3X0.5 6MM-LG PAN HD ROHS)	C5956-67005	1 (Qty 20)
17	(SVC ASSY-D-SHAFT, NUGE, CATSCRATCHER)	C5957-67133	1
18	Guide, 7 claw (SVC-GUIDE, CATSCRATCHER-UPPER). Note: Part number C5957-67128 (7 claw) replaces C5957-67103 (5 claw). C5957-67128 (7 claw) only compatible with C5957-67129, "Media eject paw, 7 claw."	C5957-67128	1
19	Spring	Not available	1

IDO curler assembly parts diagram

Figure 4-100 IDO curler parts diagram

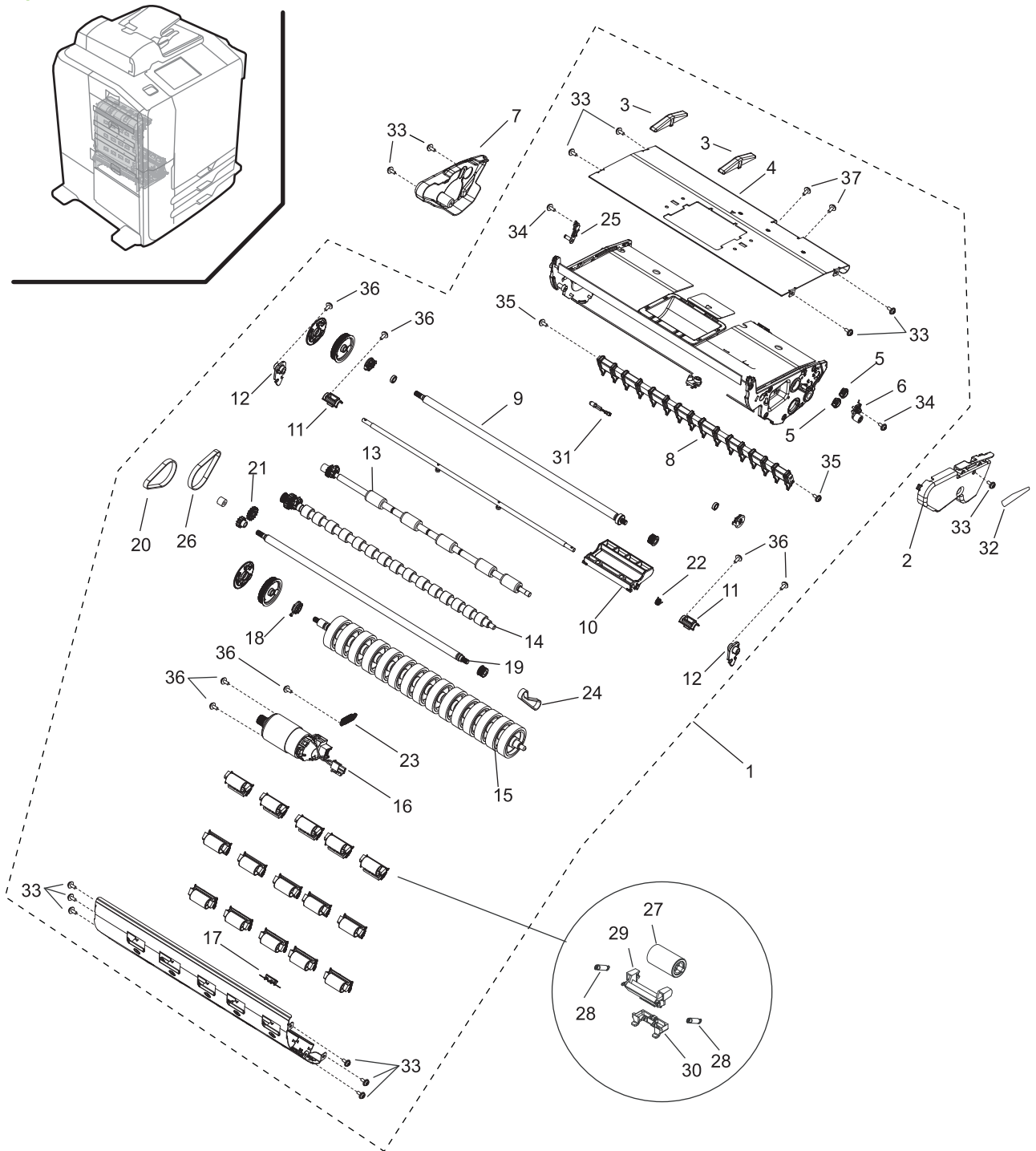


Table 4-88 IDO curler assembly parts list (for Figure 4-100)

Ref	Description	Part number	Qty
1	IDO curler assembly (SVC ASSY-CURLER)	C5957-67047	1
2	Curler front cover (SVC-COVER-CURLER TRANSMISSION FRONT)	C5956-67224	1
3	Curler ramp (SVC-RAMP-CURLER)	C5956-67239	1
4	Curler cover (SVC ASSY-CURLER COVER)	C5956-67334	1
5	Bearing yoke, small (SVC ASSY-BEARING YOKE SMALL)	C5956-67330	1
6	Tensioner (SVC ASSY-TENSIONER, SHORT, FLANGED)	C5956-67344	1
7	Curler rear cover (SVC-COVER-CURLER TRANSMISSION REAR)	C5956-67225	1
8	Decurler rail (SVC-RAIL-CURLER OVERMOLDED)	C5956-67303	1
9	Curler power shaft (SVC ASSY-SHAFT POWER CURLER)	C5956-67289	1
10	Curler handle (SVC-HANDLE-CURLER)	C5956-67093	1
11	Anchor handle (SVC-ANCHOR-HANDLE, CURLER)	C5956-67094	1
12	Curler latch (SVC-SPRING-LATCH CURLER)	C5956-67091	1
13	Driver roller shaft (SVC ASSY-DRIVE ROLLER GEAR ONRAMP)	C5956-67294	1
14	Medium roller (SVC ASSY-DRIVE ROLLER GEAR CURLER MEDIUM)	C5956-67292	1
15	Large roller (SVC ASSY-DRIVE ROLLER, CURLER LARGE)	C5956-67293	1
16	IDO Curler motor (M15) (SVC ASSY-MOTOR, CURLER-OUTPUT)	C5956-67744	1
17	Prism (SVC-MOUNT-PRISM ONRAMP)	C5956-67211	1
18	Bearing yoke, large (SVC ASSY-BEARING YOKE LARGE)	C5956-67329	1
19	Small shaft (SVC ASSY-DRIVE ROLLER CURLER SMALL)	C5957-67070	1
20	Belt (SVC-BELT-CURLER MOTOR, 77T, GT2 2X6)	C5956-67226	1
21	Gear (SVC-GEAR-IDLER, 15T, 24DP)	C5956-67243	1
22	Handle spring (SVC-SPRING-HANDLE, CURLER)	C5956-67092	1
23	Motor tensioner spring (SVC-SPRING-CURLER MOTOR TENSIONER)	C5956-67197	1
24	Belt (SVC-BELT-DRIVE, 71T, GT2, 2X6)	C5956-67230	1
25	Curler tensioner (SVC ASSY-TENSIONER, CURLER)	C5956-67348	1
26	GT2 belt (SVC-BELT-GT2 87TX6MM WIDE)	C5957-67082	1
27	Pinch roller (SVC-ROLLER PINCH)	C5956-67257	5
28	Pinch roller spring (SVC-SPRING-EXTENSION-PINCH ROLLER-SMALL)	C5956-67086	1 (Qty 20)
29	Pinch roller holder (SVC-HOLDER-PINCH ROLLER-SMALL)	C5956-67258	1 (Qty 5)
30	Pinch roller datum (SVC-DATUM-PINCH ROLLER-SMALL)	C5956-67087	1 (Qty 25)

Table 4-88 IDO curler assembly parts list (for Figure 4-100) (continued)

Ref	Description	Part number	Qty
31	IDO Curler LED (LED2) (SVC-LED, AMBER)	C5956-67070	5
32	Curler wire cover (SVC-COVER-WIRE EXTERIOR CURLER)	C5957-67087	1
33	Screw (SVC-SCREW-TPG M3X0.5 6MM-LG PAN HD ROHS)	C5956-67001	1 (Qty 20)
34	Screw (SVC-SCREW-TPG M3X0.5 10MM-LG PAN HD ROHS)	C5956-67002	1 (Qty 20)
35	Screw (SVC-SCR-MACH M3X0.5 10MM-LG PAN HD ROHS)	C5956-67004	1 (Qty 20)
36	Screw (SVC-SCREW-MACH M3X0.5 6MM-LG PAN HD ROHS)	C5956-67005	1 (Qty 20)
37	Screw (SVC-SCREW-TPG 4-20X7.94MM 10IP ROHS)	C5956-67012	1 (Qty 20)

IDO decurler internals assembly parts diagram

Figure 4-101 IDO decurler internals assembly parts diagram

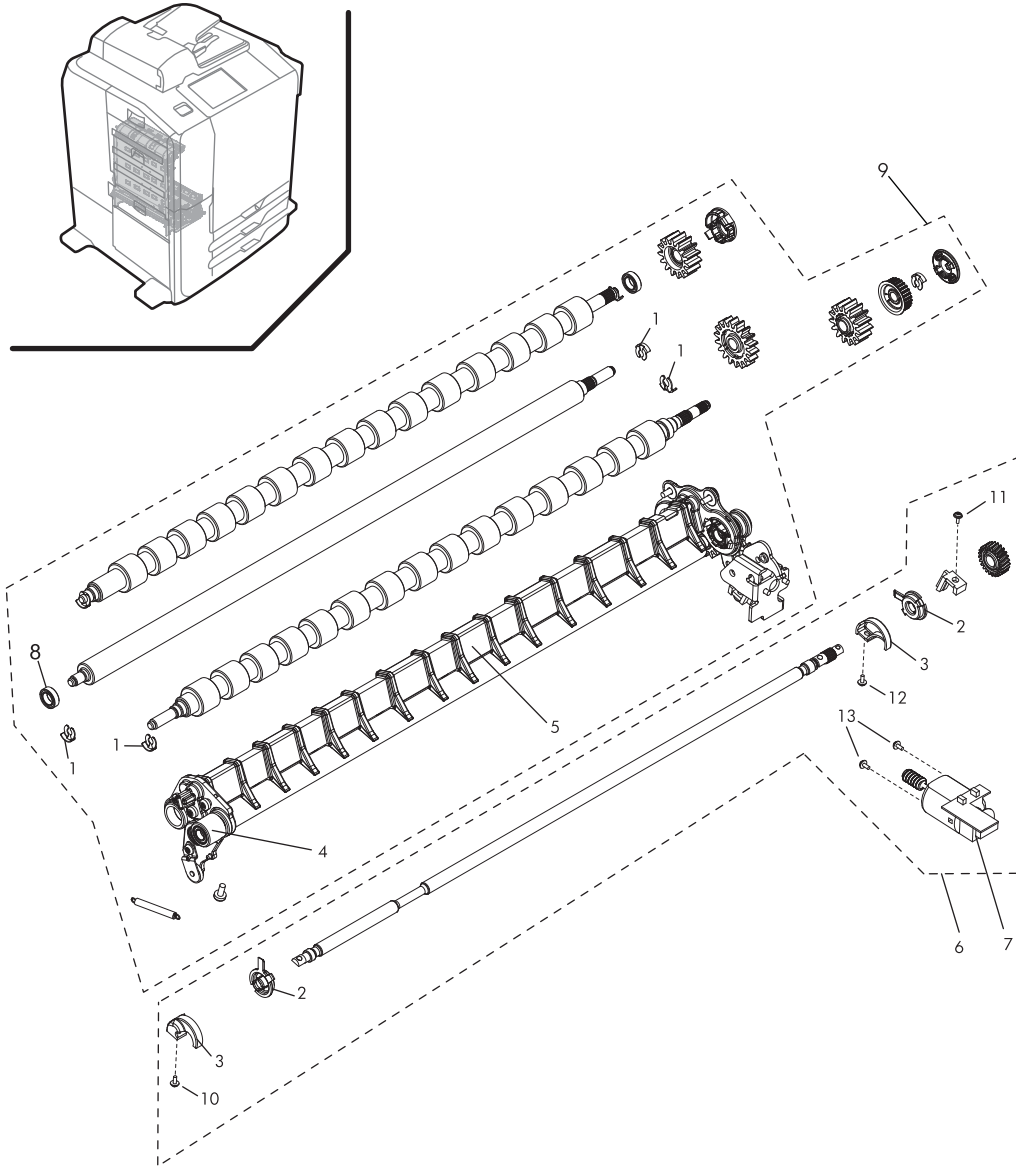


Table 4-89 IDO decurler internals assembly parts list (for Figure 4-101)

Ref	Description	Part number	Qty
1	Clip (SVC KIT-CLIPS, assortment)	C5956-67650	1
2	Decurler camshaft yoke (SVC-YOKE-CAMSHAFT, DECURLER)	C5956-67232	1
3	Decurler cam (SVC-CAM-FRONT-SPOKKA-DECURLER)	C5956-67238	1
4	Decurler swingarm (SVC ASSY-SWINGARM DECURLER FRONT)	C5956-67471	1
5	Curler rail overmold (SVC-RAIL-CURLER OVERMOLDED)	C5956-67303	1
6	Decurler camshaft assembly (SVC ASSY-CAMSHAFT, DECURLER)	C5957-67062	1
7	IDO Decurler motor (M17)/(EN16) (SVC ASSY-PPS MOTOR)	C5956-67691	1
8	Curler spacer (SVC-SPACER-DECURLER)	C5956-67685	1
9	IDO decurler assembly (SVC-ASSY-IDO DECURLER)	C5956-67625	1
10	Screw (SVC-SCREW-TPG M3X0.5 6MM-LG PAN HD ROHS)	C5956-67001	1 (Qty 20)
11	Screw (SVC-SCREW-MACH M3X0.5 6MM-LG PAN HD ROHS)	C5956-67005	1 (Qty 20)
12	Screw (SVC-SCR-TPG M2.5X0.45 4MM-LG PAN HD ROHS)	C5956-67010	1 (Qty 20)
13	Screw (SVC-SCR-TPG M2X0.4 4MM-LG PAN HD ROHS)	C5957-67137	1

IDO duplex door assembly parts diagram

Figure 4-102 IDO duplex door assembly parts diagram

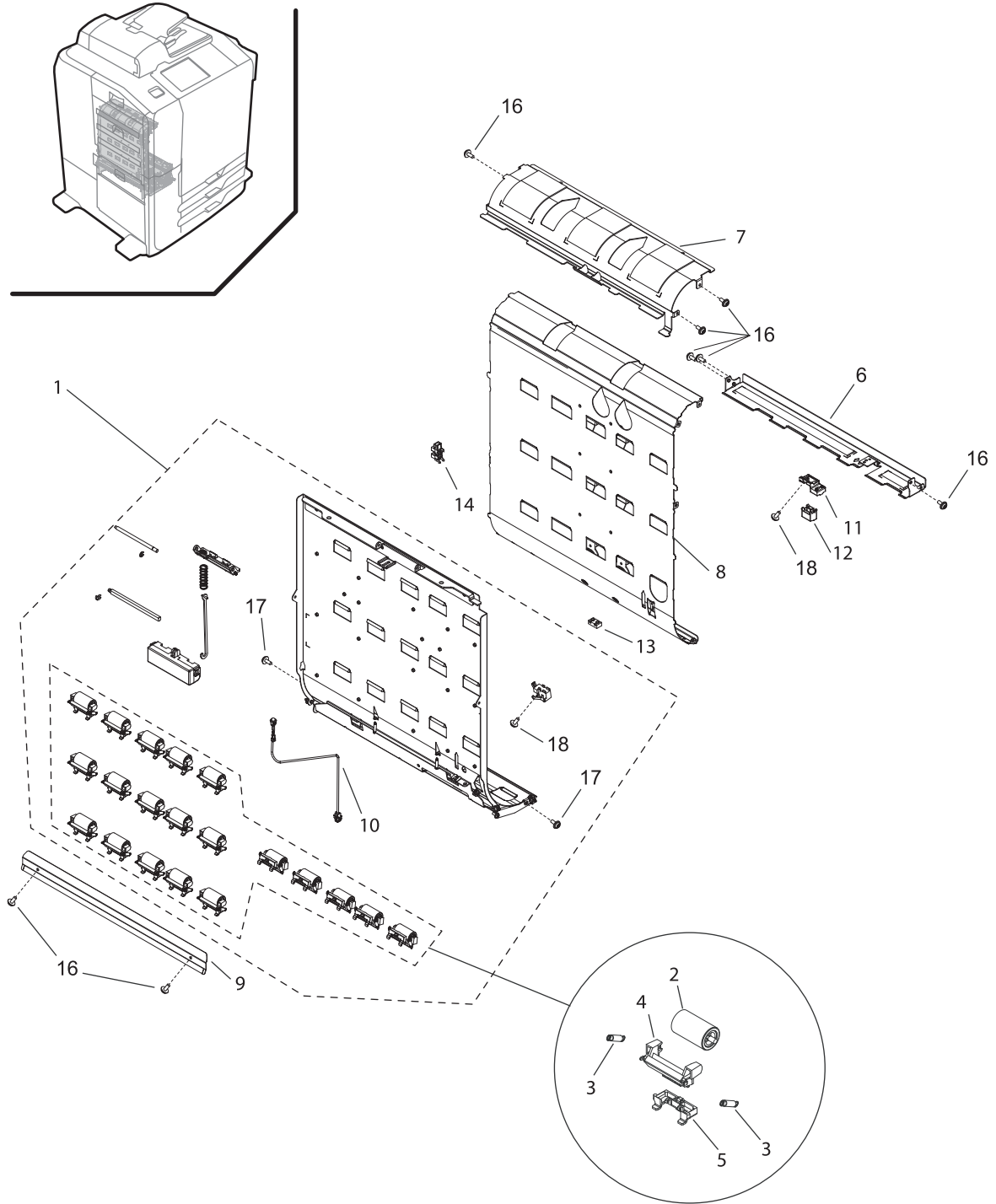


Table 4-90 IDO duplex door assembly parts list (for Figure 4-102)

Ref	Description	Part number	Qty
1	IDO duplex door assembly (SVC ASSY-DUPLEX DOOR)	C5957-67037	1
2	FEP pinch roller (SVC-PINCH ROLLER FEP) Bulk pack of 40,part number C5957-67183.	C5956-67319	1 (Qty 5)
3	Spring (SVC-SPRING-EXTENSION-PINCH ROLLER-SMALL)	C5956-67086	1 (Qty 20)
4	Roller holder (SVC-HOLDER-PINCH ROLLER-SMALL)	C5956-67258	1 (Qty 5)
5	Roller datum (SVC-DATUM-PINCH ROLLER-SMALL)	C5956-67087	1 (Qty 25)
6	IDO duplexer inner guide damper (SVC ASSY-GUIDE DUPLEX INNR SHORTY DAMPER)	C5956-67336	1
7	IDO duplexer outer upper guide (SVC ASSY-GUIDE DUPLEX OUTER UPPER)	C5956-67337	1
8	Inner duplex guide damper (SVC ASSY-GUIDE DUPLEX INNER DAMPER)	C5956-67729	1
9	Output ESD brush holder assembly (SVC-ASSY-ESD BRUSH HOLDER OUTPUT)	C5956-67362	1
10	Left-side Middle Panel LED (LED3) (SVC-LED, AMBER)	C5956-67070	5
11	Staging sensor mount (SVC-MOUNT-SENSOR STAGING)	C5956-67375	5
12	IDO Duplex Staging sensor (SN11) (SVC ASSY-SENSOR ALEPH-ON 171-A8 W/SEAL)	C5956-67356	5
13	Prism (SVC-PRISM; 15-MM BY 10-MM)	C5956-67090	1 (Qty 5)
14	Left-side Middle Panel sensor (SN13) (SVC ASSY-SENSOR ALEPH-ON 171-A8 W/SEAL)	C5956-67356	5
15	ESD shield (SVC-SHIELD-ESD DUPLEX SENSOR) Not shown on graphic.	C5956-67191	1
16	Screw (SVC-SCREW-TPG M3X0.5 6MM-LG PAN HD ROHS)	C5956-67001	1 (Qty 20)
17	Screw (SVC-SCREW-TPG M3X0.5 10MM-LG PAN HD ROHS)	C5956-67002	1 (Qty 20)
18	Screw (SVC-SCREW-TPG 4-20X7.94MM 10IP ROHS)	C5956-67012	1 (Qty 20)
19	IDO Duplex Media sensor (SN16) (SVC-SENSOR, MEDIA PRESENCE) (Note: Sensor only. Reuse mounting bracket)	C5956-67255	1

IDO outer guide pinch assembly parts diagram

Figure 4-103 IDO outer guide pinch assembly parts diagram

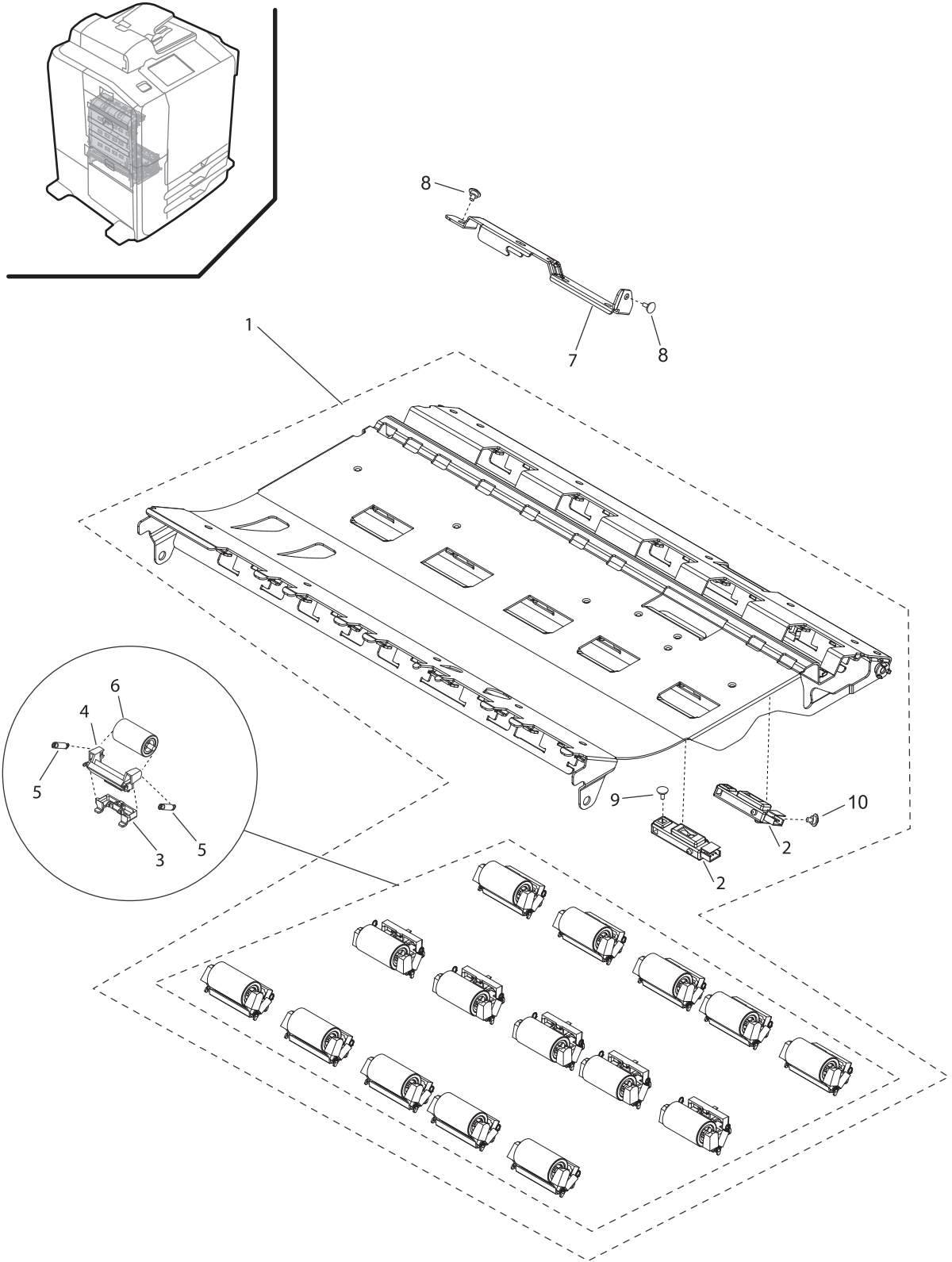


Table 4-91 IDO outer guide pinch assembly parts list (for Figure 4-103)

Ref	Description	Part number	Qty
1	Output pinch guide (SVC ASSY-GUIDE OUTPUT PINCH ROLLER)	C5956-67265	1
2	IDO Output Media sensor (SN9)/IDO Output 1 sensor (SN15) (SVC-OPTO SENSOR, LIGHT MODULATION IO=16M)	C5956-67088	1
3	Roller datum (SVC-DATUM-PINCH ROLLER-SMALL)	C5956-67087	1 (Qty 25)
4	Roller holder (SVC-HOLDER-PINCH ROLLER-SMALL)	C5956-67258	1 (Qty 5)
5	Spring (SVC-SPRING-EXTENSION-PINCH ROLLER-SMALL)	C5956-67086	1 (Qty 20)
6	Pinch roller (SVC-PINCH ROLLER FEP)	C5956-67319	1 (Qty 5)
7	Sensor bracket (SVC-BRACKET-SENSOR, OUTPUT 3)	C5956-67589	1
8	Screw (SVC-SCREW-TPG M3X0.5 6MM-LG PAN HD ROHS)	C5956-67001	1 (Qty 20)
9	Screw (SVC-SCREW-TPG M3X0.5 10MM-LG PAN HD ROHS)	C5956-67002	1 (Qty 20)
10	Screw (SVC KIT-FASTENER 2, assortment, SCR-MACH M3X0.516MM-LG T-10 PAN-HD ROHS)	C5957-67054	1 (Qty 10)

IDO outer lower guide assembly parts diagram

Figure 4-104 IDO outer lower guide assembly parts diagram

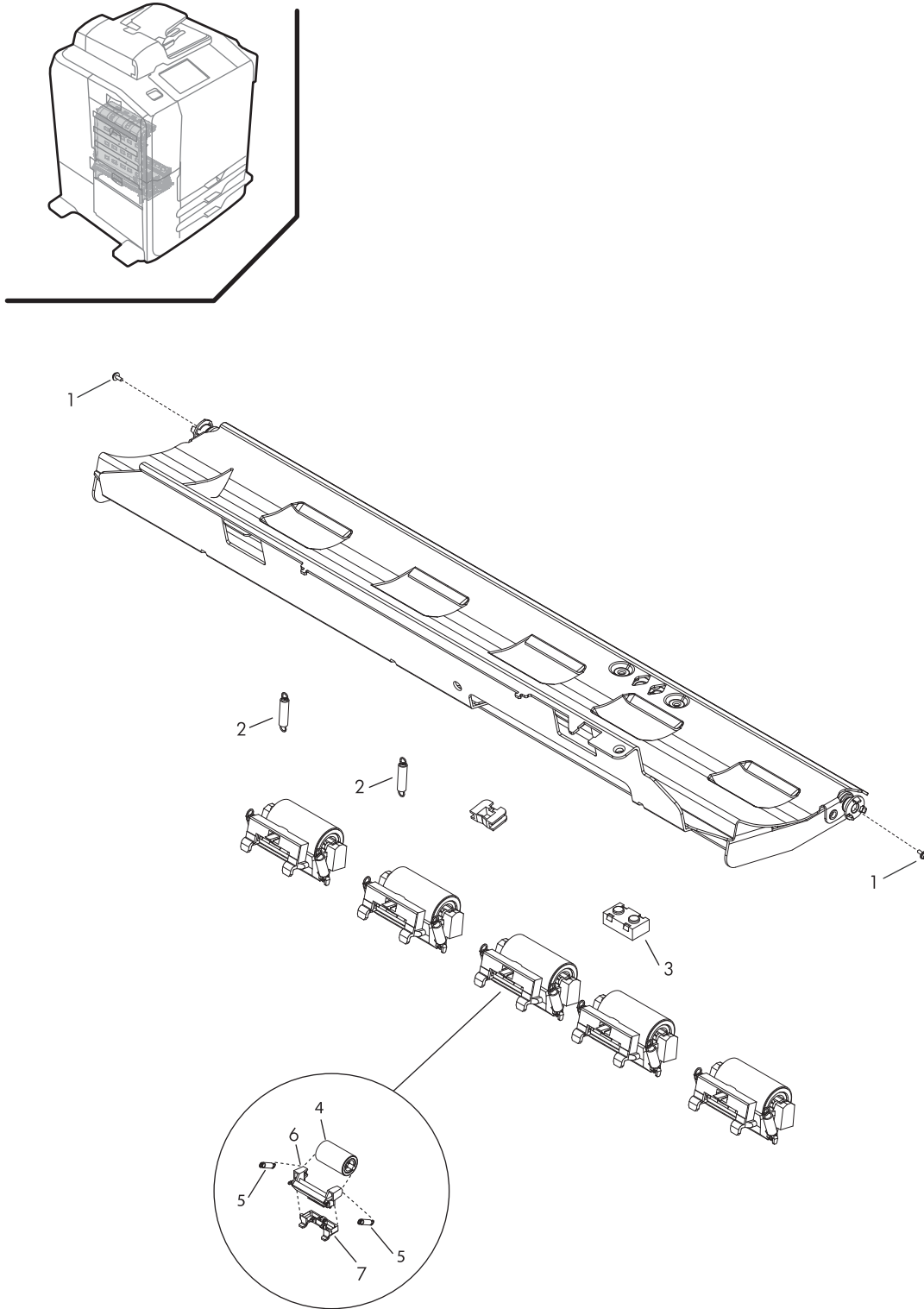


Table 4-92 IDO outer lower guide assembly parts list (for Figure 4-104)

Ref	Description	Part number	Qty
1	Screw (SVC KIT-FASTENER 2, assortment, SCREW-TPG M3 X 0.5 5MM-LG PAN-HD ROHS)	C5957-67054	1 (Qty 10)
2	Tension spring (SVC-SPRING-TENSION 3.2MMX15.9MM)	C5956-67194	1
3	Prism (SVC-PRISM; 15-MM BY 10-MM)	C5956-67090	1 (Qty 5)
4	Pinch roller (SVC-PINCH ROLLER FEP)	C5956-67319	1 (Qty 5)
5	Spring (SVC-SPRING-EXTENSION-PINCH ROLLER-SMALL)	C5956-67086	1 (Qty 20)
6	Roller holder (SVC-HOLDER-PINCH ROLLER-SMALL)	C5956-67258	1 (Qty 5)
7	Roller datum (SVC-DATUM-PINCH ROLLER-SMALL)	C5956-67087	1 (Qty 25)

IDO secret door assembly parts diagram

Figure 4-105 IDO secret door assembly parts diagram

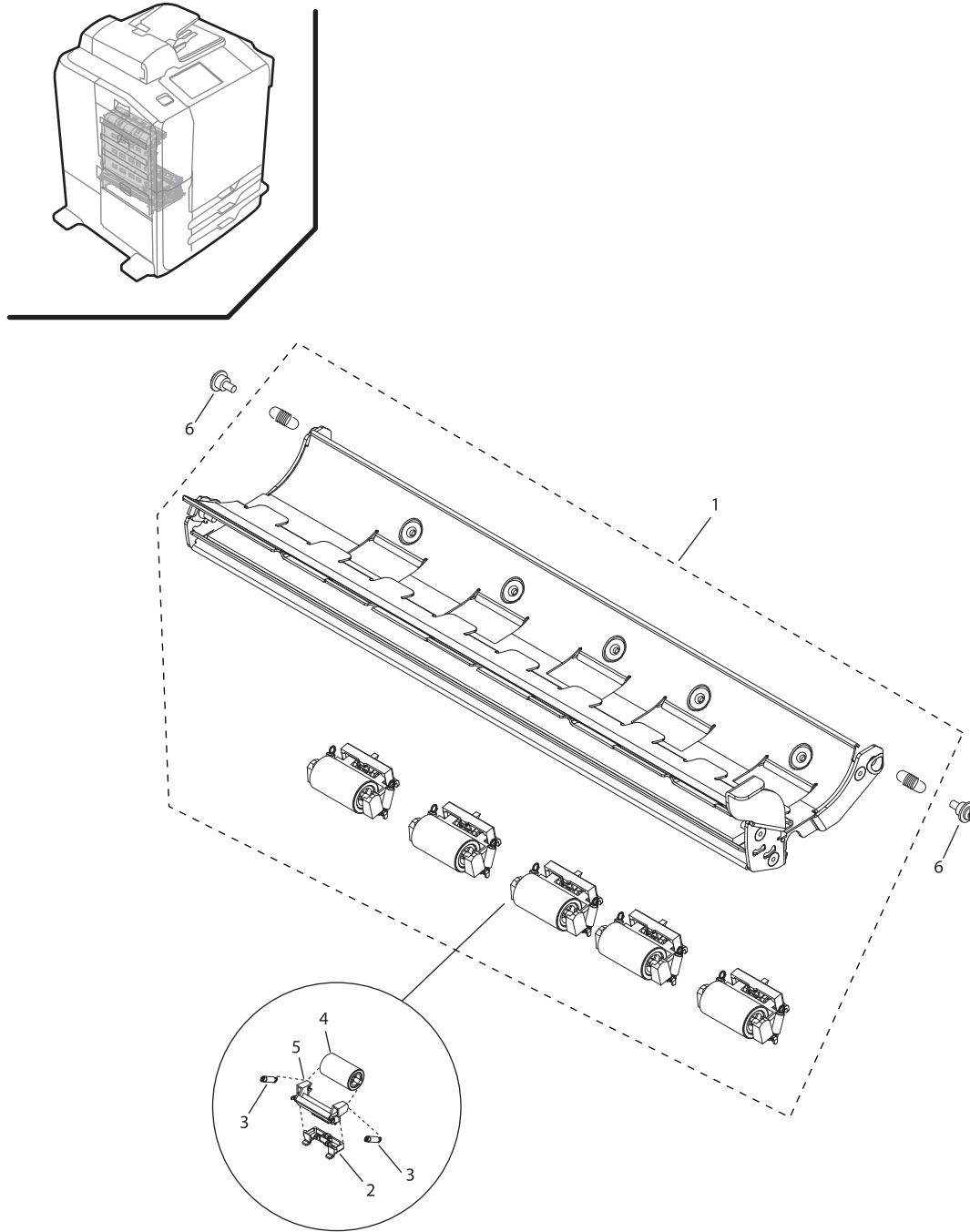


Table 4-93 IDO secret door assembly parts list (for Figure 4-105)

Ref	Description	Part number	Qty
1	IDO handle 2 (SVC ASSY-SECRET DOOR)	C5956-67279	1
2	Pinch roller datum (SVC-DATUM-PINCH ROLLER-SMALL)	C5956-67087	1 (Qty 25)
3	Pinch roller spring (SVC-SPRING-EXTENSION-PINCH ROLLER-SMALL)	C5956-67086	1 (Qty 20)
4	Pinch roller FEP (SVC-PINCH ROLLER FEP)	C5956-67319	1 (Qty 5)
5	Pinch roller holder (SVC-HOLDER-PINCH ROLLER-SMALL)	C5956-67258	1 (Qty 5)
6	Screw (SVC KIT-FASTENER 2, assortment, SCREW-TPG M3 X 0.5 5MM-LG PAN-HD ROHS)	C5957-67054	1 (Qty 10)

IDO PI assembly parts diagram

Figure 4-106 IDO PI assembly parts diagram

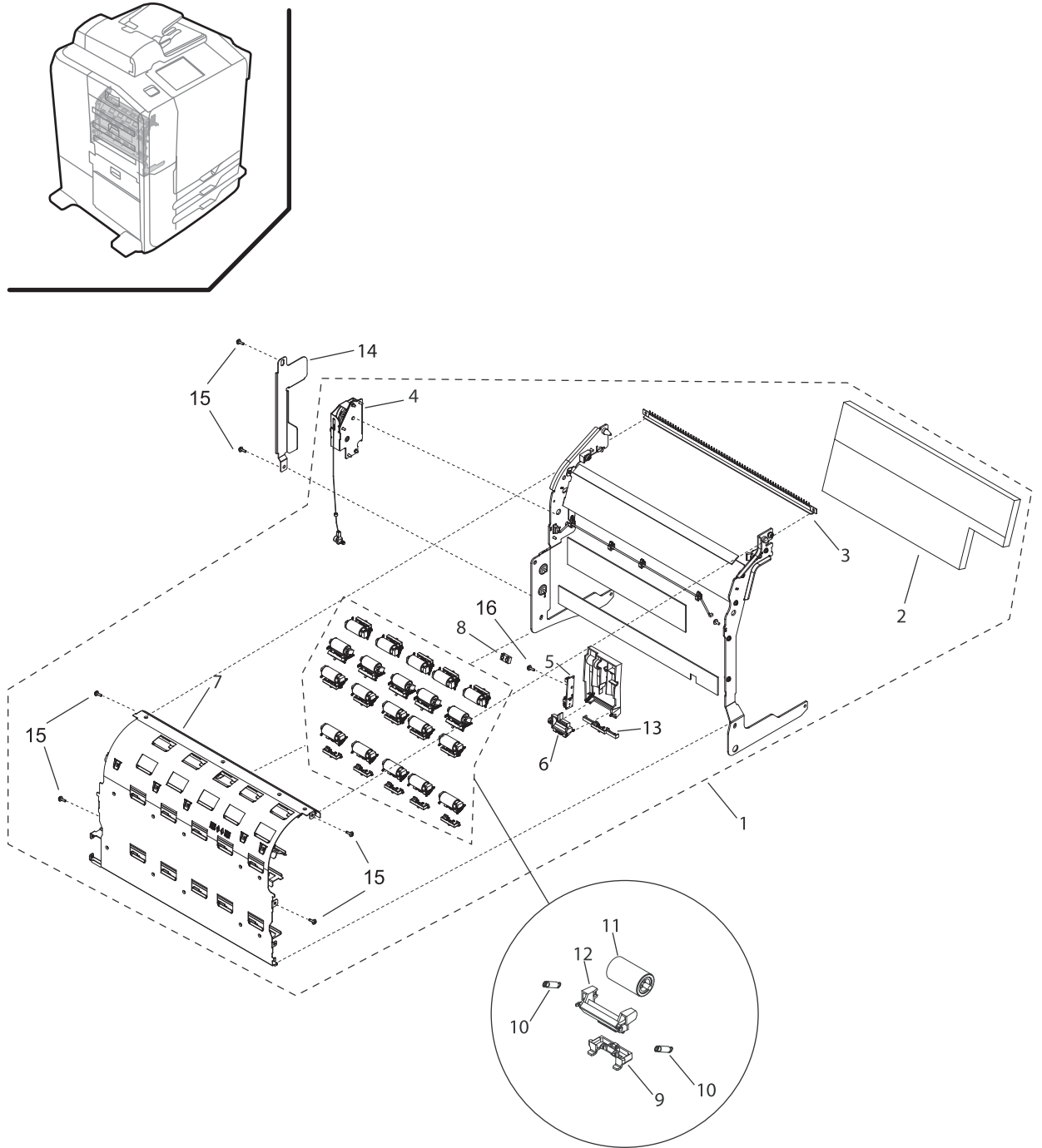


Table 4-94 IDO PI assembly parts list (for Figure 4-106)

Ref	Description	Part number	Qty
1	IDO printer interface assembly (SVC ASSY-IDO PI)	C5956-67616	1
2	IDO PI acoustic foam (SVC ASSY-ACOUSTIC FOAM PI)	C5956-67460	1
3	IDO PI ESD brush holder (SVC ASSY-ESD BRUSH HOLDER PI)	C5956-67465	1
4	IDO curler damper (SVC ASSY-CURLER DAMPER)	C5956-67641	1
5	IDO Media Thickness encoder (EN14) (SVC-PCA-ENCODER SENSOR 150LPI)	C5956-67620	1
6	Encoder roller (SVC-HOLDER, ROLLER THICKNESS) (includes encoder strip)	C5956-67125	1
7	IDO PI inner guide assembly (SVC ASSY-GUIDE-INPUT-INNER-PINCH-ROLLER)	C5956-67644	1
8	Prism (SVC-PRISM; 15-MM BY 10-MM)	C5956-67090	1 (Qty 5)
9	Pinch roller datum (SVC-DATUM-PINCH ROLLER-SMALL)	C5956-67087	1 (Qty 25)
10	Pinch roller spring (SVC-SPRING-EXTENSION-PINCH ROLLER-SMALL)	C5956-67086	1 (Qty 20)
11	Pinch roller (SVC-ROLLER-PINCH)	C5956-67257	5
12	Pinch roller holder (SVC-HOLDER-PINCH ROLLER-SMALL)	C5956-67258	1 (Qty 5)
13	Encoder datum- (SVC-DATUM-BLOCK THICKNESS SENSOR)	C5956-67124	1
14	IDO PI rear cover (SVC-COVER-PI REAR)	C5956-67442	1
15	Screw (SVC-SCREW-TPG M3X0.5 6MM-LG PAN HD ROHS)	C5956-67001	1 (Qty 20)
16	Screw (SVC-SCREW-TPG 4-20 0.427-IN-LG ROHS)	C5956-67018	1 (Qty 20)

IDO H-bar assembly parts diagram

Figure 4-107 IDO H-bar assembly parts diagram

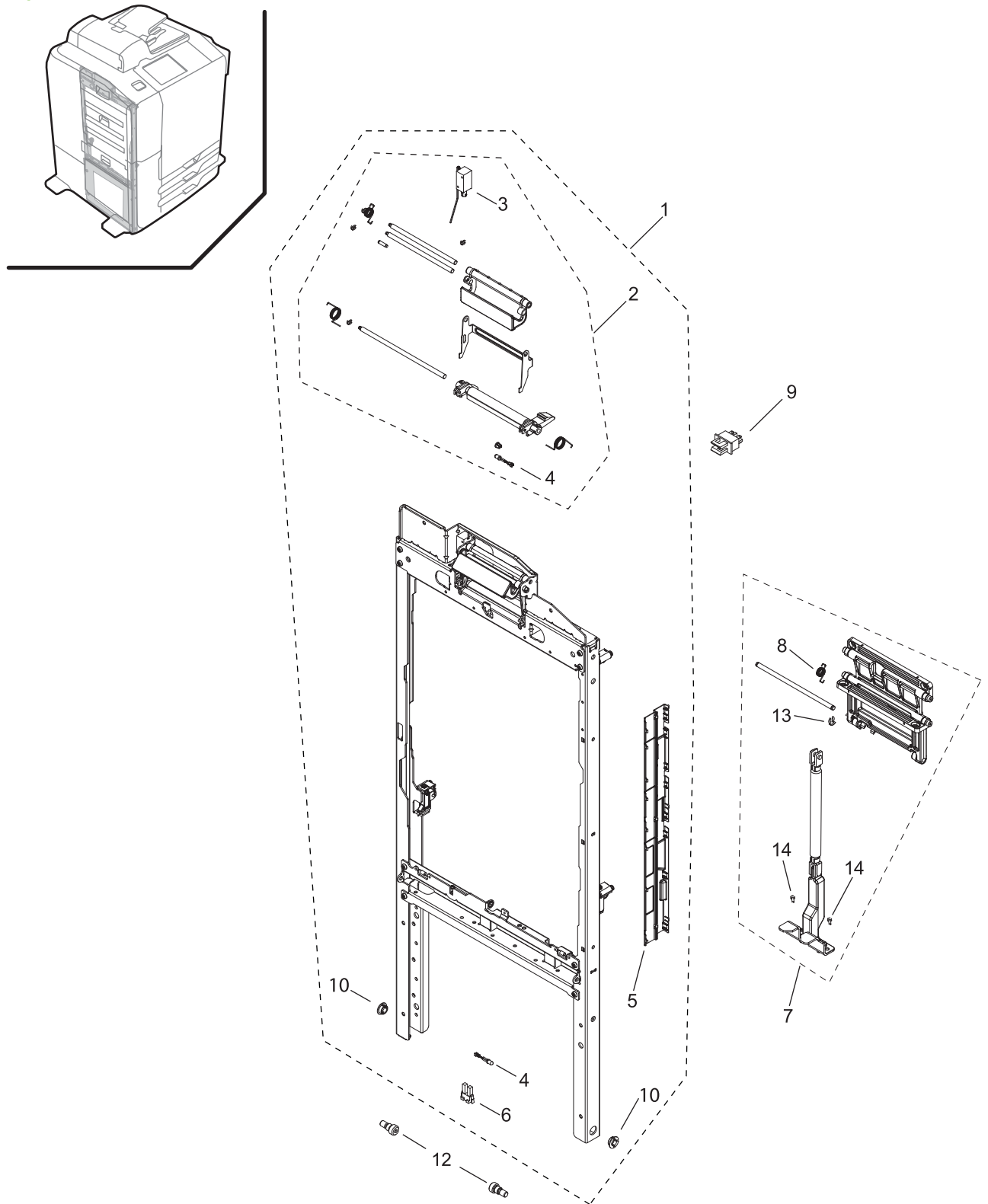


Table 4-95 IDO H-bar assembly parts list (for Figure 4-107)

Ref	Description	Part number	Qty
1	IDO H-bar assembly (SVC-H-BAR-IDO)	C5956-67624	1
2	IDO H-bar latch assembly (SVC ASSY-LATCH HBAR)	C5956-67300	1
3	IDO Interlock solenoid (SOL3) (SVC ASSY-SOLENOID, HBAR, LATCH)	C5956-67367	1
4	Left-side Upper Panel LED (LED5) and Output Bin LED (LED14) (SVC-HOLDER-LED)	C5956-67376	1
5	IDO H-bar wire cover (SVC-WIRE COVER-HBAR)	C5956-67378	1
6	Left-side Lower Panel sensor (SN14) (SVC-SENSOR-TRANSPARENCY)	C5956-67693	1
7	IDO H-bar damper assembly (SVC ASSY-DAMPER, HBAR)	C5956-67642	1
8	IDO H-bar damper spring (SVC-DAMPER-HBAR)	C5956-67692	1
9	Left-side Upper Panel switch (SW8) (SVC ASSY-SWITCH INTERLOCK)	C5956-67377	1
10	H-bar bushing (SVC-BUSHING-HBAR, IDO)	C5956-67210	1
11	Wire sleeve (SVC-SLEEVING-WIRE, HELICAL, 1/2OD) (Not shown in diagram)	C5956-67750	1
12	Screw (SVC KIT-FASTENER 2, assortment, SCREW-MACH M8X1.25 20MM-LG HEX-HD ROHS)	C5957-67054	1 (Qty 10)
13	Clip (SVC KIT-CLIPS, assortment)	C5956-67650	1
14	SCREW SKT-HD CAP M6X1.0 14MM-LG ROHS	C5956-67739	1 (Qty 2)

Cables

Description	Service part number	Manufacturer number	Connectors	
SVC ASSY-CABLE, MOTORS IDO	C5956-67831	C5956-60142	W19P10-M10	
			W19P11-M11	
			W19P12-M12	
			W19P13-M13	
			W19P8-M8	
			W19P2-SOL2	
			W86J1-W19P1	
			W19P17-M17	
			W19P11-W43J11	
SVC ASSY-CABLE, PI SENSORS	C5956-67632	C5956-60562	W50P8-SN8	
			W50P10-W32J10	
SVC KIT-CURLER, STRAP-GROUND, IDO	C5956-67665	C5956-60897	N/A	
		C5956-60900		
		C5956-60898		
SVC ASSY-CABLE, LED, IDO	C5956-67361	C5956-60979	W104P2-LED3	
			W104J1-W45P1	
SVC-GND WIRE-DUPLEX DOORS+OUTPUT GUIDE	C5956-67353	C5956-60910	N/A	
SVC KIT-HBAR HARNESS	C5956-67737	C5956-60779	W96P5-W16J1	
			C5956-60780	W96J14-SN14
			C5956-60781	W96J4-LED14
				W96P6-W45J6
				W96P17-SN17
				W96J5-LED5
				W97P1-W17J1
				W97P7-W44J7
				W98P1-W43J1
				W98P11-W19J11
	W98P3-SOL3			
SVC-JUMPER, SOB SENSOR CABLE	C5957-67078	C5957-67074	N/A	

Description	Service part number	Manufacturer number	Connectors
ASSY-CABLE W44	Part of IDO assembly C5956-67615	C5956-61371 (Replaces C5956-61265)	W44J7-W97P7
			W44P10-SN10
			W44P9-EN9
			W44P6-EN7
			W44P16-SN16
			W44P2-SN7
			W44P11-SN11
			W44P17-EN17/M13
			W44J13
			W44P4-EN4
			W44P5-EN5
SVC-CABLE, OUTPUT DOOR	C5957-67199	C5956-60637	W88P3-W45J3
			W88P9-SN9
			W88P15-SN15

IDS parts diagrams

- [IDS main assembly parts diagram](#)
- [IDS APS assembly parts diagram](#)
- [IDS ISS assembly parts diagram](#)

IDS main assembly parts diagram

Figure 4-108 IDS main assembly parts diagram

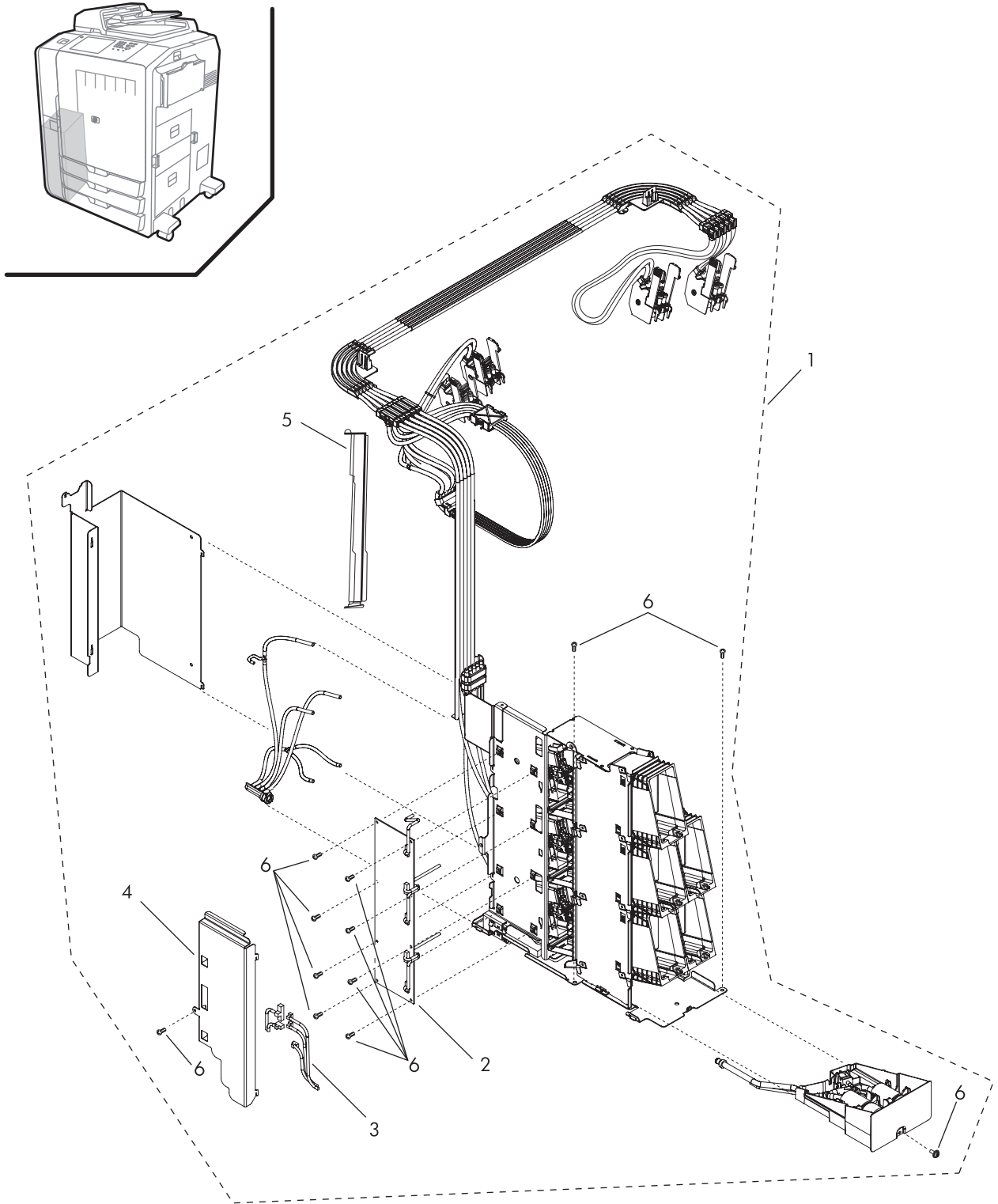


Table 4-96 IDS main assembly parts list (for Figure 4-108)

Ref	Description	Part number	Qty
1	IDS assembly (SVC ASSY-IDS). Note: Part number C5957-67195 replaces older assemblies C5957-67192 and C5956-69237.	C5957-67195	1
2	ISS PCA (SVC-PCA-INK SUPPLY STATION (ISS) PCA)	C5956-67107	1
3	ISS connector (SVC ASSY-ISS CONNECTOR)	C5956-67690	1
4	ISS PCA cover (SVC-COVER-ISS PCA)	C5956-67788	1
5	Lower bracket (SVC-BRACKET-RIDS LOWER)	C5956-67171	1
6	Screw (SCREW-TPG M3X0.5 6MM-LG PAN HD ROHS)	C5956-67001	1 (Qty 20)

IDS APS assembly parts diagram

Figure 4-109 IDS APS assembly parts diagram

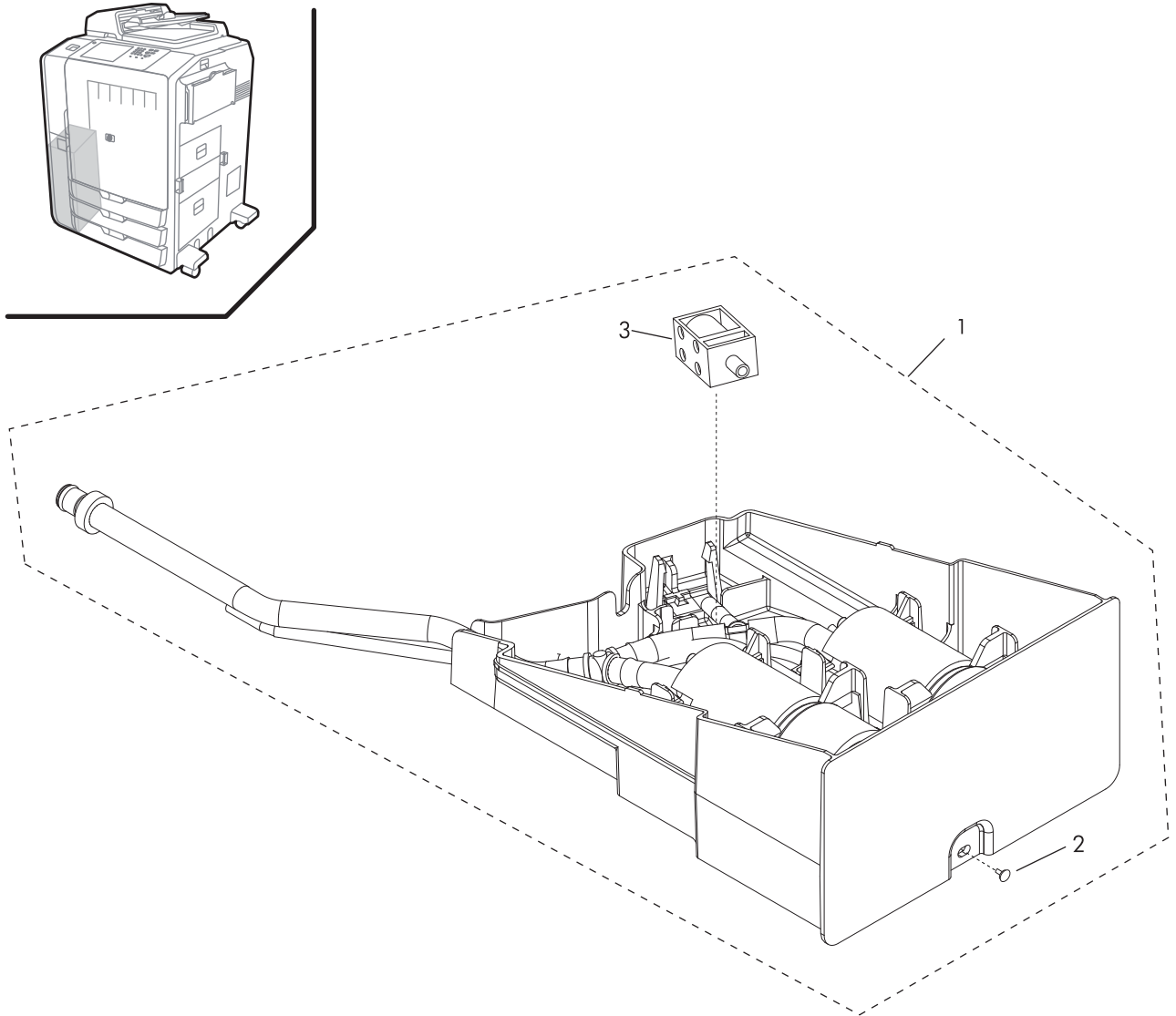


Table 4-97 IDS APS assembly parts list (for Figure 4-109)

Ref	Description	Part number	Qty
1	APS assembly (PMP1) (SVC ASSY-APS W/NEW VALVE)	C5957-67189	1
2	Screw (SCREW-TPG M3X0.5 6MM-LG PAN HD ROHS)	C5956-67001	1 (Qty 20)
3	APS relief valve (SOL5) (SVC-ASSY-RELIEF VALVE)	C5957-67186	1

IDS ISS assembly parts diagram

Figure 4-110 IDS ISS assembly parts diagram

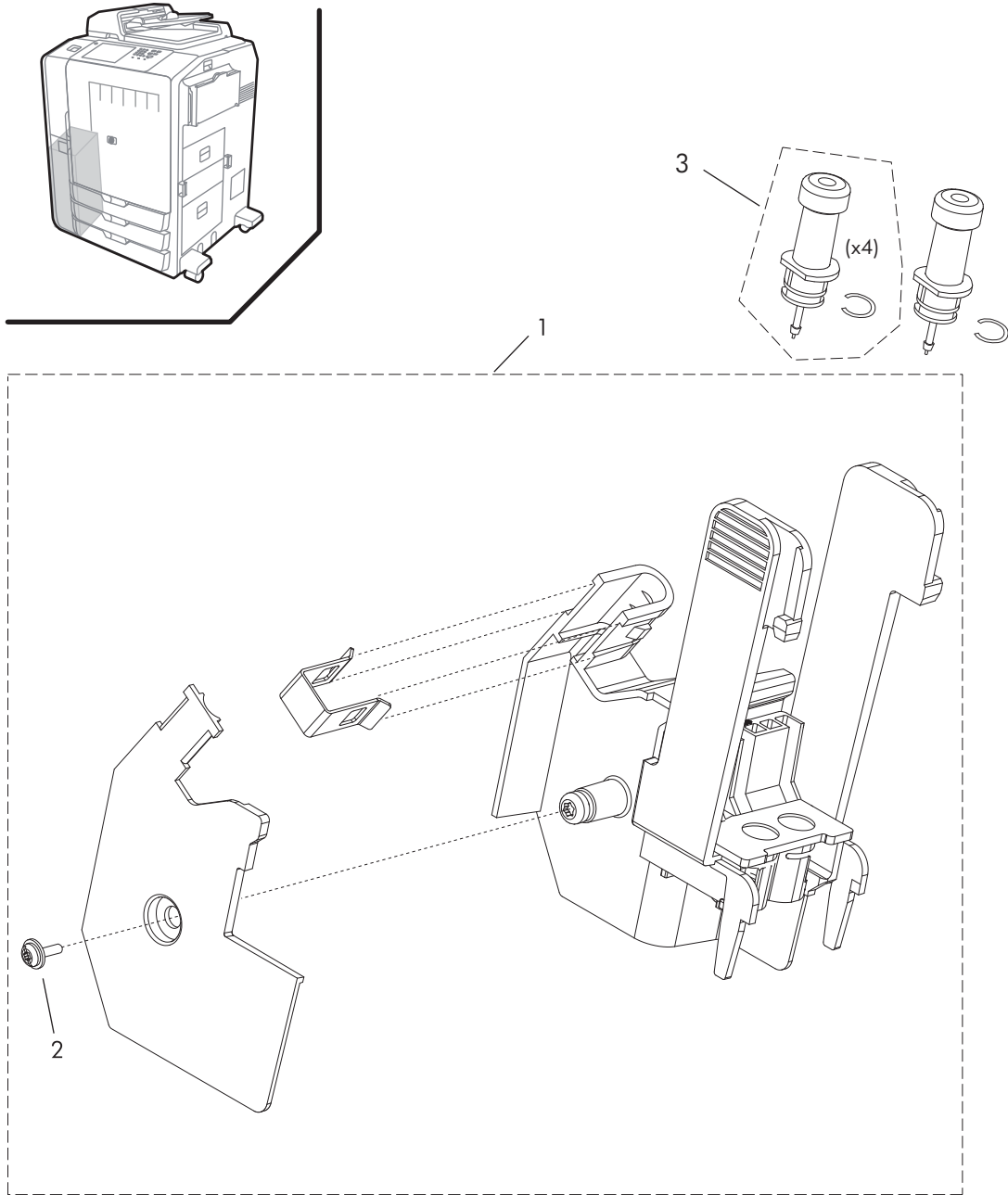


Table 4-98 IDS ISS assembly parts list (for Figure 4-110)

Ref	Description	Part number	Qty
1	IDS cradle assembly (SVC-KIT, CRADLE)	C5956-67372	1
2	Screw (SCREW-TPG 4-20X7.94MM 10IP ROHS)	C5956-67012	1 (Qty 20)
3	IDS valve (SVC KIT-CRACKED VALVE HOUSING). Note: Each kit contains four valves and four C-clips.	C5957-67197	2

Electronics parts diagrams

- [Ink catch pan parts diagram](#)
- [Electronics Bay Cooling fan \(FAN4\) assembly parts diagram](#)
- [Carriage PSU PCA \(A7\) assembly parts diagram](#)
- [Main Engine PCA \(A5\) assembly parts diagram](#)
- [Motion PCA \(A2\) assembly parts diagram](#)
- [Power supply parts diagram](#)
- [CPSU Cooling fan \(FAN3\) parts diagram](#)
- [Power distribution PCA parts diagram](#)
- [Image Processing PCA \(A6\) parts diagram](#)
- [PSU recirculation duct parts diagram](#)
- [Ink Assist PCA \(A3\) assembly parts diagram](#)
- [Cables](#)

Ink catch pan parts diagram

Figure 4-111 Ink catch pan parts diagram

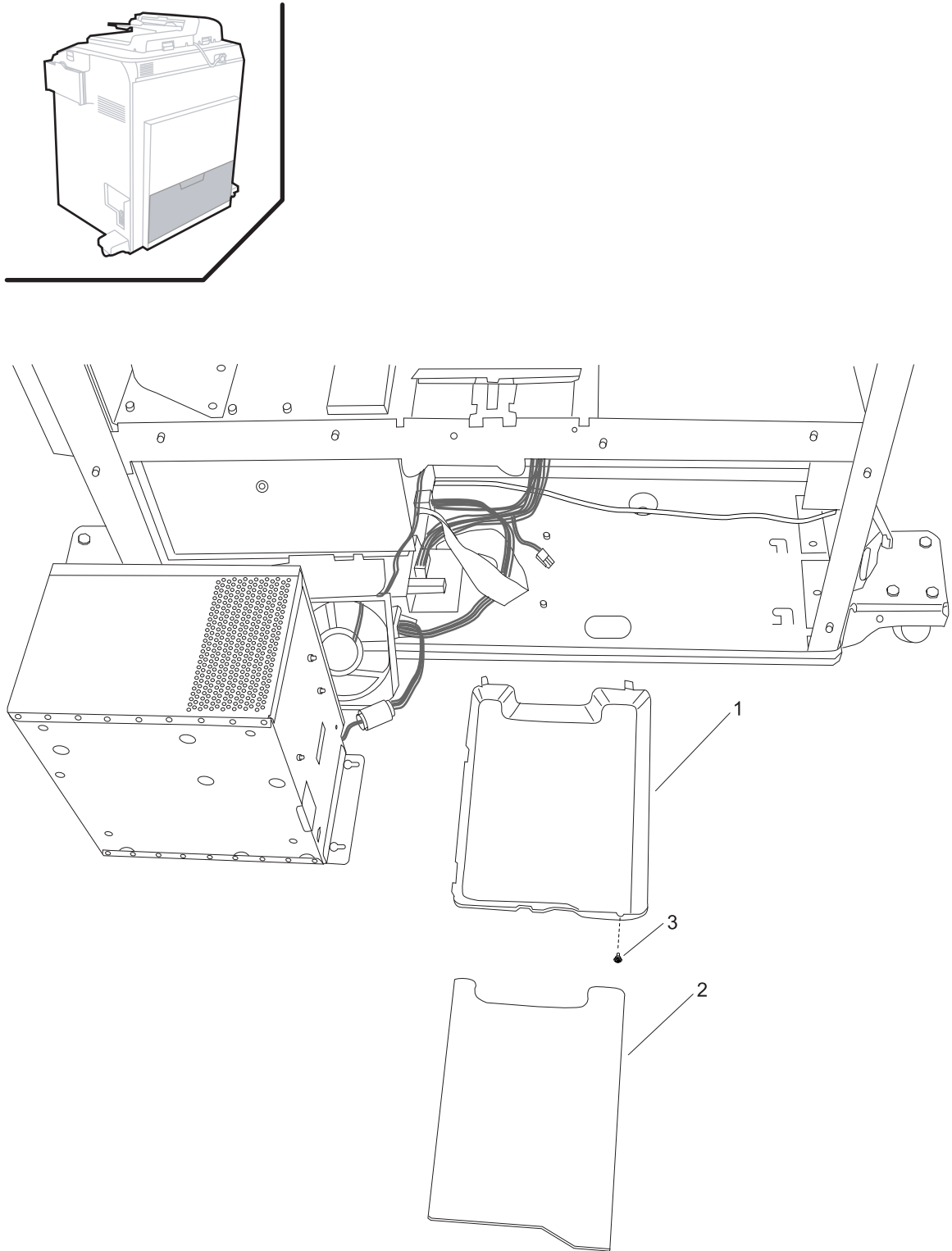


Table 4-99 Ink catch pan parts list (for Figure 4-111)

Ref	Description	Part number	Qty
1	Ink catch pan (SVC-PAN-INK CATCH)	C5956-67182	1
2	Ink catch pan absorber (SVC-ABSORBER-INK CATCH PAN)	C5956-67082	1
3	Screw (SVC-SCREW-MACH M4X0.7 8MM-LG PAN HD ROHS)	C5956-67006	1 (Qty 20)

Electronics Bay Cooling fan (FAN4) assembly parts diagram

Figure 4-112 Electronics Bay Cooling fan (FAN4) assembly parts diagram

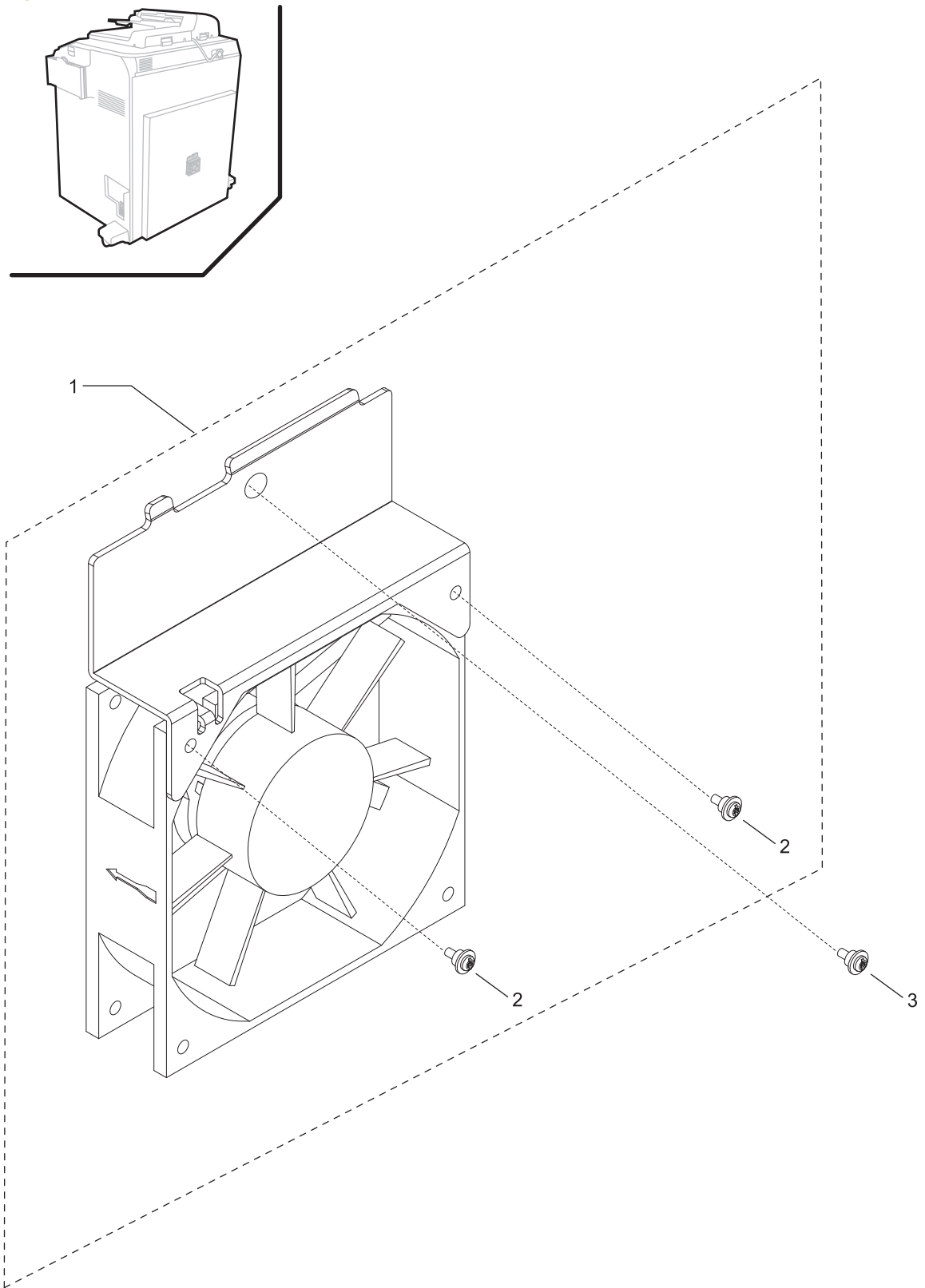


Table 4-100 Electronics Bay Cooling fan (FAN4) assembly parts list (for Figure 4-112)

Ref	Description	Part number	Qty
1	Electronics Bay Cooling fan (FAN4) (SVC ASSY-CENTRAL FAN)	C5956-67278	1
2	Screw (SVC-SCR-MACH M3X0.5 10MM-LG PAN HD ROHS)	C5956-67004	1 (Qty 20)
3	Screw (SVC-SCREW-MACH M4X0.7 8MM-LG PAN HD ROHS)	C5956-67006	1 (Qty 20)

Carriage PSU PCA (A7) assembly parts diagram

Figure 4-113 Carriage PSU PCA (A7) assembly parts diagram

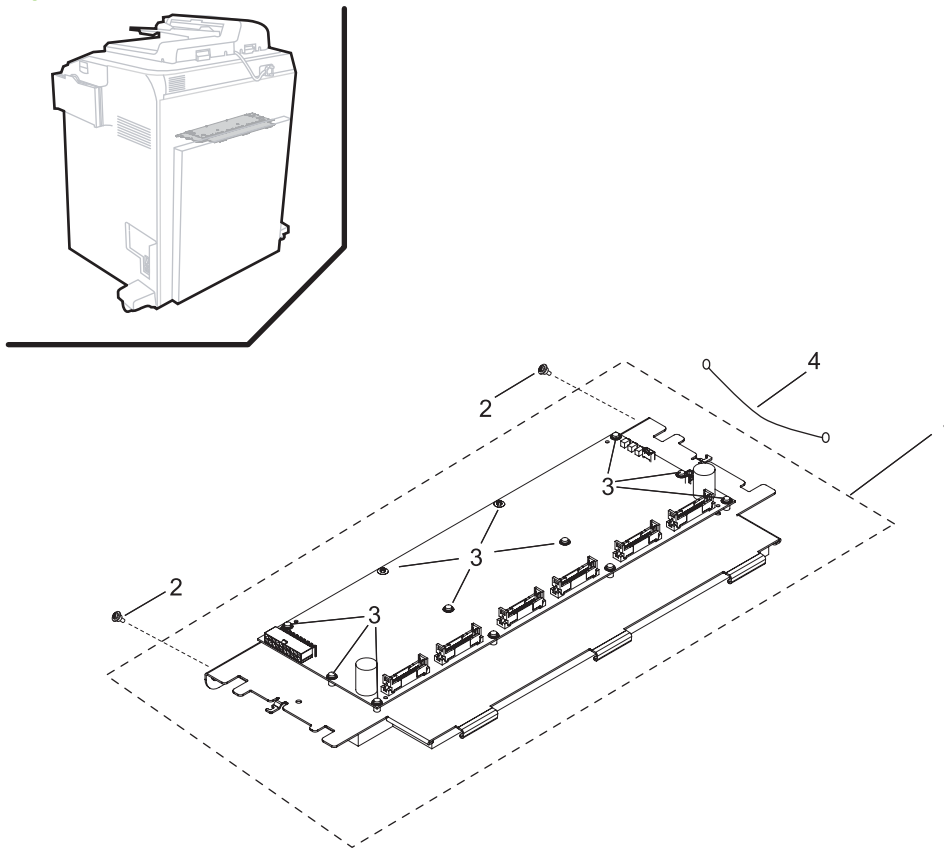


Table 4-101 Carriage PSU PCA (A7) assembly parts list (for Figure 4-113)

Ref	Description	Part number	Qty
1	Carriage PSU PCA (A7) (SVC ASSY-CPSU BOARD AND PVR DOOR)	C5956-67363	1
2	Screw (SVC-SCREW-MACH M4X0.7 8MM-LG PAN HD ROHS)	C5956-67006	1 (Qty 20)
3	Screw (SVC-SCREW-TPG M3X0.5 6MM-LG PAN HD ROHS)	C5956-67001	1 (Qty 20)
4	Wire saddle (SVC KIT-WIRE MANAGEMENT 1, assortment, SADDLE-WIRE .2-WD NYL-6/6 ROHS)	C5956-67648	1 (Qty 10)

Main Engine PCA (A5) assembly parts diagram

Figure 4-114 Main Engine PCA (A5) assembly parts diagram

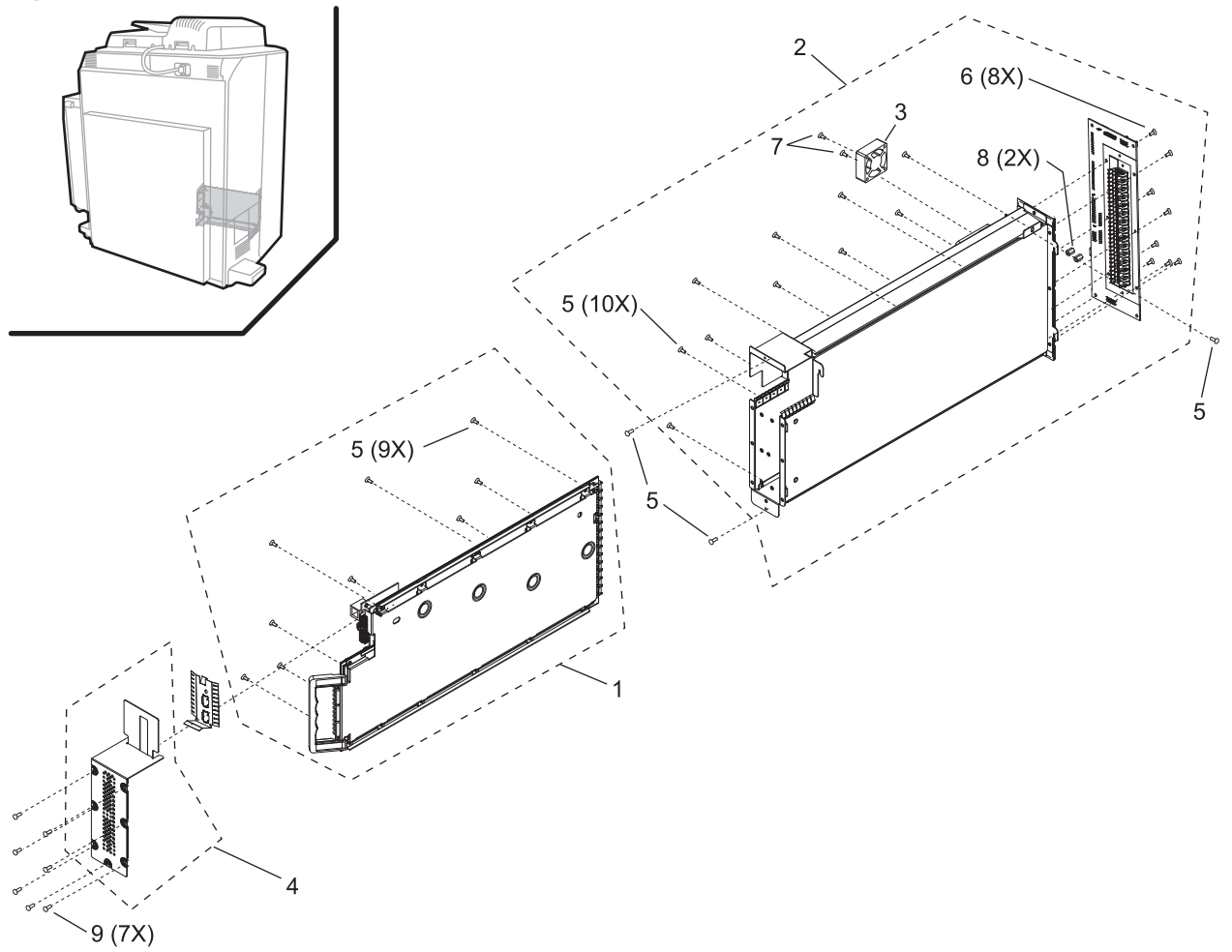


Table 4-102 Main Engine PCA (A5) assembly parts list (for Figure 4-114)

Ref	Description	Part number	Qty
1	Main Engine PCA (A5) assembly (SVC ASSY-MAIN PCA)	C5956-67444	1
2	Main Engine PCA (A5) enclosure assembly (SVC ASSY-MAIN ENCLOSURE)	C5956-67622	1
3	Main Engine PCA Cooling fan (FAN2) assembly (SVC-FAN-60MM-LOW FLOW 2410RL-04W-B29)	C5956-67302	1
4	Main Engine PCA end cover (SVC ASSY-END COVER-LOWER)	C5956-67271	1
5	Screw (SVC-SCREW-TPG M3X0.5 6MM-LG PAN HD ROHS)	C5956-67001	1 (Qty 20)
6	Screw (SVC-SCREW-TPG M3X0.5 10MM-LG PAN HD ROHS)	C5956-67002	1 (Qty 20)
7	Screw (SVC KIT-FASTENER 2, assortment, SCREW-MACH M3X0.5 30.3MM-LG PAN HD ROHS)	C5957-67054	1 (Qty 10)
8	Screw (SVC-SCR-SPCL 4-40 .394-INLG HEX STDOFF ROHS)	C5956-67714	1
9	Screw (SVC-SCREW-MACH M3X0.5 6MM-LG PAN HD ROHS)	C5956-67005	1 (Qty 20)

Motion PCA (A2) assembly parts diagram

Figure 4-115 Motion PCA (A2) assembly parts diagram

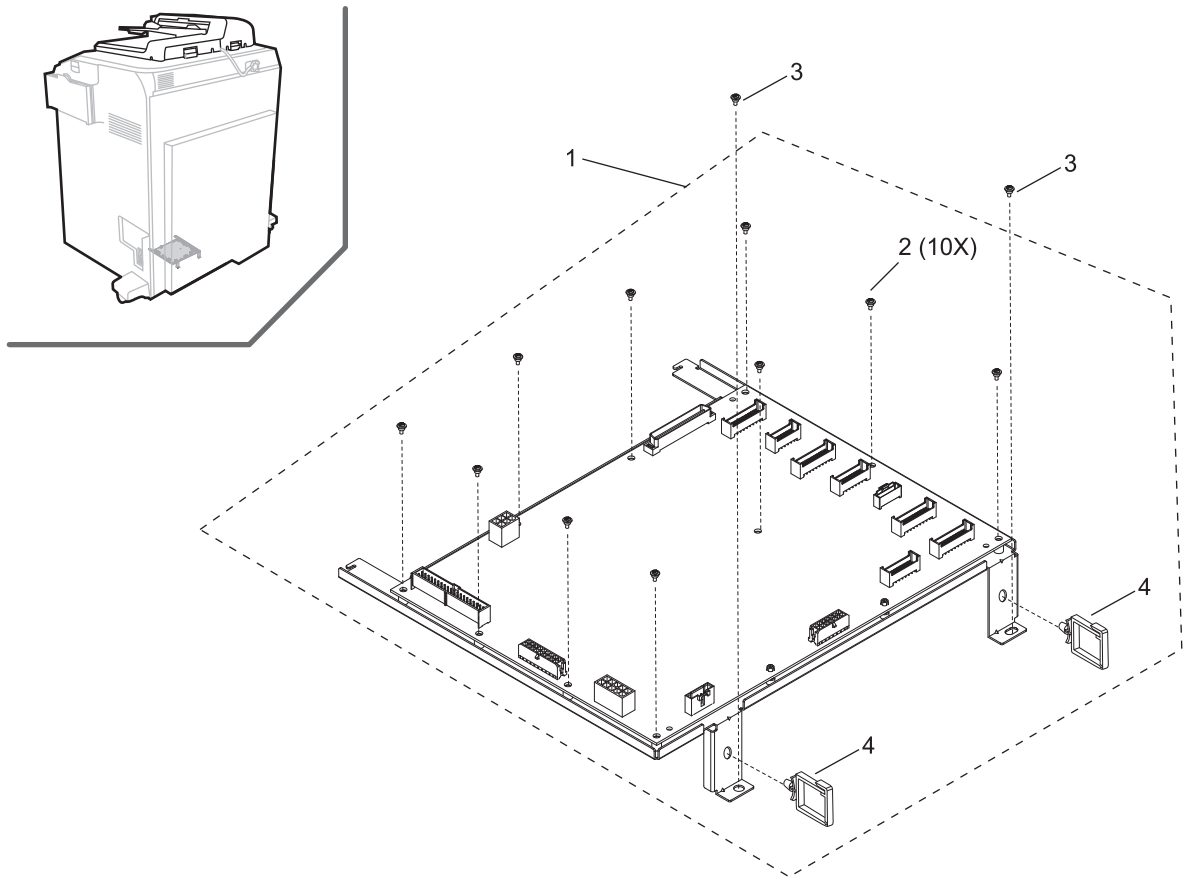


Table 4-103 Motion PCA (A2) assembly parts list (for Figure 4-115)

Ref	Description	Part number	Qty
1	Motion PCA (A2) assembly (SVC ASSY-MOTION PCA)	C5956-67245	1
2	Screw (SVC-SCREW-TPG M3X0.5 6MM-LG PAN HD ROHS)	C5956-67001	1 (Qty 20)
3	Screw (SVC-SCREW-TPG M4X0.7 8MM-LG PAN HD ROHS)	C5956-67003	1 (Qty 20)
4	Wire saddle (SVC KIT-WIRE MANAGEMENT 1, assortment, SADDLE-WIRE .2-WD NYL-6/6 ROHS)	C5956-67648	1 (Qty 10)

Power supply parts diagram

Figure 4-116 Power supply parts diagram

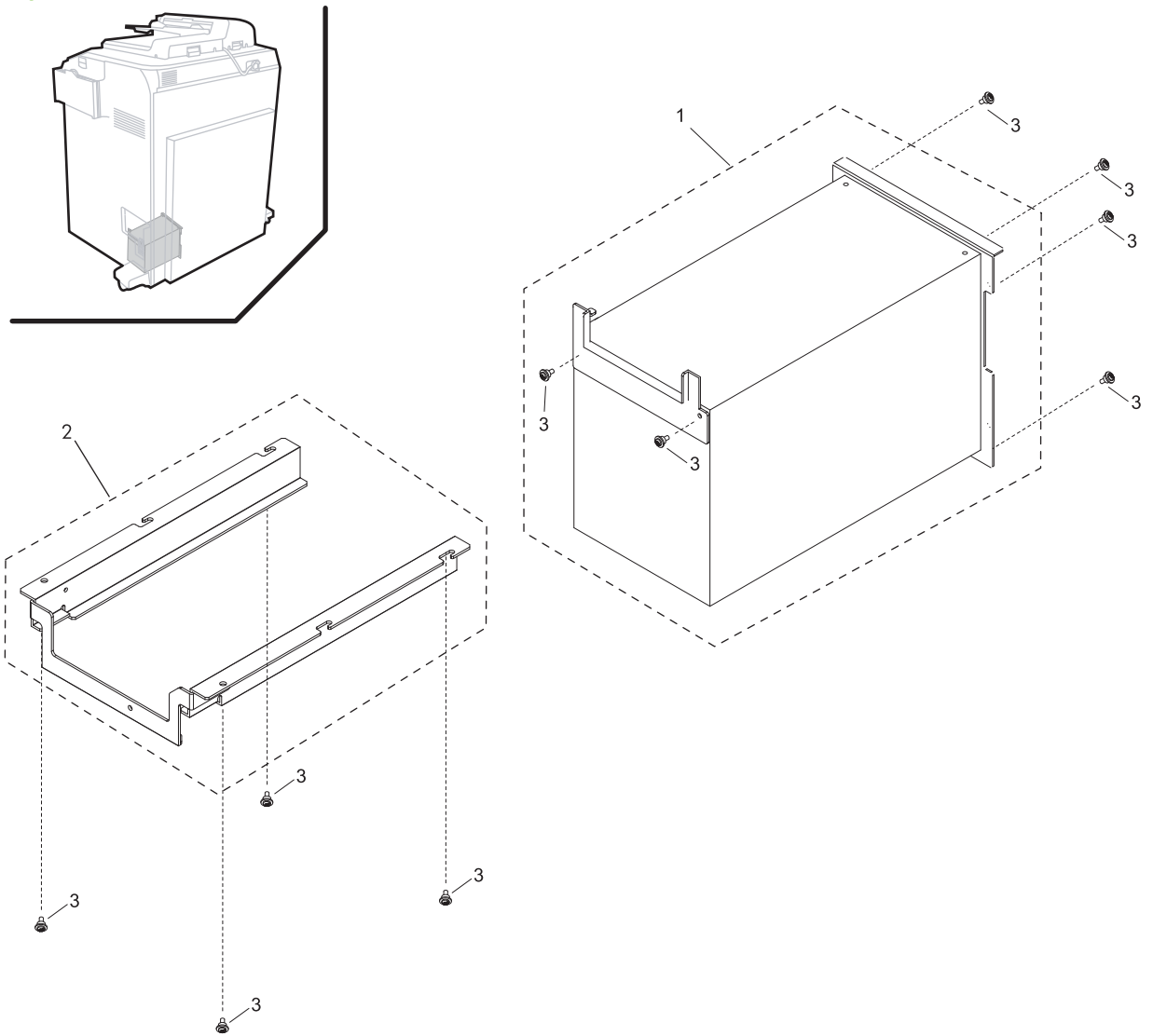


Table 4-104 Power supply parts list (for Figure 4-116)

Ref	Description	Part number	Qty
1	Power supply (PS1) assembly (SVC ASSY-POWER SUPPLY WITH MERCURY LABEL)	C5957-67118	1
2	Power supply (PS1) rail (ASSY-RAIL POWER SUPPLY)	C5956-67083	1
3	Screw (SVC-SCREW-MACH M4X0.7 8MM-LG PAN HD ROHS)	C5956-67006	1 (Qty 20)

CPSU Cooling fan (FAN3) parts diagram

Figure 4-117 CPSU Cooling fan (FAN3) parts diagram

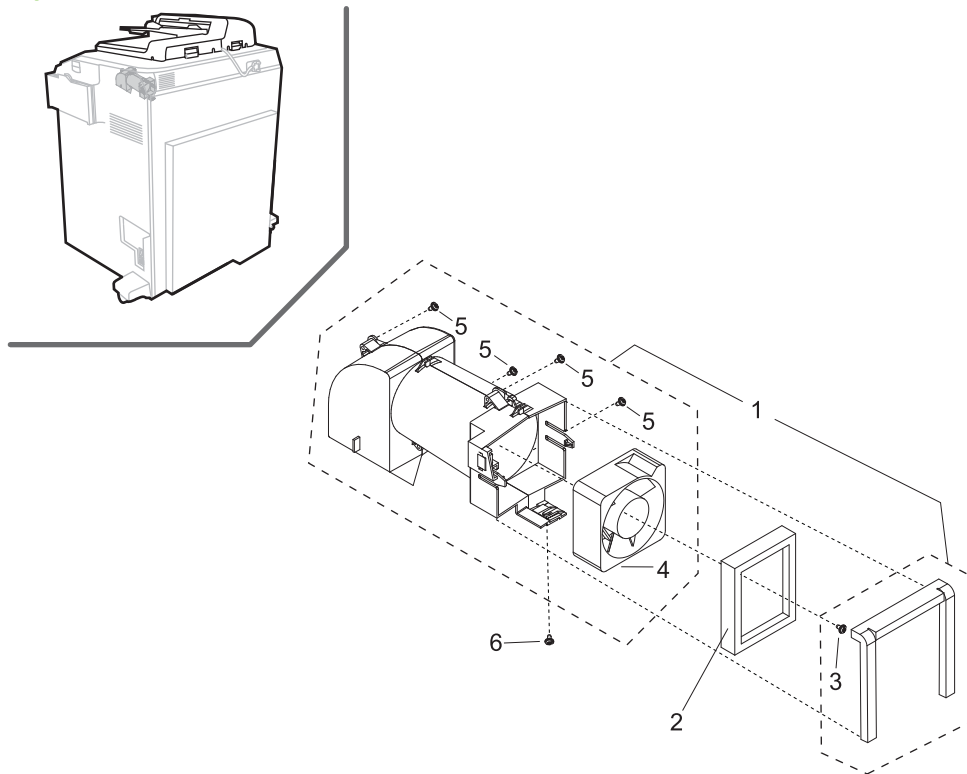


Table 4-105 CPSU Cooling fan (FAN3) parts list (for Figure 4-117)

Ref	Description	Part number	Qty
1	CPSU Cooling fan (FAN3) assembly (SVC ASSY-PVR FAN)	C5956-67663	1
2	CPSU Cooling fan (FAN3) filter (SVC KIT-COOLING FILTER)	C5956-67583	1
3	Screw (SVC KIT-FASTENER 2, assortment, SCREW-TPG 10-16 .5-IN-LG PAN-HD-TRX ROHS)	C5957-67054	1 (Qty 5)
4	CPSU Cooling fan (FAN3) (SVC FAN-60MM-LOW FLOW 2410RL-04W-B29)	C5956-67302	1
5	Screw (SVC-SCREW-TPG 4-20 0.427-IN-LG ROHS)	C5956-67018	1 (Qty 20)
6	Screw (SVC-SCREW-MACH M4X0.7 8MM-LG PAN HD ROHS)	C5956-67006	1 (Qty 20)

Power distribution PCA parts diagram

Figure 4-118 Power distribution PCA parts diagram

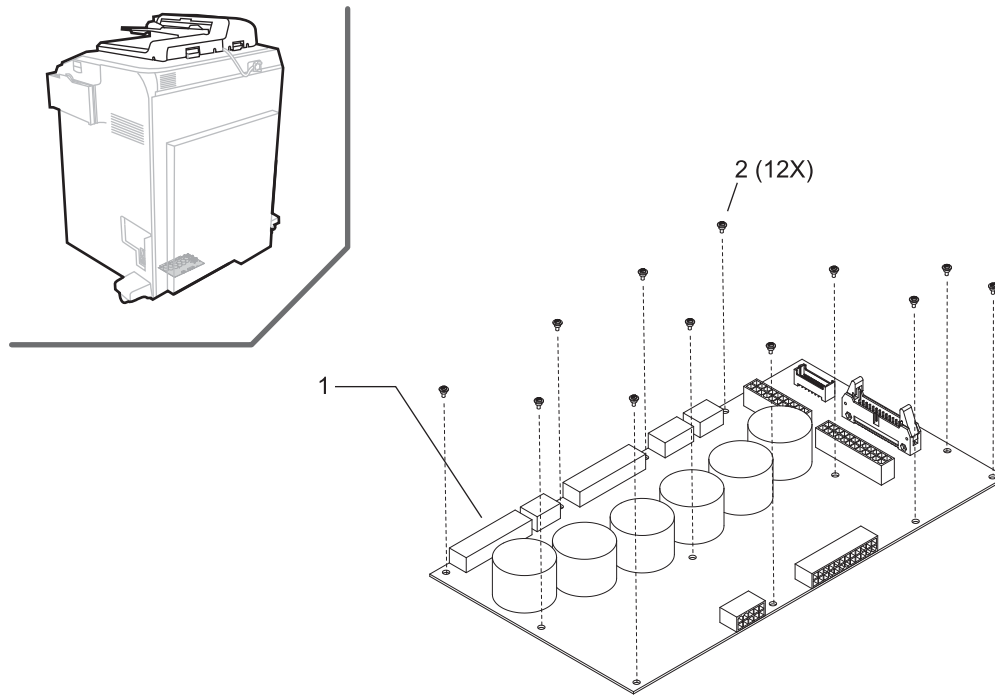


Table 4-106 Power distribution PCA parts list (for Figure 4-118)

Ref	Description	Part number	Qty
1	Power Distribution PCA (A1) assembly (SVC-PCA-POWER DISTRIBUTION)	C5956-67056	1
2	Screw (SVC-SCREW-TPG M3X0.5 6MM-LG PAN HD ROHS)	C5956-67001	1 (Qty 20)

Image Processing PCA (A6) parts diagram

Figure 4-119 Image Processing PCA (A6) parts diagram

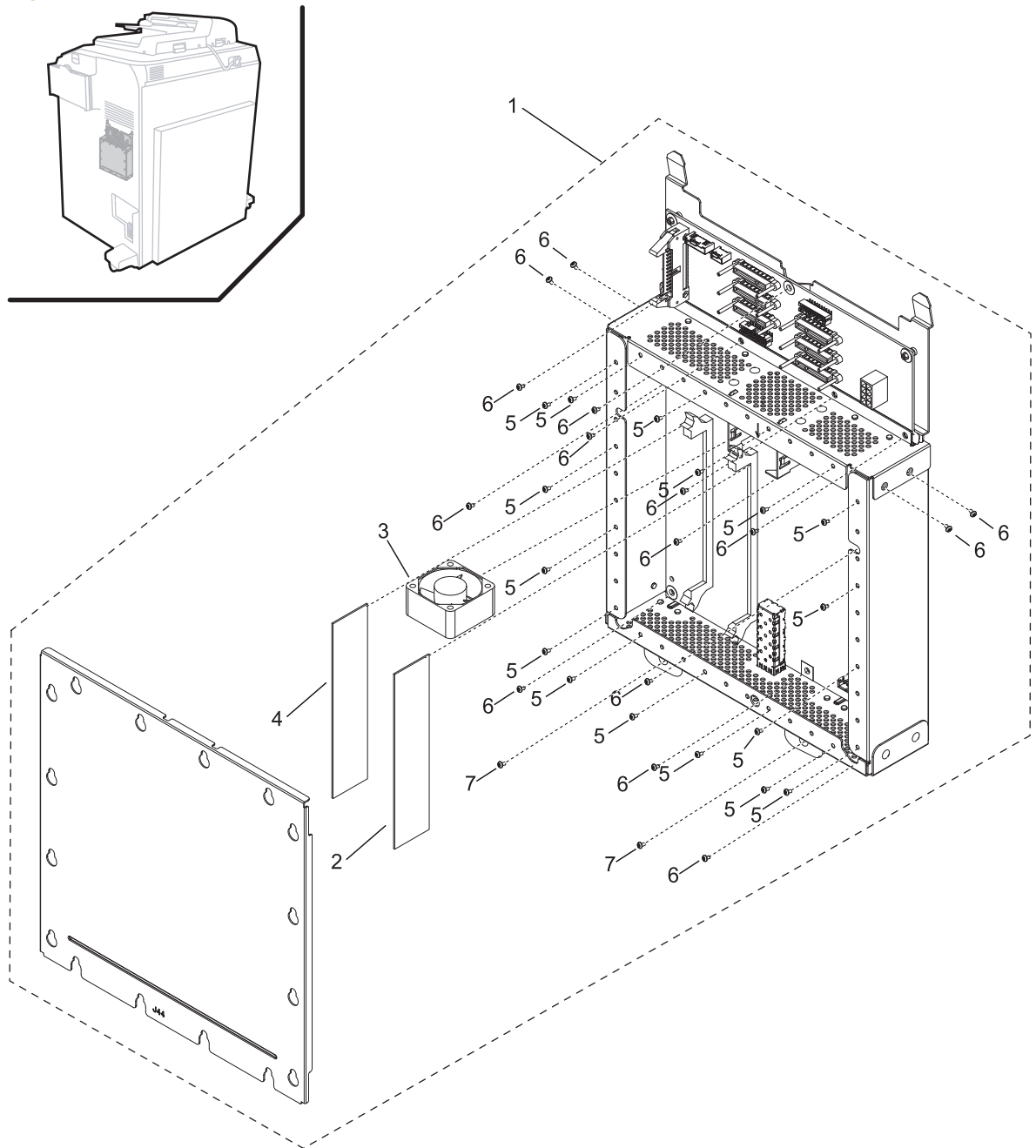


Table 4-107 Image Processing PCA (A6) parts list (for Figure 4-119)

Ref	Description	Part number	Qty
1	Image Processing PCA (A6) assembly (SVC ASSY-GAUNTLET PCA)	C5956-67246	1
2	256 MB DRAM 1 (SVC-IC-DDR-SDRAM 256MX64 184PIN DIMM ROHS)	C5956-67106	1
3	Image Processing PCA Cooling fan (FAN9) (SVC-FAN-40MM-GAUNTLET)	C5956-67298	1
4	512 MB DRAM 2 (SVC-IC-DDR-SDRAM 512MX64 184PIN DIMM ROHS)	C5956-67105	1
5	Screw (SVC-SCREW-MACH M3X0.5 6MM-LG PAN HD ROHS)	C5956-67005	1 (Qty 20)
6	Screw (SVC-SCREW-TPG M3X0.5 6MM-LG PAN HD ROHS)	C5956-67001	1 (Qty 20)
7	Screw (SVC-SCREW-MACH M4X0.7 8MM-LG PAN HD ROHS)	C5956-67006	1 (Qty 20)

PSU recirculation duct parts diagram

Figure 4-120 PSU recirculation duct parts diagram

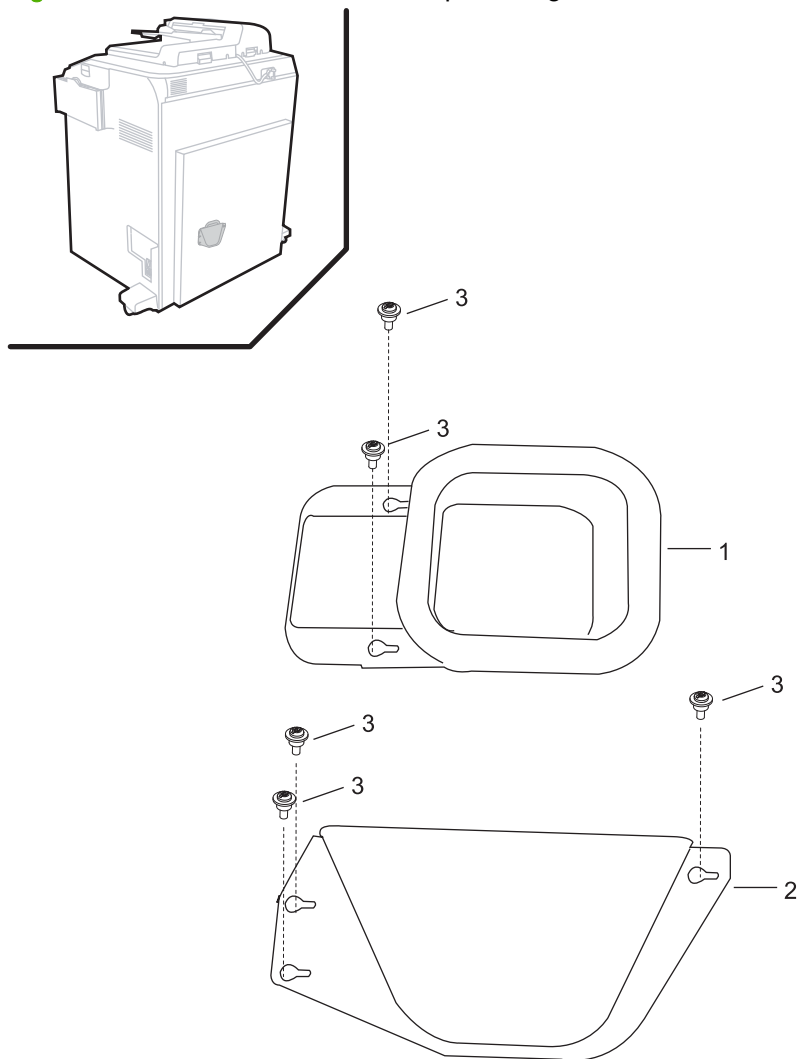


Table 4-108 PSU recirculation duct parts list (for Figure 4-120)

Ref	Description	Part number	Qty
1	PSU recirculation duct (SVC ASSY-DUCT-RECIRCULATION, PSU, EXIT)	C5956-67273	1
2	PSU exit duct (SVC-DUCT-PSU EXIT)	C5956-67217	1
3	Screw (SVC-SCREW-MACH M4X0.7 8MM-LG PAN HD ROHS)	C5956-67006	1 (Qty 20)

Ink Assist PCA (A3) assembly parts diagram

Figure 4-121 Ink Assist PCA (A3) assembly parts diagram

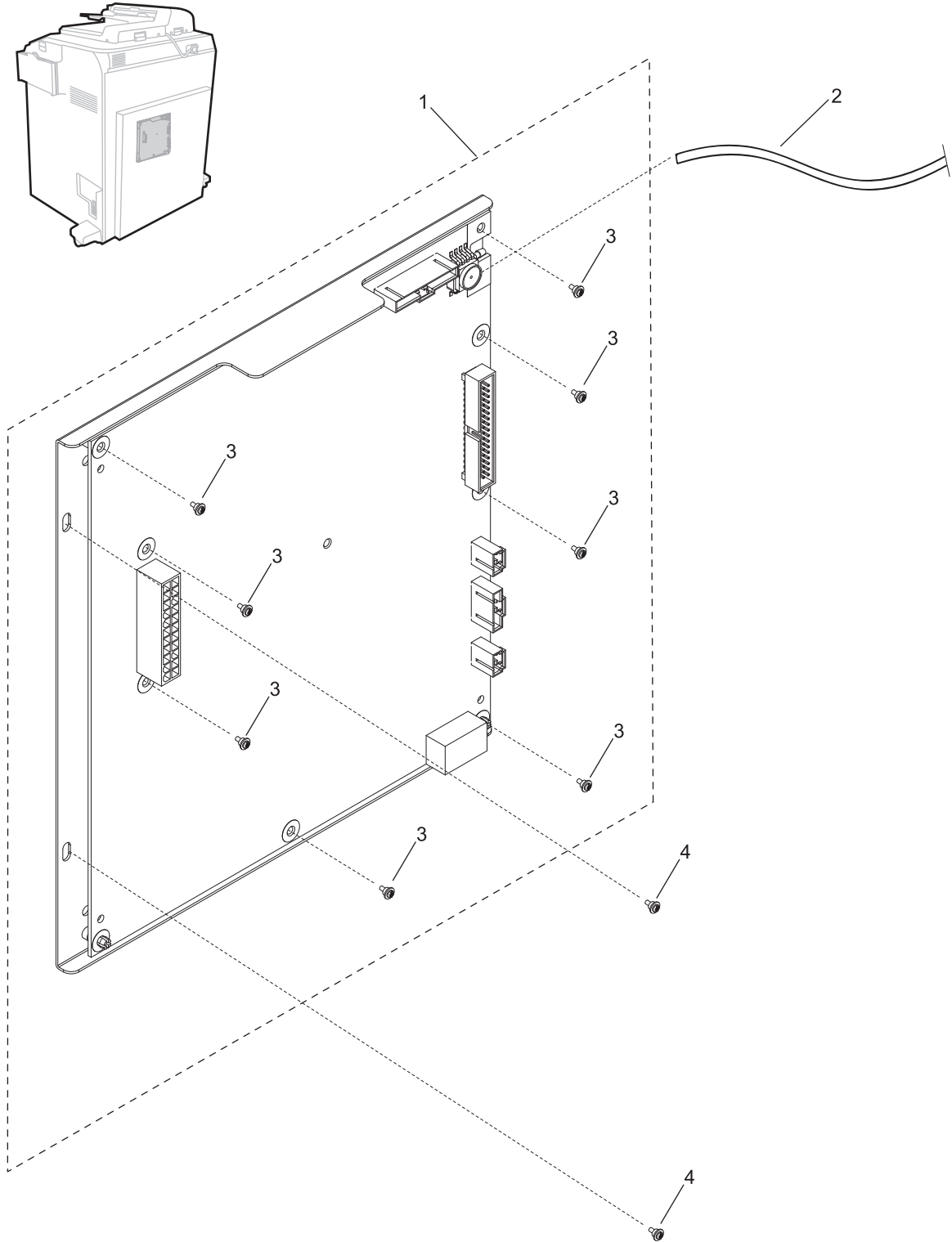


Table 4-109 Ink Assist PCA (A3) assembly parts list (for Figure 4-121)

Ref	Description	Part number	Qty
1	Ink Assist PCA (A3) assembly (SVC-PCA ASSY-INK ASSIST WITH BRACKET)	C5956-67357	1
2	Long vacuum sense tube (SVC-TUBE-RUBBER VACUUM SENSE LONG)	C5956-67220	1
3	Screw (SVC-SCREW-TPG M3X0.5 6MM-LG PAN HD ROHS)	C5956-67001	1 (Qty 20)
4	Screw (SVC-SCREW-MACH M3X0.5 6MM-LG PAN HD ROHS)	C5956-67005	1 (Qty 20)

Cables

Description	Service part number	Manufacturer number	Connectors
SVC ASSY-CABLE, CPSU FAN	C5956-67634	C5956-60706	W93J3-FAN3 W93P3-A7H3
SVC ASSY-CABLE, PWR MOTION AND IA	C5956-67631	C5956-60555	W50P1-A3J1 W50P12-A2J12 W50P9-A1J9
SVC ASSY-CABLE, MOTN CNTRL/RT WALL, HI-CAP	C5956-67623	C5956-60387	W52J1-W53P1 W52P13-A2J13
SVC ASSY-CABLE, PSU CONTROL	C5956-67621	C5956-60351	W42P9-A4J9 W42P5-A1J5
SVC ASSY-CABLE PWR MAIN	C5956-67830	C5956-60123	W8P8-A4J8 W8P7-A1J7
SVC ASSY-CABLE, MOTION CTRL KIWI	C5956-67829	C5956-60117	W4P11-A2J11 W4P16-A4J16
SVC ASSY-CABLE, GAUNT KIWI	C5956-67827	C5956-60112	W2P18-A4J18 W2P5-A6J5
SVC ASSY-CABLE, INK ASSIST KIWI	C5956-67828	C5956-60116	W3P3-A3J3 W3P17-A4J17
SVC ASSY-CABLE, IP/ BACKPLANE RS232	C5956-67630	C5956-60554	
SVC ASSY-HARNESS, RIGHT POWER	C5956-67635	C5956-60773 C5956-60119 C5956-60120 C5956-60147 C5956-60389 C5956-60561	W6P8-A7J8 W57P2-A36J2 W55P4-SCNYC4 W7P10-A6J10 W55P1-A1J1 W22P2-PSU W6P11-A1J11 W7P1-AiJ10 W57P50-A26CN50 W22J2-HTR

Description	Service part number	Manufacturer number	Connectors
SVC ASSY-HARNESS, RIGHT SENSORS	C5956-67636	C5956-60776	W15P5-W37 J5
		C5956-60133	W14P6-W36 J6
		C5956-60134	W32P9-W34J9
		C5956-60146	W32P1-A 6J1
		C5956-60216	W47P10-LED10
		C5956-60350	W95P8-SW8J1
		C5956-60373	W95P2-SN37
			W95P3-SW3J 1
			W32P10-W50J10
			W21P3-A7H2
			W21P2-A6J2
			W47P7-A2J 7
			W32P8-A2J 8
			W15P9-A2J 9
	W14P10-A2J10		
	W95P13-A4J 13		
	W47J 13-W48P13		
	W47J12 -W33P12		
SVC ASSY-HARNESS, LEFT SENSORS	C5956-67379	C5956-60777	W17P4-A2J 4
		C5956-60124	W16P5-A2J5
		C5956-60129	W9P6-A2J6
		C5956-60139	W9P12-A4J12
		C5956-60140	W12P3-A4J3
			W9P9-A23CN12
			W17J 1-W97P1
			W16J 1-W96P5
	W12P15-A8J15		
SVC ASSY-HARNESS, DATA PATH	C5956-67380	C5956-60778	W54P6-A27J6
		C5956-60380	W76P19-A5J15
		C5956-60551	W56P57 -A26J 5
		C5956-60556	W76P44 -A6J44
			W54P6-SCNYC6
	W56P1-PRMJ1		

Description	Service part number	Manufacturer number	Connectors
SVC ASSY-HARNESS, RIGHT MOTORS	C5956-67381	C5956-60774	W24J 14-FAN5
		C5956-60127	W13P3-W20 J3
		C5956-60130	W13P4-W18 J4
		C5956-60149	W13P 5-W100J5
		C5956-60864	W13P1-SW3J2
			W13P 8-SW8J2
			W24J 8-W40P 8
			W38J1-W99P2
			W10J 1-W35P 1
			W10 J2-W41P1
		W10P15-A 2J 15	
		W13P2-A2J2	
		W24P5-A3J7	
		W38P3-A3J3	
SVC ASSY-HARNESS, LEFT MOTORS	C5956-67382	C5956-60775	W43P14-A2J14
		C5956-60128	W11 P8-A1J8
		C5956-60353	W11P13-A23J13
			W11P1-FIN 1
		W43J1-W98P1	
		W11P16-A8J 16	
SVC-ASSY-CABLE, PCIE, SFP STYLE	C5956-67748	C5956-60914	W64P3-A28J3
			W64P3008-A5J3008
SVC-CABLE, ENGINE SERIAL LOG	C5957-67069	C5957-67067	N/A

Service Station parts diagrams

- [Service Station parts diagram](#)
- [Service station pen cooling fans assembly parts diagram](#)
- [Cables](#)

Service Station parts diagram

Figure 4-122 Service Station parts diagram

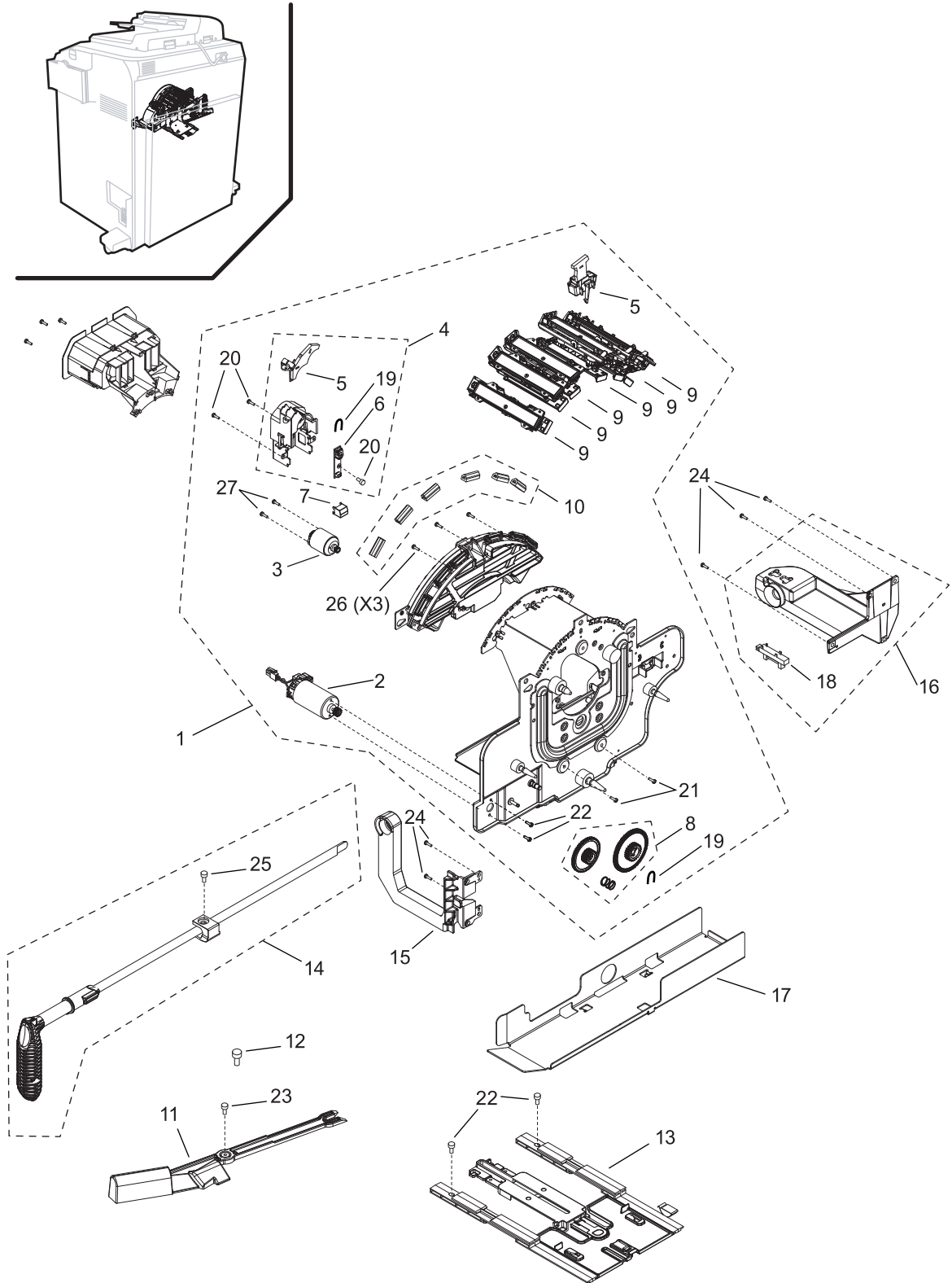


Table 4-110 Service Station parts list (for Figure 4-122)

Ref	Description	Part number	Qty
1	Service station assembly (SVC ASSY-MAIN SS)	C5956-67823	1
2	Web Drive motor (M5) (SVC-MOTOR, SVS)	C5956-67299	1
3	Web Wipe Material Lift motor (M4) (SVC-MOTOR-WIPE LIFT)	C5956-67836	1
4	Web Advance encoder (EN11) (SVC ASSY-ENCODER WEB)	C5956-67259	1
5	Duct wipers, carriage 1 and 2 (SVC KIT PM-AEROSOL DUCTS)	C5957-67085	1
6	Web Advance encoder (EN11) PCA (SVC-PCA-ENCODER SENSOR 150LPI)	C5956-67620	1
7	Web Low sensor (SN21) (SVC-SENSOR OUT-OF-WEB)	C5956-67058	1
8	Drive gear and motor gear (SVC KIT-GEAR CLUSTER)	C5956-67078	1
9	Pen station cap (SVC ASSY-CAP)	C5956-67728	1
10	Pen wiper (SVC ASSY-WIPER BACKER)	C5956-67617	6
11	Service station pivot handle (SVC-HANDLE PIVOT)	C5956-67035	1
12	Service station pivot hinge post (SVC-POST-PIVOT)	C5956-67036	1
13	Service station guide rail (SVC-RAIL-GUIDE, SVS)	C5956-67037	1
14	Service station latch bar (SVC ASSY-LATCHBAR SVS)	C5956-67343	1
15	Service station latch ewe bracket (SVC-EWEBRACKET-SVS LATCH)	C5956-67228	1
16	Service station latch dog bracket (SVC ASSY-DOGBRACKET, SVS LATCH)	C5956-67670	1
17	Web wipe cartridge guide (SVC ASSY-WEB CARTRIDGE GUIDE)	C5956-67835	1
18	Service Station Latch sensor (SN60) (SVC PHOTOINTERRUPTER IO MAX=50 ROHS)	1990-3586	1
19	Clip (SVC KIT-CLIPS, assortment)	C5956-67650	1
20	Screw (SVC-SCREW-TPG M3X0.5 10MM-LG PAN HD ROHS)	C5956-67002	1 (Qty 20)
21	Screw (SVC-SCR-MACH M3X0.5 10MM-LG PAN HD ROHS)	C5956-67004	1 (Qty 20)
22	Screw (SVC-SCREW-MACH M3X0.5 6MM-LG PAN HD ROHS)	C5956-67005	1 (Qty 20)
23	Screw (SVC-SCREW-MACH M4X0.7 8MM-LG PAN HD ROHS)	C5956-67006	1 (Qty 20)
24	Screw (SVC-SCREW-TPG M4X0.7 12MM-LG PAN-HD ROHS)	C5956-67008	1 (Qty 20)
25	Screw (SVC-SCREW-TPG M4X0.7 8MM-LG PAN HD ROHS)	C5956-67003	1 (Qty 20)
26	Screw (SVC-SCRW-MACH M4X0.7 16MM-LG PAN HD ROHS)	C5956-67007	1 (Qty 20)
27	Screw (SVC-SCR-TPG M2.5X0.45 4MM-LG PAN HD ROHS)	C5956-67010	1 (Qty 20)

Service station pen cooling fans assembly parts diagram

Figure 4-123 Service station pen cooling fans assembly parts diagram

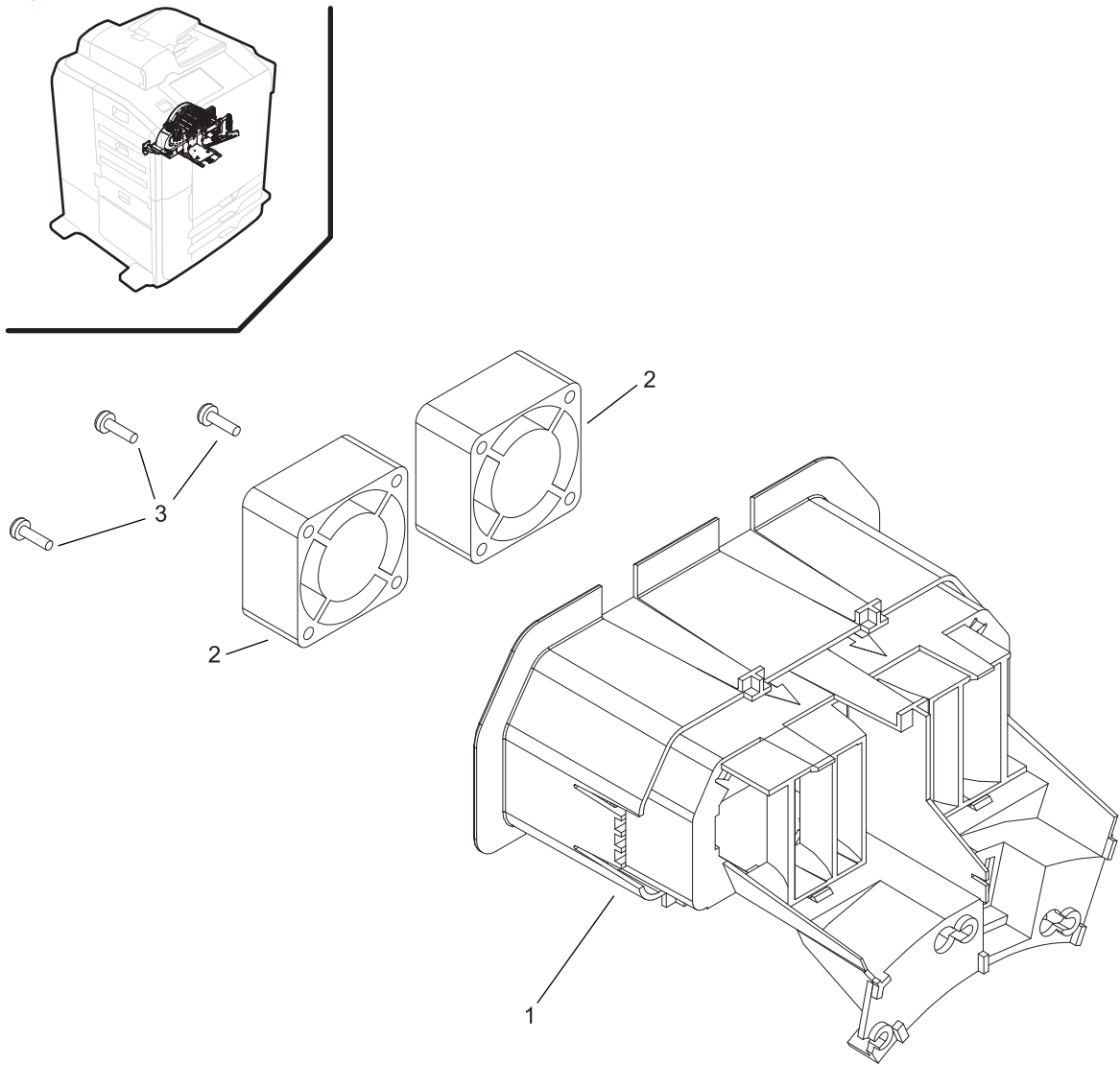


Table 4-111 Service station pen cooling fans assembly parts list (for Figure 4-123)

Ref	Description	Part number	Qty
1	Pen cooling fans structure (SVC ASSY, PEN COOLING FAN SUPPORT)	C5956-67077	1
2	Carriage 1 Cooling fan (FAN7) and Carriage 2 Cooling fan (FAN8) (SVC-FAN-PEN COOLING)	C5956-67074	1
3	Screw (SVC-SCREW-TPG M3X0.5 10MM-LG PAN HD ROHS)	C5956-67002	1 (Qty 20)

Cables

Description	Service part number	Manufacturer number	Connectors
SVC-GROUNDSTRAP_WIPER_MOTOR	C5956-67022	C5956-00375	N/A
SVC-STRAP-GROUND WEB COVER	C5956-67027	C5956-00558	N/A
SVC-CABLE, MOTOR SS 2	C5956-67060	C5956-60259	W41J13-W33P13 W41P5-M5 W41P2-W10J2
SVC-CABLE, ENC SS	C5956-67059	C5956-60219	W33P21-SN21 W33P11-EN11 W33P13-EN13/M4 W33P10-EN10 W33P13-EN13/M4 W41J13-W33P13
SVC ASSY-GROUND CABLE SVS	C5956-67068	C5956-60643	N/A
SVC-ASSY-CABLE, PEN FANS	C5956-67075	C5956-60865	W99P2-W38J1 W99P8-FAN8 W99P7-FAN7

Trays 2, 3, and 4 parts diagrams

- [Trays 2, 3, and 4 main assembly parts diagram](#)
- [Trays 2, 3, and 4 rear parts diagram](#)
- [Trays 2, 3, and 4 left side parts diagram](#)
- [Trays 2, 3, and 4 drawer parts diagram](#)
- [Trays 2, 3, and 4 paper path parts diagram](#)
- [Trays 2, 3, and 4 drive parts diagram](#)
- [Trays 2, 3, and 4 separation unit parts diagram](#)
- [Cables](#)

Trays 2, 3, and 4 main assembly parts diagram

Figure 4-124 Trays 2, 3, and 4 main assembly parts diagram

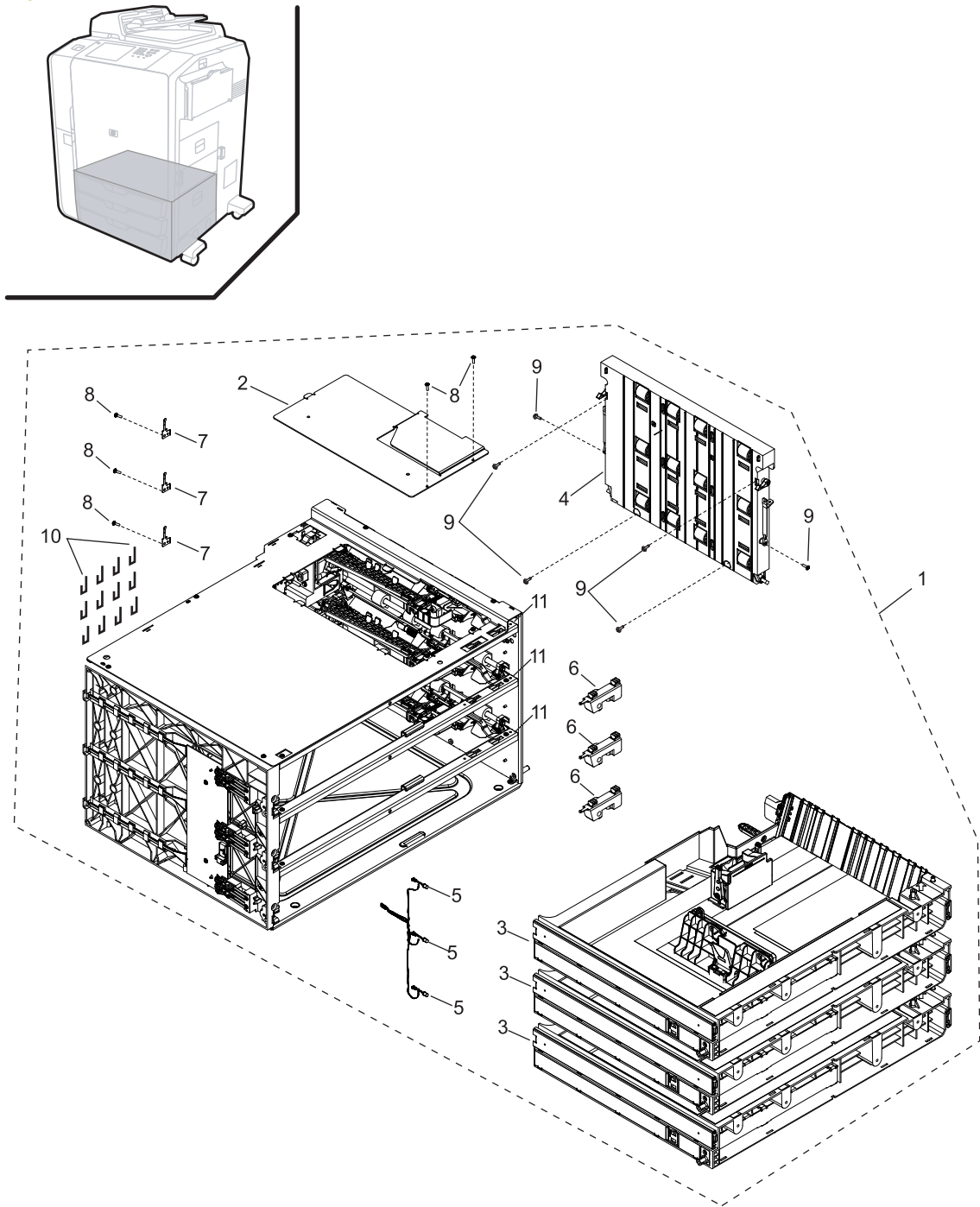


Table 4-112 Trays 2, 3, and 4 main assembly parts list (for Figure 4-124)

Ref	Description	Part number	Qty
1	Tray 2, 3, and 4 assembly (SVC ASSY-MEDIA TRAYS)	C5956-67724	1
2	Tray 2, 3, and 4 top access door (SVC COVER, PLATE, TOP)	C5956-67400	1
3	Paper tray assembly (SVC ASSY-DRAWER)	C5957-67113	1
4	Right-side lower paper path (SVC ASSY-PAPER, PATH)	C5956-67389	1
5	Tray 2 LED (LED15)/Tray 3 LED (LED16)/Tray 4 LED (LED17) (SVC-HOLDER LED)	C5956-67406	1
6	Alignment clip (SVC-CLIP, ALIGNMENT)	C5957-67080	1
7	ESD spring (SVC-SPRING, ESD, CPL)	C5956-67758	1
8	Screw (SVC-SCREW-TPG M3X0.5 6MM-LG PAN HD ROHS)	C5956-67001	1 (Qty 20)
9	Screw (SVC-SCREW-TPG 4-20 0.427-IN-LG ROHS)	C5956-67018	1 (Qty 20)
10	Trays 2, 3, and 4 assembly wire clamps (SVC-CABLE CLAMP)	C5956-67768	1
11	Clip (SVC-SPRING, ESD)	C5956-67399	1
12	Door open limit strap (SVC-STRAP-DOOR OPEN LIMIT)	C5956-67084	1 (Qty 10)

Trays 2, 3, and 4 rear parts diagram

Figure 4-125 Trays 2, 3, and 4 rear parts diagram

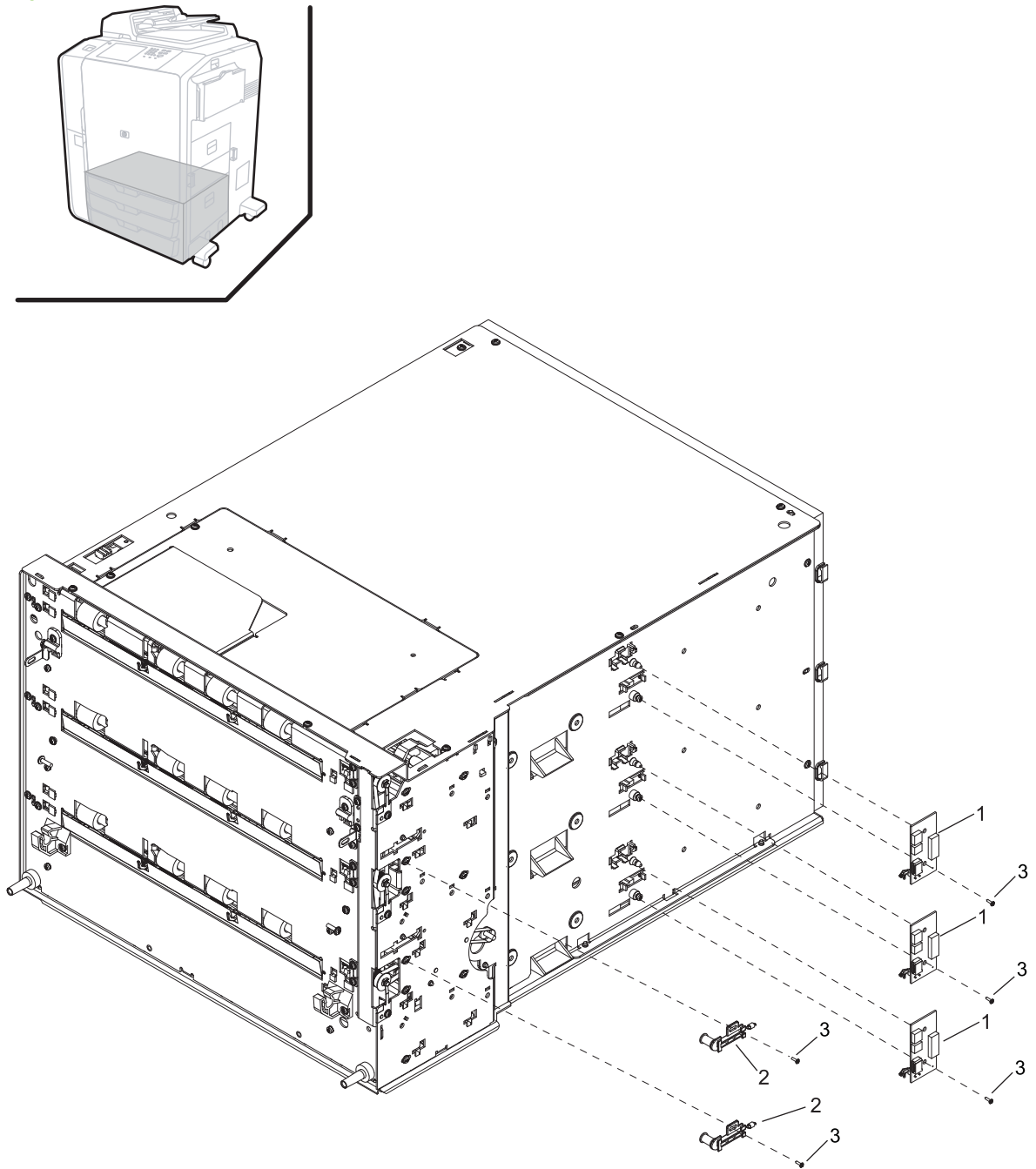


Table 4-113 Trays 2, 3, and 4 rear parts list (for Figure 4-125)

Ref	Description	Part number	Qty
1	A33/A33/A33 (SVC-PCA, DISTRIBUTIONBOARD)	C5956-67417	1
2	Tray exit roller belt tensioner (SVC ASSY-MEDIA TRAY BELT TENSION)	C5956-67435	1
3	Screw (SVC-SCREW-TPG M3X0.5 6MM-LG PAN HD ROHS)	C5956-67001	1 (Qty 20)

Trays 2, 3, and 4 left side parts diagram

Figure 4-126 Trays 2, 3, and 4 left side parts diagram

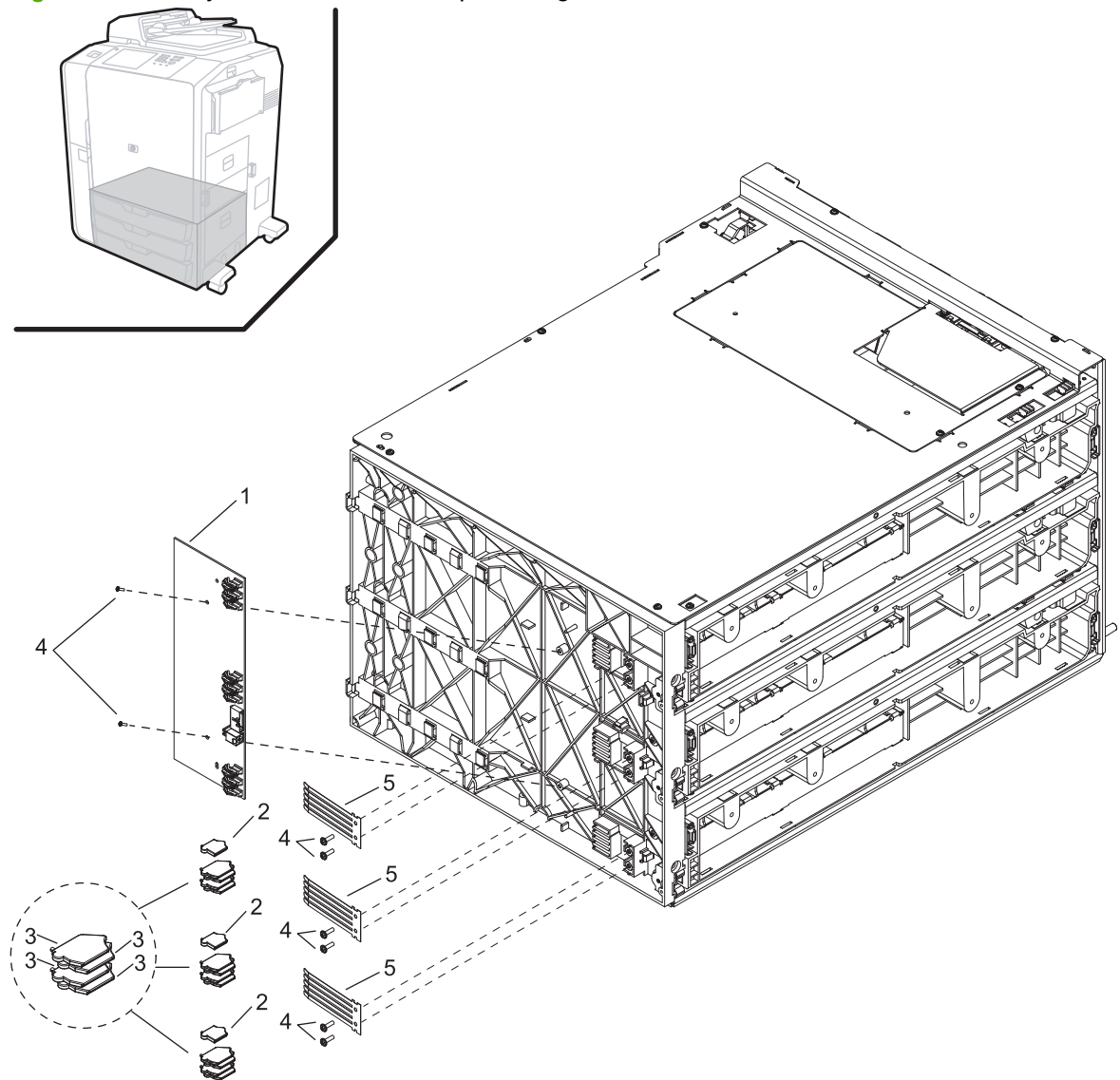


Table 4-114 Trays 2, 3, and 4 left side parts list (for Figure 4-126)

Ref	Description	Part number	Qty
1	Trays 2, 3, and 4 Controller PCA (A23) (SVC-PCA, CONTROLLER, INPUT)	C5956-67416	1
2	Paper tray closed sensor cam (SVC-CAM, TRAY PRESENT)	C5956-67391	1
3	Paper size sensor cam (SVC-CAM, SIZE SENSING)	C5956-67387	1
4	Screw (SVC-SCREW-TPG 4-20 0.427-IN-LG ROHS)	C5956-67018	1 (Qty 20)
5	Spring (SPRING, LEAF, SIZE SENSITIVE)	C5956-67754	1

Trays 2, 3, and 4 drawer parts diagram

Figure 4-127 Trays 2, 3, and 4 drawer parts diagram

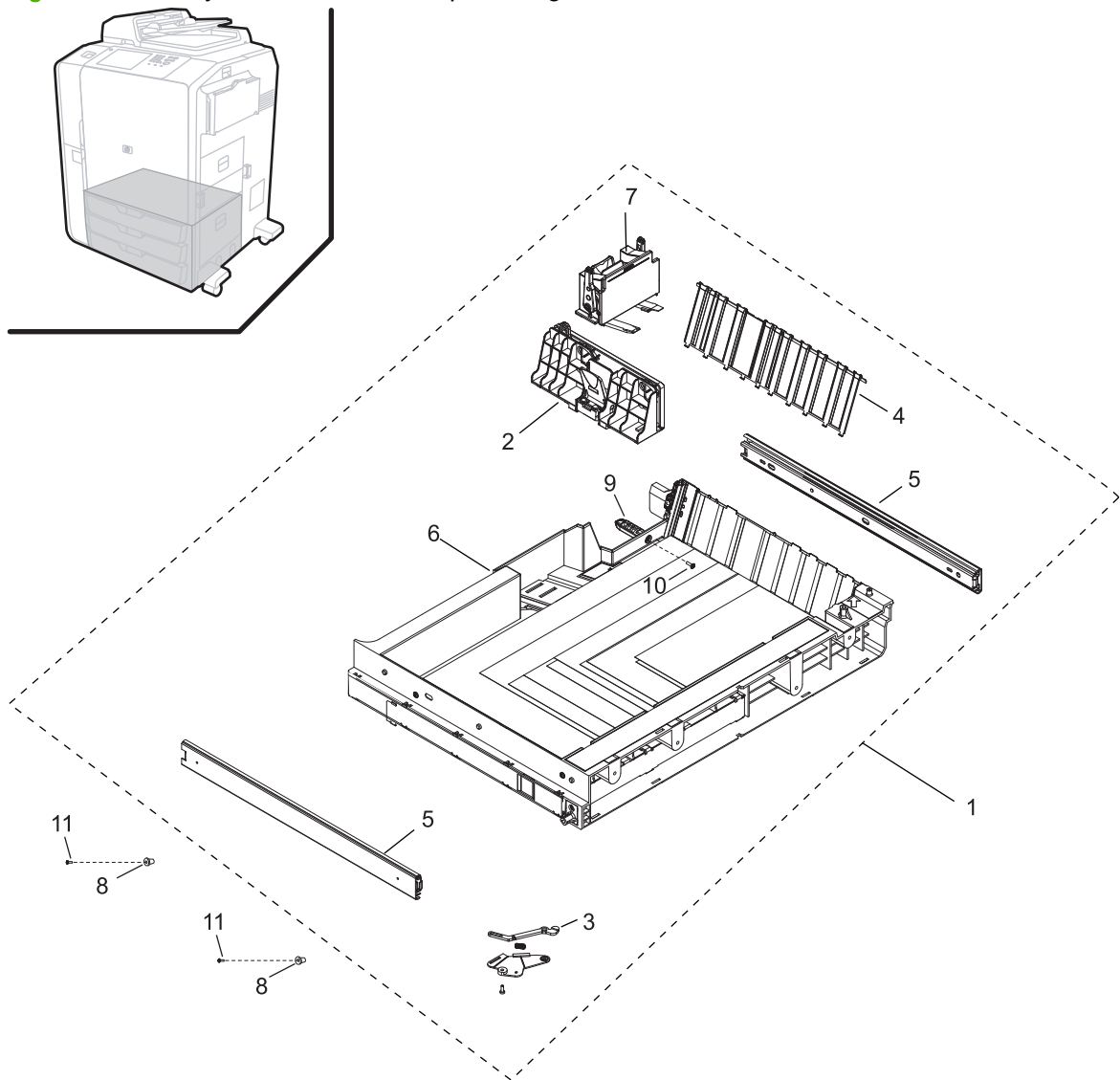


Table 4-115 Trays 2, 3, and 4 drawer parts list (for Figure 4-127)

Ref	Description	Part number	Qty
1	Paper tray assembly (SVC ASSY-DRAWER) Note: Part number C5957-67191 replaces C5957-67113.	C5957-67191	1
2	Paper-length guide assembly (SVC-GUIDE, PAPER, REAR, CPL)	C5956-67757	1
3	Paper length sensor lever (SVC-SENSOR, LEVER, PAPER, WIDTH)	C5956-67397	1
4	Separation guide (SVC-STRIP, SEPARATION)	C5956-67396	1
5	Drawer rail (SVC-BEARING, LINEAR)	C5957-67114	1
6	Tray drawer (SVC-DRAWER, SIT)	C5956-67392	1
7	Paper width guide (KIT-ASSY, WIDTH ADJUSTER, AUTOMATIC)	C5956-67794	1
8	Drawer bushing (SVC-BUSHING, DISTANCE, DRAWER, SIT)	C5956-67386	1
9	(KEY, DRAWER, PLUS)	C5957-67116	1
10	Screw (SVC-SCREW-TPG 4-20 0.427-IN-LG ROHS)	C5956-67018	1 (Qty 20)
11	Screw (SVC KIT-FASTENER 2, assortment) SCR-MACH M3X0.5 16MM-LG T-10 PAN-HD ROHS)	C5957-67054	1 (Qty 10)

Trays 2, 3, and 4 paper path parts diagram

Figure 4-128 Trays 2, 3, and 4 paper path parts diagram

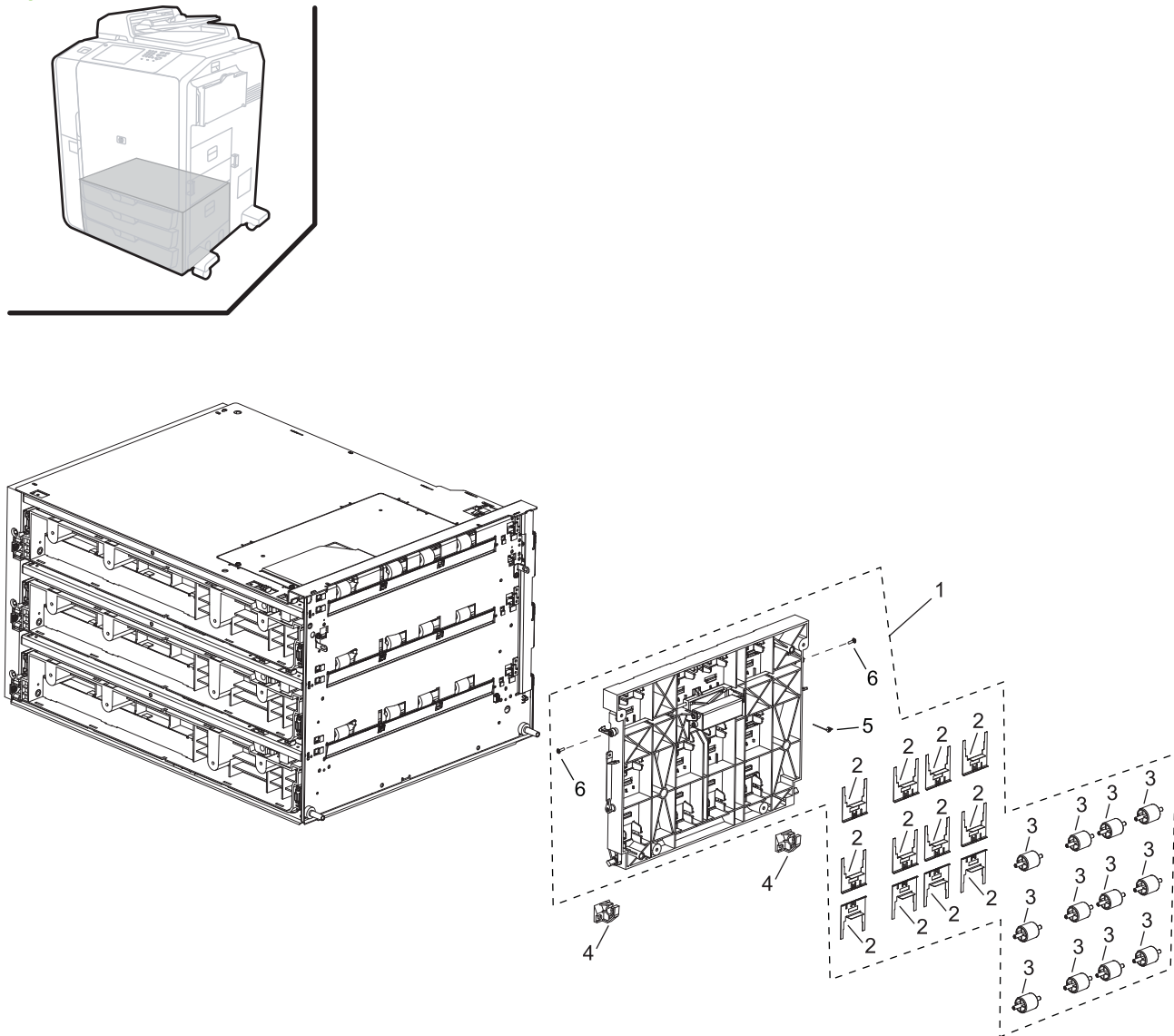


Table 4-116 Trays 2, 3, and 4 paper path parts list (for Figure 4-128)

Ref	Description	Part number	Qty
1	Right-side paper path assembly (SVC ASSY-PAPER, PATH)	C5956-67389	1
2	Roller pressure spring (SVC-PRESSURE, SPRING, ROLLER)	C5956-67398	1
3	Paper roller (SVC-ROLL)	C5956-67388	1
4	Right-side lower paper path hinge (SVC-HINGE, PAPER, PATH)	C5956-67390	1
5	Spring (SPRING, TORSION, HANDLE)	C5956-67754	1
6	Screw (SVC-SCREW-TPG 4-20 0.427-IN-LG ROHS)	C5956-67018	1 (Qty 20)

Trays 2, 3, and 4 drive parts diagram

Figure 4-129 Trays 2, 3, and 4 drive parts diagram

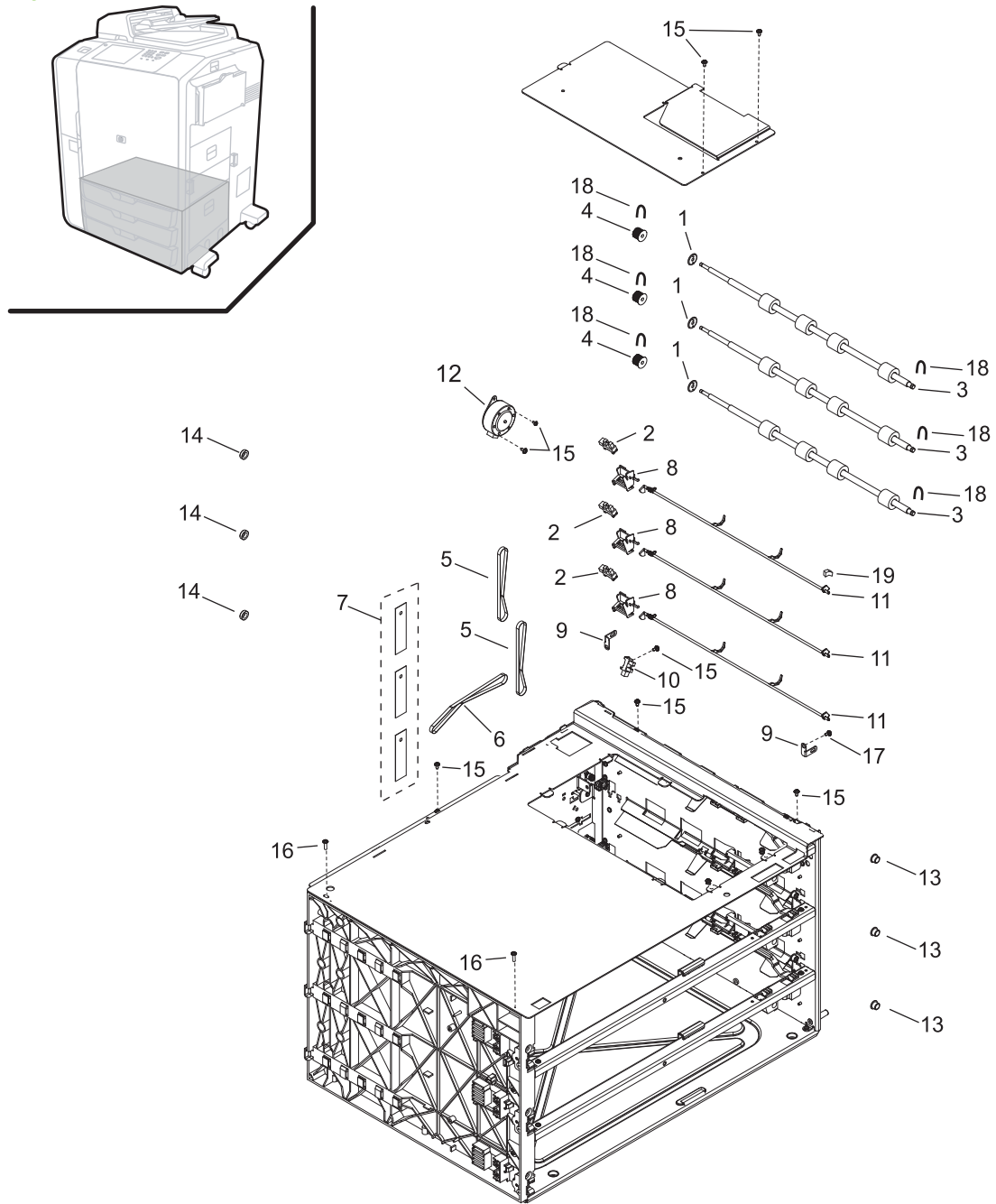


Table 4-117 Trays 2, 3, and 4 drive parts list (for Figure 4-129)

Ref	Description	Part number	Qty
1	Gearwheel flange (SVC-FLANGE, GEARWHEEL, 22, MXL)	C5956-67393	1
2	Tray 2 Exit sensor (SN47)/Tray 3 Exit sensor (SN51)/Tray 4 Exit sensor (SN55) (SVC-PHOTOINTERRUPTER WITH CONNECTOR)	C5956-67770	1
3	Tray exit roller shaft (SVC-SHAFT, EXIT, CPL)	C5956-67384	1
4	Tray exit roller shaft clutch (SVC ASSY-MEDIA TRAY CLUTCH)	C5956-67436	1
5	Tray exit roller belt (SVC-BELT, SYNCHRONOUS, T=2.032)	C5956-67407	1
6	Motor belt (SVC-BELT, SYNCHRONOUS, MOTOR, T=2.032)	C5956-67408	1
7	Tray closed sensor actuator foil (SVC ASSY-MEDIA TRAY ACTUATOR FOIL)	C5956-67434	1
8	Tray exit sensor holder (SVC-HOLDER PHOTO INT PEX)	C5956-67401	1
9	Angled bracket (SVC-BRACKET, ANGLE)	C5956-67759	1
10	Right-side Lower Panel Open sensor (SN43) (SVC ASSY-MEDIA TRAY PAPER PATH SENSOR)	C5956-67437	1
11	Tray exit sensor flag shaft (SVC-FLAG, SENSOR, PAPER, EXIT)	C5956-67385	1
12	Trays 2, 3, and 4 Transport motor (M18) (SVC-MOTOR, STEPPER, CPL.)	C5956-67414	1
13	Plain bearing (SVC-BEARING, PLAIN)	C5956-67404	1
14	Spherical bearing (SVC-BEARING, PLAIN, SPHERICAL)	C5956-67405	1
15	Screw (SVC-SCREW-TPG M3X0.5 6MM-LG PAN HD ROHS)	C5956-67001	1 (Qty 20)
16	Screw (SVC-SCREW-TPG 4-20 0.427-IN-LG ROHS)	C5956-67018	1 (Qty 20)
17	Screw (SVC-SCREW-MACH M3X0.5 6MM-LG PAN HD ROHS)	C5956-67005	1 (Qty 20)
18	Washer (WASHER, RETAINING, CIRCLIP, 4, ZN)	C5956-67752	1
19	Spring (SPRING, TORSION, PEX)	C5956-67754	1

Trays 2, 3, and 4 separation unit parts diagram

Figure 4-130 Trays 2, 3, and 4 separation unit parts diagram

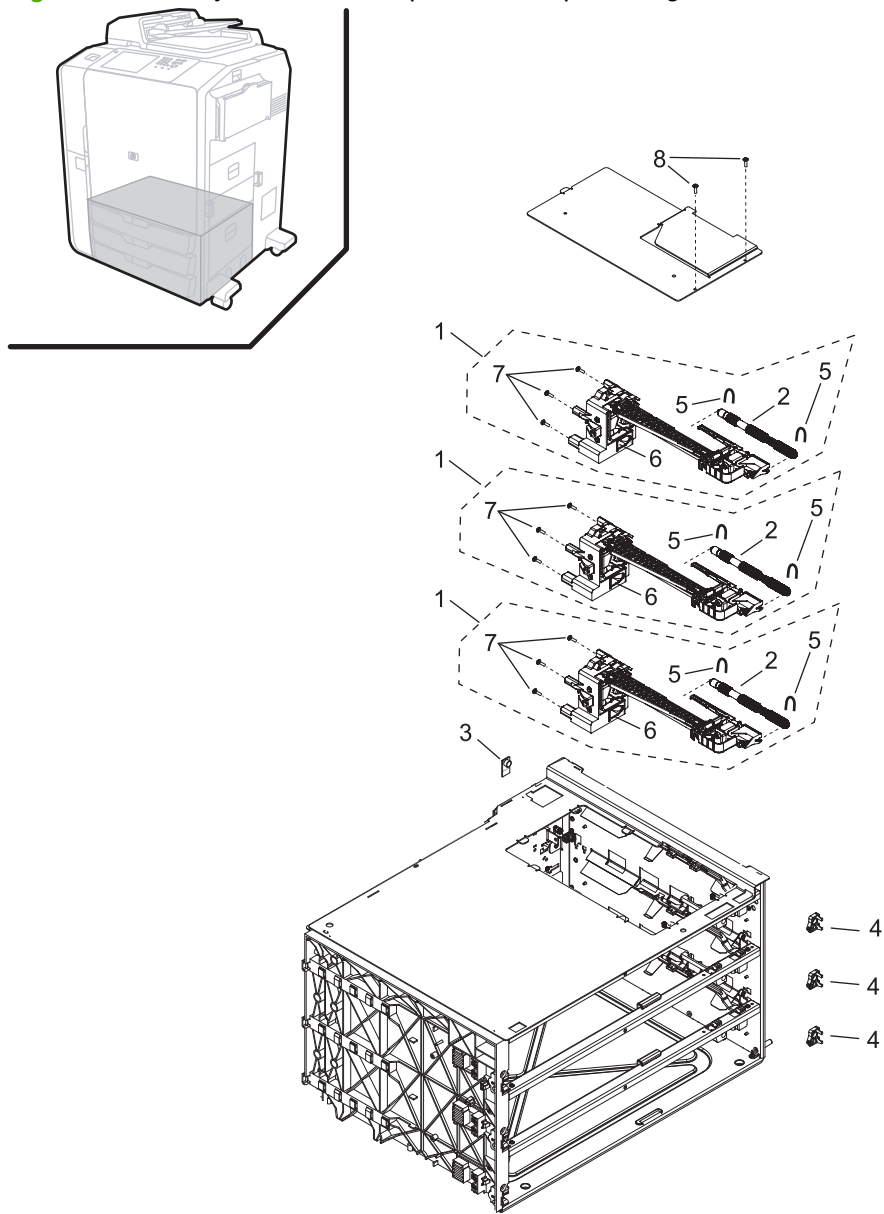


Table 4-118 Trays 2, 3, and 4 separation unit parts list (for Figure 4-130)

Ref	Description	Part number	Qty
1	Pick arm assembly (SVC-SEPARATION, UNIT)	C5956-67419	1
2	Pick arm roller (SVC-TRAY 2-4 PICK ROLLER). [Note: Pick arm roller bulk pack of 6 (SVC-PICK ROLLER, TRAY 2-4, 6 EA, BULK PAK), C5957-67184, 1 (Qty 6).]	C5956-67420	3
3	Tray 2, 3, and 4 Humidity sensor (SN42) and Tray 2, 3, and 4 Ambient Temperature sensor (SN41) unit (SVC-PCA, SENSOR, HUMIREL)	C5956-67418	1
4	Front mounting bearing (SVC-MOUNTING, BEARING, FRONT)	C5956-67402	1
5	Washer (WASHER, C CLIP, DIN 6799-3.2, ZN)	C5956-67752	1
6	Paper-low sensor (SN44, SN48, SN52) (PHOTOINTERRUPTER WITH CONNECTOR)	C5956-67770	1
7	Screw (SVC-SCREW-TPG 4-20 0.427-IN-LG ROHS)	C5956-67018	1 (Qty 20)
8	Screw (SVC-SCREW-TPG M3X0.5 6MM-LG PAN HD ROHS)	C5956-67001	1 (Qty 20)

Cables

Description	Service part number	Manufacturer number	Connectors
SVC-CABLE, JAM-RECOVERY MINI PAPER PATH	C5956-67765	355845304-01	LED18 CN3
SVC-CABLE, SENSOR HUMIDITY	C5956-67763	355843304-01	SN41 SN42 CN8
SVC-CABLE, SENSOR, WAITPOS, DOOR, CLOSED	C5956-67762	355842304-01	SN43 CN9
SVC-CABLE, SENSORSIGNALS, TO, SITC	C5956-67761	355841304-01	CN1 CN1 CN5 CN7
SVC-CABLE, SENSOR, PAPER, EXIT	C5956-67760	355840304-01	SN47 SN51 SN55 CN3
SVC-CABLE, JAM-RECOVERY TRAY 1-3	C5956-67413	372464304-01	TBD

Single output bin parts diagrams

Figure 4-131 Single output bin parts diagram

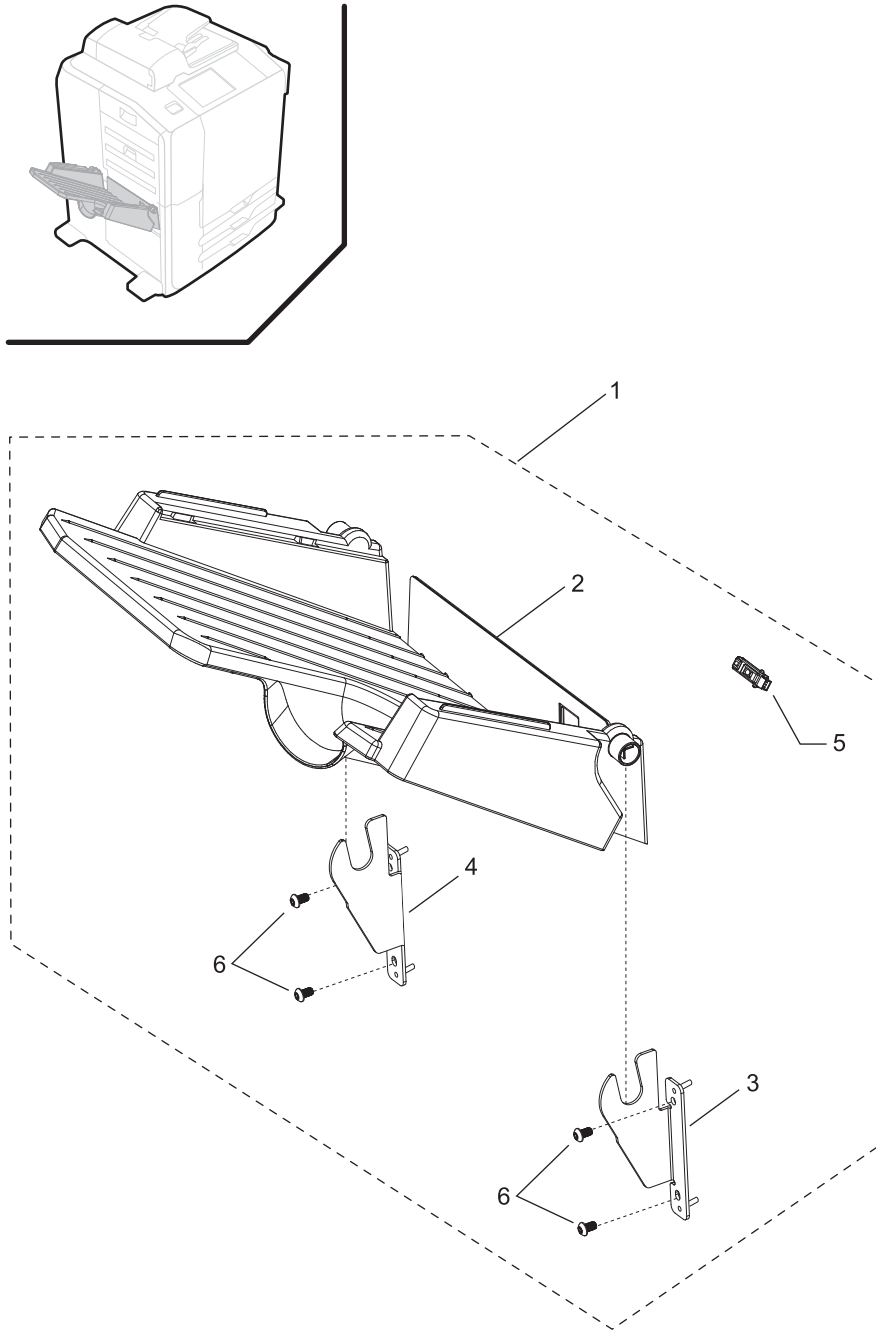


Table 4-119 Single output bin parts list (for Figure 4-131)

Ref	Description	Part number	Qty
1	Single output bin assembly (SVC ASSY-BIN, SINGLE OUTPUT)	C5963-67006	1
2	Single output bin (SVC-BIN-SINGLE OUTPUT)	C5963-67005	1
3	Single output bin front bracket (SVC-BRACKET-FRONT SOB)	C5963-67001	1
4	Single output bin rear bracket (SVC-BRACKET-REAR SOB)	C5963-67002	1
5	Output Bin Full sensor (SN17) (SVC-SENSOR-SOB FULL)	C5963-67004	1
6	Screw (SVC KIT-FASTENER 2, assortment, SCR-MACH M3X0.5 16MM-LG T-10 PAN-HD ROHS)	C5957-67054	1 (Qty 10)

Vacuum parts diagrams

- [Vacuum supply assembly parts diagram](#)
- [Cables](#)

Vacuum supply assembly parts diagram

Figure 4-132 Vacuum supply assembly parts diagram

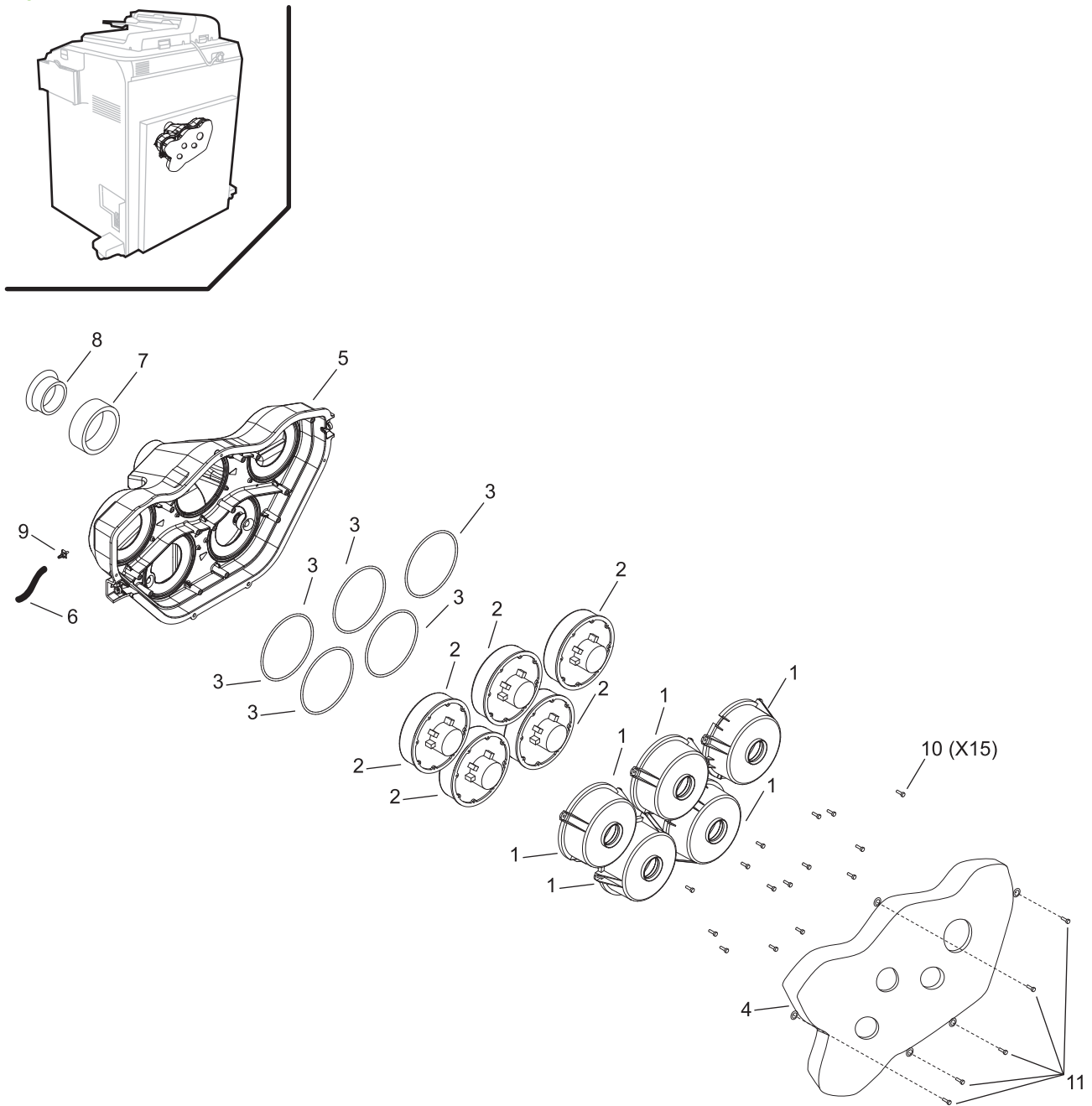


Table 4-120 Vacuum supply assembly parts list (for Figure 4-132)

Ref	Description	Part number	Qty
1	Vacuum motor cover (SVC ASSY-MUFFLER, VACUUM BLOWER)	C5956-67322	1
2	Vacuum motor (VAC1, VAC2, VAC3, VAC4, VAC5) (SVC-BLOWER-VACUUM)	C5956-67666	1
3	O-ring (SVC-ORING-VACUUM SUPPLY)	C5956-67814	1
4	Vacuum assembly cover (SVC ASSY-COVER, BLOWER)	C5956-67274	1
5	Vacuum supply housing (SVC ASSY-VACUUM SUPPLY HOUSING)	C5956-67272	1
6	Vacuum housing tube (SVC-TUBE-RUBBER-VACUUM SENSE SHORT)	C5956-67205	1
7	Rear gasket (SVC-GASKET-VACUUM DUCT-MOLDED)	C5956-67241	1
8	Drum axle seal (SVC-SEAL-DRUM AXLE)	C5956-67591	1
9	Fitting-tube, panel mount	C5956-67201	1
10	Screw (SVC-SCR-MACH M3X0.5 10MM-LG PAN HD ROHS)	C5956-67004	1 (Qty 20)
11	Screw (SVC-SCREW-TPG M4X0.7 12MM-LG PAN-HD ROHS)	C5956-67008	1 (Qty 20)

Cables

Description	Service part number	Manufacturer number	Connectors
SVC ASSY-CABLE, VAC FANS	C5956-67618	C5956-60252	W40P1-FAN1 W40P1-VAC1 W40P2-VAC2 W40P3-VAC3 W40P4-VAC4 W40P5-VAC5 W40P8-W24J8

Vertical transport parts diagrams

- [Vertical outer guide parts diagram](#)
- [Vertical inner guide parts diagram](#)
- [Vertical transmission parts diagram](#)
- [Cables](#)

Vertical outer guide parts diagram

Figure 4-133 Vertical outer guide parts diagram

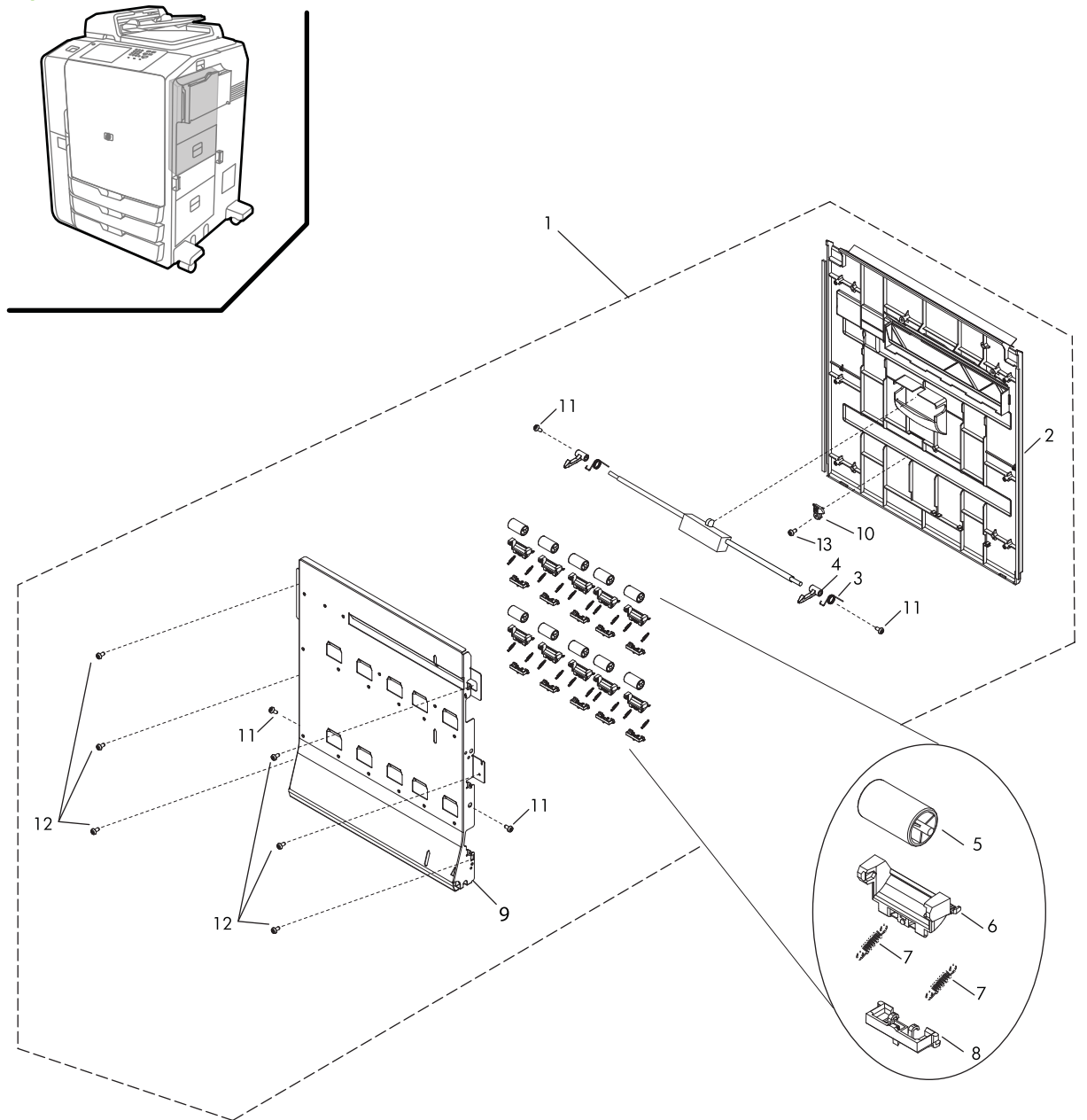


Table 4-121 Vertical outer guide parts list (for Figure 4-133)

Ref	Description	Part number	Qty
1	Vertical outer guide assembly (SVC ASSY-GUIDE VERTICAL OUTER)	C5956-67448	1
2	Vertical path door (SVC ASSY-VERTICAL PATH DOOR)	C5957-67045	1
3	Vertical door latch torsion spring (SVC-SPRING-TORSION VERTICAL LATCH)	C5956-67108	1
4	Latch (SVC-LATCH-VERTICAL DOOR)	C5956-67109	1
5	Pinch roller (SVC-ROLLER-PINCH)	C5956-67257	1
6	Pinch roller holder (SVC-HOLDER-PINCH ROLLER-SMALL)	C5956-67258	1 (Qty 5)
7	Pinch roller spring (SVC-SPRING-EXTENSION-PINCH ROLLER-SMALL)	C5956-67086	1 (Qty 20)
8	Pinch roller datum (SVC-DATUM-PINCH ROLLER-SMALL)	C5956-67087	1 (Qty 25)
9	Vertical outer guide (SVC ASSY-GUIDE OUTER VERTICAL)	C5956-67461	1
10	Lightpipe (SVC-LIGHTPIPE-MINI/VERTICAL PATH)	C5956-67039	1
11	Screw (SCREW-TPG M3X0.5 6MM-LG PAN HD ROHS)	C5956-67001	1 (Qty 20)
12	Screw (SCREW-TPG 4-20X7.94MM 10IP ROHS)	C5956-67012	1 (Qty 20)
13	Screw (SVC-SCREW-MACH M3X0.5 6MM-LG PAN HD ROHS)	C5956-67005	1 (Qty 20)
14	Door open limit strap (SVC-STRAP-DOOR OPEN LIMIT)	C5956-67084	1 (Qty 10)

Vertical inner guide parts diagram

Figure 4-134 Vertical inner guide parts diagram

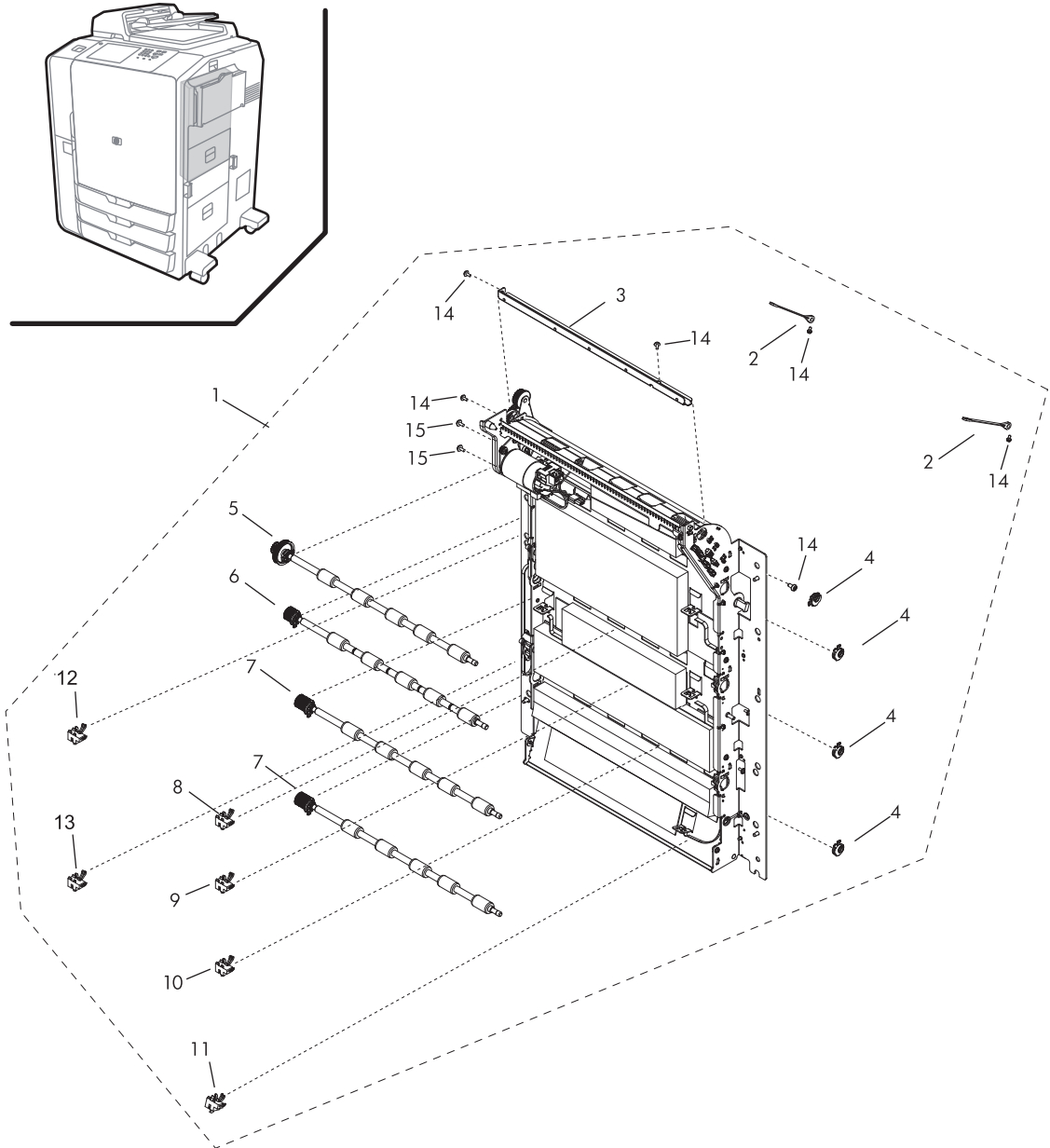


Table 4-122 Vertical inner guide parts list (for Figure 4-134)

Ref	Description	Part number	Qty
1	Vertical inner guide (SVC ASSY-VERTICAL PATH INNER)	C5956-67789	1
2	Door open limit strap (SVC-STRAP-DOOR OPEN LIMIT)	C5956-67084	1 (Qty 10)
3	Bypass upper guide (SVC ASSY-GUIDE BYPASS UPPER)	C5956-67332	1
4	Bearing yoke (SVC ASSY-BEARING YOKE LARGE)	C5956-67329	1
5	Driver roller (SVC ASSY-DRIVE ROLLER CLUSTER BYPASS)	C5956-67323	1
6	Drive roller (SVC ASSY-DRIVE ROLLER PULLEY IDO DBL)	C5956-67287	1
7	Drive roller (SVC ASSY-DRV RLLR PULLEY VERTICAL TRIPLE)	C5956-67338	1
8	Vertical Transport 3 sensor (SN25) (SVC-SENSOR, MEDIA PRESENCE)	C5956-67255	1 (Qty 5)
9	Vertical transport 4 sensor (SN26) (SVC-SENSOR, MEDIA PRESENCE)	C5956-67255	1 (Qty 5)
10	Vertical Transport 2 sensor (SN28) (SVC-SENSOR, MEDIA PRESENCE)	C5956-67255	1 (Qty 5)
11	Vertical Transport 1 sensor (SN35) (SVC-SENSOR, MEDIA PRESENCE)	C5956-67255	1 (Qty 5)
12	Tray 1 Door Open sensor (SN30) (SVC-SENSOR, MEDIA PRESENCE)	C5956-67255	1 (Qty 5)
13	Right-side Middle Panel sensor (SN23) (SVC-SENSOR, MEDIA PRESENCE)	C5956-67255	1 (Qty 5)
14	Screw (SCREW-TPG M3X0.5 6MM-LG PAN HD ROHS)	C5956-67001	1 (Qty 20)
15	Screw (SCREW-MACH M3X0.5 6MM-LG PAN HD ROHS)	C5956-67005	1 (Qty 20)

Vertical transmission parts diagram

Figure 4-135 Vertical transmission parts diagram

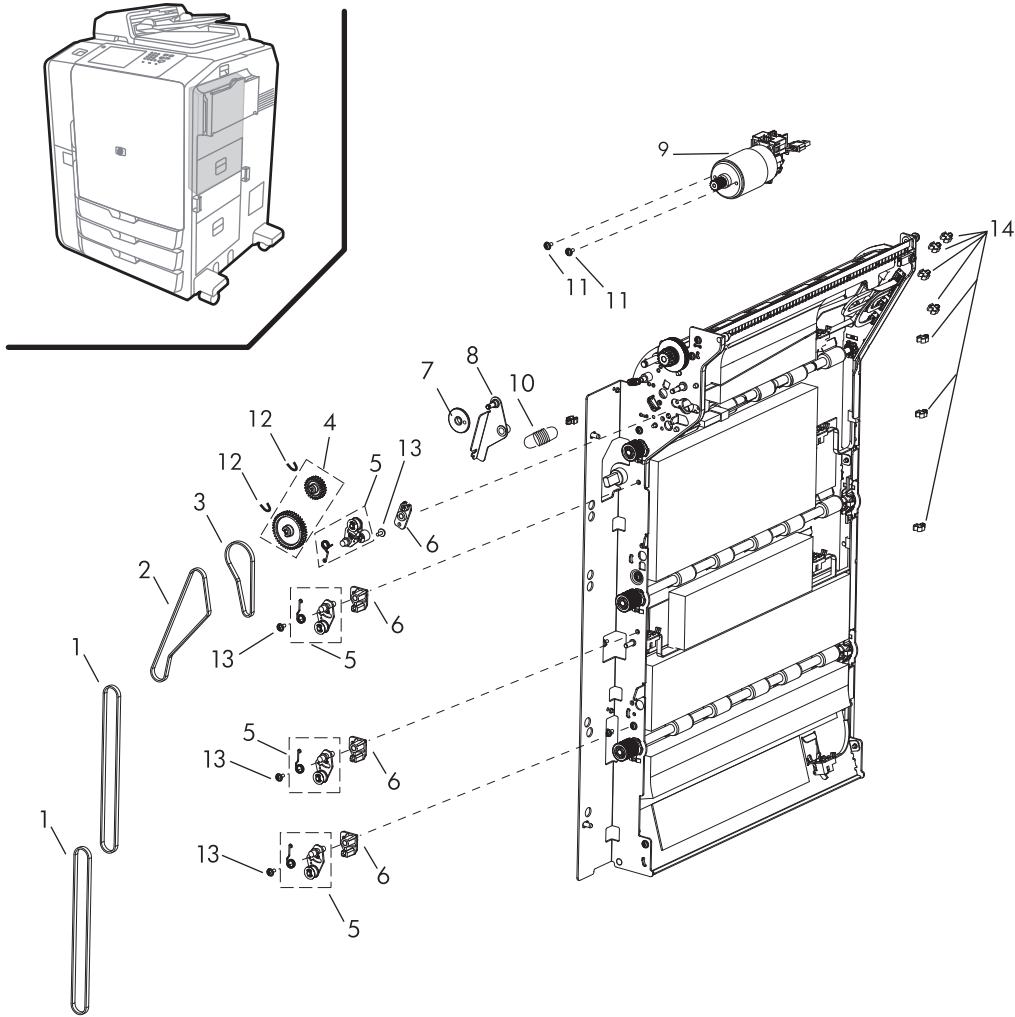


Table 4-123 Vertical transmission parts list (for Figure 4-135)

Ref	Description	Part number	Qty
1	Belt (SVC-BELT-GT2-177T, 2MM PITCH X 4MM)	C5956-67657	1
2	Belt (SVC-BELT-DRIVE, 144T, GT2, 2X4)	C5956-67661	1
3	Belt (SVC-BELT-GT2-2MM PITCH X 4MM, 85T)	C5956-67656	1
4	Gear bypass idlers (SVC KIT-GEAR-BYPASS)	C5956-67672	1
5	Tensioner (SVC ASSY-MEDIAPATH TENSIONER)	C5956-67297	1 (Qty 5)
6	Tensioner standoff (SVC KIT-STANDOFFS, TENSIONER)	C5956-67711	1
7	Pitch bypass wheel (SVC-WHEEL-PITCH BYPASS)	C5956-67114	1
8	Bypass drive swingarm (SVC-SWINGARM-BYPASS DRIVE)	C5956-67295	1
9	Vertical motor (M6) (SVC-MOTOR, MEDIAPATH)	C5956-67742	1
10	Spring (SVC-SPRING-TENSIONER)	C5956-67113	1
11	Screw (SCREW-MACH M3X0.5 6MM-LG PAN HD ROHS)	C5956-67005	1 (Qty 20)
12	Clip (SVC KIT-CLIPS, assortment)	C5956-67650	1
13	Screw (SCREW-TPG M3X0.5 6MM-LG PAN HD ROHS)	C5956-67001	1 (Qty 20)
14	Saddle (SVC KIT-WIRE MANGEMENT 2, SDL-WIRE .36-WD NYL-6/6 ROHS)	C5956-67649	1 (Qty 10)

Cables

Description	Service part number	Manufacturer number	Connectors
SVC ASSY-CABLE, LED, MINI-VERT	C5956-67112	C5956-60610	W94P13-LED13 W36J1-W94P1
SVC ASSY- CABLE,VERTICAL PATH SENSORS	C5956-67839	C5956-60222	W36P30-SN30 W36P25-SN25 W36P24-SN24 W36P24-SN38 W36P12-SN27 W36P26-SN26 W36P12-LED12 W36J1-W94P1 W36P28-SN28 W36P35-SN35 W36P12-EN12 W36P23-SN23 W36J6-W14P6
SVC ASSY-CABLE, MOTOR, VERT PATH	C5956-67832	C5956-60144	W20P1-SOL1 W20P6-M6 W20J3-W13P3
SVC-STRAP-GROUND VERTICAL DOOR	C5956-67110	C5956-60473	N/A

Web wipe parts diagrams

Figure 4-136 Web wipe parts diagram

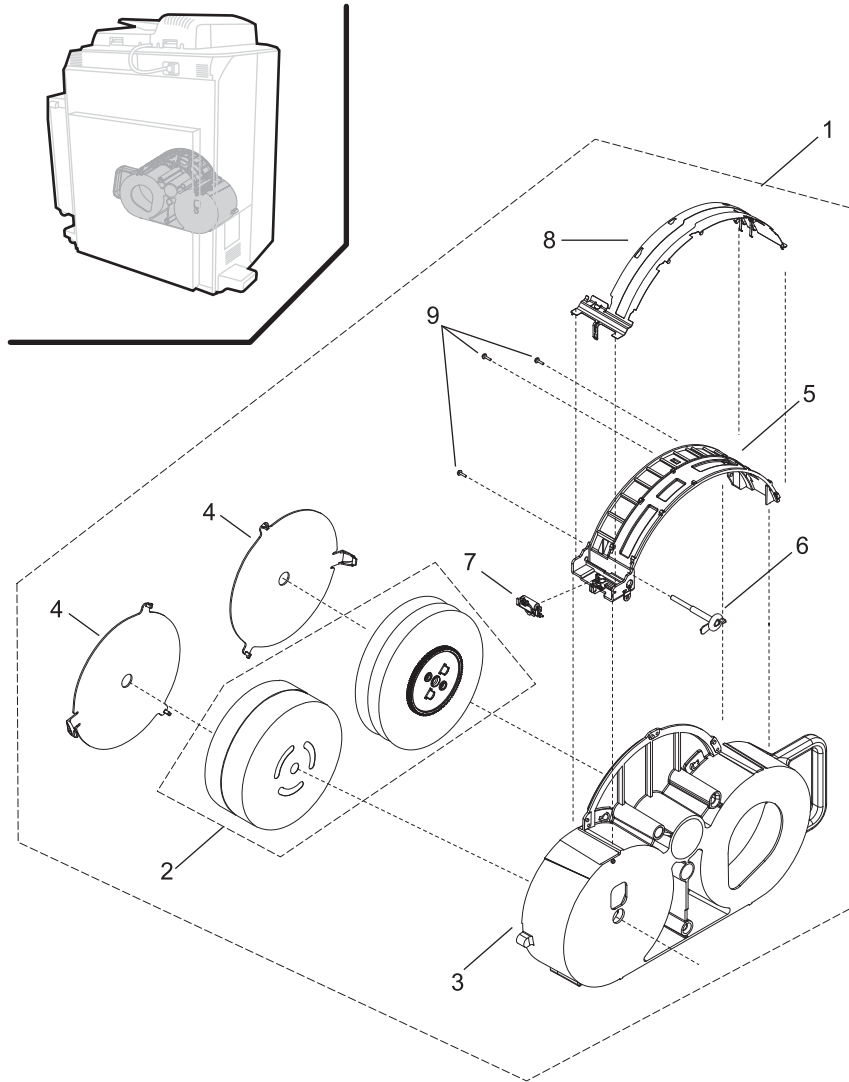


Table 4-124 Web wipe parts list (for Figure 4-136)

Ref	Description	Part number	Qty
1	Web cartridge assembly	C5957-67125	1
2	Web wipe (SVC KIT PM-WEB WIPE)	C5956-67837	1
	NOTE: Web wipe bulk pack (SVC-PM KIT WEB WIPE, 12 EA, BU), C5957-67185, 1 (Qty 12)		
3	Web wipe cartridge (SVC-CASE CARTRIDGE)	C5956-67202	1
4	Feed spool cover and take-up spool cover (SVC-COVER-SPOOL CARTRIDGE)	C5956-67085	1
5	Web wipe guide assembly (SVC ASSY-GUIDE WEB)	C5956-67628	1
6	Web wipe encoder tab assembly (SVC ASSY-ENCODER WEB ROLLER)	C5956-67260	1
7	Web wipe bias spring assembly (SVC KIT-WEB BIAS SPRING)	C5956-67276	1
8	Web wipe cover plate (SVC-COVER WEB)	C5956-67166	1
9	Screw (SVC-SCREW-TPG 4-20 0.427-IN-LG ROHS)	C5956-67018	1 (Qty 20)
10	Label (SVC-LABEL-WEB REMOVAL). Not shown in diagram.	C5957-67117	1

Alphabetical parts list

Table 4-125 Alphabetical parts list

Description	Part number	Table and page
(KEY, DRAWER, PLUS)	C5957-67116	Trays 2, 3, and 4 drawer parts list (for Figure 4-127) on page 300
(SVC ASSY-D-SHAFT, NUGE, CATSCRATCHER)	C5957-67133	IDO media eject assembly parts list (for Figure 4-99) on page 232
128 MB DIMM (HP 128MB 167HMZ 200 PIN DDR DIMM)	Q7557-60001	Formatter PCAs parts list (for Figure 4-87) on page 204
14 mm idler (SVC-PULLEY-IDLER-14MM)	C5956-67686	IDO drive belts parts list (for Figure 4-95) on page 224
256 MB DRAM 1 (SVC-IC-DDR-SDRAM 256MX64 184PIN DIMM ROHS)	C5956-67106	Image Processing PCA (A6) parts list (for Figure 4-119) on page 278
48T/20T reduction pulley (SVC ASSY-PULLEY, REDUCTION 48T/20T)	C5956-67364	IDO drive belts parts list (for Figure 4-95) on page 224
512 MB DIMM (HP 512MB 167HMZ 200 PIN DDR DIMM)	Q7559-60001	Formatter PCAs parts list (for Figure 4-87) on page 204
512 MB DRAM (SYNC DDR-DRAM 64M X 64 200P)	2660-0159	Formatter Main PCA (A26) parts list (for Figure 4-85) on page 200
512 MB DRAM 2 (SVC-IC-DDR-SDRAM 512MX64 184PIN DIMM ROHS)	C5956-67105	Image Processing PCA (A6) parts list (for Figure 4-119) on page 278
A33/A33/A33 (SVC-PCA, DISTRIBUTIONBOARD)	C5956-67417	Trays 2, 3, and 4 rear parts list (for Figure 4-125) on page 296
Acoustic panel (pre-Tag 6) (SVC-ACOUSTIC PANEL-WEB WIPE COVER). Not shown in diagram.	C5957-67120	Web wipe access cover parts list (for Figure 4-59) on page 141
Action key array (SVC ASSY-KEY, PLASTIC ACTION)	C5956-67477	Control panel parts list (for Figure 4-39) on page 96
ADF assembly (SVC ASSY-ADF)	C5962-67045	ADF main assembly parts list (for Figure 4-17) on page 44
ADF contact glass assembly (SVC-PARTS,CONTACT GLASS ADF ASS'Y)	C5956-67156	Scanner top parts list (for Figure 4-21) on page 54
ADF Control PCA (A401) (SVC-DRIVER PCB SOFTWARE ASS'Y)	C5962-67007	ADF drive system parts list (for Figure 4-18) on page 46
ADF Cover Open switch (SW402) (SVC KIT-SWITCH A, INTERLOCK)	C5962-67006	ADF drive system parts list (for Figure 4-18) on page 46
ADF drive system service kit (SVC KIT-DRIVE SECTION)	C5962-67039	ADF drive system parts list (for Figure 4-18) on page 46
ADF Duplex Pressure solenoid (SOL403) (SVC KIT-SOLENOID, LOOP PULLEY). Includes spring and spring pin.	C5962-67030	ADF drive system parts list (for Figure 4-18) on page 46

Table 4-125 Alphabetical parts list (continued)

Description	Part number	Table and page
ADF Duplex Shift solenoid (SOL402)/ADF Eject Shift solenoid (SOL404) (SVC-FEED SOLENOID ASSEMBLY)	Not available	ADF front side parts list (for Figure 4-19) on page 48
ADF eject drive kit (SVC KIT-PAPER EJECT)	C5962-67038	ADF front side parts list (for Figure 4-19) on page 48
ADF Feed clutch (CL401) (SVC-CLUTCH, PAPER FEED)	C5962-67009	ADF drive system parts list (for Figure 4-18) on page 46
ADF Feed motor (M401)/ADF Conveying motor (M402) (SVC ASSY-MOTOR PAPER FEED)	C5962-67040	ADF drive system parts list (for Figure 4-18) on page 46
ADF Feed sensor (SN404) (SVC-SWITCH L, FEED)	C5962-67010	ADF conveying section parts list (for Figure 4-20) on page 50
ADF front cover (SVC-FRONT COVER ASSEMBLY)	C5962-67014	ADF main assembly parts list (for Figure 4-17) on page 44
ADF front paper width guide (SVC-FRONT GUIDE ASSEMBLY)	C5962-67019	ADF input tray parts list (for Figure 4-16) on page 42
ADF input tray (SVC-FEED TABLE ASSEMBLY)	C5962-67017	ADF input tray parts list (for Figure 4-16) on page 42
ADF input tray (SVC-FEED TABLE ASSEMBLY)	C5962-67017	ADF main assembly parts list (for Figure 4-17) on page 44
ADF input tray wire (SVC-WIRE, TABLE)	C5962-67025	ADF input tray parts list (for Figure 4-16) on page 42
ADF LED PCA (A402) (SVC-SET LED PCB ASS'Y)	C5962-67008	ADF front side parts list (for Figure 4-19) on page 48
ADF left hinge (SVC-LEFT_HINGE)	C5962-67002	ADF main assembly parts list (for Figure 4-17) on page 44
ADF lift pad (SVC-PAD, LIFT)	C5962-67026	ADF conveying section parts list (for Figure 4-20) on page 50
ADF open guide assembly (SVC KIT-SCANNER GUIDE ASSY)	C5956-67157	Scanner drive and electronics parts list (for Figure 4-23) on page 58
ADF Open Safety switch (SW401) and Scanner Home Position sensor (SN503) (SVC-SENSOR, 248NL1)	C5956-67143	Scanner drive and electronics parts list (for Figure 4-23) on page 58
ADF Original Lift solenoid (SOL401) (SVC-FEED SOLENOID ASSEMBLY)	Not available	ADF drive system parts list (for Figure 4-18) on page 46
ADF originals cover (SVC-ORIGINAL HOLDER ASSEMBLY)	C5962-67013	ADF main assembly parts list (for Figure 4-17) on page 44
ADF output bin (SVC-RIGHT COVER ASSEMBLY)	C5962-67012	ADF main assembly parts list (for Figure 4-17) on page 44
ADF reading guide (SVC KIT-PAPER EJECT)	C5962-67038	ADF drive system parts list (for Figure 4-18) on page 46
ADF rear cover (SVC-REAR COVER ASSEMBLY)	C5962-67016	ADF main assembly parts list (for Figure 4-17) on page 44

Table 4-125 Alphabetical parts list (continued)

Description	Part number	Table and page
ADF rear paper width guide (SVC-REAR GUIDE ASSEMBLY)	C5962-67018	ADF input tray parts list (for Figure 4-16) on page 42
ADF reversing section pulley kit (SVC KIT-REVERSING SECTION)	C5962-67031	ADF conveying section parts list (for Figure 4-20) on page 50
ADF right hinge (SVC-RIGHT_HINGE)	C5962-67003	ADF main assembly parts list (for Figure 4-17) on page 44
ADF Timing sensor (SN406) (SVC-SENSOR, TIMING)	C5962-67011	ADF conveying section parts list (for Figure 4-20) on page 50
ADF top cover (SVC-LEFT COVER ASSEMBLY)	C5962-67015	ADF main assembly parts list (for Figure 4-17) on page 44
ADF Width sensor (SN402) (SVC-SWITCH, SIZE DETECTION)	C5962-67001	ADF input tray parts list (for Figure 4-16) on page 42
Aerosol assembly without blower and blower cover (SVC ASSY-AEROSOL FILTER BOX)	C5957-67038	Aerosol assembly parts list (for Figure 4-25) on page 63
Aerosol duct assembly (SVC KIT PM-AEROSOL DUCTS)	C5957-67085	Carriage 2 assembly parts list (for Figure 4-34) on page 84
Aerosol duct assembly(SVC KIT PM-AEROSOL DUCTS)	C5957-67085	Carriage 1 assembly parts list (for Figure 4-33) on page 82
Aerosol fan cover (SVC ASSY-AEROSOL BLOWER COVER)	C5956-67626	Aerosol assembly parts list (for Figure 4-25) on page 63
Aerosol fan gasket (SVC-GASKET-BLOWER)	C5956-67695	Aerosol assembly parts list (for Figure 4-25) on page 63
Aerosol filter (SVC ASSY-AEROSOL FILTER)	C5956-67266	Aerosol assembly parts list (for Figure 4-25) on page 63
Aerosol motor (AERO) (SVC-BLOWER-VACUUM)	C5956-67666	Aerosol assembly parts list (for Figure 4-25) on page 63
AFE PCA (A502) (SVC-AFE PCB ASS'Y)	C5956-67147	Scanner top parts list (for Figure 4-21) on page 54
Alignment clip (SVC-CLIP, ALIGNMENT)	C5957-67080	Trays 2, 3, and 4 main assembly parts list (for Figure 4-124) on page 294
Alignment pins	C5957-67202	IDO RM front parts list (for Figure 4-92) on page 218
Anchor handle (SVC-ANCHOR-HANDLE, CURLER)	C5956-67094	IDO curler assembly parts list (for Figure 4-100) on page 234
Angled bracket (SVC-BRACKET, ANGLE)	C5956-67759	Trays 2, 3, and 4 drive parts list (for Figure 4-129) on page 304
Anti-vibration kit (SVC KIT-ANTI_VIBRATION, PCA)	C5956-67674	Formatter PCAs parts list (for Figure 4-87) on page 204
APS assembly (PMP1) (SVC ASSY-APS W/NEW VALVE)	C5957-67189	IDS APS assembly parts list (for Figure 4-109) on page 256

Table 4-125 Alphabetical parts list (continued)

Description	Part number	Table and page
APS relief valve (SOL5) (SVC-ASSY-RELIEF VALVE)	C5957-67186	IDS APS assembly parts list (for Figure 4-109) on page 256
Ball slide attach (SVC-BALL SLIDE-ATTACH)	C5956-67180	Carriage structure parts list (for Figure 4-27) on page 70
Barb (SVC-BARB M10)	C5956-67127	Drum vacuum assembly parts list (for Figure 4-74) on page 174
Bearing yoke (SVC ASSY-BEARING YOKE LARGE)	C5956-67330	Horizontal upper assembly parts list (for Figure 4-90) on page 212
Bearing yoke (SVC ASSY-BEARING YOKE LARGE)	C5956-67329	Vertical inner guide parts list (for Figure 4-134) on page 318
Bearing yoke, large (SVC ASSY-BEARING YOKE LARGE)	C5956-67329	IDO curler assembly parts list (for Figure 4-100) on page 234
Bearing yoke, small (SVC ASSY-BEARING YOKE SMALL)	C5956-67330	IDO media eject assembly parts list (for Figure 4-99) on page 232
Bearing yoke, small (SVC ASSY-BEARING YOKE SMALL)	C5956-67330	IDO curler assembly parts list (for Figure 4-100) on page 234
Bearing, 68822NR (SVC KIT-ADF, SCANNER BEARINGS-BUSHINGS)	C5962-67041	Scanner top parts list (for Figure 4-21) on page 54
Belt (SVC-BELT-CURLER MOTOR, 77T, GT2 2X6)	C5956-67226	IDO curler assembly parts list (for Figure 4-100) on page 234
Belt (SVC-BELT-DRIVE, 144T, GT2, 2X4)	C5956-67661	Vertical transmission parts list (for Figure 4-135) on page 320
Belt (SVC-BELT-DRIVE, 71T, GT2, 2X6)	C5956-67230	IDO curler assembly parts list (for Figure 4-100) on page 234
Belt (SVC-BELT-DRIVE, 73T, GT2, 2X4)	C5956-67227	Horizontal transmission parts list (for Figure 4-89) on page 210
Belt (SVC-BELT-DRUM DRIVE, 5-MULTI-VX20", POLY)	C5956-67132	Drum drive parts list (for Figure 4-73) on page 172
Belt (SVC-BELT-GT2-162T, 2MM PITCH X 4MM)	C5956-67221	Horizontal transmission parts list (for Figure 4-89) on page 210
Belt (SVC-BELT-GT2-177T, 2MM PITCH X 4MM)	C5956-67657	Vertical transmission parts list (for Figure 4-135) on page 320
Belt (SVC-BELT-GT2-2MM PITCH X 4MM, 85T)	C5956-67656	Vertical transmission parts list (for Figure 4-135) on page 320
BELT, 162T (SVC-BELT-GT2-162T, 2MM PITCH X 4MM)	C5956-67221	IDO drive belts parts list (for Figure 4-95) on page 224
Belt, 85T (C-BELT-GT2-2MM PITCH X 4MM, 85T)	C5956-67656	IDO drive belts parts list (for Figure 4-95) on page 224
BELT, 97T (SVC-BELT-DRIVE, 97T, GT2, 2X4)	C5956-67659	IDO drive belts parts list (for Figure 4-95) on page 224

Table 4-125 Alphabetical parts list (continued)

Description	Part number	Table and page
BELT-DRIVE, 121T, GT2, 2X4 (SVC KIT-BELTS, IDO)	C5956-67673	IDO drive belts parts list (for Figure 4-95) on page 224
BELT-DRIVE, 134T, GT2, 2X4 (SVC KIT-BELTS, IDO)	C5956-67673	IDO drive belts parts list (for Figure 4-95) on page 224
BELT-DRIVE, 71T, GT2, 2X4 (SVC KIT-BELTS, IDO)	C5956-67673	IDO drive belts parts list (for Figure 4-95) on page 224
BELT-DRIVE, 71T, GT2, 2X4 (SVC KIT-BELTS, IDO)	C5956-67673	IDO drive belts parts list (for Figure 4-95) on page 224
BELT-DRIVE, 81T, GT2, 2X4 (SVC KIT-BELTS, IDO)	C5956-67673	IDO drive belts parts list (for Figure 4-95) on page 224
BELT-DRIVE, 81T, GT2, 2X4 (SVC KIT-BELTS, IDO)	C5956-67673	IDO drive belts parts list (for Figure 4-95) on page 224
BELT-DRIVE, 87T, GT2, 2X4 (SVC-KIT-BELTS, IDO)	C5956-67673	IDO drive belts parts list (for Figure 4-95) on page 224
Black/yellow pen (KY PRINTHEAD)	C8747-69901	Printheads parts list (for Figure 4-31) on page 78
Bonding Agent pen (BONDING AGENT PRINTHEAD)	C8749-69901	Printheads parts list (for Figure 4-31) on page 78
Bridge cam (SVC ASSY-HZ TRNSPT-CAM-CATSCRATCHER)	C5956-67366	Drum spittoon parts list (for Figure 4-70) on page 166
Brightness wheel (SVC-PLASTIC BRIGHTNESS WHEEL)	C5956-67428	Control panel parts list (for Figure 4-39) on page 96
Bypass drive swingarm (SVC-SWINGARM-BYPASS DRIVE)	C5956-67295	Vertical transmission parts list (for Figure 4-135) on page 320
Bypass upper guide (SVC ASSY-GUIDE BYPASS UPPER)	C5956-67332	Vertical inner guide parts list (for Figure 4-134) on page 318
Cable (ASSY-CABLE, DROP DETECT HARNESS)	C5956-67251	Drop detect assembly parts list (for Figure 4-81) on page 188
Cable (SVC-CABLE, HORIZ TRANSPORT LATCH)	C5956-67119	Horizontal upper assembly parts list (for Figure 4-90) on page 212
Cable guide (SVC-GUIDE-CABLE CORNER)	C5957-67110	Horizontal upper assembly parts list (for Figure 4-90) on page 212
Captive clicker bushing (SVC-BUSHING-CAPTIVE CLICKER)	C5956-67216	Output bin door parts list (for Figure 4-58) on page 139
Card support bracket (SVC-CLAMP-PC BRACKET, UPPER)	C5957-67066	Formatter PCAs parts list (for Figure 4-87) on page 204
Carriage 1 aerosol hose and clamps assembly (SVC ASSY-AEROSOL HOSE + CLAMP-LEFT)	C5956-67350	Carriage 1 e-chain parts list (for Figure 4-35) on page 86
Carriage 1 aerosol snorkel (SVC-AEROSOL-SNORKEL-LEFT)	C5956-67203	Carriage 1 e-chain parts list (for Figure 4-35) on page 86

Table 4-125 Alphabetical parts list (continued)

Description	Part number	Table and page
Carriage 1 Cooling fan (FAN7) and Carriage 2 Cooling fan (FAN8) (SVC-FAN-PEN COOLING)	C5956-67074	Service station pen cooling fans assembly parts list (for Figure 4-123) on page 290
Carriage 1 echain cable clamp (SVC-CLAMP,TRAILING CABLES,LEFT)	C5956-67592	Carriage 1 e-chain parts list (for Figure 4-35) on page 86
Carriage 1 echain sidecar (SVC-ECHAIN-SIDECAR-LEFT)	C5956-67167	Carriage 1 e-chain parts list (for Figure 4-35) on page 86
Carriage 1 encoder cable (W74) (SVC ASSY-ENCODER TRAILING CABLE, C1)	C5956-67097	Carriage 1 e-chain parts list (for Figure 4-35) on page 86
Carriage 1 Encoder PCA (A9) (EN18) (SVC KIT-PCA ENCODER BOARD)	C5957-67073	Carriage 1 assembly parts list (for Figure 4-33) on page 82
Carriage 1 motor (M1)/Carriage 2 motor (M2) with bracket (SVC ASSY-CARRIAGE DRIVE MOTOR W/BRACKET)	C5956-67637	Carriage drive assembly parts list (for Figure 4-32) on page 80
Carriage 1 Pen Protection sensor (SN56) (SVC ASSY-TOUCHSENSOR)	C5956-67664	Carriage 1 assembly parts list (for Figure 4-33) on page 82
Carriage 1 PPS motor (M23) and Carriage 2 PPS motor (M24) (SVC ASSY-PPS MOTOR)	C5956-67691	Carriage PPS assembly parts list (for Figure 4-37) on page 90
Carriage 1 PPS PCA (A25) (EN21) and Carriage 2 PPS PCA (A34) (EN22) (SVC-PPS COMBO BOARD)	C5956-67067	Carriage PPS assembly parts list (for Figure 4-37) on page 90
Carriage 2 aerosol hose and clamps assembly (SVC ASSY-AEROSOL HOSE + CLAMP RIGHT)	C5956-67351	Carriage 2 e-chain parts list (for Figure 4-36) on page 88
Carriage 2 aerosol snorkel (SVC-AEROSOL-SNORKEL-RIGHT)	C5956-67204	Carriage 2 e-chain parts list (for Figure 4-36) on page 88
Carriage 2 echain cable clamp (SVC-CLAMP,TRAILING CABLES,RIGHT)	C5956-67593	Carriage 2 e-chain parts list (for Figure 4-36) on page 88
Carriage 2 echain sidecar (SVC-ECHAIN-SIDECAR-RIGHT)	C5956-67168	Carriage 2 e-chain parts list (for Figure 4-36) on page 88
Carriage 2 encoder cable (W75) (SVC ASSY-ENCODER TRAILING CABLE, C2)	C5956-67101	Carriage 2 e-chain parts list (for Figure 4-36) on page 88
Carriage 2 Encoder PCA (A24) (EN19) (SVC KIT-PCA ENCODER BOARD)	C5957-67073	Carriage 2 assembly parts list (for Figure 4-34) on page 84
Carriage 2 Pen Protection sensor (SN57) SVC ASSY-TOUCHSENSOR)	C5956-67664	Carriage 2 assembly parts list (for Figure 4-34) on page 84
Carriage cover plate (SVC-ASSY-CARRIAGE COVER PLATE)	C5956-67667	Carriage structure parts list (for Figure 4-27) on page 70
Carriage drive assembly (SVC KIT PM-CARRIAGE DRIVE). Note: Includes motor and two belts. Does not include motor mount bracket.	C5956-67586	Carriage drive assembly parts list (for Figure 4-32) on page 80
Carriage drive belt attach bracket assembly (SVC ASSY-BELT ATTACH W/BRACKET)	C5957-67091	Carriage drive assembly parts list (for Figure 4-32) on page 80

Table 4-125 Alphabetical parts list (continued)

Description	Part number	Table and page
Carriage drive pulley and pin assembly (SVC ASSY-DRIVE PULLEY WITH PIN) Note: Part number C5957-67198 replaces C5956-67687.	C5957-67198	Carriage drive assembly parts list (for Figure 4-32) on page 80
Carriage encoder strips (SVC KIT PM-CARRIAGE ENCODER)	C5956-67819	Carriage drive assembly parts list (for Figure 4-32) on page 80
Carriage extraction latch pin (SVC-LATCH, PIN)	C5956-67033	Carriage extraction mechanism parts list (for Figure 4-28) on page 72
Carriage extraction latch spring (SVC-EXTRACTION LATCH SPRING)	C5956-67199	Carriage extraction mechanism parts list (for Figure 4-28) on page 72
Carriage extraction spring (SVC-SPRING-EXTRACTION)	C5956-67032	Carriage extraction mechanism parts list (for Figure 4-28) on page 72
Carriage extraction spring rocker (SVC-SPRING ROCKER)	C5956-67165	Carriage extraction mechanism parts list (for Figure 4-28) on page 72
Carriage extraction wheels (SVC-EXTRACTION WHEEL)	C5956-67052	Carriage structure parts list (for Figure 4-27) on page 70
Carriage felt and retainers (SVC KIT PM-CARRIAGE FELT) (Mylar side of felt to be placed towards carriage)	C5956-67441	Carriage 1 assembly parts list (for Figure 4-33) on page 82
Carriage felt and retainers (SVC KIT PM-CARRIAGE FELT) (Mylar side of felt to be placed towards carriage)	C5956-67441	Carriage 2 assembly parts list (for Figure 4-34) on page 84
Carriage Front thermistor (SN61) and Carriage Back thermistor (SN62) (SVC-PLATE-THERMISTER)	C5956-67354	Carriage structure parts list (for Figure 4-27) on page 70
Carriage handle (SVC-HANDLE-CARRIAGE)	C5956-67050	Carriage 1 assembly parts list (for Figure 4-33) on page 82
Carriage handle (SVC-HANDLE-CARRIAGE)	C5956-67050	Carriage 2 assembly parts list (for Figure 4-34) on page 84
Carriage idler pulley (SVC ASSY-IDLER PULLEY)	C5956-67826	Carriage drive assembly parts list (for Figure 4-32) on page 80
Carriage left extraction wheel catch (SVC-WHEEL CATCH LEFT)	C5956-67170	Carriage extraction mechanism parts list (for Figure 4-28) on page 72
Carriage left service latch (SVC-LATCH-SERVICE LEFT)	C5956-67177	Carriage extraction mechanism parts list (for Figure 4-28) on page 72
Carriage left X-brace (SVC-X-BRACE, LEFT)	C5956-67187	Carriage structure parts list (for Figure 4-27) on page 70
Carriage magnet (SVC-MAGNET-0.50 INCH DIA, 0.25 INCH HIGH)	C5956-67219	Carriage 1 assembly parts list (for Figure 4-33) on page 82
Carriage magnet (SVC-MAGNET-0.50 INCH DIA, 0.25 INCH HIGH)	C5956-67219	Carriage 2 assembly parts list (for Figure 4-34) on page 84

Table 4-125 Alphabetical parts list (continued)

Description	Part number	Table and page
Carriage magnet retainer (SVC-RETAINER-MAGNET, CARRIAGE 1)	C5956-67053	Carriage 1 assembly parts list (for Figure 4-33) on page 82
Carriage magnet retainer (SVC-RETAINER-MAGNET, CARRIAGE 2)	C5956-67786	Carriage 2 assembly parts list (for Figure 4-34) on page 84
Carriage motor spring anchor (SVC-SPRING-ANCHOR)	C5956-67164	Carriage structure parts list (for Figure 4-27) on page 70
Carriage Open sensor (SN19) (SVC-PHOTOINTERRUPTER IF-MAX=50MA ROHS)	C5956-67162	Carriage Open sensor (SN19) and base parts list (for Figure 4-38) on page 92
Carriage Open sensor base (SVC-SENSOR BASE)	C5956-67178	Carriage Open sensor (SN19) and base parts list (for Figure 4-38) on page 92
Carriage PSU PCA (A7) (SVC ASSY-CPSU BOARD AND PVR DOOR)	C5956-67363	Carriage PSU PCA (A7) assembly parts list (for Figure 4-113) on page 266
Carriage right extraction wheel catch (SVC-WHEEL CATCH RIGHT)	C5956-67169	Carriage extraction mechanism parts list (for Figure 4-28) on page 72
Carriage right service latch (SVC-LATCH-SERVICE RIGHT)	C5956-67176	Carriage extraction mechanism parts list (for Figure 4-28) on page 72
Carriage right X-brace (SVC-X-BRACE, RIGHT)	C5956-67186	Carriage structure parts list (for Figure 4-27) on page 70
Carriage structure flag (SVC-CARRIAGE STRUCTURE FLAG)	C5956-67188	Carriage structure parts list (for Figure 4-27) on page 70
CCW tensioner (SVC ASSY-TENSIONER, MEDIAPATH CCW)	C5956-67454	Horizontal transmission parts list (for Figure 4-89) on page 210
Clip (SVC KIT-CLIPS, assortment)	C5956-67650	Carriage extraction mechanism parts list (for Figure 4-28) on page 72
Clip (SVC KIT-CLIPS, assortment)	C5956-67650	Drum guide assembly parts list (for Figure 4-80) on page 186
Clip (SVC KIT-CLIPS, assortment)	C5956-67650	Dryer assembly parts list (for Figure 4-82) on page 192
Clip (SVC KIT-CLIPS, assortment)	C5956-67650	Horizontal transmission parts list (for Figure 4-89) on page 210
Clip (SVC KIT-CLIPS, assortment)	C5956-67650	IDO RM internal motors assembly parts list (for Figure 4-93) on page 220
Clip (SVC KIT-CLIPS, assortment)	C5956-67650	IDO decurler internals assembly parts list (for Figure 4-101) on page 237
Clip (SVC KIT-CLIPS, assortment)	C5956-67650	IDO H-bar assembly parts list (for Figure 4-107) on page 249

Table 4-125 Alphabetical parts list (continued)

Description	Part number	Table and page
Clip (SVC KIT-CLIPS, assortment)	C5956-67650	Service Station parts list (for Figure 4-122) on page 288
Clip (SVC KIT-CLIPS, assortment)	C5956-67650	Vertical transmission parts list (for Figure 4-135) on page 320
Clip (SVC-SPRING, ESD)	C5956-67399	Trays 2, 3, and 4 main assembly parts list (for Figure 4-124) on page 294
Control panel assembly (SVC ASSY-10.4 IN LCD CONTROL PANEL)	C5956-67134	Control panel parts list (for Figure 4-39) on page 96
Control panel bezel (SVC ASSY- CONTROL PANEL BEZEL)	C5956-67429	Control panel parts list (for Figure 4-39) on page 96
Control panel inverter PCA (SVC-BACKLIGHT INVERTER)	C5956-67383	Control panel parts list (for Figure 4-39) on page 96
Control panel LCD assembly (SVC-PRISM LCD ASSEMBLY)	C5956-67476	Control panel parts list (for Figure 4-39) on page 96
Control panel mounting bracket (SVC-BRACKET - MOUNTING)	C5956-67431	Control panel parts list (for Figure 4-39) on page 96
Control Panel PCA (A36) (SVC-PRISM PCA)	C5956-67475	Control panel parts list (for Figure 4-39) on page 96
Control panel touchscreen (SVC-TOUCHSCREEN)	C5956-67427	Control panel parts list (for Figure 4-39) on page 96
Coprocessor hard drive (PATA HDD 80 GB). Note: Part number 0950-4778 (PATA HDD 80 GB) replaces 0950-4697 (PATA HDD 40 GB)	0950-4778	Formatter Coprocessor parts list (for Figure 4-88) on page 206
Copy Processing PCA (A27) (SVC ASSY-PCA & HWDR, PCI EXPRESS, SFP)	C5956-67369	Formatter PCAs parts list (for Figure 4-87) on page 204
Cover (SVC-COVER-CANTED ROLLER, HORIZ TRANSPORT)	C5956-67123	Horizontal lower assembly parts list (for Figure 4-91) on page 214
CPSU Cooling fan (FAN3) (SVC FAN-60MM-LOW FLOW 2410RL-04W-B29)	C5956-67302	CPSU Cooling fan (FAN3) parts list (for Figure 4-117) on page 274
CPSU Cooling fan (FAN3) assembly (SVC ASSY-PVR FAN)	C5956-67663	CPSU Cooling fan (FAN3) parts list (for Figure 4-117) on page 274
CPSU Cooling fan (FAN3) filter (SVC KIT-COOLING FILTER)	C5956-67583	CPSU Cooling fan (FAN3) parts list (for Figure 4-117) on page 274
Curler cover (SVC ASSY-CURLER COVER)	C5956-67334	IDO curler assembly parts list (for Figure 4-100) on page 234
Curler front cover (SVC-COVER-CURLER TRANSMISSION FRONT)	C5956-67224	IDO curler assembly parts list (for Figure 4-100) on page 234
Curler handle (SVC-HANDLE-CURLER)	C5956-67093	IDO curler assembly parts list (for Figure 4-100) on page 234

Table 4-125 Alphabetical parts list (continued)

Description	Part number	Table and page
Curler latch (SVC-SPRING-LATCH CURLER)	C5956-67091	IDO curler assembly parts list (for Figure 4-100) on page 234
Curler power shaft (SVC ASSY-SHAFT POWER CURLER)	C5956-67289	IDO curler assembly parts list (for Figure 4-100) on page 234
Curler rail overmold (SVC-RAIL-CURLER OVERMOLDED)	C5956-67303	IDO decurler internals assembly parts list (for Figure 4-101) on page 237
Curler ramp (SVC-RAMP-CURLER)	C5956-67239	IDO curler assembly parts list (for Figure 4-100) on page 234
Curler rear cover (SVC-COVER-CURLER TRANSMISSION REAR)	C5956-67225	IDO curler assembly parts list (for Figure 4-100) on page 234
Curler spacer (SVC-SPACER-DECURLER)	C5956-67685	IDO decurler internals assembly parts list (for Figure 4-101) on page 237
Curler tensioner (SVC ASSY-TENSIONER, CURLER)	C5956-67348	IDO curler assembly parts list (for Figure 4-100) on page 234
Curler wire cover (SVC-COVER-WIRE EXTERIOR CURLER)	C5957-67087	IDO curler assembly parts list (for Figure 4-100) on page 234
Cyan/magenta pen (CM PRINTHEAD)	C8748-69901	Printheads parts list (for Figure 4-31) on page 78
Datum front (SVC ASSY-DATUM FRONT RM)	C5956-67320	IDO RM front parts list (for Figure 4-92) on page 218
Decurler cam (SVC-CAM-FRONT-SPOKKA-DECURLER)	C5956-67238	IDO decurler internals assembly parts list (for Figure 4-101) on page 237
Decurler camshaft assembly (SVC ASSY-CAMSHAFT, DECURLER)	C5957-67062	IDO decurler internals assembly parts list (for Figure 4-101) on page 237
Decurler camshaft yoke (SVC-YOKE-CAMSHAFT, DECURLER)	C5956-67232	IDO decurler internals assembly parts list (for Figure 4-101) on page 237
Decurler rail (SVC-RAIL-CURLER OVERMOLDED)	C5956-67303	IDO curler assembly parts list (for Figure 4-100) on page 234
Decurler swingarm (SVC ASSY-SWINGARM DECURLER FRONT)	C5956-67471	IDO decurler internals assembly parts list (for Figure 4-101) on page 237
Diverter bushingless yoke (SVC-YOKE-BUSHINGLESS)	C5956-67231	IDO diverter parts list (for Figure 4-96) on page 226
Diverter extension (SVC-ARM-EXTENSION DIVERTER)	C5956-67684	IDO RM front parts list (for Figure 4-92) on page 218
Diverter SVC ASSY-DIVERTER OVERMOLDED)	C5956-67328	IDO diverter parts list (for Figure 4-96) on page 226
Diverter upper guide (SVC ASSY-GUIDE, DIVERTER UPPER)	C5956-67335	IDO diverter parts list (for Figure 4-96) on page 226

Table 4-125 Alphabetical parts list (continued)

Description	Part number	Table and page
Door catch (SVC-CATCH-DOOR LOCK)	C5956-67179	Front door parts list (for Figure 4-40) on page 103
Door lock actuator (SVC-ACTUATOR-DOOR LOCK)	C5957-67044	Upper inner cover parts list (for Figure 4-47) on page 117
Door open limit strap (SVC-STRAP-DOOR OPEN LIMIT)	C5956-67084	Tray 1 parts list (for Figure 4-26) on page 66
Door open limit strap (SVC-STRAP-DOOR OPEN LIMIT)	C5956-67084	Trays 2, 3, and 4 main assembly parts list (for Figure 4-124) on page 294
Door open limit strap (SVC-STRAP-DOOR OPEN LIMIT)	C5956-67084	Vertical outer guide parts list (for Figure 4-133) on page 316
Door open limit strap (SVC-STRAP-DOOR OPEN LIMIT)	C5956-67084	Vertical inner guide parts list (for Figure 4-134) on page 318
Door sensor actuator (SVC-ACTUATOR-DOOR SENSOR)	C5956-67212	IDS door cover parts list (for Figure 4-45) on page 113
Door sensor bracket (SVC-BRACKET-L DOOR SENSOR)	C5956-67181	Front Door Open switch (SW3) parts list (for Figure 4-42) on page 107
Double pulley soft drive roller assembly (SVC ASSY-SOFT DRIVE ROLLER PULLEY DOUBLE)	C5956-67325	IDO paper path rollers parts list (for Figure 4-94) on page 222
Double roller catch with spear (SVC ASSY-CATCH, DOUBLE ROLLER WITH SPEAR)	C5956-67324	Front door lock parts list (for Figure 4-41) on page 105
Draglink follower arm (SVC-DRAGLINK-FOLLOWER-ARM-CATSCRATCHER)	C5956-67172	IDO media eject assembly parts list (for Figure 4-99) on page 232
Draglink pivotlink (SVC-DRAGLINK-PIVOTLINK-CATSCRATCHER)	C5956-67173	IDO media eject assembly parts list (for Figure 4-99) on page 232
Drawer bushing (SVC-BUSHING, DISTANCE, DRAWER, SIT)	C5956-67386	Trays 2, 3, and 4 drawer parts list (for Figure 4-127) on page 300
Drawer rail (SVC-BEARING, LINEAR)	C5957-67114	Trays 2, 3, and 4 drawer parts list (for Figure 4-127) on page 300
Drive belt spring (SVC-SPRING-DRIVE BELT)	C5956-67193	Carriage drive assembly parts list (for Figure 4-32) on page 80
Drive gear and motor gear (SVC KIT-GEAR CLUSTER)	C5956-67078	Service Station parts list (for Figure 4-122) on page 288
Drive roller (SVC ASSY-DRIVE ROLLER PULLEY IDO DBL)	C5956-67287	Vertical inner guide parts list (for Figure 4-134) on page 318
Drive roller (SVC ASSY-DRV RLLR PULLEY VERTICAL TRIPLE)	C5956-67338	Vertical inner guide parts list (for Figure 4-134) on page 318

Table 4-125 Alphabetical parts list (continued)

Description	Part number	Table and page
Drive roller (SVC KIT PM-DRIVEROLLER, HORIZ TRANSPORT)	C5956-67290	Horizontal upper assembly parts list (for Figure 4-90) on page 212
Driver roller (SVC ASSY-DRIVE ROLLER CLUSTER BYPASS)	C5956-67323	Vertical inner guide parts list (for Figure 4-134) on page 318
Driver roller shaft (SVC ASSY-DRIVE ROLLER GEAR ONRAMP)	C5956-67294	IDO curler assembly parts list (for Figure 4-100) on page 234
Drop Detect assembly (A22) (SVC-ASSY-SENSOR-DROP DETECT W/ABSORBERS)	C5957-67086	Drop detect assembly parts list (for Figure 4-81) on page 188
Drop Detect bucket with absorbers assembly (ASSY-DD SPITBUCKET, WIPERS AND ABSORBERS)	C5957-67145	Drop detect assembly parts list (for Figure 4-81) on page 188
Drum 1 sensor (SN33) and Drum 2 sensor (SN34) (SVC-OPTO SENSOR, LIGHT MODULATION IO=16M)	C5956-67088	Dryer right assembly parts list (for Figure 4-84) on page 196
Drum access cover (SVC ASSY-COVER DRUM ACCESS)	C5956-67447	Drum vacuum assembly parts list (for Figure 4-74) on page 174
Drum axle seal (SVC-SEAL-DRUM AXLE)	C5956-67591	Vacuum supply assembly parts list (for Figure 4-132) on page 312
Drum drive assembly (M3) (SVC ASSY-DRUM DRIVE)	C5956-67248	Drum drive parts list (for Figure 4-73) on page 172
NOTE: C5956-67248 has been replaced by CB205-67001.		
Drum encoder averager PCA (EN1) (SVC ASSY-PCA, DRUM ENCODER AVERAGER)	C5956-67076	Drum encoder parts list (for Figure 4-72) on page 170
Drum encoder cover (SVC-COVER-DRUM ENCODER)	C5956-67054	Drum encoder parts list (for Figure 4-72) on page 170
Drum encoder disk (SVC ASSY-DRUM ENCODER DISK)	C5956-67252	Drum encoder parts list (for Figure 4-72) on page 170
Drum encoder PCA (EN2) (SVC-PCA-DRUM ENCODER)	C5956-67055	Drum encoder parts list (for Figure 4-72) on page 170
Drum encoder shield (SVC-SHIELD-ENCODER)	C5956-67189	Drum encoder parts list (for Figure 4-72) on page 170
Drum guide assembly (SVC ASSY-DRUM GUIDE)	C5956-67466	Drum guide assembly parts list (for Figure 4-80) on page 186
Drum guide drive assembly (SVC ASSY-DRUM GUIDE DRIVE)	C5956-67467	Drum guide assembly parts list (for Figure 4-80) on page 186
Drum Guide motor (M22)/(EN20) (ASSY-SS MOTOR/ ENCODER)	C5956-67734	Drum guide assembly parts list (for Figure 4-80) on page 186
Drum guide rear bracket (SVC-BRACKET-DRUM GUIDE REAR)	C5956-67233	Drum guide assembly parts list (for Figure 4-80) on page 186

Table 4-125 Alphabetical parts list (continued)

Description	Part number	Table and page
Drum guide white nylon gears (SVC-GEARS, DRUM GUIDE)	C5957-67200	Drum guide assembly parts list (for Figure 4-80) on page 186
Drum Illumination 1 LED (LED8)/Drum Illumination 2 LED (LED9) (SVC-LED, WHITE)	C5956-67071	Drum LED parts list (for Figure 4-75) on page 176
Drum screen (SVC ASSY-SURFACE DRUM)	C5956-67451	Drum screen parts list (for Figure 4-71) on page 168
Drum spittoon assembly (SVC ASSY-DOUBLE DECKER SPITTOON)	C5957-67108	Drum spittoon parts list (for Figure 4-70) on page 166
NOTE: Drum spittoon assembly bulk pack (SVC-DBL DECKER SPITTOON, 12 EA), C5957-67182, 1 (Qty 12)		
Drum tube fitting (SVC-FITTING-TUBE, PANEL MOUNT)	C5956-67201	Drum tube fitting parts list (for Figure 4-76) on page 178
Dryer handle (SVC-HANDLE-DRYER)	C5956-67237	Dryer assembly parts list (for Figure 4-82) on page 192
Dryer LED lightpipe (SVC-LIGHTPIPE-DRYER)	C5956-67040	Upper inner cover parts list (for Figure 4-47) on page 117
Dryer slider assembly (SVC ASSY-DRYER SLIDER)	C5956-67619	Dryer assembly parts list (for Figure 4-82) on page 192
Dryer Temperature 1 sensor (SN36) (SVC-DRYER TEMPERATURE SENSOR)	C5956-67640	Dryer right assembly parts list (for Figure 4-84) on page 196
Duct wipers, carriage 1 and 2 (SVC KIT PM-AEROSOL DUCTS)	C5957-67085	Service Station parts list (for Figure 4-122) on page 288
Dust shield C (SVC-FILM DUST SHIELD C)	C5956-67150	Scanner top parts list (for Figure 4-21) on page 54
Echain aerosol clip (SVC-ECHAIN-CLIP-AEROSOL)	C5956-67081	Carriage 1 e-chain parts list (for Figure 4-35) on page 86
Echain aerosol clip (SVC-ECHAIN-CLIP-AEROSOL)	C5956-67081	Carriage 2 e-chain parts list (for Figure 4-36) on page 88
Echain assembly Carriage 1 (SVC ASSY-ECHAIN, LEFT)	C5957-67146	Carriage 1 e-chain parts list (for Figure 4-35) on page 86
Echain assembly Carriage 2 (SVC ASSY-ECHAIN, RIGHT)	C5957-67147	Carriage 2 e-chain parts list (for Figure 4-36) on page 88
Echain bracket (SVC-SCORPION-TRAILING-CABLE-BRACKET)	C5956-67812	Carriage 1 e-chain parts list (for Figure 4-35) on page 86
Echain bracket (SVC-SCORPION-TRAILING-CABLE-BRACKET)	C5956-67812	Carriage 2 e-chain parts list (for Figure 4-36) on page 88
Echain bracket cover (SVC-SCORPION BRACKET COVER)	C5956-67817	Carriage 1 e-chain parts list (for Figure 4-35) on page 86
Echain bracket cover (SVC-SCORPION BRACKET COVER)	C5956-67817	Carriage 2 e-chain parts list (for Figure 4-36) on page 88
Echain cable clamp lid (SVC-CLAMP-LID, TRAILING CABLES)	C5956-67096	Carriage 1 e-chain parts list (for Figure 4-35) on page 86

Table 4-125 Alphabetical parts list (continued)

Description	Part number	Table and page
Echain cable clamp lid (SVC-CLAMP-LID,TRAILING CABLES)	C5956-67096	Carriage 2 e-chain parts list (for Figure 4-36) on page 88
Echain clip (SVC-CLIP-ECHAIN)	C5956-67594	Carriage 1 e-chain parts list (for Figure 4-35) on page 86
Echain clip (SVC-CLIP-ECHAIN)	C5956-67594	Carriage 2 e-chain parts list (for Figure 4-36) on page 88
Echain IDS clamp (SVC-ECHAIN IDS SNAP)	C5956-67682	Carriage 1 e-chain parts list (for Figure 4-35) on page 86
Echain IDS clamp (SVC-ECHAIN IDS SNAP)	C5956-67682	Carriage 2 e-chain parts list (for Figure 4-36) on page 88
Echain monkeybar (SVC-MONKEYBAR-ECHAIN)	C5956-67195	Carriage 1 e-chain parts list (for Figure 4-35) on page 86
Echain monkeybar (SVC-MONKEYBAR-ECHAIN)	C5956-67195	Carriage 2 e-chain parts list (for Figure 4-36) on page 88
EIO PCA cover (SVC-COVER-EIO)	C5956-67020	Formatter PCAs parts list (for Figure 4-87) on page 204
EIO riser card guide (SVC-CARD GUIDE EIO RISER)	C5956-67741	Formatter PCAs parts list (for Figure 4-87) on page 204
EIO Riser PCA (A31) (SVC ASSY-PCA & HARDWARE, EIO RISER)	C5956-67464	Formatter PCAs parts list (for Figure 4-87) on page 204
Eject roller service kit (SVC KIT-ROLLER, EJECT)	C5962-67036	ADF conveying section parts list (for Figure 4-20) on page 50
Electronics Bay Cooling fan (FAN4) (SVC ASSY-CENTRAL FAN)	C5956-67278	Electronics Bay Cooling fan (FAN4) assembly parts list (for Figure 4-112) on page 264
Electronics bay cover (SVC-COVER-ELECTRONICS BACK)	C5956-67163	Rear covers parts list (for Figure 4-67) on page 157
Encoder datum- (SVC-DATUM-BLOCK THICKNESS SENSOR)	C5956-67124	IDO PI assembly parts list (for Figure 4-106) on page 247
Encoder PCA backer (SVC BACKER,ENCODER BOARD)	C5956-67021	Carriage 1 assembly parts list (for Figure 4-33) on page 82
Encoder PCA backer (SVC BACKER,ENCODER BOARD)	C5956-67021	Carriage 2 assembly parts list (for Figure 4-34) on page 84
Encoder roller (SVC-HOLDER, ROLLER THICKNESS) (includes encoder strip)	C5956-67125	IDO PI assembly parts list (for Figure 4-106) on page 247
ESD clip (SVC-CLIP, ESD, SHAFT)	C5956-67756	Tray 1 parts list (for Figure 4-26) on page 66
ESD jack (SVC-JACK-ESD BANANA)	C5956-67034	ESD jacks parts list (for Figure 4-69) on page 161
ESD shield (SVC-SHIELD-ESD DUPLEX SENSOR) Not shown on graphic.	C5956-67191	IDO duplex door assembly parts list (for Figure 4-102) on page 239

Table 4-125 Alphabetical parts list (continued)

Description	Part number	Table and page
ESD spring (SVC-SPRING, ESD, CPL)	C5956-67758	Trays 2, 3, and 4 main assembly parts list (for Figure 4-124) on page 294
Feed roller service kit (SVC KIT PM-ROLLER FEED)	C5962-67004	ADF conveying section parts list (for Figure 4-20) on page 50
Feed spool cover and take-up spool cover (SVC-COVER-SPOOL CARTRIDGE)	C5956-67085	Web wipe parts list (for Figure 4-136) on page 323
FEP pinch roller (SVC-PINCH ROLLER FEP) Bulk pack of 40, part number C5957-67183.	C5956-67319	IDO duplex door assembly parts list (for Figure 4-102) on page 239
Filter (SVC KIT-COOLING FILTER)(1) Not shown in diagram.	C5956-67583	Lower left cover parts list (for Figure 4-57) on page 137
Finisher Interface PCA (A29) (SVC ASSY-PCA, HP PRINT PIPELINE BOARD)	C5956-67462	Formatter PCAs parts list (for Figure 4-87) on page 204
Fitting-tube, panel mount	C5956-67201	Vacuum supply assembly parts list (for Figure 4-132) on page 312
Follower cam arm (SVC-ASSY-ARM FOLLOWER CAM CATSCRATCHER)	C5956-67333	IDO media eject assembly parts list (for Figure 4-99) on page 232
Formatter access door (SVC-DOOR-ACCESS, FORMATTER)	C5956-67587	Formatter Coprocessor parts list (for Figure 4-88) on page 206
Formatter assembly (SVC ASSY-FORMATTER)	C5956-67727	Formatter Main PCA (A26) parts list (for Figure 4-85) on page 200
Formatter battery (BAT 3V .22A-HR LI MANGANESE DIOXIDE) (Not shown in diagram)	1420-0887	Formatter Main PCA (A26) parts list (for Figure 4-85) on page 200
Formatter fan assembly (SVC ASSY-FAN, FORMATTER W/ CONNECTOR)	C5956-67066	Formatter fan and hard drive parts list (for Figure 4-86) on page 202
Formatter hard drive (DISC DRIVE HARD 80GB ROHS)	0950-4767	Formatter fan and hard drive parts list (for Figure 4-86) on page 202
NOTE: Part number 0950-4767 was replaced by 0950-4912, which was then replaced by 0950-4972.		
Formatter hard drive mount (SVC KIT-MOUNT, HARD DRIVE)	C5956-67678	Formatter fan and hard drive parts list (for Figure 4-86) on page 202
Formatter Main PCA (A26) (SVC ASSY-PCA, ISLAND PARK)	C5956-67371	Formatter Main PCA (A26) parts list (for Figure 4-85) on page 200
Front door assembly (SVC KIT DOOR ENGINE RIGHT)	C5956-67458	Front door parts list (for Figure 4-40) on page 103
Front Door LED (LED7) (SVC-LED, AMBER)	C5956-67070	Drum guide assembly parts list (for Figure 4-80) on page 186

Table 4-125 Alphabetical parts list (continued)

Description	Part number	Table and page
Front Door Lock solenoid (SOL4) (SVC ASSY-DOOR LOCK SOLENOID)	C5956-67304	Front door lock parts list (for Figure 4-41) on page 105
Front Door Open switch (SW3) (SVC ASSY-SWITCH INTERLOCK)	C5956-67377	Front Door Open switch (SW3) parts list (for Figure 4-42) on page 107
Front mounting bearing (SVC-MOUNTING, BEARING, FRONT)	C5956-67402	Trays 2, 3, and 4 separation unit parts list (for Figure 4-130) on page 306
Funnel (SVC-FUNNEL-HORIZONTAL TRANSPORT)	C5956-67213	Horizontal lower assembly parts list (for Figure 4-91) on page 214
Gear (SVC-GEAR-IDLER, 15T, 24DP)	C5956-67243	IDO curler assembly parts list (for Figure 4-100) on page 234
Gear bypass idlers (SVC KIT-GEAR-BYPASS)	C5956-67672	Vertical transmission parts list (for Figure 4-135) on page 320
Gear Z18/39 (SVC-GEAR Z18/39)	C5956-67140	Scanner drive and electronics parts list (for Figure 4-23) on page 58
Gear Z36 (SVC-GEAR Z36)	C5956-67141	Scanner drive and electronics parts list (for Figure 4-23) on page 58
Gearwheel flange (SVC-FLANGE, GEARWHEEL, 22, MXL)	C5956-67393	Trays 2, 3, and 4 drive parts list (for Figure 4-129) on page 304
Grommet, ear G-411-1 (SVC KIT-MOUNT, HARD DRIVE)	C5956-67678	Formatter fan and hard drive parts list (for Figure 4-86) on page 202
GT2 belt (SVC-BELT-GT2 87TX6MM WIDE)	C5957-67082	IDO curler assembly parts list (for Figure 4-100) on page 234
Guide, 7 claw (SVC-GUIDE, CATSCRATCHER-UPPER). Note: Part number C5957-67128 (7 claw) replaces C5957-67103 (5 claw). C5957-67128 (7 claw) only compatible with C5957-67129, "Media eject paw, 7 claw."	C5957-67128	IDO media eject assembly parts list (for Figure 4-99) on page 232
H-bar bushing (SVC-BUSHING-HBAR, IDO)	C5956-67210	IDO H-bar assembly parts list (for Figure 4-107) on page 249
Handle (SVC ASSY-HANDLE HORIZONTAL TRANSPORT)	C5956-67120	Horizontal upper assembly parts list (for Figure 4-90) on page 212
Handle spring (SVC-SPRING-HANDLE, CURLER)	C5956-67092	IDO curler assembly parts list (for Figure 4-100) on page 234
Hinge (SVC-HINGE-HORIZONTAL TRANSPORT)	C5956-67813	Horizontal transmission parts list (for Figure 4-89) on page 210
HOLDER-LED	C5956-67376	Drum guide assembly parts list (for Figure 4-80) on page 186

Table 4-125 Alphabetical parts list (continued)

Description	Part number	Table and page
Horizontal 1-2 drive roller assembly (SVC ASSY-DRV RLLR PULLEY 2-1 HORIZ TRNSP)	C5956-67285	IDO paper path rollers parts list (for Figure 4-94) on page 222
Horizontal 2-3 drive roller assembly (SVC ASSY-DRV RLLR PULLEY 2-3 HORIZ TRNSP)	C5956-67286	IDO paper path rollers parts list (for Figure 4-94) on page 222
Horizontal assembly (SVC ASSY-HORIZONTAL TRANSPORT)	C5956-67446	Horizontal transmission parts list (for Figure 4-89) on page 210
Horizontal hook-and-loop fastener (SVC-FASTENER-PILE-EXTERNAL-HORIZONTAL)	C5956-67645	Rear covers parts list (for Figure 4-67) on page 157
NOTE: In order to replace any other MFP hook-and-loop fastener, order the horizontal hook-and-loop fastener, and trim it to size.		
Horizontal Latch LED (LED1) (SVC-CABLE, LED, AMBER, ASSY)	C5956-67766	Front Door Open switch (SW3) parts list (for Figure 4-42) on page 107
Horizontal LED lightpipe (SVC-LIGHTPIPE-HORIZONTAL TRANSPORT)	C5956-67044	Upper inner cover parts list (for Figure 4-47) on page 117
Horizontal motor (M7)/(EN3) (SVC-MOTOR, MEDIAPATH)	C5956-67742	Horizontal transmission parts list (for Figure 4-89) on page 210
Horizontal Open sensor (SN4) (SVC-SENSOR, MEDIA PRESENCE)	C5956-67255	Horizontal upper assembly parts list (for Figure 4-90) on page 212
Horizontal Transport 2 sensor (SN3) (SVC-SENSOR, MEDIA PRESENCE)	C5956-67255	Horizontal upper assembly parts list (for Figure 4-90) on page 212
Horizontal Transport 3 sensor (SN2) (SVC-SENSOR, MEDIA PRESENCE)	C5956-67255	Horizontal upper assembly parts list (for Figure 4-90) on page 212
Horizontal Transport 4 sensor (SN5) (SVC-SENSOR, MEDIA PRESENCE)	C5956-67255	Horizontal upper assembly parts list (for Figure 4-90) on page 212
Idler (PULLEY-IDLER-14MM)	C5956-67686	Horizontal transmission parts list (for Figure 4-89) on page 210
IDO cluster drive roller assembly (SVC ASSY-DRIVE ROLLER PULLEY IDO CLUSTER)	C5956-67288	IDO paper path rollers parts list (for Figure 4-94) on page 222
IDO cover (SVC ASSY-IDO COVER)	C5956-67317	IDO cover parts list (for Figure 4-54) on page 131
IDO curler assembly (SVC ASSY-CURLER)	C5957-67047	IDO curler assembly parts list (for Figure 4-100) on page 234
IDO curler damper (SVC ASSY-CURLER DAMPER)	C5956-67641	IDO PI assembly parts list (for Figure 4-106) on page 247

Table 4-125 Alphabetical parts list (continued)

Description	Part number	Table and page
IDO Curler LED (LED2) (SVC-LED, AMBER)	C5956-67070	IDO curler assembly parts list (for Figure 4-100) on page 234
IDO Curler motor (M15) (SVC ASSY-MOTOR, CURLER-OUTPUT)	C5956-67744	IDO curler assembly parts list (for Figure 4-100) on page 234
IDO decurler assembly (SVC-ASSY-IDO DECURLER)	C5956-67625	IDO decurler internals assembly parts list (for Figure 4-101) on page 237
IDO Decurler motor (M17)/(EN16) (SVC ASSY-PPS MOTOR)	C5956-67691	IDO decurler internals assembly parts list (for Figure 4-101) on page 237
IDO Diverter solenoid (SOL2) (SVC ASSY-SOLENOID-DIVERTER)	C5956-67267	IDO RM front parts list (for Figure 4-92) on page 218
IDO double pulley drive roller assembly (SVC ASSY-DRIVE ROLLER PULLEY IDO DBL)	C5956-67287	IDO paper path rollers parts list (for Figure 4-94) on page 222
IDO double pulley spacer drive roller assembly (SVC ASSY-DRV RLLR PULLEY IDO DBL SPCR)	C5956-67342	IDO paper path rollers parts list (for Figure 4-94) on page 222
IDO duplex door assembly (SVC ASSY-DUPLEX DOOR)	C5957-67037	IDO duplex door assembly parts list (for Figure 4-102) on page 239
IDO Duplex Media sensor (SN16) (SVC-SENSOR, MEDIA PRESENCE) (Note: Sensor only. Reuse mounting bracket)	C5956-67255	IDO RM core sensors parts list (for Figure 4-98) on page 230
IDO Duplex Media sensor (SN16) (SVC-SENSOR, MEDIA PRESENCE) (Note: Sensor only. Reuse mounting bracket)	C5956-67255	IDO duplex door assembly parts list (for Figure 4-102) on page 239
IDO Duplex motor (M12) (SVC-MOTOR, MEDIAPATH)	C5956-67742	IDO RM internal motors assembly parts list (for Figure 4-93) on page 220
IDO Duplex Staging sensor (SN11) (SVC ASSY-SENSOR ALEPH-ON 171-A8 W/SEAL)	C5956-67356	IDO RM core sensors parts list (for Figure 4-98) on page 230
IDO Duplex Staging sensor (SN11) (SVC ASSY-SENSOR ALEPH-ON 171-A8 W/SEAL)	C5956-67356	IDO duplex door assembly parts list (for Figure 4-102) on page 239
IDO duplexer inner guide damper (SVC ASSY-GUIDE DUPLEX INNR SHORTY DAMPER)	C5956-67336	IDO duplex door assembly parts list (for Figure 4-102) on page 239
IDO duplexer outer upper guide (SVC ASSY-GUIDE DUPLEX OUTER UPPER)	C5956-67337	IDO duplex door assembly parts list (for Figure 4-102) on page 239
IDO H-bar assembly (SVC-H-BAR-IDO)	C5956-67624	IDO H-bar assembly parts list (for Figure 4-107) on page 249
IDO H-bar damper assembly (SVC ASSY-DAMPER, HBAR)	C5956-67642	IDO H-bar assembly parts list (for Figure 4-107) on page 249
IDO H-bar damper spring (SVC-DAMPER-HBAR)	C5956-67692	IDO H-bar assembly parts list (for Figure 4-107) on page 249

Table 4-125 Alphabetical parts list (continued)

Description	Part number	Table and page
IDO H-bar latch assembly (SVC ASSY-LATCH HBAR)	C5956-67300	IDO H-bar assembly parts list (for Figure 4-107) on page 249
IDO H-bar wire cover (SVC-WIRE COVER-HBAR)	C5956-67378	IDO H-bar assembly parts list (for Figure 4-107) on page 249
IDO handle 2 (SVC ASSY-SECRET DOOR)	C5956-67279	IDO secret door assembly parts list (for Figure 4-105) on page 245
IDO Input 1 motor (M8) (SVC-MOTOR, MEDIAPATH)	C5956-67742	IDO RM internal motors assembly parts list (for Figure 4-93) on page 220
IDO input 2 drive roller cover (SVC ASSY-HZ TRNSPT2 DRV RLLR COVER & DAMPER)	C5956-67349	IDO RM internal motors assembly parts list (for Figure 4-93) on page 220
IDO Input 2 motor (M10) (SVC-MOTOR, MEDIAPATH)	C5956-67742	IDO RM internal motors assembly parts list (for Figure 4-93) on page 220
IDO Input Media sensor (SN8) (SVC ASSY-SENSOR ALEPH-ON 171-A8 W/SEAL)	C5956-67356	IDO RM core sensors parts list (for Figure 4-98) on page 230
IDO Input Staging 1 sensor (SN7) (SVC ASSY-SENSOR ALEPH-ON 171-A8 W/SEAL)	C5956-67356	IDO RM core sensors parts list (for Figure 4-98) on page 230
IDO Input Staging 2 sensor (SN10) (SVC ASSY-SENSOR ALEPH-ON 171-A8 W/SEAL)	C5956-67356	IDO RM core sensors parts list (for Figure 4-98) on page 230
IDO Interlock solenoid (SOL3) (SVC ASSY-SOLENOID, HBAR, LATCH)	C5956-67367	IDO H-bar assembly parts list (for Figure 4-107) on page 249
IDO Media Eject motor (M13) (SVC ASSY-CATSCRATCHER-DRIVE)	C5956-67629	IDO RM internal motors assembly parts list (for Figure 4-93) on page 220
IDO Media Eject motor (M13)/(EN17) (SVC-ASSY-ENCODER, SS MOTOR)	C5956-67629	IDO media eject assembly parts list (for Figure 4-99) on page 232
IDO Media Thickness encoder (EN14) (SVC-PCA-ENCODER SENSOR 150LPI)	C5956-67620	IDO PI assembly parts list (for Figure 4-106) on page 247
IDO Output 1 sensor (SN15) (SVC-OPTO SENSOR, LIGHT MODULATION IO=16M)	C5956-67088	IDO RM core sensors parts list (for Figure 4-98) on page 230
IDO Output 2 sensor (SN12) (SVC-OPTO SENSOR, LIGHT MODULATION IO=16M)	C5956-67088	IDO RM core sensors parts list (for Figure 4-98) on page 230
IDO Output Media sensor (SN9) (SVC-OPTO SENSOR, LIGHT MODULATION IO=16M)	C5956-67088	IDO RM core sensors parts list (for Figure 4-98) on page 230
IDO Output Media sensor (SN9)/IDO Output 1 sensor (SN15) (SVC-OPTO SENSOR, LIGHT MODULATION IO=16M)	C5956-67088	IDO outer guide pinch assembly parts list (for Figure 4-103) on page 241
IDO Output motor (M11) (SVC ASSY-MOTOR, OUTPUT)	C5956-67745	IDO RM internal motors assembly parts list (for Figure 4-93) on page 220
IDO PI acoustic foam (SVC ASSY-ACOUSTIC FOAM PI)	C5956-67460	IDO PI assembly parts list (for Figure 4-106) on page 247

Table 4-125 Alphabetical parts list (continued)

Description	Part number	Table and page
IDO PI ESD brush holder (SVC ASSY-ESD BRUSH HOLDER PI)	C5956-67465	IDO PI assembly parts list (for Figure 4-106) on page 247
IDO PI inner guide assembly (SVC ASSY-GUIDE-INPUT-INNER-PINCH-ROLLER)	C5956-67644	IDO PI assembly parts list (for Figure 4-106) on page 247
IDO PI rear cover (SVC-COVER-PI REAR)	C5956-67442	IDO PI assembly parts list (for Figure 4-106) on page 247
IDO printer interface assembly (SVC ASSY-IDO PI)	C5956-67616	IDO PI assembly parts list (for Figure 4-106) on page 247
IDO RM assembly (SVC ASSY-MEDIA IDO-RM)	C5956-67615	IDO RM front parts list (for Figure 4-92) on page 218
IDO RM front datum cover (SVC-COVER-DATUM RM FRONT)	C5956-67190	IDO RM front parts list (for Figure 4-92) on page 218
IDO RM front top cover (SVC-COVER-IDO RM FRONT UPPER)	C5956-67185	IDO RM front parts list (for Figure 4-92) on page 218
IDO RM lower front datum plunger (SVC ASSY-DATUM PLUNGER IDO LOWER FRONT)	C5956-67456	IDO RM front parts list (for Figure 4-92) on page 218
IDO RM rear datum cover (SVC ASSY-DATUM REAR RM)]	C5956-67321	IDO RM rear parts list (for Figure 4-97) on page 228
IDO RM rear datum plunger (SVC ASSY-DATUM PLUNGER IDO LOWER REAR)	C5956-67457	IDO RM rear parts list (for Figure 4-97) on page 228
IDO RM rear transmission cover (SVC-COVER-TRANSMISSION REAR)	C5956-67223	IDO RM rear parts list (for Figure 4-97) on page 228
IDO RM skid plate (SVC-SKID PLATE-FRAME REAR)	C5956-67816	IDO RM rear parts list (for Figure 4-97) on page 228
IDO soft cluster drive roller assembly (SVC ASSY-DRV RLLR PULLEY IDO CLUSTR SOFT)	C5956-67327	IDO paper path rollers parts list (for Figure 4-94) on page 222
IDO triple pulley drive roller assembly (SVC ASSY-DRIVE ROLLER PULLEY IDO TRIPLE)	C5956-67639	IDO paper path rollers parts list (for Figure 4-94) on page 222
IDS assembly (SVC ASSY-IDS). Note: Part number C5957-67195 replaces older assemblies C5957-67192 and C5956-69237.	C5957-67195	IDS main assembly parts list (for Figure 4-108) on page 254
IDS cradle assembly (SVC-KIT, CRADLE)	C5956-67372	IDS ISS assembly parts list (for Figure 4-110) on page 258
IDS door assembly (SVC ASSY-DOOR, IDS COMPLETE)	C5956-67732	IDS door cover parts list (for Figure 4-45) on page 113
IDS door catch assembly (SVC KIT-LATCH, SPEAR)	C5956-67671	IDS door cover parts list (for Figure 4-45) on page 113
IDS valve (SVC KIT-CRACKED VALVE HOUSING). Note: Each kit contains four valves and four C-clips.	C5957-67197	IDS ISS assembly parts list (for Figure 4-110) on page 258
Igus chain (SVC ASSY-ECHAIN, IGUS)	C5956-67688	Carriage 1 e-chain parts list (for Figure 4-35) on page 86

Table 4-125 Alphabetical parts list (continued)

Description	Part number	Table and page
Igus chain (SVC ASSY-ECHAIN, IGUS)	C5956-67688	Carriage 2 e-chain parts list (for Figure 4-36) on page 88
Image Processing PCA (A6) assembly (SVC ASSY-GAUNTLET PCA)	C5956-67246	Image Processing PCA (A6) parts list (for Figure 4-119) on page 278
Image Processing PCA Cooling fan (FAN9) (SVC-FAN-40MM-GAUNTLET)	C5956-67298	Image Processing PCA (A6) parts list (for Figure 4-119) on page 278
Image processing PCA fan filter (SVC KIT-COOLING FILTER)	C5956-67583	Upper right cover parts list (for Figure 4-63) on page 149
Ink assist fan filter (SVC KIT-COOLING FILTER)	C5956-67583	Lower right cover parts list (for Figure 4-64) on page 151
Ink Assist PCA (A3) assembly (SVC-PCA ASSY-INK ASSIST WITH BRACKET)	C5956-67357	Ink Assist PCA (A3) assembly parts list (for Figure 4-121) on page 282
Ink catch pan (SVC-PAN-INK CATCH)	C5956-67182	Ink catch pan parts list (for Figure 4-111) on page 262
Ink catch pan absorber (SVC-ABSORBER-INK CATCH PAN)	C5956-67082	Ink catch pan parts list (for Figure 4-111) on page 262
Inner conveying pulley service kit (SVC KIT-INNER PULLEY)	C5962-67037	ADF conveying section parts list (for Figure 4-20) on page 50
Inner conveying roller service kit (SVC KIT-INNER ROLLER, CONVEYING)	C5962-67035	ADF conveying section parts list (for Figure 4-20) on page 50
Inner duplex guide damper (SVC ASSY-GUIDE DUPLEX INNER DAMPER)	C5956-67729	IDO duplex door assembly parts list (for Figure 4-102) on page 239
Input onramp guide (SVC-ASSY-GUIDE INPUT ONRAMP)	C5956-67452	IDO diverter parts list (for Figure 4-96) on page 226
Input outer guide (SVC ASSY-GUIDE INPUT OUTER)	C5956-67331	IDO RM core sensors parts list (for Figure 4-98) on page 230
ISS connector (SVC ASSY-ISS CONNECTOR)	C5956-67690	IDS main assembly parts list (for Figure 4-108) on page 254
ISS PCA (SVC-PCA-INK SUPPLY STATION (ISS) PCA)	C5956-67107	IDS main assembly parts list (for Figure 4-108) on page 254
ISS PCA cover (SVC-COVER-ISS PCA)	C5956-67788	IDS main assembly parts list (for Figure 4-108) on page 254
Key lightpipe (SVC-PLASTIC KEY LIGHTPIPE)	C5956-67473	Control panel parts list (for Figure 4-39) on page 96
Label (SVC-LABEL-WEB REMOVAL). Not shown in diagram.	C5957-67117	Web wipe parts list (for Figure 4-136) on page 323
Large roller (SVC ASSY-DRIVE ROLLER, CURLER LARGE)	C5956-67293	IDO curler assembly parts list (for Figure 4-100) on page 234

Table 4-125 Alphabetical parts list (continued)

Description	Part number	Table and page
Latch (SVC ASSY-SPRING BRIDGE LATCH)	C5956-67720	Horizontal upper assembly parts list (for Figure 4-90) on page 212
Latch (SVC-LATCH-VERTICAL DOOR)	C5956-67109	Vertical outer guide parts list (for Figure 4-133) on page 316
LED bracket (SVC-BRACKET-LED, DRUM BAR)	C5956-67184	Drum LED parts list (for Figure 4-75) on page 176
LED holder (SVC-HOLDER-LED)	C5956-67376	Drum LED parts list (for Figure 4-75) on page 176
Left dryer assembly (SVC ASSY-DRYER SYSTEM LEFT)	C5956-67825	Dryer assembly parts list (for Figure 4-82) on page 192
Left dryer assembly (SVC ASSY-DRYER SYSTEM LEFT)	C5956-67825	Dryer left assembly parts list (for Figure 4-83) on page 194
Left dryer skid (SVC-SKID-DRYER-LEFT)	C5956-67207	Dryer left assembly parts list (for Figure 4-83) on page 194
Left front door assembly (SVC ASSY-ENGINE DOOR LEFT)	C5956-67307	Left front door parts list (for Figure 4-44) on page 111
Left front door lightpipe (SVC-LIGHTPIPE-LEFT DOOR)	C5956-67041	Left front door parts list (for Figure 4-44) on page 111
Left front door sensor actuator (SVC-ACTUATOR-DOOR SENSOR)	C5956-67212	Left front door parts list (for Figure 4-44) on page 111
Left-side lower panel (SVC ASSY-COVER H FRAME)	C5956-67316	Left-side lower panel parts list (for Figure 4-56) on page 135
Left-side Lower Panel sensor (SN14) (SVC-SENSOR-TRANSPARENCY)	C5956-67693	IDO H-bar assembly parts list (for Figure 4-107) on page 249
Left-side middle panel (SVC ASSY-DUPLEXER DOOR)	C5957-67042	Left-side middle panel parts list (for Figure 4-55) on page 133
Left-side Middle Panel LED (LED3) (SVC-LED, AMBER)	C5956-67070	IDO duplex door assembly parts list (for Figure 4-102) on page 239
Left-side Middle Panel sensor (SN13) (SVC ASSY-SENSOR ALEPH-ON 171-A8 W/SEAL)	C5956-67356	IDO duplex door assembly parts list (for Figure 4-102) on page 239
Left-side Middle Panel sensor (SN13) (SVC-PHOTOINTERRUPTER IF=50MA-MAX ROHS)	C5956-67256	IDO RM core sensors parts list (for Figure 4-98) on page 230
Left-side upper cover (SVC ASSY-COVER WEB WIPE)	C5956-67310	Web wipe access cover parts list (for Figure 4-59) on page 141
Left-side Upper Panel LED (LED5) and Output Bin LED (LED14) (SVC-HOLDER-LED)	C5956-67376	IDO H-bar assembly parts list (for Figure 4-107) on page 249
Left-side Upper Panel switch (SW8) (SVC ASSY-SWITCH INTERLOCK)	C5956-67377	Left-side Upper Panel switch (SW8) parts list (for Figure 4-43) on page 109

Table 4-125 Alphabetical parts list (continued)

Description	Part number	Table and page
Left-side Upper Panel switch (SW8) (SVC ASSY-SWITCH INTERLOCK)	C5956-67377	IDO H-bar assembly parts list (for Figure 4-107) on page 249
Lightpipe (SVC-LIGHTPIPE-DRUM BAR LEFT)	C5956-67043	Carriage structure parts list (for Figure 4-27) on page 70
Lightpipe (SVC-LIGHTPIPE-DUPLEXER DOOR)	C5956-67045	Left-side middle panel parts list (for Figure 4-55) on page 133
Lightpipe (SVC-LIGHTPIPE-MINI/VERTICAL PATH)	C5956-67039	Right-side middle panel parts list (for Figure 4-61) on page 145
Lightpipe (SVC-LIGHTPIPE-MINI/VERTICAL PATH)	C5956-67039	Right-side lower panel parts list (for Figure 4-62) on page 147
Lightpipe (SVC-LIGHTPIPE-MINI/VERTICAL PATH)	C5956-67039	Vertical outer guide parts list (for Figure 4-133) on page 316
Lightpipe (SVC-PLASTIC LIGHTPIPE)	C5956-67474	Control panel parts list (for Figure 4-39) on page 96
Linkbushing (SVC-LINKBUSHING-SHORT-CATSCRATCHER)	C5956-67095	IDO media eject assembly parts list (for Figure 4-99) on page 232
Long vacuum sense tube (SVC-TUBE-RUBBER VACUUM SENSE LONG)	C5956-67220	Ink Assist PCA (A3) assembly parts list (for Figure 4-121) on page 282
Lower bracket (SVC-BRACKET-RIDS LOWER)	C5956-67171	IDS main assembly parts list (for Figure 4-108) on page 254
Lower conveying roller service kit (SVC KIT-LOWER ROLLER, CONVEYING)	C5962-67033	ADF conveying section parts list (for Figure 4-20) on page 50
Lower horizontal (SVC ASSY-GUIDE LOWER HORIZ TRANSPORT)	C5956-67277	Horizontal lower assembly parts list (for Figure 4-91) on page 214
Lower inner cover (SVC ASSY-TRIM FRONT LOWER)	C5956-67308	Lower inner cover parts list (for Figure 4-48) on page 119
Lower left cover (SVC ASSY-COVER LEFT LOWER)	C5956-67312	Lower left cover parts list (for Figure 4-57) on page 137
Lower left trim (SVC ASSY-TRIM LEFT LOWER)	C5956-67314	Lower left trim parts list (for Figure 4-60) on page 143
Lower right cover (SVC ASSY-COVER RIGHT LOWER)	C5956-67311	Lower right cover parts list (for Figure 4-64) on page 151
Lower right cover (SVC ASSY-TRIM RIGHT LOWER)	C5956-67315	Lower right trim parts list (for Figure 4-66) on page 155
Lower-left Door sensor (SN18) (SVC-PHOTOINTERRUPTER IF-MAX=50MA ROHS)	C5956-67162	Front door lock parts list (for Figure 4-41) on page 105
Main Engine PCA (A5) assembly (SVC ASSY-MAIN PCA)	C5956-67444	Main Engine PCA (A5) assembly parts list (for Figure 4-114) on page 268

Table 4-125 Alphabetical parts list (continued)

Description	Part number	Table and page
Main Engine PCA (A5) enclosure assembly (SVC ASSY-MAIN ENCLOSURE)	C5956-67622	Main Engine PCA (A5) assembly parts list (for Figure 4-114) on page 268
Main Engine PCA Cooling fan (FAN2) assembly (SVC-FAN-60MM-LOW FLOW 2410RL-04W-B29)	C5956-67302	Main Engine PCA (A5) assembly parts list (for Figure 4-114) on page 268
Main Engine PCA end cover (SVC ASSY-END COVER-LOWER)	C5956-67271	Main Engine PCA (A5) assembly parts list (for Figure 4-114) on page 268
Maintenance log holder (SVC-HOLDER-SERVICE LOG)	C5956-67662	Front door parts list (for Figure 4-40) on page 103
Media descriptors (SVC KIT MEDIA DESCRIPTORS)	C5956-67585	Tray 2, 3, and 4 covers parts list (for Figure 4-46) on page 115
Media eject assembly cover (SVC-COVER-CATSCRATCH FEVER)	C5956-67222	IDO RM front parts list (for Figure 4-92) on page 218
Media eject drive arm (SVC-DRIVEARM-CATSCRATCHER)	C5956-67712	IDO media eject assembly parts list (for Figure 4-99) on page 232
Media eject paw, 7 claw (SVC KIT-MEDIA EJECT PAW, SEVENCLAWS). Note: Part number C5957-67129 (7 claw) replaces C5956-67280 (5 claw). C5957-67129 (7 claw) only compatible with C5957-67128 "Guide, 7 claw).	C5957-67129	IDO media eject assembly parts list (for Figure 4-99) on page 232
Media eject wire guide (SVC-WIRE GUIDE, CATSCRATCHER, RM FRONT)	C5956-67240	IDO RM front parts list (for Figure 4-92) on page 218
Medium roller (SVC ASSY-DRIVE ROLLER GEAR CURLER MEDIUM)	C5956-67292	IDO curler assembly parts list (for Figure 4-100) on page 234
MFP caster (SVC-CASTERS)	C5956-67268	MFP casters parts list (for Figure 4-68) on page 159
MFP Coprocessor PCA (A32) (SVC-ASSY-PCA SAWTOOTH)	C5956-67370	Formatter Coprocessor parts list (for Figure 4-88) on page 206
Mid flanged tensioner (SVC ASSY-TENSIONER, MID, FLANGED)	C5956-67346	IDO drive belts parts list (for Figure 4-95) on page 224
MODEM-DATA/FAX, 90/56K, ROHS	0960-2416	Formatter PCAs parts list (for Figure 4-87) on page 204
Motion PCA (A2) assembly (SVC ASSY-MOTION PCA)	C5956-67245	Motion PCA (A2) assembly parts list (for Figure 4-115) on page 270
Motor belt (SVC-BELT, SYNCHRONOUS, MOTOR, T=2.032)	C5956-67408	Trays 2, 3, and 4 drive parts list (for Figure 4-129) on page 304
Motor tensioner spring (SVC-SPRING-CURLER MOTOR TENSIONER)	C5956-67197	IDO curler assembly parts list (for Figure 4-100) on page 234
Network/Fax PCA (A30) (SVC ASSY-PCA, PCI/IO CARD)	C5956-67463	Formatter PCAs parts list (for Figure 4-87) on page 204

Table 4-125 Alphabetical parts list (continued)

Description	Part number	Table and page
Not available. Note that white idler wheel is the same as used in ref 12.	Not available	IDO drive belts parts list (for Figure 4-95) on page 224
Nozzle plate (SVC-PLATE-DRYER NOZZLE)	C5956-67218	Dryer left assembly parts list (for Figure 4-83) on page 194
Nozzle plate (SVC-PLATE-DRYER NOZZLE)	C5956-67218	Dryer right assembly parts list (for Figure 4-84) on page 196
Number key array (SVC-PLASTIC NUMBER-KEY ARRAY)	C5956-67472	Control panel parts list (for Figure 4-39) on page 96
O-ring (SVC-ORING-VACUUM SUPPLY)	C5956-67814	Vacuum supply assembly parts list (for Figure 4-132) on page 312
Output bin door (SVC ASSY-OUTPUT COVER)	C5956-67633	Output bin door parts list (for Figure 4-58) on page 139
Output bin door link (SVC ASSY-LINK OUTPUT DOOR BIAS)	C5956-67301	Output bin door parts list (for Figure 4-58) on page 139
Output Bin Full sensor (SN17) (SVC-OPTO SENSOR, LIGHT MODULATION IO=16M)	C5956-67088	Output bin door parts list (for Figure 4-58) on page 139
Output Bin Full sensor (SN17) (SVC-SENSOR-SOB FULL)	C5963-67004	Single output bin parts list (for Figure 4-131) on page 309
Output bin full sensor cover (SVC COVER-SOB FULL SENSOR SM)	C5956-67443	Output bin door parts list (for Figure 4-58) on page 139
Output double pulley drive roller assembly (SVC ASSY-DRIVE ROLLER PULLEY OUTPUT DBL)]	C5956-67340	IDO paper path rollers parts list (for Figure 4-94) on page 222
Output ESD brush holder assembly (SVC-ASSY-ESD BRUSH HOLDER OUTPUT)	C5956-67362	IDO duplex door assembly parts list (for Figure 4-102) on page 239
Output pinch guide (SVC ASSY-GUIDE OUTPUT PINCH ROLLER)	C5956-67265	IDO outer guide pinch assembly parts list (for Figure 4-103) on page 241
Paper conveying kit (SVC KIT-PAPER CONVEYING)	C5962-67028	ADF conveying section parts list (for Figure 4-20) on page 50
Paper length sensor lever (SVC-SENSOR, LEVER, PAPER, WIDTH)	C5956-67397	Trays 2, 3, and 4 drawer parts list (for Figure 4-127) on page 300
Paper roller (SVC-ROLL)	C5956-67388	Trays 2, 3, and 4 paper path parts list (for Figure 4-128) on page 302
Paper size plaque (SVC-PLAQUE-BLANK,PAPER SIZE)	C5956-67038	Tray 2, 3, and 4 covers parts list (for Figure 4-46) on page 115
Paper size sensor cam (SVC-CAM, SIZE SENSING)	C5956-67387	Trays 2, 3, and 4 left side parts list (for Figure 4-126) on page 298

Table 4-125 Alphabetical parts list (continued)

Description	Part number	Table and page
Paper tray assembly (SVC ASSY-DRAWER)	C5957-67113	Trays 2, 3, and 4 main assembly parts list (for Figure 4-124) on page 294
Paper tray assembly (SVC ASSY-DRAWER) Note: Part number C5957-67191 replaces C5957-67113.	C5957-67191	Trays 2, 3, and 4 drawer parts list (for Figure 4-127) on page 300
Paper tray closed sensor cam (SVC-CAM, TRAY PRESENT)	C5956-67391	Trays 2, 3, and 4 left side parts list (for Figure 4-126) on page 298
Paper width guide (KIT-ASSY, WIDTH ADJUSTER, AUTOMATIC)	C5956-67794	Trays 2, 3, and 4 drawer parts list (for Figure 4-127) on page 300
Paper-length guide assembly (SVC-GUIDE, PAPER, REAR, CPL)	C5956-67757	Trays 2, 3, and 4 drawer parts list (for Figure 4-127) on page 300
Paper-low sensor (SN44, SN48, SN52) (PHOTOINTERRUPTER WITH CONNECTOR)	C5956-67770	Trays 2, 3, and 4 separation unit parts list (for Figure 4-130) on page 306
PC clamp (SVC-CLAMP-PC BRACKET, UPPER). Not shown in diagram.	C5957-67066	Formatter PCAs parts list (for Figure 4-87) on page 204
PCI Express PCA (A28) (SVC ASSY-PCA & HDWR, PCI EXPRESS, SFP)	C5956-67355	Formatter PCAs parts list (for Figure 4-87) on page 204
Pen cooling fan duct (SVC-DUCT-INLET, PEN COOLING)	C5956-67080	Rear covers parts list (for Figure 4-67) on page 157
Pen cooling fans structure (SVC ASSY, PEN COOLING FAN SUPPORT)	C5956-67077	Service station pen cooling fans assembly parts list (for Figure 4-123) on page 290
Pen pocket 1 cable (W26) (SVC ASSY-CABLE, C1P1 COMBO)	C5956-67098	Carriage 1 e-chain parts list (for Figure 4-35) on page 86
Pen Pocket 1 PCA (A16) (SVC KIT-PCA BORUS DELSOL W/O ENCODER)	C5957-67072	Carriage 1 assembly parts list (for Figure 4-33) on page 82
Pen pocket 2 cable (W27) (SVC ASSY-CABLE, C1P2 COMBO)	C5956-67099	Carriage 1 e-chain parts list (for Figure 4-35) on page 86
Pen Pocket 2 PCA (A17) and Pen Pocket 3 PCA (A18) (SVC KIT-PCA BORUS POCKET BOARD)	C5956-67582	Carriage 1 assembly parts list (for Figure 4-33) on page 82
Pen pocket 3 cable (W28) (SVC ASSY-CABLE, C1P3 COMBO)	C5956-67100	Carriage 1 e-chain parts list (for Figure 4-35) on page 86
Pen pocket 4 cable (W29) (SVC ASSY-CABLE, C2P1 COMBO)	C5956-67102	Carriage 2 e-chain parts list (for Figure 4-36) on page 88
Pen Pocket 4 PCA (A19) (SVC KIT-PCA BORUS DELSOL W/O ENCODER)	C5957-67072	Carriage 2 assembly parts list (for Figure 4-34) on page 84
Pen pocket 5 cable (W30) (SVC ASSY-CABLE, C2P2 COMBO)	C5956-67103	Carriage 2 e-chain parts list (for Figure 4-36) on page 88
Pen Pocket 5 PCA (A20) and Pen Pocket 6 PCA (A21) (SVC KIT-PCA BORUS POCKET BOARD)	C5956-67582	Carriage 2 assembly parts list (for Figure 4-34) on page 84

Table 4-125 Alphabetical parts list (continued)

Description	Part number	Table and page
Pen pocket 6 cable (W31) (SVC ASSY-CABLE, C2P3 COMBO)	C5956-67104	Carriage 2 e-chain parts list (for Figure 4-36) on page 88
Pen pocket handle labels (SVC KIT-PEN LATCH LABELS)	C5956-67584	Carriage 1 assembly parts list (for Figure 4-33) on page 82
Pen pocket handle labels (SVC KIT-PEN LATCH LABELS)	C5956-67584	Carriage 2 assembly parts list (for Figure 4-34) on page 84
Pen pocket latch (SVC KIT-CARRIAGE LATCH W/HANDLE)	C5956-67713	Carriage 1 assembly parts list (for Figure 4-33) on page 82
Pen pocket latch (SVC KIT-CARRIAGE LATCH W/HANDLE)	C5956-67713	Carriage 2 assembly parts list (for Figure 4-34) on page 84
Pen station cap (SVC ASSY-CAP)	C5956-67728	Service Station parts list (for Figure 4-122) on page 288
Pen wiper (SVC ASSY-WIPER BACKER)	C5956-67617	Service Station parts list (for Figure 4-122) on page 288
Pens for single carriage (1 each: KY, CM, Bonding Agent printheads) (SVC KIT-PRINTHEADS, SINGLE CARRIAGE). Not shown in diagram.	C5957-67115	Printheads parts list (for Figure 4-31) on page 78
Pick arm assembly (SVC-SEPARATION, UNIT)	C5956-67419	Trays 2, 3, and 4 separation unit parts list (for Figure 4-130) on page 306
Pick arm roller (SVC-TRAY 2-4 PICK ROLLER). [Note: Pick arm roller bulk pack of 6 (SVC-PICK ROLLER, TRAY 2-4, 6 EA, BULK PAK), C5957-67184, 1 (Qty 6).]	C5956-67420	Trays 2, 3, and 4 separation unit parts list (for Figure 4-130) on page 306
Pinch roller (SVC KIT-PINCH ROLLER,HORIZ TRANS)	C5956-67590	Horizontal lower assembly parts list (for Figure 4-91) on page 214
Pinch roller (SVC-PINCH ROLLER FEP)	C5956-67319	IDO outer guide pinch assembly parts list (for Figure 4-103) on page 241
Pinch roller (SVC-PINCH ROLLER FEP)	C5956-67319	IDO outer lower guide assembly parts list (for Figure 4-104) on page 243
Pinch roller (SVC-ROLLER PINCH)	C5956-67257	IDO curler assembly parts list (for Figure 4-100) on page 234
Pinch roller (SVC-ROLLER-PINCH)	C5956-67257	IDO PI assembly parts list (for Figure 4-106) on page 247
Pinch roller (SVC-ROLLER-PINCH)	C5956-67257	Vertical outer guide parts list (for Figure 4-133) on page 316
Pinch roller datum (SVC-DATUM-PINCH ROLLER-SMALL)	C5956-67087	IDO curler assembly parts list (for Figure 4-100) on page 234
Pinch roller datum (SVC-DATUM-PINCH ROLLER-SMALL)	C5956-67087	IDO secret door assembly parts list (for Figure 4-105) on page 245
Pinch roller datum (SVC-DATUM-PINCH ROLLER-SMALL)	C5956-67087	IDO PI assembly parts list (for Figure 4-106) on page 247

Table 4-125 Alphabetical parts list (continued)

Description	Part number	Table and page
Pinch roller datum (SVC-DATUM-PINCH ROLLER-SMALL)	C5956-67087	Vertical outer guide parts list (for Figure 4-133) on page 316
Pinch roller FEP (SVC-PINCH ROLLER FEP)	C5956-67319	IDO secret door assembly parts list (for Figure 4-105) on page 245
Pinch roller holder (SVC KIT-PINCH ROLLER,HORIZ TRANS)	C5956-67590	Horizontal lower assembly parts list (for Figure 4-91) on page 214
Pinch roller holder (SVC-HOLDER-PINCH ROLLER-SMALL)	C5956-67258	IDO curler assembly parts list (for Figure 4-100) on page 234
Pinch roller holder (SVC-HOLDER-PINCH ROLLER-SMALL)	C5956-67258	IDO secret door assembly parts list (for Figure 4-105) on page 245
Pinch roller holder (SVC-HOLDER-PINCH ROLLER-SMALL)	C5956-67258	IDO PI assembly parts list (for Figure 4-106) on page 247
Pinch roller holder (SVC-HOLDER-PINCH ROLLER-SMALL)	C5956-67258	Vertical outer guide parts list (for Figure 4-133) on page 316
Pinch roller spring (SVC-SPRING-EXTENSION-PINCH ROLLER-SMALL)	C5956-67086	IDO curler assembly parts list (for Figure 4-100) on page 234
Pinch roller spring (SVC-SPRING-EXTENSION-PINCH ROLLER-SMALL)	C5956-67086	IDO secret door assembly parts list (for Figure 4-105) on page 245
Pinch roller spring (SVC-SPRING-EXTENSION-PINCH ROLLER-SMALL)	C5956-67086	IDO PI assembly parts list (for Figure 4-106) on page 247
Pinch roller spring (SVC-SPRING-EXTENSION-PINCH ROLLER-SMALL)	C5956-67086	Vertical outer guide parts list (for Figure 4-133) on page 316
Pinch roller springs (SVC-SPRING-EXTEN-PINCH ROLLER-TRANSLATNG)	C5956-67122	Horizontal lower assembly parts list (for Figure 4-91) on page 214
Pinchroller assembly (SVC ASSY-PINCH ROLLER)	C5956-67438	Tray 1 parts list (for Figure 4-26) on page 66
Pitch bypass wheel (SVC-WHEEL-PITCH BYPASS)	C5956-67114	Vertical transmission parts list (for Figure 4-135) on page 320
Pivot shaft (SVC KIT-ARM, PIVOT SHAFT)	C5956-67469	IDO media eject assembly parts list (for Figure 4-99) on page 232
Pivotlink (SVC-PIVOTLINK-CATSCRATCHER)	C5956-67174	IDO media eject assembly parts list (for Figure 4-99) on page 232
Pivotshaft arm (SVC-ARM-PIVOTSHAFT-CATSCRATCHER)	C5956-67681	IDO media eject assembly parts list (for Figure 4-99) on page 232
Plain bearing (SVC-BEARING, PLAIN)	C5956-67404	Trays 2, 3, and 4 drive parts list (for Figure 4-129) on page 304

Table 4-125 Alphabetical parts list (continued)

Description	Part number	Table and page
Pocket PCA retainer (SVC-RETAINER, POCKET PCA)	C5956-67676	Carriage 1 assembly parts list (for Figure 4-33) on page 82
Pocket PCA retainer (SVC-RETAINER, POCKET PCA)	C5956-67676	Carriage 2 assembly parts list (for Figure 4-34) on page 84
POOC bracket assembly (SVC ASSY-POOC)	C5956-67730	Carriage pen-out-of-cap sensor parts list (for Figure 4-30) on page 76
POOC latch assembly (SVC ASSY-POOC LATCH)	C5956-67751	Carriage pen-out-of-cap sensor parts list (for Figure 4-30) on page 76
Poppet A1 assembly (SVC ASSY-POPPET-A1)	C5956-67282	Poppet A1 assembly parts list (for Figure 4-77) on page 180
Poppet A2 assembly (SVC ASSY-POPPET-A2)	C5956-67283	Poppet A2 assembly parts list (for Figure 4-78) on page 182
Poppet arm bracket (SVC-BRACKET-POPPET ARM)	C5956-67126	Poppet B assembly parts list (for Figure 4-79) on page 184
Poppet attachment arm (SVC ASSY-POPPET ATTACHMENT ARM)	C5956-67296	Poppet B assembly parts list (for Figure 4-79) on page 184
Poppet B assembly (SVC ASSY-POPPET-B)	C5956-67284	Poppet B assembly parts list (for Figure 4-79) on page 184
Power Distribution PCA (A1) assembly (SVC-PCA-POWER DISTRIBUTION)	C5956-67056	Power distribution PCA parts list (for Figure 4-118) on page 276
Power supply (PS1) assembly (SVC ASSY-POWER SUPPLY WITH MERCURY LABEL)	C5957-67118	Power supply parts list (for Figure 4-116) on page 272
Power supply (PS1) rail (ASSY-RAIL POWER SUPPLY)	C5956-67083	Power supply parts list (for Figure 4-116) on page 272
Power switch (SVC ASSY-POWER SWITCH)	C5956-67433	Control panel parts list (for Figure 4-39) on page 96
Power switch button (SVC-PLASTIC KEY CAP - POWER)	C5956-67432	Control panel parts list (for Figure 4-39) on page 96
PPS assembly	C5957-67126	Carriage PPS assembly parts list (for Figure 4-37) on page 90
PPS cover (SVC-COVER-ONBOARD PPS)	C5956-67229	Carriage 1 assembly parts list (for Figure 4-33) on page 82
PPS cover (SVC-COVER-ONBOARD PPS)	C5956-67229	Carriage 2 assembly parts list (for Figure 4-34) on page 84
PPS felt assembly (SVC KIT PM-CARRIAGE FELT)	C5956-67441	Carriage PPS assembly parts list (for Figure 4-37) on page 90
PPS grounding clip (SVC-ONBOARD PPS GROUNDING CLIP)	C5956-67029	Carriage PPS assembly parts list (for Figure 4-37) on page 90

Table 4-125 Alphabetical parts list (continued)

Description	Part number	Table and page
Prism (SVC-MOUNT-PRISM ONRAMP)	C5956-67211	IDO curler assembly parts list (for Figure 4-100) on page 234
Prism (SVC-PRISM; 15-MM BY 10-MM)	C5956-67090	IDO duplex door assembly parts list (for Figure 4-102) on page 239
Prism (SVC-PRISM; 15-MM BY 10-MM)	C5956-67090	IDO outer lower guide assembly parts list (for Figure 4-104) on page 243
Prism (SVC-PRISM; 15-MM BY 10-MM)	C5956-67090	IDO PI assembly parts list (for Figure 4-106) on page 247
PSU exit duct (SVC-DUCT-PSU EXIT)	C5956-67217	PSU recirculation duct parts list (for Figure 4-120) on page 280
PSU recirculation duct (SVC ASSY-DUCT-RECIRCULATION, PSU, EXIT)	C5956-67273	PSU recirculation duct parts list (for Figure 4-120) on page 280
Rear gasket (SVC-GASKET-VACUUM DUCT-MOLDED)	C5956-67241	Vacuum supply assembly parts list (for Figure 4-132) on page 312
Rear muffler (SVC ASSY-MUFFLER,ACOUSTIC)	C5956-67250	Rear covers parts list (for Figure 4-67) on page 157
Rear muffler fabric (SVC ASSY-REAR COVER,FABRIC)	C5956-67840	Rear covers parts list (for Figure 4-67) on page 157
Rear muffler latch (SVC-LATCH-MUFFLER LOCKING)	C5956-67030	Rear covers parts list (for Figure 4-67) on page 157
Rear muffler seal kit (SVC KIT-SEAL, MUFFLER)	C5956-67733	Rear covers parts list (for Figure 4-67) on page 157
Registration roller service kit (SVC KIT-ROLLER, REGISTRATION)	C5962-67034	ADF conveying section parts list (for Figure 4-20) on page 50
Retainer (PUSH-ON RET INT .25-IN-DIA (4), included with SVC KIT-COOLING FILTER)(4)	C5956-67583	Upper right cover parts list (for Figure 4-63) on page 149
Retainer (SVC-RETAINER-CAPTIVE FASTENER M4)	C5956-67368	IDO cover parts list (for Figure 4-54) on page 131
Retainer (SVC-RETAINER-CAPTIVE FASTENER M4)(1)	C5956-67368	Lower left trim parts list (for Figure 4-60) on page 143
Retainer (SVC-RETAINER-CAPTIVE FASTENER M4)(1)	C5956-67368	Lower right trim parts list (for Figure 4-66) on page 155
Retainer (SVC-RETAINER-CAPTIVE FASTENER M4)(2)	C5956-67368	Scanner rear trim parts list (for Figure 4-51) on page 125
Retainer (SVC-RETAINER-CAPTIVE FASTENER M4)(2)	C5956-67368	Web wipe access cover parts list (for Figure 4-59) on page 141
Retainer (SVC-RETAINER-CAPTIVE FASTENER M4)(3)	C5956-67368	Upper right cover parts list (for Figure 4-63) on page 149

Table 4-125 Alphabetical parts list (continued)

Description	Part number	Table and page
Retainer (SVC-RETAINER-CAPTIVE FASTENER M4)(3)	C5956-67368	Lower right cover parts list (for Figure 4-64) on page 151
Retainer (SVC-RETAINER-CAPTIVE FASTENER M4)(4)	C5956-67368	Left-side middle panel parts list (for Figure 4-55) on page 133
Retainer (SVC-RETAINER-CAPTIVE FASTENER M4)(4)	C5956-67368	Left-side lower panel parts list (for Figure 4-56) on page 135
Retainer (SVC-RETAINER-CAPTIVE FASTENER M4)(4)	C5956-67368	Lower left cover parts list (for Figure 4-57) on page 137
Retainer ring clip (RETAINER-RING CIRCLIP 5MM-BSC DIA ROHS)	0510-1782	IDO media eject assembly parts list (for Figure 4-99) on page 232
Right dryer housing (SVC ASSY-DRYER RIGHT STRUCTURE)	C5957-67092	Dryer right assembly parts list (for Figure 4-84) on page 196
NOTE: In order to replace either the dryer heater or the dryer fan, order the right dryer housing. The dryer heater and the dryer fan are not available separately.		
Right dryer skid (SVC-SKID-DRYER-RIGHT)	C5956-67206	Dryer right assembly parts list (for Figure 4-84) on page 196
Right front door LED lightpipe (SVC-LIGHTPIPE-INTEGRATION/LEFT DOOR)	C5956-67042	Upper inner cover parts list (for Figure 4-47) on page 117
Right front roller catch assembly (SVC-DBL ROLLER CATCH ARMS ASSY RT DOOR)	C5956-67359	Upper inner cover parts list (for Figure 4-47) on page 117
Right-side lower panel (SVC ASSY-DOOR PP LOWER)	C5956-67305	Right-side lower panel parts list (for Figure 4-62) on page 147
Right-side Lower Panel Open sensor (SN43) (SVC ASSY-MEDIA TRAY PAPER PATH SENSOR)	C5956-67437	Trays 2, 3, and 4 drive parts list (for Figure 4-129) on page 304
Right-side lower paper path (SVC ASSY-PAPER, PATH)	C5956-67389	Trays 2, 3, and 4 main assembly parts list (for Figure 4-124) on page 294
Right-side lower paper path hinge (SVC-HINGE, PAPER, PATH)	C5956-67390	Trays 2, 3, and 4 paper path parts list (for Figure 4-128) on page 302
Right-side Middle Panel LED (LED18) (SVC-LED, AMBER)	C5956-67070	Right-side lower panel parts list (for Figure 4-62) on page 147
Right-side Middle Panel sensor (SN23) (SVC-SENSOR, MEDIA PRESENCE)	C5956-67255	Vertical inner guide parts list (for Figure 4-134) on page 318
Right-side paper path assembly (SVC ASSY-PAPER, PATH)	C5956-67389	Trays 2, 3, and 4 paper path parts list (for Figure 4-128) on page 302
Roller datum (SVC-DATUM-PINCH ROLLER-SMALL)	C5956-67087	IDO duplex door assembly parts list (for Figure 4-102) on page 239

Table 4-125 Alphabetical parts list (continued)

Description	Part number	Table and page
Roller datum (SVC-DATUM-PINCH ROLLER-SMALL)	C5956-67087	IDO outer guide pinch assembly parts list (for Figure 4-103) on page 241
Roller datum (SVC-DATUM-PINCH ROLLER-SMALL)	C5956-67087	IDO outer lower guide assembly parts list (for Figure 4-104) on page 243
Roller holder (SVC-HOLDER-PINCH ROLLER-SMALL)	C5956-67258	IDO duplex door assembly parts list (for Figure 4-102) on page 239
Roller holder (SVC-HOLDER-PINCH ROLLER-SMALL)	C5956-67258	IDO outer guide pinch assembly parts list (for Figure 4-103) on page 241
Roller holder (SVC-HOLDER-PINCH ROLLER-SMALL)	C5956-67258	IDO outer lower guide assembly parts list (for Figure 4-104) on page 243
Roller loop service kit (SVC KIT-ROLLER, LOOP)	C5962-67029	ADF conveying section parts list (for Figure 4-20) on page 50
Roller pressure spring (SVC-PRESSURE, SPRING, ROLLER)	C5956-67398	Trays 2, 3, and 4 paper path parts list (for Figure 4-128) on page 302
Saddle (SVC KIT-WIRE MANAGEMENT 2, SDL-WIRE .36-WD NYL-6/6 ROHS)	C5956-67649	Aerosol assembly parts list (for Figure 4-25) on page 63
Saddle (SVC KIT-WIRE MANGEMENT 2, SDL-WIRE .36-WD NYL-6/6 ROHS)	C5956-67649	Vertical transmission parts list (for Figure 4-135) on page 320
Safety clip (SVC-CLIP-DRYER SAFETY)	C5956-67234	Dryer left assembly parts list (for Figure 4-83) on page 194
Safety clip (SVC-CLIP-DRYER SAFETY)	C5956-67234	Dryer right assembly parts list (for Figure 4-84) on page 196
Scanner assembly (SVC ASSY-SCANNER)	C5956-67249	Scanner top parts list (for Figure 4-21) on page 54
Scanner CCD PCA (A503) (SVC-SCAN CCD ASSY)	C5956-67154	Scanner top parts list (for Figure 4-21) on page 54
Scanner chamber duct (SVC-DUCT-SCANNER CHAMBER)	C5956-67047	Scanner chamber filter parts list (for Figure 4-24) on page 60
Scanner chamber filter (SVC KIT-COOLING FILTERS)	C5956-67583	Scanner chamber filter parts list (for Figure 4-24) on page 60
Scanner Control PCA (A501) (SVC-SCANNER PCB SOFTWARE ASS'Y)	C5956-67148	Scanner drive and electronics parts list (for Figure 4-23) on page 58
Scanner Cooling fan (FAN501) and Scanner Inverter PCA Cooling fan (FAN502) (SVC-FAN DP)	C5956-67160	Scanner drive and electronics parts list (for Figure 4-23) on page 58

Table 4-125 Alphabetical parts list (continued)

Description	Part number	Table and page
Scanner drive belt (SVC-BELT, SCANNER)	C5956-67139	Scanner drive and electronics parts list (for Figure 4-23) on page 58
Scanner exposure lamp (SVC-LAMP, SCANNER)	C5956-67149	Scanner top parts list (for Figure 4-21) on page 54
Scanner front wire (SVC KIT-SCAN FRONT WIRE)	C5956-67158	Scanner front and rear wires parts list (for Figure 4-22) on page 56
Scanner Inverter PCA (A504) (SVC-INVERTER PCB)	C5956-67151	Scanner drive and electronics parts list (for Figure 4-23) on page 58
Scanner left trim (SVC-TRIM SCANNER LEFT)	C5956-67214	Scanner left trim parts list (for Figure 4-49) on page 121
Scanner Length sensor (SN502) (SVC-SENSOR, ORIGINAL)	C5956-67142	Scanner top parts list (for Figure 4-21) on page 54
Scanner lock cover (SVC-COVER-SCANNER LOCK)	C5956-67235	Scanner lock cover parts list (for Figure 4-53) on page 129
Scanner mirror A (SVC KIT-MIRROR A)	C5956-67144	Scanner top parts list (for Figure 4-21) on page 54
Scanner mirror B (SVC KIT-MIRROR B)	C5956-67146	Scanner top parts list (for Figure 4-21) on page 54
Scanner motor (M501) (SVC-MOTOR, SCANNER)	C5956-67145	Scanner drive and electronics parts list (for Figure 4-23) on page 58
Scanner platen glass assembly (SVC-SCANNER FLAT BED GLASS ASSY)	C5956-67155	Scanner top parts list (for Figure 4-21) on page 54
Scanner rear cover (SVC ASSY-SCANNER REAR COVERS)	C5956-67309	Scanner rear trim parts list (for Figure 4-51) on page 125
Scanner rear wire (SVC KIT-SCAN REAR WIRE ASSY)	C5956-67159	Scanner front and rear wires parts list (for Figure 4-22) on page 56
Scanner retaining pins (SVC KIT-PIN SCANNER RETAINING)	C5956-67138	Scanner top parts list (for Figure 4-21) on page 54
Scanner right trim (SVC ASSY-TRIM SCANNER RIGHT)	C5956-67360	Scanner right trim parts list (for Figure 4-50) on page 123
Scanner service cover (SVC-COVER-SCANNER SERVICE)	C5956-67236	Scanner service cover parts list (for Figure 4-52) on page 127
Screw (SCREW-MACH M3 X 0.5 10MM-LG PAN HD ROHS)	C5956-67004	Horizontal transmission parts list (for Figure 4-89) on page 210
Screw (SCREW-MACH M3 X 0.5 6MM-LG PAN HD ROHS)(1)	C5956-67005	Left-side middle panel parts list (for Figure 4-55) on page 133
Screw (SCREW-MACH M3X0.5 6MM-LG PAN HD ROHS)	C5956-67005	Control panel parts list (for Figure 4-39) on page 96

Table 4-125 Alphabetical parts list (continued)

Description	Part number	Table and page
Screw (SCREW-MACH M3X0.5 6MM-LG PAN HD ROHS)	C5956-67005	Horizontal transmission parts list (for Figure 4-89) on page 210
Screw (SCREW-MACH M3X0.5 6MM-LG PAN HD ROHS)	C5956-67005	Vertical inner guide parts list (for Figure 4-134) on page 318
Screw (SCREW-MACH M3X0.5 6MM-LG PAN HD ROHS)	C5956-67005	Vertical transmission parts list (for Figure 4-135) on page 320
Screw (SCREW-MACH M4 X 0.7 8MM-LG PAN HD ROHS)	C5956-67006	Scanner service cover parts list (for Figure 4-52) on page 127
Screw (SCREW-MACH M4 X 0.7 8MM-LG PAN HD ROHS)	C5956-67006	Scanner lock cover parts list (for Figure 4-53) on page 129
Screw (SCREW-MACH M4 X 0.7 8MM-LG PAN HD ROHS)(1)	C5956-67006	Lower left trim parts list (for Figure 4-60) on page 143
Screw (SCREW-MACH M4 X 0.7 8MM-LG PAN HD ROHS)(1)	C5956-67006	Lower right trim parts list (for Figure 4-66) on page 155
Screw (SCREW-MACH M4 X 0.7 9.5MM-LG ROHS)	C5956-67011	IDO cover parts list (for Figure 4-54) on page 131
Screw (SCREW-MACH M4 X 0.7 9.5MM-LG ROHS)(1)	C5956-67011	Lower left trim parts list (for Figure 4-60) on page 143
Screw (SCREW-MACH M4 X 0.7 9.5MM-LG ROHS)(1)	C5956-67011	Lower right trim parts list (for Figure 4-66) on page 155
Screw (SCREW-MACH M4 X 0.7 9.5MM-LG ROHS)(2)	C5956-67011	Web wipe access cover parts list (for Figure 4-59) on page 141
Screw (SCREW-MACH M4 X 0.7 9.5MM-LG ROHS)(3)	C5956-67011	Upper right cover parts list (for Figure 4-63) on page 149
Screw (SCREW-MACH M4 X 0.7 9.5MM-LG ROHS)(4)	C5956-67011	Left-side middle panel parts list (for Figure 4-55) on page 133
Screw (SCREW-MACH M4 X 0.7 9.5MM-LG ROHS)(4)	C5956-67011	Left-side lower panel parts list (for Figure 4-56) on page 135
Screw (SCREW-MACH M4 X 0.7 9.5MM-LG ROHS)(4)	C5956-67011	Lower left cover parts list (for Figure 4-57) on page 137
Screw (SCREW-MACH M4 X 0.7 9.5MM-LG ROHS)(4)	C5956-67011	Lower right cover parts list (for Figure 4-64) on page 151
Screw (SCREW-TPG 4-20 0.427-IN-LG ROHS)(4)	C5956-67018	Upper right cover parts list (for Figure 4-63) on page 149
Screw (SCREW-TPG 4-20X7.94MM 10IP ROHS)	C5956-67012	Horizontal transmission parts list (for Figure 4-89) on page 210
Screw (SCREW-TPG 4-20X7.94MM 10IP ROHS)	C5956-67012	Horizontal upper assembly parts list (for Figure 4-90) on page 212

Table 4-125 Alphabetical parts list (continued)

Description	Part number	Table and page
Screw (SCREW-TPG 4-20X7.94MM 10IP ROHS)	C5956-67012	IDS ISS assembly parts list (for Figure 4-110) on page 258
Screw (SCREW-TPG 4-20X7.94MM 10IP ROHS)	C5956-67012	Vertical outer guide parts list (for Figure 4-133) on page 316
Screw (SCREW-TPG M3 X 0.5 6MM-LG PAN HD ROHS)(3)	C5956-67001	Aerosol assembly parts list (for Figure 4-25) on page 63
Screw (SCREW-TPG M3X0.5 6MM-LG PAN HD ROHS)	C5956-67001	Horizontal transmission parts list (for Figure 4-89) on page 210
Screw (SCREW-TPG M3X0.5 6MM-LG PAN HD ROHS)	C5956-67001	Horizontal upper assembly parts list (for Figure 4-90) on page 212
Screw (SCREW-TPG M3X0.5 6MM-LG PAN HD ROHS)	C5956-67001	Horizontal lower assembly parts list (for Figure 4-91) on page 214
Screw (SCREW-TPG M3X0.5 6MM-LG PAN HD ROHS)	C5956-67001	IDS main assembly parts list (for Figure 4-108) on page 254
Screw (SCREW-TPG M3X0.5 6MM-LG PAN HD ROHS)	C5956-67001	IDS APS assembly parts list (for Figure 4-109) on page 256
Screw (SCREW-TPG M3X0.5 6MM-LG PAN HD ROHS)	C5956-67001	Vertical outer guide parts list (for Figure 4-133) on page 316
Screw (SCREW-TPG M3X0.5 6MM-LG PAN HD ROHS)	C5956-67001	Vertical inner guide parts list (for Figure 4-134) on page 318
Screw (SCREW-TPG M3X0.5 6MM-LG PAN HD ROHS)	C5956-67001	Vertical transmission parts list (for Figure 4-135) on page 320
Screw (SCREW-TPG M4 X 0.7 8MM-LG PAN HD ROHS)(3)	C5956-67006	Scanner left trim parts list (for Figure 4-49) on page 121
Screw (SCREW-TPG M4X0.7 12MM-LG PAN-HD ROHS)	C5956-67008	Horizontal transmission parts list (for Figure 4-89) on page 210
Screw (SVC KIT-FASTENER 2, assortment) SCR-MACH M3X0.5 16MM-LG T-10 PAN-HD ROHS)	C5957-67054	Trays 2, 3, and 4 drawer parts list (for Figure 4-127) on page 300
Screw (SVC KIT-FASTENER 2, assortment, SCR-MACH M3X0.5 16MM-LG T-10 PAN-HD ROHS)	C5957-67054	Drum spittoon parts list (for Figure 4-70) on page 166
Screw (SVC KIT-FASTENER 2, assortment, SCR-MACH M3X0.5 16MM-LG T-10 PAN-HD ROHS)	C5957-67054	Poppet A1 assembly parts list (for Figure 4-77) on page 180
Screw (SVC KIT-FASTENER 2, assortment, SCR-MACH M3X0.5 16MM-LG T-10 PAN-HD ROHS)	C5957-67054	Poppet A2 assembly parts list (for Figure 4-78) on page 182
Screw (SVC KIT-FASTENER 2, assortment, SCR-MACH M3X0.5 16MM-LG T-10 PAN-HD ROHS)	C5957-67054	Single output bin parts list (for Figure 4-131) on page 309
Screw (SVC KIT-FASTENER 2, assortment, SCR-MACH M3X0.516MM-LG T-10 PAN-HD ROHS)	C5957-67054	IDO outer guide pinch assembly parts list (for Figure 4-103) on page 241

Table 4-125 Alphabetical parts list (continued)

Description	Part number	Table and page
Screw (SVC KIT-FASTENER 2, assortment, SCR-MACH M4X.7 8.25MM-LG PAN WASHER ROHS)	C5957-67054	Lower inner cover parts list (for Figure 4-48) on page 119
Screw (SVC KIT-FASTENER 2, assortment, SCREW-MACH M3X0.5 30.3MM-LG PAN HD ROHS)	C5957-67054	Main Engine PCA (A5) assembly parts list (for Figure 4-114) on page 268
Screw (SVC KIT-FASTENER 2, assortment, SCREW-MACH M8X1.25 20MM-LG HEX-HD ROHS)	C5957-67054	IDO H-bar assembly parts list (for Figure 4-107) on page 249
Screw (SVC KIT-FASTENER 2, assortment, SCREW-TPG 10-16 .5-IN-LG PAN-HD-TRX ROHS)	C5957-67054	CPSU Cooling fan (FAN3) parts list (for Figure 4-117) on page 274
Screw (SVC KIT-FASTENER 2, assortment, SCREW-TPG M3 X 0.5 5MM-LG PAN-HD ROHS)	C5957-67054	Formatter PCAs parts list (for Figure 4-87) on page 204
Screw (SVC KIT-FASTENER 2, assortment, SCREW-TPG M3 X 0.5 5MM-LG PAN-HD ROHS)	C5957-67054	IDO diverter parts list (for Figure 4-96) on page 226
Screw (SVC KIT-FASTENER 2, assortment, SCREW-TPG M3 X 0.5 5MM-LG PAN-HD ROHS)	C5957-67054	IDO outer lower guide assembly parts list (for Figure 4-104) on page 243
Screw (SVC KIT-FASTENER 2, assortment, SCREW-TPG M3 X 0.5 5MM-LG PAN-HD ROHS)	C5957-67054	IDO secret door assembly parts list (for Figure 4-105) on page 245
Screw (SVC KIT-FASTENERS 1, assortment, SCREW-MACH M4 X 0.7 9.5MM-LG ROHS)(2)	C5956-67651	Scanner rear trim parts list (for Figure 4-51) on page 125
Screw (SVC-SCR-MACH M3X0.5 10MM-LG PAN HD ROHS)	C5956-67004	Carriage drive assembly parts list (for Figure 4-32) on page 80
Screw (SVC-SCR-MACH M3X0.5 10MM-LG PAN HD ROHS)	C5956-67004	Carriage 1 e-chain parts list (for Figure 4-35) on page 86
Screw (SVC-SCR-MACH M3X0.5 10MM-LG PAN HD ROHS)	C5956-67004	Carriage 2 e-chain parts list (for Figure 4-36) on page 88
Screw (SVC-SCR-MACH M3X0.5 10MM-LG PAN HD ROHS)	C5956-67004	IDO curler assembly parts list (for Figure 4-100) on page 234
Screw (SVC-SCR-MACH M3X0.5 10MM-LG PAN HD ROHS)	C5956-67004	Electronics Bay Cooling fan (FAN4) assembly parts list (for Figure 4-112) on page 264
Screw (SVC-SCR-MACH M3X0.5 10MM-LG PAN HD ROHS)	C5956-67004	Service Station parts list (for Figure 4-122) on page 288
Screw (SVC-SCR-MACH M3X0.5 10MM-LG PAN HD ROHS)	C5956-67004	Vacuum supply assembly parts list (for Figure 4-132) on page 312
Screw (SVC-SCR-SPCL 4-40 .394-INLG HEX STDOFF ROHS)	C5956-67714	Main Engine PCA (A5) assembly parts list (for Figure 4-114) on page 268
Screw (SVC-SCR-TPG M2.5X0.45 4MM-LG PAN HD ROHS)	C5956-67010	Carriage TOF sensor assembly parts list (for Figure 4-29) on page 74

Table 4-125 Alphabetical parts list (continued)

Description	Part number	Table and page
Screw (SVC-SCR-TPG M2.5X0.45 4MM-LG PAN HD ROHS)	C5956-67010	Drum guide assembly parts list (for Figure 4-80) on page 186
Screw (SVC-SCR-TPG M2.5X0.45 4MM-LG PAN HD ROHS)	C5956-67010	IDO RM front parts list (for Figure 4-92) on page 218
Screw (SVC-SCR-TPG M2.5X0.45 4MM-LG PAN HD ROHS)	C5956-67010	IDO RM internal motors assembly parts list (for Figure 4-93) on page 220
Screw (SVC-SCR-TPG M2.5X0.45 4MM-LG PAN HD ROHS)	C5956-67010	IDO media eject assembly parts list (for Figure 4-99) on page 232
Screw (SVC-SCR-TPG M2.5X0.45 4MM-LG PAN HD ROHS)	C5956-67010	IDO decurler internals assembly parts list (for Figure 4-101) on page 237
Screw (SVC-SCR-TPG M2.5X0.45 4MM-LG PAN HD ROHS)	C5956-67010	Service Station parts list (for Figure 4-122) on page 288
Screw (SVC-SCR-TPG M2X0.4 4MM-LG PAN HD ROHS)	C5957-67137	IDO decurler internals assembly parts list (for Figure 4-101) on page 237
Screw (SVC-SCREW-MACH M3X0.5 6MM-LG PAN HD ROHS)	C5956-67005	Carriage structure parts list (for Figure 4-27) on page 70
Screw (SVC-SCREW-MACH M3X0.5 6MM-LG PAN HD ROHS)	C5956-67005	Carriage pen-out-of-cap sensor parts list (for Figure 4-30) on page 76
Screw (SVC-SCREW-MACH M3X0.5 6MM-LG PAN HD ROHS)	C5956-67005	Tray 2, 3, and 4 covers parts list (for Figure 4-46) on page 115
Screw (SVC-SCREW-MACH M3X0.5 6MM-LG PAN HD ROHS)	C5956-67005	Upper inner cover parts list (for Figure 4-47) on page 117
Screw (SVC-SCREW-MACH M3X0.5 6MM-LG PAN HD ROHS)	C5956-67005	IDO cover parts list (for Figure 4-54) on page 131
Screw (SVC-SCREW-MACH M3X0.5 6MM-LG PAN HD ROHS)	C5956-67005	Output bin door parts list (for Figure 4-58) on page 139
Screw (SVC-SCREW-MACH M3X0.5 6MM-LG PAN HD ROHS)	C5956-67005	Right-side middle panel parts list (for Figure 4-61) on page 145
Screw (SVC-SCREW-MACH M3X0.5 6MM-LG PAN HD ROHS)	C5956-67005	Right-side lower panel parts list (for Figure 4-62) on page 147
Screw (SVC-SCREW-MACH M3X0.5 6MM-LG PAN HD ROHS)	C5956-67005	Dryer assembly parts list (for Figure 4-82) on page 192
Screw (SVC-SCREW-MACH M3X0.5 6MM-LG PAN HD ROHS)	C5956-67005	Dryer left assembly parts list (for Figure 4-83) on page 194
Screw (SVC-SCREW-MACH M3X0.5 6MM-LG PAN HD ROHS)	C5956-67005	Dryer right assembly parts list (for Figure 4-84) on page 196

Table 4-125 Alphabetical parts list (continued)

Description	Part number	Table and page
Screw (SVC-SCREW-MACH M3X0.5 6MM-LG PAN HD ROHS)	C5956-67005	IDO RM front parts list (for Figure 4-92) on page 218
Screw (SVC-SCREW-MACH M3X0.5 6MM-LG PAN HD ROHS)	C5956-67005	IDO RM internal motors assembly parts list (for Figure 4-93) on page 220
Screw (SVC-SCREW-MACH M3X0.5 6MM-LG PAN HD ROHS)	C5956-67005	IDO media eject assembly parts list (for Figure 4-99) on page 232
Screw (SVC-SCREW-MACH M3X0.5 6MM-LG PAN HD ROHS)	C5956-67005	IDO curler assembly parts list (for Figure 4-100) on page 234
Screw (SVC-SCREW-MACH M3X0.5 6MM-LG PAN HD ROHS)	C5956-67005	IDO decurler internals assembly parts list (for Figure 4-101) on page 237
Screw (SVC-SCREW-MACH M3X0.5 6MM-LG PAN HD ROHS)	C5956-67005	Main Engine PCA (A5) assembly parts list (for Figure 4-114) on page 268
Screw (SVC-SCREW-MACH M3X0.5 6MM-LG PAN HD ROHS)	C5956-67005	Image Processing PCA (A6) parts list (for Figure 4-119) on page 278
Screw (SVC-SCREW-MACH M3X0.5 6MM-LG PAN HD ROHS)	C5956-67005	Ink Assist PCA (A3) assembly parts list (for Figure 4-121) on page 282
Screw (SVC-SCREW-MACH M3X0.5 6MM-LG PAN HD ROHS)	C5956-67005	Service Station parts list (for Figure 4-122) on page 288
Screw (SVC-SCREW-MACH M3X0.5 6MM-LG PAN HD ROHS)	C5956-67005	Trays 2, 3, and 4 drive parts list (for Figure 4-129) on page 304
Screw (SVC-SCREW-MACH M3X0.5 6MM-LG PAN HD ROHS)	C5956-67005	Vertical outer guide parts list (for Figure 4-133) on page 316
Screw (SVC-SCREW-MACH M4 X 0.7 9.5MM-LG ROHS)	C5956-67011	Scanner chamber filter parts list (for Figure 4-24) on page 60
Screw (SVC-SCREW-MACH M4 X 0.7 9.5MM-LG ROHS)	C5956-67011	Carriage structure parts list (for Figure 4-27) on page 70
Screw (SVC-SCREW-MACH M4 X 0.7 9.5MM-LG ROHS)	C5956-67011	Drum spittoon parts list (for Figure 4-70) on page 166
Screw (SVC-SCREW-MACH M4 X 0.7 9.5MM-LG ROHS)	C5956-67011	Drum drive parts list (for Figure 4-73) on page 172
Screw (SVC-SCREW-MACH M4 X 0.7 9.5MM-LG ROHS)	C5956-67011	Drum vacuum assembly parts list (for Figure 4-74) on page 174
Screw (SVC-SCREW-MACH M4 X 0.7 9.5MM-LG ROHS)	C5956-67011	Drop detect assembly parts list (for Figure 4-81) on page 188
Screw (SVC-SCREW-MACH M4X0.7 8MM-LG PAN HD ROHS)	C5956-67006	Carriage drive assembly parts list (for Figure 4-32) on page 80

Table 4-125 Alphabetical parts list (continued)

Description	Part number	Table and page
Screw (SVC-SCREW-MACH M4X0.7 8MM-LG PAN HD ROHS)	C5956-67006	Front door parts list (for Figure 4-40) on page 103
Screw (SVC-SCREW-MACH M4X0.7 8MM-LG PAN HD ROHS)	C5956-67006	IDS door cover parts list (for Figure 4-45) on page 113
Screw (SVC-SCREW-MACH M4X0.7 8MM-LG PAN HD ROHS)	C5956-67006	Scanner right trim parts list (for Figure 4-50) on page 123
Screw (SVC-SCREW-MACH M4X0.7 8MM-LG PAN HD ROHS)	C5956-67006	Drum drive parts list (for Figure 4-73) on page 172
Screw (SVC-SCREW-MACH M4X0.7 8MM-LG PAN HD ROHS)	C5956-67006	Ink catch pan parts list (for Figure 4-111) on page 262
Screw (SVC-SCREW-MACH M4X0.7 8MM-LG PAN HD ROHS)	C5956-67006	Electronics Bay Cooling fan (FAN4) assembly parts list (for Figure 4-112) on page 264
Screw (SVC-SCREW-MACH M4X0.7 8MM-LG PAN HD ROHS)	C5956-67006	Carriage PSU PCA (A7) assembly parts list (for Figure 4-113) on page 266
Screw (SVC-SCREW-MACH M4X0.7 8MM-LG PAN HD ROHS)	C5956-67006	Power supply parts list (for Figure 4-116) on page 272
Screw (SVC-SCREW-MACH M4X0.7 8MM-LG PAN HD ROHS)	C5956-67006	CPSU Cooling fan (FAN3) parts list (for Figure 4-117) on page 274
Screw (SVC-SCREW-MACH M4X0.7 8MM-LG PAN HD ROHS)	C5956-67006	Image Processing PCA (A6) parts list (for Figure 4-119) on page 278
Screw (SVC-SCREW-MACH M4X0.7 8MM-LG PAN HD ROHS)	C5956-67006	PSU recirculation duct parts list (for Figure 4-120) on page 280
Screw (SVC-SCREW-MACH M4X0.7 8MM-LG PAN HD ROHS)	C5956-67006	Service Station parts list (for Figure 4-122) on page 288
Screw (SVC-SCREW-METRIC SPCLTY MG3X1 8MMLG ROHS)	C5956-67009	Carriage 1 assembly parts list (for Figure 4-33) on page 82
Screw (SVC-SCREW-METRIC SPCLTY MG3X1 8MMLG ROHS)	C5956-67009	Carriage 2 assembly parts list (for Figure 4-34) on page 84
Screw (SVC-SCREW-METRIC SPCLTY MG3X1 8MMLG ROHS)	C5956-67009	Carriage PPS assembly parts list (for Figure 4-37) on page 90
Screw (SVC-SCREW-TPG 4-20 0.427- IN-LG ROHS)	C5956-67018	Carriage PPS assembly parts list (for Figure 4-37) on page 90
Screw (SVC-SCREW-TPG 4-20 0.427-IN-LG ROHS)	C5956-67018	Tray 1 parts list (for Figure 4-26) on page 66
Screw (SVC-SCREW-TPG 4-20 0.427-IN-LG ROHS)	C5956-67018	Tray 2, 3, and 4 covers parts list (for Figure 4-46) on page 115
Screw (SVC-SCREW-TPG 4-20 0.427-IN-LG ROHS)	C5956-67018	Upper inner cover parts list (for Figure 4-47) on page 117

Table 4-125 Alphabetical parts list (continued)

Description	Part number	Table and page
Screw (SVC-SCREW-TPG 4-20 0.427-IN-LG ROHS)	C5956-67018	Poppet A1 assembly parts list (for Figure 4-77) on page 180
Screw (SVC-SCREW-TPG 4-20 0.427-IN-LG ROHS)	C5956-67018	Poppet A2 assembly parts list (for Figure 4-78) on page 182
Screw (SVC-SCREW-TPG 4-20 0.427-IN-LG ROHS)	C5956-67018	Poppet B assembly parts list (for Figure 4-79) on page 184
Screw (SVC-SCREW-TPG 4-20 0.427-IN-LG ROHS)	C5956-67018	Dryer assembly parts list (for Figure 4-82) on page 192
Screw (SVC-SCREW-TPG 4-20 0.427-IN-LG ROHS)	C5956-67018	Dryer left assembly parts list (for Figure 4-83) on page 194
Screw (SVC-SCREW-TPG 4-20 0.427-IN-LG ROHS)	C5956-67018	Dryer right assembly parts list (for Figure 4-84) on page 196
Screw (SVC-SCREW-TPG 4-20 0.427-IN-LG ROHS)	C5956-67018	IDO PI assembly parts list (for Figure 4-106) on page 247
Screw (SVC-SCREW-TPG 4-20 0.427-IN-LG ROHS)	C5956-67018	CPSU Cooling fan (FAN3) parts list (for Figure 4-117) on page 274
Screw (SVC-SCREW-TPG 4-20 0.427-IN-LG ROHS)	C5956-67018	Trays 2, 3, and 4 main assembly parts list (for Figure 4-124) on page 294
Screw (SVC-SCREW-TPG 4-20 0.427-IN-LG ROHS)	C5956-67018	Trays 2, 3, and 4 left side parts list (for Figure 4-126) on page 298
Screw (SVC-SCREW-TPG 4-20 0.427-IN-LG ROHS)	C5956-67018	Trays 2, 3, and 4 drawer parts list (for Figure 4-127) on page 300
Screw (SVC-SCREW-TPG 4-20 0.427-IN-LG ROHS)	C5956-67018	Trays 2, 3, and 4 paper path parts list (for Figure 4-128) on page 302
Screw (SVC-SCREW-TPG 4-20 0.427-IN-LG ROHS)	C5956-67018	Trays 2, 3, and 4 drive parts list (for Figure 4-129) on page 304
Screw (SVC-SCREW-TPG 4-20 0.427-IN-LG ROHS)	C5956-67018	Trays 2, 3, and 4 separation unit parts list (for Figure 4-130) on page 306
Screw (SVC-SCREW-TPG 4-20 0.427-IN-LG ROHS)	C5956-67018	Web wipe parts list (for Figure 4-136) on page 323
Screw (SVC-SCREW-TPG 4-20X7.94MM 10IP ROHS)	C5956-67012	Tray 1 parts list (for Figure 4-26) on page 66
Screw (SVC-SCREW-TPG 4-20X7.94MM 10IP ROHS)	C5956-67012	Carriage structure parts list (for Figure 4-27) on page 70
Screw (SVC-SCREW-TPG 4-20X7.94MM 10IP ROHS)	C5956-67012	Front door parts list (for Figure 4-40) on page 103
Screw (SVC-SCREW-TPG 4-20X7.94MM 10IP ROHS)	C5956-67012	Left front door parts list (for Figure 4-44) on page 111

Table 4-125 Alphabetical parts list (continued)

Description	Part number	Table and page
Screw (SVC-SCREW-TPG 4-20X7.94MM 10IP ROHS)	C5956-67012	IDS door cover parts list (for Figure 4-45) on page 113
Screw (SVC-SCREW-TPG 4-20X7.94MM 10IP ROHS)	C5956-67012	Upper inner cover parts list (for Figure 4-47) on page 117
Screw (SVC-SCREW-TPG 4-20X7.94MM 10IP ROHS)	C5956-67012	IDO RM core sensors parts list (for Figure 4-98) on page 230
Screw (SVC-SCREW-TPG 4-20X7.94MM 10IP ROHS)	C5956-67012	IDO curler assembly parts list (for Figure 4-100) on page 234
Screw (SVC-SCREW-TPG 4-20X7.94MM 10IP ROHS)	C5956-67012	IDO duplex door assembly parts list (for Figure 4-102) on page 239
Screw (SVC-SCREW-TPG M2 x 0.4 4MM-LG PAN HD)	C5957-67137	Carriage PPS assembly parts list (for Figure 4-37) on page 90
Screw (SVC-SCREW-TPG M3X0.5 10MM-LG PAN HD ROHS)	C5956-67002	Output bin door parts list (for Figure 4-58) on page 139
Screw (SVC-SCREW-TPG M3X0.5 10MM-LG PAN HD ROHS)	C5956-67002	IDO RM front parts list (for Figure 4-92) on page 218
Screw (SVC-SCREW-TPG M3X0.5 10MM-LG PAN HD ROHS)	C5956-67002	IDO curler assembly parts list (for Figure 4-100) on page 234
Screw (SVC-SCREW-TPG M3X0.5 10MM-LG PAN HD ROHS)	C5956-67002	IDO duplex door assembly parts list (for Figure 4-102) on page 239
Screw (SVC-SCREW-TPG M3X0.5 10MM-LG PAN HD ROHS)	C5956-67002	IDO outer guide pinch assembly parts list (for Figure 4-103) on page 241
Screw (SVC-SCREW-TPG M3X0.5 10MM-LG PAN HD ROHS)	C5956-67002	Main Engine PCA (A5) assembly parts list (for Figure 4-114) on page 268
Screw (SVC-SCREW-TPG M3X0.5 10MM-LG PAN HD ROHS)	C5956-67002	Service Station parts list (for Figure 4-122) on page 288
Screw (SVC-SCREW-TPG M3X0.5 10MM-LG PAN HD ROHS)	C5956-67002	Service station pen cooling fans assembly parts list (for Figure 4-123) on page 290
Screw (SVC-SCREW-TPG M3X0.5 6MM-LG PAN HD ROHS)	C5956-67001	Carriage structure parts list (for Figure 4-27) on page 70
Screw (SVC-SCREW-TPG M3X0.5 6MM-LG PAN HD ROHS)	C5956-67001	Carriage extraction mechanism parts list (for Figure 4-28) on page 72
Screw (SVC-SCREW-TPG M3X0.5 6MM-LG PAN HD ROHS)	C5956-67001	Carriage TOF sensor assembly parts list (for Figure 4-29) on page 74
Screw (SVC-SCREW-TPG M3X0.5 6MM-LG PAN HD ROHS)	C5956-67001	Carriage pen-out-of-cap sensor parts list (for Figure 4-30) on page 76

Table 4-125 Alphabetical parts list (continued)

Description	Part number	Table and page
Screw (SVC-SCREW-TPG M3X0.5 6MM-LG PAN HD ROHS)	C5956-67001	Carriage 1 assembly parts list (for Figure 4-33) on page 82
Screw (SVC-SCREW-TPG M3X0.5 6MM-LG PAN HD ROHS)	C5956-67001	Carriage 2 assembly parts list (for Figure 4-34) on page 84
Screw (SVC-SCREW-TPG M3X0.5 6MM-LG PAN HD ROHS)	C5956-67001	Carriage Open sensor (SN19) and base parts list (for Figure 4-38) on page 92
Screw (SVC-SCREW-TPG M3X0.5 6MM-LG PAN HD ROHS)	C5956-67001	Front door lock parts list (for Figure 4-41) on page 105
Screw (SVC-SCREW-TPG M3X0.5 6MM-LG PAN HD ROHS)	C5956-67001	Drum screen parts list (for Figure 4-71) on page 168
Screw (SVC-SCREW-TPG M3X0.5 6MM-LG PAN HD ROHS)	C5956-67001	Drum encoder parts list (for Figure 4-72) on page 170
Screw (SVC-SCREW-TPG M3X0.5 6MM-LG PAN HD ROHS)	C5956-67001	Drum LED parts list (for Figure 4-75) on page 176
Screw (SVC-SCREW-TPG M3X0.5 6MM-LG PAN HD ROHS)	C5956-67001	Formatter Main PCA (A26) parts list (for Figure 4-85) on page 200
Screw (SVC-SCREW-TPG M3X0.5 6MM-LG PAN HD ROHS)	C5956-67001	Formatter PCAs parts list (for Figure 4-87) on page 204
Screw (SVC-SCREW-TPG M3X0.5 6MM-LG PAN HD ROHS)	C5956-67001	Formatter Coprocessor parts list (for Figure 4-88) on page 206
Screw (SVC-SCREW-TPG M3X0.5 6MM-LG PAN HD ROHS)	C5956-67001	IDO RM front parts list (for Figure 4-92) on page 218
Screw (SVC-SCREW-TPG M3X0.5 6MM-LG PAN HD ROHS)	C5956-67001	IDO RM internal motors assembly parts list (for Figure 4-93) on page 220
Screw (SVC-SCREW-TPG M3X0.5 6MM-LG PAN HD ROHS)	C5956-67001	IDO diverter parts list (for Figure 4-96) on page 226
Screw (SVC-SCREW-TPG M3X0.5 6MM-LG PAN HD ROHS)	C5956-67001	IDO RM rear parts list (for Figure 4-97) on page 228
Screw (SVC-SCREW-TPG M3X0.5 6MM-LG PAN HD ROHS)	C5956-67001	IDO RM core sensors parts list (for Figure 4-98) on page 230
Screw (SVC-SCREW-TPG M3X0.5 6MM-LG PAN HD ROHS)	C5956-67001	IDO media eject assembly parts list (for Figure 4-99) on page 232
Screw (SVC-SCREW-TPG M3X0.5 6MM-LG PAN HD ROHS)	C5956-67001	IDO curler assembly parts list (for Figure 4-100) on page 234
Screw (SVC-SCREW-TPG M3X0.5 6MM-LG PAN HD ROHS)	C5956-67001	IDO decurler internals assembly parts list (for Figure 4-101) on page 237
Screw (SVC-SCREW-TPG M3X0.5 6MM-LG PAN HD ROHS)	C5956-67001	IDO duplex door assembly parts list (for Figure 4-102) on page 239

Table 4-125 Alphabetical parts list (continued)

Description	Part number	Table and page
Screw (SVC-SCREW-TPG M3X0.5 6MM-LG PAN HD ROHS)	C5956-67001	IDO outer guide pinch assembly parts list (for Figure 4-103) on page 241
Screw (SVC-SCREW-TPG M3X0.5 6MM-LG PAN HD ROHS)	C5956-67001	IDO PI assembly parts list (for Figure 4-106) on page 247
Screw (SVC-SCREW-TPG M3X0.5 6MM-LG PAN HD ROHS)	C5956-67001	Carriage PSU PCA (A7) assembly parts list (for Figure 4-113) on page 266
Screw (SVC-SCREW-TPG M3X0.5 6MM-LG PAN HD ROHS)	C5956-67001	Main Engine PCA (A5) assembly parts list (for Figure 4-114) on page 268
Screw (SVC-SCREW-TPG M3X0.5 6MM-LG PAN HD ROHS)	C5956-67001	Motion PCA (A2) assembly parts list (for Figure 4-115) on page 270
Screw (SVC-SCREW-TPG M3X0.5 6MM-LG PAN HD ROHS)	C5956-67001	Power distribution PCA parts list (for Figure 4-118) on page 276
Screw (SVC-SCREW-TPG M3X0.5 6MM-LG PAN HD ROHS)	C5956-67001	Image Processing PCA (A6) parts list (for Figure 4-119) on page 278
Screw (SVC-SCREW-TPG M3X0.5 6MM-LG PAN HD ROHS)	C5956-67001	Ink Assist PCA (A3) assembly parts list (for Figure 4-121) on page 282
Screw (SVC-SCREW-TPG M3X0.5 6MM-LG PAN HD ROHS)	C5956-67001	Trays 2, 3, and 4 main assembly parts list (for Figure 4-124) on page 294
Screw (SVC-SCREW-TPG M3X0.5 6MM-LG PAN HD ROHS)	C5956-67001	Trays 2, 3, and 4 rear parts list (for Figure 4-125) on page 296
Screw (SVC-SCREW-TPG M3X0.5 6MM-LG PAN HD ROHS)	C5956-67001	Trays 2, 3, and 4 drive parts list (for Figure 4-129) on page 304
Screw (SVC-SCREW-TPG M3X0.5 6MM-LG PAN HD ROHS)	C5956-67001	Trays 2, 3, and 4 separation unit parts list (for Figure 4-130) on page 306
Screw (SVC-SCREW-TPG M4X0.7 12MM-LG PAN-HD ROHS)	C5956-67008	Carriage structure parts list (for Figure 4-27) on page 70
Screw (SVC-SCREW-TPG M4X0.7 12MM-LG PAN-HD ROHS)	C5956-67008	Drum guide assembly parts list (for Figure 4-80) on page 186
Screw (SVC-SCREW-TPG M4X0.7 12MM-LG PAN-HD ROHS)	C5956-67008	Service Station parts list (for Figure 4-122) on page 288
Screw (SVC-SCREW-TPG M4X0.7 12MM-LG PAN-HD ROHS)	C5956-67008	Vacuum supply assembly parts list (for Figure 4-132) on page 312
Screw (SVC-SCREW-TPG M4X0.7 8MM-LG PAN HD ROHS)	C5956-67003	Dryer assembly parts list (for Figure 4-82) on page 192

Table 4-125 Alphabetical parts list (continued)

Description	Part number	Table and page
Screw (SVC-SCREW-TPG M4X0.7 8MM-LG PAN HD ROHS)	C5956-67003	Formatter fan and hard drive parts list (for Figure 4-86) on page 202
Screw (SVC-SCREW-TPG M4X0.7 8MM-LG PAN HD ROHS)	C5956-67003	Formatter PCAs parts list (for Figure 4-87) on page 204
Screw (SVC-SCREW-TPG M4X0.7 8MM-LG PAN HD ROHS)	C5956-67003	Motion PCA (A2) assembly parts list (for Figure 4-115) on page 270
Screw (SVC-SCREW-TPG M4X0.7 8MM-LG PAN HD ROHS)	C5956-67003	Service Station parts list (for Figure 4-122) on page 288
Screw (SVC-SCRW-MACH M4X0.7 16MM-LG PAN HD ROHS)	C5956-67007	Carriage structure parts list (for Figure 4-27) on page 70
Screw (SVC-SCRW-MACH M4X0.7 16MM-LG PAN HD ROHS)	C5956-67007	Front door parts list (for Figure 4-40) on page 103
Screw (SVC-SCRW-MACH M4X0.7 16MM-LG PAN HD ROHS)	C5956-67007	Service Station parts list (for Figure 4-122) on page 288
SCREW SKT-HD CAP M6X1.0 14MM-LG ROHS	C5956-67739	IDO H-bar assembly parts list (for Figure 4-107) on page 249
Screw-mount, hard drive (SVC KIT-MOUNT, HARD DRIVE)	C5956-67678	Formatter fan and hard drive parts list (for Figure 4-86) on page 202
Screws (SVC KIT-ADF, SCANNER SCREWS, assortment)	C5962-67042	ADF input tray parts list (for Figure 4-16) on page 42
Screws (SVC KIT-ADF, SCANNER SCREWS, assortment)	C5962-67042	ADF main assembly parts list (for Figure 4-17) on page 44
Screws (SVC KIT-ADF, SCANNER SCREWS, assortment)	C5962-67042	ADF drive system parts list (for Figure 4-18) on page 46
Screws (SVC KIT-ADF, SCANNER SCREWS, assortment)	C5962-67042	ADF front side parts list (for Figure 4-19) on page 48
Screws (SVC KIT-ADF, SCANNER SCREWS, assortment)	C5962-67042	ADF conveying section parts list (for Figure 4-20) on page 50
Screws (SVC KIT-ADF, SCANNER SCREWS, assortment)	C5962-67042	Scanner top parts list (for Figure 4-21) on page 54
Screws (SVC KIT-ADF, SCANNER SCREWS, assortment)	C5962-67042	Scanner drive and electronics parts list (for Figure 4-23) on page 58
Sensor actuator (SVC-ACTUATOR-DOOR SENSOR)	C5956-67212	Front door parts list (for Figure 4-40) on page 103
Sensor bracket (SVC-BRACKET-SENSOR, OUTPUT 3)	C5956-67589	IDO outer guide pinch assembly parts list (for Figure 4-103) on page 241
Sensor flag (SVC-LEVER, PAPER, END)	C5956-67395	Tray 1 parts list (for Figure 4-26) on page 66

Table 4-125 Alphabetical parts list (continued)

Description	Part number	Table and page
Separation guide (SVC-STRIP, SEPARATION)	C5956-67396	Trays 2, 3, and 4 drawer parts list (for Figure 4-127) on page 300
Service station assembly (SVC ASSY-MAIN SS)	C5956-67823	Service Station parts list (for Figure 4-122) on page 288
Service station guide rail (SVC-RAIL-GUIDE, SVS)	C5956-67037	Service Station parts list (for Figure 4-122) on page 288
Service station latch bar (SVC ASSY-LATCHBAR SVS)	C5956-67343	Service Station parts list (for Figure 4-122) on page 288
Service station latch dog bracket (SVC ASSY-DOGBRACKET, SVS LATCH)	C5956-67670	Service Station parts list (for Figure 4-122) on page 288
Service station latch ewe bracket (SVC-EWEBRACKET-SVS LATCH)	C5956-67228	Service Station parts list (for Figure 4-122) on page 288
Service Station Latch sensor (SN60) (SVC PHOTOINTERRUPTER IO MAX=50 ROHS)	1990-3586	Service Station parts list (for Figure 4-122) on page 288
Service station pivot handle (SVC-HANDLE PIVOT)	C5956-67035	Service Station parts list (for Figure 4-122) on page 288
Service station pivot hinge post (SVC-POST-PIVOT)	C5956-67036	Service Station parts list (for Figure 4-122) on page 288
Short flanged tensioner (SVC ASSY-TENSIONER, SHORT, FLANGED)	C5956-67344	IDO drive belts parts list (for Figure 4-95) on page 224
Short flangeless tensioner (SVC ASSY-TENSIONER, SHORT, FLANGELESS)	C5956-67345	IDO drive belts parts list (for Figure 4-95) on page 224
Single output bin (SVC-BIN-SINGLE OUTPUT)	C5963-67005	Single output bin parts list (for Figure 4-131) on page 309
Single output bin assembly (SVC ASSY-BIN, SINGLE OUTPUT)	C5963-67006	Single output bin parts list (for Figure 4-131) on page 309
Single output bin front bracket (SVC-BRACKET-FRONT SOB)	C5963-67001	Single output bin parts list (for Figure 4-131) on page 309
Single output bin rear bracket (SVC-BRACKET-REAR SOB)	C5963-67002	Single output bin parts list (for Figure 4-131) on page 309
Small shaft (SVC ASSY-DRIVE ROLLER CURLER SMALL)	C5957-67070	IDO curler assembly parts list (for Figure 4-100) on page 234
Solenoid spacer (SVC-SPACER-SOLENOID)	C5956-67683	IDO RM front parts list (for Figure 4-92) on page 218
Spherical bearing (SVC-BEARING, PLAIN, SPHERICAL)	C5956-67405	Trays 2, 3, and 4 drive parts list (for Figure 4-129) on page 304
Spring	Not available	IDO media eject assembly parts list (for Figure 4-99) on page 232
Spring (SPRING, LEAF, SIZE SENSITIVE)	C5956-67754	Tray 1 parts list (for Figure 4-26) on page 66

Table 4-125 Alphabetical parts list (continued)

Description	Part number	Table and page
Spring (SPRING, LEAF, SIZE SENSITIVE)	C5956-67754	Trays 2, 3, and 4 left side parts list (for Figure 4-126) on page 298
Spring (SPRING, TORSION)	C5956-67754	Tray 1 parts list (for Figure 4-26) on page 66
Spring (SPRING, TORSION, HANDLE)	C5956-67754	Trays 2, 3, and 4 paper path parts list (for Figure 4-128) on page 302
Spring (SPRING, TORSION, PEX)	C5956-67754	Trays 2, 3, and 4 drive parts list (for Figure 4-129) on page 304
Spring (SVC-SPRING-DRUM DRIVE TENSION)	C5956-67131	Drum drive parts list (for Figure 4-73) on page 172
Spring (SVC-SPRING-EXTENSION-PINCH ROLLER-SMALL)	C5956-67086	IDO duplex door assembly parts list (for Figure 4-102) on page 239
Spring (SVC-SPRING-EXTENSION-PINCH ROLLER-SMALL)	C5956-67086	IDO outer guide pinch assembly parts list (for Figure 4-103) on page 241
Spring (SVC-SPRING-EXTENSION-PINCH ROLLER-SMALL)	C5956-67086	IDO outer lower guide assembly parts list (for Figure 4-104) on page 243
Spring (SVC-SPRING-LATCH, EXTNSN-HORIZ TRANSPORT)	C5956-67198	Horizontal upper assembly parts list (for Figure 4-90) on page 212
Spring (SVC-SPRING-TAKEUP, CABLE, HORIZ TRANSPRT)	C5956-67116	Horizontal upper assembly parts list (for Figure 4-90) on page 212
Spring (SVC-SPRING-TENSIONER)	C5956-67113	Vertical transmission parts list (for Figure 4-135) on page 320
Staging sensor mount (SVC-MOUNT-SENSOR STAGING)	C5956-67375	IDO duplex door assembly parts list (for Figure 4-102) on page 239
Stiffener spring (SVC-SPRING-STIFFENER BIAS)	C5956-67200	Carriage structure parts list (for Figure 4-27) on page 70
Stop ring (SVC KIT-ADF, SCANNER STOP RINGS)	C5962-67043	ADF drive system parts list (for Figure 4-18) on page 46
Stop ring (SVC KIT-ADF, SCANNER STOP RINGS)	C5962-67043	Scanner top parts list (for Figure 4-21) on page 54
Stop ring (SVC KIT-ADF, SCANNER STOP RINGS)	C5962-67043	Scanner front and rear wires parts list (for Figure 4-22) on page 56
SVC-PHOTOINTERRUPTER WITH CONNECTOR (SN27)	C5956-67770	Tray 1 parts list (for Figure 4-26) on page 66
SVC-PT.SENSOR GP1A73AJ00/BK	C5962-67027	ADF conveying section parts list (for Figure 4-20) on page 50

Table 4-125 Alphabetical parts list (continued)

Description	Part number	Table and page
T28/Z18 pulley (SVC-PULLEY, T28/Z18)	C5962-67023	ADF drive system parts list (for Figure 4-18) on page 46
T35/T22/Z22 pulley (SVC-PULLEY, T35/T22/Z22)	C5962-67022	ADF drive system parts list (for Figure 4-18) on page 46
T38 Gearwheel (SVC-GEARWHEEL, T38X0,8)	C5956-67647	Tray 1 parts list (for Figure 4-26) on page 66
Temperature sensor clip (SVC KIT-WIRE MGMT, DRYER)	C5956-67717	Dryer right assembly parts list (for Figure 4-84) on page 196
Tension spring (SVC-SPRING-TENSION 3.2MMX15.9MM)	C5956-67194	IDO outer lower guide assembly parts list (for Figure 4-104) on page 243
Tensioner (SVC ASSY-MEDIAPATH TENSIONER)	C5956-67297	Vertical transmission parts list (for Figure 4-135) on page 320
Tensioner (SVC ASSY-TENSIONER, SHORT, FLANGED)	C5956-67344	IDO RM front parts list (for Figure 4-92) on page 218
Tensioner (SVC ASSY-TENSIONER, SHORT, FLANGED)	C5956-67344	IDO curler assembly parts list (for Figure 4-100) on page 234
Tensioner (SVC KIT-STANDOFFS, TENSIONER)	C5956-67711	Horizontal transmission parts list (for Figure 4-89) on page 210
Tensioner standoff (SVC KIT-STANDOFFS, TENSIONER)	C5956-67711	Vertical transmission parts list (for Figure 4-135) on page 320
Tensioner, mid (SVC ASSY-TENSIONER, MID, FLANGED)	C5956-67346	Horizontal transmission parts list (for Figure 4-89) on page 210
Tensioner, short (SVC ASSY-TENSIONER, SHORT, FLANGED)	C5956-67344	Horizontal transmission parts list (for Figure 4-89) on page 210
Tetris sensor (SN58) (SVC ASSY-TETRIS)	C5956-67263	Carriage 1 assembly parts list (for Figure 4-33) on page 82
TOF cable cover (SVC-COVER-TOF CBL)	C5956-67791	Carriage TOF sensor assembly parts list (for Figure 4-29) on page 74
TOF PCA cover (SVC-COVER-TOF PCA)	C5957-67053	Carriage TOF sensor assembly parts list (for Figure 4-29) on page 74
Top-of-form sensor (SN22) kit (SVC KIT-TOF SENSOR)	C5957-67052	Carriage TOF sensor assembly parts list (for Figure 4-29) on page 74
Torque limiter (SVC-TORQUE LIMITER DP)	C5962-67005	ADF conveying section parts list (for Figure 4-20) on page 50
Transmission assembly (SVC ASSY-MOUNT-TRANSMISSN-HORIZ TRNSPRT)	C5956-67643	Horizontal transmission parts list (for Figure 4-89) on page 210

Table 4-125 Alphabetical parts list (continued)

Description	Part number	Table and page
Transparency sensor 1 (SN1) (SVC-SENSOR-TRANSPARENCY)	C5956-67693	Horizontal lower assembly parts list (for Figure 4-91) on page 214
Tray 1 (SVC ASSY-BYPASS TRAY MECH)	C5956-67824	Tray 1 parts list (for Figure 4-26) on page 66
Tray 1 Door Open sensor (SN30) (SVC-SENSOR, MEDIA PRESENCE)	C5956-67255	Vertical inner guide parts list (for Figure 4-134) on page 318
Tray 1 input tray assembly (SVC ASSY-TRAY)	C5956-67439	Tray 1 parts list (for Figure 4-26) on page 66
Tray 1 latch shaft (SVC-SHAFT, LATCH, MECH)	C5956-67403	Tray 1 parts list (for Figure 4-26) on page 66
Tray 1 LED (LED12)	C5956-67376	Tray 1 parts list (for Figure 4-26) on page 66
Tray 1 lift plate (SVC-PLATE, LIFT, CPL)	C5956-67423	Tray 1 parts list (for Figure 4-26) on page 66
Tray 1 pick pad bracket (SVC-BRACKET, PAD, PICKING, CPL)	C5956-67394	Tray 1 parts list (for Figure 4-26) on page 66
Tray 1 pick pad bracket holder (SVC-HOLDER, BRACKET, CPL)	C5956-67421	Tray 1 parts list (for Figure 4-26) on page 66
Tray 1 pick roller assembly (SVC-ASSY-TRAY 1 PICK ROLLER)	C5956-67424	Tray 1 parts list (for Figure 4-26) on page 66
Tray 1 Pick solenoid (SOL1) (SVC-SOLENOID CPL)	C5956-67415	Tray 1 parts list (for Figure 4-26) on page 66
Tray 1 top cover (SVC ASSY-BYPASS COVER ASSY)	C5956-67440	Tray 1 parts list (for Figure 4-26) on page 66
Tray 2 Exit sensor (SN47)/Tray 3 Exit sensor (SN51)/Tray 4 Exit sensor (SN55) (SVC-PHOTOINTERRUPTER WITH CONNECTOR)	C5956-67770	Trays 2, 3, and 4 drive parts list (for Figure 4-129) on page 304
Tray 2 LED (LED15)/Tray 3 LED (LED16)/Tray 4 LED (LED17) (SVC-HOLDER LED)	C5956-67406	Trays 2, 3, and 4 main assembly parts list (for Figure 4-124) on page 294
Tray 2, 3, and 4 assembly (SVC ASSY-MEDIA TRAYS)	C5956-67724	Trays 2, 3, and 4 main assembly parts list (for Figure 4-124) on page 294
Tray 2, 3, and 4 Humidity sensor (SN42) and Tray 2, 3, and 4 Ambient Temperature sensor (SN41) unit (SVC-PCA, SENSOR, HUMIREL)	C5956-67418	Trays 2, 3, and 4 separation unit parts list (for Figure 4-130) on page 306
Tray 2, 3, and 4 top access door (SVC COVER, PLATE, TOP)	C5956-67400	Trays 2, 3, and 4 main assembly parts list (for Figure 4-124) on page 294
Tray 5 input slot cover (SVC-COVER-HICAP, INPUT)	C5956-67079	Tray 5 input slot cover parts list (for Figure 4-65) on page 153
Tray closed sensor actuator foil (SVC ASSY-MEDIA TRAY ACTUATOR FOIL)	C5956-67434	Trays 2, 3, and 4 drive parts list (for Figure 4-129) on page 304

Table 4-125 Alphabetical parts list (continued)

Description	Part number	Table and page
Tray drawer (SVC-DRAWER, SIT)	C5956-67392	Trays 2, 3, and 4 drawer parts list (for Figure 4-127) on page 300
Tray exit roller belt (SVC-BELT, SYNCHRONUS, T=2.032)	C5956-67407	Trays 2, 3, and 4 drive parts list (for Figure 4-129) on page 304
Tray exit roller belt tensioner (SVC ASSY-MEDIA TRAY BELT TENSION)	C5956-67435	Trays 2, 3, and 4 rear parts list (for Figure 4-125) on page 296
Tray exit roller shaft (SVC-SHAFT, EXIT, CPL)	C5956-67384	Trays 2, 3, and 4 drive parts list (for Figure 4-129) on page 304
Tray exit roller shaft clutch (SVC ASSY-MEDIA TRAY CLUTCH)	C5956-67436	Trays 2, 3, and 4 drive parts list (for Figure 4-129) on page 304
Tray exit sensor flag shaft (SVC-FLAG, SENSOR, PAPER, EXIT)	C5956-67385	Trays 2, 3, and 4 drive parts list (for Figure 4-129) on page 304
Tray exit sensor holder (SVC-HOLDER PHOTO INT PEX)	C5956-67401	Trays 2, 3, and 4 drive parts list (for Figure 4-129) on page 304
Trays 2, 3, and 4 assembly wire clamps (SVC-CABLE CLAMP)	C5956-67768	Trays 2, 3, and 4 main assembly parts list (for Figure 4-124) on page 294
Trays 2, 3, and 4 Controller PCA (A23) (SVC-PCA, CONTROLLER, INPUT)	C5956-67416	Trays 2, 3, and 4 left side parts list (for Figure 4-126) on page 298
Trays 2, 3, and 4 cover assembly (SVC ASSY-DRAWER FACE)	C5956-67459	Tray 2, 3, and 4 covers parts list (for Figure 4-46) on page 115
Trays 2, 3, and 4 lightpipe (SVC-LIGHTPIPE-SIT TRAY)	C5956-67715	Tray 2, 3, and 4 covers parts list (for Figure 4-46) on page 115
Trays 2, 3, and 4 Transport motor (M18) (SVC-MOTOR, STEPPER, CPL.)	C5956-67414	Trays 2, 3, and 4 drive parts list (for Figure 4-129) on page 304
Trim (SVC-TRIM-HORIZONTAL TRANSPORT FRAME)	C5956-67118	Horizontal upper assembly parts list (for Figure 4-90) on page 212
Trim support (SVC-SUPPORT-SCANNER TRIM). Sheet metal part not shown in diagram.	C5956-67588	Scanner left trim parts list (for Figure 4-49) on page 121
Trim support (SVC-SUPPORT-SCANNER TRIM). Sheet metal part not shown in diagram.	C5956-67588	Scanner right trim parts list (for Figure 4-50) on page 123
Triple pulley soft drive roller assembly (SVC ASSY-SOFT DRIVE ROLLER PULLEY TRIPLE)	C5956-67326	IDO paper path rollers parts list (for Figure 4-94) on page 222
Tube (SVC-TUBE-POPPET LONG)	C5956-67129	Poppet B assembly parts list (for Figure 4-79) on page 184

Table 4-125 Alphabetical parts list (continued)

Description	Part number	Table and page
Tube (SVC-TUBE-POPPET SHORT)	C5956-67128	Poppet A1 assembly parts list (for Figure 4-77) on page 180
Tube (SVC-TUBE-POPPET SHORT)	C5956-67128	Poppet A2 assembly parts list (for Figure 4-78) on page 182
Tube cap (SVC-CAP-TUBE PANEL MOUNT)	C5956-67818	Drum vacuum assembly parts list (for Figure 4-74) on page 174
Upper conveying roller service kit (SVC KIT-UPPER ROLLER,CONVEYING)	C5962-67032	ADF conveying section parts list (for Figure 4-20) on page 50
Upper inner cover (SVC ASSY-INTEGRATION STRUCTURE)	C5956-67313	Upper inner cover parts list (for Figure 4-47) on page 117
Upper plunger datum (SVC ASSY-DATUM PLUNGER IDO UPPER)	C5956-67455	IDO RM front parts list (for Figure 4-92) on page 218
Upper plunger datum (SVC ASSY-DATUM PLUNGER IDO UPPER)	C5956-67455	IDO RM rear parts list (for Figure 4-97) on page 228
Upper rear access panel (SVC-COVER-REAR SERVICE)	C5956-67723	Rear covers parts list (for Figure 4-67) on page 157
Upper right cover (SVC ASSY-COVER RIGHT UPPER)	C5956-67306	Upper right cover parts list (for Figure 4-63) on page 149
Upper right cover slider (SVC-SLIDER-COVER RIGHT UPPER)	C5956-67049	Upper right cover parts list (for Figure 4-63) on page 149
Upper right double roller catch (SVC-DOUBLE ROLLER CATCH BASE UPPER RIGHT)	C5956-67358	Front door lock parts list (for Figure 4-41) on page 105
Upper-left Door Open sensor (SN37) (SVC-PHOTOINTERRUPTER WITH CONNECTOR)	C5956-67162	Front Door Open switch (SW3) parts list (for Figure 4-42) on page 107
Vacuum assembly cover (SVC ASSY-COVER, BLOWER)	C5956-67274	Vacuum supply assembly parts list (for Figure 4-132) on page 312
Vacuum housing tube (SVC-TUBE-RUBBER-VACUUM SENSE SHORT)	C5956-67205	Vacuum supply assembly parts list (for Figure 4-132) on page 312
Vacuum motor (VAC1, VAC2, VAC3, VAC4, VAC5) (SVC-BLOWER-VACUUM)	C5956-67666	Vacuum supply assembly parts list (for Figure 4-132) on page 312
Vacuum motor cover (SVC ASSY-MUFFLER, VACUUM BLOWER)	C5956-67322	Vacuum supply assembly parts list (for Figure 4-132) on page 312
Vacuum supply housing (SVC ASSY-VACUUM SUPPLY HOUSING)	C5956-67272	Vacuum supply assembly parts list (for Figure 4-132) on page 312
Vertical door latch torsion spring (SVC-SPRING-TORSION VERTICAL LATCH)	C5956-67108	Vertical outer guide parts list (for Figure 4-133) on page 316
Vertical inner guide (SVC ASSY-VERTICAL PATH INNER)	C5956-67789	Vertical inner guide parts list (for Figure 4-134) on page 318

Table 4-125 Alphabetical parts list (continued)

Description	Part number	Table and page
Vertical motor (M6) (SVC-MOTOR, MEDIAPATH)	C5956-67742	Vertical transmission parts list (for Figure 4-135) on page 320
Vertical outer guide (SVC ASSY-GUIDE OUTER VERTICAL)	C5956-67461	Vertical outer guide parts list (for Figure 4-133) on page 316
Vertical outer guide assembly (SVC ASSY-GUIDE VERTICAL OUTER)	C5956-67448	Vertical outer guide parts list (for Figure 4-133) on page 316
Vertical path door (SVC ASSY-VERTICAL PATH DOOR)	C5957-67045	Right-side middle panel parts list (for Figure 4-61) on page 145
Vertical path door (SVC ASSY-VERTICAL PATH DOOR)	C5957-67045	Vertical outer guide parts list (for Figure 4-133) on page 316
Vertical Transport 1 sensor (SN35) (SVC-SENSOR, MEDIA PRESENCE)	C5956-67255	Vertical inner guide parts list (for Figure 4-134) on page 318
Vertical Transport 2 sensor (SN28) (SVC-SENSOR, MEDIA PRESENCE)	C5956-67255	Vertical inner guide parts list (for Figure 4-134) on page 318
Vertical Transport 3 sensor (SN25) (SVC-SENSOR, MEDIA PRESENCE)	C5956-67255	Vertical inner guide parts list (for Figure 4-134) on page 318
Vertical transport 4 sensor (SN26) (SVC-SENSOR, MEDIA PRESENCE)	C5956-67255	Vertical inner guide parts list (for Figure 4-134) on page 318
Vertical triple pulley drive roller assembly (SVC ASSY-DRV RLLR PULLEY VERTICAL TRIPLE)	C5956-67338	IDO paper path rollers parts list (for Figure 4-94) on page 222
Washer (SVC-WASHER-FL MTLC 3.0). Not shown in diagram.	C5957-67104	Carriage drive assembly parts list (for Figure 4-32) on page 80
Washer (WASHER, C CLIP, DIN 6799-3.2, ZN)	C5956-67752	Trays 2, 3, and 4 separation unit parts list (for Figure 4-130) on page 306
Washer (WASHER, RETAINING, CIRCLIP, 4, ZN)	C5956-67752	Trays 2, 3, and 4 drive parts list (for Figure 4-129) on page 304
Web Advance encoder (EN11) (SVC ASSY-ENCODER WEB)	C5956-67259	Service Station parts list (for Figure 4-122) on page 288
Web Advance encoder (EN11) PCA (SVC-PCA-ENCODER SENSOR 150LPI)	C5956-67620	Service Station parts list (for Figure 4-122) on page 288
Web cartridge assembly	C5957-67125	Web wipe parts list (for Figure 4-136) on page 323
Web Drive motor (M5) (SVC-MOTOR, SVS)	C5956-67299	Service Station parts list (for Figure 4-122) on page 288
Web Low sensor (SN21) (SVC-SENSOR OUT-OF-WEB)	C5956-67058	Service Station parts list (for Figure 4-122) on page 288
Web wipe (SVC KIT PM-WEB WIPE)	C5956-67837	Web wipe parts list (for Figure 4-136) on page 323

NOTE: Web wipe bulk pack (SVC-PM KIT WEB WIPE, 12 EA, BU), C5957-67185, 1 (Qty 12)

Table 4-125 Alphabetical parts list (continued)

Description	Part number	Table and page
Web wipe access panel (SVC-PANEL-WEB WIPE ACCESS)	C5956-67175	Web wipe access cover parts list (for Figure 4-59) on page 141
Web wipe bias spring assembly (SVC KIT-WEB BIAS SPRING)	C5956-67276	Web wipe parts list (for Figure 4-136) on page 323
Web wipe cartridge (SVC-CASE CARTRIDGE)	C5956-67202	Web wipe parts list (for Figure 4-136) on page 323
Web wipe cartridge guide (SVC ASSY-WEB CARTRIDGE GUIDE)	C5956-67835	Service Station parts list (for Figure 4-122) on page 288
Web wipe cover plate (SVC-COVER WEB)	C5956-67166	Web wipe parts list (for Figure 4-136) on page 323
Web wipe encoder tab assembly (SVC ASSY-ENCODER WEB ROLLER)	C5956-67260	Web wipe parts list (for Figure 4-136) on page 323
Web wipe guide assembly (SVC ASSY-GUIDE WEB)	C5956-67628	Web wipe parts list (for Figure 4-136) on page 323
Web Wipe Material Lift motor (M4) (SVC-MOTOR-WIPE LIFT)	C5956-67836	Service Station parts list (for Figure 4-122) on page 288
Wedge/holder (SVC ASSY-WEDGE AND HOLDER)	C5956-67130	Poppet A1 assembly parts list (for Figure 4-77) on page 180
Wedge/holder (SVC ASSY-WEDGE AND HOLDER)	C5956-67130	Poppet A2 assembly parts list (for Figure 4-78) on page 182
Wire saddle (SVC KIT-WIRE MANAGEMENT 1, assortment, SADDLE-WIRE .2-WD NYL-6/6 ROHS)	C5956-67648	Carriage PSU PCA (A7) assembly parts list (for Figure 4-113) on page 266
Wire saddle (SVC KIT-WIRE MANAGEMENT 1, assortment, SADDLE-WIRE .2-WD NYL-6/6 ROHS)	C5956-67648	Motion PCA (A2) assembly parts list (for Figure 4-115) on page 270
Wire sleeve (SVC-SLEEVING-WIRE, HELICAL, 1/2OD) (Not shown in diagram)	C5956-67750	IDO H-bar assembly parts list (for Figure 4-107) on page 249
Y-bias spring (SVC-Y-BIAS SPRING)	C5956-67675	Carriage 1 assembly parts list (for Figure 4-33) on page 82
Y-bias spring (SVC-Y-BIAS SPRING)	C5956-67675	Carriage 2 assembly parts list (for Figure 4-34) on page 84
Yoke diverter (SVC-YOKE-DIVERTER)	C5956-67208	IDO media eject assembly parts list (for Figure 4-99) on page 232
YOKE-BUSHINGLESS	C5956-67231	Drum guide assembly parts list (for Figure 4-80) on page 186
Z retainer (SVC-Z RETENTION)	C5957-67101	Carriage 1 assembly parts list (for Figure 4-33) on page 82
Z retainer (SVC-Z RETENTION)	C5957-67101	Carriage 2 assembly parts list (for Figure 4-34) on page 84

Table 4-125 Alphabetical parts list (continued)

Description	Part number	Table and page
Z retainer (SVC-Z RETENTION)	C5957-67101	Carriage PPS assembly parts list (for Figure 4-37) on page 90
Z22/T35P2M Gear (SVC-GEAR, Z22/T35P2M)	C5962-67024	ADF drive system parts list (for Figure 4-18) on page 46

Numerical parts list

Table 4-126 Numerical parts list

Part number	Description	Table and page
0510-1782	Retainer ring clip (RETAINER-RING CIRCLIP 5MM-BSC DIA ROHS)	IDO media eject assembly parts list (for Figure 4-99) on page 232
0950-4767	Formatter hard drive (DISC DRIVE HARD 80GB ROHS) NOTE: Part number 0950-4767 was replaced by 0950-4912, which was then replaced by 0950-4972.	Formatter fan and hard drive parts list (for Figure 4-86) on page 202
0950-4778	Coprocessor hard drive (PATA HDD 80 GB). Note: Part number 0950-4778 (PATA HDD 80 GB) replaces 0950-4697 (PATA HDD 40 GB)	Formatter Coprocessor parts list (for Figure 4-88) on page 206
0960-2416	MODEM-DATA/FAX, 90/56K, ROHS	Formatter PCAs parts list (for Figure 4-87) on page 204
1420-0887	Formatter battery (BAT 3V .22A-HR LI MANGANESE DIOXIDE) (Not shown in diagram)	Formatter Main PCA (A26) parts list (for Figure 4-85) on page 200
1990-3586	Service Station Latch sensor (SN60) (SVC PHOTOINTERRUPTER IO MAX=50 ROHS)	Service Station parts list (for Figure 4-122) on page 288
2660-0159	512 MB DRAM (SYNC DDR-DRAM 64M X 64 200P)	Formatter Main PCA (A26) parts list (for Figure 4-85) on page 200
C5956-67001	Screw (SCREW-TPG M3 X 0.5 6MM-LG PAN HD ROHS)(3)	Aerosol assembly parts list (for Figure 4-25) on page 63
C5956-67001	Screw (SVC-SCREW-TPG M3X0.5 6MM-LG PAN HD ROHS)	Carriage structure parts list (for Figure 4-27) on page 70
C5956-67001	Screw (SVC-SCREW-TPG M3X0.5 6MM-LG PAN HD ROHS)	Carriage extraction mechanism parts list (for Figure 4-28) on page 72
C5956-67001	Screw (SVC-SCREW-TPG M3X0.5 6MM-LG PAN HD ROHS)	Carriage TOF sensor assembly parts list (for Figure 4-29) on page 74
C5956-67001	Screw (SVC-SCREW-TPG M3X0.5 6MM-LG PAN HD ROHS)	Carriage pen-out-of-cap sensor parts list (for Figure 4-30) on page 76
C5956-67001	Screw (SVC-SCREW-TPG M3X0.5 6MM-LG PAN HD ROHS)	Carriage 1 assembly parts list (for Figure 4-33) on page 82
C5956-67001	Screw (SVC-SCREW-TPG M3X0.5 6MM-LG PAN HD ROHS)	Carriage 2 assembly parts list (for Figure 4-34) on page 84
C5956-67001	Screw (SVC-SCREW-TPG M3X0.5 6MM-LG PAN HD ROHS)	Carriage Open sensor (SN19) and base parts list (for Figure 4-38) on page 92
C5956-67001	Screw (SVC-SCREW-TPG M3X0.5 6MM-LG PAN HD ROHS)	Front door lock parts list (for Figure 4-41) on page 105
C5956-67001	Screw (SVC-SCREW-TPG M3X0.5 6MM-LG PAN HD ROHS)	Drum screen parts list (for Figure 4-71) on page 168

Table 4-126 Numerical parts list (continued)

Part number	Description	Table and page
C5956-67001	Screw (SVC-SCREW-TPG M3X0.5 6MM-LG PAN HD ROHS)	Drum encoder parts list (for Figure 4-72) on page 170
C5956-67001	Screw (SVC-SCREW-TPG M3X0.5 6MM-LG PAN HD ROHS)	Drum LED parts list (for Figure 4-75) on page 176
C5956-67001	Screw (SVC-SCREW-TPG M3X0.5 6MM-LG PAN HD ROHS)	Formatter Main PCA (A26) parts list (for Figure 4-85) on page 200
C5956-67001	Screw (SVC-SCREW-TPG M3X0.5 6MM-LG PAN HD ROHS)	Formatter PCAs parts list (for Figure 4-87) on page 204
C5956-67001	Screw (SVC-SCREW-TPG M3X0.5 6MM-LG PAN HD ROHS)	Formatter Coprocessor parts list (for Figure 4-88) on page 206
C5956-67001	Screw (SCREW-TPG M3X0.5 6MM-LG PAN HD ROHS)	Horizontal transmission parts list (for Figure 4-89) on page 210
C5956-67001	Screw (SCREW-TPG M3X0.5 6MM-LG PAN HD ROHS)	Horizontal upper assembly parts list (for Figure 4-90) on page 212
C5956-67001	Screw (SCREW-TPG M3X0.5 6MM-LG PAN HD ROHS)	Horizontal lower assembly parts list (for Figure 4-91) on page 214
C5956-67001	Screw (SVC-SCREW-TPG M3X0.5 6MM-LG PAN HD ROHS)	IDO RM front parts list (for Figure 4-92) on page 218
C5956-67001	Screw (SVC-SCREW-TPG M3X0.5 6MM-LG PAN HD ROHS)	IDO RM internal motors assembly parts list (for Figure 4-93) on page 220
C5956-67001	Screw (SVC-SCREW-TPG M3X0.5 6MM-LG PAN HD ROHS)	IDO diverter parts list (for Figure 4-96) on page 226
C5956-67001	Screw (SVC-SCREW-TPG M3X0.5 6MM-LG PAN HD ROHS)	IDO RM rear parts list (for Figure 4-97) on page 228
C5956-67001	Screw (SVC-SCREW-TPG M3X0.5 6MM-LG PAN HD ROHS)	IDO RM core sensors parts list (for Figure 4-98) on page 230
C5956-67001	Screw (SVC-SCREW-TPG M3X0.5 6MM-LG PAN HD ROHS)	IDO media eject assembly parts list (for Figure 4-99) on page 232
C5956-67001	Screw (SVC-SCREW-TPG M3X0.5 6MM-LG PAN HD ROHS)	IDO curler assembly parts list (for Figure 4-100) on page 234
C5956-67001	Screw (SVC-SCREW-TPG M3X0.5 6MM-LG PAN HD ROHS)	IDO decurler internals assembly parts list (for Figure 4-101) on page 237
C5956-67001	Screw (SVC-SCREW-TPG M3X0.5 6MM-LG PAN HD ROHS)	IDO duplex door assembly parts list (for Figure 4-102) on page 239
C5956-67001	Screw (SVC-SCREW-TPG M3X0.5 6MM-LG PAN HD ROHS)	IDO outer guide pinch assembly parts list (for Figure 4-103) on page 241

Table 4-126 Numerical parts list (continued)

Part number	Description	Table and page
C5956-67001	Screw (SVC-SCREW-TPG M3X0.5 6MM-LG PAN HD ROHS)	IDO PI assembly parts list (for Figure 4-106) on page 247
C5956-67001	Screw (SCREW-TPG M3X0.5 6MM-LG PAN HD ROHS)	IDS main assembly parts list (for Figure 4-108) on page 254
C5956-67001	Screw (SCREW-TPG M3X0.5 6MM-LG PAN HD ROHS)	IDS APS assembly parts list (for Figure 4-109) on page 256
C5956-67001	Screw (SVC-SCREW-TPG M3X0.5 6MM-LG PAN HD ROHS)	Carriage PSU PCA (A7) assembly parts list (for Figure 4-113) on page 266
C5956-67001	Screw (SVC-SCREW-TPG M3X0.5 6MM-LG PAN HD ROHS)	Main Engine PCA (A5) assembly parts list (for Figure 4-114) on page 268
C5956-67001	Screw (SVC-SCREW-TPG M3X0.5 6MM-LG PAN HD ROHS)	Motion PCA (A2) assembly parts list (for Figure 4-115) on page 270
C5956-67001	Screw (SVC-SCREW-TPG M3X0.5 6MM-LG PAN HD ROHS)	Power distribution PCA parts list (for Figure 4-118) on page 276
C5956-67001	Screw (SVC-SCREW-TPG M3X0.5 6MM-LG PAN HD ROHS)	Image Processing PCA (A6) parts list (for Figure 4-119) on page 278
C5956-67001	Screw (SVC-SCREW-TPG M3X0.5 6MM-LG PAN HD ROHS)	Ink Assist PCA (A3) assembly parts list (for Figure 4-121) on page 282
C5956-67001	Screw (SVC-SCREW-TPG M3X0.5 6MM-LG PAN HD ROHS)	Trays 2, 3, and 4 main assembly parts list (for Figure 4-124) on page 294
C5956-67001	Screw (SVC-SCREW-TPG M3X0.5 6MM-LG PAN HD ROHS)	Trays 2, 3, and 4 rear parts list (for Figure 4-125) on page 296
C5956-67001	Screw (SVC-SCREW-TPG M3X0.5 6MM-LG PAN HD ROHS)	Trays 2, 3, and 4 drive parts list (for Figure 4-129) on page 304
C5956-67001	Screw (SVC-SCREW-TPG M3X0.5 6MM-LG PAN HD ROHS)	Trays 2, 3, and 4 separation unit parts list (for Figure 4-130) on page 306
C5956-67001	Screw (SCREW-TPG M3X0.5 6MM-LG PAN HD ROHS)	Vertical outer guide parts list (for Figure 4-133) on page 316
C5956-67001	Screw (SCREW-TPG M3X0.5 6MM-LG PAN HD ROHS)	Vertical inner guide parts list (for Figure 4-134) on page 318
C5956-67001	Screw (SCREW-TPG M3X0.5 6MM-LG PAN HD ROHS)	Vertical transmission parts list (for Figure 4-135) on page 320
C5956-67002	Screw (SVC-SCREW-TPG M3X0.5 10MM-LG PAN HD ROHS)	Output bin door parts list (for Figure 4-58) on page 139
C5956-67002	Screw (SVC-SCREW-TPG M3X0.5 10MM-LG PAN HD ROHS)	IDO RM front parts list (for Figure 4-92) on page 218

Table 4-126 Numerical parts list (continued)

Part number	Description	Table and page
C5956-67002	Screw (SVC-SCREW-TPG M3X0.5 10MM-LG PAN HD ROHS)	IDO curler assembly parts list (for Figure 4-100) on page 234
C5956-67002	Screw (SVC-SCREW-TPG M3X0.5 10MM-LG PAN HD ROHS)	IDO duplex door assembly parts list (for Figure 4-102) on page 239
C5956-67002	Screw (SVC-SCREW-TPG M3X0.5 10MM-LG PAN HD ROHS)	IDO outer guide pinch assembly parts list (for Figure 4-103) on page 241
C5956-67002	Screw (SVC-SCREW-TPG M3X0.5 10MM-LG PAN HD ROHS)	Main Engine PCA (A5) assembly parts list (for Figure 4-114) on page 268
C5956-67002	Screw (SVC-SCREW-TPG M3X0.5 10MM-LG PAN HD ROHS)	Service Station parts list (for Figure 4-122) on page 288
C5956-67002	Screw (SVC-SCREW-TPG M3X0.5 10MM-LG PAN HD ROHS)	Service station pen cooling fans assembly parts list (for Figure 4-123) on page 290
C5956-67003	Screw (SVC-SCREW-TPG M4X0.7 8MM-LG PAN HD ROHS)	Dryer assembly parts list (for Figure 4-82) on page 192
C5956-67003	Screw (SVC-SCREW-TPG M4X0.7 8MM-LG PAN HD ROHS)	Formatter fan and hard drive parts list (for Figure 4-86) on page 202
C5956-67003	Screw (SVC-SCREW-TPG M4X0.7 8MM-LG PAN HD ROHS)	Formatter PCAs parts list (for Figure 4-87) on page 204
C5956-67003	Screw (SVC-SCREW-TPG M4X0.7 8MM-LG PAN HD ROHS)	Motion PCA (A2) assembly parts list (for Figure 4-115) on page 270
C5956-67003	Screw (SVC-SCREW-TPG M4X0.7 8MM-LG PAN HD ROHS)	Service Station parts list (for Figure 4-122) on page 288
C5956-67004	Screw (SVC-SCR-MACH M3X0.5 10MM-LG PAN HD ROHS)	Carriage drive assembly parts list (for Figure 4-32) on page 80
C5956-67004	Screw (SVC-SCR-MACH M3X0.5 10MM-LG PAN HD ROHS)	Carriage 1 e-chain parts list (for Figure 4-35) on page 86
C5956-67004	Screw (SVC-SCR-MACH M3X0.5 10MM-LG PAN HD ROHS)	Carriage 2 e-chain parts list (for Figure 4-36) on page 88
C5956-67004	Screw (SCREW-MACH M3 X 0.5 10MM-LG PAN HD ROHS)	Horizontal transmission parts list (for Figure 4-89) on page 210
C5956-67004	Screw (SVC-SCR-MACH M3X0.5 10MM-LG PAN HD ROHS)	IDO curler assembly parts list (for Figure 4-100) on page 234
C5956-67004	Screw (SVC-SCR-MACH M3X0.5 10MM-LG PAN HD ROHS)	Electronics Bay Cooling fan (FAN4) assembly parts list (for Figure 4-112) on page 264
C5956-67004	Screw (SVC-SCR-MACH M3X0.5 10MM-LG PAN HD ROHS)	Service Station parts list (for Figure 4-122) on page 288

Table 4-126 Numerical parts list (continued)

Part number	Description	Table and page
C5956-67004	Screw (SVC-SCR-MACH M3X0.5 10MM-LG PAN HD ROHS)	Vacuum supply assembly parts list (for Figure 4-132) on page 312
C5956-67005	Screw (SVC-SCREW-MACH M3X0.5 6MM-LG PAN HD ROHS)	Carriage structure parts list (for Figure 4-27) on page 70
C5956-67005	Screw (SVC-SCREW-MACH M3X0.5 6MM-LG PAN HD ROHS)	Carriage pen-out-of-cap sensor parts list (for Figure 4-30) on page 76
C5956-67005	Screw (SCREW-MACH M3X0.5 6MM-LG PAN HD ROHS)	Control panel parts list (for Figure 4-39) on page 96
C5956-67005	Screw (SVC-SCREW-MACH M3X0.5 6MM-LG PAN HD ROHS)	Tray 2, 3, and 4 covers parts list (for Figure 4-46) on page 115
C5956-67005	Screw (SVC-SCREW-MACH M3X0.5 6MM-LG PAN HD ROHS)	Upper inner cover parts list (for Figure 4-47) on page 117
C5956-67005	Screw (SVC-SCREW-MACH M3X0.5 6MM-LG PAN HD ROHS)	IDO cover parts list (for Figure 4-54) on page 131
C5956-67005	Screw (SCREW-MACH M3 X 0.5 6MM-LG PAN HD ROHS)(1)	Left-side middle panel parts list (for Figure 4-55) on page 133
C5956-67005	Screw (SVC-SCREW-MACH M3X0.5 6MM-LG PAN HD ROHS)	Output bin door parts list (for Figure 4-58) on page 139
C5956-67005	Screw (SVC-SCREW-MACH M3X0.5 6MM-LG PAN HD ROHS)	Right-side middle panel parts list (for Figure 4-61) on page 145
C5956-67005	Screw (SVC-SCREW-MACH M3X0.5 6MM-LG PAN HD ROHS)	Right-side lower panel parts list (for Figure 4-62) on page 147
C5956-67005	Screw (SVC-SCREW-MACH M3X0.5 6MM-LG PAN HD ROHS)	Dryer assembly parts list (for Figure 4-82) on page 192
C5956-67005	Screw (SVC-SCREW-MACH M3X0.5 6MM-LG PAN HD ROHS)	Dryer left assembly parts list (for Figure 4-83) on page 194
C5956-67005	Screw (SVC-SCREW-MACH M3X0.5 6MM-LG PAN HD ROHS)	Dryer right assembly parts list (for Figure 4-84) on page 196
C5956-67005	Screw (SCREW-MACH M3X0.5 6MM-LG PAN HD ROHS)	Horizontal transmission parts list (for Figure 4-89) on page 210
C5956-67005	Screw (SVC-SCREW-MACH M3X0.5 6MM-LG PAN HD ROHS)	IDO RM front parts list (for Figure 4-92) on page 218
C5956-67005	Screw (SVC-SCREW-MACH M3X0.5 6MM-LG PAN HD ROHS)	IDO RM internal motors assembly parts list (for Figure 4-93) on page 220
C5956-67005	Screw (SVC-SCREW-MACH M3X0.5 6MM-LG PAN HD ROHS)	IDO media eject assembly parts list (for Figure 4-99) on page 232

Table 4-126 Numerical parts list (continued)

Part number	Description	Table and page
C5956-67005	Screw (SVC-SCREW-MACH M3X0.5 6MM-LG PAN HD ROHS)	IDO curler assembly parts list (for Figure 4-100) on page 234
C5956-67005	Screw (SVC-SCREW-MACH M3X0.5 6MM-LG PAN HD ROHS)	IDO decurler internals assembly parts list (for Figure 4-101) on page 237
C5956-67005	Screw (SVC-SCREW-MACH M3X0.5 6MM-LG PAN HD ROHS)	Main Engine PCA (A5) assembly parts list (for Figure 4-114) on page 268
C5956-67005	Screw (SVC-SCREW-MACH M3X0.5 6MM-LG PAN HD ROHS)	Image Processing PCA (A6) parts list (for Figure 4-119) on page 278
C5956-67005	Screw (SVC-SCREW-MACH M3X0.5 6MM-LG PAN HD ROHS)	Ink Assist PCA (A3) assembly parts list (for Figure 4-121) on page 282
C5956-67005	Screw (SVC-SCREW-MACH M3X0.5 6MM-LG PAN HD ROHS)	Service Station parts list (for Figure 4-122) on page 288
C5956-67005	Screw (SVC-SCREW-MACH M3X0.5 6MM-LG PAN HD ROHS)	Trays 2, 3, and 4 drive parts list (for Figure 4-129) on page 304
C5956-67005	Screw (SVC-SCREW-MACH M3X0.5 6MM-LG PAN HD ROHS)	Vertical outer guide parts list (for Figure 4-133) on page 316
C5956-67005	Screw (SCREW-MACH M3X0.5 6MM-LG PAN HD ROHS)	Vertical inner guide parts list (for Figure 4-134) on page 318
C5956-67005	Screw (SCREW-MACH M3X0.5 6MM-LG PAN HD ROHS)	Vertical transmission parts list (for Figure 4-135) on page 320
C5956-67006	Screw (SVC-SCREW-MACH M4X0.7 8MM-LG PAN HD ROHS)	Carriage drive assembly parts list (for Figure 4-32) on page 80
C5956-67006	Screw (SVC-SCREW-MACH M4X0.7 8MM-LG PAN HD ROHS)	Front door parts list (for Figure 4-40) on page 103
C5956-67006	Screw (SVC-SCREW-MACH M4X0.7 8MM-LG PAN HD ROHS)	IDS door cover parts list (for Figure 4-45) on page 113
C5956-67006	Screw (SCREW-TPG M4 X 0.7 8MM-LG PAN HD ROHS)(3)	Scanner left trim parts list (for Figure 4-49) on page 121
C5956-67006	Screw (SVC-SCREW-MACH M4X0.7 8MM-LG PAN HD ROHS)	Scanner right trim parts list (for Figure 4-50) on page 123
C5956-67006	Screw (SCREW-MACH M4 X 0.7 8MM-LG PAN HD ROHS)	Scanner service cover parts list (for Figure 4-52) on page 127
C5956-67006	Screw (SCREW-MACH M4 X 0.7 8MM-LG PAN HD ROHS)	Scanner lock cover parts list (for Figure 4-53) on page 129
C5956-67006	Screw (SCREW-MACH M4 X 0.7 8MM-LG PAN HD ROHS)(1)	Lower left trim parts list (for Figure 4-60) on page 143
C5956-67006	Screw (SCREW-MACH M4 X 0.7 8MM-LG PAN HD ROHS)(1)	Lower right trim parts list (for Figure 4-66) on page 155

Table 4-126 Numerical parts list (continued)

Part number	Description	Table and page
C5956-67006	Screw (SVC-SCREW-MACH M4X0.7 8MM-LG PAN HD ROHS)	Drum drive parts list (for Figure 4-73) on page 172
C5956-67006	Screw (SVC-SCREW-MACH M4X0.7 8MM-LG PAN HD ROHS)	Ink catch pan parts list (for Figure 4-111) on page 262
C5956-67006	Screw (SVC-SCREW-MACH M4X0.7 8MM-LG PAN HD ROHS)	Electronics Bay Cooling fan (FAN4) assembly parts list (for Figure 4-112) on page 264
C5956-67006	Screw (SVC-SCREW-MACH M4X0.7 8MM-LG PAN HD ROHS)	Carriage PSU PCA (A7) assembly parts list (for Figure 4-113) on page 266
C5956-67006	Screw (SVC-SCREW-MACH M4X0.7 8MM-LG PAN HD ROHS)	Power supply parts list (for Figure 4-116) on page 272
C5956-67006	Screw (SVC-SCREW-MACH M4X0.7 8MM-LG PAN HD ROHS)	CPSU Cooling fan (FAN3) parts list (for Figure 4-117) on page 274
C5956-67006	Screw (SVC-SCREW-MACH M4X0.7 8MM-LG PAN HD ROHS)	Image Processing PCA (A6) parts list (for Figure 4-119) on page 278
C5956-67006	Screw (SVC-SCREW-MACH M4X0.7 8MM-LG PAN HD ROHS)	PSU recirculation duct parts list (for Figure 4-120) on page 280
C5956-67006	Screw (SVC-SCREW-MACH M4X0.7 8MM-LG PAN HD ROHS)	Service Station parts list (for Figure 4-122) on page 288
C5956-67007	Screw (SVC-SCRW-MACH M4X0.7 16MM-LG PAN HD ROHS)	Carriage structure parts list (for Figure 4-27) on page 70
C5956-67007	Screw (SVC-SCRW-MACH M4X0.7 16MM-LG PAN HD ROHS)	Front door parts list (for Figure 4-40) on page 103
C5956-67007	Screw (SVC-SCRW-MACH M4X0.7 16MM-LG PAN HD ROHS)	Service Station parts list (for Figure 4-122) on page 288
C5956-67008	Screw (SVC-SCREW-TPG M4X0.7 12MM-LG PAN-HD ROHS)	Carriage structure parts list (for Figure 4-27) on page 70
C5956-67008	Screw (SVC-SCREW-TPG M4X0.7 12MM-LG PAN-HD ROHS)	Drum guide assembly parts list (for Figure 4-80) on page 186
C5956-67008	Screw (SCREW-TPG M4X0.7 12MM-LG PAN-HD ROHS)	Horizontal transmission parts list (for Figure 4-89) on page 210
C5956-67008	Screw (SVC-SCREW-TPG M4X0.7 12MM-LG PAN-HD ROHS)	Service Station parts list (for Figure 4-122) on page 288
C5956-67008	Screw (SVC-SCREW-TPG M4X0.7 12MM-LG PAN-HD ROHS)	Vacuum supply assembly parts list (for Figure 4-132) on page 312
C5956-67009	Screw (SVC-SCREW-METRIC SPCLTY MG3X1 8MMLG ROHS)	Carriage 1 assembly parts list (for Figure 4-33) on page 82
C5956-67009	Screw (SVC-SCREW-METRIC SPCLTY MG3X1 8MMLG ROHS)	Carriage 2 assembly parts list (for Figure 4-34) on page 84

Table 4-126 Numerical parts list (continued)

Part number	Description	Table and page
C5956-67009	Screw (SVC-SCREW-METRIC SPCLTY MG3X1 8MMLG ROHS)	Carriage PPS assembly parts list (for Figure 4-37) on page 90
C5956-67010	Screw (SVC-SCR-TPG M2.5X0.45 4MM-LG PAN HD ROHS)	Carriage TOF sensor assembly parts list (for Figure 4-29) on page 74
C5956-67010	Screw (SVC-SCR-TPG M2.5X0.45 4MM-LG PAN HD ROHS)	Drum guide assembly parts list (for Figure 4-80) on page 186
C5956-67010	Screw (SVC-SCR-TPG M2.5X0.45 4MM-LG PAN HD ROHS)	IDO RM front parts list (for Figure 4-92) on page 218
C5956-67010	Screw (SVC-SCR-TPG M2.5X0.45 4MM-LG PAN HD ROHS)	IDO RM internal motors assembly parts list (for Figure 4-93) on page 220
C5956-67010	Screw (SVC-SCR-TPG M2.5X0.45 4MM-LG PAN HD ROHS)	IDO media eject assembly parts list (for Figure 4-99) on page 232
C5956-67010	Screw (SVC-SCR-TPG M2.5X0.45 4MM-LG PAN HD ROHS)	IDO decurler internals assembly parts list (for Figure 4-101) on page 237
C5956-67010	Screw (SVC-SCR-TPG M2.5X0.45 4MM-LG PAN HD ROHS)	Service Station parts list (for Figure 4-122) on page 288
C5956-67011	Screw (SVC-SCREW-MACH M4 X 0.7 9.5MM-LG ROHS)	Scanner chamber filter parts list (for Figure 4-24) on page 60
C5956-67011	Screw (SVC-SCREW-MACH M4 X 0.7 9.5MM-LG ROHS)	Carriage structure parts list (for Figure 4-27) on page 70
C5956-67011	Screw (SCREW-MACH M4 X 0.7 9.5MM-LG ROHS)	IDO cover parts list (for Figure 4-54) on page 131
C5956-67011	Screw (SCREW-MACH M4 X 0.7 9.5MM-LG ROHS)(4)	Left-side middle panel parts list (for Figure 4-55) on page 133
C5956-67011	Screw (SCREW-MACH M4 X 0.7 9.5MM-LG ROHS)(4)	Left-side lower panel parts list (for Figure 4-56) on page 135
C5956-67011	Screw (SCREW-MACH M4 X 0.7 9.5MM-LG ROHS)(4)	Lower left cover parts list (for Figure 4-57) on page 137
C5956-67011	Screw (SCREW-MACH M4 X 0.7 9.5MM-LG ROHS)(2)	Web wipe access cover parts list (for Figure 4-59) on page 141
C5956-67011	Screw (SCREW-MACH M4 X 0.7 9.5MM-LG ROHS)(1)	Lower left trim parts list (for Figure 4-60) on page 143
C5956-67011	Screw (SCREW-MACH M4 X 0.7 9.5MM-LG ROHS)(3)	Upper right cover parts list (for Figure 4-63) on page 149
C5956-67011	Screw (SCREW-MACH M4 X 0.7 9.5MM-LG ROHS)(4)	Lower right cover parts list (for Figure 4-64) on page 151

Table 4-126 Numerical parts list (continued)

Part number	Description	Table and page
C5956-67011	Screw (SCREW-MACH M4 X 0.7 9.5MM-LG ROHS)(1)	Lower right trim parts list (for Figure 4-66) on page 155
C5956-67011	Screw (SVC-SCREW-MACH M4 X 0.7 9.5MM-LG ROHS)	Drum spittoon parts list (for Figure 4-70) on page 166
C5956-67011	Screw (SVC-SCREW-MACH M4 X 0.7 9.5MM-LG ROHS)	Drum drive parts list (for Figure 4-73) on page 172
C5956-67011	Screw (SVC-SCREW-MACH M4 X 0.7 9.5MM-LG ROHS)	Drum vacuum assembly parts list (for Figure 4-74) on page 174
C5956-67011	Screw (SVC-SCREW-MACH M4 X 0.7 9.5MM-LG ROHS)	Drop detect assembly parts list (for Figure 4-81) on page 188
C5956-67012	Screw (SVC-SCREW-TPG 4-20X7.94MM 10IP ROHS)	Tray 1 parts list (for Figure 4-26) on page 66
C5956-67012	Screw (SVC-SCREW-TPG 4-20X7.94MM 10IP ROHS)	Carriage structure parts list (for Figure 4-27) on page 70
C5956-67012	Screw (SVC-SCREW-TPG 4-20X7.94MM 10IP ROHS)	Front door parts list (for Figure 4-40) on page 103
C5956-67012	Screw (SVC-SCREW-TPG 4-20X7.94MM 10IP ROHS)	Left front door parts list (for Figure 4-44) on page 111
C5956-67012	Screw (SVC-SCREW-TPG 4-20X7.94MM 10IP ROHS)	IDS door cover parts list (for Figure 4-45) on page 113
C5956-67012	Screw (SVC-SCREW-TPG 4-20X7.94MM 10IP ROHS)	Upper inner cover parts list (for Figure 4-47) on page 117
C5956-67012	Screw (SCREW-TPG 4-20X7.94MM 10IP ROHS)	Horizontal transmission parts list (for Figure 4-89) on page 210
C5956-67012	Screw (SCREW-TPG 4-20X7.94MM 10IP ROHS)	Horizontal upper assembly parts list (for Figure 4-90) on page 212
C5956-67012	Screw (SVC-SCREW-TPG 4-20X7.94MM 10IP ROHS)	IDO RM core sensors parts list (for Figure 4-98) on page 230
C5956-67012	Screw (SVC-SCREW-TPG 4-20X7.94MM 10IP ROHS)	IDO curler assembly parts list (for Figure 4-100) on page 234
C5956-67012	Screw (SVC-SCREW-TPG 4-20X7.94MM 10IP ROHS)	IDO duplex door assembly parts list (for Figure 4-102) on page 239
C5956-67012	Screw (SCREW-TPG 4-20X7.94MM 10IP ROHS)	IDS ISS assembly parts list (for Figure 4-110) on page 258
C5956-67012	Screw (SCREW-TPG 4-20X7.94MM 10IP ROHS)	Vertical outer guide parts list (for Figure 4-133) on page 316
C5956-67018	Screw (SVC-SCREW-TPG 4-20 0.427-IN-LG ROHS)	Tray 1 parts list (for Figure 4-26) on page 66

Table 4-126 Numerical parts list (continued)

Part number	Description	Table and page
C5956-67018	Screw (SVC-SCREW-TPG 4-20 0.427- IN-LG ROHS)	Carriage PPS assembly parts list (for Figure 4-37) on page 90
C5956-67018	Screw (SVC-SCREW-TPG 4-20 0.427-IN-LG ROHS)	Tray 2, 3, and 4 covers parts list (for Figure 4-46) on page 115
C5956-67018	Screw (SVC-SCREW-TPG 4-20 0.427-IN-LG ROHS)	Upper inner cover parts list (for Figure 4-47) on page 117
C5956-67018	Screw (SCREW-TPG 4-20 0.427-IN-LG ROHS)(4)	Upper right cover parts list (for Figure 4-63) on page 149
C5956-67018	Screw (SVC-SCREW-TPG 4-20 0.427-IN-LG ROHS)	Poppet A1 assembly parts list (for Figure 4-77) on page 180
C5956-67018	Screw (SVC-SCREW-TPG 4-20 0.427-IN-LG ROHS)	Poppet A2 assembly parts list (for Figure 4-78) on page 182
C5956-67018	Screw (SVC-SCREW-TPG 4-20 0.427-IN-LG ROHS)	Poppet B assembly parts list (for Figure 4-79) on page 184
C5956-67018	Screw (SVC-SCREW-TPG 4-20 0.427-IN-LG ROHS)	Dryer assembly parts list (for Figure 4-82) on page 192
C5956-67018	Screw (SVC-SCREW-TPG 4-20 0.427-IN-LG ROHS)	Dryer left assembly parts list (for Figure 4-83) on page 194
C5956-67018	Screw (SVC-SCREW-TPG 4-20 0.427-IN-LG ROHS)	Dryer right assembly parts list (for Figure 4-84) on page 196
C5956-67018	Screw (SVC-SCREW-TPG 4-20 0.427-IN-LG ROHS)	IDO PI assembly parts list (for Figure 4-106) on page 247
C5956-67018	Screw (SVC-SCREW-TPG 4-20 0.427-IN-LG ROHS)	CPSU Cooling fan (FAN3) parts list (for Figure 4-117) on page 274
C5956-67018	Screw (SVC-SCREW-TPG 4-20 0.427-IN-LG ROHS)	Trays 2, 3, and 4 main assembly parts list (for Figure 4-124) on page 294
C5956-67018	Screw (SVC-SCREW-TPG 4-20 0.427-IN-LG ROHS)	Trays 2, 3, and 4 left side parts list (for Figure 4-126) on page 298
C5956-67018	Screw (SVC-SCREW-TPG 4-20 0.427-IN-LG ROHS)	Trays 2, 3, and 4 drawer parts list (for Figure 4-127) on page 300
C5956-67018	Screw (SVC-SCREW-TPG 4-20 0.427-IN-LG ROHS)	Trays 2, 3, and 4 paper path parts list (for Figure 4-128) on page 302
C5956-67018	Screw (SVC-SCREW-TPG 4-20 0.427-IN-LG ROHS)	Trays 2, 3, and 4 drive parts list (for Figure 4-129) on page 304
C5956-67018	Screw (SVC-SCREW-TPG 4-20 0.427-IN-LG ROHS)	Trays 2, 3, and 4 separation unit parts list (for Figure 4-130) on page 306

Table 4-126 Numerical parts list (continued)

Part number	Description	Table and page
C5956-67018	Screw (SVC-SCREW-TPG 4-20 0.427-IN-LG ROHS)	Web wipe parts list (for Figure 4-136) on page 323
C5956-67020	EIO PCA cover (SVC-COVER-EIO)	Formatter PCAs parts list (for Figure 4-87) on page 204
C5956-67021	Encoder PCA backer (SVC BACKER,ENCODER BOARD)	Carriage 1 assembly parts list (for Figure 4-33) on page 82
C5956-67021	Encoder PCA backer (SVC BACKER,ENCODER BOARD)	Carriage 2 assembly parts list (for Figure 4-34) on page 84
C5956-67029	PPS grounding clip (SVC-ONBOARD PPS GROUNDING CLIP)	Carriage PPS assembly parts list (for Figure 4-37) on page 90
C5956-67030	Rear muffler latch (SVC-LATCH-MUFFLER LOCKING)	Rear covers parts list (for Figure 4-67) on page 157
C5956-67032	Carriage extraction spring (SVC-SPRING-EXTRACTION)	Carriage extraction mechanism parts list (for Figure 4-28) on page 72
C5956-67033	Carriage extraction latch pin (SVC-LATCH, PIN)	Carriage extraction mechanism parts list (for Figure 4-28) on page 72
C5956-67034	ESD jack (SVC-JACK-ESD BANANA)	ESD jacks parts list (for Figure 4-69) on page 161
C5956-67035	Service station pivot handle (SVC-HANDLE PIVOT)	Service Station parts list (for Figure 4-122) on page 288
C5956-67036	Service station pivot hinge post (SVC-POST-PIVOT)	Service Station parts list (for Figure 4-122) on page 288
C5956-67037	Service station guide rail (SVC-RAIL-GUIDE, SVS)	Service Station parts list (for Figure 4-122) on page 288
C5956-67038	Paper size plaque (SVC-PLAQUE-BLANK,PAPER SIZE)	Tray 2, 3, and 4 covers parts list (for Figure 4-46) on page 115
C5956-67039	Lightpipe (SVC-LIGHTPIPE-MINI/VERTICAL PATH)	Right-side middle panel parts list (for Figure 4-61) on page 145
C5956-67039	Lightpipe (SVC-LIGHTPIPE-MINI/VERTICAL PATH)	Right-side lower panel parts list (for Figure 4-62) on page 147
C5956-67039	Lightpipe (SVC-LIGHTPIPE-MINI/VERTICAL PATH)	Vertical outer guide parts list (for Figure 4-133) on page 316
C5956-67040	Dryer LED lightpipe (SVC-LIGHTPIPE-DRYER)	Upper inner cover parts list (for Figure 4-47) on page 117
C5956-67041	Left front door lightpipe (SVC-LIGHTPIPE-LEFT DOOR)	Left front door parts list (for Figure 4-44) on page 111
C5956-67042	Right front door LED lightpipe (SVC-LIGHTPIPE-INTEGRATION/LEFT DOOR)	Upper inner cover parts list (for Figure 4-47) on page 117

Table 4-126 Numerical parts list (continued)

Part number	Description	Table and page
C5956-67043	Lightpipe (SVC-LIGHTPIPE-DRUM BAR LEFT)	Carriage structure parts list (for Figure 4-27) on page 70
C5956-67044	Horizontal LED lightpipe (SVC-LIGHTPIPE-HORIZONTAL TRANSPORT)	Upper inner cover parts list (for Figure 4-47) on page 117
C5956-67045	Lightpipe (SVC-LIGHTPIPE-DUPLEXER DOOR)	Left-side middle panel parts list (for Figure 4-55) on page 133
C5956-67047	Scanner chamber duct (SVC-DUCT-SCANNER CHAMBER)	Scanner chamber filter parts list (for Figure 4-24) on page 60
C5956-67049	Upper right cover slider (SVC-SLIDER-COVER RIGHT UPPER)	Upper right cover parts list (for Figure 4-63) on page 149
C5956-67050	Carriage handle (SVC-HANDLE-CARRIAGE)	Carriage 1 assembly parts list (for Figure 4-33) on page 82
C5956-67050	Carriage handle (SVC-HANDLE-CARRIAGE)	Carriage 2 assembly parts list (for Figure 4-34) on page 84
C5956-67052	Carriage extraction wheels (SVC-EXTRACTION WHEEL)	Carriage structure parts list (for Figure 4-27) on page 70
C5956-67053	Carriage magnet retainer (SVC-RETAINER-MAGNET, CARRIAGE 1)	Carriage 1 assembly parts list (for Figure 4-33) on page 82
C5956-67054	Drum encoder cover (SVC-COVER-DRUM ENCODER)	Drum encoder parts list (for Figure 4-72) on page 170
C5956-67055	Drum encoder PCA (EN2) (SVC-PCA-DRUM ENCODER)	Drum encoder parts list (for Figure 4-72) on page 170
C5956-67056	Power Distribution PCA (A1) assembly (SVC-PCA-POWER DISTRIBUTION)	Power distribution PCA parts list (for Figure 4-118) on page 276
C5956-67058	Web Low sensor (SN21) (SVC-SENSOR OUT-OF-WEB)	Service Station parts list (for Figure 4-122) on page 288
C5956-67066	Formatter fan assembly (SVC ASSY-FAN,FORMATTER W/ CONNECTOR)	Formatter fan and hard drive parts list (for Figure 4-86) on page 202
C5956-67067	Carriage 1 PPS PCA (A25) (EN21) and Carriage 2 PPS PCA (A34) (EN22) (SVC-PPS COMBO BOARD)	Carriage PPS assembly parts list (for Figure 4-37) on page 90
C5956-67070	Right-side Middle Panel LED (LED18) (SVC-LED, AMBER)	Right-side lower panel parts list (for Figure 4-62) on page 147
C5956-67070	Front Door LED (LED7) (SVC-LED, AMBER)	Drum guide assembly parts list (for Figure 4-80) on page 186
C5956-67070	IDO Curler LED (LED2) (SVC-LED, AMBER)	IDO curler assembly parts list (for Figure 4-100) on page 234
C5956-67070	Left-side Middle Panel LED (LED3) (SVC-LED, AMBER)	IDO duplex door assembly parts list (for Figure 4-102) on page 239

Table 4-126 Numerical parts list (continued)

Part number	Description	Table and page
C5956-67071	Drum Illumination 1 LED (LED8)/Drum Illumination 2 LED (LED9) (SVC-LED, WHITE)	Drum LED parts list (for Figure 4-75) on page 176
C5956-67074	Carriage 1 Cooling fan (FAN7) and Carriage 2 Cooling fan (FAN8) (SVC-FAN-PEN COOLING)	Service station pen cooling fans assembly parts list (for Figure 4-123) on page 290
C5956-67076	Drum encoder averager PCA (EN1) (SVC ASSY-PCA, DRUM ENCODER AVERAGER)	Drum encoder parts list (for Figure 4-72) on page 170
C5956-67077	Pen cooling fans structure (SVC ASSY, PEN COOLING FAN SUPPORT)	Service station pen cooling fans assembly parts list (for Figure 4-123) on page 290
C5956-67078	Drive gear and motor gear (SVC KIT-GEAR CLUSTER)	Service Station parts list (for Figure 4-122) on page 288
C5956-67079	Tray 5 input slot cover (SVC-COVER-HICAP, INPUT)	Tray 5 input slot cover parts list (for Figure 4-65) on page 153
C5956-67080	Pen cooling fan duct (SVC-DUCT-INLET, PEN COOLING)	Rear covers parts list (for Figure 4-67) on page 157
C5956-67081	Echain aerosol clip (SVC-ECHAIN-CLIP-AEROSOL)	Carriage 1 e-chain parts list (for Figure 4-35) on page 86
C5956-67081	Echain aerosol clip (SVC-ECHAIN-CLIP-AEROSOL)	Carriage 2 e-chain parts list (for Figure 4-36) on page 88
C5956-67082	Ink catch pan absorber (SVC-ABSORBER-INK CATCH PAN)	Ink catch pan parts list (for Figure 4-111) on page 262
C5956-67083	Power supply (PS1) rail (ASSY-RAIL POWER SUPPLY)	Power supply parts list (for Figure 4-116) on page 272
C5956-67084	Door open limit strap (SVC-STRAP-DOOR OPEN LIMIT)	Tray 1 parts list (for Figure 4-26) on page 66
C5956-67084	Door open limit strap (SVC-STRAP-DOOR OPEN LIMIT)	Trays 2, 3, and 4 main assembly parts list (for Figure 4-124) on page 294
C5956-67084	Door open limit strap (SVC-STRAP-DOOR OPEN LIMIT)	Vertical outer guide parts list (for Figure 4-133) on page 316
C5956-67084	Door open limit strap (SVC-STRAP-DOOR OPEN LIMIT)	Vertical inner guide parts list (for Figure 4-134) on page 318
C5956-67085	Feed spool cover and take-up spool cover (SVC-COVER-SPOOL CARTRIDGE)	Web wipe parts list (for Figure 4-136) on page 323
C5956-67086	Pinch roller spring (SVC-SPRING-EXTENSION-PINCH ROLLER-SMALL)	IDO curler assembly parts list (for Figure 4-100) on page 234
C5956-67086	Spring (SVC-SPRING-EXTENSION-PINCH ROLLER-SMALL)	IDO duplex door assembly parts list (for Figure 4-102) on page 239
C5956-67086	Spring (SVC-SPRING-EXTENSION-PINCH ROLLER-SMALL)	IDO outer guide pinch assembly parts list (for Figure 4-103) on page 241

Table 4-126 Numerical parts list (continued)

Part number	Description	Table and page
C5956-67086	Spring (SVC-SPRING-EXTENSION-PINCH ROLLER-SMALL)	IDO outer lower guide assembly parts list (for Figure 4-104) on page 243
C5956-67086	Pinch roller spring (SVC-SPRING-EXTENSION-PINCH ROLLER-SMALL)	IDO secret door assembly parts list (for Figure 4-105) on page 245
C5956-67086	Pinch roller spring (SVC-SPRING-EXTENSION-PINCH ROLLER-SMALL)	IDO PI assembly parts list (for Figure 4-106) on page 247
C5956-67086	Pinch roller spring (SVC-SPRING-EXTENSION-PINCH ROLLER-SMALL)	Vertical outer guide parts list (for Figure 4-133) on page 316
C5956-67087	Pinch roller datum (SVC-DATUM-PINCH ROLLER-SMALL)	IDO curler assembly parts list (for Figure 4-100) on page 234
C5956-67087	Roller datum (SVC-DATUM-PINCH ROLLER-SMALL)	IDO duplex door assembly parts list (for Figure 4-102) on page 239
C5956-67087	Roller datum (SVC-DATUM-PINCH ROLLER-SMALL)	IDO outer guide pinch assembly parts list (for Figure 4-103) on page 241
C5956-67087	Roller datum (SVC-DATUM-PINCH ROLLER-SMALL)	IDO outer lower guide assembly parts list (for Figure 4-104) on page 243
C5956-67087	Pinch roller datum (SVC-DATUM-PINCH ROLLER-SMALL)	IDO secret door assembly parts list (for Figure 4-105) on page 245
C5956-67087	Pinch roller datum (SVC-DATUM-PINCH ROLLER-SMALL)	IDO PI assembly parts list (for Figure 4-106) on page 247
C5956-67087	Pinch roller datum (SVC-DATUM-PINCH ROLLER-SMALL)	Vertical outer guide parts list (for Figure 4-133) on page 316
C5956-67088	Output Bin Full sensor (SN17) (SVC-OPTO SENSOR, LIGHT MODULATION IO=16M)	Output bin door parts list (for Figure 4-58) on page 139
C5956-67088	Drum 1 sensor (SN33) and Drum 2 sensor (SN34) (SVC-OPTO SENSOR, LIGHT MODULATION IO=16M)	Dryer right assembly parts list (for Figure 4-84) on page 196
C5956-67088	IDO Output 1 sensor (SN15) (SVC-OPTO SENSOR, LIGHT MODULATION IO=16M)	IDO RM core sensors parts list (for Figure 4-98) on page 230
C5956-67088	IDO Output 2 sensor (SN12) (SVC-OPTO SENSOR, LIGHT MODULATION IO=16M)	IDO RM core sensors parts list (for Figure 4-98) on page 230
C5956-67088	IDO Output Media sensor (SN9) (SVC-OPTO SENSOR, LIGHT MODULATION IO=16M)	IDO RM core sensors parts list (for Figure 4-98) on page 230
C5956-67088	IDO Output Media sensor (SN9)/IDO Output 1 sensor (SN15) (SVC-OPTO SENSOR, LIGHT MODULATION IO=16M)	IDO outer guide pinch assembly parts list (for Figure 4-103) on page 241
C5956-67090	Prism (SVC-PRISM; 15-MM BY 10-MM)	IDO duplex door assembly parts list (for Figure 4-102) on page 239

Table 4-126 Numerical parts list (continued)

Part number	Description	Table and page
C5956-67090	Prism (SVC-PRISM; 15-MM BY 10-MM)	IDO outer lower guide assembly parts list (for Figure 4-104) on page 243
C5956-67090	Prism (SVC-PRISM; 15-MM BY 10-MM)	IDO PI assembly parts list (for Figure 4-106) on page 247
C5956-67091	Curler latch (SVC-SPRING-LATCH CURLER)	IDO curler assembly parts list (for Figure 4-100) on page 234
C5956-67092	Handle spring (SVC-SPRING-HANDLE, CURLER)	IDO curler assembly parts list (for Figure 4-100) on page 234
C5956-67093	Curler handle (SVC-HANDLE-CURLER)	IDO curler assembly parts list (for Figure 4-100) on page 234
C5956-67094	Anchor handle (SVC-ANCHOR-HANDLE, CURLER)	IDO curler assembly parts list (for Figure 4-100) on page 234
C5956-67095	Linkbushing (SVC-LINKBUSHING-SHORT-CATSCRATCHER)	IDO media eject assembly parts list (for Figure 4-99) on page 232
C5956-67096	Echain cable clamp lid (SVC-CLAMP-LID, TRAILING CABLES)	Carriage 1 e-chain parts list (for Figure 4-35) on page 86
C5956-67096	Echain cable clamp lid (SVC-CLAMP-LID, TRAILING CABLES)	Carriage 2 e-chain parts list (for Figure 4-36) on page 88
C5956-67097	Carriage 1 encoder cable (W74) (SVC ASSY-ENCODER TRAILING CABLE, C1)	Carriage 1 e-chain parts list (for Figure 4-35) on page 86
C5956-67098	Pen pocket 1 cable (W26) (SVC ASSY-CABLE, C1P1 COMBO)	Carriage 1 e-chain parts list (for Figure 4-35) on page 86
C5956-67099	Pen pocket 2 cable (W27) (SVC ASSY-CABLE, C1P2 COMBO)	Carriage 1 e-chain parts list (for Figure 4-35) on page 86
C5956-67100	Pen pocket 3 cable (W28) (SVC ASSY-CABLE, C1P3 COMBO)	Carriage 1 e-chain parts list (for Figure 4-35) on page 86
C5956-67101	Carriage 2 encoder cable (W75) (SVC ASSY-ENCODER TRAILING CABLE, C2)	Carriage 2 e-chain parts list (for Figure 4-36) on page 88
C5956-67102	Pen pocket 4 cable (W29) (SVC ASSY-CABLE, C2P1 COMBO)	Carriage 2 e-chain parts list (for Figure 4-36) on page 88
C5956-67103	Pen pocket 5 cable (W30) (SVC ASSY-CABLE, C2P2 COMBO)	Carriage 2 e-chain parts list (for Figure 4-36) on page 88
C5956-67104	Pen pocket 6 cable (W31) (SVC ASSY-CABLE, C2P3 COMBO)	Carriage 2 e-chain parts list (for Figure 4-36) on page 88
C5956-67105	512 MB DRAM 2 (SVC-IC-DDR-SDRAM 512MX64 184PIN DIMM ROHS)	Image Processing PCA (A6) parts list (for Figure 4-119) on page 278
C5956-67106	256 MB DRAM 1 (SVC-IC-DDR-SDRAM 256MX64 184PIN DIMM ROHS)	Image Processing PCA (A6) parts list (for Figure 4-119) on page 278
C5956-67107	ISS PCA (SVC-PCA-INK SUPPLY STATION (ISS) PCA)	IDS main assembly parts list (for Figure 4-108) on page 254

Table 4-126 Numerical parts list (continued)

Part number	Description	Table and page
C5956-67108	Vertical door latch torsion spring (SVC-SPRING-TORSION VERTICAL LATCH)	Vertical outer guide parts list (for Figure 4-133) on page 316
C5956-67109	Latch (SVC-LATCH-VERTICAL DOOR)	Vertical outer guide parts list (for Figure 4-133) on page 316
C5956-67113	Spring (SVC-SPRING-TENSIONER)	Vertical transmission parts list (for Figure 4-135) on page 320
C5956-67114	Pitch bypass wheel (SVC-WHEEL-PITCH BYPASS)	Vertical transmission parts list (for Figure 4-135) on page 320
C5956-67116	Spring (SVC-SPRING-TAKEUP, CABLE, HORIZ TRANSPRT)	Horizontal upper assembly parts list (for Figure 4-90) on page 212
C5956-67118	Trim (SVC-TRIM-HORIZONTAL TRANSPORT FRAME)	Horizontal upper assembly parts list (for Figure 4-90) on page 212
C5956-67119	Cable (SVC-CABLE, HORIZ TRANSPORT LATCH)	Horizontal upper assembly parts list (for Figure 4-90) on page 212
C5956-67120	Handle (SVC ASSY-HANDLE HORIZONTAL TRANSPORT)	Horizontal upper assembly parts list (for Figure 4-90) on page 212
C5956-67122	Pinch roller springs (SVC-SPRING-EXTEN-PINCH ROLLER-TRANSLATNG)	Horizontal lower assembly parts list (for Figure 4-91) on page 214
C5956-67123	Cover (SVC-COVER-CANTED ROLLER, HORIZ TRANSPORT)	Horizontal lower assembly parts list (for Figure 4-91) on page 214
C5956-67124	Encoder datum- (SVC-DATUM-BLOCK THICKNESS SENSOR)	IDO PI assembly parts list (for Figure 4-106) on page 247
C5956-67125	Encoder roller (SVC-HOLDER, ROLLER THICKNESS) (includes encoder strip)	IDO PI assembly parts list (for Figure 4-106) on page 247
C5956-67126	Poppet arm bracket (SVC-BRACKET-POPPET ARM)	Poppet B assembly parts list (for Figure 4-79) on page 184
C5956-67127	Barb (SVC-BARB M10)	Drum vacuum assembly parts list (for Figure 4-74) on page 174
C5956-67128	Tube (SVC-TUBE-POPPET SHORT)	Poppet A1 assembly parts list (for Figure 4-77) on page 180
C5956-67128	Tube (SVC-TUBE-POPPET SHORT)	Poppet A2 assembly parts list (for Figure 4-78) on page 182
C5956-67129	Tube (SVC-TUBE-POPPET LONG)	Poppet B assembly parts list (for Figure 4-79) on page 184
C5956-67130	Wedge/holder (SVC ASSY-WEDGE AND HOLDER)	Poppet A1 assembly parts list (for Figure 4-77) on page 180
C5956-67130	Wedge/holder (SVC ASSY-WEDGE AND HOLDER)	Poppet A2 assembly parts list (for Figure 4-78) on page 182

Table 4-126 Numerical parts list (continued)

Part number	Description	Table and page
C5956-67131	Spring (SVC-SPRING-DRUM DRIVE TENSION)	Drum drive parts list (for Figure 4-73) on page 172
C5956-67132	Belt (SVC-BELT-DRUM DRIVE, 5-MULTI-VX20", POLY)	Drum drive parts list (for Figure 4-73) on page 172
C5956-67134	Control panel assembly (SVC ASSY-10.4 IN LCD CONTROL PANEL)	Control panel parts list (for Figure 4-39) on page 96
C5956-67138	Scanner retaining pins (SVC KIT-PIN SCANNER RETAINING)	Scanner top parts list (for Figure 4-21) on page 54
C5956-67139	Scanner drive belt (SVC-BELT, SCANNER)	Scanner drive and electronics parts list (for Figure 4-23) on page 58
C5956-67140	Gear Z18/39 (SVC-GEAR Z18/39)	Scanner drive and electronics parts list (for Figure 4-23) on page 58
C5956-67141	Gear Z36 (SVC-GEAR Z36)	Scanner drive and electronics parts list (for Figure 4-23) on page 58
C5956-67142	Scanner Length sensor (SN502) (SVC-SENSOR, ORIGINAL)	Scanner top parts list (for Figure 4-21) on page 54
C5956-67143	ADF Open Safety switch (SW401) and Scanner Home Position sensor (SN503) (SVC-SENSOR, 248NL1)	Scanner drive and electronics parts list (for Figure 4-23) on page 58
C5956-67144	Scanner mirror A (SVC KIT-MIRROR A)	Scanner top parts list (for Figure 4-21) on page 54
C5956-67145	Scanner motor (M501) (SVC-MOTOR, SCANNER)	Scanner drive and electronics parts list (for Figure 4-23) on page 58
C5956-67146	Scanner mirror B (SVC KIT-MIRROR B)	Scanner top parts list (for Figure 4-21) on page 54
C5956-67147	AFE PCA (A502) (SVC-AFE PCB ASS'Y)	Scanner top parts list (for Figure 4-21) on page 54
C5956-67148	Scanner Control PCA (A501) (SVC-SCANNER PCB SOFTWARE ASS'Y)	Scanner drive and electronics parts list (for Figure 4-23) on page 58
C5956-67149	Scanner exposure lamp (SVC-LAMP, SCANNER)	Scanner top parts list (for Figure 4-21) on page 54
C5956-67150	Dust shield C (SVC-FILM DUST SHIELD C)	Scanner top parts list (for Figure 4-21) on page 54
C5956-67151	Scanner Inverter PCA (A504) (SVC-INVERTER PCB)	Scanner drive and electronics parts list (for Figure 4-23) on page 58
C5956-67154	Scanner CCD PCA (A503) (SVC-SCAN CCD ASSY)	Scanner top parts list (for Figure 4-21) on page 54
C5956-67155	Scanner platen glass assembly (SVC-SCANNER FLAT BED GLASS ASSY)	Scanner top parts list (for Figure 4-21) on page 54

Table 4-126 Numerical parts list (continued)

Part number	Description	Table and page
C5956-67156	ADF contact glass assembly (SVC-PARTS,CONTACT GLASS ADF ASS'Y)	Scanner top parts list (for Figure 4-21) on page 54
C5956-67157	ADF open guide assembly (SVC KIT-SCANNER GUIDE ASSY)	Scanner drive and electronics parts list (for Figure 4-23) on page 58
C5956-67158	Scanner front wire (SVC KIT-SCAN FRONT WIRE)	Scanner front and rear wires parts list (for Figure 4-22) on page 56
C5956-67159	Scanner rear wire (SVC KIT-SCAN REAR WIRE ASSY)	Scanner front and rear wires parts list (for Figure 4-22) on page 56
C5956-67160	Scanner Cooling fan (FAN501) and Scanner Inverter PCA Cooling fan (FAN502) (SVC-FAN DP)	Scanner drive and electronics parts list (for Figure 4-23) on page 58
C5956-67162	Carriage Open sensor (SN19) (SVC-PHOTOINTERRUPTER IF-MAX=50MA ROHS)	Carriage Open sensor (SN19) and base parts list (for Figure 4-38) on page 92
C5956-67162	Lower-left Door sensor (SN18) (SVC-PHOTOINTERRUPTER IF-MAX=50MA ROHS)	Front door lock parts list (for Figure 4-41) on page 105
C5956-67162	Upper-left Door Open sensor (SN37) (SVC-PHOTOINTERRUPTER WITH CONNECTOR)	Front Door Open switch (SW3) parts list (for Figure 4-42) on page 107
C5956-67163	Electronics bay cover (SVC-COVER-ELECTRONICS BACK)	Rear covers parts list (for Figure 4-67) on page 157
C5956-67164	Carriage motor spring anchor (SVC-SPRING-ANCHOR)	Carriage structure parts list (for Figure 4-27) on page 70
C5956-67165	Carriage extraction spring rocker (SVC-SPRING ROCKER)	Carriage extraction mechanism parts list (for Figure 4-28) on page 72
C5956-67166	Web wipe cover plate (SVC-COVER WEB)	Web wipe parts list (for Figure 4-136) on page 323
C5956-67167	Carriage 1 echain sidecar (SVC-ECHAIN-SIDECAR-LEFT)	Carriage 1 e-chain parts list (for Figure 4-35) on page 86
C5956-67168	Carriage 2 echain sidecar (SVC-ECHAIN-SIDECAR-RIGHT)	Carriage 2 e-chain parts list (for Figure 4-36) on page 88
C5956-67169	Carriage right extraction wheel catch (SVC-WHEEL CATCH RIGHT)	Carriage extraction mechanism parts list (for Figure 4-28) on page 72
C5956-67170	Carriage left extraction wheel catch (SVC-WHEEL CATCH LEFT)	Carriage extraction mechanism parts list (for Figure 4-28) on page 72
C5956-67171	Lower bracket (SVC-BRACKET-RIDS LOWER)	IDS main assembly parts list (for Figure 4-108) on page 254
C5956-67172	Draglink follower arm (SVC-DRAGLINK-FOLLOWER-ARM-CATSCRATCHER)	IDO media eject assembly parts list (for Figure 4-99) on page 232

Table 4-126 Numerical parts list (continued)

Part number	Description	Table and page
C5956-67173	Draglink pivotlink (SVC-DRAGLINK-PIVOTLINK-CATSCRATCHER)	IDO media eject assembly parts list (for Figure 4-99) on page 232
C5956-67174	Pivotlink (SVC-PIVOTLINK-CATSCRATCHER)	IDO media eject assembly parts list (for Figure 4-99) on page 232
C5956-67175	Web wipe access panel (SVC-PANEL-WEB WIPE ACCESS)	Web wipe access cover parts list (for Figure 4-59) on page 141
C5956-67176	Carriage right service latch (SVC-LATCH-SERVICE RIGHT)	Carriage extraction mechanism parts list (for Figure 4-28) on page 72
C5956-67177	Carriage left service latch (SVC-LATCH-SERVICE LEFT)	Carriage extraction mechanism parts list (for Figure 4-28) on page 72
C5956-67178	Carriage Open sensor base (SVC-SENSOR BASE)	Carriage Open sensor (SN19) and base parts list (for Figure 4-38) on page 92
C5956-67179	Door catch (SVC-CATCH-DOOR LOCK)	Front door parts list (for Figure 4-40) on page 103
C5956-67180	Ball slide attach (SVC-BALL SLIDE-ATTACH)	Carriage structure parts list (for Figure 4-27) on page 70
C5956-67181	Door sensor bracket (SVC-BRACKET-L DOOR SENSOR)	Front Door Open switch (SW3) parts list (for Figure 4-42) on page 107
C5956-67182	Ink catch pan (SVC-PAN-INK CATCH)	Ink catch pan parts list (for Figure 4-111) on page 262
C5956-67184	LED bracket (SVC-BRACKET-LED, DRUM BAR)	Drum LED parts list (for Figure 4-75) on page 176
C5956-67185	IDO RM front top cover (SVC-COVER-IDO RM FRONT UPPER)	IDO RM front parts list (for Figure 4-92) on page 218
C5956-67186	Carriage right X-brace (SVC-X-BRACE, RIGHT)	Carriage structure parts list (for Figure 4-27) on page 70
C5956-67187	Carriage left X-brace (SVC-X-BRACE, LEFT)	Carriage structure parts list (for Figure 4-27) on page 70
C5956-67188	Carriage structure flag (SVC-CARRIAGE STRUCTURE FLAG)	Carriage structure parts list (for Figure 4-27) on page 70
C5956-67189	Drum encoder shield (SVC-SHIELD-ENCODER)	Drum encoder parts list (for Figure 4-72) on page 170
C5956-67190	IDO RM front datum cover (SVC-COVER-DATUM RM FRONT)	IDO RM front parts list (for Figure 4-92) on page 218
C5956-67191	ESD shield (SVC-SHIELD-ESD DUPLEX SENSOR) Not shown on graphic.	IDO duplex door assembly parts list (for Figure 4-102) on page 239

Table 4-126 Numerical parts list (continued)

Part number	Description	Table and page
C5956-67193	Drive belt spring (SVC-SPRING-DRIVE BELT)	Carriage drive assembly parts list (for Figure 4-32) on page 80
C5956-67194	Tension spring (SVC-SPRING-TENSION 3.2MMX15.9MM)	IDO outer lower guide assembly parts list (for Figure 4-104) on page 243
C5956-67195	Echain monkeybar (SVC-MONKEYBAR-ECHAIN)	Carriage 1 e-chain parts list (for Figure 4-35) on page 86
C5956-67195	Echain monkeybar (SVC-MONKEYBAR-ECHAIN)	Carriage 2 e-chain parts list (for Figure 4-36) on page 88
C5956-67197	Motor tensioner spring (SVC-SPRING-CURLER MOTOR TENSIONER)	IDO curler assembly parts list (for Figure 4-100) on page 234
C5956-67198	Spring (SVC-SPRING-LATCH, EXTNSN-HORIZ TRANSPORT)	Horizontal upper assembly parts list (for Figure 4-90) on page 212
C5956-67199	Carriage extraction latch spring (SVC-EXTRACTION LATCH SPRING)	Carriage extraction mechanism parts list (for Figure 4-28) on page 72
C5956-67200	Stiffener spring (SVC-SPRING-STIFFENER BIAS)	Carriage structure parts list (for Figure 4-27) on page 70
C5956-67201	Drum tube fitting (SVC-FITTING-TUBE, PANEL MOUNT)	Drum tube fitting parts list (for Figure 4-76) on page 178
C5956-67201	Fitting-tube, panel mount	Vacuum supply assembly parts list (for Figure 4-132) on page 312
C5956-67202	Web wipe cartridge (SVC-CASE CARTRIDGE)	Web wipe parts list (for Figure 4-136) on page 323
C5956-67203	Carriage 1 aerosol snorkel (SVC-AEROSOL-SNORKEL-LEFT)	Carriage 1 e-chain parts list (for Figure 4-35) on page 86
C5956-67204	Carriage 2 aerosol snorkel (SVC-AEROSOL-SNORKEL-RIGHT)	Carriage 2 e-chain parts list (for Figure 4-36) on page 88
C5956-67205	Vacuum housing tube (SVC-TUBE-RUBBER-VACUUM SENSE SHORT)	Vacuum supply assembly parts list (for Figure 4-132) on page 312
C5956-67206	Right dryer skid (SVC-SKID-DRYER-RIGHT)	Dryer right assembly parts list (for Figure 4-84) on page 196
C5956-67207	Left dryer skid (SVC-SKID-DRYER-LEFT)	Dryer left assembly parts list (for Figure 4-83) on page 194
C5956-67208	Yoke diverter (SVC-YOKE-DIVERTER)	IDO media eject assembly parts list (for Figure 4-99) on page 232
C5956-67210	H-bar bushing (SVC-BUSHING-HBAR, IDO)	IDO H-bar assembly parts list (for Figure 4-107) on page 249
C5956-67211	Prism (SVC-MOUNT-PRISM ONRAMP)	IDO curler assembly parts list (for Figure 4-100) on page 234

Table 4-126 Numerical parts list (continued)

Part number	Description	Table and page
C5956-67212	Sensor actuator (SVC-ACTUATOR-DOOR SENSOR)	Front door parts list (for Figure 4-40) on page 103
C5956-67212	Left front door sensor actuator (SVC-ACTUATOR-DOOR SENSOR)	Left front door parts list (for Figure 4-44) on page 111
C5956-67212	Door sensor actuator (SVC-ACTUATOR-DOOR SENSOR)	IDS door cover parts list (for Figure 4-45) on page 113
C5956-67213	Funnel (SVC-FUNNEL-HORIZONTAL TRANSPORT)	Horizontal lower assembly parts list (for Figure 4-91) on page 214
C5956-67214	Scanner left trim (SVC-TRIM SCANNER LEFT)	Scanner left trim parts list (for Figure 4-49) on page 121
C5956-67216	Captive clicker bushing (SVC-BUSHING-CAPTIVE CLICKER)	Output bin door parts list (for Figure 4-58) on page 139
C5956-67217	PSU exit duct (SVC-DUCT-PSU EXIT)	PSU recirculation duct parts list (for Figure 4-120) on page 280
C5956-67218	Nozzle plate (SVC-PLATE-DRYER NOZZLE)	Dryer left assembly parts list (for Figure 4-83) on page 194
C5956-67218	Nozzle plate (SVC-PLATE-DRYER NOZZLE)	Dryer right assembly parts list (for Figure 4-84) on page 196
C5956-67219	Carriage magnet (SVC-MAGNET-0.50 INCH DIA, 0.25 INCH HIGH)	Carriage 1 assembly parts list (for Figure 4-33) on page 82
C5956-67219	Carriage magnet (SVC-MAGNET-0.50 INCH DIA, 0.25 INCH HIGH)	Carriage 2 assembly parts list (for Figure 4-34) on page 84
C5956-67220	Long vacuum sense tube (SVC-TUBE-RUBBER VACUUM SENSE LONG)	Ink Assist PCA (A3) assembly parts list (for Figure 4-121) on page 282
C5956-67221	Belt (SVC-BELT-GT2-162T, 2MM PITCH X 4MM)	Horizontal transmission parts list (for Figure 4-89) on page 210
C5956-67221	BELT, 162T (SVC-BELT-GT2-162T, 2MM PITCH X 4MM)	IDO drive belts parts list (for Figure 4-95) on page 224
C5956-67222	Media eject assembly cover (SVC-COVER-CATSCRATCH FEVER)	IDO RM front parts list (for Figure 4-92) on page 218
C5956-67223	IDO RM rear transmission cover (SVC-COVER-TRANSMISSION REAR)	IDO RM rear parts list (for Figure 4-97) on page 228
C5956-67224	Curler front cover (SVC-COVER-CURLER TRANSMISSION FRONT)	IDO curler assembly parts list (for Figure 4-100) on page 234
C5956-67225	Curler rear cover (SVC-COVER-CURLER TRANSMISSION REAR)	IDO curler assembly parts list (for Figure 4-100) on page 234
C5956-67226	Belt (SVC-BELT-CURLER MOTOR, 77T, GT2 2X6)	IDO curler assembly parts list (for Figure 4-100) on page 234
C5956-67227	Belt (SVC-BELT-DRIVE, 73T, GT2, 2X4)	Horizontal transmission parts list (for Figure 4-89) on page 210

Table 4-126 Numerical parts list (continued)

Part number	Description	Table and page
C5956-67228	Service station latch ewe bracket (SVC-EWEBRACKET-SVS LATCH)	Service Station parts list (for Figure 4-122) on page 288
C5956-67229	PPS cover (SVC-COVER-ONBOARD PPS)	Carriage 1 assembly parts list (for Figure 4-33) on page 82
C5956-67229	PPS cover (SVC-COVER-ONBOARD PPS)	Carriage 2 assembly parts list (for Figure 4-34) on page 84
C5956-67230	Belt (SVC-BELT-DRIVE, 71T, GT2, 2X6)	IDO curler assembly parts list (for Figure 4-100) on page 234
C5956-67231	YOKE-BUSHINGLESS	Drum guide assembly parts list (for Figure 4-80) on page 186
C5956-67231	Diverter bushingless yoke (SVC-YOKE-BUSHINGLESS)	IDO diverter parts list (for Figure 4-96) on page 226
C5956-67232	Decurler camshaft yoke (SVC-YOKE-CAMSHAFT, DECURLER)	IDO decurler internals assembly parts list (for Figure 4-101) on page 237
C5956-67233	Drum guide rear bracket (SVC-BRACKET-DRUM GUIDE REAR)	Drum guide assembly parts list (for Figure 4-80) on page 186
C5956-67234	Safety clip (SVC-CLIP-DRYER SAFETY)	Dryer left assembly parts list (for Figure 4-83) on page 194
C5956-67234	Safety clip (SVC-CLIP-DRYER SAFETY)	Dryer right assembly parts list (for Figure 4-84) on page 196
C5956-67235	Scanner lock cover (SVC-COVER-SCANNER LOCK)	Scanner lock cover parts list (for Figure 4-53) on page 129
C5956-67236	Scanner service cover (SVC-COVER-SCANNER SERVICE)	Scanner service cover parts list (for Figure 4-52) on page 127
C5956-67237	Dryer handle (SVC-HANDLE-DRYER)	Dryer assembly parts list (for Figure 4-82) on page 192
C5956-67238	Decurler cam (SVC-CAM-FRONT-SPOKKA-DECURLER)	IDO decurler internals assembly parts list (for Figure 4-101) on page 237
C5956-67239	Curler ramp (SVC-RAMP-CURLER)	IDO curler assembly parts list (for Figure 4-100) on page 234
C5956-67240	Media eject wire guide (SVC-WIRE GUIDE, CATSCRATCHER, RM FRONT)	IDO RM front parts list (for Figure 4-92) on page 218
C5956-67241	Rear gasket (SVC-GASKET-VACUUM DUCT-MOLDED)	Vacuum supply assembly parts list (for Figure 4-132) on page 312
C5956-67243	Gear (SVC-GEAR-IDLER, 15T, 24DP)	IDO curler assembly parts list (for Figure 4-100) on page 234
C5956-67245	Motion PCA (A2) assembly (SVC ASSY-MOTION PCA)	Motion PCA (A2) assembly parts list (for Figure 4-115) on page 270

Table 4-126 Numerical parts list (continued)

Part number	Description	Table and page
C5956-67246	Image Processing PCA (A6) assembly (SVC ASSY-GAUNTLET PCA)	Image Processing PCA (A6) parts list (for Figure 4-119) on page 278
C5956-67248	Drum drive assembly (M3) (SVC ASSY-DRUM DRIVE) NOTE: C5956-67248 has been replaced by CB205-67001.	Drum drive parts list (for Figure 4-73) on page 172
C5956-67249	Scanner assembly (SVC ASSY-SCANNER)	Scanner top parts list (for Figure 4-21) on page 54
C5956-67250	Rear muffler (SVC ASSY-MUFFLER,ACOUSTIC)	Rear covers parts list (for Figure 4-67) on page 157
C5956-67251	Cable (ASSY-CABLE, DROP DETECT HARNESS)	Drop detect assembly parts list (for Figure 4-81) on page 188
C5956-67252	Drum encoder disk (SVC ASSY-DRUM ENCODER DISK)	Drum encoder parts list (for Figure 4-72) on page 170
C5956-67255	Horizontal Transport 4 sensor (SN5) (SVC-SENSOR, MEDIA PRESENCE)	Horizontal upper assembly parts list (for Figure 4-90) on page 212
C5956-67255	Horizontal Open sensor (SN4) (SVC-SENSOR, MEDIA PRESENCE)	Horizontal upper assembly parts list (for Figure 4-90) on page 212
C5956-67255	Horizontal Transport 3 sensor (SN2) (SVC-SENSOR, MEDIA PRESENCE)	Horizontal upper assembly parts list (for Figure 4-90) on page 212
C5956-67255	Horizontal Transport 2 sensor (SN3) (SVC-SENSOR, MEDIA PRESENCE)	Horizontal upper assembly parts list (for Figure 4-90) on page 212
C5956-67255	IDO Duplex Media sensor (SN16) (SVC-SENSOR, MEDIA PRESENCE) (Note: Sensor only. Reuse mounting bracket)	IDO RM core sensors parts list (for Figure 4-98) on page 230
C5956-67255	IDO Duplex Media sensor (SN16) (SVC-SENSOR, MEDIA PRESENCE) (Note: Sensor only. Reuse mounting bracket)	IDO duplex door assembly parts list (for Figure 4-102) on page 239
C5956-67255	Vertical Transport 3 sensor (SN25) (SVC-SENSOR, MEDIA PRESENCE)	Vertical inner guide parts list (for Figure 4-134) on page 318
C5956-67255	Vertical transport 4 sensor (SN26) (SVC-SENSOR, MEDIA PRESENCE)	Vertical inner guide parts list (for Figure 4-134) on page 318
C5956-67255	Vertical Transport 2 sensor (SN28) (SVC-SENSOR, MEDIA PRESENCE)	Vertical inner guide parts list (for Figure 4-134) on page 318
C5956-67255	Vertical Transport 1 sensor (SN35) (SVC-SENSOR, MEDIA PRESENCE)	Vertical inner guide parts list (for Figure 4-134) on page 318
C5956-67255	Tray 1 Door Open sensor (SN30) (SVC-SENSOR, MEDIA PRESENCE)	Vertical inner guide parts list (for Figure 4-134) on page 318
C5956-67255	Right-side Middle Panel sensor (SN23) (SVC-SENSOR, MEDIA PRESENCE)	Vertical inner guide parts list (for Figure 4-134) on page 318
C5956-67256	Left-side Middle Panel sensor (SN13) (SVC-PHOTOINTERRUPTER IF=50MA-MAX ROHS)	IDO RM core sensors parts list (for Figure 4-98) on page 230

Table 4-126 Numerical parts list (continued)

Part number	Description	Table and page
C5956-67257	Pinch roller (SVC-ROLLER PINCH)	IDO curler assembly parts list (for Figure 4-100) on page 234
C5956-67257	Pinch roller (SVC-ROLLER-PINCH)	IDO PI assembly parts list (for Figure 4-106) on page 247
C5956-67257	Pinch roller (SVC-ROLLER-PINCH)	Vertical outer guide parts list (for Figure 4-133) on page 316
C5956-67258	Pinch roller holder (SVC-HOLDER-PINCH ROLLER-SMALL)	IDO curler assembly parts list (for Figure 4-100) on page 234
C5956-67258	Roller holder (SVC-HOLDER-PINCH ROLLER-SMALL)	IDO duplex door assembly parts list (for Figure 4-102) on page 239
C5956-67258	Roller holder (SVC-HOLDER-PINCH ROLLER-SMALL)	IDO outer guide pinch assembly parts list (for Figure 4-103) on page 241
C5956-67258	Roller holder (SVC-HOLDER-PINCH ROLLER-SMALL)	IDO outer lower guide assembly parts list (for Figure 4-104) on page 243
C5956-67258	Pinch roller holder (SVC-HOLDER-PINCH ROLLER-SMALL)	IDO secret door assembly parts list (for Figure 4-105) on page 245
C5956-67258	Pinch roller holder (SVC-HOLDER-PINCH ROLLER-SMALL)	IDO PI assembly parts list (for Figure 4-106) on page 247
C5956-67258	Pinch roller holder (SVC-HOLDER-PINCH ROLLER-SMALL)	Vertical outer guide parts list (for Figure 4-133) on page 316
C5956-67259	Web Advance encoder (EN11) (SVC ASSY-ENCODER WEB)	Service Station parts list (for Figure 4-122) on page 288
C5956-67260	Web wipe encoder tab assembly (SVC ASSY-ENCODER WEB ROLLER)	Web wipe parts list (for Figure 4-136) on page 323
C5956-67263	Tetris sensor (SN58) (SVC ASSY-TETRIS)	Carriage 1 assembly parts list (for Figure 4-33) on page 82
C5956-67265	Output pinch guide (SVC ASSY-GUIDE OUTPUT PINCH ROLLER)	IDO outer guide pinch assembly parts list (for Figure 4-103) on page 241
C5956-67266	Aerosol filter (SVC ASSY-AEROSOL FILTER)	Aerosol assembly parts list (for Figure 4-25) on page 63
C5956-67267	IDO Diverter solenoid (SOL2) (SVC ASSY-SOLENOID-DIVERTER)	IDO RM front parts list (for Figure 4-92) on page 218
C5956-67268	MFP caster (SVC-CASTERS)	MFP casters parts list (for Figure 4-68) on page 159
C5956-67271	Main Engine PCA end cover (SVC ASSY-END COVER-LOWER)	Main Engine PCA (A5) assembly parts list (for Figure 4-114) on page 268
C5956-67272	Vacuum supply housing (SVC ASSY-VACUUM SUPPLY HOUSING)	Vacuum supply assembly parts list (for Figure 4-132) on page 312

Table 4-126 Numerical parts list (continued)

Part number	Description	Table and page
C5956-67273	PSU recirculation duct (SVC ASSY-DUCT-RECIRCULATION, PSU, EXIT)	PSU recirculation duct parts list (for Figure 4-120) on page 280
C5956-67274	Vacuum assembly cover (SVC ASSY-COVER, BLOWER)	Vacuum supply assembly parts list (for Figure 4-132) on page 312
C5956-67276	Web wipe bias spring assembly (SVC KIT-WEB BIAS SPRING)	Web wipe parts list (for Figure 4-136) on page 323
C5956-67277	Lower horizontal (SVC ASSY-GUIDE LOWER HORIZ TRANSPORT)	Horizontal lower assembly parts list (for Figure 4-91) on page 214
C5956-67278	Electronics Bay Cooling fan (FAN4) (SVC ASSY-CENTRAL FAN)	Electronics Bay Cooling fan (FAN4) assembly parts list (for Figure 4-112) on page 264
C5956-67279	IDO handle 2 (SVC ASSY-SECRET DOOR)	IDO secret door assembly parts list (for Figure 4-105) on page 245
C5956-67282	Poppet A1 assembly (SVC ASSY-POPPET-A1)	Poppet A1 assembly parts list (for Figure 4-77) on page 180
C5956-67283	Poppet A2 assembly (SVC ASSY-POPPET-A2)	Poppet A2 assembly parts list (for Figure 4-78) on page 182
C5956-67284	Poppet B assembly (SVC ASSY-POPPET-B)	Poppet B assembly parts list (for Figure 4-79) on page 184
C5956-67285	Horizontal 1-2 drive roller assembly (SVC ASSY-DRV RLLR PULLEY 2-1 HORIZ TRNSP)	IDO paper path rollers parts list (for Figure 4-94) on page 222
C5956-67286	Horizontal 2-3 drive roller assembly (SVC ASSY-DRV RLLR PULLEY 2-3 HORIZ TRNSP)	IDO paper path rollers parts list (for Figure 4-94) on page 222
C5956-67287	IDO double pulley drive roller assembly (SVC ASSY-DRIVE ROLLER PULLEY IDO DBL)	IDO paper path rollers parts list (for Figure 4-94) on page 222
C5956-67287	Drive roller (SVC ASSY-DRIVE ROLLER PULLEY IDO DBL)	Vertical inner guide parts list (for Figure 4-134) on page 318
C5956-67288	IDO cluster drive roller assembly (SVC ASSY-DRIVE ROLLER PULLEY IDO CLUSTER)	IDO paper path rollers parts list (for Figure 4-94) on page 222
C5956-67289	Curler power shaft (SVC ASSY-SHAFT POWER CURLER)	IDO curler assembly parts list (for Figure 4-100) on page 234
C5956-67290	Drive roller (SVC KIT PM-DRIVEROLLER, HORIZ TRANSPORT)	Horizontal upper assembly parts list (for Figure 4-90) on page 212
C5956-67292	Medium roller (SVC ASSY-DRIVE ROLLER GEAR CURLER MEDIUM)	IDO curler assembly parts list (for Figure 4-100) on page 234
C5956-67293	Large roller (SVC ASSY-DRIVE ROLLER, CURLER LARGE)	IDO curler assembly parts list (for Figure 4-100) on page 234

Table 4-126 Numerical parts list (continued)

Part number	Description	Table and page
C5956-67294	Driver roller shaft (SVC ASSY-DRIVE ROLLER GEAR ONRAMP)	IDO curler assembly parts list (for Figure 4-100) on page 234
C5956-67295	Bypass drive swingarm (SVC-SWINGARM-BYPASS DRIVE)	Vertical transmission parts list (for Figure 4-135) on page 320
C5956-67296	Poppet attachment arm (SVC ASSY-POPPET ATTACHMENT ARM)	Poppet B assembly parts list (for Figure 4-79) on page 184
C5956-67297	Tensioner (SVC ASSY-MEDIAPATH TENSIONER)	Vertical transmission parts list (for Figure 4-135) on page 320
C5956-67298	Image Processing PCA Cooling fan (FAN9) (SVC-FAN-40MM-GAUNTLET)	Image Processing PCA (A6) parts list (for Figure 4-119) on page 278
C5956-67299	Web Drive motor (M5) (SVC-MOTOR, SVS)	Service Station parts list (for Figure 4-122) on page 288
C5956-67300	IDO H-bar latch assembly (SVC ASSY-LATCH HBAR)	IDO H-bar assembly parts list (for Figure 4-107) on page 249
C5956-67301	Output bin door link (SVC ASSY-LINK OUTPUT DOOR BIAS)	Output bin door parts list (for Figure 4-58) on page 139
C5956-67302	Main Engine PCA Cooling fan (FAN2) assembly (SVC-FAN-60MM-LOW FLOW 2410RL-04W-B29)	Main Engine PCA (A5) assembly parts list (for Figure 4-114) on page 268
C5956-67302	CPSU Cooling fan (FAN3) (SVC FAN-60MM-LOW FLOW 2410RL-04W-B29)	CPSU Cooling fan (FAN3) parts list (for Figure 4-117) on page 274
C5956-67303	Decurler rail (SVC-RAIL-CURLER OVERMOLDED)	IDO curler assembly parts list (for Figure 4-100) on page 234
C5956-67303	Curler rail overmold (SVC-RAIL-CURLER OVERMOLDED)	IDO decurler internals assembly parts list (for Figure 4-101) on page 237
C5956-67304	Front Door Lock solenoid (SOL4) (SVC ASSY-DOOR LOCK SOLENOID)	Front door lock parts list (for Figure 4-41) on page 105
C5956-67305	Right-side lower panel (SVC ASSY-DOOR PP LOWER)	Right-side lower panel parts list (for Figure 4-62) on page 147
C5956-67306	Upper right cover (SVC ASSY-COVER RIGHT UPPER)	Upper right cover parts list (for Figure 4-63) on page 149
C5956-67307	Left front door assembly (SVC ASSY-ENGINE DOOR LEFT)	Left front door parts list (for Figure 4-44) on page 111
C5956-67308	Lower inner cover (SVC ASSY-TRIM FRONT LOWER)	Lower inner cover parts list (for Figure 4-48) on page 119
C5956-67309	Scanner rear cover (SVC ASSY-SCANNER REAR COVERS)	Scanner rear trim parts list (for Figure 4-51) on page 125
C5956-67310	Left-side upper cover (SVC ASSY-COVER WEB WIPE)	Web wipe access cover parts list (for Figure 4-59) on page 141

Table 4-126 Numerical parts list (continued)

Part number	Description	Table and page
C5956-67311	Lower right cover (SVC ASSY-COVER RIGHT LOWER)	Lower right cover parts list (for Figure 4-64) on page 151
C5956-67312	Lower left cover (SVC ASSY-COVER LEFT LOWER)	Lower left cover parts list (for Figure 4-57) on page 137
C5956-67313	Upper inner cover (SVC ASSY-INTEGRATION STRUCTURE)	Upper inner cover parts list (for Figure 4-47) on page 117
C5956-67314	Lower left trim (SVC ASSY-TRIM LEFT LOWER)	Lower left trim parts list (for Figure 4-60) on page 143
C5956-67315	Lower right cover (SVC ASSY-TRIM RIGHT LOWER)	Lower right trim parts list (for Figure 4-66) on page 155
C5956-67316	Left-side lower panel (SVC ASSY-COVER H FRAME)	Left-side lower panel parts list (for Figure 4-56) on page 135
C5956-67317	IDO cover (SVC ASSY-IDO COVER)	IDO cover parts list (for Figure 4-54) on page 131
C5956-67319	FEP pinch roller (SVC-PINCH ROLLER FEP) Bulk pack of 40, part number C5957-67183.	IDO duplex door assembly parts list (for Figure 4-102) on page 239
C5956-67319	Pinch roller (SVC-PINCH ROLLER FEP)	IDO outer guide pinch assembly parts list (for Figure 4-103) on page 241
C5956-67319	Pinch roller (SVC-PINCH ROLLER FEP)	IDO outer lower guide assembly parts list (for Figure 4-104) on page 243
C5956-67319	Pinch roller FEP (SVC-PINCH ROLLER FEP)	IDO secret door assembly parts list (for Figure 4-105) on page 245
C5956-67320	Datum front (SVC ASSY-DATUM FRONT RM)	IDO RM front parts list (for Figure 4-92) on page 218
C5956-67321	IDO RM rear datum cover (SVC ASSY-DATUM REAR RM)]	IDO RM rear parts list (for Figure 4-97) on page 228
C5956-67322	Vacuum motor cover (SVC ASSY-MUFFLER, VACUUM BLOWER)	Vacuum supply assembly parts list (for Figure 4-132) on page 312
C5956-67323	Driver roller (SVC ASSY-DRIVE ROLLER CLUSTER BYPASS)	Vertical inner guide parts list (for Figure 4-134) on page 318
C5956-67324	Double roller catch with spear (SVC ASSY-CATCH, DOUBLE ROLLER WITH SPEAR)	Front door lock parts list (for Figure 4-41) on page 105
C5956-67325	Double pulley soft drive roller assembly (SVC ASSY-SOFT DRIVE ROLLER PULLEY DOUBLE)	IDO paper path rollers parts list (for Figure 4-94) on page 222
C5956-67326	Triple pulley soft drive roller assembly (SVC ASSY-SOFT DRIVE ROLLER PULLEY TRIPLE)	IDO paper path rollers parts list (for Figure 4-94) on page 222
C5956-67327	IDO soft cluster drive roller assembly (SVC ASSY-DRV RLLR PULLEY IDO CLUSTR SOFT)	IDO paper path rollers parts list (for Figure 4-94) on page 222

Table 4-126 Numerical parts list (continued)

Part number	Description	Table and page
C5956-67328	Diverter SVC ASSY-DIVERTER OVERMOLDED)	IDO diverter parts list (for Figure 4-96) on page 226
C5956-67329	Bearing yoke, large (SVC ASSY-BEARING YOKE LARGE)	IDO curler assembly parts list (for Figure 4-100) on page 234
C5956-67329	Bearing yoke (SVC ASSY-BEARING YOKE LARGE)	Vertical inner guide parts list (for Figure 4-134) on page 318
C5956-67330	Bearing yoke (SVC ASSY-BEARING YOKE LARGE)	Horizontal upper assembly parts list (for Figure 4-90) on page 212
C5956-67330	Bearing yoke, small (SVC ASSY-BEARING YOKE SMALL)	IDO media eject assembly parts list (for Figure 4-99) on page 232
C5956-67330	Bearing yoke, small (SVC ASSY-BEARING YOKE SMALL)	IDO curler assembly parts list (for Figure 4-100) on page 234
C5956-67331	Input outer guide (SVC ASSY-GUIDE INPUT OUTER)	IDO RM core sensors parts list (for Figure 4-98) on page 230
C5956-67332	Bypass upper guide (SVC ASSY-GUIDE BYPASS UPPER)	Vertical inner guide parts list (for Figure 4-134) on page 318
C5956-67333	Follower cam arm (SVC-ASSY-ARM FOLLOWER CAM CATSCRATCHER)	IDO media eject assembly parts list (for Figure 4-99) on page 232
C5956-67334	Curler cover (SVC ASSY-CURLER COVER)	IDO curler assembly parts list (for Figure 4-100) on page 234
C5956-67335	Diverter upper guide (SVC ASSY-GUIDE, DIVERTER UPPER)	IDO diverter parts list (for Figure 4-96) on page 226
C5956-67336	IDO duplexer inner guide damper (SVC ASSY-GUIDE DUPLEX INNR SHORTY DAMPER)	IDO duplex door assembly parts list (for Figure 4-102) on page 239
C5956-67337	IDO duplexer outer upper guide (SVC ASSY-GUIDE DUPLEX OUTER UPPER)	IDO duplex door assembly parts list (for Figure 4-102) on page 239
C5956-67338	Vertical triple pulley drive roller assembly (SVC ASSY-DRV RLLR PULLEY VERTICAL TRIPLE)	IDO paper path rollers parts list (for Figure 4-94) on page 222
C5956-67338	Drive roller (SVC ASSY-DRV RLLR PULLEY VERTICAL TRIPLE)	Vertical inner guide parts list (for Figure 4-134) on page 318
C5956-67340	Output double pulley drive roller assembly (SVC ASSY-DRIVE ROLLER PULLEY OUTPUT DBL)]	IDO paper path rollers parts list (for Figure 4-94) on page 222
C5956-67342	IDO double pulley spacer drive roller assembly (SVC ASSY-DRV RLLR PULLEY IDO DBL SPCR)	IDO paper path rollers parts list (for Figure 4-94) on page 222
C5956-67343	Service station latch bar (SVC ASSY-LATCHBAR SVS)	Service Station parts list (for Figure 4-122) on page 288

Table 4-126 Numerical parts list (continued)

Part number	Description	Table and page
C5956-67344	Tensioner, short (SVC ASSY-TENSIONER, SHORT, FLANGED)	Horizontal transmission parts list (for Figure 4-89) on page 210
C5956-67344	Tensioner (SVC ASSY-TENSIONER, SHORT, FLANGED)	IDO RM front parts list (for Figure 4-92) on page 218
C5956-67344	Short flanged tensioner (SVC ASSY-TENSIONER, SHORT, FLANGED)	IDO drive belts parts list (for Figure 4-95) on page 224
C5956-67344	Tensioner (SVC ASSY-TENSIONER, SHORT, FLANGED)	IDO curler assembly parts list (for Figure 4-100) on page 234
C5956-67345	Short flangeless tensioner (SVC ASSY-TENSIONER, SHORT, FLANGELESS)	IDO drive belts parts list (for Figure 4-95) on page 224
C5956-67346	Tensioner, mid (SVC ASSY-TENSIONER, MID, FLANGED)	Horizontal transmission parts list (for Figure 4-89) on page 210
C5956-67346	Mid flanged tensioner (SVC ASSY-TENSIONER, MID, FLANGED)	IDO drive belts parts list (for Figure 4-95) on page 224
C5956-67348	Curler tensioner (SVC ASSY-TENSIONER, CURLER)	IDO curler assembly parts list (for Figure 4-100) on page 234
C5956-67349	IDO input 2 drive roller cover (SVC ASSY-HZ TRNSPT2 DRV RLLR COVER & DAMPER)	IDO RM internal motors assembly parts list (for Figure 4-93) on page 220
C5956-67350	Carriage 1 aerosol hose and clamps assembly (SVC ASSY-AEROSOL HOSE + CLAMP-LEFT)	Carriage 1 e-chain parts list (for Figure 4-35) on page 86
C5956-67351	Carriage 2 aerosol hose and clamps assembly (SVC ASSY-AEROSOL HOSE + CLAMP RIGHT)	Carriage 2 e-chain parts list (for Figure 4-36) on page 88
C5956-67354	Carriage Front thermistor (SN61) and Carriage Back thermistor (SN62) (SVC-PLATE-THERMISTER)	Carriage structure parts list (for Figure 4-27) on page 70
C5956-67355	PCI Express PCA (A28) (SVC ASSY-PCA & HDWR, PCI EXPRESS, SFP)	Formatter PCAs parts list (for Figure 4-87) on page 204
C5956-67356	IDO Input Staging 2 sensor (SN10) (SVC ASSY-SENSOR ALEPH-ON 171-A8 W/SEAL)	IDO RM core sensors parts list (for Figure 4-98) on page 230
C5956-67356	IDO Input Media sensor (SN8) (SVC ASSY-SENSOR ALEPH-ON 171-A8 W/SEAL)	IDO RM core sensors parts list (for Figure 4-98) on page 230
C5956-67356	IDO Duplex Staging sensor (SN11) (SVC ASSY-SENSOR ALEPH-ON 171-A8 W/SEAL)	IDO RM core sensors parts list (for Figure 4-98) on page 230
C5956-67356	IDO Input Staging 1 sensor (SN7) (SVC ASSY-SENSOR ALEPH-ON 171-A8 W/SEAL)	IDO RM core sensors parts list (for Figure 4-98) on page 230
C5956-67356	IDO Duplex Staging sensor (SN11) (SVC ASSY-SENSOR ALEPH-ON 171-A8 W/SEAL)	IDO duplex door assembly parts list (for Figure 4-102) on page 239
C5956-67356	Left-side Middle Panel sensor (SN13) (SVC ASSY-SENSOR ALEPH-ON 171-A8 W/SEAL)	IDO duplex door assembly parts list (for Figure 4-102) on page 239

Table 4-126 Numerical parts list (continued)

Part number	Description	Table and page
C5956-67357	Ink Assist PCA (A3) assembly (SVC-PCA ASSY-INK ASSIST WITH BRACKET)	Ink Assist PCA (A3) assembly parts list (for Figure 4-121) on page 282
C5956-67358	Upper right double roller catch (SVC-DOUBLE ROLLER CATCH BASE UPPER RIGHT)	Front door lock parts list (for Figure 4-41) on page 105
C5956-67359	Right front roller catch assembly (SVC-DBL ROLLER CATCH ARMS ASSY RT DOOR)	Upper inner cover parts list (for Figure 4-47) on page 117
C5956-67360	Scanner right trim (SVC ASSY-TRIM SCANNER RIGHT)	Scanner right trim parts list (for Figure 4-50) on page 123
C5956-67362	Output ESD brush holder assembly (SVC-ASSY-ESD BRUSH HOLDER OUTPUT)	IDO duplex door assembly parts list (for Figure 4-102) on page 239
C5956-67363	Carriage PSU PCA (A7) (SVC ASSY-CPSU BOARD AND PVR DOOR)	Carriage PSU PCA (A7) assembly parts list (for Figure 4-113) on page 266
C5956-67364	48T/20T reduction pulley (SVC ASSY-PULLEY, REDUCTION 48T/20T)	IDO drive belts parts list (for Figure 4-95) on page 224
C5956-67366	Bridge cam (SVC ASSY-HZ TRNSPT-CAM-CATSCRATCHER)	Drum spittoon parts list (for Figure 4-70) on page 166
C5956-67367	IDO Interlock solenoid (SOL3) (SVC ASSY-SOLENOID, HBAR, LATCH)	IDO H-bar assembly parts list (for Figure 4-107) on page 249
C5956-67368	Retainer (SVC-RETAINER-CAPTIVE FASTENER M4)(2)	Scanner rear trim parts list (for Figure 4-51) on page 125
C5956-67368	Retainer (SVC-RETAINER-CAPTIVE FASTENER M4)	IDO cover parts list (for Figure 4-54) on page 131
C5956-67368	Retainer (SVC-RETAINER-CAPTIVE FASTENER M4)(4)	Left-side middle panel parts list (for Figure 4-55) on page 133
C5956-67368	Retainer (SVC-RETAINER-CAPTIVE FASTENER M4)(4)	Left-side lower panel parts list (for Figure 4-56) on page 135
C5956-67368	Retainer (SVC-RETAINER-CAPTIVE FASTENER M4)(4)	Lower left cover parts list (for Figure 4-57) on page 137
C5956-67368	Retainer (SVC-RETAINER-CAPTIVE FASTENER M4)(2)	Web wipe access cover parts list (for Figure 4-59) on page 141
C5956-67368	Retainer (SVC-RETAINER-CAPTIVE FASTENER M4)(1)	Lower left trim parts list (for Figure 4-60) on page 143
C5956-67368	Retainer (SVC-RETAINER-CAPTIVE FASTENER M4)(3)	Upper right cover parts list (for Figure 4-63) on page 149
C5956-67368	Retainer (SVC-RETAINER-CAPTIVE FASTENER M4)(3)	Lower right cover parts list (for Figure 4-64) on page 151
C5956-67368	Retainer (SVC-RETAINER-CAPTIVE FASTENER M4)(1)	Lower right trim parts list (for Figure 4-66) on page 155
C5956-67369	Copy Processing PCA (A27) (SVC ASSY-PCA & HDWR, PCI EXPRESS, SFP)	Formatter PCAs parts list (for Figure 4-87) on page 204

Table 4-126 Numerical parts list (continued)

Part number	Description	Table and page
C5956-67370	MFP Coprocessor PCA (A32) (SVC-ASSY-PCA SAWTOOTH)	Formatter Coprocessor parts list (for Figure 4-88) on page 206
C5956-67371	Formatter Main PCA (A26) (SVC ASSY-PCA, ISLAND PARK)	Formatter Main PCA (A26) parts list (for Figure 4-85) on page 200
C5956-67372	IDS cradle assembly (SVC-KIT, CRADLE)	IDS ISS assembly parts list (for Figure 4-110) on page 258
C5956-67375	Staging sensor mount (SVC-MOUNT-SENSOR STAGING)	IDO duplex door assembly parts list (for Figure 4-102) on page 239
C5956-67376	Tray 1 LED (LED12)	Tray 1 parts list (for Figure 4-26) on page 66
C5956-67376	LED holder (SVC-HOLDER-LED)	Drum LED parts list (for Figure 4-75) on page 176
C5956-67376	HOLDER-LED	Drum guide assembly parts list (for Figure 4-80) on page 186
C5956-67376	Left-side Upper Panel LED (LED5) and Output Bin LED (LED14) (SVC-HOLDER-LED)	IDO H-bar assembly parts list (for Figure 4-107) on page 249
C5956-67377	Front Door Open switch (SW3) (SVC ASSY-SWITCH INTERLOCK)	Front Door Open switch (SW3) parts list (for Figure 4-42) on page 107
C5956-67377	Left-side Upper Panel switch (SW8) (SVC ASSY-SWITCH INTERLOCK)	Left-side Upper Panel switch (SW8) parts list (for Figure 4-43) on page 109
C5956-67377	Left-side Upper Panel switch (SW8) (SVC ASSY-SWITCH INTERLOCK)	IDO H-bar assembly parts list (for Figure 4-107) on page 249
C5956-67378	IDO H-bar wire cover (SVC-WIRE COVER-HBAR)	IDO H-bar assembly parts list (for Figure 4-107) on page 249
C5956-67383	Control panel inverter PCA (SVC-BACKLIGHT INVERTER)	Control panel parts list (for Figure 4-39) on page 96
C5956-67384	Tray exit roller shaft (SVC-SHAFT, EXIT, CPL)	Trays 2, 3, and 4 drive parts list (for Figure 4-129) on page 304
C5956-67385	Tray exit sensor flag shaft (SVC-FLAG, SENSOR, PAPER, EXIT)	Trays 2, 3, and 4 drive parts list (for Figure 4-129) on page 304
C5956-67386	Drawer bushing (SVC-BUSHING, DISTANCE, DRAWER, SIT)	Trays 2, 3, and 4 drawer parts list (for Figure 4-127) on page 300
C5956-67387	Paper size sensor cam (SVC-CAM, SIZE SENSING)	Trays 2, 3, and 4 left side parts list (for Figure 4-126) on page 298
C5956-67388	Paper roller (SVC-ROLL)	Trays 2, 3, and 4 paper path parts list (for Figure 4-128) on page 302

Table 4-126 Numerical parts list (continued)

Part number	Description	Table and page
C5956-67389	Right-side lower paper path (SVC ASSY-PAPER, PATH)	Trays 2, 3, and 4 main assembly parts list (for Figure 4-124) on page 294
C5956-67389	Right-side paper path assembly (SVC ASSY-PAPER, PATH)	Trays 2, 3, and 4 paper path parts list (for Figure 4-128) on page 302
C5956-67390	Right-side lower paper path hinge (SVC-HINGE, PAPER, PATH)	Trays 2, 3, and 4 paper path parts list (for Figure 4-128) on page 302
C5956-67391	Paper tray closed sensor cam (SVC-CAM, TRAY PRESENT)	Trays 2, 3, and 4 left side parts list (for Figure 4-126) on page 298
C5956-67392	Tray drawer (SVC-DRAWER, SIT)	Trays 2, 3, and 4 drawer parts list (for Figure 4-127) on page 300
C5956-67393	Gearwheel flange (SVC-FLANGE, GEARWHEEL, 22, MXL)	Trays 2, 3, and 4 drive parts list (for Figure 4-129) on page 304
C5956-67394	Tray 1 pick pad bracket (SVC-BRACKET, PAD, PICKING, CPL)	Tray 1 parts list (for Figure 4-26) on page 66
C5956-67395	Sensor flag (SVC-LEVER, PAPER, END)	Tray 1 parts list (for Figure 4-26) on page 66
C5956-67396	Separation guide (SVC-STRIP, SEPARATION)	Trays 2, 3, and 4 drawer parts list (for Figure 4-127) on page 300
C5956-67397	Paper length sensor lever (SVC-SENSOR, LEVER, PAPER, WIDTH)	Trays 2, 3, and 4 drawer parts list (for Figure 4-127) on page 300
C5956-67398	Roller pressure spring (SVC-PRESSURE, SPRING, ROLLER)	Trays 2, 3, and 4 paper path parts list (for Figure 4-128) on page 302
C5956-67399	Clip (SVC-SPRING, ESD)	Trays 2, 3, and 4 main assembly parts list (for Figure 4-124) on page 294
C5956-67400	Tray 2, 3, and 4 top access door (SVC COVER, PLATE, TOP)	Trays 2, 3, and 4 main assembly parts list (for Figure 4-124) on page 294
C5956-67401	Tray exit sensor holder (SVC-HOLDER PHOTO INT PEX)	Trays 2, 3, and 4 drive parts list (for Figure 4-129) on page 304
C5956-67402	Front mounting bearing (SVC-MOUNTING, BEARING, FRONT)	Trays 2, 3, and 4 separation unit parts list (for Figure 4-130) on page 306
C5956-67403	Tray 1 latch shaft (SVC-SHAFT, LATCH, MECH)	Tray 1 parts list (for Figure 4-26) on page 66
C5956-67404	Plain bearing (SVC-BEARING, PLAIN)	Trays 2, 3, and 4 drive parts list (for Figure 4-129) on page 304

Table 4-126 Numerical parts list (continued)

Part number	Description	Table and page
C5956-67405	Spherical bearing (SVC-BEARING, PLAIN, SPHERICAL)	Trays 2, 3, and 4 drive parts list (for Figure 4-129) on page 304
C5956-67406	Tray 2 LED (LED15)/Tray 3 LED (LED16)/Tray 4 LED (LED17) (SVC-HOLDER LED)	Trays 2, 3, and 4 main assembly parts list (for Figure 4-124) on page 294
C5956-67407	Tray exit roller belt (SVC-BELT, SYNCHRONOUS, T=2.032)	Trays 2, 3, and 4 drive parts list (for Figure 4-129) on page 304
C5956-67408	Motor belt (SVC-BELT, SYNCHRONOUS, MOTOR, T=2.032)	Trays 2, 3, and 4 drive parts list (for Figure 4-129) on page 304
C5956-67414	Trays 2, 3, and 4 Transport motor (M18) (SVC-MOTOR, STEPPER, CPL.)	Trays 2, 3, and 4 drive parts list (for Figure 4-129) on page 304
C5956-67415	Tray 1 Pick solenoid (SOL1) (SVC-SOLENOID CPL)	Tray 1 parts list (for Figure 4-26) on page 66
C5956-67416	Trays 2, 3, and 4 Controller PCA (A23) (SVC-PCA, CONTROLLER, INPUT)	Trays 2, 3, and 4 left side parts list (for Figure 4-126) on page 298
C5956-67417	A33/A33/A33 (SVC-PCA, DISTRIBUTIONBOARD)	Trays 2, 3, and 4 rear parts list (for Figure 4-125) on page 296
C5956-67418	Tray 2, 3, and 4 Humidity sensor (SN42) and Tray 2, 3, and 4 Ambient Temperature sensor (SN41) unit (SVC-PCA, SENSOR, HUMIREL)	Trays 2, 3, and 4 separation unit parts list (for Figure 4-130) on page 306
C5956-67419	Pick arm assembly (SVC-SEPARATION, UNIT)	Trays 2, 3, and 4 separation unit parts list (for Figure 4-130) on page 306
C5956-67420	Pick arm roller (SVC-TRAY 2-4 PICK ROLLER). [Note: Pick arm roller bulk pack of 6 (SVC-PICK ROLLER, TRAY 2-4, 6 EA, BULK PAK), C5957-67184, 1 (Qty 6).]	Trays 2, 3, and 4 separation unit parts list (for Figure 4-130) on page 306
C5956-67421	Tray 1 pick pad bracket holder (SVC-HOLDER, BRACKET, CPL)	Tray 1 parts list (for Figure 4-26) on page 66
C5956-67423	Tray 1 lift plate (SVC-PLATE, LIFT, CPL)	Tray 1 parts list (for Figure 4-26) on page 66
C5956-67424	Tray 1 pick roller assembly (SVC-ASSY-TRAY 1 PICK ROLLER)	Tray 1 parts list (for Figure 4-26) on page 66
C5956-67427	Control panel touchscreen (SVC-TOUCHSCREEN)	Control panel parts list (for Figure 4-39) on page 96
C5956-67428	Brightness wheel (SVC-PLASTIC BRIGHTNESS WHEEL)	Control panel parts list (for Figure 4-39) on page 96
C5956-67429	Control panel bezel (SVC ASSY- CONTROL PANEL BEZEL)	Control panel parts list (for Figure 4-39) on page 96
C5956-67431	Control panel mounting bracket (SVC-BRACKET - MOUNTING)	Control panel parts list (for Figure 4-39) on page 96

Table 4-126 Numerical parts list (continued)

Part number	Description	Table and page
C5956-67432	Power switch button (SVC-PLASTIC KEY CAP - POWER)	Control panel parts list (for Figure 4-39) on page 96
C5956-67433	Power switch (SVC ASSY-POWER SWITCH)	Control panel parts list (for Figure 4-39) on page 96
C5956-67434	Tray closed sensor actuator foil (SVC ASSY-MEDIA TRAY ACTUATOR FOIL)	Trays 2, 3, and 4 drive parts list (for Figure 4-129) on page 304
C5956-67435	Tray exit roller belt tensioner (SVC ASSY-MEDIA TRAY BELT TENSION)	Trays 2, 3, and 4 rear parts list (for Figure 4-125) on page 296
C5956-67436	Tray exit roller shaft clutch (SVC ASSY-MEDIA TRAY CLUTCH)	Trays 2, 3, and 4 drive parts list (for Figure 4-129) on page 304
C5956-67437	Right-side Lower Panel Open sensor (SN43) (SVC ASSY-MEDIA TRAY PAPER PATH SENSOR)	Trays 2, 3, and 4 drive parts list (for Figure 4-129) on page 304
C5956-67438	Pinchroller assembly (SVC ASSY-PINCH ROLLER)	Tray 1 parts list (for Figure 4-26) on page 66
C5956-67439	Tray 1 input tray assembly (SVC ASSY-TRAY)	Tray 1 parts list (for Figure 4-26) on page 66
C5956-67440	Tray 1 top cover (SVC ASSY-BYPASS COVER ASSY)	Tray 1 parts list (for Figure 4-26) on page 66
C5956-67441	Carriage felt and retainers (SVC KIT PM-CARRIAGE FELT) (Mylar side of felt to be placed towards carriage)	Carriage 1 assembly parts list (for Figure 4-33) on page 82
C5956-67441	Carriage felt and retainers (SVC KIT PM-CARRIAGE FELT) (Mylar side of felt to be placed towards carriage)	Carriage 2 assembly parts list (for Figure 4-34) on page 84
C5956-67441	PPS felt assembly (SVC KIT PM-CARRIAGE FELT)	Carriage PPS assembly parts list (for Figure 4-37) on page 90
C5956-67442	IDO PI rear cover (SVC-COVER-PI REAR)	IDO PI assembly parts list (for Figure 4-106) on page 247
C5956-67443	Output bin full sensor cover (SVC COVER-SOB FULL SENSOR SM)	Output bin door parts list (for Figure 4-58) on page 139
C5956-67444	Main Engine PCA (A5) assembly (SVC ASSY-MAIN PCA)	Main Engine PCA (A5) assembly parts list (for Figure 4-114) on page 268
C5956-67446	Horizontal assembly (SVC ASSY-HORIZONTAL TRANSPORT)	Horizontal transmission parts list (for Figure 4-89) on page 210
C5956-67447	Drum access cover (SVC ASSY-COVER DRUM ACCESS)	Drum vacuum assembly parts list (for Figure 4-74) on page 174
C5956-67448	Vertical outer guide assembly (SVC ASSY-GUIDE VERTICAL OUTER)	Vertical outer guide parts list (for Figure 4-133) on page 316
C5956-67451	Drum screen (SVC ASSY-SURFACE DRUM)	Drum screen parts list (for Figure 4-71) on page 168

Table 4-126 Numerical parts list (continued)

Part number	Description	Table and page
C5956-67452	Input onramp guide (SVC-ASSY-GUIDE INPUT ONRAMP)	IDO diverter parts list (for Figure 4-96) on page 226
C5956-67454	CCW tensioner (SVC ASSY-TENSIONER, MEDIAPATH CCW)	Horizontal transmission parts list (for Figure 4-89) on page 210
C5956-67455	Upper plunger datum (SVC ASSY-DATUM PLUNGER IDO UPPER)	IDO RM front parts list (for Figure 4-92) on page 218
C5956-67455	Upper plunger datum (SVC ASSY-DATUM PLUNGER IDO UPPER)	IDO RM rear parts list (for Figure 4-97) on page 228
C5956-67456	IDO RM lower front datum plunger (SVC ASSY-DATUM PLUNGER IDO LOWER FRONT)	IDO RM front parts list (for Figure 4-92) on page 218
C5956-67457	IDO RM rear datum plunger (SVC ASSY-DATUM PLUNGER IDO LOWER REAR)	IDO RM rear parts list (for Figure 4-97) on page 228
C5956-67458	Front door assembly (SVC KIT DOOR ENGINE RIGHT)	Front door parts list (for Figure 4-40) on page 103
C5956-67459	Trays 2, 3, and 4 cover assembly (SVC ASSY-DRAWER FACE)	Tray 2, 3, and 4 covers parts list (for Figure 4-46) on page 115
C5956-67460	IDO PI acoustic foam (SVC ASSY-ACOUSTIC FOAM PI)	IDO PI assembly parts list (for Figure 4-106) on page 247
C5956-67461	Vertical outer guide (SVC ASSY-GUIDE OUTER VERTICAL)	Vertical outer guide parts list (for Figure 4-133) on page 316
C5956-67462	Finisher Interface PCA (A29) (SVC ASSY-PCA, HP PRINT PIPELINE BOARD)	Formatter PCAs parts list (for Figure 4-87) on page 204
C5956-67463	Network/Fax PCA (A30) (SVC ASSY-PCA, PCI/IO CARD)	Formatter PCAs parts list (for Figure 4-87) on page 204
C5956-67464	EIO Riser PCA (A31) (SVC ASSY-PCA & HARDWARE, EIO RISER)	Formatter PCAs parts list (for Figure 4-87) on page 204
C5956-67465	IDO PI ESD brush holder (SVC ASSY-ESD BRUSH HOLDER PI)	IDO PI assembly parts list (for Figure 4-106) on page 247
C5956-67466	Drum guide assembly (SVC ASSY-DRUM GUIDE)	Drum guide assembly parts list (for Figure 4-80) on page 186
C5956-67467	Drum guide drive assembly (SVC ASSY-DRUM GUIDE DRIVE)	Drum guide assembly parts list (for Figure 4-80) on page 186
C5956-67469	Pivot shaft (SVC KIT-ARM, PIVOT SHAFT)	IDO media eject assembly parts list (for Figure 4-99) on page 232
C5956-67471	Decurler swingarm (SVC ASSY-SWINGARM DECURLER FRONT)	IDO decurler internals assembly parts list (for Figure 4-101) on page 237
C5956-67472	Number key array (SVC-PLASTIC NUMBER-KEY ARRAY)	Control panel parts list (for Figure 4-39) on page 96

Table 4-126 Numerical parts list (continued)

Part number	Description	Table and page
C5956-67473	Key lightpipe (SVC-PLASTIC KEY LIGHTPIPE)	Control panel parts list (for Figure 4-39) on page 96
C5956-67474	Lightpipe (SVC-PLASTIC LIGHTPIPE)	Control panel parts list (for Figure 4-39) on page 96
C5956-67475	Control Panel PCA (A36) (SVC-PRISM PCA)	Control panel parts list (for Figure 4-39) on page 96
C5956-67476	Control panel LCD assembly (SVC-PRISM LCD ASSEMBLY)	Control panel parts list (for Figure 4-39) on page 96
C5956-67477	Action key array (SVC ASSY-KEY, PLASTIC ACTION)	Control panel parts list (for Figure 4-39) on page 96
C5956-67582	Pen Pocket 2 PCA (A17) and Pen Pocket 3 PCA (A18) (SVC KIT-PCA BORUS POCKET BOARD)	Carriage 1 assembly parts list (for Figure 4-33) on page 82
C5956-67582	Pen Pocket 5 PCA (A20) and Pen Pocket 6 PCA (A21) (SVC KIT-PCA BORUS POCKET BOARD)	Carriage 2 assembly parts list (for Figure 4-34) on page 84
C5956-67583	Scanner chamber filter (SVC KIT-COOLING FILTERS)	Scanner chamber filter parts list (for Figure 4-24) on page 60
C5956-67583	Filter (SVC KIT-COOLING FILTER)(1) Not shown in diagram.	Lower left cover parts list (for Figure 4-57) on page 137
C5956-67583	Image processing PCA fan filter (SVC KIT-COOLING FILTER)	Upper right cover parts list (for Figure 4-63) on page 149
C5956-67583	Retainer (PUSH-ON RET INT .25-IN-DIA (4), included with SVC KIT-COOLING FILTER)(4)	Upper right cover parts list (for Figure 4-63) on page 149
C5956-67583	Ink assist fan filter (SVC KIT-COOLING FILTER)	Lower right cover parts list (for Figure 4-64) on page 151
C5956-67583	CPSU Cooling fan (FAN3) filter (SVC KIT-COOLING FILTER)	CPSU Cooling fan (FAN3) parts list (for Figure 4-117) on page 274
C5956-67584	Pen pocket handle labels (SVC KIT-PEN LATCH LABELS)	Carriage 1 assembly parts list (for Figure 4-33) on page 82
C5956-67584	Pen pocket handle labels (SVC KIT-PEN LATCH LABELS)	Carriage 2 assembly parts list (for Figure 4-34) on page 84
C5956-67585	Media descriptors (SVC KIT MEDIA DESCRIPTORS)	Tray 2, 3, and 4 covers parts list (for Figure 4-46) on page 115
C5956-67586	Carriage drive assembly (SVC KIT PM-CARRIAGE DRIVE). Note: Includes motor and two belts. Does not include motor mount bracket.	Carriage drive assembly parts list (for Figure 4-32) on page 80
C5956-67587	Formatter access door (SVC-DOOR-ACCESS,FORMATTER)	Formatter Coprocessor parts list (for Figure 4-88) on page 206
C5956-67588	Trim support (SVC-SUPPORT-SCANNER TRIM). Sheet metal part not shown in diagram.	Scanner left trim parts list (for Figure 4-49) on page 121
C5956-67588	Trim support (SVC-SUPPORT-SCANNER TRIM). Sheet metal part not shown in diagram.	Scanner right trim parts list (for Figure 4-50) on page 123

Table 4-126 Numerical parts list (continued)

Part number	Description	Table and page
C5956-67589	Sensor bracket (SVC-BRACKET-SENSOR, OUTPUT 3)	IDO outer guide pinch assembly parts list (for Figure 4-103) on page 241
C5956-67590	Pinch roller holder (SVC KIT-PINCH ROLLER,HORIZ TRANS)	Horizontal lower assembly parts list (for Figure 4-91) on page 214
C5956-67590	Pinch roller (SVC KIT-PINCH ROLLER,HORIZ TRANS)	Horizontal lower assembly parts list (for Figure 4-91) on page 214
C5956-67591	Drum axle seal (SVC-SEAL-DRUM AXLE)	Vacuum supply assembly parts list (for Figure 4-132) on page 312
C5956-67592	Carriage 1 echain cable clamp (SVC-CLAMP,TRAILING CABLES,LEFT)	Carriage 1 e-chain parts list (for Figure 4-35) on page 86
C5956-67593	Carriage 2 echain cable clamp (SVC-CLAMP,TRAILING CABLES,RIGHT)	Carriage 2 e-chain parts list (for Figure 4-36) on page 88
C5956-67594	Echain clip (SVC-CLIP-ECHAIN)	Carriage 1 e-chain parts list (for Figure 4-35) on page 86
C5956-67594	Echain clip (SVC-CLIP-ECHAIN)	Carriage 2 e-chain parts list (for Figure 4-36) on page 88
C5956-67615	IDO RM assembly (SVC ASSY-MEDIA IDO-RM)	IDO RM front parts list (for Figure 4-92) on page 218
C5956-67616	IDO printer interface assembly (SVC ASSY-IDO PI)	IDO PI assembly parts list (for Figure 4-106) on page 247
C5956-67617	Pen wiper (SVC ASSY-WIPER BACKER)	Service Station parts list (for Figure 4-122) on page 288
C5956-67619	Dryer slider assembly (SVC ASSY-DRYER SLIDER)	Dryer assembly parts list (for Figure 4-82) on page 192
C5956-67620	IDO Media Thickness encoder (EN14) (SVC-PCA-ENCODER SENSOR 150LPI)	IDO PI assembly parts list (for Figure 4-106) on page 247
C5956-67620	Web Advance encoder (EN11) PCA (SVC-PCA-ENCODER SENSOR 150LPI)	Service Station parts list (for Figure 4-122) on page 288
C5956-67622	Main Engine PCA (A5) enclosure assembly (SVC ASSY-MAIN ENCLOSURE)	Main Engine PCA (A5) assembly parts list (for Figure 4-114) on page 268
C5956-67624	IDO H-bar assembly (SVC-H-BAR-IDO)	IDO H-bar assembly parts list (for Figure 4-107) on page 249
C5956-67625	IDO decurler assembly (SVC-ASSY-IDO DECURLER)	IDO decurler internals assembly parts list (for Figure 4-101) on page 237
C5956-67626	Aerosol fan cover (SVC ASSY-AEROSOL BLOWER COVER)	Aerosol assembly parts list (for Figure 4-25) on page 63
C5956-67628	Web wipe guide assembly (SVC ASSY-GUIDE WEB)	Web wipe parts list (for Figure 4-136) on page 323

Table 4-126 Numerical parts list (continued)

Part number	Description	Table and page
C5956-67629	IDO Media Eject motor (M13) (SVC ASSY-CATSCRATCHER-DRIVE)	IDO RM internal motors assembly parts list (for Figure 4-93) on page 220
C5956-67629	IDO Media Eject motor (M13)/(EN17) (SVC-ASSY-ENCODER, SS MOTOR)	IDO media eject assembly parts list (for Figure 4-99) on page 232
C5956-67633	Output bin door (SVC ASSY-OUTPUT COVER)	Output bin door parts list (for Figure 4-58) on page 139
C5956-67637	Carriage 1 motor (M1)/Carriage 2 motor (M2) with bracket (SVC ASSY-CARRIAGE DRIVE MOTOR W/BRACKET)	Carriage drive assembly parts list (for Figure 4-32) on page 80
C5956-67639	IDO triple pulley drive roller assembly (SVC ASSY-DRIVE ROLLER PULLEY IDO TRIPLE)	IDO paper path rollers parts list (for Figure 4-94) on page 222
C5956-67640	Dryer Temperature 1 sensor (SN36) (SVC-DRYER TEMPERATURE SENSOR)	Dryer right assembly parts list (for Figure 4-84) on page 196
C5956-67641	IDO curler damper (SVC ASSY-CURLER DAMPER)	IDO PI assembly parts list (for Figure 4-106) on page 247
C5956-67642	IDO H-bar damper assembly (SVC ASSY-DAMPER, HBAR)	IDO H-bar assembly parts list (for Figure 4-107) on page 249
C5956-67643	Transmission assembly (SVC ASSY-MOUNT-TRANSMISSN-HORIZ TRNSPRT)	Horizontal transmission parts list (for Figure 4-89) on page 210
C5956-67644	IDO PI inner guide assembly (SVC ASSY-GUIDE-INPUT-INNER-PINCH-ROLLER)	IDO PI assembly parts list (for Figure 4-106) on page 247
C5956-67645	Horizontal hook-and-loop fastener (SVC-FASTENER-PILE-EXTERNAL-HORIZONTAL)	Rear covers parts list (for Figure 4-67) on page 157
	NOTE: In order to replace any other MFP hook-and-loop fastener, order the horizontal hook-and-loop fastener, and trim it to size.	
C5956-67647	T38 Gearwheel (SVC-GEARWHEEL, T38X0,8)	Tray 1 parts list (for Figure 4-26) on page 66
C5956-67648	Wire saddle (SVC KIT-WIRE MANAGEMENT 1, assortment, SADDLE-WIRE .2-WD NYL-6/6 ROHS)	Carriage PSU PCA (A7) assembly parts list (for Figure 4-113) on page 266
C5956-67648	Wire saddle (SVC KIT-WIRE MANAGEMENT 1, assortment, SADDLE-WIRE .2-WD NYL-6/6 ROHS)	Motion PCA (A2) assembly parts list (for Figure 4-115) on page 270
C5956-67649	Saddle (SVC KIT-WIRE MANAGEMENT 2, SDL-WIRE .36-WD NYL-6/6 ROHS)	Aerosol assembly parts list (for Figure 4-25) on page 63
C5956-67649	Saddle (SVC KIT-WIRE MANGEMENT 2, SDL-WIRE .36-WD NYL-6/6 ROHS)	Vertical transmission parts list (for Figure 4-135) on page 320
C5956-67650	Clip (SVC KIT-CLIPS, assortment)	Carriage extraction mechanism parts list (for Figure 4-28) on page 72

Table 4-126 Numerical parts list (continued)

Part number	Description	Table and page
C5956-67650	Clip (SVC KIT-CLIPS, assortment)	Drum guide assembly parts list (for Figure 4-80) on page 186
C5956-67650	Clip (SVC KIT-CLIPS, assortment)	Dryer assembly parts list (for Figure 4-82) on page 192
C5956-67650	Clip (SVC KIT-CLIPS, assortment)	Horizontal transmission parts list (for Figure 4-89) on page 210
C5956-67650	Clip (SVC KIT-CLIPS, assortment)	IDO RM internal motors assembly parts list (for Figure 4-93) on page 220
C5956-67650	Clip (SVC KIT-CLIPS, assortment)	IDO decurler internals assembly parts list (for Figure 4-101) on page 237
C5956-67650	Clip (SVC KIT-CLIPS, assortment)	IDO H-bar assembly parts list (for Figure 4-107) on page 249
C5956-67650	Clip (SVC KIT-CLIPS, assortment)	Service Station parts list (for Figure 4-122) on page 288
C5956-67650	Clip (SVC KIT-CLIPS, assortment)	Vertical transmission parts list (for Figure 4-135) on page 320
C5956-67651	Screw (SVC KIT-FASTENERS 1, assortment, SCREW-MACH M4 X 0.7 9.5MM-LG ROHS)(2)	Scanner rear trim parts list (for Figure 4-51) on page 125
C5956-67656	Belt, 85T (C-BELT-GT2-2MM PITCH X 4MM, 85T)	IDO drive belts parts list (for Figure 4-95) on page 224
C5956-67656	Belt (SVC-BELT-GT2-2MM PITCH X 4MM, 85T)	Vertical transmission parts list (for Figure 4-135) on page 320
C5956-67657	Belt (SVC-BELT-GT2-177T, 2MM PITCH X 4MM)	Vertical transmission parts list (for Figure 4-135) on page 320
C5956-67659	BELT, 97T (SVC-BELT-DRIVE, 97T, GT2, 2X4)	IDO drive belts parts list (for Figure 4-95) on page 224
C5956-67661	Belt (SVC-BELT-DRIVE, 144T, GT2, 2X4)	Vertical transmission parts list (for Figure 4-135) on page 320
C5956-67662	Maintenance log holder (SVC-HOLDER-SERVICE LOG)	Front door parts list (for Figure 4-40) on page 103
C5956-67663	CPSU Cooling fan (FAN3) assembly (SVC ASSY-PVR FAN)	CPSU Cooling fan (FAN3) parts list (for Figure 4-117) on page 274
C5956-67664	Carriage 1 Pen Protection sensor (SN56) (SVC ASSY-TOUCHSENSOR)	Carriage 1 assembly parts list (for Figure 4-33) on page 82
C5956-67664	Carriage 2 Pen Protection sensor (SN57) SVC ASSY-TOUCHSENSOR)	Carriage 2 assembly parts list (for Figure 4-34) on page 84
C5956-67666	Aerosol motor (AERO) (SVC-BLOWER-VACUUM)	Aerosol assembly parts list (for Figure 4-25) on page 63

Table 4-126 Numerical parts list (continued)

Part number	Description	Table and page
C5956-67666	Vacuum motor (VAC1, VAC2, VAC3, VAC4, VAC5) (SVC-BLOWER-VACUUM)	Vacuum supply assembly parts list (for Figure 4-132) on page 312
C5956-67667	Carriage cover plate (SVC-ASSY-CARRIAGE COVER PLATE)	Carriage structure parts list (for Figure 4-27) on page 70
C5956-67670	Service station latch dog bracket (SVC ASSY-DOGBRACKET, SVS LATCH)	Service Station parts list (for Figure 4-122) on page 288
C5956-67671	IDS door catch assembly (SVC KIT-LATCH, SPEAR)	IDS door cover parts list (for Figure 4-45) on page 113
C5956-67672	Gear bypass idlers (SVC KIT-GEAR-BYPASS)	Vertical transmission parts list (for Figure 4-135) on page 320
C5956-67673	BELT-DRIVE, 71T, GT2, 2X4 (SVC KIT-BELTS, IDO)	IDO drive belts parts list (for Figure 4-95) on page 224
C5956-67673	BELT-DRIVE, 81T, GT2, 2X4 (SVC KIT-BELTS, IDO)	IDO drive belts parts list (for Figure 4-95) on page 224
C5956-67673	BELT-DRIVE, 87T, GT2, 2X4 (SVC-KIT-BELTS, IDO)	IDO drive belts parts list (for Figure 4-95) on page 224
C5956-67673	BELT-DRIVE, 71T, GT2, 2X4 (SVC KIT-BELTS, IDO)	IDO drive belts parts list (for Figure 4-95) on page 224
C5956-67673	BELT-DRIVE, 121T, GT2, 2X4 (SVC KIT-BELTS, IDO)	IDO drive belts parts list (for Figure 4-95) on page 224
C5956-67673	BELT-DRIVE, 81T, GT2, 2X4 (SVC KIT-BELTS, IDO)	IDO drive belts parts list (for Figure 4-95) on page 224
C5956-67673	BELT-DRIVE, 134T, GT2, 2X4 (SVC KIT-BELTS, IDO)	IDO drive belts parts list (for Figure 4-95) on page 224
C5956-67674	Anti-vibration kit (SVC KIT-ANTI_VIBRATION, PCA)	Formatter PCAs parts list (for Figure 4-87) on page 204
C5956-67675	Y-bias spring (SVC-Y-BIAS SPRING)	Carriage 1 assembly parts list (for Figure 4-33) on page 82
C5956-67675	Y-bias spring (SVC-Y-BIAS SPRING)	Carriage 2 assembly parts list (for Figure 4-34) on page 84
C5956-67676	Pocket PCA retainer (SVC-RETAINER, POCKET PCA)	Carriage 1 assembly parts list (for Figure 4-33) on page 82
C5956-67676	Pocket PCA retainer (SVC-RETAINER, POCKET PCA)	Carriage 2 assembly parts list (for Figure 4-34) on page 84
C5956-67678	Formatter hard drive mount (SVC KIT-MOUNT, HARD DRIVE)	Formatter fan and hard drive parts list (for Figure 4-86) on page 202
C5956-67678	Screw-mount, hard drive (SVC KIT-MOUNT, HARD DRIVE)	Formatter fan and hard drive parts list (for Figure 4-86) on page 202
C5956-67678	Grommet, ear G-411-1 (SVC KIT-MOUNT, HARD DRIVE)	Formatter fan and hard drive parts list (for Figure 4-86) on page 202

Table 4-126 Numerical parts list (continued)

Part number	Description	Table and page
C5956-67681	Pivotshaft arm (SVC-ARM-PIVOTSHAFT-CATSCRATCHER)	IDO media eject assembly parts list (for Figure 4-99) on page 232
C5956-67682	Echain IDS clamp (SVC-ECHAIN IDS SNAP)	Carriage 1 e-chain parts list (for Figure 4-35) on page 86
C5956-67682	Echain IDS clamp (SVC-ECHAIN IDS SNAP)	Carriage 2 e-chain parts list (for Figure 4-36) on page 88
C5956-67683	Solenoid spacer (SVC-SPACER-SOLENOID)	IDO RM front parts list (for Figure 4-92) on page 218
C5956-67684	Diverter extension (SVC-ARM-EXTENSION DIVERTER)	IDO RM front parts list (for Figure 4-92) on page 218
C5956-67685	Curler spacer (SVC-SPACER-DECURLER)	IDO decurler internals assembly parts list (for Figure 4-101) on page 237
C5956-67686	Idler (PULLEY-IDLER-14MM)	Horizontal transmission parts list (for Figure 4-89) on page 210
C5956-67686	14 mm idler (SVC-PULLEY-IDLER-14MM)	IDO drive belts parts list (for Figure 4-95) on page 224
C5956-67688	Igus chain (SVC ASSY-ECHAIN, IGUS)	Carriage 1 e-chain parts list (for Figure 4-35) on page 86
C5956-67688	Igus chain (SVC ASSY-ECHAIN, IGUS)	Carriage 2 e-chain parts list (for Figure 4-36) on page 88
C5956-67690	ISS connector (SVC ASSY-ISS CONNECTOR)	IDS main assembly parts list (for Figure 4-108) on page 254
C5956-67691	Carriage 1 PPS motor (M23) and Carriage 2 PPS motor (M24) (SVC ASSY-PPS MOTOR)	Carriage PPS assembly parts list (for Figure 4-37) on page 90
C5956-67691	IDO Decurler motor (M17)/(EN16) (SVC ASSY-PPS MOTOR)	IDO decurler internals assembly parts list (for Figure 4-101) on page 237
C5956-67692	IDO H-bar damper spring (SVC-DAMPER-HBAR)	IDO H-bar assembly parts list (for Figure 4-107) on page 249
C5956-67693	Transparency sensor 1 (SN1) (SVC-SENSOR-TRANSPARENCY)	Horizontal lower assembly parts list (for Figure 4-91) on page 214
C5956-67693	Left-side Lower Panel sensor (SN14) (SVC-SENSOR-TRANSPARENCY)	IDO H-bar assembly parts list (for Figure 4-107) on page 249
C5956-67695	Aerosol fan gasket (SVC-GASKET-BLOWER)	Aerosol assembly parts list (for Figure 4-25) on page 63
C5956-67711	Tensioner (SVC KIT-STANDOFFS, TENSIONER)	Horizontal transmission parts list (for Figure 4-89) on page 210
C5956-67711	Tensioner standoff (SVC KIT-STANDOFFS, TENSIONER)	Vertical transmission parts list (for Figure 4-135) on page 320

Table 4-126 Numerical parts list (continued)

Part number	Description	Table and page
C5956-67712	Media eject drive arm (SVC-DRIVEARM-CATSCRATCHER)	IDO media eject assembly parts list (for Figure 4-99) on page 232
C5956-67713	Pen pocket latch (SVC KIT-CARRIAGE LATCH W/HANDLE)	Carriage 1 assembly parts list (for Figure 4-33) on page 82
C5956-67713	Pen pocket latch (SVC KIT-CARRIAGE LATCH W/HANDLE)	Carriage 2 assembly parts list (for Figure 4-34) on page 84
C5956-67714	Screw (SVC-SCR-SPCL 4-40 .394-INLG HEX STDOFF ROHS)	Main Engine PCA (A5) assembly parts list (for Figure 4-114) on page 268
C5956-67715	Trays 2, 3, and 4 lightpipe (SVC-LIGHTPIPE-SIT TRAY)	Tray 2, 3, and 4 covers parts list (for Figure 4-46) on page 115
C5956-67717	Temperature sensor clip (SVC KIT-WIRE MGMT, DRYER)	Dryer right assembly parts list (for Figure 4-84) on page 196
C5956-67720	Latch (SVC ASSY-SPRING BRIDGE LATCH)	Horizontal upper assembly parts list (for Figure 4-90) on page 212
C5956-67723	Upper rear access panel (SVC-COVER-REAR SERVICE)	Rear covers parts list (for Figure 4-67) on page 157
C5956-67724	Tray 2, 3, and 4 assembly (SVC ASSY-MEDIA TRAYS)	Trays 2, 3, and 4 main assembly parts list (for Figure 4-124) on page 294
C5956-67727	Formatter assembly (SVC ASSY-FORMATTER)	Formatter Main PCA (A26) parts list (for Figure 4-85) on page 200
C5956-67728	Pen station cap (SVC ASSY-CAP)	Service Station parts list (for Figure 4-122) on page 288
C5956-67729	Inner duplex guide damper (SVC ASSY-GUIDE DUPLEX INNER DAMPER)	IDO duplex door assembly parts list (for Figure 4-102) on page 239
C5956-67730	POOC bracket assembly (SVC ASSY-POOC)	Carriage pen-out-of-cap sensor parts list (for Figure 4-30) on page 76
C5956-67732	IDS door assembly (SVC ASSY-DOOR, IDS COMPLETE)	IDS door cover parts list (for Figure 4-45) on page 113
C5956-67733	Rear muffler seal kit (SVC KIT-SEAL, MUFFLER)	Rear covers parts list (for Figure 4-67) on page 157
C5956-67734	Drum Guide motor (M22)/(EN20) (ASSY-SS MOTOR/ ENCODER)	Drum guide assembly parts list (for Figure 4-80) on page 186
C5956-67739	SCREW SKT-HD CAP M6X1.0 14MM-LG ROHS	IDO H-bar assembly parts list (for Figure 4-107) on page 249
C5956-67741	EIO riser card guide (SVC-CARD GUIDE EIO RISER)	Formatter PCAs parts list (for Figure 4-87) on page 204

Table 4-126 Numerical parts list (continued)

Part number	Description	Table and page
C5956-67742	Horizontal motor (M7)/(EN3) (SVC-MOTOR, MEDIAPATH)	Horizontal transmission parts list (for Figure 4-89) on page 210
C5956-67742	IDO Input 1 motor (M8) (SVC-MOTOR, MEDIAPATH)	IDO RM internal motors assembly parts list (for Figure 4-93) on page 220
C5956-67742	IDO Duplex motor (M12) (SVC-MOTOR, MEDIAPATH)	IDO RM internal motors assembly parts list (for Figure 4-93) on page 220
C5956-67742	IDO Input 2 motor (M10) (SVC-MOTOR, MEDIAPATH)	IDO RM internal motors assembly parts list (for Figure 4-93) on page 220
C5956-67742	Vertical motor (M6) (SVC-MOTOR, MEDIAPATH)	Vertical transmission parts list (for Figure 4-135) on page 320
C5956-67744	IDO Curler motor (M15) (SVC ASSY-MOTOR, CURLER-OUTPUT)	IDO curler assembly parts list (for Figure 4-100) on page 234
C5956-67745	IDO Output motor (M11) (SVC ASSY-MOTOR, OUTPUT)	IDO RM internal motors assembly parts list (for Figure 4-93) on page 220
C5956-67750	Wire sleeve (SVC-SLEEVE-WIRE, HELICAL, 1/2OD) (Not shown in diagram)	IDO H-bar assembly parts list (for Figure 4-107) on page 249
C5956-67751	POOC latch assembly (SVC ASSY-POOC LATCH)	Carriage pen-out-of-cap sensor parts list (for Figure 4-30) on page 76
C5956-67752	Washer (WASHER, RETAINING, CIRCLIP, 4, ZN)	Trays 2, 3, and 4 drive parts list (for Figure 4-129) on page 304
C5956-67752	Washer (WASHER, C CLIP, DIN 6799-3.2, ZN)	Trays 2, 3, and 4 separation unit parts list (for Figure 4-130) on page 306
C5956-67754	Spring (SPRING, LEAF, SIZE SENSITIVE)	Tray 1 parts list (for Figure 4-26) on page 66
C5956-67754	Spring (SPRING, TORSION)	Tray 1 parts list (for Figure 4-26) on page 66
C5956-67754	Spring (SPRING, LEAF, SIZE SENSITIVE)	Trays 2, 3, and 4 left side parts list (for Figure 4-126) on page 298
C5956-67754	Spring (SPRING, TORSION, HANDLE)	Trays 2, 3, and 4 paper path parts list (for Figure 4-128) on page 302
C5956-67754	Spring (SPRING, TORSION, PEX)	Trays 2, 3, and 4 drive parts list (for Figure 4-129) on page 304
C5956-67756	ESD clip (SVC-CLIP, ESD, SHAFT)	Tray 1 parts list (for Figure 4-26) on page 66

Table 4-126 Numerical parts list (continued)

Part number	Description	Table and page
C5956-67757	Paper-length guide assembly (SVC-GUIDE, PAPER, REAR, CPL)	Trays 2, 3, and 4 drawer parts list (for Figure 4-127) on page 300
C5956-67758	ESD spring (SVC-SPRING, ESD, CPL)	Trays 2, 3, and 4 main assembly parts list (for Figure 4-124) on page 294
C5956-67759	Angled bracket (SVC-BRACKET, ANGLE)	Trays 2, 3, and 4 drive parts list (for Figure 4-129) on page 304
C5956-67766	Horizontal Latch LED (LED1) (SVC-CABLE, LED, AMBER, ASSY)	Front Door Open switch (SW3) parts list (for Figure 4-42) on page 107
C5956-67768	Trays 2, 3, and 4 assembly wire clamps (SVC-CABLE CLAMP)	Trays 2, 3, and 4 main assembly parts list (for Figure 4-124) on page 294
C5956-67770	SVC-PHOTOINTERRUPTER WITH CONNECTOR (SN27)	Tray 1 parts list (for Figure 4-26) on page 66
C5956-67770	Tray 2 Exit sensor (SN47)/Tray 3 Exit sensor (SN51)/Tray 4 Exit sensor (SN55) (SVC-PHOTOINTERRUPTER WITH CONNECTOR)	Trays 2, 3, and 4 drive parts list (for Figure 4-129) on page 304
C5956-67770	Paper-low sensor (SN44, SN48, SN52) (PHOTOINTERRUPTER WITH CONNECTOR)	Trays 2, 3, and 4 separation unit parts list (for Figure 4-130) on page 306
C5956-67786	Carriage magnet retainer (SVC-RETAINER-MAGNET, CARRIAGE 2)	Carriage 2 assembly parts list (for Figure 4-34) on page 84
C5956-67788	ISS PCA cover (SVC-COVER-ISS PCA)	IDS main assembly parts list (for Figure 4-108) on page 254
C5956-67789	Vertical inner guide (SVC ASSY-VERTICAL PATH INNER)	Vertical inner guide parts list (for Figure 4-134) on page 318
C5956-67791	TOF cable cover (SVC-COVER-TOF CBL)	Carriage TOF sensor assembly parts list (for Figure 4-29) on page 74
C5956-67794	Paper width guide (KIT-ASSY, WIDTH ADJUSTER, AUTOMATIC)	Trays 2, 3, and 4 drawer parts list (for Figure 4-127) on page 300
C5956-67812	Echain bracket (SVC-SCORPION-TRAILING-CABLE-BRACKET)	Carriage 1 e-chain parts list (for Figure 4-35) on page 86
C5956-67812	Echain bracket (SVC-SCORPION-TRAILING-CABLE-BRACKET)	Carriage 2 e-chain parts list (for Figure 4-36) on page 88
C5956-67813	Hinge (SVC-HINGE-HORIZONTAL TRANSPORT)	Horizontal transmission parts list (for Figure 4-89) on page 210
C5956-67814	O-ring (SVC-ORING-VACUUM SUPPLY)	Vacuum supply assembly parts list (for Figure 4-132) on page 312
C5956-67816	IDO RM skid plate (SVC-SKID PLATE-FRAME REAR)	IDO RM rear parts list (for Figure 4-97) on page 228

Table 4-126 Numerical parts list (continued)

Part number	Description	Table and page
C5956-67817	Echain bracket cover (SVC-SCORPION BRACKET COVER)	Carriage 1 e-chain parts list (for Figure 4-35) on page 86
C5956-67817	Echain bracket cover (SVC-SCORPION BRACKET COVER)	Carriage 2 e-chain parts list (for Figure 4-36) on page 88
C5956-67818	Tube cap (SVC-CAP-TUBE PANEL MOUNT)	Drum vacuum assembly parts list (for Figure 4-74) on page 174
C5956-67819	Carriage encoder strips (SVC KIT PM-CARRIAGE ENCODER)	Carriage drive assembly parts list (for Figure 4-32) on page 80
C5956-67823	Service station assembly (SVC ASSY-MAIN SS)	Service Station parts list (for Figure 4-122) on page 288
C5956-67824	Tray 1 (SVC ASSY-BYPASS TRAY MECH)	Tray 1 parts list (for Figure 4-26) on page 66
C5956-67825	Left dryer assembly (SVC ASSY-DRYER SYSTEM LEFT)	Dryer assembly parts list (for Figure 4-82) on page 192
C5956-67825	Left dryer assembly (SVC ASSY-DRYER SYSTEM LEFT)	Dryer left assembly parts list (for Figure 4-83) on page 194
C5956-67826	Carriage idler pulley (SVC ASSY-IDLER PULLEY)	Carriage drive assembly parts list (for Figure 4-32) on page 80
C5956-67835	Web wipe cartridge guide (SVC ASSY-WEB CARTRIDGE GUIDE)	Service Station parts list (for Figure 4-122) on page 288
C5956-67836	Web Wipe Material Lift motor (M4) (SVC-MOTOR-WIPE LIFT)	Service Station parts list (for Figure 4-122) on page 288
C5956-67837	Web wipe (SVC KIT PM-WEB WIPE) NOTE: Web wipe bulk pack (SVC-PM KIT WEB WIPE, 12 EA, BU), C5957-67185, 1 (Qty 12)	Web wipe parts list (for Figure 4-136) on page 323
C5956-67840	Rear muffler fabric (SVC ASSY-REAR COVER,FABRIC)	Rear covers parts list (for Figure 4-67) on page 157
C5957-67037	IDO duplex door assembly (SVC ASSY-DUPLEX DOOR)	IDO duplex door assembly parts list (for Figure 4-102) on page 239
C5957-67038	Aerosol assembly without blower and blower cover (SVC ASSY-AEROSOL FILTER BOX)	Aerosol assembly parts list (for Figure 4-25) on page 63
C5957-67042	Left-side middle panel (SVC ASSY-DUPLEXER DOOR)	Left-side middle panel parts list (for Figure 4-55) on page 133
C5957-67044	Door lock actuator (SVC-ACTUATOR-DOOR LOCK)	Upper inner cover parts list (for Figure 4-47) on page 117
C5957-67045	Vertical path door (SVC ASSY-VERTICAL PATH DOOR)	Right-side middle panel parts list (for Figure 4-61) on page 145
C5957-67045	Vertical path door (SVC ASSY-VERTICAL PATH DOOR)	Vertical outer guide parts list (for Figure 4-133) on page 316

Table 4-126 Numerical parts list (continued)

Part number	Description	Table and page
C5957-67047	IDO curler assembly (SVC ASSY-CURLER)	IDO curler assembly parts list (for Figure 4-100) on page 234
C5957-67052	Top-of-form sensor (SN22) kit (SVC KIT-TOF SENSOR)	Carriage TOF sensor assembly parts list (for Figure 4-29) on page 74
C5957-67053	TOF PCA cover (SVC-COVER-TOF PCA)	Carriage TOF sensor assembly parts list (for Figure 4-29) on page 74
C5957-67054	Screw (SVC KIT-FASTENER 2, assortment, SCR-MACH M4X.7 8.25MM-LG PAN WASHER ROHS)	Lower inner cover parts list (for Figure 4-48) on page 119
C5957-67054	Screw (SVC KIT-FASTENER 2, assortment, SCR-MACH M3X0.5 16MM-LG T-10 PAN-HD ROHS)	Drum spittoon parts list (for Figure 4-70) on page 166
C5957-67054	Screw (SVC KIT-FASTENER 2, assortment, SCR-MACH M3X0.5 16MM-LG T-10 PAN-HD ROHS)	Poppet A1 assembly parts list (for Figure 4-77) on page 180
C5957-67054	Screw (SVC KIT-FASTENER 2, assortment, SCR-MACH M3X0.5 16MM-LG T-10 PAN-HD ROHS)	Poppet A2 assembly parts list (for Figure 4-78) on page 182
C5957-67054	Screw (SVC KIT-FASTENER 2, assortment, SCREW-TPG M3 X 0.5 5MM-LG PAN-HD ROHS)	Formatter PCAs parts list (for Figure 4-87) on page 204
C5957-67054	Screw (SVC KIT-FASTENER 2, assortment, SCREW-TPG M3 X 0.5 5MM-LG PAN-HD ROHS)	IDO diverter parts list (for Figure 4-96) on page 226
C5957-67054	Screw (SVC KIT-FASTENER 2, assortment, SCR-MACH M3X0.516MM-LG T-10 PAN-HD ROHS)	IDO outer guide pinch assembly parts list (for Figure 4-103) on page 241
C5957-67054	Screw (SVC KIT-FASTENER 2, assortment, SCREW-TPG M3 X 0.5 5MM-LG PAN-HD ROHS)	IDO outer lower guide assembly parts list (for Figure 4-104) on page 243
C5957-67054	Screw (SVC KIT-FASTENER 2, assortment, SCREW-TPG M3 X 0.5 5MM-LG PAN-HD ROHS)	IDO secret door assembly parts list (for Figure 4-105) on page 245
C5957-67054	Screw (SVC KIT-FASTENER 2, assortment, SCREW-MACH M8X1.25 20MM-LG HEX-HD ROHS)	IDO H-bar assembly parts list (for Figure 4-107) on page 249
C5957-67054	Screw (SVC KIT-FASTENER 2, assortment, SCREW-MACH M3X0.5 30.3MM-LG PAN HD ROHS)	Main Engine PCA (A5) assembly parts list (for Figure 4-114) on page 268
C5957-67054	Screw (SVC KIT-FASTENER 2, assortment, SCREW-TPG 10-16 .5-IN-LG PAN-HD-TRX ROHS)	CPSU Cooling fan (FAN3) parts list (for Figure 4-117) on page 274
C5957-67054	Screw (SVC KIT-FASTENER 2, assortment) SCR-MACH M3X0.5 16MM-LG T-10 PAN-HD ROHS)	Trays 2, 3, and 4 drawer parts list (for Figure 4-127) on page 300
C5957-67054	Screw (SVC KIT-FASTENER 2, assortment, SCR-MACH M3X0.5 16MM-LG T-10 PAN-HD ROHS)	Single output bin parts list (for Figure 4-131) on page 309
C5957-67062	Decurler camshaft assembly (SVC ASSY-CAMSHAFT, DECURLER)	IDO decurler internals assembly parts list (for Figure 4-101) on page 237

Table 4-126 Numerical parts list (continued)

Part number	Description	Table and page
C5957-67066	Card support bracket (SVC-CLAMP-PC BRACKET, UPPER)	Formatter PCAs parts list (for Figure 4-87) on page 204
C5957-67066	PC clamp (SVC-CLAMP-PC BRACKET, UPPER). Not shown in diagram.	Formatter PCAs parts list (for Figure 4-87) on page 204
C5957-67070	Small shaft (SVC ASSY-DRIVE ROLLER CURLER SMALL)	IDO curler assembly parts list (for Figure 4-100) on page 234
C5957-67072	Pen Pocket 1 PCA (A16) (SVC KIT-PCA BORUS DELSOL W/O ENCODER)	Carriage 1 assembly parts list (for Figure 4-33) on page 82
C5957-67072	Pen Pocket 4 PCA (A19) (SVC KIT-PCA BORUS DELSOL W/O ENCODER)	Carriage 2 assembly parts list (for Figure 4-34) on page 84
C5957-67073	Carriage 1 Encoder PCA (A9) (EN18) (SVC KIT-PCA ENCODER BOARD)	Carriage 1 assembly parts list (for Figure 4-33) on page 82
C5957-67073	Carriage 2 Encoder PCA (A24) (EN19) (SVC KIT-PCA ENCODER BOARD)	Carriage 2 assembly parts list (for Figure 4-34) on page 84
C5957-67080	Alignment clip (SVC-CLIP, ALIGNMENT)	Trays 2, 3, and 4 main assembly parts list (for Figure 4-124) on page 294
C5957-67082	GT2 belt (SVC-BELT-GT2 87TX6MM WIDE)	IDO curler assembly parts list (for Figure 4-100) on page 234
C5957-67085	Aerosol duct assembly(SVC KIT PM-AEROSOL DUCTS)	Carriage 1 assembly parts list (for Figure 4-33) on page 82
C5957-67085	Aerosol duct assembly (SVC KIT PM-AEROSOL DUCTS)	Carriage 2 assembly parts list (for Figure 4-34) on page 84
C5957-67085	Duct wipers, carriage 1 and 2 (SVC KIT PM-AEROSOL DUCTS)	Service Station parts list (for Figure 4-122) on page 288
C5957-67086	Drop Detect assembly (A22) (SVC-ASSY-SENSOR-DROP DETECT W/ABSORBERS)	Drop detect assembly parts list (for Figure 4-81) on page 188
C5957-67087	Curler wire cover (SVC-COVER-WIRE EXTERIOR CURLER)	IDO curler assembly parts list (for Figure 4-100) on page 234
C5957-67091	Carriage drive belt attach bracket assembly (SVC ASSY-BELT ATTACH W/BRACKET)	Carriage drive assembly parts list (for Figure 4-32) on page 80
C5957-67092	Right dryer housing (SVC ASSY-DRYER RIGHT STRUCTURE) NOTE: In order to replace either the dryer heater or the dryer fan, order the right dryer housing. The dryer heater and the dryer fan are not available separately.	Dryer right assembly parts list (for Figure 4-84) on page 196
C5957-67101	Z retainer (SVC-Z RETENTION)	Carriage 1 assembly parts list (for Figure 4-33) on page 82
C5957-67101	Z retainer (SVC-Z RETENTION)	Carriage 2 assembly parts list (for Figure 4-34) on page 84
C5957-67101	Z retainer (SVC-Z RETENTION)	Carriage PPS assembly parts list (for Figure 4-37) on page 90

Table 4-126 Numerical parts list (continued)

Part number	Description	Table and page
C5957-67104	Washer (SVC-WASHER-FL MTLK 3.0). Not shown in diagram.	Carriage drive assembly parts list (for Figure 4-32) on page 80
C5957-67108	Drum spittoon assembly (SVC ASSY-DOUBLE DECKER SPITTOON) NOTE: Drum spittoon assembly bulk pack (SVC-DBL DECKER SPITTOON, 12 EA), C5957-67182, 1 (Qty 12)	Drum spittoon parts list (for Figure 4-70) on page 166
C5957-67110	Cable guide (SVC-GUIDE-CABLE CORNER)	Horizontal upper assembly parts list (for Figure 4-90) on page 212
C5957-67113	Paper tray assembly (SVC ASSY-DRAWER)	Trays 2, 3, and 4 main assembly parts list (for Figure 4-124) on page 294
C5957-67114	Drawer rail (SVC-BEARING, LINEAR)	Trays 2, 3, and 4 drawer parts list (for Figure 4-127) on page 300
C5957-67115	Pens for single carriage (1 each: KY, CM, Bonding Agent printheads) (SVC KIT-PRINTHEADS, SINGLE CARRIAGE). Not shown in diagram.	Printheads parts list (for Figure 4-31) on page 78
C5957-67116	(KEY, DRAWER, PLUS)	Trays 2, 3, and 4 drawer parts list (for Figure 4-127) on page 300
C5957-67117	Label (SVC-LABEL-WEB REMOVAL). Not shown in diagram.	Web wipe parts list (for Figure 4-136) on page 323
C5957-67118	Power supply (PS1) assembly (SVC ASSY-POWER SUPPLY WITH MERCURY LABEL)	Power supply parts list (for Figure 4-116) on page 272
C5957-67120	Acoustic panel (pre-Tag 6) (SVC-ACOUSTIC PANEL-WEB WIPE COVER). Not shown in diagram.	Web wipe access cover parts list (for Figure 4-59) on page 141
C5957-67125	Web cartridge assembly	Web wipe parts list (for Figure 4-136) on page 323
C5957-67126	PPS assembly	Carriage PPS assembly parts list (for Figure 4-37) on page 90
C5957-67128	Guide, 7 claw (SVC-GUIDE, CATSCRATCHER-UPPER). Note: Part number C5957-67128 (7 claw) replaces C5957-67103 (5 claw). C5957-67128 (7 claw) only compatible with C5957-67129, "Media eject paw, 7 claw."	IDO media eject assembly parts list (for Figure 4-99) on page 232
C5957-67129	Media eject paw, 7 claw (SVC KIT-MEDIA EJECT PAW, SEVENCLAWS). Note: Part number C5957-67129 (7 claw) replaces C5956-67280 (5 claw). C5957-67129 (7 claw) only compatible with C5957-67128 "Guide, 7 claw).	IDO media eject assembly parts list (for Figure 4-99) on page 232
C5957-67133	(SVC ASSY-D-SHAFT, NUGE, CATSCRATCHER)	IDO media eject assembly parts list (for Figure 4-99) on page 232

Table 4-126 Numerical parts list (continued)

Part number	Description	Table and page
C5957-67137	Screw (SVC-SCREW-TPG M2 x 0.4 4MM-LG PAN HD)	Carriage PPS assembly parts list (for Figure 4-37) on page 90
C5957-67137	Screw (SVC-SCR-TPG M2X0.4 4MM-LG PAN HD ROHS)	IDO decurler internals assembly parts list (for Figure 4-101) on page 237
C5957-67145	Drop Detect bucket with absorbers assembly (ASSY-DD SPITBUCKET, WIPERS AND ABSORBERS)	Drop detect assembly parts list (for Figure 4-81) on page 188
C5957-67146	Echain assembly Carriage 1 (SVC ASSY-ECHAIN, LEFT)	Carriage 1 e-chain parts list (for Figure 4-35) on page 86
C5957-67147	Echain assembly Carriage 2 (SVC ASSY-ECHAIN, RIGHT)	Carriage 2 e-chain parts list (for Figure 4-36) on page 88
C5957-67186	APS relief valve (SOL5) (SVC-ASSY-RELIEF VALVE)	IDS APS assembly parts list (for Figure 4-109) on page 256
C5957-67189	APS assembly (PMP1) (SVC ASSY-APS W/NEW VALVE)	IDS APS assembly parts list (for Figure 4-109) on page 256
C5957-67191	Paper tray assembly (SVC ASSY-DRAWER) Note: Part number C5957-67191 replaces C5957-67113.	Trays 2, 3, and 4 drawer parts list (for Figure 4-127) on page 300
C5957-67195	IDS assembly (SVC ASSY-IDS). Note: Part number C5957-67195 replaces older assemblies C5957-67192 and C5956-69237.	IDS main assembly parts list (for Figure 4-108) on page 254
C5957-67197	IDS valve (SVC KIT-CRACKED VALVE HOUSING). Note: Each kit contains four valves and four C-clips.	IDS ISS assembly parts list (for Figure 4-110) on page 258
C5957-67198	Carriage drive pulley and pin assembly (SVC ASSY-DRIVE PULLEY WITH PIN) Note: Part number C5957-67198 replaces C5956-67687.	Carriage drive assembly parts list (for Figure 4-32) on page 80
C5957-67200	Drum guide white nylon gears (SVC-GEARS, DRUM GUIDE)	Drum guide assembly parts list (for Figure 4-80) on page 186
C5957-67202	Alignment pins	IDO RM front parts list (for Figure 4-92) on page 218
C5962-67001	ADF Width sensor (SN402) (SVC-SWITCH, SIZE DETECTION)	ADF input tray parts list (for Figure 4-16) on page 42
C5962-67002	ADF left hinge (SVC-LEFT_HINGE)	ADF main assembly parts list (for Figure 4-17) on page 44
C5962-67003	ADF right hinge (SVC-RIGHT_HINGE)	ADF main assembly parts list (for Figure 4-17) on page 44
C5962-67004	Feed roller service kit (SVC KIT PM-ROLLER FEED)	ADF conveying section parts list (for Figure 4-20) on page 50
C5962-67005	Torque limiter (SVC-TORQUE LIMITER DP)	ADF conveying section parts list (for Figure 4-20) on page 50

Table 4-126 Numerical parts list (continued)

Part number	Description	Table and page
C5962-67006	ADF Cover Open switch (SW402) (SVC KIT-SWITCH A, INTERLOCK)	ADF drive system parts list (for Figure 4-18) on page 46
C5962-67007	ADF Control PCA (A401) (SVC-DRIVER PCB SOFTWARE ASS'Y)	ADF drive system parts list (for Figure 4-18) on page 46
C5962-67008	ADF LED PCA (A402) (SVC-SET LED PCB ASS'Y)	ADF front side parts list (for Figure 4-19) on page 48
C5962-67009	ADF Feed clutch (CL401) (SVC-CLUTCH, PAPER FEED)	ADF drive system parts list (for Figure 4-18) on page 46
C5962-67010	ADF Feed sensor (SN404) (SVC-SWITCH L, FEED)	ADF conveying section parts list (for Figure 4-20) on page 50
C5962-67011	ADF Timing sensor (SN406) (SVC-SENSOR, TIMING)	ADF conveying section parts list (for Figure 4-20) on page 50
C5962-67012	ADF output bin (SVC-RIGHT COVER ASSEMBLY)	ADF main assembly parts list (for Figure 4-17) on page 44
C5962-67013	ADF originals cover (SVC-ORIGINAL HOLDER ASSEMBLY)	ADF main assembly parts list (for Figure 4-17) on page 44
C5962-67014	ADF front cover (SVC-FRONT COVER ASSEMBLY)	ADF main assembly parts list (for Figure 4-17) on page 44
C5962-67015	ADF top cover (SVC-LEFT COVER ASSEMBLY)	ADF main assembly parts list (for Figure 4-17) on page 44
C5962-67016	ADF rear cover (SVC-REAR COVER ASSEMBLY)	ADF main assembly parts list (for Figure 4-17) on page 44
C5962-67017	ADF input tray (SVC-FEED TABLE ASSEMBLY)	ADF input tray parts list (for Figure 4-16) on page 42
C5962-67017	ADF input tray (SVC-FEED TABLE ASSEMBLY)	ADF main assembly parts list (for Figure 4-17) on page 44
C5962-67018	ADF rear paper width guide (SVC-REAR GUIDE ASSEMBLY)	ADF input tray parts list (for Figure 4-16) on page 42
C5962-67019	ADF front paper width guide (SVC-FRONT GUIDE ASSEMBLY)	ADF input tray parts list (for Figure 4-16) on page 42
C5962-67022	T35/T22/Z22 pulley (SVC-PULLEY, T35/T22/Z22)	ADF drive system parts list (for Figure 4-18) on page 46
C5962-67023	T28/Z18 pulley (SVC-PULLEY, T28/Z18)	ADF drive system parts list (for Figure 4-18) on page 46
C5962-67024	Z22/T35P2M Gear (SVC-GEAR, Z22/T35P2M)	ADF drive system parts list (for Figure 4-18) on page 46
C5962-67025	ADF input tray wire (SVC-WIRE, TABLE)	ADF input tray parts list (for Figure 4-16) on page 42
C5962-67026	ADF lift pad (SVC-PAD, LIFT)	ADF conveying section parts list (for Figure 4-20) on page 50

Table 4-126 Numerical parts list (continued)

Part number	Description	Table and page
C5962-67027	SVC-PT.SENSOR GP1A73AJ00/BK	ADF conveying section parts list (for Figure 4-20) on page 50
C5962-67028	Paper conveying kit (SVC KIT-PAPER CONVEYING)	ADF conveying section parts list (for Figure 4-20) on page 50
C5962-67029	Roller loop service kit (SVC KIT-ROLLER, LOOP)	ADF conveying section parts list (for Figure 4-20) on page 50
C5962-67030	ADF Duplex Pressure solenoid (SOL403) (SVC KIT-SOLENOID, LOOP PULLEY). Includes spring and spring pin.	ADF drive system parts list (for Figure 4-18) on page 46
C5962-67031	ADF reversing section pulley kit (SVC KIT-REVERSING SECTION)	ADF conveying section parts list (for Figure 4-20) on page 50
C5962-67032	Upper conveying roller service kit (SVC KIT-UPPER ROLLER,CONVEYING)	ADF conveying section parts list (for Figure 4-20) on page 50
C5962-67033	Lower conveying roller service kit (SVC KIT-LOWER ROLLER, CONVEYING)	ADF conveying section parts list (for Figure 4-20) on page 50
C5962-67034	Registration roller service kit (SVC KIT-ROLLER, REGISTRATION)	ADF conveying section parts list (for Figure 4-20) on page 50
C5962-67035	Inner conveying roller service kit (SVC KIT-INNER ROLLER, CONVEYING)	ADF conveying section parts list (for Figure 4-20) on page 50
C5962-67036	Eject roller service kit (SVC KIT-ROLLER, EJECT)	ADF conveying section parts list (for Figure 4-20) on page 50
C5962-67037	Inner conveying pulley service kit (SVC KIT-INNER PULLEY)	ADF conveying section parts list (for Figure 4-20) on page 50
C5962-67038	ADF reading guide (SVC KIT-PAPER EJECT)	ADF drive system parts list (for Figure 4-18) on page 46
C5962-67038	ADF eject drive kit (SVC KIT-PAPER EJECT)	ADF front side parts list (for Figure 4-19) on page 48
C5962-67039	ADF drive system service kit (SVC KIT-DRIVE SECTION)	ADF drive system parts list (for Figure 4-18) on page 46
C5962-67040	ADF Feed motor (M401)/ADF Conveying motor (M402) (SVC ASSY-MOTOR PAPER FEED)	ADF drive system parts list (for Figure 4-18) on page 46
C5962-67041	Bearing, 68822NR (SVC KIT-ADF, SCANNER BEARINGS-BUSHINGS)	Scanner top parts list (for Figure 4-21) on page 54
C5962-67042	Screws (SVC KIT-ADF, SCANNER SCREWS, assortment)	ADF input tray parts list (for Figure 4-16) on page 42
C5962-67042	Screws (SVC KIT-ADF, SCANNER SCREWS, assortment)	ADF main assembly parts list (for Figure 4-17) on page 44

Table 4-126 Numerical parts list (continued)

Part number	Description	Table and page
C5962-67042	Screws (SVC KIT-ADF, SCANNER SCREWS, assortment)	ADF drive system parts list (for Figure 4-18) on page 46
C5962-67042	Screws (SVC KIT-ADF, SCANNER SCREWS, assortment)	ADF front side parts list (for Figure 4-19) on page 48
C5962-67042	Screws (SVC KIT-ADF, SCANNER SCREWS, assortment)	ADF conveying section parts list (for Figure 4-20) on page 50
C5962-67042	Screws (SVC KIT-ADF, SCANNER SCREWS, assortment)	Scanner top parts list (for Figure 4-21) on page 54
C5962-67042	Screws (SVC KIT-ADF, SCANNER SCREWS, assortment)	Scanner drive and electronics parts list (for Figure 4-23) on page 58
C5962-67043	Stop ring (SVC KIT-ADF, SCANNER STOP RINGS)	ADF drive system parts list (for Figure 4-18) on page 46
C5962-67043	Stop ring (SVC KIT-ADF, SCANNER STOP RINGS)	Scanner top parts list (for Figure 4-21) on page 54
C5962-67043	Stop ring (SVC KIT-ADF, SCANNER STOP RINGS)	Scanner front and rear wires parts list (for Figure 4-22) on page 56
C5962-67045	ADF assembly (SVC ASSY-ADF)	ADF main assembly parts list (for Figure 4-17) on page 44
C5963-67001	Single output bin front bracket (SVC-BRACKET-FRONT SOB)	Single output bin parts list (for Figure 4-131) on page 309
C5963-67002	Single output bin rear bracket (SVC-BRACKET-REAR SOB)	Single output bin parts list (for Figure 4-131) on page 309
C5963-67004	Output Bin Full sensor (SN17) (SVC-SENSOR-SOB FULL)	Single output bin parts list (for Figure 4-131) on page 309
C5963-67005	Single output bin (SVC-BIN-SINGLE OUTPUT)	Single output bin parts list (for Figure 4-131) on page 309
C5963-67006	Single output bin assembly (SVC ASSY-BIN, SINGLE OUTPUT)	Single output bin parts list (for Figure 4-131) on page 309
C8747-69901	Black/yellow pen (KY PRINTHEAD)	Printheads parts list (for Figure 4-31) on page 78
C8748-69901	Cyan/magenta pen (CM PRINTHEAD)	Printheads parts list (for Figure 4-31) on page 78
C8749-69901	Bonding Agent pen (BONDING AGENT PRINTHEAD)	Printheads parts list (for Figure 4-31) on page 78
Not available	ADF Original Lift solenoid (SOL401) (SVC-FEED SOLENOID ASSEMBLY)	ADF drive system parts list (for Figure 4-18) on page 46
Not available	ADF Duplex Shift solenoid (SOL402)/ADF Eject Shift solenoid (SOL404) (SVC-FEED SOLENOID ASSEMBLY)	ADF front side parts list (for Figure 4-19) on page 48
Not available	Not available. Note that white idler wheel is the same as used in ref 12.	IDO drive belts parts list (for Figure 4-95) on page 224

Table 4-126 Numerical parts list (continued)

Part number	Description	Table and page
Not available	Spring	IDO media eject assembly parts list (for Figure 4-99) on page 232
Q7557-60001	128 MB DIMM (HP 128MB 167HMZ 200 PIN DDR DIMM)	Formatter PCAs parts list (for Figure 4-87) on page 204
Q7559-60001	512 MB DIMM (HP 512MB 167HMZ 200 PIN DDR DIMM)	Formatter PCAs parts list (for Figure 4-87) on page 204

5 C5961A Tray 5 parts diagrams

- [Tray 5 casters parts diagram](#)
- [Tray 5 front and left covers parts diagram](#)
- [Tray 5 top covers parts diagram](#)
- [Tray 5 rear and right covers parts diagram](#)
- [Tray 5 front and left sensors parts diagram](#)
- [Tray 5 elevator transmission assembly parts diagram](#)
- [Tray 5 elevator cables diagram](#)
- [Tray 5 elevator tray diagram](#)
- [Tray 5 paper path assembly parts diagram](#)
- [Tray 5 lower separator assembly parts diagram](#)
- [Tray 5 pick assembly parts diagram](#)
- [Cables](#)
- [Alphabetical parts list](#)
- [Numerical parts list](#)

Tray 5 casters parts diagram

Figure 5-1 Tray 5 casters parts diagram

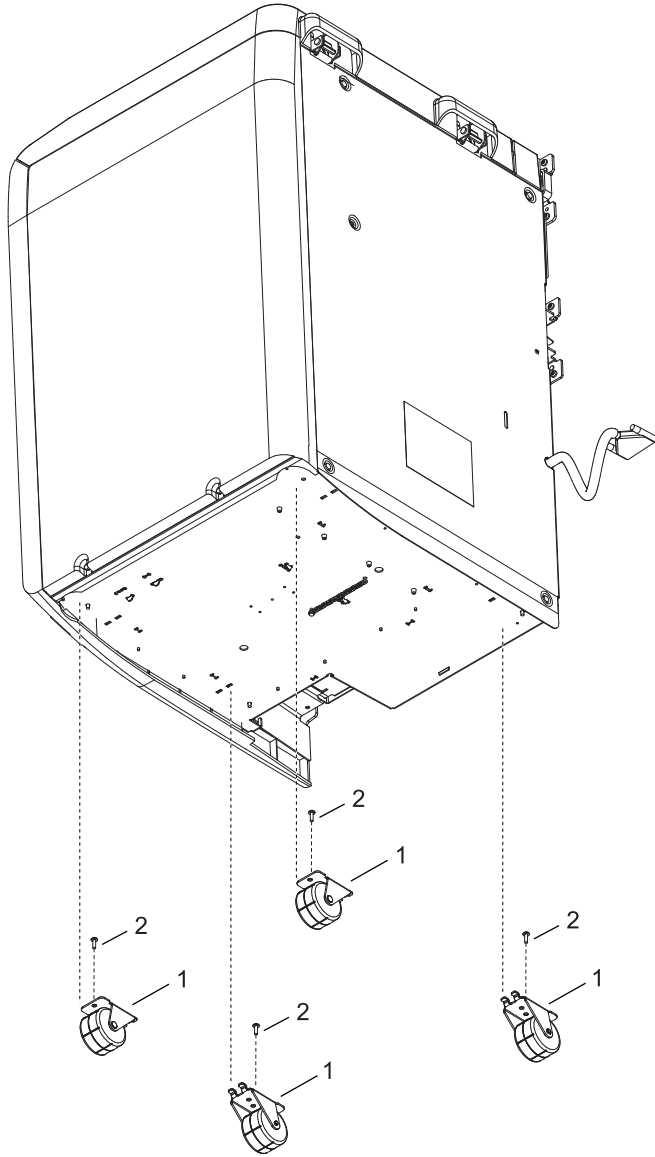


Table 5-1 Tray 5 casters parts list (for Figure 5-1)

Ref	Description	Part number	Qty
1	Tray 5 caster (SVC-CASTER HI-CAP BDT)	C5961-67037	1
2	Screw (SVC-SCREW-TPG M4X0.7 8MM-LG PAN HD ROHS)	C5956-67003	1 (Qty 20)

Tray 5 front and left covers parts diagram

Figure 5-2 Tray 5 front and left covers parts diagram

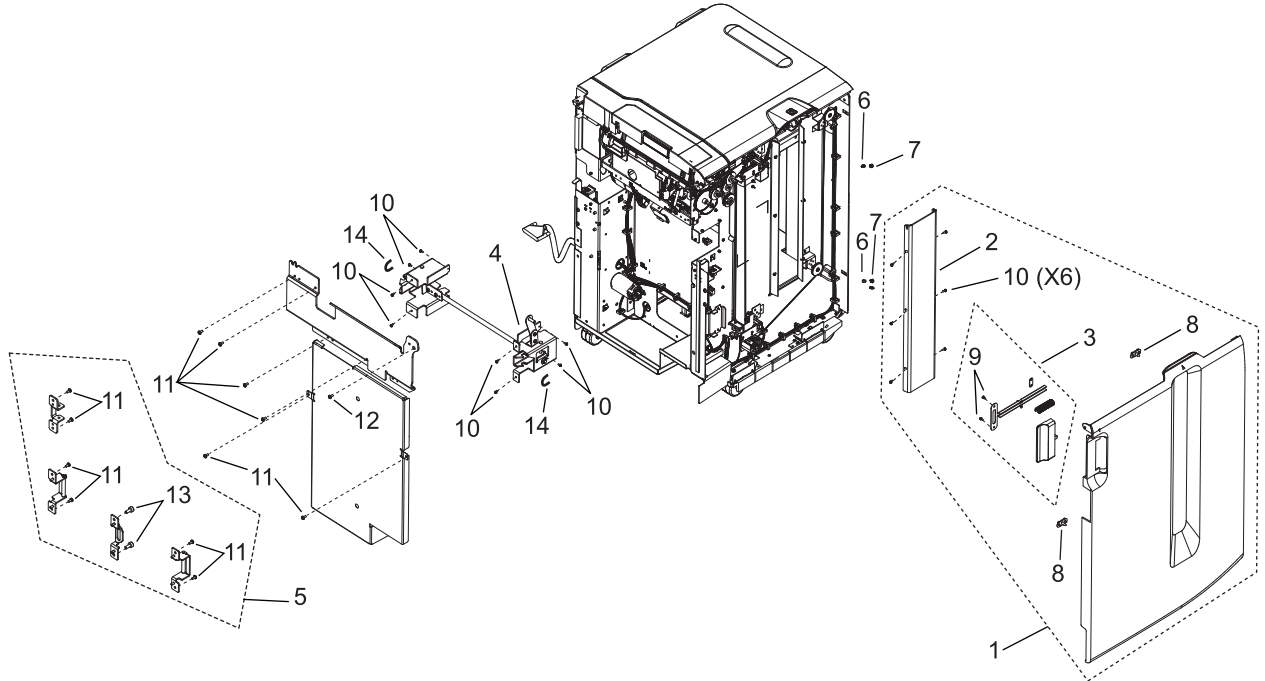


Table 5-2 Tray 5 front and left covers parts list (for Figure 5-2)

Ref	Description	Part number	Qty
1	Tray 5 front cover (SVC ASSY-CASE, FRONT)	C5961-67076	1
2	Tray 5 window (SVC-WINDOW_HI-CAP)	C5961-67022	1
3	Tray 5 front cover handle assembly (SVC KIT-HANDLE-RELEASE)	C5961-67097	1
4	Tray 5 latch assembly (SVC ASSY-LATCH)	C5961-67029	1
5	Tray 5 bracket assembly (SVC KIT-BRACKET TRAY 5) Note: Part number C5961-67105 replaces C5961-67077.	C5961-67105	1
6	Tray 5 Top-left Panel LED (LED101)/Tray 5 Top Door LED (LED102) (SVC-LED, AMBER)	C5956-67070	5
7	LED holder (SVC-HOLDER-LED)	C5956-67376	10
8	Tray 5 captive fastener and receptacle (SVC KIT-CAPTIVE FASTENER)	C5961-67045	2
9	Screw (SVC-SCREW-TPG 4-20X7.94MM 10IP ROHS)	C5956-67012	1 (Qty 20)
10	Screw (SVC-SCREW-TPG M3X0.5 6MM-LG PAN HD ROHS)	C5956-67001	1 (Qty 20)
11	Screw (SVC-SCREW-MACH M4X0.78MM-LG PAN HD ROHS)	C5956-67006	1 (Qty 20)
12	Screw (SVC-SCRW-MACH M4X0.7 16MM-LG PAN HD ROHS)	C5956-67007	1 (Qty 20)
13	SCREW SKT-HD CAP M6X1.0 14MM-LG ROHS	C5956-67739	1 (Qty 2)
14	Clip (SVC KIT-CLIPS, assortment)	C5956-67650	1

Tray 5 top covers parts diagram

Figure 5-3 Tray 5 top covers parts diagram

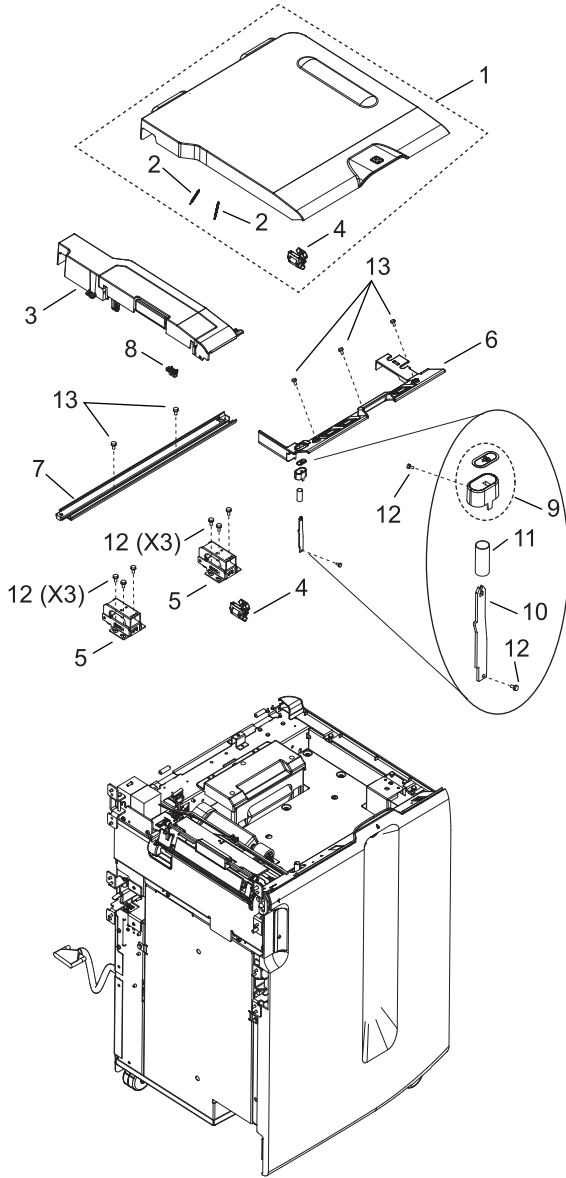


Table 5-3 Tray 5 top covers parts list (for Figure 5-3)

Ref	Description	Part number	Qty
1	Tray 5 top door (SVC ASSY-DOOR,MEDIA)	C5961-67080	1
2	Top door spring (SVC-SPRING-DOOR-JAM-CLEAR)	C5961-67099	1
3	Tray 5 top-left panel (SVC ASSY-CASE TOP)	C5961-67036	1
4	Tray 5 swinger assembly (SVC ASSY-SWINGER)	C5961-67035	1
5	Tray 5 top door hinge (SVC-HINGE-DOOR MEDIA ACCESS)	C5961-67075	1
6	Tray 5 top front cover (SVC-COVER-CHASSIS FRONT WALL)	C5961-67063	1
7	Ball slide extension (SVC-BALLSLIDE-460MM EXTENSION, 36MM)	C5961-67054	1
8	Tray 5 Top-left Panel sensor (SN112) (SVC-PHOTOINTERRUPTER IO=50MA ROHS)	C5956-67256	1
9	Tray 5 media jam release button (SVC KIT-BUTTON,JAM,TRAY5)	C5961-67064	1
10	Media release button rod (SVC-PUSHROD-RELEASE BUTTON)	C5961-67008	1
11	Media release button spring (SVC-SPRING-RETURN BUTTON)	C5961-67010	1
12	Screw (SVC-SCREW-TPG M3X0.5 6MM-LG PAN HD ROHS)	C5956-67001	1 (Qty 20)
13	Screw (SVC-SCREW-MACH M4X0.7 8MM-LG PAN HD ROHS)	C5956-67006	1 (Qty 20)

Tray 5 rear and right covers parts diagram

Figure 5-4 Tray 5 rear and right covers parts diagram

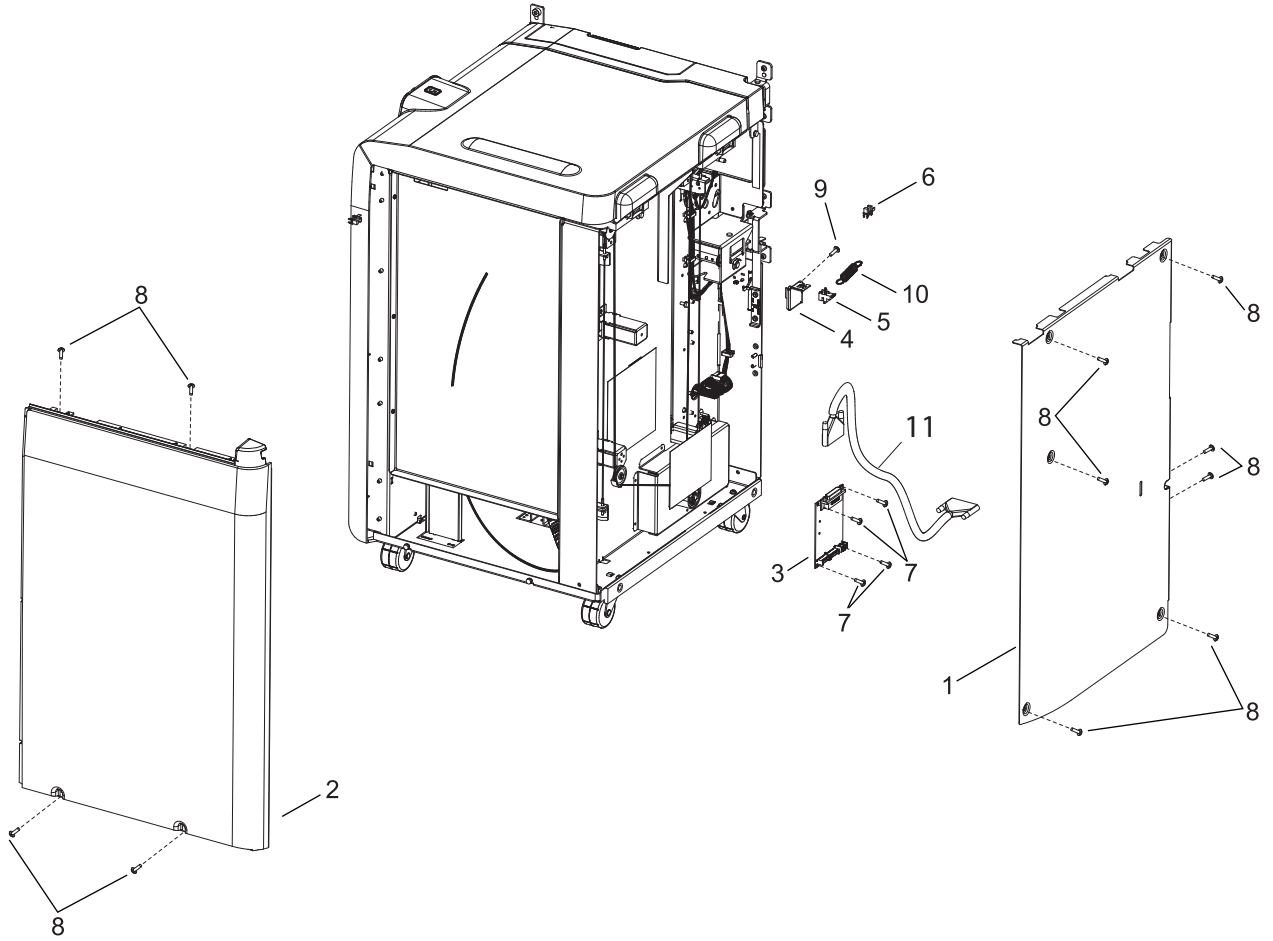


Table 5-4 Tray 5 rear and right covers parts list (for Figure 5-4)

Ref	Description	Part number	Qty
1	Tray 5 rear cover (SVC-CASE-BACK)	C5961-67021	1
2	Tray 5 right cover (SVC-CASE-RIGHT)	C5961-67023	1
3	Tray 5 Distribution PCA (A101) (SVC-PCA-HICAP DISTRIBUTION)	C5961-67011	1
4	Back engagement sensor bracket (SVC-BRACKET-ENGAGEMENT SENSOR BACK)	C5961-67087	1
5	Tray 5 back latch sensor (SN106) (SVC-SENSOR, MEDIA PRESENCE)	C5956-67255	1 (Qty 5)
6	Tray 5 Media Door Open sensor (SN107) (SVC-PHOTOINTERRUPTER IF=30MA-MAX ROHS)	C5961-67013	1
7	Screw (SVC-SCREW-MACH M3X0.5 6MM-LG PAN HD ROHS)	C5956-67005	1 (Qty 20)
8	Screw (SVC-SCREW-MACH M4X0.7 8MM-LG PAN HD ROHS)	C5956-67006	1 (Qty 20)
9	Screw (SVC-SCREW-TPG M3X0.5 6MM-LG PAN HD ROHS)	C5956-67001	1 (Qty 20)
10	SPRING-BIAS (SVC KIT-SPRING BIAS)	C5959-67249	5
11	Tray 5 interface cable to MFP (SVC-CABLE, HICAP/RT WALL)	C5961-67108	1

Tray 5 front and left sensors parts diagram

Figure 5-5 Tray 5 front and left sensors parts diagram

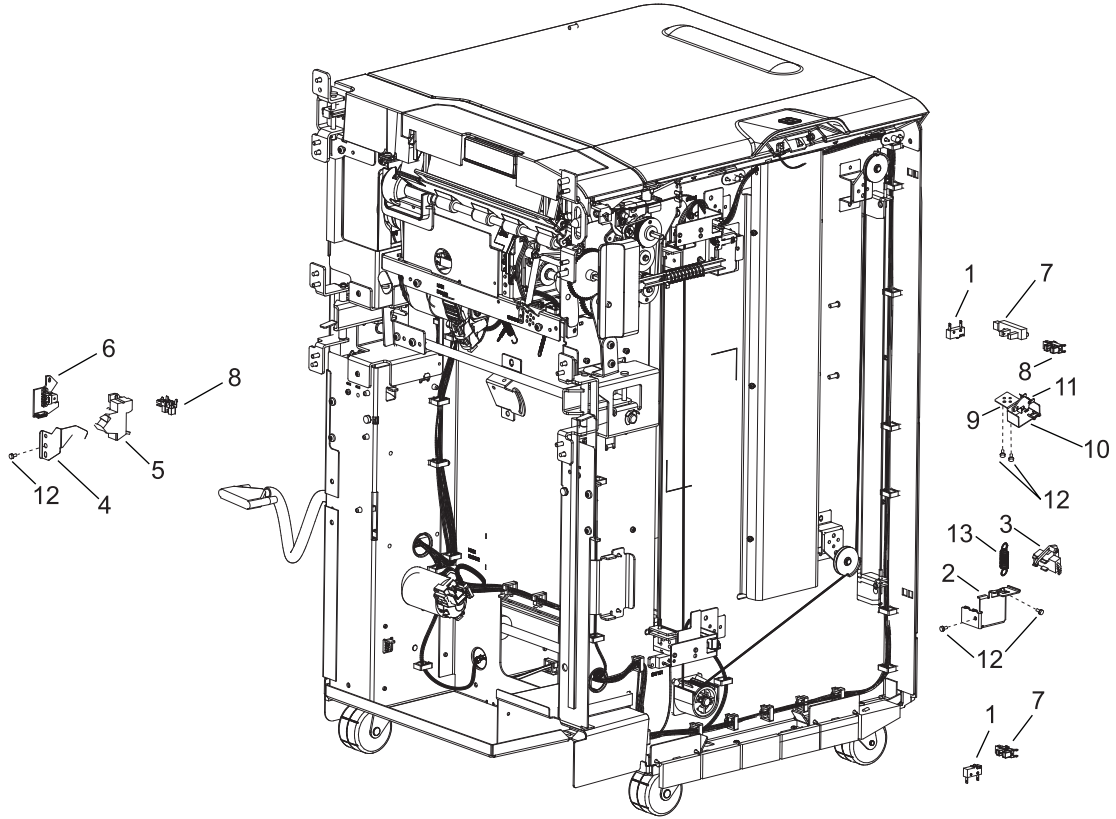


Table 5-5 Tray 5 front and left sensors parts list (for Figure 5-5)

Ref	Description	Part number	Qty
1	Tray 5 Elevator Lower Limit switch (SW101)/Tray 5 Elevator Upper Limit switch (SW102) (SVC KIT-LIMIT SWITCH, ELEVATOR)	C5961-67067	1
2	Front engagement sensor bracket (SVC-BRACKET-ENGAGEMENT SENSOR FRONT)	C5961-67088	1
3	Tray 5 Front Engagement sensor (SN105) (SVC-SENSOR, MEDIA PRESENCE)	C5956-67255	1 (Qty 5)
4	Encoder spring clamp (SVC-SPRING-ENCODER CLAMP)	C5961-67048	1
5	Tensioner clamp (SVC KIT-LOWER SEPARATOR)	C5961-67046	1
6	Tray 5 Lower Separator encoder (EN103) PCA assembly (SVC-ASSY-PCA LS ENCODER)	C5961-67012	1
7	Tray 5 Elevator Upper Limit sensor (SN108)/Tray 5 Elevator Lower Limit sensor (SN110) (SVC ASSY-SENSOR ALEPH-ON 171-A8 W/SEAL)	C5961-67025	5
8	Tray 5 Load Media sensor (SN109) (SVC-PHOTO INTERRUPTER TLP1243)	C5961-67013	1
9	SN104 bracket (SVC-ASSY-BRACKET STACK LEVEL). Note: Part number C5961-67103 replaces C5961-67100.	C5961-67103	1
10	Sensor retainer (SVC-RETAINER-PHOTOSENSOR)	C5961-67038	5
11	Elevator sensor flag (SVC-SENSOR FLAG-ELEVATOR)	C5961-67002	1
12	Screw (SVC-SCREW-TPG M3X0.5 6MM-LG PAN HD ROHS)	C5956-67001	1 (Qty 20)
13	SPRING-BIAS (SVC KIT-SPRING BIAS)	C5959-67249	5
14	Tray 5 Stack Height sensor (SN104) (SVC-PHOTO INTERRUPTER IF=50MA)	C5956-67256	1

Tray 5 elevator transmission assembly parts diagram

Figure 5-6 Tray 5 elevator transmission assembly parts diagram

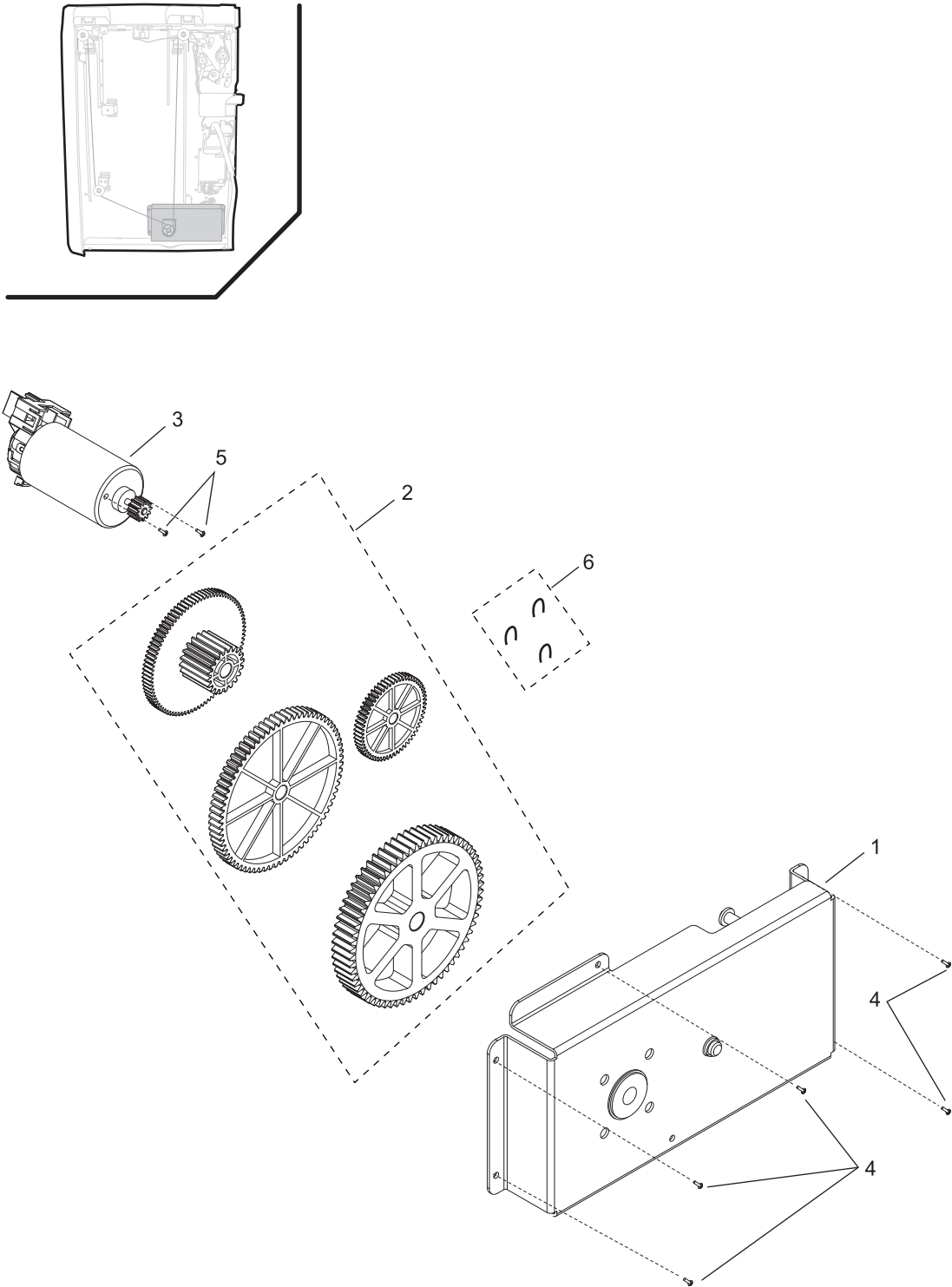


Table 5-6 Tray 5 elevator transmission assembly parts list (for Figure 5-6)

Ref	Description	Part number	Qty
1	Tray 5 elevator transmission cover (SVC-WALL-TRANSMISSION)	C5961-67020	1
2	Tray 5 elevator transmission gear train (SVC KIT-ELEVATOR TRANS GEARS)	C5961-67058	1
3	Tray 5 Elevator motor (M102) (SVC-MOTOR, SVS)	C5956-67299	1
4	Screw (SVC-SCREW-TPG M3X0.5 6MM-LG PAN HD ROHS)	C5956-67001	1 (Qty 20)
5	Screw (SVC-SCREW-MACH M3X0.5 6MM-LG PAN HD ROHS)	C5956-67005	1 (Qty 20)
6	Clip (SVC KIT-CLIPS, assortment)	C5956-67650	1

Tray 5 elevator cables diagram

Figure 5-7 Tray 5 elevator cables parts diagram

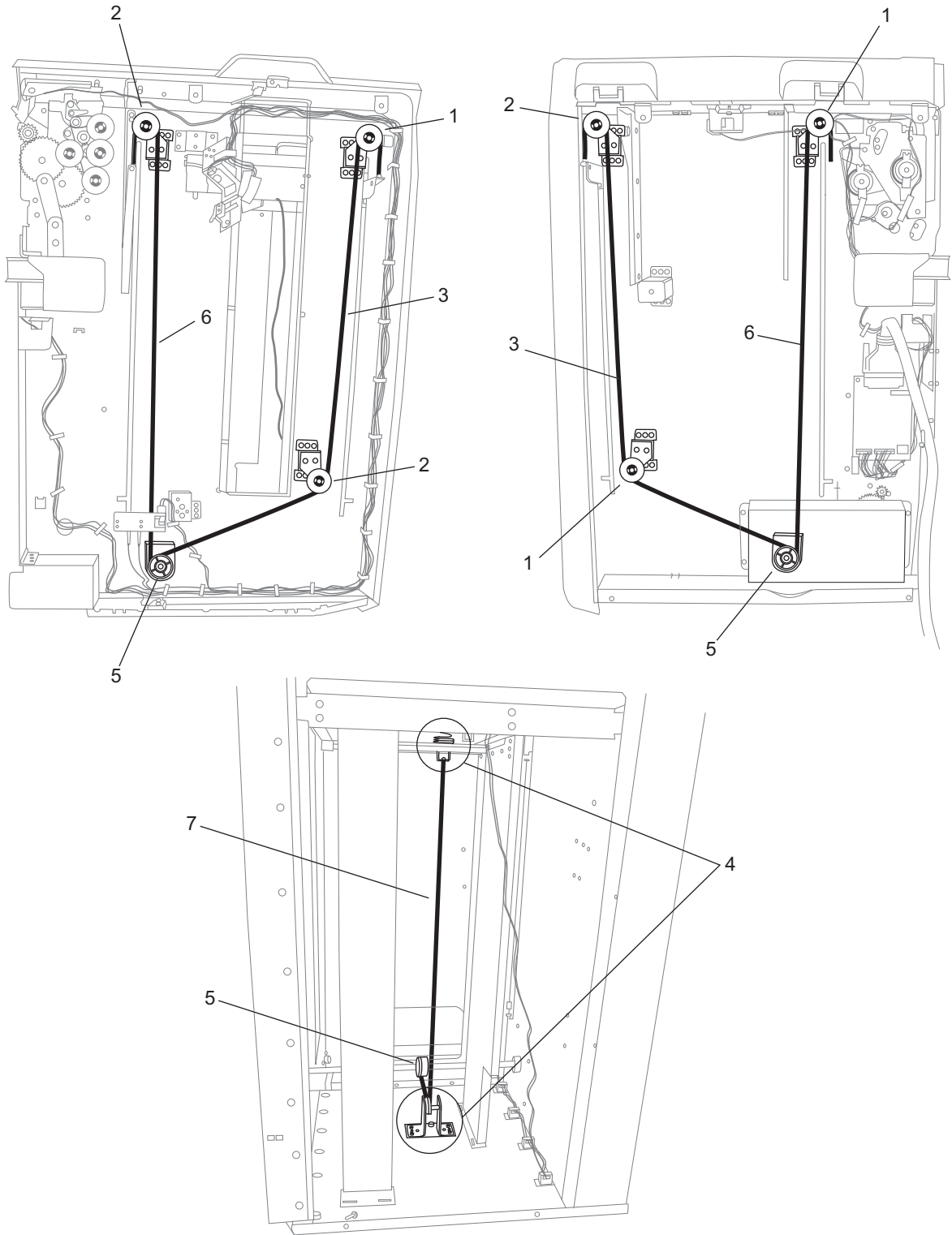


Table 5-7 Tray 5 elevator cables parts list (for Figure 5-7)

Ref	Description	Part number	Qty
1	Right idler (SVC ASSY-IDLER RIGHT)	C5961-67030	1
2	Left idler (SVC ASSY-IDLER LEFT)	C5961-67034	1
3	Long elevator cables (SVC KIT-CABLES, ELEVATOR)	C5961-67074	1
4	Downhaul bracket assembly (SVC-ASSY-BRACKET DOWNHAUL)	C5961-67019	1
5	Elevator winder assembly (SVC KIT-WINDER)	C5961-67056	1
6	Short elevator cables (SVC KIT-CABLES, ELEVATOR)	C5961-67074	1
7	Downhaul cable (SVC KIT-CABLES, ELEVATOR)	C5961-67074	1
8	Clip (SVC KIT-CLIPS, assortment). Not shown in diagram.	C5956-67650	1

Tray 5 elevator tray diagram

Figure 5-8 Tray 5 elevator tray parts diagram

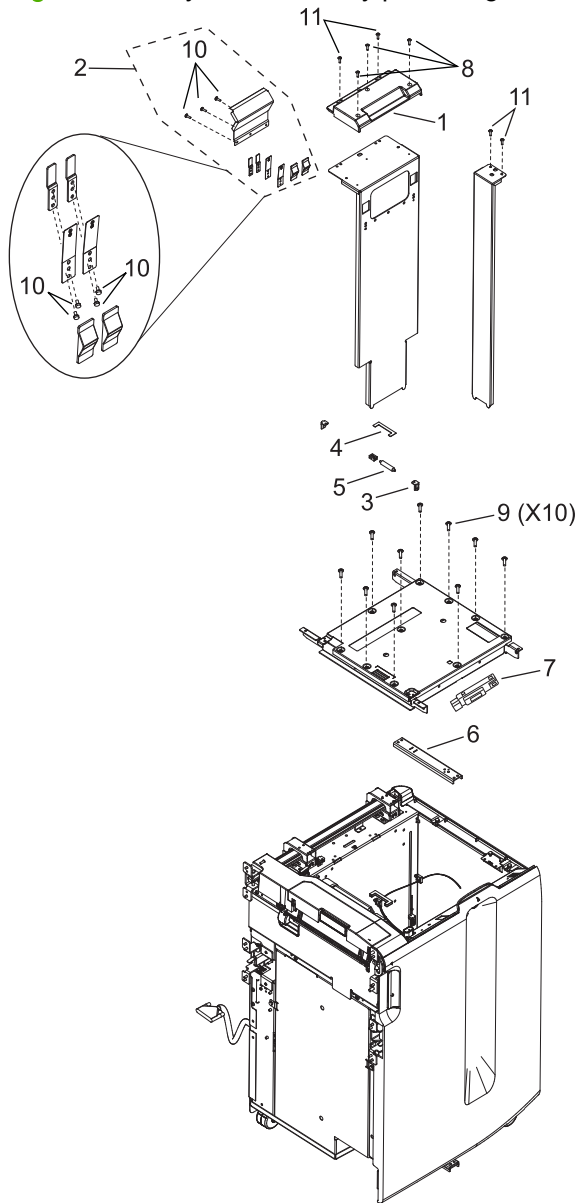


Table 5-8 Tray 5 elevator tray parts list (for Figure 5-8)

Ref	Description	Part number	Qty
1	Tray 5 paper guide cover (SVC-COVER-PAPER GUIDE)	C5961-67024	1
2	Stack bias kit (SVC KIT-STACK BIAS)	C5961-67044	1
3	Tray 5 elevator guide (SVC-GUIDE-ELEVATOR)	C5961-67039	2
4	Cork pad (SVC-PAD-CORK)	C5961-67084	1
5	Elevator roller assembly (SVC KIT-ROLLER-TRAY)	C5961-67050	1
6	Downhaul pull bar (SVC-BAR-PULL)	C5961-67017	1
7	Tray 5 Empty sensor (SN111) (SVC-OPTO SENSOR, LIGHT MODULATION IO=16M)	C5956-67088	5
8	Screw (SVC-SCREW-TPG M3X0.5 6MM-LG PAN HD ROHS)	C5956-67001	1 (Qty 20)
9	Screw (SVC-SCREW-TPG M4X0.7 8MM-LG PAN HD ROHS)	C5956-67003	1 (Qty 20)
10	Screw (SVC-SCREW-MACH M3X0.5 6MM-LG PAN HD ROHS)	C5956-67005	1 (Qty 20)
11	Screw (SVC-SCREW-MACH M4X0.7 8MM-LG PAN HD ROHS)	C5956-67006	1 (Qty 20)

Tray 5 paper path assembly parts diagram

Figure 5-9 Tray 5 paper path assembly parts diagram

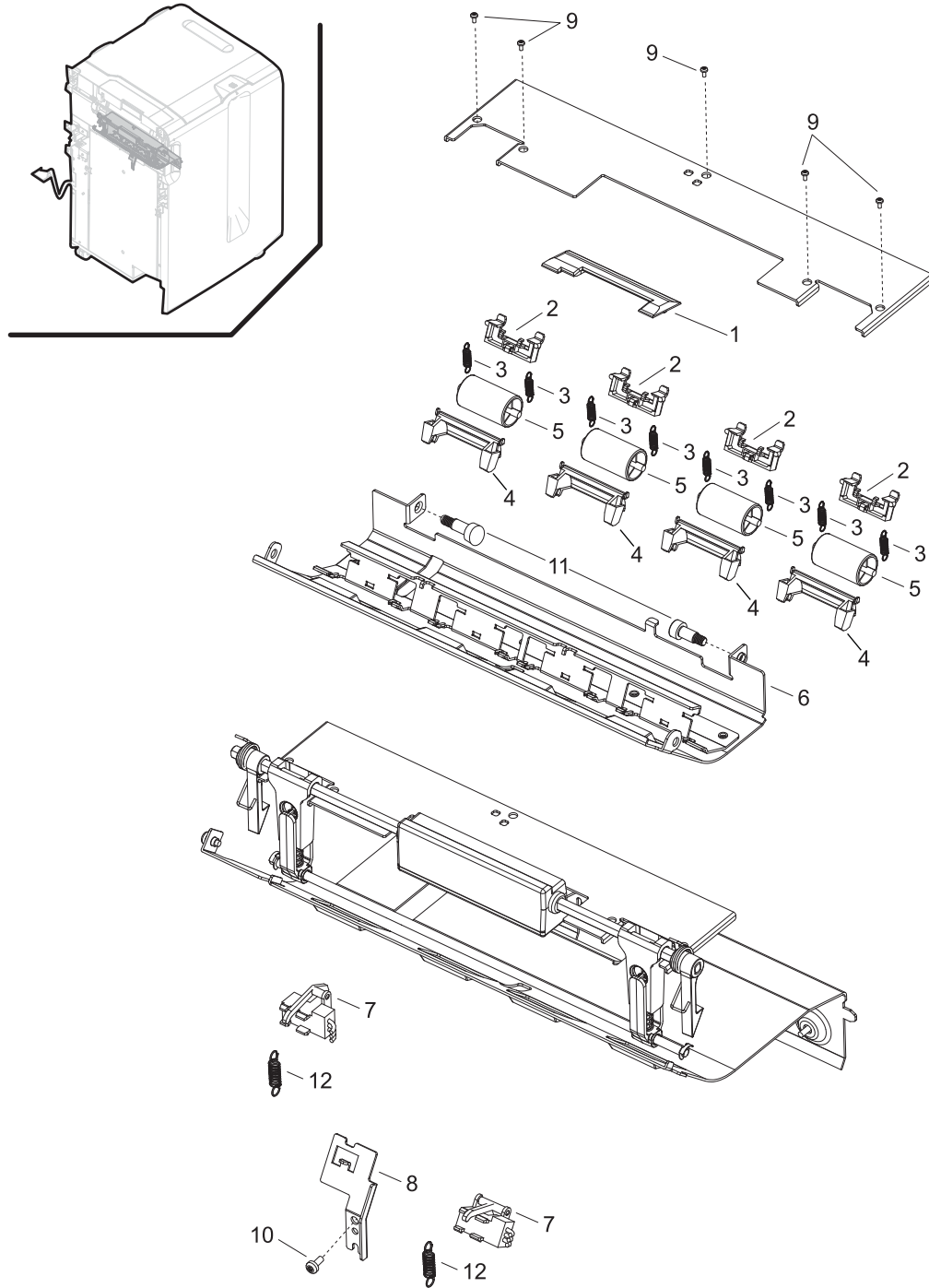


Table 5-9 Tray 5 paper path assembly parts list (for Figure 5-9)

Ref	Description	Part number	Qty
1	Media separation guide (SVC-GUIDE-MEDIA SEPARATION)	C5961-67066	1
2	Pinch roller datum (SVC-DATUM-PINCH ROLLER-SMALL)	C5956-67087	1 (Qty 25)
3	Pinch roller springs (SVC-SPRING-EXTENSION-PINCH ROLLER-SMALL)	C5956-67086	1 (Qty 20)
4	Pinch roller holder (SVC-HOLDER-PINCH ROLLER-SMALL)	C5956-67258	1 (Qty 5)
5	Pinch roller (SVC-ROLLER-PINCH)	C5956-67257	1
6	Upper media path assembly (SVC ASSY-STRUCTURE UPPER MEDIA PATH)	C5961-67078	1
7	Tray 5 Media 1 sensor (SN101)/Tray 5 Media 2 sensor (SN103) (SVC-SENSOR, MEDIA PRESENCE)	C5956-67255	1 (Qty 5)
8	Media sensor bracket (SVC KIT-BRACKET PICKARM)	C5961-67043	1
9	Screw (SVC-SCREW-TPG 4-20X7.94MM 10IP ROHS)	C5956-67012	1 (Qty 20)
10	Screw (SVC-SCREW-TPG M3X0.5 6MM-LG PAN HD ROHS)	C5956-67001	1 (Qty 20)
11	Screw (SCREW-SHLDR M4X0.7 8.013MM-LG ROHS)	C5961-67102	1
12	SPRING-BIAS (SVC KIT-SPRING BIAS)	C5959-67249	1

Tray 5 lower separator assembly parts diagram

Figure 5-10 Tray 5 lower separator assembly parts diagram

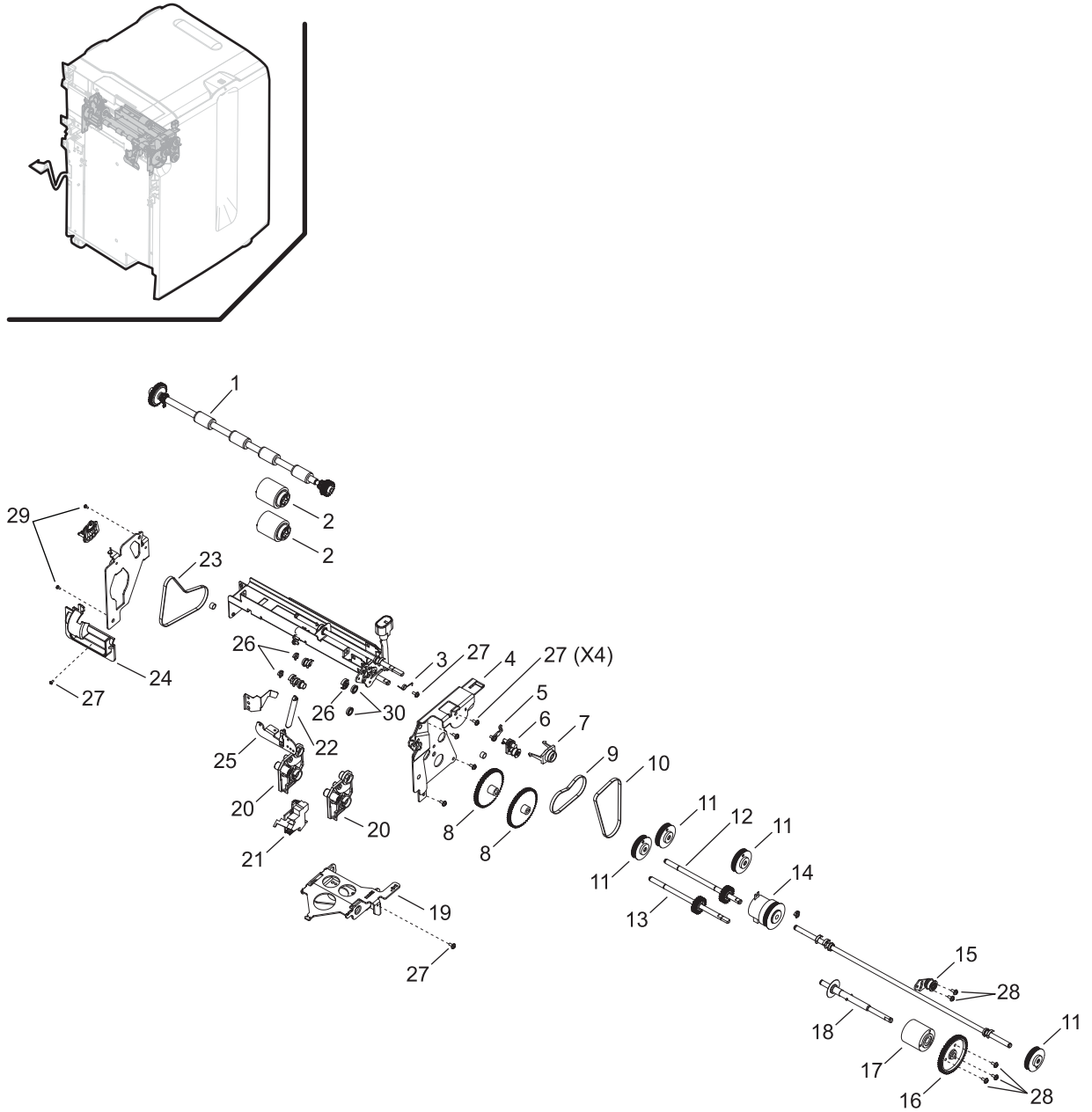


Table 5-10 Tray 5 lower separator assembly parts list (for Figure 5-10)

Ref	Description	Part number	Qty
1	Feed roller (SVC ASSY-FEED ROLLER MODULE)	C5961-67072	1
2	Pick roller (SVC ASSEMBLY-ROLLER, PICK)	C5961-67028	1
3	Spring tensioner (SVC-SPRING-85 T TENSIONER)	C5961-67006	1
4	Lower separator mount (SVC ASSY-LOWER SEPARATOR MOUNT)	C5961-67031	1
5	Tensioner clamp (SVC KIT-LOWER SEPARATOR)	C5961-67046	1
6	Mediapath tensioner (SVC ASSY-MEDIAPATH TENSIONER)	C5956-67297	1 (Qty 5)
7	Upper separator sprag block (includes sprag, housing, and shaft) (SVC ASSY-UPPER SEPARATOR SPRAG BLOCK)	C5961-67101	1
8	Gears, 48T and 54T (SVC KIT-LOWER SEPARATOR)	C5961-67046	1
9	Belt, 85T (SVC-BELT-GT2-2MM PITCH X 4MM, 85T)	C5956-67656	1
10	Belt, 121T (SVC KIT-BELTS, IDO)	C5956-67673	1
11	Pulley, 48T (SVC KIT-PULLEY-48T D DRIVE)	C5961-67062	1
12	Separator pivot shaft (SVC ASSY-SEPARATOR PIVOT SHAFT)	C5961-67081	1
13	Separator transfer shaft (SVC ASSY-SEPARATOR TRANSFER SHAFT)	C5961-67082	1
14	Tray 5 Separator clutch (CL102) (SVC-CLUTCH-ELECTRIC)	C5961-67107	1
15	Idler (SVC-ASSY-BALL BEARING IDLER)	C5961-67079	1
16	Gear, 48T screw mount (SVC KIT-LOWER SEPARATOR)	C5961-67046	1
17	Slipper clutch (SVC-CLUTCH-SLIPPER)	C5961-67070	1
18	Separator slip clutch shaft (SVC ASSY-SEPARATOR SLIP CLUTCH SHAFT)	C5961-67083	1
19	Carrier (SVC ASSY-WELDED CARRIER)	C5961-67032	1
20	Lower separation plate (SVC-PLATE-BEARING LOWER SEPARATION)	C5961-67060	1
21	Lower separator encoder clamp (SVC KIT-LOWER SEPARATOR)	C5961-67046	1
22	Lower separator spring (SVC KIT-SPRINGS, TRAY 5)	C5961-67051	1
23	Belt 145T (SVC-BELT-DRIVE, 145T, GT2, 2X4)	C5961-67089	1
24	Gear cover (SVC-COVER-GEAR MOLDED)	C5961-67061	1
25	Bracket adjuster spring mount (SVC-BRACKET-ADJUSTER, SPRING MOUNT)	C5961-67047	1
26	Clip (SVC KIT-CLIPS, assortment)	C5956-67650	1
27	Screw (SVC-SCREW-TPG M3X0.5 6MM-LG PAN HD ROHS)	C5956-67001	1 (Qty 20)
28	Screw (SVC-SCREW-MACH M3X0.5 6MM-LG PAN HD ROHS)	C5956-67005	1 (Qty 20)

Table 5-10 Tray 5 lower separator assembly parts list (for Figure 5-10) (continued)

Ref	Description	Part number	Qty
29	Screw (SVC-SCREW-MACH M4X0.7 8MM-LG PAN HD ROHS)	C5956-67006	1 (Qty 20)
30	Bearing (SVC KIT-BEARING-RDL BA)	C5961-67001	1

Tray 5 pick assembly parts diagram

Figure 5-11 Tray 5 pick assembly parts diagram

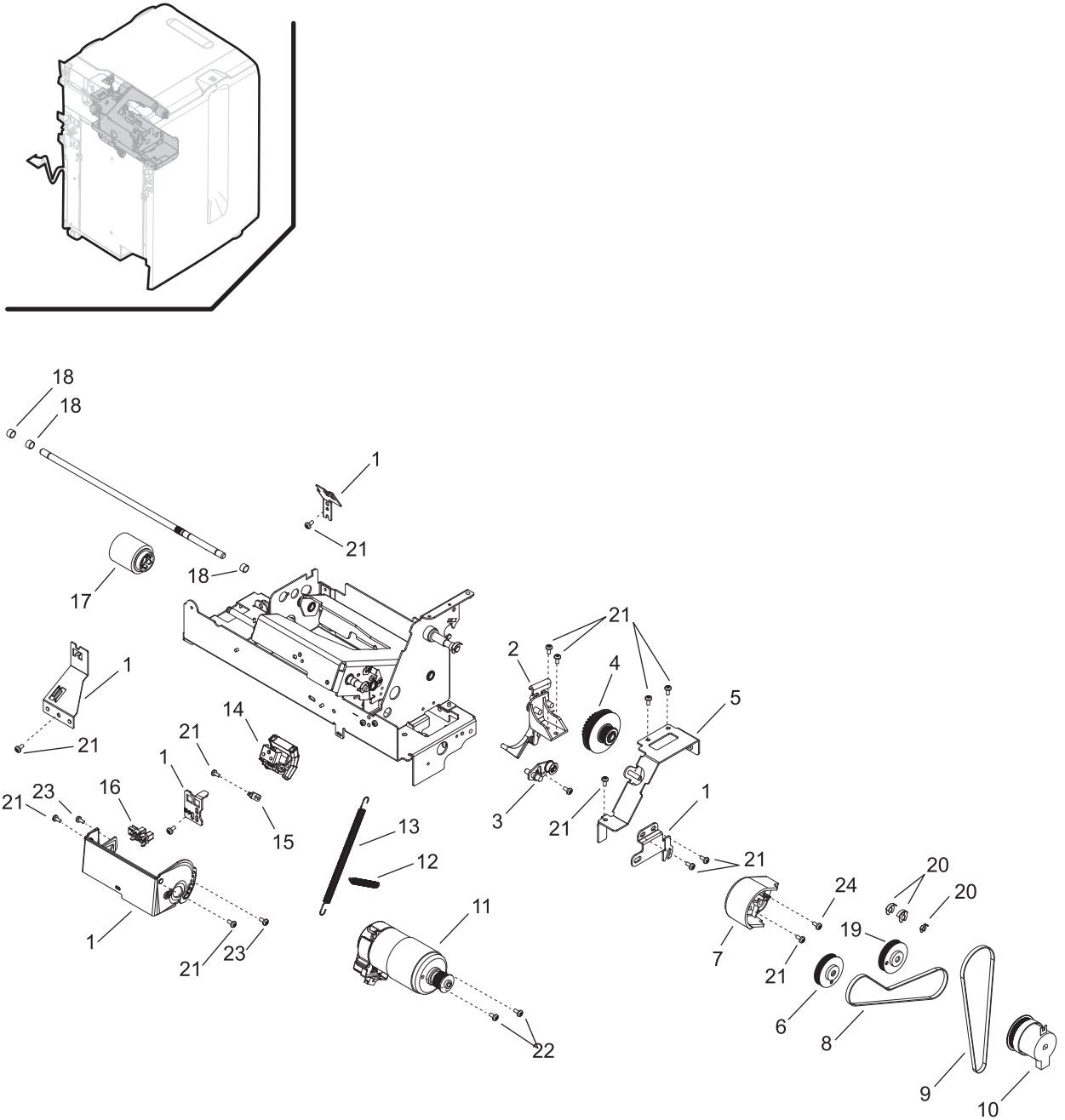


Table 5-11 Tray 5 pick assembly parts list (for Figure 5-11)

Ref	Description	Part number	Qty
1	Media sensor bracket (SVC KIT-BRACKET PICKARM)	C5961-67043	1
2	Arm lifter kit (SVC KIT-ARM LIFTER)	C5961-67096	1
3	Pick arm belt tensioner (SVC ASSY-TENSIONER PICKARM BELT)	C5961-67091	1
4	Gear cluster (SVC ASSY-CLUSTER GEAR)	C5961-67094	1
5	Belt cover (SVC-COVER, BELT AREA)	C5961-67042	1
6	Pulley, 48T (SVC KIT-PULLEY-48T D DRIVE)	C5961-67062	1
7	Pickarm gear cover (SVC-COVER-PICKARM)	C5961-67098	1
8	Belt (SVC-BELT-GT2-162T, 2MM PITCH X 4MM)	C5956-67221	1
9	Belt (SVC-BELT-GT2-177T, 2MM PITCH X 4MM)	C5956-67657	1
10	Tray 5 Pick clutch (CL101) (SVC-CLUTCH-ELECTRIC)	C5961-67107	1
11	Tray 5 Pick motor (M101)/(EN101) (SVC-MOTOR-PAPER HICAP)	C5961-67086	1
12	Spring (SVC-SPRING-TENSIONER PAPER MOTOR)	C5961-67005	1
13	Spring (SVC KIT-SPRING, PICKARM)	C5961-67053	1
14	Swinger assembly (SVC ASSY-SWINGER)	C5961-67035	1
15	Tensioner clamp (SVC KIT-LOWER SEPARATOR)	C5961-67046	1
16	Tray 5 Stack Height sensor (SN104) (SVC-PHOTOINTERRUPTER IF=50MA-MAX ROHS)	C5956-67256	1
17	Pick roller (SVC ASSEMBLY-ROLLER, PICK)	C5961-67028	1
18	Spacer (SVC-SPACER-SHAFT PICK)	C5961-67004	5
19	Pulley 48T (SVC KIT-PULLEY-SPINE DRIVE 48T)	C5961-67065	1
20	Clip (SVC KIT-CLIPS, assortment)	C5956-67650	1
21	Screw (SVC-SCREW-TPG M3X0.5 6MM-LG PAN HD ROHS)	C5956-67001	1 (Qty 20)
22	Screw (SVC-SCREW-MACH M3X0.5 6MM-LG PAN HD ROHS)	C5956-67005	1 (Qty 20)
23	Screw (SCREW-SHLDR M4X0.7 8.013MM-LG ROHS)	C5961-67102	5
24	Screw (SVC-SCREW-TPG 4-20X7.94MM 10IP ROHS)	C5956-67012	1 (Qty 20)
25	Bearing (SVC KIT-BEARING-RDL BA)	C5961-67001	5

Cables

Cable	Service part number	Manufacturer number	Contents
SVC KIT-HARNESS, TRAY 5	C5961-67068	C5961-60006	HARNESS HI-CAP POWER
		C5961-60007	HARNESS HI-CAP SEPARATOR
		C5961-60008	HARNESS HI-CAP ELEVATOR
SVC-CABLE, HICAP/RT WALL	C5961-67108	CC681-60024	INTERFACE CABLE TO MFP

Alphabetical parts list

Table 5-12 Alphabetical parts list

Description	Part number	Table and page
Arm lifter kit (SVC KIT-ARM LIFTER)	C5961-67096	Tray 5 pick assembly parts list (for Figure 5-11) on page 455
Back engagement sensor bracket (SVC-BRACKET-ENGAGEMENT SENSOR BACK)	C5961-67087	Tray 5 rear and right covers parts list (for Figure 5-4) on page 439
Ball slide extension (SVC-BALLSLIDE-460MM EXTENSION, 36MM)	C5961-67054	Tray 5 top covers parts list (for Figure 5-3) on page 366
Bearing (SVC KIT-BEARING-RDL BA)	C5961-67001	Tray 5 lower separator assembly parts list (for Figure 5-10) on page 374
Bearing (SVC KIT-BEARING-RDL BA)	C5961-67001	Tray 5 pick assembly parts list (for Figure 5-11) on page 455
Belt (SVC-BELT-GT2-162T, 2MM PITCH X 4MM)	C5956-67221	Tray 5 pick assembly parts list (for Figure 5-11) on page 455
Belt (SVC-BELT-GT2-177T, 2MM PITCH X 4MM)	C5956-67657	Tray 5 pick assembly parts list (for Figure 5-11) on page 455
Belt 145T (SVC-BELT-DRIVE, 145T, GT2, 2X4)	C5961-67089	Tray 5 lower separator assembly parts list (for Figure 5-10) on page 374
Belt cover (SVC-COVER, BELT AREA)	C5961-67042	Tray 5 pick assembly parts list (for Figure 5-11) on page 455
Belt, 121T (SVC KIT-BELTS, IDO)	C5956-67673	Tray 5 lower separator assembly parts list (for Figure 5-10) on page 374
Belt, 85T (SVC-BELT-GT2-2MM PITCH X 4MM, 85T)	C5956-67656	Tray 5 lower separator assembly parts list (for Figure 5-10) on page 374
Bracket adjuster spring mount (SVC-BRACKET-ADJUSTER, SPRING MOUNT)	C5961-67047	Tray 5 lower separator assembly parts list (for Figure 5-10) on page 374
Carrier (SVC ASSY-WELDED CARRIER)	C5961-67032	Tray 5 lower separator assembly parts list (for Figure 5-10) on page 374
Clip (SVC KIT-CLIPS, assortment)	C5956-67650	Tray 5 front and left covers parts list (for Figure 5-2) on page 365
Clip (SVC KIT-CLIPS, assortment)	C5956-67650	Tray 5 elevator transmission assembly parts list (for Figure 5-6) on page 443
Clip (SVC KIT-CLIPS, assortment)	C5956-67650	Tray 5 lower separator assembly parts list (for Figure 5-10) on page 374
Clip (SVC KIT-CLIPS, assortment)	C5956-67650	Tray 5 pick assembly parts list (for Figure 5-11) on page 455

Table 5-12 Alphabetical parts list (continued)

Description	Part number	Table and page
Clip (SVC KIT-CLIPS, assortment). Not shown in diagram.	C5956-67650	Tray 5 elevator cables parts list (for Figure 5-7) on page 445
Cork pad (SVC-PAD-CORK)	C5961-67084	Tray 5 elevator tray parts list (for Figure 5-8) on page 447
Downhaul bracket assembly (SVC-ASSY-BRACKET DOWNHAUL)	C5961-67019	Tray 5 elevator cables parts list (for Figure 5-7) on page 445
Downhaul cable (SVC KIT-CABLES, ELEVATOR)	C5961-67074	Tray 5 elevator cables parts list (for Figure 5-7) on page 445
Downhaul pull bar (SVC-BAR-PULL)	C5961-67017	Tray 5 elevator tray parts list (for Figure 5-8) on page 447
Elevator roller assembly (SVC KIT-ROLLER-TRAY)	C5961-67050	Tray 5 elevator tray parts list (for Figure 5-8) on page 447
Elevator sensor flag (SVC-SENSOR FLAG-ELEVATOR)	C5961-67002	Tray 5 front and left sensors parts list (for Figure 5-5) on page 441
Elevator winder assembly (SVC KIT-WINDER)	C5961-67056	Tray 5 elevator cables parts list (for Figure 5-7) on page 445
Encoder spring clamp (SVC-SPRING-ENCODER CLAMP)	C5961-67048	Tray 5 front and left sensors parts list (for Figure 5-5) on page 441
Feed roller (SVC ASSY-FEED ROLLER MODULE)	C5961-67072	Tray 5 lower separator assembly parts list (for Figure 5-10) on page 374
Front engagement sensor bracket (SVC-BRACKET-ENGAGEMENT SENSOR FRONT)	C5961-67088	Tray 5 front and left sensors parts list (for Figure 5-5) on page 441
Gear cluster (SVC ASSY-CLUSTER GEAR)	C5961-67094	Tray 5 pick assembly parts list (for Figure 5-11) on page 455
Gear cover (SVC-COVER-GEAR MOLDED)	C5961-67061	Tray 5 lower separator assembly parts list (for Figure 5-10) on page 374
Gear, 48T screw mount (SVC KIT-LOWER SEPARATOR)	C5961-67046	Tray 5 lower separator assembly parts list (for Figure 5-10) on page 374
Gears, 48T and 54T (SVC KIT-LOWER SEPARATOR)	C5961-67046	Tray 5 lower separator assembly parts list (for Figure 5-10) on page 374
Idler (SVC-ASSY-BALL BEARING IDLER)	C5961-67079	Tray 5 lower separator assembly parts list (for Figure 5-10) on page 374
LED holder (SVC-HOLDER-LED)	C5956-67376	Tray 5 front and left covers parts list (for Figure 5-2) on page 365

Table 5-12 Alphabetical parts list (continued)

Description	Part number	Table and page
Left idler (SVC ASSY-IDLER LEFT)	C5961-67034	Tray 5 elevator cables parts list (for Figure 5-7) on page 445
Long elevator cables (SVC KIT-CABLES, ELEVATOR)	C5961-67074	Tray 5 elevator cables parts list (for Figure 5-7) on page 445
Lower separation plate (SVC-PLATE-BEARING LOWER SEPARATION)	C5961-67060	Tray 5 lower separator assembly parts list (for Figure 5-10) on page 374
Lower separator encoder clamp (SVC KIT-LOWER SEPARATOR)	C5961-67046	Tray 5 lower separator assembly parts list (for Figure 5-10) on page 374
Lower separator mount (SVC ASSY-LOWER SEPARATOR MOUNT)	C5961-67031	Tray 5 lower separator assembly parts list (for Figure 5-10) on page 374
Lower separator spring (SVC KIT-SPRINGS, TRAY 5)	C5961-67051	Tray 5 lower separator assembly parts list (for Figure 5-10) on page 374
Media release button rod (SVC-PUSHROD-RELEASE BUTTON)	C5961-67008	Tray 5 top covers parts list (for Figure 5-3) on page 366
Media release button spring (SVC-SPRING-RETURN BUTTON)	C5961-67010	Tray 5 top covers parts list (for Figure 5-3) on page 366
Media sensor bracket (SVC KIT-BRACKET PICKARM)	C5961-67043	Tray 5 paper path assembly parts list (for Figure 5-9) on page 449
Media sensor bracket (SVC KIT-BRACKET PICKARM)	C5961-67043	Tray 5 pick assembly parts list (for Figure 5-11) on page 455
Media separation guide (SVC-GUIDE-MEDIA SEPARATION)	C5961-67066	Tray 5 paper path assembly parts list (for Figure 5-9) on page 449
Mediapath tensioner (SVC ASSY-MEDIAPATH TENSIONER)	C5956-67297	Tray 5 lower separator assembly parts list (for Figure 5-10) on page 374
Pick arm belt tensioner (SVC ASSY-TENSIONER PICKARM BELT)	C5961-67091	Tray 5 pick assembly parts list (for Figure 5-11) on page 455
Pick roller (SVC ASSEMBLY-ROLLER, PICK)	C5961-67028	Tray 5 lower separator assembly parts list (for Figure 5-10) on page 374
Pick roller (SVC ASSEMBLY-ROLLER, PICK)	C5961-67028	Tray 5 pick assembly parts list (for Figure 5-11) on page 455
Pickarm gear cover (SVC-COVER-PICKARM)	C5961-67098	Tray 5 pick assembly parts list (for Figure 5-11) on page 455
Pinch roller (SVC-ROLLER-PINCH)	C5956-67257	Tray 5 paper path assembly parts list (for Figure 5-9) on page 449

Table 5-12 Alphabetical parts list (continued)

Description	Part number	Table and page
Pinch roller datum (SVC-DATUM-PINCH ROLLER-SMALL)	C5956-67087	Tray 5 paper path assembly parts list (for Figure 5-9) on page 449
Pinch roller holder (SVC-HOLDER-PINCH ROLLER-SMALL)	C5956-67258	Tray 5 paper path assembly parts list (for Figure 5-9) on page 449
Pinch roller springs (SVC-SPRING-EXTENSION-PINCH ROLLER-SMALL)	C5956-67086	Tray 5 paper path assembly parts list (for Figure 5-9) on page 449
Pulley 48T (SVC KIT-PULLEY-SPINE DRIVE 48T)	C5961-67065	Tray 5 pick assembly parts list (for Figure 5-11) on page 455
Pulley, 48T (SVC KIT-PULLEY-48T D DRIVE)	C5961-67062	Tray 5 lower separator assembly parts list (for Figure 5-10) on page 374
Pulley, 48T (SVC KIT-PULLEY-48T D DRIVE)	C5961-67062	Tray 5 pick assembly parts list (for Figure 5-11) on page 455
Right idler (SVC ASSY-IDLER RIGHT)	C5961-67030	Tray 5 elevator cables parts list (for Figure 5-7) on page 445
Screw (SCREW-SHLDR M4X0.7 8.013MM-LG ROHS)	C5961-67102	Tray 5 paper path assembly parts list (for Figure 5-9) on page 449
Screw (SCREW-SHLDR M4X0.7 8.013MM-LG ROHS)	C5961-67102	Tray 5 pick assembly parts list (for Figure 5-11) on page 455
Screw (SVC-SCREW-MACH M3X0.5 6MM-LG PAN HD ROHS)	C5956-67005	Tray 5 rear and right covers parts list (for Figure 5-4) on page 439
Screw (SVC-SCREW-MACH M3X0.5 6MM-LG PAN HD ROHS)	C5956-67005	Tray 5 elevator transmission assembly parts list (for Figure 5-6) on page 443
Screw (SVC-SCREW-MACH M3X0.5 6MM-LG PAN HD ROHS)	C5956-67005	Tray 5 elevator tray parts list (for Figure 5-8) on page 447
Screw (SVC-SCREW-MACH M3X0.5 6MM-LG PAN HD ROHS)	C5956-67005	Tray 5 lower separator assembly parts list (for Figure 5-10) on page 374
Screw (SVC-SCREW-MACH M3X0.5 6MM-LG PAN HD ROHS)	C5956-67005	Tray 5 pick assembly parts list (for Figure 5-11) on page 455
Screw (SVC-SCREW-MACH M4X0.7 8MM-LG PAN HD ROHS)	C5956-67006	Tray 5 top covers parts list (for Figure 5-3) on page 366
Screw (SVC-SCREW-MACH M4X0.7 8MM-LG PAN HD ROHS)	C5956-67006	Tray 5 rear and right covers parts list (for Figure 5-4) on page 439
Screw (SVC-SCREW-MACH M4X0.7 8MM-LG PAN HD ROHS)	C5956-67006	Tray 5 elevator tray parts list (for Figure 5-8) on page 447
Screw (SVC-SCREW-MACH M4X0.7 8MM-LG PAN HD ROHS)	C5956-67006	Tray 5 lower separator assembly parts list (for Figure 5-10) on page 374

Table 5-12 Alphabetical parts list (continued)

Description	Part number	Table and page
Screw (SVC-SCREW-MACH M4X0.78MM-LG PAN HD ROHS)	C5956-67006	Tray 5 front and left covers parts list (for Figure 5-2) on page 365
Screw (SVC-SCREW-TPG 4-20X7.94MM 10IP ROHS)	C5956-67012	Tray 5 front and left covers parts list (for Figure 5-2) on page 365
Screw (SVC-SCREW-TPG 4-20X7.94MM 10IP ROHS)	C5956-67012	Tray 5 paper path assembly parts list (for Figure 5-9) on page 449
Screw (SVC-SCREW-TPG 4-20X7.94MM 10IP ROHS)	C5956-67012	Tray 5 pick assembly parts list (for Figure 5-11) on page 455
Screw (SVC-SCREW-TPG M3X0.5 6MM-LG PAN HD ROHS)	C5956-67001	Tray 5 front and left covers parts list (for Figure 5-2) on page 365
Screw (SVC-SCREW-TPG M3X0.5 6MM-LG PAN HD ROHS)	C5956-67001	Tray 5 top covers parts list (for Figure 5-3) on page 366
Screw (SVC-SCREW-TPG M3X0.5 6MM-LG PAN HD ROHS)	C5956-67001	Tray 5 rear and right covers parts list (for Figure 5-4) on page 439
Screw (SVC-SCREW-TPG M3X0.5 6MM-LG PAN HD ROHS)	C5956-67001	Tray 5 front and left sensors parts list (for Figure 5-5) on page 441
Screw (SVC-SCREW-TPG M3X0.5 6MM-LG PAN HD ROHS)	C5956-67001	Tray 5 elevator transmission assembly parts list (for Figure 5-6) on page 443
Screw (SVC-SCREW-TPG M3X0.5 6MM-LG PAN HD ROHS)	C5956-67001	Tray 5 elevator tray parts list (for Figure 5-8) on page 447
Screw (SVC-SCREW-TPG M3X0.5 6MM-LG PAN HD ROHS)	C5956-67001	Tray 5 paper path assembly parts list (for Figure 5-9) on page 449
Screw (SVC-SCREW-TPG M3X0.5 6MM-LG PAN HD ROHS)	C5956-67001	Tray 5 lower separator assembly parts list (for Figure 5-10) on page 374
Screw (SVC-SCREW-TPG M3X0.5 6MM-LG PAN HD ROHS)	C5956-67001	Tray 5 pick assembly parts list (for Figure 5-11) on page 455
Screw (SVC-SCREW-TPG M4X0.7 8MM-LG PAN HD ROHS)	C5956-67003	Tray 5 casters parts list (for Figure 5-1) on page 433
Screw (SVC-SCREW-TPG M4X0.7 8MM-LG PAN HD ROHS)	C5956-67003	Tray 5 elevator tray parts list (for Figure 5-8) on page 447
Screw (SVC-SCRW-MACH M4X0.7 16MM-LG PAN HD ROHS)	C5956-67007	Tray 5 front and left covers parts list (for Figure 5-2) on page 365
SCREW SKT-HD CAP M6X1.0 14MM-LG ROHS	C5956-67739	Tray 5 front and left covers parts list (for Figure 5-2) on page 365

Table 5-12 Alphabetical parts list (continued)

Description	Part number	Table and page
Sensor retainer (SVC-RETAINER-PHOTOSENSOR)	C5961-67038	Tray 5 front and left sensors parts list (for Figure 5-5) on page 441
Separator pivot shaft (SVC ASSY-SEPARATOR PIVOT SHAFT)	C5961-67081	Tray 5 lower separator assembly parts list (for Figure 5-10) on page 374
Separator slip clutch shaft (SVC ASSY-SEPARATOR SLIP CLUTCH SHAFT)	C5961-67083	Tray 5 lower separator assembly parts list (for Figure 5-10) on page 374
Separator transfer shaft (SVC ASSY-SEPARATOR TRANSFER SHAFT)	C5961-67082	Tray 5 lower separator assembly parts list (for Figure 5-10) on page 374
Short elevator cables (SVC KIT-CABLES, ELEVATOR)	C5961-67074	Tray 5 elevator cables parts list (for Figure 5-7) on page 445
Slipper clutch (SVC-CLUTCH-SLIPPER)	C5961-67070	Tray 5 lower separator assembly parts list (for Figure 5-10) on page 374
SN104 bracket (SVC-ASSY-BRACKET STACK LEVEL). Note: Part number C5961-67103 replaces C5961-67100.	C5961-67103	Tray 5 front and left sensors parts list (for Figure 5-5) on page 441
Spacer (SVC-SPACER-SHAFT PICK)	C5961-67004	Tray 5 pick assembly parts list (for Figure 5-11) on page 455
Spring (SVC KIT-SPRING, PICKARM)	C5961-67053	Tray 5 pick assembly parts list (for Figure 5-11) on page 455
Spring (SVC-SPRING-TENSIONER PAPER MOTOR)	C5961-67005	Tray 5 pick assembly parts list (for Figure 5-11) on page 455
Spring tensioner (SVC-SPRING-85 T TENSIONER)	C5961-67006	Tray 5 lower separator assembly parts list (for Figure 5-10) on page 374
SPRING-BIAS (SVC KIT-SPRING BIAS)	C5959-67249	Tray 5 rear and right covers parts list (for Figure 5-4) on page 439
SPRING-BIAS (SVC KIT-SPRING BIAS)	C5959-67249	Tray 5 front and left sensors parts list (for Figure 5-5) on page 441
SPRING-BIAS (SVC KIT-SPRING BIAS)	C5959-67249	Tray 5 paper path assembly parts list (for Figure 5-9) on page 449
Stack bias kit (SVC KIT-STACK BIAS)	C5961-67044	Tray 5 elevator tray parts list (for Figure 5-8) on page 447
Swinger assembly (SVC ASSY-SWINGER)	C5961-67035	Tray 5 pick assembly parts list (for Figure 5-11) on page 455
Tensioner clamp (SVC KIT-LOWER SEPARATOR)	C5961-67046	Tray 5 front and left sensors parts list (for Figure 5-5) on page 441

Table 5-12 Alphabetical parts list (continued)

Description	Part number	Table and page
Tensioner clamp (SVC KIT-LOWER SEPARATOR)	C5961-67046	Tray 5 lower separator assembly parts list (for Figure 5-10) on page 374
Tensioner clamp (SVC KIT-LOWER SEPARATOR)	C5961-67046	Tray 5 pick assembly parts list (for Figure 5-11) on page 455
Top door spring (SVC-SPRING-DOOR-JAM-CLEAR)	C5961-67099	Tray 5 top covers parts list (for Figure 5-3) on page 366
Tray 5 back latch sensor (SN106) (SVC-SENSOR, MEDIA PRESENCE)	C5956-67255	Tray 5 rear and right covers parts list (for Figure 5-4) on page 439
Tray 5 bracket assembly (SVC KIT-BRACKET TRAY 5) Note: Part number C5961-67105 replaces C5961-67077.	C5961-67105	Tray 5 front and left covers parts list (for Figure 5-2) on page 365
Tray 5 captive fastener and receptacle (SVC KIT-CAPTIVE FASTENER)	C5961-67045	Tray 5 front and left covers parts list (for Figure 5-2) on page 365
Tray 5 caster (SVC-CASTER HI-CAP BDT)	C5961-67037	Tray 5 casters parts list (for Figure 5-1) on page 433
Tray 5 Distribution PCA (A101) (SVC-PCA-HICAP DISTRIBUTION)	C5961-67011	Tray 5 rear and right covers parts list (for Figure 5-4) on page 439
Tray 5 elevator guide (SVC-GUIDE-ELEVATOR)	C5961-67039	Tray 5 elevator tray parts list (for Figure 5-8) on page 447
Tray 5 Elevator Lower Limit switch (SW101)/Tray 5 Elevator Upper Limit switch (SW102) (SVC KIT-LIMIT SWITCH, ELEVATOR)	C5961-67067	Tray 5 front and left sensors parts list (for Figure 5-5) on page 441
Tray 5 Elevator motor (M102) (SVC-MOTOR, SVS)	C5956-67299	Tray 5 elevator transmission assembly parts list (for Figure 5-6) on page 443
Tray 5 elevator transmission cover (SVC-WALL-TRANSMISSION)	C5961-67020	Tray 5 elevator transmission assembly parts list (for Figure 5-6) on page 443
Tray 5 elevator transmission gear train (SVC KIT-ELEVATOR TRANS GEARS)	C5961-67058	Tray 5 elevator transmission assembly parts list (for Figure 5-6) on page 443
Tray 5 Elevator Upper Limit sensor (SN108)/Tray 5 Elevator Lower Limit sensor (SN110) (SVC ASSY-SENSOR ALEPH-ON 171-A8 W/SEAL)	C5961-67025	Tray 5 front and left sensors parts list (for Figure 5-5) on page 441
Tray 5 Empty sensor (SN111) (SVC-OPTO SENSOR, LIGHT MODULATION IO=16M)	C5956-67088	Tray 5 elevator tray parts list (for Figure 5-8) on page 447
Tray 5 front cover (SVC ASSY-CASE, FRONT)	C5961-67076	Tray 5 front and left covers parts list (for Figure 5-2) on page 365
Tray 5 front cover handle assembly (SVC KIT-HANDLE-RELEASE)	C5961-67097	Tray 5 front and left covers parts list (for Figure 5-2) on page 365

Table 5-12 Alphabetical parts list (continued)

Description	Part number	Table and page
Tray 5 Front Engagement sensor (SN105) (SVC-SENSOR, MEDIA PRESENCE)	C5956-67255	Tray 5 front and left sensors parts list (for Figure 5-5) on page 441
Tray 5 interface cable to MFP (SVC-CABLE, HICAP/RT WALL)	C5961-67108	Tray 5 rear and right covers parts list (for Figure 5-4) on page 439
Tray 5 latch assembly (SVC ASSY-LATCH)	C5961-67029	Tray 5 front and left covers parts list (for Figure 5-2) on page 365
Tray 5 Load Media sensor (SN109) (SVC-PHOTO INTERRUPTER TLP1243)	C5961-67013	Tray 5 front and left sensors parts list (for Figure 5-5) on page 441
Tray 5 Lower Separator encoder (EN103) PCA assembly (SVC-ASSY-PCA LS ENCODER)	C5961-67012	Tray 5 front and left sensors parts list (for Figure 5-5) on page 441
Tray 5 Media 1 sensor (SN101)/Tray 5 Media 2 sensor (SN103) (SVC-SENSOR, MEDIA PRESENCE)	C5956-67255	Tray 5 paper path assembly parts list (for Figure 5-9) on page 449
Tray 5 Media Door Open sensor (SN107) (SVC-PHOTOINTERRUPTER IF=30MA-MAX ROHS)	C5961-67013	Tray 5 rear and right covers parts list (for Figure 5-4) on page 439
Tray 5 media jam release button (SVC KIT-BUTTON,JAM,TRAY5)	C5961-67064	Tray 5 top covers parts list (for Figure 5-3) on page 366
Tray 5 paper guide cover (SVC-COVER-PAPER GUIDE)	C5961-67024	Tray 5 elevator tray parts list (for Figure 5-8) on page 447
Tray 5 Pick clutch (CL101) (SVC-CLUTCH-ELECTRIC)	C5961-67107	Tray 5 pick assembly parts list (for Figure 5-11) on page 455
Tray 5 Pick motor (M101)/(EN101) (SVC-MOTOR-PAPER HICAP)	C5961-67086	Tray 5 pick assembly parts list (for Figure 5-11) on page 455
Tray 5 rear cover (SVC-CASE-BACK)	C5961-67021	Tray 5 rear and right covers parts list (for Figure 5-4) on page 439
Tray 5 right cover (SVC-CASE-RIGHT)	C5961-67023	Tray 5 rear and right covers parts list (for Figure 5-4) on page 439
Tray 5 Separator clutch (CL102) (SVC-CLUTCH-ELECTRIC)	C5961-67107	Tray 5 lower separator assembly parts list (for Figure 5-10) on page 374
Tray 5 Stack Height sensor (SN104) (SVC-PHOTO INTERRUPTER IF=50MA)	C5956-67256	Tray 5 front and left sensors parts list (for Figure 5-5) on page 441
Tray 5 Stack Height sensor (SN104) (SVC-PHOTOINTERRUPTER IF=50MA-MAX ROHS)	C5956-67256	Tray 5 pick assembly parts list (for Figure 5-11) on page 455
Tray 5 swinger assembly (SVC ASSY-SWINGER)	C5961-67035	Tray 5 top covers parts list (for Figure 5-3) on page 366
Tray 5 top door (SVC ASSY-DOOR,MEDIA)	C5961-67080	Tray 5 top covers parts list (for Figure 5-3) on page 366

Table 5-12 Alphabetical parts list (continued)

Description	Part number	Table and page
Tray 5 top door hinge (SVC-HINGE-DOOR MEDIA ACCESS)	C5961-67075	Tray 5 top covers parts list (for Figure 5-3) on page 366
Tray 5 top front cover (SVC-COVER-CHASSIS FRONT WALL)	C5961-67063	Tray 5 top covers parts list (for Figure 5-3) on page 366
Tray 5 top-left panel (SVC ASSY-CASE TOP)	C5961-67036	Tray 5 top covers parts list (for Figure 5-3) on page 366
Tray 5 Top-left Panel LED (LED101)/Tray 5 Top Door LED (LED102) (SVC-LED, AMBER)	C5956-67070	Tray 5 front and left covers parts list (for Figure 5-2) on page 365
Tray 5 Top-left Panel sensor (SN112) (SVC-PHOTOINTERRUPTER IO=50MA ROHS)	C5956-67256	Tray 5 top covers parts list (for Figure 5-3) on page 366
Tray 5 window (SVC-WINDOW_HI-CAP)	C5961-67022	Tray 5 front and left covers parts list (for Figure 5-2) on page 365
Upper media path assembly (SVC ASSY-STRUCTURE UPPER MEDIA PATH)	C5961-67078	Tray 5 paper path assembly parts list (for Figure 5-9) on page 449
Upper separator sprag block (includes sprag, housing, and shaft) (SVC ASSY-UPPER SEPARATOR SPRAG BLOCK)	C5961-67101	Tray 5 lower separator assembly parts list (for Figure 5-10) on page 374

Numerical parts list

Table 5-13 Numerical parts list

Part number	Description	Table and page
C5956-67001	Screw (SVC-SCREW-TPG M3X0.5 6MM-LG PAN HD ROHS)	Tray 5 front and left covers parts list (for Figure 5-2) on page 365
C5956-67001	Screw (SVC-SCREW-TPG M3X0.5 6MM-LG PAN HD ROHS)	Tray 5 top covers parts list (for Figure 5-3) on page 366
C5956-67001	Screw (SVC-SCREW-TPG M3X0.5 6MM-LG PAN HD ROHS)	Tray 5 rear and right covers parts list (for Figure 5-4) on page 439
C5956-67001	Screw (SVC-SCREW-TPG M3X0.5 6MM-LG PAN HD ROHS)	Tray 5 front and left sensors parts list (for Figure 5-5) on page 441
C5956-67001	Screw (SVC-SCREW-TPG M3X0.5 6MM-LG PAN HD ROHS)	Tray 5 elevator transmission assembly parts list (for Figure 5-6) on page 443
C5956-67001	Screw (SVC-SCREW-TPG M3X0.5 6MM-LG PAN HD ROHS)	Tray 5 elevator tray parts list (for Figure 5-8) on page 447
C5956-67001	Screw (SVC-SCREW-TPG M3X0.5 6MM-LG PAN HD ROHS)	Tray 5 paper path assembly parts list (for Figure 5-9) on page 449
C5956-67001	Screw (SVC-SCREW-TPG M3X0.5 6MM-LG PAN HD ROHS)	Tray 5 lower separator assembly parts list (for Figure 5-10) on page 374
C5956-67001	Screw (SVC-SCREW-TPG M3X0.5 6MM-LG PAN HD ROHS)	Tray 5 pick assembly parts list (for Figure 5-11) on page 455
C5956-67003	Screw (SVC-SCREW-TPG M4X0.7 8MM-LG PAN HD ROHS)	Tray 5 casters parts list (for Figure 5-1) on page 433
C5956-67003	Screw (SVC-SCREW-TPG M4X0.7 8MM-LG PAN HD ROHS)	Tray 5 elevator tray parts list (for Figure 5-8) on page 447
C5956-67005	Screw (SVC-SCREW-MACH M3X0.5 6MM-LG PAN HD ROHS)	Tray 5 rear and right covers parts list (for Figure 5-4) on page 439
C5956-67005	Screw (SVC-SCREW-MACH M3X0.5 6MM-LG PAN HD ROHS)	Tray 5 elevator transmission assembly parts list (for Figure 5-6) on page 443
C5956-67005	Screw (SVC-SCREW-MACH M3X0.5 6MM-LG PAN HD ROHS)	Tray 5 elevator tray parts list (for Figure 5-8) on page 447
C5956-67005	Screw (SVC-SCREW-MACH M3X0.5 6MM-LG PAN HD ROHS)	Tray 5 lower separator assembly parts list (for Figure 5-10) on page 374
C5956-67005	Screw (SVC-SCREW-MACH M3X0.5 6MM-LG PAN HD ROHS)	Tray 5 pick assembly parts list (for Figure 5-11) on page 455
C5956-67006	Screw (SVC-SCREW-MACH M4X0.78MM-LG PAN HD ROHS)	Tray 5 front and left covers parts list (for Figure 5-2) on page 365

Table 5-13 Numerical parts list (continued)

Part number	Description	Table and page
C5956-67006	Screw (SVC-SCREW-MACH M4X0.7 8MM-LG PAN HD ROHS)	Tray 5 top covers parts list (for Figure 5-3) on page 366
C5956-67006	Screw (SVC-SCREW-MACH M4X0.7 8MM-LG PAN HD ROHS)	Tray 5 rear and right covers parts list (for Figure 5-4) on page 439
C5956-67006	Screw (SVC-SCREW-MACH M4X0.7 8MM-LG PAN HD ROHS)	Tray 5 elevator tray parts list (for Figure 5-8) on page 447
C5956-67006	Screw (SVC-SCREW-MACH M4X0.7 8MM-LG PAN HD ROHS)	Tray 5 lower separator assembly parts list (for Figure 5-10) on page 374
C5956-67007	Screw (SVC-SCRW-MACH M4X0.7 16MM-LG PAN HD ROHS)	Tray 5 front and left covers parts list (for Figure 5-2) on page 365
C5956-67012	Screw (SVC-SCREW-TPG 4-20X7.94MM 10IP ROHS)	Tray 5 front and left covers parts list (for Figure 5-2) on page 365
C5956-67012	Screw (SVC-SCREW-TPG 4-20X7.94MM 10IP ROHS)	Tray 5 paper path assembly parts list (for Figure 5-9) on page 449
C5956-67012	Screw (SVC-SCREW-TPG 4-20X7.94MM 10IP ROHS)	Tray 5 pick assembly parts list (for Figure 5-11) on page 455
C5956-67070	Tray 5 Top-left Panel LED (LED101)/Tray 5 Top Door LED (LED102) (SVC-LED, AMBER)	Tray 5 front and left covers parts list (for Figure 5-2) on page 365
C5956-67086	Pinch roller springs (SVC-SPRING-EXTENSION-PINCH ROLLER-SMALL)	Tray 5 paper path assembly parts list (for Figure 5-9) on page 449
C5956-67087	Pinch roller datum (SVC-DATUM-PINCH ROLLER-SMALL)	Tray 5 paper path assembly parts list (for Figure 5-9) on page 449
C5956-67088	Tray 5 Empty sensor (SN111) (SVC-OPTO SENSOR, LIGHT MODULATION IO=16M)	Tray 5 elevator tray parts list (for Figure 5-8) on page 447
C5956-67221	Belt (SVC-BELT-GT2-162T, 2MM PITCH X 4MM)	Tray 5 pick assembly parts list (for Figure 5-11) on page 455
C5956-67255	Tray 5 back latch sensor (SN106) (SVC-SENSOR, MEDIA PRESENCE)	Tray 5 rear and right covers parts list (for Figure 5-4) on page 439
C5956-67255	Tray 5 Front Engagement sensor (SN105) (SVC-SENSOR, MEDIA PRESENCE)	Tray 5 front and left sensors parts list (for Figure 5-5) on page 441
C5956-67255	Tray 5 Media 1 sensor (SN101)/Tray 5 Media 2 sensor (SN103) (SVC-SENSOR, MEDIA PRESENCE)	Tray 5 paper path assembly parts list (for Figure 5-9) on page 449
C5956-67256	Tray 5 Top-left Panel sensor (SN112) (SVC-PHOTOINTERRUPTER IO=50MA ROHS)	Tray 5 top covers parts list (for Figure 5-3) on page 366

Table 5-13 Numerical parts list (continued)

Part number	Description	Table and page
C5956-67256	Tray 5 Stack Height sensor (SN104) (SVC-PHOTO INTERRUPTER IF=50MA)	Tray 5 front and left sensors parts list (for Figure 5-5) on page 441
C5956-67256	Tray 5 Stack Height sensor (SN104) (SVC-PHOTOINTERRUPTER IF=50MA-MAX ROHS)	Tray 5 pick assembly parts list (for Figure 5-11) on page 455
C5956-67257	Pinch roller (SVC-ROLLER-PINCH)	Tray 5 paper path assembly parts list (for Figure 5-9) on page 449
C5956-67258	Pinch roller holder (SVC-HOLDER-PINCH ROLLER-SMALL)	Tray 5 paper path assembly parts list (for Figure 5-9) on page 449
C5956-67297	Mediapath tensioner (SVC ASSY-MEDIAPATH TENSIONER)	Tray 5 lower separator assembly parts list (for Figure 5-10) on page 374
C5956-67299	Tray 5 Elevator motor (M102) (SVC-MOTOR, SVS)	Tray 5 elevator transmission assembly parts list (for Figure 5-6) on page 443
C5956-67376	LED holder (SVC-HOLDER-LED)	Tray 5 front and left covers parts list (for Figure 5-2) on page 365
C5956-67650	Clip (SVC KIT-CLIPS, assortment)	Tray 5 front and left covers parts list (for Figure 5-2) on page 365
C5956-67650	Clip (SVC KIT-CLIPS, assortment)	Tray 5 elevator transmission assembly parts list (for Figure 5-6) on page 443
C5956-67650	Clip (SVC KIT-CLIPS, assortment). Not shown in diagram.	Tray 5 elevator cables parts list (for Figure 5-7) on page 445
C5956-67650	Clip (SVC KIT-CLIPS, assortment)	Tray 5 lower separator assembly parts list (for Figure 5-10) on page 374
C5956-67650	Clip (SVC KIT-CLIPS, assortment)	Tray 5 pick assembly parts list (for Figure 5-11) on page 455
C5956-67656	Belt, 85T (SVC-BELT-GT2-2MM PITCH X 4MM, 85T)	Tray 5 lower separator assembly parts list (for Figure 5-10) on page 374
C5956-67657	Belt (SVC-BELT-GT2-177T, 2MM PITCH X 4MM)	Tray 5 pick assembly parts list (for Figure 5-11) on page 455
C5956-67673	Belt, 121T (SVC KIT-BELTS, IDO)	Tray 5 lower separator assembly parts list (for Figure 5-10) on page 374
C5956-67739	SCREW SKT-HD CAP M6X1.0 14MM-LG ROHS	Tray 5 front and left covers parts list (for Figure 5-2) on page 365
C5959-67249	SPRING-BIAS (SVC KIT-SPRING BIAS)	Tray 5 rear and right covers parts list (for Figure 5-4) on page 439

Table 5-13 Numerical parts list (continued)

Part number	Description	Table and page
C5959-67249	SPRING-BIAS (SVC KIT-SPRING BIAS)	Tray 5 front and left sensors parts list (for Figure 5-5) on page 441
C5959-67249	SPRING-BIAS (SVC KIT-SPRING BIAS)	Tray 5 paper path assembly parts list (for Figure 5-9) on page 449
C5961-67001	Bearing (SVC KIT-BEARING-RDL BA)	Tray 5 lower separator assembly parts list (for Figure 5-10) on page 374
C5961-67001	Bearing (SVC KIT-BEARING-RDL BA)	Tray 5 pick assembly parts list (for Figure 5-11) on page 455
C5961-67002	Elevator sensor flag (SVC-SENSOR FLAG-ELEVATOR)	Tray 5 front and left sensors parts list (for Figure 5-5) on page 441
C5961-67004	Spacer (SVC-SPACER-SHAFT PICK)	Tray 5 pick assembly parts list (for Figure 5-11) on page 455
C5961-67005	Spring (SVC-SPRING-TENSIONER PAPER MOTOR)	Tray 5 pick assembly parts list (for Figure 5-11) on page 455
C5961-67006	Spring tensioner (SVC-SPRING-85 T TENSIONER)	Tray 5 lower separator assembly parts list (for Figure 5-10) on page 374
C5961-67008	Media release button rod (SVC-PUSHROD-RELEASE BUTTON)	Tray 5 top covers parts list (for Figure 5-3) on page 366
C5961-67010	Media release button spring (SVC-SPRING-RETURN BUTTON)	Tray 5 top covers parts list (for Figure 5-3) on page 366
C5961-67011	Tray 5 Distribution PCA (A101) (SVC-PCA-HICAP DISTRIBUTION)	Tray 5 rear and right covers parts list (for Figure 5-4) on page 439
C5961-67012	Tray 5 Lower Separator encoder (EN103) PCA assembly (SVC-ASSY-PCA LS ENCODER)	Tray 5 front and left sensors parts list (for Figure 5-5) on page 441
C5961-67013	Tray 5 Media Door Open sensor (SN107) (SVC-PHOTOINTERRUPTER IF=30MA-MAX ROHS)	Tray 5 rear and right covers parts list (for Figure 5-4) on page 439
C5961-67013	Tray 5 Load Media sensor (SN109) (SVC-PHOTO INTERRUPTER TLP1243)	Tray 5 front and left sensors parts list (for Figure 5-5) on page 441
C5961-67017	Downhaul pull bar (SVC-BAR-PULL)	Tray 5 elevator tray parts list (for Figure 5-8) on page 447
C5961-67019	Downhaul bracket assembly (SVC-ASSY-BRACKET DOWNHAUL)	Tray 5 elevator cables parts list (for Figure 5-7) on page 445
C5961-67020	Tray 5 elevator transmission cover (SVC-WALL-TRANSMISSION)	Tray 5 elevator transmission assembly parts list (for Figure 5-6) on page 443

Table 5-13 Numerical parts list (continued)

Part number	Description	Table and page
C5961-67021	Tray 5 rear cover (SVC-CASE-BACK)	Tray 5 rear and right covers parts list (for Figure 5-4) on page 439
C5961-67022	Tray 5 window (SVC-WINDOW_HI-CAP)	Tray 5 front and left covers parts list (for Figure 5-2) on page 365
C5961-67023	Tray 5 right cover (SVC-CASE-RIGHT)	Tray 5 rear and right covers parts list (for Figure 5-4) on page 439
C5961-67024	Tray 5 paper guide cover (SVC-COVER-PAPER GUIDE)	Tray 5 elevator tray parts list (for Figure 5-8) on page 447
C5961-67025	Tray 5 Elevator Upper Limit sensor (SN108)/Tray 5 Elevator Lower Limit sensor (SN110) (SVC ASSY-SENSOR ALEPH-ON 171-A8 W/SEAL)	Tray 5 front and left sensors parts list (for Figure 5-5) on page 441
C5961-67028	Pick roller (SVC ASSEMBLY-ROLLER, PICK)	Tray 5 lower separator assembly parts list (for Figure 5-10) on page 374
C5961-67028	Pick roller (SVC ASSEMBLY-ROLLER, PICK)	Tray 5 pick assembly parts list (for Figure 5-11) on page 455
C5961-67029	Tray 5 latch assembly (SVC ASSY-LATCH)	Tray 5 front and left covers parts list (for Figure 5-2) on page 365
C5961-67030	Right idler (SVC ASSY-IDLER RIGHT)	Tray 5 elevator cables parts list (for Figure 5-7) on page 445
C5961-67031	Lower separator mount (SVC ASSY-LOWER SEPARATOR MOUNT)	Tray 5 lower separator assembly parts list (for Figure 5-10) on page 374
C5961-67032	Carrier (SVC ASSY-WELDED CARRIER)	Tray 5 lower separator assembly parts list (for Figure 5-10) on page 374
C5961-67034	Left idler (SVC ASSY-IDLER LEFT)	Tray 5 elevator cables parts list (for Figure 5-7) on page 445
C5961-67035	Tray 5 swinger assembly (SVC ASSY-SWINGER)	Tray 5 top covers parts list (for Figure 5-3) on page 366
C5961-67035	Swinger assembly (SVC ASSY-SWINGER)	Tray 5 pick assembly parts list (for Figure 5-11) on page 455
C5961-67036	Tray 5 top-left panel (SVC ASSY-CASE TOP)	Tray 5 top covers parts list (for Figure 5-3) on page 366
C5961-67037	Tray 5 caster (SVC-CASTER HI-CAP BDT)	Tray 5 casters parts list (for Figure 5-1) on page 433
C5961-67038	Sensor retainer (SVC-RETAINER-PHOTOSENSOR)	Tray 5 front and left sensors parts list (for Figure 5-5) on page 441
C5961-67039	Tray 5 elevator guide (SVC-GUIDE-ELEVATOR)	Tray 5 elevator tray parts list (for Figure 5-8) on page 447

Table 5-13 Numerical parts list (continued)

Part number	Description	Table and page
C5961-67042	Belt cover (SVC-COVER, BELT AREA)	Tray 5 pick assembly parts list (for Figure 5-11) on page 455
C5961-67043	Media sensor bracket (SVC KIT-BRACKET PICKARM)	Tray 5 paper path assembly parts list (for Figure 5-9) on page 449
C5961-67043	Media sensor bracket (SVC KIT-BRACKET PICKARM)	Tray 5 pick assembly parts list (for Figure 5-11) on page 455
C5961-67044	Stack bias kit (SVC KIT-STACK BIAS)	Tray 5 elevator tray parts list (for Figure 5-8) on page 447
C5961-67045	Tray 5 captive fastener and receptacle (SVC KIT-CAPTIVE FASTENER)	Tray 5 front and left covers parts list (for Figure 5-2) on page 365
C5961-67046	Tensioner clamp (SVC KIT-LOWER SEPARATOR)	Tray 5 front and left sensors parts list (for Figure 5-5) on page 441
C5961-67046	Tensioner clamp (SVC KIT-LOWER SEPARATOR)	Tray 5 lower separator assembly parts list (for Figure 5-10) on page 374
C5961-67046	Gears, 48T and 54T (SVC KIT-LOWER SEPARATOR)	Tray 5 lower separator assembly parts list (for Figure 5-10) on page 374
C5961-67046	Gear, 48T screw mount (SVC KIT-LOWER SEPARATOR)	Tray 5 lower separator assembly parts list (for Figure 5-10) on page 374
C5961-67046	Lower separator encoder clamp (SVC KIT-LOWER SEPARATOR)	Tray 5 lower separator assembly parts list (for Figure 5-10) on page 374
C5961-67046	Tensioner clamp (SVC KIT-LOWER SEPARATOR)	Tray 5 pick assembly parts list (for Figure 5-11) on page 455
C5961-67047	Bracket adjuster spring mount (SVC-BRACKET-ADJUSTER, SPRING MOUNT)	Tray 5 lower separator assembly parts list (for Figure 5-10) on page 374
C5961-67048	Encoder spring clamp (SVC-SPRING-ENCODER CLAMP)	Tray 5 front and left sensors parts list (for Figure 5-5) on page 441
C5961-67050	Elevator roller assembly (SVC KIT-ROLLER-TRAY)	Tray 5 elevator tray parts list (for Figure 5-8) on page 447
C5961-67051	Lower separator spring (SVC KIT-SPRINGS, TRAY 5)	Tray 5 lower separator assembly parts list (for Figure 5-10) on page 374
C5961-67053	Spring (SVC KIT-SPRING, PICKARM)	Tray 5 pick assembly parts list (for Figure 5-11) on page 455
C5961-67054	Ball slide extension (SVC-BALLSLIDE-460MM EXTENSION, 36MM)	Tray 5 top covers parts list (for Figure 5-3) on page 366
C5961-67056	Elevator winder assembly (SVC KIT-WINDER)	Tray 5 elevator cables parts list (for Figure 5-7) on page 445

Table 5-13 Numerical parts list (continued)

Part number	Description	Table and page
C5961-67058	Tray 5 elevator transmission gear train (SVC KIT-ELEVATOR TRANS GEARS)	Tray 5 elevator transmission assembly parts list (for Figure 5-6) on page 443
C5961-67060	Lower separation plate (SVC-PLATE-BEARING LOWER SEPARATION)	Tray 5 lower separator assembly parts list (for Figure 5-10) on page 374
C5961-67061	Gear cover (SVC-COVER-GEAR MOLDED)	Tray 5 lower separator assembly parts list (for Figure 5-10) on page 374
C5961-67062	Pulley, 48T (SVC KIT-PULLEY-48T D DRIVE)	Tray 5 lower separator assembly parts list (for Figure 5-10) on page 374
C5961-67062	Pulley, 48T (SVC KIT-PULLEY-48T D DRIVE)	Tray 5 pick assembly parts list (for Figure 5-11) on page 455
C5961-67063	Tray 5 top front cover (SVC-COVER-CHASSIS FRONT WALL)	Tray 5 top covers parts list (for Figure 5-3) on page 366
C5961-67064	Tray 5 media jam release button (SVC KIT-BUTTON,JAM,TRAY5)	Tray 5 top covers parts list (for Figure 5-3) on page 366
C5961-67065	Pulley 48T (SVC KIT-PULLEY-SPINE DRIVE 48T)	Tray 5 pick assembly parts list (for Figure 5-11) on page 455
C5961-67066	Media separation guide (SVC-GUIDE-MEDIA SEPARATION)	Tray 5 paper path assembly parts list (for Figure 5-9) on page 449
C5961-67067	Tray 5 Elevator Lower Limit switch (SW101)/Tray 5 Elevator Upper Limit switch (SW102) (SVC KIT-LIMIT SWITCH, ELEVATOR)	Tray 5 front and left sensors parts list (for Figure 5-5) on page 441
C5961-67070	Slipper clutch (SVC-CLUTCH-SLIPPER)	Tray 5 lower separator assembly parts list (for Figure 5-10) on page 374
C5961-67072	Feed roller (SVC ASSY-FEED ROLLER MODULE)	Tray 5 lower separator assembly parts list (for Figure 5-10) on page 374
C5961-67074	Long elevator cables (SVC KIT-CABLES, ELEVATOR)	Tray 5 elevator cables parts list (for Figure 5-7) on page 445
C5961-67074	Short elevator cables (SVC KIT-CABLES, ELEVATOR)	Tray 5 elevator cables parts list (for Figure 5-7) on page 445
C5961-67074	Downhaul cable (SVC KIT-CABLES, ELEVATOR)	Tray 5 elevator cables parts list (for Figure 5-7) on page 445
C5961-67075	Tray 5 top door hinge (SVC-HINGE-DOOR MEDIA ACCESS)	Tray 5 top covers parts list (for Figure 5-3) on page 366
C5961-67076	Tray 5 front cover (SVC ASSY-CASE, FRONT)	Tray 5 front and left covers parts list (for Figure 5-2) on page 365

Table 5-13 Numerical parts list (continued)

Part number	Description	Table and page
C5961-67078	Upper media path assembly (SVC ASSY-STRUCTURE UPPER MEDIA PATH)	Tray 5 paper path assembly parts list (for Figure 5-9) on page 449
C5961-67079	Idler (SVC-ASSY-BALL BEARING IDLER)	Tray 5 lower separator assembly parts list (for Figure 5-10) on page 374
C5961-67080	Tray 5 top door (SVC ASSY-DOOR,MEDIA)	Tray 5 top covers parts list (for Figure 5-3) on page 366
C5961-67081	Separator pivot shaft (SVC ASSY-SEPARATOR PIVOT SHAFT)	Tray 5 lower separator assembly parts list (for Figure 5-10) on page 374
C5961-67082	Separator transfer shaft (SVC ASSY-SEPARATOR TRANSFER SHAFT)	Tray 5 lower separator assembly parts list (for Figure 5-10) on page 374
C5961-67083	Separator slip clutch shaft (SVC ASSY-SEPARATOR SLIP CLUTCH SHAFT)	Tray 5 lower separator assembly parts list (for Figure 5-10) on page 374
C5961-67084	Cork pad (SVC-PAD-CORK)	Tray 5 elevator tray parts list (for Figure 5-8) on page 447
C5961-67086	Tray 5 Pick motor (M101)/(EN101) (SVC-MOTOR-PAPER HICAP)	Tray 5 pick assembly parts list (for Figure 5-11) on page 455
C5961-67087	Back engagement sensor bracket (SVC-BRACKET-ENGAGEMENT SENSOR BACK)	Tray 5 rear and right covers parts list (for Figure 5-4) on page 439
C5961-67088	Front engagement sensor bracket (SVC-BRACKET-ENGAGEMENT SENSOR FRONT)	Tray 5 front and left sensors parts list (for Figure 5-5) on page 441
C5961-67089	Belt 145T (SVC-BELT-DRIVE, 145T, GT2, 2X4)	Tray 5 lower separator assembly parts list (for Figure 5-10) on page 374
C5961-67091	Pick arm belt tensioner (SVC ASSY-TENSIONER PICKARM BELT)	Tray 5 pick assembly parts list (for Figure 5-11) on page 455
C5961-67094	Gear cluster (SVC ASSY-CLUSTER GEAR)	Tray 5 pick assembly parts list (for Figure 5-11) on page 455
C5961-67096	Arm lifter kit (SVC KIT-ARM LIFTER)	Tray 5 pick assembly parts list (for Figure 5-11) on page 455
C5961-67097	Tray 5 front cover handle assembly (SVC KIT-HANDLE-RELEASE)	Tray 5 front and left covers parts list (for Figure 5-2) on page 365
C5961-67098	Pickarm gear cover (SVC-COVER-PICKARM)	Tray 5 pick assembly parts list (for Figure 5-11) on page 455
C5961-67099	Top door spring (SVC-SPRING-DOOR-JAM-CLEAR)	Tray 5 top covers parts list (for Figure 5-3) on page 366
C5961-67101	Upper separator sprag block (includes sprag, housing, and shaft) (SVC ASSY-UPPER SEPARATOR SPRAG BLOCK)	Tray 5 lower separator assembly parts list (for Figure 5-10) on page 374

Table 5-13 Numerical parts list (continued)

Part number	Description	Table and page
C5961-67102	Screw (SCREW-SHLDR M4X0.7 8.013MM-LG ROHS)	Tray 5 paper path assembly parts list (for Figure 5-9) on page 449
C5961-67102	Screw (SCREW-SHLDR M4X0.7 8.013MM-LG ROHS)	Tray 5 pick assembly parts list (for Figure 5-11) on page 455
C5961-67103	SN104 bracket (SVC-ASSY-BRACKET STACK LEVEL). Note: Part number C5961-67103 replaces C5961-67100.	Tray 5 front and left sensors parts list (for Figure 5-5) on page 441
C5961-67105	Tray 5 bracket assembly (SVC KIT-BRACKET TRAY 5) Note: Part number C5961-67105 replaces C5961-67077.	Tray 5 front and left covers parts list (for Figure 5-2) on page 365
C5961-67107	Tray 5 Separator clutch (CL102) (SVC-CLUTCH-ELECTRIC)	Tray 5 lower separator assembly parts list (for Figure 5-10) on page 374
C5961-67107	Tray 5 Pick clutch (CL101) (SVC-CLUTCH-ELECTRIC)	Tray 5 pick assembly parts list (for Figure 5-11) on page 455
C5961-67108	Tray 5 interface cable to MFP (SVC-CABLE, HICAP/RT WALL)	Tray 5 rear and right covers parts list (for Figure 5-4) on page 439

6 C5959A Multifunction Finisher parts diagrams

- [HP Multifunction Finisher service kits](#)
- [Finisher front covers parts diagram](#)
- [Finisher rear covers parts diagram](#)
- [Finisher removal guide parts diagram](#)
- [Finisher top covers parts diagram](#)
- [Finisher inner covers parts diagrams](#)
- [Bias spring and clamp parts diagrams](#)
- [Finisher casters parts diagram](#)
- [Finisher latch assemblies parts diagram](#)
- [Finisher Main PCA \(A200\) assembly parts diagram](#)
- [Right side panel assembly](#)
- [Handle 1 \(upper transport\)](#)
- [Handle 1 \(upper transport\) support parts diagrams](#)
- [Handle 2 \(upper transport\)](#)
- [Handle 3 \(lower transport\)](#)
- [Input paper path](#)
- [Accumulator parts diagram](#)
- [Finisher Separator diagrams](#)
- [Finisher lower-middle cover assembly parts diagram](#)
- [Bin 5 assembly parts diagram](#)
- [Finisher job support assembly parts diagram](#)
- [Stapler parts diagram](#)
- [Cables](#)

- [Alphabetical parts list](#)
- [Numerical parts list](#)

HP Multifunction Finisher service kits

Description	Service part number
SVC KIT-BIN 5 PACKAGING	C5959-67351
SVC KIT-BOTTOM TRAY ENCODER UNIT	C5959-67345
SVC KIT-TETHER, TRAY (20 pieces)	C5959-67319
SVC TOOL-TIMING PINS, ACCUMULATOR	C5959-67314
Finisher carpet plate and bracket (SVC KIT-CARPET KIT,FINISHER)	C5959-67328
Front and rear bracket kit (SVC KIT-ENGINE LATCH BRACKET)	C5959-67316
Edge protectors (SVC KIT-EDGE PROTECTORS, 10 SETS BULK PK)	C5959-67397
Top guide (SVC KIT-TOP GUIDE SIDE ACCESS)	C5959-67378
Bottom guide (SVC KIT-BOTTOM GUIDE-PP FRAME INPUT)	C5959-67379
Multifunction Finisher wire harness kit with retainer (SVC-HARNESS, JOB SEPARATOR)	C5959-67402

Finisher front covers parts diagram

Figure 6-1 Finisher front covers parts diagram

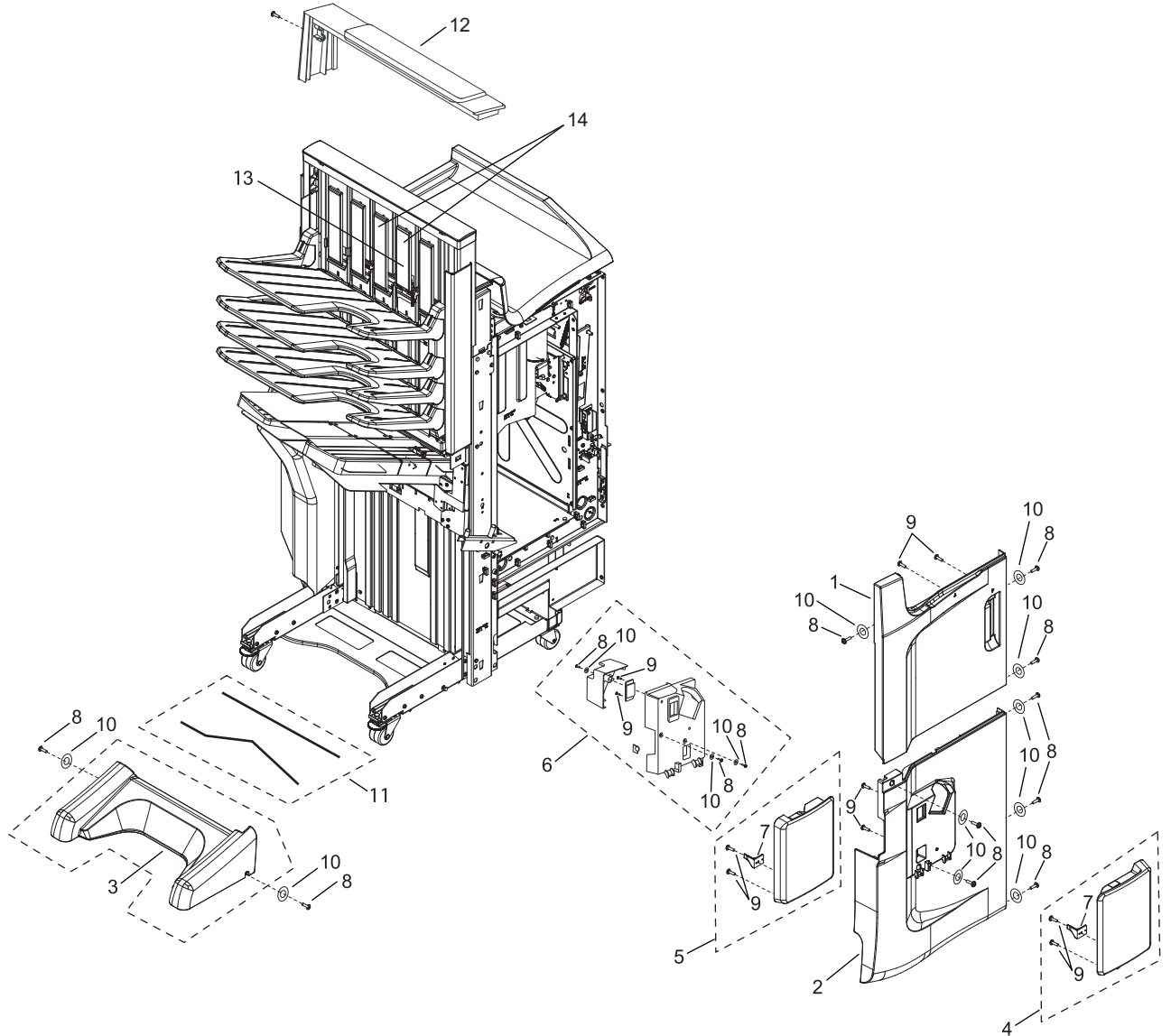


Table 6-1 Finisher front covers parts list (for Figure 6-1)

Ref	Description	Part number	Qty
1	Upper front cover (SVC-ASSY-UPPER FRONT COVER)	C5959-67053	1
2	Lower front cover (SVC ASSY-LOWER FRONT COVER)	C5959-67054	1
3	Front leg cover (SVC-COVER-LEG, FRONT)	C5959-67009	1
4	Stapler 1 door (SVC ASSY-DOOR, STAPLER1)	C5959-67055	1
5	Stapler 2 door (SVC ASSY-DOOR, STAPLER2)	C5959-67056	1
6	Stapler 2 covers (SVC ASSY-STAPLER2 COVERS)	C5959-67057	1
7	Door sensor actuator (SVC-ACTUATOR-DOOR SENSOR)	C5956-67212	1
8	Screw (SVC-SCREW-MACH M4 X 0.7 9.5MM-LG ROHS)	C5956-67011	1 (Qty 20)
9	Screw (SVC-SCREW-TPG 4-20X7.94MM 10IP ROHS)	C5956-67012	1 (Qty 20)
10	Retainer (SVC-RETAINER-CAPTIVE FASTENER M4)	C5956-67368	1 (Qty 20)
11	Edge protectors (SVC KIT-EDGE PROTECTORS)	C5959-67398	1
12	Cover (SVC-COVER-TOP LEFT)	C5959-67008	1
13	Wear strip (short) (SVC-WEAR, STRIP, FORWARD)	C5964-67047	1
14	Wear strip (long and short) (SVC-WEAR, STRIPS)	C5959-67403	2

Finisher rear covers parts diagram

Figure 6-2 Finisher rear covers parts diagram

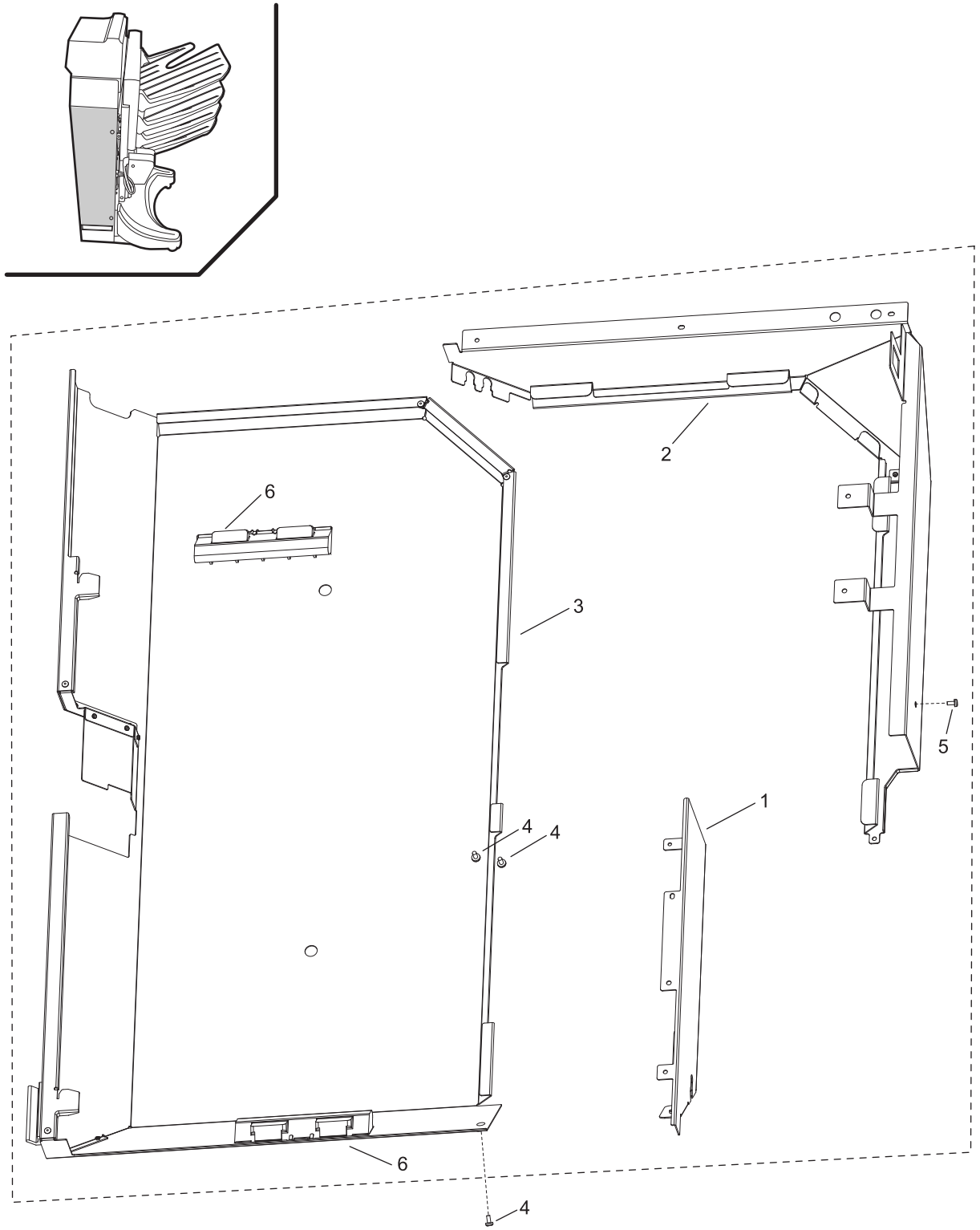


Table 6-2 Finisher rear covers parts list (for Figure 6-2)

Ref	Description	Part number	Qty
1	Lower rear cover (SVC-COVER-LOWER REAR)	C5959-67352	1
2	Upper rear cover (SVC-COVER-UPPER REAR)	C5959-67334	1
3	Rear service cover (SVC-COVER-SERVICE REAR)	C5959-67329	1
4	Screw (SVC-SCREW-MACH M4X0.7 8MM-LG PAN HD ROHS)	C5956-67006	1 (Qty 20)
5	Screw (SVC-SCREW-TPG M3X0.5 6MM-LG PAN HD ROHS)	C5956-67001	1 (Qty 20)
6	Handle (HANDLE-SOUTHCO P2-51)	C5964-67032	2

Finisher removal guide parts diagram

Figure 6-3 Finisher removal guide parts diagram

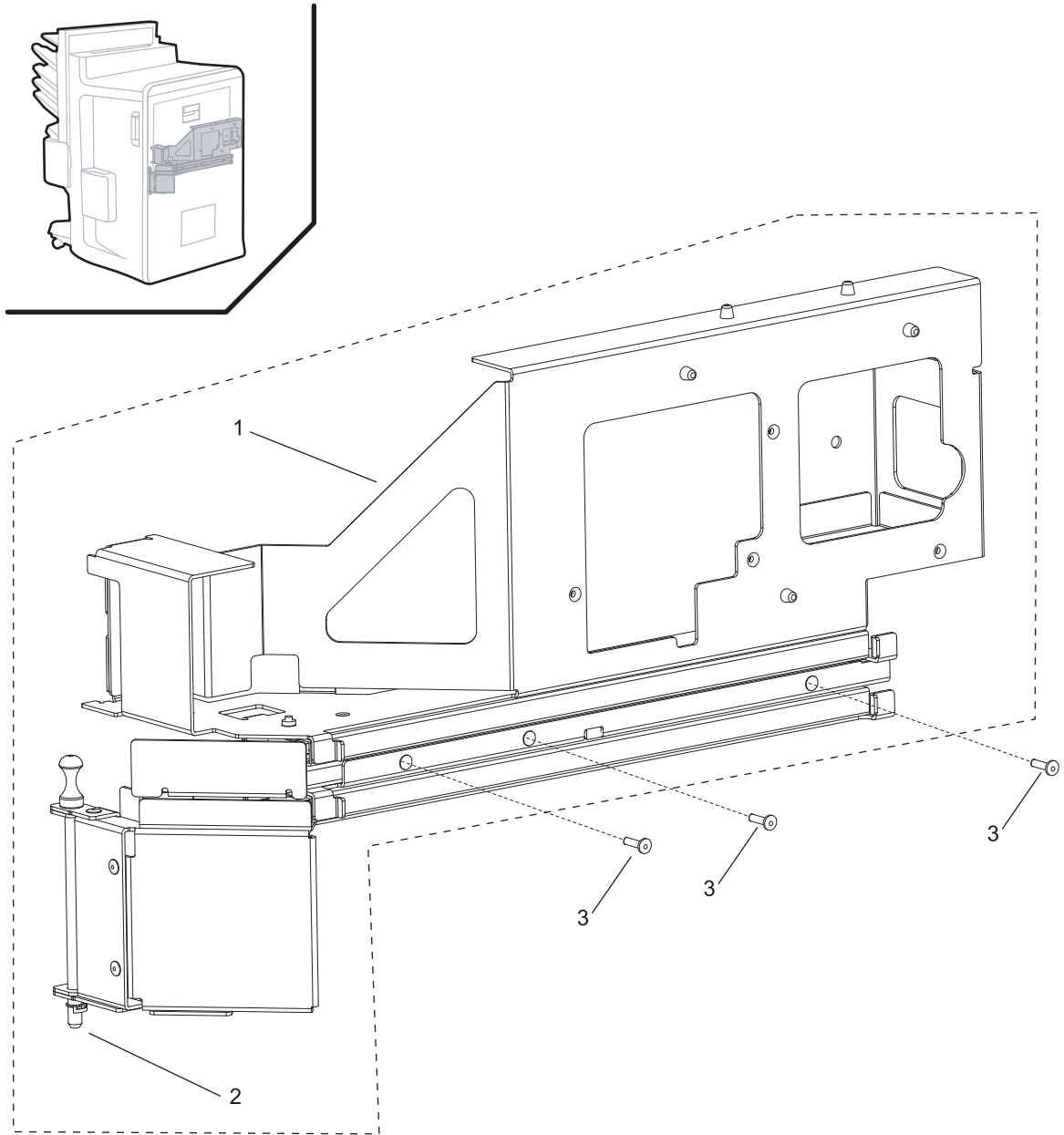


Table 6-3 Finisher removal guide parts list (for Figure 6-3)

Ref	Description	Part number	Qty
1	Finisher removal guide (SVC-GUIDE-FINISHER REMOVAL)	C5959-67073	1
2	Pin guide (PIN-GUIDE FINISHER REMOVAL)	C5959-67375	1
3	Screw (SVC-SCREW-TPG M4X0.7 8MM-LG PAN HD ROHS)	C5956-67003	1 (Qty 20)

Finisher top covers parts diagram

Figure 6-4 Finisher top covers parts diagram

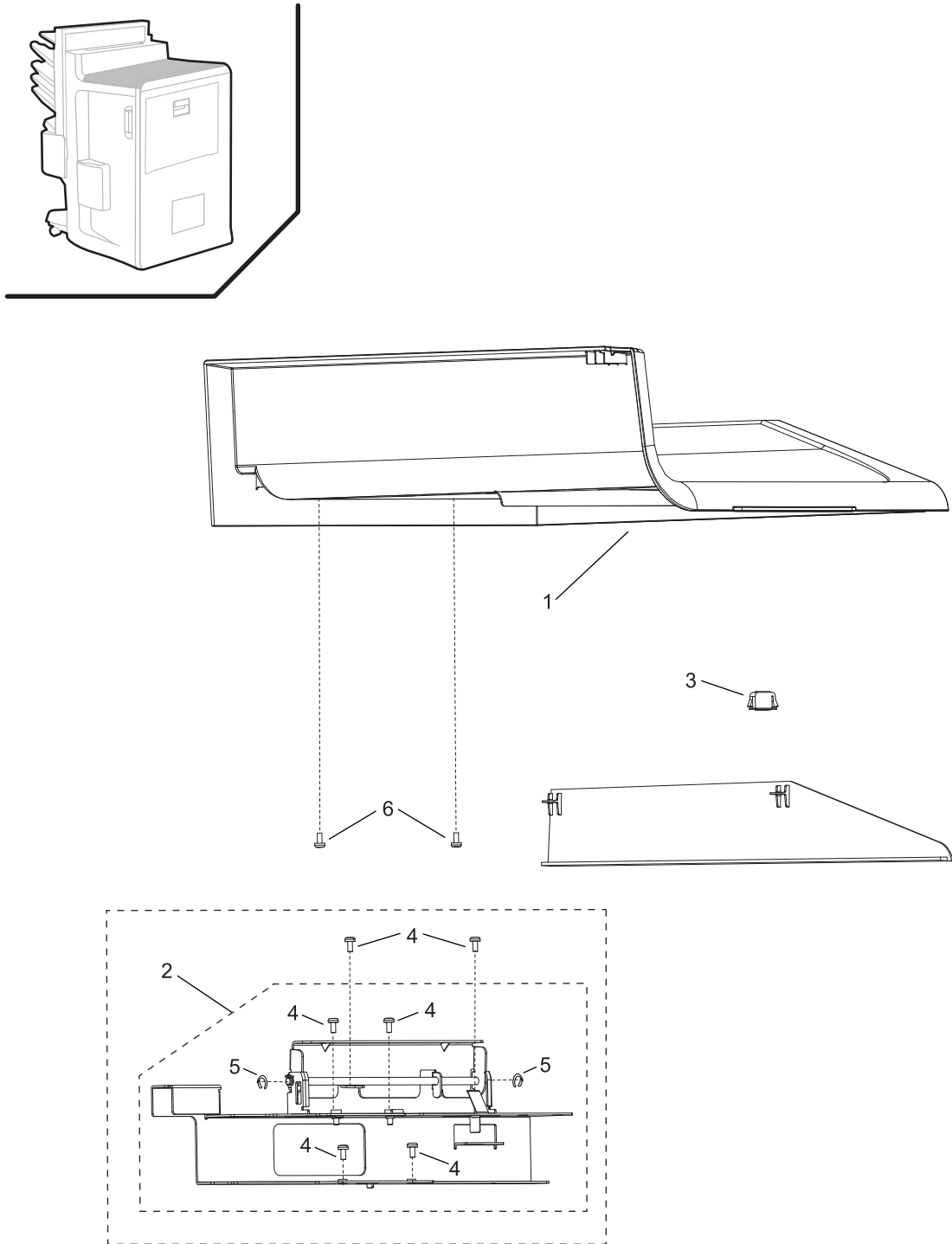


Table 6-4 Finisher top covers parts list (for Figure 6-4)

Ref	Description	Part number	Qty
1	Top door (SVC ASSY-TOP DOOR)	C5959-67298	1
2	Top door hinge (SVC ASSY-HINGE, DOOR 1.5)	C5959-67333	1
4	Screw (SVC-SCREW-TPG M4X0.7 8MM-LG PAN HD ROHS)	C5956-67003	1 (Qty 20)
5	Clip (SVC KIT-CLIPS, assortment, RETAINER-RING CIRCLIP 5MM-BSC DIA ROHS)	C5956-67650	1 (Qty 10)
6	Screw (SVC-SCREW-MACH M4X0.7 8MM-LG PAN HD ROHS)	C5956-67006	1 (Qty 20)

Finisher inner covers parts diagrams

Figure 6-5 Finisher inner covers parts diagrams

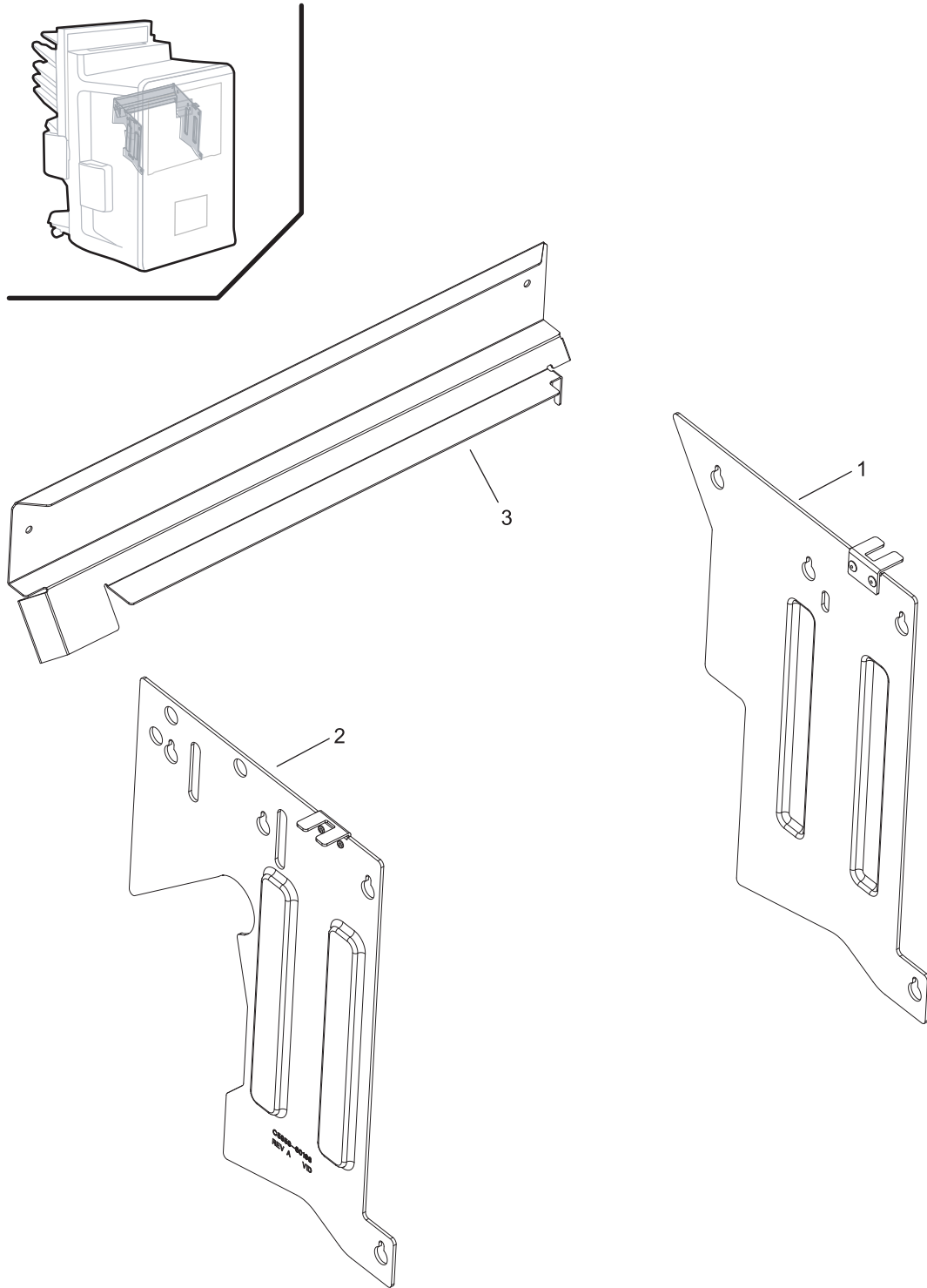


Table 6-5 Finisher inner covers parts list (for Figure 6-5)

Ref	Description	Part number	Qty
1	Front structure frame cover (SVC-ASSY-COVER FRONT FRAME)	C5959-67291	1
2	Rear structure frame cover (SVC-ASSY-COVER REAR FRAME)	C5959-67290	1
3	Hinge bracket cover (SVC-COVER-HINGE BRACKET)	C5959-67288	1

Bias spring and clamp parts diagrams

Figure 6-6 Bias spring and clamp parts diagrams

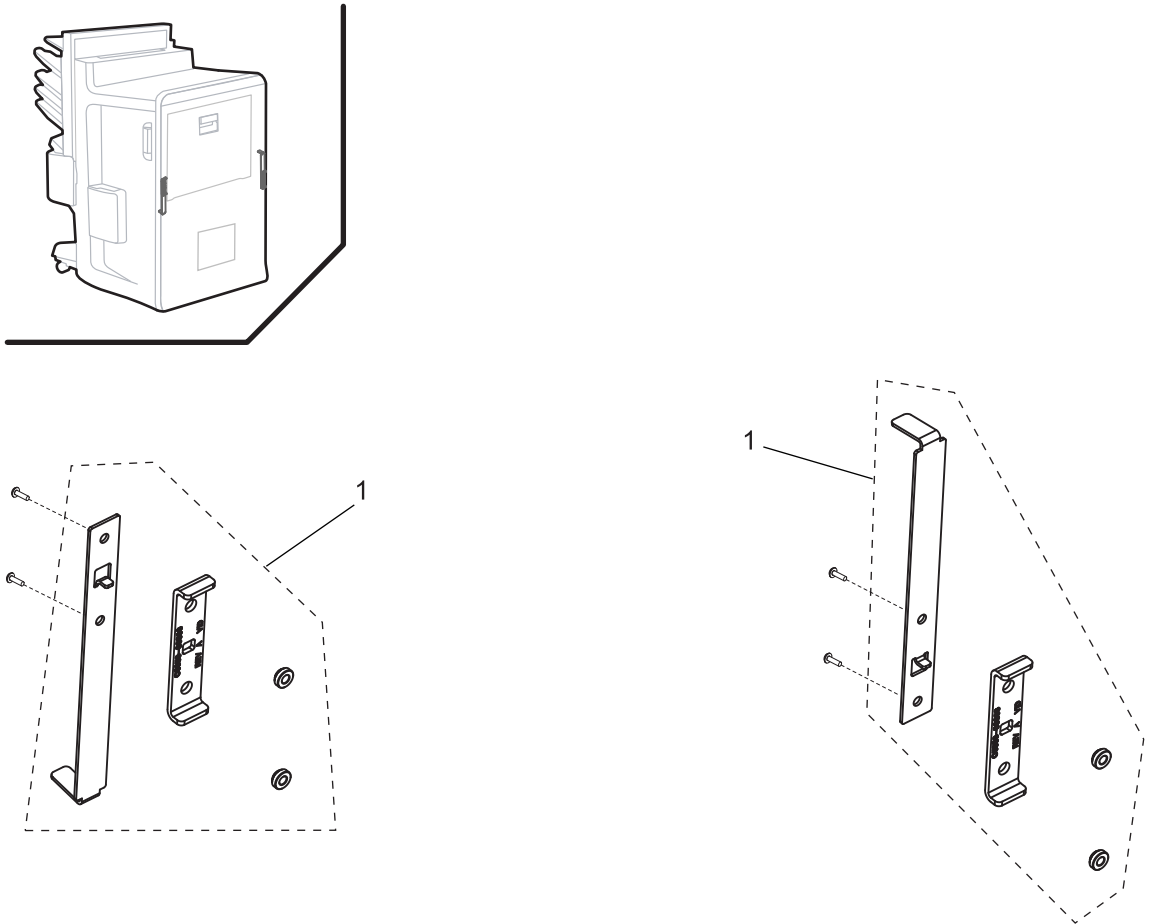


Table 6-6 Bias spring and clamp parts list (for Figure 6-6)

Ref	Description	Part number	Qty
1	Bias spring and clamp (SVC KIT-SPRING-BIAS)	C5959-67249	1

Finisher casters parts diagram

Figure 6-7 Finisher casters parts diagram

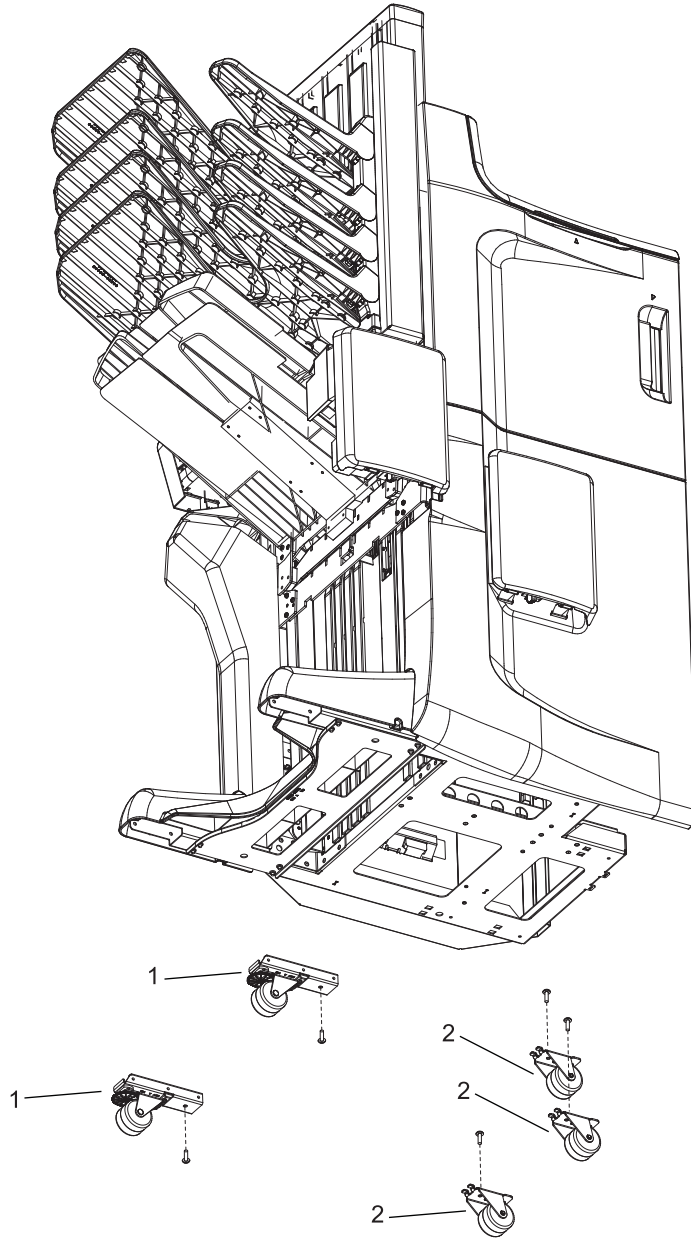


Table 6-7 Finisher casters parts list (for Figure 6-7)

Ref	Description	Part number	Qty
1	Adjustable caster (SVC ASSY-CASTOR ADJUSTABLE)	C5964-67034	1
2	Fixed caster (SVC ASSY-46MM FIXED ROLLER)	C5964-67033	1

Finisher latch assemblies parts diagram

Figure 6-8 Finisher latch assemblies parts diagram

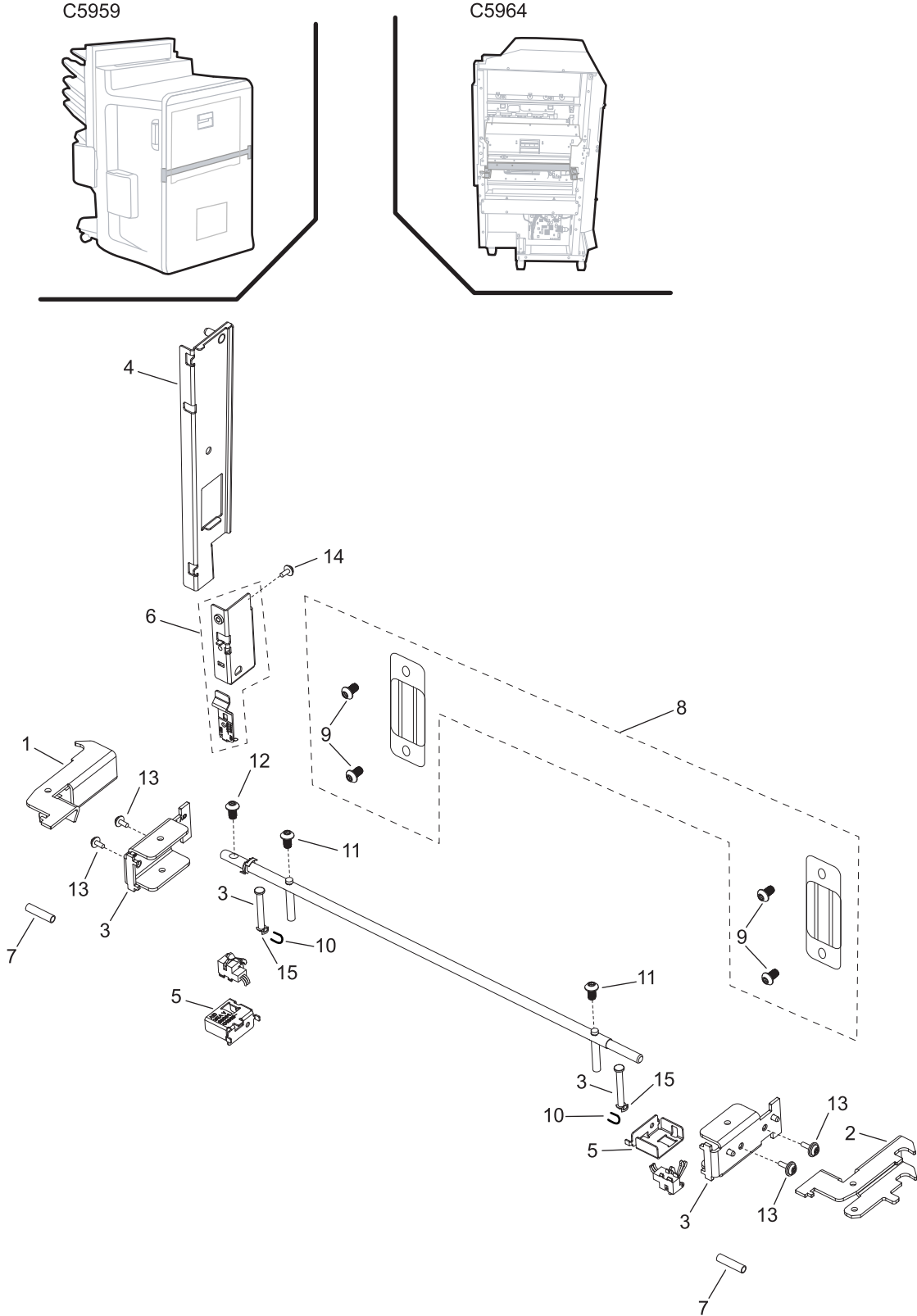


Table 6-8 Finisher latch assemblies parts list (for Figure 6-8)

Ref	Description	Part number	Qty
1	Front latch (SVC-LATCH ARM FRONT)	C5959-67243	1
2	Rear latch (SVC-LATCH ARM REAR)	C5959-67244	1
3	Latch hinge (SVC-BRACKET-LATCH HINGE)	C5959-67245	1
4	Latch top lever (SVC-LEVER-TOP LATCH)	C5959-67248	1
5	Latch sensor bracket (SVC-BRACKET-ENGINE LATCH SENSOR)	C5959-67267	1
6	Lower latch lever (SVC ASSY-LOWER LATCH LEVER)	C5959-67286	1
7	Latch spring (SVC-SPRING-ENGINE LATCH)	C5959-67306	1
8	Latch bracket (SVC KIT-ENGINE LATCH BRACKET)	C5959-67316	1
9	Screw (SVC-SCREW-TPG M3X0.5 10MM-LG PAN HD ROHS)	C5964-67002	1 (Qty 10)
10	Clip (SVC KIT-CLIPS, assortment)	C5956-67650	1
11	Screw (SVC KIT-FASTENERS 1, SCREW-TPG M3X0.5 10MM-LG PAN HD ROHS)	C5956-67651	1 (Qty 10)
12	Screw (SVC KIT-FASTENERS 2, assortment, SCR-MACH M3X0.516MM-LG T-10 PAN-HD ROHS)	C5957-67054	1 (Qty 10)
13	Screw (SVC-SCREW-MACH M4X0.7 8MM-LG PAN HD ROHS)	C5956-67006	1 (Qty 20)
14	Screw (SVC-SCREW-TPG M4X0.7 12MM-LG PAN-HD ROHS)	C5956-67008	1 (Qty 20)
15	Clip (SVC KIT-CLIPS, assortment)	C5956-67650	1

Finisher Main PCA (A200) assembly parts diagram

Figure 6-9 Finisher Main PCA (A200) parts diagram

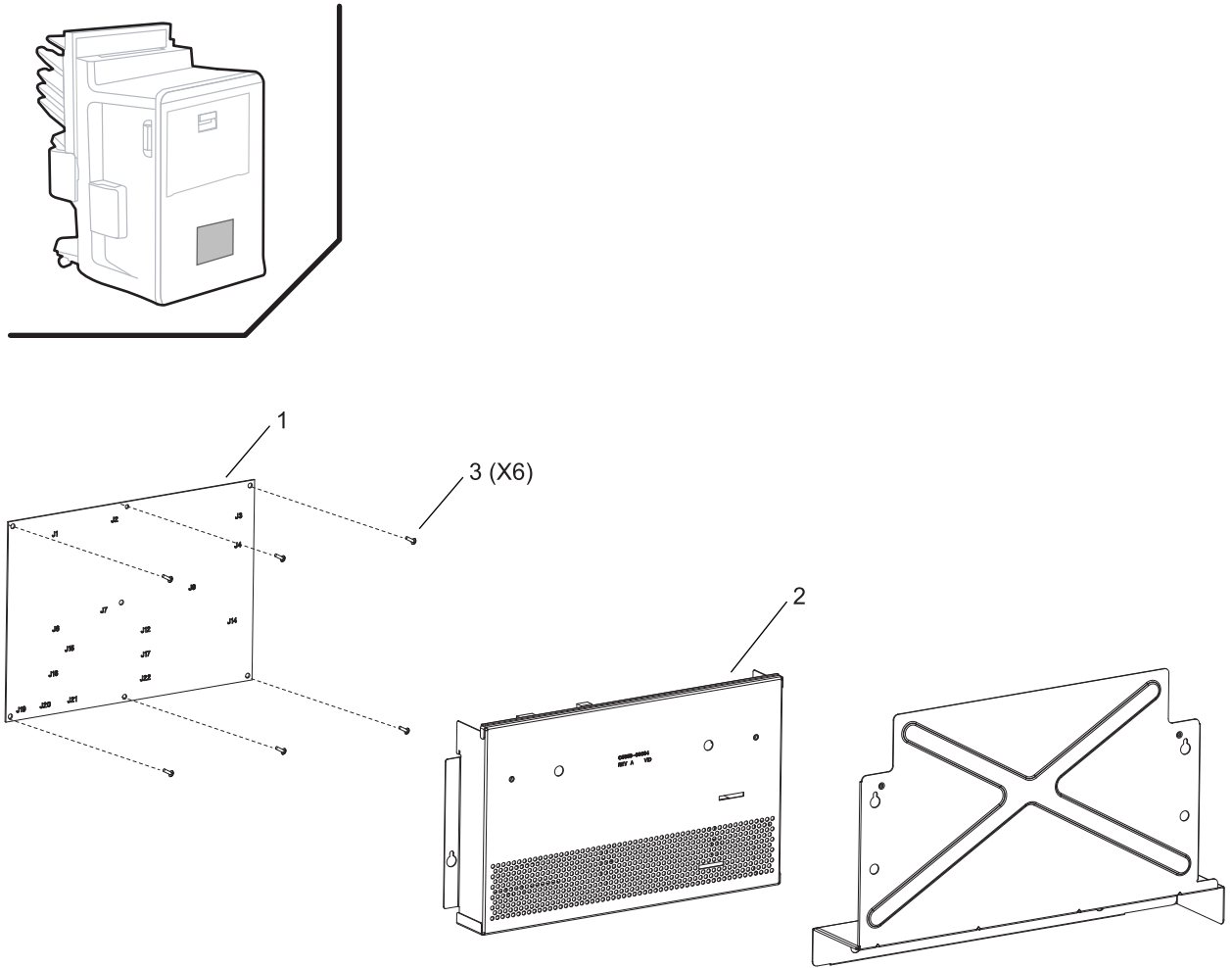


Table 6-9 Finisher Main PCA (A200) parts list (for Figure 6-9)

Ref	Description	Part number	Qty
1	Finisher Main PCA (A200) assembly (SVC-ASSY-PCA, FINISHER MAIN)	C5959-67389	1
2	PCA cover (SVC-COVER-PCA)	C5959-67266	1
3	Screw (SVC-SCREW-MACH M4X0.7 8MM-LG PAN HD ROHS)	C5956-67006	1 (Qty 20)

Right side panel assembly

Figure 6-10 Right side panel assembly

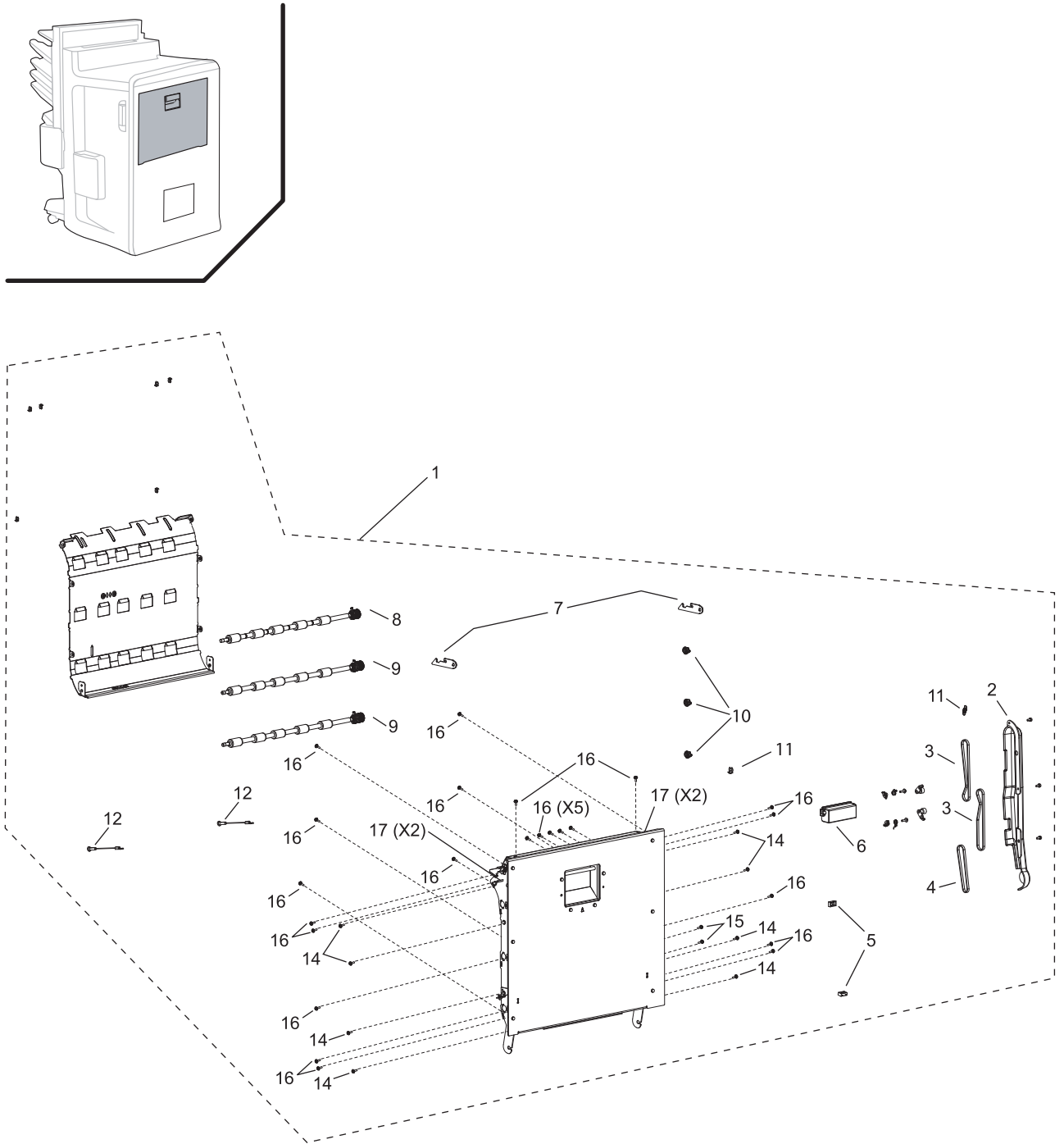


Table 6-10 Right side panel assembly parts list (for Figure 6-10)

Ref	Description	Part number	Qty
1	Right side panel assembly (SVC-ACCESS DOOR RIGHT)	C5959-67377	1
2	Right side panel transmission cover (SVC-COVER-DOOR1 TRANSMISSION)	C5959-67021	1
3	126T drive belt (SVC-BELT-DRIVE, 126T, GT2, 2X4)	C5959-67280	1
4	97T drive belt (SVC-BELT-DRIVE, 97T, GT2, 2X4)	C5956-67659	1
5	Prism (SVC-PRISM; 15-MM BY 10-MM)	C5956-67090	1 (Qty 5)
6	Right side panel handle (SVC-HANDLE-SIDE ACCESS)	C5959-67273	1
7	Latch hook (SVC-LATCH HOOK)	C5959-67265	2
8	Double drive roller pulley (SVC ASSY-SOFT DRIVE ROLLER PULLEY DOUBLE)	C5956-67325	1
9	Triple shifted drive roller (SVC ASSY-DRIVE ROLLER TRIPLE SHIFTED)	C5959-67061	1
10	Small bearing yoke assembly (SVC ASSY-BEARING YOKE SMALL)	C5956-67330	10
11	Latch spring (SVC-SPRING-SIDE ACCESS LATCH)	C5959-67271	1
12	Door strap (SVC-STRAP-STEEL-CABLE)	C5959-67350	2
13	Clip (SVC KIT-CLIPS, assortment)	C5956-67650	1
14	Screw (SVC-SCREW-TPG M3X0.5 6MM-LG PAN HD ROHS)	C5956-67001	1 (Qty 20)
15	Screw (SVC-SCREW-TPG M3X0.5 10MM-LG PAN HD ROHS)	C5956-67002	1 (Qty 20)
16	Screw (SVC-SCREW-MACH M3X0.5 6MM-LG PAN HD ROHS)	C5956-67005	1 (Qty 20)
17	Clip (SVC KIT-CLIPS, assortment)	C5956-67650	1

Handle 1 (upper transport)

Figure 6-11 Handle 1 (upper transport)

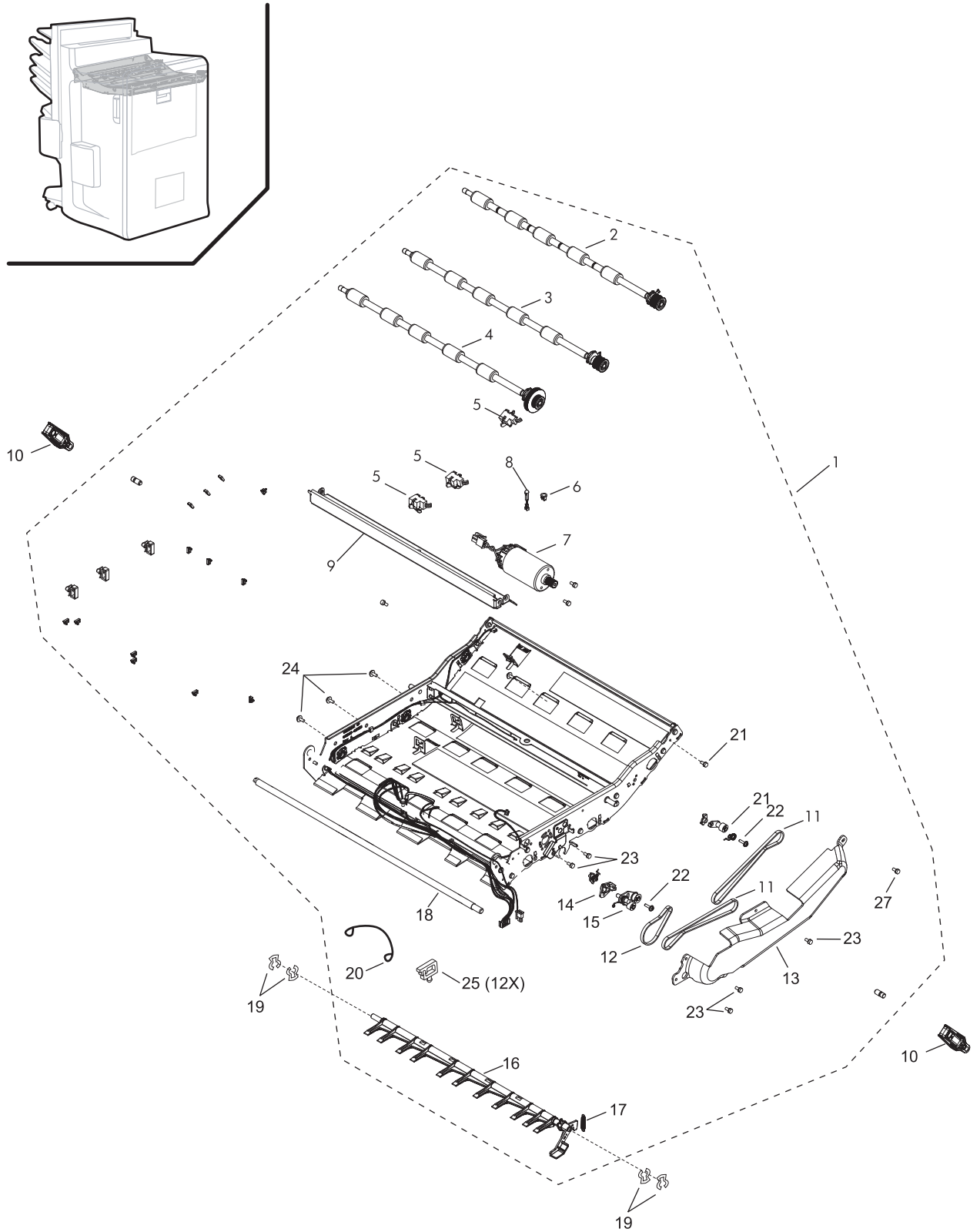


Table 6-11 Handle 1 (upper transport) parts list (for Figure 6-11)

Ref	Description	Part number	Qty
1	Handle 1 assembly (SVC ASSY-DOOR 2)	C5959-67097	1
2	Drive roller (SVC ASSY-SOFT DRIVE ROLLER PULLEY DOUBLE)	C5956-67325	1
3	Drive roller (SVC ASSY-DRIVE ROLLER TRIPLE SHIFTED)	C5959-67061	1
4	Drive roller (SVC ASSY-DRIVE ROLLER FINISHER DOOR 2)	C5959-67058	1
5	Sensor (SN231, SN232, SN233) (SVC-SENSOR, MEDIA PRESENCE)	C5956-67255	1 (Qty 5)
6	LED holder (SVC-HOLDER LED)	C5956-67406	1
7	Finisher Upper Paper Path motor (M230)/(EN230) (SVC-MOTOR, MEDIAPATH)	C5956-67742	1
8	LED (LED234) (SVC-LED, AMBER)	C5956-67070	1
9	Back cover (SVC-COVER-BACK DOOR 2)	C5959-67268	1
10	Door link (SVC ASSY-LINK DOOR 2)	C5959-67083	1 (Qty 2)
11	Belt (SVC-BELT-DRIVE, 141T, GT2, 2X4)	C5959-67281	1
12	Belt (SVC-BELT-DRIVE, 70T, GT2, 2X4)	C5959-67263	1
13	Transmission cover (SVC-COVER-DOOR2 TRANSMISSION)	C5959-67277	1
14	Tensioner, standoff mid (SVC KIT-STANDOFFS, TENSIONER)	C5956-67711	1
15	Mediapath tensioner (SVC ASSY-MEDIAPATH TENSIONER)	C5956-67297	1 (Qty 5)
16	Diverter (SVC-ASSY-DIVERTER FINISHER)	C5959-67357	1
17	Diverter spring (SVC-SPRING-DIVERTER RETURN)	C5959-67270	1
18	Alignment shaft (SVC-SHAFT-ALIGNMENT)	C5959-67372	1
19	Clip (SVC KIT-CLIPS, assortment)	C5956-67650	1
20	Cable (ASSY-CABLE, GROUND STRAP 85MM)	C5959-67090	1
21	Screw (SVC-SCREW-TPG M3X0.5 6MM-LG PAN HD ROHS)	C5956-67001	1 (Qty 20)
22	Screw (SVC-SCREW-TPG M3X0.5 10MM-LG PAN HD ROHS)	C5956-67002	1 (Qty 20)
23	Screw (SVC-SCREW-MACH M3X0.5 6MM-LG PAN HD ROHS)	C5956-67005	1 (Qty 20)
24	Saddle (SVC KIT-WIRE MANAGEMENT, assortment, SADDLE-WIRE .2-WD NYL-6/6 ROHS)	C5956-67648	1 (Qty 10)
25	Clip (KIT, SVC CLIP-WIRE, .08 IN-WD NYL-6/6-ROHS)	C5956-67374	1

Handle 1 (upper transport) support parts diagrams

Figure 6-12 Handle 1 (upper transport) support parts diagrams

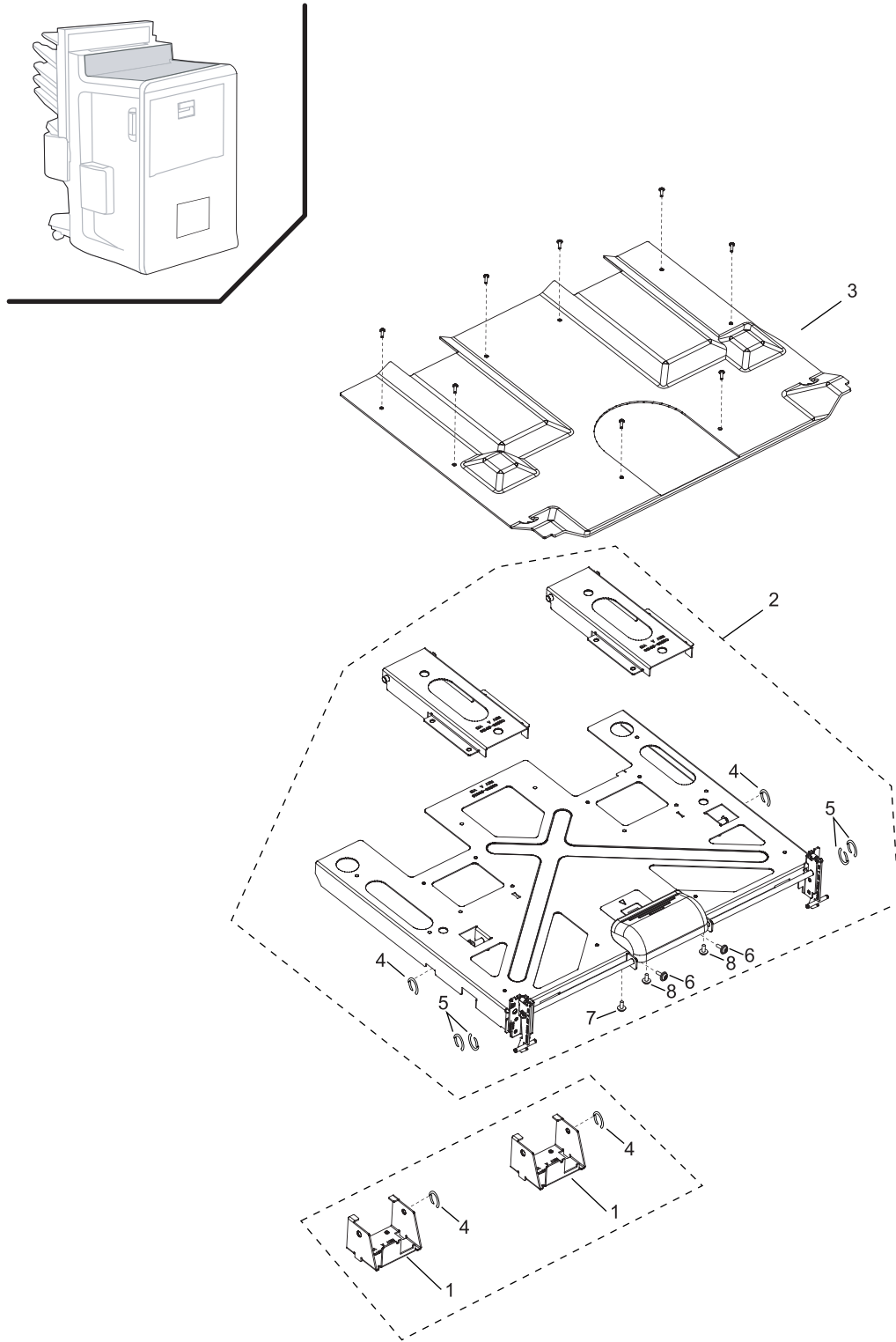


Table 6-12 Handle 1 (upper transport) parts list (for Figure 6-12)

Ref	Description	Part number	Qty
1	Handle 1 hinge (SVC ASSY-HINGE, DOOR 2 STRUCTURE)	C5959-67325	1
2	Handle 1 structure assembly (SVC ASSY-DOOR 2 STRUCTURE)	C5959-67254	1
3	Handle 1 assembly cover (SVC-COVER DOOR 2)	C5959-67326	1
4	Clip (SVC KIT-CLIPS, assortment)	C5956-67650	1
5	Clip (SVC KIT-CLIPS, assortment)	C5956-67650	1
6	Screw (SVC-SCREW-TPG M3X0.5 6MM-LG PAN HD ROHS)	C5956-67001	1 (Qty 20)
7	Screw (SVC-SCREW-MACH M3X0.5 6MM-LG PAN HD ROHS)	C5956-67005	1 (Qty 20)
8	Screw (SVC-SCREW-TPG 4-20 0.427-IN-LG ROHS)	C5956-67018	1 (Qty 20)

Handle 2 (upper transport)

Figure 6-13 Handle 2 (upper transport)

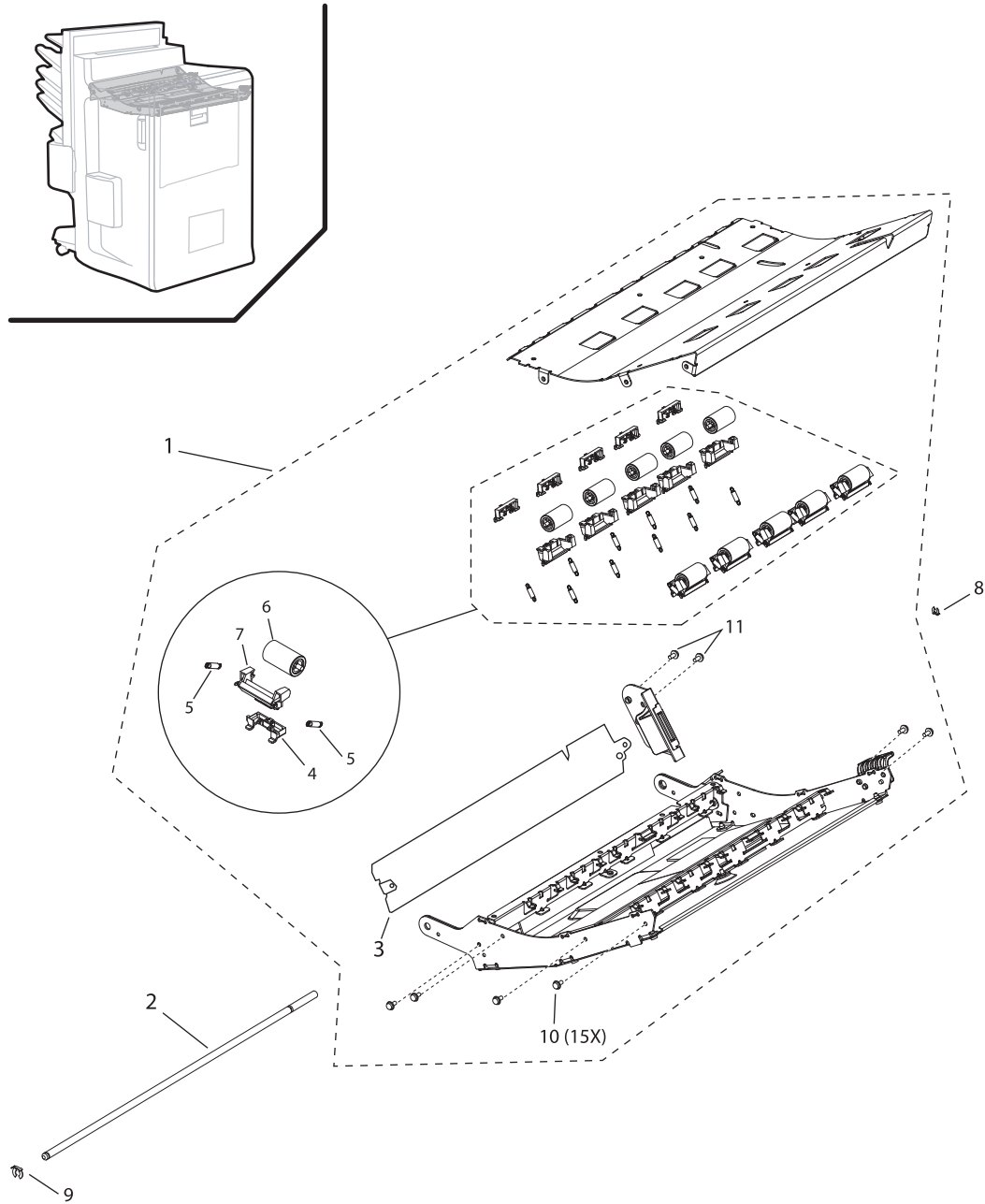


Table 6-13 Handle 2 (upper transport) parts list (for Figure 6-13)

Ref	Description	Part number	Qty
1	Handle 2 (upper transport) assembly (SVC ASSY-DOOR 3)	C5959-67036	1
2	Handle 2 (upper transport) hinge shaft (SVC-SHAFT-DOOR 3 HINGE)	C5959-67007	1
3	Handle 2 (upper transport) short guide (SVC-GUIDE-SHORT, DOOR 3)	C5959-67002	1
4	Pinch roller datum (SVC-DATUM-PINCH ROLLER-SMALL)	C5956-67087	1 (Qty 25)
5	Pinch roller spring (SVC-SPRING-EXTENSION-PINCH ROLLER-SMALL)	C5956-67086	1 (Qty 20)
6	Pinch roller FEP (SVC-PINCH ROLLER FEP)	C5956-67319	1 (Qty 5)
7	Pinch roller holder (SVC-HOLDER-PINCH ROLLER-SMALL)	C5956-67258	1 (Qty 5)
8	Clip (SVC KIT-CLIPS, assortment, RETAINER-RING CIRCLIP 4MM-BSC DIA ROHS)	C5956-67650	1 (Qty 10)
9	Clip (SVC KIT-CLIPS, assortment, RETAINER-RING CIRCLIP 6MM K-STYLE ROHS)	C5956-67650	1 (Qty 10)
10	Screw (SVC-SCREW-TPG M3X0.5 10MM-LG PAN HD ROHS)	C5956-67002	1 (Qty 20)
11	Screw (SVC-SCREW-TPGM4X0.7 8MM-LG PAN HD ROHS)	C5956-67003	1 (Qty 20)
12	Lightpipe (SVC-LIGHTPIPE-DOOR 3). Not shown in diagram.	C5959-67253	1 (Qty 20)

Handle 3 (lower transport)

Figure 6-14 Handle 3 (lower transport)

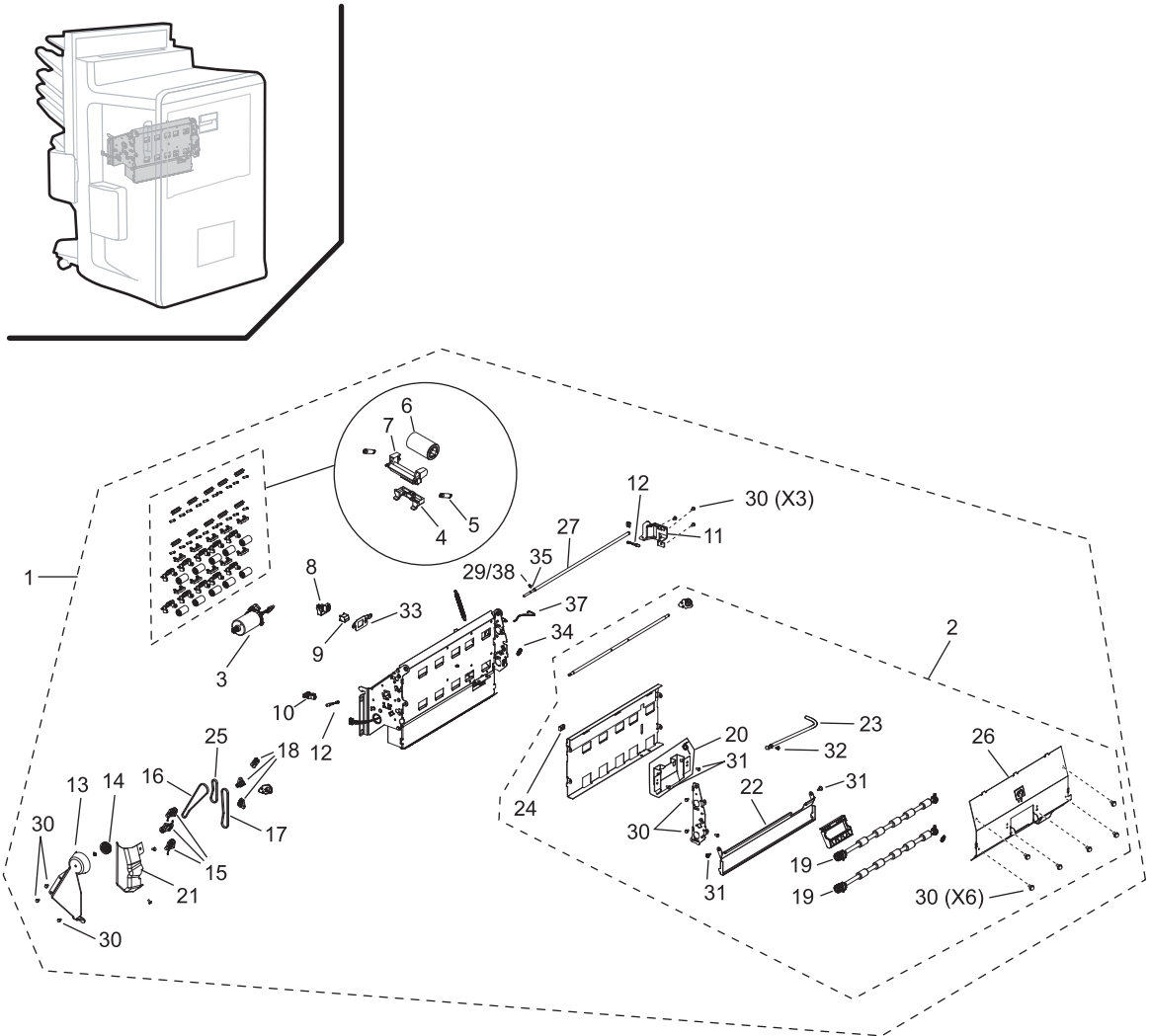


Table 6-14 Handle 3 (lower transport) parts list (for Figure 6-14)

Ref	Description	Part number	Qty
1	Handle 3 (lower transport) and support assy (SVC ASSY-SUPPORT DOOR 4)	C5959-67099	1
2	Handle 3 (lower transport) assy (SVC ASSY-DOOR 4)	C5959-67098	1
3	M220 (SVC-MOTOR, MEDIAPATH)	C5956-67742	1
4	Pinch roller datum (SVC-DATUM-PINCH ROLLER-SMALL)	C5956-67087	1 (Qty 25)
5	Pinch roller spring (SVC-SPRING-EXTENSION-PINCH ROLLER-SMALL)	C5956-67086	1 (Qty 20)
6	Pinch roller FEP (SVC-PINCH ROLLER FEP)	C5956-67319	1 (Qty 5)
7	Pinch roller holder (SVC-HOLDER-PINCH ROLLER-SMALL)	C5956-67258	1 (Qty 5)
8	Sensor mount (SVC-MOUNT-SENSOR STAGING)	C5956-67375	1
9	SN221 (SVC ASSY-SENSOR ALEPH-ON 171-A8 W/SEAL)	C5956-67356	1
10	SN222 (SVC-PHOTOINTERRUPTER IF=50MA-MAX ROHS)	C5956-67256	1
11	Handle 3 (lower transport) support front cover (SVC-COVER-DOOR 4 SUPPORT FRONT)	C5959-67094	1
12	Handle 3 (lower transport) LED223 and LED220 (SVC-HOLDER-LED)	C5956-67376	1
13	Handle 3 (lower transport) support rear cover (SVC-COVER-DOOR 4 SUPPORT)	C5959-67093	1
14	38T 20T gear cluster (ASSY-PULLEY CLUSTER 38T-20T)	C5959-67044	1
15	Tensioner (SVC ASSY-MEDIAPATH TENSIONER)	C5956-67297	1 (Qty 5)
16	125T drive belt (SVC-BELT-DRIVE, 125T, GT2, 2X4)	C5959-67278	1
17	105T drive belt (SVC-BELT-DRIVE, 105T, GT2, 2X4)	C5959-67276	1
18	Tensioner stand-off (SVC KIT-STANDOFFS, TENSIONER)	C5956-67711	1
19	Ouput roller (SVC-ROLLER-OUTPUT DRIVE TRIPLE)	C5959-67043	1
20	Handle 3 (lower transport) handle (SVC KIT-HANDLE-DOOR 4 ACCESS)	C5959-67085	1
21	Handle 3 (lower transport) rear cover (SVC-COVER-DOOR 4 REAR)	C5959-67015	1
22	Handle 3 (lower transport) lower guide (SVC-GUIDE-LOWER SUPPORT, DOOR 4)	C5959-67003	1
23	Handle 3 (lower transport) lightpipe (SVC-LIGHTPIPE-DOOR 4)	C5959-67010	1
24	Prism (SVC-PRISM; 15-MM BY 10-MM)	C5956-67090	1 (Qty 5)
25	65T drive belt (SVC-BELT-DRIVE 65T,GT2,2X4)	C5959-67346	1
26	Handle 3 (lower transport) cover (SVC ASSY-COVER DOOR 4)	C5959-67347	1
27	Hinge pin (SVC-PIN-HINGE)	C5959-67091	1
28	Screw (SVC-SCREW-MACH M4X0.7 8MM-LG PAN HD ROHS)	C5956-67006	1 (Qty 20)

Table 6-14 Handle 3 (lower transport) parts list (for Figure 6-14) (continued)

Ref	Description	Part number	Qty
29	Clip (SVC KIT-CLIPS, assortment)	C5956-67650	1
30	Screw (SVC-SCREW-TPG M3X0.5 6MM-LG PAN HD ROHS)	C5956-67001	1 (Qty 20)
31	Screw (SVC-SCREW-MACH M3X0.5 6MM-LG PAN HD ROHS)	C5956-67005	1 (Qty 20)
32	Screw (SVC-SCREW-TPG 4-20X7.94MM 10IP ROHS)	C5956-67012	1 (Qty 20)
33	Saddle (SVC KIT-WIRE MANAGEMENT 1, assortment, SADDLE-WIRE .2-WD NYL-6/6 ROHS)	C5956-67648	1 (Qty 10)
34	Spring (SPRING-SIDE ACCESS LATCH)	C5959-67271	1
35	Clip (SVC KIT-CLIPS, assortment, RETAINER-RING CIRCLIP 4MM-BSC DIA ROHS)	C5956-67650	1 (Qty 10)
36	Clip (SVC KIT-CLIPS, assortment, RETAINER-RING CIRCLIP 6MM K-STYLE ROHS)	C5956-67650	1 (Qty 10)
37	Cable (ASSY-CABLE, GROUND STRAP 85MM)	C5959-67090	1
38	Clip (SVC KIT-CLIPS, assortment, RETAINER-RING CIRCLIP 5MM-BSC DIA ROHS)	C5956-67650	1 (Qty 10)

Input paper path

Figure 6-15 Input paper path

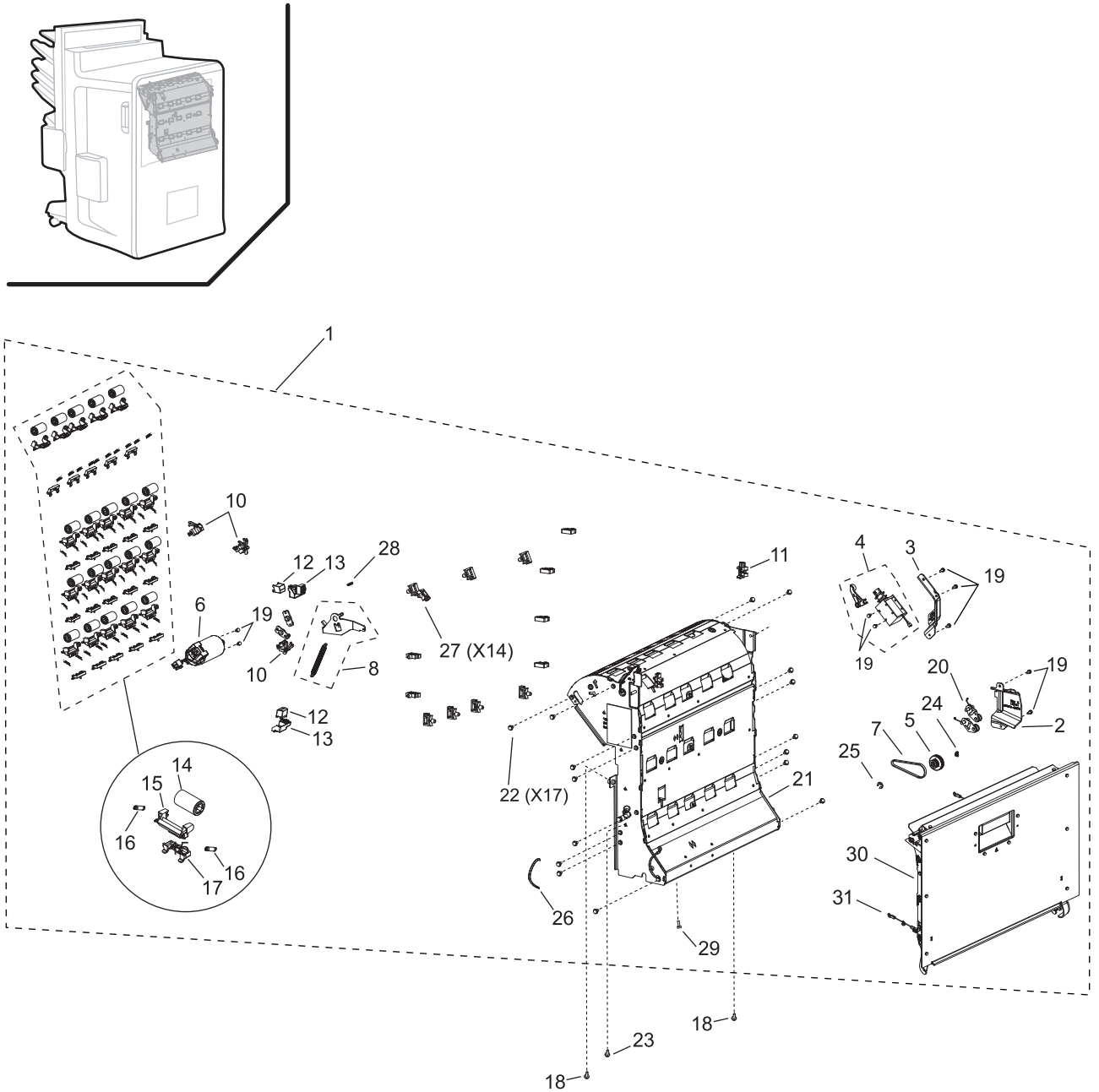


Table 6-15 Input paper path parts list (for Figure 6-15)

Ref	Description	Part number	Qty
1	Finisher input paper path assembly (PP FRAME)	C5959-67376	1
2	Input paper path transmission cover (SVC-COVER-PP FRAME TRANSMISSION)	C5959-67025	1
3	Input paper path solenoid cover (COVER-PP FRAME SOLENOID)	C5959-67026	1
4	Finisher Diverter solenoid (SOL211) (SVC-SOLENOID)	C5959-67037	1
5	Input paper path pulley (SVC-ASSY-PULLEY CLUSTER 38T-20T)	C5959-67044	1
6	Finisher Input Paper Path motor (M210)/(EN210) (SVC ASSY-MOTOR, FINISHER MEDIAPATH)	C5956-67742	1
7	Belt (SVC-BELT-DRIVE, 80T, GT2, 2X4)	C5959-67264	1
8	Handle 2 (upper transport) rocker (SVC KIT-ROCKER ARM-DOOR 3)	C5959-67287	1
9	Tensioner (SVC ASSY-TENSIONER, FINISHER, CCW)	C5959-67256	1
10	Media path flag sensor (SN212, SN214, SN215)(SVC-SENSOR, MEDIA PRESENCE)	C5956-67255	1 (Qty 5)
11	Door sensor (SN216) (SVC-PHOTOINTERRUPTER IF=50MA-MAX ROHS)	C5956-67256	1
12	Staging sensors, optical (SN211, SN213) (ASSY-SENSOR ALEPH-ON 171-A8 W/SEA)	C5956-67356	1
13	Staging sensor mount (MOUNT-SENSOR STAGING)	C5956-67375	1
14	Pinch roller FEP (SVC-PINCH ROLLER FEP)	C5956-67319	1 (Qty 5)
15	Pinch roller holder (SVC-HOLDER-PINCH ROLLER-SMALL)	C5956-67258	1 (Qty 5)
16	Pinch roller spring (SVC-SPRING-EXTENSION-PINCH ROLLER-SMALL)	C5956-67086	1 (Qty 20)
17	Pinch roller datum (SVC-DATUM-PINCH ROLLER-SMALL)	C5956-67087	1 (Qty 25)
18	Screw (SVC-SCREW-MACH M4X0.7 8MM-LG PAN HD ROHS)	C5956-67006	1 (Qty 20)
19	Screw (SVC-SCREW-MACH M3X0.5 6MM-LG PAN HD ROHS)	C5956-67005	1 (Qty 20)
20	Tensioner (ASSY-MEDIAPATH TENSIONER)	C5956-67297	1 (Qty 5)
21	Tensioner (STANDOFF-TENSIONER LOW)	C5956-67711	20
22	Screw (SVC-SCREW-TPG M3X0.5 6MM-LG PAN HD ROHS)	C5956-67001	1 (Qty 20)
23	Screw (SVC-SCREW-TPG M3X0.5 10MM-LG PAN HD ROHS)	C5956-67002	1 (Qty 20)
24	Clip (SVC KIT-CLIPS, assortment, CLIP-BEARING SPACER)	C5956-67650	1 (Qty 5)
25	Clip (SVC KIT-CLIPS, assortment, RETAINER-RING CIRCLIP 5MM-BSC DIA ROHS)	C5956-67650	1 (Qty 10)
26	Cable (ASSY-CABLE, GROUND STRAP 85MM)	C5959-67090	20
27	Saddle (SVC KIT-WIRE MANAGEMENT 1, assortment, SADDLE-WIRE .2-WD NYL-6/6 ROHS)	C5956-67648	1 (Qty 10)

Table 6-15 Input paper path parts list (for Figure 6-15) (continued)

Ref	Description	Part number	Qty
28	Retainer (SVC-CLIP-WIRE .08 IN-WD NYL-6/6-ROHS) Note: This part is also available in the Wire Management Kit 1, part number C5956-67648.	C5956-67374	20
29	Screw (SVC-SCREW-TPG 4-20X7.94MM 10IP ROHS)	C5956-67012	1 (Qty 20)
30	Right side panel assembly (SVC-ACCESS DOOR RIGHT)	C5959-67377	1
31	Door strap (SVC-STRAP-STEEL-CABLE)	C5959-67350	1

Accumulator parts diagram

- [Accumulator covers parts diagram](#)
- [Accumulator shafts parts diagram](#)
- [Accumulator front parts diagram](#)
- [Accumulator traverse assembly parts diagram](#)
- [Accumulator guide bar assembly parts diagram](#)
- [Accumulator bearing bracket assembly parts diagram](#)
- [Accumulator paper guide and sensor holder assembly parts diagram](#)
- [Accumulator rear-side assembly parts diagram](#)
- [Accumulator rear inside CPL assembly parts diagram](#)
- [Accumulator support CPL assembly parts diagram](#)

Accumulator covers parts diagram

Figure 6-16 Accumulator covers parts diagram

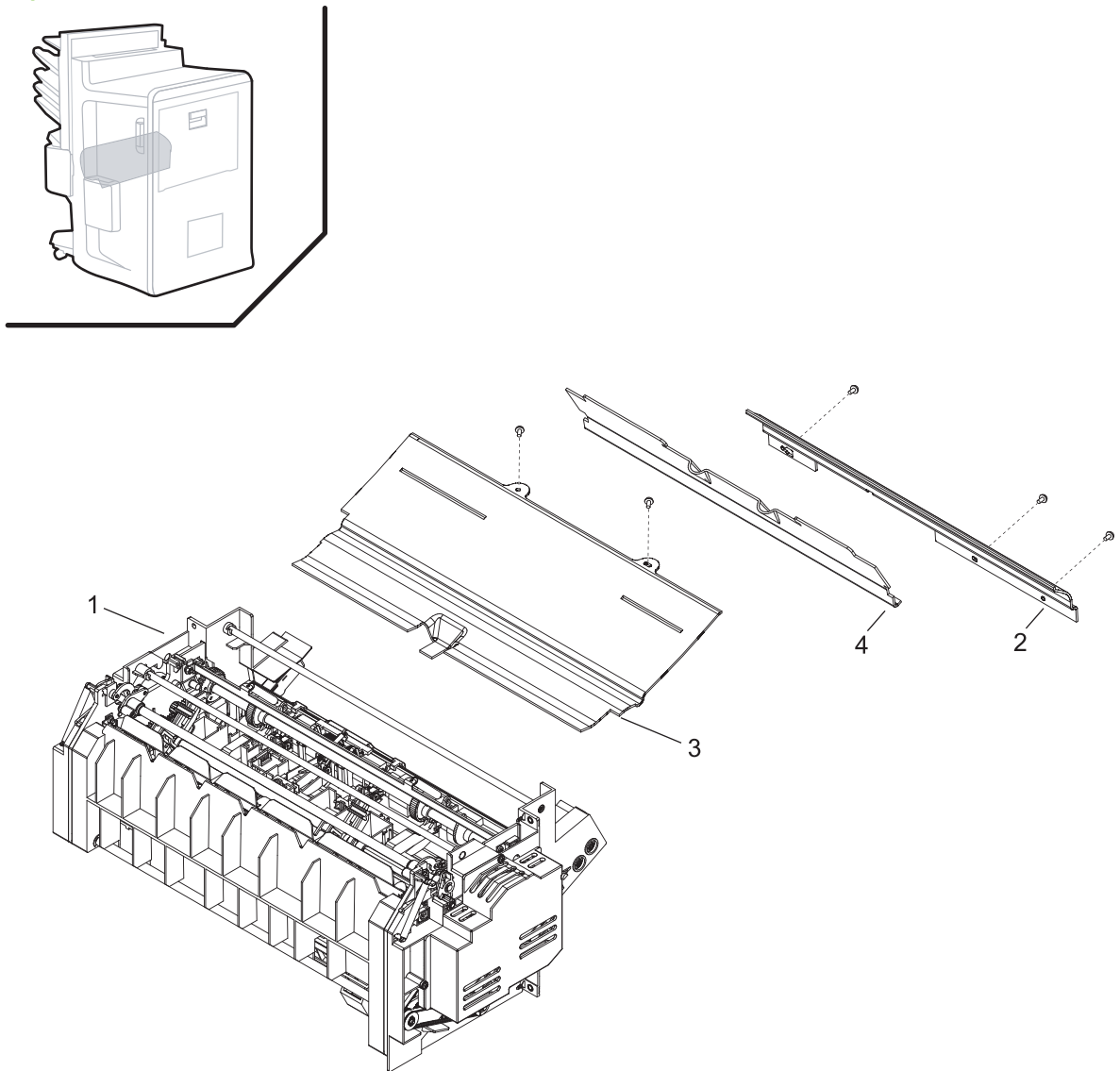


Table 6-16 Accumulator covers parts list (for Figure 6-16)

Ref	Description	Part number	Qty
1	Accumulator assembly (SVC-ACCUMULATOR)	C5959-67104	1
2	Accumulator lower cover (SVC-COVER-ACCU LOWER)	C5959-67279	1
3	Accumulator upper cover (SVC-COVER-ACCU UPPER)	C5959-67027	1
4	Accumulator middle cover (SVC-COVER-ACCU MID)	C5959-67029	1

Accumulator shafts parts diagram

Figure 6-17 Accumulator shafts parts diagram

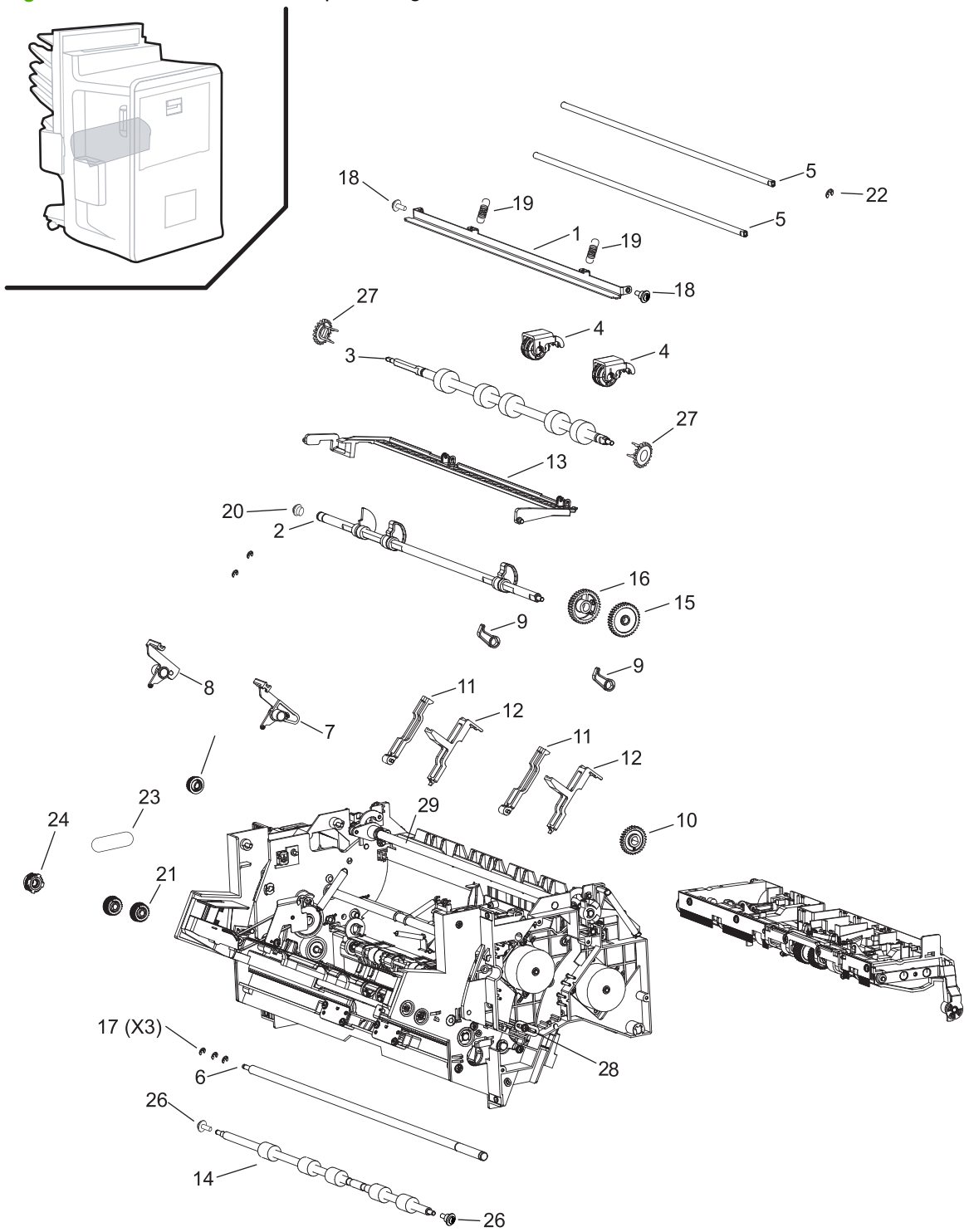


Table 6-17 Accumulator shafts parts list (for Figure 6-17)

Ref	Description	Part number	Qty
1	Distance plate (SVC-PLATE, DISTANCE, CPL)	C5959-67122	1
2	Bearing bracket cam shaft (SVC-SHAFT, CAM, BEARING, BRACKET, CPL)	C5959-67123	1
3	Entry shaft (SVC-SHAFT, ENTRY, CPL)	C5959-67124	1
4	Corrugated roller assembly (SVC ASSY-CORRUGATED ROLLER)	C5959-67260	1
5	Distance axle (SVC-AXLE, DISTANCE)	C5959-67153	1
6	Handle axle (SVC-AXLE, HANDLE)	C5959-67366	1
7	Front paper switch lever (SVC-LEVER, PRESSURE, PAPER, SWITCH, FRNT)	C5959-67194	1
8	Rear paper switch lever (SVC-LEVER, PRESSURE, PAPER, SWITCH, REAR)	C5959-67193	1
9	Paper switch cam (SVC-CAM, LEVER, PAPER, SWITCH)	C5959-67361	1
10	Gearwheel T21 (SVC-GEARWHEEL, T21X0.8)	C5959-67362	1
11	Right lever connection (SVC-LEVER, CONNECTION, RIGHT)	C5959-67179	1
12	Left lever connection (SVC-LEVER, CONNECTION, LEFT)	C5959-67180	1
13	Paper switch lever (SVC-LEVER, PAPER SWITCH)	C5959-67175	1
14	Exit shaft 2 (SVC-SHAFT, EXIT 2, CPL)	C5959-67134	1
15	Gearwheel T38 (SVC-GEARWHEEL, T38X0.8)	C5959-67208	1
16	Gearwheel T38 (SVC-GEARWHEEL, T38X0.8)	C5959-67209	1
17	Clips (SVC KIT-CLIPS, FINISHER)	C5959-67311	1
18	Screw (SVC KIT-SCREWS, FINISHER)	C5959-67310	1
19	Spring (SVC KIT-SPRINGS, FINISHER)	C5959-67312	1
20	Bearing (SVC-BEARING)	C5959-67308	1
21	Gearwheel T29	C5959-67309	1
22	Washer, E-CLIP, DIN 6799 - 2.3, ZN	C5959-67752	1
23	BELT, SYNCHRONOUS, T82	C5959-67228	1
24	BELTWHEEL, SYNCHRONOUS, SPC, T27/16x0.8	C5959-67220	1
25	BELTWHEEL, SYNCHRONOUS, T24	C5959-67221	1
26	Bearing (SVC-BEARING)	C5959-67159	1
27	Gearwheel T20 (SVC-GEARWHEEL, T20X1)	C5959-67218	1
28	Bolt bearing (SVC-BOLT BEARING, ACCUM, MOVEABLE)	C5959-67327	1
29	Shaft (SVC-SHAFT, FIXING CPL)	C5959-67136	1

Accumulator front parts diagram

Figure 6-18 Accumulator front assembly parts diagram

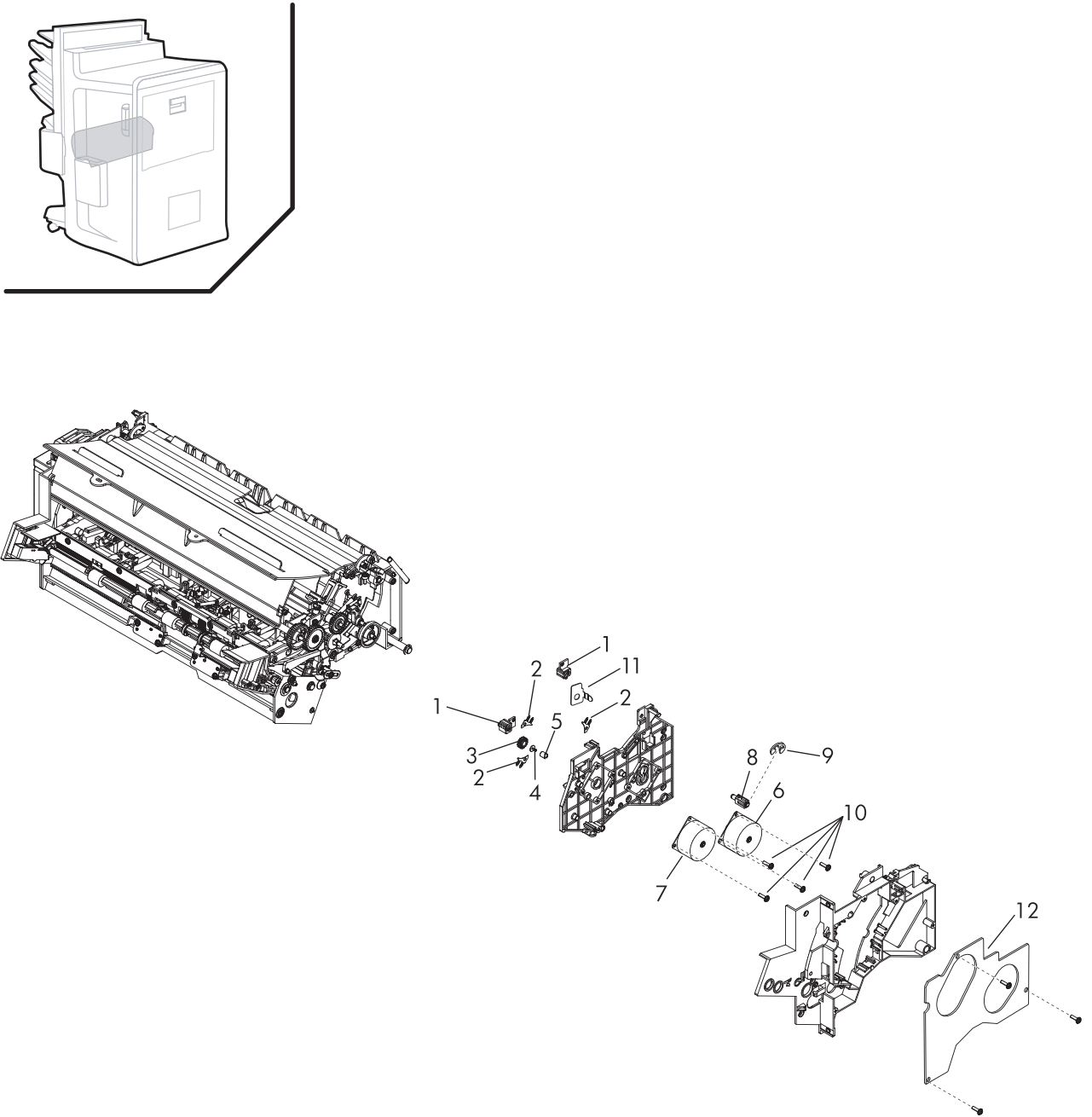


Table 6-18 Accumulator front assembly parts list (for Figure 6-18)

Ref	Description	Part number	Qty
1	Sidewall holder (SVC-HOLDER, SIDEWALL)	C5959-67178	1
2	Grounding plate (SVC-GROUNDING PLATE)	C5959-67155	1
3	Gearwheel T21 (SVC-GEARWHEEL, T21X0.8)	C5959-67362	1
4	Snap-cap (SVC-SNAP-CAP)	C5959-67157	1 (Qty 20)
5	Bushing (SVC-BUSHING)	C5959-67148	1
6	Guide Bar motor (M243) (SVC-MOTOR, ASSY, STEPPER)	C5959-67116	1
7	Bearing Bracket motor (M242) (SVC-MOTOR, ASSY, STEPPER)	C5959-67115	1
8	Fixing (SVC-FIXING, CPL)	C5959-67132	1
9	Washer, E-CLIP DIN 6799 - 3.2, ZN (SVC KIT-CLIPS, FINISHER)	C5959-67311	1
10	SCREW, PT, SPECIAL - K29X11.35, ZN	C5959-67324	1
11	Grounding plate (SVC-GROUNDING PLATE)	C5959-67307	1
12	Reinforcing plate (SVC-COVER FRONT REINFORCING PLATE)	C5959-67262	1

Accumulator traverse assembly parts diagram

Figure 6-19 Accumulator traverse assembly parts diagram

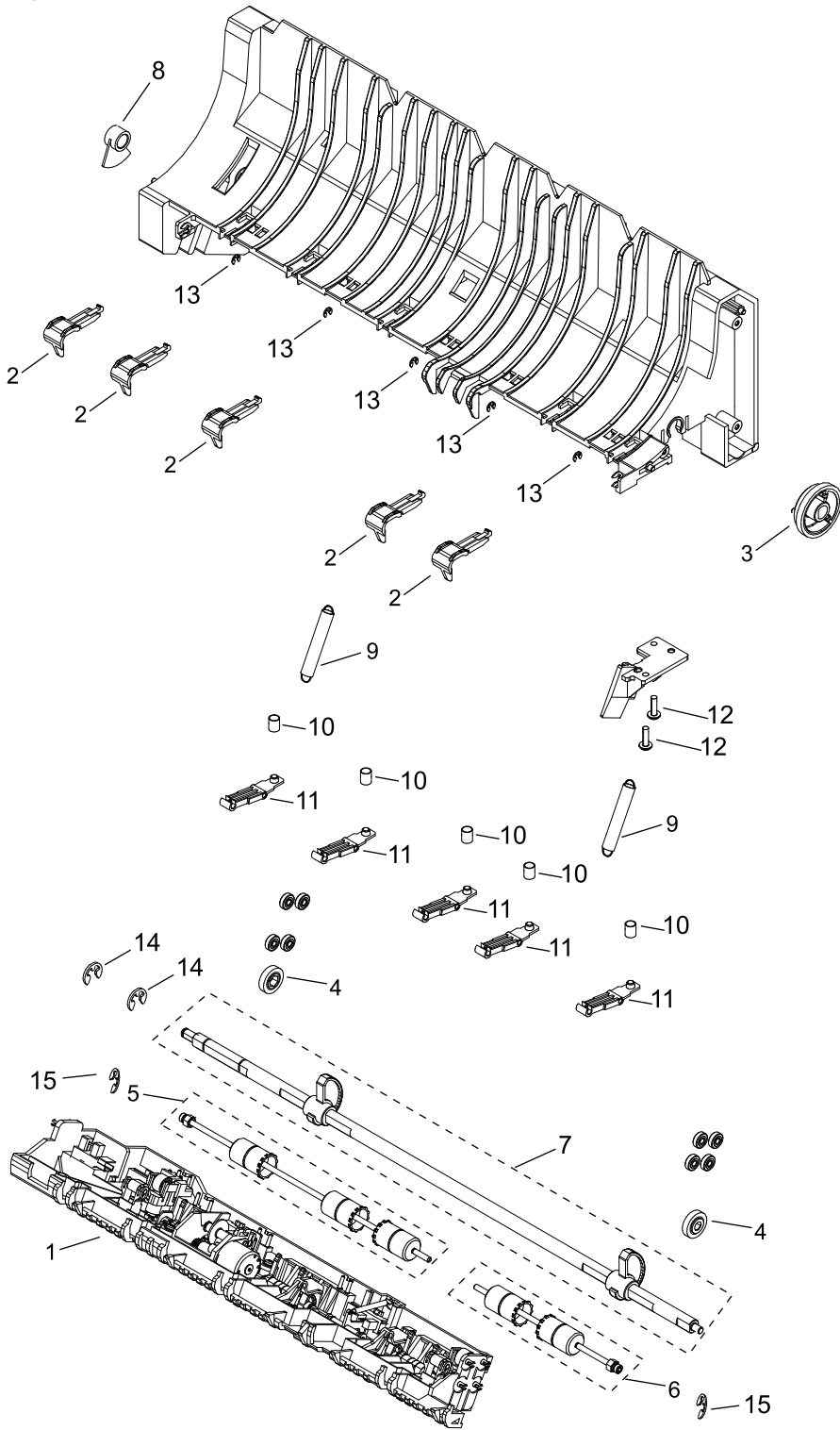


Table 6-19 Accumulator traverse assembly parts list (for Figure 6-19)

Ref	Description	Part number	Qty
1	Bar retainer assembly (SVC-BAR RETAINER CPL.)	C5959-67125	1
2	Inside shaft cover (SVC-COVER SHAFT INSIDE)	C5959-67165	1
3	Gearwheel T38 (SVC-GEARWHEEL, T38)	C5959-67219	1
4	Gearwheel T14 (SVC-GEARWHEEL, T14X1)	C5959-67217	1
5	Long inside shaft (SVC-SHAFT, INSIDE, LONG, CPL)	C5959-67129	1
6	Short inside shaft (SVC-SHAFT, INSIDE, SHORT, CPL)	C5959-67130	1
7	Pressure shaft assembly (SVC-SHAFT, PRESSURE, CPL)	C5959-67131	1
8	Sensor flag (SVC-WASHER, SENSOR)	C5959-67166	1
9	Tension spring (SVC KIT-SPRINGS, FINISHER)	C5959-67312	1
10	Compression spring (SVC KIT-SPRINGS, FINISHER)	C5959-67312	1
11	SVC-SPRING, BEARING	C5959-67172	1
12	SCREW, PT, SPECIAL - K29X11.35, ZN	C5959-67312	1
13	Washer E-CLIP 2.3, ZN	C5959-67752	1
14	Washer E-CLIP 4.0, ZN (SVC KIT-CLIPS,FINISHER)	C5959-67311	1
15	Washer E-CLIP 6.0, ZN (SVC KIT-CLIPS,FINISHER)	C5959-67311	1

Accumulator guide bar assembly parts diagram

Figure 6-20 Accumulator guide bar assembly parts diagram

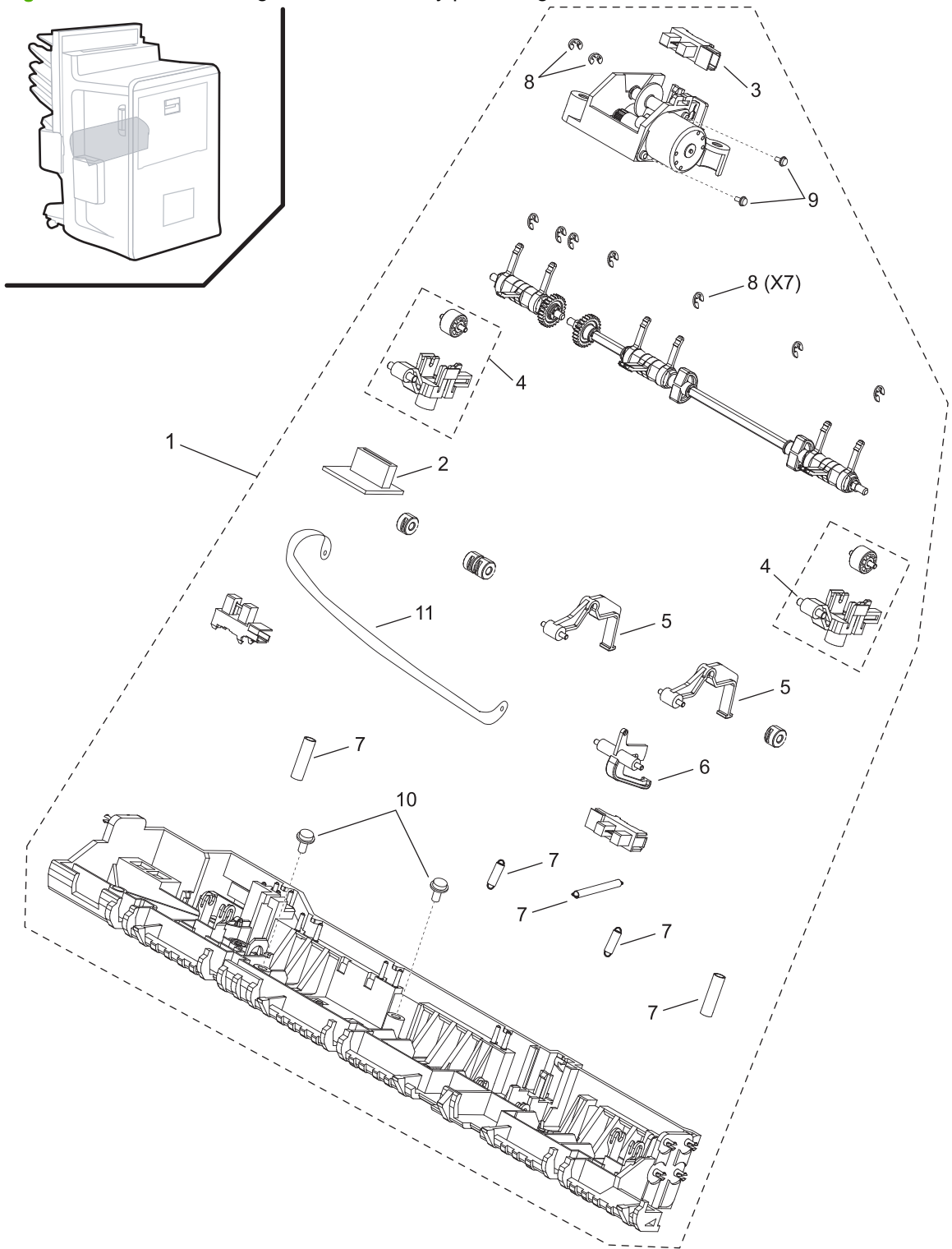


Table 6-20 Accumulator guide bar assembly parts list (for Figure 6-20)

Ref	Description	Part number	Qty
1	Bar retainer assembly (SVC-BAR RETAINER CPL.)	C5959-67125	1
2	Bar retainer PCA (SVC-PCBA, DISTRIBUTION BOARD RETAINER)	C5959-67143	1
3	Sensor (SN243, SN244, SN245) (SVC-PHOTOINTERRUPTER WITH CONNECTOR)	C5959-67145	1
4	Pressure lever (SVC ASSY-PRESSURE LEVER,RETAINER BAR)	C5959-67259	1
5	Holder (SVC-HOLDING, DOWN)	C5959-67162	1
6	Sensor lever (SVC-LEVER, SENSOR, RETAINER)	C5959-67164	1
7	Spring (SVC KIT-SPRINGS, FINISHER)	C5959-67312	1
8	Washer E-CLIP 2.3, ZN	C5959-67752	1
9	SCREW, PT, EJ-WIN 1452- K20X6, ZN	C5959-67310	1
10	SCREW, PT, SPECIAL - K29X11.35, ZN	C5959-67324	1
11	Cable (SVC-CABLE, GRNDNG RETAINER FINGER SHAFT)	C5959-67231	1

Accumulator bearing bracket assembly parts diagram

Figure 6-21 Accumulator bearing bracket assembly parts diagram

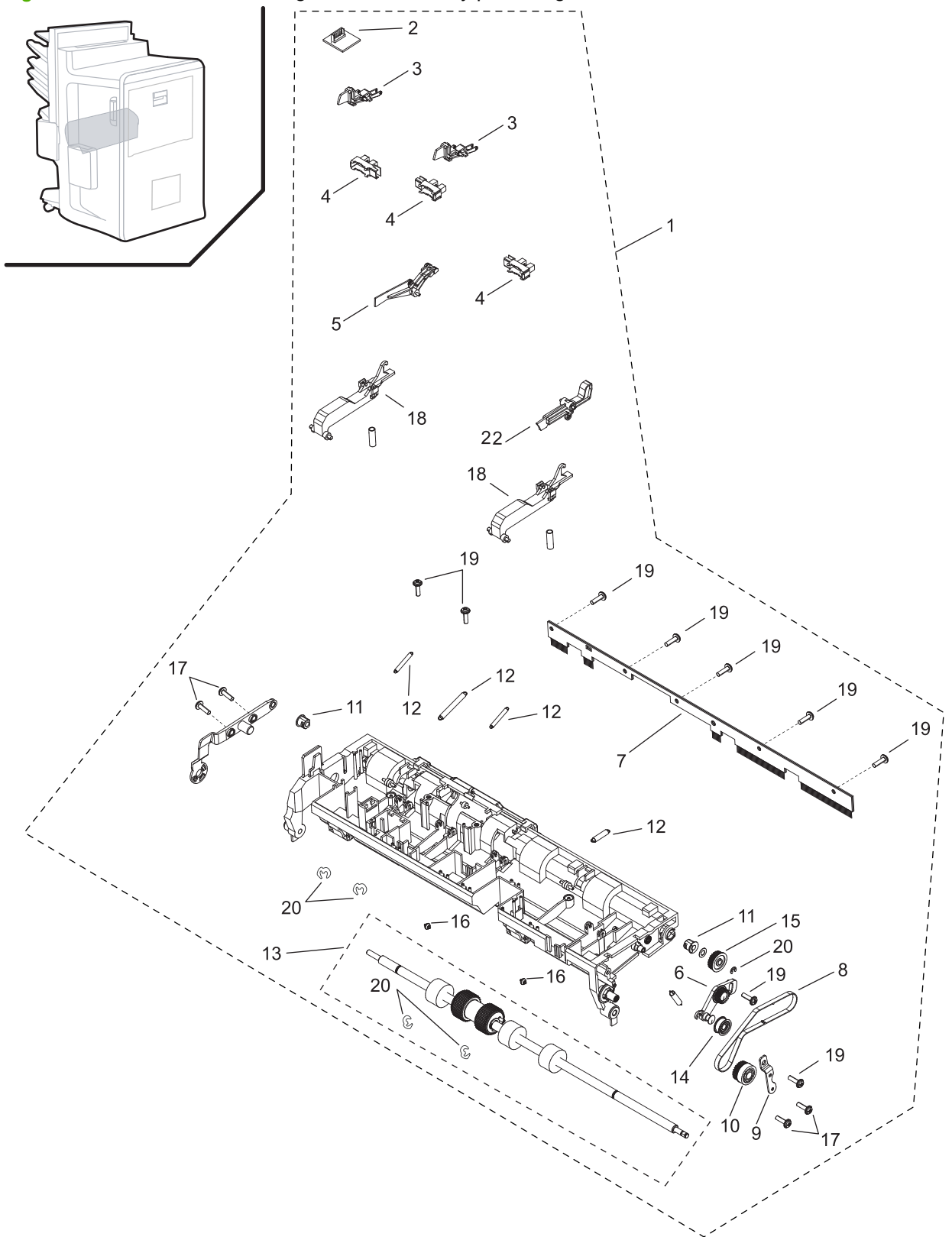


Table 6-21 Accumulator bearing bracket assembly parts list (for Figure 6-21)

Ref	Description	Part number	Qty
1	Bearing bracket SVC-BEARING, BRACKET, CPL)	C5959-67112	1
2	Bearing bracket PCA (SVC-PCA, DISTRIB. BOARD BEARING BRACKET)	C5959-67108	1
3	Exit lever (SVC ASSY-LEVER, EXIT)	C5959-67257	1
4	Sensor (SN240, SN241, SN242) (SVC-PHOTOINTERRUPTER WITH CONNECTOR)	C5959-67145	1
5	Lever pressure (SVC-LEVER, PRESSURE)	C5959-67174	1
6	Lever tension (SVC-LEVER, TENSION)	C5959-67176	1
7	ESD brush (SVC-ESD BRUSH)	C5959-67367	1
8	Belt (SVC-BELT, SYNCHRONOUS Z 107)	C5959-67225	1
9	Fixing sheet (SVC-SHEET, FIXING, CPL)	C5959-67114	1
10	Gear (SVC ASSY-GEARWHEEL)	C5959-67258	1
11	Bearing (SVC-BEARING)	C5959-67159	1
12	Spring (SVC KIT-SPRINGS, FINISHER)	C5959-67312	1
13	Shaft (SVC-SHAFT EXIT 1 CPL)	C5959-67365	1
14	Tension roller (SVC-ROLLER, TENSION)	C5959-67154	1
15	Beltwheel T25 (SVC-BELTWHEEL, SYNCHRONOUS T25)	C5959-67214	1
16	BEARING, BALL, GROOVED, 2X6X2.3	C5959-67238	1
17	Snap cap	C5959-67157	1
18	Pressure lever (SVC ASSY-PRESSURE LEVER,RETAINER BAR)	C5959-67259	1
19	SCREW, PT, SPECIAL - K29X11.35, ZN	C5959-67324	1
20	Washer E-CLIP 2.3	C5959-67752	1
21	Washer E-CLIP 5.0 (SVC KIT-CLIPS, FINISHER)	C5959-67311	1
22	Lever (SVC-LEVER, SENSOR, JOB, HIGH)	C5959-67173	1

Accumulator paper guide and sensor holder assembly parts diagram

Figure 6-22 Accumulator paper guide and sensor holder assembly parts diagram

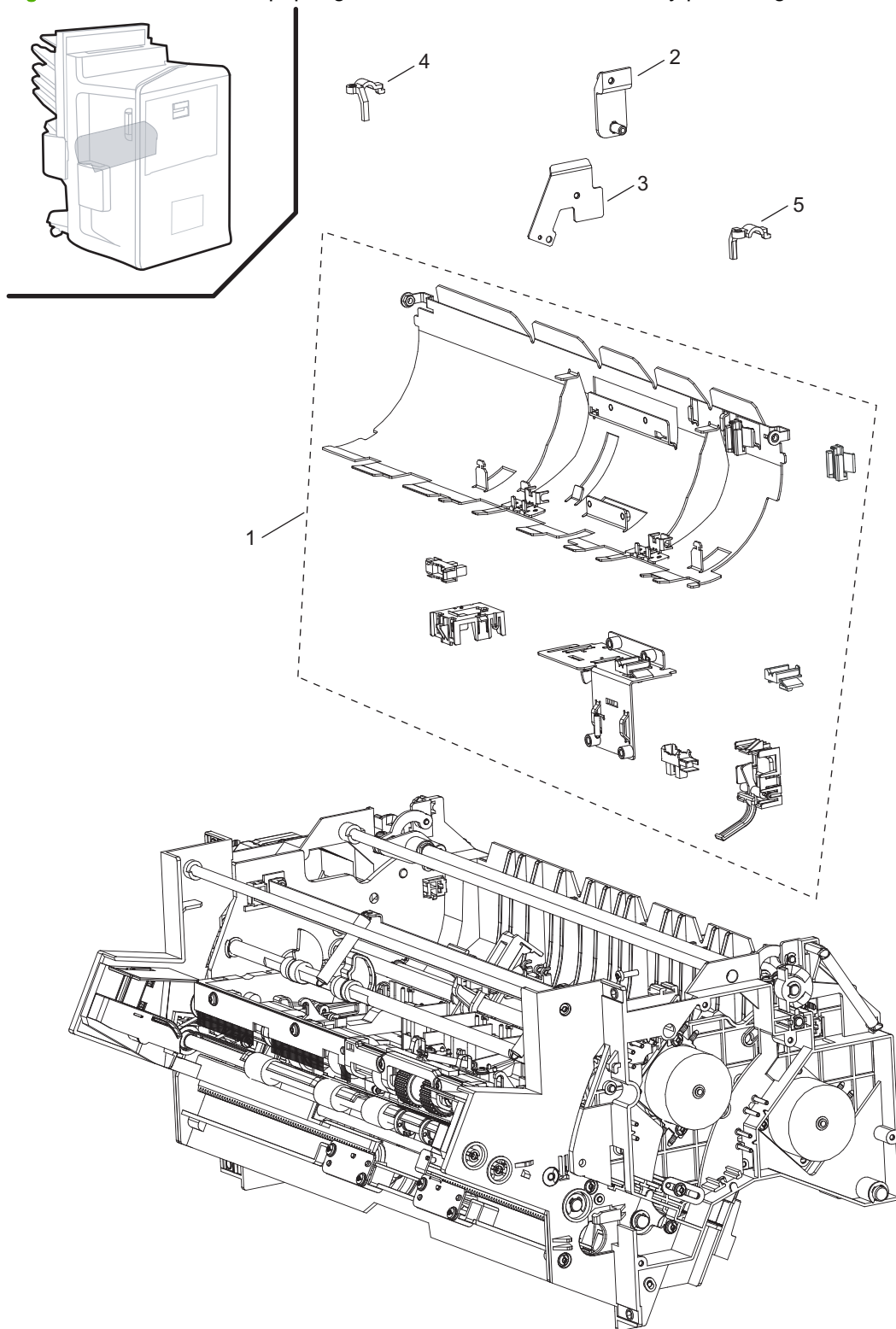


Table 6-22 Accumulator paper guide and sensor holder assembly parts list (for Figure 6-22)

Ref	Description	Part number	Qty
1	Accumulator paper guide kit (SVC-KIT GUIDE PAPER MOUNTED CPL)	C5959-67392	1
2	Bearing gearwheel bracket (SVC-BRACKET, BEARING, GEARWHEEL)	C5959-67196	1
3	Bearing mounting (SVC-BEARING, MOUNTING, CPL)	C5959-67135	1
4	Rear suspension cap (SVC-SUSPENSION, CAP, REAR)	C5959-67170	1
5	Front suspension cap (SVC-SUSPENSION, CAP, FRONT)	C5959-67171	1

Accumulator rear-side assembly parts diagram

Figure 6-23 Accumulator rear-side assembly parts diagram

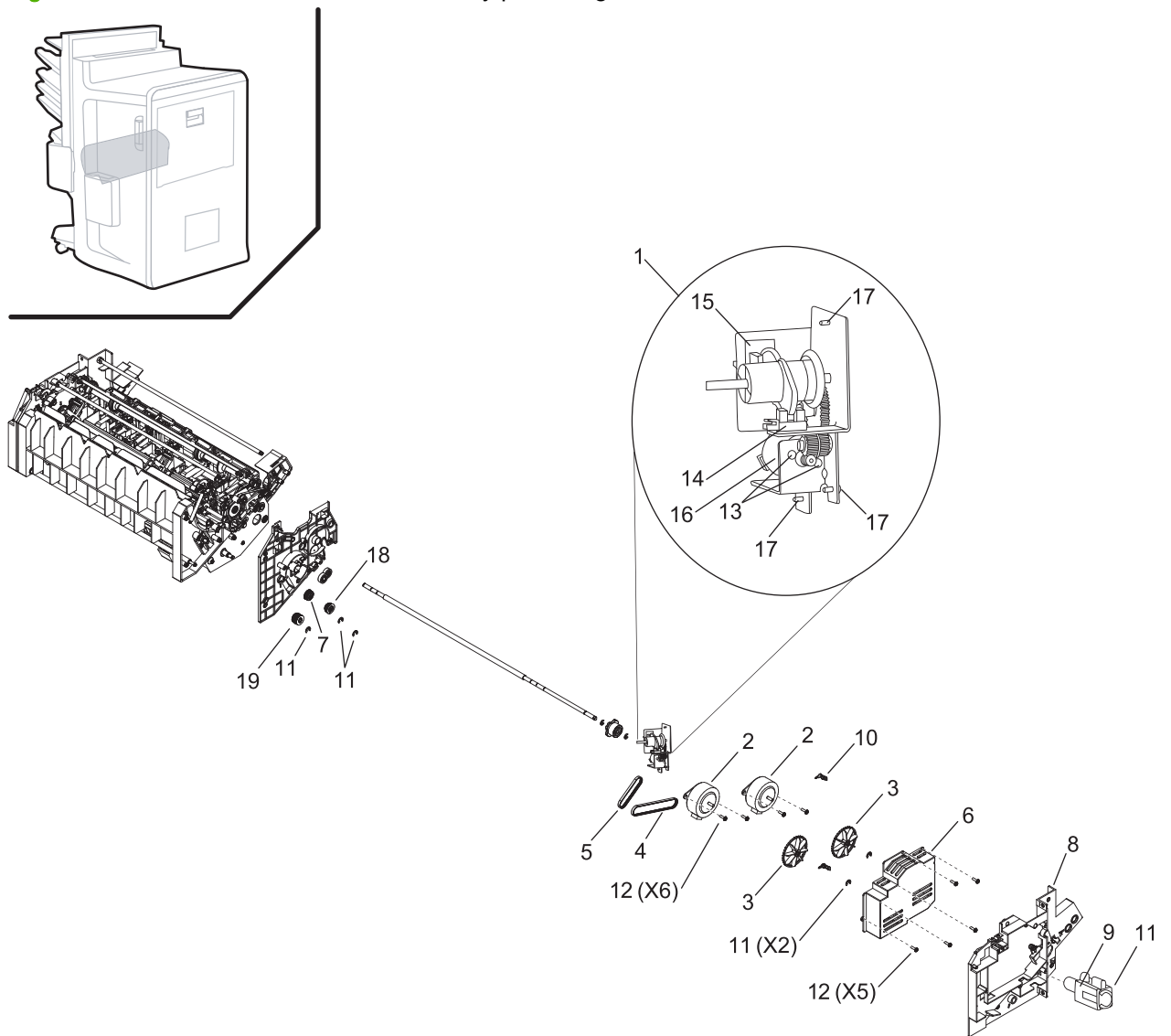


Table 6-23 Accumulator rear-side assembly parts list (for Figure 6-23)

Ref	Description	Part number	Qty
1	Jam access (SVC ASSY-JAM ACCESS HANDLE, ACCUMULATOR)	C5959-67293	1
2	Stepper motor (M240, M241) (SVC-MOTOR, ASSY, STEPPER)	C5959-67121	1
3	Fan (SVC-FAN)	C5959-67142	1
4	Belt (SVC-BELT, SYNCHRONOUS, T119)	C5959-67226	1
5	Belt (SVC-BELT, SYNCHRONOUS, T82)	C5959-67227	1
6	Rear cover (SVC-COVER, REAR)	C5959-67189	1
7	Beltwheel T27 (SVC-BELTWHEEL, SYNCHRONOUS, T27)	C5959-67215	1
8	Rear side cover (COVER, SIDE, REAR)	C5959-67141	1
9	Fixing (SVC-FIXING, CPL)	C5959-67132	1
10	Ground angle assembly (GROUND ANGLE CPL)	C5959-67133	1
11	WASHER, E-CLIP, DIN 6799-3.2, ZN	C5959-67311	1
12	SCREW, PT, SPECIAL-K29X11.35, ZN	C5959-67324	1
13	Screw (SVC-SCR-TPG M2.5X0.45 4MM-LG PAN HD ROHS)	C5956-67010	1 (Qty 20)
14	Accumulator Open sensor (SN255), PHOTOINTERRUPTER (SN262) IF=50MA-MAX ROHS	C5956-67256	1
15	Accumulator Closed switch (SW256) (ASSY-SWITCH INTERLOCK)	C5956-67377	1
16	Accumulator Open motor (M256)/(EN256) (ASSY-SS MOTOR/ ENCODER)	C5956-67734	1
17	Screw (SVC-SCREW-TPG M3X0.5 6MM-LG PAN HD ROHS)	C5956-67001	1 (Qty 20)
18	BELTWHEEL, SYNCHRONOUS, T27	C5959-67215	1
19	BELTWHEEL, SYNCHRONOUS DOUBLE, T27	C5959-67216	1

Accumulator rear inside CPL assembly parts diagram

Figure 6-24 Accumulator rear inside CPL assembly parts diagram

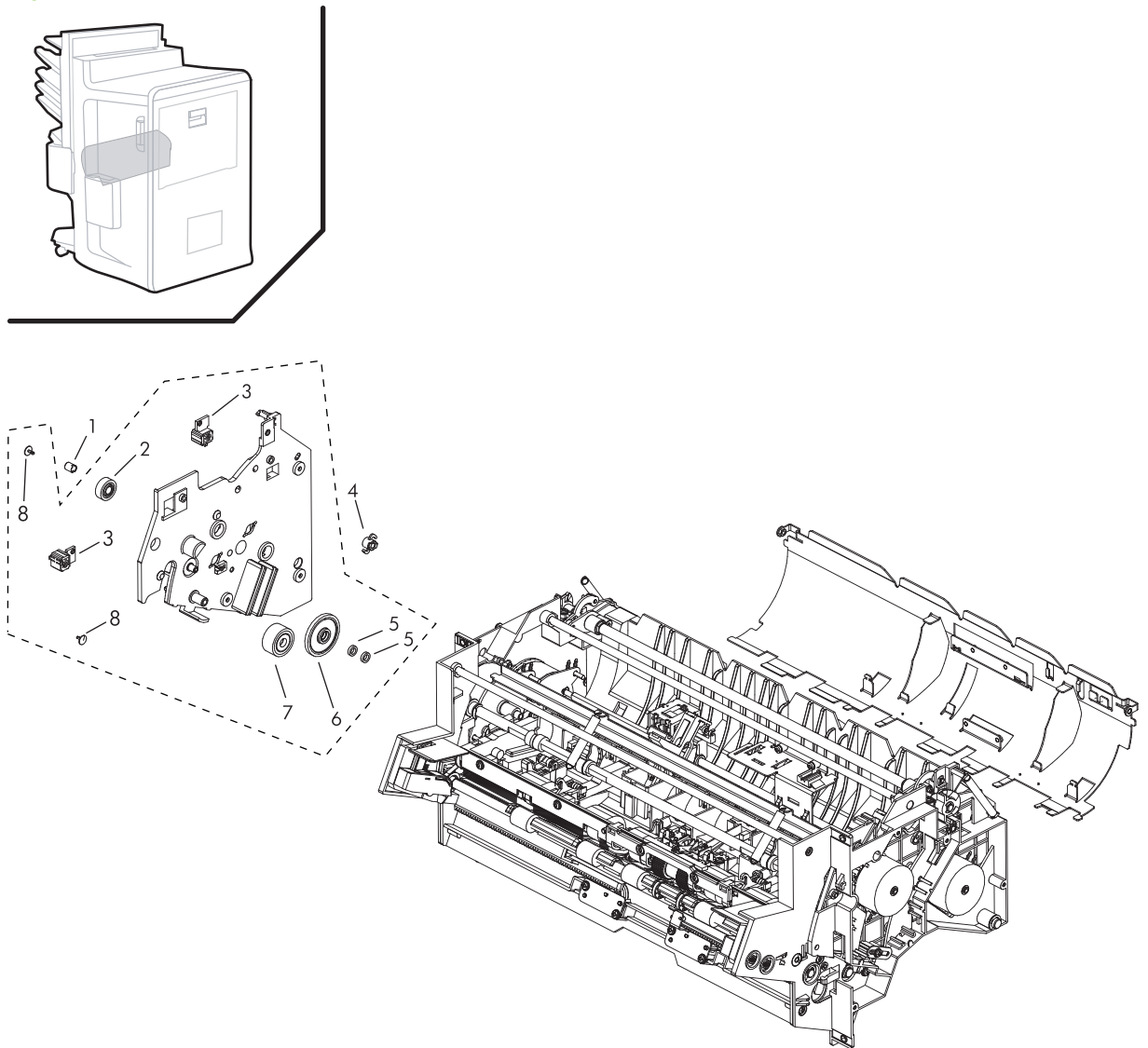


Table 6-24 Accumulator rear inside CPL assembly parts list (for Figure 6-24)

Ref	Description	Part number	Qty
1	Bushing (SVC-BUSHING)	C5959-67148	1
2	Gear (SVC-GEARWHEEL, T19)	C5959-67210	1
3	Sidewall holder (SVC-HOLDER, SIDEWALL)	C5959-67178	1
4	Shaft entry bearing (SVC-BEARING SHAFT ENTRY)	C5959-67186	1
5	Bearing (SVC-BEARING, BALL, GROOVED)	C5959-67236	1
6	Gear (SVC-GEARWHEEL, T41X0.8)	C5959-67224	1
7	Gear (SVC-GEARWHEEL, T27)	C5959-67213	1
8	SNAP CAP	C5959-67157	1

Accumulator support CPL assembly parts diagram

Figure 6-25 Accumulator support CPL assembly parts diagram

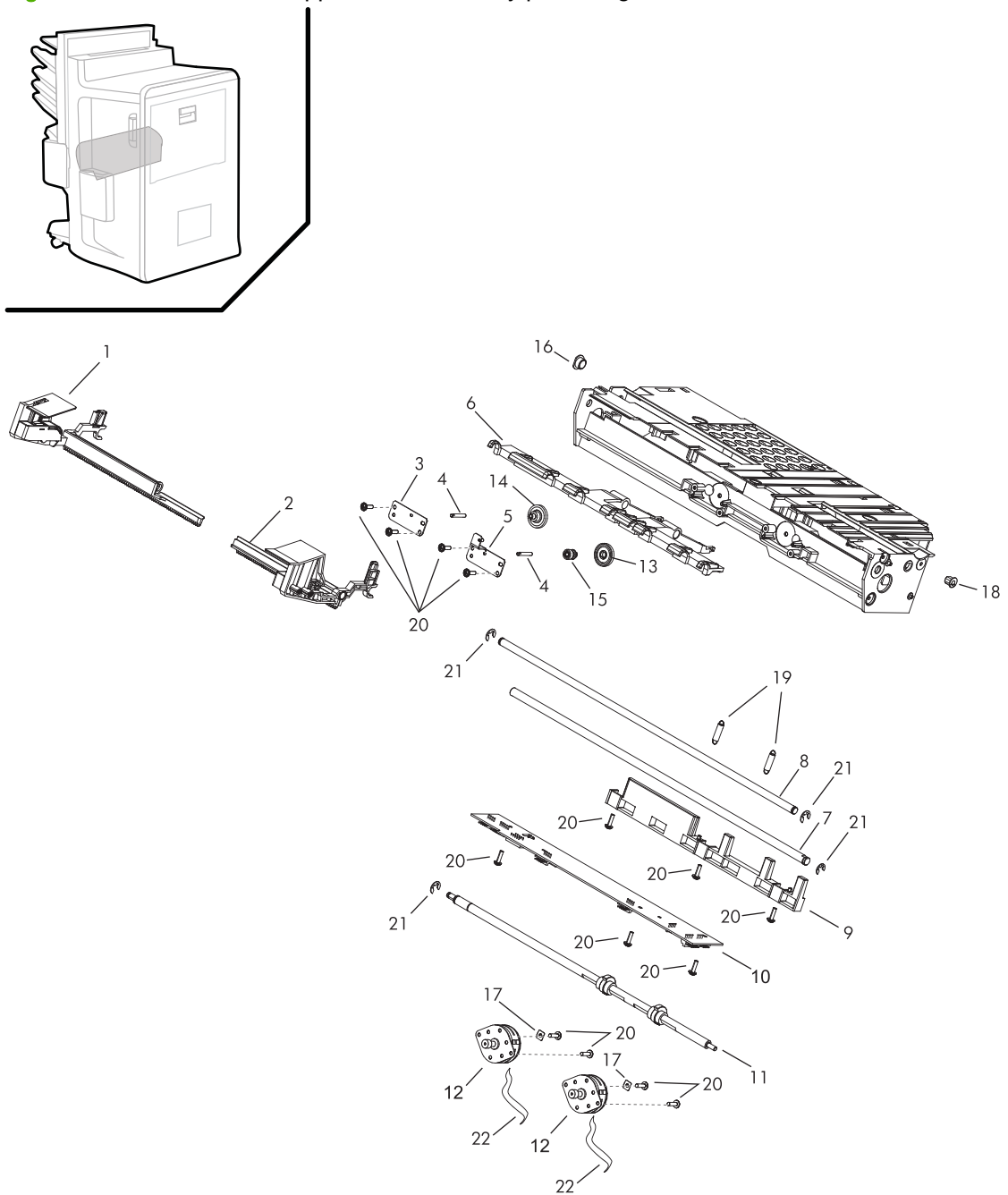


Table 6-25 Accumulator support CPL assembly parts list (for Figure 6-25)

Ref	Description	Part number	Qty
1	Offsetter, rear (SVC-OFFSETTER, REAR, CPL)	C5959-67139	1
2	Offsetter, front (SVC-OFFSETTER, FRONT, CPL)	C5959-67138	1
3	Holder (SVC-HOLDER)	C5959-67158	1
4	Axle holder (SVC-AXLE, HOLDER)	C5959-67151	1
5	Holder, front (SVC-HOLDER, FRONT, CPL)	C5959-67137	1
6	Support lever (SVC-LEVER, SUPPORT)	C5959-67169	1
7	Support lever axle (SVC-AXLE, LEVER, SUPPORT)	C5959-67150	1
8	Shaft (SVC-SHAFT, OFFSETTER)	C5959-67152	1
9	Align wall (SVC-ALIGNWALL)	C5959-67168	1
10	Accumulator main distribution PCA (SVC-PCBA, DISTRIBUTION, ACCU, MAIN)	C5959-67109	1
11	Shaft (SVC-SHAFT, CAM, SUPPORT, CPL)	C5959-67140	1
12	Accumulator Offset 1 motor (M244)/Accumulator Offset 2 motor (M245) (SVC-STEPPERMOTOR)	C5959-67105	1
13	Gearwheel T25 (SVC-GEARWHEEL, T25)	C5959-67207	1
14	Gearwheel T9/25 (SVC-GEARWHEEL, DOUBLE T9, 25)	C5959-67206	1
15	Gearwheel T9 (SVC-GEARWHEEL, T9)	C5959-67212	1
16	Bearing (SVC-BEARING)	C5959-67308	1
17	Grounding plate (SVC-GROUNDING PLATE)	C5959-67307	1
18	BEARING	C5959-67159	1
19	SPRING, TENSION	C5959-67312	1
20	SCREW, PT, SPECIAL-K29X11.35, ZN	C5959-67324	1
21	Clip (SVC KIT-CLIPS, FINISHER)	C5959-67311	1
22	CABLE, GROUND	C5959-67232	1

Finisher Separator diagrams

- [Finisher Separator main assembly parts diagram](#)
- [Finisher Separator offset assembly parts diagram](#)
- [Finisher Separator media path output parts diagram](#)
- [Finisher Separator elevator transmission parts diagram](#)
- [Finisher Separator paper back weldment parts diagram](#)
- [Finisher Separator safety switches parts diagram](#)
- [Finisher Separator paper gate assembly parts diagram](#)

Finisher Separator main assembly parts diagram

Figure 6-26 Finisher Separator main assembly parts diagram

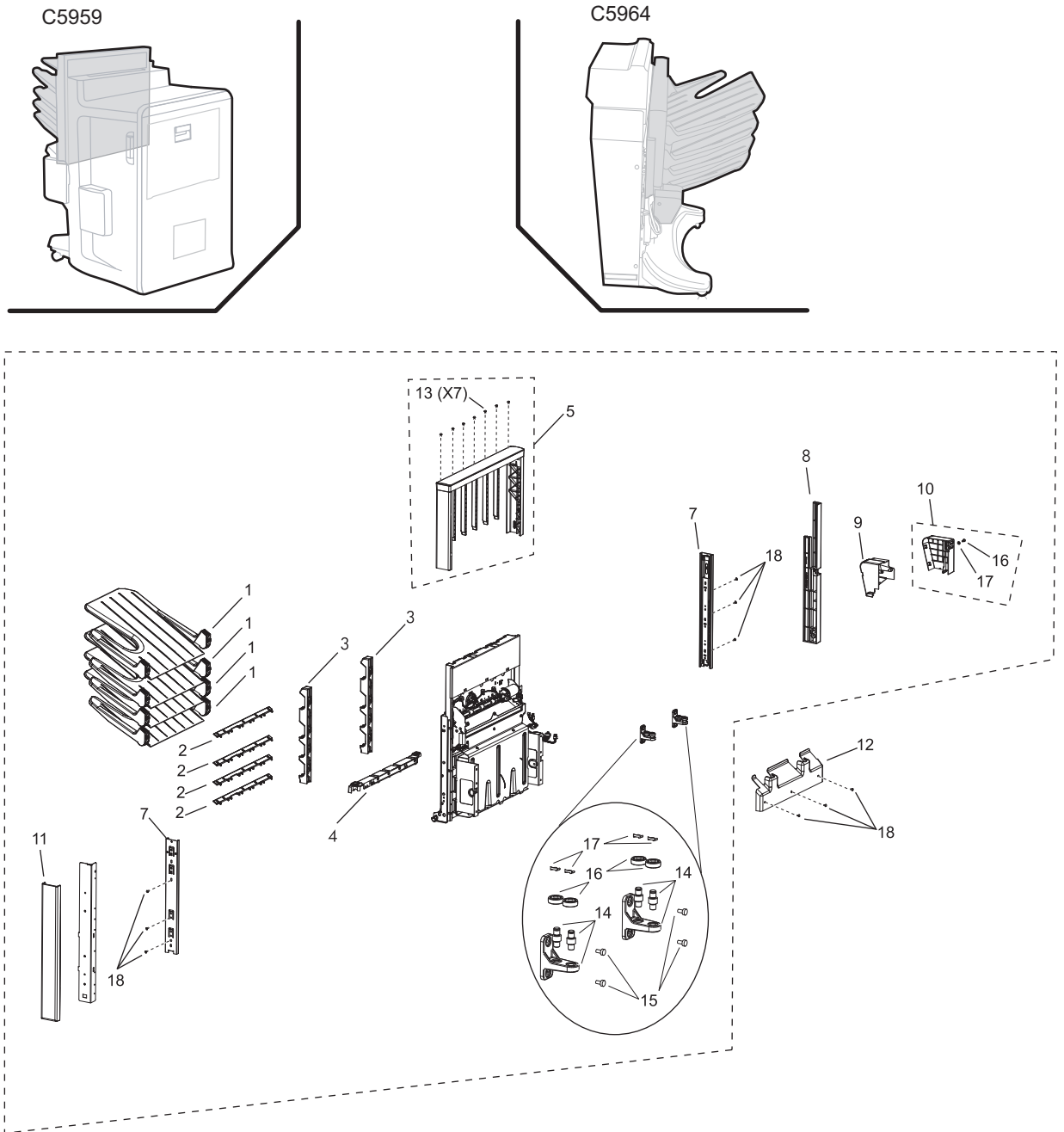


Table 6-26 Finisher Separator main assembly parts list (for Figure 6-26)

Ref	Description	Part number	Qty
1	Output tray (SVC-TRAY-OUTPUT, JS)	C5959-67092	1
2	Tray edge strip (SVC-STRIP-TRAY, LEADING EDGE)	C5959-67095	1
3	Output tray bracket (SVC-BRACKET-OUTPUT TRAY, 4-UP)	C5959-67275	1
4	Drive shaft cover (SVC ASSY-COVER, DRIVE SHAFT)	C5959-67330	1
5	Fence paper restraint (SVC-FENCE PAPER RESTRAINT)	C5959-67038	1
6	Tire (SVC-TIRE,CAPTURE)	C5959-67303	1 (Qty 4)
7	Elevator rail (SVC KIT-SLIDERAIL AND BRACKETS with finisher tag 2)	C5959-67360	1
8	Separator rear cover (SVC-COVER-REAR LONG JOB SEP)	C5959-67017	1
9	Separator elevator motor front cover (SVC ASSY-COVER, ELEVATOR MOTOR)	C5959-67339	1
10	Separator elevator motor rear cover (SVC ASSY-COVER-REAR, ELEVATOR MOTOR)	C5959-67060	1
11	Separator front cover (SVC-COVER-FRONT JOB SEP)	C5959-67016	1
12	Upper output cover (SVC-COVER-UPPER OUTPUT, JS)	C5959-67020	1
13	Screw (SVC-SCREW-TPG 4-20X7.94MM 10IP ROHS)	C5956-67012	1 (Qty 20)
14	ASSY-BRACKET CAPTURE	C5959-67318	1
15	Screw (SVC-SCREW-TPG M4X0.7 8MM-LG PAN HD ROHS)	C5956-67003	1 (Qty 20)
16	Screw (SVC-SCREW-MACH M4 X 0.7 9.5MM-LG ROHS)	C5956-67011	1 (Qty 20)
17	RETAINER-CAPTIVE FASTENER M4	C5956-67368	1 (Qty 20)
18	Screw (SVC-SCREW-TPG M4X0.7 8MM-LG PAN HD ROHS)	C5956-67003	1 (Qty 20)

Finisher Separator offset assembly parts diagram

Figure 6-27 Finisher Separator offset assembly parts diagram

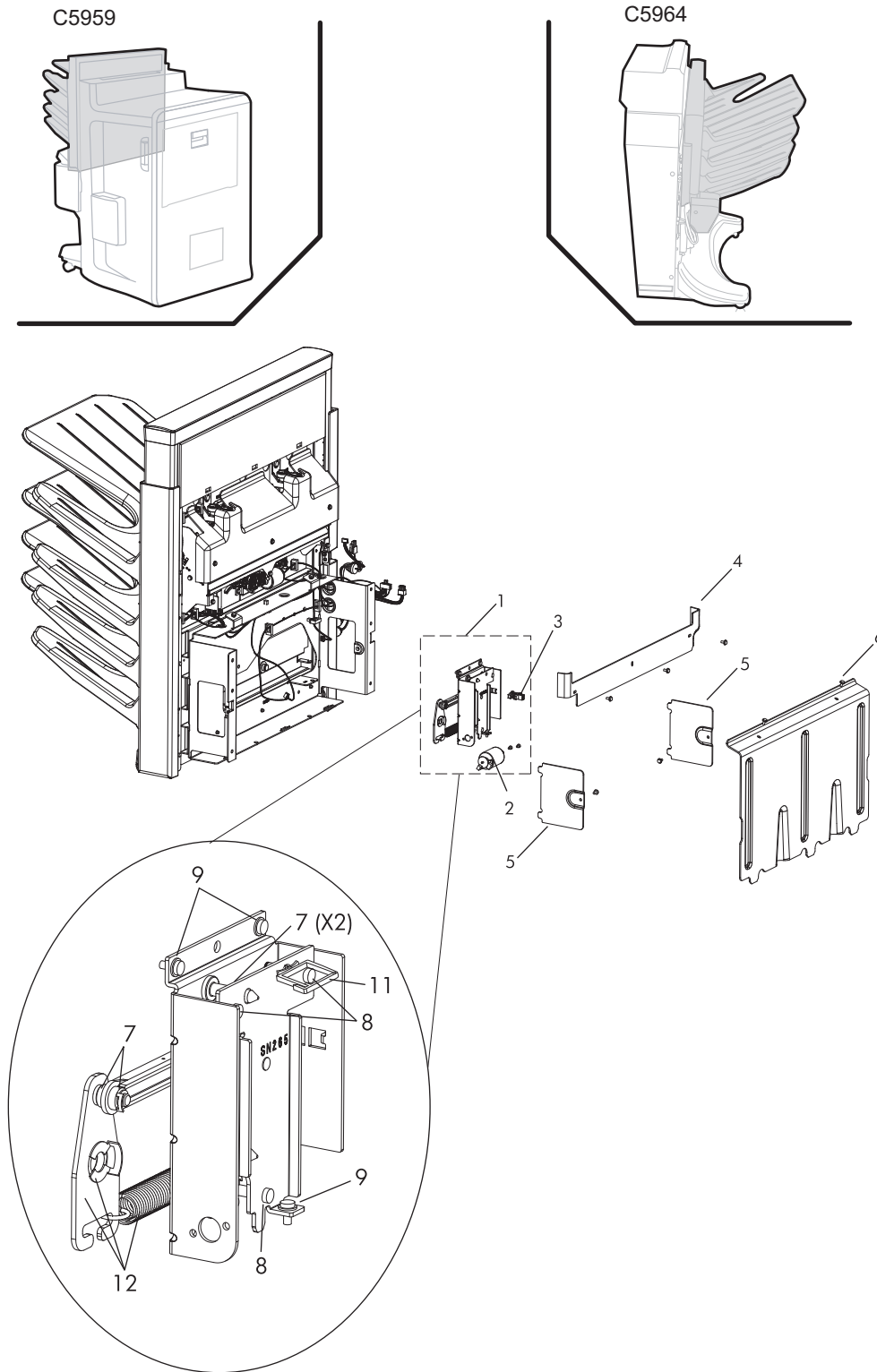


Table 6-27 Finisher Separator offset assembly parts list (for Figure 6-27)

Ref	Description	Part number	Qty
1	Offset transmission assembly (SVC ASSY-OFFSET TRANSMISSION)	C5959-67033	1
2	Finisher Separator Offset motor (M264)/(EN264) (SVC-ASSY-SS MOTOR/ENCODER, TESTED). Note: Part number C5964-67042 replaces C5956-67734.	C5964-67042	1
3	Finisher Job Separator Offset Back sensor (SN265) (SVC-PHOTOINTERRUPTER IF=50MA-MAX ROHS)	C5956-67256	1
4	Gate and output motor cover (SVC-COVER-GATE AND OUTPUT MOTOR)	C5959-67013	1
5	Frame access cover (SVC-COVER-FRAME ACCESS)	C5959-67014	1
6	Offset mechanism cover (SVC-COVER-OFFSET MECHANISM)	C5959-67012	1
7	Clip (SVC KIT-CLIPS, assortment)	C5956-67650	1
8	Screw (SVC-SCREW-MACH M3X0.5 6MM-LG PAN HD ROHS)	C5956-67005	1 (Qty 20)
9	Screw (SVC-SCREW-TPG M3X0.5 6MM-LG PAN HD ROHS)	C5956-67001	1 (Qty 20)
10	Screw (SVC-SCR-TPG M2.5X0.45 4MM-LG PAN HD ROHS)	C5956-67010	1 (Qty 20)
11	Saddle (SVC KIT-WIRE MANAGEMENT 1, assortment, SDL-WIRE .2-WD NYL-6/6 ROHS)	C5956-67648	1 (Qty 10)
12	FINISHER MISC HW	C5959-67332	1
13	Offset transmission assembly (SVC ASSY, OFFSET TRANSMISSION, SCREENED. Not shown in diagram.)	C5964-67043	1

Finisher Separator media path output parts diagram

Figure 6-28 Finisher Separator media path output parts diagram
C5959 C5964

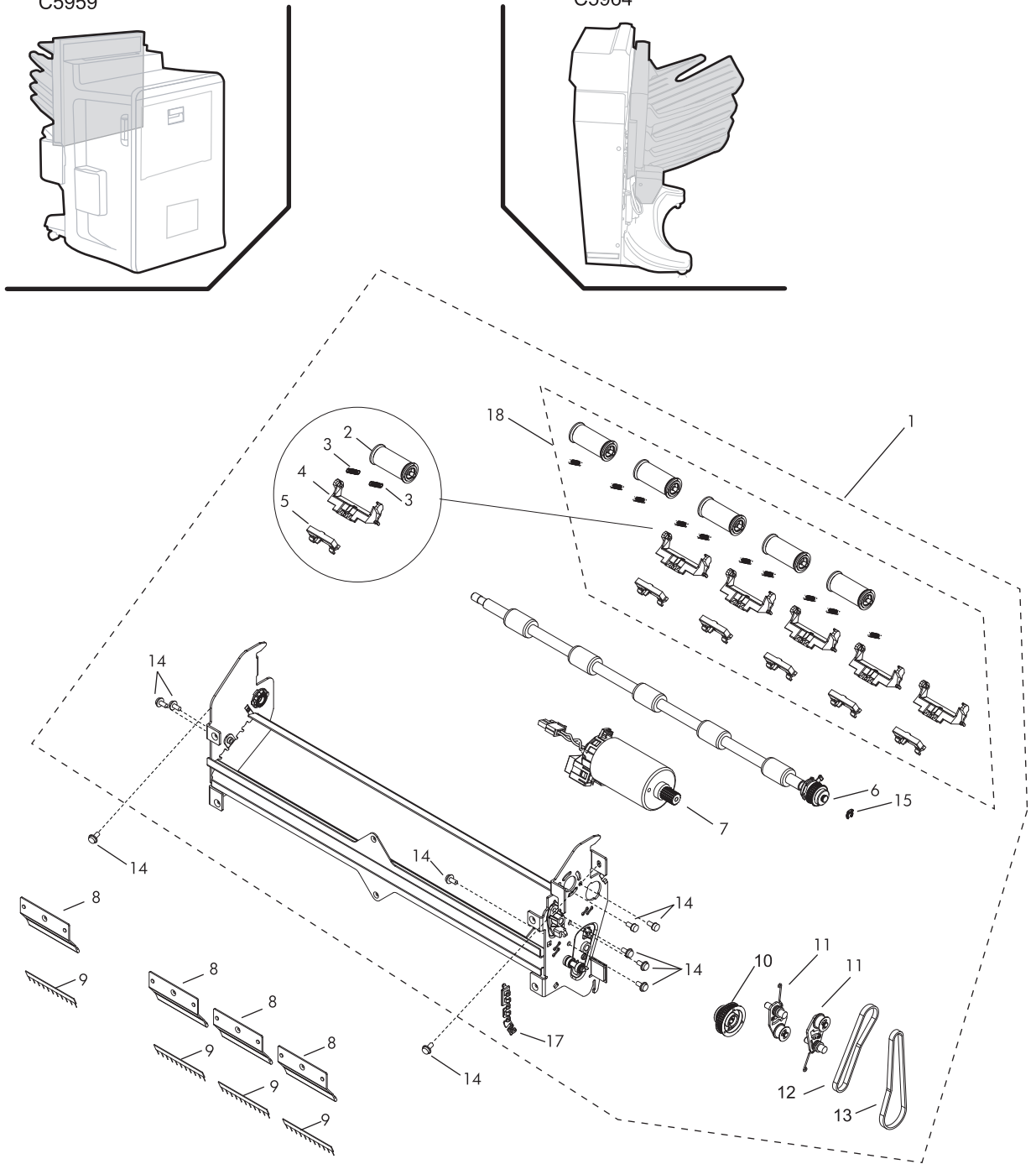


Table 6-28 Finisher Separator media path output parts list (for Figure 6-28)

Ref	Description	Part number	Qty
1	Media path output (SVC-MEDIA PATH, OUTPUT)	C5964-67040	1
2	Pinch roller (SVC ASSY-ROLLER PINCH CORREGATING OUTPUT)	C5964-67037	1 (Qty 5)
3	Pinch roller spring (SVC-SPRING-EXTENSION-PINCH ROLLER-SMALL)	C5956-67086	1 (Qty 20)
4	Pinch roller holder (SVC-HOLDER-PINCH ROLLER, OUTPUT)	C5964-67038	1 (Qty 5)
5	Pinch roller datum (SVC-DATUM-PINCH ROLLER-SMALL)	C5956-67087	1 (Qty 25)
6	Output drive roller (SVC ASSY-DRIVE ROLLER OUTPUT)	C5959-67042	1
7	Finisher Separator Input motor (M268)/(EN268) (SVC-ASSY-MOTOR, MEDIAPATH)	C5956-67742	1
8	ESD brush bracket (SVC-BRACKET-BRUSH, ESD)	C5959-67313	1
9	ESD brush (SVC-ESD BRUSH)	C5959-67313	1
10	Pulley cluster (SVC-ASSY-PULLEY CLUSTER 38T-20T)	C5959-67044	1
11	Tensioner (SVC ASSY-TENSIONER, FINISHER, CCW)	C5959-67256	1
12	Belt (SVC-BELT-DRIVE, 80T, GT2, 2X4)	C5959-67264	1
13	Belt (SVC-BELT-DRIVE, 97T, GT2, 2X4)	C5956-67659	1
14	Screw (SVC-SCREW-TPG M3X0.5 6MM-LG PAN HD ROHS)	C5956-67001	1 (Qty 20)
15	Clip (SVC KIT-CLIPS, assortment, CLIP-BEARING SPACER)	C5956-67650	1 (Qty 5)
16	Screw (SVC-SCREW-MACH M3X0.5 6MM-LG PAN HD ROHS). Not shown on diagram.	C5956-67005	1 (Qty 20)
17	WIRE-ROUTER	C5964-67001	1 (Qty 5)
18	ASSY-LOWER GUIDE AND OUTPUT PINCH ROLLER	C5964-67039	1

Finisher Separator elevator transmission parts diagram

Figure 6-29 Finisher Separator elevator transmission parts diagram
C5959 C5964

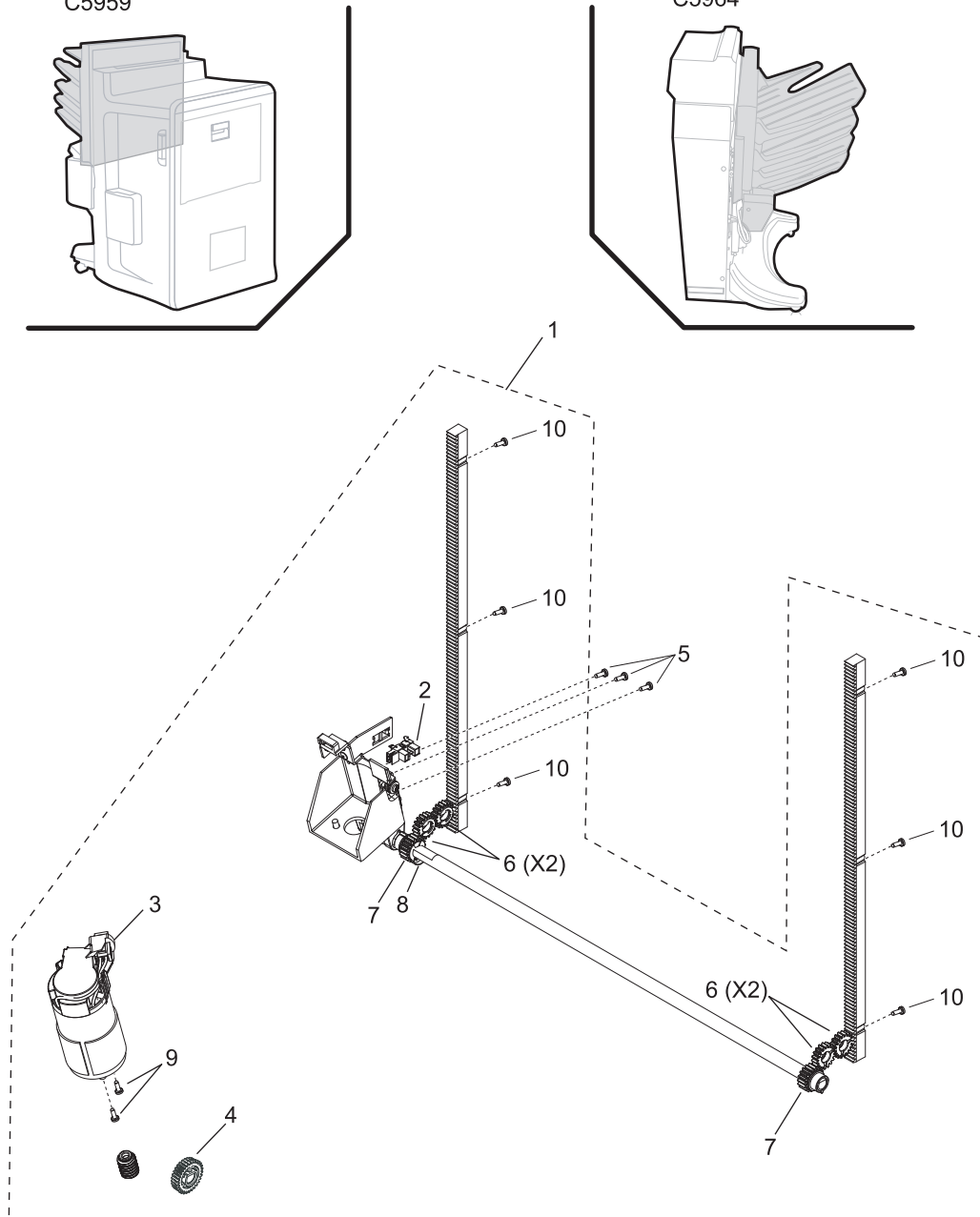


Table 6-29 Finisher Separator elevator transmission parts list (for Figure 6-29)

Ref	Description	Part number	Qty
1	Elevator transmission assembly (SVC ASSY-TRANSMISSION-ELEVATOR)	C5959-67032	1
2	Finisher Job Separator Lower Limit sensor (SN260) (PHOTOINTERRUPTER IF=50MA-MAX ROHS)	C5956-67256	1
3	Finisher Separator Drive motor (M260) (SVC-ELEVATOR MOTOR ASSEMBLY)	C5959-67039	1
4	Gear (SVC-WORM GEAR, 30T, NYLON) Note: Part number C5964-67046 replaces C5959-67321.	C5964-67046	1
5	Screw (SVC-SCREW-TPG M3X0.5 6MM-LG PAN HD ROHS)	C5956-67001	1 (Qty 20)
6	SPUR GEAR, MOD 1, 18 TOOTH, IDLER	C5959-67384	1
7	SPUR GEAR, MOD 1, 18 TOOTH	C5959-67385	1
8	Clip (SVC KIT-CLIPS, assortment)	C5956-67650	1
9	Screw (SVC-SCREW-TPG M4X0.7 8MM-LG PAN HD ROHS)	C5956-67003	1 (Qty 20)
10	Screw (SVC-SCREW-TPG 4-20X7.94MM 10IP ROHS)	C5956-67012	1 (Qty 20)

Finisher Separator paper back weldment parts diagram

Figure 6-30 Finisher Separator paper back weldment parts diagram

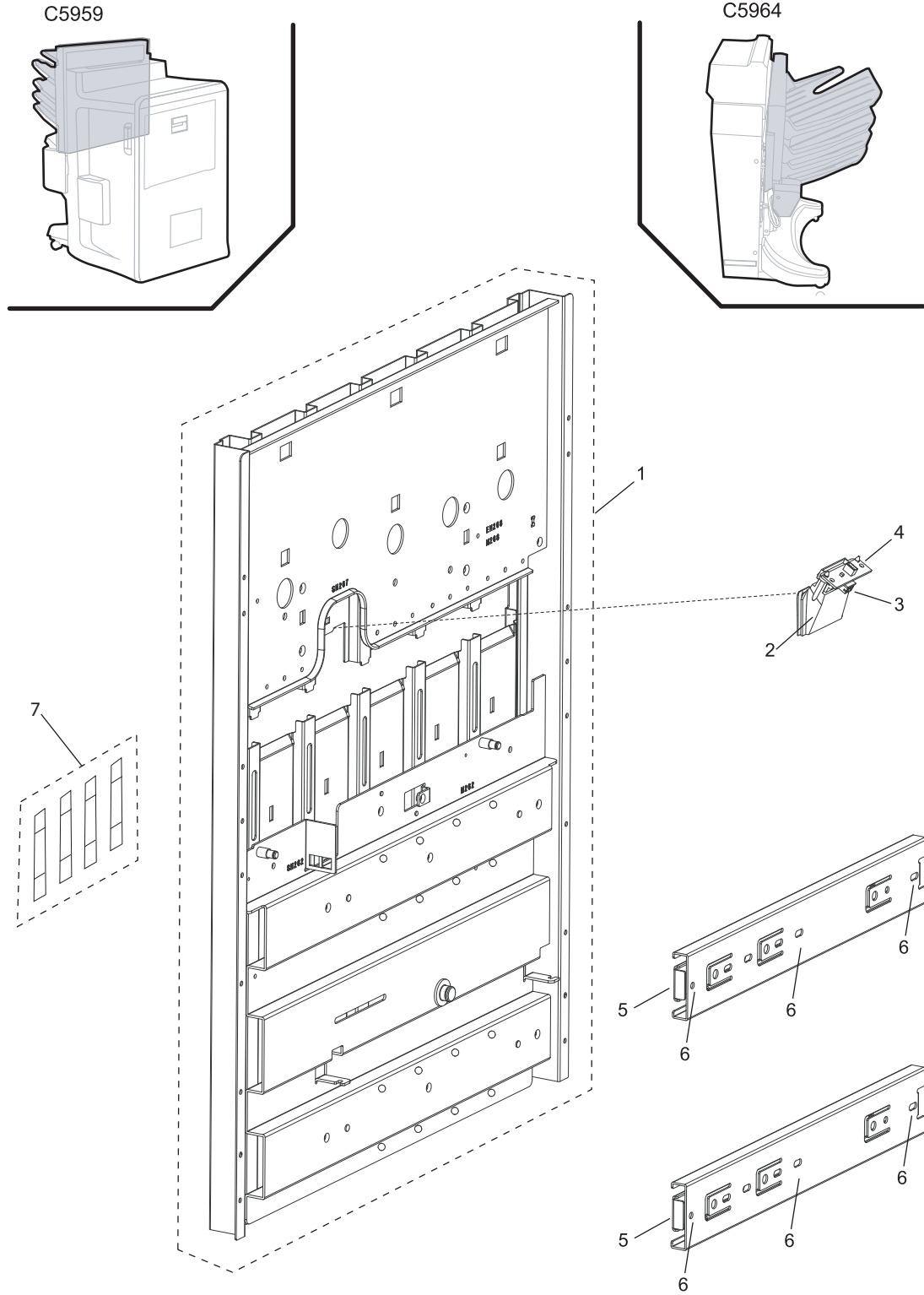


Table 6-30 Finisher Separator paper back weldment parts list (for Figure 6-30)

Ref	Description	Part number	Qty
1	Paper back weldment assembly (SVC-PAPER BACK WELDMENT)	C5959-67031	1
2	SHIELD-SENSOR, STACK HEIGHT	C5959-67019	1
3	Finisher Job Separator Stack Height sensor (SN267) (OPTO SENSOR ROHS)	C5959-67078	1
4	Job separator stack height PCA (A267): (SVC-PCA-JS STACK HEIGHT) for the Multifunction Finisher, (SVC-ASSY-PCA, 4-BIN JOB SEPARATOR) for the 4-Bin Job Separator	C5959-67338 (Multifunction Finisher), C5964-67021(4-Bin Job Separator)	1
5	SVC KIT-SLIDERAIL AND BRACKETS	C5959-67300	1
6	Screw (SVC-SCREW-TPG M3X0.5 6MM-LG PAN HD ROHS)	C5956-67001	1 (Qty 20)
7	Guide fingers (SVC-GUIDE-FINGER)	C5964-67036	1 (Qty 4)

Finisher Separator safety switches parts diagram

Figure 6-31 Finisher Separator safety switches parts diagram

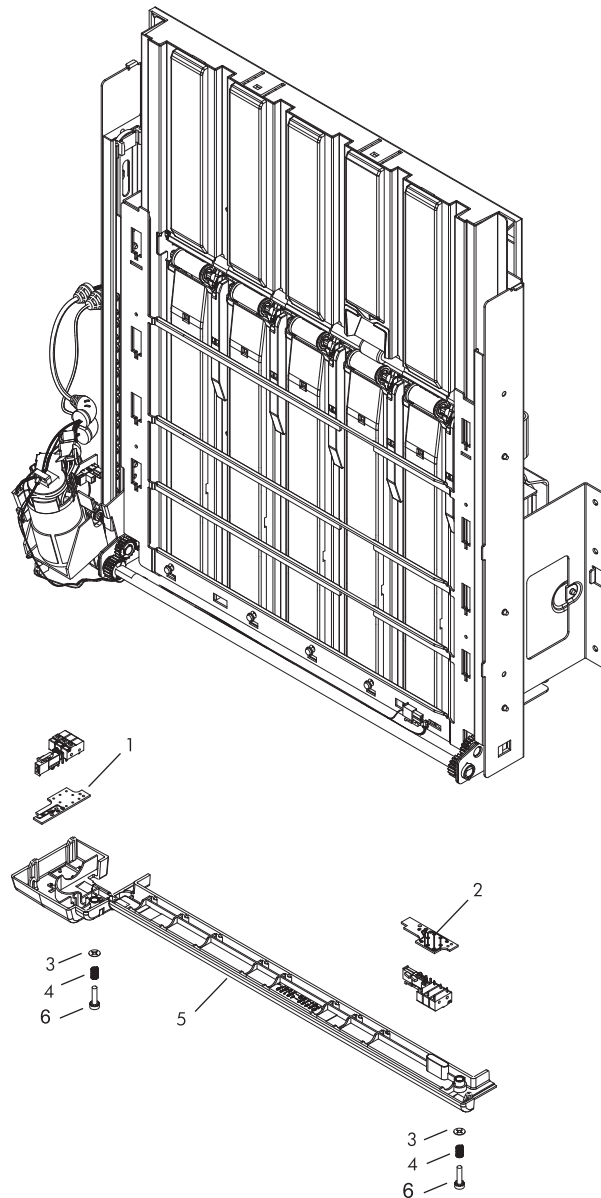
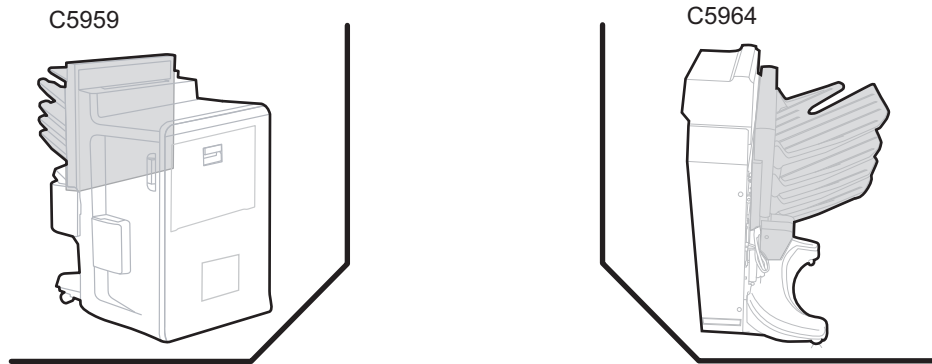


Table 6-31 Finisher Separator safety switches parts list (for Figure 6-31)

Ref	Description	Part number	Qty
1	Safety switch PCA SW261 (SVC-PCA-JS SAFETY A)	C5959-67296	1
2	Safety switch PCA SW264 (SVC-PCA-JS SAFETY B)	C5959-67297	1
3	RETAINER-CAPTIVE FASTENER M4	C5956-67368	1 (Qty 20)
4	Spring (SVC-SPRING-SAFETY SWITCH, JOB SEPARATOR)	C5959-67272	1
5	Safety switch cover (SVC-COVER-SAFETY SWITCH, DRIVE SHAFT)	C5959-67368	1
6	Screw (SVC-SCREW-MACH M4x0.7 9.5MM-LG ROHS)	C5956-67011	1 (Qty 20)
7	Cables (SVC KIT-CABLE, JS)	C5959-67381	1

Finisher Separator paper gate assembly parts diagram

Figure 6-32 Finisher Separator paper gate assembly parts diagram
C5959 C5964

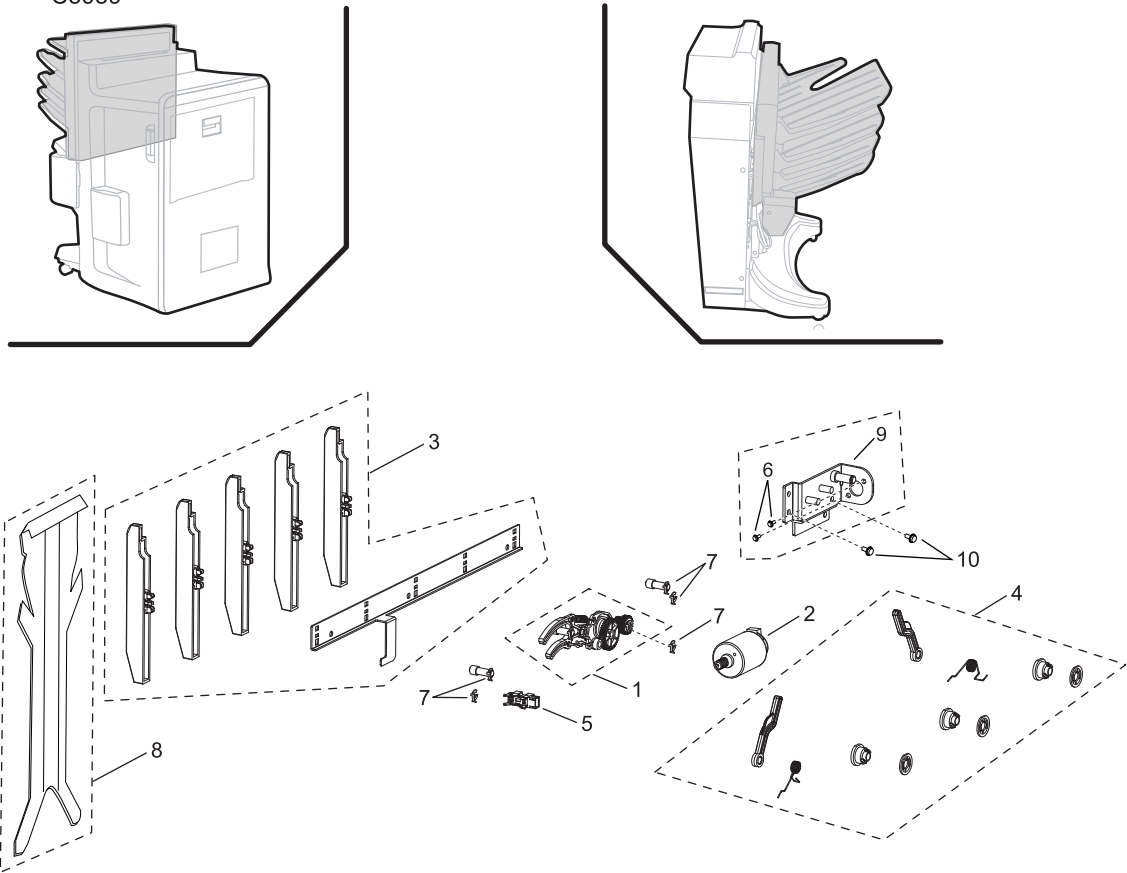


Table 6-32 Finisher Separator paper gate assembly parts list (for Figure 6-32)

Ref	Description	Part number	Qty
1	Paper gate drive kit (SVC KIT-PAPER GATE)	C5959-67080	1
2	Finisher Job Separator Gate motor (M262)/(EN262) (SVC-ASSY-SS MOTOR/ENCODER, TESTED). Note: Part number C5964-67042 replaces C5956-67734.	C5964-67042	1
3	Paper gate picket kit (SVC KIT-PICKET, GATE PAPER)	C5959-67340	1
4	Paper gate actuation roller kit (SVC KIT-ROLLER GATE ACTUATION)	C5959-67081	1
5	PHOTINTERRUPTER (SN262) IF=50MA-MAX ROHS	C5956-67256	1
6	Screw (SVC-SCR-TPG M2.5X0.45 4MM-LG PAN HD ROHS)	C5956-67010	1 (Qty 20)
7	Clip (SVC KIT-CLIPS, assortment)	C5956-67650	1
8	STABILIZER-PAPER GATE	C5959-67331	1
9	WELDMENT, GATE DRIVE BRACKET	C5959-67034	1
10	Screw (SVC-SCREW-TPG M3X0.5 6MM-LG PAN HD ROHS)	C5956-67001	1 (Qty 20)

Finisher lower-middle cover assembly parts diagram

Figure 6-33 Finisher lower-middle cover assembly parts diagram

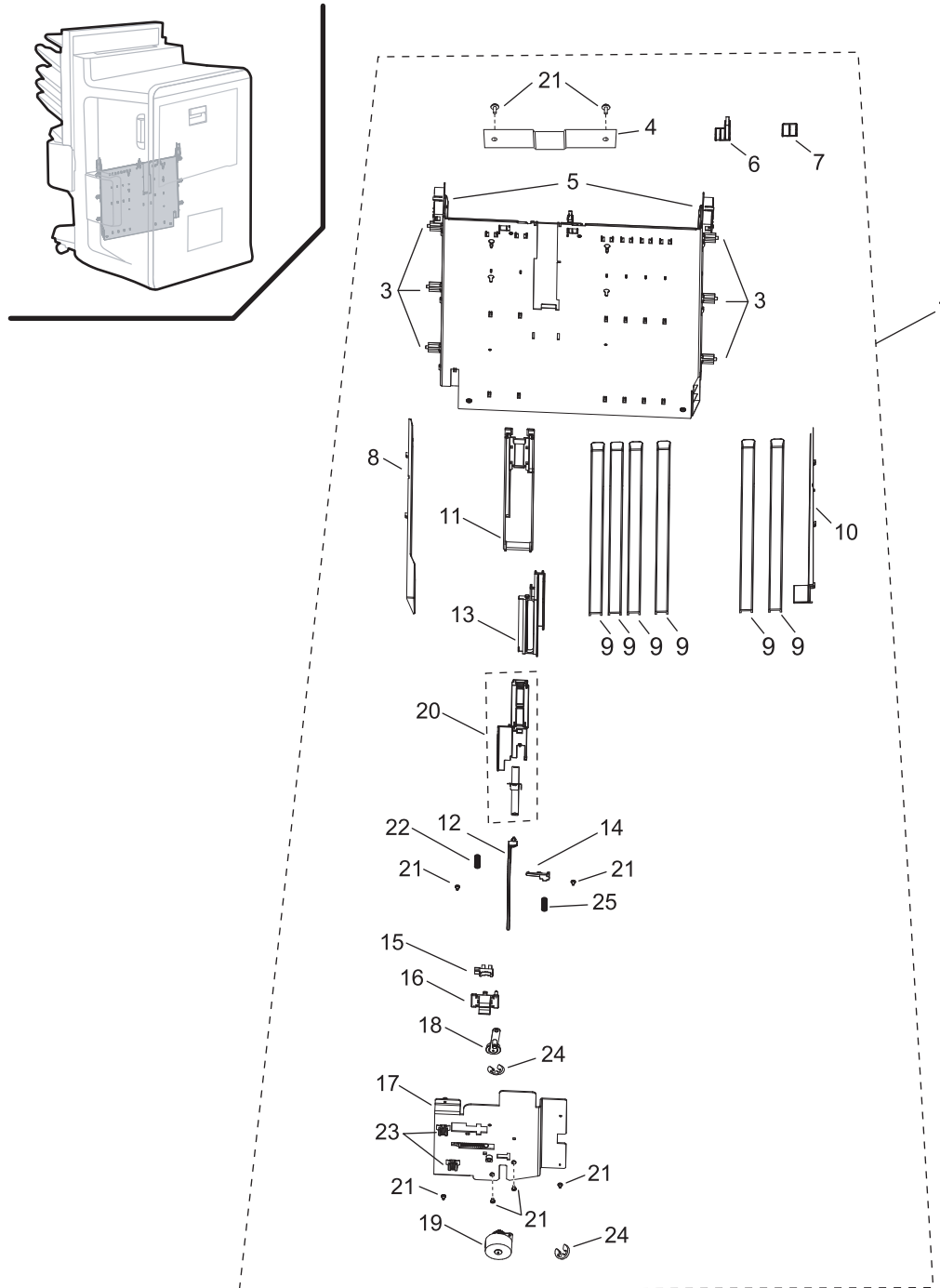


Table 6-33 Finisher stack holder assembly parts list (for Figure 6-33)

Ref	Description	Part number	Qty
1	Lower-middle cover assembly (SVC-COVER, MIDDLE, BOTTOM, CPL)	C5959-67241	1
2	Lower-middle cover (SVC-COVER, MIDDLE, BOTTOM)	C5959-67181	1
3	Stud (SVC-STUD)	C5959-67160	1
4	Bracket, support	C5959-67183	1
5	SENSOR BOARD PREMOUNTED (SN257/SN258)	C5959-67240	1
6	Rear paper guide (SVC-GUIDE, PAPER, REAR)	C5959-67187	1
7	Front paper guide (SVC-GUIDE, PAPER, FRONT)	C5959-67188	1
8	Front paper guide cover (SVC-PAPER, GUIDE, MIDDLE, COVER, FRONT)	C5959-67199	1
9	Paper guide cover (SVC-PAPER, GUIDE, MIDDLE, COVER)	C5959-67197	1
10	Rear paper guide cover (SVC-PAPER, GUIDE, MIDDLE, COVER, REAR)	C5959-67198	1
11	Stack holder assembly cover (SVC-COVER, STACKHOLDER)	C5959-67200	1
12	Stack holder support rod (SVC-ROD, SUPPORT, CONTROL)	C5959-67202	1
13	Gear rack (SVC-GEAR, RACK)	C5959-67201	1
14	Stack holder support (SVC-SUPPORT)	C5959-67203	1
15	Finisher Stack Holder sensor (SN252) (SVC-PHOTOINTERRUPTER WITH CONNECTOR)	C5959-67145	1
16	Sensor holder (SVC-HOLDER, SENSOR)	C5959-67204	1
17	Motor support (SVC-MOTORSUPPORT, RIVETED)	C5959-67185	1
18	Premounted support lever (SVC-LEVER, SPRING.SUPPORT, PERMOUNTED)	C5959-67184	1
19	Stack holder motor (M252) (SVC-STEPPER MOTOR CPL)	C5959-67239	1
20	Slider assembly (SVC-SLIDER, CPL)	C5959-67205	1
21	SCREW, BUTTON HEAD, TORX, M3X4-8.8, ZN	C5959-67310	1
22	TENSION SPRING (Part not available at time of publishing.)	C5959-67394	1
23	CLAMP, CABLE	C5959-67195	1
24	Clip (SVC KIT-CLIPS, FINISHER, assortment)	C5959-67311	1
25	SPRING, TENSION (Part not available at time of publishing.)	C5959-67393	1
26	Screw (SCREW, M3X6, TORX 10 SCREW WITH STAR WASHER) Not shown on diagram.	C5959-67310	1

Bin 5 assembly parts diagram

Figure 6-34 Bin 5 assembly parts diagram

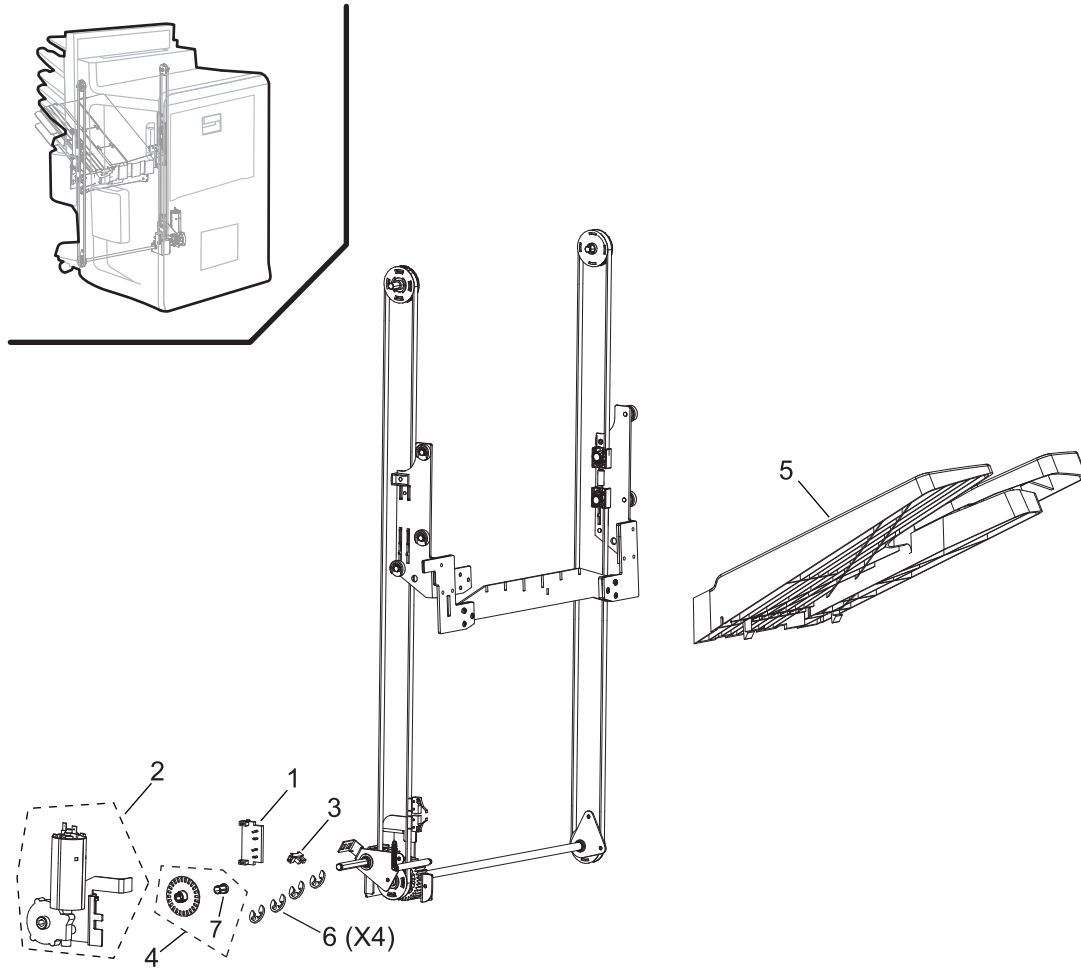


Table 6-34 Bin 5 assembly parts list (for Figure 6-34)

Ref	Description	Part number	Qty
1	Finisher Lower Elevator Bottom switch (SW251) (SVC-SWITCH OVERLOAD CPL)	C5959-67343	1
2	Finisher Lower Elevator motor (M250) (SVC-VALEO DC MOTOR 36V CPL.)	C5959-67344	1
3	Finisher Lower Elevator Move sensor (SN250) (SVC-PHOTOINTERRUPTER WITH CONNECTOR)	C5959-67145	1
4	Bin 5 encoder kit (SVC KIT-BOTTOM TRAY ENCODER UNIT)	C5959-67345	1
5	Bin 5 assembly (SVC ASSY-KIT-BIN 5 PACKAGING)	C5959-67351	1
6	Clip (SVC KIT-CLIPS, FINISHER, WASHER, E-CLIP, DIN 6799-4.0, ZN)	C5959-67311	1 (Qty 20)
7	ENCODER SLEEVE (SVC KIT-BOTTOM TRAY ENCODER UNIT)	C5959-67345	1

Finisher job support assembly parts diagram

Figure 6-35 Finisher job support assembly parts diagram

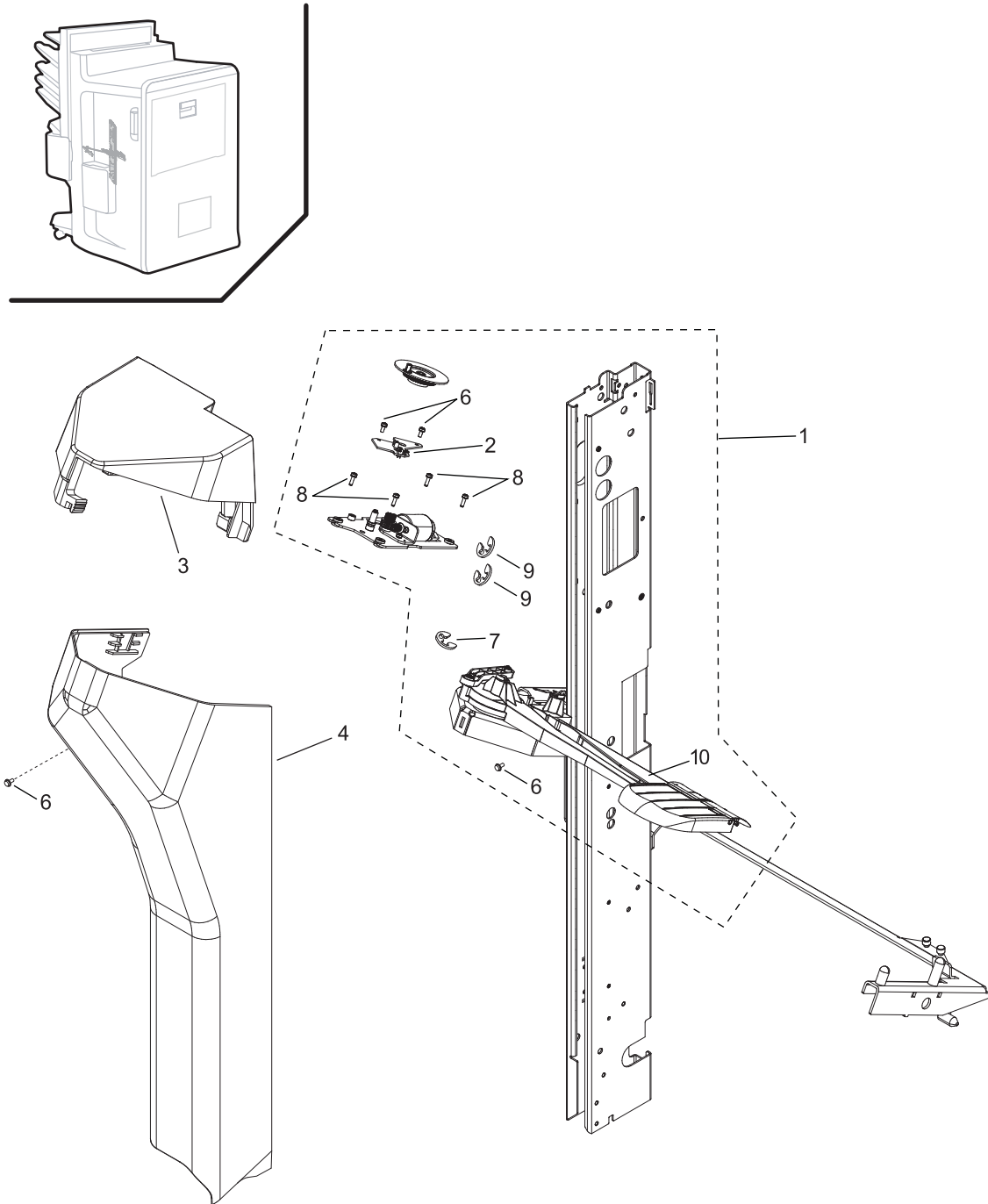


Table 6-35 Finisher job support assembly parts list (for Figure 6-35)

Ref	Description	Part number	Qty
1	Job support assembly (M253/EN253) (SVC ASSY-JOB, SUPPORT)	C5959-67255	1
2	Job Support PCA (A253) (SVC-PCA, HELICAL GEAR, S1)	C5959-67107	1
3	Job support assembly upper cover (SVC-COVER-JOB SUPPORT, UPPER)	C5959-67023	1
4	Job support assembly lower cover (SVC-COVER-JOB SUPPORT, LOWER)	C5959-67024	1
5	Screw (SVC-SCREW-TPG M3X0.5 6MM-LG PAN HD ROHS)	C5956-67001	1 (Qty 20)
6	Screw (SVC KIT-SCREWS, TRAY 1-4)	C5956-67753	1
7	WASHER, E-CLIP, DIN 6799-3.2, ZN	C5959-67311	1
8	Screw (SVC KIT-SCREWS, FINISHER, PAN HEAD, SPECIAL, M3X10, ZN)	C5959-67310	1 (Qty 10)
9	Clip (SVC KIT-CLIPS, TRAY 1-4, WASHER, E-CLIP, DIN 6799-2.3, ZN)	C5956-67752	1
10	Job support arm assembly	C5959-67405	1

Stapler parts diagram

- [Stapler 1 parts diagram](#)
- [Stapler 2 diagram](#)

Stapler 1 parts diagram

Figure 6-36 Stapler 1 parts diagram

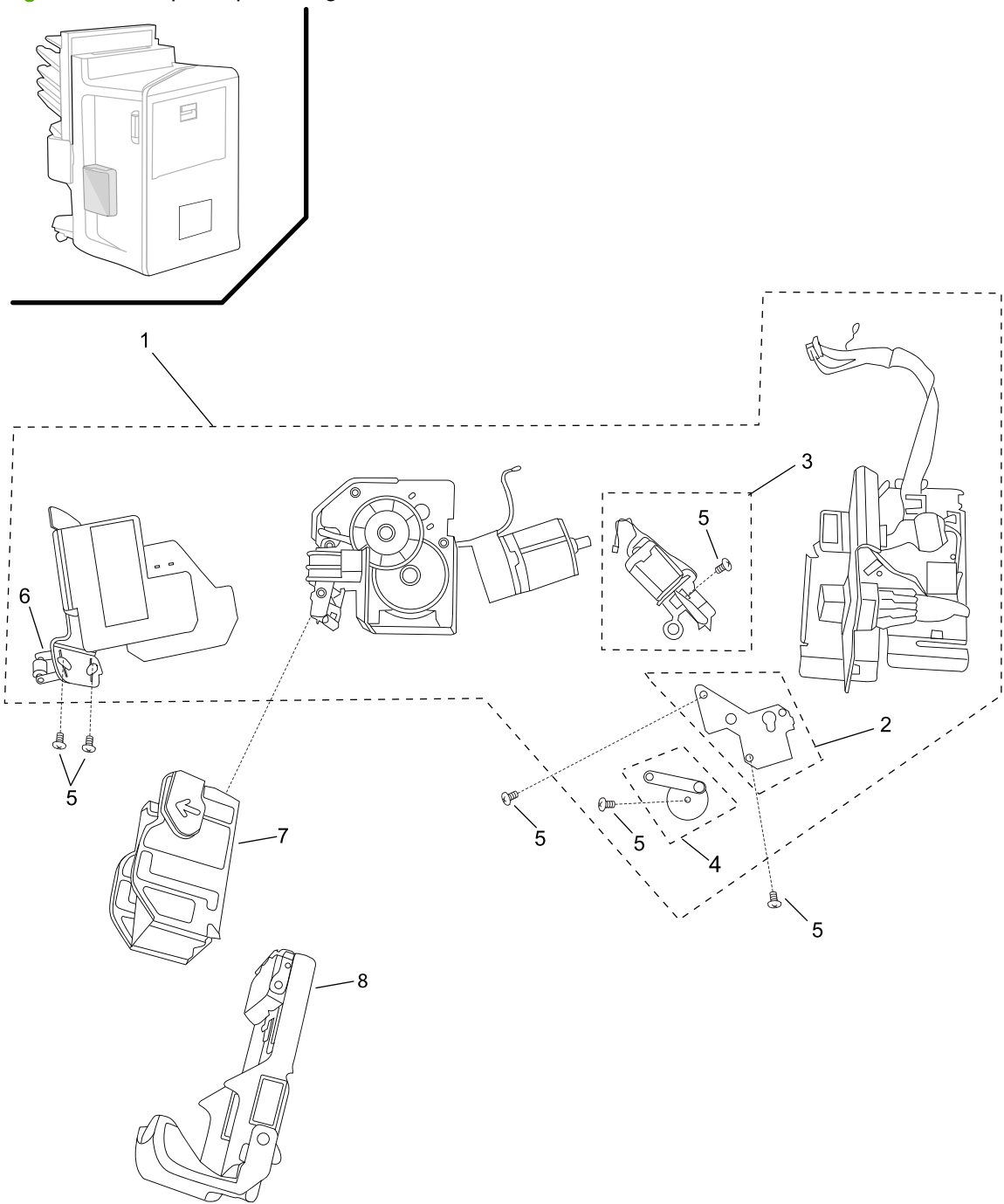


Table 6-36 Stapler 1 parts list (for Figure 6-36)

Ref	Description	Part number	Qty
1	Stapler 1 assembly (SVC-ASSY, STAPLER, 1)	C5959-67110	1
2	PCA (SVC-PCA, S1)	C5959-67107	1
3	Stapler motor assembly (SVC-MOTOR, STAPLER, DC MOUNTED)	C5959-67102	1
4	Gear (SVC KIT-HELICAL GEAR, CONNECTING LEVER)	C5959-67380	1
5	Screw (SVC KIT-SCREWS, TRAY 1-4, PAN HEAD, SPECIAL, M3X6, ZN)	C5956-67753	1
6	Clip (SVC KIT-CLIPS, TRAY 1-4, WASHER, RETAINING, CIRCLIP, 5, ZN)	C5956-67752	1
7	3-pack staple refill (SVC-3-PACK STAPLE REFILL)	C5959-67390	1
8	Staple holder (SVC-HOLDER, STAPLE CARTRIDGE)	C5959-67386	1

Stapler 2 diagram

Figure 6-37 Stapler 2 parts diagram

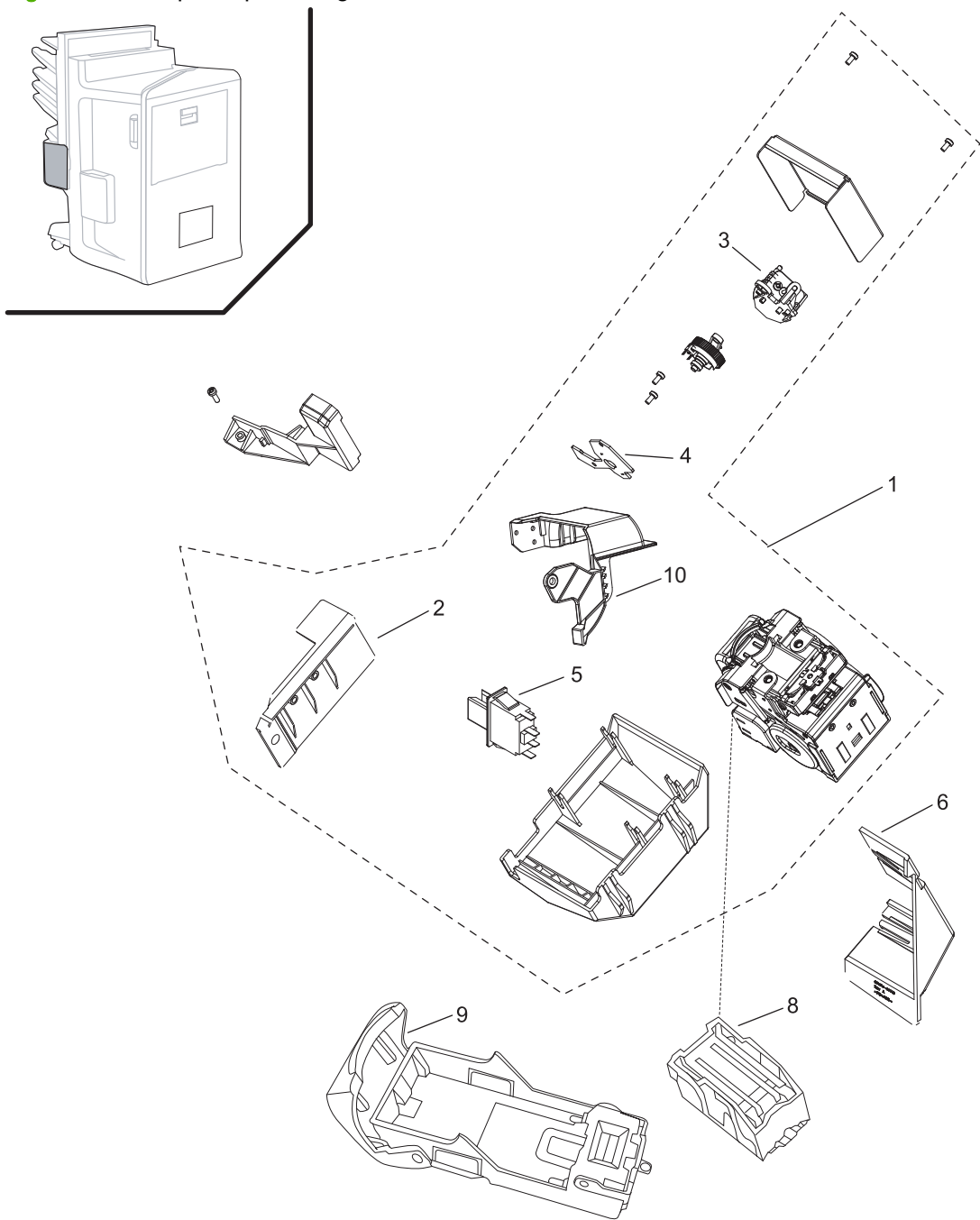


Table 6-37 Stapler 2 parts list (for Figure 6-37)

Ref	Description	Part number	Qty
1	Stapler 2 assembly (SVC-ASSY, STAPLER, 2)	C5959-67111	1
2	Stapler 2 extension (SVC-EXTENSION-PLATFORM, STAPLER 2)	C5959-67302	1
3	Stapler 2 motor (SVC-MOTOR, STAPLER, DC MOUNTED)	C5959-67102	1
4	PCA (SVC-PCA, S2)	C5959-67106	1
5	SW283 and SW284 (SVC-SWITCH, CHERRY, F81AB110)	C5959-67103	1
6	Stapler 2 wiring cover (SVC-COVER-STAPLER 2 WIRING)	C5959-67022	1
7	Gear (SVC KIT-HELICAL GEAR, CONNECTING LEVER) Not shown in diagram. (See Stapler 1 illustration.)	C5959-67380	1
8	3-pack staple refill (SVC-3-PACK STAPLE REFILL)	C5959-67390	1
9	Staple holder (SVC-HOLDER, STAPLE CARTRIDGE)	C5959-67386	1
10	Safety cover (ASSY-COVER, SAFETY, STAPLER2)	C5959-60304	1

Cables

Table 6-38 Individual cables

Cable	Service part number	Manufacturer number	Connectors
SVC-CABLE, PAPER PATH/ TRAY	C5959-67035	C5959-60041	<ul style="list-style-type: none"> ● W201J231-W231P1 ● W201P1-SN200 ● W201P2-LED201 ● W201P4-SN207 ● W201P3-SN202 ● W201P25 ● W201P18
SVC-CABLE, POWER, PCA/ LEFT WALL	C5959-67040	C5959-60074	W291-J3
SVC-CABLE, CAN	C5959-67391	C5959-60044	W290-J14
	<p>NOTE: C5959-67391 replaced by CC682-67116. CC682-67116 is a functional equivalent but is a different style cable.</p>		
SVC-CABLE, LOWER ELEVATOR	C5959-67041	C5959-60075	<ul style="list-style-type: none"> ● W251P7-M253 ● W251P9 ● W251P11-SW256 ● W251P12-SW265 ● W251P4-SW251 ● W251P5-SW251 ● W251P1-SN250 ● W251P6-SN257 ● W251P3-SN255 ● W251P8
SVC-CABLE, STAPLERS	C5959-67047	C5959-60116	<ul style="list-style-type: none"> ● W270J280 ● W270J271 ● W270P2

Table 6-38 Individual cables (continued)

Cable	Service part number	Manufacturer number	Connectors
SVC-ASSY-CABLE, LOWER ELEVATOR MOTORS	C5959-67049	C5959-60118	<ul style="list-style-type: none"> ● W250P15 ● W250P1-M250 ● W250P4-SW256 ● W250P5-SW256 ● W250P6-W251J6 ● W250P3-W251J3
SVC-CABLE, ACCUMULATOR PATH	C5959-67050	C5959-60119	<ul style="list-style-type: none"> ● W241P13 ● W241P12 ● W241P2
SVC-CABLE, ACCUMULATOR	C5959-67051	C5959-60120	<ul style="list-style-type: none"> ● W240P1 ● W240P20
SVC-CABLE, LOWER PATH	C5959-67052	C5959-60122	<ul style="list-style-type: none"> ● W221P5-LED223 ● W221P4-SN222 ● W221P3-SN221 ● W221P2-EN220 ● W221P1-W201J221
SVC-CABLE, JS ELEVATOR MOTOR	C5959-67353	C5959-60262	<ul style="list-style-type: none"> ● W262P4 ● W262J268-W268P1
SVC-CABLE, PATH MOTORS	C5959-67068	C5959-60160	<ul style="list-style-type: none"> ● W200J210-W210P1 ● W200J230-W230P1 ● W200J220-W220P1
SVC ASSY-CABLE, INPUT PATH MOTOR	C5959-67069	C5959-60161	<ul style="list-style-type: none"> ● W210P3-SOL211 ● W210P1-W200J210 ● W210P2-M210 ● W210P1-EN210
SVC-CABLE, STACK HOLDER	C5959-67070	C5959-60164	<ul style="list-style-type: none"> ● W252P4-SN204 ● W252P3-SN252 ● W252P1-SN258 ● W252P2-M252

Table 6-38 Individual cables (continued)

Cable	Service part number	Manufacturer number	Connectors
SVC-CABLE, FRONT STRUCTURE	C5959-67071	C5959-60165	<ul style="list-style-type: none"> ● W202P5-LED203 ● W202P4-SN206 ● W202P3-LED205 ● W202P2-LED204 ● W202P1-W201J202
SVC-CABLE, JS ELEVATOR MOTOR EXTERNAL	C5959-67076	C5959-60255	N/A
SVC-CABLE, BEARING BRKT-DISTR BOARD ACCU	C5959-67229	372670304-01	N/A
SVC-CABLE, ENTRY SENSORS	C5959-67230	372671304-01	N/A
SVC-CABLE, GRNDNG RETAINER FINGER SHAFT	C5959-67231	372672304-01	N/A
SVC-CABLE, GRND BEAR BRKT-GUIDE BAR MOT	C5959-67232	372673304-01	N/A
SVC-CABLE, GRND.BEAR BRKT MOT-DIB ACCU	C5959-67233	372674304-01	N/A
SVC-CABLE, FCC	C5959-67371	372675304-02	N/A
SVC-CABLE, SMBB	C5959-67235	372676304-01	N/A
SVC-CABLE, UPPER PATH SENSORS	C5959-67359 (Note: C5959-67359 replaces C5959-67285)	C5959-60266	<ul style="list-style-type: none"> ● W231P7-LED234 ● W231P6-SN233 ● W231P5-SN232 ● W231P4-SN231 ● W231P2-EN230 ● W231P1-W201J231
SVC-ASSY-HARNESS PATH PAPER	C5959-67046	C5959-60113	<ul style="list-style-type: none"> ● W211P7-SN216 ● W211P6-SN215 ● W211P5-SN214 ● W211P4-SN213 ● W211P3-SN212 ● W211P2-EN210 ● W211P1-W201J211
SVC-CABLE-JS SENSORS	C5959-67354	C5959-60264	<ul style="list-style-type: none"> ● W260P26 ● W260J267-W267P1

Table 6-38 Individual cables (continued)

Cable	Service part number	Manufacturer number	Connectors
SVC-CABLE-JS ELEVATOR SENSORS EXTERNAL	C5959-67355	C5959-60263	<ul style="list-style-type: none"> ● W263P1-W260J263 ● W263P3-M260 ● W263P6-EN260 ● W263P31-SN260
SVC ASSY-CABLE, JS MOTORS	C5959-67348	C5959-60152	<ul style="list-style-type: none"> ● W261P19-A200J9 ● W261J267-W267P2
SVC ASSY-CABLE, UPPER PATH MOTOR	C5959-67349	C5959-60163	<ul style="list-style-type: none"> ● W230P1-W200J230 ● W230P2-MJ230

Table 6-39 Cable kits and harnesses

Cable	Service part number	Manufacturer number	Contents	Connectors
SVC KIT-CABLES DOOR 4	C5959-67090	<ul style="list-style-type: none"> ● C5959-60157 ● C5959-60162 	<ul style="list-style-type: none"> ● ASSY-CABLE, GROUND STRAP 85MM ● ASSY-CABLE, LOWER PATH MOTOR 	<ul style="list-style-type: none"> ● W200J220-W220P1 ● W220P2-M200
SVC-HARNESS-SEPARATOR, JOB with retainer	C5959-67402 (Note: C5959-67402 replaces C5959-67387 or C5959-67337)	C5959-60276		<ul style="list-style-type: none"> ● W267P1-W260J267 ● W267P2-W261J267 ● W267P6-M262 ● W267P6-EN262 ● W267P5-M268 ● W267P8-M264 ● W267P8-EN264 ● W267P4-EN268 ● W267P7-SN262 ● W267P11-SN267 ● W267P12-A267J1 ● W267P10-SN265
SVC KIT-CABLE, JS	C5959-67381	<ul style="list-style-type: none"> ● C5959-60153 ● C5959-60166 ● C5959-60273 		

Alphabetical parts list

Table 6-40 Alphabetical parts list

Description	Part number	Table and page
105T drive belt (SVC-BELT-DRIVE, 105T, GT2, 2X4)	C5959-67276	Handle 3 (lower transport) parts list (for Figure 6-14) on page 394
125T drive belt (SVC-BELT-DRIVE, 125T, GT2, 2X4)	C5959-67278	Handle 3 (lower transport) parts list (for Figure 6-14) on page 394
126T drive belt (SVC-BELT-DRIVE, 126T, GT2, 2X4)	C5959-67280	Right side panel assembly parts list (for Figure 6-10) on page 388
3-pack staple refill (SVC-3-PACK STAPLE REFILL)	C5959-67390	Stapler 1 parts list (for Figure 6-36) on page 558
3-pack staple refill (SVC-3-PACK STAPLE REFILL)	C5959-67390	Stapler 2 parts list (for Figure 6-37) on page 560
38T 20T gear cluster (ASSY-PULLEY CLUSTER 38T-20T)	C5959-67044	Handle 3 (lower transport) parts list (for Figure 6-14) on page 394
65T drive belt (SVC-BELT-DRIVE 65T,GT2,2X4)	C5959-67346	Handle 3 (lower transport) parts list (for Figure 6-14) on page 394
97T drive belt (SVC-BELT-DRIVE, 97T, GT2, 2X4)	C5956-67659	Right side panel assembly parts list (for Figure 6-10) on page 388
Accumulator assembly (SVC-ACCUMULATOR)	C5959-67104	Accumulator covers parts list (for Figure 6-16) on page 400
Accumulator Closed switch (SW256) (ASSY-SWITCH INTERLOCK)	C5956-67377	Accumulator rear-side assembly parts list (for Figure 6-23) on page 528
Accumulator lower cover (SVC-COVER-ACCU LOWER)	C5959-67279	Accumulator covers parts list (for Figure 6-16) on page 400
Accumulator main distribution PCA (SVC-PCBA, DISTRIBUTION, ACCU, MAIN)	C5959-67109	Accumulator support CPL assembly parts list (for Figure 6-25) on page 532
Accumulator middle cover (SVC-COVER-ACCU MID)	C5959-67029	Accumulator covers parts list (for Figure 6-16) on page 400
Accumulator Offset 1 motor (M244)/Accumulator Offset 2 motor (M245) (SVC-STEPPER MOTOR)	C5959-67105	Accumulator support CPL assembly parts list (for Figure 6-25) on page 532
Accumulator Open motor (M256)/(EN256) (ASSY-SS MOTOR/ ENCODER)	C5956-67734	Accumulator rear-side assembly parts list (for Figure 6-23) on page 528
Accumulator Open sensor (SN255), PHOTOINTERRUPTER (SN262) IF=50MA-MAX ROHS	C5956-67256	Accumulator rear-side assembly parts list (for Figure 6-23) on page 528

Table 6-40 Alphabetical parts list (continued)

Description	Part number	Table and page
Accumulator paper guide kit (SVC-KIT GUIDE PAPER MOUNTED CPL)	C5959-67392	Accumulator paper guide and sensor holder assembly parts list (for Figure 6-22) on page 526
Accumulator upper cover (SVC-COVER-ACCU UPPER)	C5959-67027	Accumulator covers parts list (for Figure 6-16) on page 400
Adjustable caster (SVC ASSY-CASTOR ADJUSTABLE)	C5964-67034	Finisher casters parts list (for Figure 6-7) on page 491
Align wall (SVC-ALIGNWALL)	C5959-67168	Accumulator support CPL assembly parts list (for Figure 6-25) on page 532
Alignment shaft (SVC-SHAFT-ALIGNMENT)	C5959-67372	Handle 1 (upper transport) parts list (for Figure 6-11) on page 499
ASSY-BRACKET CAPTURE	C5959-67318	Finisher Separator main assembly parts list (for Figure 6-26) on page 415
ASSY-LOWER GUIDE AND OUTPUT PINCH ROLLER	C5964-67039	Finisher Separator media path output parts list (for Figure 6-28) on page 540
Axle holder (SVC-AXLE, HOLDER)	C5959-67151	Accumulator support CPL assembly parts list (for Figure 6-25) on page 532
Back cover (SVC-COVER-BACK DOOR 2)	C5959-67268	Handle 1 (upper transport) parts list (for Figure 6-11) on page 499
Bar retainer assembly (SVC-BAR RETAINER CPL.)	C5959-67125	Accumulator traverse assembly parts list (for Figure 6-19) on page 520
Bar retainer assembly (SVC-BAR RETAINER CPL.)	C5959-67125	Accumulator guide bar assembly parts list (for Figure 6-20) on page 406
Bar retainer PCA (SVC-PCBA, DISTRIBUTION BOARD RETAINER)	C5959-67143	Accumulator guide bar assembly parts list (for Figure 6-20) on page 406
BEARING	C5959-67159	Accumulator support CPL assembly parts list (for Figure 6-25) on page 532
Bearing (SVC-BEARING)	C5959-67308	Accumulator shafts parts list (for Figure 6-17) on page 516
Bearing (SVC-BEARING)	C5959-67159	Accumulator shafts parts list (for Figure 6-17) on page 516
Bearing (SVC-BEARING)	C5959-67159	Accumulator bearing bracket assembly parts list (for Figure 6-21) on page 407
Bearing (SVC-BEARING)	C5959-67308	Accumulator support CPL assembly parts list (for Figure 6-25) on page 532

Table 6-40 Alphabetical parts list (continued)

Description	Part number	Table and page
Bearing (SVC-BEARING, BALL, GROOVED)	C5959-67236	Accumulator rear inside CPL assembly parts list (for Figure 6-24) on page 412
Bearing bracket cam shaft (SVC-SHAFT, CAM, BEARING, BRACKET, CPL)	C5959-67123	Accumulator shafts parts list (for Figure 6-17) on page 516
Bearing Bracket motor (M242) (SVC-MOTOR, ASSY, STEPPER)	C5959-67115	Accumulator front assembly parts list (for Figure 6-18) on page 518
Bearing bracket PCA (SVC-PCA, DISTRIB. BOARD BEARING BRACKET)	C5959-67108	Accumulator bearing bracket assembly parts list (for Figure 6-21) on page 407
Bearing bracket SVC-BEARING, BRACKET, CPL)	C5959-67112	Accumulator bearing bracket assembly parts list (for Figure 6-21) on page 407
Bearing gearwheel bracket (SVC-BRACKET, BEARING, GEARWHEEL)	C5959-67196	Accumulator paper guide and sensor holder assembly parts list (for Figure 6-22) on page 526
Bearing mounting (SVC-BEARING, MOUNTING, CPL)	C5959-67135	Accumulator paper guide and sensor holder assembly parts list (for Figure 6-22) on page 526
BEARING, BALL, GROOVED, 2X6X2.3	C5959-67238	Accumulator bearing bracket assembly parts list (for Figure 6-21) on page 407
Belt (SVC-BELT, SYNCHRONOUS Z 107)	C5959-67225	Accumulator bearing bracket assembly parts list (for Figure 6-21) on page 407
Belt (SVC-BELT, SYNCHRONOUS, T119)	C5959-67226	Accumulator rear-side assembly parts list (for Figure 6-23) on page 528
Belt (SVC-BELT, SYNCHRONOUS, T82)	C5959-67227	Accumulator rear-side assembly parts list (for Figure 6-23) on page 528
Belt (SVC-BELT-DRIVE, 141T, GT2, 2X4)	C5959-67281	Handle 1 (upper transport) parts list (for Figure 6-11) on page 499
Belt (SVC-BELT-DRIVE, 70T, GT2, 2X4)	C5959-67263	Handle 1 (upper transport) parts list (for Figure 6-11) on page 499
Belt (SVC-BELT-DRIVE, 80T, GT2, 2X4)	C5959-67264	Input paper path parts list (for Figure 6-15) on page 509
Belt (SVC-BELT-DRIVE, 80T, GT2, 2X4)	C5959-67264	Finisher Separator media path output parts list (for Figure 6-28) on page 540
Belt (SVC-BELT-DRIVE, 97T, GT2, 2X4)	C5956-67659	Finisher Separator media path output parts list (for Figure 6-28) on page 540

Table 6-40 Alphabetical parts list (continued)

Description	Part number	Table and page
BELT, SYNCHRONOUS, T82	C5959-67228	Accumulator shafts parts list (for Figure 6-17) on page 516
Beltwheel T25 (SVC-BELTWHEEL, SYNCHRONOUS T25)	C5959-67214	Accumulator bearing bracket assembly parts list (for Figure 6-21) on page 407
Beltwheel T27 (SVC-BELTWHEEL, SYNCHRONOUS, T27)	C5959-67215	Accumulator rear-side assembly parts list (for Figure 6-23) on page 528
BELTWHEEL, SYNCHRONOUS DOUBLE, T27	C5959-67216	Accumulator rear-side assembly parts list (for Figure 6-23) on page 528
BELTWHEEL, SYNCHRONOUS, SPC, T27/16x0.8	C5959-67220	Accumulator shafts parts list (for Figure 6-17) on page 516
BELTWHEEL, SYNCHRONOUS, T24	C5959-67221	Accumulator shafts parts list (for Figure 6-17) on page 516
BELTWHEEL, SYNCHRONOUS, T27	C5959-67215	Accumulator rear-side assembly parts list (for Figure 6-23) on page 528
Bias spring and clamp (SVC KIT-SPRING-BIAS)	C5959-67249	Bias spring and clamp parts list (for Figure 6-6) on page 385
Bin 5 assembly (SVC ASSY-KIT-BIN 5 PACKAGING)	C5959-67351	Bin 5 assembly parts list (for Figure 6-34) on page 553
Bin 5 encoder kit (SVC KIT-BOTTOM TRAY ENCODER UNIT)	C5959-67345	Bin 5 assembly parts list (for Figure 6-34) on page 553
Bolt bearing (SVC-BOLT BEARING, ACCUM, MOVEABLE)	C5959-67327	Accumulator shafts parts list (for Figure 6-17) on page 516
Bracket, support	C5959-67183	Finisher stack holder assembly parts list (for Figure 6-33) on page 424
Bushing (SVC-BUSHING)	C5959-67148	Accumulator front assembly parts list (for Figure 6-18) on page 518
Bushing (SVC-BUSHING)	C5959-67148	Accumulator rear inside CPL assembly parts list (for Figure 6-24) on page 412
Cable (ASSY-CABLE, GROUND STRAP 85MM)	C5959-67090	Handle 1 (upper transport) parts list (for Figure 6-11) on page 499
Cable (ASSY-CABLE, GROUND STRAP 85MM)	C5959-67090	Handle 3 (lower transport) parts list (for Figure 6-14) on page 394
Cable (ASSY-CABLE, GROUND STRAP 85MM)	C5959-67090	Input paper path parts list (for Figure 6-15) on page 509
Cable (SVC-CABLE, GRNDNG RETAINER FINGER SHAFT)	C5959-67231	Accumulator guide bar assembly parts list (for Figure 6-20) on page 406

Table 6-40 Alphabetical parts list (continued)

Description	Part number	Table and page
CABLE, GROUND	C5959-67232	Accumulator support CPL assembly parts list (for Figure 6-25) on page 532
Cables (SVC KIT-CABLE, JS)	C5959-67381	Finisher Separator safety switches parts list (for Figure 6-31) on page 546
CLAMP, CABLE	C5959-67195	Finisher stack holder assembly parts list (for Figure 6-33) on page 424
Clip (KIT, SVC CLIP-WIRE, .08 IN-WD NYL-6/6-ROHS)	C5956-67374	Handle 1 (upper transport) parts list (for Figure 6-11) on page 499
Clip (SVC KIT-CLIPS, assortment)	C5956-67650	Finisher latch assemblies parts list (for Figure 6-8) on page 386
Clip (SVC KIT-CLIPS, assortment)	C5956-67650	Finisher latch assemblies parts list (for Figure 6-8) on page 386
Clip (SVC KIT-CLIPS, assortment)	C5956-67650	Right side panel assembly parts list (for Figure 6-10) on page 388
Clip (SVC KIT-CLIPS, assortment)	C5956-67650	Right side panel assembly parts list (for Figure 6-10) on page 388
Clip (SVC KIT-CLIPS, assortment)	C5956-67650	Handle 1 (upper transport) parts list (for Figure 6-11) on page 499
Clip (SVC KIT-CLIPS, assortment)	C5956-67650	Handle 1 (upper transport) parts list (for Figure 6-12) on page 501
Clip (SVC KIT-CLIPS, assortment)	C5956-67650	Handle 1 (upper transport) parts list (for Figure 6-12) on page 501
Clip (SVC KIT-CLIPS, assortment)	C5956-67650	Handle 3 (lower transport) parts list (for Figure 6-14) on page 394
Clip (SVC KIT-CLIPS, assortment)	C5956-67650	Finisher Separator offset assembly parts list (for Figure 6-27) on page 538
Clip (SVC KIT-CLIPS, assortment)	C5956-67650	Finisher Separator elevator transmission parts list (for Figure 6-29) on page 420
Clip (SVC KIT-CLIPS, assortment)	C5956-67650	Finisher Separator paper gate assembly parts list (for Figure 6-32) on page 422
Clip (SVC KIT-CLIPS, assortment, CLIP-BEARING SPACER)	C5956-67650	Input paper path parts list (for Figure 6-15) on page 509

Table 6-40 Alphabetical parts list (continued)

Description	Part number	Table and page
Clip (SVC KIT-CLIPS, assortment, CLIP-BEARING SPACER)	C5956-67650	Finisher Separator media path output parts list (for Figure 6-28) on page 540
Clip (SVC KIT-CLIPS, assortment, RETAINER-RING CIRCLIP 4MM-BSC DIA ROHS)	C5956-67650	Handle 2 (upper transport) parts list (for Figure 6-13) on page 392
Clip (SVC KIT-CLIPS, assortment, RETAINER-RING CIRCLIP 4MM-BSC DIA ROHS)	C5956-67650	Handle 3 (lower transport) parts list (for Figure 6-14) on page 394
Clip (SVC KIT-CLIPS, assortment, RETAINER-RING CIRCLIP 5MM-BSC DIA ROHS)	C5956-67650	Finisher top covers parts list (for Figure 6-4) on page 485
Clip (SVC KIT-CLIPS, assortment, RETAINER-RING CIRCLIP 5MM-BSC DIA ROHS)	C5956-67650	Handle 3 (lower transport) parts list (for Figure 6-14) on page 394
Clip (SVC KIT-CLIPS, assortment, RETAINER-RING CIRCLIP 5MM-BSC DIA ROHS)	C5956-67650	Input paper path parts list (for Figure 6-15) on page 509
Clip (SVC KIT-CLIPS, assortment, RETAINER-RING CIRCLIP 6MM K-STYLE ROHS)	C5956-67650	Handle 2 (upper transport) parts list (for Figure 6-13) on page 392
Clip (SVC KIT-CLIPS, assortment, RETAINER-RING CIRCLIP 6MM K-STYLE ROHS)	C5956-67650	Handle 3 (lower transport) parts list (for Figure 6-14) on page 394
Clip (SVC KIT-CLIPS, FINISHER)	C5959-67311	Accumulator support CPL assembly parts list (for Figure 6-25) on page 532
Clip (SVC KIT-CLIPS, FINISHER, assortment)	C5959-67311	Finisher stack holder assembly parts list (for Figure 6-33) on page 424
Clip (SVC KIT-CLIPS, FINISHER, WASHER, E-CLIP, DIN 6799-4.0, ZN)	C5959-67311	Bin 5 assembly parts list (for Figure 6-34) on page 553
Clip (SVC KIT-CLIPS, TRAY 1-4, WASHER, E-CLIP, DIN 6799-2.3, ZN)	C5956-67752	Finisher job support assembly parts list (for Figure 6-35) on page 555
Clip (SVC KIT-CLIPS, TRAY 1-4, WASHER, RETAINING, CIRCLIP, 5, ZN)	C5956-67752	Stapler 1 parts list (for Figure 6-36) on page 558
Clips (SVC KIT-CLIPS, FINISHER)	C5959-67311	Accumulator shafts parts list (for Figure 6-17) on page 516
Compression spring (SVC KIT-SPRINGS, FINISHER)	C5959-67312	Accumulator traverse assembly parts list (for Figure 6-19) on page 520
Corrugated roller assembly (SVC ASSY-CORRUGATED ROLLER)	C5959-67260	Accumulator shafts parts list (for Figure 6-17) on page 516
Cover (SVC-COVER-TOP LEFT)	C5959-67008	Finisher front covers parts list (for Figure 6-1) on page 382
Distance axle (SVC-AXLE, DISTANCE)	C5959-67153	Accumulator shafts parts list (for Figure 6-17) on page 516

Table 6-40 Alphabetical parts list (continued)

Description	Part number	Table and page
Distance plate (SVC-PLATE, DISTANCE, CPL)	C5959-67122	Accumulator shafts parts list (for Figure 6-17) on page 516
Diverter (SVC-ASSY-DIVERTER FINISHER)	C5959-67357	Handle 1 (upper transport) parts list (for Figure 6-11) on page 499
Diverter spring (SVC-SPRING-DIVERTER RETURN)	C5959-67270	Handle 1 (upper transport) parts list (for Figure 6-11) on page 499
Door link (SVC ASSY-LINK DOOR 2)	C5959-67083	Handle 1 (upper transport) parts list (for Figure 6-11) on page 499
Door sensor (SN216) (SVC-PHOTOINTERRUPTER IF=50MA-MAX ROHS)	C5956-67256	Input paper path parts list (for Figure 6-15) on page 509
Door sensor actuator (SVC-ACTUATOR-DOOR SENSOR)	C5956-67212	Finisher front covers parts list (for Figure 6-1) on page 382
Door strap (SVC-STRAP-STEEL-CABLE)	C5959-67350	Right side panel assembly parts list (for Figure 6-10) on page 388
Door strap (SVC-STRAP-STEEL-CABLE)	C5959-67350	Input paper path parts list (for Figure 6-15) on page 509
Double drive roller pulley (SVC ASSY-SOFT DRIVE ROLLER PULLEY DOUBLE)	C5956-67325	Right side panel assembly parts list (for Figure 6-10) on page 388
Drive roller (SVC ASSY-DRIVE ROLLER FINISHER DOOR 2)	C5959-67058	Handle 1 (upper transport) parts list (for Figure 6-11) on page 499
Drive roller (SVC ASSY-DRIVE ROLLER TRIPLE SHIFTED)	C5959-67061	Handle 1 (upper transport) parts list (for Figure 6-11) on page 499
Drive roller (SVC ASSY-SOFT DRIVE ROLLER PULLEY DOUBLE)	C5956-67325	Handle 1 (upper transport) parts list (for Figure 6-11) on page 499
Drive shaft cover (SVC ASSY-COVER, DRIVE SHAFT)	C5959-67330	Finisher Separator main assembly parts list (for Figure 6-26) on page 415
Edge protectors (SVC KIT-EDGE PROTECTORS)	C5959-67398	Finisher front covers parts list (for Figure 6-1) on page 382
Elevator rail (SVC KIT-SLIDERAIL AND BRACKETS with finisher tag 2)	C5959-67360	Finisher Separator main assembly parts list (for Figure 6-26) on page 415
Elevator transmission assembly (SVC ASSY-TRANSMISSION-ELEVATOR)	C5959-67032	Finisher Separator elevator transmission parts list (for Figure 6-29) on page 420
ENCODER SLEEVE (SVC KIT-BOTTOM TRAY ENCODER UNIT)	C5959-67345	Bin 5 assembly parts list (for Figure 6-34) on page 553
Entry shaft (SVC-SHAFT, ENTRY, CPL)	C5959-67124	Accumulator shafts parts list (for Figure 6-17) on page 516

Table 6-40 Alphabetical parts list (continued)

Description	Part number	Table and page
ESD brush (SVC-ESD BRUSH)	C5959-67367	Accumulator bearing bracket assembly parts list (for Figure 6-21) on page 407
ESD brush (SVC-ESD BRUSH)	C5959-67313	Finisher Separator media path output parts list (for Figure 6-28) on page 540
ESD brush bracket (SVC-BRACKET-BRUSH, ESD)	C5959-67313	Finisher Separator media path output parts list (for Figure 6-28) on page 540
Exit lever (SVC ASSY-LEVER, EXIT)	C5959-67257	Accumulator bearing bracket assembly parts list (for Figure 6-21) on page 407
Exit shaft 2 (SVC-SHAFT, EXIT 2, CPL)	C5959-67134	Accumulator shafts parts list (for Figure 6-17) on page 516
Fan (SVC-FAN)	C5959-67142	Accumulator rear-side assembly parts list (for Figure 6-23) on page 528
Fence paper restraint (SVC-FENCE PAPER RESTRAINT)	C5959-67038	Finisher Separator main assembly parts list (for Figure 6-26) on page 415
Finisher Diverter solenoid (SOL211) (SVC-SOLENOID)	C5959-67037	Input paper path parts list (for Figure 6-15) on page 509
Finisher input paper path assembly (PP FRAME)	C5959-67376	Input paper path parts list (for Figure 6-15) on page 509
Finisher Input Paper Path motor (M210)/(EN210) (SVC ASSY-MOTOR, FINISHER MEDIAPATH)	C5956-67742	Input paper path parts list (for Figure 6-15) on page 509
Finisher Job Separator Gate motor (M262)/(EN262) (SVC-ASSY-SS MOTOR/ENCODER, TESTED). Note: Part number C5964-67042 replaces C5956-67734.	C5964-67042	Finisher Separator paper gate assembly parts list (for Figure 6-32) on page 422
Finisher Job Separator Lower Limit sensor (SN260) (PHOTOINTERRUPTER IF=50MA-MAX ROHS)	C5956-67256	Finisher Separator elevator transmission parts list (for Figure 6-29) on page 420
Finisher Job Separator Offset Back sensor (SN265) (SVC-PHOTOINTERRUPTER IF=50MA-MAX ROHS)	C5956-67256	Finisher Separator offset assembly parts list (for Figure 6-27) on page 538
Finisher Job Separator Stack Height sensor (SN267) (OPTO SENSOR ROHS)	C5959-67078	Finisher Separator paper back weldment parts list (for Figure 6-30) on page 421
Finisher Lower Elevator Bottom switch (SW251) (SVC-SWITCH OVERLOAD CPL)	C5959-67343	Bin 5 assembly parts list (for Figure 6-34) on page 553
Finisher Lower Elevator motor (M250) (SVC-VALEO DC MOTOR 36V CPL.)	C5959-67344	Bin 5 assembly parts list (for Figure 6-34) on page 553
Finisher Lower Elevator Move sensor (SN250) (SVC-PHOTOINTERRUPTER WITH CONNECTOR)	C5959-67145	Bin 5 assembly parts list (for Figure 6-34) on page 553
Finisher Main PCA (A200) assembly (SVC-ASSY-PCA, FINISHER MAIN)	C5959-67389	Finisher Main PCA (A200) parts list (for Figure 6-9) on page 387

Table 6-40 Alphabetical parts list (continued)

Description	Part number	Table and page
FINISHER MISC HW	C5959-67332	Finisher Separator offset assembly parts list (for Figure 6-27) on page 538
Finisher removal guide (SVC-GUIDE-FINISHER REMOVAL)	C5959-67073	Finisher removal guide parts list (for Figure 6-3) on page 483
Finisher Separator Drive motor (M260) (SVC-ELEVATOR MOTOR ASSEMBLY)	C5959-67039	Finisher Separator elevator transmission parts list (for Figure 6-29) on page 420
Finisher Separator Input motor (M268)/(EN268) (SVC-ASSY-MOTOR, MEDIAPATH)	C5956-67742	Finisher Separator media path output parts list (for Figure 6-28) on page 540
Finisher Separator Offset motor (M264)/(EN264) (SVC-ASSY-SS MOTOR/ENCODER, TESTED). Note: Part number C5964-67042 replaces C5956-67734.	C5964-67042	Finisher Separator offset assembly parts list (for Figure 6-27) on page 538
Finisher Stack Holder sensor (SN252) (SVC-PHOTOINTERRUPTER WITH CONNECTOR)	C5959-67145	Finisher stack holder assembly parts list (for Figure 6-33) on page 424
Finisher Upper Paper Path motor (M230)/(EN230) (SVC-MOTOR, MEDIAPATH)	C5956-67742	Handle 1 (upper transport) parts list (for Figure 6-11) on page 499
Fixed caster (SVC ASSY-46MM FIXED ROLLER)	C5964-67033	Finisher casters parts list (for Figure 6-7) on page 491
Fixing (SVC-FIXING, CPL)	C5959-67132	Accumulator front assembly parts list (for Figure 6-18) on page 518
Fixing (SVC-FIXING, CPL)	C5959-67132	Accumulator rear-side assembly parts list (for Figure 6-23) on page 528
Fixing sheet (SVC-SHEET, FIXING, CPL)	C5959-67114	Accumulator bearing bracket assembly parts list (for Figure 6-21) on page 407
Frame access cover (SVC-COVER-FRAME ACCESS)	C5959-67014	Finisher Separator offset assembly parts list (for Figure 6-27) on page 538
Front latch (SVC-LATCH ARM FRONT)	C5959-67243	Finisher latch assemblies parts list (for Figure 6-8) on page 386
Front leg cover (SVC-COVER-LEG, FRONT)	C5959-67009	Finisher front covers parts list (for Figure 6-1) on page 382
Front paper guide (SVC-GUIDE, PAPER, FRONT)	C5959-67188	Finisher stack holder assembly parts list (for Figure 6-33) on page 424
Front paper guide cover (SVC-PAPER, GUIDE, MIDDLE, COVER, FRONT)	C5959-67199	Finisher stack holder assembly parts list (for Figure 6-33) on page 424
Front paper switch lever (SVC-LEVER, PRESSURE, PAPER, SWITCH, FRNT)	C5959-67194	Accumulator shafts parts list (for Figure 6-17) on page 516

Table 6-40 Alphabetical parts list (continued)

Description	Part number	Table and page
Front structure frame cover (SVC-ASSY-COVER FRONT FRAME)	C5959-67291	Finisher inner covers parts list (for Figure 6-5) on page 487
Front suspension cap (SVC-SUSPENSION, CAP, FRONT)	C5959-67171	Accumulator paper guide and sensor holder assembly parts list (for Figure 6-22) on page 526
Gate and output motor cover (SVC-COVER-GATE AND OUTPUT MOTOR)	C5959-67013	Finisher Separator offset assembly parts list (for Figure 6-27) on page 538
Gear (SVC ASSY-GEARWHEEL)	C5959-67258	Accumulator bearing bracket assembly parts list (for Figure 6-21) on page 407
Gear (SVC KIT-HELICAL GEAR, CONNECTING LEVER)	C5959-67380	Stapler 1 parts list (for Figure 6-36) on page 558
Gear (SVC KIT-HELICAL GEAR, CONNECTING LEVER) Not shown in diagram. (See Stapler 1 illustration.)	C5959-67380	Stapler 2 parts list (for Figure 6-37) on page 560
Gear (SVC-GEARWHEEL, T19)	C5959-67210	Accumulator rear inside CPL assembly parts list (for Figure 6-24) on page 412
Gear (SVC-GEARWHEEL, T27)	C5959-67213	Accumulator rear inside CPL assembly parts list (for Figure 6-24) on page 412
Gear (SVC-GEARWHEEL, T41X0.8)	C5959-67224	Accumulator rear inside CPL assembly parts list (for Figure 6-24) on page 412
Gear (SVC-WORM GEAR, 30T, NYLON) Note: Part number C5964-67046 replaces C5959-67321.	C5964-67046	Finisher Separator elevator transmission parts list (for Figure 6-29) on page 420
Gear rack (SVC-GEAR, RACK)	C5959-67201	Finisher stack holder assembly parts list (for Figure 6-33) on page 424
Gearwheel T14 (SVC-GEARWHEEL, T14X1)	C5959-67217	Accumulator traverse assembly parts list (for Figure 6-19) on page 520
Gearwheel T20 (SVC-GEARWHEEL, T20X1)	C5959-67218	Accumulator shafts parts list (for Figure 6-17) on page 516
Gearwheel T21 (SVC-GEARWHEEL, T21X0.8)	C5959-67362	Accumulator shafts parts list (for Figure 6-17) on page 516
Gearwheel T21 (SVC-GEARWHEEL, T21X0.8)	C5959-67362	Accumulator front assembly parts list (for Figure 6-18) on page 518
Gearwheel T25 (SVC-GEARWHEEL, T25)	C5959-67207	Accumulator support CPL assembly parts list (for Figure 6-25) on page 532
Gearwheel T29	C5959-67309	Accumulator shafts parts list (for Figure 6-17) on page 516

Table 6-40 Alphabetical parts list (continued)

Description	Part number	Table and page
Gearwheel T38 (SVC-GEARWHEEL, T38)	C5959-67219	Accumulator traverse assembly parts list (for Figure 6-19) on page 520
Gearwheel T38 (SVC-GEARWHEEL, T38X0.8)	C5959-67208	Accumulator shafts parts list (for Figure 6-17) on page 516
Gearwheel T38 (SVC-GEARWHEEL, T38X0.8)	C5959-67209	Accumulator shafts parts list (for Figure 6-17) on page 516
Gearwheel T9 (SVC-GEARWHEEL, T9)	C5959-67212	Accumulator support CPL assembly parts list (for Figure 6-25) on page 532
Gearwheel T9/25 (SVC-GEARWHEEL, DOUBLE T9, 25)	C5959-67206	Accumulator support CPL assembly parts list (for Figure 6-25) on page 532
Ground angle assembly (GROUND ANGLE CPL)	C5959-67133	Accumulator rear-side assembly parts list (for Figure 6-23) on page 528
Grounding plate (SVC-GROUNDING PLATE)	C5959-67155	Accumulator front assembly parts list (for Figure 6-18) on page 518
Grounding plate (SVC-GROUNDING PLATE)	C5959-67307	Accumulator front assembly parts list (for Figure 6-18) on page 518
Grounding plate (SVC-GROUNDING PLATE)	C5959-67307	Accumulator support CPL assembly parts list (for Figure 6-25) on page 532
Guide Bar motor (M243) (SVC-MOTOR, ASSY, STEPPER)	C5959-67116	Accumulator front assembly parts list (for Figure 6-18) on page 518
Guide fingers (SVC-GUIDE-FINGER)	C5964-67036	Finisher Separator paper back weldment parts list (for Figure 6-30) on page 421
Handle (HANDLE-SOUTHCO P2-51)	C5964-67032	Finisher rear covers parts list (for Figure 6-2) on page 481
Handle 1 assembly (SVC ASSY-DOOR 2)	C5959-67097	Handle 1 (upper transport) parts list (for Figure 6-11) on page 499
Handle 1 assembly cover (SVC-COVER DOOR 2)	C5959-67326	Handle 1 (upper transport) parts list (for Figure 6-12) on page 501
Handle 1 hinge (SVC ASSY-HINGE, DOOR 2 STRUCTURE)	C5959-67325	Handle 1 (upper transport) parts list (for Figure 6-12) on page 501
Handle 1 structure assembly (SVC ASSY-DOOR 2 STRUCTURE)	C5959-67254	Handle 1 (upper transport) parts list (for Figure 6-12) on page 501
Handle 2 (upper transport) assembly (SVC ASSY-DOOR 3)	C5959-67036	Handle 2 (upper transport) parts list (for Figure 6-13) on page 392

Table 6-40 Alphabetical parts list (continued)

Description	Part number	Table and page
Handle 2 (upper transport) hinge shaft (SVC-SHAFT-DOOR 3 HINGE)	C5959-67007	Handle 2 (upper transport) parts list (for Figure 6-13) on page 392
Handle 2 (upper transport) rocker (SVC KIT-ROCKER ARM-DOOR 3)	C5959-67287	Input paper path parts list (for Figure 6-15) on page 509
Handle 2 (upper transport) short guide (SVC-GUIDE-SHORT, DOOR 3)	C5959-67002	Handle 2 (upper transport) parts list (for Figure 6-13) on page 392
Handle 3 (lower transport) and support assy (SVC ASSY-SUPPORT DOOR 4)	C5959-67099	Handle 3 (lower transport) parts list (for Figure 6-14) on page 394
Handle 3 (lower transport) assy (SVC ASSY-DOOR 4)	C5959-67098	Handle 3 (lower transport) parts list (for Figure 6-14) on page 394
Handle 3 (lower transport) cover (SVC ASSY-COVER DOOR 4)	C5959-67347	Handle 3 (lower transport) parts list (for Figure 6-14) on page 394
Handle 3 (lower transport) handle (SVC KIT-HANDLE-DOOR 4 ACCESS)	C5959-67085	Handle 3 (lower transport) parts list (for Figure 6-14) on page 394
Handle 3 (lower transport) LED223 and LED220 (SVC-HOLDER-LED)	C5956-67376	Handle 3 (lower transport) parts list (for Figure 6-14) on page 394
Handle 3 (lower transport) lightpipe (SVC-LIGHTPIPE-DOOR 4)	C5959-67010	Handle 3 (lower transport) parts list (for Figure 6-14) on page 394
Handle 3 (lower transport) lower guide (SVC-GUIDE-LOWER SUPPORT, DOOR 4)	C5959-67003	Handle 3 (lower transport) parts list (for Figure 6-14) on page 394
Handle 3 (lower transport) rear cover (SVC-COVER-DOOR 4 REAR)	C5959-67015	Handle 3 (lower transport) parts list (for Figure 6-14) on page 394
Handle 3 (lower transport) support front cover (SVC-COVER-DOOR 4 SUPPORT FRONT)	C5959-67094	Handle 3 (lower transport) parts list (for Figure 6-14) on page 394
Handle 3 (lower transport) support rear cover (SVC-COVER-DOOR 4 SUPPORT)	C5959-67093	Handle 3 (lower transport) parts list (for Figure 6-14) on page 394
Handle axle (SVC-AXLE, HANDLE)	C5959-67366	Accumulator shafts parts list (for Figure 6-17) on page 516
Hinge bracket cover (SVC-COVER-HINGE BRACKET)	C5959-67288	Finisher inner covers parts list (for Figure 6-5) on page 487
Hinge pin (SVC-PIN-HINGE)	C5959-67091	Handle 3 (lower transport) parts list (for Figure 6-14) on page 394
Holder (SVC-HOLDER)	C5959-67158	Accumulator support CPL assembly parts list (for Figure 6-25) on page 532

Table 6-40 Alphabetical parts list (continued)

Description	Part number	Table and page
Holder (SVC-HOLDING, DOWN)	C5959-67162	Accumulator guide bar assembly parts list (for Figure 6-20) on page 406
Holder, front (SVC-HOLDER, FRONT, CPL)	C5959-67137	Accumulator support CPL assembly parts list (for Figure 6-25) on page 532
Input paper path pulley (SVC-ASSY-PULLEY CLUSTER 38T-20T)	C5959-67044	Input paper path parts list (for Figure 6-15) on page 509
Input paper path solenoid cover (COVER-PP FRAME SOLENOID)	C5959-67026	Input paper path parts list (for Figure 6-15) on page 509
Input paper path transmission cover (SVC-COVER-PP FRAME TRANSMISSION)	C5959-67025	Input paper path parts list (for Figure 6-15) on page 509
Inside shaft cover (SVC-COVER SHAFT INSIDE)	C5959-67165	Accumulator traverse assembly parts list (for Figure 6-19) on page 520
Jam access (SVC ASSY-JAM ACCESS HANDLE, ACCUMULATOR)	C5959-67293	Accumulator rear-side assembly parts list (for Figure 6-23) on page 528
Job separator stack height PCA (A267): (SVC-PCA-JS STACK HEIGHT) for the Multifunction Finisher, (SVC-ASSY-PCA, 4-BIN JOB SEPARATOR) for the 4-Bin Job Separator	C5959-67338 (Multifunction Finisher), C5964-67021(4-Bin Job Separator)	Finisher Separator paper back weldment parts list (for Figure 6-30) on page 421
Job support arm assembly	C5959-67405	Finisher job support assembly parts list (for Figure 6-35) on page 555
Job support assembly (M253/EN253) (SVC ASSY-JOB, SUPPORT)	C5959-67255	Finisher job support assembly parts list (for Figure 6-35) on page 555
Job support assembly lower cover (SVC-COVER-JOB SUPPORT, LOWER)	C5959-67024	Finisher job support assembly parts list (for Figure 6-35) on page 555
Job support assembly upper cover (SVC-COVER-JOB SUPPORT, UPPER)	C5959-67023	Finisher job support assembly parts list (for Figure 6-35) on page 555
Job Support PCA (A253) (SVC-PCA, HELICAL GEAR, S1)	C5959-67107	Finisher job support assembly parts list (for Figure 6-35) on page 555
Latch bracket (SVC KIT-ENGINE LATCH BRACKET)	C5959-67316	Finisher latch assemblies parts list (for Figure 6-8) on page 386
Latch hinge (SVC-BRACKET-LATCH HINGE)	C5959-67245	Finisher latch assemblies parts list (for Figure 6-8) on page 386
Latch hook (SVC-LATCH HOOK)	C5959-67265	Right side panel assembly parts list (for Figure 6-10) on page 388

Table 6-40 Alphabetical parts list (continued)

Description	Part number	Table and page
Latch sensor bracket (SVC-BRACKET-ENGINE LATCH SENSOR)	C5959-67267	Finisher latch assemblies parts list (for Figure 6-8) on page 386
Latch spring (SVC-SPRING-ENGINE LATCH)	C5959-67306	Finisher latch assemblies parts list (for Figure 6-8) on page 386
Latch spring (SVC-SPRING-SIDE ACCESS LATCH)	C5959-67271	Right side panel assembly parts list (for Figure 6-10) on page 388
Latch top lever (SVC-LEVER-TOP LATCH)	C5959-67248	Finisher latch assemblies parts list (for Figure 6-8) on page 386
LED (LED234) (SVC-LED, AMBER)	C5956-67070	Handle 1 (upper transport) parts list (for Figure 6-11) on page 499
LED holder (SVC-HOLDER LED)	C5956-67406	Handle 1 (upper transport) parts list (for Figure 6-11) on page 499
Left lever connection (SVC-LEVER, CONNECTION, LEFT)	C5959-67180	Accumulator shafts parts list (for Figure 6-17) on page 516
Lever (SVC-LEVER, SENSOR, JOB, HIGH)	C5959-67173	Accumulator bearing bracket assembly parts list (for Figure 6-21) on page 407
Lever pressure (SVC-LEVER, PRESSURE)	C5959-67174	Accumulator bearing bracket assembly parts list (for Figure 6-21) on page 407
Lever tension (SVC-LEVER, TENSION)	C5959-67176	Accumulator bearing bracket assembly parts list (for Figure 6-21) on page 407
Lightpipe (SVC-LIGHTPIPE-DOOR 3). Not shown in diagram.	C5959-67253	Handle 2 (upper transport) parts list (for Figure 6-13) on page 392
Long inside shaft (SVC-SHAFT, INSIDE, LONG, CPL)	C5959-67129	Accumulator traverse assembly parts list (for Figure 6-19) on page 520
Lower front cover (SVC ASSY-LOWER FRONT COVER)	C5959-67054	Finisher front covers parts list (for Figure 6-1) on page 382
Lower latch lever (SVC ASSY-LOWER LATCH LEVER)	C5959-67286	Finisher latch assemblies parts list (for Figure 6-8) on page 386
Lower rear cover (SVC-COVER-LOWER REAR)	C5959-67352	Finisher rear covers parts list (for Figure 6-2) on page 481
Lower-middle cover (SVC-COVER, MIDDLE, BOTTOM)	C5959-67181	Finisher stack holder assembly parts list (for Figure 6-33) on page 424
Lower-middle cover assembly (SVC-COVER, MIDDLE, BOTTOM, CPL)	C5959-67241	Finisher stack holder assembly parts list (for Figure 6-33) on page 424

Table 6-40 Alphabetical parts list (continued)

Description	Part number	Table and page
M220 (SVC-MOTOR, MEDIAPATH)	C5956-67742	Handle 3 (lower transport) parts list (for Figure 6-14) on page 394
Media path flag sensor (SN212, SN214, SN215)(SVC-SENSOR, MEDIA PRESENCE)	C5956-67255	Input paper path parts list (for Figure 6-15) on page 509
Media path output (SVC-MEDIA PATH, OUTPUT)	C5964-67040	Finisher Separator media path output parts list (for Figure 6-28) on page 540
Mediapath tensioner (SVC ASSY-MEDIAPATH TENSIONER)	C5956-67297	Handle 1 (upper transport) parts list (for Figure 6-11) on page 499
Motor support (SVC-MOTORSUPPORT, RIVETED)	C5959-67185	Finisher stack holder assembly parts list (for Figure 6-33) on page 424
Offset mechanism cover (SVC-COVER-OFFSET MECHANISM)	C5959-67012	Finisher Separator offset assembly parts list (for Figure 6-27) on page 538
Offset transmission assembly (SVC ASSY, OFFSET TRANSMISSION, SCREENED. Not shown in diagram.)	C5964-67043	Finisher Separator offset assembly parts list (for Figure 6-27) on page 538
Offset transmission assembly (SVC ASSY-OFFSET TRANSMISSION)	C5959-67033	Finisher Separator offset assembly parts list (for Figure 6-27) on page 538
Offsetter, front (SVC-OFFSETTER, FRONT, CPL)	C5959-67138	Accumulator support CPL assembly parts list (for Figure 6-25) on page 532
Offsetter, rear (SVC-OFFSETTER, REAR, CPL)	C5959-67139	Accumulator support CPL assembly parts list (for Figure 6-25) on page 532
Output roller (SVC-ROLLER-OUTPUT DRIVE TRIPLE)	C5959-67043	Handle 3 (lower transport) parts list (for Figure 6-14) on page 394
Output drive roller (SVC ASSY-DRIVE ROLLER OUTPUT)	C5959-67042	Finisher Separator media path output parts list (for Figure 6-28) on page 540
Output tray (SVC-TRAY-OUTPUT, JS)	C5959-67092	Finisher Separator main assembly parts list (for Figure 6-26) on page 415
Output tray bracket (SVC-BRACKET-OUTPUT TRAY, 4-UP)	C5959-67275	Finisher Separator main assembly parts list (for Figure 6-26) on page 415
Paper back weldment assembly (SVC-PAPER BACK WELDMENT)	C5959-67031	Finisher Separator paper back weldment parts list (for Figure 6-30) on page 421
Paper gate actuation roller kit (SVC KIT-ROLLER GATE ACTUATION)	C5959-67081	Finisher Separator paper gate assembly parts list (for Figure 6-32) on page 422

Table 6-40 Alphabetical parts list (continued)

Description	Part number	Table and page
Paper gate drive kit (SVC KIT-PAPER GATE)	C5959-67080	Finisher Separator paper gate assembly parts list (for Figure 6-32) on page 422
Paper gate picket kit (SVC KIT-PICKET, GATE PAPER)	C5959-67340	Finisher Separator paper gate assembly parts list (for Figure 6-32) on page 422
Paper guide cover (SVC-PAPER, GUIDE, MIDDLE, COVER)	C5959-67197	Finisher stack holder assembly parts list (for Figure 6-33) on page 424
Paper switch cam (SVC-CAM, LEVER, PAPER, SWITCH)	C5959-67361	Accumulator shafts parts list (for Figure 6-17) on page 516
Paper switch lever (SVC-LEVER, PAPER SWITCH)	C5959-67175	Accumulator shafts parts list (for Figure 6-17) on page 516
PCA (SVC-PCA, S1)	C5959-67107	Stapler 1 parts list (for Figure 6-36) on page 558
PCA (SVC-PCA, S2)	C5959-67106	Stapler 2 parts list (for Figure 6-37) on page 560
PCA cover (SVC-COVER-PCA)	C5959-67266	Finisher Main PCA (A200) parts list (for Figure 6-9) on page 387
PHOTINTERRUPTER (SN262) IF=50MA-MAX ROHS	C5956-67256	Finisher Separator paper gate assembly parts list (for Figure 6-32) on page 422
Pin guide (PIN-GUIDE FINISHER REMOVAL)	C5959-67375	Finisher removal guide parts list (for Figure 6-3) on page 483
Pinch roller (SVC ASSY-ROLLER PINCH CORREGATING OUTPUT)	C5964-67037	Finisher Separator media path output parts list (for Figure 6-28) on page 540
Pinch roller datum (SVC-DATUM-PINCH ROLLER-SMALL)	C5956-67087	Handle 2 (upper transport) parts list (for Figure 6-13) on page 392
Pinch roller datum (SVC-DATUM-PINCH ROLLER-SMALL)	C5956-67087	Handle 3 (lower transport) parts list (for Figure 6-14) on page 394
Pinch roller datum (SVC-DATUM-PINCH ROLLER-SMALL)	C5956-67087	Input paper path parts list (for Figure 6-15) on page 509
Pinch roller datum (SVC-DATUM-PINCH ROLLER-SMALL)	C5956-67087	Finisher Separator media path output parts list (for Figure 6-28) on page 540
Pinch roller FEP (SVC-PINCH ROLLER FEP)	C5956-67319	Handle 2 (upper transport) parts list (for Figure 6-13) on page 392
Pinch roller FEP (SVC-PINCH ROLLER FEP)	C5956-67319	Handle 3 (lower transport) parts list (for Figure 6-14) on page 394

Table 6-40 Alphabetical parts list (continued)

Description	Part number	Table and page
Pinch roller FEP (SVC-PINCH ROLLER FEP)	C5956-67319	Input paper path parts list (for Figure 6-15) on page 509
Pinch roller holder (SVC-HOLDER-PINCH ROLLER, OUTPUT)	C5964-67038	Finisher Separator media path output parts list (for Figure 6-28) on page 540
Pinch roller holder (SVC-HOLDER-PINCH ROLLER-SMALL)	C5956-67258	Handle 2 (upper transport) parts list (for Figure 6-13) on page 392
Pinch roller holder (SVC-HOLDER-PINCH ROLLER-SMALL)	C5956-67258	Handle 3 (lower transport) parts list (for Figure 6-14) on page 394
Pinch roller holder (SVC-HOLDER-PINCH ROLLER-SMALL)	C5956-67258	Input paper path parts list (for Figure 6-15) on page 509
Pinch roller spring (SVC-SPRING-EXTENSION-PINCH ROLLER-SMALL)	C5956-67086	Handle 2 (upper transport) parts list (for Figure 6-13) on page 392
Pinch roller spring (SVC-SPRING-EXTENSION-PINCH ROLLER-SMALL)	C5956-67086	Handle 3 (lower transport) parts list (for Figure 6-14) on page 394
Pinch roller spring (SVC-SPRING-EXTENSION-PINCH ROLLER-SMALL)	C5956-67086	Input paper path parts list (for Figure 6-15) on page 509
Pinch roller spring (SVC-SPRING-EXTENSION-PINCH ROLLER-SMALL)	C5956-67086	Finisher Separator media path output parts list (for Figure 6-28) on page 540
Premounted support lever (SVC-LEVER, SPRING.SUPPORT, PERMOUNTED)	C5959-67184	Finisher stack holder assembly parts list (for Figure 6-33) on page 424
Pressure lever (SVC ASSY-PRESSURE LEVER,RETAINER BAR)	C5959-67259	Accumulator guide bar assembly parts list (for Figure 6-20) on page 406
Pressure lever (SVC ASSY-PRESSURE LEVER,RETAINER BAR)	C5959-67259	Accumulator bearing bracket assembly parts list (for Figure 6-21) on page 407
Pressure shaft assembly (SVC-SHAFT, PRESSURE, CPL)	C5959-67131	Accumulator traverse assembly parts list (for Figure 6-19) on page 520
Prism (SVC-PRISM; 15-MM BY 10-MM)	C5956-67090	Right side panel assembly parts list (for Figure 6-10) on page 388
Prism (SVC-PRISM; 15-MM BY 10-MM)	C5956-67090	Handle 3 (lower transport) parts list (for Figure 6-14) on page 394
Pulley cluster (SVC-ASSY-PULLEY CLUSTER 38T-20T)	C5959-67044	Finisher Separator media path output parts list (for Figure 6-28) on page 540
Rear cover (SVC-COVER, REAR)	C5959-67189	Accumulator rear-side assembly parts list (for Figure 6-23) on page 528

Table 6-40 Alphabetical parts list (continued)

Description	Part number	Table and page
Rear latch (SVC-LATCH ARM REAR)	C5959-67244	Finisher latch assemblies parts list (for Figure 6-8) on page 386
Rear paper guide (SVC-GUIDE, PAPER, REAR)	C5959-67187	Finisher stack holder assembly parts list (for Figure 6-33) on page 424
Rear paper guide cover (SVC-PAPER, GUIDE, MIDDLE, COVER, REAR)	C5959-67198	Finisher stack holder assembly parts list (for Figure 6-33) on page 424
Rear paper switch lever (SVC-LEVER, PRESSURE, PAPER, SWITCH, REAR)	C5959-67193	Accumulator shafts parts list (for Figure 6-17) on page 516
Rear service cover (SVC-COVER-SERVICE REAR)	C5959-67329	Finisher rear covers parts list (for Figure 6-2) on page 481
Rear side cover (COVER, SIDE, REAR)	C5959-67141	Accumulator rear-side assembly parts list (for Figure 6-23) on page 528
Rear structure frame cover (SVC-ASSY-COVER REAR FRAME)	C5959-67290	Finisher inner covers parts list (for Figure 6-5) on page 487
Rear suspension cap (SVC-SUSPENSION, CAP, REAR)	C5959-67170	Accumulator paper guide and sensor holder assembly parts list (for Figure 6-22) on page 526
Reinforcing plate (SVC-COVER FRONT REINFORCING PLATE)	C5959-67262	Accumulator front assembly parts list (for Figure 6-18) on page 518
Retainer (SVC-CLIP-WIRE .08 IN-WD NYL-6/6-ROHS) Note: This part is also available in the Wire Management Kit 1, part number C5956-67648.	C5956-67374	Input paper path parts list (for Figure 6-15) on page 509
Retainer (SVC-RETAINER-CAPTIVE FASTENER M4)	C5956-67368	Finisher front covers parts list (for Figure 6-1) on page 382
RETAINER-CAPTIVE FASTENER M4	C5956-67368	Finisher Separator main assembly parts list (for Figure 6-26) on page 415
RETAINER-CAPTIVE FASTENER M4	C5956-67368	Finisher Separator safety switches parts list (for Figure 6-31) on page 546
Right lever connection (SVC-LEVER, CONNECTION, RIGHT)	C5959-67179	Accumulator shafts parts list (for Figure 6-17) on page 516
Right side panel assembly (SVC-ACCESS DOOR RIGHT)	C5959-67377	Right side panel assembly parts list (for Figure 6-10) on page 388
Right side panel assembly (SVC-ACCESS DOOR RIGHT)	C5959-67377	Input paper path parts list (for Figure 6-15) on page 509
Right side panel handle (SVC-HANDLE-SIDE ACCESS)	C5959-67273	Right side panel assembly parts list (for Figure 6-10) on page 388

Table 6-40 Alphabetical parts list (continued)

Description	Part number	Table and page
Right side panel transmission cover (SVC-COVER-DOOR1 TRANSMISSION)	C5959-67021	Right side panel assembly parts list (for Figure 6-10) on page 388
Saddle (SVC KIT-WIRE MANAGEMENT 1, assortment, SADDLE-WIRE .2-WD NYL-6/6 ROHS)	C5956-67648	Handle 3 (lower transport) parts list (for Figure 6-14) on page 394
Saddle (SVC KIT-WIRE MANAGEMENT 1, assortment, SADDLE-WIRE .2-WD NYL-6/6 ROHS)	C5956-67648	Input paper path parts list (for Figure 6-15) on page 509
Saddle (SVC KIT-WIRE MANAGEMENT 1, assortment, SDL-WIRE .2-WD NYL-6/6 ROHS)	C5956-67648	Finisher Separator offset assembly parts list (for Figure 6-27) on page 538
Saddle (SVC KIT-WIRE MANAGEMENT, assortment, SADDLE-WIRE .2-WD NYL-6/6 ROHS)	C5956-67648	Handle 1 (upper transport) parts list (for Figure 6-11) on page 499
Safety cover (ASSY-COVER, SAFETY, STAPLER2)	C5959-60304	Stapler 2 parts list (for Figure 6-37) on page 560
Safety switch cover (SVC-COVER-SAFETY SWITCH, DRIVE SHAFT)	C5959-67368	Finisher Separator safety switches parts list (for Figure 6-31) on page 546
Safety switch PCA SW261 (SVC-PCA-JS SAFETY A)	C5959-67296	Finisher Separator safety switches parts list (for Figure 6-31) on page 546
Safety switch PCA SW264 (SVC-PCA-JS SAFETY B)	C5959-67297	Finisher Separator safety switches parts list (for Figure 6-31) on page 546
Screw (SCREW, M3X6, TORX 10 SCREW WITH STAR WASHER) Not shown on diagram.	C5959-67310	Finisher stack holder assembly parts list (for Figure 6-33) on page 424
Screw (SVC KIT-FASTENERS 1, SCREW-TPG M3X0.5 10MM-LG PAN HD ROHS)	C5956-67651	Finisher latch assemblies parts list (for Figure 6-8) on page 386
Screw (SVC KIT-FASTENERS 2, assortment, SCR-MACH M3X0.516MM-LG T-10 PAN-HD ROHS)	C5957-67054	Finisher latch assemblies parts list (for Figure 6-8) on page 386
Screw (SVC KIT-SCREWS, FINISHER)	C5959-67310	Accumulator shafts parts list (for Figure 6-17) on page 516
Screw (SVC KIT-SCREWS, FINISHER, PAN HEAD, SPECIAL, M3X10, ZN)	C5959-67310	Finisher job support assembly parts list (for Figure 6-35) on page 555
Screw (SVC KIT-SCREWS, TRAY 1-4)	C5956-67753	Finisher job support assembly parts list (for Figure 6-35) on page 555
Screw (SVC KIT-SCREWS, TRAY 1-4, PAN HEAD, SPECIAL, M3X6, ZN)	C5956-67753	Stapler 1 parts list (for Figure 6-36) on page 558
Screw (SVC-SCR-TPG M2.5X0.45 4MM-LG PAN HD ROHS)	C5956-67010	Accumulator rear-side assembly parts list (for Figure 6-23) on page 528

Table 6-40 Alphabetical parts list (continued)

Description	Part number	Table and page
Screw (SVC-SCR-TPG M2.5X0.45 4MM-LG PAN HD ROHS)	C5956-67010	Finisher Separator offset assembly parts list (for Figure 6-27) on page 538
Screw (SVC-SCR-TPG M2.5X0.45 4MM-LG PAN HD ROHS)	C5956-67010	Finisher Separator paper gate assembly parts list (for Figure 6-32) on page 422
Screw (SVC-SCREW-MACH M3X0.5 6MM-LG PAN HD ROHS)	C5956-67005	Right side panel assembly parts list (for Figure 6-10) on page 388
Screw (SVC-SCREW-MACH M3X0.5 6MM-LG PAN HD ROHS)	C5956-67005	Handle 1 (upper transport) parts list (for Figure 6-11) on page 499
Screw (SVC-SCREW-MACH M3X0.5 6MM-LG PAN HD ROHS)	C5956-67005	Handle 1 (upper transport) parts list (for Figure 6-12) on page 501
Screw (SVC-SCREW-MACH M3X0.5 6MM-LG PAN HD ROHS)	C5956-67005	Handle 3 (lower transport) parts list (for Figure 6-14) on page 394
Screw (SVC-SCREW-MACH M3X0.5 6MM-LG PAN HD ROHS)	C5956-67005	Input paper path parts list (for Figure 6-15) on page 509
Screw (SVC-SCREW-MACH M3X0.5 6MM-LG PAN HD ROHS)	C5956-67005	Finisher Separator offset assembly parts list (for Figure 6-27) on page 538
Screw (SVC-SCREW-MACH M3X0.5 6MM-LG PAN HD ROHS). Not shown on diagram.	C5956-67005	Finisher Separator media path output parts list (for Figure 6-28) on page 540
Screw (SVC-SCREW-MACH M4 X 0.7 9.5MM-LG ROHS)	C5956-67011	Finisher front covers parts list (for Figure 6-1) on page 382
Screw (SVC-SCREW-MACH M4 X 0.7 9.5MM-LG ROHS)	C5956-67011	Finisher Separator main assembly parts list (for Figure 6-26) on page 415
Screw (SVC-SCREW-MACH M4X0.7 8MM-LG PAN HD ROHS)	C5956-67006	Finisher rear covers parts list (for Figure 6-2) on page 481
Screw (SVC-SCREW-MACH M4X0.7 8MM-LG PAN HD ROHS)	C5956-67006	Finisher top covers parts list (for Figure 6-4) on page 485
Screw (SVC-SCREW-MACH M4X0.7 8MM-LG PAN HD ROHS)	C5956-67006	Finisher latch assemblies parts list (for Figure 6-8) on page 386
Screw (SVC-SCREW-MACH M4X0.7 8MM-LG PAN HD ROHS)	C5956-67006	Finisher Main PCA (A200) parts list (for Figure 6-9) on page 387
Screw (SVC-SCREW-MACH M4X0.7 8MM-LG PAN HD ROHS)	C5956-67006	Handle 3 (lower transport) parts list (for Figure 6-14) on page 394
Screw (SVC-SCREW-MACH M4X0.7 8MM-LG PAN HD ROHS)	C5956-67006	Input paper path parts list (for Figure 6-15) on page 509

Table 6-40 Alphabetical parts list (continued)

Description	Part number	Table and page
Screw (SVC-SCREW-MACH M4x0.7 9.5MM-LG ROHS)	C5956-67011	Finisher Separator safety switches parts list (for Figure 6-31) on page 546
Screw (SVC-SCREW-TPG 4-20 0.427-IN-LG ROHS)	C5956-67018	Handle 1 (upper transport) parts list (for Figure 6-12) on page 501
Screw (SVC-SCREW-TPG 4-20X7.94MM 10IP ROHS)	C5956-67012	Finisher front covers parts list (for Figure 6-1) on page 382
Screw (SVC-SCREW-TPG 4-20X7.94MM 10IP ROHS)	C5956-67012	Handle 3 (lower transport) parts list (for Figure 6-14) on page 394
Screw (SVC-SCREW-TPG 4-20X7.94MM 10IP ROHS)	C5956-67012	Input paper path parts list (for Figure 6-15) on page 509
Screw (SVC-SCREW-TPG 4-20X7.94MM 10IP ROHS)	C5956-67012	Finisher Separator main assembly parts list (for Figure 6-26) on page 415
Screw (SVC-SCREW-TPG 4-20X7.94MM 10IP ROHS)	C5956-67012	Finisher Separator elevator transmission parts list (for Figure 6-29) on page 420
Screw (SVC-SCREW-TPG M3X0.5 10MM-LG PAN HD ROHS)	C5964-67002	Finisher latch assemblies parts list (for Figure 6-8) on page 386
Screw (SVC-SCREW-TPG M3X0.5 10MM-LG PAN HD ROHS)	C5956-67002	Right side panel assembly parts list (for Figure 6-10) on page 388
Screw (SVC-SCREW-TPG M3X0.5 10MM-LG PAN HD ROHS)	C5956-67002	Handle 1 (upper transport) parts list (for Figure 6-11) on page 499
Screw (SVC-SCREW-TPG M3X0.5 10MM-LG PAN HD ROHS)	C5956-67002	Handle 2 (upper transport) parts list (for Figure 6-13) on page 392
Screw (SVC-SCREW-TPG M3X0.5 10MM-LG PAN HD ROHS)	C5956-67002	Input paper path parts list (for Figure 6-15) on page 509
Screw (SVC-SCREW-TPG M3X0.5 6MM-LG PAN HD ROHS)	C5956-67001	Finisher rear covers parts list (for Figure 6-2) on page 481
Screw (SVC-SCREW-TPG M3X0.5 6MM-LG PAN HD ROHS)	C5956-67001	Right side panel assembly parts list (for Figure 6-10) on page 388
Screw (SVC-SCREW-TPG M3X0.5 6MM-LG PAN HD ROHS)	C5956-67001	Handle 1 (upper transport) parts list (for Figure 6-11) on page 499
Screw (SVC-SCREW-TPG M3X0.5 6MM-LG PAN HD ROHS)	C5956-67001	Handle 1 (upper transport) parts list (for Figure 6-12) on page 501
Screw (SVC-SCREW-TPG M3X0.5 6MM-LG PAN HD ROHS)	C5956-67001	Handle 3 (lower transport) parts list (for Figure 6-14) on page 394

Table 6-40 Alphabetical parts list (continued)

Description	Part number	Table and page
Screw (SVC-SCREW-TPG M3X0.5 6MM-LG PAN HD ROHS)	C5956-67001	Input paper path parts list (for Figure 6-15) on page 509
Screw (SVC-SCREW-TPG M3X0.5 6MM-LG PAN HD ROHS)	C5956-67001	Accumulator rear-side assembly parts list (for Figure 6-23) on page 528
Screw (SVC-SCREW-TPG M3X0.5 6MM-LG PAN HD ROHS)	C5956-67001	Finisher Separator offset assembly parts list (for Figure 6-27) on page 538
Screw (SVC-SCREW-TPG M3X0.5 6MM-LG PAN HD ROHS)	C5956-67001	Finisher Separator media path output parts list (for Figure 6-28) on page 540
Screw (SVC-SCREW-TPG M3X0.5 6MM-LG PAN HD ROHS)	C5956-67001	Finisher Separator elevator transmission parts list (for Figure 6-29) on page 420
Screw (SVC-SCREW-TPG M3X0.5 6MM-LG PAN HD ROHS)	C5956-67001	Finisher Separator paper back weldment parts list (for Figure 6-30) on page 421
Screw (SVC-SCREW-TPG M3X0.5 6MM-LG PAN HD ROHS)	C5956-67001	Finisher Separator paper gate assembly parts list (for Figure 6-32) on page 422
Screw (SVC-SCREW-TPG M3X0.5 6MM-LG PAN HD ROHS)	C5956-67001	Finisher job support assembly parts list (for Figure 6-35) on page 555
Screw (SVC-SCREW-TPG M4X0.7 12MM-LG PAN-HD ROHS)	C5956-67008	Finisher latch assemblies parts list (for Figure 6-8) on page 386
Screw (SVC-SCREW-TPG M4X0.7 8MM-LG PAN HD ROHS)	C5956-67003	Finisher removal guide parts list (for Figure 6-3) on page 483
Screw (SVC-SCREW-TPG M4X0.7 8MM-LG PAN HD ROHS)	C5956-67003	Finisher top covers parts list (for Figure 6-4) on page 485
Screw (SVC-SCREW-TPG M4X0.7 8MM-LG PAN HD ROHS)	C5956-67003	Finisher Separator main assembly parts list (for Figure 6-26) on page 415
Screw (SVC-SCREW-TPG M4X0.7 8MM-LG PAN HD ROHS)	C5956-67003	Finisher Separator main assembly parts list (for Figure 6-26) on page 415
Screw (SVC-SCREW-TPG M4X0.7 8MM-LG PAN HD ROHS)	C5956-67003	Finisher Separator elevator transmission parts list (for Figure 6-29) on page 420
Screw (SVC-SCREW-TPGM4X0.7 8MM-LG PAN HD ROHS)	C5956-67003	Handle 2 (upper transport) parts list (for Figure 6-13) on page 392
SCREW, BUTTON HEAD, TORX, M3X4-8.8, ZN	C5959-67310	Finisher stack holder assembly parts list (for Figure 6-33) on page 424

Table 6-40 Alphabetical parts list (continued)

Description	Part number	Table and page
SCREW, PT, EJ-WIN 1452- K20X6, ZN	C5959-67310	Accumulator guide bar assembly parts list (for Figure 6-20) on page 406
SCREW, PT, SPECIAL - K29X11.35, ZN	C5959-67324	Accumulator front assembly parts list (for Figure 6-18) on page 518
SCREW, PT, SPECIAL - K29X11.35, ZN	C5959-67312	Accumulator traverse assembly parts list (for Figure 6-19) on page 520
SCREW, PT, SPECIAL - K29X11.35, ZN	C5959-67324	Accumulator guide bar assembly parts list (for Figure 6-20) on page 406
SCREW, PT, SPECIAL - K29X11.35, ZN	C5959-67324	Accumulator bearing bracket assembly parts list (for Figure 6-21) on page 407
SCREW, PT, SPECIAL-K29X11.35, ZN	C5959-67324	Accumulator rear-side assembly parts list (for Figure 6-23) on page 528
SCREW, PT, SPECIAL-K29X11.35, ZN	C5959-67324	Accumulator support CPL assembly parts list (for Figure 6-25) on page 532
Sensor (SN231, SN232, SN233) (SVC-SENSOR, MEDIA PRESENCE)	C5956-67255	Handle 1 (upper transport) parts list (for Figure 6-11) on page 499
Sensor (SN240, SN241, SN242) (SVC-PHOTOINTERRUPTER WITH CONNECTOR)	C5959-67145	Accumulator bearing bracket assembly parts list (for Figure 6-21) on page 407
Sensor (SN243, SN244, SN245) (SVC-PHOTOINTERRUPTER WITH CONNECTOR)	C5959-67145	Accumulator guide bar assembly parts list (for Figure 6-20) on page 406
SENSOR BOARD PREMOUNTED (SN257/SN258)	C5959-67240	Finisher stack holder assembly parts list (for Figure 6-33) on page 424
Sensor flag (SVC-WASHER, SENSOR)	C5959-67166	Accumulator traverse assembly parts list (for Figure 6-19) on page 520
Sensor holder (SVC-HOLDER, SENSOR)	C5959-67204	Finisher stack holder assembly parts list (for Figure 6-33) on page 424
Sensor lever (SVC-LEVER, SENSOR, RETAINER)	C5959-67164	Accumulator guide bar assembly parts list (for Figure 6-20) on page 406
Sensor mount (SVC-MOUNT-SENSOR STAGING)	C5956-67375	Handle 3 (lower transport) parts list (for Figure 6-14) on page 394
Separator elevator motor front cover (SVC ASSY-COVER, ELEVATOR MOTOR)	C5959-67339	Finisher Separator main assembly parts list (for Figure 6-26) on page 415

Table 6-40 Alphabetical parts list (continued)

Description	Part number	Table and page
Separator elevator motor rear cover (SVC ASSY-COVER-REAR, ELEVATOR MOTOR)	C5959-67060	Finisher Separator main assembly parts list (for Figure 6-26) on page 415
Separator front cover (SVC-COVER-FRONT JOB SEP)	C5959-67016	Finisher Separator main assembly parts list (for Figure 6-26) on page 415
Separator rear cover (SVC-COVER-REAR LONG JOB SEP)	C5959-67017	Finisher Separator main assembly parts list (for Figure 6-26) on page 415
Shaft (SVC-SHAFT EXIT 1 CPL)	C5959-67365	Accumulator bearing bracket assembly parts list (for Figure 6-21) on page 407
Shaft (SVC-SHAFT, CAM, SUPPORT, CPL)	C5959-67140	Accumulator support CPL assembly parts list (for Figure 6-25) on page 532
Shaft (SVC-SHAFT, FIXING CPL)	C5959-67136	Accumulator shafts parts list (for Figure 6-17) on page 516
Shaft (SVC-SHAFT, OFFSETTER)	C5959-67152	Accumulator support CPL assembly parts list (for Figure 6-25) on page 532
Shaft entry bearing (SVC-BEARING SHAFT ENTRY)	C5959-67186	Accumulator rear inside CPL assembly parts list (for Figure 6-24) on page 412
SHIELD-SENSOR, STACK HEIGHT	C5959-67019	Finisher Separator paper back weldment parts list (for Figure 6-30) on page 421
Short inside shaft (SVC-SHAFT, INSIDE, SHORT, CPL)	C5959-67130	Accumulator traverse assembly parts list (for Figure 6-19) on page 520
Sidewall holder (SVC-HOLDER, SIDEWALL)	C5959-67178	Accumulator front assembly parts list (for Figure 6-18) on page 518
Sidewall holder (SVC-HOLDER, SIDEWALL)	C5959-67178	Accumulator rear inside CPL assembly parts list (for Figure 6-24) on page 412
Slider assembly (SVC-SLIDER, CPL)	C5959-67205	Finisher stack holder assembly parts list (for Figure 6-33) on page 424
Small bearing yoke assembly (SVC ASSY-BEARING YOKE SMALL)	C5956-67330	Right side panel assembly parts list (for Figure 6-10) on page 388
SN221 (SVC ASSY-SENSOR ALEPH-ON 171-A8 W/SEAL)	C5956-67356	Handle 3 (lower transport) parts list (for Figure 6-14) on page 394
SN222 (SVC-PHOTOINTERRUPTER IF=50MA-MAX ROHS)	C5956-67256	Handle 3 (lower transport) parts list (for Figure 6-14) on page 394

Table 6-40 Alphabetical parts list (continued)

Description	Part number	Table and page
SNAP CAP	C5959-67157	Accumulator rear inside CPL assembly parts list (for Figure 6-24) on page 412
Snap cap	C5959-67157	Accumulator bearing bracket assembly parts list (for Figure 6-21) on page 407
Snap-cap (SVC-SNAP-CAP)	C5959-67157	Accumulator front assembly parts list (for Figure 6-18) on page 518
Spring (SPRING-SIDE ACCESS LATCH)	C5959-67271	Handle 3 (lower transport) parts list (for Figure 6-14) on page 394
Spring (SVC KIT-SPRINGS, FINISHER)	C5959-67312	Accumulator shafts parts list (for Figure 6-17) on page 516
Spring (SVC KIT-SPRINGS, FINISHER)	C5959-67312	Accumulator guide bar assembly parts list (for Figure 6-20) on page 406
Spring (SVC KIT-SPRINGS, FINISHER)	C5959-67312	Accumulator bearing bracket assembly parts list (for Figure 6-21) on page 407
Spring (SVC-SPRING-SAFETY SWITCH, JOB SEPARATOR)	C5959-67272	Finisher Separator safety switches parts list (for Figure 6-31) on page 546
SPRING, TENSION	C5959-67312	Accumulator support CPL assembly parts list (for Figure 6-25) on page 532
SPRING, TENSION (Part not available at time of publishing.)	C5959-67393	Finisher stack holder assembly parts list (for Figure 6-33) on page 424
SPUR GEAR, MOD 1, 18 TOOTH	C5959-67385	Finisher Separator elevator transmission parts list (for Figure 6-29) on page 420
SPUR GEAR, MOD 1, 18 TOOTH, IDLER	C5959-67384	Finisher Separator elevator transmission parts list (for Figure 6-29) on page 420
STABILIZER-PAPER GATE	C5959-67331	Finisher Separator paper gate assembly parts list (for Figure 6-32) on page 422
Stack holder assembly cover (SVC-COVER, STACKHOLDER)	C5959-67200	Finisher stack holder assembly parts list (for Figure 6-33) on page 424
Stack holder motor (M252) (SVC-STEPPER MOTOR CPL)	C5959-67239	Finisher stack holder assembly parts list (for Figure 6-33) on page 424
Stack holder support (SVC-SUPPORT)	C5959-67203	Finisher stack holder assembly parts list (for Figure 6-33) on page 424

Table 6-40 Alphabetical parts list (continued)

Description	Part number	Table and page
Stack holder support rod (SVC-ROD, SUPPORT, CONTROL)	C5959-67202	Finisher stack holder assembly parts list (for Figure 6-33) on page 424
Staging sensor mount (MOUNT-SENSOR STAGING)	C5956-67375	Input paper path parts list (for Figure 6-15) on page 509
Staging sensors, optical (SN211, SN213) (ASSY-SENSOR ALEPH-ON 171-A8 W/SEA)	C5956-67356	Input paper path parts list (for Figure 6-15) on page 509
Staple holder (SVC-HOLDER, STAPLE CARTRIDGE)	C5959-67386	Stapler 1 parts list (for Figure 6-36) on page 558
Staple holder (SVC-HOLDER, STAPLE CARTRIDGE)	C5959-67386	Stapler 2 parts list (for Figure 6-37) on page 560
Stapler 1 assembly (SVC-ASSY, STAPLER, 1)	C5959-67110	Stapler 1 parts list (for Figure 6-36) on page 558
Stapler 1 door (SVC ASSY-DOOR, STAPLER1)	C5959-67055	Finisher front covers parts list (for Figure 6-1) on page 382
Stapler 2 assembly (SVC-ASSY, STAPLER, 2)	C5959-67111	Stapler 2 parts list (for Figure 6-37) on page 560
Stapler 2 covers (SVC ASSY-STAPLER2 COVERS)	C5959-67057	Finisher front covers parts list (for Figure 6-1) on page 382
Stapler 2 door (SVC ASSY-DOOR, STAPLER2)	C5959-67056	Finisher front covers parts list (for Figure 6-1) on page 382
Stapler 2 extension (SVC-EXTENSION-PLATFORM, STAPLER 2)	C5959-67302	Stapler 2 parts list (for Figure 6-37) on page 560
Stapler 2 motor (SVC-MOTOR, STAPLER, DC MOUNTED)	C5959-67102	Stapler 2 parts list (for Figure 6-37) on page 560
Stapler 2 wiring cover (SVC-COVER-STAPLER 2 WIRING)	C5959-67022	Stapler 2 parts list (for Figure 6-37) on page 560
Stapler motor assembly (SVC-MOTOR, STAPLER, DC MOUNTED)	C5959-67102	Stapler 1 parts list (for Figure 6-36) on page 558
Stepper motor (M240, M241) (SVC-MOTOR, ASSY, STEPPER)	C5959-67121	Accumulator rear-side assembly parts list (for Figure 6-23) on page 528
Stud (SVC-STUD)	C5959-67160	Finisher stack holder assembly parts list (for Figure 6-33) on page 424
Support lever (SVC-LEVER, SUPPORT)	C5959-67169	Accumulator support CPL assembly parts list (for Figure 6-25) on page 532
Support lever axle (SVC-AXLE, LEVER, SUPPORT)	C5959-67150	Accumulator support CPL assembly parts list (for Figure 6-25) on page 532
SVC KIT-SLIDERAIL AND BRACKETS	C5959-67300	Finisher Separator paper back weldment parts list (for Figure 6-30) on page 421

Table 6-40 Alphabetical parts list (continued)

Description	Part number	Table and page
SVC-SPRING, BEARING	C5959-67172	Accumulator traverse assembly parts list (for Figure 6-19) on page 520
SW283 and SW284 (SVC-SWITCH, CHERRY, F81AB110)	C5959-67103	Stapler 2 parts list (for Figure 6-37) on page 560
Tension roller (SVC-ROLLER, TENSION)	C5959-67154	Accumulator bearing bracket assembly parts list (for Figure 6-21) on page 407
TENSION SPRING (Part not available at time of publishing.)	C5959-67394	Finisher stack holder assembly parts list (for Figure 6-33) on page 424
Tension spring (SVC KIT-SPRINGS, FINISHER)	C5959-67312	Accumulator traverse assembly parts list (for Figure 6-19) on page 520
Tensioner (ASSY-MEDIAPATH TENSIONER)	C5956-67297	Input paper path parts list (for Figure 6-15) on page 509
Tensioner (STANDOFF-TENSIONER LOW)	C5956-67711	Input paper path parts list (for Figure 6-15) on page 509
Tensioner (SVC ASSY-MEDIAPATH TENSIONER)	C5956-67297	Handle 3 (lower transport) parts list (for Figure 6-14) on page 394
Tensioner (SVC ASSY-TENSIONER, FINISHER, CCW)	C5959-67256	Input paper path parts list (for Figure 6-15) on page 509
Tensioner (SVC ASSY-TENSIONER, FINISHER, CCW)	C5959-67256	Finisher Separator media path output parts list (for Figure 6-28) on page 540
Tensioner stand-off (SVC KIT-STANDOFFS, TENSIONER)	C5956-67711	Handle 3 (lower transport) parts list (for Figure 6-14) on page 394
Tensioner, standoff mid (SVC KIT-STANDOFFS, TENSIONER)	C5956-67711	Handle 1 (upper transport) parts list (for Figure 6-11) on page 499
Tire (SVC-TIRE,CAPTURE)	C5959-67303	Finisher Separator main assembly parts list (for Figure 6-26) on page 415
Top door (SVC ASSY-TOP DOOR)	C5959-67298	Finisher top covers parts list (for Figure 6-4) on page 485
Top door hinge (SVC ASSY-HINGE, DOOR 1.5)	C5959-67333	Finisher top covers parts list (for Figure 6-4) on page 485
Transmission cover (SVC-COVER-DOOR2 TRANSMISSION)	C5959-67277	Handle 1 (upper transport) parts list (for Figure 6-11) on page 499
Tray edge strip (SVC-STRIP-TRAY, LEADING EDGE)	C5959-67095	Finisher Separator main assembly parts list (for Figure 6-26) on page 415

Table 6-40 Alphabetical parts list (continued)

Description	Part number	Table and page
Triple shifted drive roller (SVC ASSY-DRIVE ROLLER TRIPLE SHIFTED)	C5959-67061	Right side panel assembly parts list (for Figure 6-10) on page 388
Upper front cover (SVC-ASSY-UPPER FRONT COVER)	C5959-67053	Finisher front covers parts list (for Figure 6-1) on page 382
Upper output cover (SVC-COVER-UPPER OUTPUT, JS)	C5959-67020	Finisher Separator main assembly parts list (for Figure 6-26) on page 415
Upper rear cover (SVC-COVER-UPPER REAR)	C5959-67334	Finisher rear covers parts list (for Figure 6-2) on page 481
Washer E-CLIP 2.3	C5959-67752	Accumulator bearing bracket assembly parts list (for Figure 6-21) on page 407
Washer E-CLIP 2.3, ZN	C5959-67752	Accumulator traverse assembly parts list (for Figure 6-19) on page 520
Washer E-CLIP 2.3, ZN	C5959-67752	Accumulator guide bar assembly parts list (for Figure 6-20) on page 406
Washer E-CLIP 4.0, ZN (SVC KIT-CLIPS,FINISHER)	C5959-67311	Accumulator traverse assembly parts list (for Figure 6-19) on page 520
Washer E-CLIP 5.0 (SVC KIT-CLIPS, FINISHER)	C5959-67311	Accumulator bearing bracket assembly parts list (for Figure 6-21) on page 407
Washer E-CLIP 6.0, ZN (SVC KIT-CLIPS,FINISHER)	C5959-67311	Accumulator traverse assembly parts list (for Figure 6-19) on page 520
Washer, E-CLIP DIN 6799 - 3.2, ZN (SVC KIT-CLIPS, FINISHER)	C5959-67311	Accumulator front assembly parts list (for Figure 6-18) on page 518
Washer, E-CLIP, DIN 6799 - 2.3, ZN	C5959-67752	Accumulator shafts parts list (for Figure 6-17) on page 516
WASHER, E-CLIP, DIN 6799-3.2, ZN	C5959-67311	Accumulator rear-side assembly parts list (for Figure 6-23) on page 528
WASHER, E-CLIP, DIN 6799-3.2, ZN	C5959-67311	Finisher job support assembly parts list (for Figure 6-35) on page 555
Wear strip (long and short) (SVC-WEAR, STRIPS)	C5959-67403	Finisher front covers parts list (for Figure 6-1) on page 382
Wear strip (short) (SVC-WEAR, STRIP, FORWARD)	C5964-67047	Finisher front covers parts list (for Figure 6-1) on page 382

Table 6-40 Alphabetical parts list (continued)

Description	Part number	Table and page
WELDMENT, GATE DRIVE BRACKET	C5959-67034	Finisher Separator paper gate assembly parts list (for Figure 6-32) on page 422
WIRE-ROUTER	C5964-67001	Finisher Separator media path output parts list (for Figure 6-28) on page 540

Numerical parts list

Table 6-41 Numerical parts list

Part number	Description	Table and page
C5956-67001	Screw (SVC-SCREW-TPG M3X0.5 6MM-LG PAN HD ROHS)	Finisher rear covers parts list (for Figure 6-2) on page 481
C5956-67001	Screw (SVC-SCREW-TPG M3X0.5 6MM-LG PAN HD ROHS)	Right side panel assembly parts list (for Figure 6-10) on page 388
C5956-67001	Screw (SVC-SCREW-TPG M3X0.5 6MM-LG PAN HD ROHS)	Handle 1 (upper transport) parts list (for Figure 6-11) on page 499
C5956-67001	Screw (SVC-SCREW-TPG M3X0.5 6MM-LG PAN HD ROHS)	Handle 1 (upper transport) parts list (for Figure 6-12) on page 501
C5956-67001	Screw (SVC-SCREW-TPG M3X0.5 6MM-LG PAN HD ROHS)	Handle 3 (lower transport) parts list (for Figure 6-14) on page 394
C5956-67001	Screw (SVC-SCREW-TPG M3X0.5 6MM-LG PAN HD ROHS)	Input paper path parts list (for Figure 6-15) on page 509
C5956-67001	Screw (SVC-SCREW-TPG M3X0.5 6MM-LG PAN HD ROHS)	Accumulator rear-side assembly parts list (for Figure 6-23) on page 528
C5956-67001	Screw (SVC-SCREW-TPG M3X0.5 6MM-LG PAN HD ROHS)	Finisher Separator offset assembly parts list (for Figure 6-27) on page 538
C5956-67001	Screw (SVC-SCREW-TPG M3X0.5 6MM-LG PAN HD ROHS)	Finisher Separator media path output parts list (for Figure 6-28) on page 540
C5956-67001	Screw (SVC-SCREW-TPG M3X0.5 6MM-LG PAN HD ROHS)	Finisher Separator elevator transmission parts list (for Figure 6-29) on page 420
C5956-67001	Screw (SVC-SCREW-TPG M3X0.5 6MM-LG PAN HD ROHS)	Finisher Separator paper back weldment parts list (for Figure 6-30) on page 421
C5956-67001	Screw (SVC-SCREW-TPG M3X0.5 6MM-LG PAN HD ROHS)	Finisher Separator paper gate assembly parts list (for Figure 6-32) on page 422
C5956-67001	Screw (SVC-SCREW-TPG M3X0.5 6MM-LG PAN HD ROHS)	Finisher job support assembly parts list (for Figure 6-35) on page 555
C5956-67002	Screw (SVC-SCREW-TPG M3X0.5 10MM-LG PAN HD ROHS)	Right side panel assembly parts list (for Figure 6-10) on page 388
C5956-67002	Screw (SVC-SCREW-TPG M3X0.5 10MM-LG PAN HD ROHS)	Handle 1 (upper transport) parts list (for Figure 6-11) on page 499
C5956-67002	Screw (SVC-SCREW-TPG M3X0.5 10MM-LG PAN HD ROHS)	Handle 2 (upper transport) parts list (for Figure 6-13) on page 392

Table 6-41 Numerical parts list (continued)

Part number	Description	Table and page
C5956-67002	Screw (SVC-SCREW-TPG M3X0.5 10MM-LG PAN HD ROHS)	Input paper path parts list (for Figure 6-15) on page 509
C5956-67003	Screw (SVC-SCREW-TPG M4X0.7 8MM-LG PAN HD ROHS)	Finisher removal guide parts list (for Figure 6-3) on page 483
C5956-67003	Screw (SVC-SCREW-TPG M4X0.7 8MM-LG PAN HD ROHS)	Finisher top covers parts list (for Figure 6-4) on page 485
C5956-67003	Screw (SVC-SCREW-TPGM4X0.7 8MM-LG PAN HD ROHS)	Handle 2 (upper transport) parts list (for Figure 6-13) on page 392
C5956-67003	Screw (SVC-SCREW-TPG M4X0.7 8MM-LG PAN HD ROHS)	Finisher Separator main assembly parts list (for Figure 6-26) on page 415
C5956-67003	Screw (SVC-SCREW-TPG M4X0.7 8MM-LG PAN HD ROHS)	Finisher Separator main assembly parts list (for Figure 6-26) on page 415
C5956-67003	Screw (SVC-SCREW-TPG M4X0.7 8MM-LG PAN HD ROHS)	Finisher Separator elevator transmission parts list (for Figure 6-29) on page 420
C5956-67005	Screw (SVC-SCREW-MACH M3X0.5 6MM-LG PAN HD ROHS)	Right side panel assembly parts list (for Figure 6-10) on page 388
C5956-67005	Screw (SVC-SCREW-MACH M3X0.5 6MM-LG PAN HD ROHS)	Handle 1 (upper transport) parts list (for Figure 6-11) on page 499
C5956-67005	Screw (SVC-SCREW-MACH M3X0.5 6MM-LG PAN HD ROHS)	Handle 1 (upper transport) parts list (for Figure 6-12) on page 501
C5956-67005	Screw (SVC-SCREW-MACH M3X0.5 6MM-LG PAN HD ROHS)	Handle 3 (lower transport) parts list (for Figure 6-14) on page 394
C5956-67005	Screw (SVC-SCREW-MACH M3X0.5 6MM-LG PAN HD ROHS)	Input paper path parts list (for Figure 6-15) on page 509
C5956-67005	Screw (SVC-SCREW-MACH M3X0.5 6MM-LG PAN HD ROHS)	Finisher Separator offset assembly parts list (for Figure 6-27) on page 538
C5956-67005	Screw (SVC-SCREW-MACH M3X0.5 6MM-LG PAN HD ROHS). Not shown on diagram.	Finisher Separator media path output parts list (for Figure 6-28) on page 540
C5956-67006	Screw (SVC-SCREW-MACH M4X0.7 8MM-LG PAN HD ROHS)	Finisher rear covers parts list (for Figure 6-2) on page 481
C5956-67006	Screw (SVC-SCREW-MACH M4X0.7 8MM-LG PAN HD ROHS)	Finisher top covers parts list (for Figure 6-4) on page 485
C5956-67006	Screw (SVC-SCREW-MACH M4X0.7 8MM-LG PAN HD ROHS)	Finisher latch assemblies parts list (for Figure 6-8) on page 386

Table 6-41 Numerical parts list (continued)

Part number	Description	Table and page
C5956-67006	Screw (SVC-SCREW-MACH M4X0.7 8MM-LG PAN HD ROHS)	Finisher Main PCA (A200) parts list (for Figure 6-9) on page 387
C5956-67006	Screw (SVC-SCREW-MACH M4X0.7 8MM-LG PAN HD ROHS)	Handle 3 (lower transport) parts list (for Figure 6-14) on page 394
C5956-67006	Screw (SVC-SCREW-MACH M4X0.7 8MM-LG PAN HD ROHS)	Input paper path parts list (for Figure 6-15) on page 509
C5956-67008	Screw (SVC-SCREW-TPG M4X0.7 12MM-LG PAN-HD ROHS)	Finisher latch assemblies parts list (for Figure 6-8) on page 386
C5956-67010	Screw (SVC-SCR-TPG M2.5X0.45 4MM-LG PAN HD ROHS)	Accumulator rear-side assembly parts list (for Figure 6-23) on page 528
C5956-67010	Screw (SVC-SCR-TPG M2.5X0.45 4MM-LG PAN HD ROHS)	Finisher Separator offset assembly parts list (for Figure 6-27) on page 538
C5956-67010	Screw (SVC-SCR-TPG M2.5X0.45 4MM-LG PAN HD ROHS)	Finisher Separator paper gate assembly parts list (for Figure 6-32) on page 422
C5956-67011	Screw (SVC-SCREW-MACH M4 X 0.7 9.5MM-LG ROHS)	Finisher front covers parts list (for Figure 6-1) on page 382
C5956-67011	Screw (SVC-SCREW-MACH M4 X 0.7 9.5MM-LG ROHS)	Finisher Separator main assembly parts list (for Figure 6-26) on page 415
C5956-67011	Screw (SVC-SCREW-MACH M4x0.7 9.5MM-LG ROHS)	Finisher Separator safety switches parts list (for Figure 6-31) on page 546
C5956-67012	Screw (SVC-SCREW-TPG 4-20X7.94MM 10IP ROHS)	Finisher front covers parts list (for Figure 6-1) on page 382
C5956-67012	Screw (SVC-SCREW-TPG 4-20X7.94MM 10IP ROHS)	Handle 3 (lower transport) parts list (for Figure 6-14) on page 394
C5956-67012	Screw (SVC-SCREW-TPG 4-20X7.94MM 10IP ROHS)	Input paper path parts list (for Figure 6-15) on page 509
C5956-67012	Screw (SVC-SCREW-TPG 4-20X7.94MM 10IP ROHS)	Finisher Separator main assembly parts list (for Figure 6-26) on page 415
C5956-67012	Screw (SVC-SCREW-TPG 4-20X7.94MM 10IP ROHS)	Finisher Separator elevator transmission parts list (for Figure 6-29) on page 420
C5956-67018	Screw (SVC-SCREW-TPG 4-20 0.427-IN-LG ROHS)	Handle 1 (upper transport) parts list (for Figure 6-12) on page 501
C5956-67070	LED (LED234) (SVC-LED, AMBER)	Handle 1 (upper transport) parts list (for Figure 6-11) on page 499

Table 6-41 Numerical parts list (continued)

Part number	Description	Table and page
C5956-67086	Pinch roller spring (SVC-SPRING-EXTENSION-PINCH ROLLER-SMALL)	Handle 2 (upper transport) parts list (for Figure 6-13) on page 392
C5956-67086	Pinch roller spring (SVC-SPRING-EXTENSION-PINCH ROLLER-SMALL)	Handle 3 (lower transport) parts list (for Figure 6-14) on page 394
C5956-67086	Pinch roller spring (SVC-SPRING-EXTENSION-PINCH ROLLER-SMALL)	Input paper path parts list (for Figure 6-15) on page 509
C5956-67086	Pinch roller spring (SVC-SPRING-EXTENSION-PINCH ROLLER-SMALL)	Finisher Separator media path output parts list (for Figure 6-28) on page 540
C5956-67087	Pinch roller datum (SVC-DATUM-PINCH ROLLER-SMALL)	Handle 2 (upper transport) parts list (for Figure 6-13) on page 392
C5956-67087	Pinch roller datum (SVC-DATUM-PINCH ROLLER-SMALL)	Handle 3 (lower transport) parts list (for Figure 6-14) on page 394
C5956-67087	Pinch roller datum (SVC-DATUM-PINCH ROLLER-SMALL)	Input paper path parts list (for Figure 6-15) on page 509
C5956-67087	Pinch roller datum (SVC-DATUM-PINCH ROLLER-SMALL)	Finisher Separator media path output parts list (for Figure 6-28) on page 540
C5956-67090	Prism (SVC-PRISM; 15-MM BY 10-MM)	Right side panel assembly parts list (for Figure 6-10) on page 388
C5956-67090	Prism (SVC-PRISM; 15-MM BY 10-MM)	Handle 3 (lower transport) parts list (for Figure 6-14) on page 394
C5956-67212	Door sensor actuator (SVC-ACTUATOR-DOOR SENSOR)	Finisher front covers parts list (for Figure 6-1) on page 382
C5956-67255	Sensor (SN231, SN232, SN233) (SVC-SENSOR, MEDIA PRESENCE)	Handle 1 (upper transport) parts list (for Figure 6-11) on page 499
C5956-67255	Media path flag sensor (SN212, SN214, SN215)(SVC-SENSOR, MEDIA PRESENCE)	Input paper path parts list (for Figure 6-15) on page 509
C5956-67256	SN222 (SVC-PHOTOINTERRUPTER IF=50MA-MAX ROHS)	Handle 3 (lower transport) parts list (for Figure 6-14) on page 394
C5956-67256	Door sensor (SN216) (SVC-PHOTOINTERRUPTER IF=50MA-MAX ROHS)	Input paper path parts list (for Figure 6-15) on page 509
C5956-67256	Accumulator Open sensor (SN255), PHOTOINTERRUPTER (SN262) IF=50MA-MAX ROHS	Accumulator rear-side assembly parts list (for Figure 6-23) on page 528
C5956-67256	Finisher Job Separator Offset Back sensor (SN265) (SVC-PHOTOINTERRUPTER IF=50MA-MAX ROHS)	Finisher Separator offset assembly parts list (for Figure 6-27) on page 538

Table 6-41 Numerical parts list (continued)

Part number	Description	Table and page
C5956-67256	Finisher Job Separator Lower Limit sensor (SN260) (PHOTOINTERRUPTER IF=50MA-MAX ROHS)	Finisher Separator elevator transmission parts list (for Figure 6-29) on page 420
C5956-67256	PHOTINTERRUPTER (SN262) IF=50MA-MAX ROHS	Finisher Separator paper gate assembly parts list (for Figure 6-32) on page 422
C5956-67258	Pinch roller holder (SVC-HOLDER-PINCH ROLLER-SMALL)	Handle 2 (upper transport) parts list (for Figure 6-13) on page 392
C5956-67258	Pinch roller holder (SVC-HOLDER-PINCH ROLLER-SMALL)	Handle 3 (lower transport) parts list (for Figure 6-14) on page 394
C5956-67258	Pinch roller holder (SVC-HOLDER-PINCH ROLLER-SMALL)	Input paper path parts list (for Figure 6-15) on page 509
C5956-67297	Mediapath tensioner (SVC ASSY-MEDIAPATH TENSIONER)	Handle 1 (upper transport) parts list (for Figure 6-11) on page 499
C5956-67297	Tensioner (SVC ASSY-MEDIAPATH TENSIONER)	Handle 3 (lower transport) parts list (for Figure 6-14) on page 394
C5956-67297	Tensioner (ASSY-MEDIAPATH TENSIONER)	Input paper path parts list (for Figure 6-15) on page 509
C5956-67319	Pinch roller FEP (SVC-PINCH ROLLER FEP)	Handle 2 (upper transport) parts list (for Figure 6-13) on page 392
C5956-67319	Pinch roller FEP (SVC-PINCH ROLLER FEP)	Handle 3 (lower transport) parts list (for Figure 6-14) on page 394
C5956-67319	Pinch roller FEP (SVC-PINCH ROLLER FEP)	Input paper path parts list (for Figure 6-15) on page 509
C5956-67325	Double drive roller pulley (SVC ASSY-SOFT DRIVE ROLLER PULLEY DOUBLE)	Right side panel assembly parts list (for Figure 6-10) on page 388
C5956-67325	Drive roller (SVC ASSY-SOFT DRIVE ROLLER PULLEY DOUBLE)	Handle 1 (upper transport) parts list (for Figure 6-11) on page 499
C5956-67330	Small bearing yoke assembly (SVC ASSY-BEARING YOKE SMALL)	Right side panel assembly parts list (for Figure 6-10) on page 388
C5956-67356	SN221 (SVC ASSY-SENSOR ALEPH-ON 171-A8 W/SEAL)	Handle 3 (lower transport) parts list (for Figure 6-14) on page 394
C5956-67356	Staging sensors, optical (SN211, SN213) (ASSY-SENSOR ALEPH-ON 171-A8 W/SEA)	Input paper path parts list (for Figure 6-15) on page 509
C5956-67368	Retainer (SVC-RETAINER-CAPTIVE FASTENER M4)	Finisher front covers parts list (for Figure 6-1) on page 382

Table 6-41 Numerical parts list (continued)

Part number	Description	Table and page
C5956-67368	RETAINER-CAPTIVE FASTENER M4	Finisher Separator main assembly parts list (for Figure 6-26) on page 415
C5956-67368	RETAINER-CAPTIVE FASTENER M4	Finisher Separator safety switches parts list (for Figure 6-31) on page 546
C5956-67374	Clip (KIT, SVC CLIP-WIRE, .08 IN-WD NYL-6/6-ROHS)	Handle 1 (upper transport) parts list (for Figure 6-11) on page 499
C5956-67374	Retainer (SVC-CLIP-WIRE .08 IN-WD NYL-6/6-ROHS) Note: This part is also available in the Wire Management Kit 1, part number C5956-67648.	Input paper path parts list (for Figure 6-15) on page 509
C5956-67375	Sensor mount (SVC-MOUNT-SENSOR STAGING)	Handle 3 (lower transport) parts list (for Figure 6-14) on page 394
C5956-67375	Staging sensor mount (MOUNT-SENSOR STAGING)	Input paper path parts list (for Figure 6-15) on page 509
C5956-67376	Handle 3 (lower transport) LED223 and LED220 (SVC-HOLDER-LED)	Handle 3 (lower transport) parts list (for Figure 6-14) on page 394
C5956-67377	Accumulator Closed switch (SW256) (ASSY-SWITCH INTERLOCK)	Accumulator rear-side assembly parts list (for Figure 6-23) on page 528
C5956-67406	LED holder (SVC-HOLDER LED)	Handle 1 (upper transport) parts list (for Figure 6-11) on page 499
C5956-67648	Saddle (SVC KIT-WIRE MANAGEMENT, assortment, SADDLE-WIRE .2-WD NYL-6/6 ROHS)	Handle 1 (upper transport) parts list (for Figure 6-11) on page 499
C5956-67648	Saddle (SVC KIT-WIRE MANAGEMENT 1, assortment, SADDLE-WIRE .2-WD NYL-6/6 ROHS)	Handle 3 (lower transport) parts list (for Figure 6-14) on page 394
C5956-67648	Saddle (SVC KIT-WIRE MANAGEMENT 1, assortment, SADDLE-WIRE .2-WD NYL-6/6 ROHS)	Input paper path parts list (for Figure 6-15) on page 509
C5956-67648	Saddle (SVC KIT-WIRE MANAGEMENT 1, assortment, SDL-WIRE .2-WD NYL-6/6 ROHS)	Finisher Separator offset assembly parts list (for Figure 6-27) on page 538
C5956-67650	Clip (SVC KIT-CLIPS, assortment, RETAINER-RING CIRCLIP 5MM-BSC DIA ROHS)	Finisher top covers parts list (for Figure 6-4) on page 485
C5956-67650	Clip (SVC KIT-CLIPS, assortment)	Finisher latch assemblies parts list (for Figure 6-8) on page 386
C5956-67650	Clip (SVC KIT-CLIPS, assortment)	Finisher latch assemblies parts list (for Figure 6-8) on page 386
C5956-67650	Clip (SVC KIT-CLIPS, assortment)	Right side panel assembly parts list (for Figure 6-10) on page 388

Table 6-41 Numerical parts list (continued)

Part number	Description	Table and page
C5956-67650	Clip (SVC KIT-CLIPS, assortment)	Right side panel assembly parts list (for Figure 6-10) on page 388
C5956-67650	Clip (SVC KIT-CLIPS, assortment)	Handle 1 (upper transport) parts list (for Figure 6-11) on page 499
C5956-67650	Clip (SVC KIT-CLIPS, assortment)	Handle 1 (upper transport) parts list (for Figure 6-12) on page 501
C5956-67650	Clip (SVC KIT-CLIPS, assortment)	Handle 1 (upper transport) parts list (for Figure 6-12) on page 501
C5956-67650	Clip (SVC KIT-CLIPS, assortment, RETAINER-RING CIRCLIP 4MM-BSC DIA ROHS)	Handle 2 (upper transport) parts list (for Figure 6-13) on page 392
C5956-67650	Clip (SVC KIT-CLIPS, assortment, RETAINER-RING CIRCLIP 6MM K-STYLE ROHS)	Handle 2 (upper transport) parts list (for Figure 6-13) on page 392
C5956-67650	Clip (SVC KIT-CLIPS, assortment)	Handle 3 (lower transport) parts list (for Figure 6-14) on page 394
C5956-67650	Clip (SVC KIT-CLIPS, assortment, RETAINER-RING CIRCLIP 4MM-BSC DIA ROHS)	Handle 3 (lower transport) parts list (for Figure 6-14) on page 394
C5956-67650	Clip (SVC KIT-CLIPS, assortment, RETAINER-RING CIRCLIP 6MM K-STYLE ROHS)	Handle 3 (lower transport) parts list (for Figure 6-14) on page 394
C5956-67650	Clip (SVC KIT-CLIPS, assortment, RETAINER-RING CIRCLIP 5MM-BSC DIA ROHS)	Handle 3 (lower transport) parts list (for Figure 6-14) on page 394
C5956-67650	Clip (SVC KIT-CLIPS, assortment, CLIP-BEARING SPACER)	Input paper path parts list (for Figure 6-15) on page 509
C5956-67650	Clip (SVC KIT-CLIPS, assortment, RETAINER-RING CIRCLIP 5MM-BSC DIA ROHS)	Input paper path parts list (for Figure 6-15) on page 509
C5956-67650	Clip (SVC KIT-CLIPS, assortment)	Finisher Separator offset assembly parts list (for Figure 6-27) on page 538
C5956-67650	Clip (SVC KIT-CLIPS, assortment, CLIP-BEARING SPACER)	Finisher Separator media path output parts list (for Figure 6-28) on page 540
C5956-67650	Clip (SVC KIT-CLIPS, assortment)	Finisher Separator elevator transmission parts list (for Figure 6-29) on page 420
C5956-67650	Clip (SVC KIT-CLIPS, assortment)	Finisher Separator paper gate assembly parts list (for Figure 6-32) on page 422

Table 6-41 Numerical parts list (continued)

Part number	Description	Table and page
C5956-67651	Screw (SVC KIT-FASTENERS 1, SCREW-TPG M3X0.5 10MM-LG PAN HD ROHS)	Finisher latch assemblies parts list (for Figure 6-8) on page 386
C5956-67659	97T drive belt (SVC-BELT-DRIVE, 97T, GT2, 2X4)	Right side panel assembly parts list (for Figure 6-10) on page 388
C5956-67659	Belt (SVC-BELT-DRIVE, 97T, GT2, 2X4)	Finisher Separator media path output parts list (for Figure 6-28) on page 540
C5956-67711	Tensioner, standoff mid (SVC KIT-STANDOFFS, TENSIONER)	Handle 1 (upper transport) parts list (for Figure 6-11) on page 499
C5956-67711	Tensioner stand-off (SVC KIT-STANDOFFS, TENSIONER)	Handle 3 (lower transport) parts list (for Figure 6-14) on page 394
C5956-67711	Tensioner (STANDOFF-TENSIONER LOW)	Input paper path parts list (for Figure 6-15) on page 509
C5956-67734	Accumulator Open motor (M256)/(EN256) (ASSY-SS MOTOR/ENCODER)	Accumulator rear-side assembly parts list (for Figure 6-23) on page 528
C5956-67742	Finisher Upper Paper Path motor (M230)/(EN230) (SVC-MOTOR, MEDIAPATH)	Handle 1 (upper transport) parts list (for Figure 6-11) on page 499
C5956-67742	M220 (SVC-MOTOR, MEDIAPATH)	Handle 3 (lower transport) parts list (for Figure 6-14) on page 394
C5956-67742	Finisher Input Paper Path motor (M210)/(EN210) (SVC ASSY-MOTOR, FINISHER MEDIAPATH)	Input paper path parts list (for Figure 6-15) on page 509
C5956-67742	Finisher Separator Input motor (M268)/(EN268) (SVC-ASSY-MOTOR, MEDIAPATH)	Finisher Separator media path output parts list (for Figure 6-28) on page 540
C5956-67752	Clip (SVC KIT-CLIPS, TRAY 1-4, WASHER, E-CLIP, DIN 6799-2.3, ZN)	Finisher job support assembly parts list (for Figure 6-35) on page 555
C5956-67752	Clip (SVC KIT-CLIPS, TRAY 1-4, WASHER, RETAINING, CIRCLIP, 5, ZN)	Stapler 1 parts list (for Figure 6-36) on page 558
C5956-67753	Screw (SVC KIT-SCREWS, TRAY 1-4)	Finisher job support assembly parts list (for Figure 6-35) on page 555
C5956-67753	Screw (SVC KIT-SCREWS, TRAY 1-4, PAN HEAD, SPECIAL, M3X6, ZN)	Stapler 1 parts list (for Figure 6-36) on page 558
C5957-67054	Screw (SVC KIT-FASTENERS 2, assortment, SCR-MACH M3X0.516MM-LG T-10 PAN-HD ROHS)	Finisher latch assemblies parts list (for Figure 6-8) on page 386
C5959-60304	Safety cover (ASSY-COVER, SAFETY, STAPLER2)	Stapler 2 parts list (for Figure 6-37) on page 560

Table 6-41 Numerical parts list (continued)

Part number	Description	Table and page
C5959-67002	Handle 2 (upper transport) short guide (SVC-GUIDE-SHORT, DOOR 3)	Handle 2 (upper transport) parts list (for Figure 6-13) on page 392
C5959-67003	Handle 3 (lower transport) lower guide (SVC-GUIDE-LOWER SUPPORT, DOOR 4)	Handle 3 (lower transport) parts list (for Figure 6-14) on page 394
C5959-67007	Handle 2 (upper transport) hinge shaft (SVC-SHAFT-DOOR 3 HINGE)	Handle 2 (upper transport) parts list (for Figure 6-13) on page 392
C5959-67008	Cover (SVC-COVER-TOP LEFT)	Finisher front covers parts list (for Figure 6-1) on page 382
C5959-67009	Front leg cover (SVC-COVER-LEG, FRONT)	Finisher front covers parts list (for Figure 6-1) on page 382
C5959-67010	Handle 3 (lower transport) lightpipe (SVC-LIGHTPIPE-DOOR 4)	Handle 3 (lower transport) parts list (for Figure 6-14) on page 394
C5959-67012	Offset mechanism cover (SVC-COVER-OFFSET MECHANISM)	Finisher Separator offset assembly parts list (for Figure 6-27) on page 538
C5959-67013	Gate and output motor cover (SVC-COVER-GATE AND OUTPUT MOTOR)	Finisher Separator offset assembly parts list (for Figure 6-27) on page 538
C5959-67014	Frame access cover (SVC-COVER-FRAME ACCESS)	Finisher Separator offset assembly parts list (for Figure 6-27) on page 538
C5959-67015	Handle 3 (lower transport) rear cover (SVC-COVER-DOOR 4 REAR)	Handle 3 (lower transport) parts list (for Figure 6-14) on page 394
C5959-67016	Separator front cover (SVC-COVER-FRONT JOB SEP)	Finisher Separator main assembly parts list (for Figure 6-26) on page 415
C5959-67017	Separator rear cover (SVC-COVER-REAR LONG JOB SEP)	Finisher Separator main assembly parts list (for Figure 6-26) on page 415
C5959-67019	SHIELD-SENSOR, STACK HEIGHT	Finisher Separator paper back weldment parts list (for Figure 6-30) on page 421
C5959-67020	Upper output cover (SVC-COVER-UPPER OUTPUT, JS)	Finisher Separator main assembly parts list (for Figure 6-26) on page 415
C5959-67021	Right side panel transmission cover (SVC-COVER-DOOR1 TRANSMISSION)	Right side panel assembly parts list (for Figure 6-10) on page 388
C5959-67022	Stapler 2 wiring cover (SVC-COVER-STAPLER 2 WIRING)	Stapler 2 parts list (for Figure 6-37) on page 560
C5959-67023	Job support assembly upper cover (SVC-COVER-JOB SUPPORT, UPPER)	Finisher job support assembly parts list (for Figure 6-35) on page 555

Table 6-41 Numerical parts list (continued)

Part number	Description	Table and page
C5959-67024	Job support assembly lower cover (SVC-COVER-JOB SUPPORT, LOWER)	Finisher job support assembly parts list (for Figure 6-35) on page 555
C5959-67025	Input paper path transmission cover (SVC-COVER-PP FRAME TRANSMISSION)	Input paper path parts list (for Figure 6-15) on page 509
C5959-67026	Input paper path solenoid cover (COVER-PP FRAME SOLENOID)	Input paper path parts list (for Figure 6-15) on page 509
C5959-67027	Accumulator upper cover (SVC-COVER-ACCU UPPER)	Accumulator covers parts list (for Figure 6-16) on page 400
C5959-67029	Accumulator middle cover (SVC-COVER-ACCU MID)	Accumulator covers parts list (for Figure 6-16) on page 400
C5959-67031	Paper back weldment assembly (SVC-PAPER BACK WELDMENT)	Finisher Separator paper back weldment parts list (for Figure 6-30) on page 421
C5959-67032	Elevator transmission assembly (SVC ASSY-TRANSMISSION-ELEVATOR)	Finisher Separator elevator transmission parts list (for Figure 6-29) on page 420
C5959-67033	Offset transmission assembly (SVC ASSY-OFFSET TRANSMISSION)	Finisher Separator offset assembly parts list (for Figure 6-27) on page 538
C5959-67034	WELDMENT, GATE DRIVE BRACKET	Finisher Separator paper gate assembly parts list (for Figure 6-32) on page 422
C5959-67036	Handle 2 (upper transport) assembly (SVC ASSY-DOOR 3)	Handle 2 (upper transport) parts list (for Figure 6-13) on page 392
C5959-67037	Finisher Diverter solenoid (SOL211) (SVC-SOLENOID)	Input paper path parts list (for Figure 6-15) on page 509
C5959-67038	Fence paper restraint (SVC-FENCE PAPER RESTRAINT)	Finisher Separator main assembly parts list (for Figure 6-26) on page 415
C5959-67039	Finisher Separator Drive motor (M260) (SVC-ELEVATOR MOTOR ASSEMBLY)	Finisher Separator elevator transmission parts list (for Figure 6-29) on page 420
C5959-67042	Output drive roller (SVC ASSY-DRIVE ROLLER OUTPUT)	Finisher Separator media path output parts list (for Figure 6-28) on page 540
C5959-67043	Output roller (SVC-ROLLER-OUTPUT DRIVE TRIPLE)	Handle 3 (lower transport) parts list (for Figure 6-14) on page 394
C5959-67044	38T 20T gear cluster (ASSY-PULLEY CLUSTER 38T-20T)	Handle 3 (lower transport) parts list (for Figure 6-14) on page 394
C5959-67044	Input paper path pulley (SVC-ASSY-PULLEY CLUSTER 38T-20T)	Input paper path parts list (for Figure 6-15) on page 509

Table 6-41 Numerical parts list (continued)

Part number	Description	Table and page
C5959-67044	Pulley cluster (SVC-ASSY-PULLEY CLUSTER 38T-20T)	Finisher Separator media path output parts list (for Figure 6-28) on page 540
C5959-67053	Upper front cover (SVC-ASSY-UPPER FRONT COVER)	Finisher front covers parts list (for Figure 6-1) on page 382
C5959-67054	Lower front cover (SVC ASSY-LOWER FRONT COVER)	Finisher front covers parts list (for Figure 6-1) on page 382
C5959-67055	Stapler 1 door (SVC ASSY-DOOR, STAPLER1)	Finisher front covers parts list (for Figure 6-1) on page 382
C5959-67056	Stapler 2 door (SVC ASSY-DOOR, STAPLER2)	Finisher front covers parts list (for Figure 6-1) on page 382
C5959-67057	Stapler 2 covers (SVC ASSY-STAPLER2 COVERS)	Finisher front covers parts list (for Figure 6-1) on page 382
C5959-67058	Drive roller (SVC ASSY-DRIVE ROLLER FINISHER DOOR 2)	Handle 1 (upper transport) parts list (for Figure 6-11) on page 499
C5959-67060	Separator elevator motor rear cover (SVC ASSY-COVER-REAR, ELEVATOR MOTOR)	Finisher Separator main assembly parts list (for Figure 6-26) on page 415
C5959-67061	Triple shifted drive roller (SVC ASSY-DRIVE ROLLER TRIPLE SHIFTED)	Right side panel assembly parts list (for Figure 6-10) on page 388
C5959-67061	Drive roller (SVC ASSY-DRIVE ROLLER TRIPLE SHIFTED)	Handle 1 (upper transport) parts list (for Figure 6-11) on page 499
C5959-67073	Finisher removal guide (SVC-GUIDE-FINISHER REMOVAL)	Finisher removal guide parts list (for Figure 6-3) on page 483
C5959-67078	Finisher Job Separator Stack Height sensor (SN267) (OPTO SENSOR ROHS)	Finisher Separator paper back weldment parts list (for Figure 6-30) on page 421
C5959-67080	Paper gate drive kit (SVC KIT-PAPER GATE)	Finisher Separator paper gate assembly parts list (for Figure 6-32) on page 422
C5959-67081	Paper gate actuation roller kit (SVC KIT-ROLLER GATE ACTUATION)	Finisher Separator paper gate assembly parts list (for Figure 6-32) on page 422
C5959-67083	Door link (SVC ASSY-LINK DOOR 2)	Handle 1 (upper transport) parts list (for Figure 6-11) on page 499
C5959-67085	Handle 3 (lower transport) handle (SVC KIT-HANDLE-DOOR 4 ACCESS)	Handle 3 (lower transport) parts list (for Figure 6-14) on page 394
C5959-67090	Cable (ASSY-CABLE, GROUND STRAP 85MM)	Handle 1 (upper transport) parts list (for Figure 6-11) on page 499

Table 6-41 Numerical parts list (continued)

Part number	Description	Table and page
C5959-67090	Cable (ASSY-CABLE, GROUND STRAP 85MM)	Handle 3 (lower transport) parts list (for Figure 6-14) on page 394
C5959-67090	Cable (ASSY-CABLE, GROUND STRAP 85MM)	Input paper path parts list (for Figure 6-15) on page 509
C5959-67091	Hinge pin (SVC-PIN-HINGE)	Handle 3 (lower transport) parts list (for Figure 6-14) on page 394
C5959-67092	Output tray (SVC-TRAY-OUTPUT, JS)	Finisher Separator main assembly parts list (for Figure 6-26) on page 415
C5959-67093	Handle 3 (lower transport) support rear cover (SVC-COVER-DOOR 4 SUPPORT)	Handle 3 (lower transport) parts list (for Figure 6-14) on page 394
C5959-67094	Handle 3 (lower transport) support front cover (SVC-COVER-DOOR 4 SUPPORT FRONT)	Handle 3 (lower transport) parts list (for Figure 6-14) on page 394
C5959-67095	Tray edge strip (SVC-STRIP-TRAY, LEADING EDGE)	Finisher Separator main assembly parts list (for Figure 6-26) on page 415
C5959-67097	Handle 1 assembly (SVC ASSY-DOOR 2)	Handle 1 (upper transport) parts list (for Figure 6-11) on page 499
C5959-67098	Handle 3 (lower transport) assy (SVC ASSY-DOOR 4)	Handle 3 (lower transport) parts list (for Figure 6-14) on page 394
C5959-67099	Handle 3 (lower transport) and support assy (SVC ASSY-SUPPORT DOOR 4)	Handle 3 (lower transport) parts list (for Figure 6-14) on page 394
C5959-67102	Stapler motor assembly (SVC-MOTOR, STAPLER, DC MOUNTED)	Stapler 1 parts list (for Figure 6-36) on page 558
C5959-67102	Stapler 2 motor (SVC-MOTOR, STAPLER, DC MOUNTED)	Stapler 2 parts list (for Figure 6-37) on page 560
C5959-67103	SW283 and SW284 (SVC-SWITCH, CHERRY, F81AB110)	Stapler 2 parts list (for Figure 6-37) on page 560
C5959-67104	Accumulator assembly (SVC-ACCUMULATOR)	Accumulator covers parts list (for Figure 6-16) on page 400
C5959-67105	Accumulator Offset 1 motor (M244)/Accumulator Offset 2 motor (M245) (SVC-STEPPER MOTOR)	Accumulator support CPL assembly parts list (for Figure 6-25) on page 532
C5959-67106	PCA (SVC-PCA, S2)	Stapler 2 parts list (for Figure 6-37) on page 560
C5959-67107	Job Support PCA (A253) (SVC-PCA, HELICAL GEAR, S1)	Finisher job support assembly parts list (for Figure 6-35) on page 555
C5959-67107	PCA (SVC-PCA, S1)	Stapler 1 parts list (for Figure 6-36) on page 558

Table 6-41 Numerical parts list (continued)

Part number	Description	Table and page
C5959-67108	Bearing bracket PCA (SVC-PCA, DISTRIB. BOARD BEARING BRACKET)	Accumulator bearing bracket assembly parts list (for Figure 6-21) on page 407
C5959-67109	Accumulator main distribution PCA (SVC-PCBA, DISTRIBUTION, ACCU, MAIN)	Accumulator support CPL assembly parts list (for Figure 6-25) on page 532
C5959-67110	Stapler 1 assembly (SVC-ASSY, STAPLER, 1)	Stapler 1 parts list (for Figure 6-36) on page 558
C5959-67111	Stapler 2 assembly (SVC-ASSY, STAPLER, 2)	Stapler 2 parts list (for Figure 6-37) on page 560
C5959-67112	Bearing bracket SVC-BEARING, BRACKET, CPL)	Accumulator bearing bracket assembly parts list (for Figure 6-21) on page 407
C5959-67114	Fixing sheet (SVC-SHEET, FIXING, CPL)	Accumulator bearing bracket assembly parts list (for Figure 6-21) on page 407
C5959-67115	Bearing Bracket motor (M242) (SVC-MOTOR, ASSY, STEPPER)	Accumulator front assembly parts list (for Figure 6-18) on page 518
C5959-67116	Guide Bar motor (M243) (SVC-MOTOR, ASSY, STEPPER)	Accumulator front assembly parts list (for Figure 6-18) on page 518
C5959-67121	Stepper motor (M240, M241) (SVC-MOTOR, ASSY, STEPPER)	Accumulator rear-side assembly parts list (for Figure 6-23) on page 528
C5959-67122	Distance plate (SVC-PLATE, DISTANCE, CPL)	Accumulator shafts parts list (for Figure 6-17) on page 516
C5959-67123	Bearing bracket cam shaft (SVC-SHAFT, CAM, BEARING, BRACKET, CPL)	Accumulator shafts parts list (for Figure 6-17) on page 516
C5959-67124	Entry shaft (SVC-SHAFT, ENTRY, CPL)	Accumulator shafts parts list (for Figure 6-17) on page 516
C5959-67125	Bar retainer assembly (SVC-BAR RETAINER CPL.)	Accumulator traverse assembly parts list (for Figure 6-19) on page 520
C5959-67125	Bar retainer assembly (SVC-BAR RETAINER CPL.)	Accumulator guide bar assembly parts list (for Figure 6-20) on page 406
C5959-67129	Long inside shaft (SVC-SHAFT, INSIDE, LONG, CPL)	Accumulator traverse assembly parts list (for Figure 6-19) on page 520
C5959-67130	Short inside shaft (SVC-SHAFT, INSIDE, SHORT, CPL)	Accumulator traverse assembly parts list (for Figure 6-19) on page 520
C5959-67131	Pressure shaft assembly (SVC-SHAFT, PRESSURE, CPL)	Accumulator traverse assembly parts list (for Figure 6-19) on page 520

Table 6-41 Numerical parts list (continued)

Part number	Description	Table and page
C5959-67132	Fixing (SVC-FIXING, CPL)	Accumulator front assembly parts list (for Figure 6-18) on page 518
C5959-67132	Fixing (SVC-FIXING, CPL)	Accumulator rear-side assembly parts list (for Figure 6-23) on page 528
C5959-67133	Ground angle assembly (GROUND ANGLE CPL)	Accumulator rear-side assembly parts list (for Figure 6-23) on page 528
C5959-67134	Exit shaft 2 (SVC-SHAFT, EXIT 2, CPL)	Accumulator shafts parts list (for Figure 6-17) on page 516
C5959-67135	Bearing mounting (SVC-BEARING, MOUNTING, CPL)	Accumulator paper guide and sensor holder assembly parts list (for Figure 6-22) on page 526
C5959-67136	Shaft (SVC-SHAFT, FIXING CPL)	Accumulator shafts parts list (for Figure 6-17) on page 516
C5959-67137	Holder, front (SVC-HOLDER, FRONT, CPL)	Accumulator support CPL assembly parts list (for Figure 6-25) on page 532
C5959-67138	Offsetter, front (SVC-OFFSETTER, FRONT, CPL)	Accumulator support CPL assembly parts list (for Figure 6-25) on page 532
C5959-67139	Offsetter, rear (SVC-OFFSETTER, REAR, CPL)	Accumulator support CPL assembly parts list (for Figure 6-25) on page 532
C5959-67140	Shaft (SVC-SHAFT, CAM, SUPPORT, CPL)	Accumulator support CPL assembly parts list (for Figure 6-25) on page 532
C5959-67141	Rear side cover (COVER, SIDE, REAR)	Accumulator rear-side assembly parts list (for Figure 6-23) on page 528
C5959-67142	Fan (SVC-FAN)	Accumulator rear-side assembly parts list (for Figure 6-23) on page 528
C5959-67143	Bar retainer PCA (SVC-PCBA, DISTRIBUTION BOARD RETAINER)	Accumulator guide bar assembly parts list (for Figure 6-20) on page 406
C5959-67145	Sensor (SN243, SN244, SN245) (SVC-PHOTOINTERRUPTER WITH CONNECTOR)	Accumulator guide bar assembly parts list (for Figure 6-20) on page 406
C5959-67145	Sensor (SN240, SN241, SN242) (SVC-PHOTOINTERRUPTER WITH CONNECTOR)	Accumulator bearing bracket assembly parts list (for Figure 6-21) on page 407
C5959-67145	Finisher Stack Holder sensor (SN252) (SVC-PHOTOINTERRUPTER WITH CONNECTOR)	Finisher stack holder assembly parts list (for Figure 6-33) on page 424

Table 6-41 Numerical parts list (continued)

Part number	Description	Table and page
C5959-67145	Finisher Lower Elevator Move sensor (SN250) (SVC-PHOTOINTERRUPTER WITH CONNECTOR)	Bin 5 assembly parts list (for Figure 6-34) on page 553
C5959-67148	Bushing (SVC-BUSHING)	Accumulator front assembly parts list (for Figure 6-18) on page 518
C5959-67148	Bushing (SVC-BUSHING)	Accumulator rear inside CPL assembly parts list (for Figure 6-24) on page 412
C5959-67150	Support lever axle (SVC-AXLE, LEVER, SUPPORT)	Accumulator support CPL assembly parts list (for Figure 6-25) on page 532
C5959-67151	Axle holder (SVC-AXLE, HOLDER)	Accumulator support CPL assembly parts list (for Figure 6-25) on page 532
C5959-67152	Shaft (SVC-SHAFT, OFFSETTER)	Accumulator support CPL assembly parts list (for Figure 6-25) on page 532
C5959-67153	Distance axle (SVC-AXLE, DISTANCE)	Accumulator shafts parts list (for Figure 6-17) on page 516
C5959-67154	Tension roller (SVC-ROLLER, TENSION)	Accumulator bearing bracket assembly parts list (for Figure 6-21) on page 407
C5959-67155	Grounding plate (SVC-GROUNDING PLATE)	Accumulator front assembly parts list (for Figure 6-18) on page 518
C5959-67157	Snap-cap (SVC-SNAP-CAP)	Accumulator front assembly parts list (for Figure 6-18) on page 518
C5959-67157	Snap cap	Accumulator bearing bracket assembly parts list (for Figure 6-21) on page 407
C5959-67157	SNAP CAP	Accumulator rear inside CPL assembly parts list (for Figure 6-24) on page 412
C5959-67158	Holder (SVC-HOLDER)	Accumulator support CPL assembly parts list (for Figure 6-25) on page 532
C5959-67159	Bearing (SVC-BEARING)	Accumulator shafts parts list (for Figure 6-17) on page 516
C5959-67159	Bearing (SVC-BEARING)	Accumulator bearing bracket assembly parts list (for Figure 6-21) on page 407
C5959-67159	BEARING	Accumulator support CPL assembly parts list (for Figure 6-25) on page 532
C5959-67160	Stud (SVC-STUD)	Finisher stack holder assembly parts list (for Figure 6-33) on page 424

Table 6-41 Numerical parts list (continued)

Part number	Description	Table and page
C5959-67162	Holder (SVC-HOLDING, DOWN)	Accumulator guide bar assembly parts list (for Figure 6-20) on page 406
C5959-67164	Sensor lever (SVC-LEVER, SENSOR, RETAINER)	Accumulator guide bar assembly parts list (for Figure 6-20) on page 406
C5959-67165	Inside shaft cover (SVC-COVER SHAFT INSIDE)	Accumulator traverse assembly parts list (for Figure 6-19) on page 520
C5959-67166	Sensor flag (SVC-WASHER, SENSOR)	Accumulator traverse assembly parts list (for Figure 6-19) on page 520
C5959-67168	Align wall (SVC-ALIGNWALL)	Accumulator support CPL assembly parts list (for Figure 6-25) on page 532
C5959-67169	Support lever (SVC-LEVER, SUPPORT)	Accumulator support CPL assembly parts list (for Figure 6-25) on page 532
C5959-67170	Rear suspension cap (SVC-SUSPENSION, CAP, REAR)	Accumulator paper guide and sensor holder assembly parts list (for Figure 6-22) on page 526
C5959-67171	Front suspension cap (SVC-SUSPENSION, CAP, FRONT)	Accumulator paper guide and sensor holder assembly parts list (for Figure 6-22) on page 526
C5959-67172	SVC-SPRING, BEARING	Accumulator traverse assembly parts list (for Figure 6-19) on page 520
C5959-67173	Lever (SVC-LEVER, SENSOR, JOB, HIGH)	Accumulator bearing bracket assembly parts list (for Figure 6-21) on page 407
C5959-67174	Lever pressure (SVC-LEVER, PRESSURE)	Accumulator bearing bracket assembly parts list (for Figure 6-21) on page 407
C5959-67175	Paper switch lever (SVC-LEVER, PAPER SWITCH)	Accumulator shafts parts list (for Figure 6-17) on page 516
C5959-67176	Lever tension (SVC-LEVER, TENSION)	Accumulator bearing bracket assembly parts list (for Figure 6-21) on page 407
C5959-67178	Sidewall holder (SVC-HOLDER, SIDEWALL)	Accumulator front assembly parts list (for Figure 6-18) on page 518
C5959-67178	Sidewall holder (SVC-HOLDER, SIDEWALL)	Accumulator rear inside CPL assembly parts list (for Figure 6-24) on page 412
C5959-67179	Right lever connection (SVC-LEVER, CONNECTION, RIGHT)	Accumulator shafts parts list (for Figure 6-17) on page 516

Table 6-41 Numerical parts list (continued)

Part number	Description	Table and page
C5959-67180	Left lever connection (SVC-LEVER, CONNECTION, LEFT)	Accumulator shafts parts list (for Figure 6-17) on page 516
C5959-67181	Lower-middle cover (SVC-COVER, MIDDLE, BOTTOM)	Finisher stack holder assembly parts list (for Figure 6-33) on page 424
C5959-67183	Bracket, support	Finisher stack holder assembly parts list (for Figure 6-33) on page 424
C5959-67184	Premounted support lever (SVC-LEVER, SPRING.SUPPORT, PERMOUNTED)	Finisher stack holder assembly parts list (for Figure 6-33) on page 424
C5959-67185	Motor support (SVC-MOTORSUPPORT, RIVETED)	Finisher stack holder assembly parts list (for Figure 6-33) on page 424
C5959-67186	Shaft entry bearing (SVC-BEARING SHAFT ENTRY)	Accumulator rear inside CPL assembly parts list (for Figure 6-24) on page 412
C5959-67187	Rear paper guide (SVC-GUIDE, PAPER, REAR)	Finisher stack holder assembly parts list (for Figure 6-33) on page 424
C5959-67188	Front paper guide (SVC-GUIDE, PAPER, FRONT)	Finisher stack holder assembly parts list (for Figure 6-33) on page 424
C5959-67189	Rear cover (SVC-COVER, REAR)	Accumulator rear-side assembly parts list (for Figure 6-23) on page 528
C5959-67193	Rear paper switch lever (SVC-LEVER, PRESSURE, PAPER, SWITCH, REAR)	Accumulator shafts parts list (for Figure 6-17) on page 516
C5959-67194	Front paper switch lever (SVC-LEVER, PRESSURE, PAPER, SWITCH, FRNT)	Accumulator shafts parts list (for Figure 6-17) on page 516
C5959-67195	CLAMP, CABLE	Finisher stack holder assembly parts list (for Figure 6-33) on page 424
C5959-67196	Bearing gearwheel bracket (SVC-BRACKET, BEARING, GEARWHEEL)	Accumulator paper guide and sensor holder assembly parts list (for Figure 6-22) on page 526
C5959-67197	Paper guide cover (SVC-PAPER, GUIDE, MIDDLE, COVER)	Finisher stack holder assembly parts list (for Figure 6-33) on page 424
C5959-67198	Rear paper guide cover (SVC-PAPER, GUIDE, MIDDLE, COVER, REAR)	Finisher stack holder assembly parts list (for Figure 6-33) on page 424
C5959-67199	Front paper guide cover (SVC-PAPER, GUIDE, MIDDLE, COVER, FRONT)	Finisher stack holder assembly parts list (for Figure 6-33) on page 424

Table 6-41 Numerical parts list (continued)

Part number	Description	Table and page
C5959-67200	Stack holder assembly cover (SVC-COVER, STACKHOLDER)	Finisher stack holder assembly parts list (for Figure 6-33) on page 424
C5959-67201	Gear rack (SVC-GEAR, RACK)	Finisher stack holder assembly parts list (for Figure 6-33) on page 424
C5959-67202	Stack holder support rod (SVC-ROD, SUPPORT, CONTROL)	Finisher stack holder assembly parts list (for Figure 6-33) on page 424
C5959-67203	Stack holder support (SVC-SUPPORT)	Finisher stack holder assembly parts list (for Figure 6-33) on page 424
C5959-67204	Sensor holder (SVC-HOLDER, SENSOR)	Finisher stack holder assembly parts list (for Figure 6-33) on page 424
C5959-67205	Slider assembly (SVC-SLIDER, CPL)	Finisher stack holder assembly parts list (for Figure 6-33) on page 424
C5959-67206	Gearwheel T9/25 (SVC-GEARWHEEL, DOUBLE T9, 25)	Accumulator support CPL assembly parts list (for Figure 6-25) on page 532
C5959-67207	Gearwheel T25 (SVC-GEARWHEEL, T25)	Accumulator support CPL assembly parts list (for Figure 6-25) on page 532
C5959-67208	Gearwheel T38 (SVC-GEARWHEEL, T38X0.8)	Accumulator shafts parts list (for Figure 6-17) on page 516
C5959-67209	Gearwheel T38 (SVC-GEARWHEEL, T38X0.8)	Accumulator shafts parts list (for Figure 6-17) on page 516
C5959-67210	Gear (SVC-GEARWHEEL, T19)	Accumulator rear inside CPL assembly parts list (for Figure 6-24) on page 412
C5959-67212	Gearwheel T9 (SVC-GEARWHEEL, T9)	Accumulator support CPL assembly parts list (for Figure 6-25) on page 532
C5959-67213	Gear (SVC-GEARWHEEL, T27)	Accumulator rear inside CPL assembly parts list (for Figure 6-24) on page 412
C5959-67214	Beltwheel T25 (SVC-BELTWHEEL, SYNCHRONOUS T25)	Accumulator bearing bracket assembly parts list (for Figure 6-21) on page 407
C5959-67215	Beltwheel T27 (SVC-BELTWHEEL, SYNCHRONOUS, T27)	Accumulator rear-side assembly parts list (for Figure 6-23) on page 528
C5959-67215	BELTWHEEL, SYNCHRONOUS, T27	Accumulator rear-side assembly parts list (for Figure 6-23) on page 528

Table 6-41 Numerical parts list (continued)

Part number	Description	Table and page
C5959-67216	BELTWHEEL, SYNCHRONOUS DOUBLE, T27	Accumulator rear-side assembly parts list (for Figure 6-23) on page 528
C5959-67217	Gearwheel T14 (SVC-GEARWHEEL, T14X1)	Accumulator traverse assembly parts list (for Figure 6-19) on page 520
C5959-67218	Gearwheel T20 (SVC-GEARWHEEL, T20X1)	Accumulator shafts parts list (for Figure 6-17) on page 516
C5959-67219	Gearwheel T38 (SVC-GEARWHEEL, T38)	Accumulator traverse assembly parts list (for Figure 6-19) on page 520
C5959-67220	BELTWHEEL, SYNCHRONOUS, SPC, T27/16x0.8	Accumulator shafts parts list (for Figure 6-17) on page 516
C5959-67221	BELTWHEEL, SYNCHRONOUS, T24	Accumulator shafts parts list (for Figure 6-17) on page 516
C5959-67224	Gear (SVC-GEARWHEEL, T41X0.8)	Accumulator rear inside CPL assembly parts list (for Figure 6-24) on page 412
C5959-67225	Belt (SVC-BELT, SYNCHRONOUS Z 107)	Accumulator bearing bracket assembly parts list (for Figure 6-21) on page 407
C5959-67226	Belt (SVC-BELT, SYNCHRONOUS, T119)	Accumulator rear-side assembly parts list (for Figure 6-23) on page 528
C5959-67227	Belt (SVC-BELT, SYNCHRONOUS, T82)	Accumulator rear-side assembly parts list (for Figure 6-23) on page 528
C5959-67228	BELT, SYNCHRONOUS, T82	Accumulator shafts parts list (for Figure 6-17) on page 516
C5959-67231	Cable (SVC-CABLE, GRNDNG RETAINER FINGER SHAFT)	Accumulator guide bar assembly parts list (for Figure 6-20) on page 406
C5959-67232	CABLE, GROUND	Accumulator support CPL assembly parts list (for Figure 6-25) on page 532
C5959-67236	Bearing (SVC-BEARING, BALL, GROOVED)	Accumulator rear inside CPL assembly parts list (for Figure 6-24) on page 412
C5959-67238	BEARING, BALL, GROOVED, 2X6X2.3	Accumulator bearing bracket assembly parts list (for Figure 6-21) on page 407
C5959-67239	Stack holder motor (M252) (SVC-STEPPER MOTOR CPL)	Finisher stack holder assembly parts list (for Figure 6-33) on page 424
C5959-67240	SENSOR BOARD PREMOUNTED (SN257/SN258)	Finisher stack holder assembly parts list (for Figure 6-33) on page 424

Table 6-41 Numerical parts list (continued)

Part number	Description	Table and page
C5959-67241	Lower-middle cover assembly (SVC-COVER, MIDDLE, BOTTOM, CPL)	Finisher stack holder assembly parts list (for Figure 6-33) on page 424
C5959-67243	Front latch (SVC-LATCH ARM FRONT)	Finisher latch assemblies parts list (for Figure 6-8) on page 386
C5959-67244	Rear latch (SVC-LATCH ARM REAR)	Finisher latch assemblies parts list (for Figure 6-8) on page 386
C5959-67245	Latch hinge (SVC-BRACKET-LATCH HINGE)	Finisher latch assemblies parts list (for Figure 6-8) on page 386
C5959-67248	Latch top lever (SVC-LEVER-TOP LATCH)	Finisher latch assemblies parts list (for Figure 6-8) on page 386
C5959-67249	Bias spring and clamp (SVC KIT-SPRING-BIAS)	Bias spring and clamp parts list (for Figure 6-6) on page 385
C5959-67253	Lightpipe (SVC-LIGHTPIPE-DOOR 3). Not shown in diagram.	Handle 2 (upper transport) parts list (for Figure 6-13) on page 392
C5959-67254	Handle 1 structure assembly (SVC ASSY-DOOR 2 STRUCTURE)	Handle 1 (upper transport) parts list (for Figure 6-12) on page 501
C5959-67255	Job support assembly (M253/EN253) (SVC ASSY-JOB, SUPPORT)	Finisher job support assembly parts list (for Figure 6-35) on page 555
C5959-67256	Tensioner (SVC ASSY-TENSIONER, FINISHER, CCW)	Input paper path parts list (for Figure 6-15) on page 509
C5959-67256	Tensioner (SVC ASSY-TENSIONER, FINISHER, CCW)	Finisher Separator media path output parts list (for Figure 6-28) on page 540
C5959-67257	Exit lever (SVC ASSY-LEVER, EXIT)	Accumulator bearing bracket assembly parts list (for Figure 6-21) on page 407
C5959-67258	Gear (SVC ASSY-GEARWHEEL)	Accumulator bearing bracket assembly parts list (for Figure 6-21) on page 407
C5959-67259	Pressure lever (SVC ASSY-PRESSURE LEVER,RETAINER BAR)	Accumulator guide bar assembly parts list (for Figure 6-20) on page 406
C5959-67259	Pressure lever (SVC ASSY-PRESSURE LEVER,RETAINER BAR)	Accumulator bearing bracket assembly parts list (for Figure 6-21) on page 407
C5959-67260	Corrugated roller assembly (SVC ASSY-CORRUGATED ROLLER)	Accumulator shafts parts list (for Figure 6-17) on page 516

Table 6-41 Numerical parts list (continued)

Part number	Description	Table and page
C5959-67262	Reinforcing plate (SVC-COVER FRONT REINFORCING PLATE)	Accumulator front assembly parts list (for Figure 6-18) on page 518
C5959-67263	Belt (SVC-BELT-DRIVE, 70T, GT2, 2X4)	Handle 1 (upper transport) parts list (for Figure 6-11) on page 499
C5959-67264	Belt (SVC-BELT-DRIVE, 80T, GT2, 2X4)	Input paper path parts list (for Figure 6-15) on page 509
C5959-67264	Belt (SVC-BELT-DRIVE, 80T, GT2, 2X4)	Finisher Separator media path output parts list (for Figure 6-28) on page 540
C5959-67265	Latch hook (SVC-LATCH HOOK)	Right side panel assembly parts list (for Figure 6-10) on page 388
C5959-67266	PCA cover (SVC-COVER-PCA)	Finisher Main PCA (A200) parts list (for Figure 6-9) on page 387
C5959-67267	Latch sensor bracket (SVC-BRACKET-ENGINE LATCH SENSOR)	Finisher latch assemblies parts list (for Figure 6-8) on page 386
C5959-67268	Back cover (SVC-COVER-BACK DOOR 2)	Handle 1 (upper transport) parts list (for Figure 6-11) on page 499
C5959-67270	Diverter spring (SVC-SPRING-DIVERTER RETURN)	Handle 1 (upper transport) parts list (for Figure 6-11) on page 499
C5959-67271	Latch spring (SVC-SPRING-SIDE ACCESS LATCH)	Right side panel assembly parts list (for Figure 6-10) on page 388
C5959-67271	Spring (SPRING-SIDE ACCESS LATCH)	Handle 3 (lower transport) parts list (for Figure 6-14) on page 394
C5959-67272	Spring (SVC-SPRING-SAFETY SWITCH, JOB SEPARATOR)	Finisher Separator safety switches parts list (for Figure 6-31) on page 546
C5959-67273	Right side panel handle (SVC-HANDLE-SIDE ACCESS)	Right side panel assembly parts list (for Figure 6-10) on page 388
C5959-67275	Output tray bracket (SVC-BRACKET-OUTPUT TRAY, 4-UP)	Finisher Separator main assembly parts list (for Figure 6-26) on page 415
C5959-67276	105T drive belt (SVC-BELT-DRIVE, 105T, GT2, 2X4)	Handle 3 (lower transport) parts list (for Figure 6-14) on page 394
C5959-67277	Transmission cover (SVC-COVER-DOOR2 TRANSMISSION)	Handle 1 (upper transport) parts list (for Figure 6-11) on page 499

Table 6-41 Numerical parts list (continued)

Part number	Description	Table and page
C5959-67278	125T drive belt (SVC-BELT-DRIVE, 125T, GT2, 2X4)	Handle 3 (lower transport) parts list (for Figure 6-14) on page 394
C5959-67279	Accumulator lower cover (SVC-COVER-ACCU LOWER)	Accumulator covers parts list (for Figure 6-16) on page 400
C5959-67280	126T drive belt (SVC-BELT-DRIVE, 126T,GT2, 2X4)	Right side panel assembly parts list (for Figure 6-10) on page 388
C5959-67281	Belt (SVC-BELT-DRIVE, 141T, GT2, 2X4)	Handle 1 (upper transport) parts list (for Figure 6-11) on page 499
C5959-67286	Lower latch lever (SVC ASSY-LOWER LATCH LEVER)	Finisher latch assemblies parts list (for Figure 6-8) on page 386
C5959-67287	Handle 2 (upper transport) rocker (SVC KIT-ROCKER ARM-DOOR 3)	Input paper path parts list (for Figure 6-15) on page 509
C5959-67288	Hinge bracket cover (SVC-COVER-HINGE BRACKET)	Finisher inner covers parts list (for Figure 6-5) on page 487
C5959-67290	Rear structure frame cover (SVC-ASSY-COVER REAR FRAME)	Finisher inner covers parts list (for Figure 6-5) on page 487
C5959-67291	Front structure frame cover (SVC-ASSY-COVER FRONT FRAME)	Finisher inner covers parts list (for Figure 6-5) on page 487
C5959-67293	Jam access (SVC ASSY-JAM ACCESS HANDLE, ACCUMULATOR)	Accumulator rear-side assembly parts list (for Figure 6-23) on page 528
C5959-67296	Safety switch PCA SW261 (SVC-PCA-JS SAFETY A)	Finisher Separator safety switches parts list (for Figure 6-31) on page 546
C5959-67297	Safety switch PCA SW264 (SVC-PCA-JS SAFETY B)	Finisher Separator safety switches parts list (for Figure 6-31) on page 546
C5959-67298	Top door (SVC ASSY-TOP DOOR)	Finisher top covers parts list (for Figure 6-4) on page 485
C5959-67300	SVC KIT-SLIDERAIL AND BRACKETS	Finisher Separator paper back weldment parts list (for Figure 6-30) on page 421
C5959-67302	Stapler 2 extension (SVC-EXTENSION-PLATFORM, STAPLER 2)	Stapler 2 parts list (for Figure 6-37) on page 560
C5959-67303	Tire (SVC-TIRE,CAPTURE)	Finisher Separator main assembly parts list (for Figure 6-26) on page 415
C5959-67306	Latch spring (SVC-SPRING-ENGINE LATCH)	Finisher latch assemblies parts list (for Figure 6-8) on page 386
C5959-67307	Grounding plate (SVC-GROUNDING PLATE)	Accumulator front assembly parts list (for Figure 6-18) on page 518

Table 6-41 Numerical parts list (continued)

Part number	Description	Table and page
C5959-67307	Grounding plate (SVC-GROUNDING PLATE)	Accumulator support CPL assembly parts list (for Figure 6-25) on page 532
C5959-67308	Bearing (SVC-BEARING)	Accumulator shafts parts list (for Figure 6-17) on page 516
C5959-67308	Bearing (SVC-BEARING)	Accumulator support CPL assembly parts list (for Figure 6-25) on page 532
C5959-67309	Gearwheel T29	Accumulator shafts parts list (for Figure 6-17) on page 516
C5959-67310	Screw (SVC KIT-SCREWS, FINISHER)	Accumulator shafts parts list (for Figure 6-17) on page 516
C5959-67310	SCREW, PT, EJ-WIN 1452- K20X6, ZN	Accumulator guide bar assembly parts list (for Figure 6-20) on page 406
C5959-67310	SCREW, BUTTON HEAD, TORX, M3X4-8.8, ZN	Finisher stack holder assembly parts list (for Figure 6-33) on page 424
C5959-67310	Screw (SCREW, M3X6, TORX 10 SCREW WITH STAR WASHER) Not shown on diagram.	Finisher stack holder assembly parts list (for Figure 6-33) on page 424
C5959-67310	Screw (SVC KIT-SCREWS, FINISHER, PAN HEAD, SPECIAL, M3X10, ZN)	Finisher job support assembly parts list (for Figure 6-35) on page 555
C5959-67311	Clips (SVC KIT-CLIPS, FINISHER)	Accumulator shafts parts list (for Figure 6-17) on page 516
C5959-67311	Washer, E-CLIP DIN 6799 - 3.2, ZN (SVC KIT-CLIPS, FINISHER)	Accumulator front assembly parts list (for Figure 6-18) on page 518
C5959-67311	Washer E-CLIP 4.0, ZN (SVC KIT-CLIPS,FINISHER)	Accumulator traverse assembly parts list (for Figure 6-19) on page 520
C5959-67311	Washer E-CLIP 6.0, ZN (SVC KIT-CLIPS,FINISHER)	Accumulator traverse assembly parts list (for Figure 6-19) on page 520
C5959-67311	Washer E-CLIP 5.0 (SVC KIT-CLIPS, FINISHER)	Accumulator bearing bracket assembly parts list (for Figure 6-21) on page 407
C5959-67311	WASHER, E-CLIP, DIN 6799-3.2, ZN	Accumulator rear-side assembly parts list (for Figure 6-23) on page 528
C5959-67311	Clip (SVC KIT-CLIPS, FINISHER)	Accumulator support CPL assembly parts list (for Figure 6-25) on page 532
C5959-67311	Clip (SVC KIT-CLIPS, FINISHER, assortment)	Finisher stack holder assembly parts list (for Figure 6-33) on page 424

Table 6-41 Numerical parts list (continued)

Part number	Description	Table and page
C5959-67311	Clip (SVC KIT-CLIPS, FINISHER, WASHER, E-CLIP, DIN 6799-4.0, ZN)	Bin 5 assembly parts list (for Figure 6-34) on page 553
C5959-67311	WASHER, E-CLIP, DIN 6799-3.2, ZN	Finisher job support assembly parts list (for Figure 6-35) on page 555
C5959-67312	Spring (SVC KIT-SPRINGS, FINISHER)	Accumulator shafts parts list (for Figure 6-17) on page 516
C5959-67312	Tension spring (SVC KIT-SPRINGS, FINISHER)	Accumulator traverse assembly parts list (for Figure 6-19) on page 520
C5959-67312	Compression spring (SVC KIT-SPRINGS, FINISHER)	Accumulator traverse assembly parts list (for Figure 6-19) on page 520
C5959-67312	SCREW, PT, SPECIAL - K29X11.35, ZN	Accumulator traverse assembly parts list (for Figure 6-19) on page 520
C5959-67312	Spring (SVC KIT-SPRINGS, FINISHER)	Accumulator guide bar assembly parts list (for Figure 6-20) on page 406
C5959-67312	Spring (SVC KIT-SPRINGS, FINISHER)	Accumulator bearing bracket assembly parts list (for Figure 6-21) on page 407
C5959-67312	SPRING, TENSION	Accumulator support CPL assembly parts list (for Figure 6-25) on page 532
C5959-67313	ESD brush bracket (SVC-BRACKET-BRUSH, ESD)	Finisher Separator media path output parts list (for Figure 6-28) on page 540
C5959-67313	ESD brush (SVC-ESD BRUSH)	Finisher Separator media path output parts list (for Figure 6-28) on page 540
C5959-67316	Latch bracket (SVC KIT-ENGINE LATCH BRACKET)	Finisher latch assemblies parts list (for Figure 6-8) on page 386
C5959-67318	ASSY-BRACKET CAPTURE	Finisher Separator main assembly parts list (for Figure 6-26) on page 415
C5959-67324	SCREW, PT, SPECIAL - K29X11.35, ZN	Accumulator front assembly parts list (for Figure 6-18) on page 518
C5959-67324	SCREW, PT, SPECIAL - K29X11.35, ZN	Accumulator guide bar assembly parts list (for Figure 6-20) on page 406
C5959-67324	SCREW, PT, SPECIAL - K29X11.35, ZN	Accumulator bearing bracket assembly parts list (for Figure 6-21) on page 407

Table 6-41 Numerical parts list (continued)

Part number	Description	Table and page
C5959-67324	SCREW, PT, SPECIAL-K29X11.35, ZN	Accumulator rear-side assembly parts list (for Figure 6-23) on page 528
C5959-67324	SCREW, PT, SPECIAL-K29X11.35, ZN	Accumulator support CPL assembly parts list (for Figure 6-25) on page 532
C5959-67325	Handle 1 hinge (SVC ASSY-HINGE, DOOR 2 STRUCTURE)	Handle 1 (upper transport) parts list (for Figure 6-12) on page 501
C5959-67326	Handle 1 assembly cover (SVC-COVER DOOR 2)	Handle 1 (upper transport) parts list (for Figure 6-12) on page 501
C5959-67327	Bolt bearing (SVC-BOLT BEARING, ACCUM, MOVEABLE)	Accumulator shafts parts list (for Figure 6-17) on page 516
C5959-67329	Rear service cover (SVC-COVER-SERVICE REAR)	Finisher rear covers parts list (for Figure 6-2) on page 481
C5959-67330	Drive shaft cover (SVC ASSY-COVER, DRIVE SHAFT)	Finisher Separator main assembly parts list (for Figure 6-26) on page 415
C5959-67331	STABILIZER-PAPER GATE	Finisher Separator paper gate assembly parts list (for Figure 6-32) on page 422
C5959-67332	FINISHER MISC HW	Finisher Separator offset assembly parts list (for Figure 6-27) on page 538
C5959-67333	Top door hinge (SVC ASSY-HINGE, DOOR 1.5)	Finisher top covers parts list (for Figure 6-4) on page 485
C5959-67334	Upper rear cover (SVC-COVER-UPPER REAR)	Finisher rear covers parts list (for Figure 6-2) on page 481
C5959-67338 (Multifunction Finisher), C5964-67021(4-Bin Job Separator)	Job separator stack height PCA (A267): (SVC-PCA-JS STACK HEIGHT) for the Multifunction Finisher, (SVC-ASSY-PCA, 4-BIN JOB SEPARATOR) for the 4-Bin Job Separator	Finisher Separator paper back weldment parts list (for Figure 6-30) on page 421
C5959-67339	Separator elevator motor front cover (SVC ASSY-COVER, ELEVATOR MOTOR)	Finisher Separator main assembly parts list (for Figure 6-26) on page 415
C5959-67340	Paper gate picket kit (SVC KIT-PICKET, GATE PAPER)	Finisher Separator paper gate assembly parts list (for Figure 6-32) on page 422
C5959-67343	Finisher Lower Elevator Bottom switch (SW251) (SVC-SWITCH OVERLOAD CPL)	Bin 5 assembly parts list (for Figure 6-34) on page 553
C5959-67344	Finisher Lower Elevator motor (M250) (SVC-VALEO DC MOTOR 36V CPL.)	Bin 5 assembly parts list (for Figure 6-34) on page 553
C5959-67345	Bin 5 encoder kit (SVC KIT-BOTTOM TRAY ENCODER UNIT)	Bin 5 assembly parts list (for Figure 6-34) on page 553
C5959-67345	ENCODER SLEEVE (SVC KIT-BOTTOM TRAY ENCODER UNIT)	Bin 5 assembly parts list (for Figure 6-34) on page 553

Table 6-41 Numerical parts list (continued)

Part number	Description	Table and page
C5959-67346	65T drive belt (SVC-BELT-DRIVE 65T,GT2,2X4)	Handle 3 (lower transport) parts list (for Figure 6-14) on page 394
C5959-67347	Handle 3 (lower transport) cover (SVC ASSY-COVER DOOR 4)	Handle 3 (lower transport) parts list (for Figure 6-14) on page 394
C5959-67350	Door strap (SVC-STRAP-STEEL-CABLE)	Right side panel assembly parts list (for Figure 6-10) on page 388
C5959-67350	Door strap (SVC-STRAP-STEEL-CABLE)	Input paper path parts list (for Figure 6-15) on page 509
C5959-67351	Bin 5 assembly (SVC ASSY-KIT-BIN 5 PACKAGING)	Bin 5 assembly parts list (for Figure 6-34) on page 553
C5959-67352	Lower rear cover (SVC-COVER-LOWER REAR)	Finisher rear covers parts list (for Figure 6-2) on page 481
C5959-67357	Diverter (SVC-ASSY-DIVERTER FINISHER)	Handle 1 (upper transport) parts list (for Figure 6-11) on page 499
C5959-67360	Elevator rail (SVC KIT-SLIDERAIL AND BRACKETS with finisher tag 2)	Finisher Separator main assembly parts list (for Figure 6-26) on page 415
C5959-67361	Paper switch cam (SVC-CAM, LEVER, PAPER, SWITCH)	Accumulator shafts parts list (for Figure 6-17) on page 516
C5959-67362	Gearwheel T21 (SVC-GEARWHEEL, T21X0.8)	Accumulator shafts parts list (for Figure 6-17) on page 516
C5959-67362	Gearwheel T21 (SVC-GEARWHEEL, T21X0.8)	Accumulator front assembly parts list (for Figure 6-18) on page 518
C5959-67365	Shaft (SVC-SHAFT EXIT 1 CPL)	Accumulator bearing bracket assembly parts list (for Figure 6-21) on page 407
C5959-67366	Handle axle (SVC-AXLE, HANDLE)	Accumulator shafts parts list (for Figure 6-17) on page 516
C5959-67367	ESD brush (SVC-ESD BRUSH)	Accumulator bearing bracket assembly parts list (for Figure 6-21) on page 407
C5959-67368	Safety switch cover (SVC-COVER-SAFETY SWITCH, DRIVE SHAFT)	Finisher Separator safety switches parts list (for Figure 6-31) on page 546
C5959-67372	Alignment shaft (SVC-SHAFT-ALIGNMENT)	Handle 1 (upper transport) parts list (for Figure 6-11) on page 499
C5959-67375	Pin guide (PIN-GUIDE FINISHER REMOVAL)	Finisher removal guide parts list (for Figure 6-3) on page 483
C5959-67376	Finisher input paper path assembly (PP FRAME)	Input paper path parts list (for Figure 6-15) on page 509

Table 6-41 Numerical parts list (continued)

Part number	Description	Table and page
C5959-67377	Right side panel assembly (SVC-ACCESS DOOR RIGHT)	Right side panel assembly parts list (for Figure 6-10) on page 388
C5959-67377	Right side panel assembly (SVC-ACCESS DOOR RIGHT)	Input paper path parts list (for Figure 6-15) on page 509
C5959-67380	Gear (SVC KIT-HELICAL GEAR, CONNECTING LEVER)	Stapler 1 parts list (for Figure 6-36) on page 558
C5959-67380	Gear (SVC KIT-HELICAL GEAR, CONNECTING LEVER) Not shown in diagram. (See Stapler 1 illustration.)	Stapler 2 parts list (for Figure 6-37) on page 560
C5959-67381	Cables (SVC KIT-CABLE, JS)	Finisher Separator safety switches parts list (for Figure 6-31) on page 546
C5959-67384	SPUR GEAR, MOD 1, 18 TOOTH, IDLER	Finisher Separator elevator transmission parts list (for Figure 6-29) on page 420
C5959-67385	SPUR GEAR, MOD 1, 18 TOOTH	Finisher Separator elevator transmission parts list (for Figure 6-29) on page 420
C5959-67386	Staple holder (SVC-HOLDER, STAPLE CARTRIDGE)	Stapler 1 parts list (for Figure 6-36) on page 558
C5959-67386	Staple holder (SVC-HOLDER, STAPLE CARTRIDGE)	Stapler 2 parts list (for Figure 6-37) on page 560
C5959-67389	Finisher Main PCA (A200) assembly (SVC-ASSY-PCA, FINISHER MAIN)	Finisher Main PCA (A200) parts list (for Figure 6-9) on page 387
C5959-67390	3-pack staple refill (SVC-3-PACK STAPLE REFILL)	Stapler 1 parts list (for Figure 6-36) on page 558
C5959-67390	3-pack staple refill (SVC-3-PACK STAPLE REFILL)	Stapler 2 parts list (for Figure 6-37) on page 560
C5959-67392	Accumulator paper guide kit (SVC-KIT GUIDE PAPER MOUNTED CPL)	Accumulator paper guide and sensor holder assembly parts list (for Figure 6-22) on page 526
C5959-67393	SPRING, TENSION (Part not available at time of publishing.)	Finisher stack holder assembly parts list (for Figure 6-33) on page 424
C5959-67394	TENSION SPRING (Part not available at time of publishing.)	Finisher stack holder assembly parts list (for Figure 6-33) on page 424
C5959-67398	Edge protectors (SVC KIT-EDGE PROTECTORS)	Finisher front covers parts list (for Figure 6-1) on page 382
C5959-67403	Wear strip (long and short) (SVC-WEAR, STRIPS)	Finisher front covers parts list (for Figure 6-1) on page 382
C5959-67405	Job support arm assembly	Finisher job support assembly parts list (for Figure 6-35) on page 555

Table 6-41 Numerical parts list (continued)

Part number	Description	Table and page
C5959-67752	Washer, E-CLIP, DIN 6799 - 2.3, ZN	Accumulator shafts parts list (for Figure 6-17) on page 516
C5959-67752	Washer E-CLIP 2.3, ZN	Accumulator traverse assembly parts list (for Figure 6-19) on page 520
C5959-67752	Washer E-CLIP 2.3, ZN	Accumulator guide bar assembly parts list (for Figure 6-20) on page 406
C5959-67752	Washer E-CLIP 2.3	Accumulator bearing bracket assembly parts list (for Figure 6-21) on page 407
C5964-67001	WIRE-ROUTER	Finisher Separator media path output parts list (for Figure 6-28) on page 540
C5964-67002	Screw (SVC-SCREW-TPG M3X0.5 10MM-LG PAN HD ROHS)	Finisher latch assemblies parts list (for Figure 6-8) on page 386
C5964-67032	Handle (HANDLE-SOUTHCO P2-51)	Finisher rear covers parts list (for Figure 6-2) on page 481
C5964-67033	Fixed caster (SVC ASSY-46MM FIXED ROLLER)	Finisher casters parts list (for Figure 6-7) on page 491
C5964-67034	Adjustable caster (SVC ASSY-CASTOR ADJUSTABLE)	Finisher casters parts list (for Figure 6-7) on page 491
C5964-67036	Guide fingers (SVC-GUIDE-FINGER)	Finisher Separator paper back weldment parts list (for Figure 6-30) on page 421
C5964-67037	Pinch roller (SVC ASSY-ROLLER PINCH CORREGATING OUTPUT)	Finisher Separator media path output parts list (for Figure 6-28) on page 540
C5964-67038	Pinch roller holder (SVC-HOLDER-PINCH ROLLER, OUTPUT)	Finisher Separator media path output parts list (for Figure 6-28) on page 540
C5964-67039	ASSY-LOWER GUIDE AND OUTPUT PINCH ROLLER	Finisher Separator media path output parts list (for Figure 6-28) on page 540
C5964-67040	Media path output (SVC-MEDIA PATH, OUTPUT)	Finisher Separator media path output parts list (for Figure 6-28) on page 540
C5964-67042	Finisher Separator Offset motor (M264)/(EN264) (SVC-ASSY-SS MOTOR/ENCODER, TESTED). Note: Part number C5964-67042 replaces C5956-67734.	Finisher Separator offset assembly parts list (for Figure 6-27) on page 538
C5964-67042	Finisher Job Separator Gate motor (M262)/(EN262) (SVC-ASSY-SS MOTOR/ENCODER, TESTED). Note: Part number C5964-67042 replaces C5956-67734.	Finisher Separator paper gate assembly parts list (for Figure 6-32) on page 422
C5964-67043	Offset transmission assembly (SVC ASSY, OFFSET TRANSMISSION, SCREENED. Not shown in diagram.)	Finisher Separator offset assembly parts list (for Figure 6-27) on page 538

Table 6-41 Numerical parts list (continued)

Part number	Description	Table and page
C5964-67046	Gear (SVC-WORM GEAR, 30T, NYLON) Note: Part number C5964-67046 replaces C5959-67321.	Finisher Separator elevator transmission parts list (for Figure 6-29) on page 420
C5964-67047	Wear strip (short) (SVC-WEAR, STRIP, FORWARD)	Finisher front covers parts list (for Figure 6-1) on page 382

7 C5964A 4-Bin Job Separator parts diagrams

- [HP 4-Bin Job Separator service kits](#)
- [Front covers parts diagram](#)
- [Rear covers parts diagram](#)
- [Input media path assembly](#)
- [Casters parts diagram](#)
- [Latch assemblies parts diagram](#)
- [Separator diagrams](#)
- [Cables](#)
- [Alphabetical parts list](#)
- [Numerical parts list](#)

HP 4-Bin Job Separator service kits

Description	Service part number
Reshipment kit (SVC KIT-RESHIP 4-BIN JOB SEPARATOR)	C5964-67035
Sliderail and brackets (SVC KIT-SLIDERAIL AND BRACKETS)	C5959-67360
4-Bin Separator wire harness kit with retainer (SVC ASSY-CABLE, JS INTERNAL)	C5964-67050

Front covers parts diagram

Figure 7-1 Front covers parts diagram

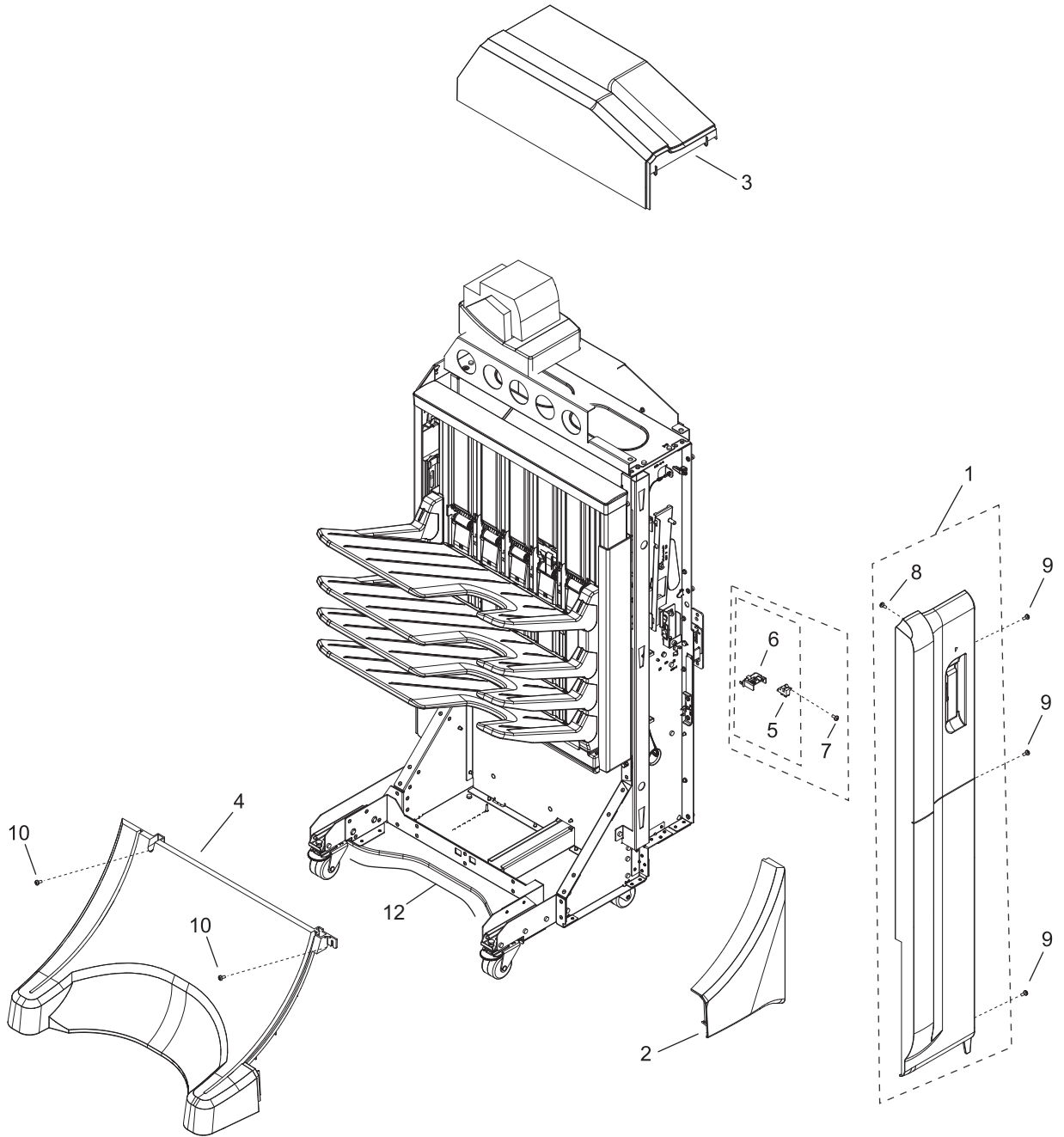


Table 7-1 Front covers parts list (for Figure 7-1)

Ref	Description	Part number	Qty
1	Front cover (SVC-COVER-FRONT)	C5964-67041	1
2	Front foot cover (SVC-COVER-FOOT-FRONT)	C5964-67012	1
3	Top cover (SVC-COVER-TOP)	C5964-67014	1
4	Foot cover (SVC-COVER-FOOT)	C5964-67011	1
5	Front latch sensor (SN200, SN204)(SVC SENSOR-MEDIA PRESENCE)	C5956-67255	1 (Qty 5)
6	Front latch sensor bracket (SVC BRACKET-ENGINE LATCH SENSOR)	C5959-67267	1
7	Screw (SVC-SCREW-TPG M4X0.7 8MM-LG PAN HD ROHS)	C5956-67003	1 (Qty 20)
8	Screw (SVC-SCREW-TPG 4-20X7.94MM 10IP ROHS)	C5956-67012	1 (Qty 20)
9	Screw (SVC-SCREW-MACH M4 X 0.7 9.5MM-LG ROHS)	C5956-67011	1 (Qty 20)
10	Screw (SVC-SCREW-MACH M4X0.7 8MM-LG PAN HD ROHS)	C5956-67006	1 (Qty 20)
11	Wear strip, short (SVC-WEAR STRIP, FORWARD)	C5964-67047	1
12	Edge protector (SVC-KIT-EDGE PROTECTOR).	C5964-67049	1

Rear covers parts diagram

Figure 7-2 Rear covers parts diagram

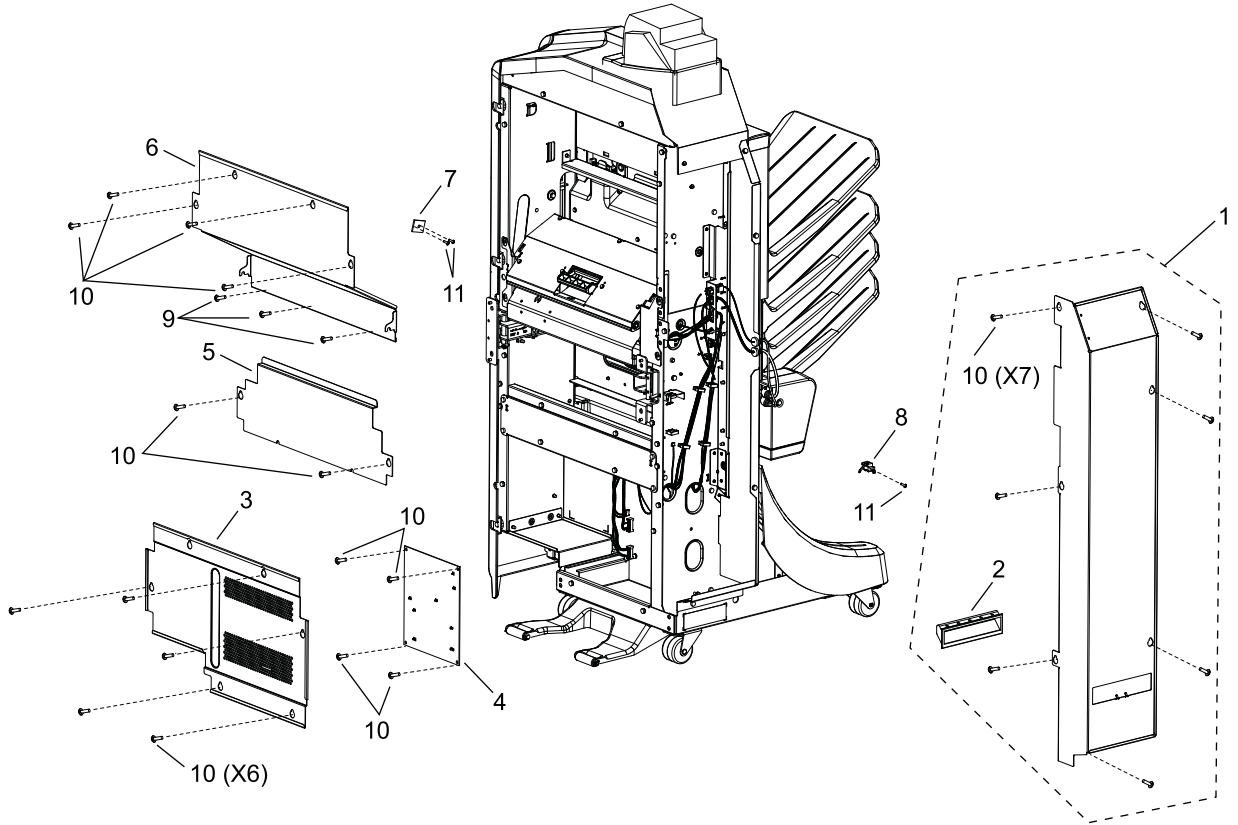


Table 7-2 Rear covers parts list (for Figure 7-2)

Ref	Description	Part number	Qty
1	Rear cover (SVC-ASSY-COVER,REAR)	C5964-67031	1
2	Rear cover handle (SVC HANDLE-SOUTHCO P2-51)	C5964-67032	1
3	PCA cover (SVC COVER-PCA, ACCESS)	C5964-67004	1
4	Main PCA (A200) (SVC ASSY-PCA, MINI HAWK)	C5964-67021	1
5	Latch cover (SVC COVER,MID LATCH)	C5964-67005	1
6	Output cover (SVC COVER, OUTPUT, MEDIAPATH)	C5964-67006	1
7	Rear cover magnet (SVC LATCH-SOUTHCO MED MAGNETIC)	C5959-67282	1
8	Rear latch sensor (SVC SENSOR-MEDIA PRESENCE)	C5956-67255	1 (Qty 5)
9	Screw (SVC-SCREW-TPG M3X0.5 6MM-LG PAN HD ROHS)	C5956-67001	1 (Qty 20)
10	Screw (SVC-SCREW-MACH M4X0.7 8MM-LG PAN HD ROHS)	C5956-67006	1 (Qty 20)
11	Screw (SVC-SCREW-TPG M4X0.7 8MM-LG PAN HD ROHS)	C5956-67003	1 (Qty 20)

Input media path assembly

- [Input door assembly](#)
- [Input door support assembly](#)

Input door assembly

Figure 7-3 Input door assembly

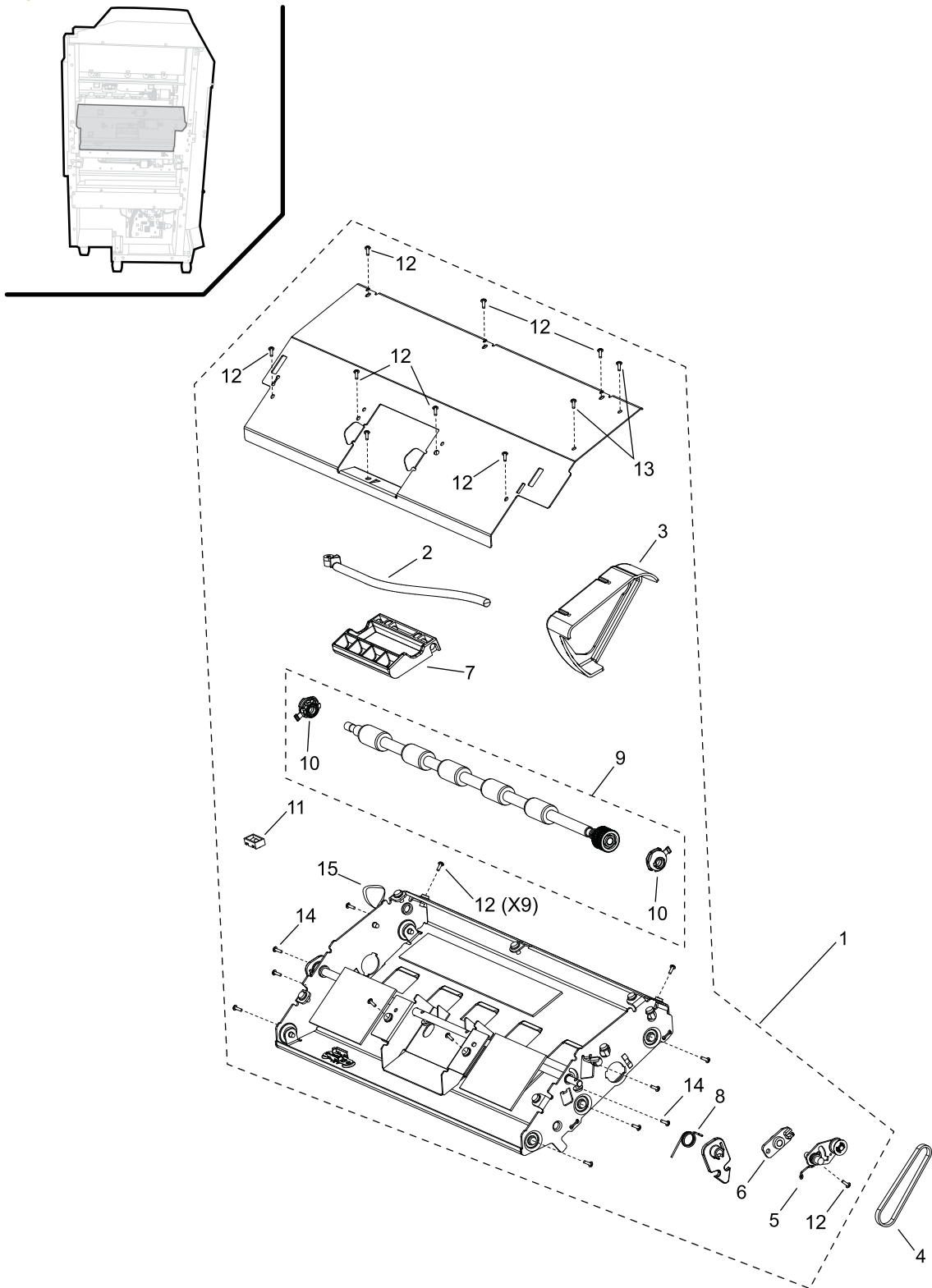


Table 7-3 Input door assembly parts list (for Figure 7-3)

Ref	Description	Part number	Qty
1	Input door assembly (SVC ASSY-DOOR, INPUT)	C5964-67022	1
2	Lightpipe (SVC-LIGHTPIPE-INPUT DOOR)	C5964-67015	1
3	Input door safety cover (SVC-COVER-SAFETY INPUT DOOR)	C5964-67008	1
4	Belt (SVC-BELT-GATES 2MM X 4MM WIDE 75T)	C5964-67010	1
5	Tensioner (SVC-ASSY-MEDIAPATH TENSIONER)	C5956-67297	1 (Qty 5)
6	Tensioner standoff (SVC-STANDOFF-TENSIONER LOW)	C5956-67711	1
7	Handle (SVC-HANDLE DOOR 4 ACCESS)	C5959-67085	1
8	Handle spring (SVC-SPRING-DOOR 4 HANDLE)	C5959-67085	1
9	Input drive roller assembly (SVC-ASSY-INPUT-DRIVE-PRESSED)	C5964-67028	1
10	Large bearing yoke (SVC ASSY-BEARING YOKE LARGE)	C5956-67329	10
11	Prism (PRISM; 15-MM BY 10-MM)	C5956-67090	1 (Qty 5)
12	Screw (SVC-SCREW-TPG M3X0.5 6MM-LG PAN HD ROHS)	C5956-67001	1 (Qty 20)
13	Screw (SVC-SCREW-TPG 4-20X7.94MM 10IP ROHS)	C5956-67012	1 (Qty 20)
14	Screw (SVC-SCREW-MACH M3X0.5 6MM-LG PAN HD ROHS)	C5956-67005	1 (Qty 20)

Table 7-4 Input door support assembly parts list (for Figure 7-4)

Ref	Description	Part number	Qty
1	Input door assembly (ASSY-DOOR, INPUT)	C5964-67022	1
2	Door hinge shaft (SVC-SHAFT-INPUT DOOR HINGE)	C5964-67007	1
3	Input door support assembly (ASSY-SUPPORT DOOR A)	C5964-67024	1
4	Gear cluster (SVC-ASSY-PULLEY CLUSTER 38T-20T)	C5959-67044	1
5	Belt (SVC-BELT-DRIVE 125T,GT2,2X4)	C5959-67278	1
6	Tensioner (SVC-ASSY-MEDIAPATH TENSIONER)	C5956-67297	1 (Qty 5)
7	Tensioner standoff (SVC-STANDOFF-TENSIONER LOW)	C5956-67711	1
8	Safety cover support (SVC-COVER-SAFETY INPUT SUPPORT)	C5964-67009	1
9	LED (SVC-ASSY-CABLE,LED AMBER)	C5956-67070	5
10	LED holder (SVC-HOLDER-LED)	C5956-67376	10
11	Sensor (SVC-PHOTOINTERRUPTER IF=50MA MAX ROHS)	C5956-67256	10
12	Staging sensor mount (SVC-MOUNT-SENSOR STAGING)	C5956-67375	5
13	Motor (SVC-ASSY-MOTOR, MEDIAPATH)	C5956-67742	1
14	Media presence sensor (SVC-SENSOR-MEDIA PRESENCE)	C5956-67255	1 (Qty 5)
15	Optical sensor (SVC ASSY-SENSOR ALEPH-ON 171-A8 W/ SEAL)	C5956-67356	5
16	Pinch roller FEP assembly (SVC-PINCH ROLLER FEP)	C5956-67319	1 (Qty 5)
17	Pinch roller datum (SVC-DATUM-PINCH ROLLER-SMALL)	C5956-67087	1 (Qty 25)
18	Pinch roller holder (SVC-HOLDER-PINCH ROLLER-SMALL)	C5956-67258	1 (Qty 5)
19	Pinch roller spring (SVC-SPRING-PINCH ROLLER)	C5956-67086	1 (Qty 20)
20	Clip (SVC KIT-CLIPS, assortment, RETAINER-CIRCLIP E-RING 5MM-BSC DIA)	C5956-67650	1 (Qty 10)
21	Clip (SVC KIT-CLIPS, assortment, CLIP-BEARING SPACER)	C5956-67650	1 (Qty 5)
22	Clip (SVC KIT-CLIPS, assortment, RETAINER-CIRCLIP E-RING 4MM-BSC DIA)	C5956-67650	1 (Qty 10)
23	Screw (SVC-SCREW-TPG M3X0.5 6MM-LG PAN HD ROHS)	C5956-67001	1 (Qty 20)
24	Screw (SVC-SCREW-MACH M3X0.5 6MM-LG PAN HD ROHS)	C5956-67005	1 (Qty 20)
25	ASSY-CABLE GROUND STRAP 85MM	C5956-67090	1 (Qty 5)
26	Screw (SVC-SCREW-TPG 4-20X7.94MM 10IP ROHS)	C5956-67012	1 (Qty 20)
27	Screw (SVC-SCREW-TPG M4X0.7 8MM-LG PAN HD ROHS)	C5956-67003	1 (Qty 20)
28	Saddle (SVC KIT-WIRE MANAGEMENT 1, assortment, SDL-WIRE .2-WD NYL-6/6 ROHS)	C5956-67648	1 (Qty 10)
29	Clip (SVC KIT-CLIPS, assortment, CLIP-ERING 5MM)	C5956-67650	1 (Qty 10)

Casters parts diagram

Figure 7-5 Casters parts diagram

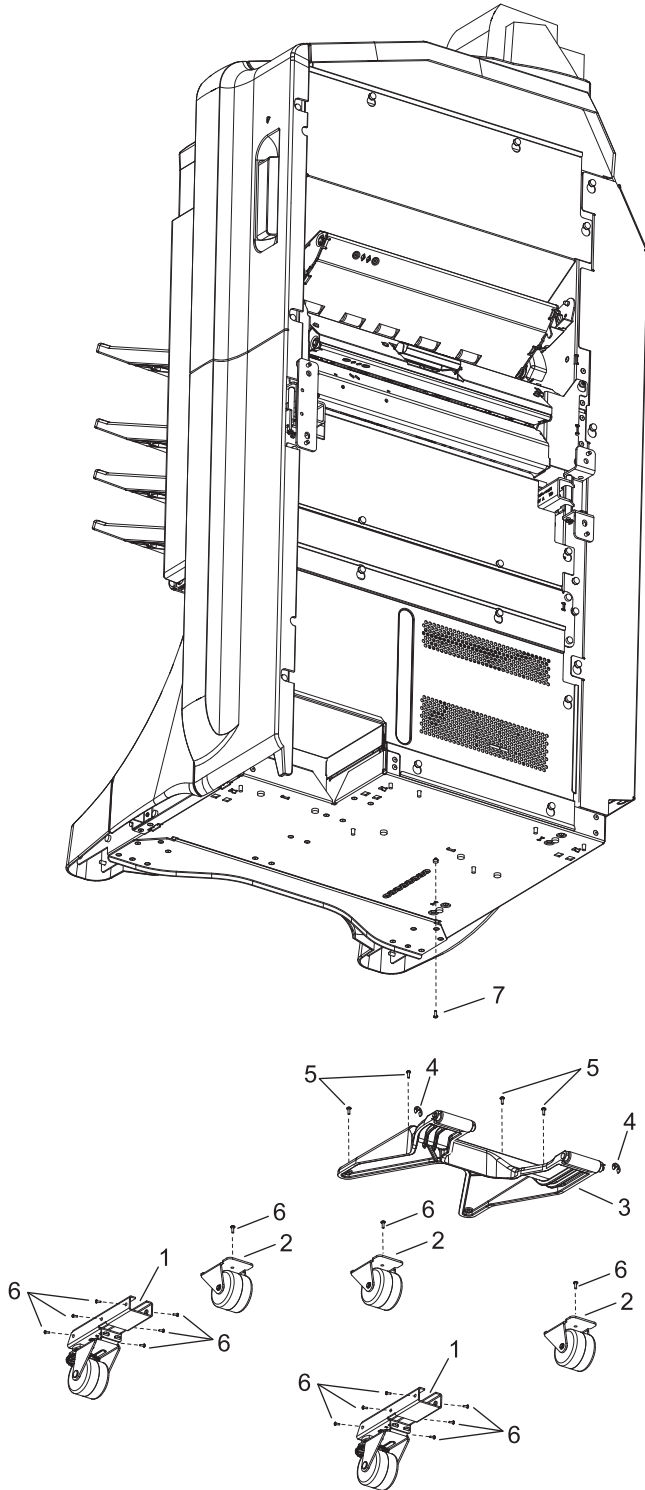


Table 7-5 Casters parts list (for Figure 7-5)

Ref	Description	Part number	Qty
1	Adjustable caster (SVC ASSY-CASTOR ADJUSTABLE)	C5964-67034	1
2	Fixed caster (SVC ASSY-46MM FIXED ROLLER)	C5964-67033	1
3	(SVC-ASSY-GUIDE-ANTI-TIP LIMIT)	C5964-67029	1
4	Clip (SVC KIT-CLIPS, assortment, RETAINER-CIRCLIP E-RING 5MM-BSC DIA)	C5956-67650	1 (Qty 10)
5	Screw (SVC-SCREW-MACH M4X0.7 8MM-LG PAN HD ROHS)	C5956-67006	1 (Qty 20)
6	Screw (SVC-SCREW-TPG M4X0.7 8MM-LG PAN HD ROHS)	C5956-67003	1 (Qty 20)
7	Screw (SVC KIT-FASTENER 2, assortment, SVC-SCREW-MACH M3X0.5 16MM-LG ROHS)	C5957-67054	1 (Qty 10)

Latch assemblies parts diagram

For separator parts diagrams, see [Finisher latch assemblies parts diagram on page 492](#).

Separator diagrams

For separator parts diagrams, see [Finisher Separator diagrams on page 534](#).

Cables

Cable	Service part number	Manufacturer number	Connectors
ASSY-CABLE, POWER SUPPLY	C5959-67040	C5959-60074	W291P3-A200J3/A200J1
ASSY-CABLE GROUND STRAP 85MM	C5959-67090	C5959-60157 C5959-60162	N/A
ASSY-CABLE, JS ELEVATOR MOTOR EXTERNAL	C5959-67076	C5959-60255	W268P1-W262J268 W268P3-M260 W268J265-W265P1
ASSY-CABLE, DOOR A MOTOR	C5964-67016	C5964-60001	W210P1-W261J210 W210P2-M210
ASSY-CABLE, JS ELEVATOR MOTOR	C5964-67017	C5964-60002	W262P-A200J2 W262J258-W268P1
ASSY-CABLE, PATH SENSORS	C5964-67018	C5964-60004	W201P6-A200J6 W201J211-W211P1 W201P1-SN200
ASSY-CABLE, JS SENSORS	C5964-67020	C5964-60006	W260J263-W263P1 W260P11-A200J11 W260J267-W267P1
ASSY-CABLE, JS MOTORS	C5964-67025	C5964-60037	W261P3-A200J3 W261J267-W267P2 W267J210-W210P1
ASSY-CABLE, ENGINE LATCH	C5964-67026	C5964-60038	W204P4-A200J4 W204P2-SN204 W204P1-LED204

CABLE-JS INTERNAL	C5964-67050 (replaces C5964-67045)	C5964-50002 (replaces C5964-50001)	W267P1-W260J267
			W267P7-SN262
			W267P4-EN268
			W267P8-M264
			W267P8-EN264
			W267P12-A267J1
			W267P10-SN265
			W267P6-M262
			W267P6-EN262
			W267P5-M268
			W267P11-SN267
			W267P2-W261J267
CABLE-JS ELEVATOR SENSORS EXTERNAL	C5959-67355	C5959-60263	W263P1-W260J263
			W263P6-EN260
			W263P3-SN260
ASSY-CABLE, DOOR A SENSORS	C5964-67019	C5964-60005	W211P1-W201J211
			W211P2-EN210
			W211P3-LED201
			W211P5-SN212
			W211P6-SN211
W211P4-SN216			
SVC-CABLE, JS ELEVATOR MOTOR EXTERNAL	C5964-67003		
SVC KIT-CABLE, JS	C5959-67381	C5959-60153	
		C5959-60166	
		C5959-60273	

Alphabetical parts list

Table 7-6 Alphabetical parts list

Description	Part number	Table and page
(SVC-ASSY-GUIDE-ANTI-TIP LIMIT)	C5964-67029	Casters parts list (for Figure 7-5) on page 639
Adjustable caster (SVC ASSY-CASTOR ADJUSTABLE)	C5964-67034	Casters parts list (for Figure 7-5) on page 639
ASSY-CABLE GROUND STRAP 85MM	C5956-67090	Input door support assembly parts list (for Figure 7-4) on page 636
Belt (SVC-BELT-DRIVE 125T,GT2,2X4)	C5959-67278	Input door support assembly parts list (for Figure 7-4) on page 636
Belt (SVC-BELT-GATES 2MM X 4MM WIDE 75T)	C5964-67010	Input door assembly parts list (for Figure 7-3) on page 452
Clip (SVC KIT-CLIPS, assortment, CLIP-BEARING SPACER)	C5956-67650	Input door support assembly parts list (for Figure 7-4) on page 636
Clip (SVC KIT-CLIPS, assortment, CLIP-ERING 5MM)	C5956-67650	Input door support assembly parts list (for Figure 7-4) on page 636
Clip (SVC KIT-CLIPS, assortment, RETAINER-CIRCLIP E-RING 4MM-BSC DIA)	C5956-67650	Input door support assembly parts list (for Figure 7-4) on page 636
Clip (SVC KIT-CLIPS, assortment, RETAINER-CIRCLIP E-RING 5MM-BSC DIA)	C5956-67650	Input door support assembly parts list (for Figure 7-4) on page 636
Clip (SVC KIT-CLIPS, assortment, RETAINER-CIRCLIP E-RING 5MM-BSC DIA)	C5956-67650	Casters parts list (for Figure 7-5) on page 639
Door hinge shaft (SVC-SHAFT-INPUT DOOR HINGE)	C5964-67007	Input door support assembly parts list (for Figure 7-4) on page 636
Edge protector (SVC-KIT-EDGE PROTECTOR).	C5964-67049	Front covers parts list (for Figure 7-1) on page 629
Fixed caster (SVC ASSY-46MM FIXED ROLLER)	C5964-67033	Casters parts list (for Figure 7-5) on page 639
Foot cover (SVC-COVER-FOOT)	C5964-67011	Front covers parts list (for Figure 7-1) on page 629
Front cover (SVC-COVER-FRONT)	C5964-67041	Front covers parts list (for Figure 7-1) on page 629
Front foot cover (SVC-COVER-FOOT-FRONT)	C5964-67012	Front covers parts list (for Figure 7-1) on page 629
Front latch sensor (SN200, SN204)(SVC SENSOR-MEDIA PRESENCE)	C5956-67255	Front covers parts list (for Figure 7-1) on page 629
Front latch sensor bracket (SVC BRACKET-ENGINE LATCH SENSOR)	C5959-67267	Front covers parts list (for Figure 7-1) on page 629

Table 7-6 Alphabetical parts list (continued)

Description	Part number	Table and page
Gear cluster (SVC-ASSY-PULLEY CLUSTER 38T-20T)	C5959-67044	Input door support assembly parts list (for Figure 7-4) on page 636
Handle (SVC-HANDLE DOOR 4 ACCESS)	C5959-67085	Input door assembly parts list (for Figure 7-3) on page 452
Handle spring (SVC-SPRING-DOOR 4 HANDLE)	C5959-67085	Input door assembly parts list (for Figure 7-3) on page 452
Input door assembly (ASSY-DOOR, INPUT)	C5964-67022	Input door support assembly parts list (for Figure 7-4) on page 636
Input door assembly (SVC ASSY-DOOR, INPUT)	C5964-67022	Input door assembly parts list (for Figure 7-3) on page 452
Input door safety cover (SVC-COVER-SAFETY INPUT DOOR)	C5964-67008	Input door assembly parts list (for Figure 7-3) on page 452
Input door support assembly (ASSY-SUPPORT DOOR A)	C5964-67024	Input door support assembly parts list (for Figure 7-4) on page 636
Input drive roller assembly (SVC-ASSY-INPUT-DRIVE-PRESSED)	C5964-67028	Input door assembly parts list (for Figure 7-3) on page 452
Large bearing yoke (SVC ASSY-BEARING YOKE LARGE)	C5956-67329	Input door assembly parts list (for Figure 7-3) on page 452
Latch cover (SVC COVER,MID LATCH)	C5964-67005	Rear covers parts list (for Figure 7-2) on page 631
LED (SVC-ASSY-CABLE,LED AMBER)	C5956-67070	Input door support assembly parts list (for Figure 7-4) on page 636
LED holder (SVC-HOLDER-LED)	C5956-67376	Input door support assembly parts list (for Figure 7-4) on page 636
Lightpipe (SVC-LIGHTPIPE-INPUT DOOR)	C5964-67015	Input door assembly parts list (for Figure 7-3) on page 452
Main PCA (A200) (SVC ASSY-PCA, MINI HAWK)	C5964-67021	Rear covers parts list (for Figure 7-2) on page 631
Media presence sensor (SVC-SENSOR-MEDIA PRESENCE)	C5956-67255	Input door support assembly parts list (for Figure 7-4) on page 636
Motor (SVC-ASSY-MOTOR, MEDIAPATH)	C5956-67742	Input door support assembly parts list (for Figure 7-4) on page 636
Optical sensor (SVC ASSY-SENSOR ALEPH-ON 171-A8 W/ SEAL)	C5956-67356	Input door support assembly parts list (for Figure 7-4) on page 636
Output cover (SVC COVER, OUTPUT, MEDIAPATH)	C5964-67006	Rear covers parts list (for Figure 7-2) on page 631
PCA cover (SVC COVER-PCA, ACCESS)	C5964-67004	Rear covers parts list (for Figure 7-2) on page 631

Table 7-6 Alphabetical parts list (continued)

Description	Part number	Table and page
Pinch roller datum (SVC-DATUM-PINCH ROLLER-SMALL)	C5956-67087	Input door support assembly parts list (for Figure 7-4) on page 636
Pinch roller FEP assembly (SVC-PINCH ROLLER FEP)	C5956-67319	Input door support assembly parts list (for Figure 7-4) on page 636
Pinch roller holder (SVC-HOLDER-PINCH ROLLER-SMALL)	C5956-67258	Input door support assembly parts list (for Figure 7-4) on page 636
Pinch roller spring (SVC-SPRING-PINCH ROLLER)	C5956-67086	Input door support assembly parts list (for Figure 7-4) on page 636
Prism (PRISM; 15-MM BY 10-MM)	C5956-67090	Input door assembly parts list (for Figure 7-3) on page 452
Rear cover (SVC-ASSY-COVER,REAR)	C5964-67031	Rear covers parts list (for Figure 7-2) on page 631
Rear cover handle (SVC HANDLE-SOUTHCO P2-51)	C5964-67032	Rear covers parts list (for Figure 7-2) on page 631
Rear cover magnet (SVC LATCH-SOUTHCO MED MAGNETIC)	C5959-67282	Rear covers parts list (for Figure 7-2) on page 631
Rear latch sensor (SVC SENSOR-MEDIA PRESENCE)	C5956-67255	Rear covers parts list (for Figure 7-2) on page 631
Saddle (SVC KIT-WIRE MANAGEMENT 1, assortment, SDL-WIRE .2-WD NYL-6/6 ROHS)	C5956-67648	Input door support assembly parts list (for Figure 7-4) on page 636
Safety cover support (SVC-COVER-SAFETY INPUT SUPPORT)	C5964-67009	Input door support assembly parts list (for Figure 7-4) on page 636
Screw (SVC KIT-FASTENER 2, assortment, SVC-SCREW-MACH M3X0.5 16MM-LG ROHS)	C5957-67054	Casters parts list (for Figure 7-5) on page 639
Screw (SVC-SCREW-MACH M3X0.5 6MM-LG PAN HD ROHS)	C5956-67005	Input door assembly parts list (for Figure 7-3) on page 452
Screw (SVC-SCREW-MACH M3X0.5 6MM-LG PAN HD ROHS)	C5956-67005	Input door support assembly parts list (for Figure 7-4) on page 636
Screw (SVC-SCREW-MACH M4 X 0.7 9.5MM-LG ROHS)	C5956-67011	Front covers parts list (for Figure 7-1) on page 629
Screw (SVC-SCREW-MACH M4X0.7 8MM-LG PAN HD ROHS)	C5956-67006	Front covers parts list (for Figure 7-1) on page 629
Screw (SVC-SCREW-MACH M4X0.7 8MM-LG PAN HD ROHS)	C5956-67006	Rear covers parts list (for Figure 7-2) on page 631
Screw (SVC-SCREW-MACH M4X0.7 8MM-LG PAN HD ROHS)	C5956-67006	Casters parts list (for Figure 7-5) on page 639
Screw (SVC-SCREW-TPG 4-20X7.94MM 10IP ROHS)	C5956-67012	Front covers parts list (for Figure 7-1) on page 629

Table 7-6 Alphabetical parts list (continued)

Description	Part number	Table and page
Screw (SVC-SCREW-TPG 4-20X7.94MM 10IP ROHS)	C5956-67012	Input door assembly parts list (for Figure 7-3) on page 452
Screw (SVC-SCREW-TPG 4-20X7.94MM 10IP ROHS)	C5956-67012	Input door support assembly parts list (for Figure 7-4) on page 636
Screw (SVC-SCREW-TPG M3X0.5 6MM-LG PAN HD ROHS)	C5956-67001	Rear covers parts list (for Figure 7-2) on page 631
Screw (SVC-SCREW-TPG M3X0.5 6MM-LG PAN HD ROHS)	C5956-67001	Input door assembly parts list (for Figure 7-3) on page 452
Screw (SVC-SCREW-TPG M3X0.5 6MM-LG PAN HD ROHS)	C5956-67001	Input door support assembly parts list (for Figure 7-4) on page 636
Screw (SVC-SCREW-TPG M4X0.7 8MM-LG PAN HD ROHS)	C5956-67003	Front covers parts list (for Figure 7-1) on page 629
Screw (SVC-SCREW-TPG M4X0.7 8MM-LG PAN HD ROHS)	C5956-67003	Rear covers parts list (for Figure 7-2) on page 631
Screw (SVC-SCREW-TPG M4X0.7 8MM-LG PAN HD ROHS)	C5956-67003	Input door support assembly parts list (for Figure 7-4) on page 636
Screw (SVC-SCREW-TPG M4X0.7 8MM-LG PAN HD ROHS)	C5956-67003	Casters parts list (for Figure 7-5) on page 639
Sensor (SVC-PHOTOINTERRUPTER IF=50MA MAX ROHS)	C5956-67256	Input door support assembly parts list (for Figure 7-4) on page 636
Staging sensor mount (SVC-MOUNT-SENSOR STAGING)	C5956-67375	Input door support assembly parts list (for Figure 7-4) on page 636
Tensioner (SVC-ASSY-MEDIAPATH TENSIONER)	C5956-67297	Input door assembly parts list (for Figure 7-3) on page 452
Tensioner (SVC-ASSY-MEDIAPATH TENSIONER)	C5956-67297	Input door support assembly parts list (for Figure 7-4) on page 636
Tensioner standoff (SVC-STANDOFF-TENSIONER LOW)	C5956-67711	Input door assembly parts list (for Figure 7-3) on page 452
Tensioner standoff (SVC-STANDOFF-TENSIONER LOW)	C5956-67711	Input door support assembly parts list (for Figure 7-4) on page 636
Top cover (SVC-COVER-TOP)	C5964-67014	Front covers parts list (for Figure 7-1) on page 629
Wear strip, short (SVC-WEAR STRIP, FORWARD)	C5964-67047	Front covers parts list (for Figure 7-1) on page 629

Numerical parts list

Table 7-7 Numerical parts list

Part number	Description	Table and page
C5956-67001	Screw (SVC-SCREW-TPG M3X0.5 6MM-LG PAN HD ROHS)	Rear covers parts list (for Figure 7-2) on page 631
C5956-67001	Screw (SVC-SCREW-TPG M3X0.5 6MM-LG PAN HD ROHS)	Input door assembly parts list (for Figure 7-3) on page 452
C5956-67001	Screw (SVC-SCREW-TPG M3X0.5 6MM-LG PAN HD ROHS)	Input door support assembly parts list (for Figure 7-4) on page 636
C5956-67003	Screw (SVC-SCREW-TPG M4X0.7 8MM-LG PAN HD ROHS)	Front covers parts list (for Figure 7-1) on page 629
C5956-67003	Screw (SVC-SCREW-TPG M4X0.7 8MM-LG PAN HD ROHS)	Rear covers parts list (for Figure 7-2) on page 631
C5956-67003	Screw (SVC-SCREW-TPG M4X0.7 8MM-LG PAN HD ROHS)	Input door support assembly parts list (for Figure 7-4) on page 636
C5956-67003	Screw (SVC-SCREW-TPG M4X0.7 8MM-LG PAN HD ROHS)	Casters parts list (for Figure 7-5) on page 639
C5956-67005	Screw (SVC-SCREW-MACH M3X0.5 6MM-LG PAN HD ROHS)	Input door assembly parts list (for Figure 7-3) on page 452
C5956-67005	Screw (SVC-SCREW-MACH M3X0.5 6MM-LG PAN HD ROHS)	Input door support assembly parts list (for Figure 7-4) on page 636
C5956-67006	Screw (SVC-SCREW-MACH M4X0.7 8MM-LG PAN HD ROHS)	Front covers parts list (for Figure 7-1) on page 629
C5956-67006	Screw (SVC-SCREW-MACH M4X0.7 8MM-LG PAN HD ROHS)	Rear covers parts list (for Figure 7-2) on page 631
C5956-67006	Screw (SVC-SCREW-MACH M4X0.7 8MM-LG PAN HD ROHS)	Casters parts list (for Figure 7-5) on page 639
C5956-67011	Screw (SVC-SCREW-MACH M4 X 0.7 9.5MM-LG ROHS)	Front covers parts list (for Figure 7-1) on page 629
C5956-67012	Screw (SVC-SCREW-TPG 4-20X7.94MM 10IP ROHS)	Front covers parts list (for Figure 7-1) on page 629
C5956-67012	Screw (SVC-SCREW-TPG 4-20X7.94MM 10IP ROHS)	Input door assembly parts list (for Figure 7-3) on page 452
C5956-67012	Screw (SVC-SCREW-TPG 4-20X7.94MM 10IP ROHS)	Input door support assembly parts list (for Figure 7-4) on page 636
C5956-67070	LED (SVC-ASSY-CABLE,LED AMBER)	Input door support assembly parts list (for Figure 7-4) on page 636
C5956-67086	Pinch roller spring (SVC-SPRING-PINCH ROLLER)	Input door support assembly parts list (for Figure 7-4) on page 636

Table 7-7 Numerical parts list (continued)

Part number	Description	Table and page
C5956-67087	Pinch roller datum (SVC-DATUM-PINCH ROLLER-SMALL)	Input door support assembly parts list (for Figure 7-4) on page 636
C5956-67090	Prism (PRISM; 15-MM BY 10-MM)	Input door assembly parts list (for Figure 7-3) on page 452
C5956-67090	ASSY-CABLE GROUND STRAP 85MM	Input door support assembly parts list (for Figure 7-4) on page 636
C5956-67255	Front latch sensor (SN200, SN204)(SVC SENSOR-MEDIA PRESENCE)	Front covers parts list (for Figure 7-1) on page 629
C5956-67255	Rear latch sensor (SVC SENSOR-MEDIA PRESENCE)	Rear covers parts list (for Figure 7-2) on page 631
C5956-67255	Media presence sensor (SVC-SENSOR-MEDIA PRESENCE)	Input door support assembly parts list (for Figure 7-4) on page 636
C5956-67256	Sensor (SVC-PHOTOINTERRUPTER IF=50MA MAX ROHS)	Input door support assembly parts list (for Figure 7-4) on page 636
C5956-67258	Pinch roller holder (SVC-HOLDER-PINCH ROLLER-SMALL)	Input door support assembly parts list (for Figure 7-4) on page 636
C5956-67297	Tensioner (SVC-ASSY-MEDIAPATH TENSIONER)	Input door assembly parts list (for Figure 7-3) on page 452
C5956-67297	Tensioner (SVC-ASSY-MEDIAPATH TENSIONER)	Input door support assembly parts list (for Figure 7-4) on page 636
C5956-67319	Pinch roller FEP assembly (SVC-PINCH ROLLER FEP)	Input door support assembly parts list (for Figure 7-4) on page 636
C5956-67329	Large bearing yoke (SVC ASSY-BEARING YOKE LARGE)	Input door assembly parts list (for Figure 7-3) on page 452
C5956-67356	Optical sensor (SVC ASSY-SENSOR ALEPH-ON 171-A8 W/ SEAL)	Input door support assembly parts list (for Figure 7-4) on page 636
C5956-67375	Staging sensor mount (SVC-MOUNT-SENSOR STAGING)	Input door support assembly parts list (for Figure 7-4) on page 636
C5956-67376	LED holder (SVC-HOLDER-LED)	Input door support assembly parts list (for Figure 7-4) on page 636
C5956-67648	Saddle (SVC KIT-WIRE MANAGEMENT 1, assortment, SDL-WIRE .2-WD NYL-6/6 ROHS)	Input door support assembly parts list (for Figure 7-4) on page 636
C5956-67650	Clip (SVC KIT-CLIPS, assortment, RETAINER-CIRCLIP E-RING 5MM-BSC DIA)	Input door support assembly parts list (for Figure 7-4) on page 636

Table 7-7 Numerical parts list (continued)

Part number	Description	Table and page
C5956-67650	Clip (SVC KIT-CLIPS, assortment, CLIP-BEARING SPACER)	Input door support assembly parts list (for Figure 7-4) on page 636
C5956-67650	Clip (SVC KIT-CLIPS, assortment, RETAINER-CIRCLIP E-RING 4MM-BSC DIA)	Input door support assembly parts list (for Figure 7-4) on page 636
C5956-67650	Clip (SVC KIT-CLIPS, assortment, CLIP-ERING 5MM)	Input door support assembly parts list (for Figure 7-4) on page 636
C5956-67650	Clip (SVC KIT-CLIPS, assortment, RETAINER-CIRCLIP E-RING 5MM-BSC DIA)	Casters parts list (for Figure 7-5) on page 639
C5956-67711	Tensioner standoff (SVC-STANDOFF-TENSIONER LOW)	Input door assembly parts list (for Figure 7-3) on page 452
C5956-67711	Tensioner standoff (SVC-STANDOFF-TENSIONER LOW)	Input door support assembly parts list (for Figure 7-4) on page 636
C5956-67742	Motor (SVC-ASSY-MOTOR, MEDIAPATH)	Input door support assembly parts list (for Figure 7-4) on page 636
C5957-67054	Screw (SVC KIT-FASTENER 2, assortment, SVC-SCREW-MACH M3X0.5 16MM-LG ROHS)	Casters parts list (for Figure 7-5) on page 639
C5959-67044	Gear cluster (SVC-ASSY-PULLEY CLUSTER 38T-20T)	Input door support assembly parts list (for Figure 7-4) on page 636
C5959-67085	Handle (SVC-HANDLE DOOR 4 ACCESS)	Input door assembly parts list (for Figure 7-3) on page 452
C5959-67085	Handle spring (SVC-SPRING-DOOR 4 HANDLE)	Input door assembly parts list (for Figure 7-3) on page 452
C5959-67267	Front latch sensor bracket (SVC BRACKET-ENGINE LATCH SENSOR)	Front covers parts list (for Figure 7-1) on page 629
C5959-67278	Belt (SVC-BELT-DRIVE 125T,GT2,2X4)	Input door support assembly parts list (for Figure 7-4) on page 636
C5959-67282	Rear cover magnet (SVC LATCH-SOUTHCO MED MAGNETIC)	Rear covers parts list (for Figure 7-2) on page 631
C5964-67004	PCA cover (SVC COVER-PCA, ACCESS)	Rear covers parts list (for Figure 7-2) on page 631
C5964-67005	Latch cover (SVC COVER,MID LATCH)	Rear covers parts list (for Figure 7-2) on page 631
C5964-67006	Output cover (SVC COVER, OUTPUT, MEDIAPATH)	Rear covers parts list (for Figure 7-2) on page 631
C5964-67007	Door hinge shaft (SVC-SHAFT-INPUT DOOR HINGE)	Input door support assembly parts list (for Figure 7-4) on page 636
C5964-67008	Input door safety cover (SVC-COVER-SAFETY INPUT DOOR)	Input door assembly parts list (for Figure 7-3) on page 452

Table 7-7 Numerical parts list (continued)

Part number	Description	Table and page
C5964-67009	Safety cover support (SVC-COVER-SAFETY INPUT SUPPORT)	Input door support assembly parts list (for Figure 7-4) on page 636
C5964-67010	Belt (SVC-BELT-GATES 2MM X 4MM WIDE 75T)	Input door assembly parts list (for Figure 7-3) on page 452
C5964-67011	Foot cover (SVC-COVER-FOOT)	Front covers parts list (for Figure 7-1) on page 629
C5964-67012	Front foot cover (SVC-COVER-FOOT-FRONT)	Front covers parts list (for Figure 7-1) on page 629
C5964-67014	Top cover (SVC-COVER-TOP)	Front covers parts list (for Figure 7-1) on page 629
C5964-67015	Lightpipe (SVC-LIGHTPIPE-INPUT DOOR)	Input door assembly parts list (for Figure 7-3) on page 452
C5964-67021	Main PCA (A200) (SVC ASSY-PCA, MINI HAWK)	Rear covers parts list (for Figure 7-2) on page 631
C5964-67022	Input door assembly (SVC ASSY-DOOR, INPUT)	Input door assembly parts list (for Figure 7-3) on page 452
C5964-67022	Input door assembly (ASSY-DOOR, INPUT)	Input door support assembly parts list (for Figure 7-4) on page 636
C5964-67024	Input door support assembly (ASSY-SUPPORT DOOR A)	Input door support assembly parts list (for Figure 7-4) on page 636
C5964-67028	Input drive roller assembly (SVC-ASSY-INPUT-DRIVE-PRESSED)	Input door assembly parts list (for Figure 7-3) on page 452
C5964-67029	(SVC-ASSY-GUIDE-ANTI-TIP LIMIT)	Casters parts list (for Figure 7-5) on page 639
C5964-67031	Rear cover (SVC-ASSY-COVER,REAR)	Rear covers parts list (for Figure 7-2) on page 631
C5964-67032	Rear cover handle (SVC HANDLE-SOUTHCO P2-51)	Rear covers parts list (for Figure 7-2) on page 631
C5964-67033	Fixed caster (SVC ASSY-46MM FIXED ROLLER)	Casters parts list (for Figure 7-5) on page 639
C5964-67034	Adjustable caster (SVC ASSY-CASTOR ADJUSTABLE)	Casters parts list (for Figure 7-5) on page 639
C5964-67041	Front cover (SVC-COVER-FRONT)	Front covers parts list (for Figure 7-1) on page 629
C5964-67047	Wear strip, short (SVC-WEAR STRIP, FORWARD)	Front covers parts list (for Figure 7-1) on page 629
C5964-67049	Edge protector (SVC-KIT-EDGE PROTECTOR).	Front covers parts list (for Figure 7-1) on page 629

Index

© 2009 Hewlett-Packard Development Company, L.P.

www.hp.com

