

## Chapter 8 Printer Specifications CONTENTS

---

|   |        |
|---|--------|
| 1. Configuration of Printer.....                      | 8 - 1  |
| 1.1 Basic Configuration.....                          | 8 - 1  |
| 1.2 Functional Configuration.....                     | 8 - 1  |
| 2. Electrical Properties.....                         | 8 - 2  |
| 2.1 Power Source.....                                 | 8 - 2  |
| 2.2 Power Consumption.....                            | 8 - 2  |
| 2.3 Rush Current.....                                 | 8 - 2  |
| 3. Mechanical Properties.....                         | 8 - 3  |
| 3.1 Dimensions/Mass of Printer.....                   | 8 - 3  |
| 3.2 Dimensions/Mass of 250 Feeder (Option).....       | 8 - 3  |
| 3.3 Dimensions/Mass of Duplex (Option).....           | 8 - 4  |
| 3.4 Dimensions/Mass of Consumables and CRUs.....      | 8 - 4  |
| 3.4.1 PHD Unit.....                                   | 8 - 4  |
| 3.4.2 FUSER CRU.....                                  | 8 - 5  |
| 3.4.3 Black toner cartridge.....                      | 8 - 5  |
| 3.4.4 Cyan toner cartridge.....                       | 8 - 5  |
| 3.4.5 Magenta toner cartridge.....                    | 8 - 5  |
| 3.4.6 Yellow toner cartridge.....                     | 8 - 5  |
| 3.5 Installation Space (min. installation space)..... | 8 - 6  |
| 4. Functions.....                                     | 8 - 7  |
| 4.1 Recording System.....                             | 8 - 7  |
| 4.2 Exposure System.....                              | 8 - 7  |
| 4.3 Development System.....                           | 8 - 7  |
| 4.4 Fixing System.....                                | 8 - 7  |
| 4.5 Resolution.....                                   | 8 - 7  |
| 4.6 Operation Mode.....                               | 8 - 8  |
| 4.7 Warm-up Time.....                                 | 8 - 8  |
| 4.8 FPOT (First Print Output Time).....               | 8 - 9  |
| 4.9 Continuous Printing Speed.....                    | 8 - 10 |
| 4.10 Input Properties.....                            | 8 - 11 |
| 4.10.1 Paper pick-up system.....                      | 8 - 11 |
| 4.10.2 Paper pick-up capacity.....                    | 8 - 11 |
| 4.11 Output Properties.....                           | 8 - 11 |
| 4.11.1 Paper delivery system.....                     | 8 - 11 |
| 4.11.2 Paper delivery capacity.....                   | 8 - 11 |
| 4.11.3 Delivery paper size/mass.....                  | 8 - 11 |
| 4.11.4 Full stack detection.....                      | 8 - 11 |
| 4.12 Paper.....                                       | 8 - 12 |
| 4.12.1 Paper type.....                                | 8 - 12 |
| 4.12.2 Paper mass.....                                | 8 - 12 |
| 4.12.3 Paper size.....                                | 8 - 12 |
| 5. Consumables.....                                   | 8 - 13 |
| 5.1 Items of Consumables.....                         | 8 - 13 |
| 5.2 Consumable Life.....                              | 8 - 13 |
| 5.3 Periodic Replacing Parts (Reference).....         | 8 - 13 |

## Chapter 8 Printer Specifications CONTENTS

---

|  |        |
|--|--------|
| 6. Operating Environment.....                        | 8 - 15 |
| 6.1 Installation Temperature / Humidity .....        | 8 - 15 |
| 6.2 Installation Altitude.....                       | 8 - 15 |
| 6.3 Installation Horizontality .....                 | 8 - 15 |
| 6.4 Ambient Lighting .....                           | 8 - 15 |
| 6.5 Storage Temperature of a Toner Cartridge.....    | 8 - 15 |
| 7. Safety / Environment Conditions .....             | 8 - 16 |
| 7.1 Safety Standard .....                            | 8 - 16 |
| 7.2 Laser Safety Standard .....                      | 8 - 16 |
| 7.3 EMI.....   | 8 - 16 |
| 7.4 Noise.....                                       | 8 - 16 |
| 8. Print image Quality .....                         | 8 - 17 |
| 8.1 Image Quality Guarantee Conditions .....         | 8 - 17 |
| 8.1.1 Environmental conditions.....                  | 8 - 17 |
| 8.1.2 Guaranteed paper.....                          | 8 - 17 |
| 8.1.3 Paper condition .....                          | 8 - 17 |
| 8.1.4 Printer condition.....                         | 8 - 17 |
| 8.1.5 Image quality guaranteed area .....            | 8 - 17 |
| 8.1.6 Criterion .....                                | 8 - 17 |
| 9. Option .....                                      | 8 - 18 |
| 9.1 Option to be Installed by Users.....             | 8 - 18 |
| 10. ESS Specification .....                          | 8 - 19 |
| 10.1 External Interface.....                         | 8 - 19 |
| 10.1.1 USB .....                                     | 8 - 19 |
| 10.1.2 Ethernet (required the Network adaptor) ..... | 8 - 19 |
| 10.1.3 Wireless .....                                | 8 - 19 |
| 10.2 Network Protocol.....                           | 8 - 20 |
| 10.2.1 Printing Protocol.....                        | 8 - 20 |
| 10.2.2 Other Protocols .....                         | 8 - 20 |
| 10.3 Decomposer.....                                 | 8 - 21 |
| 10.3.1 PDL.....                                      | 8 - 21 |
| 10.3.2 Font.....                                     | 8 - 21 |
| 10.3.3 Image Area .....                              | 8 - 21 |
| 10.4 Job Control.....                                | 8 - 22 |
| 10.4.1 Cancel Print .....                            | 8 - 22 |
| 10.4.2 Job Recovery .....                            | 8 - 22 |
| 10.4.3 Job Time Out .....                            | 8 - 22 |
| 10.4.4 Dell Color Track .....                        | 8 - 22 |
| 10.4.5 Secure Print (/Store Print).....              | 8 - 22 |
| 10.4.6 Proof Print.....                              | 8 - 22 |
| 10.4.7 IP Filter.....                                | 8 - 22 |
| 10.5 Logging .....                                   | 8 - 23 |
| 10.5.1 Job Logging .....                             | 8 - 23 |
| 10.5.2 Error Logging .....                           | 8 - 23 |
| 10.5.3 Billing Count.....                            | 8 - 23 |

## Chapter 8 Printer Specifications CONTENTS

---

|                                       |        |
|---------------------------------------|--------|
| 10.6 ID Print.....                    | 8 - 24 |
| 10.7 Non DELL Toner Mode.....         | 8 - 24 |
| 10.8 Utility Print.....               | 8 - 25 |
| 10.8.1 Printer Settings List.....     | 8 - 25 |
| 10.8.2 Panel Settings List Print..... | 8 - 25 |
| 10.8.3 Font List Print.....           | 8 - 25 |
| 10.8.4 Macros List Print.....         | 8 - 25 |
| 10.8.5 Job History Report.....        | 8 - 26 |
| 10.8.6 Error History Report.....      | 8 - 26 |
| 10.8.7 Demo Page Print.....           | 8 - 26 |

**Chapter 8 Printer Specifications CONTENTS**

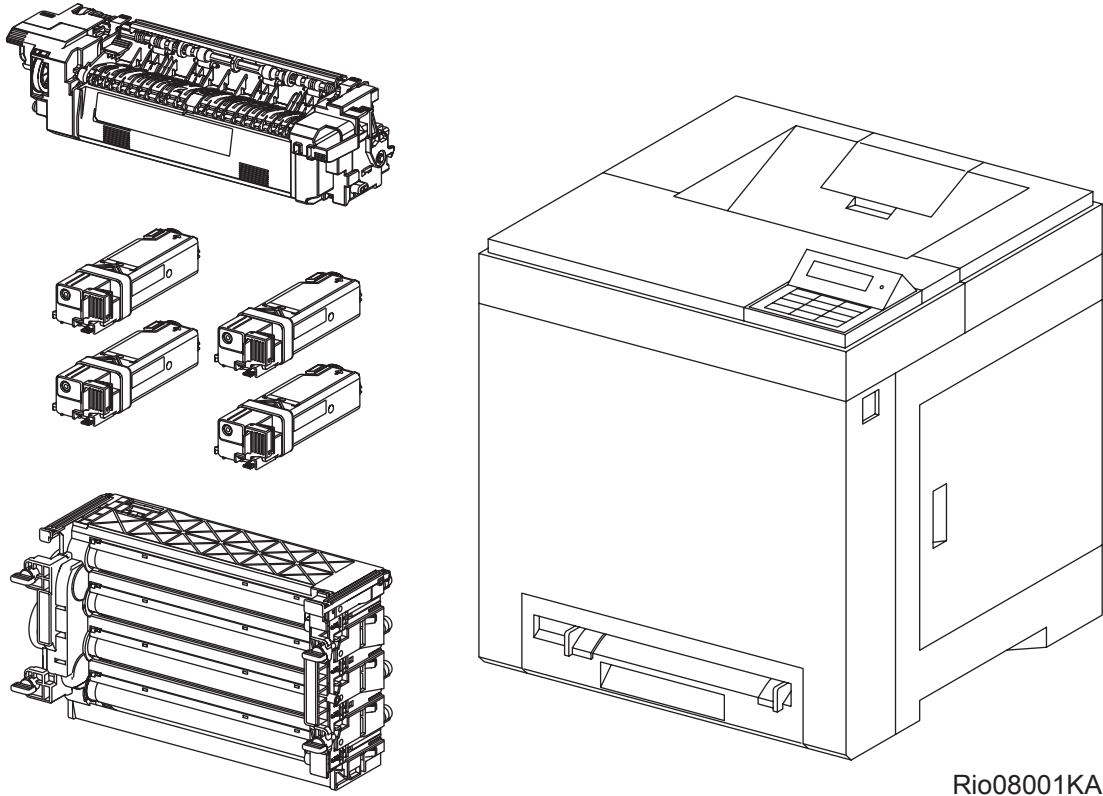
---

# 1. Configuration of Printer

## 1.1 Basic Configuration

The printer has the following basic configurations depending on the destination.

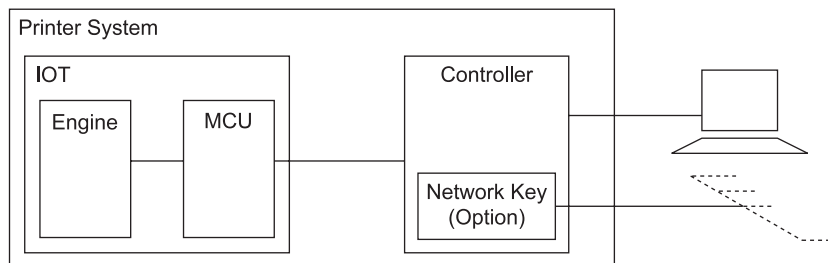
- print engine main unit (SSI and 250 feeder unit as the standard paper feeding)
- consumables (CRU)



Rio08001KA

## 1.2 Functional Configuration

Functional configuration of this printer is shown below.



Wsb08002KA

## 2. Electrical Properties

### 2.1 Power Source

Two types of power source as follows are available for this printer, which are selected according to the specifications.

- 100V/110V printer:..... voltage: 100-127VAC  $\pm$ 10% (90 ~ 140V), frequency: 50/60Hz  $\pm$  3Hz  
current capacity: 11A or less
- 220 printer: ..... voltage: 220-240VAC  $\pm$ 10% (198 ~ 264V), frequency: 50/60Hz  $\pm$  3Hz  
current capacity: 5A or less

### 2.2 Power Consumption

Power consumption in each operation mode at rated voltage input

| Operation mode     | Average (Wh/h) |
|--------------------|----------------|
| Running mode (F/C) | 230 or less    |
| Running mode (B/W) | 265 or less    |
| Standby mode       | 28 or less     |
| Sleep mode         | 9 or less      |
| Deep sleep mode    | 6 or less      |

### 2.3 Rush Current

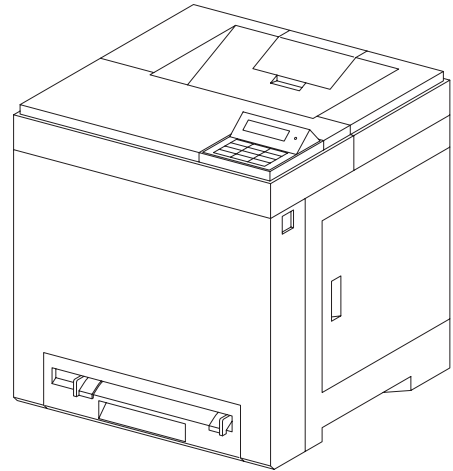
When the power switch is turned on, the inrush current shall be maximum 120A, 10ms (half cycle) or less.

### 3. Mechanical Properties

#### 3.1 Dimensions/Mass of Printer

| Width(mm) | Depth(mm) | Height(mm) | Mass(kg)      |
|-----------|-----------|------------|---------------|
| 400       | 406       | 413        | 20 (with CRU) |

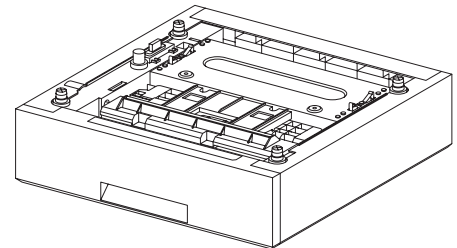
\* Depth of M/C is without paper tray.



Rio08003KA

#### 3.2 Dimensions/Mass of 250 Feeder (Option)

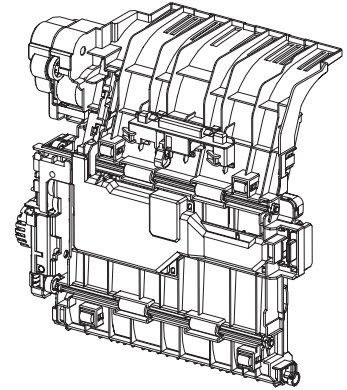
| Width(mm) | Depth(mm) | Height(mm) | Mass(kg) |
|-----------|-----------|------------|----------|
| 400       | 406       | 108        | 4.4      |



Rio08013KA

### 3.3 Dimensions/Mass of Duplex (Option)

| Width(mm) | Depth(mm) | Height(mm) | Mass(kg) |
|-----------|-----------|------------|----------|
| 326.5     | 313.2     | 153.5      | 1.2      |



Rio08012KA

### 3.4 Dimensions/Mass of Consumables and CRUs

#### 3.4.1 PHD Unit

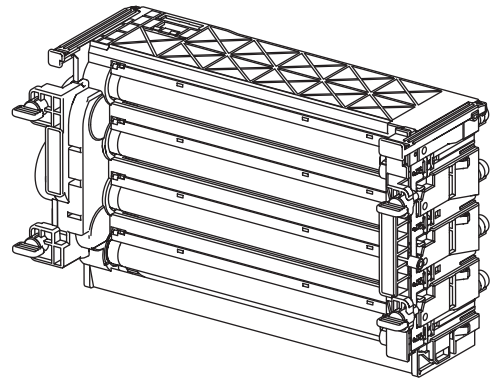
Width: 332mm

Depth: 138mm

Height: 196mm

Mass: 3.37kg

**Reference:** *The PHD Unit has CRUM (CRU memory) to record information.*

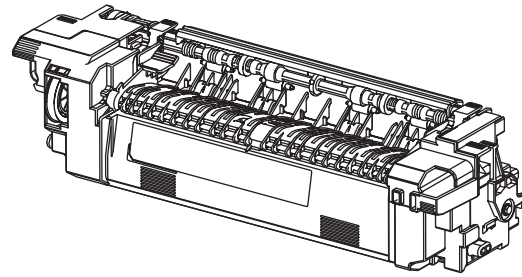


Wsb08006KA



**3.4.2 FUSER CRU**

Width: 393mm  
 Depth: 121mm  
 Height: 130mm  
 Mass: 1.5kg

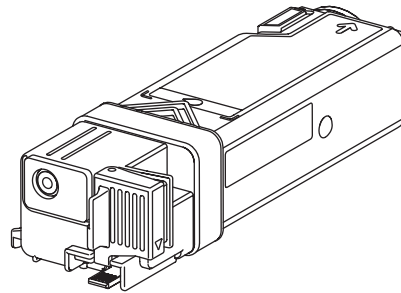


Río08004KA

**3.4.3 Black toner cartridge**

Width: 185.8mm  
 Depth: 63mm  
 Height: 40.5mm  
 Mass: 0.1K kg

**Reference:***The Black toner cartridge has CRUM (CRU memory) to record information.*

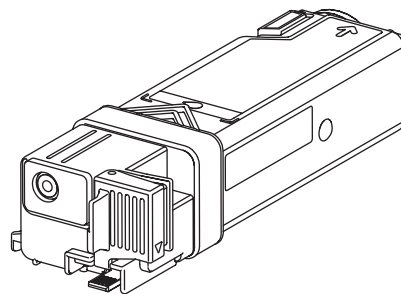


Wsb08005KA

**3.4.4 Cyan toner cartridge**

Width: 185.8mm  
 Depth: 63mm  
 Height: 40.5mm  
 Mass: 0.1 kg

**Reference:***The Cyan toner cartridge has CRUM (CRU memory) to record information.*

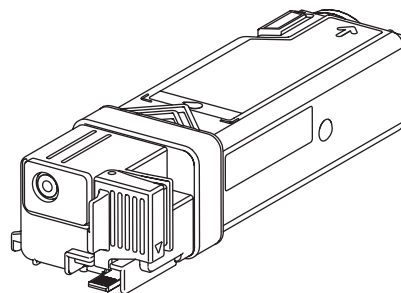


Wsb08005KA

**3.4.5 Magenta toner cartridge**

Width: 185.8mm  
 Depth: 63mm  
 Height: 40.5mm  
 Mass: 0.1 kg

**Reference:***The Magenta toner cartridge has CRUM (CRU memory) to record information.*

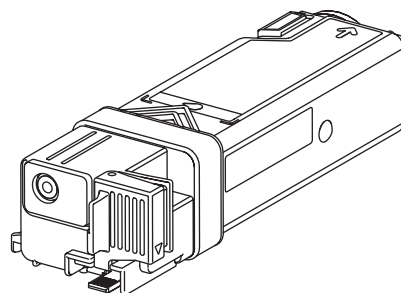


Wsb08005KA

**3.4.6 Yellow toner cartridge**

Width: 185.8mm  
 Depth: 63mm  
 Height: 40.5mm  
 Mass: 0.1 kg

**Reference:***The Yellow toner cartridge has CRUM (CRU memory) to record information.*

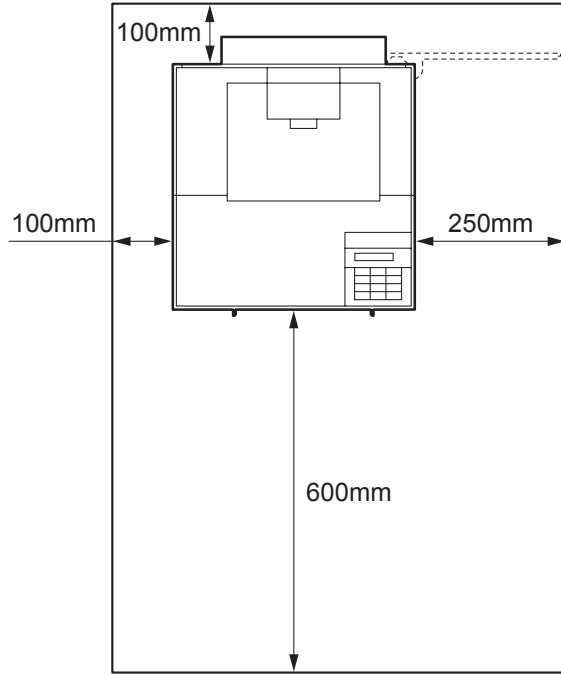


Wsb08005KA

### 3.5 Installation Space (min. installation space)

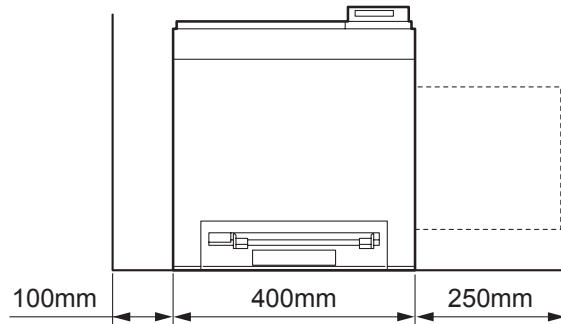
Minimum space as shown below is required to install the printer when it is used for normal objects.  
 (Space occupied by the operator is not included.)

#### Top view



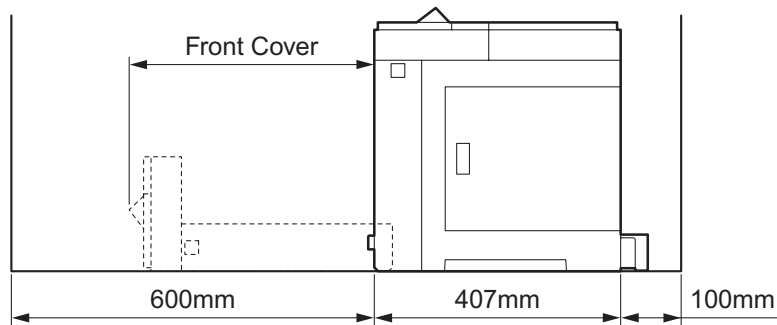
Rio08007KA

#### Front view



Rio08008KA

#### Side view



Rio08009KA

## **4. Functions**

### **4.1 Recording System**

Tandem electro-photographic system employing OPC drum and direct transfer by the transport belt

### **4.2 Exposure System**

Four laser beams semiconductor scanning system

### **4.3 Development System**

Development with 2-component developer

### **4.4 Fixing System**

Thermal fixing system

### **4.5 Resolution**

600 dpi x 600 dpi

## 4.6 Operation Mode

The printer can be operated in either of 5 operation modes. The modes are switched over by command from the printer controller or change of printer operation, etc.

Proceeding from power ON, low power mode or sleep mode to standby mode will take place after going through a warm up stage.

### - Initializing mode

State in initializing.

|                   |                                       |
|-------------------|---------------------------------------|
| Fixing system:    | Stop status                           |
| Exposure system:  | Operating status (during calibration) |
| Recording system: | Operating status (during calibration) |

### - Running mode

State in running or recording operation.

|                   |                                |
|-------------------|--------------------------------|
| Fixing system:    | Held at operating temperature. |
| Exposure system:  | Operating status               |
| Recording system: | Operating status               |

### - Ready mode

Ready state

|                   |                            |
|-------------------|----------------------------|
| Fixing system:    | Held at ready temperature. |
| Exposure system:  | Stop status                |
| Recording system: | Stop status                |

### - Sleep mode

Complete resting state. Compatible to E-Star and BAM requirement.

|                   |             |
|-------------------|-------------|
| Fixing system:    | Stop status |
| Exposure system:  | Stop status |
| Recording system: | Stop status |

### - Deep sleep mode

Resting state from the sleep state.

|                   |             |
|-------------------|-------------|
| Fixing system:    | Stop status |
| Exposure system:  | Stop status |
| Recording system: | Stop status |

## 4.7 Warm-up Time

When nominal voltage (100V, 115V, 220V) is applied, the printer will proceed to standby mode from POWER-ON within 16 seconds.

**Reference: Measured at 22°C, 55% RH, nominal voltage, plain paper mode.**

## 4.8 FPOT (First Print Output Time)

FPOT time of the printer is shown in the table below.

The time required for the first sheet of paper to be delivered after the PRINT indication is given is calculated on the following conditions (rounded to one decimal place).

- IOT performance that the controller does not have IOT wait.
- The printer is in the standby mode. (ROS MOTOR OFF, FUSER READY)
- Paper is A4 SEF
- Except when process control is operating\*1

\*1:Process controller operation is process controls such as TC control, electric potential control, cleaning cycle, registration control, and so on. Sometimes, the engine stops feeding papers for a certain period of time while continuous printing for these operations.

| Color Mode | Paper Tray    | FPOT (Sec.)       |
|------------|---------------|-------------------|
| B/W        | Standard tray | 16.3 sec. or less |
|            | SSF           | 15.5 sec. or less |
|            | Optional tray | 18.0 sec. or less |
| Color      | Standard tray | 17.0 sec. or less |
|            | SSF           | 16.5 sec. or less |
|            | Optional tray | 19.0 sec. or less |

## 4.9 Continuous Printing Speed

The continuous printing speed is shown in the below.

| Paper Type/Size | Input Tray    | Color Mode | Print Speed      |                   |
|-----------------|---------------|------------|------------------|-------------------|
|                 |               |            | Simplex          | Duplex            |
| Plain/A4        | Standard Tray | Color      | 78.0 sec or less | 101.4 sec or less |
|                 |               | B/W        | 61.5 sec or less | 80.0 sec or less  |
|                 | Option Tray   | Color      | 85.0 sec or less | 110.5 sec or less |
|                 |               | B/W        | 68.5 sec or less | 89.1 sec or less  |

*NOTE*

Measurement is conducted five times. Print speed is calculated as average of the three values after the maximum and minimum values are excluded.

## **4.10 Input Properties**

### **4.10.1 Paper pick-up system**

- Paper pick-up with paper tray  
Feeding method of this printer is ARRF method.

### **4.10.2 Paper pick-up capacity**

- Paper pick-up with paper tray
  - 250 sheet Paper Tray : 250 sheets or below 27.6mm of standard paper
- SSI paper pick-up  
1 sheet

## **4.11 Output Properties**

### **4.11.1 Paper delivery system**

- Paper can be delivered by the following method.
- FACE DOWN delivery

### **4.11.2 Paper delivery capacity**

- FACE DOWN delivery  
150 sheets (Letter/A4 standard paper)\*

### **4.11.3 Delivery paper size/mass**

- FACE DOWN delivery  
All paper sizes applicable to this printer

### **4.11.4 Full stack detection**

non

## 4.12 Paper

### 4.12.1 Paper type

Paper which can be used with this printer is classified into standard paper, general paper and special paper.

- Standard paper

Using this type of paper is recommended. Reliability, operability and print image quality are the application range of the specifications.

Following paper is the standard paper.

|                            | B/W    | F/C         |
|----------------------------|--------|-------------|
| <b>For overseas market</b> | 4200DP | X-pressions |

- General paper

General paper is plain paper except standard paper and special paper, and its reliability and running performance are within the specification, but the print image quality is out of the specification.

- Special paper

Special paper except for plain paper. Reliability and operability are the applicable range of specifications but the print image quality is out of the applicable range of specifications.

### 4.12.2 Paper mass

- Paper feed from paper tray

"60 to 216 gsm" (16 lb to 80 lb)

### 4.12.3 Paper size

Paper size which can be set to each paper pick-up unit is shown in the table below.

| Cassette                 | Paper size   |
|--------------------------|--|
| 250 Sheet Paper Tray/SSF | A5, B5 (JIS, IOS), A4, Letter, Executive, Legal, Folio, Envelope, Monarch, DL, C5, Com-10<br>Minimum size<br>Width 76.2mm × Length 127mm<br>Maximum size<br>Width 215.9mm × Length 355.6mm |



## 5. Consumables

Consumables are usually replaced by costumers. In the event of recovery of failure attributable to consumables or isolation of failure, you may replace them.

### 5.1 Items of Consumables

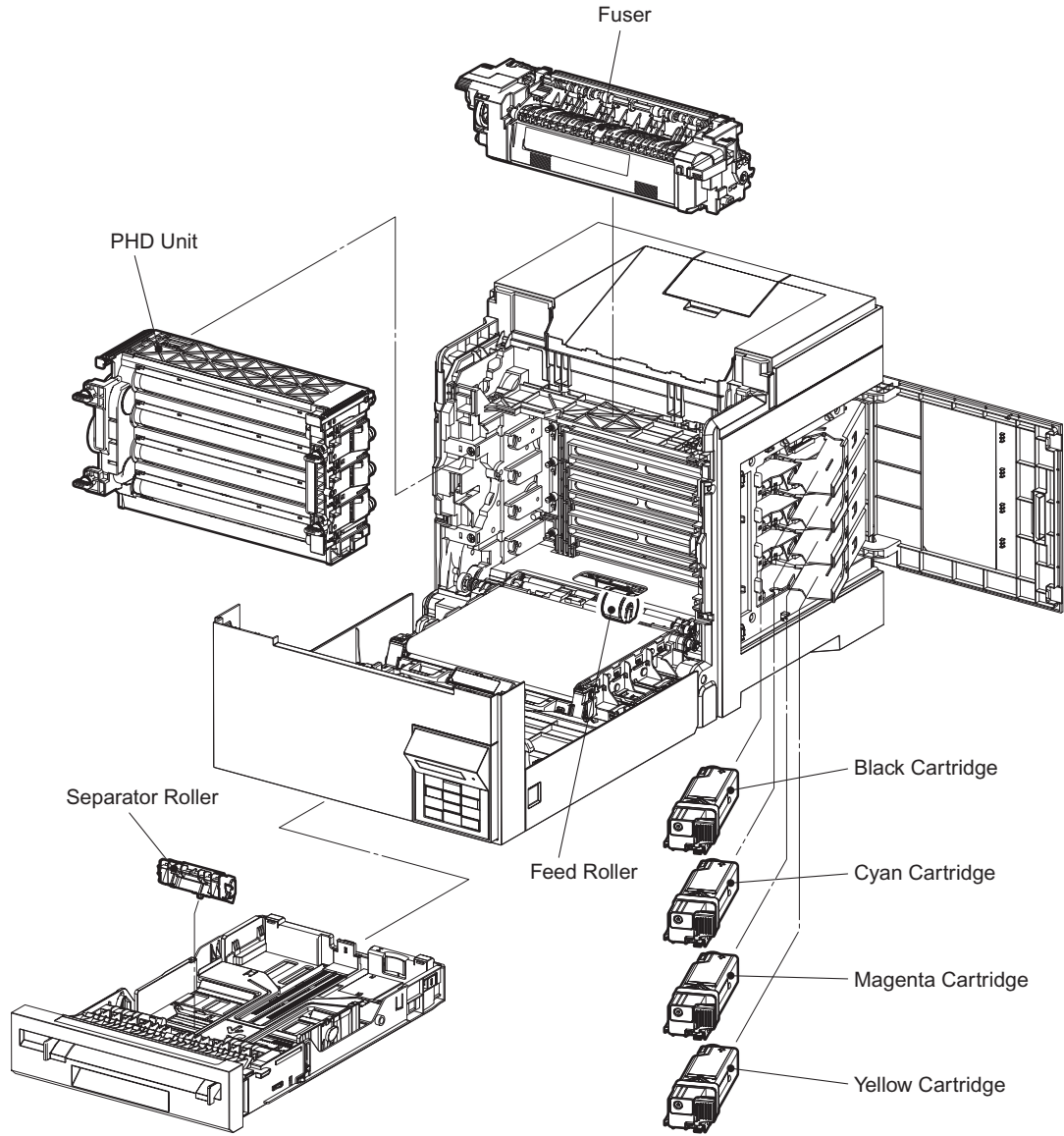
- Black toner cartridge  
Cartridge to supply black toner to the development unit.  
Black toner cartridge has CRUM (CRU memory) to record information.
- Yellow toner cartridge  
Cartridge to supply yellow toner to the development unit.  
Yellow toner cartridge has CRUM (CRU memory) to record information.
- Magenta toner cartridge  
Cartridge to supply magenta toner to the development unit.  
Magenta toner cartridge has CRUM (CRU memory) to record information.
- Cyan toner cartridge  
Cartridge to supply cyan toner to the development unit.  
Cyan toner cartridge has CRUM (CRU memory) to record information.

### 5.2 Consumable Life

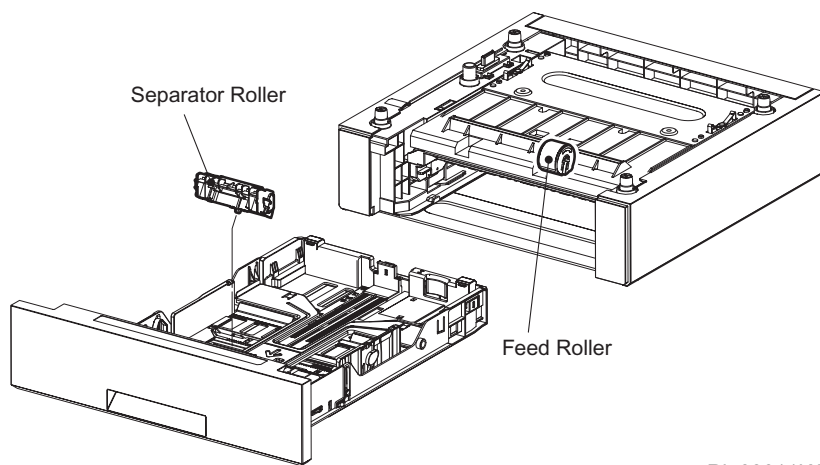
- Black toner cartridge: 1k / 2.5kPV
- Yellow toner cartridge: 1k / 2.5kPV
- Magenta toner cartridge: 1k / 2.5kPV
- Cyan toner cartridge: 1k / 2.5kPV

### 5.3 Periodic Replacing Parts (Reference)

- PHD 24kPV
- FUSER 50kPV or 5 years
- Separator Roller and Feed Roller 50kPV or 5 years



Rio08010KA



Rio08011KA

## **6. Operating Environment**

### **6.1 Installation Temperature / Humidity**

Installation temperature and humidity on the condition without condensation is as follows.

At operating: 5-32 °C, 15-85%RH (No condensation)

At standby: minus 20-40 °C, 5-85%RH (No condensation)

### **6.2 Installation Altitude**

0 to 3,100m

### **6.3 Installation Horizontality**

Longitudinal levelness of table surface on which the printer is installed:1 degree or under

Lateral levelness of table surface on which the printer is installed :1 degree or under

### **6.4 Ambient Lighting**

3,000 Lux or less (without no direct sun beams)

### **6.5 Storage Temperature of a Toner Cartridge**

The guaranteed period of the print cartridge before unpacked is as follows:

Normal conditions: 24 months under 0 to 35°C, 15 to 80% RH.

Harsh conditions: Up to one month under -20 to 0°C and 35 to 40°C, 5 to 15% RH and 80 to 95% RH.

The storage altitude shall be 0 to 3,100m. Can be extended to 0 to 15,000m when shipped by air.

(Provided that the cargo bay is pressurized to 70.9275Kpa or higher.)

## 7. Safety / Environment Conditions

### 7.1 Safety Standard

- 110V system
  - UL60950-1
  - CSA C22.2 No.60950
- 220V system
  - IEC60950-1 / EN60950-1 2001

### 7.2 Laser Safety Standard

- 110V system
  - FDA21CFR Chapter 1, Subchapter J, Section 1010, 1040
- 220V system
  - IEC60825-1 Amendment 1 + Amendment 2 / EN60825-1 Amendment 11 + Amendment 2 Class 1 Laser Product

### 7.3 EMI

- 110V system (US)
  - FCC Part 15, Subpart B, Class B
- 220V system (EC)
  - EN55022 (CISPR Publication 22), Class B

### 7.4 Noise

Noise of printing is as follows.

| Printer \ Noise      | Sound power level (B) | Sound pressure (dBA) |
|----------------------|-----------------------|----------------------|
|                      | LWA                   | LPA                  |
| During printing      | 6.60                  | 52.0                 |
| During Ready / Sleep | 4.3                   | 25.0                 |

## **8. Print image Quality**

### **8.1 Image Quality Guarantee Conditions**

The image quality is specified and guaranteed under the following conditions.

#### **8.1.1 Environmental conditions**

Environment condition for evaluating image quality

Temperature: 15-28 °C

Humidity: 20-70%RH

#### **8.1.2 Guaranteed paper**

The print image quality specified here is guaranteed with standard paper fed from the paper tray.

Evaluation is performed with the maximum size of each standard paper.

- Xerox 4200DP 201b letter

- Xerox Digital Color Xpression 24lb letter

#### **8.1.3 Paper condition**

The paper used is fresh paper immediately after unpacked, which has been left in the operating environment for 12 hours before unpacking.

#### **8.1.4 Printer condition**

The print image quality specified in this section is guaranteed with the printer in normal condition.

#### **8.1.5 Image quality guaranteed area**

The print image quality specified in this section is guaranteed in the guaranteed image quality area specified in this manual. (Refer to Chapter 1)

#### **8.1.6 Criterion**

The print image quality is guaranteed with the Spec. In rate = 90% ( $\gamma = 90\%$ ).

## **9. Option**

### **9.1 Option to be Installed by Users**

Users can install the following unit.

- 250 Feeder Unit
- Duplex Unit
- Expansion memory (512MB / 1024MB)
- Wireless Printer Adapter
- Network Protocol Adapter

## 10. ESS Specification

### 10.1 External Interface

#### 10.1.1 USB

| Item             | Specification                                  |
|------------------|--|
| Connector        | Type-B x 1                                     |
| Protocol         | USB2.0, High Speed                             |
| Supported Client | Windows 2000 / XP / 2003 / Vista / Server 2008 |

#### 10.1.2 Ethernet (required the Network adaptor)

| Item             | Specification                                  |
|------------------|--|
| Connection       | 10Base-T / 100Base-TX                          |
| Protocol         | See "10.2 Network Protocol" for details        |
| Supported Client | Windows 2000 / XP / 2003 / Vista / Server 2008 |

#### 10.1.3 Wireless

| Item             | Specification                                  |
|------------------|--|
| Connection       | IEEE802.11b / 802.11g                          |
| Protocol         | See "10.2 Network Protocol" for details        |
| Supported Client | Windows 2000 / XP / 2003 / Vista / Server 2008 |

## 10.2 Network Protocol

### 10.2.1 Printing Protocol

| Protocol                  | Transport | Maximum Session | Supported Client                      |
|---------------------------|-----------|-----------------|---------------------------------------|
| LPD                       | TCP/IP    | 1               | Windows 2000 / XP / 2003 / Vista      |
| Port9100                  | TCP/IP    | 1               | Windows 2000 / XP / 2003 / Vista      |
| WSD* <sup>1</sup>         | TCP/IP    | 2               | Windows Vista / 2008                  |
| Netware /IP* <sup>1</sup> | TCP/IP    | 1               | Netware 5, 5.1, 6, 6.5 * <sup>2</sup> |

\*1:Enabling only when Network Protocol Adapter is installed.

\*2:Netware 6.5 is required to apply support pack 1.1 or later provided by Novell.

### 10.2.2 Other Protocols

| Protocol                   | Transport | Support  |
|----------------------------|-----------|--|
| SMTP                       | TCP/IP    | SMTP<br>E-mail Alert<br>[Supported Mail Server]<br>LotusNotes, MS-Exchange, Eudora   |
| SNMPv1/v2/v3* <sup>1</sup> | UDP/IP    | SNMP<br>[Supported MIB]<br>MIB-II (RFC1213)<br>HostResources MIB (RFC1514)<br>PrinterMIB (RFC1759)<br>Printer Port Monitor MIB |
| HTTP/HTTPS* <sup>1</sup>   | TCP/IP    | HTTP/HTTPS<br>[Client]<br>(Windows 2000 / XP / Vista / 2008)<br>Internet Explorer 6.x or 7x<br>Firefox x 2.0                   |
| DHCP                       | UDP/IP    | DHCP<br>[Supported OS]<br>Windows 2003 / 2008  |
| BOOTP                      | UDP/IP    | BOOTP<br>[Supported OS]<br>Windows 2003 / 2008   |
| RARP                       | TCP/IP    | RARP<br>[Supported OS]<br>Unix (Solalis 9)   |
| AutoIP                     | TCP/IP    | AutoIP<br>[Software]<br>Installer  |

\*1:Enabling only when Network Protocol Adapter is installed.



## 10.3 Decomposer

### 10.3.1 PDL

| PDL                      | Interface port | Operating system                           |
|--------------------------|----------------|--|
| PCL printing system data | USB, TCP/IP    | Windows 2000, XP, 2003, Vista, Server 2008 |

### 10.3.2 Font

| Font set               | Format | Supported encoding | Remarks |
|------------------------|--------|--------------------|---------|
| 81 Fonts and 36 symbol | -      | -                  |         |

### 10.3.3 Image Area

|  |  |
|--|--|
| <b>Usable Area Size</b>                    | Maximum : 215.9mm (8.5 in.) x 355.6mm (14 in.)                     |
| <b>Unprintable Area</b>                    | 4.1 mm each from four edges (left, right, top and bottom) of paper |
| <b>Printable Area</b>                      | Maximum : 207.9mm (8.18 in.) x 347.6mm (13.68 in.)                 |
| <b>Print Image Quality Guaranteed Area</b> | Same as Printable Area   |

## 10.4 Job Control

### 10.4.1 Cancel Print

A print job in process can be cancelled at the operation panel.

### 10.4.2 Job Recovery

When a job fails due to recoverable error like a paper jam, the printer automatically restarts the job after the jammed paper is removed.

### 10.4.3 Job Time Out

When job transmission is interrupted for a certain period of time (Time can be changed at the operation panel and unlimited time can be selected), the print data is deleted as an error.

### 10.4.4 Dell Color Track

Dell Color Track is a function to specify the availability of color print and to limit print volume per user. Only administrators are allowed to make limitation settings from the EWS.

User name and password is embedded in the print job in order to identify who the job is sent from.

User name and password are entered by user from the printer driver.

The printer can support maximum 50 accounts.

### 10.4.5 Secure Print (/Store Print)

When memory is expanded (512MB or more), the printer holds print data, including a user password (12 digits) specified in the printer driver, user name and document name, in memory. The data is not printed until the same password, user name and document name are specified at the printer UI.

The user can select whether the data is cleared or not after being printed. The data remains in the printer as long as it is not cleared. The data on the memory is cleared when the printer is turned off. The user can omit entering a password (This is called Store Print).

### 10.4.6 Proof Print

When memory is expanded (512MB or more), proof print can be selected only when multiple sets of prints are specified in the printer driver. The printer prints only the first set of the print data. Then the user can select whether the remaining sets are printed or not (the remaining data is cleared) when the same user name and document name are entered at the printer UI. The data remains in the printer as long as it is not cleared. The data on the memory is cleared when the printer is turned off.

### 10.4.7 IP Filter

The user can select to accept or reject jobs for the specified IP address. Up to 5 IP addresses can be specified. IP filter is available only to LPD and Port9100 printing protocol.

## 10.5 Logging

### 10.5.1 Job Logging

The printer can retain up to 20 job logs. Job log can be printed instantly according to the user's request or automatically printed when the number of the retained job logs has reached 10. Job log includes the following information:

- Job sent date and time
- Input interface (USB, Lpd, Port9100)
- Document name (File name)
- Output color
- User name/Host name
- Number of printed pages (Color, B/W)
- Number of printed impressions (Color, B/W)
- Paper size
- Result (Successful, Error, etc.)

### 10.5.2 Error Logging

The printer can retain up to 42 jam errors and up to 42 fatal errors.

The user can print error log by the panel operation.

Jam error log includes the following information:

- PV counter when jam has occurred
- Name of Jam

Fatal error log includes the following information:

- PV counter when error has occurred
- Error code

### 10.5.3 Billing Count

NOTE

- **The same data is stored in two or more addresses in one IC. Data check (checksum etc.) is conducted.**

NOTE

- **When ESS is replaced, IC can be transferred. (IC is mounted on socket)**

| Counter             | Description  |
|---------------------|--|
| Color Print Counter | Count the number of paper printed in color               |
| B/W Print Counter   | Count the number of paper printed in B/W                 |
| Total Print Counter | Count the total number of paper printed in color and B/W |

## 10.6 ID Print

User name can be printed. The printing position can be selected from upper right, upper left, lower right and lower left (Only for PCL6).

The user selects using the operation panel whether user name is printed or not and where it is printed.

## 10.7 Non DELL Toner Mode

When life of toner cartridge has ended, the printer stops accepting print request (life of toner cartridge is counted by the counter in CRUM). Taking into consideration that some users use refilled toner cartridges, the printer can accept print request by the user's panel operation even if life of toner cartridge has ended. When the mode has changed so that the printer does not stop even after life of toner cartridge ends, the printer displays a message on the operation panel to inform the user of the mode change. When the printer operates in this mode, print image quality is not guaranteed. Also, remaining toner level is not displayed (as CRUM data can not be guaranteed).

## 10.8 Utility Print

### 10.8.1 Printer Settings List

Printer Settings List can be printed according to the user's request.

Printer Settings List is printed in B/W on A4 size paper (Letter size paper for US) in the automatically selected paper tray.

Printer Settings List includes the following information:

[Title]

Printer name, Company Logo

[General]

Printer name, Service tag, Asset Number, Total Impressions, Color Impressions, Black Impressions, Serial Number, Memory capacity, Printer Language, Number of Fonts Available, Firmware version, Boot version, Engine Version, Default Paper, Default Plain, Default Label, Default Language

[Wired Network]

Firmware version, MAC address, Ethernet Setting  
TCP/IP, LPD, Port9100, SNMP, E-Mail Alert, EWS, IP Filter, IPv4, IPv6, IPsec, WSD, HTTP-SSL/TLS

[Wireless]

Wireless Setting\* (SSID, Network Type, Quality, Link Channel)

\* Listed when wireless LAN option is installed

[Printer Options]

Duplexer  
Optional Tray  
Wireless Printer Adapter  
Network Protocol Adapter

[Print Volume]

Print volume for each paper size

### 10.8.2 Panel Settings List Print

Panel Settings List can be printed by the user's request.

Panel Settings List is printed in B/W on A4 size paper (Letter size paper for the US) in the automatically selected paper tray.

### 10.8.3 Font List Print

PCL Font List can be printed by the user's operation.

PCL Font List is printed in B/W in the automatically selected paper tray.

### 10.8.4 Macros List Print

PCL Macros List can be printed by the user's operation.

PCL Macros List is printed in B/W in the automatically selected paper tray.

### 10.8.5 Job History Report

The user can print Job History Report by requesting instant print or by setting auto print.

Job History Report in B/W on A4 size (Letter size for the US) in the automatically selected paper tray.

- Date
- Time
- Input Port
- Host/User Name
- Document Name
- Output Color
- Paper Size
- Pages
- Sheets
- Result

### 10.8.6 Error History Report

Error History Report can be printed according to the user's request.

Error History Report in B/W on A4 size (Letter size for the US) in the automatically selected paper tray.

- System Fail History:
  - Total Print Count
  - Chain-Link (Error Code)
- Paper Jam History:
  - Total Print Count
  - Type of Jam

### 10.8.7 Demo Page Print

Demo page can be printed by the user's operation.

Demo page is printed in B/W in the automatically selected paper tray.