

PARTS CATALOG

**imageRUNNER ADVANCE
C9280/9270/7280/7270/7260
Series**

Canon

Jul 4 2014

PREFACE

This Parts Catalog contains listings of parts used

Diagrams are provided with the listings to aid the service technician in identifying clearly, the item to be ordered.

Whenever ordering parts, consult this Parts Catalog for all of the information pertaining to each item. Be sure to include, in the Parts Request, the full item description, the item part number, and the quantity.

COPYRIGHT (C) 1999 CANON INC.

Use of this manual should be strictly supervised to avoid disclosure of confidential information.

Contents

NUMERICAL INDEX

imageRUNNER ADVANCE C9280/9270/7280/7270/7260 Series(Numerical Index)..... 1-1

imageRUNNER ADVANCE C9280/9270/7280/7270/7260 Series(Parts Catalog)

A1	ASSEMBLY LOCATION DIAGRAM	2-1
A2	OPTION PARTS CATALOG LIST	2-8
001	ACCESSORIES	2-10
100	EXTERNAL COVERS, PANELS, ETC.	2-11
101	INTERNAL COMPONENTS 1	2-16
102	INTERNAL COMPONENTS 2	2-18
103	INTERNAL COMPONENTS 3	2-20
104	INTERNAL COMPONENTS 4	2-23
105	INTERNAL COMPONENTS 5	2-26
106	INTERNAL COMPONENTS 6	2-29
107	MACHINE BOTTOM PLATE	2-32
108	MACHINE REAR PLATE 1	2-34
109	MACHINE REAR PLATE 2	2-36
110	MACHINE REAR PLATE 2	2-38
111	MACHINE REAR PLATE 4	2-40
112	MACHINE REAR PLATE 5	2-42
113	MACHINE REAR PLATE 6	2-44
114	MACHINE REAR PLATE 7	2-46
115	MACHINE REAR PLATE 8	2-48
116	MULTI DOOR ASSEMBLY	2-50
117	VERTICAL PATH DOOR ASSEMBLY	2-51
118	REVERSE DELIVERY DOOR ASSEMBLY	2-52
119	FRONT INNER DOOR ASSEMBLY	2-55
130	FLAT CONTROL PANEL ASSEMBLY (EXCEPT PRO SERIES) 2-57	
135	UPRIGHT CONTROL PANEL ASSEMBLY (PRO SERIES) 2-60	
136	CONTROL PANEL ARM ASSEMBLY (PRO SERIES)	2-63
140	POWER CORD TERMINAL ASSEMBLY	2-65
191	PRE-FIXING FEED FAN ASSEMBLY	2-69
192	FIXING EXHAUST FAN ASSEMBLY	2-70
193	PRIMARY CORONA EXHAUST ASS'Y	2-71
250	DRUM DRIVE ASS'Y,(Y/M/C)	2-72
251	DRUM DRIVE ASSEMBLY, BLACK	2-73

Contents

260	VERTICAL PATH DRIVE ASSEMBLY	2-74
261	CASSETTE DRIVE ASSEMBLY	2-75
262	DECK DRIVE ASSEMBLY	2-77
263	MULTI DRIVE ASSEMBLY	2-78
270	DEVELOPING DRIVE ASS'Y, COLOR	2-80
271	DEVELOPING DRIVE ASS'Y, BLACK	2-82
272	2ND TRNS. EST. DRIVE ASS'Y	2-84
273	WASTE TONER DRIVE ASSEMBLY	2-85
300	1.1K RIGHT PAPER DECK ASS'Y	2-87
301	1.1K LEFT PAPER DECK ASS'Y	2-90
302	CASSETTE ASSEMBLY	2-93
305	CASSETTE HEATER ASSEMBLY (230V)	2-97
310	PAPER PICK-UP ASSEMBLY, RIGHT	2-98
311	PAPER PICK-UP ASSEMBLY, LEFT	2-101
315	MULTI TRAY ASSEMBLY	2-104
316	MULTI DOOR PAPER PICK-UP ASS'Y	2-106
320	REGISTRATION ASSEMBLY	2-109
321	REG. PATCH DETECT ASSEMBLY	2-112
330	FIXING/FEED BASE ASSEMBLY	2-114
331	PRE-FIXING PAPER FEED ASSEMBLY	2-119
350	REVERSE PAPER DELIVERY ASS'Y	2-121
355	DECURLER PATH ACCESSORY ASS'Y (DECURLER model) 2-125	
356	DECURLER PATH ASSEMBLY (DECURLER model)	2-127
357	ROTATION FRAME ASSEMBLY (DECURLER model)	2-132
460	LASER SCANNER ASSEMBLY	2-134
510	HOLDER UNIT, DRUM UNIT	2-135
530	I.T.BELT ASSEMBLY	2-137
531	TRANSFER PRESSURE ASS'Y, FRONT	2-144
532	PRE-TRANSFER CORONA ASSEMBLY	2-145
550	PRIMARY CORONA ASSEMBLY	2-147
580	SECONDARY TRANSFER ASSEMBLY	2-149
620	HOPPER MOUNT ASSEMBLY, COLOR	2-151
621	HOPPER ASSEMBLY, COLOR	2-153
622	HOPPER ASSEMBLY, BLACK	2-154
623	BOTTLE TRAY ASSEMBLY, COLOR	2-156
624	BOTTLE TRAY ASSEMBLY, BLACK	2-158
625	BOTTLE EXCHANGE COVER ASSEMBLY	2-160
640	DEVELOPING ASSEMBLY	2-162
770	WASTE TONER FEEDER ASSEMBLY	2-163
771	WASTE TONER BOTTLE CASE ASS'Y	2-165
772	BOTTLE, WASTE TONER	2-167
810	FIXING ASSEMBLY	2-168
811	FIXING BASE ASSEMBLY	2-171
812	FIXING FRAME ASSEMBLY	2-173

Contents

830	FIXING CLEANER ASSEMBLY	2-175
840	FIXING DRIVE ASSEMBLY	2-177
850	INNER PAPER DELIVERY ASSEMBLY	2-178
900	CONTROLLER BOX ASSEMBLY	2-180
910	DC POWER SUPPLY BOX ASSEMBLY	2-182
911	IH POWER SUPPLY BOX ASSEMBLY	2-184
912	HEATER POWER SUPPLY PCB ASS'Y	2-185
913	RELAY PCB ASSEMBLY	2-186
931	DC CONTROLLER I/F PCB ASS'Y	2-187
932	MAIN CONTROLLER PCB ASS'Y, 1	2-188
933	MAIN CONTROLLER PCB ASS'Y, 2	2-189
940	RISER PCB ASSEMBLY	2-190
950	LASER INTERFACE PCB ASSEMBLY	2-191
951	IMAGE OPERATION SUB PCB ASS'Y	2-192
960	PAPER PICK-UP DRIVER PCB ASS'Y	2-193
961	DRUM DRIVER PCB ASSEMBLY	2-194
962	AC DRIVER PCB ASSEMBLY	2-195
963	BUFFER DRIVER PCB ASSEMBLY (DECURLER model)	2-196
964	DRUM HEATER DRIVER PCB ASS'Y	2-197
965	FIXING/FEEDER DRIVER PCB ASS'Y	2-198
983	DRUM POST POWER SUPPLY ASS'Y,	2-199
984	POST HIGH VOLTAGE PCB ASS'Y	2-200
985	1ST CORONA HIGH VOLTAGE PCB	2-201
986	2ND TRNSFR./FIXING H.V. PCB	2-202
987	2ND TRANSFER H.V. PCB ASS'Y	2-203
990	HARD DISK DRIVE ASSEMBLY	2-204
T40	2-206
ZZA	MECHANICAL STANDARD PARTS (HOW TO USE)	2-207
ZZB	MECHANICAL STANDARD PARTS (SCREWS)	2-208
ZZC	MECHANICAL STANDARD PARTS (BOLTS)	2-215
ZZD	MECHANICAL STANDARD PARTS (NUTS)	2-216
ZZE	MECHANICAL STANDARD PARTS (RETAINING RINGS)	2-217

NUMERICAL INDEX

imageRUNNER ADVANCE C9280/9270/7280/7270/7260 Series(Numerical I

PARTS NUMBER	FIGURE & KEY NO.	PARTS NUMBER	FIGURE & KEY NO.	PARTS NUMBER	FIGURE & KEY NO
FA4-1864-000	532 - 1	FC0-6880-000	130 - 6	FC0-8153-000	104 - 2
FA9-2112-000	330 - 1	FC0-6881-000	130 - 6	FC0-8156-000	104 - 3
FA9-3870-000	355 - 1	FC0-6882-000	130 - 6	FC0-8158-000	771 - 1
FB1-8581-000	316 - 1	FC0-6883-000	130 - 6	FC0-8159-000	771 - 2
FB2-2959-000	550 - 1	FC0-7967-000	810 - 2	FC0-8160-000	104 - 4
FB2-5500-020	100 - 1	FC0-7970-000	810 - 3	FC0-8160-000	531 - 1
FB2-6285-020	530 - 1	FC0-7972-000	812 - 2	FC0-8168-000	530 - 6
FB2-7551-000	100 - 2	FC0-7993-000	810 - 4	FC0-8177-000	350 - 1
FB2-8094-020	105 - 1	FC0-7994-000	810 - 5	FC0-8240-000	623 - 2
FB2-8094-020	111 - 1	FC0-7995-000	811 - 1	FC0-8240-000	624 - 2
FB2-8465-000	300 - 2	FC0-7998-000	810 - 6	FC0-8244-000	620 - 1
FB2-8465-000	301 - 2	FC0-8001-000	850 - 2	FC0-8244-000	622 - 1
FB3-2706-000	850 - 1	FC0-8002-000	850 - 3	FC0-8732-000	350 - 2
FB4-1340-000	107 - 1	FC0-8003-000	850 - 4	FC0-8733-000	118 - 40
FB4-2007-000	310 - 1	FC0-8004-000	850 - 5	FC0-8737-000	310 - 2
FB4-2007-000	311 - 1	FC0-8005-000	850 - 6	FC0-8737-000	311 - 2
FB5-3481-000	263 - 1	FC0-8007-000	850 - 7	FC0-8740-000	530 - 7
FB5-9104-010	810 - 1	FC0-8008-000	850 - 8	FC0-8774-000	320 - 1
FB5-9104-010	812 - 1	FC0-8009-000	850 - 9	FC0-8775-000	331 - 1
FB6-3150-000	580 - 1	FC0-8010-000	850 - 10	FC0-8778-000	580 - 2
FB6-3410-000	316 - 2	FC0-8011-000	850 - 11	FC0-8799-000	100 - 3
FB6-3456-000	315 - 1	FC0-8017-000	850 - 12	FC0-8803-000	135 - 1
FB6-3457-000	315 - 2	FC0-8019-000	850 - 13	FC0-8804-000	135 - 2
FB6-3459-000	315 - 3	FC0-8027-000	850 - 14	FC0-8805-000	135 - 3
FB6-3463-000	316 - 3	FC0-8028-000	850 - 15	FC0-8806-000	135 - 4
FB6-3466-000	316 - 4	FC0-8029-000	850 - 16	FC0-8809-000	135 - 5
FB6-3467-000	316 - 5	FC0-8030-000	830 - 1	FC0-8810-000	135 - 5
FB6-3499-000	300 - 34	FC0-8031-000	830 - 2	FC0-8811-000	135 - 5
FB6-3499-000	301 - 34	FC0-8039-000	830 - 3	FC0-8812-000	135 - 5
FB6-3499-000	302 - 60	FC0-8041-000	830 - 4	FC0-8813-000	135 - 5
FB6-4937-000	315 - 4	FC0-8042-000	830 - 5	FC0-8814-000	135 - 5
FC0-0205-000	110 - 1	FC0-8043-000	830 - 6	FC0-8815-000	135 - 5
FC0-0405-000	101 - 1	FC0-8044-000	830 - 7	FC0-8816-000	135 - 5
FC0-0410-000	350 - 52	FC0-8063-000	812 - 3	FC0-9126-000	810 - 13
FC0-0779-010	109 - 13	FC0-8064-000	812 - 4	FC0-9142-000	812 - 7
FC0-0793-000	625 - 1	FC0-8066-000	812 - 5	FC0-9148-000	810 - 14
FC0-1512-000	623 - 1	FC0-8069-000	812 - 27	FC0-9151-000	100 - 4
FC0-1512-000	624 - 1	FC0-8090-000	810 - 36	FC0-9182-000	100 - 73
FC0-2331-000	530 - 2	FC0-8091-000	810 - 37	FC0-9209-000	320 - 2
FC0-2332-000	530 - 3	FC0-8092-000	810 - 7	FC0-9272-000	140 - 3
FC0-2333-000	530 - 4	FC0-8093-000	810 - 8	FC2-2121-000	100 - 6
FC0-2338-000	119 - 1	FC0-8097-000	810 - 9	FC5-1810-000	532 - 6
FC0-2781-000	302 - 32	FC0-8100-000	812 - 6	FC5-1810-000	550 - 3
FC0-4087-000	530 - 5	FC0-8101-000	810 - 10	FC5-2151-000	316 - 6
FC0-5153-000	130 - 1	FC0-8103-000	810 - 11	FC5-2524-000	310 - 3
FC0-6856-000	130 - 2	FC0-8104-000	810 - 12	FC5-2524-000	311 - 3
FC0-6857-000	130 - 3	FC0-8113-000	532 - 2	FC5-2526-000	310 - 4
FC0-6861-000	130 - 4	FC0-8114-000	532 - 3	FC5-2526-000	311 - 4
FC0-6863-000	130 - 5	FC0-8115-000	532 - 4	FC5-2528-000	310 - 5
FC0-6876-000	130 - 6	FC0-8117-000	532 - 5	FC5-2528-000	311 - 5
FC0-6877-000	130 - 6	FC0-8130-010	550 - 2	FC5-2535-000	310 - 6
FC0-6879-000	130 - 6	FC0-8144-000	104 - 1	FC5-2535-000	311 - 6

NUMERICAL INDEX

imageRUNNER ADVANCE C9280/9270/7280/7270/7260 Series(Numerical I

PARTS NUMBER	FIGURE & KEY NO.	PARTS NUMBER	FIGURE & KEY NO.	PARTS NUMBER	FIGURE & KEY NO
FC5-2537-010	310 - 7	FC7-7209-000	316 - 11	FC8-1879-000	117 - 2
FC5-2537-010	311 - 7	FC7-9325-000	530 - 10	FC8-1933-000	270 - 1
FC5-2538-000	310 - 8	FC8-1697-000	530 - 13	FC8-1933-000	271 - 2
FC5-2540-000	310 - 9	FC8-1698-000	530 - 14	FC8-1936-000	103 - 51
FC5-2540-000	311 - 8	FC8-1701-010	530 - 15	FC8-1950-000	330 - 59
FC5-2542-000	310 - 10	FC8-1702-010	530 - 16	FC8-1951-000	330 - 6
FC5-2542-000	311 - 9	FC8-1706-010	530 - 17	FC8-1962-000	330 - 7
FC5-2547-000	310 - 11	FC8-1711-010	530 - 18	FC8-1968-000	330 - 8
FC5-2547-000	311 - 10	FC8-1712-010	530 - 19	FC8-1975-000	104 - 5
FC5-2548-000	310 - 12	FC8-1713-000	530 - 20	FC8-1977-000	104 - 6
FC5-2548-000	311 - 11	FC8-1716-010	530 - 21	FC8-1978-000	300 - 31
FC5-2573-000	310 - 13	FC8-1725-010	530 - 113	FC8-1979-000	301 - 31
FC5-2609-000	300 - 3	FC8-1727-000	530 - 23	FC8-1998-000	119 - 3
FC5-2609-000	301 - 3	FC8-1736-000	530 - 24	FC8-2252-000	104 - 7
FC5-2638-000	311 - 12	FC8-1755-000	530 - 25	FC8-2281-000	510 - 3
FC5-2687-000	107 - 2	FC8-1761-010	530 - 26	FC8-2285-000	510 - 4
FC5-2715-000	106 - 1	FC8-1762-000	102 - 16	FC8-2295-000	550 - 5
FC5-2715-000	119 - 2	FC8-1763-000	102 - 17	FC8-2296-000	550 - 6
FC5-5078-000	316 - 7	FC8-1769-000	530 - 27	FC8-2311-000	103 - 1
FC5-6211-000	310 - 14	FC8-1771-000	530 - 28	FC8-2315-000	510 - 5
FC5-6211-000	311 - 13	FC8-1772-000	321 - 1	FC8-2334-000	103 - 2
FC5-6260-000	310 - 15	FC8-1775-000	321 - 2	FC8-2339-000	102 - 1
FC5-9144-000	530 - 8	FC8-1778-010	530 - 29	FC8-2346-000	331 - 2
FC5-9151-000	530 - 9	FC8-1779-000	530 - 30	FC8-2364-000	104 - 8
FC6-1035-000	510 - 1	FC8-1780-000	530 - 31	FC8-2366-000	100 - 29
FC6-1057-000	550 - 4	FC8-1790-000	531 - 2	FC8-2367-000	100 - 30
FC6-1368-000	271 - 1	FC8-1791-000	530 - 32	FC8-2368-010	100 - 31
FC6-1384-000	772 - 1	FC8-1792-010	530 - 33	FC8-2369-000	100 - 76
FC6-3002-000	510 - 2	FC8-1798-000	531 - 3	FC8-2462-000	302 - 1
FC6-3002-000	580 - 3	FC8-1832-010	107 - 3	FC8-2463-000	302 - 2
FC6-3762-000	300 - 4	FC8-1835-000	100 - 7	FC8-2464-000	302 - 3
FC6-3762-000	301 - 4	FC8-1840-000	100 - 8	FC8-2466-000	302 - 4
FC6-3763-000	300 - 5	FC8-1841-000	100 - 9	FC8-2469-000	302 - 5
FC6-3763-000	301 - 5	FC8-1844-000	100 - 10	FC8-2470-000	302 - 6
FC6-3764-000	300 - 40	FC8-1851-000	100 - 11	FC8-2474-000	302 - 7
FC6-3764-000	301 - 40	FC8-1854-000	100 - 12	FC8-2475-000	302 - 8
FC6-3863-000	310 - 16	FC8-1855-010	100 - 13	FC8-2476-000	302 - 54
FC6-3863-000	311 - 14	FC8-1856-000	100 - 14	FC8-2477-000	302 - 9
FC6-4009-000	118 - 1	FC8-1857-000	100 - 15	FC8-2482-000	302 - 10
FC6-4009-000	356 - 2	FC8-1858-000	100 - 16	FC8-2484-000	302 - 11
FC6-4358-000	310 - 17	FC8-1859-000	100 - 17	FC8-2487-000	106 - 2
FC6-4358-000	311 - 15	FC8-1860-000	100 - 18	FC8-2495-000	302 - 12
FC6-5046-000	316 - 8	FC8-1862-000	100 - 19	FC8-2525-010	625 - 2
FC6-6661-000	316 - 9	FC8-1864-000	100 - 20	FC8-2527-000	300 - 8
FC6-8737-000	140 - 4	FC8-1865-000	100 - 21	FC8-2527-000	301 - 8
FC6-9029-000	330 - 3	FC8-1866-010	100 - 22	FC8-2529-000	300 - 9
FC6-9969-000	300 - 7	FC8-1867-010	100 - 23	FC8-2529-000	301 - 9
FC6-9969-000	301 - 7	FC8-1869-010	100 - 24	FC8-2530-000	300 - 39
FC7-5009-000	316 - 10	FC8-1872-000	100 - 25	FC8-2530-000	301 - 39
FC7-5845-000	310 - 18	FC8-1874-000	100 - 26	FC8-2531-000	300 - 10
FC7-5845-000	311 - 16	FC8-1876-000	100 - 27	FC8-2531-000	301 - 10
FC7-7209-000	117 - 1	FC8-1877-000	100 - 28	FC8-2532-000	300 - 11

NUMERICAL INDEX

imageRUNNER ADVANCE C9280/9270/7280/7270/7260 Series(Numerical I

PARTS NUMBER	FIGURE & KEY NO.	PARTS NUMBER	FIGURE & KEY NO.	PARTS NUMBER	FIGURE & KEY NO
FC8-2532-000	301 - 11	FC8-2803-000	320 - 4	FC8-5262-000	302 - 55
FC8-2533-010	300 - 12	FC8-2804-000	320 - 5	FC8-5349-000	315 - 13
FC8-2533-010	301 - 12	FC8-2805-000	320 - 6	FC8-5388-000	315 - 14
FC8-2544-000	510 - 6	FC8-2806-010	320 - 7	FC8-5389-000	116 - 10
FC8-2545-000	510 - 7	FC8-2812-000	320 - 8	FC8-6639-000	107 - 4
FC8-2550-000	350 - 53	FC8-2846-000	103 - 4	FC8-7809-000	310 - 19
FC8-2567-000	350 - 5	FC8-2847-000	103 - 5	FC8-7812-000	310 - 20
FC8-2571-000	118 - 2	FC8-2855-000	103 - 6	FC8-7813-000	310 - 21
FC8-2572-000	118 - 3	FC8-2856-000	103 - 7	FC8-8649-000	130 - 7
FC8-2573-010	350 - 6	FC8-2857-010	103 - 8	FC8-8655-000	130 - 8
FC8-2576-000	118 - 5	FC8-3782-000	117 - 5	FC8-8660-000	130 - 9
FC8-2586-000	350 - 7	FC8-3782-000	316 - 13	FC8-8660-000	135 - 6
FC8-2597-000	118 - 7	FC8-4051-000	990 - 1	FC8-8661-000	130 - 10
FC8-2606-000	118 - 9	FC8-4623-000	530 - 34	FC8-8662-000	130 - 11
FC8-2606-000	356 - 3	FC8-4623-000	620 - 2	FC8-8669-000	130 - 12
FC8-2606-000	357 - 2	FC8-4623-000	622 - 2	FC8-8670-000	130 - 13
FC8-2611-000	330 - 10	FC8-4649-000	623 - 3	FC8-8802-000	104 - 12
FC8-2615-000	330 - 11	FC8-4649-000	624 - 3	FC8-8802-000	105 - 4
FC8-2622-000	118 - 10	FC8-4662-010	625 - 3	FC8-8802-000	330 - 12
FC8-2623-000	118 - 11	FC8-4663-000	625 - 4	FC8-8963-000	356 - 5
FC8-2627-000	580 - 4	FC8-4664-000	625 - 5	FC8-8963-000	357 - 4
FC8-2633-000	580 - 5	FC8-4665-000	625 - 5	FC8-8967-000	356 - 6
FC8-2634-000	580 - 6	FC8-4666-000	625 - 7	FC8-8970-010	356 - 7
FC8-2641-000	580 - 7	FC8-4667-000	625 - 8	FC8-8973-000	356 - 8
FC8-2644-000	510 - 8	FC8-4668-000	625 - 9	FC8-8973-000	357 - 5
FC8-2645-000	103 - 3	FC8-4669-000	625 - 10	FC8-8976-000	350 - 8
FC8-2646-000	103 - 52	FC8-4670-000	625 - 11	FC8-8976-000	356 - 9
FC8-2647-000	103 - 53	FC8-4687-000	625 - 12	FC8-8977-000	357 - 26
FC8-2654-000	100 - 32	FC8-4723-000	100 - 33	FC8-8978-000	356 - 10
FC8-2665-000	105 - 2	FC8-4724-000	100 - 33	FC8-8978-000	357 - 6
FC8-2667-000	302 - 13	FC8-4725-000	100 - 33	FC8-8988-000	356 - 11
FC8-2668-000	302 - 14	FC8-4964-010	300 - 32	FC8-8988-000	357 - 7
FC8-2670-000	302 - 15	FC8-4964-010	301 - 32	FC8-9005-000	355 - 2
FC8-2671-000	302 - 16	FC8-4964-010	302 - 18	FC8-9026-000	355 - 3
FC8-2672-000	302 - 17	FC8-4965-000	302 - 19	FC8-9027-000	355 - 4
FC8-2674-000	331 - 3	FC8-4967-000	300 - 14	FC8-9030-000	355 - 5
FC8-2697-000	116 - 1	FC8-4967-000	301 - 14	FC8-9033-000	355 - 6
FC8-2697-000	117 - 3	FC8-4967-000	302 - 20	FC8-9033-000	356 - 12
FC8-2699-000	117 - 4	FC8-4968-000	300 - 15	FC8-9036-000	355 - 7
FC8-2700-000	104 - 9	FC8-4968-000	301 - 15	FC8-9039-000	355 - 8
FC8-2700-000	106 - 3	FC8-4968-000	302 - 21	FC8-9045-000	310 - 22
FC8-2705-000	104 - 10	FC8-4987-000	302 - 22	FC8-9045-000	311 - 17
FC8-2705-000	105 - 3	FC8-4990-000	302 - 23	FC8-9047-000	310 - 23
FC8-2710-000	315 - 5	FC8-4994-000	302 - 24	FC8-9047-000	311 - 18
FC8-2712-000	315 - 7	FC8-4996-000	302 - 25	FC8-9048-000	300 - 36
FC8-2713-000	315 - 8	FC8-4997-000	302 - 26	FC8-9048-000	301 - 36
FC8-2721-000	116 - 2	FC8-5099-000	315 - 9	FC8-9049-000	302 - 27
FC8-2728-000	104 - 11	FC8-5100-000	315 - 10	FC8-9050-000	300 - 16
FC8-2729-000	316 - 12	FC8-5105-000	116 - 9	FC8-9050-000	301 - 16
FC8-2791-000	109 - 1	FC8-5174-000	900 - 1	FC8-9051-000	302 - 56
FC8-2792-000	109 - 2	FC8-5205-000	932 - 1	FC8-9053-000	300 - 17
FC8-2797-000	320 - 3	FC8-5205-000	933 - 1	FC8-9054-000	300 - 18

NUMERICAL INDEX

imageRUNNER ADVANCE C9280/9270/7280/7270/7260 Series(Numerical I

PARTS NUMBER	FIGURE & KEY NO.	PARTS NUMBER	FIGURE & KEY NO.	PARTS NUMBER	FIGURE & KEY NO
FC8-9055-000	301 - 18	FC9-3751-000	625 - 13	FC9-3929-000	355 - 11
FC8-9059-000	102 - 2	FC9-3752-000	623 - 4	FC9-3931-000	355 - 12
FC9-0133-000	302 - 57	FC9-3752-000	624 - 4	FC9-3934-000	356 - 16
FC9-0136-000	302 - 28	FC9-3762-000	311 - 19	FC9-3940-000	900 - 3
FC9-0145-000	001 - 2	FC9-3768-000	102 - 3	FC9-3952-000	356 - 17
FC9-0252-010	580 - 8	FC9-3770-000	119 - 4	FC9-3952-000	357 - 9
FC9-0290-000	135 - 7	FC9-3773-000	119 - 5	FC9-3956-010	316 - 16
FC9-0291-010	135 - 8	FC9-3774-000	119 - 6	FC9-3962-000	302 - 30
FC9-0292-000	135 - 9	FC9-3775-000	301 - 17	FC9-3963-000	105 - 7
FC9-0299-000	135 - 10	FC9-3776-000	118 - 12	FC9-3964-000	105 - 8
FC9-0300-000	135 - 11	FC9-3777-000	118 - 13	FC9-3965-000	105 - 9
FC9-0305-000	135 - 12	FC9-3779-000	107 - 5	FC9-3966-000	105 - 10
FC9-0306-000	135 - 13	FC9-3779-000	350 - 9	FC9-3967-000	105 - 11
FC9-0307-000	135 - 14	FC9-3785-000	302 - 58	FC9-3968-000	105 - 12
FC9-0308-000	135 - 15	FC9-3786-010	109 - 4	FC9-3969-000	310 - 24
FC9-0309-000	135 - 16	FC9-3787-010	530 - 35	FC9-3969-000	311 - 20
FC9-0310-000	135 - 17	FC9-3788-010	530 - 36	FC9-3970-000	310 - 25
FC9-0311-000	100 - 34	FC9-3789-000	300 - 38	FC9-3991-010	105 - 13
FC9-0311-000	135 - 18	FC9-3789-000	301 - 38	FC9-3998-000	119 - 7
FC9-0311-000	136 - 1	FC9-3827-000	531 - 5	FC9-3999-000	103 - 10
FC9-0312-000	135 - 19	FC9-3831-000	302 - 29	FC9-4008-000	530 - 112
FC9-0312-000	136 - 2	FC9-3832-000	104 - 13	FC9-4010-000	100 - 49
FC9-0317-000	136 - 3	FC9-3833-000	350 - 10	FC9-4011-000	100 - 50
FC9-0320-000	101 - 2	FC9-3836-000	107 - 6	FC9-4030-000	580 - 10
FC9-0336-000	136 - 4	FC9-3836-000	350 - 11	FC9-4034-000	316 - 17
FC9-0337-000	136 - 5	FC9-3838-000	350 - 12	FC9-4037-000	100 - 51
FC9-0339-010	136 - 6	FC9-3839-000	316 - 15	FC9-4041-000	100 - 52
FC9-0341-010	136 - 7	FC9-3842-000	136 - 9	FC9-4042-000	302 - 31
FC9-0342-000	100 - 35	FC9-3843-010	100 - 42	FC9-4046-000	900 - 4
FC9-0343-000	100 - 36	FC9-3844-000	100 - 43	FC9-4049-000	101 - 3
FC9-0344-000	136 - 8	FC9-3845-000	135 - 20	FC9-4054-000	316 - 18
FC9-0371-000	330 - 13	FC9-3867-010	109 - 5	FC9-4063-000	530 - 39
FC9-0376-010	100 - 37	FC9-3879-000	530 - 37	FC9-4077-000	350 - 13
FC9-0381-000	100 - 38	FC9-3880-000	530 - 38	FC9-4085-000	101 - 4
FC9-0382-000	100 - 39	FC9-3887-010	104 - 14	FC9-4091-000	116 - 4
FC9-0385-010	531 - 4	FC9-3888-000	103 - 9	FC9-4092-000	116 - 4
FC9-0387-000	100 - 40	FC9-3889-000	102 - 4	FC9-4095-000	261 - 2
FC9-0393-000	510 - 9	FC9-3891-000	100 - 44	FC9-4096-000	932 - 2
FC9-0401-000	330 - 14	FC9-3892-000	300 - 19	FC9-4097-000	932 - 3
FC9-0402-000	330 - 15	FC9-3892-000	301 - 19	FC9-4098-000	932 - 4
FC9-0438-000	103 - 54	FC9-3893-000	100 - 45	FC9-4098-000	933 - 2
FC9-0439-000	103 - 55	FC9-3904-000	105 - 6	FC9-4108-000	102 - 5
FC9-0447-000	108 - 1	FC9-3904-000	106 - 5	FC9-4111-000	532 - 7
FC9-0448-000	100 - 41	FC9-3907-000	100 - 46	FC9-4116-000	273 - 1
FC9-3659-000	770 - 1	FC9-3909-000	100 - 47	FC9-4117-000	106 - 6
FC9-3660-000	770 - 2	FC9-3911-000	100 - 48	FC9-4118-000	273 - 2
FC9-3670-000	109 - 3	FC9-3922-000	356 - 13	FC9-4119-000	263 - 2
FC9-3675-000	305 - 1	FC9-3922-000	357 - 8	FC9-4119-000	300 - 21
FC9-3720-000	320 - 9	FC9-3923-000	355 - 9	FC9-4119-000	301 - 21
FC9-3741-000	580 - 9	FC9-3926-000	356 - 14	FC9-4120-000	330 - 16
FC9-3747-000	105 - 5	FC9-3927-010	356 - 15	FC9-4121-000	580 - 11
FC9-3748-000	106 - 4	FC9-3928-000	355 - 10	FC9-4123-000	530 - 40

NUMERICAL INDEX

imageRUNNER ADVANCE C9280/9270/7280/7270/7260 Series(Numerical I

PARTS NUMBER	FIGURE & KEY NO.	PARTS NUMBER	FIGURE & KEY NO.	PARTS NUMBER	FIGURE & KEY NO
FC9-4128-010	105 - 14	FE4-0430-000	107 - 16	FK2-8365-000	136 - 10
FC9-4156-000	933 - 3	FF3-4656-000	320 - 10	FK2-8431-000	900 - 6
FC9-5461-000	620 - 3	FH2-7080-000	140 - 7	FK2-8433-000	900 - 7
FC9-5556-000	331 - 4	FH3-0967-000	984 - 7	FK2-8477-000	130 - 19
FC9-6201-000	355 - 13	FH3-0967-000	986 - T	FK2-8560-000	320 - 11
FC9-6203-000	356 - 18	FH7-7586-020	810 - 15	FK2-8560-000	350 - 15
FC9-6203-000	357 - 10	FH7-7600-010	315 - 15	FK2-8560-000	356 - 22
FC9-6205-000	357 - 25	FH7-7625-030	140 - 5	FK2-8560-000	357 - 11
FC9-6205-000	357 - 25	FH7-7626-000	140 - 5	FK2-8560-000	580 - 12
FC9-6206-000	355 - 14	FK2-0003-00U	771 - 4	FK2-8560-000	850 - 18
FC9-6209-000	356 - 19	FK2-0115-000	316 - 19	FK2-9500-000	191 - 1
FC9-6220-000	118 - 32	FK2-0161-000	530 - 42	FK2-9787-000	933 - IC
FC9-7131-000	772 - 2	FK2-0360-000	104 - 15	FK2-9788-000	933 - IC
FC9-7165-000	315 - 19	FK2-0360-000	356 - 20	FK2-9794-000	932 - IC
FC9-7261-000	302 - 33	FK2-0472-010	118 - 14	FK2-9798-000	933 - IC
FC9-7493-000	108 - 11	FK2-0472-010	350 - 14	FK2-9808-000	933 - IC
FC9-7524-010	263 - 3	FK2-0590-000	621 - 1	FK2-9992-000	001 - 1
FC9-7525-000	330 - 17	FK2-0590-000	622 - 3	FK2-9993-000	001 - 1
FC9-7527-000	118 - 36	FK2-0598-000	912 - T	FK2-9994-000	001 - 1
FC9-7528-000	118 - 37	FK2-0607-000	103 - 13	FK2-9995-000	001 - 1
FC9-8388-000	330 - 18	FK2-0681-000	912 - T	FK3-0827-000	108 - 3
FC9-8402-000	102 - 6	FK2-1773-000	965 - IC	FK3-0827-000	110 - 3
FC9-8425-000	330 - 19	FK2-2426-000	951 - IC	FK3-1009-000	950 - IC
FC9-8425-000	850 - 17	FK2-2529-000	900 - 5	FK3-1998-000	140 - 6
FC9-8432-000	106 - 7	FK2-2982-000	140 - 8	FK3-2053-000	140 - 9
FC9-8980-000	990 - 2	FK2-3218-000	933 - IC	FK3-2212-000	932 - IC
FC9-9069-000	107 - 7	FK2-3218-000	940 - IC	FK3-2219-000	990 - 4
FC9-9145-000	350 - 4	FK2-3679-000	356 - 21	FK3-2279-000	530 - 45
FC9-9235-000	130 - 14	FK2-3679-000	911 - 1	FK3-2280-000	530 - 46
FC9-9237-000	130 - 15	FK2-3746-000	933 - IC	FK3-2284-000	250 - 1
FC9-9237-000	135 - 21	FK2-6757-000	951 - IC	FK3-2285-000	320 - 12
FC9-9238-000	130 - 16	FK2-6818-000	910 - 1	FK3-2288-000	330 - 21
FC9-9238-000	135 - 22	FK2-7359-000	140 - 5	FK3-2288-000	810 - 16
FC9-9239-000	130 - 17	FK2-7407-000	135 - 25	FK3-2288-000	812 - 8
FC9-9239-000	135 - 23	FK2-7596-000	950 - IC	FK3-2289-000	140 - 10
FC9-9240-000	130 - 18	FK2-7718-000	983 - 1	FK3-2298-000	356 - 23
FC9-9240-000	135 - 24	FK2-7866-000	530 - 43	FK3-2311-000	263 - 4
FC9-9331-000	103 - 11	FK2-7867-000	321 - 3	FK3-2312-000	350 - 16
FC9-9332-000	103 - 12	FK2-7897-000	270 - 2	FK3-2314-000	260 - 1
FC9-9337-000	117 - 6	FK2-7897-000	271 - 3	FK3-2315-000	810 - 17
FC9-9341-000	990 - 3	FK2-7902-000	331 - 5	FK3-2323-000	913 - IC
FC9-9342-000	771 - 3	FK2-7903-000	272 - 1	FK3-2323-000	931 - IC
FC9-9343-000	108 - 2	FK2-7903-000	330 - 20	FK3-2323-000	960 - IC
FC9-9353-000	116 - 5	FK2-7904-000	261 - 3	FK3-2323-000	961 - IC
FC9-9359-010	300 - 6	FK2-7904-000	262 - 2	FK3-2323-000	963 - IC
FC9-9359-010	301 - 6	FK2-7915-000	321 - 4	FK3-2323-000	965 - IC
FC9-9380-000	530 - 41	FK2-7919-000	103 - 14	FK3-2324-000	985 - IC
FE2-2927-000	100 - 74	FK2-8321-000	933 - IC	FK3-2327-000	912 - T
FE3-9420-000	316 - 14	FK2-8345-000	933 - IC	FK3-2575-000	101 - 5
FE3-9460-000	104 - 34	FK2-8362-000	113 - 1	FK3-2576-000	530 - 47
FE4-0111-000	530 - 11	FK2-8363-000	113 - 5	FK3-2577-000	530 - 48
FE4-0112-000	530 - 12	FK2-8364-000	100 - 53	FK3-2590-000	985 - T

NUMERICAL INDEX

imageRUNNER ADVANCE C9280/9270/7280/7270/7260 Series(Numerical I

PARTS NUMBER	FIGURE & KEY NO.	PARTS NUMBER	FIGURE & KEY NO.	PARTS NUMBER	FIGURE & KEY NO
FK3-2591-000	964 - T	FL2-8892-000	900 - 8	FL3-7153-000	840 - 2
FK3-2592-000	964 - T	FL2-8903-000	530 - 53	FL3-7160-000	850 - 19
FK3-2763-000	135 - 26	FL2-8906-010	104 - 17	FL3-7161-000	850 - 20
FK3-4045-000	530 - 44	FL2-8909-000	350 - 17	FL3-7162-000	812 - 10
FK3-4046-000	109 - 6	FL2-8915-000	550 - 8	FL3-7163-000	812 - 11
FK3-4047-000	350 - 54	FL2-8916-000	311 - 22	FL3-7179-000	310 - 28
FL2-0415-000	510 - 10	FL2-8920-000	320 - 32	FL3-7179-000	311 - 25
FL2-0439-000	104 - 16	FL2-8925-000	101 - 6	FL3-7321-000	270 - 3
FL2-2704-000	510 - 11	FL2-8926-000	101 - 7	FL3-7431-000	135 - 29
FL2-2921-000	311 - 21	FL2-8927-000	102 - 8	FL3-7553-000	100 - 61
FL2-4425-000	102 - 7	FL2-8943-000	100 - 55	FL3-7560-000	532 - 10
FL2-7750-010	532 - 8	FL2-8945-000	100 - 56	FL3-7560-000	550 - 10
FL2-7750-010	550 - 7	FL2-8948-000	106 - 9	FL3-7561-000	331 - 6
FL2-8595-000	530 - 49	FL3-0237-000	300 - 33	FL3-7570-000	772 - 4
FL2-8596-000	530 - 50	FL3-0237-000	301 - 33	FL3-7770-000	110 - 5
FL2-8598-000	510 - 12	FL3-0568-000	316 - 20	FL3-7770-000	193 - 1
FL2-8638-000	302 - 34	FL3-0626-000	135 - 27	FL3-8395-000	118 - 38
FL2-8652-000	510 - 13	FL3-0833-000	130 - 20	FL3-8693-000	580 - 15
FL2-8653-000	510 - 14	FL3-0833-000	135 - 28	FL3-8703-000	620 - 23
FL2-8654-000	510 - 15	FL3-1185-000	100 - 57	FL3-8703-000	622 - 21
FL2-8660-000	110 - 4	FL3-2254-000	310 - 26	FL3-8779-000	108 - 4
FL2-8661-000	300 - 13	FL3-2254-000	311 - 23	FL3-8780-000	100 - 62
FL2-8661-000	301 - 13	FL3-2292-000	140 - 11	FL3-8781-000	620 - 4
FL2-8664-000	300 - 37	FL3-2294-000	140 - 12	FL3-8781-000	622 - 20
FL2-8664-000	301 - 37	FL3-2302-000	530 - 54	FL3-8789-000	550 - 11
FL2-8682-000	261 - 4	FL3-3172-000	315 - 11	FL3-8790-000	532 - 11
FL2-8682-000	262 - 3	FL3-3173-000	315 - 6	FL3-9149-000	530 - 56
FL2-8683-000	261 - 5	FL3-4090-000	550 - 9	FL3-9150-000	772 - 3
FL2-8683-000	262 - 4	FL3-4091-000	330 - 60	FL3-9168-000	140 - 1
FL2-8696-000	106 - 8	FL3-4096-000	100 - 58	FL3-9169-000	140 - 2
FL2-8697-000	100 - 54	FL3-4101-000	100 - 59	FM0-0319-000	T40 - 1
FL2-8698-000	107 - 8	FL3-4254-000	315 - 12	FM0-0322-000	108 - 12
FL2-8703-000	320 - 13	FL3-4283-000	933 - IC	FM0-0387-000	810 - 18
FL2-8710-000	531 - 6	FL3-4333-000	300 - 1	FM0-0393-000	830 -
FL2-8734-010	356 - 24	FL3-4333-000	301 - 1	FM0-0404-000	812 - 12
FL2-8738-010	356 - 25	FL3-4334-000	300 - 20	FM0-0411-020	104 - 18
FL2-8738-010	357 - 12	FL3-4334-000	301 - 20	FM0-0413-000	810 - 23
FL2-8749-000	330 - 61	FL3-4339-000	118 - 6	FM0-0655-000	530 - 57
FL2-8807-000	532 - 9	FL3-4349-010	192 - 1	FM0-0656-000	530 - 58
FL2-8809-000	530 - 51	FL3-4350-010	119 - 8	FM0-0657-000	530 - 59
FL2-8848-000	510 - 16	FL3-4351-000	100 - 60	FM0-0660-000	110 - 2
FL2-8849-000	510 - 17	FL3-4355-000	118 - 4	FM0-0672-000	350 -
FL2-8850-000	510 - 18	FL3-4906-000	310 - 27	FM0-0676-000	118 -
FL2-8851-010	320 - 14	FL3-4906-000	311 - 24	FM0-0678-000	320 -
FL2-8865-000	103 - 15	FL3-4920-000	530 - 55	FM0-0740-000	931 -
FL2-8871-000	530 - 52	FL3-4921-000	771 - 5	FM0-0741-000	960 -
FL2-8872-000	580 - 13	FL3-5201-000	330 - 23	FM0-0742-000	965 -
FL2-8875-000	357 - 13	FL3-6670-000	932 - 5	FM0-0743-000	961 -
FL2-8875-000	357 - 13	FL3-6675-000	580 - 14	FM0-0744-000	913 -
FL2-8877-000	355 - 15	FL3-7112-000	130 - 21	FM0-0746-000	962 -
FL2-8878-000	356 - 26	FL3-7141-000	812 - 9	FM0-0747-000	962 -
FL2-8880-000	356 - 27	FL3-7151-000	840 - 1	FM0-0749-000	912 -

NUMERICAL INDEX

imageRUNNER ADVANCE C9280/9270/7280/7270/7260 Series(Numerical I

PARTS NUMBER	FIGURE & KEY NO.	PARTS NUMBER	FIGURE & KEY NO.	PARTS NUMBER	FIGURE & KEY NO
FM0-0750-000	950 -	FM0-1818-000	622 - 6	FM0-2141-000	810 - 21
FM0-0751-000	900 - 9	FM0-1822-000	621 -	FM0-2142-000	850 - 21
FM0-0752-000	101 - 8	FM0-2050-000	911 - 2	FM0-2143-000	810 - 22
FM0-0753-000	101 - 9	FM0-2051-000	140 - 13	FM0-2145-000	811 - 2
FM0-0754-000	985 -	FM0-2053-000	115 - 1	FM0-2147-000	812 - 13
FM0-0755-000	963 -	FM0-2065-000	983 - 2	FM0-2148-000	331 - 7
FM0-0756-000	620 - 5	FM0-2067-000	910 - 2	FM0-2268-000	119 - 11
FM0-0756-000	621 - 2	FM0-2068-000	101 - 12	FM0-2269-000	910 - 3
FM0-0756-000	622 - 4	FM0-2069-000	771 - 7	FM0-2270-000	910 - 4
FM0-0759-000	532 - 12	FM0-2070-000	114 - 2	FM0-2272-000	911 -
FM0-0759-000	550 - 12	FM0-2071-000	113 - 2	FM0-2276-000	263 -
FM0-0763-000	964 -	FM0-2072-010	112 - 1	FM0-2286-000	105 - 16
FM0-0764-000	964 -	FM0-2073-000	114 - 3	FM0-2288-000	110 - 7
FM0-0765-000	350 - 18	FM0-2078-000	103 - 16	FM0-2289-000	191 -
FM0-0767-000	910 - 5	FM0-2079-000	104 - 20	FM0-2292-000	110 - 8
FM0-0830-000	114 - 1	FM0-2080-000	115 - 2	FM0-2304-000	100 - 63
FM0-0831-000	771 - 6	FM0-2081-000	114 - 4	FM0-2307-000	140 - 19
FM0-0846-000	331 -	FM0-2082-000	114 - 5	FM0-2308-000	140 - 18
FM0-0849-000	580 -	FM0-2083-000	105 - 15	FM0-2312-000	260 -
FM0-0853-000	108 - 5	FM0-2087-000	140 - 14	FM0-2313-000	115 - 3
FM0-0854-000	108 - 6	FM0-2089-000	900 - 10	FM0-2323-000	530 - 62
FM0-0855-010	622 -	FM0-2090-000	273 - 3	FM0-2328-000	983 -
FM0-0860-000	622 - 5	FM0-2093-000	900 - 11	FM0-2329-000	273 -
FM0-0862-000	532 -	FM0-2094-000	140 - 15	FM0-2332-000	109 - 7
FM0-0863-000	532 - 13	FM0-2096-000	900 - 12	FM0-2702-010	620 - 9
FM0-0866-000	250 -	FM0-2097-000	101 - 13	FM0-2702-010	622 - 9
FM0-0868-010	119 -	FM0-2098-000	101 - 14	FM0-2703-010	310 -
FM0-0869-000	119 - 9	FM0-2099-000	140 - 17	FM0-2704-010	311 -
FM0-0870-010	119 - 10	FM0-2101-000	983 - 3	FM0-2706-000	640 - 1
FM0-0871-000	270 -	FM0-2104-000	270 - 4	FM0-2707-000	640 - 2
FM0-0872-010	271 -	FM0-2105-000	271 - 4	FM0-2708-000	640 - 3
FM0-0875-010	101 - 10	FM0-2106-000	580 - 16	FM0-2709-000	640 - 4
FM0-0879-000	104 - 19	FM0-2110-000	330 - 24	FM0-2712-000	140 -
FM0-0882-000	101 - 11	FM0-2112-000	330 - 25	FM0-2714-000	140 -
FM0-0884-010	620 -	FM0-2113-000	330 - 26	FM0-2715-000	140 -
FM0-0888-000	621 - 3	FM0-2115-000	510 - 19	FM0-2716-000	140 -
FM0-0890-000	356 -	FM0-2118-000	620 - 6	FM0-2717-000	140 -
FM0-0892-000	550 -	FM0-2119-000	622 - 7	FM0-2718-000	140 -
FM0-0893-000	550 - 13	FM0-2120-010	620 - 7	FM0-3008-010	311 - 26
FM0-0894-000	550 - 14	FM0-2121-000	620 - 8	FM0-3008-010	330 - 2
FM0-0905-000	135 -	FM0-2121-000	622 - 8	FM0-3008-010	356 - 1
FM0-1155-000	130 -	FM0-2123-000	530 - 60	FM0-3008-010	357 - 1
FM0-1298-000	810 - 19	FM0-2124-000	530 - 61	FM0-3009-010	118 - 34
FM0-1299-000	810 - 19	FM0-2127-000	330 - 27	FM0-3011-000	530 - 63
FM0-1303-000	810 - 20	FM0-2131-000	350 - 19	FM0-3014-000	350 - 22
FM0-1494-000	193 -	FM0-2133-000	350 - 20	FM0-3056-000	933 -
FM0-1793-000	135 - 30	FM0-2134-000	350 - 21	FM0-3065-000	932 -
FM0-1794-000	135 - 31	FM0-2135-000	356 - 28	FM0-3066-000	932 -
FM0-1795-000	135 - 32	FM0-2136-000	356 - 29	FM0-3067-000	932 -
FM0-1796-000	135 - 37	FM0-2137-000	356 - 30	FM0-3068-000	932 -
FM0-1797-000	135 - 38	FM0-2138-000	356 - 31	FM0-3069-000	932 -
FM0-1818-000	621 - 4	FM0-2139-000	356 - 32	FM0-3070-000	932 -

NUMERICAL INDEX

imageRUNNER ADVANCE C9280/9270/7280/7270/7260 Series(Numerical I

PARTS NUMBER	FIGURE & KEY NO.	PARTS NUMBER	FIGURE & KEY NO.	PARTS NUMBER	FIGURE & KEY NO
FM0-3393-000	100 - 64	FM3-5001-000	460 -	FM4-1322-000	316 - 44
FM0-3593-000	951 -	FM3-5005-000	460 -	FM4-1337-000	118 - 39
FM0-3870-000	140 - 18	FM3-5253-000	986 -	FM4-1338-000	350 - 23
FM0-3873-000	140 - 19	FM3-5254-000	984 -	FM4-1341-000	350 - 24
FM0-4543-000	510 -	FM3-7941-000	103 - 22	FM4-1342-000	350 - 25
FM0-4545-000	772 -	FM3-8906-010	302 - 36	FM4-1343-000	140 - 20
FM0-4834-000	305 - 2	FM3-8907-000	302 - 37	FM4-1349-000	140 - 22
FM1-B788-010	251 -	FM3-8911-000	302 - 59	FM4-1354-000	910 - 6
FM1-C012-000	251 - 1	FM3-9587-000	771 - 8	FM4-1355-000	910 - 7
FM1-D469-000	118 - 8	FM3-9592-000	987 -	FM4-1356-000	103 - 27
FM1-D469-000	350 - 3	FM3-9593-000	103 - 23	FM4-1360-000	910 - 10
FM2-0963-000	310 - 29	FM3-9597-000	530 - 71	FM4-1366-000	110 - 10
FM2-7195-000	103 - 17	FM3-9823-000	104 - 21	FM4-1384-000	103 - 28
FM2-7196-000	530 - 64	FM3-9829-020	300 -	FM4-1392-000	104 - 22
FM2-7196-000	580 - 17	FM3-9830-020	301 -	FM4-1396-000	107 - 9
FM3-4709-010	530 - 65	FM3-9841-000	580 - 18	FM4-1397-000	107 - 10
FM3-4711-000	530 - 66	FM3-9842-010	580 - 19	FM4-1398-000	106 - 13
FM3-4717-010	321 -	FM3-9866-000	355 - 16	FM4-1410-000	103 - 29
FM3-4722-000	510 - 20	FM3-9886-000	102 - 9	FM4-1411-000	103 - 30
FM3-4746-010	302 -	FM3-9887-000	102 - 10	FM4-1414-000	103 - 31
FM3-4751-010	770 - 3	FM3-9890-000	103 - 24	FM4-1415-000	103 - 32
FM3-4761-010	116 -	FM3-9891-000	103 - 25	FM4-1421-000	113 - 3
FM3-4762-000	117 -	FM3-9898-000	625 - 14	FM4-1427-000	102 - 11
FM3-4800-010	624 - 5	FM3-9915-000	105 - 18	FM4-1430-000	103 - 33
FM3-4801-010	623 - 5	FM3-9916-000	105 - 19	FM4-1437-000	357 - 14
FM3-4806-000	261 -	FM3-9920-020	530 - 72	FM4-1438-000	356 - 33
FM3-4807-010	262 -	FM3-9945-000	321 - 6	FM4-1451-000	530 - 73
FM3-4814-020	136 - 13	FM3-9951-000	990 - 5	FM4-1453-000	900 - 14
FM3-4867-000	321 - 5	FM3-9959-000	103 - 26	FM4-1457-000	140 - 21
FM3-4893-000	315 -	FM3-9972-000	101 - 16	FM4-1458-000	113 - 4
FM3-4894-000	315 - 16	FM3-9976-000	105 - 20	FM4-1462-000	140 - 16
FM3-4895-040	316 -	FM3-9980-010	625 - 15	FM4-1465-000	356 - 34
FM3-4897-000	116 - 6	FM3-9989-000	302 - 38	FM4-3890-000	273 - 4
FM3-4898-000	530 - 67	FM3-9995-000	135 - 33	FM4-4346-000	356 - 35
FM3-4899-000	530 - 68	FM3-9997-000	135 - 34	FM4-5709-010	302 - 35
FM3-4906-000	530 - 69	FM3-9998-000	135 - 35	FM4-5713-020	136 - 11
FM3-4909-000	530 - 70	FM4-0003-000	135 - 39	FM4-6611-000	104 - 23
FM3-4922-000	770 - 4	FM4-0006-000	136 - 14	FM4-6624-000	530 - 74
FM3-4926-000	103 - 18	FM4-0758-000	900 - 13	FM4-9877-000	130 - 28
FM3-4928-000	770 - 5	FM4-0780-000	108 - 7	FM4-9878-000	130 - 29
FM3-4929-010	770 - 6	FM4-0783-000	108 - 8	FM4-9879-000	130 - 30
FM3-4936-000	103 - 19	FM4-0795-000	940 -	FM4-9880-000	130 - 24
FM3-4950-010	101 - 15	FM4-1178-000	130 - 26	FM4-9881-000	130 - 25
FM3-4952-000	105 - 17	FM4-1181-000	130 - 27	FM4-9882-000	130 - 31
FM3-4961-000	103 - 20	FM4-1183-000	130 - 22	FS1-1189-000	106 - 14
FM3-4962-000	103 - 21	FM4-1195-000	130 - 23	FS1-1205-000	316 - 21
FM3-4966-000	106 - 10	FM4-1293-000	106 - 11	FS1-1508-000	263 - 5
FM3-4972-000	272 -	FM4-1294-000	106 - 12	FS1-1508-000	320 - 15
FM3-4979-000	109 - 8	FM4-1295-000	105 - 21	FS1-1508-000	330 - 29
FM3-4981-000	109 - 9	FM4-1296-000	311 - 27	FS1-1508-000	580 - 21
FM3-4986-010	192 -	FM4-1314-000	330 - 28	FS1-1508-000	812 - 14
FM3-5000-000	460 -	FM4-1315-000	580 - 20	FS1-1508-000	830 - 8

NUMERICAL INDEX

imageRUNNER ADVANCE C9280/9270/7280/7270/7260 Series(Numerical I

PARTS NUMBER	FIGURE & KEY NO.	PARTS NUMBER	FIGURE & KEY NO.	PARTS NUMBER	FIGURE & KEY NO
FS1-1528-000	850 - 22	FU5-0186-000	310 - 33	FU6-1601-000	330 - 32
FS1-1569-000	118 - 15	FU5-0186-000	311 - 31	FU6-1602-000	104 - 26
FS1-1569-000	530 - 75	FU5-0187-000	310 - 34	FU6-1602-000	330 - 33
FS1-1569-000	850 - 23	FU5-0187-000	311 - 32	FU6-3385-000	270 - 5
FS1-9102-020	103 - 34	FU5-0188-000	310 - 35	FU6-4563-000	100 - 67
FS1-9167-000	330 - 30	FU5-0188-000	311 - 33	FU6-4563-000	118 - 24
FS1-9253-020	102 - 12	FU5-0229-000	263 - 9	FU6-4563-000	355 - 17
FS1-9255-020	530 - 76	FU5-0256-000	316 - 29	FU6-5909-010	580 - 23
FS2-1256-000	830 - 9	FU5-0263-000	310 - 36	FU6-8523-000	315 - 20
FS2-9001-020	104 - 33	FU5-0263-000	311 - 34	FU6-8525-000	100 - 68
FS2-9012-000	622 - 11	FU5-0264-000	530 - 79	FU6-8528-000	100 - 69
FS4-0160-000	300 - 22	FU5-0266-000	261 - 9	FU6-8529-000	100 - 69
FS4-0160-000	301 - 22	FU5-0266-000	262 - 5	FU6-8531-000	100 - 69
FS4-2136-000	300 - 23	FU5-0390-000	530 - 80	FU6-8532-000	100 - 69
FS4-2136-000	301 - 23	FU5-1036-000	316 - 30	FU6-8534-000	302 - 39
FS4-2136-000	580 - 22	FU5-1442-000	118 - 17	FU6-8535-000	302 - 61
FS5-1474-000	530 - 77	FU5-1442-000	350 - 27	FU6-8536-010	302 - 62
FS5-2925-000	261 - 6	FU5-1451-000	620 - 11	FU6-8537-010	106 - 15
FS5-2925-000	263 - 6	FU5-1451-000	622 - 10	FU6-8538-000	302 - 40
FS5-3805-000	350 - 26	FU5-1453-000	118 - 18	FU6-8539-000	302 - 41
FS5-8623-000	101 - 17	FU5-1453-000	357 - 15	FU6-8575-000	119 - 12
FS5-8623-000	625 - 16	FU5-1469-000	118 - 19	FU6-8576-000	119 - 13
FS5-9217-010	100 - 65	FU5-2139-040	118 - 20	FU6-8577-000	119 - 14
FS5-9277-020	101 - 18	FU5-2148-010	104 - 24	FU6-8578-000	119 - 15
FS5-9277-020	103 - 35	FU5-2162-000	310 - 37	FU6-8579-000	102 - 13
FS5-9391-000	990 - 6	FU5-2162-000	311 - 35	FU6-8647-000	305 - 3
FS5-9438-030	100 - 66	FU5-2682-000	101 - 19	FU6-8861-000	933 - 4
FS5-9438-030	116 - 7	FU5-3666-000	273 - 5	FU7-0287-000	118 - 25
FS6-0990-000	261 - 7	FU5-8560-000	100 - 75	FU7-0313-000	770 - 10
FS6-1058-000	316 - 22	FU5-9331-000	530 - 81	FU7-0996-000	530 - 83
FS7-0564-000	530 - 78	FU5-9596-000	101 - 20	FU7-0999-000	270 - 6
FS7-0641-000	261 - 8	FU6-0029-000	118 - 21	FU7-0999-000	271 - 8
FS7-0651-000	263 - 7	FU6-0029-000	356 - 36	FU7-2302-000	530 - 84
FS7-0881-000	271 - 5	FU6-0029-000	357 - 16	FU7-2314-000	510 - 22
FS7-2788-000	117 - 7	FU6-0072-000	118 - 22	FU7-2316-000	103 - 37
FS7-2788-000	316 - 23	FU6-0072-000	320 - 16	FU7-2319-000	350 - 29
FS7-2809-000	316 - 24	FU6-0072-000	330 - 31	FU7-2320-000	350 - 30
FS7-2812-010	316 - 25	FU6-0072-000	811 - 3	FU7-2321-000	350 - 31
FS7-2839-000	316 - 26	FU6-0092-000	770 - 7	FU7-2322-000	118 - 26
FU0-0078-000	300 - 41	FU6-0098-000	770 - 8	FU7-2326-000	302 - 42
FU0-0078-000	301 - 41	FU6-0152-000	118 - 23	FU7-2327-000	302 - 43
FU2-0589-000	530 - 82	FU6-0261-000	271 - 6	FU7-2328-000	302 - 44
FU3-0296-000	316 - 27	FU6-0603-000	271 - 7	FU7-2332-000	106 - 16
FU3-0297-000	316 - 28	FU6-0678-000	272 - 2	FU7-2333-000	106 - 17
FU3-0314-000	620 - 10	FU6-0689-000	350 - 28	FU7-2341-000	116 - 8
FU3-0317-000	510 - 21	FU6-0733-000	356 - 37	FU7-2341-000	117 - 8
FU5-0183-000	310 - 30	FU6-1182-000	103 - 36	FU7-2343-000	271 - 9
FU5-0183-000	311 - 28	FU6-1184-000	273 - 6	FU7-2344-000	103 - 38
FU5-0184-000	310 - 31	FU6-1184-000	770 - 9	FU7-2347-000	103 - 39
FU5-0184-000	311 - 29	FU6-1185-000	316 - 31	FU7-2349-000	118 - 27
FU5-0185-000	310 - 32	FU6-1190-000	118 - 16	FU7-2350-000	320 - 17
FU5-0185-000	311 - 30	FU6-1601-000	104 - 25	FU7-2351-000	118 - 35

NUMERICAL INDEX

imageRUNNER ADVANCE C9280/9270/7280/7270/7260 Series(Numerical I

PARTS NUMBER	FIGURE & KEY NO.	PARTS NUMBER	FIGURE & KEY NO.	PARTS NUMBER	FIGURE & KEY NO
FU7-2351-000	311 - 36	FU8-0044-000	320 - 19	FU9-0826-000	330 - 43
FU7-2351-000	320 - 18	FU8-0051-000	271 - 11	FU9-0826-000	812 - 17
FU7-2351-000	330 - 34	FU8-0052-000	510 - 25	FU9-0828-000	840 - 4
FU7-2351-000	356 - 38	FU8-0055-000	330 - 38	FU9-0830-000	840 - 5
FU7-2351-000	357 - 18	FU8-0056-000	330 - 39	FU9-0831-000	810 - 25
FU7-2352-000	104 - 27	FU8-0067-000	330 - 40	FU9-0832-000	810 - 26
FU7-2352-000	105 - 22	FU8-0069-000	273 - 7	FU9-0833-000	812 - 18
FU7-2352-000	330 - 35	FU8-0069-000	770 - 11	FU9-0834-000	812 - 19
FU7-2354-000	321 - 7	FU8-0071-000	105 - 23	FU9-0835-000	532 - 14
FU7-2355-000	321 - 8	FU8-0071-000	106 - 20	FU9-0835-000	550 - 15
FU7-2359-000	330 - 36	FU8-0075-000	356 - 40	FU9-0839-000	620 - 13
FU7-2365-000	356 - 39	FU8-0076-000	356 - 41	FU9-0839-000	622 - 12
FU7-2368-000	300 - 24	FU8-0077-000	350 - 32	FU9-0880-000	620 - 14
FU7-2368-000	301 - 24	FU8-0078-000	331 - 8	FU9-0880-000	622 - 13
FU7-2379-000	330 - 37	FU8-0081-000	273 - 8	FU9-0885-000	620 - 16
FU7-2381-000	531 - 7	FU8-0090-000	271 - 12	FU9-0885-000	622 - 15
FU7-2383-000	106 - 18	FU8-0094-000	331 - 9	FU9-0891-000	812 - 20
FU7-2386-000	302 - 45	FU8-0095-000	530 - 86	FU9-0893-000	812 - 21
FU7-2387-000	300 - 25	FU8-0182-000	316 - 33	FU9-0897-000	810 - 27
FU7-2387-000	301 - 25	FU8-0335-000	105 - 24	FU9-0898-000	812 - 22
FU7-2388-000	271 - 10	FU8-0335-000	106 - 21	FU9-0901-000	330 - 44
FU7-2389-000	103 - 40	FU8-2355-000	118 - 28	FU9-0905-000	810 - 24
FU7-2395-000	106 - 19	FU8-2360-000	350 - 33	FU9-0945-000	812 - 23
FU7-2476-000	316 - 32	FU8-2361-000	300 - 26	FU9-0946-000	812 - 24
FU7-2513-000	302 - 46	FU8-2361-000	301 - 26	FU9-0947-000	812 - 25
FU7-2514-000	302 - 47	FU8-2365-000	330 - 41	FU9-2226-000	850 - 27
FU7-2515-000	302 - 48	FU8-2366-000	530 - 87	FU9-2227-000	850 - 28
FU7-2518-000	302 - 49	FU8-2369-000	273 - 9	FU9-2229-000	830 - 11
FU7-4879-000	100 - 69	FU8-2371-000	580 - 25	FU9-2230-000	810 - 28
FU7-4882-000	100 - 69	FU8-2373-000	530 - 88	FU9-2231-000	812 - 26
FU7-5968-000	840 - 3	FU8-2375-000	530 - 89	FU9-2233-000	810 - 29
FU7-8269-000	315 - 21	FU8-2376-000	530 - 90	FU9-2234-000	810 - 30
FU7-8272-000	302 - 50	FU8-2379-000	530 - 91	FU9-2240-000	532 - 15
FU7-8273-000	001 - 3	FU8-2380-000	530 - 92	FU9-2253-000	350 - 34
FU7-8274-000	625 - 8	FU8-2445-000	357 - 19	FU9-2254-000	270 - 7
FU7-8275-000	625 - 9	FU8-8004-000	271 - 13	FU9-2268-000	320 - 20
FU7-8276-000	625 - 10	FU8-8005-000	772 - 5	FU9-2269-000	580 - 26
FU7-8277-000	625 - 11	FU8-8008-000	315 - 21	FU9-2270-000	510 - 26
FU7-8279-000	100 - 70	FU8-8009-000	315 - 21	FU9-2276-000	771 - 9
FU7-8280-000	100 - 70	FU8-8010-000	104 - 28	FU9-2310-000	810 - 31
FU7-8282-000	100 - 70	FU8-8257-000	900 - 15	NPN	001 -
FU7-8283-000	100 - 70	FU9-0055-000	770 - 12	NPN	100 -
FU7-8288-000	100 - 70	FU9-0056-000	620 - 12	NPN	101 -
FU7-8291-000	100 - 70	FU9-0058-000	316 - 34	NPN	102 -
FU7-8292-000	302 - 64	FU9-0059-000	316 - 35	NPN	103 -
FU8-0002-000	530 - 85	FU9-0810-000	330 - 42	NPN	104 -
FU8-0007-000	261 - 10	FU9-0811-000	811 - 4	NPN	105 -
FU8-0007-000	262 - 6	FU9-0812-000	811 - 5	NPN	106 -
FU8-0024-000	580 - 24	FU9-0815-000	850 - 24	NPN	107 -
FU8-0025-000	272 - 3	FU9-0816-000	850 - 25	NPN	108 -
FU8-0037-000	510 - 23	FU9-0817-000	850 - 26	NPN	109 -
FU8-0038-000	510 - 24	FU9-0818-000	830 - 10	NPN	110 -

NUMERICAL INDEX

imageRUNNER ADVANCE C9280/9270/7280/7270/7260 Series(Numerical I

PARTS NUMBER	FIGURE & KEY NO.	PARTS NUMBER	FIGURE & KEY NO.	PARTS NUMBER	FIGURE & KEY NO
NPN	111 -	VS1-7177-002	321 - 10	VS1-8412-003	103 - 46
NPN	112 -	VS1-7177-002	350 - 35	VS1-8412-003	105 - 27
NPN	113 -	VS1-7177-002	510 - 27	VS1-8412-003	107 - 11
NPN	114 -	VS1-7177-002	530 - 93	VS1-8412-003	114 - 10
NPN	115 -	VS1-7177-002	550 - 16	VS1-8412-003	115 - 7
NPN	136 -	VS1-7177-002	620 - 17	VS1-8412-005	114 - 11
NPN	305 -	VS1-7177-002	622 - 16	VS1-8412-007	103 - 47
NPN	330 -	VS1-7177-002	900 - 18	VS1-8412-007	105 - 28
NPN	355 -	VS1-7177-003	110 - 14	VS1-8412-007	331 - 13
NPN	357 -	VS1-7177-003	112 - 2	VS1-8412-007	510 - 28
NPN	530 -	VS1-7177-003	114 - 8	VS1-8412-007	530 - 111
NPN	531 -	VS1-7177-003	118 - 29	VS1-8412-007	550 - 17
NPN	623 -	VS1-7177-003	193 - 2	VS1-8412-009	112 - 4
NPN	624 -	VS1-7177-003	320 - 23	VS1-8412-009	115 - 8
NPN	625 -	VS1-7177-003	331 - 10	VS1-8412-009	140 - 23
NPN	640 -	VS1-7177-003	350 - 36	VS1-8412-011	106 - 22
NPN	770 -	VS1-7177-003	356 - 43	VS1-8412-011	114 - 12
NPN	771 -	VS1-7177-003	530 - 94	VS1-8412-013	114 - 13
NPN	810 -	VS1-7177-003	771 - 10	VS1-8412-013	330 - 49
NPN	811 -	VS1-7177-003	810 - 35	VS1-8412-013	620 - 19
NPN	812 -	VS1-7177-003	811 - 6	VS1-8412-015	109 - 10
NPN	840 -	VS1-7177-003	900 - 19	VS1-8412-015	112 - 5
NPN	850 -	VS1-7177-003	910 - 8	VS1-8412-015	115 - 9
NPN	900 -	VS1-7177-003	911 - 4	VS1-8412-017	114 - 14
NPN	910 -	VS1-7177-004	102 - 14	VS1-8412-017	115 - 10
NPN	990 -	VS1-7177-004	103 - 42	VS1-8412-017	622 - 18
NPN	T40 -	VS1-7177-004	105 - 26	VS1-8412-019	109 - 11
RB2-5850-000	320 - 21	VS1-7177-004	114 - 9	VS1-8412-019	114 - 15
RH7-7129-020	320 - 22	VS1-7177-004	192 - 2	VS1-8412-021	270 - 8
RS5-1567-000	316 - 36	VS1-7177-004	263 - 10	VS1-8412-023	115 - 11
VD7-3422-002	912 - 1	VS1-7177-004	320 - 24	VS1-8412-023	911 - 3
VD7-3501-001	964 - 1	VS1-7177-004	330 - 48	VS1-8412-025	101 - 21
VD7-3501-601	962 - 1	VS1-7177-004	331 - 11	VS1-8412-027	321 - 11
VD7-3501-601	964 - 1	VS1-7177-004	350 - 37	WC1-5179-000	140 - 24
VD7-3503-151	962 - 2	VS1-7177-004	530 - 95	WC2-5680-000	106 - 23
VS1-7164-018	310 - 38	VS1-7177-004	620 - 18	WC2-5803-000	104 - 29
VS1-7173-003	321 - 9	VS1-7177-004	622 - 17	WE8-5256-000	136 - 12
VS1-7173-005	900 - 16	VS1-7177-004	771 - 11	WE8-6563-000	910 - 9
VS1-7173-006	356 - 42	VS1-7177-004	811 - 7	WE8-7046-000	135 - 36
VS1-7173-007	330 - 45	VS1-7177-006	103 - 43	WG8-5783-000	102 - 15
VS1-7173-008	900 - 17	VS1-7177-006	316 - 38	WG8-5783-000	106 - 24
VS1-7173-011	114 - 6	VS1-7177-006	350 - 38	WG8-5783-000	310 - 40
VS1-7173-012	330 - 46	VS1-7177-006	811 - 8	WG8-5783-000	311 - 38
VS1-7173-013	115 - 4	VS1-7177-008	811 - 9	WG8-5783-000	316 - 39
VS1-7173-013	330 - 47	VS1-7177-009	115 - 5	WG8-5783-000	320 - 25
VS1-7177-002	103 - 41	VS1-7177-009	356 - 44	WG8-5783-000	330 - 50
VS1-7177-002	105 - 25	VS1-7177-011	350 - 39	WG8-5783-000	356 - 45
VS1-7177-002	114 - 7	VS1-7177-012	103 - 44	WG8-5783-000	580 - 27
VS1-7177-002	273 - 10	VS1-7177-012	115 - 6	WG8-5783-000	810 - 32
VS1-7177-002	310 - 39	VS1-7177-014	112 - 3	WG8-5783-000	811 - 10
VS1-7177-002	311 - 37	VS1-7207-004	103 - 45	WG8-5783-000	812 - 15
VS1-7177-002	316 - 37	VS1-7440-003	331 - 12	WG8-5783-000	840 - 6

NUMERICAL INDEX

imageRUNNER ADVANCE C9280/9270/7280/7270/7260 Series(Numerical I

PARTS NUMBER	FIGURE & KEY NO.	PARTS NUMBER	FIGURE & KEY NO.	PARTS NUMBER	FIGURE & KEY NO
WG8-5848-000	104 - 30	XA9-1503-000	990 - 7	XD9-0136-000	118 - 42
WG8-5848-000	105 - 29	XA9-1522-000	100 - 71	XD9-0136-000	261 - 13
WG8-5848-000	106 - 25	XA9-1523-000	302 - 53	XD9-0136-000	263 - 12
WG8-5848-000	107 - 12	XA9-1523-000	315 - 18	XD9-0136-000	270 - 12
WG8-5848-000	315 - 17	XA9-1659-000	310 - 41	XD9-0136-000	271 - 14
WG8-5848-000	350 - 40	XA9-1659-000	311 - 39	XD9-0136-000	272 - 4
WG8-5848-000	356 - 46	XA9-1659-000	330 - 52	XD9-0136-000	273 - 12
WG8-5848-000	357 - 20	XA9-1659-000	350 - 42	XD9-0136-000	316 - 41
WG8-5848-000	530 - 96	XA9-1934-000	105 - 32	XD9-0136-000	320 - 28
WG8-5848-000	550 - 18	XA9-1934-000	106 - 28	XD9-0136-000	330 - 54
WG8-5848-000	620 - 20	XA9-1934-000	300 - 35	XD9-0136-000	350 - 45
WG8-5848-000	621 - 5	XA9-1934-000	301 - 35	XD9-0136-000	356 - 49
WG8-5848-000	622 - 19	XA9-1959-000	108 - 10	XD9-0136-000	357 - 22
WG8-5848-000	623 - 6	XA9-2006-000	302 - 63	XD9-0136-000	530 - 98
WG8-5848-000	624 - 6	XA9-2010-000	350 - 43	XD9-0136-000	580 - 28
WG8-5848-000	771 - 12	XB2-8401-207	136 - 501	XD9-0137-010	105 - 34
XA1-1200-405	300 - 43	XD1-1100-225	530 - 502	XD9-0137-010	106 - 31
XA1-1200-405	301 - 43	XD1-1104-132	330 - 501	XD9-0137-010	118 - 43
XA9-0228-000	550 - 19	XD1-1105-235	300 - 501	XD9-0137-010	261 - 14
XA9-0684-000	101 - 22	XD1-1105-235	301 - 501	XD9-0137-010	262 - 9
XA9-0732-010	300 - 44	XD1-1106-212	103 - 501	XD9-0137-010	263 - 13
XA9-0732-010	301 - 44	XD1-1106-215	262 - 501	XD9-0137-010	270 - 13
XA9-0732-010	355 - 18	XD1-1106-222	270 - 501	XD9-0137-010	271 - 15
XA9-0926-000	105 - 30	XD1-1106-235	510 - 501	XD9-0137-010	273 - 13
XA9-0926-000	300 - 29	XD1-1106-235	531 - 501	XD9-0137-010	300 - 28
XA9-0926-000	301 - 29	XD1-1108-215	271 - 501	XD9-0137-010	301 - 28
XA9-0926-000	302 - 51	XD1-1200-239	840 - 501	XD9-0137-010	310 - 42
XA9-0944-000	273 - 11	XD1-3100-805	107 - 502	XD9-0137-010	311 - 41
XA9-1013-000	100 - 5	XD1-4200-402	103 - 502	XD9-0137-010	320 - 29
XA9-1016-000	302 - 52	XD1-4200-402	140 - 501	XD9-0137-010	330 - 55
XA9-1031-000	305 - 4	XD1-4200-402	530 - 501	XD9-0137-010	350 - 46
XA9-1034-000	192 - 3	XD3-2200-082	850 - 501	XD9-0137-010	356 - 50
XA9-1035-000	105 - 31	XD3-2200-102	830 - 501	XD9-0137-010	357 - 23
XA9-1035-000	106 - 26	XD3-2200-202	812 - 501	XD9-0137-010	530 - 99
XA9-1035-000	300 - 27	XD3-2300-142	840 - 502	XD9-0137-010	620 - 22
XA9-1035-000	301 - 27	XD9-0133-000	311 - 40	XD9-0160-000	530 - 100
XA9-1135-000	108 - 9	XD9-0134-000	103 - 49	XD9-0219-000	273 - 14
XA9-1386-000	103 - 48	XD9-0134-000	105 - 33	XD9-0252-000	530 - 101
XA9-1386-000	104 - 31	XD9-0134-000	106 - 29	XD9-0286-000	770 - 14
XA9-1386-000	106 - 27	XD9-0134-000	107 - 13	XD9-0287-000	530 - 102
XA9-1386-000	118 - 30	XD9-0134-000	118 - 41	XD9-0288-000	118 - 44
XA9-1386-000	119 - 16	XD9-0134-000	263 - 11	XD9-0288-000	263 - 14
XA9-1386-000	320 - 26	XD9-0134-000	316 - 40	XD9-0288-000	270 - 9
XA9-1386-000	330 - 51	XD9-0134-000	320 - 27	XD9-0288-000	330 - 56
XA9-1386-000	350 - 41	XD9-0134-000	321 - 12	XD9-0288-000	580 - 29
XA9-1386-000	355 - 19	XD9-0134-000	330 - 53	XD9-0289-000	118 - 33
XA9-1386-000	356 - 47	XD9-0134-000	350 - 44	XD9-0289-000	271 - 16
XA9-1386-000	357 - 21	XD9-0134-000	356 - 48	XD9-0289-000	300 - 45
XA9-1386-000	770 - 13	XD9-0134-000	620 - 21	XD9-0289-000	301 - 45
XA9-1386-000	771 - 13	XD9-0135-000	530 - 97	XD9-0289-000	330 - 57
XA9-1420-000	850 - 29	XD9-0136-000	103 - 50	XD9-0289-000	350 - 47
XA9-1503-000	771 - 14	XD9-0136-000	106 - 30	XD9-0289-000	356 - 51

NUMERICAL INDEX

imageRUNNER ADVANCE C9280/9270/7280/7270/7260 Series(Numerical I

PARTS NUMBER	FIGURE & KEY NO.	PARTS NUMBER	FIGURE & KEY NO.	PARTS NUMBER	FIGURE & KEY NO
XD9-0289-000	357 - 24	XG9-0737-000	301 - 30		
XD9-0290-000	105 - 35	XG9-0737-000	310 - 44		
XD9-0290-000	106 - 32	XG9-0737-000	311 - 43		
XD9-0290-000	261 - 11	XG9-0737-000	330 - 9		
XD9-0290-000	262 - 7	XG9-0737-000	356 - 56		
XD9-0290-000	263 - 15	XG9-0737-000	357 - 17		
XD9-0290-000	316 - 42	XG9-0737-000	530 - 109		
XD9-0290-000	320 - 30	XG9-0789-000	530 - 110		
XD9-0290-000	330 - 58	XG9-0809-000	810 - 33		
XD9-0291-000	530 - 103	XG9-0809-000	812 - 16		
XD9-0292-000	273 - 16	XG9-0809-000	840 - 7		
XD9-0300-000	263 - 16	XG9-0810-000	810 - 34		
XD9-0300-000	316 - 43	XH9-0148-000	300 - 42		
XD9-0301-000	310 - 43	XH9-0148-000	301 - 42		
XD9-0301-000	311 - 42	XH9-0149-000	990 - 8		
XD9-0303-000	530 - 104	XZ1-1301-005	990 - 501		
XD9-0305-000	530 - 105	XZ9-0379-000	100 - 72		
XD9-0329-000	273 - 15	XZ9-0409-020	107 - 14		
XF2-1605-860	356 - 52	XZ9-0581-000	104 - 32		
XF2-1606-140	350 - 48	XZ9-0593-000	356 - 57		
XF2-1606-540	350 - 49	XZ9-0603-000	330 - 22		
XF2-1606-540	356 - 53	XZ9-0603-000	355 - 20		
XF2-1606-740	109 - 12	XZ9-0603-000	356 - 4		
XF2-1607-240	270 - 10	XZ9-0603-000	625 - 17		
XF2-1614-540	350 - 50	XZ9-0678-000	107 - 15		
XF2-1616-040	330 - 4				
XF2-1617-440	330 - 5				
XG9-0493-000	530 - 107				
XG9-0508-000	105 - 36				
XG9-0508-000	106 - 33				
XG9-0508-000	273 - 17				
XG9-0508-000	356 - 54				
XG9-0521-000	331 - 14				
XG9-0594-000	270 - 11				
XG9-0693-000	530 - 106				
XG9-0709-000	105 - 37				
XG9-0709-000	106 - 34				
XG9-0709-000	118 - 31				
XG9-0709-000	261 - 1				
XG9-0709-000	262 - 1				
XG9-0709-000	320 - 31				
XG9-0709-000	350 - 51				
XG9-0709-000	356 - 55				
XG9-0709-000	357 - 3				
XG9-0709-000	530 - 108				
XG9-0725-000	510 - 29				
XG9-0727-000	510 - 30				
XG9-0737-000	261 - 12				
XG9-0737-000	262 - 8				
XG9-0737-000	263 - 17				
XG9-0737-000	271 - 17				
XG9-0737-000	300 - 30				

imageRUNNER ADVANCE C9280/ 9270/7280/7270/7260 Series(Parts Catalog)

imageRUNNER ADVANCE C9280 PRO

230V TW	F16-2501-000	LVK	
208V US,CA,LTN	F16-2531-000	LVD	DECURLER model
230V AU,SG,HK,LTN	F16-2541-000	LVF	
230V CN	F16-2551-000	LVH	
230V KR	F16-2571-000	LVJ	
208V GOVERNMENT	F16-2581-000	LVE	DECURLER model
230V EUR	F16-2591-000	LVG	DECURLER model

imageRUNNER ADVANCE C9270 PRO

230V TW	F16-2503-000	LVT	
208V US,CA,LTN	F16-2533-000	LVM	DECURLER model
230V AU,SG,HK,LTN	F16-2543-000	LVP	
230V CN	F16-2553-000	LVR	
208V GOVERNMENT	F16-2583-000	LVN	DECURLER model

imageRUNNER ADVANCE C7280i

230V EUR	F16-2592-000	LVL	DECURLER model
----------	--------------	-----	----------------

imageRUNNER ADVANCE C7270i

230V EUR	F16-2594-000	LVU	DECURLER model
-----------------	---------------------	------------	----------------

imageRUNNER ADVANCE C7270

120V US,CA,LTN	F16-2536-000	LVX	DECURLER model
---------------------------	---------------------	------------	----------------

230V AU,SG,HK,LTN	F16-2544-000	LVQ	
------------------------------	---------------------	------------	--

230V KR	F16-2574-000	LVS	
----------------	---------------------	------------	--

120V GOVERNMENT	F16-2586-000	LVY	DECURLER model
----------------------------	---------------------	------------	----------------

imageRUNNER ADVANCE C7260i

230V EUR	F16-2598-000	LWE	DECURLER model
-----------------	---------------------	------------	----------------

imageRUNNER ADVANCE C7260

120V US,CA,LTN	F16-2538-000	LWA	DECURLER model
---------------------------	---------------------	------------	----------------

230V AU,SG,HK,LTN	F16-2548-000	LWC	
------------------------------	---------------------	------------	--

230V KR	F16-2578-000	LWD	
----------------	---------------------	------------	--

120V GOVERNMENT	F16-2588-000	LWB	DECURLER model
----------------------------	---------------------	------------	----------------

Contents

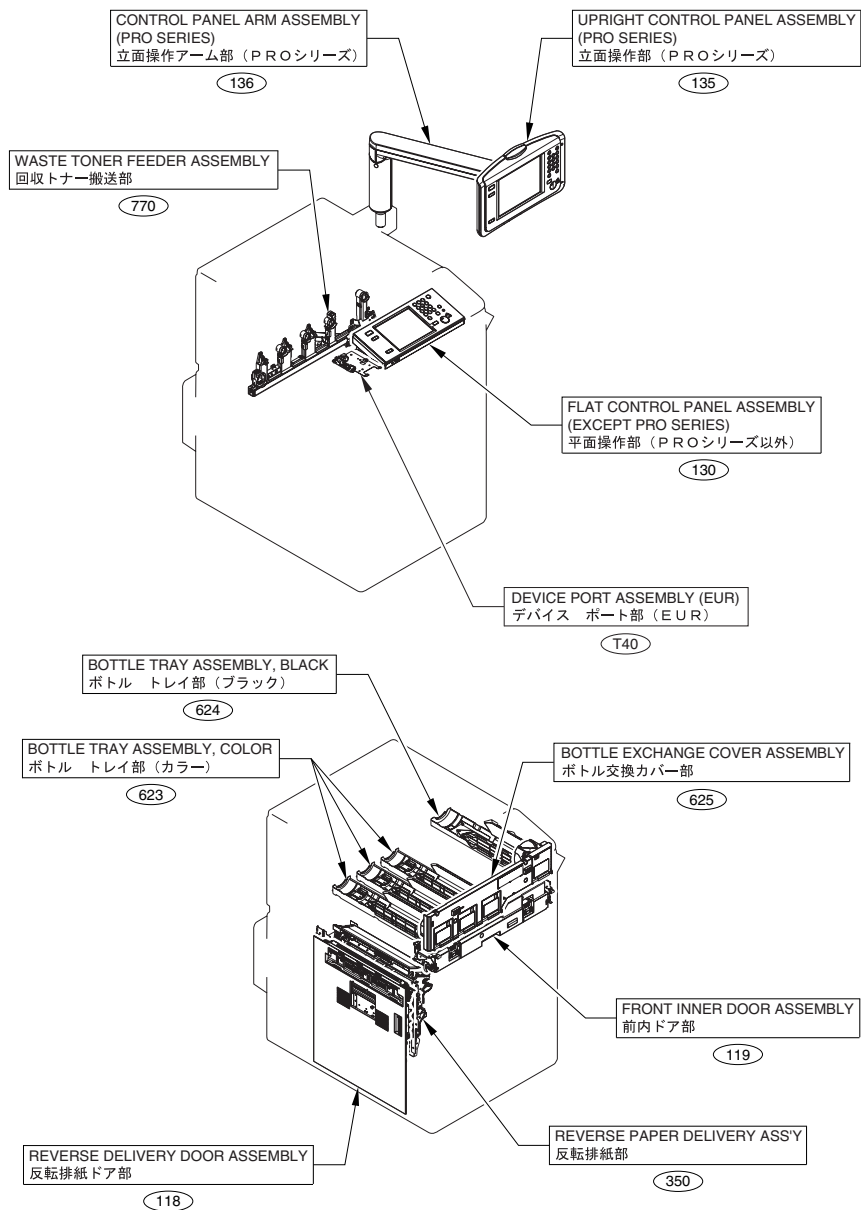
A1	ASSEMBLY LOCATION DIAGRAM	2-1
A2	OPTION PARTS CATALOG LIST	2-8
001	ACCESSORIES	2-10
100	EXTERNAL COVERS, PANELS, ETC.	2-11
101	INTERNAL COMPONENTS 1	2-16
102	INTERNAL COMPONENTS 2	2-18
103	INTERNAL COMPONENTS 3	2-20
104	INTERNAL COMPONENTS 4	2-23
105	INTERNAL COMPONENTS 5	2-26
106	INTERNAL COMPONENTS 6	2-29
107	MACHINE BOTTOM PLATE.....	2-32
108	MACHINE REAR PLATE 1	2-34
109	MACHINE REAR PLATE 2	2-36
110	MACHINE REAR PLATE 2	2-38
111	MACHINE REAR PLATE 4	2-40
112	MACHINE REAR PLATE 5	2-42
113	MACHINE REAR PLATE 6	2-44
114	MACHINE REAR PLATE 7	2-46
115	MACHINE REAR PLATE 8	2-48
116	MULTI DOOR ASSEMBLY	2-50
117	VERTICAL PATH DOOR ASSEMBLY.....	2-51
118	REVERSE DELIVERY DOOR ASSEMBLY	2-52
119	FRONT INNER DOOR ASSEMBLY	2-55
130	FLAT CONTROL PANEL ASSEMBLY (EXCEPT PRO SERIES).....	2-57
135	UPRIGHT CONTROL PANEL ASSEMBLY (PRO SERIES).....	2-60
136	CONTROL PANEL ARM ASSEMBLY (PRO SERIES).....	2-63
140	POWER CORD TERMINAL ASSEMBLY	2-65
191	PRE-FIXING FEED FAN ASSEMBLY	2-69
192	FIXING EXHAUST FAN ASSEMBLY	2-70
193	PRIMARY CORONA EXHAUST ASS'Y.....	2-71
250	DRUM DRIVE ASS'Y,(Y/M/C).....	2-72
251	DRUM DRIVE ASSEMBLY, BLACK.....	2-73
260	VERTICAL PATH DRIVE ASSEMBLY	2-74
261	CASSETTE DRIVE ASSEMBLY.....	2-75
262	DECK DRIVE ASSEMBLY.....	2-77
263	MULTI DRIVE ASSEMBLY	2-78
270	DEVELOPING DRIVE ASS'Y, COLOR.....	2-80
271	DEVELOPING DRIVE ASS'Y, BLACK.....	2-82
272	2ND TRNS. EST. DRIVE ASS'Y.....	2-84
273	WASTE TONER DRIVE ASSEMBLY	2-85
300	1.1K RIGHT PAPER DECK ASS'Y	2-87
301	1.1K LEFT PAPER DECK ASS'Y	2-90
302	CASSETTE ASSEMBLY.....	2-93
305	CASSETTE HEATER ASSEMBLY (230V).....	2-97
310	PAPER PICK-UP ASSEMBLY, RIGHT.....	2-98

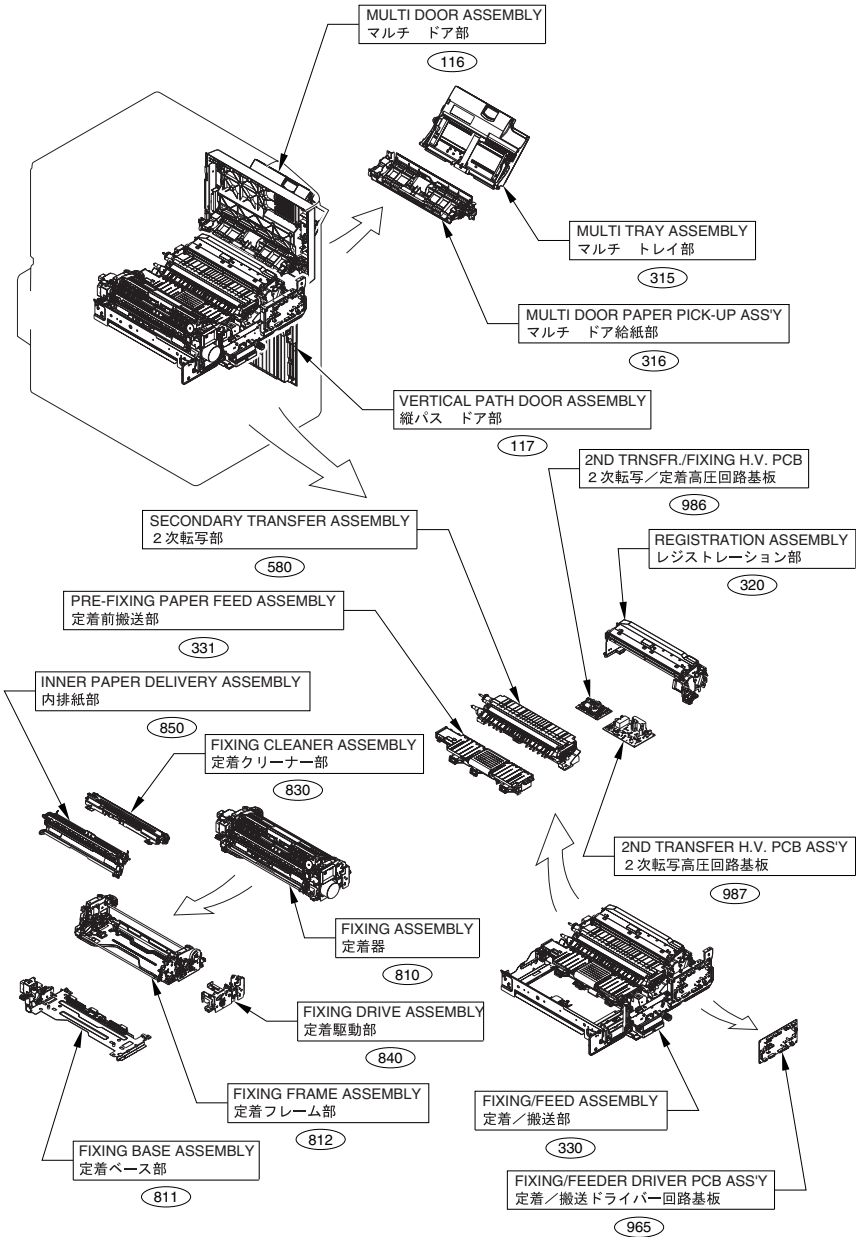
311	PAPER PICK-UP ASSEMBLY, LEFT	2-101
315	MULTI TRAY ASSEMBLY	2-104
316	MULTI DOOR PAPER PICK-UP ASS'Y	2-106
320	REGISTRATION ASSEMBLY.....	2-109
321	REG. PATCH DETECT ASSEMBLY	2-112
330	FIXING/FEED BASE ASSEMBLY	2-114
331	PRE-FIXING PAPER FEED ASSEMBLY	2-119
350	REVERSE PAPER DELIVERY ASS'Y.....	2-121
355	DECURLER PATH ACCESSORY ASS'Y (DECURLER model).....	2-125
356	DECURLER PATH ASSEMBLY (DECURLER model)	2-127
357	ROTATION FRAME ASSEMBLY (DECURLER model).....	2-132
460	LASER SCANNER ASSEMBLY	2-134
510	HOLDER UNIT, DRUM UNIT.....	2-135
530	I.T.BELT ASSEMBLY	2-137
531	TRANSFER PRESSURE ASS'Y, FRONT	2-144
532	PRE-TRANSFER CORONA ASSEMBLY	2-145
550	PRIMARY CORONA ASSEMBLY	2-147
580	SECONDARY TRANSFER ASSEMBLY.....	2-149
620	HOPPER MOUNT ASSEMBLY, COLOR.....	2-151
621	HOPPER ASSEMBLY, COLOR.....	2-153
622	HOPPER ASSEMBLY, BLACK.....	2-154
623	BOTTLE TRAY ASSEMBLY, COLOR	2-156
624	BOTTLE TRAY ASSEMBLY, BLACK	2-158
625	BOTTLE EXCHANGE COVER ASSEMBLY	2-160
640	DEVELOPING ASSEMBLY	2-162
770	WASTE TONER FEEDER ASSEMBLY	2-163
771	WASTE TONER BOTTLE CASE ASS'Y.....	2-165
772	BOTTLE, WASTE TONER	2-167
810	FIXING ASSEMBLY.....	2-168
811	FIXING BASE ASSEMBLY	2-171
812	FIXING FRAME ASSEMBLY	2-173
830	FIXING CLEANER ASSEMBLY.....	2-175
840	FIXING DRIVE ASSEMBLY.....	2-177
850	INNER PAPER DELIVERY ASSEMBLY	2-178
900	CONTROLLER BOX ASSEMBLY	2-180
910	DC POWER SUPPLY BOX ASSEMBLY	2-182
911	IH POWER SUPPLY BOX ASSEMBLY.....	2-184
912	HEATER POWER SUPPLY PCB ASS'Y	2-185
913	RELAY PCB ASSEMBLY	2-186
931	DC CONTROLLER I/F PCB ASS'Y	2-187
932	MAIN CONTROLLER PCB ASS'Y, 1	2-188
933	MAIN CONTROLLER PCB ASS'Y, 2.....	2-189
940	RISER PCB ASSEMBLY	2-190
950	LASER INTERFACE PCB ASSEMBLY	2-191
951	IMAGE OPERATION SUB PCB ASS'Y	2-192

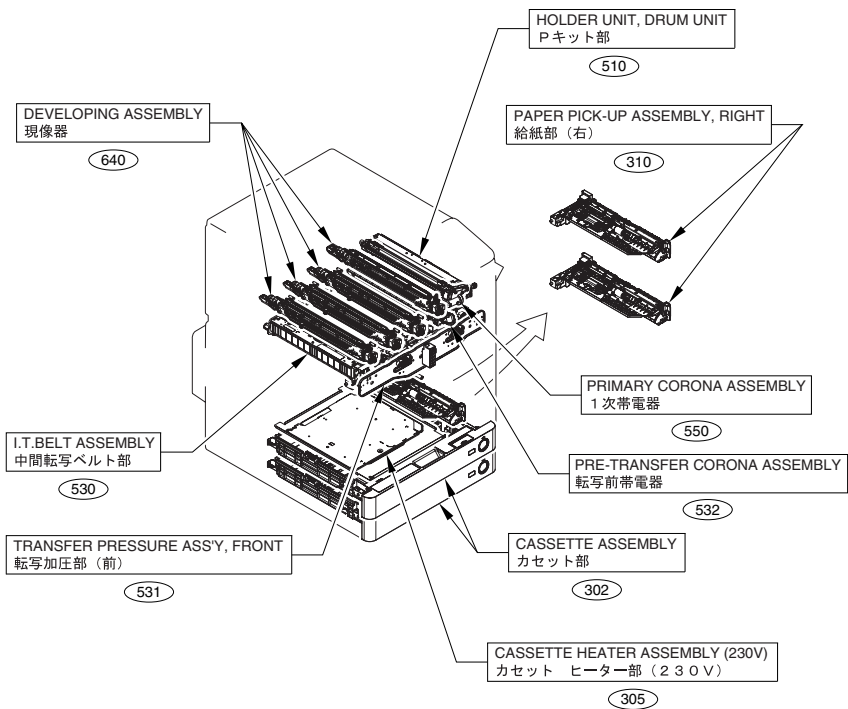
Contents

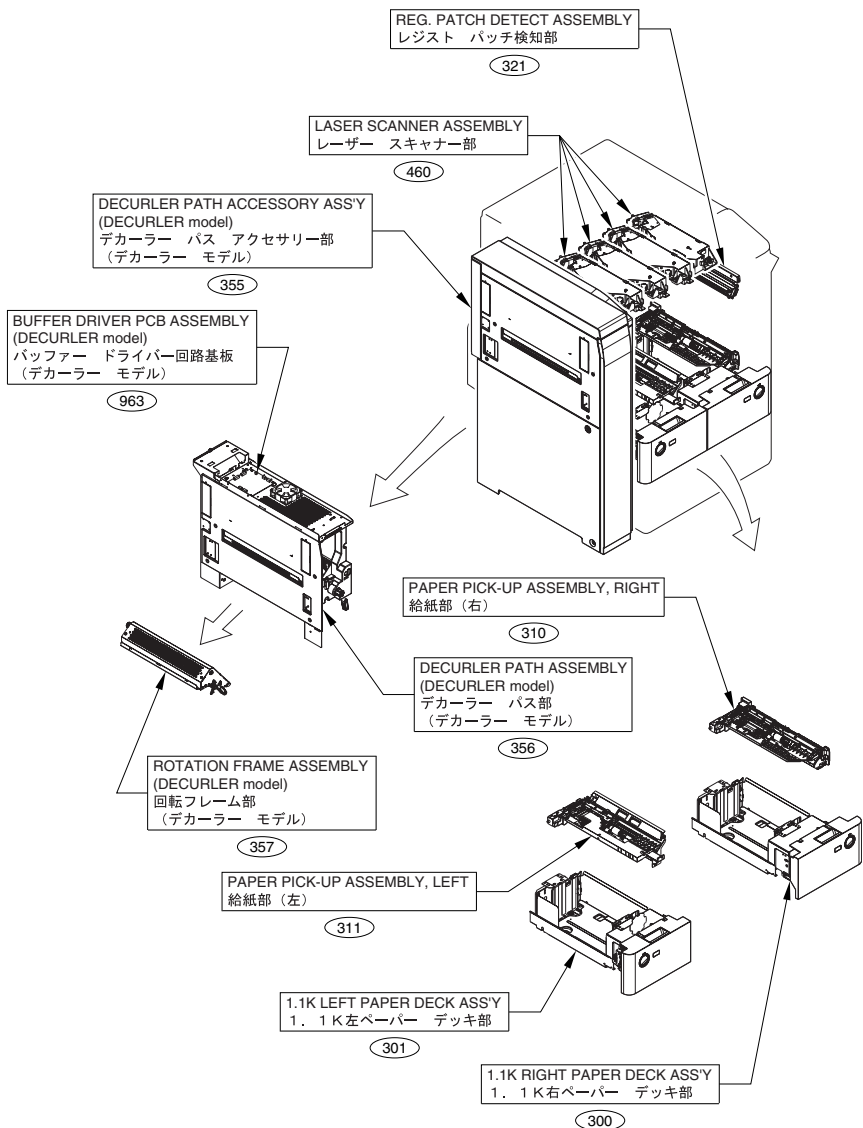
960	PAPER PICK-UP DRIVER PCB ASS'Y	2-193
961	DRUM DRIVER PCB ASSEMBLY	2-194
962	AC DRIVER PCB ASSEMBLY	2-195
963	BUFFER DRIVER PCB ASSEMBLY (DECURLER model)	2-196
964	DRUM HEATER DRIVER PCB ASS'Y	2-197
965	FIXING/FEEDER DRIVER PCB ASS'Y	2-198
983	DRUM POST POWER SUPPLY ASS'Y,	2-199
984	POST HIGH VOLTAGE PCB ASS'Y	2-200
985	1ST CORONA HIGH VOLTAGE PCB	2-201
986	2ND TRANSFR./FIXING H.V. PCB	2-202
987	2ND TRANSFER H.V. PCB ASS'Y	2-203
990	HARD DISK DRIVE ASSEMBLY	2-204
ZZA	MECHANICAL STANDARD PARTS (HOW TO USE)	2-207
ZZB	MECHANICAL STANDARD PARTS (SCREWS).....	2-208
ZZC	MECHANICAL STANDARD PARTS (BOLTS).....	2-215
ZZD	MECHANICAL STANDARD PARTS (NUTS).....	2-216
ZZE	MECHANICAL STANDARD PARTS (RETAINING RINGS)	2-217

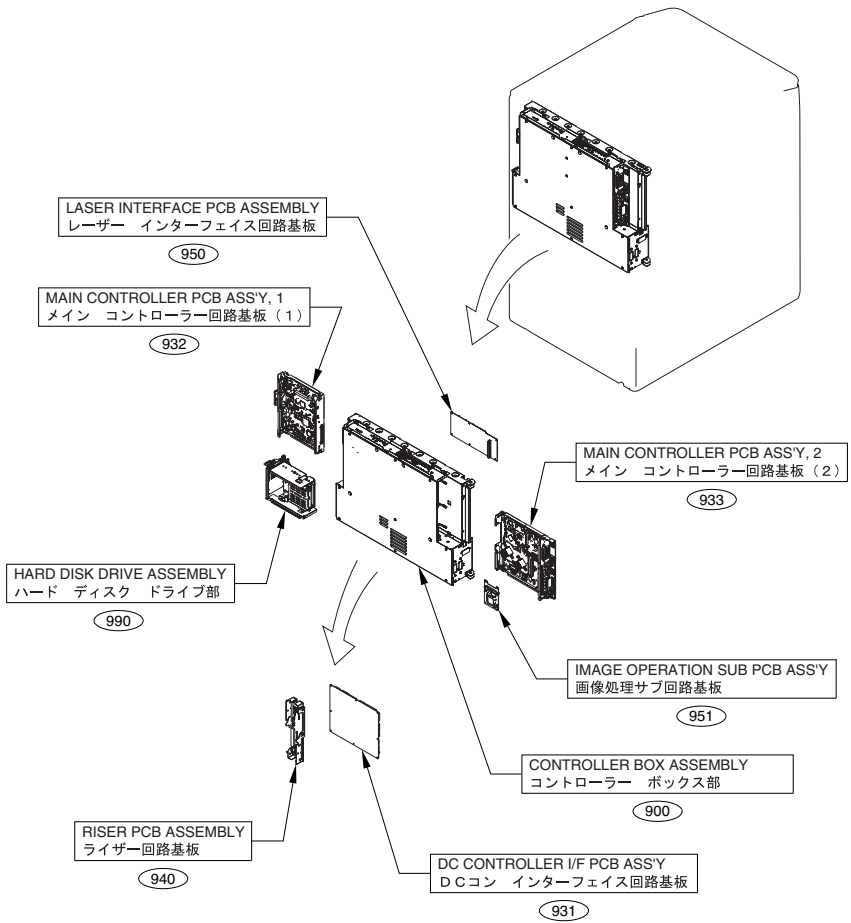
FIGURE A1 ASSEMBLY LOCATION DIAGRAM

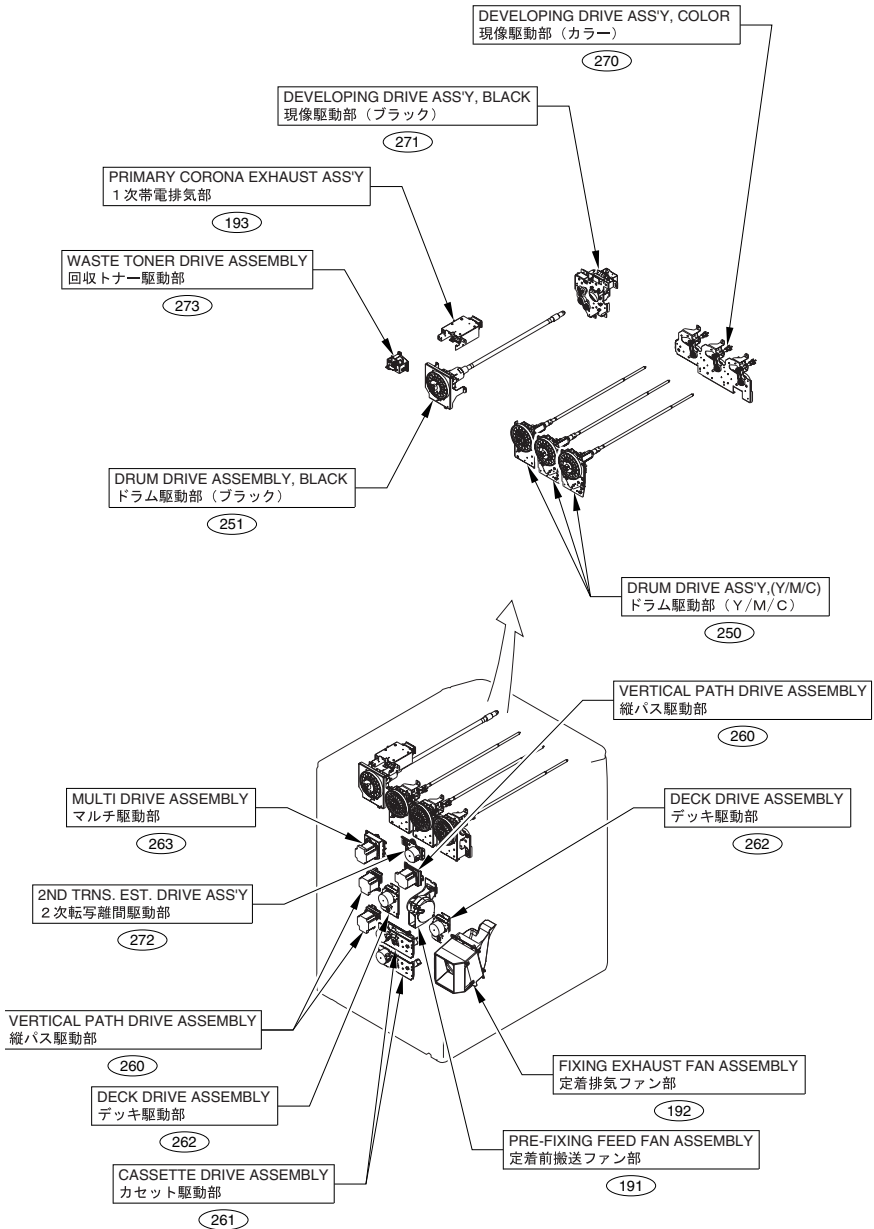












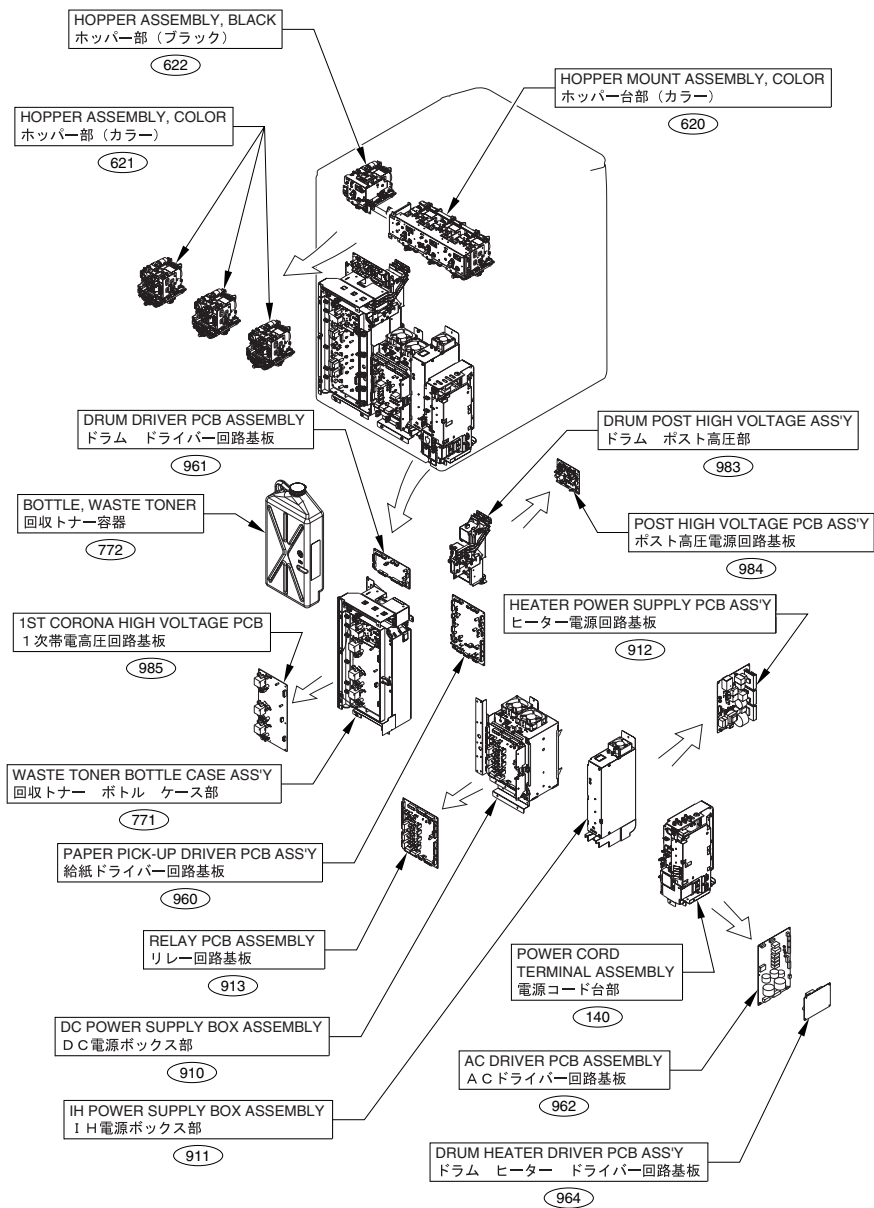


FIGURE A2

OPTION PARTS CATALOG LIST

This is the table of the machine's options whose parts catalog is issued.
 本機のオプションで、パーツカタログが発行されている機種の一覧である。

No.	Model Name(English)	Model Name(Japanese)
1	Duplex Color Image Reader Unit-F1/G1	マルチカラーイメージリーダーユニット・F1/G1
2	ADF Access Handle-A1	ADFアクセスハンドル・A1
3	Printer Cover-B1	プリンタカバー・B1
4	Paper Deck Unit-C1	ペーパーデッキユニット・C1
5	POD DECK LITE-A1	PODデッキライト・A1
6	Multi drawer Paper Deck-A1	多段デッキ・A1
7	Copy Tray-P1	コピートレイ・P1
8	Staple Finisher-K1/Booklet Finisher-K1	ステイプルフィニッシャー・K1/ 中綴じフィニッシャー・K1
9	Staple Finisher-L1/Booklet Finisher-L1	ステイプルフィニッシャー・L1/ 中綴じフィニッシャー・L1
10	Puncher Unit-BE1/BF1/BG1/BH1	パンチャーユニット・BE1/BF1/BG1/BH1
11	External 2 Hole, 2/3 Hole, 2/4 Hole, 4 Hole Puncher-A1	外付け2穴パンチャー・A1
12	Professional Puncher-B1/C1	(日本仕向けなし)
13	Professional Puncher Integration Unit-B1	(日本仕向けなし)
14	Document Insertion Unit-H1	インサーター・H1
15	Document Insertion Unit-J1	(日本仕向けなし)
16	Document Insertion Folding Unit-G1	ペーパーフォールディングインサーターユニット・G1
17	Paper Folding Unit-G1	ペーパーフォールディングユニット・G1
18	Inner Booklet Trimmer-A1	インナートリマー・A1
19	Buffer Pass Unit-J1	バッファパスユニット・J1
20	Reader Heater Unit-G1	リーダーヒーターキット・G1
21	Cassette Heater Unit-38	(日本仕向けなし)
22	Paper Deck Heater Unit-A1	ペーパーデッキヒーターユニット・A1
23	Utility Tray-A2	ユーティリティートレイ・A2
24	Key Switch Unit-B1	管理キーユニット・B1
25	Copy Card Reader-F1	コピーカードリーダー・F1
26	Copy Card Reader Attachment-A1/A2	コピーカードリーダー取付けキット・A1/A2
27	Upright Control Panel-B1	立面操作部・B1
28	(JAPAN ONLY)	平面操作部・A1
29	Super G3 FAX Board-AD1/AD2	スーパーG3FAXボード・AD1/AD2
30	Super G3 2nd Line Fax Board-AD1	G3回線増設キット(2回線)・AD1
31	Super G3 3rd/4th Line Fax Board-AE1	G3回線増設キット(3・4回線)・AE1
32	(JAPAN ONLY)	ハンドセット・G2
33	imagePASS-A2	imagePASS-A2
34	ColorPASS-GX400	ColorPASS-GX400
35	Voice Guidance Kit-F1/F2	(日本仕向けなし)
36	Voice Operation Kit-C2	音声操作キット・C2
37	HDD Data Encryption & Mirroring Kit-C7	HDDデータ暗号化ミラーリングキット・C7
38	Document Scan Lock Kit-B1	イメージ解析ボード・B1
39	USB Device Port-A1/A2	USBデバイスポート・A1/A2
40	Serial Interface Kit-K1	シリアルインターフェースキット・K1

This is the table of the machine's options whose parts catalog is issued.
 本機のオプションで、パーツカタログが発行されている機種の一覧である。

41	HDD Mirroring Kit-D2	(日本仕向けなし)
42	2.5inch/160GB HDD-G1/1TB HDD-H1/L1	オプションHDD 2.5inch 160GB・G1/ 1TB・H1/L1
43	Removable HDD Kit-AH1	リムーバブルHDDキット・AH1
44	Multimedia Reader/Writer-A1/A2	マルチメディアリーダー/ライター・A1/A2
45	(JAPAN ONLY)	iR-ADV課金装置接続キット・A1
46	Copy Control Interface Kit-A1	コントロールインターフェースキット・A1
47	Additional Memory Type D (512MB)	増設メモリ TypeD(512MB)

FIGURE 001 ACCESSORIES

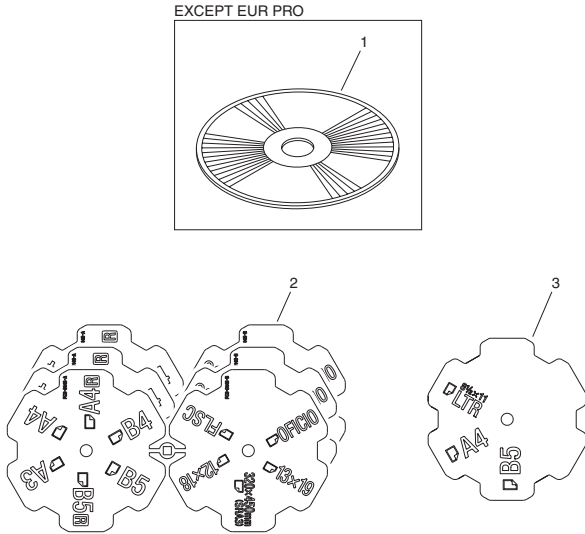
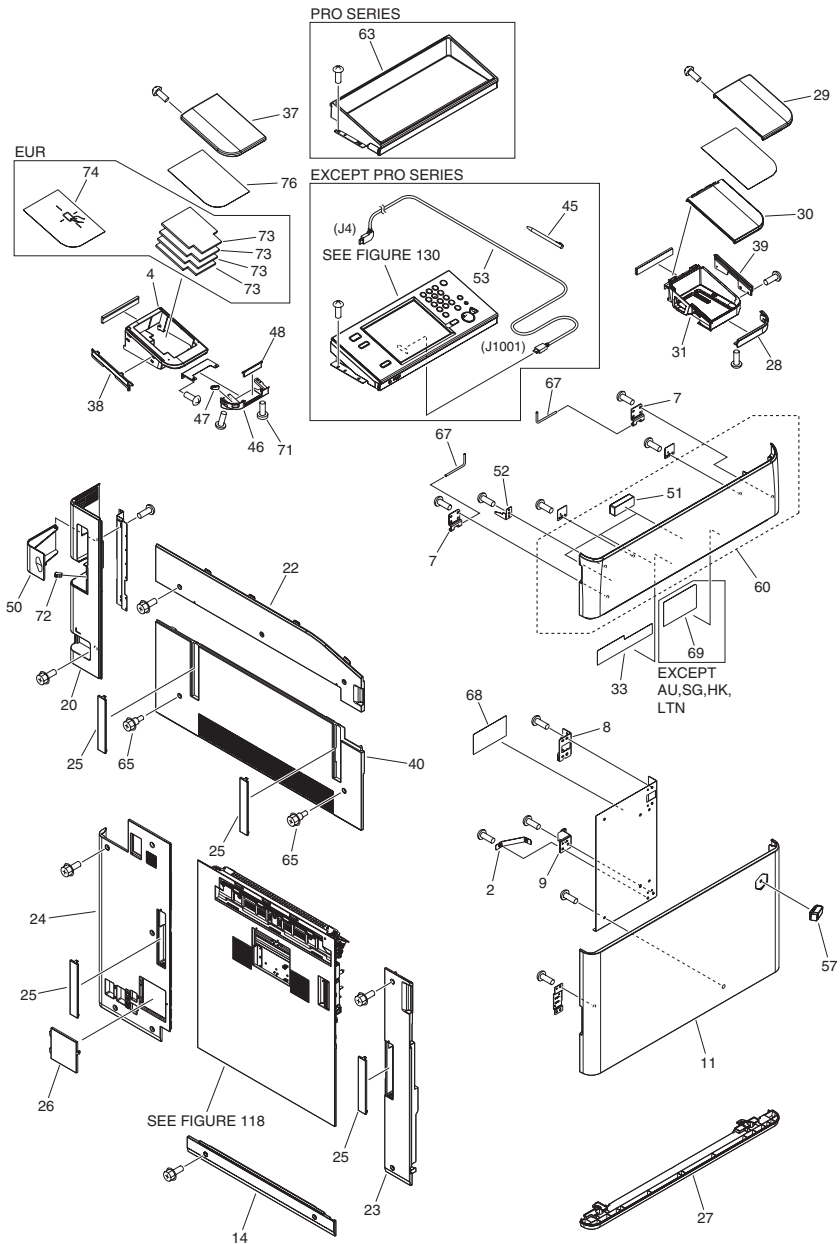


FIGURE & KEY NO.	PARTS NUMBER	RANK	QTY	DESCRIPTION	SERIAL NUMBER/REMARKS	SVC
Fig.001	NPN		RF	ACCESSORIES		
1	FK2-9992-000		1	CD-ROM, USER SOFTWARE, UFR II	US,AU,SG,HK,LTN English	
1	FK2-9993-000		1	CD-ROM, USER SOFTWARE, UFR II	EUR EXCEPT PRO English,French,Italian,German,Spanish	
1	FK2-9994-000		1	CD-ROM, USER SOFTWARE, PCL	EUR EXCEPT PRO English,French,Italian,German,Spanish	
1	FK2-9995-000		1	CD-ROM, USER SOFTWARE, UFR II	CN,KR,TW English,Simplified Chinese,Traditional Chinese,Korean	
2	FC9-0145-000		3	PLATE, SIZE INDICATION		
3	FU7-8273-000		1	PLATE, SIZE INDICATION		

FIGURE 100 EXTERNAL COVERS, PANELS, ETC.



PRO SERIES

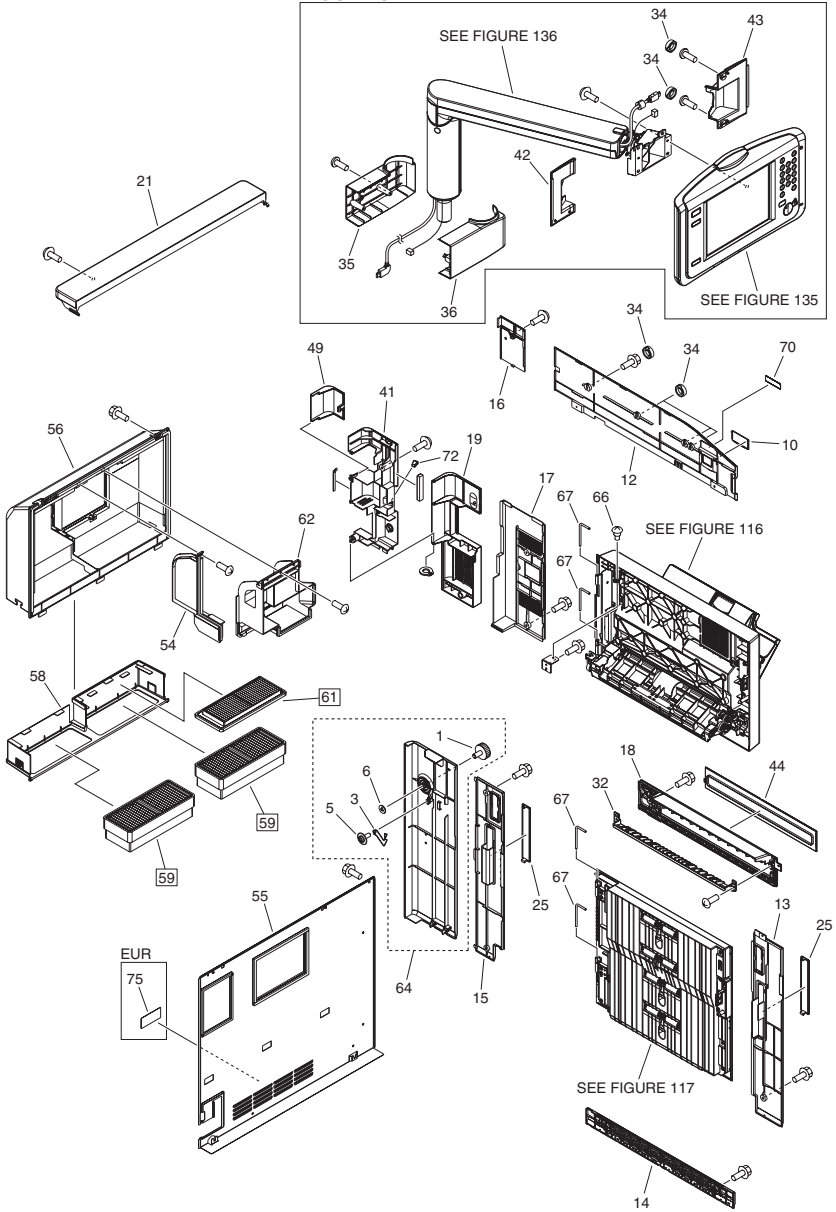


FIGURE & KEY NO.	PARTS NUMBER	R A N K	Q'TY	DESCRIPTION	SERIAL NUMBER/ REMARKS	S V C
Fig.100	NPN		RF	EXTERNAL COVERS, PANELS, ETC.		
1	FB2-5500-020		1	SCREW, M4X9		
2	FB2-7551-000		1	TAPE, SUPPORT		
3	FC0-8799-000		1	SPRING		
4	FC0-9151-000		1	COVER, FRONT UPPER, LEFT		
5	XA9-1013-000		1	SCREW, M3X8		
6	FC2-2121-000		1	WASHER		
7	FC8-1835-000		2	HINGE		
8	FC8-1840-000		1	HINGE, UPPER		
9	FC8-1841-000		1	HINGE, LOWER		
10	FC8-1844-000		1	COVER, MAIN SWITCH		
11	FC8-1851-000		1	COVER, FRONT		
12	FC8-1854-000		1	COVER, RIGHT UPPER		
13	FC8-1855-010		1	COVER, RIGHT LOWER, FRONT		
14	FC8-1856-000		2	COVER, LOWER		
15	FC8-1857-000		1	COVER, RIGHT LOWER, REAR		
16	FC8-1858-000		1	COVER, RIGHT, REAR		
17	FC8-1859-000		1	COVER, RIGHT CENTER		
18	FC8-1860-000		1	COVER, DECK GUIDE		
19	FC8-1862-000		1	COVER, HARD DISK DRIVE		
20	FC8-1864-000		1	COVER, BOX, LEFT		
21	FC8-1865-000		1	COVER, BOX, UPPER		
22	FC8-1866-010		1	COVER, LEFT UPPER		
23	FC8-1867-010		1	COVER, LEFT LOWER, FRONT		
24	FC8-1869-010		1	COVER, LEFT LOWER, REAR		
25	FC8-1872-000		6	COVER, HANDLE		
26	FC8-1874-000		1	COVER, CONNECTOR		
27	FC8-1876-000		1	COVER, CASSETTE, LOWER		
28	FC8-1877-000		1	COVER, CORNER, RIGHT		
29	FC8-2366-000		1	COVER, UPPER RIGHT		
30	FC8-2367-000		1	COVER, FRONT UPPER, RIGHT		
31	FC8-2368-010		1	CASE, RIGHT		

FIGURE & KEY NO.	PARTS NUMBER	RANK	Q'TY	DESCRIPTION	SERIAL NUMBER/REMARKS	SVC
32	FC8-2654-000		1	GUIDE, DECK, LOWER		
33	FC8-4723-000		1	LABEL, TONER EXCHANGE	AU,SG,HK,LTN,AU,CN,KR,TW	
33	FC8-4724-000		1	LABEL, TONER EXCHANGE	US,CA,LTN	
33	FC8-4725-000		1	LABEL, TONER EXCHANGE	EUR	
34	FC9-0311-000		6	CAP		
35	FC9-0342-000		1	COVER, BASE, REAR	PRO SERIES	
36	FC9-0343-000		1	COVER, BASE, FRONT	PRO SERIES	
37	FC9-0376-010		1	COVER, UPPER LEFT		
38	FC9-0381-000		1	COVER, SMALL, LEFT		
39	FC9-0382-000		1	COVER, SMALL, RIGHT		
40	FC9-0387-000		1	COVER, LEFT CENTER		
41	FC9-0448-000		1	COVER, SIDE		
42	FC9-3843-010		1	COVER, JOINT, LEFT	PRO SERIES	
43	FC9-3844-000		1	COVER, JOINT, RIGHT	PRO SERIES	
44	FC9-3891-000		1	COVER, DECK		
45	FC9-3893-000		1	PEN, TOUCH	EXCEPT PRO SERIES	
46	FC9-3907-000		1	COVER, SMALL, LEFT FRONT		
47	FC9-3909-000		1	WINDOW, RECEIVE		
48	FC9-3911-000		1	COVER, SMALL, LEFT FRONT 2		
49	FC9-4010-000		1	COVER, CONNECTOR, 2		
50	FC9-4011-000		1	COVER, CONNECTOR, 3		
51	FC9-4037-000		3	CUSHION, DOOR		
52	FC9-4041-000		1	FLAG, OPEN/CLOSE DETECT		
53	FK2-8364-000		1	CABLE, USER INTERFACE	EXCEPT PRO SERIES	
54	FL2-8697-000		1	PLATE, DUCT PARTITION		
55	FL2-8943-000		1	PANEL, REAR LOWER		
56	FL2-8945-000		1	COVER, SILENCER		
57	FL3-1185-000		1	EMBLEM		
58	FL3-4096-000		1	LID, OZONE FILTER		
59	FL3-4101-000		2	FILTER, OZONE	[DP]	
60	FL3-4351-000		1	COVER, FRONT, UPPER		

FIGURE & KEY NO.	PARTS NUMBER	RANK	Q'TY	DESCRIPTION	SERIAL NUMBER/REMARKS	SVC
61	FL3-7553-000		1	FILTER, DUST	[DP]	
62	FL3-8780-000		1	DUCT, FAN		
63	FM0-2304-000		1	COVER, UPPER CENTER	PRO SERIES	
64	FM0-3393-000		1	WASTE TONER BOTTLE BOX COVER		
65	FS5-9217-010		2	SCREW, STEPPED, M4		
66	FS5-9438-030		1	SCREW,STEPPED		
67	FU6-4563-000		6	PIN, HINGE		
68	FU6-8525-000		1	LABEL, WIRE HEIGHT		
69	FU6-8529-000		1	LABEL, TONER	US,CA,LTN PRO SERIES	
69	FU6-8532-000		1	LABEL, TONER	US,CA,LTN EXCEPT PRO SERIES	
69	FU7-4879-000		1	LABEL, TONER	EUR PRO SERIES	
69	FU7-4882-000		1	LABEL, TONER	EUR EXCEPT PRO SERIES	
69	FU6-8528-000		1	LABEL, TONER	CN,KR,TW PRO SERIES	
69	FU6-8531-000		1	LABEL, TONER	KR EXCEPT PRO SERIES	
70	FU7-8291-000		1	LABEL, MAIN POWER		
70	FU7-8279-000		1	LABEL, MAIN POWER	US,CA,AU,SG,HK,LTN	
70	FU7-8288-000		1	LABEL, MAIN POWER	EUR	
70	FU7-8280-000		1	LABEL, MAIN POWER	CN	
70	FU7-8282-000		1	LABEL, MAIN POWER	KR	
70	FU7-8283-000		1	LABEL, MAIN POWER	TW	
71	XA9-1522-000		2	SCREW, M3X6		
72	XZ9-0379-000		2	LATCH		
73	FC0-9182-000		4	CUSHION	EUR	
74	FE2-2927-000		1	SHEET, CASE	EUR	
75	FU5-8560-000		1	LABEL, GROUNDING CAUTION	EUR	
76	FC8-2369-000		1	SHEET, CASE		

FIGURE 101 INTERNAL COMPONENTS 1

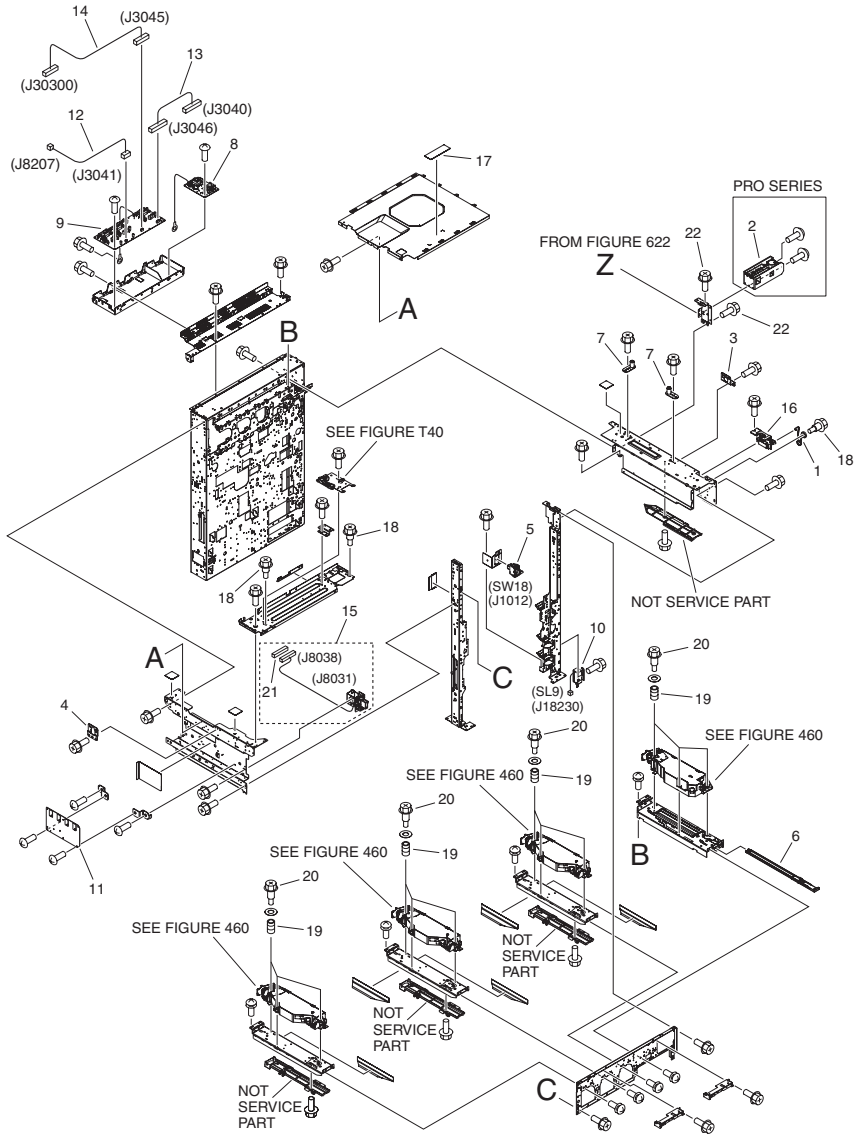


FIGURE & KEY NO.	PARTS NUMBER	R A N K	Q'TY	DESCRIPTION	SERIAL NUMBER/ REMARKS	S V C
Fig.101	NPN		RF	INTERNAL COMPONENTS 1		
1	FC0-0405-000		1	SPRING, TORSION		
2	FC9-0320-000		1	BASE, FRAME	PRO SERIES	
3	FC9-4049-000		1	PLATE, READER FIXED, RIGHT		
4	FC9-4085-000		1	PLATE, READER FIXED, LEFT		
5	FK3-2575-000		1	SWITCH	SW18	
6	FL2-8925-000		1	GLASS, DUST-PROOF		
7	FL2-8926-000		2	PIN, READER POSITIONING		
8	FM0-0752-000		1	DEVELOPING HIGH VOLTAGE PCB		
9	FM0-0753-000		1	DEVELOPING HIGH VOLTAGE PCB		
10	FM0-0875-010		1	SOLENOID UNIT	SL9	
11	FM0-0882-000		1	HIGH VOLTAGE PCB ASSY		
12	FM0-2068-000		1	CABLE, DEVELOPING HIGH VOLTAGE		
13	FM0-2097-000		1	CABLE, DEVELOPING H.V., BLACK		
14	FM0-2098-000		1	CABLE, DEVELOPING H.V., COLOR		
15	FM3-4950-010		1	FR. INNER DOOR DRAWER ASSEMBLY		
16	FM3-9972-000		1	MAIN SWITCH ASSY		
17	FS5-8623-000		1	LABEL, WARNING LESER		
18	FS5-9277-020		3	SCREW, STEPPED, M4		
19	FU5-2682-000		12	SPRING		
20	FU5-9596-000		12	SCREW,STEPPED,RS,M3		
21	VS1-8412-025		1	CONNECTOR, SNAP TIGHT, BL		
22	XA9-0684-000		6	SCREW,M4X6		

FIGURE 102 INTERNAL COMPONENTS 2

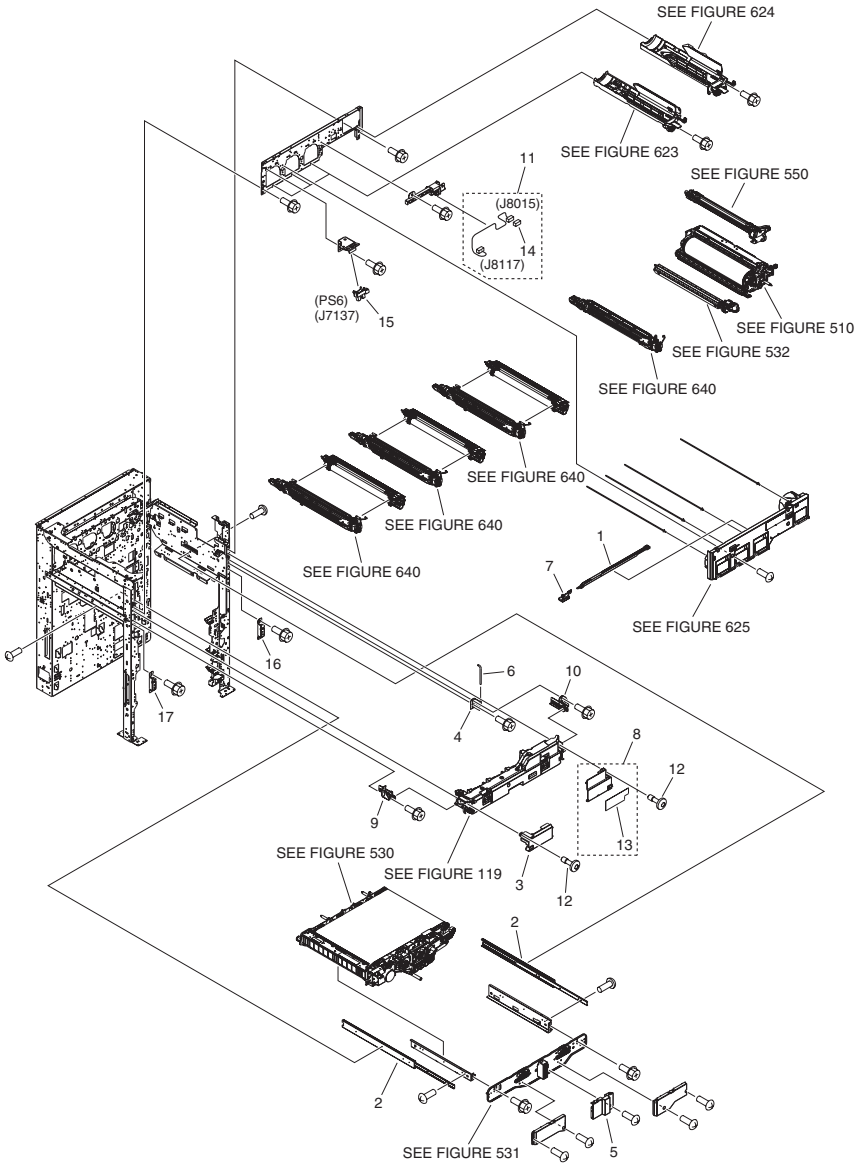


FIGURE & KEY NO.	PARTS NUMBER	R A N K	Q'TY	DESCRIPTION	SERIAL NUMBER/ REMARKS	S V C
Fig.102	NPN		RF	INTERNAL COMPONENTS 2		
1	FC8-2339-000		1	ROD, GLASS CLEANING		
2	FC8-9059-000		2	RAIL, SLIDE		
3	FC9-3768-000		1	COVER, HANDLE, LEFT		
4	FC9-3889-000		1	HINGE		
5	FC9-4108-000		1	COVER, I.T.B. INNER		
6	FC9-8402-000		1	SHAFT, HINGE		
7	FL2-4425-000		1	CLEANING PAD UNIT		
8	FL2-8927-000		1	COVER, HANDLE, RIGHT		
9	FM3-9886-000		1	RAIL ASSEMBLY, LEFT		
10	FM3-9887-000		1	RAIL ASSEMBLY, RIGHT		
11	FM4-1427-000		1	CABLE,BLACK TONER SENSOR,RIGHT		
12	FS1-9253-020		2	SCREW, STEPPED M4X8		
13	FU6-8579-000		1	LABEL, LASER CAUTION		
14	VS1-7177-004		1	CONNECTOR, SNAP TIGHT, BK		
15	WG8-5783-000		1	IC,PHOTO-INTERRUPTER,LG248NL1A	PS6	
16	FC8-1762-000		1	PLATE,FRAME POSITIONING, RIGHT		
17	FC8-1763-000		1	PLATE, FRAME POSITIONING, LEFT		

FIGURE 103 INTERNAL COMPONENTS 3

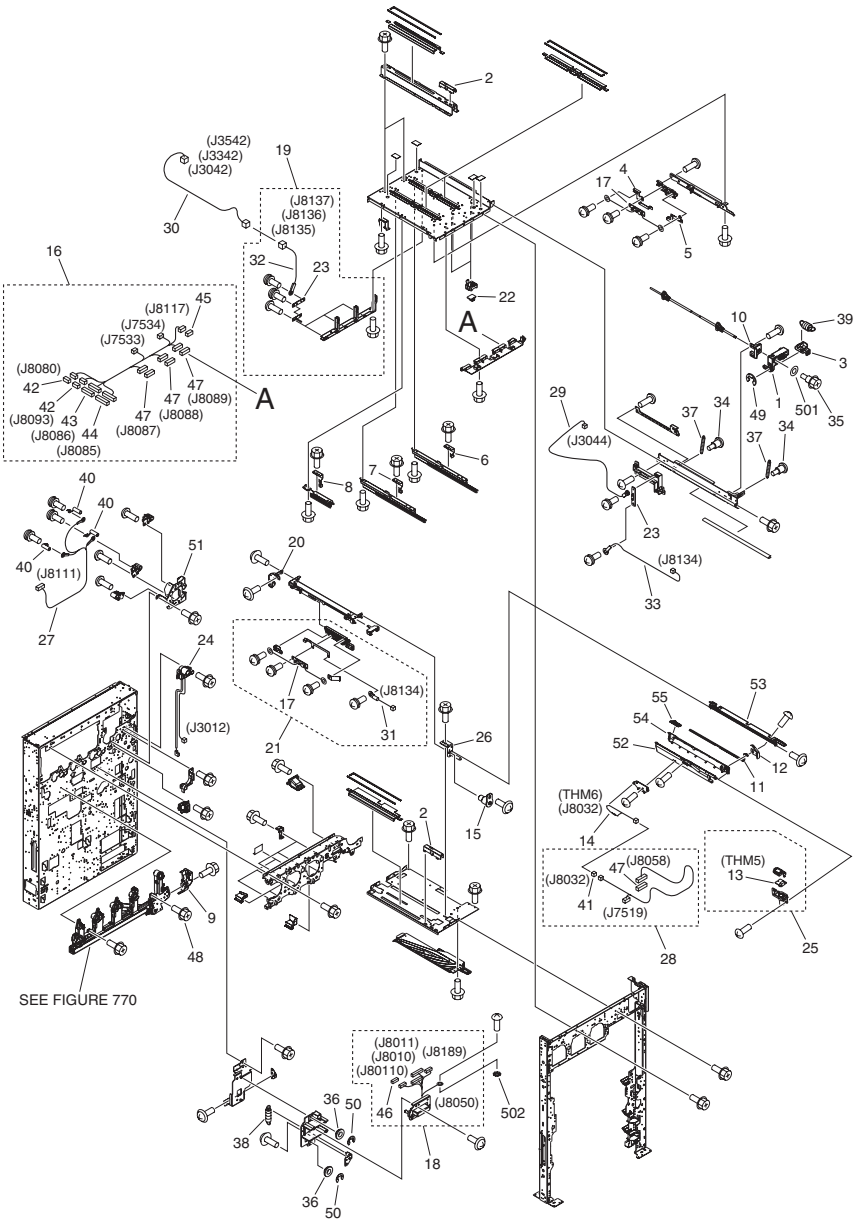


FIGURE & KEY NO.	PARTS NUMBER	R A N K	Q'TY	DESCRIPTION	SERIAL NUMBER/ REMARKS	S V C
Fig.103	NPN		RF	INTERNAL COMPONENTS 3		
1	FC8-2311-000		1	LEVER, ESTRANGEMENT		
2	FC8-2334-000		3	GUIDE, CLEANER		
3	FC8-2645-000		1	LEVER, LOCK		
4	FC8-2846-000		3	SPRING, LEAF		
5	FC8-2847-000		3	SPRING, LEAF		
6	FC8-2855-000		1	PLATE, GUIDE		
7	FC8-2856-000		1	PLATE, GUIDE, M		
8	FC8-2857-010		1	PLATE, GUIDE, Y		
9	FC9-3888-000		1	COVER, MULTI SUB		
10	FC9-3999-000		1	HOLDER, CAM SHAFT		
11	FC9-9331-000		1	SHEET, GROUNDING		
12	FC9-9332-000		1	PLATE, GROUNDING		
13	FK2-0607-000		1	THERMOSENSOR	THM5	
14	FK2-7919-000		1	THERMISTOR UNIT	THM6	
15	FL2-8865-000		1	HINGE		
16	FM0-2078-000		1	CABLE, SENSOR CONNECTING		
17	FM2-7195-000		4	HIGH VOLTAGE PCB ASSEMBLY		
18	FM3-4926-000		1	I.T.BELT DRAWER ASSEMBLY		
19	FM3-4936-000		1	DEV. TERMINAL HOLDER ASSEMBLY		
20	FM3-4961-000		1	BYPASS ASSEMBLY		
21	FM3-4962-000		1	DEVELOPING MOUNT UNIT		
22	FM3-7941-000		2	MACHINE TMP. SENSOR PCB ASS'Y		
23	FM3-9593-000		4	H.V. RESISTOR PCB ASSEMBLY		
24	FM3-9890-000		1	PRIMARY H.V. CONNECTOR ASS'Y		
25	FM3-9891-000		1	SENSOR UNIT, THERMO		
26	FM3-9959-000		1	DEVELOPING RAIL MOUNT ASS'Y		
27	FM4-1356-000		1	CABLE, DRUM HEATER		
28	FM4-1384-000		1	CABLE, THERMISTOR		
29	FM4-1410-000		1	CABLE, DEVELOPING, BLACK		
30	FM4-1411-000		3	CABLE, DEVELOPING, COLOR		
31	FM4-1414-000		1	CABLE, BIAS, BLACK		

FIGURE & KEY NO.	PARTS NUMBER	RANK	Q'TY	DESCRIPTION	SERIAL NUMBER/REMARKS	SVC
32	FM4-1415-000		3	CABLE, BIAS, COLOR		
33	FM4-1430-000		1	CABLE, BIAS CONNECTING, BLACK		
34	FS1-9102-020		2	SCREW, STEPPED, M3		
35	FS5-9277-020		1	SCREW, STEPPED, M4		
36	FU6-1182-000		2	BUSHING		
37	FU7-2316-000		2	SPRING, TENSION		
38	FU7-2344-000		1	SPRING, TENSION		
39	FU7-2347-000		1	SPRING, TENSION		
40	FU7-2389-000		3	SPRING, COMPRESSION		
41	VS1-7177-002		1	CONNECTOR, SNAP TIGHT, BK		
42	VS1-7177-004		2	CONNECTOR, SNAP TIGHT, BK		
43	VS1-7177-006		1	CONNECTOR, SNAP TIGHT, BK		
44	VS1-7177-012		1	CONNECTOR, SNAP TIGHT, BK		
45	VS1-7207-004		1	CONNECTOR, SNAP TIGHT, BK		
46	VS1-8412-003		1	CONNECTOR, SNAP TIGHT, BL		
47	VS1-8412-007		4	CONNECTOR, SNAP TIGHT, BL		
48	XA9-1386-000		1	SCREW,RS,M3X8		
49	XD9-0134-000		1	RING, E		
50	XD9-0136-000		2	RING, E		
51	FC8-1936-000		1	SUPPORT, POWER DISPATCHING		
52	FC8-2646-000		1	DUCT, PRIMARY, LEFT		
53	FC8-2647-000		1	RAIL, PRIMARY CORONA		
54	FC9-0438-000		1	DUCT, PRIMARY, RIGHT		
55	FC9-0439-000		1	SEAL, PRIMARY DUCT		
501	XD1-1106-212		1	WASHER,COP		
502	XD1-4200-402		1	WASHER, TOOTHED LOCK, M4		

FIGURE 104 INTERNAL COMPONENTS 4

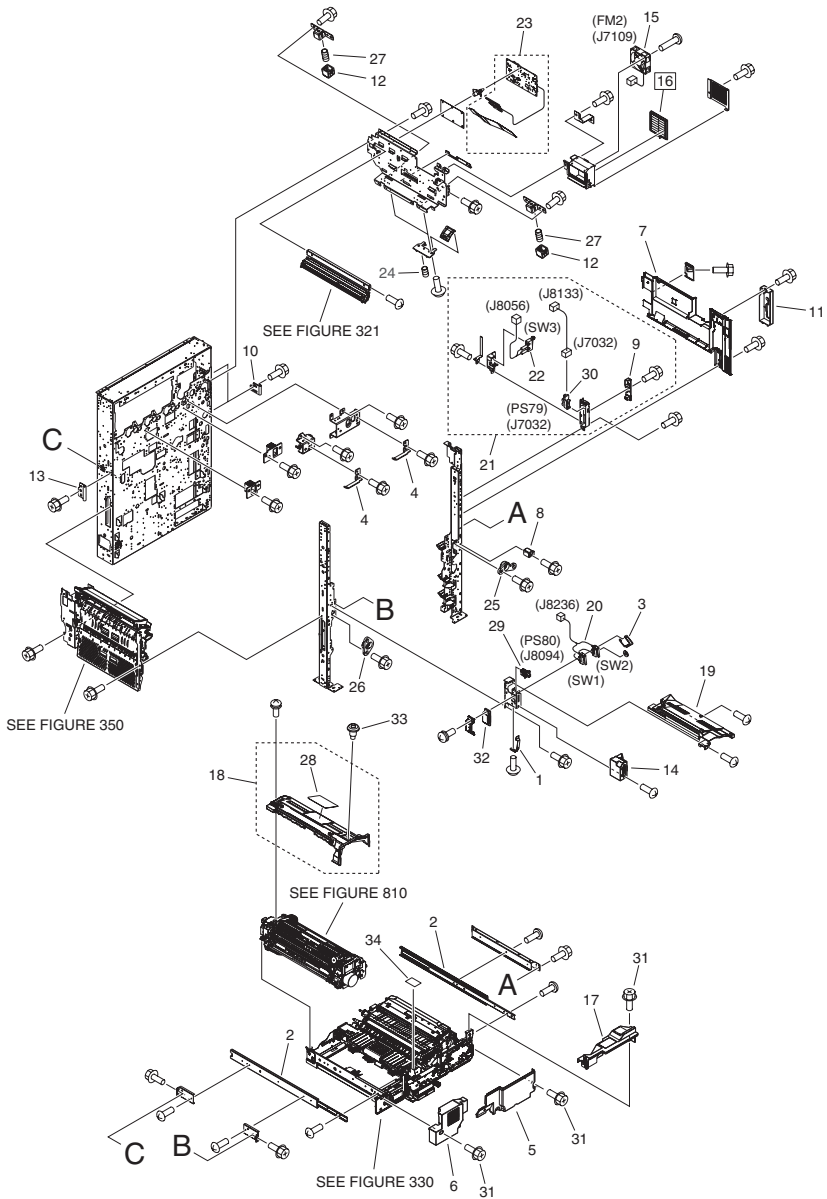


FIGURE & KEY NO.	PARTS NUMBER	RANK	Q'TY	DESCRIPTION	SERIAL NUMBER/REMARKS	SVC
Fig.104	NPN		RF	INTERNAL COMPONENTS 4		
1	FC0-8144-000		1	SPRING, LEAF		
2	FC0-8153-000		2	RAIL, SLIDE		
3	FC0-8156-000		1	SPRING, TORSION		
4	FC0-8160-000		2	SPRING, LEAF		
5	FC8-1975-000		1	COVER, FIXING/FEED, RIGHT		
6	FC8-1977-000		1	COVER, FIXING/FEED, LEFT		
7	FC8-2252-000		1	COVER, MULTI INNER		
8	FC8-2364-000		1	MOUNT, FRONT DOOR HINGE, LOWER		
9	FC8-2700-000		1	MOUNT, HOOK		
10	FC8-2705-000		2	HINGE		
11	FC8-2728-000		1	COVER, MULTI DOOR INNER		
12	FC8-8802-000		2	BLOCK, PUSHING		
13	FC9-3832-000		1	HINGE		
14	FC9-3887-010		1	COVER, DOOR SWITCH INNER		
15	FK2-0360-000		1	FAN	FM2	
16	FL2-0439-000		1	FILTER, DUST	[DP]	
17	FL2-8906-010		1	COVER, FIXING/FEEDER SUB		
18	FM0-0411-020		1	FIXING COVER ASSEMBLY		
19	FM0-0879-000		1	FIXING DUCT ASSEMBLY		
20	FM0-2079-000		1	CABLE, DOOR SWITCH, FRONT	SW1,SW2	
21	FM3-9823-000		1	MULTI DOOR SWITCH ASS'Y		
22	FM4-1392-000		1	CABLE, DOOR SWITCH	SW3	
23	FM4-6611-000		1	POTENTIAL CONTROL PCB ASSEMBLY		
24	FU5-2148-010		2	SPRING, COMPRESSION		
25	FU6-1601-000		1	BUSHING		
26	FU6-1602-000		1	BUSHING		
27	FU7-2352-000		2	SPRING, COMPRESSION		
28	FU8-8010-000		1	LABEL, HIGH TMP. CAUTION		
29	WC2-5803-000		1	SWITCH	PS80	
30	WG8-5848-000		1	PHOTO-INTERRUPTER,GP1A173LCS0F	PS79	
31	XA9-1386-000		3	SCREW,RS,M3X8		

FIGURE & KEY NO.	PARTS NUMBER	R A N K	Q'TY	DESCRIPTION	SERIAL NUMBER/ REMARKS	S V C
32	XZ9-0581-000		1	CATCH,MAGNET		
33	FS2-9001-020		1	SCREW,STEPPED,M4		
34	FE3-9460-000		1	SHEET, NOISE-PROOF		

FIGURE 105 INTERNAL COMPONENTS 5

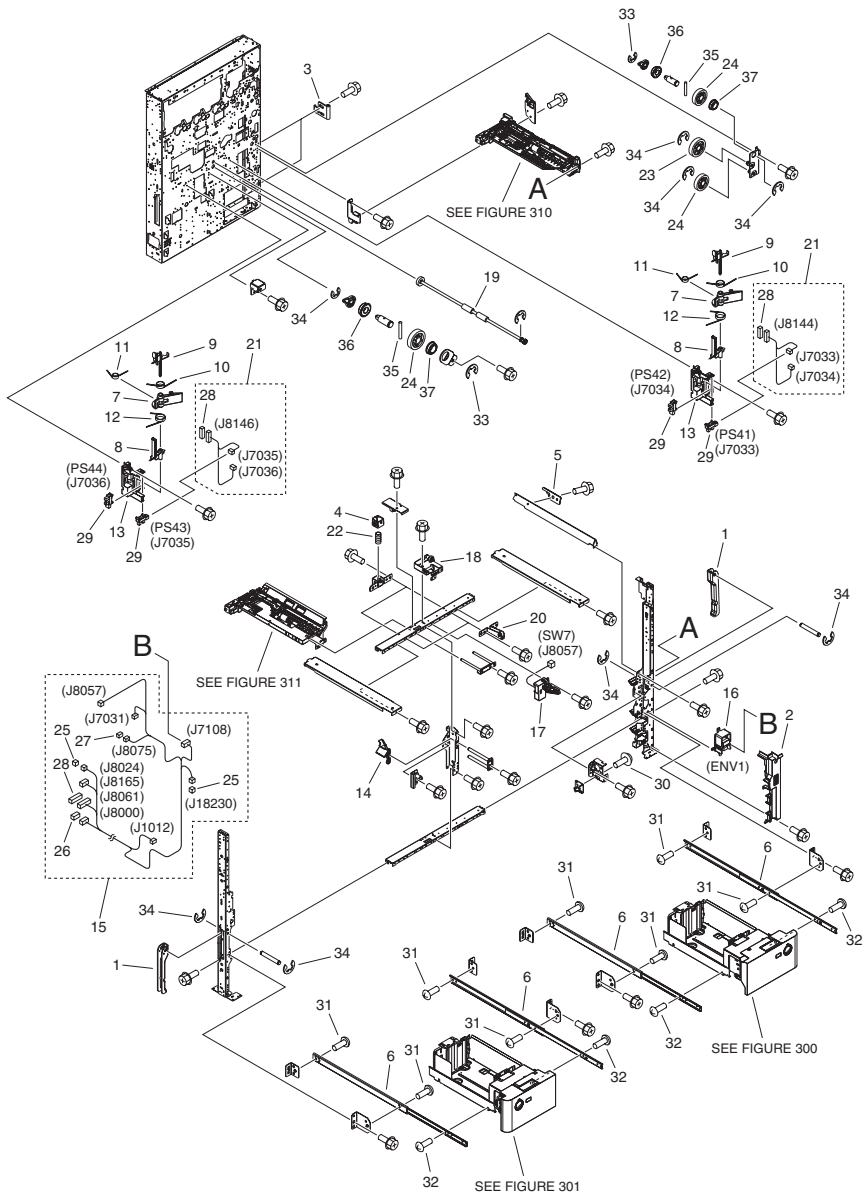


FIGURE & KEY NO.	PARTS NUMBER	R A N K	Q'TY	DESCRIPTION	SERIAL NUMBER/ REMARKS	S V C
Fig.105	NPN		RF	INTERNAL COMPONENTS 5		
1	FB2-8094-020		2	KNOB, 1		
2	FC8-2665-000		1	COVER, INNER, RIGHT LOWER		
3	FC8-2705-000		2	HINGE		
4	FC8-8802-000		2	BLOCK, PUSHING		
5	FC9-3747-000		1	COVER, GEAR		
6	FC9-3904-000		4	RAIL, SLIDE		
7	FC9-3963-000		2	FLAG, PRESENCE		
8	FC9-3964-000		2	FLAG, REMNANT DETECT, 1		
9	FC9-3965-000		2	FLAG, REMNANT DETECT, 2		
10	FC9-3966-000		2	SPRING, TORSION		
11	FC9-3967-000		2	SPRING, TORSION		
12	FC9-3968-000		2	SPRING, TORSION		
13	FC9-3991-010		2	MOUNT, REMNANT DETECT FLAG		
14	FC9-4128-010		1	GUIDE, PAPER EXHAUST, LEFT		
15	FM0-2083-000		1	CABLE, RELAY		
16	FM0-2286-000		1	SENSOR UNIT, ENVIRONMENT	ENV1	
17	FM3-4952-000		1	INTERLOCK SWITCH UNIT	SW7	
18	FM3-9915-000		1	FIXING/FEEDER LOCK ASSEMBLY		
19	FM3-9916-000		1	ROLLER ASS'Y, PAPER FEED, LEFT		
20	FM3-9976-000		2	GUIDE STOPPER ASSEMBLY		
21	FM4-1295-000		2	CABLE, DECK REMNANT DETECT		
22	FU7-2352-000		2	SPRING, COMPRESSION		
23	FU8-0071-000		1	GEAR, 32T		
24	FU8-0335-000		3	GEAR, 28T		
25	VS1-7177-002		2	CONNECTOR, SNAP TIGHT, BK		
26	VS1-7177-004		1	CONNECTOR, SNAP TIGHT, BK		
27	VS1-8412-003		1	CONNECTOR, SNAP TIGHT, BL		
28	VS1-8412-007		3	CONNECTOR, SNAP TIGHT, BL		
29	WG8-5848-000		4	PHOTO-INTERRUPTER,GP1A173LCS0F	PS41,PS42,PS43,PS44	
30	XA9-0926-000		2	SCREW, TP, M4X8		
31	XA9-1035-000		8	SCREW,M4X4		

FIGURE & KEY NO.	PARTS NUMBER	R A N K	Q'TY	DESCRIPTION	SERIAL NUMBER/ REMARKS	S V C
32	XA9-1934-000		4	SCREW, M4X4		
33	XD9-0134-000		2	RING, E		
34	XD9-0137-010		8	RING, E		
35	XD9-0290-000		2	PIN, PARALLEL		
36	XG9-0508-000		2	BEARING, BALL, F688ZZ		
37	XG9-0709-000		2	BEARING, BALL, MF128ZZ-3		

FIGURE 106
INTERNAL COMPONENTS 6

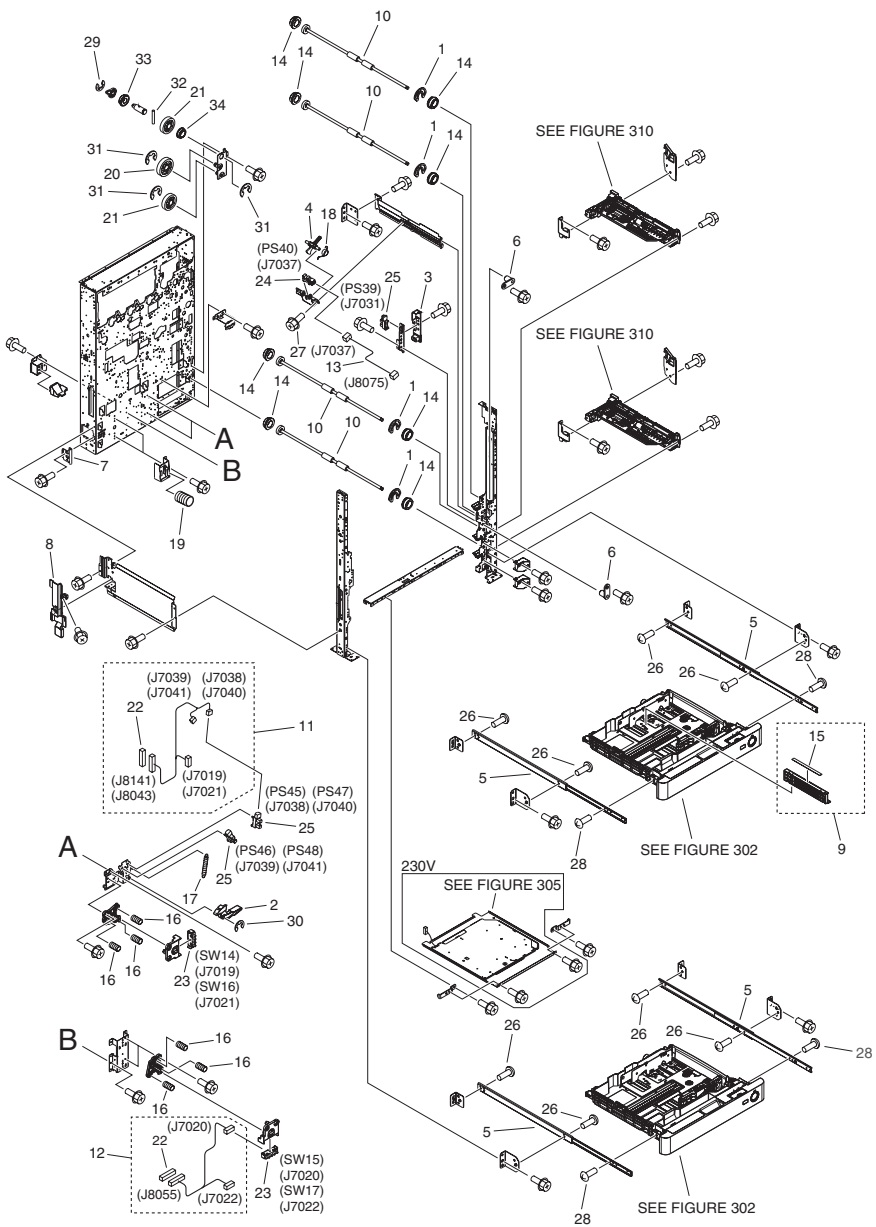


FIGURE & KEY NO.	PARTS NUMBER	R A N K	Q'TY	DESCRIPTION	SERIAL NUMBER/ REMARKS	S V C
Fig.106	NPN		RF	INTERNAL COMPONENTS 6		
1	FC5-2715-000		4	RING, RETAINING		
2	FC8-2487-000		2	ARM, REMNANT DETECT		
3	FC8-2700-000		1	MOUNT, HOOK		
4	FC9-3748-000		1	FLAG, VERTICAL PATH SENSOR		
5	FC9-3904-000		4	RAIL, SLIDE		
6	FC9-4117-000		2	PIN, POSITIONING		
7	FC9-8432-000		1	HINGE		
8	FL2-8696-000		1	COVER, REVERSE CONNECTOR		
9	FL2-8948-000		1	PLATE, BACK END LIMIT		
10	FM3-4966-000		4	PAPER FEED ROLLER ASSEMBLY		
11	FM4-1293-000		2	CABLE, CASSETTE REMNANT DETECT		
12	FM4-1294-000		1	CABLE, CASSETTE SIZE 2		
13	FM4-1398-000		1	CABLE, VERTICAL PATH		
14	FS1-1189-000		8	BUSHING, ABS		
15	FU6-8537-010		1	LABEL, INDEX PAPER GUIDE		
16	FU7-2332-000		12	SPRING, COMPRESSION		
17	FU7-2333-000		2	SPRING, TENSION		
18	FU7-2383-000		1	SPRING, TORSION		
19	FU7-2395-000		2	SPRING, COMPRESSION		
20	FU8-0071-000		1	GEAR, 32T		
21	FU8-0335-000		2	GEAR, 28T		
22	VS1-8412-011		3	CONNECTOR, SNAP TIGHT, BL		
23	WC2-5680-000		4	SWITCH, DETECT PUSH	SW14,SW15,SW16,SW17	
24	WG8-5783-000		1	IC,PHOTO-INTERRUPTER,LG248NL1A	PS40	
25	WG8-5848-000		5	PHOTO-INTERRUPTER,GP1A173LCS0F	PS39,PS45,PS46,PS47,P S48	
26	XA9-1035-000		8	SCREW,M4X4		
27	XA9-1386-000		2	SCREW,RS,M3X8		
28	XA9-1934-000		4	SCREW, M4X4		
29	XD9-0134-000		1	RING, E		
30	XD9-0136-000		2	RING, E		

FIGURE & KEY NO.	PARTS NUMBER	R A N K	Q'TY	DESCRIPTION	SERIAL NUMBER/ REMARKS	S V C
31	XD9-0137-010		3	RING, E		
32	XD9-0290-000		1	PIN, PARALLEL		
33	XG9-0508-000		1	BEARING, BALL, F688ZZ		
34	XG9-0709-000		1	BEARING, BALL, MF128ZZ-3		

FIGURE 107 MACHINE BOTTOM PLATE

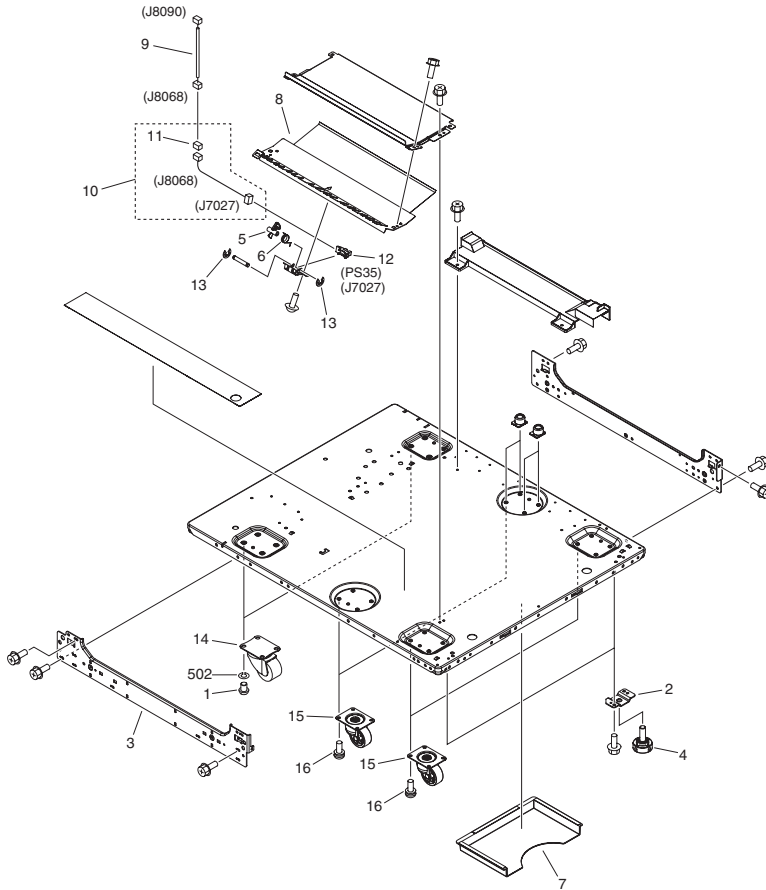


FIGURE & KEY NO.	PARTS NUMBER	R A N K	Q'TY	DESCRIPTION	SERIAL NUMBER/REMARKS	S V C
Fig.107	NPN		RF	MACHINE BOTTOM PLATE		
1	FB4-1340-000		8	SCREW,ALLEN HEAD,M8X10		
2	FC5-2687-000		2	PLATE, ADJUSTER MOUNTING		
3	FC8-1832-010		1	CROSSMEMBER, LEFT LOWER		
4	FC8-6639-000		2	ADJUSTER		
5	FC9-3779-000		1	FLAG, REVERSE V. PATH SENSOR		
6	FC9-3836-000		1	SPRING, TORSION		
7	FC9-9069-000		1	HOLDER, SERVICE BOOK		
8	FL2-8698-000		1	GUIDE, DELIVERY 3		
9	FM4-1396-000		1	CABLE, RIGHT V. PATH, 3 CENTER		
10	FM4-1397-000		1	CABLE, RIGHT VERTICAL PATH, 3		
11	VS1-8412-003		1	CONNECTOR, SNAP TIGHT, BL		
12	WG8-5848-000		1	PHOTO-INTERRUPTER,GP1A173LCS0F	PS35	
13	XD9-0134-000		2	RING, E		
14	XZ9-0409-020		2	CASTER		
15	XZ9-0678-000		4	CASTER		
16	FE4-0430-000		AR	SCREW, WWASHER, M6		
502	XD1-3100-805		8	WASHER,SPRING		

FIGURE 108 MACHINE REAR PLATE 1

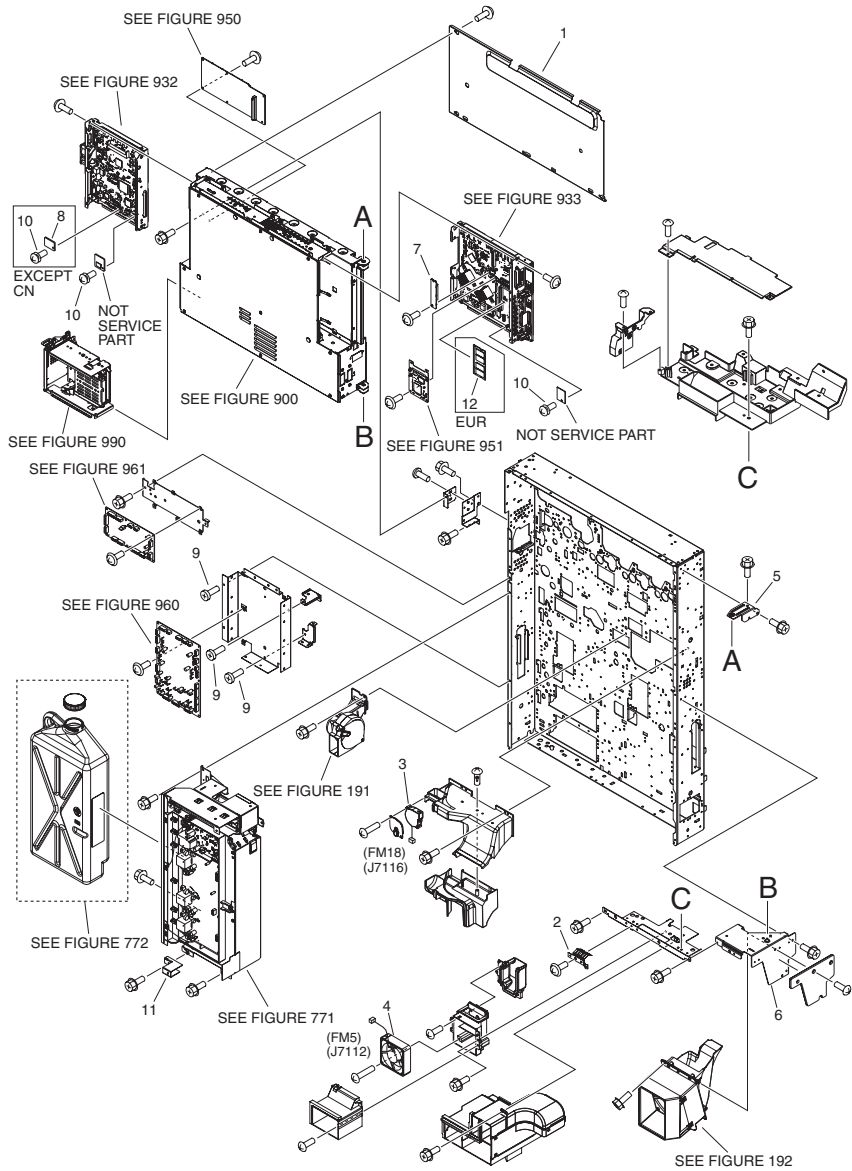


FIGURE & KEY NO.	PARTS NUMBER	RANK	Q'TY	DESCRIPTION	SERIAL NUMBER/REMARKS	SVC
Fig.108	NPN		RF	MACHINE REAR PLATE 1		
1	FC9-0447-000		1	COVER, DC CONTROLLER		
2	FC9-9343-000		1	PLATE, GROUNDING		
3	FK3-0827-000		1	FAN	FM18	
4	FL3-8779-000		1	FAN	FM5	
5	FM0-0853-000		1	HINGE		
6	FM0-0854-000		1	PLATE, FIXING DUCT		
7	FM4-0780-000		1	BYPASS PCB ASS'Y, SUB		
8	FM4-0783-000		1	TPM PCB ASSEMBLY	EXCEPT CN	
9	XA9-1135-000		4	SCREW,RS,M4X8		
10	XA9-1959-000		3	SCREW, WWASHER, M3X4		
11	FC9-7493-000		1	CROSSMEMBER, COVER, REAR LOWER		
12	FM0-0322-000		1	MEMORY PCB ASSEMBLY	EUR	

FIGURE 109 MACHINE REAR PLATE 2

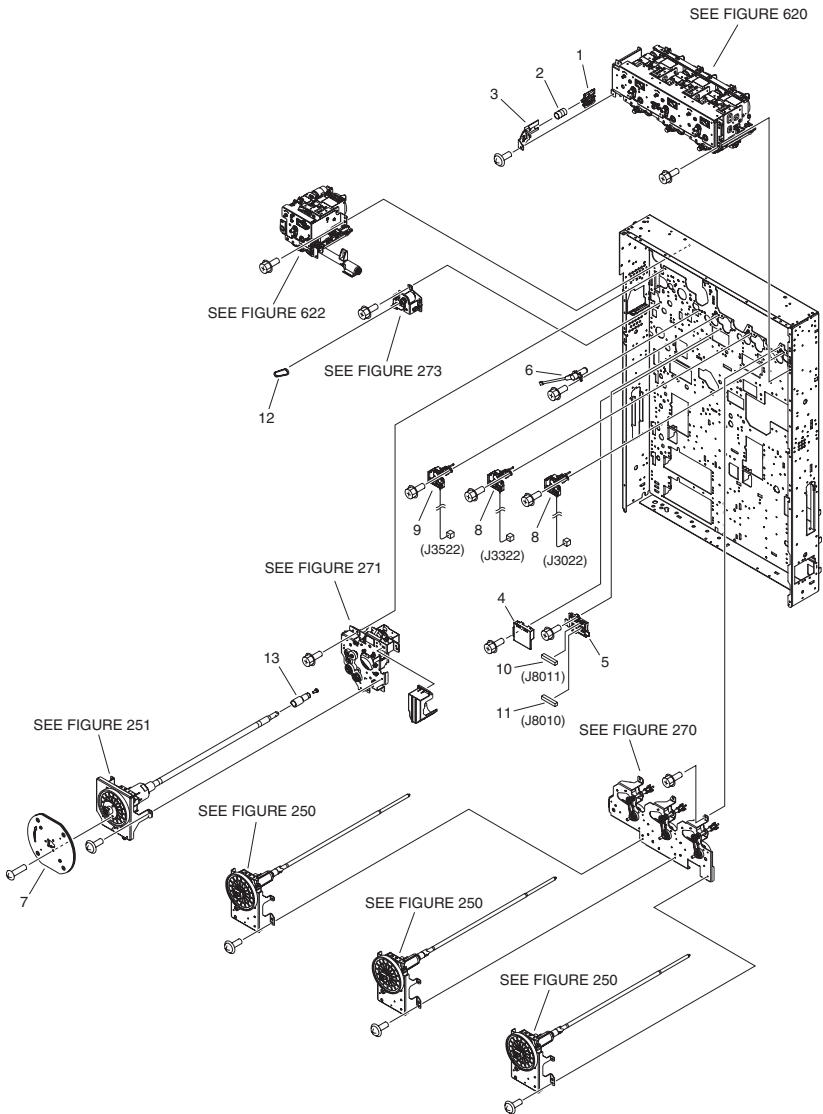


FIGURE & KEY NO.	PARTS NUMBER	RANK	Q'TY	DESCRIPTION	SERIAL NUMBER/REMARKS	SVC
Fig.109	NPN		RF	MACHINE REAR PLATE 2		
1	FC8-2791-000		1	RACK, SHUTTER		
2	FC8-2792-000		1	SPRING, COMPRESSION		
3	FC9-3670-000		1	STOPPER, SHUTTER RACK		
4	FC9-3786-010		1	COVER, I.T.B. CABLE		
5	FC9-3867-010		1	MOUNT, CONNECTOR		
6	FK3-4046-000		1	CONNECTOR		
7	FM0-2332-000		1	FLYWHEEL, 1		
8	FM3-4979-000		2	CORONA TERMINAL UNIT, Y . M		
9	FM3-4981-000		1	CORONA TERMINAL UNIT, C		
10	VS1-8412-015		1	CONNECTOR, SNAP TIGHT, BL		
11	VS1-8412-019		1	CONNECTOR, SNAP TIGHT, BL		
12	XF2-1606-740		1	BELT, TIMING		
13	FC0-0779-010		1	CAP, DRUM SHAFT		

FIGURE 110 MACHINE REAR PLATE 2

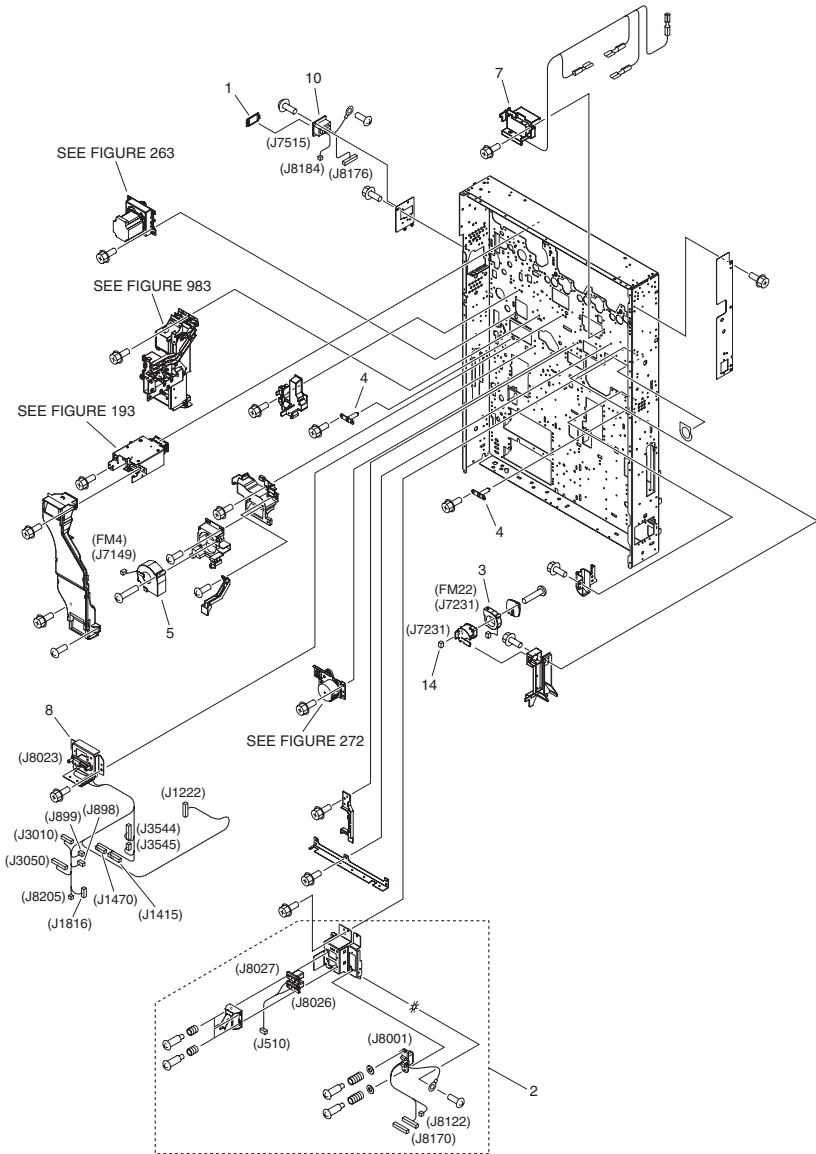


FIGURE & KEY NO.	PARTS NUMBER	RANK	Q'TY	DESCRIPTION	SERIAL NUMBER/REMARKS	SVC
Fig.110	NPN		RF	MACHINE REAR PLATE 3		
1	FC0-0205-000		1	COVER, CONNECTOR		
2	FM0-0660-000		1	FIXING DRAWER ASSEMBLY		
3	FK3-0827-000		1	FAN	FM22	
4	FL2-8660-000		2	PLATE, POSITION, FIXING/FEEDER		
5	FL3-7770-000		1	FAN	FM4	
7	FM0-2288-000		1	MOUNT, 1ST TRNSFR. TERMINAL		
8	FM0-2292-000		1	FIXING/FEEDER DRAWER ASSEMBLY		
10	FM4-1366-000		1	CABLE, LATTICE, 3.5K		
14	VS1-7177-003		1	CONNECTOR, SNAP TIGHT, BK		

FIGURE 111 MACHINE REAR PLATE 4

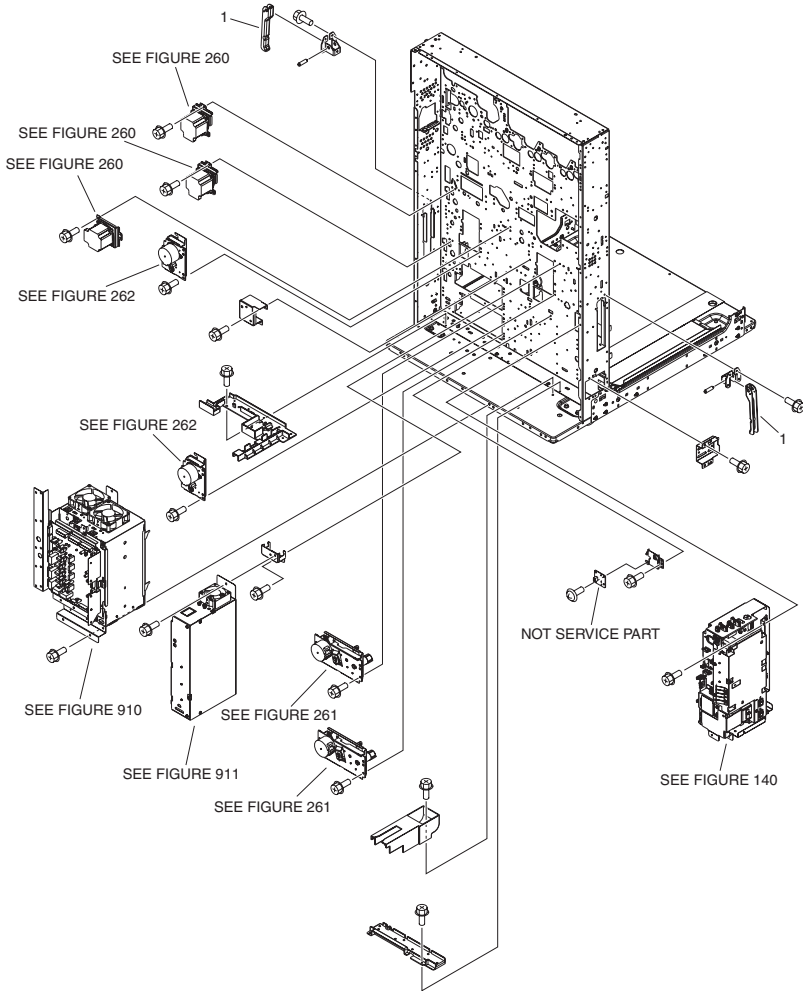


FIGURE & KEY NO.	PARTS NUMBER	R A N K	Q'TY	DESCRIPTION	SERIAL NUMBER/ REMARKS	S V C
Fig.111 1	NPN FB2-8094-020		RF 2	MACHINE REAR PLATE 4 KNOB, 1		

FIGURE 112
MACHINE REAR PLATE 5

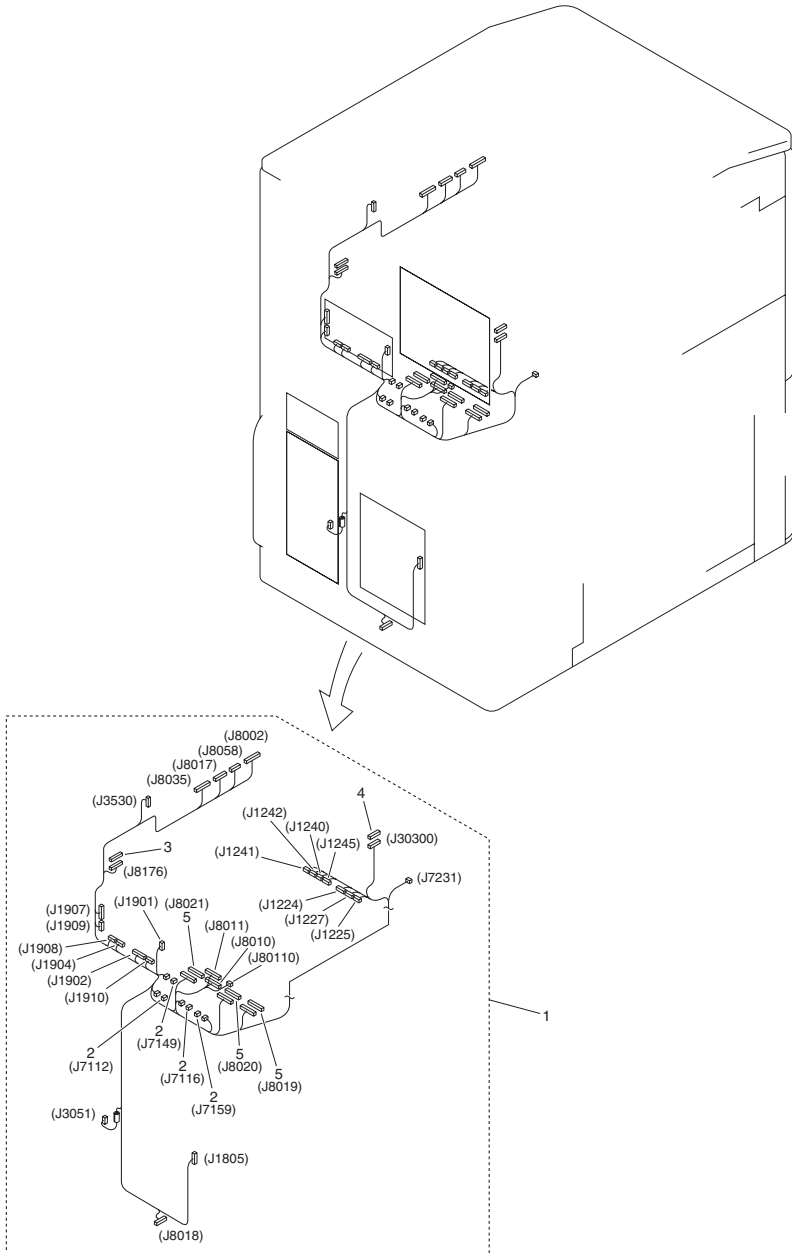


FIGURE & KEY NO.	PARTS NUMBER	RANK	Q'TY	DESCRIPTION	SERIAL NUMBER/REMARKS	SVC
Fig.112	NPN		RF	MACHINE REAR PLATE 5		
1	FM0-2072-010		1	CABLE, SIGNAL MAIN		
2	VS1-7177-003		4	CONNECTOR, SNAP TIGHT, BK		
3	VS1-7177-014		1	CONNECTOR, SNAP TIGHT, BK		
4	VS1-8412-009		1	CONNECTOR, SNAP TIGHT, BL		
5	VS1-8412-015		3	CONNECTOR, SNAP TIGHT, BL		

FIGURE 113 MACHINE REAR PLATE 6

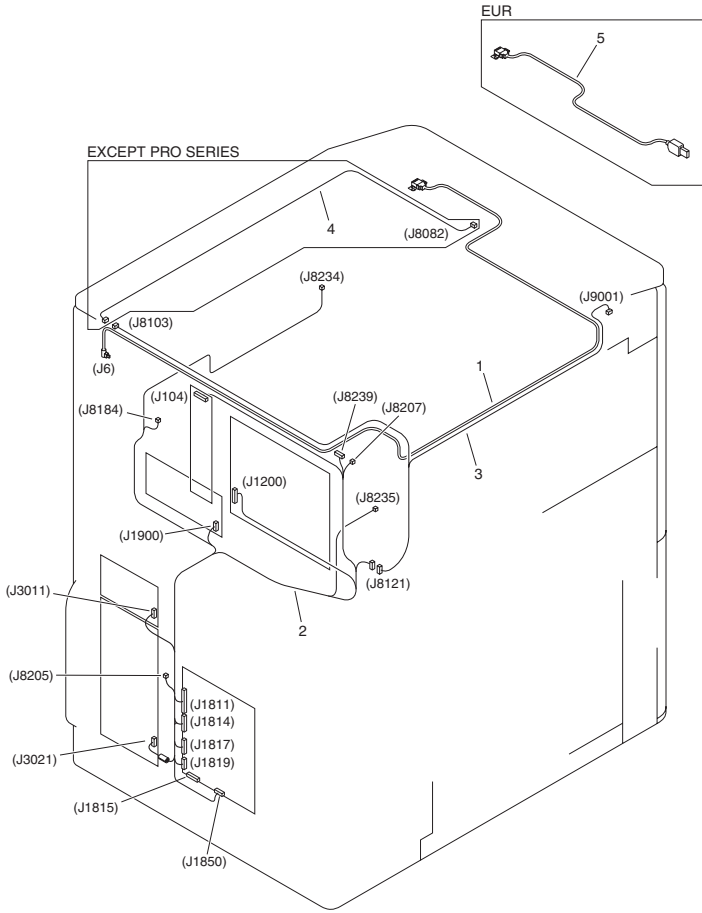


FIGURE & KEY NO.	PARTS NUMBER	RANK	Q'TY	DESCRIPTION	SERIAL NUMBER/REMARKS	SVC
Fig.113	NPN		RF	MACHINE REAR PLATE 6		
1	FK2-8362-000		1	CABLE, USB		
2	FM0-2071-000		1	CABLE, DC POWER SUPPLY MAIN		
3	FM4-1421-000		1	CABLE, POWER		
4	FM4-1458-000		1	CABLE, CPU. P.S. CONNECTING	EXCEPT PRO SERIES	
5	FK2-8363-000		1	CABLE, USB	EUR	

FIGURE 114 MACHINE REAR PLATE 7

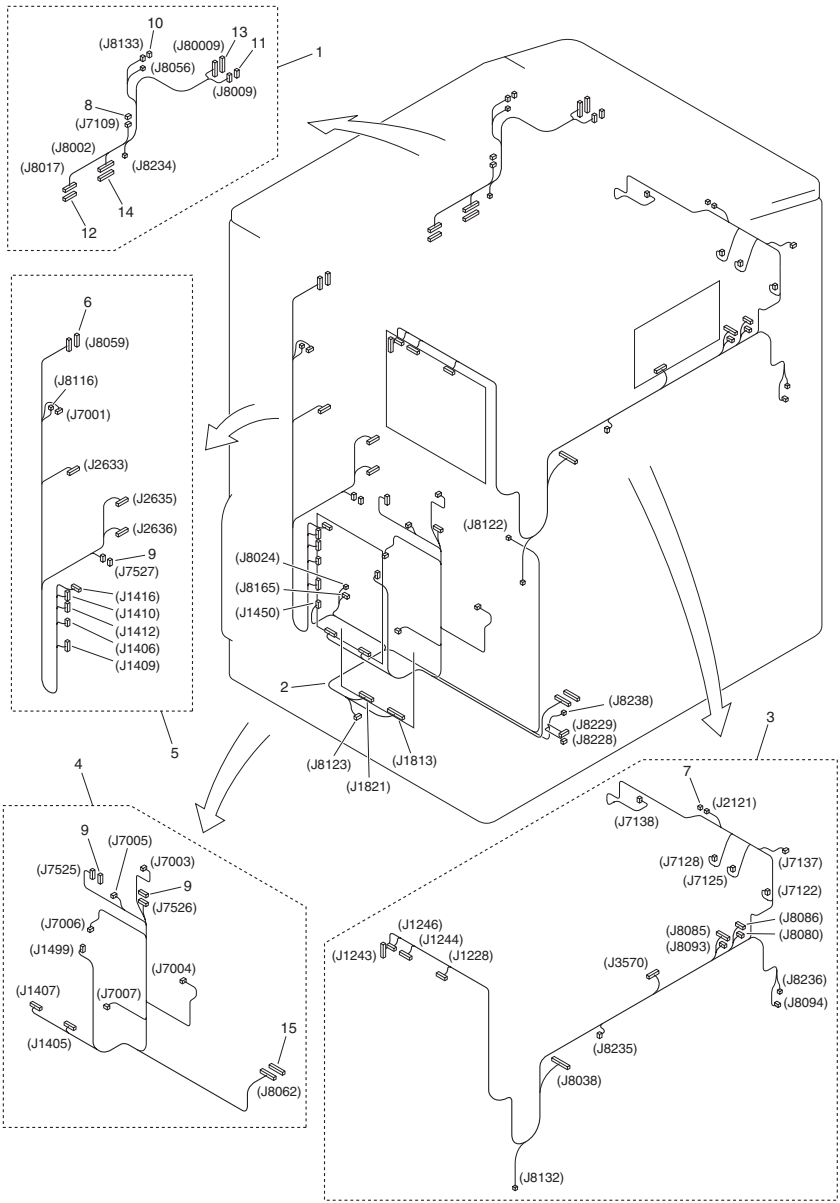


FIGURE & KEY NO.	PARTS NUMBER	R A N K	Q'TY	DESCRIPTION	SERIAL NUMBER/ REMARKS	S V C
Fig.114	NPN		RF	MACHINE REAR PLATE 7		
1	FM0-0830-000		1	CABLE, MAIN CONNECTING, RIGHT		
2	FM0-2070-000		1	CABLE, PAPER PICK-UP DECURLER		
3	FM0-2073-000		1	CABLE, SIGNAL, UPPER		
4	FM0-2081-000		1	CABLE, PAPER PICK-UP MOTOR		
5	FM0-2082-000		1	CABLE, PAPER PICK-UP, RIGHT		
6	VS1-7173-011		1	CONNECTOR, SNAP TIGHT, 11P, W		
7	VS1-7177-002		1	CONNECTOR, SNAP TIGHT, BK		
8	VS1-7177-003		1	CONNECTOR, SNAP TIGHT, BK		
9	VS1-7177-004		3	CONNECTOR, SNAP TIGHT, BK		
10	VS1-8412-003		1	CONNECTOR, SNAP TIGHT, BL		
11	VS1-8412-005		1	CONNECTOR, SNAP TIGHT, BL		
12	VS1-8412-011		1	CONNECTOR, SNAP TIGHT, BL		
13	VS1-8412-013		1	CONNECTOR, SNAP TIGHT, BL		
14	VS1-8412-017		1	CONNECTOR, SNAP TIGHT, BL		
15	VS1-8412-019		1	CONNECTOR, SNAP TIGHT, BL		

FIGURE 115 MACHINE REAR PLATE 8

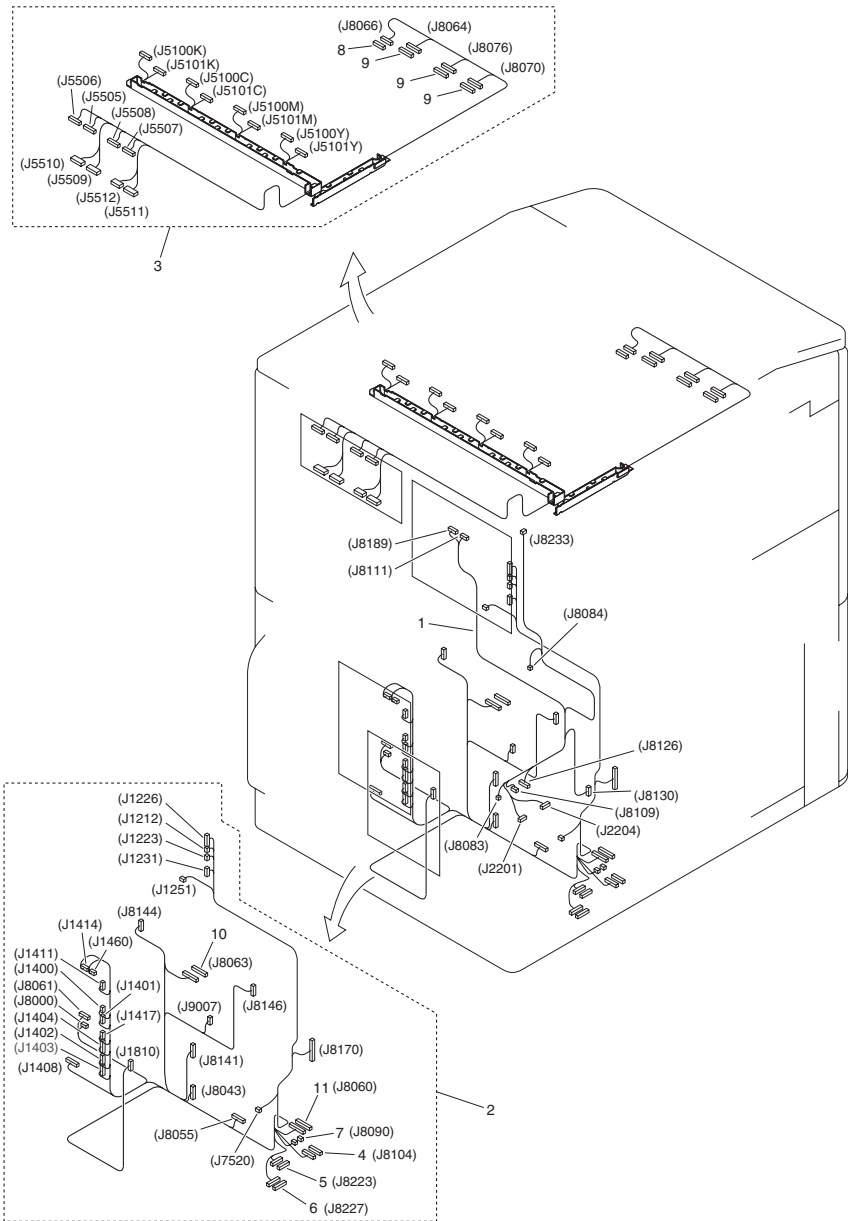
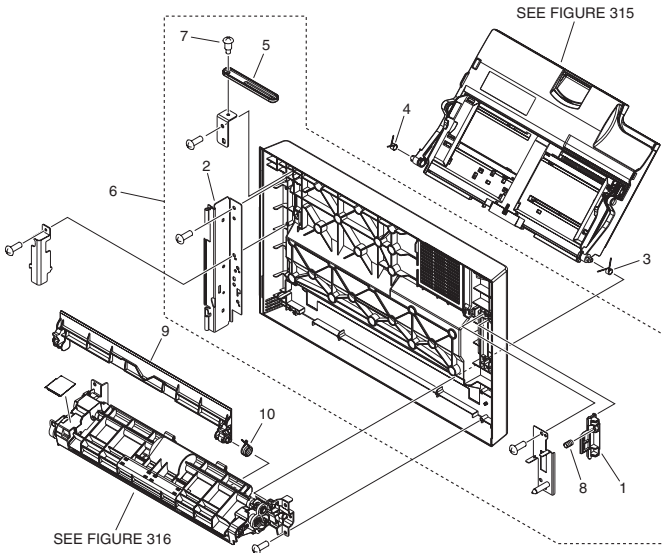


FIGURE & KEY NO.	PARTS NUMBER	R A N K	Q'TY	DESCRIPTION	SERIAL NUMBER/ REMARKS	S V C
Fig.115	NPN		RF	MACHINE REAR PLATE 8		
1	FM0-2053-000		1	CABLE, CASSETTE DRUM HEATER		
2	FM0-2080-000		1	CABLE, PAPER PICK-UP, LOWER		
3	FM0-2313-000		1	SCANNER MAIN CABLE ASSEMBLY		
4	VS1-7173-013		1	CONNECTOR, SNAP TIGHT, 13P, W		
5	VS1-7177-009		1	CONNECTOR, 9P		
6	VS1-7177-012		1	CONNECTOR, SNAP TIGHT, BK		
7	VS1-8412-003		1	CONNECTOR, SNAP TIGHT, BL		
8	VS1-8412-009		1	CONNECTOR, SNAP TIGHT, BL		
9	VS1-8412-015		3	CONNECTOR, SNAP TIGHT, BL		
10	VS1-8412-017		1	CONNECTOR, SNAP TIGHT, BL		
11	VS1-8412-023		1	CONNECTOR, SNAP TIGHT, BL		

FIGURE 116 MULTI DOOR ASSEMBLY



NOTE : This assembly includes the assemblies shown in Figure 315 and 316.
注 : このユニットはFigure 315, 316のユニットを含みます。

FIGURE & KEY NO.	PARTS NUMBER	RANK	QTY	DESCRIPTION	SERIAL NUMBER/REMARKS	SVC
Fig.116	FM3-4761-010		1	MULTI DOOR ASSEMBLY	SEE NOTE	
1	FC8-2697-000		1	HOOK		
2	FC8-2721-000		1	HINGE		
3	FC9-4091-000		1	SPRING, TORSION		
4	FC9-4092-000		1	SPRING, TORSION		
5	FC9-9353-000		1	SLIDER		
6	FM3-4897-000		1	MULTI COVER ASSEMBLY		
7	FS5-9438-030		1	SCREW, STEPPED		
8	FU7-2341-000		1	SPRING, COMPRESSION		
9	FC8-5105-000		1	COVER, SUB		
10	FC8-5389-000		1	SPRING, TORSION		

FIGURE 117 VERTICAL PATH DOOR ASSEMBLY

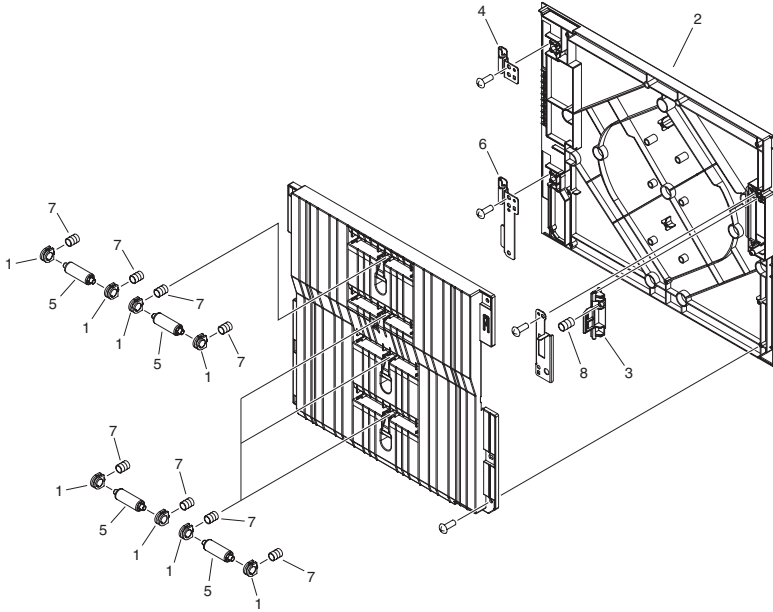


FIGURE & KEY NO.	PARTS NUMBER	R A N K	Q'TY	DESCRIPTION	SERIAL NUMBER/ REMARKS	S V C
Fig.117	FM3-4762-000		1	VERTICAL PATH DOOR ASSEMBLY		
1	FC7-7209-000		16	BUSHING, VERTICAL ROLLER		
2	FC8-1879-000		1	DOOR, RIGHT LOWER		
3	FC8-2697-000		1	HOOK		
4	FC8-2699-000		1	HINGE		
5	FC8-3782-000		8	ROLLER, PAPER FEED		
6	FC9-9337-000		1	HINGE		
7	FS7-2788-000		16	SPRING, COMPRESSION		
8	FU7-2341-000		1	SPRING, COMPRESSION		

FIGURE 118 REVERSE DELIVERY DOOR ASSEMBLY

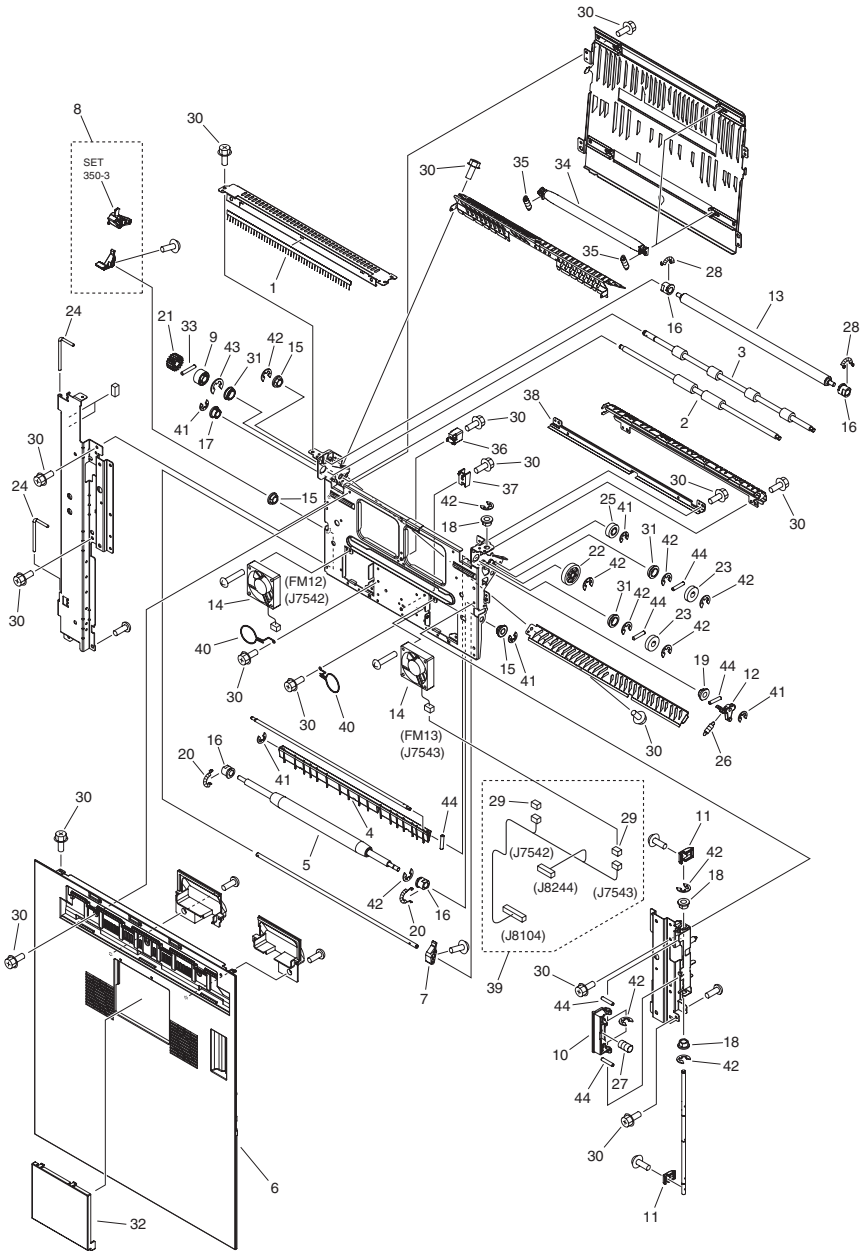
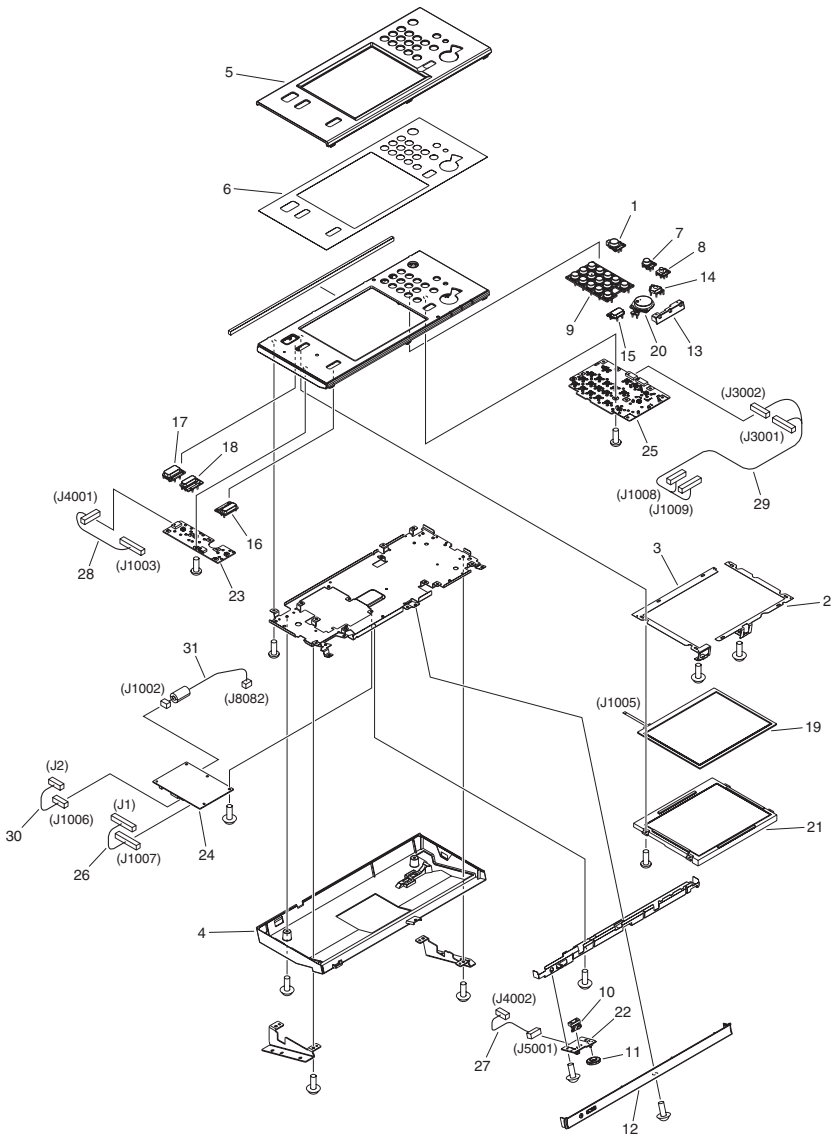


FIGURE & KEY NO.	PARTS NUMBER	R A N K	Q'TY	DESCRIPTION	SERIAL NUMBER/ REMARKS	S V C
Fig.118	FM0-0676-000		1	REVERSE DELIVERY DOOR ASSEMBLY		
1	FC6-4009-000		1	ELIMINATOR,STATIC CHARGE		
2	FC8-2571-000		1	ROLLER, OUTER DELI. DRIVE		
3	FC8-2572-000		1	ROLLER, OUTER DELIVERY DRIVE		
4	FL3-4355-000		1	FLAPPER, REVERSE		
5	FC8-2576-000		1	ROLLER, ESTRANGEMENT FOLLOWER		
6	FL3-4339-000		1	COVER, REVERSE DOOR		
7	FC8-2597-000		1	ARM,ROLLER ESTRANGEMENT,FRONT		
8	FM1-D469-000		1	ARM KIT	[SET]	
9	FC8-2606-000		1	ROLLER, SIDE END		
10	FC8-2622-000		1	HANDLE, REVERSE DOOR		
11	FC8-2623-000		2	ARM, HANDLE		
12	FC9-3776-000		1	ARM, REVERSE FLAPPER		
13	FC9-3777-000		1	ROLLER,OUTER DELIVERY FOLLOWER		
14	FK2-0472-010		2	FAN	FM12,FM13	
15	FS1-1569-000		3	BUSHING		
16	FU6-1190-000		4	BUSHING		
17	FU5-1442-000		1	BUSHING		
18	FU5-1453-000		3	BUSHING		
19	FU5-1469-000		1	BUSHING, POLYACETAR		
20	FU5-2139-040		2	SPRING, TENSION		
21	FU6-0029-000		1	GEAR, 18T		
22	FU6-0072-000		1	GEAR, 32T		
23	FU6-0152-000		2	GEAR, 17T		
24	FU6-4563-000		2	PIN, HINGE		
25	FU7-0287-000		1	GEAR, 16T		
26	FU7-2322-000		1	SPRING, TENSION		
27	FU7-2349-000		1	SPRING, COMPRESSION		
28	FU8-2355-000		2	SPRING, TENSION		
29	VS1-7177-003		2	CONNECTOR, SNAP TIGHT, BK		
30	XA9-1386-000		AR	SCREW,RS,M3X8		
31	XG9-0709-000		3	BEARING, BALL, MF128ZZ-3		

FIGURE & KEY NO.	PARTS NUMBER	RANK	Q'TY	DESCRIPTION	SERIAL NUMBER/REMARKS	SVC
32	FC9-6220-000		1	COVER, REVERSE, SMALL		
33	XD9-0289-000		1	PIN, PARALLEL		
34	FM0-3009-010		2	DRIVEN ROLLER ASSEMBLY		
35	FU7-2351-000		4	SPRING, TENSION		
36	FC9-7527-000		1	SPACER, GUIDE, UPPER		
37	FC9-7528-000		1	SPACER, GUIDE, LOWER		
38	FL3-8395-000		1	GUIDE, DELIVERY OUTLET, UPPER		
39	FM4-1337-000		1	CABLE, DELI. FAN CONNECT, 3-4		
40	FC0-8733-000		2	SPRING, GROUNDING		
41	XD9-0134-000		5	RING, E		
42	XD9-0136-000	AR		RING, E		
43	XD9-0137-010		1	RING, E		
44	XD9-0288-000		6	PIN, DOWEL		

FIGURE & KEY NO.	PARTS NUMBER	R A N K	Q'TY	DESCRIPTION	SERIAL NUMBER/ REMARKS	S V C
Fig.119	FM0-0868-010		1	FRONT INNER DOOR ASSEMBLY		
1	FC0-2338-000		1	SPRING, GROUNDING		
2	FC5-2715-000		3	RING, RETAINING		
3	FC8-1998-000		2	RAIL, CARTRIDGE GUIDE		
4	FC9-3770-000		1	COVER, BLANKING		
5	FC9-3773-000		1	HINGE		
6	FC9-3774-000		1	HINGE		
7	FC9-3998-000		1	PLATE, COVER		
8	FL3-4350-010		1	COVER, INNER, FRONT		
9	FM0-0869-000		1	HOOK SHAFT UNIT		
10	FM0-0870-010		4	DEV. STIRRING MOTOR ASS'Y	M26,M27,M28,M29	
11	FM0-2268-000		1	DRAWER CABLE UNIT		
12	FU6-8575-000		1	LABEL, COLOR, BLACK		
13	FU6-8576-000		1	LABEL, COLOR, YELLOW		
14	FU6-8577-000		1	LABEL, COLOR, MAGENTA		
15	FU6-8578-000		1	LABEL, COLOR, CYAN		
16	XA9-1386-000		AR	SCREW,RS,M3X8		

FIGURE 130 FLAT CONTROL PANEL ASSEMBLY (EXCEPT PRO SERIES)

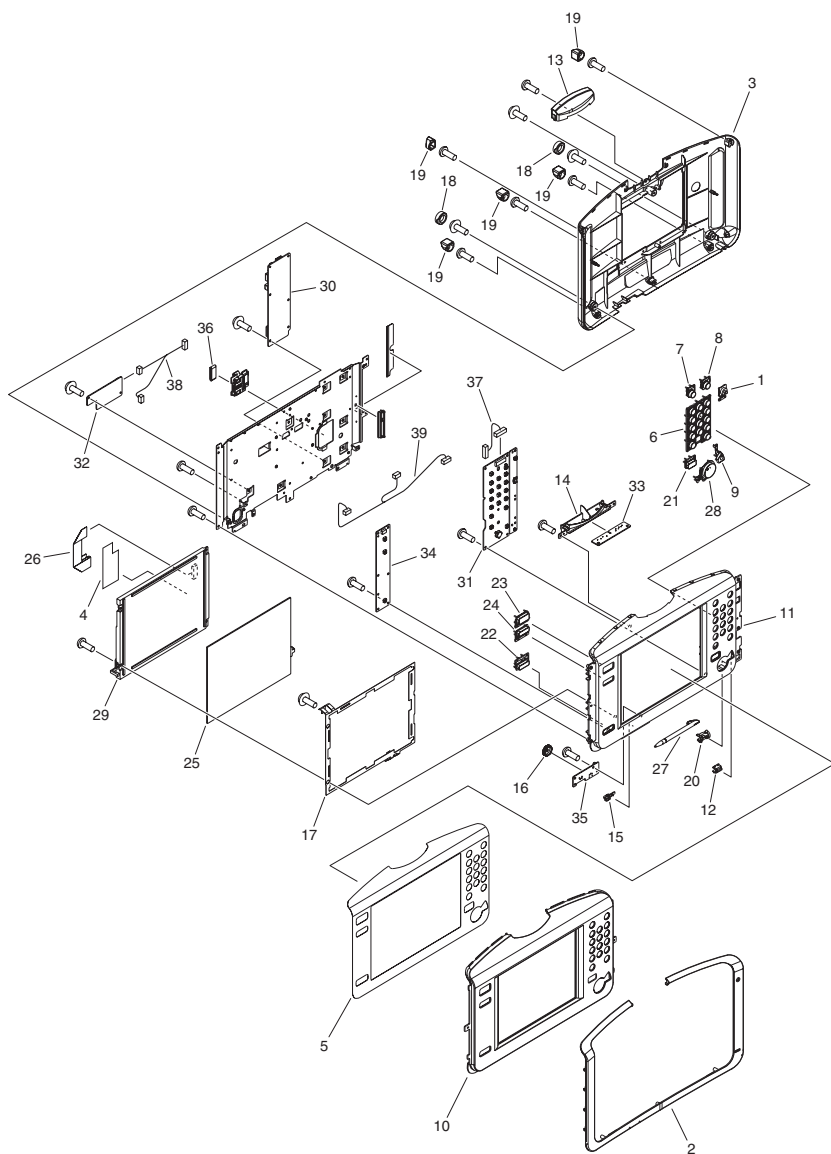


NOTE : This assembly does not include the part shown with key No. 6.
注 : このユニットにKey No. 6の部品は含まれません。

FIGURE & KEY NO.	PARTS NUMBER	R A N K	Q'TY	DESCRIPTION	SERIAL NUMBER/ REMARKS	S V C
Fig.130	FM0-1155-000		1	FLAT CONTROL PANEL ASSEMBLY	EXCEPT PRO SERIES SEE NOTE	
1	FC0-5153-000		1	KEY TOP, SLEEP		
2	FC0-6856-000		1	SHEET, ELECTROSTATIC, 1		
3	FC0-6857-000		1	SHEET, ELECTROSTATIC, 2		
4	FC0-6861-000		1	COVER, REAR		
5	FC0-6863-000		1	COVER, UPPER		
6	FC0-6881-000		1	SHEET, CONTROL PANEL	SEE NOTE C7280i EUR	
6	FC0-6880-000		1	SHEET, CONTROL PANEL	SEE NOTE C7270i EUR	
6	FC0-6879-000		1	SHEET, CONTROL PANEL	SEE NOTE C7270 US,CA,AU,SG,HK,LTN	
6	FC0-6883-000		1	SHEET, CONTROL PANEL	SEE NOTE C7270 KR	
6	FC0-6877-000		1	SHEET, CONTROL PANEL	SEE NOTE C7260i EUR	
6	FC0-6876-000		1	SHEET, CONTROL PANEL	SEE NOTE C7260 US,CA,AU,SG,HK,LTN	
6	FC0-6882-000		1	SHEET, CONTROL PANEL	SEE NOTE C7260 KR	
7	FC8-8649-000		1	KEY TOP, INITIAL SETTINGS		
8	FC8-8655-000		1	KEY TOP, COUNTER CHECK		
9	FC8-8660-000		1	KEY TOP, NUMBERS		
10	FC8-8661-000		1	KEY TOP, VOLUME		
11	FC8-8662-000		1	KEY TOP, ADJUSTMENT BRIGHTNESS		
12	FC8-8669-000		1	COVER, BELT		
13	FC8-8670-000		1	COVER, LED		
14	FC9-9235-000		1	KEY TOP, STOP		
15	FC9-9237-000		1	KEY TOP, RESET		
16	FC9-9238-000		1	KEY TOP, CANCEL		
17	FC9-9239-000		1	KEY TOP, MAIN MENU		
18	FC9-9240-000		1	KEY TOP, PORTAL		
19	FK2-8477-000		1	TOUCH PANEL ASSEMBLY		
20	FL3-0833-000		1	KEY TOP, START		
21	FL3-7112-000		1	LCD		
22	FM4-1183-000		1	VOLUME PCB ASSEMBLY		
23	FM4-1195-000		1	KEY TOP PCB ASSEMBLY, SUB		

FIGURE & KEY NO.	PARTS NUMBER	RANK	Q'TY	DESCRIPTION	SERIAL NUMBER/REMARKS	SVC
24	FM4-9880-000		1	CPU PCB ASSEMBLY		
25	FM4-9881-000		1	KEY TOP PCB ASSEMBLY		
26	FM4-1178-000		1	CABLE, CONTROL PANEL LCD		
27	FM4-1181-000		1	CABLE, CONTROL PANEL VOLUME		
28	FM4-9877-000		1	CABLE, PANEL CPU SUB		
29	FM4-9878-000		1	CABLE, PANEL CPU TENKEY		
30	FM4-9879-000		1	CABLE, CPU-LCD PANEL		
31	FM4-9882-000		1	CABLE, CONTROL PANEL POWER		

FIGURE 135 UPRIGHT CONTROL PANEL ASSEMBLY (PRO SERIES)



NOTE : This assembly does not include the parts shown with key No. 5 and 19.
 注 : このユニットにKey No. 5, 19の部品は含まれません。

FIGURE & KEY NO.	PARTS NUMBER	R A N K	Q'TY	DESCRIPTION	SERIAL NUMBER/ REMARKS	S V C
Fig.135	FM0-0905-000		1	UPRIGHT CONTROL PANEL ASSEMBLY	PRO SERIES SEE NOTE	
1	FC0-8803-000		1	KEY TOP, COUNTER CHECK		
2	FC0-8804-000		1	COVER, CONTROL PANEL, FRONT		
3	FC0-8805-000		1	COVER, CONTROL PANEL, REAR		
4	FC0-8806-000		1	SHEET, SHIELD		
5	FC0-8809-000		1	SHEET, CONTROL PANEL	SEE NOTE C9280 PRO US,CA,AU,SG,HK,LTN	
5	FC0-8810-000		1	SHEET, CONTROL PANEL	SEE NOTE C9280 PRO EUR	
5	FC0-8811-000		1	SHEET, CONTROL PANEL	SEE NOTE C9280 PRO CN	
5	FC0-8812-000		1	SHEET, CONTROL PANEL	SEE NOTE C9280 PRO KR	
5	FC0-8813-000		1	SHEET, CONTROL PANEL	SEE NOTE C9280 PRO TW	
5	FC0-8814-000		1	SHEET, CONTROL PANEL	SEE NOTE C9270 PRO US,CA,AU,SG,HK,LTN	
5	FC0-8815-000		1	SHEET, CONTROL PANEL	SEE NOTE C9270 PRO CN	
5	FC0-8816-000		1	SHEET, CONTROL PANEL	SEE NOTE C9270 PRO TW	
6	FC8-8660-000		1	KEY TOP, NUMBERS		
7	FC9-0290-000		1	KEY TOP, SETTING		
8	FC9-0291-010		1	KEY TOP, ENERGY SAVE		
9	FC9-0292-000		1	KEY TOP, STOP		
10	FC9-0299-000		1	COVER, TRANSPARENT, OPE. PANEL		
11	FC9-0300-000		1	PANEL, CONTROL		
12	FC9-0305-000		1	COVER, POWER LAMP		
13	FC9-0306-000		1	COVER, INDICATOR LAMP		
14	FC9-0307-000		1	BASE, INDICATOR LAMP		
15	FC9-0308-000		1	KEY TOP, VOLUME		
16	FC9-0309-000		1	DIAL		
17	FC9-0310-000		1	SHEET, ELECTROSTATIC		
18	FC9-0311-000		2	CAP		
19	FC9-0312-000		5	CAP	SEE NOTE	
20	FC9-3845-000		1	GUIDE, PEN		

FIGURE & KEY NO.	PARTS NUMBER	R A N K	Q'TY	DESCRIPTION	SERIAL NUMBER/ REMARKS	S V C
21	FC9-9237-000		1	KEY TOP, RESET		
22	FC9-9238-000		1	KEY TOP, CANCEL		
23	FC9-9239-000		1	KEY TOP, MAIN MENU		
24	FC9-9240-000		1	KEY TOP, PORTAL		
25	FK2-7407-000		1	PANEL, TOUCH		
26	FK3-2763-000		1	CABLE, FLEXIBLE FLAT		
27	FL3-0626-000		1	PEN, TOUCH		
28	FL3-0833-000		1	KEY TOP, START		
29	FL3-7431-000		1	LCD UNIT		
30	FM0-1793-000		1	CPU PCB ASSEMBLY		
31	FM0-1794-000		1	KEY TOP PCB ASSEMBLY, RIGHT		
32	FM0-1795-000		1	LED DRIVER PCB ASSEMBLY		
33	FM3-9995-000		1	TALLY PCB ASSEMBLY		
34	FM3-9997-000		1	KEY TOP PCB ASSEMBLY, LEFT		
35	FM3-9998-000		1	VOLUME PCB ASSEMBLY		
36	WE8-7046-000		1	CORE, RING FERRITE		
37	FM0-1796-000		1	CABLE, KEY		
38	FM0-1797-000		1	CABLE, INVERTER/VOLUME		
39	FM4-0003-000		1	CABLE, TALLY		

FIGURE 136 CONTROL PANEL ARM ASSEMBLY (PRO SERIES)

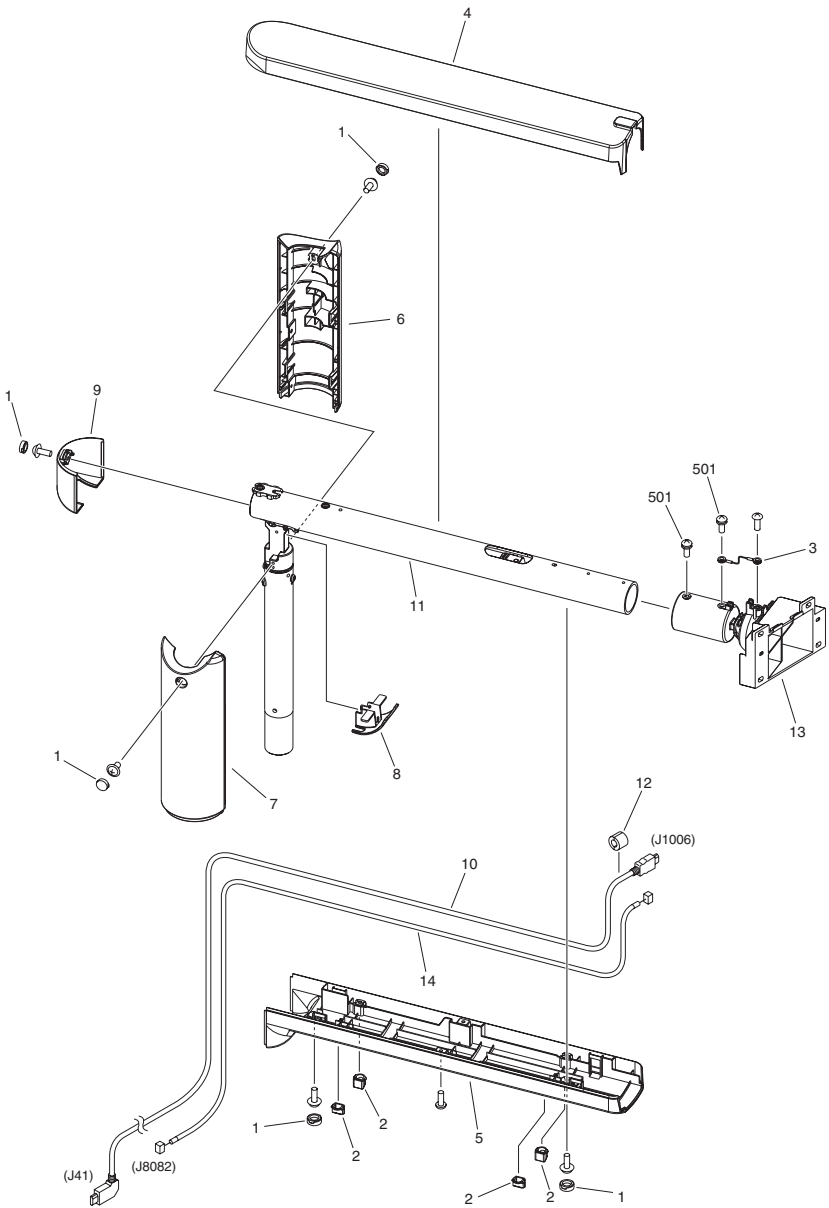
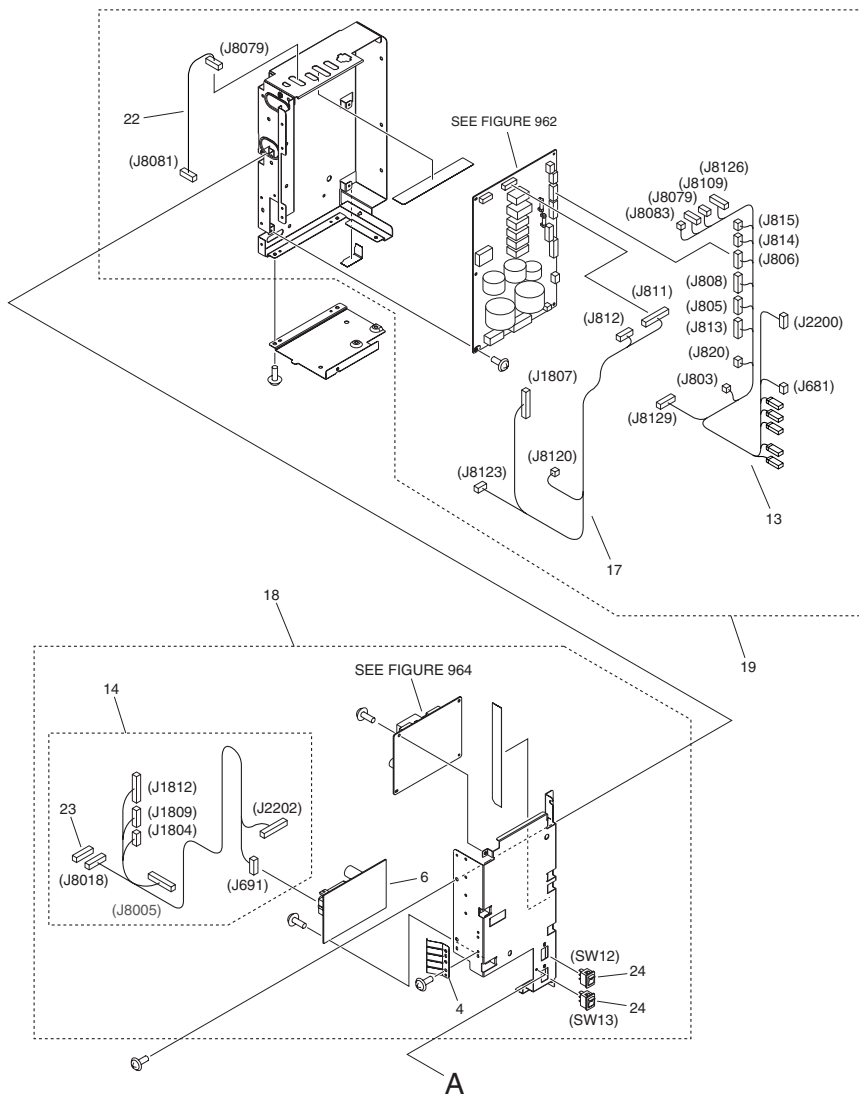


FIGURE & KEY NO.	PARTS NUMBER	R A N K	Q'TY	DESCRIPTION	SERIAL NUMBER/ REMARKS	S V C
Fig.136	NPN		RF	CONTROL PANEL ARM ASSEMBLY	PRO SERIES	
1	FC9-0311-000		5	CAP		
2	FC9-0312-000		4	CAP		
3	FC9-0317-000		1	WIRE		
4	FC9-0336-000		1	COVER, ARM, UPPER		
5	FC9-0337-000		1	COVER, ARM, LOWER		
6	FC9-0339-010		1	COVER, PILLAR, RIGHT		
7	FC9-0341-010		1	COVER, PILLAR, LEFT		
8	FC9-0344-000		1	COVER, ARM BLANKING		
9	FC9-3842-000		1	COVER, PILLAR, REAR		
10	FK2-8365-000		1	CABLE, USER INTERFACE		
11	FM4-5713-020		1	ARM UNIT		
12	WE8-5256-000		1	FERRITE CORE TFC-16-8-16		
13	FM3-4814-020		1	CONTROL PANEL BASE UNIT		
14	FM4-0006-000		1	CABLE, POWER SUPPLY		
501	XB2-8401-207		2	SCREW,W/WASHER,M4X12		

FIGURE 140 POWER CORD TERMINAL ASSEMBLY



NOTE : This assembly includes the assemblies shown in Figure 962 and 964.

NOTE : This assembly does not include the part shown with key No. 7.

注 : このユニットはFigure 962, 964のユニットを含みます。

注 : このユニットにKey No. 7の部品は含まれません。

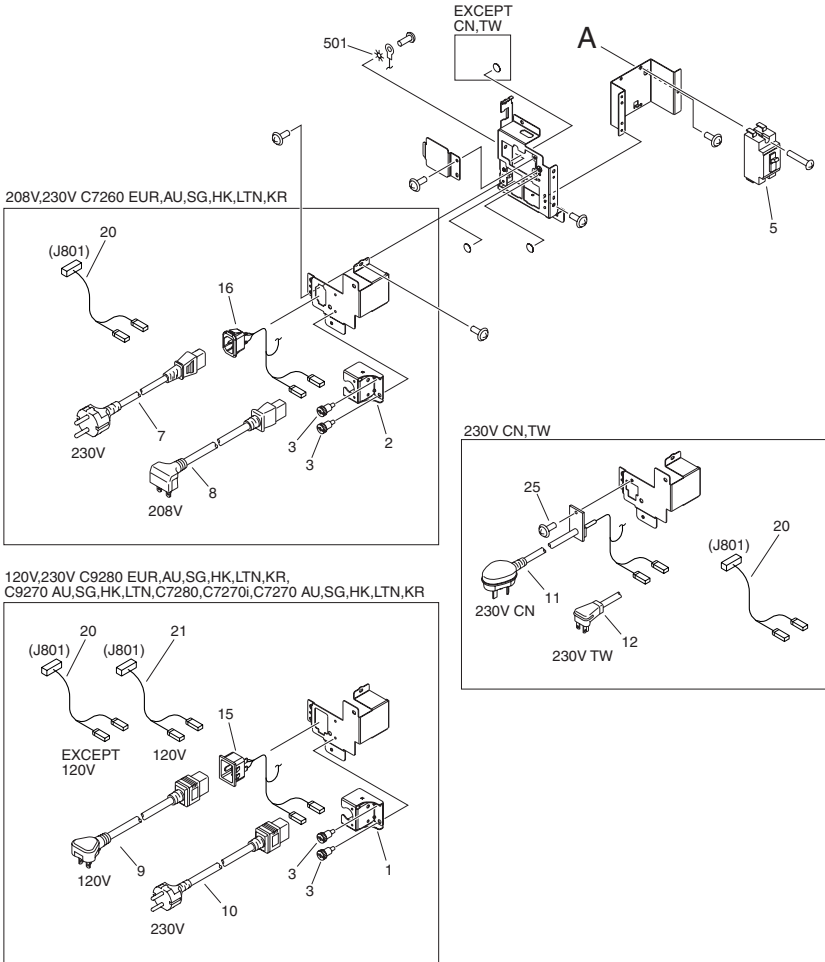


FIGURE & KEY NO.	PARTS NUMBER	R A N K	Q'TY	DESCRIPTION	SERIAL NUMBER/ REMARKS	S V C
Fig.140	FM0-2712-000		1	POWER CORD TERMINAL ASSEMBLY	120V	
Fig.140	FM0-2714-000		1	POWER CORD TERMINAL ASSEMBLY	208V	
Fig.140	FM0-2715-000		1	POWER CORD TERMINAL ASSEMBLY	230V C7260 EUR,AU,SG,HK,LTN,KR	
Fig.140	FM0-2716-000		1	POWER CORD TERMINAL ASSEMBLY	230V C9280 EUR,AU,SG,HK,LTN,KR, C9270 AU,SG,HK,LTN C7280,C7270i,C7270 AU,SG,HK,LTN,KR	
Fig.140	FM0-2717-000		1	POWER CORD TERMINAL ASSEMBLY	230V CN	
Fig.140	FM0-2718-000		1	POWER CORD TERMINAL ASSEMBLY	230V TW	
1	FL3-9168-000		1	COVER, PLUG	120V,230V C9280 EUR,AU,SG,HK,LTN,KR, C9270 AU,SG,HK,LTN C7280,C7270i,C7270 AU,SG,HK,LTN,KR	
2	FL3-9169-000		1	COVER, PLUG, H	208V	
3	FC0-9272-000		2	SCREW, COIN LOCK	120V,208V,230V C9280 EUR,AU,SG,HK,LTN,KR, C9270 AU,SG,HK,LTN C7280,C7270i,C7270 AU,SG,HK,LTN,KR	
4	FC6-8737-000		1	PLATE, GROUNDING		
5	FK2-7359-000		1	BREAKER, ELECTRIC LEAKAGE	120V	
5	FH7-7625-030		1	BREAKER, ELECTRIC LEAKAGE	230V C7260 EUR,AU,SG,HK,LTN,KR	
5	FH7-7626-000		1	BREAKER,ELECTRIC LEAKAGE	230V C9280 EUR,AU,SG,HK,LTN,KR, C9270 AU,SG,HK,LTN C7280,C7270i,C7270 AU,SG,HK,LTN,KR	
6	FK3-1998-000		1	ALL DAY POWER PCB ASSEMBLY		
7	FH2-7080-000		1	CORD, POWER, 230V	SEE NOTE 230V C7260 EUR,AU,SG,HK,LTN,KR	
8	FK2-2982-000		1	CORD, POWER SUPPLY, 200V	208V	
9	FK3-2053-000		1	CORD, POWER SUPPLY, 120V	120V	
10	FK3-2289-000		1	CORD, POWER, 230V	230V C9280 EUR,AU,SG,HK,LTN,KR, C9270 AU,SG,HK,LTN C7280,C7270i,C7270 AU,SG,HK,LTN,KR	
11	FL3-2292-000		1	CORD, POWER SUPPLY	230V CN	
12	FL3-2294-000		1	CORD, POWER SUPPLY	230V TW	

FIGURE & KEY NO.	PARTS NUMBER	R A N K	Q'TY	DESCRIPTION	SERIAL NUMBER/ REMARKS	S V C
13	FM0-2051-000		1	CABLE, AC MAIN		
14	FM0-2087-000		1	CABLE, ALL-NIGHT & DRUM HEATER		
15	FM0-2094-000		1	CABLE, INLET	120V,230V C9280 EUR,AU,SG,HK,LTN,KR, C9270 AU,SG,HK,LTN C7280,C7270i,C7270 AU,SG,HK,LTN,KR	
16	FM4-1462-000		1	CABLE, INLET	208V,230V C7260 EUR,AU,SG,HK,LTN,KR	
17	FM0-2099-000		1	CABLE, AC PCB ASS'Y CONNECTING		
18	FM0-2308-000		1	HEATER POWER SUPPLY ASSEMBLY	208V,230V	
18	FM0-3870-000		1	HEATER POWER SUPPLY ASSEMBLY	120V	
19	FM0-2307-000		1	AC DRIVER ASSEMBLY	208V,230V	
19	FM0-3873-000		1	AC DRIVER ASSEMBLY	120V	
20	FM4-1343-000		1	CABLE, BREAKER 1	EXCEPT 120V	
21	FM4-1457-000		1	CABLE, BREAKER 3	120V	
22	FM4-1349-000		1	CABLE, DECK		
23	VS1-8412-009		1	CONNECTOR, SNAP TIGHT, BL		
24	WC1-5179-000		2	SWITCH,TOGGLE	SW12,SW13	
501	XD1-4200-402		1	WASHER, TOOTHED LOCK, M4		

FIGURE 191 PRE-FIXING FEED FAN ASSEMBLY

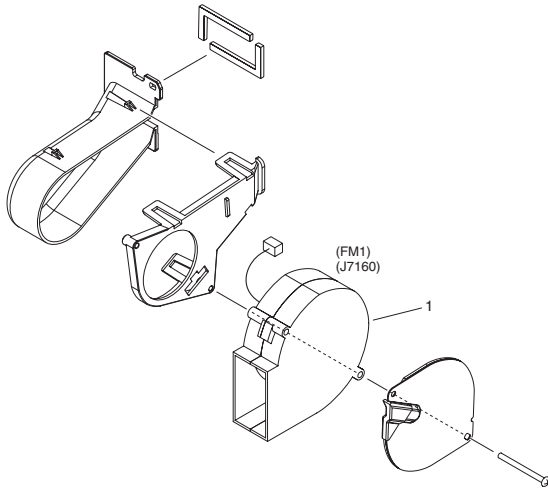


FIGURE & KEY NO.	PARTS NUMBER	RANK	Q'TY	DESCRIPTION	SERIAL NUMBER/REMARKS	SVC
Fig.191	FM0-2289-000		1	PRE-FIXING FEED FAN ASSEMBLY		
1	FK2-9500-000		1	FAN	FM1	

FIGURE 192 FIXING EXHAUST FAN ASSEMBLY

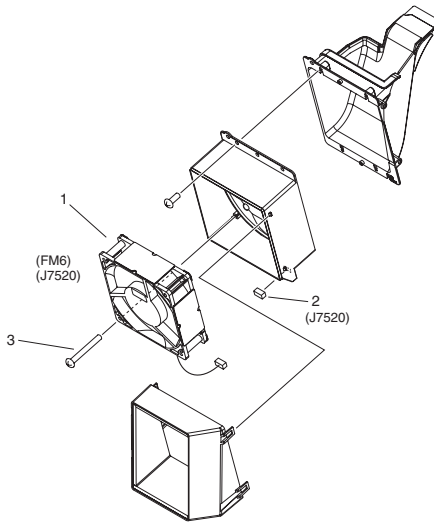


FIGURE & KEY NO.	PARTS NUMBER	RANK	Q'TY	DESCRIPTION	SERIAL NUMBER/REMARKS	SVC
Fig.192	FM3-4986-010		1	FIXING EXHAUST FAN ASSEMBLY		
1	FL3-4349-010		1	FAN	FM6	
2	VS1-7177-004		1	CONNECTOR, SNAP TIGHT, BK		
3	XA9-1034-000		2	SCREW,P,M4X55		

FIGURE 193 PRIMARY CORONA EXHAUST ASS'Y

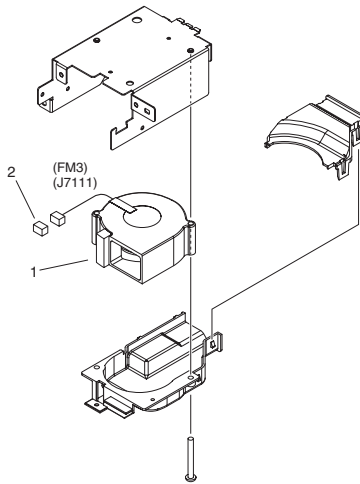


FIGURE & KEY NO.	PARTS NUMBER	RANK	Q'TY	DESCRIPTION	SERIAL NUMBER/REMARKS	SVC
Fig.193	FM0-1494-000		1	PRIMARY CORONA EXHAUST ASS'Y		
1	FL3-7770-000		1	FAN	FM3	
2	VS1-7177-003		1	CONNECTOR, SNAP TIGHT, BK		

FIGURE 250 DRUM DRIVE ASS'Y,(Y/M/C)

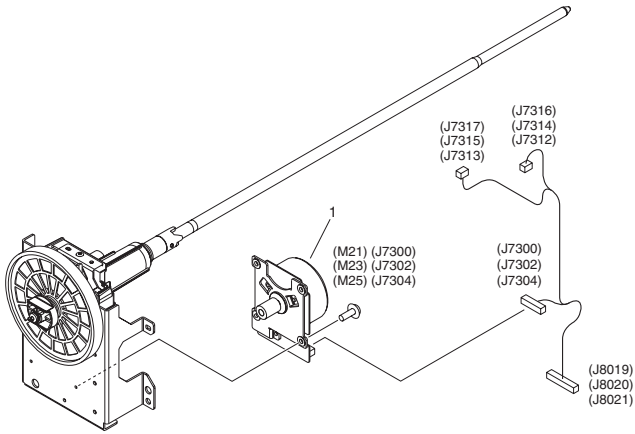


FIGURE & KEY NO.	PARTS NUMBER	RANK	QTY	DESCRIPTION	SERIAL NUMBER/REMARKS	SVC
Fig.250	FM0-0866-000		3	DRUM DRIVE ASS'Y,(Y/M/C)		
1	FK3-2284-000		1	MOTOR, DC BRUSHLESS	M21,M23,M25	

FIGURE 251 DRUM DRIVE ASSEMBLY, BLACK

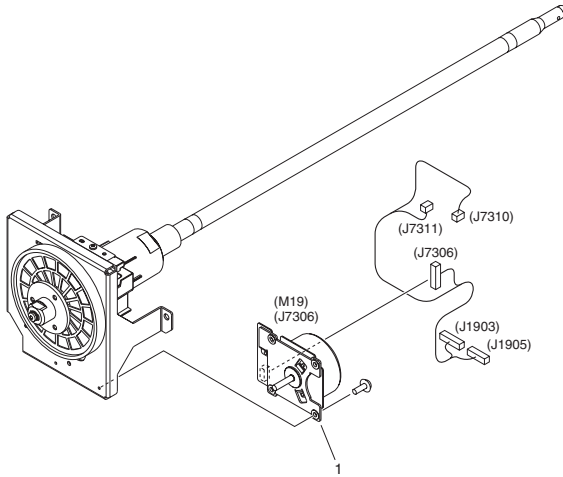


FIGURE & KEY NO.	PARTS NUMBER	RANK	Q'TY	DESCRIPTION	SERIAL NUMBER/REMARKS	SVC
Fig.251	FM1-B788-010		1	DRUM DRIVE ASSEMBLY, BLACK		
1	FM1-C012-000		1	MOTOR, DC BRUSHLESS	M19	

FIGURE 260 VERTICAL PATH DRIVE ASSEMBLY

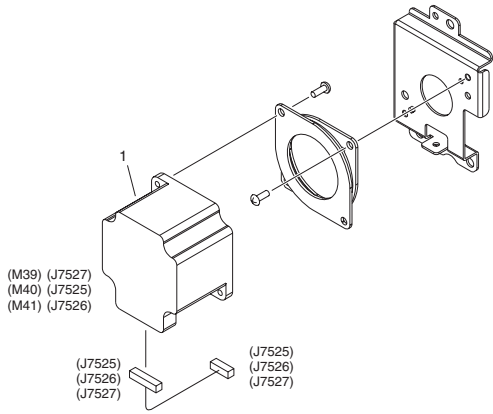


FIGURE & KEY NO.	PARTS NUMBER	RANK	Q'TY	DESCRIPTION	SERIAL NUMBER/REMARKS	SVC
Fig.260	FM0-2312-000		3	VERTICAL PATH DRIVE ASSEMBLY		
1	FK3-2314-000		1	MOTOR, STEPPING, DC	M39,M40,M41	

FIGURE 261 CASSETTE DRIVE ASSEMBLY

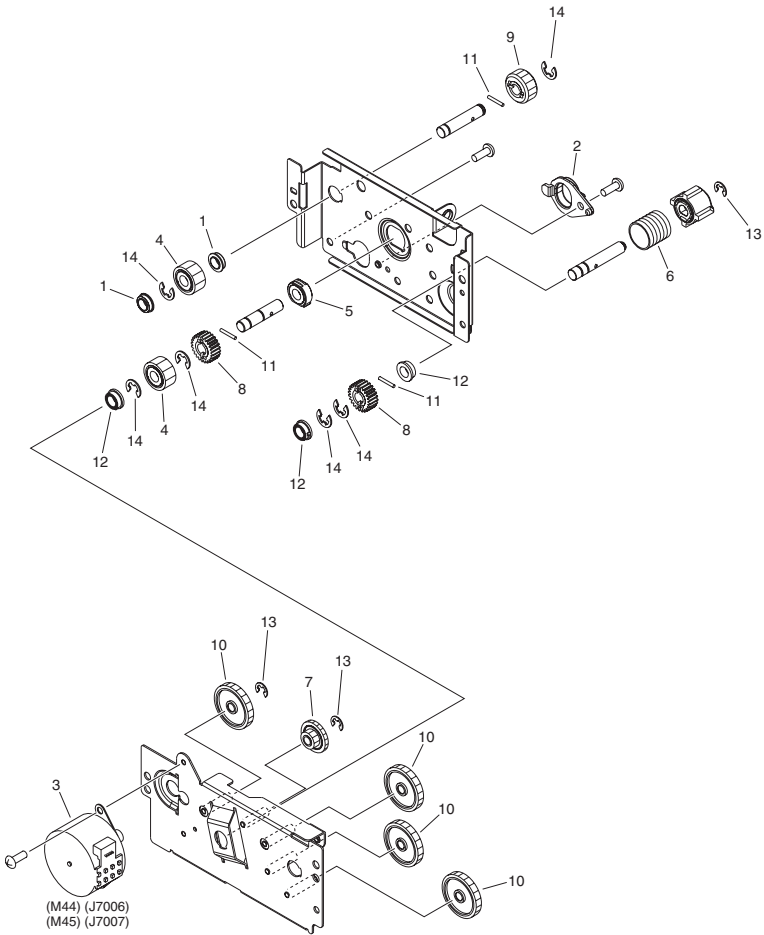


FIGURE & KEY NO.	PARTS NUMBER	RANK	Q'TY	DESCRIPTION	SERIAL NUMBER/REMARKS	SVC
Fig.261	FM3-4806-000		2	CASSETTE DRIVE ASSEMBLY		
1	XG9-0709-000		2	BEARING, BALL, MF128ZZ-3		
2	FC9-4095-000		1	BUSHING		
3	FK2-7904-000		1	MOTOR, STEPPING, DC	M44,M45	
4	FL2-8682-000		2	GEAR, 24T		
5	FL2-8683-000		1	BUSHING		
6	FS5-2925-000		1	SPRING, COMPRESSION		
7	FS6-0990-000		1	GEAR, 14T/27T		
8	FS7-0641-000		2	GEAR, 24T		
9	FU5-0266-000		1	GEAR, 20T		
10	FU8-0007-000		4	GEAR, 14T/39T		
11	XD9-0290-000		3	PIN, PARALLEL		
12	XG9-0737-000		3	BUSHING		
13	XD9-0136-000		3	RING, E		
14	XD9-0137-010		6	RING, E		

FIGURE 262 DECK DRIVE ASSEMBLY

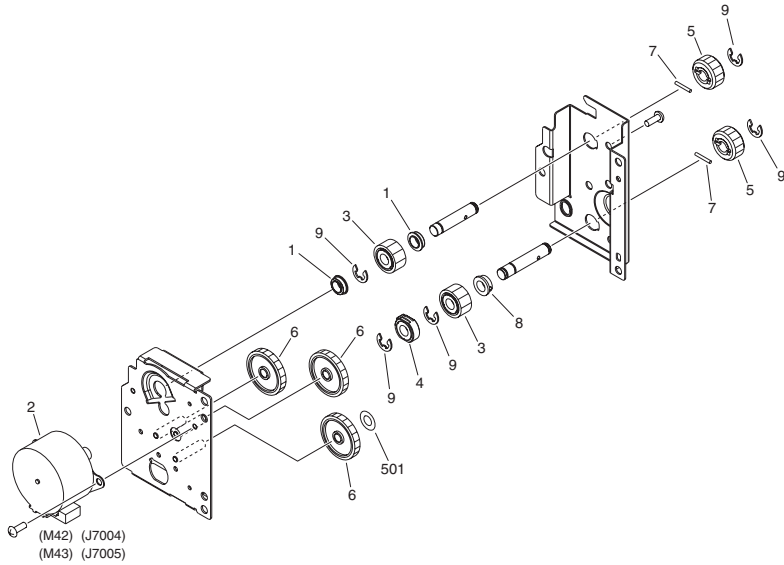


FIGURE & KEY NO.	PARTS NUMBER	RANK	Q'TY	DESCRIPTION	SERIAL NUMBER/REMARKS	SVC
Fig.262	FM3-4807-010		2	DECK DRIVE ASSEMBLY		
1	XG9-0709-000		2	BEARING, BALL, MF128ZZ-3		
2	FK2-7904-000		1	MOTOR, STEPPING, DC	M42,M43	
3	FL2-8682-000		2	GEAR, 24T		
4	FL2-8683-000		1	BUSHING		
5	FU5-0266-000		2	GEAR, 20T		
6	FU8-0007-000		3	GEAR, 14T/39T		
7	XD9-0290-000		2	PIN, PARALLEL		
8	XG9-0737-000		1	BUSHING		
9	XD9-0137-010		5	RING, E		
501	XD1-1106-215		1	WASHER,COP		

FIGURE 263 MULTI DRIVE ASSEMBLY

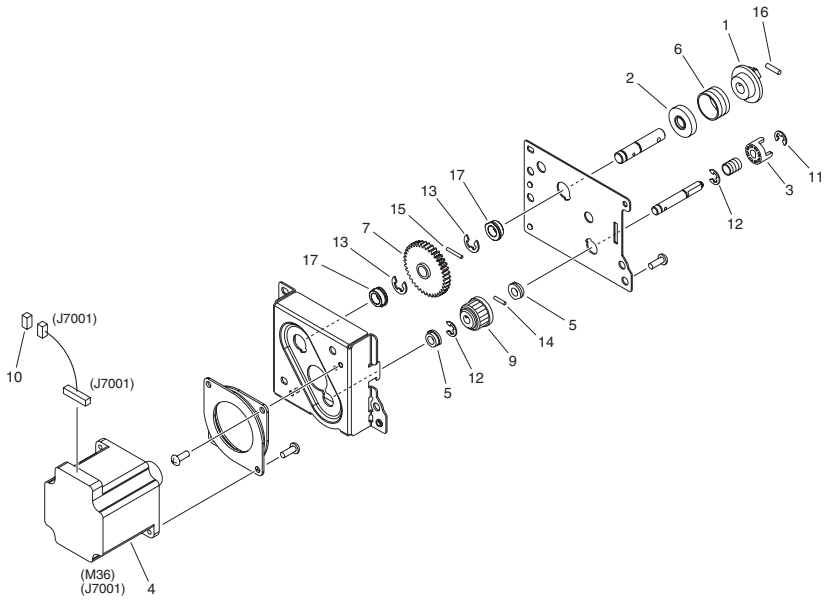


FIGURE & KEY NO.	PARTS NUMBER	R A N K	Q'TY	DESCRIPTION	SERIAL NUMBER/ REMARKS	S V C
Fig.263	FM0-2276-000		1	MULTI DRIVE ASSEMBLY		
1	FB5-3481-000		1	COUPLING		
2	FC9-4119-000		1	STOPPER, COUPLING		
3	FC9-7524-010		1	COUPLING		
4	FK3-2311-000		1	MOTOR, STEPPING, DC	M36	
5	FS1-1508-000		2	BUSHING		
6	FS5-2925-000		1	SPRING, COMPRESSION		
7	FS7-0651-000		1	GEAR, 38T		
9	FU5-0229-000		1	GEAR, 17T		
10	VS1-7177-004		1	CONNECTOR, SNAP TIGHT, BK		
11	XD9-0134-000		1	RING, E		
12	XD9-0136-000		2	RING, E		
13	XD9-0137-010		2	RING, E		
14	XD9-0288-000		1	PIN, DOWEL		
15	XD9-0290-000		1	PIN, PARALLEL		
16	XD9-0300-000		1	PIN, PARALLEL		
17	XG9-0737-000		2	BUSHING		

FIGURE 270 DEVELOPING DRIVE ASS'Y, COLOR

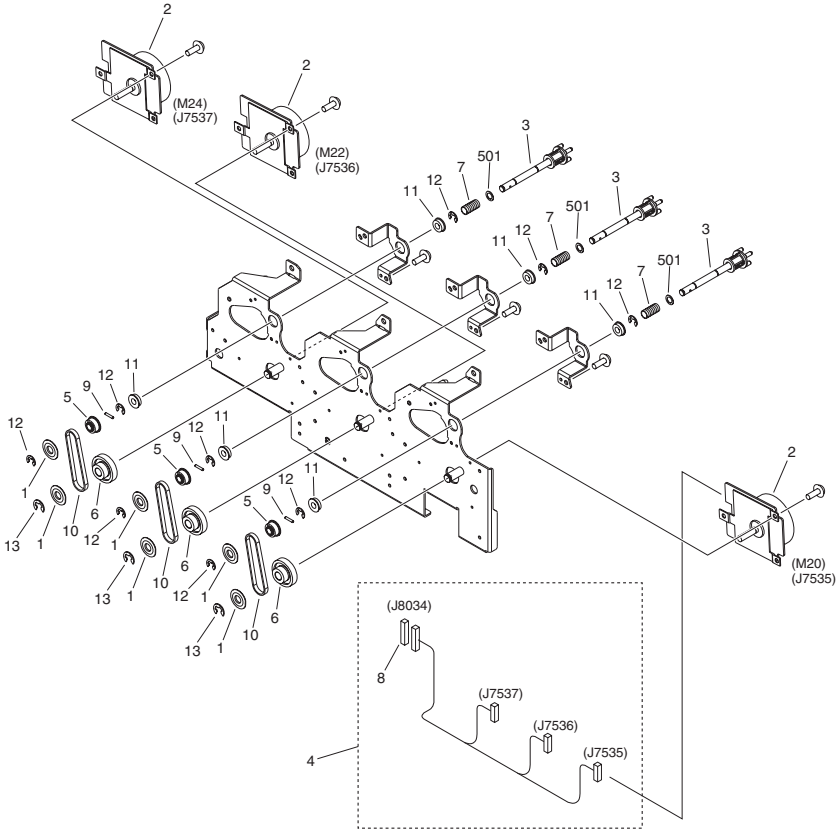


FIGURE & KEY NO.	PARTS NUMBER	RANK	Q'TY	DESCRIPTION	SERIAL NUMBER/REMARKS	SVC
Fig.270	FM0-0871-000		1	DEVELOPING DRIVE ASSY, COLOR		
1	FC8-1933-000		6	FLANGE		
2	FK2-7897-000		3	MOTOR, DC	M20,M22,M24	
3	FL3-7321-000		3	SLEEVE DRIVE UNIT		
4	FM0-2104-000		1	CABLE, DEV. DRIVE MOTOR, COLOR		
5	FU6-3385-000		3	PULLEY, 22T		
6	FU7-0999-000		3	GEAR, 25T/50T		
7	FU9-2254-000		3	SPRING, COMPRESSION		
8	VS1-8412-021		1	CONNECTOR, SNAP TIGHT, BL		
9	XD9-0288-000		3	PIN, DOWEL		
10	XF2-1607-240		3	BELT, TIMING		
11	XG9-0594-000		6	BEARING, BALL, MF126ZZ		
12	XD9-0136-000		9	RING, E		
13	XD9-0137-010		3	RING, E		
501	XD1-1106-222		3	WASHER,COP		

FIGURE 271
DEVELOPING DRIVE ASS'Y, BLACK

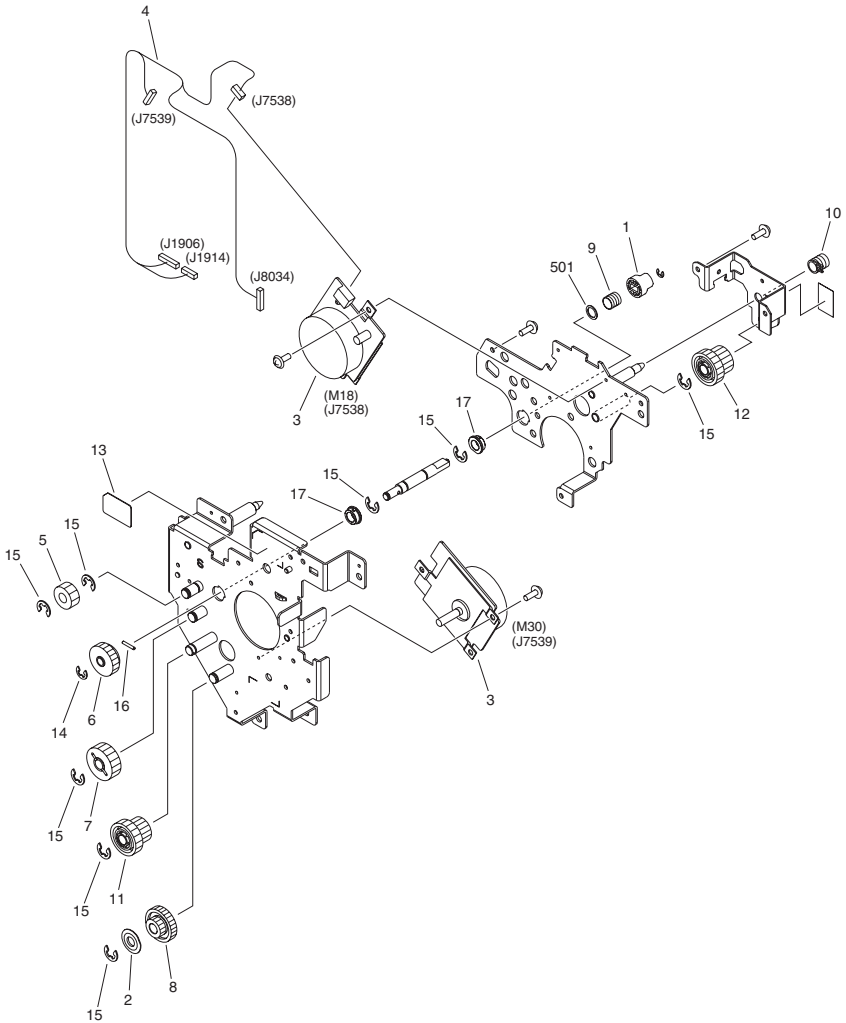


FIGURE & KEY NO.	PARTS NUMBER	R A N K	Q'TY	DESCRIPTION	SERIAL NUMBER/ REMARKS	S V C
Fig.271	FM0-0872-010		1	DEVELOPING DRIVE ASS'Y, BLACK		
1	FC6-1368-000		1	COUPLING		
2	FC8-1933-000		1	FLANGE		
3	FK2-7897-000		2	MOTOR, DC	M18,M30	
4	FM0-2105-000		1	CABLE, DEV. DRIVE MOTOR, BLACK		
5	FS7-0881-000		1	GEAR, 20T		
6	FU6-0261-000		1	GEAR, 27T		
7	FU6-0603-000		1	GEAR, 30T		
8	FU7-0999-000		1	GEAR, 25T/50T		
9	FU7-2343-000		1	SPRING, COMPRESSION		
10	FU7-2388-000		1	SPRING, COMPRESSION		
11	FU8-0051-000		1	GEAR, 49T/21T		
12	FU8-0090-000		1	GEAR, 49T/21T		
13	FU8-8004-000		1	LABEL, HOPPER MOUNTING, BLACK		
14	XD9-0136-000		1	RING, E		
15	XD9-0137-010		8	RING, E		
16	XD9-0289-000		1	PIN, PARALLEL		
17	XG9-0737-000		2	BUSHING		
501	XD1-1108-215		1	WASHER,COP		

FIGURE 272 2ND TRNS. EST. DRIVE ASS'Y

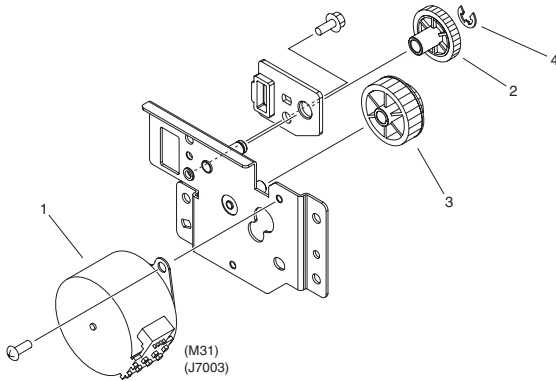


FIGURE & KEY NO.	PARTS NUMBER	RANK	Q'TY	DESCRIPTION	SERIAL NUMBER/REMARKS	SVC
Fig.272	FM3-4972-000		1	2ND TRNS. EST. DRIVE ASS'Y		
1	FK2-7903-000		1	MOTOR, STEPPING, DC	M31	
2	FU6-0678-000		1	GEAR, 24T		
3	FU8-0025-000		1	GEAR, 36T/16T		
4	XD9-0136-000		1	RING, E		

FIGURE 273
WASTE TONER DRIVE ASSEMBLY

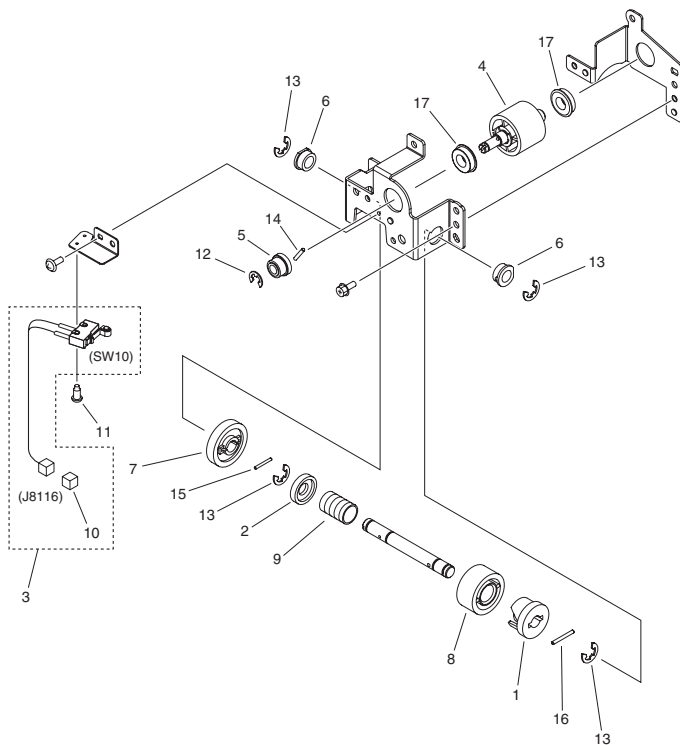


FIGURE & KEY NO.	PARTS NUMBER	R A N K	Q'TY	DESCRIPTION	SERIAL NUMBER/ REMARKS	S V C
Fig.273	FM0-2329-000		1	WASTE TONER DRIVE ASSEMBLY	SW10	
1	FC9-4116-000		1	CAM		
2	FC9-4118-000		1	HOLDER, SPRING		
3	FM0-2090-000		1	CABLE, WASTE TONER SWITCH		
4	FM4-3890-000		1	WASTE TONER WORM GEAR ASSEMBLY		
5	FU5-3666-000		1	PULLEY, 19T		
6	FU6-1184-000		2	BUSHING		
7	FU8-0069-000		1	GEAR, 35T		
8	FU8-0081-000		1	GEAR, 26T		
9	FU8-2369-000		1	SPRING, COMPRESSION		
10	VS1-7177-002		1	CONNECTOR, SNAP TIGHT, BK		
11	XA9-0944-000		1	SCREW, STEPPED, M2		
12	XD9-0136-000		1	RING, E		
13	XD9-0137-010		4	RING, E		
14	XD9-0219-000		1	PIN, PARALLEL		
15	XD9-0329-000		1	PIN, DOWEL		
16	XD9-0292-000		1	PIN, PARALLEL		
17	XG9-0508-000		2	BEARING, BALL, F688ZZ		

FIGURE 300

1.1K RIGHT PAPER DECK ASS'Y

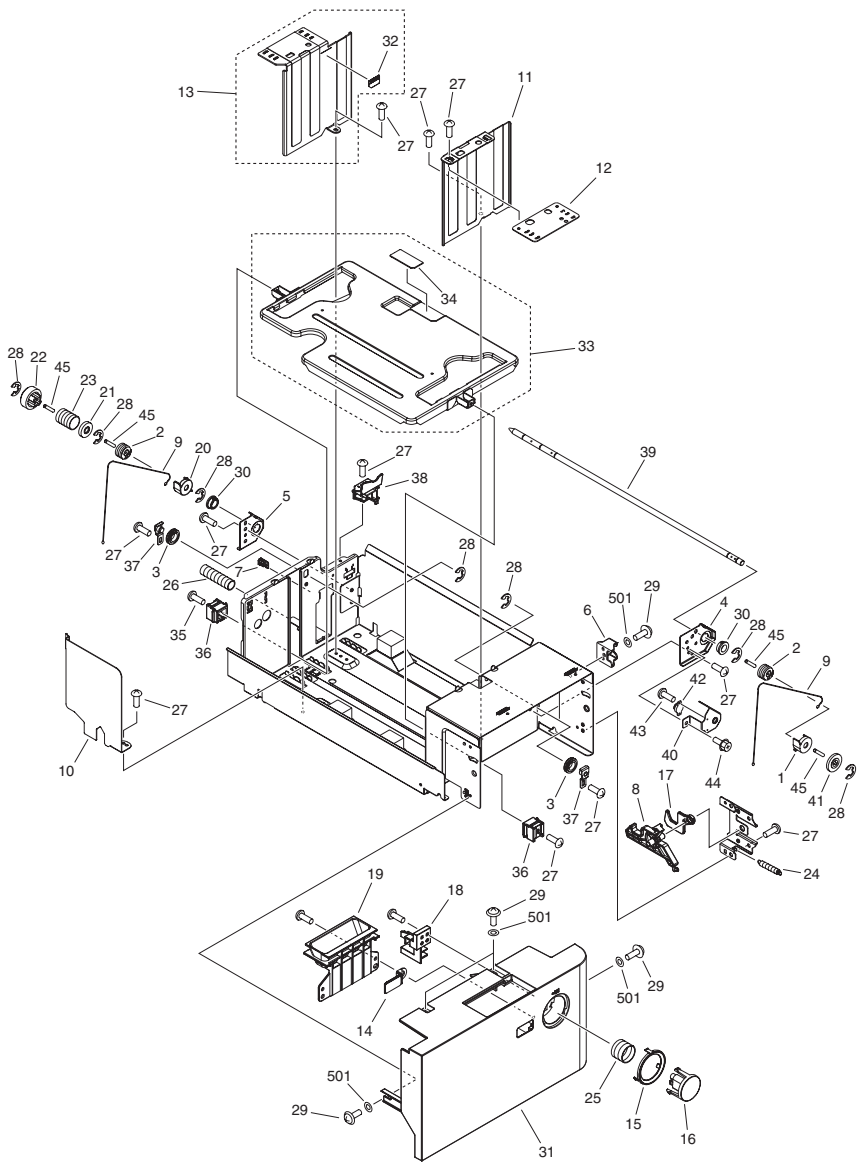


FIGURE & KEY NO.	PARTS NUMBER	R A N K	Q'TY	DESCRIPTION	SERIAL NUMBER/ REMARKS	S V C
Fig.300	FM3-9829-020		1	1.1K RIGHT PAPER DECK ASS'Y		
1	FL3-4333-000		1	FLANGE, LIFT, FRONT		
2	FB2-8465-000		2	PULLEY, LIFTING		
3	FC5-2609-000		2	PULLEY		
4	FC6-3762-000		1	SUPPORT, SHAFT, FRONT		
5	FC6-3763-000		1	SUPPORT,SHAFT,REAR		
6	FC9-9359-010		1	BLOCK, POSITIONING		
7	FC6-9969-000		1	SLIDER, RACK		
8	FC8-2527-000		1	HOOK		
9	FC8-2529-000		2	WIRE		
10	FC8-2531-000		1	PLATE, BACK END LIMIT		
11	FC8-2532-000		1	PLATE, PAPER SIDE END, FRONT		
12	FC8-2533-010		1	PLATE, PAPER SIDE END ADJUST		
13	FL2-8661-000		1	PLATE, PAPER SIDE END, REAR		
14	FC8-4967-000		1	WINDOW, CST FR. COVER IND.		
15	FC8-4968-000		1	RING, BUTTON		
16	FC8-9050-000		1	BUTTON, DECK PUSHING		
17	FC8-9053-000		1	HOOK, SECOND, RIGHT		
18	FC8-9054-000		1	LINK, RIGHT		
19	FC9-3892-000		1	HOLDER, DECK SIZE INDEX		
20	FL3-4334-000		1	FLANGE, LIFT, REAR		
21	FC9-4119-000		1	STOPPER, COUPLING		
22	FS4-0160-000		1	GEAR, 28T		
23	FS4-2136-000		1	SPRING, COMPRESSION		
24	FU7-2368-000		1	SPRING, TENSION		
25	FU7-2387-000		1	SPRING, COMPRESSION		
26	FU8-2361-000		1	SPRING, COMPRESSION		
27	XA9-1035-000		AR	SCREW,M4X4		
28	XD9-0137-010		7	RING, E		
29	XA9-0926-000		5	SCREW, TP, M4X8		
30	XG9-0737-000		2	BUSHING		
31	FC8-1978-000		1	COVER, DECK FRONT, RIGHT		

FIGURE & KEY NO.	PARTS NUMBER	R A N K	Q'TY	DESCRIPTION	SERIAL NUMBER/ REMARKS	S V C
32	FC8-4964-010		1	LABEL, HEIGHT LIMIT, S		
33	FL3-0237-000		1	PLATE, LIFTER		
34	FB6-3499-000		1	SHEET, SEPARATION		
35	XA9-1934-000		2	SCREW, M4X4		
36	FC8-9048-000		2	BLOCK,SLIDE		
37	FL2-8664-000		2	PLATE, SUPPORT PULLEY		
38	FC9-3789-000		1	GUIDE, JAM		
39	FC8-2530-000		1	SHAFT, TRANSMISSION		
40	FC6-3764-000		1	HOLDER,DAMPER		
41	FU0-0078-000		1	GEAR, 27T		
42	XH9-0148-000		1	DAMPER, OIL		
43	XA1-1200-405		2	SCREW PH2X4 (S)		
44	XA9-0732-010		1	SCREW,RS,M4		
45	XD9-0289-000		4	PIN, PARALLEL		
501	XD1-1105-235		5	WASHER,COP		

FIGURE 301

1.1K LEFT PAPER DECK ASS'Y

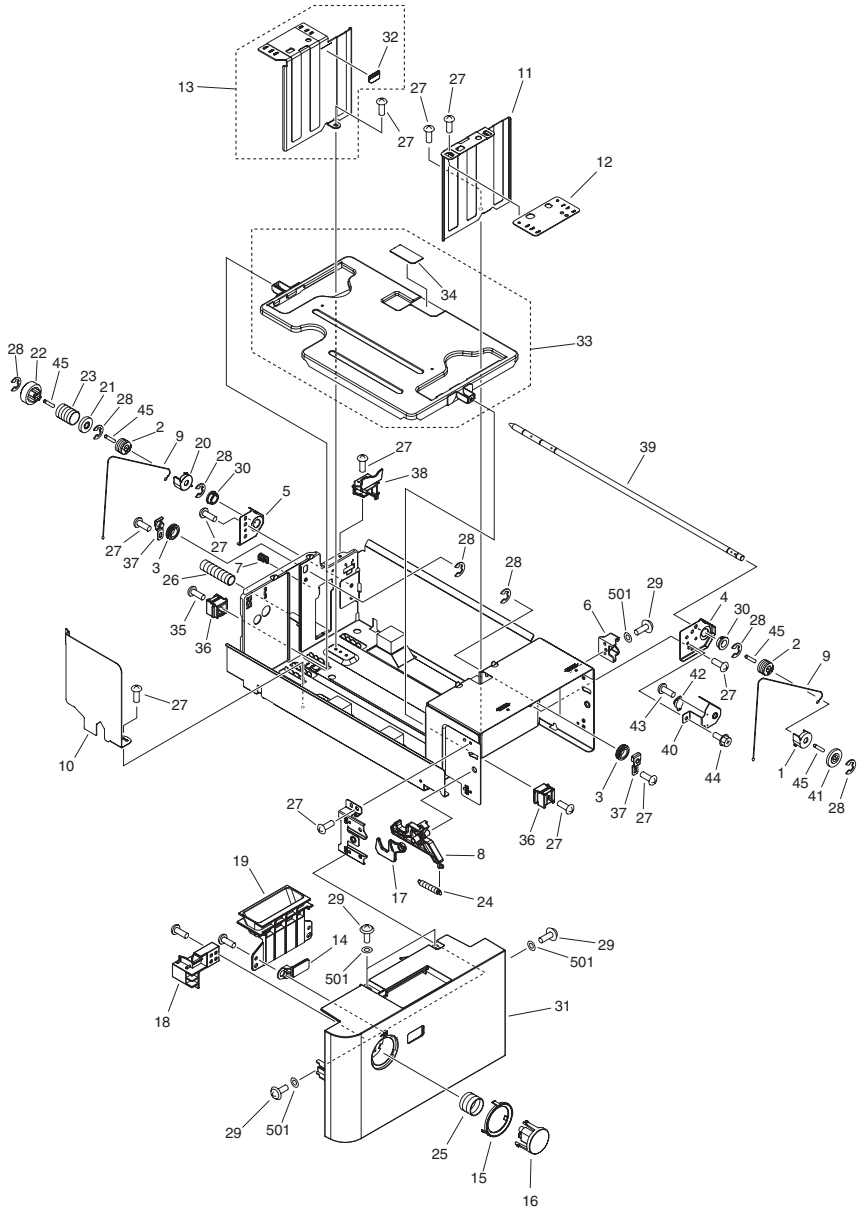


FIGURE & KEY NO.	PARTS NUMBER	R A N K	Q'TY	DESCRIPTION	SERIAL NUMBER/ REMARKS	S V C
Fig.301	FM3-9830-020		1	1.1K LEFT PAPER DECK ASS'Y		
1	FL3-4333-000		1	FLANGE, LIFT, FRONT		
2	FB2-8465-000		2	PULLEY, LIFTING		
3	FC5-2609-000		2	PULLEY		
4	FC6-3762-000		1	SUPPORT, SHAFT, FRONT		
5	FC6-3763-000		1	SUPPORT,SHAFT,REAR		
6	FC9-9359-010		1	BLOCK, POSITIONING		
7	FC6-9969-000		1	SLIDER, RACK		
8	FC8-2527-000		1	HOOK		
9	FC8-2529-000		2	WIRE		
10	FC8-2531-000		1	PLATE, BACK END LIMIT		
11	FC8-2532-000		1	PLATE, PAPER SIDE END, FRONT		
12	FC8-2533-010		1	PLATE, PAPER SIDE END ADJUST		
13	FL2-8661-000		1	PLATE, PAPER SIDE END, REAR		
14	FC8-4967-000		1	WINDOW, CST FR. COVER IND.		
15	FC8-4968-000		1	RING, BUTTON		
16	FC8-9050-000		1	BUTTON, DECK PUSHING		
17	FC9-3775-000		1	HOOK, SECOND, LEFT		
18	FC8-9055-000		1	LINK, LEFT		
19	FC9-3892-000		1	HOLDER, DECK SIZE INDEX		
20	FL3-4334-000		1	FLANGE, LIFT, REAR		
21	FC9-4119-000		1	STOPPER, COUPLING		
22	FS4-0160-000		1	GEAR, 28T		
23	FS4-2136-000		1	SPRING, COMPRESSION		
24	FU7-2368-000		1	SPRING, TENSION		
25	FU7-2387-000		1	SPRING, COMPRESSION		
26	FU8-2361-000		1	SPRING, COMPRESSION		
27	XA9-1035-000		AR	SCREW,M4X4		
28	XD9-0137-010		7	RING, E		
29	XA9-0926-000		5	SCREW, TP, M4X8		
30	XG9-0737-000		2	BUSHING		
31	FC8-1979-000		1	COVER, DECK FRONT, LEFT		

FIGURE & KEY NO.	PARTS NUMBER	R A N K	Q'TY	DESCRIPTION	SERIAL NUMBER/ REMARKS	S V C
32	FC8-4964-010		1	LABEL, HEIGHT LIMIT, S		
33	FL3-0237-000		1	PLATE, LIFTER		
34	FB6-3499-000		1	SHEET, SEPARATION		
35	XA9-1934-000		2	SCREW, M4X4		
36	FC8-9048-000		2	BLOCK,SLIDE		
37	FL2-8664-000		2	PLATE, SUPPORT PULLEY		
38	FC9-3789-000		1	GUIDE, JAM		
39	FC8-2530-000		1	SHAFT, TRANSMISSION		
40	FC6-3764-000		1	HOLDER,DAMPER		
41	FU0-0078-000		1	GEAR, 27T		
42	XH9-0148-000		1	DAMPER, OIL		
43	XA1-1200-405		2	SCREW PH2X4 (S)		
44	XA9-0732-010		1	SCREW,RS,M4		
45	XD9-0289-000		4	PIN, PARALLEL		
501	XD1-1105-235		5	WASHER,COP		

FIGURE 302 CASSETTE ASSEMBLY

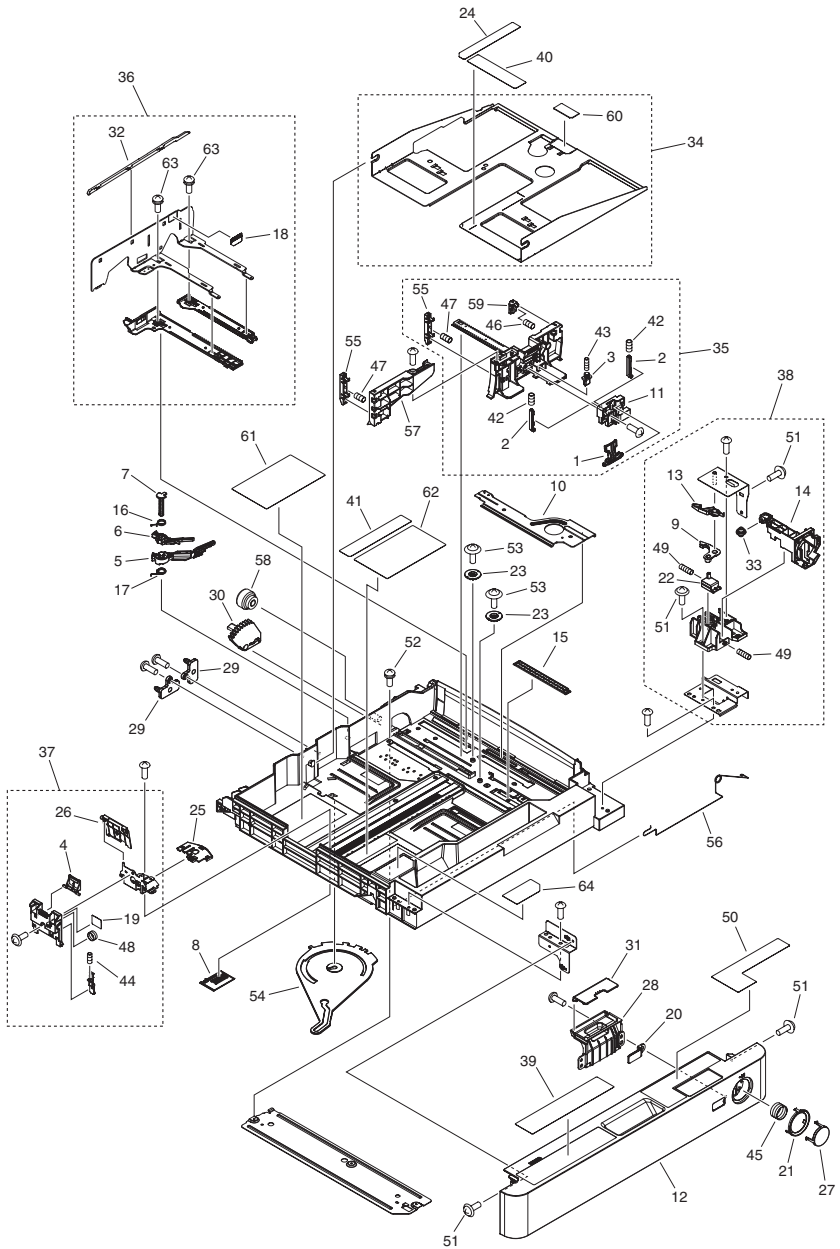


FIGURE & KEY NO.	PARTS NUMBER	R A N K	Q'TY	DESCRIPTION	SERIAL NUMBER/ REMARKS	S V C
Fig.302	FM3-4746-010		2	CASSETTE ASSEMBLY		
1	FC8-2462-000		1	KNOB, PAPER SIDE END		
2	FC8-2463-000		2	STOPPER		
3	FC8-2464-000		1	PLATE, CLICK		
4	FC8-2466-000		1	LEVER		
5	FC8-2469-000		1	DIAL, DETECT, SMALL		
6	FC8-2470-000		1	DIAL, DETECT, LARGE		
7	FC8-2474-000		1	SHAFT, SUPPORT		
8	FC8-2475-000		1	PLATE, JOINT		
9	FC8-2477-000		1	ARM, LOCK, A		
10	FC8-2482-000		1	PLATE, LIFTER		
11	FC8-2484-000		1	COVER, HANDLE		
12	FC8-2495-000		1	COVER, CASSETTE, FRONT		
13	FC8-2667-000		1	ARM, LOCK, B		
14	FC8-2668-000		1	LINK, BUTTON, UPPER		
15	FC8-2670-000		1	PLATE, FREE STOP		
16	FC8-2671-000		1	SPRING, TROSION		
17	FC8-2672-000		1	SPRING, TROSION		
18	FC8-4964-010		1	LABEL, HEIGHT LIMIT, S		
19	FC8-4965-000		1	LABEL, HEIGHT LIMIT MARK, R		
20	FC8-4967-000		1	WINDOW, CST FR. COVER IND.		
21	FC8-4968-000		1	RING, BUTTON		
22	FC8-4987-000		1	LINK, BUTTON, LOWER		
23	FC8-4990-000		2	GEAR, 14T		
24	FC8-4994-000		1	LABEL, SIZE INDEX, END		
25	FC8-4996-000		1	COVER, TOP		
26	FC8-4997-000		1	FLAPPER		
27	FC8-9049-000		1	BUTTON, PUSHING		
28	FC9-0136-000		1	HOLDER, SIZE INDEX		
29	FC9-3831-000		2	PIN, SIZE DETECT		
30	FC9-3962-000		1	GEAR, 50T		
31	FC9-4042-000		1	COVER, SIZEPLATE		

FIGURE & KEY NO.	PARTS NUMBER	R A N K	Q'TY	DESCRIPTION	SERIAL NUMBER/ REMARKS	S V C
32	FC0-2781-000		1	COVER, PAPER SIDE END		
33	FC9-7261-000		1	ROLLER, LINK		
34	FL2-8638-000		1	PLATE, LIFTING		
35	FM4-5709-010		1	SIDE END PLATE ASSEMBLY, FRONT		
36	FM3-8906-010		1	SIDE END PLATE ASSEMBLY, REAR		
37	FM3-8907-000		1	BACK END LIMIT PLATE ASSEMBLY		
38	FM3-9989-000		1	BUTTON LINK MOUNT ASSEMBLY		
39	FU6-8534-000		1	LABEL, PAPER SET		
40	FU6-8538-000		1	LABEL, SIZE INDEX, SIDE		
41	FU6-8539-000		1	LABEL, SIZE INDEX, BACK END		
42	FU7-2326-000		2	SPRING, COMPRESSION		
43	FU7-2327-000		1	SPRING, COMPRESSION		
44	FU7-2328-000		1	SPRING, COMPRESSION		
45	FU7-2386-000		1	SPRING, COMPRESSION		
46	FU7-2513-000		1	SPRING, COMPRESSION		
47	FU7-2514-000		2	SPRING, COMPRESSION		
48	FU7-2515-000		1	SPRING, COMPRESSION		
49	FU7-2518-000		2	SPRING, COMPRESSION		
50	FU7-8272-000		1	LABEL, CASSETTE SIZE CAUTION		
51	XA9-0926-000		8	SCREW, TP, M4X8		
52	XA9-1016-000		2	SCREW, W/WASHER, M3X6		
53	XA9-1523-000		2	SCREW, B, M4X8		
54	FC8-2476-000		1	LINK, BACK END DETECT		
55	FC8-5262-000		2	BLOCK, PAPER SIDE END, LARGE		
56	FC8-9051-000		1	SPRING, GROUNDING		
57	FC9-0133-000		1	PLATE,PAPER SIDE END EXTENSION		
58	FC9-3785-000		1	COUPLING		
59	FM3-8911-000		1	BLOCK, PAPER SIDE END, SMALL		
60	FB6-3499-000		1	SHEET, SEPARATION		
61	FU6-8535-000		1	LABEL, TAB PAPER SET, 1		
62	FU6-8536-010		1	LABEL, TAB PAPER SET, 2		
63	XA9-2006-000		4	SCREW, W/WASHER, M3X6		

FIGURE & KEY NO.	PARTS NUMBER	R A N K	Q'TY	DESCRIPTION	SERIAL NUMBER/ REMARKS	S V C
64	FU7-8292-000		1	LABEL, INDEX PAPER GUIDE AUX.		

FIGURE 305 CASSETTE HEATER ASSEMBLY (230V)

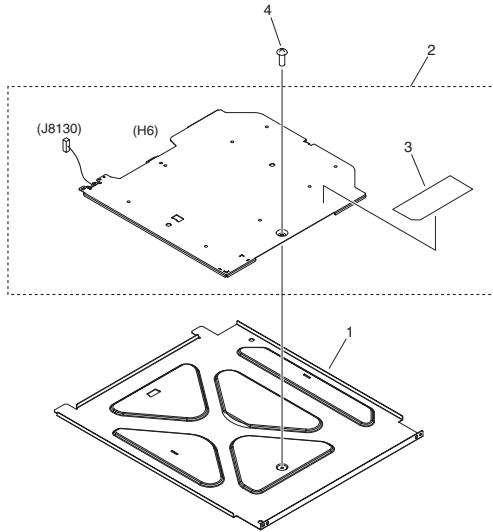


FIGURE & KEY NO.	PARTS NUMBER	RANK	Q'TY	DESCRIPTION	SERIAL NUMBER/REMARKS	SVC
Fig.305	NPN		RF	CASSETTE HEATER ASSEMBLY	230V	
1	FC9-3675-000		1	MOUNT, CASSETTE HEATER		
2	FMO-4834-000		1	CASSETTE HEATER ASSEMBLY	H6	
3	FU6-8647-000		1	LABEL, HIGH TMP. CAUTION		
4	XA9-1031-000		1	SCREW, MACH. TRUSS HEAD, M4X6		

FIGURE 310 PAPER PICK-UP ASSEMBLY, RIGHT

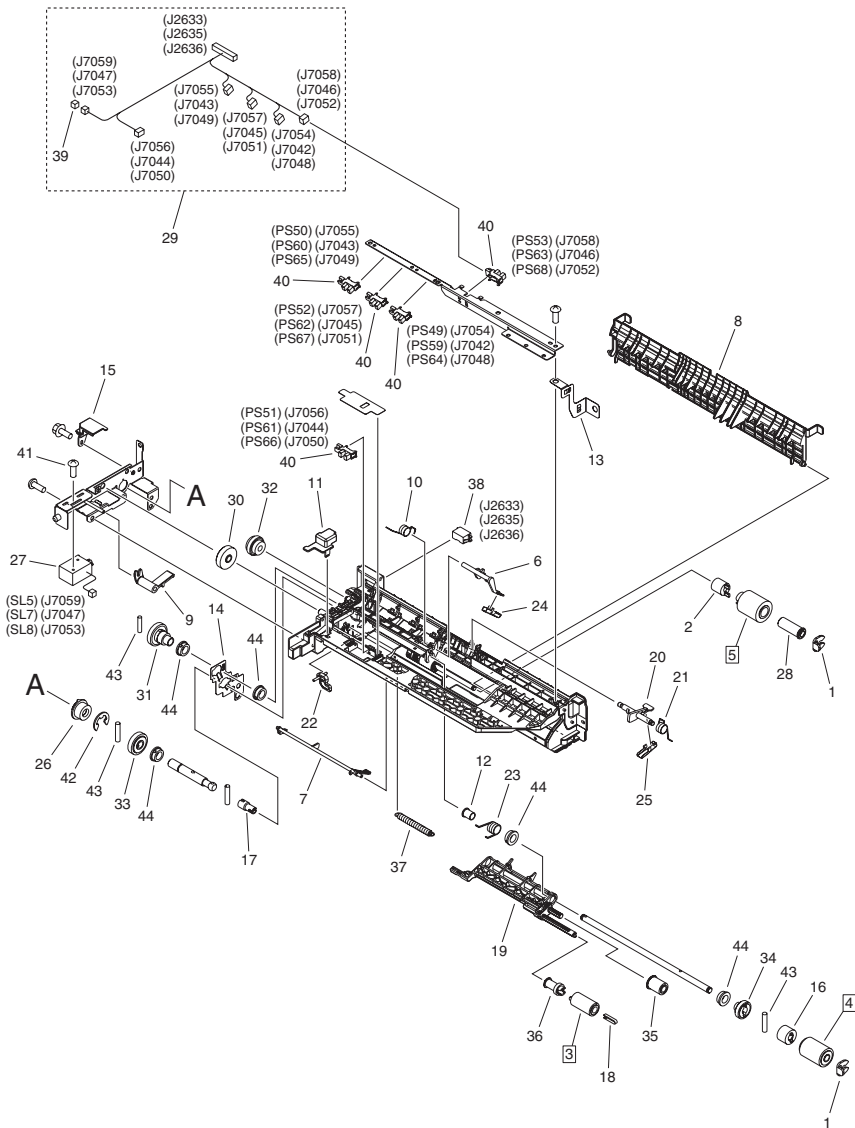


FIGURE & KEY NO.	PARTS NUMBER	RANK	Q'TY	DESCRIPTION	SERIAL NUMBER/REMARKS	SVC
Fig.310	FM0-2703-010		3	PAPER PICK-UP ASSEMBLY, RIGHT		
1	FB4-2007-000		2	RING, RETAINING		
2	FC0-8737-000		1	LIMITER, TORQUE		
3	FC5-2524-000		1	ROLLER, PAPER PICK-UP	[DP]	
4	FC5-2526-000		1	ROLLER, PAPER FEEDER	[DP]	
5	FC5-2528-000		1	ROLLER, SEPARATION	[DP]	
6	FC5-2535-000		1	FLAG, PAPER PICK-UP SENSOR		
7	FC5-2537-010		1	LEVER, PAPER SENSOR		
8	FC5-2538-000		1	GUIDE, SWING		
9	FC5-2540-000		1	ARM, PICK-UP		
10	FC5-2542-000		1	SPRING, TORSION		
11	FC5-2547-000		1	COVER, SOLENOID CABLE		
12	FC5-2548-000		1	COLLAR, SPRING		
13	FC5-2573-000		1	PLATE, GROUNDING		
14	FC5-6211-000		1	PLATE, SHAFT GROUNDING, FEEDER		
15	FC5-6260-000		1	COVER, CONNECTOR		
16	FC6-3863-000		1	CLUTCH, ONE-WAY		
17	FC6-4358-000		1	JOINT, RETARD		
18	FC7-5845-000		1	STOPPER, ROLLER		
19	FC8-7809-000		1	HOLDER, ROLLER SUPPORT		
20	FC8-7812-000		1	FLAG, VERTICAL PATH SENSOR		
21	FC8-7813-000		1	SPRING, TORSION		
22	FC8-9045-000		1	ARM, RELEASE, PAPER PICK-UP		
23	FC8-9047-000		1	SPRING, TORSION		
24	FC9-3969-000		1	PLATE, PICK-UP SENSOR FLAG		
25	FC9-3970-000		1	PLATE, V. PATH SENSOR FLAG		
26	FL3-2254-000		1	CLUTCH, ONE-WAY		
27	FL3-4906-000		1	SOLENOID	SL5,SL7,SL8	
28	FL3-7179-000		1	HOLDER, BEARING		
29	FM2-0963-000		1	CABLE, DECK PICK-UP, RIGHT		
30	FU5-0183-000		1	GEAR, 30T		
31	FU5-0184-000		1	GEAR, 16T/25T		

FIGURE & KEY NO.	PARTS NUMBER	R A N K	Q'TY	DESCRIPTION	SERIAL NUMBER/ REMARKS	S V C
32	FU5-0185-000		1	GEAR, 18T/32T		
33	FU5-0186-000		1	GEAR, 24T		
34	FU5-0187-000		1	GEAR, 50T		
35	FU5-0188-000		1	GEAR, 34T		
36	FU5-0263-000		1	GEAR, 32T		
37	FU5-2162-000		1	SPRING, TENSION		
38	VS1-7164-018		1	CONNECTOR, SNAP TIGHT, 18P, W		
39	VS1-7177-002		1	CONNECTOR, SNAP TIGHT, BK		
40	WG8-5783-000		5	IC,PHOTO-INTERRUPTER,LG248NL1A	PS49,PS50,PS51,PS52,P S53,PS59,PS60,PS61,PS 62,PS63,PS64,PS65,PS6 6,PS67,PS68	
41	XA9-1659-000		2	SCREW,M3X4		
42	XD9-0137-010		1	RING, E		
43	XD9-0301-000		3	PIN, DOWEL		
44	XG9-0737-000		5	BUSHING		

FIGURE 311 PAPER PICK-UP ASSEMBLY, LEFT

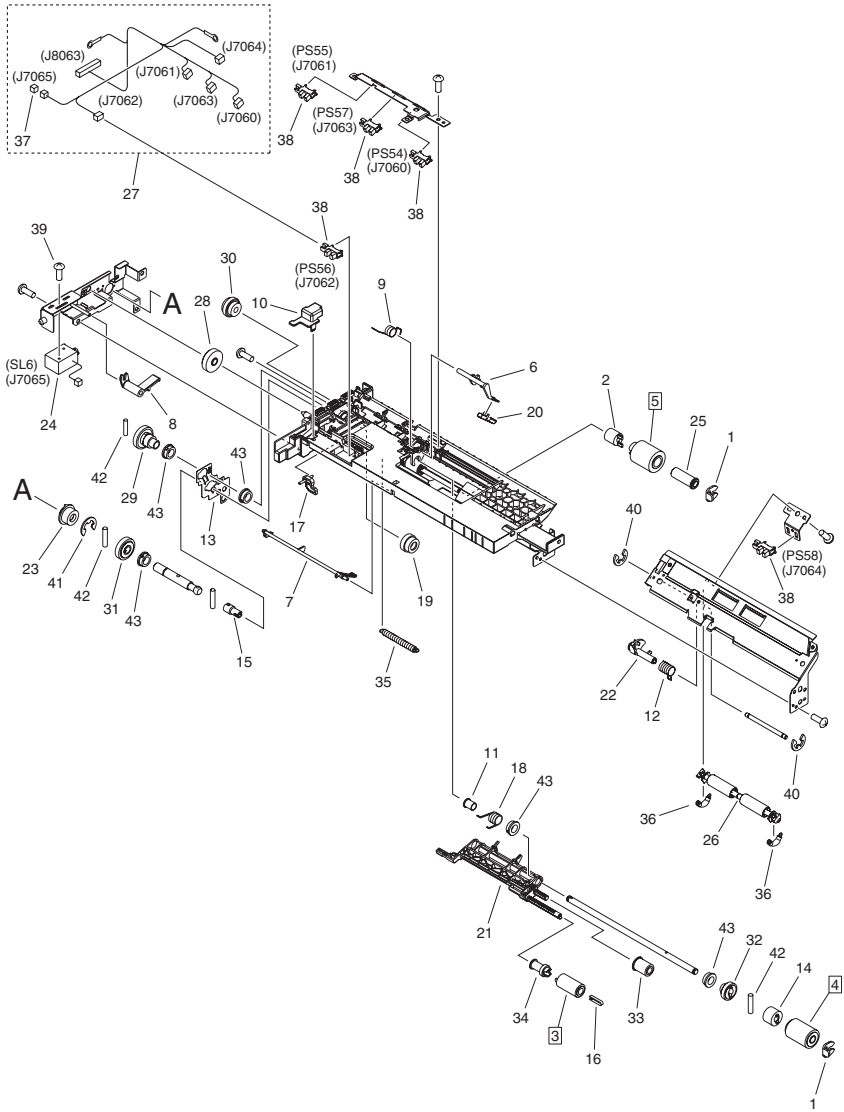
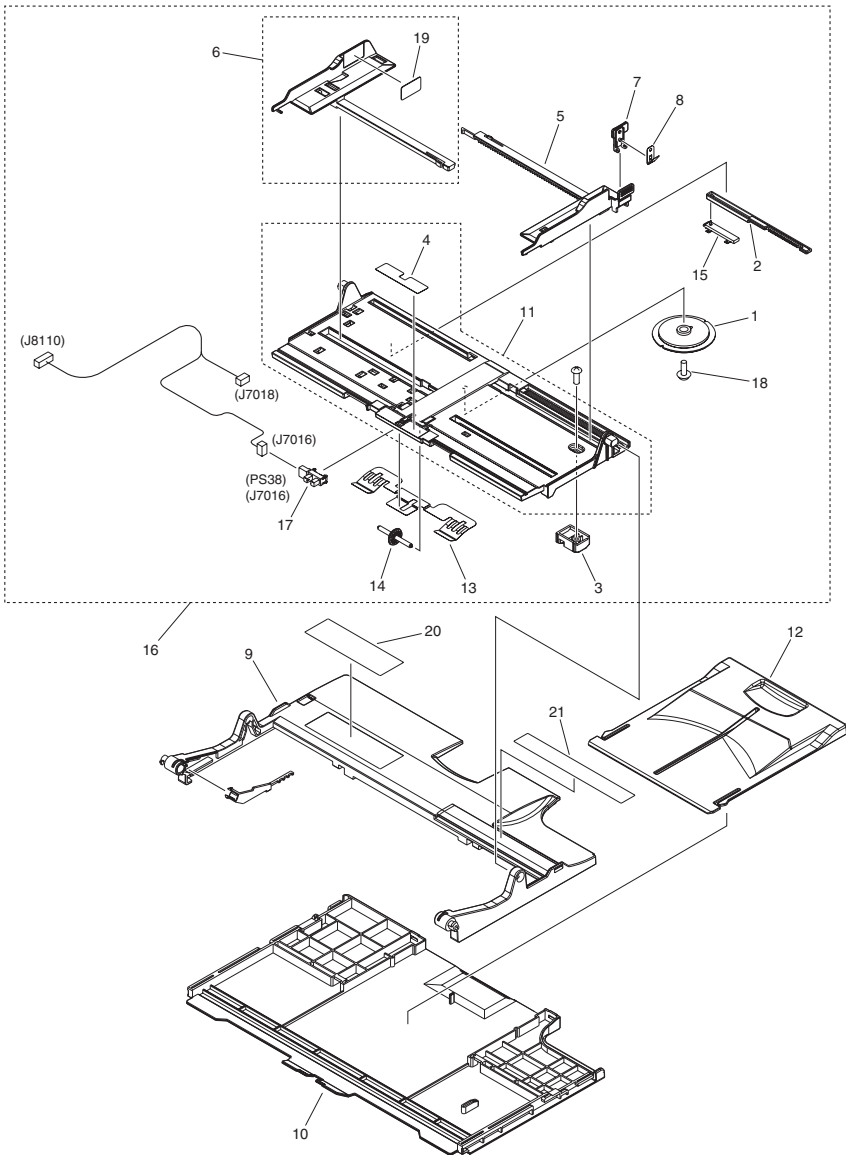


FIGURE & KEY NO.	PARTS NUMBER	R A N K	Q'TY	DESCRIPTION	SERIAL NUMBER/ REMARKS	S V C
Fig.311	FM0-2704-010		1	PAPER PICK-UP ASSEMBLY, LEFT		
1	FB4-2007-000		2	RING, RETAINING		
2	FC0-8737-000		1	LIMITER, TORQUE		
3	FC5-2524-000		1	ROLLER, PAPER PICK-UP	[DP]	
4	FC5-2526-000		1	ROLLER, PAPER FEEDER	[DP]	
5	FC5-2528-000		1	ROLLER, SEPARATION	[DP]	
6	FC5-2535-000		1	FLAG, PAPER PICK-UP SENSOR		
7	FC5-2537-010		1	LEVER, PAPER SENSOR		
8	FC5-2540-000		1	ARM, PICK-UP		
9	FC5-2542-000		1	SPRING, TORSION		
10	FC5-2547-000		1	COVER, SOLENOID CABLE		
11	FC5-2548-000		1	COLLAR, SPRING		
12	FC5-2638-000		1	SPRING, TORSION		
13	FC5-6211-000		1	PLATE, SHAFT GROUNDING, FEEDER		
14	FC6-3863-000		1	CLUTCH, ONE-WAY		
15	FC6-4358-000		1	JOINT, RETARD		
16	FC7-5845-000		1	STOPPER, ROLLER		
17	FC8-9045-000		1	ARM, RELEASE, PAPER PICK-UP		
18	FC8-9047-000		1	SPRING, TORSION		
19	FC9-3762-000		1	SPACER		
20	FC9-3969-000		1	PLATE, PICK-UP SENSOR FLAG		
21	FL2-2921-000		1	HOLDER, ROLLER SUPPORT		
22	FL2-8916-000		1	FLAG, DECK PATH SENSOR, LEFT		
23	FL3-2254-000		1	CLUTCH, ONE-WAY		
24	FL3-4906-000		1	SOLENOID	SL6	
25	FL3-7179-000		1	HOLDER, BEARING		
26	FM0-3008-010		1	DRIVEN ROLLER UNIT		
27	FM4-1296-000		1	CABLE, DECK UNIT, LEFT		
28	FU5-0183-000		1	GEAR, 30T		
29	FU5-0184-000		1	GEAR, 16T/25T		
30	FU5-0185-000		1	GEAR, 18T/32T		
31	FU5-0186-000		1	GEAR, 24T		

FIGURE & KEY NO.	PARTS NUMBER	R A N K	Q'TY	DESCRIPTION	SERIAL NUMBER/ REMARKS	S V C
32	FU5-0187-000		1	GEAR, 50T	PS54,PS55,PS56,PS57,P S58	
33	FU5-0188-000		1	GEAR, 34T		
34	FU5-0263-000		1	GEAR, 32T		
35	FU5-2162-000		1	SPRING, TENSION		
36	FU7-2351-000		2	SPRING, TENSION		
37	VS1-7177-002		1	CONNECTOR, SNAP TIGHT, BK		
38	WG8-5783-000		5	IC,PHOTO-INTERRUPTER,LG248NL1A		
39	XA9-1659-000		2	SCREW,M3X4		
40	XD9-0133-000		2	RING, E		
41	XD9-0137-010		1	RING, E		
42	XD9-0301-000		3	PIN, DOWEL		
43	XG9-0737-000		5	BUSHING		

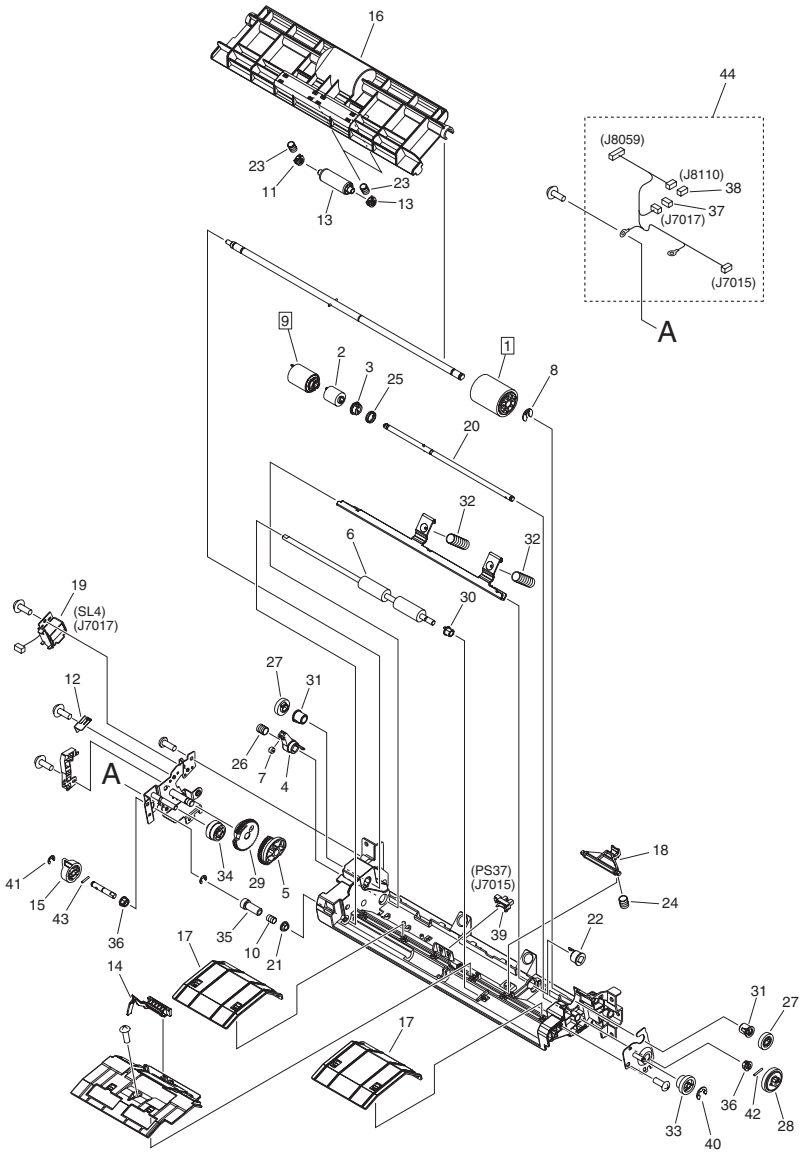
FIGURE 315 MULTI TRAY ASSEMBLY



NOTE : This assembly is included in the assembly shown in Figure 116.
 NOTE : This assembly does not include the part shown with key No. 21.
 注 : このユニットはFigure 116のユニットに含まれます。
 注 : このユニットにKey No. 21の部品は含まれません。

FIGURE & KEY NO.	PARTS NUMBER	RANK	Q'TY	DESCRIPTION	SERIAL NUMBER/REMARKS	SVC
Fig.315	FM3-4893-000		1	MULTI TRAY ASSEMBLY	SEE NOTE	
1	FB6-3456-000		1	GEAR, 46T/20T		
2	FB6-3457-000		1	RACK		
3	FB6-3459-000		1	BLOCK, SIDE REGIST. ADJUSTING		
4	FB6-4937-000		1	SHEET, SEPARATION		
5	FC8-2710-000		1	PLATE, PAPER SIDE END, FRONT		
6	FL3-3173-000		1	PLATE, PAPER SIDE END, REAR		
7	FC8-2712-000		1	STOPPER, SIDE		
8	FC8-2713-000		1	SPRING, LEAF		
9	FC8-5099-000		1	COVER, MULTI TRAY, UPPER		
10	FC8-5100-000		1	COVER, MULTI TRAY, LOWER		
11	FL3-3172-000		1	PLATE, MULTI PRESSURE		
12	FL3-4254-000		1	TRAY, SECOND		
13	FC8-5349-000		1	SPRING, LEAF		
14	FC8-5388-000		1	ROLLER, LAST PAPER DETECT		
15	FH7-7600-010		1	SLIDE VOLUME SENSOR UNIT		
16	FM3-4894-000		1	PRESSURE CENTER PLATE ASSEMBLY		
17	WG8-5848-000		1	PHOTO-INTERRUPTER,GP1A173LCS0F	PS38	
18	XA9-1523-000		1	SCREW, B, M4X8		
19	FC9-7165-000		1	LABEL, MAXIMUM LOAD		
20	FU6-8523-000		1	LABEL, PAPER SET INSTRUCTION		
21	FU7-8269-000		1	LABEL, MANUAL FEED SIZE	SEE NOTE US,CA,LTN	
21	FU8-8008-000		1	LABEL, MANUAL FEED SIZE	SEE NOTE EUR	
21	FU8-8009-000		1	LABEL, MANUAL FEED SIZE	SEE NOTE AU,SG,HK,LTN,CN,KR,TW	

FIGURE 316 MULTI DOOR PAPER PICK-UP ASS'Y



NOTE : This assembly is included in the assembly shown in Figure 116.
 注 : このユニットはFigure 116のユニットに含まれます。

FIGURE & KEY NO.	PARTS NUMBER	R A N K	Q'TY	DESCRIPTION	SERIAL NUMBER/ REMARKS	S V C
Fig.316	FM3-4895-040		1	MULTI DOOR PAPER PICK-UP ASS'Y	SEE NOTE	
1	FB1-8581-000		1	ROLLER, PAPER PICK-UP	[DP]	
2	FB6-3410-000		1	LIMITER, TORQUE		
3	FB6-3463-000		1	CLUTCH		
4	FB6-3466-000		1	CAM, JOINT		
5	FB6-3467-000		1	GEAR, 27T		
6	FC5-2151-000		1	ROLLER, PRE-REGISTRATION, U.		
7	FC5-5078-000		1	ROLLER, ARM		
8	FC6-5046-000		1	RING, RETAINING		
9	FC6-6661-000		1	ROLLER, SEPARATION	[DP]	
10	FC7-5009-000		1	SPRING, COMPRESSION		
11	FC7-7209-000		4	BUSHING, VERTICAL ROLLER		
12	FC8-2729-000		1	PLATE, GROUNDING		
13	FC8-3782-000		2	ROLLER, PAPER FEED		
14	FE3-9420-000		1	FLAG, M.F.PAPER PRESENCE		
15	FC9-3839-000		1	HOLDER, COUPLING		
16	FC9-3956-010		1	GUIDE, MULTI PAPER PICK-UP		
17	FC9-4034-000		2	GUIDE, PAPER FEED, OUTER		
18	FC9-4054-000		1	HOLDER, SEPARATION ROLLER		
19	FK2-0115-000		1	SOLENOID	SL4	
20	FL3-0568-000		1	SHAFT, PAPER PICK-UP ROLLER		
21	FS1-1205-000		1	BUSHING		
22	FS6-1058-000		1	BUSHING		
23	FS7-2788-000		4	SPRING, COMPRESSION		
24	FS7-2809-000		1	SPRING, COMPRESSION		
25	FS7-2812-010		1	SPRING, TORSION		
26	FS7-2839-000		1	SPRING, COMPRESSION		
27	FU3-0296-000		2	GEAR, 24T		
28	FU3-0297-000		1	GEAR, 36T		
29	FU5-0256-000		1	GEAR, 48T		
30	FU5-1036-000		1	BUSHING		
31	FU6-1185-000		2	BUSHING		

FIGURE & KEY NO.	PARTS NUMBER	RANK	Q'TY	DESCRIPTION	SERIAL NUMBER/REMARKS	SVC
32	FU7-2476-000		2	SPRING, COMPRESSION		
33	FU8-0182-000		1	GEAR, 18T/27T		
34	FU9-0058-000		1	GEAR, 27T/24T		
35	FU9-0059-000		1	GEAR, 13T		
36	RS5-1567-000		2	BUSHING		
37	VS1-7177-002		1	CONNECTOR, SNAP TIGHT, BK		
38	VS1-7177-006		1	CONNECTOR, SNAP TIGHT, BK		
39	WG8-5783-000		1	IC,PHOTO-INTERRUPTER,LG248NL1A	PS37	
40	XD9-0134-000		1	RING, E		
41	XD9-0136-000		2	RING, E		
42	XD9-0290-000		1	PIN, PARALLEL		
43	XD9-0300-000		1	PIN, PARALLEL		
44	FM4-1322-000		1	CABLE, MULTI UNIT		

FIGURE 320 REGISTRATION ASSEMBLY

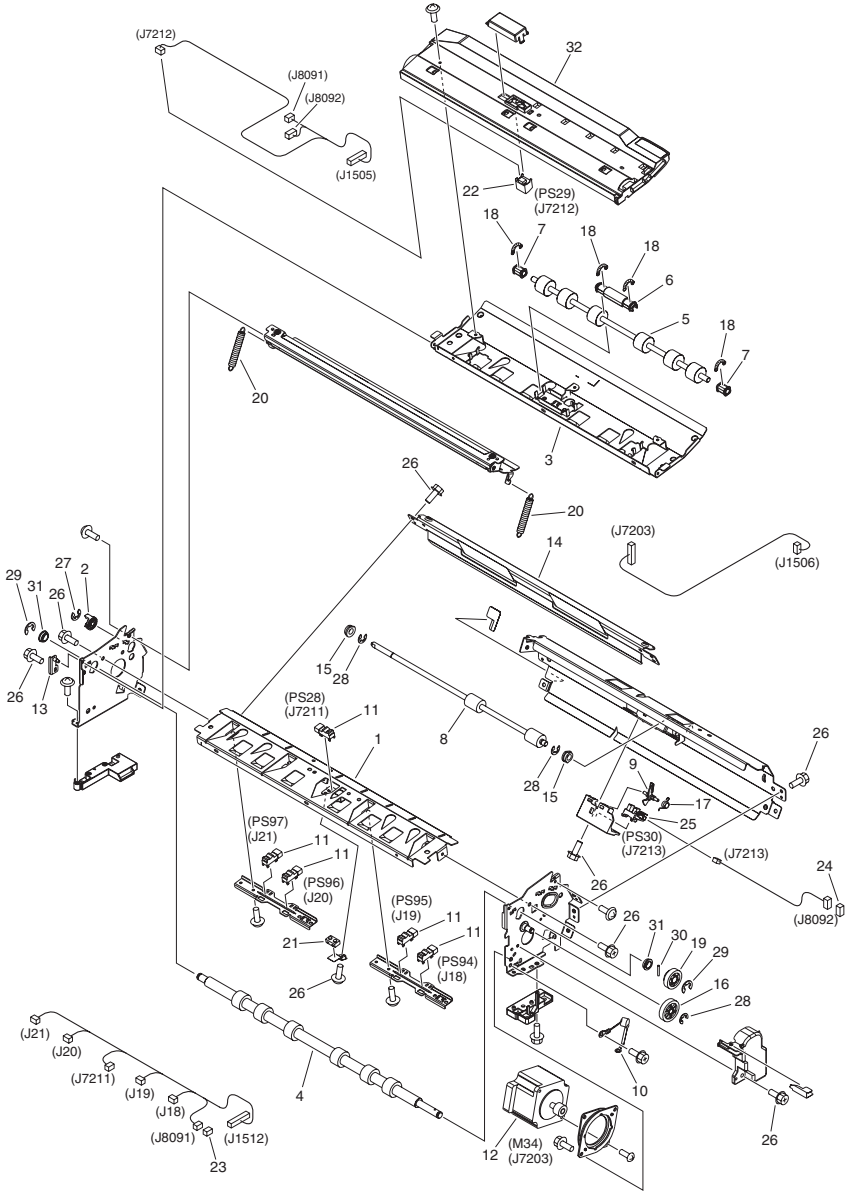


FIGURE & KEY NO.	PARTS NUMBER	R A N K	Q'TY	DESCRIPTION	SERIAL NUMBER/ REMARKS	S V C
Fig.320	FM0-0678-000		1	REGISTRATION ASSEMBLY		
1	FC0-8774-000		1	GUIDE, LOWER		
2	FC0-9209-000		1	COUPLING		
3	FC8-2797-000		1	GUIDE, REG. UPPER		
4	FC8-2803-000		1	ROLLER, REGISTRATION DRIVE		
5	FC8-2804-000		1	ROLLER, REGISTRATION FOLLOWER		
6	FC8-2805-000		1	BUSHING		
7	FC8-2806-010		2	BUSHING		
8	FC8-2812-000		1	ROLLER, PAPER FEED		
9	FC9-3720-000		1	FLAG, SENSOR		
10	FF3-4656-000		1	VARISTOR		
11	FK2-8560-000		5	PHOTO-SENSOR, KUA0095C	PS28,PS94,PS95,PS96,P S97	
12	FK3-2285-000		1	MOTOR, STEPPING, DC	M34	
13	FL2-8703-000		1	PLATE,REGISTRATION POSITIONING		
14	FL2-8851-010		1	GUIDE, CROSSING		
15	FS1-1508-000		2	BUSHING		
16	FU6-0072-000		1	GEAR, 32T		
17	FU7-2350-000		1	SPRING, TORSION		
18	FU7-2351-000		4	SPRING, TENSION		
19	FU8-0044-000		1	GEAR, 28T		
20	FU9-2268-000		2	SPRING, TENSION		
21	RB2-5850-000		1	PRISM		
22	RH7-7129-020		1	OHT SENSOR UNIT	PS29	
23	VS1-7177-003		1	CONNECTOR, SNAP TIGHT, BK		
24	VS1-7177-004		1	CONNECTOR, SNAP TIGHT, BK		
25	WG8-5783-000		1	IC,PHOTO-INTERRUPTER,LG248NL1A	PS30	
26	XA9-1386-000		AR	SCREW,RS,M3X8		
27	XD9-0134-000		1	RING, E		
28	XD9-0136-000		3	RING, E		
29	XD9-0137-010		2	RING, E		
30	XD9-0290-000		1	PIN, PARALLEL		

FIGURE & KEY NO.	PARTS NUMBER	R A N K	Q'TY	DESCRIPTION	SERIAL NUMBER/ REMARKS	S V C
31	XG9-0709-000		2	BEARING, BALL, MF128ZZ-3		
32	FL2-8920-000		1	COVER, UPPER		

FIGURE 321 REG. PATCH DETECT ASSEMBLY

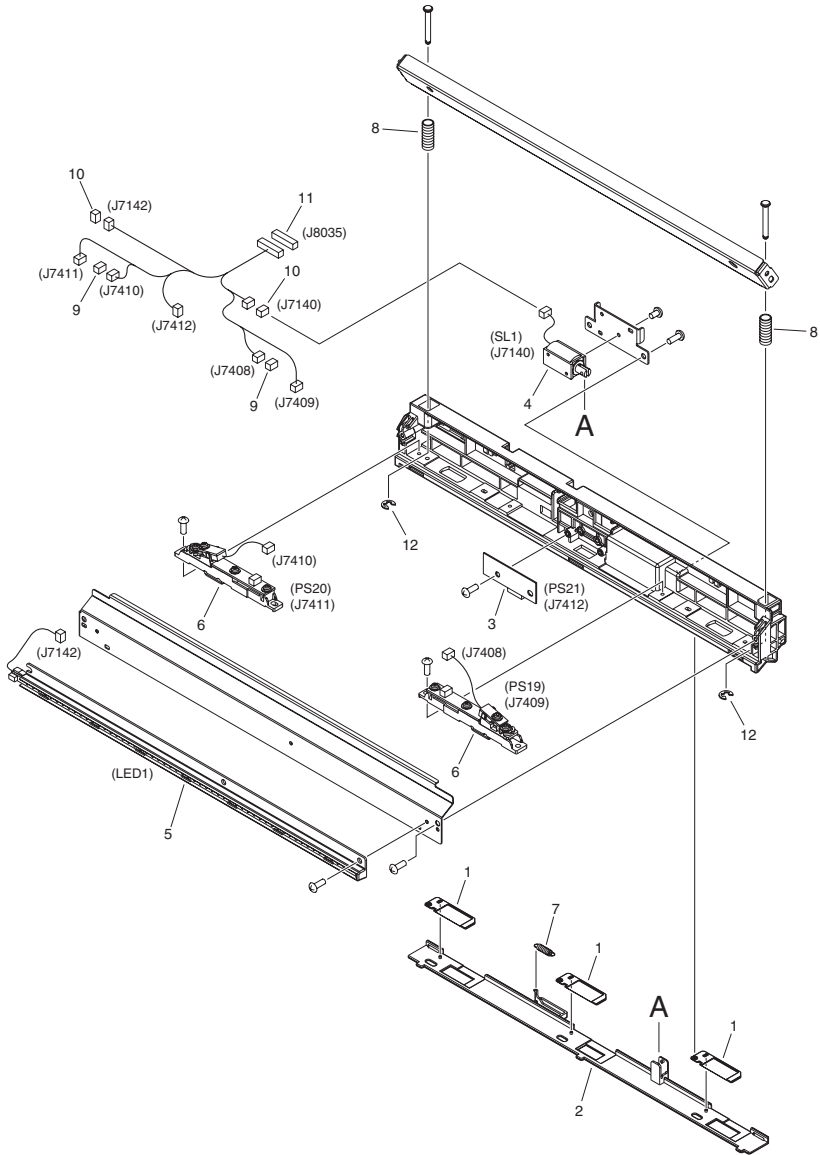
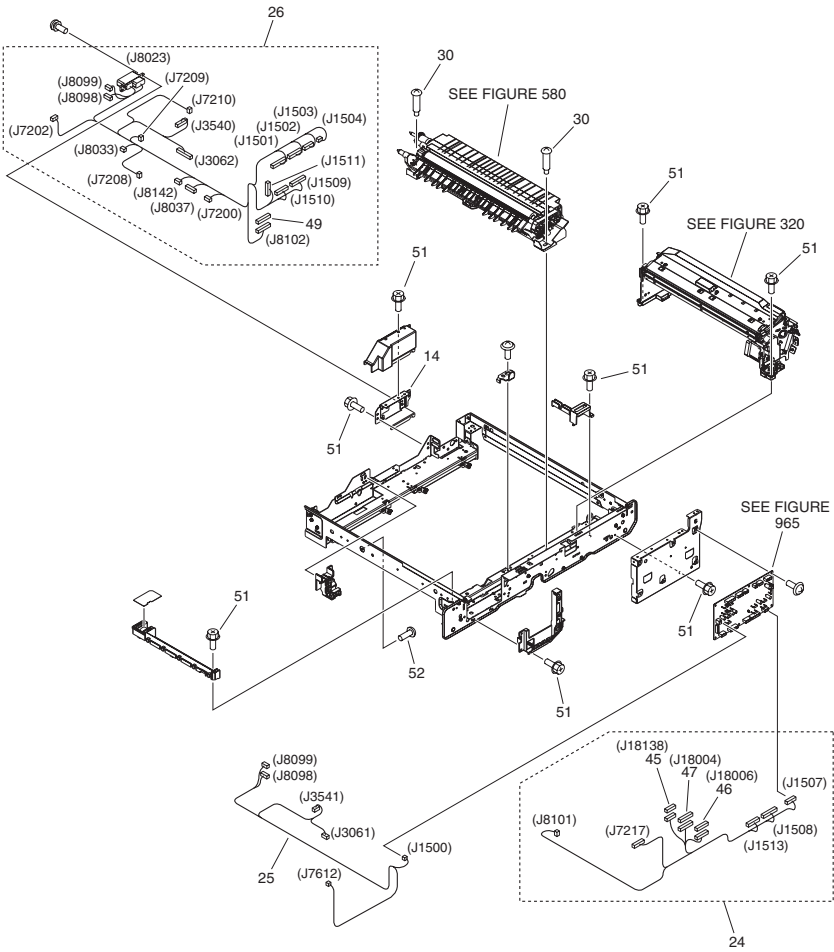
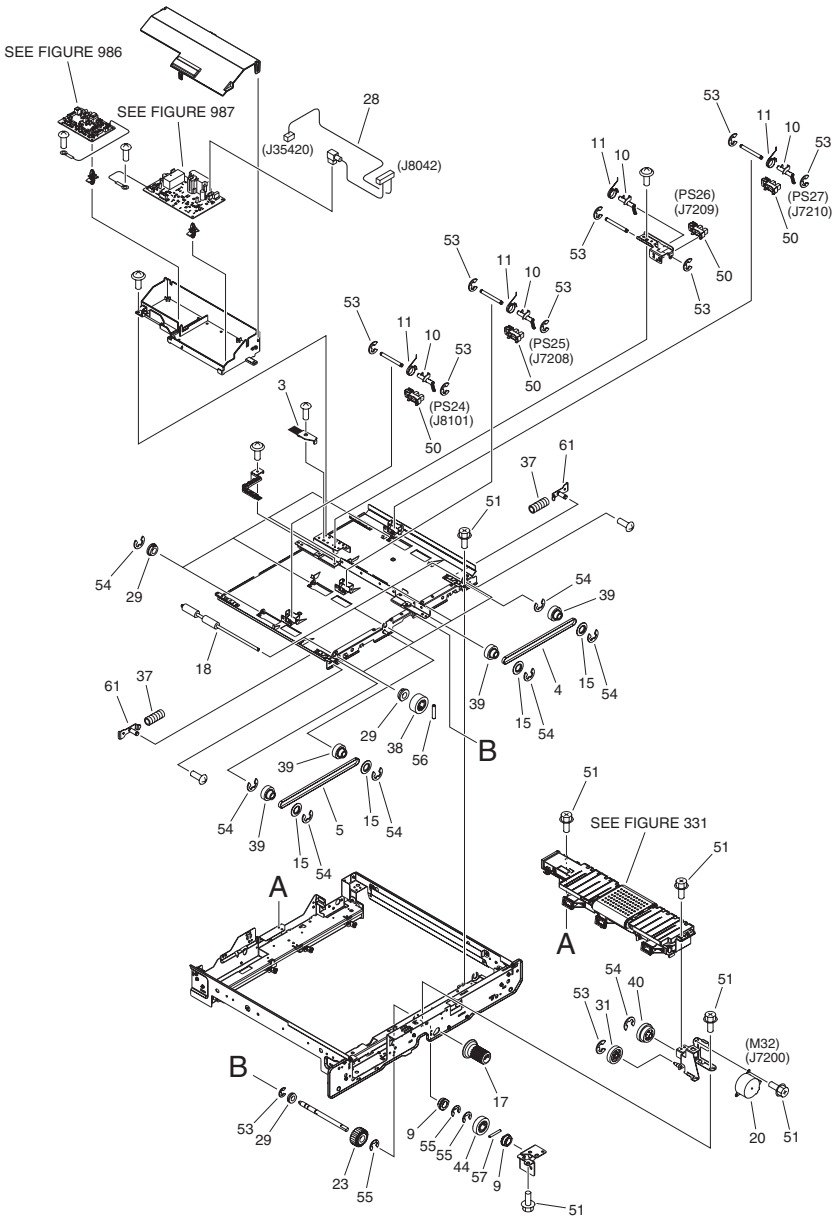


FIGURE & KEY NO.	PARTS NUMBER	RANK	Q'TY	DESCRIPTION	SERIAL NUMBER/REMARKS	SVC
Fig.321	FM3-4717-010		1	REG. PATCH DETECT ASSEMBLY		
1	FC8-1772-000		3	SHUTTER		
2	FC8-1775-000		1	LINK, SHUTTER		
3	FK2-7867-000		1	PHOTO-SENSOR	PS21	
4	FK2-7915-000		1	SOLENOID	SL1	
5	FM3-4867-000		1	PRE-EXPOSURE ASSEMBLY	LED1	
6	FM3-9945-000		2	REGIST. SENSOR PCB ASSEMBLY	PS19,PS20	
7	FU7-2354-000		1	SPRING, TENSION		
8	FU7-2355-000		2	SPRING, COMPRESSION		
9	VS1-7173-003		2	CONNECTOR, SNAP TIGHT, 3P, W		
10	VS1-7177-002		2	CONNECTOR, SNAP TIGHT, BK		
11	VS1-8412-027		1	CONNECTOR, SNAP TIGHT, BL		
12	XD9-0134-000		2	RING, E		

FIGURE 330 FIXING/FEEED BASE ASSEMBLY





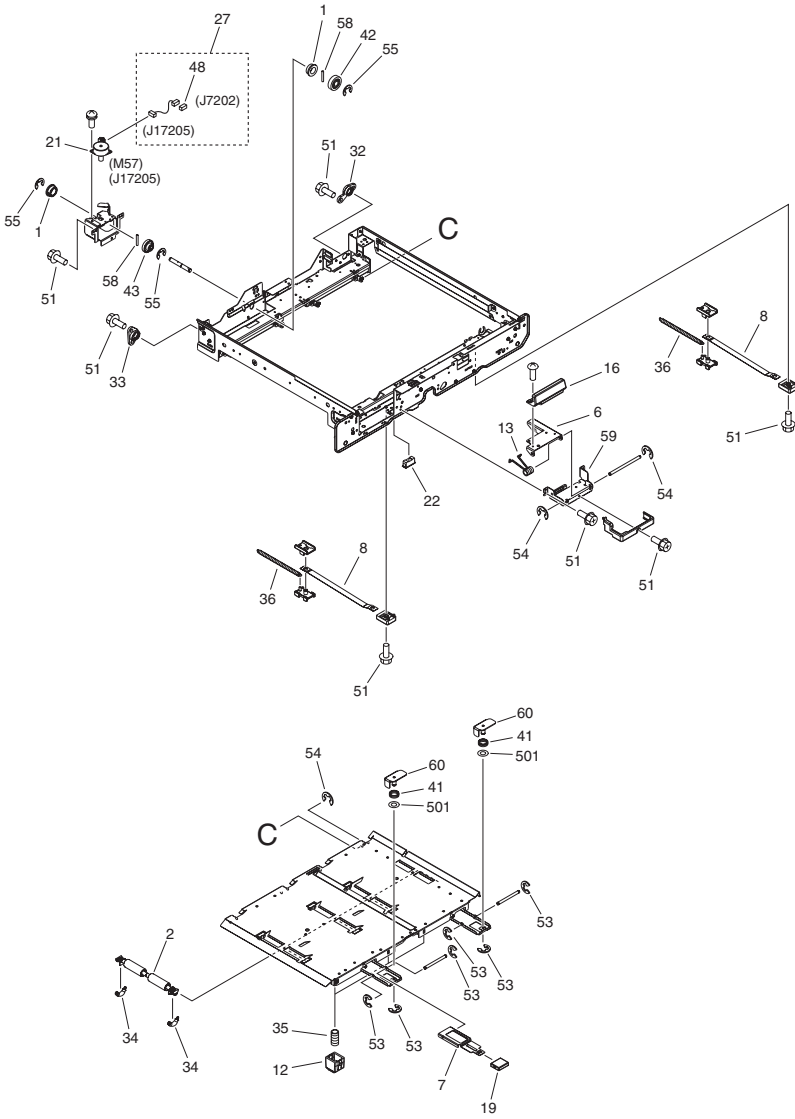


FIGURE & KEY NO.	PARTS NUMBER	R A N K	Q'TY	DESCRIPTION	SERIAL NUMBER/ REMARKS	S V C
Fig.330	NPN		RF	FIXING/FEED ASSEMBLY		
1	FA9-2112-000		2	BUSHING, PL		
2	FM0-3008-010		4	DRIVEN ROLLER UNIT		
3	FC6-9029-000		1	BRUSH, GROUNDING		
4	XF2-1616-040		1	BELT, TIMING		
5	XF2-1617-440		1	BELT, TIMING		
6	FC8-1951-000		1	HOOK		
7	FC8-1962-000		1	PLATE, HANDLE		
8	FC8-1968-000		2	TAPE, SUPPORT		
9	XG9-0737-000		2	BUSHING		
10	FC8-2611-000		4	FLAG, DUPLEXING SENSOR		
11	FC8-2615-000		4	SPRING, TORSION		
12	FC8-8802-000		3	BLOCK, PUSHING		
13	FC9-0371-000		1	SPRING, TORSION		
14	FC9-0401-000		1	MOUNT,CONNECTOR		
15	FC9-0402-000		4	FLANGE, PULLEY		
16	FC9-4120-000		1	HANDLE		
17	FC9-7525-000		1	KNOB, REGISTRATION		
18	FC9-8388-000		4	ROLLER, DUPLEXING		
19	FC9-8425-000		1	LEVER, GUIDE		
20	FK2-7903-000		1	MOTOR, STEPPING, DC	M32	
21	FK3-2288-000		1	MOTOR, STEPPING, DC	M57	
22	XZ9-0603-000		1	CATCH, MAGNET		
23	FL3-5201-000		1	GEAR, 24T		
24	FM0-2110-000		1	CABLE, SIGNAL		
25	FM0-2112-000		1	CABLE, FIXING/FEEDER POWER		
26	FM0-2113-000		1	CABLE, FIX/FEED DRAWER MAIN		
27	FM0-2127-000		1	CABLE, MOTOR CONNECTING		
28	FM4-1314-000		1	CABLE, 2ND HIGH VOLTAGE		
29	FS1-1508-000		9	BUSHING		
30	FS1-9167-000		2	STEPPED SCREW		
31	FU6-0072-000		1	GEAR, 32T		

FIGURE & KEY NO.	PARTS NUMBER	R A N K	Q'TY	DESCRIPTION	SERIAL NUMBER/ REMARKS	S V C
32	FU6-1601-000		1	BUSHING		
33	FU6-1602-000		1	BUSHING		
34	FU7-2351-000		8	SPRING, TENSION		
35	FU7-2352-000		3	SPRING, COMPRESSION		
36	FU7-2359-000		2	SPRING, TENSION		
37	FU7-2379-000		2	SPRING, COMPRESSION		
38	FU8-0055-000		4	GEAR, 18T		
39	FU8-0056-000		4	GEAR, 19T/PULLEY, 16T		
40	FU8-0067-000		1	GEAR, 28T/34T		
41	FU8-2365-000		2	SPRING, COMPRESSION		
42	FU9-0810-000		1	GEAR, 26T		
43	FU9-0826-000		1	GEAR, 58T/34T		
44	FU9-0901-000		1	GEAR, 24T		
45	VS1-7173-007		1	CONNECTOR, SNAP TIGHT, 7P		
46	VS1-7173-012		1	CONNECTOR, SNAP TIGHT, 12P, W		
47	VS1-7173-013		1	CONNECTOR, SNAP TIGHT, 13P, W		
48	VS1-7177-004		1	CONNECTOR, SNAP TIGHT, BK		
49	VS1-8412-013		1	CONNECTOR, SNAP TIGHT, BL		
50	WG8-5783-000		4	IC,PHOTO-INTERRUPTER,LG248NL1A	PS24,PS25,PS26,PS27	
51	XA9-1386-000		AR	SCREW,RS,M3X8		
52	XA9-1659-000		1	SCREW,M3X4		
53	XD9-0134-000		AR	RING, E		
54	XD9-0136-000		AR	RING, E		
55	XD9-0137-010		6	RING, E		
56	XD9-0288-000		4	PIN, DOWEL		
57	XD9-0289-000		1	PIN, PARALLEL		
58	XD9-0290-000		2	PIN, PARALLEL		
59	FC8-1950-000		1	BASE, HANDLE		
60	FL3-4091-000		2	PLATE, MAGNET		
61	FL2-8749-000		2	SUPPORT, IDLER GEAR		
501	XD1-1104-132		2	SHIM, CIRCULAR		

FIGURE 331 PRE-FIXING PAPER FEED ASSEMBLY

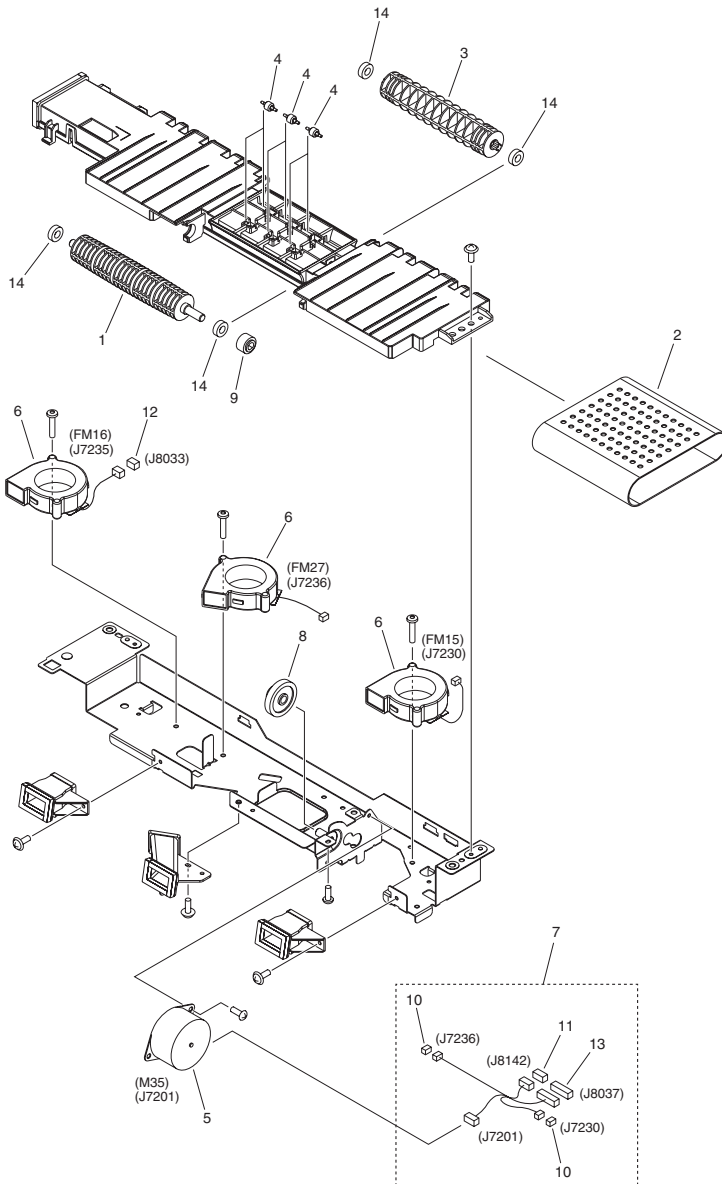
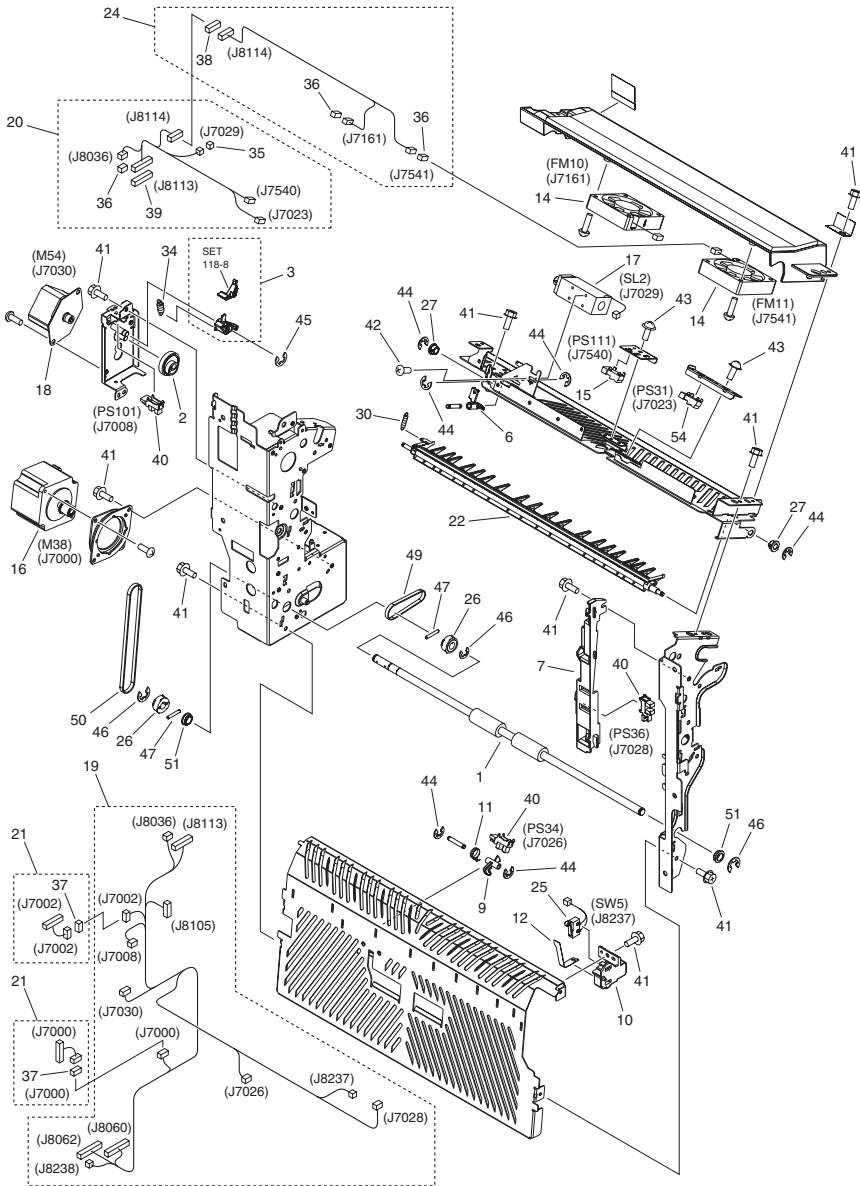


FIGURE & KEY NO.	PARTS NUMBER	R A N K	Q'TY	DESCRIPTION	SERIAL NUMBER/ REMARKS	S V C
Fig.331	FM0-0846-000		1	PRE-FIXING PAPER FEED ASSEMBLY		
1	FC0-8775-000		1	ROLLER, PRE-FIXING DRIVE		
2	FC8-2346-000		1	BELT		
3	FC8-2674-000		1	ROLLER, PRE-FIXING FOLLOWER		
4	FC9-5556-000		6	ROLLER		
5	FK2-7902-000		1	MOTOR, STEPPING, DC	M35	
6	FL3-7561-000		3	FAN	FM15,FM16,FM27	
7	FM0-2148-000		1	CABLE, PRE-FIXING FEED UNIT		
8	FU8-0078-000		1	GEAR, 34T/14T		
9	FU8-0094-000		1	GEAR, 15T		
10	VS1-7177-003		2	CONNECTOR, SNAP TIGHT, BK		
11	VS1-7177-004		1	CONNECTOR, SNAP TIGHT, BK		
12	VS1-7440-003		1	CONNECTOR, SNAP TIGHT		
13	VS1-8412-007		1	CONNECTOR, SNAP TIGHT, BL		
14	XG9-0521-000		4	BEARING, BALL, MR126ZZ		

FIGURE 350 REVERSE PAPER DELIVERY ASS'Y



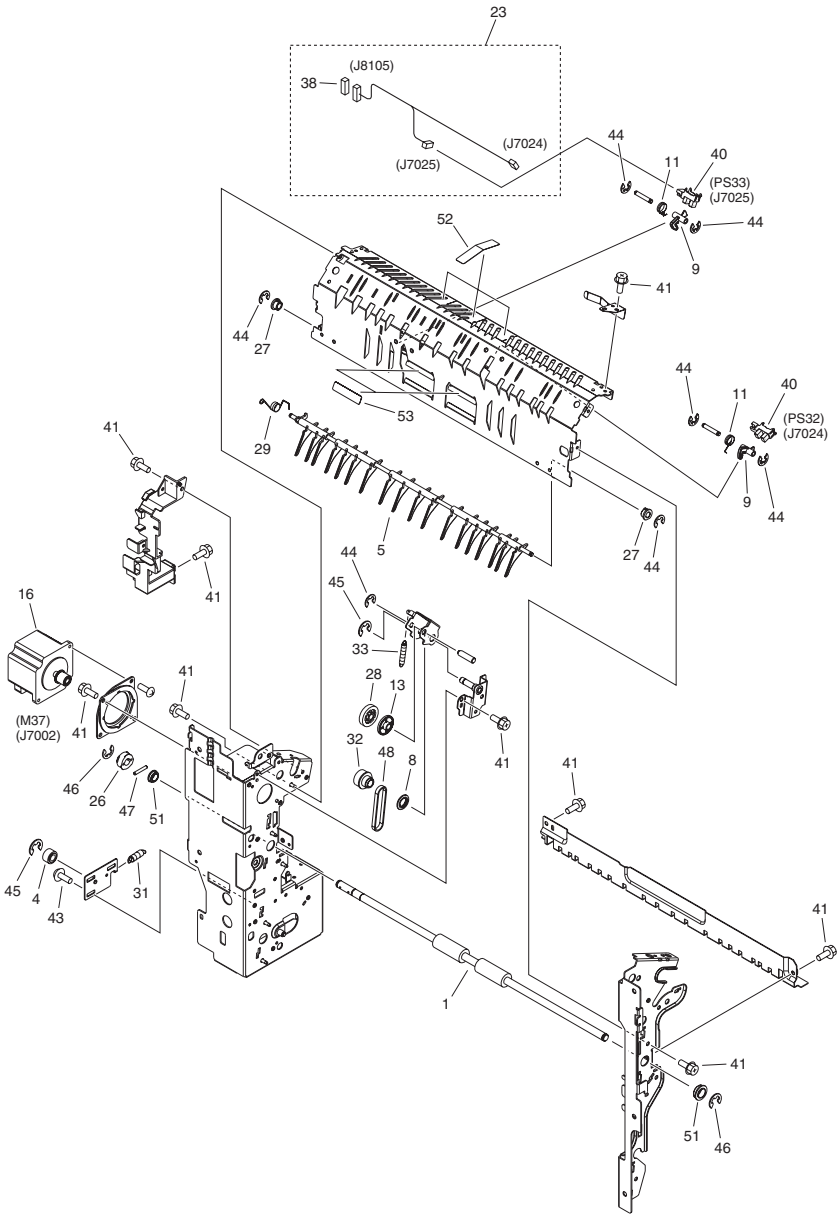


FIGURE & KEY NO.	PARTS NUMBER	R A N K	Q'TY	DESCRIPTION	SERIAL NUMBER/ REMARKS	S V C
Fig.350	FM0-0672-000		1	REVERSE PAPER DELIVERY ASS'Y		
1	FC0-8177-000		2	ROLLER, REVERSE DRIVE		
2	FC0-8732-000		1	CAM, ESTRANGEMENT		
3	FM1-D469-000		1	ARM KIT	[SET]	
4	FC9-9145-000		1	SPACER, INNER PAPER DELIVERY		
5	FC8-2567-000		1	FLAPPER, DUPLEXING		
6	FC8-2573-010		1	ARM, EXCHANGE FLAPPER		
7	FC8-2586-000		1	HOOK, REVERSE DOOR		
8	FC8-8976-000		1	FLANGE, PULLEY		
9	FC9-3779-000		3	FLAG, REVERSE V. PATH SENSOR		
10	FC9-3833-000		1	HOLDER, SWITCH		
11	FC9-3836-000		3	SPRING, TORSION		
12	FC9-3838-000		1	PLATE, SWITCH		
13	FC9-4077-000		1	ROLLER, REVERSE SWING		
14	FK2-0472-010		2	FAN	FM10,FM11	
15	FK2-8560-000		1	PHOTO-SENSOR, KUA0095C	PS111	
16	FK3-2312-000		2	MOTOR, STEPPING, DC	M37,M38	
17	FL2-8909-000		1	SOLENOID	SL2	
18	FM0-0765-000		1	MOTOR, STEPPING, DC	M54	
19	FM0-2131-000		1	CABLE, CONNECTING		
20	FM0-2133-000		1	CABLE, REVERSE & SOLENOID		
21	FM0-2134-000		2	CABLE, MOTOR CONNECTING		
22	FM0-3014-000		1	EXCHANGE FLAPPER UNIT		
23	FM4-1338-000		1	CABLE, REVERSE V. PATH SENSOR		
24	FM4-1341-000		1	CABLE,PAPER DELIVERY FAN 1-2		
25	FM4-1342-000		1	SWITCH CABLE UNIT	SW5	
26	FS5-3805-000		3	PULLEY, 28T		
27	FU5-1442-000		4	BUSHING		
28	FU6-0689-000		1	GEAR, 22T		
29	FU7-2319-000		1	SPRING, TORSION		
30	FU7-2320-000		1	SPRING, TENSION		
31	FU7-2321-000		1	SPRING, TENSION		

FIGURE & KEY NO.	PARTS NUMBER	R A N K	Q'TY	DESCRIPTION	SERIAL NUMBER/REMARKS	S V C
32	FU8-0077-000		1	GEAR, 16T/PULLEY, 20T		
33	FU8-2360-000		1	SPRING, TENSION		
34	FU9-2253-000		1	SPRING, TENSION		
35	VS1-7177-002		1	CONNECTOR, SNAP TIGHT, BK		
36	VS1-7177-003		3	CONNECTOR, SNAP TIGHT, BK		
37	VS1-7177-004		2	CONNECTOR, SNAP TIGHT, BK		
38	VS1-7177-006		2	CONNECTOR, SNAP TIGHT, BK		
39	VS1-7177-011		1	CONNECTOR, SNAP TIGHT, 11P, BK		
40	WG8-5848-000		5	PHOTO-INTERRUPTER,GP1A173LCS0F	PS32,PS33,PS34,PS36,PS101	
41	XA9-1386-000		AR	SCREW,RS,M3X8		
42	XA9-1659-000		2	SCREW,M3X4		
43	XA9-2010-000		3	SCREW, TP, M3X6		
44	XD9-0134-000		AR	RING, E		
45	XD9-0136-000		4	RING, E		
46	XD9-0137-010		5	RING, E		
47	XD9-0289-000		3	PIN, PARALLEL		
48	XF2-1606-140		1	BELT, TIMING		
49	XF2-1606-540		1	BELT, TIMING		
50	XF2-1614-540		1	BELT, TIMING		
51	XG9-0709-000		4	BEARING, BALL, MF128ZZ-3		
52	FC0-0410-000		3	SHEET, DELIVERY INNER GUIDE		
53	FC8-2550-000		2	SHEET, GUIDE		
54	FK3-4047-000		1	PHOTO-SENSOR, KUA0095D	PS31	

FIGURE 355
DECURLER PATH ACCESSORY ASS'Y (DECURLER
model)

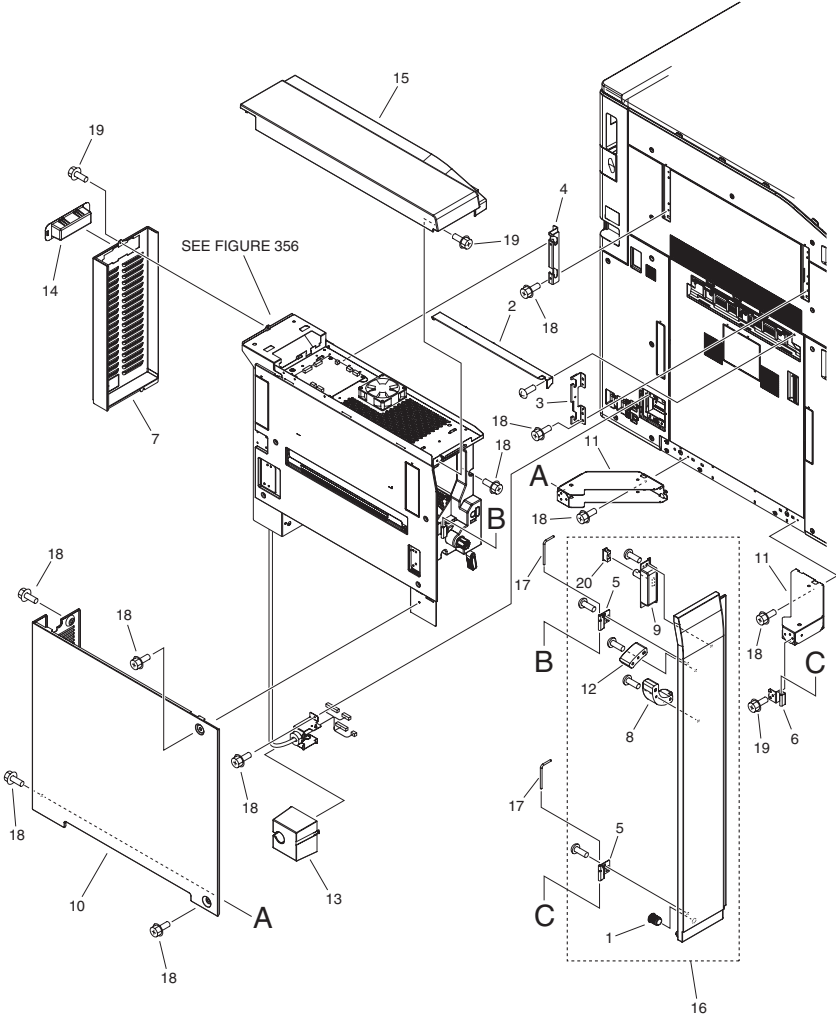
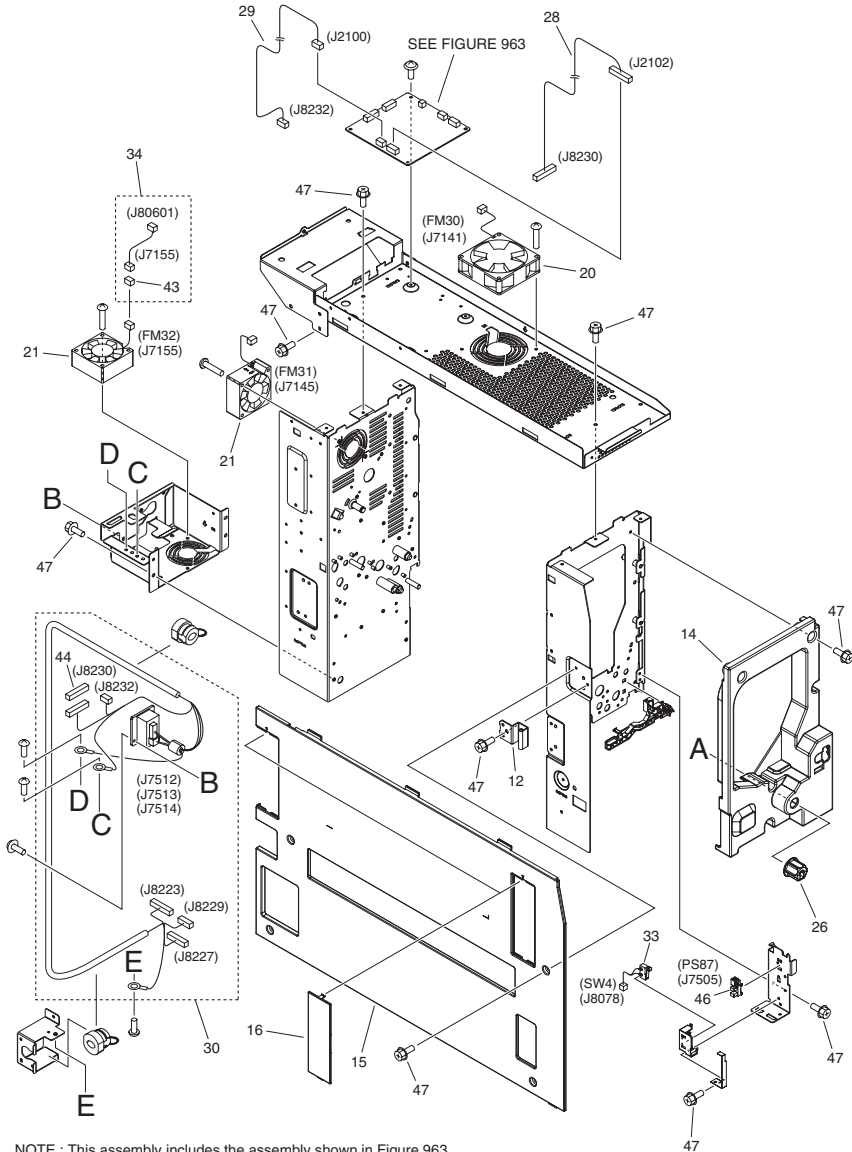
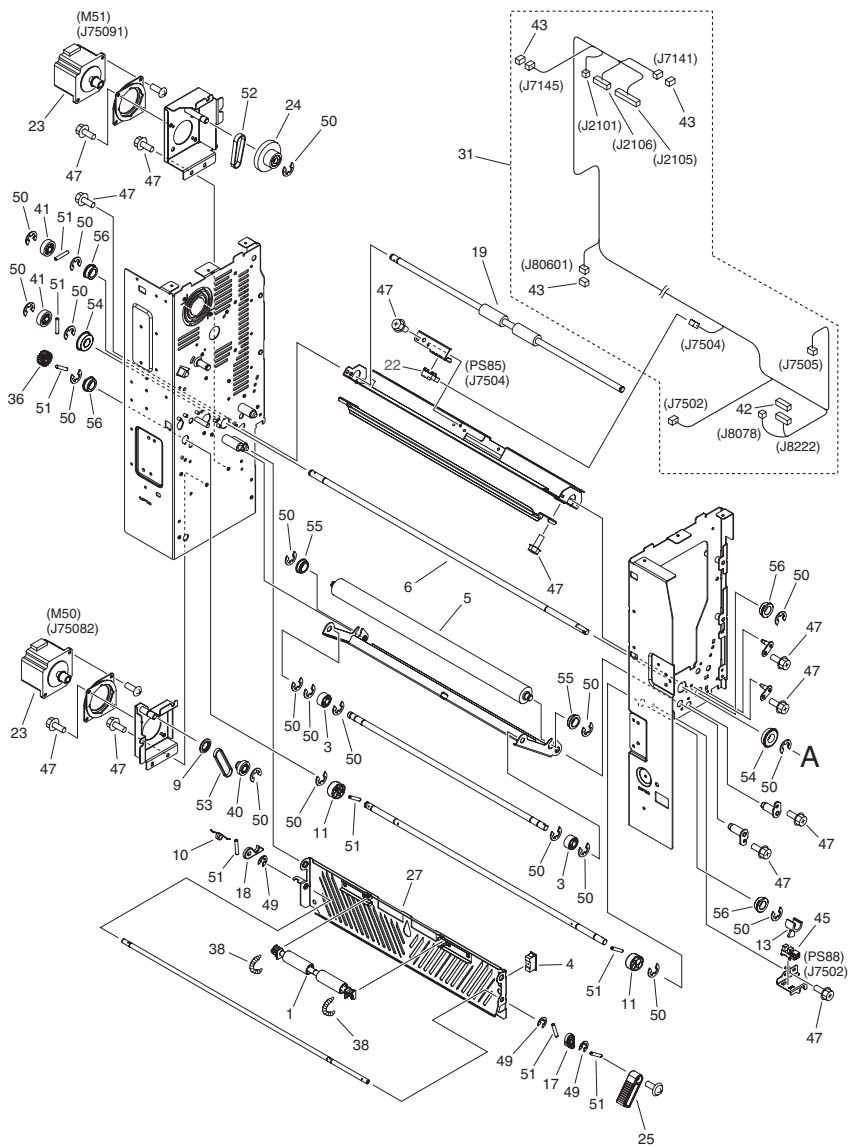


FIGURE & KEY NO.	PARTS NUMBER	R A N K	Q'TY	DESCRIPTION	SERIAL NUMBER/ REMARKS	S V C
Fig.355	NPN		RF	DECURLER PATH ACCESSORY ASS'Y	DECURLER model	
1	FA9-3870-000		1	CATCH, MAGNET		
2	FC8-9005-000		1	GUIDE, PAPER DELIVERY, UPPER		
3	FC8-9026-000		1	PLATE, BUFFER MOUNTING, FRONT		
4	FC8-9027-000		1	PLATE, BUFFER MOUNTING, REAR		
5	FC8-9030-000		2	HINGE		
6	FC8-9033-000		1	HINGE, FRONT COVER, LOWER		
7	FC8-9036-000		1	COVER, REAR		
8	FC8-9039-000		1	RIB, FRONT COVER, LOWER		
9	FC9-3923-000		1	GRIP, F. COVER OPEN/CLOSE DTCT		
10	FC9-3928-000		1	COVER, LEFT LOWER		
11	FC9-3929-000		2	SUPPORT,COVER		
12	FC9-3931-000		1	RIB, FRONT COVER, UPPER		
13	FC9-6201-000		1	COVER,CONNECTOR		
14	FC9-6206-000		1	HANDLE		
15	FL2-8877-000		1	COVER, UPPER		
16	FM3-9866-000		1	FRONT COVER ASSEMBLY		
17	FU6-4563-000		2	PIN, HINGE		
18	XA9-0732-010		9	SCREW,RS,M4		
19	XA9-1386-000		5	SCREW,RS,M3X8		
20	XZ9-0603-000		1	CATCH, MAGNET		

FIGURE 356 DECURLER PATH ASSEMBLY (DECURLER model)



NOTE : This assembly includes the assembly shown in Figure 963.
 注 : このユニットはFigure 963のユニットを含みます。



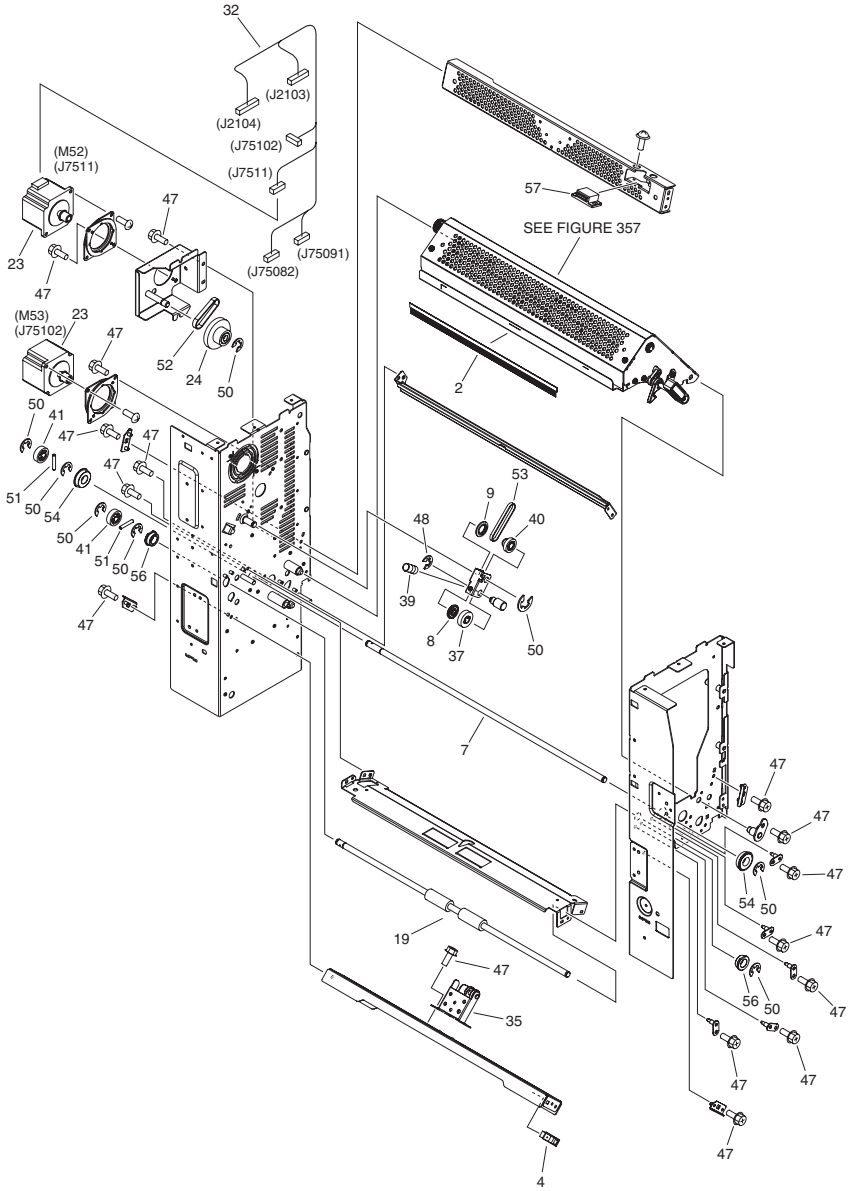


FIGURE & KEY NO.	PARTS NUMBER	R A N K	Q'TY	DESCRIPTION	SERIAL NUMBER/ REMARKS	S V C
Fig.356	FM0-0890-000		1	DECURLER PATH ASSEMBLY	SEE NOTE DECURLER model	
1	FM0-3008-010		1	DRIVEN ROLLER UNIT		
2	FC6-4009-000		1	ELIMINATOR,STATIC CHARGE		
3	FC8-2606-000		2	ROLLER, SIDE END		
4	XZ9-0603-000		2	CATCH, MAGNET		
5	FC8-8963-000		1	ROLLER, PAPER FEED		
6	FC8-8967-000		1	ROLLER, PAPER FEED, LOWER		
7	FC8-8970-010		1	ROLLER, PAPER FEED, UPPER		
8	FC8-8973-000		1	ROLLER, SIDE END		
9	FC8-8976-000		2	FLANGE, PULLEY		
10	FC8-8978-000		1	SPRING, TORSION		
11	FC8-8988-000		2	CAM, 2		
12	FC8-9033-000		1	HINGE, FRONT COVER, LOWER		
13	FC9-3922-000		1	FLAG, CAM SENSOR		
14	FC9-3926-000		1	COVER, DECURLER INNER		
15	FC9-3927-010		1	COVER, LEFT UPPER		
16	FC9-3934-000		2	COVER, BLANKING		
17	FC9-3952-000		1	LOCK, HOOK		
18	FC9-6203-000		1	HOOK		
19	FC9-6209-000		2	ROLLER, PAPER FEED		
20	FK2-0360-000		1	FAN	FM30	
21	FK2-3679-000		2	FAN	FM31,FM32	
22	FK2-8560-000		1	PHOTO-SENSOR, KUA0095C	PS85	
23	FK3-2298-000		4	MOTOR, STEPPING, DC	M50,M51,M52,M53	
24	FL2-8734-010		2	GEAR, 25T/50T/PULLEY, 25T		
25	FL2-8738-010		1	KNOB, DECURLER		
26	FL2-8878-000		1	KNOB, EXTRACTION		
27	FL2-8880-000		1	GUIDE, ENTRANCE, LOWER		
28	FM0-2135-000		1	CABLE, SIGNAL, RIGHT		
29	FM0-2136-000		1	CABLE, POWER SUPPLY CONNECTING		
30	FM0-2137-000		1	CABLE, MAIN		

FIGURE & KEY NO.	PARTS NUMBER	RANK	Q'TY	DESCRIPTION	SERIAL NUMBER/REMARKS	SVC
31	FM0-2138-000		1	CABLE, SENSOR MAIN		
32	FM0-2139-000		1	CABLE, MOTOR MAIN		
33	FM4-1438-000		1	CABLE, DOOR SWITCH	SW4	
34	FM4-1465-000		1	CABLE, FAN CONNECTING		
35	FM4-4346-000		1	BACK-UP CROSSMEMBER UNIT, LW.		
36	FU6-0029-000		1	GEAR, 18T		
37	FU6-0733-000		1	GEAR, 21T		
38	FU7-2351-000		2	SPRING, TENSION		
39	FU7-2365-000		1	SPRING, COMPRESSION		
40	FU8-0075-000		2	GEAR, 18T/PULLEY, 20T		
41	FU8-0076-000		4	GEAR, 24T		
42	VS1-7173-006		1	CONNECTOR, SNAP TIGHT, 6P, W		
43	VS1-7177-003		4	CONNECTOR, SNAP TIGHT, BK		
44	VS1-7177-009		1	CONNECTOR, 9P		
45	WG8-5783-000		1	IC.PHOTO-INTERRUPTER,LG248NL1A	PS88	
46	WG8-5848-000		1	PHOTO-INTERRUPTER,GP1A173LCS0F	PS87	
47	XA9-1386-000		AR	SCREW,RS,M3X8		
48	XD9-0134-000		1	RING, E		
49	XD9-0136-000		3	RING, E		
50	XD9-0137-010		AR	RING, E		
51	XD9-0289-000		AR	PIN, PARALLEL		
52	XF2-1605-860		2	BELT, TIMING		
53	XF2-1606-540		2	BELT, TIMING		
54	XG9-0508-000		4	BEARING, BALL, F688ZZ		
55	XG9-0709-000		2	BEARING, BALL, MF128ZZ-3		
56	XG9-0737-000		6	BUSHING		
57	XZ9-0593-000		1	CATCH, MAGNET		

FIGURE 357
ROTATION FRAME ASSEMBLY (DECURLER model)

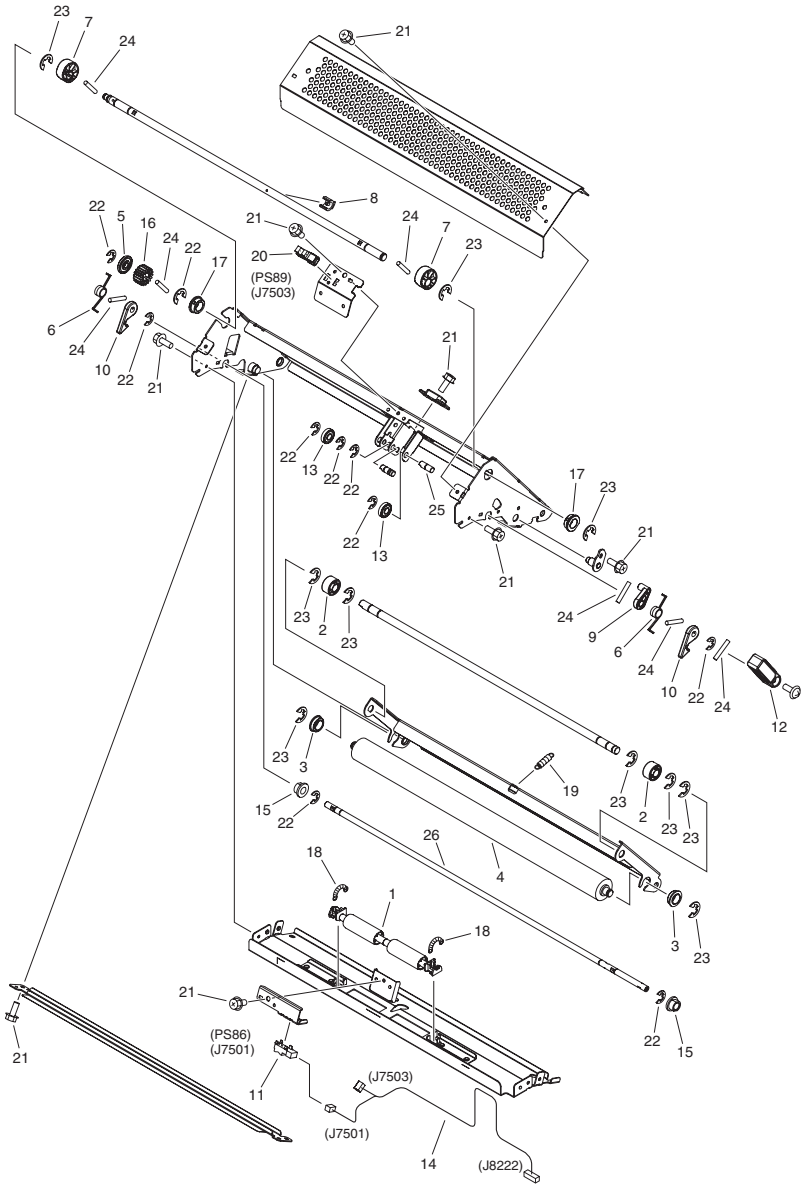
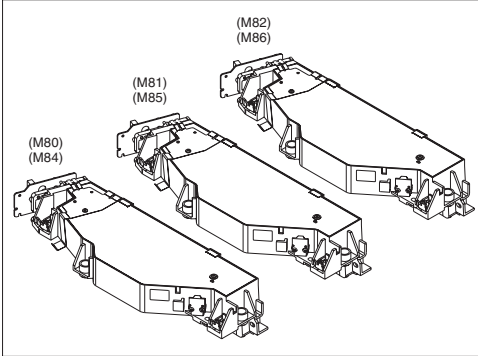


FIGURE & KEY NO.	PARTS NUMBER	R A N K	Q'TY	DESCRIPTION	SERIAL NUMBER/ REMARKS	S V C
Fig.357	NPN		RF	ROTATION FRAME ASSEMBLY	DECURLER model	
1	FM0-3008-010		1	DRIVEN ROLLER UNIT		
2	FC8-2606-000		2	ROLLER, SIDE END		
3	XG9-0709-000		2	BEARING, BALL, MF128ZZ-3		
4	FC8-8963-000		1	ROLLER, PAPER FEED		
5	FC8-8973-000		1	ROLLER, SIDE END		
6	FC8-8978-000		2	SPRING, TORSION		
7	FC8-8988-000		2	CAM, 2		
8	FC9-3922-000		1	FLAG, CAM SENSOR		
9	FC9-3952-000		1	LOCK, HOOK		
10	FC9-6203-000		2	HOOK		
11	FK2-8560-000		1	PHOTO-SENSOR, KUA0055C	PS86	
12	FL2-8738-010		1	KNOB, DECURLER		
13	FL2-8875-000		3	ROLLER, BACK-UP		
13	FL2-8875-000		3	ROLLER, BACK-UP		
14	FM4-1437-000		1	CABLE, SENSOR		
15	FU5-1453-000		2	BUSHING		
16	FU6-0029-000		1	GEAR, 18T		
17	XG9-0737-000		2	BUSHING		
18	FU7-2351-000		2	SPRING, TENSION		
19	FU8-2445-000		1	SPRING, TENSION		
20	WG8-5848-000		1	PHOTO-INTERRUPTER,GP1A173LCS0F	PS89	
21	XA9-1386-000		AR	SCREW,RS,M3X8		
22	XD9-0136-000		9	RING, E		
23	XD9-0137-010		AR	RING, E		
24	XD9-0289-000		7	PIN, PARALLEL		
25	FC9-6205-000		1	SHAFT, BACK UP		
25	FC9-6205-000		2	SHAFT, BACK UP		
26	FC8-8977-000		1	SHAFT, HOOK RELEASE		

FIGURE 460 LASER SCANNER ASSEMBLY

COLOR



BLACK

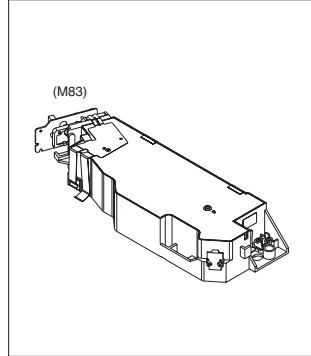
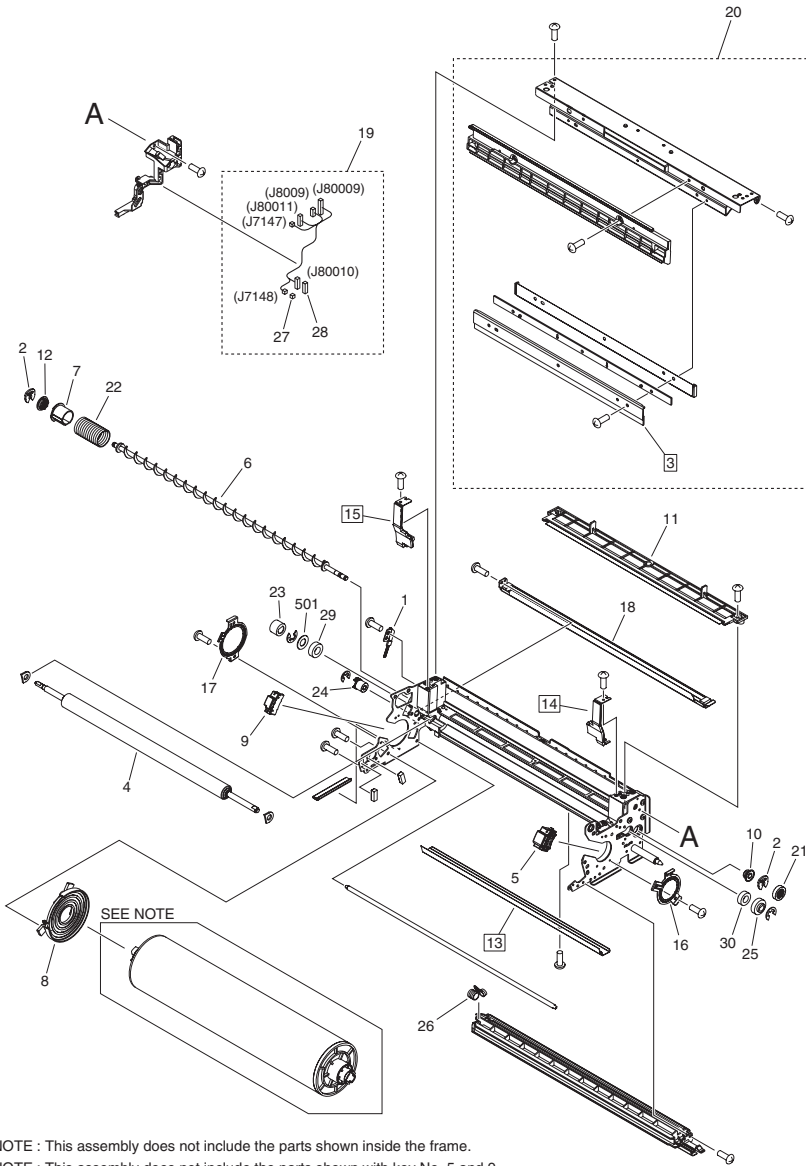


FIGURE & KEY NO.	PARTS NUMBER	RANK	Q'TY	DESCRIPTION	SERIAL NUMBER/REMARKS	SVC
Fig.460	FM3-5000-000		3	LASER SCANNER ASSEMBLY	COLOR M80,M81,M82,M84,M85, M86	
Fig.460	FM3-5001-000		1	LASER SCANNER ASSEMBLY	BLACK EXCEPT PRO SERIES M83	
Fig.460	FM3-5005-000		1	LASER SCANNER ASSEMBLY	BLACK PRO SERIES M83	

FIGURE 510 HOLDER UNIT, DRUM UNIT



NOTE : This assembly does not include the parts shown inside the frame.

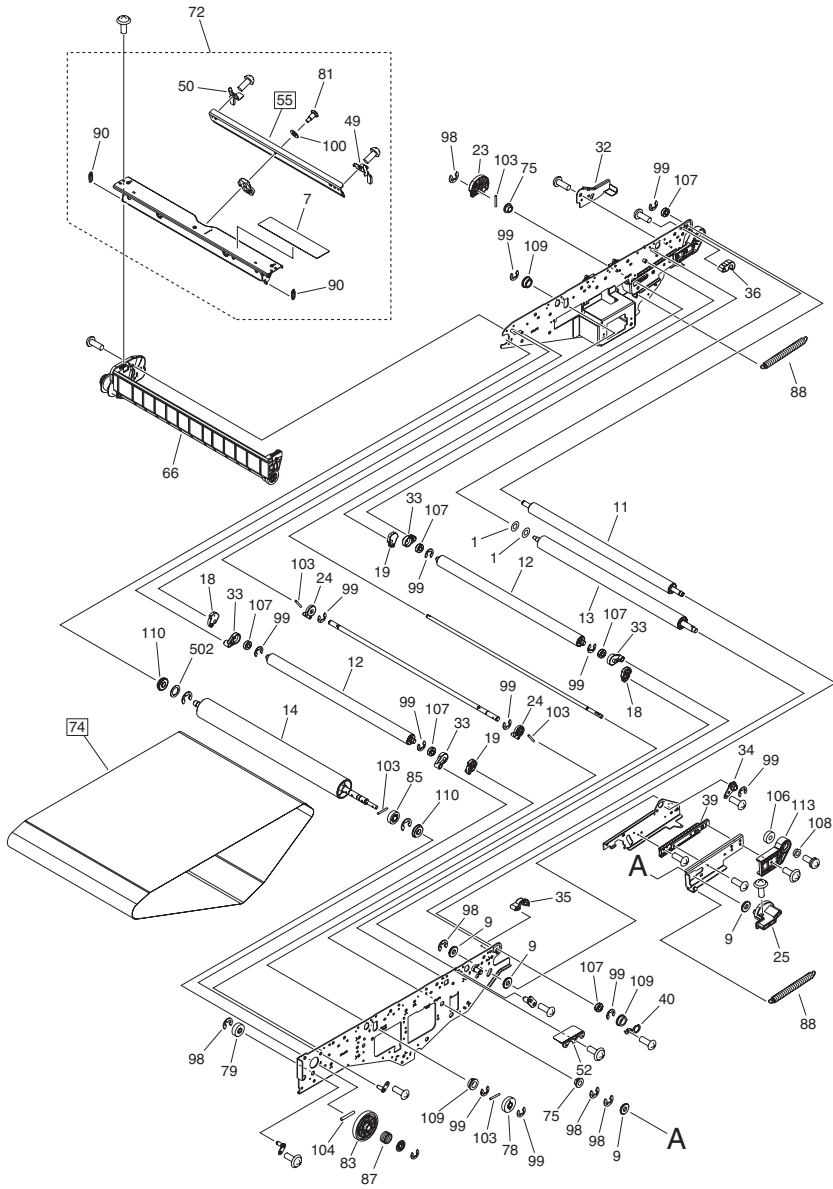
NOTE : This assembly does not include the parts shown with key No. 5 and 9.

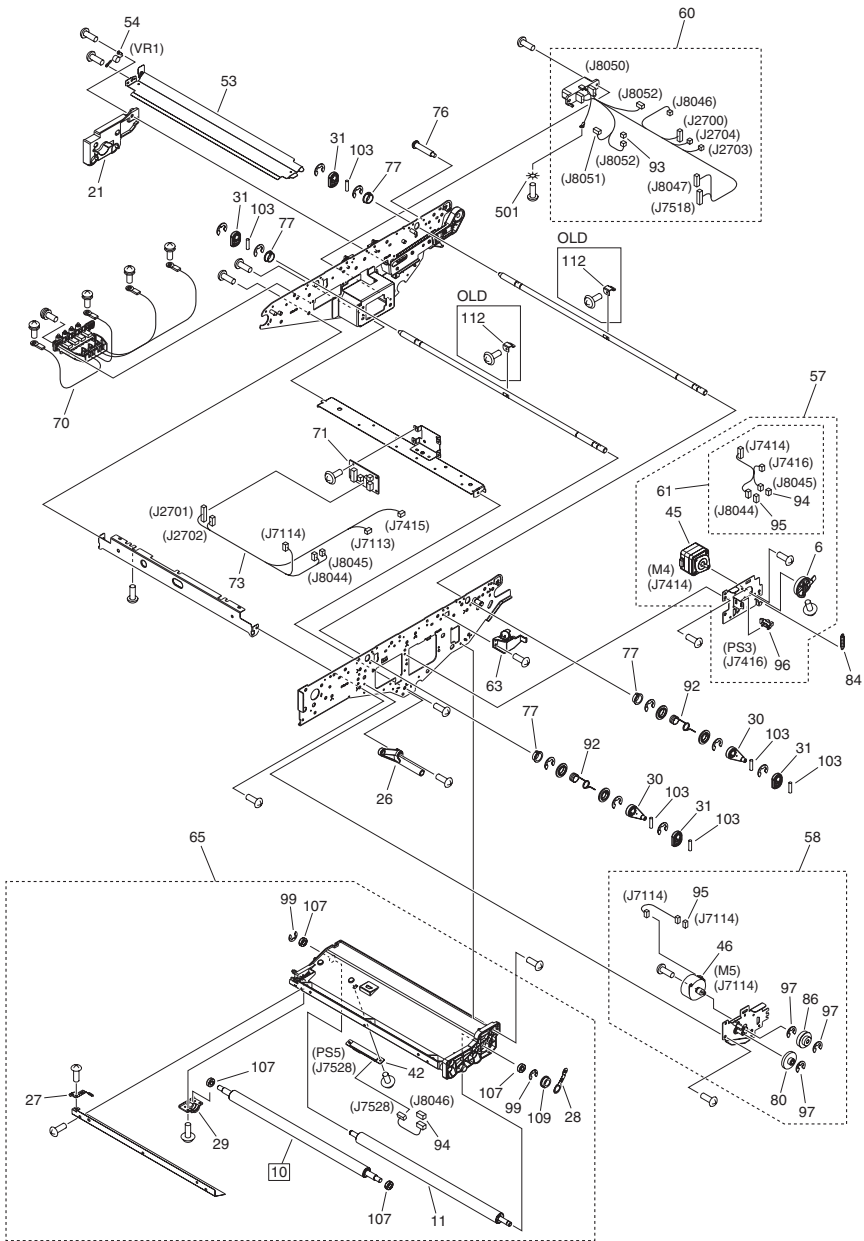
注：このユニットにこの部品は含まれません。

注：このユニットにKey No. 5, 9の部品は含まれません。

FIGURE & KEY NO.	PARTS NUMBER	R A N K	Q'TY	DESCRIPTION	SERIAL NUMBER/ REMARKS	S V C
Fig.510	FM0-4543-000		1	HOLDER UNIT, DRUM UNIT		
1	FC6-1035-000		1	BRUSH, STATIC CHARGE ELIMINATE		
2	FC6-3002-000		2	RING, RESIN, RETAINING		
3	FC8-2281-000		1	BLADE, CLEANER, BLACK	[DP]	
4	FC8-2285-000		1	BRUSH, CLEANING		
5	FC8-2315-000		1	SPACER, SLEEVE DRUM, FRONT	SEE NOTE	
6	FC8-2544-000		1	SCREW, CREAMING		
7	FC8-2545-000		1	SHUTTER, WASTE TONER		
8	FC8-2644-000		1	RING, SLIP		
9	FC9-0393-000		1	SPACER, SLEEVE DRUM, REAR	SEE NOTE	
10	FL2-0415-000		1	BUSHING		
11	FL2-2704-000		1	PLATE, PARTITION, CENTER		
12	FL2-8598-000		1	BUSHING		
13	FL2-8652-000		1	SHEET, SCRAPER	[DP]	
14	FL2-8653-000		1	SCRAPER, SIDE END, FRONT	[DP]	
15	FL2-8654-000		1	SCRAPER, SIDE END, REAR	[DP]	
16	FL2-8848-000		1	HOLDER, BEARING, F		
17	FL2-8849-000		1	HOLDER, BEARING, R		
18	FL2-8850-000		1	MOUNT, CLEANER TONER CATCH, LW.		
19	FM0-2115-000		1	CABLE, PROCESS UNIT		
20	FM3-4722-000		1	BLADE ASSEMBLY(BK)		
21	FU3-0317-000		1	GEAR, 21T		
22	FU7-2314-000		1	SPRING, COMPRESSION		
23	FU8-0037-000		1	GEAR, 18T		
24	FU8-0038-000		1	GEAR, 24T		
25	FU8-0052-000		1	GEAR, 19T		
26	FU9-2270-000		1	SPRING, GROUNDING		
27	VS1-7177-002		1	CONNECTOR, SNAP TIGHT, BK		
28	VS1-8412-007		1	CONNECTOR, SNAP TIGHT, BL		
29	XG9-0725-000		1	BEARING, BALL, MR126-2RS,		
30	XG9-0727-000		1	BEARING, BALL, 688-2RS,		
501	XD1-1106-235		1	WASHER, COP		

FIGURE 530
I.T.BELT ASSEMBLY





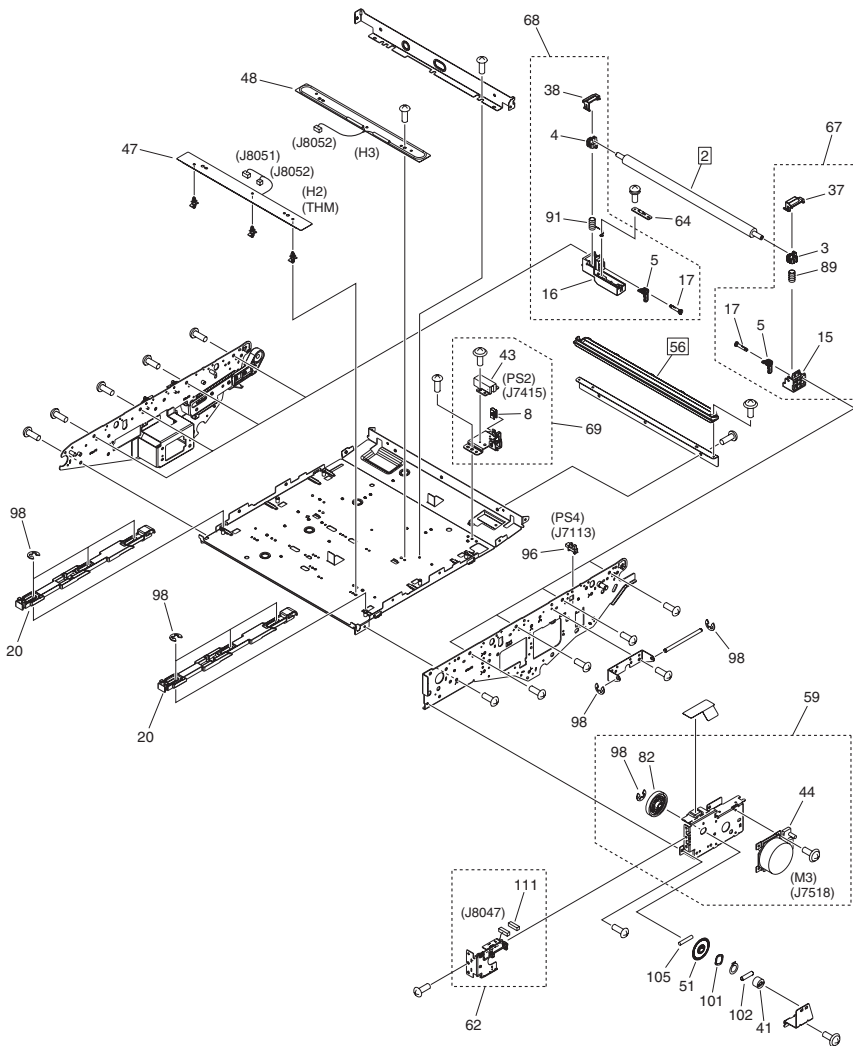


FIGURE & KEY NO.	PARTS NUMBER	RANK	Q'TY	DESCRIPTION	SERIAL NUMBER/REMARKS	SVC
Fig.530	NPN		RF	I.T.BELT ASSEMBLY		
1	FB2-6285-020		2	SHIM		
2	FC0-2331-000		4	ROLLER, TRANSFER, 1	[DP]	
3	FC0-2332-000		4	BUSHING		
4	FC0-2333-000		4	BUSHING		
5	FC0-4087-000		8	LEVER, PRESSURE RELEASE		
6	FC0-8168-000		1	CAM, STEERING		
7	FC0-8740-000		1	LABEL, I.T.B. OPERATOR PROCESS		
8	FC5-9144-000		1	PLATE, EDGE		
9	FC5-9151-000		4	COLLAR, SLIDE		
10	FC7-9325-000		1	ROLLER, TRANSFER, 2	[DP]	
11	FE4-0111-000		2	ROLLER, IDLER, A		
12	FE4-0112-000		2	ROLLER, IDLER, B		
13	FC8-1697-000		1	ROLLER, STEERING		
14	FC8-1698-000		1	ROLLER, DRIVE		
15	FC8-1701-010		4	HOLDER, ROLLER, FRONT		
16	FC8-1702-010		4	HOLDER, ROLLER, REAR		
17	FC8-1706-010		8	PIN, LEVER SUPPORT		
18	FC8-1711-010		2	CAM, DESORPTION, 1		
19	FC8-1712-010		2	CAM, DESORPTION, 2		
20	FC8-1713-000		2	LINK, DESORPTION		
21	FC8-1716-010		1	HOLDER, GUIDE		
23	FC8-1727-000		1	CAM, STOPPER		
24	FC8-1736-000		2	CAM, TRANSFER DESORPTION		
25	FC8-1755-000		1	CAM, STOPPER, FRONT		
26	FC8-1761-010		1	FOOT, SUPPORT		
27	FC8-1769-000		1	PLATE, TRANSFER GROUNDING, 1		
28	FC8-1771-000		1	PLATE, TRANSFER GROUNDING, 2		
29	FC8-1778-010		1	HOLDER, TRANSFER ROLLER		
30	FC8-1779-000		2	LEVER, LIFT UP		
31	FC8-1780-000		4	CAM, LIFT UP		
32	FC8-1791-000		1	SUPPORT, REAR		

FIGURE & KEY NO.	PARTS NUMBER	RANK	Q'TY	DESCRIPTION	SERIAL NUMBER/REMARKS	SVC
33	FC8-1792-010		4	HOLDER, ROLLER		
34	FC8-4623-000		1	BUSHING		
35	FC9-3787-010		1	HOLDER, ROLLER, FRONT		
36	FC9-3788-010		1	HOLDER, ROLLER, REAR		
37	FC9-3879-000		4	LID, HOLDER, FRONT		
38	FC9-3880-000		4	LID, HOLDER, REAR		
39	FC9-4063-000		1	RAIL, SLIDE		
40	FC9-4123-000		1	PLATE, ROLLER GROUNDING		
41	FC9-9380-000		1	LIMITTER, TORQUE		
42	FK2-0161-000		1	SENSOR UNIT, EE-SY133-P18	PS5	
43	FK2-7866-000		1	IC PHOTO-SENSOR, HYBRID	PS2	
44	FK3-4045-000		1	MOTOR, DC BRUSHLESS	M3	
45	FK3-2279-000		1	MOTOR, STEPPING, DC	M4	
46	FK3-2280-000		1	MOTOR, STEPPING, DC	M5	
47	FK3-2576-000		1	HEATER UNIT	H2 THM	
48	FK3-2577-000		1	HEATER UNIT	H3	
49	FL2-8595-000		1	SEAL, FRONT		
50	FL2-8596-000		1	SEAL, REAR		
51	FL2-8809-000		1	WHEEL, CORD, 2		
52	FL2-8871-000		1	CLAMP, BELT, 2		
53	FL2-8903-000		1	GUIDE,2ND TRNSFR.,FRONT UPPER		
54	FL3-2302-000		1	VARISTOR	VR1	
55	FL3-4920-000		1	PLATE, BLADE	[DP]	
56	FL3-9149-000		1	SCRAPER, BELT INTERNAL	[DP]	
57	FM0-0655-000		1	STEERING CAM DRIVE ASSEMBLY		
58	FM0-0656-000		1	DESORPTION DRIVE ASSEMBLY		
59	FM0-0657-000		1	I.T.BELT DRIVE ASSEMBLY		
60	FM0-2123-000		1	CABLE, I.T.B. MAIN		
61	FM0-2124-000		1	CABLE, STEERING		
62	FM0-2323-000		1	ENCODER UNIT		
63	FM0-3011-000		1	GUIDE UNIT		
64	FM2-7196-000		4	HVR PCB ASSEMBLY		

FIGURE & KEY NO.	PARTS NUMBER	R A N K	Q'TY	DESCRIPTION	SERIAL NUMBER/ REMARKS	S V C
65	FM3-4709-010		1	2ND TRNSFR. HOLDER ASSEMBLY		
66	FM3-4711-000		1	WASTE TONER FEED ASSEMBLY		
67	FM3-4898-000		4	HOLDER ASS'Y, FRONT		
68	FM3-4899-000		4	HOLDER ASS'Y, REAR		
69	FM3-4906-000		1	PHOTO SENSOR UNIT, EDGE		
70	FM3-4909-000		1	TRANSFER H.V. CABLE UNIT		
71	FM3-9597-000		1	I.T.BELT PCB ASSEMBLY		
72	FM3-9920-020		1	TRANSFER CLEANER ASSEMBLY		
73	FM4-1451-000		1	CABLE, I.T.BELT UNIT		
74	FM4-6624-000		1	BELT, INTER. TRANSFER	[DP]	
75	FS1-1569-000		2	BUSHING		
76	FS1-9255-020		1	SCREW, STEPPED, M4X26		
77	FS5-1474-000		4	BUSHING		
78	FS7-0564-000		1	GEAR, 34T		
79	FU5-0264-000		1	GEAR, 22T		
80	FU5-0390-000		1	GEAR, 65T/23T		
81	FU5-9331-000		1	SCREW, STEPPED, M4		
82	FU2-0589-000		1	GEAR, 22T/88T		
83	FU7-0996-000		1	GEAR, 88T		
84	FU7-2302-000		1	SPRING, TENSION		
85	FU8-0002-000		1	GEAR, 22T		
86	FU8-0095-000		1	GEAR, 58T/20T		
87	FU8-2366-000		1	SPRING, COMPRESSION		
88	FU8-2373-000		2	SPRING, TENSION		
89	FU8-2375-000		4	SPRING, PRESSURE		
90	FU8-2376-000		2	SPRING, PRESSURE		
91	FU8-2379-000		4	SPRING, COMPRESSION		
92	FU8-2380-000		2	SPRING, TORSION		
93	VS1-7177-002		1	CONNECTOR, SNAP TIGHT, BK		
94	VS1-7177-003		2	CONNECTOR, SNAP TIGHT, BK		
95	VS1-7177-004		2	CONNECTOR, SNAP TIGHT, BK		
96	WG8-5848-000		2	PHOTO-INTERRUPTER,GP1A173LCS0F	PS3,PS4	

FIGURE & KEY NO.	PARTS NUMBER	RANK	Q'TY	DESCRIPTION	SERIAL NUMBER/REMARKS	SVC
97	XD9-0135-000		3	RING, E		
98	XD9-0136-000		8	RING, E		
99	XD9-0137-010		AR	RING, E		
100	XD9-0160-000		1	WASHER,WAVE		
101	XD9-0252-000		1	WASHER,WAVE		
102	XD9-0287-000		1	PIN, DOWEL		
103	XD9-0291-000		AR	PIN, PARALLEL		
104	XD9-0303-000		1	PIN, DOWEL		
105	XD9-0305-000		1	PIN, PARALLEL		
106	XG9-0693-000		1	BEARING, BALL, 608ZZM3SMLY13		
107	XG9-0493-000		AR	BEARING, BALL, 688ZZ		
108	XG9-0709-000		1	BEARING, BALL, MF128ZZ-3		
109	XG9-0737-000		4	BUSHING		
110	XG9-0789-000		2	BEARING, BALL, 6900ZZ1NXRC3		
111	VS1-8412-007		1	CONNECTOR, SNAP TIGHT, BL		
112	FC9-4008-000		2	STOPPER	OLD TYPE	
113	FC8-1725-010		1	HOLDER, BUSHING, FRONT		
501	XD1-4200-402		1	WASHER, TOOTHED LOCK, M4		
502	XD1-1100-225		1	WASHER, COP		

FIGURE 531 TRANSFER PRESSURE ASS'Y, FRONT

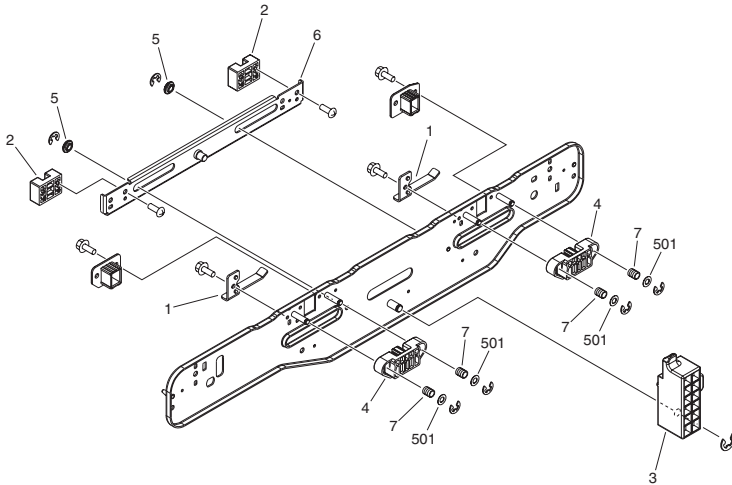


FIGURE & KEY NO.	PARTS NUMBER	RANK	QTY	DESCRIPTION	SERIAL NUMBER/REMARKS	SVC
Fig.531	NPN		RF	TRANSFER PRESSURE ASS'Y, FRONT		
1	FC0-8160-000		2	SPRING, LEAF		
2	FC8-1790-000		2	LINK, LIFT UP, 2		
3	FC8-1798-000		1	LEVER, OPERATOR		
4	FC9-0385-010		2	BLOCK, PRESSURE		
5	FC9-3827-000		2	ROLLER, SLIDE		
6	FL2-8710-000		1	LINK, LIFT UP, 1		
7	FU7-2381-000		4	SPRING, COMPRESSION		
501	XD1-1106-235		4	WASHER,COP		

FIGURE 532
PRE-TRANSFER CORONA ASSEMBLY

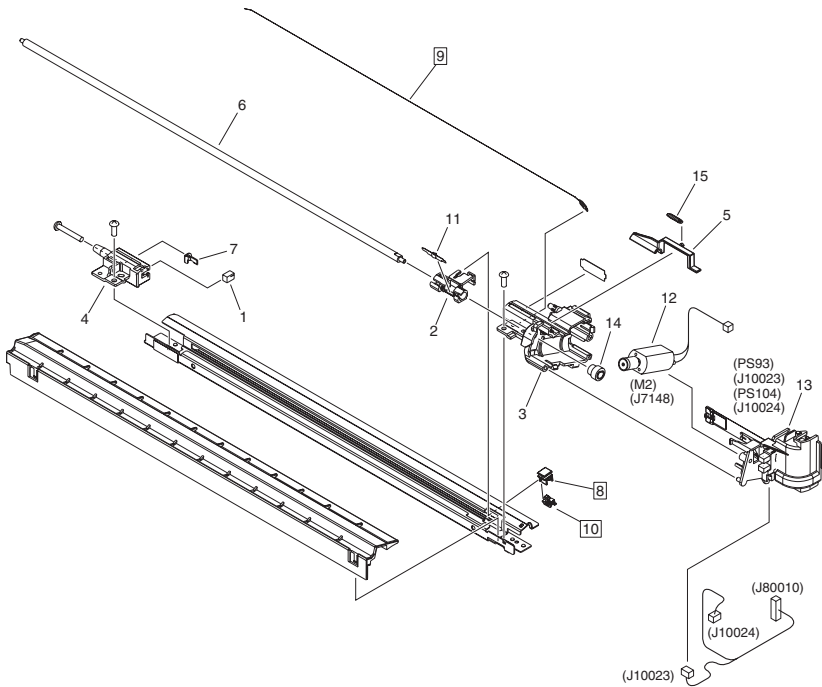


FIGURE & KEY NO.	PARTS NUMBER	R A N K	Q'TY	DESCRIPTION	SERIAL NUMBER/ REMARKS	S V C
Fig.532	FM0-0862-000		1	PRE-TRANSFER CORONA ASSEMBLY	[DP]	
1	FA4-1864-000		1	DAMPER		
2	FC0-8113-000		1	HOLDER, FELT		
3	FC0-8114-000		1	BLOCK, PRE-TRANSFER CORONA, FR		
4	FC0-8115-000		1	BLOCK, PRE-TRANSFER CORONA, RR		
5	FC0-8117-000		1	FLAG, HOME POSITION SENSING		
6	FC5-1810-000		1	SCREW, LEAD		
7	FC9-4111-000		1	TERMINAL, CORONA WIRE		
8	FL2-7750-010		1	SLIDER, PAD	[DP]	
9	FL2-8807-000		1	PRE-TRANSFER CORONA LINE ASS'Y	[DP]	
10	FL3-7560-000		1	HOLDER, WIRE CLEANING PAD	[DP]	
11	FL3-8790-000		1	SPRING, LEAF		
12	FM0-0759-000		1	CLEANING MOTOR UNIT	M2	
13	FM0-0863-000		1	SHUTTER BLOCK UNIT	PS93,PS104	
14	FU9-0835-000		1	GEAR, 16T		
15	FU9-2240-000		1	SPRING, TENSION		

FIGURE 550 PRIMARY CORONA ASSEMBLY

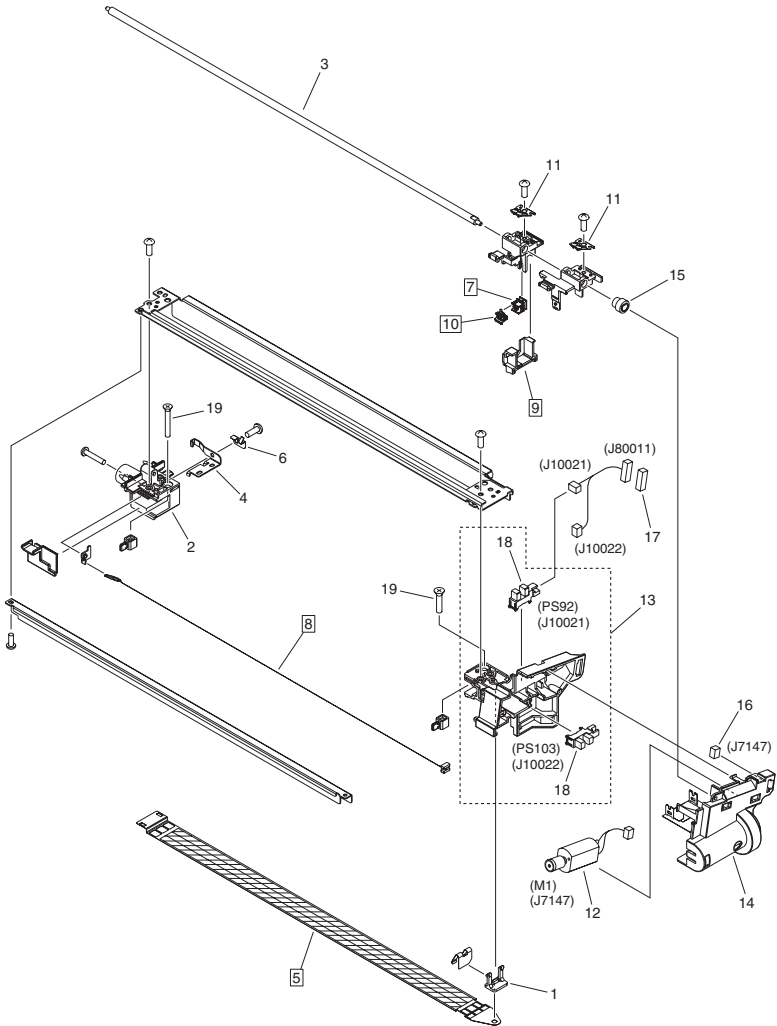


FIGURE & KEY NO.	PARTS NUMBER	R A N K	Q'TY	DESCRIPTION	SERIAL NUMBER/ REMARKS	S V C
Fig.550	FM0-0892-000		1	PRIMARY CORONA ASSEMBLY	[DP]	
1	FB2-2959-000		1	LEVER, GRID		
2	FC0-8130-010		1	BLOCK, PRIMARY CORONA, REAR		
3	FC5-1810-000		1	SCREW, LEAD		
4	FC6-1057-000		1	PLATE, POWER DISPATCHING		
5	FC8-2295-000		1	PLATE, ETCHING GRID	[DP]	
6	FC8-2296-000		1	PLATE, GROUNDING		
7	FL2-7750-010		1	SLIDER, PAD	[DP]	
8	FL2-8915-000		1	PRIMARY CORONA WIRE ASS'Y	[DP]	
9	FL3-4090-000		1	SLIDER, PAD	[DP]	
10	FL3-7560-000		1	HOLDER, WIRE CLEANING PAD	[DP]	
11	FL3-8789-000		2	PIN, SLIDER		
12	FM0-0759-000		1	CLEANING MOTOR UNIT	M1	
13	FM0-0893-000		1	BLOCK, PRIMARY CORONA, FRONT		
14	FM0-0894-000		1	MOTOR COVER UNIT		
15	FU9-0835-000		1	GEAR, 16T		
16	VS1-7177-002		1	CONNECTOR, SNAP TIGHT, BK		
17	VS1-8412-007		1	CONNECTOR, SNAP TIGHT, BL		
18	WG8-5848-000		2	PHOTO-INTERRUPTER,GP1A173LCS0F	PS92,PS103	
19	XA9-0228-000		2	SCREW, INSUL., C.S.HEAD		

FIGURE 580 SECONDARY TRANSFER ASSEMBLY

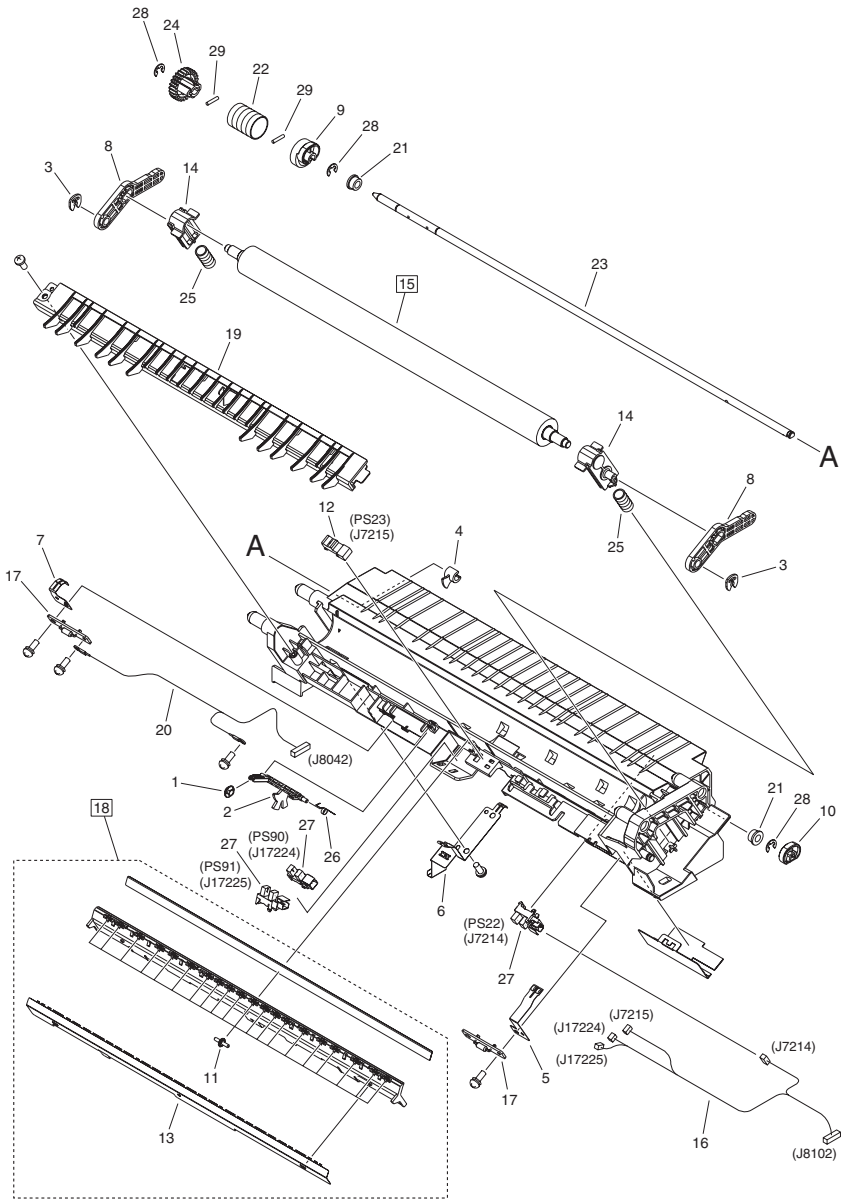
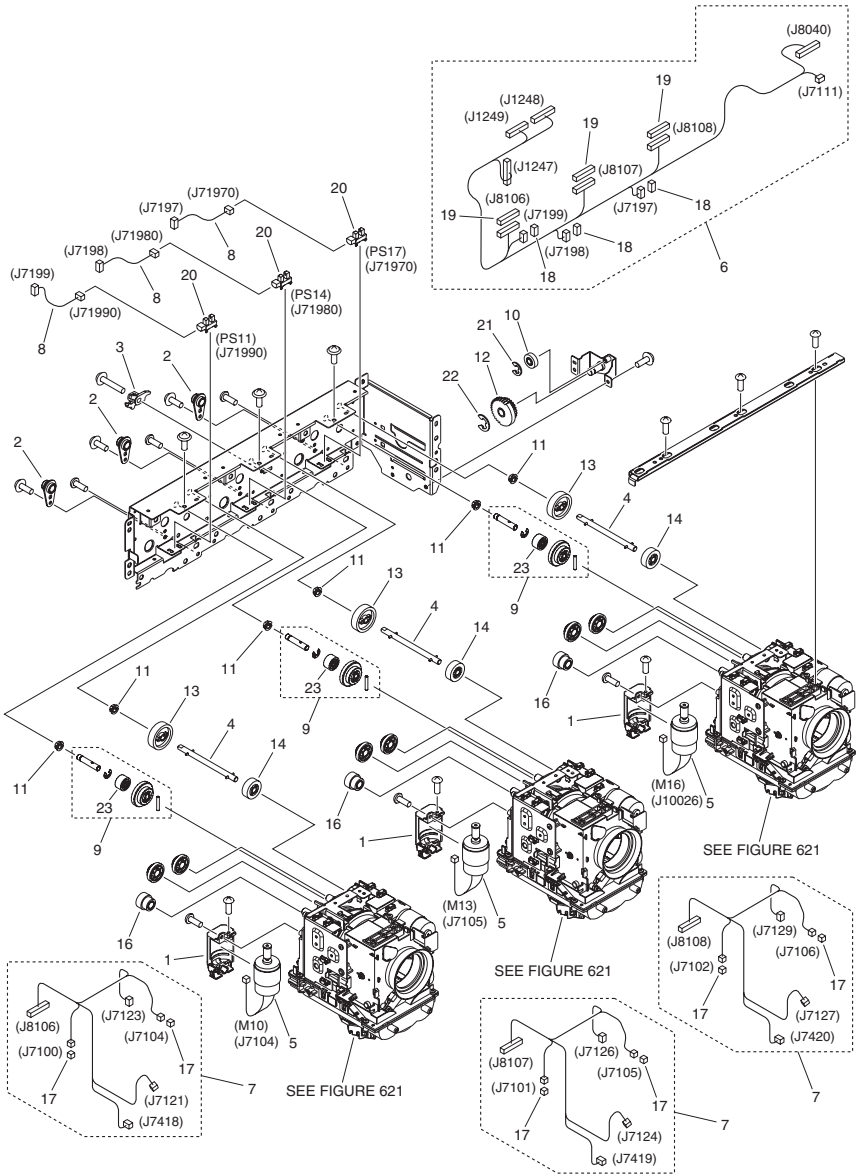


FIGURE & KEY NO.	PARTS NUMBER	RANK	Q'TY	DESCRIPTION	SERIAL NUMBER/REMARKS	SVC
Fig.580	FM0-0849-000		1	SECONDARY TRANSFER ASSEMBLY		
1	FB6-3150-000		1	ROLLER, TRANSFER SENSOR		
2	FC0-8778-000		1	FLAG, LOOP		
3	FC6-3002-000		2	RING, RESIN, RETAINING		
4	FC8-2627-000		1	FLAG, SENSOR		
5	FC8-2633-000		1	PLATE, POWER DISPATCHING		
6	FC8-2634-000		1	PLATE, GROUNDING		
7	FC8-2641-000		1	PLATE, STATIC CHARGE		
8	FC9-0252-010		2	ARM, SECONDARY TRANSFER		
9	FC9-3741-000		1	CAM, SWING, REAR		
10	FC9-4030-000		1	CAM, SWING, FRONT		
11	FC9-4121-000		20	ROWEL		
12	FK2-8560-000		1	PHOTO-SENSOR, KUA0095C	PS23	
13	FL2-8872-000		1	ELIMINATOR, STATIC CHARGE		
14	FL3-6675-000		2	HOLDER, 2ND TRNSFR. ROLLER		
15	FL3-8693-000		1	ROLLER, 2ND TRNSFR. OUTER	[DP]	
16	FM0-2106-000		1	CABLE, 2ND TRNSFR. H.V.		
17	FM2-7196-000		2	HVR PCB ASSEMBLY		
18	FM3-9841-000		1	SECONDARY TRANSFER ELIM. ASS'Y	[DP]	
19	FM3-9842-010		1	OUTLET GUIDE RIB UNIT		
20	FM4-1315-000		1	CABLE, SECONDARY H.V. RESISTOR		
21	FS1-1508-000		2	BUSHING		
22	FS4-2136-000		1	SPRING, COMPRESSION		
23	FU6-5909-010		1	SHAFT, CAM		
24	FU8-0024-000		1	GEAR, 25T		
25	FU8-2371-000		2	SPRING, COMPRESSION		
26	FU9-2269-000		1	SPRING, TORSION		
27	WG8-5783-000		3	IC.PHOTO-INTERRUPTER,LG248NL1A	PS22,PS90,PS91	
28	XD9-0136-000		3	RING, E		
29	XD9-0288-000		2	PIN, DOWEL		

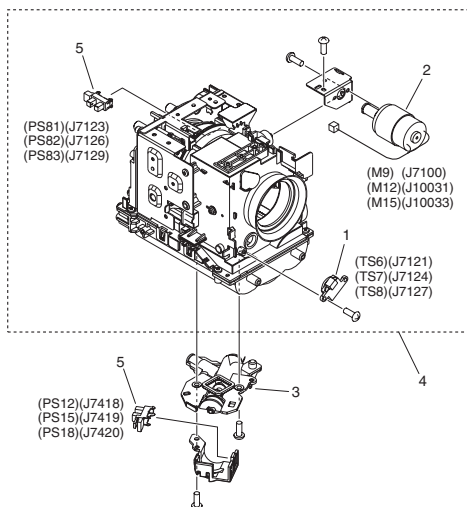
FIGURE 620 HOPPER MOUNT ASSEMBLY, COLOR



NOTE : This assembly includes the assembly shown in Figure 621.
 注 : このユニットはFigure 621のユニットを含みます。

FIGURE & KEY NO.	PARTS NUMBER	R A N K	Q'TY	DESCRIPTION	SERIAL NUMBER/ REMARKS	S V C
Fig.620	FM0-0884-010		1	HOPPER MOUNT ASSEMBLY, COLOR	SEE NOTE	
1	FC0-8244-000		3	COVER, MOTOR		
2	FC8-4623-000		3	BUSHING		
3	FC9-5461-000		1	ARM, ROLLER ESTRANGEMENT, REAR		
4	FL3-8781-000		3	SHAFT, TRANSMISSION		
5	FM0-0756-000		3	HOPPER MOTOR UNIT	M10,M13,M16	
6	FM0-2118-000		1	CABLE, HOPPER MAIN		
7	FM0-2120-010		3	CABLE, HOPPER UNIT, COLOR		
8	FM0-2121-000		3	CABLE, SENSOR CONNECTING		
9	FM0-2702-010		3	ONE-WAY SHAFT UNIT		
10	FU3-0314-000		1	GEAR, 15T		
11	FU5-1451-000		6	BUSHING		
12	FU9-0056-000		1	GEAR, 24T/16T		
13	FU9-0839-000		3	GEAR, 37T		
14	FU9-0880-000		3	GEAR, 16T		
16	FU9-0885-000		3	GEAR, 28T/16T		
17	VS1-7177-002		6	CONNECTOR, SNAP TIGHT, BK		
18	VS1-7177-004		3	CONNECTOR, SNAP TIGHT, BK		
19	VS1-8412-013		3	CONNECTOR, SNAP TIGHT, BL		
20	WG8-5848-000		3	PHOTO-INTERRUPTER,GP1A173LCS0F	PS11,PS14,PS17	
21	XD9-0134-000		1	RING, E		
22	XD9-0137-010		1	RING, E		
23	FL3-8703-000		3	GEAR, 18T		

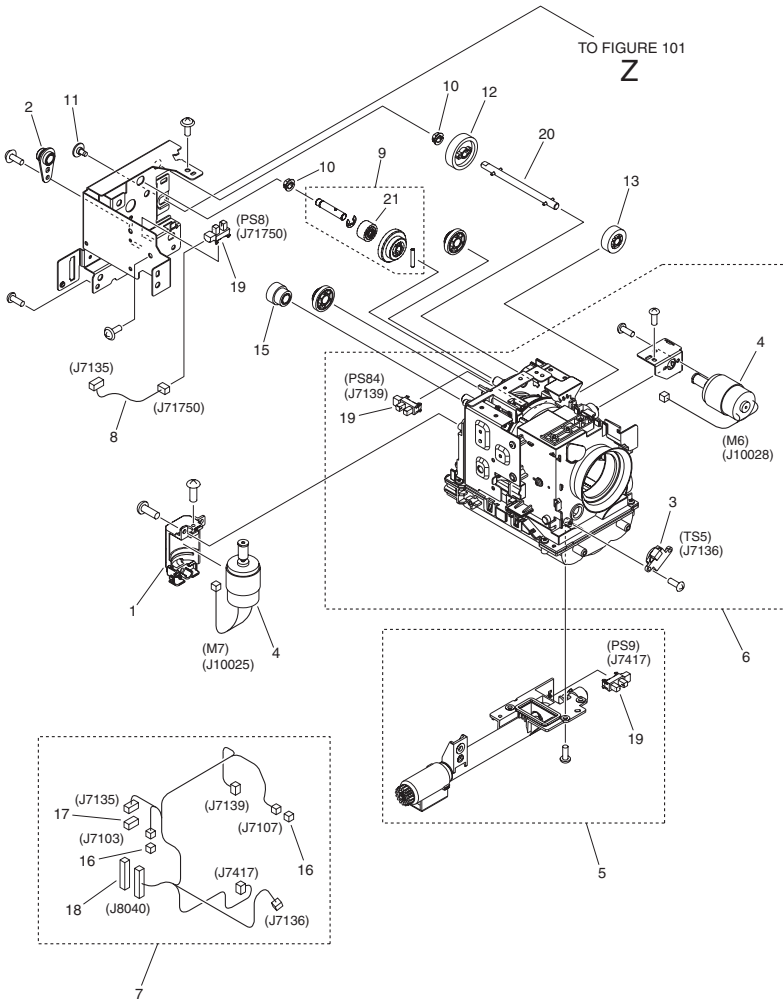
FIGURE 621 HOPPER ASSEMBLY, COLOR



NOTE : This assembly is included in the assembly shown in Figure 620.
注 : このユニットはFigure 620のユニットに含まれます。

FIGURE & KEY NO.	PARTS NUMBER	R A N K	Q'TY	DESCRIPTION	SERIAL NUMBER/REMARKS	S V C
Fig.621	FM0-1822-000		3	HOPPER ASSEMBLY, COLOR	SEE NOTE	
1	FK2-0590-000		1	TONER SENSOR UNIT	TS6,TS7,TS8	
2	FM0-0756-000		1	HOPPER MOTOR UNIT	M9,M12,M15	
3	FM0-0888-000		1	SUPPLY PIPE ASSEMBLY, COLOR		
4	FM0-1818-000		1	HOPPER ASSEMBLY		
5	WG8-5848-000		2	PHOTO-INTERRUPTER,GP1A173LCS0F	PS12,PS15,PS18,PS81,PS82,PS83	

FIGURE 622 HOPPER ASSEMBLY, BLACK



NOTE : This assembly does not include the part shown with key No. 11.
 注：このユニットにKey No. 11の部品は含まれません。

FIGURE & KEY NO.	PARTS NUMBER	R A N K	Q'TY	DESCRIPTION	SERIAL NUMBER/ REMARKS	S V C
Fig.622	FM0-0855-010		1	HOPPER ASSEMBLY, BLACK		
1	FC0-8244-000		1	COVER, MOTOR		
2	FC8-4623-000		1	BUSHING		
3	FK2-0590-000		1	TONER SENSOR UNIT	TS5	
4	FM0-0756-000		2	HOPPER MOTOR UNIT	M6,M7	
5	FM0-0860-000		1	SUPPLY PIPE ASSEMBLY, BLACK		
6	FM0-1818-000		1	HOPPER ASSEMBLY		
7	FM0-2119-000		1	CABLE, HOPPER UNIT, BLACK		
8	FM0-2121-000		1	CABLE, SENSOR CONNECTING		
9	FM0-2702-010		1	ONE-WAY SHAFT UNIT		
10	FU5-1451-000		2	BUSHING		
11	FS2-9012-000		1	SCREW, STEPPED, M2.2	SEE NOTE	
12	FU9-0839-000		1	GEAR, 37T		
13	FU9-0880-000		1	GEAR, 16T		
15	FU9-0885-000		1	GEAR, 28T/16T		
16	VS1-7177-002		2	CONNECTOR, SNAP TIGHT, BK		
17	VS1-7177-004		1	CONNECTOR, SNAP TIGHT, BK		
18	VS1-8412-017		1	CONNECTOR, SNAP TIGHT, BL		
19	WG8-5848-000		3	PHOTO-INTERRUPTER, GP1A173LCS0F	PS8,PS9,PS84	
20	FL3-8781-000		1	SHAFT, TRANSMISSION		
21	FL3-8703-000		1	GEAR, 18T		

FIGURE 623 BOTTLE TRAY ASSEMBLY, COLOR

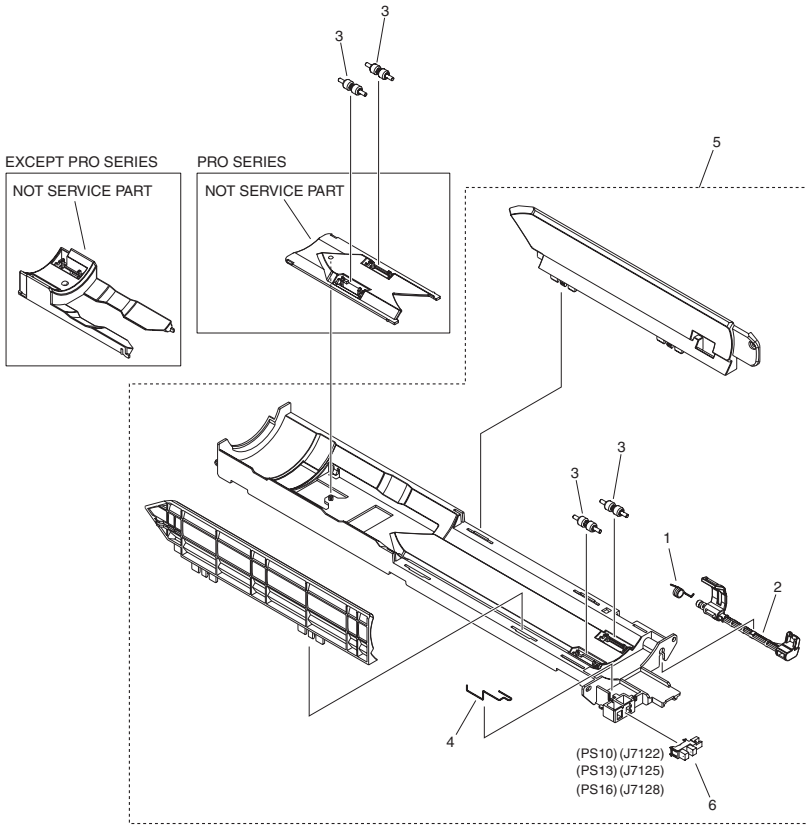


FIGURE & KEY NO.	PARTS NUMBER	RANK	Q'TY	DESCRIPTION	SERIAL NUMBER/REMARKS	SVC
Fig.623	NPN		RF	BOTTLE TRAY ASSEMBLY, COLOR		
1	FC0-1512-000		3	SPRING, TORSION		
2	FC0-8240-000		3	LEVER, BOTTLE DETECT		
3	FC8-4649-000		12	ROLLER, BOTTLE TRAY		
4	FC9-3752-000		3	SPRING, STATIC CHARGE		
5	FM3-4801-010		3	BOTTLE TRAY ASSEMBLY, COLOR		
6	WG8-5848-000		3	PHOTO-INTERRUPTER,GP1A173LCS0F	PS10,PS13,PS16	

FIGURE 624 BOTTLE TRAY ASSEMBLY, BLACK

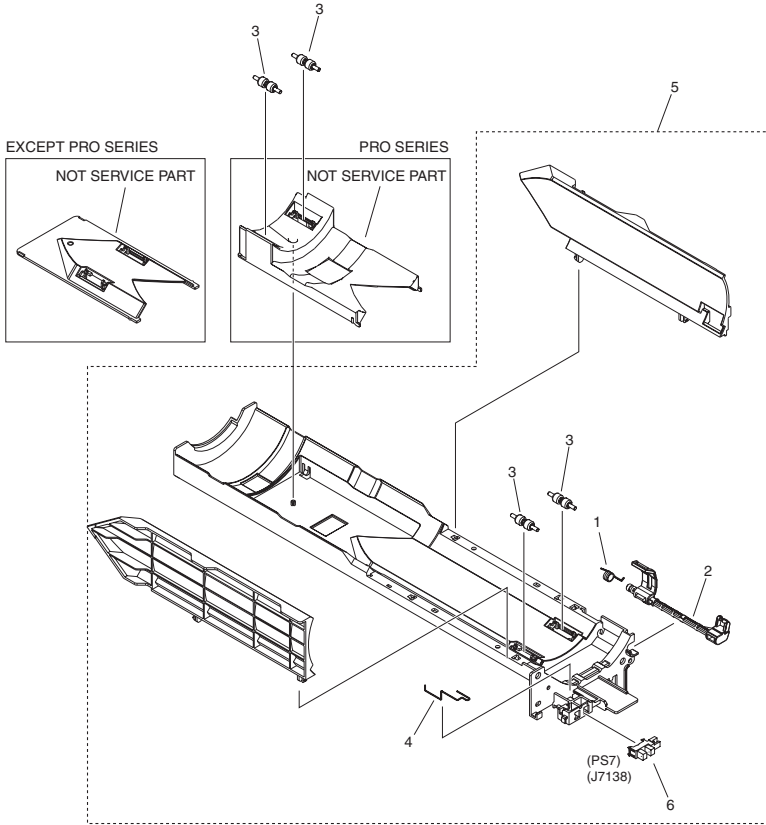


FIGURE & KEY NO.	PARTS NUMBER	RANK	Q'TY	DESCRIPTION	SERIAL NUMBER/REMARKS	SVC
Fig.624	NPN		RF	BOTTLE TRAY ASSEMBLY, BLACK		
1	FC0-1512-000		1	SPRING, TORSION		
2	FC0-8240-000		1	LEVER, BOTTLE DETECT		
3	FC8-4649-000		4	ROLLER, BOTTLE TRAY		
4	FC9-3752-000		1	SPRING, STATIC CHARGE		
5	FM3-4800-010		1	BOTTLE TRAY ASSEMBLY, BLACK		
6	WG8-5848-000		1	PHOTO-INTERRUPTER,GP1A173LCS0F	PS7	

FIGURE 625 BOTTLE EXCHANGE COVER ASSEMBLY

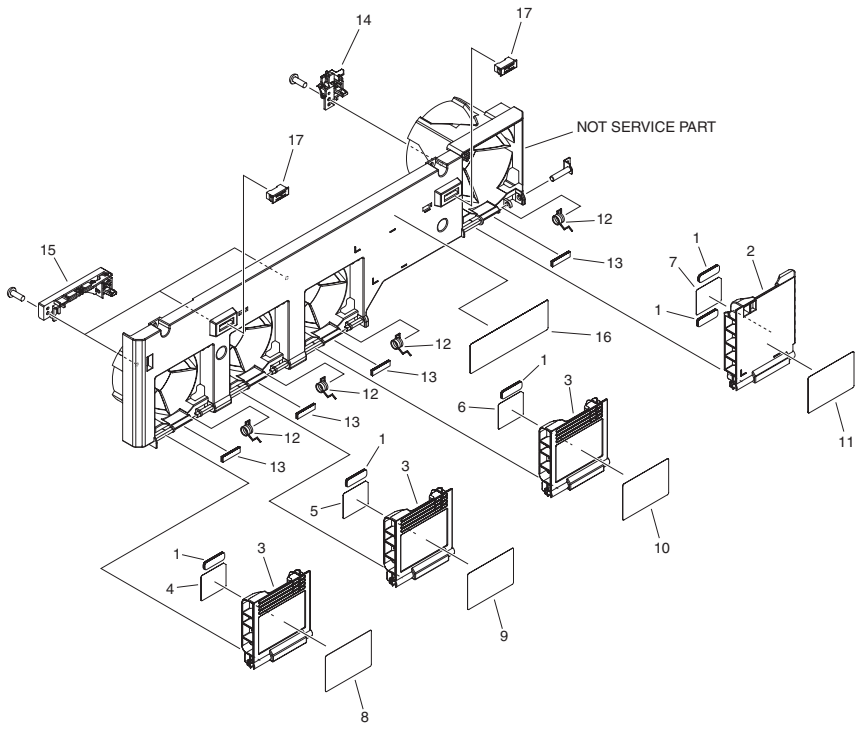


FIGURE & KEY NO.	PARTS NUMBER	RANK	Q'TY	DESCRIPTION	SERIAL NUMBER/REMARKS	SVC
Fig.625	NPN		RF	BOTTLE EXCHANGE COVER ASSEMBLY		
1	FC0-0793-000		5	SHEET, INNER DOOR		
2	FC8-2525-010		1	DOOR, BOTTLE EXCHANGE INNER, B		
3	FC8-4662-010		3	DOOR, BOTTLE EXCHANGE INNER		
4	FC8-4663-000		1	LABEL, COLOR, YELLOW		
5	FC8-4664-000		1	LABEL, COLOR, MAGENTA		
6	FC8-4665-000		1	LABEL, COLOR, CYAN		
7	FC8-4666-000		1	LABEL, COLOR, BLACK		
8	FC8-4667-000		1	LABEL, OPERATOR, YELLOW	EXCEPT PRO SERIES	
8	FU7-8274-000		1	LABEL, OPERATOR, YELLOW	PRO SERIES	
9	FC8-4668-000		1	LABEL, OPERATOR, MAGENTA	EXCEPT PRO SERIES	
9	FU7-8275-000		1	LABEL, OPERATOR, MAGENTA	PRO SERIES	
10	FC8-4669-000		1	LABEL, OPERATOR, CYAN	EXCEPT PRO SERIES	
10	FU7-8276-000		1	LABEL, OPERATOR, CYAN	PRO SERIES	
11	FC8-4670-000		1	LABEL, OPERATOR, BLACK	EXCEPT PRO SERIES	
11	FU7-8277-000		1	LABEL, OPERATOR, BLACK	PRO SERIES	
12	FC8-4687-000		4	SPRING, TORSION		
13	FC9-3751-000		4	SEAL, COVER		
14	FM3-9898-000		1	LATCH HOLDER ASSEMBLY, BLACK		
15	FM3-9980-010		3	LATCH HOLDER ASSEMBLY, COLOR		
16	FS5-8623-000		1	LABEL, WARNING LESER		
17	XZ9-0603-000		2	CATCH, MAGNET		

FIGURE 640 DEVELOPING ASSEMBLY

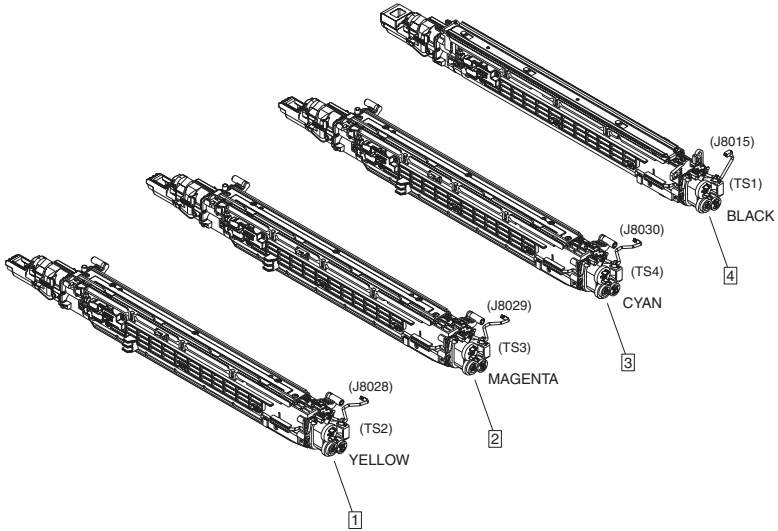


FIGURE & KEY NO.	PARTS NUMBER	RANK	Q'TY	DESCRIPTION	SERIAL NUMBER/REMARKS	SVC
Fig.640	NPN		RF	DEVELOPING ASSEMBLY		
1	FM0-2706-000		1	DEVELOPING ASSEMBLY, Y	TS2 [DP]	
2	FM0-2707-000		1	DEVELOPING ASSEMBLY, M	TS3 [DP]	
3	FM0-2708-000		1	DEVELOPING ASSEMBLY, C	TS4 [DP]	
4	FM0-2709-000		1	DEVELOPING ASSEMBLY, BK	TS1 [DP]	

FIGURE 770 WASTE TONER FEEDER ASSEMBLY

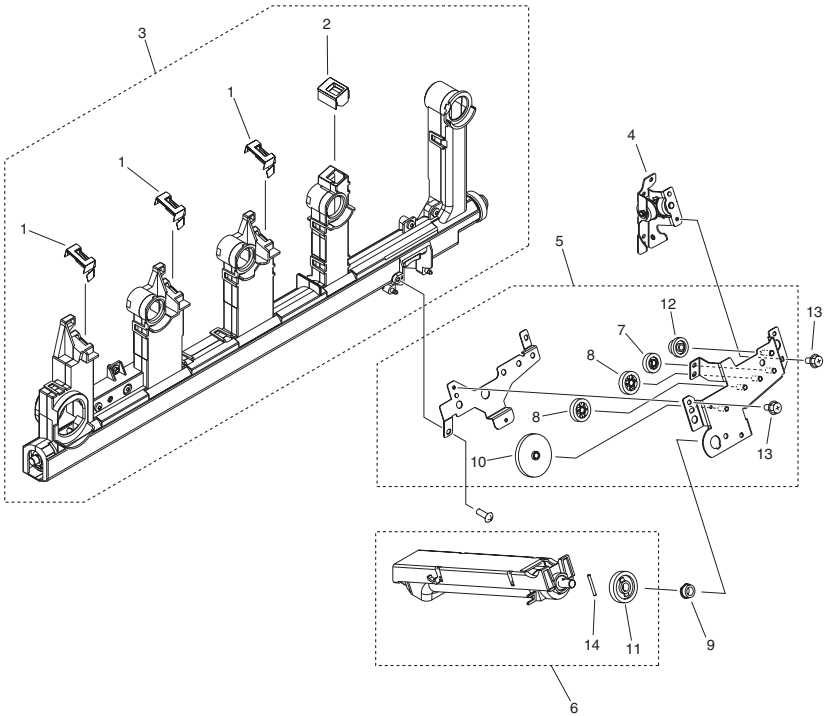


FIGURE & KEY NO.	PARTS NUMBER	R A N K	Q'TY	DESCRIPTION	SERIAL NUMBER/ REMARKS	S V C
Fig.770	NPN		RF	WASTE TONER FEEDER ASSEMBLY		
1	FC9-3659-000		3	SEAL, COLOR		
2	FC9-3660-000		1	SEAL, BLACK		
3	FM3-4751-010		1	WASTE TONER FIRST FEED ASS'Y		
4	FM3-4922-000		1	WASTE TONER FEED GEAR ASS'Y, 1		
5	FM3-4928-000		1	WASTE TONER FEED GEAR ASS'Y, 2		
6	FM3-4929-010		1	WASTE TONER SECOND FEED ASS'Y		
7	FU6-0092-000		1	GEAR, 21T		
8	FU6-0098-000		2	GEAR, 25T		
9	FU6-1184-000		1	BUSHING		
10	FU7-0313-000		1	GEAR, 49T		
11	FU8-0069-000		1	GEAR, 35T		
12	FU9-0055-000		1	GEAR, 14T/21T		
13	XA9-1386-000		2	SCREW,RS,M3X8		
14	XD9-0286-000		1	PIN, PARALLEL		

FIGURE 771 WASTE TONER BOTTLE CASE ASS'Y

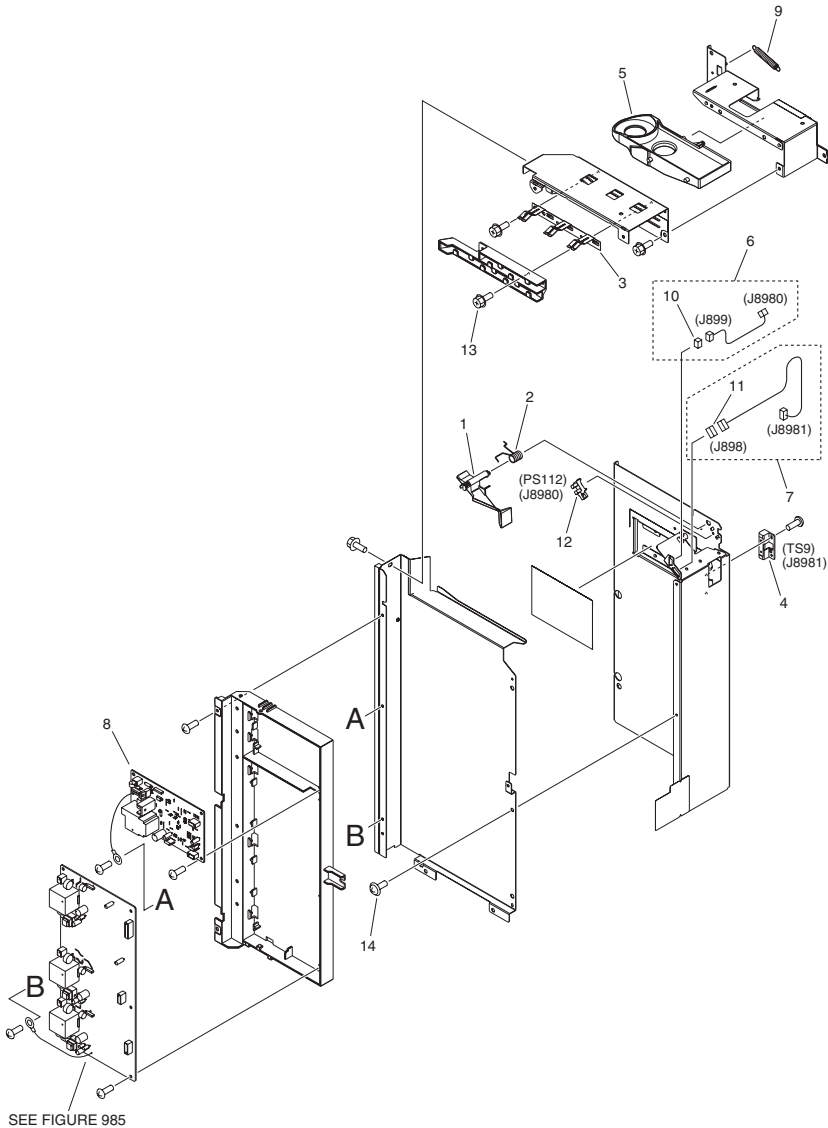


FIGURE & KEY NO.	PARTS NUMBER	R A N K	Q'TY	DESCRIPTION	SERIAL NUMBER/ REMARKS	S V C
Fig.771	NPN		RF	WASTE TONER BOTTLE CASE ASS'Y		
1	FC0-8158-000		1	LEVER, SENSING		
2	FC0-8159-000		1	SPRING, TORSION		
3	FC9-9342-000		1	PLATE, GROUNDING		
4	FK2-0003-00U		1	RECONDITIONED PHOTO SENSOR	TS9	
5	FL3-4921-000		1	CAP, BOTTLE		
6	FM0-0831-000		1	CABLE, BOTTLE SENSING		
7	FM0-2069-000		1	CABLE, WASTE TONER		
8	FM3-9587-000		1	1ST CORONA H.V. PCB ASS'Y, 1		
9	FU9-2276-000		1	SPRING, TENSION		
10	VS1-7177-003		1	CONNECTOR, SNAP TIGHT, BK		
11	VS1-7177-004		1	CONNECTOR, SNAP TIGHT, BK		
12	WG8-5848-000		1	PHOTO-INTERRUPTER,GP1A173LCS0F	PS112	
13	XA9-1386-000		2	SCREW,RS,M3X8		
14	XA9-1503-000		3	SCREW, TAP, M3X6		

FIGURE 772 BOTTLE, WASTE TONER

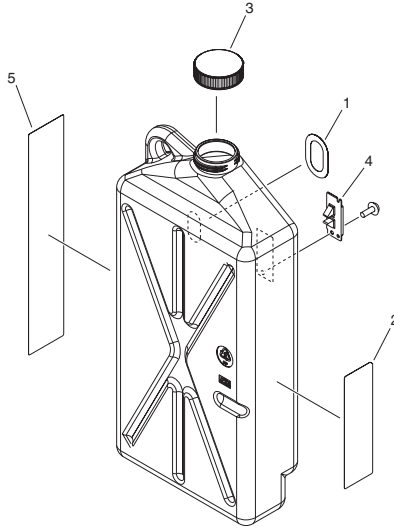


FIGURE & KEY NO.	PARTS NUMBER	RANK	Q'TY	DESCRIPTION	SERIAL NUMBER/REMARKS	SVC
Fig.772	FM0-4545-000		1	BOTTLE, WASTE TONER	[DP]	
1	FC6-1384-000		1	SHEET, BOTTLE WINDOW		
2	FC9-7131-000		1	LABEL, CAUTION		
3	FL3-9150-000		1	CAP, WASTE TONER		
4	FL3-7570-000		1	PRISM		
5	FU8-8005-000		1	LABEL, WASTE TONER		

FIGURE 810 FIXING ASSEMBLY

NOTE : Pay attention to voltage difference.
注：電圧の違いに注意して下さい。

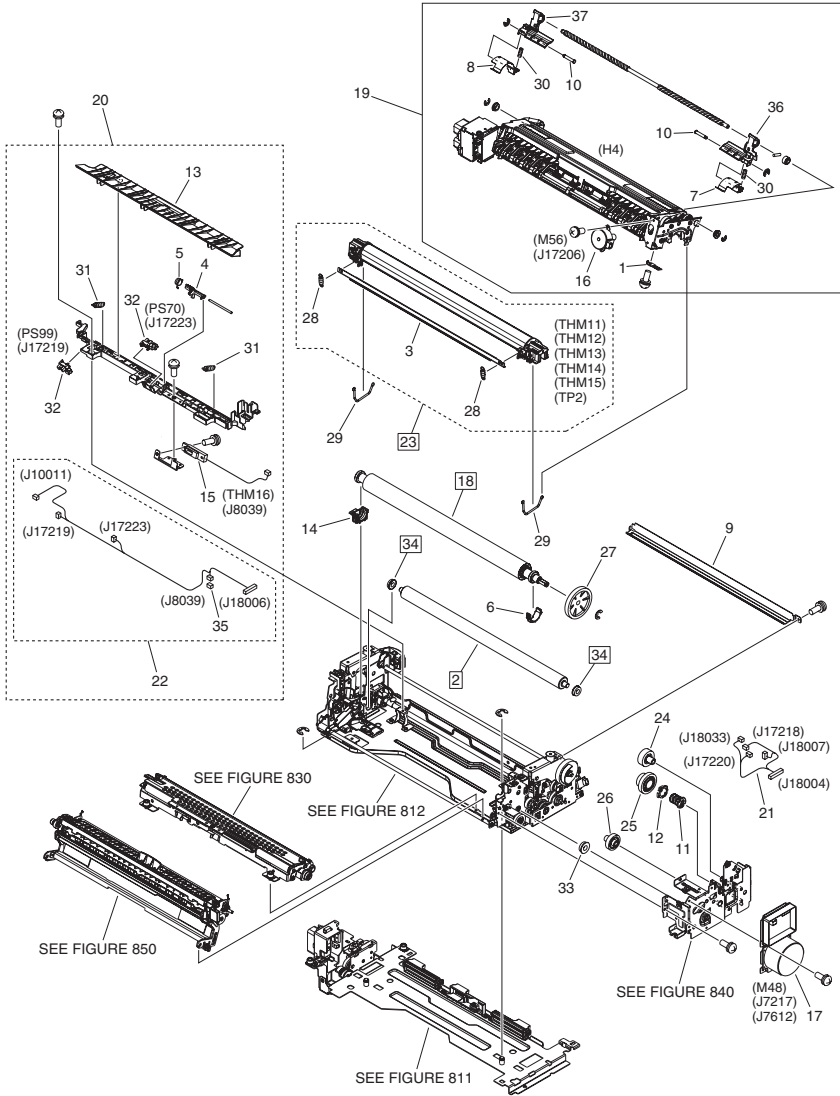


FIGURE & KEY NO.	PARTS NUMBER	R A N K	Q'TY	DESCRIPTION	SERIAL NUMBER/ REMARKS	S V C
Fig.810	NPN		RF	FIXING ASSEMBLY		
1	FB5-9104-010		1	ELIMINATOR, STATIC CHARGE		
2	FC0-7967-000		1	ROLLER, HEAT	[DP]	
3	FC0-7970-000		1	PLATE, SEPARATION		
4	FC0-7993-000		1	FLAG, SENSOR		
5	FC0-7994-000		1	SPRING, TORSION		
6	FC0-7998-000		1	HOUSING, BEARING		
7	FC0-8092-000		1	PLATE, MOVE, FRONT		
8	FC0-8093-000		1	PLATE, MOVE, REAR		
9	FC0-8097-000		1	PLATE, PROTECTIVE		
10	FC0-8101-000		2	SHAFT		
11	FC0-8103-000		1	HOLDER, GEAR		
12	FC0-8104-000		1	SPRING, LEAF, GEAR		
13	FC0-9126-000		1	GUIDE, ENTRANCE		
14	FC0-9148-000		1	HOUSING, BEARING		
15	FH7-7586-020		1	THERMISTOR UNIT	THM16	
16	FK3-2288-000		1	MOTOR, STEPPING, DC	M56	
17	FK3-2315-000		1	MOTOR, DC BRUSHLESS	M48	
18	FM0-0387-000		1	PRESSURE ROLLER UNIT	[DP]	
19	FM0-1298-000		1	HEATER UNIT, 100V/120V	Pay attention to voltage difference. 120V H4	
19	FM0-1299-000		1	HEATER UNIT, 200V/208V/230V	Pay attention to voltage difference. 208V, 230V H4	
20	FM0-1303-000		1	ENTRANCE GUIDE ASSEMBLY		
21	FM0-2141-000		1	CABLE, FIXING UNIT, UPPER		
22	FM0-2143-000		1	CABLE, FIXING UNIT, LOWER		
23	FM0-0413-000		1	FIXING FILM UNIT	THM11, THM12, THM13, THM14, THM15, TP2 [DP]	
24	FU9-0905-000		1	GEAR, 27T		
25	FU9-0831-000		1	GEAR, 35T/22T		
26	FU9-0832-000		1	GEAR, 26T		
27	FU9-0897-000		1	GEAR, 41T		
28	FU9-2230-000		2	SPRING, TENSION		

FIGURE & KEY NO.	PARTS NUMBER	RANK	Q'TY	DESCRIPTION	SERIAL NUMBER/REMARKS	SVC
29	FU9-2233-000		2	SPRING, TENSION		
30	FU9-2234-000		2	SPRING, COMPRESSION		
31	FU9-2310-000		2	SPRING, TENSION		
32	WG8-5783-000		2	IC,PHOTO-INTERRUPTER,LG248NL1A	PS70,PS99	
33	XG9-0809-000		1	BEARING, BALL, LF1260ZZRPO		
34	XG9-0810-000		2	BEARING, BALL, LNR-1680KKR	[DP]	
35	VS1-7177-003		1	CONNECTOR, SNAP TIGHT, BK		
36	FC0-8090-000		1	SUPPORT, FRONT		
37	FC0-8091-000		1	SUPPORT, REAR		

FIGURE 811 FIXING BASE ASSEMBLY

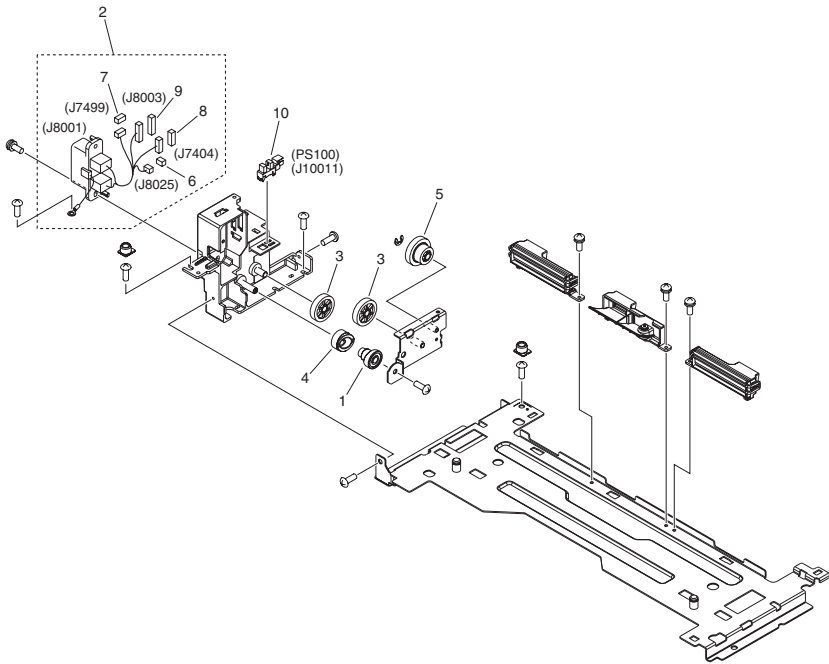


FIGURE & KEY NO.	PARTS NUMBER	RANK	Q'TY	DESCRIPTION	SERIAL NUMBER/REMARKS	SVC
Fig.811	NPN		RF	FIXING BASE ASSEMBLY		
1	FC0-7995-000		1	CAM, RECIPROCATING		
2	FM0-2145-000		1	CABLE, FIXING UNIT DRAWER		
3	FU6-0072-000		2	GEAR, 32T		
4	FU9-0811-000		1	GEAR, 22T		
5	FU9-0812-000		1	GEAR, 34T/21T		
6	VS1-7177-003		1	CONNECTOR, SNAP TIGHT, BK		
7	VS1-7177-004		1	CONNECTOR, SNAP TIGHT, BK		
8	VS1-7177-006		1	CONNECTOR, SNAP TIGHT, BK		
9	VS1-7177-008		1	CONNECTOR, SNAP TIGHT, BK		
10	WG8-5783-000		1	IC,PHOTO-INTERRUPTER,LG248NL1A	PS100	

FIGURE 812 FIXING FRAME ASSEMBLY

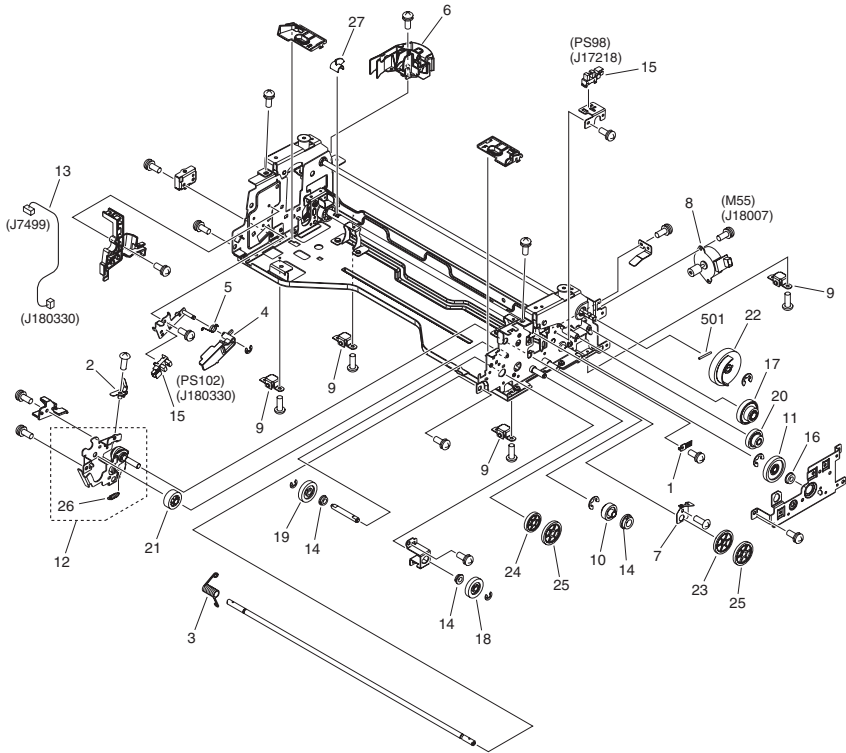


FIGURE & KEY NO.	PARTS NUMBER	RANK	Q'TY	DESCRIPTION	SERIAL NUMBER/REMARKS	SVC
Fig.812	NPN		RF	FIXING FRAME ASSEMBLY		
1	FB5-9104-010		2	ELIMINATOR, STATIC CHARGE		
2	FC0-7972-000		1	PLATE, STATIC CHARGE		
3	FC0-8063-000		1	SPRING, TORSION		
4	FC0-8064-000		1	ARM, REMNANT SENSING		
5	FC0-8066-000		1	SPRING, TORSION		
6	FC0-8100-000		1	GUIDE, CABLE		
7	FC0-9142-000		1	SPRING, GROUNDING		
8	FK3-2288-000		1	MOTOR, STEPPING, DC	M55	
9	FL3-7141-000		4	ROLLER, SWING		
10	FL3-7162-000		1	GEAR, 38T		
11	FL3-7163-000		1	GEAR, 62T		
12	FMO-0404-000		1	CLEANER DRIVE ASSEMBLY		
13	FMO-2147-000		1	CABLE, SENSOR		
14	FS1-1508-000		3	BUSHING		
15	WG8-5783-000		2	IC,PHOTO-INTERRUPTER,LG248NL1A	PS98,PS102	
16	XG9-0809-000		1	BEARING, BALL, LF1260ZZRPO		
17	FU9-0826-000		1	GEAR, 58T/34T		
18	FU9-0833-000		1	GEAR, 17T		
19	FU9-0834-000		1	GEAR, 24T		
20	FU9-0891-000		1	GEAR, 46T/27T		
21	FU9-0893-000		1	GEAR, 20T		
22	FU9-0898-000		1	GEAR, 43T		
23	FU9-0945-000		1	GEAR, 58T/34T		
24	FU9-0946-000		1	GEAR, 47T		
25	FU9-0947-000		2	GEAR, 58T/23T		
26	FU9-2231-000		1	SPRING, TENSION		
27	FC0-8069-000		1	FLAG, CAM SENSOR		
501	XD3-2200-202		1	PIN, M2 X20		

FIGURE 830 FIXING CLEANER ASSEMBLY

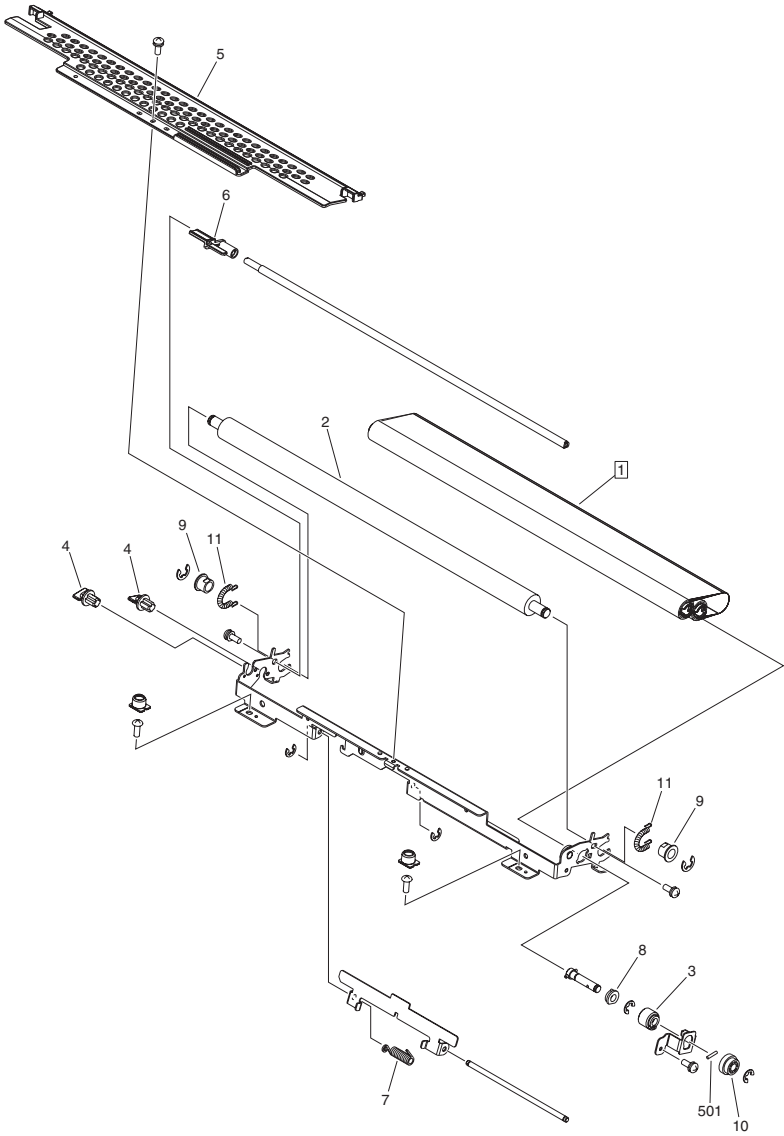


FIGURE & KEY NO.	PARTS NUMBER	R A N K	Q'TY	DESCRIPTION	SERIAL NUMBER/ REMARKS	S V C
Fig.830	FM0-0393-000		1	FIXING CLEANER ASSEMBLY		
1	FC0-8030-000		1	SHEET, CLEANER SUPPLY ROLL	[DP]	
2	FC0-8031-000		1	ROLLER, CLEANING		
3	FC0-8039-000		1	BUSHING		
4	FC0-8041-000		2	LEVER, ATTACHMENT		
5	FC0-8042-000		1	COVER, FIXING CLEANER		
6	FC0-8043-000		1	LEVER, CLEANER REMNANT SENSING		
7	FC0-8044-000		1	SPRING, TORSION		
8	FS1-1508-000		1	BUSHING		
9	FS2-1256-000		2	BUSHING		
10	FU9-0818-000		1	GEAR, 30T		
11	FU9-2229-000		2	SPRING, TENSION		
501	XD3-2200-102		1	PIN, PARALLEL		

FIGURE 840 FIXING DRIVE ASSEMBLY

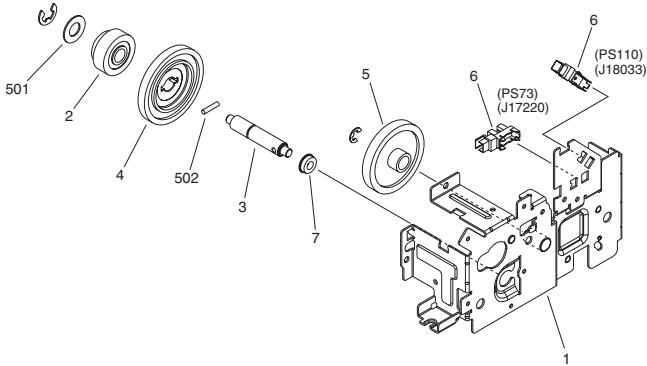


FIGURE & KEY NO.	PARTS NUMBER	RANK	Q'TY	DESCRIPTION	SERIAL NUMBER/REMARKS	SVC
Fig.840	NPN		RF	FIXING DRIVE ASSEMBLY		
1	FL3-7151-000		1	SUPPORT, FIXING DRIVE		
2	FL3-7153-000		1	GEAR, 21T		
3	FU7-5968-000		1	SHAFT, TRANSMISSION		
4	FU9-0828-000		1	GEAR, 87T/22T		
5	FU9-0830-000		1	GEAR, 50T		
6	WG8-5783-000		2	IC,PHOTO-INTERRUPTER,LG248NL1A	PS73,PS110	
7	XG9-0809-000		1	BEARING, BALL, LF1260ZZRPO		
501	XD1-1200-239		1	WASHER, PLAIN		
502	XD3-2300-142		1	PIN, DOWEL		

FIGURE 850 INNER PAPER DELIVERY ASSEMBLY

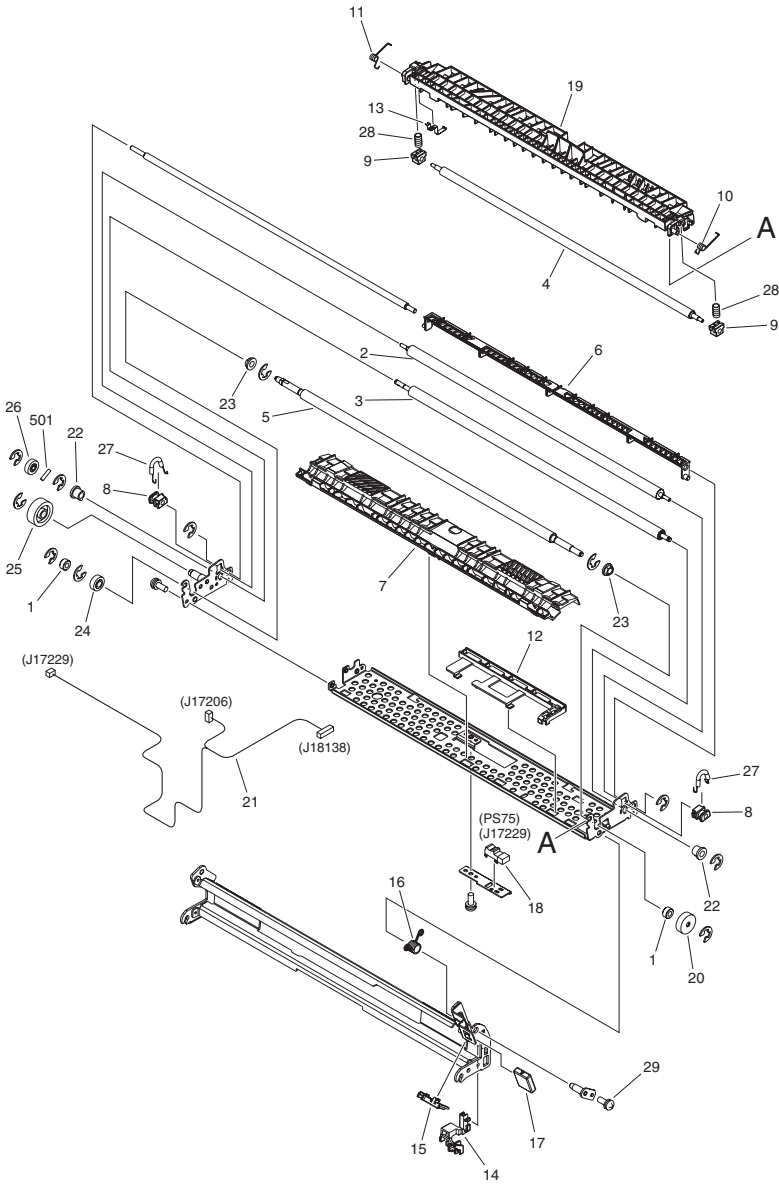


FIGURE & KEY NO.	PARTS NUMBER	R A N K	Q'TY	DESCRIPTION	SERIAL NUMBER/ REMARKS	S V C
Fig.850	NPN		RF	INNER PAPER DELIVERY ASSEMBLY		
1	FB3-2706-000		2	BUSHING		
2	FC0-8001-000		1	ROLLER, UPPER, 1		
3	FC0-8002-000		1	ROLLER, LOWER, 1		
4	FC0-8003-000		1	ROLLER, UPPER, 2		
5	FC0-8004-000		1	ROLLER, LOWER, 2		
6	FC0-8005-000		1	GUIDE, LOWER, 1		
7	FC0-8007-000		1	GUIDE, LOWER, 2		
8	FC0-8008-000		2	BUSHING		
9	FC0-8009-000		2	BUSHING		
10	FC0-8010-000		1	SPRING, TORSION		
11	FC0-8011-000		1	SPRING, TORSION		
12	FC0-8017-000		1	GUIDE, CABLE, 1		
13	FC0-8019-000		1	PLATE, GROUNDING		
14	FC0-8027-000		1	GUIDE, CABLE, 2		
15	FC0-8028-000		1	GUIDE, CABLE, 3		
16	FC0-8029-000		1	SPRING, TORSION		
17	FC9-8425-000		1	LEVER, GUIDE		
18	FK2-8560-000		1	PHOTO-SENSOR, KUA0095C	PS75	
19	FL3-7160-000		1	GUIDE, PAPER DELIVERY, UPPER		
20	FL3-7161-000		1	GEAR, 18T		
21	FM0-2142-000		1	CABLE, MOTOR		
22	FS1-1528-000		2	BUSHING, PL		
23	FS1-1569-000		2	BUSHING		
24	FU9-0815-000		1	GEAR, 16T		
25	FU9-0816-000		1	GEAR, 30T		
26	FU9-0817-000		1	GEAR, 16T		
27	FU9-2226-000		2	SPRING, TENSION		
28	FU9-2227-000		2	SPRING, COMPRESSION		
29	XA9-1420-000		1	SCREW, W/WASHER, M3X8		
501	XD3-2200-082		1	PIN, PARALLEL		

FIGURE 900 CONTROLLER BOX ASSEMBLY

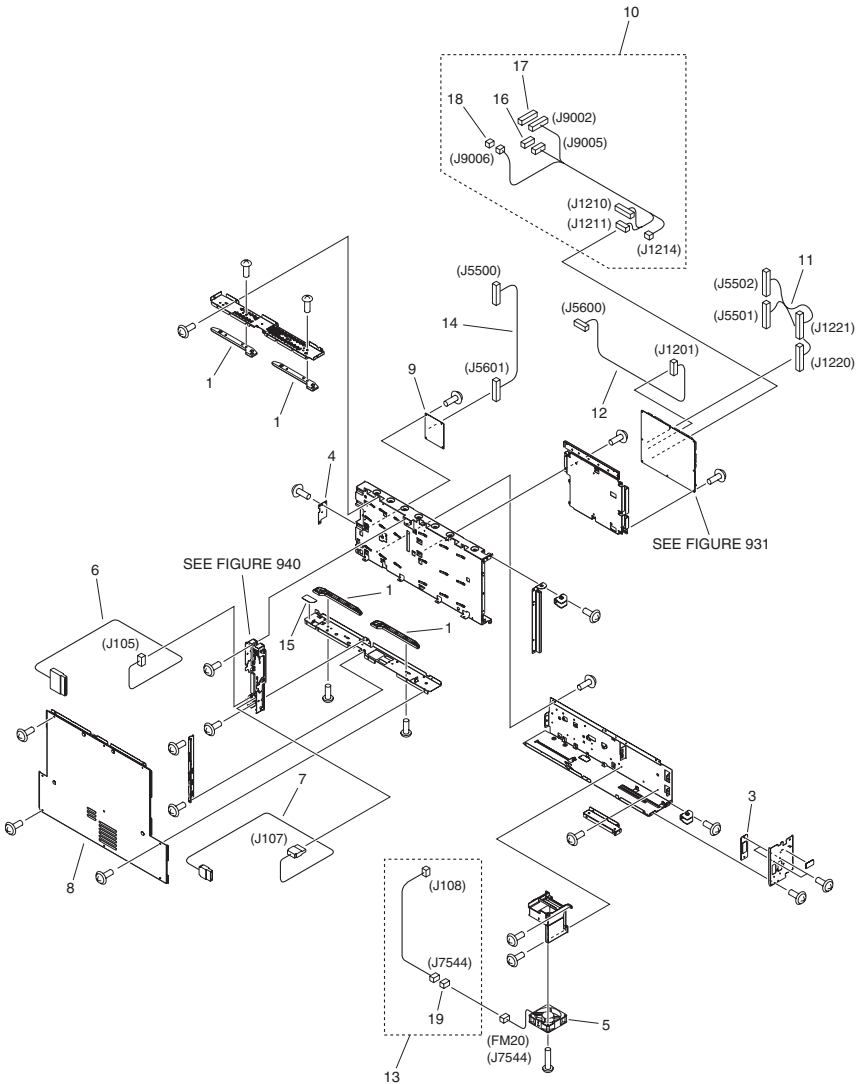


FIGURE & KEY NO.	PARTS NUMBER	R A N K	Q'TY	DESCRIPTION	SERIAL NUMBER/ REMARKS	S V C
Fig.900	NPN		RF	CONTROLLER BOX ASSEMBLY		
1	FC8-5174-000		4	RAIL, MAIN CONTROLLER, 1		
3	FC9-3940-000		2	PLATE, MODULAR BLANKING		
4	FC9-4046-000		1	PLATE, BLANKING		
5	FK2-2529-000		1	FAN	FM20	
6	FK2-8431-000		1	CABLE, STANDARD SATA POWER, B		
7	FK2-8433-000		1	CABLE, STANDARD SATA SIGNAL, B		
8	FL2-8892-000		1	PANEL, REAR, UPPER		
9	FM0-0751-000		1	LASER P.S. CONNECT PCB ASS'Y		
10	FM0-2089-000		1	CABLE, SERIAL INTERFACE		
11	FM0-2093-000		1	CABLE, SIGNAL		
12	FM0-2096-000		1	CABLE, DC DC		
13	FM4-0758-000		1	CABLE, CONTROLLER FAN COOLING		
14	FM4-1453-000		1	CABLE, POWER SUPPLY		
15	FU8-8257-000		1	LABEL, CAUTION		
16	VS1-7173-005		1	CONNECTOR, SNAP TIGHT		
17	VS1-7173-008		1	CONNECTOR, SNAP TIGHT, 8P, W		
18	VS1-7177-002		1	CONNECTOR, SNAP TIGHT, BK		
19	VS1-7177-003		1	CONNECTOR, SNAP TIGHT, BK		

FIGURE 910 DC POWER SUPPLY BOX ASSEMBLY

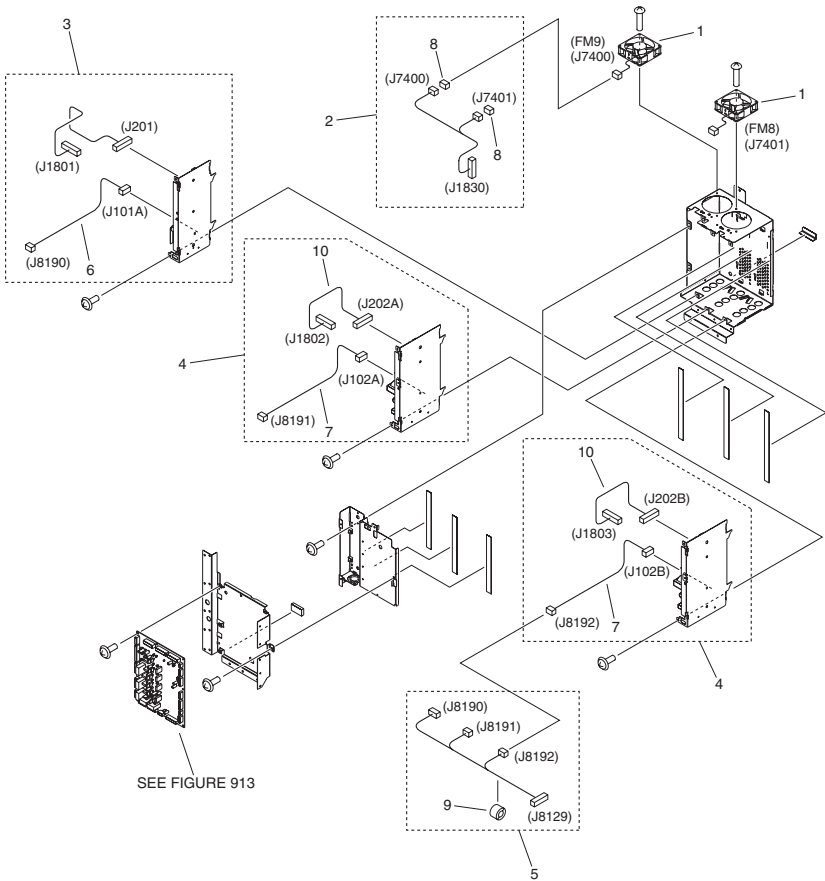
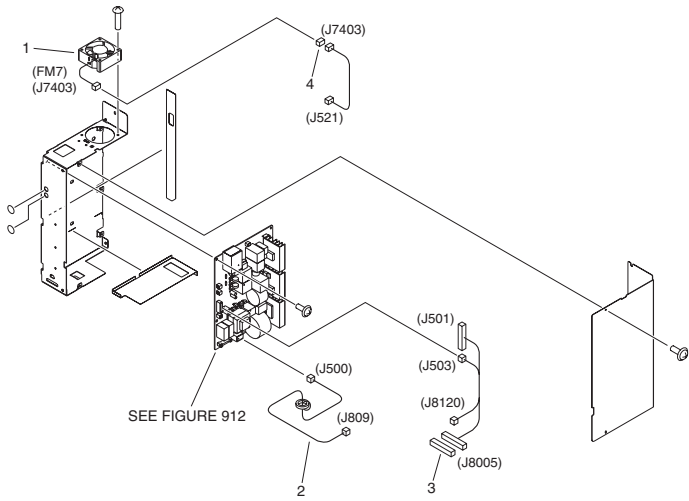


FIGURE & KEY NO.	PARTS NUMBER	RANK	Q'TY	DESCRIPTION	SERIAL NUMBER/REMARKS	SVC
Fig.910	NPN		RF	DC POWER SUPPLY BOX ASSEMBLY		
1	FK2-6818-000		2	FAN	FM8,FM9	
2	FM0-2067-000		1	CABLE, POWER SUPPLY FAN		
3	FM0-2269-000		1	DC POWER SUPPLY ASSEMBLY, 12V		
4	FM0-2270-000		2	DC POWER SUPPLY ASSEMBLY, 24V		
5	FM0-0767-000		1	CABLE, POWER SUPPLY CONNECTING		
6	FM4-1354-000		1	CABLE, AC POWER SUPPLY, 12V		
7	FM4-1355-000		2	CABLE, AC POWER SUPPLY, 24V		
8	VS1-7177-003		2	CONNECTOR, SNAP TIGHT, BK		
9	WE8-6563-000		1	CORE, RING		
10	FM4-1360-000		2	CABLE(2), AC POWER SUPPLY, 24V		

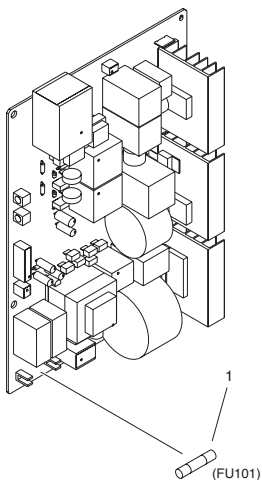
FIGURE 911 IH POWER SUPPLY BOX ASSEMBLY



NOTE : This assembly includes the assembly shown in Figure 912.
 注 : このユニットはFigure 912のユニットを含みます。

FIGURE & KEY NO.	PARTS NUMBER	RANK	Q'TY	DESCRIPTION	SERIAL NUMBER/REMARKS	SVC
Fig.911	FM0-2272-000		1	IH POWER SUPPLY BOX ASSEMBLY	SEE NOTE	
1	FK2-3679-000		1	FAN	FM7	
2	FM0-2050-000		1	CABLE, IH - AC CONNECTING		
3	VS1-8412-023		1	CONNECTOR, SNAP TIGHT, BL		
4	VS1-7177-003		1	CONNECTOR, SNAP TIGHT, BK		

FIGURE 912 HEATER POWER SUPPLY PCB ASS'Y



NOTE : This assembly is included in the assembly shown in Figure 911.
注 : このユニットはFigure 911のユニットに含まれます。

FIGURE & KEY NO.	PARTS NUMBER	RANK	Q'TY	DESCRIPTION	SERIAL NUMBER/REMARKS	SVC
Fig.912	FM0-0749-000		1	HEATER POWER SUPPLY PCB ASS'Y	SEE NOTE	
1	VD7-3422-002		1	FUSE	FU101	
T	FK2-0598-000		1	TRANSFORMER	T101	
T	FK2-0681-000		1	TRANSFORMER	T102	
T	FK3-2327-000		2	TRANSFORMER, HF SIGNAL	T161,T171	

FIGURE 913 RELAY PCB ASSEMBLY

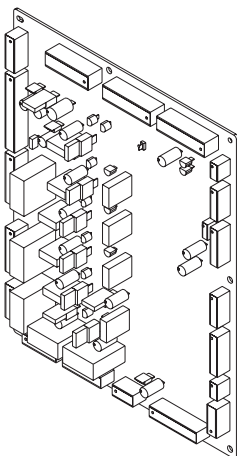


FIGURE & KEY NO.	PARTS NUMBER	RANK	QTY	DESCRIPTION	SERIAL NUMBER/REMARKS	SVC
Fig.913	FM0-0744-000		1	RELAY PCB ASSEMBLY		
IC	FK3-2323-000		1	IC, ASIC, T6VN7EFG-0002	IC6	

FIGURE 931 DC CONTROLLER I/F PCB ASS'Y

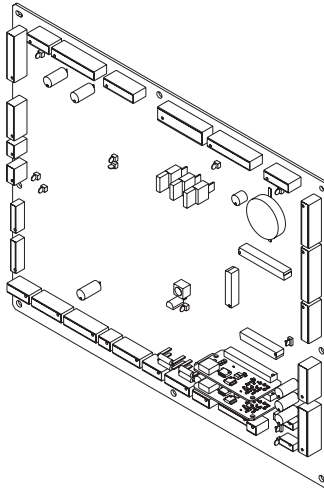


FIGURE & KEY NO.	PARTS NUMBER	RANK	Q'TY	DESCRIPTION	SERIAL NUMBER/REMARKS	SVC
Fig.931	FM0-0740-000		1	DC CONTROLLER I/F PCB ASS'Y		
IC	FK3-2323-000		4	IC, ASIC, T6VN7EFG-0002	IC38,IC42,IC43,IC44	

FIGURE 932 MAIN CONTROLLER PCB ASS'Y, 1

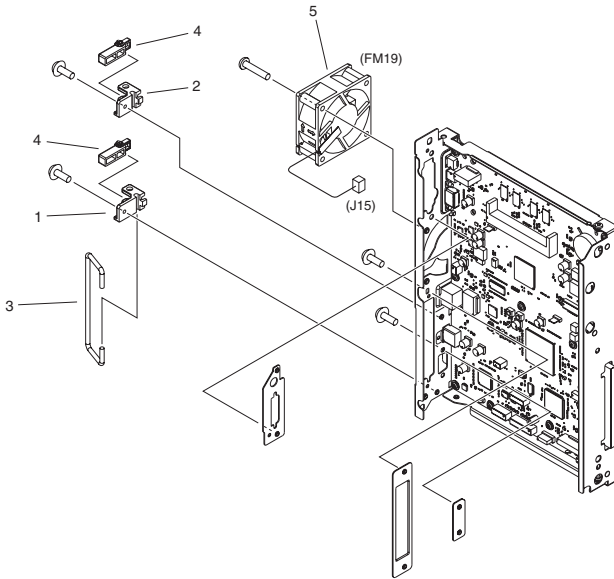


FIGURE & KEY NO.	PARTS NUMBER	RANK	Q'TY	DESCRIPTION	SERIAL NUMBER/REMARKS	SVC
Fig.932	FM0-3065-000		1	MAIN CONTROLLER PCB ASS'Y, 1	C9280	
Fig.932	FM0-3070-000		1	MAIN CONTROLLER PCB ASS'Y, 1	C9270	
Fig.932	FM0-3069-000		1	MAIN CONTROLLER PCB ASS'Y, 1	C7280i	
Fig.932	FM0-3067-000		1	MAIN CONTROLLER PCB ASS'Y, 1	C7270 120V	
Fig.932	FM0-3066-000		1	MAIN CONTROLLER PCB ASS'Y, 1	C7270 230V	
Fig.932	FM0-3068-000		1	MAIN CONTROLLER PCB ASS'Y, 1	C7260	
1	FC8-5205-000		1	MOUNT, LEVER		
2	FC9-4096-000		1	MOUNT, LEVER		
3	FC9-4097-000		1	HANDLE		
4	FC9-4098-000		2	LEVER		
5	FL3-6670-000		1	FAN	FM19	
IC	FK2-9794-000		1	IC, 88E8075B0-NNC2C000,	IC4	
IC	FK3-2212-000		1	IC, AU80610004671AASLBMH,	IC1	

FIGURE 933 MAIN CONTROLLER PCB ASS'Y, 2

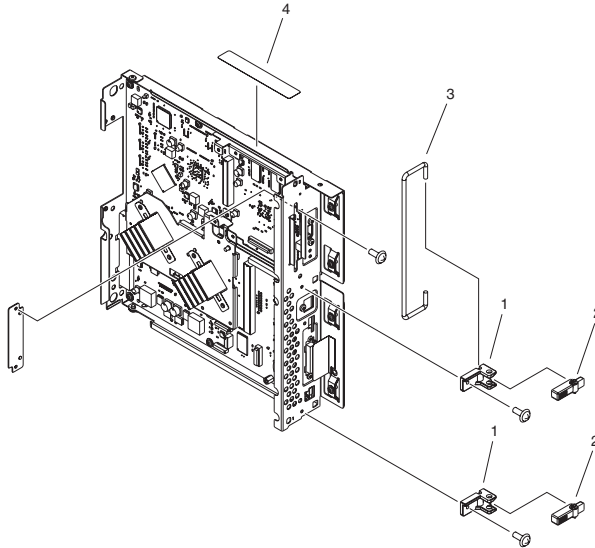


FIGURE & KEY NO.	PARTS NUMBER	RANK	Q'TY	DESCRIPTION	SERIAL NUMBER/REMARKS	SVC
Fig.933	FM0-3056-000		1	MAIN CONTROLLER PCB ASS'Y, 2		
1	FC8-5205-000		2	MOUNT, LEVER		
2	FC9-4098-000		2	LEVER		
3	FC9-4156-000		1	HANDLE		
4	FU6-8861-000		1	LABEL, MEMORY CAUTION		
IC	FK2-3218-000		1	IC, MB87L8650, GATE ARRAY	IC28	
IC	FK2-3746-000		1	IC, UPD85809F1-011-JN6-A	IC29	
IC	FK2-8321-000		1	IC, MB87S1801	IC19	
IC	FK2-8345-000		1	IC, UPD8085517F1-612-MNB-A	IC20	
IC	FK2-9787-000		1	IC, R8A03016BG U100,	IC21	
IC	FK2-9788-000		1	IC, R8A03019ABG U100,	IC22	
IC	FK2-9798-000		1	IC, UPD800459F1-611-MNB-A	IC1002	
IC	FK2-9808-000		1	IC, CY2544C023@,	IC43	
IC	FL3-4283-000		1	IC, SST39VF200A-70-4C-EKE,	IC60	

FIGURE 940 RISER PCB ASSEMBLY

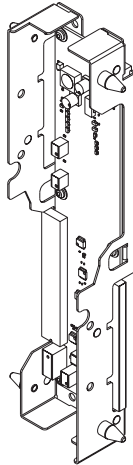


FIGURE & KEY NO.	PARTS NUMBER	RANK	QTY	DESCRIPTION	SERIAL NUMBER/REMARKS	SVC
Fig.940	FM4-0795-000		1	RISER PCB ASSEMBLY		
IC	FK2-3218-000		1	IC, MB87L8650, GATE ARRAY	IC1	

FIGURE 950 LASER INTERFACE PCB ASSEMBLY

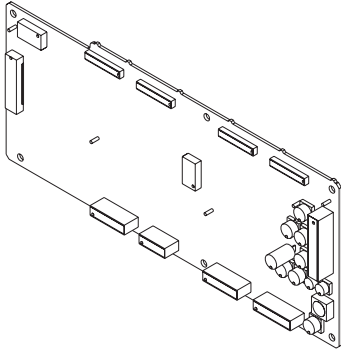


FIGURE & KEY NO.	PARTS NUMBER	RANK	Q'TY	DESCRIPTION	SERIAL NUMBER/REMARKS	SVC
Fig.950	FM0-0750-000		1	LASER INTERFACE PCB ASSEMBLY		
IC	FK2-7596-000		2	IC, STANDARD CELL	IC1,IC2	
IC	FK3-1009-000		4	IC, T6UN8EFG-0002(O)	IC43,IC44,IC45,IC46	

FIGURE 951 IMAGE OPERATION SUB PCB ASS'Y

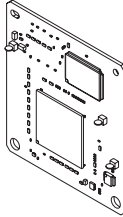


FIGURE & KEY NO.	PARTS NUMBER	RANK	Q'TY	DESCRIPTION	SERIAL NUMBER/REMARKS	SVC
Fig.951	FM0-3593-000		1	IMAGE OPERATION SUB PCB ASS'Y		
IC	FK2-2426-000		1	IC, MB87S4550PB-GE1,	IC2	
IC	FK2-6757-000		2	IC, FSC0HD200B, STANDARD CELL	IC3,IC4	

FIGURE 960 PAPER PICK-UP DRIVER PCB ASS'Y

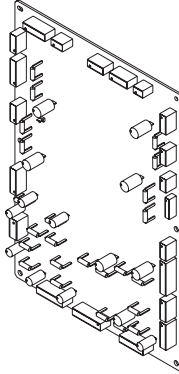


FIGURE & KEY NO.	PARTS NUMBER	RANK	Q'TY	DESCRIPTION	SERIAL NUMBER/REMARKS	SVC
Fig.960	FM0-0741-000		1	PAPER PICK-UP DRIVER PCB ASS'Y		
IC	FK3-2323-000		2	IC, ASIC, T6VN7EFG-0002	IC22,IC23	

FIGURE 961 DRUM DRIVER PCB ASSEMBLY

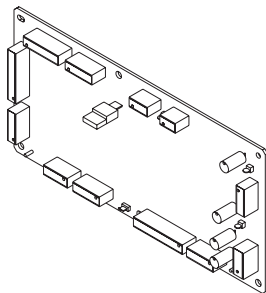


FIGURE & KEY NO.	PARTS NUMBER	RANK	QTY	DESCRIPTION	SERIAL NUMBER/REMARKS	SVC
Fig.961	FM0-0743-000		1	DRUM DRIVER PCB ASSEMBLY		
IC	FK3-2323-000		2	IC, ASIC, T6VN7EFG-0002	IC14,IC15	

FIGURE 962 AC DRIVER PCB ASSEMBLY

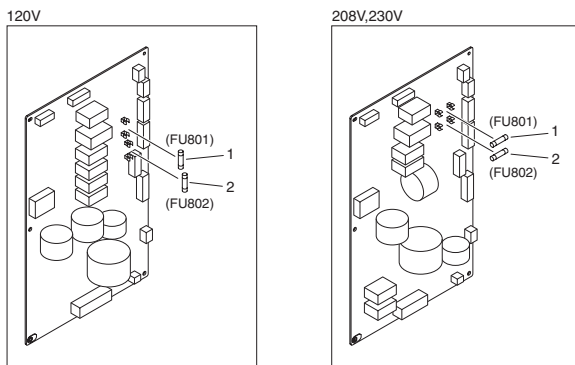
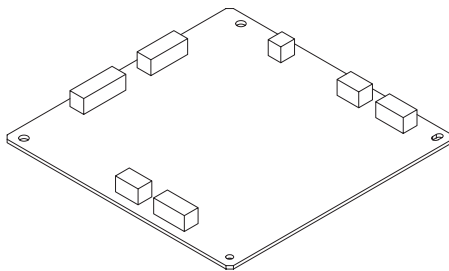


FIGURE & KEY NO.	PARTS NUMBER	RANK	Q'TY	DESCRIPTION	SERIAL NUMBER/REMARKS	SVC
Fig.962	FM0-0746-000		1	AC DRIVER PCB ASSEMBLY	120V	
Fig.962	FM0-0747-000		1	AC DRIVER PCB ASSEMBLY	208V,230V	
1	VD7-3501-601		1	FUSE	FU801	
2	VD7-3503-151		1	FUSE, 250V, 3.15A	FU802	

FIGURE 963 BUFFER DRIVER PCB ASSEMBLY (DECURLER model)

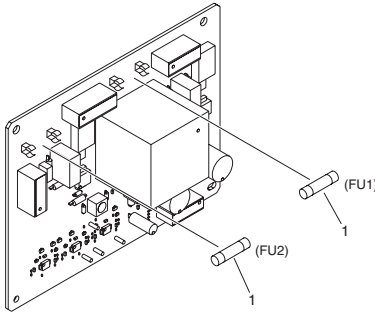


NOTE : This assembly is included in the assembly shown in Figure 356.

注 : このユニットはFigure 356のユニットに含まれます。

FIGURE & KEY NO.	PARTS NUMBER	RANK	QTY	DESCRIPTION	SERIAL NUMBER/REMARKS	SVC
Fig.963	FMO-0755-000		1	BUFFER DRIVER PCB ASSEMBLY	SEE NOTE DECURLER model	
IC	FK3-2323-000		1	IC, ASIC, T6VN7EFG-0002	IC7	

FIGURE 964 DRUM HEATER DRIVER PCB ASS'Y



NOTE : This assembly is included in the assembly shown in Figure 140.
注 : このユニットはFigure 140のユニットに含まれます。

FIGURE & KEY NO.	PARTS NUMBER	RANK	Q'TY	DESCRIPTION	SERIAL NUMBER/REMARKS	SVC
Fig.964	FM0-0763-000		1	DRUM HEATER DRIVER PCB ASS'Y	120V	
Fig.964	FM0-0764-000		1	DRUM HEATER DRIVER PCB ASS'Y	208V,230V	
1	VD7-3501-601		2	FUSE	120V FU1,FU2	
1	VD7-3501-001		2	FUSE	208V,230V FU1,FU2	
T	FK3-2591-000		1	TRANSFORMER, POWER	120V T1	
T	FK3-2592-000		1	TRANSFORMER, POWER	208V,230V T1	

FIGURE 965 FIXING/FEEDER DRIVER PCB ASS'Y

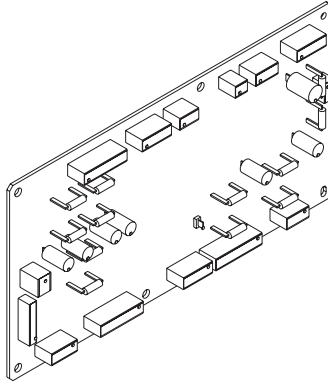
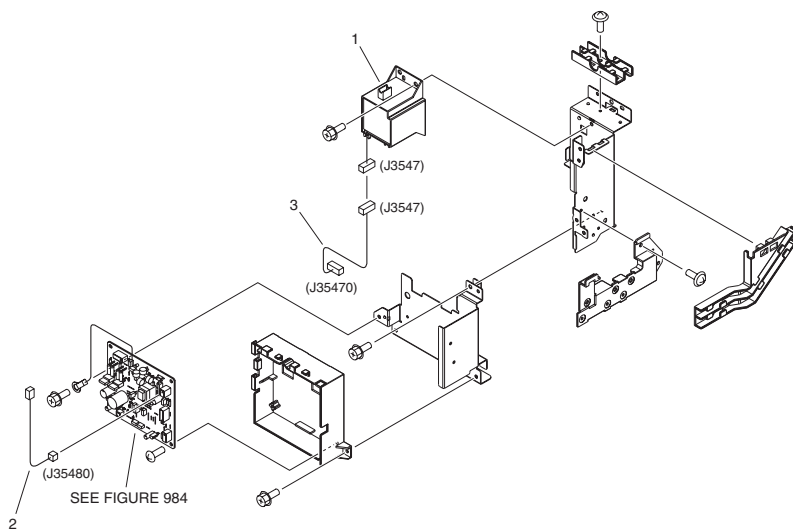


FIGURE & KEY NO.	PARTS NUMBER	RANK	QTY	DESCRIPTION	SERIAL NUMBER/REMARKS	SVC
Fig.965	FM0-0742-000		1	FIXING/FEEDER DRIVER PCB ASS'Y		
IC	FK2-1773-000		1	IC,TC200GO2EFG-1031,GATE ARRAY	IC13	
IC	FK3-2323-000		1	IC, ASIC, T6VN7EFG-0002	IC14	

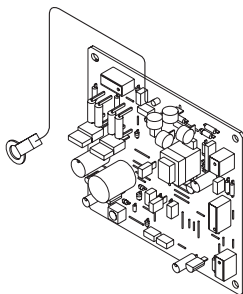
FIGURE 983 DRUM POST POWER SUPPLY ASS'Y,



NOTE : This assembly includes the assembly shown in Figure 984.
注 : このユニットはFigure 984のユニットを含みます。

FIGURE & KEY NO.	PARTS NUMBER	R A N K	Q'TY	DESCRIPTION	SERIAL NUMBER/REMARKS	S V C
Fig.983	FM0-2328-000		1	DRUM POST HIGH VOLTAGE ASS'Y	SEE NOTE	
1	FK2-7718-000		1	TRANSFORMER, H.V.		
2	FM0-2065-000		1	CABLE, DRUM POST HIGH VOLTAGE		
3	FM0-2101-000		1	CABLE, SIGNAL CONNECTING		

FIGURE 984 POST HIGH VOLTAGE PCB ASS'Y



NOTE : This assembly is included in the assembly shown in Figure 983.
 注 : このユニットはFigure 983のユニットに含まれます。

FIGURE & KEY NO.	PARTS NUMBER	RANK	Q'TY	DESCRIPTION	SERIAL NUMBER/REMARKS	SVC
Fig.984	FM3-5254-000		1	POST HIGH VOLTAGE PCB ASS'Y	SEE NOTE	
T	FH3-0967-000		1	TRANSFORMER, INVERTER	T301	

FIGURE 985 1ST CORONA HIGH VOLTAGE PCB

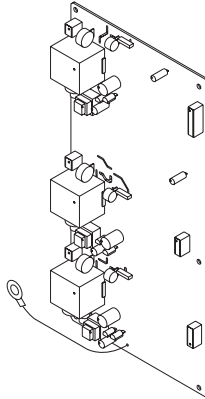


FIGURE & KEY NO.	PARTS NUMBER	RANK	Q'TY	DESCRIPTION	SERIAL NUMBER/REMARKS	SVC
Fig.985	FM0-0754-000		1	1ST CORONA HIGH VOLTAGE PCB		
IC	FK3-2324-000		1	IC, ASIC, QFP100-P-1420-0.65A	IC9	
T	FK3-2590-000		3	TRANSFORMER, INVERTER	T101,T301,T501	

FIGURE 986

2ND TRNSFR./FIXING H.V. PCB

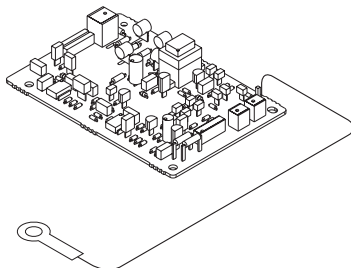


FIGURE & KEY NO.	PARTS NUMBER	RANK	QTY	DESCRIPTION	SERIAL NUMBER/REMARKS	SVC
Fig.986	FM3-5253-000		1	2ND TRNSFR./FIXING H.V. PCB		
T	FH3-0967-000		1	TRANSFORMER, INVERTER	T200	

FIGURE 987

2ND TRANSFER H.V. PCB ASS'Y

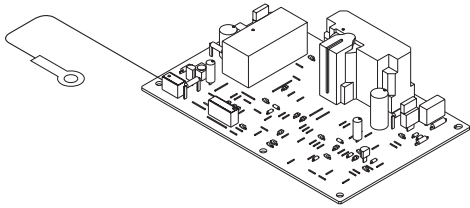


FIGURE & KEY NO.	PARTS NUMBER	RANK	Q'TY	DESCRIPTION	SERIAL NUMBER/REMARKS	SVC
Fig.987	FM3-9592-000		1	2ND TRANSFER H.V. PCB ASS'Y		

FIGURE 990 HARD DISK DRIVE ASSEMBLY

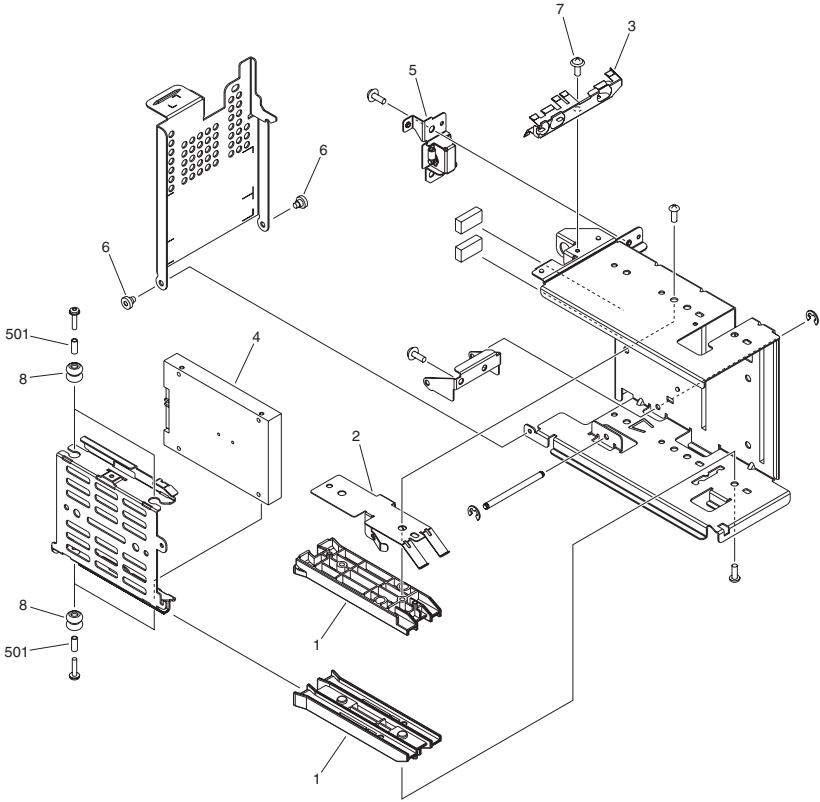


FIGURE & KEY NO.	PARTS NUMBER	RANK	Q'TY	DESCRIPTION	SERIAL NUMBER/REMARKS	SVC
Fig.990	NPN		RF	HARD DISK DRIVE ASSEMBLY		
1	FC8-4051-000		2	RAIL, HARD DISK DRIVE GUIDE		
2	FC9-8980-000		1	SPRING, LEAF		
3	FC9-9341-000		1	PLATE, GROUNDING		
4	FK3-2219-000		1	HDD, MK1676GSX, TOSHIBA		
5	FM3-9951-000		1	LATCH SHAFT UNIT		
6	FS5-9391-000		2	SCREW, STEPPED, M3		
7	XA9-1503-000		1	SCREW, TAP, M3X6		
8	XH9-0149-000		4	DAMPER, CUSHION		
501	XZ1-1301-005		4	SPACER		

FIGURE T40

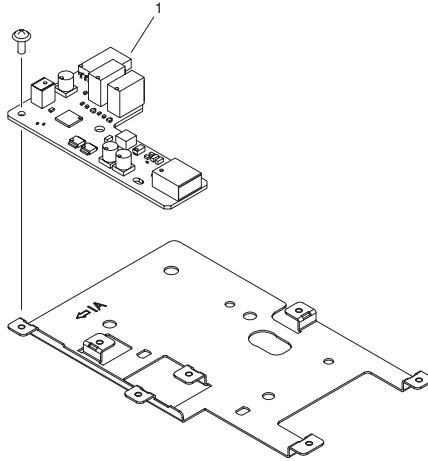


FIGURE & KEY NO.	PARTS NUMBER	RANK	QTY	DESCRIPTION	SERIAL NUMBER/REMARKS	SVC
Fig.T40	NPN		RF	DEVICE PORT ASSEMBLY	EUR	
1	FM0-0319-000		1	DEVICE PORT PCB ASSEMBLY		

FIGURE ZZA

MECHANICAL STANDARD PARTS (HOW TO USE)

Mechanical standard parts

機械標準部品

About a mechanical standard parts

A Mechanical standard parts is a mechanical part which not parts peculiar to a product. They are parts which are common to a Canon product and are used, such as a screw and a washer. The Fig No. and parts number of the mechanical standard parts are not listed in the product parts catalog. Refer to the parts catalog of mechanical standard parts when checking the parts number for screw or washer etc. and identify them by part shape or size.

機械標準部品とは

機械標準部品とは、製品特有の部品ではなく、ねじやワッシャなどキヤノン製品共通で使用されている機械部品（メカ部品）のことです。
製品のパーツカタログには、機械標準部品のFig No.や部品番号は記載していません。
ねじや、ワッシャ等の部品番号を調べるときは、機械標準部品のパーツカタログを参照し、部品の形状や大きさから判断し、使用している部品を調べてください。

Material and surface treatment of a mechanical standard parts

Material and surface treatment of mechanical standard parts are assigned commonly for each part. Refer to the Table 1 for the parts which material and surface treatment are assigned as numbers.

機械標準部品の材料および表面処理

機械標準部品の材料および表面処理については、各種部品共通で決められています。
材料および表面処理が番号で決められている部品については、表1を参照してください。

Table 1 Material and Surface treatment
表1 材料および表面処理

No. 番号	Material 材料	Surface treatment 表面処理	Color 色
1	Stainless steel ステンレス	Stainless steel black coloring (BC4) ステンレス黒着色(BC4)	Black 黒
2		not to be given なし	White 白
3	Brass 黄銅	Regular nickel plating (NL) 普通ニッケルメッキ(NL)	White 白
4		Black nickel plating (BN) 黒色ニッケルメッキ(BN)	Black 黒
5	Steel 鋼	White zinc trivalent chromate treating (ZC3) 白色亜鉛3価クロメート(ZC3)	White 白
6		Regular nickel chromium plating (NC) 普通ニッケルクロムメッキ(NC)	White 白
7		Regular nickel plating (NL) 普通ニッケルメッキ(NL)	White 白
8		Iron and steel phosphating (P1) 鉄鋼磷酸塩処理(P1)	Black 黒
9		Black zinc trivalent chromate treating (BZ3) 黒色亜鉛3価クロメート(BZ3)	Black 黒

FIGURE ZZB MECHANICAL STANDARD PARTS (SCREWS)

1. Screws ねじ

How to read Parts Numbers
部品番号の見方

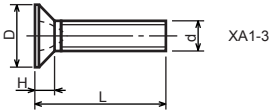
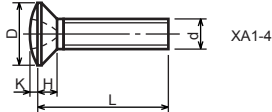
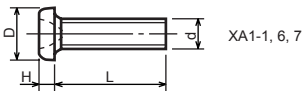
Screws
ねじ

XB1-2400-609

Type No.
類別番号
Normal designation (d)
ねじの呼び(d)
Length (L)
ねじの長さ(L)
Material and Surface treatment
材料および表面処理

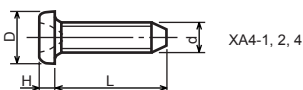
XB1-2 expresses Binding head machine screw.
XB1-2は、バインドねじを表す
40 expresses M4.0.
40は、M4.0を表す
0-60 expresses a length of 6.0mm.
0-60は、6.0mmの長さを表す
9 expresses Steel (Black zinc trivalent chromate
treating) from Table 1.
9は、表1より鋼(黒色亜鉛3価クロメート)を表す

1-1. Cross Recessed Head Screws for Precision Equipments 精密機器用十字穴付き小ねじ

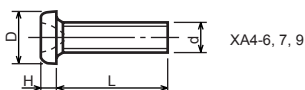


Type No. 類別番号	Type 類別	Head size (mm) 頭部寸法 (mm)							
		M1.4	M1.6	M1.7	M2	M2.5	M2.6		
XA1-1	Pan head Class 1 なべ1種	D	XA1-1	2	2.4	2.5	3	3.8	4
		H	XA1-1	0.5	0.55	0.5	0.6	0.9	0.8
XA1-3	Countersunk head Class 1 さら1種	D	XA1-3	2	2.4	2.5	3	3.8	4
		H	XA1-3	0.48	0.55	0.58	0.73	0.85	0.93
XA1-4	Oval countersunk head Class 1 丸さら1種	D	XA1-4	2	2.4	2.5	3	3.8	4
		H + K	XA1-4	0.68	0.8	0.88	1	1.25	1.3
XA1-6	Pan head Class 3 なべ3種	D	XA1-6	2.5	2.8	3	3.5	4.3	4.5
		H	XA1-6	0.8	0.85	0.9	1	1.3	1.2
XA1-7	Pan head Class 2 なべ2種	D	XA1-7	2.5	2.8	3	3.5	4.3	4.5
		H	XA1-7	0.5	0.55	0.5	0.6	0.9	0.8

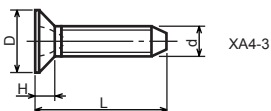
1-2. Precision Tapping Screws
精密用タッピンねじ



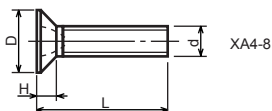
XA4-1, 2, 4



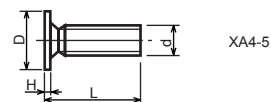
XA4-6, 7, 9



XA4-3



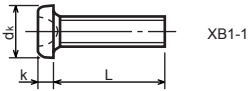
XA4-8



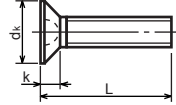
XA4-5

Type No. 類別番号	Type 類別	Head size (mm) 頭部寸法 (mm)						
		M1.4	M1.6	M1.7	M2	M2.5	M2.6	
XA4-1	With tapered end pan head Class 1 絞りなべ1種	D XA4-1	2	2.4	2.5	3	3.8	4
		H XA4-1	0.5	0.55	0.5	0.6	0.9	0.8
XA4-2	With tapered end pan head Class 3 絞りなべ3種	D XA4-2	2.5	2.8	3	3.5	4.3	4.5
		H XA4-2	0.8	0.85	0.9	1	1.3	1.2
XA4-3	With tapered end countersunk head 絞り-さら	D XA4-3	2	2.4	2.5	3	3.8	4
		H XA4-3	0.48	0.55	0.58	0.73	0.85	0.93
XA4-4	With tapered end pan head Class 2 絞りなべ2種	D XA4-4	2.5	2.8	3	3.5	4.3	4.5
		H XA4-4	0.5	0.55	0.5	0.6	0.9	0.8
XA4-5	With parallel end ultra thin head ストレート-超薄頭	D XA4-5	2.5	2.8	3	-	-	-
		H XA4-5	0.2	0.2	0.2	-	-	-
XA4-6	With parallel end pan head Class 1 ストレートなべ1種	D XA4-6	2	2.4	2.5	3	3.8	4
		H XA4-6	0.5	0.55	0.5	0.6	0.9	0.8
XA4-7	With parallel end pan head Class 3 ストレートなべ3種	D XA4-7	2.5	2.8	3	3.5	4.3	4.5
		H XA4-7	0.8	0.85	0.9	1	1.3	1.2
XA4-8	With parallel end countersunk head ストレート-さら	D XA4-8	2	2.4	2.5	3	3.8	4
		H XA4-8	0.48	0.55	0.58	0.73	0.85	0.93
XA4-9	With parallel end pan head Class 2 ストレートなべ2種	D XA4-9	2.5	2.8	3	3.5	4.3	4.5
		H XA4-9	0.5	0.55	0.5	0.6	0.9	0.8

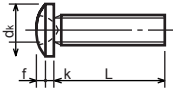
1-3. Cross Recessed Head Screws
 一般用十字穴付き小ねじ



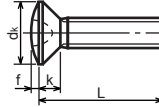
XB1-1



XB1-3



XB1-2

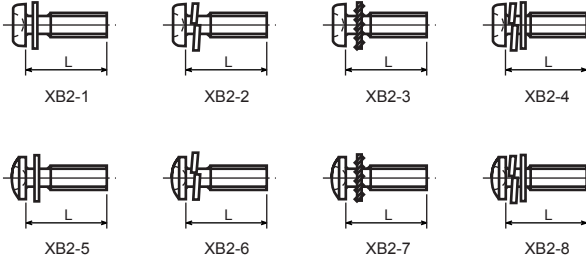


XB1-4

Type No. 類別番号	Type 類別
XB1-1	Pan head なべ
XB1-2	Binding head バインド
XB1-3	Countersunk head ざら
XB1-4	Oval countersunk head 丸ざら

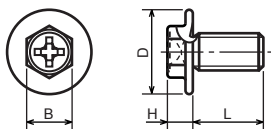
		Head size (mm) 頭部寸法 (mm)					
		M2	M2.5	M2.6	M3	M4	M5
dk	XB1-1	3.5	4.5	4.5	5.5	7	9
k	XB1-1	1.3	1.7	1.7	2	2.6	3.3
dk	XB1-2	4.3	5.3	5.5	6.3	8.3	10.3
k+f	XB1-2	1.2	1.5	1.6	1.9	2.5	3.1
dk	XB1-3	4	5	-	6	8	10
k	XB1-3	1.2	1.45	-	1.75	2.3	2.8
dk	XB1-4	4	5	-	6	8	10
k+f	XB1-4	1.6	2	-	2.45	3.2	4
Screw part length ねじ部長さ b		8	12	12	12	16	20

1-4. Cross Recessed Head Screws with Captive Washer
座金組み込み十字穴付き小ねじ



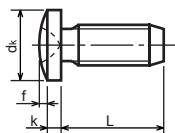
Type No. 類別番号	Type 類別
XB2-1	Pan head + Plain washer (circular bright) なべねじ+平座金
XB2-2	Pan head + Spring washer なべねじ+ばね座金
XB2-3	Pan head + Toothed lock washer なべねじ+歯付座金
XB2-4	Pan head + Spring washer and plain washer (circular bright) なべねじ+(ばね+平)座金
XB2-5	Binding head + Plain washer (circular bright) バインドねじ+平座金
XB2-6	Binding head + Spring washer バインドねじ+ばね座金
XB2-7	Binding head + Toothed lock washer バインドねじ+歯付座金
XB2-8	Binding head + Spring washer and plain washer (circular bright) バインドねじ+(ばね+平)座金

1-5. Hexagon Head Tapping Screws for Metallic Materials
 金属用六角タッピンねじ



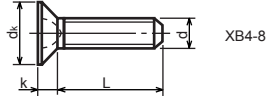
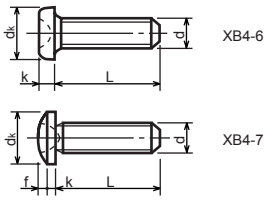
Type No. 類別番号	Type 類別	Head size (mm) 頭部寸法 (mm)	
		M3	M4
XB3-6	For metallic materials 金属用タッピン	D	8 10
		B	5.5 5.5
XB3-7	For metallic materials with clawed 金属用タッピン-つめ付き	H XB3-6	3.1 3.1
		H XB3-7	3.2 3.2

1-6. Special Tapping Screws
 特殊タッピンねじ



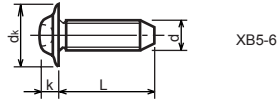
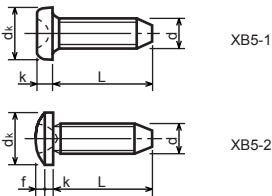
Type No. 類別番号	Type 類別	Head size (mm) 頭部寸法 (mm)	
		M3	M4
XB4-5	Binding head バインド	d _k	6.3 8.3
		k	1.3 1.7
		k+f	1.9 2.5

1-7. General Head Tapping Screws
 一般用タッピンねじ



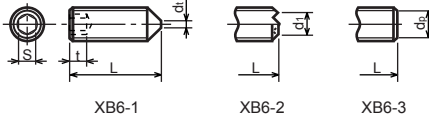
Type No. 類別番号	Type 類別	Head size (mm) 頭部寸法 (mm)						
		M2	M2.5	M2.6	M3	M4	M5	
XB4-6	Pan head なべ	d_k XB4-6	3.5	4.5	4.5	5.5	7	9
		k XB4-6	1.3	1.7	1.7	2	2.6	3.3
XB4-7	Binding head バインド	d_k XB4-7	4.3	5.3	5.5	6.3	8.3	10.3
		$k+f$ XB4-7	1.2	1.5	1.6	1.9	2.5	3.1
XB4-8	Countersunk head さら	d_k XB4-8	4	5	5.2	6	8	10
		k XB4-8	1.2	1.45	1.5	1.75	2.3	2.8

1-8. Tapping Screws for Metallic Materials
 金属用タッピンねじ



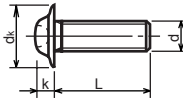
Type No. 類別番号	Type 類別	Head size (mm) 頭部寸法 (mm)					
		M2.5	M2.6	M3	M4	M5	
XB5-1	Pan head なべ	d_k XB5-1	4.5	4.5	5.5	7	9
		k XB5-1	1.7	1.7	2	2.6	3.3
XB5-2	Binding head バインド	d_k XB5-2	5.5	5.5	6.3	8.3	10.3
		$k+f$ XB5-2	1.6	1.6	1.9	2.5	3.1
XB5-6	Flanged pan head つば付きなべ	d_k XB5-6	6.5	6.5	8	10	12
		k XB5-6	2.1	2.1	1.75	3.2	4

1-9. Hexagon Socket Set Screws
六角穴付止めねじ



Type No. 類別番号	Type 類別	Head size (mm) 頭部寸法 (mm)							
		M1.6 M1.7	M2	M2.5 M2.6	M3	M5	M5	M6	
XB6-1	Cone point とがり先	S	0.7	0.9	1.3	1.5	2	2.5	3
		t	1.5	1.7	2	2	2.5	3	3.5
		d _{t max} XB6-1	0.4	0.5	0.65	0.75	1	1.25	1.5
		d _{l max} XB6-2	-	1.2	1.5	1.7	2.2	2.8	3.3
		d _{l min} XB6-2	-	1	1.2	1.4	1.9	2.4	2.9
		d _{p max} XB6-3	0.8	1	1.5	2	2.5	3.5	4
		d _{p min} XB6-3	0.55	0.75	1.25	1.75	2.25	3.2	3.7

1-10. Flanged Pan Head Machine Screws
つば付きなべ小ねじ



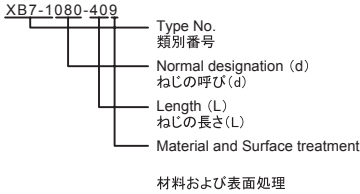
Type No. 類別番号	Type 類別	Head size (mm) 頭部寸法 (mm)					
		M2	M2.5 M2.6	M3	M5	M5	
XB6-7	Flanged pan head つば付きなべ	d _k	5	6.5	8	10	12
		k	1.7	2.1	2.5	3.2	4

FIGURE ZZC MECHANICAL STANDARD PARTS (BOLTS)

2. Bolts (Socket head cap screw) ボルト

How to read Parts Numbers
部品番号の見方

Bolt (Socket head cap screw)
ボルト



XB7-1 expresses Hexagon socket head cap screws.
XB7-1は、六角穴付きボルトを表す

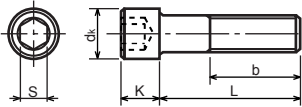
080 expresses M8.0.
080は、M8.0を表す

40 expresses a length of 40mm.
40は、40mmの長さを表す

9 expresses Steel (Black zinc trivalent chromate
treating) from Table 1.

9は、表1より鋼(黒色亜鉛3価クロメート)を表す

2-1. Hexagon socket head cap screws 六角穴付きボルト



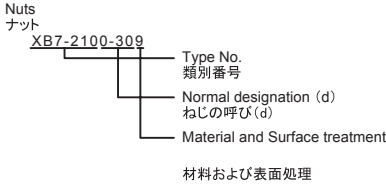
Type No. 類別番号	Type 類別
XB7-1	Hexagon socket head cap screws 六角穴付きボルト

	Head size (mm) 頭部寸法 (mm)						
	M3	M4	M5	M6	M8	M10	M12
S	2.5	3	4	5	6	8	10
d_k	5.5	7	8.5	10	13	16	18
K	3	4	5	6	8	10	12
Screw part length b_{max} ねじ部長さ b_{max}	18	20	22	24	28	32	36

FIGURE ZZD MECHANICAL STANDARD PARTS (NUTS)

3. Nuts ナット

How to read Parts Numbers
部品番号の見方



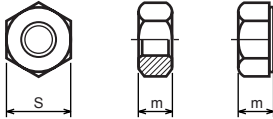
XB7-210 expresses Hexagon nut class 1.
XB7-210は、六角ナット1種を表す

0-30 expresses M3.0.
0-30は、M3.0を表す

9 expresses Steel (Black zinc trivalent chromate
treating) from Table 1.

9は、表1より鋼(黒色亜鉛3価クロメート)を表す

3-1. Hexagon Nuts and Hexagon Thin Nuts 六角ナット



Type No. 類別番号	Type 類別
XB7-210	Hexagon nut Class 1 六角ナット-1種
XB7-220	Hexagon nut Class 3 六角ナット-3種
XB7-230	Hexagon nut Style 1 double chamfered 六角ナット-スタイル1-両面とり
XB7-231	Hexagon nut Style 1 washer faced 六角ナット-スタイル1-座付き
XB7-240	Hexagon nut Style 2 double chamfered 六角ナット-スタイル2-両面とり
XB7-241	Hexagon nut Style 2 washer faced 六角ナット-スタイル2-座付き
XB7-250	Hexagon nut 六角ナット
XB7-260	Hexagon thin nut double chamfered 六角低ナット-両面とり
XB7-270	Hexagon thin nut not chamfered 六角低ナット-面とり無し

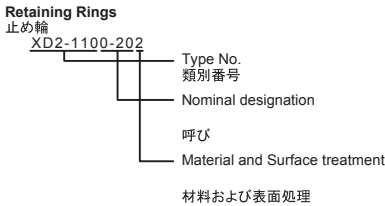
	Head size (mm) 頭部寸法 (mm)						
	M2	M2.5	M3	M4	M5	M6	M8
S	4	5	5.5	7	8	10	13
m XB7-210	1.6	2	2.4	3.2	4	5	6.5
m XB7-220	1.2	1.6	1.8	2.4	3.2	3.6	5
m XB7-230, 231	1.6	2	2.4	3.2	4.7	5.2	6.8
m XB7-240, 241	-	-	-	-	5.1	5.7	7.5
m XB7-250	-	-	-	-	5.6	6.1	7.9
m XB7-260	1.2	1.6	1.8	2.2	2.7	3.2	4
m XB7-270	1.2	1.6	1.8	2.2	2.7	3.2	4

FIGURE ZZE MECHANICAL STANDARD PARTS (RETAINING RINGS)

5. Retaining Rings

止め輪

How to read Parts Numbers
部品番号の見方



XD2-110 expresses retaining ring-E type (Type1).
XD2-110は、E形止め輪(1種)を表す

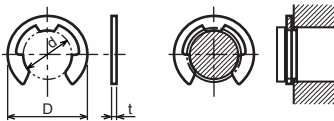
0-20 expresses a 020 of nominal designation.
(See Table 5)

0-20は、呼び020を表す(表5参照)

2 expresses Stainless steel (Surface treatment is not to be given) from Table 1.
2は、表1よりステンレス(表面処理なし)を表す

5-1. Retaining Rings - E type

E形止め輪

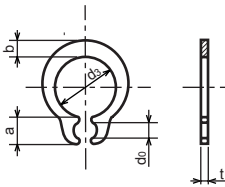


Type No. 類別番号	Type 類別
XD2-110	Retaining ring - E type (Type 1) E形止め輪(1種)
XD2-120	Retaining ring - E type (Type 2) E形止め輪(2種)

Table 5 表5

Type 種類	Nominal designation 呼び	d (mm)	D (mm)	t (mm)
Type 1 1種	007	0.65	2	0.2
	010	0.95	2.8	0.2
	013	1.25	3.3	0.3
	017	1.65	4.2	0.4
	020	1.95	4.6	0.5
	024	2.35	6	0.6
	028	2.74	6.5	0.6
	032	3.14	7.2	0.6
	037	3.64	8	0.7
	040	3.93	10	0.7
	042	4.13	10	0.7
	050	4.93	11	0.7
	058	5.73	12	0.7
	060	5.93	12.7	0.9
	064	6.32	13.5	0.9
	074	7.31	15	0.9
080	7.91	16.5	1	
Type 2 2種	008	0.8	2	0.2
	012	1.2	3	0.3
	015	1.5	4	0.4
	020	2	5	0.4
	025	2.5	6	0.4
	030	3	7	0.6
	040	4	9	0.6
	050	5	11	0.6
	060	6	12	0.8
	070	7	14	0.8
	080	8	16	0.8
	090	9	18	0.8
	100	10	20	1

5-2. Grip Rings
グリップ止め輪

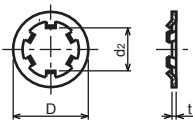


Type No. 類別番号	Type 類別
XD2-210	Grip ring グリップ止め輪

Table 5 表5

Nominal designation 呼び	d ₃ (mm)	t (mm)	b (mm)	a (mm)	d ₀ (mm)
020	1.9	0.5	1	1.8	0.8
025	2.35	0.5	1.2	1.9	0.9
030	2.85	0.6	1.4	1.9	0.9
035	3.3	0.6	1.6	2	0.9
040	3.8	0.8	1.8	2.8	1.2
045	4.25	0.8	2	2.9	1.3
050	4.75	0.8	2.2	2.9	1.3
060	5.7	1	2.4	3.1	1.4
070	6.7	1	2.7	3.3	1.4
080	7.7	1	3	3.5	1.4
090	8.65	1.2	3.3	4.7	1.5
100	9.65	1.2	3.5	4.7	2

5-3. Toothed Retaining Rings
歯付き形止め輪



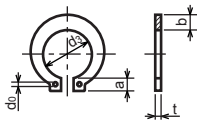
Type No. 類別番号	Type 類別
XD2-230	Toothed retaining ring 歯付き形止め輪

Table 5 表5

Nominal designation 呼び	d _z (mm)	D (mm)	t (mm)	No of teeth 歯数
015	1.4	5.2	0.25	3
020	1.9	6	0.25	3
024	2.3	6.4	0.25	3
030	2.8	8	0.25	4
040	3.8	9	0.25	4
050	4.8	10	0.25	5
060	5.8	11	0.25	5
080	7.8	13	0.25	5
100	9.8	15.4	0.25	6

5-4. Retaining Rings - C Type

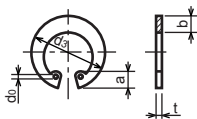
C形止め輪



Type No. 類別番号	Type 類別
XD2-310	Retaining ring - C type for shaft C形止め輪 軸用

Table 5 表5

Nominal designation 呼び	d ₃ (mm)	t (mm)	b (mm)	a (mm)	d ₀ (mm)
010	9.3	1	1.6	3	1.2
012	11.1	1	1.8	3.2	1.5
014	12.9	1	2	3.4	1.7
015	13.8	1	2.1	3.5	1.7
016	14.7	1	2.2	3.6	1.7
017	15.7	1	2.2	3.7	1.7
018	16.5	1.2	2.6	3.8	1.7
020	18.5	1.2	2.7	3.9	2
022	20.5	1.2	2.7	4.1	2
025	23.2	1.2	3.1	4.3	2
028	25.9	1.5	3.1	4.6	2
030	27.9	1.5	3.5	4.8	2
032	29.6	1.5	3.5	5	2.5
035	32.2	1.5	4	5.4	2.5



Type No. 類別番号	Type 類別
XD2-320	Retaining ring - C type for hole C形止め輪 穴用

Table 5 表5

Nominal designation 呼び	d ₃ (mm)	t (mm)	b (mm)	a (mm)	d ₀ (mm)
010	10.7	1	1.8	3.1	1.2
011	11.8	1	1.8	3.2	1.2
012	13	1	1.8	3.3	1.5
014	15.1	1	2	3.6	1.7
016	17.3	1	2	3.7	1.7
018	19.5	1	2.5	4	1.7
019	20.5	1	2.5	4	2
020	21.5	1	2.5	4	2
022	23.5	1	2.5	4.1	2
025	26.9	1.2	3	4.4	2
028	30.1	1.2	3	4.6	2
030	32.1	1.2	3	4.7	2
032	34.4	1.2	3.5	5.2	2.5
035	37.8	1.5	3.5	5.2	2.5
037	39.8	1.5	3.5	5.2	2.5
040	43.5	1.8	4	5.7	2.5
042	45.5	1.8	4	5.8	2.5
045	48.5	1.8	4.5	5.9	2.5
047	50.5	1.8	4.5	6.1	2.5
050	54.2	2	4.5	6.5	2.5
052	56.2	2	5.1	6.5	2.5
055	59.2	2	5.1	6.5	2.5
060	64.2	2	5.1	6.8	2.5
062	66.2	2	5.5	6.9	2.5
068	72.5	2.5	6	7.4	2.5
072	76.5	2.5	6.6	7.4	2.5
075	79.5	2.5	6.6	7.8	2.5
080	85.5	2.5	7	8	2.5
085	90.5	3	7	8	3
090	95.5	3	7.6	8.3	3
095	100.5	3	8	8.5	3

Prepared by
OIP Business Support Group
CANON INC.

Canon