

PARTS CATALOG

iR-ADV C5560/C5550/C5540/C5535 Series (CEL)

<PREFACE>

This Parts Catalog contains listings of parts used. Diagrams are provided with the listings to aid the service technician in identifying clearly, the item to be ordered.

Whenever ordering parts, consult this Parts Catalog for all of the information pertaining to each item. Be sure to include, in the Parts Request, the full item description, the item part number, and the quantity.

The Canon logo is displayed in a bold, black, sans-serif font. The letter 'C' is significantly larger than the other letters, and the 'o' is stylized with a vertical line through it.

Index

SNLE	Product Code No. /Serial No.
A1E	ASSEMBLY LOCATION DIAGRAM (Single pass ADF model)
A1F	ASSEMBLY LOCATION DIAGRAM (COPYBOARD model)
A2	OPTION PARTS CATALOG LIST
001E	ACCESSORIES (ADF model)
001F	ACCESSORIES (COPYBOARD model)
100AN	EXTERNAL COVERS, PANELS, ETC. (C5560i)
100AP	EXTERNAL COVERS, PANELS, ETC. (C5550i)
100AQ	EXTERNAL COVERS, PANELS, ETC. (C5540i)
100AR	EXTERNAL COVERS, PANELS, ETC. (C5535i)
100AT	EXTERNAL COVERS, PANELS, ETC. (C5535)
101	INTERNAL COMPONENTS 1
102C	INTERNAL COMPONENTS 2
103	INTERNAL COMPONENTS 3
104	INTERNAL COMPONENTS 4
105	INTERNAL COMPONENTS 5
106A	MACHINE REAR PLATE 1 (100V, 120V TW, 230V)
107D	MACHINE REAR PLATE 2 (230V)
108	MACHINE REAR PLATE 3
109	MACHINE REAR PLATE 4
111	RIGHT DOOR ASSEMBLY
112	RIGHT INNER DOOR ASSEMBLY
113	RIGHT LOWER DOOR ASSEMBLY
114	RIGHT OUTER DOOR ASSEMBLY
115	FRONT COVER ASSEMBLY
130C	FLAT CONTROL PANEL ASSEMBLY
140C	POWER CORD TERMINAL ASS'Y (120V US C5540i, C5535i, 230V)
250	MAIN DRIVE ASSEMBLY
260	PAPER PICK-UP DRIVE ASS'Y, UP.
261	PAPER PICK-UP DRIVE ASS'Y, LW.
262	DUPLEXING REG. DRIVE ASSEMBLY
270	SHUTTER DRIVE MOUNT ASSEMBLY
271	SET ON DRIVE ASSEMBLY
280	FIXING DRIVE ASSEMBLY
281	FIXING DELIVERY DRIVE ASSEMBLY
290	LIFTER DRIVE MOUNT ASSEMBLY
310	PAPER PICK-UP ASSEMBLY, 1
311	PAPER PICK-UP ASSEMBLY, 2
313	PRE-REG. GUIDE ASSEMBLY
315	MULTI PAPER PICK-UP TRAY ASS'Y

Index

316	MULTI PAPER PICK-UP ASSEMBLY
350	FIRST PAPER DELIVERY ASSEMBLY
351	2ND/3RD PAPER DELIVERY ASS'Y
352	SECOND PAPER DELIVERY ASSEMBLY
353	THIRD PAPER DELIVERY ASSEMBLY
460	LASER SCANNER ASSEMBLY
530	INTER. TRANSFER BELT ASS'Y
535	TRANSFER CLEANER ASSEMBLY
600	PROCESS-KIT FRAME ASSEMBLY
620	SET ON HOPPER ASS'Y, BLACK
621	SET ON HOPPER ASS'Y, COLOR
626C	BOTTLE FRONT INNER DOOR ASS'Y
627	BOTTLE BASE ASSEMBLY, BLACK
628	BOTTLE BASE ASSEMBLY, COLOR
640	DEVELOPING ASSEMBLY
770	CONTAINER, WASTE TONER, WT-202
771	WASTE TONER DRIVE DETECT ASS'Y
810C	FIXING ASSEMBLY (230V)
811	SHUTTER ASSEMBLY
812	DELIVERY GUIDE ASSEMBLY, LOWER
900A	CONTROLLER BOX ASSEMBLY (MODEL WITHOUT FAX)
910	POWER SUPPLY ASSEMBLY
930A	MAIN CONTROLLER PCB ASSEMBLY (C5560 SERIES)
930B	MAIN CONTROLLER PCB ASSEMBLY (C5550 SERIES)
930C	MAIN CONTROLLER PCB ASSEMBLY (C5540 SERIES)
930D	MAIN CONTROLLER PCB ASSEMBLY (C5535 SERIES)
931	RISER PCB ASSEMBLY
962	PAPER FEED DRIVER PCB ASSEMBLY
B01	ATTACHMENT PARTS (ADF)
B11C	INTERNAL COMPONENTS 1 (Single pass ADF)
B12	INTERNAL COMPONENTS 2 (Single pass ADF)
B13	INTERNAL COMPONENTS 3 (Single pass ADF)
B14	INTERNAL COMPONENTS 4 (Single pass ADF)
B15	DOCUMENT TRAY ASSEMBLY (Single pass ADF)
B16	OPEN/CLOSE PANEL ASSEMBLY (Single pass ADF)
B17	BASE FRAME ASSEMBLY (Single pass ADF)
B40	PLATEN GUIDE ASS'Y (Single pass ADF)
B90	DF DRIVER PCB ASSEMBLY (Single pass ADF)
D01	ATTACHMENT PARTS (READER)
D11C	READER ASSEMBLY (ADF model)

Index

D11D	READER ASSEMBLY (COPYBOARD model)
E10	IC CARD READER BOX (ADF model)
H30	CASSETTE ASSEMBLY (SMALL)
H31	CASSETTE ASSEMBLY (LARGE)
ZZA	MECHANICAL STANDARD PARTS (HOW TO USE)
ZZB	MECHANICAL STANDARD PARTS (SCREWS)
ZZC	MECHANICAL STANDARD PARTS (BOLTS)
ZZD	MECHANICAL STANDARD PARTS (NUTS)
ZZE	MECHANICAL STANDARD PARTS (RETAINING RINGS)

Figure SNLE Product Code No./Serial No.

	Product Code No.	Model Name	Remarks	Serial No.
1	F17-2094-000	imageRUNNER ADVANCE C5560i	ADF model	WHJ
2	F17-2194-000	imageRUNNER ADVANCE C5550i	ADF model	WHL
3	F17-2294-000	imageRUNNER ADVANCE C5540i	ADF model	WHN
4	F17-2394-000	imageRUNNER ADVANCE C5535i	ADF model	WHR
5	F17-2391-000	imageRUNNER ADVANCE C5535	COPYBOARD model	WHQ

	中オーダー	製品名	備考	シリアル No.
1	F17-2094-000	imageRUNNER ADVANCE C5560i	ADF model	WHJ
2	F17-2194-000	imageRUNNER ADVANCE C5550i	ADF model	WHL
3	F17-2294-000	imageRUNNER ADVANCE C5540i	ADF model	WHN
4	F17-2394-000	imageRUNNER ADVANCE C5535i	ADF model	WHR
5	F17-2391-000	imageRUNNER ADVANCE C5535	COPYBOARD model	WHQ

FIGURE & KEY NO.	PART NUMBER	RANK	QTY	DESCRIPTION	SERIAL NUMBER /REMARKS
SNLE	NPN		RF	Product Code No./Serial No.	
1	F17-2094-000		1	imageRUNNER ADVANCE C5560i	WHJ ADF model
2	F17-2194-000		1	imageRUNNER ADVANCE C5550i	WHL ADF model
3	F17-2294-000		1	imageRUNNER ADVANCE C5540i	WHN ADF model
4	F17-2394-000		1	imageRUNNER ADVANCE C5535i	WHR ADF model
5	F17-2391-000		1	imageRUNNER ADVANCE C5535	WHQ COPYBOARD model

Figure A1E (1/7) ASSEMBLY LOCATION DIAGRAM (Single pass ADF model)

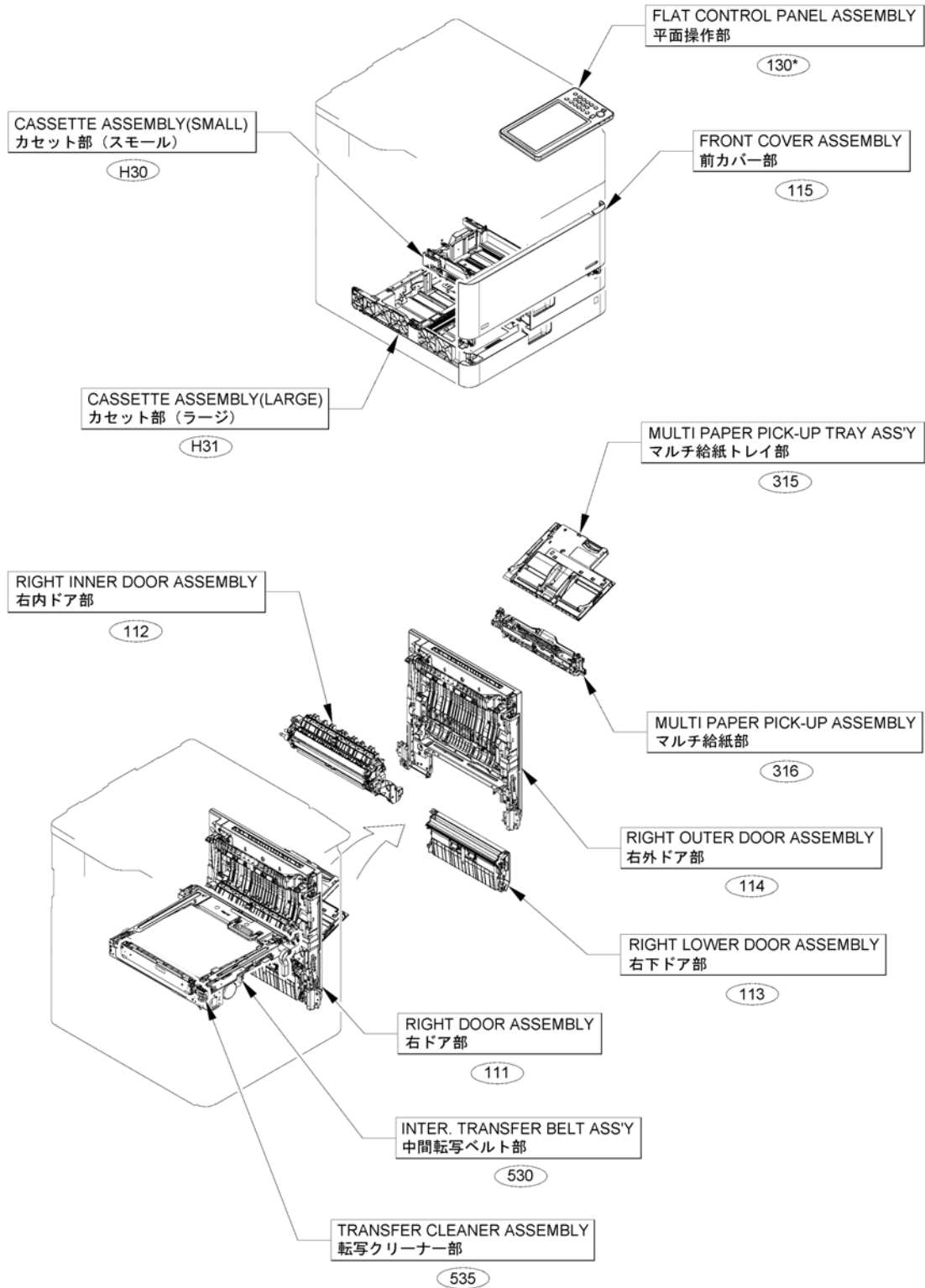


Figure A1E (2/7) ASSEMBLY LOCATION DIAGRAM (Single pass ADF model)

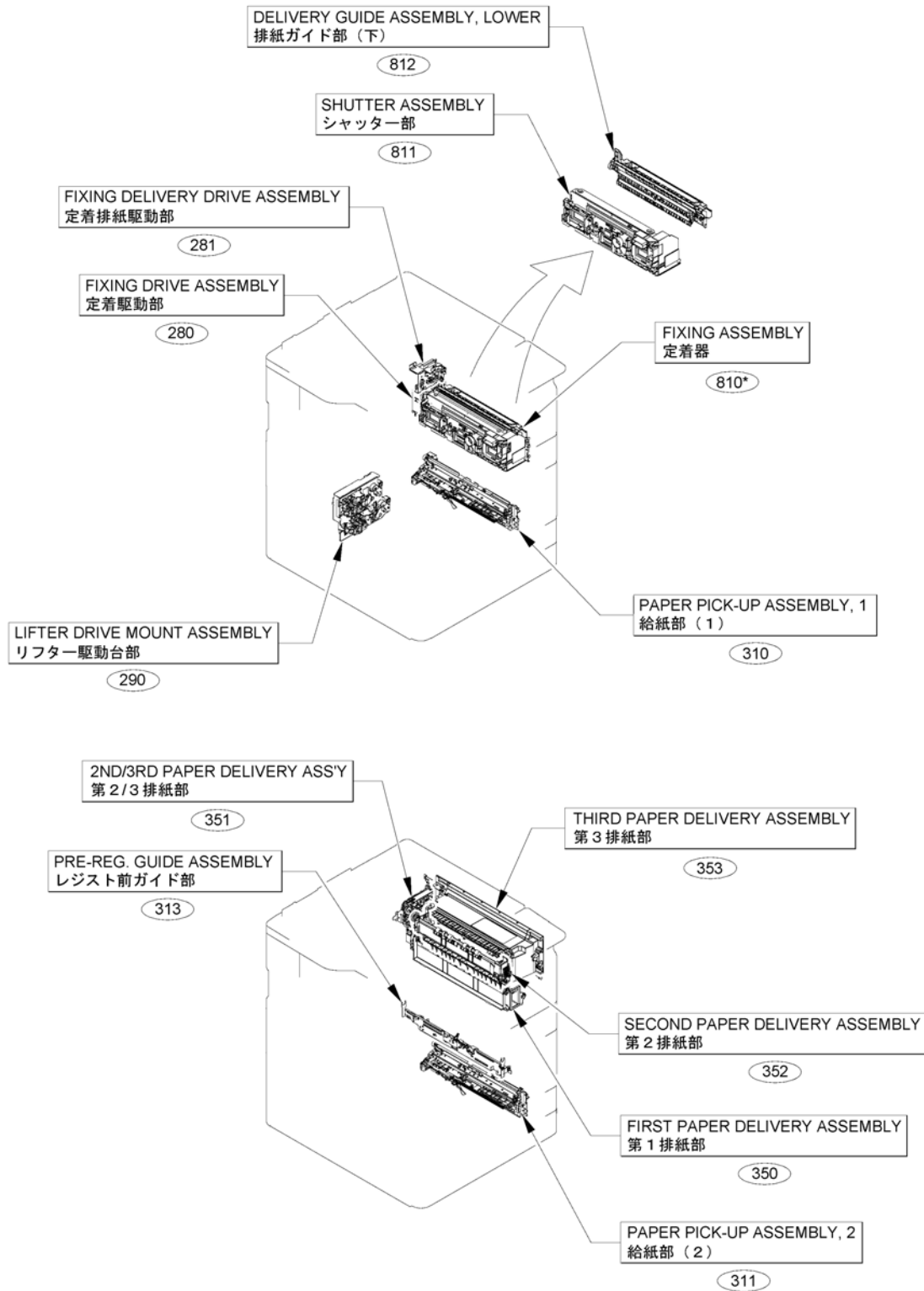


Figure A1E (3/7) ASSEMBLY LOCATION DIAGRAM (Single pass ADF model)

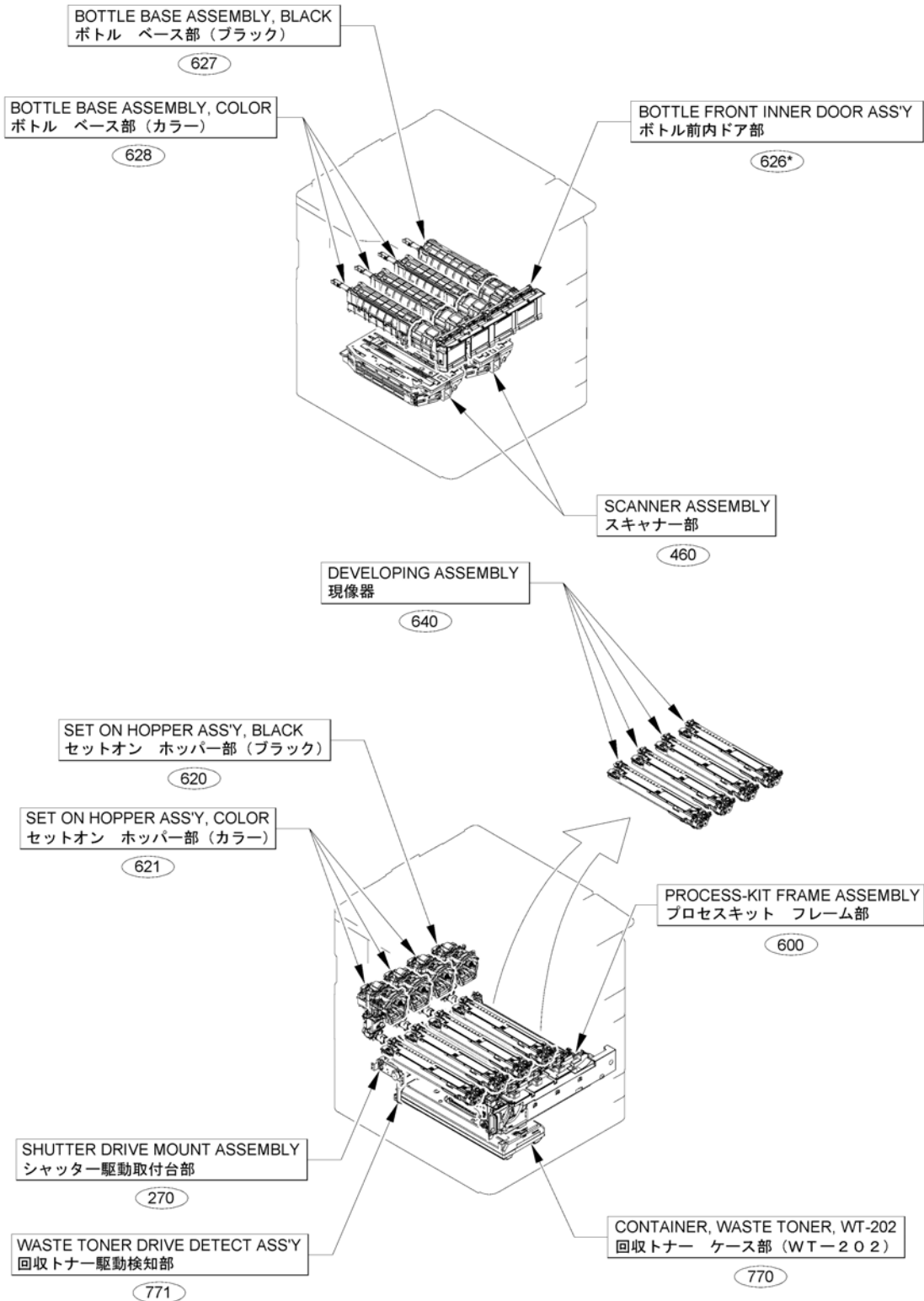


Figure A1E (4/7) ASSEMBLY LOCATION DIAGRAM (Single pass ADF model)

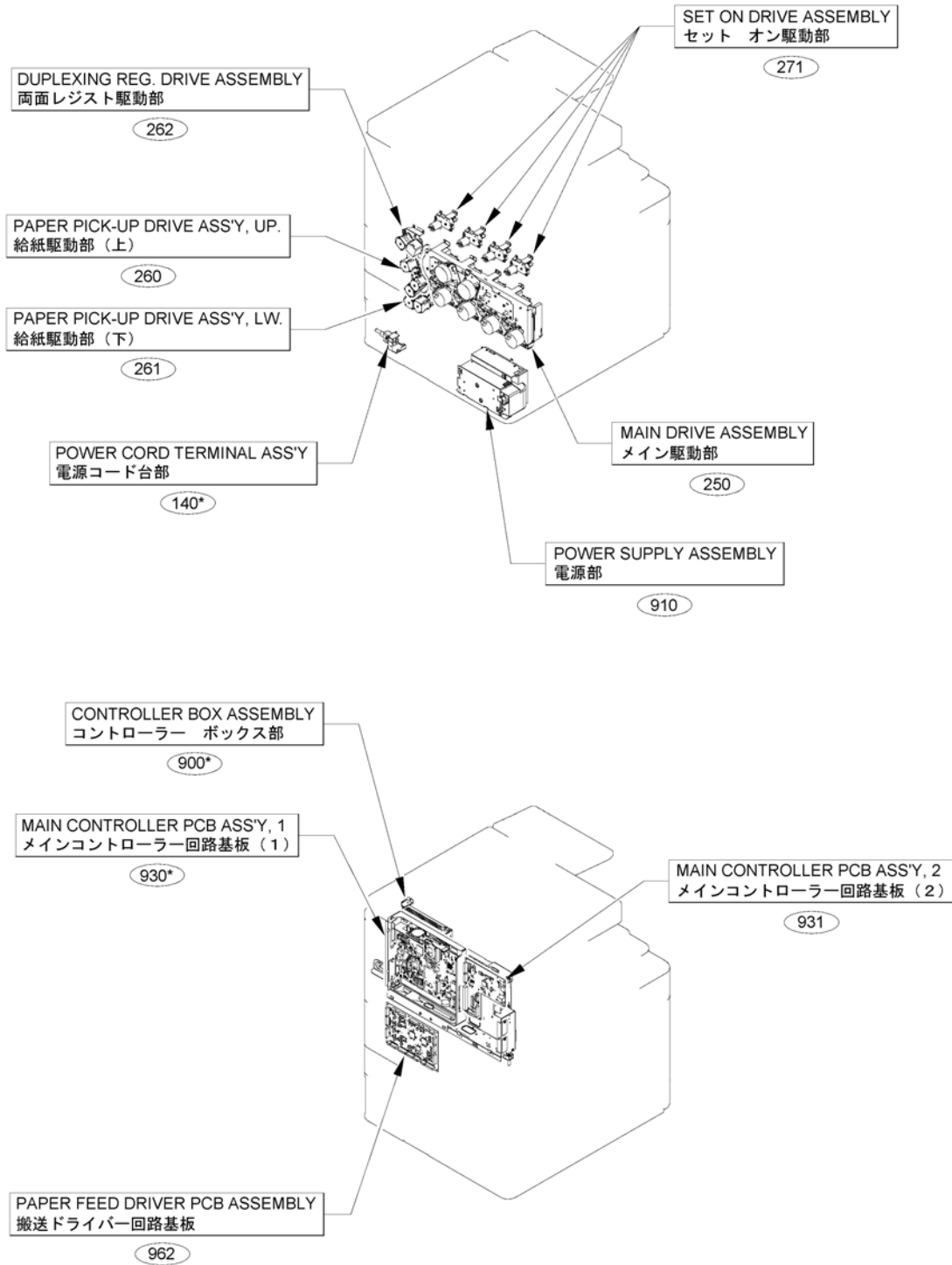


Figure A1E (5/7) ASSEMBLY LOCATION DIAGRAM (Single pass ADF model)

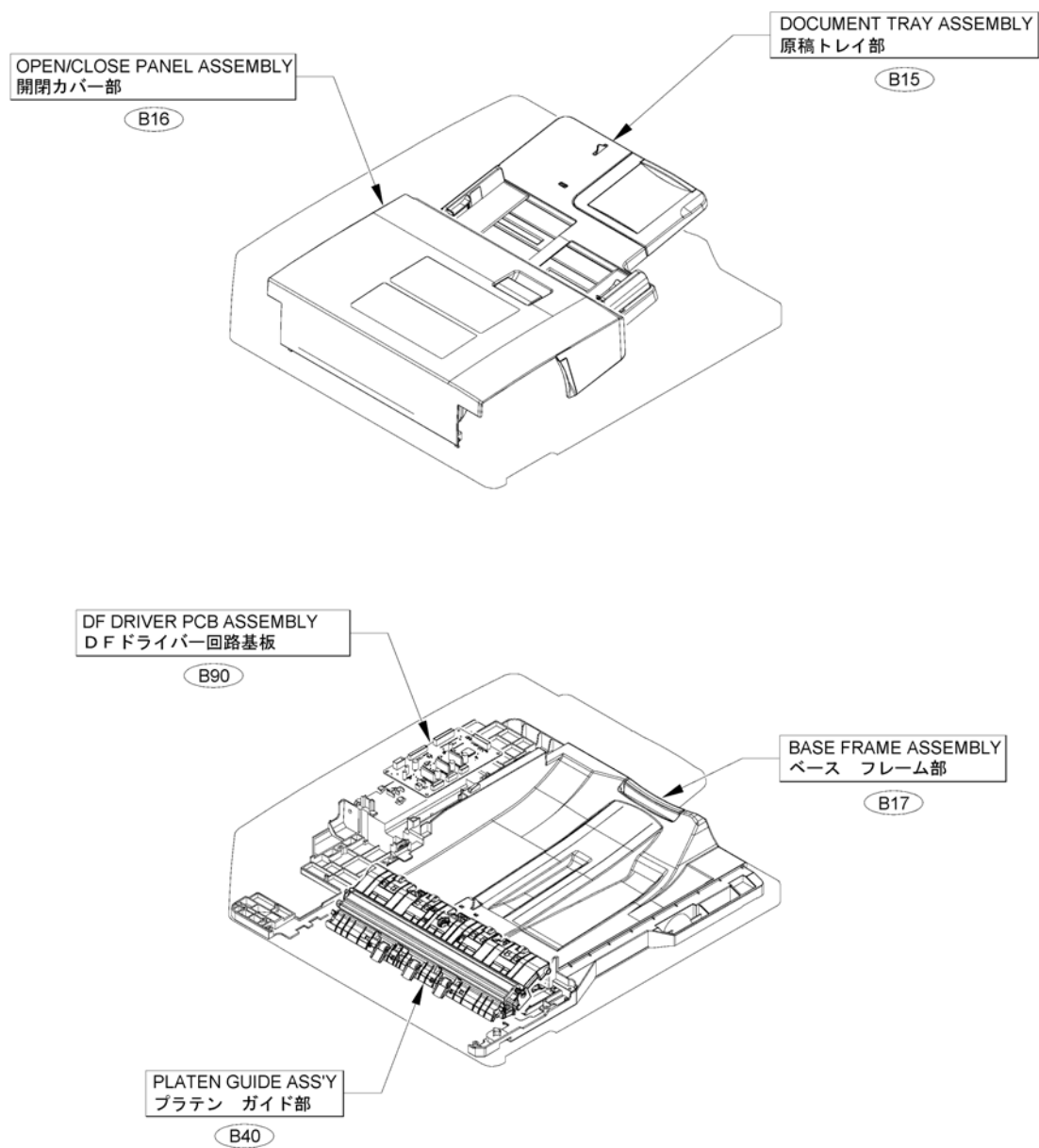


Figure A1E (6/7) ASSEMBLY LOCATION DIAGRAM (Single pass ADF model)

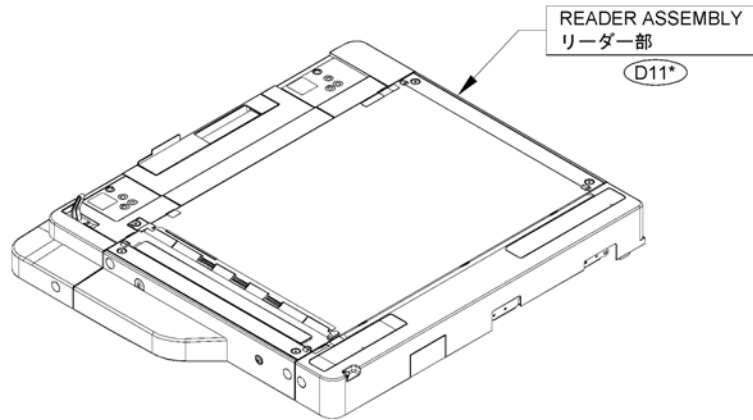


Figure A1E (7/7) ASSEMBLY LOCATION DIAGRAM (Single pass ADF model)

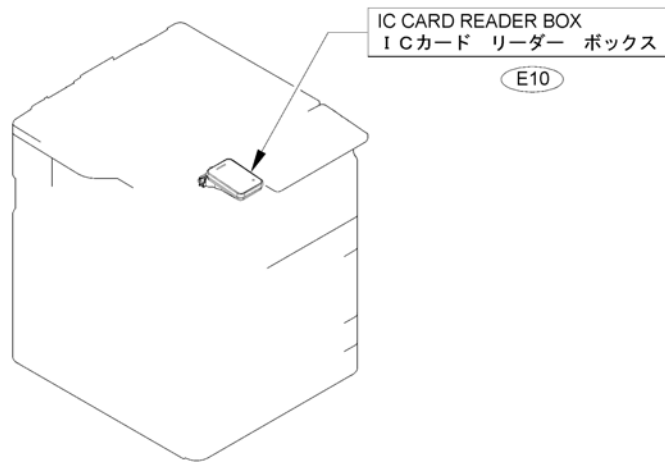


Figure A1F (1/5) ASSEMBLY LOCATION DIAGRAM (COPYBOARD model)

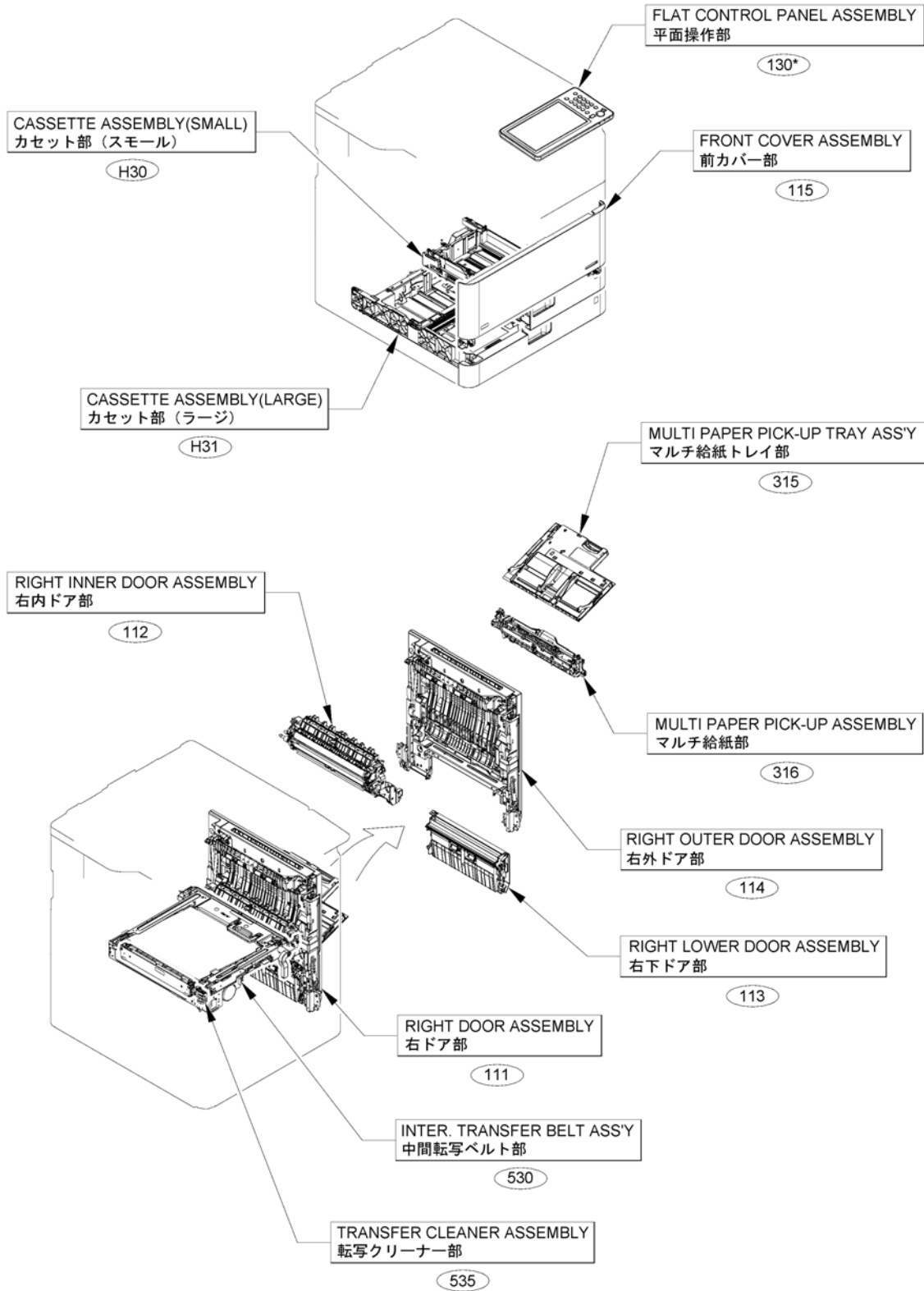


Figure A1F (2/5) ASSEMBLY LOCATION DIAGRAM (COPYBOARD model)

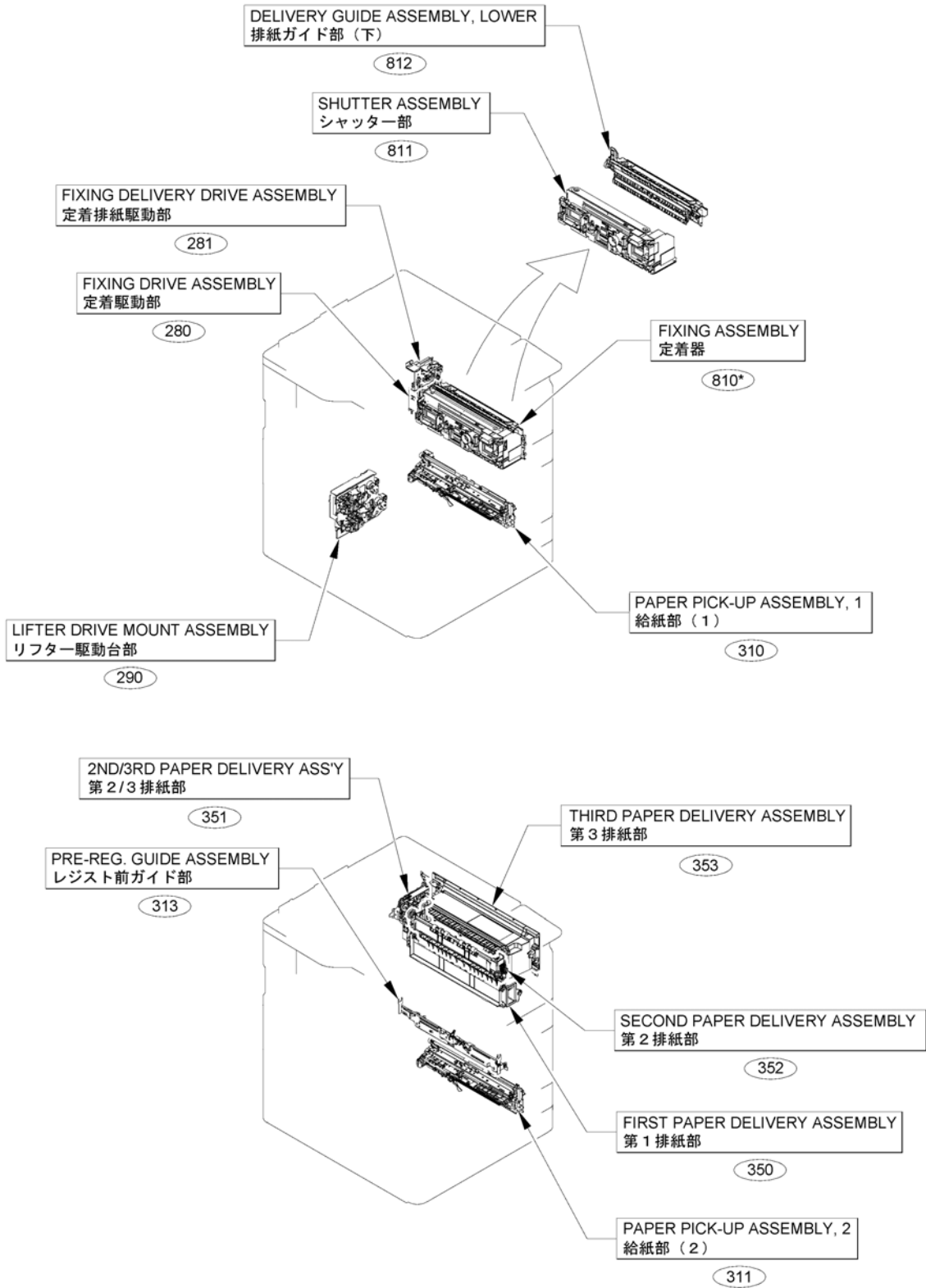


Figure A1F (3/5) ASSEMBLY LOCATION DIAGRAM (COPYBOARD model)

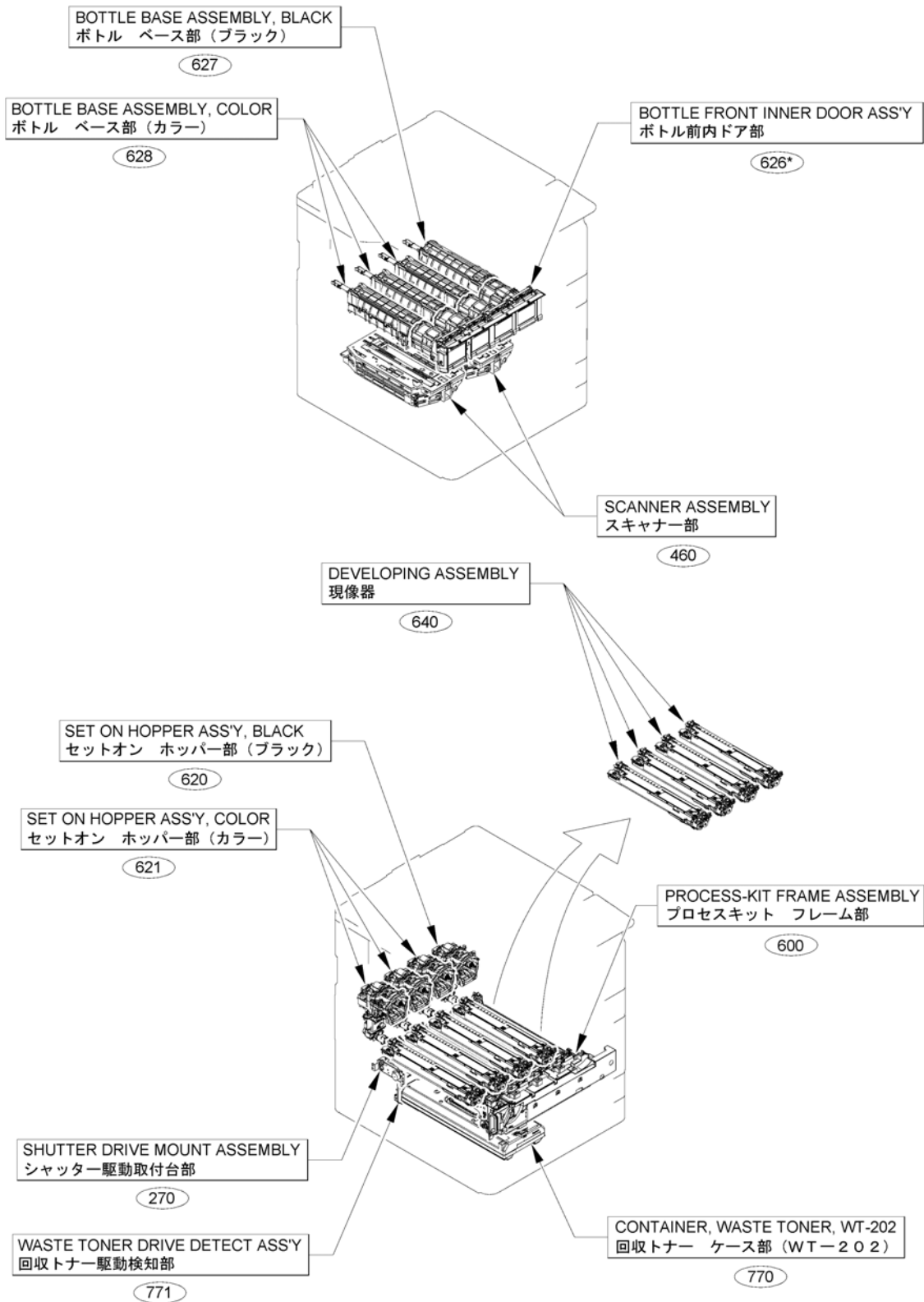


Figure A1F (4/5) ASSEMBLY LOCATION DIAGRAM (COPYBOARD model)

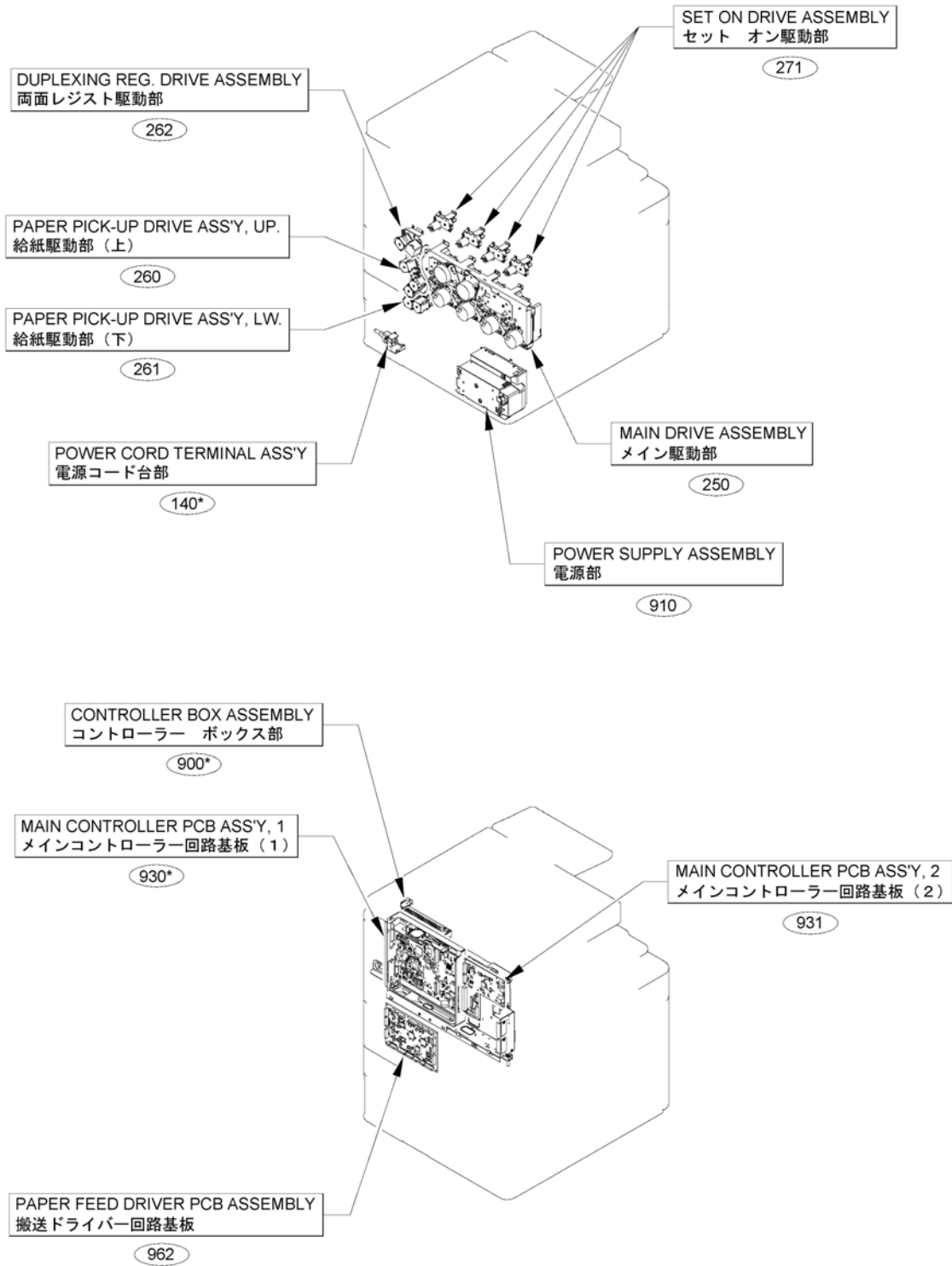


Figure A1F (5/5) ASSEMBLY LOCATION DIAGRAM (COPYBOARD model)

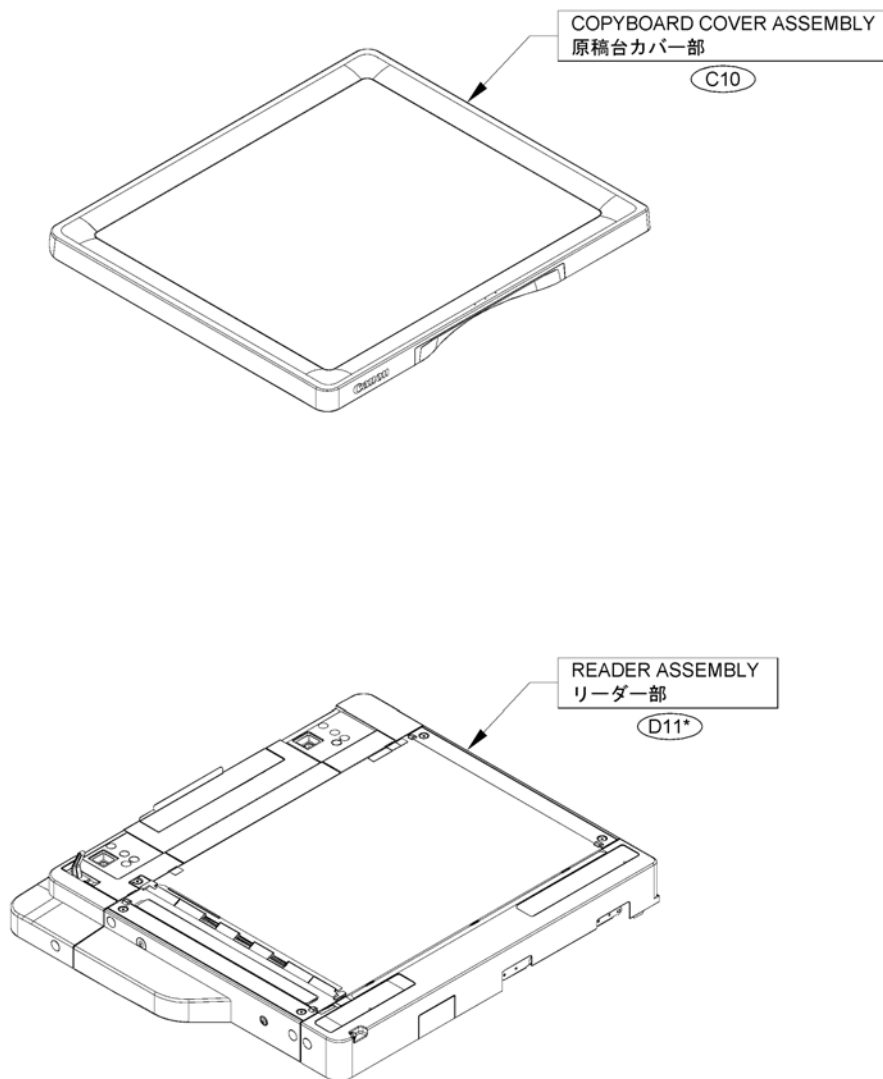


Figure A2 OPTION PARTS CATALOG LIST

This is the table of the machine's options whose parts catalog is issued.
 本機のオプションで、パーツカタログが発行されている機種の一覧である。

No.	Model Name(English)	Model Name(Japanese)
1	Platen Cover Type W	原稿台カバー タイプW
2	ADF Access Handle-A1	ADFアクセスハンドル・A1
3	Printer Cover-J1	プリンタカバー・J1
4	NFC Kit-B1 (Flat Control Panel)	NFCキット・B1 (平面操作部)
5	Cassette Feeding Unit-AM1	2段カセットペディスタル・AM1
6	High Capacity Cassette Feeding Unit-A1	大容量カセットペディスタル・A1
7	FL Cassette-AZ1	FLカセット・AZ1
8	FL CASSETTE-BA1	FLカセット・BA1
9	Tab Feeding Attachment-F1	インデックス紙アタッチメント・F1
10	Copy Tray-J2	コピートレイ・J2
11	Inner 2way Tray-J1	インナー2ウェイトレイ・J1
12	2/3 Hole Puncher Unit-A1	(日本仕向けなし)
13	2/4 Hole Puncher Unit-A1	2/4穴パンチャーユニット・A1
14	4 Hole Puncher Unit-A1	(日本仕向けなし)
15	Reader Heater Unit-J1	リーダーヒーターキット・J1
16	Cassette Heater Unit-41	(日本仕向けなし)
17	Paper Deck Heater Unit-C1	ペーパーデッキヒーターユニット・C1
18	Utility Tray-B1	ユーティリティートレイ・B1
19	Copy Card Reader Attachment-B5	コピーカードリーダー取付けキット・B5
20	Super G3 FAX Board-AS1	スーパーG3FAXボード・AS1
21	Super G3 2nd Line Fax Board-AS1	G3回線増設キット(2回線)・AS1
22	Super G3 3rd/4th Line Fax Board-AS1	G3回線増設キット(3・4回線)・AS1
23	(JAPAN ONLY)	ハンドセット・G2
24	Voice Guidance Kit-G1	(日本仕向けなし)
25	Voice Operation Kit-D1	音声操作キット・D1
26	Document Scan Lock Kit-B1	イメージ解析ボード・B1
27	(JAPAN ONLY)	iR-ADV課金装置接続キット・A3
28	Serial Interface Kit-K3	シリアルインターフェースキット・K3
29	Copy Control Interface Kit-A1	コントロールインターフェースキット・A1
30	2.5inch/250GB HDD-N1	オプションHDD (2.5inch/250GB)・N1
31	2.5inch/1TB HDD-P1	オプションHDD (2.5inch/1TB)・P1
32	HDD Mirroring Kit-J1	HDDミラーリングキット・J1
33	Removable HDD Kit-AL1	リムーバブルHDDキット・AL1
34	IC Card Reader Box-C1	ICカードリーダーボックス・C1
35	Copy Card Reader-F1	コピーカードリーダー・F1
36	Paper Deck Unit-F1	ペーパーデッキユニット・F1
37	Inner Finisher-H1	インナーフィニッシャー・H1
38	Inner 2/3 Hole Puncher-B1	(日本仕向けなし)
39	Inner 2/4 Hole Puncher-B1	インナー2/4穴パンチャー・B1
40	Inner 4 Hole Puncher-B1	(日本仕向けなし)
41	Staple Finisher-Y1	ステイブルフィニッシャー・Y1
42	Booklet Finisher-Y1	中綴じフィニッシャー・Y1
43	Buffer Pass Unit-L1	バッファパスユニット・L1
44	imagePASS-P1	imagePASS-P1
45	ColorPASS-GX500	(日本仕向けなし)

Figure 001E ACCESSORIES (ADF model)

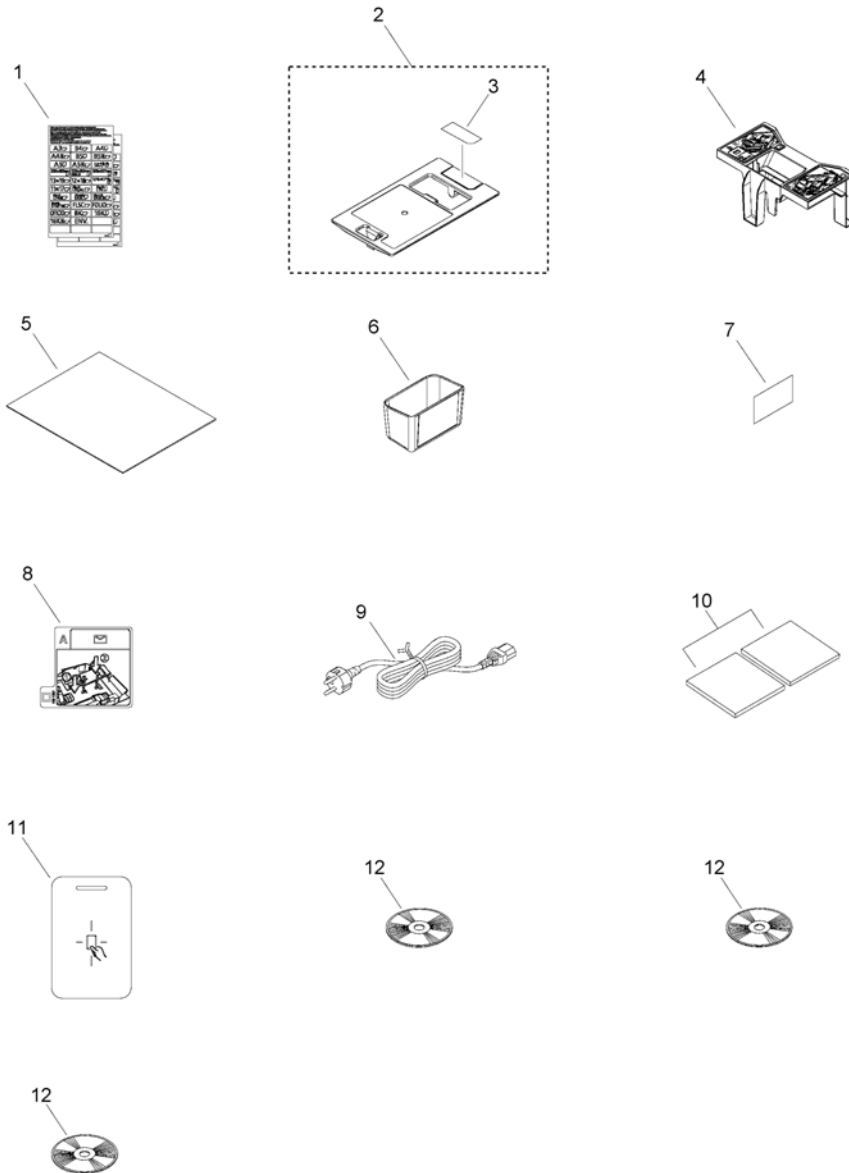


FIGURE & KEY NO.	PART NUMBER	RANK	QTY	DESCRIPTION	SERIAL NUMBER /REMARKS
001E	NPN		RF	ACCESSORIES	ADF model
1	FE4-5866-000		2	LABEL, PAPER SIZE	
2	FL0-3261-000		1	PLATE, LIFTING	
3	FL3-6526-000		1	SHEET, SEPARATION	
4	FL1-0490-000		1	ENVELOPE HORIZONTAL FEED ASS'Y	
5	FE3-4473-000		1	CLOTH, CLEANING	
6	FE3-9210-000		1	BOX, CLEANING CLOTH STOCK	
7	FE3-4465-000		1	TAPE, DUPLEXING	
8	FE8-1367-000		1	LABEL, ENVELOPE KIT	
9	FH2-7080-000		1	CORD, POWER, 230V	
10	FE4-7896-000		2	CUSHION	
11	FL0-7960-000		1	SHEET	
12	FK4-3866-000		1	CD-ROM, SOFTWARE FOR UFR II	
12	FK4-3870-000		1	CD-ROM, USER SOFTWARE, PCL	
12	FK4-3874-000		1	CD-ROM, USER SOFTWARE, PS	

Figure 001F ACCESSORIES (COPYBOARD model)

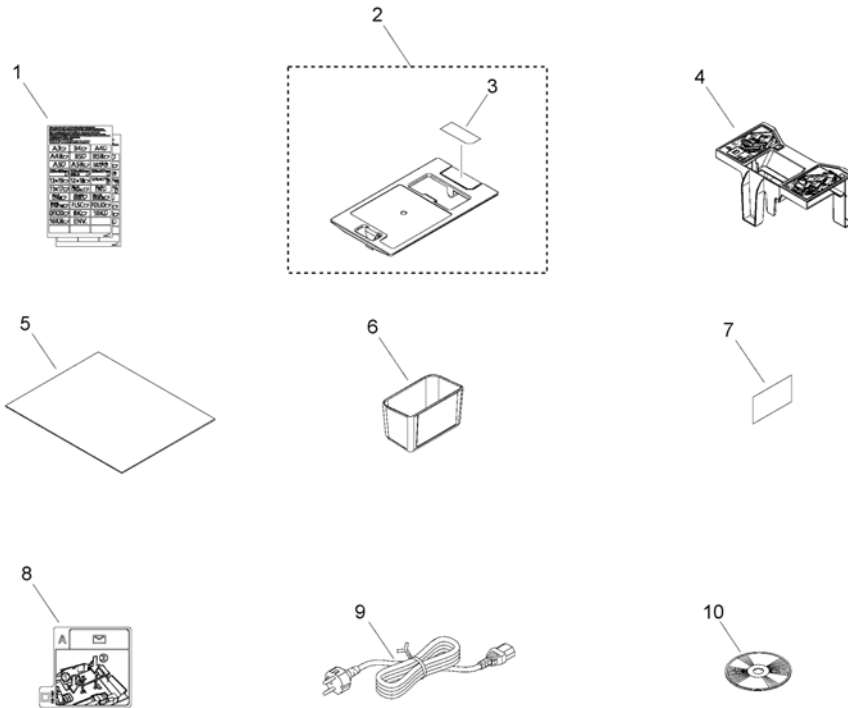


FIGURE & KEY NO.	PART NUMBER	RANK	QTY	DESCRIPTION	SERIAL NUMBER /REMARKS
001F	NPN		RF	ACCESSORIES	COPYBOARD model
1	FE4-5866-000		2	LABEL, PAPER SIZE	
2	FL0-3261-000		1	PLATE, LIFTING	
3	FL3-6526-000		1	SHEET, SEPARATION	
4	FL1-0490-000		1	ENVELOPE HORIZONTAL FEED ASS'Y	
5	FE3-4473-000		1	CLOTH, CLEANING	
6	FE3-9210-000		1	BOX, CLEANING CLOTH STOCK	
7	FE3-4465-000		1	TAPE, DUPLEXING	
8	FE8-1367-000		1	LABEL, ENVELOPE KIT	
9	FH2-7080-000		1	CORD, POWER, 230V	
10	FK4-3866-000		1	CD-ROM, SOFTWARE FOR UFR II	

Figure 100AN (1/2)EXTERNAL COVERS, PANELS, ETC. (C5560i)

NOTE : Several kinds of labels are attached on the board for the parts of Key No. 44.

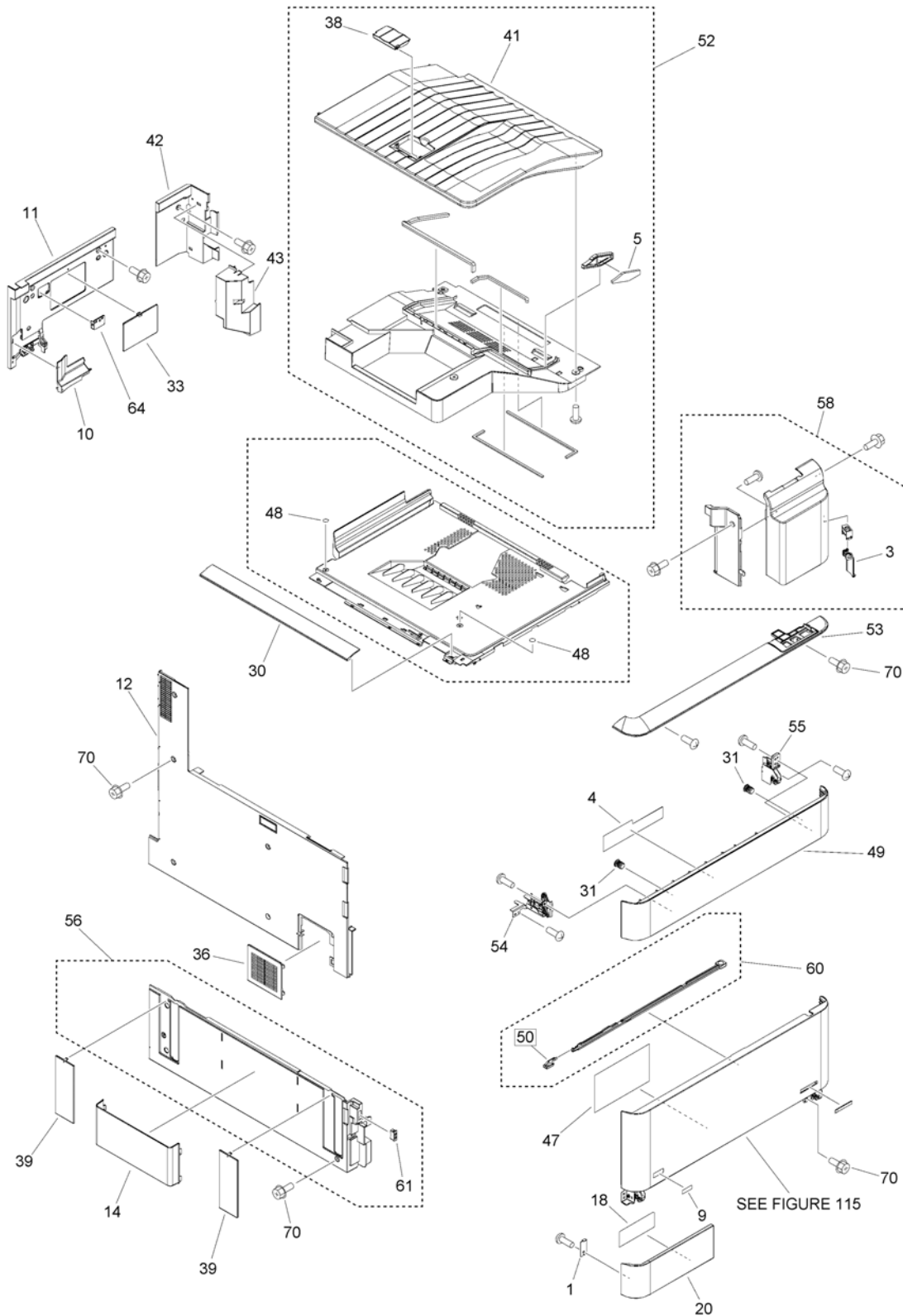


Figure 100AN (2/2) EXTERNAL COVERS, PANELS, ETC. (C5560i)

NOTE : Several kinds of labels are attached on the board for the parts of Key No. 44.

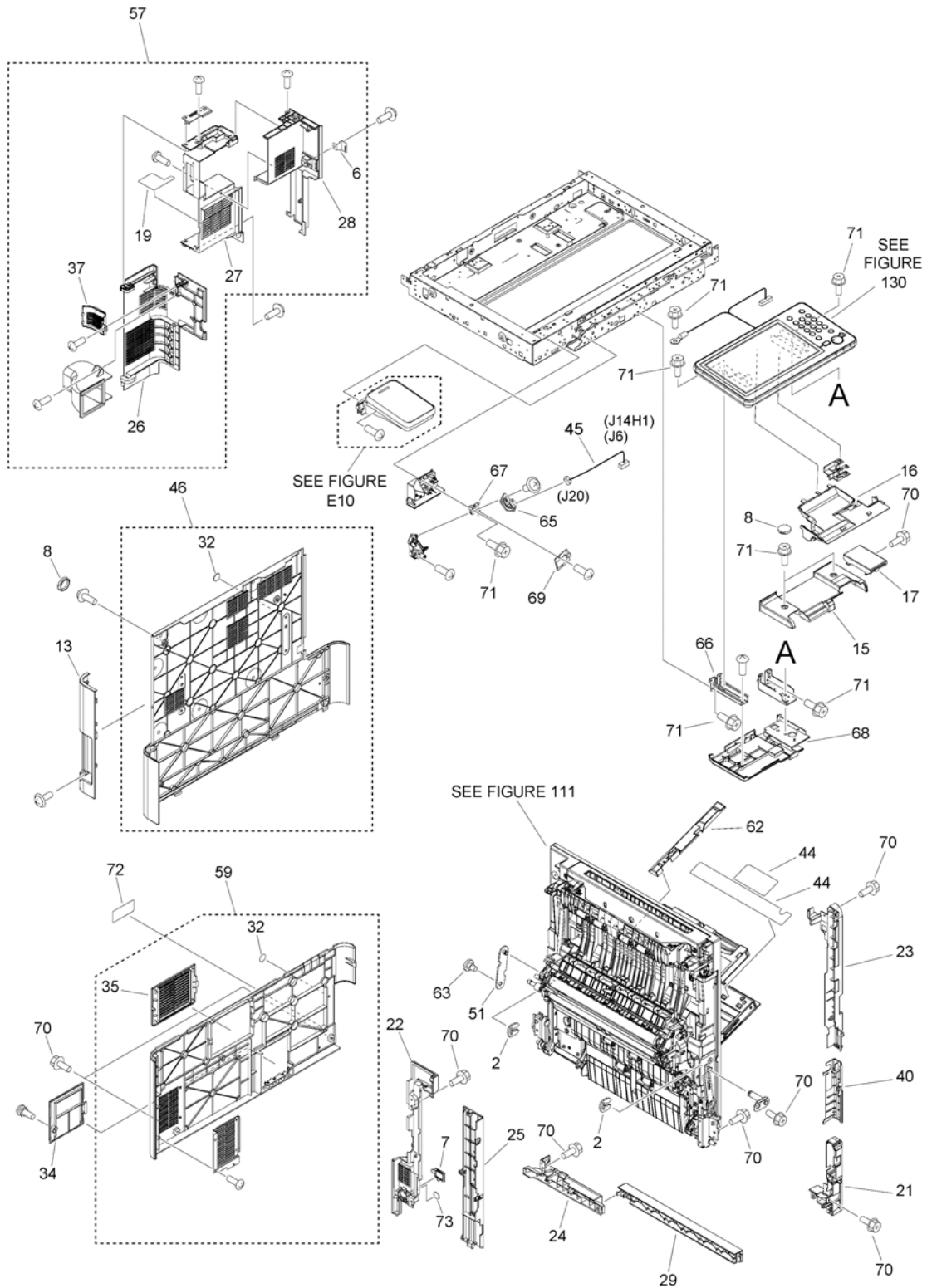


FIGURE & KEY NO.	PART NUMBER	RANK	QTY	DESCRIPTION	SERIAL NUMBER /REMARKS
100AN	NPN		RF	EXTERNAL COVERS, PANELS, ETC.	C5560i
1	FC6-1844-000		1	PLATE, MAGNET, B	
2	FC6-3002-000		2	RING, RESIN, RETAINING	
3	FC8-4000-000		1	COVER, MAIN SWITCH	
4	FC8-4725-000		1	LABEL, TONER EXCHANGE	
5	FC8-5086-000		1	FILTER, AIR	
6	FC9-7899-000		1	PLATE, GROUNDING	
7	FE3-9087-000		1	COVER, ENV. HEATER SWITCH	
8	FE3-9178-000		3	CAP	
9	FE4-1817-000		1	LABEL, TONER	
10	FE4-1987-000		1	COVER, INNER DELIVERY, LF REAR	
11	FE4-2009-000		1	COVER, INNER,DELV. REAR	
12	FE4-2010-000		1	COVER, LEFT UPPER	
13	FE4-2808-000		1	COVER, REAR UPPER, LEFT	
14	FE4-2809-000		1	HOLDER, SERVICE BOOK	
15	FE4-2811-000		1	COVER, ARM, UPPER	
16	FE4-2813-000		1	COVER, CONNECTOR	
17	FE4-2814-000		1	COVER, LOWER, SMALL	
18	FE4-3037-000		1	LABEL, OPERATOR CAUTION	
19	FE4-3039-000		1	LABEL, LED	
20	FE4-3610-000		1	COVER, WASTE TONER ASSEMBLY	
21	FE4-3815-000		1	COVER, RIGHT, FRONT	
22	FE4-3816-000		1	COVER, RIGHT REAR	
23	FE4-3817-000		1	COVER, RIGHT FRONT, UPPER	
24	FE4-3818-000		1	COVER, RIGHT REAR, LOWER	
25	FE4-3849-000		1	COVER, HANDLE, RIGHT REAR	
26	FE4-3887-000		1	COVER, RIGHT UPPER REAR, 1	
27	FE4-3889-000		1	COVER, RIGHT UPPER REAR, 2	
28	FE4-3890-000		1	COVER, RIGHT UPPER REAR, 3	
29	FE4-4156-000		1	COVER, LOWER RIGHT	
30	FL1-1988-000		1	COVER, BELT, LEFT UPPER	
31	FE4-4819-000		2	CATCH, MAGNET, METAL	
32	FE4-5428-000		11	SEAL	
33	FE4-7420-000		1	COVER, BIAS PCB	
34	FE4-7422-000		1	COVER, CONNECTOR	
35	FE4-7475-000		1	COVER, FILTER	
36	FE4-7477-000		1	COVER, DUCT, LEFT	
37	FE4-7482-000		1	COVER, RIGHT UPPER REAR, SMALL	
38	FE4-7487-000		1	STOPPER, PUSHING	
39	FE4-7494-000		2	COVER, HANDLE, LEFT	
40	FE4-7495-000		1	COVER, RIGHT FRONT HANDLE, MD.	
41	FE4-8991-000		1	TRAY, FIRST PAPER DELIVERY	
42	FE4-9267-000		1	COVER,INNER DELIVERY,RT. REAR	
43	FE4-9268-000		1	COVER, INNER DELIVERY SENSOR	

FIGURE & KEY NO.	PART NUMBER	RANK	QTY	DESCRIPTION	SERIAL NUMBER /REMARKS
44	FE8-1359-000		1	LABEL, MULTIPLE	SEE NOTE
45	FM1-T855-000		1	CABLE, SENSOR	
46	FL0-4181-000		1	COVER, REAR UPPER	
47	FL0-4190-000		1	LABEL, SERVICE	
48	FL0-7516-000		2	SEAL, BLANKING	
49	FL1-0394-000		1	COVER, TONER	
50	FL2-9476-010		1	PAD, GLASS CLEANING	[DP]
51	FL2-9530-010		1	STOPPER, RIGHT DOOR, 2	
52	FM1-G221-000		1	INNER LOWER COVER ASSEMBLY	
53	FM1-G231-000		1	FRONT UPPER COVER ASSEMBLY	
54	FM1-G344-000		1	TONER COVER HINGE MOUNT ASS'Y	
55	FM1-G352-000		1	TONER COVER HINGE ASS'Y, RIGHT	
56	FM1-G373-000		1	COVER ASSEMBLY, LEFT LOWER	
57	FM1-G601-000		1	RIGHT REAR UP. COVER ASSEMBLY	
58	FM1-G633-000		1	RIGHT FRONT UP. COVER ASSEMBLY	
59	FM1-G643-000		1	REAR LOWER COVER ASSEMBLY	
60	FM3-5968-030		1	GLASS CLEANING ROD ASSEMBLY	
61	XZ9-0603-000		1	CATCH, MAGNET	
62	FE4-4841-000		1	COVER,MULTI PAPER PICK-UP WIRE	
63	FS1-9169-000		1	SCREW, STEPPED	
64	FE4-7425-000		1	SUPPORT, PAPER DELIVERY TRAY	
65	FM1-T857-000		1	MOTION SENSOR PCB ASSEMBLY	
66	FE4-2510-000		1	BASE, ARM	
67	FE4-2521-000		1	PLATE, GROUNDING	
68	FE4-2810-000		1	COVER, ARM, LOWER	
69	FM1-K076-000		1	WIRELESS NETWORK PCB ASSEMBLY	
70	XA9-0732-010		25	SCREW,RS,M4X8	
71	XA9-1386-000		15	SCREW,RS,M3X8	
72	FE4-5899-000		1	LABEL, GROUNDING CAUTION	
73	FL1-0800-000		1	SEAL	

Figure 100AP (1/2)EXTERNAL COVERS, PANELS, ETC. (C5550i)

NOTE : Several kinds of labels are attached on the board for the parts of Key No. 44.

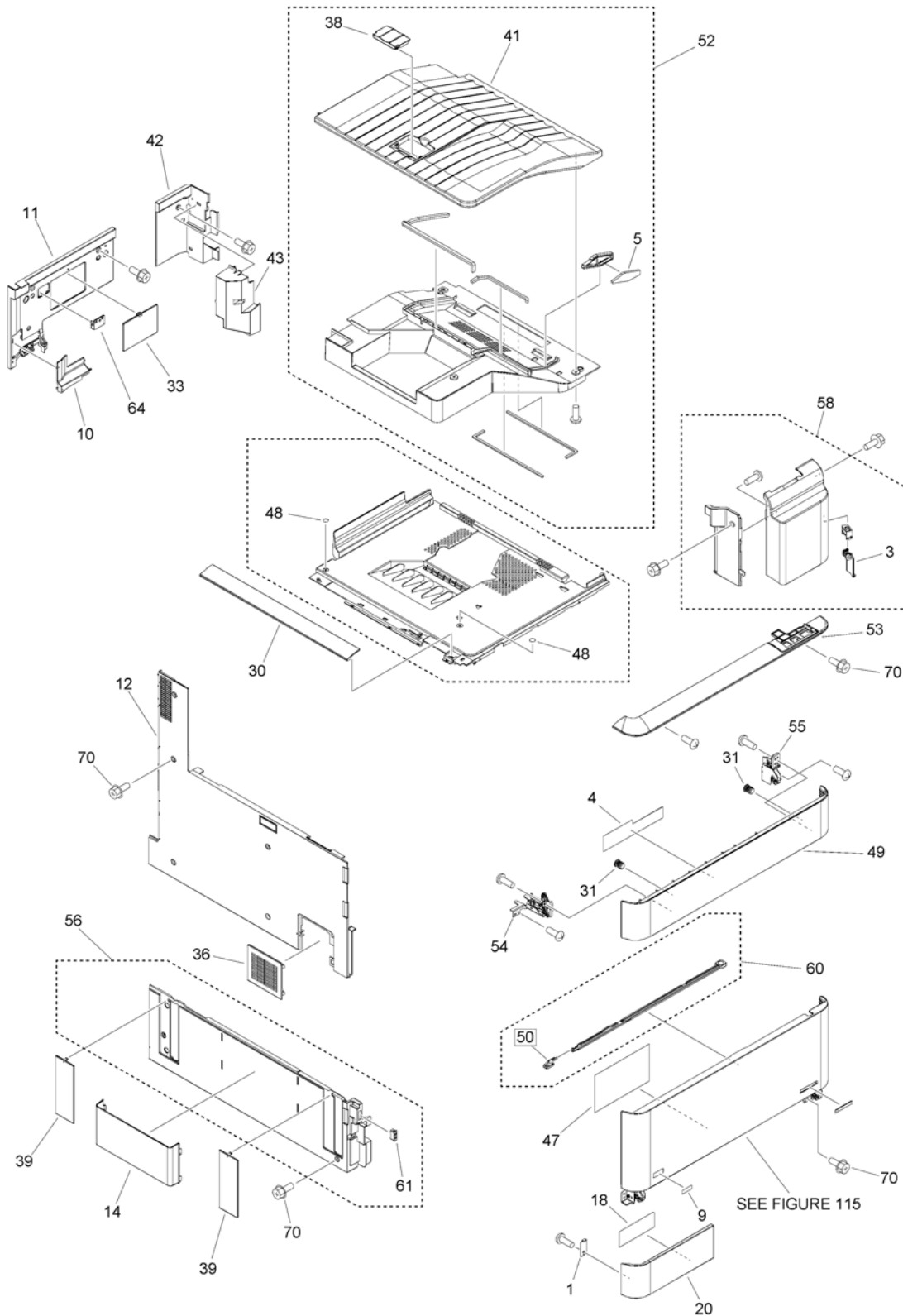


Figure 100AP (2/2) EXTERNAL COVERS, PANELS, ETC. (C5550i)

NOTE : Several kinds of labels are attached on the board for the parts of Key No. 44.

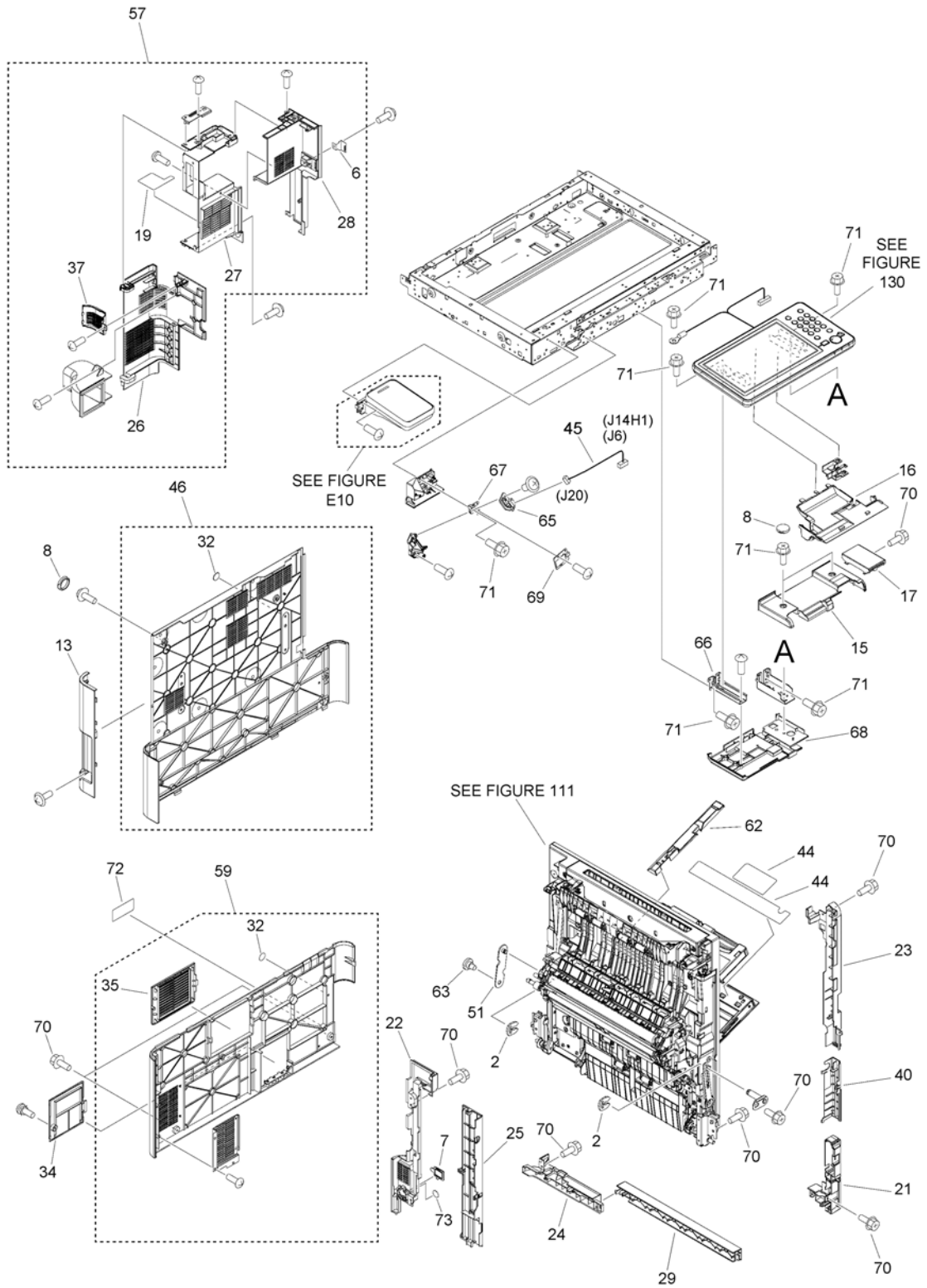


FIGURE & KEY NO.	PART NUMBER	RANK	QTY	DESCRIPTION	SERIAL NUMBER /REMARKS
100AP	NPN		RF	EXTERNAL COVERS, PANELS, ETC.	C5550i
1	FC6-1844-000		1	PLATE, MAGNET, B	
2	FC6-3002-000		2	RING, RESIN, RETAINING	
3	FC8-4000-000		1	COVER, MAIN SWITCH	
4	FC8-4725-000		1	LABEL, TONER EXCHANGE	
5	FC8-5086-000		1	FILTER, AIR	
6	FC9-7899-000		1	PLATE, GROUNDING	
7	FE3-9087-000		1	COVER, ENV. HEATER SWITCH	
8	FE3-9178-000		3	CAP	
9	FE4-1817-000		1	LABEL, TONER	
10	FE4-1987-000		1	COVER, INNER DELIVERY, LF REAR	
11	FE4-2009-000		1	COVER, INNER,DELV. REAR	
12	FE4-2010-000		1	COVER, LEFT UPPER	
13	FE4-2808-000		1	COVER, REAR UPPER, LEFT	
14	FE4-2809-000		1	HOLDER, SERVICE BOOK	
15	FE4-2811-000		1	COVER, ARM, UPPER	
16	FE4-2813-000		1	COVER, CONNECTOR	
17	FE4-2814-000		1	COVER, LOWER, SMALL	
18	FE4-3037-000		1	LABEL, OPERATOR CAUTION	
19	FE4-3039-000		1	LABEL, LED	
20	FE4-3610-000		1	COVER, WASTE TONER ASSEMBLY	
21	FE4-3815-000		1	COVER, RIGHT, FRONT	
22	FE4-3816-000		1	COVER, RIGHT REAR	
23	FE4-3817-000		1	COVER, RIGHT FRONT, UPPER	
24	FE4-3818-000		1	COVER, RIGHT REAR, LOWER	
25	FE4-3849-000		1	COVER, HANDLE, RIGHT REAR	
26	FE4-3887-000		1	COVER, RIGHT UPPER REAR, 1	
27	FE4-3889-000		1	COVER, RIGHT UPPER REAR, 2	
28	FE4-3890-000		1	COVER, RIGHT UPPER REAR, 3	
29	FE4-4156-000		1	COVER, LOWER RIGHT	
30	FL1-1988-000		1	COVER, BELT, LEFT UPPER	
31	FE4-4819-000		2	CATCH, MAGNET, METAL	
32	FE4-5428-000		11	SEAL	
33	FE4-7420-000		1	COVER, BIAS PCB	
34	FE4-7422-000		1	COVER, CONNECTOR	
35	FE4-7475-000		1	COVER, FILTER	
36	FE4-7477-000		1	COVER, DUCT, LEFT	
37	FE4-7482-000		1	COVER, RIGHT UPPER REAR, SMALL	
38	FE4-7487-000		1	STOPPER, PUSHING	
39	FE4-7494-000		2	COVER, HANDLE, LEFT	
40	FE4-7495-000		1	COVER, RIGHT FRONT HANDLE, MD.	
41	FE4-8991-000		1	TRAY, FIRST PAPER DELIVERY	
42	FE4-9267-000		1	COVER,INNER DELIVERY,RT. REAR	
43	FE4-9268-000		1	COVER, INNER DELIVERY SENSOR	

FIGURE & KEY NO.	PART NUMBER	RANK	QTY	DESCRIPTION	SERIAL NUMBER /REMARKS
44	FE8-1359-000		1	LABEL, MULTIPLE	SEE NOTE
45	FM1-T855-000		1	CABLE, SENSOR	
46	FL0-4181-000		1	COVER, REAR UPPER	
47	FL0-4190-000		1	LABEL, SERVICE	
48	FL0-7516-000		2	SEAL, BLANKING	
49	FL1-0394-000		1	COVER, TONER	
50	FL2-9476-010		1	PAD, GLASS CLEANING	[DP]
51	FL2-9530-010		1	STOPPER, RIGHT DOOR, 2	
52	FM1-G221-000		1	INNER LOWER COVER ASSEMBLY	
53	FM1-G231-000		1	FRONT UPPER COVER ASSEMBLY	
54	FM1-G344-000		1	TONER COVER HINGE MOUNT ASS'Y	
55	FM1-G352-000		1	TONER COVER HINGE ASS'Y, RIGHT	
56	FM1-G373-000		1	COVER ASSEMBLY, LEFT LOWER	
57	FM1-G601-000		1	RIGHT REAR UP. COVER ASSEMBLY	
58	FM1-G633-000		1	RIGHT FRONT UP. COVER ASSEMBLY	
59	FM1-G643-000		1	REAR LOWER COVER ASSEMBLY	
60	FM3-5968-030		1	GLASS CLEANING ROD ASSEMBLY	
61	XZ9-0603-000		1	CATCH, MAGNET	
62	FE4-4841-000		1	COVER,MULTI PAPER PICK-UP WIRE	
63	FS1-9169-000		1	SCREW, STEPPED	
64	FE4-7425-000		1	SUPPORT, PAPER DELIVERY TRAY	
65	FM1-T857-000		1	MOTION SENSOR PCB ASSEMBLY	
66	FE4-2510-000		1	BASE, ARM	
67	FE4-2521-000		1	PLATE, GROUNDING	
68	FE4-2810-000		1	COVER, ARM, LOWER	
69	FM1-K076-000		1	WIRELESS NETWORK PCB ASSEMBLY	
70	XA9-0732-010		25	SCREW,RS,M4X8	
71	XA9-1386-000		15	SCREW,RS,M3X8	
72	FE4-5899-000		1	LABEL, GROUNDING CAUTION	
73	FL1-0800-000		1	SEAL	

Figure 100AQ (1/2)EXTERNAL COVERS, PANELS, ETC. (C5540i)

NOTE : Several kinds of labels are attached on the board for the parts of Key No. 44.

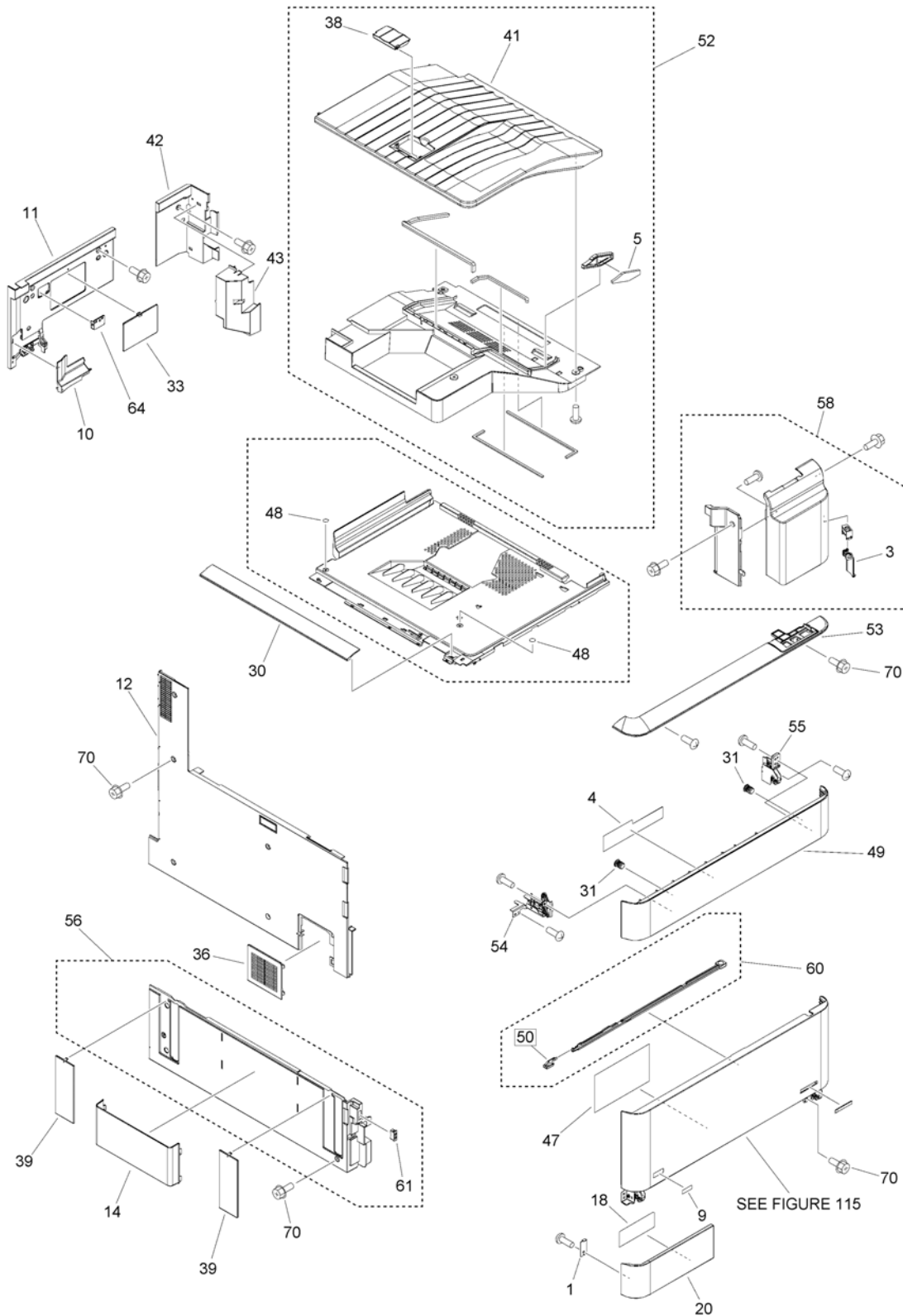


Figure 100AQ (2/2) EXTERNAL COVERS, PANELS, ETC. (C5540i)

NOTE : Several kinds of labels are attached on the board for the parts of Key No. 44.

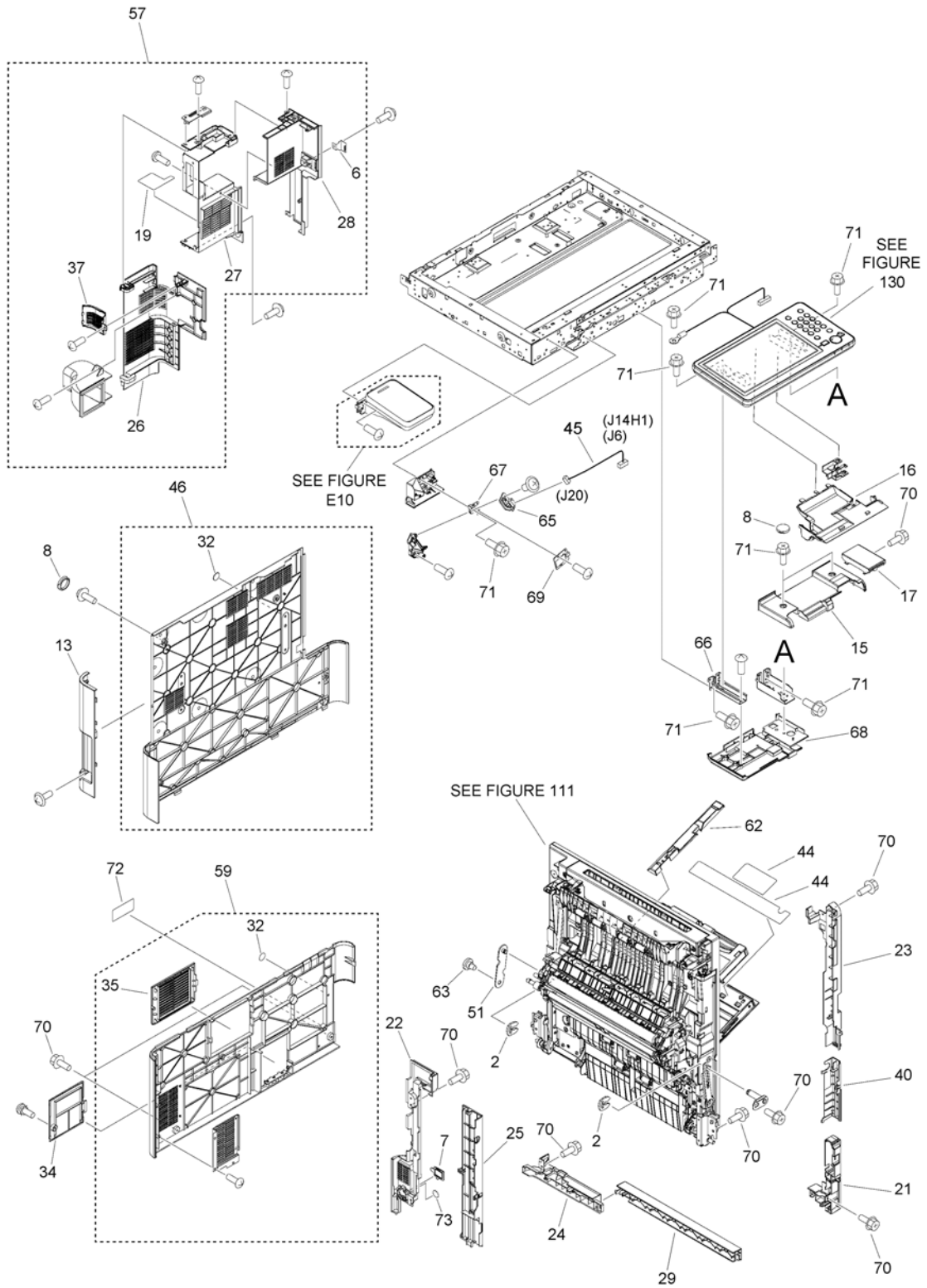


FIGURE & KEY NO.	PART NUMBER	RANK	QTY	DESCRIPTION	SERIAL NUMBER /REMARKS
100AQ	NPN		RF	EXTERNAL COVERS, PANELS, ETC.	C5540i
1	FC6-1844-000		1	PLATE, MAGNET, B	
2	FC6-3002-000		2	RING, RESIN, RETAINING	
3	FC8-4000-000		1	COVER, MAIN SWITCH	
4	FC8-4725-000		1	LABEL, TONER EXCHANGE	
5	FC8-5086-000		1	FILTER, AIR	
6	FC9-7899-000		1	PLATE, GROUNDING	
7	FE3-9087-000		1	COVER, ENV. HEATER SWITCH	
8	FE3-9178-000		3	CAP	
9	FE4-1817-000		1	LABEL, TONER	
10	FE4-1987-000		1	COVER, INNER DELIVERY, LF REAR	
11	FE4-2009-000		1	COVER, INNER,DELV. REAR	
12	FE4-2010-000		1	COVER, LEFT UPPER	
13	FE4-2808-000		1	COVER, REAR UPPER, LEFT	
14	FE4-2809-000		1	HOLDER, SERVICE BOOK	
15	FE4-2811-000		1	COVER, ARM, UPPER	
16	FE4-2813-000		1	COVER, CONNECTOR	
17	FE4-2814-000		1	COVER, LOWER, SMALL	
18	FE4-3037-000		1	LABEL, OPERATOR CAUTION	
19	FE4-3039-000		1	LABEL, LED	
20	FE4-3610-000		1	COVER, WASTE TONER ASSEMBLY	
21	FE4-3815-000		1	COVER, RIGHT, FRONT	
22	FE4-3816-000		1	COVER, RIGHT REAR	
23	FE4-3817-000		1	COVER, RIGHT FRONT, UPPER	
24	FE4-3818-000		1	COVER, RIGHT REAR, LOWER	
25	FE4-3849-000		1	COVER, HANDLE, RIGHT REAR	
26	FE4-3887-000		1	COVER, RIGHT UPPER REAR, 1	
27	FE4-3889-000		1	COVER, RIGHT UPPER REAR, 2	
28	FE4-3890-000		1	COVER, RIGHT UPPER REAR, 3	
29	FE4-4156-000		1	COVER, LOWER RIGHT	
30	FL1-1988-000		1	COVER, BELT, LEFT UPPER	
31	FE4-4819-000		2	CATCH, MAGNET, METAL	
32	FE4-5428-000		11	SEAL	
33	FE4-7420-000		1	COVER, BIAS PCB	
34	FE4-7422-000		1	COVER, CONNECTOR	
35	FE4-7475-000		1	COVER, FILTER	
36	FE4-7477-000		1	COVER, DUCT, LEFT	
37	FE4-7482-000		1	COVER, RIGHT UPPER REAR, SMALL	
38	FE4-7487-000		1	STOPPER, PUSHING	
39	FE4-7494-000		2	COVER, HANDLE, LEFT	
40	FE4-7495-000		1	COVER, RIGHT FRONT HANDLE, MD.	
41	FE4-8991-000		1	TRAY, FIRST PAPER DELIVERY	
42	FE4-9267-000		1	COVER,INNER DELIVERY,RT. REAR	
43	FE4-9268-000		1	COVER, INNER DELIVERY SENSOR	

FIGURE & KEY NO.	PART NUMBER	RANK	QTY	DESCRIPTION	SERIAL NUMBER /REMARKS
44	FE8-1359-000		1	LABEL, MULTIPLE	SEE NOTE
45	FM1-T855-000		1	CABLE, SENSOR	
46	FL0-4181-000		1	COVER, REAR UPPER	
47	FL0-4190-000		1	LABEL, SERVICE	
48	FL0-7516-000		2	SEAL, BLANKING	
49	FL1-0394-000		1	COVER, TONER	
50	FL2-9476-010		1	PAD, GLASS CLEANING	[DP]
51	FL2-9530-010		1	STOPPER, RIGHT DOOR, 2	
52	FM1-G221-000		1	INNER LOWER COVER ASSEMBLY	
53	FM1-G231-000		1	FRONT UPPER COVER ASSEMBLY	
54	FM1-G344-000		1	TONER COVER HINGE MOUNT ASS'Y	
55	FM1-G352-000		1	TONER COVER HINGE ASS'Y, RIGHT	
56	FM1-G373-000		1	COVER ASSEMBLY, LEFT LOWER	
57	FM1-G601-000		1	RIGHT REAR UP. COVER ASSEMBLY	
58	FM1-G633-000		1	RIGHT FRONT UP. COVER ASSEMBLY	
59	FM1-G643-000		1	REAR LOWER COVER ASSEMBLY	
60	FM3-5968-030		1	GLASS CLEANING ROD ASSEMBLY	
61	XZ9-0603-000		1	CATCH, MAGNET	
62	FE4-4841-000		1	COVER,MULTI PAPER PICK-UP WIRE	
63	FS1-9169-000		1	SCREW, STEPPED	
64	FE4-7425-000		1	SUPPORT, PAPER DELIVERY TRAY	
65	FM1-T857-000		1	MOTION SENSOR PCB ASSEMBLY	
66	FE4-2510-000		1	BASE, ARM	
67	FE4-2521-000		1	PLATE, GROUNDING	
68	FE4-2810-000		1	COVER, ARM, LOWER	
69	FM1-K076-000		1	WIRELESS NETWORK PCB ASSEMBLY	
70	XA9-0732-010		25	SCREW,RS,M4X8	
71	XA9-1386-000		15	SCREW,RS,M3X8	
72	FE4-5899-000		1	LABEL, GROUNDING CAUTION	
73	FL1-0800-000		1	SEAL	

Figure 100AR (1/2)EXTERNAL COVERS, PANELS, ETC. (C5535i)

NOTE : Several kinds of labels are attached on the board for the parts of Key No. 44.

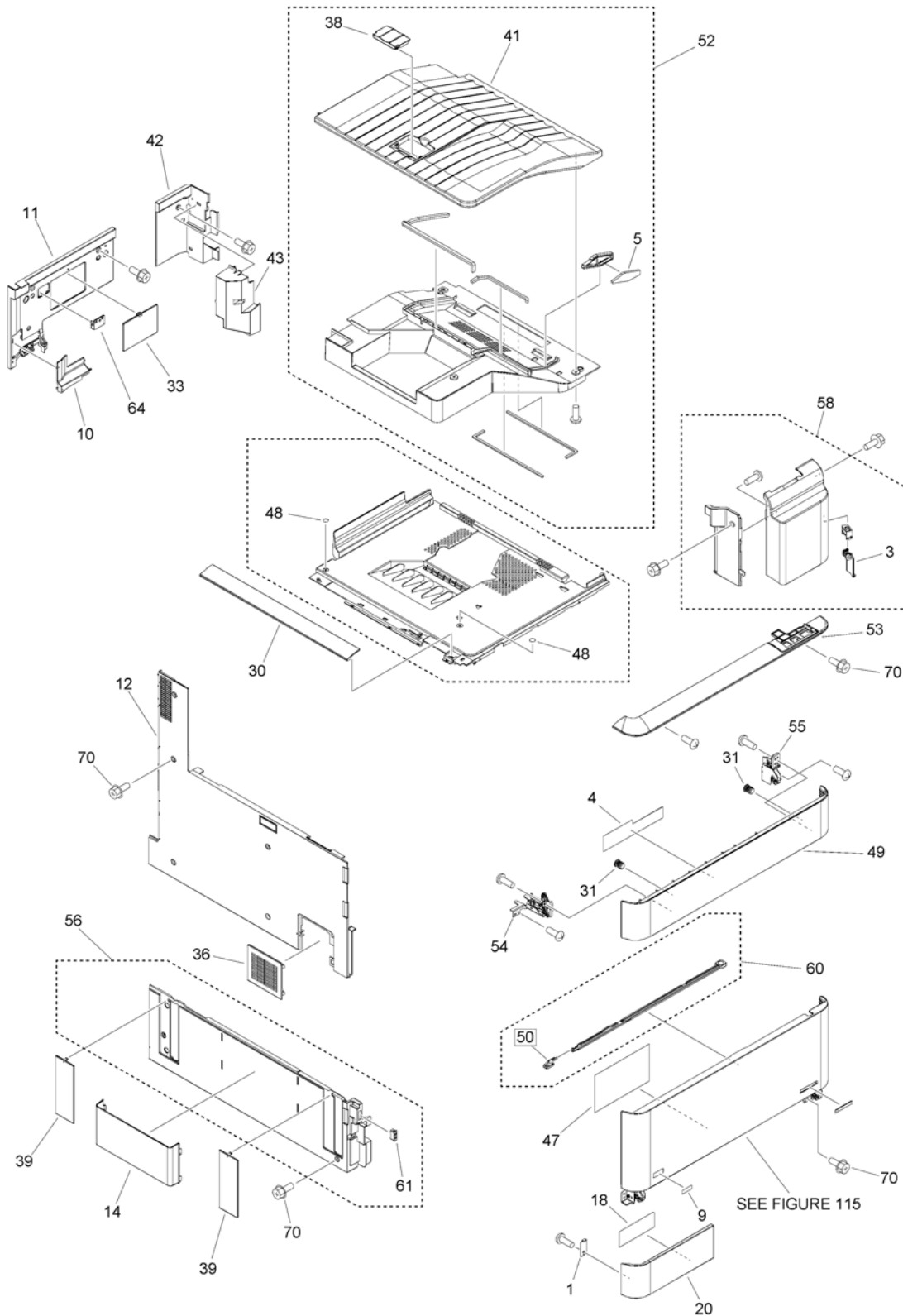


Figure 100AR (2/2) EXTERNAL COVERS, PANELS, ETC. (C5535i)

NOTE : Several kinds of labels are attached on the board for the parts of Key No. 44.

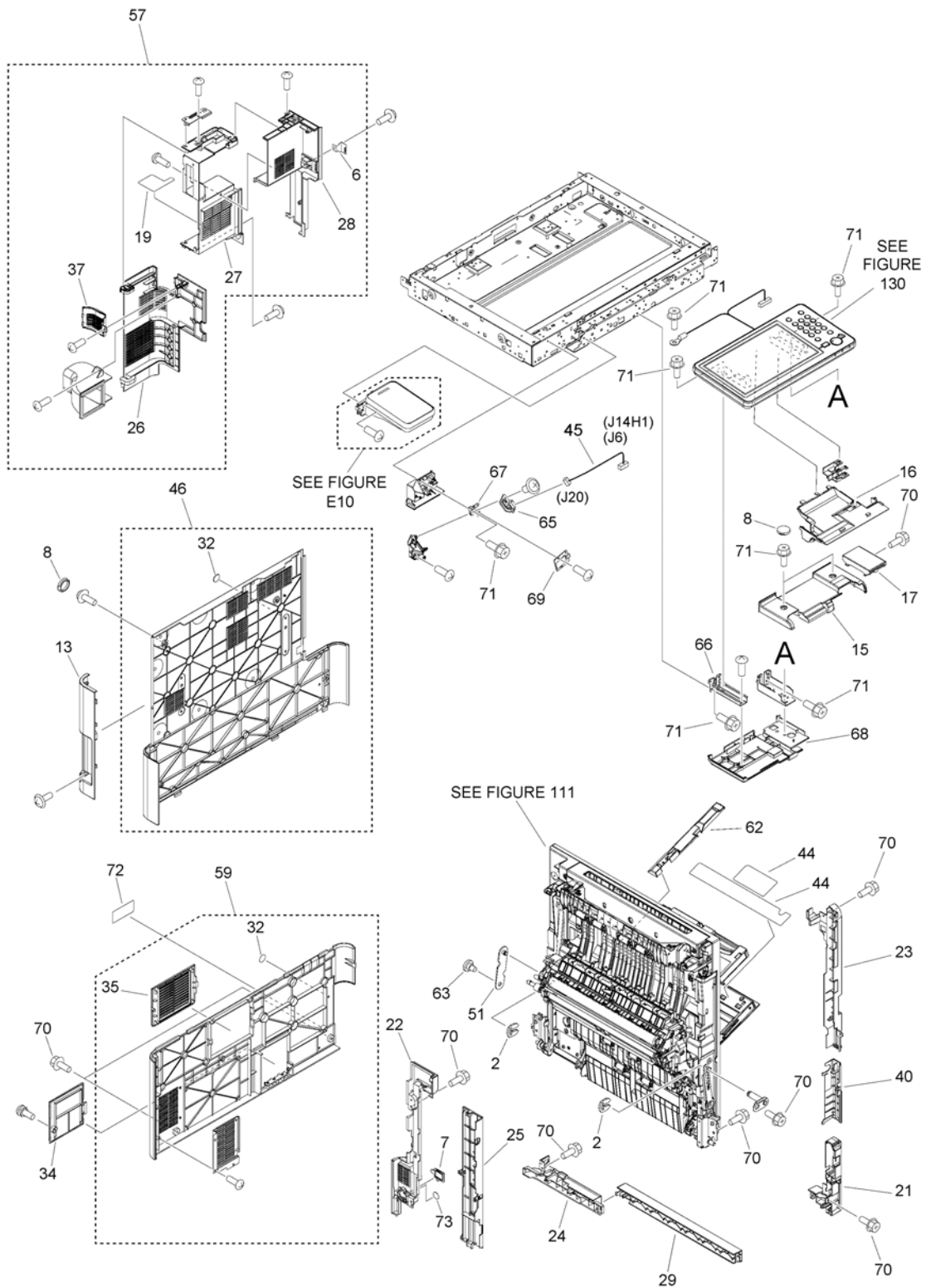


FIGURE & KEY NO.	PART NUMBER	RANK	QTY	DESCRIPTION	SERIAL NUMBER /REMARKS
100AR	NPN		RF	EXTERNAL COVERS, PANELS, ETC.	C5535i
1	FC6-1844-000		1	PLATE, MAGNET, B	
2	FC6-3002-000		2	RING, RESIN, RETAINING	
3	FC8-4000-000		1	COVER, MAIN SWITCH	
4	FC8-4725-000		1	LABEL, TONER EXCHANGE	
5	FC8-5086-000		1	FILTER, AIR	
6	FC9-7899-000		1	PLATE, GROUNDING	
7	FE3-9087-000		1	COVER, ENV. HEATER SWITCH	
8	FE3-9178-000		3	CAP	
9	FE4-1817-000		1	LABEL, TONER	
10	FE4-1987-000		1	COVER, INNER DELIVERY, LF REAR	
11	FE4-2009-000		1	COVER, INNER,DELV. REAR	
12	FE4-2010-000		1	COVER, LEFT UPPER	
13	FE4-2808-000		1	COVER, REAR UPPER, LEFT	
14	FE4-2809-000		1	HOLDER, SERVICE BOOK	
15	FE4-2811-000		1	COVER, ARM, UPPER	
16	FE4-2813-000		1	COVER, CONNECTOR	
17	FE4-2814-000		1	COVER, LOWER, SMALL	
18	FE4-3037-000		1	LABEL, OPERATOR CAUTION	
19	FE4-3039-000		1	LABEL, LED	
20	FE4-3610-000		1	COVER, WASTE TONER ASSEMBLY	
21	FE4-3815-000		1	COVER, RIGHT, FRONT	
22	FE4-3816-000		1	COVER, RIGHT REAR	
23	FE4-3817-000		1	COVER, RIGHT FRONT, UPPER	
24	FE4-3818-000		1	COVER, RIGHT REAR, LOWER	
25	FE4-3849-000		1	COVER, HANDLE, RIGHT REAR	
26	FE4-3887-000		1	COVER, RIGHT UPPER REAR, 1	
27	FE4-3889-000		1	COVER, RIGHT UPPER REAR, 2	
28	FE4-3890-000		1	COVER, RIGHT UPPER REAR, 3	
29	FE4-4156-000		1	COVER, LOWER RIGHT	
30	FL1-1988-000		1	COVER, BELT, LEFT UPPER	
31	FE4-4819-000		2	CATCH, MAGNET, METAL	
32	FE4-5428-000		11	SEAL	
33	FE4-7420-000		1	COVER, BIAS PCB	
34	FE4-7422-000		1	COVER, CONNECTOR	
35	FE4-7475-000		1	COVER, FILTER	
36	FE4-7477-000		1	COVER, DUCT, LEFT	
37	FE4-7482-000		1	COVER, RIGHT UPPER REAR, SMALL	
38	FE4-7487-000		1	STOPPER, PUSHING	
39	FE4-7494-000		2	COVER, HANDLE, LEFT	
40	FE4-7495-000		1	COVER, RIGHT FRONT HANDLE, MD.	
41	FE4-8991-000		1	TRAY, FIRST PAPER DELIVERY	
42	FE4-9267-000		1	COVER,INNER DELIVERY,RT. REAR	
43	FE4-9268-000		1	COVER, INNER DELIVERY SENSOR	

FIGURE & KEY NO.	PART NUMBER	RANK	QTY	DESCRIPTION	SERIAL NUMBER /REMARKS
44	FE8-1359-000		1	LABEL, MULTIPLE	SEE NOTE
45	FM1-T855-000		1	CABLE, SENSOR	
46	FL0-4181-000		1	COVER, REAR UPPER	
47	FL0-4190-000		1	LABEL, SERVICE	
48	FL0-7516-000		2	SEAL, BLANKING	
49	FL1-0394-000		1	COVER, TONER	
50	FL2-9476-010		1	PAD, GLASS CLEANING	[DP]
51	FL2-9530-010		1	STOPPER, RIGHT DOOR, 2	
52	FM1-G221-000		1	INNER LOWER COVER ASSEMBLY	
53	FM1-G231-000		1	FRONT UPPER COVER ASSEMBLY	
54	FM1-G344-000		1	TONER COVER HINGE MOUNT ASS'Y	
55	FM1-G352-000		1	TONER COVER HINGE ASS'Y, RIGHT	
56	FM1-G373-000		1	COVER ASSEMBLY, LEFT LOWER	
57	FM1-G601-000		1	RIGHT REAR UP. COVER ASSEMBLY	
58	FM1-G633-000		1	RIGHT FRONT UP. COVER ASSEMBLY	
59	FM1-G643-000		1	REAR LOWER COVER ASSEMBLY	
60	FM3-5968-030		1	GLASS CLEANING ROD ASSEMBLY	
61	XZ9-0603-000		1	CATCH, MAGNET	
62	FE4-4841-000		1	COVER,MULTI PAPER PICK-UP WIRE	
63	FS1-9169-000		1	SCREW, STEPPED	
64	FE4-7425-000		1	SUPPORT, PAPER DELIVERY TRAY	
65	FM1-T857-000		1	MOTION SENSOR PCB ASSEMBLY	
66	FE4-2510-000		1	BASE, ARM	
67	FE4-2521-000		1	PLATE, GROUNDING	
68	FE4-2810-000		1	COVER, ARM, LOWER	
69	FM1-K076-000		1	WIRELESS NETWORK PCB ASSEMBLY	
70	XA9-0732-010		25	SCREW,RS,M4X8	
71	XA9-1386-000		15	SCREW,RS,M3X8	
72	FE4-5899-000		1	LABEL, GROUNDING CAUTION	
73	FL1-0800-000		1	SEAL	

Figure 100AT (1/2)EXTERNAL COVERS, PANELS, ETC. (C5535)

NOTE : Several kinds of labels are attached on the board for the parts of Key No. 44.

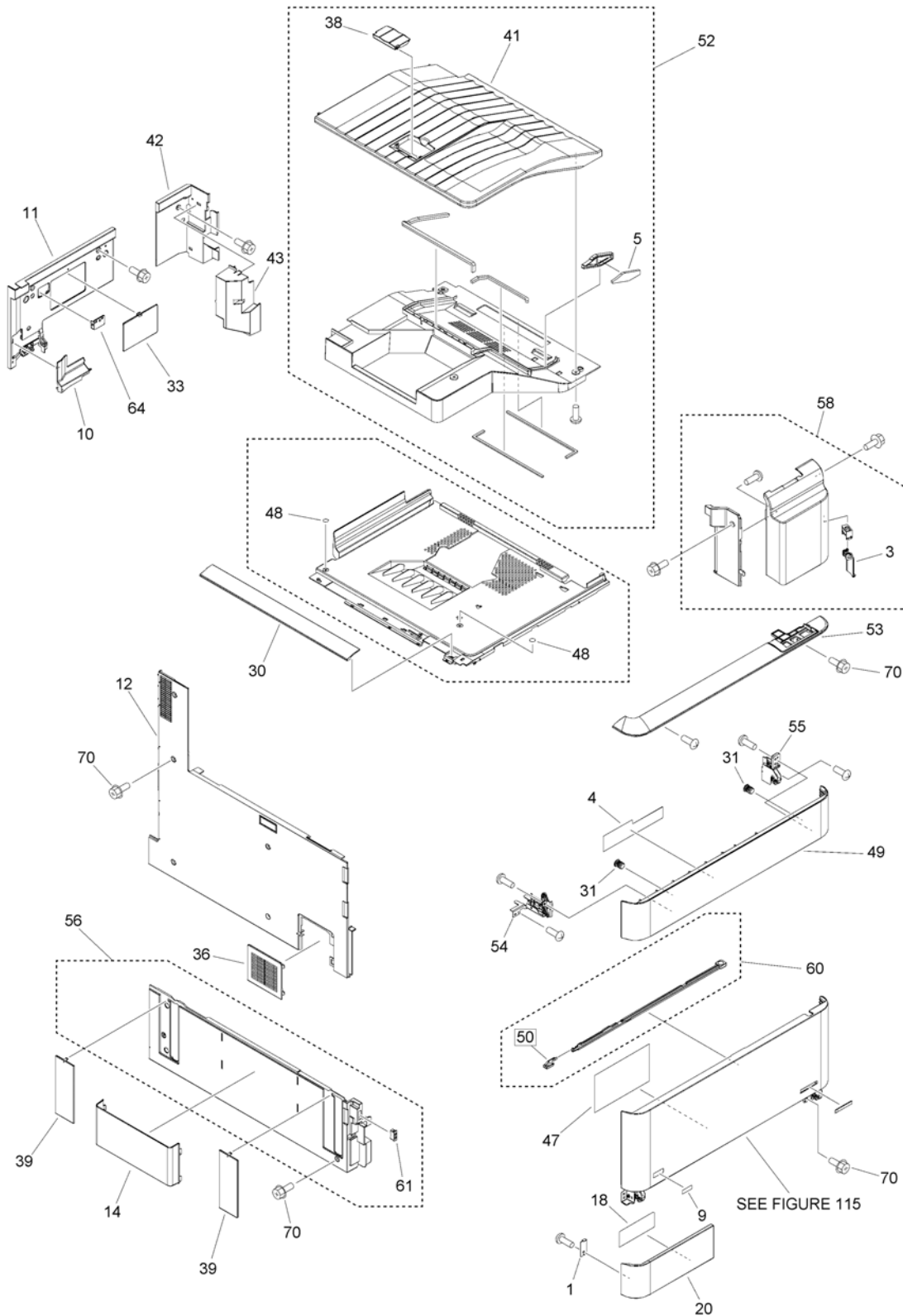


Figure 100AT (2/2) EXTERNAL COVERS, PANELS, ETC. (C5535)

NOTE : Several kinds of labels are attached on the board for the parts of Key No. 44.

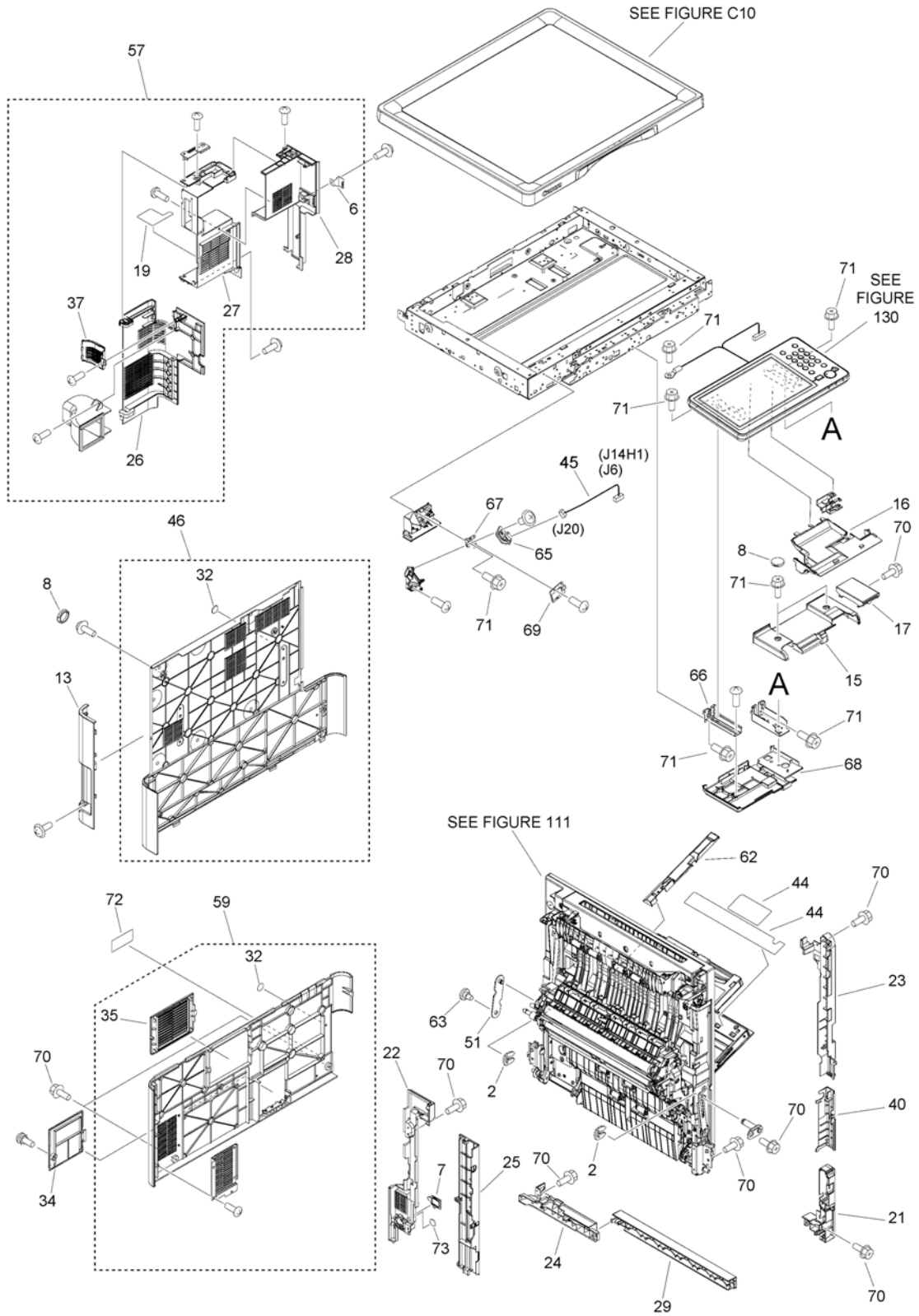


FIGURE & KEY NO.	PART NUMBER	RANK	QTY	DESCRIPTION	SERIAL NUMBER /REMARKS
100AT	NPN		RF	EXTERNAL COVERS, PANELS, ETC.	C5535
1	FC6-1844-000		1	PLATE, MAGNET, B	
2	FC6-3002-000		2	RING, RESIN, RETAINING	
3	FC8-4000-000		1	COVER, MAIN SWITCH	
4	FC8-4725-000		1	LABEL, TONER EXCHANGE	
5	FC8-5086-000		1	FILTER, AIR	
6	FC9-7899-000		1	PLATE, GROUNDING	
7	FE3-9087-000		1	COVER, ENV. HEATER SWITCH	
8	FE3-9178-000		3	CAP	
9	FE4-1817-000		1	LABEL, TONER	
10	FE4-1987-000		1	COVER, INNER DELIVERY, LF REAR	
11	FE4-2009-000		1	COVER, INNER,DELV. REAR	
12	FE4-2010-000		1	COVER, LEFT UPPER	
13	FE4-2808-000		1	COVER, REAR UPPER, LEFT	
14	FE4-2809-000		1	HOLDER, SERVICE BOOK	
15	FE4-2811-000		1	COVER, ARM, UPPER	
16	FE4-2813-000		1	COVER, CONNECTOR	
17	FE4-2814-000		1	COVER, LOWER, SMALL	
18	FE4-3037-000		1	LABEL, OPERATOR CAUTION	
19	FE4-3039-000		1	LABEL, LED	
20	FE4-3610-000		1	COVER, WASTE TONER ASSEMBLY	
21	FE4-3815-000		1	COVER, RIGHT, FRONT	
22	FE4-3816-000		1	COVER, RIGHT REAR	
23	FE4-3817-000		1	COVER, RIGHT FRONT, UPPER	
24	FE4-3818-000		1	COVER, RIGHT REAR, LOWER	
25	FE4-3849-000		1	COVER, HANDLE, RIGHT REAR	
26	FE4-3887-000		1	COVER, RIGHT UPPER REAR, 1	
27	FE4-3889-000		1	COVER, RIGHT UPPER REAR, 2	
28	FE4-3890-000		1	COVER, RIGHT UPPER REAR, 3	
29	FE4-4156-000		1	COVER, LOWER RIGHT	
30	FL1-1988-000		1	COVER, BELT, LEFT UPPER	
31	FE4-4819-000		2	CATCH, MAGNET, METAL	
32	FE4-5428-000		11	SEAL	
33	FE4-7420-000		1	COVER, BIAS PCB	
34	FE4-7422-000		1	COVER, CONNECTOR	
35	FE4-7475-000		1	COVER, FILTER	
36	FE4-7477-000		1	COVER, DUCT, LEFT	
37	FE4-7482-000		1	COVER, RIGHT UPPER REAR, SMALL	
38	FE4-7487-000		1	STOPPER, PUSHING	
39	FE4-7494-000		2	COVER, HANDLE, LEFT	
40	FE4-7495-000		1	COVER, RIGHT FRONT HANDLE, MD.	
41	FE4-8991-000		1	TRAY, FIRST PAPER DELIVERY	
42	FE4-9267-000		1	COVER,INNER DELIVERY,RT. REAR	
43	FE4-9268-000		1	COVER, INNER DELIVERY SENSOR	

FIGURE & KEY NO.	PART NUMBER	RANK	QTY	DESCRIPTION	SERIAL NUMBER /REMARKS
44	FE8-1359-000		1	LABEL, MULTIPLE	SEE NOTE
45	FM1-T855-000		1	CABLE, SENSOR	
46	FL0-4181-000		1	COVER, REAR UPPER	
47	FL0-4190-000		1	LABEL, SERVICE	
48	FL0-7516-000		2	SEAL, BLANKING	
49	FL1-0394-000		1	COVER, TONER	
50	FL2-9476-010		1	PAD, GLASS CLEANING	[DP]
51	FL2-9530-010		1	STOPPER, RIGHT DOOR, 2	
52	FM1-G221-000		1	INNER LOWER COVER ASSEMBLY	
53	FM1-G231-000		1	FRONT UPPER COVER ASSEMBLY	
54	FM1-G344-000		1	TONER COVER HINGE MOUNT ASS'Y	
55	FM1-G352-000		1	TONER COVER HINGE ASS'Y, RIGHT	
56	FM1-G373-000		1	COVER ASSEMBLY, LEFT LOWER	
57	FM1-G601-000		1	RIGHT REAR UP. COVER ASSEMBLY	
58	FM1-G633-000		1	RIGHT FRONT UP. COVER ASSEMBLY	
59	FM1-G643-000		1	REAR LOWER COVER ASSEMBLY	
60	FM3-5968-030		1	GLASS CLEANING ROD ASSEMBLY	
61	XZ9-0603-000		1	CATCH, MAGNET	
62	FE4-4841-000		1	COVER,MULTI PAPER PICK-UP WIRE	
63	FS1-9169-000		1	SCREW, STEPPED	
64	FE4-7425-000		1	SUPPORT, PAPER DELIVERY TRAY	
65	FM1-T857-000		1	MOTION SENSOR PCB ASSEMBLY	
66	FE4-2510-000		1	BASE, ARM	
67	FE4-2521-000		1	PLATE, GROUNDING	
68	FE4-2810-000		1	COVER, ARM, LOWER	
69	FM1-K076-000		1	WIRELESS NETWORK PCB ASSEMBLY	
70	XA9-0732-010		25	SCREW,RS,M4X8	
71	XA9-1386-000		15	SCREW,RS,M3X8	
72	FE4-5899-000		1	LABEL, GROUNDING CAUTION	
73	FL1-0800-000		1	SEAL	

Figure 101 INTERNAL COMPONENTS 1

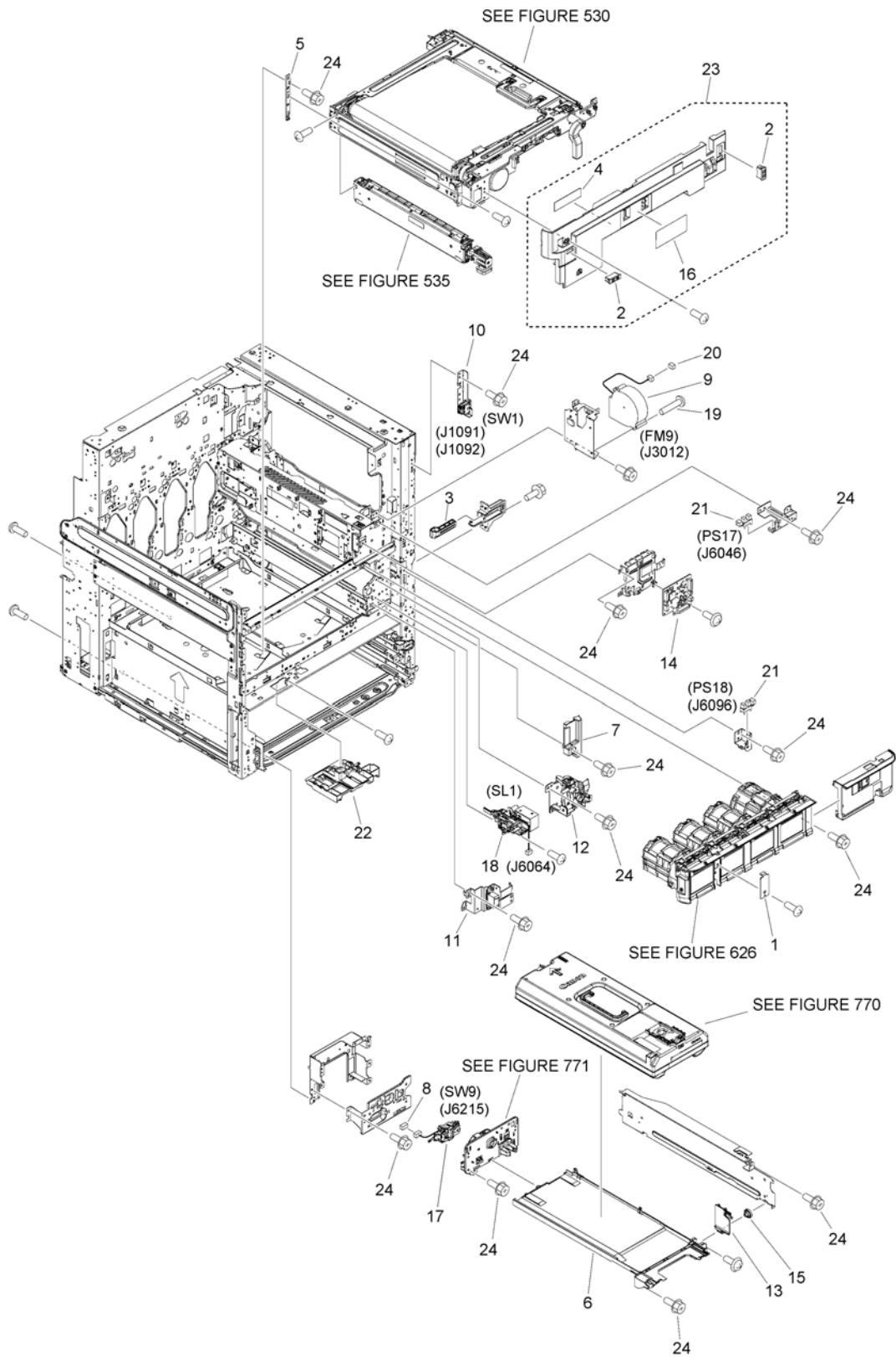


FIGURE & KEY NO.	PART NUMBER	RANK	QTY	DESCRIPTION	SERIAL NUMBER /REMARKS
101	NPN		RF	INTERNAL COMPONENTS 1	
1	FC6-1844-000		1	PLATE, MAGNET, B	
2	XZ9-0603-000		2	CATCH, MAGNET	
3	FC8-4202-000		1	LINK, MOVABLE	
4	FC9-7928-000		1	LABEL, BELT SENSOR CAUTION	
5	FE4-1924-000		1	PLATE, POSITIONING, FRONT	
6	FE4-3608-000		1	COVER, WASTE TONER CASE	
7	FE4-3833-000		1	COVER, INTERLOCK	
8	VS1-7177-004		1	CONNECTOR, SNAP TIGHT, BK	
9	FK2-7291-000		1	FAN	FM9
10	FM1-G618-000		1	MAIN SWITCH ASSEMBLY	SW1
11	FM1-G629-000		1	DRAWER ASSEMBLY	
12	FM1-G630-000		1	INTERLOCK SWITCH ASSEMBLY	
13	FE4-3609-000		1	COVER, DOOR LOCK	
14	FM1-M832-000		1	DRIVER PCB ASSEMBLY, FRONT	
15	FE8-1304-000		1	ROLLER, RAIL	
16	FE8-1683-000		1	LABEL, I.T.B. COVER, FRONT	
17	FM1-K250-000		1	AUTO SIZE DETECT ASSEMBLY	SW9
18	FM1-N636-000		1	PATT. READ SHUTTER DRIVE ASS'Y	SL1
19	XA9-2011-000		2	SCREW, MACH., TRUSS HEAD, M4X36	
20	VS1-7177-003		1	CONNECTOR, SNAP TIGHT, BK	
21	WG8-5783-000		2	IC, PHOTO-INTERRUPTER, LG248NL1A	PS17, PS18
22	FM1-G358-000		1	SHUTTER ASSEMBLY	
23	FM1-H222-000		1	COVER, I.T.B., FRONT	
24	XA9-0732-010		29	SCREW, RS, M4X8	

Figure 102C INTERNAL COMPONENTS 2

NOTE : Several kinds of labels are attached on the board for the parts of Key No. 13 and 29.

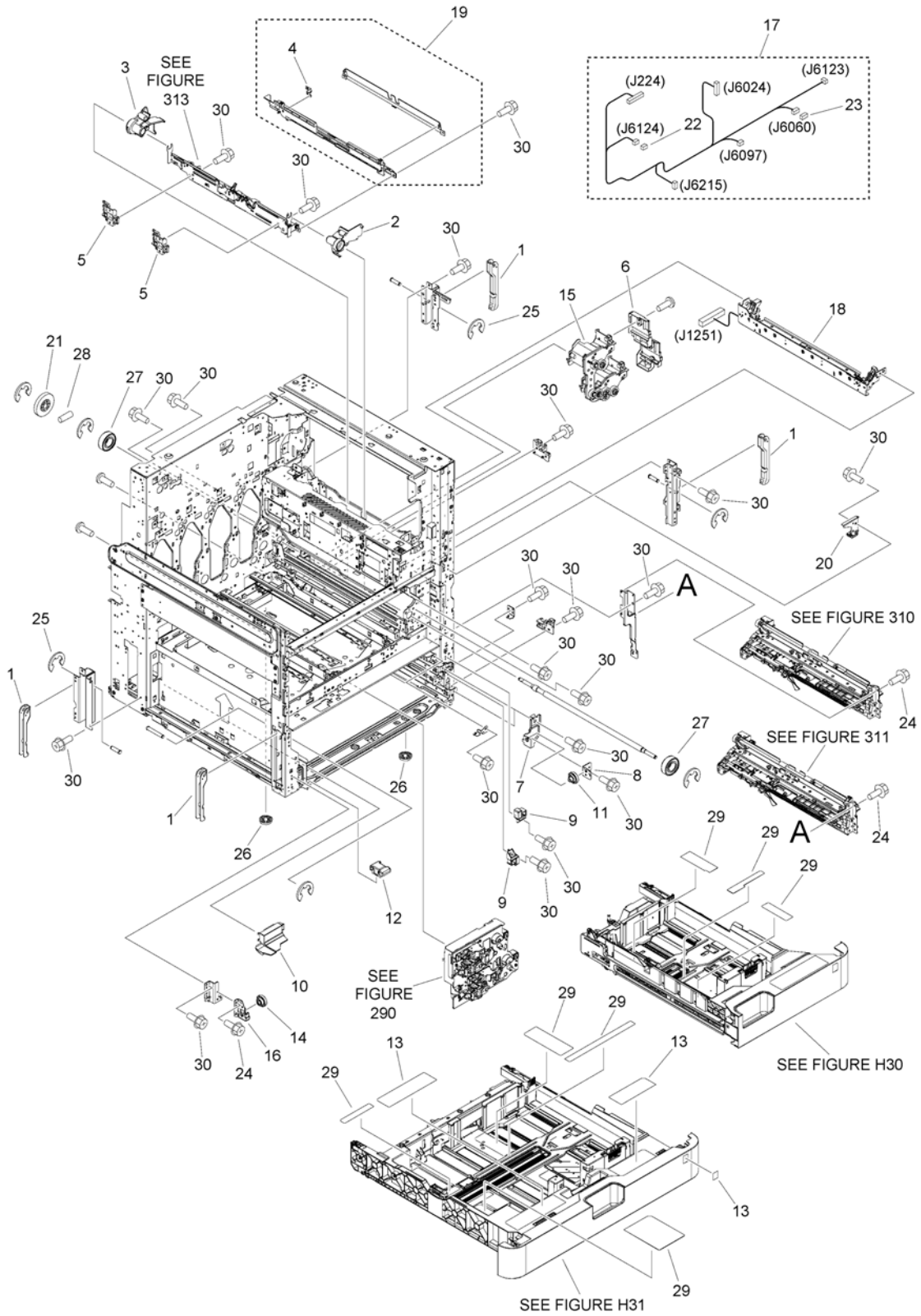


FIGURE & KEY NO.	PART NUMBER	RANK	QTY	DESCRIPTION	SERIAL NUMBER /REMARKS
102C	NPN		RF	INTERNAL COMPONENTS 2	
1	FB2-8094-020		4	KNOB, 1	
2	FC8-4795-000		1	GUIDE,2ND TRNSFER.OUTER,FRONT	
3	FC8-4796-000		1	GUIDE, REG. HARD ROLLER, REAR	
4	FE4-3841-000		1	PLATE, GROUNDING	
5	FE4-3847-000		2	FOOT, GUIDE POSITIONING	
6	FE4-4151-000		1	COVER, PAPER PICK-UP CABLE	
7	FE4-4624-000		1	SUPPORT, CST. ROLLER, RIGHT 1	
8	FE4-4625-000		1	SUPPORT, CST. ROLLER, RIGHT 2	
9	FE4-4626-000		2	BLOCK, POSITIONING	
10	FE4-6047-000		1	COVER, HEATER CONNECTOR	
11	FE8-1304-000		1	ROLLER, RAIL	
12	FE8-1327-000		1	STOPPER	
13	FE8-1364-000		1	LABEL, MULTIPLE	SEE NOTE
14	FE8-1713-000		1	ROLLER, RAIL	
15	FM1-G580-000		1	PAPER PICK-UP DRIVE ASSEMBLY	
16	FL1-0489-000		1	SUPPORT, CASSETTE ROLLER, LEFT	
17	FM1-E910-000		1	CABLE, WASTE TONER	
18	FM1-G456-000		1	SENSOR UNIT, REG. PATCH	
19	FM1-H144-000		1	PRE-REGISTRATION GUIDE ASS'Y	
20	FM3-8916-000		1	DRAWING LINK ASS'Y, FRONT	
21	FS5-0662-000		1	GEAR, 36T	
22	VS1-7177-003		1	CONNECTOR, SNAP TIGHT, BK	
23	VS1-7177-004		1	CONNECTOR, SNAP TIGHT, BK	
24	XA9-1386-000		9	SCREW,RS,M3X8	
25	XD9-0137-010		2	RING, E	
26	XH9-0136-000		2	FOOT, RUBBER	
27	XG9-0798-000		2	BEARING, ROLLER	
28	XD9-0291-000		1	PIN, PARALLEL	
29	FE8-1365-000		1	LABEL, ENVELOPE	SEE NOTE
30	XA9-0732-010		22	SCREW,RS,M4X8	

Figure 103 INTERNAL COMPONENTS 3

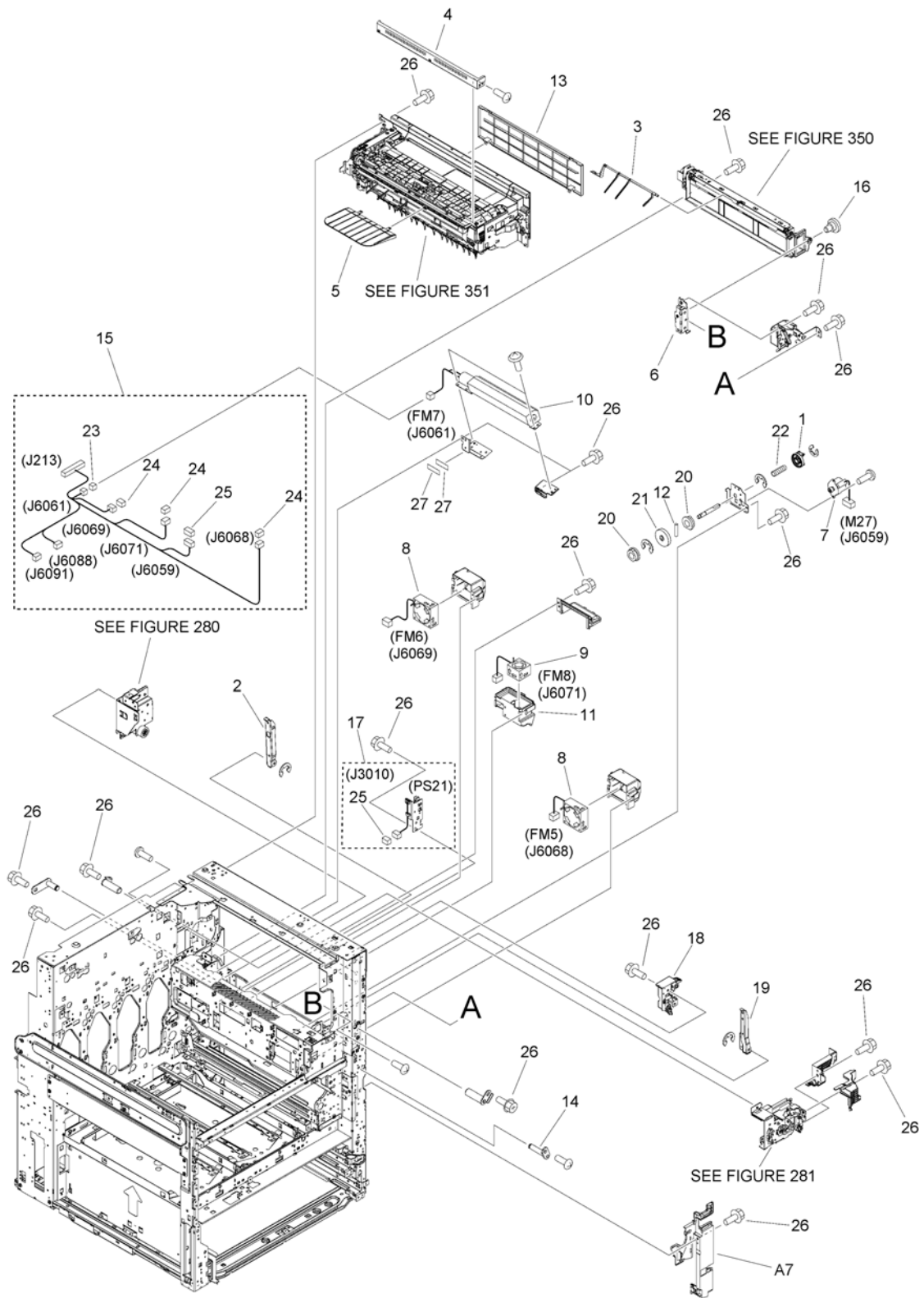


FIGURE & KEY NO.	PART NUMBER	RANK	QTY	DESCRIPTION	SERIAL NUMBER /REMARKS
103	NPN		RF	INTERNAL COMPONENTS 3	
1	FC6-9556-000		1	COUPLING, FAN SHUTTER	
2	FC8-4909-010		1	RAIL, FIXING, REAR	
3	FE4-1985-000		1	LEVER, FULL DETECT	
4	FE4-7421-000		1	COVER, PROTECTIVE	
5	FE4-7497-000		1	GUIDE, REVERSE BACK END	
6	FE4-9420-000		1	PLATE, JOINT	
7	FK2-2069-000		1	MOTOR, STEPPING, DC	M27
8	FK2-3679-000		2	FAN	FM5, FM6
9	FK2-7290-000		1	FAN	FM8
10	FK2-7362-000		1	FAN	FM7
11	FL0-4308-000		1	DUCT, 2ND TRNSFR. EXHAUST	
12	XD9-0288-000		1	PIN, DOWEL	
13	FL0-5270-010		1	COVER, PAPER DELIVERY BLANKING	
14	FL1-1716-000		1	SHAFT, RAIL	
15	FM1-E925-000		1	CABLE, SIDE END COOLING FAN	
16	FS1-9169-000		1	SCREW, STEPPED	
17	FM1-G228-000		1	OPEN/CLOSE SENSOR ASSEMBLY	PS21
18	FM1-K437-000		1	PAPER DELIVERY DOOR HOOK ASS'Y	
19	FM3-6108-000		1	FIXING RAIL FRONT ASSEMBLY	
20	FS1-1508-000		2	BUSHING	
21	FU7-0318-000		1	GEAR, 50T	
22	FU7-2530-000		1	SPRING	
23	VS1-7177-002		1	CONNECTOR, SNAP TIGHT, BK	
24	VS1-7177-003		3	CONNECTOR, SNAP TIGHT, BK	
25	VS1-7177-004		2	CONNECTOR, SNAP TIGHT, BK	
26	XA9-0732-010		35	SCREW,RS,M4X8	
27	FL0-2571-000		2	SHEET	

Figure 104 INTERNAL COMPONENTS 4

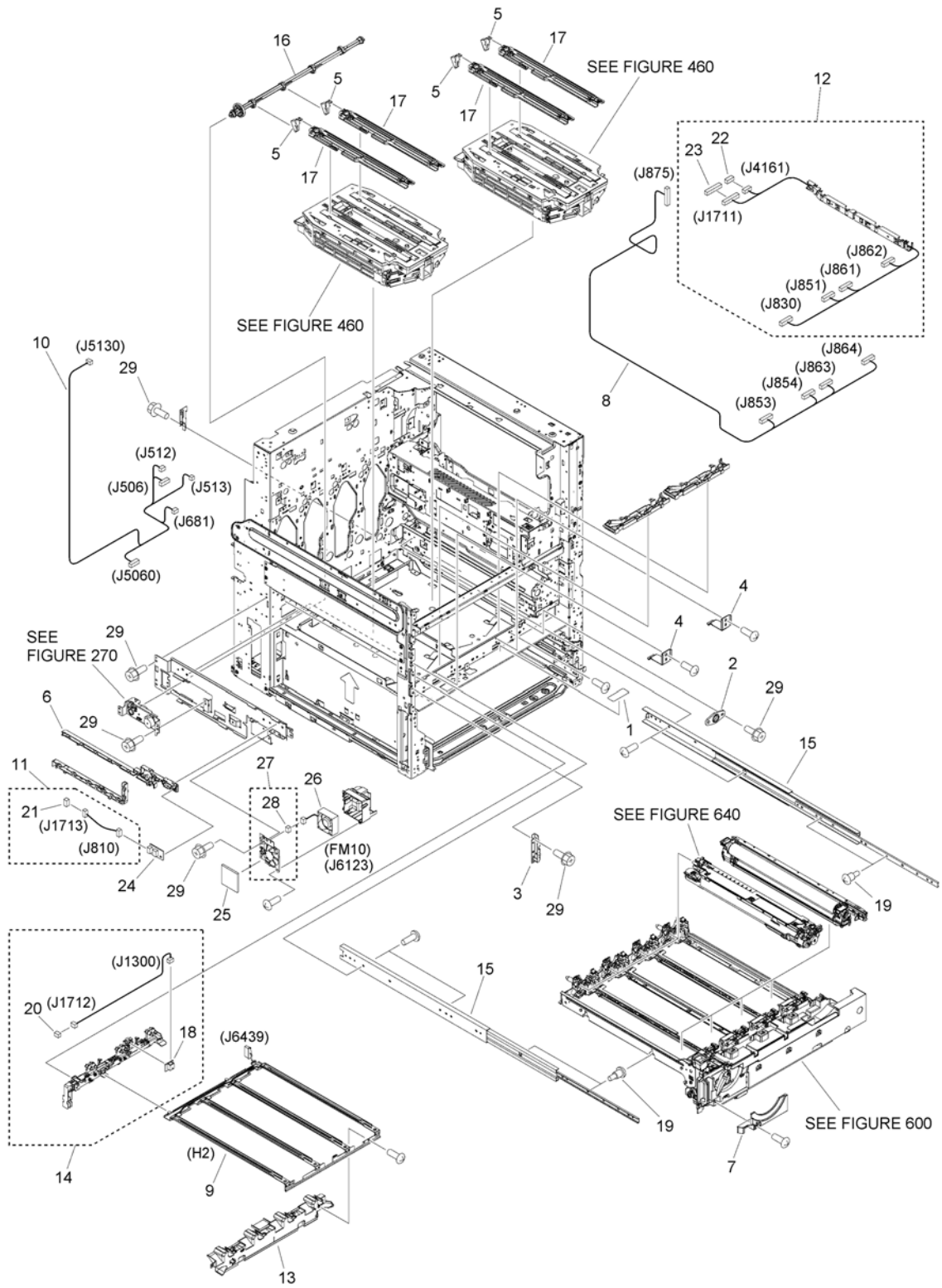


FIGURE & KEY NO.	PART NUMBER	RANK	QTY	DESCRIPTION	SERIAL NUMBER /REMARKS
104	NPN		RF	INTERNAL COMPONENTS 4	
1	FC0-0185-000		1	LABEL, LS MOUNTING CAUTION	
2	FC8-3973-000		1	BUSHING	
3	FC8-4014-000		1	CROSSMEMBER, PROCESS KIT FRAME	
4	FC8-5009-010		2	SPRING	
5	FC8-5013-000		4	SPRING, LEAF	
6	FE4-2460-000		1	GUIDE, CABLE	
7	FE4-3605-000		1	COVER, LOCK PIN	
8	FK4-1102-000		1	CABLE, COAXIAL	
9	FK4-1110-000		1	HEATER, DRUM	H2
10	FM1-E919-000		1	CABLE, AC HEATER	
11	FM1-E922-000		1	CABLE,ENVIRONMENT SENSOR RELAY	
12	FM1-G457-000		1	LASER SCANNER CABLE UNIT	
13	FM1-G597-000		1	IMAGING FRONT DUCT ASSEMBLY	
14	FM1-G603-000		1	IMAGING H.V. CONTACT ASS'Y, CL	
15	FM1-G610-000		2	RAIL CROSSMEMBER ASS'Y	
16	FM3-5927-010		1	SHUTTER CAM SHAFT ASSEMBLY	
17	FM3-5966-010		4	DUST-PROOF SHUTTER ASSEMBLY	
18	FM3-7941-000		1	TEMPERATURE SENSOR PCB ASS'Y	
19	FU5-9447-000		4	SCREW, STEPPED, M4X6.3	
20	VS1-7177-002		1	CONNECTOR, SNAP TIGHT, BK	
21	VS1-7177-004		1	CONNECTOR, SNAP TIGHT, BK	
22	VS1-8412-005		1	CONNECTOR, SNAP TIGHT, BL	
23	VS1-8412-019		1	CONNECTOR, SNAP TIGHT, BL	
24	WP2-5410-000		1	SENSOR, HUMIDITY	
25	FC6-4023-000		1	FILTER, AIR	
26	FK2-3679-000		1	FAN	FM10
27	FM3-8896-010		1	FILTER HOLDER ASSEMBLY	
28	VS1-7177-003		1	CONNECTOR, SNAP TIGHT, BK	
29	XA9-0732-010		12	SCREW,RS,M4X8	

Figure 105 INTERNAL COMPONENTS 5

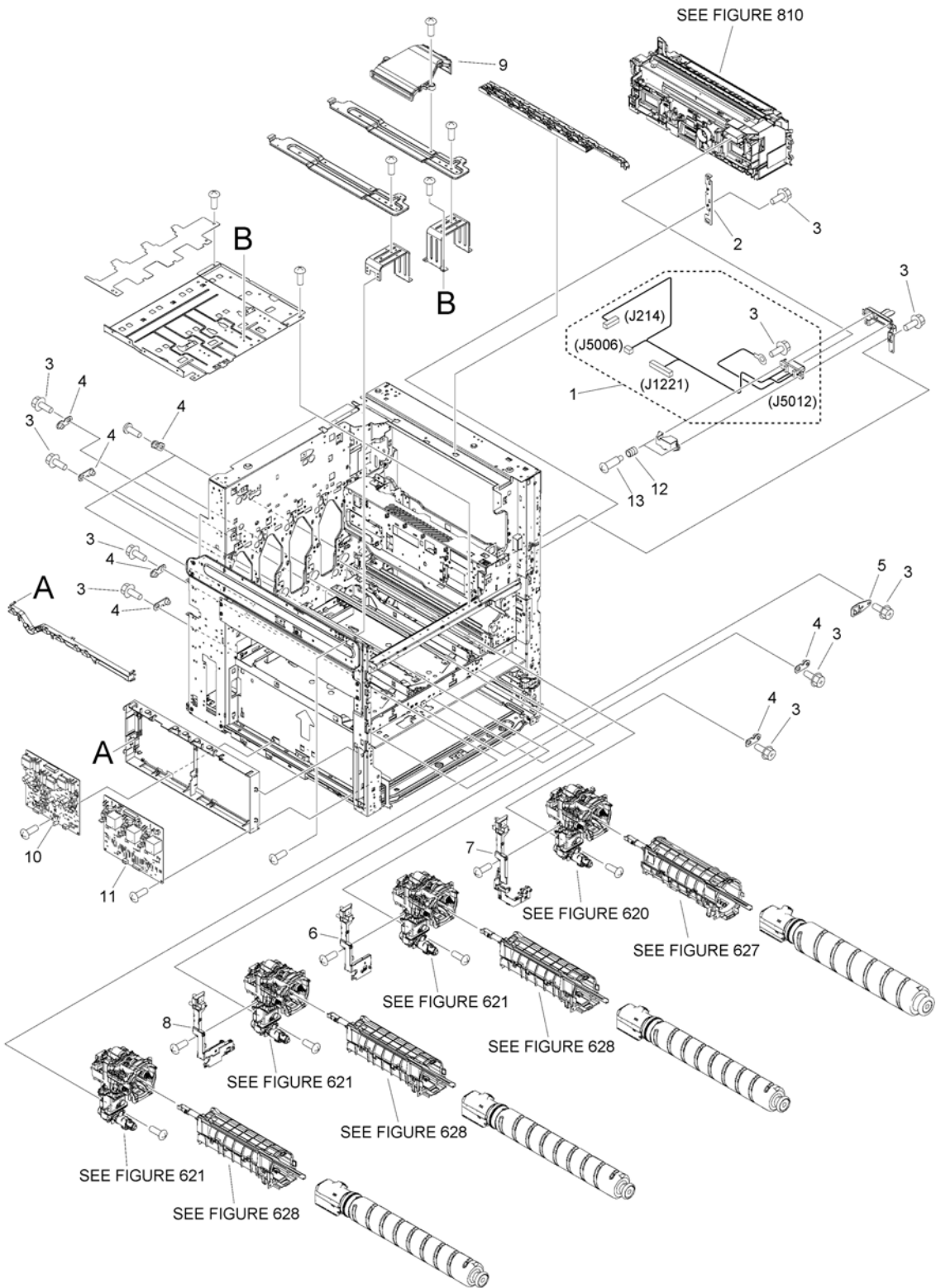


FIGURE & KEY NO.	PART NUMBER	RANK	QTY	DESCRIPTION	SERIAL NUMBER /REMARKS
105	NPN		RF	INTERNAL COMPONENTS 5	
1	FM1-E926-000		1	CABLE, FIXING DRAWER, 2	
2	FL0-4347-000		1	PLATE, FIXING ALIGNMENT	
3	XA9-0732-010		15	SCREW,RS,M4X8	
4	FL0-4316-000		10	SUPPORT, POSITIONING PIN	
5	FL0-7267-000		2	SUPPORT, POSITIONING PIN	
6	FM1-G317-000		1	HIGH VOLTAGE CONNECTING ASS'Y	
7	FM1-G323-000		1	CONNECTING HOLDER ASSEMBLY	
8	FM1-G341-000		1	HIGH VOLTAGE CONNECTING ASS'Y	
9	FM1-K164-000		1	INNER EXHAUST DUCT ASSEMBLY	
10	FM1-M843-000		1	DEV. HIGH VOLTAGE PCB ASSEMBLY	
11	FM1-M844-000		1	CORONA H.V. PCB ASSEMBLY	
12	FS5-2964-000		2	SPRING, COMPRESSION	
13	FS5-9758-020		2	SCREW, STEPPED, M3	

Figure 106A MACHINE REAR PLATE 1 (100V, 120V TW, 230V)

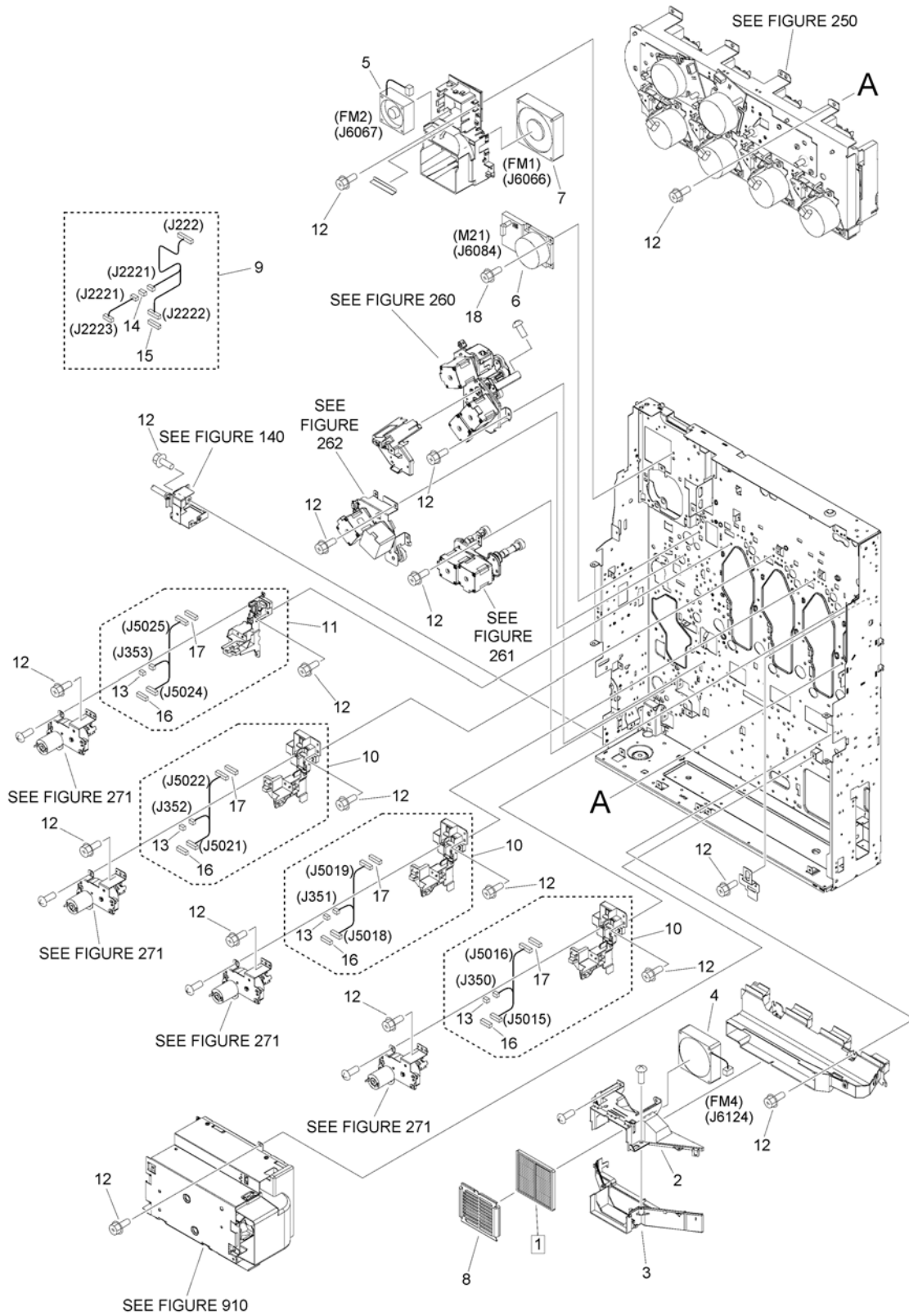


FIGURE & KEY NO.	PART NUMBER	RANK	QTY	DESCRIPTION	SERIAL NUMBER /REMARKS
106A	NPN		RF	MACHINE REAR PLATE 1	100V,120V TW,230V
1	FC6-9817-000		1	FILTER, TONER, LEFT	[DP]
2	FC8-4079-000		1	COVER, REAR DUCT, UPPER	
3	FC8-4080-000		1	COVER, REAR DUCT, LOWER	
4	FK2-0360-000		1	FAN	FM4
5	FK2-3679-000		1	FAN	FM2
6	FK2-7301-000		1	MOTOR, DC	M21
7	FK4-0636-000		1	FAN	FM1
8	FL3-3585-000		1	PLATE, FAN PROTECTIVE, REAR	
9	FM1-E935-000		1	CABLE, CASSETTE MOTOR	
10	FM1-G346-000		3	IMAGING H.V.CONTACT ASSEMBLY	
11	FM1-G347-000		1	SET ON DRIVE BLACK MOUNT ASS'Y	
12	XA9-0732-010		44	SCREW,RS,M4X8	
13	VS1-7177-003		4	CONNECTOR, SNAP TIGHT, BK	
14	VS1-7177-004		1	CONNECTOR, SNAP TIGHT, BK	
15	VS1-7177-008		1	CONNECTOR, SNAP TIGHT, BK	
16	VS1-8412-007		4	CONNECTOR, SNAP TIGHT, BL	
17	VS1-8412-009		4	CONNECTOR, SNAP TIGHT, BL	
18	XA9-1386-000		3	SCREW,RS,M3X8	

Figure 107D MACHINE REAR PLATE 2 (230V)

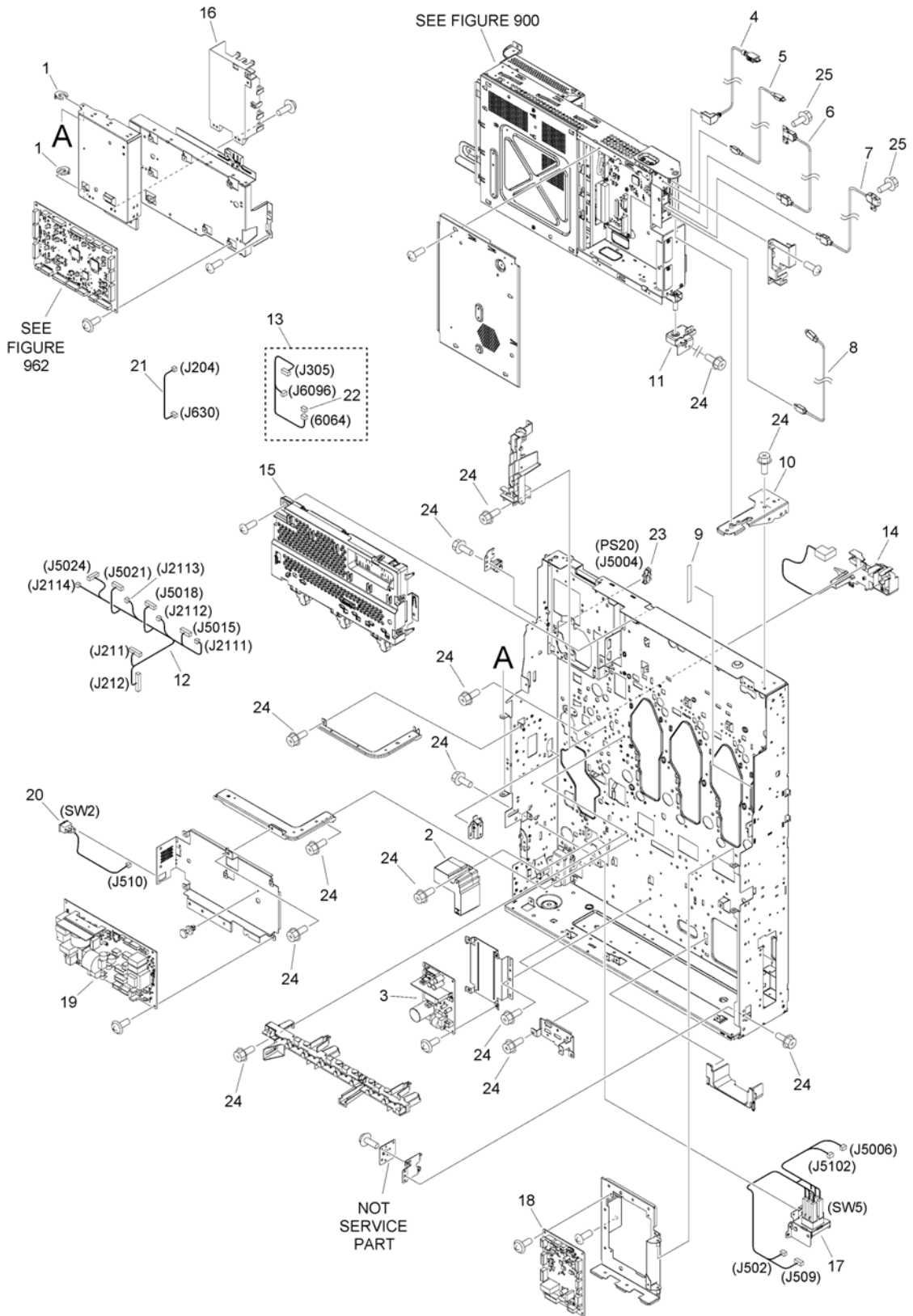


FIGURE & KEY NO.	PART NUMBER	RANK	QTY	DESCRIPTION	SERIAL NUMBER /REMARKS
107D	NPN		RF	MACHINE REAR PLATE 2	230V
1	FC5-4424-000		2	CLIP	
2	FE4-8814-000		1	CAP, FIRE-RESISTANT	
3	FK3-3274-000		1	ALL NIGHT POWER PCB ASSEMBLY	
4	FK4-3252-000		1	CABLE, USER INTERFACE	
5	FK4-3253-000		1	CABLE, USB	
6	FK4-3254-000		1	CABLE, USB	
7	FK4-3255-000		1	CABLE, USB	
8	FK4-3256-000		1	CABLE, USB	
9	FL0-4194-000		1	SHEET, EDGE PROTECT.	
10	FL2-9531-000		1	HINGE, CONTROLLER BOX, UPPER	
11	FL3-1197-000		1	HINGE, CONTROLLER BOX, LOWER	
12	FM1-E902-000		1	CABLE, TONER HOPPER	
13	FM1-E908-000		1	CABLE, LOAD	
14	FM1-G558-000		1	PRE 2ND TRNS. H.V. CNCT. ASS'Y	
15	FM1-G627-000		1	HIGH VOLTAGE POWER SUPPLY UNIT	
16	FM1-G628-000		1	POWER SUPPLY ASS'Y	
17	FM1-H136-000		1	INTERLOCK ASSEMBLY, AC	SW5
18	FM1-M833-000		1	RELAY PCB ASSEMBLY	
19	FM1-M836-000		1	AC DRIVER PCB ASSEMBLY	
20	FM1-N979-000		1	CABLE, ENVIRONMENT SWITCH	SW2
21	FM1-V981-000		1	CABLE, HIGH VOLTAGE DC	
22	VS1-7177-003		1	CONNECTOR, SNAP TIGHT, BK	
23	WG8-5783-000		1	IC,PHOTO-INTERRUPTER,LG248NL1A	PS20
24	XA9-0732-010		26	SCREW,RS,M4X8	
25	XA9-1386-000		4	SCREW,RS,M3X8	

Figure 108 MACHINE REAR PLATE 3

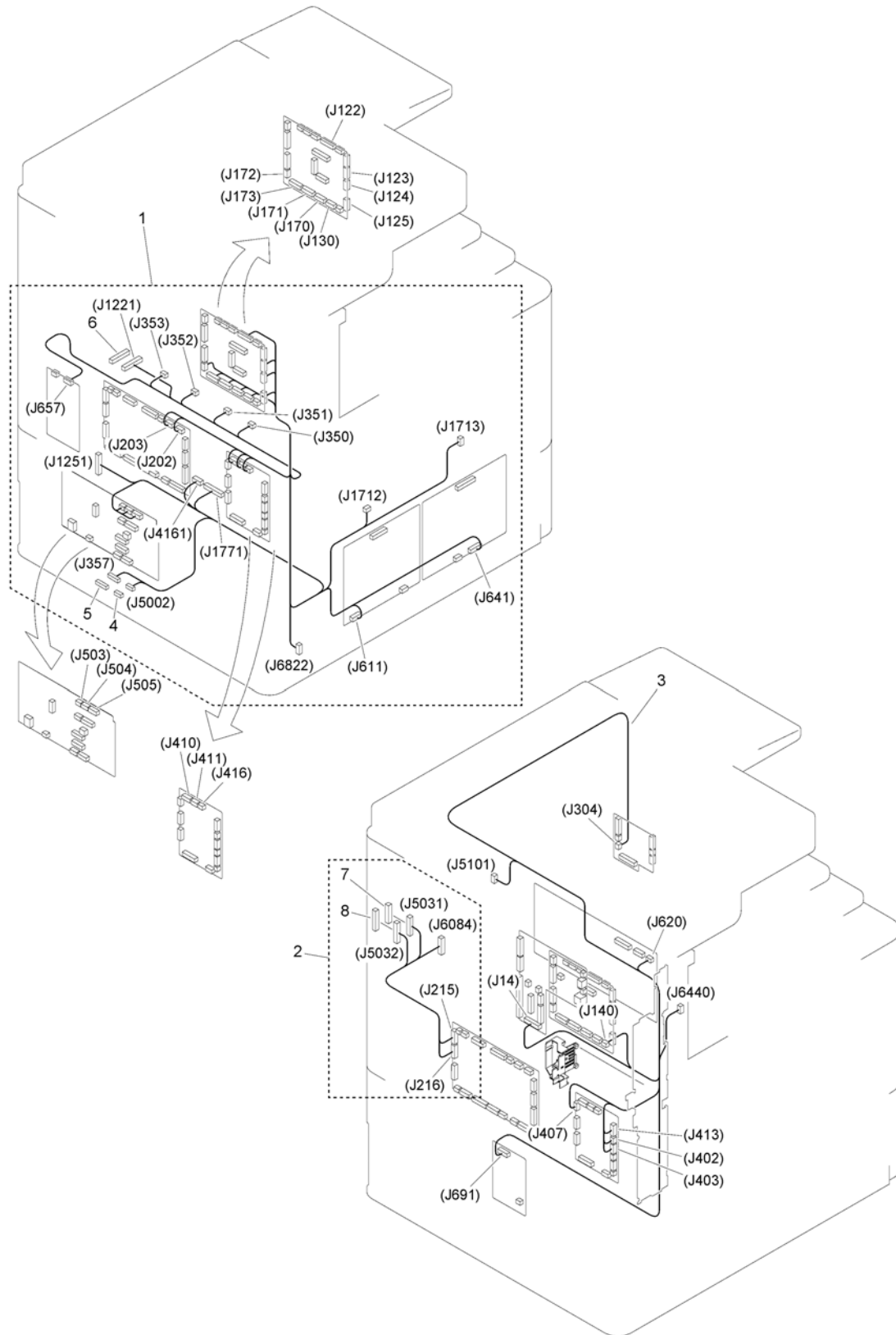


FIGURE & KEY NO.	PART NUMBER	RANK	QTY	DESCRIPTION	SERIAL NUMBER /REMARKS
108	NPN		RF	MACHINE REAR PLATE 3	
1	FM1-E900-000		1	CABLE, MAIN	
2	FM1-E904-000		1	CABLE, PAPER FEED MAIN	
3	FM1-E915-000		1	CABLE, DC POWER SUPPLY MAIN	
4	VS1-7177-005		1	CONNECTOR, SNAP TIGHT, BK	
5	VS1-8412-009		1	CONNECTOR, SNAP TIGHT, BL	
6	VS1-8412-019		1	CONNECTOR, SNAP TIGHT, BL	
7	VS1-8412-013		1	CONNECTOR, SNAP TIGHT, BL	
8	VS1-8412-025		1	CONNECTOR, SNAP TIGHT, BL	

Figure 109 MACHINE REAR PLATE 4

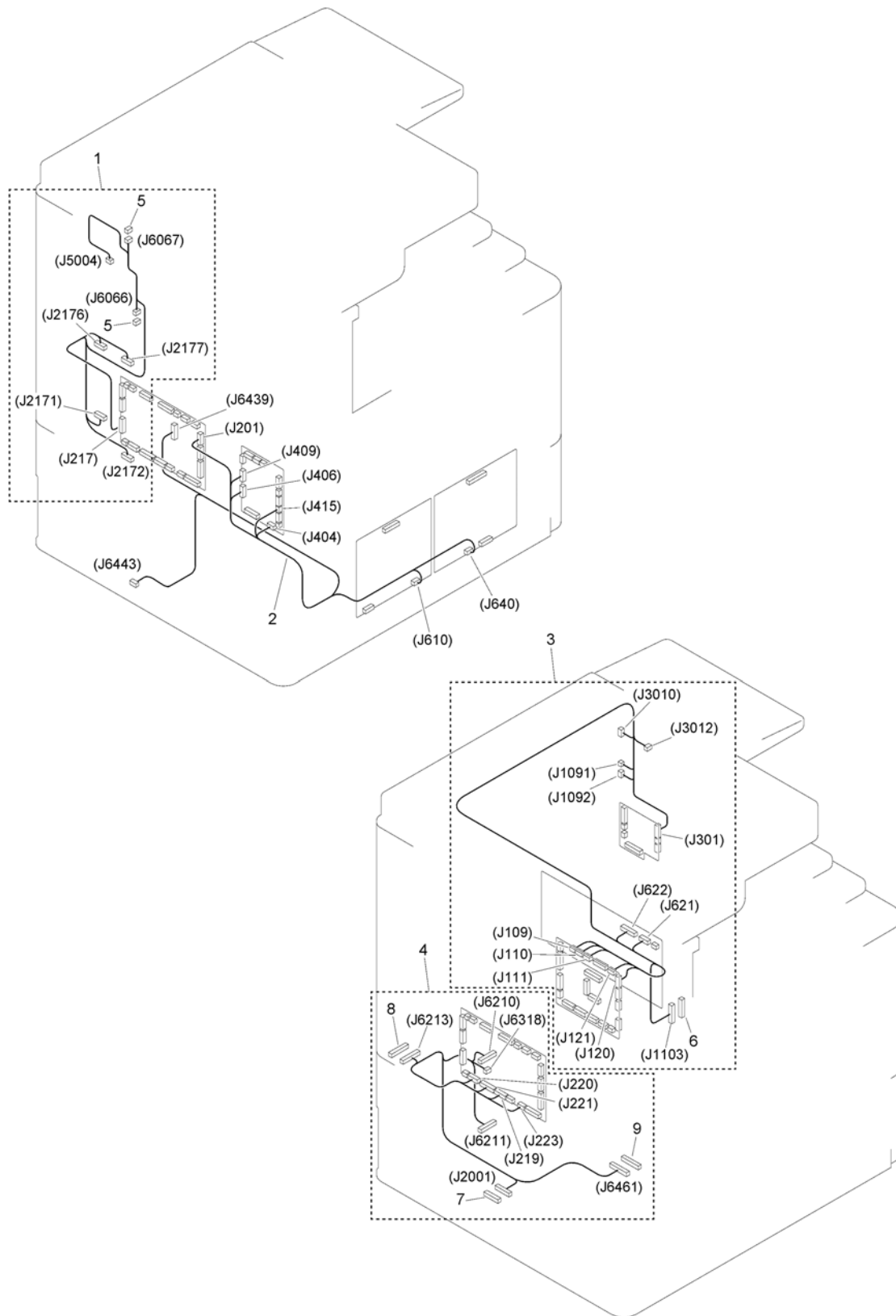


FIGURE & KEY NO.	PART NUMBER	RANK	QTY	DESCRIPTION	SERIAL NUMBER /REMARKS
109	NPN		RF	MACHINE REAR PLATE 3	
1	FM1-E928-000		1	CABLE, PAPER FEED MAIN	
2	FM1-E916-000		1	CABLE, DC POWER SUPPLY MAIN, 2	
3	FM1-N994-000		1	CABLE, MAIN, UPPER	
4	FM1-G573-000		1	PAPER FEED CABLE ASS'Y, LOWER	
5	VS1-7177-003		2	CONNECTOR, SNAP TIGHT, BK	
6	VS1-8412-013		1	CONNECTOR, SNAP TIGHT, BL	
7	VS1-8412-011		1	CONNECTOR, SNAP TIGHT, BL	
8	VS1-8412-019		1	CONNECTOR, SNAP TIGHT, BL	
9	VS1-8412-023		1	CONNECTOR, SNAP TIGHT, BL	

Figure 111 RIGHT DOOR ASSEMBLY

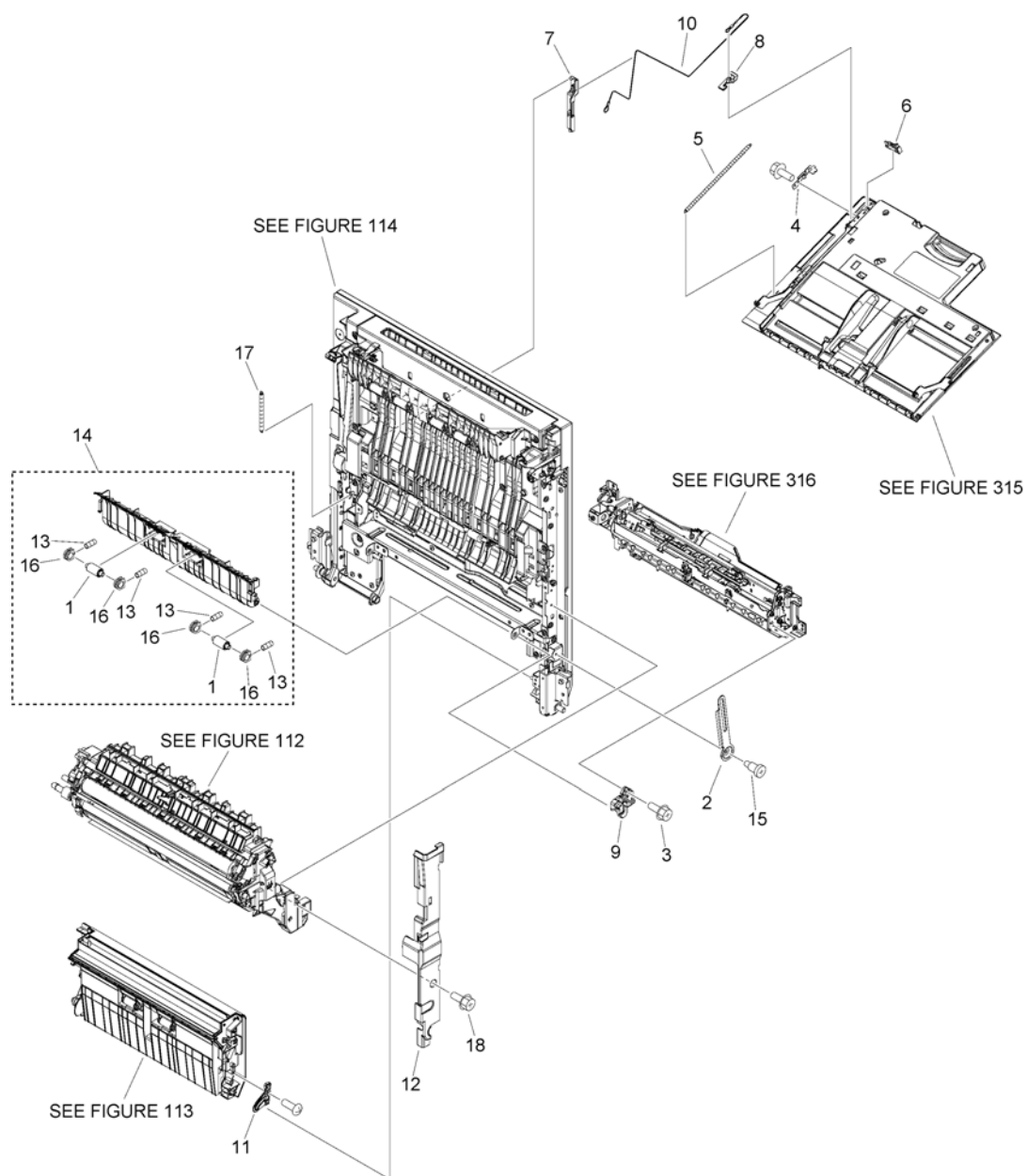


FIGURE & KEY NO.	PART NUMBER	RANK	QTY	DESCRIPTION	SERIAL NUMBER /REMARKS
111	NPN		RF	RIGHT DOOR ASSEMBLY	
1	FC0-7610-000		2	ROLLER, DRIVEN ROLLER	
2	FC8-4820-000		1	STOPPER, RIGHT DOOR, F	
3	XA9-1386-000		1	SCREW,RS,M3X8	
4	FE4-4849-000		1	SUPPORT, WIRE, 2	
5	FE4-4851-000		1	SPRING, TENSION	
6	FE4-4853-000		1	STOPPER, WIRE	
7	FE4-4855-000		1	COVER, MULTI PULLEY	
8	FE4-4872-000		1	HOOK, MULTI WIRE	
9	FE4-4882-000		1	STOPPER, MULTI CROSSING GUIDE	
10	FE4-5152-000		1	WIRE, MULTI TRAY	
11	FE8-1312-000		1	STOPPER, DOOR	
12	FE8-2449-000		1	COVER, RIGHT DOOR INNER, F	
13	FE8-2880-000		4	SPRING, COMPRESSION	
14	FM1-G579-000		1	MULTI GUIDE ASSEMBLY	
15	FS1-9169-000		1	SCREW, STEPPED	
16	FU2-1731-000		4	BUSHING	
17	FU7-2480-000		1	SPRING	
18	XA9-0732-010		6	SCREW,RS,M4X8	

Figure 112 RIGHT INNER DOOR ASSEMBLY

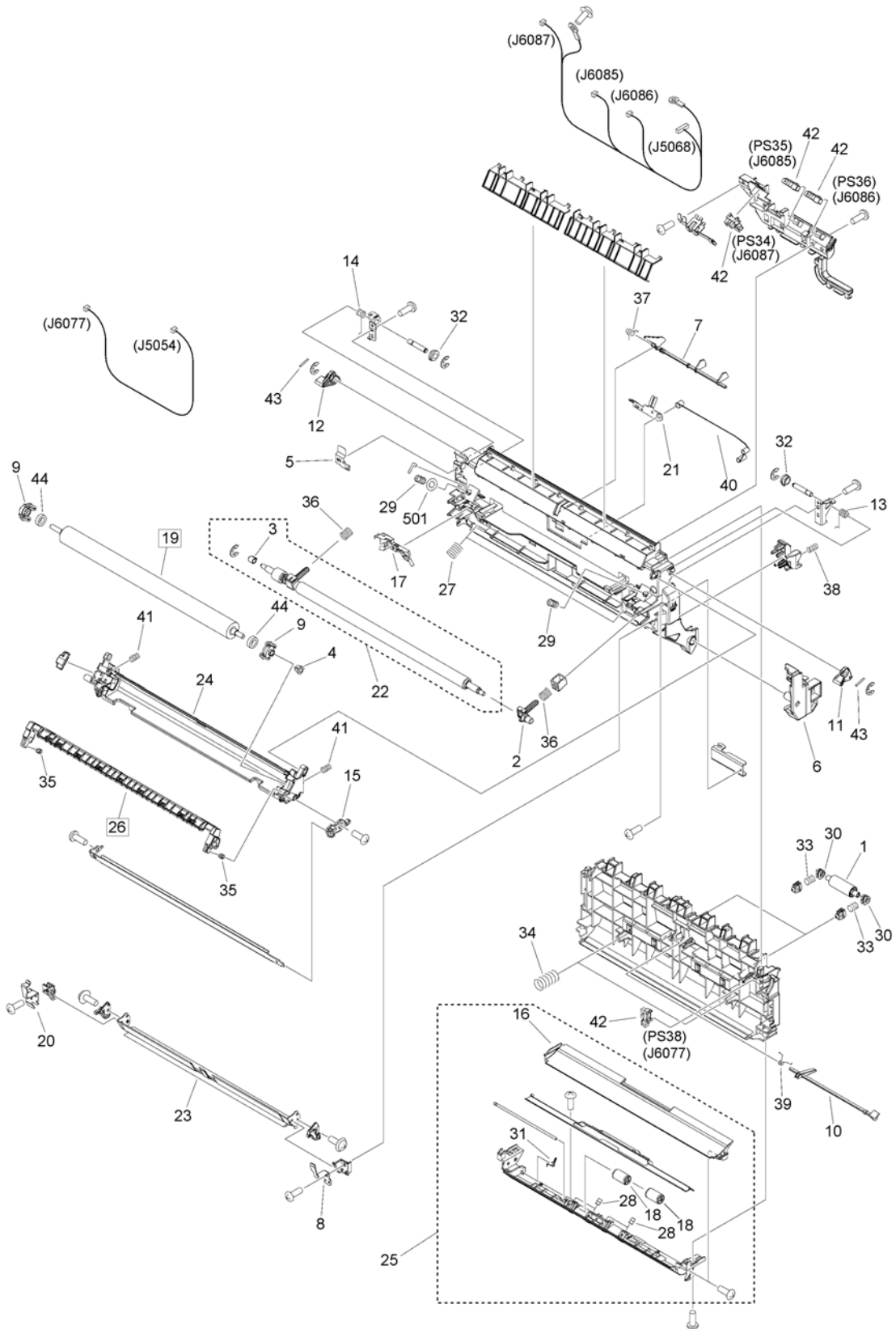


FIGURE & KEY NO.	PART NUMBER	RANK	QTY	DESCRIPTION	SERIAL NUMBER /REMARKS
112	FM1-G550-000		1	RIGHT INNER DOOR ASSEMBLY	
1	FB6-4873-000		2	ROLLER, PAPER FEED	
2	FC0-0220-000		1	BUSHING	
3	FC0-0234-000		1	ROLLER, REGISTRATION	
4	FC8-4884-000		1	BUSHING	
5	FC8-4886-000		1	SPRING	
6	FC8-5301-000		1	HINGE, INNER DOOR TURN, RIGHT	
7	FC8-5303-000		1	LEVER, LOOP SENSOR	
8	FC8-5310-000		1	PLATE, BUSHING RETAINING, FR.	
9	FC8-5313-000		2	HOLDER, 2ND TRNSFR. BUSHING	
10	FC8-5314-000		1	LEVER, DUPLEXING SENSOR	
11	FC8-5397-000		1	LEVER, R INNER DOOR PRESSURE,F	
12	FC8-5398-000		1	LEVER, R INNER DOOR PRESSURE,R	
13	FC8-5399-000		1	SPRING	
14	FC8-5400-000		1	SPRING	
15	FC9-7955-000		1	SUPPORT, OUTER GUIDE	
16	FE4-3789-000		1	GUIDE, PRE-REG. AUXILIARY	
17	FE4-3850-000		1	SPRING, GROUNDING	
18	FE4-8296-000		2	ROLLER, PRE-REG. DRIVEN	
19	FE4-8322-000		1	ROLLER, 2ND TRNSFR. OUTER	[DP]
20	FE8-1029-000		1	PLATE, BUSHING RETAINING, RR.	
21	FE8-3856-000		1	SPRING, GROUNDING	
22	FM1-H145-000		1	REGISTRATION SOFT ROLLER ASS'Y	
23	FL0-4415-000		1	GUIDE, PRE-REG. DOOR SIDE	
24	FL0-7279-000		1	HOLDER, TRANSFER OUTER	
25	FM1-G553-000		1	PRE-REG. AUXILIARY GUIDE ASS'Y	
26	FM3-8893-000		1	TRANSFER SEP. GUIDE ASSEMBLY	[DP]
27	FU2-1267-000		2	SPRING, COMPRESSION	
28	FU2-1270-000		4	SPRING, COMPRESSION	
29	FU2-1651-000		2	SPRING, COMPRESSION	
30	FU2-1731-000		4	BUSHING	
31	FU2-1745-000		1	SPRING, TORSION	
32	FU5-1457-000		2	BUSHING	
33	FU7-2521-000		4	SPRING	
34	FU7-2522-000		2	SPRING	
35	FU7-2524-000		2	SPRING	
36	FU7-2525-000		2	SPRING	
37	FU7-2526-000		1	SPRING	
38	FU7-2536-000		1	SPRING	
39	FU7-2537-000		1	SPRING	
40	FU8-2293-000		1	SPRING, GROUNDING	
41	FU8-2925-000		2	SPRING, COMPRESSION	
42	WG8-5783-000		4	IC,PHOTO-INTERRUPTER,LG248NL1A	PS34, PS35, PS36, PS38

FIGURE & KEY NO.	PART NUMBER	R A N K	QTY	DESCRIPTION	SERIAL NUMBER /REMARKS
43	XD9-0291-000		2	PIN, PARALLEL	
44	XG9-0795-000		2	BEARING, BALL, L-1060ZZHPOP25L	
501	XD1-1108-225		1	WASHER,COP	

Figure 113 RIGHT LOWER DOOR ASSEMBLY

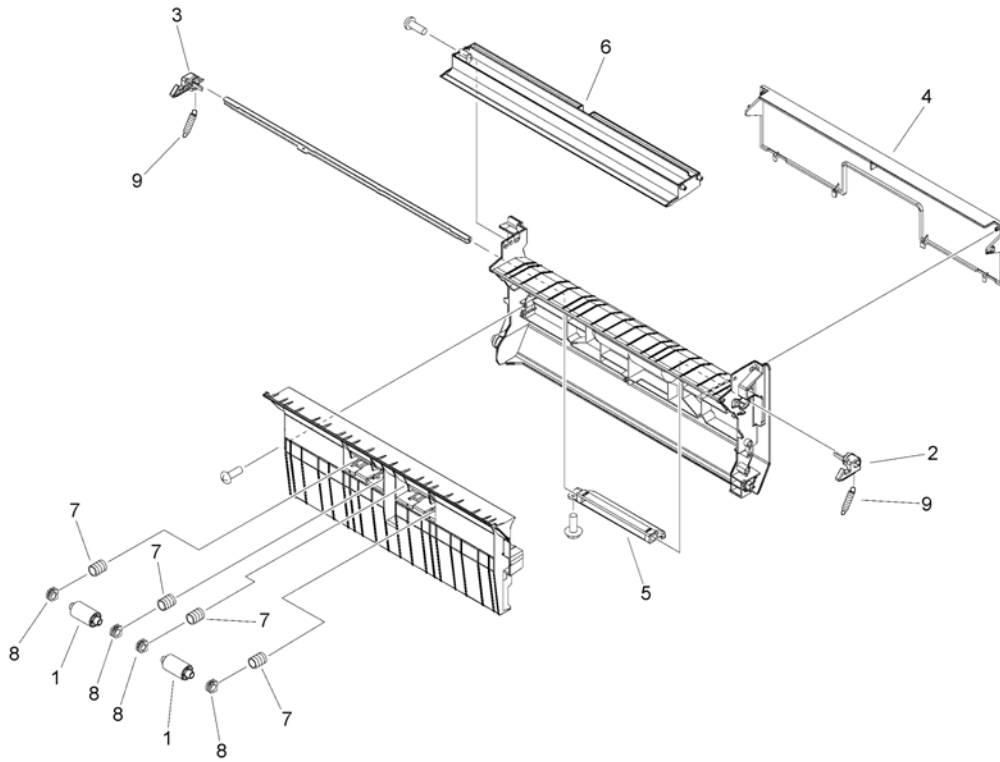


FIGURE & KEY NO.	PART NUMBER	RANK	QTY	DESCRIPTION	SERIAL NUMBER /REMARKS
113	FM1-G583-000		1	RIGHT LOWER DOOR ASSEMBLY	
1	FC0-7610-000		2	ROLLER, DRIVEN ROLLER	
2	FC8-4859-000		1	HOOK, RIGHT LOWER DOOR, F	
3	FC8-4860-000		1	HOOK, RIGHT LOWER DOOR	
4	FE4-3782-000		1	COVER, DECK PATH	
5	FE4-7465-000		1	HANDLE, DOOR, RIGHT LOWER	
6	FE4-9741-000		1	PLATE, DECK PATH REINFORCEMENT	
7	FE8-2880-000		4	SPRING, COMPRESSION	
8	FU2-1731-000		4	BUSHING	
9	FU7-2519-000		2	SPRING	

Figure 114 (1/2)RIGHT OUTER DOOR ASSEMBLY

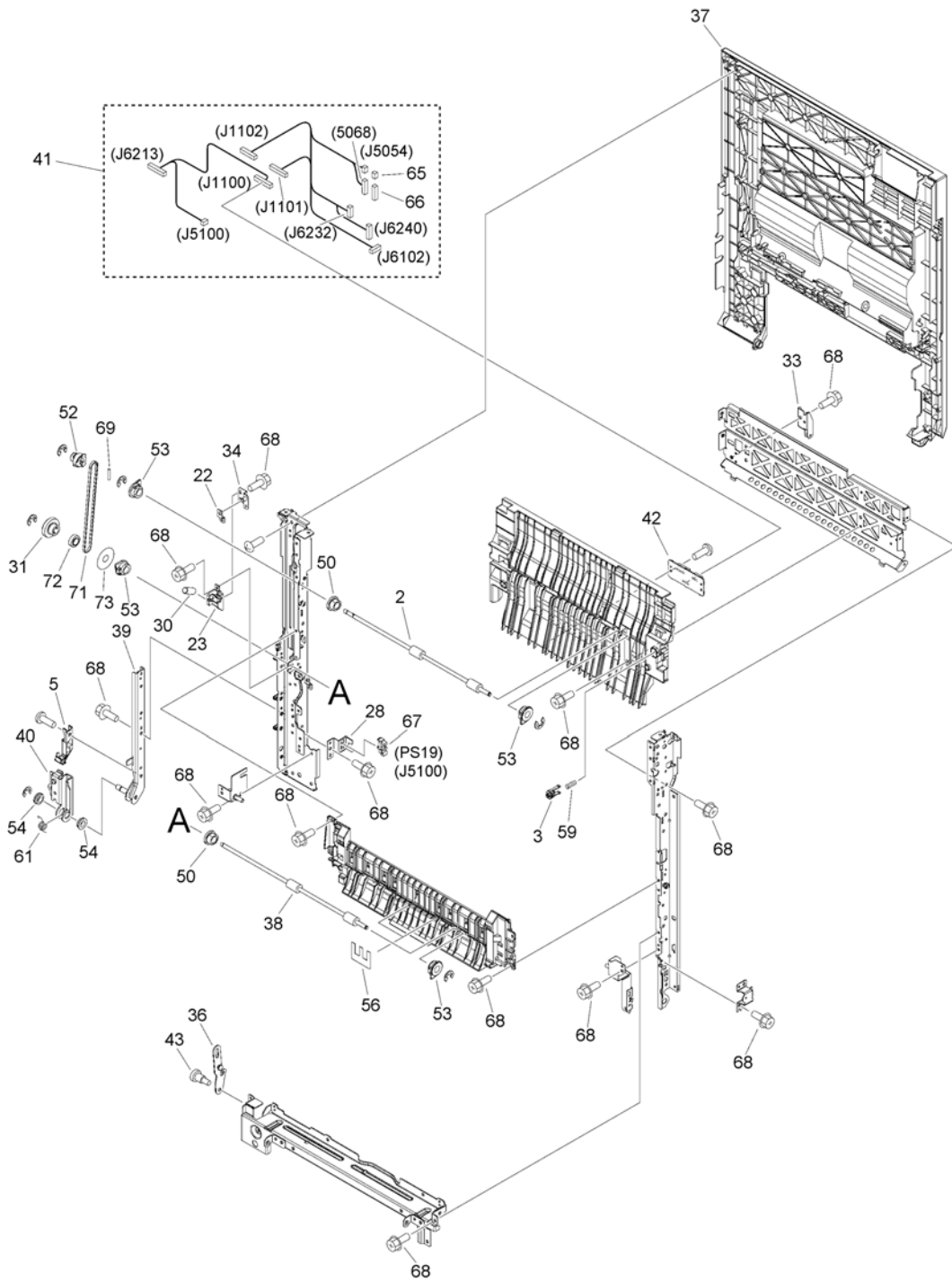


Figure 114 (2/2) RIGHT OUTER DOOR ASSEMBLY

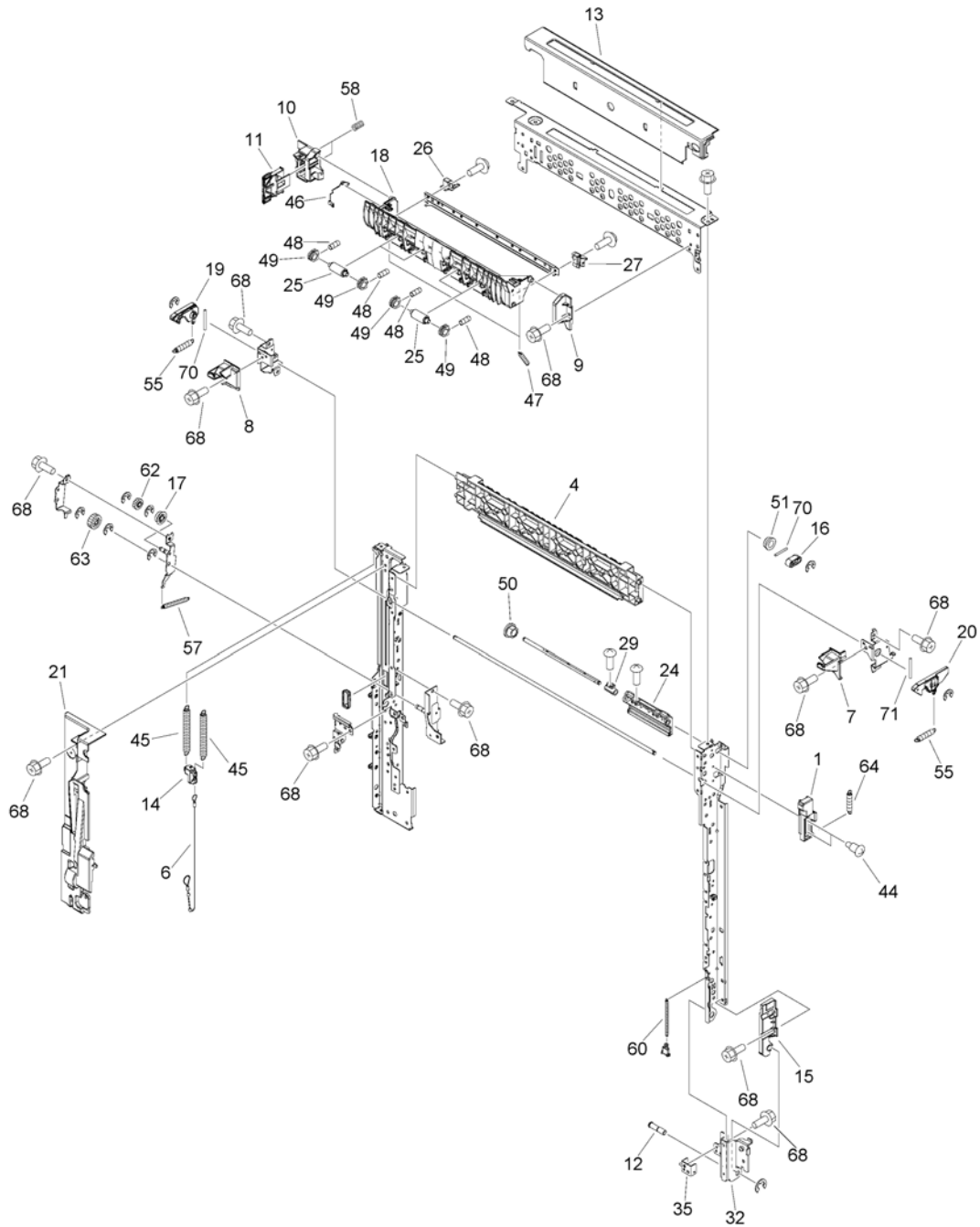


FIGURE & KEY NO.	PART NUMBER	RANK	QTY	DESCRIPTION	SERIAL NUMBER /REMARKS
114	FM1-G549-000		1	RIGHT OUTER DOOR ASSEMBLY	
1	FC0-4876-000		1	ARM, SLIDE, F	
2	FC0-5077-000		1	ROLLER, DUPLEXING FEEDER	
3	FC7-2341-000		1	BLOCK, PRESSURE	
4	FC8-4834-010		1	GUIDE, DUPLEXING INNER	
5	FC8-4844-000		1	GUIDE, HINGE R REINFORCEMENT	
6	FC8-4846-000		1	WIRE, DAMPER	
7	FC8-4854-020		1	LEVER, TOGGLE, F	
8	FC8-4855-000		1	LEVER, TOGGLE, R	
9	FC8-4857-010		1	FOOT, GUIDE SUPPORTING, F	
10	FC8-4858-010		1	FOOT, GUIDE SUPPORTING, R	
11	FC8-4864-000		1	BLOCK, FIXING DOOR PRESSURE	
12	FC8-4867-000		1	SHAFT	
13	FC8-4904-010		1	COVER, DOOR TOP PLATE, RIGHT	
14	FC8-4905-000		1	HOOK, SLIDE	
15	FC8-5160-010		1	GUIDE, HINGE F REINFORCEMENT	
16	FC8-5162-000		1	LINK, HANDLE	
17	FC9-7949-000		1	ROLLER, TENSION	
18	FE4-2006-000		1	GUIDE, FIRST DELIVERY OPPOSED	
19	FE4-3717-000		1	HOOK, R	
20	FE4-3718-000		1	HOOK, F	
21	FE4-3798-000		1	COVER, RIGHT DOOR INNER	
22	FE4-4845-000		1	SUPPORT, 3	
23	FE4-4883-000		1	GUIDE, WIRE	
24	FE4-7445-000		1	HANDLE, DOOR, RIGHT	
25	FE4-9274-000		4	ROLLER, DRIVEN	
26	FE8-0065-000		1	LINK, PRESSURE, REAR	
27	FE8-0066-000		1	LINK, PRESSURE, FRONT	
28	FE8-0073-000		1	SUPPORT, SENSOR	
29	FE8-2121-000		1	STOPPER, HANDLE	
30	FE8-4112-000		1	SHAFT, ROLLER	
31	FL0-4166-000		1	PULLEY/GEAR, 24T/26T	
32	FL0-4422-000		1	SUPPORT, TURN, FRONT	
33	FL0-4969-000		1	SUPPORT, 1	
34	FL0-4974-000		1	SUPPORT, 2	
35	FL0-7133-000		1	SUPPORT, STOPPER	
36	FL0-7276-000		1	STOPPER, RIGHT DOOR, 1	
37	FL1-0396-000		1	COVER, DOOR, RIGHT	
38	FL1-1788-000		1	ROLLER, DUPLEXING FEEDER	
39	FL2-9527-000		1	FOOT, RIGHT DOOR TURN	
40	FL2-9533-000		1	SUPPORT, TURN, REAR	
41	FM1-E937-000		1	CABLE, DOOR, RIGHT	
42	FM1-M839-000		1	RELAY PCB ASSEMBLY	
43	FS1-9169-000		1	SCREW, STEPPED	

FIGURE & KEY NO.	PART NUMBER	RANK	QTY	DESCRIPTION	SERIAL NUMBER /REMARKS
44	FS2-9001-020		2	SCREW, STEPPED, M4	
45	FU2-1652-000		2	SPRING, TENSION	
46	FU2-1692-000		1	SPRING, COMPRESSION	
47	FU2-1693-000		2	SPRING, TENSION	
48	FU2-1694-000		8	SPRING, COMPRESSION	
49	FU2-1731-000		8	BUSHING	
50	FU5-1033-000		3	BUSHING	
51	FU5-1457-000		1	BUSHING	
52	FU5-3016-000		1	PULLEY, 24T	
53	FU6-1020-000		4	BUSHING	
54	FU6-1022-000		2	BUSHING	
55	FU7-2478-000		2	SPRING	
56	FC0-0248-000		2	SHEET, GUIDE	
57	FU7-2487-000		1	SPRING	
58	FU7-2488-000		2	SPRING	
59	FU7-2502-000		1	SPRING	
60	FU7-2527-000		1	SPRING, LEAF	
61	FU7-2528-000		1	SPRING, LEAF	
62	FU8-0202-000		1	GEAR, 15T	
63	FU8-0203-000		1	GEAR, 22T	
64	FU8-2923-000		1	SPRING, TENSION	
65	VS1-8412-003		1	CONNECTOR, SNAP TIGHT, BL	
66	VS1-8412-009		1	CONNECTOR, SNAP TIGHT, BL	
67	WG8-5783-000		1	IC, PHOTO-INTERRUPTER, LG248NL1A	PS19
68	XA9-0732-010		52	SCREW, RS, M4X8	
69	XD9-0288-000		1	PIN, DOWEL	
70	XD9-0292-000		3	PIN, PARALLEL	
71	XF2-4118-340		1	BELT, TIMING	
72	XG9-0497-000		1	BEARING, BALL, MR106ZZ,	
73	FB5-4754-000		1	SPACER	

Figure 115 FRONT COVER ASSEMBLY

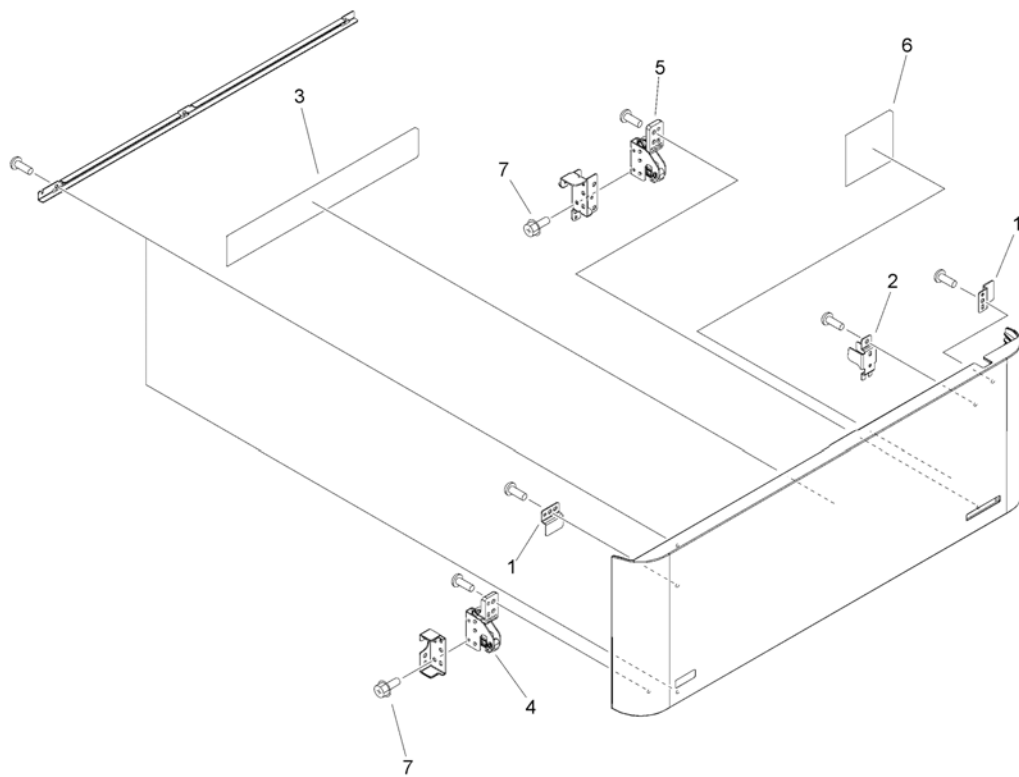


FIGURE & KEY NO.	PART NUMBER	R A N K	QTY	DESCRIPTION	SERIAL NUMBER /REMARKS
115	FM1-G369-000		1	FRONT COVER ASSEMBLY	
1	FC8-4124-000		2	PLATE, MAGNET CATCH	
2	FC8-4155-000		1	PLATE,F DOOR OPEN/CLOSE DETECT	
3	FE4-3033-000		1	LABEL, CLN ROD OPERATION	
4	FM3-6064-010		1	HINGE ASSEMBLY, 2	
5	FM3-8934-000		1	HINGE ASSEMBLY	
6	FU6-8646-000		1	LABEL, LASER CAUTION	
7	XA9-1386-000		4	SCREW,RS,M3X8	

Figure 130C FLAT CONTROL PANEL ASSEMBLY

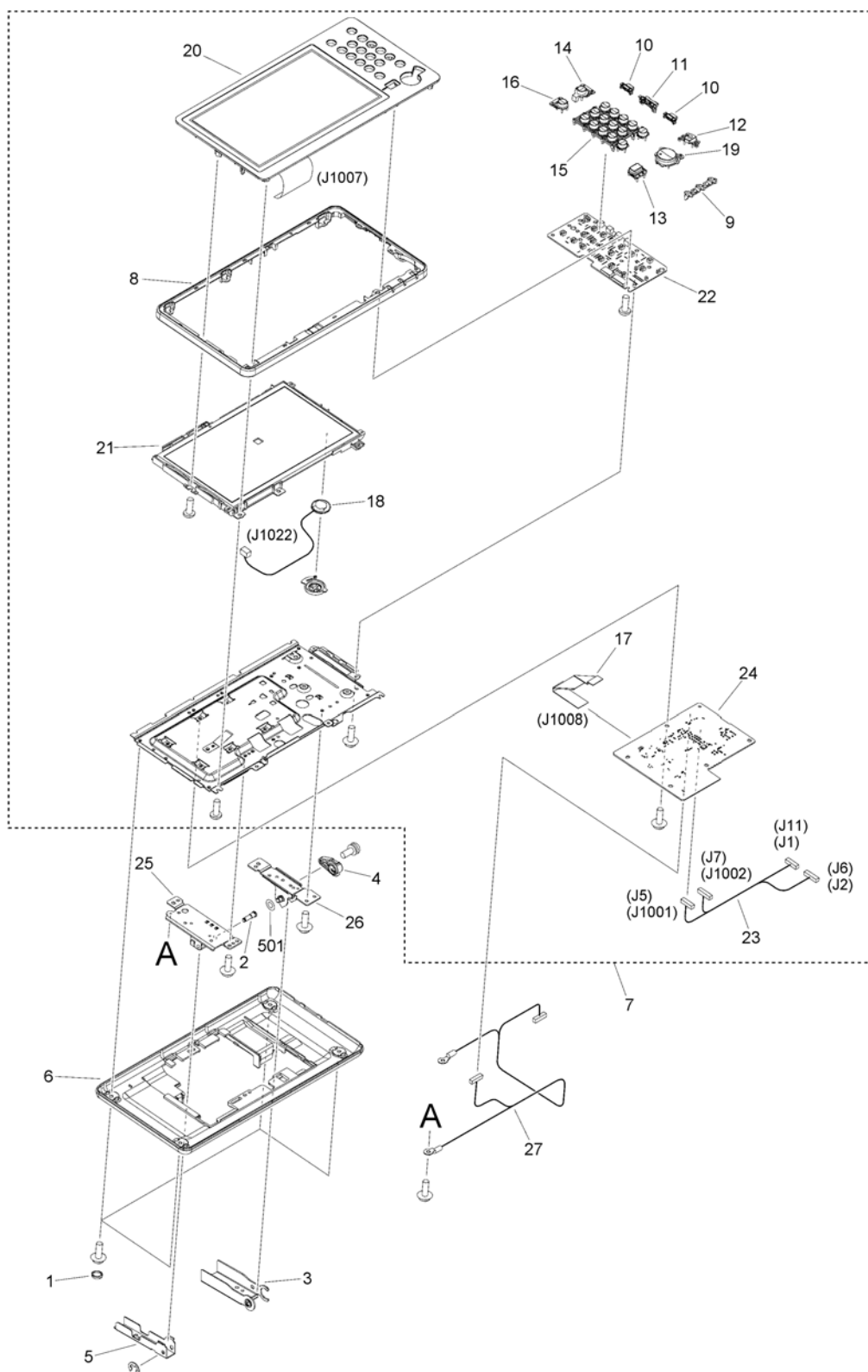


FIGURE & KEY NO.	PART NUMBER	RANK	QTY	DESCRIPTION	SERIAL NUMBER /REMARKS
130C	NPN		RF	FLAT CONTROL PANEL ASSEMBLY	
1	FE3-9169-000		4	CAP	
2	FE4-2501-000		1	HINGE, SHAFT	
3	FE4-2502-000		1	HINGE, RIGHT	
4	FE4-2503-000		1	SUPPORT, HINGE	
5	FL0-4439-000		1	HINGE, LEFT	
6	FE4-2812-000		1	COVER, LOWER	
7	FM1-H746-010		1	FLAT CONTROL PANEL ASSEMBLY	
8	FE4-1774-010		1	COVER, FRAME	
9	FE4-1787-000		1	GUIDE, LAMP LED	
10	FE4-1788-000		2	KEY TOP, SIDE	
11	FE4-1789-000		1	KEY TOP, VOLUME	
12	FE4-5109-000		1	KEY TOP, STOP	
13	FE4-5110-000		1	KEY TOP, RESET	
14	FE4-5111-000		1	KEY TOP, SLEEP	
15	FL1-2178-000		1	KEY TOP, NUMBERS	
16	FE4-5556-000		1	KEY TOP, SETTINGS/REGISTRATION	
17	FK4-2360-000		1	CABLE, FLEXIBLE FLAT	
18	FK4-2365-000		1	SPEAKER	
19	FL0-5116-000		1	KEY TOP, START	
20	FM1-L483-000		1	CONTROL PANEL UNIT	
21	FM1-L493-000		1	LCD HOLDER UNIT	
22	FM1-M929-000		1	KEY TOP PCB ASSEMBLY	
23	FM1-M930-000		1	CABLE, 10 KEY	
24	FM1-T858-000		1	CPU PCB ASSEMBLY	
25	FM1-M730-000		1	HINGE BASE ASSEMBLY, LEFT	
26	FM1-M731-000		1	HINGE BASE ASSEMBLY, RIGHT	
27	FM1-T853-000		1	CABLE, UI	
501	XD1-1108-233		1	WASHER,COP	

Figure 140C POWER CORD TERMINAL ASS'Y (120V US
C5540i, C5535i, 230V)

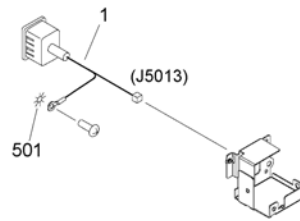


FIGURE & KEY NO.	PART NUMBER	RANK	QTY	DESCRIPTION	SERIAL NUMBER /REMARKS
140C	FM1-G623-000		1	POWER CORD TERMINAL ASS'Y	120V US C5540i, C5535i, 230V
1	FM1-U971-000		1	CABLE, INLET	
501	XD1-4200-502		1	LOCK WASHER (SUS)	

Figure 250 MAIN DRIVE ASSEMBLY

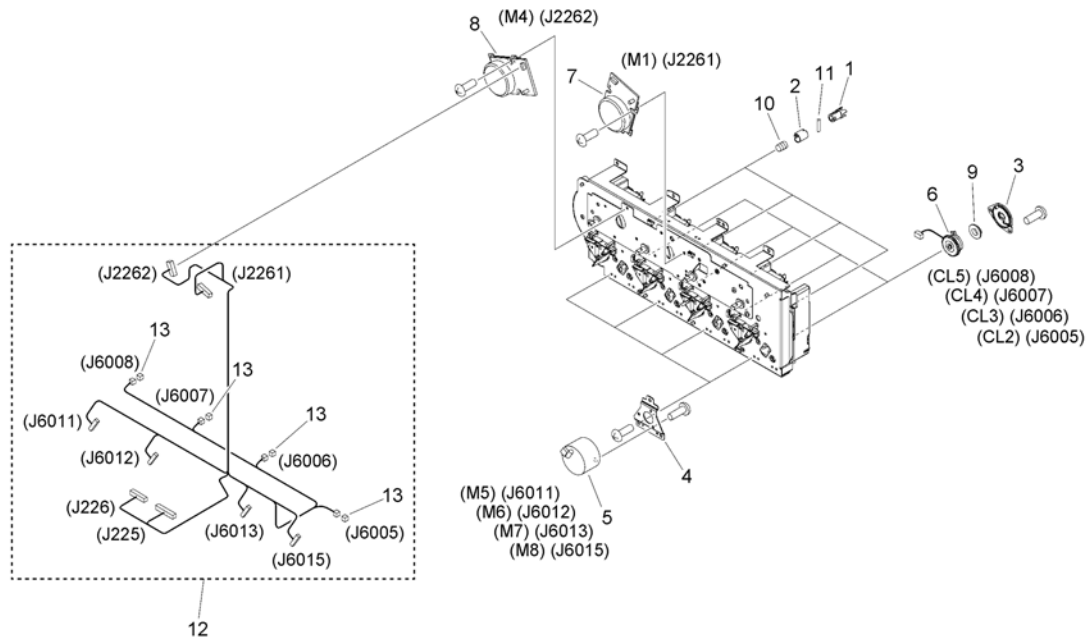


FIGURE & KEY NO.	PART NUMBER	RANK	QTY	DESCRIPTION	SERIAL NUMBER /REMARKS
250	FM1-G455-000		1	MAIN DRIVE ASSEMBLY	
1	FC8-4170-000		4	COUPLING, DEVELOPMENT	
2	FC8-4171-000		4	CAP, COUPLING	
3	FC8-4175-000		4	COVER, CLUTCH	
4	FC8-5323-000		4	PLATE, MOTOR MOUNTING	
5	FK2-7303-000		4	MOTOR, DC	M5, M6, M7, M8
6	FK2-7371-000		4	CLUTCH, ELECTROMAGNETIC	CL2, CL3, CL4, CL5
7	FK4-1108-000		1	MOTOR, DC	M1
8	FK4-1109-000		1	MOTOR, DC	M4
9	FU5-1448-000		4	BUSHING	
10	FU6-2636-000		4	SPRING, COMPRESSION	
11	XD9-0325-000		4	PIN, PARALLEL	
12	FM1-E903-000		1	CABLE, MAIN DRIVE	
13	VS1-7177-002		4	CONNECTOR, SNAP TIGHT, BK	

Figure 260 PAPER PICK-UP DRIVE ASS'Y, UP.

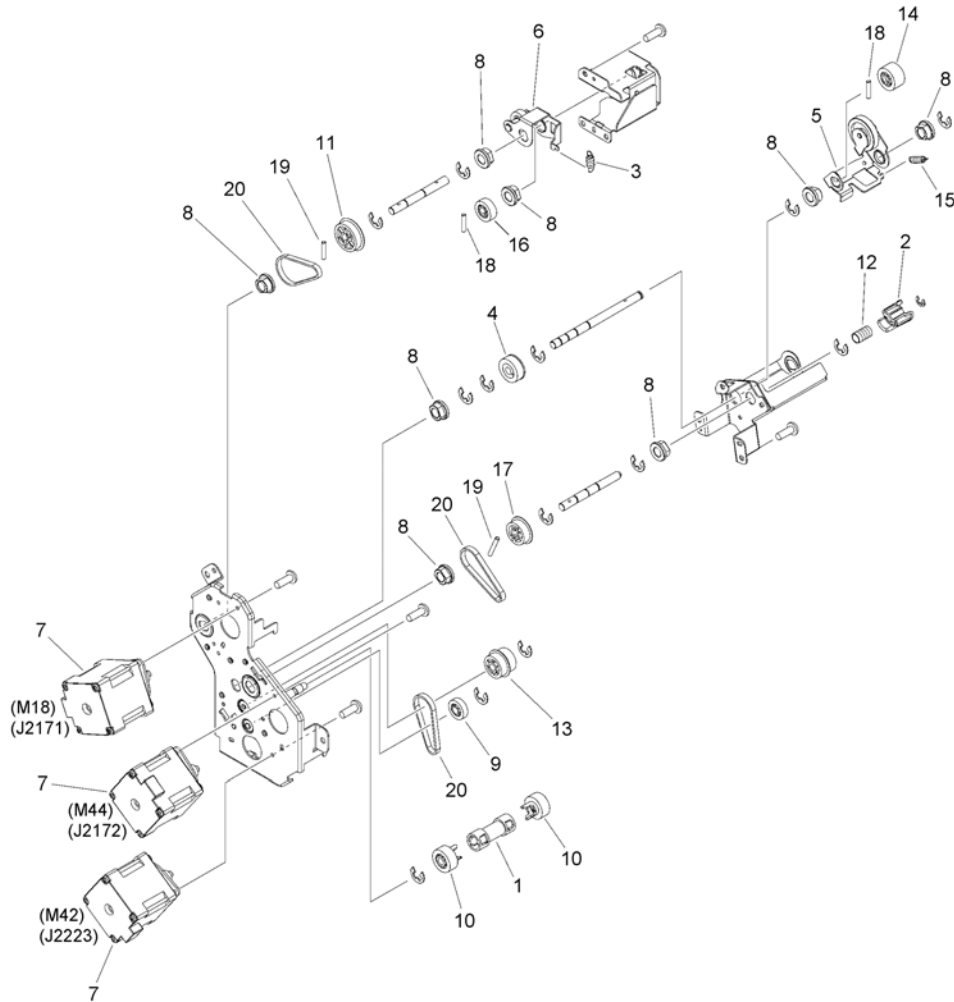


FIGURE & KEY NO.	PART NUMBER	RANK	QTY	DESCRIPTION	SERIAL NUMBER /REMARKS
260	FM1-G577-000		1	PAPER PICK-UP DRIVE ASSY, UP.	
1	FE4-4592-000		1	SHAFT, ROLLER	
2	FE4-4615-000		1	COUPLING, REGISTRATION	
3	FE4-5149-000		1	SPRING, TENSION	
4	FL0-4789-000		1	GEAR, 21T	
5	FL0-4790-000		1	SUPPORT, MULTI EXTRACTION	
6	FL0-7511-000		1	SUPPORT, MULTI DRIVE SWING	
7	FM1-H189-000		3	MOTOR ASSEMBLY	M18, M42, M44
8	FS2-1710-000		8	BUSHING	
9	FU2-0438-000		1	GEAR, 17T	
10	FU2-1321-000		2	GEAR, 20T	
11	FU2-1328-000		1	GEAR, 37T	
12	FU2-1335-000		1	SPRING, COMPRESSION	
13	FU2-1336-000		1	PULLEY, 30T/GEAR, 20T	
14	FU2-1339-000		1	GEAR, 21T	
15	FU2-1342-000		1	SPRING, TENSION	
16	FU2-1345-000		1	GEAR, 19T	
17	FU8-0240-000		1	PULLEY	
18	XD9-0288-000		2	PIN, DOWEL	
19	XD9-0290-000		2	PIN, PARALLEL	
20	XF2-1605-740		3	BELT, TIMING	

Figure 261 PAPER PICK-UP DRIVE ASS'Y, LW.

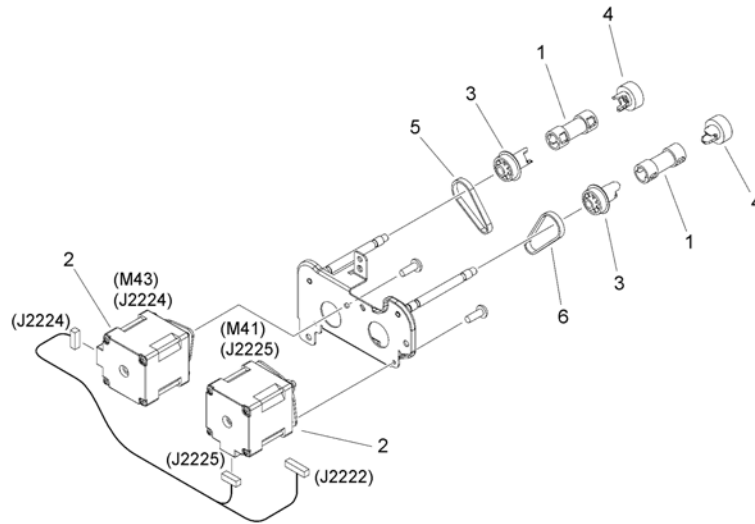


FIGURE & KEY NO.	PART NUMBER	RANK	QTY	DESCRIPTION	SERIAL NUMBER /REMARKS
261	FM1-G578-000		1	PAPER PICK-UP DRIVE ASSY, LW.	
1	FE4-4592-000		2	SHAFT, ROLLER	
2	FM1-H189-000		2	MOTOR ASSEMBLY	M41, M43
3	FU2-1320-000		2	PULLEY, 30T/GEAR	
4	FU2-1321-000		2	GEAR, 20T	
5	XF2-1605-140		1	BELT, TIMING	
6	XF2-1605-740		1	BELT, TIMING	

Figure 262 DUPLEXING REG. DRIVE ASSEMBLY

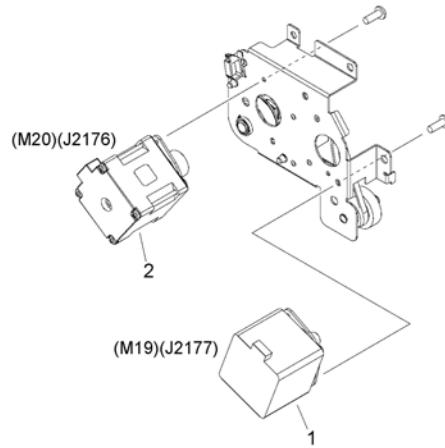


FIGURE & KEY NO.	PART NUMBER	RANK	QTY	DESCRIPTION	SERIAL NUMBER /REMARKS
262	FM1-G552-000		1	DUPLEXING REG. DRIVE ASSEMBLY	
1	FK2-7586-000		1	MOTOR, STEPPING	M19
2	FM1-H135-000		1	MOTOR ASS'Y	M20

Figure 270 SHUTTER DRIVE MOUNT ASSEMBLY

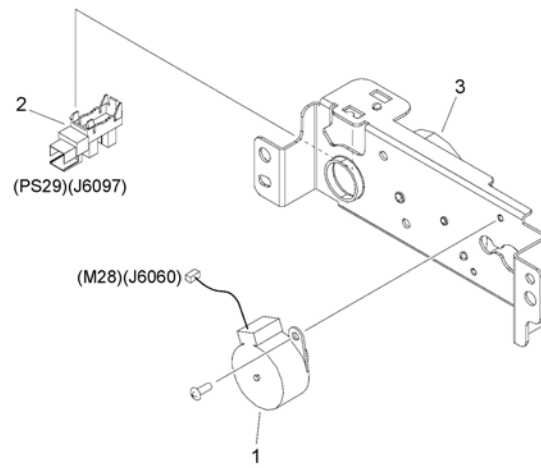


FIGURE & KEY NO.	PART NUMBER	RANK	QTY	DESCRIPTION	SERIAL NUMBER /REMARKS
270	NPN		RF	SHUTTER DRIVE MOUNT ASSEMBLY	
1	FK2-2069-000		1	MOTOR, STEPPING, DC	M28
2	WG8-5783-000		1	IC,PHOTO-INTERRUPTER,LG248NL1A	PS29
3	FM3-6109-000		1	DRIVE MOUNT BASE ASSEMBLY	

Figure 271 SET ON DRIVE ASSEMBLY

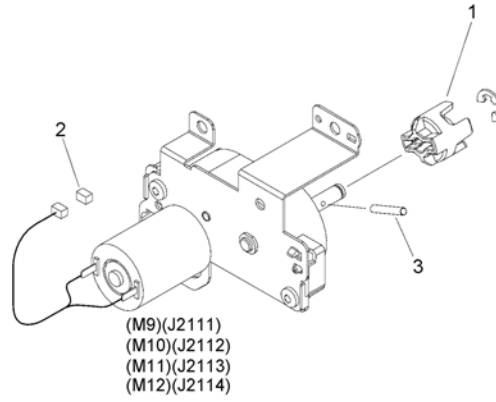


FIGURE & KEY NO.	PART NUMBER	RANK	QTY	DESCRIPTION	SERIAL NUMBER /REMARKS
271	FM1-G328-000		1	SET ON DRIVE ASSEMBLY	M9, M10, M11, M12
1	FC8-4705-000		1	COUPLING	
2	VS1-7177-002		1	CONNECTOR, SNAP TIGHT, BK	
3	XD9-0290-000		1	PIN, PARALLEL	

Figure 280 FIXING DRIVE ASSEMBLY

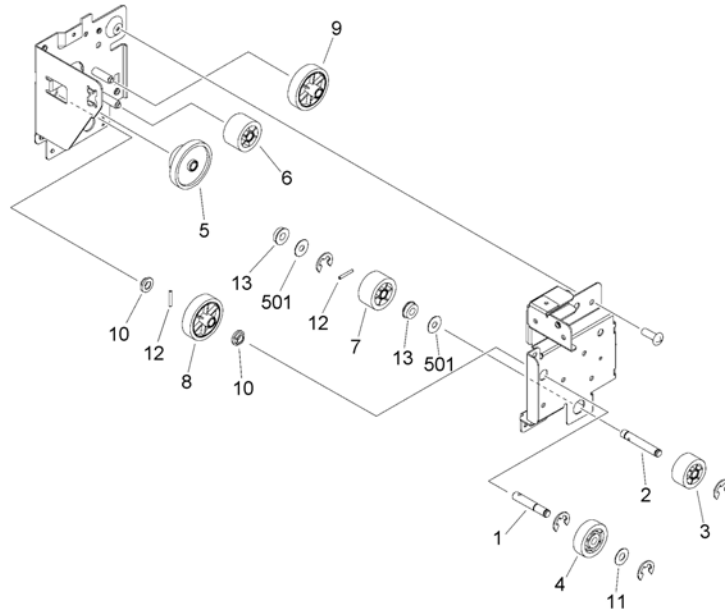


FIGURE & KEY NO.	PART NUMBER	RANK	QTY	DESCRIPTION	SERIAL NUMBER /REMARKS
280	FM1-G513-000		1	FIXING DRIVE ASSEMBLY	
1	FE4-3663-000		1	SHAFT. 2	
2	FE4-3664-000		1	SHAFT. 1	
3	FL0-4346-000		1	GEAR, 21T	
4	FL3-1198-000		1	GEAR ASSEMBLY	
5	FU2-1235-000		1	GEAR, 18T/59T	
6	FU2-1237-000		1	GEAR, 22T	
7	FU2-1238-000		1	GEAR, 23T	
8	FU2-1239-000		1	GEAR, 31T	
9	FU2-1603-000		1	GEAR, 31T	
10	FU5-1173-000		2	BUSHING	
11	XD9-0220-000		1	WASHER	
12	XD9-0290-000		2	PIN, PARALLEL	
13	XG9-0797-000		2	BEARING, BALL, LF-1260ZZRPOP25	
501	XD1-1106-215		2	WASHER,COP	

Figure 281 FIXING DELIVERY DRIVE ASSEMBLY

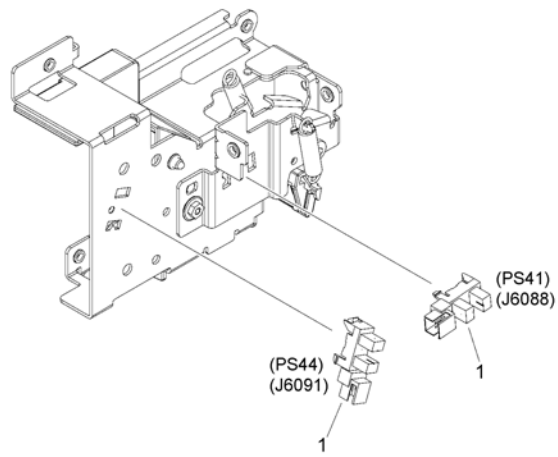


FIGURE & KEY NO.	PART NUMBER	R A N K	QTY	DESCRIPTION	SERIAL NUMBER /REMARKS
281	FM1-G222-000		1	FIXING DELIVERY DRIVE ASSEMBLY	
1	WG8-5783-000		2	IC,PHOTO-INTERRUPTER,LG248NL1A	PS41, PS44

Figure 290 LIFTER DRIVE MOUNT ASSEMBLY

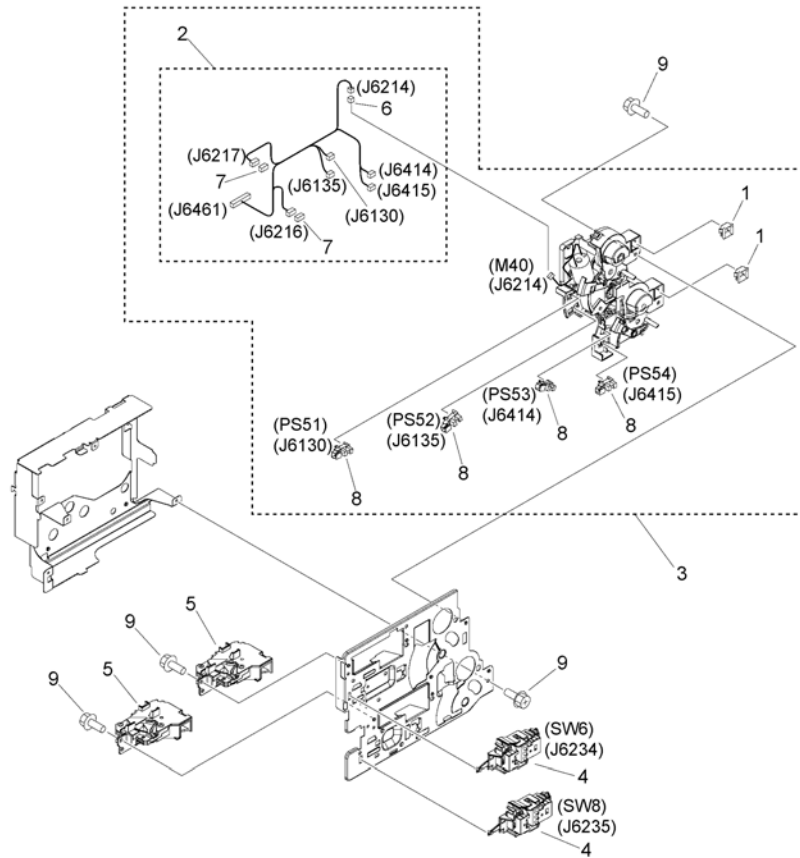


FIGURE & KEY NO.	PART NUMBER	RANK	QTY	DESCRIPTION	SERIAL NUMBER /REMARKS
290	NPN		RF	LIFTER DRIVE MOUNT ASSEMBLY	
1	FE8-1328-000		2	HOLDER, BOSS	
2	FM1-E932-000		1	CABLE, LIFTER	
3	FM1-G586-000		1	LIFTER DRIVE ASSEMBLY	M40
4	FM1-K250-000		2	AUTO SIZE DETECT ASSEMBLY	SW6, SW8
5	FM1-M019-000		2	CASSETTE AUTO CLOSE ASSEMBLY	
6	VS1-7177-002		1	CONNECTOR, SNAP TIGHT, BK	
7	VS1-7177-004		2	CONNECTOR, SNAP TIGHT, BK	
8	WG8-5783-000		4	IC,PHOTO-INTERRUPTER,LG248NL1A	PS51, PS52, PS53, PS54
9	XA9-1386-000		12	SCREW,RS,M3X8	

Figure 310 PAPER PICK-UP ASSEMBLY, 1

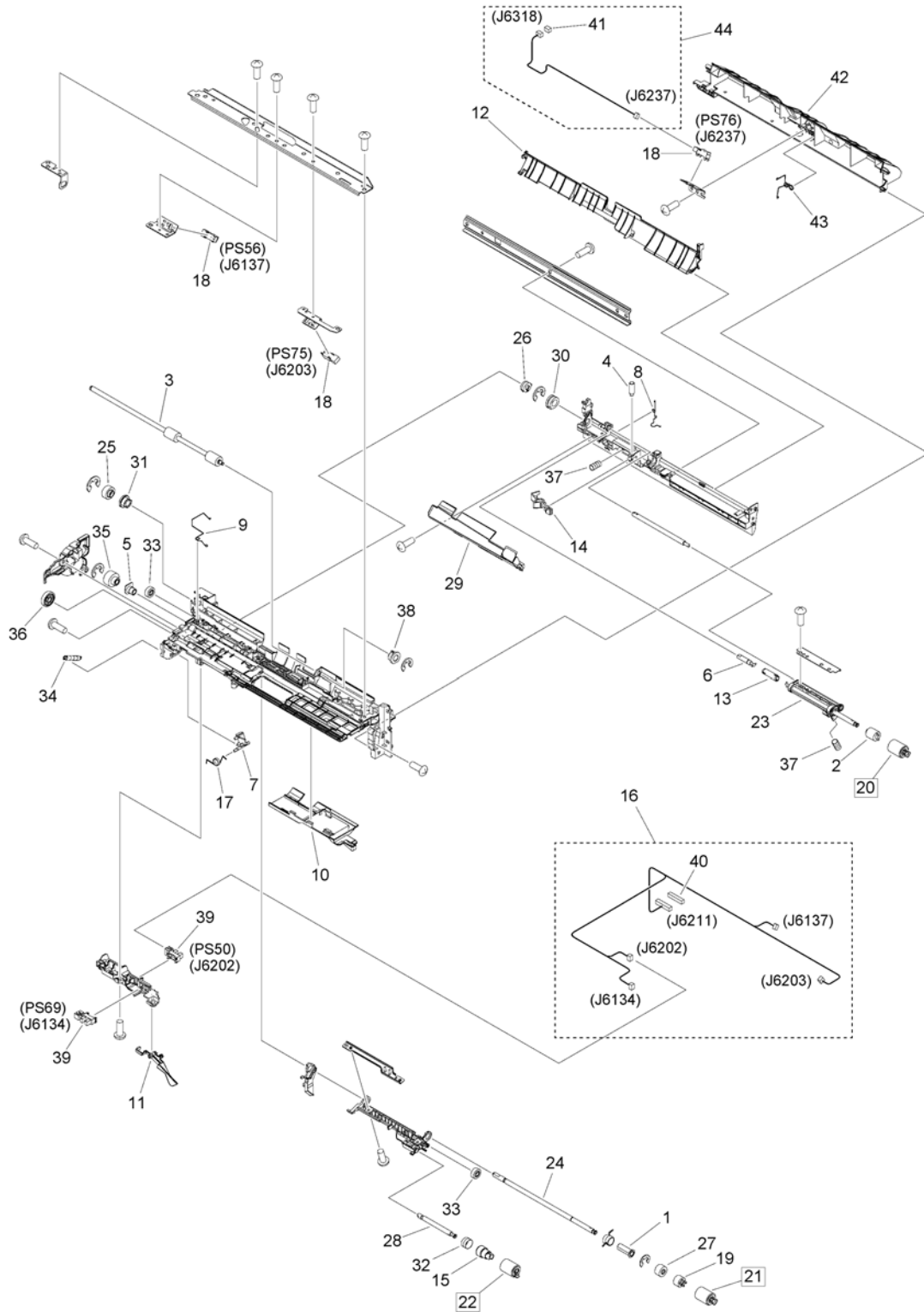


FIGURE & KEY NO.	PART NUMBER	RANK	QTY	DESCRIPTION	SERIAL NUMBER /REMARKS
310	FM1-G584-000		1	PAPER PICK-UP ASSEMBLY, 1	
1	FE3-1617-000		1	BUSHING	
2	FE4-1528-000		1	LIMITTER, TORQUE	
3	FE4-4426-000		1	ROLLER, EXTRACTION	
4	FE4-1505-000		1	SHAFT, SUPPORT	
5	FE4-4536-000		1	BUSHING	
6	FL0-4774-000		1	SHAFT, ROLLER	
7	FE4-4538-000		1	LEVER, LATCH	
8	FE4-4550-000		1	SPRING, GROUNDING	
9	FE4-4552-000		1	SPRING, GROUNDING	
10	FE4-4545-000		1	GUIDE, SLIDE	
11	FE4-4564-000		1	LEVER, PAPER YES/NO DETECT	
12	FE4-4560-000		1	GUIDE, VERTICAL PATH, UPPER	
13	FE4-5061-000		1	COUPLING, JOINT	
14	FE8-1330-000		1	LEVER, ESTRANGEMENT	
15	FE8-1704-000		1	GEAR, 23T	
16	FM1-E906-000		1	CABLE, SENSOR	
17	FE8-1934-000		1	SPRING, TORSION	
18	FK2-6470-000		3	PHOTO-SENSOR, KUA0055C	PS56, PS75, PS76
19	FL0-1515-000		1	ONE-WAY CLUTCH ASSEMBLY	
20	FL0-1674-000		1	ROLLER, SEPARATION	[DP]
21	FL0-2885-000		1	ROLLER, PAPER PICK-UP	[DP]
22	FL0-4002-000		1	ROLLER, PAPER PICK-UP	[DP]
23	FL0-4772-000		1	HOLDER, SEPARATION ROLLER	
24	FL0-4773-000		1	SHAFT, PAPER PICK-UP	
25	FL0-4776-000		1	GEAR, 19T	
26	FL0-4777-000		1	COUPLING, ONE-WAY	
27	FL0-6382-000		1	GEAR, 23T	
28	FL1-0512-000		1	SHAFT, TRANSMISSION	
29	FL1-0958-000		1	FRAME, SEPARATION GUIDE	
30	FS1-1508-000		1	BUSHING	
31	FS2-1710-000		1	BUSHING	
32	FU2-0236-000		1	SPRING, TENSION	
33	FU2-0248-000		2	GEAR, 22T	
34	FU2-1315-000		1	SPRING, TENSION	
35	FU2-1316-000		1	GEAR, 22T/17T	
36	FU2-1318-000		1	GEAR, 34T	
37	FU2-1395-000		2	SPRING, COMPRESSION	
38	FU5-1442-000		1	BUSHING	
39	WG8-5783-000		2	IC,PHOTO-INTERRUPTER,LG248NL1A	PS50, PS69
40	VS1-8412-013		1	CONNECTOR, SNAP TIGHT, BL	
41	VS1-8412-003		1	CONNECTOR, SNAP TIGHT, BL	
42	FE4-4544-000		1	GUIDE, VERTICAL PATH, LOWER	
43	FE4-4563-000		1	SPRING, GROUNDING	

FIGURE & KEY NO.	PART NUMBER	R A N K	QTY	DESCRIPTION	SERIAL NUMBER /REMARKS
44	FM1-E936-000		1	CABLE, CASSETTE SENSOR	

Figure 311 PAPER PICK-UP ASSEMBLY, 2

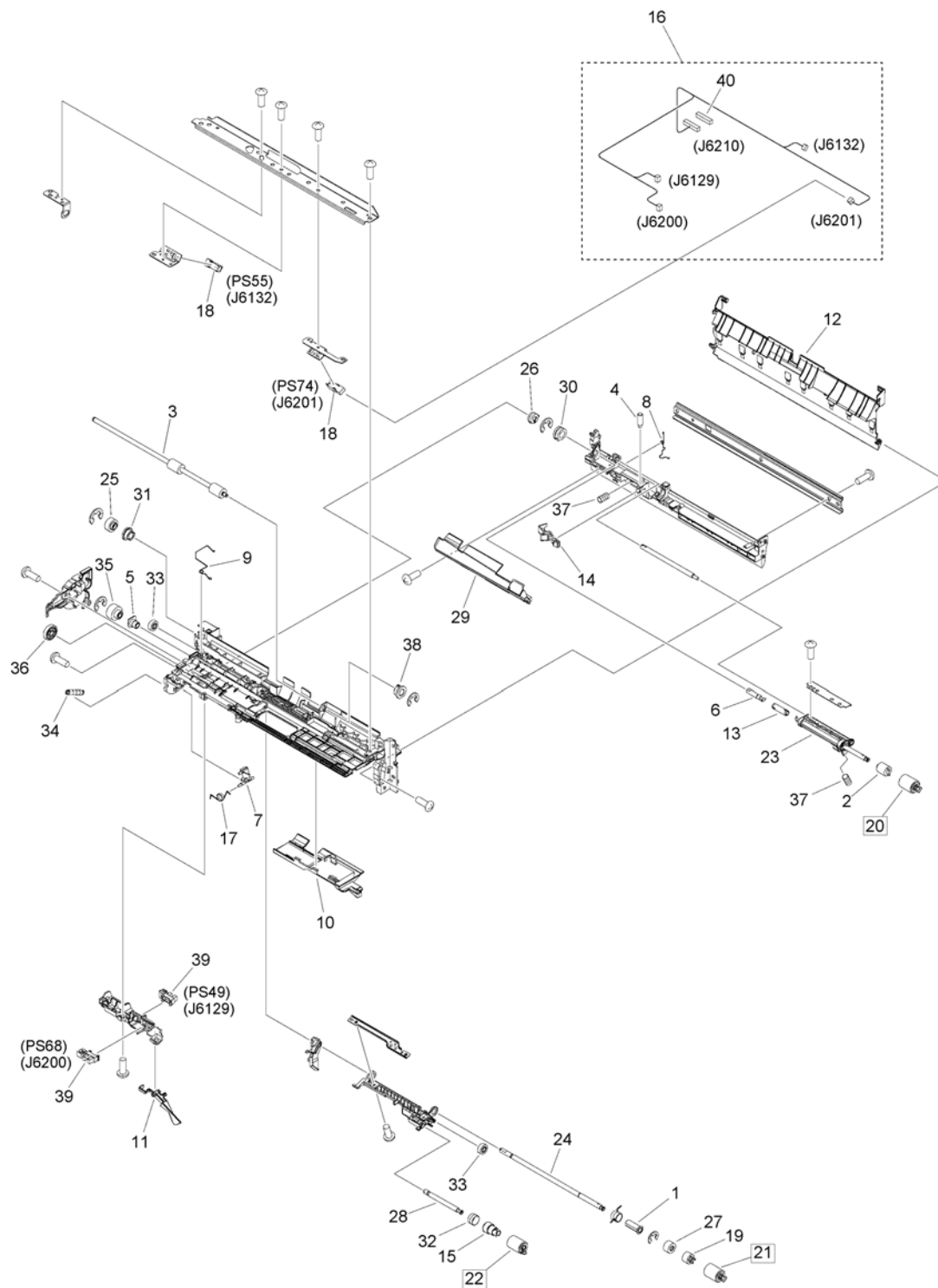


FIGURE & KEY NO.	PART NUMBER	RANK	QTY	DESCRIPTION	SERIAL NUMBER /REMARKS
311	FM1-G585-000		1	PAPER PICK-UP ASSEMBLY, 2	
1	FE3-1617-000		1	BUSHING	
2	FE4-1528-000		1	LIMITTER, TORQUE	
3	FE4-4426-000		1	ROLLER, EXTRACTION	
4	FE4-1505-000		1	SHAFT, SUPPORT	
5	FE4-4536-000		1	BUSHING	
6	FL0-4774-000		1	SHAFT, ROLLER	
7	FE4-4538-000		1	LEVER, LATCH	
8	FE4-4550-000		1	SPRING, GROUNDING	
9	FE4-4552-000		1	SPRING, GROUNDING	
10	FE4-4545-000		1	GUIDE, SLIDE	
11	FE4-4564-000		1	LEVER, PAPER YES/NO DETECT	
12	FE4-4562-000		1	GUIDE, VERTICAL PATH	
13	FE4-5061-000		1	COUPLING, JOINT	
14	FE8-1330-000		1	LEVER, ESTRANGEMENT	
15	FE8-1704-000		1	GEAR, 23T	
16	FM1-E906-000		1	CABLE, SENSOR	
17	FE8-1934-000		1	SPRING, TORSION	
18	FK2-6470-000		2	PHOTO-SENSOR, KUA0055C	PS55, PS74
19	FL0-1515-000		1	ONE-WAY CLUTCH ASSEMBLY	
20	FL0-1674-000		1	ROLLER, SEPARATION	[DP]
21	FL0-2885-000		1	ROLLER, PAPER PICK-UP	[DP]
22	FL0-4002-000		1	ROLLER, PAPER PICK-UP	[DP]
23	FL0-4772-000		1	HOLDER, SEPARATION ROLLER	
24	FL0-4773-000		1	SHAFT, PAPER PICK-UP	
25	FL0-4776-000		1	GEAR, 19T	
26	FL0-4777-000		1	COUPLING, ONE-WAY	
27	FL0-6382-000		1	GEAR, 23T	
28	FL1-0512-000		1	SHAFT, TRANSMISSION	
29	FL1-0958-000		1	FRAME, SEPARATION GUIDE	
30	FS1-1508-000		1	BUSHING	
31	FS2-1710-000		1	BUSHING	
32	FU2-0236-000		1	SPRING, TENSION	
33	FU2-0248-000		2	GEAR, 22T	
34	FU2-1315-000		1	SPRING, TENSION	
35	FU2-1316-000		1	GEAR, 22T/17T	
36	FU2-1318-000		1	GEAR, 34T	
37	FU2-1395-000		2	SPRING, COMPRESSION	
38	FU5-1442-000		1	BUSHING	
39	WG8-5783-000		2	IC,PHOTO-INTERRUPTER,LG248NL1A	PS49, PS68
40	VS1-8412-013		1	CONNECTOR, SNAP TIGHT, BL	

Figure 313 PRE-REG. GUIDE ASSEMBLY

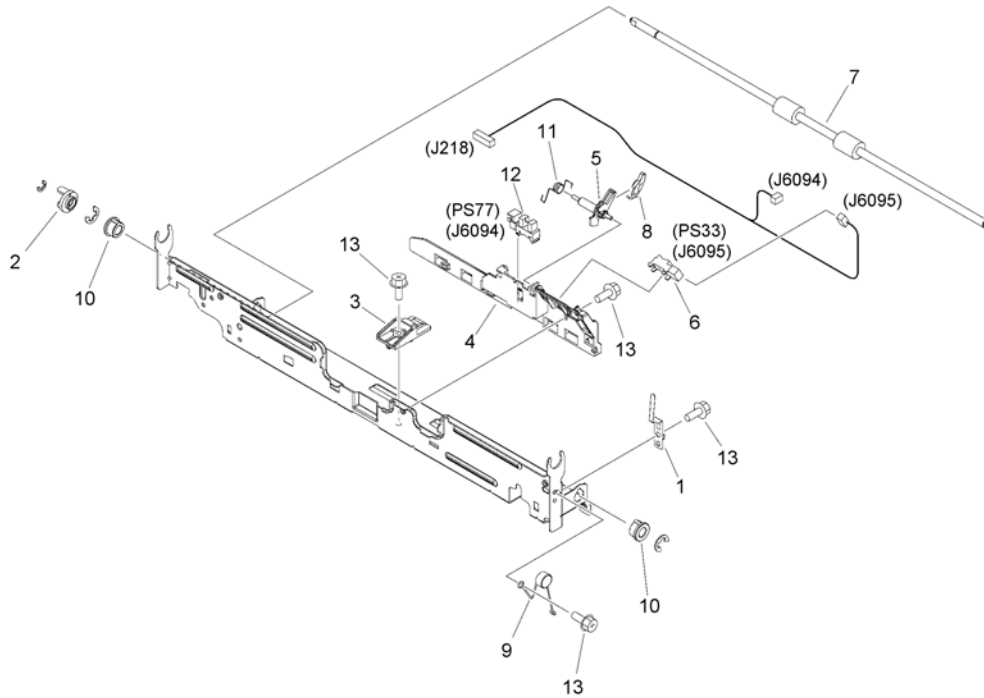


FIGURE & KEY NO.	PART NUMBER	RANK	QTY	DESCRIPTION	SERIAL NUMBER /REMARKS
313	FM1-M012-000		1	PRE-REG. GUIDE ASSEMBLY	
1	FE4-3842-000		1	SPRING, GROUNDING	
2	FE4-3843-000		1	COUPLING	
3	FE4-8304-000		1	BLOCK, BACK-UP	
4	FE4-8305-000		1	HOLDER, REG. SENSOR	
5	FE4-8307-000		1	FLAG, REG. SENSOR	
6	FK2-6470-000		1	PHOTO-SENSOR, KUA0055C	PS33
7	FL0-4417-000		1	ROLLER, PRE-REGISTRATION	
8	FL0-7272-000		1	PLATE,FLAG,REGISTRATION SENSOR	
9	FL2-5804-000		1	VARISTOR	
10	FS5-1943-000		2	BUSHING	
11	FU2-1271-000		1	SPRING, TORSION	
12	WG8-5783-000		1	IC,PHOTO-INTERRUPTER,LG248NL1A	PS77
13	XA9-1386-000		4	SCREW,RS,M3X8	

Figure 315 MULTI PAPER PICK-UP TRAY ASS'Y

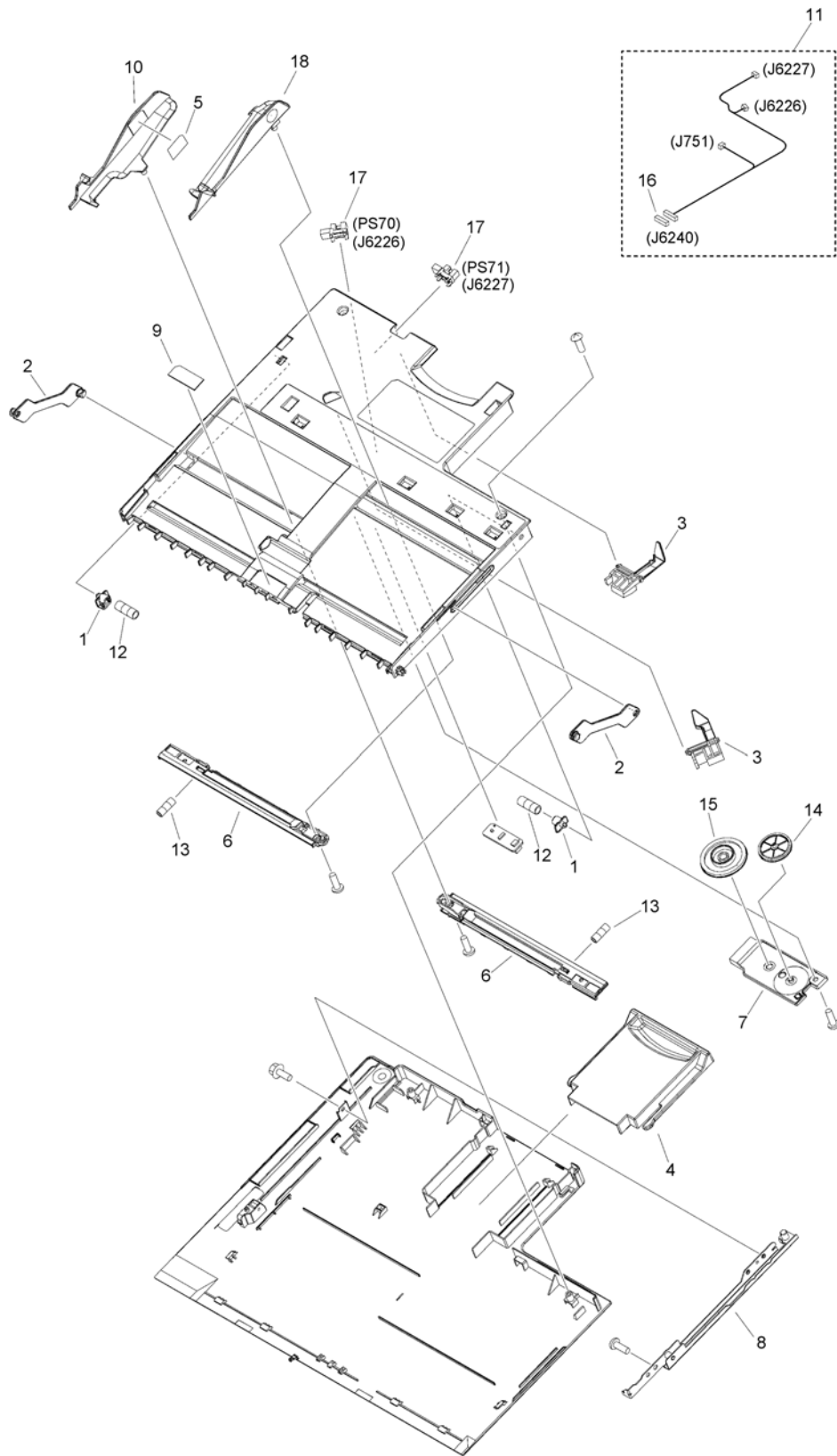


FIGURE & KEY NO.	PART NUMBER	RANK	QTY	DESCRIPTION	SERIAL NUMBER /REMARKS
315	FM1-N385-000		1	MULTI PAPER PICK-UP TRAY ASS'Y	
1	FE3-5650-000		2	HOOK, MULTI FEED TRAY	
2	FE4-4880-000		2	LINK, MULTI TRAY	
3	FE8-1310-000		2	FLAG, LENGTH DETECT	
4	FE8-1313-000		1	TRAY, MULTI PAPER PICK-UP SUB	
5	FE8-1361-000		1	LABEL, MULTI FULL	
6	FE8-3360-000		2	RACK	
7	FE8-3361-000		1	COVER, GEAR	
8	FL0-4970-000		1	SUPPORT, WIRE, 1	
9	FL0-5121-000		1	SHEET, SEPARATION	
10	FE8-2882-000		1	PLATE, PAPER SIDE END, REAR	
11	FM1-E939-000		1	CABLE, MULTI	
12	FU2-1067-010		2	SPRING, COMPRESSION	
13	FU2-1685-000		2	SPRING, COMPRESSION	
14	FU2-1728-000		1	GEAR, 48T	
15	FU2-1732-000		1	GEAR, 40T/47T	
16	VS1-7177-009		1	CONNECTOR, WIRE TO WIRE, 9P	
17	WG8-5935-000		2	IC, PHOTO INTERRUPTER	PS70, PS71
18	FE8-2881-000		1	PLATE, PAPER SIDE END, FRONT	

Figure 316 (1/2) MULTI PAPER PICK-UP ASSEMBLY

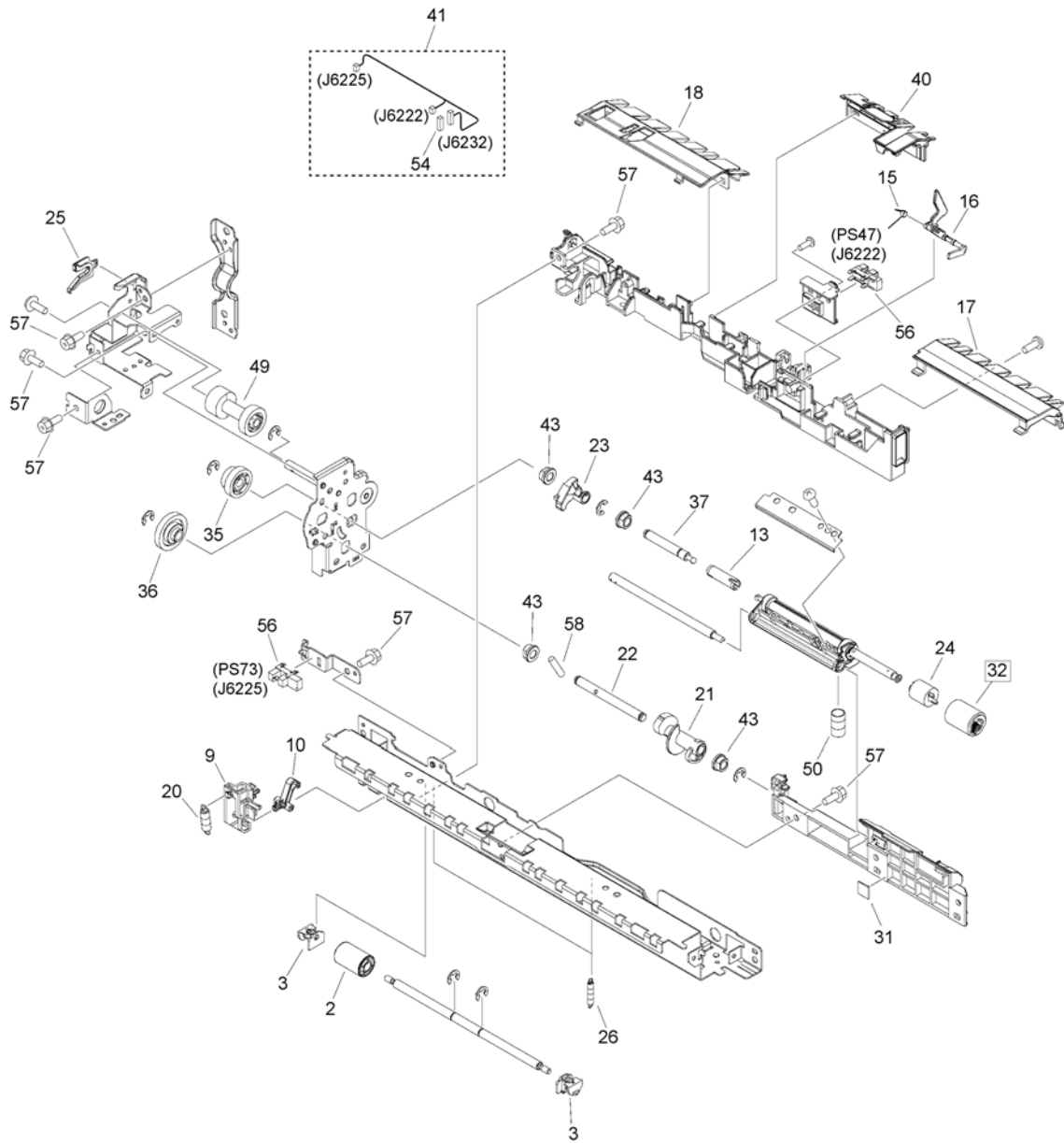


Figure 316 (2/2)MULTI PAPER PICK-UP ASSEMBLY

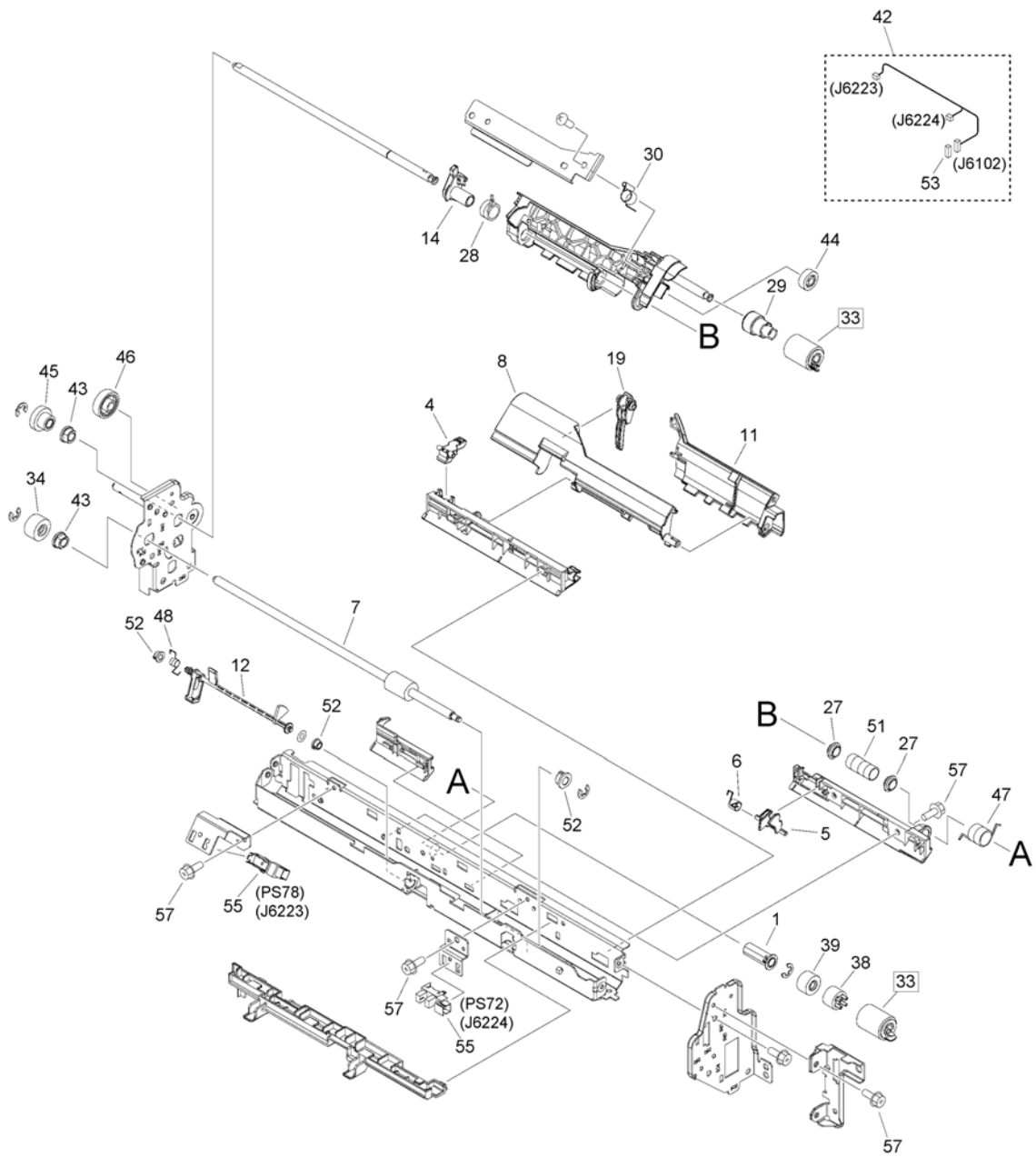


FIGURE & KEY NO.	PART NUMBER	RANK	QTY	DESCRIPTION	SERIAL NUMBER /REMARKS
316	FM1-G591-000		1	MULTI PAPER PICK-UP ASSEMBLY	
1	FE3-1617-000		1	BUSHING	
2	FE3-9593-000		1	ROLLER, REGISTRATION DRIVEN	
3	FE4-1049-000		2	BUSHING	
4	FE4-4868-000		1	LEVER, SHUTTER LINK	
5	FE4-4874-000		1	FLAG, HEIGHT DETECT	
6	FE4-4875-000		1	SPRING, TORSION	
7	FE4-5020-000		1	ROLLER, MULTI EXTRACTION	
8	FE4-5044-000		1	COVER, ROLLER	
9	FE4-5048-000		1	HOLDER, BRAKE CAM	
10	FE4-5049-000		1	CAM, BRAKE	
11	FE4-5051-000		1	COVER, ROLLER	
12	FE4-5054-000		1	FLAG, SENSOR	
13	FE4-5061-000		1	COUPLING, JOINT	
14	FE4-5063-000		1	LINK, RELEASE, 1	
15	FE4-5114-000		1	SPRING, TORSION	
16	FE4-5115-000		1	LEVER, PAPER PRESENCE DETECT	
17	FE4-5116-000		1	GUIDE, MULTI, FRONT	
18	FE4-5117-000		1	GUIDE, MULTI, REAR	
19	FE4-5120-000		1	SHUTTER, PAPER PICK-UP	
20	FE4-5124-000		1	SPRING, TENSION	
21	FE4-5125-000		1	CAM, ROLLER ESTRANGEMENT	
22	FE4-5126-000		1	SHAFT, CAM	
23	FE4-5127-000		1	LINK, RELEASE, 2	
24	FE4-5133-000		1	LIMITTER, TORQUE	
25	FE4-5137-000		1	COVER, SWING SHAFT	
26	FE4-5144-000		2	SPRING, TENSION	
27	FE4-7756-000		2	SLIDER, SPRING	
28	FE8-1240-000		1	SPRING, TORSION	
29	FE8-1704-000		1	GEAR, 23T	
30	FE8-2270-000		1	SPRING, TORSION	
31	FL0-1356-000		1	CUSHION, SENSOR	
32	FL0-1674-000		1	ROLLER, SEPARATION	[DP]
33	FL0-4002-000		2	ROLLER, PAPER PICK-UP	[DP]
34	FL0-5013-000		1	GEAR, 19T	
35	FL0-5017-000		1	GEAR, 34T/17T	
36	FL0-5018-000		1	GEAR, 30T	
37	FL0-5021-000		1	SHAFT, SEPARATION DRIVE	
38	FL0-5118-000		1	CLUTCH, ONE-WAY	
39	FL0-5120-000		1	GEAR, 23T	
40	FL1-0724-000		1	GUIDE, SEPARATION ROLLER	
41	FM1-E943-000		1	CABLE, M.P. PICK UP SENSOR	
42	FM1-E944-000		1	CABLE, MULTI EXTRACTION	
43	FS2-1710-000		6	BUSHING	

FIGURE & KEY NO.	PART NUMBER	RANK	QTY	DESCRIPTION	SERIAL NUMBER /REMARKS
44	FU2-0248-000		1	GEAR, 22T	
45	FU2-1382-000		1	GEAR, 19T/17T	
46	FU2-1384-000		1	GEAR, 32T	
47	FU2-1387-000		1	SPRING, TORSION	
48	FU2-1392-000		1	SPRING, TORSION	
49	FU2-1394-000		1	GEAR, 23T/23T	
50	FU2-1395-000		1	SPRING, COMPRESSION	
51	FU2-1550-000		1	SPRING, COMPRESSION	
52	FU5-1442-000		3	BUSHING	
53	VS1-7177-006		1	CONNECTOR, SNAP TIGHT, BK	
54	VS1-7177-007		1	CONNECTOR, 7P, FEMALE, BK	
55	WG8-5783-000		2	IC,PHOTO-INTERRUPTER,LG248NL1A	PS72, PS78
56	WG8-5935-000		2	IC, PHOTO INTERRUPTER	PS47, PS73
57	XA9-1386-000		28	SCREW,RS,M3X8	
58	XD9-0289-000		1	PIN, PARALLEL	

Figure 350 FIRST PAPER DELIVERY ASSEMBLY

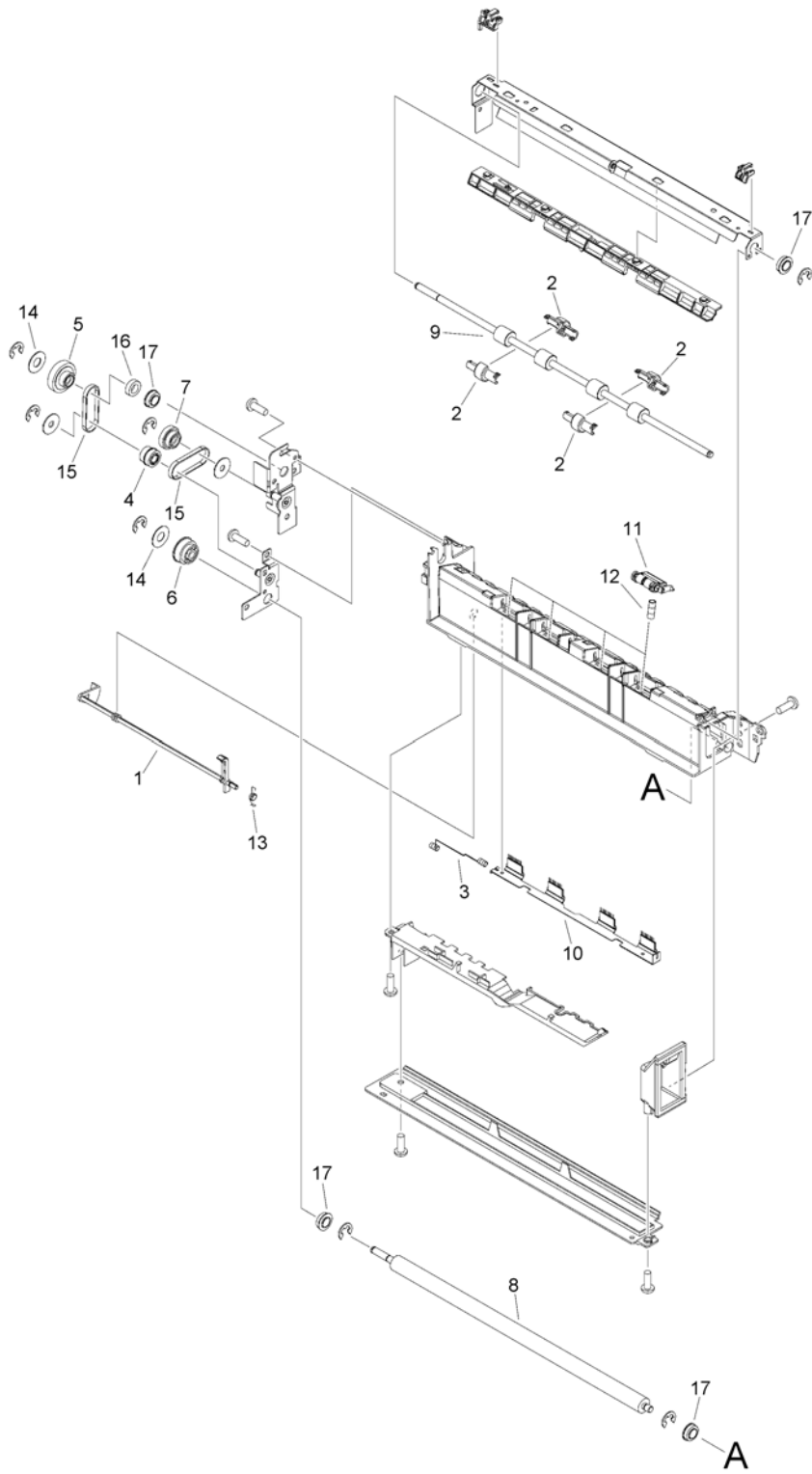


FIGURE & KEY NO.	PART NUMBER	RANK	QTY	DESCRIPTION	SERIAL NUMBER /REMARKS
350	FM1-G218-000		1	FIRST PAPER DELIVERY ASSEMBLY	
1	FE4-1984-000		1	FLAG, 1ST DELIVERY SENSOR	
2	FE4-1991-000		4	ROLLER, REFORM	
3	FE8-2563-000		1	SPRING, COMPRESSION	
4	FL0-4021-000		1	PULLEY, 24T/26T	
5	FL0-4022-000		1	GEAR, 25T/PULLEY, 25T	
6	FL0-4023-000		1	GEAR, 26T	
7	FL0-4024-000		1	GEAR, 30T/PULLEY, 24T	
8	FL0-4032-000		1	ROLLER, FIRST VERTICAL PATH	
9	FL0-4033-000		1	ROLLER, SECOND PAPER DELIVERY	
10	FL1-0917-000		1	ELIMINATOR, STATIC CHARGE	
11	FM1-G226-000		4	PAPER DELIVERY ROLLER ASSEMBLY	
12	FU2-1649-000		4	SPRING, COMPRESSION	
13	FU5-2068-030		1	SPRING, TORSION	
14	XD9-0220-000		2	WASHER	
15	XF2-1605-640		2	BELT, TIMING	
16	XG9-0497-000		1	BEARING, BALL, MR106ZZ,	
17	XG9-0778-000		4	BEARING, BALL, MF106ZZ-1	

Figure 351 2ND/3RD PAPER DELIVERY ASS'Y

NOTE : This assembly includes the assemblies shown in Figure 352 and 353.

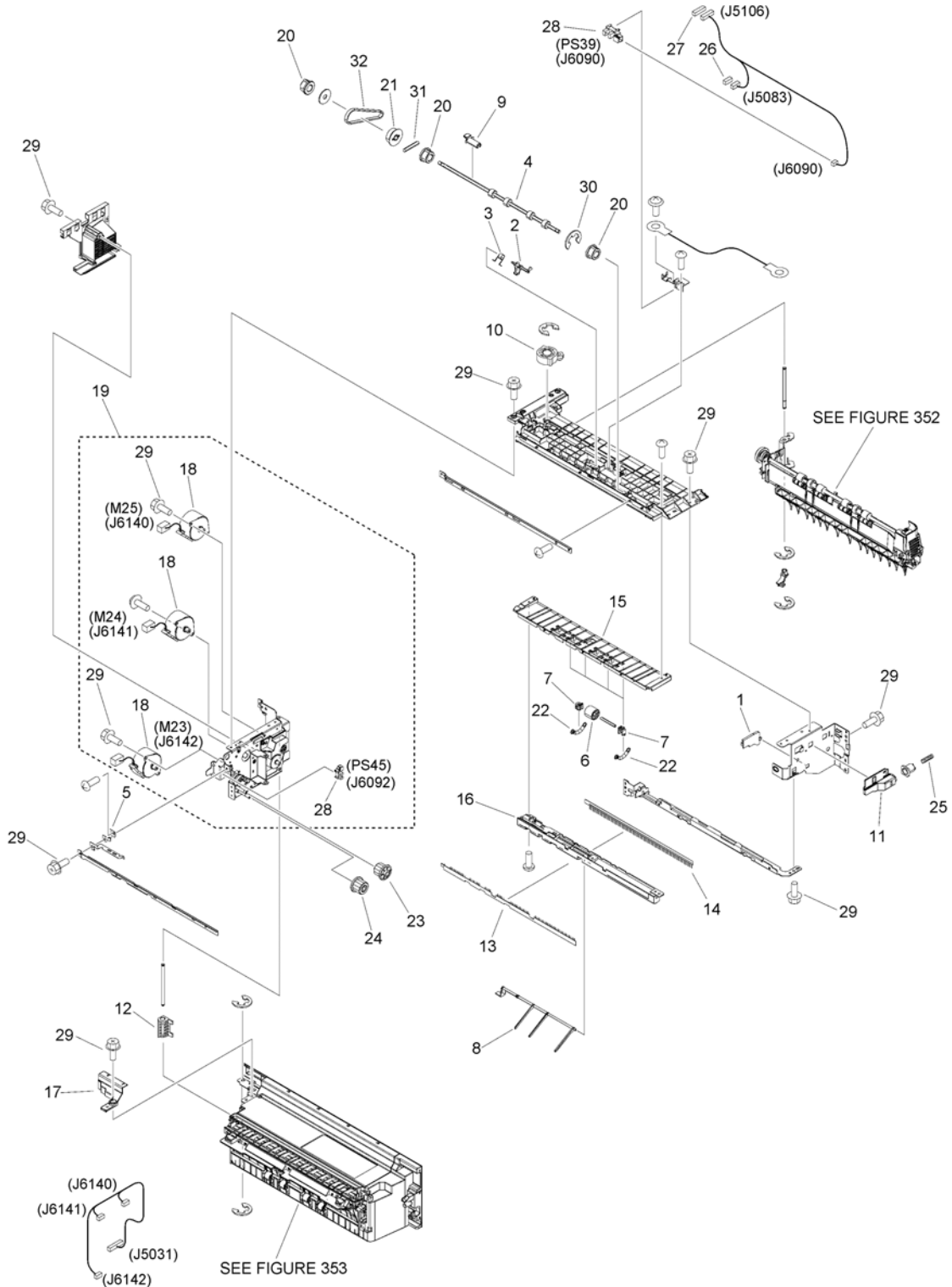


FIGURE & KEY NO.	PART NUMBER	RANK	QTY	DESCRIPTION	SERIAL NUMBER /REMARKS
351	FM1-G219-000		1	2ND/3RD PAPER DELIVERY ASS'Y	SEE NOTE
1	FC5-0870-000		1	GUIDE, SLIDE	
2	FC5-0987-000		1	FLAG, REVERSE SENSOR	
3	FC5-0988-000		1	SPRING, TORSION	
4	FC5-0989-020		1	ROLLER, REVERSE	
5	FC7-2178-000		1	PLATE, GROUNDING	
6	FC8-4749-000		4	ROLLER, REVERSE	
7	FE8-4206-000		8	BUSHING	
8	FC8-4752-000		1	LEVER,2ND DELIVERY FULL DETECT	
9	FC8-4769-000		1	STOPPER	
10	FC8-4779-000		1	LATCH	
11	FC8-4797-000		1	RAIL, GUIDE	
12	FC8-4927-000		1	LATCH	
13	FE3-8286-000		1	ELIMINATOR, STATIC CHARGE	
14	FE3-8288-000		1	ELIMINATOR, STATIC CHARGE	
15	FE4-7440-000		1	GUIDE, REVERSE	
16	FE4-9271-000		1	HOLDER, ELIMINATOR	
17	FE8-1193-000		1	COVER, CABLE	
18	FK2-7304-000		3	MOTOR	M23, M24, M25
19	FM1-N148-000		1	23 PAPER DELIVERY DRIVE ASS'Y	
20	FS5-1943-000		3	BUSHING	
21	FU6-3054-000		1	PULLEY	
22	FU7-2446-000		8	SPRING	
23	FU8-0198-000		1	GEAR, 15T	
24	FU8-0199-000		1	GEAR, 16T	
25	FU8-2284-000		1	SPRING	
26	VS1-7177-005		1	CONNECTOR, SNAP TIGHT, BK	
27	VS1-7177-008		1	CONNECTOR, SNAP TIGHT, BK	
28	WG8-5783-000		2	IC,PHOTO-INTERRUPTER,LG248NL1A	PS39, PS45
29	XA9-1386-000		16	SCREW,RS,M3X8	
30	XD9-0136-000		1	RING, E	
31	XD9-0289-000		1	PIN, PARALLEL	
32	XF2-1607-640		1	BELT, TIMING	

Figure 352 SECOND PAPER DELIVERY ASSEMBLY

NOTE : This assembly is included in the assembly shown in Figure 351.

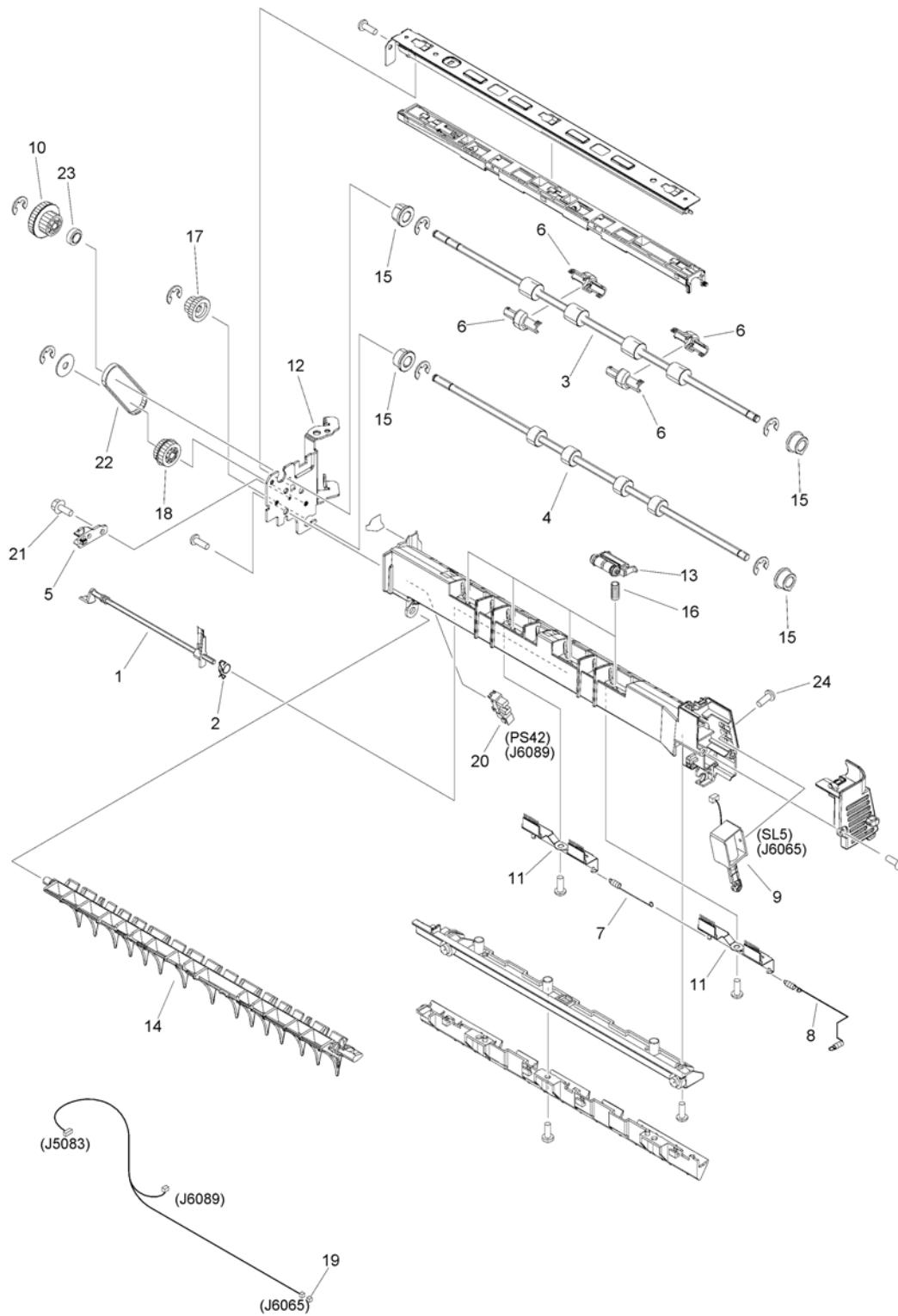


FIGURE & KEY NO.	PART NUMBER	RANK	QTY	DESCRIPTION	SERIAL NUMBER /REMARKS
352	FM1-G224-000		1	SECOND PAPER DELIVERY ASSEMBLY	SEE NOTE
1	FC5-0996-000		1	FLAG, 2ND DELIVERY SENSOR	
2	FC5-0997-000		1	SPRING, TORSION	
3	FC8-4782-000		1	ROLLER, SECOND PAPER DELIVERY	
4	FC8-4789-000		1	ROLLER, SECOND VERTICAL PATH	
5	FC8-5128-010		1	GUIDE, SHAFT POSITIONING	
6	FE4-1991-000		4	ROLLER, REFORM	
7	FE8-2565-000		1	SPRING, COMPRESSION	
8	FE8-2566-000		1	SPRING, COMPRESSION	
9	FL0-4029-000		1	SOLENOID	SL5
10	FL1-0682-000		1	GEAR, 30T	
11	FL1-0918-000		2	ELIMINATOR, STATIC CHARGE	
12	FL3-1142-000		1	HINGE, SECOND PAPER DELIVERY	
13	FM1-G226-000		4	PAPER DELIVERY ROLLER ASSEMBLY	
14	FM1-N629-000		1	FLAPPER ASSEMBLY	
15	FS5-1943-000		4	BUSHING	
16	FU2-1649-000		4	SPRING, COMPRESSION	
17	FU5-0076-000		1	GEAR, 24T	
18	FU5-3020-000		1	GEAR, 24T/PULLEY, 30T	
19	VS1-7177-002		1	CONNECTOR, SNAP TIGHT, BK	
20	WG8-5783-000		1	IC,PHOTO-INTERRUPTER,LG248NL1A	PS42
21	XA9-1386-000		1	SCREW,RS,M3X8	
22	XF2-4107-940		1	BELT, TIMING, COGGED	
23	XG9-0704-000		1	BEARING, BALL, MR106ZZ	
24	XA9-2008-000		1	SCREW,M3X4	

Figure 353 THIRD PAPER DELIVERY ASSEMBLY

NOTE : This assembly is included in the assembly shown in Figure 351.

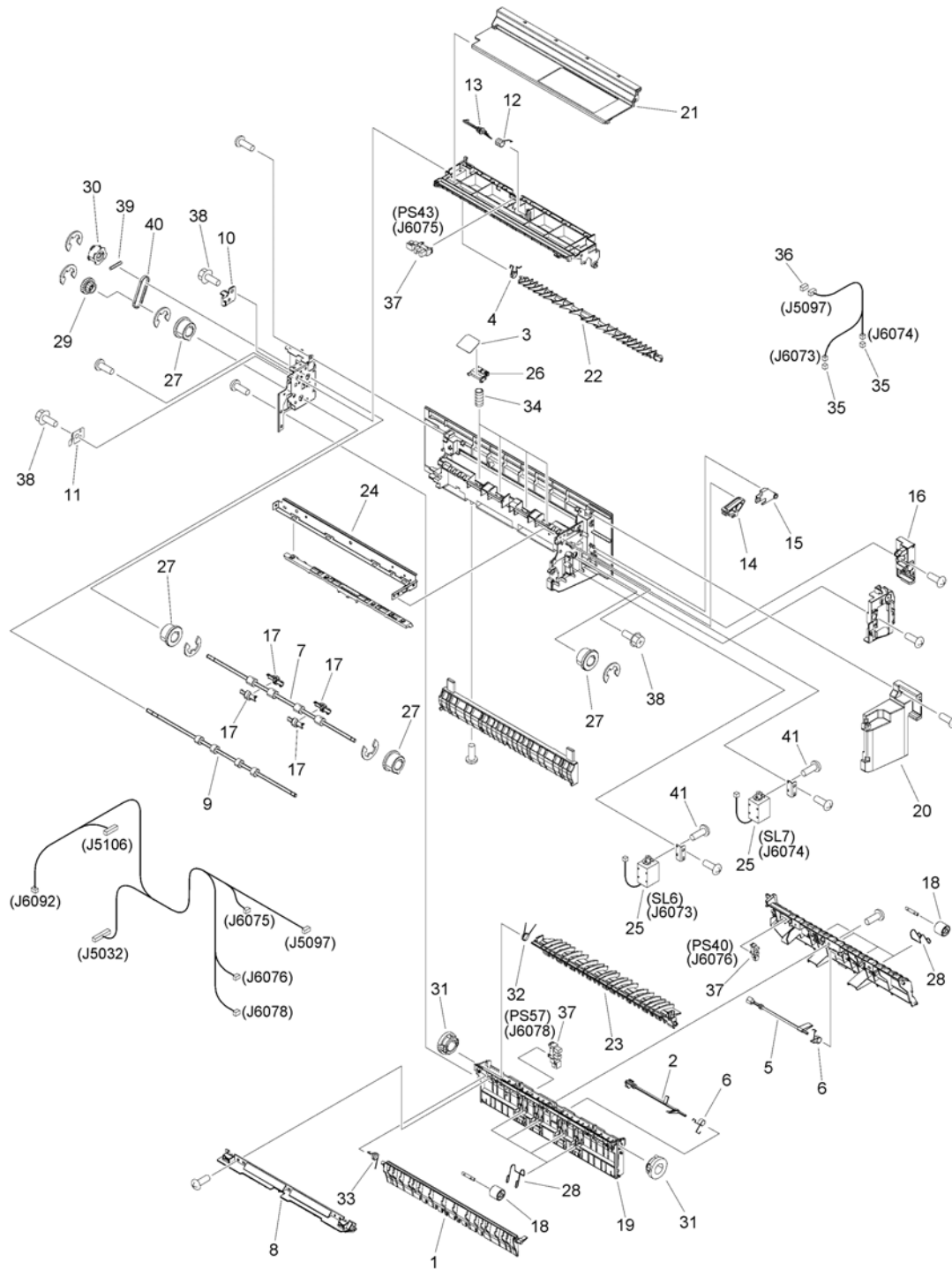


FIGURE & KEY NO.	PART NUMBER	RANK	QTY	DESCRIPTION	SERIAL NUMBER /REMARKS
353	FM1-G230-000		1	THIRD PAPER DELIVERY ASSEMBLY	SEE NOTE
1	FC0-4857-000		1	FLAPPER, 2ND DELIVERY ENTRANCE	
2	FC0-4858-000		1	FLAG, PRE-REVERSE SENSOR	
3	FC0-4875-000		4	SHEET, ROLLER HOLDER	
4	FC5-0977-000		1	SPRING, TORSION	
5	FC5-1005-000		1	FLAG, DUPLEX ENTRANCE SENSOR	
6	FC5-1006-000		2	SPRING, TORSION	
7	FC5-1020-020		1	ROLLER, 3RD DELIVERY	
8	FC8-4771-010		1	GUIDE,DUPLEXING ENTRANCE,UPPER	
9	FC8-4783-000		1	ROLLER, DUPLEXING ENTRANCE	
10	FC8-4929-000		1	BLOCK, FIXED RELEASE	
11	FC8-4933-000		1	SPRING	
12	FC8-5111-000		1	SPRING	
13	FC8-5112-000		1	FLAG, THIRD DELIVERY SENSOR	
14	FC8-5117-000		1	ARM, 2ND DEL. FLAPPER SOLENOID	
15	FC8-5118-000		1	ARM, 3RD DEL. FLAPPER SOLENOID	
16	FC8-5120-000		1	HOOK, 2ND/3RD PAPER DELIVERY	
17	FC9-8621-000		4	ROLLER, REFORM	
18	FE4-9428-000		8	ROLLER	
19	FL0-7191-000		1	GUIDE, 2ND DEL. ENTRANCE INNER	
20	FL0-7858-000		1	COVER, SOLENOID, 1	
21	FL1-0338-000		1	COVER, 3RD P. DELI. UP. GUIDE	
22	FL2-9510-010		1	FLAPPER, THIRD PAPER DELIVERY	
23	FL3-1126-010		1	FLAPPER, REVERSE	
24	FL3-1167-000		1	CROSSMEMBER	
25	FL3-1169-000		2	SOLENOID	SL6, SL7
26	FM4-9344-010		4	PAPER DELIVERY ROLLER ASSEMBLY	
27	FS5-1943-000		4	BUSHING	
28	FU2-1616-000		8	SPRING, TORSION	
29	FU5-3018-000		1	PULLEY, 30T/GEAR, 35T	
30	FU5-3021-000		1	PULLEY, 30T	
31	FU6-1220-000		2	BUSHING	
32	FU7-2510-000		1	SPRING	
33	FU7-2511-000		1	SPRING	
34	FU7-2512-000		4	SPRING	
35	VS1-7177-002		2	CONNECTOR, SNAP TIGHT, BK	
36	VS1-7177-004		1	CONNECTOR, SNAP TIGHT, BK	
37	WG8-5783-000		3	IC,PHOTO-INTERRUPTER,LG248NL1A	PS40, PS43, PS57
38	XA9-1386-000		4	SCREW,RS,M3X8	
39	XD9-0289-000		1	PIN, PARALLEL	
40	XF2-4107-240		1	BELT, TIMING	
41	XA9-2008-000		4	SCREW,M3X4	

Figure 460 LASER SCANNER ASSEMBLY

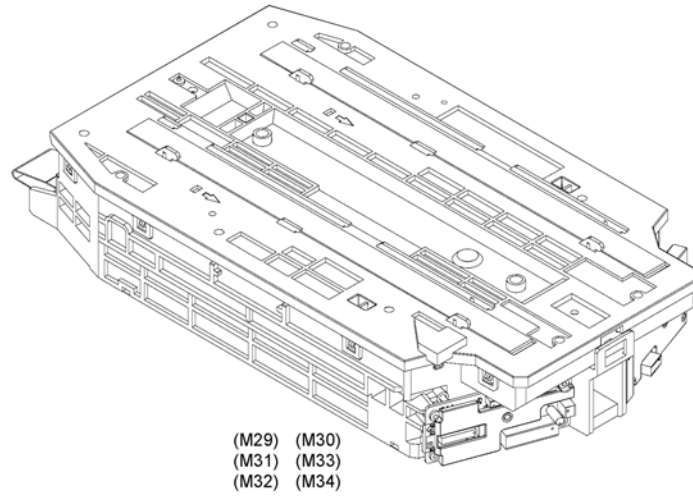


FIGURE & KEY NO.	PART NUMBER	R A N K	QTY	DESCRIPTION	SERIAL NUMBER /REMARKS
460	FM1-G395-000		1	LASER SCANNER ASSEMBLY	M29, M30, M31, M32, M33, M34

Figure 530 (1/4) INTER. TRANSFER BELT ASS'Y

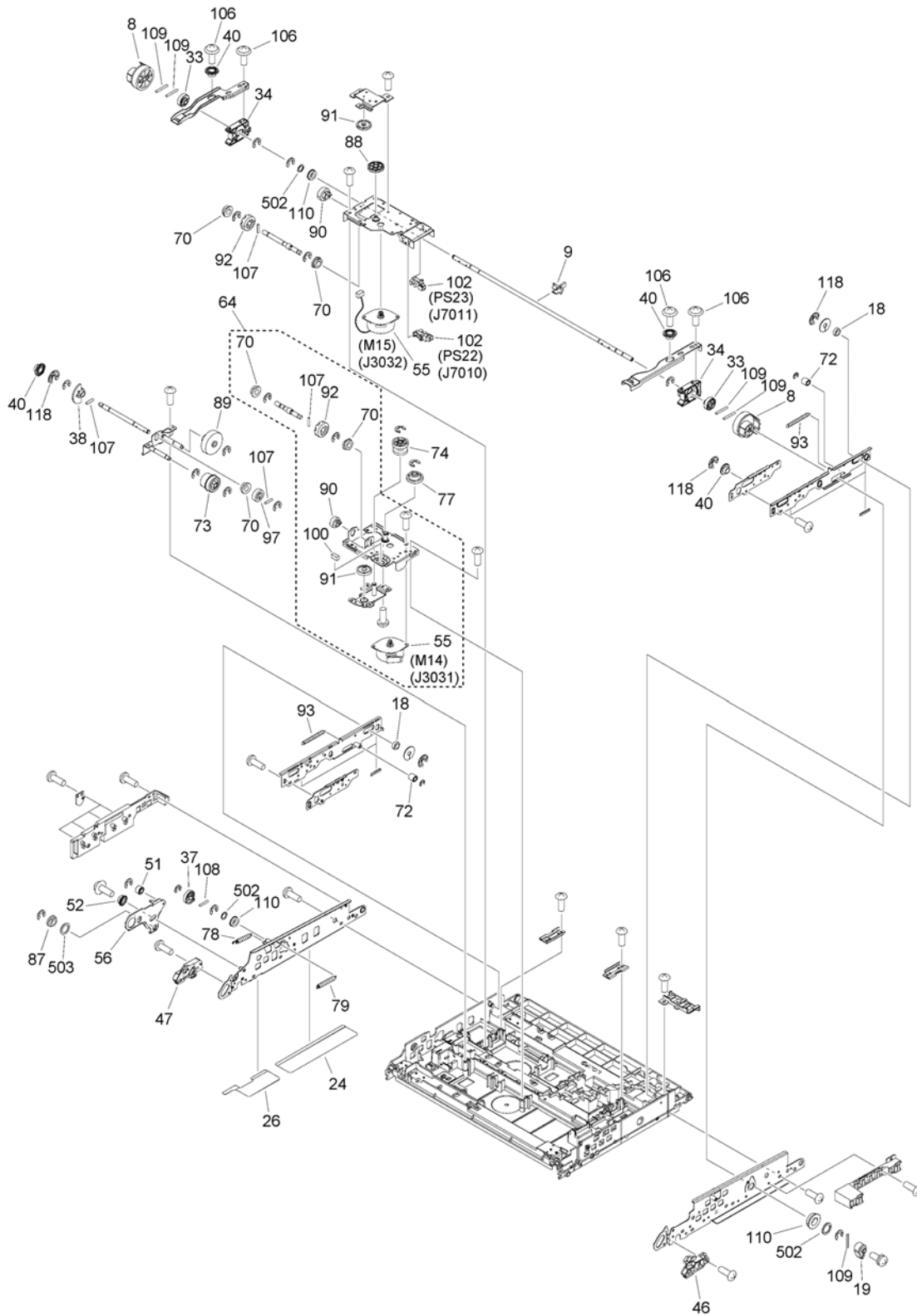


Figure 530 (2/4) INTER. TRANSFER BELT ASS'Y

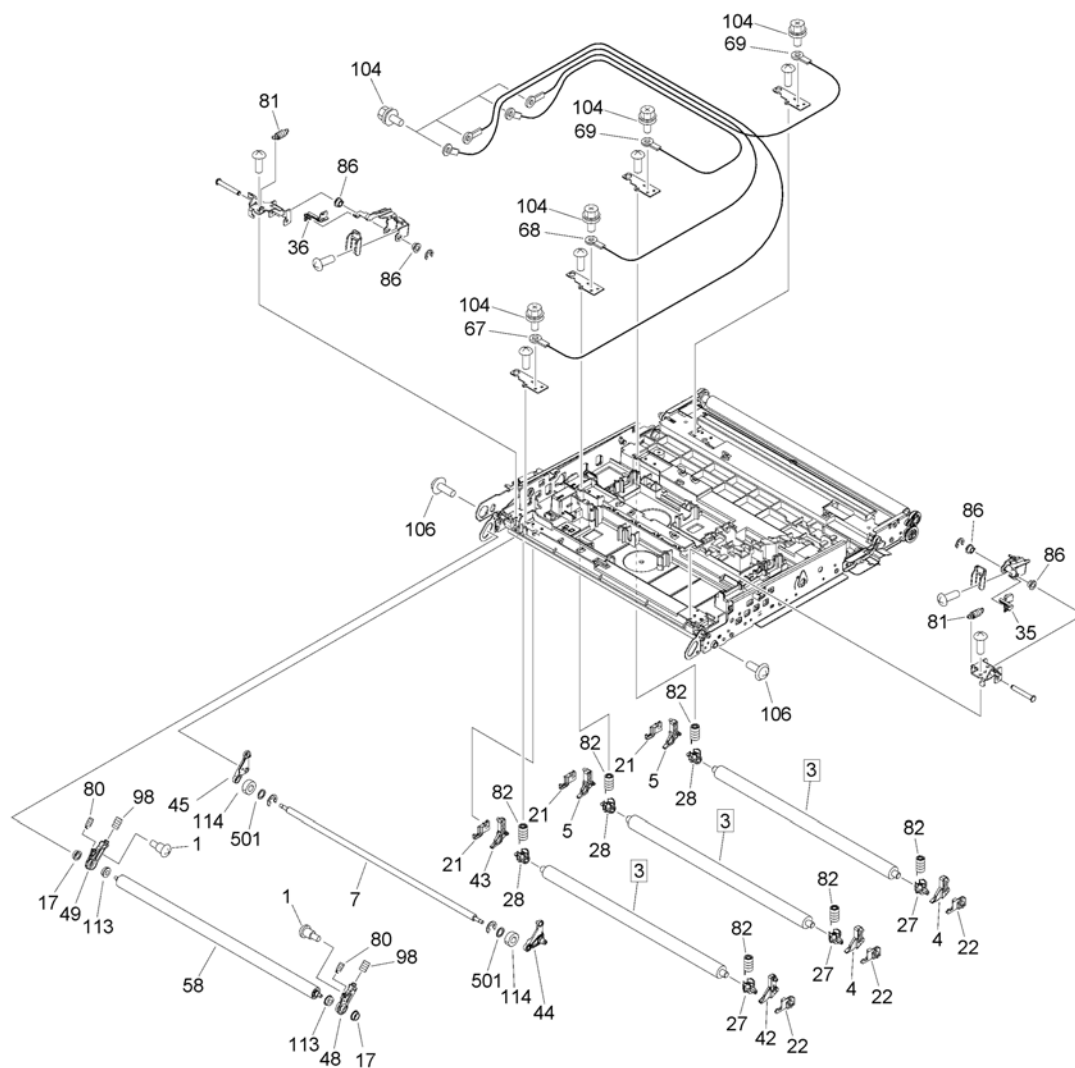


Figure 530 (3/4) INTER. TRANSFER BELT ASS'Y

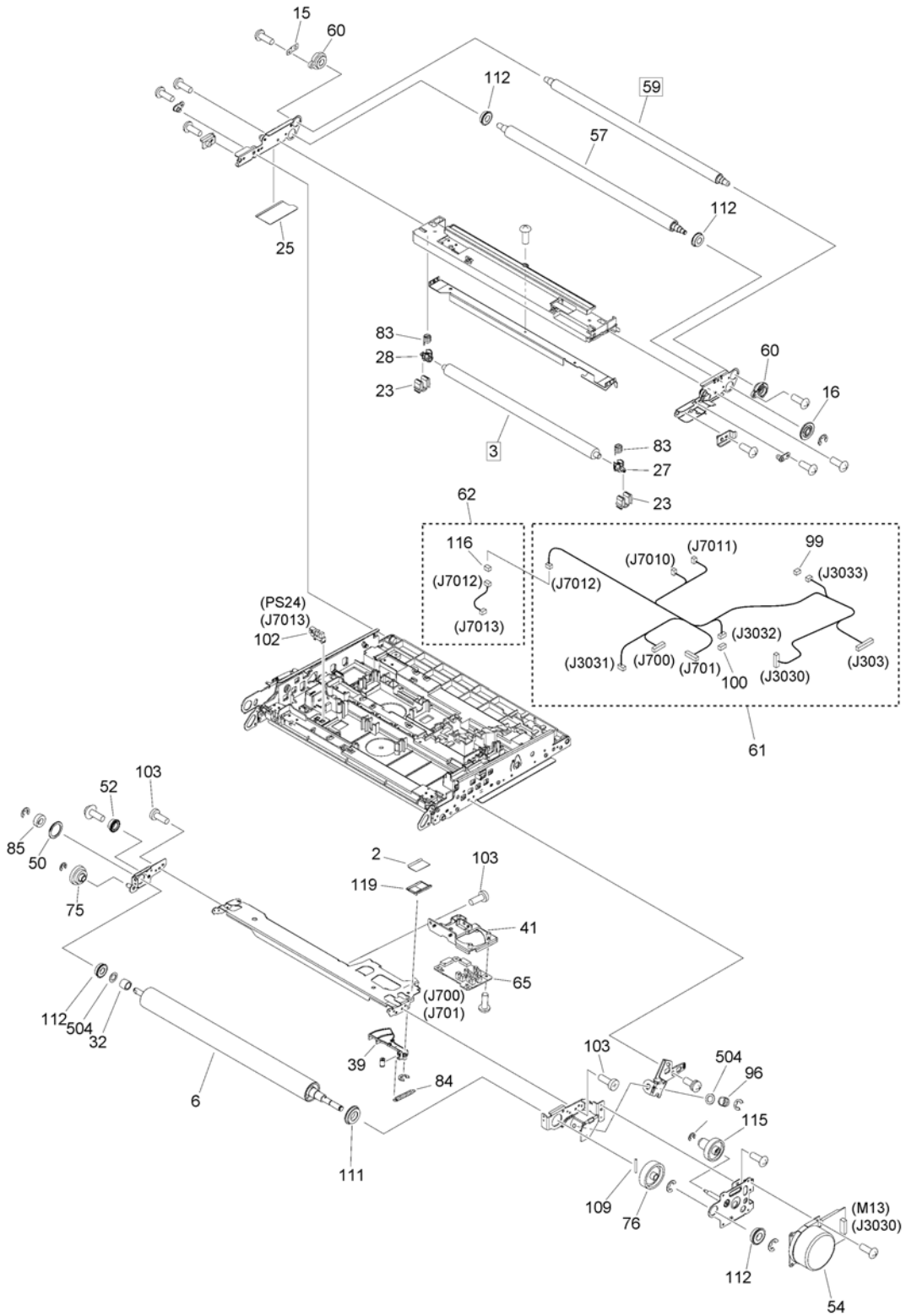


Figure 530 (4/4) INTER. TRANSFER BELT ASS'Y

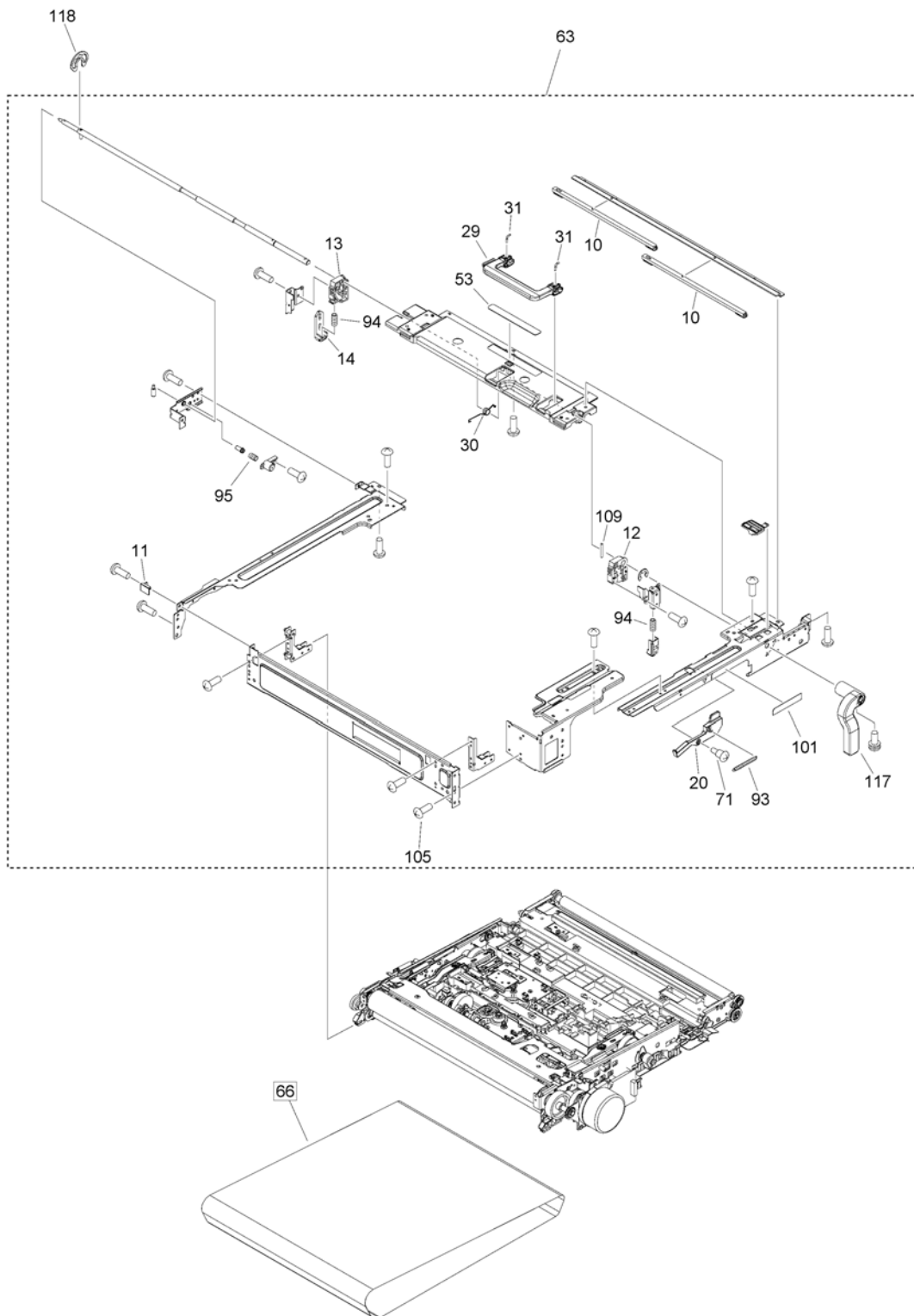


FIGURE & KEY NO.	PART NUMBER	RANK	QTY	DESCRIPTION	SERIAL NUMBER /REMARKS
530	NPN		RF	INTER. TRANSFER BELT ASS'Y	
1	FC0-0235-000		2	SCREW, M3X2.2	
2	FC0-0253-000		1	PLATE, BELT RETAINING	
3	FC0-0257-010		4	ROLLER, PRIMARY TRANSFER	[DP]
4	FC0-5043-000		2	ARM, DESORPTION, FRONT	
5	FC0-5044-000		2	ARM, DESORPTION, REAR	
6	FC8-4403-000		1	ROLLER, DRIVE	
7	FC8-4406-000		1	ROLLER, 1ST TRNSFR. AUXILIARY	
8	FC8-4414-000		2	CAM, DESORPTION	
9	FC8-4423-000		1	FLAG, DESORPTION SENSOR	
10	FC8-4431-000		2	SLIDER	
11	FC8-4433-000		1	BLOCK, SLIDER	
12	FC8-4434-000		1	CAM, LIFT, FRONT	
13	FC8-4435-000		1	CAM, LIFT, REAR	
14	FC8-4436-000		1	SLIDER, PUSH	
15	FC8-4448-000		1	PLATE, GROUNDING	
16	FC8-4449-000		1	FLANGE	
17	FC8-4455-000		2	ROLLER, TENSION SLIDER	
18	FC8-4456-000		2	ROLLER, DESORPTION SLIDE	
19	FC8-4490-000		1	CAM, LOCK	
20	FC8-4491-000		1	ARM, LOCK	
21	FC8-4492-010		3	STOPPER,1ST TRNSFR. BUSHING,R	
22	FC8-4493-010		3	STOPPER,1ST TRNSFR. BUSHING,F	
23	FC8-4494-000		2	STOPPER, BLACK	
24	FC9-7915-000		1	SHEET, BELT RETAINING, B	
25	FC9-7916-000		1	SHEET, BELT RETAINING, C	
26	FL0-4149-000		1	SHEET, BELT RETAINING, A2	
27	FE4-2116-000		4	BUSHING, PRIMARY TRANSFER, FR.	
28	FE4-2117-000		4	BUSHING, PRIMARY TRANSFER, RR.	
29	FE4-2132-000		1	HANDLE, I.T.B.	
30	FE4-2133-000		1	SPRING, TORSION	
31	FE4-2134-000		2	PIN, HANDLE	
32	FE4-2168-000		1	SPACER, ROLLER	
33	FE4-2173-000		2	CAM, RELEASE	
34	FE4-2174-000		2	SLIDER, RELEASE	
35	FE4-2178-000		1	MOUNT, SPRING, FRONT	
36	FE4-2179-000		1	MOUNT, SPRING, REAR	
37	FE4-2180-000		1	CAM, STERRING	
38	FE4-2181-000		1	FLAG, DESORPTION SENSOR	
39	FE4-2184-000		1	FLAG, BELT EDGE SENSOR	
40	FE4-2185-000		4	ROLLER, SLIDE	
41	FE4-2186-000		1	MOUNT, SENSOR PCB ASSEMBLY	
42	FE4-2191-000		1	ARM, DESORPTION, FRONT	
43	FE4-2192-000		1	ARM, DESORPTION, REAR	

FIGURE & KEY NO.	PART NUMBER	RANK	QTY	DESCRIPTION	SERIAL NUMBER /REMARKS
44	FE4-2193-000		1	PLATE,DESORPTION ARM AUX.,FR.	
45	FE4-2194-000		1	PLATE,DESORPTION ARM AUX.,REAR	
46	FE4-2203-000		1	ARM, TRANSFER, FRONT	
47	FE4-2204-000		1	ARM, TRANSFER, REAR	
48	FE4-2219-000		1	BUSHING, FRONT	
49	FE4-2220-000		1	BUSHING, REAR	
50	FE4-2221-000		1	SPACER, ARM	
51	FE4-2222-000		1	ROLLER	
52	FE4-2223-000		2	STOPPER, ARM	
53	FE8-4002-000		1	LABEL, I.T.B. CAUTION	
54	FK2-7300-000		1	MOTOR, DC	M13
55	FK2-7365-000		2	MOTOR	M14, M15
56	FL0-4144-000		1	ARM, STERRING	
57	FL0-4162-000		1	ROLLER, IDLER	
58	FL0-4163-000		1	ROLLER, TENSION	
59	FL0-4164-000		1	ROLLER, 2ND TRNSFR. INNER	[DP]
60	FL3-1109-000		2	HOLDER, 2ND TRNSFR. BUSHING	
61	FM1-E907-000		1	CABLE, I.T.B.	
62	FM1-E934-000		1	CABLE, I.T.B. RELAY	
63	FM1-G312-000		1	TRANSFER OUTER FRAME ASSEMBLY	
64	FM1-H223-000		1	STEPPING DRIVE ASSEMBLY	
65	FM1-M838-000		1	DISPLACEMENT SENSOR PCB ASS'Y	
66	FM1-N265-000		1	BELT, INTER TRANSFER	[DP]
67	FM1-T920-000		1	CABLE,PRIMARY TRANSFER H.V. Y	
68	FM1-T921-000		1	CABLE,PRIMARY TRANSFER H.V. M	
69	FM3-7856-000		2	CABLE,PRIMARY TRANSFER H.V. CK	
70	FS1-1508-000		5	BUSHING	
71	FS1-9010-020		1	SCREW, STEPPED, M3	
72	FS5-6948-000		2	COLLAR, RAIL	
73	FU2-1124-000		1	GEAR, 30T/26T	
74	FU2-1125-000		1	GEAR, 48T/43T	
75	FU2-1126-000		1	GEAR, 28T/28T	
76	FU2-1128-000		1	GEAR, 57T	
77	FU2-1129-000		1	GEAR, 50T/32T	
78	FU2-1132-000		1	SPRING, TENSION	
79	FU2-1133-000		1	SPRING, TENSION	
80	FU2-1134-000		2	SPRING, COMPRESSION	
81	FU2-1135-000		2	SPRING, TENSION	
82	FU2-1136-000		6	SPRING, COMPRESSION	
83	FU2-1137-000		2	SPRING, COMPRESSION	
84	FU2-1138-000		1	SPRING	
85	FU3-0267-000		1	GEAR, 18T	
86	FU5-1442-000		4	BUSHING	
87	FU5-1447-000		1	BUSHING	

FIGURE & KEY NO.	PART NUMBER	RANK	QTY	DESCRIPTION	SERIAL NUMBER /REMARKS
88	FU6-0147-000		1	GEAR, 48T	
89	FU6-0272-000		1	GEAR, 15T/45T	
90	FU6-0681-000		2	GEAR, 15T	
91	FU6-0686-000		2	GEAR, 11T/43T	
92	FU6-0695-000		2	GEAR, 26T	
93	FU7-2451-000		3	SPRING	
94	FU7-2453-000		2	SPRING	
95	FU7-2454-000		1	SPRING	
96	FU7-2462-000		1	SPRING	
97	FU8-0499-000		1	GEAR, 22T	
98	FU8-2926-000		2	SPRING, TENSION	
99	VS1-7177-003		1	CONNECTOR, SNAP TIGHT, BK	
100	VS1-7177-004		2	CONNECTOR, SNAP TIGHT, BK	
101	FC9-7926-000		1	LABEL,I.T.B.DESORPTION CAUTION	
102	WG8-5783-000		3	IC,PHOTO-INTERRUPTER,LG248NL1A	PS22, PS23, PS24
103	XA9-0650-000		6	SCREW, M3X8	
104	XA9-2003-000		8	SCREW, W/WASHER, M3X6	
105	XA9-2008-000		4	SCREW,M3X4	
106	XA9-2013-000		6	SCREW,TP M3X8	
107	XD9-0288-000		4	PIN, DOWEL	
108	XD9-0289-000		1	PIN, PARALLEL	
109	XD9-0291-000		7	PIN, PARALLEL	
110	XG9-0520-000		3	BEARING, BALL, MF106ZZS	
111	XG9-0731-000		1	BEARING, BALL, 6801ZZ	
112	XG9-0794-000		4	BEARING, BALL, LNR-1680KKR	
113	XG9-0797-000		2	BEARING, BALL, LF-1260ZZRPOP25	
114	XG9-0861-000		2	BEARING, BALL, L-840ZZHPOP25L	
115	FL0-4161-000		1	GEAR, 65T/19T	
116	VS1-7440-003		1	CONNECTOR, SNAP TIGHT	
117	FC8-4394-000		1	LEVER	
118	FB6-6088-000		5	RING, RETAINING	
119	FL3-4847-010		1	GUIDE, BELT	
501	XD1-1104-115		2	WASHER,COP	
502	XD1-1106-215		3	WASHER,COP	
503	XD1-1109-215		1	WASHER,COP	
504	XD1-1208-225		2	WASHER, PLAIN	

Figure 535 TRANSFER CLEANER ASSEMBLY

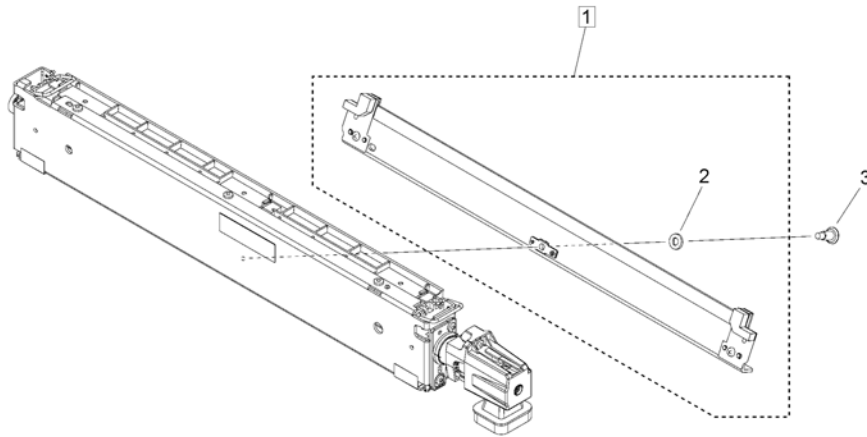


FIGURE & KEY NO.	PART NUMBER	RANK	QTY	DESCRIPTION	SERIAL NUMBER /REMARKS
535	FM1-G370-000		1	TRANSFER CLEANER ASSEMBLY	
1	FM4-7246-010		1	BLADE, TRANSFER CLEANING	[DP]
2	FS5-6957-000		1	WASHER,WAVE	
3	FU5-9737-000		1	SCREW, STEPPED, M4X6.5	

Figure 600 (1/2) PROCESS-KIT FRAME ASSEMBLY

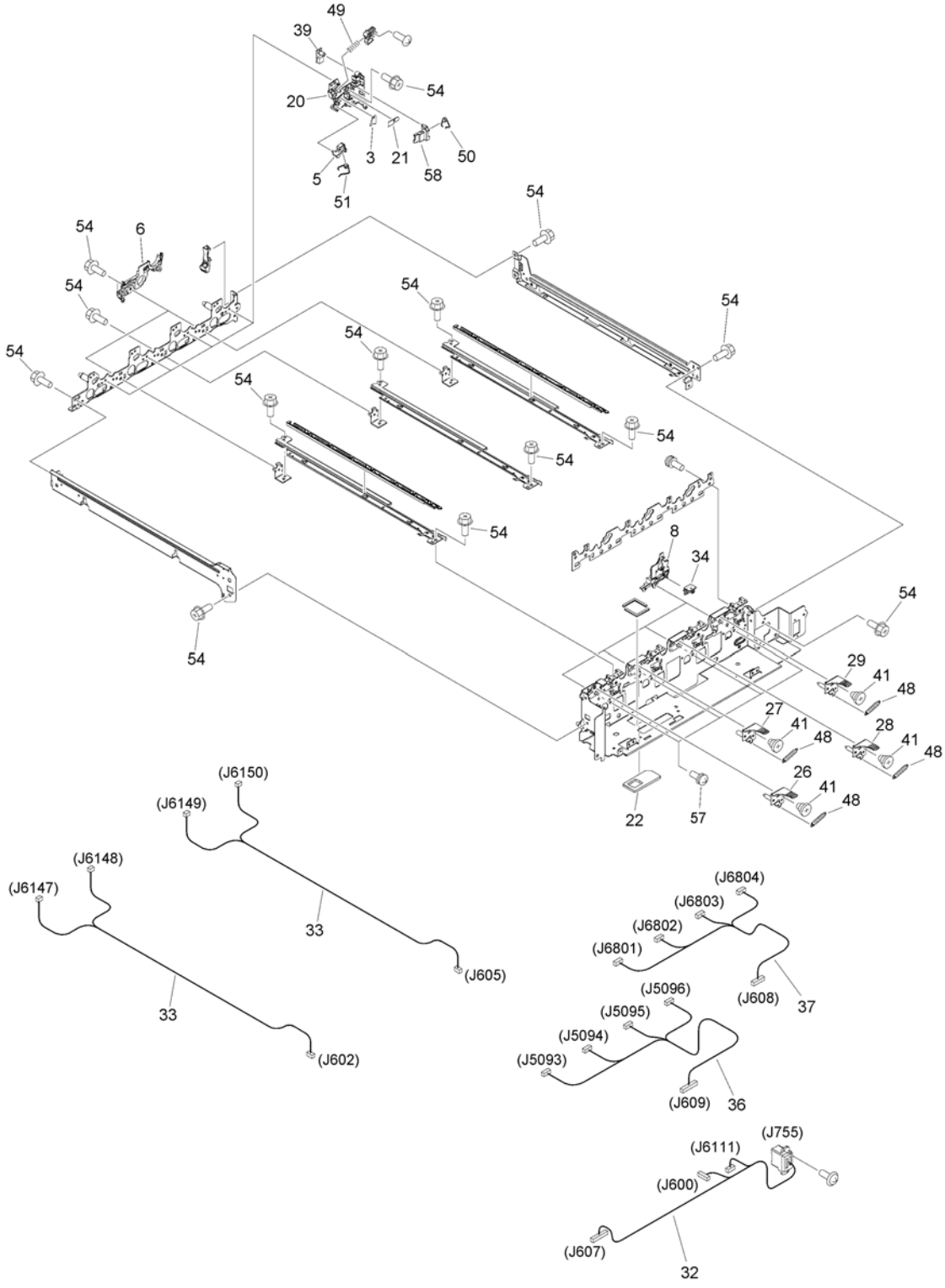


Figure 600 (2/2) PROCESS-KIT FRAME ASSEMBLY

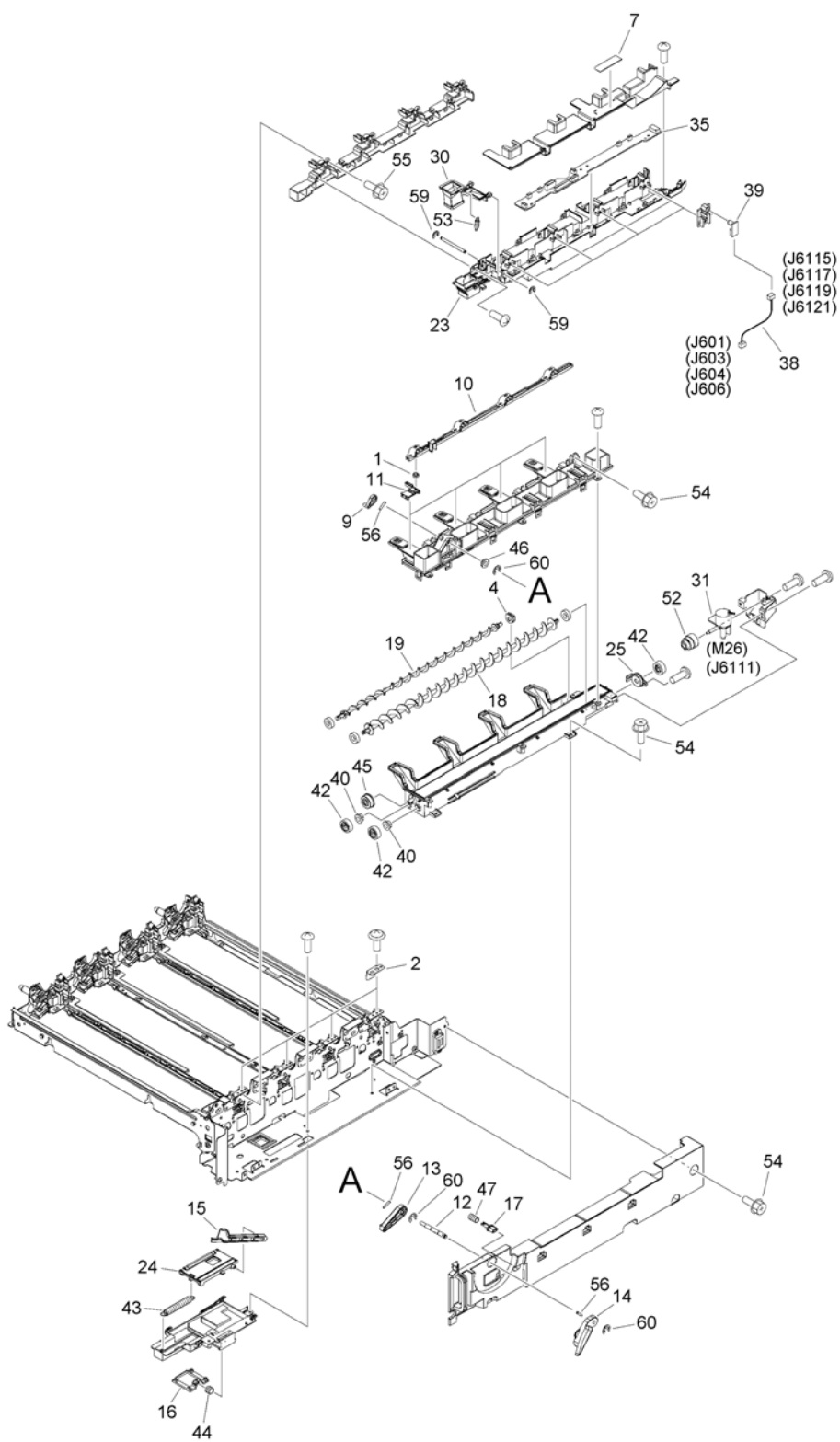


FIGURE & KEY NO.	PART NUMBER	RANK	QTY	DESCRIPTION	SERIAL NUMBER /REMARKS
600	FM1-G355-000		1	PROCESS-KIT FRAME ASSEMBLY	
1	FC5-7920-000		4	ROLLER, RACK GUIDE	
2	FC8-3921-000		4	PLATE, DRUM GROUNDING	
3	FC8-4217-000		4	PLATE, DEVELOPING CONNECTING	
4	FC8-4573-000		1	BUSHING	
5	FC8-5321-000		4	HOLDER,DEVELOPING HIGH VOLTAGE	
6	FC8-5322-000		2	GUIDE, CABLE, REAR	
7	FC9-7933-000		1	LABEL, I.T.B. HANDLE CAUTION	
8	FE4-3584-000		4	RAIL, DRUM UNIT, F	
9	FE4-3590-000		1	CAM, SHUTTER	
10	FE4-3591-000		1	RAIL, SHUTTER	
11	FE4-3592-000		4	SHUTTER	
12	FE4-3593-000		1	SHAFT, ROLLER	
13	FE4-3594-000		1	HANDLE, LOCK	
14	FE4-3595-000		1	HANDLE, P KIT	
15	FE4-3596-000		1	LINK, SHUTTER CAM	
16	FE4-3601-000		1	SHUTTER, PAPER FEED CASE, 2	
17	FE4-3604-000		1	HOLDER, LOCK	
18	FE4-3606-000		1	FEEDSCREW, FIRST	
19	FE4-3607-000		1	FEEDSCREW, SECOND	
20	FE4-3622-000		4	RAIL, DRUM UNIT, R	
21	FE4-3624-000		4	PLATE, CORONA CONNECTING	
22	FL0-4237-000		1	SEAL, SHUTTER	
23	FL0-4244-000		1	HOLDER, P-KIT FRAME, FRONT	
24	FL0-4245-000		1	SHUTTER, PAPER FEED CASE, 1	
25	FL0-4249-000		1	CAP	
26	FL0-7087-000		1	PLATE, DEVELOPING PRESSURE, Y	
27	FL0-7088-000		1	PLATE, DEVELOPING PRESSURE, M	
28	FL0-7089-000		1	PLATE, DEVELOPING PRESSURE, C	
29	FL0-7090-000		1	PLATE, DEVELOPING PRESSURE, BK	
30	FL3-8031-000		1	SHUTTER, CONNECTING	
31	FM1-G365-000		1	FEED MOTOR DRIVE ASSEMBLY	M26
32	FM1-N986-000		1	CABLE, PROCESS-KIT DRAWER	
33	FM1-T979-000		2	CABLE, PRE-EXPOSURE LED	
34	FM1-V982-000		4	DRUM CONTACT PCB ASSY	
35	FM1-V983-000		1	CONNECTING PCB ASSEMBLY	
36	FM1-V984-000		1	CABLE, SENSOR CONNECTING	
37	FM1-V985-000		1	CABLE, DRUM IC	
38	FM3-7868-000		4	CABLE, PRE-EXPOSURE LED, FRONT	
39	FM3-7945-000		8	LED PCB ASSEMBLY	
40	FS1-1205-000		2	BUSHING	
41	FS5-9360-020		4	SCREW,STEPPED,M4	
42	FU2-1192-000		3	GEAR, 19T	
43	FU2-1194-000		1	SPRING, TENSION	

FIGURE & KEY NO.	PART NUMBER	RANK	QTY	DESCRIPTION	SERIAL NUMBER /REMARKS
44	FU2-1195-000		1	SPRING, COMPRESSION	
45	FU2-1196-000		1	GEAR, 20T	
46	FU5-1447-000		1	BUSHING	
47	FU7-2454-000		1	SPRING	
48	FU7-2469-000		4	SPRING	
49	FU7-2470-000		4	SPRING	
50	FU7-2501-000		4	SPRING	
51	FU7-2531-000		4	SPRING	
52	FU8-0209-000		1	GEAR, 16T/36T	
53	FU8-2290-000		1	SPRING	
54	XA9-0732-010		32	SCREW,RS,M4X8	
55	XA9-1386-000		4	SCREW,RS,M3X8	
56	XD9-0288-000		3	PIN, DOWEL	
57	XA9-2005-000		4	SCREW, W/WASHER, M4X10	
58	FE4-3623-000		4	HOLDER, CORONA HIGH VOLTAGE	
59	XD9-0134-000		2	RING, E	
60	XD9-0136-000		3	RING, E	

Figure 620 SET ON HOPPER ASS'Y, BLACK

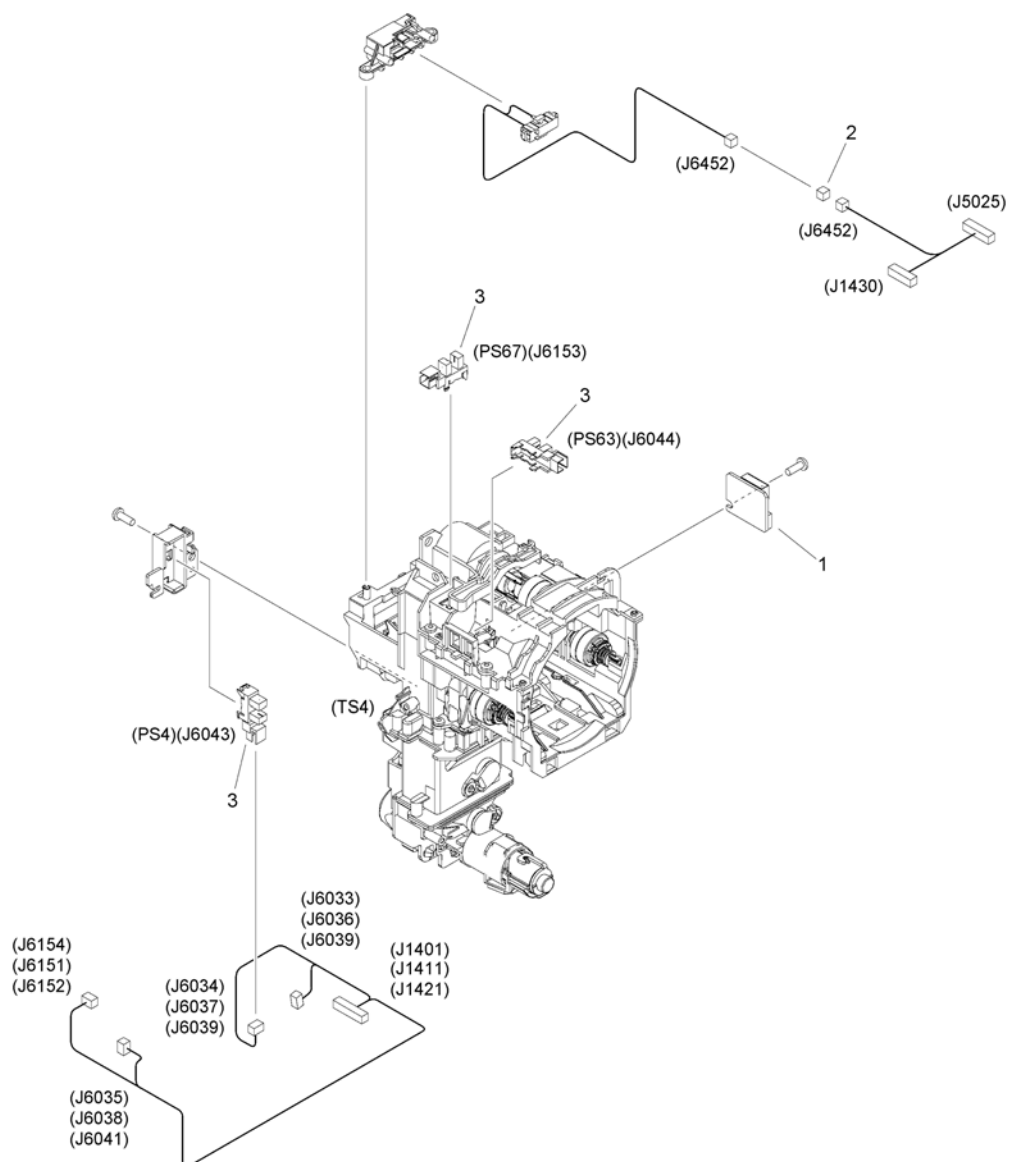


FIGURE & KEY NO.	PART NUMBER	RANK	QTY	DESCRIPTION	SERIAL NUMBER /REMARKS
620	FM1-G327-000		1	SET ON HOPPER ASS'Y, BLACK	TS4
1	FM3-7948-000		1	TONER SENSOR RELAY PCB ASS'Y	
2	VS1-7177-002		1	CONNECTOR, SNAP TIGHT, BK	
3	WG8-5783-000		3	IC,PHOTO-INTERRUPTER,LG248NL1A	PS4, PS63, PS67

Figure 621 SET ON HOPPER ASS'Y, COLOR

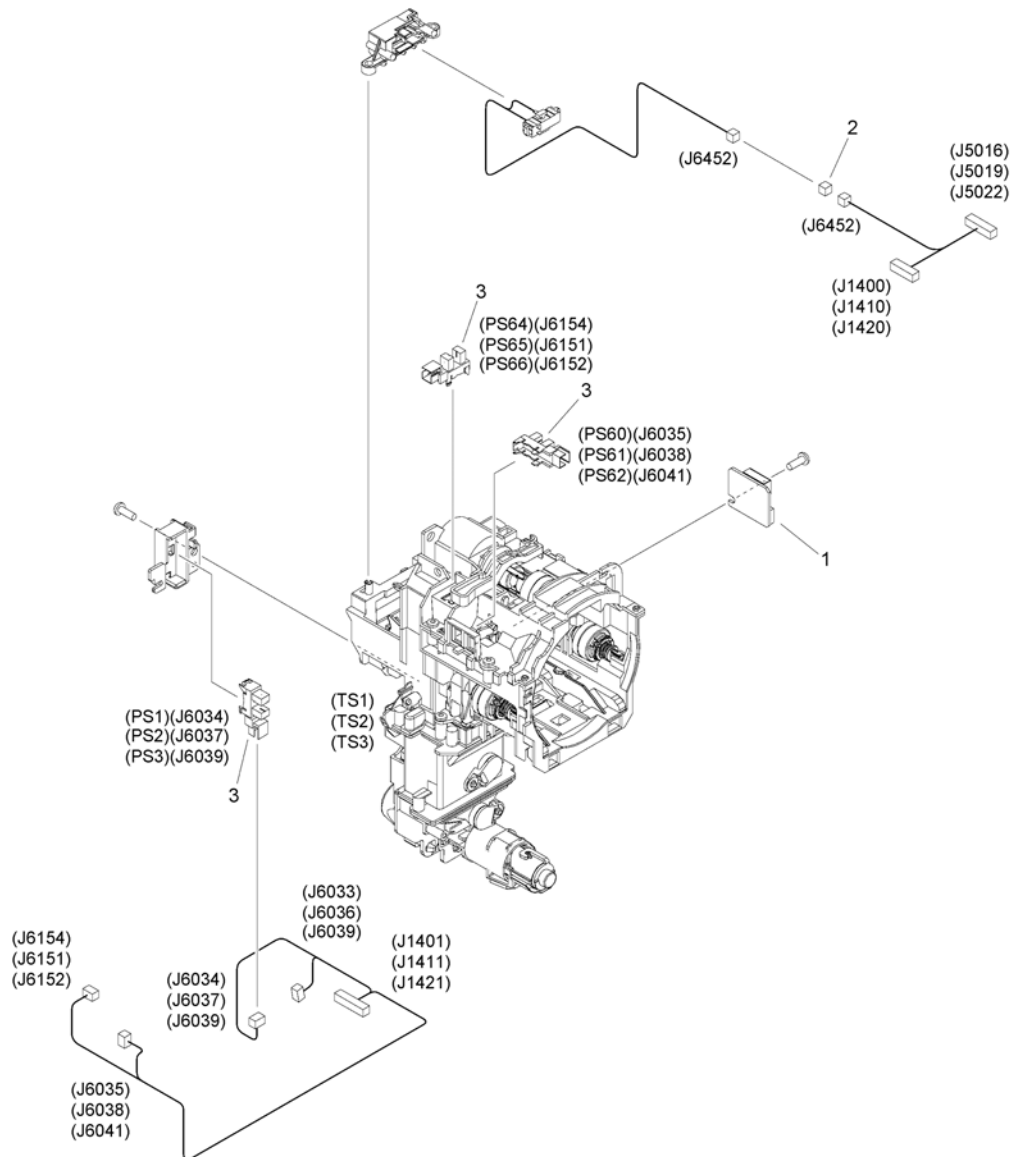


FIGURE & KEY NO.	PART NUMBER	RANK	QTY	DESCRIPTION	SERIAL NUMBER /REMARKS
621	FM1-G314-000		1	SET ON HOPPER ASS'Y, COLOR	TS1, TS2, TS3
1	FM3-7948-000		1	TONER SENSOR RELAY PCB ASS'Y	
2	VS1-7177-002		1	CONNECTOR, SNAP TIGHT, BK	
3	WG8-5783-000		3	IC,PHOTO-INTERRUPTER,LG248NL1A	PS1, PS2, PS3, PS60, PS61, PS62, PS64, PS65, PS66

Figure 626C BOTTLE FRONT INNER DOOR ASS'Y

NOTE : Several kinds of labels are attached on the board for the parts of Key No. 12.

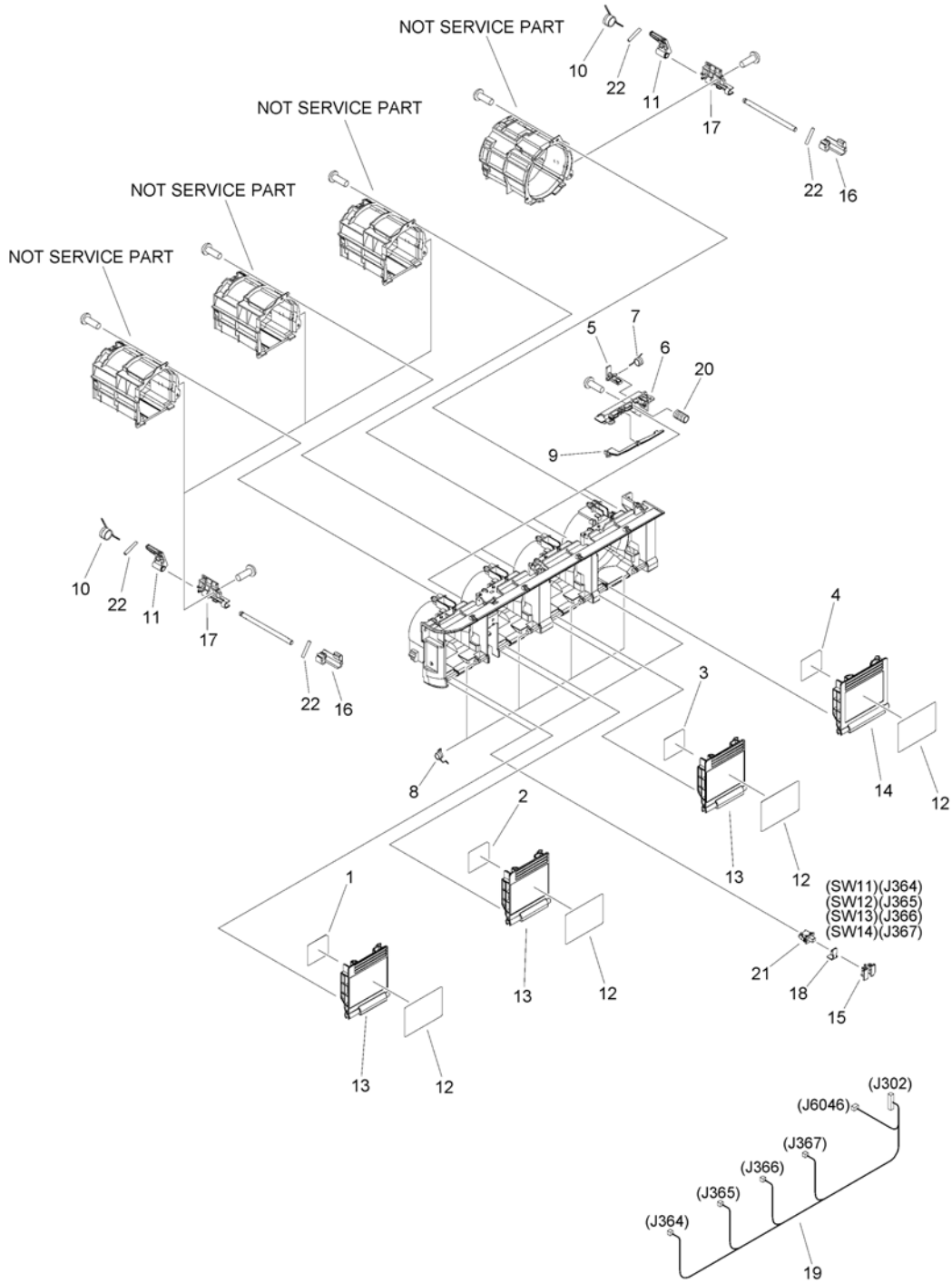


FIGURE & KEY NO.	PART NUMBER	RANK	QTY	DESCRIPTION	SERIAL NUMBER /REMARKS
626C	FM1-K736-000		1	BOTTLE FRONT INNER DOOR ASSY	
1	FC8-4663-000		1	LABEL, COLOR, YELLOW	
2	FC8-4664-000		1	LABEL, COLOR, MAGENTA	
3	FC8-4665-000		1	LABEL, COLOR, CYAN	
4	FC8-4666-000		1	LABEL, COLOR, BLACK	
5	FC8-4683-000		4	LATCH, INNER DOOR	
6	FC8-4684-010		4	HOLDER, INNER DOOR LATCH	
7	FC8-4685-000		4	SPRING	
8	FC8-4687-000		4	SPRING, TORSION	
9	FC8-4689-000		4	LEVER, INNER DOOR LATCH RELEASE	
10	FC8-4694-000		4	SPRING, TORSION	
11	FC8-4695-000		4	LEVER, BOTTLE DETECT	
12	FE4-3032-000		1	LABEL, INNER DOOR MULTIPLE	SEE NOTE
13	FE4-3451-000		3	DOOR, BOTTLE EXCHANGE, COLOR	
14	FE4-3452-000		1	DOOR, BOTTLE EXCHANGE, BLACK	
15	FE4-3453-000		4	COVER, SWITCH	
16	FE4-3491-000		4	STOPPER, INNER DOOR	
17	FE4-3495-000		4	GUIDE, BOTTLE LINK SHAFT	
18	FE4-3499-000		4	COVER, INNER	
19	FM1-E909-000		1	CABLE, SET ON DOOR SENSOR	
20	FU7-2459-000		4	SPRING	
21	WC2-5806-000		4	SWITCH, PUSH	SW11, SW12, SW13, SW14
22	XD9-0289-000		8	PIN, PARALLEL	

Figure 627 BOTTLE BASE ASSEMBLY, BLACK

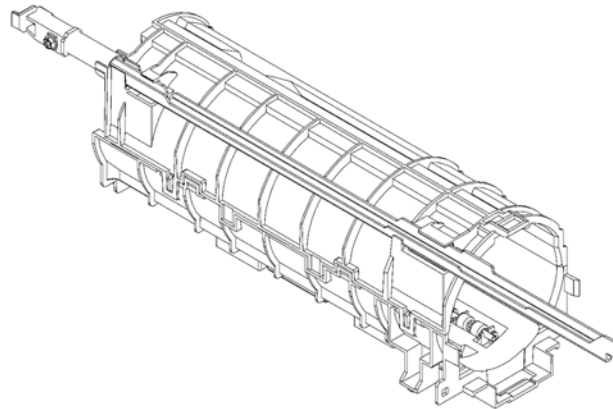


FIGURE & KEY NO.	PART NUMBER	R A N K	QTY	DESCRIPTION	SERIAL NUMBER /REMARKS
627	FM1-G349-000		1	BOTTLE BASE ASSEMBLY, BLACK	

Figure 628 BOTTLE BASE ASSEMBLY, COLOR

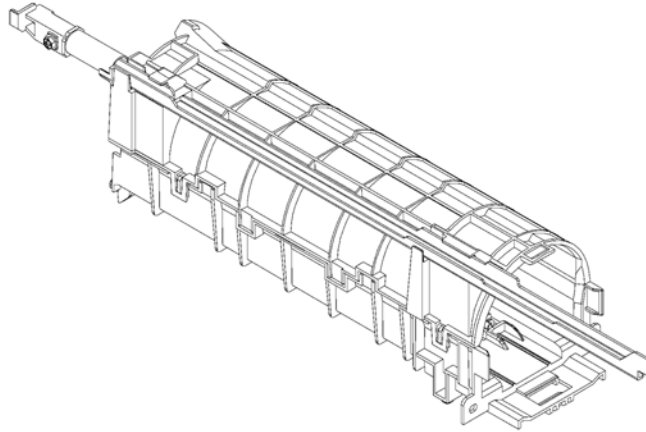


FIGURE & KEY NO.	PART NUMBER	R A N K	QTY	DESCRIPTION	SERIAL NUMBER /REMARKS
628	FM1-G348-000		1	BOTTLE BASE ASSEMBLY, COLOR	

Figure 640 DEVELOPING ASSEMBLY

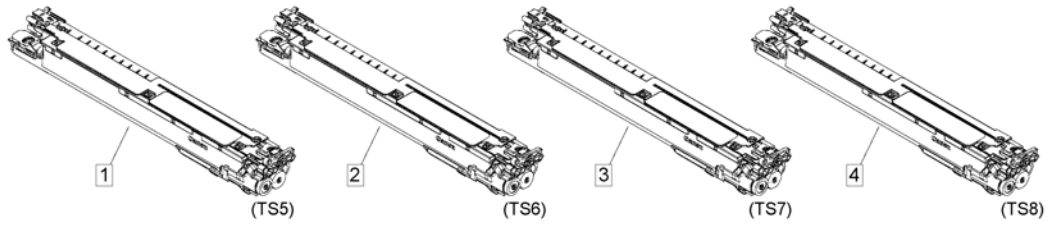


FIGURE & KEY NO.	PART NUMBER	RANK	QTY	DESCRIPTION	SERIAL NUMBER /REMARKS
640	NPN		RF	DEVELOPING ASSEMBLY	
1	FM1-N370-000		1	DEVELOPING ASSEMBLY, Y	TS5 [DP]
2	FM1-N371-000		1	DEVELOPING ASSEMBLY, M	TS6 [DP]
3	FM1-N372-000		1	DEVELOPING ASSEMBLY, C	TS7 [DP]
4	FM1-N373-000		1	DEVELOPING ASSEMBLY, BK	TS8 [DP]

Figure 770 CONTAINER, WASTE TONER, WT-202

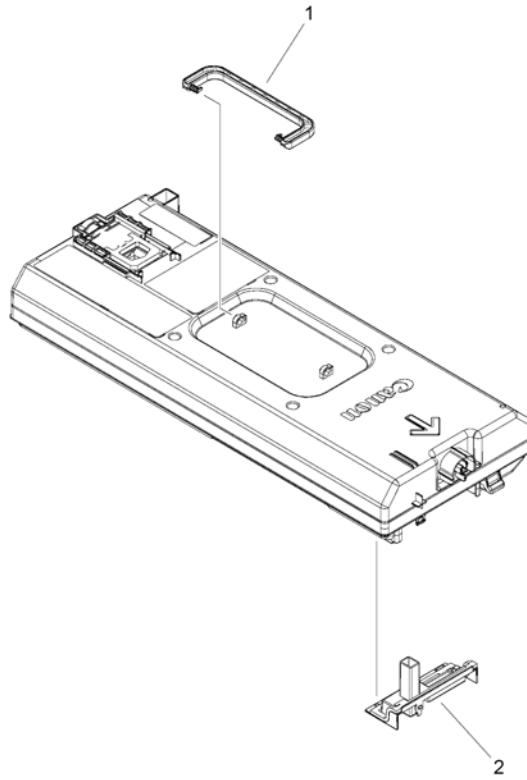


FIGURE & KEY NO.	PART NUMBER	R A N K	QTY	DESCRIPTION	SERIAL NUMBER /REMARKS
770	FM1-A606-030		1	CONTAINER, WASTE TONER, WT-202	[DP]
1	FE3-1068-000		1	HANDLE, WASTE TONER CASE	
2	FL0-7007-000		1	WINDOW, WASTE TONER CASE	

Figure 771 WASTE TONER DRIVE DETECT ASS'Y

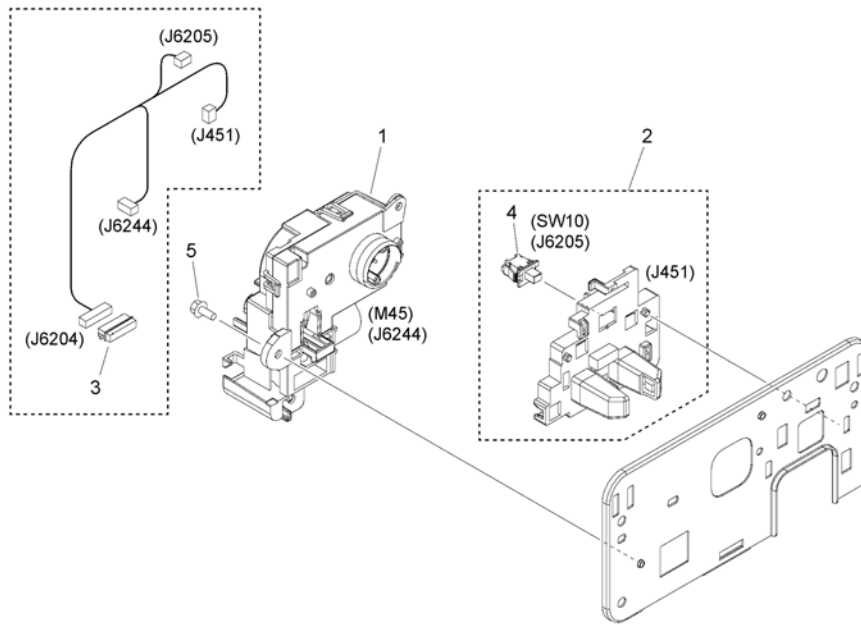


FIGURE & KEY NO.	PART NUMBER	RANK	QTY	DESCRIPTION	SERIAL NUMBER /REMARKS
771	NPN		RF	WASTE TONER DRIVE DETECT ASS'Y	
1	FM1-G361-000		1	WASTE TONER DRIVE ASSEMBLY	M45
2	FM1-G362-000		1	WASTE TONER DETECT ASSEMBLY	
3	VS1-7177-009		1	CONNECTOR, WIRE TO WIRE, 9P	
4	WC2-5803-000		1	SWITCH	SW10
5	XA9-1386-000		2	SCREW,RS,M3X8	

Figure 810C (1/2)FIXING ASSEMBLY (230V)

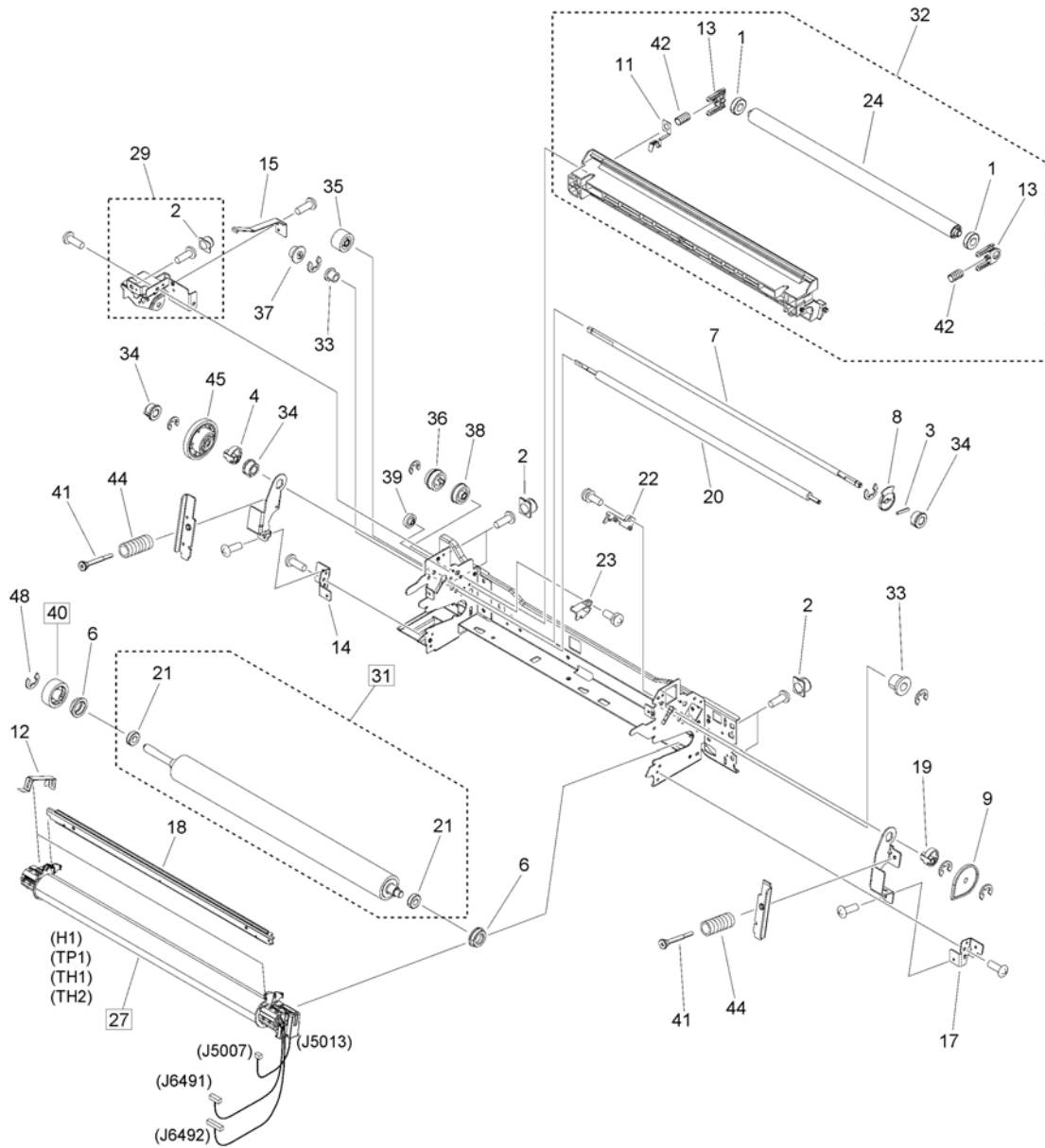


Figure 810C (2/2)FIXING ASSEMBLY (230V)

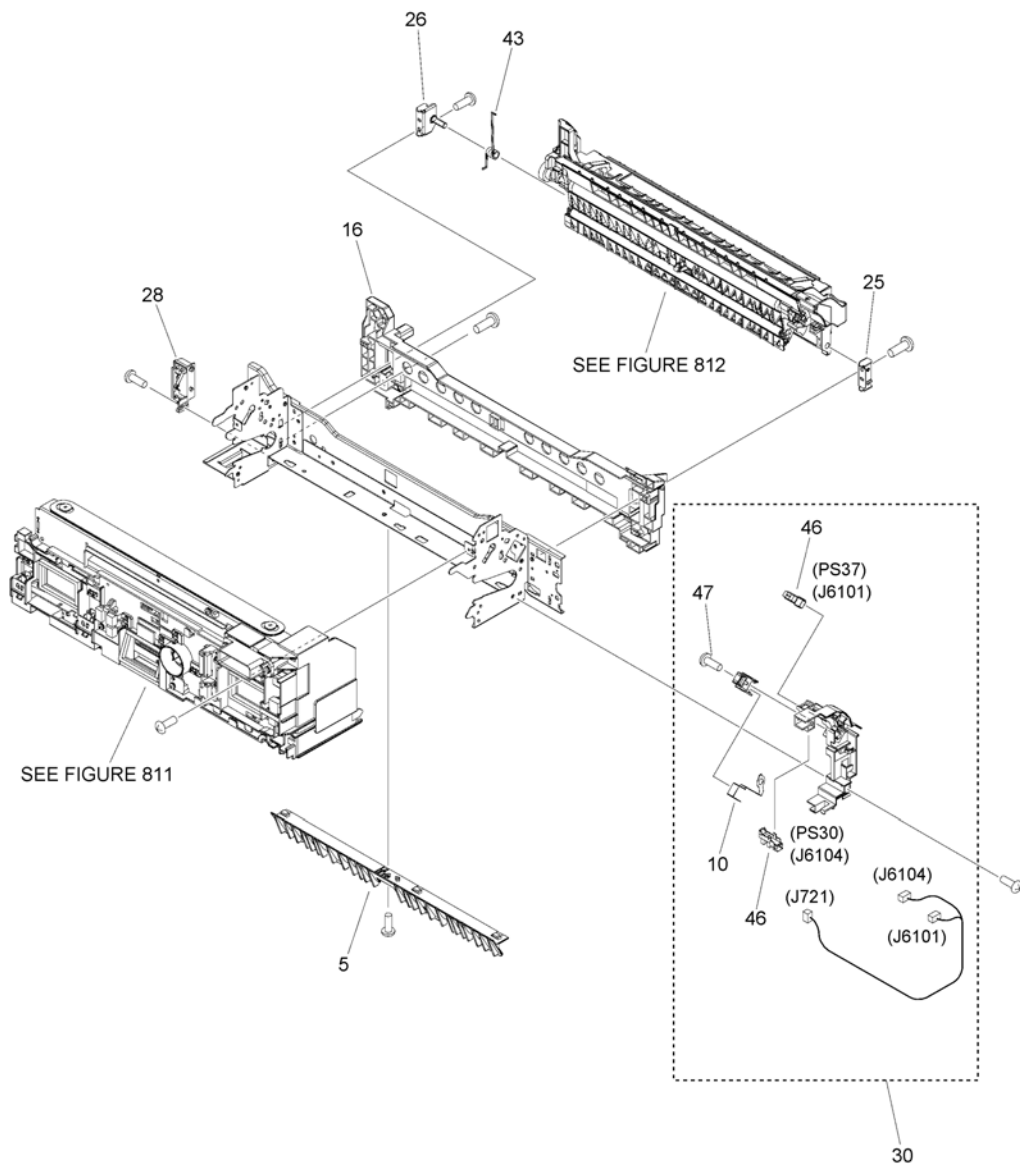


FIGURE & KEY NO.	PART NUMBER	RANK	QTY	DESCRIPTION	SERIAL NUMBER /REMARKS
810C	NPN		RF	FIXING ASSEMBLY	230V
1	FA9-4077-000		2	BUSHING	
2	FC0-3759-000		5	CAP,SCREW	
3	XD9-0289-000		1	PIN, PARALLEL	
4	FC0-4925-000		1	CAM, PRESSURE RELEASE	
5	FC0-4934-000		1	GUIDE, FIXING ENTRANCE	
6	FC5-7182-000		2	HOUSING,BEARING	
7	FC6-9269-000		1	SHAFT	
8	FC6-9272-000		1	FLAG, PRESSURE RELEASE SENSOR	
9	FC6-9274-000		1	LEVER, PRESSURE RELEASE	
10	FC6-9288-000		1	SPRING	
11	FC6-9304-000		1	SPRING, GROUNDING	
12	FC6-9471-000		2	SPRING, LEAF	
13	FC6-9472-000		2	HOLDER, BUSHING	
14	FC7-2392-000		1	MOUNT, PRESSURE	
15	FC7-4834-010		1	STOPPER, PRESSURE RELEASE	
16	FC8-5027-010		1	HANDLE, FIXING DRAWER	
17	FC8-5031-000		1	MOUNT, PRESSURE, FRONT	
18	FC8-5043-030		1	GUIDE, FIXING SEPARATION	
19	FC8-5068-000		1	CAM, PRESSURE RELEASE	
20	FE4-3689-000		1	ROLLER, INNER PAPER DELIVERY	
21	XG9-0875-000		2	BEARING, BALL, NS P0 16MM	
22	FE4-8873-000		1	COVER, RETAINING, FRONT	
23	FE4-8874-000		1	COVER, RETAINING, REAR	
24	FL2-5277-000		1	ROLLER, SLEEVE	
25	FL2-9554-000		1	PLATE, GUIDE HINGE, FRONT	
26	FL3-1145-000		1	PLATE, GUIDE HINGE, REAR	
27	FM1-N255-000		1	FILM ASSEMBLY	H1 TH1, TH2 TP1 [DP]
28	FM1-G663-000		1	PRESSURE ROLLER CONTACT ASS'Y	
29	FM1-H216-000		1	PRESSURE RELEASE PLATE ASS'Y	
30	FM1-H217-000		1	SENSOR HOLDER ASSEMBLY	
31	FM1-N252-000		1	PRESSURE ROLLER KIT	[DP]
32	FM3-5955-000		1	GUIDE, FIXING DELIVERY, UPPER	
33	FS1-1528-000		2	BUSHING, PL	
34	FS5-1943-000		3	BUSHING	
35	FU2-1246-000		1	GEAR, 19T	
36	FU2-1247-000		1	GEAR, 33T/17T	
37	FU2-1248-000		1	GEAR, 15T	
38	FU2-1249-000		1	GEAR, 32T	
39	FU2-1250-000		1	GEAR, 23T	
40	FU2-1252-000		1	GEAR, 27T	[DP]
41	FU6-0028-000		2	SCREW	
42	FU6-2644-000		2	SPRING, COMPRESSION	

FIGURE & KEY NO.	PART NUMBER	RANK	QTY	DESCRIPTION	SERIAL NUMBER /REMARKS
43	FU8-2279-000		1	SPRING	
44	FU8-2921-000		2	SPRING, COMPRESSION	
45	FU9-0513-000		1	GEAR, 46T	
46	WG8-5783-000		2	IC,PHOTO-INTERRUPTER,LG248NL1A	PS30, PS37
47	XA9-2004-000		1	SCREW, W/WASHER, M3X10	
48	XD9-0136-000		1	RING, E	

Figure 811 SHUTTER ASSEMBLY

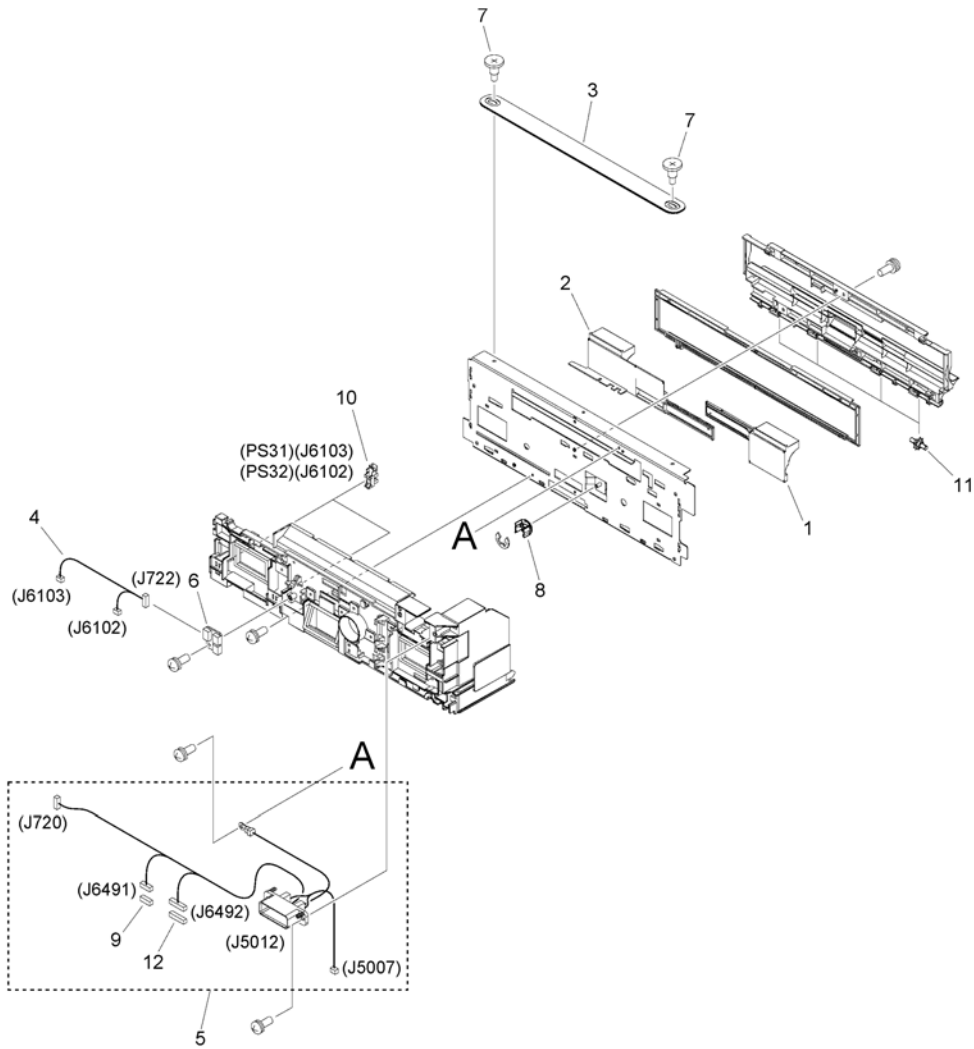


FIGURE & KEY NO.	PART NUMBER	RANK	QTY	DESCRIPTION	SERIAL NUMBER /REMARKS
811	FM1-G662-000		1	SHUTTER ASSEMBLY	
1	FC8-5047-000		1	SHUTTER, F	
2	FC8-5048-000		1	SHUTTER, R	
3	FL0-4511-000		1	HANDLE, FIXING	
4	FM1-E899-000		1	CABLE, FIXING SENSOR	
5	FM1-E927-000		1	CABLE, FIXING DRAWER	
6	FM1-M842-000		1	FIXING CONNECTING PCB ASSEMBLY	
7	FU5-9749-000		2	SCREW, STEPPED, M4	
8	FU7-0270-000		1	PINION, SHUTTER	
9	VS1-7177-006		1	CONNECTOR, SNAP TIGHT, BK	
10	WG8-5783-000		2	IC,PHOTO-INTERRUPTER,LG248NL1A	PS31, PS32
11	FC7-2471-000		4	ROWEL	
12	VS1-7177-012		1	CONNECTOR, SNAP TIGHT, BK	

Figure 812 DELIVERY GUIDE ASSEMBLY, LOWER

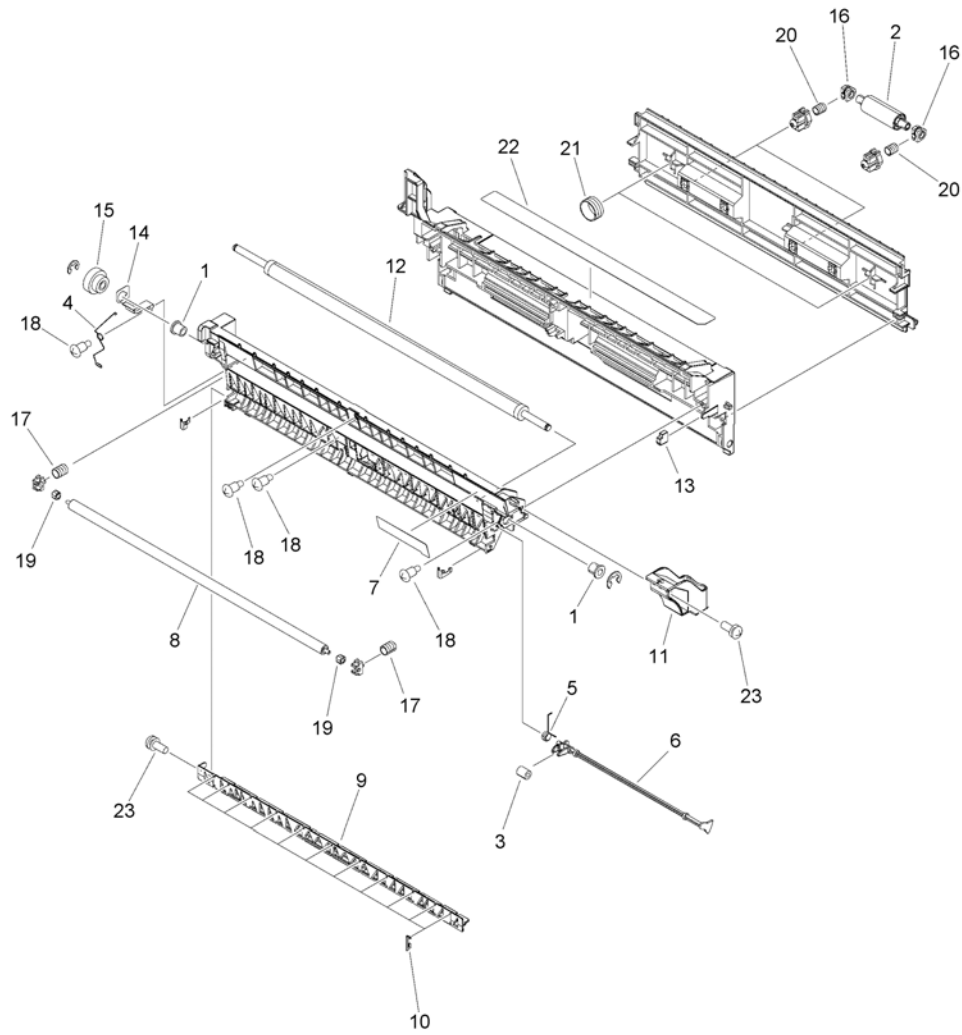


FIGURE & KEY NO.	PART NUMBER	RANK	QTY	DESCRIPTION	SERIAL NUMBER /REMARKS
812	FM1-G658-000		1	DELIVERY GUIDE ASSEMBLY, LOWER	
1	FA9-4041-005		2	BUSHING	
2	FB6-4873-000		2	ROLLER, PAPER FEED	
3	FB6-7002-000		1	ROLLER, PAPER SENSOR	
4	FC0-5066-000		1	SPRING, GROUNDING	
5	FC6-9309-000		1	SPRING, TORSION	
6	FC6-9473-000		1	FLAG, PAPER DELIVERY SENSOR	
7	FC7-2384-000		1	LABEL, HIGH TMP. CAUTION	
8	FC7-2395-000		1	ROLLER, PAPER DELIVERY	
9	FC7-6978-000		1	GUIDE, INNER PAPER DELIVERY	
10	FC7-6979-000		11	RIB	
11	FC8-5029-000		1	HANDLE, JAM CLEARING	
12	FE4-3670-000		1	ROLLER, FIXING PAPER DELIVERY	
13	FE4-3695-000		1	CAP	
14	FE4-3704-000		1	PLATE, ROLLER GROUNDING	
15	FL0-4355-000		1	GEAR, 22T	
16	FU5-1035-000		4	BUSHING	
17	FU5-2683-000		2	SPRING	
18	FU5-9449-000		4	SCREW, STEPPED, M3	
19	FU6-1269-000		2	BUSHING	
20	FU7-2521-000		4	SPRING	
21	FU8-2278-000		2	SPRING	
22	FU8-8237-000		1	LABEL, HIGH TMP. CAUTION	
23	XA9-2004-000		2	SCREW, W/WASHER, M3X10	

Figure 900A CONTROLLER BOX ASSEMBLY (MODEL WITHOUT FAX)

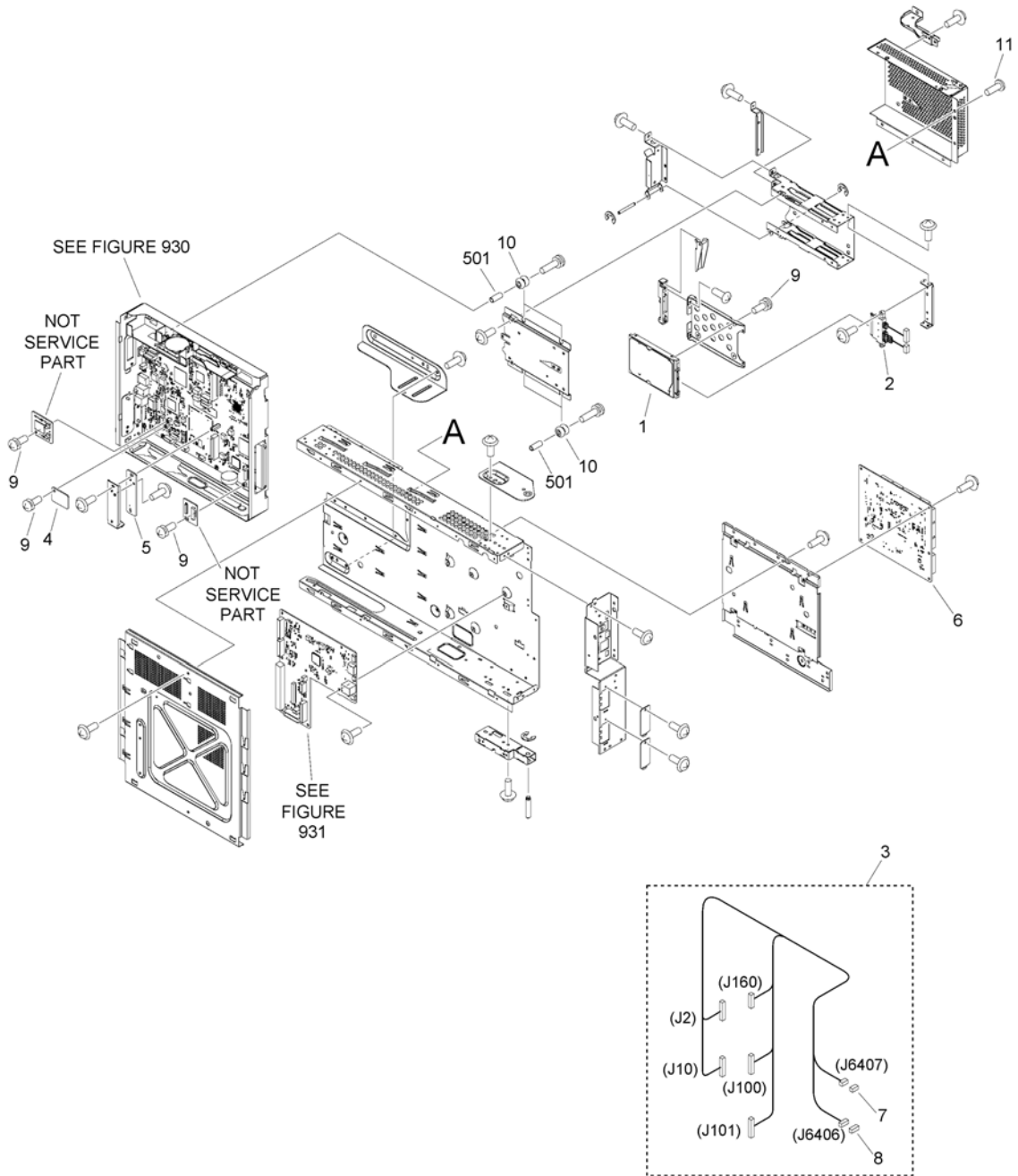


FIGURE & KEY NO.	PART NUMBER	RANK	QTY	DESCRIPTION	SERIAL NUMBER /REMARKS
900A	NPN		RF	CONTROLLER BOX ASSEMBLY	MODEL WITHOUT FAX
1	FK4-1550-000		1	HARD DISK DRIVE, MQ01ABF032	
2	FK4-2497-000		1	CABLE, HARD DISK DRIVE, 1	
3	FM1-E920-000		1	CABLE, INTERFACE	
4	FM1-M981-000		1	TPM PCB ASSEMBLY	
5	FM1-T849-000		1	BYPASS PCB ASSEMBLY	
6	FM1-V980-000		1	DC CONTROLLER PCB ASSEMBLY	
7	VS1-7177-004		1	CONNECTOR, SNAP TIGHT, BK	
8	VS1-7177-005		1	CONNECTOR, SNAP TIGHT, BK	
9	XA9-1979-000		7	SCREW, MACH. PAN HEAD, M3X4	
10	XH9-0149-000		4	DAMPER, CUSHION	
11	XA9-2008-000		6	SCREW,M3X4	
501	XZ1-1301-005		4	SPACER	

Figure 910 POWER SUPPLY ASSEMBLY

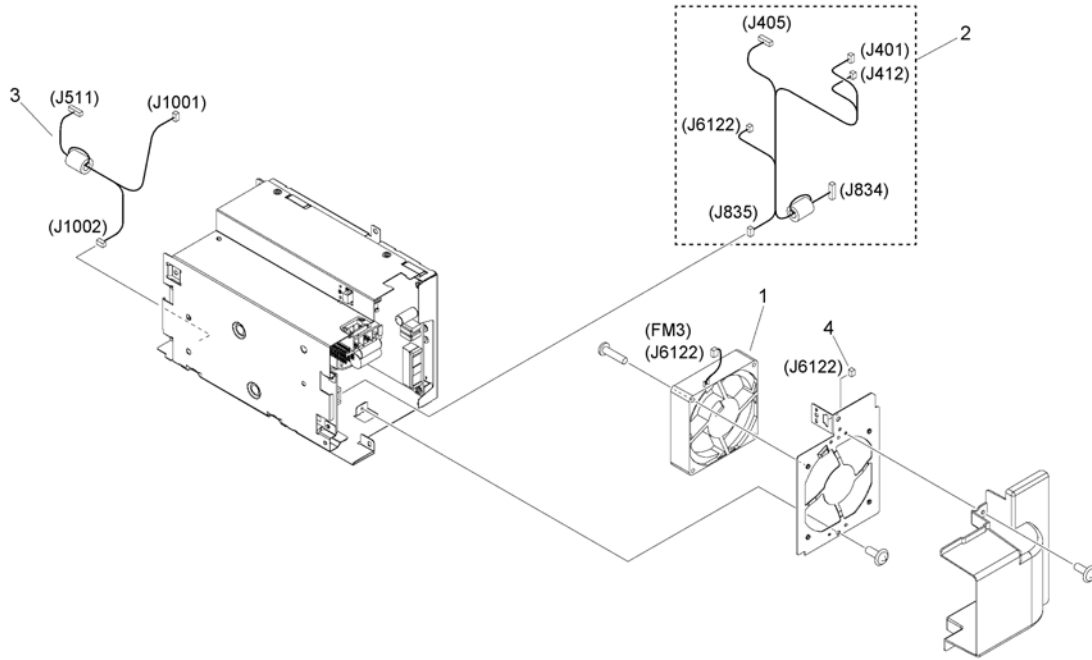


FIGURE & KEY NO.	PART NUMBER	RANK	QTY	DESCRIPTION	SERIAL NUMBER /REMARKS
910	FM1-G637-000		1	POWER SUPPLY ASSEMBLY	
1	FK4-0636-000		1	FAN	FM3
2	FM1-E918-000		1	CABLE, POWER SUPPLY RELAY	
3	FM1-N981-000		1	CABLE, AC POWER SUPPLY 1	
4	VS1-7177-003		1	CONNECTOR, SNAP TIGHT, BK	

Figure 930A MAIN CONTROLLER PCB ASSEMBLY (C5560 SERIES)

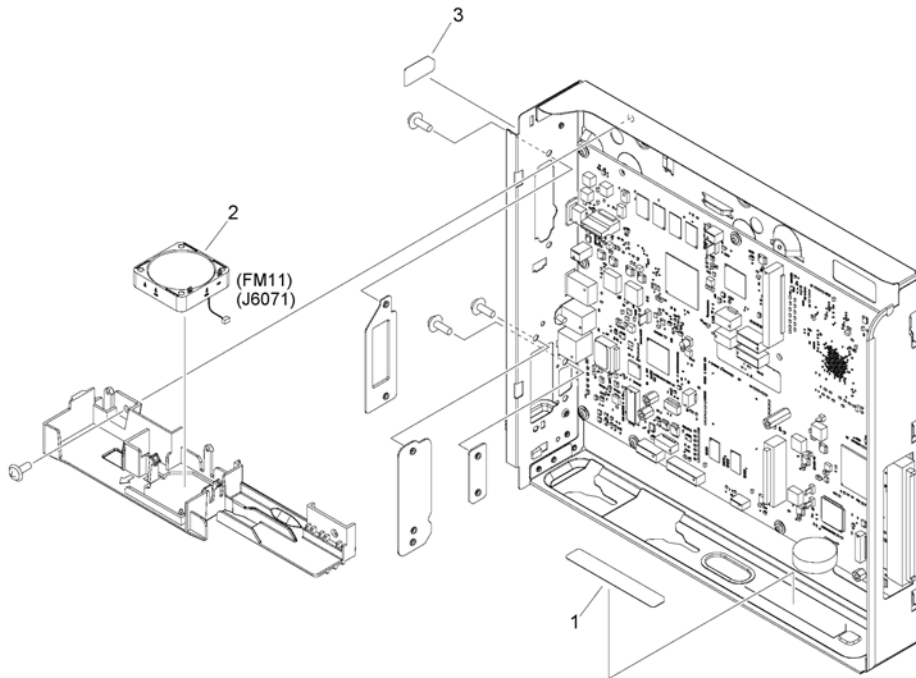


FIGURE & KEY NO.	PART NUMBER	RANK	QTY	DESCRIPTION	SERIAL NUMBER /REMARKS
930A	FM1-W955-000		1	MAIN CONTROLLER PCB ASSEMBLY	C5560 SERIES
1	FC0-5049-000		1	LABEL, MEMORY CAUTION	
2	FK4-2852-000		1	FAN	FM11
3	FU8-8257-000		1	LABEL, CAUTION	

Figure 930B MAIN CONTROLLER PCB ASSEMBLY (C5550 SERIES)

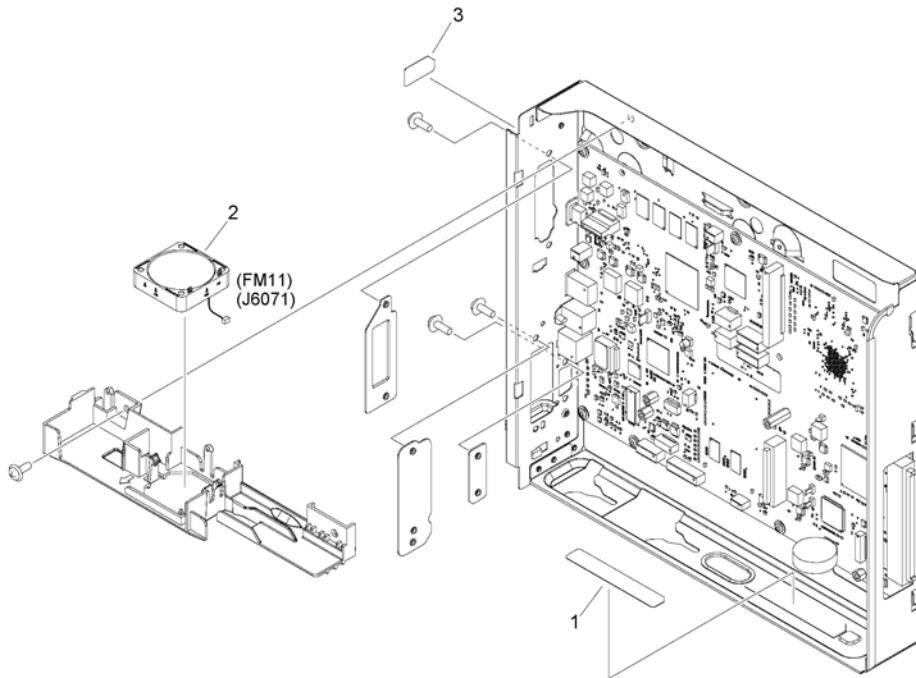


FIGURE & KEY NO.	PART NUMBER	RANK	QTY	DESCRIPTION	SERIAL NUMBER /REMARKS
930B	FM1-W954-000		1	MAIN CONTROLLER PCB ASSEMBLY	C5550 SERIES
1	FC0-5049-000		1	LABEL, MEMORY CAUTION	
2	FK4-2852-000		1	FAN	FM11
3	FU8-8257-000		1	LABEL, CAUTION	

Figure 930C MAIN CONTROLLER PCB ASSEMBLY (C5540 SERIES)

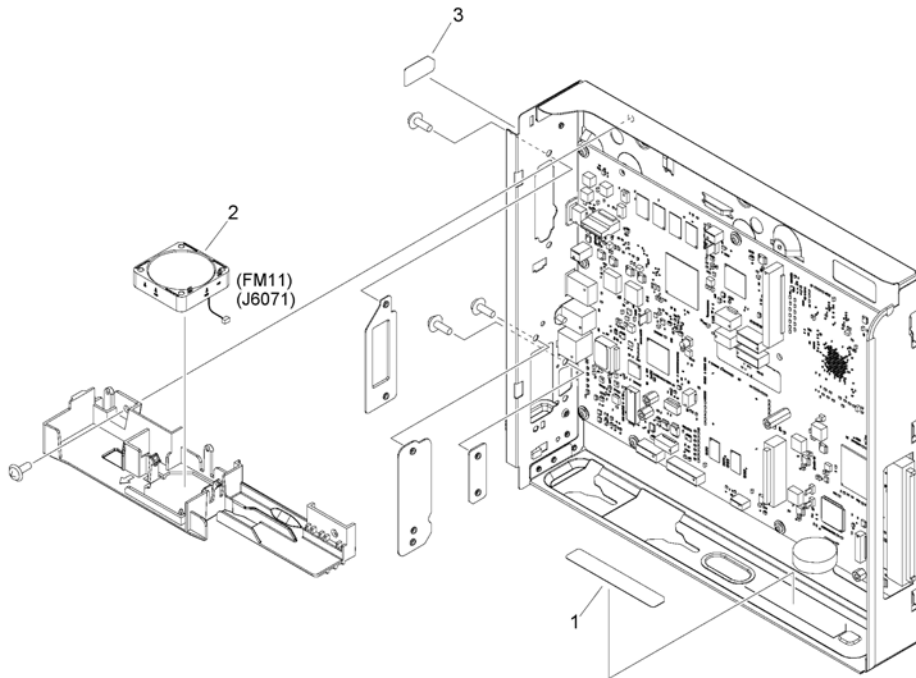


FIGURE & KEY NO.	PART NUMBER	RANK	QTY	DESCRIPTION	SERIAL NUMBER /REMARKS
930C	FM1-W953-000		1	MAIN CONTROLLER PCB ASSEMBLY	C5540 SERIES
1	FC0-5049-000		1	LABEL, MEMORY CAUTION	
2	FK4-2852-000		1	FAN	FM11
3	FU8-8257-000		1	LABEL, CAUTION	

Figure 930D MAIN CONTROLLER PCB ASSEMBLY (C5535 SERIES)

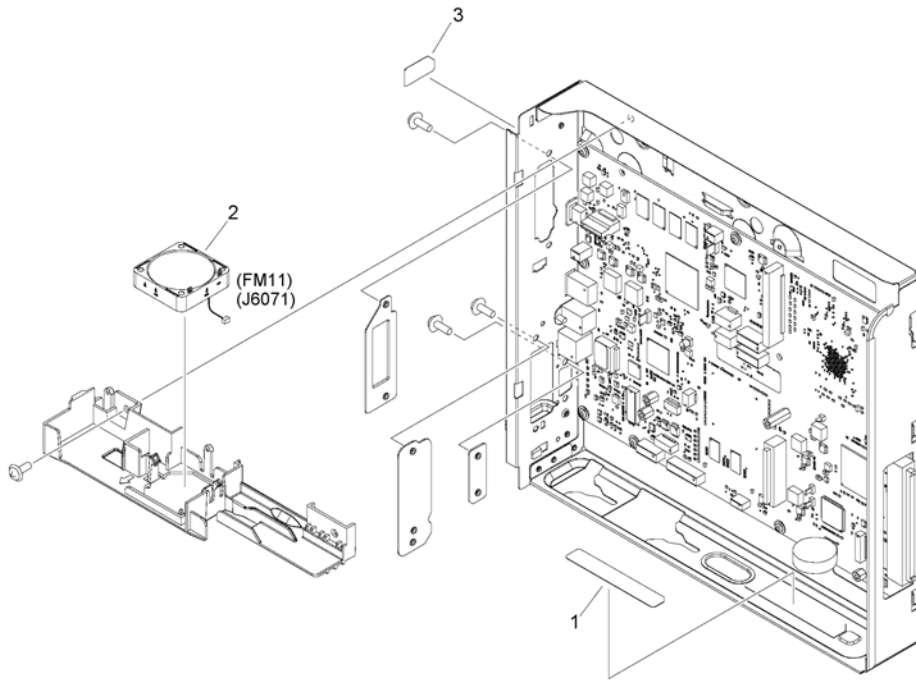


FIGURE & KEY NO.	PART NUMBER	RANK	QTY	DESCRIPTION	SERIAL NUMBER /REMARKS
930D	FM1-W952-000		1	MAIN CONTROLLER PCB ASSEMBLY	C5535 SERIES
1	FC0-5049-000		1	LABEL, MEMORY CAUTION	
2	FK4-2852-000		1	FAN	FM11
3	FU8-8257-000		1	LABEL, CAUTION	

Figure 931 RISER PCB ASSEMBLY

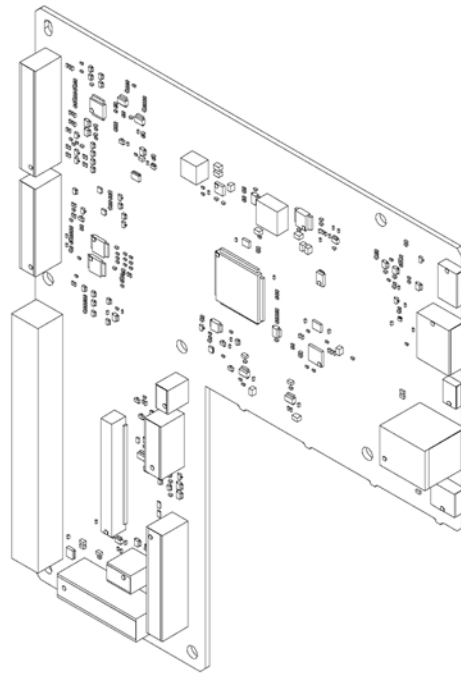


FIGURE & KEY NO.	PART NUMBER	R A N K	QTY	DESCRIPTION	SERIAL NUMBER /REMARKS
931	FM1-T847-000		1	RISER PCB ASSEMBLY	

Figure 962 PAPER FEED DRIVER PCB ASSEMBLY

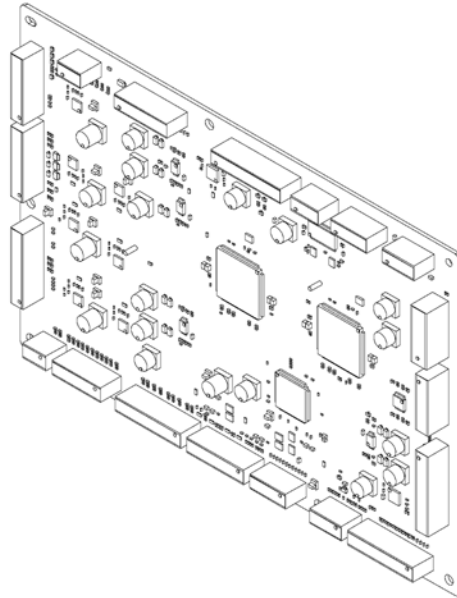


FIGURE & KEY NO.	PART NUMBER	RANK	QTY	DESCRIPTION	SERIAL NUMBER /REMARKS
962	FM1-M831-000		1	PAPER FEED DRIVER PCB ASSEMBLY	
IC	FK2-1773-000		1	IC,TC200GO2EFG-1031,GATE ARRAY	IC3

Figure B01 ATTACHMENT PARTS (ADF)

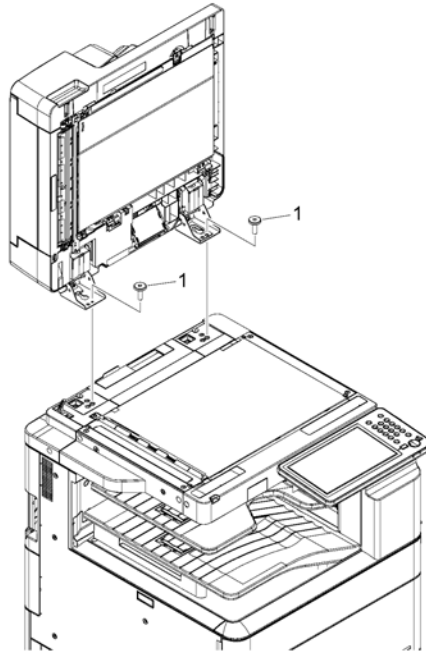


FIGURE & KEY NO.	PART NUMBER	R A N K	QTY	DESCRIPTION	SERIAL NUMBER /REMARKS
B01	NPN		RF	ATTACHMENT PARTS	ADF
1	FU5-9167-000		4	SCREW, FIXED, M4	

Figure B11C INTERNAL COMPONENTS 1 (Single pass ADF)

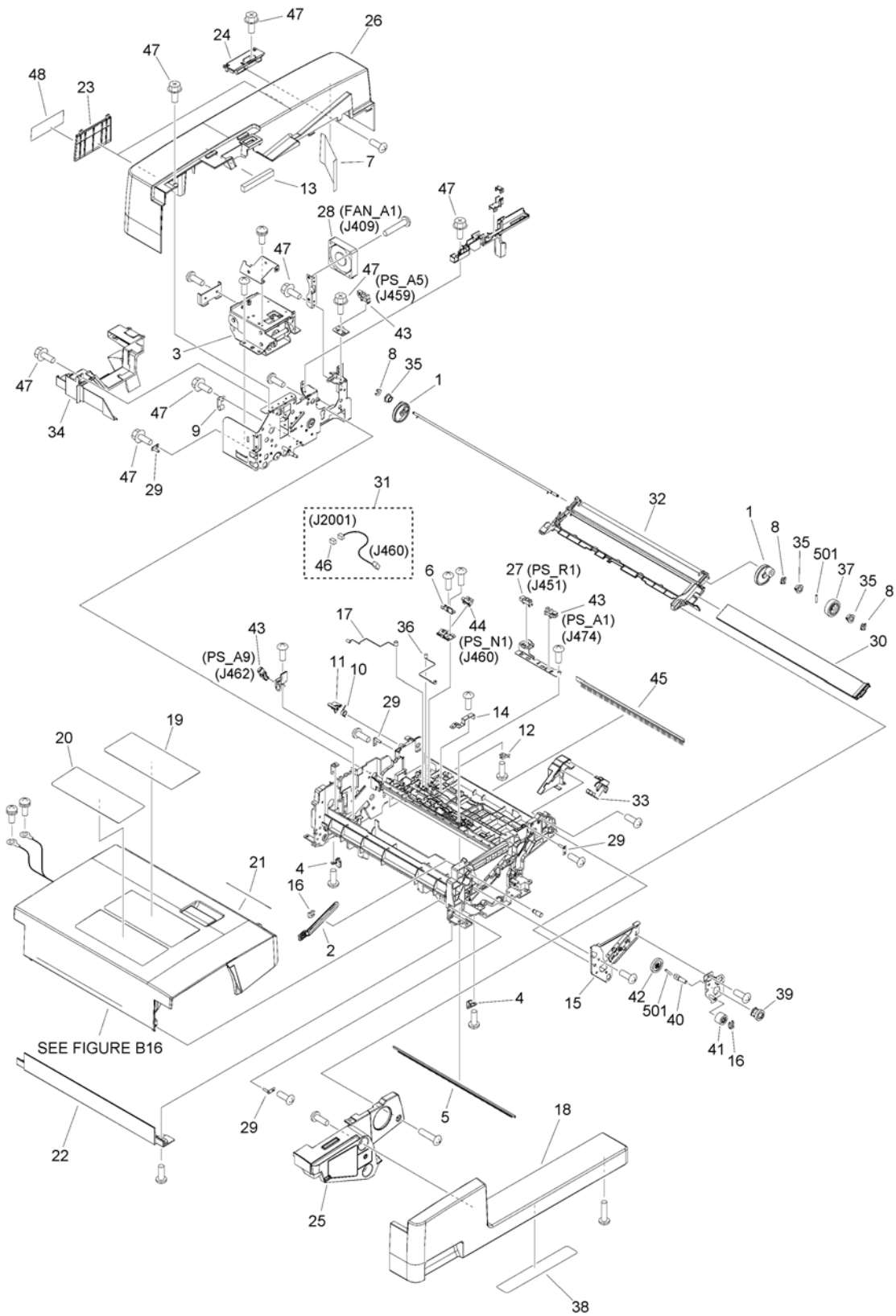


FIGURE & KEY NO.	PART NUMBER	RANK	QTY	DESCRIPTION	SERIAL NUMBER /REMARKS
B11C	NPN		RF	INTERNAL COMPONENTS 1	ADF
1	FC0-0506-000		2	CAM, GLASS MOVE	
2	FC0-0515-000		1	STOPPER, OPEN/CLOSE	
3	FC0-1204-000		1	HINGE, LEFT	
4	FC0-1220-000		2	BLOCK, POSITIONING	
5	FC0-1236-000		1	ELIMINATOR, STATIC CHARGE	
6	FC0-1241-000		1	PLATE, GROUNDING	
7	FC0-1252-000		1	SHEET, DUCT	
8	FC0-1271-000		3	CLIP	
9	FC0-1289-000		1	SPRING, GROUNDING	
10	FC0-1353-000		1	SPRING, TORSION	
11	FC0-1356-000		1	FLAG, OPEN/CLOSE SENSOR	
12	FC0-1362-000		1	SPRING, GROUNDING	
13	FC0-8828-000		1	CUSHION, REAR COVER	
14	FC0-8840-000		1	SPRING, GROUNDING	
15	FM1-J774-000		1	SIDE PLATE ASSEMBLY, FRONT	
16	FC5-4424-000		2	CLIP	
17	FE4-4305-000		1	SPRING, COMPRESSION	
18	FE4-4320-000		1	COVER, FRONT, 1	
19	FE8-1626-000		1	LABEL, PROHIBITION DOCUMENT	
20	FE8-1629-000		1	LABEL, CLEANING	
21	FE8-1632-000		1	LABEL, DOCUMENT SIZE	
22	FE8-1835-000		1	COVER, LEFT, LOWER	
23	FE8-1837-000		2	COVER, HINGE	
24	FE8-1844-000		1	COVER, REAR, B	
25	FE8-1845-000		1	COVER, FRONT, 2	
26	FE8-1857-000		1	COVER, REAR, A	
27	FK2-6470-000		1	PHOTO-SENSOR, KUA0055C	PS_R1
28	FK2-6471-000		1	FAN	FAN_A1
29	FL3-4613-000		4	SHAFT, OPEN/CLOSE	
30	FL3-4941-000		1	GLASS, READER	
31	FM1-M888-000		1	CABLE, DOCUMENT SET SENSOR	
32	FM1-K755-000		1	HOLDER, GLASS	
33	FM1-K827-000		1	LED PCB ASSEMBLY	
34	FM1-K758-000		1	FLAT CABLE UNIT	
35	FU5-1442-000		3	BUSHING	
36	FU8-2988-000		1	SPRING, COMPRESSION	
37	FU9-0244-000		1	GEAR, 18T	
38	FE4-6278-000		1	LABEL, CLEANING PROCESS	US English
38	FE8-1635-000		1	LABEL, CLEANING PROCESS	French, German, Spanish, Italian
39	FL0-3787-000		1	GEAR, 24T	
40	FE4-4297-000		1	SHAFT	
41	FU6-0094-000		1	GEAR, 23T	

FIGURE & KEY NO.	PART NUMBER	RANK	QTY	DESCRIPTION	SERIAL NUMBER /REMARKS
42	FU9-0233-000		1	GEAR, 26T	
43	WG8-5783-000		3	IC,PHOTO-INTERRUPTER,LG248NL1A	PS_A1, PS_A5, PS_A9
44	WG8-5935-000		1	IC, PHOTO INTERRUPTER	PS_N1
45	FE3-8288-000		1	ELIMINATOR, STATIC CHARGE	
46	VS1-7177-003		1	CONNECTOR, SNAP TIGHT, BK	
47	XA9-1386-000		9	SCREW,RS,M3X8	
48	FE4-6287-000		2	LABEL, FINGER NIP CAUTION	
501	XD3-2160-082		2	PIN, DOWELL, 1.6X8	

Figure B12 INTERNAL COMPONENTS 2 (Single pass ADF)

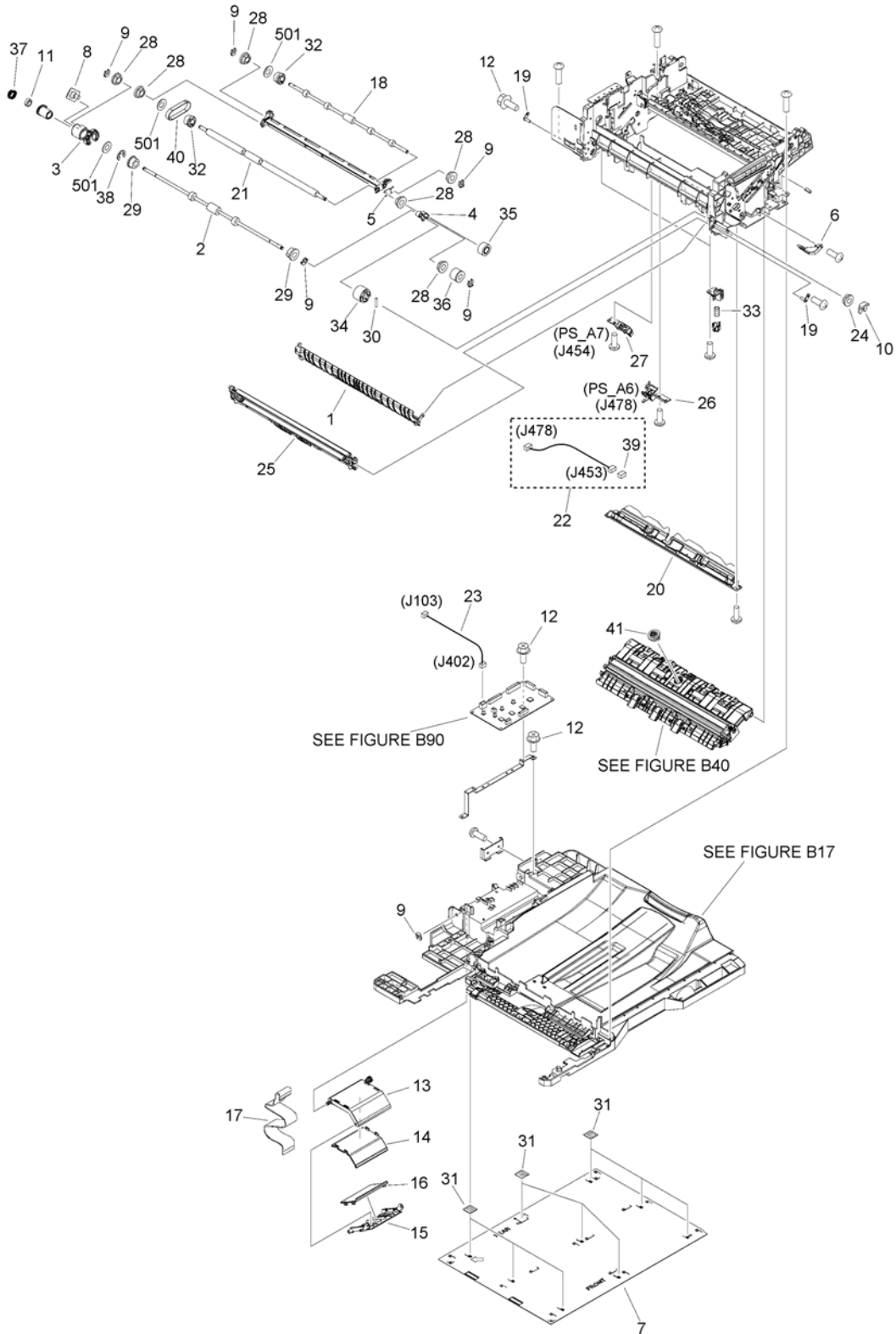


FIGURE & KEY NO.	PART NUMBER	RANK	QTY	DESCRIPTION	SERIAL NUMBER /REMARKS
B12	NPN		RF	INTERNAL COMPONENTS 2	ADF
1	FC0-0479-000		1	GUIDE, INNER	
2	FC0-0484-000		1	ROLLER, READ, 1	
3	FC0-1256-000		1	STOPPER, ARM, FRONT	
4	FC0-1257-000		1	STOPPER, ARM, REAR	
5	FC0-1258-000		1	SPRING, LEAF	
6	FC0-1281-000		1	SHAFT, HOOK	
7	FC0-1304-000		1	PANEL, COPYBOARD	
8	FC0-8827-000		1	SPRING, LEAF	
9	FC5-4424-000		6	CLIP	
10	FC5-4425-000		1	CLIP	
11	FC8-4456-000		1	ROLLER, DESORPTION SLIDE	
12	XA9-1386-000		5	SCREW,RS,M3X8	
13	FE8-1831-000		1	CASE, CABLE	
14	FE8-1832-000		1	CASE, CABLE	
15	FE8-1833-000		1	CASE, CABLE	
16	FE8-1834-000		1	CASE, CABLE	
17	FK3-2185-000		1	CABLE, FLAT	
18	FL0-8069-000		1	ROLLER, PAPER FEED, 2	
19	FL3-4613-000		2	SHAFT, OPEN/CLOSE	
20	FL3-4945-000		1	GUIDE, INNER, 2	
21	FL3-4956-000		1	ROLLER, PAPER FEED, 1	
22	FM0-0302-000		1	CABLE, READER SENSOR	
23	FM1-M887-000		1	CABLE, DF POWER SUPPLY	
24	FS1-1508-000		1	BUSHING	
25	FM4-6647-010		1	READ OUTER GUIDE ASSEMBLY	
26	FM4-6657-000		1	PHOTO SENSOR UNIT, 1	PS_A6
27	FM4-6658-000		1	PHOTO SENSOR UNIT, 2	PS_A7
28	FS1-1569-000		6	BUSHING	
29	FU5-1726-000		2	BUSHING	
30	XD9-0333-000		1	PIN, PARALLEL	
31	FE4-4680-000		9	SPONGE, SHEET, WHITE	
32	FU6-3095-000		2	PULLEY, 16T	
33	FU8-2989-000		2	SPRING, COMPRESSION	
34	FU9-0236-000		1	GEAR, 22T	
35	FU9-0237-000		1	GEAR, 18T	
36	FU9-0238-000		1	GEAR, 17T	
37	FU9-2439-000		1	SPRING, COMPRESSION	
38	XD9-0136-000		1	RING, E	
39	VS1-8412-003		1	CONNECTOR, SNAP TIGHT, BL	
40	XF2-1603-640		1	BELT, TIMING	
41	FC7-5465-000		1	STAMPER	[DP]
501	XD1-1106-232		3	WASHER,COP	

Figure B13 INTERNAL COMPONENTS 3 (Single pass ADF)

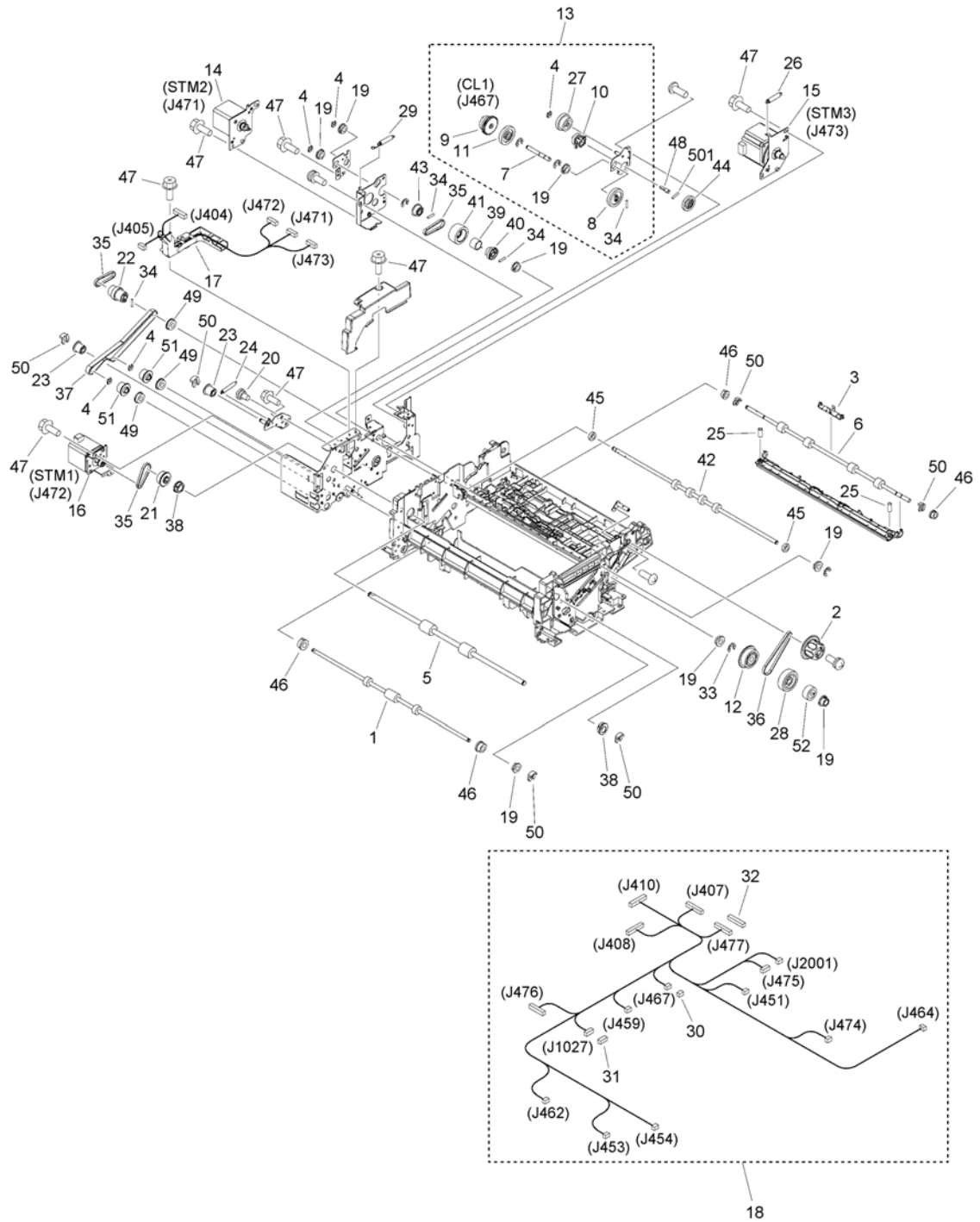


FIGURE & KEY NO.	PART NUMBER	RANK	QTY	DESCRIPTION	SERIAL NUMBER /REMARKS
B13	NPN		RF	INTERNAL COMPONENTS 3	ADF
1	FC0-0485-000		1	ROLLER, READ, 1	
2	FC0-1233-000		1	DIAL, JAM CLEARING	
3	FC0-1370-000		1	CLAMP, PAPER DELIVERY ROLLER	
4	FC5-4424-000		5	CLIP	
5	FE4-4256-000		1	ROLLER, REGISTRATION	
6	FE4-4257-000		1	ROLLER, READ	
7	FE4-4298-000		1	SHAFT	
8	FE4-4317-000		1	GEAR, 32T	
9	FK4-3603-000		1	CLUTCH, ELECTROMAGNETIC	CL1
10	FL0-3787-000		1	GEAR, 24T	
11	FL3-4931-000		1	GEAR, 32T	
12	FL3-4933-000		1	PULLEY, 34T	
13	FM1-J773-000		1	ELEM. CLUTCH SHAFT UNIT	
14	FM1-J778-000		1	MOTOR ASS'Y	STM2
15	FM1-J779-000		1	MOTOR ASS'Y	STM3
16	FM1-J780-000		1	MOTOR ASS'Y	STM1
17	FM1-L172-000		1	MOTOR CABLE GUIDE ASSEMBLY	
18	FM1-M885-000		1	CABLE, MAIN	
19	FS1-1508-000		8	BUSHING	
20	FS1-9076-020		1	SCREW, STEPPED, M4	
21	FU6-3090-000		1	PULLEY, 30T	
22	FU6-3094-000		1	PULLEY, 24T/24T	
23	FU6-6160-000		2	ROLLER, TENSIONER	
24	FU8-2605-000		1	SPRING, TENSION	
25	FU8-2679-000		2	SPRING, COMPRESSION	
26	FU8-2686-000		1	SPRING, TENSION	
27	FU9-0240-000		1	GEAR, 36T/26T	
28	FU9-0241-000		1	GEAR, 22T	
29	FU9-2437-000		1	SPRING, TENSION	
30	VS1-7177-002		1	CONNECTOR, SNAP TIGHT, BK	
31	VS1-7177-006		1	CONNECTOR, SNAP TIGHT, BK	
32	VS1-7177-015		1	CONNECTOR, SNAP TIGHT	
33	XD9-0136-000		1	RING, E	
34	XD9-0333-000		4	PIN, PARALLEL	
35	XF2-1605-640		3	BELT, TIMING	
36	XF2-1609-540		1	BELT, TIMING	
37	XF2-1618-880		1	BELT, TIMING	
38	XG9-0737-000		2	BUSHING	
39	FC5-3167-000		1	SPRING, CLUTCH	
40	FE4-4315-000		1	CLUTCH, MECHANICAL	
41	FE4-4316-000		1	GEAR, 24T	
42	FE8-2589-000		1	ROLLER, EXTRACTION	
43	FU6-3047-000		1	PULLEY, 24T	

FIGURE & KEY NO.	PART NUMBER	RANK	QTY	DESCRIPTION	SERIAL NUMBER /REMARKS
44	FU9-0233-000		1	GEAR, 26T	
45	XG9-0497-000		2	BEARING, BALL, MR106ZZ,	
46	FU5-1726-000		4	BUSHING	
47	XA9-1386-000		10	SCREW,RS,M3X8	
48	FE4-4297-000		1	SHAFT	
49	XG9-0805-000		3	BEARING, BALL, LF-1260ZZR	
50	FC5-4425-000		6	CLIP	
51	FU6-3091-000		2	PULLEY, 24T	
52	FL0-8066-000		1	GEAR, 18T	
501	XD3-2160-082		1	PIN, DOWELL, 1.6X8	

Figure B14 INTERNAL COMPONENTS 4 (Single pass ADF)

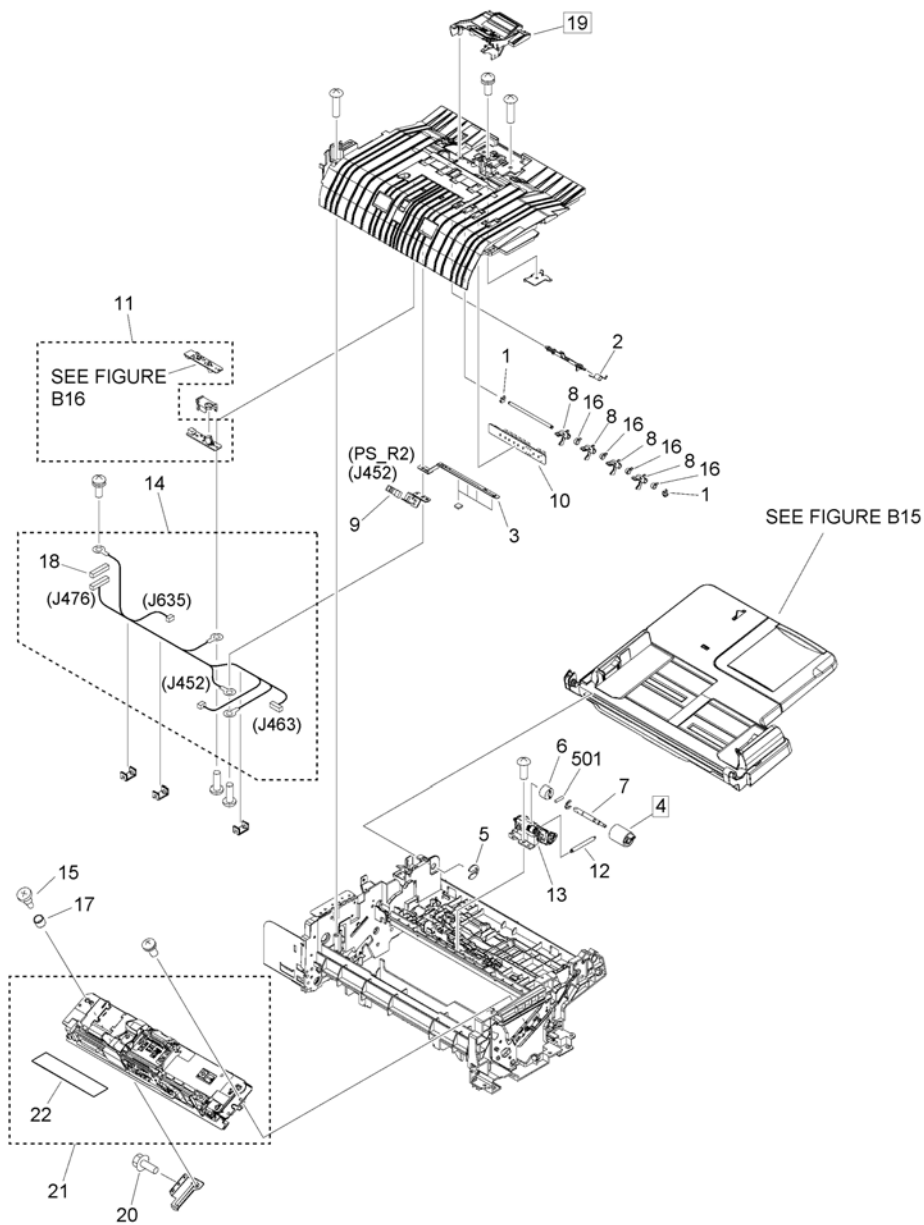


FIGURE & KEY NO.	PART NUMBER	RANK	QTY	DESCRIPTION	SERIAL NUMBER /REMARKS
B14	NPN		RF	INTERNAL COMPONENTS 4	ADF
1	FC0-1271-000		2	CLIP	
2	FC0-1334-000		1	SPRING, TORSION	
3	FC0-1364-000		1	SPRING, GROUNDING	
4	FC0-9631-000		1	ROLLER, SEPARATION	[DP]
5	FC6-5046-000		1	RING, RETAINING	
6	FE4-4268-000		1	LIMITTER, TORQUE	
7	FE4-4276-000		1	SHAFT, PAPER PICK-UP	
8	FE4-4342-000		4	FLAG, WIDTH SENSOR	
9	FK2-6470-000		1	PHOTO-SENSOR, KUA0055C	PS_R2
10	FM0-0292-000		1	WIDTH SENSOR PCB ASSEMBLY	
11	FM1-K086-010		1	DOUBLE FEED DETECTION KIT	
12	FU2-1300-000		1	SPRING, TENSION	
13	FM1-K757-000		1	SEPARATION ROLLER HOLDER ASS'Y	
14	FM1-P872-000		1	CABLE, DF PAPER PICK-UP	
15	FS5-9284-020		1	SCREW, STEPPED	
16	FU2-1306-000		4	SPRING, TORSION	
17	FU8-2993-000		1	SPRING, COMPRESSION	
18	VS1-8412-013		1	CONNECTOR, SNAP TIGHT, BL	
19	FM1-J766-000		1	SEPARATION PAD UNIT	[DP]
20	XA9-1386-000		1	SCREW,RS,M3X8	
21	FM0-2745-010		1	SCANNER UNIT	
22	FL3-8297-000		1	LABEL, SERVICE, SCANNER UNIT	
501	XD3-2200-082		1	PIN, PARALLEL	

Figure B15 DOCUMENT TRAY ASSEMBLY (Single pass ADF)

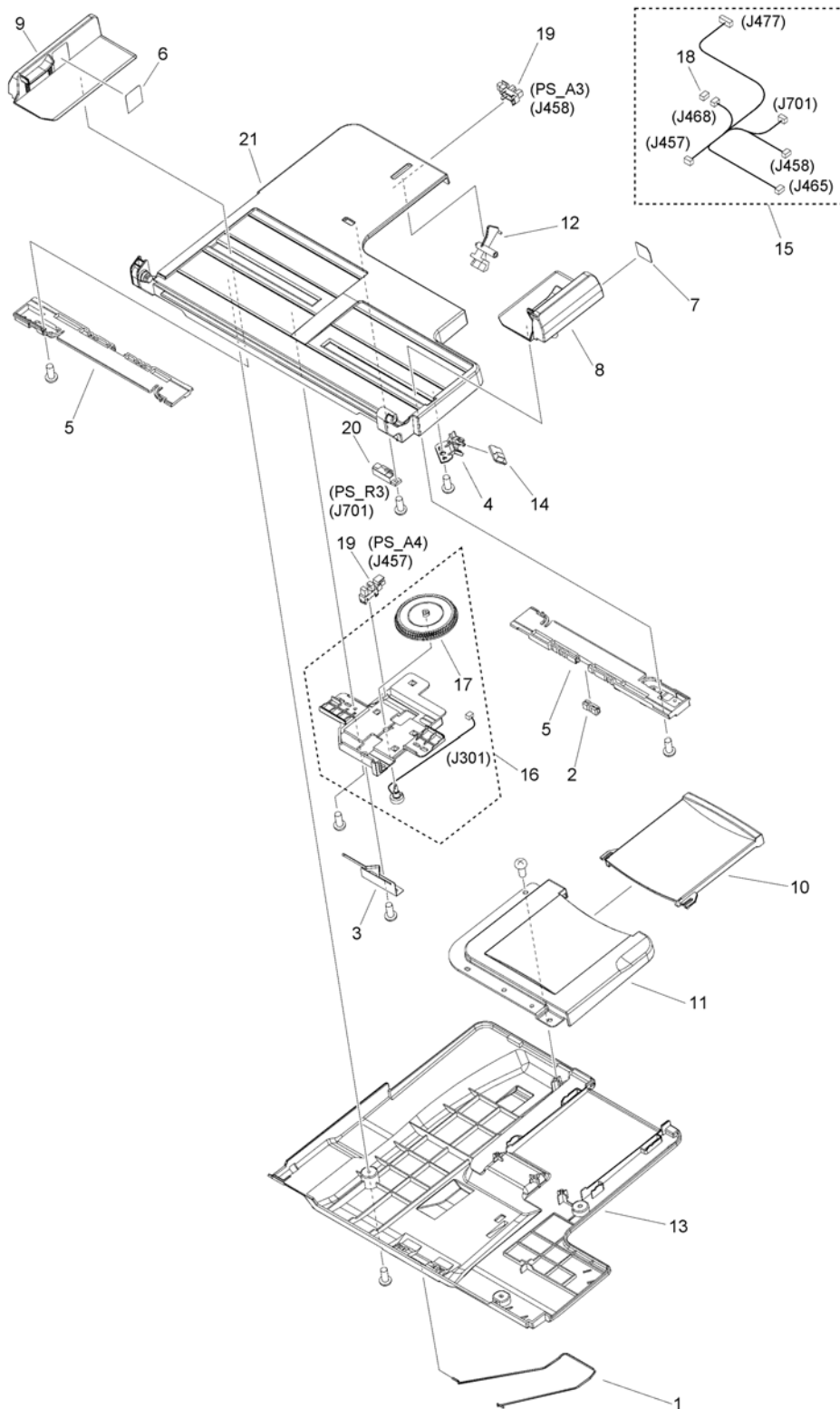


FIGURE & KEY NO.	PART NUMBER	RANK	QTY	DESCRIPTION	SERIAL NUMBER /REMARKS
B15	NPN		RF	DOCUMENT TRAY ASSEMBLY	ADF
1	FC0-8823-000		1	STOPPER, DOCUMENT	
2	FC5-3108-000		1	RACK	
3	FC5-3113-000		1	SPRING, LEAF	
4	FE4-4282-000		1	COVER, LED	
5	FE4-6225-000		2	RACK, DOCUMENT TRAY	
6	FE8-1623-000		1	LABEL, DOCUMENT HEIGHT, A	
7	FE8-1624-000		1	LABEL, DOCUMENT HEIGHT, B	
8	FE8-1838-000		1	GUIDE, SIDE, FRONT	
9	FE8-1839-000		1	GUIDE, SIDE, REAR	
10	FE8-1848-000		1	TRAY, AUXILIARY	
11	FE8-1849-000		1	COVER, AUXILIARY TRAY	
12	FE8-1851-000		1	FLAG, DOCUMENT LENGTH SENSOR	
13	FE8-1856-000		1	TRAY, DOCUMENT, LOWER	
14	FM0-0294-000		1	EJECT LIGHT LED PCB ASS'Y	
15	FM1-M884-000		1	CABLE, TRAY	
16	FM3-6211-000		1	HOLDER, VOLUME	
17	FU8-0237-000		1	GEAR, 70T	
18	VS1-7177-003		1	CONNECTOR, SNAP TIGHT, BK	
19	WG8-5783-000		2	IC,PHOTO-INTERRUPTER,LG248NL1A	PS_A3, PS_A4
20	WP2-5428-000		1	IC,PHOTO SENSOR, PS126EL1	PS_R3
21	FE8-1855-000		1	TRAY, DOCUMENT, UPPER	

Figure B16 OPEN/CLOSE PANEL ASSEMBLY (Single pass ADF)

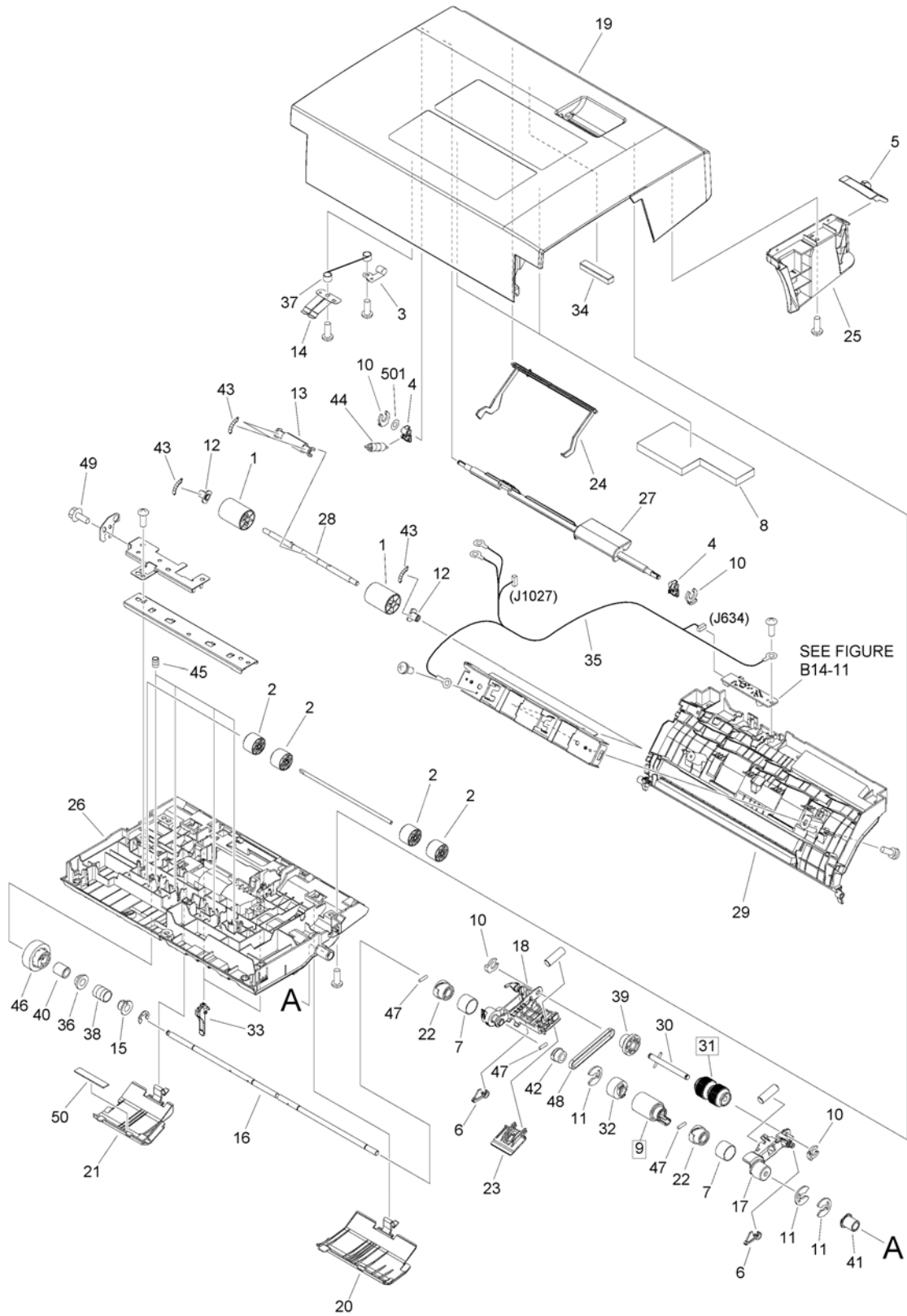


FIGURE & KEY NO.	PART NUMBER	RANK	QTY	DESCRIPTION	SERIAL NUMBER /REMARKS
B16	NPN		RF	OPEN/CLOSE PANEL ASSEMBLY	ADF
1	FC0-0488-000		2	ROLLER, REGISTRATION	
2	FC0-1249-000		4	ROLLER, EXTRACTION	
3	FC0-1289-000		1	SPRING, GROUNDING	
4	FC0-1358-010		2	HOOK, OPEN/CLOSE	
5	FC0-1382-000		1	COVER, LED	
6	FC0-1389-000		2	LEVER, STOP	
7	FC0-8822-000		2	SPRING, TORSION	
8	FC0-8831-000		2	SEAL, OPEN/CLOSE COVER	
9	FC0-9450-000		1	ROLLER, PAPER FEED	[DP]
10	FC5-4424-000		4	CLIP	
11	FC6-5046-000		3	RING, RETAINING	
12	FC8-7283-000		2	BUSHING	
13	FC8-7284-000		1	BUSHING	
14	FC9-8812-000		1	PLATE, GROUNDING	
15	FE3-8298-000		1	BUSHING	
16	FE4-4266-000		1	SHAFT	
17	FE4-4270-000		1	ARM, PAPER PICK-UP, FRONT	
18	FE4-4271-000		1	ARM, PAPER PICK-UP, REAR	
19	FE4-4274-000		1	COVER, OPEN/CLOSE	
20	FE4-4313-000		1	COVER, INNER GUIDE, FRONT	
21	FE4-4314-000		1	COVER, INNER GUIDE, REAR	
22	FE4-4319-000		2	BUSHING	
23	FE4-4329-000		1	FLAPPER, PICK-UP	
24	FE4-4349-000		1	FLAG, SET SENSOR	
25	FE8-1843-000		1	COVER, OPEN/CLOSE FRONT, INNER	
26	FL0-3788-000		1	GUIDE, OPEN/CLOSE INNER, A	
27	FL0-3789-000		1	LEVER, OPEN/CLOSE	
28	FL0-3790-000		1	SHAFT	
29	FL0-3849-000		1	GUIDE, OPEN/CLOSE INNER, B	
30	FL0-3872-000		1	SHAFT	
31	FL0-3873-000		1	ROLLER, PAPER PICK-UP	[DP]
32	FL0-4546-000		1	ROLLER, ONE-WAY CLUTCH	
33	FL3-4952-000		2	SHUTTER	
34	FL1-2039-000		1	CUSHION, NOISE-PROOF	
35	FM1-P873-000		1	CABLE, DOUBLE FEED DETECTION	
36	FS1-1569-000		1	BUSHING	
37	FU2-1288-000		1	SPRING, GROUNDING	
38	FU2-1290-000		1	SPRING, COMPRESSION	
39	FU5-3507-000		1	PULLEY, 18T	
40	FU5-6862-000		1	ROLLER, WIRE	
41	FU6-1613-000		1	BUSHING	
42	FU6-3095-000		1	PULLEY, 16T	
43	FU8-2677-000		4	SPRING, TENSION	

FIGURE & KEY NO.	PART NUMBER	RANK	QTY	DESCRIPTION	SERIAL NUMBER /REMARKS
44	FU8-2682-000		1	SPRING, TENSION	
45	FU8-2984-000		4	SPRING, COMPRESSION	
46	FU9-0249-000		1	GEAR, 24T	
47	XD9-0287-000		3	PIN, DOWEL	
48	XF2-1607-940		1	BELT, TIMING	
49	XA9-1386-000		1	SCREW,RS,M3X8	
50	FC5-3141-000		1	SHEET, SEPARATE	
501	XD1-1106-228		1	WASHER,COP	

Figure B17 BASE FRAME ASSEMBLY (Single pass ADF)

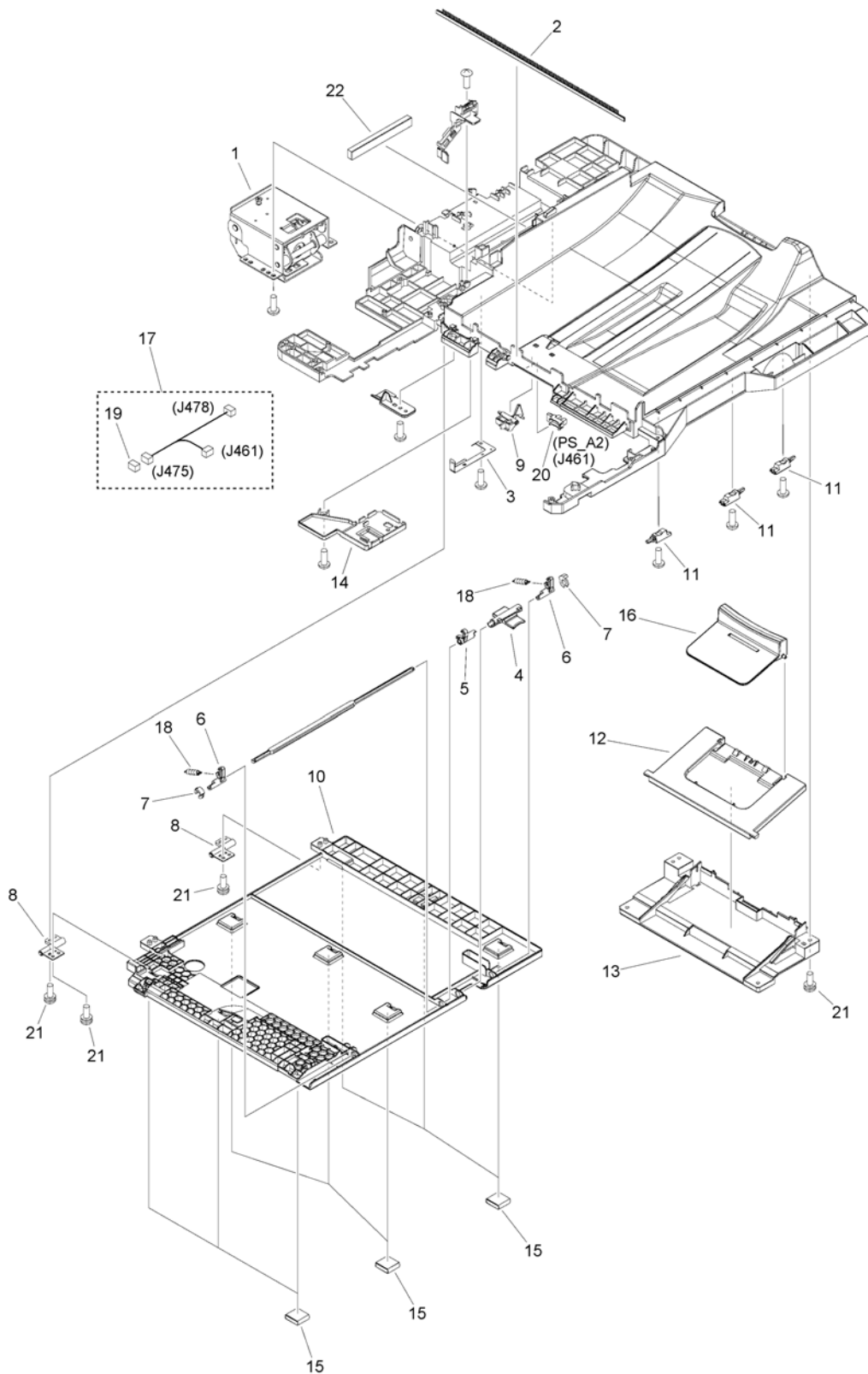


FIGURE & KEY NO.	PART NUMBER	RANK	QTY	DESCRIPTION	SERIAL NUMBER /REMARKS
B17	NPN		RF	BASE FRAME ASSEMBLY	ADF
1	FC0-1205-000		1	HINGE, RIGHT	
2	FC0-1236-000		1	ELIMINATOR, STATIC CHARGE	
3	FC0-1243-000		1	SPRING, GROUNDING	
4	FC0-1309-000		1	HANDLE, RATCHET, A	
5	FC0-1310-000		1	HANDLE, RATCHET, B	
6	FC0-1314-000		2	RATCHET	
7	FC5-4424-000		2	CLIP	
8	FC8-5811-000		2	HINGE, PLATE	
9	FE8-1830-000		1	FLAG, PAPER DELIVERY SENSOR	
10	FE8-1836-000		1	SUPPORT, WHITE PLATE	
11	FE8-1842-000		3	SHAFT, RATCHET	
12	FE8-1846-000		1	TRAY, PAPER DELIVERY EXTENSION	
13	FE8-1847-000		1	SLIDER	
14	FE8-1858-000		1	COVER, PAPER DELIVERY SENSOR	
15	FL0-5178-000		9	CUSHION	
16	FL1-0799-000		1	STOPPER, PAPER DELIVERY	
17	FM0-0296-000		1	CABLE, SOLENOID	
18	FU8-2990-000		2	SPRING, TENSION	
19	VS1-7177-005		1	CONNECTOR, SNAP TIGHT, BK	
20	WG8-5783-000		1	IC,PHOTO-INTERRUPTER,LG248NL1A	PS_A2
21	XA9-2016-000		12	SCREW, W/WASHER, M3X12	
22	FL1-2162-000		1	SHEET, SPONGE	

Figure B40 PLATEN GUIDE ASS'Y (Single pass ADF)

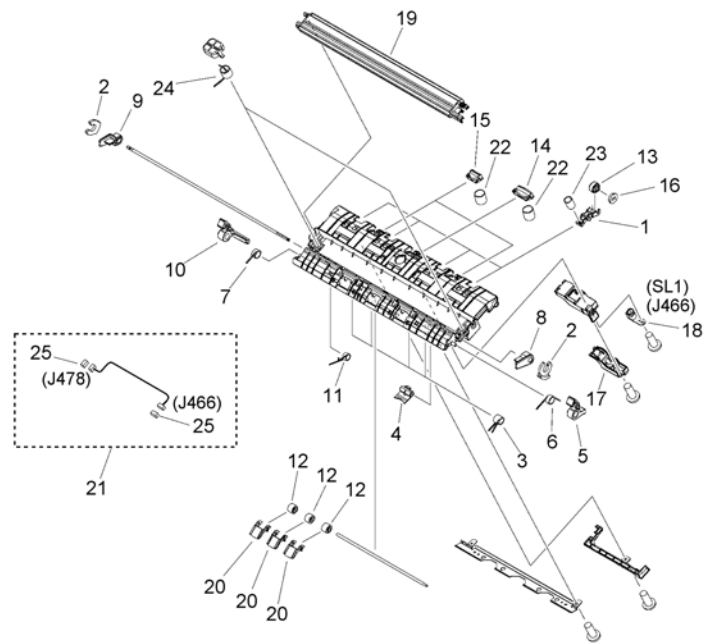


FIGURE & KEY NO.	PART NUMBER	RANK	QTY	DESCRIPTION	SERIAL NUMBER /REMARKS
B40	FM1-J776-000		1	PLATEN GUIDE ASSY	ADF
1	FC0-0504-000		4	ARM, ROLLER	
2	FC0-1271-000		2	CLIP	
3	FC0-1272-000		4	SPRING, TORSION	
4	FC0-1276-000		1	HANDLE, BACK GUIDE	
5	FC0-1277-000		1	HOOK, BACK GUIDE, FRONT	
6	FC0-1279-000		1	SPRING, TORSION	
7	FC0-1280-000		1	SPRING, TORSION	
8	FC0-1284-000		1	LINK, HOOK, FRONT	
9	FC0-1285-000		1	LINK, HOOK, REAR	
10	FC0-1286-000		1	HOOK, BACK GUIDE, REAR	
11	FC0-1287-000		1	SPRING, GROUNDING	
12	FC0-1296-000		3	ROLLER	
13	FC0-8829-000		4	ROLLER	
14	FC5-2978-000		1	GUIDE, REFORM	
15	FC8-5845-000		2	RIB, DELIVERY SHAPE	
16	FE2-2911-000		4	ROLLER	
17	FE8-1840-000		1	COVER, STAMP	
18	FK2-3724-010		1	SOLENOID	SL1
19	FL1-0749-000		1	GUIDE, COPY BOARD	
20	FL3-4954-000		3	FLAPPER, GUIDE	
21	FM0-0301-000		1	CABLE, STAMP	
22	FU5-2240-000		3	SPRING, COMPRESSION	
23	FU8-2678-000		4	SPRING, COMPRESSION	
24	FU8-2681-000		2	SPRING, COMPRESSION	
25	VS1-7177-002		2	CONNECTOR, SNAP TIGHT, BK	

Figure B90 DF DRIVER PCB ASSEMBLY (Single pass ADF)

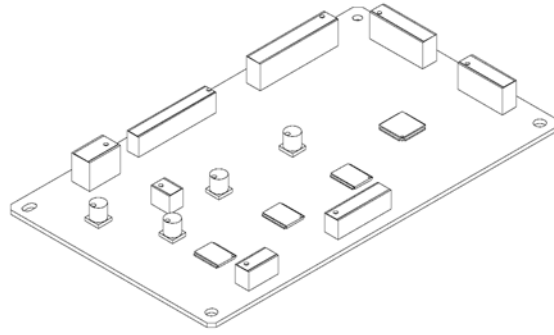


FIGURE & KEY NO.	PART NUMBER	R A N K	QTY	DESCRIPTION	SERIAL NUMBER /REMARKS
B90	FM1-M883-000		1	DF DRIVER PCB ASSEMBLY	ADF
IC	FK2-1773-000		1	IC,TC200GO2EFG-1031,GATE ARRAY	

Figure D01 ATTACHMENT PARTS (READER)

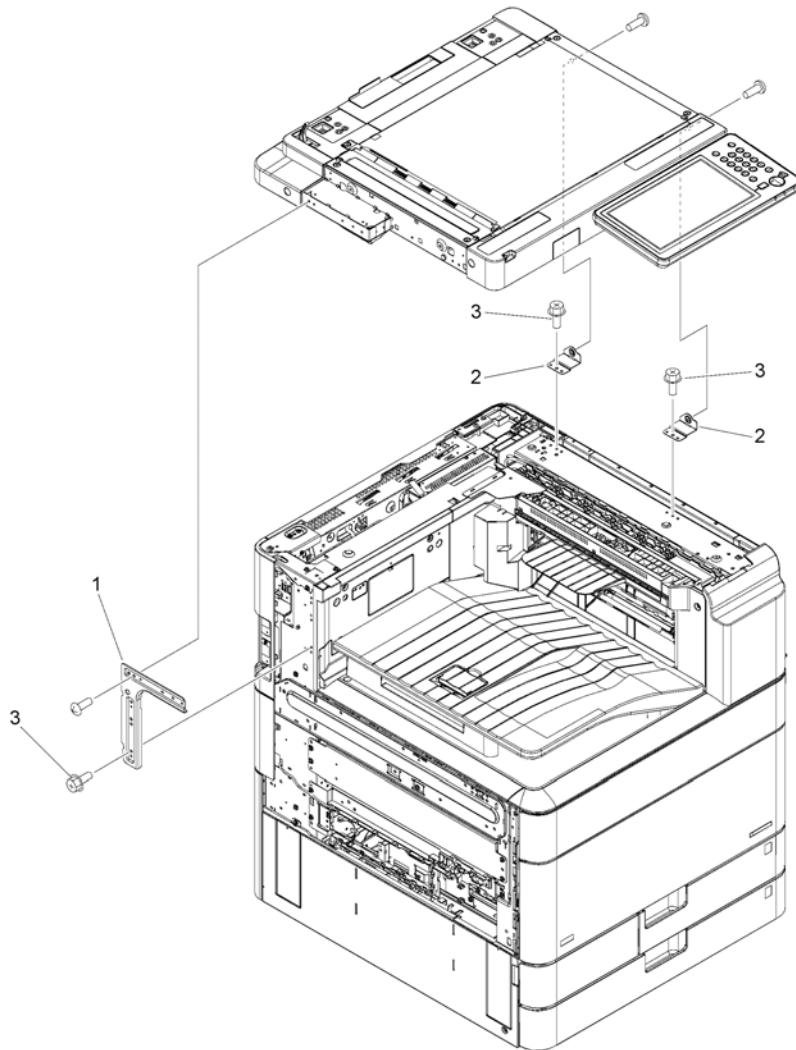


FIGURE & KEY NO.	PART NUMBER	RANK	QTY	DESCRIPTION	SERIAL NUMBER /REMARKS
D01	NPN		RF	ATTACHMENT PARTS	READER
1	FC0-5039-000		1	PLATE, READER MOUNTING, 2	
2	FE4-1928-000		2	PLATE, READER MOUNTING, 1	
3	XA9-0732-010		5	SCREW,RS,M4X8	

Figure D11C READER ASSEMBLY (ADF model)

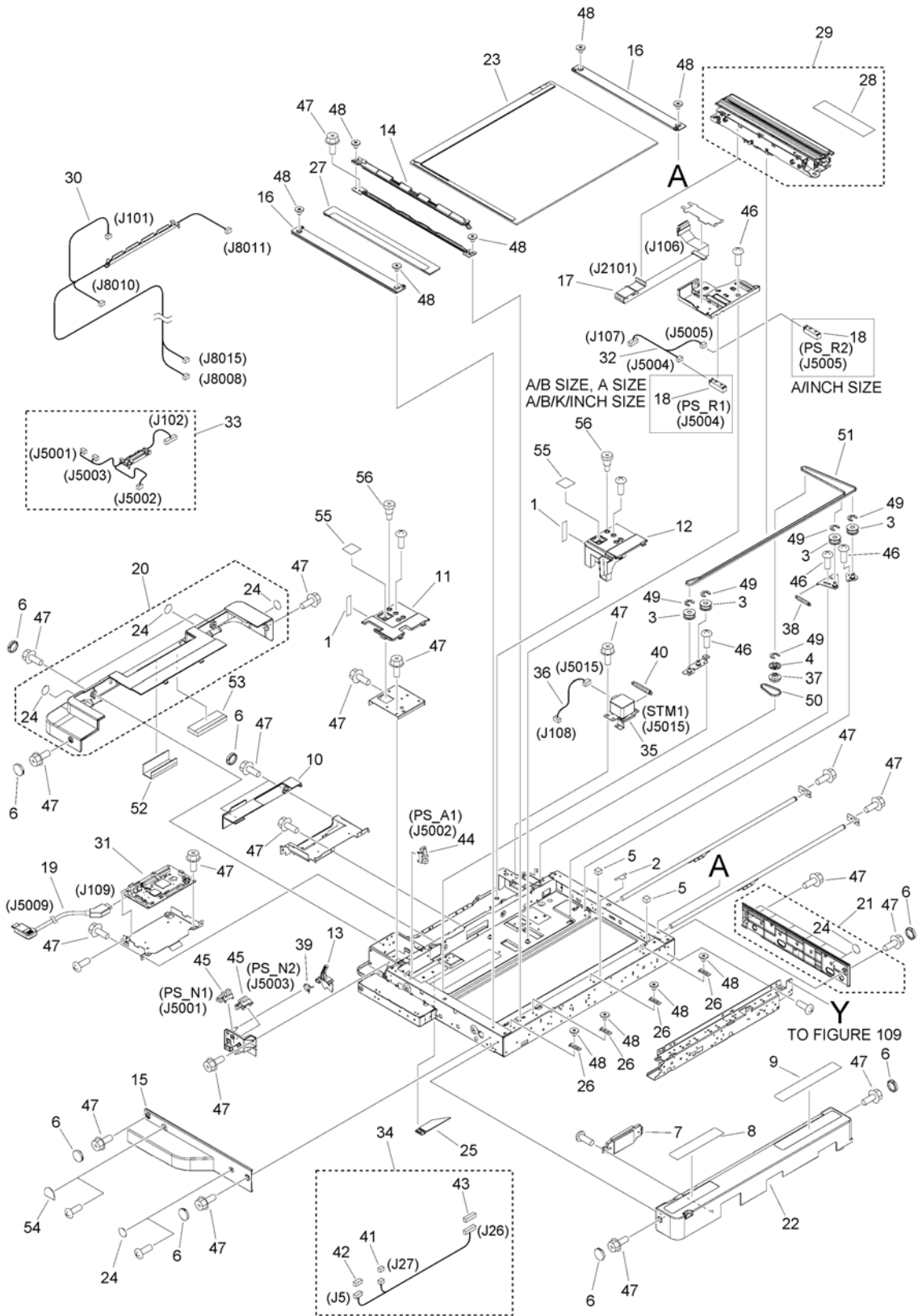


FIGURE & KEY NO.	PART NUMBER	RANK	QTY	DESCRIPTION	SERIAL NUMBER /REMARKS
D11C	NPN		RF	READER ASSEMBLY	ADF model
1	FC0-0691-000		2	SHEET, HINGE COVER	
2	FC0-9291-000		1	SHEET, GLASS PROTECTIVE	
3	FC8-6163-000		4	PULLEY	
4	FC8-6180-000		1	PULLEY	
5	FE2-1752-000		2	SPACER, SHAFT CUSHION	
6	FE3-9178-000		10	CAP	
7	FE4-4435-000		1	COVER, FRONT, SMALL	
8	FE4-6301-000		1	LABEL, CLEANING POSITION	
9	FE4-6293-000		1	LABEL, COPY INHIBITED	US English
9	FE4-6305-000		1	LABEL, COPY INHIBITED	UK English
9	FE4-6306-000		1	LABEL, COPY INHIBITED	French
9	FE4-6307-000		1	LABEL, COPY INHIBITED	German
9	FE4-6308-000		1	LABEL, COPY INHIBITED	Italian
10	FE8-1818-000		1	COVER, MAINTENANCE	
11	FE8-1820-000		1	COVER, HINGE LOWER, LEFT	
12	FE8-1821-000		1	COVER, HINGE LOWER, RIGHT	
13	FE8-1823-000		1	FLAG, OPEN/CLOSE SENSOR	
14	FE8-1824-000		1	COVER, GLASS SUPPORT	
15	FE8-1827-000		1	COVER, SIDE, LEFT	
16	FE8-1853-000		2	COVER, GLASS RETAINING	
17	FK4-4240-000		1	CABLE, FLAT	
18	FK4-4383-000		1	IC, PHOTO SENSOR,DOCUMENT SIZE	PS_R1, PS_R2
19	FK4-2332-000		1	CABLE, INTERFACE	
20	FL0-6479-000		1	COVER, REAR	
21	FL0-6480-000		1	COVER, SIDE, RIGHT	
22	FL1-0395-000		1	COVER, FRONT	
23	FL1-0634-000		1	GLASS, COPYBOARD	
24	FL1-0800-000		10	SEAL	
25	FL1-0835-000		1	GUIDE, FRAME, LOWER	
26	FL3-4761-000		4	COVER, GLASS RETAINING	
27	FL3-4769-000		1	GLASS, READER	
28	FL3-8297-000		1	LABEL, SERVICE, SCANNER UNIT	
29	FM0-2744-000		1	SCANNER UNIT	
30	FM1-L171-000		1	POWER CABLE ASSEMBLY	
31	FM1-M873-000		1	READER CONTROLLER PCB ASSEMBLY	
32	FM1-M875-000		1	CABLE, SIZE SENSING	
33	FM1-M876-000		1	CABLE, SIZE SENSOR	
34	FM1-T854-000		1	CABLE, CENTER	
35	FM4-6171-000		1	MOTOR ASS'Y	STM1
36	FM4-6430-000		1	CABLE, OPTICAL MOTOR	
37	FU5-3710-000		1	PULLEY	
38	FU8-2481-000		1	SPRING, TENSION	
39	FU8-2497-000		1	SPRING, TORSION	

FIGURE & KEY NO.	PART NUMBER	RANK	QTY	DESCRIPTION	SERIAL NUMBER /REMARKS
40	FU8-2600-000		1	SPRING, TENSION	
41	VS1-8959-003		1	CONNECTOR, SNAP TIGHT, 3P, W	
42	VS1-8959-005		1	CONNECTOR, SNAP TIGHT, 5P, W	
43	VS1-8959-008		1	CONNECTOR, SNAP TIGHT, 8P, W	
44	WG8-5848-000		1	IC, PHOTO-INTERRUPTER	PS_A1
45	WG8-5935-000		2	IC, PHOTO INTERRUPTER	PS_N1, PS_N2
46	XA9-1116-030		5	SCREW,M3X5	
47	XA9-1386-000		35	SCREW,RS,M3X8	
48	XA9-1415-000		10	SCREW, FLAT HEAD, M4	
49	XD9-0136-000		5	RING, E	
50	XF2-4606-835		1	BELT, TIMING	
51	XF2-4668-040		1	BELT, TIMING	
52	FL0-4191-000		1	SHEET, SPRING PROTECTION	
53	FC0-0693-000		1	CUSHION, MAINTENANCE COVER	
54	FL1-1086-000		1	SEAL, CABLE BLANKING	
55	FL1-1331-000		2	SHEET, BLANKING	
56	FU5-9139-000		2	SCREW, STEPPED, M5X6	

Figure D11D READER ASSEMBLY (COPYBOARD model)

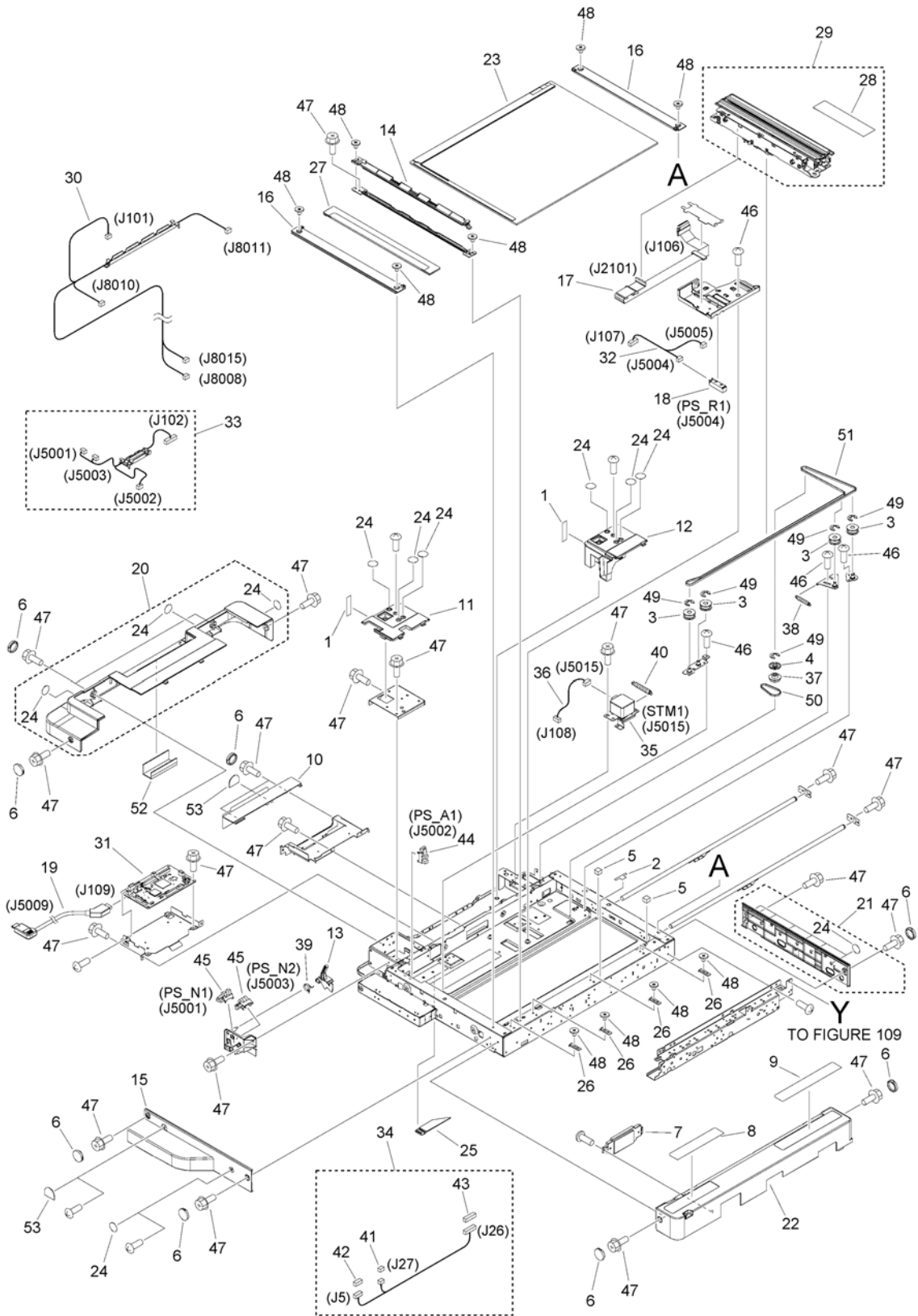


FIGURE & KEY NO.	PART NUMBER	RANK	QTY	DESCRIPTION	SERIAL NUMBER /REMARKS
D11D	NPN		RF	READER ASSEMBLY	COPYBOARD model
1	FC0-0691-000		2	SHEET, HINGE COVER	
2	FC0-9291-000		1	SHEET, GLASS PROTECTIVE	
3	FC8-6163-000		4	PULLEY	
4	FC8-6180-000		1	PULLEY	
5	FE2-1752-000		2	SPACER, SHAFT CUSHION	
6	FE3-9178-000		10	CAP	
7	FE4-4435-000		1	COVER, FRONT, SMALL	
8	FE4-6301-000		1	LABEL, CLEANING POSITION	
9	FE4-6293-000		1	LABEL, COPY INHIBITED	US English
9	FE4-6305-000		1	LABEL, COPY INHIBITED	UK English
9	FE4-6306-000		1	LABEL, COPY INHIBITED	French
9	FE4-6307-000		1	LABEL, COPY INHIBITED	German
9	FE4-6308-000		1	LABEL, COPY INHIBITED	Italian
10	FE8-2694-000		1	COVER, MAINTENANCE	
11	FE8-1820-000		1	COVER, HINGE LOWER, LEFT	
12	FE8-1821-000		1	COVER, HINGE LOWER, RIGHT	
13	FE8-1823-000		1	FLAG, OPEN/CLOSE SENSOR	
14	FE8-1824-000		1	COVER, GLASS SUPPORT	
15	FE8-1827-000		1	COVER, SIDE, LEFT	
16	FE8-1853-000		2	COVER, GLASS RETAINING	
17	FK4-4240-000		1	CABLE, FLAT	
18	FK4-4383-000		1	IC, PHOTO SENSOR,DOCUMENT SIZE	PS_R1
19	FK4-2332-000		1	CABLE, INTERFACE	
20	FL0-6479-000		1	COVER, REAR	
21	FL0-6480-000		1	COVER, SIDE, RIGHT	
22	FL1-0395-000		1	COVER, FRONT	
23	FL1-0634-000		1	GLASS, COPYBOARD	
24	FL1-0800-000		16	SEAL	
25	FL1-0835-000		1	GUIDE, FRAME, LOWER	
26	FL3-4761-000		4	COVER, GLASS RETAINING	
27	FL3-4769-000		1	GLASS, READER	
28	FL3-8297-000		1	LABEL, SERVICE, SCANNER UNIT	
29	FM0-2744-000		1	SCANNER UNIT	
30	FM1-L171-000		1	POWER CABLE ASSEMBLY	
31	FM1-M873-000		1	READER CONTROLLER PCB ASSEMBLY	
32	FM1-M875-000		1	CABLE, SIZE SENSING	
33	FM1-M876-000		1	CABLE, SIZE SENSOR	
34	FM1-T854-000		1	CABLE, CENTER	
35	FM4-6171-000		1	MOTOR ASS'Y	STM1
36	FM4-6430-000		1	CABLE, OPTICAL MOTOR	
37	FU5-3710-000		1	PULLEY	
38	FU8-2481-000		1	SPRING, TENSION	
39	FU8-2497-000		1	SPRING, TORSION	

FIGURE & KEY NO.	PART NUMBER	RANK	QTY	DESCRIPTION	SERIAL NUMBER /REMARKS
40	FU8-2600-000		1	SPRING, TENSION	
41	VS1-8959-003		1	CONNECTOR, SNAP TIGHT, 3P, W	
42	VS1-8959-005		1	CONNECTOR, SNAP TIGHT, 5P, W	
43	VS1-8959-008		1	CONNECTOR, SNAP TIGHT, 8P, W	
44	WG8-5848-000		1	IC, PHOTO-INTERRUPTER	PS_A1
45	WG8-5935-000		2	IC, PHOTO INTERRUPTER	PS_N1, PS_N2
46	XA9-1116-030		5	SCREW,M3X5	
47	XA9-1386-000		35	SCREW,RS,M3X8	
48	XA9-1415-000		10	SCREW, FLAT HEAD, M4	
49	XD9-0136-000		5	RING, E	
50	XF2-4606-835		1	BELT, TIMING	
51	XF2-4668-040		1	BELT, TIMING	
52	FL0-4191-000		1	SHEET, SPRING PROTECTION	
53	FL1-1086-000		2	SEAL, CABLE BLANKING	

Figure E10 IC CARD READER BOX (ADF model)

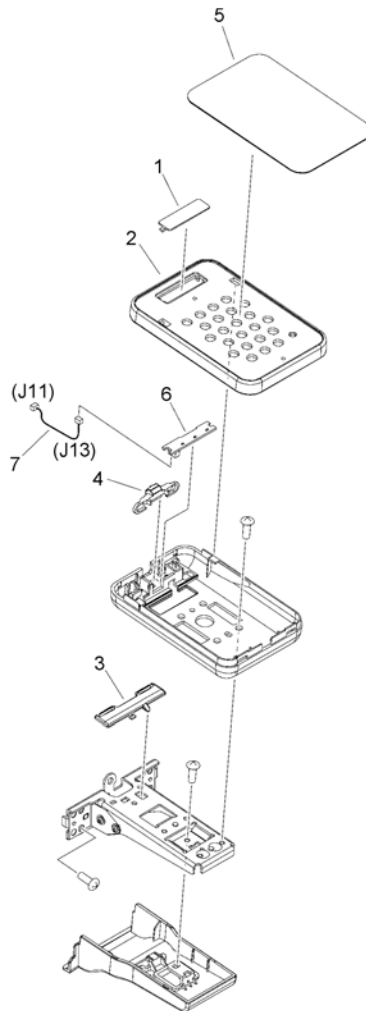


FIGURE & KEY NO.	PART NUMBER	RANK	QTY	DESCRIPTION	SERIAL NUMBER /REMARKS
E10	NPN		RF	IC CARD READER BOX	ADF model
1	FE4-2089-000		1	GUIDE, LAMP LED	
2	FE4-8497-000		1	COVER, UPPER	
3	FE4-9062-000		1	COVER, SMALL	
4	FE4-9063-000		1	STOPPER	
5	FL0-7961-000		1	SHEET	
6	FM1-M945-000		1	LED PCB ASSEMBLY	
7	FM1-T856-000		1	CABLE, CARD READER	

Figure H30 CASSETTE ASSEMBLY (SMALL)

NOTE : Several kinds of labels are attached on the board for the parts of Key No. 2.

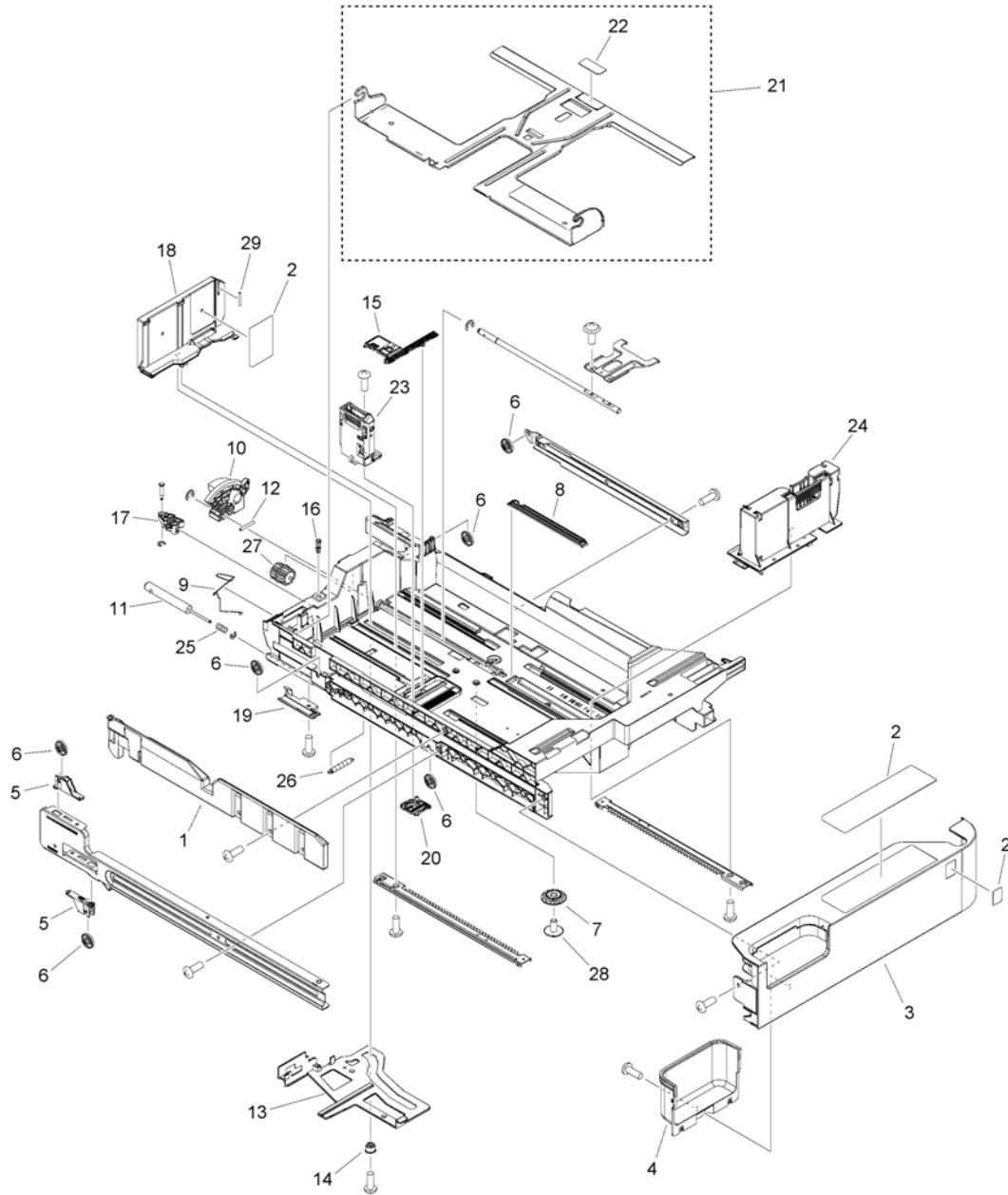


FIGURE & KEY NO.	PART NUMBER	RANK	QTY	DESCRIPTION	SERIAL NUMBER /REMARKS
H30	FM1-G581-000		1	CASSETTE ASSEMBLY	SMALL
1	FE4-8712-000		1	BLOCK, PROTECTION	
2	FE8-1362-000		1	LABEL, CASSETTE MULTIPLE	SEE NOTE
3	FE4-4602-000		1	COVER, CASSETTE FRONT	
4	FE8-1332-000		1	HANDLE, CST. FRONT COVER	
5	FE8-1309-000		2	MOUNT, CASSETTE ROLLER	
6	FE3-1528-010		6	ROLLER, CASSETTE	
7	FC8-4990-000		1	GEAR, 14T	
8	FE2-0026-010		1	PLATE, FREE STOP	
9	FE3-0483-000		1	SPRING, GROUNDING	
10	FE3-1527-010		1	GEAR, 68T/37T	
11	FE3-8418-000		1	DAMPER, OIL, POM	
12	XD9-0359-000		1	PIN, PARALLEL	
13	FE8-1308-000		1	LINK, SIZE DETECT	
14	FE8-1315-000		1	SHAFT, SUPPORT	
15	FE8-1319-000		1	RACK, LINK	
16	FE8-1324-000		1	PIN, ARM	
17	FE8-1329-000		1	ARM, GUIDE	
18	FE8-1334-000		1	PLATE, PAPER SIDE END, REAR	
19	FE8-1335-000		1	HOLDER, DAMPER	
20	FE8-1698-000		1	PLATE, LINK	
21	FL1-0463-000		1	PLATE, LIFTING	
22	FL3-6526-000		1	SHEET, SEPARATION	
23	FM1-M018-000		1	BACK END LIMIT ASSEMBLY	
24	FM1-M024-000		1	SIDE END PLATE ASSEMBLY, FRONT	
25	FU2-1278-000		1	SPRING, COMPRESSION	
26	FU9-2418-000		1	SPRING, TENSION	
27	RC1-9396-000		1	GEAR, 14T	
28	XA9-1523-000		1	SCREW, B, M4X8	
29	XD9-0337-000		1	PIN, PARALLEL	

Figure H31 CASSETTE ASSEMBLY (LARGE)

NOTE : Several kinds of labels are attached on the board for the parts of Key No. 19.

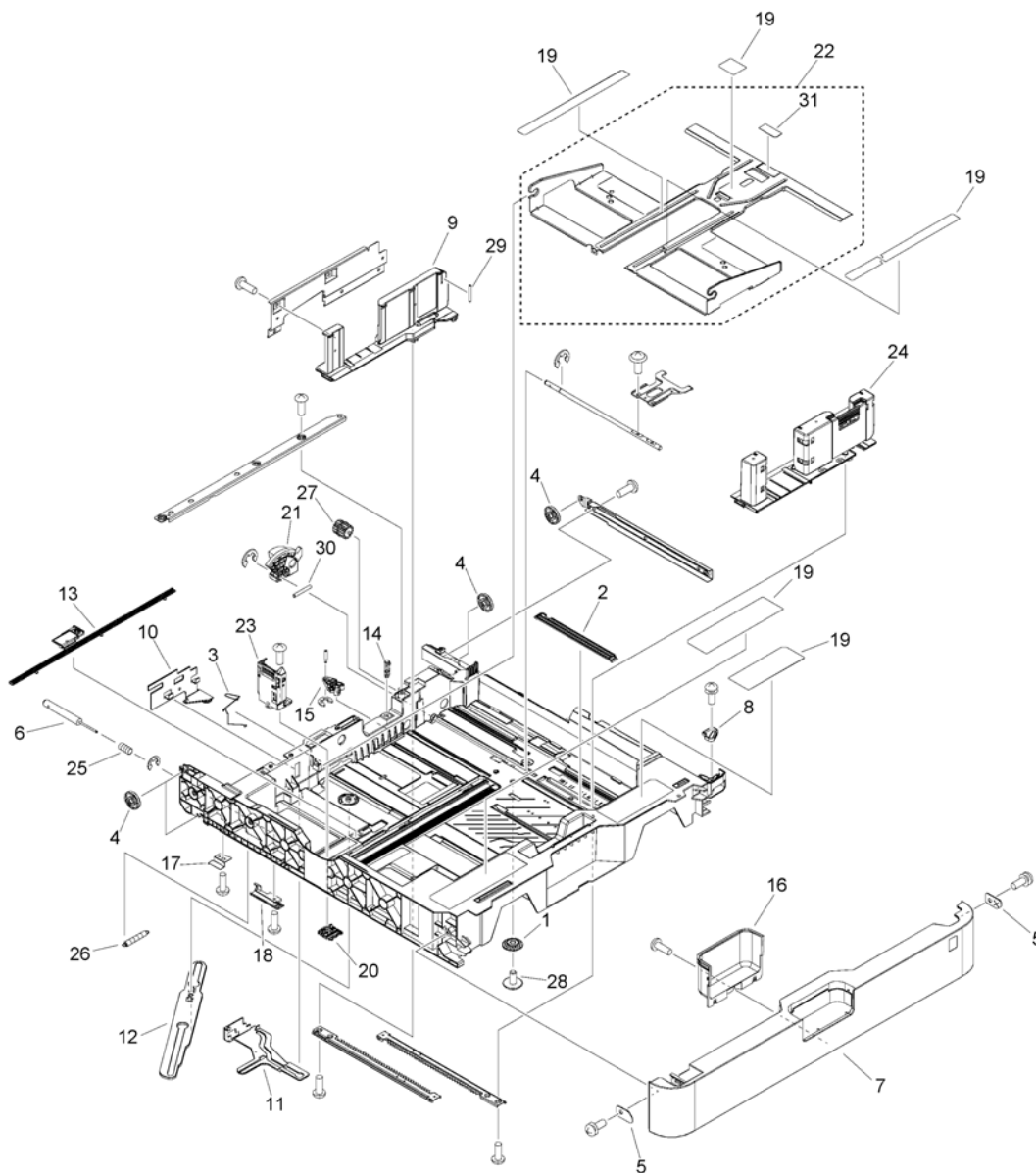


FIGURE & KEY NO.	PART NUMBER	RANK	QTY	DESCRIPTION	SERIAL NUMBER /REMARKS
H31	FM1-G582-000		1	CASSETTE ASSEMBLY	LARGE
1	FC8-4990-000		1	GEAR, 14T	
2	FE2-0026-010		1	PLATE, FREE STOP	
3	FE3-0483-000		1	SPRING, GROUNDING	
4	FE3-1528-010		4	ROLLER, CASSETTE	
5	FE3-8153-000		2	WASHER	
6	FE3-8418-000		1	DAMPER, OIL, POM	
7	FE4-4603-000		1	COVER, CASSETTE FRONT	
8	FE4-4604-000		1	SPACER	
9	FE8-1303-000		1	PLATE, PAPER SIDE END, REAR	
10	FE8-1305-000		1	CAM, BACK END DETECT	
11	FE8-1306-000		1	LINK, SIZE DETECT	
12	FE8-1307-000		1	ARM, BACK END DETECT	
13	FE8-1316-000		1	RACK, LINK	
14	FE8-1324-000		1	PIN, ARM	
15	FE8-1329-000		1	ARM, GUIDE	
16	FE8-1332-000		1	HANDLE, CST. FRONT COVER	
17	FE8-1333-000		1	PLATE, CASSETTE STOPPER	
18	FE8-1335-000		1	HOLDER, DAMPER	
19	FE8-1363-000		1	LABEL, MULTIPLE, LARGE	SEE NOTE
20	FE8-1698-000		1	PLATE, LINK	
21	FE8-3971-000		1	GEAR, 15T/8T	
22	FL1-0464-000		1	PLATE, LIFTING	
23	FM1-M018-000		1	BACK END LIMIT ASSEMBLY	
24	FM1-M025-000		1	SIDE END PLATE ASSEMBLY, FRONT	
25	FU2-1278-000		1	SPRING, COMPRESSION	
26	FU9-2418-000		1	SPRING, TENSION	
27	RC1-9396-000		1	GEAR, 14T	
28	XA9-1523-000		1	SCREW, B, M4X8	
29	XD9-0337-000		1	PIN, PARALLEL	
30	XD9-0359-000		1	PIN, PARALLEL	
31	FL3-6526-000		1	SHEET, SEPARATION	

Figure ZZA MECHANICAL STANDARD PARTS (HOW TO USE)

Mechanical standard parts 機械標準部品

About a mechanical standard parts

A Mechanical standard parts is a mechanical part which not parts peculiar to a product.
They are parts which are common to a Canon product and are used, such as a screw and a washer.
The Fig No. and parts number of the mechanical standard parts are not listed in the product parts catalog.
Refer to the parts catalog of mechanical standard parts when checking the parts number for screw or washer etc. and identify them by part shape or size.

機械標準部品とは

機械標準部品とは、製品特有の部品ではなく、ねじやワッシャなどキヤノン製品共通で使用されている機械部品（メカ部品）のことです。
製品のパーツカタログには、機械標準部品のFig No.や部品番号は記載していません。
ねじや、ワッシャ等の部品番号を調べる時は、機械標準部品のパーツカタログを参照し、部品の形状や大きさから判断し、使用している部品を調べてください。

Material and surface treatment of a mechanical standard parts

Material and surface treatment of mechanical standard parts are assigned commonly for each part.
Refer to the Table 1 for the parts which material and surface treatment are assigned as numbers.

機械標準部品の材料および表面処理

機械標準部品の材料および表面処理については、各種部品共通で決められています。
材料および表面処理が番号で決められている部品については、表1を参照してください。

Table 1 Material and Surface treatment
表1 材料および表面処理

No. 番号	Material 材料	Surface treatment 表面処理	Color 色
1	Stainless steel ステンレス	Stainless steel black coloring (BC4) ステンレス黒着色(BC4)	Black 黒
2		not to be given なし	White 白
3	Brass 黄銅	Regular nickel plating (NL) 普通ニッケルメッキ(NL)	White 白
4		Black nickel plating (BN) 黒色ニッケルメッキ(BN)	Black 黒
5	Steel 鋼	White zinc trivalent chromate treating (ZC3) 白色亜鉛3価クロメート(ZC3)	White 白
6		Regular nickel chromium plating (NC) 普通ニッケルクロムメッキ(NC)	White 白
7		Regular nickel plating (NL) 普通ニッケルメッキ(NL)	White 白
8		Iron and steel phosphating (P1) 鉄鋼燐酸塩処理(P1)	Black 黒
9		Black zinc trivalent chromate treating (BZ3) 黒色亜鉛3価クロメート(BZ3)	Black 黒

Figure ZZB (1/7)MECHANICAL STANDARD PARTS (SCREWS)

1. Screws
ねじ

How to read Parts Numbers
部品番号の見方

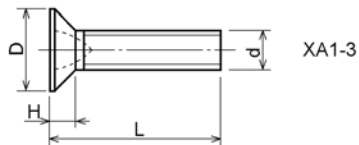
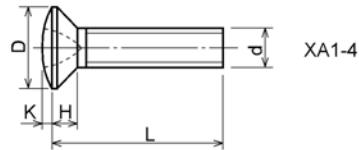
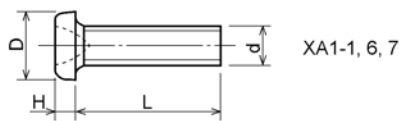
Screws
ねじ

XB1-2400-609

Type No.
類別番号
Normal designation (d)
ねじの呼び (d)
Length (L)
ねじの長さ (L)
Material and Surface treatment
材料および表面処理

XB1-2 expresses Binding head machine screw.
XB1-2は、バインドねじを表す
40 expresses M4.0.
40は、M4.0を表す
0-60 expresses a length of 6.0mm.
0-60は、6.0mmの長さを表す
9 expresses Steel (Black zinc trivalent chromate
treating) from Table 1.
9は、表1より鋼 (黒色亜鉛3価クロメート) を表す

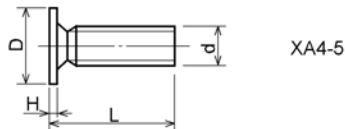
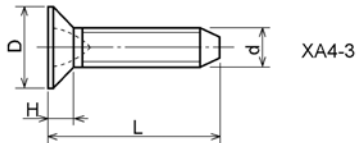
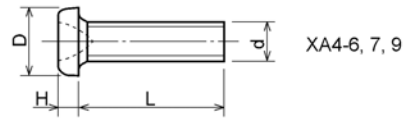
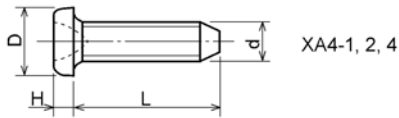
1-1. Cross Recessed Head Screws for Precision Equipments
精密機器用十字穴付き小ねじ



Type No. 類別番号	Type 類別	Head size (mm) 頭部寸法 (mm)						
		M1.4	M1.6	M1.7	M2	M2.5	M2.6	
XA1-1	Pan head Class 1 なべ1種	D	2	2.4	2.5	3	3.8	4
		H	0.5	0.55	0.5	0.6	0.9	0.8
XA1-3	Countersunk head Class 1 さら1種	D	2	2.4	2.5	3	3.8	4
		H	0.48	0.55	0.58	0.73	0.85	0.93
XA1-4	Oval countersunk head Class 1 丸さら1種	D	2	2.4	2.5	3	3.8	4
		H + K	0.68	0.8	0.88	1	1.25	1.3
XA1-6	Pan head Class 3 なべ3種	D	2.5	2.8	3	3.5	4.3	4.5
		H	0.8	0.85	0.9	1	1.3	1.2
XA1-7	Pan head Class 2 なべ2種	D	2.5	2.8	3	3.5	4.3	4.5
		H	0.5	0.55	0.5	0.6	0.9	0.8

Figure ZZB (2/7)MECHANICAL STANDARD PARTS (SCREWS)

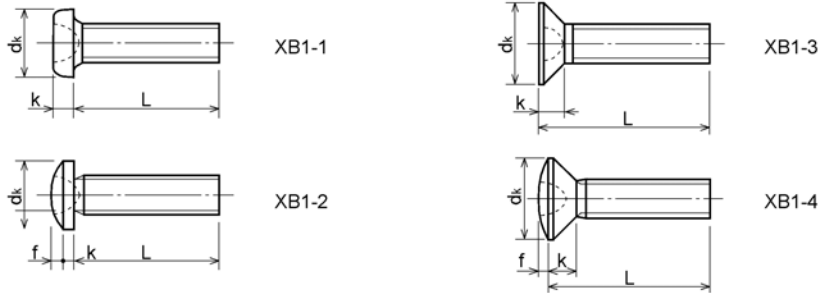
1-2. Precision Tapping Screws
精密用タッピンねじ



Type No. 類別番号	Type 類別	Head size (mm) 頭部寸法 (mm)						
		M1.4	M1.6	M1.7	M2	M2.5	M2.6	
XA4-1	With tapered end pan head Class 1 絞り-なべ1種	D XA4-1	2	2.4	2.5	3	3.8	4
		H XA4-1	0.5	0.55	0.5	0.6	0.9	0.8
XA4-2	With tapered end pan head Class 3 絞り-なべ3種	D XA4-2	2.5	2.8	3	3.5	4.3	4.5
		H XA4-2	0.8	0.85	0.9	1	1.3	1.2
XA4-3	With tapered end countersunk head 絞り-さら	D XA4-3	2	2.4	2.5	3	3.8	4
		H XA4-3	0.48	0.55	0.58	0.73	0.85	0.93
XA4-4	With tapered end pan head Class 2 絞り-なべ2種	D XA4-4	2.5	2.8	3	3.5	4.3	4.5
		H XA4-4	0.5	0.55	0.5	0.6	0.9	0.8
XA4-5	With parallel end ultra thin head ストレート-超薄頭	D XA4-5	2.5	2.8	3	-	-	-
		H XA4-5	0.2	0.2	0.2	-	-	-
XA4-6	With parallel end pan head Class 1 ストレート-なべ1種	D XA4-6	2	2.4	2.5	3	3.8	4
		H XA4-6	0.5	0.55	0.5	0.6	0.9	0.8
XA4-7	With parallel end pan head Class 3 ストレート-なべ3種	D XA4-7	2.5	2.8	3	3.5	4.3	4.5
		H XA4-7	0.8	0.85	0.9	1	1.3	1.2
XA4-8	With parallel end countersunk head ストレート-さら	D XA4-8	2	2.4	2.5	3	3.8	4
		H XA4-8	0.48	0.55	0.58	0.73	0.85	0.93
XA4-9	With parallel end pan head Class 2 ストレート-なべ2種	D XA4-9	2.5	2.8	3	3.5	4.3	4.5
		H XA4-9	0.5	0.55	0.5	0.6	0.9	0.8

Figure ZZB (3/7)MECHANICAL STANDARD PARTS (SCREWS)

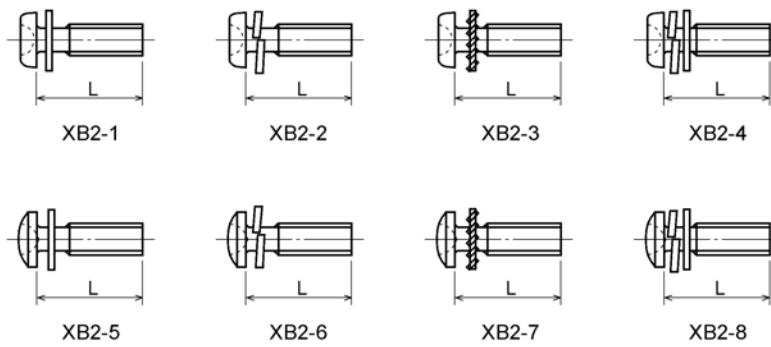
1-3. Cross Recessed Head Screws
一般用十字穴付き小ねじ



Type No. 類別番号	Type 類別	Head size (mm) 頭部寸法 (mm)					
		M2	M2.5	M2.6	M3	M4	M5
XB1-1	Pan head なべ	3.5	4.5	4.5	5.5	7	9
XB1-2	Binding head バインド	1.2	1.5	1.6	1.9	2.5	3.1
XB1-3	Countersunk head さら	4	5	-	6	8	10
XB1-4	Oval countersunk head 丸さら	1.6	2	-	2.45	3.2	4
Screw part length ねじ部長さ b		8	12	12	12	16	20

Figure ZZB (4/7) MECHANICAL STANDARD PARTS (SCREWS)

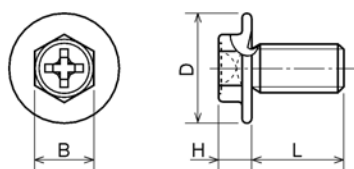
1-4. Cross Recessed Head Screws with Captive Washer
座金組込み十字穴付き小ねじ



Type No. 類別番号	Type 類別
XB2-1	Pan head + Plain washer (circular bright) なべねじ+平座金
XB2-2	Pan head + Spring washer なべねじ+ばね座金
XB2-3	Pan head + Toothed lock washer なべねじ+歯付座金
XB2-4	Pan head + Spring washer and plain washer (circular bright) なべねじ+(ばね+平)座金
XB2-5	Binding head + Plain washer (circular bright) バインドねじ+平座金
XB2-6	Binding head + Spring washer バインドねじ+ばね座金
XB2-7	Binding head + Toothed lock washer バインドねじ+歯付座金
XB2-8	Binding head + Spring washer and plain washer (circular bright) バインドねじ+(ばね+平)座金

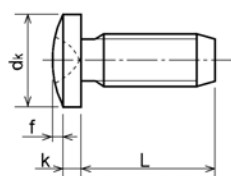
Figure ZZB (5/7) MECHANICAL STANDARD PARTS (SCREWS)

1-5. Hexagon Head Tapping Screws for Matallic Materials
 金属用六角タッピンねじ



Type No. 類別番号	Type 類別	Head size (mm) 頭部寸法 (mm)		
		M3	M4	
XB3-6	For metallic materials 金属用タッピン	D	8	10
		B	5.5	5.5
XB3-7	For metallic materials with clawed 金属用タッピン-つめ付き	H XB3-6	3.1	3.1
		H XB3-7	3.2	3.2

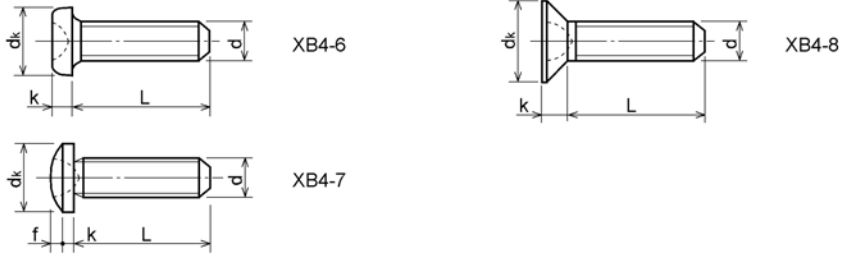
1-6. Special Tapping Screws
 特殊タッピンねじ



Type No. 類別番号	Type 類別	Head size (mm) 頭部寸法 (mm)		
		M3	M4	
XB4-5	Binding head バインド	dk	6.3	8.3
		k	1.3	1.7
		k+f	1.9	2.5

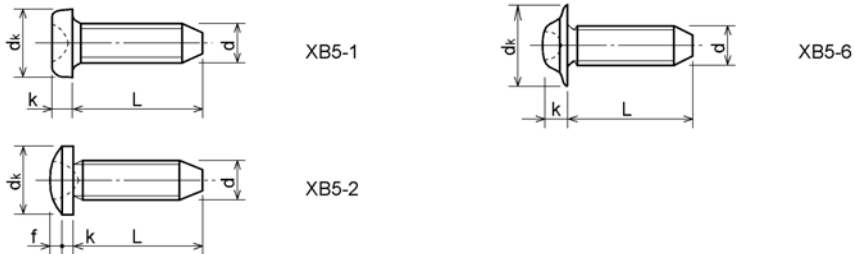
Figure ZZB (6/7) MECHANICAL STANDARD PARTS (SCREWS)

1-7. General Head Tapping Screws
一般用タッピンねじ



Type No. 類別番号	Type 類別	Head size (mm) 頭部寸法 (mm)						
		M2	M2.5	M2.6	M3	M4	M5	
XB4-6	Pan head なべ	dk XB4-6	3.5	4.5	4.5	5.5	7	9
		k XB4-6	1.3	1.7	1.7	2	2.6	3.3
XB4-7	Binding head バインド	dk XB4-7	4.3	5.3	5.5	6.3	8.3	10.3
		k+f XB4-7	1.2	1.5	1.6	1.9	2.5	3.1
XB4-8	Countersunk head さら	dk XB4-8	4	5	5.2	6	8	10
		k XB4-8	1.2	1.45	1.5	1.75	2.3	2.8

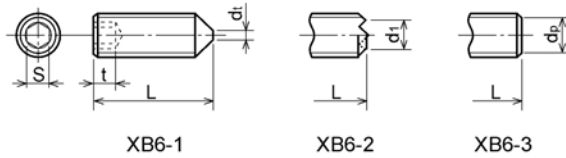
1-8. Tapping Screws for Metallic Materials
金属用タッピンねじ



Type No. 類別番号	Type 類別	Head size (mm) 頭部寸法 (mm)					
		M2.5	M2.6	M3	M4	M5	
XB5-1	Pan head なべ	dk XB5-1	4.5	4.5	5.5	7	9
		k XB5-1	1.7	1.7	2	2.6	3.3
XB5-2	Binding head バインド	dk XB5-2	5.5	5.5	6.3	8.3	10.3
		k+f XB5-2	1.6	1.6	1.9	2.5	3.1
XB5-6	Flanged pan head つば付きなべ	dk XB5-6	6.5	6.5	8	10	12
		k XB5-6	2.1	2.1	1.75	3.2	4

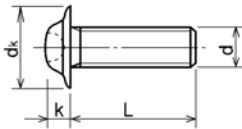
Figure ZZB (7/7) MECHANICAL STANDARD PARTS (SCREWS)

1-9. Hexagon Socket Set Screws
六角穴付き止めねじ



Type No. 類別番号	Type 類別	Head size (mm) 頭部寸法 (mm)						
		M1.6 M1.7	M2	M2.5 M2.6	M3	M5	M5	M6
	S	0.7	0.9	1.3	1.5	2	2.5	3
	t	1.5	1.7	2	2	2.5	3	3.5
	dt max XB6-1	0.4	0.5	0.65	0.75	1	1.25	1.5
	d1 max XB6-2	-	1.2	1.5	1.7	2.2	2.8	3.3
	d1 min XB6-2	-	1	1.2	1.4	1.9	2.4	2.9
	dp max XB6-3	0.8	1	1.5	2	2.5	3.5	4
	dp min XB6-3	0.55	0.75	1.25	1.75	2.25	3.2	3.7

1-10. Flanged Pan Head Machine Screws
つば付きなべ小ねじ



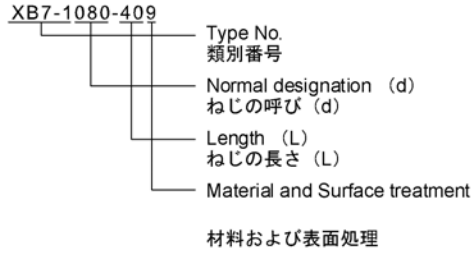
Type No. 類別番号	Type 類別	Head size (mm) 頭部寸法 (mm)				
		M2	M2.5 M2.6	M3	M5	M5
	dk	5	6.5	8	10	12
	k	1.7	2.1	2.5	3.2	4

Figure ZZC MECHANICAL STANDARD PARTS (BOLTS)

2. Bolts (Socket head cap screw)
ボルト

How to read Parts Numbers
部品番号の見方

Bolt (Socket head cap screw)
ボルト



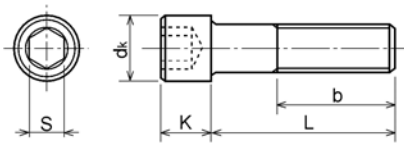
XB7-1 expresses Hexagon socket head cap screws.
XB7-1は、六角穴付きボルトを表す

080 expresses M8.0.
080は、M8.0を表す

40 expresses a length of 40mm.
40は、40mmの長さを表す

9 expresses Steel (Black zinc trivalent chromate treating) from Table 1.
9は、表1より鋼（黒色亜鉛3価クロメート）を表す

2-1. Hexagon socket head cap screws
六角穴付きボルト



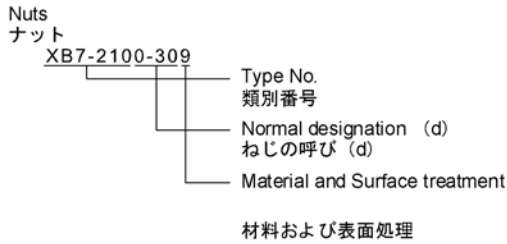
Type No. 類別番号	Type 類別
XB7-1	Hexagon socket head cap screws 六角穴付きボルト

	Head size (mm) 頭部寸法 (mm)						
	M3	M4	M5	M6	M8	M10	M12
S	2.5	3	4	5	6	8	10
dk	5.5	7	8.5	10	13	16	18
K	3	4	5	6	8	10	12
Screw part length ねじ部長さ b_{max}	18	20	22	24	28	32	36

Figure ZZD MECHANICAL STANDARD PARTS (NUTS)

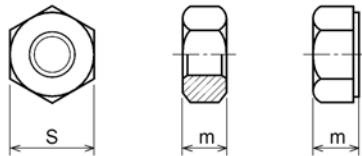
3. Nuts
ナット

How to read Parts Numbers
部品番号の見方



XB7-210 expresses Hexagon nut class 1.
XB7-210は、六角ナット1種を表す
0-30 expresses M3.0.
0-30は、M3.0を表す
9 expresses Steel (Black zinc trivalent chromate
treating) from Table 1.
9は、表1より鋼（黒色亜鉛3価クロメート）を表す

3-1. Hexagon Nuts and Hexagon Thin Nuts
六角ナット



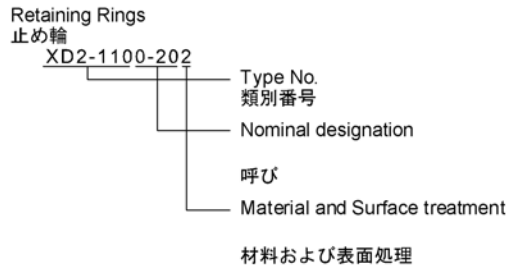
Type No. 類別番号	Type 類別
XB7-210	Hexagon nut Class 1 六角ナット-1種
XB7-220	Hexagon nut Class 3 六角ナット-3種
XB7-230	Hexagon nut Style 1 double chamfered 六角ナット-スタイル1-両面とり
XB7-231	Hexagon nut Style 1 washer faced 六角ナット-スタイル1-座付き
XB7-240	Hexagon nut Style 2 double chamfered 六角ナット-スタイル2-両面とり
XB7-241	Hexagon nut Style 2 washer faced 六角ナット-スタイル2-座付き
XB7-250	Hexagon nut 六角ナット
XB7-260	Hexagon thin nut double chamfered 六角低ナット-両面とり
XB7-270	Hexagon thin nut not chamfered 六角低ナット-面とり無し

	Head size (mm) 頭部寸法 (mm)						
	M2	M2.5	M3	M4	M5	M6	M8
S	4	5	5.5	7	8	10	13
m XB7-210	1.6	2	2.4	3.2	4	5	6.5
m XB7-220	1.2	1.6	1.8	2.4	3.2	3.6	5
m XB7-230, 231	1.6	2	2.4	3.2	4.7	5.2	6.8
m XB7-240, 241	-	-	-	-	5.1	5.7	7.5
m XB7-250	-	-	-	-	5.6	6.1	7.9
m XB7-260	1.2	1.6	1.8	2.2	2.7	3.2	4
m XB7-270	1.2	1.6	1.8	2.2	2.7	3.2	4

Figure ZZE (1/3)MECHANICAL STANDARD PARTS (RETAINING RINGS)

5. Retaining Rings
止め輪

How to read Parts Numbers
部品番号の見方

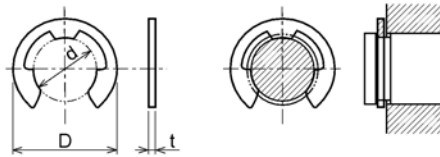


XD2-110 expresses retaining ring-E type (Type1).
XD2-110は、E形止め輪（1種）を表す

0-20 expresses a 020 of nominal designation.
(See Table 5)
0-20は、呼び020を表す（表5参照）

2 expresses Stainless steel (Surface treatment is not to be given) from Table 1.
2は、表1よりステンレス（表面処理なし）を表す

5-1. Retaining Rings - E type
E形止め輪



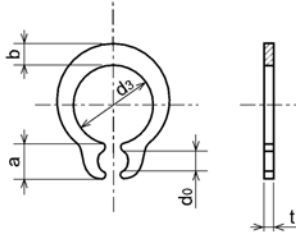
Type No. 類別番号	Type 類別
XD2-110	Retaining ring - E type (Type 1) E形止め輪（1種）
XD2-120	Retaining ring - E type (Type 2) E形止め輪（2種）

Table 5 表5

Type 種類	Nominal designation 呼び	d (mm)	D (mm)	t (mm)
Type 1 1種	007	0.65	2	0.2
	010	0.95	2.8	0.2
	013	1.25	3.3	0.3
	017	1.65	4.2	0.4
	020	1.95	4.6	0.5
	024	2.35	6	0.6
	028	2.74	6.5	0.6
	032	3.14	7.2	0.6
	037	3.64	8	0.7
	040	3.93	10	0.7
	042	4.13	10	0.7
	050	4.93	11	0.7
	058	5.73	12	0.7
	060	5.93	12.7	0.9
064	6.32	13.5	0.9	
074	7.31	15	0.9	
080	7.91	16.5	1	
Type 2 2種	008	0.8	2	0.2
	012	1.2	3	0.3
	015	1.5	4	0.4
	020	2	5	0.4
	025	2.5	6	0.4
	030	3	7	0.6
	040	4	9	0.6
	050	5	11	0.6
	060	6	12	0.8
	070	7	14	0.8
	080	8	16	0.8
	090	9	18	0.8
	100	10	20	1

Figure ZZE (2/3)MECHANICAL STANDARD PARTS (RETAINING RINGS)

5-2. Grip Rings
グリップ止め輪

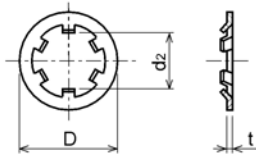


Type No. 類別番号	Type 類別
XD2-210	Grip ring グリップ止め輪

Table 5 表5

Nominal designation 呼び	d_3 (mm)	t (mm)	b (mm)	a (mm)	d_0 (mm)
020	1.9	0.5	1	1.8	0.8
025	2.35	0.5	1.2	1.9	0.9
030	2.85	0.6	1.4	1.9	0.9
035	3.3	0.6	1.6	2	0.9
040	3.8	0.8	1.8	2.8	1.2
045	4.25	0.8	2	2.9	1.3
050	4.75	0.8	2.2	2.9	1.3
060	5.7	1	2.4	3.1	1.4
070	6.7	1	2.7	3.3	1.4
080	7.7	1	3	3.5	1.4
090	8.65	1.2	3.3	4.7	1.5
100	9.65	1.2	3.5	4.7	2

5-3. Toothed Retaining Rings
歯付き形止め輪



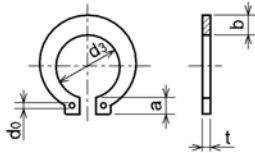
Type No. 類別番号	Type 類別
XD2-230	Toothed retaining ring 歯付き形止め輪

Table 5 表5

Nominal designation 呼び	d_2 (mm)	D (mm)	t (mm)	No of teeth 歯数
015	1.4	5.2	0.25	3
020	1.9	6	0.25	3
024	2.3	6.4	0.25	3
030	2.8	8	0.25	4
040	3.8	9	0.25	4
050	4.8	10	0.25	5
060	5.8	11	0.25	5
080	7.8	13	0.25	5
100	9.8	15.4	0.25	6

Figure ZZE (3/3)MECHANICAL STANDARD PARTS (RETAINING RINGS)

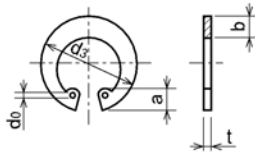
5-4. Retaining Rings - C Type
C形止め輪



Type No. 類別番号	Type 類別
XD2-310	Retaining ring - C type for shaft C形止め輪 軸用

Table 5 表5

Nominal designation 呼び	ds (mm)	t (mm)	b (mm)	a (mm)	d0 (mm)
010	9.3	1	1.6	3	1.2
012	11.1	1	1.8	3.2	1.5
014	12.9	1	2	3.4	1.7
015	13.8	1	2.1	3.5	1.7
016	14.7	1	2.2	3.6	1.7
017	15.7	1	2.2	3.7	1.7
018	16.5	1.2	2.6	3.8	1.7
020	18.5	1.2	2.7	3.9	2
022	20.5	1.2	2.7	4.1	2
025	23.2	1.2	3.1	4.3	2
028	25.9	1.5	3.1	4.6	2
030	27.9	1.5	3.5	4.8	2
032	29.6	1.5	3.5	5	2.5
035	32.2	1.5	4	5.4	2.5



Type No. 類別番号	Type 類別
XD2-320	Retaining ring - C type for hole C形止め輪 穴用

Table 5 表5

Nominal designation 呼び	ds (mm)	t (mm)	b (mm)	a (mm)	d0 (mm)
010	10.7	1	1.8	3.1	1.2
011	11.8	1	1.8	3.2	1.2
012	13	1	1.8	3.3	1.5
014	15.1	1	2	3.6	1.7
016	17.3	1	2	3.7	1.7
018	19.5	1	2.5	4	1.7
019	20.5	1	2.5	4	2
020	21.5	1	2.5	4	2
022	23.5	1	2.5	4.1	2
025	26.9	1.2	3	4.4	2
028	30.1	1.2	3	4.6	2
030	32.1	1.2	3	4.7	2
032	34.4	1.2	3.5	5.2	2.5
035	37.8	1.5	3.5	5.2	2.5
037	39.8	1.5	3.5	5.2	2.5
040	43.5	1.8	4	5.7	2.5
042	45.5	1.8	4	5.8	2.5
045	48.5	1.8	4.5	5.9	2.5
047	50.5	1.8	4.5	6.1	2.5
050	54.2	2	4.5	6.5	2.5
052	56.2	2	5.1	6.5	2.5
055	59.2	2	5.1	6.5	2.5
060	64.2	2	5.1	6.8	2.5
062	66.2	2	5.5	6.9	2.5
068	72.5	2.5	6	7.4	2.5
072	76.5	2.5	6.6	7.4	2.5
075	79.5	2.5	6.6	7.8	2.5
080	85.5	2.5	7	8	2.5
085	90.5	3	7	8	3
090	95.5	3	7.6	8.3	3
095	100.5	3	8	8.5	3