

# **PARTS CATALOG**

**imageRUNNER ADVANCE  
C5255/5250/5240/5235  
Series**

**Canon**

**Nov 18 2014**



## **PREFACE**

This Parts Catalog contains listings of parts used

Diagrams are provided with the listings to aid the service technician in identifying clearly, the item to be ordered.

Whenever ordering parts, consult this Parts Catalog for all of the information pertaining to each item. Be sure to include, in the Parts Request, the full item description, the item part number, and the quantity.

***COPYRIGHT (C) 1999 CANON INC.***

Use of this manual should be strictly supervised to avoid disclosure of confidential information.



# Contents

## NUMERICAL INDEX

imageRUNNER ADVANCE C5255/5250/5240/5235 Series(Numerical Index)  
1-1

## imageRUNNER ADVANCE C5255/5250/5240/5235 Series(Parts Catalog)

A1	ASSEMBLY LOCATION DIAGRAM .....	2-1
A2	OPTION PARTS CATALOG LIST .....	2-8
001	ASSEMBLY LOCATION DIAGRAM .....	2-10
100	EXTERNAL COVERS, PANELS, ETC. ....	2-11
101	FRONT COVER ASSEMBLY .....	2-16
102	RIGHT OUTER DOOR ASSEMBLY .....	2-18
103	MACHINE FRONT PLATE .....	2-22
104	INTERNAL COMPONENTS 1 .....	2-24
105	INTERNAL COMPONENTS 2 .....	2-26
106	INTERNAL COMPONENTS 3 .....	2-28
107	INTERNAL COMPONENTS 4 .....	2-30
108	MACHINE REAR PLATE 1 .....	2-32
109	MACHINE REAR PLATE 2 .....	2-34
110	MACHINE REAR PLATE 3 .....	2-36
130	CONTROL PANEL ASSEMBLY .....	2-38
140	POWER CORD TERMINAL ASS'Y .....	2-42
251	DRUM DEVELOPING DRIVE ASSEMBLY .....	2-44
270	SHUTTER DRIVE MOUNT ASSEMBLY .....	2-46
300	CASSETTE ASSEMBLY(MIDDLE) .....	2-47
301	CASSETTE ASSEMBLY(LARGE) .....	2-50
310	PAPER PICK-UP ASSEMBLY, 1 .....	2-53
311	PAPER PICK-UP ASSEMBLY, 2 .....	2-56
313	PAPER PICK-UP DRIVE ASSEMBLY .....	2-59
315	MULTI FEEDER DRIVE ASSEMBLY .....	2-60
316	PRE-REGISTRATION GUIDE ASS'Y .....	2-62
322	DUPLEXING REG. DRIVE ASSEMBLY .....	2-64
323	SENSOR UNIT,REGISTRATION PATCH .....	2-66
330	RIGHT LOWER DOOR ASSEMBLY .....	2-68
331	RIGHT INNER DOOR ASSEMBLY .....	2-70
332	M.P. PICK UP MOUNT ASSEMBLY .....	2-73
333	RIGHT LOWER INNER DOOR ASS'Y .....	2-76
334	M.P. PICK UP NOISE-PROOF SET .....	2-77
350	FIRST PAPER DELIVERY ASSEMBLY .....	2-78
351	2ND/3RD PAPER DELIVERY ASS'Y .....	2-80

# Contents

352	THIRD PAPER DELIVERY ASSEMBLY .....	2-82
353	SECOND PAPER DELIVERY ASSEMBLY .....	2-85
460	LASER ASSEMBLY .....	2-87
530	INTER. TRANSFER BELT ASS'Y .....	2-88
530A	INTER. TRANSFER BELT ASS'Y .....	2-90
531	TRANSFER CLEANER ASS'Y .....	2-96
600	PROCESS-KIT FRAME ASSEMBLY .....	2-97
620	SET ON HOPPER ASS'Y, BK .....	2-101
621	SET ON HOPPER ASS'Y, CL .....	2-102
623	SET ON DRIVE ASSEMBLY, BLACK .....	2-103
624	SET ON DRIVE ASSEMBLY, CL .....	2-104
626	BOTTLE FRONT INNER DOOR ASS'Y .....	2-105
627	BOTTLE BASE ASSEMBLY, BLACK .....	2-107
628	BOTTLE BASE ASSEMBLY, CL .....	2-108
640	DEVELOPING ASSEMBLY .....	2-109
770	WASTE TONER CASE ASSEMBLY .....	2-110
810	FIXING ASSEMBLY .....	2-111
811	SHUTTER ASSEMBLY .....	2-115
812	GUIDE, FIXING DELIVERY, LOWER .....	2-117
813	FIXING DRIVE ASSEMBLY .....	2-119
815	FIXING DELIVERY DRIVE ASSEMBLY .....	2-121
900	CONTROLLER BOX ASSEMBLY .....	2-122
910	MAIN CONTROLLER PCB ASS'Y, 1 .....	2-124
911	POWER SUPPLY ASSEMBLY .....	2-125
920	MAIN CONTROLLER PCB ASS'Y, 2 .....	2-126
960	DRUM DRIVER PCB ASSEMBLY .....	2-128
961	CASSETTE FEED PCB ASSEMBLY .....	2-129
962	PAPER FEED DRIVER PCB ASSEMBLY .....	2-130
963	AC DRIVER PCB ASSEMBLY .....	2-131
981	2ND TRNSFR. HIGH VOLTAGE ASS'Y .....	2-132
B01	ATTACHMENT PARTS(ONE-PATH ADF MODEL) .....	2-133
B11	INTERNAL COMPONENTS 1(ONE-PATH ADF MODEL) .....	2-134
B12	INTERNAL COMPONENTS 2(ONE-PATH ADF MODEL) .....	2-137
B13	INTERNAL COMPONENTS 3(ONE-PATH ADF MODEL) .....	2-141
B14	INTERNAL COMPONENTS 4(ONE-PATH ADF MODEL) .....	2-144
B15	DOCUMENT TRAY ASSEMBLY(ONE-PATH ADF MODEL) .....	2-146
B16	OPEN/CLOSE PANEL ASSEMBLY(ONE-PATH ADF MODEL) .....	2-148
B17	BASE FRAME ASSEMBLY(ONE-PATH ADF MODEL) .....	2-151
B90	DF DRIVER PCB ASSEMBLY(ONE-PATH ADF MODEL) .....	2-153
C01	ATTACHMENT PARTS (REVERSE ADF MODEL) .....	2-154
C10	ADF MODEL MAIN BODY (REVERSE ADF MODEL) .....	2-155
C11	BASE ASSEMBLY (REVERSE ADF MODEL) .....	2-158
C12	PAPER PICK-UP COVER ASS'Y (REVERSE ADF MODEL) .....	2-160
C13	DOCUMENT TRAY ASS'Y (REVERSE ADF MODEL) .....	2-163

## Contents

C21	DRIVE ASSEMBLY (REVERSE ADF MODEL) .....	2-165
C41	FEEDER ASSEMBLY (REVERSE ADF MODEL) .....	2-167
C90	ADF MODEL PCB ASSEMBLY (REVERSE ADF MODEL)	2-172
D01	ATTACHMENT PARTS(READER) .....	2-173
D11	READER ASSEMBLY(ONE-PATH ADF MODEL) .....	2-174
D11A	READER ASSEMBLY (REVERSE ADF MODEL) .....	2-177
D90	READER CONTROLLER PCB ASSEMBLY .....	2-180
ZZA	MECHANICAL STANDARD PARTS (HOW TO USE) .....	2-181
ZZB	MECHANICAL STANDARD PARTS (SCREWS) .....	2-182
ZZC	MECHANICAL STANDARD PARTS (BOLTS) .....	2-189
ZZD	MECHANICAL STANDARD PARTS (NUTS) .....	2-190
ZZE	MECHANICAL STANDARD PARTS (RETAINING RINGS)	2-191





# NUMERICAL INDEX

## imageRUNNER ADVANCE C5255/5250/5240/5235 Series(Numerical Index)

PARTS NUMBER	FIGURE & KEY NO.	PARTS NUMBER	FIGURE & KEY NO.	PARTS NUMBER	FIGURE & KEY NO.
4G8-5050-000	C41 - 20	FC0-0205-000	108 - 18	FC0-1233-000	B13 - 5
FA9-2112-000	315 - 1	FC0-0220-000	331 - 8	FC0-1235-000	B11 - 15
FA9-4041-005	812 - 1	FC0-0225-000	100 - 48	FC0-1236-000	B11 - 16
FA9-4077-000	810 - 35	FC0-0226-000	100 - 48	FC0-1236-000	B12 - 63
FB1-8581-000	332 - 1	FC0-0234-000	331 - 5	FC0-1238-000	B11 - 17
FB2-8094-020	104 - 11	FC0-0235-000	530A - 53	FC0-1241-000	B11 - 18
FB6-3387-000	311 - 3	FC0-0253-000	530 - 2	FC0-1243-000	B17 - 5
FB6-3388-000	310 - 6	FC0-0257-010	530 - 5	FC0-1245-000	B16 - 3
FB6-3388-000	311 - 6	FC0-0461-000	D11 - 31	FC0-1249-000	B16 - 29
FB6-3389-000	310 - 7	FC0-0470-000	D11 - 1	FC0-1252-000	B11 - 37
FB6-3389-000	311 - 7	FC0-0470-000	D11A - 1	FC0-1256-000	B12 - 7
FB6-3391-000	310 - 8	FC0-0472-000	D11 - 2	FC0-1257-000	B12 - 8
FB6-3391-000	311 - 8	FC0-0472-000	D11A - 2	FC0-1258-000	B12 - 9
FB6-3392-020	310 - 9	FC0-0473-000	D11 - 3	FC0-1260-000	B12 - 74
FB6-3392-020	311 - 9	FC0-0473-000	D11A - 3	FC0-1266-000	B12 - 24
FB6-3395-000	310 - 11	FC0-0474-000	B16 - 1	FC0-1271-000	B11 - 19
FB6-3395-000	311 - 11	FC0-0479-000	B12 - 2	FC0-1271-000	B12 - 25
FB6-3396-010	310 - 12	FC0-0483-000	B13 - 2	FC0-1271-000	B14 - 3
FB6-3396-010	311 - 12	FC0-0484-000	B12 - 6	FC0-1272-000	B12 - 26
FB6-3397-000	310 - 13	FC0-0485-000	B13 - 3	FC0-1276-000	B12 - 27
FB6-3397-000	311 - 13	FC0-0486-000	B13 - 4	FC0-1277-000	B12 - 28
FB6-3398-000	310 - 14	FC0-0488-000	B16 - 31	FC0-1279-000	B12 - 29
FB6-3398-000	311 - 14	FC0-0492-000	B14 - 2	FC0-1280-000	B12 - 30
FB6-3402-000	310 - 15	FC0-0504-000	B12 - 23	FC0-1281-000	B12 - 3
FB6-3402-000	311 - 15	FC0-0506-000	B11 - 12	FC0-1284-000	B12 - 31
FB6-3403-000	310 - 16	FC0-0515-000	B11 - 13	FC0-1285-000	B12 - 32
FB6-3403-000	311 - 16	FC0-0520-000	B16 - 28	FC0-1286-000	B12 - 33
FB6-3404-000	310 - 17	FC0-0523-000	B16 - 2	FC0-1287-000	B12 - 34
FB6-3404-000	311 - 17	FC0-0679-000	D11 - 4	FC0-1289-000	B11 - 20
FB6-3405-000	310 - 1	FC0-0679-000	D11A - 4	FC0-1296-000	B12 - 35
FB6-3405-000	311 - 1	FC0-0684-000	D11A - 31	FC0-1304-000	B12 - 53
FB6-3410-000	310 - 18	FC0-0693-000	D11 - 47	FC0-1305-000	B17 - 15
FB6-3410-000	311 - 18	FC0-0694-000	D11 - 48	FC0-1309-000	B17 - 16
FB6-3410-000	332 - 2	FC0-0695-000	D11 - 5	FC0-1310-000	B17 - 17
FB6-3413-000	310 - 19	FC0-0695-000	D11A - 5	FC0-1311-000	B11 - 38
FB6-3413-000	311 - 19	FC0-0702-000	D11 - 6	FC0-1313-000	B11 - 5
FB6-3456-000	332 - 30	FC0-0702-000	D11A - 6	FC0-1314-000	B17 - 18
FB6-3457-000	332 - 31	FC0-0709-000	D11 - 7	FC0-1315-000	B15 - 1
FB6-3459-000	332 - 32	FC0-0709-000	D11A - 7	FC0-1316-000	B15 - 2
FB6-3463-000	332 - 3	FC0-0710-000	D11 - 8	FC0-1317-000	B15 - 3
FB6-3466-000	332 - 5	FC0-0710-000	D11A - 8	FC0-1318-000	B15 - 4
FB6-3771-000	100 - 60	FC0-0721-000	D11 - 9	FC0-1329-000	B16 - 4
FB6-4852-000	310 - 2	FC0-0721-000	D11A - 9	FC0-1334-000	B13 - 40
FB6-4852-000	311 - 2	FC0-0723-000	D11 - 10	FC0-1338-000	B12 - 37
FB6-4873-000	331 - 1	FC0-0723-000	D11A - 10	FC0-1340-000	B17 - 6
FB6-4873-000	812 - 2	FC0-1204-000	B11 - 14	FC0-1350-000	B16 - 5
FB6-4937-000	332 - 42	FC0-1205-000	B17 - 1	FC0-1351-000	B16 - 6
FB6-6088-000	530A - 1	FC0-1211-000	B11 - 1	FC0-1353-000	B11 - 21
FB6-7002-000	812 - 3	FC0-1212-000	B11 - 46	FC0-1356-000	B11 - 22
FC0-0164-000	530A - 38	FC0-1213-000	B17 - 2	FC0-1357-000	B16 - 7
FC0-0181-000	600 - 40	FC0-1214-000	B17 - 3	FC0-1358-000	B16 - 8
FC0-0185-000	106 - 22	FC0-1220-000	B11 - 44	FC0-1362-000	B11 - 23

# NUMERICAL INDEX

## imageRUNNER ADVANCE C5255/5250/5240/5235 Series(Numerical Index)

PARTS NUMBER	FIGURE & KEY NO.	PARTS NUMBER	FIGURE & KEY NO.	PARTS NUMBER	FIGURE & KEY NO
FC0-1364-000	B14 - 4	FC0-5066-000	812 - 9	FC0-9124-000	C41 - 35
FC0-1370-000	B13 - 6	FC0-5077-000	102 - 1	FC0-9272-000	100 - 61
FC0-1372-000	B16 - 9	FC0-5080-000	310 - 5	FC0-9274-000	B12 - 40
FC0-1375-000	B16 - 42	FC0-5080-000	311 - 5	FC5-0595-010	310 - 3
FC0-1377-000	B16 - 10	FC0-5141-000	130 - 36	FC5-0799-010	350 - 1
FC0-1380-000	B16 - 15	FC0-5142-000	130 - 1	FC5-0800-000	350 - 2
FC0-1381-000	B16 - 16	FC0-5143-000	130 - 2	FC5-0805-000	350 - 3
FC0-1382-000	B16 - 11	FC0-5145-000	130 - 26	FC5-0805-000	353 - 1
FC0-1387-000	B11 - 39	FC0-5146-000	130 - 7	FC5-0870-000	351 - 6
FC0-1388-000	B11 - 3	FC0-5147-000	130 - 32	FC5-0974-000	353 - 2
FC0-1389-000	B16 - 17	FC0-5148-000	130 - 38	FC5-0977-000	352 - 2
FC0-1390-000	B17 - 7	FC0-5149-000	130 - 18	FC5-0987-000	351 - 7
FC0-1391-000	B17 - 8	FC0-5150-000	130 - 24	FC5-0988-000	351 - 8
FC0-1393-000	B15 - 5	FC0-5152-000	130 - 22	FC5-0989-020	351 - 9
FC0-1394-000	B15 - 6	FC0-5153-000	130 - 9	FC5-0996-000	353 - 3
FC0-2118-010	316 - 13	FC0-5163-000	130 - 37	FC5-0997-000	353 - 4
FC0-2618-000	D11A - 47	FC0-5164-000	130 - 37	FC5-1005-000	352 - 40
FC0-2792-010	530 - 4	FC0-5165-000	130 - 37	FC5-1006-000	352 - 27
FC0-2793-010	530 - 3	FC0-5166-000	130 - 37	FC5-1013-000	352 - 31
FC0-2805-010	530 - 17	FC0-5167-000	130 - 37	FC5-1014-000	352 - 32
FC0-2806-010	530 - 16	FC0-5168-000	130 - 37	FC5-1020-020	352 - 3
FC0-3708-000	530A - 17	FC0-5171-000	130 - 37	FC5-2978-000	B12 - 39
FC0-3750-000	770 - 1	FC0-5172-000	130 - 37	FC5-3108-000	B15 - 8
FC0-3753-000	770 - 2	FC0-5174-000	130 - 37	FC5-3113-000	B15 - 9
FC0-3762-000	530A - 71	FC0-5175-000	130 - 37	FC5-3115-000	B16 - 19
FC0-4617-000	C21 - 12	FC0-5176-000	130 - 37	FC5-3119-000	B16 - 20
FC0-4619-000	C41 - 17	FC0-5177-000	130 - 37	FC5-3137-000	B15 - 10
FC0-4839-000	105 - 13	FC0-5178-000	130 - 37	FC5-4286-000	C11 - 2
FC0-4857-000	352 - 33	FC0-5179-000	130 - 37	FC5-4287-000	C11 - 3
FC0-4858-000	352 - 30	FC0-5180-000	130 - 37	FC5-4323-000	C12 - 1
FC0-4861-000	331 - 36	FC0-5181-000	130 - 37	FC5-4324-000	C12 - 2
FC0-4875-000	352 - 4	FC0-5182-000	130 - 37	FC5-4353-000	C41 - 1
FC0-4876-000	102 - 13	FC0-5183-000	130 - 37	FC5-4424-000	B11 - 41
FC0-4877-000	100 - 17	FC0-5184-000	130 - 37	FC5-4424-000	B12 - 11
FC0-4878-000	331 - 33	FC0-5185-000	130 - 37	FC5-4424-000	B13 - 7
FC0-4882-000	530A - 82	FC0-5186-000	130 - 37	FC5-4424-000	B16 - 12
FC0-4925-000	810 - 39	FC0-6751-000	332 - 18	FC5-4424-000	B17 - 19
FC0-4934-000	810 - 7	FC0-6753-000	332 - 17	FC5-4425-000	B12 - 64
FC0-4976-000	530A - 85	FC0-6755-000	310 - 20	FC5-4425-000	B13 - 36
FC0-4998-000	813 - 11	FC0-6755-000	311 - 20	FC5-4425-000	B16 - 13
FC0-5004-000	D01 - 1	FC0-8822-000	B16 - 18	FC5-4425-000	C11 - 4
FC0-5006-000	D01 - 2	FC0-8823-000	B15 - 7	FC5-4425-000	C12 - 3
FC0-5024-010	530A - 18	FC0-8827-000	B12 - 10	FC5-4425-000	C21 - 1
FC0-5026-000	530A - 70	FC0-8828-000	B11 - 40	FC5-4425-000	C41 - 2
FC0-5027-000	530A - 19	FC0-8829-000	B12 - 38	FC5-5078-000	332 - 6
FC0-5039-000	D01 - 3	FC0-8840-000	B11 - 24	FC5-7182-000	810 - 33
FC0-5043-000	530 - 6	FC0-8842-000	B17 - 9	FC5-7919-000	600 - 1
FC0-5044-000	530 - 7	FC0-9097-000	C41 - 14	FC5-8556-000	332 - 7
FC0-5047-000	D11 - 11	FC0-9108-000	C12 - 16	FC6-0698-000	315 - 2
FC0-5047-000	D11A - 11	FC0-9109-000	C12 - 17	FC6-1844-000	103 - 7
FC0-5054-000	100 - 54	FC0-9113-000	C10 - 3	FC6-3002-000	100 - 51
FC0-5061-000	810 - 6	FC0-9122-010	C10 - 22	FC6-4023-000	103 - 11

# NUMERICAL INDEX

## imageRUNNER ADVANCE C5255/5250/5240/5235 Series(Numerical Index)

PARTS NUMBER	FIGURE & KEY NO.	PARTS NUMBER	FIGURE & KEY NO.	PARTS NUMBER	FIGURE & KEY NO
FC6-5046-000	332 - 8	FC8-2470-000	300 - 16	FC8-4225-010	100 - 14
FC6-5046-000	B14 - 13	FC8-2470-000	301 - 16	FC8-4386-000	530A - 2
FC6-5046-000	B16 - 22	FC8-2474-000	300 - 17	FC8-4394-000	530A - 3
FC6-5062-000	316 - 1	FC8-2474-000	301 - 17	FC8-4403-000	530A - 76
FC6-5328-000	600 - 2	FC8-2475-000	300 - 18	FC8-4406-000	530A - 23
FC6-6661-000	310 - 4	FC8-2475-000	301 - 18	FC8-4414-000	530A - 24
FC6-6661-000	311 - 4	FC8-2670-000	300 - 19	FC8-4421-010	530A - 27
FC6-6661-000	332 - 9	FC8-2670-000	301 - 19	FC8-4422-010	530A - 28
FC6-8971-010	C12 - 15	FC8-2671-000	300 - 20	FC8-4423-000	530A - 29
FC6-8973-000	C11 - 5	FC8-2671-000	301 - 20	FC8-4427-000	530A - 4
FC6-8973-000	C41 - 3	FC8-2672-000	300 - 21	FC8-4431-000	530A - 5
FC6-9268-000	810 - 1	FC8-2672-000	301 - 21	FC8-4433-000	530A - 6
FC6-9269-000	810 - 2	FC8-2710-000	332 - 33	FC8-4434-000	530A - 7
FC6-9272-000	810 - 3	FC8-2712-000	332 - 34	FC8-4435-000	530A - 8
FC6-9274-000	810 - 4	FC8-2713-000	332 - 35	FC8-4436-000	530A - 9
FC6-9288-000	810 - 32	FC8-3782-000	330 - 1	FC8-4449-000	530A - 73
FC6-9304-000	810 - 27	FC8-3782-000	333 - 3	FC8-4453-010	106 - 15
FC6-9305-000	812 - 4	FC8-3915-000	600 - 3	FC8-4455-000	530A - 30
FC6-9309-000	812 - 5	FC8-3920-000	600 - 59	FC8-4456-000	530A - 31
FC6-9471-000	810 - 5	FC8-3921-000	600 - 4	FC8-4456-000	B12 - 71
FC6-9472-000	810 - 36	FC8-3923-000	600 - 24	FC8-4457-000	106 - 16
FC6-9473-000	812 - 6	FC8-3930-000	600 - 5	FC8-4458-000	530A - 10
FC6-9556-000	105 - 1	FC8-3931-000	600 - 6	FC8-4459-000	108 - 1
FC6-9817-000	108 - 7	FC8-3973-000	106 - 18	FC8-4474-000	530A - 32
FC6-9867-000	310 - 22	FC8-3983-000	600 - 9	FC8-4475-000	530A - 33
FC6-9867-000	311 - 22	FC8-3996-000	600 - 49	FC8-4479-020	530A - 34
FC7-0689-000	D11A - 49	FC8-4000-000	100 - 6	FC8-4483-000	530A - 69
FC7-2341-000	102 - 2	FC8-4014-000	106 - 27	FC8-4487-000	530A - 35
FC7-2395-000	812 - 7	FC8-4051-000	900 - 20	FC8-4490-000	530A - 36
FC7-4834-010	810 - 37	FC8-4079-000	108 - 21	FC8-4491-000	530A - 11
FC7-5465-000	B12 - 1	FC8-4080-000	108 - 22	FC8-4492-010	530 - 8
FC7-5465-000	C10 - 26	FC8-4111-000	100 - 2	FC8-4493-010	530 - 9
FC7-5845-000	310 - 23	FC8-4124-000	101 - 1	FC8-4494-000	530 - 10
FC7-5845-000	311 - 23	FC8-4134-000	100 - 29	FC8-4534-000	600 - 10
FC7-5906-000	333 - 1	FC8-4135-000	100 - 30	FC8-4540-000	323 - 3
FC7-5907-000	333 - 2	FC8-4137-000	100 - 18	FC8-4541-000	323 - 4
FC7-6978-000	812 - 19	FC8-4138-000	100 - 31	FC8-4542-000	323 - 5
FC7-6979-000	812 - 16	FC8-4139-000	100 - 8	FC8-4573-000	600 - 11
FC7-9370-000	316 - 2	FC8-4140-000	100 - 9	FC8-4574-000	600 - 12
FC7-9381-000	310 - 1	FC8-4141-010	100 - 10	FC8-4575-000	600 - 13
FC7-9381-000	311 - 1	FC8-4142-000	100 - 11	FC8-4646-000	626 - 10
FC7-9502-000	310 - 5	FC8-4143-000	100 - 32	FC8-4661-010	626 - 11
FC7-9502-000	311 - 5	FC8-4144-000	100 - 20	FC8-4662-010	626 - 12
FC8-0785-000	332 - 10	FC8-4145-000	100 - 33	FC8-4663-000	626 - 19
FC8-1178-000	310 - 24	FC8-4152-010	100 - 13	FC8-4664-000	626 - 20
FC8-1178-000	311 - 24	FC8-4153-000	100 - 34	FC8-4665-000	626 - 21
FC8-1202-000	310 - 25	FC8-4155-000	101 - 2	FC8-4666-000	626 - 22
FC8-1202-000	311 - 25	FC8-4170-000	251 - 10	FC8-4667-000	626 - 23
FC8-1205-000	310 - 26	FC8-4171-000	251 - 2	FC8-4668-000	626 - 24
FC8-1205-000	311 - 26	FC8-4175-000	251 - 3	FC8-4669-000	626 - 18
FC8-2469-000	300 - 15	FC8-4202-000	103 - 8	FC8-4670-000	626 - 5
FC8-2469-000	301 - 15	FC8-4204-000	103 - 9	FC8-4683-000	626 - 13

# NUMERICAL INDEX

## imageRUNNER ADVANCE C5255/5250/5240/5235 Series(Numerical Index)

PARTS NUMBER	FIGURE & KEY NO.	PARTS NUMBER	FIGURE & KEY NO.	PARTS NUMBER	FIGURE & KEY NO
FC8-4684-000	626 - 14	FC8-4859-000	330 - 6	FC8-4990-000	301 - 25
FC8-4685-000	626 - 15	FC8-4860-000	330 - 7	FC8-4992-000	301 - 32
FC8-4687-000	626 - 16	FC8-4861-000	330 - 2	FC8-4993-000	300 - 5
FC8-4688-010	100 - 49	FC8-4862-000	330 - 8	FC8-4993-000	301 - 5
FC8-4689-000	626 - 17	FC8-4863-000	330 - 9	FC8-4996-000	300 - 26
FC8-4692-000	626 - 1	FC8-4864-000	102 - 23	FC8-4996-000	301 - 26
FC8-4694-000	626 - 2	FC8-4865-000	104 - 18	FC8-5009-000	106 - 2
FC8-4698-000	626 - 6	FC8-4866-000	104 - 19	FC8-5013-000	106 - 3
FC8-4716-000	100 - 27	FC8-4867-000	102 - 24	FC8-5027-000	810 - 8
FC8-4717-000	100 - 27	FC8-4875-010	102 - 25	FC8-5029-000	812 - 8
FC8-4718-000	100 - 27	FC8-4883-000	331 - 2	FC8-5043-000	810 - 9
FC8-4720-000	100 - 27	FC8-4884-000	331 - 34	FC8-5047-000	811 - 2
FC8-4721-000	100 - 27	FC8-4885-000	331 - 3	FC8-5048-000	811 - 3
FC8-4722-000	100 - 27	FC8-4886-000	331 - 4	FC8-5056-000	812 - 22
FC8-4723-000	100 - 28	FC8-4903-000	330 - 10	FC8-5068-000	810 - 34
FC8-4724-000	100 - 28	FC8-4904-010	102 - 26	FC8-5073-000	315 - 3
FC8-4725-000	100 - 28	FC8-4905-000	102 - 27	FC8-5074-000	315 - 4
FC8-4742-010	351 - 11	FC8-4909-000	105 - 28	FC8-5075-000	315 - 5
FC8-4743-000	351 - 12	FC8-4915-000	100 - 25	FC8-5077-000	315 - 6
FC8-4749-000	351 - 13	FC8-4916-000	100 - 26	FC8-5078-000	108 - 16
FC8-4751-000	351 - 14	FC8-4917-000	100 - 35	FC8-5086-000	100 - 24
FC8-4752-000	351 - 1	FC8-4921-000	100 - 36	FC8-5089-000	105 - 2
FC8-4766-000	100 - 23	FC8-4922-000	100 - 37	FC8-5100-000	332 - 36
FC8-4769-000	351 - 15	FC8-4927-000	351 - 25	FC8-5105-000	332 - 11
FC8-4771-010	352 - 34	FC8-4929-000	352 - 6	FC8-5111-000	352 - 8
FC8-4773-010	353 - 5	FC8-4932-000	351 - 18	FC8-5112-000	352 - 9
FC8-4777-000	352 - 14	FC8-4932-000	B11 - 26	FC8-5117-000	352 - 10
FC8-4779-000	351 - 2	FC8-4933-000	352 - 7	FC8-5118-000	352 - 11
FC8-4782-000	353 - 6	FC8-4935-000	105 - 27	FC8-5120-000	352 - 12
FC8-4783-000	352 - 5	FC8-4936-000	105 - 21	FC8-5128-010	353 - 8
FC8-4784-000	351 - 16	FC8-4962-000	301 - 38	FC8-5130-000	353 - 9
FC8-4789-000	353 - 7	FC8-4966-000	300 - 37	FC8-5156-000	316 - 3
FC8-4795-000	104 - 17	FC8-4966-000	301 - 37	FC8-5160-000	102 - 28
FC8-4796-000	104 - 16	FC8-4967-000	300 - 1	FC8-5162-000	102 - 29
FC8-4797-000	351 - 17	FC8-4967-000	301 - 1	FC8-5164-000	330 - 5
FC8-4801-000	105 - 12	FC8-4968-000	300 - 2	FC8-5170-000	109 - 2
FC8-4802-000	105 - 31	FC8-4968-000	301 - 2	FC8-5174-000	900 - 2
FC8-4806-000	105 - 26	FC8-4969-000	300 - 8	FC8-5175-000	900 - 1
FC8-4820-000	102 - 4	FC8-4969-000	301 - 8	FC8-5200-000	100 - 22
FC8-4829-000	102 - 5	FC8-4970-000	300 - 22	FC8-5201-000	900 - 8
FC8-4830-000	102 - 6	FC8-4970-000	301 - 22	FC8-5257-000	960 - 1
FC8-4833-000	102 - 7	FC8-4974-000	300 - 3	FC8-5257-000	962 - 1
FC8-4834-010	102 - 8	FC8-4974-000	301 - 3	FC8-5267-000	315 - 7
FC8-4835-010	102 - 9	FC8-4985-000	300 - 4	FC8-5293-000	102 - 30
FC8-4843-000	102 - 15	FC8-4985-000	301 - 4	FC8-5296-000	316 - 12
FC8-4844-000	102 - 16	FC8-4986-000	300 - 9	FC8-5297-000	333 - 7
FC8-4846-000	102 - 17	FC8-4986-000	301 - 9	FC8-5298-000	100 - 38
FC8-4852-000	102 - 18	FC8-4987-000	300 - 10	FC8-5301-000	331 - 7
FC8-4854-010	102 - 19	FC8-4987-000	301 - 10	FC8-5303-000	331 - 9
FC8-4855-000	102 - 20	FC8-4989-000	300 - 24	FC8-5311-000	331 - 10
FC8-4857-010	102 - 21	FC8-4989-000	301 - 24	FC8-5313-000	331 - 41
FC8-4858-010	102 - 22	FC8-4990-000	300 - 25	FC8-5314-000	331 - 11

# NUMERICAL INDEX

## imageRUNNER ADVANCE C5255/5250/5240/5235 Series(Numerical Index)

PARTS NUMBER	FIGURE & KEY NO.	PARTS NUMBER	FIGURE & KEY NO.	PARTS NUMBER	FIGURE & KEY NO.
FC8-5323-000	251 - 13	FC8-6396-000	C41 - 16	FC9-4983-000	C13 - 3
FC8-5335-000	100 - 39	FC8-6403-000	C12 - 11	FC9-4984-000	C13 - 13
FC8-5363-000	100 - 40	FC8-6403-000	C41 - 38	FC9-6190-000	C12 - 31
FC8-5375-000	100 - 15	FC8-6404-000	C11 - 8	FC9-6192-010	C10 - 21
FC8-5377-000	100 - 16	FC8-6405-000	C10 - 8	FC9-6193-000	D11 - 14
FC8-5389-000	332 - 13	FC8-6406-000	C21 - 2	FC9-6193-000	D11A - 14
FC8-5396-000	102 - 31	FC8-6407-000	C21 - 3	FC9-7122-000	600 - 14
FC8-5397-000	331 - 12	FC8-6411-000	C41 - 25	FC9-7129-000	600 - 46
FC8-5398-000	331 - 13	FC8-6412-000	C41 - 28	FC9-7145-000	100 - 41
FC8-5399-000	331 - 14	FC8-6418-000	C41 - 18	FC9-7152-000	101 - 3
FC8-5400-000	331 - 15	FC8-6419-000	C11 - 22	FC9-7171-000	300 - 41
FC8-5604-000	B15 - 11	FC8-6421-000	C41 - 19	FC9-7171-000	301 - 41
FC8-5811-000	B17 - 10	FC8-6422-000	C11 - 10	FC9-7242-000	300 - 38
FC8-5845-000	B12 - 41	FC8-6423-000	C11 - 11	FC9-7253-000	310 - 10
FC8-6109-000	100 - 21	FC8-7283-000	B16 - 32	FC9-7253-000	311 - 10
FC8-6163-000	D11 - 12	FC8-7284-000	B16 - 33	FC9-7257-000	300 - 43
FC8-6163-000	D11A - 12	FC8-7823-000	130 - 3	FC9-7257-000	301 - 43
FC8-6180-000	D11 - 13	FC8-7824-000	130 - 4	FC9-7259-000	300 - 11
FC8-6180-000	D11A - 13	FC8-7825-000	130 - 5	FC9-7259-000	301 - 11
FC8-6311-000	C10 - 4	FC8-7834-000	130 - 6	FC9-7260-000	300 - 12
FC8-6316-000	C11 - 19	FC8-8649-000	130 - 8	FC9-7260-000	301 - 12
FC8-6317-000	C11 - 20	FC8-8655-000	130 - 13	FC9-7261-000	300 - 13
FC8-6318-010	C11 - 21	FC8-8660-000	130 - 16	FC9-7261-000	301 - 13
FC8-6319-000	C11 - 6	FC9-0104-000	104 - 2	FC9-7288-010	D11 - 15
FC8-6330-000	C10 - 5	FC9-0127-000	300 - 28	FC9-7288-010	D11A - 15
FC8-6331-000	C11 - 15	FC9-0127-000	301 - 28	FC9-7297-000	100 - 59
FC8-6332-000	C11 - 16	FC9-0128-000	300 - 29	FC9-7297-000	D11 - 16
FC8-6338-000	C13 - 4	FC9-0128-000	301 - 29	FC9-7297-000	D11A - 16
FC8-6339-000	C13 - 5	FC9-0129-000	300 - 30	FC9-7300-000	D11 - 50
FC8-6340-000	C13 - 6	FC9-0129-000	301 - 30	FC9-7300-000	D11A - 50
FC8-6341-000	C13 - 10	FC9-0130-000	300 - 31	FC9-7861-000	100 - 48
FC8-6348-000	C12 - 7	FC9-0130-000	301 - 31	FC9-7862-000	100 - 48
FC8-6353-000	C12 - 18	FC9-0136-000	300 - 6	FC9-7863-000	100 - 48
FC8-6356-000	C41 - 68	FC9-0136-000	301 - 6	FC9-7864-000	900 - 10
FC8-6357-000	C41 - 69	FC9-0140-000	300 - 32	FC9-7865-000	900 - 21
FC8-6371-000	C41 - 6	FC9-0145-000	300 - 40	FC9-7914-000	530 - 11
FC8-6372-000	C41 - 7	FC9-0145-000	301 - 40	FC9-7915-000	530 - 12
FC8-6373-000	C41 - 31	FC9-0311-000	100 - 52	FC9-7916-000	530 - 13
FC8-6375-000	C41 - 33	FC9-4042-000	300 - 7	FC9-7926-000	530A - 81
FC8-6376-000	C41 - 34	FC9-4042-000	301 - 7	FC9-7928-000	106 - 21
FC8-6377-000	C41 - 8	FC9-4290-010	310 - 27	FC9-7933-000	600 - 29
FC8-6378-020	C41 - 9	FC9-4290-010	311 - 27	FC9-7940-000	100 - 56
FC8-6379-000	C41 - 10	FC9-4390-000	130 - 19	FC9-7941-000	100 - 55
FC8-6380-000	C41 - 11	FC9-4391-000	130 - 20	FC9-7943-000	600 - 34
FC8-6381-000	C41 - 37	FC9-4395-000	130 - 42	FC9-7949-000	102 - 3
FC8-6382-000	C41 - 12	FC9-4402-000	130 - 39	FC9-7954-000	600 - 48
FC8-6383-000	C41 - 24	FC9-4403-010	130 - 21	FC9-7955-000	331 - 38
FC8-6384-000	C41 - 27	FC9-4405-000	130 - 40	FC9-8621-000	352 - 1
FC8-6385-000	C41 - 13	FC9-4968-000	C12 - 19	FC9-9069-000	100 - 57
FC8-6387-000	C10 - 6	FC9-4970-000	C12 - 23	FC9-9235-000	130 - 11
FC8-6388-000	C10 - 7	FC9-4971-010	C12 - 30	FC9-9237-000	130 - 10
FC8-6395-010	C41 - 15	FC9-4973-000	C12 - 4	FC9-9238-000	130 - 12

# NUMERICAL INDEX

## imageRUNNER ADVANCE C5255/5250/5240/5235 Series(Numerical Index)

PARTS NUMBER	FIGURE & KEY NO.	PARTS NUMBER	FIGURE & KEY NO.	PARTS NUMBER	FIGURE & KEY NO
FC9-9239-000	130 - 14	FK2-7286-000	911 - 2	FK3-2026-000	108 - 2
FC9-9240-000	130 - 15	FK2-7290-000	105 - 8	FK3-2045-000	140 - 3
FE2-0842-000	B12 - 4	FK2-7291-000	103 - 4	FK3-2053-000	140 - 4
FE2-0844-000	B12 - 4	FK2-7295-000	106 - 1	FK3-2185-000	B12 - 66
FE2-1596-000	C12 - 20	FK2-7296-000	106 - 1	FK3-2204-000	109 - 12
FE2-1598-020	C10 - 9	FK2-7298-000	251 - 5	FK3-2205-000	109 - 14
FE2-1601-000	C11 - 1	FK2-7300-000	530A - 39	FK3-2212-000	910 - IC
FE2-1752-000	D11 - 17	FK2-7303-000	251 - 6	FK3-2679-000	C41 - 21
FE2-1752-000	D11A - 17	FK2-7304-000	315 - 9	FK3-2680-000	C21 - 4
FE2-1918-000	C41 - 32	FK2-7304-000	351 - 29	FK3-2682-000	C41 - 39
FE2-1919-000	C41 - 70	FK2-7310-000	315 - 10	FK3-2685-000	C10 - 11
FE2-2814-000	B13 - 1	FK2-7315-000	323 - 1	FK4-1494-000	001 - 1
FE2-2911-000	B12 - 42	FK2-7316-000	323 - 6	FK4-2260-000	140 - 8
FE3-0466-000	C10 - 18	FK2-7328-000	600 - 33	FL0-0595-000	C41 - 4
FE3-0468-000	C10 - 18	FK2-7330-000	106 - 26	FL0-3193-000	C12 - 14
FE3-0469-000	C10 - 18	FK2-7363-000	900 - 18	FL0-4511-000	811 - 1
FE3-9420-000	332 - 12	FK2-7365-000	530A - 16	FL2-1659-000	323 - 7
FE4-0220-000	530A - 72	FK2-7369-000	900 - IC	FL2-4376-000	813 - 1
FE4-0221-000	530A - 22	FK2-7369-000	960 - IC	FL2-5277-000	810 - 26
FE4-0686-000	900 - 22	FK2-7371-000	251 - 4	FL2-5804-000	316 - 6
FE4-1442-000	130 - 37	FK2-7372-000	900 - 3	FL2-8282-000	311 - 3
FE4-1443-000	130 - 37	FK2-7372-000	910 - 2	FL2-8283-000	310 - 3
FH7-7600-010	332 - 39	FK2-7596-000	900 - IC	FL2-9460-000	530A - 40
FH7-7625-030	140 - 1	FK2-7895-000	623 - 1	FL2-9472-000	300 - 33
FH7-7626-000	140 - 1	FK2-7895-000	624 - 1	FL2-9472-000	301 - 33
FK2-0014-000	140 - 1	FK2-8321-000	920 - IC	FL2-9476-000	101 - 10
FK2-0146-000	140 - 2	FK2-8345-000	920 - IC	FL2-9496-000	331 - 6
FK2-0149-000	310 - 28	FK2-8430-000	900 - 4	FL2-9510-010	352 - 13
FK2-0149-000	311 - 28	FK2-8432-000	900 - 5	FL2-9516-000	600 - 53
FK2-0216-000	C10 - 10	FK2-8477-000	130 - 23	FL2-9517-000	600 - 54
FK2-0360-000	108 - 8	FK2-9787-000	920 - IC	FL2-9518-000	600 - 55
FK2-0408-010	310 - 29	FK2-9788-000	920 - IC	FL2-9519-000	600 - 56
FK2-0408-010	311 - 29	FK2-9794-000	910 - IC	FL2-9527-000	102 - 34
FK2-1773-000	961 - IC	FK2-9798-000	920 - IC	FL2-9530-000	100 - 53
FK2-1773-000	962 - IC	FK2-9808-000	920 - IC	FL2-9531-000	109 - 3
FK2-1773-000	B90 - IC	FK3-0095-000	001 - 1	FL2-9535-010	323 - 2
FK2-2069-000	105 - 3	FK3-0096-000	001 - 1	FL2-9554-000	810 - 44
FK2-2069-000	270 - 1	FK3-0097-000	001 - 1	FL2-9933-000	C11 - 12
FK2-2426-000	920 - IC	FK3-0098-000	001 - 1	FL2-9934-010	C11 - 13
FK2-2987-000	140 - 5	FK3-0099-000	001 - 1	FL2-9937-000	C41 - 22
FK2-3218-000	900 - IC	FK3-0860-000	D11 - 18	FL2-9939-000	C41 - 36
FK2-3218-000	920 - IC	FK3-0860-000	D11A - 18	FL2-9948-000	C12 - 9
FK2-3679-000	103 - 12	FK3-0871-000	D11 - 19	FL2-9949-000	C41 - 5
FK2-3679-000	108 - 14	FK3-0871-000	D11A - 19	FL3-0526-000	530A - 50
FK2-3724-010	B12 - 43	FK3-0874-000	D11 - 20	FL3-0626-000	100 - 42
FK2-3746-000	920 - IC	FK3-0874-000	D11A - 20	FL3-0628-000	130 - 25
FK2-6450-000	900 - IC	FK3-1998-000	109 - 1	FL3-0833-000	130 - 28
FK2-6470-000	316 - 5	FK3-2001-000	107 - 2	FL3-1109-000	530A - 62
FK2-6470-000	B11 - 27	FK3-2010-000	315 - 8	FL3-1123-000	100 - 50
FK2-6470-000	B14 - 5	FK3-2013-000	108 - 15	FL3-1125-000	352 - 15
FK2-6471-000	B11 - 25	FK3-2014-000	105 - 4	FL3-1126-010	352 - 36
FK2-6757-000	920 - IC	FK3-2016-000	105 - 6	FL3-1128-000	600 - 58

# NUMERICAL INDEX

## imageRUNNER ADVANCE C5255/5250/5240/5235 Series(Numerical Index)

PARTS NUMBER	FIGURE & KEY NO.	PARTS NUMBER	FIGURE & KEY NO.	PARTS NUMBER	FIGURE & KEY NO
FL3-1142-000	353 - 12	FL3-6660-000	331 - 40	FM0-0276-000	130 -
FL3-1145-000	810 - 45	FL3-6661-010	310 - 56	FM0-0277-000	130 - 35
FL3-1154-000	600 - 15	FL3-6661-010	311 - 56	FM0-0291-000	B90 -
FL3-1159-000	600 - 16	FL3-7112-000	130 - 27	FM0-0292-000	B14 - 6
FL3-1167-000	352 - 17	FL3-7538-000	C10 - 12	FM0-0293-000	B11 - 30
FL3-1169-000	352 - 18	FL3-7543-000	C12 - 10	FM0-0294-000	B11 - 31
FL3-1185-000	100 - 43	FL3-7544-000	C12 - 12	FM0-0295-000	B13 - 38
FL3-1186-000	105 - 14	FL3-7546-000	C10 - 14	FM0-0296-000	B17 - 13
FL3-1197-000	109 - 4	FL3-7548-000	C11 - 27	FM0-0298-010	B12 - 67
FL3-1198-000	813 - 2	FL3-7549-000	C10 - 23	FM0-0299-000	B14 - 7
FL3-2449-000	C13 - 9	FL3-8032-000	310 - 30	FM0-0300-000	B15 - 12
FL3-2450-000	C13 - 1	FL3-8032-000	311 - 30	FM0-0301-000	B12 - 48
FL3-2451-000	C13 - 2	FL3-8181-000	B12 - 13	FM0-0302-000	B12 - 68
FL3-2452-000	C13 - 11	FL3-8182-000	B12 - 46	FM0-0318-000	900 - 9
FL3-2859-000	300 - 23	FL3-8183-000	B12 - 47	FM0-0322-000	920 - 5
FL3-2859-000	301 - 23	FL3-8184-000	B17 - 12	FM0-0339-000	920 - 1
FL3-2934-010	C10 - 13	FL3-8189-000	B16 - 34	FM0-0350-000	910 - 1
FL3-2942-000	C11 - 14	FL3-8190-000	B16 - 27	FM0-0351-000	910 - 1
FL3-3166-010	100 - 44	FL3-8297-000	B14 - 14	FM0-0352-000	910 - 1
FL3-3167-010	100 - 45	FL3-8297-000	D11 - 49	FM0-0353-000	910 - 1
FL3-3180-000	332 - 16	FL3-8297-000	D11A - 48	FM0-1021-000	460 -
FL3-3206-000	D11A - 32	FL3-8316-000	D11 - 46	FM0-1188-000	C90 -
FL3-3570-000	333 - 4	FL3-8316-000	D11A - 46	FM0-1189-000	C12 - 5
FL3-3573-000	101 - 4	FL3-8435-000	C10 - 16	FM0-1190-000	C10 - 17
FL3-3585-000	108 - 6	FL3-8436-000	C11 - 7	FM0-1192-000	C11 - 23
FL3-4135-000	251 - 1	FM0-0181-000	109 - 10	FM0-1193-000	C10 - 25
FL3-4254-000	332 - 37	FM0-0182-000	103 - 1	FM0-1197-000	C11 - 25
FL3-4274-000	353 - 10	FM0-0185-000	911 -	FM0-1200-000	C13 - 7
FL3-4283-000	920 - IC	FM0-0204-000	106 - 14	FM0-1220-010	C41 -
FL3-4607-000	B17 - 11	FM0-0211-000	100 - 4	FM0-1223-010	C41 - 42
FL3-4619-000	B16 - 23	FM0-0212-000	103 - 19	FM0-1225-000	C12 -
FL3-4761-000	D11 - 21	FM0-0214-000	352 -	FM0-1226-000	C12 - 13
FL3-4761-000	D11A - 21	FM0-0215-000	351 -	FM0-1230-000	C13 -
FL3-4767-000	D11 - 22	FM0-0218-000	353 -	FM0-1749-010	311 -
FL3-4767-000	D11A - 22	FM0-0219-000	102 -	FM0-1753-000	310 -
FL3-4768-000	D11A - 22	FM0-0221-000	331 -	FM0-1756-000	810 - 38
FL3-4769-000	D11 - 32	FM0-0222-000	350 -	FM0-1760-010	310 -
FL3-4773-000	D11 - 23	FM0-0223-000	316 -	FM0-1763-000	600 - 52
FL3-4773-000	D11A - 23	FM0-0224-000	815 -	FM0-1765-020	530 -
FL3-4847-000	530 - 14	FM0-0236-000	140 -	FM0-2744-000	D11 - 24
FL3-4932-000	B13 - 8	FM0-0237-000	140 -	FM0-2744-000	D11A - 24
FL3-4933-000	B13 - 9	FM0-0238-000	108 - 11	FM0-2745-000	B14 - 1
FL3-4934-000	B11 - 29	FM0-0239-000	140 -	FM0-3593-000	920 - 4
FL3-4941-000	B11 - 7	FM0-0242-000	351 - 26	FM0-4774-000	813 -
FL3-4945-000	B12 - 73	FM0-0250-000	332 - 29	FM0-4833-000	104 - 20
FL3-4952-000	B16 - 14	FM0-0259-000	109 - 6	FM1-A719-000	C41 - 43
FL3-4954-000	B12 - 45	FM0-0261-000	812 -	FM1-B779-000	311 -
FL3-4956-000	B12 - 12	FM0-0263-000	105 - 29	FM1-C756-000	332 -
FL3-6129-000	900 - 6	FM0-0267-000	109 - 15	FM1-C759-000	315 -
FL3-6141-000	352 - 35	FM0-0268-000	108 - 4	FM1-D284-000	334 - 1
FL3-6177-000	140 - 6	FM0-0271-000	322 -	FM1-F144-000	331 - 16
FL3-6178-000	140 - 7	FM0-0273-000	110 - 1	FM1-G664-000	102 - 11

# NUMERICAL INDEX

## imageRUNNER ADVANCE C5255/5250/5240/5235 Series(Numerical Index)

PARTS NUMBER	FIGURE & KEY NO.	PARTS NUMBER	FIGURE & KEY NO.	PARTS NUMBER	FIGURE & KEY NO
FM2-1024-000	B15 - 14	FM3-7865-000	600 - 50	FM4-6406-000	D11 - 26
FM3-3911-000	333 - 8	FM3-7867-000	600 - 51	FM4-6406-000	D11A - 26
FM3-4146-010	310 - 53	FM3-7868-000	600 - 8	FM4-6407-000	D11 - 27
FM3-4146-010	311 - 53	FM3-7889-000	106 - 12	FM4-6407-000	D11A - 27
FM3-4150-000	310 - 2	FM3-7934-000	960 - 2	FM4-6419-000	D90 -
FM3-4150-000	311 - 2	FM3-7938-000	600 - 38	FM4-6420-000	D90 -
FM3-5425-020	460 -	FM3-7940-000	600 - 39	FM4-6430-000	D11 - 28
FM3-5927-000	106 - 4	FM3-7941-000	106 - 9	FM4-6430-000	D11A - 28
FM3-5933-000	104 - 9	FM3-7945-000	600 - 35	FM4-6431-000	D11 - 29
FM3-5936-000	300 -	FM3-7948-000	620 - 1	FM4-6431-000	D11A - 29
FM3-5937-000	301 -	FM3-7948-000	621 - 1	FM4-6647-000	B12 - 5
FM3-5950-010	810 - 24	FM3-7949-000	600 - 41	FM4-6652-000	B12 - 36
FM3-5951-010	810 - 24	FM3-8889-000	600 - 42	FM4-6653-000	B11 - 42
FM3-5952-000	811 -	FM3-8893-000	331 - 35	FM4-6654-000	B13 - 11
FM3-5953-010	810 - 22	FM3-8894-000	330 - 4	FM4-6655-000	B13 - 12
FM3-5954-000	810 - 29	FM3-8896-000	103 - 13	FM4-6656-000	B13 - 13
FM3-5955-000	810 - 28	FM3-8899-000	626 - 9	FM4-6657-000	B12 - 59
FM3-5966-010	106 - 8	FM3-8901-000	313 - 3	FM4-6658-000	B12 - 60
FM3-5968-010	101 - 9	FM3-8901-000	322 - 2	FM4-6661-000	B11 - 43
FM3-5986-000	627 -	FM3-8902-010	103 - 3	FM4-6668-000	B13 - 14
FM3-5987-000	628 -	FM3-8905-010	300 - 39	FM4-6669-000	B11 - 8
FM3-5988-000	108 - 3	FM3-8905-010	301 - 39	FM4-7241-000	530 - 18
FM3-5992-000	627 -	FM3-8906-010	300 - 27	FM4-7244-010	531 -
FM3-5993-000	628 -	FM3-8906-010	301 - 27	FM4-7246-010	531 - 2
FM3-6009-000	105 - 15	FM3-8907-000	300 - 35	FM4-8343-000	251 - 7
FM3-6039-000	981 -	FM3-8907-000	301 - 35	FM4-8351-010	640 -
FM3-6049-000	103 - 10	FM3-8912-000	300 - 42	FM4-8352-010	640 -
FM3-6060-010	106 - 24	FM3-8912-000	301 - 42	FM4-8353-010	640 -
FM3-6064-010	101 - 8	FM3-8916-000	104 - 15	FM4-8354-010	640 -
FM3-6066-000	107 - 1	FM3-8917-000	104 - 10	FM4-8389-010	600 - 28
FM3-6069-000	322 - 1	FM3-8927-010	100 - 12	FM4-8400-010	770 -
FM3-6070-000	103 - 14	FM3-8928-000	103 - 22	FM4-9194-000	334 - 2
FM3-6086-000	106 - 13	FM3-8929-010	108 - 10	FM4-9326-000	251 -
FM3-6091-000	106 - 7	FM3-8934-000	101 - 7	FM4-9334-000	140 -
FM3-6096-000	100 - 1	FM3-8935-000	106 - 20	FM4-9335-000	140 -
FM3-6099-000	100 - 46	FM3-8940-000	100 - 19	FM4-9340-000	530A - 74
FM3-6100-000	101 -	FM4-0780-000	920 - 2	FM4-9344-000	350 - 10
FM3-6104-000	100 - 5	FM4-0783-000	910 - 3	FM4-9344-000	352 - 29
FM3-6105-010	100 - 7	FM4-0795-000	900 - 12	FM4-9344-000	353 - 23
FM3-6108-000	105 - 9	FM4-0855-000	900 - 19	FM4-9390-000	900 - 11
FM3-6109-000	270 - 3	FM4-1190-000	130 - 43	FM4-9391-000	962 - 2
FM3-6120-000	104 - 13	FM4-1195-000	130 - 34	FM4-9392-010	961 -
FM3-6893-000	C10 - 15	FM4-1198-000	130 - 33	FM4-9393-000	911 - 5
FM3-7792-000	963 - 2	FM4-1747-000	C12 - 6	FM4-9395-000	963 - 1
FM3-7797-000	811 - 8	FM4-2525-000	310 - 54	FM4-9397-000	963 - 1
FM3-7801-000	911 - 3	FM4-2525-000	311 - 54	FM4-9398-000	963 - 1
FM3-7830-000	530A - 25	FM4-5119-000	106 - 28	FM4-9438-000	106 - 11
FM3-7854-000	530A - 78	FM4-6171-000	D11 - 25	FM4-9439-000	106 - 6
FM3-7855-000	530A - 79	FM4-6171-000	D11A - 25	FM4-9441-000	107 - 7
FM3-7856-000	530A - 80	FM4-6178-000	B13 - 10	FM4-9442-000	107 - 6
FM3-7863-000	600 - 36	FM4-6186-000	B11 - 45	FM4-9444-000	110 - 8
FM3-7864-000	600 - 19	FM4-6187-000	B13 - 41	FM4-9447-000	911 - 4



# NUMERICAL INDEX

## imageRUNNER ADVANCE C5255/5250/5240/5235 Series(Numerical Index)

PARTS NUMBER	FIGURE & KEY NO.	PARTS NUMBER	FIGURE & KEY NO.	PARTS NUMBER	FIGURE & KEY NO
FM4-9455-000	106 - 10	FS5-9360-020	600 - 25	FU5-1442-000	B11 - 28
FM4-9456-000	103 - 16	FS5-9758-020	107 - 9	FU5-1442-000	B13 - 17
FM4-9457-000	626 - 3	FS6-1058-000	332 - 20	FU5-1443-000	B12 - 51
FM4-9459-000	109 - 7	FS6-1140-000	C41 - 71	FU5-1448-000	251 - 8
FM4-9460-000	110 - 7	FS7-2788-000	330 - 13	FU5-1457-000	102 - 39
FM4-9463-000	530A - 26	FS7-2788-000	333 - 6	FU5-1457-000	331 - 18
FM4-9464-000	530A - 20	FS7-2800-000	310 - 33	FU5-1559-000	812 - 11
FM4-9469-000	323 - 8	FS7-2800-000	311 - 33	FU5-1615-000	315 - 13
FM4-9470-000	105 - 20	FS7-2801-000	310 - 34	FU5-1626-000	C12 - 25
FM4-9471-000	105 - 19	FS7-2801-000	311 - 34	FU5-1626-000	C41 - 51
FM4-9474-000	104 - 4	FS7-2803-000	310 - 35	FU5-1726-000	B12 - 16
FM4-9475-000	109 - 8	FS7-2803-000	311 - 35	FU5-1726-000	B13 - 18
FM4-9476-000	108 - 17	FS7-2809-000	332 - 44	FU5-1763-000	310 - 46
FM4-9483-000	103 - 2	FS7-2812-010	332 - 43	FU5-1763-000	311 - 46
FM4-9656-000	107 - 4	FS7-2839-000	332 - 38	FU5-2068-030	350 - 6
FM4-9657-020	621 -	FS9-0203-000	C10 - 27	FU5-2074-000	350 - 7
FM4-9659-000	107 - 10	FU0-0043-000	310 - 36	FU5-2074-000	353 - 13
FM4-9660-020	620 -	FU0-0043-000	311 - 36	FU5-2240-000	B12 - 52
FM4-9661-000	623 -	FU3-0267-000	530A - 43	FU5-2683-000	812 - 12
FM4-9662-000	624 -	FU3-0282-000	310 - 37	FU5-3016-000	102 - 40
FM4-9880-000	130 - 31	FU3-0282-000	311 - 37	FU5-3018-000	352 - 20
FM4-9881-000	130 - 41	FU3-0283-000	310 - 38	FU5-3020-000	353 - 15
FS1-1205-000	310 - 45	FU3-0283-000	311 - 38	FU5-3021-000	352 - 21
FS1-1205-000	311 - 45	FU3-0284-000	310 - 39	FU5-3710-000	D11 - 30
FS1-1508-000	105 - 7	FU3-0284-000	311 - 39	FU5-3710-000	D11A - 30
FS1-1508-000	530A - 41	FU3-0288-000	310 - 40	FU5-6861-000	332 - 21
FS1-1508-000	813 - 3	FU3-0288-000	311 - 40	FU5-6862-000	B16 - 37
FS1-1508-000	B13 - 15	FU3-0289-000	310 - 41	FU5-9139-000	B01 - 2
FS1-1569-000	B12 - 14	FU3-0289-000	311 - 41	FU5-9139-000	C01 - 2
FS1-1596-000	350 - 4	FU3-0296-000	332 - 46	FU5-9167-000	B01 - 1
FS1-9010-020	530A - 12	FU3-0297-000	332 - 45	FU5-9167-000	C01 - 1
FS1-9076-020	B13 - 16	FU3-0343-000	530A - 44	FU5-9447-000	106 - 19
FS1-9169-000	102 - 36	FU3-0347-000	310 - 42	FU5-9449-000	812 - 13
FS1-9169-000	103 - 5	FU3-0347-000	311 - 42	FU5-9737-000	531 - 1
FS2-1544-000	332 - 19	FU3-0349-000	310 - 43	FU5-9749-000	811 - 4
FS2-9001-020	102 - 37	FU3-0349-000	311 - 43	FU6-0028-000	810 - 12
FS5-0662-000	104 - 3	FU3-0350-000	310 - 44	FU6-0071-000	530A - 45
FS5-1377-000	352 - 37	FU3-0350-000	311 - 44	FU6-0147-000	530A - 46
FS5-1943-000	310 - 31	FU3-0352-000	310 - 55	FU6-0681-000	530A - 47
FS5-1943-000	311 - 31	FU3-0352-000	311 - 55	FU6-0686-000	530A - 48
FS5-1943-000	350 - 5	FU5-0007-000	315 - 11	FU6-0695-000	530A - 49
FS5-1943-000	351 - 19	FU5-0033-000	315 - 12	FU6-1020-000	102 - 55
FS5-1943-000	352 - 19	FU5-0076-000	353 - 14	FU6-1022-000	102 - 35
FS5-1943-000	353 - 11	FU5-0343-000	B16 - 24	FU6-1088-000	C41 - 52
FS5-1943-000	810 - 11	FU5-1033-000	102 - 38	FU6-1089-000	C41 - 53
FS5-2964-000	107 - 8	FU5-1035-000	330 - 3	FU6-1268-000	810 - 10
FS5-6945-000	300 - 34	FU5-1035-000	331 - 17	FU6-1613-000	B12 - 15
FS5-6945-000	301 - 34	FU5-1035-000	333 - 5	FU6-1613-000	B16 - 36
FS5-6948-000	530A - 42	FU5-1035-000	812 - 10	FU6-2636-000	251 - 11
FS5-6957-000	531 - 3	FU5-1168-000	C11 - 18	FU6-2644-000	810 - 25
FS5-9215-000	600 - 17	FU5-1172-000	C12 - 24	FU6-2648-000	315 - 14
FS5-9284-020	B14 - 10	FU5-1172-000	C41 - 50	FU6-2684-000	310 - 47

# NUMERICAL INDEX

## imageRUNNER ADVANCE C5255/5250/5240/5235 Series(Numerical Index)

PARTS NUMBER	FIGURE & KEY NO.	PARTS NUMBER	FIGURE & KEY NO.	PARTS NUMBER	FIGURE & KEY NO
FU6-2684-000	311 - 47	FU7-2524-000	331 - 23	FU7-8652-000	B11 - 36
FU6-2784-000	310 - 48	FU7-2525-000	331 - 24	FU7-8654-000	C10 - 19
FU6-2784-000	311 - 48	FU7-2526-000	331 - 25	FU7-8656-000	B11 - 35
FU6-3054-000	351 - 10	FU7-2527-000	102 - 49	FU7-8656-000	C10 - 19
FU6-3090-000	B13 - 19	FU7-2528-000	102 - 50	FU8-0141-000	530A - 51
FU6-3091-000	B12 - 61	FU7-2530-000	105 - 11	FU8-0164-000	813 - 5
FU6-3091-000	B13 - 20	FU7-2531-000	600 - 32	FU8-0171-000	600 - 27
FU6-3094-000	B13 - 21	FU7-2535-000	331 - 26	FU8-0172-000	600 - 43
FU6-3095-000	B12 - 17	FU7-2536-000	331 - 27	FU8-0175-000	315 - 19
FU6-3096-000	B12 - 54	FU7-2537-000	331 - 28	FU8-0178-000	813 - 6
FU6-4720-000	813 - 12	FU7-2538-000	600 - 18	FU8-0179-000	813 - 7
FU6-6160-000	B13 - 22	FU7-2652-000	C11 - 9	FU8-0182-000	332 - 23
FU6-8646-000	101 - 5	FU7-2653-000	C11 - 17	FU8-0190-000	600 - 45
FU6-8647-000	104 - 1	FU7-2654-000	C12 - 26	FU8-0192-000	810 - 18
FU7-0267-000	810 - 13	FU7-2655-000	C12 - 27	FU8-0195-000	350 - 8
FU7-0270-000	811 - 5	FU7-2656-000	C12 - 28	FU8-0196-000	353 - 16
FU7-0318-000	105 - 10	FU7-2658-000	C41 - 54	FU8-0198-000	351 - 21
FU7-0327-000	810 - 15	FU7-2659-000	C41 - 55	FU8-0199-000	351 - 22
FU7-0328-000	810 - 16	FU7-2660-000	C41 - 56	FU8-0202-000	102 - 58
FU7-0336-000	315 - 15	FU7-5378-000	310 - 32	FU8-0203-000	102 - 59
FU7-0337-000	315 - 16	FU7-5378-000	311 - 32	FU8-0204-000	102 - 60
FU7-0353-000	313 - 1	FU7-8080-000	D11 - 33	FU8-0209-000	600 - 44
FU7-0445-000	310 - 49	FU7-8080-000	D11A - 33	FU8-0210-000	600 - 47
FU7-0445-000	311 - 49	FU7-8081-000	D11A - 33	FU8-0214-000	310 - 50
FU7-2446-000	351 - 20	FU7-8085-000	D11 - 34	FU8-0214-000	311 - 50
FU7-2451-000	530A - 13	FU7-8085-000	D11A - 34	FU8-0237-000	B15 - 15
FU7-2453-000	530A - 14	FU7-8086-000	D11 - 34	FU8-0299-000	C12 - 21
FU7-2454-000	530A - 15	FU7-8086-000	D11A - 34	FU8-0300-000	C12 - 22
FU7-2459-000	626 - 8	FU7-8087-000	D11 - 34	FU8-0309-000	C41 - 60
FU7-2462-000	530A - 63	FU7-8087-000	D11A - 34	FU8-0310-000	C41 - 61
FU7-2469-000	600 - 26	FU7-8133-000	C13 - 14	FU8-0311-000	C21 - 5
FU7-2470-000	600 - 30	FU7-8134-000	C13 - 12	FU8-0312-000	C41 - 62
FU7-2476-000	332 - 22	FU7-8142-000	C10 - 1	FU8-0313-000	C41 - 63
FU7-2478-000	102 - 41	FU7-8164-000	C10 - 24	FU8-0314-000	C41 - 64
FU7-2479-000	102 - 42	FU7-8165-000	B11 - 2	FU8-0315-000	C41 - 65
FU7-2480-000	102 - 43	FU7-8165-000	C10 - 24	FU8-0316-000	C41 - 66
FU7-2485-000	316 - 7	FU7-8166-000	B11 - 2	FU8-0317-000	C41 - 67
FU7-2487-000	102 - 44	FU7-8166-000	C10 - 24	FU8-0319-000	C21 - 6
FU7-2488-000	102 - 45	FU7-8167-000	B11 - 2	FU8-0890-000	C12 - 8
FU7-2489-000	102 - 46	FU7-8167-000	C10 - 24	FU8-2278-000	812 - 17
FU7-2501-000	600 - 31	FU7-8168-000	B11 - 2	FU8-2279-000	810 - 19
FU7-2502-000	102 - 47	FU7-8168-000	C10 - 24	FU8-2284-000	351 - 23
FU7-2510-000	352 - 38	FU7-8171-000	C10 - 24	FU8-2288-000	330 - 12
FU7-2511-000	352 - 39	FU7-8223-000	C10 - 2	FU8-2289-000	900 - 17
FU7-2512-000	352 - 22	FU7-8225-000	C10 - 1	FU8-2293-000	331 - 29
FU7-2517-000	530A - 54	FU7-8226-000	C10 - 1	FU8-2481-000	D11 - 36
FU7-2518-000	300 - 14	FU7-8227-000	D11 - 34	FU8-2481-000	D11A - 36
FU7-2518-000	301 - 14	FU7-8227-000	D11A - 34	FU8-2497-000	D11 - 37
FU7-2519-000	330 - 11	FU7-8232-000	D11A - 34	FU8-2497-000	D11A - 37
FU7-2521-000	331 - 20	FU7-8403-000	C10 - 1	FU8-2552-000	331 - 22
FU7-2521-000	812 - 15	FU7-8648-000	B15 - 17	FU8-2600-000	D11 - 38
FU7-2522-000	331 - 21	FU7-8649-000	B15 - 18	FU8-2600-000	D11A - 38

# NUMERICAL INDEX

## imageRUNNER ADVANCE C5255/5250/5240/5235 Series(Numerical Index)

PARTS NUMBER	FIGURE & KEY NO.	PARTS NUMBER	FIGURE & KEY NO.	PARTS NUMBER	FIGURE & KEY NO
FU8-2605-000	B13 - 23	FU9-2437-000	B13 - 30	VS1-7177-002	106 - 23
FU8-2677-000	B16 - 35	FU9-2439-000	B12 - 70	VS1-7177-002	251 - 9
FU8-2678-000	B12 - 55	KE8-1134-030	900 - 15	VS1-7177-002	310 - 21
FU8-2679-000	B13 - 24	KE8-1134-070	130 - 17	VS1-7177-002	311 - 21
FU8-2681-000	B12 - 56	NPN	001 -	VS1-7177-002	315 - 18
FU8-2682-000	B16 - 38	NPN	100 -	VS1-7177-002	352 - 41
FU8-2685-000	B16 - 39	NPN	103 -	VS1-7177-002	353 - 22
FU8-2686-000	B13 - 25	NPN	104 -	VS1-7177-002	B12 - 49
FU8-2916-000	530 - 15	NPN	105 -	VS1-7177-002	C11 - 24
FU8-2917-000	530 - 1	NPN	106 -	VS1-7177-002	C41 - 49
FU8-2921-000	810 - 17	NPN	107 -	VS1-7177-003	103 - 20
FU8-2923-000	102 - 48	NPN	108 -	VS1-7177-003	105 - 24
FU8-2925-000	331 - 19	NPN	109 -	VS1-7177-003	108 - 9
FU8-2926-000	530A - 52	NPN	110 -	VS1-7177-003	110 - 3
FU8-2927-000	530A - 61	NPN	270 -	VS1-7177-003	332 - 41
FU8-2984-000	B16 - 30	NPN	313 -	VS1-7177-003	530A - 21
FU8-2987-000	B11 - 32	NPN	323 -	VS1-7177-003	600 - 37
FU8-2988-000	B11 - 33	NPN	330 -	VS1-7177-003	900 - 16
FU8-2989-000	B12 - 62	NPN	333 -	VS1-7177-003	911 - 1
FU8-2990-000	B17 - 20	NPN	334 -	VS1-7177-003	B15 - 13
FU8-2993-000	B14 - 11	NPN	530A -	VS1-7177-004	103 - 18
FU8-8237-000	810 - 40	NPN	600 -	VS1-7177-004	104 - 6
FU8-8238-000	910 - 4	NPN	626 -	VS1-7177-004	105 - 25
FU8-8244-000	100 - 47	NPN	810 -	VS1-7177-004	110 - 4
FU8-8245-000	100 - 47	NPN	900 -	VS1-7177-004	352 - 23
FU8-8278-000	100 - 47	NPN	910 -	VS1-7177-004	530A - 55
FU9-0236-000	B12 - 18	NPN	920 -	VS1-7177-004	C21 - 8
FU9-0237-000	B12 - 19	NPN	960 -	VS1-7177-005	110 - 11
FU9-0238-000	B12 - 20	NPN	962 -	VS1-7177-005	351 - 3
FU9-0239-000	B16 - 21	NPN	963 -	VS1-7177-005	B17 - 14
FU9-0241-000	B13 - 26	NPN	B01 -	VS1-7177-006	811 - 9
FU9-0242-000	B11 - 10	NPN	B11 -	VS1-7177-008	110 - 10
FU9-0243-000	B11 - 6	NPN	B12 -	VS1-7177-008	351 - 27
FU9-0244-000	B11 - 34	NPN	B13 -	VS1-7177-009	315 - 17
FU9-0245-000	B13 - 29	NPN	B14 -	VS1-7177-010	108 - 20
FU9-0508-000	810 - 14	NPN	B15 -	VS1-7177-010	811 - 10
FU9-0509-000	810 - 41	NPN	B16 -	VS1-7177-012	530A - 77
FU9-0510-000	810 - 42	NPN	B17 -	VS1-7207-003	C13 - 15
FU9-0511-000	812 - 14	NPN	C01 -	VS1-8412-003	102 - 62
FU9-0551-000	623 - 2	NPN	C10 -	VS1-8412-003	B12 - 69
FU9-0551-000	624 - 2	NPN	C11 -	VS1-8412-007	102 - 10
FU9-0930-000	C21 - 7	NPN	C21 -	VS1-8412-007	108 - 19
FU9-0931-000	C41 - 26	NPN	D01 -	VS1-8412-009	102 - 63
FU9-0932-000	C41 - 29	NPN	D11 -	VS1-8412-009	B14 - 8
FU9-0933-000	C41 - 40	NPN	D11A -	VS1-8412-011	104 - 14
FU9-0934-000	C41 - 57	RB1-2190-000	315 - 20	VS1-8412-011	110 - 9
FU9-0935-000	C41 - 58	RB2-5850-000	331 - 37	VS1-8412-013	105 - 22
FU9-0936-000	C41 - 59	RH7-7129-020	316 - 4	VS1-8412-013	626 - 4
FU9-0937-000	C41 - 23	RS5-1101-000	C41 - 72	VS1-8412-015	110 - 6
FU9-0938-000	C12 - 29	RS5-1567-000	332 - 24	VS1-8412-017	106 - 25
FU9-2435-000	B16 - 25	VS1-7177-002	103 - 15	VS1-8412-017	600 - 7
FU9-2436-000	B14 - 9	VS1-7177-002	105 - 23	VS1-8412-019	316 - 10

# NUMERICAL INDEX

## imageRUNNER ADVANCE C5255/5250/5240/5235 Series(Numerical Index)

PARTS NUMBER	FIGURE & KEY NO.	PARTS NUMBER	FIGURE & KEY NO.	PARTS NUMBER	FIGURE & KEY NO
VS1-8412-021	108 - 13	XA9-1038-000	107 - 3	XD9-0134-000	530A - 59
VS1-8412-023	107 - 11	XA9-1038-000	600 - 57	XD9-0134-000	600 - 22
VS1-8412-025	110 - 5	XA9-1116-030	D11 - 41	XD9-0134-000	810 - 20
VS1-8412-027	103 - 17	XA9-1116-030	D11A - 41	XD9-0134-000	811 - 7
VS1-8412-031	316 - 11	XA9-1164-000	C41 - 48	XD9-0134-000	812 - 20
WE8-5601-000	109 - 13	XA9-1386-000	101 - 6	XD9-0134-000	B12 - 57
WE8-5731-000	130 - 29	XA9-1386-000	105 - 17	XD9-0135-000	102 - 53
WG8-5783-000	270 - 2	XA9-1386-000	108 - 12	XD9-0136-000	105 - 16
WG8-5783-000	331 - 30	XA9-1386-000	316 - 8	XD9-0136-000	109 - 9
WG8-5783-000	332 - 25	XA9-1386-000	351 - 4	XD9-0136-000	310 - 52
WG8-5783-000	351 - 24	XA9-1386-000	352 - 24	XD9-0136-000	311 - 52
WG8-5783-000	352 - 16	XA9-1386-000	353 - 18	XD9-0136-000	331 - 31
WG8-5783-000	353 - 17	XA9-1386-000	600 - 21	XD9-0136-000	350 - 9
WG8-5783-000	626 - 7	XA9-1386-000	623 - 3	XD9-0136-000	351 - 5
WG8-5783-000	810 - 31	XA9-1386-000	624 - 3	XD9-0136-000	352 - 26
WG8-5783-000	811 - 6	XA9-1386-000	813 - 8	XD9-0136-000	353 - 20
WG8-5783-000	815 - 1	XA9-1386-000	B11 - 9	XD9-0136-000	530A - 60
WG8-5783-000	B11 - 11	XA9-1386-000	B12 - 58	XD9-0136-000	810 - 21
WG8-5783-000	B15 - 16	XA9-1386-000	B13 - 32	XD9-0136-000	812 - 21
WG8-5783-000	B17 - 21	XA9-1386-000	B14 - 12	XD9-0136-000	813 - 9
WG8-5848-000	102 - 61	XA9-1386-000	D11 - 42	XD9-0136-000	900 - 7
WG8-5848-000	103 - 21	XA9-1386-000	D11A - 42	XD9-0136-000	B12 - 21
WG8-5848-000	109 - 11	XA9-1415-000	D11 - 43	XD9-0136-000	B16 - 40
WG8-5848-000	316 - 9	XA9-1415-000	D11A - 43	XD9-0136-000	D11 - 35
WG8-5848-000	530A - 56	XA9-1510-000	810 - 30	XD9-0136-000	D11A - 35
WG8-5848-000	620 - 2	XA9-1510-000	812 - 18	XD9-0137-010	102 - 54
WG8-5848-000	621 - 2	XA9-1523-000	300 - 36	XD9-0137-010	104 - 7
WG8-5848-000	D11 - 39	XA9-1523-000	301 - 36	XD9-0137-010	332 - 27
WG8-5848-000	D11A - 39	XA9-1523-000	332 - 47	XD9-0137-010	530A - 37
WG8-5935-000	C13 - 8	XA9-1959-000	910 - 5	XD9-0168-000	600 - 23
WG8-5935-000	C21 - 9	XA9-1959-000	920 - 3	XD9-0288-000	102 - 14
WG8-5935-000	C41 - 41	XA9-2003-000	530A - 58	XD9-0288-000	105 - 30
XA9-0640-000	B17 - 4	XA9-2008-000	352 - 25	XD9-0288-000	530A - 83
XA9-0656-000	310 - 51	XA9-2008-000	353 - 19	XD9-0288-000	B12 - 72
XA9-0656-000	311 - 51	XA9-2011-000	103 - 6	XD9-0288-000	B13 - 39
XA9-0702-000	C41 - 47	XA9-2013-000	530A - 57	XD9-0288-000	B16 - 41
XA9-0732-010	100 - 58	XB6-7300-605	900 - 23	XD9-0288-000	C12 - 32
XA9-0732-010	102 - 52	XD1-1104-115	530A - 501	XD9-0290-000	332 - 28
XA9-0732-010	104 - 5	XD1-1104-132	B12 - 502	XD9-0290-000	813 - 10
XA9-0732-010	105 - 5	XD1-1106-215	530A - 502	XD9-0291-000	104 - 21
XA9-0732-010	106 - 5	XD1-1106-219	813 - 501	XD9-0291-000	331 - 39
XA9-0732-010	107 - 5	XD1-1106-232	B12 - 501	XD9-0291-000	350 - 12
XA9-0732-010	108 - 5	XD1-1108-213	810 - 501	XD9-0291-000	530A - 84
XA9-0732-010	109 - 5	XD1-1108-225	530A - 503	XD9-0292-000	102 - 56
XA9-0732-010	110 - 2	XD1-1108-229	331 - 501	XD9-0292-000	102 - 64
XA9-0732-010	600 - 20	XD1-1208-225	530A - 505	XD9-0292-000	315 - 22
XA9-0732-010	C10 - 20	XD1-2100-407	530A - 504	XD9-0300-000	310 - 57
XA9-0732-010	C21 - 10	XD2-1100-422	102 - 65	XD9-0300-000	311 - 57
XA9-1031-000	B11 - 4	XD3-2160-082	B11 - 501	XD9-0300-000	351 - 30
XA9-1031-000	B13 - 31	XD9-0134-000	105 - 18	XD9-0300-000	352 - 42
XA9-1031-000	D11 - 40	XD9-0134-000	130 - 30	XD9-0300-000	626 - 25
XA9-1031-000	D11A - 40	XD9-0134-000	332 - 26	XD9-0300-000	810 - 43

# NUMERICAL INDEX

## imageRUNNER ADVANCE C5255/5250/5240/5235 Series(Numerical Index)

PARTS NUMBER	FIGURE & KEY NO.	PARTS NUMBER	FIGURE & KEY NO.	PARTS NUMBER	FIGURE & KEY NO.
XD9-0300-000	C11 - 26				
XD9-0300-000	C41 - 73				
XD9-0325-000	251 - 12				
XF2-1603-640	B12 - 22				
XF2-1605-640	B13 - 33				
XF2-1606-140	315 - 21				
XF2-1607-040	B12 - 50				
XF2-1607-340	313 - 2				
XF2-1607-640	351 - 28				
XF2-1607-640	C21 - 11				
XF2-1607-640	C41 - 45				
XF2-1607-940	B16 - 26				
XF2-1609-540	B13 - 35				
XF2-1618-880	B13 - 34				
XF2-4107-240	352 - 28				
XF2-4107-940	353 - 21				
XF2-4118-340	102 - 57				
XF2-4606-835	D11 - 44				
XF2-4606-835	D11A - 44				
XF2-4668-040	D11 - 45				
XF2-4668-040	D11A - 45				
XG9-0172-000	810 - 23				
XG9-0350-000	813 - 4				
XG9-0414-000	530A - 64				
XG9-0473-000	331 - 32				
XG9-0502-000	104 - 8				
XG9-0520-000	530A - 66				
XG9-0731-000	530A - 68				
XG9-0737-000	B13 - 27				
XG9-0794-000	530A - 65				
XG9-0797-000	530A - 67				
XG9-0804-000	B13 - 28				
XG9-0805-000	B12 - 65				
XG9-0805-000	B13 - 37				
XG9-0820-000	C41 - 46				
XH9-0136-000	104 - 12				
XH9-0149-000	900 - 13				
XZ1-1301-005	900 - 14				
XZ9-0584-000	100 - 3				
XZ9-0603-000	106 - 17				



# imageRUNNER ADVANCE C5255/ 5250/5240/5235 Series(Parts Catalog)

## imageRUNNER ADVANCE C5255

120V TW	F16-0401-000	JMB	
120V	F16-0431-000	JME	ONE PATH ADF + READER
120V GOVERNMENT	F16-0433-000	JMG	ONE PATH ADF + READER
230V LTN AU SG HK	F16-0441-000	JBA	
230V CN	F16-0451-000	JMF	REVERSE ADF + READER
230V IN	F16-0461-000	QVG	
230V KR	F16-0471-000	JMA	
230V EUR	F16-0491-000	HZZ	

## imageRUNNER ADVANCE C5255i

230V EUR	F16-0494-000	JMC	PCL, PS
----------	--------------	-----	---------

## imageRUNNER ADVANCE C5250

120V TW	F16-0601-000	JMM	
120V	F16-0631-000	JMQ	ONE PATH ADF + READER
120V GOVERNMENT	F16-0633-000	JMS	ONE PATH ADF + READER
230V LTN AU SG HK	F16-0641-000	JMK	
230V CN	F16-0651-000	JMR	REVERSE ADF + READER
230V IN	F16-0661-000	QVH	
230V KR	F16-0671-000	JML	
230V EUR	F16-0691-000	JMJ	

## imageRUNNER ADVANCE C5250i

<b>230V EUR</b>	<b>F16-0694-000</b>	<b>JMN</b>	PCL,PS
-----------------	---------------------	------------	--------

## imageRUNNER ADVANCE C5240

<b>120V TW</b>	<b>F16-0701-000</b>	<b>JMZ</b>	
<b>120V</b>	<b>F16-0731-000</b>	<b>JRA</b>	REVERSE ADF + READER
<b>120V GOVERNMENT</b>	<b>F16-0733-000</b>	<b>JVA</b>	REVERSE ADF + READER
<b>120V</b>	<b>F16-0735-000</b>	<b>JNA</b>	PRINTER MODEL
<b>230V LTN AU SG HK</b>	<b>F16-0741-000</b>	<b>JMX</b>	
<b>230V CN</b>	<b>F16-0751-000</b>	<b>JUA</b>	REVERSE ADF + READER
<b>230V IN</b>	<b>F16-0761-000</b>	<b>QVJ</b>	
<b>230V KR</b>	<b>F16-0771-000</b>	<b>JMY</b>	

## imageRUNNER ADVANCE C5240i

<b>230V EUR</b>	<b>F16-0794-000</b>	<b>JPA</b>	PCL,PS
-----------------	---------------------	------------	--------

## imageRUNNER ADVANCE C5240A

<b>120V</b>	<b>F16-0736-000</b>	<b>RRD</b>	ONE PATH ADF + READER
<b>120V GOVERNMENT</b>	<b>F16-0737-000</b>	<b>RXT</b>	ONE PATH ADF + READER

## imageRUNNER ADVANCE C5235

<b>120V TW</b>	<b>F16-0801-000</b>	<b>JWE</b>	
<b>120V</b>	<b>F16-0831-000</b>	<b>JWH</b>	REVERSE ADF + READER
<b>120V GOVERNMENT</b>	<b>F16-0833-000</b>	<b>JWK</b>	REVERSE ADF + READER
<b>230V LTN AU SG HK</b>	<b>F16-0841-000</b>	<b>JWC</b>	



<b>230V CN</b>	<b>F16-0851-000</b>	<b>JWJ</b>	REVERSE ADF + READER
<b>230V IN</b>	<b>F16-0861-000</b>	<b>QVK</b>	
<b>230V KR</b>	<b>F16-0871-000</b>	<b>JWD</b>	

**imageRUNNER ADVANCE C5235i**

<b>230V EUR</b>	<b>F16-0894-000</b>	<b>JWF</b>	PCL,PS
-----------------	---------------------	------------	--------

**imageRUNNER ADVANCE C5235A**

<b>120V</b>	<b>F16-0836-000</b>	<b>RRB</b>	ONE PATH ADF + READER
<b>120V GOVERNMENT</b>	<b>F16-0837-000</b>	<b>RXR</b>	ONE PATH ADF + READER



# Contents

A1	ASSEMBLY LOCATION DIAGRAM .....	2-1
A2	OPTION PARTS CATALOG LIST .....	2-8
001	ASSEMBLY LOCATION DIAGRAM .....	2-10
100	EXTERNAL COVERS, PANELS, ETC. ....	2-11
101	FRONT COVER ASSEMBLY .....	2-16
102	RIGHT OUTER DOOR ASSEMBLY .....	2-18
103	MACHINE FRONT PLATE .....	2-22
104	INTERNAL COMPONENTS 1 .....	2-24
105	INTERNAL COMPONENTS 2 .....	2-26
106	INTERNAL COMPONENTS 3 .....	2-28
107	INTERNAL COMPONENTS 4 .....	2-30
108	MACHINE REAR PLATE 1 .....	2-32
109	MACHINE REAR PLATE 2 .....	2-34
110	MACHINE REAR PLATE 3 .....	2-36
130	CONTROL PANEL ASSEMBLY .....	2-38
140	POWER CORD TERMINAL ASS'Y .....	2-42
251	DRUM DEVELOPING DRIVE ASSEMBLY .....	2-44
270	SHUTTER DRIVE MOUNT ASSEMBLY .....	2-46
300	CASSETTE ASSEMBLY(MIDDLE) .....	2-47
301	CASSETTE ASSEMBLY(LARGE) .....	2-50
310	PAPER PICK-UP ASSEMBLY, 1 .....	2-53
311	PAPER PICK-UP ASSEMBLY, 2 .....	2-56
313	PAPER PICK-UP DRIVE ASSEMBLY .....	2-59
315	MULTI FEEDER DRIVE ASSEMBLY .....	2-60
316	PRE-REGISTRATION GUIDE ASS'Y .....	2-62
322	DUPLEXING REG. DRIVE ASSEMBLY .....	2-64
323	SENSOR UNIT,REGISTRATION PATCH .....	2-66
330	RIGHT LOWER DOOR ASSEMBLY .....	2-68
331	RIGHT INNER DOOR ASSEMBLY .....	2-70
332	M.P. PICK UP MOUNT ASSEMBLY .....	2-73
333	RIGHT LOWER INNER DOOR ASS'Y .....	2-76
334	M.P. PICK UP NOISE-PROOF SET .....	2-77
350	FIRST PAPER DELIVERY ASSEMBLY .....	2-78
351	2ND/3RD PAPER DELIVERY ASS'Y .....	2-80
352	THIRD PAPER DELIVERY ASSEMBLY .....	2-82
353	SECOND PAPER DELIVERY ASSEMBLY .....	2-85
460	LASER ASSEMBLY .....	2-87
530	INTER. TRANSFER BELT ASS'Y .....	2-88
530A	INTER. TRANSFER BELT ASS'Y .....	2-90
531	TRANSFER CLEANER ASS'Y .....	2-96
600	PROCESS-KIT FRAME ASSEMBLY .....	2-97
620	SET ON HOPPER ASS'Y, BK .....	2-101
621	SET ON HOPPER ASS'Y, CL .....	2-102
623	SET ON DRIVE ASSEMBLY, BLACK .....	2-103
624	SET ON DRIVE ASSEMBLY, CL .....	2-104

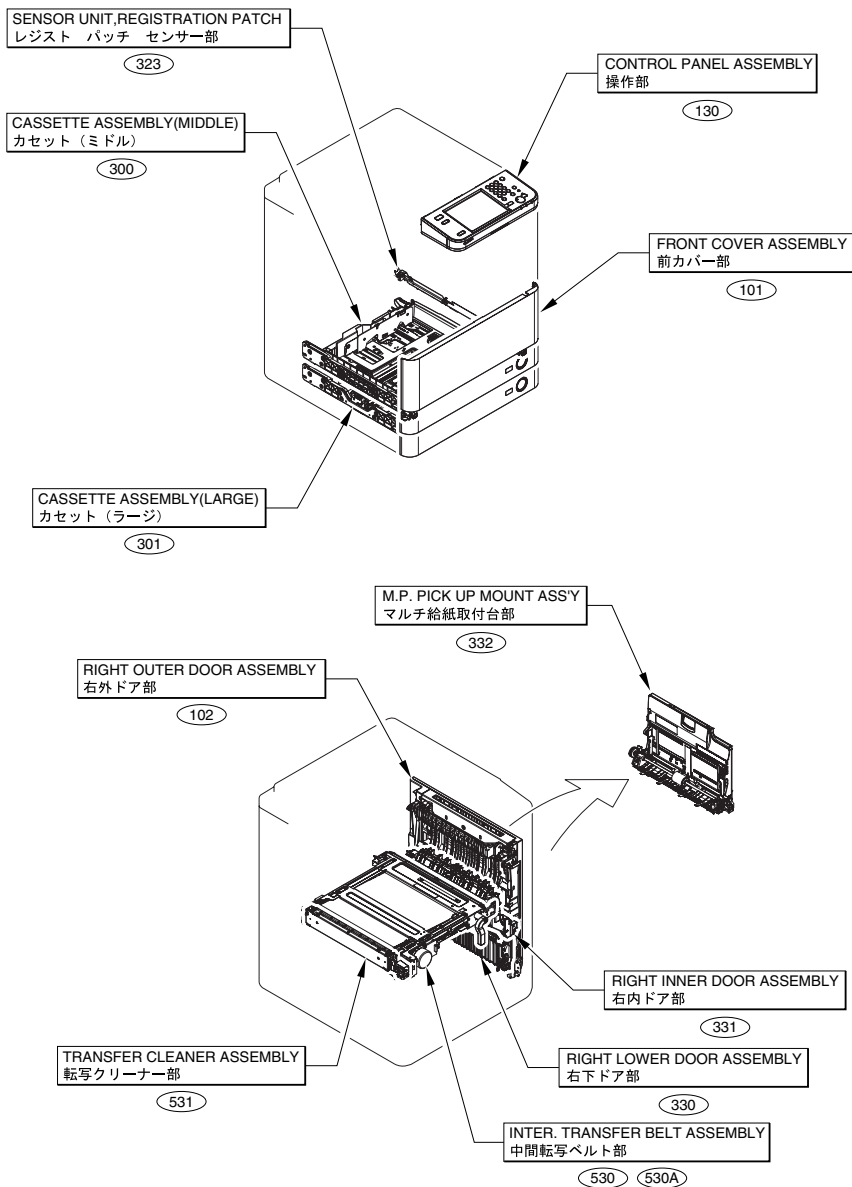
626	BOTTLE FRONT INNER DOOR ASS'Y .....	2-105
627	BOTTLE BASE ASSEMBLY, BLACK .....	2-107
628	BOTTLE BASE ASSEMBLY, CL .....	2-108
640	DEVELOPING ASSEMBLY .....	2-109
770	WASTE TONER CASE ASSEMBLY .....	2-110
810	FIXING ASSEMBLY.....	2-111
811	SHUTTER ASSEMBLY.....	2-115
812	GUIDE, FIXING DELIVERY, LOWER.....	2-117
813	FIXING DRIVE ASSEMBLY.....	2-119
815	FIXING DELIVERY DRIVE ASSEMBLY .....	2-121
900	CONTROLLER BOX ASSEMBLY .....	2-122
910	MAIN CONTROLLER PCB ASS'Y, 1.....	2-124
911	POWER SUPPLY ASSEMBLY .....	2-125
920	MAIN CONTROLLER PCB ASS'Y, 2.....	2-126
960	DRUM DRIVER PCB ASSEMBLY .....	2-128
961	CASSETTE FEED PCB ASSEMBLY.....	2-129
962	PAPER FEED DRIVER PCB ASSEMBLY .....	2-130
963	AC DRIVER PCB ASSEMBLY.....	2-131
981	2ND TRANSFR. HIGH VOLTAGE ASS'Y .....	2-132
B01	ATTACHMENT PARTS(ONE-PATH ADF MODEL).....	2-133
B11	INTERNAL COMPONENTS 1(ONE-PATH ADF MODEL).....	2-134
B12	INTERNAL COMPONENTS 2(ONE-PATH ADF MODEL).....	2-137
B13	INTERNAL COMPONENTS 3(ONE-PATH ADF MODEL).....	2-141
B14	INTERNAL COMPONENTS 4(ONE-PATH ADF MODEL).....	2-144
B15	DOCUMENT TRAY ASSEMBLY(ONE-PATH ADF MODEL) .....	2-146
B16	OPEN/CLOSE PANEL ASSEMBLY(ONE-PATH ADF MODEL).....	2-148
B17	BASE FRAME ASSEMBLY(ONE-PATH ADF MODEL).....	2-151
B90	DF DRIVER PCB ASSEMBLY(ONE-PATH ADF MODEL).....	2-153
C01	ATTACHMENT PARTS (REVERSE ADF MODEL).....	2-154
C10	ADF MODEL MAIN BODY (REVERSE ADF MODEL).....	2-155
C11	BASE ASSEMBLY (REVERSE ADF MODEL).....	2-158
C12	PAPER PICK-UP COVER ASS'Y (REVERSE ADF MODEL) .....	2-160
C13	DOCUMENT TRAY ASS'Y (REVERSE ADF MODEL) .....	2-163
C21	DRIVE ASSEMBLY (REVERSE ADF MODEL).....	2-165
C41	FEEDER ASSEMBLY (REVERSE ADF MODEL).....	2-167
C90	ADF MODEL PCB ASSEMBLY (REVERSE ADF MODEL) .....	2-172
D01	ATTACHMENT PARTS(READER) .....	2-173
D11	READER ASSEMBLY(ONE-PATH ADF MODEL).....	2-174
D11A	READER ASSEMBLY (REVERSE ADF MODEL).....	2-177
D90	READER CONTROLLER PCB ASSEMBLY.....	2-180
ZZA	MECHANICAL STANDARD PARTS (HOW TO USE) .....	2-181
ZZB	MECHANICAL STANDARD PARTS (SCREWS).....	2-182
ZZC	MECHANICAL STANDARD PARTS (BOLTS).....	2-189
ZZD	MECHANICAL STANDARD PARTS (NUTS).....	2-190

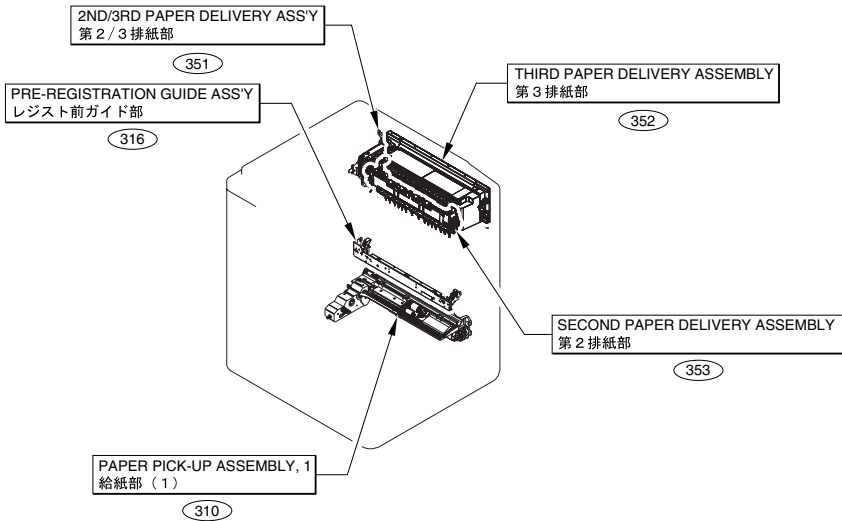
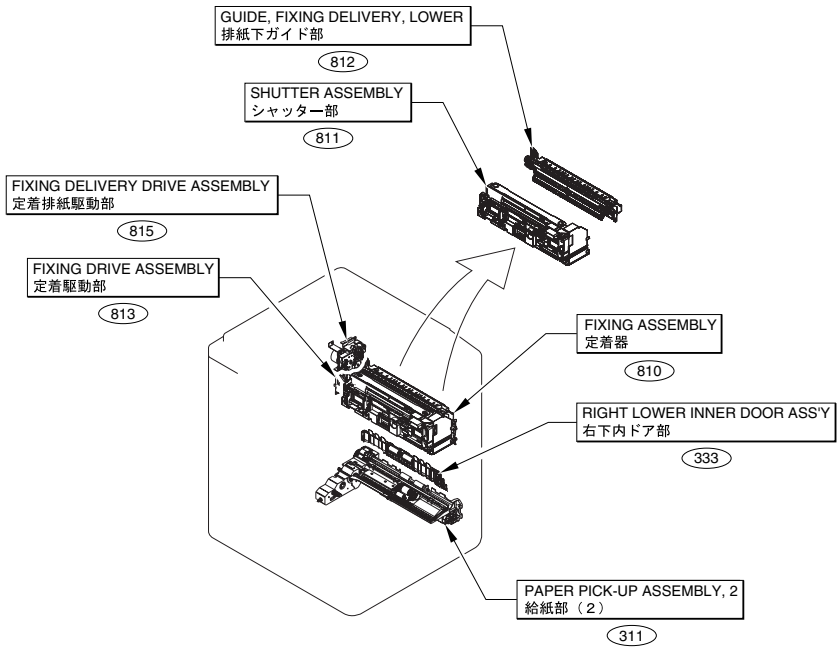
# Contents

ZZE MECHANICAL STANDARD PARTS (RETAINING RINGS) .....	2-191
---	-------

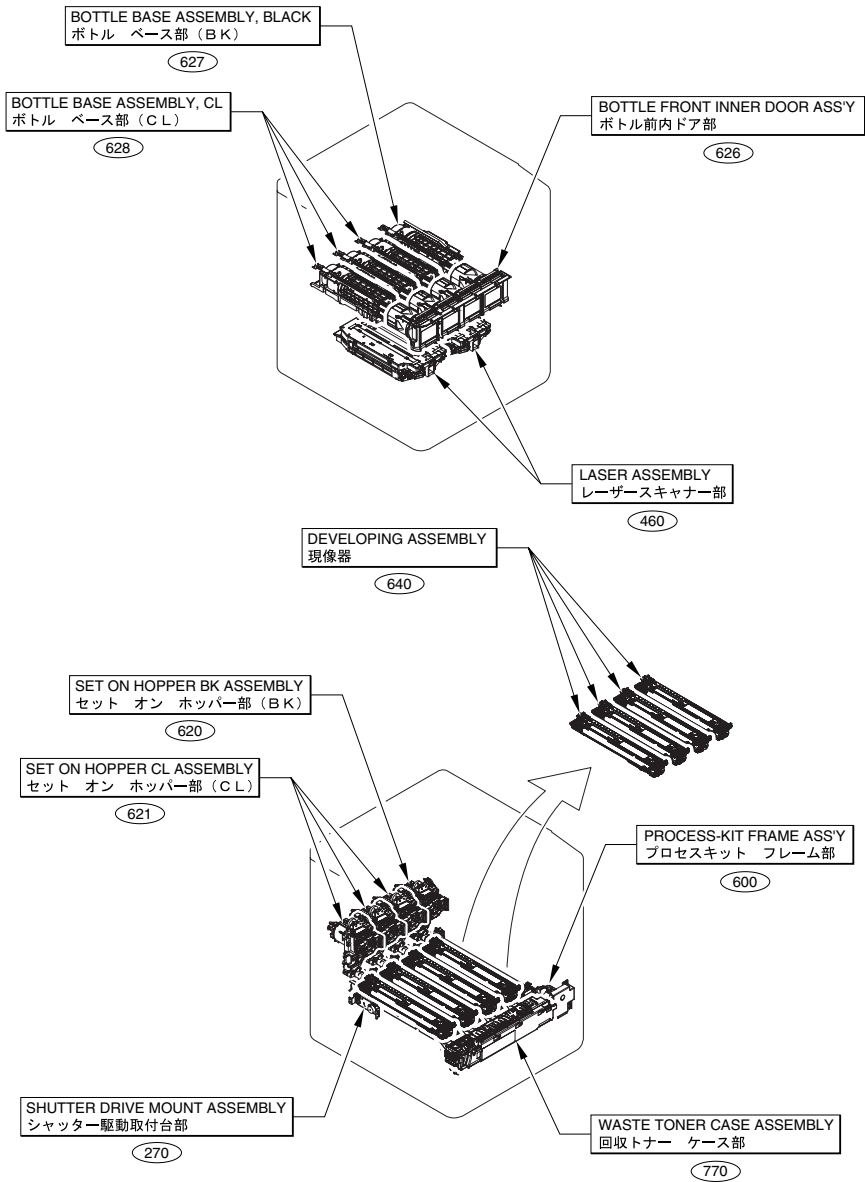


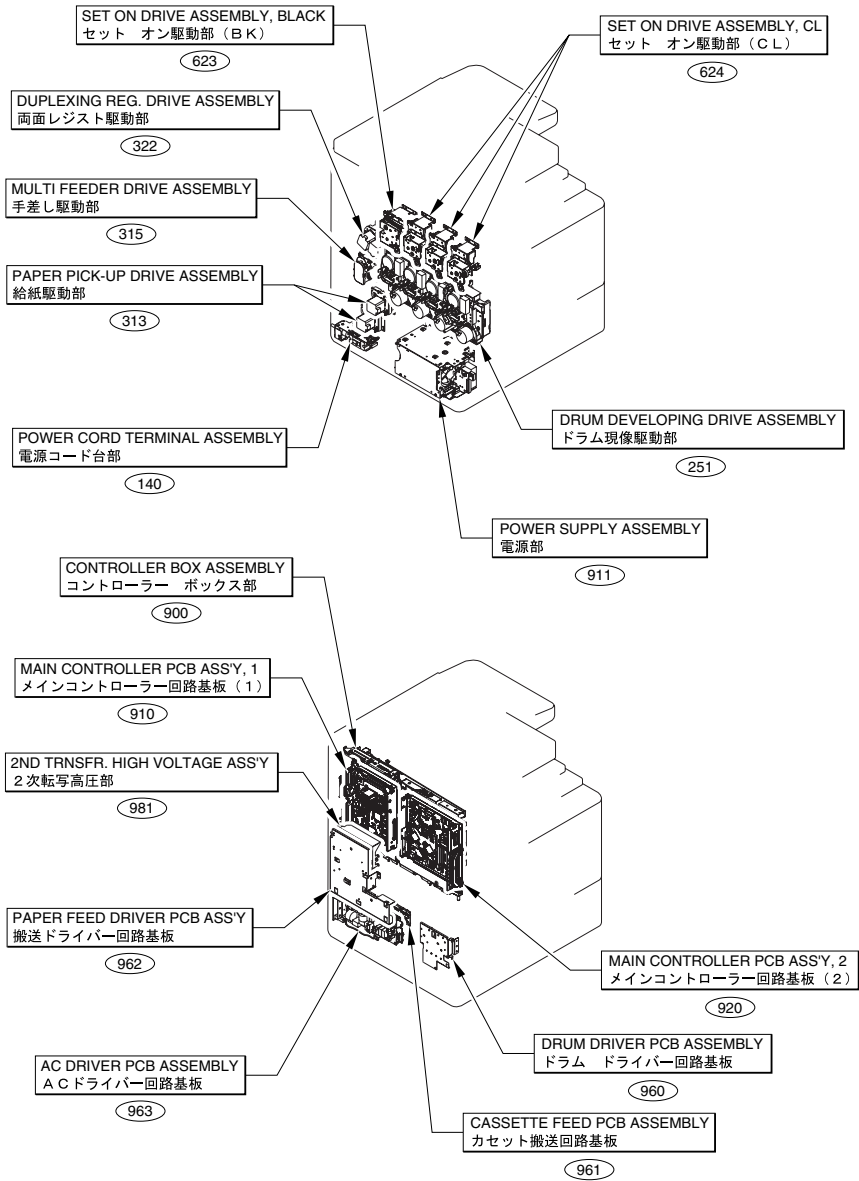
# FIGURE A1 ASSEMBLY LOCATION DIAGRAM



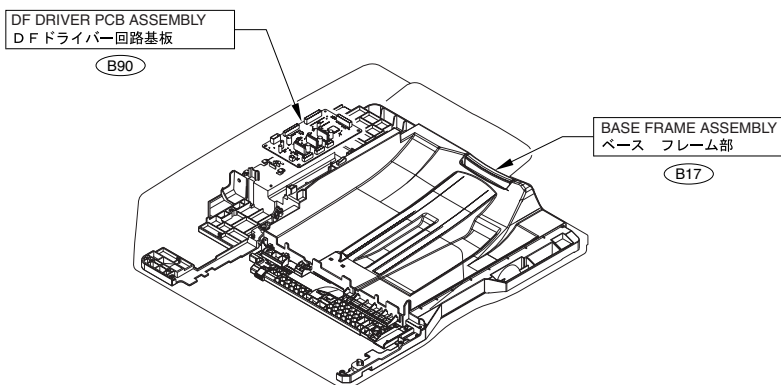
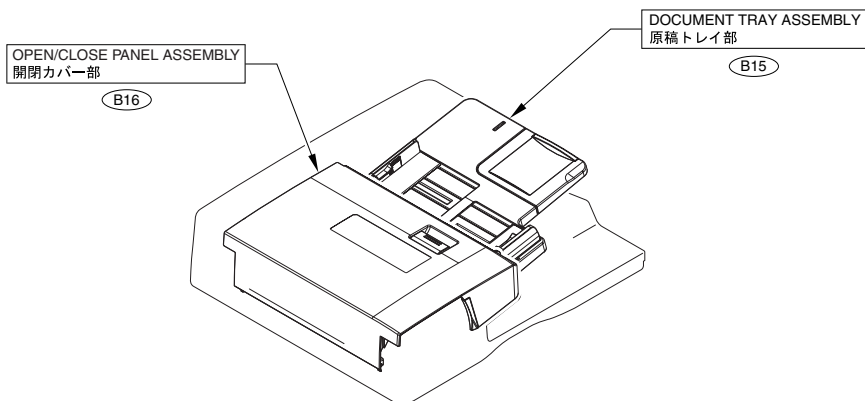




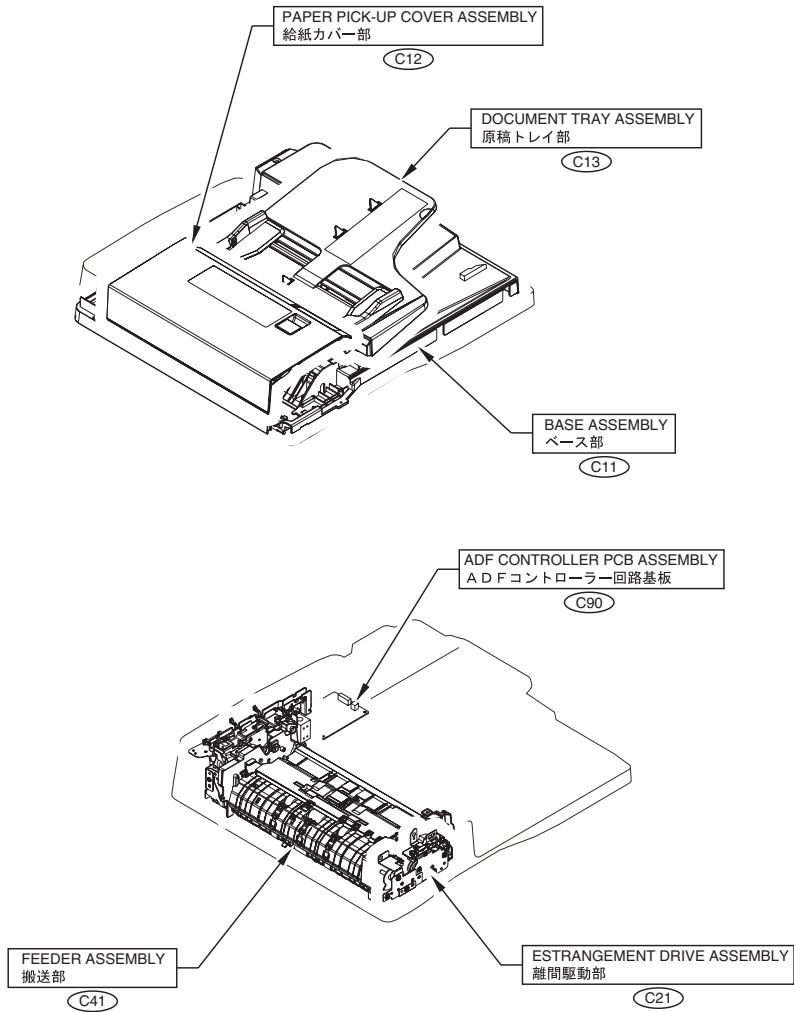


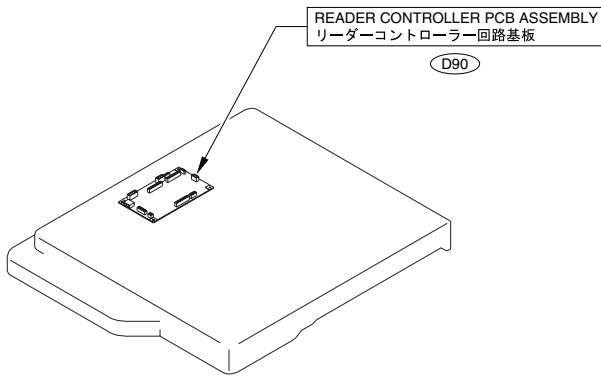


## ONE-PATH ADF



## REVERSE ADF





# FIGURE A2

## OPTION PARTS CATALOG LIST

This is the table of the machine's options whose parts catalog is issued.  
 本機のオプションで、パーツカタログが発行されている機種の一覧である。

No.	Model Name(English)	Model Name(Japanese)
1	Duplex Color Image Reader Unit-E1/ Color Image Reader Unit-F1/F2	(日本仕向けなし)
2	Platen Cover Type S	原稿台カバー タイプS
3	ADF Access Handle-A1	ADFアクセスハンドル・A1
4	Printer Cover-C1/C2	プリンタカバー・C1/C2
5	Paper Deck Unit-B1/B2	ペーパーデッキユニット・B1/B2
6	Cassette Feeding Unit-AD2	2段カセットペディスタル・AD2
7	Envelope Feeder Attachment-D1	(日本仕向けなし)
8	Copy Tray-J1	コピートレイ・J1
9	Staple Finisher-J1/Booklet Finisher-J1	ステイプルフィニッシャー・J1/ 中綴じフィニッシャー・J1
10	Inner Finisher-E1	インナーフィニッシャー・E1
11	Inner Finisher Additional Tray-A1	インナーフィニッシャー用追加トレイ・A1
12	External 2 Hole, 2/3 Hole, 2/4 Hole, 4 Hole Puncher-B1/B2	外付け2穴、2/3穴、2/4穴、4穴パンチャー・ B1/B2
13	Inner 2way Tray-F1	インナー2ウェイトレイ・F1
14	Buffer Pass Unit-G1	バッファパスユニット・G1
15	Reader Heater Unit-J1	リーダーヒーターキット・J1
16	Cassette Heater Unit-37	(日本仕向けなし)
17	Paper Deck Heater Unit-C1	ペーパーデッキヒーターユニット・C1
18	Utility Tray-A2	ユーティリティートレイ・A2
19	Key Switch Unit-A1/A2	管理キーユニット・A1/A2
20	Copy Card Reader-F1	コピーカードリーダー・F1
21	Copy Card Reader Attachment-B2/B3	コピーカードリーダー取付けキット・B2/B3
22	Super G3 FAX Board-AE1/AE2	スーパーG3FAXボード・AE1/AE2
23	Super G3 2nd Line Fax Board-AE1	G3回線増設キット(2回線)・AE1
24	Super G3 3rd/4th Line Fax Board-AE1	G3回線増設キット(3・4回線)・AE1
25	(JAPAN ONLY)	G4 FAXボード・G1
26	(JAPAN ONLY)	ハンドセット・G2
27	imagePASS-B2	imagePASS-B2
28	ColorPASS-GX400	(日本仕向けなし)
29	Voice Guidance Kit-F1/F2	(日本仕向けなし)
30	Voice Operation Kit-C2	音声操作キット・C2
31	HDD ENC&MIR KIT-C1/HDD MIRROR KIT-D1	HDDデータ暗号化ミラーリングキット・C1/ ミラーリングキット・D1
32	HDD Data Encryption & Mirroring Kit-C7	HDDデータ暗号化ミラーリングキット・C7
33	Document Scan Lock Kit-B1	イメージ解析ボード・B1
34	USB Device Port-E1/E2/E3	USBデバイスポート・E1/E2/E3
35	Serial Interface Kit-K1	シリアルインターフェースキット・K1
36	Additional Memory Type D (512MB)	増設メモリ TypeD (512MB)
37	REMOVABLE HDD KIT-AC1	リムーバブルHDDキット・AC1
38	HDD Mirroring Kit-D2	(日本仕向けなし)
39	2.5inch/160GB HDD-G1/1TB HDD-H1/L1	オプションHDD 2.5inch 160GB・G1/ 1TB・H1/L1
40	Expansion Bus-F1/F2	PCIバス拡張キット・F1/F2

This is the table of the machine's options whose parts catalog is issued.  
本機のオプションで、パーツカタログが発行されている機種の一覧である。

41	Multimedia Reader/Writer-A1/A2	マルチメディアリーダー/ライター・A1/A2
42	(JAPAN ONLY)	iR-ADV課金装置接続キット・A1
43	Copy Control Interface Kit-A1	コントロールインターフェースキット・A1

# FIGURE 001 ASSEMBLY LOCATION DIAGRAM

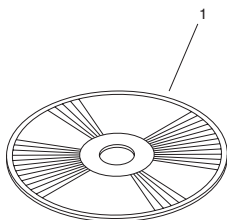
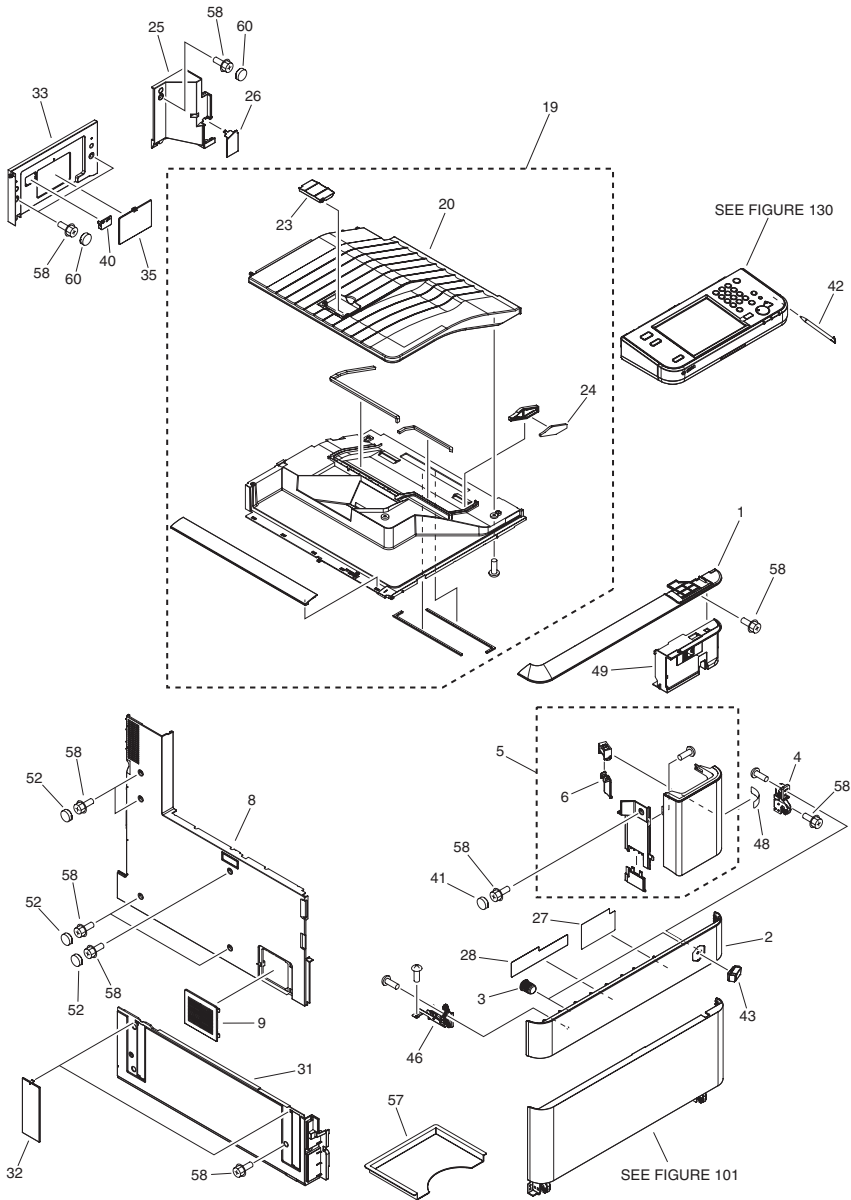
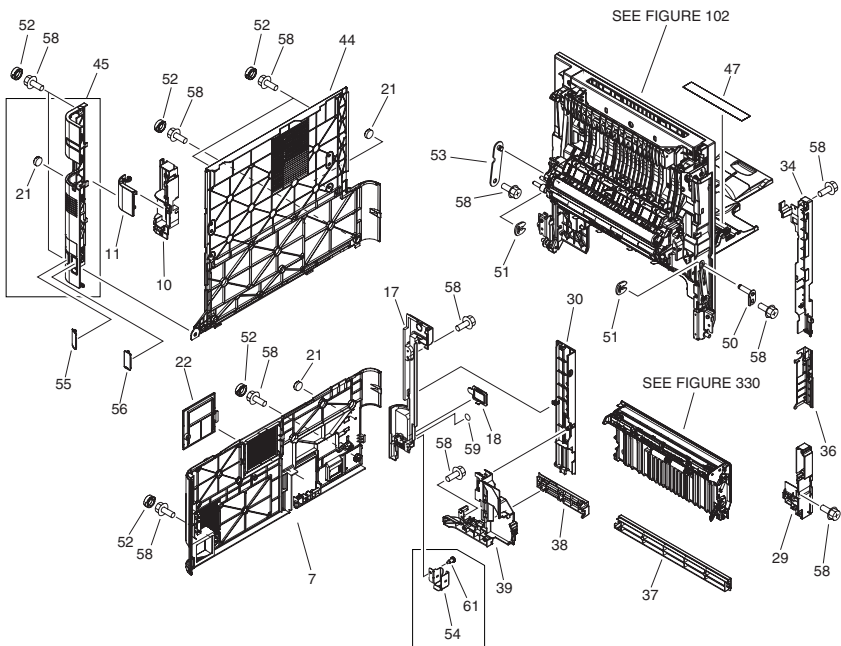
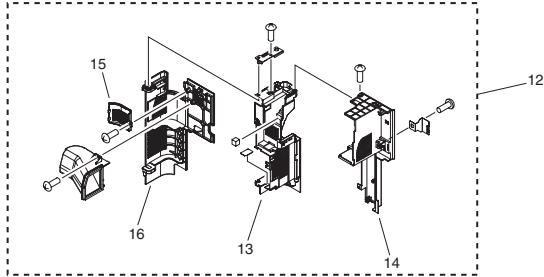


FIGURE & KEY NO.	PARTS NUMBER	RANK	Q'TY	DESCRIPTION	SERIAL NUMBER/REMARKS	S V C
Fig.001	NPN		RF	ASSEMBLY LOCATION DIAGRAM		
1	FK3-0095-000		1	CD-ROM, SOFTWARE FOR UFR II	US English	
1	FK3-0096-000		1	CD-ROM, SOFTWARE FOR UFR II	UK English/French/Italian/ German/Spanish	
1	FK3-0097-000		1	CD-ROM, USER SOFTWARE, PCL	UK English/French/Italian/ German/Spanish	
1	FK3-0098-000		1	CD-ROM, USER SOFTWARE, PS	UK English/French/Italian/ German/Spanish	
1	FK3-0099-000		1	CD-ROM, SOFTWARE FOR UFR II	English/Simplified Chinese/Traditional Chinese/Korean	
1	FK4-1494-000		1	CD-ROM, SOFTWARE FOR UFR II	US English	



# FIGURE 100 EXTERNAL COVERS, PANELS, ETC.





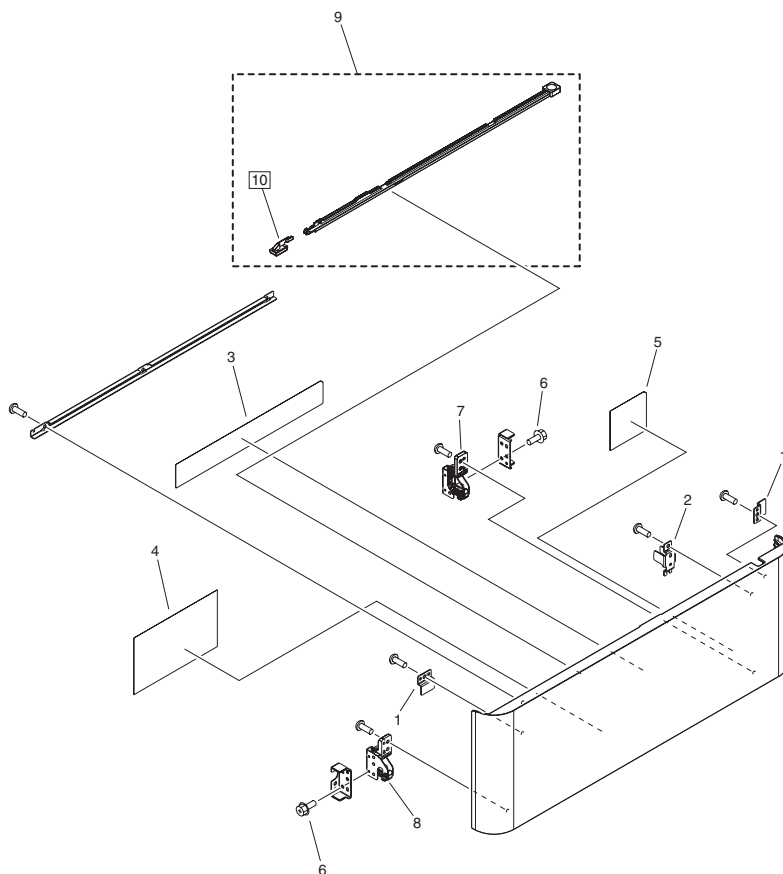
C5255 SERIES  
US,CA,LTN

FIGURE & KEY NO.	PARTS NUMBER	R A N K	Q'TY	DESCRIPTION	SERIAL NUMBER/ REMARKS	S V C
Fig.100	NPN		RF	EXTERNAL COVERS, PANELS, ETC.		
1	FM3-6096-000		1	FRONT UPPER COVER ASSEMBLY		
2	FC8-4111-000		1	COVER, TONER		
3	XZ9-0584-000		2	CATCH, MAGNET, METAL		
4	FM0-0211-000		1	TONER COVER HINGE ASS'Y, RIGHT		
5	FM3-6104-000		1	RIGHT FRONT UP. COVER ASSEMBLY		
6	FC8-4000-000		1	COVER, MAIN SWITCH		
7	FM3-6105-010		1	REAR LOWER COVER ASSEMBLY		
8	FC8-4139-000		1	COVER, LEFT UPPER		
9	FC8-4140-000		1	COVER, DUCT, LEFT		
10	FC8-4141-010		1	COVER, LEFT REAR		
11	FC8-4142-000		1	COVER, SUB, LEFT REAR		
12	FM3-8927-010		1	RIGHT REAR UP. COVER ASSEMBLY		
13	FC8-4152-010		1	COVER, RIGHT UPPER REAR, 2		
14	FC8-4225-010		1	COVER, RIGHT UPPER REAR, 3		
15	FC8-5375-000		1	COVER, RIGHT UPPER REAR, SMALL		
16	FC8-5377-000		1	COVER, RIGHT UPPER REAR, 1		
17	FC0-4877-000		1	COVER, RIGHT REAR		
18	FC8-4137-000		1	COVER, ENV. HEATER SWITCH		
19	FM3-8940-000		1	INNER LOWER COVER ASSEMBLY		
20	FC8-4144-000		1	TRAY, FIRST PAPER DELIVERY		
21	FC8-6109-000		15	SEAL		
22	FC8-5200-000		1	COVER, CONNECTOR		
23	FC8-4766-000		1	STOPPER, PUSHING		
24	FC8-5086-000		1	FILTER, AIR		
25	FC8-4915-000		1	COVER, INNER DELIVERY, RT. REAR		
26	FC8-4916-000		1	COVER, INNER DELIVERY SENSOR		
27	FC8-4716-000		1	LABEL, TONER MODEL, 1	C5240,5235 SERIES CN,KR,TW	
27	FC8-4717-000		1	LABEL, TONER MODEL, 1	C5240,5235 SERIES US,CA,LTN	
27	FC8-4718-000		1	LABEL, TONER MODEL, 1	C5240,5235 SERIES EUR	

FIGURE & KEY NO.	PARTS NUMBER	R A N K	Q'TY	DESCRIPTION	SERIAL NUMBER/ REMARKS	S V C
27	FC8-4720-000		1	LABEL, TONER MODEL, 2	C5255,5250 SERIES CN,KR,TW	
27	FC8-4721-000		1	LABEL, TONER MODEL, 2	C5255,5250 SERIES US,CA,LTN	
27	FC8-4722-000		1	LABEL, TONER MODEL, 2	C5255,5250 SERIES EUR	
28	FC8-4723-000		1	LABEL, TONER EXCHANGE	LTN,AU,ASIA,CN,KR,TW	
28	FC8-4724-000		1	LABEL, TONER EXCHANGE	US,CA,LTN	
28	FC8-4725-000		1	LABEL, TONER EXCHANGE	EUR	
29	FC8-4134-000		1	COVER, RIGHT, FRONT		
30	FC8-4135-000		1	COVER, HANDLE, RIGHT REAR		
31	FC8-4138-000		1	COVER, LEFT LOWER		
32	FC8-4143-000		4	COVER, HANDLE, LEFT		
33	FC8-4145-000		1	COVER, INNER,DELV. REAR		
34	FC8-4153-000		1	COVER, RIGHT FRONT, UPPER		
35	FC8-4917-000		1	COVER, BIAS PCB		
36	FC8-4921-000		1	COVER, RIGHT FRONT HANDLE, MD.		
37	FC8-4922-000		1	COVER, LOWER RIGHT		
38	FC8-5298-000		1	COVER, RIGHT REAR, LOWER		
39	FC8-5335-000		1	COVER,PICK-UP RIGHT REAR,LOWER		
40	FC8-5363-000		1	PLATE, 2ND DELIV. TRAY SUPPORT		
41	FC9-7145-000		1	COVER, SCREW		
42	FL3-0626-000		1	PEN, TOUCH PANEL		
43	FL3-1185-000		1	EMBLEM		
44	FL3-3166-010		1	COVER, REAR UPPER		
45	FL3-3167-010		1	COVER, REAR UPPER, LEFT		
46	FM3-6099-000		1	TONER COVER HINGE MOUNT ASS'Y		
47	FU8-8244-000		1	LABEL, FEED SIZE	A/INCH SIZE	
47	FU8-8245-000		1	LABEL, FEED SIZE	A SIZE	
47	FU8-8278-000		1	LABEL, FEED SIZE	A/B/INCH SIZE	
48	FC9-7861-000		1	LABEL, MAIN POWER SUPPLY	TW	
48	FC9-7862-000		1	LABEL, MAIN POWER SUPPLY	US,CA,LTN,ASIA,AU	
48	FC9-7863-000		1	LABEL, MAIN POWER SUPPLY	EUR	
48	FC0-0225-000		1	LABEL, MAIN POWER SUPPLY	CN	

FIGURE & KEY NO.	PARTS NUMBER	RANK	Q'TY	DESCRIPTION	SERIAL NUMBER/REMARKS	SVC
48	FC0-0226-000		1	LABEL, MAIN POWER SUPPLY	KR	
49	FC8-4688-010		1	COVER, BOTTLE INNER, RIGHT		
50	FL3-1123-000		1	SUPPORT, STOPPER SHAFT		
51	FC6-3002-000		2	RING, RESIN, RETAINING		
52	FC9-0311-000		11	CAP		
53	FL2-9530-000		1	STOPPER, RIGHT DOOR, 2		
54	FC0-5054-000		1	COVER, PLUG	C5255 SERIES US,CA,LTN	
55	FC9-7941-000		1	COVER, FAX MODULAR, 1 LINE		
56	FC9-7940-000		1	COVER, FAX MODULAR, 2 LINE		
57	FC9-9069-000		1	HOLDER, SERVICE BOOK		
58	XA9-0732-010		AR	SCREW,RS,M4		
59	FC9-7297-000		2	SEAL, BLANKING		
60	FB6-3771-000		3	COVER, RUBBER		
61	FC0-9272-000		1	SCREW, COIN LOCK	C5255 SERIES US,CA,LTN	

# FIGURE 101 FRONT COVER ASSEMBLY

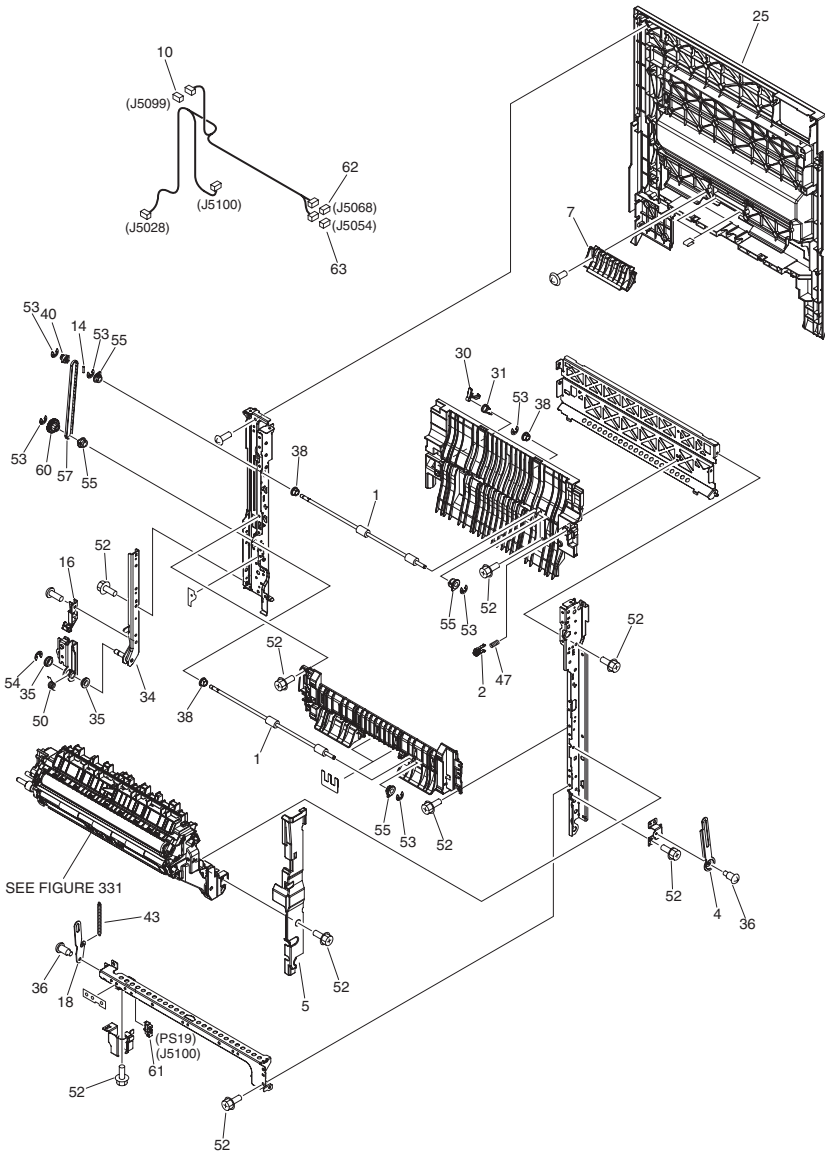


NOTE :This assembly does not include the parts shown with key No.4, 9 and 10.

注:このユニットにKey No.4, 9, 10の部品は含まれません。

FIGURE & KEY NO.	PARTS NUMBER	RANK	Q'TY	DESCRIPTION	SERIAL NUMBER/REMARKS	SVC
Fig.101	FM3-6100-000		1	FRONT COVER ASSEMBLY		
1	FC8-4124-000		2	PLATE, MAGNET CATCH		
2	FC8-4155-000		1	PLATE,F DOOR OPEN/CLOSE DETECT		
3	FC9-7152-000		1	LABEL, CLN ROD OPERATION		
4	FL3-3573-000		1	LABEL, SERVICE	SEE NOTE	
5	FU6-8646-000		1	LABEL, LASER CAUTION		
6	XA9-1386-000		AR	SCREW,RS,M3X8		
7	FM3-8934-000		1	HINGE ASSEMBLY		
8	FM3-6064-010		1	HINGE ASSEMBLY, 2		
9	FM3-5968-010		1	GLASS CLEANING ROD ASSEMBLY	SEE NOTE	
10	FL2-9476-000		1	PAD, GLASS CLEANING	SEE NOTE [DP]	

# FIGURE 102 RIGHT OUTER DOOR ASSEMBLY



SEE FIGURE 331

NOTE : This assembly includes the assemblies shown in Figure 331 and 332.  
注 : このユニットはFigure 331, 332のユニットを含みます。



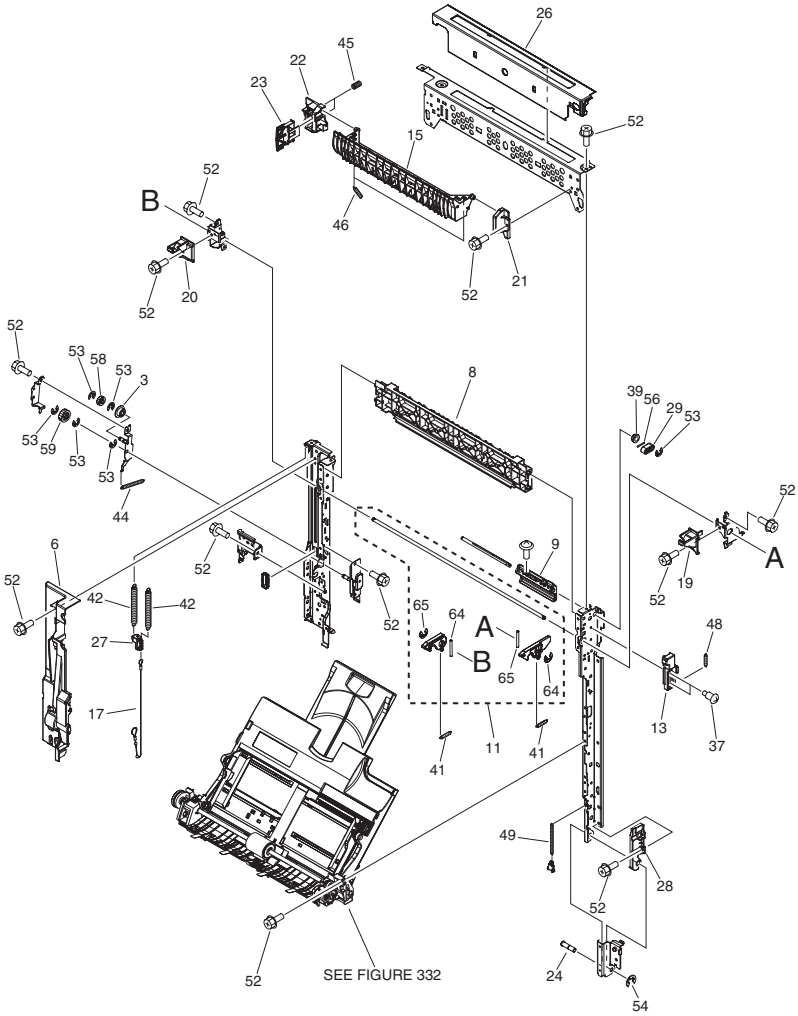


FIGURE & KEY NO.	PARTS NUMBER	R A N K	Q'TY	DESCRIPTION	SERIAL NUMBER/ REMARKS	S V C
Fig.102	FM0-0219-000		1	RIGHT OUTER DOOR ASSEMBLY	SEE NOTE	
1	FC0-5077-000		2	ROLLER, DUPLEXING FEEDER		
2	FC7-2341-000		1	BLOCK, PRESSURE		
3	FC9-7949-000		1	ROLLER, TENSION		
4	FC8-4820-000		1	STOPPER, RIGHT DOOR, F		
5	FC8-4829-000		1	COVER, RIGHT DOOR INNER, F		
6	FC8-4830-000		1	COVER, RIGHT DOOR INNER		
7	FC8-4833-000		1	GUIDE, DESORPTION		
8	FC8-4834-010		1	GUIDE, DUPLEXING INNER		
9	FC8-4835-010		1	HANDLE, DOOR, RIGHT		
10	VS1-8412-007		1	CONNECTOR, SNAP TIGHT, BL		
11	FM1-G664-000		1	DOOR HOOK ASSEMBLY		
13	FC0-4876-000		1	ARM, SLIDE, F		
14	XD9-0288-000		1	PIN, DOWEL		
15	FC8-4843-000		1	GUIDE, FIRST DELIVERY OPPOSED		
16	FC8-4844-000		1	GUIDE, HINGE R REINFORCEMENT		
17	FC8-4846-000		1	WIRE, DAMPER		
18	FC8-4852-000		1	STOPPER, RIGHT DOOR, 1		
19	FC8-4854-010		1	LEVER, TOGGLE, F		
20	FC8-4855-000		1	LEVER, TOGGLE, R		
21	FC8-4857-010		1	FOOT, GUIDE SUPPORTING, F		
22	FC8-4858-010		1	FOOT, GUIDE SUPPORTING, R		
23	FC8-4864-000		1	BLOCK, FIXING DOOR PRESSURE		
24	FC8-4867-000		1	SHAFT		
25	FC8-4875-010		1	COVER, DOOR, RIGHT		
26	FC8-4904-010		1	COVER, DOOR TOP PLATE, RIGHT		
27	FC8-4905-000		1	HOOK, SLIDE		
28	FC8-5160-000		1	GUIDE, HINGE F REINFORCEMENT		
29	FC8-5162-000		1	LINK, HANDLE		
30	FC8-5293-000		1	STOPPER, MULTI TRAY		
31	FC8-5396-000		1	SPRING		
34	FL2-9527-000		1	FOOT, RIGHT DOOR TURN		

FIGURE & KEY NO.	PARTS NUMBER	RANK	Q'TY	DESCRIPTION	SERIAL NUMBER/REMARKS	SVC
35	FU6-1022-000		2	BUSHING		
36	FS1-9169-000		3	SCREW, STEPPED		
37	FS2-9001-020		2	SCREW,STEPPED,M4		
38	FU5-1033-000		3	BUSHING		
39	FU5-1457-000		1	BUSHING		
40	FU5-3016-000		1	PULLEY, 24T		
41	FU7-2478-000		2	SPRING		
42	FU7-2479-000		2	SPRING		
43	FU7-2480-000		1	SPRING		
44	FU7-2487-000		1	SPRING		
45	FU7-2488-000		2	SPRING		
46	FU7-2489-000		2	SPRING, TENSION		
47	FU7-2502-000		1	SPRING		
48	FU8-2923-000		1	SPRING, TENSION		
49	FU7-2527-000		1	SPRING, LEAF		
50	FU7-2528-000		1	SPRING, LEAF		
52	XA9-0732-010		AR	SCREW,RS,M4		
53	XD9-0135-000		11	RING, E		
54	XD9-0137-010		2	RING, E		
55	FU6-1020-000		4	BUSHING		
56	XD9-0292-000		1	PIN, PARALLEL		
57	XF2-4118-340		1	BELT, TIMING		
58	FU8-0202-000		1	GEAR, 15T		
59	FU8-0203-000		1	GEAR, 22T		
60	FU8-0204-000		1	PULLEY/GEAR, 24T/26T		
61	WG8-5848-000		1	IC, PHOTO-INTERRUPTER	PS19	
62	VS1-8412-003		1	CONNECTOR, SNAP TIGHT, BL		
63	VS1-8412-009		1	CONNECTOR, SNAP TIGHT, BL		
64	XD9-0292-000		2	PIN, PARALLEL		
65	XD2-1100-422		2	RING, E		

# FIGURE 103 MACHINE FRONT PLATE

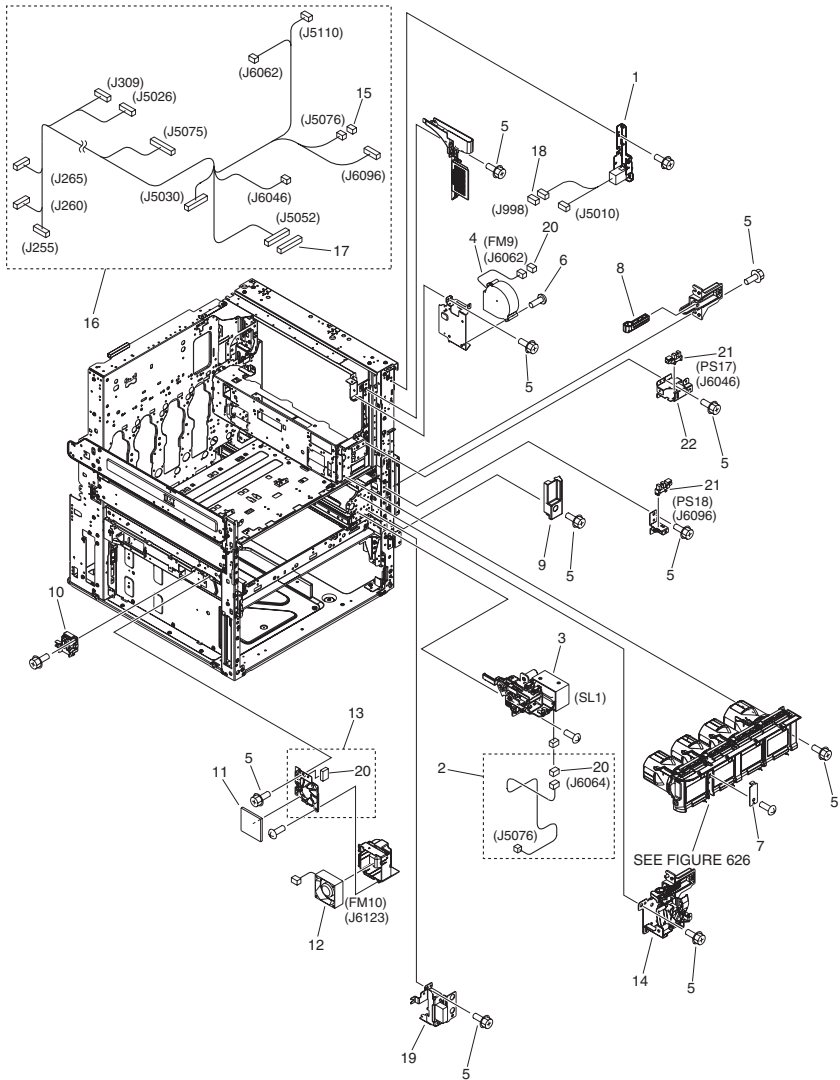


FIGURE & KEY NO.	PARTS NUMBER	R A N K	Q'TY	DESCRIPTION	SERIAL NUMBER/REMARKS	S V C
Fig.103	NPN		RF	MACHINE FRONT PLATE		
1	FM0-0182-000		1	MAIN SWITCH ASSEMBLY		
2	FM4-9483-000		1	CABLE, REG. SHUTTER CONNECTING		
3	FM3-8902-010		1	PATT. READ SHUTTER DRIVE ASS'Y	SL1	
4	FK2-7291-000		1	FAN	FM9	
5	FS1-9169-000		AR	SCREW, STEPPED		
6	XA9-2011-000		2	SCREW, MACH.,TRUSS HEAD, M4X36		
7	FC6-1844-000		1	PLATE, MAGNET, B		
8	FC8-4202-000		1	LINK, MOVABLE		
9	FC8-4204-000		1	COVER, INTERLOCK		
10	FM3-6049-000		1	SENSOR UNIT, ENVIRONMENT		
11	FC6-4023-000		1	FILTER, AIR		
12	FK2-3679-000		1	FAN	FM10	
13	FM3-8896-000		1	FILTER HOLDER ASSEMBLY		
14	FM3-6070-000		1	INTERLOCK SWITCH ASSEMBLY		
15	VS1-7177-002		1	CONNECTOR, SNAP TIGHT, BK		
16	FM4-9456-000		1	CABLE, RIGHT UPPER GUIDE		
17	VS1-8412-027		1	CONNECTOR, SNAP TIGHT, BL		
18	VS1-7177-004		1	CONNECTOR, SNAP TIGHT, BK		
19	FM0-0212-000		1	DRAWER ASSEMBLY		
20	VS1-7177-003		3	CONNECTOR, SNAP TIGHT, BK		
21	WG8-5848-000		2	IC, PHOTO-INTERRUPTER	PS17,18	
22	FM3-8928-000		1	COVER STOP MOUNT ASS'Y,RT. UP.		

# FIGURE 104 INTERNAL COMPONENTS 1

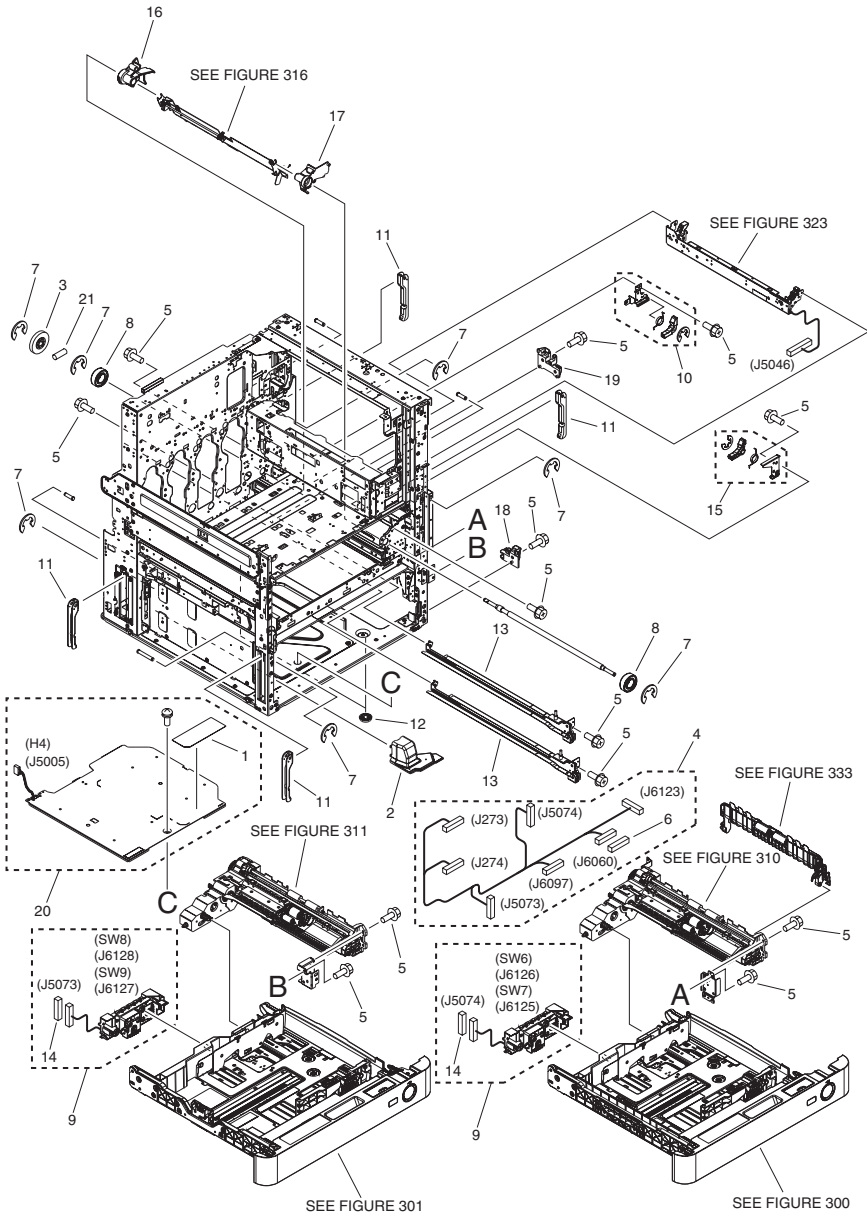


FIGURE & KEY NO.	PARTS NUMBER	R A N K	Q'TY	DESCRIPTION	SERIAL NUMBER/ REMARKS	S V C
Fig.104	NPN		RF	INTERNAL COMPONENTS 1		
1	FU6-8647-000		1	LABEL, HIGH TMP. CAUTION		
2	FC9-0104-000		1	COVER, HEATER CONNECTOR		
3	FS5-0662-000		1	GEAR, 36T		
4	FM4-9474-000		1	CABLE, CASSETTE SIZE DETECT, 1		
5	XA9-0732-010		AR	SCREW,RS,M4		
6	VS1-7177-004		1	CONNECTOR, SNAP TIGHT, BK		
7	XD9-0137-010		7	RING, E		
8	XG9-0502-000		2	BEARING, BALL, P0, 16MM, NSK		
9	FM3-5933-000		2	AUTO SIZE DETECT ASSEMBLY	SW6,7,8,9	
10	FM3-8917-000		1	DRAWING LINK ASS'Y, REAR		
11	FB2-8094-020		4	KNOB, 1		
12	XH9-0136-000		2	FOOT, RUBBER		
13	FM3-6120-000		2	CASSETTE RAIL ASSEMBLY, RIGHT		
14	VS1-8412-011		2	CONNECTOR, SNAP TIGHT, BL		
15	FM3-8916-000		1	DRAWING LINK ASS'Y, FRONT		
16	FC8-4796-000		1	GUIDE, REG. HARD ROLLER, REAR		
17	FC8-4795-000		1	GUIDE,2ND TRNSFER.OUTER,FRONT		
18	FC8-4865-000		1	GUIDE, DOOR TURN SHAFT, FRONT		
19	FC8-4866-000		1	GUIDE, DOOR TURN SHAFT, FRONT		
20	FM0-4833-000		1	CASSETTE HEATER ASSEMBLY	H4	
21	XD9-0291-000		1	PIN, PARALLEL		

# FIGURE 105 INTERNAL COMPONENTS 2

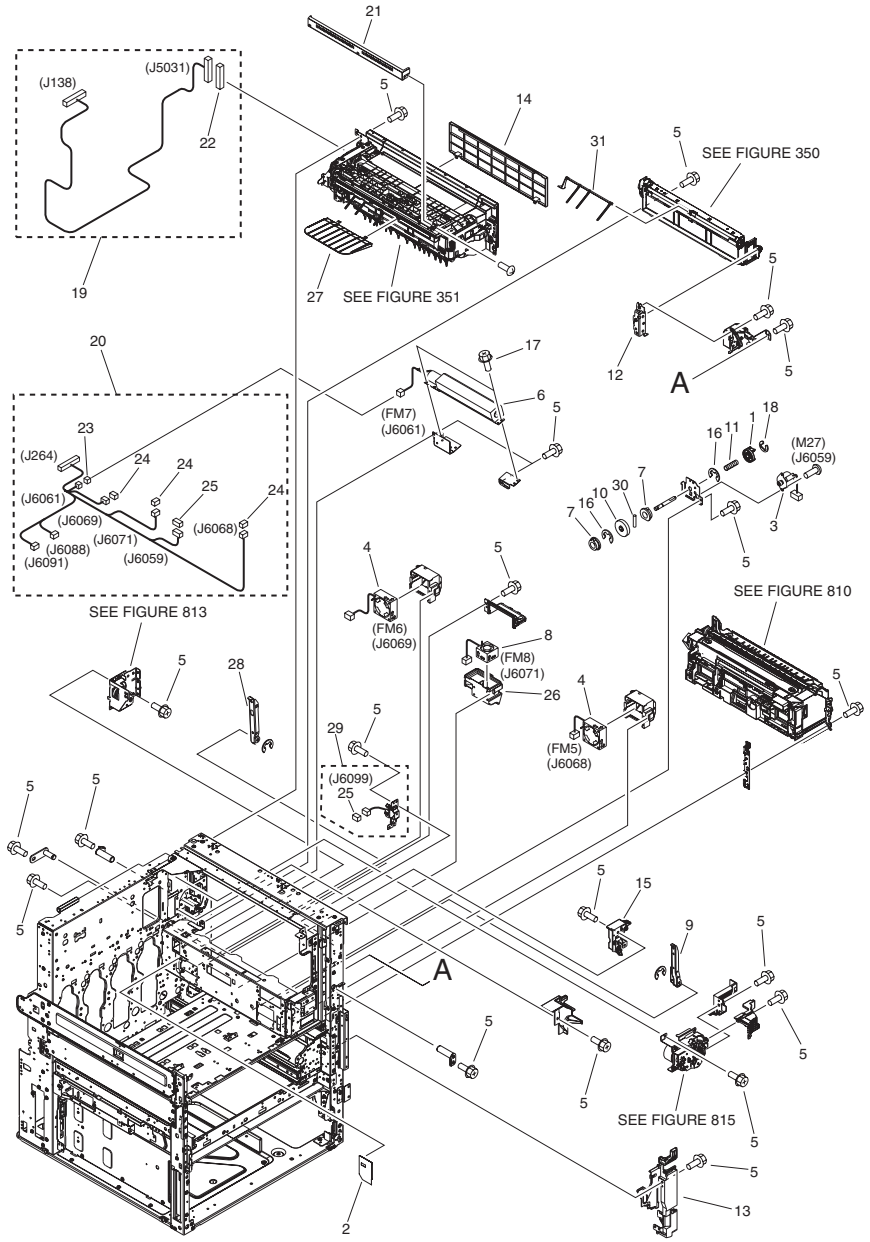




FIGURE & KEY NO.	PARTS NUMBER	RANK	Q'TY	DESCRIPTION	SERIAL NUMBER/REMARKS	SVC
Fig.105	NPN		RF	INTERNAL COMPONENTS 2		
1	FC6-9556-000		1	COUPLING, FAN SHUTTER		
2	FC8-5089-000		1	SHEET, BOTTLE SHIELD, BLACK		
3	FK2-2069-000		1	MOTOR, STEPPING, DC	M27	
4	FK3-2014-000		2	FAN	FM5,6	
5	XA9-0732-010		AR	SCREW,RS,M4		
6	FK3-2016-000		1	FAN	FM7	
7	FS1-1508-000		2	BUSHING		
8	FK2-7290-000		1	FAN	FM8	
9	FM3-6108-000		1	FIXING RAIL FRONT ASSEMBLY		
10	FU7-0318-000		1	GEAR, 50T		
11	FU7-2530-000		1	SPRING		
12	FC8-4801-000		1	PLATE, JOINT		
13	FC0-4839-000		1	COVER, INNER, RIGHT FRONT		
14	FL3-1186-000		1	COVER, THIRD DELIVERY BLANKING		
15	FM3-6009-000		1	PAPER DELIVERY DOOR HOOK ASS'Y		
16	XD9-0136-000		2	RING, E		
17	XA9-1386-000		3	SCREW,RS,M3X8		
18	XD9-0134-000		1	RING, E		
19	FM4-9471-000		1	CABLE, MOTOR CONNECTING		
20	FM4-9470-000		1	CABLE, SIDE END COOLING FAN		
21	FC8-4936-000		1	COVER, PROTECTIVE		
22	VS1-8412-013		1	CONNECTOR, SNAP TIGHT, BL		
23	VS1-7177-002		1	CONNECTOR, SNAP TIGHT, BK		
24	VS1-7177-003		3	CONNECTOR, SNAP TIGHT, BK		
25	VS1-7177-004		2	CONNECTOR, SNAP TIGHT, BK		
26	FC8-4806-000		1	DUCT, 2ND TRNSFR. EXHAUST		
27	FC8-4935-000		1	GUIDE, REVERSE BACK END		
28	FC8-4909-000		1	RAIL, FIXING, REAR		
29	FMO-0263-000		1	OPEN/CLOSE SENSOR ASSEMBLY		
30	XD9-0288-000		1	PIN, DOWEL		
31	FC8-4802-000		1	LEVER, FULL DETECT		

# FIGURE 106 INTERNAL COMPONENTS 3

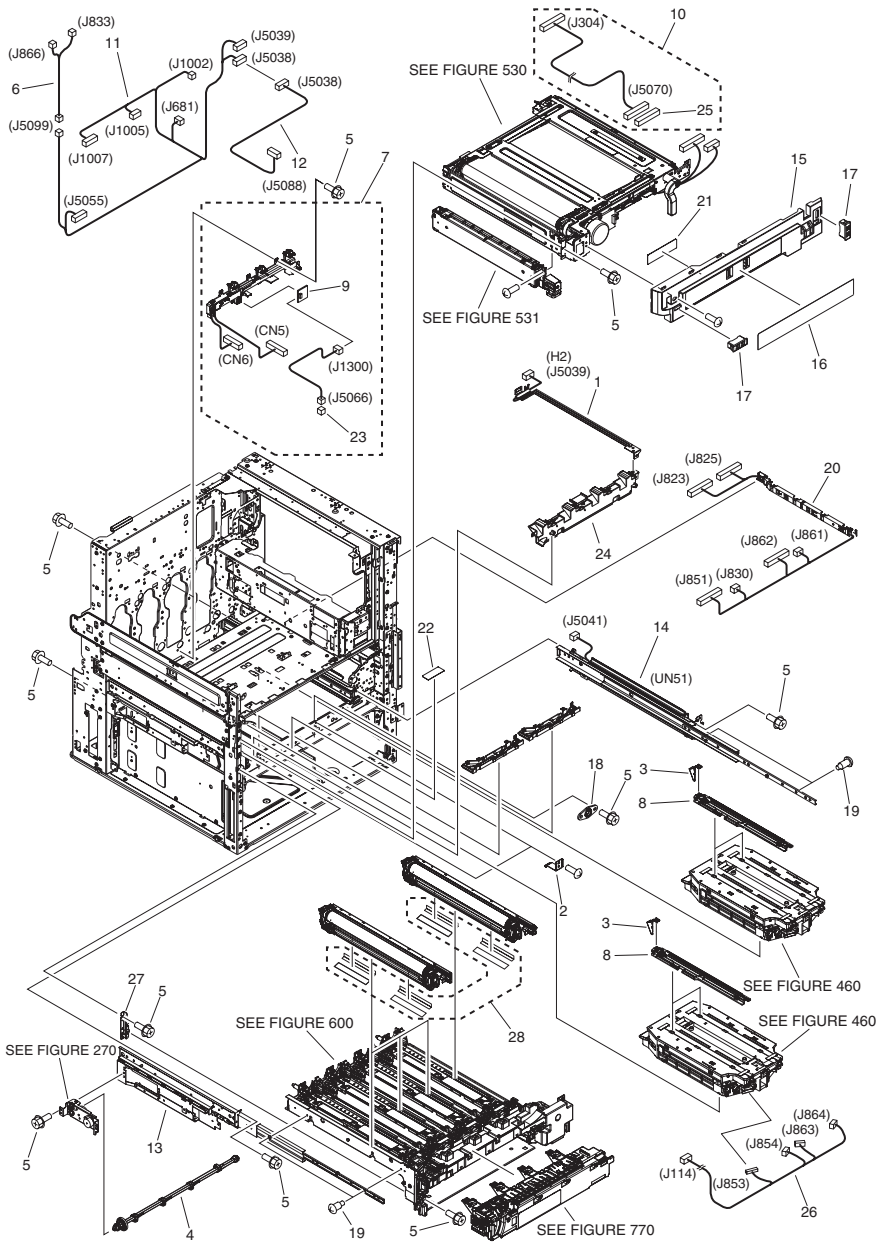


FIGURE & KEY NO.	PARTS NUMBER	RANK	Q'TY	DESCRIPTION	SERIAL NUMBER/REMARKS	SVC
Fig.106	NPN		RF	INTERNAL COMPONENTS 3		
1	FK2-7295-000		1	HEATER, DRUM	120V H2	
1	FK2-7296-000		1	HEATER, DRUM	230V H2	
2	FC8-5009-000		2	SPRING		
3	FC8-5013-000		4	SPRING, LEAF		
4	FM3-5927-000		1	SHUTTER CAM SHAFT ASSEMBLY		
5	XA9-0732-010		AR	SCREW,RS,M4		
6	FM4-9439-000		1	CABLE, ARRESTER CONNECTING		
7	FM3-6091-000		1	IMAGING H.V. CONTACT ASS'Y, CL		
8	FM3-5966-010		4	DUST-PROOF SHUTTER ASSEMBLY		
9	FM3-7941-000		1	TEMPERATURE SENSOR PCB ASS'Y		
10	FM4-9455-000		1	CABLE, I.T.B. MOTOR CONNECTING		
11	FM4-9438-000		1	CABLE, AC HEATER		
12	FM3-7889-000		1	CABLE, DRUM HEATER CL		
13	FM3-6086-000		1	RAIL CROSSMEMBER ASS'Y, LEFT		
14	FM0-0204-000		1	RAIL CROSSMEMBER ASS'Y, RIGHT		
15	FC8-4453-010		1	COVER, I.T.BELT, FRONT		
16	FC8-4457-000		1	LABEL, WASTE TONER EXCHANGE		
17	XZ9-0603-000		2	CATCH, MAGNET		
18	FC8-3973-000		1	BUSHING		
19	FU5-9447-000		4	SCREW, STEPPED, M4X6.3		
20	FM3-8935-000		1	LASER SCANNER CABLE UNIT		
21	FC9-7928-000		1	LABEL, BELT SENSOR CAUTION		
22	FC0-0185-000		1	LABEL, LS MOUNTING CAUTION		
23	VS1-7177-002		1	CONNECTOR, SNAP TIGHT, BK		
24	FM3-6060-010		1	IMAGING FRONT DUCT ASSEMBLY		
25	VS1-8412-017		1	CONNECTOR, SNAP TIGHT, BL		
26	FK2-7330-000		1	CABLE		
27	FC8-4014-000		1	CROSSMEMBER, PROCESS KIT FRAME		
28	FM4-5119-000		1	SHEET		

# FIGURE 107 INTERNAL COMPONENTS 4

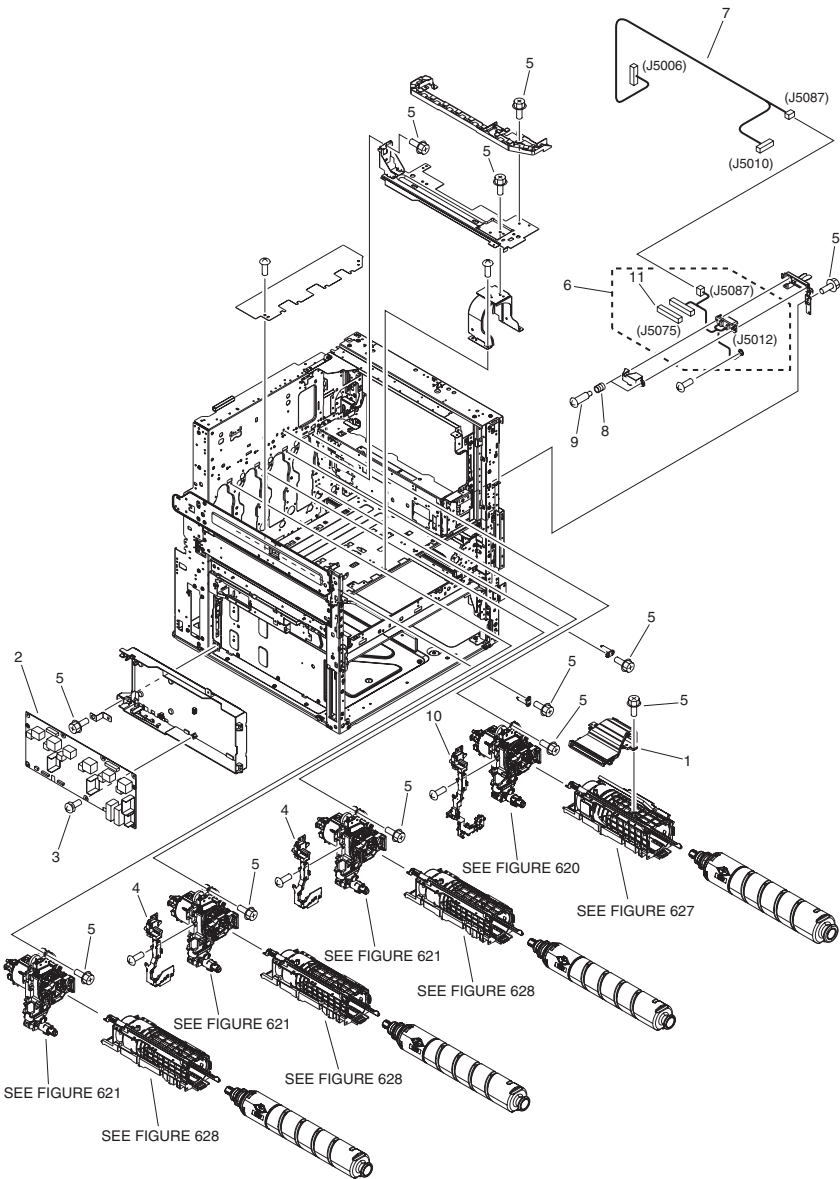


FIGURE & KEY NO.	PARTS NUMBER	R A N K	Q'TY	DESCRIPTION	SERIAL NUMBER/ REMARKS	S V C
Fig.107	NPN		RF	INTERNAL COMPONENTS 4		
1	FM3-6066-000		1	INNER EXHAUST DUCT ASSEMBLY		
2	FK3-2001-000		1	H.V. POWER SUPPLY PCB ASSEMBLY		
3	XA9-1038-000		7	SCREW,P,M4X10		
4	FM4-9656-000		2	HIGH VOLTAGE CONNECTING ASS'Y		
5	XA9-0732-010		AR	SCREW,RS,M4		
6	FM4-9442-000		1	CABLE, SIDE END COOLING DRAWER		
7	FM4-9441-000		1	CABLE, FIXING AC CONNECTING		
8	FS5-2964-000		2	SPRING, COMPRESSION		
9	FS5-9758-020		2	SCREW, STEPPED, M3		
10	FM4-9659-000		1	RELAY ASS'Y, IMAGING H.VOLTAGE		
11	VS1-8412-023		1	CONNECTOR, SNAP TIGHT, BL		

# FIGURE 108 MACHINE REAR PLATE 1

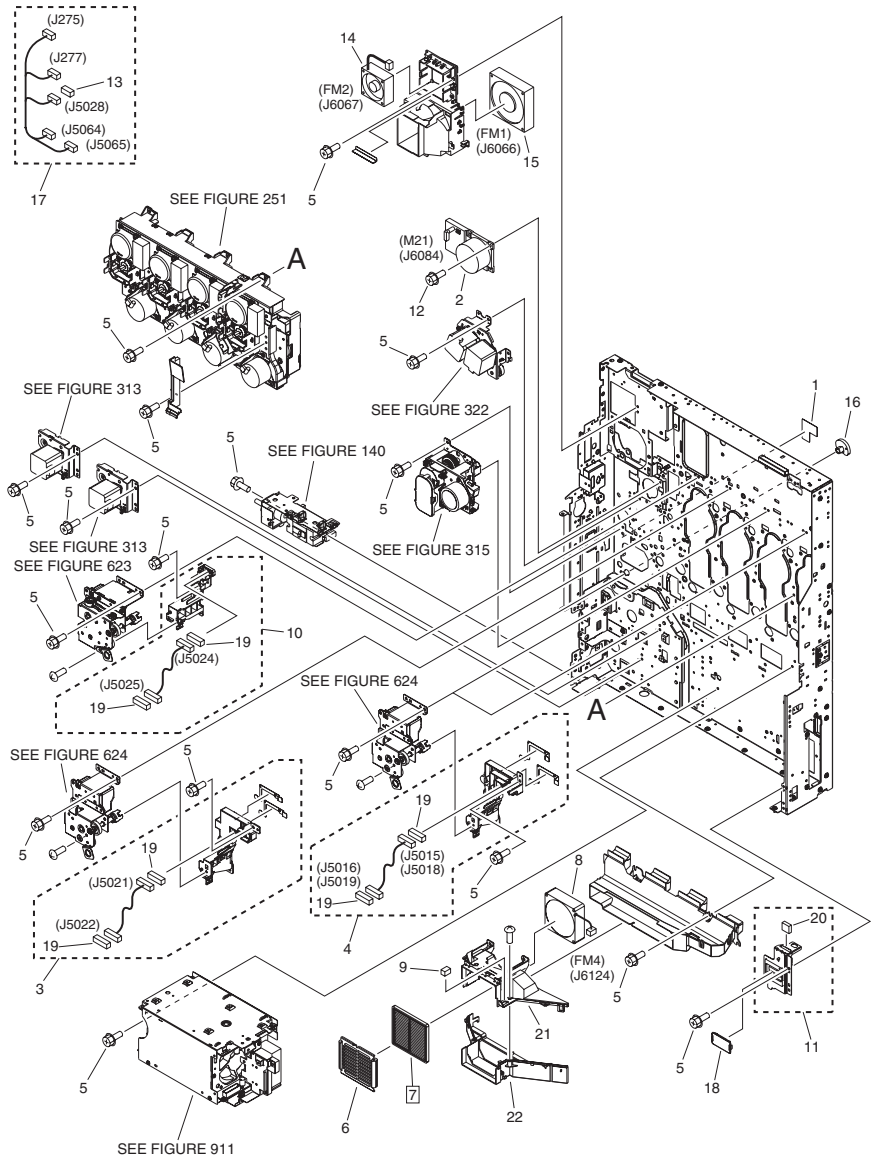


FIGURE & KEY NO.	PARTS NUMBER	R A N K	Q'TY	DESCRIPTION	SERIAL NUMBER/ REMARKS	S V C
Fig.108	NPN		RF	MACHINE REAR PLATE 1		
1	FC8-4459-000		1	LABEL, I.T.BELT CAUTION		
2	FK3-2026-000		1	MOTOR, DC	M21	
3	FM3-5988-000		1	IMAGING H.V.CONTACT ASSEMBLY,		
4	FM0-0268-000		2	1ST TRNSFR. H.V. CONTACT ASS'Y		
5	XA9-0732-010		AR	SCREW,RS,M4		
6	FL3-3585-000		1	PLATE, FAN PROTECTIVE, REAR		
7	FC6-9817-000		1	FILTER, TONER, LEFT	[DP]	
8	FK2-0360-000		1	FAN	FM4	
9	VS1-7177-003		1	CONNECTOR, SNAP TIGHT, BK		
10	FM3-8929-010		1	SET ON DRIVE BLACK MOUNT ASS'Y		
11	FM0-0238-000		1	FINISHER LATTICE ASSEMBLY		
12	XA9-1386-000		9	SCREW,RS,M3X8		
13	VS1-8412-021		1	CONNECTOR, SNAP TIGHT, BL		
14	FK2-3679-000		1	FAN	FM2	
15	FK3-2013-000		1	FAN	FM1	
16	FC8-5078-000		1	CAM, PLATE RELEASE, CENTER		
17	FM4-9476-000		1	CABLE, CASSETTE PAPER PICK-UP		
18	FC0-0205-000		1	COVER, CONNECTOR		
19	VS1-8412-007		8	CONNECTOR, SNAP TIGHT, BL		
20	VS1-7177-010		1	CONNECTOR, 10P		
21	FC8-4079-000		1	COVER, REAR DUCT, UPPER		
22	FC8-4080-000		1	COVER, REAR DUCT, LOWER		

# FIGURE 109 MACHINE REAR PLATE 2

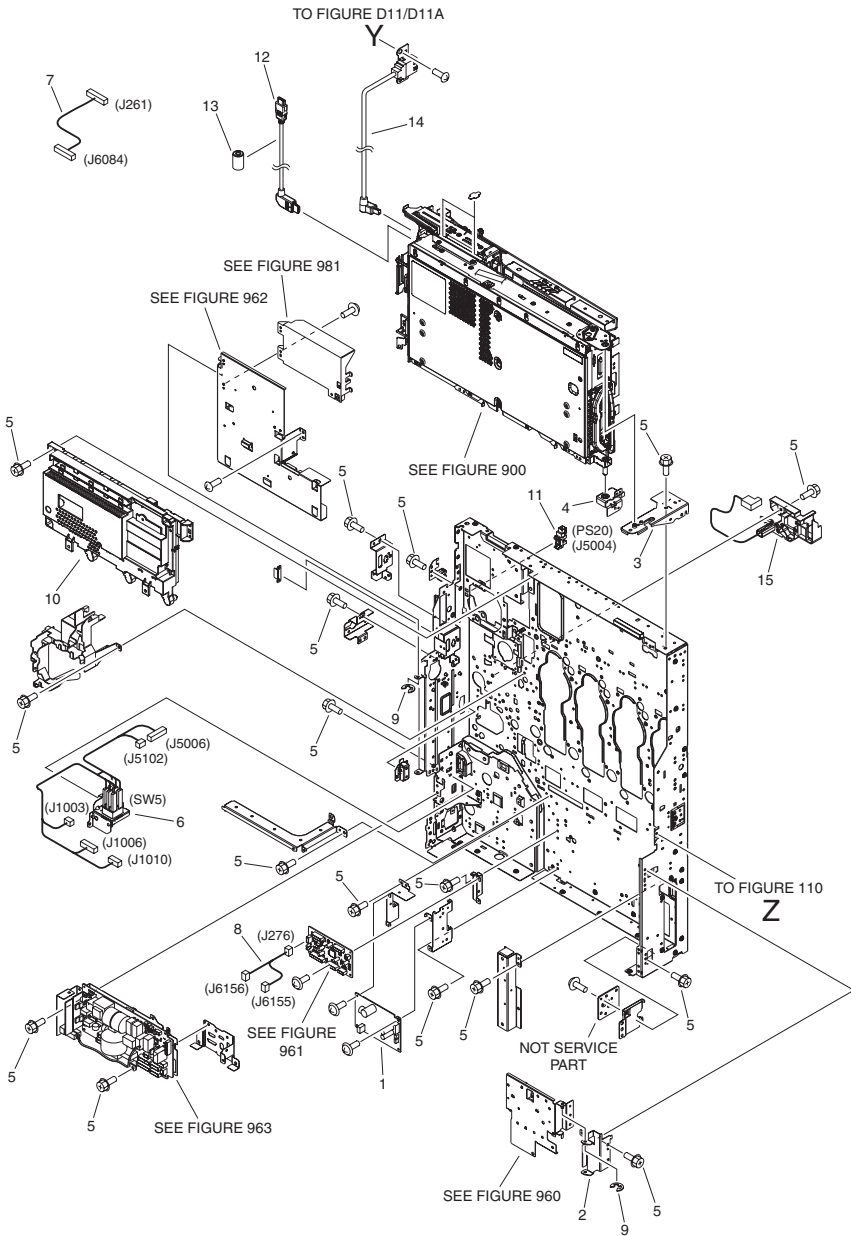




FIGURE & KEY NO.	PARTS NUMBER	R A N K	Q'TY	DESCRIPTION	SERIAL NUMBER/ REMARKS	S V C
Fig.109	NPN		RF	MACHINE REAR PLATE 2		
1	FK3-1998-000		1	ALL NIGHT P.S. PCB ASSEMBLY		
2	FC8-5170-000		1	PLATE, DRUM DRIVER HINGE		
3	FL2-9531-000		1	HINGE, CONTROLLER BOX, UPPER		
4	FL3-1197-000		1	HINGE, CONTROLLER BOX, LOWER		
5	XA9-0732-010		AR	SCREW,RS,M4		
6	FM0-0259-000		1	INTERLOCK ASSEMBLY, AC	SW5	
7	FM4-9459-000		1	CABLE, FIXING MOTOR		
8	FM4-9475-000		1	CABLE, PAPER PICK-UP MOTOR		
9	XD9-0136-000		2	RING, E		
10	FM0-0181-000		1	4C TRNS. BK DEV/ PRIM HV ASS'Y		
11	WG8-5848-000		3	IC, PHOTO-INTERRUPTER	PS20	
12	FK3-2204-000		1	CABLE, CONTROL PANEL		
13	WE8-5601-000		1	FERRITE CORE		
14	FK3-2205-000		1	CABLE, USB		
15	FM0-0267-000		1	PRE 2ND TRNS. H.V. CNCT. ASS'Y		

# FIGURE 110 MACHINE REAR PLATE 3

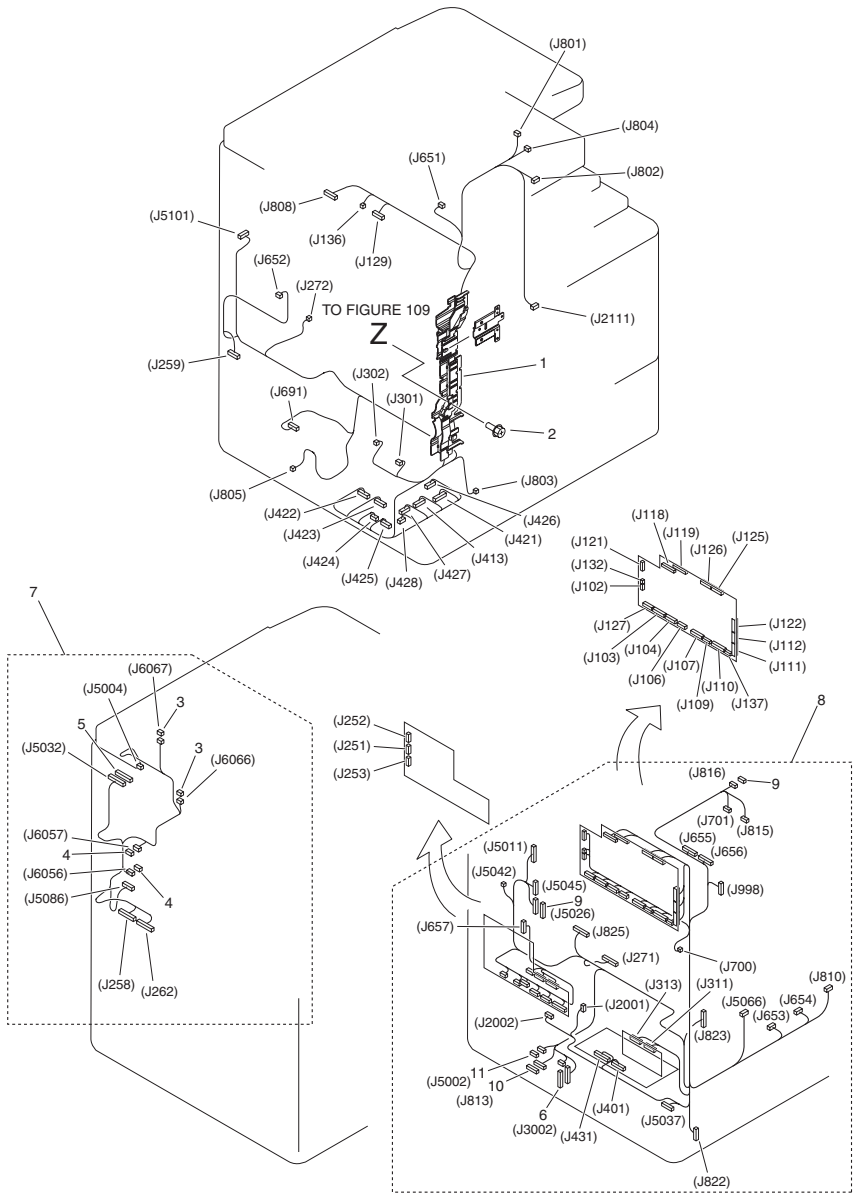
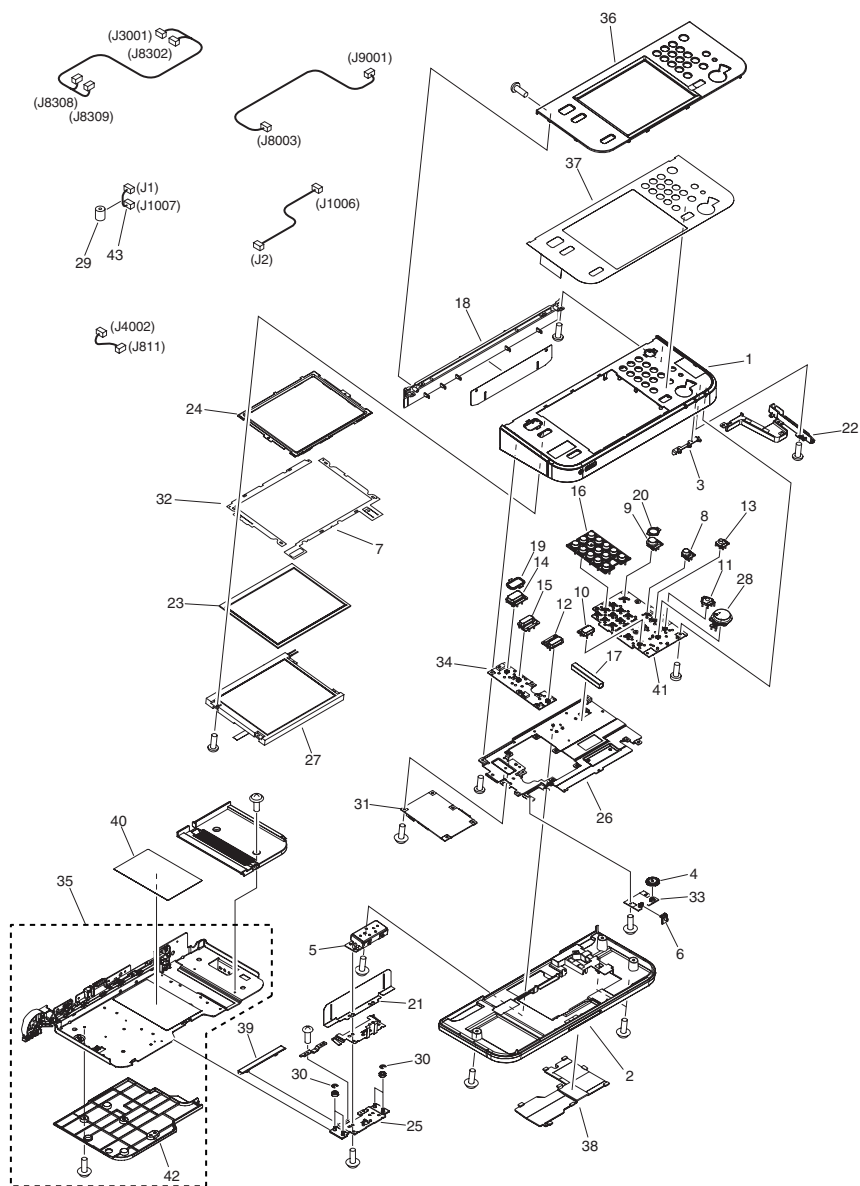


FIGURE & KEY NO.	PARTS NUMBER	R A N K	Q'TY	DESCRIPTION	SERIAL NUMBER/ REMARKS	S V C
Fig.110	NPN		RF	MACHINE REAR PLATE 3		
1	FM0-0273-000		1	DC POWER CABLE ASSEMBLY		
2	XA9-0732-010		AR	SCREW,RS,M4		
3	VS1-7177-003		2	CONNECTOR, SNAP TIGHT, BK		
4	VS1-7177-004		2	CONNECTOR, SNAP TIGHT, BK		
5	VS1-8412-025		1	CONNECTOR, SNAP TIGHT, BL		
6	VS1-8412-015		1	CONNECTOR, SNAP TIGHT, BL		
7	FM4-9460-000		1	CABLE, PAPER FEED MAIN		
8	FM4-9444-000		1	CABLE, MAIN		
9	VS1-8412-011		2	CONNECTOR, SNAP TIGHT, BL		
10	VS1-7177-008		1	CONNECTOR, SNAP TIGHT, BK		
11	VS1-7177-005		1	CONNECTOR, SNAP TIGHT, BK		

# FIGURE 130 CONTROL PANEL ASSEMBLY



NOTE : This assembly does not include the parts shown with key No. 35, 36, 37, 38, 39 and 40.  
 注:このユニットにKey No. 35, 36, 37, 38, 39, 40の部品は含まれません。

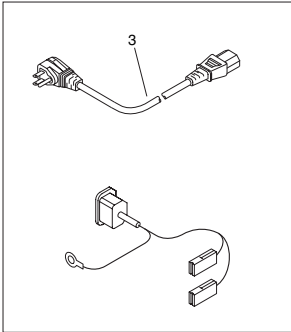
FIGURE & KEY NO.	PARTS NUMBER	R A N K	Q'TY	DESCRIPTION	SERIAL NUMBER/ REMARKS	S V C
Fig.130	FM0-0276-000		1	CONTROL PANEL ASSEMBLY		
1	FC0-5142-000		1	BASE, UP COVER		
2	FC0-5143-000		1	COVER, LOWER		
3	FC8-7823-000		1	COVER, LAMP		
4	FC8-7824-000		1	KEY TOP, BRIGHTNESS ADJUSTMENT		
5	FC8-7825-000		1	HINGE, K		
6	FC8-7834-000		1	KEY TOP, VOLUME		
7	FC0-5146-000		1	SHEET, ANTISTATIC, 1		
8	FC8-8649-000		1	KEY TOP, SETTINGS/REGISTRATION		
9	FC0-5153-000		1	KEY TOP, SLEEP		
10	FC9-9237-000		1	KEY TOP, RESET		
11	FC9-9235-000		1	KEY TOP, STOP		
12	FC9-9238-000		1	KEY TOP, CANCEL		
13	FC8-8655-000		1	KEY TOP, COUNTER CHECK		
14	FC9-9239-000		1	KEY TOP, MAIN MENU		
15	FC9-9240-000		1	KEY TOP, PORTAL		
16	FC8-8660-000		1	KEY TOP, NUMBERS		
17	KE8-1134-070		1	GASKET		
18	FC0-5149-000		1	COVER, REAR		
19	FC9-4390-000		1	COVER, KEY TOP, LEFT		
20	FC9-4391-000		1	COVER, KEY TOP, RIGHT		
21	FC9-4403-010		1	SHEET, COVER		
22	FC0-5152-000		1	COVER, PEN		
23	FK2-8477-000		1	TOUCH PANEL ASSEMBLY		
24	FC0-5150-000		1	COVER, LCD		
25	FL3-0628-000		1	SLIDER		
26	FC0-5145-000		1	CROSSMEMBER, CONTROL PANEL		
27	FL3-7112-000		1	LCD		
28	FL3-0833-000		1	KEY TOP, START		
29	WE8-5731-000		1	RING CORE		
30	XD9-0134-000		4	RING, E		
31	FM4-9880-000		1	CPU PCB ASSEMBLY		

FIGURE & KEY NO.	PARTS NUMBER	R A N K	Q'TY	DESCRIPTION	SERIAL NUMBER/ REMARKS	S V C
32	FC0-5147-000		1	SHEET, ANTISTATIC, 2		
33	FM4-1198-000		1	CONTROL PANEL VOLUME ASSEMBLY		
34	FM4-1195-000		1	KEY TOP PCB ASSEMBLY, SUB		
35	FM0-0277-000		1	CONTROL PANEL FIXED ASSEMBLY	SEE NOTE	
36	FC0-5141-000		1	COVER, UPPER	SEE NOTE	
37	FC0-5163-000		1	SHEET, OPERATOR ASS'Y	SEE NOTE C5255 US,CA,LTN,ASIA,AU	
37	FC0-5164-000		1	SHEET, OPERATOR ASS'Y	SEE NOTE C5250 US,CA,LTN,ASIA,AU	
37	FC0-5165-000		1	SHEET, OPERATOR ASS'Y	SEE NOTE C5240 US,CA,LTN,ASIA,AU	
37	FC0-5166-000		1	SHEET, OPERATOR ASS'Y	SEE NOTE C5235 US,CA,LTN,ASIA,AU	
37	FC0-5167-000		1	SHEET, OPERATOR ASS'Y	SEE NOTE C5255 EUR	
37	FC0-5168-000		1	SHEET, OPERATOR ASS'Y	SEE NOTE C5250 EUR	
37	FC0-5171-000		1	SHEET, OPERATOR ASS'Y	SEE NOTE C5255I EUR	
37	FC0-5172-000		1	SHEET, OPERATOR ASS'Y	SEE NOTE C5250I EUR	
37	FC0-5174-000		1	SHEET, OPERATOR ASS'Y	SEE NOTE C5235I EUR	
37	FC0-5175-000		1	SHEET, OPERATOR ASS'Y	SEE NOTE C5255 CN	
37	FC0-5176-000		1	SHEET, OPERATOR ASS'Y	SEE NOTE C5250 CN	
37	FC0-5177-000		1	SHEET, OPERATOR ASS'Y	SEE NOTE C5240 CN	
37	FC0-5178-000		1	SHEET, OPERATOR ASS'Y	SEE NOTE C5235 CN	
37	FC0-5179-000		1	SHEET, OPERATOR ASS'Y	SEE NOTE C5255 KR	
37	FC0-5180-000		1	SHEET, OPERATOR ASS'Y	SEE NOTE C5250 KR	
37	FC0-5181-000		1	SHEET, OPERATOR ASS'Y	SEE NOTE C5240 KR	
37	FC0-5182-000		1	SHEET, OPERATOR ASS'Y	SEE NOTE C5235 KR	
37	FC0-5183-000		1	SHEET, OPERATOR ASS'Y	SEE NOTE C5255 TW	
37	FC0-5184-000		1	SHEET, OPERATOR ASS'Y	SEE NOTE C5250 TW	
37	FC0-5185-000		1	SHEET, OPERATOR ASS'Y	SEE NOTE C5240 TW	
37	FC0-5186-000		1	SHEET, OPERATOR ASS'Y	SEE NOTE C5235 TW	
37	FE4-1442-000		1	SHEET, OPERATOR ASS'Y	SEE NOTE C5240A	
37	FE4-1443-000		1	SHEET, OPERATOR ASS'Y	SEE NOTE C5235A	
38	FC0-5148-000		1	COVER, LOWER, SMALL	SEE NOTE	
39	FC9-4402-000		1	COVER, SLIDE	SEE NOTE	

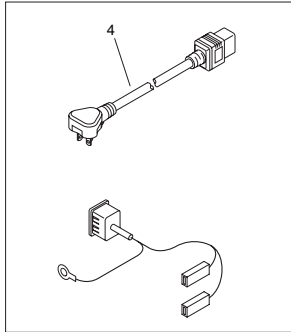
FIGURE & KEY NO.	PARTS NUMBER	RANK	Q'TY	DESCRIPTION	SERIAL NUMBER/REMARKS	SVC
40	FC9-4405-000		1	SHEET, BLANKING	SEE NOTE	
41	FM4-9881-000		1	KEY TOP PCB ASSEMBLY		
42	FC9-4395-000		1	COVER, CONTROL PANEL, LOWER		
43	FM4-1190-000		1	CABLE, CONTROL PANEL LCD		

# FIGURE 140 POWER CORD TERMINAL ASS'Y

C5240,5235 SERIES  
120V EXCEPT TW

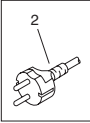


C5255,5250 SERIES  
120V EXCEPT TW

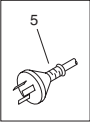


230V

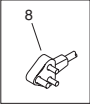
EXCEPT  
CN,IN



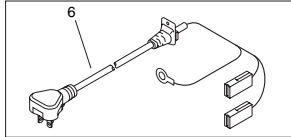
CN



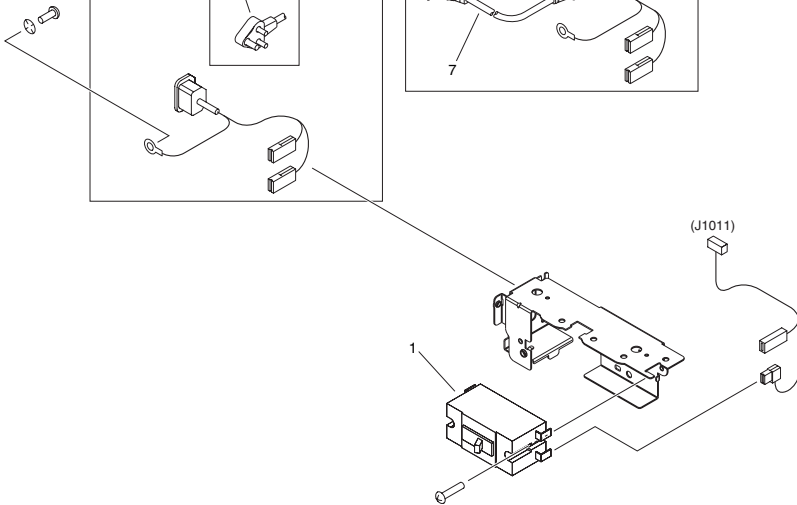
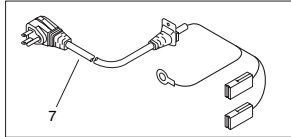
IN



C5255,5250 SERIES  
120V TW



C5240,5235 SERIES  
120V TW



NOTE : This assembly does not include the parts shown with key No. 2, 3, 4, 5 and 8.  
注:このユニットにKey No. 2, 3, 4, 5, 8の部品は含まれません。



FIGURE & KEY NO.	PARTS NUMBER	R A N K	Q'TY	DESCRIPTION	SERIAL NUMBER/REMARKS	S V C
Fig.140	FM4-9334-000		1	POWER CORD TERMINAL ASS'Y	C5255,5250 SERIES 120V EXCEPT TW	
Fig.140	FM0-0239-000		1	POWER CORD TERMINAL ASS'Y	C5255,5250 SERIES 120V TW	
Fig.140	FM4-9335-000		1	POWER CORD TERMINAL ASS'Y	C5240,5235 SERIES 120V EXCEPT TW	
Fig.140	FM0-0236-000		1	POWER CORD TERMINAL ASS'Y	C5240,5235 SERIES 120V TW	
Fig.140	FM0-0237-000		1	POWER CORD TERMINAL ASS'Y	230V	
1	FH7-7625-030		1	BREAKER, ELECTRIC LEAKAGE	230V	
1	FH7-7626-000		1	BREAKER, ELECTRIC LEAKAGE	C5240,5235 SERIES 120V	
1	FK2-0014-000		1	BREAKER, ELECTRIC LEAKAGE	C5255,5250 SERIES 120V	
2	FK2-0146-000		1	CORD, POWER SUPPLY	SEE NOTE 230V EXCEPT CN, IN	
3	FK3-2045-000		1	CORD, POWER SUPPLY, 120V	SEE NOTE C5240,5235 SERIES 120V EXCEPT TW	
4	FK3-2053-000		1	CORD, POWER SUPPLY, 120V	SEE NOTE C5255,5250 SERIES 120V EXCEPT TW	
5	FK2-2987-000		1	CORD, POWER SUPPLY	SEE NOTE 230V CN	
6	FL3-6177-000		1	CABLE, POWER SUPPLY, 120V	C5255,5250 SERIES 120V TW	
7	FL3-6178-000		1	CABLE, POWER SUPPLY, 120V	C5240,5235 SERIES 120V TW	
8	FK4-2260-000		1	CORD, POWER SUPPLY	SEE NOTE 230V IN	

# FIGURE 251 DRUM DEVELOPING DRIVE ASSEMBLY

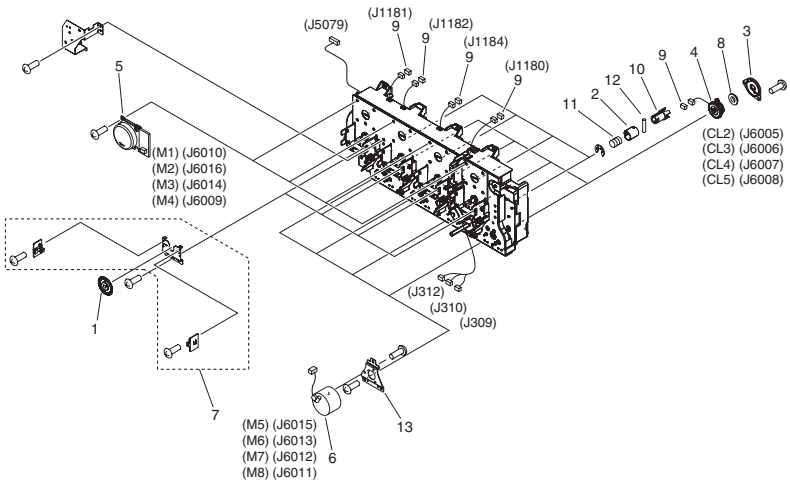


FIGURE & KEY NO.	PARTS NUMBER	RANK	Q'TY	DESCRIPTION	SERIAL NUMBER/REMARKS	SVC
Fig.251	FM4-9326-000		1	DRUM DEVELOPING DRIVE ASSEMBLY		
1	FL3-4135-000		4	WHEEL, CORD, 645P		
2	FC8-4171-000		4	CAP, COUPLING		
3	FC8-4175-000		4	COVER, CLUTCH		
4	FK2-7371-000		4	CLUTCH, ELECTROMAGNETIC	CL2,3,4,5	
5	FK2-7298-000		4	MOTOR, DC	M1,2,3,4	
6	FK2-7303-000		4	MOTOR, DC	M5,6,7,8	
7	FM4-8343-000		4	ENCODER ASSEMBLY		
8	FU5-1448-000		4	BUSHING		
9	VS1-7177-002		8	CONNECTOR, SNAP TIGHT, BK		
10	FC8-4170-000		4	COUPLING, DEVELOPMENT		
11	FU6-2636-000		4	SPRING, COMPRESSION		
12	XD9-0325-000		4	PIN, PARALLEL		
13	FC8-5323-000		4	PLATE, MOTOR MOUNTING		

# FIGURE 270 SHUTTER DRIVE MOUNT ASSEMBLY

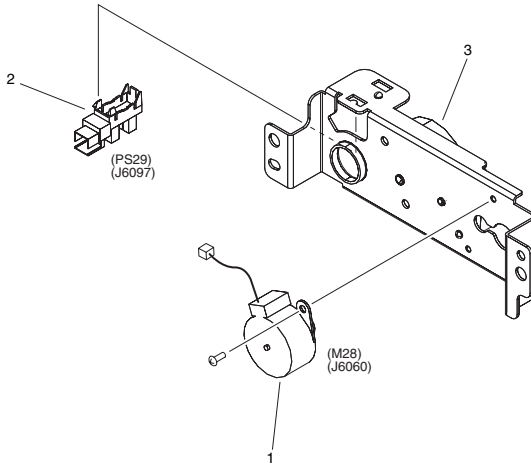
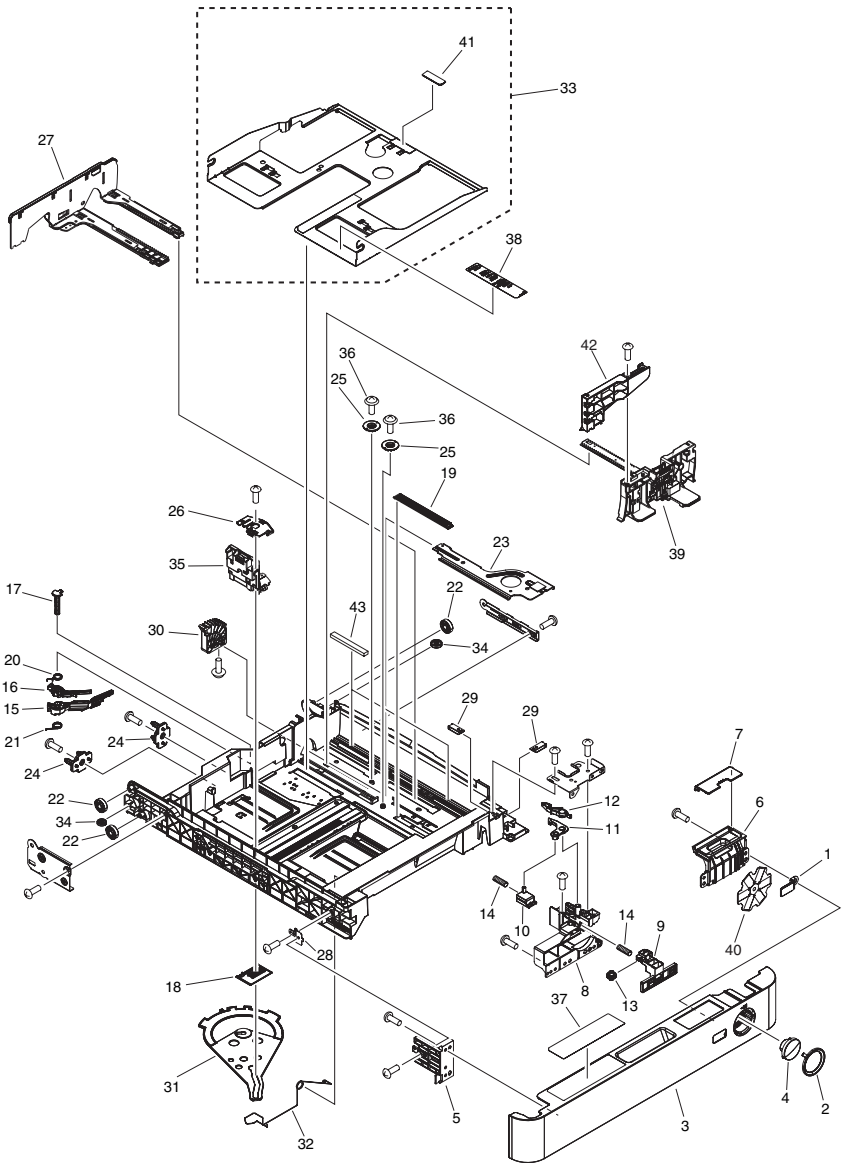


FIGURE & KEY NO.	PARTS NUMBER	RANK	Q'TY	DESCRIPTION	SERIAL NUMBER/REMARKS	SVC
Fig.270	NPN		RF	SHUTTER DRIVE MOUNT ASSEMBLY		
1	FK2-2069-000		1	MOTOR, STEPPING, DC	M28	
2	WG8-5783-000		1	IC,PHOTO-INTERRUPTER,LG248NL1A	PS29	
3	FM3-6109-000		1	DRIVE MOUNT BASE ASSEMBLY		

# FIGURE 300 CASSETTE ASSEMBLY(MIDDLE)

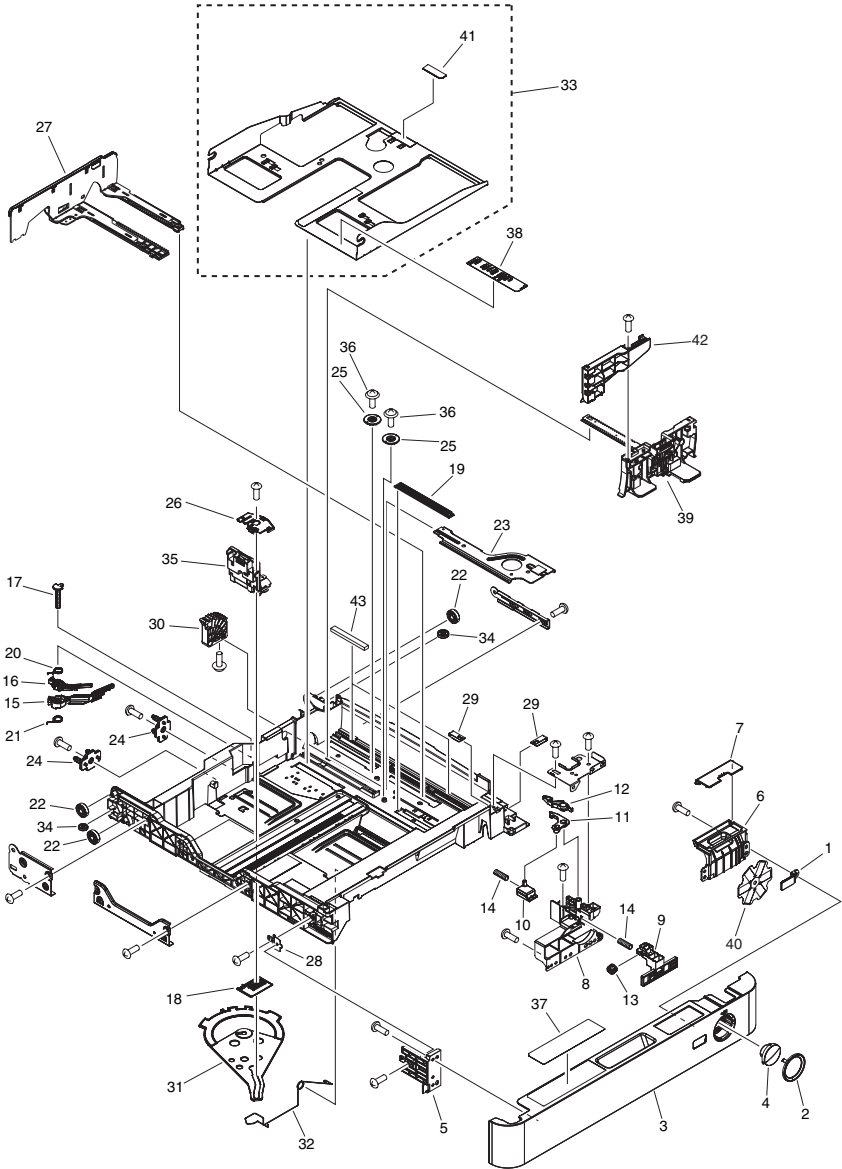


NOTE : This assembly does not include the part shown with key No. 40.  
 注 : このユニットにKey No. 40の部品は含まれません。

FIGURE & KEY NO.	PARTS NUMBER	R A N K	Q'TY	DESCRIPTION	SERIAL NUMBER/ REMARKS	S V C
Fig.300	FM3-5936-000		1	CASSETTE ASSEMBLY	MIDDLE	
1	FC8-4967-000		1	WINDOW, CST FR. COVER IND.		
2	FC8-4968-000		1	RING, BUTTON		
3	FC8-4974-000		1	COVER, CASSETTE, FRONT		
4	FC8-4985-000		1	BUTTON, PUSHING		
5	FC8-4993-000		1	PLATE, COVER ATTACHMENT, LEFT		
6	FC9-0136-000		1	HOLDER, SIZE INDEX		
7	FC9-4042-000		1	COVER, SIZEPLATE		
8	FC8-4969-000		1	MOUNT,CST. FR. COVER ADJUST,R		
9	FC8-4986-000		1	LINK, BUTTON, UPPER, 2		
10	FC8-4987-000		1	LINK, BUTTON, LOWER		
11	FC9-7259-000		1	ARM, LOCK, A		
12	FC9-7260-000		1	ARM, LOCK, B		
13	FC9-7261-000		1	ROLLER, LINK		
14	FU7-2518-000		2	SPRING, COMPRESSION		
15	FC8-2469-000		1	DIAL, DETECT, SMALL		
16	FC8-2470-000		1	DIAL, DETECT, LARGE		
17	FC8-2474-000		1	SHAFT, SUPPORT		
18	FC8-2475-000		1	PLATE, JOINT		
19	FC8-2670-000		1	PLATE, FREE STOP		
20	FC8-2671-000		1	SPRING, TORSION		
21	FC8-2672-000		1	SPRING, TORSION		
22	FC8-4970-000		3	ROLLER, CASSETTE SWING		
23	FL3-2859-000		1	PLATE, LIFTER		
24	FC8-4989-000		2	PIN, SIZE DETECT POSITIONING		
25	FC8-4990-000		2	GEAR, 14T		
26	FC8-4996-000		1	COVER, TOP		
27	FM3-8906-010		1	SIDE END PLATE ASSEMBLY, REAR		
28	FC9-0127-000		1	PLATE, COVER MOUNTING, L		
29	FC9-0128-000		2	PLATE, COVER MOUNTING, R		
30	FC9-0129-000		1	GEAR, 9T		
31	FC9-0130-000		1	LINK, BACK END DETECT		

FIGURE & KEY NO.	PARTS NUMBER	R A N K	Q'TY	DESCRIPTION	SERIAL NUMBER/ REMARKS	S V C
32	FC9-0140-000		1	SPRING, GROUNDING	SEE NOTE	
33	FL2-9472-000		1	PLATE, CENTER		
34	FS5-6945-000		2	COLLAR, REGISTRATION MULTI		
35	FM3-8907-000		1	BACK END LIMIT PLATE ASSEMBLY		
36	XA9-1523-000		2	SCREW, B, M4X8		
37	FC8-4966-000		1	LABEL, PAPER PICK-UP OPERATION		
38	FC9-7242-000		1	LABEL, INDEX, SIZE M, SIDE		
39	FM3-8905-010		1	SIDE END PLATE ASSEMBLY, FRONT		
40	FC9-0145-000		1	PLATE, SIZE INDICATION		
41	FC9-7171-000		1	SHEET, SEPARATION		
42	FM3-8912-000		1	PAPER SIDE END EXTENSION ASS'Y		
43	FC9-7257-000		2	SHEET, SILENCER		

# FIGURE 301 CASSETTE ASSEMBLY(LARGE)



NOTE : This assembly does not include the part shown with key No. 40.  
 注 : このユニットにKey No. 40の部品は含まれません。



FIGURE & KEY NO.	PARTS NUMBER	R A N K	Q'TY	DESCRIPTION	SERIAL NUMBER/ REMARKS	S V C
Fig.301	FM3-5937-000		1	CASSETTE ASSEMBLY	LARGE	
1	FC8-4967-000		1	WINDOW, CST FR. COVER IND.		
2	FC8-4968-000		1	RING, BUTTON		
3	FC8-4974-000		1	COVER, CASSETTE, FRONT		
4	FC8-4985-000		1	BUTTON, PUSHING		
5	FC8-4993-000		1	PLATE, COVER ATTACHMENT, LEFT		
6	FC9-0136-000		1	HOLDER, SIZE INDEX		
7	FC9-4042-000		1	COVER, SIZEPLATE		
8	FC8-4969-000		1	MOUNT,CST. FR. COVER ADJUST,R		
9	FC8-4986-000		1	LINK, BUTTON, UPPER, 2		
10	FC8-4987-000		1	LINK, BUTTON, LOWER		
11	FC9-7259-000		1	ARM, LOCK, A		
12	FC9-7260-000		1	ARM, LOCK, B		
13	FC9-7261-000		1	ROLLER, LINK		
14	FU7-2518-000		2	SPRING, COMPRESSION		
15	FC8-2469-000		1	DIAL, DETECT, SMALL		
16	FC8-2470-000		1	DIAL, DETECT, LARGE		
17	FC8-2474-000		1	SHAFT, SUPPORT		
18	FC8-2475-000		1	PLATE, JOINT		
19	FC8-2670-000		1	PLATE, FREE STOP		
20	FC8-2671-000		1	SPRING, TORSION		
21	FC8-2672-000		1	SPRING, TORSION		
22	FC8-4970-000		3	ROLLER, CASSETTE SWING		
23	FL3-2859-000		1	PLATE, LIFTER		
24	FC8-4989-000		2	PIN, SIZE DETECT POSITIONING		
25	FC8-4990-000		2	GEAR, 14T		
26	FC8-4996-000		1	COVER, TOP		
27	FM3-8906-010		1	SIDE END PLATE ASSEMBLY, REAR		
28	FC9-0127-000		1	PLATE, COVER MOUNTING, L		
29	FC9-0128-000		2	PLATE, COVER MOUNTING, R		
30	FC9-0129-000		1	GEAR, 9T		
31	FC9-0130-000		1	LINK, BACK END DETECT		

FIGURE & KEY NO.	PARTS NUMBER	RANK	Q'TY	DESCRIPTION	SERIAL NUMBER/REMARKS	SVC
32	FC8-4992-000		1	WIRE,CENTER PLATE GROUNDING,L	SEE NOTE	
33	FL2-9472-000		1	PLATE, CENTER		
34	FS5-6945-000		2	COLLAR, REGISTRATION MULTI		
35	FM3-8907-000		1	BACK END LIMIT PLATE ASSEMBLY		
36	XA9-1523-000		2	SCREW, B, M4X8		
37	FC8-4966-000		1	LABEL, PAPER PICK-UP OPERATION		
38	FC8-4962-000		1	LABEL, SIZE INDEX, SIDE, LARGE		
39	FM3-8905-010		1	SIDE END PLATE ASSEMBLY, FRONT		
40	FC9-0145-000		1	PLATE, SIZE INDICATION		
41	FC9-7171-000		1	SHEET, SEPARATION		
42	FM3-8912-000		1	PAPER SIDE END EXTENSION ASS'Y		
43	FC9-7257-000		2	SHEET, SILENCER		

**FIGURE 310**  
**PAPER PICK-UP ASSEMBLY, 1**

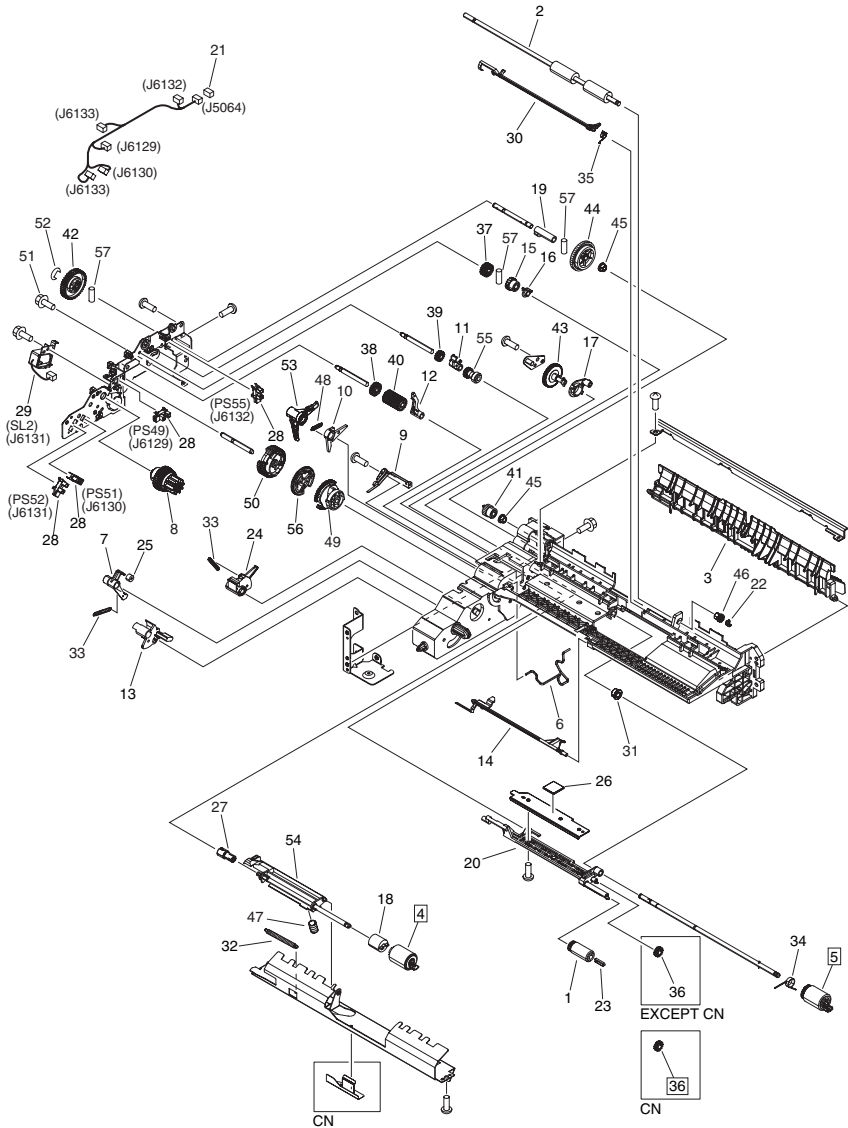


FIGURE & KEY NO.	PARTS NUMBER	R A N K	Q'TY	DESCRIPTION	SERIAL NUMBER/ REMARKS	S V C
Fig.310	FM0-1760-010		1	PAPER PICK-UP ASSEMBLY, 1	EXCEPT CN	
Fig.310	FM0-1753-000		1	PAPER PICK-UP ASSEMBLY, 1	CN	
1	FB6-3405-000		1	ROLLER, PAPER PICK-UP	EXCEPT CN	
1	FC7-9381-000		1	ROLLER, PAPER PICK-UP	CN	
2	FB6-4852-000		1	ROLLER, VERTICAL PATH	EXCEPT CN	
2	FM3-4150-000		1	ROLLER, VERTICAL PATH	CN	
3	FC5-0595-010		1	GUIDE, VERTICAL PATH	EXCEPT CN	
3	FL2-8283-000		1	GUIDE, VERTICAL PATH	CN	
4	FC6-6661-000		1	ROLLER, SEPARATION	[DP]	
5	FC0-5080-000		1	ROLLER, FEED/SEPARATION	EXCEPT CN	
5	FC7-9502-000		1	ROLLER, FEED/SEPARATION	CN [DP]	
6	FB6-3388-000		1	ROD, SEPARATION ROLLER RELEASE		
7	FB6-3389-000		1	CLAW, PICK-UP		
8	FB6-3391-000		1	GEAR, RATCHET		
9	FB6-3392-020		1	SPRING, LEAF		
10	FC9-7253-000		1	ARM, LIFTING		
11	FB6-3395-000		1	ARM, PAPER FEED SHAFT		
12	FB6-3396-010		1	LOCK, PICK-UP		
13	FB6-3397-000		1	FLAG, PAPER SENSOR		
14	FB6-3398-000		1	FLAG, PAPER DETECT SENSOR		
15	FB6-3402-000		1	GEAR, RATCHET		
16	FB6-3403-000		1	COUPLING, FEED SHAFT STOP		
17	FB6-3404-000		1	COUPLING, SEPARATION SHAFT		
18	FB6-3410-000		1	LIMITER, TORQUE		
19	FB6-3413-000		1	COLLAR, PAPER PICK-UP SHAFT		
20	FC0-6755-000		1	HOLDER, PAPER PICK-UP ROLLER		
21	VS1-7177-002		1	CONNECTOR, SNAP TIGHT, BK		
22	FC6-9867-000		1	RING, RETAINING		
23	FC7-5845-000		1	STOPPER, ROLLER		
24	FC8-1178-000		1	CLAW, PAPER PICK-UP		
25	FC8-1202-000		1	DAMPER		
26	FC8-1205-000		1	PAD, PAPER PICK-UP HOLDER		

FIGURE & KEY NO.	PARTS NUMBER	RANK	Q'TY	DESCRIPTION	SERIAL NUMBER/REMARKS	SVC
27	FC9-4290-010		1	JOINT, RETARD		
28	FK2-0149-000		4	PHOTO-INTERRUPTER, TLP1252(C6)	PS49,51,52,55	
29	FK2-0408-010		1	SOLENOID	SL2	
30	FL3-8032-000		1	FLAG, REGISTRATION SENSOR		
31	FS5-1943-000		1	BUSHING		
32	FU7-5378-000		1	SPRING, TENSION		
33	FS7-2800-000		2	SPRING, TENSION		
34	FS7-2801-000		1	SPRING, TORSION		
35	FS7-2803-000		1	SPRING, TORSION		
36	FU0-0043-000		1	GEAR, 15T	[DP] CN ONLY	
37	FU3-0282-000		1	GEAR, 21T		
38	FU3-0283-000		1	GEAR, 21T		
39	FU3-0284-000		1	GEAR, 16T		
40	FU3-0288-000		1	GEAR, 21T		
41	FU3-0289-000		1	GEAR, 14T		
42	FU3-0347-000		1	GEAR, 41T		
43	FU3-0349-000		1	GEAR, 41T		
44	FU3-0350-000		1	GEAR, 41T/41T		
45	FS1-1205-000		2	BUSHING		
46	FU5-1763-000		1	BUSHING		
47	FU6-2684-000		1	SPRING, COMPRESSION		
48	FU6-2784-000		1	SPRING, TENSION		
49	FU7-0445-000		1	GEAR, 42T		
50	FU8-0214-000		1	GEAR, 46T		
51	XA9-0656-000		1	SCREW,RS,M3X10		
52	XD9-0136-000		1	RING, E		
53	FM3-4146-010		1	PICK-UP ARM UNIT		
54	FM4-2525-000		1	HOLDER, SEPARATION ROLLER		
55	FU3-0352-000		1	GEAR, 16T/16T		
56	FL3-6661-010		1	GEAR ASS'Y		
57	XD9-0300-000		3	PIN, PARALLEL		

# FIGURE 311 PAPER PICK-UP ASSEMBLY, 2

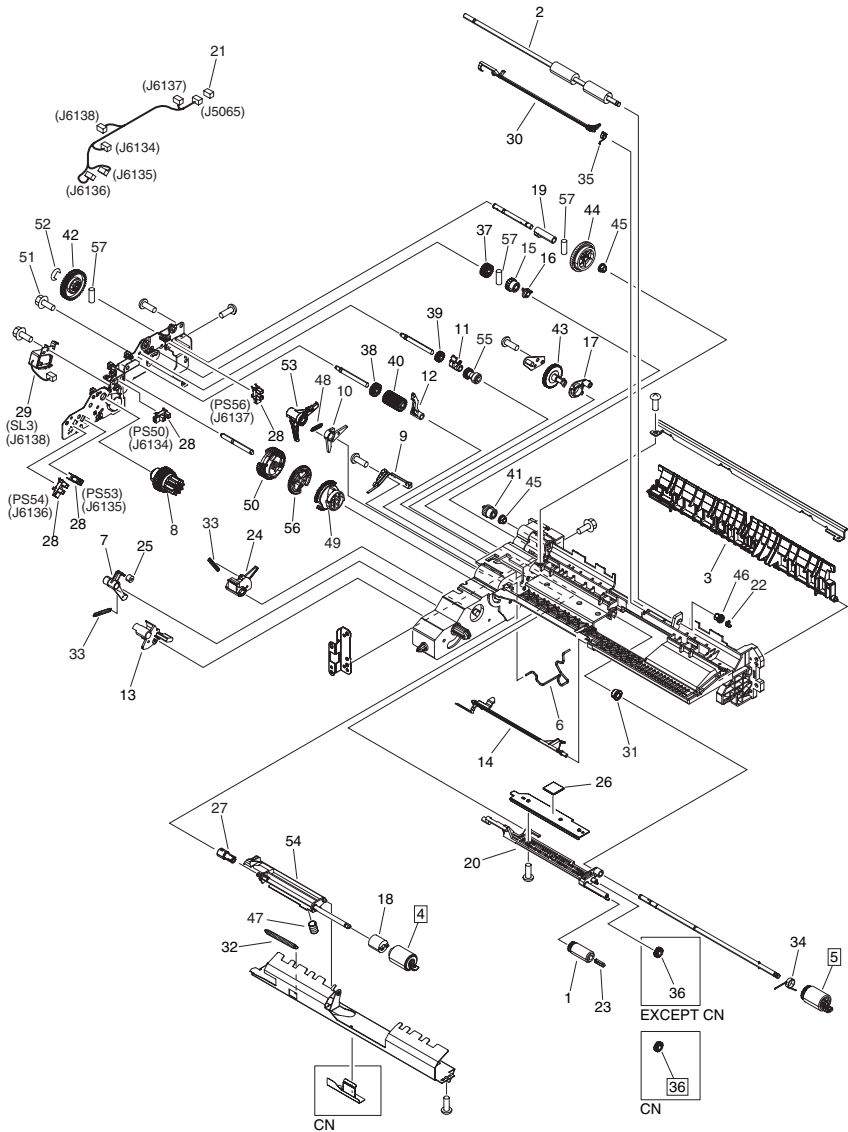


FIGURE & KEY NO.	PARTS NUMBER	R A N K	Q'TY	DESCRIPTION	SERIAL NUMBER/ REMARKS	S V C
Fig.311	FM1-B779-000		1	PAPER PICK-UP ASSEMBLY, 2	EXCEPT CN	
Fig.311	FM0-1749-010		1	PAPER PICK-UP ASSEMBLY, LARGE	CN	
1	FB6-3405-000		1	ROLLER, PAPER PICK-UP	EXCEPT CN	
1	FC7-9381-000		1	ROLLER, PAPER PICK-UP	CN	
2	FB6-4852-000		1	ROLLER, VERTICAL PATH	EXCEPT CN	
2	FM3-4150-000		1	ROLLER, VERTICAL PATH	CN	
3	FB6-3387-000		1	GUIDE, VERTICAL PATH	EXCEPT CN	
3	FL2-8282-000		1	GUIDE, VERTICAL PATH	CN	
4	FC6-6661-000		1	ROLLER, SEPARATION	[DP]	
5	FC0-5080-000		1	ROLLER, FEED/SEPARATION	EXCEPT CN [DP]	
5	FC7-9502-000		1	ROLLER, FEED/SEPARATION	CN [DP]	
6	FB6-3388-000		1	ROD, SEPARATION ROLLER RELEASE		
7	FB6-3389-000		1	CLAW, PICK-UP		
8	FB6-3391-000		1	GEAR, RATCHET		
9	FB6-3392-020		1	SPRING, LEAF		
10	FC9-7253-000		1	ARM, LIFTING		
11	FB6-3395-000		1	ARM, PAPER FEED SHAFT		
12	FB6-3396-010		1	LOCK, PICK-UP		
13	FB6-3397-000		1	FLAG, PAPER SENSOR		
14	FB6-3398-000		1	FLAG, PAPER DETECT SENSOR		
15	FB6-3402-000		1	GEAR, RATCHET		
16	FB6-3403-000		1	COUPLING, FEED SHAFT STOP		
17	FB6-3404-000		1	COUPLING, SEPARATION SHAFT		
18	FB6-3410-000		1	LIMITER, TORQUE		
19	FB6-3413-000		1	COLLAR, PAPER PICK-UP SHAFT		
20	FC0-6755-000		1	HOLDER, PAPER PICK-UP ROLLER		
21	VS1-7177-002		1	CONNECTOR, SNAP TIGHT, BK		
22	FC6-9867-000		1	RING, RETAINING		
23	FC7-5845-000		1	STOPPER, ROLLER		
24	FC8-1178-000		1	CLAW, PAPER PICK-UP		
25	FC8-1202-000		1	DAMPER		
26	FC8-1205-000		1	PAD, PAPER PICK-UP HOLDER		

FIGURE & KEY NO.	PARTS NUMBER	RANK	Q'TY	DESCRIPTION	SERIAL NUMBER/REMARKS	SVC
27	FC9-4290-010		1	JOINT, RETARD		
28	FK2-0149-000		4	PHOTO-INTERRUPTER, TLP1252(C6)	PS50,53,54,56	
29	FK2-0408-010		1	SOLENOID	SL3	
30	FL3-8032-000		1	FLAG, REGISTRATION SENSOR		
31	FS5-1943-000		1	BUSHING		
32	FU7-5378-000		1	SPRING, TENSION		
33	FS7-2800-000		2	SPRING, TENSION		
34	FS7-2801-000		1	SPRING, TORSION		
35	FS7-2803-000		1	SPRING, TORSION		
36	FU0-0043-000		1	GEAR, 15T	[DP] CN ONLY	
37	FU3-0282-000		1	GEAR, 21T		
38	FU3-0283-000		1	GEAR, 21T		
39	FU3-0284-000		1	GEAR, 16T		
40	FU3-0288-000		1	GEAR, 21T		
41	FU3-0289-000		1	GEAR, 14T		
42	FU3-0347-000		1	GEAR, 41T		
43	FU3-0349-000		1	GEAR, 41T		
44	FU3-0350-000		1	GEAR, 41T/41T		
45	FS1-1205-000		2	BUSHING		
46	FU5-1763-000		1	BUSHING		
47	FU6-2684-000		1	SPRING, COMPRESSION		
48	FU6-2784-000		1	SPRING, TENSION		
49	FU7-0445-000		1	GEAR, 42T		
50	FU8-0214-000		1	GEAR, 46T		
51	XA9-0656-000		1	SCREW,RS,M3X10		
52	XD9-0136-000		1	RING, E		
53	FM3-4146-010		1	PICK-UP ARM UNIT		
54	FM4-2525-000		1	HOLDER, SEPARATION ROLLER		
55	FU3-0352-000		1	GEAR, 16T/16T		
56	FL3-6661-010		1	GEAR ASS'Y		
57	XD9-0300-000		3	PIN, PARALLEL		



# FIGURE 313 PAPER PICK-UP DRIVE ASSEMBLY

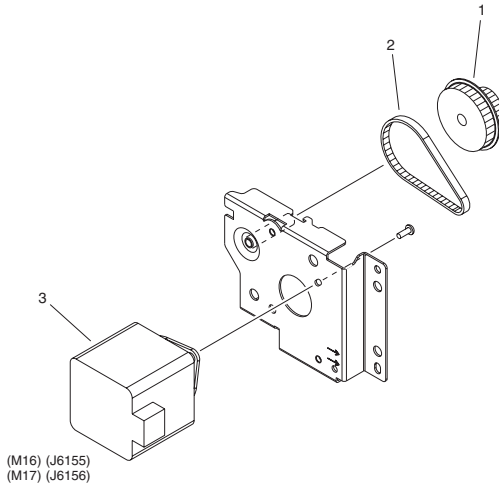


FIGURE & KEY NO.	PARTS NUMBER	RANK	Q'TY	DESCRIPTION	SERIAL NUMBER/REMARKS	SVC
Fig.313	NPN		RF	PAPER PICK-UP DRIVE ASSEMBLY		
1	FU7-0353-000		2	PULLEY, 53T/GEAR, 16T		
2	XF2-1607-340		2	BELT, TIMING		
3	FM3-8901-000		2	MOTOR ASS'Y	M16,17	

# FIGURE 315 MULTI FEEDER DRIVE ASSEMBLY

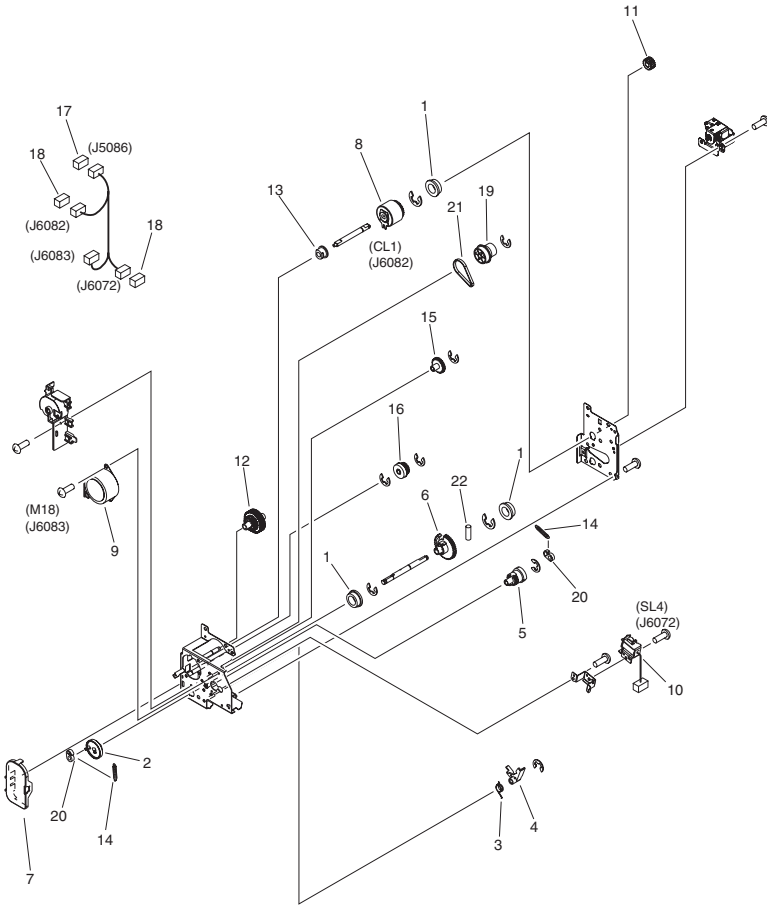


FIGURE & KEY NO.	PARTS NUMBER	R A N K	Q'TY	DESCRIPTION	SERIAL NUMBER/ REMARKS	S V C
Fig.315	FM1-C759-000		1	MULTI FEEDER DRIVE ASSEMBLY		
1	FA9-2112-000		3	BUSHING, PL		
2	FC6-0698-000		1	ROLLER, MULTI STRIKE		
3	FC8-5073-000		1	SPRING, CLUTCH		
4	FC8-5074-000		1	LEVER, RELEASE		
5	FC8-5075-000		1	GEAR, 15T		
6	FC8-5077-000		1	GEAR, 38T		
7	FC8-5267-000		1	COVER, MULTI DRIVE		
8	FK3-2010-000		1	CLUTCH, ELECTRO MAGNETIC	CL1	
9	FK2-7304-000		1	MOTOR	M18	
10	FK2-7310-000		1	SOLENOID	SL4	
11	FU5-0007-000		1	GEAR, 17T		
12	FU5-0033-000		1	GEAR, 45T/23T		
13	FU5-1615-000		1	BUSHING		
14	FU6-2648-000		2	SPRING, TENSION		
15	FU7-0336-000		1	GEAR, 20T		
16	FU7-0337-000		1	GEAR, 18T/22T		
17	VS1-7177-009		1	CONNECTOR, 9P		
18	VS1-7177-002		2	CONNECTOR, SNAP TIGHT, BK		
19	FU8-0175-000		1	PULLEY/GEAR, 24T/43T		
20	RB1-2190-000		2	COLLAR, SPRING		
21	XF2-1606-140		1	BELT, TIMING		
22	XD9-0292-000		1	PIN, PARALLEL		

# FIGURE 316 PRE-REGISTRATION GUIDE ASS'Y

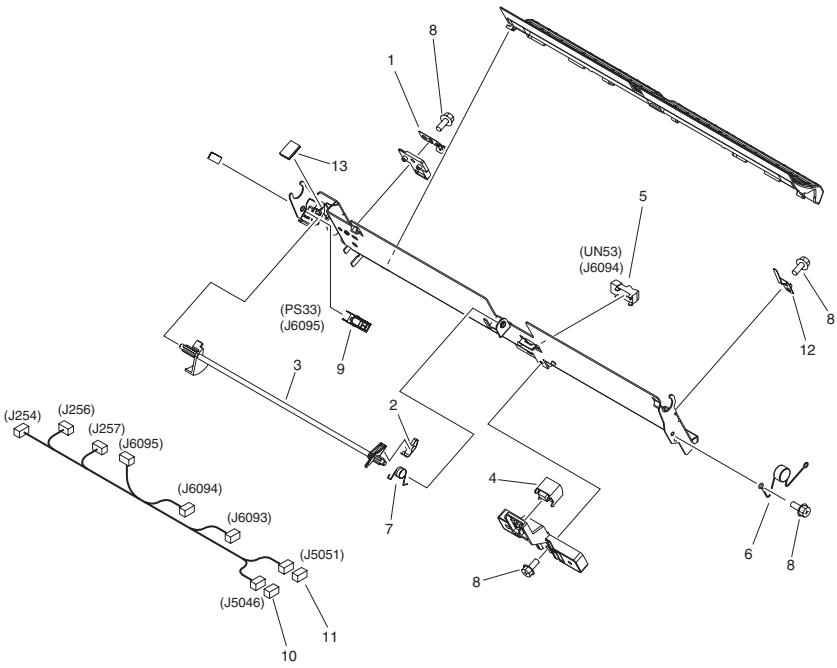


FIGURE & KEY NO.	PARTS NUMBER	R A N K	Q'TY	DESCRIPTION	SERIAL NUMBER/ REMARKS	S V C
Fig.316	FM0-0223-000		1	PRE-REGISTRATION GUIDE ASS'Y		
1	FC6-5062-000		1	SPRING, GROUNDING		
2	FC7-9370-000		1	PLATE,FLAG,REGISTRATION SENSOR		
3	FC8-5156-000		1	FLAG, PRE-REGISTRATION SENSOR		
4	RH7-7129-020		1	OHT SENSOR UNIT		
5	FK2-6470-000		1	PHOTO-SENSOR, KUA0055C		
6	FL2-5804-000		1	VARISTOR		
7	FU7-2485-000		1	SPRING		
8	XA9-1386-000		5	SCREW,RS,M3X8		
9	WG8-5848-000		1	IC, PHOTO-INTERRUPTER	PS33	
10	VS1-8412-019		1	CONNECTOR, SNAP TIGHT, BL		
11	VS1-8412-031		1	CONNECTOR, SNAP TIGHT, 31P, BL		
12	FC8-5296-000		1	SPRING, GROUNDING		
13	FC0-2118-010		1	DAMPER		

# FIGURE 322 DUPLEXING REG. DRIVE ASSEMBLY

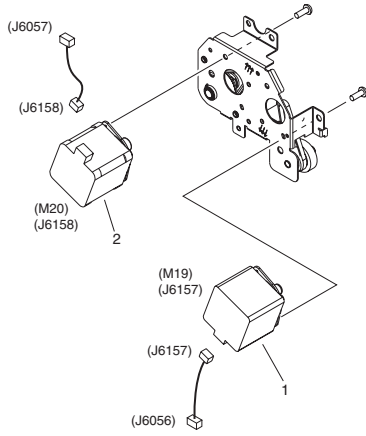


FIGURE & KEY NO.	PARTS NUMBER	RANK	Q'TY	DESCRIPTION	SERIAL NUMBER/REMARKS	SVC
Fig.322	FM0-0271-000		1	DUPLEXING REG. DRIVE ASSEMBLY		
1	FM3-6069-000		1	MOTOR ASS'Y	M19	
2	FM3-8901-000		1	MOTOR ASS'Y	M20	

FIGURE 323  
SENSOR UNIT,REGISTRATION PATCH

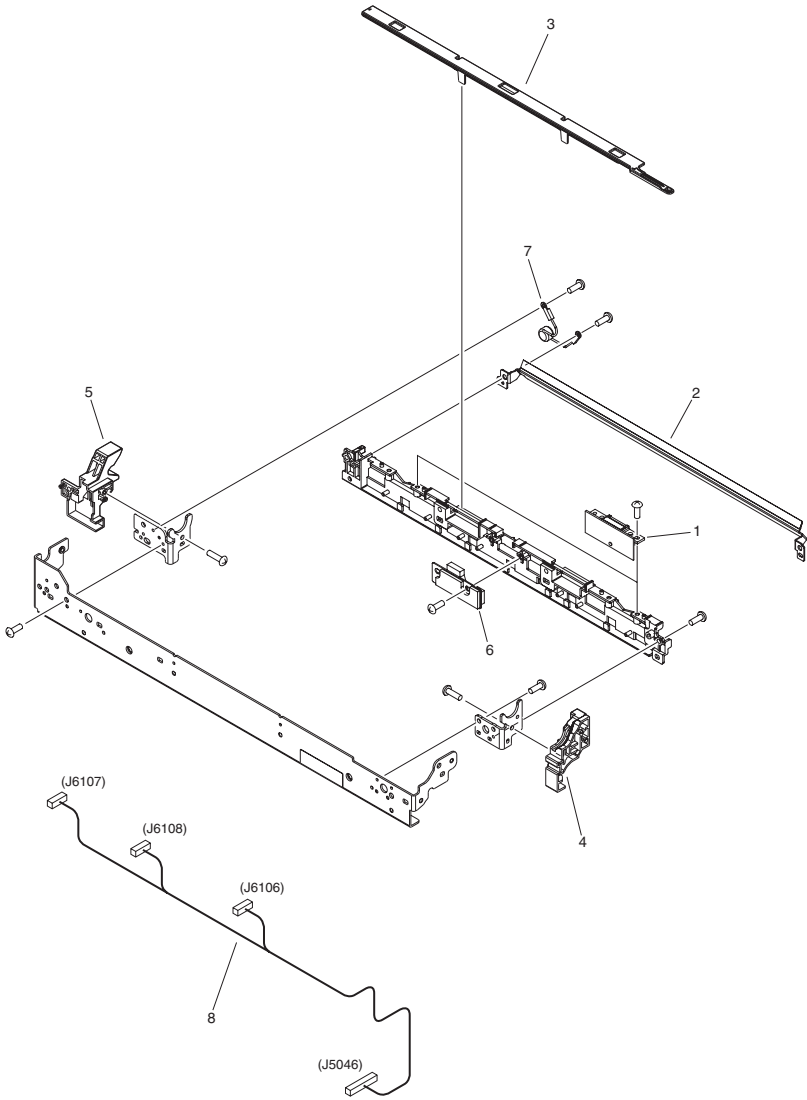




FIGURE & KEY NO.	PARTS NUMBER	RANK	Q'TY	DESCRIPTION	SERIAL NUMBER/REMARKS	SVC
Fig.323	NPN		RF	SENSOR UNIT,REGISTRATION PATCH		
1	FK2-7315-000		2	REGISTRATION SENSOR UNIT		
2	FL2-9535-010		1	GUIDE, PRE-TRANSFER		
3	FC8-4540-000		1	SHUTTER,PROTECT		
4	FC8-4541-000		1	PLATE, 2ND OUTER ROLLER , F		
5	FC8-4542-000		1	PLATE, 2ND OUTER ROLLER , R		
6	FK2-7316-000		1	SENSOR UNIT,REGISTRATION PATCH		
7	FL2-1659-000		1	VARISTOR		
8	FM4-9469-000		1	CABLE, REG, PATCH		

# FIGURE 330 RIGHT LOWER DOOR ASSEMBLY

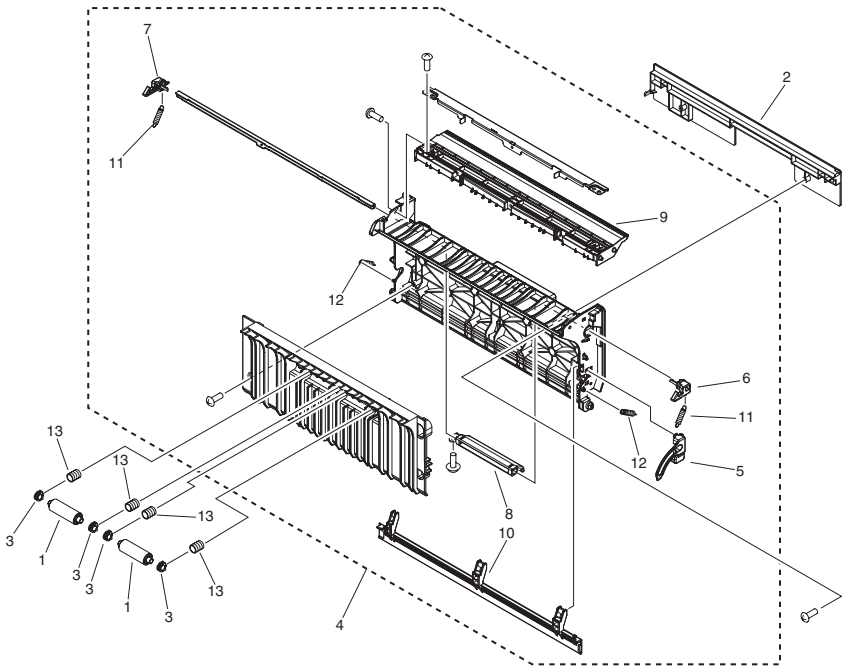
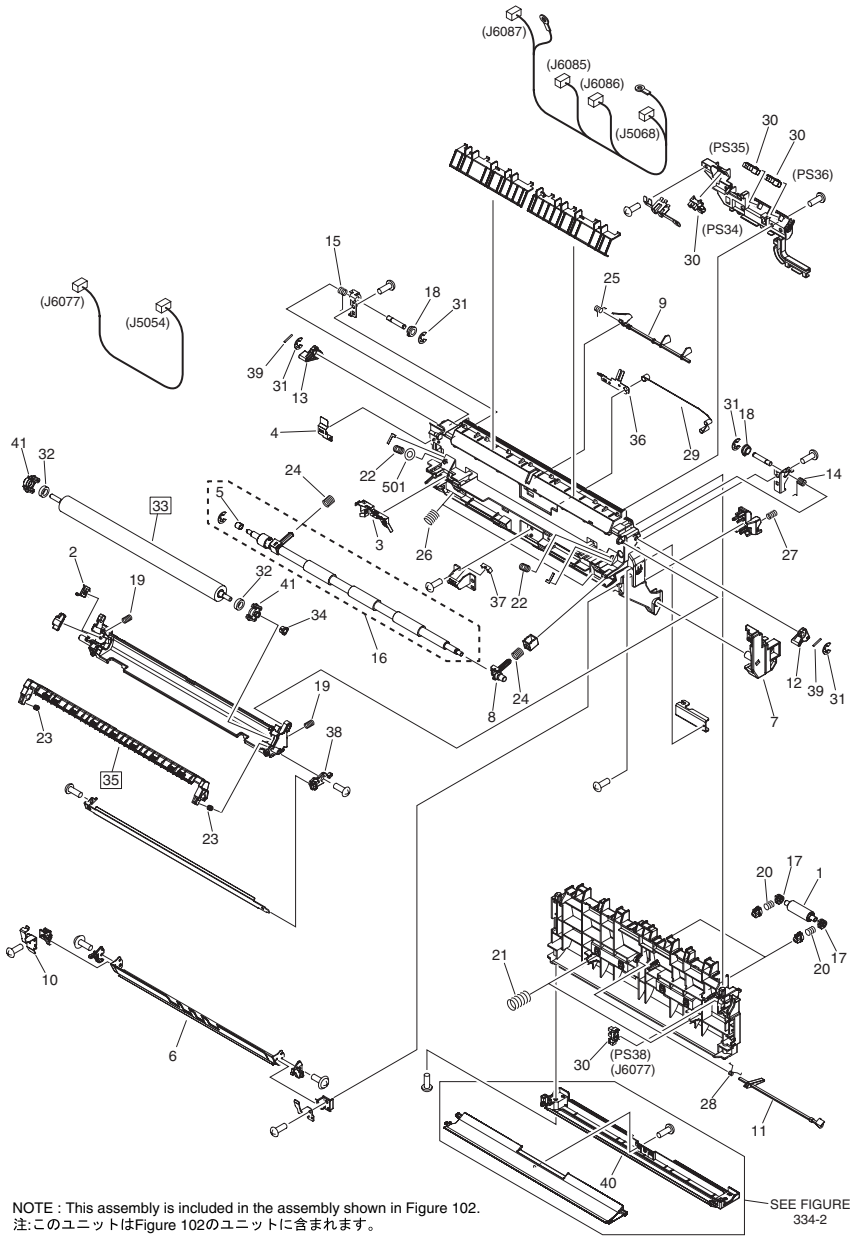


FIGURE & KEY NO.	PARTS NUMBER	R A N K	Q'TY	DESCRIPTION	SERIAL NUMBER/ REMARKS	S V C
Fig.330	NPN		RF	RIGHT LOWER DOOR ASSEMBLY		
1	FC8-3782-000		2	ROLLER, PAPER FEED		
2	FC8-4861-000		1	COVER, DECK PATH		
3	FU5-1035-000		4	BUSHING		
4	FM3-8894-000		1	RIGHT LOWER DOOR BASE ASSEMBLY		
5	FC8-5164-000		1	STOPPER, DOOR, RIGHT LOWER		
6	FC8-4859-000		1	HOOK, RIGHT LOWER DOOR, F		
7	FC8-4860-000		1	HOOK, RIGHT LOWER DOOR		
8	FC8-4862-000		1	HANDLE, DOOR, RIGHT LOWER		
9	FC8-4863-000		1	PLATE, DECK PATH		
10	FC8-4903-000		1	COVER, DOOR BLANKING, RT. LW.		
11	FU7-2519-000		2	SPRING		
12	FU8-2288-000		2	SPRING		
13	FS7-2788-000		4	SPRING, COMPRESSION		

# FIGURE 331 RIGHT INNER DOOR ASSEMBLY

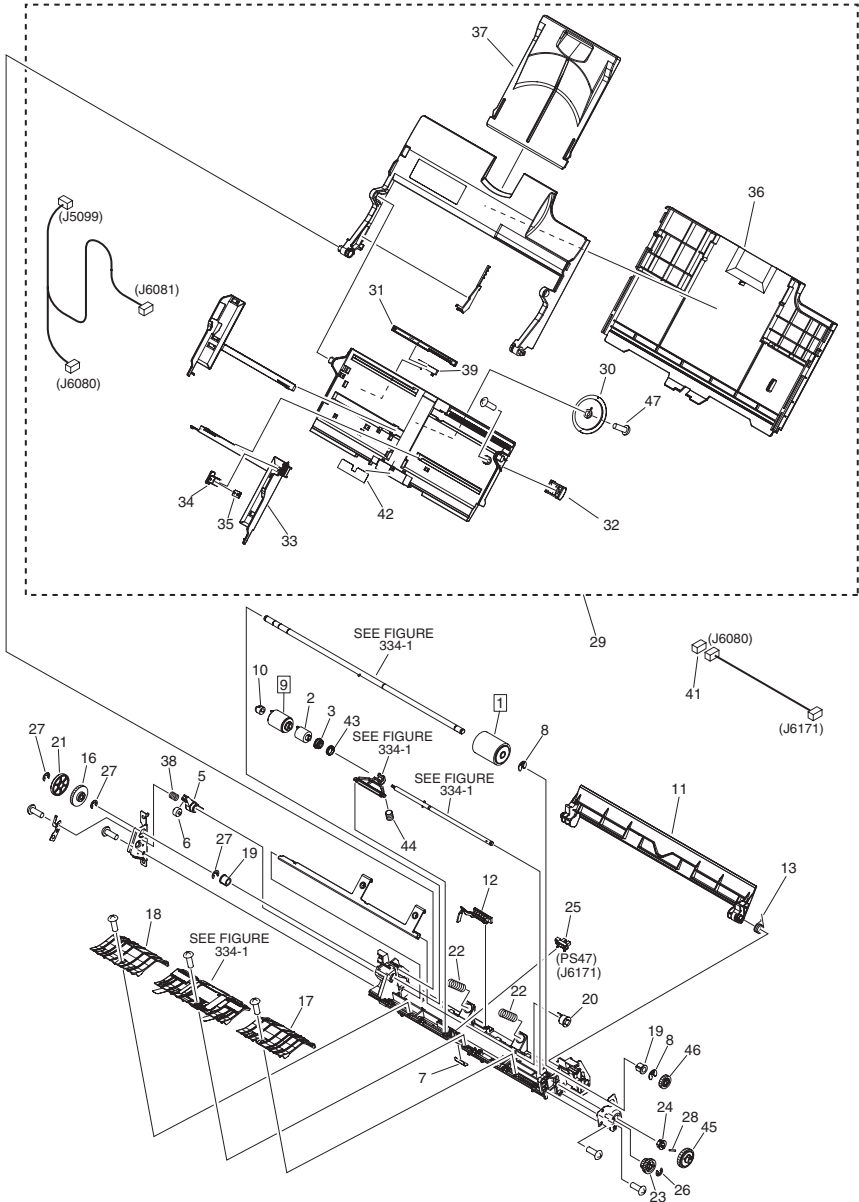


NOTE : This assembly is included in the assembly shown in Figure 102.  
 注: このユニットはFigure 102のユニットに含まれます。

FIGURE & KEY NO.	PARTS NUMBER	R A N K	Q'TY	DESCRIPTION	SERIAL NUMBER/ REMARKS	S V C
Fig.331	FM0-0221-000		1	RIGHT INNER DOOR ASSEMBLY	SEE NOTE	
1	FB6-4873-000		2	ROLLER, PAPER FEED		
2	FC8-4883-000		1	SPRING		
3	FC8-4885-000		1	SPRING		
4	FC8-4886-000		1	SPRING		
5	FC0-0234-000		1	ROLLER, REGISTRATION		
6	FL2-9496-000		1	GUIDE, PRE-REG. DOOR SIDE		
7	FC8-5301-000		1	HINGE, INNER DOOR TURN, RIGHT		
8	FC0-0220-000		1	BUSHING		
9	FC8-5303-000		1	LEVER, LOOP SENSOR		
10	FC8-5311-000		1	COVER, RIGHT REAR		
11	FC8-5314-000		1	LEVER, DUPLEXING SENSOR		
12	FC8-5397-000		1	LEVER, R INNER DOOR PRESSURE,F		
13	FC8-5398-000		1	LEVER, R INNER DOOR PRESSURE,R		
14	FC8-5399-000		1	SPRING		
15	FC8-5400-000		1	SPRING		
16	FM1-F144-000		1	ROLLER, REGISTRATION SOFT		
17	FU5-1035-000		4	BUSHING		
18	FU5-1457-000		2	BUSHING		
19	FU8-2925-000		2	SPRING, COMPRESSION		
20	FU7-2521-000		4	SPRING		
21	FU7-2522-000		2	SPRING		
22	FU8-2552-000		2	SPRING, COMPRESSION		
23	FU7-2524-000		2	SPRING		
24	FU7-2525-000		2	SPRING		
25	FU7-2526-000		1	SPRING		
26	FU7-2535-000		2	SPRING		
27	FU7-2536-000		1	SPRING		
28	FU7-2537-000		1	SPRING		
29	FU8-2293-000		1	SPRING, GROUNDING		
30	WG8-5783-000		4	IC,PHOTO-INTERRUPTER,LG248NL1A	PS34,35,36,38	
31	XD9-0136-000		4	RING, E		

FIGURE & KEY NO.	PARTS NUMBER	RANK	Q'TY	DESCRIPTION	SERIAL NUMBER/REMARKS	SVC
32	XG9-0473-000		2	BEARING, BALL		
33	FC0-4878-000		1	ROLLER, 2ND TRNSFR. OUTER	[DP]	
34	FC8-4884-000		1	BUSHING		
35	FM3-8893-000		1	TRANSFER SEP. GUIDE ASSEMBLY	[DP]	
36	FC0-4861-000		1	SPRING, GROUNDING		
37	RB2-5850-000		1	PRISM		
38	FC9-7955-000		1	SUPPORT, OUTER GUIDE		
39	XD9-0291-000		2	PIN, PARALLEL		
40	FL3-6660-000		1	GUIDE, PRE-REGISTRATION AUX		
41	FC8-5313-000		2	HOLDER, 2ND TRNSFR. BUSHING		
501	XD1-1108-229		1	SHIM		

# FIGURE 332 M.P. PICK UP MOUNT ASSEMBLY



NOTE : This assembly is included in the assembly shown in Figure 102.  
 注:このユニットはFigure 102のユニットに含まれます。

FIGURE & KEY NO.	PARTS NUMBER	R A N K	Q'TY	DESCRIPTION	SERIAL NUMBER/ REMARKS	S V C
Fig.332	FM1-C756-000		1	M.P. PICK UP MOUNT ASSEMBLY	SEE NOTE	
1	FB1-8581-000		1	ROLLER	[DP]	
2	FB6-3410-000		1	LIMITER, TORQUE		
3	FB6-3463-000		1	CLUTCH		
5	FB6-3466-000		1	CAM, JOINT		
6	FC5-5078-000		1	ROLLER, ARM		
7	FC5-8556-000		1	SHEET, LIGHT-BLOCKING		
8	FC6-5046-000		2	RING, RETAINING		
9	FC6-6661-000		1	ROLLER, SEPARATION	[DP]	
10	FC8-0785-000		1	HEAD, ROLLER SHAFT		
11	FC8-5105-000		1	COVER, SUB		
12	FE3-9420-000		1	FLAG, M.F.PAPER PRESENCE		
13	FC8-5389-000		1	SPRING, COMPRESSION		
16	FL3-3180-000		1	GEAR ASSEMBLY		
17	FC0-6753-000		1	GUIDE, PAPER FEED, RIGHT		
18	FC0-6751-000		1	GUIDE, PAPER FEED, LEFT		
19	FS2-1544-000		2	BUSHING		
20	FS6-1058-000		1	BUSHING		
21	FU5-6861-000		1	ROLLER, D INPUT SWING GEAR FOR		
22	FU7-2476-000		2	SPRING, COMPRESSION		
23	FU8-0182-000		1	GEAR, 18T/27T		
24	RS5-1567-000		1	BUSHING		
25	WG8-5783-000		1	IC,PHOTO-INTERRUPTER,LG248NL1A	PS47	
26	XD9-0134-000		1	RING, E		
27	XD9-0137-010		3	RING, E		
28	XD9-0290-000		1	PIN, PARALLEL		
29	FMO-0250-000		1	MULTI PAPER PICK-UP TRAY ASS'Y		
30	FB6-3456-000		1	GEAR, 46T/20T		
31	FB6-3457-000		1	RACK		
32	FB6-3459-000		1	BLOCK, SIDE REGIST. ADJUSTING		
33	FC8-2710-000		1	PLATE, PAPER SIDE END, FRONT		
34	FC8-2712-000		1	STOPPER, SIDE		



FIGURE & KEY NO.	PARTS NUMBER	R A N K	Q'TY	DESCRIPTION	SERIAL NUMBER/ REMARKS	S V C
35	FC8-2713-000		1	SPRING, LEAF		
36	FC8-5100-000		1	COVER, MULTI TRAY, LOWER		
37	FL3-4254-000		1	TRAY, SECOND		
38	FS7-2839-000		1	SPRING, GROUNDING		
39	FH7-7600-010		1	SLIDE VOLUME SENSOR UNIT		
41	VS1-7177-003		1	CONNECTOR, SNAP TIGHT, BK		
42	FB6-4937-000		1	SHEET, SEPARATION		
43	FS7-2812-010		1	SPRING, TORSION		
44	FS7-2809-000		1	SPRING, COMPRESSION		
45	FU3-0297-000		1	GEAR, 36T		
46	FU3-0296-000		1	GEAR, 24T		
47	XA9-1523-000		1	SCREW, B, M4X8		

# FIGURE 333 RIGHT LOWER INNER DOOR ASS'Y

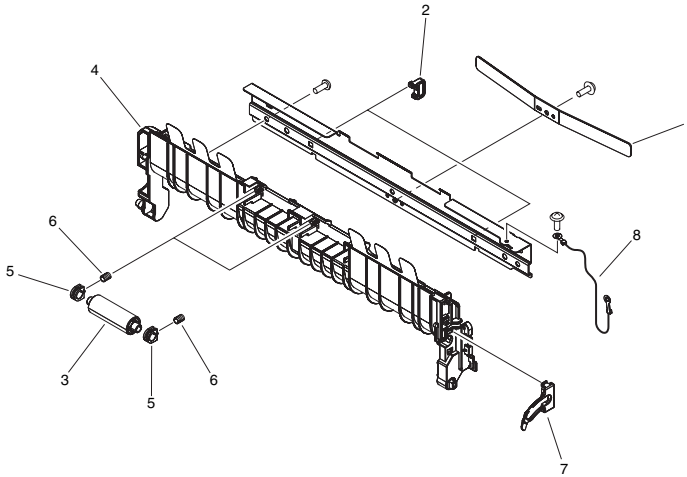


FIGURE & KEY NO.	PARTS NUMBER	RANK	QTY	DESCRIPTION	SERIAL NUMBER/REMARKS	S V C
Fig.333	NPN		RF	RIGHT LOWER INNER DOOR ASS'Y		
1	FC7-5906-000		1	SPRING, LEAF		
2	FC7-5907-000		2	SPRING, GROUNDING		
3	FC8-3782-000		2	ROLLER, PAPER FEED		
4	FL3-3570-000		1	DOOR, INNER, RIGHT LOWER		
5	FU5-1035-000		4	BUSHING		
6	FS7-2788-000		4	SPRING, COMPRESSION		
7	FC8-5297-000		1	STOPPER, INNER GUIDE		
8	FM3-3911-000		1	CABLE, GROUNDING		

# FIGURE 334

## M.P. PICK UP NOISE-PROOF SET

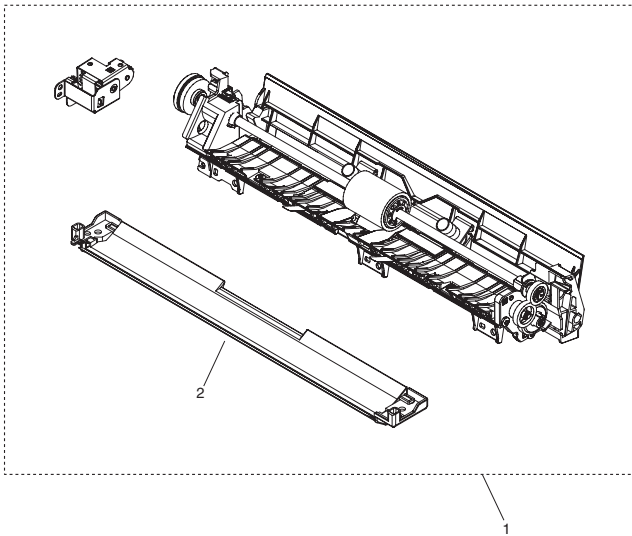


FIGURE & KEY NO.	PARTS NUMBER	RANK	Q'TY	DESCRIPTION	SERIAL NUMBER/REMARKS	SVC
Fig.334	NPN		RF	M.P. PICK UP NOISE-PROOF SET		
1	FM1-D284-000		1	M.P. PICK UP NOISE-PROOF SET		
2	FM4-9194-000		1	GUIDE, PRE-REG. AUXILIARY		

# FIGURE 350 FIRST PAPER DELIVERY ASSEMBLY

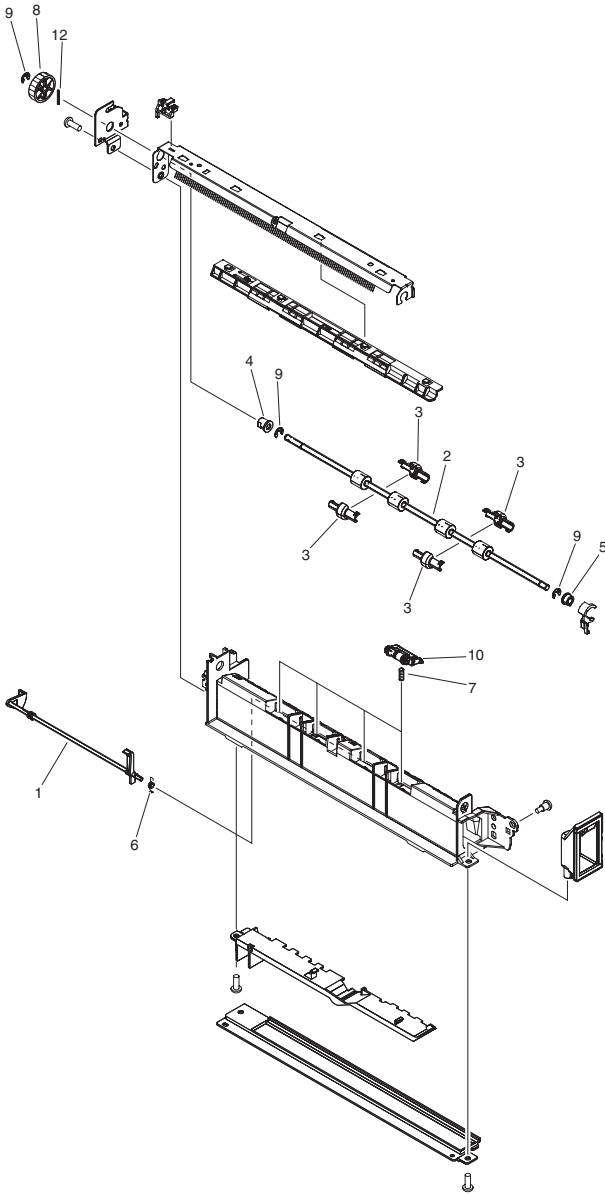
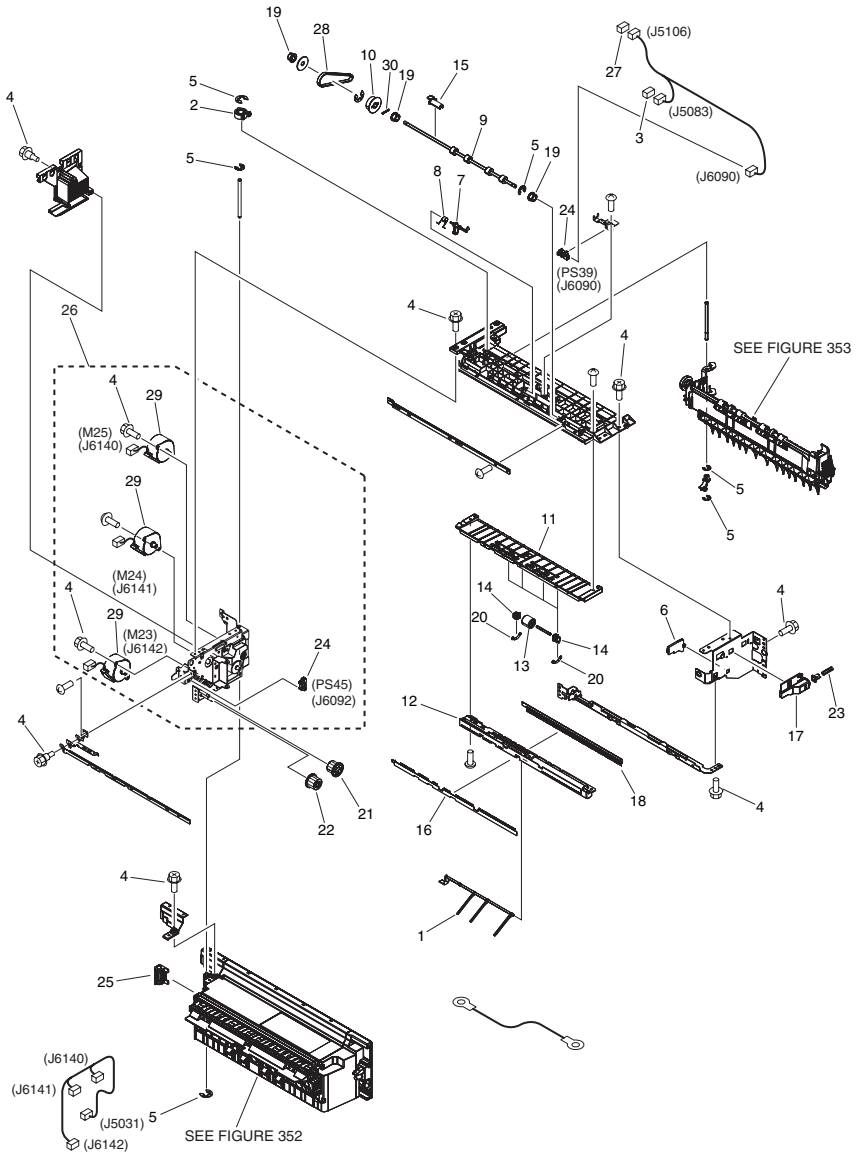


FIGURE & KEY NO.	PARTS NUMBER	R A N K	Q'TY	DESCRIPTION	SERIAL NUMBER/ REMARKS	S V C
Fig.350	FM0-0222-000		1	FIRST PAPER DELIVERY ASSEMBLY		
1	FC5-0799-010		1	FLAG, 1ST DELIVERY SENSOR		
2	FC5-0800-000		1	ROLLER, PAPER DELIVERY		
3	FC5-0805-000		4	ROLLER, REFORM		
4	FS1-1596-000		1	BUSHING, POM		
5	FS5-1943-000		1	BUSHING		
6	FU5-2068-030		1	SPRING, TORSION		
7	FU5-2074-000		4	SPRING, COMPRESSION		
8	FU8-0195-000		1	GEAR, 30T		
9	XD9-0136-000		3	RING, E		
10	FM4-9344-000		4	PAPER DELIVERY ROLLER ASSEMBLY		
12	XD9-0291-000		1	PIN, PARALLEL		

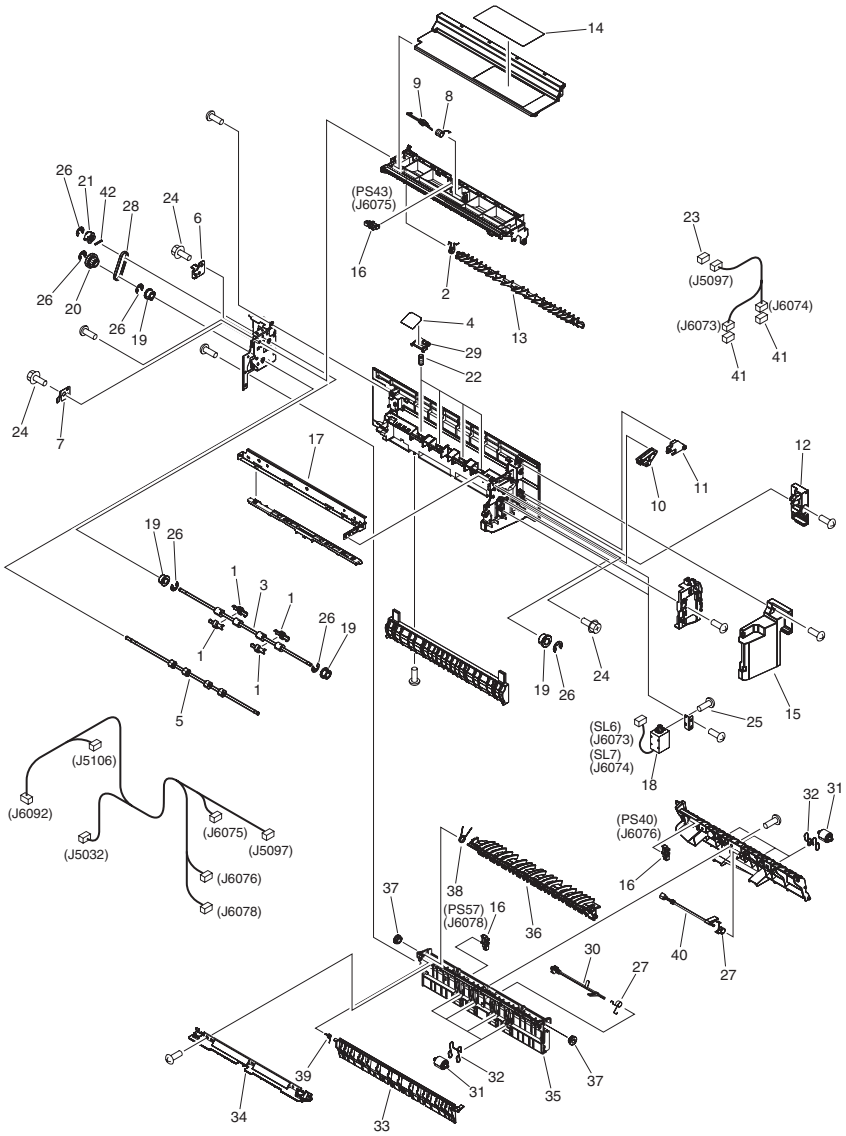
# FIGURE 351 2ND/3RD PAPER DELIVERY ASS'Y



NOTE : This assembly includes the assemblies shown in Figure 352, and 353.  
 注 : このユニットはFigure 352, 353のユニットを含みます。

FIGURE & KEY NO.	PARTS NUMBER	R A N K	Q'TY	DESCRIPTION	SERIAL NUMBER/ REMARKS	S V C
Fig.351	FM0-0215-000		1	2ND/3RD PAPER DELIVERY ASS'Y	SEE NOTE	
1	FC8-4752-000		1	LEVER,2ND DELIVERY FULL DETECT		
2	FC8-4779-000		1	LATCH		
3	VS1-7177-005		1	CONNECTOR, SNAP TIGHT, BK		
4	XA9-1386-000		AR	SCREW,RS,M3X8		
5	XD9-0136-000		6	RING, E		
6	FC5-0870-000		1	GUIDE, SLIDE		
7	FC5-0987-000		1	FLAG, REVERSE SENSOR		
8	FC5-0988-000		1	SPRING, TORSION		
9	FC5-0989-020		1	ROLLER, REVERSE		
10	FU6-3054-000		1	PULLEY		
11	FC8-4742-010		1	GUIDE, REVERSE		
12	FC8-4743-000		1	HOLDER, ELIMINATOR		
13	FC8-4749-000		4	ROLLER, REVERSE		
14	FC8-4751-000		8	BUSHING		
15	FC8-4769-000		1	STOPPER		
16	FC8-4784-000		1	ELIMINATOR, STATIC CHARGE		
17	FC8-4797-000		1	RAIL, GUIDE		
18	FC8-4932-000		1	ELIMINATOR, STATIC CHARGE		
19	FS5-1943-000		3	BUSHING		
20	FU7-2446-000		8	SPRING		
21	FU8-0198-000		1	GEAR, 15T		
22	FU8-0199-000		1	GEAR, 16T		
23	FU8-2284-000		1	SPRING		
24	WG8-5783-000		2	IC.PHOTO-INTERRUPTER,LG248NL1A	PS39,45	
25	FC8-4927-000		1	LATCH		
26	FM0-0242-000		1	2ND/3RD DELIVERY DRIVE ASS'Y		
27	VS1-7177-008		1	CONNECTOR, SNAP TIGHT, BK		
28	XF2-1607-640		1	BELT, TIMING		
29	FK2-7304-000		3	MOTOR	M23,24,25	
30	XD9-0300-000		1	PIN, PARALLEL		

# FIGURE 352 THIRD PAPER DELIVERY ASSEMBLY



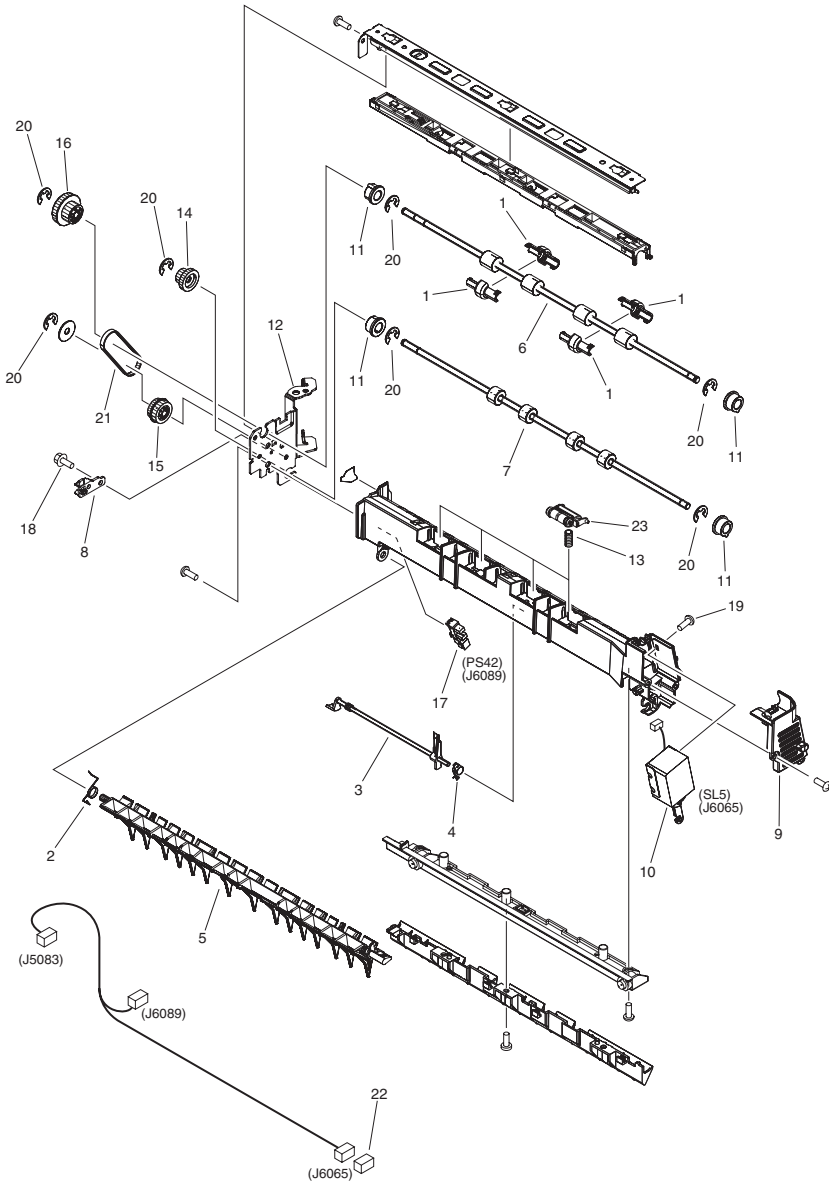
NOTE : This assembly is included in the assembly shown in Figure 351.  
 注 : このユニットはFigure 351のユニットに含まれます。



FIGURE & KEY NO.	PARTS NUMBER	R A N K	Q'TY	DESCRIPTION	SERIAL NUMBER/ REMARKS	S V C
Fig.352	FM0-0214-000		1	THIRD PAPER DELIVERY ASSEMBLY	SEE NOTE	
1	FC9-8621-000		4	ROLLER, REFORM		
2	FC5-0977-000		1	SPRING, TORSION		
3	FC5-1020-020		1	ROLLER, 3RD DLV		
4	FC0-4875-000		4	SHEET, ROLLER HOLDER		
5	FC8-4783-000		1	ROLLER, DUPLEXING ENTRANCE		
6	FC8-4929-000		1	BLOCK, FIXED RELEASE		
7	FC8-4933-000		1	SPRING		
8	FC8-5111-000		1	SPRING		
9	FC8-5112-000		1	FLAG, THIRD DELIVERY SENSOR		
10	FC8-5117-000		1	ARM, 2ND DEL. FLAPPER SOLENOID		
11	FC8-5118-000		1	ARM, 3RD DEL. FLAPPER SOLENOID		
12	FC8-5120-000		1	HOOK, 2ND/3RD PAPER DELIVERY		
13	FL2-9510-010		1	FLAPPER, THIRD PAPER DELIVERY		
14	FC8-4777-000		1	LABEL, JAM OPERATION		
15	FL3-1125-000		1	COVER, SOLENOID, 1		
16	WG8-5783-000		3	IC,PHOTO-INTERRUPTER,LG248NL1A	PS40,43,57	
17	FL3-1167-000		1	CROSSMEMBER		
18	FL3-1169-000		2	SOLENOID	SL6,7	
19	FS5-1943-000		4	BUSHING		
20	FU5-3018-000		1	PULLEY, 30T/GEAR, 35T		
21	FU5-3021-000		1	PULLEY, 30T		
22	FU7-2512-000		4	SPRING		
23	VS1-7177-004		1	CONNECTOR, SNAP TIGHT, BK		
24	XA9-1386-000		4	SCREW,RS,M3X8		
25	XA9-2008-000		4	SCREW,M3X4		
26	XD9-0136-000		6	RING, E		
27	FC5-1006-000		2	SPRING, TORSION		
28	XF2-4107-240		1	BELT, TIMING		
29	FM4-9344-000		4	PAPER DELIVERY ROLLER ASSEMBLY		
30	FC0-4858-000		1	FLAG, PRE-REVERSE SENSOR		
31	FC5-1013-000		8	ROLLER		

FIGURE & KEY NO.	PARTS NUMBER	RANK	Q'TY	DESCRIPTION	SERIAL NUMBER/REMARKS	SVC
32	FC5-1014-000		8	SPRING		
33	FC0-4857-000		1	FLAPPER, 2ND DELIVERY ENTRANCE		
34	FC8-4771-010		1	GUIDE,DUPLEXING ENTRANCE,UPPER		
35	FL3-6141-000		1	GUIDE, 2ND DEL. ENTRANCE INNER		
36	FL3-1126-010		1	FLAPPER, REVERSE		
37	FS5-1377-000		2	BUSHING		
38	FU7-2510-000		1	SPRING		
39	FU7-2511-000		1	SPRING		
40	FC5-1005-000		1	FLAG, DUPLEX ENTRANCE SENSOR		
41	VS1-7177-002		2	CONNECTOR, SNAP TIGHT, BK		
42	XD9-0300-000		1	PIN, PARALLEL		

# FIGURE 353 SECOND PAPER DELIVERY ASSEMBLY



NOTE : This assembly is included in the assembly shown in Figure 351.  
 注 : このユニットはFigure 351のユニットに含まれます。

FIGURE & KEY NO.	PARTS NUMBER	R A N K	Q'TY	DESCRIPTION	SERIAL NUMBER/ REMARKS	S V C
Fig.353	FM0-0218-000		1	SECOND PAPER DELIVERY ASSEMBLY	SEE NOTE	
1	FC5-0805-000		4	ROLLER, REFORM		
2	FC5-0974-000		1	SPRING, TORSION		
3	FC5-0996-000		1	FLAG, 2ND DELIVERY SENSOR		
4	FC5-0997-000		1	SPRING, TORSION		
5	FC8-4773-010		1	FLAPPER, FIRST PAPER DELIVERY		
6	FC8-4782-000		1	ROLLER, SECOND PAPER DELIVERY		
7	FC8-4789-000		1	ROLLER, SECOND VERTICAL PATH		
8	FC8-5128-010		1	GUIDE, SHAFT POSITIONING		
9	FC8-5130-000		1	HANDLE, SECOND PAPER DELIVERY		
10	FL3-4274-000		1	SOLENOID	SL5	
11	FS5-1943-000		4	BUSHING		
12	FL3-1142-000		1	HINGE, SECOND PAPER DELIVERY		
13	FU5-2074-000		4	SPRING, COMPRESSION		
14	FU5-0076-000		1	GEAR, 24T		
15	FU5-3020-000		1	GEAR, 24T/PULLEY, 30T		
16	FU8-0196-000		1	GEAR, 30T		
17	WG8-5783-000		1	IC,PHOTO-INTERRUPTER,LG248NL1A	PS42	
18	XA9-1386-000		1	SCREW,RS,M3X8		
19	XA9-2008-000		2	SCREW,M3X4		
20	XD9-0136-000		7	RING, E		
21	XF2-4107-940		1	BELT, TIMING, COGGED		
22	VS1-7177-002		1	CONNECTOR, SNAP TIGHT, BK		
23	FM4-9344-000		4	PAPER DELIVERY ROLLER ASSEMBLY		

# FIGURE 460 LASER ASSEMBLY

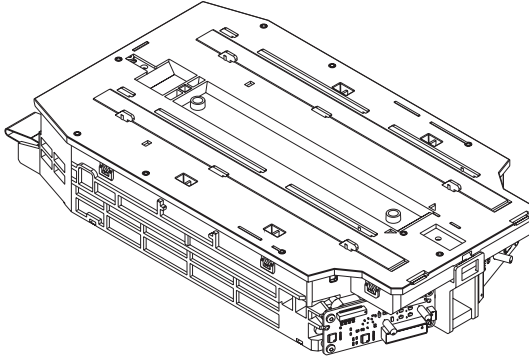


FIGURE & KEY NO.	PARTS NUMBER	RANK	Q'TY	DESCRIPTION	SERIAL NUMBER/REMARKS	SVC
Fig.460	FM0-1021-000		2	LASER SCANNER ASSEMBLY	C5255,5250 SERIES	
Fig.460	FM3-5425-020		2	LASER SCANNER ASSEMBLY	C5240,5235 SERIES	

# FIGURE 530 INTER. TRANSFER BELT ASS'Y

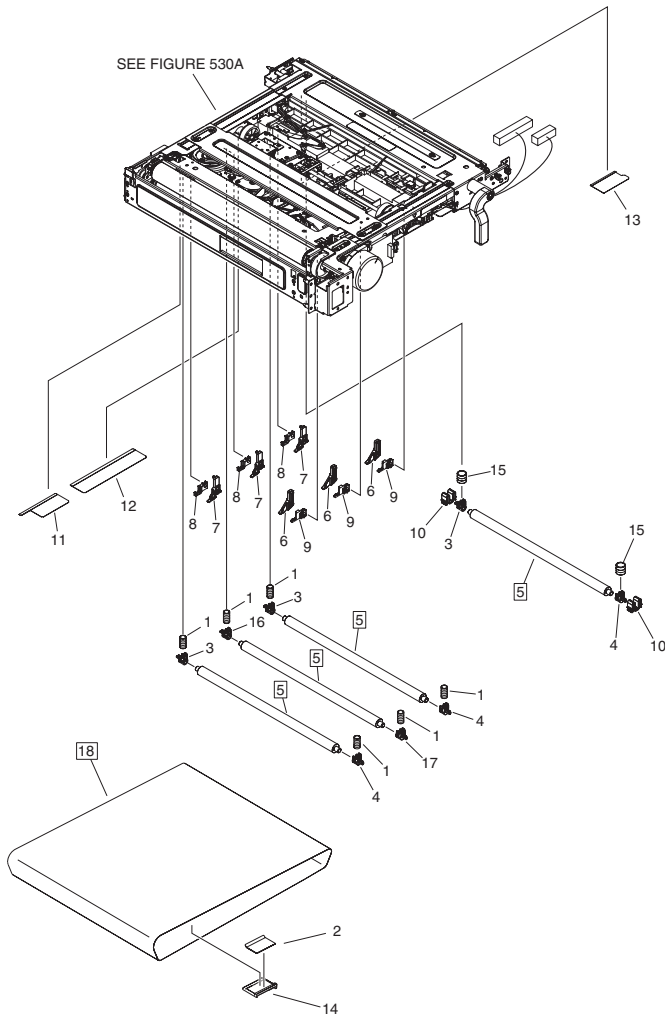
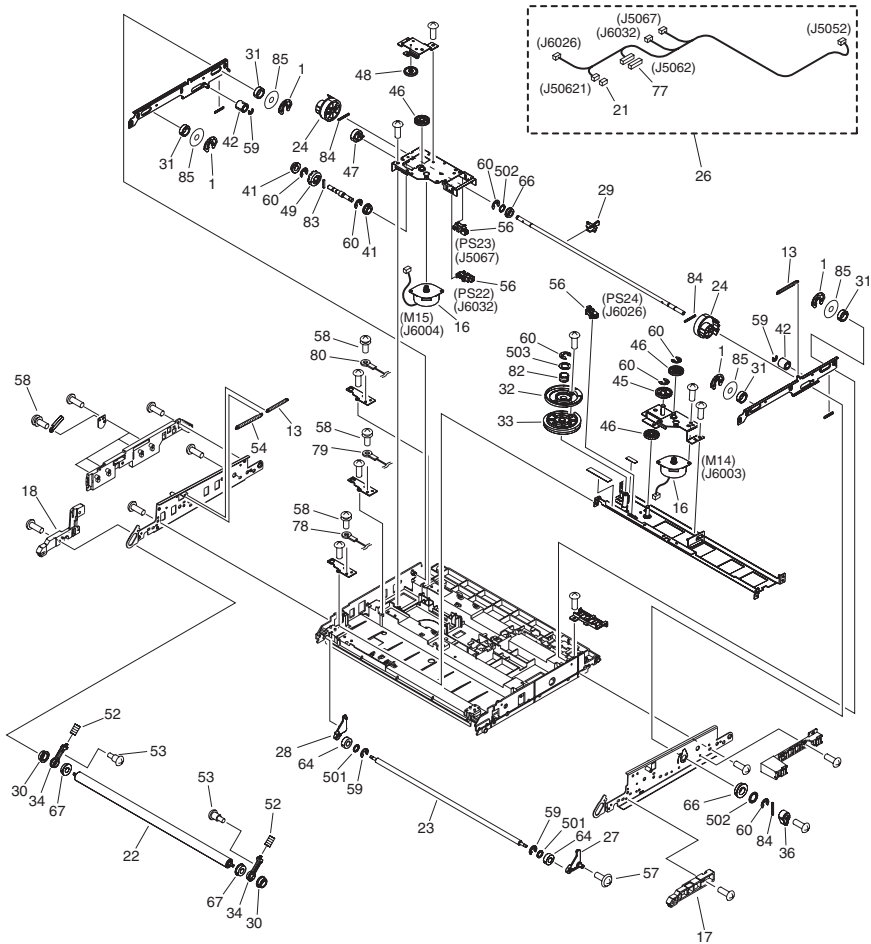


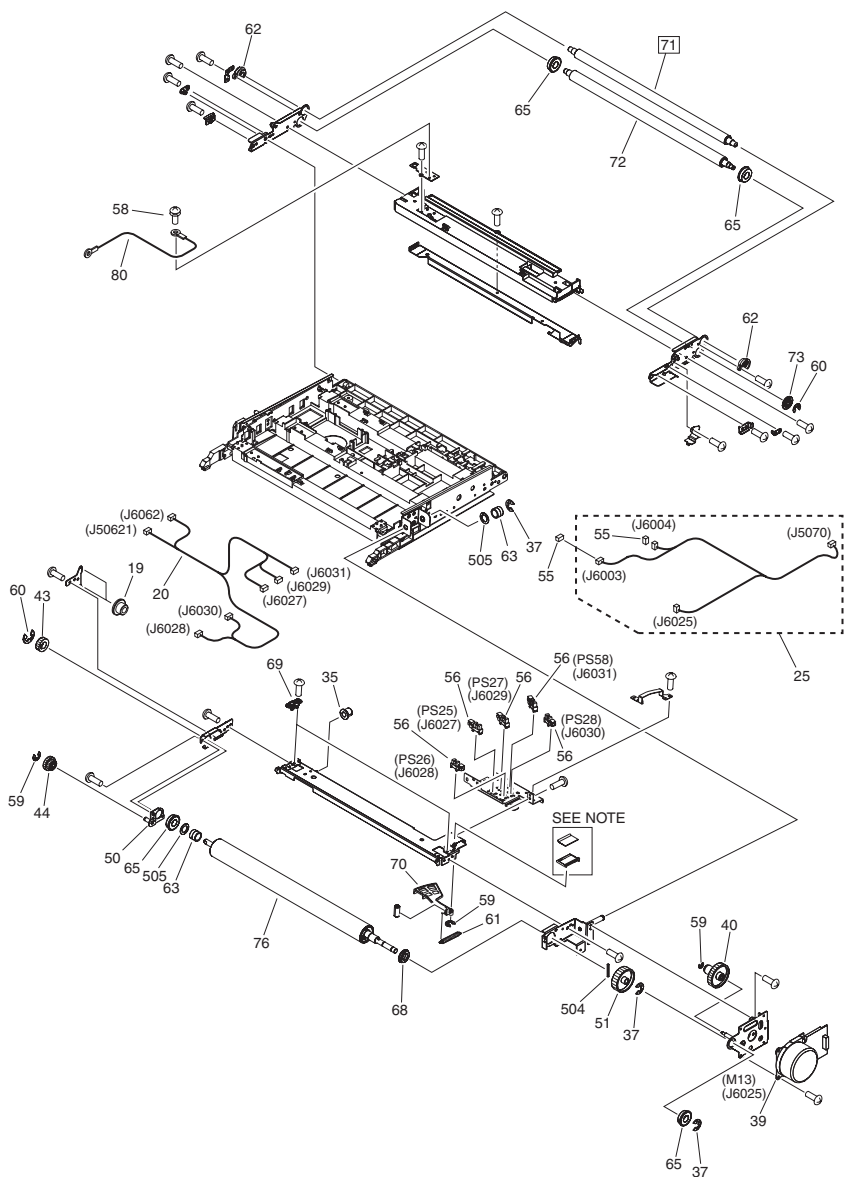
FIGURE & KEY NO.	PARTS NUMBER	R A N K	Q'TY	DESCRIPTION	SERIAL NUMBER/ REMARKS	S V C
Fig.530	FM0-1765-020		1	INTER. TRANSFER BELT ASSY		
1	FU8-2917-000		6	SPRING, COMPRESSION		
2	FC0-0253-000		1	PLATE, BELT RETAINING		
3	FC0-2793-010		3	BUSHING(Y,C,BK, REAR)		
4	FC0-2792-010		3	BUSHING(Y,C,BK, FRONT)		
5	FC0-0257-010		4	ROLLER, PRIMARY TRANSFER	[DP]	
6	FC0-5043-000		3	ARM, DESORPTION, FRONT		
7	FC0-5044-000		3	ARM, DESORPTION, REAR		
8	FC8-4492-010		3	STOPPER,1ST TRNSFR. BUSHING,R		
9	FC8-4493-010		3	STOPPER,1ST TRNSFR. BUSHING,F		
10	FC8-4494-000		2	STOPPER, BLACK		
11	FC9-7914-000		1	SHEET, BELT RETAINING, A		
12	FC9-7915-000		1	SHEET, BELT RETAINING, B		
13	FC9-7916-000		1	SHEET, BELT RETAINING, C		
14	FL3-4847-000		1	GUIDE, BELT		
15	FU8-2916-000		2	SPRING, COMPRESSION		
16	FC0-2806-010		1	BUSHING(M,REAR)		
17	FC0-2805-010		1	BUSHING(M,FRONT)		
18	FM4-7241-000		1	BELT, INTER TRANSFER	[DP]	

# FIGURE 530A INTER. TRANSFER BELT ASS'Y



NOTE : These parts are Fig-Key No. 530-2 and 14.  
注 : この部品はFig-Key No. 530-2, 14です。





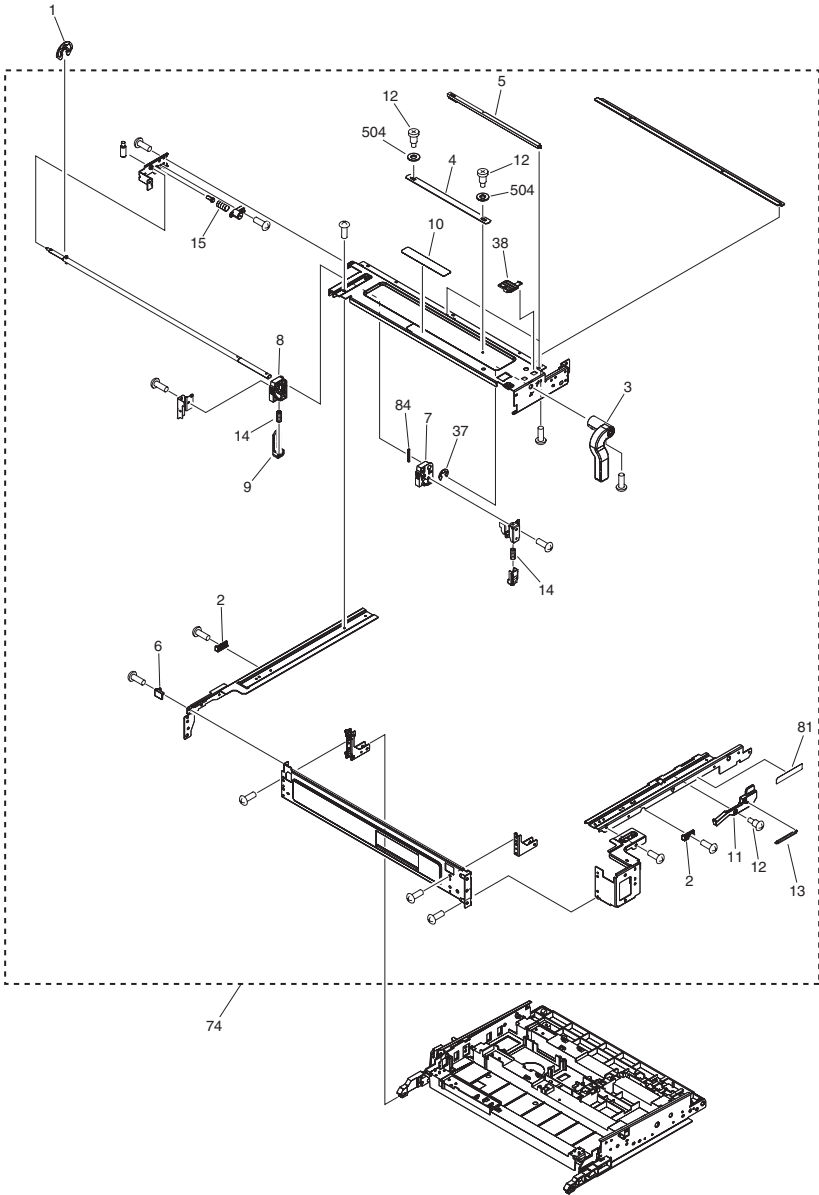


FIGURE & KEY NO.	PARTS NUMBER	R A N K	Q'TY	DESCRIPTION	SERIAL NUMBER/ REMARKS	S V C
Fig.530A	NPN		RF	INTER. TRANSFER BELT ASSY	SEE NOTE	
1	FB6-6088-000		5	RING, RETAINING		
2	FC8-4386-000		2	GUIDE, LIFT		
3	FC8-4394-000		1	LEVER		
4	FC8-4427-000		1	BAND		
5	FC8-4431-000		2	SLIDER		
6	FC8-4433-000		1	BLOCK, SLIDER		
7	FC8-4434-000		1	CAM, LIFT, FRONT		
8	FC8-4435-000		1	CAM, LIFT, REAR		
9	FC8-4436-000		1	SLIDER, PUSH		
10	FC8-4458-000		1	LABEL, I.T.BELT CAUTION, S		
11	FC8-4491-000		1	ARM, LOCK		
12	FS1-9010-020		3	SCREW, STEPPED, M3		
13	FU7-2451-000		3	SPRING		
14	FU7-2453-000		2	SPRING		
15	FU7-2454-000		1	SPRING		
16	FK2-7365-000		2	MOTOR	M14,15	
17	FC0-3708-000		1	ARM, TRANSFER, FRONT, 2		
18	FC0-5024-010		1	ARM, TRANSFER, REAR		
19	FC0-5027-000		2	ROLLER, SLIDE		
20	FM4-9464-000		1	CABLE, I.T.B. SENSOR		
21	VS1-7177-003		1	CONNECTOR, SNAP TIGHT, BK		
22	FE4-0221-000		1	ROLLER, TENSION		
23	FC8-4406-000		1	ROLLER, 1ST TRNSFR. AUXILIARY		
24	FC8-4414-000		2	CAM, DESORPTION		
25	FM3-7830-000		1	CABLE, I.T.B MOTOR		
26	FM4-9463-000		1	CABLE, ITB SENSOR		
27	FC8-4421-010		1	PLATE,DESORPTION ARM AUX.,FR.		
28	FC8-4422-010		1	PLATE,DESORPTION ARM AUX.,REAR		
29	FC8-4423-000		1	FLAG, DESORPTION SENSOR		
30	FC8-4455-000		2	ROLLER, TENSION SLIDER		
31	FC8-4456-000		4	ROLLER, DESORPTION SLIDE		

FIGURE & KEY NO.	PARTS NUMBER	RANK	Q'TY	DESCRIPTION	SERIAL NUMBER/REMARKS	SVC	
32	FC8-4474-000		1	CAM, STEERING, UPPER	M13		
33	FC8-4475-000		1	CAM, STEERING, LOWER			
34	FC8-4479-020		2	BUSHING			
35	FC8-4487-000		1	ROLLER, CAM			
36	FC8-4490-000		1	CAM, LOCK			
37	XD9-0137-010		4	RING, E			
38	FC0-0164-000		1	PLATE, BACKUP			
39	FK2-7300-000		1	MOTOR, DC			
40	FL2-9460-000		1	GEAR ASSEMBLY			
41	FS1-1508-000		2	BUSHING			
42	FS5-6948-000		2	COLLAR, RAIL			
43	FU3-0267-000		1	GEAR, 18T			
44	FU3-0343-000		1	GEAR, 28T/28T			
45	FU6-0071-000		1	GEAR, 53T/20T			
46	FU6-0147-000		3	GEAR, 48T			
47	FU6-0681-000		1	GEAR, 15T			
48	FU6-0686-000		1	GEAR, 11T/43T			
49	FU6-0695-000		1	GEAR, 26T			
50	FL3-0526-000		1	SUPPORT, DRIVE, ROLLER			
51	FU8-0141-000		1	GEAR, 72T			
52	FU8-2926-000		2	SPRING, TENSION			
53	FC0-0235-000		2	SCREW, M3X2.2			
54	FU7-2517-000		1	SPRING			
55	VS1-7177-004		2	CONNECTOR, SNAP TIGHT, BK			
56	WG8-5848-000		8	IC, PHOTO-INTERRUPTER			PS22,23,24,25,26,27,28,58
57	XA9-2013-000		2	SCREW, TP M3X8			
58	XA9-2003-000		8	SCREW, WWASHER, M3X6			
59	XD9-0134-000		7	RING, E			
60	XD9-0136-000		9	RING, E			
61	FU8-2927-000		1	SPRING			
62	FL3-1109-000		2	HOLDER, 2ND TRNSFR. BUSHING			

FIGURE & KEY NO.	PARTS NUMBER	R A N K	Q'TY	DESCRIPTION	SERIAL NUMBER/ REMARKS	S V C
63	FU7-2462-000		2	SPRING		
64	XG9-0414-000		2	BEARING, BALL		
65	XG9-0794-000		4	BEARING, BALL, LNR-1680KKR		
66	XG9-0520-000		2	BEARING, BALL, MF106ZZS		
67	XG9-0797-000		2	BEARING, BALL, LF1260ZZR		
68	XG9-0731-000		1	BUSHING		
69	FC8-4483-000		2	HOLDER, TENSION		
70	FC0-5026-000		1	FLAG, BELT EDGE SENSOR		
71	FC0-3762-000		1	ROLLER, 2ND TRNSFR. INNER	[DP]	
72	FE4-0220-000		1	ROLLER, IDLER		
73	FC8-4449-000		1	FLANGE		
74	FM4-9340-000		1	TRANSFER OUTER FRAME ASSEMBLY		
76	FC8-4403-000		1	ROLLER, DRIVE		
77	VS1-7177-012		1	CONNECTOR, SNAP TIGHT, BK		
78	FM3-7854-000		1	CABLE, PRIMARY TRANSFER H.V. Y		
79	FM3-7855-000		1	CABLE, PRIMARY TRANSFER H.V. M		
80	FM3-7856-000		2	CABLE,PRIMARY TRANSFER H.V. CK		
81	FC9-7926-000		1	LABEL,I.T.B.DESORPTION CAUTION		
82	FC0-4882-000		1	SPACER, CAM		
83	XD9-0288-000		1	PIN, DOWEL		
84	XD9-0291-000		5	PIN, PARALLEL		
85	FC0-4976-000		4	SHEET		
501	XD1-1104-115		2	WASHER,COP		
502	XD1-1106-215		2	WASHER,COP		
503	XD1-1108-225		1	WASHER,COP		
504	XD1-2100-407		2	WASHER, PLAIN		
505	XD1-1208-225		2	WASHER, PLAIN		

# FIGURE 531 TRANSFER CLEANER ASS'Y

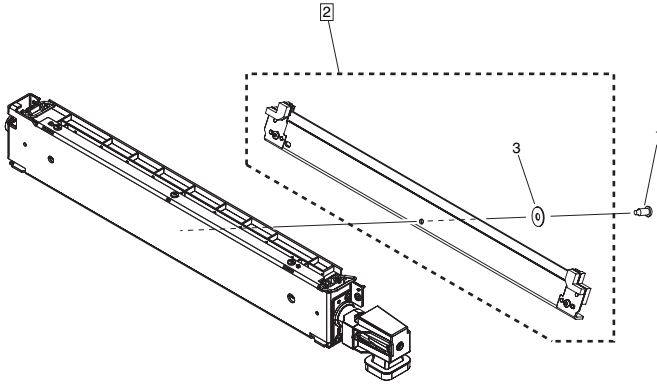
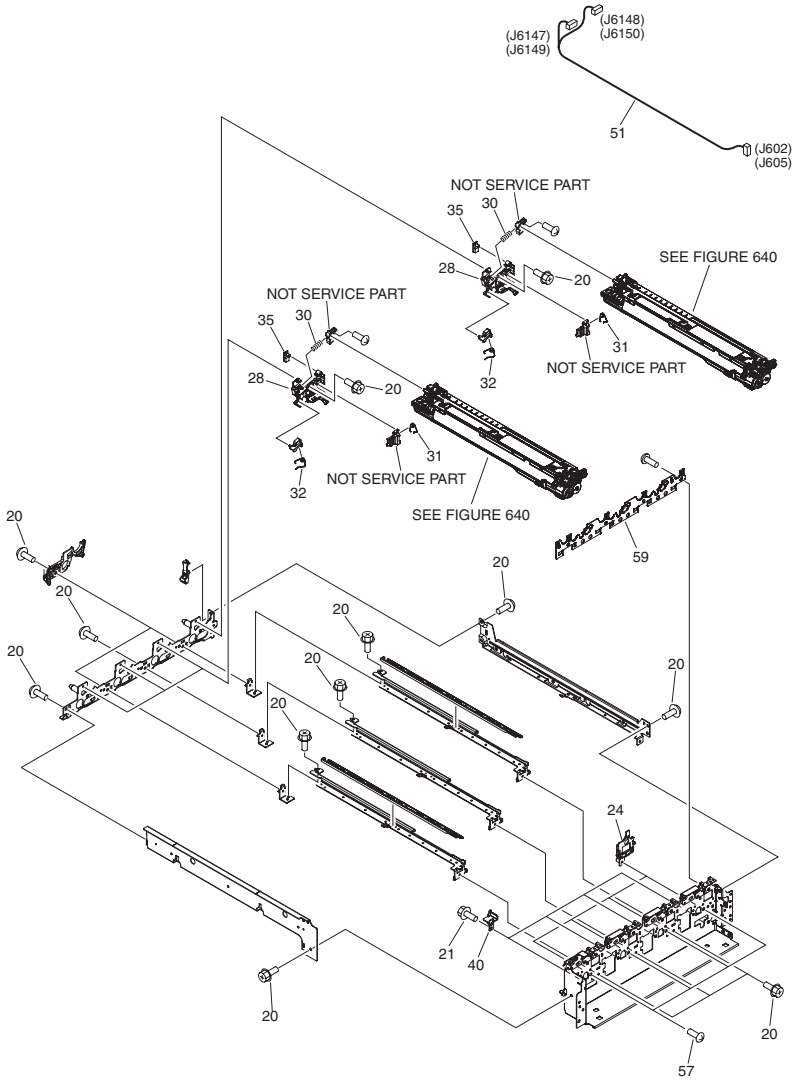


FIGURE & KEY NO.	PARTS NUMBER	RANK	Q'TY	DESCRIPTION	SERIAL NUMBER/REMARKS	SVC
Fig.531	FM4-7244-010		1	TRANSFER CLEANER ASS'Y		
1	FU5-9737-000		1	SCREW, STEPPED, M4X6.5		
2	FM4-7246-010		1	BLADE, TRANSFER CLEANING	[DP]	
3	FS5-6957-000		1	WASHER,WAVE		

# FIGURE 600 PROCESS-KIT FRAME ASSEMBLY



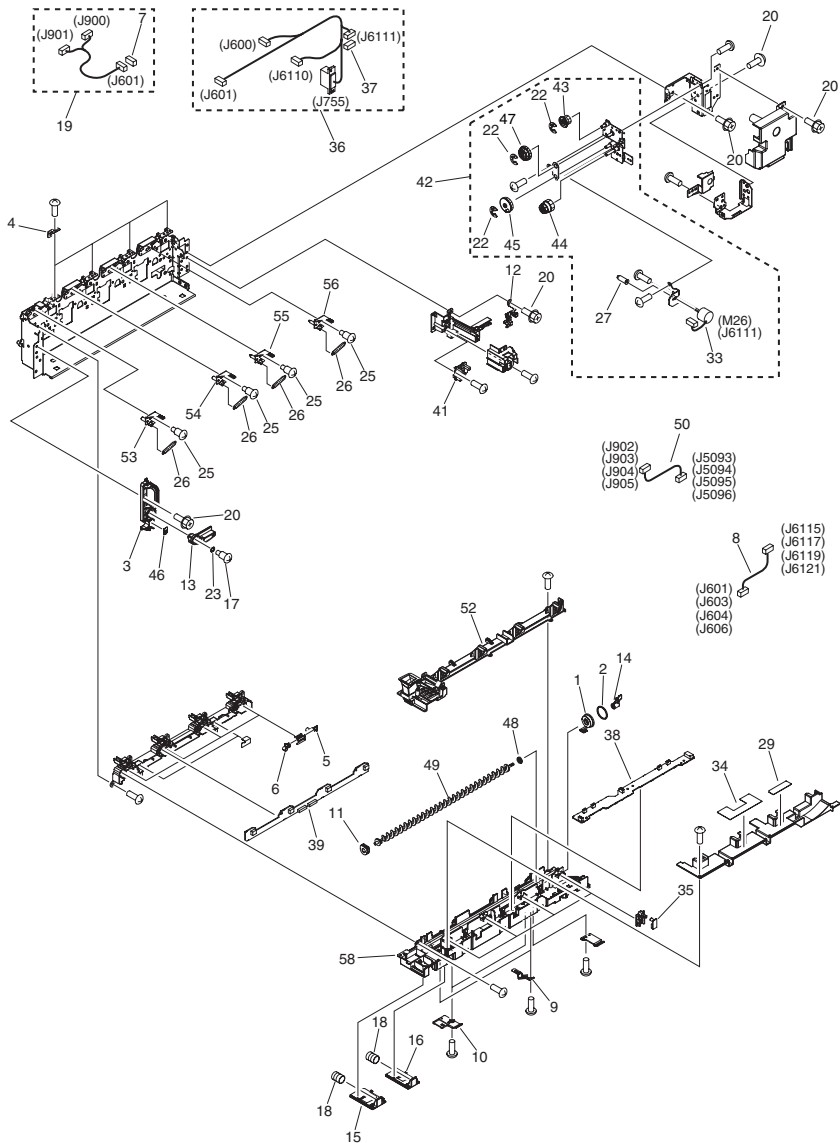




FIGURE & KEY NO.	PARTS NUMBER	R A N K	Q'TY	DESCRIPTION	SERIAL NUMBER/ REMARKS	S V C
Fig.600	NPN		RF	PROCESS-KIT FRAME ASSEMBLY		
1	FC5-7919-000		1	BUSHING		
2	FC6-5328-000		1	SEAL, SCREW BUSHING		
3	FC8-3915-000		1	HANDLE, P KIT, LEFT		
4	FC8-3921-000		4	PLATE, DRUM GROUNDING		
5	FC8-3930-000		4	SPRING, COMPRESSION		
6	FC8-3931-000		4	SPRING, COMPRESSION		
7	VS1-8412-017		1	CONNECTOR, SNAP TIGHT, BL		
8	FM3-7868-000		4	CABLE, PRE-EXPOSURE LED, FRONT		
9	FC8-3983-000		2	SPRING, LEAF		
10	FC8-4534-000		2	RAIL, PAPER FEED CASE SHUTTER		
11	FC8-4573-000		1	BUSHING		
12	FC8-4574-000		1	PLATE, SENSOR GROUNDING		
13	FC8-4575-000		1	HANDLE, WASTE TONER		
14	FC9-7122-000		1	FLAG, FIRST FEEDSCREW		
15	FL3-1154-000		1	SHUTTER, PAPER FEED CASE		
16	FL3-1159-000		1	SHUTTER, PAPER FEED CASE, 2		
17	FS5-9215-000		1	SCREW, STEPPED		
18	FU7-2538-000		2	SPRING		
19	FM3-7864-000		1	CABLE, NEW/OLD DETECT		
20	XA9-0732-010		AR	SCREW,RS,M4		
21	XA9-1386-000		AR	SCREW,RS,M3X8		
22	XD9-0134-000		3	RING, E		
23	XD9-0168-000		1	WASHER		
24	FC8-3923-000		4	RAIL, DRUM UNIT, F		
25	FS5-9360-020		4	SCREW,STEPPED,M4		
26	FU7-2469-000		4	SPRING		
27	FU8-0171-000		1	GEAR, WORM, 36T		
28	FM4-8389-010		4	RAIL, DRUM UNIT, R		
29	FC9-7933-000		1	LABEL, I.T.B. HANDLE CAUTION		
30	FU7-2470-000		4	SPRING		
31	FU7-2501-000		4	SPRING		

FIGURE & KEY NO.	PARTS NUMBER	R A N K	Q'TY	DESCRIPTION	SERIAL NUMBER/REMARKS	S V C
32	FU7-2531-000		4	SPRING	M26	
33	FK2-7328-000		1	MOTOR, DC		
34	FC9-7943-000		1	LABEL, DESORPTION CAUTION		
35	FM3-7945-000		8	LED PCB ASSEMBLY		
36	FM3-7863-000		1	CABLE, PROCESS-KIT DRAWER		
37	VS1-7177-003		1	CONNECTOR, SNAP TIGHT, BK		
38	FM3-7938-000		1	RELAY PCB ASSEMBLY		
39	FM3-7940-000		1	NEW/OLD DETECT PCB ASSEMBLY		
40	FC0-0181-000		4	SPACER, DEVELOPING PROTECTIVE		
41	FM3-7949-000		1	PHOTO SENSOR PCB ASS'Y,		
42	FM3-8889-000		1	WASTE TONER FEED DRIVE ASS'Y		
43	FU8-0172-000		1	GEAR, 19T		
44	FU8-0209-000		1	GEAR, 16T/36T		
45	FU8-0190-000		1	GEAR, 33T		
46	FC9-7129-000		1	LABEL, UNLOCK		
47	FU8-0210-000		1	GEAR, 33T/25T		
48	FC9-7954-000		1	SEAL, SCREW BUSHING		
49	FC8-3996-000		1	SCREW, RECYCLE TONER FEED		
50	FM3-7865-000		4	CABLE, SENSOR CONNECTING		
51	FM3-7867-000		2	CABLE, PRE-EXPOSURE LED, REAR		
52	FM0-1763-000		1	SHUTTER, CONNECTING		
53	FL2-9516-000		1	PLATE, DEVELOPING PRESSURE, Y		
54	FL2-9517-000		1	PLATE, DEVELOPING PRESSURE, M		
55	FL2-9518-000		1	PLATE, DEVELOPING PRESSURE, C		
56	FL2-9519-000		1	PLATE, DEVELOPING PRESSURE, BK		
57	XA9-1038-000		4	SCREW,P,M4X10		
58	FL3-1128-000		1	HOLDER, P-KIT FRAME, FRONT		
59	FC8-3920-000		1	SIDE PLATE, PROCESS KIT		

# FIGURE 620 SET ON HOPPER ASS'Y, BK

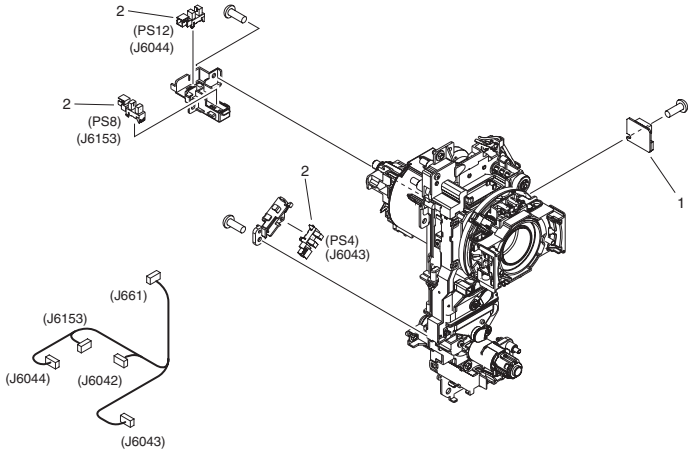


FIGURE & KEY NO.	PARTS NUMBER	RANK	Q'TY	DESCRIPTION	SERIAL NUMBER/REMARKS	SVC
Fig.620	FM4-9660-020		1	SET ON HOPPER ASS'Y, BK		
1	FM3-7948-000		1	TONER SENSOR RELAY PCB ASSY		
2	WG8-5848-000		3	IC, PHOTO-INTERRUPTER	PS4,8,12	

# FIGURE 621 SET ON HOPPER ASS'Y, CL

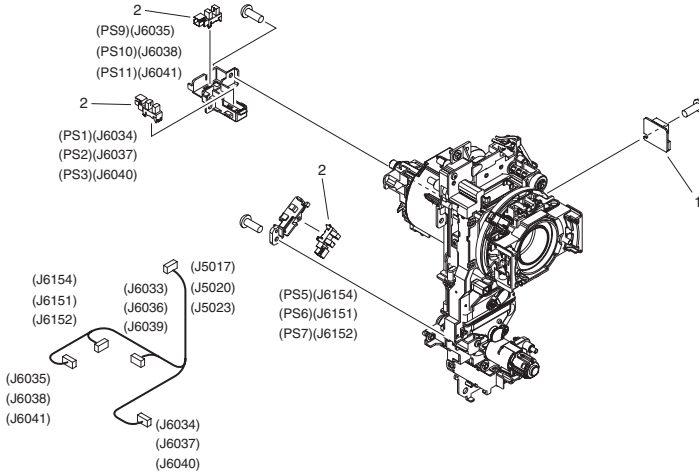


FIGURE & KEY NO.	PARTS NUMBER	RANK	Q'TY	DESCRIPTION	SERIAL NUMBER/REMARKS	SVC
Fig.621	FM4-9657-020		3	SET ON HOPPER ASS'Y, CL		
1	FM3-7948-000		3	TONER SENSOR RELAY PCB ASSY		
2	WG8-5848-000		9	IC, PHOTO-INTERRUPTER	PS1,2,3,5,6,7,9,10,11	

# FIGURE 623 SET ON DRIVE ASSEMBLY, BLACK

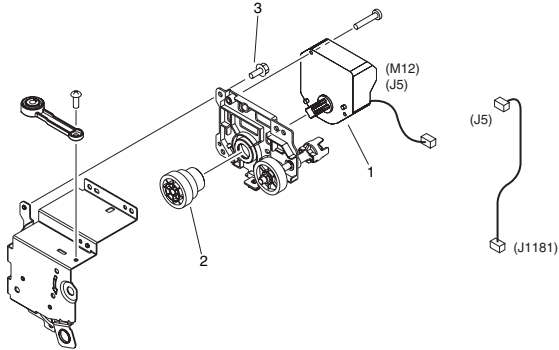


FIGURE & KEY NO.	PARTS NUMBER	RANK	Q'TY	DESCRIPTION	SERIAL NUMBER/REMARKS	SVC
Fig.623	FM4-9661-000		1	SET ON DRIVE ASSEMBLY, BLACK		
1	FK2-7895-000		1	MOTOR, DC	M12	
2	FU9-0551-000		1	GEAR, 33T		
3	XA9-1386-000		3	SCREW,RS,M3X8		

# FIGURE 624 SET ON DRIVE ASSEMBLY, CL

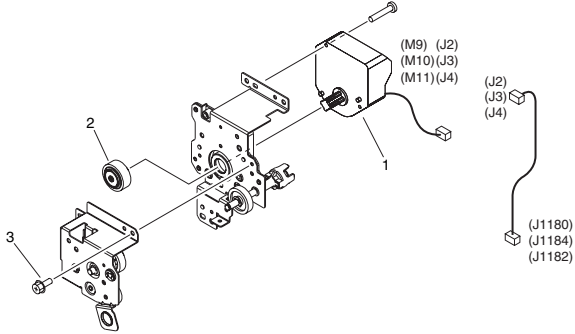


FIGURE & KEY NO.	PARTS NUMBER	RANK	QTY	DESCRIPTION	SERIAL NUMBER/REMARKS	SVC
Fig.624	FM4-9662-000		3	SET ON DRIVE ASSEMBLY, CL		
1	FK2-7895-000		3	MOTOR, DC	M9,10,11	
2	FU9-0551-000		3	GEAR, 33T		
3	XA9-1386-000		9	SCREW,RS,M3X8		

# FIGURE 626 BOTTLE FRONT INNER DOOR ASS'Y

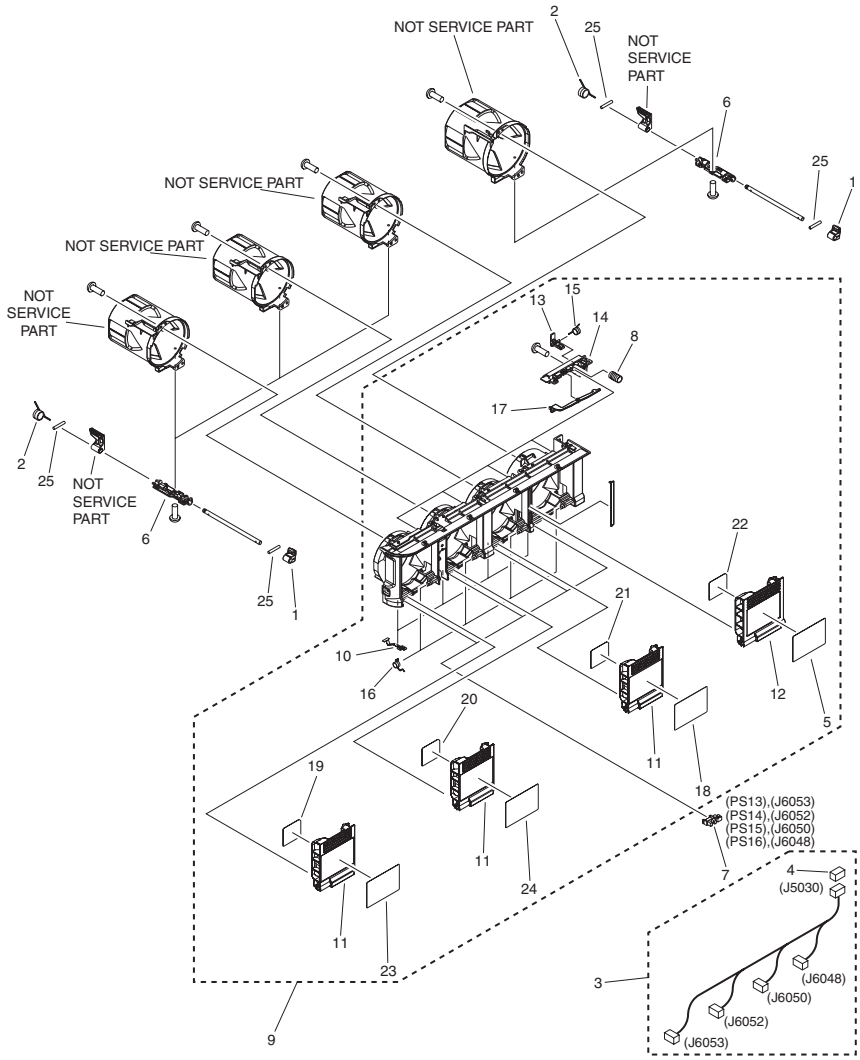


FIGURE & KEY NO.	PARTS NUMBER	R A N K	Q'TY	DESCRIPTION	SERIAL NUMBER/ REMARKS	S V C
Fig.626	NPN		RF	BOTTLE FRONT INNER DOOR ASS'Y		
1	FC8-4692-000		4	STOPPER,BOTTLE LINK INNER DOOR		
2	FC8-4694-000		4	SPRING, TORSION		
3	FM4-9457-000		1	CABLE, SET ON DOOR SENSOR		
4	VS1-8412-013		1	CONNECTOR, SNAP TIGHT, BL		
5	FC8-4670-000		1	LABEL, OPERATOR, BLACK		
6	FC8-4698-000		4	GUIDE, BOTTLE LINK SHAFT		
7	WG8-5783-000		4	IC,PHOTO-INTERRUPTER,LG248NL1A	PS13,14,15,16	
8	FU7-2459-000		4	SPRING		
9	FM3-8899-000		1	BOTTLE FR. DOOR BASE ASSEMBLY		
10	FC8-4646-000		4	SPRING		
11	FC8-4661-010		3	DOOR,BOTTLE EXCHANGE INNER,CL		
12	FC8-4662-010		1	DOOR, BOTTLE EXCHANGE INNER		
13	FC8-4683-000		4	LATCH, INNER DOOR		
14	FC8-4684-000		4	HOLDER, INNER DOOR LATCH		
15	FC8-4685-000		4	SPRING		
16	FC8-4687-000		4	SPRING, TORSION		
17	FC8-4689-000		4	LEVER,INNER DOOR LATCH RELEASE		
18	FC8-4669-000		1	LABEL, OPERATOR, CYAN		
19	FC8-4663-000		1	LABEL, COLOR, YELLOW		
20	FC8-4664-000		1	LABEL, COLOR, MAGENTA		
21	FC8-4665-000		1	LABEL, COLOR, CYAN		
22	FC8-4666-000		1	LABEL, COLOR, BLACK		
23	FC8-4667-000		1	LABEL, OPERATOR, YELLOW		
24	FC8-4668-000		1	LABEL, OPERATOR, MAGENTA		
25	XD9-0300-000		8	PIN, PARALLEL		



# FIGURE 627 BOTTLE BASE ASSEMBLY, BLACK

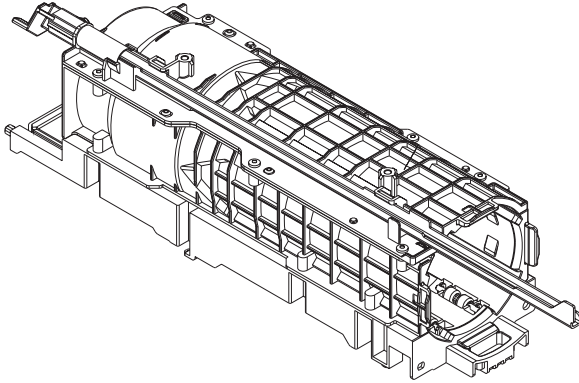


FIGURE & KEY NO.	PARTS NUMBER	RANK	Q'TY	DESCRIPTION	SERIAL NUMBER/REMARKS	SVC
Fig.627	FM3-5986-000		1	BOTTLE BASE ASSEMBLY, BLACK	C5255,5250 SERIES	
Fig.627	FM3-5992-000		1	BOTTLE BASE ASSEMBLY, BLACK	C5240,5235 SERIES	

# FIGURE 628 BOTTLE BASE ASSEMBLY, CL

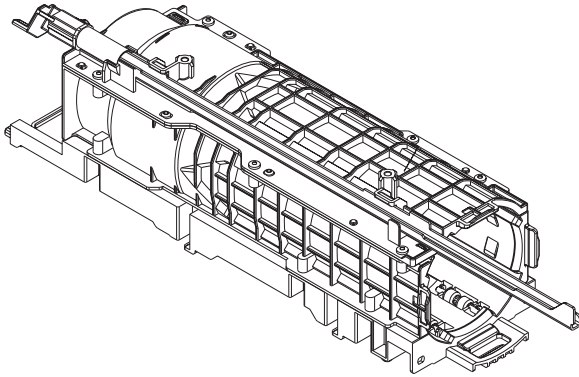


FIGURE & KEY NO.	PARTS NUMBER	RANK	QTY	DESCRIPTION	SERIAL NUMBER/REMARKS	SVC
Fig.628	FM3-5987-000		3	BOTTLE BASE ASSEMBLY, CL	C5255,5250 SERIES	
Fig.628	FM3-5993-000		3	BOTTLE BASE ASSEMBLY, CL	C5240,5235 SERIES	

# FIGURE 640 DEVELOPING ASSEMBLY

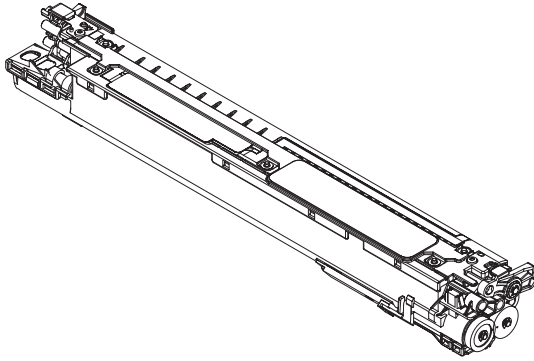


FIGURE & KEY NO.	PARTS NUMBER	RANK	Q'TY	DESCRIPTION	SERIAL NUMBER/REMARKS	S V C
Fig.640	FM4-8351-010		1	DEVELOPING ASSEMBLY, Y	[DP]	
Fig.640	FM4-8352-010		1	DEVELOPING ASSEMBLY, M	[DP]	
Fig.640	FM4-8353-010		1	DEVELOPING ASSEMBLY, C	[DP]	
Fig.640	FM4-8354-010		1	DEVELOPING ASSEMBLY, BK	[DP]	

# FIGURE 770 WASTE TONER CASE ASSEMBLY

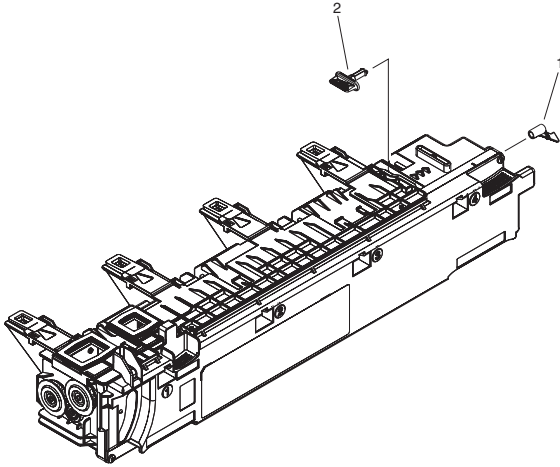
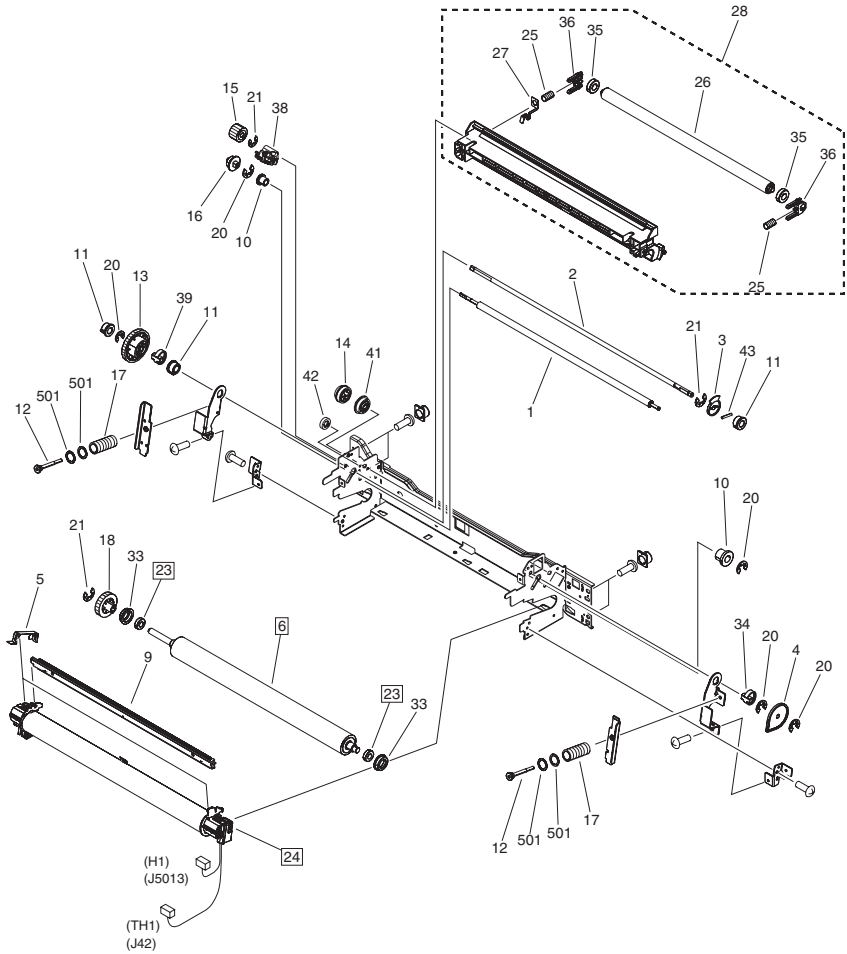


FIGURE & KEY NO.	PARTS NUMBER	RANK	QTY	DESCRIPTION	SERIAL NUMBER/REMARKS	SVC
Fig.770	FM4-8400-010		1	WASTE TONER CASE ASSEMBLY		
1	FC0-3750-000		1	FLAG, SCREW		
2	FC0-3753-000		1	PIN, LOCK		

FIGURE 810  
FIXING ASSEMBLY



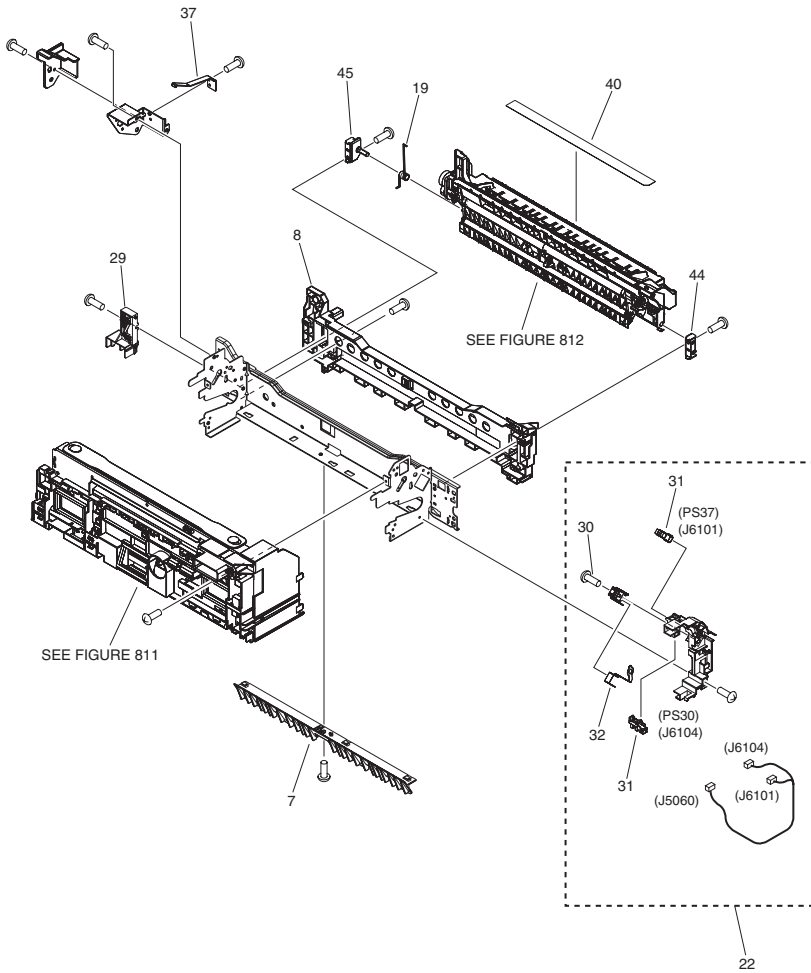


FIGURE & KEY NO.	PARTS NUMBER	RANK	Q'TY	DESCRIPTION	SERIAL NUMBER/REMARKS	SVC
Fig.810	NPN		RF	FIXING ASSEMBLY		
1	FC6-9268-000		1	ROLLER, INNER PAPER DELIVERY		
2	FC6-9269-000		1	SHAFT		
3	FC6-9272-000		1	FLAG, PRESSURE RELEASE SENSOR		
4	FC6-9274-000		1	LEVER, PRESSURE RELEASE		
5	FC6-9471-000		2	SPRING, LEAF		
6	FC0-5061-000		1	ROLLER, PRESSURE	[DP]	
7	FC0-4934-000		1	GUIDE, FIXING ENTRANCE		
8	FC8-5027-000		1	HANDLE, FIXING DRAWER		
9	FC8-5043-000		1	GUIDE, FIXING SEPARATION		
10	FU6-1268-000		2	BUSHING		
11	FS5-1943-000		3	BUSHING		
12	FU6-0028-000		2	SCREW		
13	FU7-0267-000		1	GEAR, 46T		
14	FU9-0508-000		1	GEAR, 17T/27T		
15	FU7-0327-000		1	GEAR, 19T		
16	FU7-0328-000		1	GEAR, 15T		
17	FU8-2921-000		2	SPRING, COMPRESSION		
18	FU8-0192-000		1	GEAR, 33T		
19	FU8-2279-000		1	SPRING		
20	XD9-0134-000		5	RING, E		
21	XD9-0136-000		2	RING, E		
22	FM3-5953-010		1	SENSOR HOLDER ASSEMBLY		
23	XG9-0172-000		2	BALL BEARING, NSK, 688AZZ1MC4E	[DP]	
24	FM3-5950-010		1	FILM ASSEMBLY	120V H1 [DP]	
24	FM3-5951-010		1	FILM ASSEMBLY	230V H1 [DP]	
25	FU6-2644-000		2	SPRING, COMPRESSION		
26	FL2-5277-000		1	ROLLER, SLEEVE		
27	FC6-9304-000		1	SPRING, GROUNDING		
28	FM3-5955-000		1	GUIDE, FIXING DELIVERY, UPPER		
29	FM3-5954-000		1	PRESSURE ROLLER CONTACT ASS'Y		
30	XA9-1510-000		1	SCREW, WW/WASHER TAPPING		

FIGURE & KEY NO.	PARTS NUMBER	R A N K	Q'TY	DESCRIPTION	SERIAL NUMBER/ REMARKS	S V C
31	WG8-5783-000		2	IC,PHOTO-INTERRUPTER,LG248NL1A	PS30,PS37	
32	FC6-9288-000		1	SPRING		
33	FC5-7182-000		2	HOUSING,BEARING		
34	FC8-5068-000		1	CAM, PRESSURE RELEASE		
35	FA9-4077-000		2	BUSHING		
36	FC6-9472-000		2	HOLDER, BUSHING		
37	FC7-4834-010		1	STOPPER, PRESSURE RELEASE		
38	FM0-1756-000		1	VARISTOR UNIT		
39	FC0-4925-000		1	CAM, PRESSURE RELEASE		
40	FU8-8237-000		1	LABEL, HIGH TMP. CAUTION		
41	FU9-0509-000		1	GEAR, 25T		
42	FU9-0510-000		1	GEAR, 28T		
43	XD9-0300-000		1	PIN, PARALLEL		
44	FL2-9554-000		1	PLATE, GUIDE HINGE, FRONT		
45	FL3-1145-000		1	PLATE, GUIDE HINGE, REAR		
501	XD1-1108-213		4	WASHER,COP		



# FIGURE 811 SHUTTER ASSEMBLY

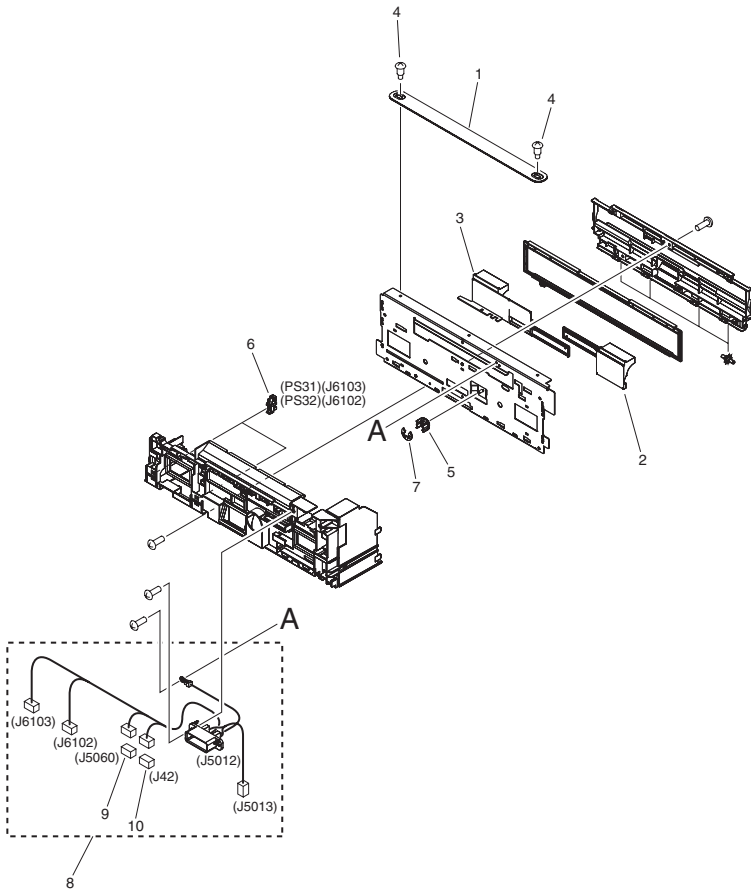


FIGURE & KEY NO.	PARTS NUMBER	RANK	Q'TY	DESCRIPTION	SERIAL NUMBER/REMARKS	SVC
Fig.811	FM3-5952-000		1	SHUTTER ASSEMBLY		
1	FL0-4511-000		1	HANDLE, FIXING		
2	FC8-5047-000		1	SHUTTER, F		
3	FC8-5048-000		1	SHUTTER, R		
4	FU5-9749-000		2	SCREW, STEPPED, M4		
5	FU7-0270-000		1	PINION, SHUTTER		
6	WG8-5783-000		2	IC,PHOTO-INTERRUPTER,LG248NL1A	PS31,32	
7	XD9-0134-000		1	RING, E		
8	FM3-7797-000		1	CABLE, FIXING DRAWER		
9	VS1-7177-006		1	CONNECTOR, SNAP TIGHT, BK		
10	VS1-7177-010		1	CONNECTOR, 10P		

FIGURE 812  
GUIDE, FIXING DELIVERY, LOWER

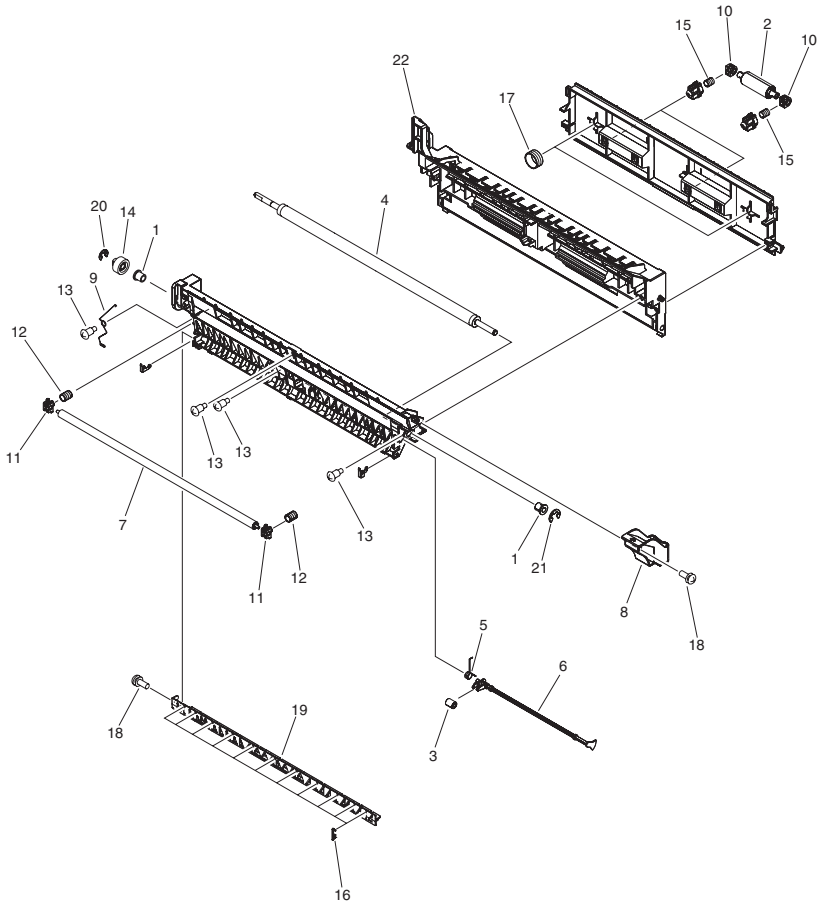


FIGURE & KEY NO.	PARTS NUMBER	R A N K	Q'TY	DESCRIPTION	SERIAL NUMBER/ REMARKS	S V C
Fig.812	FM0-0261-000		1	GUIDE, FIXING DELIVERY, LOWER		
1	FA9-4041-005		2	BUSHING		
2	FB6-4873-000		2	ROLLER, PAPER FEED		
3	FB6-7002-000		1	ROLLER, PAPER SENSOR		
4	FC6-9305-000		1	ROLLER, FIXING PAPER DELIVERY		
5	FC6-9309-000		1	SPRING, TORSION		
6	FC6-9473-000		1	FLAG, PAPER DELIVERY SENSOR		
7	FC7-2395-000		1	ROLLER, PAPER DELIVERY		
8	FC8-5029-000		1	HANDLE, JAM CLEARING		
9	FC0-5066-000		1	SPRING, GROUNDING		
10	FU5-1035-000		4	BUSHING		
11	FU5-1559-000		2	BUSHING		
12	FU5-2683-000		2	SPRING		
13	FU5-9449-000		4	SCREW, STEPPED, M3		
14	FU9-0511-000		1	GEAR, 21T		
15	FU7-2521-000		4	SPRING		
16	FC7-6979-000		11	RIB		
17	FU8-2278-000		2	SPRING		
18	XA9-1510-000		2	SCREW, WW/WASHER TAPPING		
19	FC7-6978-000		1	GUIDE, INNER PAPER DELIVERY		
20	XD9-0134-000		1	RING, E		
21	XD9-0136-000		1	RING,E		
22	FC8-5056-000		1	HOLDER, DUPLEXING GUIDE		

# FIGURE 813 FIXING DRIVE ASSEMBLY

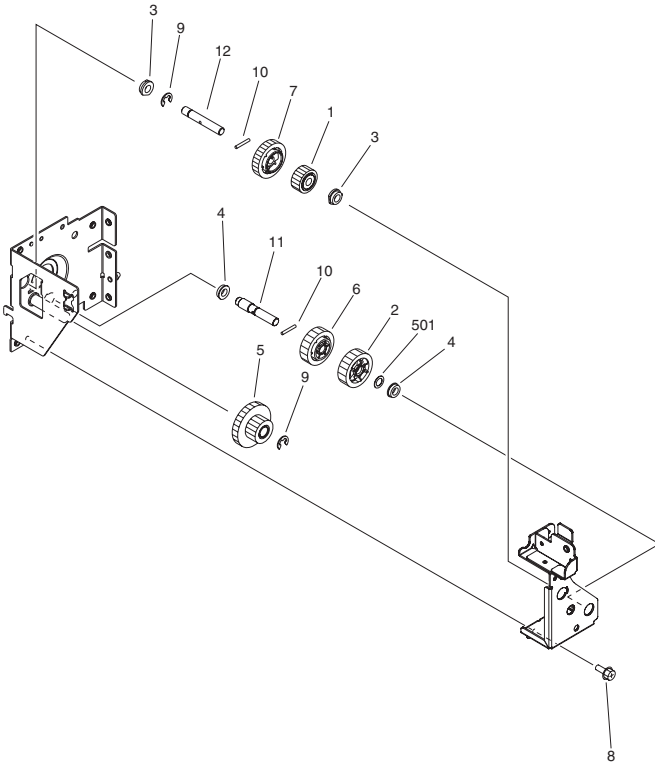


FIGURE & KEY NO.	PARTS NUMBER	RANK	Q'TY	DESCRIPTION	SERIAL NUMBER/REMARKS	SVC
Fig.813	FM0-4774-000		1	FIXING DRIVE ASSEMBLY		
1	FL2-4376-000		1	CLUTCH, ONE-WAY		
2	FL3-1198-000		1	GEAR ASSEMBLY		
3	FS1-1508-000		2	BUSHING		
4	XG9-0350-000		2	BALL BEARING, NSK MF106ZZ D4M		
5	FU8-0164-000		1	GEAR, 17T/53T		
6	FU8-0178-000		1	GEAR, 26T		
7	FU8-0179-000		1	GEAR, 27T		
8	XA9-1386-000		4	SCREW,RS,M3X8		
9	XD9-0136-000		3	RING, E		
10	XD9-0290-000		2	PIN, PARALLEL		
11	FC0-4998-000		1	SHAFT. 1		
12	FU6-4720-000		1	SHAFT. 2		
501	XD1-1106-219		1	SHIM, CIRCULAR		

# FIGURE 815 FIXING DELIVERY DRIVE ASSEMBLY

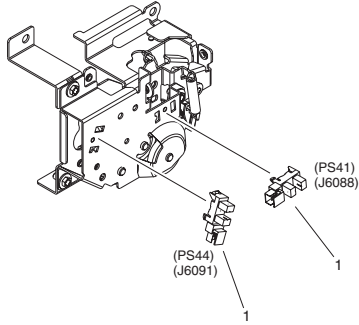


FIGURE & KEY NO.	PARTS NUMBER	RANK	Q'TY	DESCRIPTION	SERIAL NUMBER/REMARKS	SVC
Fig.815	FM0-0224-000		1	FIXING DELIVERY DRIVE ASSEMBLY		
1	WG8-5783-000		2	IC,PHOTO-INTERRUPTER,LG248NL1A	PS41,44	

# FIGURE 900 CONTROLLER BOX ASSEMBLY

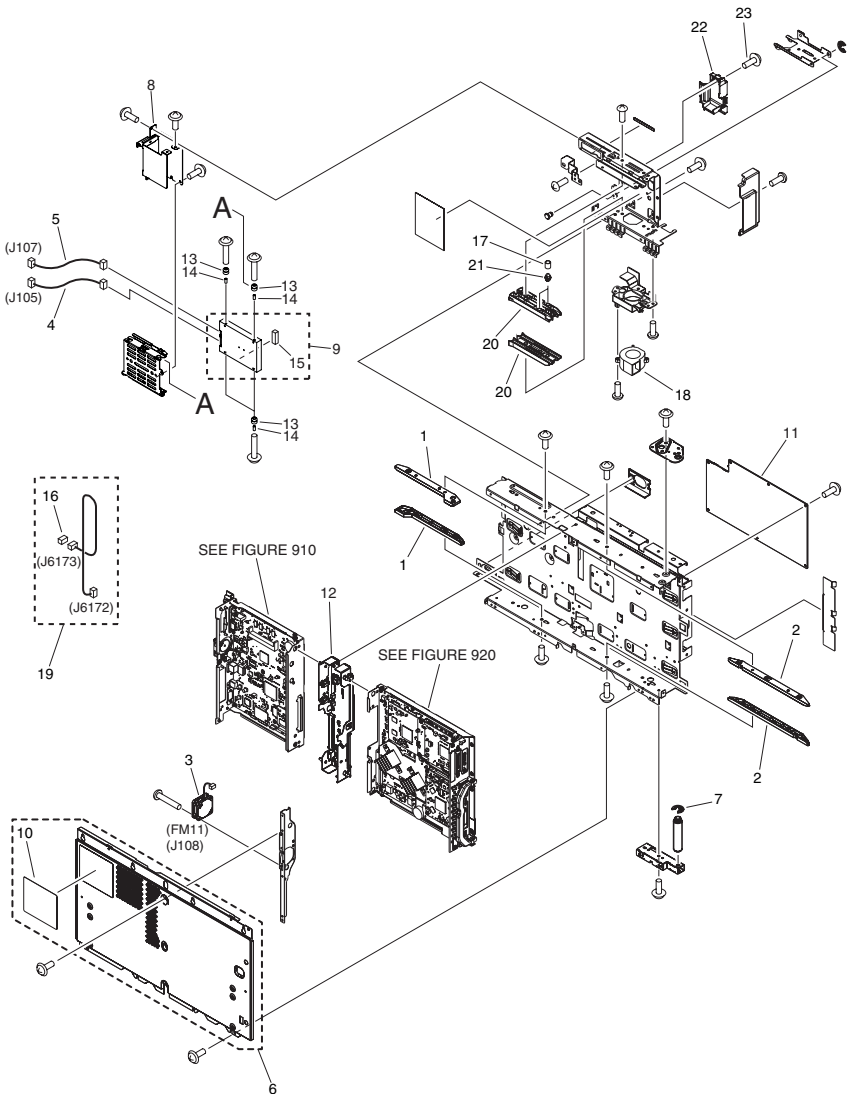




FIGURE & KEY NO.	PARTS NUMBER	R A N K	Q'TY	DESCRIPTION	SERIAL NUMBER/ REMARKS	S V C
Fig.900	NPN		RF	CONTROLLER BOX ASSEMBLY		
1	FC8-5174-000		2	RAIL, MAIN CONTROLLER, 1		
2	FC8-5175-000		2	RAIL, MAIN CONTROLLER, 2		
3	FK2-7372-000		1	FAN	FM11	
4	FK2-8430-000		1	CABLE, STANDARD SATA POWER, A		
5	FK2-8432-000		1	CABLE, STANDARD SATA SIGNAL, A		
6	FL3-6129-000		1	COVER, CONTROLLER		
7	XD9-0136-000		1	RING, E		
8	FC8-5201-000		1	PLATE, HARD DISK DRIVE		
9	FM0-0318-000		1	HARD DISK DRIVE, MK1665GSX		
10	FC9-7864-000		1	LABEL, EXTERNAL COVER CAUTION		
11	FM4-9390-000		1	DC CONTROLLER PCB ASSEMBLY		
12	FM4-0795-000		1	RISER PCB ASSEMBLY		
13	XH9-0149-000		4	DAMPER, CUSHION		
14	XZ1-1301-005		4	SPACER		
15	KE8-1134-030		1	GASKET, EMI		
16	VS1-7177-003		1	CONNECTOR, SNAP TIGHT, BK		
17	FU8-2289-000		2	SPRING, COMPRESSION		
18	FK2-7363-000		1	FAN		
19	FM4-0855-000		1	CABLE, HDD FAN, A2		
20	FC8-4051-000		2	RAIL, HARD DISK DRIVE GUIDE		
21	FC9-7865-000		2	PIN, LOCK		
22	FE4-0686-000		1	COVER, CABLE		
23	XB6-7300-605		1	SCREW,TP,M3X6		
IC	FK2-3218-000		1	IC, MB87L8650, GATE ARRAY	IC1	
IC	FK2-6450-000		1	IC, FSA0AC211AA	IC13	
IC	FK2-7369-000		1	IC, STANDARD CELL	IC70	
IC	FK2-7596-000		1	IC, STANDARD CELL	IC1	

# FIGURE 910 MAIN CONTROLLER PCB ASS'Y, 1

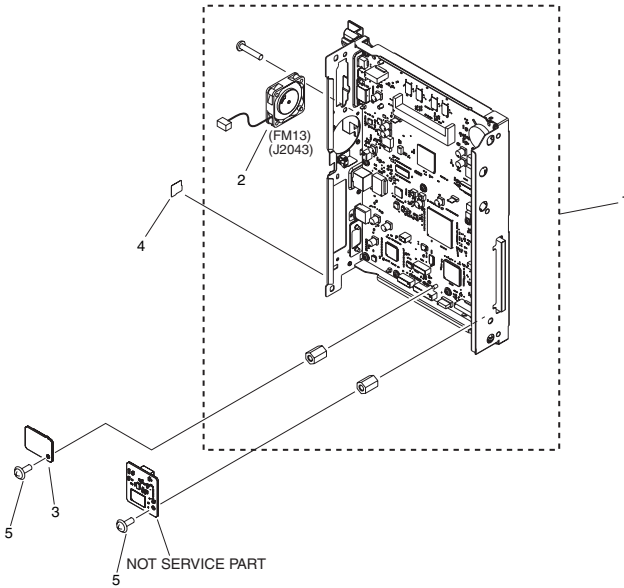


FIGURE & KEY NO.	PARTS NUMBER	RANK	QTY	DESCRIPTION	SERIAL NUMBER/REMARKS	SVC
Fig.910	NPN		RF	MAIN CONTROLLER PCB ASS'Y, 1		
1	FM0-0350-000		1	MAIN CONTROLLER PCB ASS'Y, 1	C5255 SERIES	
1	FM0-0351-000		1	MAIN CONTROLLER PCB ASS'Y, 1	C5250 SERIES	
1	FM0-0352-000		1	MAIN CONTROLLER PCB ASS'Y, 1	C5240 SERIES	
1	FM0-0353-000		1	MAIN CONTROLLER PCB ASS'Y, 1	C5235 SERIES	
2	FK2-7372-000		1	FAN	FM13	
3	FM4-0783-000		1	TPM PCB ASSEMBLY		
4	FU8-8238-000		1	LABEL, QUICK START CAUTION		
5	XA9-1959-000		2	SCREW, WWASHER, M3X4		
IC	FK2-9794-000		1	IC, 88E8075B0-NNC2C000,	IC4	
IC	FK3-2212-000		1	IC, AU80610004671AA@LBMH,	IC1	

# FIGURE 911 POWER SUPPLY ASSEMBLY

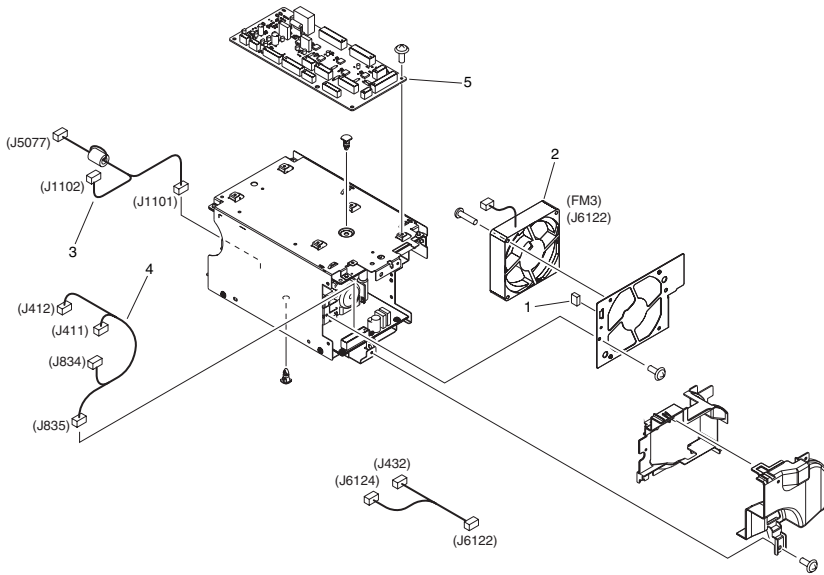


FIGURE & KEY NO.	PARTS NUMBER	RANK	Q'TY	DESCRIPTION	SERIAL NUMBER/REMARKS	SVC
Fig.911	FM0-0185-000		1	POWER SUPPLY ASSEMBLY		
1	VS1-7177-003		1	CONNECTOR, SNAP TIGHT, BK		
2	FK2-7286-000		1	FAN	FM3	
3	FM3-7801-000		1	CABLE, AC POWER SUPPLY 1		
4	FM4-9447-000		1	CABLE, POWER SUPPLY RELAY, 1		
5	FM4-9393-000		1	RELAY PCB ASSEMBLY		

FIGURE 920  
MAIN CONTROLLER PCB ASS'Y, 2

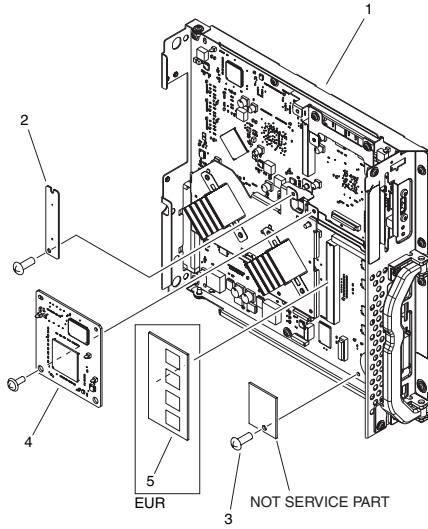


FIGURE & KEY NO.	PARTS NUMBER	R A N K	Q'TY	DESCRIPTION	SERIAL NUMBER/ REMARKS	S V C
Fig.920	NPN		RF	MAIN CONTROLLER PCB ASS'Y, 2		
1	FM0-0339-000		1	MAIN CONTROLLER PCB ASS'Y, 2		
2	FM4-0780-000		1	BYPASS PCB ASS'Y, SUB		
3	XA9-1959-000		1	SCREW, W/WASHER, M3X4		
4	FM0-3593-000		1	IMAGE OPERATION SUB PCB ASS'Y		
5	FM0-0322-000		1	MEMORY PCB ASSEMBLY	EUR	
IC	FK2-2426-000		1	IC, MB87S4550PB-GE1,	IC2	
IC	FK2-3218-000		1	IC, MB87L8650, GATE ARRAY	IC28	
IC	FK2-3746-000		1	IC, UPD85809F1-011-JN6-A	IC29	
IC	FK2-6757-000		2	IC, FSC0HD200B, STANDARD CELL	IC3,4	
IC	FK2-8321-000		1	IC, MB87S1801	IC19	
IC	FK2-8345-000		1	IC, UPD8085517F1-612-MNB-A	IC20	
IC	FK2-9787-000		1	IC, R8A03016BG U100,	IC21	
IC	FK2-9788-000		1	IC, R8A03019ABG U100,	IC22	
IC	FK2-9798-000		1	IC, UPD800459F1-611-MNB-A	IC1002	
IC	FK2-9808-000		1	IC, CY2544C023@,	IC43	
IC	FL3-4283-000		1	IC, SST39VF200A-70-4C-EKE,	IC60	

# FIGURE 960 DRUM DRIVER PCB ASSEMBLY

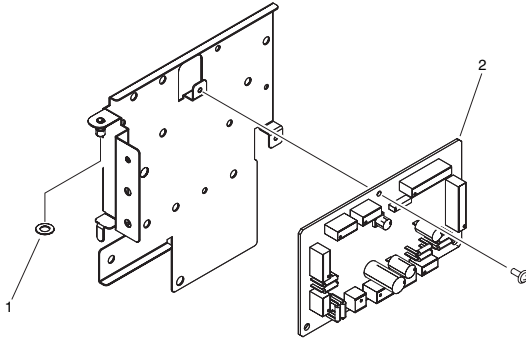


FIGURE & KEY NO.	PARTS NUMBER	RANK	QTY	DESCRIPTION	SERIAL NUMBER/REMARKS	SVC
Fig.960	NPN		RF	DRUM DRIVER PCB ASSEMBLY		
1	FC8-5257-000		1	WASHER		
2	FM3-7934-000		1	DRUM DRIVER PCB ASSEMBLY		
IC	FK2-7369-000		1	IC, STANDARD CELL	IC1	

# FIGURE 961 CASSETTE FEED PCB ASSEMBLY

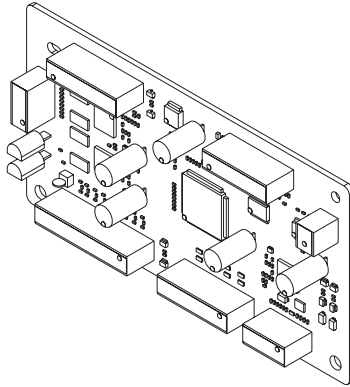


FIGURE & KEY NO.	PARTS NUMBER	RANK	Q'TY	DESCRIPTION	SERIAL NUMBER/REMARKS	SVC
Fig.961	FM4-9392-010		1	CASSETTE FEED PCB ASSEMBLY		
IC	FK2-1773-000		1	IC,TC200GO2EFG-1031,GATE ARRAY	IC1	

# FIGURE 962 PAPER FEED DRIVER PCB ASSEMBLY

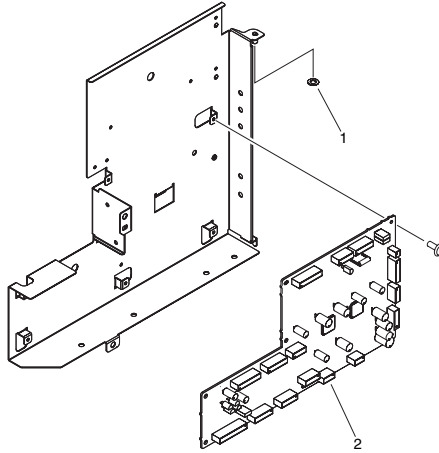


FIGURE & KEY NO.	PARTS NUMBER	RANK	QTY	DESCRIPTION	SERIAL NUMBER/REMARKS	SVC
Fig.962	NPN		RF	PAPER FEED DRIVER PCB ASSEMBLY		
1	FC8-5257-000		1	WASHER		
2	FM4-9391-000		1	PAPER FEED DRIVER PCB ASSEMBLY		
IC	FK2-1773-000		2	IC,TC200GO2EFG-1031,GATE ARRAY	IC1,2	



# FIGURE 963 AC DRIVER PCB ASSEMBLY

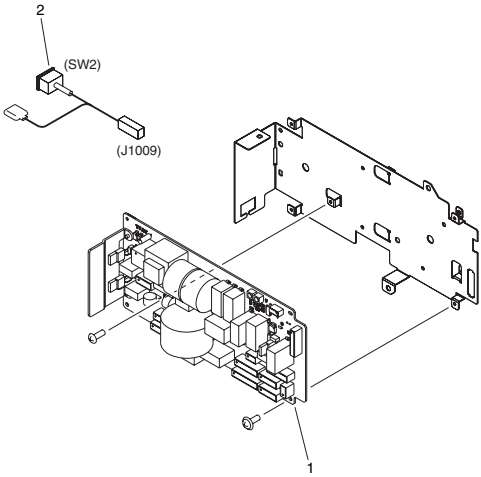


FIGURE & KEY NO.	PARTS NUMBER	R A N K	Q'TY	DESCRIPTION	SERIAL NUMBER/ REMARKS	S V C
Fig.963	NPN		RF	AC DRIVER PCB ASSEMBLY		
1	FM4-9395-000		1	AC DRIVER PCB ASSEMBLY	230V	
1	FM4-9397-000		1	AC DRIVER PCB ASSEMBLY	C5255,5250 SERIES 120V	
1	FM4-9398-000		1	AC DRIVER PCB ASSEMBLY	C5240,5235 SERIES 120V	
2	FM3-7792-000		1	CABLE, ENVIRONMENT SWITCH	SW2	

# FIGURE 981 2ND TRNSFR. HIGH VOLTAGE ASS'Y

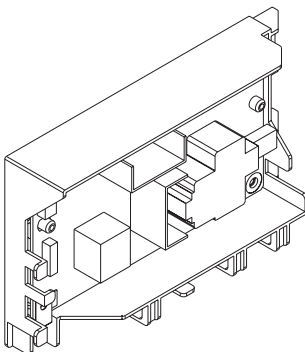


FIGURE & KEY NO.	PARTS NUMBER	RANK	Q'TY	DESCRIPTION	SERIAL NUMBER/REMARKS	SVC
Fig.981	FM3-6039-000		1	POWER SUPPLY ASS'Y 3,		

# FIGURE B01 ATTACHMENT PARTS(ONE-PATH ADF MODEL)

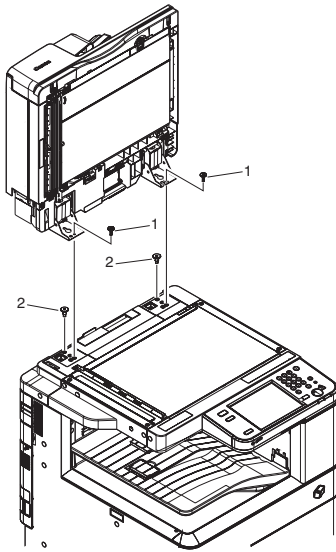


FIGURE & KEY NO.	PARTS NUMBER	RANK	Q'TY	DESCRIPTION	SERIAL NUMBER/REMARKS	SVC
Fig.B01	NPN		RF	ATTACHMENT PARTS	ONE-PATH ADF MODEL	
1	FU5-9167-000		4	SCREW, FIXED, M4		
2	FU5-9139-000		2	SCREW, STEPPED, M5X6		

# FIGURE B11 INTERNAL COMPONENTS 1(ONE-PATH ADF MODEL)

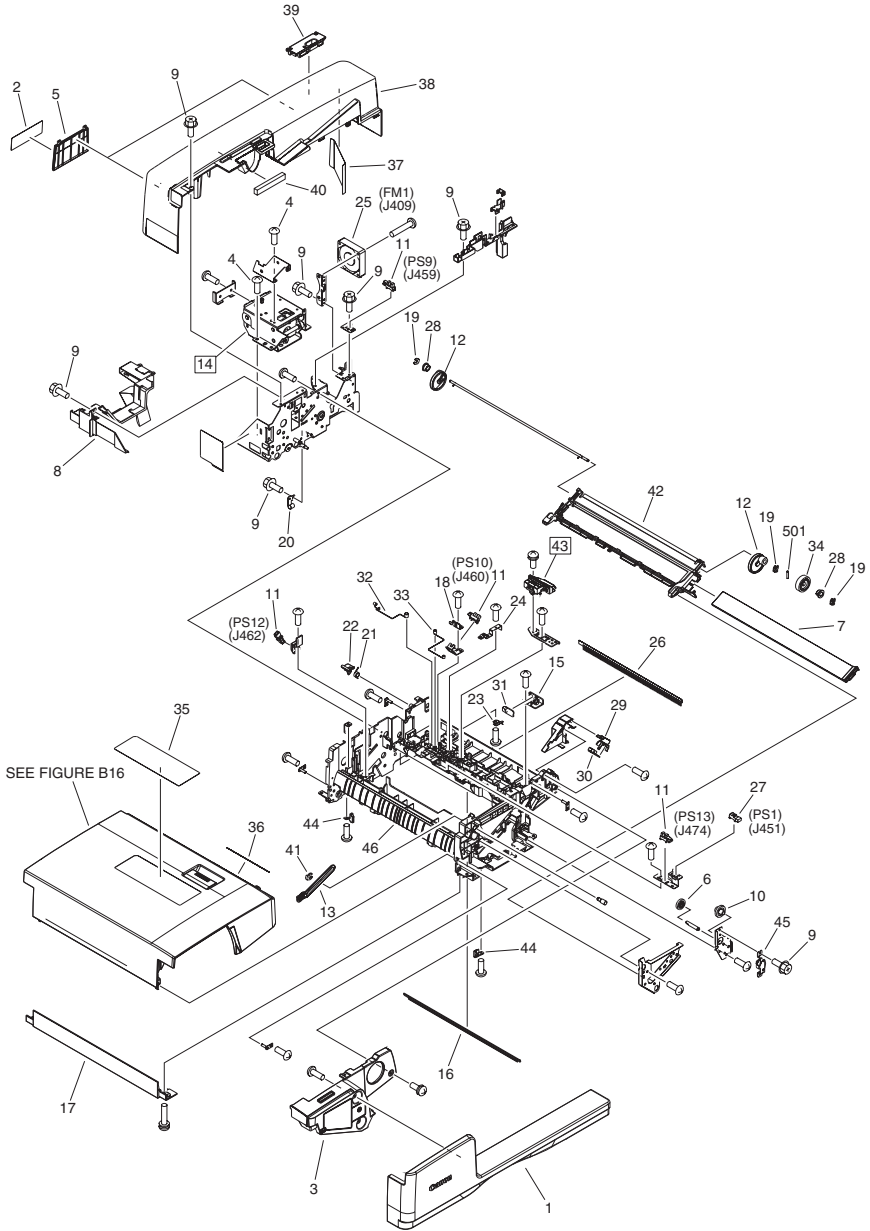


FIGURE & KEY NO.	PARTS NUMBER	RANK	Q'TY	DESCRIPTION	SERIAL NUMBER/REMARKS	SVC
Fig.B11	NPN		RF	INTERNAL COMPONENTS 1	ONE-PATH ADF MODEL	
1	FC0-1211-000		1	COVER, FRONT, 1		
2	FU7-8167-000		2	LABEL, FINGER NIP CAUTION	English	
2	FU7-8168-000		2	LABEL, FINGER NIP CAUTION	French	
2	FU7-8165-000		2	LABEL, FINGER NIP CAUTION	Portuguese	
2	FU7-8166-000		2	LABEL, FINGER NIP CAUTION	Spanish	
3	FC0-1388-000		1	COVER, FRONT, 1		
4	XA9-1031-000		AR	SCREW, MACH. TRUSS HEAD, M4X6		
5	FC0-1313-000		2	COVER, HINGE		
6	FU9-0243-000		1	GEAR, 25T		
7	FL3-4941-000		1	GLASS, READER		
8	FM4-6669-000		1	FLAT CABLE UNIT		
9	XA9-1386-000		AR	SCREW,RS,M3X8		
10	FU9-0242-000		1	GEAR, 25T		
11	WG8-5783-000		4	IC.PHOTO-INTERRUPTER,LG248NL1A	PS9,10,12,13	
12	FC0-0506-000		2	CAM, GLASS MOVE		
13	FC0-0515-000		1	STOPPER, OPEN/CLOSE		
14	FC0-1204-000		1	HINGE, LEFT	[DP]	
15	FC0-1235-000		1	COVER, PAPER DELIVERY LED		
16	FC0-1236-000		1	ELIMINATOR, STATIC CHARGE		
17	FC0-1238-000		1	COVER, LEFT, LOWER		
18	FC0-1241-000		1	PLATE, GROUNDING		
19	FC0-1271-000		3	CLIP		
20	FC0-1289-000		1	SPRING, GROUNDING		
21	FC0-1353-000		1	SPRING, TORSION		
22	FC0-1356-000		1	FLAG, OPEN/CLOSE SENSOR		
23	FC0-1362-000		1	SPRING, GROUNDING		
24	FC0-8840-000		1	SPRING, GROUNDING		
25	FK2-6471-000		1	FAN	FM1	
26	FC8-4932-000		1	ELIMINATOR, STATIC CHARGE		
27	FK2-6470-000		1	PHOTO-SENSOR, KUA0055C	PS1	
28	FU5-1442-000		2	BUSHING		

FIGURE & KEY NO.	PARTS NUMBER	R A N K	Q'TY	DESCRIPTION	SERIAL NUMBER/ REMARKS	S V C
29	FL3-4934-000		1	COVER, LED		
30	FM0-0293-000		1	LED PCB ASSEMBLY		
31	FM0-0294-000		1	EJECT LIGHT LED PCB ASS'Y		
32	FU8-2987-000		1	SPRING, COMPRESSION		
33	FU8-2988-000		1	SPRING, COMPRESSION		
34	FU9-0244-000		1	GEAR, 18T		
35	FU7-8656-000		1	LABEL, PROHIBITION DOCUMENT	English/French/Spanish/ Portuguese/Simplified Chinese/Traditional Chinese/Korean	
36	FU7-8652-000		1	LABEL, DOCUMENT SIZE	INCH/A SIZE	
37	FC0-1252-000		1	SHEET, DUCT		
38	FC0-1311-000		1	COVER, REAR, A		
39	FC0-1387-000		1	COVER, REAR, B		
40	FC0-8828-000		1	CUSHION, REAR COVER		
41	FC5-4424-000		1	CLIP		
42	FM4-6653-000		1	HOLDER, GLASS		
43	FM4-6661-000		1	SEPARATION PAD UNIT	[DP]	
44	FC0-1220-000		2	BLOCK, POSITIONING		
45	FM4-6186-000		1	DUMPER UNIT		
46	FC0-1212-000		1	FRAME, PAPER FEED		
501	XD3-2160-082		1	PIN, DOWELL, 1.6X8		

# FIGURE B12 INTERNAL COMPONENTS 2(ONE-PATH ADF MODEL)

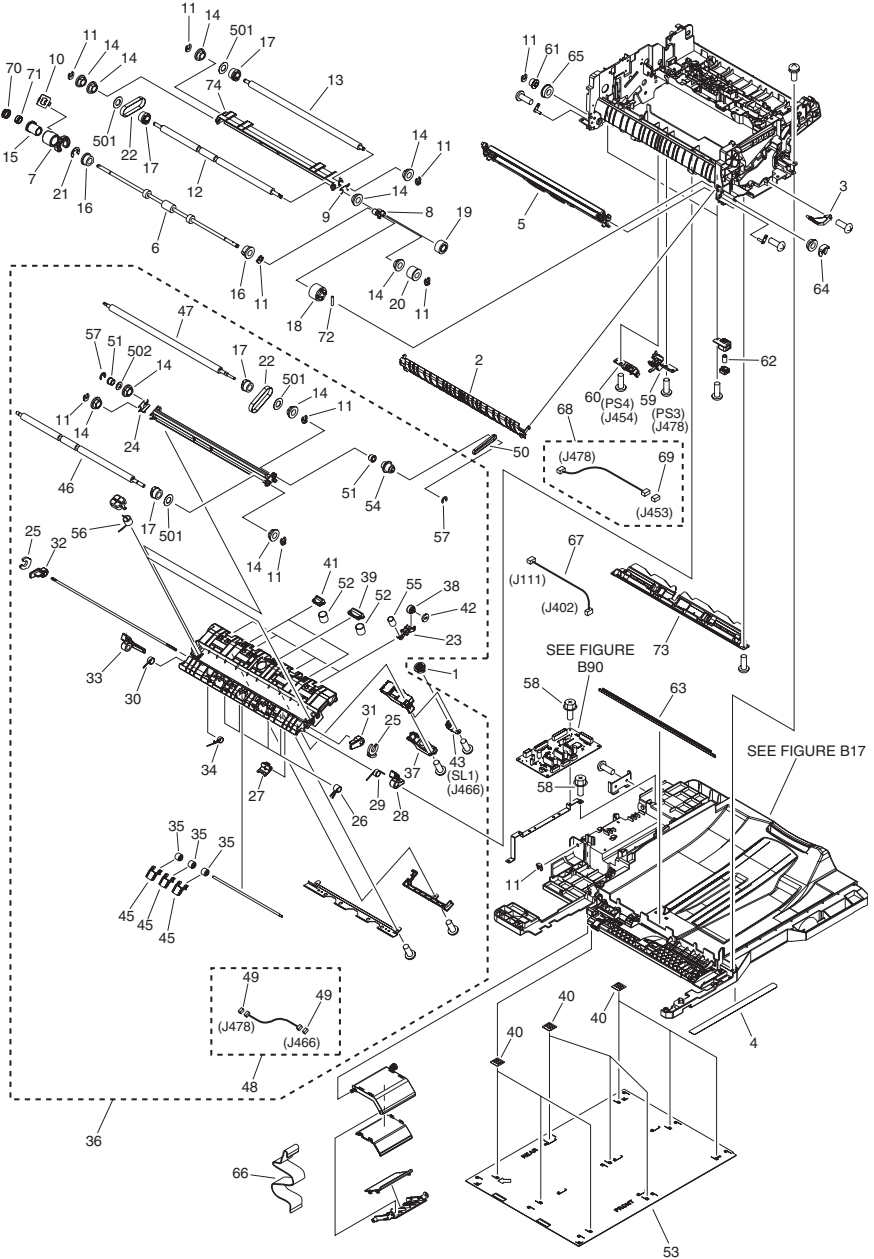


FIGURE & KEY NO.	PARTS NUMBER	R A N K	Q'TY	DESCRIPTION	SERIAL NUMBER/ REMARKS	S V C
Fig.B12	NPN		RF	INTERNAL COMPONENTS 2	ONE-PATH ADF MODEL	
1	FC7-5465-000		1	STAMPER		
2	FC0-0479-000		1	GUIDE, INNER		
3	FC0-1281-000		1	SHAFT, FOOK		
4	FE2-0842-000		1	LABEL, CLEANING PROCESS	English	
4	FE2-0844-000		1	LABEL, CLEANING PROCESS	French/Spanish/ Portuguese	
5	FM4-6647-000		1	READ OUTER GUIDE ASSEMBLY		
6	FC0-0484-000		1	ROLLER, READ, 1		
7	FC0-1256-000		1	STOPPER, ARM, FRONT		
8	FC0-1257-000		1	STOPPER, ARM, REAR		
9	FC0-1258-000		1	SPRING, LEAF		
10	FC0-8827-000		1	SPRING, LEAF		
11	FC5-4424-000		8	CLIP		
12	FL3-4956-000		1	ROLLER, PAPER FEED, 1		
13	FL3-8181-000		1	ROLLER, PAPER FEED, 2		
14	FS1-1569-000		10	BUSHING		
15	FU6-1613-000		1	BUSHING		
16	FU5-1726-000		2	BUSHING		
17	FU6-3095-000		4	PULLEY, 16T		
18	FU9-0236-000		1	GEAR, 22T		
19	FU9-0237-000		1	GEAR, 18T		
20	FU9-0238-000		1	GEAR, 17T		
21	XD9-0136-000		1	RING, E		
22	XF2-1603-640		2	BELT, TIMING		
23	FC0-0504-000		4	ARM, ROLLER		
24	FC0-1266-000		1	SPRING, LEAF		
25	FC0-1271-000		2	CLIP		
26	FC0-1272-000		4	SPRING, TORSION		
27	FC0-1276-000		1	HANDLE, BACK GUIDE		
28	FC0-1277-000		1	HOOK, BACK GUIDE, FRONT		
29	FC0-1279-000		1	SPRING, TORSION		



FIGURE & KEY NO.	PARTS NUMBER	R A N K	Q'TY	DESCRIPTION	SERIAL NUMBER/ REMARKS	S V C
30	FC0-1280-000		1	SPRING, TORSION		
31	FC0-1284-000		1	LINK, HOOK, FRONT		
32	FC0-1285-000		1	LINK, HOOK, REAR		
33	FC0-1286-000		1	HOOK, BACK GUIDE, REAR		
34	FC0-1287-000		1	SPRING, GROUNDING		
35	FC0-1296-000		3	ROLLER		
36	FM4-6652-000		1	PLATEN GUIDE ASS'Y		
37	FC0-1338-000		1	COVER, STAMP		
38	FC0-8829-000		4	ROLLER		
39	FC5-2978-000		1	GUIDE, REFORM		
40	FC0-9274-000		9	SPONGE, SHEET, WHITE		
41	FC8-5845-000		2	RIB, DELIVERY SHAPE		
42	FE2-2911-000		4	ROLLER		
43	FK2-3724-010		1	SOLENOID	SL1	
45	FL3-4954-000		3	FLAPPER, GUIDE		
46	FL3-8182-000		1	ROLLER, PAPER FEED, 1		
47	FL3-8183-000		1	ROLLER, PAPER FEED, 2		
48	FM0-0301-000		1	CABLE, STAMP		
49	VS1-7177-002		2	CONNECTOR, SNAP TIGHT, BK		
50	XF2-1607-040		1	BELT, TIMING		
51	FU5-1443-000		2	BUSHING		
52	FU5-2240-000		3	SPRING, COMPRESSION		
53	FC0-1304-000		1	PANEL, COPYBOARD		
54	FU6-3096-000		1	PULLEY, 14T		
55	FU8-2678-000		4	SPRING, COMPRESSION		
56	FU8-2681-000		2	SPRING, COMPRESSION		
57	XD9-0134-000		2	RING, E		
58	XA9-1386-000		AR	SCREW,RS,M3X8		
59	FM4-6657-000		1	SENSOR UNIT, 1	PS3	
60	FM4-6658-000		1	SENSOR UNIT, 2	PS4	
61	FU6-3091-000		1	PULLEY, 24T		
62	FU8-2989-000		2	SPRING, COMPRESSION		

FIGURE & KEY NO.	PARTS NUMBER	R A N K	Q'TY	DESCRIPTION	SERIAL NUMBER/ REMARKS	S V C
63	FC0-1236-000		1	ELIMINATOR, STATIC CHARGE		
64	FC5-4425-000		1	CLIP		
65	XG9-0805-000		1	BEARING, BALL, LF-1260ZZR		
66	FK3-2185-000		1	CABLE, FLAT		
67	FM0-0298-010		1	CABLE, DF POWER SUPPLY		
68	FM0-0302-000		1	CABLE, READER SENSOR		
69	VS1-8412-003		1	CONNECTOR, SNAP TIGHT, BL		
70	FU9-2439-000		1	SPRING, COMPRESSION		
71	FC8-4456-000		1	ROLLER, DESORPTION SLIDE		
72	XD9-0288-000		1	PIN, DOWEL		
73	FL3-4945-000		1	GUIDE, INNER, 2		
74	FC0-1260-000		1	GUIDE, COPY BOARD		
501	XD1-1106-232		5	WASHER, COP		
502	XD1-1104-132		1	SHIM, CIRCULAR		

# FIGURE B13 INTERNAL COMPONENTS 3(ONE-PATH ADF MODEL)

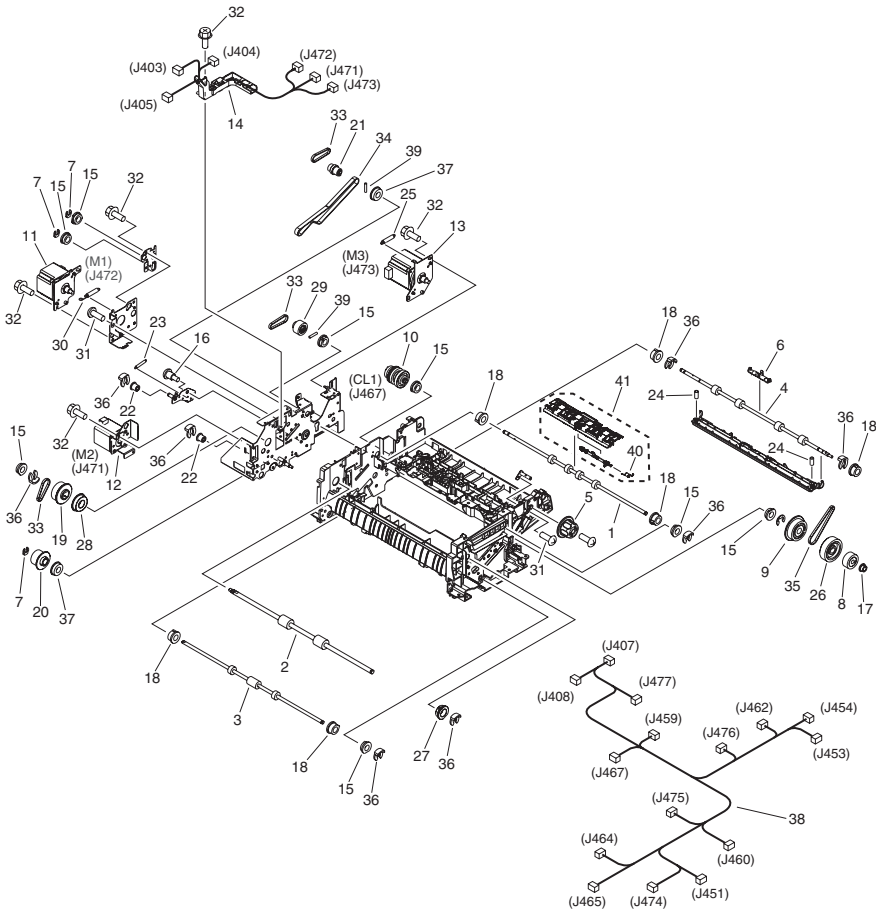


FIGURE & KEY NO.	PARTS NUMBER	R A N K	Q'TY	DESCRIPTION	SERIAL NUMBER/ REMARKS	S V C
Fig.B13	NPN		RF	INTERNAL COMPONENTS 3	ONE-PATH ADF MODEL	
1	FE2-2814-000		1	ROLLER, EXTRACTION		
2	FC0-0483-000		1	ROLLER, REGISTRATION		
3	FC0-0485-000		1	ROLLER, READ, 1		
4	FC0-0486-000		1	ROLLER, READ, 2		
5	FC0-1233-000		1	DIAL, JAM CLEARING		
6	FC0-1370-000		1	CLAMP, PAPER DELIVERY ROLLER		
7	FC5-4424-000		5	CLIP		
8	FL3-4932-000		1	GEAR, 17T		
9	FL3-4933-000		1	PULLEY, 34T		
10	FM4-6178-000		1	ELEM. CLUTCH SHAFT UNIT	CL1	
11	FM4-6654-000		1	MOTOR ASS'Y	M1	
12	FM4-6655-000		1	MOTOR ASS'Y	M2	
13	FM4-6656-000		1	MOTOR ASS'Y	M3	
14	FM4-6668-000		1	MOTOR CABLE GUIDE ASSEMBLY		
15	FS1-1508-000		9	BUSHING		
16	FS1-9076-020		1	SCREW, STEPPED, M4		
17	FU5-1442-000		1	BUSHING		
18	FU5-1726-000		6	BUSHING		
19	FU6-3090-000		1	PULLEY, 30T		
20	FU6-3091-000		1	PULLEY, 24T		
21	FU6-3094-000		1	PULLEY, 24T/24T		
22	FU6-6160-000		2	ROLLER, TENSIONER		
23	FU8-2605-000		1	SPRING, TENSION		
24	FU8-2679-000		2	SPRING, COMPRESSION		
25	FU8-2686-000		1	SPRING, TENSION		
26	FU9-0241-000		1	GEAR, 22T		
27	XG9-0737-000		1	BUSHING		
28	XG9-0804-000		1	BEARING, BALL, LNR-1680KKR		
29	FU9-0245-000		1	PULLEY/GEAR, 24T/24T		
30	FU9-2437-000		1	SPRING, TENSION		
31	XA9-1031-000		AR	SCREW, MACH. TRUSS HEAD, M4X6		

FIGURE & KEY NO.	PARTS NUMBER	R A N K	Q'TY	DESCRIPTION	SERIAL NUMBER/ REMARKS	S V C
32	XA9-1386-000		AR	SCREW,RS,M3X8		
33	XF2-1605-640		3	BELT, TIMING		
34	XF2-1618-880		1	BELT, TIMING		
35	XF2-1609-540		1	BELT, TIMING		
36	FC5-4425-000		8	CLIP		
37	XG9-0805-000		2	BEARING, BALL, LF-1260ZZR		
38	FM0-0295-000		1	CABLE, MAIN		
39	XD9-0288-000		2	PIN, DOWEL		
40	FC0-1334-000		1	SPRING, TORSION		
41	FM4-6187-000		1	VERTICAL GUIDE UNIT		

# FIGURE B14 INTERNAL COMPONENTS 4(ONE-PATH ADF MODEL)

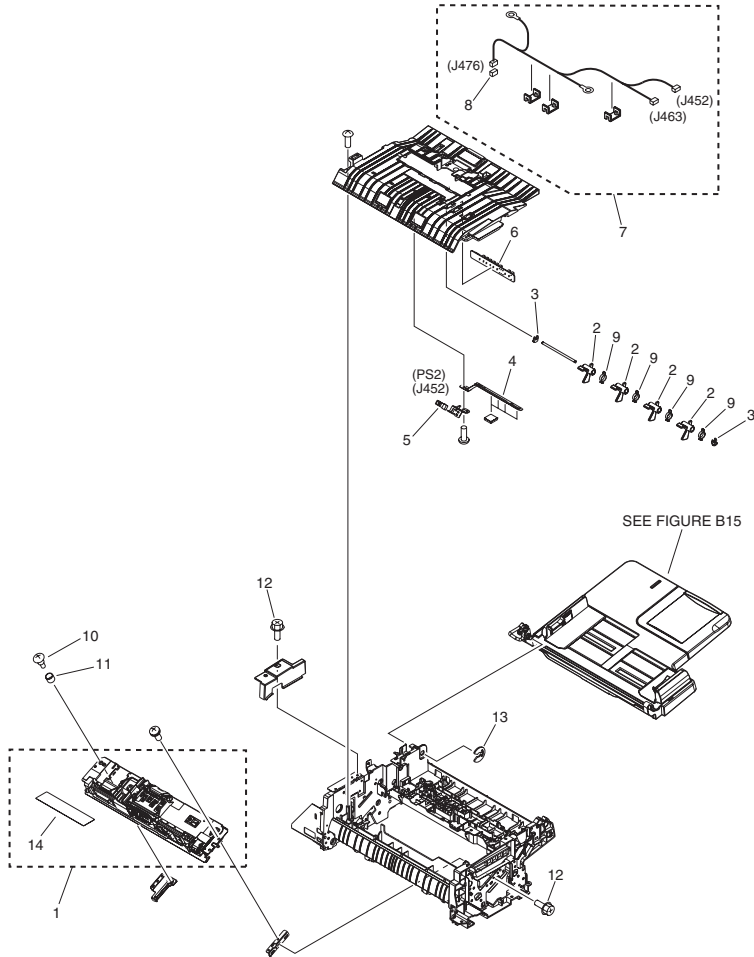


FIGURE & KEY NO.	PARTS NUMBER	R A N K	Q'TY	DESCRIPTION	SERIAL NUMBER/ REMARKS	S V C
Fig.B14	NPN		RF	INTERNAL COMPONENTS 4	ONE-PATH ADF MODEL	
1	FM0-2745-000		1	SCANNER UNIT		
2	FC0-0492-000		4	FLAG, WIDTH SENSOR		
3	FC0-1271-000		2	CLIP		
4	FC0-1364-000		1	SPRING, GROUNDING		
5	FK2-6470-000		1	PHOTO-SENSOR, KUA0055C	PS2	
6	FM0-0292-000		1	WIDTH SENSOR PCB ASSEMBLY		
7	FM0-0299-000		1	CABLE, DF PAPER PICK-UP		
8	VS1-8412-009		1	CONNECTOR, SNAP TIGHT, BL		
9	FU9-2436-000		4	SPRING, TORSION		
10	FS5-9284-020		1	SCREW, STEPPED		
11	FU8-2993-000		1	SPRING, COMPRESSION		
12	XA9-1386-000		AR	SCREW,RS,M3X8		
13	FC6-5046-000		1	RING, RETAINING		
14	FL3-8297-000		1	LABEL, SERVICE, SCANNER UNIT		

# FIGURE B15 DOCUMENT TRAY ASSEMBLY(ONE-PATH ADF MODEL)

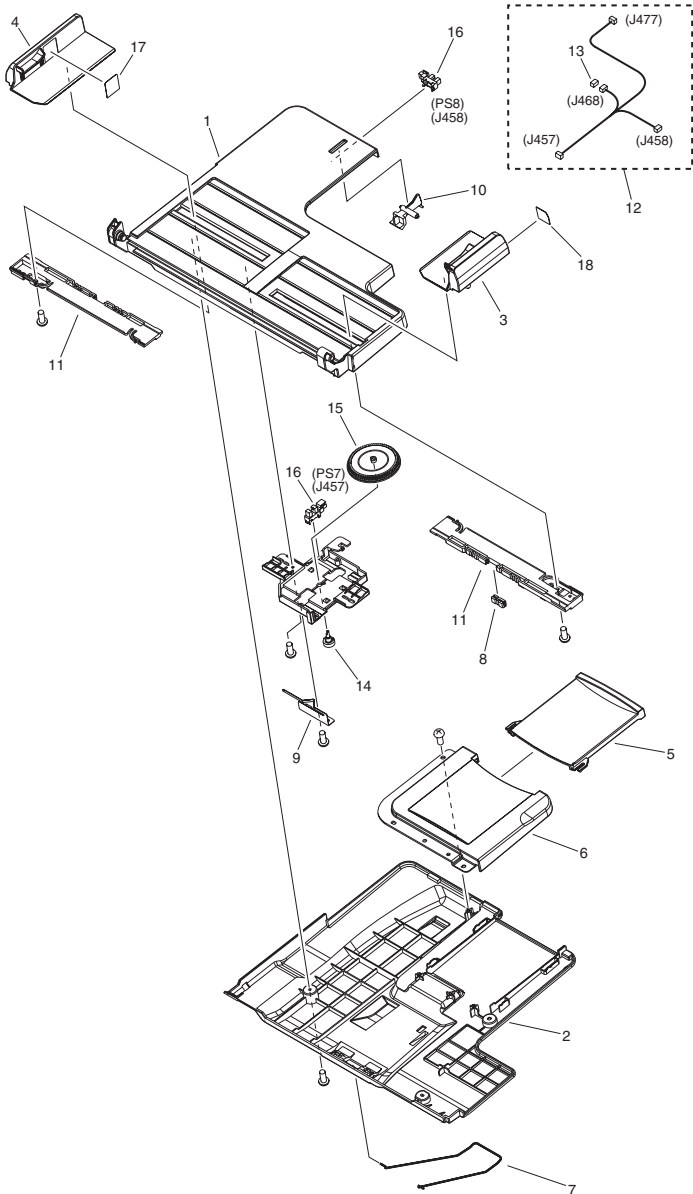




FIGURE & KEY NO.	PARTS NUMBER	RANK	Q'TY	DESCRIPTION	SERIAL NUMBER/REMARKS	SVC
Fig.B15	NPN		RF	DOCUMENT TRAY ASSEMBLY	ONE-PATH ADF MODEL	
1	FC0-1315-000		1	TRAY, DOCUMENT, UPPER		
2	FC0-1316-000		1	TRAY, DOCUMENT, LOWER		
3	FC0-1317-000		1	GUIDE, SIDE, FRONT		
4	FC0-1318-000		1	GUIDE, SIDE, REAR		
5	FC0-1393-000		1	TRAY, AUXILIARY		
6	FC0-1394-000		1	COVER, AUXILIARY TRAY		
7	FC0-8823-000		1	STOPPER, DOCUMENT		
8	FC5-3108-000		1	RACK		
9	FC5-3113-000		1	SPRING, LEAF		
10	FC5-3137-000		1	FLAG, DOCUMENT LENGTH SENSOR		
11	FC8-5604-000		2	RACK, DOCUMENT TRAY		
12	FM0-0300-000		1	CABLE, DF TRAY		
13	VS1-7177-003		1	CONNECTOR, SNAP TIGHT, BK		
14	FM2-1024-000		1	VARIABLE RESISTOR UNIT		
15	FU8-0237-000		1	GEAR, 70T		
16	WG8-5783-000		2	IC,PHOTO-INTERRUPTER,LG248NL1A	PS7,8	
17	FU7-8648-000		1	LABEL, DOCUMENT HEIGHT, A		
18	FU7-8649-000		1	LABEL, DOCUMENT HEIGHT, B		

FIGURE B16  
 OPEN/CLOSE PANEL ASSEMBLY(ONE-PATH ADF  
 MODEL)

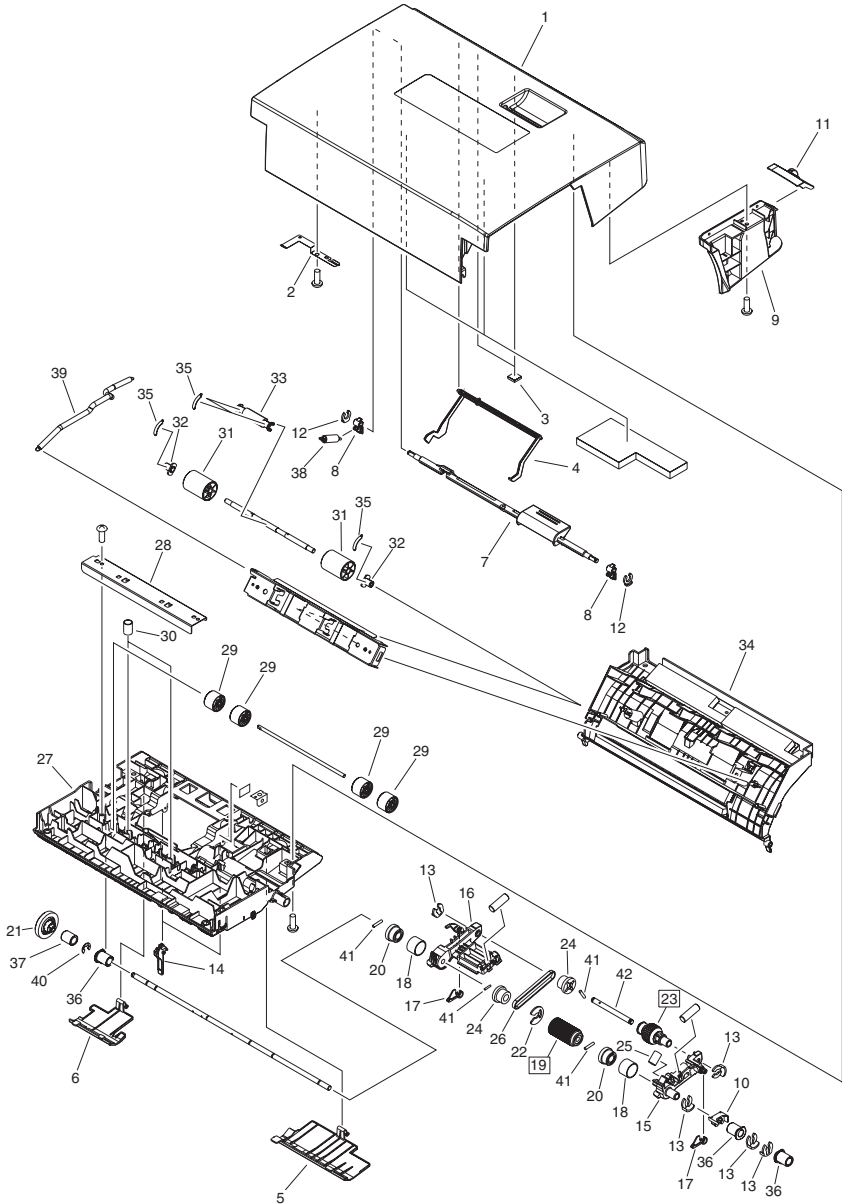


FIGURE & KEY NO.	PARTS NUMBER	R A N K	Q'TY	DESCRIPTION	SERIAL NUMBER/ REMARKS	S V C
Fig.B16	NPN		RF	OPEN/CLOSE PANEL ASSEMBLY	ONE-PATH ADF MODEL	
1	FC0-0474-000		1	COVER, OPEN/CLOSE		
2	FC0-0523-000		1	SPRING, GROUNDING		
3	FC0-1245-000		2	DAMPER		
4	FC0-1329-000		1	FLAG, SET SENSOR		
5	FC0-1350-000		1	COVER, INNER GUIDE, FRONT		
6	FC0-1351-000		1	COVER, INNER GUIDE, REAR		
7	FC0-1357-000		1	LEVER, OPEN/CLOSE		
8	FC0-1358-000		2	HOOK, OPEN/CLOSE		
9	FC0-1372-000		1	COVER, OPEN/CLOSE FRONT, INNER		
10	FC0-1377-000		1	BUSHING		
11	FC0-1382-000		1	COVER, LED		
12	FC5-4424-000		2	CLIP		
13	FC5-4425-000		6	CLIP		
14	FL3-4952-000		2	SHUTTER		
15	FC0-1380-000		1	ARM, PAPER PICK-UP, FRONT		
16	FC0-1381-000		1	ARM, PAPER PICK-UP, REAR		
17	FC0-1389-000		2	LEVER, STOP		
18	FC0-8822-000		2	SPRING, TORSION		
19	FC5-3115-000		1	ROLLER, SEPARATION	[DP]	
20	FC5-3119-000		2	BUSHING		
21	FU9-0239-000		1	GEAR, 33T		
22	FC6-5046-000		1	RING, RETAINING		
23	FL3-4619-000		1	ROLLER, PAPER PICK-UP	[DP]	
24	FU5-0343-000		2	PULLEY, 18T		
25	FU9-2435-000		1	SPRING, COMPRESSION		
26	XF2-1607-940		1	BELT, TIMING		
27	FL3-8190-000		1	GUIDE, OPEN/CLOSE INNER, A		
28	FC0-0520-000		1	CROSSMEMBER, EXTRACTION ROLLER		
29	FC0-1249-000		4	ROLLER, EXTRACTION		
30	FU8-2984-000		2	SPRING, COMPRESSION		

FIGURE & KEY NO.	PARTS NUMBER	R A N K	Q'TY	DESCRIPTION	SERIAL NUMBER/ REMARKS	S V C
31	FC0-0488-000		2	ROLLER, REGISTRATION		
32	FC8-7283-000		2	BUSHING		
33	FC8-7284-000		1	BUSHING		
34	FL3-8189-000		1	GUIDE, OPEN/CLOSE INNER, B		
35	FU8-2677-000		4	SPRING, TENSION		
36	FU6-1613-000		3	BUSHING		
37	FU5-6862-000		1	ROLLER, WIRE		
38	FU8-2682-000		1	SPRING, TENSION		
39	FU8-2685-000		1	SPRING, GROUNDING		
40	XD9-0136-000		1	RING, E		
41	XD9-0288-000		6	PIN, DOWEL		
42	FC0-1375-000		1	SHAFT, TRANSMISSION		

FIGURE B17  
BASE FRAME ASSEMBLY(ONE-PATH ADF MODEL)

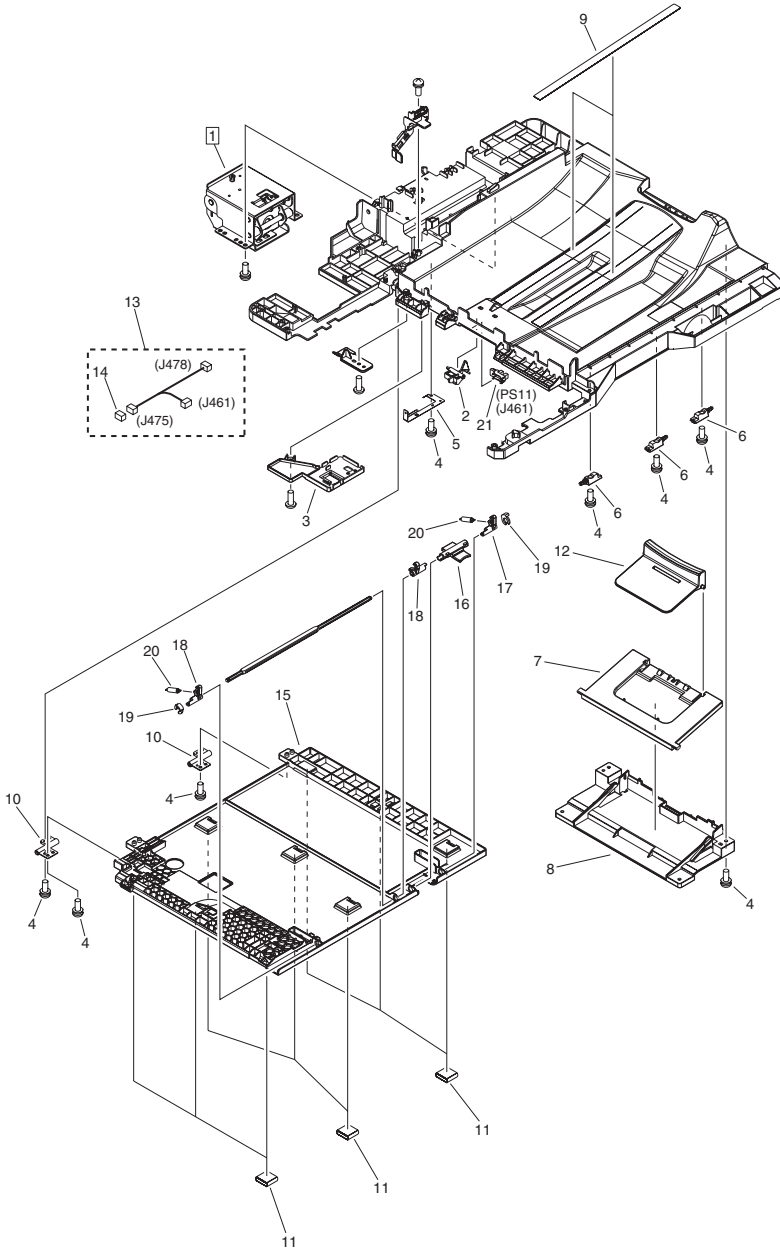


FIGURE & KEY NO.	PARTS NUMBER	R A N K	Q'TY	DESCRIPTION	SERIAL NUMBER/ REMARKS	S V C
Fig.B17	NPN		RF	BASE FRAME ASSEMBLY	ONE-PATH ADF MODEL	
1	FC0-1205-000		1	HINGE, RIGHT	[DP]	
2	FC0-1213-000		1	FLAG, PAPER DELIVERY SENSOR		
3	FC0-1214-000		1	COVER, PAPER DELIVERY SENSOR		
4	XA9-0640-000		AR	SCREW, WWASHER, M3X12		
5	FC0-1243-000		1	SPRING, GROUNDING		
6	FC0-1340-000		3	SHAFT, RATCHET		
7	FC0-1390-000		1	TRAY, PAPER DELIVERY EXTENSION		
8	FC0-1391-000		1	SLIDER		
9	FC0-8842-000		2	SHEET, AUXILIARY		
10	FC8-5811-000		2	HINGE, PLATE		
11	FL3-4607-000		9	CUSHION		
12	FL3-8184-000		1	STOPPER, PAPER DELIVERY		
13	FM0-0296-000		1	CABLE, SOLENOID		
14	VS1-7177-005		1	CONNECTOR, SNAP TIGHT, BK		
15	FC0-1305-000		1	SUPPORT, WHITE PLATE		
16	FC0-1309-000		1	HANDLE, RATCHET, A		
17	FC0-1310-000		1	HANDLE, RATCHET, B		
18	FC0-1314-000		2	RATCHET		
19	FC5-4424-000		2	CLIP		
20	FU8-2990-000		2	SPRING, TENSION		
21	WG8-5783-000		1	IC.PHOTO-INTERRUPTER,LG248NL1A	PS11	

# FIGURE B90 DF DRIVER PCB ASSEMBLY(ONE-PATH ADF MODEL)

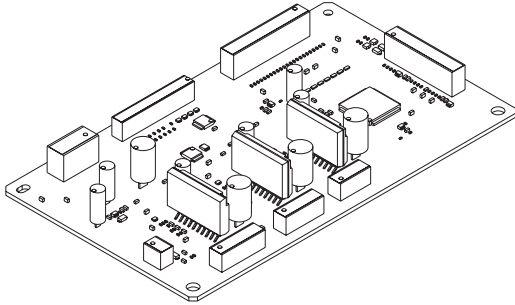


FIGURE & KEY NO.	PARTS NUMBER	RANK	Q'TY	DESCRIPTION	SERIAL NUMBER/REMARKS	SVC
Fig.B90	FM0-0291-000		1	DF DRIVER PCB ASSEMBLY	ONE-PATH ADF MODEL	
IC	FK2-1773-000		1	IC,TC200GO2EFG-1031,GATE ARRAY	IC401	

# FIGURE C01 ATTACHMENT PARTS (REVERSE ADF MODEL)

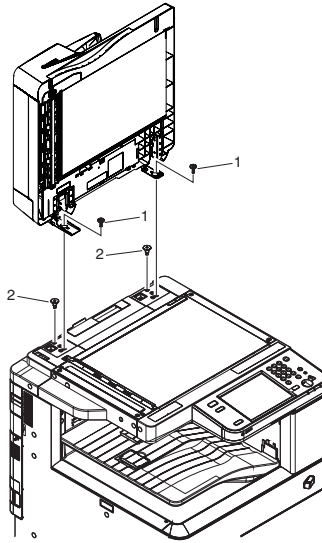


FIGURE & KEY NO.	PARTS NUMBER	RANK	Q'TY	DESCRIPTION	SERIAL NUMBER/REMARKS	SVC
Fig.C01	NPN		RF	ATTACHMENT PARTS (REVERSE ADF)	REVERSE ADF MODEL	
1	FU5-9167-000		2	SCREW, FIXED, M4		
2	FU5-9139-000		2	SCREW, STEPPED, M5X6		



# FIGURE C10 ADF MODEL MAIN BODY (REVERSE ADF MODEL)

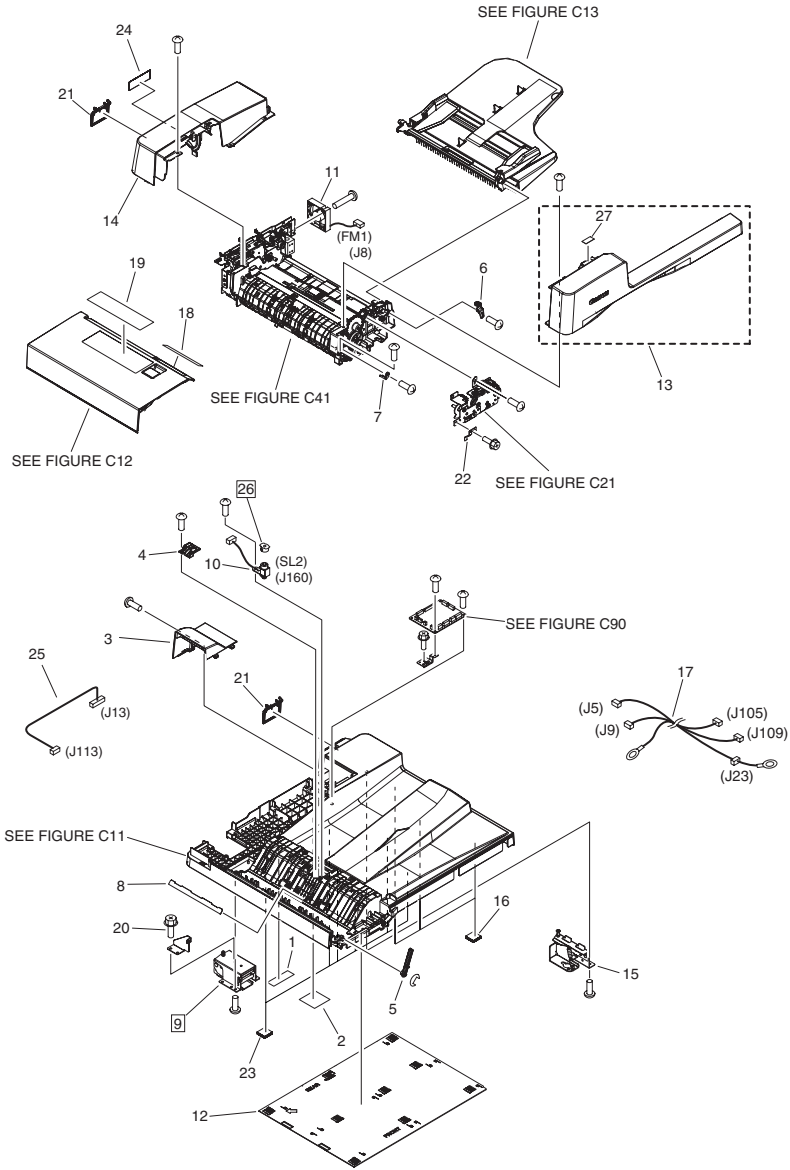


FIGURE & KEY NO.	PARTS NUMBER	R A N K	Q'TY	DESCRIPTION	SERIAL NUMBER/ REMARKS	S V C
Fig.C10	NPN		RF	ADF MAIN BODY	REVERSE ADF MODEL	
1	FU7-8142-000		1	LABEL, HINGE CAUTION	Japanese	
1	FU7-8225-000		1	LABEL, HINGE CAUTION	English	
1	FU7-8403-000		1	LABEL, HINGE CAUTION	Simplified Chinese	
1	FU7-8226-000		1	LABEL, HINGE CAUTION	French/Spanish/ Portuguese	
2	FU7-8223-000		1	LABEL, HINGE CAUTION		
3	FC0-9113-000		1	COVER, WINDOW, REAR		
4	FC8-6311-000		1	COVER, STAMP		
5	FC8-6330-000		1	LEVER, READ 1 ESTRANGEMENT		
6	FC8-6387-000		1	HOLDER, TRAY SUPPORT		
7	FC8-6388-000		1	HOLDER, FEEDER SHAFT		
8	FC8-6405-000		1	SHEET, READ 2 LEAD		
9	FE2-1598-020		1	HINGE, LEFT	[DP]	
10	FK2-0216-000		1	SOLENOID	SL2	
11	FK3-2685-000		1	FAN	FM1	
12	FL3-7538-000		1	PANEL, COPYBOARD		
13	FL3-2934-010		1	COVER, FRONT		
14	FL3-7546-000		1	COVER, REAR		
15	FM3-6893-000		1	RIGHT HINGE ASSEMBLY		
16	FL3-8435-000		3	CUSHION		
17	FMO-1190-000		1	CABLE, I/F		
18	FE3-0466-000		1	LABEL, DOCUMENT SIZE	A/B SIZE	
18	FE3-0468-000		1	LABEL, DOCUMENT SIZE	INCH SIZE	
18	FE3-0469-000		1	LABEL, DOCUMENT SIZE	A/B/INCK/K SIZE	
19	FU7-8654-000		1	LABEL, PROHIBITION DOCUMENT	Japanese	
19	FU7-8656-000		1	LABEL, PROHIBITION DOCUMENT	English/French/Spanish/ Portuguese/Simplified Chinese/Traditional Chinese/Korean	
20	XA9-0732-010		7	SCREW,RS,M4		
21	FC9-6192-010		2	COVER, HINGE BLANKING		
22	FC0-9122-010		1	PLATE, GROUNDING		
23	FL3-7549-000		6	CUSHION		

FIGURE & KEY NO.	PARTS NUMBER	RANK	Q'TY	DESCRIPTION	SERIAL NUMBER/REMARKS	SVC
24	FU7-8164-000		1	LABEL, FINGER NIP CAUTION	Japanese	
24	FU7-8167-000		1	LABEL, FINGER NIP CAUTION	Englisch	
24	FU7-8171-000		1	LABEL, FINGER NIP CAUTION	Simplified Chinese	
24	FU7-8166-000		1	LABEL, FINGER NIP CAUTION	Spanish	
24	FU7-8168-000		1	LABEL, FINGER NIP CAUTION	French	
24	FU7-8165-000		1	LABEL, FINGER NIP CAUTION	Portuguese	
25	FMO-1193-000		1	CABLE, CONNECTING		
26	FC7-5465-000		1	STAMPER	[DP]	
27	FS9-0203-000		1	LABEL, DIAL OPERATION		

# FIGURE C11 BASE ASSEMBLY (REVERSE ADF MODEL)

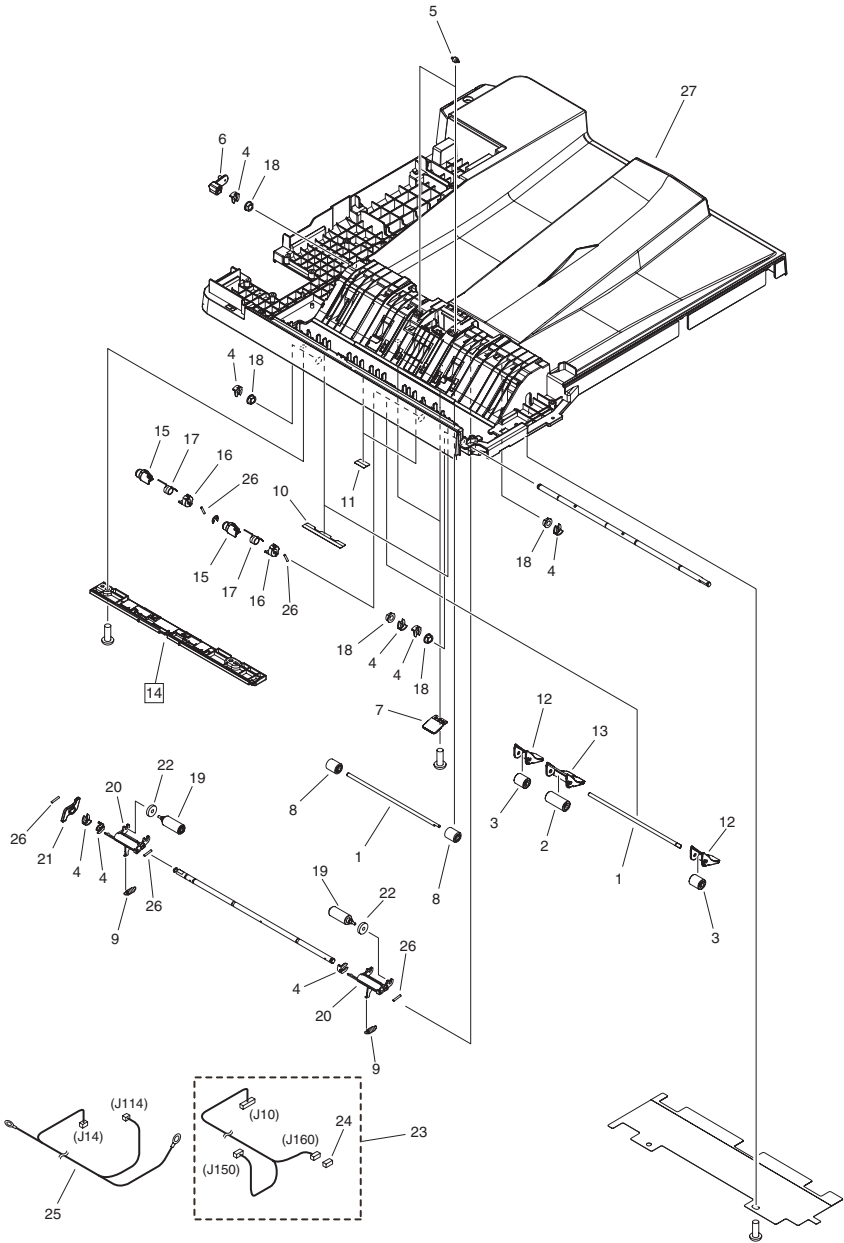


FIGURE & KEY NO.	PARTS NUMBER	R A N K	Q'TY	DESCRIPTION	SERIAL NUMBER/ REMARKS	S V C
Fig.C11	NPN		RF	BASE ASSEMBLY	REVERSE ADF MODEL	
1	FE2-1601-000		2	SHAFT, PAPER FEED ROLLER		
2	FC5-4286-000		1	ROLLER, PAPER FEED, 1		
3	FC5-4287-000		2	ROLLER, PAPER FEED, 2		
4	FC5-4425-000		8	CLIP		
5	FC6-8973-000		2	ROLLER, PLATEN		
6	FC8-6319-000		1	HOLDER, SOLENOID		
7	FL3-8436-000		2	SPRING, LEAF		
8	FC8-6404-000		2	ROLLER, READ 2 PINCH		
9	FU7-2652-000		2	SPRING, TENSION		
10	FC8-6422-000		2	SHEET, PAPER FEED		
11	FC8-6423-000		2	SHEET, PAPER FEED		
12	FL2-9933-000		2	HOLDER, ROLLER, SMALL		
13	FL2-9934-010		1	HOLDER, ROLLER, LARGE		
14	FL3-2942-000		1	COVER, BASE, LOWER	[DP]	
15	FC8-6331-000		2	LEVER, READ 1 PRESSURE		
16	FC8-6332-000		2	COLLAR, READ 1 PRESSURE		
17	FU7-2653-000		2	SPRING, TORSION		
18	FU5-1168-000		5	BUSHING		
19	FC8-6316-000		2	ROLLER, DELIVERY		
20	FC8-6317-000		2	HOLDER, DELIVERY ROLLER		
21	FC8-6318-010		1	CAM, DELIVERY ESTRANGEMENT		
22	FC8-6419-000		2	DAMPER, DELIVERY		
23	FM0-1192-000		1	CABLE, BASE		
24	VS1-7177-002		1	CONNECTOR, SNAP TIGHT, BK		
25	FM0-1197-000		1	CABLE, REGISTRATION MOTOR		
26	XD9-0300-000		5	PIN, PARALLEL		
27	FL3-7548-000		1	BASE		

# FIGURE C12 PAPER PICK-UP COVER ASS'Y (REVERSE ADF MODEL)

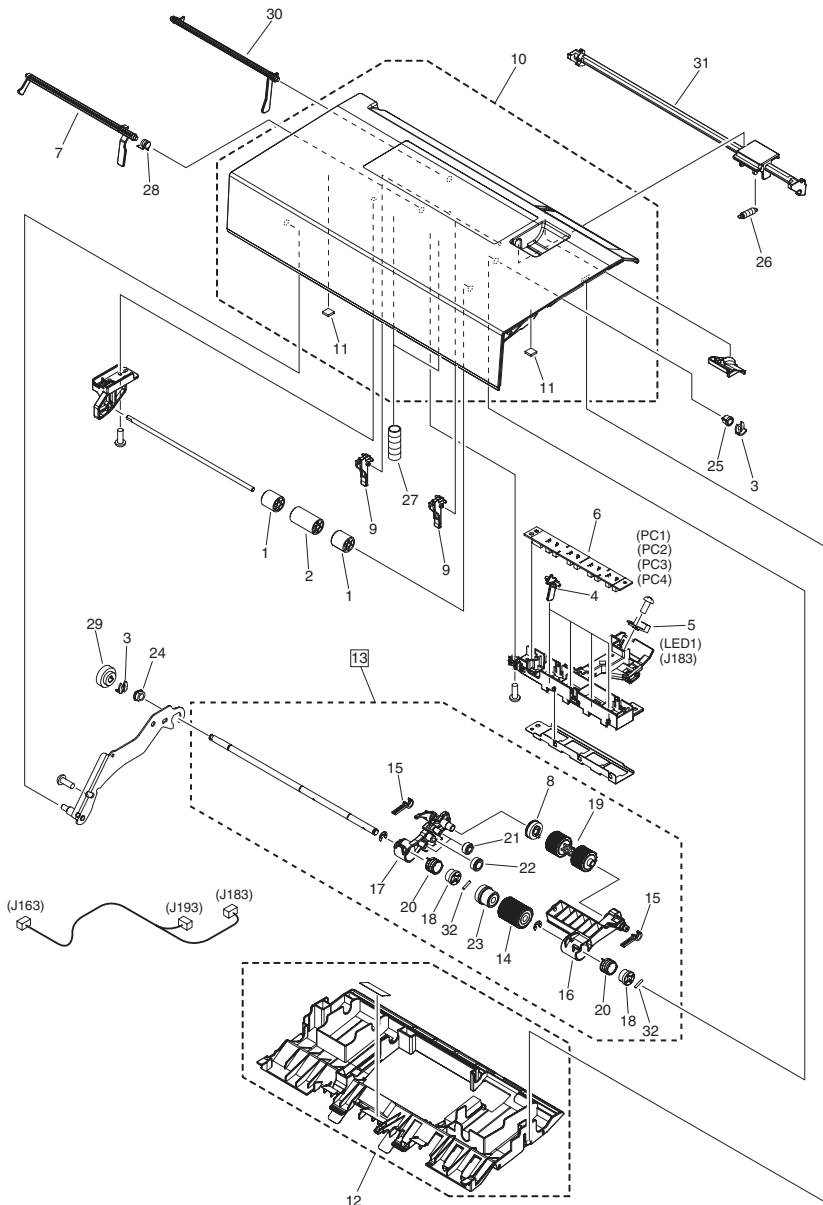


FIGURE & KEY NO.	PARTS NUMBER	R A N K	Q'TY	DESCRIPTION	SERIAL NUMBER/ REMARKS	S V C
Fig.C12	FM0-1225-000		1	PAPER PICK-UP COVER ASS'Y	REVERSE ADF MODEL	
1	FC5-4323-000		2	ROLLER, REGISTRATION, 1		
2	FC5-4324-000		1	ROLLER, REGISTRATION, 2		
3	FC5-4425-000		2	CLIP		
4	FC9-4973-000		4	LEVER, WIDTH SENSOR		
5	FM0-1189-000		1	LED PCB UNIT		
6	FM4-1747-000		1	SENSOR PCB ASS'Y		
7	FC8-6348-000		1	LEVER, TIMING SENSOR		
8	FU8-0890-000		1	GEAR, 33T		
9	FL2-9948-000		2	SHUTTER		
10	FL3-7543-000		1	COVER, PAPER PICK-UP		
11	FC8-6403-000		6	DAMPER, REV. GUIDE RETAINING		
12	FL3-7544-000		1	GUIDE, PAPER PICK-UP, LOWER		
13	FM0-1226-000		1	PAPER PICK-UP ROLLER UNIT	[DP]	
14	FL0-3193-000		1	ROLLER, PAPER SEPARATION		
15	FC6-8971-010		2	LEVER, STOP		
16	FC0-9108-000		1	ARM, PICK, FRONT		
17	FC0-9109-000		1	ARM, PICK, REAR		
18	FC8-6353-000		2	JOINT		
19	FC9-4968-000		1	ROLLER, PICK-UP		
20	FE2-1596-000		2	SPRING, TORSION		
21	FU8-0299-000		2	GEAR, 20T		
22	FU8-0300-000		1	GEAR, 22T		
23	FC9-4970-000		1	GEAR, 33T		
24	FU5-1172-000		1	BUSHING		
25	FU5-1626-000		1	BUSHING		
26	FU7-2654-000		1	SPRING, TENSION		
27	FU7-2655-000		2	SPRING, COMPRESSION		
28	FU7-2656-000		1	SPRING, TORSION		
29	FU9-0938-000		1	GEAR, 24T		
30	FC9-4971-010		1	LEVER, EMPTY SENSOR		
31	FC9-6190-000		1	KNOB, PAPER PICK-UP COVER		

FIGURE & KEY NO.	PARTS NUMBER	R A N K	Q'TY	DESCRIPTION	SERIAL NUMBER/ REMARKS	S V C
32	XD9-0288-000		2	PIN, DOWEL		



# FIGURE C13 DOCUMENT TRAY ASS'Y (REVERSE ADF MODEL)

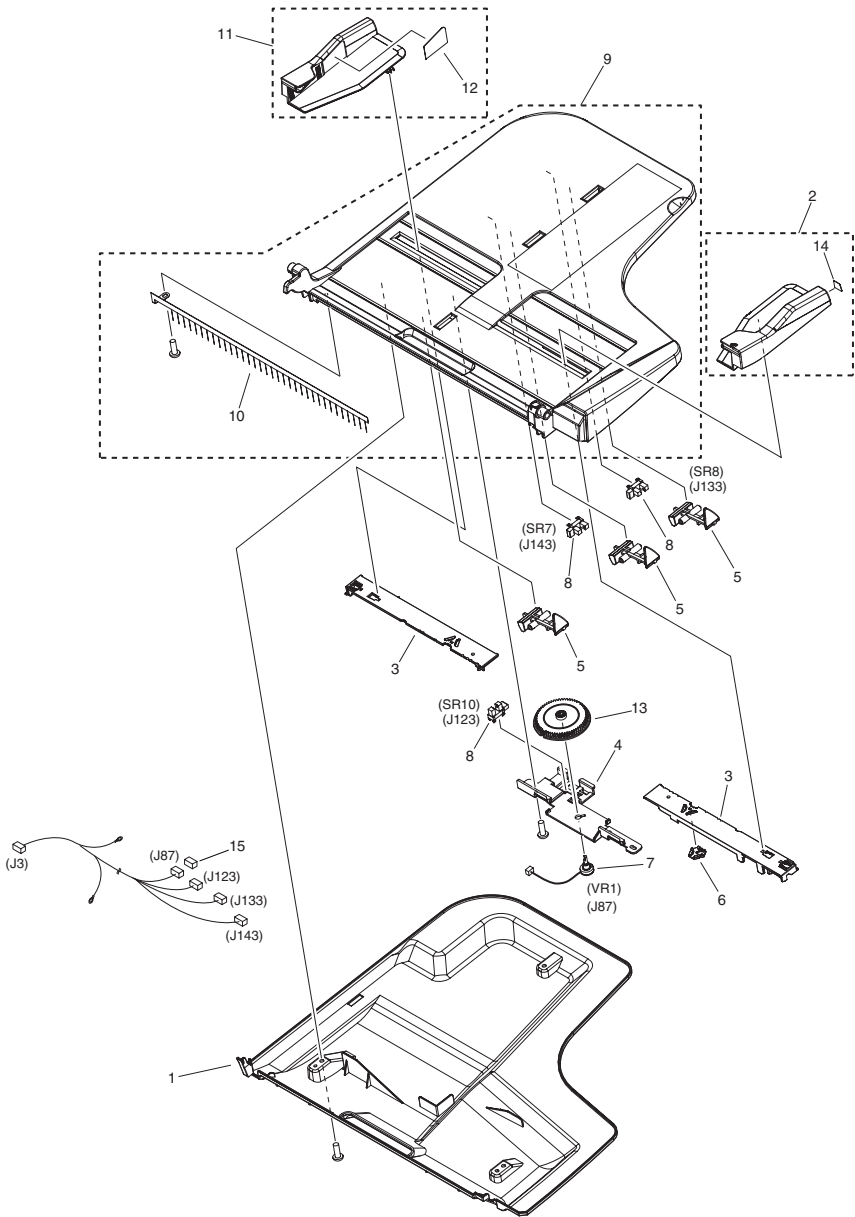


FIGURE & KEY NO.	PARTS NUMBER	R A N K	Q'TY	DESCRIPTION	SERIAL NUMBER/ REMARKS	S V C
Fig.C13	FM0-1230-000		1	DOCUMENT TRAY ASSY	REVERSE ADF MODEL	
1	FL3-2450-000		1	COVER, TRAY, LOWER		
2	FL3-2451-000		1	GUIDE, TRAY, FRONT		
3	FC9-4983-000		2	RACK, TRAY		
4	FC8-6338-000		1	HOLDER, TRAY VOLUME		
5	FC8-6339-000		3	LEVER, TRAY SENSOR		
6	FC8-6340-000		1	RACK, TRAY		
7	FM0-1200-000		1	VARIABLE RESISTOR UNIT	VR1	
8	WG8-5935-000		3	IC, PHOTO INTERRUPTER	SR7,SR8,SR10	
9	FL3-2449-000		1	TRAY, DOCUMENT		
10	FC8-6341-000		1	ELIMINATOR, STATIC CHARGE		
11	FL3-2452-000		1	GUIDE, TRAY, REAR		
12	FU7-8134-000		1	LABEL, DOCUMENT MAXIMUM LOAD		
13	FC9-4984-000		1	GEAR, 50T		
14	FU7-8133-000		1	LABEL, DOCUMENT MAXIMUM LOAD		
15	VS1-7207-003		1	CONNECTOR, SNAP TIGHT, BK		

# FIGURE C21 DRIVE ASSEMBLY (REVERSE ADF MODEL)

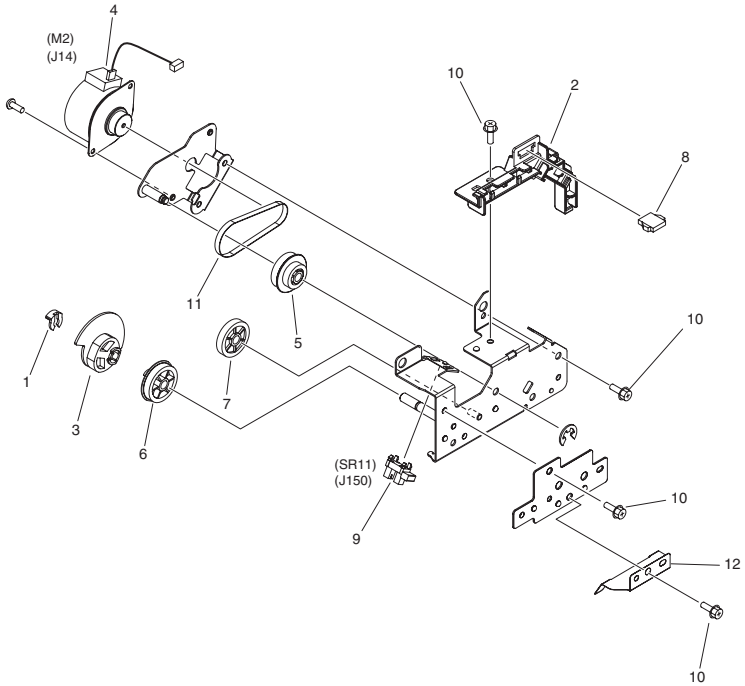
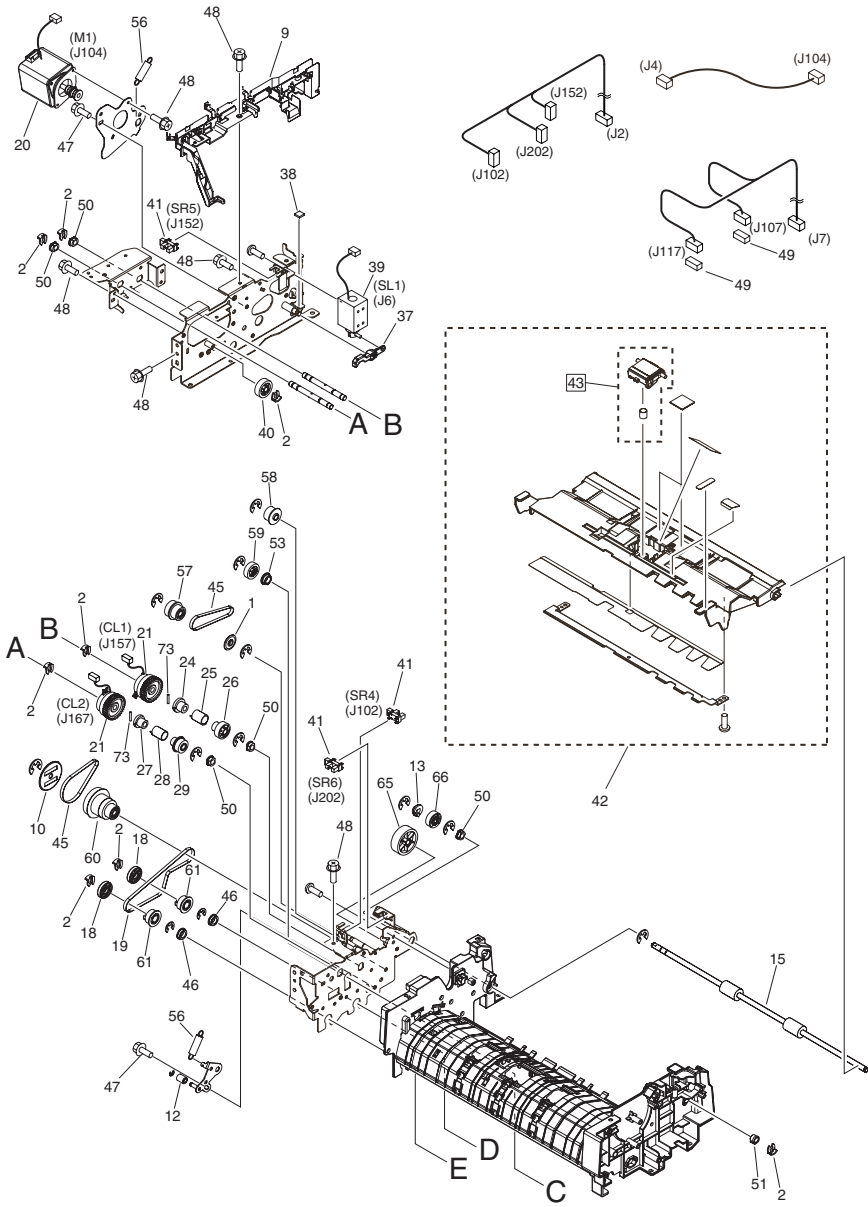


FIGURE & KEY NO.	PARTS NUMBER	R A N K	Q'TY	DESCRIPTION	SERIAL NUMBER/ REMARKS	S V C
Fig.C21	NPN		RF	DRIVE ASSEMBLY	REVERSE ADF MODEL	
1	FC5-4425-000		1	CLIP		
2	FC8-6406-000		1	DUCT, ESTRANGEMENT HARNESS		
3	FC8-6407-000		1	CAM, ESTRANGEMENT		
4	FK3-2680-000		1	MOTOR, STEPPING	M2	
5	FU8-0311-000		1	GEAR PULLEY, 40T/20T		
6	FU8-0319-000		1	GEAR, 31T		
7	FU9-0930-000		1	GEAR, 30T		
8	VS1-7177-004		1	CONNECTOR, SNAP TIGHT, BK		
9	WG8-5935-000		1	IC, PHOTO INTERRUPTER	SR11	
10	XA9-0732-010		5	SCREW,RS,M4		
11	XF2-1607-640		1	BELT, TIMING		
12	FC0-4617-000		1	SPRING, LEAF		

# FIGURE C41 FEEDER ASSEMBLY (REVERSE ADF MODEL)



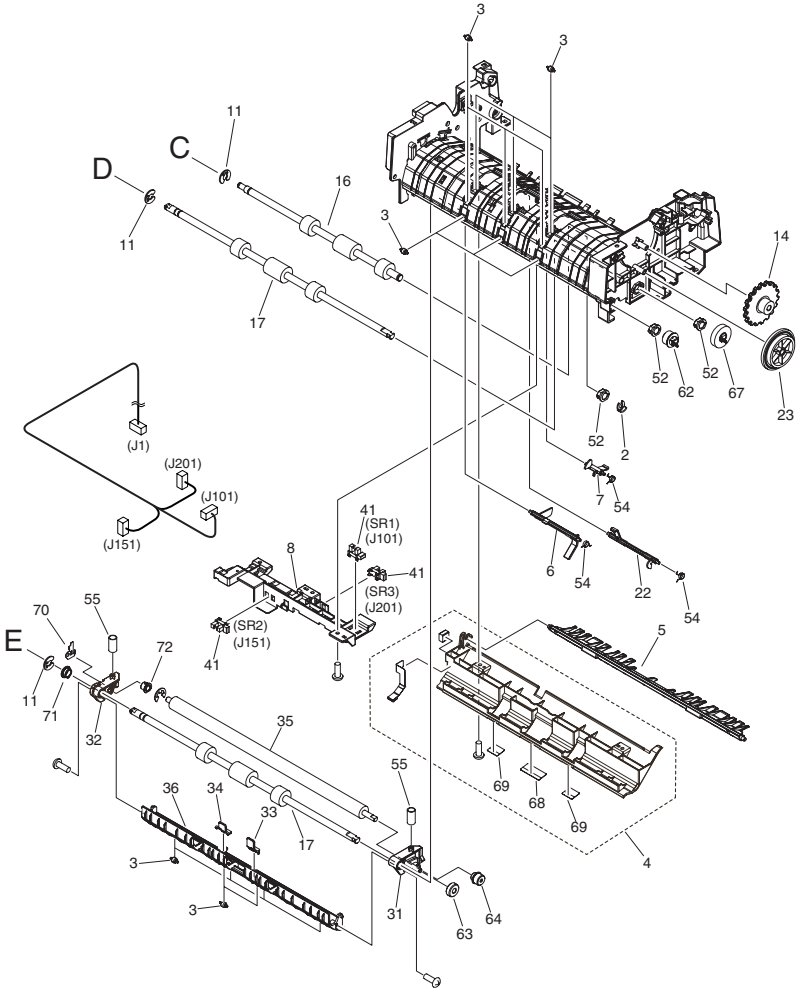


FIGURE & KEY NO.	PARTS NUMBER	R A N K	Q'TY	DESCRIPTION	SERIAL NUMBER/ REMARKS	S V C
Fig.C41	FM0-1220-010		1	FEED ASSEMBLY	REVERSE ADF MODEL	
1	FC5-4353-000		1	FLANGE, BELT		
2	FC5-4425-000		9	CLIP		
3	FC6-8973-000		15	ROLLER, PLATEN		
4	FL0-0595-000		1	GUIDE, PLATEN, 2		
5	FL2-9949-000		1	FLAPPER, REVERSE		
6	FC8-6371-000		1	LEVER, READ SENSOR		
7	FC8-6372-000		1	LEVER, PAPER DELIVERY SENSOR		
8	FC8-6377-000		1	HOLDER, SENSOR		
9	FC8-6378-020		1	DUCT, HARNESS		
10	FC8-6379-000		1	FLANGE, PULLEY		
11	FC8-6380-000		3	CLIP		
12	FC8-6382-000		1	ROLLER, BELT TENSION		
13	FC8-6385-000		1	JOINT, DELIVERY GEAR		
14	FC0-9097-000		1	DIAL, JAM		
15	FC8-6395-010		1	ROLLER, DELIVERY		
16	FC8-6396-000		1	ROLLER, REGISTRATION		
17	FC0-4619-000		2	ROLLER, READ		
18	FC8-6418-000		2	JOINT, READ PULLEY		
19	FC8-6421-000		1	BELT, TIMING		
20	4G8-5050-000		1	MOTOR, STEPPING, DC	M1	
21	FK3-2679-000		2	CLUTCH, ELECTROMAGNETIC	CL1,CL2	
22	FL2-9937-000		1	FLAG, REGISTRATION SENSOR		
23	FU9-0937-000		1	GEAR, 48T/62T		
24	FC8-6383-000		1	JOINT, PICK-UP		
25	FC8-6411-000		1	SPRING, TORSION		
26	FU9-0931-000		1	GEAR, 22T		
27	FC8-6384-000		1	JOINT, REGISTRATION		
28	FC8-6412-000		1	SPRING, TORSION		
29	FU9-0932-000		1	GEAR, 18T		
31	FC8-6373-000		1	ARM, PLATEN, FRONT		
32	FE2-1918-000		1	ARM, PLATEN, REAR		

FIGURE & KEY NO.	PARTS NUMBER	R A N K	Q'TY	DESCRIPTION	SERIAL NUMBER/ REMARKS	S V C
33	FC8-6375-000		1	SPACER, READ, FRONT		
34	FC8-6376-000		1	SPACER, READ, REAR		
35	FC0-9124-000		1	ROLLER, WHITE		
36	FL2-9939-000		1	GUIDE, PLATEN, 1		
37	FC8-6381-000		1	LINK, SOLENOID		
38	FC8-6403-000		1	DAMPER, REV. GUIDE RETAINING		
39	FK3-2682-000		1	SOLENOID	SL1	
40	FU9-0933-000		1	GEAR, 25T		
41	WG8-5935-000		6	IC, PHOTO INTERRUPTER	SR1,SR2,SR3,SR4,SR5,S R6	
42	FM0-1223-010		1	GUIDE, SEPARATION REVERSE		
43	FM1-A719-000		1	SEPARATION PAD UNIT	[DP]	
45	XF2-1607-640		2	BELT, TIMING		
46	XG9-0820-000		2	BEARING, BALL		
47	XA9-0702-000		4	SCREW, W/WASHER, M3X6		
48	XA9-1164-000		8	SCREW,RS,M3X6.5		
49	VS1-7177-002		2	CONNECTOR, SNAP TIGHT, BK		
50	FU5-1172-000		5	BUSHING		
51	FU5-1626-000		1	BUSHING		
52	FU6-1088-000		3	BUSHING		
53	FU6-1089-000		1	BUSHING		
54	FU7-2658-000		3	SPRING, TORSION		
55	FU7-2659-000		2	SPRING, COMPRESSION		
56	FU7-2660-000		2	SPRING, TENSION		
57	FU9-0934-000		1	PULLEY, 27T/GEAR, 22T		
58	FU9-0935-000		1	GEAR, 18T		
59	FU9-0936-000		1	GEAR, 22T		
60	FU8-0309-000		1	GEAR PULLEY, 36T/54T/28T		
61	FU8-0310-000		2	PULLEY, 36T		
62	FU8-0312-000		1	GEAR, 18T		
63	FU8-0313-000		1	GEAR, 18T		
64	FU8-0314-000		1	GEAR, 14T		



FIGURE & KEY NO.	PARTS NUMBER	RANK	Q'TY	DESCRIPTION	SERIAL NUMBER/REMARKS	SVC
65	FU8-0315-000		1	GEAR, 39T		
66	FU8-0316-000		1	GEAR, 21T		
67	FU8-0317-000		1	GEAR, 32T		
68	FC8-6356-000		1	SHEET, CLEANING, LARGE		
69	FC8-6357-000		2	SHEET, CLEANING, SMALL		
70	FE2-1919-000		1	SPRING, GROUNDING		
71	FS6-1140-000		1	BUSHING		
72	RS5-1101-000		1	BUSHING, CONDUCTIVE		
73	XD9-0300-000		2	PIN, PARALLEL		

# FIGURE C90

## ADF MODEL PCB ASSEMBLY (REVERSE ADF MODEL)

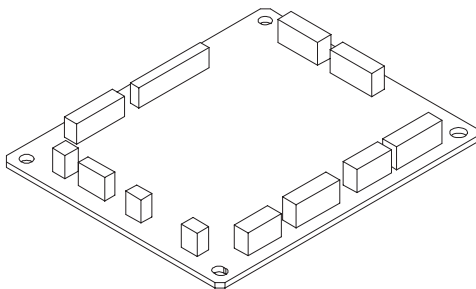


FIGURE & KEY NO.	PARTS NUMBER	RANK	Q'TY	DESCRIPTION	SERIAL NUMBER/REMARKS	SVC
Fig.C90	FM0-1188-000		1	ADF PCB ASSEMBLY	REVERSE ADF MODEL	

# FIGURE D01 ATTACHMENT PARTS(READER)

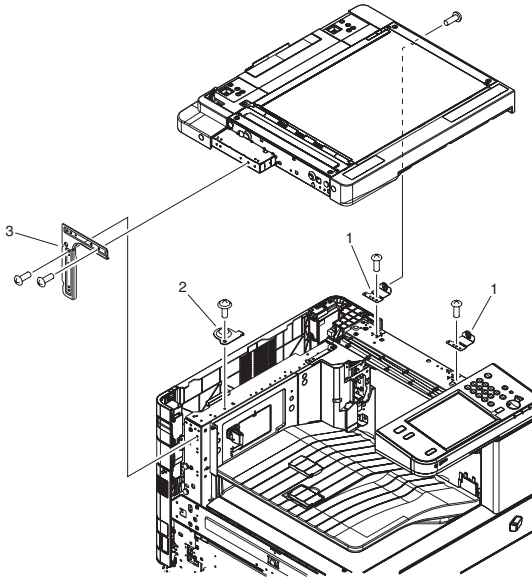


FIGURE & KEY NO.	PARTS NUMBER	RANK	Q'TY	DESCRIPTION	SERIAL NUMBER/REMARKS	SVC
Fig.D01	NPN		RF	ATTACHMENT PARTS	READER	
1	FC0-5004-000		2	PLATE, READER MOUNTING, 1		
2	FC0-5006-000		1	SUPPORT, READER		
3	FC0-5039-000		1	PLATE, READER MOUNTING, 2		

# FIGURE D11 READER ASSEMBLY(ONE-PATH ADF MODEL)

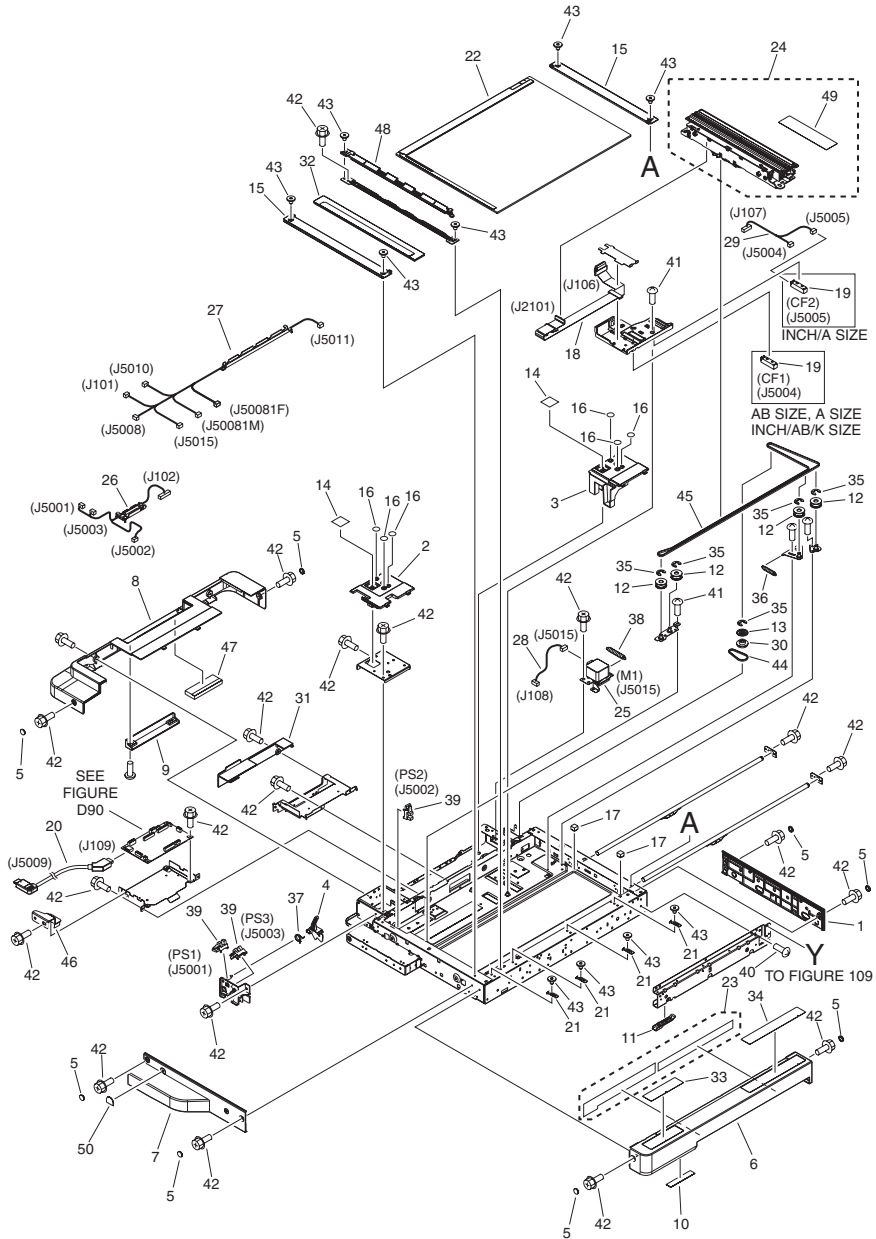


FIGURE & KEY NO.	PARTS NUMBER	R A N K	Q'TY	DESCRIPTION	SERIAL NUMBER/ REMARKS	S V C
Fig.D11	NPN		RF	READER ASSEMBLY	ONE-PATH ADF MODEL	
1	FC0-0470-000		1	COVER, SIDE, RIGHT		
2	FC0-0472-000		1	COVER, HINGE LOWER, LEFT		
3	FC0-0473-000		1	COVER, HINGE LOWER, RIGHT		
4	FC0-0679-000		1	FLAG, OPEN/CLOSE SENSOR		
5	FC0-0695-000		4	CAP		
6	FC0-0702-000		1	COVER, FRONT		
7	FC0-0709-000		1	COVER, SIDE, LEFT		
8	FC0-0710-000		1	COVER, REAR		
9	FC0-0721-000		1	COVER, REAR, LOWER		
10	FC0-0723-000		1	SHEET, BLANKING		
11	FC0-5047-000		1	MOUNT, CONTROL PANEL JUMP		
12	FC8-6163-000		4	PULLEY		
13	FC8-6180-000		1	PULLEY		
14	FC9-6193-000		2	SHEET, BLANKING		
15	FC9-7288-010		2	COVER, GLASS RETAINING		
16	FC9-7297-000		9	SEAL, BLANKING		
17	FE2-1752-000		2	SPACER, SHAFT CUSHION		
18	FK3-0860-000		1	CABLE, FLAT		
19	FK3-0871-000		1	IC,PHOTO SENSOR, DOCUMENT SIZE		
20	FK3-0874-000		1	CABLE, INTERFACE		
21	FL3-4761-000		4	COVER, GLASS RETAINING		
22	FL3-4767-000		1	GLASS, COPYBOARD		
23	FL3-4773-000		1	LABEL, SERVICE		
24	FM0-2744-000		1	SCANNER UNIT		
25	FM4-6171-000		1	MOTOR ASS'Y	M1	
26	FM4-6406-000		1	CABLE GUIDE ASSEMBLY, A		
27	FM4-6407-000		1	CABLE GUIDE ASSEMBLY, B		
28	FM4-6430-000		1	CABLE, OPTICAL MOTOR		
29	FM4-6431-000		1	CABLE, SIZE SENSOR		
30	FU5-3710-000		1	PULLEY		
31	FC0-0461-000		1	COVER, READER CONTROLLER		

FIGURE & KEY NO.	PARTS NUMBER	R A N K	Q'TY	DESCRIPTION	SERIAL NUMBER/ REMARKS	S V C
32	FL3-4769-000		1	GLASS, READER		
33	FU7-8080-000		1	LABEL, CLEANING POSITION		
34	FU7-8085-000		1	LABEL, COPY INHIBITED	English	
34	FU7-8086-000		1	LABEL, COPY INHIBITED	French	
34	FU7-8087-000		1	LABEL, COPY INHIBITED	Portuguese	
34	FU7-8227-000		1	LABEL, COPY INHIBITED	Spanish	
35	XD9-0136-000		5	RING, E		
36	FU8-2481-000		1	SPRING, TENSION		
37	FU8-2497-000		1	SPRING, TORSION		
38	FU8-2600-000		1	SPRING, TENSION		
39	WG8-5848-000		3	IC, PHOTO-INTERRUPTER	PS1,2,3	
40	XA9-1031-000		AR	SCREW, MACH. TRUSS HEAD, M4X6		
41	XA9-1116-030		5	SCREW,M3X5		
42	XA9-1386-000		AR	SCREW,RS,M3X8		
43	XA9-1415-000		AR	SCREW, FLAT HEAD, M4		
44	XF2-4606-835		1	BELT, TIMING		
45	XF2-4668-040		1	BELT, TIMING		
46	FL3-8316-000		1	PLATE, GROUNDING		
47	FC0-0693-000		1	CUSHION, MAINTENANCE COVER		
48	FC0-0694-000		1	COVER, GLASS SUPPORT		
49	FL3-8297-000		1	LABEL, SERVICE. SCANNER UNIT		
50	FC9-7300-000		1	SEAL, CABLE BLANKING		

# FIGURE D11A READER ASSEMBLY (REVERSE ADF MODEL)

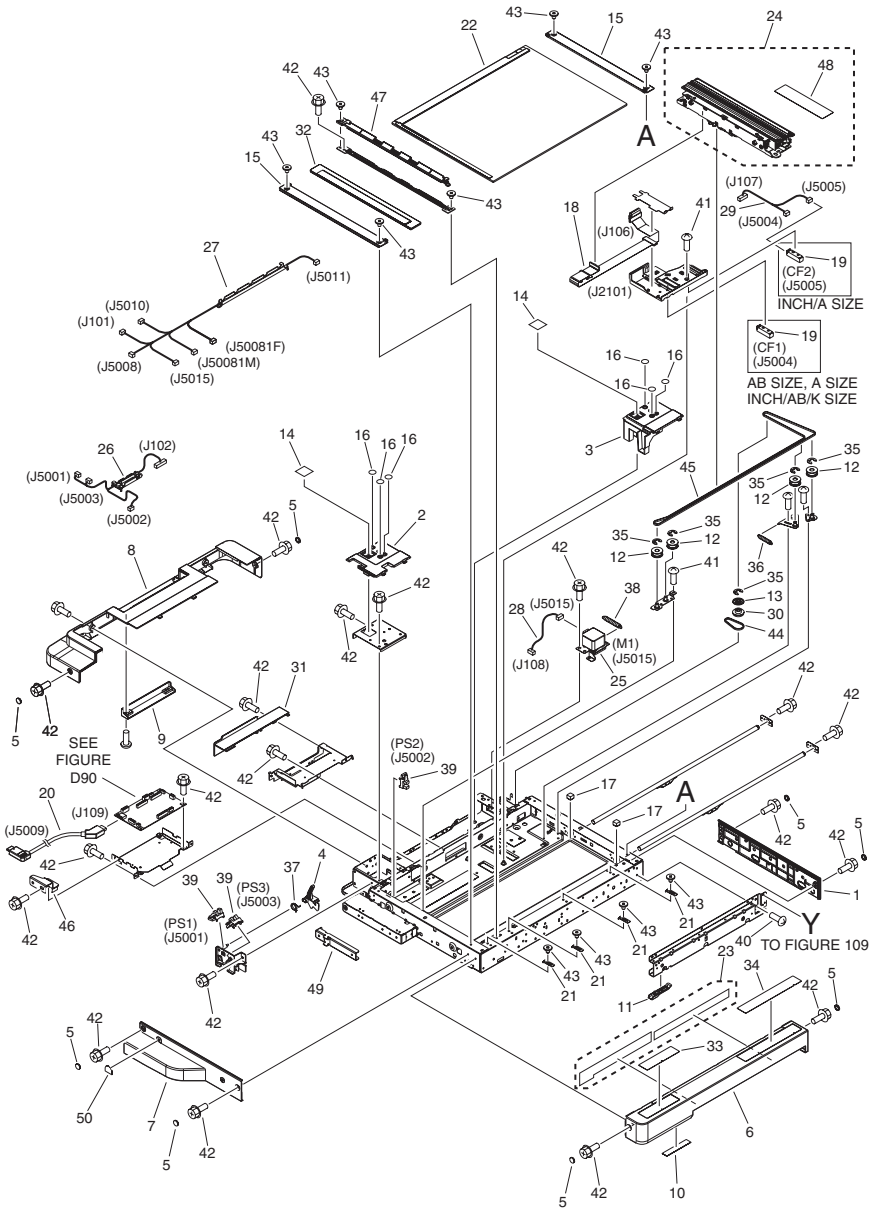


FIGURE & KEY NO.	PARTS NUMBER	R A N K	Q'TY	DESCRIPTION	SERIAL NUMBER/ REMARKS	S V C
Fig.D11A	NPN		RF	READER ASSEMBLY	REVERSE ADF MODEL	
1	FC0-0470-000		1	COVER, SIDE, RIGHT		
2	FC0-0472-000		1	COVER, HINGE LOWER, LEFT		
3	FC0-0473-000		1	COVER, HINGE LOWER, RIGHT		
4	FC0-0679-000		1	FLAG, OPEN/CLOSE SENSOR		
5	FC0-0695-000		2	CAP		
6	FC0-0702-000		1	COVER, FRONT		
7	FC0-0709-000		1	COVER, SIDE, LEFT		
8	FC0-0710-000		1	COVER, REAR		
9	FC0-0721-000		1	COVER, REAR, LOWER		
10	FC0-0723-000		1	SHEET, BLANKING		
11	FC0-5047-000		1	MOUNT, CONTROL PANEL JUMP		
12	FC8-6163-000		4	PULLEY		
13	FC8-6180-000		1	PULLEY		
14	FC9-6193-000		2	SHEET, BLANKING		
15	FC9-7288-010		2	COVER, GLASS RETAINING		
16	FC9-7297-000		11	SEAL, BLANKING		
17	FE2-1752-000		2	SPACER, SHAFT CUSHION		
18	FK3-0860-000		1	CABLE, FLAT		
19	FK3-0871-000		1	IC,PHOTO SENSOR, DOCUMENT SIZE		
20	FK3-0874-000		1	CABLE, INTERFACE		
21	FL3-4761-000		4	COVER, GLASS RETAINING		
22	FL3-4767-000		1	GLASS, COPYBOARD	A/INCH SIZE	
22	FL3-4768-000		1	GLASS, COPYBOARD	A/B/INCK/K SIZE	
23	FL3-4773-000		1	LABEL, SERVICE		
24	FM0-2744-000		1	SCANNER UNIT		
25	FM4-6171-000		1	MOTOR ASS'Y		
26	FM4-6406-000		1	CABLE GUIDE ASSEMBLY, A		
27	FM4-6407-000		1	CABLE GUIDE ASSEMBLY, B		
28	FM4-6430-000		1	CABLE, OPTICAL MOTOR		
29	FM4-6431-000		1	CABLE, SIZE SENSOR		
30	FU5-3710-000		1	PULLEY		



FIGURE & KEY NO.	PARTS NUMBER	R A N K	Q'TY	DESCRIPTION	SERIAL NUMBER/ REMARKS	S V C
31	FC0-0684-000		1	COVER, MAINTENANCE		
32	FL3-3206-000		1	GLASS, READER		
33	FU7-8080-000		1	LABEL, CLEANING POSITION	English/French/German/ Spanish/Italian/ Portuguese	
33	FU7-8081-000		1	LABEL, CLEANING POSITION	Simplified Chinese	
34	FU7-8085-000		1	LABEL, COPY INHIBITED	English	
34	FU7-8086-000		1	LABEL, COPY INHIBITED	French	
34	FU7-8087-000		1	LABEL, COPY INHIBITED	Portuguese	
34	FU7-8227-000		1	LABEL, COPY INHIBITED	Spanish	
34	FU7-8232-000		1	LABEL, COPY INHIBITED	Simplified Chinese	
35	XD9-0136-000		5	RING, E		
36	FU8-2481-000		1	SPRING, TENSION		
37	FU8-2497-000		1	SPRING, TORSION		
38	FU8-2600-000		1	SPRING, TENSION		
39	WG8-5848-000		3	IC, PHOTO-INTERRUPTER	PS1,2,3	
40	XA9-1031-000		8	SCREW, MACH. TRUSS HEAD, M4X6		
41	XA9-1116-030		5	SCREW,M3X5		
42	XA9-1386-000		AR	SCREW,RS,M3X8		
43	XA9-1415-000		AR	SCREW, FLAT HEAD, M4		
44	XF2-4606-835		1	BELT, TIMING		
45	XF2-4668-040		1	BELT, TIMING		
46	FL3-8316-000		1	PLATE, GROUNDING		
47	FC0-2618-000		1	COVER, GLASS SUPPORT		
48	FL3-8297-000		1	LABEL, SERVICE, SCANNER UNIT		
49	FC7-0689-000		1	HANDLE, READER		
50	FC9-7300-000		1	SEAL, CABLE BLANKING		

# FIGURE D90 READER CONTROLLER PCB ASSEMBLY

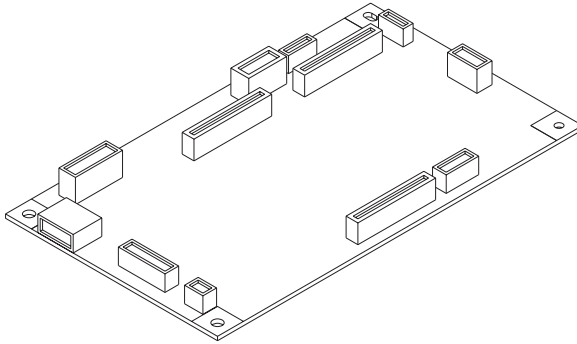


FIGURE & KEY NO.	PARTS NUMBER	RANK	QTY	DESCRIPTION	SERIAL NUMBER/REMARKS	SVC
Fig.D90	FM4-6419-000		1	READER CONTROLLER PCB ASSEMBLY	ONE-PATH ADF MODEL	
Fig.D90	FM4-6420-000		1	READER CONTROLLER PCB ASSEMBLY	REVERSE ADF MODEL	

# FIGURE ZZA

## MECHANICAL STANDARD PARTS (HOW TO USE)

### Mechanical standard parts

#### 機械標準部品

#### About a mechanical standard parts

A Mechanical standard parts is a mechanical part which not parts peculiar to a product. They are parts which are common to a Canon product and are used, such as a screw and a washer. The Fig No. and parts number of the mechanical standard parts are not listed in the product parts catalog. Refer to the parts catalog of mechanical standard parts when checking the parts number for screw or washer etc. and identify them by part shape or size.

#### 機械標準部品とは

機械標準部品とは、製品特有の部品ではなく、ねじやワッシャなどキヤノン製品共通で使用されている機械部品（メカ部品）のことです。  
製品のパーツカタログには、機械標準部品のFig No.や部品番号は記載しておりません。  
ねじや、ワッシャ等の部品番号を調べるときは、機械標準部品のパーツカタログを参照し、部品の形状や大きさから判断し、使用している部品を調べてください。

#### Material and surface treatment of a mechanical standard parts

Material and surface treatment of mechanical standard parts are assigned commonly for each part. Refer to the Table 1 for the parts which material and surface treatment are assigned as numbers.

#### 機械標準部品の材料および表面処理

機械標準部品の材料および表面処理については、各種部品共通で決められています。  
材料および表面処理が番号で決められている部品については、表1を参照してください。

Table 1 Material and Surface treatment  
表1 材料および表面処理

No. 番号	Material 材料	Surface treatment 表面処理	Color 色
1	Stainless steel ステンレス	Stainless steel black coloring (BC4) ステンレス黒着色(BC4)	Black 黒
2		not to be given なし	White 白
3	Brass 黄銅	Regular nickel plating (NL) 普通ニッケルメッキ(NL)	White 白
4		Black nickel plating (BN) 黒色ニッケルメッキ(BN)	Black 黒
5	Steel 鋼	White zinc trivalent chromate treating (ZC3) 白色亜鉛3価クロメート(ZC3)	White 白
6		Regular nickel chromium plating (NC) 普通ニッケルクロムメッキ(NC)	White 白
7		Regular nickel plating (NL) 普通ニッケルメッキ(NL)	White 白
8		Iron and steel phosphating (P1) 鉄鋼磷酸塩処理(P1)	Black 黒
9		Black zinc trivalent chromate treating (BZ3) 黒色亜鉛3価クロメート(BZ3)	Black 黒

# FIGURE ZZB MECHANICAL STANDARD PARTS (SCREWS)

## 1. Screws ねじ

How to read Parts Numbers  
部品番号の見方

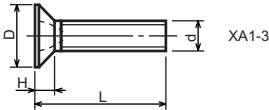
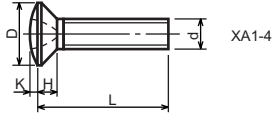
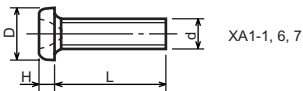
Screws  
ねじ

**XB1-2400-609**

Type No.  
類別番号  
Normal designation (d)  
ねじの呼び(d)  
Length (L)  
ねじの長さ(L)  
Material and Surface treatment  
材料および表面処理

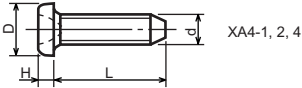
XB1-2 expresses Binding head machine screw.  
XB1-2は、バインドねじを表す  
40 expresses M4.0.  
40は、M4.0を表す  
0-60 expresses a length of 6.0mm.  
0-60は、6.0mmの長さを表す  
9 expresses Steel (Black zinc trivalent chromate  
treating) from Table 1.  
9は、表1より鋼(黒色亜鉛3価クロメート)を表す

### 1-1. Cross Recessed Head Screws for Precision Equipments 精密機器用十字穴付き小ねじ

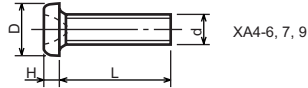


Type No. 類別番号	Type 類別	Head size (mm) 頭部寸法 (mm)							
		M1.4	M1.6	M1.7	M2	M2.5	M2.6		
XA1-1	Pan head Class 1 なべ1種	D	XA1-1	2	2.4	2.5	3	3.8	4
		H	XA1-1	0.5	0.55	0.5	0.6	0.9	0.8
XA1-3	Countersunk head Class 1 さら1種	D	XA1-3	2	2.4	2.5	3	3.8	4
		H	XA1-3	0.48	0.55	0.58	0.73	0.85	0.93
XA1-4	Oval countersunk head Class 1 丸さら1種	D	XA1-4	2	2.4	2.5	3	3.8	4
		H + K	XA1-4	0.68	0.8	0.88	1	1.25	1.3
XA1-6	Pan head Class 3 なべ3種	D	XA1-6	2.5	2.8	3	3.5	4.3	4.5
		H	XA1-6	0.8	0.85	0.9	1	1.3	1.2
XA1-7	Pan head Class 2 なべ2種	D	XA1-7	2.5	2.8	3	3.5	4.3	4.5
		H	XA1-7	0.5	0.55	0.5	0.6	0.9	0.8

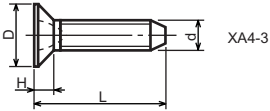
1-2. Precision Tapping Screws  
精密用タッピンねじ



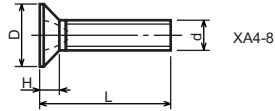
XA4-1, 2, 4



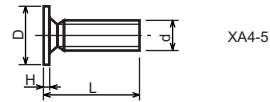
XA4-6, 7, 9



XA4-3



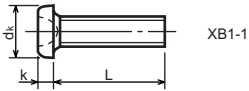
XA4-8



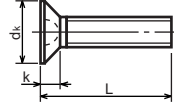
XA4-5

Type No. 類別番号	Type 類別	Head size (mm) 頭部寸法 (mm)						
		M1.4	M1.6	M1.7	M2	M2.5	M2.6	
XA4-1	With tapered end pan head Class 1 絞りなべ1種	D XA4-1	2	2.4	2.5	3	3.8	4
		H XA4-1	0.5	0.55	0.5	0.6	0.9	0.8
XA4-2	With tapered end pan head Class 3 絞りなべ3種	D XA4-2	2.5	2.8	3	3.5	4.3	4.5
		H XA4-2	0.8	0.85	0.9	1	1.3	1.2
XA4-3	With tapered end countersunk head 絞り-さら	D XA4-3	2	2.4	2.5	3	3.8	4
		H XA4-3	0.48	0.55	0.58	0.73	0.85	0.93
XA4-4	With tapered end pan head Class 2 絞りなべ2種	D XA4-4	2.5	2.8	3	3.5	4.3	4.5
		H XA4-4	0.5	0.55	0.5	0.6	0.9	0.8
XA4-5	With parallel end ultra thin head ストレート-超薄頭	D XA4-5	2.5	2.8	3	-	-	-
		H XA4-5	0.2	0.2	0.2	-	-	-
XA4-6	With parallel end pan head Class 1 ストレートなべ1種	D XA4-6	2	2.4	2.5	3	3.8	4
		H XA4-6	0.5	0.55	0.5	0.6	0.9	0.8
XA4-7	With parallel end pan head Class 3 ストレートなべ3種	D XA4-7	2.5	2.8	3	3.5	4.3	4.5
		H XA4-7	0.8	0.85	0.9	1	1.3	1.2
XA4-8	With parallel end countersunk head ストレート-さら	D XA4-8	2	2.4	2.5	3	3.8	4
		H XA4-8	0.48	0.55	0.58	0.73	0.85	0.93
XA4-9	With parallel end pan head Class 2 ストレートなべ2種	D XA4-9	2.5	2.8	3	3.5	4.3	4.5
		H XA4-9	0.5	0.55	0.5	0.6	0.9	0.8

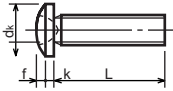
**1-3. Cross Recessed Head Screws**  
 一般用十字穴付き小ねじ



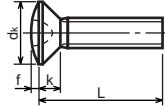
XB1-1



XB1-3



XB1-2

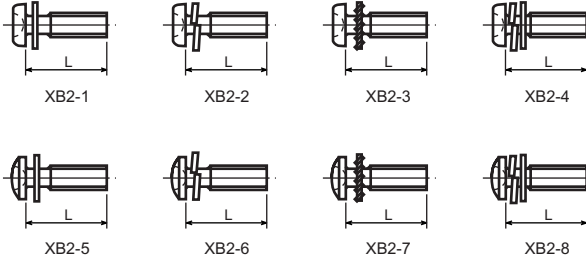


XB1-4

Type No. 類別番号	Type 類別
XB1-1	Pan head なべ
XB1-2	Binding head バインド
XB1-3	Countersunk head さら
XB1-4	Oval countersunk head 丸さら

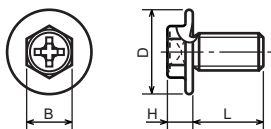
		Head size (mm) 頭部寸法 (mm)					
		M2	M2.5	M2.6	M3	M4	M5
dk	XB1-1	3.5	4.5	4.5	5.5	7	9
k	XB1-1	1.3	1.7	1.7	2	2.6	3.3
dk	XB1-2	4.3	5.3	5.5	6.3	8.3	10.3
k+f	XB1-2	1.2	1.5	1.6	1.9	2.5	3.1
dk	XB1-3	4	5	-	6	8	10
k	XB1-3	1.2	1.45	-	1.75	2.3	2.8
dk	XB1-4	4	5	-	6	8	10
k+f	XB1-4	1.6	2	-	2.45	3.2	4
Screw part length ねじ部長さ b		8	12	12	12	16	20

1-4. Cross Recessed Head Screws with Captive Washer  
 座金組込み十字穴付き小ねじ



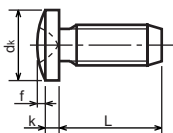
Type No. 類別番号	Type 類別
XB2-1	Pan head + Plain washer (circular bright) なべねじ+平座金
XB2-2	Pan head + Spring washer なべねじ+ばね座金
XB2-3	Pan head + Toothed lock washer なべねじ+歯付座金
XB2-4	Pan head + Spring washer and plain washer (circular bright) なべねじ+(ばね+平)座金
XB2-5	Binding head + Plain washer (circular bright) バインドねじ+平座金
XB2-6	Binding head + Spring washer バインドねじ+ばね座金
XB2-7	Binding head + Toothed lock washer バインドねじ+歯付座金
XB2-8	Binding head + Spring washer and plain washer (circular bright) バインドねじ+(ばね+平)座金

**1-5. Hexagon Head Tapping Screws for Metallic Materials**  
 金属用六角タッピンねじ



Type No. 類別番号	Type 類別	Head size (mm) 頭部寸法 (mm)	
		M3	M4
XB3-6	For metallic materials 金属用タッピン	D	8 10
		B	5.5 5.5
XB3-7	For metallic materials with clawed 金属用タッピン-つめ付き	H XB3-6	3.1 3.1
		H XB3-7	3.2 3.2

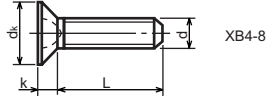
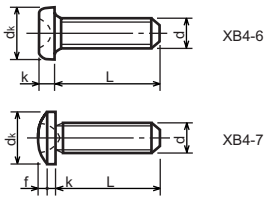
**1-6. Special Tapping Screws**  
 特殊タッピンねじ



Type No. 類別番号	Type 類別	Head size (mm) 頭部寸法 (mm)	
		M3	M4
XB4-5	Binding head バインド	d <sub>k</sub>	6.3 8.3
		k	1.3 1.7
		k+f	1.9 2.5

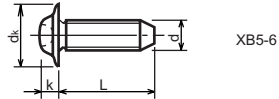
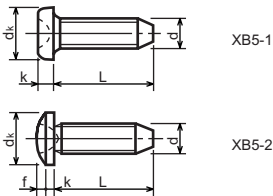


1-7. General Head Tapping Screws  
一般用タッピンねじ



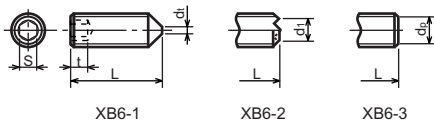
Type No. 類別番号	Type 類別	Head size (mm) 頭部寸法 (mm)						
		M2	M2.5	M2.6	M3	M4	M5	
XB4-6	Pan head なべ	$d_k$ XB4-6	3.5	4.5	4.5	5.5	7	9
		$k$ XB4-6	1.3	1.7	1.7	2	2.6	3.3
XB4-7	Binding head バインド	$d_k$ XB4-7	4.3	5.3	5.5	6.3	8.3	10.3
		$k+f$ XB4-7	1.2	1.5	1.6	1.9	2.5	3.1
XB4-8	Countersunk head さら	$d_k$ XB4-8	4	5	5.2	6	8	10
		$k$ XB4-8	1.2	1.45	1.5	1.75	2.3	2.8

1-8. Tapping Screws for Metallic Materials  
金属用タッピンねじ



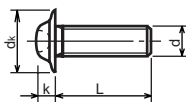
Type No. 類別番号	Type 類別	Head size (mm) 頭部寸法 (mm)					
		M2.5	M2.6	M3	M4	M5	
XB5-1	Pan head なべ	$d_k$ XB5-1	4.5	4.5	5.5	7	9
		$k$ XB5-1	1.7	1.7	2	2.6	3.3
XB5-2	Binding head バインド	$d_k$ XB5-2	5.5	5.5	6.3	8.3	10.3
		$k+f$ XB5-2	1.6	1.6	1.9	2.5	3.1
XB5-6	Flanged pan head つば付きなべ	$d_k$ XB5-6	6.5	6.5	8	10	12
		$k$ XB5-6	2.1	2.1	1.75	3.2	4

**1-9. Hexagon Socket Set Screws**  
六角穴付止めねじ



Type No. 類別番号	Type 類別	Head size (mm) 頭部寸法 (mm)							
		M1.6 M1.7	M2	M2.5 M2.6	M3	M5	M5	M6	
XB6-1	Cone point とがり先	S	0.7	0.9	1.3	1.5	2	2.5	3
		t	1.5	1.7	2	2	2.5	3	3.5
		$d_{t \max}$ XB6-1	0.4	0.5	0.65	0.75	1	1.25	1.5
		$d_{l \max}$ XB6-2	-	1.2	1.5	1.7	2.2	2.8	3.3
		$d_{l \min}$ XB6-2	-	1	1.2	1.4	1.9	2.4	2.9
XB6-3	Flat point 平先	$d_{p \max}$ XB6-3	0.8	1	1.5	2	2.5	3.5	4
		$d_{p \min}$ XB6-3	0.55	0.75	1.25	1.75	2.25	3.2	3.7

**1-10. Flanged Pan Head Machine Screws**  
つば付きなべ小ねじ



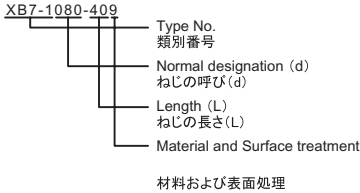
Type No. 類別番号	Type 類別	Head size (mm) 頭部寸法 (mm)					
		M2	M2.5 M2.6	M3	M5	M5	
XB6-7	Flanged pan head つば付きなべ	$d_k$	5	6.5	8	10	12
		k	1.7	2.1	2.5	3.2	4

# FIGURE ZZC MECHANICAL STANDARD PARTS (BOLTS)

## 2. Bolts (Socket head cap screw) ボルト

How to read Parts Numbers  
部品番号の見方

Bolt (Socket head cap screw)  
ボルト



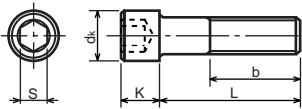
XB7-1 expresses Hexagon socket head cap screws.  
XB7-1は、六角穴付きボルトを表す

080 expresses M8.0.  
080は、M8.0を表す

40 expresses a length of 40mm.  
40は、40mmの長さを表す

9 expresses Steel (Black zinc trivalent chromate treating) from Table 1.  
9は、表1より鋼(黒色亜鉛3価クロメート)を表す

### 2-1. Hexagon socket head cap screws 六角穴付きボルト



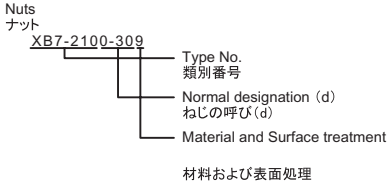
Type No. 類別番号	Type 類別
XB7-1	Hexagon socket head cap screws 六角穴付きボルト

	Head size (mm) 頭部寸法 (mm)						
	M3	M4	M5	M6	M8	M10	M12
S	2.5	3	4	5	6	8	10
$d_k$	5.5	7	8.5	10	13	16	18
K	3	4	5	6	8	10	12
Screw part length $b_{max}$ ねじ部長さ $b_{max}$	18	20	22	24	28	32	36

# FIGURE ZZD MECHANICAL STANDARD PARTS (NUTS)

## 3. Nuts ナット

How to read Parts Numbers  
部品番号の見方



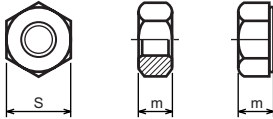
XB7-210 expresses Hexagon nut class 1.  
XB7-210は、六角ナット1種を表す

0-30 expresses M3.0.  
0-30は、M3.0を表す

9 expresses Steel (Black zinc trivalent chromate  
treating) from Table 1.

9は、表1より鋼(黒色亜鉛3価クロメート)を表す

### 3-1. Hexagon Nuts and Hexagon Thin Nuts 六角ナット



Type No. 類別番号	Type 類別
XB7-210	Hexagon nut Class 1 六角ナット-1種
XB7-220	Hexagon nut Class 3 六角ナット-3種
XB7-230	Hexagon nut Style 1 double chamfered 六角ナット-スタイル1-両面とり
XB7-231	Hexagon nut Style 1 washer faced 六角ナット-スタイル1-座付き
XB7-240	Hexagon nut Style 2 double chamfered 六角ナット-スタイル2-両面とり
XB7-241	Hexagon nut Style 2 washer faced 六角ナット-スタイル2-座付き
XB7-250	Hexagon nut 六角ナット
XB7-260	Hexagon thin nut double chamfered 六角低ナット-両面とり
XB7-270	Hexagon thin nut not chamfered 六角低ナット-面とり無し

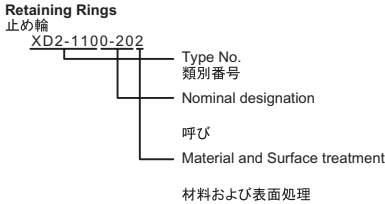
	Head size (mm) 頭部寸法 (mm)						
	M2	M2.5	M3	M4	M5	M6	M8
S	4	5	5.5	7	8	10	13
m XB7-210	1.6	2	2.4	3.2	4	5	6.5
m XB7-220	1.2	1.6	1.8	2.4	3.2	3.6	5
m XB7-230, 231	1.6	2	2.4	3.2	4.7	5.2	6.8
m XB7-240, 241	-	-	-	-	5.1	5.7	7.5
m XB7-250	-	-	-	-	5.6	6.1	7.9
m XB7-260	1.2	1.6	1.8	2.2	2.7	3.2	4
m XB7-270	1.2	1.6	1.8	2.2	2.7	3.2	4

# FIGURE ZZE MECHANICAL STANDARD PARTS (RETAINING RINGS)

## 5. Retaining Rings

止め輪

How to read Parts Numbers  
部品番号の見方



XD2-110 expresses retaining ring-E type (Type1).  
XD2-110は、E形止め輪(1種)を表す

0-20 expresses a 020 of nominal designation.  
(See Table 5)

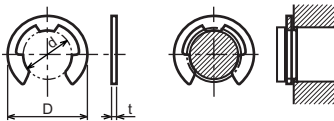
0-20は、呼び020を表す(表5参照)

2 expresses Stainless steel (Surface treatment is not to be given) from Table 1.

2は、表1よりステンレス(表面処理なし)を表す

### 5-1. Retaining Rings - E type

E形止め輪

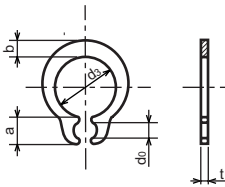


Type No. 類別番号	Type 類別
XD2-110	Retaining ring - E type (Type 1) E形止め輪(1種)
XD2-120	Retaining ring - E type (Type 2) E形止め輪(2種)

Table 5 表5

Type 種類	Nominal designation 呼び	d (mm)	D (mm)	t (mm)
Type 1 1種	007	0.65	2	0.2
	010	0.95	2.8	0.2
	013	1.25	3.3	0.3
	017	1.65	4.2	0.4
	020	1.95	4.6	0.5
	024	2.35	6	0.6
	028	2.74	6.5	0.6
	032	3.14	7.2	0.6
	037	3.64	8	0.7
	040	3.93	10	0.7
	042	4.13	10	0.7
	050	4.93	11	0.7
	058	5.73	12	0.7
	060	5.93	12.7	0.9
	064	6.32	13.5	0.9
	074	7.31	15	0.9
Type 2 2種	080	7.91	16.5	1
	008	0.8	2	0.2
	012	1.2	3	0.3
	015	1.5	4	0.4
	020	2	5	0.4
	025	2.5	6	0.4
	030	3	7	0.6
	040	4	9	0.6
	050	5	11	0.6
	060	6	12	0.8
	070	7	14	0.8
	080	8	16	0.8
	090	9	18	0.8
	100	10	20	1

5-2. Grip Rings  
グリップ止め輪

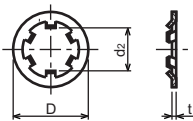


Type No. 類別番号	Type 類別
XD2-210	Grip ring グリップ止め輪

Table 5 表5

Nominal designation 呼び	d <sub>3</sub> (mm)	t (mm)	b (mm)	a (mm)	d <sub>0</sub> (mm)
020	1.9	0.5	1	1.8	0.8
025	2.35	0.5	1.2	1.9	0.9
030	2.85	0.6	1.4	1.9	0.9
035	3.3	0.6	1.6	2	0.9
040	3.8	0.8	1.8	2.8	1.2
045	4.25	0.8	2	2.9	1.3
050	4.75	0.8	2.2	2.9	1.3
060	5.7	1	2.4	3.1	1.4
070	6.7	1	2.7	3.3	1.4
080	7.7	1	3	3.5	1.4
090	8.65	1.2	3.3	4.7	1.5
100	9.65	1.2	3.5	4.7	2

5-3. Toothed Retaining Rings  
歯付き形止め輪



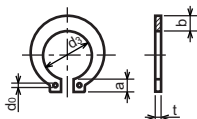
Type No. 類別番号	Type 類別
XD2-230	Toothed retaining ring 歯付き形止め輪

Table 5 表5

Nominal designation 呼び	d <sub>z</sub> (mm)	D (mm)	t (mm)	No of teeth 歯数
015	1.4	5.2	0.25	3
020	1.9	6	0.25	3
024	2.3	6.4	0.25	3
030	2.8	8	0.25	4
040	3.8	9	0.25	4
050	4.8	10	0.25	5
060	5.8	11	0.25	5
080	7.8	13	0.25	5
100	9.8	15.4	0.25	6

### 5-4. Retaining Rings - C Type

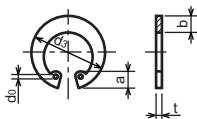
C形止め輪



Type No. 類別番号	Type 類別
XD2-310	Retaining ring - C type for shaft C形止め輪 軸用

Table 5 表5

Nominal designation 呼び	d <sub>3</sub> (mm)	t (mm)	b (mm)	a (mm)	d <sub>0</sub> (mm)
010	9.3	1	1.6	3	1.2
012	11.1	1	1.8	3.2	1.5
014	12.9	1	2	3.4	1.7
015	13.8	1	2.1	3.5	1.7
016	14.7	1	2.2	3.6	1.7
017	15.7	1	2.2	3.7	1.7
018	16.5	1.2	2.6	3.8	1.7
020	18.5	1.2	2.7	3.9	2
022	20.5	1.2	2.7	4.1	2
025	23.2	1.2	3.1	4.3	2
028	25.9	1.5	3.1	4.6	2
030	27.9	1.5	3.5	4.8	2
032	29.6	1.5	3.5	5	2.5
035	32.2	1.5	4	5.4	2.5



Type No. 類別番号	Type 類別
XD2-320	Retaining ring - C type for hole C形止め輪 穴用

Table 5 表5

Nominal designation 呼び	d <sub>3</sub> (mm)	t (mm)	b (mm)	a (mm)	d <sub>0</sub> (mm)
010	10.7	1	1.8	3.1	1.2
011	11.8	1	1.8	3.2	1.2
012	13	1	1.8	3.3	1.5
014	15.1	1	2	3.6	1.7
016	17.3	1	2	3.7	1.7
018	19.5	1	2.5	4	1.7
019	20.5	1	2.5	4	2
020	21.5	1	2.5	4	2
022	23.5	1	2.5	4.1	2
025	26.9	1.2	3	4.4	2
028	30.1	1.2	3	4.6	2
030	32.1	1.2	3	4.7	2
032	34.4	1.2	3.5	5.2	2.5
035	37.8	1.5	3.5	5.2	2.5
037	39.8	1.5	3.5	5.2	2.5
040	43.5	1.8	4	5.7	2.5
042	45.5	1.8	4	5.8	2.5
045	48.5	1.8	4.5	5.9	2.5
047	50.5	1.8	4.5	6.1	2.5
050	54.2	2	4.5	6.5	2.5
052	56.2	2	5.1	6.5	2.5
055	59.2	2	5.1	6.5	2.5
060	64.2	2	5.1	6.8	2.5
062	66.2	2	5.5	6.9	2.5
068	72.5	2.5	6	7.4	2.5
072	76.5	2.5	6.6	7.4	2.5
075	79.5	2.5	6.6	7.8	2.5
080	85.5	2.5	7	8	2.5
085	90.5	3	7	8	3
090	95.5	3	7.6	8.3	3
095	100.5	3	8	8.5	3





Prepared by  
OIP Business Support Group  
CANON INC.

**Canon**