

**PARTS
CATALOG**

**Color
imageRUNNER
C5185/5180/4580/
4080 Series**



Canon

DU7-3158-010

NOVEMBER 2007
REV. 1

PREFACE

This Parts Catalog contains listings of parts used

Diagrams are provided with the listings to aid the service technician in identifying clearly, the item to be ordered.

Whenever ordering parts, consult this Parts Catalog for all of the information pertaining to each item. Be sure to include, in the Parts Request, the full item description, the item part number, and the quantity.

COPYRIGHT (C) 1999 CANON INC.

Use of this manual should be strictly supervised to avoid disclosure of confidential information.

Contents

NUMERICAL INDEX

iR C5185/5185i/5180/5180i/4580/4580i/4080/4080i 1-1

Color imageRUNNER C5185/5180/4580/4080/

A	ASSEMBLY LOCATION DIAGRAM	2-1
001	READER MOUNTING HARDWARE	2-6
010	ACCESSORY	2-8
100	EXTERNAL COVERS, PANELS, ETC.	2-12
101	MACHINE FRONT PLATE	2-16
102	INTERNAL COMPONENTS 1	2-20
103	INTERNAL COMPONENTS 2	2-24
104	INTERNAL COMPONENTS 3	2-26
105	INTERNAL COMPONENTS 4	2-29
106	INTERNAL COMPONENTS 5	2-34
107	MACHINE REAR PLATE 1	2-36
108	MACHINE REAR PLATE 2	2-40
120	DOOR SWITCH ASSEMBLY	2-42
130	CONTROL PANEL ASSEMBLY	2-44
140	POWER CORD TERMINAL ASSEMBLY	2-46
260	PICK-UP MOTOR DRIVE ASSEMBLY	2-49
270	DEVELOPING DRIVE ASSEMBLY	2-50
271	INTERMEDIATE TRANSFER BELT DRIVE ASSEMBLY ...	2-52
272	TONER CARTRIDGE DRIVE ASSEMBLY	2-54
280	FIXING DRIVE ASSEMBLY	2-56
300	CASSETTE	2-58
310	PAPER PICK-UP ASSEMBLY	2-62
311	MULTI FEED ASSEMBLY	2-66
312	MULTI FEED TRAY ASSEMBLY	2-72
313	MULTI PAPER FEED MOUNT ASSEMBLY	2-74
350	DELIVERY VERTICAL PATH ASSEMBLY	2-77
351	VERTICAL PATH PANEL ASSEMBLY	2-82
360	DUPLEXING ASSEMBLY	2-84
361	EXTERNAL DELIVERY COVER ASSEMBLY	2-90
460	LASER UNIT	2-93
530	INTERMEDIATE TRANSFER BELT ASSEMBLY	2-94
531	TRANSFER CLEANING ASSEMBLY	2-97
580	SECONDARY TRANSFER ASSEMBLY	2-98
810	FIXING ASSEMBLY	2-100
900	CONTROLLER BOX ASSEMBLY	2-106

Contents

910	DC POWER SUPPLY ASSEMBLY	2-108
930	MAIN CONT. PCB ASSEMBLY	2-110
931	MAIN CONT. PCB ASS'Y, R-A/RO-B	2-111
932	MAIN CONT. PCB ASSY, PDRM-EF-A	2-112
933	MAIN CONT. PCB ASS'Y, SJ-A(EXCEPT IRC5185 Series)	2-113
934	MAIN CONT. PCB ASS'Y, L-C	2-114
935	MAIN CONT. PCB ASS'Y, RB-A	2-115
936	DC CONTROLLER PCB ASSEMBLY 1	2-116
937	DC CONTROLLER PCB ASSEMBLY 2	2-117
938	MAIN CONT. PCB ASS'Y, S-JJ	2-118
940	IH POWER/POTENTIAL SENSOR PCB ASSEMBLY	2-120
960	DRIVER PCB ASSEMBLY	2-122
T01	DISK UNIT (iR C4580F/3880F)	2-123
T10	FAX ASSEMBLY (iR C4580F/3880F)	2-124
T90	FAX BOARD PCB ASSEMBLY (iR C4580F/3880F)	2-126
T95	MODEM PCB ASSEMBLY (iR C4580F/3880F)	2-128

NUMERICAL INDEX

iR C5185/5185i/5180/5180i/4580/4580i/4080/4080i

PARTS NUMBER	FIGURE & KEY NO.	PARTS NUMBER	FIGURE & KEY NO.	PARTS NUMBER	FIGURE & KEY NO.
FA1-0056-000	311 - 5	FB6-3150-000	580 - 9	FB6-3359-000	313 - 11
FA3-8727-000	104 - 10	FB6-3150-000	810 - 20	FB6-3360-000	313 - 12
FA4-1159-000	810 - 10	FB6-3152-000	104 - 16	FB6-3361-000	313 - 13
FA9-3833-000	107 - 10	FB6-3172-000	103 - 20	FB6-3366-000	105 - 12
FA9-4077-000	350 - 47	FB6-3172-000	104 - 24	FB6-3376-000	100 - 15
FB1-8581-000	311 - 8	FB6-3173-000	104 - 25	FB6-3380-020	310 - 1
FB2-6285-020	271 - 1	FB6-3175-000	104 - 26	FB6-3386-010	310 - 2
FB2-6285-020	311 - 88	FB6-3188-000	104 - 2	FB6-3387-000	310 - 3
FB4-3064-000	120 - 1	FB6-3189-000	104 - 3	FB6-3388-000	310 - 4
FB4-3066-000	120 - 2	FB6-3190-000	104 - 20	FB6-3389-000	310 - 5
FB5-0873-000	311 - 9	FB6-3192-000	104 - 31	FB6-3390-000	310 - 6
FB5-5130-000	T10 - 2	FB6-3193-000	104 - 11	FB6-3391-000	310 - 7
FB6-2934-020	530 - 3	FB6-3202-000	101 - 23	FB6-3392-020	310 - 8
FB6-2936-000	530 - 4	FB6-3203-000	101 - 24	FB6-3393-000	310 - 9
FB6-2938-000	530 - 5	FB6-3205-000	101 - 25	FB6-3394-000	310 - 10
FB6-2939-000	530 - 6	FB6-3207-000	101 - 26	FB6-3395-000	310 - 11
FB6-2941-000	530 - 8	FB6-3216-000	120 - 3	FB6-3396-010	310 - 12
FB6-2944-010	530 - 10	FB6-3218-000	120 - 4	FB6-3397-000	310 - 13
FB6-2945-010	530 - 11	FB6-3261-000	105 - 1	FB6-3398-000	310 - 14
FB6-2947-000	530 - 12	FB6-3277-000	103 - 25	FB6-3402-000	310 - 18
FB6-2948-000	530 - 13	FB6-3278-000	103 - 21	FB6-3403-000	310 - 19
FB6-2951-000	530 - 14	FB6-3279-000	103 - 22	FB6-3404-000	310 - 20
FB6-2953-000	530 - 29	FB6-3280-000	103 - 23	FB6-3405-000	310 - 21
FB6-2954-000	530 - 30	FB6-3281-000	103 - 24	FB6-3408-000	310 - 23
FB6-2955-000	530 - 31	FB6-3283-000	101 - 46	FB6-3409-000	106 - 4
FB6-2958-000	530 - 16	FB6-3285-000	103 - 18	FB6-3410-000	310 - 17
FB6-2960-000	103 - 9	FB6-3288-000	103 - 3	FB6-3410-000	311 - 93
FB6-2961-000	103 - 10	FB6-3289-000	103 - 4	FB6-3413-000	310 - 29
FB6-2964-000	103 - 15	FB6-3302-000	311 - 11	FB6-3440-000	107 - 1
FB6-2965-000	103 - 11	FB6-3303-000	311 - 12	FB6-3442-000	102 - 2
FB6-2967-000	103 - 17	FB6-3305-000	311 - 14	FB6-3443-000	100 - 35
FB6-2968-000	103 - 12	FB6-3306-020	311 - 15	FB6-3450-000	312 - 1
FB6-2974-000	530 - 17	FB6-3308-000	311 - 16	FB6-3451-000	312 - 2
FB6-2986-000	102 - 23	FB6-3309-000	311 - 17	FB6-3452-000	312 - 3
FB6-2987-000	102 - 31	FB6-3310-000	311 - 18	FB6-3454-000	312 - 4
FB6-2988-000	102 - 21	FB6-3311-000	311 - 19	FB6-3455-000	312 - 5
FB6-2990-000	101 - 2	FB6-3313-000	100 - 23	FB6-3456-000	312 - 6
FB6-2993-000	103 - 16	FB6-3313-000	311 - 20	FB6-3457-000	312 - 7
FB6-2995-000	101 - 50	FB6-3315-000	311 - 21	FB6-3459-000	312 - 9
FB6-3006-000	100 - 8	FB6-3316-000	106 - 5	FB6-3463-000	311 - 29
FB6-3096-000	108 - 14	FB6-3320-020	311 - 22	FB6-3464-000	311 - 30
FB6-3113-000	531 - 2	FB6-3323-020	311 - 24	FB6-3465-000	311 - 31
FB6-3118-000	104 - 13	FB6-3331-000	100 - 25	FB6-3466-000	311 - 32
FB6-3120-000	104 - 15	FB6-3332-000	100 - 26	FB6-3467-000	311 - 33
FB6-3134-000	580 - 13	FB6-3346-000	313 - 3	FB6-3470-000	311 - 35
FB6-3135-020	580 - 1	FB6-3348-000	313 - 4	FB6-3471-000	311 - 36
FB6-3136-020	580 - 2	FB6-3349-000	313 - 5	FB6-3472-000	311 - 2
FB6-3137-000	108 - 5	FB6-3350-000	313 - 6	FB6-3473-000	311 - 77
FB6-3138-000	108 - 6	FB6-3351-000	313 - 7	FB6-3474-000	311 - 78
FB6-3139-000	100 - 30	FB6-3356-000	313 - 8	FB6-3475-000	300 - 1
FB6-3146-000	580 - 3	FB6-3357-000	313 - 9	FB6-3478-000	300 - 2
FB6-3149-000	580 - 14	FB6-3358-000	313 - 10	FB6-3479-000	300 - 3

NUMERICAL INDEX

iR C5185/5185i/5180/5180i/4580/4580i/4080/4080i

PARTS NUMBER	FIGURE & KEY NO.	PARTS NUMBER	FIGURE & KEY NO.	PARTS NUMBER	FIGURE & KEY NO.
FB6-3480-000	300 - 4	FB6-3618-000	361 - 13	FB6-3945-000	130 - 6
FB6-3481-000	300 - 5	FB6-3620-000	361 - 15	FB6-3947-000	130 - 8
FB6-3482-000	300 - 6	FB6-3621-000	361 - 16	FB6-3950-000	010 - 12
FB6-3483-000	300 - 7	FB6-3623-020	361 - 17	FB6-3953-000	130 - 20
FB6-3484-000	300 - 8	FB6-3626-000	361 - 18	FB6-3963-000	102 - 7
FB6-3485-000	300 - 9	FB6-3629-020	360 - 72	FB6-4849-000	311 - 10
FB6-3486-000	300 - 10	FB6-3630-000	360 - 73	FB6-4851-020	311 - 23
FB6-3487-000	300 - 11	FB6-3638-000	360 - 24	FB6-4852-000	310 - 16
FB6-3488-000	300 - 12	FB6-3666-000	810 - 38	FB6-4863-000	311 - 85
FB6-3489-000	300 - 13	FB6-3686-000	360 - 26	FB6-4873-000	311 - 25
FB6-3490-000	300 - 14	FB6-3689-000	106 - 8	FB6-4873-000	360 - 2
FB6-3491-000	010 - 14	FB6-3728-000	360 - 31	FB6-4873-000	361 - 1
FB6-3492-000	102 - 17	FB6-3766-000	100 - 5	FB6-4919-000	351 - 8
FB6-3493-000	102 - 16	FB6-3768-000	100 - 7	FB6-4938-000	311 - 80
FB6-3494-000	102 - 15	FB6-3771-000	010 - 7	FB6-5060-000	102 - 4
FB6-3495-000	102 - 28	FB6-3771-000	100 - 3	FB6-5459-000	T10 - 1
FB6-3497-000	102 - 27	FB6-3775-000	100 - 9	FB6-5781-020	350 - 6
FB6-3503-000	100 - 24	FB6-3776-000	100 - 10	FB6-5786-000	350 - 38
FB6-3504-000	100 - 16	FB6-3777-000	100 - 11	FB6-5787-000	350 - 39
FB6-3506-000	300 - 16	FB6-3788-020	010 - 8	FB6-5790-000	350 - 40
FB6-3507-000	102 - 10	FB6-3788-020	100 - 18	FB6-5791-000	350 - 41
FB6-3508-000	312 - 11	FB6-3800-000	104 - 6	FB6-5793-000	351 - 2
FB6-3522-000	300 - 23	FB6-3801-000	104 - 7	FB6-5795-000	350 - 43
FB6-3523-000	300 - 25	FB6-3807-000	104 - 8	FB6-6214-000	300 - 23
FB6-3524-000	300 - 24	FB6-3819-020	101 - 27	FB6-6215-000	300 - 24
FB6-3526-000	106 - 6	FB6-3820-020	101 - 28	FB6-6217-000	311 - 81
FB6-3527-000	106 - 6	FB6-3821-020	101 - 29	FB6-6218-000	311 - 82
FB6-3528-000	106 - 6	FB6-3822-020	101 - 30	FB6-6380-000	530 - 2
FB6-3532-000	350 - 5	FB6-3830-000	101 - 14	FB6-6381-000	810 - 14
FB6-3534-000	350 - 7	FB6-3831-000	101 - 15	FB6-6524-000	311 - 13
FB6-3545-020	350 - 12	FB6-3832-000	101 - 16	FB6-6530-000	360 - 18
FB6-3547-000	351 - 7	FB6-3833-000	101 - 17	FB6-6641-000	104 - 1
FB6-3551-020	351 - 9	FB6-3839-000	105 - 13	FB6-6642-000	810 - 39
FB6-3553-000	351 - 11	FB6-3847-000	361 - 22	FB6-6645-000	351 - 6
FB6-3554-000	351 - 12	FB6-3853-000	580 - 4	FB6-7002-000	361 - 38
FB6-3555-000	351 - 13	FB6-3854-000	580 - 5	FB6-7003-000	101 - 21
FB6-3555-000	361 - 3	FB6-3855-000	580 - 6	FB6-7004-000	100 - 20
FB6-3564-000	350 - 13	FB6-3858-000	311 - 81	FB6-7009-000	360 - 78
FB6-3572-000	360 - 2	FB6-3859-000	311 - 82	FB6-7072-000	530 - 44
FB6-3576-000	360 - 5	FB6-3863-000	311 - 83	FB6-7078-000	310 - 64
FB6-3577-000	360 - 6	FB6-3864-000	311 - 84	FC5-0166-000	140 - 5
FB6-3578-000	360 - 7	FB6-3864-000	313 - 14	FC5-0166-000	351 - 1
FB6-3583-000	360 - 11	FB6-3866-000	351 - 3	FC5-0444-000	900 - 1
FB6-3584-000	360 - 12	FB6-3867-000	351 - 4	FC5-0445-000	900 - 2
FB6-3585-000	360 - 13	FB6-3876-000	351 - 14	FC5-0563-020	010 - 15
FB6-3589-000	360 - 15	FB6-3877-000	350 - 8	FC5-1574-000	001 - 5
FB6-3600-000	360 - 23	FB6-3887-000	106 - 7	FC5-1575-000	001 - 6
FB6-3610-000	361 - 9	FB6-3889-020	360 - 4	FC5-1576-000	001 - 7
FB6-3611-000	361 - 10	FB6-3890-020	360 - 17	FC5-1581-000	001 - 1
FB6-3612-000	361 - 28	FB6-3892-000	361 - 43	FC5-1585-000	001 - 2
FB6-3613-000	361 - 11	FB6-3939-000	580 - 15	FC5-1586-000	001 - 8
FB6-3614-000	361 - 12	FB6-3944-000	130 - 5	FC5-4765-020	001 - 9

NUMERICAL INDEX

iR C5185/5185i/5180/5180i/4580/4580i/4080/4080i

PARTS NUMBER	FIGURE & KEY NO.	PARTS NUMBER	FIGURE & KEY NO.	PARTS NUMBER	FIGURE & KEY NO.
FC6-2859-000	934 - 1	FC6-9931-000	361 - 25	FC7-3919-000	106 - 6
FC6-2915-000	350 - 2	FC6-9934-000	361 - 4	FC7-3920-000	300 - 25
FC6-4009-000	313 - 19	FC7-0090-000	580 - 18	FC7-3922-000	810 - 3
FC6-5046-000	311 - 6	FC7-0091-000	530 - 1	FC7-3936-000	100 - 1
FC6-5061-000	350 - 4	FC7-0301-000	001 -	FC7-3937-000	100 - 1
FC6-5064-000	310 - 63	FC7-0302-000	001 -	FC7-3938-000	100 - 1
FC6-6661-000	310 - 62	FC7-0641-000	810 - 15	FC7-3939-000	100 - 1
FC6-7083-000	310 - 22	FC7-0652-000	810 - 22	FC7-3940-000	100 - 1
FC6-8681-000	350 - 11	FC7-0653-000	810 - 21	FC7-3941-000	100 - 1
FC6-8685-000	350 - 1	FC7-0655-000	810 - 55	FC7-3942-000	100 - 1
FC6-8685-000	360 - 43	FC7-0718-000	810 - 52	FC7-3943-000	100 - 1
FC6-8686-000	106 - 2	FC7-0719-000	810 - 51	FC7-3944-000	100 - 1
FC6-8689-000	360 - 44	FC7-0724-000	810 - 29	FC7-3945-000	100 - 1
FC6-8693-000	360 - 8	FC7-0725-000	810 - 50	FC7-3946-000	100 - 1
FC6-8720-000	940 - 1	FC7-0729-000	107 - 2	FC7-3947-000	100 - 1
FC6-8723-000	940 - 2	FC7-0734-000	105 - 5	FC7-3948-000	100 - 1
FC6-8724-000	940 - 3	FC7-0736-000	130 - 1	FC7-3949-000	100 - 1
FC6-8737-000	900 - 8	FC7-0737-000	130 - 2	FC7-3950-000	100 - 1
FC6-8745-000	900 - 18	FC7-0738-000	130 - 3	FC7-3951-000	100 - 1
FC6-8746-000	900 - 19	FC7-0739-000	130 - 9	FC7-3952-000	100 - 1
FC6-8757-000	810 - 54	FC7-0740-000	130 - 7	FC7-4195-000	107 - 3
FC6-8809-000	101 - 6	FC7-0741-000	130 - 10	FC7-4203-000	361 - 30
FC6-8848-000	360 - 10	FC7-0742-000	130 - 4	FC7-4204-000	361 - 31
FC6-8851-000	360 - 14	FC7-0758-000	100 - 21	FC7-4205-000	361 - 32
FC6-8856-000	361 - 7	FC7-0760-000	100 - 1	FC7-4210-000	100 - 17
FC6-8857-000	361 - 1	FC7-0761-000	100 - 31	FC7-4211-000	530 -
FC6-8862-000	530 - 45	FC7-1407-000	350 - 36	FC7-4219-000	810 - 17
FC6-8870-000	530 - 7	FC7-1409-000	810 - 16	FC7-4221-000	361 - 5
FC6-8872-000	103 - 1	FC7-1432-000	101 - 49	FC7-4222-000	810 - 56
FC6-8875-000	101 - 38	FC7-1433-000	010 - 9	FC7-4530-000	810 - 30
FC6-8883-000	104 - 14	FC7-1434-000	010 - 10	FC7-4763-000	350 - 3
FC6-8884-000	104 - 12	FC7-1453-000	360 - 16	FC7-4811-000	530 - 25
FC6-8885-000	101 - 44	FC7-1454-000	350 - 9	FC7-5150-000	361 - 20
FC6-8887-000	272 - 1	FC7-1455-000	910 - 1	FC7-5151-000	361 - 6
FC6-8888-000	101 - 1	FC7-1461-000	530 - 9	FC7-5158-000	810 - 57
FC6-8889-000	101 - 5	FC7-1499-000	101 - 61	FC7-5160-000	350 - 37
FC6-8890-000	580 - 19	FC7-1500-000	101 - 62	FC7-5161-000	360 - 79
FC6-8893-000	580 - 20	FC7-1501-000	101 - 18	FC7-7422-000	100 - 1
FC6-8894-000	580 - 21	FC7-1502-000	360 - 19	FC7-7423-000	100 - 1
FC6-8895-000	580 - 22	FC7-2159-000	104 - 29	FC7-7424-000	100 - 1
FC6-8896-000	360 - 9	FC7-2703-000	101 - 48	FC7-7425-000	100 - 1
FC6-8940-000	101 - 6	FC7-2704-000	101 - 4	FC7-7426-000	100 - 1
FC6-9851-000	350 - 34	FC7-2705-000	101 - 45	FC7-7818-000	361 -
FC6-9868-000	100 - 36	FC7-2706-000	101 - 51	FC7-9328-000	100 - 6
FC6-9869-000	100 - 37	FC7-2707-000	101 - 59	FC7-9751-000	810 - 53
FC6-9875-000	100 - 4	FC7-2726-000	360 - 20	FC8-0436-000	360 -
FC6-9878-000	100 - 40	FC7-2735-000	280 - 1	FC8-0448-000	106 -
FC6-9896-000	102 - 24	FC7-2737-000	810 - 12	FC8-0454-000	351 - 18
FC6-9903-000	105 - 9	FC7-2747-000	530 - 37	FC8-3766-000	360 -
FC6-9907-000	105 - 10	FC7-2748-000	530 - 15	FF6-2016-000	103 - 13
FC6-9908-000	105 - 2	FC7-2750-000	108 - 7	FF6-2017-000	103 - 19
FC6-9909-000	105 - 3	FC7-2751-000	360 - 22	FF6-2032-000	531 - 3

NUMERICAL INDEX

iR C5185/5185i/5180/5180i/4580/4580i/4080/4080i

PARTS NUMBER	FIGURE & KEY NO.	PARTS NUMBER	FIGURE & KEY NO.	PARTS NUMBER	FIGURE & KEY NO
FF6-2038-000	101 - 7	FG3-2376-000	130 - 15	FH6-1986-000	360 - 29
FF6-2039-000	104 - 5	FG3-2383-020	107 - 5	FH6-5052-020	360 - 36
FF6-2047-000	103 - 8	FG3-3002-000	360 - 71	FH6-5056-020	360 - 37
FF6-2054-000	313 - 15	FG3-3005-020	105 - 26	FH7-7312-000	101 - 20
FF6-2058-000	310 - 25	FG3-3171-000	900 - 4	FH7-7312-000	105 - 4
FF6-2059-010	310 - 26	FG3-3851-010	900 - 6	FH7-7312-000	107 - 4
FF6-2063-000	102 - 19	FG3-3965-000	130 - 14	FH7-7312-000	120 - 5
FF6-2064-020	300 - 17	FG6-8927-020	010 - 6	FH7-7312-000	272 - 2
FF6-2065-000	311 - 37	FG6-8936-000	130 - 16	FH7-7312-000	310 - 28
FF6-2081-000	360 - 33	FG6-8937-030	130 - 13	FH7-7312-000	311 - 4
FF6-2085-000	101 - 9	FG6-8946-000	108 - 3	FH7-7312-000	312 - 13
FF6-2099-000	101 - 31	FG6-8989-030	531 -	FH7-7312-000	313 - 30
FF6-2100-000	108 - 2	FG6-9005-000	101 - 19	FH7-7312-000	350 - 17
FF6-2101-000	313 - 16	FG6-9012-000	010 - 11	FH7-7312-000	360 - 27
FF6-2102-000	313 - 17	FG6-9013-000	120 -	FH7-7312-000	580 - 23
FF6-2106-000	104 - 9	FG6-9015-000	107 - 6	FH7-7312-000	810 - 19
FF6-2107-000	104 - 4	FG6-9015-000	120 - 9	FH7-7600-010	312 - 12
FF6-2110-000	101 - 32	FG6-9019-000	100 - 22	FH7-7602-020	103 - 7
FF6-2115-000	361 - 29	FG6-9042-000	312 -	FH7-7625-030	140 - 1
FF6-2117-000	361 - 8	FG6-9044-000	300 -	FH7-7626-000	140 - 1
FF6-2118-000	361 - 14	FG6-9060-000	360 - 55	FK2-0014-000	140 - 1
FF6-2128-000	361 - 44	FG6-9061-000	101 - 42	FK2-0101-000	910 - 2
FF6-2131-000	350 - 14	FG6-9164-000	130 - 17	FK2-0111-000	910 - 2
FF6-2134-000	311 - 34	FG6-9165-000	130 - 18	FK2-0115-000	311 - 39
FF6-2136-000	311 - 28	FG6-9166-000	130 - 19	FK2-0124-000	108 - 15
FF6-2344-000	350 - 15	FH2-6488-000	140 - 2	FK2-0144-000	360 - 28
FF6-2388-000	530 - 38	FH2-6552-000	108 - 4	FK2-0246-000	130 - 12
FF6-2389-000	530 - 39	FH2-6855-000	108 - 10	FK2-0331-000	T95 - IC14
FF6-2390-000	530 - 40	FH2-7037-000	130 - 11	FK2-0360-000	910 - 3
FF6-2391-000	530 - 41	FH2-7072-000	T90 - 2	FK2-0408-000	310 - 27
FF6-2392-000	530 - 42	FH2-7080-000	140 - 2	FK2-0411-000	T95 - IC2
FF6-2393-000	531 - 7	FH2-7082-000	140 - 2	FK2-0428-000	T10 - 3
FF6-2394-000	531 - 8	FH4-3950-000	936 - IC6	FK2-0912-000	932 - IC2
FF6-2396-000	530 - 43	FH4-6164-000	937 - IC11	FK2-0913-000	932 - IC6
FF6-2397-000	310 - 49	FH4-6214-000	934 - IC1	FK2-0979-000	010 - 13
FG3-2301-000	312 - 10	FH4-6235-000	932 - IC1	FK2-2043-000	936 - IC7
FG3-2302-020	310 - 59	FH4-6237-000	931 - IC1	FK2-2046-000	936 - IC3002
FG3-2304-020	311 - 76	FH4-6239-000	933 - IC1	FK2-2508-000	108 - 8
FG3-2305-000	313 - 18	FH4-6239-000	938 - IC1	FK2-2509-000	107 - 7
FG3-2313-020	360 - 21	FH4-6241-000	931 - IC6	FK2-2511-000	271 - 10
FG3-2319-000	103 - 6	FH4-6243-000	930 - IC39	FK2-2514-000	280 - 2
FG3-2320-000	530 - 33	FH4-6247-000	933 - IC18	FK2-2515-000	260 - 1
FG3-2321-000	530 - 34	FH4-6247-000	938 - IC18	FK2-2515-000	350 - 16
FG3-2344-020	272 - 13	FH4-6248-000	932 - IC1	FK2-2516-000	311 - 38
FG3-2346-000	105 - 6	FH4-6260-000	933 - IC21	FK2-2518-000	270 - 1
FG3-2347-000	102 - 18	FH4-6260-000	938 - IC21	FK2-2519-000	311 - 95
FG3-2348-000	102 - 11	FH4-6284-000	937 - IC2	FK2-2520-000	350 - 10
FG3-2365-020	530 - 28	FH4-6284-000	T95 - IC16	FK2-2520-000	360 - 50
FG3-2367-000	530 - 35	FH4-6300-000	930 - IC20	FK2-2526-000	272 - 15
FG3-2368-000	530 - 36	FH4-6302-000	930 - IC54	FK2-2527-000	102 - 9
FG3-2374-000	101 - 52	FH4-6303-000	935 - IC1	FK2-2528-000	107 - 21
FG3-2375-000	101 - 53	FH6-1984-020	350 - 35	FK2-2529-000	900 - 7

NUMERICAL INDEX

iR C5185/5185i/5180/5180i/4580/4580i/4080/4080i

PARTS NUMBER	FIGURE & KEY NO.	PARTS NUMBER	FIGURE & KEY NO.	PARTS NUMBER	FIGURE & KEY NO.
FK2-2530-000	101 - 54	FL2-5332-000	140 - 2	FM2-6299-000	960 - 1
FK2-2530-000	940 - 4	FL2-5336-000	140 - 2	FM2-6300-000	910 - 5
FK2-2531-000	810 - 18	FL2-5337-000	140 - 2	FM2-6301-000	910 - 6
FK2-2532-000	810 - 18	FL2-5350-000	100 - 12	FM2-6302-000	910 - 6
FK2-2533-000	810 - 18	FL2-5351-000	102 - 1	FM2-6313-000	940 -
FK2-2902-000	930 - IC50	FL2-5352-000	100 - 13	FM2-6314-000	940 -
FK2-2903-000	930 - IC50	FL2-5780-000	101 - 60	FM2-6317-000	272 - 4
FK2-3361-000	010 - 2	FL2-5790-000	140 - 3	FM2-6323-000	108 - 11
FK2-3362-000	T01 - 1	FL2-5791-000	140 - 3	FM2-6324-000	108 - 12
FK2-3366-000	010 - 5	FL2-5792-000	140 - 3	FM2-6325-000	108 - 13
FK2-3369-000	010 - 5	FL2-5794-010	100 - 14	FM2-6807-000	930 -
FK2-3370-000	010 - 5	FL2-5797-000	361 - 24	FM2-6810-000	935 -
FK2-3375-000	010 - 4	FL2-6007-000	361 - 42	FM2-6835-000	T90 - 1
FK2-3377-000	010 - 1	FL2-6197-000	810 - 24	FM2-6843-000	930 -
FK2-3385-000	010 - 3	FL2-6365-000	010 - 13	FM2-6852-000	933 -
FK2-3387-000	010 - 1	FL2-6564-000	351 - 10	FM2-6853-000	T90 - 6
FK2-3388-000	010 - 1	FL2-6567-000	100 - 38	FM2-7088-000	350 - 32
FK2-3389-000	010 - 1	FL2-6580-000	310 - 15	FM2-7089-000	360 - 69
FK2-3737-000	900 - 5	FM1-0421-000	351 - 15	FM2-7090-000	105 - 21
FK2-5607-000	010 - 1	FM2-2789-000	T95 -	FM2-7091-000	105 - 22
FK2-5608-000	010 - 2	FM2-3686-000	T90 - 3	FM2-7092-000	105 - 23
FK2-5609-000	T01 - 1	FM2-5232-000	T90 - 4	FM2-7093-000	105 - 24
FK2-5610-000	010 - 1	FM2-5360-000	107 - 17	FM2-7094-000	101 - 56
FK2-5611-000	010 - 3	FM2-5361-000	271 -	FM2-7096-000	313 - 1
FK2-5612-000	010 - 1	FM2-5362-000	270 -	FM2-7097-000	311 - 75
FK2-5613-000	010 - 5	FM2-5363-000	272 -	FM2-7098-000	350 - 48
FK2-5614-000	010 - 5	FM2-5364-000	350 -	FM2-7099-000	105 - 38
FK2-5615-000	010 - 5	FM2-5365-000	530 -	FM2-7103-000	105 - 14
FK2-5616-000	010 - 3	FM2-5375-000	580 -	FM2-7104-000	105 - 44
FK2-5617-000	010 - 1	FM2-5376-000	101 - 8	FM2-7105-000	940 - 6
FK2-5625-000	010 - 4	FM2-5379-010	810 - 2	FM2-7106-000	270 - 3
FL2-4210-000	350 - 18	FM2-5382-010	101 - 10	FM2-7107-000	105 - 37
FL2-4227-000	107 - 16	FM2-5383-000	101 - 41	FM2-7110-000	313 - 29
FL2-4228-000	105 - 11	FM2-5385-000	104 - 28	FM2-7111-000	105 - 25
FL2-4232-000	101 - 55	FM2-5387-000	105 - 27	FM2-7112-000	360 - 38
FL2-4237-000	360 - 34	FM2-5388-000	260 -	FM2-7125-000	107 - 11
FL2-4239-000	360 - 74	FM2-5389-000	311 -	FM2-7127-000	105 - 16
FL2-4241-000	360 - 30	FM2-5406-000	460 -	FM2-7128-000	105 - 16
FL2-4242-000	360 - 32	FM2-5675-000	313 -	FM2-7129-000	105 - 28
FL2-4248-000	101 - 57	FM2-5676-000	360 -	FM2-7130-000	910 - 9
FL2-4250-000	260 - 3	FM2-5683-000	100 - 19	FM2-7133-000	140 - 4
FL2-4254-000	104 - 17	FM2-5684-000	280 -	FM2-7135-000	105 - 29
FL2-4255-000	280 - 3	FM2-6040-000	900 - 9	FM2-7139-000	910 - 8
FL2-4749-000	810 - 58	FM2-6044-000	900 - 11	FM2-7141-000	940 - 5
FL2-4865-000	001 - 3	FM2-6049-010	910 - 4	FM2-7145-000	107 - 8
FL2-4866-000	001 - 4	FM2-6153-000	130 -	FM2-7146-000	900 - 13
FL2-4923-000	530 -	FM2-6154-000	130 -	FM2-7157-000	936 -
FL2-4924-000	580 - 7	FM2-6155-000	130 -	FM2-7158-000	900 - 14
FL2-4929-000	361 - 27	FM2-6162-000	100 - 33	FM2-7159-000	910 - 10
FL2-4931-000	101 - 22	FM2-6208-000	900 - 10	FM2-7161-000	936 - 1
FL2-5277-000	350 - 44	FM2-6297-000	936 -	FM2-7164-000	101 - 40
FL2-5331-000	140 - 2	FM2-6298-000	937 -	FM2-7166-000	105 - 31

NUMERICAL INDEX

iR C5185/5185i/5180/5180i/4580/4580i/4080/4080i

PARTS NUMBER	FIGURE & KEY NO.	PARTS NUMBER	FIGURE & KEY NO.	PARTS NUMBER	FIGURE & KEY NO.
FM2-7167-000	140 - 6	FS2-2783-000	311 - 41	FS7-2796-000	105 - 7
FM2-7175-000	810 - 32	FS2-9343-010	810 - 7	FS7-2796-000	313 - 27
FM2-7176-000	810 - 40	FS5-0353-000	350 - 20	FS7-2797-000	310 - 33
FM2-7177-000	280 - 4	FS5-1597-000	311 - 46	FS7-2798-000	310 - 34
FM2-7180-000	810 - 25	FS5-1943-000	310 - 60	FS7-2800-000	310 - 35
FM2-7182-000	360 - 3	FS5-2964-000	105 - 43	FS7-2801-000	310 - 36
FM2-7185-000	102 - 20	FS5-2965-000	107 - 14	FS7-2802-000	310 - 37
FM2-7186-000	101 - 13	FS5-3989-000	350 - 21	FS7-2803-000	310 - 38
FM2-7429-000	932 -	FS5-3989-000	360 - 42	FS7-2804-000	300 - 20
FM2-7430-000	931 -	FS5-6487-000	280 - 10	FS7-2805-000	300 - 19
FM2-7436-000	140 -	FS5-6487-000	810 - 13	FS7-2806-000	300 - 18
FM2-7437-000	140 -	FS5-6945-000	311 - 47	FS7-2807-000	102 - 14
FM2-7438-000	140 -	FS5-6949-000	101 - 33	FS7-2808-000	102 - 13
FM2-7442-000	361 -	FS5-6955-000	313 - 2	FS7-2809-000	311 - 54
FM2-7449-000	102 - 8	FS5-6957-000	531 - 1	FS7-2811-000	311 - 3
FM2-7456-000	100 - 34	FS5-9400-020	001 - 10	FS7-2812-000	311 - 56
FM2-7459-000	105 - 30	FS5-9753-020	313 - 21	FS7-2813-000	311 - 79
FM2-7465-000	140 -	FS5-9754-020	101 - 34	FS7-2817-000	810 - 49
FM2-7466-000	140 -	FS5-9758-020	105 - 8	FS7-2822-000	360 - 54
FM2-7475-000	580 - 12	FS5-9758-020	107 - 15	FS7-2825-000	272 - 5
FM2-7747-000	T90 - 7	FS5-9758-020	313 - 22	FS7-2826-000	101 - 35
FM2-8180-000	351 -	FS5-9761-000	311 - 86	FS7-2828-000	361 - 45
FM2-8204-000	310 -	FS6-1055-000	311 - 48	FS7-2830-000	361 - 33
FM2-8257-000	931 -	FS6-1057-000	311 - 49	FS7-2831-000	361 - 35
FM2-8258-000	900 - 3	FS6-1058-000	311 - 50	FS7-2832-000	360 - 76
FM2-8432-000	361 - 21	FS6-1059-000	351 - 17	FS7-2838-000	271 - 3
FM2-9252-000	938 -	FS6-1060-000	104 - 18	FS7-2839-000	311 - 57
FM2-9253-000	934 -	FS6-1062-000	530 - 18	FS7-2840-000	531 - 5
FM2-9499-000	810 - 4	FS6-1063-000	310 - 32	FS7-2842-000	104 - 21
FM2-9500-000	810 - 8	FS6-1066-000	580 - 16	FS7-2844-000	101 - 12
FM2-9501-000	810 - 9	FS6-1067-000	350 - 45	FS7-2846-000	580 - 8
FM2-9506-000	280 - 9	FS6-2785-000	120 - 7	FS7-2849-000	101 - 47
FM2-9508-000	810 - 28	FS6-3001-000	360 - 45	FS7-2853-000	105 - 42
FM2-9526-010	810 - 2	FS6-3002-000	360 - 46	FS7-2854-000	120 - 8
FM3-0261-000	910 - 12	FS6-3003-000	360 - 47	FS7-2856-000	580 - 10
FM3-0690-000	810 - 1	FS6-8116-000	300 - 15	FS7-2857-000	580 - 11
FM3-0691-000	810 - 1	FS7-0579-000	104 - 19	FS7-2859-000	350 - 30
FM3-0692-000	810 - 1	FS7-2360-000	360 - 48	FS7-2860-000	311 - 52
FM3-2053-000	910 - 7	FS7-2781-000	530 - 19	FS7-2863-000	311 - 87
FM3-2054-000	910 - 7	FS7-2782-000	530 - 20	FS7-2865-000	102 - 25
FM3-2056-000	107 - 18	FS7-2783-000	530 - 21	FS7-2866-000	350 - 46
FM3-2059-000	108 - 9	FS7-2784-000	530 - 32	FS7-2996-000	351 - 5
FM3-2060-000	108 - 1	FS7-2785-000	103 - 14	FS7-5909-000	310 - 39
FM3-2382-000	361 - 19	FS7-2787-000	311 - 51	FS7-5910-000	310 - 40
FM3-3775-000	271 - 2	FS7-2788-000	100 - 28	FU3-0267-000	530 - 23
FM3-3776-000	310 -	FS7-2788-000	360 - 49	FU3-0268-000	530 - 24
FS1-9002-010	260 - 4	FS7-2788-000	361 - 48	FU3-0271-000	311 - 59
FS1-9002-010	311 - 60	FS7-2789-000	100 - 29	FU3-0273-000	311 - 61
FS1-9010-020	120 - 6	FS7-2790-000	313 - 23	FU3-0274-000	311 - 62
FS1-9010-020	531 - 4	FS7-2791-000	313 - 24	FU3-0275-000	311 - 63
FS1-9010-020	810 - 35	FS7-2792-000	313 - 25	FU3-0276-000	311 - 64
FS1-9102-020	810 - 33	FS7-2793-000	313 - 26	FU3-0277-000	311 - 65

NUMERICAL INDEX

iR C5185/5185i/5180/5180i/4580/4580i/4080/4080i

PARTS NUMBER	FIGURE & KEY NO.	PARTS NUMBER	FIGURE & KEY NO.	PARTS NUMBER	FIGURE & KEY NO
FU3-0278-000	311 - 66	FU6-2589-000	311 - 27	NPN	960 -
FU3-0280-000	310 - 41	FU6-2596-000	810 - 26	NPN	T01 -
FU3-0282-000	310 - 43	FU6-2600-000	101 - 3	NPN	T10 -
FU3-0283-000	310 - 44	FU6-2776-000	311 - 40	NPN	T90 -
FU3-0284-000	310 - 45	FU6-2777-000	260 - 6	RB1-2152-000	311 - 71
FU3-0288-000	310 - 47	FU6-2779-000	810 - 37	RB1-2152-000	313 - 28
FU3-0289-000	310 - 48	FU6-2782-000	810 - 27	RB1-6484-000	106 - 1
FU3-0293-000	300 - 21	FU6-2783-000	106 - 9	RB1-6666-000	351 - 21
FU3-0294-000	300 - 22	FU6-2785-000	311 - 55	RB1-8945-000	310 - 55
FU3-0295-000	311 - 67	FU6-5338-000	360 - 59	RB2-0493-000	810 - 34
FU3-0296-000	311 - 68	FU7-0193-000	350 - 23	RB2-5850-000	311 - 72
FU3-0297-000	311 - 69	FU7-0196-000	360 - 60	RB2-7043-000	272 - 11
FU3-0298-000	311 - 70	FU7-0197-000	350 - 24	RB9-0255-000	361 - 39
FU3-0302-000	272 - 6	FU7-0198-000	270 - 2	RH7-6037-000	105 - 41
FU3-0303-000	272 - 7	FU7-0201-000	271 - 5	RH7-7129-020	311 - 73
FU3-0304-000	272 - 8	FU7-0202-000	360 - 61	RS5-1060-000	361 - 40
FU3-0305-000	272 - 9	FU7-0204-000	360 - 40	RS5-1101-000	351 - 20
FU3-0306-000	272 - 10	FU7-0206-000	810 - 46	RS5-1325-000	360 - 63
FU3-0308-000	101 - 36	FU7-0346-000	810 - 11	RS5-1325-000	361 - 41
FU3-0309-000	101 - 37	FU7-0348-000	350 - 29	RS5-1567-000	310 - 56
FU3-0311-000	360 - 57	FU7-0351-000	311 - 42	RS5-1567-000	311 - 74
FU3-0318-000	360 - 77	FU7-0352-000	311 - 53	VS1-6318-006	105 - 46
FU3-0319-000	350 - 22	FU7-0353-000	260 - 2	VS1-6318-014	105 - 47
FU3-0325-000	351 - 19	FU7-0384-000	810 - 5	VS1-6318-014	310 - 57
FU3-0334-000	271 - 4	FU7-0394-000	810 - 47	VS1-6920-025	360 - 64
FU3-0343-000	104 - 23	FU7-0395-000	810 - 45	VS1-7164-016	105 - 15
FU3-0344-000	580 - 17	FU7-0396-000	810 - 31	VS1-7164-016	107 - 12
FU3-0345-000	104 - 30	FU7-0397-000	810 - 23	VS1-7164-024	810 - 41
FU3-0347-000	310 - 53	FU7-0403-000	271 - 6	VS1-7164-026	313 - 20
FU3-0349-000	310 - 42	FU7-0405-000	360 - 41	VS1-7164-030	107 - 13
FU3-0350-000	310 - 52	FU7-0406-000	530 - 22	VS1-7164-036	105 - 34
FU5-1033-000	310 - 30	FU7-0407-000	271 - 8	VS1-7164-040	105 - 45
FU5-1035-000	100 - 27	FU7-0413-000	280 - 11	VS1-7173-004	313 - 31
FU5-1035-000	311 - 89	FU7-0444-000	310 - 50	VS1-7173-006	280 - 5
FU5-1035-000	360 - 56	FU7-0445-000	310 - 51	VS1-7173-006	940 - 7
FU5-1035-000	361 - 46	FU7-0699-000	810 - 6	VS1-7173-007	105 - 32
FU5-1036-000	310 - 31	FU7-0701-000	361 - 37	VS1-7173-008	105 - 39
FU5-1447-000	272 - 3	HH2-2824-000	T10 - 4	VS1-7173-009	280 - 6
FU5-1453-000	311 - 90	NPN	001 -	VS1-7173-012	810 - 42
FU5-1737-000	311 - 91	NPN	010 -	VS1-7173-014	105 - 33
FU5-1760-000	350 - 19	NPN	100 -	VS1-7173-016	940 - 8
FU5-1761-000	350 - 28	NPN	101 -	VS1-7173-019	105 - 40
FU5-6616-000	260 - 5	NPN	102 -	VS1-7176-002	101 - 11
FU5-6616-000	311 - 26	NPN	103 -	VS1-7176-002	360 - 51
FU5-6623-000	360 - 80	NPN	104 -	VS1-7177-002	105 - 18
FU6-0710-000	310 - 46	NPN	105 -	VS1-7177-002	107 - 20
FU6-2581-000	350 - 27	NPN	106 -	VS1-7177-002	108 - 17
FU6-2581-000	360 - 75	NPN	107 -	VS1-7177-002	272 - 12
FU6-2582-000	360 - 58	NPN	108 -	VS1-7177-002	310 - 54
FU6-2585-000	101 - 43	NPN	810 -	VS1-7177-002	311 - 43
FU6-2586-000	360 - 39	NPN	900 -	VS1-7177-002	360 - 52
FU6-2587-000	104 - 22	NPN	910 -	VS1-7177-002	900 - 15

NUMERICAL INDEX

iR C5185/5185i/5180/5180i/4580/4580i/4080/4080i

PARTS NUMBER	FIGURE & KEY NO.	PARTS NUMBER	FIGURE & KEY NO.	PARTS NUMBER	FIGURE & KEY NO
VS1-7177-003	101 - 39	XB1-2300-407	810 - 501	XB3-6400-805	001 - 501
VS1-7177-003	102 - 26	XB1-2300-607	104 - 502	XB3-6400-805	100 - 503
VS1-7177-003	105 - 19	XB1-2300-607	130 - 503	XB3-6400-805	101 - 506
VS1-7177-003	108 - 16	XB1-2300-607	260 - 501	XB3-6400-805	102 - 504
VS1-7177-003	272 - 14	XB1-2300-607	270 - 501	XB3-6400-805	103 - 504
VS1-7177-003	311 - 7	XB1-2300-607	350 - 507	XB3-6400-805	104 - 505
VS1-7177-003	350 - 25	XB1-2300-607	530 - 501	XB3-6400-805	105 - 506
VS1-7177-003	360 - 25	XB1-2300-807	108 - 503	XB3-6400-805	106 - 503
VS1-7177-003	810 - 43	XB1-2300-807	360 - 504	XB3-6400-805	107 - 503
VS1-7177-003	900 - 16	XB1-2400-603	140 - 501	XB3-6400-805	108 - 508
VS1-7177-003	910 - 11	XB1-2400-607	105 - 508	XB3-6400-805	271 - 501
VS1-7177-004	105 - 20	XB1-2400-607	108 - 504	XB3-6400-805	350 - 502
VS1-7177-004	107 - 19	XB1-2400-607	260 - 502	XB4-5300-607	101 - 504
VS1-7177-004	270 - 4	XB1-2400-807	100 - 502	XB4-5300-607	104 - 501
VS1-7177-004	280 - 7	XB1-2400-807	280 - 504	XB4-5300-607	580 - 501
VS1-7177-004	311 - 44	XB1-2400-807	350 - 501	XB4-5300-807	010 - 501
VS1-7177-004	350 - 26	XB1-2400-807	360 - 502	XB4-5300-807	100 - 501
VS1-7177-004	360 - 35	XB1-2402-007	140 - 503	XB4-5300-807	101 - 501
VS1-7177-005	280 - 8	XB1-2403-007	900 - 501	XB4-5300-807	103 - 501
VS1-7177-006	102 - 29	XB1-2403-007	910 - 503	XB4-5300-807	108 - 506
VS1-7177-006	105 - 35	XB1-2403-007	940 - 502	XB4-5300-807	130 - 502
VS1-7177-006	311 - 45	XB1-2404-007	108 - 501	XB4-5300-807	272 - 503
VS1-7177-006	360 - 53	XB1-2500-603	140 - 504	XB4-5300-807	300 - 503
VS1-7177-006	940 - 9	XB1-3300-607	310 - 503	XB4-5300-807	350 - 503
VS1-7177-008	810 - 44	XB2-4231-207	105 - 505	XB4-5300-807	351 - 501
VS1-7177-009	105 - 17	XB2-4300-807	910 - 501	XB4-5300-807	361 - 503
VS1-7177-010	105 - 36	XB2-5301-407	900 - 502	XB4-5300-807	530 - 503
VS1-7440-010	900 - 17	XB2-8300-607	108 - 502	XB4-5300-807	531 - 502
VS1-7507-007	108 - 19	XB2-8300-607	130 - 501	XB4-5301-007	130 - 504
VS1-7507-008	108 - 18	XB2-8300-607	280 - 501	XB4-5301-007	311 - 502
WC2-5332-000	102 - 12	XB2-8300-607	300 - 501	XB4-5400-807	010 - 502
XA9-0605-000	100 - 32	XB2-8300-607	311 - 506	XB4-5400-807	311 - 508
XA9-0624-000	531 - 6	XB2-8300-607	530 - 502	XB4-5400-807	312 - 501
XA9-0633-000	100 - 2	XB2-8300-607	810 - 505	XB4-5400-807	360 - 505
XA9-0633-000	T90 - 5	XB2-8300-807	101 - 502	XB4-5401-007	100 - 504
XA9-0656-000	310 - 58	XB2-8300-807	360 - 503	XB4-5401-007	311 - 503
XA9-0721-010	102 - 30	XB2-8300-807	361 - 502	XB4-5401-207	310 - 502
XA9-0721-010	311 - 94	XB2-8301-006	105 - 507	XB4-5405-007	107 - 504
XA9-0732-000	360 - 62	XB2-8400-807	105 - 504	XB6-7300-407	103 - 503
XA9-0739-000	140 - 7	XB2-8400-807	810 - 506	XB6-7300-407	104 - 504
XA9-0783-000	100 - 39	XB2-8401-007	311 - 505	XB6-7300-607	108 - 507
XA9-1030-000	107 - 9	XB2-8401-009	280 - 502	XB6-7300-607	271 - 507
XA9-1401-000	106 - 502	XB2-8401-607	102 - 505	XB6-7300-607	810 - 504
XA9-1496-000	900 - 12	XB3-6300-605	101 - 503	XB6-7300-607	900 - 503
XA9-1502-000	102 - 32	XB3-6300-605	102 - 502	XB6-7300-607	910 - 502
XA9-1748-000	102 - 22	XB3-6300-605	310 - 501	XB6-7300-607	936 - 501
XB1-1300-605	311 - 504	XB3-6300-805	104 - 503	XB6-7300-607	937 - 501
XB1-2260-407	272 - 501	XB3-6300-805	107 - 502	XB6-7300-607	940 - 501
XB1-2300-407	351 - 502	XB3-6300-805	120 - 501	XB6-7300-607	960 - 501
XB1-2300-407	360 - 501	XB3-6300-805	272 - 502	XB6-7300-607	T10 - 501
XB1-2300-407	361 - 501	XB3-6300-805	311 - 501	XB6-7300-607	T90 - 501
XB1-2300-407	531 - 501	XB3-6300-805	313 - 501	XB6-7300-807	103 - 502

NUMERICAL INDEX

iR C5185/5185i/5180/5180i/4580/4580i/4080/4080i

PARTS NUMBER	FIGURE & KEY NO.	PARTS NUMBER	FIGURE & KEY NO.	PARTS NUMBER	FIGURE & KEY NO.
XB6-7300-807	300 - 502	XD2-2300-602	360 - 510	XZ1-1300-605	350 - 509
XB6-7300-807	350 - 505	XD2-3100-122	530 - 510	XZ9-0556-000	350 - 42
XB6-7400-407	311 - 507	XD3-2200-102	311 - 513	XZ9-0585-000	101 - 58
XB6-7400-607	361 - 504	XD3-2200-102	810 - 507		
XD1-1103-635	107 - 501	XD3-2200-122	310 - 504		
XD1-1104-133	530 - 506	XD3-2200-122	360 - 511		
XD1-1104-135	001 - 502	XD3-2200-142	272 - 505		
XD1-1104-135	105 - 501	XD3-2200-142	311 - 509		
XD1-1104-135	300 - 504	XD3-2200-202	530 - 508		
XD1-1104-135	360 - 506	XD3-2200-222	271 - 503		
XD1-1104-137	313 - 502	XD3-2250-122	810 - 510		
XD1-1104-635	105 - 502	XD3-2250-182	271 - 506		
XD1-1104-635	350 - 508	XD3-2250-222	810 - 509		
XD1-1105-215	350 - 511	XD9-0104-000	361 - 36		
XD1-1106-212	270 - 503	XD9-0135-000	361 - 47		
XD1-1106-212	530 - 504	XD9-0136-000	103 - 2		
XD1-1106-222	102 - 503	XD9-0136-000	104 - 27		
XD1-1106-235	312 - 502	XD9-0136-000	272 - 16		
XD1-1108-212	530 - 511	XD9-0136-000	310 - 24		
XD1-1108-225	530 - 505	XD9-0136-000	351 - 16		
XD1-3100-407	108 - 505	XD9-0136-000	361 - 34		
XD1-4200-302	280 - 503	XD9-0136-000	530 - 46		
XD1-4200-402	140 - 505	XD9-0136-000	580 - 24		
XD1-4200-502	140 - 502	XD9-0137-010	103 - 5		
XD2-1100-242	350 - 506	XD9-0152-000	271 - 11		
XD2-1100-242	810 - 503	XF2-1603-340	361 - 26		
XD2-1100-282	311 - 511	XF2-1605-040	311 - 1		
XD2-1100-322	105 - 503	XF2-1605-240	361 - 23		
XD2-1100-322	106 - 501	XF2-1606-240	311 - 58		
XD2-1100-322	260 - 503	XF2-1606-640	260 - 7		
XD2-1100-322	272 - 504	XF2-1607-240	360 - 509		
XD2-1100-322	360 - 507	XF2-1608-240	350 - 33		
XD2-1100-322	810 - 512	XF9-0733-000	360 - 65		
XD2-1100-402	350 - 510	XF9-0734-000	360 - 66		
XD2-1100-402	810 - 502	XF9-0735-000	360 - 67		
XD2-1100-502	001 - 503	XF9-0736-000	350 - 31		
XD2-1100-502	101 - 505	XG9-0149-000	106 - 3		
XD2-1100-502	270 - 502	XG9-0149-000	360 - 70		
XD2-1100-502	271 - 504	XG9-0177-000	102 - 6		
XD2-1100-502	311 - 510	XG9-0177-000	810 - 36		
XD2-1100-502	313 - 503	XG9-0264-000	271 - 9		
XD2-1100-502	350 - 504	XG9-0415-000	530 - 27		
XD2-1100-502	360 - 508	XG9-0476-000	102 - 5		
XD2-1100-502	810 - 511	XG9-0482-000	361 - 49		
XD2-1100-642	271 - 505	XG9-0507-000	311 - 92		
XD2-1100-642	280 - 505	XG9-0507-000	810 - 48		
XD2-1100-642	311 - 512	XG9-0520-000	360 - 68		
XD2-1100-642	530 - 507	XG9-0521-000	530 - 47		
XD2-1100-642	810 - 508	XG9-0558-000	350 - 50		
XD2-1100-802	102 - 501	XG9-0596-000	530 - 26		
XD2-1200-902	271 - 502	XG9-0609-000	350 - 49		
XD2-1200-902	530 - 509	XH9-0125-000	102 - 3		

Color imageRUNNER C5185/5180/ 4580/4080/

iR C5185

100V	F14-8016-000	MEN
120V UL	F14-8036-000	MEQ
230V	F14-8046-000	MEW
230V AU	F14-8066-000	MEY

iR C5185N

100V	F14-8017-000	MEP
-------------	---------------------	------------

iR C5185i

120V UL	F14-8038-000	MER
230V	F14-8047-000	MEX
230V KR	F14-8077-000	MEZ
230V EUR	F14-8098-000	MEV

iR C5180

100V	F14-8011-000	TLX
120V	F14-8032-000	TND
230V	F14-8041-000	TNH
230V AU	F14-8061-000	TNK

iR C5180N

100V	F14-8012-000	TLY
-------------	---------------------	------------

iR C5180i

120V TW	F14-8002-000	TNN
120V	F14-8035-000	TNF
230V	F14-8042-000	TNJ
230V KR	F14-8072-000	TNM

CLC5151

230V EUR	F14-8091-000	TNG
230V EUR	F15-3191-000	TPP

iR C4580

100V	F14-8111-000	TNP
120V UL	F14-8132-000	TNR
230V	F14-8141-000	TNV
230V AU	F14-8161-000	TNX
100V	F15-3211-000	TPT
120V UL	F15-3232-000	TPV
230V	F15-3241-000	TPZ
230V AU	F15-3261-000	TQC

iR C4580F

100V	F14-8113-000	TNQ
100V	F15-3213-000	TPU

iR C4580i

120V UL	F14-8135-000	TNS
230V	F14-8142-000	TNW
230V KR	F14-8172-000	TPB

230V CN	F14-8181-000	TUY
230V EUR	F14-8195-000	TNU
120V UL	F15-3235-000	TPW
230V	F15-3242-000	TQB
230V KR	F15-3272-000	TPR
230V CN	F15-3281-000	TPQ
230V EUR	F15-3295-000	TPY

iR C4080

120V	F14-8232-000	TPF
------	--------------	-----

Contents

A	ASSEMBLY LOCATION DIAGRAM	2-1
001	READER MOUNTING HARDWARE	2-6
010	ACCESSORY	2-8
100	EXTERNAL COVERS, PANELS, ETC.	2-12
101	MACHINE FRONT PLATE	2-16
102	INTERNAL COMPONENTS 1	2-20
103	INTERNAL COMPONENTS 2	2-24
104	INTERNAL COMPONENTS 3	2-26
105	INTERNAL COMPONENTS 4	2-29
106	INTERNAL COMPONENTS 5	2-34
107	MACHINE REAR PLATE 1	2-36
108	MACHINE REAR PLATE 2	2-40
120	DOOR SWITCH ASSEMBLY	2-42
130	CONTROL PANEL ASSEMBLY	2-44
140	POWER CORD TERMINAL ASSEMBLY	2-46
260	PICK-UP MOTOR DRIVE ASSEMBLY	2-49
270	DEVELOPING DRIVE ASSEMBLY	2-50
271	INTERMEDIATE TRANSFER BELT DRIVE ASSEMBLY	2-52
272	TONER CARTRIDGE DRIVE ASSEMBLY	2-54
280	FIXING DRIVE ASSEMBLY	2-56
300	CASSETTE	2-58
310	PAPER PICK-UP ASSEMBLY	2-62
311	MULTI FEED ASSEMBLY	2-66
312	MULTI FEED TRAY ASSEMBLY	2-72
313	MULTI PAPER FEED MOUNT ASSEMBLY	2-74
350	DELIVERY VERTICAL PATH ASSEMBLY	2-77
351	VERTICAL PATH PANEL ASSEMBLY	2-82
360	DUPLEXING ASSEMBLY	2-84
361	EXTERNAL DELIVERY COVER ASSEMBLY	2-90
460	LASER UNIT	2-93
530	INTERMEDIATE TRANSFER BELT ASSEMBLY	2-94
531	TRANSFER CLEANING ASSEMBLY	2-97
580	SECONDARY TRANSFER ASSEMBLY	2-98
810	FIXING ASSEMBLY	2-100
900	CONTROLLER BOX ASSEMBLY	2-106
910	DC POWER SUPPLY ASSEMBLY	2-108
930	MAIN CONT. PCB ASSEMBLY	2-110
931	MAIN CONT. PCB ASS'Y, R-A/RO-B	2-111
932	MAIN CONT. PCB ASSY, PDRM-EF-A	2-112
933	MAIN CONT. PCB ASS'Y, SJ-A(EXCEPT iRC5185 Series)	2-113
934	MAIN CONT. PCB ASS'Y, L-C	2-114
935	MAIN CONT. PCB ASS'Y, RB-A	2-115
936	DC CONTROLLER PCB ASSEMBLY 1	2-116
937	DC CONTROLLER PCB ASSEMBLY 2	2-117
938	MAIN CONT. PCB ASS'Y, S-JJ	2-118
940	IH POWER/POTENTIAL SENSOR PCB ASSEMBLY	2-120
960	DRIVER PCB ASSEMBLY	2-122
T01	DISK UNIT (iR C4580F/3880F)	2-123
T10	FAX ASSEMBLY (iR C4580F/3880F)	2-124
T90	FAX BOARD PCB ASSEMBLY (iR C4580F/3880F)	2-126
T95	MODEM PCB ASSEMBLY (iR C4580F/3880F)	2-128

FIGURE A ASSEMBLY LOCATION DIAGRAM

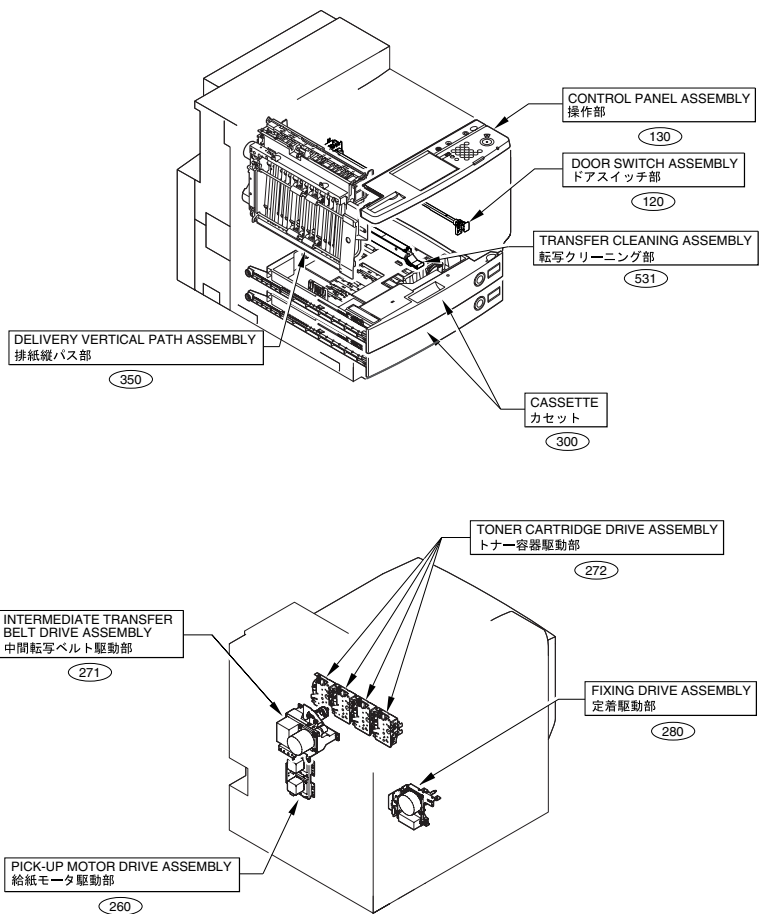


FIGURE A ASSEMBLY LOCATION DIAGRAM

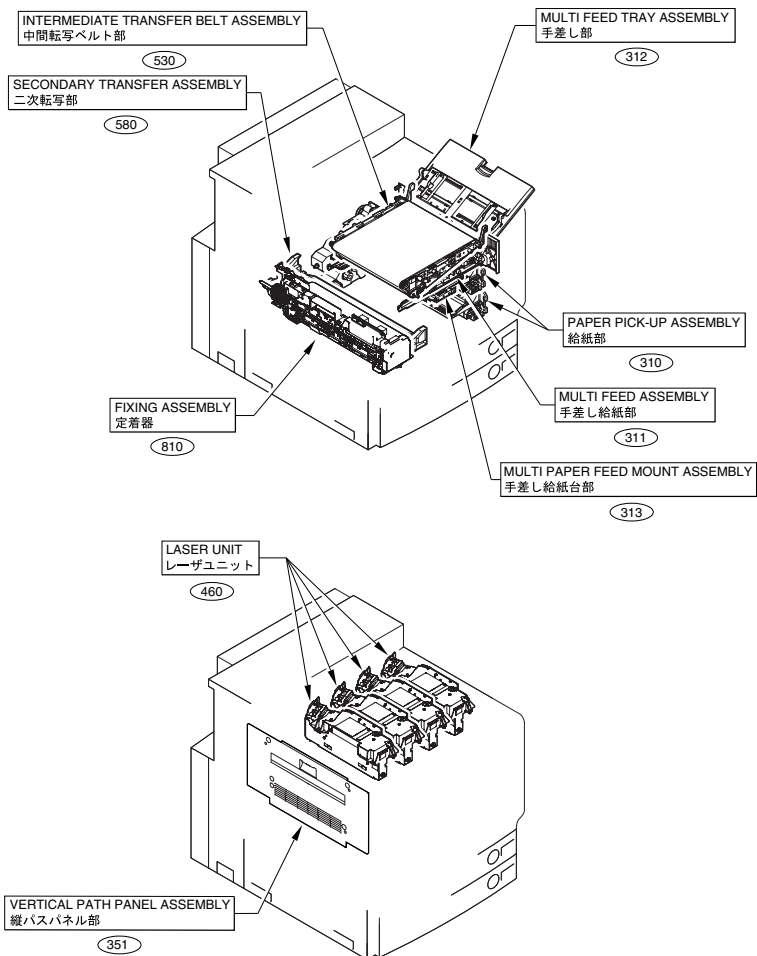


FIGURE A ASSEMBLY LOCATION DIAGRAM

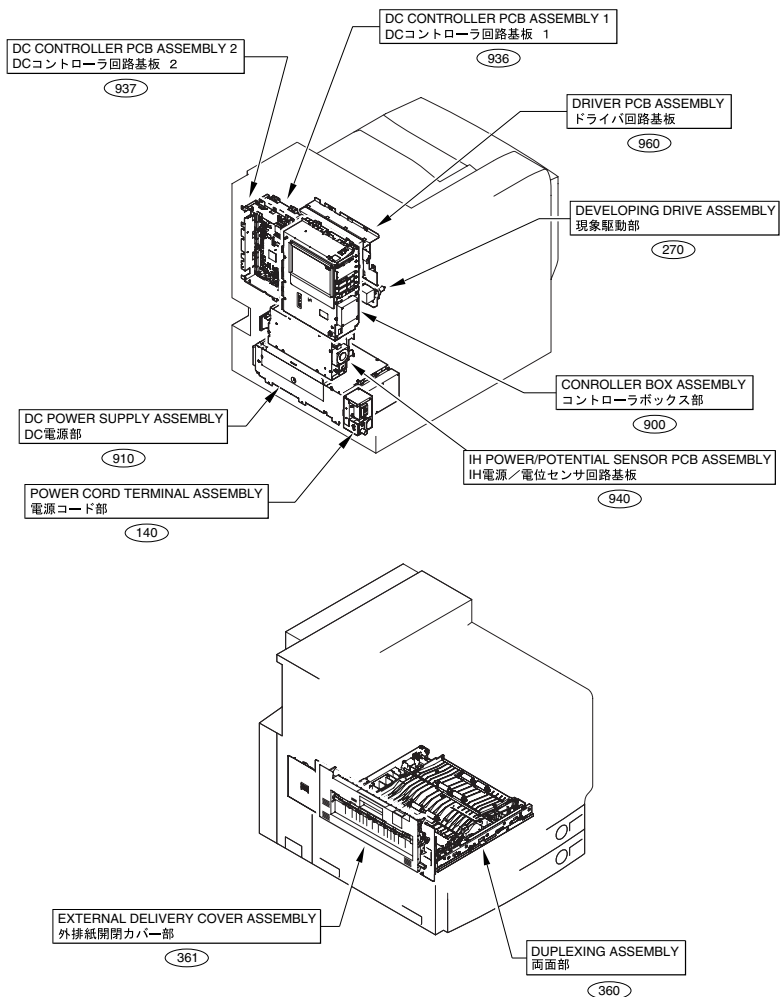
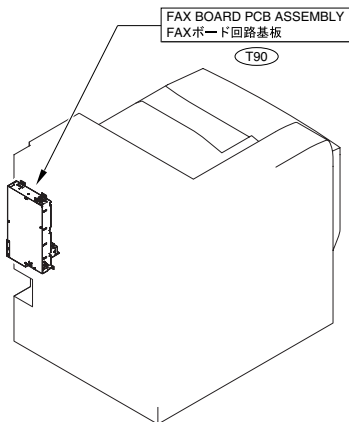


FIGURE A ASSEMBLY LOCATION DIAGRAM



No.	Model Name(English)	Model Name(Japanese)
1	Color Image Reader-E1	カラーイメージリーダー・E1
2	Color Image Reader-F1	カラーイメージリーダー・F1
3	Color Image Reader-G1	カラーイメージリーダー・G1
4	Stamp Unit-A1	スタンプユニット・A1
5	Stamp Unit-B1	スタンプユニット・B1
6	Paper Deck-Y1	サイドペーパーデッキ・Y1
7	Cassette Feeding Unit-Z1/Z2	2段カセットペディスタル・Z1/Z2
8	Plain Pedestal-E1/E2	プレーンペディスタル・E1/E2
9	Copy Tray-N1	コピートレイ・N1
10	Copy Tray-M1	コピートレイ・M1
11	Finisher-X1	フィニッシャー・X1
12	Stack Bypass Alignment Tray-B1	手差し補助トレイ・B1
13	Finisher-W1/ Saddle Finisher-W2	フィニッシャー・W1/ サドルフィニッシャー・W2
14	Puncher Unit- L1/M1/N1/P1/AG1/AH1/AJ1/AK1	パンチャーユニット・ L1/M1/N1/P1/AG1/AH1/AJ1/AK1
15	Cassette Heater Unit-24	カセットヒーターユニット・24
16	CST.Heater Kit-E1	ヒーター基板・E1
17	CST Heater Unit-31/32	カセットヒーターユニット31/32
18	Reader Heater Kit-F1	リーダーヒーターキット・F1
19	Super G3 FAX Board-V1	スーパーG3FAXボード・V1
20	Super G3 Multi-Line FAX Board-H1/H2	マルチポートFAXボード・H1/H2
21	HAND SET-G2	ハンドセット・G2
22	Color UFR II Printer Kit-N1	LIPS LXプリンタ&スキャナキット・N1
23	Voice Guidance Kit-A2/B1/ Voice Guidance Attachment Kit-A1	音声ガイダンスキット・A2/B1/ 音声ガイダンス取り付けキット・A1
24	Voice Operation Kit-A1	音声操作キット・A1
25	Security Expansion Board-E1	セキュリティ拡張ボード・E1
26	HDD Data Encryption Kit-B1	HDDデータ暗号化キット・B1
27	Document Tray-J1	原稿置き台・J1
28	Key Switch Unit-A1/A2	管理キーユニット・A1/A2
29	CARD READER-C1/D1	カードリーダー・C1/D1
30	iR C4580 SELF OPERATION ATTACHMENT KIT-A1	iR C4580 セルフ用圧板取り付けキット・A1
31	CiR Coin Manager Attachment Kit-A1	CiR課金装置接続キット・A1
32	ADF Access Handle-A1	ADFアクセスハンドル・A1
33	imagePASS-H1/ Color Network Printer Unit-H1	PSプリントサーバーユニット・H1
34	Port Connection Kit-A1	ポート接続キット・A1
35	ColorPASS-GX100/ PS-GX100	ColorPASS-GX100

FIGURE & KEY NO.	PARTS NUMBER	R A N K	Q'TY	DESCRIPTION	SERIAL NUMBER/ REMARKS	S V C
Fig.001	NPN		RF	READER MOUNTING HARDWARE		
1	FC5-1581-000		2	JOINT, READER		
2	FC5-1585-000		2	PLATE, GROUNDING		
3	FL2-4865-000		1	SUPPORT, READER, FRONT		
4	FL2-4866-000		1	SUPPORT, READER, REAR		
5	FC5-1574-000		1	ARM, READER SUPPORT		
6	FC5-1575-000		1	SPRING, TORSION		
7	FC5-1576-000		1	SHAFT, ARM		
8	FC5-1586-000		1	COVER, PRINTER		
9	FC5-4765-020		1	WIRE, GUIDE		
10	FS5-9400-020		1	SCREW,RS STEPPED,M5		
501	XB3-6400-805		AR	SCREW,RS,M4X8		
502	XD1-1104-135		1	WASHER,COP		
503	XD2-1100-502		3	RETAINING RING (E-TYPE)		
	FC7-0301-000		1	PLATE, READER JOINT, 1		
	FC7-0302-000		1	PLATE, READER JOINT, 2		

FIGURE 010 ACCESSORY

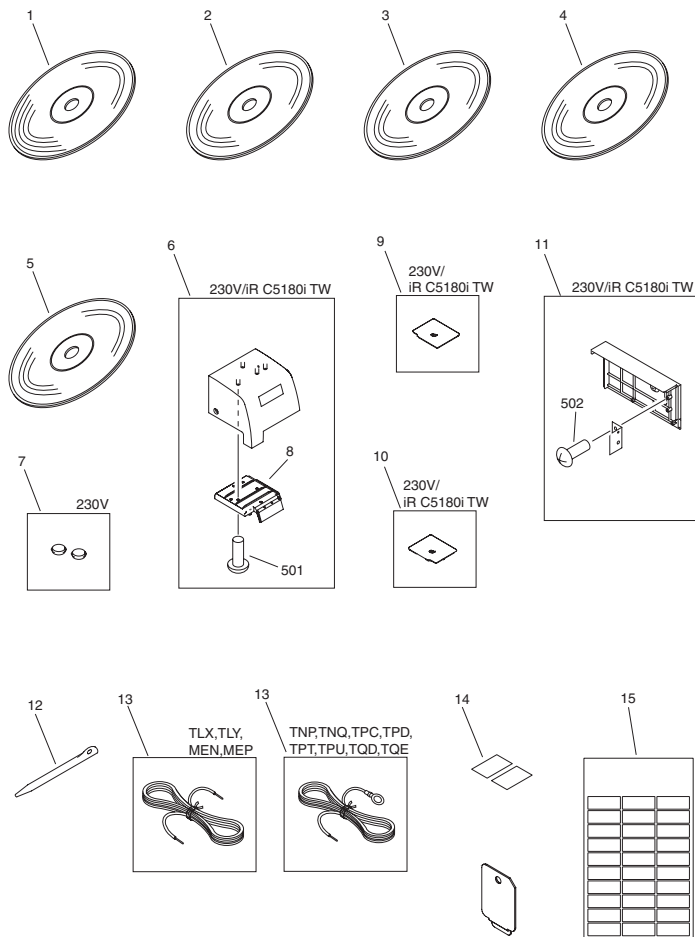


FIGURE & KEY NO.	PARTS NUMBER	RANK	Q'TY	DESCRIPTION	SERIAL NUMBER/REMARKS	SVC
Fig.010	NPN		RF	ACCESSORY		
1	FK2-3387-000		1	CD-ROM, MEAP SOFTWARE	TLX, TLY, TNP, TNQ, TPC, TPD Japanese	
1	FK2-3388-000		1	CD-ROM, MEAP SOFTWARE	TND, TNF, TNH, TNJ, TNKT NR, TNS, TNV, TNW, TNXT PF, TPG, TPJ English	
1	FK2-3389-000		1	CD-ROM, MEAP SOFTWARE	TNG, TNT, TNU, TPH English/French/Italian/German	
1	FK2-3377-000		1	CD-ROM, MEAP SOFTWARE	TNM, TPB Korean	
1	FK2-5607-000		1	CD-ROM, MEAP SOFTWARE	MEN, MEP, TPT, TPU, TQD, TQE Japanese	
1	FK2-5610-000		1	CD-ROM, MEAP SOFTWARE	MEQ, MER, MEW, MEX, ME YTPV, TPW, TPZ, TQB, TQ CTQG, TQH, TQK English	
1	FK2-5612-000		1	CD-ROM, MEAP SOFTWARE	MEV, TPP, TPX, TPY, TQJ English/French/Italian/ German	
1	FK2-5617-000		1	CD-ROM, SOFTWARE FOR MEAP	MEZ, TPR, TPQ English/ Simplified Chinese/ Traditional Chinese/ Korean	
2	FK2-3361-000		1	CD-ROM, LIPS LX SOFTWARE	TLY, TNQ, TPD Japanese	
2	FK2-5608-000		1	CD-ROM, LIPS LX SOFTWARE	MEP, TPU, TQE Japanese	
3	FK2-3385-000		1	CD-ROM, BDL/PCL DRIVER/UTILITY	TNF, TNS, TPG English	
3	FK2-5611-000		1	CD-ROM, BDL/PCL DRIVER/UTILITY	MER, TPW, TQH English	
3	FK2-5616-000		1	CD-ROM, BDL/PCL DRIVER/UTILITY	MEX, TQB English	
4	FK2-3375-000		1	CD-ROM, BDL DRIVER/UTILITY	TNJ, TNM, TNN, TNW, TUY, TPB English/Simplified Chinese/Traditional Chinese/Korean	
4	FK2-5625-000		1	CD-ROM, BDL DRIVER/UTILITY	MEZ, TPR, TPQ English/ Simplified Chinese/ Traditional Chinese/ Korean	
5	FK2-3366-000		1	CD-ROM, BDL/PCL/PS DRV/UTILITY	TNU, TPH English	
5	FK2-3369-000		1	CD-ROM, BDL/PCL/PS DRV/UTILITY	TNU, TPH French/Spanish	
5	FK2-3370-000		1	CD-ROM, BDL/PCL/PS DRV/UTILITY	TNU, TPH German/Italian	
5	FK2-5613-000		1	CD-ROM, BDL/PCL/PS DRV/UTILITY	MEV, TPY, TQJ English	
5	FK2-5614-000		1	CD-ROM, BDL/PCL/PS DRV/UTILITY	MEV, TPY, TQJ French/ Spanish	
5	FK2-5615-000		1	CD-ROM, BDL/PCL/PS DRV/UTILITY	MEV, TPY, TQJ German/ Italian	

FIGURE & KEY NO.	PARTS NUMBER	RANK	Q'TY	DESCRIPTION	SERIAL NUMBER/REMARKS	SVC
6	FG6-8927-020		1	PANEL, UPPER, LEFT	230V,iR C5180i TW	
7	FB6-3771-000		2	COVER, RUBBER	230V	
8	FB6-3788-020		1	PANEL, CARD		
9	FC7-1433-000		1	PANEL, SMALL, FRONT	230V,iR C5180i TW	
10	FC7-1434-000		1	PANEL, SMALL, REAR	230V,iR C5180i TW	
11	FG6-9012-000		1	PANEL, RACK, SMALL	230V,iR C5180i TW	
12	FB6-3950-000		1	PEN, TOUCH PANEL		
13	FK2-0979-000		1	CABLE, GROUNDING	TLX,TLY,MEN,MEP	
13	FL2-6365-000		1	CABLE, GROUNDING	TNP,TNQ,TPC,TPDTPT,T PU,TQD,TQE	
14	FB6-3491-000		1	PLATE, CASSETTE PAPER SIZE		
15	FC5-0563-020		1	LABEL, CASSETTE SIZE, PANEL		
501	XB4-5300-807		3	SCREW, P, M3X8		
502	XB4-5400-807		2	SCREW,P,M4X8		

FIGURE 100 EXTERNAL COVERS, PANELS, ETC.

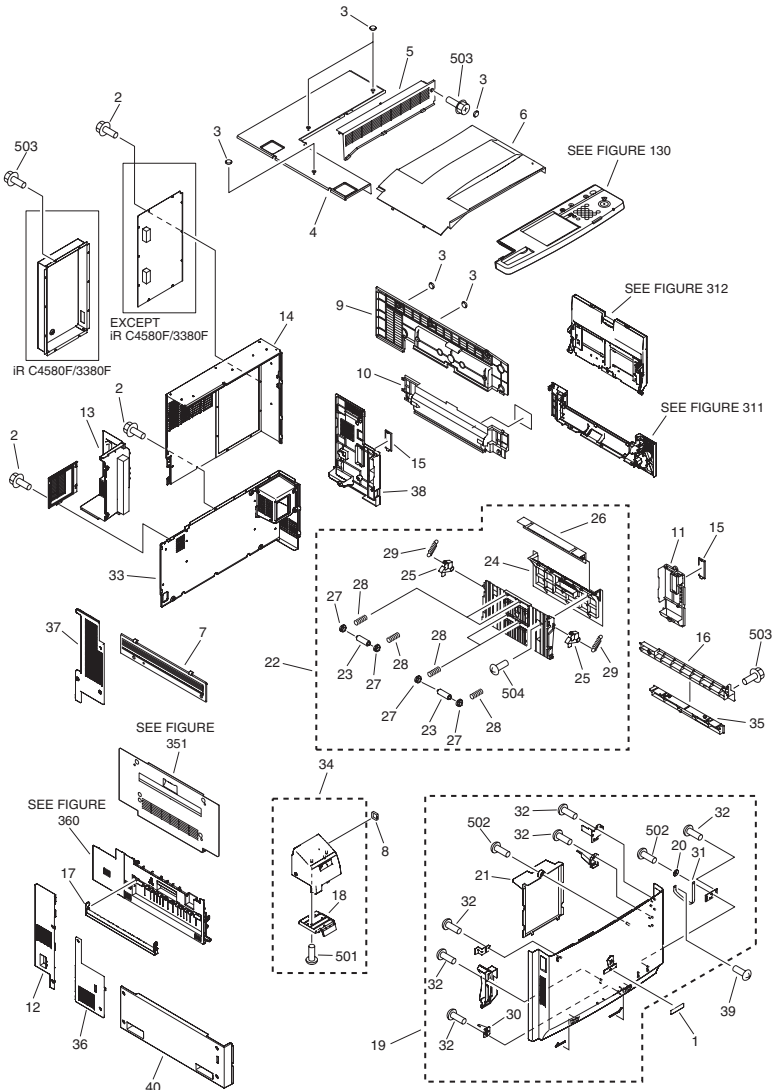


FIGURE & KEY NO.	PARTS NUMBER	R A N K	Q'TY	DESCRIPTION	SERIAL NUMBER/ REMARKS	S V C
Fig.100	NPN		RF	EXTERNAL COVERS, PANELS, ETC.		
1	FC7-0760-000		1	PLATE, NAME	TLX,TNH,TKN	
1	FC7-3936-000		1	PLATE, NAME	TLY	
1	FC7-3937-000		1	PLATE,NAME	TND	
1	FC7-3938-000		1	PLATE, NAME	TNF	
1	FC7-3940-000		1	PLATE,NAME	TNG	
1	FC7-3939-000		1	PLATE, NAME	TNJ	
1	FC7-3941-000		1	PLATE, NAME	TNP,TNV,TNX	
1	FC7-3942-000		1	PLATE, NAME	TNQ	
1	FC7-3943-000		1	PLATE, NAME	TNR	
1	FC7-3944-000		1	PLATE, NAME	TNS	
1	FC7-3946-000		1	PLATE, NAME	TNT	
1	FC7-3945-000		1	PLATE, NAME	TNW,TNU,TPQ,TPR	
1	FC7-3947-000		1	PLATE, NAME	TPC	
1	FC7-3948-000		1	PLATE, NAME	TPD	
1	FC7-3949-000		1	PLATE, NAME	TPF	
1	FC7-3951-000		1	PLATE, NAME	TPG	
1	FC7-3952-000		1	PLATE, NAME	TPH	
1	FC7-3950-000		1	PLATE, NAME	TPJ	
1	FC7-7422-000		1	PLATE, NAME	MEN,MEW,MEY	
1	FC7-7423-000		1	PLATE, NAME	MEP	
1	FC7-7424-000		1	PLATE, NAME	MEQ	
1	FC7-7425-000		1	PLATE, NAME	MER	
1	FC7-7426-000		1	PLATE, NAME	MEV,MEX,MEZ	
2	XA9-0633-000		AR	SCREW,RS,W/WASHER,M4X8		
3	FB6-3771-000		6	COVER, RUBBER		
4	FC6-9875-000		1	PANEL, UPPER, 1		
5	FB6-3766-000		1	UPPER PANEL, 2		
6	FC7-9328-000		1	TRAY, FACE-DOWN		
7	FB6-3768-000		1	LEFT PANEL, UPPER		
8	FB6-3006-000		1	CAP, BLANKING		
9	FB6-3775-000		1	RIGHT PANEL, UPPER		

FIGURE & KEY NO.	PARTS NUMBER	R A N K	Q'TY	DESCRIPTION	SERIAL NUMBER/ REMARKS	S V C
10	FB6-3776-000		1	RIGHT PANEL, MIDDLE		
11	FB6-3777-000		1	RIGHT PANEL, FRONT		
12	FL2-5350-000		1	COVER, LEFT REAR LOWER, 2		
13	FL2-5352-000		1	COVER, LEFT REAR UPPER, 2		
14	FL2-5794-010		1	COVER, REAR, UPPER		
15	FB6-3376-000		2	COVER, LATCH, RIGHT		
16	FB6-3504-000		1	RIGHT PANEL, LOWER		
17	FC7-4210-000		1	COVER, FACE-UP PROTECTIVE		
18	FB6-3788-020		1	PANEL, CARD		
19	FM2-5683-000		1	FRONT PANEL ASSEMBLY		
20	FB6-7004-000		1	WASHER, PLAIN		
21	FC7-0758-000		1	HOLDER, SERVICE BOOK		
22	FG6-9019-000		1	DOOR, RIGHT		
23	FB6-3313-000		4	ROLLER, PAPER FEED		
24	FB6-3503-000		1	PANEL, RIGHT		
25	FB6-3331-000		2	HOOK, DOOR		
26	FB6-3332-000		1	PANEL, DECK PATH		
27	FU5-1035-000		8	BUSHING		
28	FS7-2788-000		8	SPRING, COMPRESSION		
29	FS7-2789-000		2	SPRING, TENSION		
30	FB6-3139-000		1	CLAW, SWING		
31	FC7-0761-000		1	TAPE, HOLD		
32	XA9-0605-000		15	SCREW, M4X8		
33	FM2-6162-000		1	REAR COVER UNIT, LOWER		
34	FM2-7456-000		1	COVER UNIT, LEFT UPPER		
35	FB6-3443-000		1	RIGHT PANEL, LOWER		
36	FC6-9868-000		1	COVER, LEFT REAR LOWER, 1		
37	FC6-9869-000		1	COVER, LEFT REAR UPPER, 1		
38	FL2-6567-000		1	COVER, LEFT REAR LOWER		
39	XA9-0783-000		1	SCREW,W/WASHER,RS,M4X12		
40	FC6-9878-000		1	COVER, LEFT LOWER		
501	XB4-5300-807		AR	SCREW, P, M3X8		

FIGURE & KEY NO.	PARTS NUMBER	R A N K	Q'TY	DESCRIPTION	SERIAL NUMBER/ REMARKS	S V C
502	XB1-2400-807		AR	SCREW, M4X8		
503	XB3-6400-805		AR	SCREW,RS,M4X8		
504	XB4-5401-007		AR	SCREW, M4X10		

FIGURE & KEY NO.	PARTS NUMBER	R A N K	Q'TY	DESCRIPTION	SERIAL NUMBER/ REMARKS	S V C
Fig.101	NPN		RF	MACHINE FRONT PLATE		
1	FC6-8888-000		4	STOPPER		
2	FB6-2990-000		2	HINGE, FRONT PANEL		
3	FU6-2600-000		1	SPRING, TENSION		
4	FC7-2704-000		1	HANDLE		
5	FC6-8889-000		4	HOLDER, STOPPER		
6	FC6-8809-000		1	COVER, INTERNAL, UPPER	TNP,TNQ,TNR,TNS,TNU TNV,TNW,TNX,TUY,TPB TPC,TPD,TPF,TPG,TPHT PJ,MEV,TPT,TPU,TPVTP W,TPY,TPZ,TQB,TQCTP Q,TPR,TQD,TQE,TQGTQ H,TQJ,TQK	
6	FC6-8940-000		1	COVER, INTERNAL, UPPER	TLX,TLY,TND,TFN,TNGT NH,TNJ,TNK,TNM,TNNT NT,MEN,MEP,MEQ,MER MEW,MEX,MEY,MEZ,TP PTPX	
7	FF6-2038-000		1	PLATE, POSITIONING		
8	FM2-5376-000		1	DRUM UNIT COVER ASSEMBLY		
9	FF6-2085-000		1	SUPPORT, LEAD CAM		
10	FM2-5382-010		1	INNER COVER ASSEMBLY, LOWER		
11	VS1-7176-002		4	CONNECTOR, SNAP TIGHT,BK		
12	FS7-2844-000		1	SPRING, TENSION		
13	FM2-7186-000		1	CABLE, TONER CRG. CONNECTING		
14	FB6-3830-000		1	COLOR LABEL, LEVER, YELLOW		
15	FB6-3831-000		1	COLOR LABEL, LEVER, MAGENTA		
16	FB6-3832-000		1	COLOR LABEL, LEVER, CYAN		
17	FB6-3833-000		1	COLOR LABEL, LEVER, BLACK		
18	FC7-1501-000		1	SPRING, TORSION		
19	FG6-9005-000		4	LEVER, TONER CARTRIDGE		
20	FH7-7312-000		1	IC, EE-SX4235A-P2,	PS5	
21	FB6-7003-000		3	SHAFT, HINGE		
22	FL2-4931-000		1	HOLDER, OPEN/CLOSE SENSOR		
23	FB6-3202-000		4	BUSHING		
24	FB6-3203-000		1	CAM, LEAD		
25	FB6-3205-000		1	PLATE, GROUNDING		

FIGURE & KEY NO.	PARTS NUMBER	RANK	Q'TY	DESCRIPTION	SERIAL NUMBER/REMARKS	SVC
26	FB6-3207-000		6	RING, HINGE SHAFT STOP		
27	FB6-3819-020		1	LABEL, COLOR, YELLOW		
28	FB6-3820-020		1	LABEL, COLOR, YELLOW/MAGENTA		
29	FB6-3821-020		1	LABEL, COLOR, MAGENTA/CYAN		
30	FB6-3822-020		1	LABEL, COLOR, CYAN/BLACK		
31	FF6-2099-000		4	PIN, THRUST		
32	FF6-2110-000		1	GUIDE, PROCESS CARTRIDGE DOOR		
33	FS5-6949-000		4	SPACER		
34	FS5-9754-020		1	SCREW,MACH.,C.S. HEAD,M3X4.5		
35	FS7-2826-000		4	SPRING, COMPRESSION		
36	FU3-0308-000		1	GEAR, 44T		
37	FU3-0309-000		1	GEAR, 22T		
38	FC6-8875-000		1	LEVER		
39	VS1-7177-003		1	CONNECTOR, SNAP TIGHT, BK		
40	FM2-7164-000		1	CABLE, DESORPTION SENSOR		
41	FM2-5383-000		1	WASTE TONER BOTTLE UNIT		
42	FG6-9061-000		1	SOLENOID ASSEMBLY	SL5	
43	FU6-2585-000		4	SPRING, COMPRESSION		
44	FC6-8885-000		1	COVER, INNER, LOWER		
45	FC7-2705-000		1	BUTTON, CLEANING		
46	FB6-3283-000		1	HOLDER, CLEANING BUTTON		
47	FS7-2849-000		1	SPRING, COMPRESSION		
48	FC7-2703-000		1	COVER, DRUM DOOR		
49	FC7-1432-000		1	HOLDER, SENSOR		
50	FB6-2995-000		1	MOUNT, CONTROL PANEL		
51	FC7-2706-000		1	FLAG, BOTTLE SENSING		
52	FG3-2374-000		1	WASTE TONER SENSOR PCB ASS'Y		
53	FG3-2375-000		1	WASTE TONER SENSOR PCB ASS'Y		
54	FK2-2530-000		1	FAN	FM11	
55	FL2-4232-000		1	HOLDER, I.T.B. FAN		
56	FM2-7094-000		1	CABLE, WASTE TONER SENSOR		
57	FL2-4248-000		1	COVER, SWING		

FIGURE & KEY NO.	PARTS NUMBER	RANK	Q'TY	DESCRIPTION	SERIAL NUMBER/REMARKS	SVC
58	XZ9-0585-000		2	MAGNET CATCH		
59	FC7-2707-000		1	COVER, CLEANER FAN		
60	FL2-5780-000		1	FILTER, AIR		
61	FC7-1499-000		1	PANEL, OPEN/CLOSE SENSOR		
62	FC7-1500-000		1	FLAG, FIXING OPEN/CLOSE SENSOR		
501	XB4-5300-807		AR	SCREW, P, M3X8		
502	XB2-8300-807		AR	SCREW, M3X8		
503	XB3-6300-605		AR	SCREW,RS,M3X6		
504	XB4-5300-607		1	SCREW,P,M3X6		
505	XD2-1100-502		1	RETAINING RING (E-TYPE)		
506	XB3-6400-805		AR	SCREW,RS,M4X8		

FIGURE & KEY NO.	PARTS NUMBER	R A N K	Q'TY	DESCRIPTION	SERIAL NUMBER/ REMARKS	S V C
Fig.102	NPN		RF	INTERNAL COMPONENTS 1		
1	FL2-5351-000		1	CROSSMEMBER, LEFT REAR, LOWER		
2	FB6-3442-000		1	HANDLE, FRONT		
3	XH9-0125-000		2	FOOT		
4	FB6-5060-000		1	PANEL, HEATER PCB		
5	XG9-0476-000		2	BUSHING		
6	XG9-0177-000		2	BALL BEARING, NMB DDL-1480ZZR		
7	FB6-3963-000		2	SHAFT, ROLLER		
8	FM2-7449-000		1	MAIN BODY PLATE ASSEMBLY, MD.		
9	FK2-2527-000		2	FAN	FM12,14	
10	FB6-3507-000		2	BLOCK, SWING		
11	FG3-2348-000		1	CABLE,CASSETTE SIZE SENSOR		
12	WC2-5332-000		1	SWITCH, PAPER SIZE	SW2,3	
13	FS7-2808-000		1	SPRING, COMPRESSION		
14	FS7-2807-000		1	SPRING, COMPRESSION		
15	FB6-3494-000		1	HOLDER, SWITCH, 3		
16	FB6-3493-000		1	HOLDER, SWITCH, 2		
17	FB6-3492-000		1	HOLDER, SWITCH, 1		
18	FG3-2347-000		1	CABLE, LEFT LOWER CROSSMEMBER		
19	FF6-2063-000		1	PLATE, SIDE REGIST. ADJUSTMENT		
20	FM2-7185-000		1	CABLE, FAN CONNECTING		
21	FB6-2988-000		2	PLATE, LEVER REINFORCEMENT		
22	XA9-1748-000		4	SCREW, BH, M4X22		
23	FB6-2986-000		2	CAM, LOCK		
24	FC6-9896-000		1	SHAFT, SWING		
25	FS7-2865-000		1	SPRING, TORSION		
26	VS1-7177-003		2	CONNECTOR, SNAP TIGHT, BK		
27	FB6-3497-000		1	RAIL, LEFT		
28	FB6-3495-000		1	RAIL, RIGHT		
29	VS1-7177-006		1	CONNECTOR, SNAP TIGHT, BK		
30	XA9-0721-010		1	SCREW,RS,M4X10		
31	FB6-2987-000		1	LEVER, TRANSFER PRESSURE		

FIGURE & KEY NO.	PARTS NUMBER	RANK	Q'TY	DESCRIPTION	SERIAL NUMBER/REMARKS	SVC
32	XA9-1502-000		2	SCREW,W/WASHER,M4		
501	XD2-1100-802		2	RETAINING RING (E-TYPE)		
502	XB3-6300-605		AR	SCREW,RS,M3X6		
503	XD1-1106-222		4	WASHER,COP		
504	XB3-6400-805		AR	SCREW,RS,M4X8		
505	XB2-8401-607		2	SCREW,W/WASHER,M4X16		

FIGURE 103 INTERNAL COMPONENTS 2

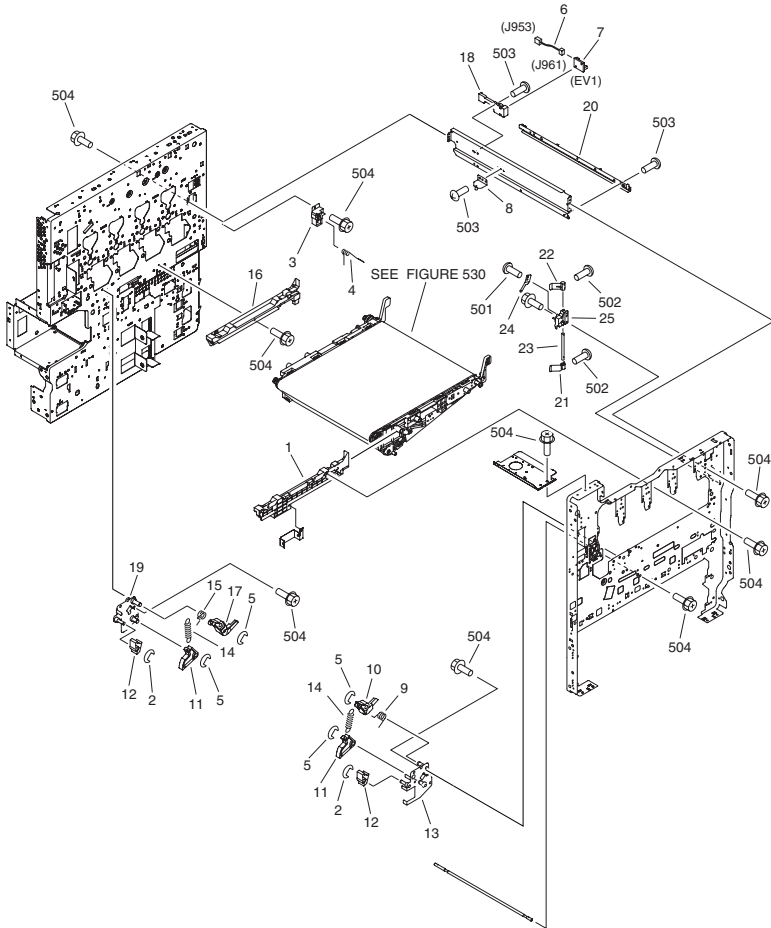


FIGURE & KEY NO.	PARTS NUMBER	RANK	Q'TY	DESCRIPTION	SERIAL NUMBER/REMARKS	SVC
Fig.103	NPN		RF	INTERNAL COMPONENTS 2		
1	FC6-8872-000		1	RAIL, TRANSFER, FRONT		
2	XD9-0136-000		2	RING, E		
3	FB6-3288-000		1	BLOCK, REG. SENSOR POSITION, R		
4	FB6-3289-000		1	SPRING, TORSION		
5	XD9-0137-010		4	RING, E		
6	FG3-2319-000		1	CABLE, ENVIRONMENT SENSOR		
7	FH7-7602-020		1	ENVIRONMENT SENSOR UNIT	EV1	
8	FF6-2047-000		1	PLATE, OPEN/CLOSE PIN		
9	FB6-2960-000		1	SPRING, TORSION		
10	FB6-2961-000		1	ARM, PRESSURE, FRONT		
11	FB6-2965-000		2	LEVER, LOCK		
12	FB6-2968-000		2	CAM, SWING		
13	FF6-2016-000		1	SUPPORT, SWING SHAFT, FRONT		
14	FS7-2785-000		2	SPRING, TENSION		
15	FB6-2964-000		1	SPRING, TORSION		
16	FB6-2993-000		1	RAIL, TRANSFER, REAR		
17	FB6-2967-000		1	ARM, PRESSURE, REAR		
18	FB6-3285-000		1	COVER, ENVIRONMENT SENSOR		
19	FF6-2017-000		1	SUPPORT, SWING SHAFT, REAR		
20	FB6-3172-000		1	RAIL, PROCESS CARTRIDGE		
21	FB6-3278-000		1	CAM, CLEANING, 1		
22	FB6-3279-000		1	CAM, CLEANING, 2		
23	FB6-3280-000		1	SHAFT, CLEANING CAM		
24	FB6-3281-000		1	SPRING, LEAF		
25	FB6-3277-000		1	BLOCK, REG. SENSOR POSITION, F		
501	XB4-5300-807		1	SCREW, P, M3X8		
502	XB6-7300-807		2	SCREW, TP, M3X8		
503	XB6-7300-407		5	SCREW, TP, M3X4		
504	XB3-6400-805		AR	SCREW,RS,M4X8		

FIGURE 104 INTERNAL COMPONENTS 3

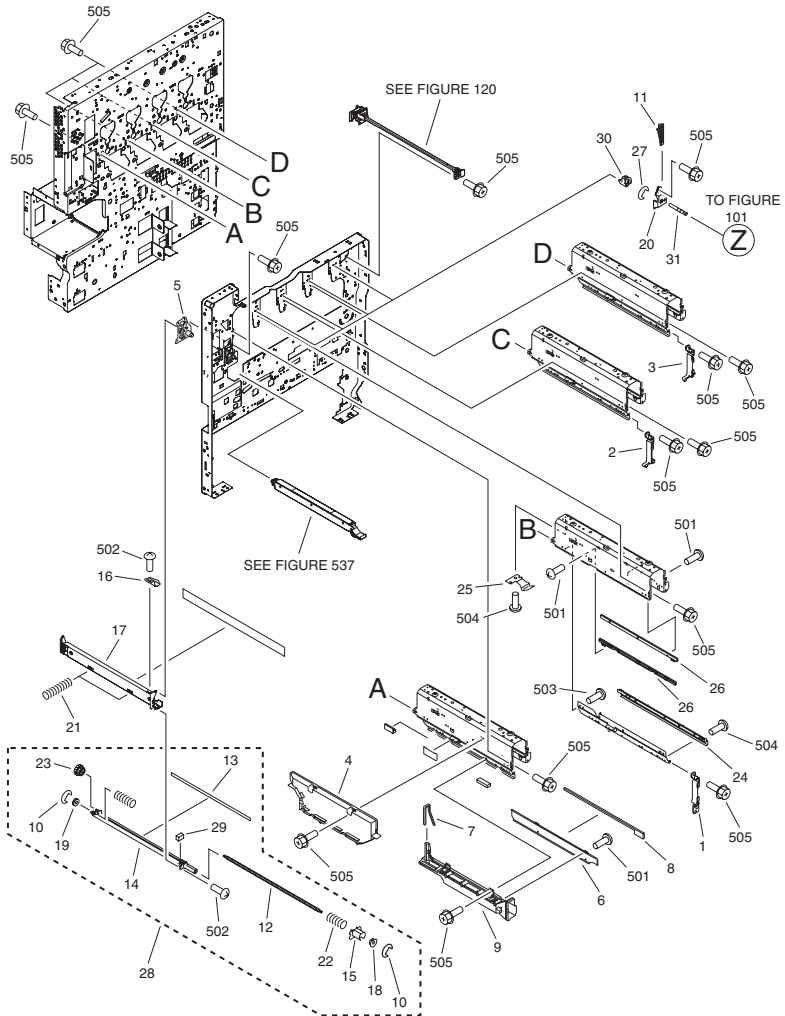


FIGURE & KEY NO.	PARTS NUMBER	R A N K	Q'TY	DESCRIPTION	SERIAL NUMBER/ REMARKS	S V C
Fig.104	NPN		RF	INTERNAL COMPONENTS 3		
1	FB6-6641-000		1	RAIL, MAGENTA		
2	FB6-3188-000		1	RAIL, CYAN		
3	FB6-3189-000		1	RAIL, BLACK		
4	FF6-2107-000		1	DUCT, T. CARTRIDGE SIDE PLATE		
5	FF6-2039-000		1	PLATE, POSITIONING, LEFT		
6	FB6-3800-000		1	PLATE, DUCT SEPARATION		
7	FB6-3801-000		1	SEAL, DUCT, 1		
8	FB6-3807-000		1	SEAL, DUCT, 7		
9	FF6-2106-000		1	DUCT, PROCESS CARTRIDGE		
10	FA3-8727-000		2	RETAINING RING		
11	FB6-3193-000		1	BAR, SLIDE		
12	FC6-8884-000		1	SCREW,FEEDER		
13	FB6-3118-000		1	SHEET		
14	FC6-8883-000		1	CASE, FEEDSCREW		
15	FB6-3120-000		1	SHUTTER, CLEANING		
16	FB6-3152-000		1	GUIDE		
17	FL2-4254-000		1	RAIL, CLEANING SUPPORT		
18	FS6-1060-000		1	BUSHING		
19	FS7-0579-000		1	GEAR, 25T		
20	FB6-3190-000		1	BLOCK, TONER CARTRIDGE LEVER		
21	FS7-2842-000		2	SPRING, COMPRESSION		
22	FU6-2587-000		1	SPRING, COMPRESSION		
23	FU3-0343-000		1	GEAR, 28T/28T		
24	FB6-3172-000		1	RAIL, PROCESS CARTRIDGE		
25	FB6-3173-000		1	PLATE, TONER CARTRIDGE LOCK		
26	FB6-3175-000		2	RAIL, TONER CARTRIDGE		
27	XD9-0136-000		1	RING, E		
28	FM2-5385-000		1	ITB CLEANER SCREW UNIT		
29	FC7-2159-000		1	BRUSH		
30	FU3-0345-000		1	GEAR, 32T		
31	FB6-3192-000		1	SHAFT, TONER CARTRIDGE LEVER		

FIGURE & KEY NO.	PARTS NUMBER	R A N K	Q'TY	DESCRIPTION	SERIAL NUMBER/ REMARKS	S V C
501	XB4-5300-607		6	SCREW,P,M3X6		
502	XB1-2300-607		2	SCREW, BH3X6(S)		
503	XB3-6300-805		3	SCREW,RS,M3X8		
504	XB6-7300-407		4	SCREW, TP, M3X4		
505	XB3-6400-805		AR	SCREW,RS,M4X8		

FIGURE 105 INTERNAL COMPONENTS 4

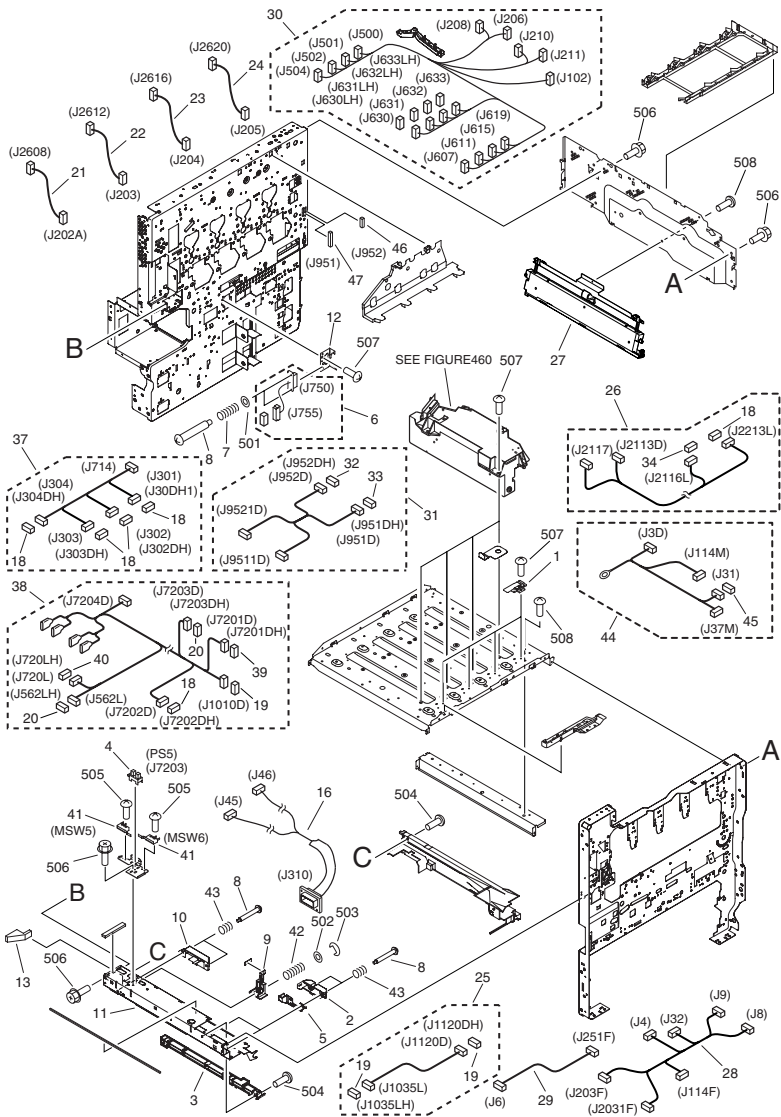


FIGURE & KEY NO.	PARTS NUMBER	RANK	Q'TY	DESCRIPTION	SERIAL NUMBER/REMARKS	SVC
Fig.105	NPN		RF	INTERNAL COMPONENTS 4		
1	FB6-3261-000		4	PLATE, SCANNER ADJUSTMENT		
2	FC6-9908-000		2	COVER, IH DRAWER OUTER		
3	FC6-9909-000		1	GUIDE, IH CABLE, 2		
4	FH7-7312-000		1	IC, EE-SX4235A-P2,	PS50	
5	FC7-0734-000		2	PLATE, IH DRAWER COVER OUTER		
6	FG3-2346-000		1	CABLE, DRAWER		
7	FS7-2796-000		2	SPRING, COMPRESSION		
8	FS5-9758-020		8	SCREW, STEPPED, M3		
9	FC6-9903-000		1	FLAG, FIXING/FEEDER SENSOR		
10	FC6-9907-000		1	COVER, DC DRAWER		
11	FL2-4228-000		1	CROSSMEMBER, FIXING, UPPER		
12	FB6-3366-000		1	MOUNT, DRAWER CABLE		
13	FB6-3839-000		1	SEAL, DUCT		
14	FM2-7103-000		1	CABLE, DRIVER		
15	VS1-7164-016		1	CONNECTOR, SNAP TIGHT, 16P		
16	FM2-7127-000		1	CABLE, FIXING DRAWER	100V, 120V	
16	FM2-7128-000		1	CABLE, FIXING DRAWER	230V	
17	VS1-7177-009		2	CONNECTOR, 9P		
18	VS1-7177-002		6	CONNECTOR, SNAP TIGHT, BK		
19	VS1-7177-003		7	CONNECTOR, SNAP TIGHT, BK		
20	VS1-7177-004		4	CONNECTOR, SNAP TIGHT, BK		
21	FM2-7090-000		1	CABLE, SCANNER, YELLOW		
22	FM2-7091-000		1	CABLE, SCANNER, MAGENTA		
23	FM2-7092-000		1	CABLE, SCANNER, CYAN		
24	FM2-7093-000		1	CABLE, SCANNER, BLACK		
25	FM2-7111-000		1	CABLE, CASSETTE HEATER		
26	FG3-3005-020		1	CABLE, CONTROLLER		
27	FM2-5387-000		1	PATTERN READER ASSEMBLY		
28	FM2-7129-000		1	CABLE, CONNECTING		
29	FM2-7135-000		1	CABLE, AC DRIVER IH		
30	FM2-7459-000		1	SCANNER MOUNT CABLE ASS'Y		

FIGURE & KEY NO.	PARTS NUMBER	RANK	Q'TY	DESCRIPTION	SERIAL NUMBER/REMARKS	SVC
31	FM2-7166-000		1	CABLE, REG. SENSING CONNECTING	MSU5,6	
32	VS1-7173-007		1	CONNECTOR, SNAP TIGHT, 7P		
33	VS1-7173-014		1	CONNECTOR, SNAP TIGHT, 14P, W		
34	VS1-7164-036		1	CONNECTOR, SNAP TIGHT, 36P, W		
35	VS1-7177-006		1	CONNECTOR, SNAP TIGHT, BK		
36	VS1-7177-010		1	CONNECTOR, 10P		
37	FM2-7107-000		1	CABLE, PROCESS CRG. CONNECTING		
38	FM2-7099-000		1	CABLE, FIXING CROSSMEMBER		
39	VS1-7173-008		1	CONNECTOR, SNAP TIGHT, 8P, W		
40	VS1-7173-019		1	CONNECTOR, SNAP TIGHT		
41	RH7-6037-000		2	SWITCH, INTERLOCK		
42	FS7-2853-000		1	SPRING, COMPRESSION		
43	FS5-2964-000		6	SPRING, COMPRESSION		
44	FM2-7104-000		1	CABLE, TBF DRAWER		
45	VS1-7164-040		1	CONNECTOR, SNAP TIGHT		
46	VS1-6318-006		1	CONNECTOR, SNAP TIGHT		
47	VS1-6318-014		1	CONNECTOR, SNAP TIGHT		
501	XD1-1104-135		AR	WASHER,COP		
502	XD1-1104-635		1	WASHER,COP		
503	XD2-1100-322		1	RETAINING RING (E-TYPE)		
504	XB2-8400-807		AR	SCREW,W/WASHER,M4X8		
505	XB2-4231-207		AR	SCREW,W/WASHER,M2.3X12		
506	XB3-6400-805		AR	SCREW,RS,M4X8		
507	XB2-8301-006		AR	SCREW,W/WASHER,M3X10		
508	XB1-2400-607		AR	SCREW, CROSS-RECESS, FCH		

FIGURE & KEY NO.	PARTS NUMBER	RANK	Q'TY	DESCRIPTION	SERIAL NUMBER/REMARKS	SVC
Fig.106	NPN		RF	INTERNAL COMPONENTS 5		
1	RB1-6484-000		1	STOPPER, OPEN/CLOSE		
2	FC6-8686-000		1	COVER,PAPER DELI. INNER, REAR		
3	XG9-0149-000		2	BEARING, BALL, 684AA1T12DZZ,		
4	FB6-3409-000		2	BRACKET		
5	FB6-3316-000		1	PLATE, REGISTRATION STOP		
6	FB6-3526-000		1	LABEL, SIZE, MANUAL FEED	100V	
6	FB6-3528-000		1	LABEL, SIZE, MANUAL FEED	TNG,TNT,TNU,TPH,MEV TPP,TPX,TPY,TQJ	
6	FB6-3527-000		1	LABEL, SIZE, MANUAL FEED	TND,TNF,TNR,TNS,TPFT PG,MEQ,MER,TPV,TPWT QG,TQH	
6	FC7-3919-000		1	LABEL, SIZE, MANUAL FEED	TNH,TNJ,TNK,TNM,TNNT NV,TNW,TNX,TUY,TPBT PJ,MEW,MEX,MEY,TPZT QB,TQC,TQK,MEZ,TPQ,T PR	
7	FB6-3887-000		2	CLIP		
8	FB6-3689-000		2	BUSHING, SLIDE SHAFT		
9	FU6-2783-000		2	SPRING, TENSION		
501	XD2-1100-322		2	RETAINING RING (E-TYPE)		
502	XA9-1401-000		2	SCREW,P,M3X10		
503	XB3-6400-805		AR	SCREW,RS,M4X8		
	FC8-0448-000		1	PLATE, STOPPER		

FIGURE 107
MACHINE REAR PLATE 1

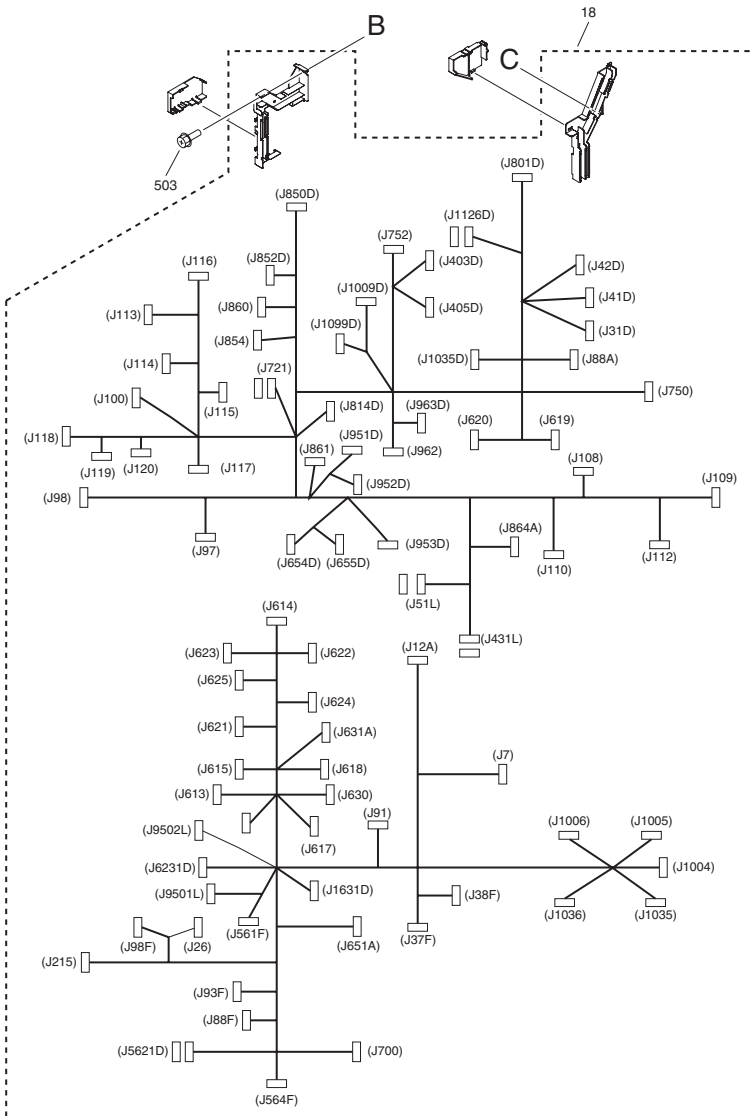


FIGURE & KEY NO.	PARTS NUMBER	R A N K	Q'TY	DESCRIPTION	SERIAL NUMBER/ REMARKS	S V C
Fig.107	NPN		RF	MACHINE REAR PLATE 1		
1	FB6-3440-000		1	HANDLE, REAR		
2	FC7-0729-000		1	COVER, FIXING		
3	FC7-4195-000		1	FILTER, AIR		
4	FH7-7312-000		1	IC, EE-SX4235A-P2,	PS28	
5	FG3-2383-020		1	CABLE, REGIST. MULTI SENSOR		
6	FG6-9015-000		1	DOUBLE SWITCH PCB ASSEMBLY		
7	FK2-2509-000		1	SWITCH, MAIN	SW1	
8	FM2-7145-000		1	CABLE, MAIN SWITCH INTERFACE		
9	XA9-1030-000		AR	SCREW, RS, M4X12		
10	FA9-3833-000		1	BUSHING		
11	FM2-7125-000		1	CABLE, DRAWER		
12	VS1-7164-016		1	CONNECTOR, SNAP TIGHT, 16P		
13	VS1-7164-030		1	CONNECTOR, SNAP TIGHT, 30P, W		
14	FS5-2965-000		2	SPRING, COMPRESSION		
15	FS5-9758-020		2	SCREW, STEPPED, M3		
16	FL2-4227-000		1	FAN DUCT UNIT		
17	FM2-5360-000		1	DRUM DRIVE ASSEMBLY		
18	FM3-2056-000		1	DC CONTROLLER CABLE UNIT		
19	VS1-7177-004		1	CONNECTOR, SNAP TIGHT, BK		
20	VS1-7177-002		1	CONNECTOR, SNAP TIGHT, BK		
21	FK2-2528-000		1	FAN	FM2	
501	XD1-1103-635		2	WASHER, SHIM		
502	XB3-6300-805		AR	SCREW, RS, M3X8		
503	XB3-6400-805		AR	SCREW, RS, M4X8		
504	XB4-5405-007		2	SCREW, TAPPING, TRUSS HEAD, M4X50		

FIGURE & KEY NO.	PARTS NUMBER	R A N K	Q'TY	DESCRIPTION	SERIAL NUMBER/ REMARKS	S V C
Fig.108	NPN		RF	MACHINE REAR PLATE 2		
1	FM3-2060-000		1	CABLE, LATTICE		
2	FF6-2100-000		1	SUPPORT, RAIL ROTATING		
3	FG6-8946-000		1	CABLE, TRANSFER H.V. TERMINAL		
4	FH2-6552-000		2	COVER, CONNECTOR		
5	FB6-3137-000		1	BLOCK, DISPATCHING		
6	FB6-3138-000		1	PLATE, HV CONTACT, 1		
7	FC7-2750-000		1	PLATE, GROUNDING		
8	FK2-2508-000		1	CABLE, HIGH VOLTAGE		
9	FM3-2059-000		1	CABLE, READER LATTICE		
10	FH2-6855-000		1	HOUSING		
11	FM2-6323-000		1	BOX, HIGH VOLTAGE, 1		
12	FM2-6324-000		1	BOX, HIGH VOLTAGE, 2		
13	FM2-6325-000		1	BOX, HIGH VOLTAGE, 3		
14	FB6-3096-000		1	COVER, 2ND TRANSFER H.V.T.		
15	FK2-0124-000		1	FAN	FM5	
16	VS1-7177-003		1	CONNECTOR, SNAP TIGHT, BK		
17	VS1-7177-002		1	CONNECTOR, SNAP TIGHT, BK		
18	VS1-7507-008		1	CONNECTOR, 8P		
19	VS1-7507-007		1	CONNECTOR,7P		
501	XB1-2404-007		2	SCREW,MACH.,TRUSS HEAD,M4X40		
502	XB2-8300-607		AR	SCREW, M3X6, S		
503	XB1-2300-807		AR	SCREW, CROSS-RECESS, FCH		
504	XB1-2400-607		2	SCREW, CROSS-RECESS, FCH		
505	XD1-3100-407		2	LOCK-WASHER, SPRING		
506	XB4-5300-807		AR	SCREW, P, M3X8		
507	XB6-7300-607		AR	SCREW, CROOSS-RECESS, FCH		
508	XB3-6400-805		AR	SCREW,RS,M4X8		

FIGURE 120 DOOR SWITCH ASSEMBLY

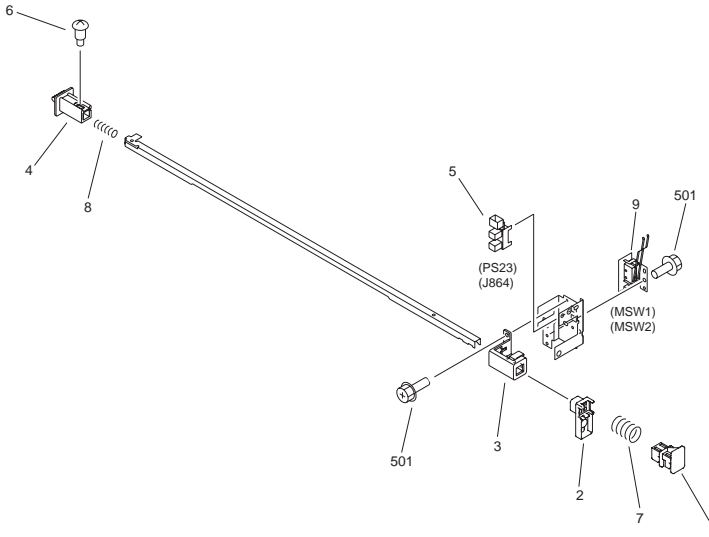


FIGURE & KEY NO.	PARTS NUMBER	RANK	QTY	DESCRIPTION	SERIAL NUMBER/REMARKS	SVC
Fig.120	FG6-9013-000		1	DOOR SWITCH ASSEMBLY		
1	FB4-3064-000		1	BLOCK, SHAFT PRESSURE		
2	FB4-3066-000		1	HOLDER, DOOR SWITCH, FRONT		
3	FB6-3216-000		1	HOLDER, DOOR SWITCH SHAFT		
4	FB6-3218-000		1	BLOCK, SWITCH PUSH		
5	FH7-7312-000		1	IC, EE-SX4235A-P2,	PS23	
6	FS1-9010-020		1	SCREW, STEPPED, M3		
7	FS6-2785-000		1	SPRING, COMPRESSION		
8	FS7-2854-000		1	SPRING, COMPRESSION		
9	FG6-9015-000		1	DOUBLE SWITCH PCB ASSEMBLY	MSW1,2	
501	XB3-6300-805		3	SCREW,RS,M3X8		

FIGURE 130 CONTROL PANEL ASSEMBLY

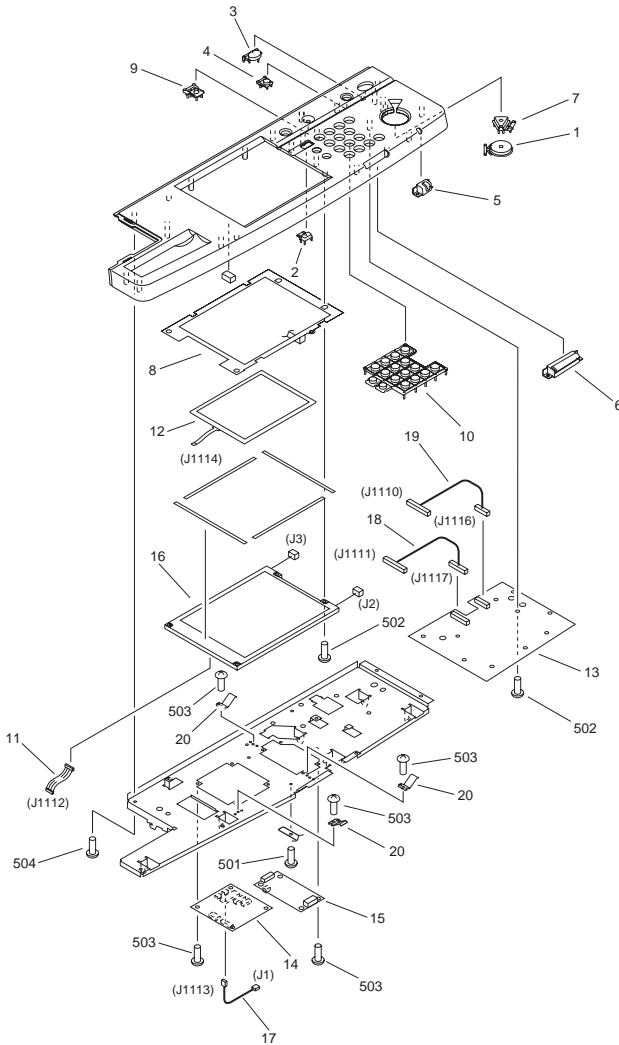
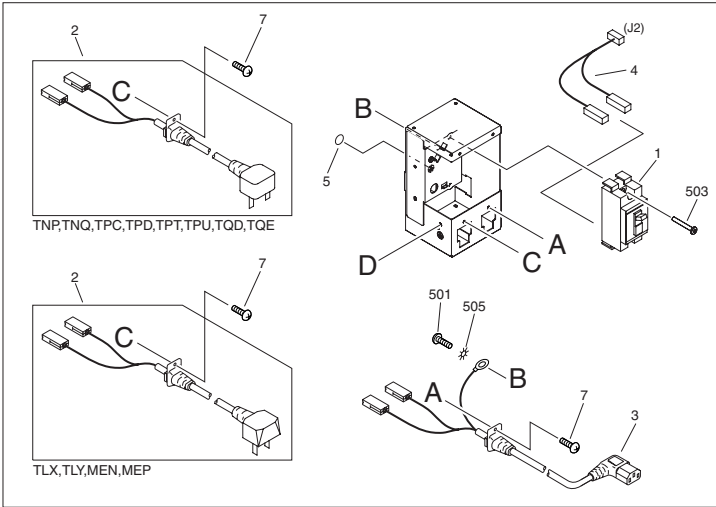


FIGURE & KEY NO.	PARTS NUMBER	R A N K	Q'TY	DESCRIPTION	SERIAL NUMBER/ REMARKS	S V C
Fig.130	FM2-6153-000		1	CONTROL PANEL ASSEMBLY	TLX,TLY,TNP,TNQ,TPCT PD,MEN,MEP,TPT,TPUT QD,TQE	
Fig.130	FM2-6154-000		1	CONTROL PANEL ASSEMBLY	TND,TNF,MEQ,MER,TNH TNJ,MEW,MEX,TKN,MEY TNM,MEZ,TNR,TNS,TNV TNW,TNX,TPB,TPF,TPGT PJ,TPV,TPW,TPZ,TQBTQ C,TPR,TQG,TQH,TQK	
Fig.130	FM2-6155-000		1	CONTROL PANEL ASSEMBLY	TNN,TNG,MEV,TUY,TNT TNU,TPH,TPP,TPQ,TPXT PY,TQJ	
1	FC7-0736-000		1	KEY TOP, START		
2	FC7-0737-000		1	KEY TOP, RESET		
3	FC7-0738-000		1	KEY TOP, POWER SUPPLY		
4	FC7-0742-000		1	KEY TOP, ENERGY SAVE		
5	FB6-3944-000		1	WINDOW, LAMP		
6	FB6-3945-000		1	WINDOW, LAMP		
7	FC7-0740-000		1	KEY TOP, STOP		
8	FB6-3947-000		1	SHEET, ELECTROSTATIC		
9	FC7-0739-000		1	KEY TOP, COUNTER		
10	FC7-0741-000		1	KEY TOP, NUMBERS		
11	FH2-7037-000		1	CABLE, FLAT		
12	FK2-0246-000		1	ANALOG TOUCH PANEL UNIT		
13	FG6-8937-030		1	CONTROL PANEL KEY PCB ASSEMBLY		
14	FG3-3965-000		1	CONTROL PANEL CPU PCB ASSEMBLY		
15	FG3-2376-000		1	INVERTER PCB ASSEMBLY		
16	FG6-8936-000		1	LCD CONTROL PANEL UNIT		
17	FG6-9164-000		1	CABLE, C. PANEL INVERTER		
18	FG6-9165-000		1	CABLE, C. PANEL KEY, A		
19	FG6-9166-000		1	CABLE, C. PANEL KEY, B		
20	FB6-3953-000		3	PLATE, GROUNDING		
501	XB2-8300-607		1	SCREW, M3X6, S		
502	XB4-5300-807		10	SCREW, P, M3X8		
503	XB1-2300-607		11	SCREW, BH3X6(S)		
504	XB4-5301-007		8	SCREW, P, M3X10		

FIGURE 140 POWER CORD TERMINAL ASSEMBLY

100V



120V

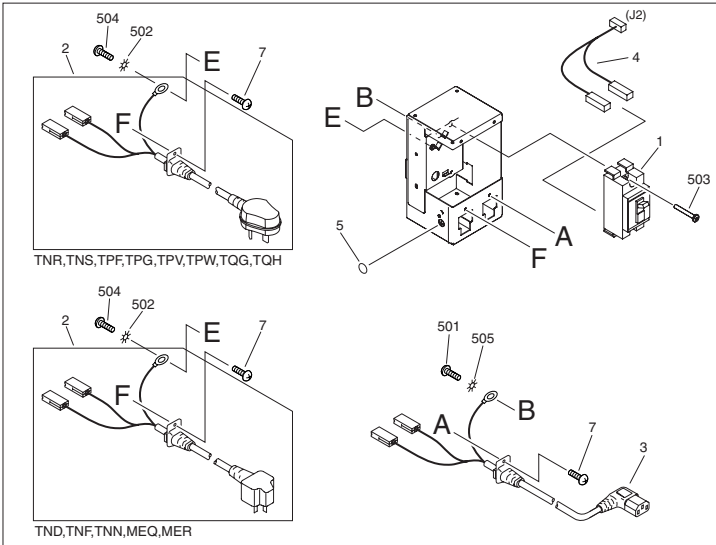


FIGURE & KEY NO.	PARTS NUMBER	R A N K	Q'TY	DESCRIPTION	SERIAL NUMBER/ REMARKS	S V C
2	FL2-5337-000		1	CORD, POWER, 120V	TND,TNF,TNN,MEQ,MER	
2	FH2-7080-000		1	CORD, POWER, 230V	TNG,TNH,TNJ,TNM,TNTT NU,TNV,TNW,TPB,TPHM EV,MEW,MEX,MEZ,TPPT PX,TPY,TPZ,TQB,TPRTQ J	
2	FH2-7082-000		1	CORD, POWER	TNK,TNX,TPJ,MEY,TQC, TQK	
2	FL2-5332-000		1	CABLE, POWER, 120V	TNR,TNS,TPF,TPG,TPVT PW,TQG,TQH	
2	FH2-6488-000		1	CORD, POWER, 230V	TUY,TPQ	
2	FL2-5331-000		1	CORD, POWER, 100V	TNP,TNQ,TPC,TPD,TPTT PU,TQD,TQE	
2	FL2-5336-000		1	CORD, POWER, 100V	TLX,TLY,MEN,MEP	
3	FL2-5792-000		1	CST. PEDESTAL POWER CORD ASS'Y	100V	
3	FL2-5790-000		1	CST.PEDESTAL POWER CORD ASS'Y	120V	
3	FL2-5791-000		1	CST.PEDESTAL POWER CORD ASS'Y	230V	
4	FM2-7133-000		1	CABLE,ELECTRIC LEAKAGE BREAKER		
5	FC5-0166-000		2	SEAL, BLANKING		
6	FM2-7167-000		1	CABLE, INLET	230V	
7	XA9-0739-000		2	SCREW, TP, M4X8		
501	XB1-2400-603		1	SCREW, MACHINE M4X6 (COP)		
502	XD1-4200-502		3	LOCK WASHER (SUS)		
503	XB1-2402-007		2	SCREW, BH4X20 (S)		
504	XB1-2500-603		3	SCREW, M5X6		
505	XD1-4200-402		1	WASHER, TOOTHED LOCK, M4		

FIGURE 260 PICK-UP MOTOR DRIVE ASSEMBLY

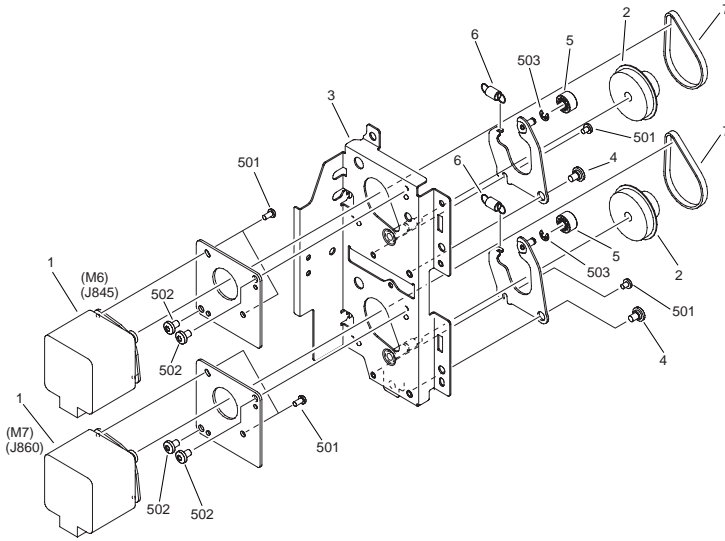


FIGURE & KEY NO.	PARTS NUMBER	R A N K	Q'TY	DESCRIPTION	SERIAL NUMBER/ REMARKS	S V C
Fig.260	FM2-5388-000		1	PAPER PICK-UP MOTOR MOUNT UNIT		
1	FK2-2515-000		2	MOTOR, STEPPING, DC	M6,7	
2	FU7-0353-000		2	PULLEY, 53T/GEAR, 16T		
3	FL2-4250-000		1	MOUNT, PAPER PICK-UP MOTOR		
4	FS1-9002-010		2	SCREW, STEPPED, M4X5		
5	FU5-6616-000		2	ROLLER, TENSION		
6	FU6-2777-000		2	SPRING, TENSION		
7	XF2-1606-640		2	TIMING, BELT		
501	XB1-2300-607		6	SCREW, BH3X6(S)		
502	XB1-2400-607		4	SCREW, CROSS-RECESS, FCH		
503	XD2-1100-322		2	RETAINING RING (E-TYPE)		

FIGURE 270 DEVELOPING DRIVE ASSEMBLY

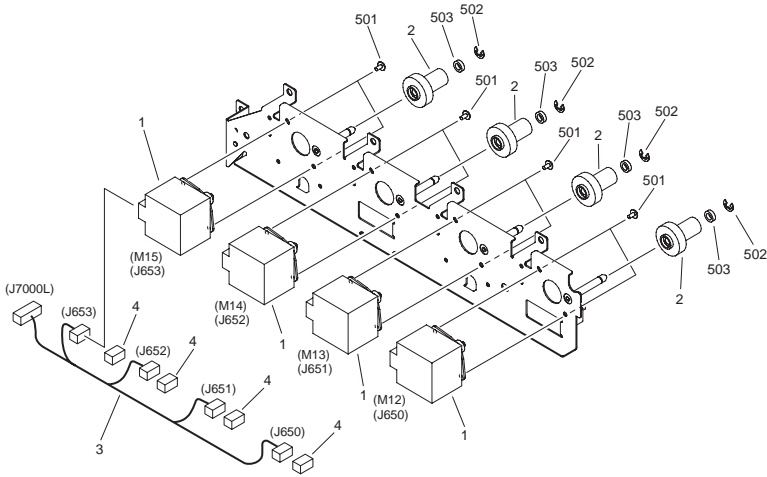


FIGURE & KEY NO.	PARTS NUMBER	RANK	QTY	DESCRIPTION	SERIAL NUMBER/REMARKS	SVC
Fig.270	FM2-5362-000		1	DEVELOPING DRIVE ASSEMBLY		
1	FK2-2518-000		4	MOTOR, STEPPING, DC	M12,13,14,15	
2	FU7-0198-000		4	GEAR, 51T/26T		
3	FM2-7106-000		1	CABLE, DEVELOPING MOTOR		
4	VS1-7177-004		4	CONNECTOR, SNAP TIGHT, BK		
501	XB1-2300-607		8	SCREW, BH3X6(S)		
502	XD2-1100-502		4	RETAINING RING (E-TYPE)		
503	XD1-1106-212		4	WASHER,COP		

FIGURE 271 INTERMEDIATE TRANSFER BELT DRIVE ASSEMBLY

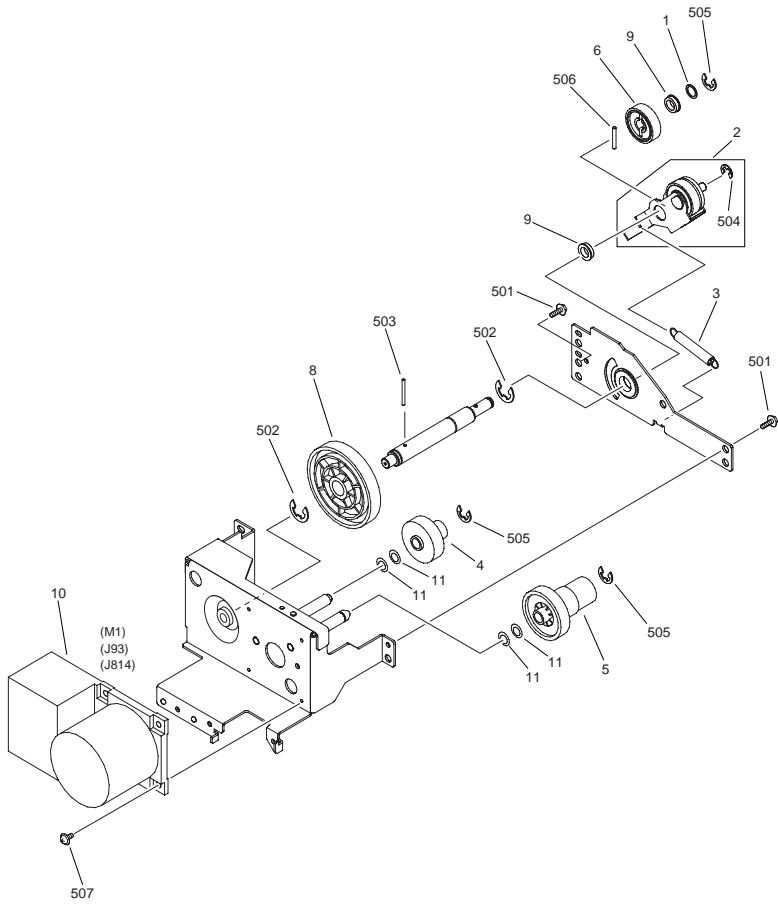


FIGURE & KEY NO.	PARTS NUMBER	R A N K	Q'TY	DESCRIPTION	SERIAL NUMBER/ REMARKS	S V C
Fig.271	FM2-5361-000		1	ITB DRIVE ASSEMBLY		
1	FB2-6285-020		1	SHIM		
2	FM3-3775-000		1	SWING PLATE UNIT		
3	FS7-2838-000		1	SPRING, TENSION		
4	FU3-0334-000		1	GEAR, 20T/50T		
5	FU7-0201-000		1	GEAR, DRUM INPUT		
6	FU7-0403-000		1	GEAR		
8	FU7-0407-000		1	GEAR, 100T		
9	XG9-0264-000		2	BEARING, BALL,DDLDF-1280ZZ POP-		
10	FK2-2511-000		1	MOTOR, DC	M1	
11	XD9-0152-000		4	WASHER, SHIM		
501	XB3-6400-805		2	SCREW,RS,M4X8		
502	XD2-1200-902		2	WASHER,RETAINING (SUS)		
503	XD3-2200-222		1	PIN		
504	XD2-1100-502		1	RETAINING RING (E-TYPE)		
505	XD2-1100-642		3	RING,E		
506	XD3-2250-182		1	PIN,DOWEL		
507	XB6-7300-607		4	SCREW, CROOSS-RECESS, FCH		

FIGURE 272 TONER CARTRIDGE DRIVE ASSEMBLY

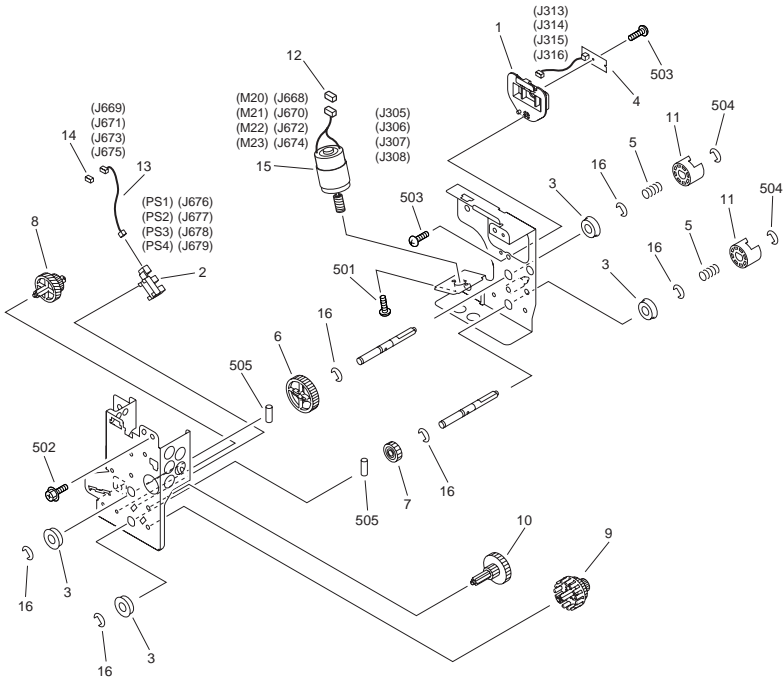


FIGURE & KEY NO.	PARTS NUMBER	R A N K	Q'TY	DESCRIPTION	SERIAL NUMBER/ REMARKS	S V C
Fig.272	FM2-5363-000		4	TONER CARTRIDGE DRIVE ASSEMBLY		
1	FC6-8887-000		1	MOUNT, ANTENNA		
2	FH7-7312-000		1	IC, EE-SX4235A-P2,	PS1,2,3,4	
3	FU5-1447-000		4	BUSHING		
4	FM2-6317-000		1	CARTRIDGE MEMORY BOARD ASS'Y		
5	FS7-2825-000		2	SPRING, COMPRESSION		
6	FU3-0302-000		1	GEAR, 58T		
7	FU3-0303-000		1	GEAR, 30T		
8	FU3-0304-000		1	GEAR, 28T/53T		
9	FU3-0305-000		1	GEAR, 19T/38T		
10	FU3-0306-000		1	GEAR, 19T/49T		
11	RB2-7043-000		2	COUPLING		
12	VS1-7177-002		1	CONNECTOR, SNAP TIGHT, BK		
13	FG3-2344-020		1	CABLE, TONER CARTRIDGE		
14	VS1-7177-003		1	CONNECTOR, SNAP TIGHT, BK		
15	FK2-2526-000		1	MOTOR, DC BRUSH	M20,21,22,23	
16	XD9-0136-000		6	RING, E		
501	XB1-2260-407		2	SCREW BH 2.6X4		
502	XB3-6300-805		1	SCREW,RS,M3X8		
503	XB4-5300-807		2	SCREW, P, M3X8		
504	XD2-1100-322		2	RETAINING RING (E-TYPE)		
505	XD3-2200-142		2	PIN, PARALLEL		

FIGURE 280 FIXING DRIVE ASSEMBLY

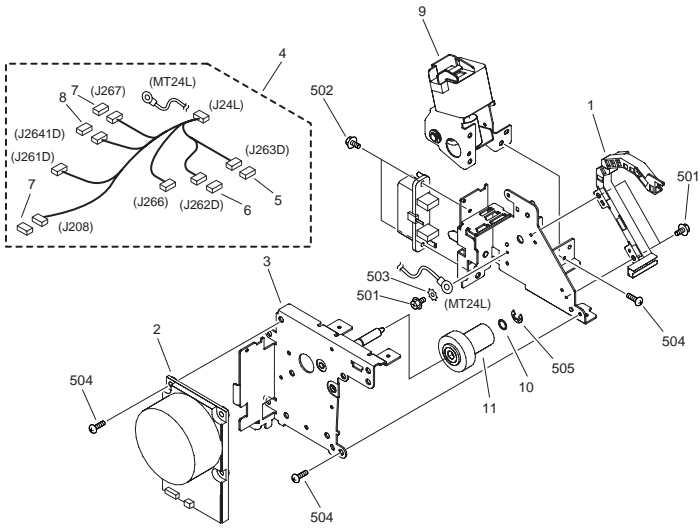


FIGURE & KEY NO.	PARTS NUMBER	RANK	QTY	DESCRIPTION	SERIAL NUMBER/REMARKS	SVC
Fig.280	FM2-5684-000		1	FIXING DRIVE ASSEMBLY		
1	FC7-2735-000		1	GUIDE, HARNESS		
2	FK2-2514-000		1	MOTOR, DC	M24	
3	FL2-4255-000		1	BRACKET, MOTOR		
4	FM2-7177-000		1	CABLE, TBF MAIN		
5	VS1-7173-006		1	CONNECTOR, SNAP TIGHT, 6P, W		
6	VS1-7173-009		1	CONNECTOR, SNAP TIGHT, 9P, W		
7	VS1-7177-004		2	CONNECTOR, SNAP TIGHT, BK		
8	VS1-7177-005		1	CONNECTOR, SNAP TIGHT, BK		
9	FM2-9506-000		1	DESORPTION DRIVE ASSEMBLY		
10	FS5-6487-000		1	WASHER		
11	FU7-0413-000		1	GEAR, 57T/20T		
501	XB2-8300-607		3	SCREW, M3X6, S		
502	XB2-8401-009		2	SCREW,W/WASHER,M4X10		
503	XD1-4200-302		1	WASHER, TOOTHED LOCK, M3		
504	XB1-2400-807		9	SCREW, M4X8		
505	XD2-1100-642		1	RING,E		

FIGURE 300 CASSETTE

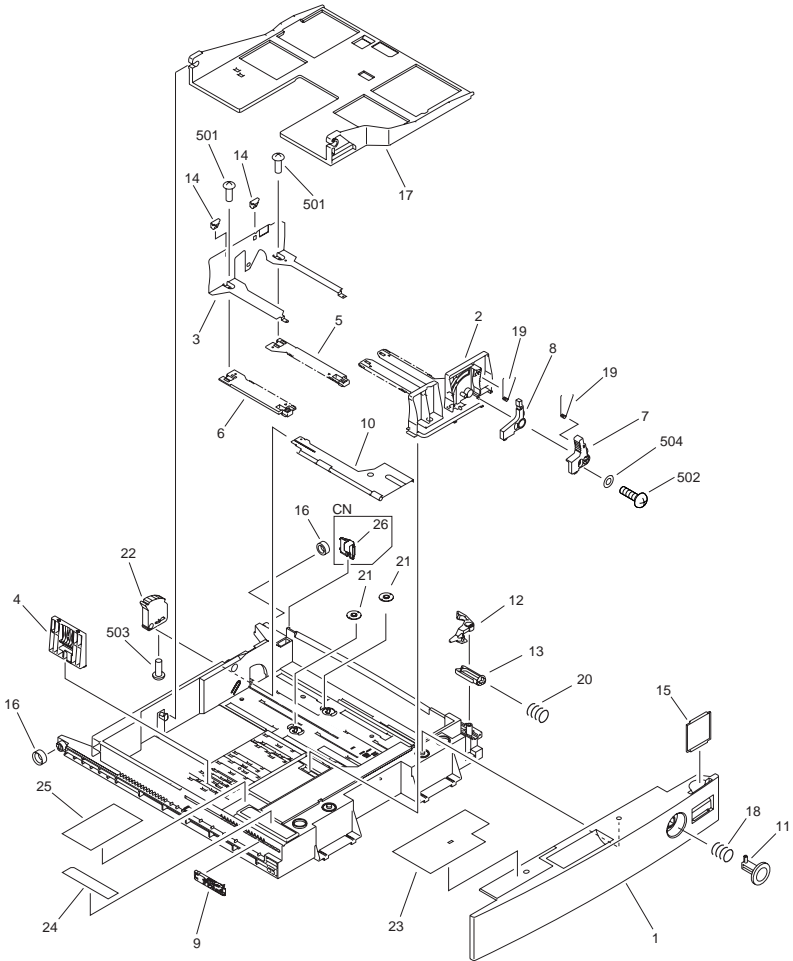


FIGURE & KEY NO.	PARTS NUMBER	R A N K	Q'TY	DESCRIPTION	SERIAL NUMBER/ REMARKS	S V C
Fig.300	FG6-9044-000		2	CASSETTE		
1	FB6-3475-000		1	PANEL, CASSETTE, FRONT		
2	FB6-3478-000		1	PLATE, SIDE GUIDE, FRONT		
3	FB6-3479-000		1	PLATE, SIDE GUIDE, REAR		
4	FB6-3480-000		1	PLATE, END GUIDE		
5	FB6-3481-000		1	RACK, 1		
6	FB6-3482-000		1	RACK, 2		
7	FB6-3483-000		1	KNOB, SIDE GUIDE PLATE, 1		
8	FB6-3484-000		1	KNOB, SIDE GUIDE PLATE, 2		
9	FB6-3485-000		1	COVER, PAPER SIZE SELECT		
10	FB6-3486-000		1	PLATE, LIFTER		
11	FB6-3487-000		1	BUTTON, PUSH		
12	FB6-3488-000		1	ARM, LOCK		
13	FB6-3489-000		1	LINK, RELEASE		
14	FB6-3490-000		2	CLAW, SIDE PLATE GUIDE		
15	FS6-8116-000		1	LABEL, 'PAPER HEIGHT'		
16	FB6-3506-000		2	COLLAR, CASSETTE SWING		
17	FF6-2064-020		1	PLATE, PAPER LIFTING		
18	FS7-2806-000		1	SPRING, COMPRESSION		
19	FS7-2805-000		2	SPRING, TORSION		
20	FS7-2804-000		1	SPRING, COMPRESSION		
21	FU3-0293-000		2	GEAR, 16T		
22	FU3-0294-000		1	GEAR, 7T		
23	FB6-6214-000		1	LABEL, PAPER SET	CN,KR,TW	
23	FB6-3522-000		1	LABEL, PAPER SET	EXCEPT CN,KR,TW	
24	FB6-6215-000		1	LABEL, PAPER SIZE SELECT	CN,KR,TW	
24	FB6-3524-000		1	LABEL, PAPER SIZE SELECT	EXCEPT CN,KR,TW	
25	FB6-3523-000		1	LABEL, CASSETTE SIZE	EXCEPT CN	
25	FC7-3920-000		1	LABEL, CASSETTE SIZE	CN	
501	XB2-8300-607		4	SCREW, M3X6, S		
502	XB6-7300-807		1	SCREW, TP, M3X8		
503	XB4-5300-807		1	SCREW, P, M3X8		

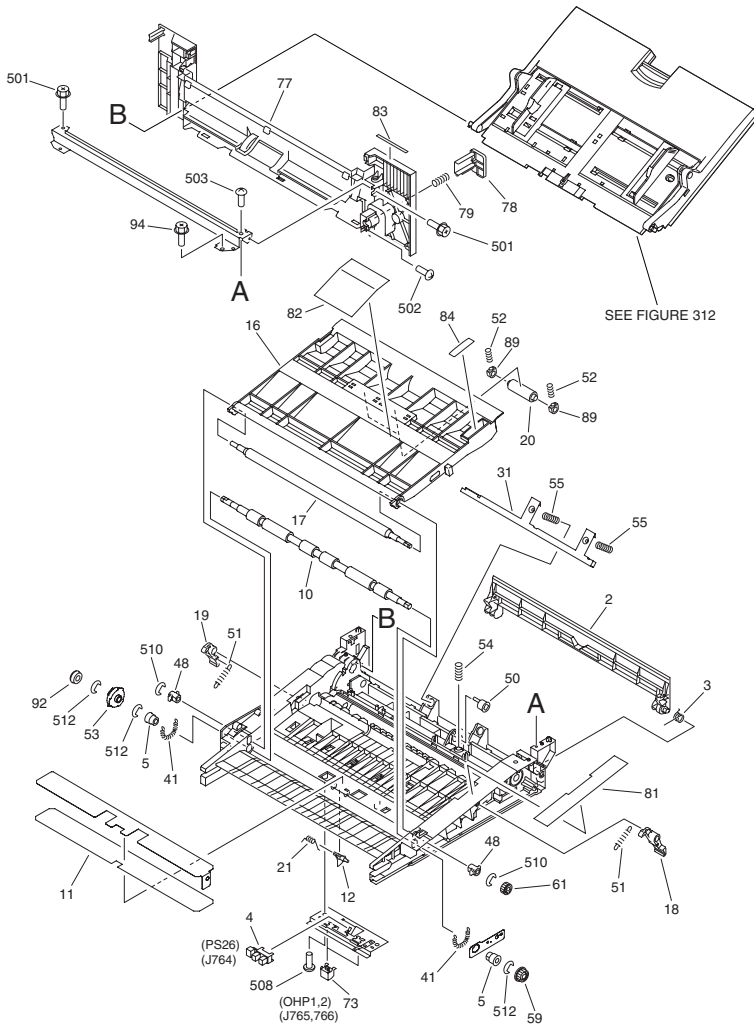
FIGURE & KEY NO.	PARTS NUMBER	R A N K	Q'TY	DESCRIPTION	SERIAL NUMBER/ REMARKS	S V C
504	XD1-1104-135		1	WASHER,COP		

FIGURE & KEY NO.	PARTS NUMBER	R A N K	Q'TY	DESCRIPTION	SERIAL NUMBER/ REMARKS	S V C
Fig.310	FM3-3776-000		2	PAPER PICK-UP ASSEMBLY	CN	
Fig.310	FM2-8204-000		2	PAPER PICK-UP ASSEMBLY	EXCEPT CN	
1	FB6-3380-020		1	HOLDER, PAPER PICK-UP ROLLER		
2	FB6-3386-010		1	GUIDE, RETARD		
3	FB6-3387-000		1	GUIDE, VERTICAL PATH	EXCEPT CN	
4	FB6-3388-000		1	ROD, SEPARATION ROLLER RELEASE		
5	FB6-3389-000		1	CLAW, PICK-UP		
6	FB6-3390-000		1	CLAW, PAPER PICK-UP		
7	FB6-3391-000		1	GEAR, RATCHET		
8	FB6-3392-020		1	SPRING, LEAF		
9	FB6-3393-000		1	ARM, PICK-UP		
10	FB6-3394-000		1	ARM, LIFTING		
11	FB6-3395-000		1	ARM, PAPER FEED SHAFT		
12	FB6-3396-010		1	LOCK, PICK-UP		
13	FB6-3397-000		1	FLAG, PAPER SENSOR		
14	FB6-3398-000		1	FLAG, PAPER DETECT SENSOR		
15	FL2-6580-000		1	FLAG, REGISTRATION SENSOR		
16	FB6-4852-000		1	ROLLER, VERTICAL PATH	EXCEPT CN	
17	FB6-3410-000		1	LIMITER, TORQUE		
18	FB6-3402-000		1	GEAR, RATCHET		
19	FB6-3403-000		1	COUPLING, FEED SHAFT STOP		
20	FB6-3404-000		1	COUPLING, SEPARATION SHAFT		
21	FB6-3405-000		1	ROLLER, PAPER PICK-UP	EXCEPT CN	
22	FC6-7083-000		1	ROLLER, FEED/SEPARATION	EXCEPT CN	
23	FB6-3408-000		1	SHAFT, PAPER PICK-UP DRIVE		
24	XD9-0136-000		1	RING, E		
25	FF6-2058-000		1	SHAFT, PAPER FEED ROLLER		
26	FF6-2059-010		1	HOLDER, SEPARATION ROLLER		
27	FK2-0408-000		1	SOLENOID	SL3,4	
28	FH7-7312-000		4	IC, EE-SX4235A-P2,	PS7,14,15,16PS17,18,19,20	
29	FB6-3413-000		1	COLLAR, PAPER PICK-UP SHAFT		

FIGURE & KEY NO.	PARTS NUMBER	R A N K	Q'TY	DESCRIPTION	SERIAL NUMBER/ REMARKS	S V C
30	FU5-1033-000		2	BUSHING	EXCEPT CN	
31	FU5-1036-000		1	BUSHING		
32	FS6-1063-000		1	BUSHING		
33	FS7-2797-000		1	SPRING, TENSION		
34	FS7-2798-000		1	SPRING, COMPRESSION		
35	FS7-2800-000		3	SPRING, TENSION		
36	FS7-2801-000		1	SPRING, TORSION		
37	FS7-2802-000		1	SPRING, TORSION		
38	FS7-2803-000		1	SPRING, TORSION		
39	FS7-5909-000		2	SHAFT, IDLER, 2		
40	FS7-5910-000		1	SHAFT, IDLER, 3		
41	FU3-0280-000		1	GEAR, 15T		
42	FU3-0349-000		1	GEAR, 41T		
43	FU3-0282-000		1	GEAR, 21T		
44	FU3-0283-000		1	GEAR, 21T		
45	FU3-0284-000		1	GEAR, 16T		
46	FU6-0710-000		1	GEAR, 16T/16T		
47	FU3-0288-000		1	GEAR, 21T		
48	FU3-0289-000		1	GEAR, 14T		
49	FF6-2397-000		1	GEAR, 46T		
50	FU7-0444-000		1	GEAR, 51T		
51	FU7-0445-000		1	GEAR, 42T		
52	FU3-0350-000		1	GEAR, 41T/41T		
53	FU3-0347-000		1	GEAR, 41T		
54	VS1-7177-002		1	CONNECTOR, SNAP TIGHT, BK		
55	RB1-8945-000		1	JOINT		
56	RS5-1567-000		2	BUSHING		
57	VS1-6318-014		1	CONNECTOR, SNAP TIGHT		
58	XA9-0656-000		1	SCREW,RS,M3X10		
59	FG3-2302-020		1	CABLE, PAPER PICK-UP		
60	FS5-1943-000		1	BUSHING		
62	FC6-6661-000		1	ROLLER, SEPARATION		

FIGURE & KEY NO.	PARTS NUMBER	R A N K	Q'TY	DESCRIPTION	SERIAL NUMBER/ REMARKS	S V C
63	FC6-5064-000		1	DAMPER		
64	FB6-7078-000		1	CAM, LOCK		
501	XB3-6300-605		2	SCREW,RS,M3X6		
502	XB4-5401-207		7	SCREW,P,M4X12		
503	XB1-3300-607		3	SCREW, FTH3X6		
504	XD3-2200-122		3	PIN, DOWEL		

FIGURE 311 MULTI FEED ASSEMBLY



NOTE : This assembly includes the assembly shown in Figure 312.

注 : このユニットはFigure 312のユニットを含みます。

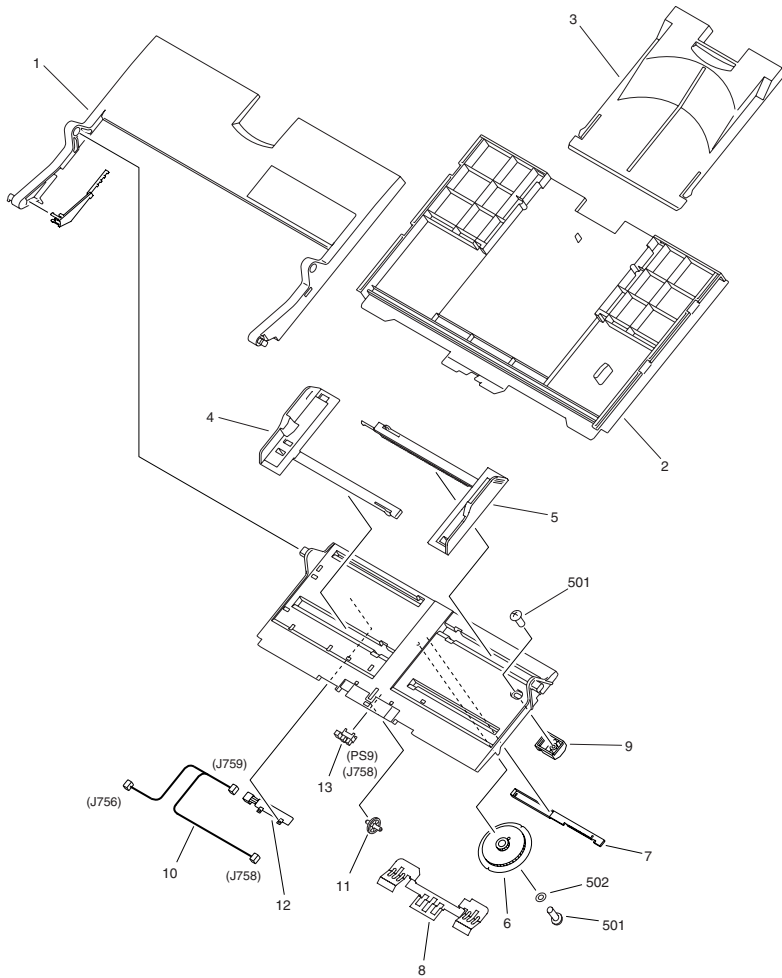
FIGURE & KEY NO.	PARTS NUMBER	R A N K	Q'TY	DESCRIPTION	SERIAL NUMBER/ REMARKS	S V C
Fig.311	FM2-5389-000		1	MULTI FEED ASSEMBLY		
1	XF2-1605-040		1	BELT, TIMING		
2	FB6-3472-000		1	PANEL, BLANKING		
3	FS7-2811-000		1	SPRING, TORSION		
4	FH7-7312-000		1	IC, EE-SX4235A-P2,	PS26	
5	FA1-0056-000		2	BUSHING, (SUS)		
6	FC6-5046-000		1	RING, RETAINING		
7	VS1-7177-003		1	CONNECTOR, SNAP TIGHT, BK		
8	FB1-8581-000		1	ROLLER		
9	FB5-0873-000		1	ROLLER, SEPARATION		
10	FB6-4849-000		1	ROLLER, REGISTRATION, LOWER		
11	FB6-3302-000		1	SHEET, REGISTRATION, LOWER		
12	FB6-3303-000		1	FLAG, REGISTRATION SENSOR		
13	FB6-6524-000		1	ROLLER, REGISTRATION, FRONT		
14	FB6-3305-000		1	PLATE, GROUNDING		
15	FB6-3306-020		1	GUIDE, INLET		
16	FB6-3308-000		1	GUIDE, REGISTRATION, UPPER		
17	FB6-3309-000		1	ROLLER, REGISTRATION, UPPER		
18	FB6-3310-000		1	LEVER, PRESSURE, FRONT		
19	FB6-3311-000		1	LEVER, PRESSURE, REAR		
20	FB6-3313-000		2	ROLLER, PAPER FEED		
21	FB6-3315-000		1	SPRING, TORSION		
22	FB6-3320-020		1	GUIDE, DUPLEXING, EXTERNAL		
23	FB6-4851-020		1	ROLLER, RE-PICK UP		
24	FB6-3323-020		1	GUIDE, DUPLEXING, INTERNAL		
25	FB6-4873-000		2	ROLLER, PAPER FEED		
26	FU5-6616-000		2	ROLLER, TENSION		
27	FU6-2589-000		1	SPRING, TENSION		
28	FF6-2136-000		1	SHAFT, ROLLER		
29	FB6-3463-000		1	CLUTCH		
30	FB6-3464-000		1	HOLDER, SEPARATION ROLLER		
31	FB6-3465-000		1	ARM, LIFTING PLATE PRESSURE		

FIGURE & KEY NO.	PARTS NUMBER	R A N K	Q'TY	DESCRIPTION	SERIAL NUMBER/ REMARKS	S V C
32	FB6-3466-000		1	CAM, JOINT		
33	FB6-3467-000		1	GEAR, 27T		
34	FF6-2134-000		1	GUIDE, MAIN		
35	FB6-3470-000		2	GUIDE, SUB		
36	FB6-3471-000		1	FLAG, PAPER SENSOR		
37	FF6-2065-000		1	SHAFT, SEPARATION ROLLER		
38	FK2-2516-000		1	MOTOR, STEPPING, DC	M8	
39	FK2-0115-000		1	SOLENOID	SL1	
40	FU6-2776-000		1	SPRING, TENSION		
41	FS2-2783-000		2	SPRING, COMPRESSION		
42	FU7-0351-000		1	GEAR, 34T/23Z		
43	VS1-7177-002		1	CONNECTOR, SNAP TIGHT, BK		
44	VS1-7177-004		2	CONNECTOR, SNAP TIGHT, BK		
45	VS1-7177-006		1	CONNECTOR, SNAP TIGHT, BK		
46	FS5-1597-000		1	BUSHING		
47	FS5-6945-000		2	COLLAR, REGISTRATION MULTI		
48	FS6-1055-000		2	BUSHING		
49	FS6-1057-000		1	BUSHING		
50	FS6-1058-000		1	BUSHING		
51	FS7-2787-000		2	SPRING, TENSION		
52	FS7-2860-000		6	SPRING, COMPRESSION		
53	FU7-0352-000		1	PULLEY, 46T		
54	FS7-2809-000		1	SPRING, COMPRESSION		
55	FU6-2785-000		2	SPRING, COMPRESSION		
56	FS7-2812-000		1	SPRING, TORSION		
57	FS7-2839-000		1	SPRING, COMPRESSION		
58	XF2-1606-240		1	BELT, TIMING		
59	FU3-0271-000		1	GEAR, 32T		
60	FS1-9002-010		2	SCREW, STEPPED, M4X5		
61	FU3-0273-000		1	GEAR, 28T		
62	FU3-0274-000		1	GEAR, 43T/31T		
63	FU3-0275-000		1	GEAR, 39T/26T		

FIGURE & KEY NO.	PARTS NUMBER	R A N K	Q'TY	DESCRIPTION	SERIAL NUMBER/ REMARKS	S V C
64	FU3-0276-000		1	GEAR, 25T		
65	FU3-0277-000		2	GEAR, 16T		
66	FU3-0278-000		2	GEAR, 23T		
67	FU3-0295-000		1	GEAR, 44T		
68	FU3-0296-000		2	GEAR, 24T		
69	FU3-0297-000		1	GEAR, 36T		
70	FU3-0298-000		1	GEAR, 27T/18T		
71	RB1-2152-000		1	ROLLER, ARM		
72	RB2-5850-000		2	PRISM		
73	RH7-7129-020		1	OHT SENSOR UNIT	OHP1,2	
74	RS5-1567-000		1	BUSHING		
75	FM2-7097-000		1	CABLE REG. MULTI UNIT, 1		
76	FG3-2304-020		1	CABLE, REGIST. MULTI, 2		
77	FB6-3473-000		1	PANEL, REGIST. MULTI, RIGHT		
78	FB6-3474-000		1	BUTTON, REGIST. MULTI PUSH		
79	FS7-2813-000		1	SPRING, COMPRESSION		
80	FB6-4938-000		1	PLATE, SHEET SUPPORT		
81	FB6-6217-000		1	LABEL, SAFETY OPERATION	CN,KR,TW	
81	FB6-3858-000		1	LABEL, SAFETY OPERATION	EXCEPT CN,KR,TW	
82	FB6-6218-000		1	LABEL, JAM PAPER	CN,KR,TW	
82	FB6-3859-000		1	LABEL, JAM PAPER	EXCEPT CN,KR,TW	
83	FB6-3863-000		1	LABEL, MULTI HANDLE		
84	FB6-3864-000		1	LABEL, GUIDE HANDLE		
85	FB6-4863-000		1	HOLDER, CONNECTOR		
86	FS5-9761-000		2	SCREW, STEPPED, M3		
87	FS7-2863-000		2	SPRING, COMPRESSION		
88	FB2-6285-020		2	SHIM		
89	FU5-1035-000		6	BUSHING		
90	FU5-1453-000		3	BUSHING		
91	FU5-1737-000		2	BUSHING		
92	XG9-0507-000		2	BEARING, BALL, MF128ZZ		
93	FB6-3410-000		1	LIMITER, TORQUE		

FIGURE & KEY NO.	PARTS NUMBER	R A N K	Q'TY	DESCRIPTION	SERIAL NUMBER/ REMARKS	S V C
94	XA9-0721-010		2	SCREW,RS,M4X10	M9	
95	FK2-2519-000		1	MOTOR, STEPPING, DC		
501	XB3-6300-805		AR	SCREW,RS,M3X8		
502	XB4-5301-007		1	SCREW, P, M3X10		
503	XB4-5401-007		1	SCREW, M4X10		
504	XB1-1300-605		2	SCREW, PH 3X6		
505	XB2-8401-007		AR	SCREW,W/WASHER,M4X10		
506	XB2-8300-607		2	SCREW, M3X6, S		
507	XB6-7400-407		AR	SCREW,TP,M4X4		
508	XB4-5400-807		AR	SCREW,P,M4X8		
509	XD3-2200-142		1	PIN, PARALLEL		
510	XD2-1100-502		AR	RETAINING RING (E-TYPE)		
511	XD2-1100-282		AR	RETAINING RING (E-TYPE)		
512	XD2-1100-642		AR	RING,E		
513	XD3-2200-102		1	PIN, PARALLEL		

FIGURE 312 MULTI FEED TRAY ASSEMBLY



NOTE : This assembly is included in the assembly shown in Figure 311.

注 : このユニットはFigure 311のユニットに含まれます。

FIGURE & KEY NO.	PARTS NUMBER	RANK	Q'TY	DESCRIPTION	SERIAL NUMBER/REMARKS	SVC
Fig.312	FG6-9042-000		1	MULTI FEED TRAY ASSEMBLY		
1	FB6-3450-000		1	TRAY, MULTI FEEDER, UPPER		
2	FB6-3451-000		1	TRAY, MULTI FEEDER, LOWER		
3	FB6-3452-000		1	TRAY, SECOND		
4	FB6-3454-000		1	RACK, SIDE PLATE, REAR		
5	FB6-3455-000		1	RACK, SIDE PLATE, FRONT		
6	FB6-3456-000		1	GEAR, 46T/20T		
7	FB6-3457-000		1	RACK		
9	FB6-3459-000		1	BLOCK, SIDE REGIST. ADJUSTING		
10	FG3-2301-000		1	CABLE, MULTI TRAY		
11	FB6-3508-000		1	ROLLER, PAPER DETECT		
12	FH7-7600-010		1	SLIDE VOLUME SENSOR UNIT		
13	FH7-7312-000		1	IC, EE-SX4235A-P2,	PS9	
501	XB4-5400-807		2	SCREW,P,M4X8		
502	XD1-1106-235		1	WASHER,COP		

FIGURE 313 MULTI PAPER FEED MOUNT ASSEMBLY

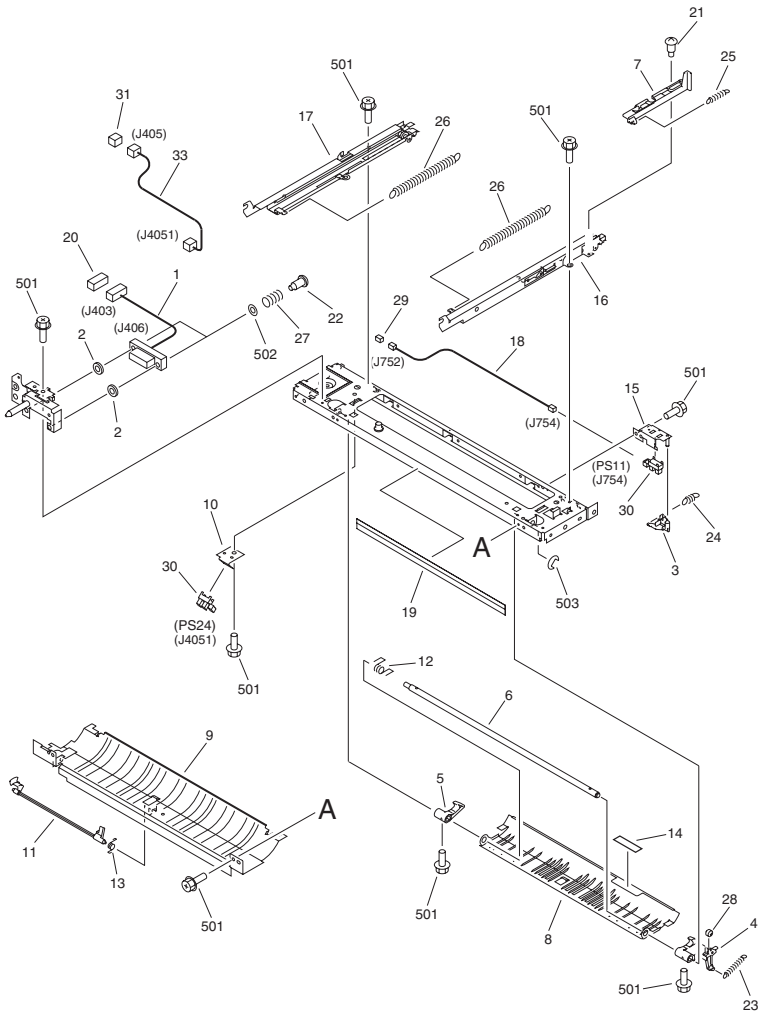


FIGURE & KEY NO.	PARTS NUMBER	R A N K	Q'TY	DESCRIPTION	SERIAL NUMBER/ REMARKS	S V C
Fig.313	FM2-5675-000		1	MULTI PAPER FEED MOUNT ASS'Y		
1	FM2-7096-000		1	CABLE, DUPLEXING DRAWER		
2	FS5-6955-000		2	SPACER		
3	FB6-3346-000		1	FLAG, OPEN/CLOSE SENSOR		
4	FB6-3348-000		1	HOOK, REGISTRATION, FRONT		
5	FB6-3349-000		1	HOOK, REGISTRATION, REAR		
6	FB6-3350-000		1	SHAFT, HOOK		
7	FB6-3351-000		1	LEVER, RELEASE		
8	FB6-3356-000		1	GUIDE, RE-PICK UP, UPPER		
9	FB6-3357-000		1	GUIDE, RE-PICK UP, LOWER		
10	FB6-3358-000		1	SUPPORT, DUPLEXING SENSOR		
11	FB6-3359-000		1	FLAG, RE-PICK UP SENSOR		
12	FB6-3360-000		1	SPRING, TORSION		
13	FB6-3361-000		1	SPRING, TORSION		
14	FB6-3864-000		1	LABEL, GUIDE HANDLE		
15	FF6-2054-000		1	SUPPORT, OPEN/CLOSE SENSOR		
16	FF6-2101-000		1	RAIL, FRONT		
17	FF6-2102-000		1	RAIL, REAR		
18	FG3-2305-000		1	CABLE, RAIL MOUNT		
19	FC6-4009-000		1	ELIMINATOR,STATIC CHARGE		
20	VS1-7164-026		1	CONNECTOR, SNAP TIGHT, 26P, W		
21	FS5-9753-020		1	SCREW,STEPPED,M3		
22	FS5-9758-020		2	SCREW,STEPPED,M3		
23	FS7-2790-000		1	SPRING, TENSION		
24	FS7-2791-000		1	SPRING, TENSION		
25	FS7-2792-000		1	SPRING, TENSION		
26	FS7-2793-000		2	SPRING, TENSION		
27	FS7-2796-000		2	SPRING, COMPRESSION		
28	RB1-2152-000		1	ROLLER, ARM		
29	FM2-7110-000		1	CABLE, PAPER RE-PICK UP SENSOR		
30	FH7-7312-000		2	IC, EE-SX4235A-P2,	PS11,24	
31	VS1-7173-004		1	CONNECTOR, SNAP TIGHT		

FIGURE & KEY NO.	PARTS NUMBER	R A N K	Q'TY	DESCRIPTION	SERIAL NUMBER/ REMARKS	S V C
501	XB3-6300-805		11	SCREW,RS,M3X8		
502	XD1-1104-137		2	WASHER,PLAIN M4.1 (S)		
503	XD2-1100-502		1	RETAINING RING (E-TYPE)		

FIGURE 350 DELIVERY VERTICAL PATH ASSEMBLY

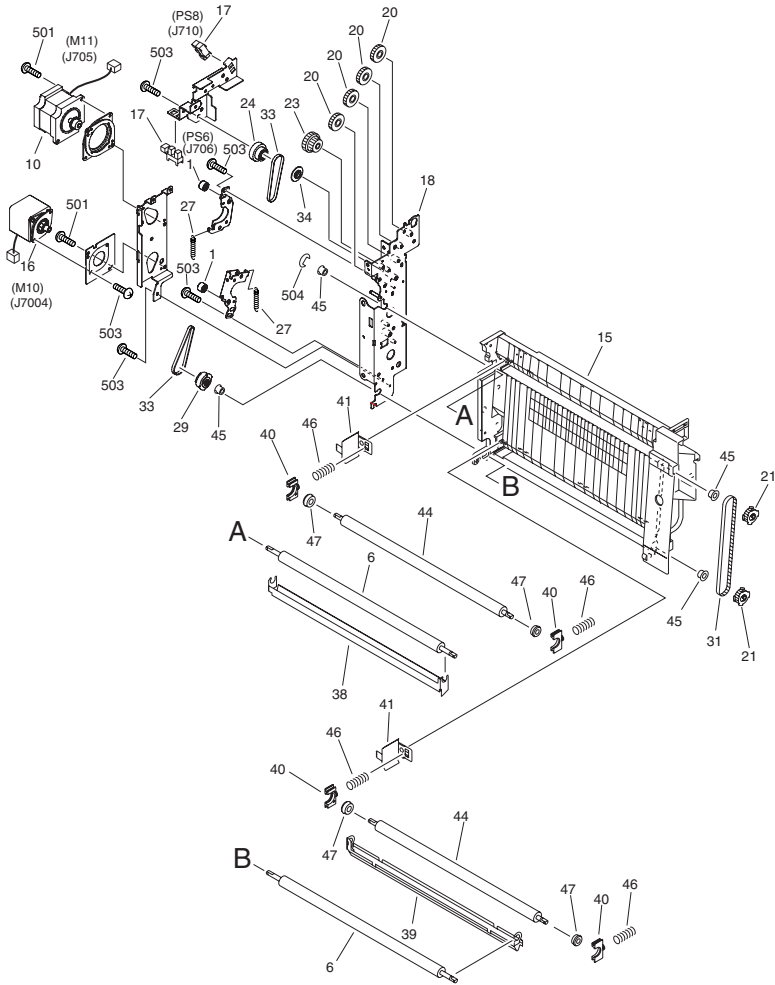


FIGURE & KEY NO.	PARTS NUMBER	R A N K	Q'TY	DESCRIPTION	SERIAL NUMBER/ REMARKS	S V C
Fig.350	FM2-5364-000		1	DELIVERY VERTICAL PATH ASS'Y		
1	FC6-8685-000		1	ROLLER, TENSION		
2	FC6-2915-000		4	HOLDER,ROLLER		
3	FC7-4763-000		4	ROLLER, PAPER DELIVERY		
4	FC6-5061-000		8	RING		
5	FB6-3532-000		1	PLATE, GROUNDING		
6	FB6-5781-020		2	ROLLER, REVERSE		
7	FB6-3534-000		1	FLAG, DELIVERY SENSOR		
8	FB6-3877-000		2	COLLAR		
9	FC7-1454-000		1	ELIMINATOR, STATIC CHARGE		
10	FK2-2520-000		1	MOTOR, STEPPING, DC	M11	
11	FC6-8681-000		1	ARM, SENSOR, 2		
12	FB6-3545-020		1	SPRING, TORSION		
13	FB6-3564-000		1	SPRING, TORSION		
14	FF6-2131-000		2	PLATE, PAPER FULL SENSOR		
15	FF6-2344-000		1	GUIDE, PAPER FEED		
16	FK2-2515-000		1	MOTOR, STEPPING, DC	M10	
17	FH7-7312-000		4	IC, EE-SX4235A-P2,	PS6,8,12,13	
18	FL2-4210-000		1	PLATE, FM, REAR SIDE		
19	FU5-1760-000		1	BUSHING		
20	FS5-0353-000		4	GEAR, 22T		
21	FS5-3989-000		2	PULLEY, 32T		
22	FU3-0319-000		1	GEAR, 16T		
23	FU7-0193-000		1	GEAR, 17T/24T		
24	FU7-0197-000		1	PULLEY, 30T/GEAR, 24T		
25	VS1-7177-003		1	CONNECTOR, SNAP TIGHT, BK		
26	VS1-7177-004		1	CONNECTOR, SNAP TIGHT, BK		
27	FU6-2581-000		2	SPRING, TENSION		
28	FU5-1761-000		1	BUSHING		
29	FU7-0348-000		1	PULLEY, 36T		
30	FS7-2859-000		4	SPRING, COMPRESSION		
31	XF9-0736-000		1	BELT, TIMING		

FIGURE & KEY NO.	PARTS NUMBER	R A N K	Q'TY	DESCRIPTION	SERIAL NUMBER/ REMARKS	S V C
32	FM2-7088-000		1	CABLE, FACE-DOWN SENSOR	FM8	
33	XF2-1608-240		2	BELT, TIMING		
34	FC6-9851-000		1	FLANGE		
35	FH6-1984-020		1	VERTICAL PATH FAN		
36	FC7-1407-000		1	FLAG, FULL DETECT		
37	FC7-5160-000		1	ROLLER, FACE-DOWN DELIVERY		
38	FB6-5786-000		1	GUIDE, INLET, UPPER		
39	FB6-5787-000		1	GUIDE, INLET, LOWER		
40	FB6-5790-000		4	BUSHING, SLAVE ROLLER		
41	FB6-5791-000		2	STATIC ELIMINATOR		
42	XZ9-0556-000		1	BUSHING		
43	FB6-5795-000		1	RETAINER, HARNESS		
44	FL2-5277-000		2	ROLLER, SLEEVE		
45	FS6-1067-000		4	BUSHING		
46	FS7-2866-000		4	SPRING, SLAVE ROLLER		
47	FA9-4077-000		4	BUSHING		
48	FM2-7098-000		1	CABLE, MOTOR		
49	XG9-0609-000		1	BEARING, BALL		
50	XG9-0558-000		1	BEARING, BALL		
501	XB1-2400-807		AR	SCREW, M4X8		
502	XB3-6400-805		AR	SCREW,RS,M4X8		
503	XB4-5300-807		AR	SCREW, P, M3X8		
504	XD2-1100-502		AR	RETAINING RING (E-TYPE)		
505	XB6-7300-807		1	SCREW, TP, M3X8		
506	XD2-1100-242		3	WASHER, RETAINING		
507	XB1-2300-607		AR	SCREW, BH3X6(S)		
508	XD1-1104-635		1	WASHER,COP		
509	XZ1-1300-605		1	SPACER		
510	XD2-1100-402		1	RETAINING RING (E-TYPE)		
511	XD1-1105-215		1	WASHER, SPRING		

FIGURE 351 VERTICAL PATH PANEL ASSEMBLY

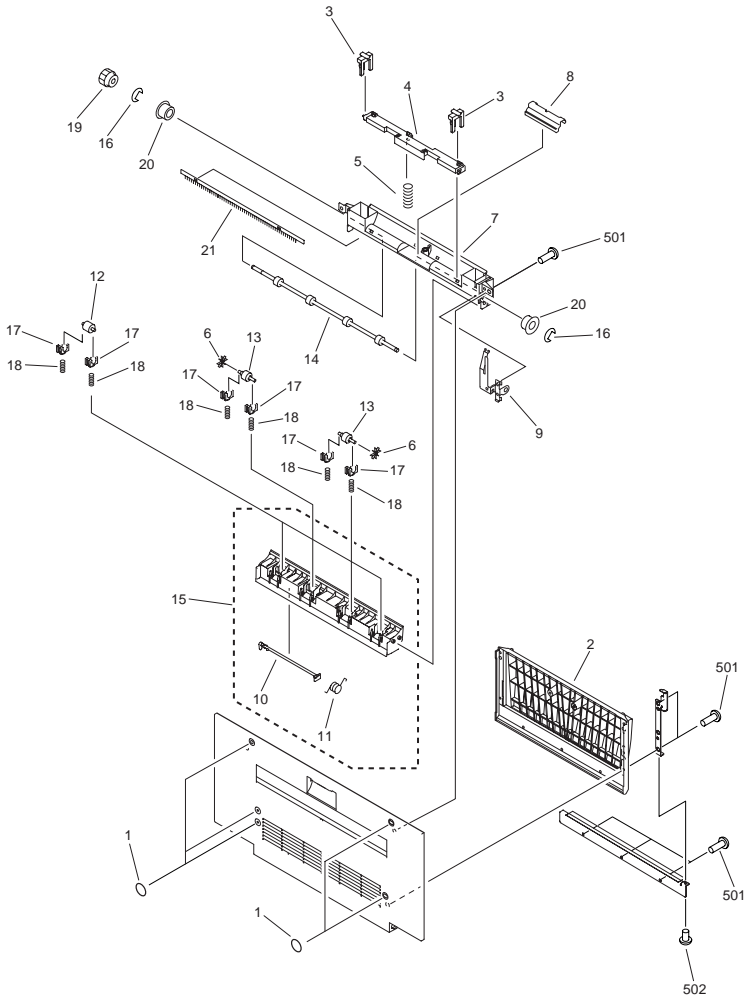


FIGURE & KEY NO.	PARTS NUMBER	RANK	Q'TY	DESCRIPTION	SERIAL NUMBER/REMARKS	SVC
Fig.351	FM2-8180-000		1	VERTICAL PATH PANEL ASSEMBLY		
1	FC5-0166-000		5	SEAL, BLANKING		
2	FB6-5793-000		1	GUIDE, VERTICAL PATH RIB		
3	FB6-3866-000		2	PIN, LATCH		
4	FB6-3867-000		1	LEVER, COVER		
5	FS7-2996-000		1	SPRING, COMPRESSION		
6	FB6-6645-000		2	FIN, DELIVERY		
7	FB6-3547-000		1	GUIDE, VERTICAL PATH DELIVERY		
8	FB6-4919-000		1	GUIDE, SPACER		
9	FB6-3551-020		1	PLATE, GROUNDING		
10	FL2-6564-000		1	FLAG, V. PATH DELIVERY SENSOR		
11	FB6-3553-000		1	SPRING, TORSION		
12	FB6-3554-000		2	ROLLER, DELIVERY, 1		
13	FB6-3555-000		2	ROLLER, DELIVERY, 2		
14	FB6-3876-000		1	ROLLER, VERTICAL PATH DELIVERY		
15	FM1-0421-000		1	GUIDE UNIT,V.PATH DELIV.LOWER		
16	XD9-0136-000		2	RING, E		
17	FS6-1059-000		8	BUSHING		
18	FC8-0454-000		8	SPRING, COMPRESSION		
19	FU3-0325-000		1	GEAR, 17T		
20	RS5-1101-000		2	BUSHING, CONDUCTIVE		
21	RB1-6666-000		1	ELIMINATOR, STATIC CHARGE		
501	XB4-5300-807		13	SCREW, P, M3X8		
502	XB1-2300-407		1	SCREW, BH3X4 (S)		

FIGURE 360 DUPLEXING ASSEMBLY

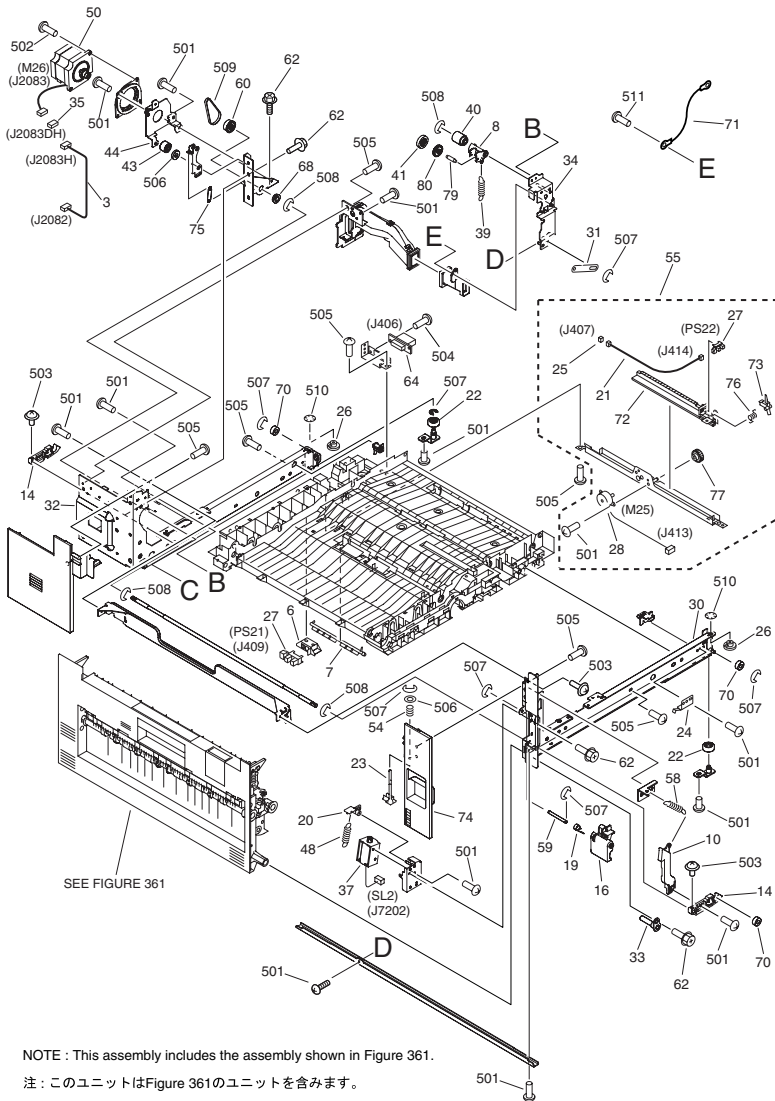


FIGURE 360
 DUPLEXING ASSEMBLY

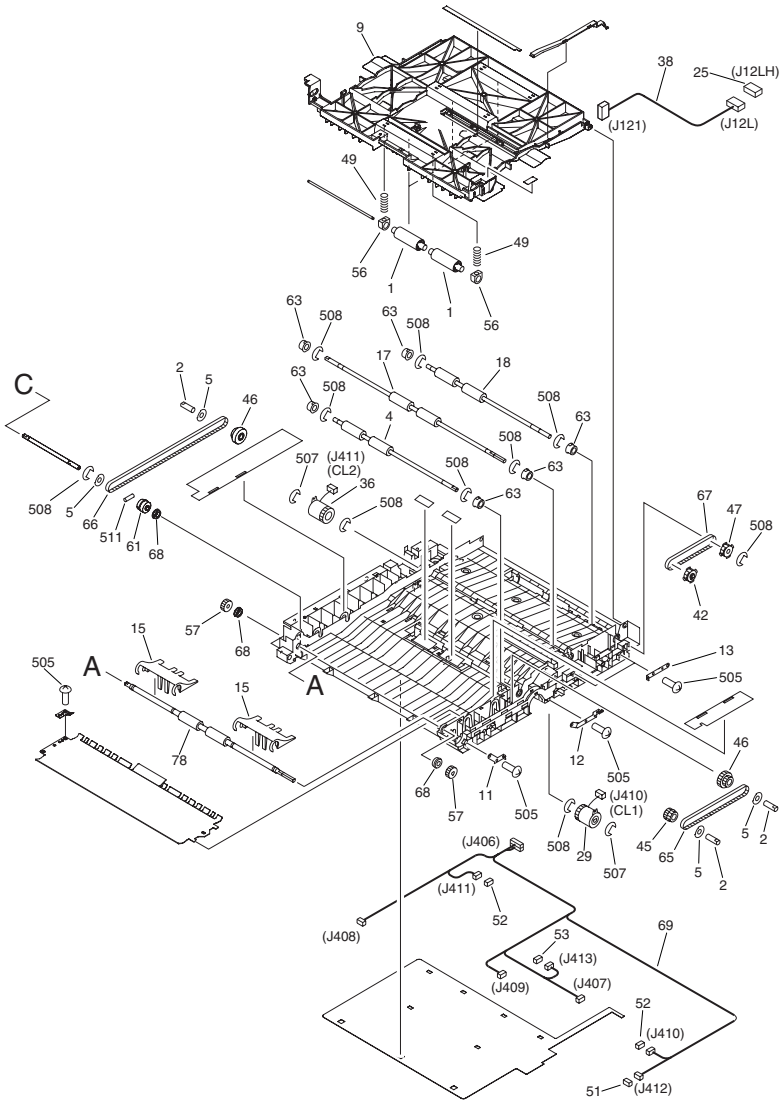
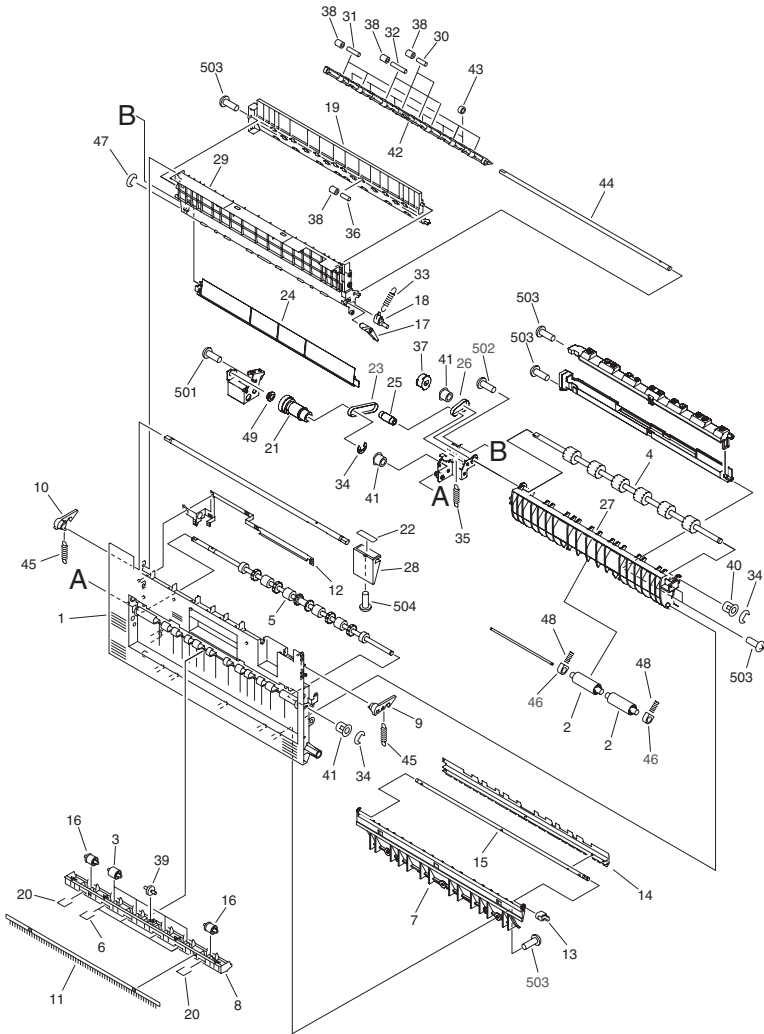


FIGURE & KEY NO.	PARTS NUMBER	R A N K	Q'TY	DESCRIPTION	SERIAL NUMBER/ REMARKS	S V C
Fig.360	FM2-5676-000		1	DUPLEXING ASSEMBLY		
1	FB6-4873-000		6	ROLLER, PAPER FEED		
2	FB6-3572-000		3	SHAFT, DUPLEXING IDLER		
3	FM2-7182-000		1	CABLE, DUPLEXING MOTOR		
4	FB6-3889-020		1	ROLLER, DUPLEXING FEEDER, 2		
5	FB6-3576-000		4	SPACER		
6	FB6-3577-000		1	HOLDER, DUPLEXING SENSOR		
7	FB6-3578-000		1	FLAG, DUPLEXING SENSOR		
8	FC6-8693-000		1	ARM, SWING		
9	FC6-8896-000		1	GUIDE, DUPLEXING OPEN/CLOSE		
10	FC6-8848-000		1	ARM, LOCK FOR HOOK		
11	FB6-3583-000		1	PLATE, GROUNDING, 1		
12	FB6-3584-000		1	PLATE, GROUNDING, 2		
13	FB6-3585-000		2	PLATE, GROUNDING, 3		
14	FC6-8851-000		2	HOOK, FIXING/FEEDER LOCK FOR		
15	FB6-3589-000		2	GUIDE, DUPLEXING AUXILIARY		
16	FC7-1453-000		1	HANDLE		
17	FB6-3890-020		1	ROLLER, DUPLEXING FEEDER, 3		
18	FB6-6530-000		1	ROLLER, DUPLEXING FEEDER, 4		
19	FC7-1502-000		1	SPRING, TORSION		
20	FC7-2726-000		1	LINK, SOLENOID		
21	FG3-2313-020		1	CABLE, SIDE REGIST. SENSOR		
22	FC7-2751-000		2	ROLLER, FIXING/FEEDER		
23	FB6-3600-000		1	PIN, ADJUSTMENT		
24	FB6-3638-000		1	PLATE, GROUNDING		
25	VS1-7177-003		2	CONNECTOR, SNAP TIGHT, BK		
26	FB6-3686-000		2	PIN, SLIDE		
27	FH7-7312-000		2	IC, EE-SX4235A-P2,	PS21,22	
28	FK2-0144-000		1	MOTOR, STEPPING, DC24V	M25	
29	FH6-1986-000		1	CLUTCH, ELECTRO-MAGNETIC		
30	FL2-4241-000		1	RAIL, FRONT		
31	FB6-3728-000		1	LINK, DELIVERY OPEN/CLOSE		

FIGURE & KEY NO.	PARTS NUMBER	RANK	Q'TY	DESCRIPTION	SERIAL NUMBER/REMARKS	SVC
32	FL2-4242-000		1	RAIL, REAR		
33	FF6-2081-000		1	SHAFT, DELIVERY OPEN/CLOSE		
34	FL2-4237-000		1	SIDE PLATE, DUPLEXING DRIVE		
35	VS1-7177-004		1	CONNECTOR, SNAP TIGHT, BK		
36	FH6-5052-020		1	CLUTCH, ELECTRO-MAGNETIC		
37	FH6-5056-020		1	SOLENOID	SL2	
38	FM2-7112-000		1	CABLE, LOOP 1 SENSOR		
39	FU6-2586-000		1	SPRING, TENSION		
40	FU7-0204-000		1	GEAR, 16T		
41	FU7-0405-000		1	GEAR, 20T		
42	FS5-3989-000		1	PULLEY, 32T		
43	FC6-8685-000		1	ROLLER, TENSION		
44	FC6-8689-000		1	MOUNT, DUPLEXING MOTOR		
45	FS6-3001-000		1	PULLEY, 28T/GEAR, 35T		
46	FS6-3002-000		2	PULLEY, 28T/GEAR, 24T		
47	FS6-3003-000		1	PULLEY, 32T		
48	FS7-2360-000		1	SPRING, TENSION		
49	FS7-2788-000		6	SPRING, COMPRESSION		
50	FK2-2520-000		1	MOTOR, STEPPING, DC	M26	
51	VS1-7176-002		1	CONNECTOR, SNAP TIGHT,BK		
52	VS1-7177-002		2	CONNECTOR, SNAP TIGHT, BK		
53	VS1-7177-006		1	CONNECTOR, SNAP TIGHT, BK		
54	FS7-2822-000		1	SPRING, COMPRESSION		
55	FG6-9060-000		1	SIDE REGISTRATION DETECT UNIT		
56	FU5-1035-000		6	BUSHING		
57	FU3-0311-000		2	GEAR, 35T		
58	FU6-2582-000		1	SPRING, TENSION		
59	FU6-5338-000		1	SHAFT, GRIP		
60	FU7-0196-000		1	PULLEY, 30T		
61	FU7-0202-000		1	GEAR, 35T/PULLEY		
62	XA9-0732-000		5	SCREW,RS,M4		
63	RS5-1325-000		6	BUSHING, CONDUCTIVE		

FIGURE & KEY NO.	PARTS NUMBER	R A N K	Q'TY	DESCRIPTION	SERIAL NUMBER/ REMARKS	S V C
64	VS1-6920-025		1	CONNECTOR, 25P, MALE		
65	XF9-0733-000		1	BELT, TIMING		
66	XF9-0734-000		1	BELT, TIMING		
67	XF9-0735-000		1	BELT, TIMING		
68	XG9-0520-000		4	BEARING, BALL, MF106ZZS		
69	FM2-7089-000		1	CABLE DUPLEXING UNIT		
70	XG9-0149-000		3	BEARING, BALL, 684AA1T12DZZ,		
71	FG3-3002-000		1	CABLE, GROUNDING		
72	FB6-3629-020		1	RACK, SLIDE		
73	FB6-3630-000		1	FLAG, REG. SENSOR		
74	FL2-4239-000		1	PANEL, EX. DELIVERY FIX, FRONT		
75	FU6-2581-000		1	SPRING, TENSION		
76	FS7-2832-000		1	SPRING, TORSION		
77	FU3-0318-000		1	GEAR, 36T/12T		
78	FB6-7009-000		1	ROLLER, DUPLEXING FEEDER, 1		
79	FC7-5161-000		1	SHAFT, GEAR		
80	FU5-6623-000		1	ROLLER		
501	XB1-2300-407		AR	SCREW, BH3X4 (S)		
502	XB1-2400-807		4	SCREW, M4X8		
503	XB2-8300-807		6	SCREW, M3X8		
504	XB1-2300-807		2	SCREW, CROSS-RECESS, FCH		
505	XB4-5400-807		AR	SCREW,P,M4X8		
506	XD1-1104-135		1	WASHER,COP		
507	XD2-1100-322		AR	RETAINING RING (E-TYPE)		
508	XD2-1100-502		AR	RETAINING RING (E-TYPE)		
509	XF2-1607-240		1	BELT, TIMING		
510	XD2-2300-602		2	GRIP RING		
511	XD3-2200-122		1	PIN, DOWEL		
	FC8-3766-000		2	STOPPER		
	FC8-0436-000		2	STOPPER, UPPER		

FIGURE 361 EXTERNAL DELIVERY COVER ASSEMBLY



NOTE : This assembly is included in the assembly shown in Figure 360.

注 : このユニットはFigure 360のユニットに含まれます。

FIGURE & KEY NO.	PARTS NUMBER	R A N K	Q'TY	DESCRIPTION	SERIAL NUMBER/ REMARKS	S V C
Fig.361	FM2-7442-000		1	EXTERNAL DELIVERY COVER ASS'Y		
1	FC6-8857-000		1	PANEL, EXTERNAL DELIVERY		
2	FB6-4873-000		2	ROLLER, PAPER FEED		
3	FB6-3555-000		4	ROLLER, DELIVERY, 2		
4	FC6-9934-000		1	ROLLER, DELIVERY		
5	FC7-4221-000		1	ROLLER, OUTER PAPER DELIVERY		
6	FC7-5151-000		4	SPRING		
7	FC6-8856-000		1	GUIDE, EXTERNAL PAPER DELIVERY		
8	FF6-2117-000		1	HOLDER, EXTERNAL DELIV. ROLLER		
9	FB6-3610-000		1	HOOK, DELIVERY, FRONT		
10	FB6-3611-000		1	HOOK, DELIVERY, REAR		
11	FB6-3613-000		1	ELIMINATOR, STATIC CHARGE		
12	FB6-3614-000		1	PLATE, GROUNDING		
13	FB6-3618-000		1	LINK, SOLENOID, 2		
14	FF6-2118-000		1	DEFLECTOR, FACE-UP/DUPLEX		
15	FB6-3620-000		1	SHAFT, FU/DUPLEX DEFLECTOR		
16	FB6-3621-000		2	ROLLER, EXTERNAL DELIVERY		
17	FB6-3623-020		1	LINK, DEFLECTOR		
18	FB6-3626-000		1	LINK, FACE-UP DEFLECTOR, 2		
19	FM3-2382-000		1	GUIDE, EXTERNAL DELIV., UPPER		
20	FC7-5150-000		2	SPRING		
21	FM2-8432-000		1	PULLEY, 16T/GEAR, 14T		
22	FB6-3847-000		1	LABEL, FIXING LEVER OPEN/CLOSE		
23	XF2-1605-240		1	BELT, TIMING		
24	FL2-5797-000		1	GUIDE, FIXED		
25	FC6-9931-000		1	PULLEY, 16T		
26	XF2-1603-340		1	BELT, TIMING		
27	FL2-4929-000		1	GUIDE, EXTERNAL DELIV., LOWER		
28	FB6-3612-000		1	KNOB, DELIVERY		
29	FF6-2115-000		1	GUIDE, EXTERNAL DELIV., UPPER		
30	FC7-4203-000		2	SHAFT, FLAPPER ROLLER 1		
31	FC7-4204-000		4	SHAFT, FLAPPER ROLLER 2		

FIGURE & KEY NO.	PARTS NUMBER	RANK	Q'TY	DESCRIPTION	SERIAL NUMBER/REMARKS	SVC
32	FC7-4205-000		2	SHAFT, FLAPPER ROLLER 3		
33	FS7-2830-000		1	SPRING, TENSION		
34	XD9-0136-000		3	RING, E		
35	FS7-2831-000		1	SPRING, TENSION		
36	XD9-0104-000		22	PIN, DOWEL		
37	FU7-0701-000		1	PULLEY, 21T		
38	FB6-7002-000		46	ROLLER, PAPER SENSOR		
39	RB9-0255-000		1	ROLLER		
40	RS5-1060-000		1	BUSHING		
41	RS5-1325-000		3	BUSHING, CONDUCTIVE		
42	FL2-6007-000		1	DEFLECTOR, FACE-UP, DUPLEXING		
43	FB6-3892-000		6	ROLLER, FACE-UP DEFLECTOR		
44	FF6-2128-000		1	SHAFT, FACE-UP DEFLECTOR		
45	FS7-2828-000		2	SPRING, TENSION		
46	FU5-1035-000		2	BUSHING		
47	XD9-0135-000		1	RING, E		
48	FS7-2788-000		2	SPRING, COMPRESSION		
49	XG9-0482-000		1	BUSHING		
501	XB1-2300-407		1	SCREW, BH3X4 (S)		
502	XB2-8300-807		1	SCREW, M3X8		
503	XB4-5300-807		AR	SCREW, P, M3X8		
504	XB6-7400-607		1	SCREW, TP M4X6		
	FC7-7818-000		1	PLATE, GROUND		

FIGURE 460 LASER UNIT

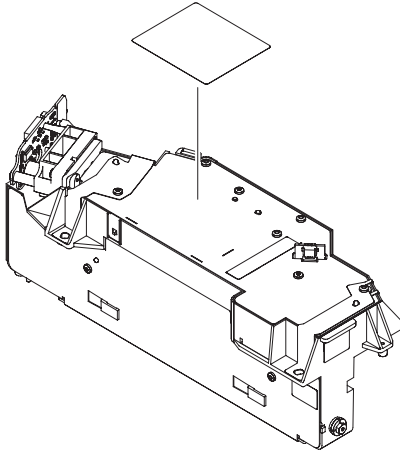


FIGURE & KEY NO.	PARTS NUMBER	RANK	Q'TY	DESCRIPTION	SERIAL NUMBER/REMARKS	SVC
Fig.460	FM2-5406-000		4	LASER UNIT		

FIGURE & KEY NO.	PARTS NUMBER	R A N K	Q'TY	DESCRIPTION	SERIAL NUMBER/ REMARKS	S V C
Fig.530	FM2-5365-000		1	INTER. TRANSFER BELT ASSEMBLY		
1	FC7-0091-000		1	BELT, ITB		
2	FB6-6380-000		1	ROLLER, TENSION		
3	FB6-2934-020		1	ROLLER, TRANSFER, SECONDARY		
4	FB6-2936-000		2	BUSHING		
5	FB6-2938-000		2	COLLAR, LIMIT		
6	FB6-2939-000		4	PLATE, CONTACT		
7	FC6-8870-000		1	COVER, BELT		
8	FB6-2941-000		1	PLATE, GROUNDING		
9	FC7-1461-000		1	HANDLE, FRONT		
10	FB6-2944-010		4	BUSHING		
11	FB6-2945-010		4	BUSHING		
12	FB6-2947-000		1	PLATE, GROUNDING		
13	FB6-2948-000		1	SPRING, LEAF		
14	FB6-2951-000		1	COVER, GEAR		
15	FC7-2748-000		1	ROLLER		
16	FB6-2958-000		1	PLATE, GROUNDING		
17	FB6-2974-000		1	SCRAPER		
18	FS6-1062-000		2	BUSHING		
19	FS7-2781-000		2	SPRING, COMPRESSION		
20	FS7-2782-000		8	SPRING, COMPRESSION		
21	FS7-2783-000		1	SPRING, COMPRESSION		
22	FU7-0406-000		1	GEAR, DRIVE		
23	FU3-0267-000		1	GEAR, 18T		
24	FU3-0268-000		1	GEAR, 40T		
25	FC7-4811-000		4	ROLLER, TRANSFER, PRIMARY		
26	XG9-0596-000		2	BEARING, BALL, 6801ZZPSH44M,		
27	XG9-0415-000		1	BEARING,BALL,688AZZ1*MC3JD4ML		
28	FG3-2365-020		1	CABLE, VARISTOR		
29	FB6-2953-000		1	HOLDER, CONTACT		
30	FB6-2954-000		4	CONTACT		
31	FB6-2955-000		4	PLATE, SUPPORT SPRING		

FIGURE & KEY NO.	PARTS NUMBER	R A N K	Q'TY	DESCRIPTION	SERIAL NUMBER/ REMARKS	S V C
32	FS7-2784-000		4	SPRING, COMPRESSION		
33	FG3-2320-000		1	CABLE, HV, YELLOW		
34	FG3-2321-000		1	CABLE, HV, MAGENTA		
35	FG3-2367-000		1	CABLE, HV, CYAN		
36	FG3-2368-000		1	CABLE, HV, BLACK		
37	FC7-2747-000		1	ROLLER, DRIVE		
38	FF6-2388-000		1	SHEET, COVER, 1		
39	FF6-2389-000		1	SHEET, COVER, 2		
40	FF6-2390-000		1	SHEET, COVER, 3		
41	FF6-2391-000		1	SHEET, COVER, 4		
42	FF6-2392-000		1	SHEET, COVER, 5		
43	FF6-2396-000		1	SHEET, COVER, 6		
44	FB6-7072-000		1	SHEET, HOLE CLOSE		
45	FC6-8862-000		1	HOLDER, TRANSFER ROLLER		
46	XD9-0136-000		4	RING, E		
47	XG9-0521-000		2	BEARING, BALL, MR126ZZ		
501	XB1-2300-607		AR	SCREW, BH3X6(S)		
502	XB2-8300-607		AR	SCREW, M3X6, S		
503	XB4-5300-807		AR	SCREW, P, M3X8		
504	XD1-1106-212		2	WASHER,COP		
505	XD1-1108-225		2	WASHER,COP		
506	XD1-1104-133		3	WASHER,COP		
507	XD2-1100-642		8	RING,E		
508	XD3-2200-202		1	PIN, M2 X20		
509	XD2-1200-902		2	WASHER,RETAINING (SUS)		
510	XD2-3100-122		3	RETAINING RING (C-TYPE)		
511	XD1-1108-212		3	WASHER,COP		
	FL2-4923-000		1	DUCT, I.T.B. COOLING		
	FC7-4211-000		1	COVER, ENTRANCE SEAL		

FIGURE 531 TRANSFER CLEANING ASSEMBLY

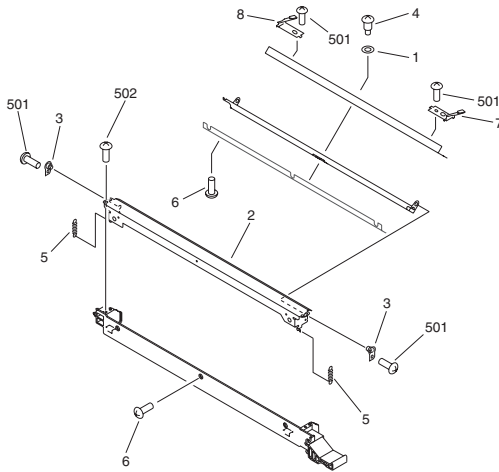


FIGURE & KEY NO.	PARTS NUMBER	R A N K	Q'TY	DESCRIPTION	SERIAL NUMBER/REMARKS	S V C
Fig.531	FG6-8989-030		1	TRANSFER CLEANING ASSEMBLY		
1	FS5-6957-000		1	WASHER,WAVE		
2	FB6-3113-000		1	COVER, CLEANING		
3	FF6-2032-000		2	SUPPORT, BLADE SWING		
4	FS1-9010-020		1	SCREW, STEPPED, M3		
5	FS7-2840-000		2	SPRING, TENSION		
6	XA9-0624-000		9	SCREW,M3X4		
7	FF6-2393-000		1	SEAL, FRONT		
8	FF6-2394-000		1	SEAL, REAR		
501	XB1-2300-407		4	SCREW, BH3X4 (S)		
502	XB4-5300-807		2	SCREW, P, M3X8		

FIGURE 580 SECONDARY TRANSFER ASSEMBLY

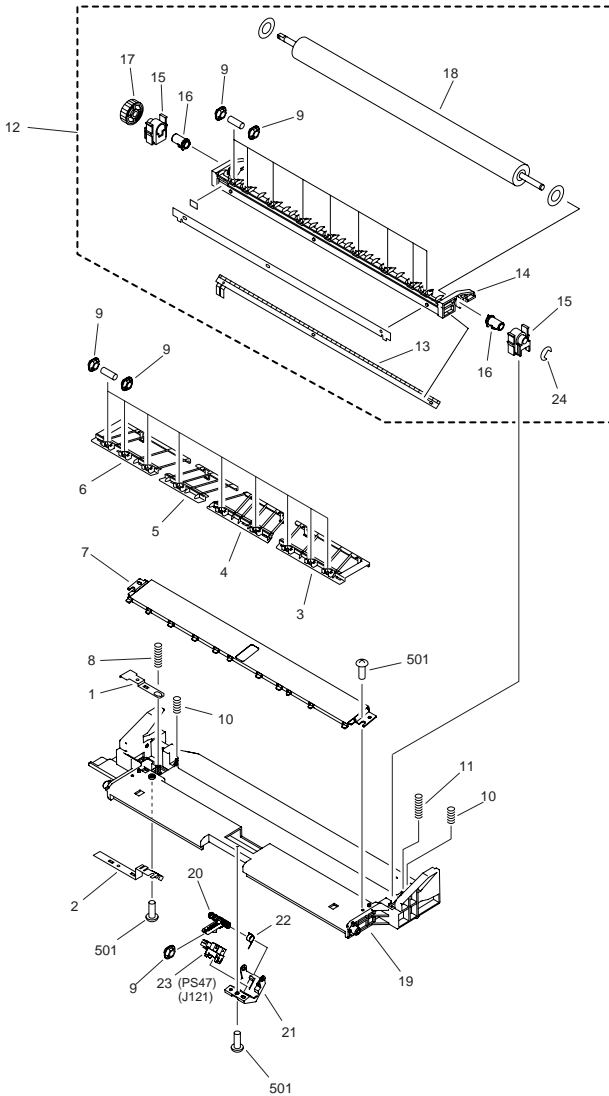


FIGURE & KEY NO.	PARTS NUMBER	R A N K	Q'TY	DESCRIPTION	SERIAL NUMBER/ REMARKS	S V C
Fig.580	FM2-5375-000		1	SECONDARY TRANSFER ASSEMBLY		
1	FB6-3135-020		1	PLATE, HV CONTACT, 2		
2	FB6-3136-020		1	PLATE, GROUNDING, 2		
3	FB6-3146-000		1	GUIDE, SECONDARY TRANSFER, 1		
4	FB6-3853-000		1	GUIDE, SECONDARY TRANSFER, 2		
5	FB6-3854-000		1	GUIDE, SECONDARY TRANSFER, 3		
6	FB6-3855-000		1	GUIDE, SECONDARY TRANSFER, 4		
7	FL2-4924-000		1	PLATE, ATTRACTION		
8	FS7-2846-000		1	SPRING, COMPRESSION		
9	FB6-3150-000		37	ROLLER, TRANSFER SENSOR		
10	FS7-2856-000		2	SPRING, COMPRESSION		
11	FS7-2857-000		1	SPRING, COMPRESSION		
12	FM2-7475-000		1	SECONDARY TRANSFER ROLLER UNIT		
13	FB6-3134-000		1	ELIMINATOR, STATIC CHARGE		
14	FB6-3149-000		1	HOLDER, STATIC CHARGE		
15	FB6-3939-000		2	HOLDER, BUSHING		
16	FS6-1066-000		2	BUSHING		
17	FU3-0344-000		1	GEAR, 48T		
18	FC7-0090-000		1	ROLLER, SECONDARY TRANSFER		
19	FC6-8890-000		1	HOLDER, SECONDARY TRANSFER		
20	FC6-8893-000		1	FLAG, LOOP SENSING		
21	FC6-8894-000		1	HOLDER, SENSOR TRANSFER		
22	FC6-8895-000		1	SPRING, TORSION		
23	FH7-7312-000		1	IC, EE-SX4235A-P2,	PS47	
24	XD9-0136-000		1	RING, E		
501	XB4-5300-607		4	SCREW,P,M3X6		

FIGURE 810
FIXING ASSEMBLY

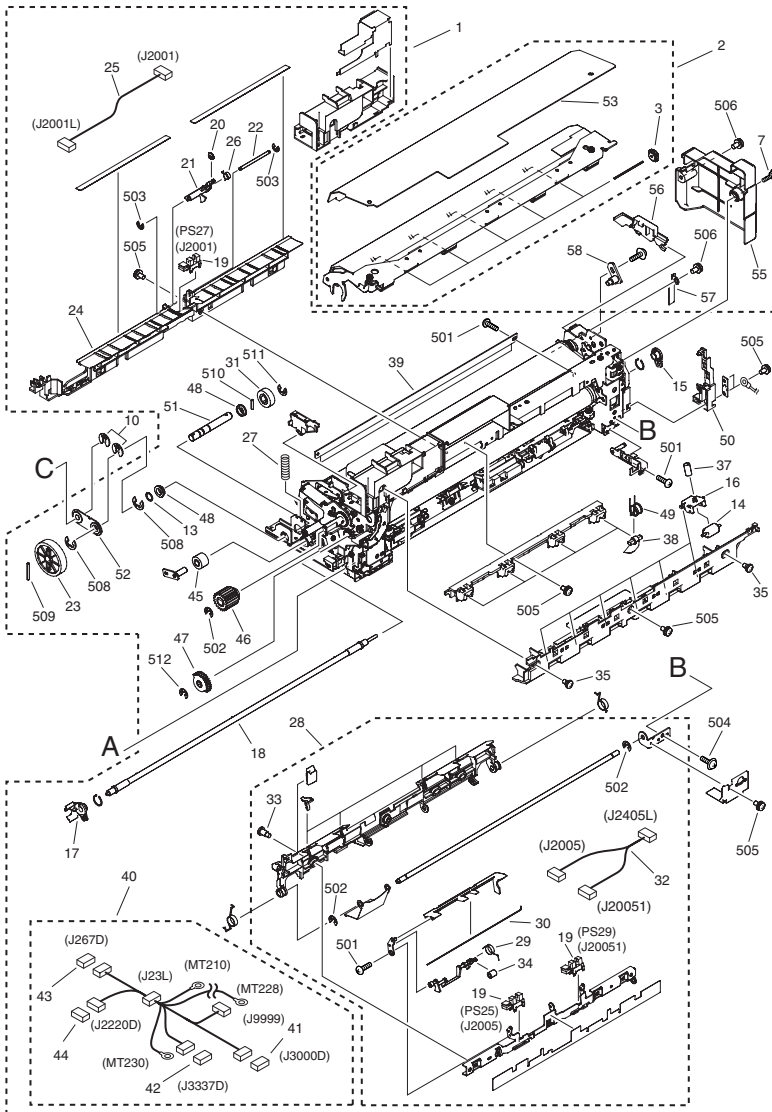


FIGURE & KEY NO.	PARTS NUMBER	R A N K	Q'TY	DESCRIPTION	SERIAL NUMBER/ REMARKS	S V C
Fig.810	NPN		RF	FIXING ASSEMBLY		
1	FM3-0690-000		1	FIXING UNIT	100V	
1	FM3-0691-000		1	FIXING UNIT	120V	
1	FM3-0692-000		1	FIXING UNIT	230V	
2	FM2-5379-010		1	HEATER ASSEMBLY	100V,120V	
2	FM2-9526-010		1	HEATER ASSEMBLY	230V	
3	FC7-3922-000		5	ROWEL		
4	FM2-9499-000		1	FIXING BELT CONT MOTOR ASS'Y		
5	FU7-0384-000		2	GEAR, 14T		
6	FU7-0699-000		1	GEAR, 30T/20T		
7	FS2-9343-010		1	SCREW, STEPPED, M4		
8	FM2-9500-000		1	PRESSURE BELT CONT. MOTOR ASSY		
9	FM2-9501-000		1	FIXING BELT MOUNT SENSOR ASS'Y		
10	FA4-1159-000		1	RETAINING RING		
11	FU7-0346-000		1	GEAR, 29T/21T		
12	FC7-2737-000		1	COVER, PANEL MOUNT		
13	FS5-6487-000		2	WASHER		
14	FB6-6381-000		6	ROLLER, FIXING DELIVERY		
15	FC7-0641-000		1	BUSHING		
16	FC7-1409-000		6	HOLDER, INSIDE DELIVERY ROLLER		
17	FC7-4219-000		1	BUSHING		
18	FK2-2531-000		1	HEATER, HALOGEN	100V	
18	FK2-2532-000		1	HEATER, HALOGEN	120V	
18	FK2-2533-000		1	HEATER, HALOGEN	230V	
19	FH7-7312-000		8	IC, EE-SX4235A-P2,		
20	FB6-3150-000		1	ROLLER, TRANSFER SENSOR		
21	FC7-0652-000		1	LEVER, INLET		
22	FC7-0653-000		1	SHAFT, INLET LEVER		
23	FU7-0397-000		1	GEAR, 50T		
24	FL2-6197-000		1	GUIDE, INLET		
25	FM2-7180-000		1	CABLE, ENTRANCE SENSOR		
26	FU6-2596-000		1	SPRING, TORSION		

FIGURE & KEY NO.	PARTS NUMBER	R A N K	Q'TY	DESCRIPTION	SERIAL NUMBER/ REMARKS	S V C
27	FU6-2782-000		1	SPRING, COMPRESSION		
28	FM2-9508-000		1	GUIDE UNIT,INTERNAL DELIVERY		
29	FC7-0724-000		1	SPRING, TORSION		
30	FC7-4530-000		1	SPRING, SENSING SENSOR		
31	FU7-0396-000		1	GEAR, 24T		
32	FM2-7175-000		1	CABLE, PAPER DELIVERY SENSOR		
33	FS1-9102-020		4	SCREW, STEPPED, M3		
34	RB2-0493-000		1	ROLLER, PAPER SENSOR		
35	FS1-9010-020		2	SCREW, STEPPED, M3		
36	XG9-0177-000		2	BALL BEARING, NMB DDL-1480ZZR		
37	FU6-2779-000		6	SPRING, COMPRESSION		
38	FB6-3666-000		4	CLAW, SEPARATION		
39	FB6-6642-000		1	ELIMINATOR, STATIC CHARGE		
40	FM2-7176-000		1	CABLE, MAIN		
41	VS1-7164-024		1	CONNECTOR, SNAP TIGHT, 24P, W		
42	VS1-7173-012		1	CONNECTOR, SNAP TIGHT, 12P, W		
43	VS1-7177-003		1	CONNECTOR, SNAP TIGHT, BK		
44	VS1-7177-008		1	CONNECTOR, SNAP TIGHT, BK		
45	FU7-0395-000		1	GEAR, 17T		
46	FU7-0206-000		1	GEAR, 20T		
47	FU7-0394-000		1	GEAR, 30T		
48	XG9-0507-000		1	BEARING, BALL, MF128ZZ		
49	FS7-2817-000		4	SPRING, TORSION		
50	FC7-0725-000		1	MOUNT, TERMINAL		
51	FC7-0719-000		1	SHAFT, PRESSURE RELEASE		
52	FC7-0718-000		1	SPACER		
53	FC7-9751-000		1	COVER, FIXING, UPPER		
54	FC6-8757-000		1	COVER, GEAR		
55	FC7-0655-000		1	COVER, PRE-FIXING		
56	FC7-4222-000		1	GUID 3, IH CABLE		
57	FC7-5158-000		1	SHEET, FRONT COVER		
58	FL2-4749-000		1	PLATE, COIL POSITIONING		

FIGURE & KEY NO.	PARTS NUMBER	RANK	Q'TY	DESCRIPTION	SERIAL NUMBER/REMARKS	SVC
501	XB1-2300-407		4	SCREW, BH3X4 (S)		
502	XD2-1100-402		2	RETAINING RING (E-TYPE)		
503	XD2-1100-242		2	WASHER, RETAINING		
504	XB6-7300-607		10	SCREW, CROOSS-RECESS, FCH		
505	XB2-8300-607		9	SCREW, M3X6, S		
506	XB2-8400-807		2	SCREW,W/WASHER,M4X8		
507	XD3-2200-102		AR	PIN, PARALLEL		
508	XD2-1100-642		AR	RING,E		
509	XD3-2250-222		1	PIN, DOWEL, 2.5X22		
510	XD3-2250-122		1	PIN, DOWELL, 2.5X12		
511	XD2-1100-502		1	RETAINING RING (E-TYPE)		
512	XD2-1100-322		1	RETAINING RING (E-TYPE)		

FIGURE 900 CONTROLLER BOX ASSEMBLY

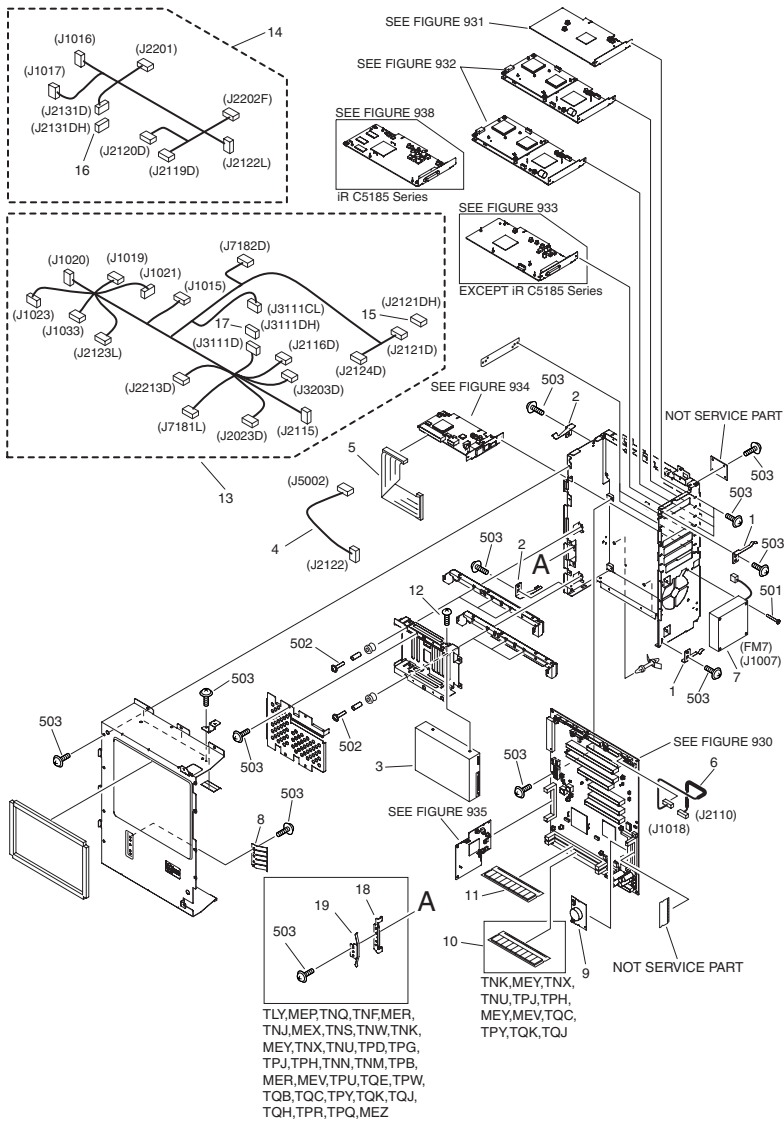


FIGURE & KEY NO.	PARTS NUMBER	R A N K	Q'TY	DESCRIPTION	SERIAL NUMBER/ REMARKS	S V C
Fig.900	NPN		RF	CONTROLLER BOX ASSEMBLY		
1	FC5-0444-000		2	PLATE, GROUNDING		
2	FC5-0445-000		2	PLATE, GROUNDING		
3	FM2-8258-000		1	HDD, HDS728080PLAT20		
4	FG3-3171-000		1	CABLE, HARD DISK POWER SUPPLY		
5	FK2-3737-000		1	CABLE, FLAT, HDD		
6	FG3-3851-010		1	CABLE, FRAM		
7	FK2-2529-000		1	FAN	FM7	
8	FC6-8737-000		1	PLATE, GROUNDING		
9	FM2-6040-000		1	SRAM BOARD PCB ASSEMBLY		
10	FM2-6208-000		1	DIMM, DD4333-S512MDJ-CA,SD-RAM	TNK,MEY,TNX,TNU,TPJT PH,MEY,MEV,TQC,TPYT QK,TQJ	
11	FM2-6044-000		1	DIMM, DDR SDRAM, 1GB		
12	XA9-1496-000		4	SCREW,M3X6.4		
13	FM2-7146-000		1	CABLE, CONTROLLER		
14	FM2-7158-000		1	CABLE, FAX		
15	VS1-7177-002		1	CONNECTOR, SNAP TIGHT, BK		
16	VS1-7177-003		1	CONNECTOR, SNAP TIGHT, BK		
17	VS1-7440-010		1	CONNECTOR, SNAP TIGHT		
18	FC6-8745-000		1	MOUNT, RB BOARD, A	TLY,MEP,TNQ,TFN,MER TNJ,MEX,TNS,TNW,TKN MEY,TNX,TNU,TPD,TPG TPJ,TPH,TNN,TNM,TPBM ER,MEV,TPU,TQE,TPWT QB,TQC,TPY,TQK,TQJT QH,TPR,TPQ,MEZ	
19	FC6-8746-000		1	MOUNT, RB BOARD, B	TLY,MEP,TNQ,TFN,MER TNJ,MEX,TNS,TNW,TKN MEY,TNX,TNU,TPD,TPG TPJ,TPH,TNN,TNM,TPBM ER,MEV,TPU,TQE,TPWT QB,TQC,TPY,TQK,TQJT QH,TPR,TPQ,MEZ	
501	XB1-2403-007		2	SCREW, BH 4X30 (S)		
502	XB2-5301-407		6	SCREW,W/WASHER,M3X14		
503	XB6-7300-607		AR	SCREW, CROOSS-RECESS, FCH		

FIGURE & KEY NO.	PARTS NUMBER	RANK	Q'TY	DESCRIPTION	SERIAL NUMBER/REMARKS	SVC
Fig.910	NPN		RF	DC POWER SUPPLY ASSEMBLY		
1	FC7-1455-000		1	COVER, AC DRIVER		
2	FK2-0101-000		1	POWER PCB ASSEMBLY	100V,120V	
2	FK2-0111-000		1	POWER PCB ASSEMBLY	230V	
3	FK2-0360-000		2	FAN	FM1,10	
4	FM2-6049-010		1	DC DC CONVERTER PCB ASSEMBLY 1		
5	FM2-6300-000		2	DC-DC CONVERTER PCB ASSEMBLY		
6	FM2-6301-000		1	AC DRIVER PCB ASSEMBLY	100V,120V	
6	FM2-6302-000		1	AC DRIVER PCB ASSEMBLY	230V	
7	FM3-2053-000		1	MAIN POWER SUPPLY RELAY ASS'Y	100V,120V	
7	FM3-2054-000		1	MAIN POWER SUPPLY RELAY ASS'Y	230V	
8	FM2-7139-000		1	CABLE, POWER SUPPLY DC		
9	FM2-7130-000		1	CABLE, AC DRIVER SWITCH 1		
10	FM2-7159-000		1	CABLE, POWER FAN CONNECTING		
11	VS1-7177-003		2	CONNECTOR, SNAP TIGHT, BK		
12	FM3-0261-000		1	I.T.B. SUB PCB ASSEMBLY		
501	XB2-4300-807		AR	SCREW,W/WASHER,M3X8		
502	XB6-7300-607		AR	SCREW, CROOSS-RECESS, FCH		
503	XB1-2403-007		AR	SCREW, BH 4X30 (S)		

**FIGURE 930
MAIN CONT. PCB ASSEMBLY**

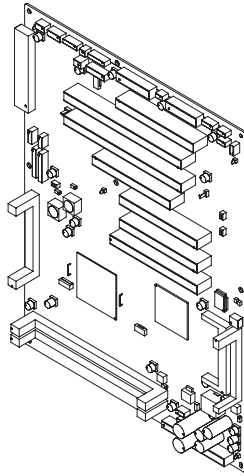


FIGURE & KEY NO.	PARTS NUMBER	RANK	Q'TY	DESCRIPTION	SERIAL NUMBER/REMARKS	SVC
Fig.930	FM2-6807-000		1	MAIN CONTROLLER PCB ASSEMBLY	TLX,TLY,TND,TNF,TNGT NH,TNJ,TNK,TNM,TNNT NP,TNQ,TNR,TNS,TNTT NU,TNV,TNW,TNX,TUYT PB,MEN,MEP,MEQ,MER MEV,MEW,MEX,MEY,ME ZTPP,TPT,TPU,TPV,TPW TPX,TPY,TPZ,TQB,TQCT PQ,TPR	
Fig.930	FM2-6843-000		1	MAIN CONTROLLER PCB ASSEMBLY	TPC,TPD,TPF,TPG,TPHT PJ,TQD,TQE,TQG,TQHT QJ,TQK	
IC20	FH4-6300-000		1	IC, M38871M2-010GP, MCU		
IC39	FH4-6243-000		1	IC,L7A1860,STANDARD CELL		
IC50	FK2-2902-000		1	IC, T8K21DXBG-6, STANDARD CELL	TLX,TLY,TND,TNF,TNGT NH,TNJ,TNK,TNM,TNNT NP,TNQ,TNR,TNS,TNTT NU,TNV,TNW,TNX,TUYT PB,MEN,MEP,MEQ,MER MEV,MEW,MEX,MEY,ME ZTPP,TPT,TPU,TPV,TPW TPX,TPY,TPZ,TQB,TQCT PQ,TPR	
IC50	FK2-2903-000		1	IC, T8K21DXBG-5, STANDARD CELL	TPC,TPD,TPF,TPG,TPHT PJ,TQD,TQE,TQG,TQHT QJ,TQK	
IC54	FH4-6302-000		1	IC,S1L50552F32L000,ASIC		

FIGURE 931
 MAIN CONT. PCB ASS'Y, R-A/RO-B

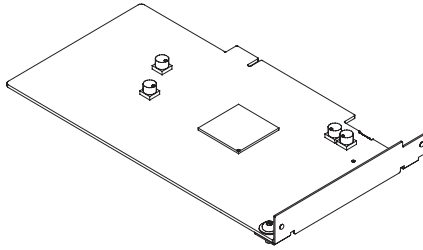


FIGURE & KEY NO.	PARTS NUMBER	RANK	Q'TY	DESCRIPTION	SERIAL NUMBER/REMARKS	SVC
Fig.931	FM2-8257-000		1	MAIN CONTROLLER PCB ASS'Y,R-A	TLX, TLY, TNF, TNJ, TNKTN M, TNN, TNP, TNQ, TNSTN U, TNW, TNX, TUY, TPBTP C, TPD, TPG, TPH, TPJMEN , MEP, MER, MEV, MEXME Y, MEZ, TPT, TPU, TPWTP Y, TQB, TQC, TPQ, TPRTQ D, TQE, TQH, TQJ, TQK	
Fig.931	FM2-7430-000		1	MAIN CONTROLLER PCB ASS'Y,RO-B	TND, TNG, TNH, TNR, TNT TNV, TPF, MEQ, MEW, TPP TPV, TPX, TPZ, TQG	
IC1	FH4-6237-000		1	IC,UPD800607S1,STANDARD CELL	TLX, TLY, TNF, TNJ, TNKTN M, TNN, TNP, TNQ, TNSTN U, TNW, TNX, TUY, TPBTP C, TPD, TPG, TPH, TPJMEN , MEP, MER, MEV, MEXME Y, MEZ, TPT, TPU, TPWTP Y, TQB, TQC, TPQ, TPRTQ D, TQE, TQH, TQJ, TQK	
IC6	FH4-6241-000		1	IC,PD800028S1-011-F6-A,	TND, TNG, TNH, TNR, TNT TNV, TPF, MEQ, MEW, TPP TPV, TPX, TPZ, TQG	

FIGURE 932
MAIN CONT. PCB ASSY, PDRM-EF-A

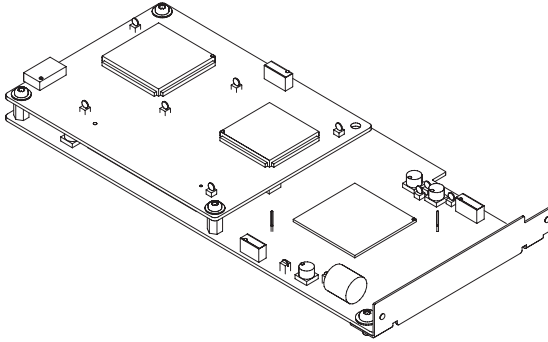


FIGURE & KEY NO.	PARTS NUMBER	RANK	QTY	DESCRIPTION	SERIAL NUMBER/REMARKS	S V C
Fig.932	FM2-7429-000		2	MAIN CONT. PCB ASSY, PDRM-EF-A		
IC1	FH4-6248-000		1	IC,HG76C026HFV,STANDARD CELL	EF-A PCB	
IC1	FH4-6235-000		1	IC,UPD800606S1, STANDARD CELL	PDRM-A PCB	
IC2	FK2-0912-000		1	IC, HG76CS037AHFV,	EF-A PCB	
IC6	FK2-0913-000		1	IC, L7A1911, STANDARD CELL,	PDRM-A PCB	

FIGURE 933
MAIN CONT. PCB ASS'Y, SJ-A(EXCEPT iRC5185
Series)

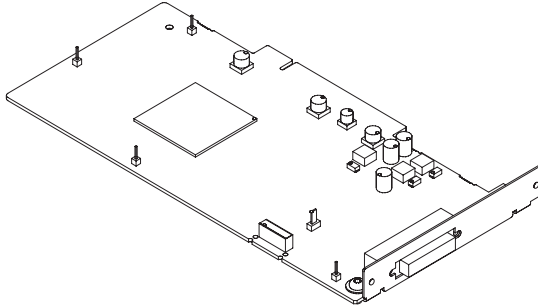


FIGURE & KEY NO.	PARTS NUMBER	RANK	Q'TY	DESCRIPTION	SERIAL NUMBER/REMARKS	SVC
Fig.933	FM2-6852-000		1	MAIN CONTROLLER PCB ASS'Y,SJ-A	TLX, TLY, TND, TNF, TNGT NH, TNJ, TNK, TNM, TNNT NP, TNQ, TNR, TNS, TNNT NU, TNV, TNW, TNX, TUYT PB, TPC, TPD, TPF, TPGT H, TPJ, MEN, MEP, MERME W, MEX, MEY, TPP, TPTTP U, TPV, TPW, TPX, TPTYTPZ , TQB, TQC, TPQ, TPRTQD, TQE, TQG, TQH, TQJTQK	
IC1	FH4-6239-000		1	IC,UPD800008S1-011-F6-A		
IC18	FH4-6247-000		1	IC, FUA119AA, STANDARD CELL,		
IC21	FH4-6260-000		1	IC, M66446FP, STANDARD CELL		

FIGURE 934 MAIN CONT. PCB ASS'Y, L-C

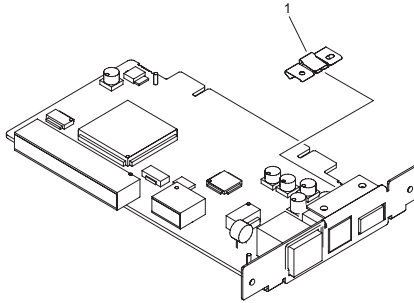


FIGURE & KEY NO.	PARTS NUMBER	RANK	Q'TY	DESCRIPTION	SERIAL NUMBER/REMARKS	SVC
Fig.934	FM2-9253-000		1	MAIN CONTROLLER PCB ASS'Y,L-C		
1	FC6-2859-000		1	PLATE, GROUNDING		
IC1	FH4-6214-000		1	IC, TC240E4804AF-42,GATE ARRAY		

FIGURE 935
 MAIN CONT. PCB ASS'Y, RB-A

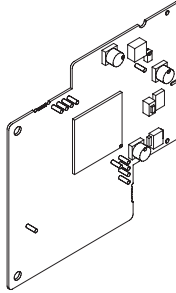


FIGURE & KEY NO.	PARTS NUMBER	RANK	Q'TY	DESCRIPTION	SERIAL NUMBER/REMARKS	SVC
Fig.935	FM2-6810-000		1	MAIN CONTROLLER PCB ASS'Y,RB-A	TLY,TNF,TNJ,TKN,TNMT NN,TNQ,TNS,TNU,TNWT NX,TUY,TPB,TPD,TPGTP H,TPJ,MEP,MER,MEVME X,MEY,MEZ,TPU,TPWTP Y,TQB,TQC,TPQ,TPRTQ E,TQH,TQJ,TQK	
IC1	FH4-6303-000		1	IC,PD800052F1-011-MN3-A,		

FIGURE 936 DC CONTROLLER PCB ASSEMBLY 1

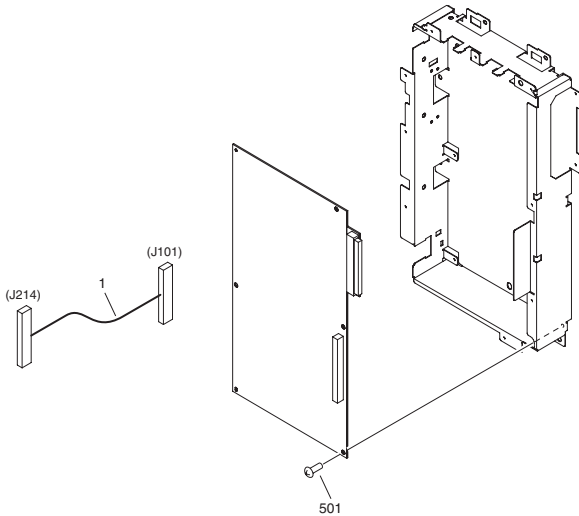
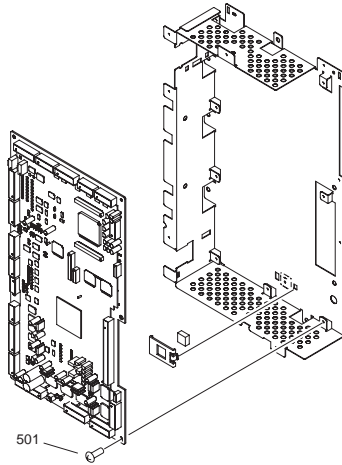


FIGURE & KEY NO.	PARTS NUMBER	RANK	QTY	DESCRIPTION	SERIAL NUMBER/REMARKS	SVC
Fig.936	FM2-6297-000		1	DC CONTROLLER PCB ASSEMBLY 1	TLX, TLY, TND, TNF, TNGT, NH, TNJ, TNK, TNM, TNNM, EN, MEP, MEQ, MER, MEV, MEW, MEX, MEY, MEZ, TTP	
Fig.936	FM2-7157-000		1	DC CONTROLLER PCB ASSEMBLY 1	TNP, TNQ, TNR, TNS, TNTT, NU, TNV, TNW, TNX, TUYT, PB, TPC, TPD, TPF, TPGTP, H, TPJ, TPT, TPJ, TPV/TPW, TPX, TPY, TPZ, TQBTQC, TPQ, TPR, TQD, TQETQG, TQH, TQJ, TQK	
1	FM2-7161-000		1	CABLE, FLAT		
501	XB6-7300-607		6	SCREW, CROSS-RECESS, FCH		
IC6	FH4-3950-000		1	IC, MX23L8103TC-70G, MASK-ROM,		
IC7	FK2-2043-000		16	IC, PM1100/40G, GATEARRAY,	IC7, 8, 9, 10, 12, 13IC15, 16, 2, 1, 22, 23IC24, 32, 33, 45, 46	
IC3002	FK2-2046-000		4	IC, MB87Q1282PB-GE1,	IC3002, 3004, 3005, 3006	

FIGURE 937 DC CONTROLLER PCB ASSEMBLY 2



NOTE : This assembly does not include the part shown with key No. 501.
F - j b g Key No. 501 i " g " e B

FIGURE & KEY NO.	PARTS NUMBER	RANK	Q'TY	DESCRIPTION	SERIAL NUMBER/REMARKS	SVC
Fig.937	FM2-6298-000		1	DC CONTROLLER PCB ASSEMBLY 2		
501	XB6-7300-607		8	SCREW, CROOSS-RECESS, FCH		
IC2	FH4-6284-000		2	IC, UPD65882GC-015-8EU-A, ASIC	IC2,7	
IC11	FH4-6164-000		1	IC, KS4H3U2082CBP, GATE ARRAY		

FIGURE 938
 MAIN CONT. PCB ASS'Y, S-JJ

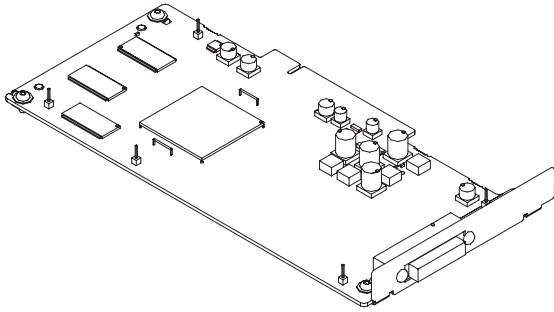


FIGURE & KEY NO.	PARTS NUMBER	RANK	Q'TY	DESCRIPTION	SERIAL NUMBER/REMARKS	SVC
Fig.938	FM2-9252-000		1	MAIN CONT. PCB ASS'Y, S-JJ	iR C5185 Series	
IC1	FH4-6239-000		1	IC,UPD800008S1-011-F6-A		
IC18	FH4-6247-000		1	IC, FUA119AA, STANDARD CELL,		
IC21	FH4-6260-000		1	IC, M66446FP, STANDARD CELL		

FIGURE 940 IH POWER/POTENTIAL SENSOR PCB ASSEMBLY

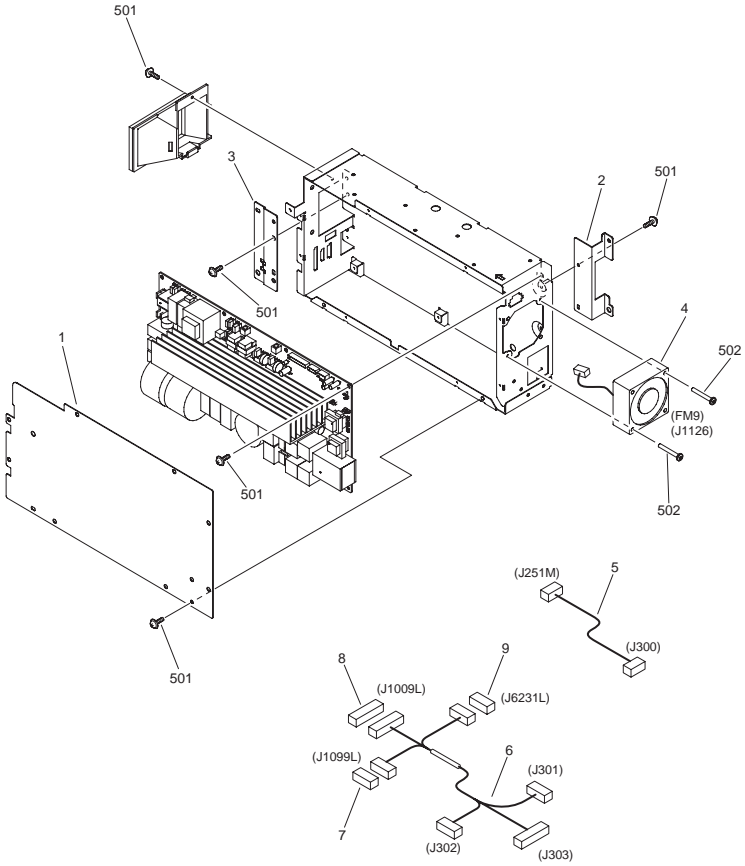


FIGURE & KEY NO.	PARTS NUMBER	R A N K	Q'TY	DESCRIPTION	SERIAL NUMBER/ REMARKS	S V C
Fig.940	FM2-6313-000		1	FIXING HEATER PS PCB ASSEMBLY	100V,120V	
Fig.940	FM2-6314-000		1	FIXING HEATER PS PCB ASSEMBLY	230V	
1	FC6-8720-000		1	PANEL, IH POWER SUPPLY		
2	FC6-8723-000		1	MOUNT, IH POWER SUPPLY, 1		
3	FC6-8724-000		1	MOUNT, IH POWER SUPPLY, 2		
4	FK2-2530-000		1	FAN	FM9	
5	FM2-7141-000		1	CABLE, IH POWER SUPPLY AC		
6	FM2-7105-000		1	CABLE, IH POWER SUPPLY INTERNAL		
7	VS1-7173-006		1	CONNECTOR, SNAP TIGHT, 6P, W		
8	VS1-7173-016		1	CONNECTOR, SNAP TIGHT, 16P, W		
9	VS1-7177-006		1	CONNECTOR, SNAP TIGHT, BK		
501	XB6-7300-607		20	SCREW, CROOSS-RECESS, FCH		
502	XB1-2403-007		2	SCREW, BH 4X30 (S)		

FIGURE 960 DRIVER PCB ASSEMBLY

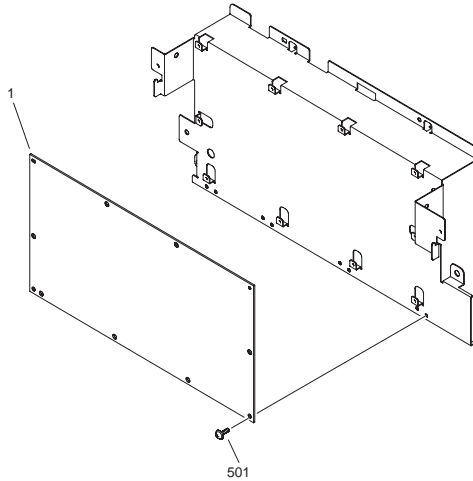


FIGURE & KEY NO.	PARTS NUMBER	RANK	QTY	DESCRIPTION	SERIAL NUMBER/REMARKS	SVC
Fig.960	NPN		1	DRIVER PCB ASSEMBLY		
1	FM2-6299-000		1	DRIVER PCB ASSEMBLY		
501	XB6-7300-607		10	SCREW, CROSS-RECESS, FCH		

FIGURE T01
DISK UNIT (iR C4580F/3880F)

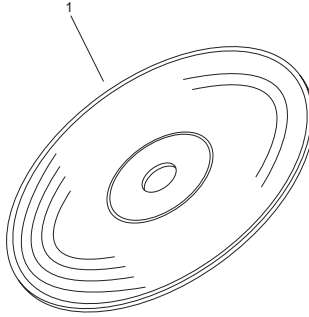


FIGURE & KEY NO.	PARTS NUMBER	RANK	Q'TY	DESCRIPTION	SERIAL NUMBER/REMARKS	SVC
Fig.T01	NPN		RF	DISK UNIT		
1	FK2-3362-000		1	CD-ROM, FAX SOFTWARE	TNQ,TPD	
1	FK2-5609-000		1	CD-ROM, FAX SOFTWARE	TPU,TQE	

FIGURE T10 FAX ASSEMBLY (iR C4580F/3880F)

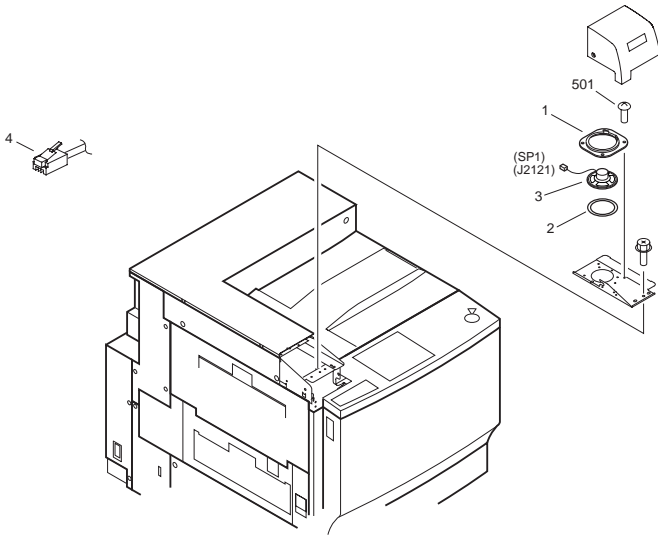


FIGURE & KEY NO.	PARTS NUMBER	RANK	QTY	DESCRIPTION	SERIAL NUMBER/REMARKS	SVC
Fig.T10	NPN		RF	FAX ASSEMBLY		
1	FB6-5459-000		1	HOLDER, SPEAKER	SP1	
2	FB5-5130-000		1	DAMPER, RUBBER		
3	FK2-0428-000		1	SPEAKER		
4	HH2-2824-000		1	MODULAR CORD, 2P		
501	XB6-7300-607		4	SCREW, CROSS-RECESS, FCH		

FIGURE T90 FAX BOARD PCB ASSEMBLY (iR C4580F/3880F)

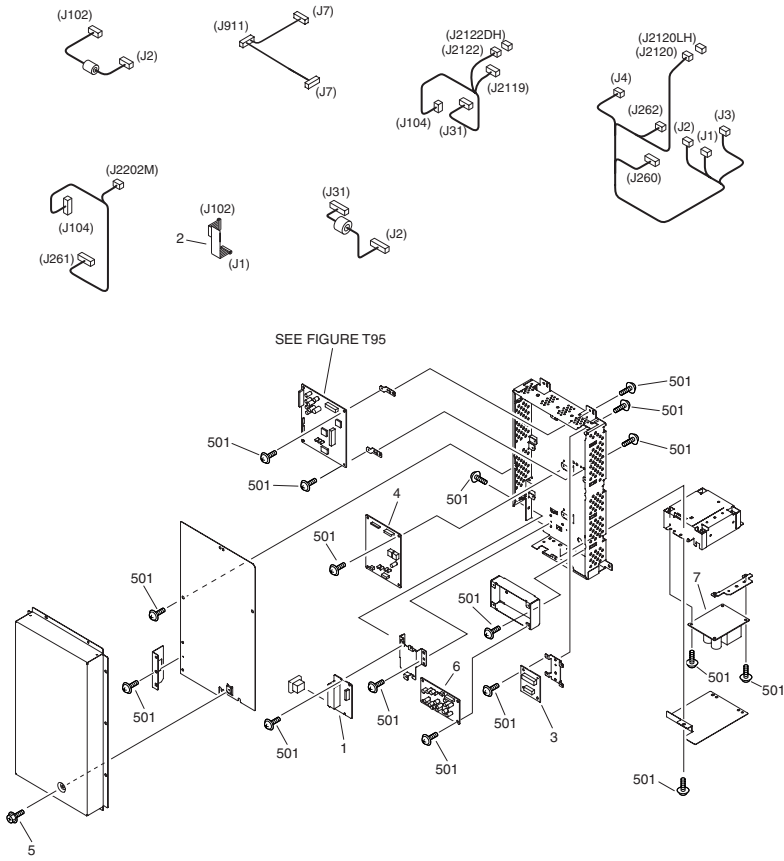


FIGURE & KEY NO.	PARTS NUMBER	RANK	Q'TY	DESCRIPTION	SERIAL NUMBER/REMARKS	SVC
Fig.T90	NPN		RF	FAX BOARD PCB ASSEMBLY		
1	FM2-6835-000		1	G3 MODULAR PCB ASSEMBLY		
2	FH2-7072-000		1	CABLE, FLEXIBLE		
3	FM2-3686-000		1	RESOLUTION SWITCH B.PCB ASS'Y		
4	FM2-5232-000		1	NCU PCB ASSEMBLY		
5	XA9-0633-000		1	SCREW,RS,W/WASHER,M4X8		
6	FM2-6853-000		1	G3 FAX PS PCB ASSEMBLY		
7	FM2-7747-000		1	PSEUDO CI PCB ASSEMBLY		
501	XB6-7300-607		AR	SCREW, CROOSS-RECESS, FCH		

FIGURE T95 MODEM PCB ASSEMBLY (iR C4580F/3880F)

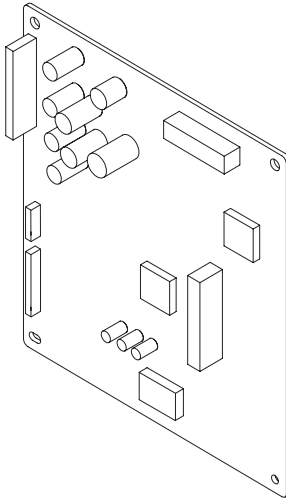


FIGURE & KEY NO.	PARTS NUMBER	RANK	QTY	DESCRIPTION	SERIAL NUMBER/REMARKS	SVC
Fig.T95	FM2-2789-000		1	MODEM PCB ASSEMBLY		
IC2	FK2-0411-000		1	IC, EPM3128ATC100-10N, PLD		
IC14	FK2-0331-000		1	IC, MSM6653A-631G3-K, CUSTOM		
IC16	FH4-6284-000		1	IC, UPD65882GC-015-8EU-A, ASIC		

Color Image Reader and DADF for CiR C5180/C4580/C4080

Color Image Reader and DADF

F14-8601-000 TQL

F14-8611-000 TQM

F14-8621-000 TQN

F14-8631-000 TQP

Contents

A	ASSEMBLY LOCATION DIAGRAM	2-1
A01	ADF MOUNTING HARDWARE	2-4
A11	ADF ASSEMBLY	2-6
A12	DOCUMENT TRAY ASSEMBLY	2-10
A13	OPEN/CLOSE PANEL ASSEMBLY	2-12
A40	ADF PAPER FEEDER ASSEMBLY	2-14
A90	ADF CONTROLLER PCB ASSEMBLY	2-22
D01	READER MOUNTING HARDWARE	2-24
D10	READER ASSEMBLY	2-26
D11	READER FRAME ASSEMBLY	2-29
D30	MIRROR ASSEMBLY 1	2-33
D31	MIRROR ASSEMBLY 2	2-34
D90	READER CONTROLLER PCB ASSEMBLY	2-35
D91	INTERFACE PCB ASSEMBLY	2-36

NUMERICAL INDEX

Color Image Reader and DADF

PARTS NUMBER	FIGURE & KEY NO.	PARTS NUMBER	FIGURE & KEY NO.	PARTS NUMBER	FIGURE & KEY NO.
FB5-3087-000	D11 - 2	FC5-3113-000	A12 - 6	FC7-1248-000	D11 - 22
FC3-0722-000	A40 - 104	FC5-3114-000	A40 - 105	FC7-1284-000	D11 - 23
FC5-0127-000	D30 - 2	FC5-3115-000	A40 - 106	FC7-1312-000	D11 - 1
FC5-0127-000	D31 - 1	FC5-3116-000	A40 - 107	FC7-1318-000	D10 - 22
FC5-0136-000	D31 - 2	FC5-3118-000	A40 - 108	FC7-1322-000	D11 - 4
FC5-2934-000	D10 - 8	FC5-3119-000	A40 - 109	FC7-1323-000	D11 - 7
FC5-2953-000	A13 - 1	FC5-3120-000	A40 - 110	FC7-1333-000	D10 - 5
FC5-2954-000	A13 - 24	FC5-3121-000	A40 - 111	FK2-0149-000	D11 - 21
FC5-2956-000	A13 - 2	FC5-3124-020	A40 - 112	FK2-0204-000	A40 - 118
FC5-2957-000	A13 - 3	FC5-3128-000	A40 - 101	FK2-0205-000	A40 - 98
FC5-2958-000	A13 - 4	FC5-3129-000	A40 - 102	FK2-0207-000	A40 - 86
FC5-2959-000	A13 - 20	FC5-3130-000	A40 - 103	FK2-0208-000	A40 - 131
FC5-2960-000	A13 - 21	FC5-3137-000	A12 - 7	FK2-0209-000	A40 - 127
FC5-2961-000	A13 - 19	FC5-3144-000	A40 - 10	FK2-0211-000	A90 - IC9
FC5-2962-020	A13 - 16	FC5-3145-000	A40 - 11	FK2-0217-000	A40 - 129
FC5-2963-000	A13 - 5	FC5-3146-000	A40 - 12	FK2-0225-000	D11 - 5
FC5-2967-000	A40 - 85	FC5-3147-000	A40 - 13	FK2-0230-000	D10 - 16
FC5-2975-000	A40 - 82	FC5-3148-000	A40 - 14	FK2-0231-000	D10 - 17
FC5-2978-000	A40 - 76	FC5-3149-000	A40 - 92	FK2-0234-000	D11 - 6
FC5-2979-000	A40 - 77	FC5-3150-000	A40 - 93	FK2-0235-000	D90 - IC2
FC5-2980-000	A40 - 1	FC5-3152-000	A40 - 95	FK2-0237-000	D11 - 24
FC5-2987-020	A40 - 64	FC5-3153-000	A40 - 72	FK2-0238-000	D10 - 10
FC5-2988-000	A40 - 65	FC5-3154-000	A40 - 16	FK2-0240-000	D90 - IC1
FC5-2991-000	A40 - 2	FC5-3163-000	A40 - 117	FK2-0248-000	D91 - IC6
FC5-2992-000	A40 - 3	FC5-3165-000	A40 - 121	FK2-0636-000	D11 - 16
FC5-2994-000	A40 - 4	FC5-3166-000	A40 - 122	FK2-0732-000	D01 - 1
FC5-2995-020	A40 - 5	FC5-3167-000	A40 - 123	FL2-0383-000	D01 - 4
FC5-2996-030	A40 - 6	FC5-3168-000	A40 - 124	FL2-0615-000	D11 - 27
FC5-2997-020	A40 - 51	FC5-3169-000	A40 - 125	FL2-0625-000	D10 - 18
FC5-2998-020	A40 - 7	FC5-3170-000	A40 - 126	FL2-0725-000	A11 - 8
FC5-3000-020	A40 - 52	FC5-3177-020	A40 - 17	FL2-0726-000	A11 - 9
FC5-3002-000	A40 - 53	FC5-3202-000	A11 - 4	FL2-0727-000	A11 - 10
FC5-3004-000	A40 - 54	FC5-3207-000	A01 - 4	FL2-0728-000	A11 - 11
FC5-3006-020	A40 - 55	FC5-3211-000	A11 - 13	FL2-0730-000	A40 - 20
FC5-3007-020	A40 - 56	FC5-3212-020	A11 - 14	FL2-0731-000	A40 - 21
FC5-3008-000	A40 - 8	FC5-3214-000	A11 - 6	FL2-0732-000	A40 - 22
FC5-3009-020	A40 - 132	FC5-3218-000	A40 - 43	FL2-0733-000	A13 - 7
FC5-3010-000	A40 - 9	FC5-3221-000	A11 - 15	FL2-0734-000	A13 - 8
FC5-3014-000	A13 - 6	FC5-3223-000	A01 - 5	FL2-0735-000	A12 - 8
FC5-3015-000	A11 - 1	FC5-3225-000	A40 - 18	FL2-0736-000	A12 - 9
FC5-3016-000	A13 - 22	FC5-3226-000	A11 - 16	FL2-0737-000	A40 - 69
FC5-3017-000	A13 - 23	FC5-4424-000	A40 - 19	FL2-0741-000	A40 - 44
FC5-3019-000	A40 - 57	FC5-4425-000	A40 - 58	FL2-0742-000	A40 - 79
FC5-3020-000	A40 - 78	FC6-5156-000	D10 - 9	FL2-0747-000	A40 - 133
FC5-3021-000	A40 - 66	FC7-0304-000	D01 - 2	FL2-0748-000	A40 - 138
FC5-3024-020	A40 - 67	FC7-0305-000	D01 - 3	FL2-0749-000	A40 - 74
FC5-3025-020	A13 - 13	FC7-0314-000	D10 - 14	FL2-0753-000	A40 - 59
FC5-3026-000	A40 - 68	FC7-0315-000	D10 - 15	FL2-0754-000	A40 - 60
FC5-3102-000	A11 - 3	FC7-0317-000	D10 - 13	FL2-1298-000	A40 - 61
FC5-3106-000	A12 - 2	FC7-0318-000	D10 - 12	FL2-1299-000	A40 - 113
FC5-3108-000	A12 - 4	FC7-0322-000	A01 - 1	FL2-1301-000	A40 - 45
FC5-3111-000	A12 - 5	FC7-1246-000	D10 - 7	FL2-1302-000	A40 - 94

NUMERICAL INDEX

Color Image Reader and DADF

PARTS NUMBER	FIGURE & KEY NO.	PARTS NUMBER	FIGURE & KEY NO.	PARTS NUMBER	FIGURE & KEY NO.
FL2-1303-000	A11 - 5	FU5-0331-000	A40 - 26	FU5-8851-000	D10 - 23
FL2-1304-000	A12 - 3	FU5-0332-000	A40 - 27	FU5-8852-000	D10 - 24
FL2-4599-000	D01 - 5	FU5-0333-000	A40 - 28	FU5-8853-000	D10 - 25
FL2-4601-000	D10 - 20	FU5-0334-000	A40 - 29	FU5-8854-000	D10 - 25
FL2-4602-000	D10 - 21	FU5-0335-000	A40 - 30	FU5-9026-020	D01 - 7
FL2-4604-000	D10 - 19	FU5-0336-000	A40 - 31	FU5-9028-020	D01 - 8
FL2-4605-010	D10 - 11	FU5-0338-000	A40 - 32	FU5-9167-000	A01 - 6
FL2-4850-000	D10 - 6	FU5-0339-000	A40 - 46	FU5-9168-000	A01 - 7
FL2-4851-000	D10 - 1	FU5-0340-000	A40 - 33	FU5-9503-000	D10 - 2
FL2-4856-000	D11 - 3	FU5-0341-000	A40 - 62	FU6-2771-000	D11 - 10
FL2-4857-000	D11 - 9	FU5-0342-000	A12 - 12	FU6-2772-000	D11 - 11
FL2-4863-000	D11 - 26	FU5-0343-000	A40 - 114	FU6-8127-000	A01 - 2
FL2-4867-000	D10 - 19	FU5-0344-000	A40 - 119	FU6-8128-000	A01 - 2
FL2-4868-000	D10 - 19	FU5-0345-000	A40 - 128	FU6-8129-000	A01 - 2
FL2-4869-000	D10 - 19	FU5-0346-000	A40 - 34	FU6-8130-000	A01 - 2
FM2-0678-000	A13 -	FU5-2234-000	A13 - 9	FU6-8131-000	A01 - 3
FM2-0679-000	A12 -	FU5-2235-020	A13 - 10	FU6-8132-000	A01 - 3
FM2-0682-000	A40 - 73	FU5-2236-000	A13 - 11	FU6-8133-000	A01 - 3
FM2-0685-000	A40 - 84	FU5-2237-000	A40 - 99	NPN	A01 -
FM2-0696-000	A12 - 11	FU5-2238-000	A40 - 134	NPN	A11 -
FM2-1021-000	A90 -	FU5-2240-000	A40 - 80	NPN	A40 -
FM2-1022-000	A40 - 81	FU5-2244-000	A40 - 115	NPN	D01 -
FM2-1023-000	A40 - 100	FU5-2245-000	A40 - 96	NPN	D10 -
FM2-1024-000	A12 - 13	FU5-2247-000	A40 - 35	NPN	D11 -
FM2-1025-000	A40 - 49	FU5-2248-000	A40 - 36	VS1-7176-002	A40 - 137
FM2-1026-000	A40 - 83	FU5-2249-000	A40 - 37	VS1-7177-002	A11 - 19
FM2-1027-000	A40 - 50	FU5-2250-000	A13 - 12	VS1-7177-003	A12 - 16
FM2-1028-000	A11 - 18	FU5-2251-000	A40 - 97	VS1-7177-003	A40 - 15
FM2-1029-000	A40 - 71	FU5-6073-000	A11 - 17	VS1-7177-004	A40 - 89
FM2-1030-000	A12 - 14	FU5-6073-000	A40 - 135	VS1-7177-006	A11 - 7
FM2-1031-000	A12 - 1	FU5-6074-000	A13 - 17	VS1-7177-006	A12 - 15
FM2-1032-000	A11 - 20	FU5-6075-000	A13 - 14	WE8-5256-000	A11 - 2
FM2-1033-000	A40 - 48	FU5-6076-000	A40 - 70	WG8-5593-000	A12 - 10
FM2-1034-000	A11 - 21	FU5-6077-000	A40 - 75	WG8-5593-000	A40 - 90
FM2-1035-000	A13 - 18	FU5-6078-000	A40 - 63	WT2-5826-000	D11 - 17
FM2-5829-000	D10 - 4	FU5-6079-000	A13 - 15	XA9-0265-010	D11 - 18
FM2-5837-000	D30 -	FU5-6080-000	A40 - 136	XA9-0874-000	A01 - 8
FM2-5838-000	D31 -	FU5-8203-010	D10 - 3	XA9-1031-000	A11 - 12
FM2-5840-000	D30 - 1	FU5-8204-000	D10 - 3	XA9-1031-000	A40 - 38
FM2-6801-000	D90 -	FU5-8205-000	D10 - 3	XA9-1415-000	D11 - 13
FM2-6802-000	D91 -	FU5-8206-000	D10 - 3	XA9-1521-000	D10 - 26
FM2-6805-000	D11 - 19	FU5-8207-000	D10 - 3	XA9-1521-000	D11 - 12
FM2-6806-000	D11 - 20	FU5-8208-000	D10 - 3	XB1-1301-209	A40 - 510
FS1-9003-020	A40 - 23	FU5-8209-000	D10 - 3	XB1-2260-806	D11 - 508
FS2-1052-000	A40 - 24	FU5-8210-000	D10 - 3	XB1-2300-605	A11 - 501
FS5-1605-000	A40 - 25	FU5-8211-000	D10 - 3	XB1-2300-605	A13 - 501
FS5-9227-020	D11 - 25	FU5-8845-000	D10 - 23	XB1-2300-605	A40 - 501
FS5-9400-020	D01 - 6	FU5-8846-000	D10 - 24	XB1-2300-606	D11 - 507
FS5-9772-020	D11 - 8	FU5-8847-000	D10 - 23	XB1-2400-607	A11 - 506
FU5-0328-000	A40 - 130	FU5-8848-000	D10 - 24	XB1-2400-607	A40 - 513
FU5-0329-000	A40 - 87	FU5-8849-000	D10 - 23	XB1-2400-607	D11 - 501
FU5-0330-000	A40 - 88	FU5-8850-000	D10 - 24	XB2-8300-607	D30 - 501

NUMERICAL INDEX

Color Image Reader and DADF

PARTS NUMBER	FIGURE & KEY NO.	PARTS NUMBER	FIGURE & KEY NO.	PARTS NUMBER	FIGURE & KEY NO.
XB3-6400-805	D01 - 501				
XB3-6400-805	D10 - 501				
XB3-6400-805	D11 - 502				
XB4-5300-809	A13 - 502				
XB4-5400-805	A11 - 502				
XB4-5400-805	A40 - 511				
XB4-5400-806	D10 - 502				
XB4-5401-205	A11 - 503				
XB4-7300-805	A12 - 501				
XB4-7300-805	A40 - 506				
XB4-7303-507	D11 - 509				
XB4-7401-005	A12 - 502				
XB6-2400-508	D11 - 503				
XB6-7300-605	A11 - 505				
XB6-7300-605	A40 - 512				
XB6-7300-607	D11 - 506				
XB7-2100-407	D11 - 504				
XD2-1100-242	A40 - 507				
XD2-1100-322	A40 - 502				
XD2-1100-402	A13 - 503				
XD2-1100-402	A40 - 503				
XD2-1100-502	A11 - 504				
XD2-1100-502	A13 - 504				
XD2-1100-502	A40 - 504				
XD2-1100-642	A40 - 505				
XD2-1100-642	D11 - 505				
XD3-2200-102	A40 - 509				
XD3-2200-122	A40 - 508				
XF2-1106-140	A40 - 116				
XF2-1106-540	A40 - 91				
XF2-1108-040	A40 - 39				
XF2-1108-560	A40 - 120				
XF2-1108-860	A40 - 40				
XF2-4610-840	D11 - 14				
XF9-0746-000	A40 - 41				
XF9-0747-000	A40 - 47				
XG9-0237-000	A40 - 42				
XG9-0508-000	D11 - 15				

FIGURE A ASSEMBLY LOCATION DIAGRAM

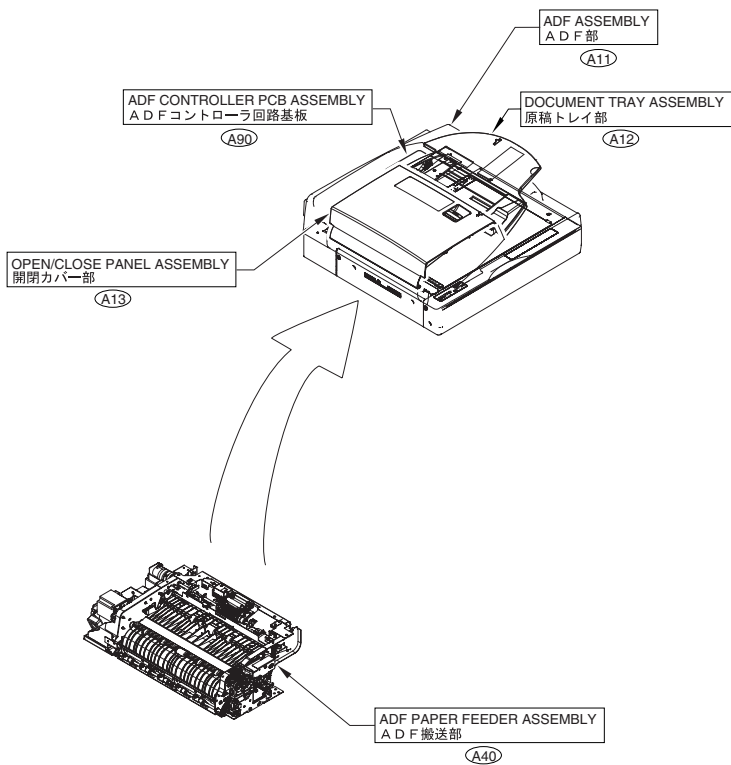


FIGURE A ASSEMBLY LOCATION DIAGRAM

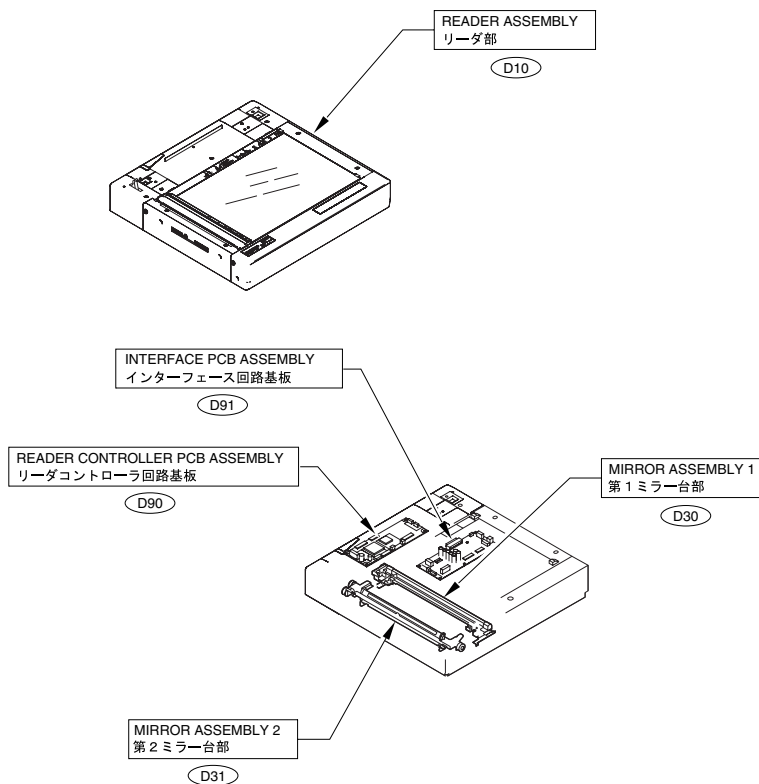


FIGURE A01 ADF MOUNTING HARDWARE

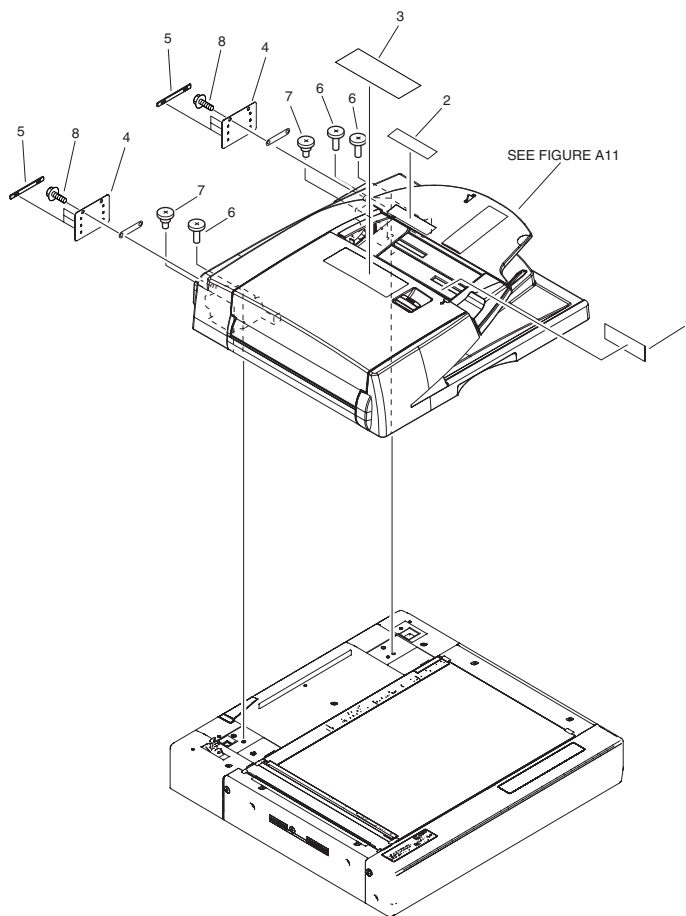


FIGURE & KEY NO.	PARTS NUMBER	R A N K	Q'TY	DESCRIPTION	SERIAL NUMBER/ REMARKS	S V C
Fig.A01	NPN		RF	ADF MOUNTING HARDWARE		
1	FC7-0322-000		1	LABEL, DOCUMENT SIZE		
2	FU6-8127-000		1	LABEL, SIZE	A/B SIZE	
2	FU6-8128-000		1	LABEL, SIZE	A/INCH SIZE	
2	FU6-8129-000		1	LABEL, SIZE	A SIZE	
2	FU6-8130-000		1	LABEL, SIZE	A/B/INCH SIZE	
3	FU6-8131-000		1	LABEL, PROHIBITION DOCUMENT	A/B SIZE	
3	FU6-8132-000		1	LABEL, PROHIBITION DOCUMENT	A/INCH SIZEA/B/INCH SIZE	
3	FU6-8133-000		1	LABEL, PROHIBITION DOCUMENT	A SIZE	
4	FC5-3207-000		2	COVER, HINGE		
5	FC5-3223-000		6	PLATE, HINGE COVER		
6	FU5-9167-000		3	SCREW, FIXED, M4		
7	FU5-9168-000		2	SCREW, STEPPED, M5		
8	XA9-0874-000		4	SCREW,M3X8		

FIGURE A11 ADF ASSEMBLY

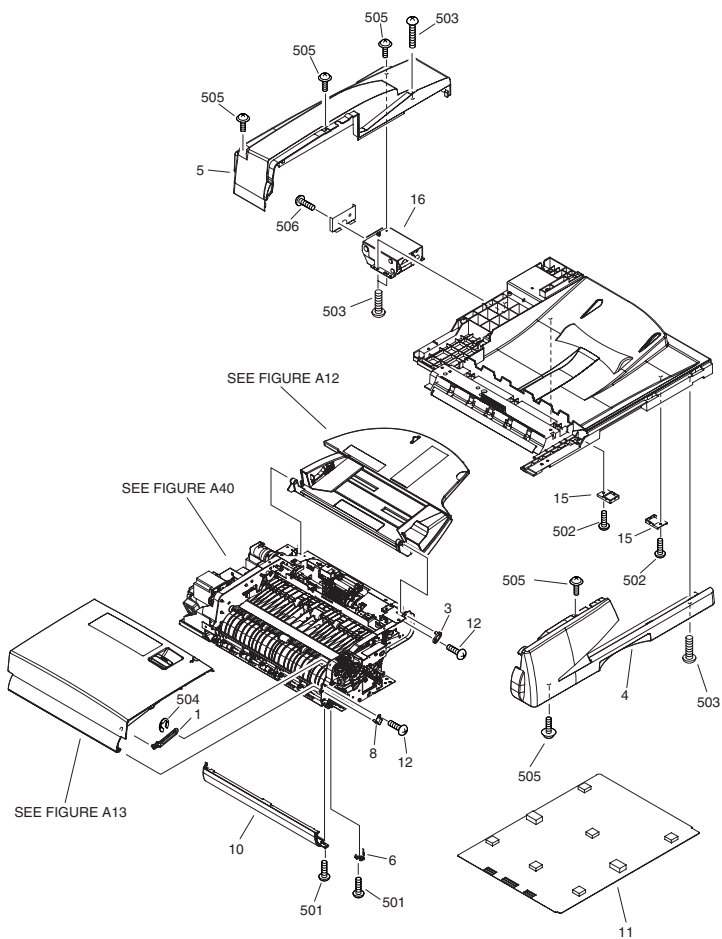


FIGURE A11 ADF ASSEMBLY

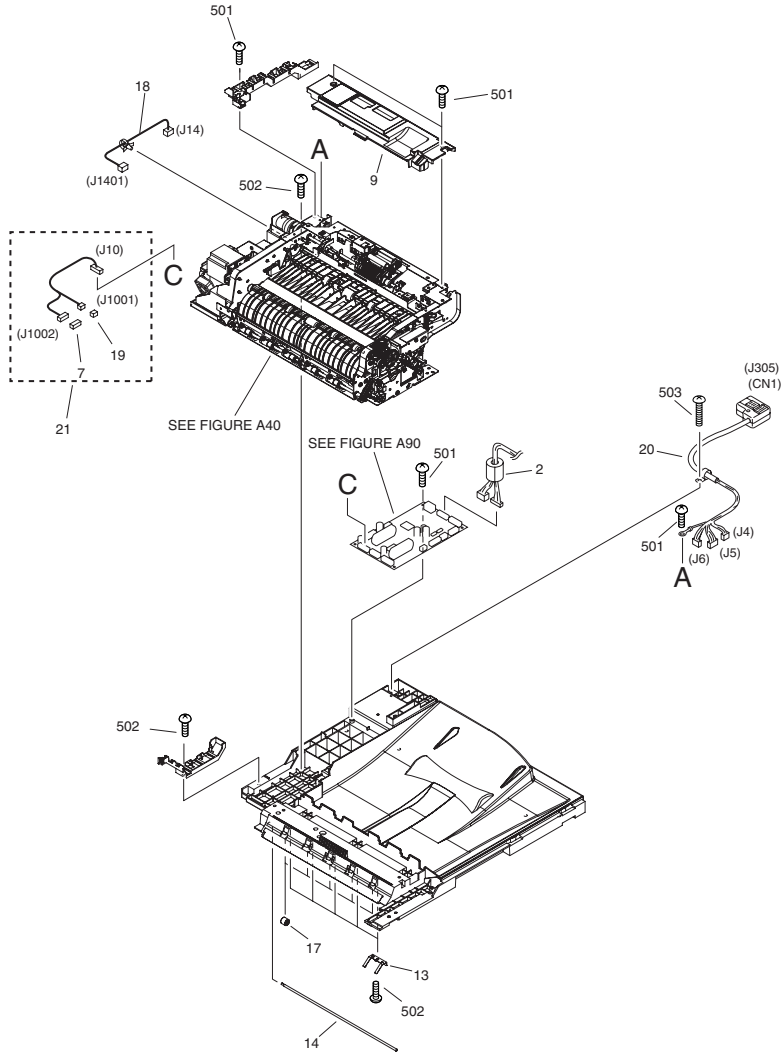


FIGURE & KEY NO.	PARTS NUMBER	RANK	Q'TY	DESCRIPTION	SERIAL NUMBER/REMARKS	SVC
Fig.A11	NPN		RF	ADF ASSEMBLY		
1	FC5-3015-000		1	ARM, OPEN/CLOSE PANEL STOPPER		
2	WE8-5256-000		1	FERRITE CORE TFC-16-8-16		
3	FC5-3102-000		1	PIN, POSITIONING		
4	FC5-3202-000		1	PANEL, FRONT		
5	FL2-1303-000		1	PANEL, REAR		
6	FC5-3214-000		1	BLOCK, HEIGHT ADJUSTER		
7	VS1-7177-006		1	CONNECTOR, SNAP TIGHT, BK	J1002	
8	FL2-0725-000		1	PLATE, OPEN/CLOSE SHAFT		
9	FL2-0726-000		1	PANEL, CENTER		
10	FL2-0727-000		1	PANEL, SIDE		
11	FL2-0728-000		1	PANEL, COPYBOARD		
12	XA9-1031-000		7	SCREW, MACH. TRUSS HEAD, M4X6		
13	FC5-3211-000		5	SPRING, LEAF		
14	FC5-3212-020		1	SHAFT, PAPER READ ROLLER		
15	FC5-3221-000		2	SUPPORT, COPYBOARD PANEL		
16	FC5-3226-000		1	HINGE, RIGHT		
17	FU5-6073-000		5	ROLLER, FEED		
18	FM2-1028-000		1	CABLE, REGISTRATION SENSOR	J14,1401	
19	VS1-7177-002		1	CONNECTOR, SNAP TIGHT, BK	J1001	
20	FM2-1032-000		1	CABLE, INTERFACE	CN1 J305 J4-6	
21	FM2-1034-000		1	CABLE, MOTOR/CLUTCH CONNECTING	J10,1001,1002	
501	XB1-2300-605		7	SCREW, MACHINE M3X6		
502	XB4-5400-805		15	SCREW,P,M4X8		
503	XB4-5401-205		7	SCREW,P,M4X12		
504	XD2-1100-502		1	RETAINING RING (E-TYPE)		
505	XB6-7300-605		5	SCREW, TP, M3X6 (S)		
506	XB1-2400-607		2	SCREW, CROSS-RECESS, FCH		

FIGURE A12 DOCUMENT TRAY ASSEMBLY

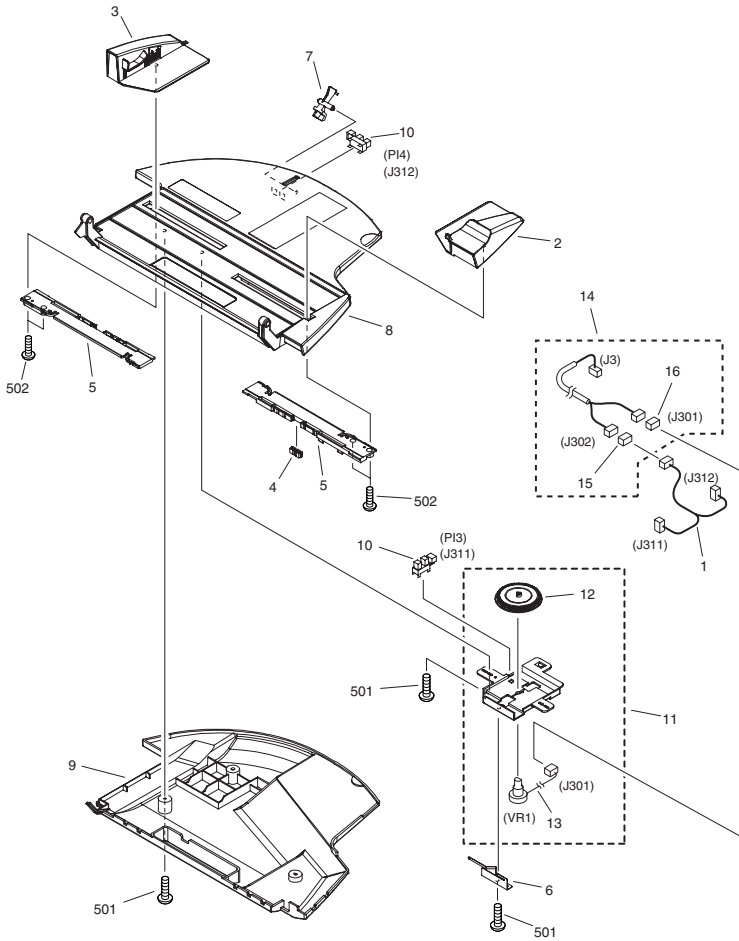


FIGURE & KEY NO.	PARTS NUMBER	RANK	Q'TY	DESCRIPTION	SERIAL NUMBER/REMARKS	SVC
Fig.A12	FM2-0679-000		1	DOCUMENT TRAY ASSEMBLY		
1	FM2-1031-000		1	CABLE, DOCUMENT TRAY CONNECT	J302,311,312	
2	FC5-3106-000		1	GUIDE, DOCUMENT SIDE, FRONT		
3	FL2-1304-000		1	GUIDE, DOCUMENT SIDE, REAR		
4	FC5-3108-000		1	RACK		
5	FC5-3111-000		2	RACK, DOCUMENT SIDE GUIDE		
6	FC5-3113-000		1	SPRING, LEAF		
7	FC5-3137-000		1	FLAG, DOCUMENT LENGTH SENSOR		
8	FL2-0735-000		1	TRAY, DOCUMENT, UPPER		
9	FL2-0736-000		1	TRAY, DOCUMENT, LOWER		
10	WG8-5593-000		2	PHOTO INTERRUPTER TLP1242	PI3,4 J311,312	
11	FM2-0696-000		1	VOLUME HOLDER ASSEMBLY		
12	FU5-0342-000		1	GEAR, 68T		
13	FM2-1024-000		1	VARIABLE RESISTOR UNIT	VR1 J301	
14	FM2-1030-000		1	CABLE, DOCUMENT TRAY	J3,301,302	
15	VS1-7177-006		1	CONNECTOR, SNAP TIGHT, BK	J302	
16	VS1-7177-003		1	CONNECTOR, SNAP TIGHT, BK	J301	
501	XB4-7300-805		6	SCREW, TP, BH3X8, S		
502	XB4-7401-005		4	SCREW,TAPPING,TRUSS HEAD,M4X10		

FIGURE & KEY NO.	PARTS NUMBER	R A N K	Q'TY	DESCRIPTION	SERIAL NUMBER/ REMARKS	S V C
Fig.A13	FM2-0678-000		1	OPEN/CLOSE PANEL ASSEMBLY		
1	FC5-2953-000		1	LEVER, OPEN/CLOSE		
2	FC5-2956-000		2	PLATE, REGISTRATION ADJUSTMENT		
3	FC5-2957-000		2	LEVER, LATCH		
4	FC5-2958-000		1	SHAFT, LATCH		
5	FC5-2963-000		2	RETAINER, OPEN/CLOSE GUIDE		
6	FC5-3014-000		1	SPRING, LEAF		
7	FL2-0733-000		1	PANEL, OPEN/CLOSE		
8	FL2-0734-000		1	GUIDE, OPEN/CLOSE		
9	FU5-2234-000		4	SPRING, COMPRESSION		
10	FU5-2235-020		1	SPRING, TENSION		
11	FU5-2236-000		2	SPRING, COMPRESSION		
12	FU5-2250-000		4	SPRING, COMPRESSION		
13	FC5-3025-020		1	SHAFT, REGISTRATION ROLLER, 1		
14	FU5-6075-000		1	ROLLER, REGISTRATION, 1		
15	FU5-6079-000		2	ROLLER, REGISTRATION, 2		
16	FC5-2962-020		1	SHAFT, REGISTRATION ROLLER, 2		
17	FU5-6074-000		5	ROLLER, REGISTRATION, 3		
18	FM2-1035-000		2	WIRE, GROUNDING		
19	FC5-2961-000		1	SHEET, CLEANING		
20	FC5-2959-000		1	SHEET, CLEANING		
21	FC5-2960-000		1	SHEET, CLEANING		
22	FC5-3016-000		2	SHEET, CLEANING		
23	FC5-3017-000		5	SHEET, CLEANING		
24	FC5-2954-000		8	SCRAPER		
501	XB1-2300-605		3	SCREW, MACHINE M3X6		
502	XB4-5300-809		7	SCREW,P,M3X8		
503	XD2-1100-402		2	RETAINING RING (E-TYPE)		
504	XD2-1100-502		16	RETAINING RING (E-TYPE)		

FIGURE A40 ADF PAPER FEEDER ASSEMBLY

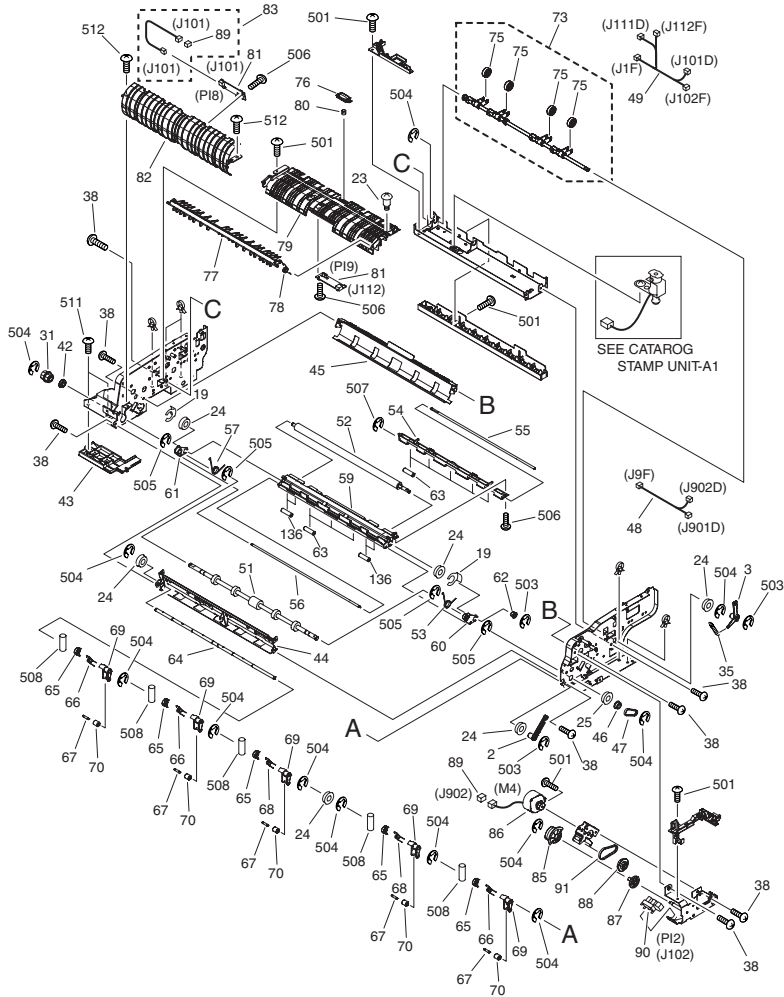


FIGURE A40 ADF PAPER FEEDER ASSEMBLY

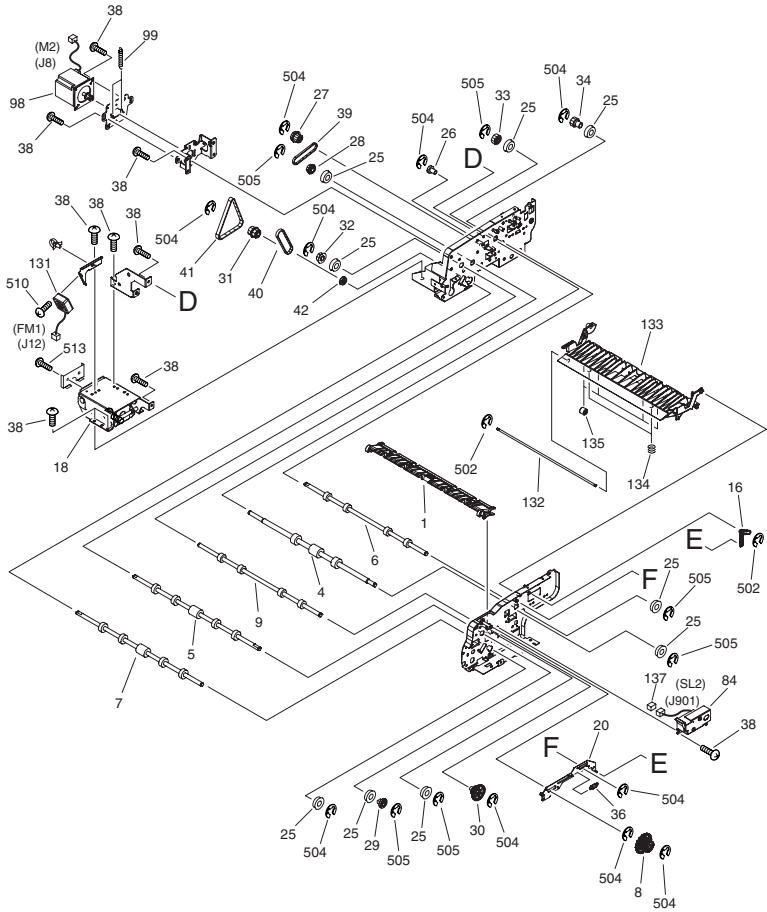


FIGURE & KEY NO.	PARTS NUMBER	R A N K	Q'TY	DESCRIPTION	SERIAL NUMBER/ REMARKS	S V C
Fig.A40	NPN		RF	ADF PAPER FEEDER ASSEMBLY		
1	FC5-2980-000		1	GUIDE, REVERSE		
2	FC5-2991-000		1	ARM, RELEASE		
3	FC5-2992-000		1	ARM, RELEASE		
4	FC5-2994-000		1	ROLLER, REGISTRATION, 1		
5	FC5-2995-020		1	ROLLER, REGISTRATION, 2		
6	FC5-2996-030		1	ROLLER, PAPER DELIVERY		
7	FC5-2998-020		1	ROLLER, PAPER READ		
8	FC5-3008-000		1	KNOB, JAM CLEARING		
9	FC5-3010-000		1	ROLLER, PAPER FEEDER		
10	FC5-3144-000		1	LEVER, LOCK		
11	FC5-3145-000		1	LEVER, LOCK		
12	FC5-3146-000		1	LEVER, LOCK		
13	FC5-3147-000		1	SHUTTER, DOCUMENT		
14	FC5-3148-000		1	SPRING, TORSION		
15	VS1-7177-003		1	CONNECTOR, SNAP TIGHT, BK	J1401	
16	FC5-3154-000		1	LINK, PRESSURE RELEASE		
17	FC5-3177-020		1	SHAFT, PRESSURE RELEASE LINK		
18	FC5-3225-000		1	HINGE, LEFT		
19	FC5-4424-000		7	CLIP		
20	FL2-0730-000		1	LINK, PRESSURE RELEASE		
21	FL2-0731-000		1	GUIDE, REGISTRATION		
22	FL2-0732-000		1	GUIDE, SEPARATION LOWER		
23	FS1-9003-020		2	SCREW, STEPPED, M4		
24	FS2-1052-000		10	BUSHING, CU		
25	FS5-1605-000		10	BUSHING		
26	FU5-0331-000		1	GEAR, 18T		
27	FU5-0332-000		1	GEAR, 24T/PULLEY, 28T		
28	FU5-0333-000		1	PULLEY, 28T		
29	FU5-0334-000		1	GEAR, 24T		
30	FU5-0335-000		1	GEAR, 42T/24T		
31	FU5-0336-000		2	PULLEY, 30T		

FIGURE & KEY NO.	PARTS NUMBER	R A N K	Q'TY	DESCRIPTION	SERIAL NUMBER/ REMARKS	S V C
32	FU5-0338-000		1	PULLEY, 30T		
33	FU5-0340-000		1	GEAR, 24T		
34	FU5-0346-000		1	GEAR, 22T		
35	FU5-2247-000		1	SPRING, TENSION		
36	FU5-2248-000		1	SPRING, TENSION		
37	FU5-2249-000		1	SPRING, COMPRESSION		
38	XA9-1031-000		51	SCREW, MACH. TRUSS HEAD, M4X6		
39	XF2-1108-040		1	BELT, TIMING		
40	XF2-1108-860		1	BELT, TIMING, COGGED		
41	XF9-0746-000		1	BELT, TIMING, COGGED		
42	XG9-0237-000		2	BALL BEARING, LNR-1680HHR		
43	FC5-3218-000		1	COVER, PAPER FEEDER FRAME		
44	FL2-0737-000		1	GUIDE, PAPER FEEDER, 1		
45	FL2-1301-000		1	GUIDE, PAPER FEEDER, 2		
46	FU5-0339-000		1	PULLEY, 23T		
47	XF9-0747-000		1	BELT, TIMING, COGGED		
48	FM2-1033-000		1	CABLE, RELEASE	J9F,901D,902D	
49	FM2-1025-000		1	CABLE, MAIN SENSOR	J1F,101D,111D,102F,112F	
50	FM2-1027-000		1	CABLE, PAPER PICK-UP	J2F,201F-204F	
51	FC5-2997-020		1	ROLLER, PAPER READ		
52	FC5-3000-020		1	ROLLER, PLATEN		
53	FC5-3002-000		1	SPRING, TORSION		
54	FC5-3004-000		1	GUIDE, PLATEN, 2		
55	FC5-3006-020		1	SHAFT, PLATEN ROLLER, 1		
56	FC5-3007-020		1	SHAFT, PLATEN ROLLER, 2		
57	FC5-3019-000		1	SPRING, TORSION		
58	FC5-4425-000		5	CLIP		
59	FL2-0753-000		1	GUIDE, PLATEN, 1		
60	FL2-0754-000		1	ARM, SWING BUSHING, FRONT		
61	FL2-1298-000		1	ARM, SWING BUSHING, REAR		
62	FU5-0341-000		1	PULLEY, 18T		

FIGURE & KEY NO.	PARTS NUMBER	R A N K	Q'TY	DESCRIPTION	SERIAL NUMBER/ REMARKS	S V C
63	FU5-6078-000		8	ROLLER, PLATEN		
64	FC5-2987-020		1	SHAFT, PAPER READ ROLLER		
65	FC5-2988-000		5	RETAINER, ROLLER		
66	FC5-3021-000		3	SPRING, TORSION		
67	FC5-3024-020		5	SHAFT, PAPER FEEDER ROLLER		
68	FC5-3026-000		2	SPRING, TORSION		
69	FL2-0741-000		5	HOLDER, PAPER FEEDER ROLLER		
70	FU5-6076-000		5	ROLLER, PAPER FEEDER		
71	FM2-1029-000		1	CABLE, REGISTRATION CONNECTING	J1401,1401	
72	FC5-3153-000		1	GUIDE, PRESSURE RELEASE		
73	FM2-0682-000		1	PAPER DELIVERY ROLLER ASSEMBLY		
74	FL2-0749-000		1	HOLDER, SEPARATION PAD, 1		
75	FU5-6077-000		4	ROLLER, PAPER DELIVERY		
76	FC5-2978-000		1	GUIDE, REFORM		
77	FC5-2979-000		1	DEFLECTOR, REVERSE		
78	FC5-3020-000		1	SPRING, TORSION		
79	FL2-0742-000		1	GUIDE, PAPER DELIVERY		
80	FU5-2240-000		1	SPRING, COMPRESSION		
81	FM2-1022-000		3	SENSOR PCB UNIT	PI7,8,9 J201,101,112	
82	FC5-2975-000		1	GUIDE, PAPER FEEDER, 3		
83	FM2-1026-000		1	CABLE, PAPER FEEDER SENSOR	J101,101	
84	FM2-0685-000		1	SOLENOID UNIT	SL2 J901	
85	FC5-2967-000		1	CAM, READ ROLLER RELEASE		
86	FK2-0207-000		1	MOTOR, STEPPING, DC	M4 J902	
87	FU5-0329-000		1	GEAR, 31T		
88	FU5-0330-000		1	PULLEY, 40T/GEAR, 20T		
89	VS1-7177-004		2	CONNECTOR, SNAP TIGHT, BK	J101,902	
90	WG8-5593-000		4	PHOTO INTERRUPTER TLP1242	PI1,2,5,6J1401,102,203,204	
91	XF2-1106-540		1	BELT, TIMING, COGGED		
92	FC5-3149-000		1	FLAG, REGISTRATION SENSOR		
93	FC5-3150-000		1	SPRING, TORSION		

FIGURE & KEY NO.	PARTS NUMBER	R A N K	Q'TY	DESCRIPTION	SERIAL NUMBER/ REMARKS	S V C
94	FL2-1302-000		1	HOLDER, SEPARATION PAD, 3		
95	FC5-3152-000		1	BLOCK, PRESSURE RELEASE		
96	FU5-2245-000		1	SPRING, COMPRESSION	GOLD	
97	FU5-2251-000		1	SPRING, COMPRESSION	SILVER	
98	FK2-0205-000		1	MOTOR, STEPPING, DC	M2 J8	
99	FU5-2237-000		2	SPRING, TENSION		
100	FM2-1023-000		1	LED PCB UNIT	LED1 J202	
101	FC5-3128-000		1	FLAG, EMPTY SENSOR		
102	FC5-3129-000		1	HOLDER, SENSOR		
103	FC5-3130-000		1	SPRING, TORSION		
104	FC3-0722-000		1	ROLLER, PICK-UP		
105	FC5-3114-000		1	SHAFT, SEPARATION ROLLER		
106	FC5-3115-000		1	ROLLER, SEPARATION		
107	FC5-3116-000		1	SHAFT, PICK-UP ARM		
108	FC5-3118-000		1	ARM, PICK-UP, FRONT		
109	FC5-3119-000		2	BUSHING		
110	FC5-3120-000		2	SPRING, CLUTCH		
111	FC5-3121-000		1	ARM, PICK-UP, REAR		
112	FC5-3124-020		2	SHAFT, PAPER PICK-UP WEIGHT		
113	FL2-1299-000		1	GUIDE, PAPER PICK-UP		
114	FU5-0343-000		2	PULLEY, 18T		
115	FU5-2244-000		1	SPRING, COMPRESSION		
116	XF2-1106-140		1	BELT, TIMING		
117	FC5-3163-000		1	JOINT		
118	FK2-0204-000		1	MOTOR, STEPPING, DC	M1 J11	
119	FU5-0344-000		1	PULLEY, 60T/GEAR, 60T		
120	XF2-1108-560		1	BELT, TIMING		
121	FC5-3165-000		1	JOINT		
122	FC5-3166-000		1	LEVER, SHUTTER		
123	FC5-3167-000		1	SPRING, CLUTCH		
124	FC5-3168-000		1	SPRING, CLUTCH		
125	FC5-3169-000		1	SHAFT, CLUTCH		

FIGURE & KEY NO.	PARTS NUMBER	RANK	Q'TY	DESCRIPTION	SERIAL NUMBER/REMARKS	SVC
126	FC5-3170-000		1	BUSHING		
127	FK2-0209-000		1	CLUTCH, ELECTROMAGNETIC	CL1 J1001	
128	FU5-0345-000		1	GEAR, 40T		
129	FK2-0217-000		1	MOTOR, STEPPING, DC	M3 J1002	
130	FU5-0328-000		1	GEAR, 24T		
131	FK2-0208-000		1	FAN	FM1 J12	
132	FC5-3009-020		1	SHAFT, PAPER FEEDER ROLLER		
133	FL2-0747-000		1	GUIDE, OPEN/CLOSE		
134	FU5-2238-000		2	SPRING, COMPRESSION		
135	FU5-6073-000		4	ROLLER, FEED		
136	FU5-6080-000		4	ROLLER		
137	VS1-7176-002		1	CONNECTOR, SNAP TIGHT,BK	J901	
138	FL2-0748-000		1	HOLDER, SEPARATION PAD, 2		
501	XB1-2300-605		20	SCREW, MACHINE M3X6		
502	XD2-1100-322		5	RETAINING RING (E-TYPE)		
503	XD2-1100-402		4	RETAINING RING (E-TYPE)		
504	XD2-1100-502		28	RETAINING RING (E-TYPE)		
505	XD2-1100-642		11	RING,E		
506	XB4-7300-805		5	SCREW, TP, BH3X8, S		
507	XD2-1100-242		1	WASHER, RETAINING		
508	XD3-2200-122		5	PIN, DOWEL		
509	XD3-2200-102		4	PIN, PARALLEL		
510	XB1-1301-209		2	SCREW, MACHINE M3X12		
511	XB4-5400-805		2	SCREW,P,M4X8		
512	XB6-7300-605		6	SCREW, TP, M3X6 (S)		
513	XB1-2400-607		2	SCREW, CROSS-RECESS, FCH		

FIGURE A90 ADF CONTROLLER PCB ASSEMBLY

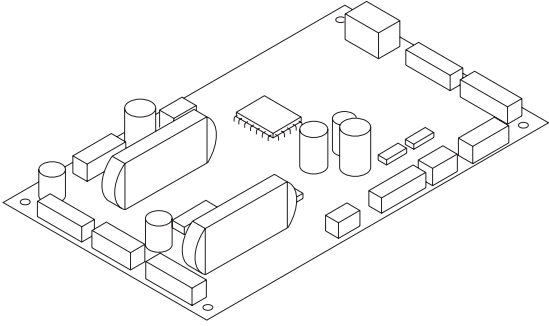


FIGURE & KEY NO.	PARTS NUMBER	RANK	QTY	DESCRIPTION	SERIAL NUMBER/REMARKS	SVC
Fig.A90	FM2-1021-000		1	ADF CONTROLLER PCB ASSEMBLY		
IC9	FK2-0211-000		1	IC, HD6432353M07FV, CPU 16BIT		

FIGURE D01 READER MOUNTING HARDWARE

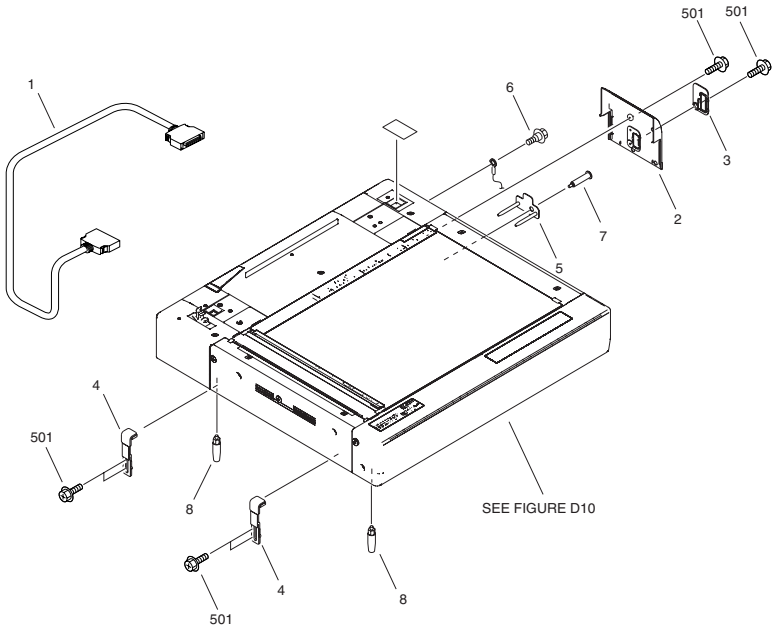


FIGURE & KEY NO.	PARTS NUMBER	RANK	Q'TY	DESCRIPTION	SERIAL NUMBER/REMARKS	SVC
Fig.D01	NPN		RF	READER MOUNTING HARDWARE		
1	FK2-0732-000		1	CABLE,DDI-S SERIAL		
2	FC7-0304-000		1	COVER, READER JOINT		
3	FC7-0305-000		1	PANEL, READER JOINT		
4	FL2-0383-000		2	HOOK, READER		
5	FL2-4599-000		1	PLATE, READER FIXING		
6	FS5-9400-020		1	SCREW,RS STEPPED,M5		
7	FU5-9026-020		1	SCREW,RS,STEPPED,M4		
8	FU5-9028-020		2	SCREW, READER POSITIONING		
501	XB3-6400-805		6	SCREW,RS,M4X8		

FIGURE D10 READER ASSEMBLY

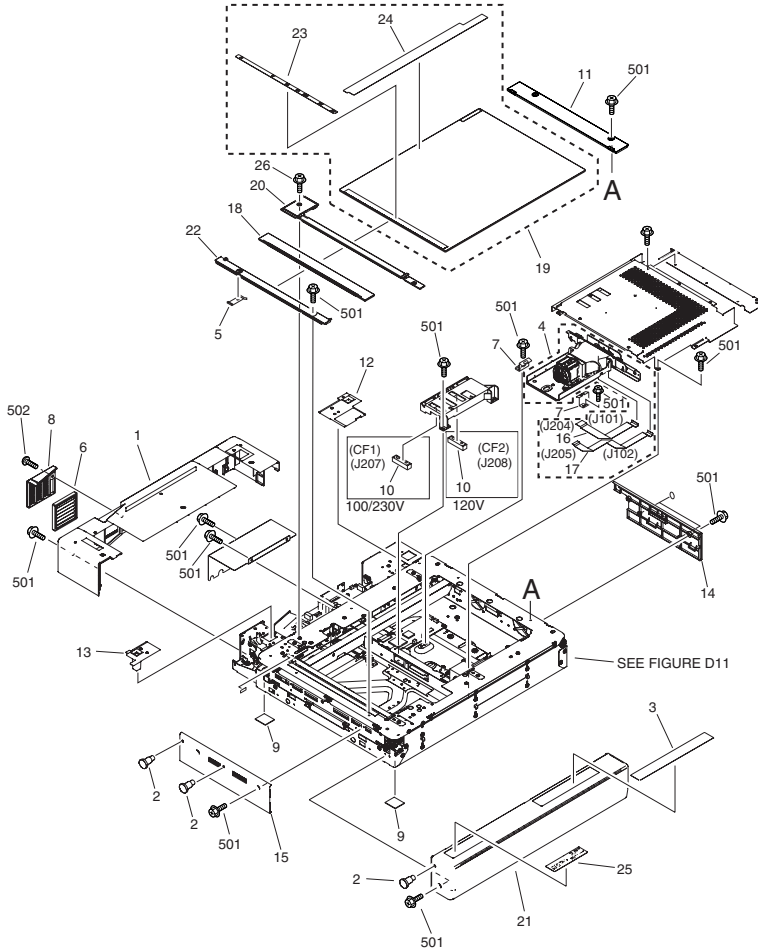


FIGURE & KEY NO.	PARTS NUMBER	R A N K	Q'TY	DESCRIPTION	SERIAL NUMBER/ REMARKS	S V C
Fig.D10	NPN		RF	READER ASSEMBLY		
1	FL2-4851-000		1	PANEL, REAR		
2	FU5-9503-000		3	SCREW, FIXED, M20		
3	FU5-8203-010		1	LABEL, COPY INHIBITED	JP	
3	FU5-8204-000		1	LABEL, COPY INHIBITED	US	
3	FU5-8205-000		1	LABEL, COPY INHIBITED	CA	
3	FU5-8206-000		1	LABEL, COPY INHIBITED	PT	
3	FU5-8207-000		1	LABEL, COPY INHIBITED	ES	
3	FU5-8208-000		1	LABEL, COPY INHIBITED	GB	
3	FU5-8209-000		1	LABEL, COPY INHIBITED	FR	
3	FU5-8210-000		1	LABEL, COPY INHIBITED	DE	
3	FU5-8211-000		1	LABEL, COPY INHIBITED	IT	
4	FM2-5829-000		1	CCD UNIT		
5	FC7-1333-000		1	SPRING, GROUNDING		
6	FL2-4850-000		1	FILTER, AIR		
7	FC7-1246-000		2	SPRING, LEAF		
8	FC5-2934-000		1	COVER, FILTER		
9	FC6-5156-000		2	DAMPER, READER		
10	FK2-0238-000		1	DOCUMENT SIZE SENSOR UNIT	100/230VCF1 J207120VCF2 J208	
11	FL2-4605-010		1	COVER,RIGHT UPPER		
12	FC7-0318-000		1	SPACER, DF MOUNTING, RIGHT		
13	FC7-0317-000		1	SPACER, DF MOUNTING, LEFT		
14	FC7-0314-000		1	COVER, RIGHT		
15	FC7-0315-000		1	COVER, LEFT		
16	FK2-0230-000		1	CABLE, FLAT	J101,204	
17	FK2-0231-000		1	CABLE, FLAT	J102,205	
18	FL2-0625-000		1	GLASS, READER, FRONT LEFT		
19	FL2-4604-000		1	GLASS, COPYBOARD	A/B SIZE	
19	FL2-4868-000		1	GLASS, COPYBOARD	A/INCH SIZE	
19	FL2-4867-000		1	GLASS, COPYBOARD	A SIZE	
19	FL2-4869-000		1	GLASS, COPYBOARD	A/B/INCH SIZE	

FIGURE & KEY NO.	PARTS NUMBER	R A N K	Q'TY	DESCRIPTION	SERIAL NUMBER/ REMARKS	S V C
20	FL2-4601-000		1	MOUNT, JUMP		
21	FL2-4602-000		1	COVER, FRONT		
22	FC7-1318-000		1	COVER, LEFT UPPER		
23	FU5-8845-000		1	PLATE, WIDTH SIZE	A/B SIZE	
23	FU5-8847-000		1	PLATE, WIDTH SIZE	A/INCH SIZE	
23	FU5-8849-000		1	PLATE, WIDTH SIZE	A SIZE	
23	FU5-8851-000		1	PLATE, WIDTH SIZE	A/B/INCH SIZE	
24	FU5-8846-000		1	PLATE, LENGTH SIZE	A/B SIZE	
24	FU5-8848-000		1	PLATE, LENGTH SIZE	A/INCH SIZE	
24	FU5-8850-000		1	PLATE, LENGTH SIZE	A SIZE	
24	FU5-8852-000		1	PLATE, LENGTH SIZE	A/B/INCH SIZE	
25	FU5-8854-000		1	LABEL, CLEANING POSITION	A/B SIZE	
25	FU5-8853-000		1	LABEL, CLEANING POSITION	A SIZE/A/INCHSIZE/A/B/ INCH SIZE	
26	XA9-1521-000		2	SCREW,RS,M3X6		
501	XB3-6400-805		AR	SCREW,RS,M4X8		
502	XB4-5400-806		AR	SCREW,P,M4X8		

FIGURE D11 READER FRAME ASSEMBLY

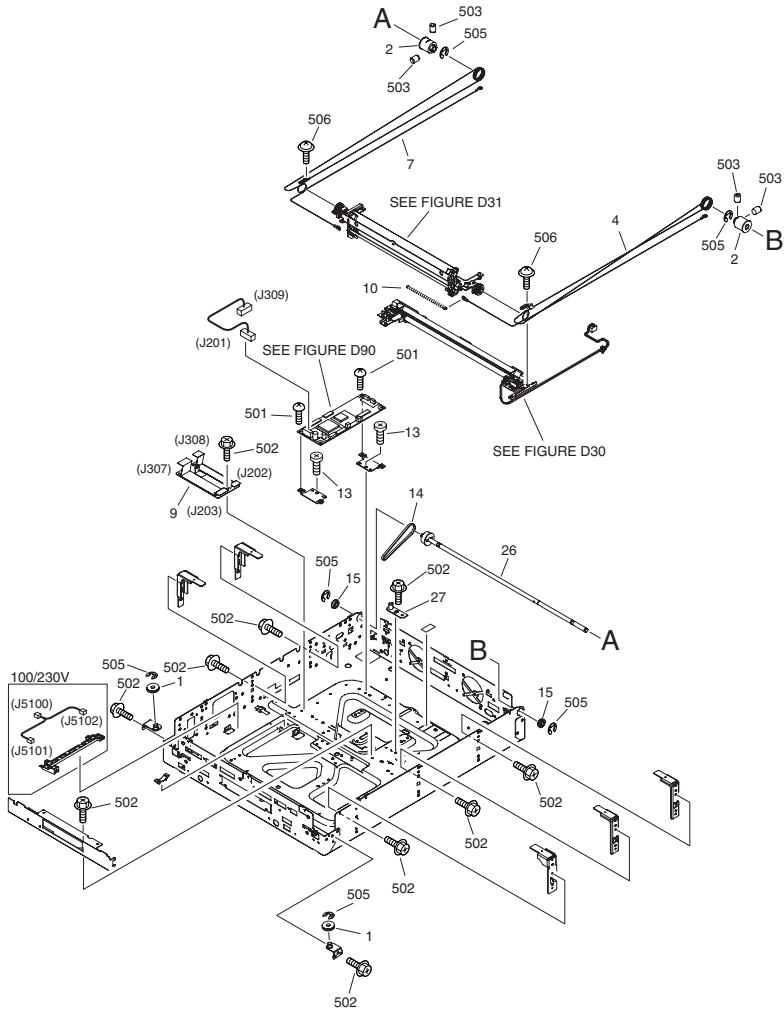


FIGURE & KEY NO.	PARTS NUMBER	R A N K	Q'TY	DESCRIPTION	SERIAL NUMBER/ REMARKS	S V C
Fig.D11	NPN		RF	READER FRAME ASSEMBLY		
1	FC7-1312-000		2	PULLEY		
2	FB5-3087-000		2	PULLEY		
3	FL2-4856-000		4	PLATE, GLASS SUPPORT		
4	FC7-1322-000		1	WIRE, SCANNER, FRONT		
5	FK2-0225-000		1	INVERTER PCB ASSEMBLY		
6	FK2-0234-000		1	CABLE, FLAT	J206,601	
7	FC7-1323-000		1	WIRE, SCANNER, REAR		
8	FS5-9772-020		3	SCREW, HEIGHT ADJUSTING		
9	FL2-4857-000		1	CABLE, FLEXIBLE FLAT	J202,203,307,308	
10	FU6-2771-000		1	SPRING, TENSION		
11	FU6-2772-000		2	SPRING, TENSION		
12	XA9-1521-000		9	SCREW,RS,M3X6		
13	XA9-1415-000		2	SCREW, FLAT HEAD, M4		
14	XF2-4610-840		1	BELT, TIMING		
15	XG9-0508-000		2	BEARING, BALL, F688ZZ		
16	FK2-0636-000		1	FAN	FM1 J313	
17	WT2-5826-000		1	BUSHING		
18	XA9-0265-010		2	SCREW,W/WASHER,TRUSS HEAD		
19	FM2-6805-000		1	CABLE, READER POWER SUPPLY	J301,5100,2M	
20	FM2-6806-000		1	CABLE, ADF LATTICE CONNECTOR	J305,312,505	
21	FK2-0149-000		3	PHOTO-INTERRUPTER, TLP1253(C6)	SR1-3J6-8	
22	FC7-1248-000		1	SPRING, TORSION		
23	FC7-1284-000		1	LEVER, SENSOR		
24	FK2-0237-000		1	MOTOR, STEPPING, DC	M1 J306	
25	FS5-9227-020		1	SCREW,STEPPED,M4		
26	FL2-4863-000		1	SHAFT, DRIVE		
27	FL2-0615-000		1	PIN, POSITIONING		
501	XB1-2400-607		13	SCREW,MACH.,TRUSS HEAD,M4X6		
502	XB3-6400-805		AR	SCREW,RS,M4X8		
503	XB6-2400-508		4	SETSCREW,M4X5		
504	XB7-2100-407		3	NUT,HEX,M4		

FIGURE & KEY NO.	PARTS NUMBER	R A N K	Q'TY	DESCRIPTION	SERIAL NUMBER/ REMARKS	S V C
505	XD2-1100-642		6	RING,E		
506	XB6-7300-607		2	SCREW,TP,M3X6		
507	XB1-2300-606		6	SCREW,MACH.,TRUSS HEAD,M3X6		
508	XB1-2260-806		2	SCREW,MACH.,TRUSS HEAD,M2.6X8		
509	XB4-7303-507		2	SCREW, TAPPING,M3X35		

FIGURE D30 MIRROR ASSEMBLY 1

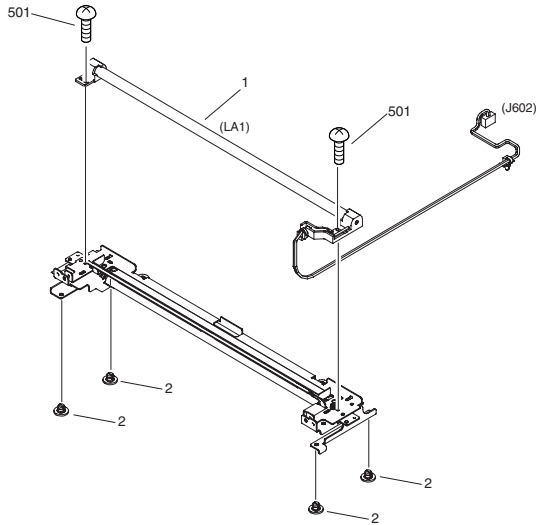


FIGURE & KEY NO.	PARTS NUMBER	RANK	QTY	DESCRIPTION	SERIAL NUMBER/REMARKS	SVC
Fig.D30	FM2-5837-000		1	MIRROR ASSEMBLY 1		
1	FM2-5840-000		1	XENON LAMP UNIT	LA1 J602	
2	FC5-0127-000		4	PIN, SLIDER		
501	XB2-8300-607		2	SCREW,W/WASHER,M3X6		

FIGURE D31 MIRROR ASSEMBLY 2

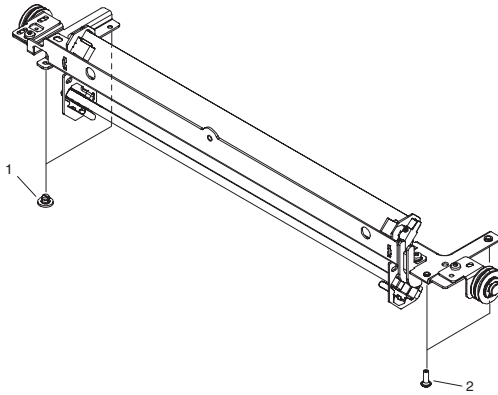


FIGURE & KEY NO.	PARTS NUMBER	RANK	Q'TY	DESCRIPTION	SERIAL NUMBER/REMARKS	SVC
Fig.D31	FM2-5838-000		1	MIRROR ASSEMBLY 2		
1	FC5-0127-000		2	PIN, SLIDER		
2	FC5-0136-000		2	PIN, SLIDER		

FIGURE D90 READER CONTROLLER PCB ASSEMBLY

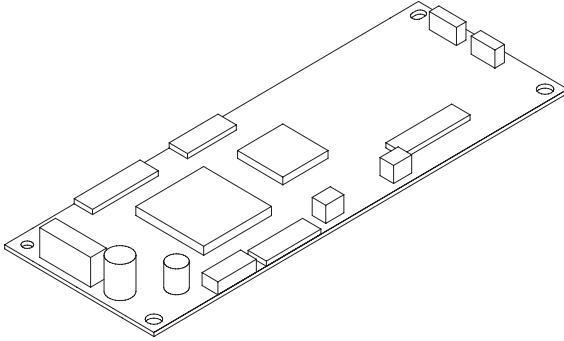


FIGURE & KEY NO.	PARTS NUMBER	RANK	QTY	DESCRIPTION	SERIAL NUMBER/REMARKS	SVC
Fig.D90	FM2-6801-000		1	READER CONTROLLER PCB ASSEMBLY		
IC1	FK2-0240-000		1	IC, HD6432323A01F, MCU		
IC2	FK2-0235-000		1	IC, MB87M1620, ASIC		

FIGURE D91 INTERFACE PCB ASSEMBLY

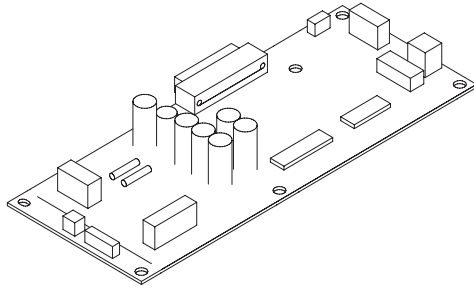


FIGURE & KEY NO.	PARTS NUMBER	RANK	Q'TY	DESCRIPTION	SERIAL NUMBER/REMARKS	SVC
Fig.D91	FM2-6802-000		1	INTERFACE PCB ASSEMBLY		
IC6	FK2-0248-000		1	IC, SLA7044MCRP, MOTOR DRIVER		

Duplex Color Image Reader and DADF for CiR C5185

Duplex Color Image Reader and DADF

100V F14-9501-000 TQQ

120V F14-9511-000 TQR

230V F14-9521-000 TQS

230V F14-9531-000 TQT

Contents

A	ASSEMBLY LOCATION DIAGRAM	2-1
A01	ADF MOUNTING HARDWARE	2-4
A11	ADF ASSEMBLY	2-6
A12	DOCUMENT TRAY ASSEMBLY	2-10
A13	OPEN/CLOSE PANEL ASSEMBLY	2-12
A40	ADF PAPER FEEDER ASSEMBLY	2-14
A90	ADF CONTROLLER PCB ASSEMBLY	2-25
D01	READER MOUNTING HARDWARE	2-26
D10	READER ASSEMBLY	2-28
D11	READER FRAME ASSEMBLY	2-31
D30	MIRROR ASSEMBLY 1	2-36
D31	MIRROR ASSEMBLY 2	2-38
D90	READER CONTROLLER PCB ASSEMBLY	2-40
D91	INTERFACE PCB ASSEMBLY	2-41
D92	MEMORY PCB ASSEMBLY	2-42

NUMERICAL INDEX

Duplex Color Image Reader-G1 and DADF

PARTS NUMBER	FIGURE & KEY NO.	PARTS NUMBER	FIGURE & KEY NO.	PARTS NUMBER	FIGURE & KEY NO
FA9-2112-000	A40 - 62	FC5-3119-000	A40 - 58	FC7-0317-000	D10 - 13
FB5-3087-000	D11 - 2	FC5-3120-000	A40 - 59	FC7-0318-000	D10 - 12
FB6-4303-000	A40 - 197	FC5-3121-000	A40 - 60	FC7-0322-000	A01 - 1
FB6-4303-000	D11 - 26	FC5-3124-020	A40 - 61	FC7-1246-000	D10 - 7
FC3-0722-000	A40 - 53	FC5-3128-000	A40 - 34	FC7-1248-000	D11 - 22
FC5-0127-000	D30 - 1	FC5-3129-000	A40 - 35	FC7-1271-000	D31 - 6
FC5-0127-000	D31 - 1	FC5-3130-000	A40 - 36	FC7-1273-000	D30 - 3
FC5-0136-000	D31 - 2	FC5-3137-000	A12 - 7	FC7-1276-000	D31 - 4
FC5-0165-000	D31 - 3	FC5-3144-000	A40 - 6	FC7-1284-000	D11 - 23
FC5-2934-000	D10 - 8	FC5-3145-000	A40 - 7	FC7-1312-000	D11 - 1
FC5-2953-000	A13 - 1	FC5-3146-000	A40 - 8	FC7-1322-000	D11 - 4
FC5-2954-000	A13 - 24	FC5-3147-000	A40 - 142	FC7-1323-000	D11 - 7
FC5-2956-000	A13 - 2	FC5-3148-000	A40 - 9	FC7-1333-000	D10 - 5
FC5-2957-000	A11 - 22	FC5-3149-000	A40 - 146	FC7-2753-000	A40 - 68
FC5-2957-000	A13 - 3	FC5-3150-000	A40 - 147	FC7-2755-000	A40 - 78
FC5-2958-000	A13 - 4	FC5-3152-000	A40 - 26	FC7-2756-000	A40 - 105
FC5-2959-000	A13 - 20	FC5-3153-000	A40 - 143	FC7-2775-000	A40 - 17
FC5-2960-000	A13 - 21	FC5-3154-000	A40 - 10	FC7-2776-000	A11 - 4
FC5-2962-020	A13 - 16	FC5-3163-000	A40 - 39	FC7-2779-000	A40 - 129
FC5-2963-000	A13 - 5	FC5-3165-000	A40 - 41	FC7-2780-000	A40 - 135
FC5-2967-000	A40 - 112	FC5-3166-000	A40 - 42	FC7-2781-000	A40 - 136
FC5-2978-000	A40 - 104	FC5-3167-000	A40 - 43	FC7-3137-000	A40 - 137
FC5-2987-020	A40 - 162	FC5-3168-000	A40 - 44	FC7-3138-000	A40 - 138
FC5-2988-000	A40 - 81	FC5-3169-000	A40 - 45	FC7-3146-000	A13 - 6
FC5-2991-000	A40 - 1	FC5-3170-000	A40 - 46	FC7-3153-000	A11 - 23
FC5-2992-000	A40 - 2	FC5-3177-020	A40 - 144	FC7-3154-000	A11 - 24
FC5-2994-000	A40 - 3	FC5-3207-000	A01 - 4	FC7-3155-000	A11 - 25
FC5-2996-030	A40 - 155	FC5-3214-000	A11 - 3	FC7-3156-000	A11 - 20
FC5-2997-020	A40 - 89	FC5-3223-000	A01 - 5	FC7-3159-000	A11 - 9
FC5-2998-020	A40 - 4	FC5-4400-000	A11 - 7	FC7-3161-000	A11 - 10
FC5-3000-020	A40 - 90	FC5-4424-000	A40 - 11	FC7-3163-000	D10 -
FC5-3004-000	A40 - 91	FC5-4425-000	A40 - 12	FC7-3163-000	D10 -
FC5-3006-020	A40 - 92	FC6-4006-000	D30 - 2	FC7-3163-000	D10 -
FC5-3007-020	A40 - 93	FC6-5156-000	D10 - 9	FC7-3164-000	A40 - 69
FC5-3009-020	A40 - 85	FC7-0259-000	A40 - 128	FC7-4176-000	A40 - 70
FC5-3010-000	A40 - 5	FC7-0260-000	A40 - 13	FC7-4180-000	A40 - 71
FC5-3015-000	A11 - 1	FC7-0262-000	A40 - 130	FC7-4185-000	A40 - 18
FC5-3016-000	A13 - 22	FC7-0266-000	A40 - 131	FC7-4188-000	A13 - 25
FC5-3017-000	A13 - 23	FC7-0267-000	A40 - 132	FC7-4193-000	A40 - 19
FC5-3021-000	A40 - 163	FC7-0269-000	A40 - 110	FC7-4882-000	A11 - 19
FC5-3024-020	A40 - 164	FC7-0275-000	A40 - 14	FC7-4883-000	A40 - 79
FC5-3025-020	A13 - 13	FC7-0277-000	A40 - 86	FC7-5461-000	A11 - 30
FC5-3026-000	A40 - 165	FC7-0278-000	A40 - 87	FC7-5462-000	A11 - 30
FC5-3102-000	A11 - 2	FC7-0280-000	A40 - 15	FC7-5463-000	A11 - 28
FC5-3106-000	A12 - 2	FC7-0281-000	A11 - 8	FC7-5464-000	A11 - 29
FC5-3108-000	A12 - 4	FC7-0283-000	A40 - 151	FC7-9879-000	D10 -
FC5-3111-000	A12 - 5	FC7-0284-000	A40 - 16	FC7-9879-000	D10 -
FC5-3113-000	A12 - 6	FC7-0285-000	A40 - 158	FC7-9879-000	D10 -
FC5-3114-000	A40 - 54	FC7-0304-000	D01 - 2	FH6-1742-020	A40 - 94
FC5-3115-000	A40 - 55	FC7-0305-000	D01 - 3	FH9-0186-000	A90 - CP670
FC5-3116-000	A40 - 56	FC7-0314-000	D10 - 14	FK2-0149-000	D11 - 21
FC5-3118-000	A40 - 57	FC7-0315-000	D10 - 15	FK2-0204-000	A40 - 40

NUMERICAL INDEX

Duplex Color Image Reader-G1 and DADF

PARTS NUMBER	FIGURE & KEY NO.	PARTS NUMBER	FIGURE & KEY NO.	PARTS NUMBER	FIGURE & KEY NO.
FK2-0205-000	A40 - 63	FL2-4850-000	D10 - 6	FM3-2007-000	D30 - 4
FK2-0207-000	A40 - 113	FL2-4851-000	D10 - 1	FM3-2035-000	A11 - 13
FK2-0209-000	A40 - 47	FL2-4856-000	D11 - 3	FM3-2041-000	A40 - 23
FK2-0225-000	D11 - 5	FL2-4863-000	D11 - 16	FN7-4062-000	D31 - 7
FK2-0234-000	D11 - 6	FL2-4867-000	D10 - 19	FN7-4063-000	D31 - 8
FK2-0237-000	D11 - 24	FL2-4868-000	D10 - 19	FS1-1465-000	A40 - 134
FK2-0238-000	D10 - 10	FL2-4869-000	D10 - 19	FS1-1569-000	A40 - 83
FK2-0240-000	D90 - IC1	FL2-5981-000	A40 - 73	FS1-9003-020	A40 - 174
FK2-0248-000	D91 - IC6	FL2-5982-000	A40 - 106	FS2-1052-000	A40 - 49
FK2-0349-000	A90 - IC404	FL2-5986-000	A40 - 118	FS5-9227-020	A40 - 159
FK2-0349-000	D90 - IC2	FL2-5987-000	A40 - 156	FS5-9227-020	D11 - 25
FK2-0636-000	D11 - 31	FL2-5988-000	A40 - 133	FS5-9400-020	D01 - 6
FK2-0732-000	D01 - 1	FL2-5991-000	A40 - 22	FS5-9772-020	D11 - 8
FK2-2504-000	A90 - IC403	FL2-5993-000	A40 - 139	FU5-0329-000	A40 - 114
FK2-2505-000	D92 - IC1	FL2-5996-000	A40 - 145	FU5-0330-000	A40 - 115
FK2-3713-000	A40 - 120	FL2-5997-000	A11 - 18	FU5-0333-000	A40 - 175
FK2-3714-000	A40 - 98	FL2-5999-000	A40 - 74	FU5-0339-000	A40 - 176
FK2-3715-000	A40 - 123	FL2-6628-000	A40 - 24	FU5-0340-000	A40 - 177
FK2-3717-000	A40 - 198	FL2-6629-000	A11 - 12	FU5-0341-000	A40 - 99
FK2-5118-000	D01 - 9	FL2-6630-000	A40 - 157	FU5-0342-000	A12 - 12
FL2-0020-000	D30 - 5	FL2-7976-000	D11 - 9	FU5-0343-000	A40 - 65
FL2-0383-000	D01 - 4	FM2-0679-000	A12 -	FU5-0344-000	A40 - 50
FL2-0615-000	D11 - 17	FM2-0696-000	A12 - 11	FU5-0345-000	A40 - 48
FL2-0625-000	D10 - 18	FM2-1022-000	A40 - 33	FU5-0346-000	A40 - 178
FL2-0725-000	A11 - 5	FM2-1023-000	A40 - 32	FU5-2105-000	A40 - 124
FL2-0731-000	A40 - 20	FM2-1024-000	A12 - 13	FU5-2234-000	A13 - 9
FL2-0732-000	A40 - 21	FM2-1027-000	A40 - 38	FU5-2235-020	A11 - 21
FL2-0735-000	A12 - 8	FM2-1029-000	A40 - 148	FU5-2235-020	A13 - 10
FL2-0736-000	A12 - 9	FM2-1030-000	A12 - 14	FU5-2236-000	A13 - 11
FL2-0737-000	A40 - 161	FM2-1031-000	A12 - 1	FU5-2237-000	A40 - 88
FL2-0741-000	A40 - 166	FM2-1035-000	A13 - 18	FU5-2238-000	A40 - 119
FL2-0748-000	A40 - 27	FM2-1105-000	D11 - 29	FU5-2240-000	A40 - 108
FL2-0749-000	A40 - 28	FM2-1106-000	D11 - 27	FU5-2244-000	A40 - 66
FL2-0753-000	A40 - 95	FM2-5798-000	A13 -	FU5-2245-000	A40 - 30
FL2-0754-000	A40 - 96	FM2-5806-000	A40 - 111	FU5-2247-000	A40 - 179
FL2-1298-000	A40 - 97	FM2-5825-000	A40 - 80	FU5-2249-000	A40 - 150
FL2-1299-000	A40 - 64	FM2-5838-000	D31 -	FU5-2250-000	A13 - 12
FL2-1302-000	A40 - 29	FM2-5844-000	D11 - 30	FU5-2251-000	A40 - 31
FL2-1304-000	A12 - 3	FM2-5845-000	D10 - 22	FU5-3526-000	A40 - 125
FL2-4585-000	A11 - 11	FM2-6804-000	D11 - 28	FU5-3527-000	A40 - 180
FL2-4587-000	A13 - 7	FM2-9952-000	A11 - 27	FU5-3528-000	A40 - 181
FL2-4588-000	A13 - 8	FM3-0369-000	A90 -	FU5-3529-000	A40 - 182
FL2-4593-000	A40 - 72	FM3-0371-000	A40 - 168	FU5-3530-000	A40 - 183
FL2-4596-010	D10 -	FM3-0386-000	A40 - 121	FU5-3531-000	A40 - 184
FL2-4596-010	D10 -	FM3-0465-000	D11 - 20	FU5-3532-000	A40 - 185
FL2-4596-010	D10 -	FM3-0469-000	D11 - 32	FU5-3533-000	A40 - 186
FL2-4597-000	A11 - 6	FM3-0471-000	D91 - 1	FU5-3534-000	A40 - 152
FL2-4599-000	D01 - 5	FM3-0474-000	D92 - 1	FU5-6073-000	A40 - 76
FL2-4601-000	D10 - 20	FM3-0475-000	D90 -	FU5-6074-000	A13 - 17
FL2-4602-000	D10 - 21	FM3-0476-000	D11 - 19	FU5-6075-000	A13 - 14
FL2-4604-000	D10 - 19	FM3-2005-000	D10 - 4	FU5-6076-000	A40 - 167
FL2-4605-010	D10 - 11	FM3-2006-000	D30 -	FU5-6077-000	A40 - 84

NUMERICAL INDEX

Duplex Color Image Reader-G1 and DADF

PARTS NUMBER	FIGURE & KEY NO.	PARTS NUMBER	FIGURE & KEY NO.	PARTS NUMBER	FIGURE & KEY NO
FU5-6078-000	A40 - 100	FU6-8130-000	A01 - 2	XB2-8300-607	D30 - 501
FU5-6079-000	A13 - 15	FU6-8131-000	A01 - 3	XB2-8300-607	D31 - 502
FU5-6080-000	A40 - 101	FU6-8132-000	A01 - 3	XB3-6400-805	D01 - 501
FU5-6686-000	A40 - 126	FU6-8133-000	A01 - 3	XB3-6400-805	D10 - 501
FU5-6687-000	A40 - 25	FU7-0470-000	A40 - 153	XB3-6400-805	D11 - 502
FU5-8203-010	D10 - 3	FU7-0472-000	A40 - 154	XB4-5300-809	A13 - 502
FU5-8204-000	D10 - 3	FU7-0473-000	A40 - 191	XB4-5400-805	A11 - 502
FU5-8205-000	D10 - 3	FU7-0514-000	A40 - 192	XB4-5400-805	A40 - 513
FU5-8206-000	D10 - 3	FU7-0515-000	A40 - 107	XB4-5400-806	D10 - 502
FU5-8207-000	D10 - 3	NPN	A01 -	XB4-5401-207	A11 - 503
FU5-8208-000	D10 - 3	NPN	A11 -	XB4-7300-805	A12 - 501
FU5-8209-000	D10 - 3	NPN	A40 -	XB4-7300-805	A40 - 508
FU5-8210-000	D10 - 3	NPN	D01 -	XB4-7303-507	D11 - 509
FU5-8211-000	D10 - 3	NPN	D10 -	XB4-7401-005	A12 - 502
FU5-8215-000	D10 - 3	NPN	D11 -	XB6-2400-508	D11 - 503
FU5-8216-000	D10 - 3	NPN	D91 -	XB6-7300-405	A40 - 514
FU5-8217-000	D10 - 3	NPN	D92 -	XB6-7300-605	A11 - 505
FU5-8845-000	D10 - 23	VS1-7164-024	A11 - 14	XB6-7300-605	A40 - 507
FU5-8846-000	D10 - 24	VS1-7164-024	A40 - 170	XB6-7300-607	D11 - 506
FU5-8847-000	D10 - 23	VS1-7173-003	A40 - 75	XB7-2100-407	D11 - 504
FU5-8848-000	D10 - 24	VS1-7173-006	A11 - 15	XD2-1100-242	A40 - 506
FU5-8849-000	D10 - 23	VS1-7173-016	A11 - 16	XD2-1100-322	A40 - 502
FU5-8850-000	D10 - 24	VS1-7177-003	A12 - 16	XD2-1100-402	A13 - 503
FU5-8851-000	D10 - 23	VS1-7177-003	A40 - 149	XD2-1100-402	A40 - 503
FU5-8852-000	D10 - 24	VS1-7177-006	A12 - 15	XD2-1100-502	A11 - 504
FU5-8853-000	D10 - 16	WA7-4751-000	D92 - 2	XD2-1100-502	A13 - 504
FU5-8854-000	D10 - 16	WE8-5731-000	A11 - 17	XD2-1100-502	A40 - 504
FU5-9026-020	D01 - 7	WE8-6076-000	D11 - 33	XD2-1100-642	A40 - 505
FU5-9028-020	D01 - 8	WG8-5593-000	A12 - 10	XD2-1100-642	D11 - 505
FU5-9167-000	A01 - 6	WG8-5593-000	A40 - 37	XD2-1100-642	D31 - 503
FU5-9168-000	A01 - 7	XA9-0265-010	D11 - 18	XD2-2300-302	A40 - 516
FU5-9503-000	D10 - 2	XA9-0425-030	D31 - 5	XD3-2200-102	A40 - 510
FU6-2736-000	A40 - 82	XA9-0874-000	A01 - 8	XD3-2200-122	A40 - 511
FU6-2737-000	A40 - 187	XA9-1031-000	A11 - 26	XF2-1103-760	A40 - 117
FU6-2738-000	A40 - 188	XA9-1031-000	A13 - 27	XF2-1104-360	A40 - 193
FU6-2739-000	A40 - 140	XA9-1031-000	A40 - 51	XF2-1106-140	A40 - 67
FU6-2740-000	A40 - 109	XA9-1415-000	D11 - 13	XF2-1106-540	A40 - 116
FU6-2741-000	A40 - 102	XA9-1521-000	D10 - 17	XF2-1106-660	A40 - 194
FU6-2742-000	A40 - 103	XA9-1521-000	D11 - 12	XF2-1107-240	A40 - 195
FU6-2743-000	A40 - 189	XB1-2260-806	D11 - 508	XF2-1107-940	A40 - 196
FU6-2744-000	A40 - 77	XB1-2260-806	D92 - 501	XF2-1108-560	A40 - 52
FU6-2745-000	A40 - 141	XB1-2300-405	A40 - 515	XF2-1110-760	A40 - 122
FU6-2771-000	D11 - 10	XB1-2300-406	D31 - 501	XF2-1113-380	A40 - 160
FU6-2772-000	D11 - 11	XB1-2300-605	A11 - 501	XF2-1116-180	A40 - 169
FU6-2898-000	A40 - 190	XB1-2300-605	A13 - 501	XF2-4610-840	D11 - 14
FU6-2899-000	A13 - 26	XB1-2300-605	A40 - 501	XF9-0358-000	A40 - 171
FU6-8059-000	D10 - 16	XB1-2300-606	D11 - 507	XF9-0514-000	A40 - 127
FU6-8060-000	D10 - 16	XB1-2400-607	A11 - 506	XF9-0747-000	A40 - 172
FU6-8061-000	D10 - 16	XB1-2400-607	A40 - 509	XG9-0237-000	A40 - 173
FU6-8127-000	A01 - 2	XB1-2400-607	D11 - 501	XG9-0508-000	D11 - 15
FU6-8128-000	A01 - 2	XB1-2400-607	D91 - 501		
FU6-8129-000	A01 - 2	XB1-2401-809	A40 - 512		

FIGURE A ASSEMBLY LOCATION DIAGRAM

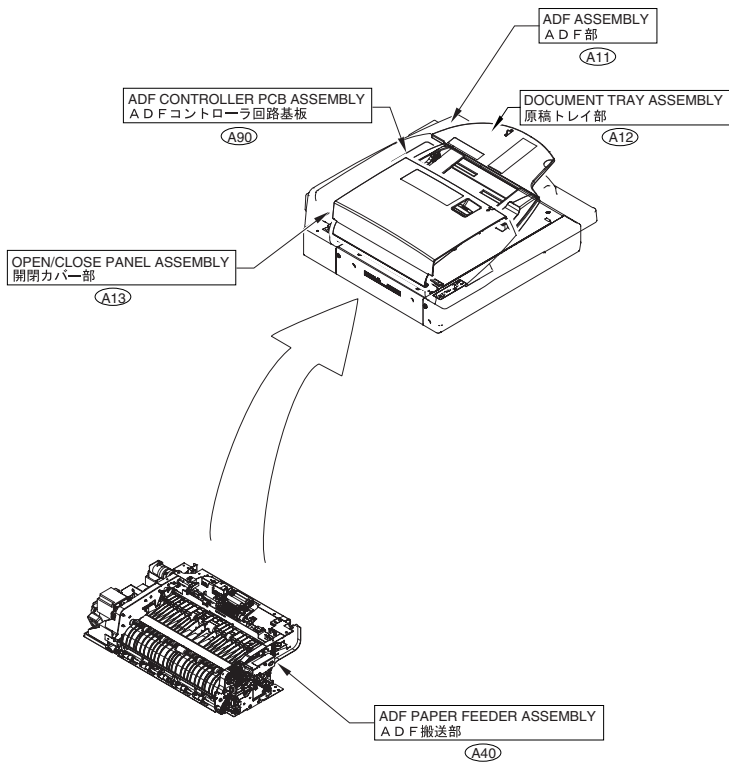


FIGURE A ASSEMBLY LOCATION DIAGRAM

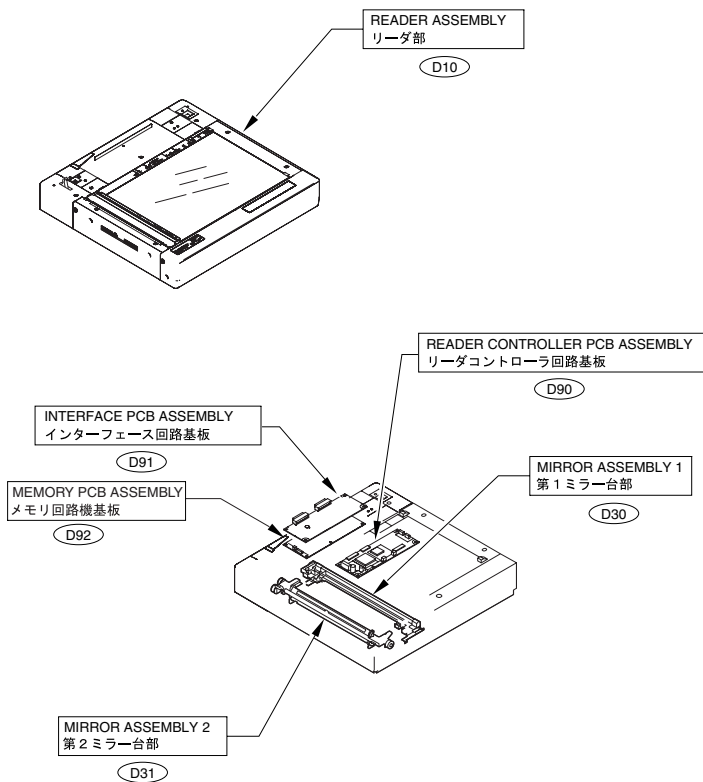


FIGURE A01 ADF MOUNTING HARDWARE

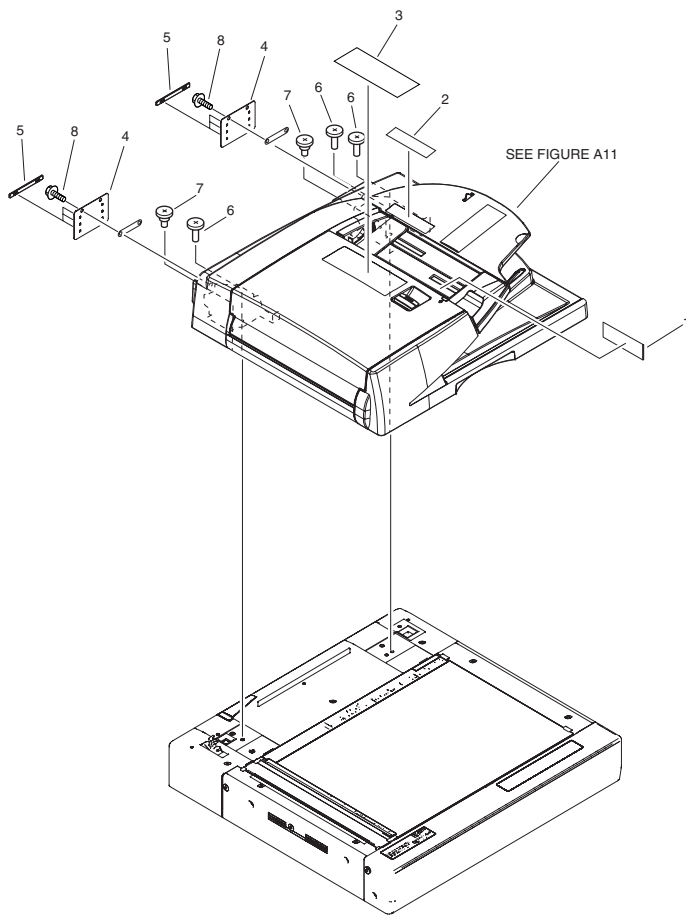


FIGURE & KEY NO.	PARTS NUMBER	R A N K	Q'TY	DESCRIPTION	SERIAL NUMBER/ REMARKS	S V C
Fig.A01	NPN		RF	ADF MOUNTING HARDWARE		
1	FC7-0322-000		1	LABEL, DOCUMENT SIZE		
2	FU6-8127-000		1	LABEL, SIZE	A/B SIZE	
2	FU6-8128-000		1	LABEL, SIZE	A/INCH SIZE	
2	FU6-8129-000		1	LABEL, SIZE	A SIZE	
2	FU6-8130-000		1	LABEL, SIZE	A/B/INCH SIZE	
3	FU6-8131-000		1	LABEL, PROHIBITION DOCUMENT	A/B SIZE	
3	FU6-8132-000		1	LABEL, PROHIBITION DOCUMENT	A/INCH SIZEA/B/INCH SIZE	
3	FU6-8133-000		1	LABEL, PROHIBITION DOCUMENT	A SIZE	
4	FC5-3207-000		2	COVER, HINGE		
5	FC5-3223-000		6	PLATE, HINGE COVER		
6	FU5-9167-000		3	SCREW, FIXED, M4		
7	FU5-9168-000		2	SCREW, STEPPED, M5		
8	XA9-0874-000		4	SCREW,M3X8		

FIGURE A11 ADF ASSEMBLY

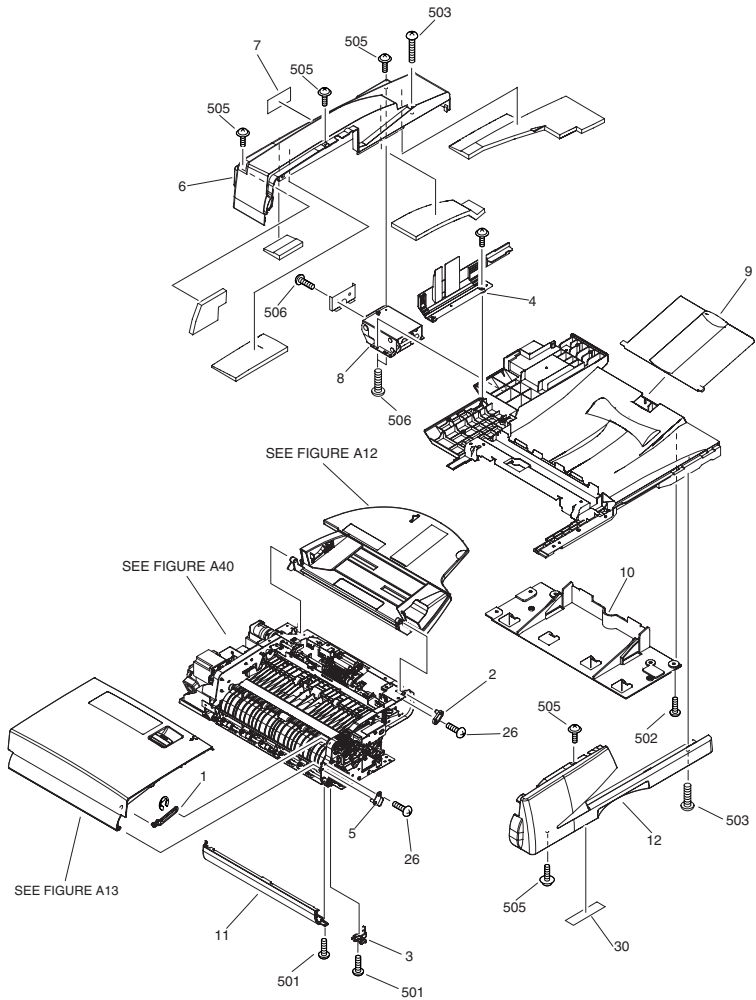


FIGURE A11 ADF ASSEMBLY

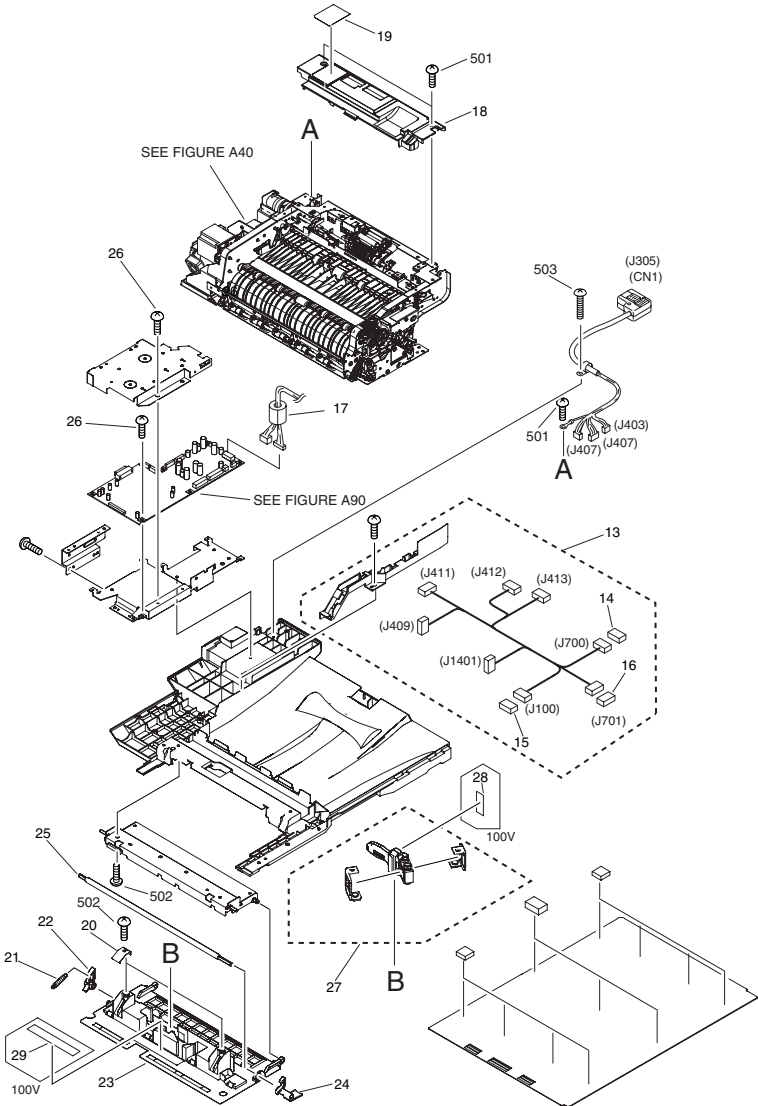


FIGURE & KEY NO.	PARTS NUMBER	R A N K	Q'TY	DESCRIPTION	SERIAL NUMBER/ REMARKS	S V C
Fig.A11	NPN		RF	ADF ASSEMBLY		
1	FC5-3015-000		1	ARM, OPEN/CLOSE PANEL STOPPER		
2	FC5-3102-000		1	PIN, POSITIONING		
3	FC5-3214-000		1	BLOCK, HEIGHT ADJUSTER		
4	FC7-2776-000		1	COVER, FRAME, BASE, B		
5	FL2-0725-000		1	PLATE, OPEN/CLOSE SHAFT		
6	FL2-4597-000		1	COVER, REAR		
7	FC5-4400-000		1	LABEL, HINGE CAUTION		
8	FC7-0281-000		1	HINGE, RIGHT		
9	FC7-3159-000		1	TRAY, DISCHARGE		
10	FC7-3161-000		1	COVER, FRAME, BASE, A		
11	FL2-4585-000		1	COVER, SIDE		
12	FL2-6629-000		1	COVER, FRONT		
13	FM3-2035-000		1	MAIN CABLE UNIT		
14	VS1-7164-024		1	CONNECTOR, SNAP TIGHT, 24P, W		
15	VS1-7173-006		1	CONNECTOR, SNAP TIGHT, 6P, W		
16	VS1-7173-016		1	CONNECTOR, SNAP TIGHT, 16P, W		
17	WE8-5731-000		1	FERRITE CORE E04SR 150718		
18	FL2-5997-000		1	COVER, SEPARATION		
19	FC7-4882-000		1	LABEL, JAM		
20	FC7-3156-000		2	SPRING, LEAF		
21	FU5-2235-020		1	SPRING, TENSION		
22	FC5-2957-000		1	LEVER, LATCH		
23	FC7-3153-000		1	PLATE, SUPPORT		
24	FC7-3154-000		1	RATCHET		
25	FC7-3155-000		1	SHAFT, RATCHET		
26	XA9-1031-000		6	SCREW, MACH. TRUSS HEAD, M4X6		
27	FM2-9952-000		1	GLASS CLEANER UNIT		
28	FC7-5463-000		1	LABEL, CLEANING TOOLS	100V	
29	FC7-5464-000		1	LABEL, STOCK POSITION	100V	
30	FC7-5461-000		1	LABEL, CLEANING PROCESS	100V	
30	FC7-5462-000		1	LABEL, CLEANING PROCESS	120V/230V	

FIGURE & KEY NO.	PARTS NUMBER	RANK	Q'TY	DESCRIPTION	SERIAL NUMBER/REMARKS	SVC
501	XB1-2300-605		7	SCREW, MACHINE M3X6		
502	XB4-5400-805		15	SCREW,P,M4X8		
503	XB4-5401-207		7	SCREW,P,M4X12		
504	XD2-1100-502		1	RETAINING RING (E-TYPE)		
505	XB6-7300-605		5	SCREW, TP, M3X6 (S)		
506	XB1-2400-607		2	SCREW, CROSS-RECESS, FCH		

FIGURE A12 DOCUMENT TRAY ASSEMBLY

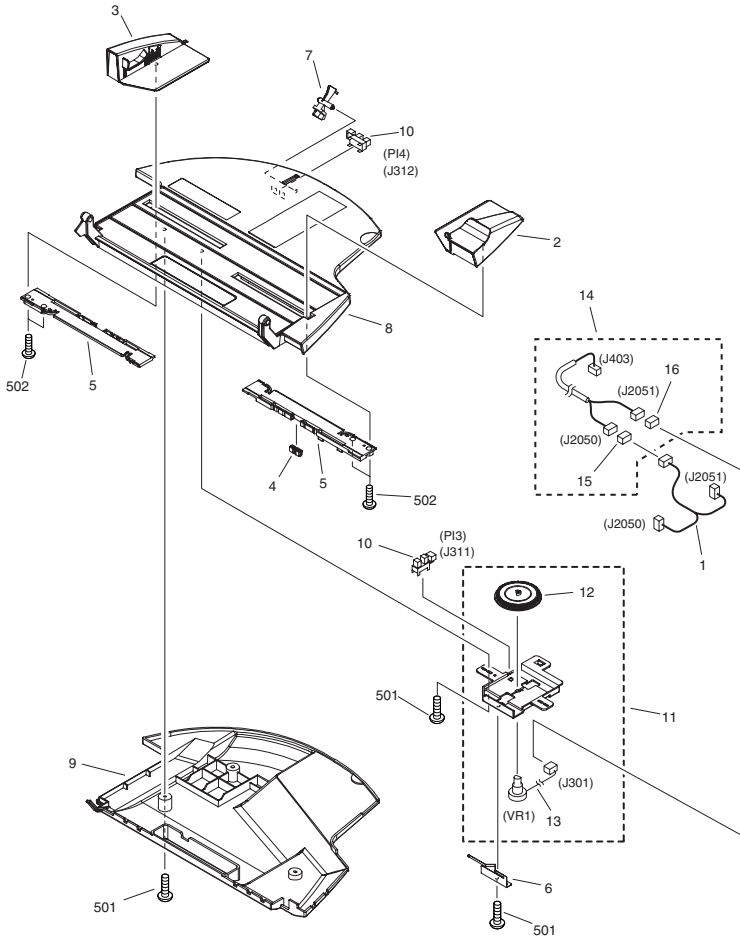


FIGURE & KEY NO.	PARTS NUMBER	R A N K	Q'TY	DESCRIPTION	SERIAL NUMBER/ REMARKS	S V C
Fig.A12	FM2-0679-000		1	DOCUMENT TRAY ASSEMBLY		
1	FM2-1031-000		1	CABLE, DOCUMENT TRAY CONNECT		
2	FC5-3106-000		1	GUIDE, DOCUMENT SIDE, FRONT		
3	FL2-1304-000		1	GUIDE, DOCUMENT SIDE, REAR		
4	FC5-3108-000		1	RACK		
5	FC5-3111-000		2	RACK, DOCUMENT SIDE GUIDE		
6	FC5-3113-000		1	SPRING, LEAF		
7	FC5-3137-000		1	FLAG, DOCUMENT LENGTH SENSOR		
8	FL2-0735-000		1	TRAY, DOCUMENT, UPPER		
9	FL2-0736-000		1	TRAY, DOCUMENT, LOWER		
10	WG8-5593-000		2	PHOTO INTERRUPTER TLP1242		
11	FM2-0696-000		1	VOLUME HOLDER ASSEMBLY		
12	FU5-0342-000		1	GEAR, 68T		
13	FM2-1024-000		1	VARIABLE RESISTOR UNIT	VR1	
14	FM2-1030-000		1	CABLE, DOCUMENT TRAY		
15	VS1-7177-006		1	CONNECTOR, SNAP TIGHT, BK		
16	VS1-7177-003		1	CONNECTOR, SNAP TIGHT, BK		
501	XB4-7300-805		6	SCREW, TP, BH3X8, S		
502	XB4-7401-005		4	SCREW, TAPPING, TRUSS HEAD, M4X10		

FIGURE A13 OPEN/CLOSE PANEL ASSEMBLY

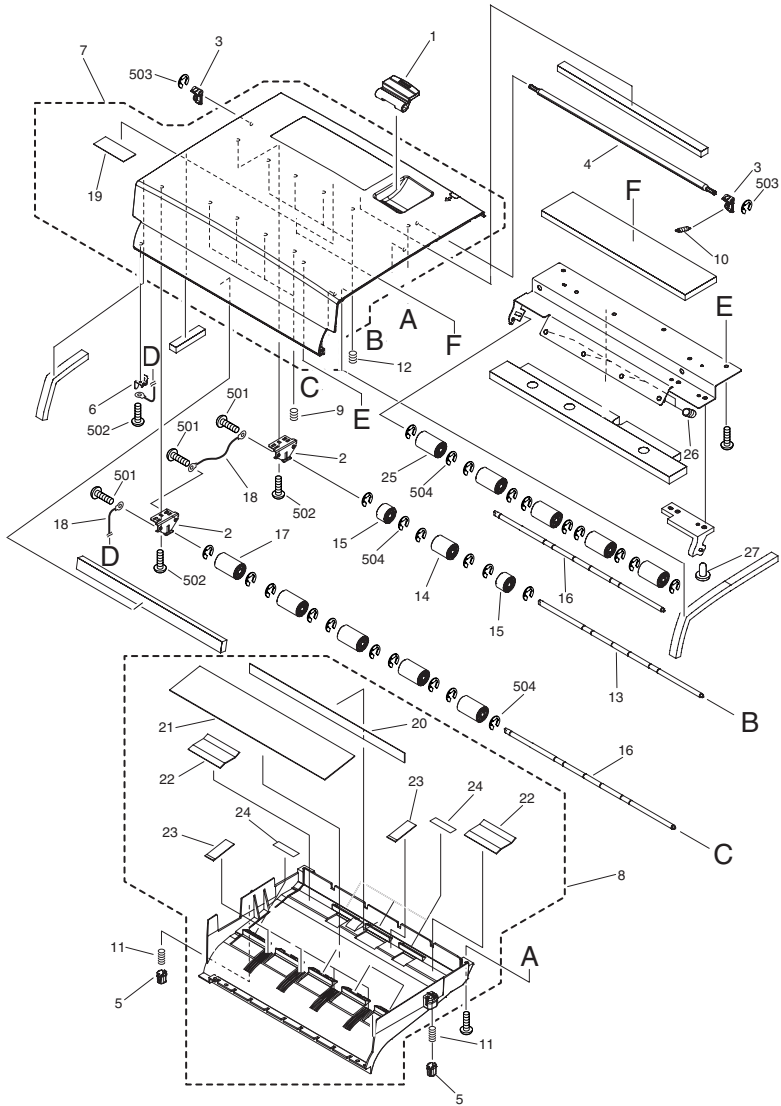


FIGURE & KEY NO.	PARTS NUMBER	R A N K	Q'TY	DESCRIPTION	SERIAL NUMBER/ REMARKS	S V C
Fig.A13	FM2-5798-000		1	OPEN/CLOSE PANEL ASSEMBLY		
1	FC5-2953-000		1	LEVER, OPEN/CLOSE		
2	FC5-2956-000		2	PLATE, REGISTRATION ADJUSTMENT		
3	FC5-2957-000		2	LEVER, LATCH		
4	FC5-2958-000		1	SHAFT, LATCH		
5	FC5-2963-000		2	RETAINER, OPEN/CLOSE GUIDE		
6	FC7-3146-000		1	SPRING, LEAF		
7	FL2-4587-000		1	PANEL, OPEN/CLOSE		
8	FL2-4588-000		1	GUIDE, OPEN/CLOSE		
9	FU5-2234-000		4	SPRING, COMPRESSION		
10	FU5-2235-020		1	SPRING, TENSION		
11	FU5-2236-000		2	SPRING, COMPRESSION		
12	FU5-2250-000		4	SPRING, COMPRESSION		
13	FC5-3025-020		1	SHAFT, REGISTRATION ROLLER, 1		
14	FU5-6075-000		1	ROLLER, REGISTRATION, 1		
15	FU5-6079-000		2	ROLLER, REGISTRATION, 2		
16	FC5-2962-020		1	SHAFT, REGISTRATION ROLLER, 2		
17	FU5-6074-000		5	ROLLER, REGISTRATION, 3		
18	FM2-1035-000		2	WIRE, GROUNDING		
20	FC5-2959-000		1	SHEET, CLEANING		
21	FC5-2960-000		1	SHEET, CLEANING		
22	FC5-3016-000		2	SHEET, CLEANING		
23	FC5-3017-000		5	SHEET, CLEANING		
24	FC5-2954-000		8	SCRAPER		
25	FC7-4188-000		5	ROLLER, REGISTRATION		
26	FU6-2899-000		4	SPRING, COMPRESSION		
27	XA9-1031-000		2	SCREW, MACH. TRUSS HEAD, M4X6		
501	XB1-2300-605		AR	SCREW, MACHINE M3X6		
502	XB4-5300-809		7	SCREW,P,M3X8		
503	XD2-1100-402		2	RETAINING RING (E-TYPE)		
504	XD2-1100-502		AR	RETAINING RING (E-TYPE)		

FIGURE A40 ADF PAPER FEEDER ASSEMBLY

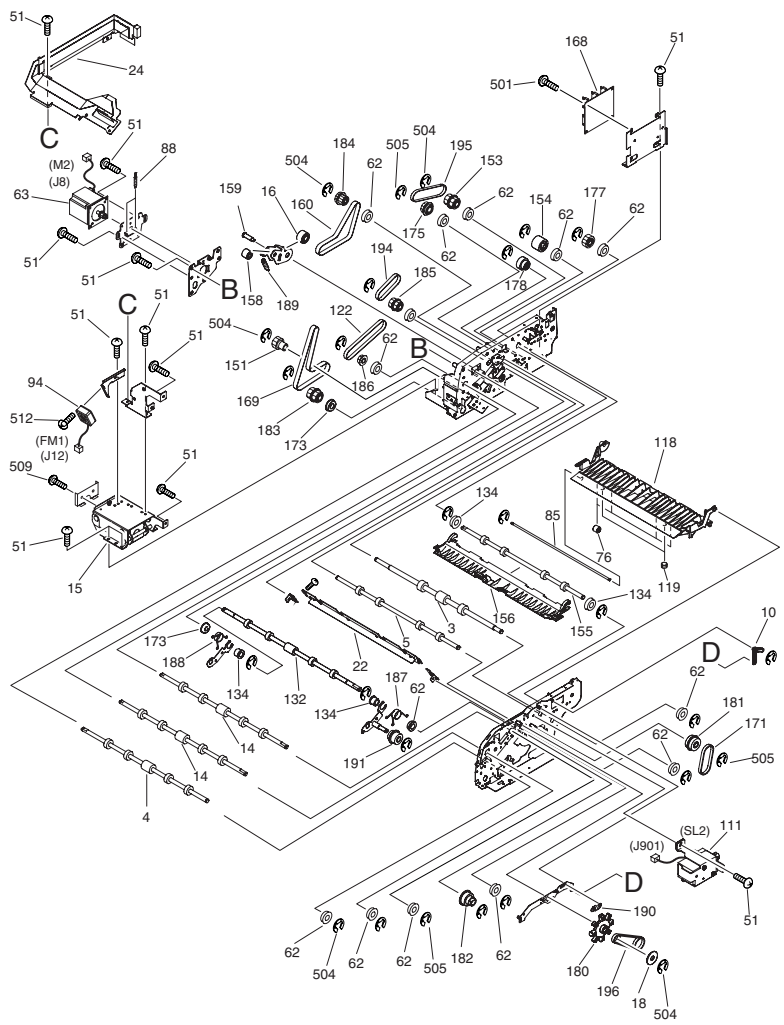


FIGURE & KEY NO.	PARTS NUMBER	R A N K	Q'TY	DESCRIPTION	SERIAL NUMBER/ REMARKS	S V C
Fig.A40	NPN		1	ADF PAPER FEEDER ASSEMBLY		
1	FC5-2991-000		1	ARM, RELEASE		
2	FC5-2992-000		1	ARM, RELEASE		
3	FC5-2994-000		1	ROLLER, REGISTRATION, 1		
4	FC5-2998-020		1	ROLLER, PAPER READ		
5	FC5-3010-000		1	ROLLER, PAPER FEEDER		
6	FC5-3144-000		1	LEVER, LOCK		
7	FC5-3145-000		1	LEVER, LOCK		
8	FC5-3146-000		1	LEVER, LOCK		
9	FC5-3148-000		1	SPRING, TORSION		
10	FC5-3154-000		1	LINK, PRESSURE RELEASE		
11	FC5-4424-000		8	CLIP		
12	FC5-4425-000		5	CLIP		
13	FC7-0260-000		1	CLAMP, BELT		
14	FC7-0275-000		2	ROLLER, REGISTRATION, 2		
15	FC7-0280-000		1	HINGE, LEFT		
16	FC7-0284-000		1	PULLEY		
17	FC7-2775-000		1	COVER, FRAME, BASE		
18	FC7-4185-000		1	STOPPER		
19	FC7-4193-000		1	ROLLER, FIXING		
20	FL2-0731-000		1	GUIDE, REGISTRATION		
21	FL2-0732-000		1	GUIDE, SEPARATION LOWER		
22	FL2-5991-000		1	GUIDE, REVERSE		
23	FM3-2041-000		1	CONTACT IMAGE SENSOR UNIT		
24	FL2-6628-000		1	CABLE, FLAT		
25	FU5-6687-000		1	BUSHING		
26	FC5-3152-000		1	BLOCK, PRESSURE RELEASE		
27	FL2-0748-000		1	HOLDER, SEPARATION PAD, 2		
28	FL2-0749-000		1	HOLDER, SEPARATION PAD, 1		
29	FL2-1302-000		1	HOLDER, SEPARATION PAD, 3		
30	FU5-2245-000		1	SPRING, COMPRESSION		
31	FU5-2251-000		1	SPRING, COMPRESSION		

FIGURE & KEY NO.	PARTS NUMBER	RANK	Q'TY	DESCRIPTION	SERIAL NUMBER/REMARKS	SVC
32	FM2-1023-000		1	LED PCB UNIT	PCB5	
33	FM2-1022-000		3	SENSOR PCB UNIT	PCB2,3,4	
34	FC5-3128-000		1	FLAG, EMPTY SENSOR		
35	FC5-3129-000		1	HOLDER, SENSOR		
36	FC5-3130-000		1	SPRING, TORSION		
37	WG8-5593-000		11	PHOTO INTERRUPTER TLP1242	PI1,2,5,6,7,8,9,10,11,12,13	
38	FM2-1027-000		1	CABLE, PAPER PICK-UP		
39	FC5-3163-000		1	JOINT		
40	FK2-0204-000		1	MOTOR, STEPPING, DC	M1	
41	FC5-3165-000		1	JOINT		
42	FC5-3166-000		1	LEVER, SHUTTER		
43	FC5-3167-000		1	SPRING, CLUTCH		
44	FC5-3168-000		1	SPRING, CLUTCH		
45	FC5-3169-000		1	SHAFT, CLUTCH		
46	FC5-3170-000		1	BUSHING		
47	FK2-0209-000		1	CLUTCH, ELECTROMAGNETIC	CL1	
48	FU5-0345-000		1	GEAR, 40T		
49	FS2-1052-000		11	BUSHING, CU		
50	FU5-0344-000		1	PULLEY, 60T/GEAR, 60T		
51	XA9-1031-000		AR	SCREW, MACH. TRUSS HEAD, M4X6		
52	XF2-1108-560		1	BELT, TIMING		
53	FC3-0722-000		1	ROLLER, PICK-UP		
54	FC5-3114-000		1	SHAFT, SEPARATION ROLLER		
55	FC5-3115-000		1	ROLLER, SEPARATION		
56	FC5-3116-000		1	SHAFT, PICK-UP ARM		
57	FC5-3118-000		1	ARM, PICK-UP, FRONT		
58	FC5-3119-000		2	BUSHING		
59	FC5-3120-000		2	SPRING, CLUTCH		
60	FC5-3121-000		1	ARM, PICK-UP, REAR		
61	FC5-3124-020		2	SHAFT, PAPER PICK-UP WEIGHT		
62	FA9-2112-000		13	BUSHING, PL		

FIGURE & KEY NO.	PARTS NUMBER	R A N K	Q'TY	DESCRIPTION	SERIAL NUMBER/ REMARKS	S V C
63	FK2-0205-000		1	MOTOR, STEPPING, DC	M2	
64	FL2-1299-000		1	GUIDE, PAPER PICK-UP		
65	FU5-0343-000		2	PULLEY, 18T		
66	FU5-2244-000		1	SPRING, COMPRESSION		
67	XF2-1106-140		1	BELT, TIMING		
68	FC7-2753-000		4	SPRING, READ ROLLER 2 LEAF		
69	FC7-3164-000		1	GUIDE, CABLE		
70	FC7-4176-000		1	COVER, READ ROLL		
71	FC7-4180-000		1	SHAFT, LEAD 2 ROLLER		
72	FL2-4593-000		1	GUIDE, FEEDER, READ2		
73	FL2-5981-000		1	FLAG, LEAD 2 SENSOR		
74	FL2-5999-000		1	GUIDE, PAPER FEEDER		
75	VS1-7173-003		1	CONNECTOR, SNAP TIGHT, 3P, W		
76	FU5-6073-000		14	ROLLER, FEED		
77	FU6-2744-000		1	SPRING, TORSION		
78	FC7-2755-000		1	GUIDE, FEEDER, READ3		
79	FC7-4883-000		1	GUIDE, SCOOP		
80	FM2-5825-000		1	PAPER DELIVERY ROLLER ASSEMBLY		
81	FC5-2988-000		4	RETAINER, ROLLER		
82	FU6-2736-000		4	SPRING, COMPRESSION		
83	FS1-1569-000		5	BUSHING		
84	FU5-6077-000		4	ROLLER, PAPER DELIVERY		
85	FC5-3009-020		2	SHAFT, PAPER FEEDER ROLLER		
86	FC7-0277-000		1	GUIDE, PAPER FEEDER		
87	FC7-0278-000		5	SPRING, READ ROLLER, 3		
88	FU5-2237-000		2	SPRING, TENSION		
89	FC5-2997-020		1	ROLLER, PAPER READ		
90	FC5-3000-020		1	ROLLER, PLATEN		
91	FC5-3004-000		1	GUIDE, PLATEN, 2		
92	FC5-3006-020		1	SHAFT, PLATEN ROLLER, 1		
93	FC5-3007-020		1	SHAFT, PLATEN ROLLER, 2		
94	FH6-1742-020		4	FAN, COOLING		

FIGURE & KEY NO.	PARTS NUMBER	RANK	Q'TY	DESCRIPTION	SERIAL NUMBER/REMARKS	SVC
95	FL2-0753-000		1	GUIDE, PLATEN, 1		
96	FL2-0754-000		1	ARM, SWING BUSHING, FRONT		
97	FL2-1298-000		1	ARM, SWING BUSHING, REAR		
98	FK2-3714-000		1	MOTOR, STEPPING, DC	M3	
99	FU5-0341-000		1	PULLEY, 18T		
100	FU5-6078-000		8	ROLLER, PLATEN		
101	FU5-6080-000		4	ROLLER		
102	FU6-2741-000		1	SPRING, TORSION		
103	FU6-2742-000		1	SPRING, TORSION		
104	FC5-2978-000		1	GUIDE, REFORM		
105	FC7-2756-000		1	FLAPPER, PAPER FEEDER		
106	FL2-5982-000		1	GUIDE, DELIVERY, LOWER		
107	FU7-0515-000		1	GEAR, 24T		
108	FU5-2240-000		1	SPRING, COMPRESSION		
109	FU6-2740-000		1	SPRING, TORSION		
110	FC7-0269-000		1	GUIDE, PAPER FEEDER, LEFT		
111	FM2-5806-000		1	SOLENOID UNIT	SL2	
112	FC5-2967-000		1	CAM, READ ROLLER RELEASE		
113	FK2-0207-000		1	MOTOR, STEPPING, DC	M4	
114	FU5-0329-000		1	GEAR, 31T		
115	FU5-0330-000		1	PULLEY, 40T/GEAR, 20T		
116	XF2-1106-540		1	BELT, TIMING, COGGED		
117	XF2-1103-760		1	BELT, TIMING		
118	FL2-5986-000		1	GUIDE, OPEN/CLOSE		
119	FU5-2238-000		2	SPRING, COMPRESSION		
120	FK2-3713-000		1	MOTOR, STEPPING, DC	M5	
121	FM3-0386-000		1	CABLE, MAIN JOINT		
122	XF2-1110-760		1	BELT, TIMING		
123	FK2-3715-000		1	MOTOR, STEPPING, DC	M6	
124	FU5-2105-000		1	SPRING, TENSION		
125	FU5-3526-000		2	PULLY, 18T		
126	FU5-6686-000		1	ROLLER		

FIGURE & KEY NO.	PARTS NUMBER	R A N K	Q'TY	DESCRIPTION	SERIAL NUMBER/ REMARKS	S V C
127	XF9-0514-000		1	BELT, TIMING		
128	FC7-0259-000		1	HOLDER, GLASS		
129	FC7-2779-000		1	SPRING, SLIDE EARTH		
130	FC7-0262-000		1	ROLLER, PLATEN		
131	FC7-0266-000		2	ROLLER, SPACER		
132	FC7-0267-000		1	ROLLER, READ, 3		
133	FL2-5988-000		1	GUIDE, PLATEN		
134	FS1-1465-000		4	BUSHING		
135	FC7-2780-000		3	FLAG, SENSOR		
136	FC7-2781-000		2	FLAG, WIDTH SENSOR		
137	FC7-3137-000		1	SHAFT, SENSOR		
138	FC7-3138-000		1	SHAFT, WIDTH SENSING SENSOR		
139	FL2-5993-000		1	GUIDE, PAPER FEEDER, UPPER		
140	FU6-2739-000		1	SPRING, TORSION		
141	FU6-2745-000		4	SPRING, TORSION		
142	FC5-3147-000		1	SHUTTER, DOCUMENT		
143	FC5-3153-000		1	GUIDE, PRESSURE RELEASE		
144	FC5-3177-020		1	SHAFT, PRESSURE RELEASE LINK		
145	FL2-5996-000		1	MOUNT, STATIC CHARGE		
146	FC5-3149-000		1	FLAG, REGISTRATION SENSOR		
147	FC5-3150-000		1	SPRING, TORSION		
148	FM2-1029-000		1	CABLE, REGISTRATION CONNECTING		
149	VS1-7177-003		3	CONNECTOR, SNAP TIGHT, BK		
150	FU5-2249-000		1	SPRING, COMPRESSION		
151	FC7-0283-000		1	PULLEY		
152	FU5-3534-000		1	PULLEY, 30T/30T(REG)		
153	FU7-0470-000		1	PULLEY, 28T/GEAR, 24T		
154	FU7-0472-000		1	GEAR, 25T		
155	FC5-2996-030		1	ROLLER, PAPER DELIVERY		
156	FL2-5987-000		1	GUIDE, DELIVERY, UPPER		
157	FL2-6630-000		1	COVER, INVERTER		
158	FC7-0285-000		1	PULLEY, TENSION		

FIGURE & KEY NO.	PARTS NUMBER	R A N K	Q'TY	DESCRIPTION	SERIAL NUMBER/ REMARKS	S V C
159	FS5-9227-020		1	SCREW, STEPPED, M4		
160	XF2-1113-380		1	BELT, TIMING		
161	FL2-0737-000		1	GUIDE, PAPER FEEDER, 1		
162	FC5-2987-020		1	SHAFT, PAPER READ ROLLER		
163	FC5-3021-000		3	SPRING, TORSION		
164	FC5-3024-020		5	SHAFT, PAPER FEEDER ROLLER		
165	FC5-3026-000		2	SPRING, TORSION		
166	FL2-0741-000		5	HOLDER, PAPER FEEDER ROLLER		
167	FU5-6076-000		5	ROLLER, PAPER FEEDER		
168	FM3-0371-000		1	DRIVER PCB ASSEMBLY		
169	XF2-1116-180		1	BELT, TIMING		
170	VS1-7164-024		1	CONNECTOR, SNAP TIGHT, 24P, W		
171	XF9-0358-000		2	BELT, TIMING		
172	XF9-0747-000		1	BELT, TIMING, COGGED		
173	XG9-0237-000		3	BALL BEARING, LNR-1680HHR		
174	FS1-9003-020		5	SCREW, STEPPED, M4		
175	FU5-0333-000		1	PULLEY, 28T		
176	FU5-0339-000		1	PULLEY, 23T		
177	FU5-0340-000		1	GEAR, 24T		
178	FU5-0346-000		1	GEAR, 22T		
179	FU5-2247-000		1	SPRING, TENSION		
180	FU5-3527-000		1	KNOB, JAM CLEARING		
181	FU5-3528-000		1	PULLEY, IDLE JAM_, CLEAR		
182	FU5-3529-000		1	PULLEY		
183	FU5-3530-000		2	PULLEY, 30T		
184	FU5-3531-000		1	PULLEY, 24T		
185	FU5-3532-000		1	PULLEY, 30T		
186	FU5-3533-000		1	PULLEY, 30T		
187	FU6-2737-000		1	SPRING, TORSION		
188	FU6-2738-000		1	SPRING, TORSION		
189	FU6-2743-000		1	SPRING, TENSION		
190	FU6-2898-000		1	SPRING, TENSION		

FIGURE & KEY NO.	PARTS NUMBER	R A N K	Q'TY	DESCRIPTION	SERIAL NUMBER/ REMARKS	S V C
191	FU7-0473-000		1	GEAR, 18T/PULLEY, 23T		
192	FU7-0514-000		1	GEAR, 16T		
193	XF2-1104-360		1	BELT, TIMING		
194	XF2-1106-660		1	BELT, TIMING		
195	XF2-1107-240		1	BELT, TIMING		
196	XF2-1107-940		1	BELT, TIMING, COGGED		
197	FB6-4303-000		1	LABEL, 'WARNING, HIGH VOLTAGE'		
198	FK2-3717-000		1	REGULATOR, XENON LANP		
501	XB1-2300-605		AR	SCREW, MACHINE M3X6		
502	XD2-1100-322		AR	RETAINING RING (E-TYPE)		
503	XD2-1100-402		AR	RETAINING RING (E-TYPE)		
504	XD2-1100-502		AR	RETAINING RING (E-TYPE)		
505	XD2-1100-642		AR	RING,E		
506	XD2-1100-242		AR	WASHER, RETAINING		
507	XB6-7300-605		AR	SCREW, TP, M3X6 (S)		
508	XB4-7300-805		AR	SCREW, TP, BH3X8, S		
509	XB1-2400-607		AR	SCREW, CROSS-RECESS, FCH		
510	XD3-2200-102		4	PIN, PARALLEL		
511	XD3-2200-122		8	PIN, DOWEL		
512	XB1-2401-809		4	SCREW, BINDING HEAD MACHINE		
513	XB4-5400-805		2	SCREW,P,M4X8		
514	XB6-7300-405		AR	SCREW, TP, M3X4		
515	XB1-2300-405		2	SCREW, MACH. BH, M3X4		
516	XD2-2300-302		AR	WASHER, RETAINING 3.0MM		

FIGURE A90

ADF CONTROLLER PCB ASSEMBLY

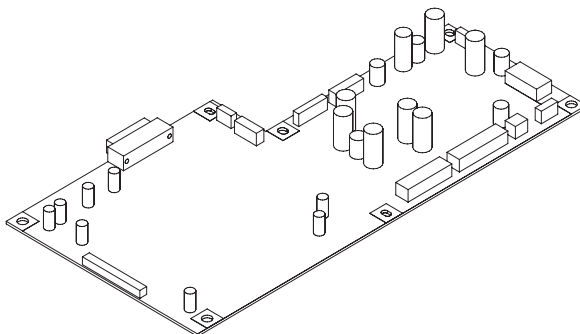


FIGURE & KEY NO.	PARTS NUMBER	R A N K	QTY	DESCRIPTION	SERIAL NUMBER/ REMARKS	S V C
Fig,A90	FM3-0369-000		1	ADF CONTROLLER PCB ASSEMBL		
CP670	FH9-0186-000		1	PIN, CHECK		
IC403	FK2-2504-000		1	IC,UPD84800GM-011-GAA-A		
IC404	FK2-0349-000		1	IC,MB87M4430,ASIC		

FIGURE D01 READER MOUNTING HARDWARE

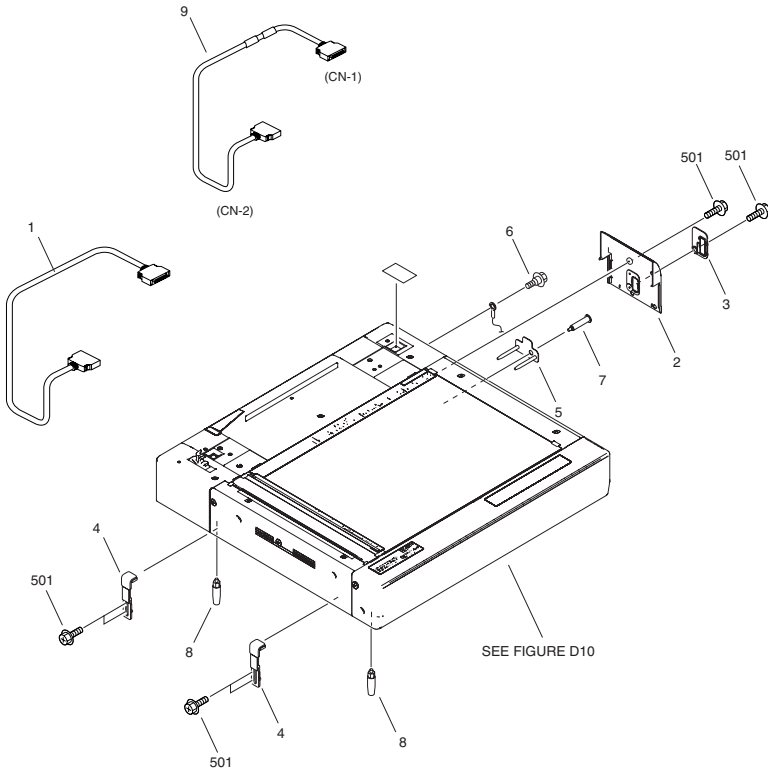


FIGURE & KEY NO.	PARTS NUMBER	RANK	Q'TY	DESCRIPTION	SERIAL NUMBER/REMARKS	SVC
Fig.D01	NPN		RF	READER MOUNTING HARDWARE		
1	FK2-0732-000		1	CABLE,DDI-S SERIAL		
2	FC7-0304-000		1	COVER, READER JOINT		
3	FC7-0305-000		1	PANEL, READER JOINT		
4	FL2-0383-000		2	HOOK, READER		
5	FL2-4599-000		1	PLATE, READER FIXING		
6	FS5-9400-020		1	SCREW,RS STEPPED,M5		
7	FU5-9026-020		1	SCREW,RS,STEPPED,M4		
8	FU5-9028-020		2	SCREW, READER POSITIONING		
9	FK2-5118-000		1	CABLE, DF-RD26 SHIELD		
501	XB3-6400-805		6	SCREW,RS,M4X8		

FIGURE D10 READER ASSEMBLY

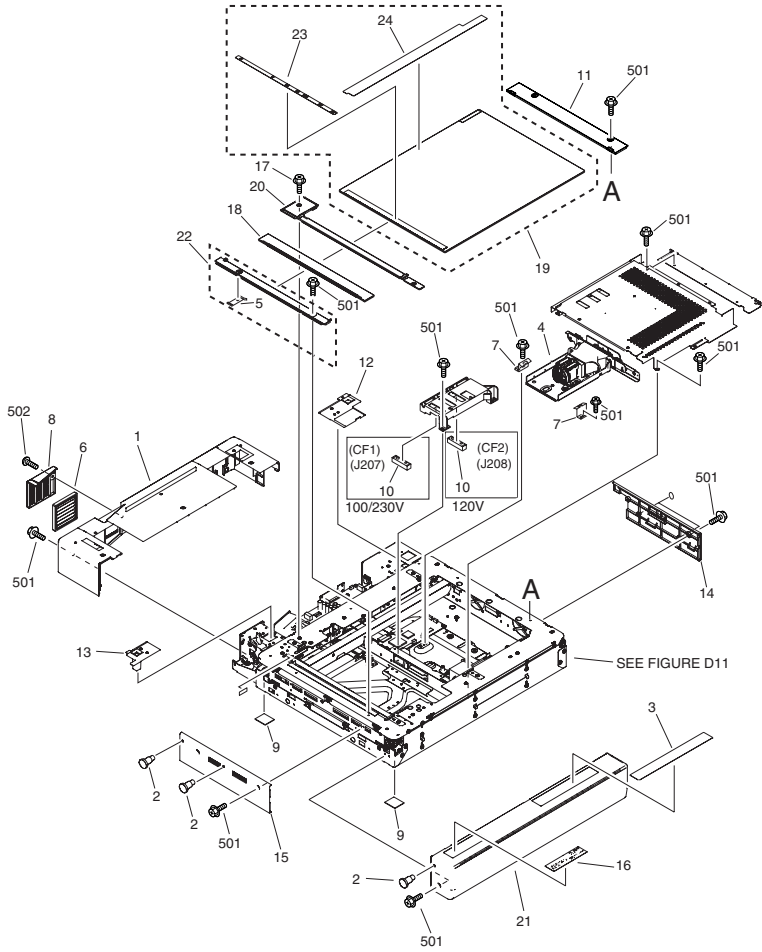


FIGURE & KEY NO.	PARTS NUMBER	RANK	Q'TY	DESCRIPTION	SERIAL NUMBER/REMARKS	SVC
Fig.D10	NPN		RF	READER ASSEMBLY		
1	FL2-4851-000		1	PANEL, REAR		
2	FU5-9503-000		3	SCREW, FIXED, M20		
3	FU5-8203-010		1	LABEL, COPY INHIBITED	JP	
3	FU5-8204-000		1	LABEL, COPY INHIBITED	US	
3	FU5-8205-000		1	LABEL, COPY INHIBITED	CA	
3	FU5-8206-000		1	LABEL, COPY INHIBITED	PT	
3	FU5-8207-000		1	LABEL, COPY INHIBITED	ES	
3	FU5-8208-000		1	LABEL, COPY INHIBITED	GB	
3	FU5-8209-000		1	LABEL, COPY INHIBITED	FR	
3	FU5-8210-000		1	LABEL, COPY INHIBITED	DE	
3	FU5-8211-000		1	LABEL, COPY INHIBITED	IT	
3	FU5-8215-000		1	LABEL, COPY INHIBITED	CN	
3	FU5-8216-000		1	LABEL, COPY INHIBITED	TW	
3	FU5-8217-000		1	LABEL, COPY INHIBITED	KR	
4	FM3-2005-000		1	CCD UNIT		
5	FC7-1333-000		1	SPRING, GROUNDING		
6	FL2-4850-000		1	FILTER, AIR		
7	FC7-1246-000		2	SPRING, LEAF		
8	FC5-2934-000		1	COVER, FILTER		
9	FC6-5156-000		2	DAMPER		
10	FK2-0238-000		1	DOCUMENT SIZE SENSOR UNIT		
11	FL2-4605-010		1	COVER,RIGHT UPPER		
12	FC7-0318-000		1	SPACER, DF MOUNTING, RIGHT		
13	FC7-0317-000		1	SPACER, DF MOUNTING, LEFT		
14	FC7-0314-000		1	COVER, RIGHT		
15	FC7-0315-000		1	COVER, LEFT		
16	FU5-8854-000		1	LABEL, CLEANING POSITION	A/B SIZE	
16	FU5-8853-000		1	LABEL, CLEANING POSITION	A SIZE A/INCH/SIZE A/B/INCH SIZE	
16	FU6-8059-000		1	LABEL, CLEANING POSITION	A/B/INCH SIZE	
16	FU6-8060-000		1	LABEL, CLEANING POSITION	A/B/INCH SIZE	

FIGURE & KEY NO.	PARTS NUMBER	R A N K	Q'TY	DESCRIPTION	SERIAL NUMBER/ REMARKS	S V C
16	FU6-8061-000		1	LABEL, CLEANING POSITION	A/B/INCH SIZE	
17	XA9-1521-000		2	SCREW,RS,M3X6		
18	FL2-0625-000		1	GLASS, READER, FRONT LEFT		
19	FL2-4604-000		1	GLASS, COPYBOARD	A/B SIZE	
19	FL2-4868-000		1	GLASS, COPYBOARD	A/INCH SIZE	
19	FL2-4867-000		1	GLASS, COPYBOARD	A SIZE	
19	FL2-4869-000		1	GLASS, COPYBOARD	A/B/INCH SIZE	
20	FL2-4601-000		1	MOUNT, JUMP		
21	FL2-4602-000		1	COVER, FRONT		
22	FM2-5845-000		1	LEFT UPPER PANEL UNIT		
23	FU5-8845-000		1	PLATE, WIDTH SIZE	A/B SIZE	
23	FU5-8847-000		1	PLATE, WIDTH SIZE	A/INCH SIZE	
23	FU5-8849-000		1	PLATE, WIDTH SIZE	A SIZE	
23	FU5-8851-000		1	PLATE, WIDTH SIZE	A/B/INCH SIZE	
24	FU5-8846-000		1	PLATE, LENGTH SIZE	A/B SIZE	
24	FU5-8848-000		1	PLATE, LENGTH SIZE	A/INCH SIZE	
24	FU5-8850-000		1	PLATE, LENGTH SIZE	A SIZE	
24	FU5-8852-000		1	PLATE, LENGTH SIZE	A/B/INCH SIZE	
501	XB3-6400-805		AR	SCREW,RS,M4X8		
502	XB4-5400-806		AR	SCREW,P,M4X8		
	FC7-9879-000		4	SPONGE ,SHEET, WHITE C		
	FC7-3163-000		4	SPONGE, SHEET, WHITE A		
	FL2-4596-010		1	SHEET, WHITE		
	FC7-9879-000		4	SPONGE ,SHEET, WHITE C		
	FC7-3163-000		4	SPONGE, SHEET, WHITE A		
	FL2-4596-010		1	SHEET, WHITE		
	FC7-9879-000		4	SPONGE ,SHEET, WHITE C		
	FC7-3163-000		4	SPONGE, SHEET, WHITE A		
	FL2-4596-010		1	SHEET, WHITE		

FIGURE D11 READER FRAME ASSEMBLY

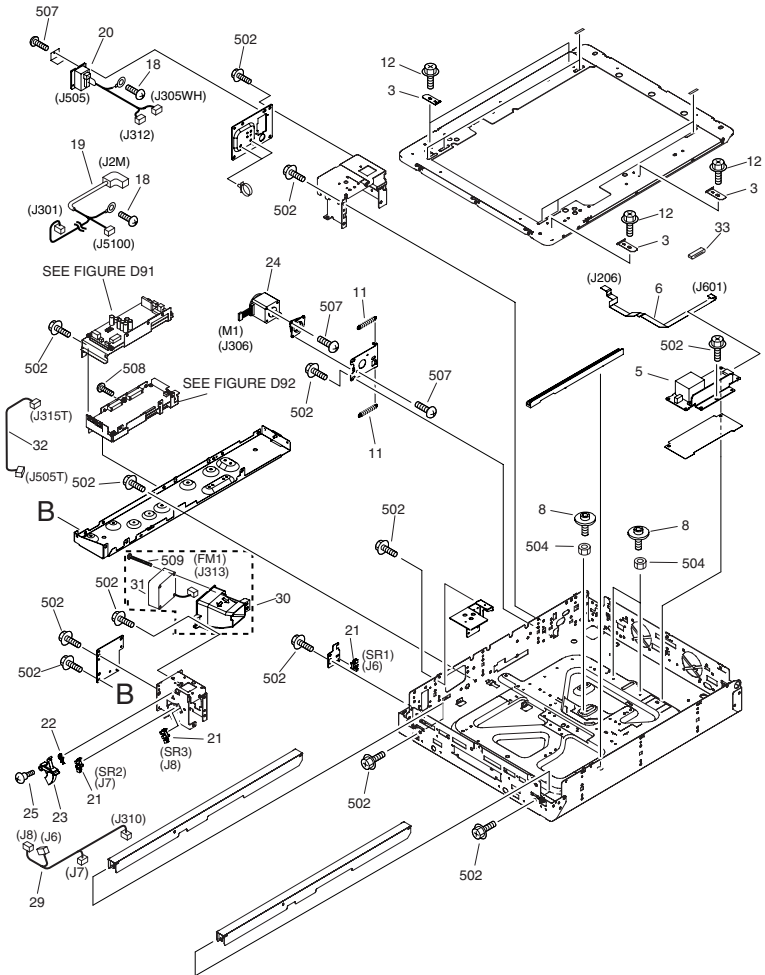


FIGURE & KEY NO.	PARTS NUMBER	RANK	Q'TY	DESCRIPTION	SERIAL NUMBER/REMARKS	SVC
Fig.D11	NPN		RF	READER FRAME ASSEMBLY		
1	FC7-1312-000		2	PULLEY		
2	FB5-3087-000		2	PULLEY		
3	FL2-4856-000		4	PLATE, GLASS SUPPORT		
4	FC7-1322-000		1	WIRE, SCANNER, FRONT		
5	FK2-0225-000		1	INVERTER PCB ASSEMBLY		
6	FK2-0234-000		1	CABLE, FLAT		
7	FC7-1323-000		1	WIRE, SCANNER, REAR		
8	FS5-9772-020		3	SCREW, HEIGHT ADJUSTING		
9	FL2-7976-000		1	CABLE, FLEXIBLE FLAT		
10	FU6-2771-000		1	SPRING, TENSION		
11	FU6-2772-000		2	SPRING, TENSION		
12	XA9-1521-000		9	SCREW, RS, M3X6		
13	XA9-1415-000		2	SCREW, FLAT HEAD, M4		
14	XF2-4610-840		1	BELT, TIMING		
15	XG9-0508-000		2	BEARING, BALL, F688ZZ		
16	FL2-4863-000		1	SHAFT, DRIVE		
17	FL2-0615-000		1	PIN, POSITIONING		
18	XA9-0265-010		2	SCREW, W/WASHER, TRUSS HEAD		
19	FM3-0476-000		1	CABLE, READER POWER SUPPLY		
20	FM3-0465-000		1	CABLE, ADF LATTICE CONNECTOR		
21	FK2-0149-000		3	PHOTO-INTERRUPTER, TLP1253(C6)	SR1	
22	FC7-1248-000		1	SPRING, TORSION		
23	FC7-1284-000		1	LEVER, SENSOR		
24	FK2-0237-000		1	MOTOR, STEPPING, DC	M1	
25	FS5-9227-020		1	SCREW, STEPPED, M4		
26	FB6-4303-000		1	LABEL, 'WARNING, HIGH VOLTAGE'		
27	FM2-1106-000		1	CABLE, HEATER CONNECTING	EXCEPT 120V	
28	FM2-6804-000		1	CABLE, READER POWER SUPPLY		
29	FM2-1105-000		1	CABLE, SENSOR		
30	FM2-5844-000		1	SCANNER COOLING FAN ASSEMBLY		
31	FK2-0636-000		1	FAN	FM1	

FIGURE & KEY NO.	PARTS NUMBER	RANK	Q'TY	DESCRIPTION	SERIAL NUMBER/REMARKS	SVC
32	FM3-0469-000		1	CABLE, MEMORY POWER		
33	WE8-6076-000		1	CORE, FERRITE		
501	XB1-2400-607		13	SCREW,MACH.,TRUSS HEAD,M4X6		
502	XB3-6400-805		AR	SCREW,RS,M4X8		
503	XB6-2400-508		4	SETSCREW,M4X5		
504	XB7-2100-407		3	NUT,HEX,M4		
505	XD2-1100-642		6	RING,E		
506	XB6-7300-607		2	SCREW,TP,M3X6		
507	XB1-2300-606		6	SCREW,MACH.,TRUSS HEAD,M3X6		
508	XB1-2260-806		2	SCREW,MACH.,TRUSS HEAD,M2.6X8		
509	XB4-7303-507		2	SCREW, TAPPING,M3X35		

FIGURE D30 MIRROR ASSEMBLY 1

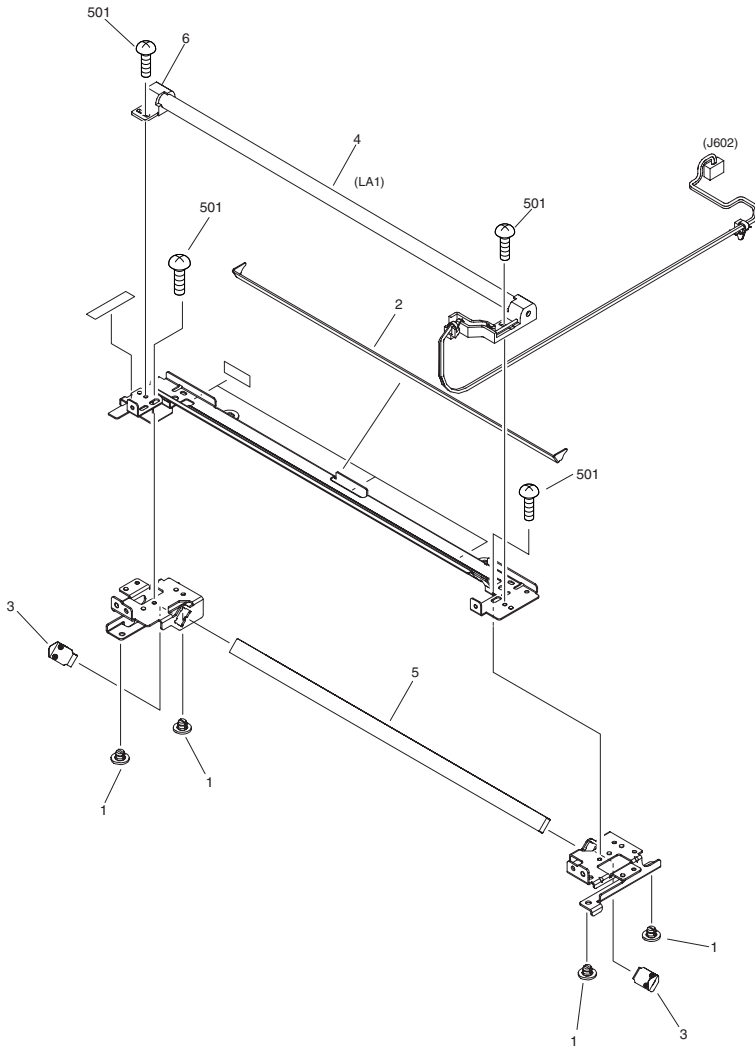


FIGURE & KEY NO.	PARTS NUMBER	RANK	Q'TY	DESCRIPTION	SERIAL NUMBER/REMARKS	SVC
Fig.D30	FM3-2006-000		1	MIRROR ASSEMBLY 1		
1	FC5-0127-000		4	PIN, SLIDER		
2	FC6-4006-000		1	REFLECTOR		
3	FC7-1273-000		2	SPRING, LEAF, MIRROR		
4	FM3-2007-000		1	XENON LAMP UNIT		
5	FL2-0020-000		1	MIRROR, 1		
501	XB2-8300-607		2	SCREW,W/WASHER,M3X6		

FIGURE D31 MIRROR ASSEMBLY 2

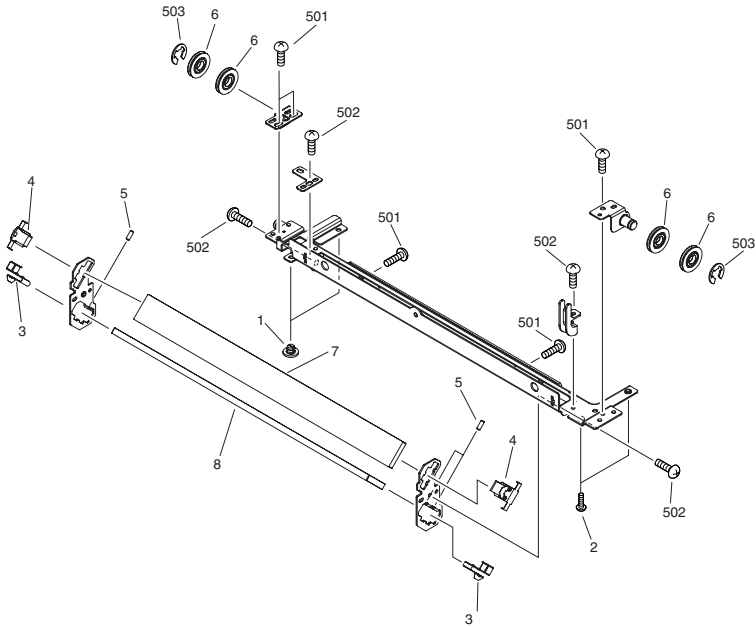


FIGURE & KEY NO.	PARTS NUMBER	R A N K	Q'TY	DESCRIPTION	SERIAL NUMBER/ REMARKS	S V C
Fig.D31	FM2-5838-000		1	MIRROR ASSEMBLY 2		
1	FC5-0127-000		2	PIN, SLIDER		
2	FC5-0136-000		2	PIN, SLIDER		
3	FC5-0165-000		2	SPRING, LEAF, MIRROR		
4	FC7-1276-000		2	SPRING, LEAF, MIRROR		
5	XA9-0425-030		3	SETSCREW, HEX SOCKET		
6	FC7-1271-000		4	PULLEY		
7	FN7-4062-000		1	MIRROR 2		
8	FN7-4063-000		1	MIRROR 3		
501	XB1-2300-406		5	SCREW, MACHINE, TRUSS HEAD		
502	XB2-8300-607		4	SCREW, M3X6		
503	XD2-1100-642		2	RING,E		

FIGURE D90 READER CONTROLLER PCB ASSEMBLY

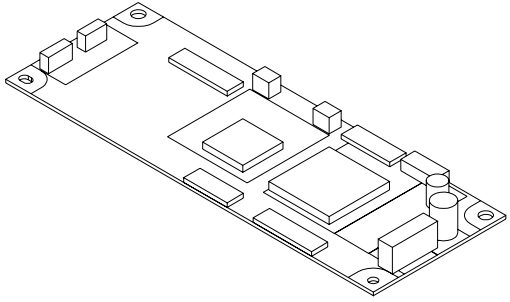


FIGURE & KEY NO.	PARTS NUMBER	RANK	Q'TY	DESCRIPTION	SERIAL NUMBER/REMARKS	SVC
Fig.D90	FM3-0475-000		1	READER CONTROLLER PCB ASSEMBLY		
IC1	FK2-0240-000		1	IC, HD6432323A01F, MCU		
IC2	FK2-0349-000		1	IC,MB87M4430,ASIC		

FIGURE D91 INTERFACE PCB ASSEMBLY

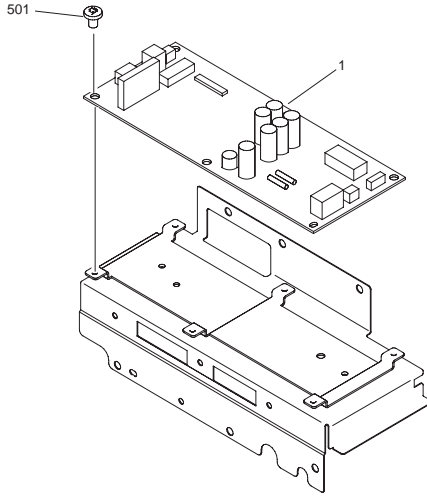


FIGURE & KEY NO.	PARTS NUMBER	RANK	Q'TY	DESCRIPTION	SERIAL NUMBER/REMARKS	SVC
Fig.D91	NPN		RF	INTERFACE PCB ASSEMBLY		
1	FM3-0471-000		1	INTERFACE PCB ASSEMBLY		
501	XB1-2400-607		4	SCREW, CROSS-RECESS, FCH		
IC6	FK2-0248-000		1	IC, SLA7044MCRP, MOTOR DRIVER		

FIGURE D92 MEMORY PCB ASSEMBLY

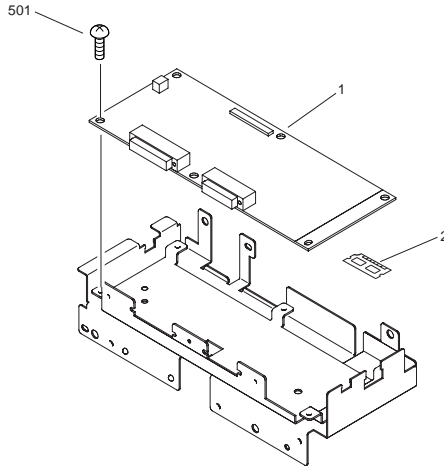


FIGURE & KEY NO.	PARTS NUMBER	RANK	QTY	DESCRIPTION	SERIAL NUMBER/REMARKS	SVC
Fig.D92	NPN		RF	MEMORY PCB ASSEMBLY		
1	FM3-0474-000		1	MEMORY PCB ASSEMBLY		
2	WA7-4751-000		1	DIMM,VNR133-D256MDJ,SO-DIMM		
501	XB1-2260-806		4	SCREW, MACH. TRUSS HEAD M2.6X8		
IC1	FK2-2505-000		1	IC, UPD800806F1-011-MN3-A		

Plain Pedestal-E1/E2

Plain Pedestal-E1

100V	F32-2703-000	TRE
120V	F32-2713-000	TRF
230V	F32-2723-000	TRG

Plain Pedestal-E2

100V	F32-2704-000	MFH
120V	F32-2714-000	MFJ
230V	F32-2724-000	MFK

Contents

A	ASSEMBLY LOCATION DIAGRAM	2-1
H10	EXTERNAL COVERS, PANELS, ETC.	2-2
H11	INTERNAL COMPONENTS(Plain Pedestal-E1).....	2-3
H11A	INTERNAL COMPONENTS(Plain Pedestal-E2).....	2-6
H90	PEDESTAL CONTROLLER PCB ASS'Y	2-10

NUMERICAL INDEX

Plain Pedestal-E1/E2

PARTS NUMBER	FIGURE & KEY NO.	PARTS NUMBER	FIGURE & KEY NO.	PARTS NUMBER	FIGURE & KEY NO
FB1-6053-000	H10 - 1	FM2-7082-000	H11 - 1		
FB3-4168-000	H10 - 3	FM2-7082-000	H11A - 1		
FB3-4171-020	H11 - 3	FM2-9869-000	H11A - 26		
FB3-4171-020	H11A - 3	FM3-2072-000	H11A - 10		
FB3-7217-020	H11 - 4	FM3-2075-000	H11A - 18		
FB3-7217-020	H11A - 4	FM3-2076-000	H11A - 19		
FB6-3443-000	H10 - 4	FM3-2083-000	H11A - 5		
FB6-3495-000	H11 - 21	NPN	H10 -		
FB6-3495-000	H11A - 21	NPN	H11 -		
FB6-4030-030	H10 - 5	NPN	H11A -		
FB6-4035-000	H10 - 7	VS1-7507-007	H11 - 25		
FB6-4040-000	H11 - 22	VS1-7507-007	H11A - 25		
FB6-4040-000	H11A - 22	VS1-7507-008	H11 - 2		
FB6-5051-000	H10 - 8	VS1-7507-008	H11A - 2		
FB6-5052-000	H11 - 11	XA9-0633-000	H10 - 10		
FB6-5052-000	H11A - 11	XB1-2300-807	H11 - 502		
FB6-5053-000	H11 - 20	XB1-2300-807	H11A - 502		
FB6-5053-000	H11A - 20	XB1-2400-607	H11 - 503		
FB6-5054-000	H10 - 9	XB1-2400-607	H11A - 503		
FC6-5052-000	H10 - 2	XB3-6400-805	H10 - 502		
FC6-9843-000	H10 - 6	XB3-6400-805	H11 - 501		
FC7-2493-000	H11 - 15	XB3-6400-805	H11A - 501		
FC7-2493-000	H11A - 15	XB4-5400-807	H10 - 501		
FE9-0290-000	H11 - 14	XB6-7300-607	H11 - 504		
FE9-0290-000	H11A - 14	XB6-7300-607	H11A - 504		
FF6-2168-000	H11 - 23	XD1-3100-407	H11 - 505		
FF6-2168-000	H11A - 23	XD1-3100-407	H11A - 505		
FG3-2451-020	H11 - 12	XZ9-0597-000	H11 - 16		
FG3-2451-020	H11A - 12	XZ9-0597-000	H11A - 16		
FH2-6552-000	H11 - 24				
FH2-6552-000	H11A - 24				
FH4-1428-000	H90 - IC5				
FH4-5724-020	H90 - IC9				
FK2-2349-000	H11 - 9				
FK2-2349-000	H11A - 9				
FK2-2350-000	H11 - 9				
FK2-2350-000	H11A - 9				
FM2-6914-000	H90 -				
FM2-6915-000	H11 - 17				
FM2-6915-000	H11A - 17				
FM2-6916-000	H11 - 6				
FM2-6916-000	H11A - 6				
FM2-7068-000	H11 - 8				
FM2-7068-000	H11A - 8				
FM2-7071-000	H11 - 18				
FM2-7073-000	H11 - 19				
FM2-7074-000	H11 - 13				
FM2-7074-000	H11A - 13				
FM2-7076-000	H11 - 7				
FM2-7076-000	H11A - 7				
FM2-7077-000	H11 - 10				
FM2-7081-000	H11 - 5				

FIGURE A ASSEMBLY LOCATION DIAGRAM

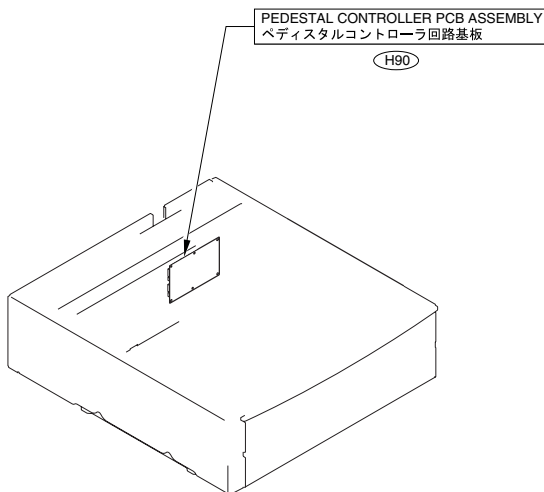


FIGURE H10 EXTERNAL COVERS, PANELS, ETC.

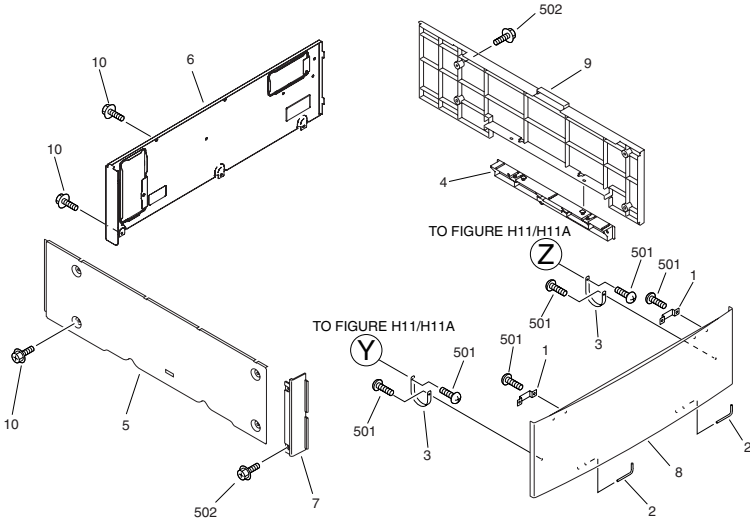


FIGURE & KEY NO.	PARTS NUMBER	RANK	QTY	DESCRIPTION	SERIAL NUMBER/REMARKS	SVC
Fig.H10	NPN		RF	EXTERNAL COVERS, PANELS, ETC.		
1	FB1-6053-000		2	PLATE		
2	FC6-5052-000		2	PIN,HINGE		
3	FB3-4168-000		2	STRAP, DOOR SOPPORT		
4	FB6-3443-000		1	RIGHT PANEL, LOWER		
5	FB6-4030-030		1	PANEL, LEFT		
6	FC6-9843-000		1	COVER, REAR		
7	FB6-4035-000		1	LEFT PANEL, FRONT		
8	FB6-5051-000		1	PANEL, FRONT		
9	FB6-5054-000		1	PANEL, RIGHT		
10	XA9-0633-000		11	SCREW,RS,W/WASHER,M4X8		
501	XB4-5400-807		8	SCREW,P,M4X8		
502	XB3-6400-805		6	SCREW,RS,M4X8		

FIGURE H11 INTERNAL COMPONENTS(Plain Pedestal-E1)

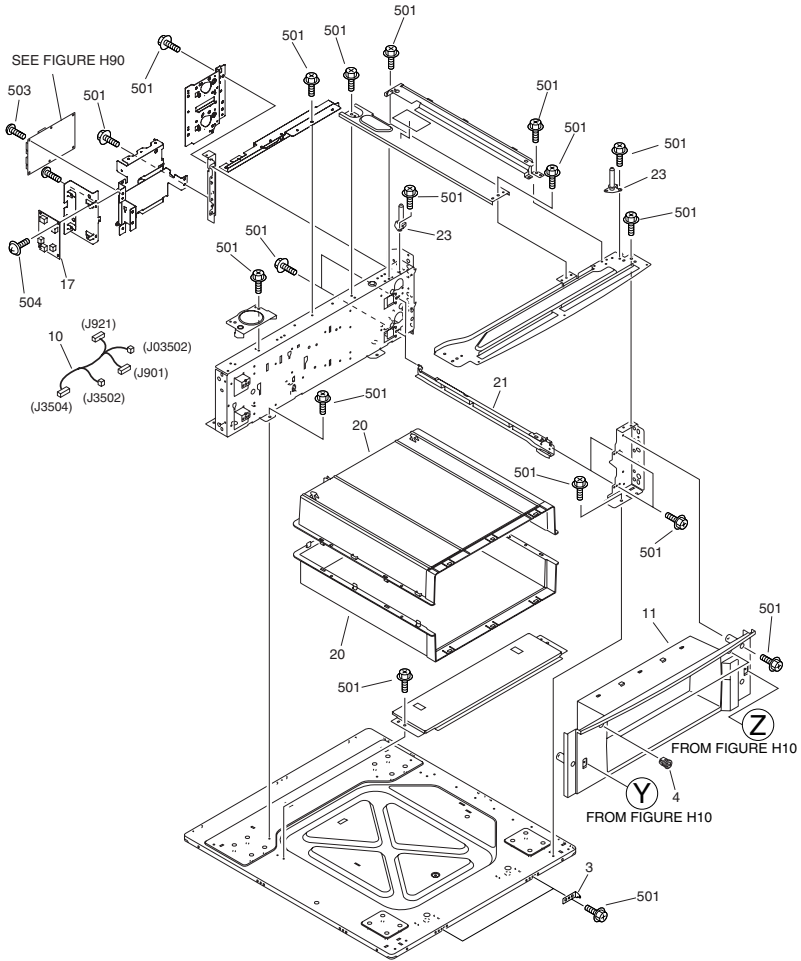


FIGURE & KEY NO.	PARTS NUMBER	R A N K	Q'TY	DESCRIPTION	SERIAL NUMBER/ REMARKS	S V C
Fig.H11	NPN		RF	INTERNAL COMPONENTS	Plain Pedestal-E1	
1	FM2-7082-000		1	CABLE, CASSETTE PEDESTAL AC		
2	VS1-7507-008		1	CONNECTOR, 8P		
3	FB3-4171-020		2	HINGE		
4	FB3-7217-020		2	MAGNET CATCH		
5	FM2-7081-000		1	CABLE, CASSETTE PEDESTAL MAIN		
6	FM2-6916-000		1	PEDESTAL AC DRIVER PCB ASS'Y		
7	FM2-7076-000		1	CABLE, FINISHER		
8	FM2-7068-000		1	CABLE, OUTLET		
9	FK2-2349-000		2	ACC POWER SUPPLY PCB A ASS'Y	100V/120V	
9	FK2-2350-000		2	ACC POWER SUPPLY PCB A ASS'Y	230V	
10	FM2-7077-000		1	CABLE, PEDESTAL		
11	FB6-5052-000		1	COVER, INNER		
12	FG3-2451-020		1	CABLE, FINISHER LATTICE		
13	FM2-7074-000		1	CABLE, INLET		
14	FE9-0290-000		16	SCREW, W/WASHER		
15	FC7-2493-000		2	ADJUSTER		
16	XZ9-0597-000		4	CASTER		
17	FM2-6915-000		1	PD POWER SUPPLY SUB PCB ASS'Y		
18	FM2-7071-000		1	CABLE, SUB PEDESTAL		
19	FM2-7073-000		1	CABLE, LATTICE		
20	FB6-5053-000		2	CASE, PAPER STOCK		
21	FB6-3495-000		1	RAIL, RIGHT		
22	FB6-4040-000		2	PLATE,ADJUSTING		
23	FF6-2168-000		2	PIN, POSITIONING		
24	FH2-6552-000		2	COVER, CONNECTOR		
25	VS1-7507-007		1	CONNECTOR,7P		
501	XB3-6400-805		AR	SCREW,RS,M4X8		
502	XB1-2300-807		4	SCREW,MACH.,TRUSS HEAD,M3X8		
503	XB1-2400-607		20	SCREW,MACH.,TRUSS HEAD,M4X6		
504	XB6-7300-607		18	SCREW, CROSS-RECESS, FCH		
505	XD1-3100-407		5	WASHER,SPRING		

FIGURE H11A INTERNAL COMPONENTS(Plain Pedestal-E2)

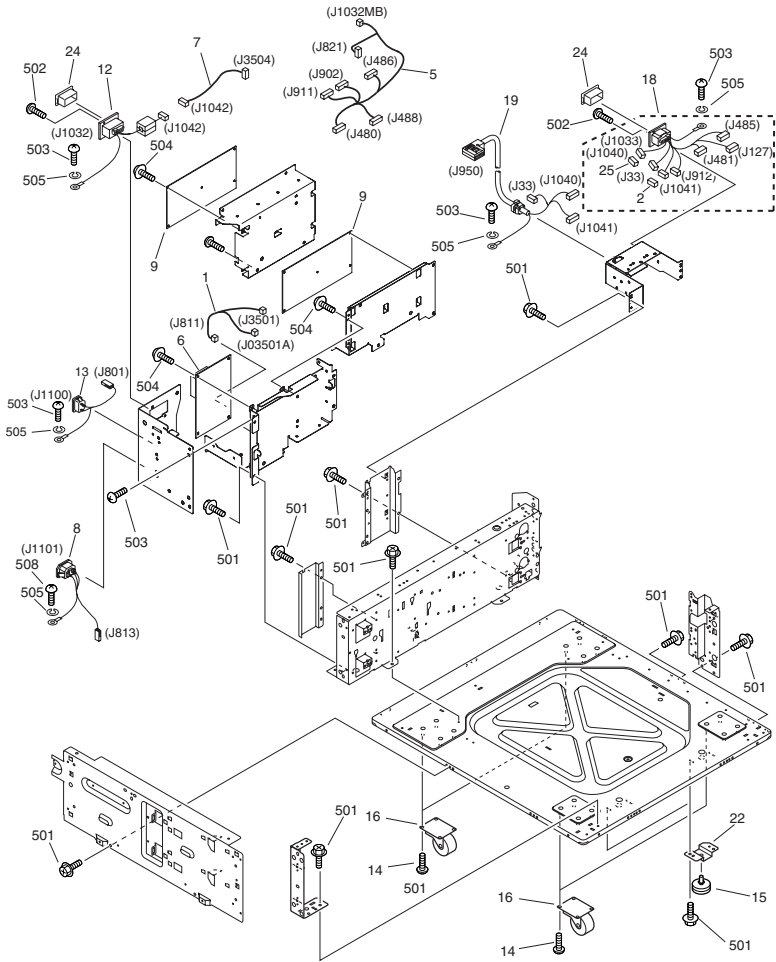


FIGURE H11A INTERNAL COMPONENTS(Plain Pedestal-E2)

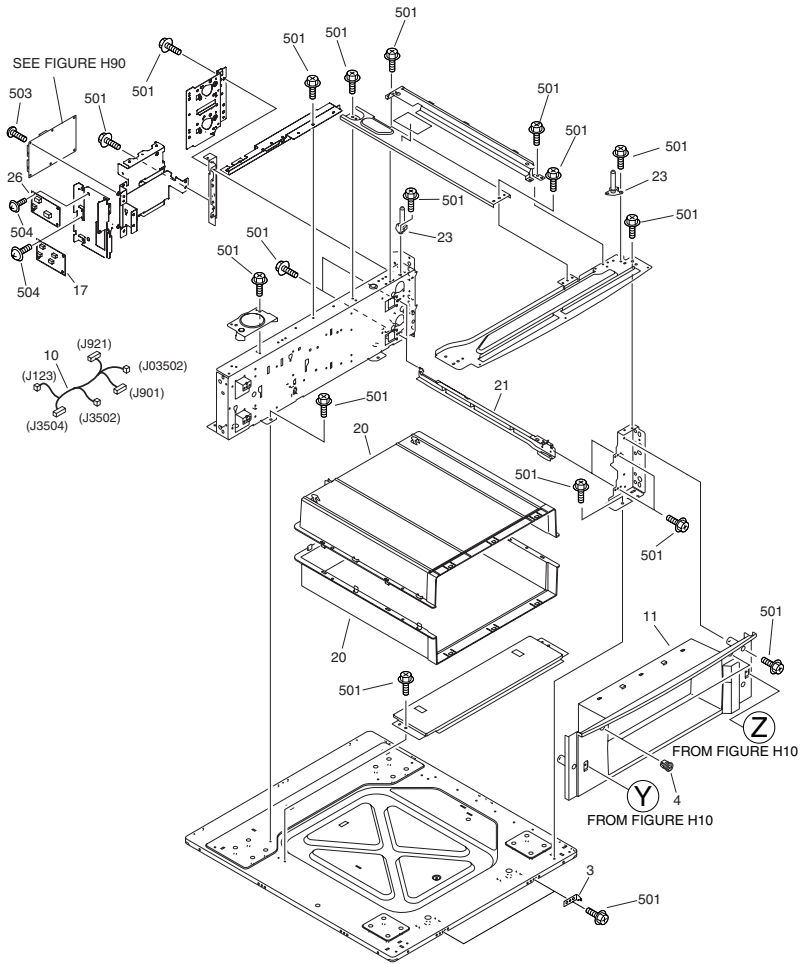


FIGURE & KEY NO.	PARTS NUMBER	RANK	Q'TY	DESCRIPTION	SERIAL NUMBER/REMARKS	SVC
Fig.H11A	NPN		RF	INTERNAL COMPONENTS	Plain Pedestal-E2	
1	FM2-7082-000		1	CABLE, CASSETTE PEDESTAL AC		
2	VS1-7507-008		1	CONNECTOR, 8P		
3	FB3-4171-020		2	HINGE		
4	FB3-7217-020		2	MAGNET CATCH		
5	FM3-2083-000		1	CABLE, CASSETTE PEDESTAL MAIN		
6	FM2-6916-000		1	PEDESTAL AC DRIVER PCB ASS'Y		
7	FM2-7076-000		1	CABLE, FINISHER		
8	FM2-7068-000		1	CABLE, OUTLET		
9	FK2-2349-000		2	ACC POWER SUPPLY PCB A ASS'Y	100V/120V	
9	FK2-2350-000		2	ACC POWER SUPPLY PCB A ASS'Y	230V	
10	FM3-2072-000		1	CABLE, PEDESTAL		
11	FB6-5052-000		1	COVER, INNER		
12	FG3-2451-020		1	CABLE, FINISHER LATTICE		
13	FM2-7074-000		1	CABLE, INLET		
14	FE9-0290-000		16	SCREW, W/WASHER		
15	FC7-2493-000		2	ADJUSTER		
16	XZ9-0597-000		4	CASTER		
17	FM2-6915-000		1	PD POWER SUPPLY SUB PCB ASS'Y		
18	FM3-2075-000		1	CABLE, SUB PEDESTAL		
19	FM3-2076-000		1	CABLE, LATTICE		
20	FB6-5053-000		2	CASE, PAPER STOCK		
21	FB6-3495-000		1	RAIL, RIGHT		
22	FB6-4040-000		2	PLATE,ADJUSTING		
23	FF6-2168-000		2	PIN, POSITIONING		
24	FH2-6552-000		2	COVER, CONNECTOR		
25	VS1-7507-007		1	CONNECTOR,7P		
26	FM2-9869-000		1	DC-DC CONVERTER PCB ASSEMBLY		
501	XB3-6400-805		AR	SCREW,RS,M4X8		
502	XB1-2300-807		4	SCREW,MACH.,TRUSS HEAD,M3X8		
503	XB1-2400-607		20	SCREW,MACH.,TRUSS HEAD,M4X6		
504	XB6-7300-607		18	SCREW, CROOSS-RECESS, FCH		

FIGURE & KEY NO.	PARTS NUMBER	R A N K	Q'TY	DESCRIPTION	SERIAL NUMBER/ REMARKS	S V C
505	XD1-3100-407		5	WASHER, SPRING		

FIGURE H90 PEDESTAL CONTROLLER PCB ASS'Y

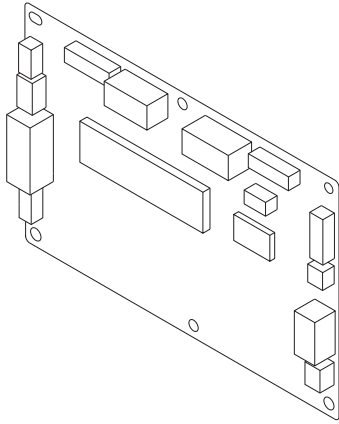


FIGURE & KEY NO.	PARTS NUMBER	RANK	Q'TY	DESCRIPTION	SERIAL NUMBER/REMARKS	SVC
Fig.H90	FM2-6914-000		1	PEDESTAL CONTROLLER PCB ASS'Y		
IC5	FH4-1428-000		1	IC, M30800MC-152FP, MCU 16BIT		
IC9	FH4-5724-020		1	IC, TC140G06AN-0051,GATE ARRAY		

Security Expansion Board-E1

Security Expansion Board-E1

F62-0837-000

Contents

YA	ASSEMBLY LOCATION DIAGRAM	2-1
Y10	SECURITY EXPANSION BOARD-E1	2-2

NUMERICAL INDEX

Security Expansion Board-E1

PARTS NUMBER	FIGURE & KEY NO.	PARTS NUMBER	FIGURE & KEY NO.	PARTS NUMBER	FIGURE & KEY NO
FM2-3685-040	Y10 - 1				
NPN	Y10 -				
XB6-7300-609	Y10 - 501				

FIGURE YA ASSEMBLY LOCATION DIAGRAM

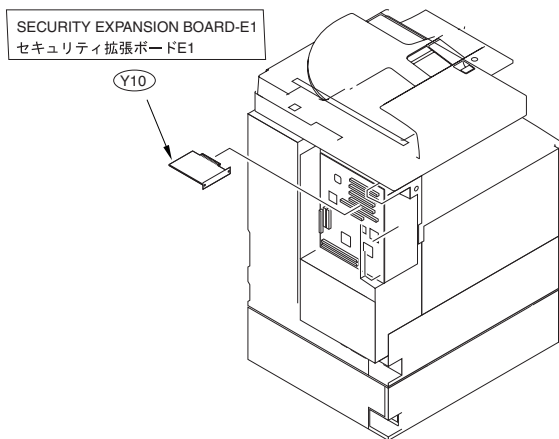


FIGURE Y10 SECURITY EXPANSION BOARD-E1

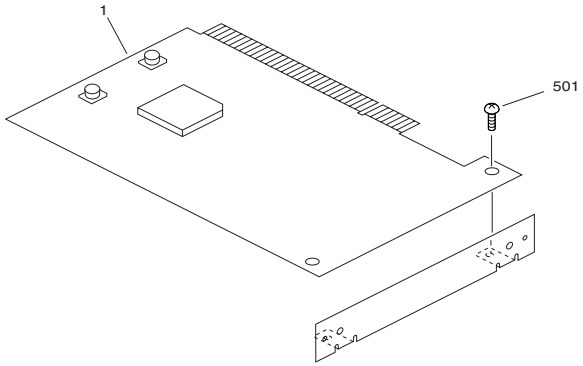


FIGURE & KEY NO.	PARTS NUMBER	RANK	Q'TY	DESCRIPTION	SERIAL NUMBER/REMARKS	SVC
Fig.Y10	NPN		RF	SECURITY EXPANSION BOARD-E1		
1	FM2-3685-040		1	SECURITY PCB ASSEMBLY		
501	XB6-7300-609		2	SCREW, CROSS-RECESS, FCH		

Canon