

**iR 8500 / 8500P
/ 7200 / 7200P**

**PARTS
CATALOG**

REVISION 1

Canon

OCT. 2001

FY8-31F7-010

序

このパーツカタログは、iR8500/8500P/7200/7200Pに対するサービス部品調達の手引として発行します。

サービス部品の要求は、キヤノン販売営業所をお願いします。

製品に大きな変更がある場合は、改訂版のパーツカタログを発行しますが、その他の場合は随時新しい情報をお届けします。

このパーツカタログは当社映像事務機品質保証センターが発行、管理を行っています。

キヤノン株式会社
映像事務機品質保証センター

PREFACE

This Parts Catalog contains listings of parts used in the iR8500/8500P/7200/7200P. Diagrams are provided with the listings to aid the service technician in identifying clearly, the item to be ordered.

Whenever ordering parts, consult this Parts Catalog for all of the information pertaining to each item. Be sure to include, in the Parts Request, the full item description, the item part number and the quantity.

Canon Inc.

Office Imaging Products Quality Assurance Center
5-1, Hakusan 7-chome,
Toride-city, Ibaraki 302-8501, Japan

著作権所有、無断転載、引用を禁ず。

COPYRIGHT © 2001 CANON INC.

Printed in U.S.A.

Imprimé au U.S.A.

本マニュアルについては、機密保持等その取扱には十分注意して下さい。
万一取扱を誤りますと法律で処罰されることがあります。
Use of this manual should be strictly supervised to avoid disclosure of confidential information.

CONTENTS

		- iR8500/8500P/7200/7200P -
<p>A.</p> <p>ASSEMBLY LOCATION DIAGRAM</p> <p>020. SPECIAL TOOLS</p> <p>100. EXTERNAL COVERS, PANELS, ETC.</p> <p>101. MACHINE FRONT PLATE</p> <p>102. INTERNAL COMPONENTS 1</p> <p>103. INTERNAL COMPONENTS 2</p> <p>104. INTERNAL COMPONENTS 3</p> <p>105. INTERNAL COMPONENTS 4</p> <p>106. MACHINE REAR PLATE 1</p> <p>107. MACHINE REAR PLATE 2</p> <p>108. MACHINE BOTTOM PLATE</p> <p>110. POWER CORD TERMINAL ASSEMBLY (100V)</p> <p>111. POWER CORD TERMINAL ASSEMBLY (208/220/240V)</p> <p>120. DOOR SWITCH MOUNT ASSEMBLY</p> <p>130. CONTROL PANEL ASSEMBLY</p> <p>190. FIXING EXHAUST FAN ASSEMBLY</p> <p>194. SCANNER COOLING FAN ASSEMBLY</p> <p>195. DRUM INTAKE FAN ASSEMBLY</p> <p>210. LENS MOUNT ASSEMBLY (iR8500/8500P TYPE)</p> <p>211. READER ASSEMBLY (iR7200/7200P TYPE)</p> <p>215. SCANNER MOUNT ASSEMBLY</p> <p>230. VERTICAL PATH DRIVE ASSEMBLY</p> <p>231. LIFTER DRIVE ASSEMBLY</p> <p>250. MAIN DRIVE ASSEMBLY</p> <p>251. DRUM DRIVE ASSEMBLY</p> <p>260. PAPER PICK-UP DRIVE ASSEMBLY</p> <p>261. CASSETTE PICK-UP DRIVE ASSEMBLY</p> <p>263. LEFT PICK-UP DRIVE ASSEMBLY</p> <p>264. MULTI FEED DRIVE ASSEMBLY</p> <p>270. DEVELOPING DRIVE ASSEMBLY</p> <p>275. TONER CARTRIDGE DRIVE ASSEMBLY</p> <p>280. WASTE TONER DRIVE ASSEMBLY</p> <p>300. CASSETTE</p> <p>302. 1.5K RIGHT PAPER STOCK ASSEMBLY</p> <p>303. 1.5K LEFT PAPER STOCK ASSEMBLY</p> <p>305. CASSETTE HEATER ASSEMBLY</p> <p>311. CASSETTE PICK-UP ASSEMBLY</p> <p>312. FRONT DECK RIGHT PICK-UP ASSEMBLY</p> <p>313. FRONT DECK LEFT PICK-UP ASSEMBLY</p> <p>315. MULTI FEED ASSEMBLY</p>	<p>316. MULTI FEED TRAY ASSEMBLY</p> <p>320. FIXING/FEEDER FRAME ASSEMBLY</p> <p>325. REGISTRATION/TRANSFER ASSEMBLY</p> <p>330. FEEDER ASSEMBLY</p> <p>350. INTERNAL DELIVERY UPPER ASSEMBLY</p> <p>351. EXTERNAL DELIVERY UPPER ASSEMBLY</p> <p>360. DUPLEXING FEEDER ASSEMBLY</p> <p>420. MIRROR ASSEMBLY 1 (iR8500/8500P TYPE)</p> <p>421. MIRROR ASSEMBLY 1 (iR7200/7200P TYPE)</p> <p>430. MIRROR ASSEMBLY 2 (iR8500/8500P TYPE)</p> <p>431. MIRROR ASSEMBLY 2 (iR7200/7200P TYPE)</p> <p>460. SCANNER ASSEMBLY</p> <p>510. PHOTO-SENSITIVE DRUM ASSEMBLY</p> <p>550. PRIMARY CORONA ASSEMBLY</p> <p>570. PRE-TRANSFER CORONA ASSEMBLY</p> <p>580. TRANSFER/SEPARATE CORONA ASSEMBLY</p> <p>600. AP KIT ASSEMBLY</p> <p>640. DEVELOPING ASSEMBLY</p> <p>645. BUFFER ASSEMBLY</p> <p>720. SEPARATION CLAW DRIVE ASSEMBLY</p> <p>770. WASTE TONER ASSEMBLY</p> <p>775. WASTE TONER PIPE ASSEMBLY</p> <p>810. FIXING ASSEMBLY</p> <p>900. CONTROLLER BOX ASSEMBLY</p> <p>910. DC POWER SUPPLY PCB ASSEMBLY</p> <p>920. CONTROL PANEL CPU PCB ASSEMBLY</p> <p>925. CONTROL PANEL INVERTER PCB ASSEMBLY</p> <p>930. DC CONTROLLER PCB ASSEMBLY</p> <p>935. READER CONTROLLER PCB ASSEMBLY (iR8500/8500P TYPE)</p> <p>936. READER CONTROLLER PCB ASSEMBLY (iR7200/7200P TYPE)</p> <p>940. POTENTIAL MEASURING PCB ASSEMBLY</p> <p>945. INVERTER PCB ASSEMBLY</p> <p>960. AC DRIVER PCB ASSEMBLY</p> <p>970. DOCUMENT DETECT PCB ASSEMBLY (iR8500/8500P TYPE)</p> <p>980. H.V. AC TRANSFORMER PCB ASSEMBLY</p> <p>985. H.V. DC TRANSFORMER PCB ASSEMBLY</p>	<p>B.</p> <p>LIST OF CONNECTORS</p>

CONTENTS

- -

UA. ASSEMBLY LOCATION DIAGRAM

U10. LIPS PRINTER KIT ASSEMBLY

U90. LIPS BOARD PCB ASSEMBLY

- Ethernet Network Interface Adapter
iN-E3 -

GA. ASSEMBLY LOCATION DIAGRAM

G10. NETWORK MULTI PDL PRINTER KIT ASSEMBLY

C. LIST OF STANDARD FASTENERS

D1. NUMERICAL INDEX
(iR8500/8500P/7200/7200P)

D2. NUMERICAL INDEX

D3. NUMERICAL INDEX
**(Ethernet Network Interface Adapter
iN-E3)**

HOW TO USE PART LISTS

Assembly Location Diagrams. These diagrams show the locations of major assemblies of the copier. Their names are identified in rectangular boxes. Below each box is the number of the Figure which shows an exploded view of the assembly.

Finding a Parts Number. Refer to the Assembly Location Diagrams and find the Figure Number of the assembly of interest. Turn to the page(s), locate the part on the exploded view, and find its Key Number. Refer to the Parts List on the page facing the exploded view and find the Key Number, Part Number and quantity required for your type of machine.

Note : While looking for a Part Number, pay particular attention to the voltage listed in the SERIAL NUMBER/REMARKS column to ensure that the Part Number selected is for your type of machine.

Immediate shipping or action regarding the part depends on using its correct Part Number.

Parts List pages. The Parts List pages contain the following columns and information.

(1) Figure and Key Number column. The first column shows the Figure Number of the illustration corresponding to the Parts List, and the Key Number that identifies the part on the illustration.

(2) Part Number. The second column shows the Part Number for the part. This Number must be used when ordering replacement parts. The parts and assemblies identified as "NPN" do not have parts numbers or are not in stock, i.e., they are not available

for ordering.

Note : The last three digits (suffix) of the Parts Number are called the Revision Number.

The Revision Number is changed if the part is modified. Information regarding such changes will be provided by Service Information Bulletins. These Bulletins should be read carefully.

(3) Rank N. Parts marked "N" are service parts, but are not stock items. They are produced on a special-order basis.

(4) Quantity column. The quantity shown in this column is the number of parts used in the Figure. However, the quantity listed for an assembly indicates the number of that assembly per machine.

The letters in this column indicate that the quantity of a part is not specified, allowing the use of the number of parts needed for assembly and that the quantity cannot be mentioned clearly.

R F...listed for reference only.

AR...quantity not specified or cannot be specified; used in quantities as necessary at time of assembly.

(5) Description column. The Description column lists the description that should be used when ordering the part.

(6) Serial Number/Remarks. When there are differences in the specifications of power supply voltage, frequency, etc., the differences are described in words or indicated by one, two or three letters in front of the serial number.

(Example)

Serial number ABC00001
↑ These are the
descriptive indicator.

(2) Figure and Key Number column. The second column lists the Figure and Key Number for each occurrence of the part in the illustrations.

If a modified model and a part are no longer interchangeable, the serial number of copiers for which the part can be used is shown in this column. If there is no indication the part can be used with all models.

Connectors list. Part numbers of connectors used in copiers and designated as Service Parts are listed in numerical order by connector number.

For connectors of which the housing and contacts are a single unit, there are no part numbers for the contact.

Connectors that are mounted on PCBs are indicated as "PCB" in the connector column. The part numbers for these connectors should be looked for in the PCB parts list.

List of Standard Fasteners. This specifications list incorporates screws, nuts, washers and shim washers, retaining rings, pins, and spacers that are used in all copiers (including optional equipment).

Numerical Index. There is a Numerical Index at the end of this catalog; it lists in numerical order every Part Number contained in the Parts Lists. The Numerical Index contains the following columns and information.

(1) Part Number. The first column shows the Part Number.

iR8500/8500P/7200/7200P

LIST OF SERIAL NUMBER

シリアルナンバー一覧表

iR8500

100V 50/60HZ	F14-0311	LQP00001-
208V 60HZ	F14-0331	MPB00001-
230V 50HZ	F14-0391	UNN00001-
230V 50HZ	F14-0351	QNF00001-
230V 50HZ	F14-0371	SNE00001-
230V 50HZ	F14-0381	TNE00001-
230V 50HZ	F14-0321	PNK00001-
230V 50HZ	F14-0341	PNL00001-
230V 50HZ	F14-0361	RNF00001-

iR8500P

100V 50/60HZ	F14-0314	LGU00001-
--------------	----------	-----------

iR7200

100V 50/60HZ	F14-0313	MHV00001-
230V 50HZ	F14-0323	QSV00001-
208V 50HZ	F14-0333	MPV00001-
230V 50HZ	F14-0343	QSX00001-
230V 50HZ	F14-0353	QES00001-
230V 50HZ	F14-0363	RES00001-
230V 50HZ	F14-0373	SDR00001-
230V 50HZ	F14-0383	TED00001-
230V 50HZ	F14-0393	UHV00001-

iR7200P

100V 50/60HZ	F14-0315	MHX00001-
--------------	----------	-----------

CONTENTS

A.	ASSEMBLY LOCATION DIAGRAM	325.	REGISTRATION/TRANSFER ASSEMBLY
		330.	FEEDER ASSEMBLY
020.	SPECIAL TOOLS	350.	INTERNAL DELIVERY UPPER ASSEMBLY
		351.	EXTERNAL DELIVERY UPPER ASSEMBLY
100.	EXTERNAL COVERS, PANELS, ETC.	360.	DUPLEXING FEEDER ASSEMBLY
101.	MACHINE FRONT PLATE		
102.	INTERNAL COMPONENTS 1	420.	MIRROR ASSEMBLY 1 (iR8500/8500P TYPE)
103.	INTERNAL COMPONENTS 2	421.	MIRROR ASSEMBLY 1 (iR7200/7200P TYPE)
104.	INTERNAL COMPONENTS 3	430.	MIRROR ASSEMBLY 2 (iR8500/8500P TYPE)
105.	INTERNAL COMPONENTS 4	431.	MIRROR ASSEMBLY 2 (iR7200/7200P TYPE)
106.	MACHINE REAR PLATE 1	460.	SCANNER ASSEMBLY
107.	MACHINE REAR PLATE 2		
108.	MACHINE BOTTOM PLATE	510.	PHOTO-SENSITIVE DRUM ASSEMBLY
110.	POWER CORD TERMINAL ASSEMBLY (100V)	550.	PRIMARY CORONA ASSEMBLY
		570.	PRE-TRANSFER CORONA ASSEMBLY
111.	POWER CORD TERMINAL ASSEMBLY (208/220/240V)	580.	TRANSFER/SEPARATE CORONA ASSEMBLY
120.	DOOR SWITCH MOUNT ASSEMBLY	600.	AP KIT ASSEMBLY
130.	CONTROL PANEL ASSEMBLY	640.	DEVELOPING ASSEMBLY
190.	FIXING EXHAUST FAN ASSEMBLY	645.	BUFFER ASSEMBLY
194.	SCANNER COOLING FAN ASSEMBLY		
195.	DRUM INTAKE FAN ASSEMBLY	720.	SEPARATION CLAW DRIVE ASSEMBLY
		770.	WASTE TONER ASSEMBLY
210.	LENS MOUNT ASSEMBLY (iR8500/8500P TYPE)	775.	WASTE TONER PIPE ASSEMBLY
211.	READER ASSEMBLY (iR7200/7200P TYPE)		
215.	SCANNER MOUNT ASSEMBLY	810.	FIXING ASSEMBLY
230.	VERTICAL PATH DRIVE ASSEMBLY		
231.	LIFTER DRIVE ASSEMBLY	900.	CONTROLLER BOX ASSEMBLY
250.	MAIN DRIVE ASSEMBLY	910.	DC POWER SUPPLY PCB ASSEMBLY
251.	DRUM DRIVE ASSEMBLY	920.	CONTROL PANEL CPU PCB ASSEMBLY
260.	PAPER PICK-UP DRIVE ASSEMBLY	925.	CONTROL PANEL INVERTER PCB ASSEMBLY
261.	CASSETTE PICK-UP DRIVE ASSEMBLY	930.	DC CONTROLLER PCB ASSEMBLY
263.	LEFT PICK-UP DRIVE ASSEMBLY	935.	READER CONTROLLER PCB ASSEMBLY (iR8500/8500P TYPE)
264.	MULTI FEED DRIVE ASSEMBLY	936.	READER CONTROLLER PCB ASSEMBLY (iR7200/7200P TYPE)
270.	DEVELOPING DRIVE ASSEMBLY		
275.	TONER CARTRIDGE DRIVE ASSEMBLY	940.	POTENTIAL MEASURING PCB ASSEMBLY
280.	WASTE TONER DRIVE ASSEMBLY	945.	INVERTER PCB ASSEMBLY
		960.	AC DRIVER PCB ASSEMBLY
300.	CASSETTE	970.	DOCUMENT DETECT PCB ASSEMBLY (iR8500/8500P TYPE)
302.	1.5K RIGHT PAPER STOCK ASSEMBLY		
303.	1.5K LEFT PAPER STOCK ASSEMBLY	980.	H.V. AC TRANSFORMER PCB ASSEMBLY
305.	CASSETTE HEATER ASSEMBLY	985.	H.V. DC TRANSFORMER PCB ASSEMBLY
311.	CASSETTE PICK-UP ASSEMBLY		
312.	FRONT DECK RIGHT PICK-UP ASSEMBLY	B.	LIST OF CONNECTORS
313.	FRONT DECK LEFT PICK-UP ASSEMBLY		
315.	MULTI FEED ASSEMBLY	D1.	NUMERICAL INDEX
316.	MULTI FEED TRAY ASSEMBLY		
320.	FIXING/FEEDER FRAME ASSEMBLY		

FIGURE A ASSEMBLY LOCATION DIAGRAM(1/6)
 主要部品配置図(1/6)

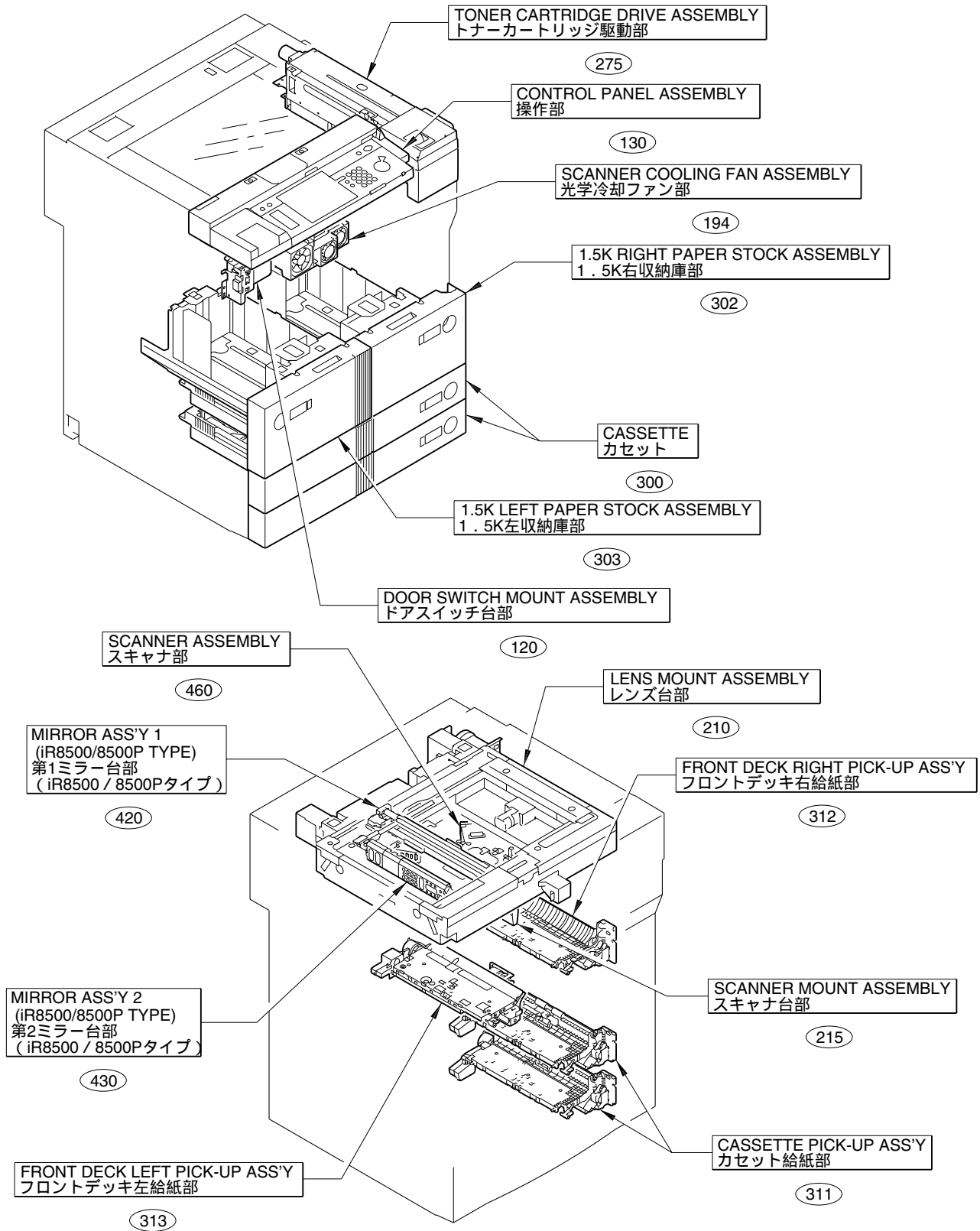


FIGURE A ASSEMBLY LOCATION DIAGRAM(2/6)
 主要部品配置図(2/6)

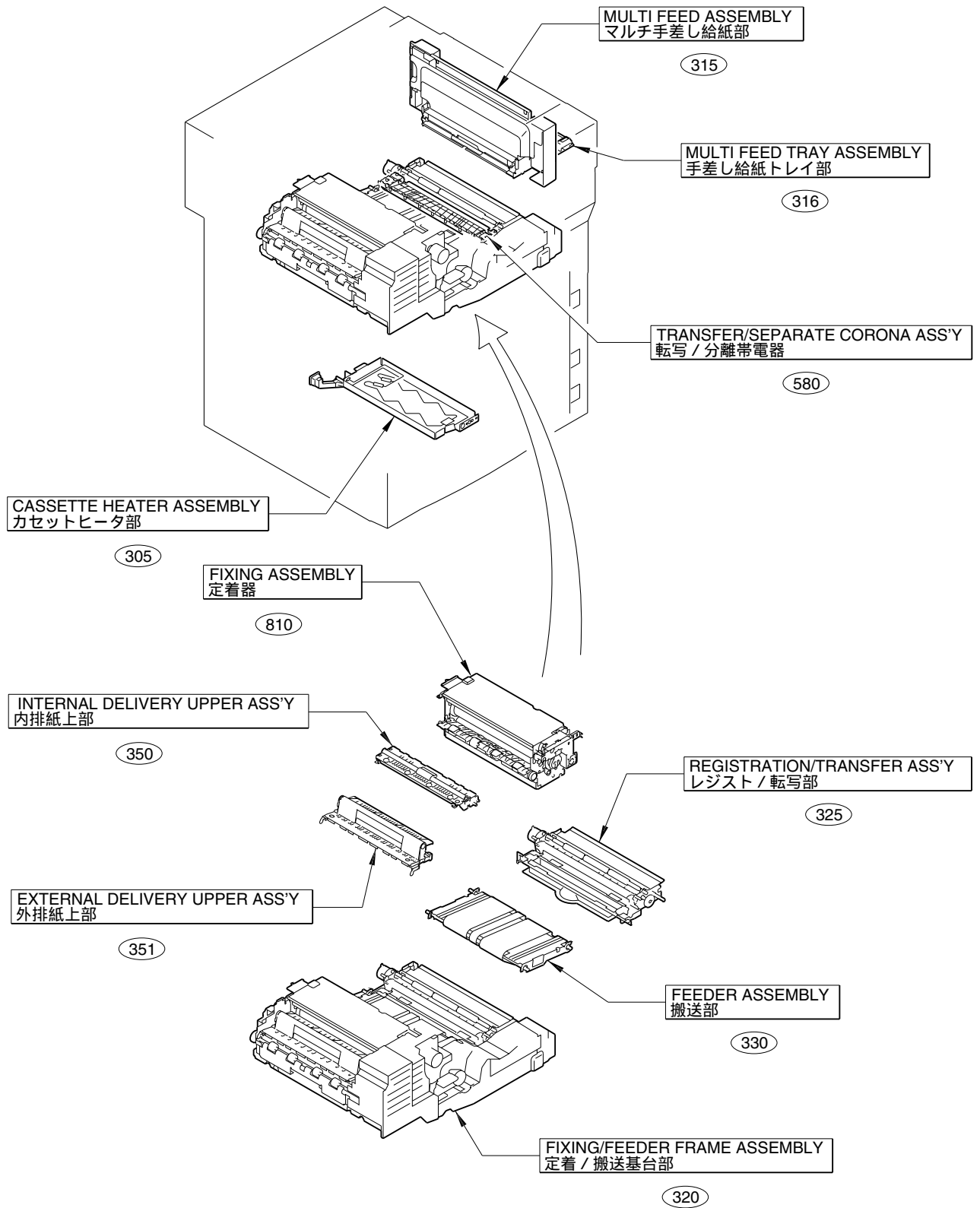


FIGURE A ASSEMBLY LOCATION DIAGRAM(3/6)
 主要部品配置図(3/6)

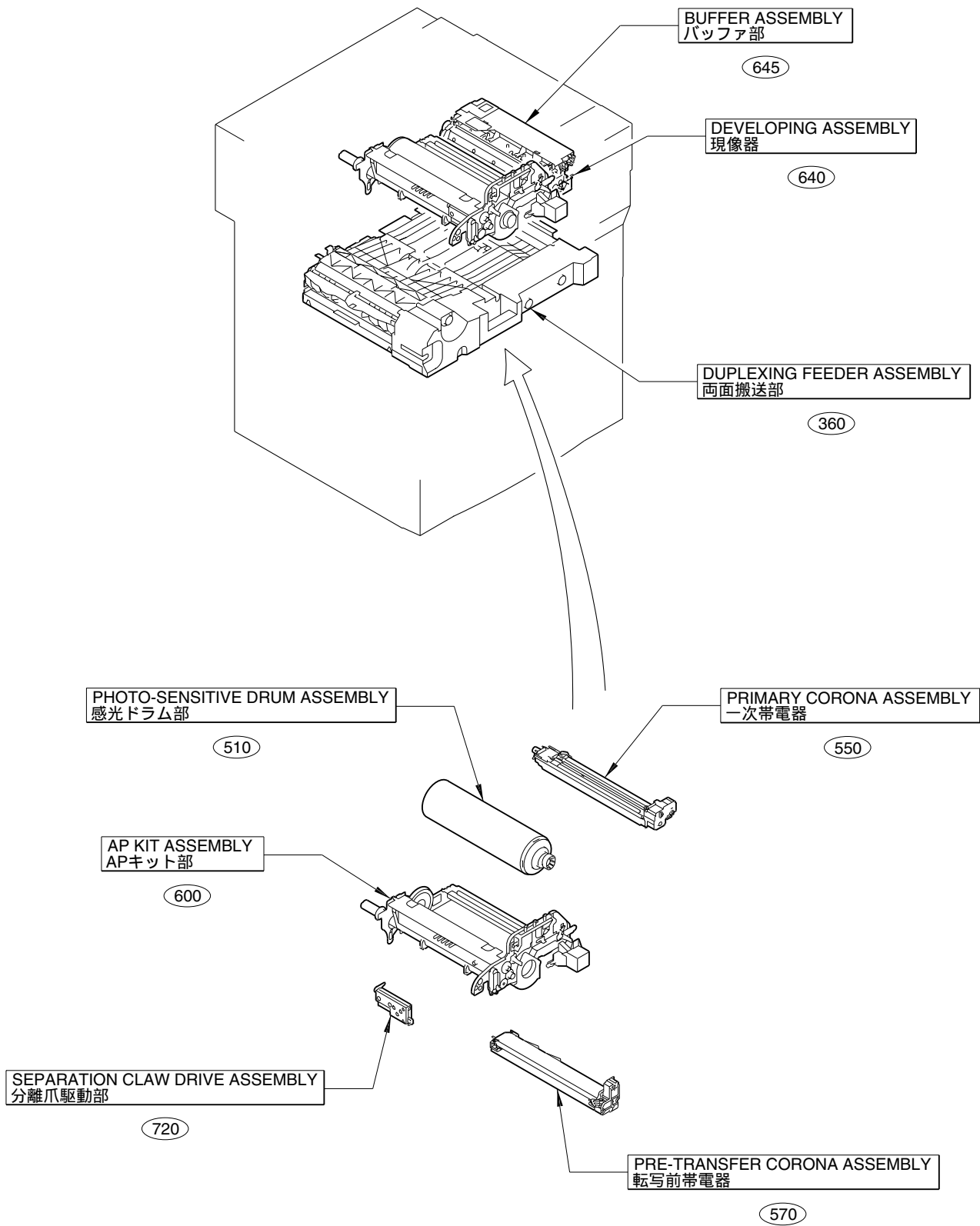


FIGURE A ASSEMBLY LOCATION DIAGRAM(4/6)
主要部品配置図(4/6)

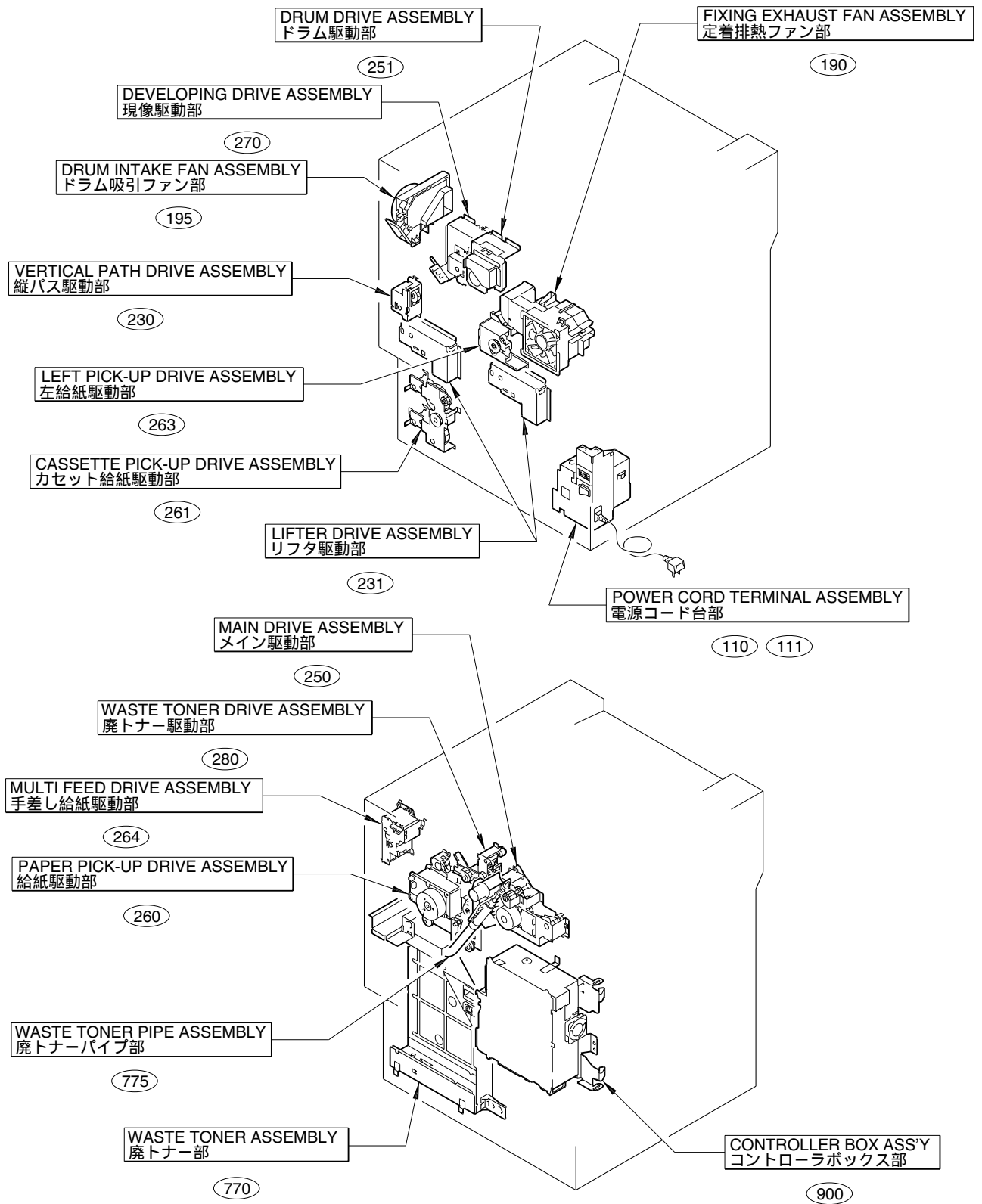


FIGURE A ASSEMBLY LOCATION DIAGRAM(5/6)
 主要部品配置図(5/6)

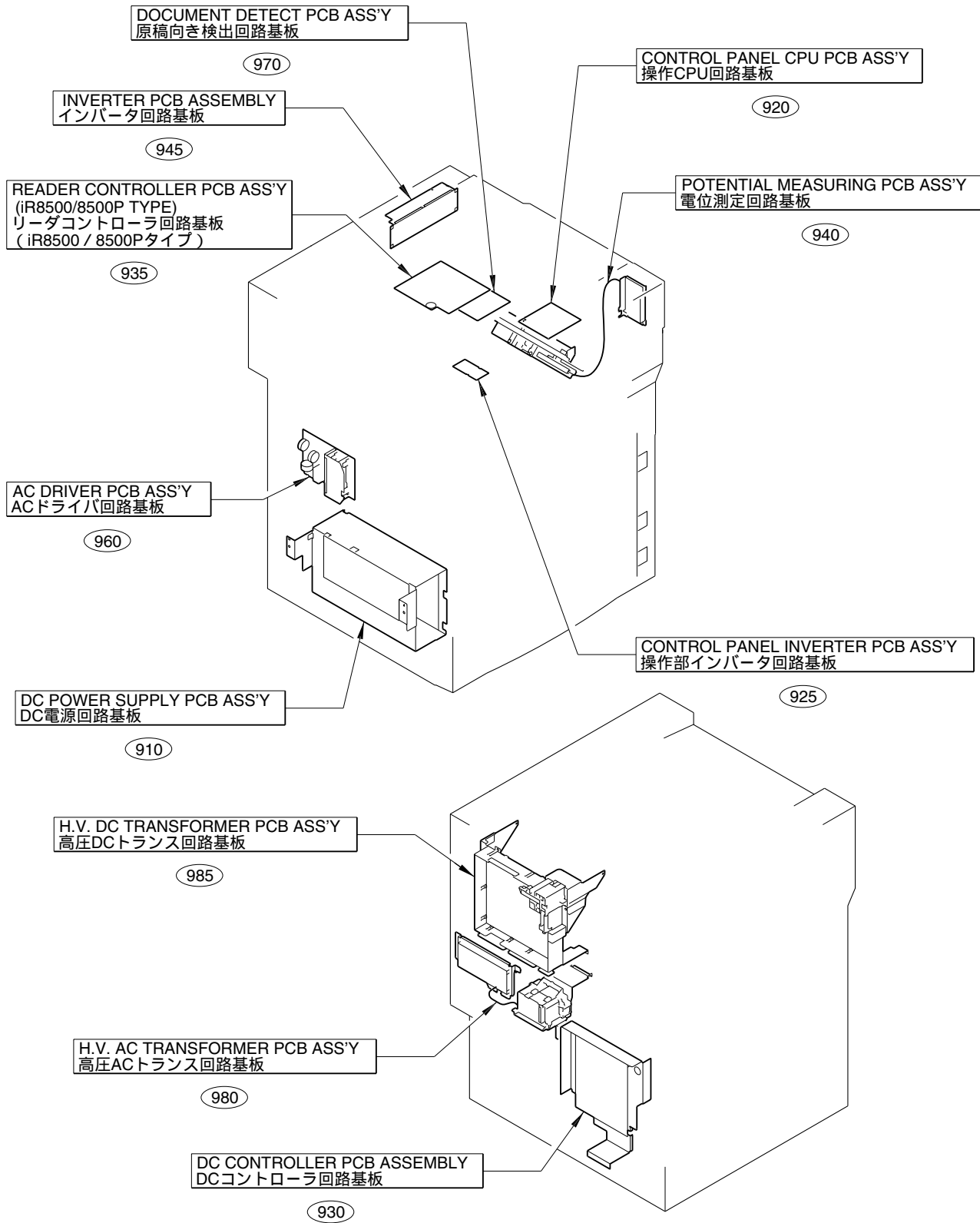


FIGURE A ASSEMBLY LOCATION DIAGRAM(6/6) 主要部品配置図(6/6)

iR7200/7200P TYPE

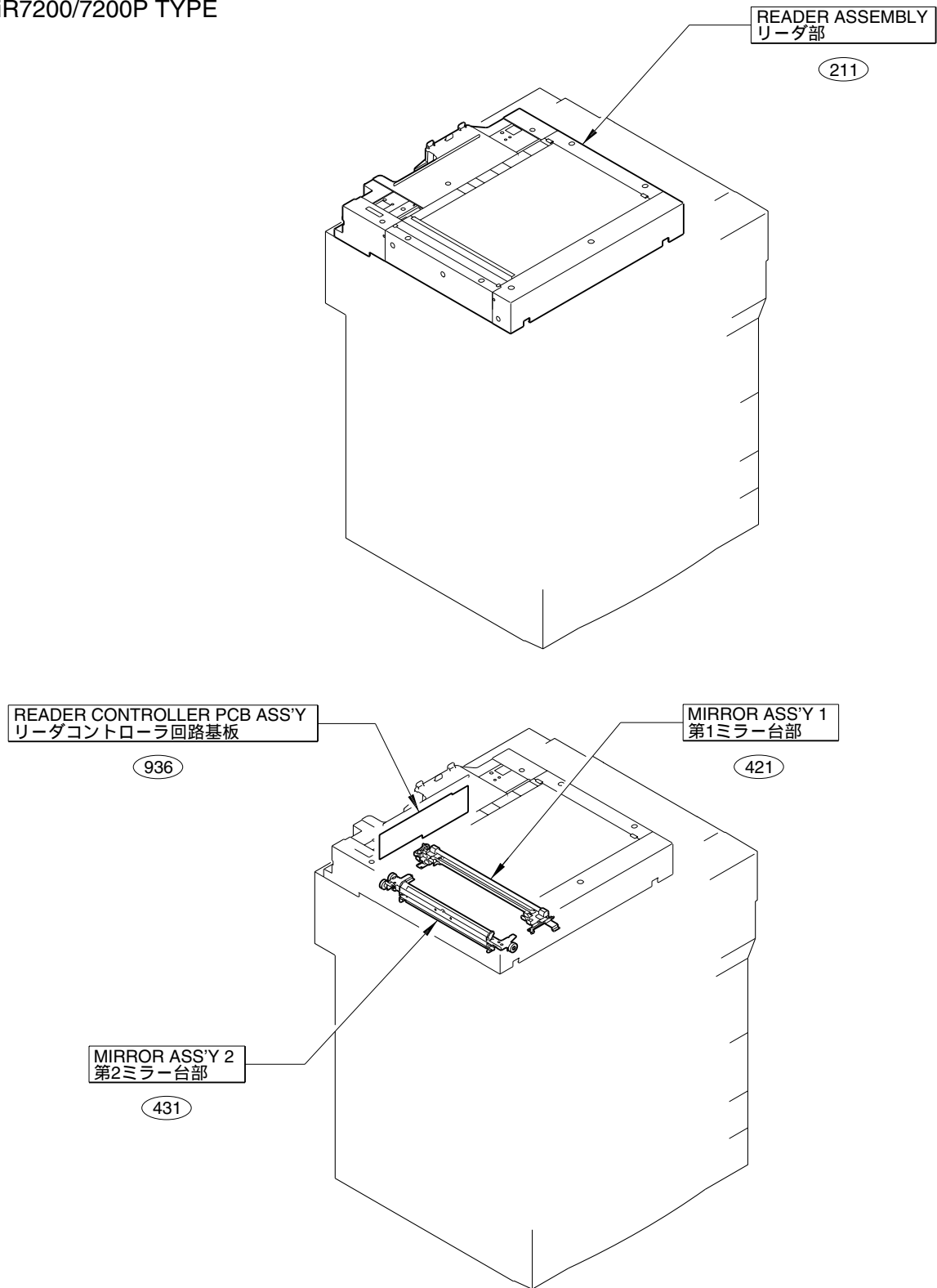


FIGURE 020 SPECIAL TOOLS 特殊工具

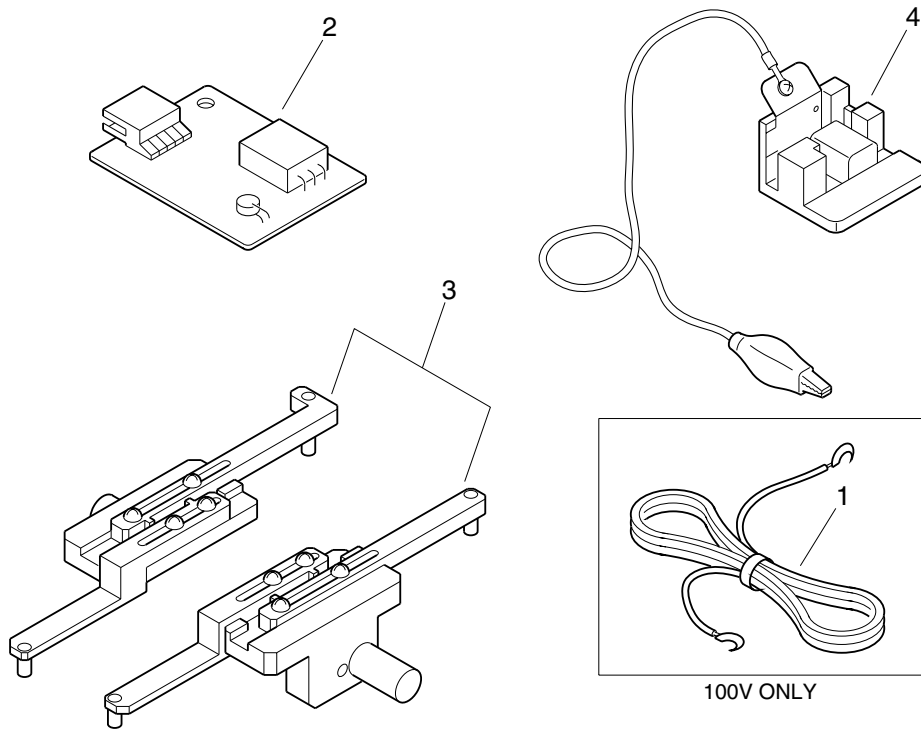


FIGURE & KEY NO.	PART NUMBER	RANK	QTY	DESCRIPTION	SERIAL NUMBER / REMARKS
020 -	NPN		RF	SPECIAL TOOLS 特殊工具	
1	FH2 - 5006 - 000		1	WIRE, GROUNDING アース コード	
2	FY9 - 3014 - 000		1	ENVIRONMENT SENSOR TOOL 環境センサ チェック工具	
3	FY9 - 3040 - 000		1	MIRROR POSITIONING TOOLS ミラー位置決め工具	
4	FY9 - 3041 - 000		1	TERMINAL, POTENTIAL SENSOR 電位センサ チェック電極	

FIGURE & KEY NO.	PART NUMBER	RANK	QTY	DESCRIPTION	SERIAL NUMBER / REMARKS
100 -	NPN		RF	EXTERNAL COVERS, PANELS, ETC. 外装カバー	
1	FA2 - 7162 - 000		1	WASHER, PLAIN バンド ワッシャ	
2	FA6 - 0745 - 000		1	TAPE, DOOR ドア テープ	
3	FB1 - 7157 - 000		1	COVER カバー	
4	FB2 - 0037 - 000		1	PIN, HINGE ヒンジ ピン	
5	FB2 - 7750 - 000		3	GUIDE, VERTICAL PATH SWING 縦パス揺動ガイド	
6	FB2 - 7754 - 030		3	ROLLER コロ	
7	FB2 - 7754 - 030		1	ROLLER コロ	
8	FB2 - 7755 - 000		6	BUSHING ブッシング	
9	FB2 - 7755 - 000		2	BUSHING ブッシング	
10	FB2 - 7864 - 000		1	PLATE, MAGNET マグネット受け板	
11	FB2 - 8021 - 000		3	COVER, CAP, LEFT キャップ カバー (左)	
12	FB2 - 8043 - 000		1	SUPPORT, REAR COVER, UPPER 後カバー支台 (上)	iR8500/8500P TYPE
13	FB2 - 8102 - 000		3	COVER, HANDLE, 1 把手カバー (1)	
14	FB2 - 8226 - 000		1	SUPPORT, GLASS, RIGHT 右ガラス押え	iR8500/8500P TYPE
15	FB4 - 1359 - 000		1	COVER, REAR UPPER 後上カバー	iR8500/8500P TYPE
16	FB4 - 1391 - 000		1	CASE, OZONE FILTER, DRUM オゾン フィルタ ケース (ドラム)	
17	FB4 - 1392 - 000		1	CASE, OZONE FILTER, FIXING オゾン フィルタ ケース (定着)	
18	FB4 - 1396 - 000		2	HANDLE, REAR COVER 後カバー把手	
19	FB4 - 1423 - 000		1	COVER, RIGHT LOWER 右下カバー	
20	FB4 - 1437 - 000		1	ACTUATOR アクチュエータ	
21	FB4 - 1558 - 000		1	COVER, CONNECTOR コネクタ カバー	
22	FB4 - 1717 - 000		1	COVER, TOOL 工具カバー	
23	FB4 - 1727 - 000		1	COVER, SERVICE BOOK サービス ブック カバー	
24	FB4 - 1735 - 000		1	PLATE, MIRROR MOUNT STOP ミラー台ストップ	iR8500/8500P TYPE
25	FB4 - 1871 - 000		1	PANEL, CARTRIDGE カートリッジ カバー	iR7200/7200P TYPE
26	FB4 - 1876 - 000		1	CAP, BLANKING 目隠しキャップ	iR7200/7200P TYPE
27	FB4 - 1960 - 000		1	RIGHT DOOR, UPPER 右扉 (上)	
28	FB4 - 1962 - 000		1	GUIDE, REGISTRATION, SWING レジスト前揺動ガイド	
29	FB4 - 1964 - 000		1	GUIDE, VERTICAL PATH SWING 縦パス揺動ガイド	

FIGURE & KEY NO.	PART NUMBER	RANK	QTY	DESCRIPTION	SERIAL NUMBER / REMARKS
100 - 30	FB4 - 1965 - 000		1	HANDLE, RIGHT DOOR 右扉把手	
31	FB4 - 1965 - 000		1	HANDLE, RIGHT DOOR 右扉把手	
32	FB4 - 1967 - 000		1	PLATE, BLANKING 目隠し板	
33	FB4 - 1969 - 000		1	FLAG, RIGHT DOOR SENSOR 右扉センサ フラグ	
34	FB4 - 1969 - 000		1	FLAG, RIGHT DOOR SENSOR 右扉センサ フラグ	
35	FB4 - 1970 - 000		1	RIGHT DOOR, LOWER 右扉(下)	
36	FB4 - 5297 - 000		1	COVER, RIGHT REAR 右後カバー	
37	FB4 - 5298 - 000		1	COVER, WASTE TONER 廃トナー カバー	
38	FB4 - 5311 - 000		1	KNOB, DRUM ドラム ツマミ	
39	FB4 - 7478 - 000		1	COVER, LATCH, RIGHT ラッチ板カバー(右)	
40	FB4 - 7882 - 000		1	COVER, LATCH BLANKING ラッチ目隠しカバー	
41	FB4 - 7883 - 000		1	COVER, HANDLE 把手カバー	
42	FB5 - 1837 - 000		1	FILTER, AIR エア フィルタ	
43	FB5 - 2512 - 000		2	SHEET, VERTICAL PATH 縦パス シート	
44	FB5 - 6878 - 000		1	EMBLEM エンブレム	iR8500 TYPE 100/220/240V
	FB5 - 6879 - 000		1	EMBLEM エンブレム	iR8500 TYPE 208V
	FB6 - 4254 - 000		1	EMBLEM エンブレム	iR8500P TYPE
	FB6 - 2888 - 000		1	EMBLEM エンブレム	iR7200 TYPE 100/220/240V
	FB6 - 2889 - 000		1	EMBLEM エンブレム	iR7200 TYPE 208V
	FB6 - 4255 - 000		1	EMBLEM エンブレム	iR7200P TYPE
45	FB5 - 6916 - 000		2	COVER, BLANKING 目隠し板	
46	FB5 - 6988 - 000		1	COVER, RIGHT LOWER, INSIDE 右下内カバー	
47	FB5 - 6989 - 000		1	COVER, LEFT LOWER, INSIDE 左下内カバー	
48	FB5 - 6991 - 000		1	COVER, RIGHT UPPER 右上カバー	
49	FB5 - 6992 - 000		1	COVER, LEFT UPPER 左上カバー	
50	FB5 - 7000 - 000		1	COVER, REAR 後カバー	
51	FB5 - 7001 - 000		1	COVER, LEFT UPPER, SMALL 左上カバー(小)	iR8500/8500P TYPE
52	FB6 - 0776 - 000		1	FILTER, OZONE, DRUM オゾン フィルタ(ドラム)	
53	FB6 - 0777 - 000		1	FILTER, OZONE, FIXING オゾン フィルタ(定着)	
54	FF5 - 5593 - 030		1	PLATE, POCKET, RIGHT ポケット板(右)	iR8500/8500P TYPE

FIGURE & KEY NO.	PART NUMBER	RANK	QTY	DESCRIPTION	SERIAL NUMBER / REMARKS
100 - 55	FF5 - 5594 - 030		1	PLATE, POCKET, LEFT 2 ポケット板金 (左2)	iR8500/8500P TYPE
56	FF5 - 7942 - 000		1	DUCT, DRUM, 3 ドラム ダクト (3)	
57	FF5 - 7943 - 000		1	DUCT, FIXING, 3 定着ダクト (3)	
58	FF6 - 1037 - 000		1	PANEL, FRONT 前カバー	
58 A	FB5 - 6996 - 000		1	PLATE, FRONT COVER 前カバー プレート	
59	FF6 - 1038 - 000		1	DUCT, FRONT COVER 前カバー ダクト	
60	FF6 - 1067 - 000		1	PANEL, SYSTEM CONNECTOR システム コネクタ カバー	
61	FF6 - 1068 - 000		1	COVER, REAR UPPER 後上カバー	iR8500/8500P TYPE
	FB5 - 7545 - 000		1	COVER, REAR, 2 後カバー (2)	iR7200/7200P TYPE
62	FF6 - 1996 - 000		1	GLASS, COPYBOARD 原稿台ガラス	iR8500/8500P TYPE AB SIZE
	FF6 - 1998 - 000		1	GLASS, COPYBOARD 原稿台ガラス	iR8500/8500P TYPE A/INCH SIZE
	FF6 - 1997 - 000		1	GLASS, COPYBOARD 原稿台ガラス	iR8500/8500P TYPE A SIZE
	FF6 - 1999 - 000		1	GLASS, COPYBOARD 原稿台ガラス	iR8500/8500P TYPE AB/INCH SIZE
62 A	FS7 - 8317 - 000		1	PLATE, LENGTH INDEX 横サイズ プレート	iR8500/8500P TYPE AB SIZE
	FS7 - 8319 - 000		1	PLATE, LENGTH INDEX 横サイズ プレート	iR8500/8500P TYPE A/INCH SIZE
	FS7 - 8318 - 000		1	PLATE, LENGTH INDEX 横サイズ プレート	iR8500/8500P TYPE A SIZE
	FS7 - 8320 - 000		1	PLATE, LENGTH INDEX 横サイズ プレート	iR8500/8500P TYPE AB/INCH SIZE
62 B	FB3 - 9907 - 000		1	PLATE, GROUNDING アース板	iR8500/8500P TYPE
63	FF6 - 2000 - 000		1	SUPPORT, GLASS, LEFT ガラス押え (左)	iR8500/8500P TYPE AB SIZE
	FF6 - 2002 - 000		1	SUPPORT, GLASS, LEFT ガラス押え (左)	iR8500/8500P TYPE A/INCH SIZE
	FF6 - 2001 - 000		1	SUPPORT, GLASS, LEFT ガラス押え (左)	iR8500/8500P TYPE A SIZE
	FF6 - 2003 - 000		1	SUPPORT, GLASS, LEFT ガラス押え (左)	iR8500/8500P TYPE AB/INCH SIZE
63 A	FS7 - 8321 - 000		1	PLATE, SIZE INDEX 縦サイズ プレート	iR8500/8500P TYPE AB SIZE
	FS7 - 8323 - 000		1	PLATE, SIZE INDEX 縦サイズ プレート	iR8500/8500P TYPE A/INCH SIZE
	FS7 - 8322 - 000		1	PLATE, SIZE INDEX 縦サイズ プレート	iR8500/8500P TYPE A SIZE
	FS7 - 8324 - 000		1	PLATE, SIZE INDEX 縦サイズ プレート	iR8500/8500P TYPE AB/INCH SIZE
64	FF6 - 2004 - 000		1	PANEL, RIGHT UPPER, CENTER 右上カバー (中)	iR7200/7200P TYPE
65	FF9 - 1901 - 000		1	LEFT PANEL, LOWER 左カバー (下)	
66	FS5 - 2921 - 000		6	SPRING, COMPRESSION アッシュク パネ	
67	FS5 - 2921 - 000		2	SPRING, COMPRESSION アッシュク パネ	

FIGURE & KEY NO.	PART NUMBER	R A N K	Q' T Y	DESCRIPTION	SERIAL NUMBER / REMARKS
100 - 68	FS5 - 2922 - 000		6	SPRING, COMPRESSION アッシュク バネ	
69	FS5 - 2922 - 000		4	SPRING, COMPRESSION アッシュク バネ	
70	FS6 - 2826 - 000		1	SPRING, COMPRESSION アッシュク バネ	
71	FS6 - 2826 - 000		1	SPRING, COMPRESSION アッシュク バネ	
72	FS6 - 8823 - 000		1	LABEL, CLEANING INDICATE 清掃指示ラベル	iR8500 100V iR8500P TYPE
73	FS6 - 8992 - 000		1	LABEL, TONER トナー ラベル	208V
74	FS8 - 8194 - 000		3	LABEL, "WARNING CONNECTOR" コネクタ注意ラベル	208V
75	XA9 - 0605 - 000		21	SCREW, M4X8 タイト ネジ	
76	XA9 - 0605 - 000		15	SCREW, M4X8 タイト ネジ	
77	XA9 - 0605 - 000		7	SCREW, M4X8 タイト ネジ	
78	XA9 - 0605 - 000		1	SCREW, M4X8 タイト ネジ	iR7200/7200P TYPE
79	XA9 - 0615 - 000		8	SCREW, M4X8 タイト ネジ	
80	XA9 - 0629 - 000		13	SCREW, RS, M4X8 RS タイト ネジ	
81	XA9 - 0629 - 000		1	SCREW, RS, M4X8 RS タイト ネジ	
82	XA9 - 0629 - 000		1	SCREW, RS, M4X8 RS タイト ネジ	
83	XA9 - 0643 - 000		AR	SCREW, RS, M4X10 RS タイト ネジ	
84	XA9 - 0721 - 000		2	SCREW, RS, M4X10 RS タイト ネジ	
501	XB1 - 2400 - 606		1	SCREW, MACH., TRUSS HEAD, M4X6 バインド ネジ	
502	XB3 - 6400 - 800		2	SCREW, RS, M4X8 RS タイト ネジ	iR7200/7200P TYPE
503	XD2 - 2300 - 402		2	RING, TOOTHED LOCK ハツキ トメワ	iR8500/8500P TYPE

FIGURE & KEY NO.	PART NUMBER	RANK	QTY	DESCRIPTION	SERIAL NUMBER / REMARKS
101 -	NPN		RF	MACHINE FRONT PLATE 本体前側板	
1	FB2 - 7559 - 000		1	MOUNT, SWITCH スイッチ台	
2	FB2 - 7560 - 000		1	COVER, SWITCH スイッチ カバ-	
3	FB2 - 8345 - 000		1	PLATE, GROUNDING ア-ス板	
4	FB4 - 1385 - 020		1	COVER, INTERNAL, PRIMARY 内カバー (一次)	
5	FB4 - 1386 - 000		1	COVER, INTERNAL, RIGHT LOWER 内カバー (右下)	
6	FB4 - 1430 - 000		1	HOLDER, DOOR SENSOR ドア センサ ホルダ	
7	FB4 - 5257 - 000		1	PLATE, TAPE テープ板	
8	FB5 - 0532 - 000		1	GUIDE, POTENTIAL CONTROL CABLE 電位制御束線ガイド	
9	FF5 - 7658 - 000		1	PLATE, POSITIONING, FIXING 定着位置決め板	
10	FF5 - 7661 - 020		1	COVER, INTERNAL, UPPER 内カバー (上)	
11	FF5 - 7662 - 000		1	COVER, FILTER フィルタ カバー	
11 A	FB4 - 1409 - 000		1	FILTER, AIR エア フィルタ	
12	FF5 - 7663 - 000		2	COVER, FILTER フィルタ カバー	
12 A	FB4 - 1408 - 000		1	FILTER, AIR エア フィルタ	
13	FF5 - 7664 - 000		1	COVER, FILTER フィルタ カバー	
13 A	FB4 - 1407 - 000		1	FILTER, AIR エア フィルタ	
14	FF5 - 7882 - 020		1	COVER, INTERNAL, PRE-TRANSFER 内カバー (転写前)	
15	FF5 - 8139 - 000		3	PLATE, POSITIONING, FRONT 給紙位置決め板 (前)	
16	FF5 - 8152 - 000		1	PLATE, LOCK, RIGHT 右ロック板	
17	FF5 - 9547 - 000		1	COVER, FILTER フィルタ カバー	
17 A	FB5 - 2594 - 000		1	FILTER, AIR エア フィルタ	
18	FF6 - 1336 - 000		1	COVER, INTERNAL, AP KIT 内カバー (APキット)	
19	FG6 - 1892 - 000		2	CABLE, RIGHT DOOR OPEN/CLOSE 右扉開閉束線	J146,147 J291,292
19 A	VS1 - 5057 - 004		2	CONNECTOR, SNAP TIGHT チュウケイ コネクタ	J146,291
20	FG6 - 1901 - 000		1	CABLE, MACHINE FRONT LOWER 本体前下束線	J290,291,293,294 J301,302,303,342
20 A	VS1 - 5057 - 002		2	CONNECTOR, SNAP TIGHT チュウケイ コネクタ	J293,301
20 B	VS1 - 5057 - 003		3	CONNECTOR, SNAP TIGHT チュウケイ コネクタ	J294,303,342
20 C	WT2 - 5565 - 000		4	CLAMP, CABLE ソクセン オサエ	
21	FG6 - 2023 - 000		1	BEAM DETECT SENSOR PCB ASS'Y ビーム デテクタ センサ回路基板	

FIGURE & KEY NO.	PART NUMBER	RANK	QTY	DESCRIPTION	SERIAL NUMBER / REMARKS
101 - 21 A	FB4 - 3118 - 000		2	SHEET, LIGHT BLOCKING 遮光シート	
22	FG6 - 2328 - 000		1	CABLE, MULTI DOOR INTERLOCK マルチ扉インターロック束線	J46,47
23	FG6 - 2330 - 000		1	CABLE, MULTI DOOR, CONNECTING マルチ扉中継束線	J101,102
23 A	VS1 - 5057 - 003		1	CONNECTOR, SNAP TIGHT チュウケイ コネクタ	J101
24	FH6 - 1441 - 000		2	MOTOR, DC 7.2W DCモータ	M16,17 J293,301
25	FH7 - 7342 - 000		1	SENSOR UNIT, HUMIDITY 湿度センサ	J302
26	FH7 - 7462 - 000		2	PHOTO-INTERRUPTER フォトインタラプタ	PS58,48 J147,292
27	FH7 - 7462 - 000		1	PHOTO-INTERRUPTER フォトインタラプタ	PS56 J102
28	FS5 - 2958 - 000		1	SPRING, TENSION ヒツパリ バネ	
29	FS5 - 9166 - 000		1	SCREW, STEPPED, M4 ダン ビス	
30	FS5 - 9216 - 000		1	SCREW, RS STEPPED, M4 RS タイト 段ビス	
31	FS6 - 8821 - 000		1	LABEL, "WARNING LASER" レーザ注意ラベル	100/208V
	FS6 - 8822 - 000		1	LABEL, "WARNING LASER" レーザ注意ラベル	220/240V
32	VS1 - 6319 - 022		1	CONNECTOR, SNAP TIGHT チュウケイ コネクタ	
33	WC4 - 5153 - 000		1	MICRO SWITCH マイクロ スイッチ	MSW5 J47
34	XA9 - 0630 - 000		20	SCREW, RS, M4X10 RS タイト ネジ	
35	XA9 - 0643 - 000		AR	SCREW, RS, M4X10 RS タイト ネジ	
501	XB1 - 2230 - 809		2	SCREW, MACH., TRUSS HEAD, M2.3X8 バインド ネジ	
502	XB1 - 2400 - 606		1	SCREW, MACH., TRUSS HEAD, M4X6 バインド ネジ	
503	XB1 - 2400 - 806		4	SCREW, MACH., TRUSS HEAD, M4X8 バインド ネジ	
504	XB4 - 7300 - 609		1	SCREW, TAPPING, TRUSS HEAD, M3X6 バインド タッピン ネジ	
505	XD1 - 1104 - 135		1	SHIM ヒョウジュン ワッシャ	

FIGURE 102 INTERNAL COMPONENTS 1

本体機械内部 (1)

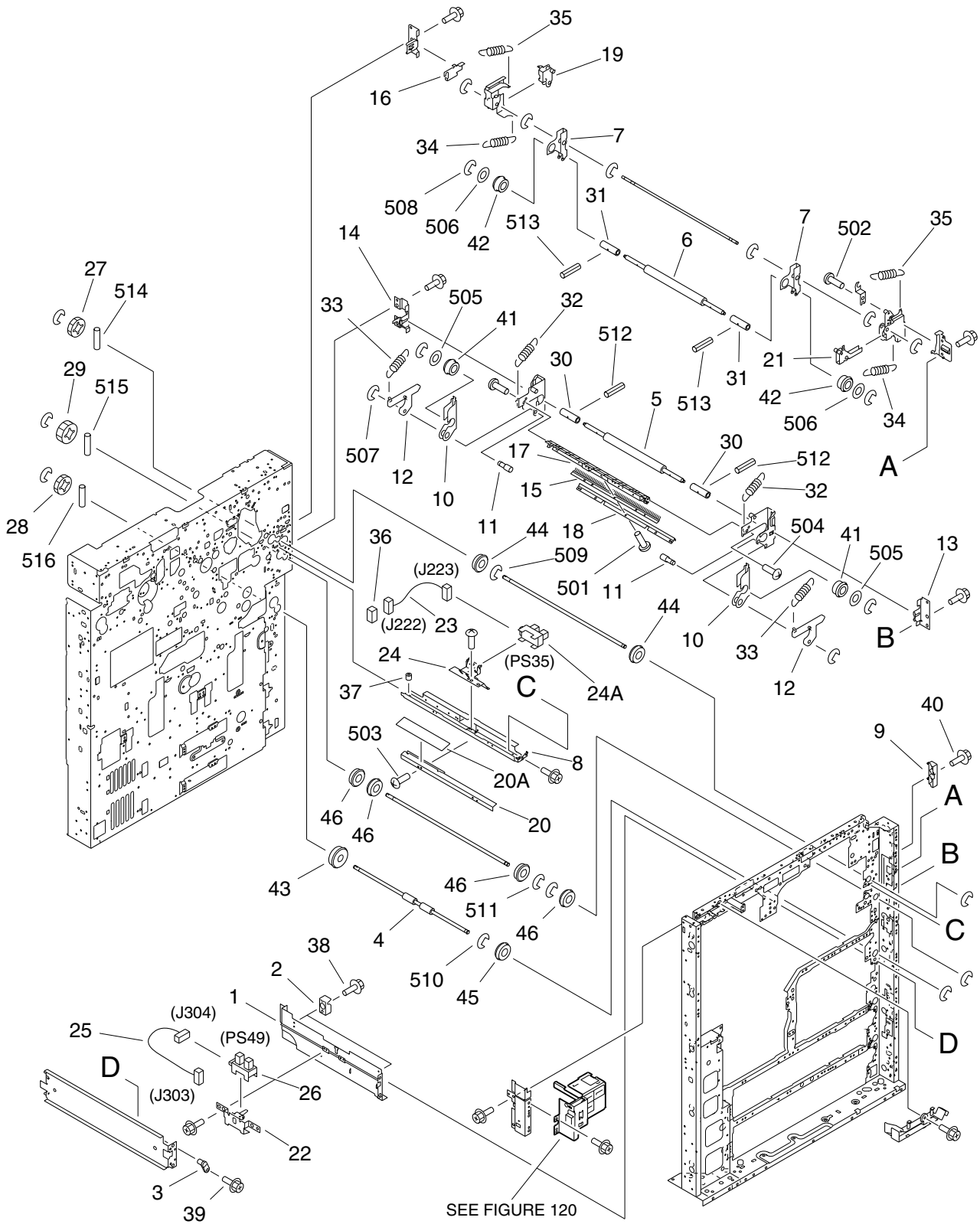


FIGURE & KEY NO.	PART NUMBER	RANK	QTY	DESCRIPTION	SERIAL NUMBER / REMARKS
102 -	NPN		RF	INTERNAL COMPONENTS 1 本体機械内部 (1)	
1	FB2 - 8002 - 030		1	GUIDE, VERTICAL PATH, MIDDLE 中縦パス ガイド	
2	FB2 - 8003 - 000		2	GUIDE, SWING 揺動ガイド	
3	FB2 - 8010 - 000		1	PLATE, PIN フロート ピン	
4	FB4 - 1350 - 000		1	ROLLER, VERTICAL PATH 縦パス ローラ	
5	FB4 - 3731 - 000		1	ROLLER, FOAM RUBBER スポンジ ローラ	
6	FB4 - 3731 - 000		1	ROLLER, FOAM RUBBER スポンジ ローラ	
7	FB4 - 3732 - 000		2	ARM, PRESSURE 加圧アーム	
8	FB4 - 3741 - 020		1	GUIDE, CURL カール付けガイド	
9	FB4 - 3773 - 000		1	HOOK, MULTI DOOR マルチ扉フック	
10	FB4 - 3814 - 000		2	ARM, PRESSURE 加圧アーム	
11	FB4 - 3816 - 000		2	SHAFT, PRESSURE 加圧軸	
12	FB4 - 3817 - 000		2	ARM, PRESSURE RELEASE 圧解除アーム	
13	FB4 - 3822 - 000		1	PLATE, HOLDER, FRONT 固定板 (前)	
14	FB4 - 3823 - 000		1	PLATE, HOLDER, REAR 固定板 (後)	
15	FB4 - 5093 - 020		1	PLATE, HORIZON. PATH GROUNDING 横パス アース板	
16	FB4 - 7839 - 000		1	PLATE, SHAFT STOP 軸止め板	
17	FB5 - 8722 - 000		1	GUIDE, VERTICAL PATH, 2 縦パス ガイド (2)	
18	FB5 - 8723 - 000		1	GUIDE, VERTICAL PASS 縦パス ガイド	
19	FF5 - 7667 - 000		1	ARM, RELEASE, REAR 解除アーム (後)	
20	FF5 - 8141 - 000		1	GUIDE, DELIVERY 排紙ガイド	
20 A	FB4 - 3743 - 000		1	SHEET, GUIDE ガイド シート	
21	FF5 - 8147 - 000		1	ARM, RELEASE, FRONT 解除アーム (前)	
22	FF5 - 8194 - 000		1	MOUNT, PAPER SENSOR 紙検知台	
23	FG6 - 1867 - 000		1	CABLE, MULTI CURL INLET SENSOR マルチ カール付け入口センサ束線	J222,223
24	FG6 - 2305 - 000		1	CURL SENSOR UNIT カール付けセンサ ユニット	
24 A	FH7 - 7462 - 000		1	PHOTO-INTERRUPTER フォトインタラプタ	PS35 J223
25	FG6 - 2331 - 000		1	CABLE, PATH SENSOR CONNECTING 縦パス センサ中継束線	J303,304
26	FH7 - 7462 - 000		1	PHOTO-INTERRUPTER フォトインタラプタ	PS49 J304
27	FS2 - 0566 - 000		1	GEAR, 18T 18T ギア	

FIGURE & KEY NO.	PART NUMBER	RANK	QTY	DESCRIPTION	SERIAL NUMBER / REMARKS
102 - 28	FS2 - 0566 - 000		1	GEAR, 18T 18T ギア	
29	FS5 - 0514 - 000		1	GEAR, 20T 20T ギア	
30	FS5 - 6582 - 000		2	COLLAR カラー	
31	FS5 - 6582 - 000		2	COLLAR カラー	
32	FS6 - 2825 - 000		2	SPRING, TENSION ヒツバリ バネ	
33	FS6 - 2828 - 000		2	SPRING, TENSION ヒツバリ バネ	
34	FS6 - 2888 - 000		2	SPRING, TENSION ヒツバリ バネ	
35	FS6 - 2889 - 000		2	SPRING, TENSION ヒツバリ バネ	
36	VS1 - 5057 - 003		1	CONNECTOR, SNAP TIGHT チュウケイ コネクタ	J222
37	WT2 - 0184 - 000		1	BUSHING ブッシング	
38	XA9 - 0628 - 000		4	SCREW,RS,M4X8 RS タイト ネジ	
39	XA9 - 0628 - 000		1	SCREW,RS,M4X8 RS タイト ネジ	
40	XA9 - 0643 - 000	AR		SCREW,RS,M4X10 RS タイト ネジ	
41	XG3 - 6012 - 405		2	BEARING, BALL ボール ベアリング	
42	XG3 - 6012 - 405		2	BEARING, BALL ボール ベアリング	
43	XG9 - 0249 - 000		1	BEARING, BALL ボール ベアリング	
44	XG9 - 0250 - 000		2	BEARING, BALL ボール ベアリング	
45	XG9 - 0250 - 000		1	BEARING, BALL ボール ベアリング	
46	XG9 - 0250 - 000		4	BEARING, BALL ボール ベアリング	
501	XB1 - 2300 - 609		5	SCREW,MACH.,TRUSS HEAD,M3X6 バインド ネジ	
502	XB1 - 2300 - 609		1	SCREW,MACH.,TRUSS HEAD,M3X6 バインド ネジ	
503	XB1 - 2300 - 609		3	SCREW,MACH.,TRUSS HEAD,M3X6 バインド ネジ	
504	XB1 - 2400 - 609		2	SCREW,MACH.,TRUSS HEAD,M4X6 バインド ネジ	
505	XD1 - 1106 - 218		2	SHIM ヒョウジュン ワッシャ	
506	XD1 - 1106 - 223		2	SHIM ヒョウジュン ワッシャ	
507	XD2 - 1100 - 502		4	RING,E E リング	
508	XD2 - 1100 - 502		8	RING,E E リング	
509	XD2 - 1100 - 642		3	RING,E E リング	
510	XD2 - 1100 - 642		3	RING,E E リング	
511	XD2 - 1100 - 642		4	RING,E E リング	

FIGURE & KEY NO.	PART NUMBER	R A N K	Q' T Y	DESCRIPTION	SERIAL NUMBER / REMARKS
102 - 512	XD3 - 1200 - 142		2	PIN,SPRING スプリング ピン	
513	XD3 - 1200 - 142		2	PIN,SPRING スプリング ピン	
514	XD3 - 2200 - 122		1	PIN,DOWEL ヘイコウ ピン	
515	XD3 - 2200 - 122		1	PIN,DOWEL ヘイコウ ピン	
516	XD3 - 2200 - 122		1	PIN,DOWEL ヘイコウ ピン	

FIGURE 103 INTERNAL COMPONENTS 2

本体機械内部 (2)

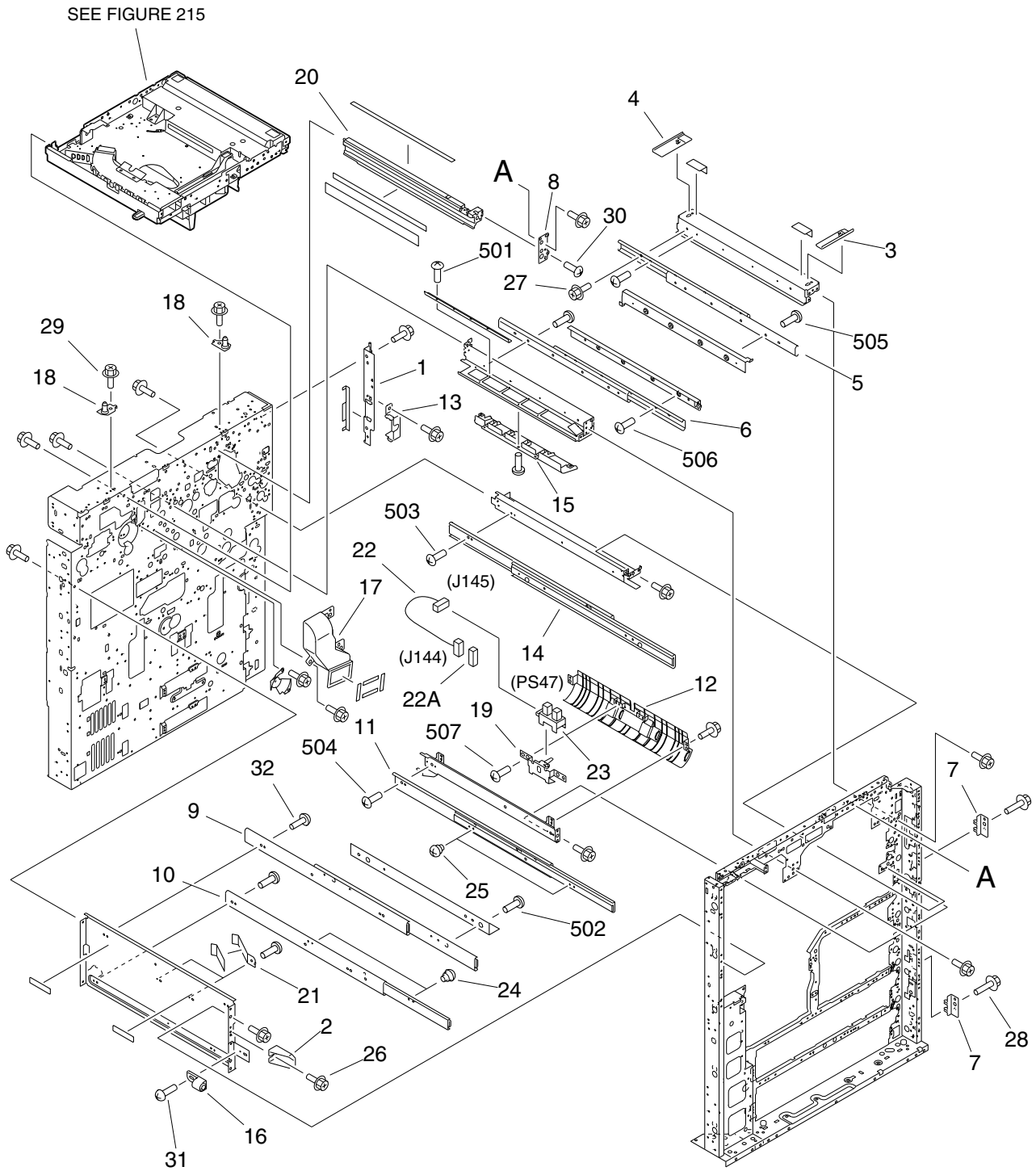


FIGURE & KEY NO.	PART NUMBER	RANK	QTY	DESCRIPTION	SERIAL NUMBER / REMARKS
103 -	NPN		RF	INTERNAL COMPONENTS 2 本体機械内部 (2)	
1	FA9 - 3864 - 000		1	HINGE, MULTI DOOR マルチ扉ヒンジ	
2	FB2 - 8041 - 000		1	BLOCK, CLOSE クロ - ズ ブロック	
3	FB4 - 1410 - 000		1	RAIL, SLIDE, FRONT スライド レール (前)	
4	FB4 - 1411 - 000		1	RAIL, SLIDE, REAR スライド レール (後)	
5	FB4 - 1418 - 000		1	RAIL, SLIDE スライド レール	
6	FB4 - 1418 - 000		1	RAIL, SLIDE スライド レール	
7	FB4 - 1421 - 000		2	MOUNT, LATCH ラッチ台	
8	FB4 - 1957 - 000		1	PLATE, RAIL POSITIONING レール位置決め板	
9	FB4 - 2041 - 000		1	RAIL, SLIDE, FIXING/FEEDER スライド レール (定着 / 搬送)	
10	FB4 - 2042 - 000		1	RAIL, SLIDE, DUPLEXING スライド レール (両面)	
11	FB4 - 2042 - 000		1	RAIL, SLIDE, DUPLEXING スライド レール (両面)	
12	FB4 - 3811 - 000		1	GUIDE, VERTICAL PATH レジ前縦バス ガイド	
13	FB4 - 7833 - 000		1	COVER, CONNECTOR, MULTI コネクタ カバー (マルチ)	
14	FB4 - 7845 - 000		1	RAIL, SLIDE, FIXING/FEEDER スライド レール (定着 / 搬送)	
15	FB5 - 6862 - 000		1	DUCT, AIR BLOW エア吹き付けダクト	
16	FF5 - 2930 - 000		1	MOUNT, MAGNET マグネット台	
17	FF5 - 7654 - 000		1	DUCT, FEEDER JOINT 搬送連結ダクト	
18	FF5 - 7655 - 000		2	PLATE, LENS MOUNT POSITIONING レンズ台位置決め板	
19	FF5 - 8194 - 000		1	MOUNT, PAPER SENSOR 紙検知台	
20	FF5 - 8661 - 000		1	RAIL, PRIMARY, RIGHT 一次レール (右)	
21	FF5 - 8895 - 030		2	SPRING, LEAF イタ パネ	
22	FG6 - 1896 - 000		1	CABLE, PATH SENSOR CONNECTING 縦バス センサ中継束線	J144,145
22 A	VS1 - 5057 - 003		1	CONNECTOR, SNAP TIGHT チュウケイ コネクタ	J144
23	FH7 - 7462 - 000		1	PHOTO-INTERRUPTER フォトインタラプタ	PS47 J145
24	FS2 - 9343 - 000		2	SCREW, STEPPED, M4 段ビス	
25	FS2 - 9343 - 000		2	SCREW, STEPPED, M4 段ビス	
26	XA9 - 0628 - 000		2	SCREW, RS, M4X8 RS タイト ネジ	
27	XA9 - 0628 - 000		2	SCREW, RS, M4X8 RS タイト ネジ	
28	XA9 - 0630 - 000		2	SCREW, RS, M4X10 RS タイト ネジ	

FIGURE & KEY NO.	PART NUMBER	RANK	QTY	DESCRIPTION	SERIAL NUMBER / REMARKS
103 - 29	XA9 - 0643 - 000		AR	SCREW,RS,M4X10 RS タイト ネジ	
30	XA9 - 0915 - 000		1	SCREW,M3X6 タイト ネジ	
31	XA9 - 0924 - 000		1	SCREW,W/WASHER,M3X8 パネツキ バインド ネジ	
32	XA9 - 1331 - 000		3	SCREW,MACH.,TRUSS HEAD,M4X4 バインド ネジ	
501	XB1 - 2300 - 609		5	SCREW,MACH.,TRUSS HEAD,M3X6 バインド ネジ	
502	XB1 - 2400 - 409		6	SCREW,MACH.,TRUSS HEAD,M4X4 バインド ネジ	
503	XB1 - 2400 - 409		3	SCREW,MACH.,TRUSS HEAD,M4X4 バインド ネジ	
504	XB1 - 2400 - 409		3	SCREW,MACH.,TRUSS HEAD,M4X4 バインド ネジ	
505	XB1 - 2400 - 609		8	SCREW,MACH.,TRUSS HEAD,M4X6 バインド ネジ	
506	XB1 - 2400 - 609		8	SCREW,MACH.,TRUSS HEAD,M4X6 バインド ネジ	
507	XB1 - 2400 - 609		2	SCREW,MACH.,TRUSS HEAD,M4X6 バインド ネジ	

FIGURE 104 INTERNAL COMPONENTS 3

本体機械内部 (3)

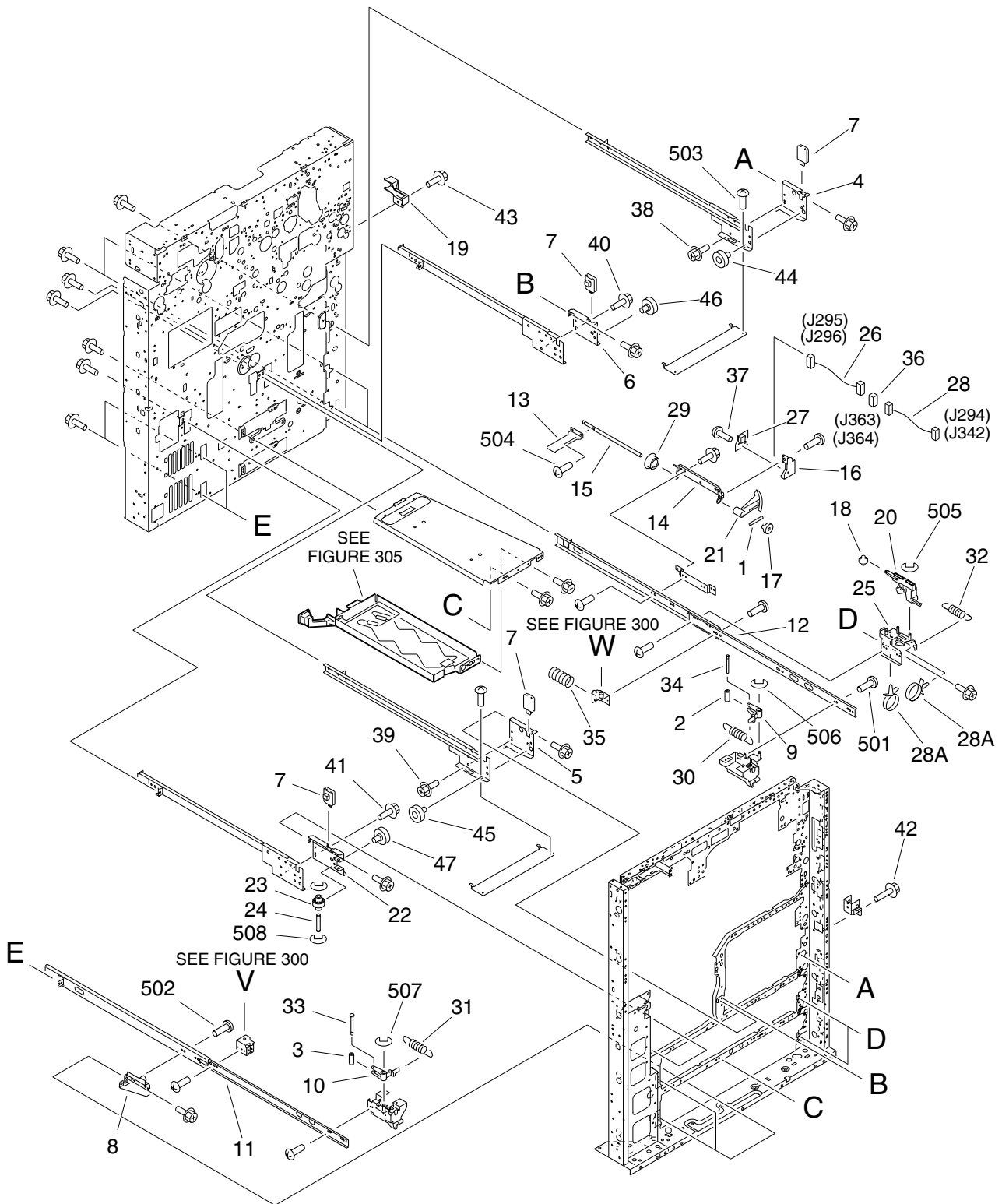


FIGURE & KEY NO.	PART NUMBER	RANK	QTY	DESCRIPTION	SERIAL NUMBER / REMARKS
104 -	NPN		RF	INTERNAL COMPONENTS 3 本体機械内部 (3)	
1	FA5 - 2924 - 000		2	PIN,DOWEL ヘイコウ ピン	
2	FA9 - 1969 - 000		1	ROLLER, TRANSFER テンシヤ コロ	
3	FA9 - 1969 - 000		2	ROLLER, TRANSFER テンシヤ コロ	
4	FB2 - 7887 - 040		1	SUPPORT, RIGHT RAIL 右レール支持板	
5	FB2 - 7887 - 040		1	SUPPORT, RIGHT RAIL 右レール支持板	
6	FB2 - 7888 - 030		1	SUPPORT, LEFT RAIL 左レール支持板	
7	FB2 - 8033 - 020		4	BLOCK, DECK RAIL STOP デッキ レール ストップ	
8	FB3 - 9345 - 000		2	SUPPORT, RAIL, LEFT FRONT レール支板 (左前)	
9	FB3 - 9356 - 000		1	LEVER, CASSETTE, RIGHT カセット レバー (右)	
10	FB4 - 0650 - 000		2	LEVER, CASSETTE, LEFT カセット レバー (左)	
11	FB4 - 1341 - 000		2	RAIL, SLIDE, LEFT スライド レール (左)	
12	FB4 - 1342 - 000		1	RAIL, SLIDE, RIGHT スライド レール (右)	
13	FB4 - 1355 - 000		2	PLATE, LIFTING リフタ板	
14	FB4 - 2019 - 000		2	PLATE, GEAR SUPPORT 扇ギア支板	
15	FB4 - 2020 - 000		2	SHAFT, CASSETTE LIFT カセット リフタ軸	
16	FB4 - 2023 - 000		2	HOLDER, PAPER SENSOR PCB 残量検知基板ホルダ	
17	FB4 - 2024 - 000		2	COUPLING カップリング	
18	FB4 - 5335 - 000		2	ROLLER, CAM カム コロ	
19	FB4 - 7834 - 000		1	COVER, CONNECTOR, CURL コネクタ カバー (カール付け)	
20	FB5 - 3351 - 000		1	BUTTON カセット解除ボタン	
21	FB5 - 8735 - 000		1	GEAR, 16T 16T ギア	
22	FB6 - 2726 - 000		1	SUPPORT, LEFT RAIL 左レール支持板	
23	FB6 - 2727 - 000		1	ROLLER, DECK デッキ コロ	
24	FB6 - 2728 - 000		1	SHAFT, ROLLER コロ軸	
25	FF5 - 9892 - 000		1	SUPPORT, RAIL, RIGHT FRONT レール取付板 (右前)	
26	FG6 - 1906 - 000		2	CABLE, CASSETTE PAPER SENSOR カセット残量検知束線	J295,363 J296,364
27	FG6 - 1941 - 000		2	PAPER SENSOR PCB ASSEMBLY 紙残量検知回路基板	
28	FG6 - 2334 - 000		2	CABLE, CASSETTE PAPER SENSOR カセット残量検知束線	J294,363 J342,364
28 A	WT2 - 5178 - 000		2	CLIP, CABLE ロッキング ワイヤ サドル	

FIGURE & KEY NO.	PART NUMBER	RANK	QTY	DESCRIPTION	SERIAL NUMBER / REMARKS
104 - 29	FS5 - 1787 - 000		2	BUSHING ブッシング	
30	FS6 - 2667 - 000		1	SPRING, TENSION ヒツバリ バネ	
31	FS6 - 2667 - 000		2	SPRING, TENSION ヒツバリ バネ	
32	FS6 - 2847 - 000		1	SPRING, TENSION ヒツバリ バネ	
33	FS6 - 4243 - 000		1	SHAFT, ROLLER コ口軸	
34	FS6 - 4243 - 000		2	SHAFT, ROLLER コ口軸	
35	FS7 - 2532 - 000		1	SPRING, COMPRESSION アッシュク バネ	
36	VS1 - 5057 - 003		2	CONNECTOR, SNAP TIGHT チュウケイ コネクタ	J363,364
37	XA9 - 0596 - 000		1	SCREW,P,M3X6 P タイト ネジ	
38	XA9 - 0628 - 000		1	SCREW,RS,M4X8 RS タイト ネジ	
39	XA9 - 0628 - 000		1	SCREW,RS,M4X8 RS タイト ネジ	
40	XA9 - 0628 - 000		1	SCREW,RS,M4X8 RS タイト ネジ	
41	XA9 - 0628 - 000		1	SCREW,RS,M4X8 RS タイト ネジ	
42	XA9 - 0630 - 000		1	SCREW,RS,M4X10 RS タイト ネジ	
43	XA9 - 0643 - 000		AR	SCREW,RS,M4X10 RS タイト ネジ	
44	XG9 - 0224 - 000		1	BEARING ベアリング	
45	XG9 - 0224 - 000		1	BEARING ベアリング	
46	XG9 - 0302 - 000		1	BEARING ベアリング	
47	XG9 - 0302 - 000		1	BEARING ベアリング	
501	XB1 - 2400 - 409		7	SCREW,MACH.,TRUSS HEAD,M4X4 バインド ネジ	
502	XB1 - 2400 - 409		10	SCREW,MACH.,TRUSS HEAD,M4X4 バインド ネジ	
503	XB1 - 2400 - 409		4	SCREW,MACH.,TRUSS HEAD,M4X4 バインド ネジ	
504	XB1 - 2400 - 609		6	SCREW,MACH.,TRUSS HEAD,M4X6 バインド ネジ	
505	XD2 - 1100 - 402		2	RING,E E リング	
506	XD2 - 1100 - 502		2	RING,E E リング	
507	XD2 - 1100 - 502		2	RING,E E リング	
508	XD2 - 1100 - 502		2	RING,E E リング	

FIGURE 105 INTERNAL COMPONENTS 4(1/2)

本体機械内部 (4) (1/2)

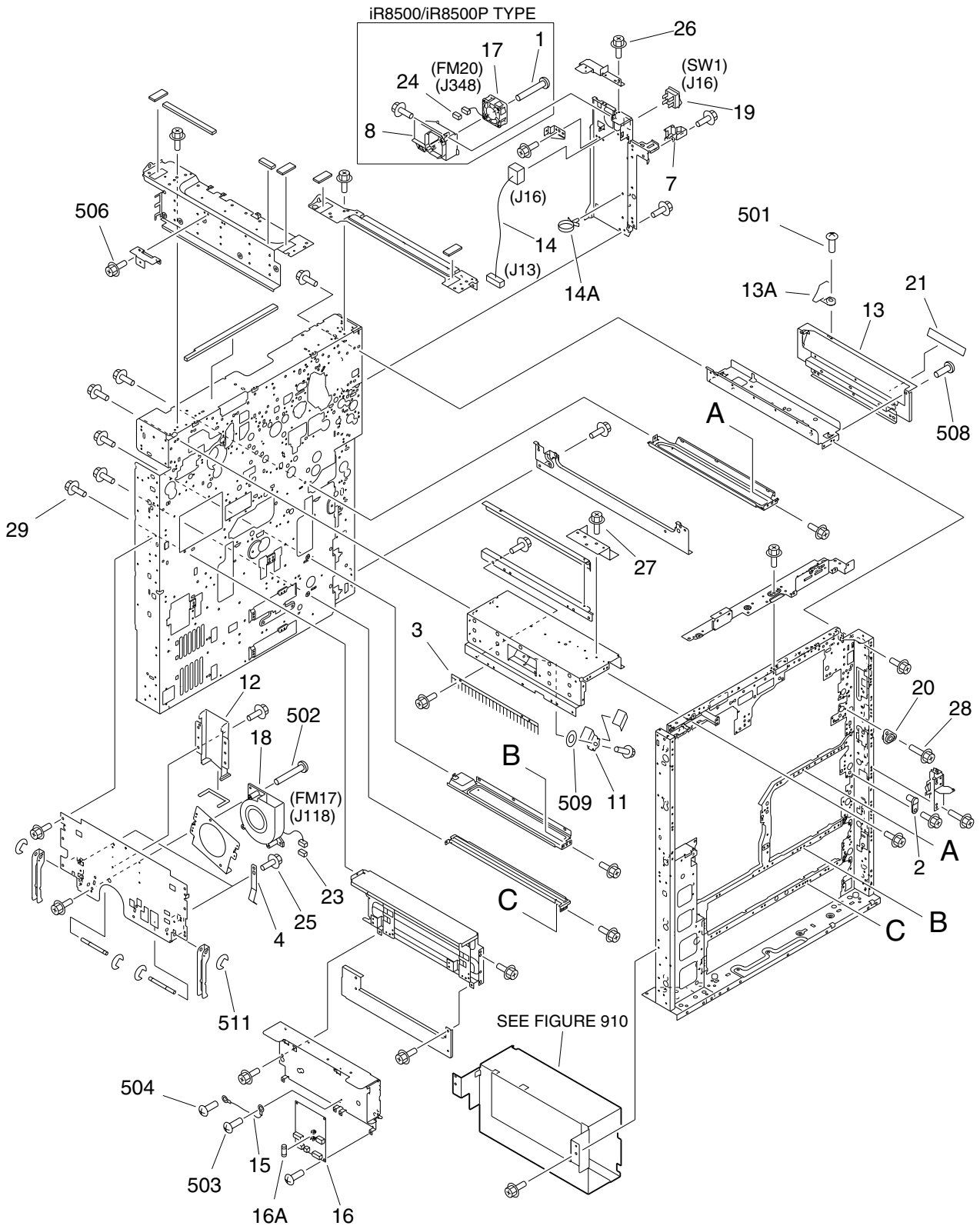


FIGURE 105 INTERNAL COMPONENTS 4(2/2) 本体機械内部 (4) (2/2)

iR7200/7200P TYPE

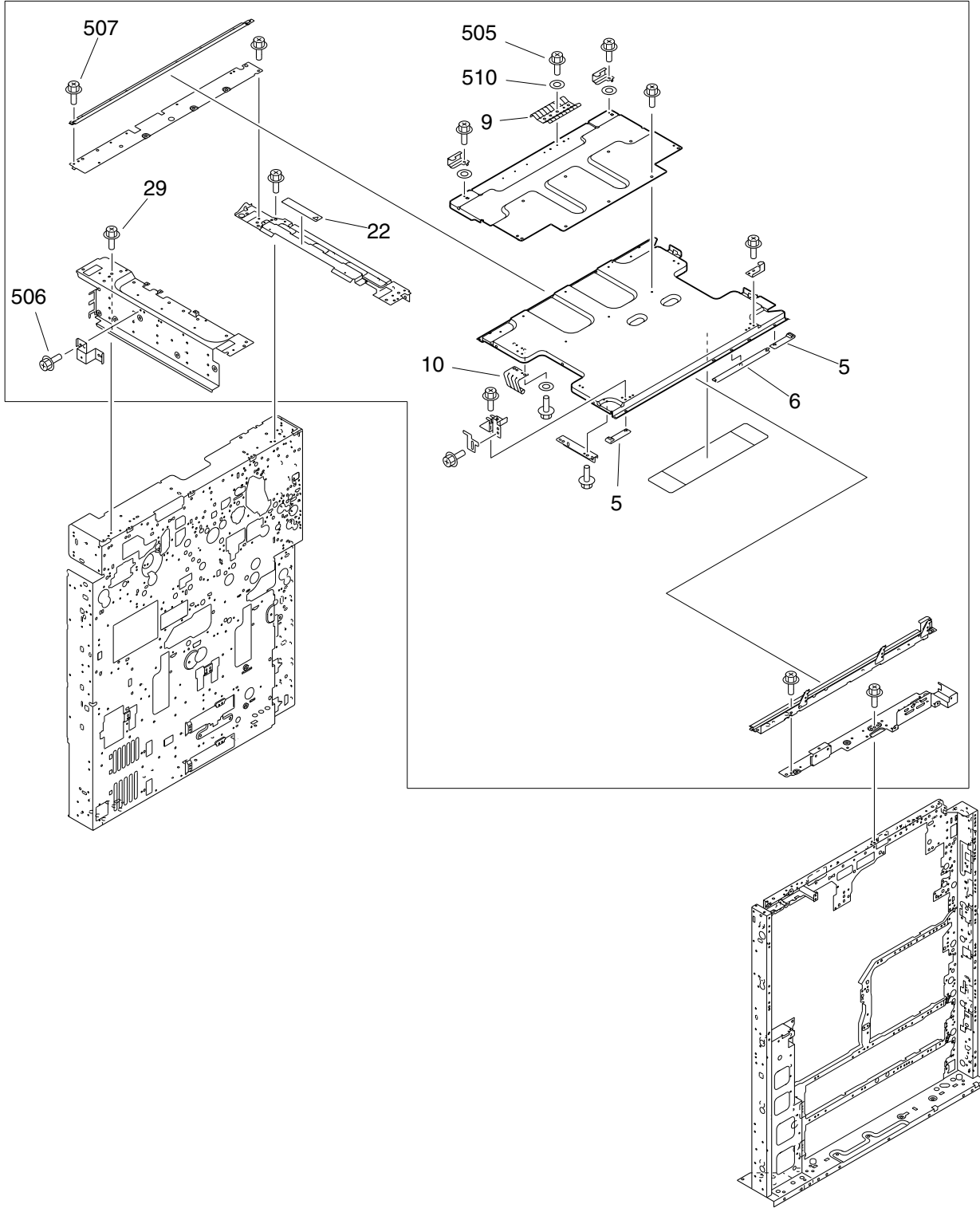


FIGURE & KEY NO.	PART NUMBER	RANK	QTY	DESCRIPTION	SERIAL NUMBER / REMARKS
105 -	NPN		RF	INTERNAL COMPONENTS 4 本体機械内部 (4)	
1	FA9 - 3622 - 000		2	SCREW,TAPPING, PAN HEAD,M4X35 ナベ タッピン ネジ	iR8500/8500P TYPE
2	FB2 - 8010 - 000		1	PLATE, PIN フロート ピン	
3	FB2 - 8248 - 020		1	ELIMINATOR, STATIC CHARGE 除電ブラシ	
4	FB4 - 9034 - 000		2	SPRING, LEAF 板バネ	
5	FB5 - 1523 - 000		4	PLATE, SLIDER, EDGE 端部スライダ	iR7200/7200P TYPE
6	FB5 - 1524 - 000		2	PLATE, SLIDER, CENTER 中央スライダ	iR7200/7200P TYPE
7	FB5 - 1840 - 000		1	COVER, CARTRIDGE CONNECTOR カートリッジ コネクタ カバー	
8	FB5 - 7048 - 000		1	DUCT, SCANNER MOTOR FAN 光学モータ ファン ダクト	iR8500/8500P TYPE
9	FB6 - 2878 - 000		1	SPRING, LEAF, GROUNDING, 1 アース バネ (1)	iR7200/7200P TYPE
10	FB6 - 4200 - 000		1	SPRING, LEAF, GROUNDING, 2 アース バネ (2)	iR7200/7200P TYPE
11	FF5 - 7726 - 000		1	SPRING, LEAF 排紙ガイド加圧板	
12	FF6 - 1062 - 000		1	DUCT, COOLING FAN 冷却ファン ダクト	
13	FG6 - 1971 - 000		1	DEVELOPING SUPPORT PLATE 現像加圧板	
13 A	FB4 - 1869 - 000		1	BLOCK, SHUTTER SLIDE シャッター スライド	
14	FG6 - 7208 - 000		1	CABLE, MAIN SWITCH メイン スイッチ束線	J13,16
14 A	WT2 - 5565 - 000		5	CLAMP, CABLE ソクセン オサエ	
15	FG6 - 7221 - 000		1	CABLE, GROUNDING アース線	
16	FG6 - 7267 - 000		1	ALL DAY POWER PCB ASSEMBLY 常夜電源回路基板	100V
	FG6 - 7268 - 000		1	ALL DAY POWER PCB ASSEMBLY 常夜電源回路基板	208/220/240V
16 A	VD7 - 0213 - 001		1	FUSE, 3A 125V ヒューズ	FU1
17	FH6 - 1740 - 000		1	FAN ファン モータ	iR8500/8500P TYPE FM20 J348
18	FH6 - 1877 - 000		1	FAN ファン モータ	FM17 J118
19	FH7 - 6327 - 000		1	SWITCH, POWER SUPPLY 電源スイッチ	SW1 J16
20	FS5 - 1798 - 000		1	BUSHING ブッシング	
21	FS6 - 8820 - 000		1	LABEL, "WARNING LASER" レーザ注意ラベル	100/208V
	FS5 - 8623 - 000		1	LABEL, "WARNING LASER" レーザ注意ラベル	220/240V
22	FS7 - 8325 - 000		1	LABEL, "WARNING LASER", 2 レーザ注意ラベル (2)	iR7200/7200P TYPE 100/208V
	FS7 - 8326 - 000		1	LABEL, "WARNING LASER", 2 レーザ注意ラベル (2)	iR7200/7200P TYPE 220/240V
23	VS1 - 5057 - 003		1	CONNECTOR, SNAP TIGHT チュウケイ コネクタ	J118

FIGURE & KEY NO.	PART NUMBER	R A N K	Q' T Y	DESCRIPTION	SERIAL NUMBER / REMARKS
105 - 24	VS1 - 5057 - 004		1	CONNECTOR, SNAP TIGHT チュウケイ コネクタ	J348
25	XA9 - 0628 - 000		9	SCREW,RS,M4X8 RS タイト ネジ	
26	XA9 - 0628 - 000		5	SCREW,RS,M4X8 RS タイト ネジ	
27	XA9 - 0628 - 000		5	SCREW,RS,M4X8 RS タイト ネジ	
28	XA9 - 0630 - 000		6	SCREW,RS,M4X10 RS タイト ネジ	
29	XA9 - 0643 - 000		AR	SCREW,RS,M4X10 RS タイト ネジ	
501	XB1 - 2300 - 609		1	SCREW,MACH.,TRUSS HEAD,M3X6 バインド ネジ	
502	XB1 - 2403 - 509		2	SCREW,MACH.,TRUSS HEAD,M4X35 バインド ネジ	
503	XB2 - 8401 - 007		5	SCREW,W/WASHER,M4X10 パネツキ バインド ネジ	
504	XB2 - 8401 - 007		4	SCREW,W/WASHER,M4X10 パネツキ バインド ネジ	
505	XB3 - 6400 - 800		24	SCREW,RS,M4X8 RS タイト ネジ	iR7200/7200P TYPE
506	XB3 - 6400 - 805		2	SCREW,RS,M4X8 RS タイト ネジ	
507	XB3 - 6400 - 805		6	SCREW,RS,M4X8 RS タイト ネジ	iR7200/7200P TYPE
508	XB6 - 7400 - 609		6	SCREW,TP,M4X6 TP ネジ	
509	XD1 - 1105 - 239		1	SHIM ヒョウジュン ワッシャ	
510	XD1 - 1105 - 239		5	SHIM ヒョウジュン ワッシャ	iR7200/7200P TYPE
511	XD2 - 1100 - 642		4	RING,E E リング	

FIGURE 106 MACHINE REAR PLATE 1

本体後側板 (1)

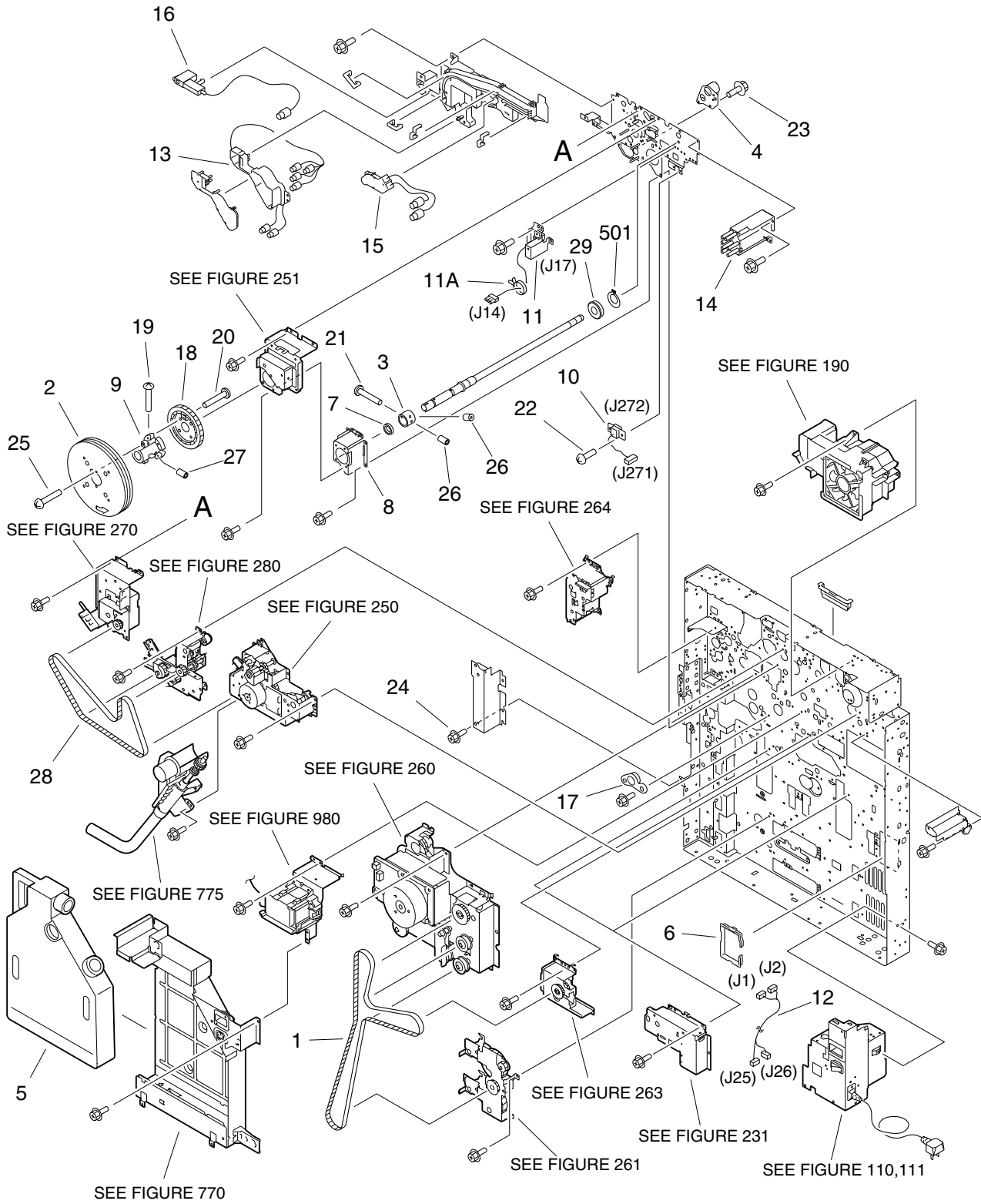


FIGURE & KEY NO.	PART NUMBER	RANK	QTY	DESCRIPTION	SERIAL NUMBER / REMARKS
106 -	NPN		RF	MACHINE REAR PLATE 1 本体後側板 (1)	
1	FB4 - 1354 - 000		1	BELT, DRIVE, PAPER PICK-UP 給紙駆動ベルト	
2	FB4 - 1750 - 000		1	FLYWHEEL フライホイール	
3	FB4 - 1753 - 000		1	COLLAR, THRUST STOP スラスト ストップ	
4	FB4 - 1781 - 000		1	HOLDER, POSITIONING, REAR 位置決めホルダ (後)	
5	FB4 - 1953 - 000		1	BOTTLE, WASTE TONER 廃トナー ボトル	
6	FB4 - 9032 - 000		1	COVER, EDGE エッジ カバー	
7	FB5 - 2596 - 000		1	SPACER, DRUM SHAFT ドラム軸スパーサ	
8	FB5 - 6882 - 000		1	SUPPORT, BEARING, REAR ベアリング支持板 (後)	
9	FB5 - 6884 - 000		1	SUPPORT, FLYWHEEL フライホイール支持台	
10	FG6 - 3569 - 000		1	CABLE, BIAS SEPARATION CLAW 分離爪バイアス束線	J271,272
11	FG6 - 7201 - 000		1	CABLE, DRUM HEATER CONNECTING ドラム ヒータ中継束線	J14,17
11 A	WT2 - 5565 - 000		4	CLAMP, CABLE ソクセン オサエ	
12	FG6 - 7211 - 000		1	CABLE, AC INPUT AC入力束線	J1,2,25,26
13	FH2 - 6807 - 000		1	HOLDER, CONNECTOR コネクタ ホルダ	
14	FH2 - 9232 - 000		1	JOINT CONNECTOR UNIT, 1 連結コネクタ (1)	
15	FH2 - 9233 - 000		1	JOINT CONNECTOR UNIT, 2 連結コネクタ (2)	
16	FH2 - 9235 - 000		1	JOINT CONNECTOR UNIT, 4 連結コネクタ (4)	
17	FS5 - 1467 - 020		1	BUSHING, 3 ブッシング (3)	
18	FS7 - 0011 - 000		1	GEAR, 90T 90T ギア	
19	XA9 - 0207 - 000		1	SCREW,M4X12 セムス ネジ	
20	XA9 - 0207 - 000		2	SCREW,M4X12 セムス ネジ	
21	XA9 - 0207 - 000		1	SCREW,M4X12 セムス ネジ	
22	XA9 - 0384 - 000		2	SCREW,TP,M3X8 TP ネジ	
23	XA9 - 0628 - 000		5	SCREW,RS,M4X8 RS タイト ネジ	
24	XA9 - 0643 - 000		AR	SCREW,RS,M4X10 RS タイト ネジ	
25	XA9 - 1090 - 000		3	SCREW,W/WASHER,M5X25 セムス ネジ	
26	XA9 - 1091 - 000		2	SETSCREW,M4X8 ロック アナツキ トメネジ	
27	XA9 - 1278 - 000		2	SETSCREW,M6X10 ロック アナツキ トメネジ	
28	XF9 - 0533 - 000		1	BELT, TIMING タイミング ベルト	

FIGURE & KEY NO.	PART NUMBER	R A N K	Q' T Y	DESCRIPTION	SERIAL NUMBER / REMARKS
106 - 29	XG9 - 0248 - 000		1	BEARING, BALL, 6004ZZNR*C3 ボール ベアリング	
501	XD2 - 3100 - 202		1	RING,C,EXTERNAL C リング(ジクヨウ)	

FIGURE 107 MACHINE REAR PLATE 2

本体後側板 (2)

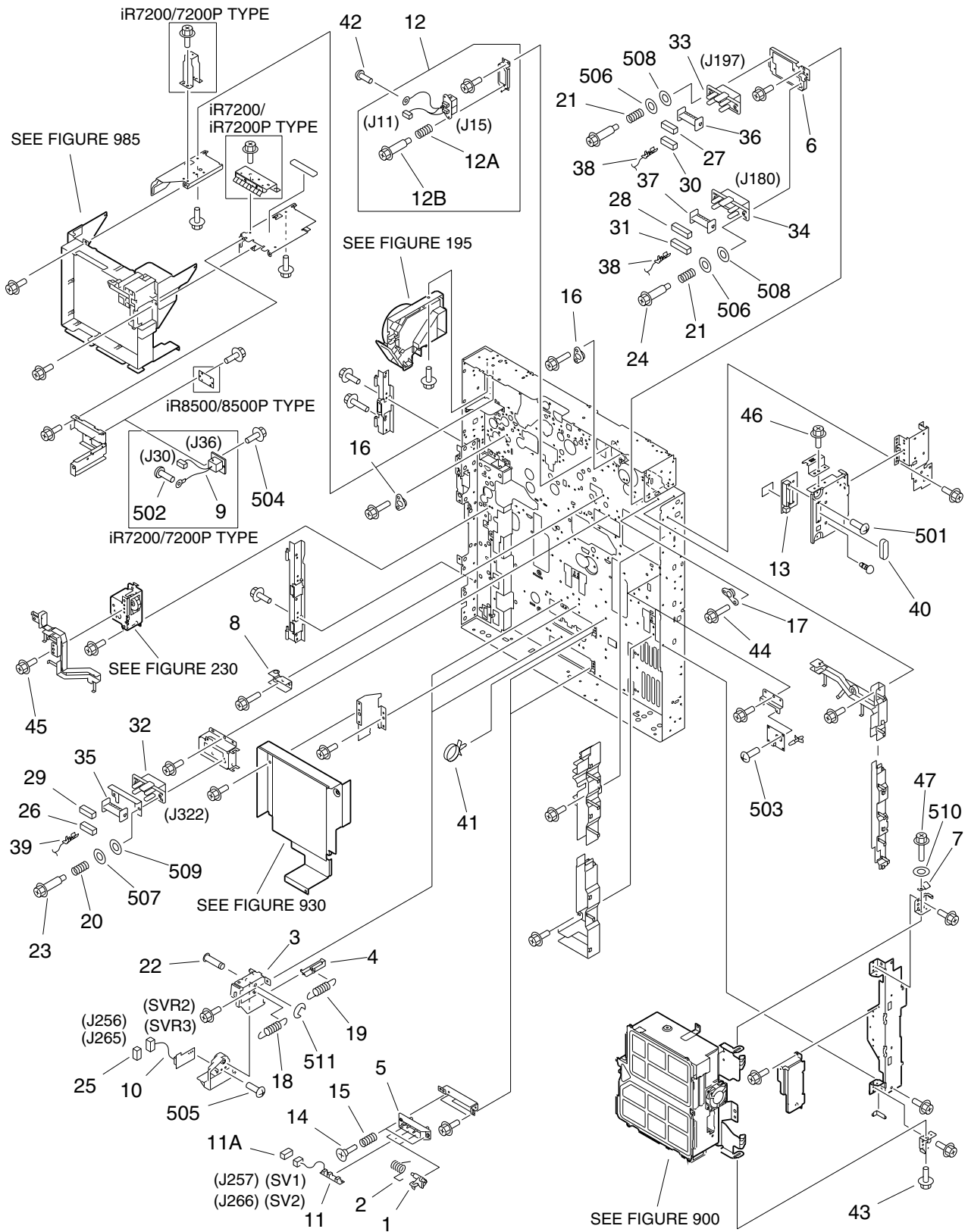


FIGURE & KEY NO.	PART NUMBER	RANK	QTY	DESCRIPTION	SERIAL NUMBER / REMARKS
107 -	NPN		RF	MACHINE REAR PLATE 2 本体後側板 (2)	
1	FB1 - 8735 - 000		4	ARM, SENSOR センサ アーム	
2	FB1 - 8737 - 000		4	SPRING, TORSION ネジリ パネ	
3	FB3 - 9362 - 000		2	MOUNT, VR HOLDER ポリウム ホルダ基台	
4	FB3 - 9363 - 000		2	SHAFT, SLIDE スライド シャフト	
5	FB3 - 9364 - 000		2	HOLDER, SWITCH スイッチ ホルダ	
6	FB4 - 1447 - 000		1	MOUNT, DC CONNECTOR, 2 DCコネクタ台 (2)	
7	FB6 - 0784 - 000		1	SPRING, LEAF, GROUNDING アース板パネ	
8	FF5 - 7665 - 000		1	HOLDER, STOP ストップ ホルダ	
9	FG3 - 2295 - 000		1	CABLE, READER LATTICE リーダー ラティス束線	iR7200/7200P TYPE J30,36
10	FG5 - 1957 - 000		2	CASSETTE VR PCB ASSEMBLY カセット ポリウム回路基板	SVR2,3 J256,265
11	FG5 - 8221 - 000		2	CASSETTE SENSOR PCB ASSEMBLY カセット紙検知回路基板	SV1,2 J257,266
11 A	VS1 - 5057 - 004		2	CONNECTOR, SNAP TIGHT チュウケイ コネクタ	J257,266
12	FG6 - 1904 - 000		1	CABLE, FIXING DRAWER CONNECT 定着ドロア中継束線	J11,15
12 A	FS5 - 2964 - 000		2	SPRING, COMPRESSION アッシュク パネ	
12 B	FS5 - 9282 - 000		2	SCREW, STEPPED 段ビス	
13	FG6 - 7261 - 000		1	BICENTRO INTERFACE PCB ASS'Y バイセントロ インターフェース回路基板	
14	FS2 - 9327 - 000		4	SCREW, STEPPED, M4 ダン ビス	
15	FS3 - 2044 - 000		4	SPRING, COMPRESSION アッシュク パネ	
16	FS5 - 1468 - 020		2	BUSHING, 2 ブッシング (2)	
17	FS5 - 1804 - 000		1	BUSHING ブッシング	
18	FS5 - 2322 - 000		2	SPRING, TENSION ヒツパリ パネ	
19	FS5 - 2323 - 020		2	SPRING, TENSION ヒツパリ パネ	
20	FS5 - 2965 - 000		2	SPRING, COMPRESSION アッシュク パネ	
21	FS5 - 2965 - 000		4	SPRING, COMPRESSION アッシュク パネ	
22	FS5 - 7128 - 000		2	SHAFT 支持軸	
23	FS5 - 9282 - 000		2	SCREW, STEPPED 段ビス	
24	FS5 - 9282 - 000		4	SCREW, STEPPED 段ビス	
25	VS1 - 5057 - 003		2	CONNECTOR, SNAP TIGHT チュウケイ コネクタ	J256,265
26	VS1 - 6313 - 012		1	CONNECTOR, 12P, FEMALE コネクタ (メス)	J322

FIGURE & KEY NO.	PART NUMBER	RANK	QTY	DESCRIPTION	SERIAL NUMBER / REMARKS
107 - 27	VS1 - 6313 - 013		1	CONNECTOR, 13P, FEMALE コネクタ (メス)	J197
28	VS1 - 6313 - 020		1	CONNECTOR, 20P, FEMALE コネクタ (メス)	J180
29	VS1 - 6314 - 012		1	CONNECTOR, 12P, FEMALE コネクタ (メス)	J322
30	VS1 - 6314 - 013		1	CONNECTOR, 13P, FEMALE コネクタ (メス)	J197
31	VS1 - 6314 - 020		1	CONNECTOR, 20P, FEMALE コネクタ (メス)	J180
32	VS1 - 6328 - 024		1	CONNECTOR, 24P, FEMALE コネクタ (メス)	J322
33	VS1 - 6328 - 026		1	CONNECTOR, 26P, FEMALE コネクタ (メス)	J197
34	VS1 - 6328 - 040		1	CONNECTOR, 40P, FEMALE コネクタ (メス)	J180
35	VT2 - 5161 - 024		1	HOLDER, CONNECTOR, 24P コネクタ ホルダ	J322
36	VT2 - 5161 - 026		1	HOLDER, CONNECTOR, 26P コネクタ ホルダ	J197
37	VT2 - 5161 - 040		1	HOLDER, CONNECTOR, 40P コネクタ ホルダ	J180
38	WS3 - 5607 - 000		4	SOCKET CONTACT, 20-24AWG コンタクト	J322
39	WS3 - 5607 - 000		2	SOCKET CONTACT, 20-24AWG コンタクト	J180
40	WT2 - 5546 - 000		1	COVER, DUST ダストカバー	
41	WT2 - 5565 - 000		2	CLAMP, CABLE ソクセン オサエ	
42	XA9 - 0265 - 000		1	SCREW,W/WASHER,TRUSS HEAD ザツキ バインド ネジ	
43	XA9 - 0629 - 000		3	SCREW,RS,M4X8 RS タイト ネジ	
44	XA9 - 0630 - 000		10	SCREW,RS,M4X10 RS タイト ネジ	
45	XA9 - 0643 - 000	AR		SCREW,RS,M4X10 RS タイト ネジ	
46	XA9 - 0643 - 000		1	SCREW,RS,M4X10 RS タイト ネジ	iR8500/8500P TYPE
47	XA9 - 0774 - 000		1	SCREW,RS,M4X16 RS タイト ネジ	
501	XB1 - 2300 - 506		2	SCREW,MACH.,TRUSS HEAD,M3X5 バインド ネジ	
502	XB1 - 2300 - 607		2	SCREW,MACH.,TRUSS HEAD,M3X6 バインド ネジ	iR7200/7200P TYPE
503	XB1 - 2400 - 607		2	SCREW,MACH.,TRUSS HEAD,M4X6 バインド ネジ	
504	XB3 - 6300 - 800		2	SCREW,RS,M3X8 RS タイト ネジ	
505	XB4 - 7400 - 809		2	SCREW,TAPPING,TRUSS HEAD,M4X8 バインド タッピン ネジ	
506	XD1 - 1103 - 633		2	SHIM ヒョウジュン ワッシャ	
507	XD1 - 1103 - 633		4	SHIM ヒョウジュン ワッシャ	
508	XD1 - 1104 - 133		2	SHIM ヒョウジュン ワッシャ	
509	XD1 - 1104 - 133		4	SHIM ヒョウジュン ワッシャ	

FIGURE & KEY NO.	PART NUMBER	R A N K	Q' T Y	DESCRIPTION	SERIAL NUMBER / REMARKS
107 - 510	XD1 - 1106 - 235		1	SHIM ヒョウジュン ワッシャ	
511	XD2 - 1100 - 502		2	RING,E E リング	

FIGURE 108 MACHINE BOTTOM PLATE

本体底板

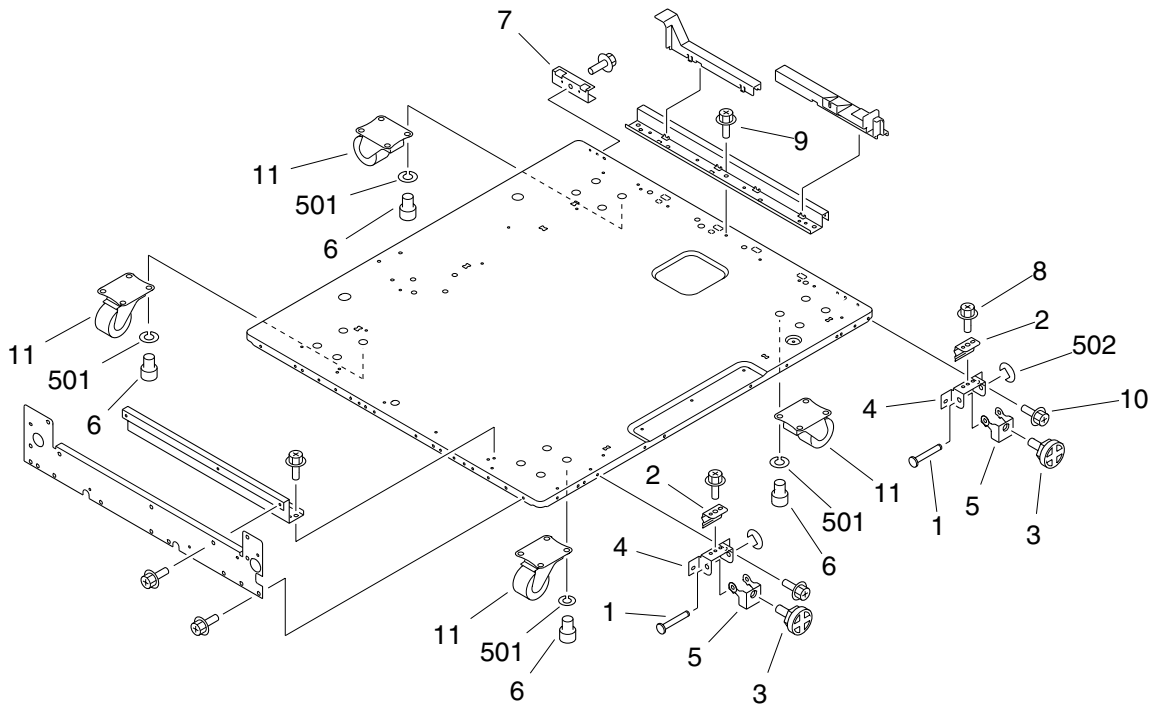
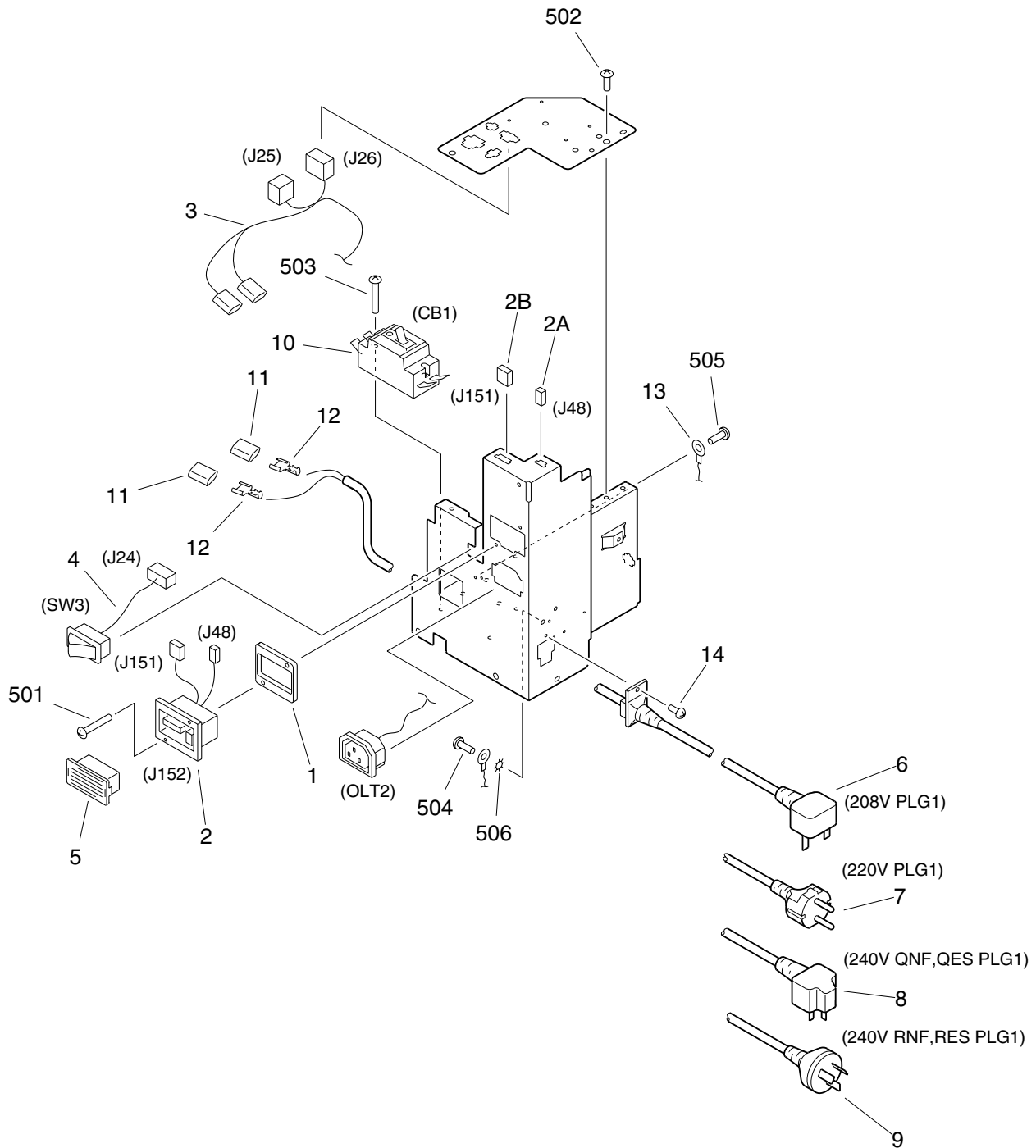


FIGURE & KEY NO.	PART NUMBER	RANK	QTY	DESCRIPTION	SERIAL NUMBER / REMARKS
108 -	NPN		RF	MACHINE BOTTOM PLATE 本体底板	
1	FB2 - 7899 - 000		2	SHAFT, PIVOT, FRONT アジャスタ揺動軸 (前)	
2	FB2 - 7900 - 000		2	SPRING, LEAF 板バネ	
3	FB2 - 8506 - 000		2	ADJUSTER アジャスタ	
4	FB4 - 1334 - 000		2	PLATE, ADJUSTING, FRONT アジャスタ固定板	
5	FB4 - 1339 - 000		2	PLATE, PIVOT アジャスタ揺動板	
6	FB4 - 1340 - 000		16	SCREW, ALLEN HEAD, M8X10 ロックナット アナツキ ボルト	
7	FB4 - 7846 - 000		1	PLATE, WASTE TONER FIXED 廃トナー固定板	
8	XA9 - 0628 - 000		2	SCREW, RS, M4X8 RS タイト ネジ	
9	XA9 - 0628 - 000		10	SCREW, RS, M4X8 RS タイト ネジ	
10	XA9 - 0643 - 000		AR	SCREW, RS, M4X10 RS タイト ネジ	
11	XZ9 - 0367 - 000		4	CASTER キャスタ	
501	XD1 - 3100 - 805		16	WASHER, SPRING バネ ザガネ	
502	XD2 - 1100 - 502		2	RING, E E リング	

FIGURE & KEY NO.	PART NUMBER	RANK	QTY	DESCRIPTION	SERIAL NUMBER / REMARKS
110 -	FG6 - 7269 - 000		1	POWER CORD TERMINAL ASSEMBLY 電源コード台部	iR8500 100V iR8500P
	FG6 - 8918 - 000		1	POWER CORD TERMINAL ASSEMBLY 電源コード台部	iR7200 100V iR7200P
	1 FB4 - 1542 - 000		1	SPACER, LATTICE CABLE ラティス束線スペーサ	
2	FB4 - 9343 - 000		1	COVER, SOCKET ソケット カバー	
3	FG6 - 1813 - 000		1	CABLE, LATTICE, FINISHER フィニッシャ ラティス束線	J48,151,152
3 A	VS1 - 5057 - 002		1	CONNECTOR, SNAP TIGHT チュウケイ コネクタ	J48
3 B	VS1 - 5057 - 005		1	CONNECTOR, SNAP TIGHT チュウケイ コネクタ	J151
4	FG6 - 7207 - 000		1	CABLE, ENVIRONMENT SWITCH 環境スイッチ束線	SW3 J24
5	FG6 - 7285 - 000		1	CABLE, OUTLET アウトレット束線	J26
6	FH2 - 6552 - 000		1	COVER, CONNECTOR コネクタ カバー	SEE NOTE
7	FH2 - 6569 - 000		1	CORD, POWER, 125V 15A 電源コード	iR7200/7200P TYPE PLG1
8	FH2 - 6570 - 000		1	CORD, POWER, 125V 20A 電源コード	iR8500/8500P TYPE PLG1
9	FH7 - 7573 - 000		1	BREAKER, CIRCUIT サーキット ブレーカ	iR8500/8500P TYPE CB1
	FH7 - 7574 - 000		1	BREAKER, ELECTRIC LEAKAGE 漏電ブレーカ	iR7200/7200P TYPE CB1
10	WS3 - 5610 - 000		2	CONNECTOR, 1P, FEMALE コネクタ (メス)	
11	WS3 - 5613 - 000		2	SOCKET CONTACT, 10-14AWG ソケット コンタクト	
12	XA9 - 0739 - 000		1	SCREW,TP,M4X8 タッピン ネジ	
501	XB1 - 2301 - 407		2	SCREW,MACH.,TRUSS HEAD,M3X14 バインド ネジ	
502	XB1 - 2400 - 606		2	SCREW,MACH.,TRUSS HEAD,M4X6 バインド ネジ	
503	XB1 - 2402 - 009		2	SCREW,MACH.,TRUSS HEAD,M4X20 バインド ネジ	
504	XB1 - 2500 - 606		1	SCREW,MACH.,TRUSS HEAD,M5X6 バインド ネジ	
505	XD1 - 4200 - 502		1	WASHER,TOOTHED LOCK ハツキ ザガネ	

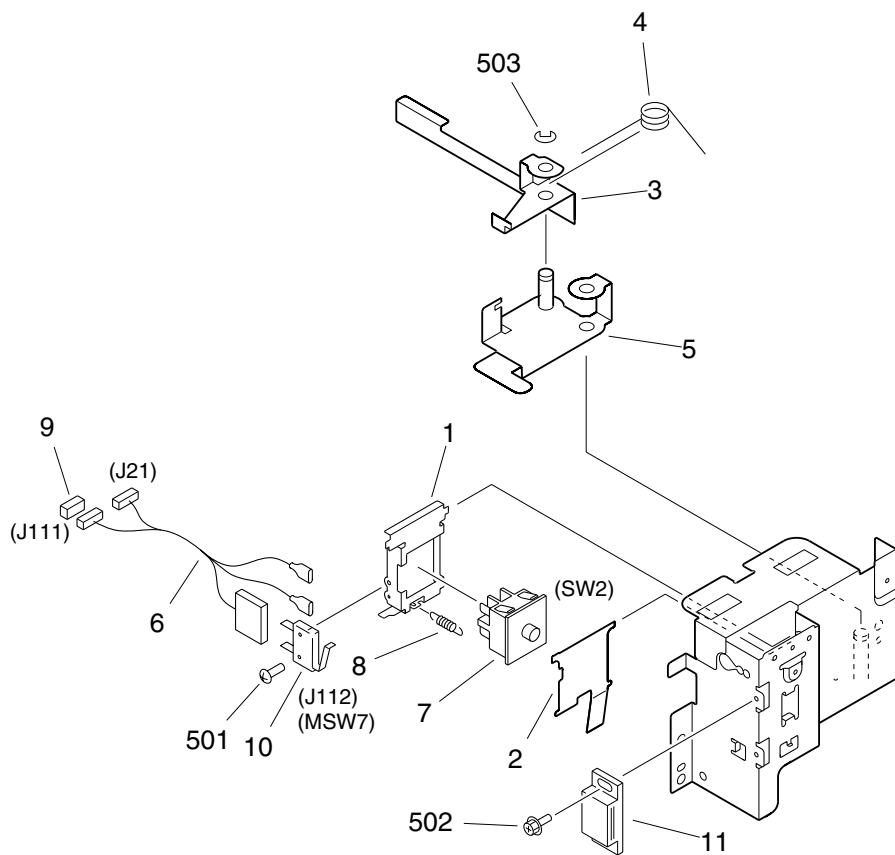
POWER CORD TERMINAL ASSEMBLY
 (208/220/240V)
 電源コード台部
 (208 / 220 / 240V)



NOTE: This assembly does not include the part shown with key No.5.
 注：このユニットにKey No. 5の部品は含まれません。

FIGURE & KEY NO.	PART NUMBER	RANK	QTY	DESCRIPTION	SERIAL NUMBER / REMARKS
111 -	FG6 - 7270 - 000		1	POWER CORD TERMINAL ASSEMBLY 電源コード台部	208V
	FG6 - 7271 - 000		1	POWER CORD TERMINAL ASSEMBLY 電源コード台部	220V
	FG6 - 7319 - 000		1	POWER CORD TERMINAL ASSEMBLY 電源コード台部	240V QNF,QES
	FG6 - 7320 - 000		1	POWER CORD TERMINAL ASSEMBLY 電源コード台部	240V RNF,RES
	1	FB4 - 1542 - 000		1	SPACER, LATTICE CABLE ラティス束線スパーサ
2	FG6 - 1813 - 000		1	CABLE, LATTICE, FINISHER フィニッシャ ラティス束線	J48,151,152
2 A	VS1 - 5057 - 002		1	CONNECTOR, SNAP TIGHT チュウケイ コネクタ	J48
2 B	VS1 - 5057 - 005		1	CONNECTOR, SNAP TIGHT チュウケイ コネクタ	J151
3	FG6 - 7206 - 000		1	CABLE, OUTLET アウトレット束線	OLT2 J25,26
4	FG6 - 7207 - 000		1	CABLE, ENVIRONMENT SWITCH 環境スイッチ束線	SW3 J24
5	FH2 - 6552 - 000		1	COVER, CONNECTOR コネクタ カバー	SEE NOTE
6	FH2 - 6901 - 000		1	CORD, POWER, 250V 15A 電源コード	208V PLG1
7	FH2 - 6919 - 000		1	CORD, POWER, 250V 16A 電源コード	220V PLG1
8	FH2 - 6920 - 000		1	CORD, POWER, 250V 13A 電源コード	240V QNF,QES PLG1
9	FH2 - 6921 - 000		1	CORD, POWER, 250V 15A 電源コード	240V RNF,RES PLG1
10	FH7 - 7574 - 000		1	BREAKER, ELECTRIC LEAKAGE 漏電ブレーカ	CB1
11	WS3 - 5610 - 000		2	CONNECTOR, 1P, FEMALE コネクタ(メス)	
12	WS3 - 5613 - 000		2	SOCKET CONTACT, 10-14AWG ソケット コンタクト	208V
	WS3 - 5612 - 000		2	SOCKET CONTACT ソケット コンタクト	220/240V
13	WT1 - 0580 - 000		1	TERMINAL, RING マルガタ タンシ	
14	XA9 - 0739 - 000		1	SCREW,TP,M4X8 タッピン ネジ	
501	XB1 - 2301 - 407		2	SCREW,MACH.,TRUSS HEAD,M3X14 バインド ネジ	
502	XB1 - 2400 - 606		2	SCREW,MACH.,TRUSS HEAD,M4X6 バインド ネジ	
503	XB1 - 2402 - 009		2	SCREW,MACH.,TRUSS HEAD,M4X20 バインド ネジ	
504	XB1 - 2500 - 606		1	SCREW,MACH.,TRUSS HEAD,M5X6 バインド ネジ	
505	XB2 - 7400 - 606		1	SCREW,W/WASHER,M4X6 パネツキ バインド ネジ	
506	XD1 - 4200 - 502		1	WASHER,TOOTHED LOCK ハツキ ザガネ	

FIGURE 120 DOOR SWITCH MOUNT ASSEMBLY ドアスイッチ台部



NOTE: This assembly does not include the part shown with key No.9.
注：このユニットにKey No. 9の部品は含まれません。

FIGURE & KEY NO.	PART NUMBER	R A N K	Q' T Y	DESCRIPTION	SERIAL NUMBER / REMARKS
120 -	FG6 - 7294 - 000		1	DOOR SWITCH MOUNT ASSEMBLY ドア スイッチ台部	
1	FB4 - 1432 - 000		1	HOLDER, DOOR SWITCH ドア スイッチ ホルダ	
2	FB4 - 1433 - 000		1	PLATE, DOOR SWITCH ドア スイッチ板	
3	FB4 - 1436 - 000		1	LEVER, ABSORPTION 吸収レバー	
4	FB4 - 1557 - 020		1	SPRING, TORSION ネジリ バネ	
5	FF5 - 7884 - 000		1	LEVER, CRANK クランク レバー	
6	FG6 - 1817 - 000		1	CABLE, FRONT DOOR SWITCH, DC 前ドア スイッチ束線 (DC)	J21,111,112
7	FH7 - 6253 - 000		1	SWITCH, DOOR ドア スイッチ	SW2
8	FS5 - 2928 - 000		1	SPRING, TENSION ヒツパリ バネ	
9	VS1 - 5057 - 002		1	CONNECTOR, SNAP TIGHT チュウケイ コネクタ	SEE NOTE J111
10	WC4 - 0153 - 000		1	MICRO SWITCH マイクロ スイッチ	MSW7 J112
11	XZ9 - 0251 - 000		1	CATCH, MAGNET マグネット キャッチ	
501	XB1 - 2230 - 809		1	SCREW,MACH.,TRUSS HEAD,M2.3X8 バインド ネジ	
502	XB3 - 6300 - 800		2	SCREW,RS,M3X8 RS タイト ネジ	
503	XD2 - 1100 - 642		1	RING,E E リング	

FIGURE & KEY NO.	PART NUMBER	RANK	QTY	DESCRIPTION	SERIAL NUMBER / REMARKS
130 -	FG6 - 7337 - 000		1	CONTROL PANEL ASSEMBLY 操作部	iR8500 JAPANESE iR8500P SEE NOTE 1
	FG6 - 7338 - 000		1	CONTROL PANEL ASSEMBLY 操作部	iR8500 ENGLISH SEE NOTE 1
	FG6 - 7339 - 000		1	CONTROL PANEL ASSEMBLY 操作部	iR8500 ILLUSTRATION SEE NOTE 1
	FG6 - 8904 - 000		1	CONTROL PANEL ASSEMBLY 操作部	iR7200 JAPANESE iR7200P SEE NOTE 1
	FG6 - 8905 - 000		1	CONTROL PANEL ASSEMBLY 操作部	iR7200 ENGLISH SEE NOTE 1
	FG6 - 8906 - 000		1	CONTROL PANEL ASSEMBLY 操作部	iR7200 ILLUSTRATION SEE NOTE 1
1	FA3 - 9315 - 000		2	PLATE, COVER 穴ふさぎ	iR8500/8500P TYPE SEE NOTE 2
2	FB2 - 4234 - 000		1	COVER, CONTROL CARD コントロール カード蓋	SEE NOTE 2
3	FB2 - 4236 - 000		1	PLATE, BLANKING 目隠し板	SEE NOTE 2
4	FB4 - 2343 - 000		1	PANEL, SERVICE サービス パネル	iR8500/8500P TYPE SEE NOTE 2
5	FB4 - 5005 - 000		1	KEY TOP, COUNTER カウンタ キー	
6	FB5 - 2172 - 000		1	KEY TOP, COPY コピー キー	
7	FB5 - 2173 - 000		1	KEY TOP, STOP ストップ キー	
8	FB5 - 3698 - 000		1	KEY TOP, RESET リセット キー	
9	FB5 - 3699 - 000		1	KEY TOP, POWER SUPPLY 電源キー	
10	FB5 - 3708 - 000		1	COVER, PILOT LAMP パイロット ランプ カバー	
11	FB5 - 3709 - 000		1	COVER, LAMP タリ ランプ カバー	
12	FB5 - 3728 - 000		1	KEY TOP, ENERGY SAVE 節電キー	
13	FB5 - 6838 - 000		1	COVER, CHANGE 交換カバー	iR8500/8500P TYPE SEE NOTE 2
14	FB5 - 6840 - 000		1	COVER, CCV CCVカバー	SEE NOTE 2
15	FB5 - 6846 - 000		1	SHEET, LCD ELECTROSTATIC LCD静電シート	
16	FF5 - 9963 - 000		1	KEY TOP, NUMBERS テン キー	
17	FG3 - 1796 - 000		1	CABLE, INVERTER CONNECTING インバータ中継束線	J6804,CN1
18	FG3 - 1797 - 000		1	CABLE, VR VR束線	J6808,6901
19	FG3 - 1798 - 000		1	CABLE, SOFT SWITCH ソフト スイッチ束線	J6605,6807
20	FG3 - 1799 - 000		1	CABLE, KEY, 1 KEY束線 (1)	J6602,6805
21	FG3 - 1800 - 000		1	CABLE, KEY, 2 KEY束線 (2)	J6601,6806
22	FG6 - 5176 - 000		1	CONTROL PANEL PCB ASSEMBLY 操作回路基板	J6601,6602,6605,6901
22 A	FB3 - 8320 - 000		1	PLATE, GROUNDING アース板	
22 B	FB5 - 2174 - 000		2	HOLDER, LED, 2 LEDホルダ (2)	

FIGURE & KEY NO.	PART NUMBER	R A N K	Q' T Y	DESCRIPTION	SERIAL NUMBER / REMARKS
130 - 22 C	FB5 - 2195 - 000		1	HOLDER, LED LEDホルダ	
22 D	FB5 - 3718 - 000		1	KNOB, CONTRAST コントラストつまみ (MB)	
22 E	FB5 - 3730 - 000		1	HOLDER, LED LEDホルダ	
22 F	FH6 - 0767 - 000		2	LED UNIT LEDユニット	LED6612,6613
22 G	FH6 - 0768 - 000		2	LED UNIT LEDユニット	LED6610,6611
23	FG6 - 9149 - 000		1	LCD CONTROL PANEL UNIT 液晶パネル	LCD CN2,J6802,6803
24	FH2 - 6842 - 000		1	CABLE, FLAT フラット ケーブル	J6802
25	FH6 - 0784 - 000		1	ANALOG TOUCH PANEL UNIT アナログ タッチ パネル ユニット	
26	XA9 - 0591 - 000		29	SCREW,M3X8 タイト ネジ	
27	XA9 - 0591 - 000		5	SCREW,M3X8 タイト ネジ	SEE NOTE 2
28	XA9 - 0670 - 000		1	SCREW,M3X6 セムス ネジ	
501	XB1 - 2300 - 607		25	SCREW,MACH.,TRUSS HEAD,M3X6 バインド ネジ	
502	XB1 - 3400 - 606		2	SCREW,MACH.,C.S.HEAD,M4X6 サラ ネジ	iR8500/8500P TYPE SEE NOTE 2

FIGURE 190 FIXING EXHAUST FAN ASSEMBLY 定着排熱ファン部

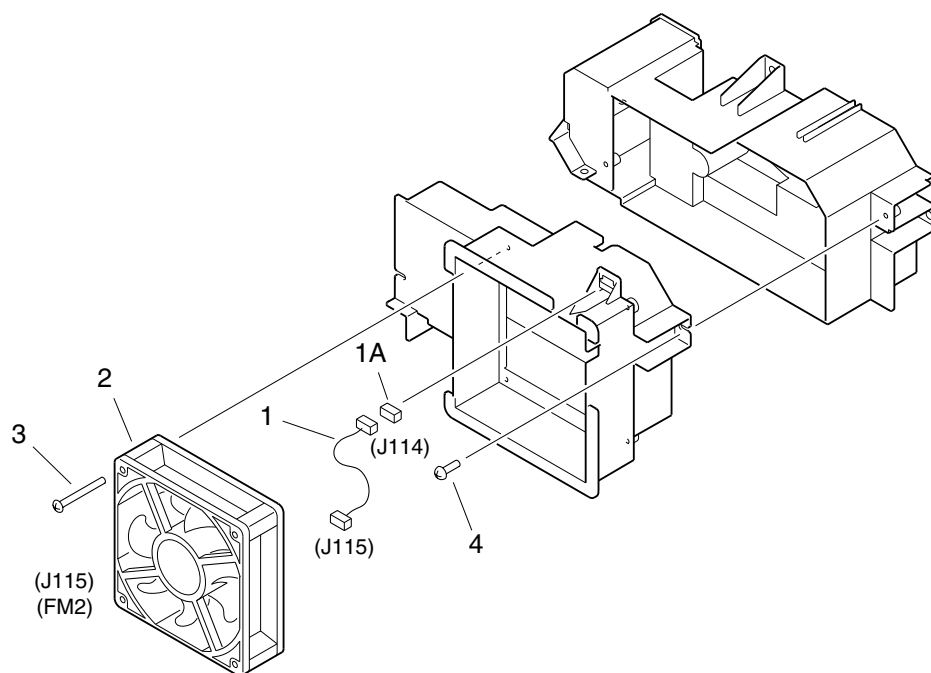


FIGURE & KEY NO.	PART NUMBER	RANK	QTY	DESCRIPTION	SERIAL NUMBER / REMARKS
190 -	FG6 - 2247 - 000		1	FIXING EXHAUST FAN ASSEMBLY 定着排熱ファン部	
1	FG6 - 1898 - 000		1	CABLE, EXHAUST FAN CONNECTING 定着排熱ファン中継束線	J114,115
1 A	VS1 - 5057 - 003		1	CONNECTOR, SNAP TIGHT チュウケイ コネクタ	J114
2	FH6 - 1545 - 000		1	FAN, COOLING 冷却ファン	FM2 J115
3	XA9 - 0189 - 000		4	SCREW,M4X50 タッピン ネジ	
4	XA9 - 0605 - 000		2	SCREW,M4X8 タイト ネジ	

FIGURE 194 SCANNER COOLING FAN ASSEMBLY

光学冷却ファン部

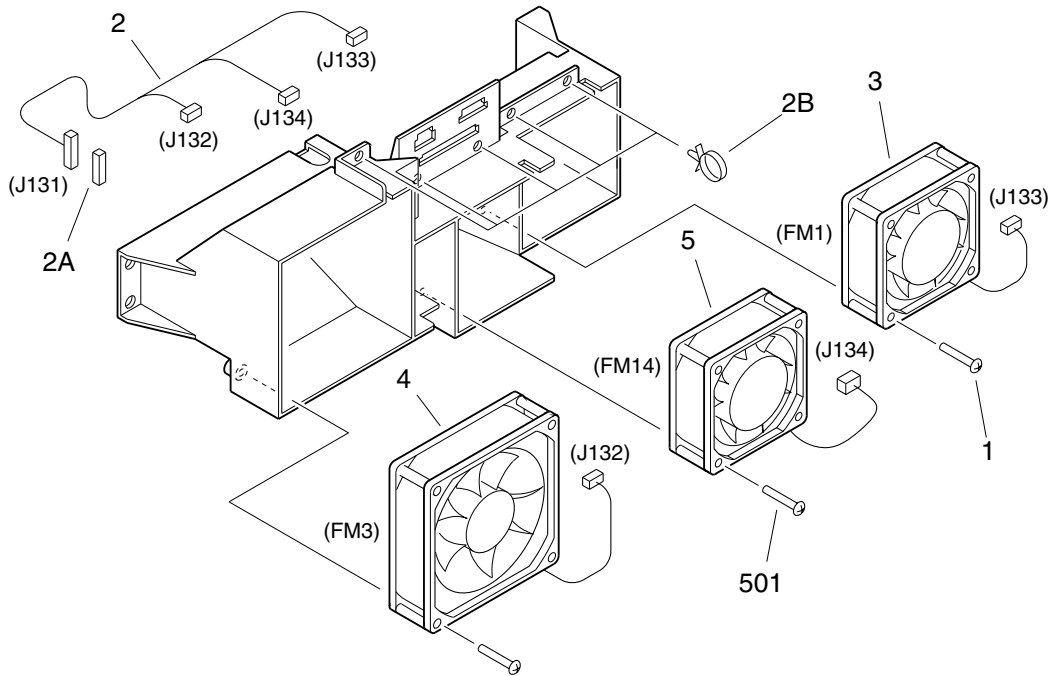


FIGURE & KEY NO.	PART NUMBER	RANK	QTY	DESCRIPTION	SERIAL NUMBER / REMARKS
194 -	FG6 - 1997 - 000		1	SCANNER COOLING FAN ASSEMBLY 光学冷却ファン部	
1	FA9 - 3622 - 000		6	SCREW,TAPPING, PAN HEAD,M4X35 ナベ タッピン ネジ	
2	FG6 - 1895 - 000		1	CABLE, THREE FANS 3連ファン束線	J131-134
2A	VS1 - 6318 - 009		1	CONNECTOR, SNAP TIGHT チュウケイ コネクタ	J131
2B	WT2 - 5178 - 000		5	CLIP, CABLE ロッキング ワイヤ サドル	
3	FH6 - 1544 - 000		1	FAN, COOLING 冷却ファン	FM1 J133
4	FH6 - 1546 - 000		1	FAN, COOLING 冷却ファン	FM3 J132
5	FH6 - 1706 - 000		1	FAN, COOLING ファン モータ	FM14 J134
501	XB4 - 6401 - 605		2	SCREW,TAPPING,PAN HEAD,M4X16 ナベ タッピン ネジ	

FIGURE 195 DRUM INTAKE FAN ASSEMBLY

ドラム吸引ファン部

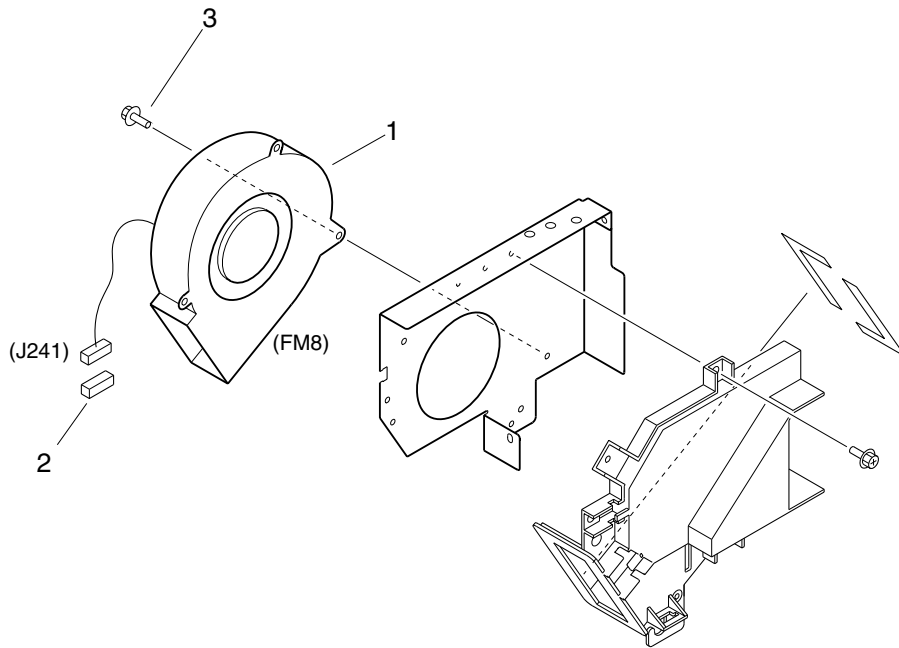


FIGURE & KEY NO.	PART NUMBER	RANK	QTY	DESCRIPTION	SERIAL NUMBER / REMARKS
195 -	FG6 - 1987 - 000		1	DRUM INTAKE FAN ASSEMBLY ドラム吸引ファン部	
1	FH6 - 1550 - 000		1	FAN, INTAKE 吸引ファン	FM8 J241
2	VS1 - 5057 - 003		1	CONNECTOR, SNAP TIGHT チュウケイ コネクタ	J241
3	XA9 - 0628 - 000		6	SCREW,RS,M4X8 RS タイト ネジ	

LENS MOUNT ASSEMBLY
 (iR8500/8500P TYPE)(1/2)
 レンズ台部 (iR8500/8500Pタイプ) (1/2)

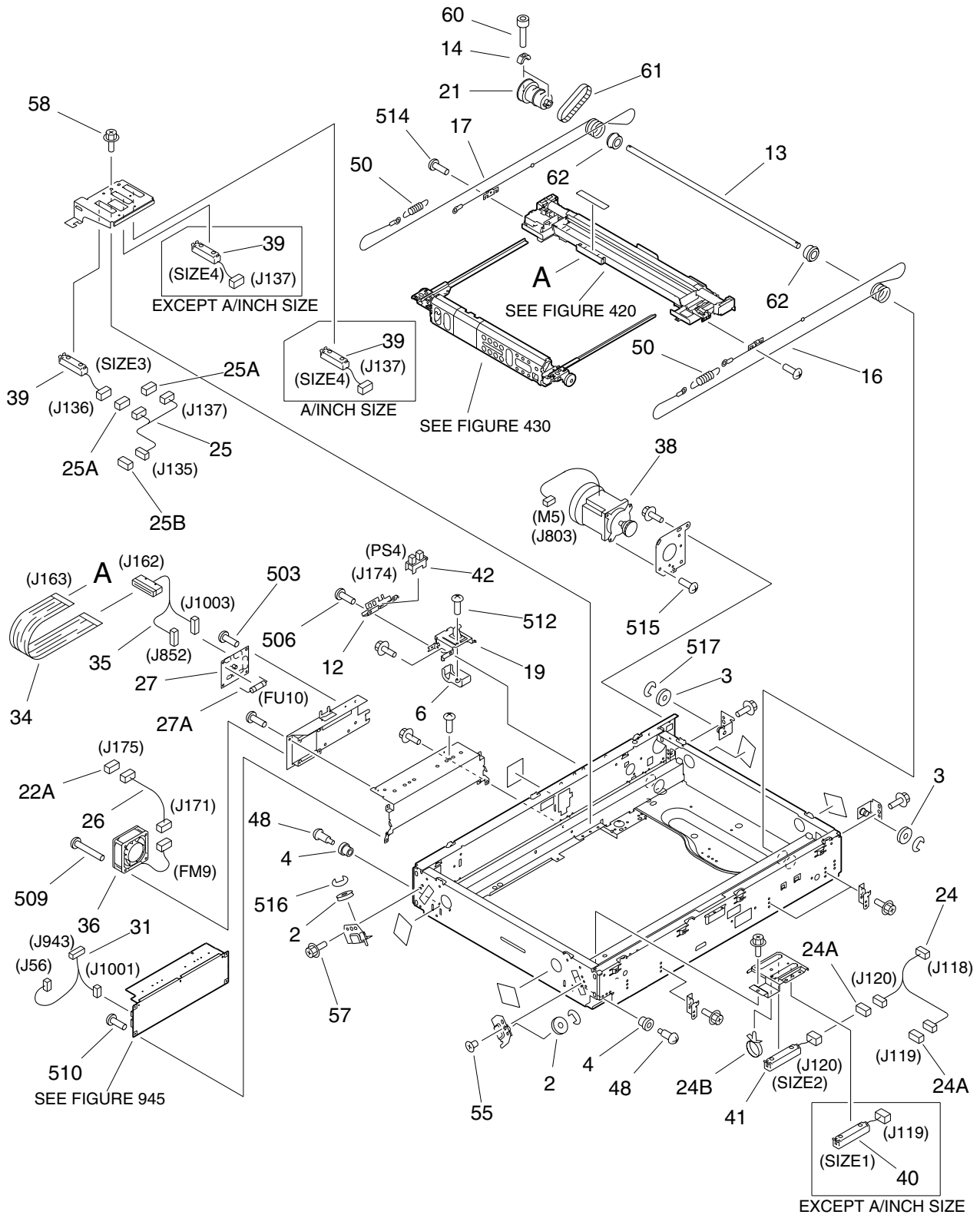


FIGURE & KEY NO.	PART NUMBER	RANK	QTY	DESCRIPTION	SERIAL NUMBER / REMARKS
210 -	NPN		RF	LENS MOUNT ASSEMBLY レンズ台部	iR8500/8500P TYPE
1	FA9 - 1800 - 000		1	CUP カップ	
2	FB1 - 7109 - 000		2	PULLEY プーリ	
3	FB1 - 7109 - 000		2	PULLEY プーリ	
4	FB1 - 7112 - 000		2	ROLLER, WIRE ワイヤ コロ	
5	FB2 - 6310 - 000		2	BUSHING, RUBBER ゴム プッシュ	
6	FB2 - 8167 - 000		1	COVER, SENSOR センサ カバ-	
7	FB4 - 0715 - 000		2	PLATE, GLASS RETAINING ガラス押し板	
8	FB4 - 1428 - 000		2	PLATE, FIXING 固定板	
9	FB4 - 1734 - 000		1	SCREW, ADJUSTING 調整ネジ	
10	FB4 - 2358 - 000		1	LEVER, GLASS SENSOR ガラス検知レバー	
11	FB4 - 2360 - 000		1	HOLDER, SENSOR センサ ホルダ	
12	FB4 - 2366 - 000		1	HOLDER, SENSOR センサ ホルダ	
13	FB4 - 2376 - 000		1	SHAFT, SCANNER DRIVE 光学駆動軸	
14	FB4 - 2384 - 000		2	LOCK, PULLEY プーリ ロック	
15	FB5 - 7054 - 000		1	SEAL, DUST-PROOF, FRONT 防塵シール (前)	
16	FB6 - 2724 - 000		1	WIRE, SCANNER, FRONT 光学ワイヤ (前)	
17	FB6 - 2725 - 000		1	WIRE, SCANNER, REAR 光学ワイヤ (後)	
18	FF5 - 2173 - 000		2	PLATE, POSITIONING 位置決め板	
19	FF5 - 7883 - 000		1	PLATE, SENSOR ARM SUPPORT 検知アーム支板	
20	FF5 - 7938 - 000		1	COVER, CCD CCDカバー	
20A	FB4 - 1712 - 000		1	SEAL, CCD COVER, CCD CCDカバー シール (CCD)	
20B	FB4 - 1714 - 000		1	SEAL, CCD COVER, UPPER CCDカバー シール (上)	
21	FF9 - 1909 - 000		1	PULLEY, DRIVE 駆動プーリ	
22	FG6 - 1823 - 000		1	CABLE, REAR UPPER 後上束線	J23,34,56,158,159 J167,168,172,174,175
22A	VS1 - 5057 - 003		1	CONNECTOR, SNAP TIGHT チュウケイ コネクタ	J346,347,801,802 J804,851,853,1002 J175
23	FG6 - 1824 - 000		1	CABLE, HOME POSITION SENSOR ホーム センサ束線	J168-170
23A	VS1 - 5057 - 006		1	CONNECTOR, SNAP TIGHT チュウケイ コネクタ	J168
24	FG6 - 1827 - 000		1	CABLE, SIZE SENSOR 1/2 原稿サイズ検知 (1/2) 束線	J118-120

FIGURE & KEY NO.	PART NUMBER	RANK	QTY	DESCRIPTION	SERIAL NUMBER / REMARKS
210 - 24 A	VS1 - 5057 - 003		2	CONNECTOR, SNAP TIGHT チュウケイ コネクタ	J119,120
24 B	WT2 - 5178 - 000		1	CLIP, CABLE ロッキング ワイヤ サドル	
25	FG6 - 1828 - 000		1	CABLE, SIZE SENSOR 3/4 原稿サイズ検知 (3/4) 束線	J135-137
25 A	VS1 - 5057 - 003		2	CONNECTOR, SNAP TIGHT チュウケイ コネクタ	J136,137
25 B	VS1 - 6318 - 006		1	CONNECTOR, SNAP TIGHT チュウケイ コネクタ	J135
26	FG6 - 1893 - 000		1	CABLE, INVERTER FAN CONNECTING インバータ ファン中継束線	J171,175
27	FG6 - 1942 - 000		1	EXPOSURE CONTROL PCB ASSEMBLY 調光制御回路基板	
27 A	VD7 - 1622 - 001		1	FUSE, 2A, 60V ヒューズ	FU10
28	FG6 - 2033 - 000		1	SCANNER MOTOR DRIVER PCB ASS'Y 光学モータ ドライバ回路基板	
29	FG6 - 2512 - 000		1	TRANSFORMER PCB ASSEMBLY 高圧回路基板	
30	FG6 - 7213 - 000		1	CABLE, CCD POWER CONNECTING CCD電源中継束線	J32,35,1102
31	FG6 - 7260 - 000		1	CABLE, INV. POWER CONNECTING インバータ電源中継束線	J56,943,1001
32	FG6 - 7332 - 000		1	DF CONNECTOR MOUNT UNIT DFコネクタ台ユニット	
32 A	FG6 - 1825 - 000		1	CABLE, LATTICE, RF ラティス束線 (RF)	J23,172,240
32 B	FG6 - 7223 - 000		1	CABLE, OPT. MOTOR CONNECTING 光学モータ中継束線	J347,348
32 C	VS1 - 5057 - 007		1	CONNECTOR, SNAP TIGHT チュウケイ コネクタ	J172
32 D	VS1 - 6318 - 003		1	CONNECTOR, SNAP TIGHT チュウケイ コネクタ	J347
33	FG6 - 7401 - 000		1	CCD UNIT CCDユニット	
33 A	FB4 - 1713 - 000		2	SEAL, CCD COVER, SIDE CCDカバー シール (サイド)	
33 B	FB4 - 1715 - 000		1	SHEET, LIGHT-BLOCKING 遮光シート	
33 C	FB4 - 1740 - 000		2	SPRING, LEAF イタ バネ	
33 D	FG6 - 1822 - 000		1	CABLE, CCD CONNECTING CCD中継束線	J32,1501
33 E	FH2 - 6898 - 000		1	CABLE, FLAT フラット ケーブル	J1108,1503
33 F	FH2 - 6899 - 000		1	CABLE, FLAT フラット ケーブル	J1107,1502
33 G	FS7 - 8109 - 000		1	LABEL, CABLE CONNECTOR ケーブル コネクタ ラベル	
34	FH2 - 6452 - 000		1	CABLE, FLUORESCENT LAMP 蛍光灯フレキ束線	J162,163
35	FH2 - 6574 - 000		1	CABLE, FLUORESCENT 蛍光灯束線	J162,852,1003
36	FH6 - 1544 - 000		1	FAN, COOLING 冷却ファン	FM9 J171
37	FH6 - 1547 - 000		1	FAN, COOLING 冷却ファン	FM4 J103
38	FH6 - 1886 - 000		1	MOTOR, STEPPING ステッピング モータ	M5 J803

FIGURE & KEY NO.	PART NUMBER	RANK	QTY	DESCRIPTION	SERIAL NUMBER / REMARKS
210 - 39	FH7 - 7423 - 000		2	SENSOR, DOCUMENT, REAR 原稿検知センサ (後)	SIZE3,4 J136,137
40	FH7 - 7424 - 000		1	SENSOR, DOCUMENT, FRONT 原稿検知センサ (前)	EXCEPT A/INCH SIZE SIZE1 J119
41	FH7 - 7424 - 000		1	SENSOR, DOCUMENT, FRONT 原稿検知センサ (前)	SIZE2 J120
42	FH7 - 7462 - 000		1	PHOTO-INTERRUPTER フォトインタラプタ	PS4 J174
43	FH7 - 7462 - 000		1	PHOTO-INTERRUPTER フォトインタラプタ	PS57 J159
44	FH7 - 7485 - 000		2	PHOTO-INTERRUPTER フォトインタラプタ	PS1,3 J169,170
45	FS1 - 9002 - 000		1	SCREW, STEPPED, M4 段ビス	
46	FS2 - 9267 - 000		1	SCREW, STEPPED, M4 ダンビス	
47	FS5 - 6684 - 000		3	PLATE, CCD SPRING CCDパネ受け	
48	FS5 - 9219 - 000		2	SCREW, STEPPED, M4 段ビス	
49	FS5 - 9491 - 000		3	SCREW, STEPPED, M4 段ビス	
50	FS6 - 2737 - 000		2	SPRING, TENSION ヒツパリ バネ	
51	FS6 - 2761 - 000		3	SPRING, COMPRESSION アッシュク バネ	
52	FS6 - 2894 - 000		1	SPRING, TENSION ヒツパリ バネ	
53	VS1 - 5057 - 003		1	CONNECTOR, SNAP TIGHT チュウケイ コネクタ	J103
54	VS1 - 6319 - 026		1	CONNECTOR, SNAP TIGHT チュウケイ コネクタ	J158
55	XA9 - 0271 - 000		6	SCREW, M4X6 ネジ	
56	XA9 - 0520 - 000		2	BOLT, HEX SKT, M4X8 六角穴付ボルト ダブルセムス (M4x8)	
57	XA9 - 0628 - 000		36	SCREW, RS, M4X8 RS タイト ネジ	
58	XA9 - 0643 - 000		AR	SCREW, RS, M4X10 RS タイト ネジ	
59	XA9 - 0965 - 000		1	NUT, HEX, M10X5 ロツカク ナット	
60	XA9 - 1092 - 000		2	SCREW, ALLEN HEAD, M4X20 ロツカク アナツキ ボルト	
61	XF9 - 0680 - 000		1	BELT, DRIVE 駆動ベルト	
62	XG9 - 0018 - 000		2	BEARING, BALL, 6000ZZNRC3 ボール ベアリング	
63	XH9 - 0006 - 000		2	BUSHING, RUBBER, (WITH M4 NUT) クワイタイト	
501	XB1 - 2300 - 409		2	SCREW, MACH., TRUSS HEAD, M3X4 バインド ネジ	
502	XB1 - 2300 - 607		4	SCREW, MACH., TRUSS HEAD, M3X6 バインド ネジ	
503	XB1 - 2300 - 609		4	SCREW, MACH., TRUSS HEAD, M3X6 バインド ネジ	
504	XB1 - 2301 - 207		2	SCREW, MACH., TRUSS HEAD, M3X12 バインド ネジ	
505	XB1 - 2400 - 609		6	SCREW, MACH., TRUSS HEAD, M4X6 バインド ネジ	

FIGURE & KEY NO.	PART NUMBER	R A N K	Q' T Y	DESCRIPTION	SERIAL NUMBER / REMARKS
210 - 506	XB1 - 2400 - 609		2	SCREW,MACH.,TRUSS HEAD,M4X6 バインド ネジ	
507	XB1 - 2401 - 209		2	SCREW,MACH.,TRUSS HEAD,M4X12 バインド ネジ	
508	XB1 - 2401 - 409		2	SCREW,MACH.,TRUSS HEAD,M4X14 バインド ネジ	
509	XB1 - 2403 - 009		2	SCREW,MACH.,TRUSS HEAD,M4X30 バインド ネジ	
510	XB2 - 4300 - 607		6	SCREW,W/WASHER,M3X6 バネツキ ナベ ネジ	
511	XB2 - 7400 - 607		1	SCREW,W/WASHER,M4X6 バネツキ バインド ネジ	
512	XB4 - 7300 - 809		1	SCREW,TAPPING,TRUSS HEAD,M3X8 バインド タッピン ネジ	
513	XB4 - 7303 - 009		2	SCREW,TAPPING,TRUSS HEAD,M3X30 バインド タッピン ネジ	
514	XB6 - 7300 - 609		4	SCREW,TP,M3X6 TP ネジ	
515	XB6 - 7400 - 609		2	SCREW,TP,M4X6 TP ネジ	
516	XD2 - 1100 - 642		2	RING,E E リング	
517	XD2 - 1100 - 642		2	RING,E E リング	

FIGURE 211 READER ASSEMBLY (iR7200/7200P TYPE)(1/2)

リーダ部 (iR7200/7200Pタイプ) (1/2)

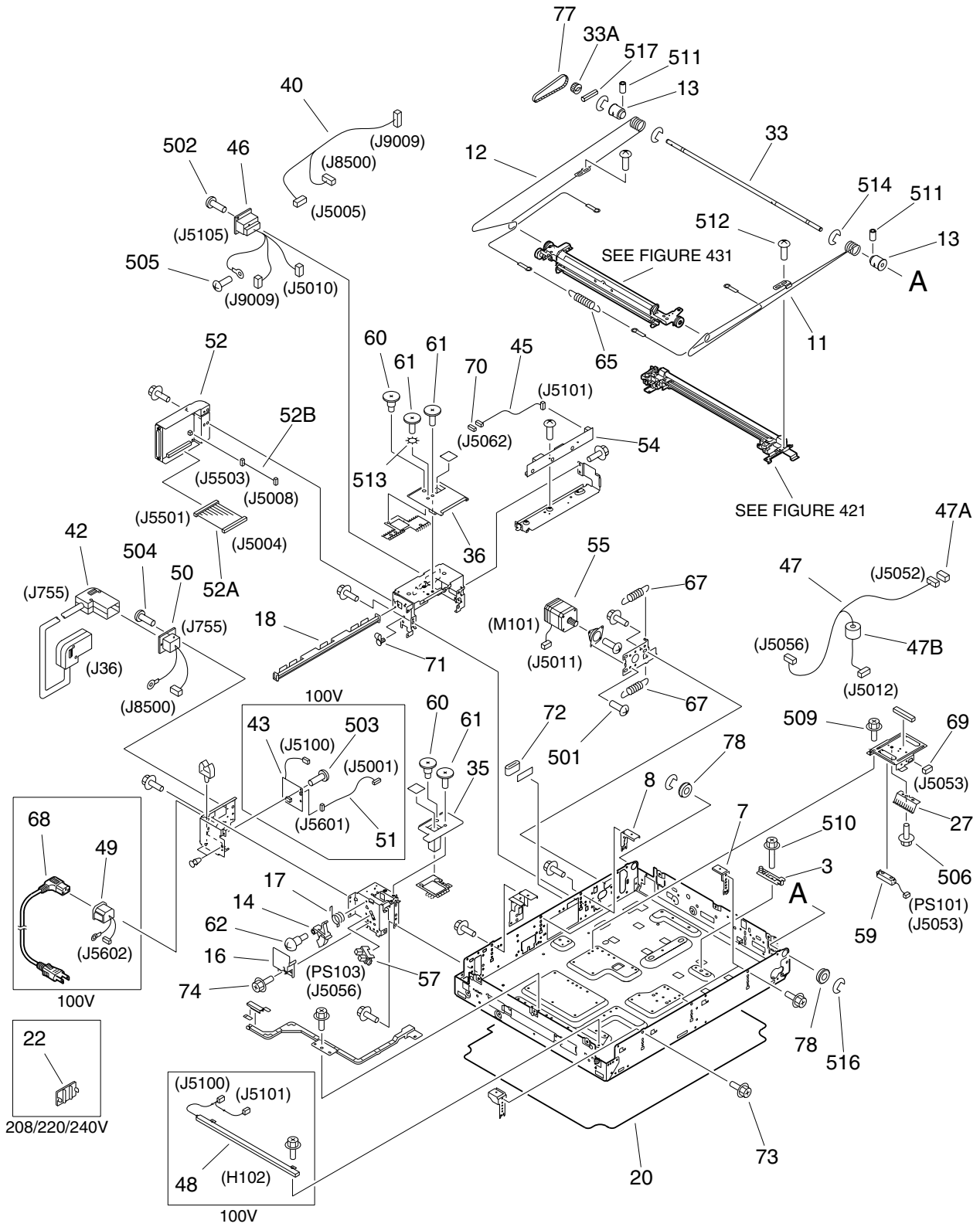


FIGURE 211 READER ASSEMBLY (iR7200/7200P TYPE)(2/2)
 リーダ部 (iR7200/7200Pタイプ) (2/2)

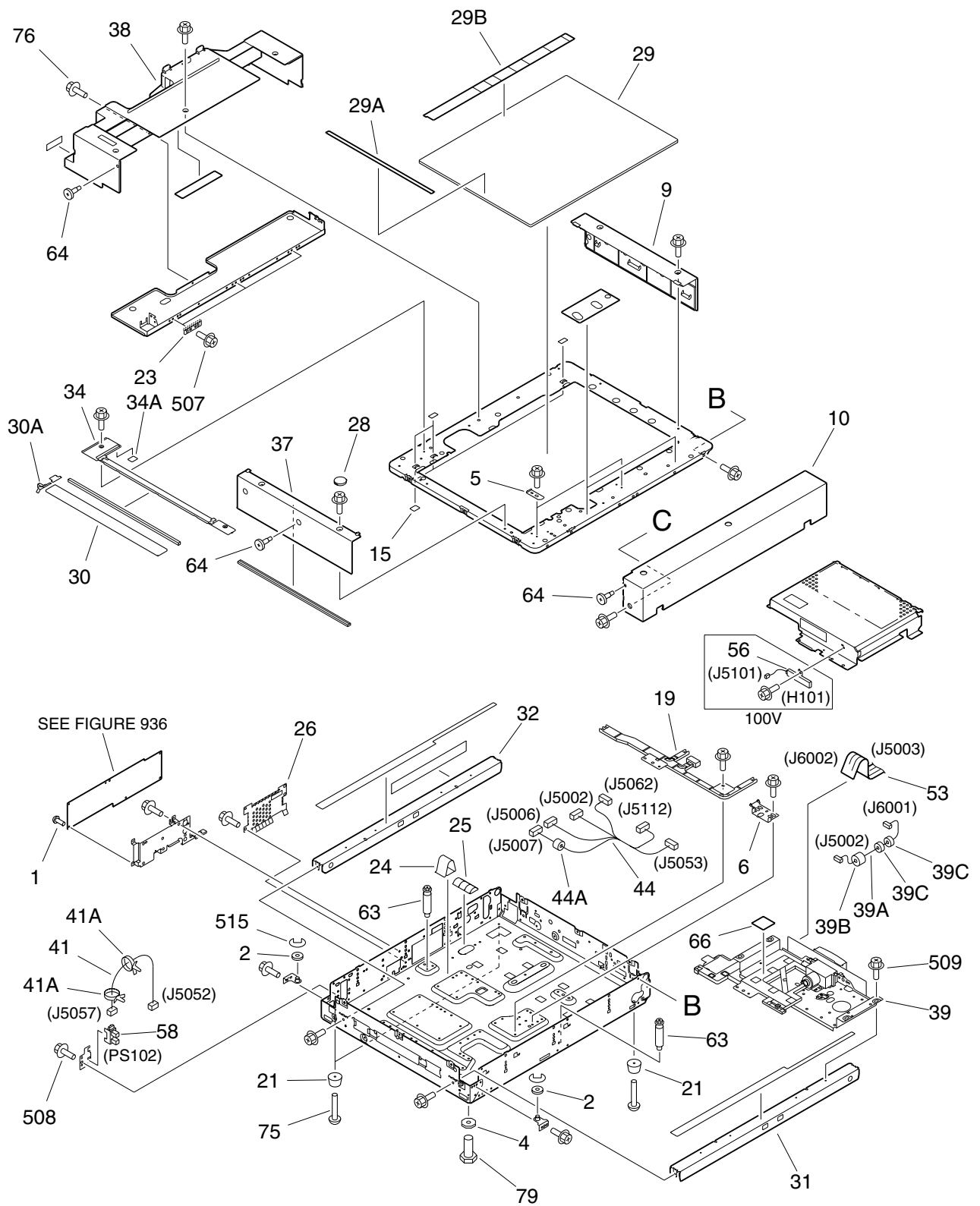


FIGURE & KEY NO.	PART NUMBER	RANK	QTY	DESCRIPTION	SERIAL NUMBER / REMARKS
211 -	NPN		1	READER ASSEMBLY リーダ部	iR7200/7200P TYPE
1	FA9 - 1449 - 000		7	SCREW,W/WASHER,M3X6 パネツキ バインド ネジ	
2	FB1 - 7109 - 000		2	PULLEY プーリ	
3	FB3 - 2398 - 020		1	LEVER, LENS MOUNT レンズ台レバー	
4	FB4 - 0753 - 000		1	NUT ロック ナット	
5	FB4 - 5402 - 000		2	PLATE, GLASS ガラス突き当て板	
6	FB5 - 3046 - 000		1	PLATE, SKEW ADJUSTMENT 斜行調整板	
7	FB5 - 3049 - 000		2	PLATE, FRONT 補強板(前)	
8	FB5 - 3050 - 000		2	PLATE, REAR 補強板(後)	
9	FB5 - 3055 - 000		1	RETAINER, GLASS, RIGHT ガラス押え(右)	
10	FB5 - 3056 - 000		1	PANEL, FRONT カバー(前)	
11	FB5 - 3085 - 000		1	WIRE, SCANNER, FRONT (MECH) 光学ワイヤ(前)	
12	FB5 - 3086 - 000		1	WIRE, SCANNER, REAR (MECH) 光学ワイヤ(後)	
13	FB5 - 3087 - 000		2	PULLEY 駆動プーリ	
14	FB5 - 3090 - 000		1	LEVER, SENSOR 検知レバー	
15	FB5 - 3502 - 000		3	SHEET スキマ シート(小)	
16	FB5 - 3635 - 000		1	COVER, SENSOR 検知カバー	
17	FB5 - 3636 - 000		1	SPRING, TORSION ネジリ パネ	
18	FB5 - 3641 - 000		1	GUIDE, CABLE 束線ガイド	
19	FB5 - 3642 - 000		1	GUIDE, BOTTOM CABLE 底束線ガイド	
20	FB5 - 5455 - 000		1	SHEET, BOTTOM 底シート	
21	FB5 - 5456 - 000		3	FOOT, RUBBER ゴム足	
22	FB5 - 5458 - 000		1	COVER, INLET インレットカバー	208/220/240V
23	FB5 - 5467 - 000		3	SPRING, LEAF 底板パネ	
24	FB5 - 5544 - 000		1	SPRING, LEAF 板パネ	
25	FB5 - 5547 - 000		1	SPRING, GROUNDING アース パネ	
26	FB5 - 5549 - 000		1	SPRING, GROUNDING 穴板パネ	
27	FB5 - 5551 - 000		1	SPRING, LEAF 板パネ	
28	FB5 - 5555 - 000		1	COVER, BLANKING カバー ゴム	
29	FF5 - 9811 - 000		1	GLASS, COPYBOARD 原稿台ガラス	AB SIZE

FIGURE & KEY NO.	PART NUMBER	RANK	QTY	DESCRIPTION	SERIAL NUMBER / REMARKS	
211 - 29	FF5 - 9812 - 000		1	GLASS, COPYBOARD 原稿台ガラス	A/INCH SIZE	
	FF5 - 9813 - 000		1	GLASS, COPYBOARD 原稿台ガラス	A SIZE	
	FF5 - 9814 - 000		1	GLASS, COPYBOARD 原稿台ガラス	AB/INCH SIZE	
	29 A	FB5 - 3052 - 000		1	PLATE, WIDTH INDEX 縦サイズ プレート	AB SIZE
	FB5 - 4557 - 000		1	PLATE, WIDTH INDEX 縦サイズ プレート	A/INCH SIZE	
29 B	FB5 - 4558 - 000		1	PLATE, WIDTH INDEX 縦サイズ プレート	A SIZE	
	FB5 - 4559 - 000		1	PLATE, WIDTH INDEX 縦サイズ プレート	AB/INCH SIZE	
	FB5 - 4535 - 000		1	PLATE, LENGTH INDEX 横サイズ プレート	AB SIZE	
	FB5 - 4553 - 000		1	PLATE, LENGTH INDEX 横サイズ プレート	A/INCH SIZE	
	FB5 - 4554 - 000		1	PLATE, LENGTH INDEX 横サイズ プレート	A SIZE	
30	FB5 - 4555 - 000		1	PLATE, LENGTH INDEX 横サイズ プレート	AB/INCH SIZE	
	FF5 - 9816 - 000		1	GLASS, READER 流し読みガラス		
	30 A	FB5 - 4586 - 000		1	SPRING, GROUNDING アース パネ	
	31	FF5 - 9820 - 000		1	RAIL, SCANNER, FRONT 光学レール(前)	
	32	FF5 - 9821 - 000		1	RAIL, SCANNER, REAR 光学レール(後)	
33	FF5 - 9830 - 000		1	SHAFT, DRIVE 駆動軸		
	33 A	FS5 - 3804 - 000		1	PULLEY, 33T 33T プーリ	
	34	FF5 - 9854 - 000		1	GUIDE, PAPER ジャンプ台	
	34 A	FB5 - 3502 - 000		1	SHEET スキマ シート(小)	
	35	FF5 - 9956 - 000		1	COVER, POCKET, LEFT ポケット カバー(左)	
36	FF5 - 9957 - 000		1	COVER, POCKET, RIGHT ポケット カバー(右)		
	37	FF5 - 9959 - 000		1	RETAINER, GLASS, LEFT ガラス押え(左)	
	38	FF6 - 0384 - 000		1	PANEL, REAR 後カバー	
	39	FG6 - 4853 - 000		1	CCD UNIT CCD ユニット	
	39 A	FG6 - 4973 - 000		1	CABLE, CCD POWER CCD電源束線	J5002,6001
39 B	WE8 - 5622 - 000		1	CORE, RING リング コア		
	39 C	WE8 - 5791 - 000		2	CORE, FERRITE リング コア	
	40	FG6 - 4970 - 000		1	CABLE, ADF POWER CONNECTING ADF電源中継束線	J5005,8500,9009
	41	FG6 - 4971 - 000		1	CABLE, HOME POSITION SENSOR HPセンサ束線	J5052,5057
	41 A	WT2 - 5565 - 000		2	CLAMP, CABLE ソクセン オサエ	

FIGURE & KEY NO.	PART NUMBER	RANK	QTY	DESCRIPTION	SERIAL NUMBER / REMARKS
211 - 42	FG6 - 4985 - 000		1	CABLE, DDI-S POWER SUPPLY DDI - S電源ケーブル	J36,755
43	FG6 - 4988 - 000		1	FUSE PCB ASSEMBLY ヒューズ回路基板	100V
44	FG6 - 5475 - 000		1	CABLE, DOCUMENT CONNECTING 原稿検知中継束線	J5002,5006,5007 J5053,5062,5112
44 A	WE8 - 5406 - 000		1	CORE, FERRITE フェライト コア	
45	FG6 - 5476 - 000		1	CABLE, INVERTER インバータ束線	J5062,5101
46	FG6 - 5479 - 000		1	CABLE, READER CONT./ADF POWER リーダー コントローラ / ADF電源束線	J5010,5105,9009
47	FG6 - 5480 - 000		1	CABLE, ADF SENSOR ADF開閉センサ束線	J5012,5052,5056
47 A	VS1 - 5057 - 003		1	CONNECTOR, SNAP TIGHT チュウケイ コネクタ	J5052
47 B	WE8 - 5406 - 000		1	CORE, FERRITE フェライト コア	
48	FG6 - 5917 - 000		1	HEATER, PLATE プレート ヒータ	100V H102 J5100,5101
49	FG6 - 5956 - 000		1	CABLE, INLET インレット束線	100V J5602
50	FG6 - 5957 - 000		1	CABLE, LATTICE ラティス束線	J755,8500
51	FG6 - 5958 - 000		1	CABLE, FUSE PCB ヒューズ基板束線	100V J5001,5601
52	FG6 - 6100 - 000		1	DDIS PCB ASSEMBLY 差動ボード回路基板	
52 A	FG6 - 5954 - 000		1	FLAT CABLE フラットケーブル	J5501,5004
52 B	FG6 - 5955 - 000		1	CABLE, BOARD POWER SUPPLY 差動ボード用電源束線	J5008,5503
53	FH2 - 6853 - 000		1	CABLE, FLAT フラット ケーブル	J5003,6002
54	FH3 - 7208 - 000		1	INVERTER PCB UNIT インバータ回路基板	
55	FH6 - 1734 - 000		1	MOTOR, STEPPING, DC 24V 光学モータ	M101 J5011
56	FH7 - 4666 - 000		1	HEATER, PLATE プレート ヒータ	100V H101 J5101
57	FH7 - 7312 - 000		1	PHOTO-INTERRUPTER フォトインタラプタ	PS103 J5056
58	FH7 - 7312 - 000		1	PHOTO-INTERRUPTER フォトインタラプタ	PS102 J5057
59	FH7 - 7386 - 000		1	SENSOR, DOCUMENT, REAR 原稿検知センサ (後)	PS101 J5053
60	FS2 - 9540 - 000		2	SCREW, STEPPED, M5 段ビス	
61	FS2 - 9542 - 000		3	SCREW, STEPPED 段ビス	
62	FS5 - 9227 - 000		1	SCREW, STEPPED, M4 段ビス	
63	FS5 - 9642 - 000		2	SCREW, STEPPED, M4 溝付段ビス	
64	FS5 - 9665 - 000		3	SCREW, MIRROR FIXED ミラー固定ネジ	
65	FS6 - 2913 - 000		1	SPRING, TENSION ヒツバリ バネ	
66	FS6 - 8991 - 000		1	LABEL, CARD CONNECTOR カード コネクタ ラベル	

FIGURE & KEY NO.	PART NUMBER	RANK	QTY	DESCRIPTION	SERIAL NUMBER / REMARKS
211 - 67	FS7 - 2324 - 000		2	SPRING, TENSION ヒツバリ パネ	
68	RH2 - 5191 - 000		1	CORD, POWER 電源コード	100V
69	VS1 - 5057 - 003		1	CONNECTOR, SNAP TIGHT チュウケイ コネクタ	J5053
70	VS1 - 6318 - 005		1	CONNECTOR, SNAP TIGHT チュウケイ コネクタ	J5062
71	VT2 - 0021 - 003		1	CLAMP, CABLE ケーブル クランプ	
72	WE8 - 5266 - 000		1	FERRITE CORE SSC-33.5-12-F フェライト コア	
73	XA9 - 0642 - 000		6	SCREW,RS,M3X6 RS タイト ネジ	
74	XA9 - 0732 - 000		1	SCREW,RS,M4X8 RS タイト ネジ	
75	XA9 - 0791 - 000		3	SCREW,M4X17 RSタイト Wセムス	
76	XA9 - 0908 - 000		7	SCREW,RS,M4X8 RS タイト ネジ	
77	XF9 - 0716 - 000		1	BELT, MOTOR DRIVE 駆動ベルト	
78	XG9 - 0250 - 000		2	BEARING, BALL ボール ベアリング	
79	XZ9 - 0444 - 000		1	ADJUSTER アジャスタ	
501	XB1 - 2300 - 609		4	SCREW,MACH.,TRUSS HEAD,M3X6 バインド ネジ	
502	XB1 - 2300 - 609		2	SCREW,MACH.,TRUSS HEAD,M3X6 バインド ネジ	
503	XB1 - 2300 - 609		1	SCREW,MACH.,TRUSS HEAD,M3X6 バインド ネジ	
504	XB1 - 2300 - 609		4	SCREW,MACH.,TRUSS HEAD,M3X6 バインド ネジ	
505	XB2 - 7400 - 609		1	SCREW,W/WASHER,M4X6 パネツキ バインド ネジ	
506	XB3 - 6400 - 800		1	SCREW,RS,M4X8 RS タイト ネジ	
507	XB3 - 6400 - 800		6	SCREW,RS,M4X8 RS タイト ネジ	
508	XB3 - 6400 - 800		19	SCREW,RS,M4X8 RS タイト ネジ	
509	XB3 - 6400 - 800		51	SCREW,RS,M4X8 RS タイト ネジ	
510	XB3 - 6401 - 205		1	SCREW,RS,M4X12 RS タイト ネジ	
511	XB6 - 2400 - 508		4	SETSCREW,M4X5 ロック アナツキ トメネジ	
512	XB6 - 7300 - 409		2	SCREW,TP,M3X4 TP ネジ	
513	XD1 - 4200 - 602		1	WASHER, TOOTHED LOCK (SUS) 歯付座金	
514	XD2 - 1100 - 642		2	RING,E E リング	
515	XD2 - 1100 - 642		2	RING,E E リング	
516	XD2 - 1100 - 642		4	RING,E E リング	
517	XD3 - 1300 - 142		1	PIN,SPRING スプリング ピン	

FIGURE 215 SCANNER MOUNT ASSEMBLY
 スキャナ台部

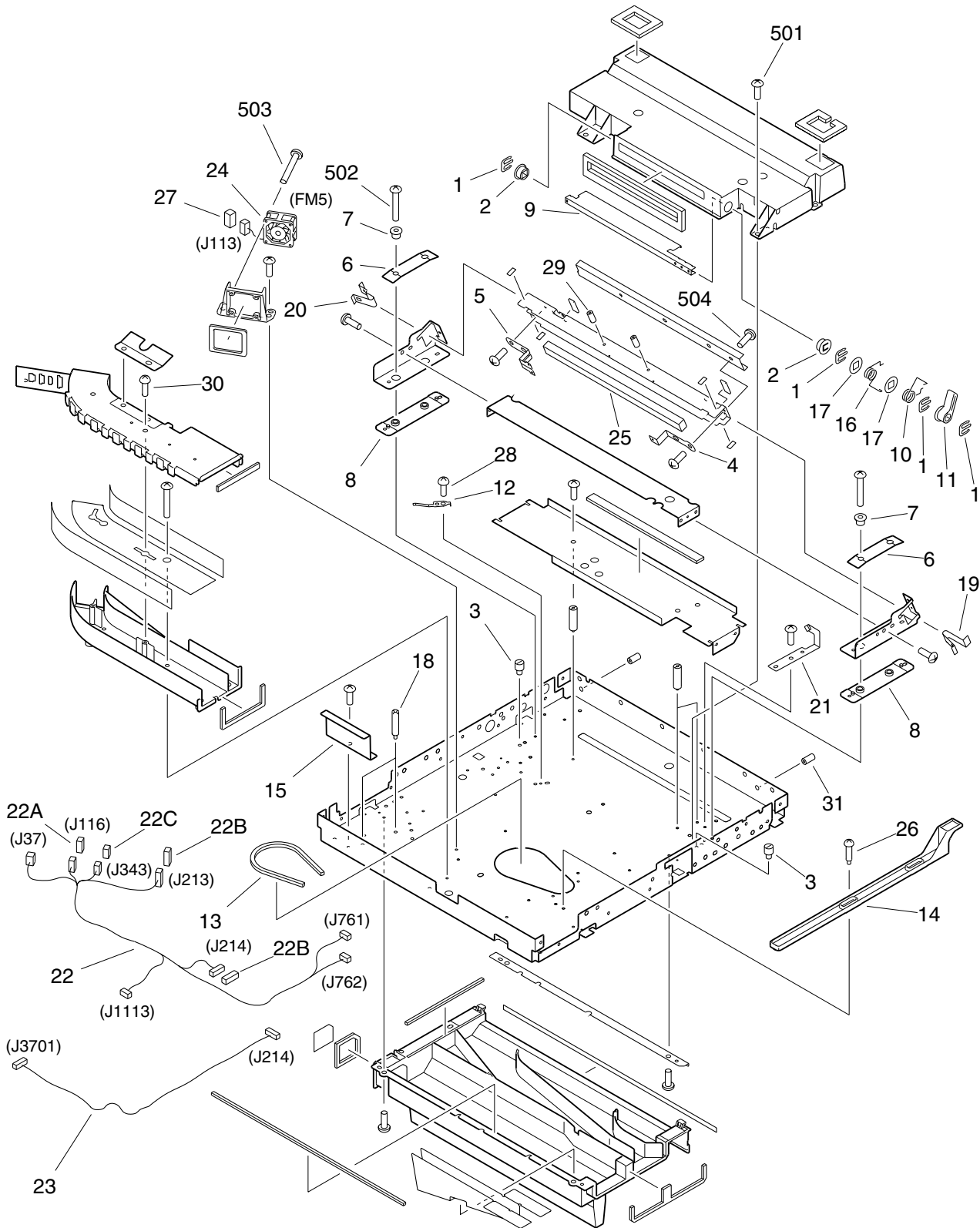
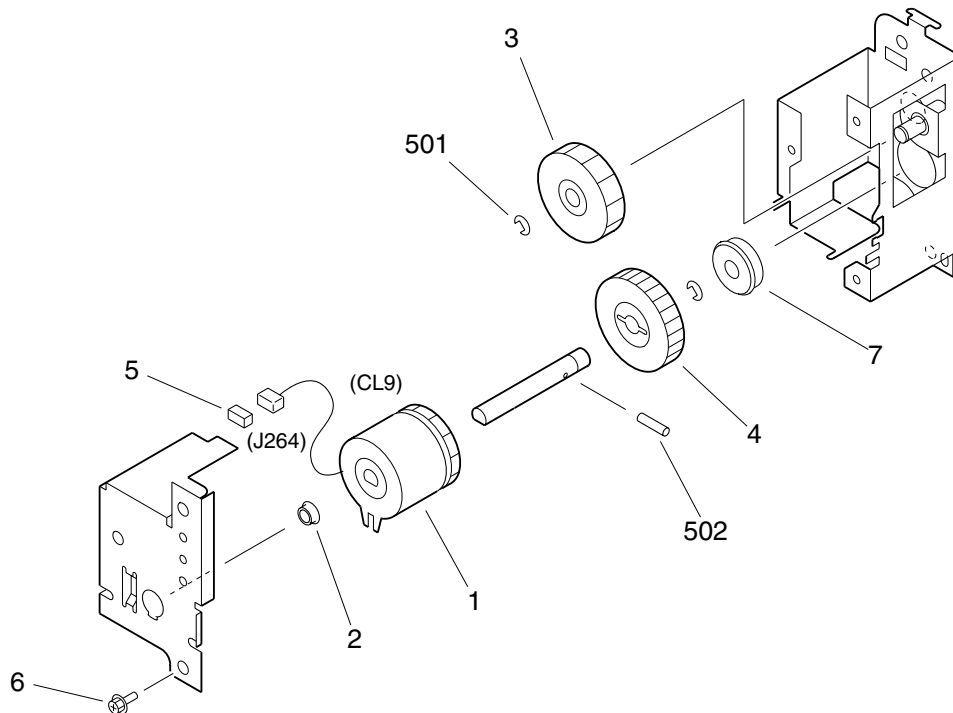


FIGURE & KEY NO.	PART NUMBER	RANK	QTY	DESCRIPTION	SERIAL NUMBER / REMARKS
215 -	NPN		RF	SCANNER MOUNT ASSEMBLY スキャナ台部	
1	FA2 - 8361 - 000		4	RETAINER キンテイ	
2	FB2 - 1382 - 000		2	COLLAR カラー	
3	FB4 - 1512 - 000		2	PIN, MIRROR SUPPORT ミラー支板ピン	
4	FB4 - 1521 - 000		1	SPRING, LEAF, FRONT 板バネ (前)	
5	FB4 - 1522 - 000		1	SPRING, LEAF, REAR 板バネ (後)	
6	FB4 - 1532 - 000		2	SPRING, LEAF 板バネ	
7	FB4 - 1533 - 000		4	SPACER スペーサ	
8	FB4 - 1534 - 000		2	PLATE, SUPPORT 支板プレート	
9	FB4 - 1538 - 000		1	PLATE, SHUTTER シャッター板	
10	FB4 - 1539 - 020		1	SPRING, TORSION ネジリ バネ	
11	FB4 - 1540 - 000		1	ARM, SHUTTER シャッター アーム	
12	FB4 - 1546 - 000		1	PLATE, GROUNDING アース板	
13	FB4 - 1550 - 000		1	CUSHION, RUBBER クッション ゴム	
14	FB4 - 1554 - 000		1	PLATE, SHUTTER SLIDE シャッター スライド板	
15	FB4 - 1564 - 000		1	COVER, IMAGE PROCESSOR CABLE イメージ プロセッサ束線カバー	
16	FB5 - 4346 - 000		1	SPRING, TORSION ネジリ バネ	
17	FB5 - 4347 - 000		2	WASHER, SHUTTER シャッター ワッシャ	
18	FB5 - 7042 - 000		2	SPACER, CABLE SUPPORT ケーブル サポート スペーサ	
19	FB5 - 8809 - 000		1	SPRING, LEAF, FRONT 板バネ (前)	
20	FB5 - 8810 - 000		1	SPRING, LEAF, REAR 板バネ (後)	
21	FF5 - 7717 - 000		1	MIRROR, BEAM DETECTOR ビーム デテクタ ミラー	
22	FG6 - 1826 - 000		1	CABLE, LENS MOUNT INTERNAL レンズ台内部中継束線	J37,116,213,214,343 J761,762,1113
22 A	VS1 - 5057 - 004		1	CONNECTOR, SNAP TIGHT チュウケイ コネクタ	J116
22 B	VS1 - 5057 - 006		2	CONNECTOR, SNAP TIGHT チュウケイ コネクタ	J213,214
22 C	VS1 - 6318 - 004		1	CONNECTOR, SNAP TIGHT チュウケイ コネクタ	J343
23	FG6 - 7202 - 000		1	CABLE, BEAM DETECT ビーム デテクタ束線	J214,3701
24	FH6 - 1547 - 000		1	FAN, COOLING 冷却ファン	FM5 J113
25	FN5 - 4009 - 000		1	MIRROR, DIGITAL デジタル ミラー	
26	FS2 - 9001 - 000		2	SCREW, STEPPED, M4 ダン ビス	

FIGURE & KEY NO.	PART NUMBER	R A N K	Q' T Y	DESCRIPTION	SERIAL NUMBER / REMARKS
215 - 27	VS1 - 5057 - 003		1	CONNECTOR, SNAP TIGHT チュウケイ コネクタ	J113
28	XA9 - 0265 - 000		1	SCREW,W/WASHER,TRUSS HEAD ザツキ バインド ネジ	
29	XA9 - 0427 - 000		2	SETSCREW,M4X8 ロッカク アナツキ トメネジ	
30	XA9 - 0870 - 000		2	SCREW,M4X10 タイト ネジ	
31	XA9 - 1091 - 000		2	SETSCREW,M4X8 ロッカク アナツキ トメネジ	
501	XB1 - 2400 - 609		17	SCREW,MACH.,TRUSS HEAD,M4X6 バインド ネジ	
502	XB1 - 2401 - 409		6	SCREW,MACH.,TRUSS HEAD,M4X14 バインド ネジ	
503	XB4 - 7303 - 007		2	SCREW,TAPPING,TRUSS HEAD,M3X30 バインド タッピン ネジ	
504	XB6 - 7400 - 609		4	SCREW,TP,M4X6 TP ネジ	

FIGURE 230 VERTICAL PATH DRIVE ASSEMBLY 縦パス駆動部

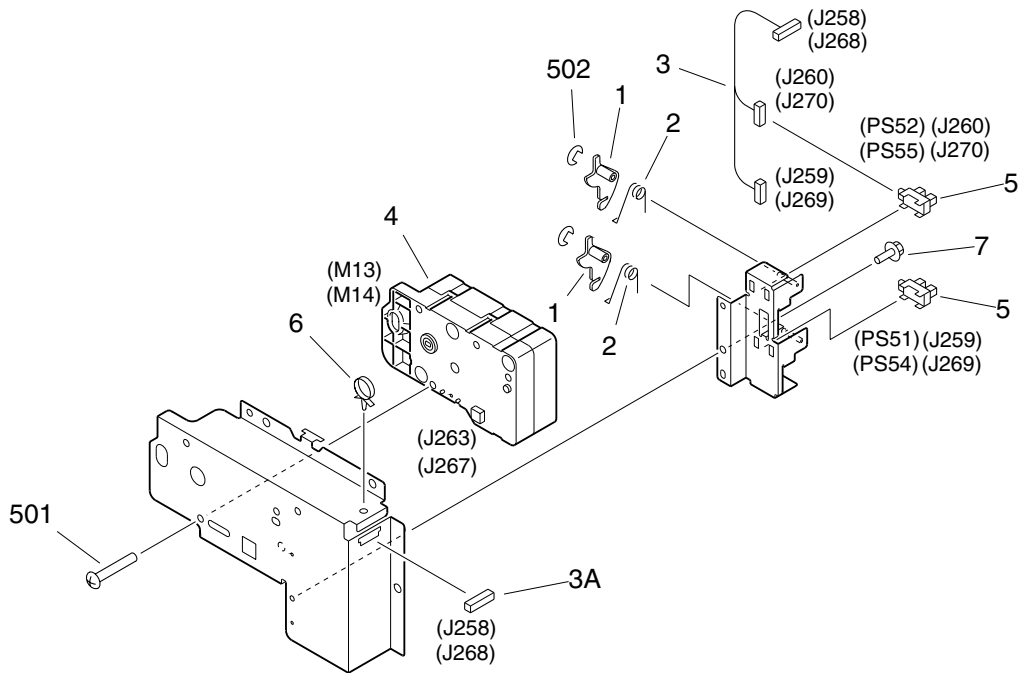


NOTE: This assembly does not include the part shown with key No.5.
注：このユニットにKey No. 5の部品は含まれません。

FIGURE & KEY NO.	PART NUMBER	RANK	QTY	DESCRIPTION	SERIAL NUMBER / REMARKS
230 -	FG6 - 2017 - 000		1	VERTICAL PATH DRIVE ASSEMBLY 縦パス駆動部	
1	FH7 - 5826 - 000		1	CLUTCH, ELECTROMAGNETIC 電磁クラッチ	CL9 J264
2	FS1 - 1189 - 000		1	BUSHING ブッシング	
3	FS3 - 0165 - 000		1	GEAR, 40T 40T ギア	
4	FS5 - 0398 - 000		1	GEAR, 40T 40T ギア	
5	VS1 - 5057 - 002		1	CONNECTOR, SNAP TIGHT チュウケイ コネクタ	SEE NOTE J264
6	XA9 - 0628 - 000		3	SCREW, RS, M4X8 RS タイト ネジ	
7	XG9 - 0249 - 000		1	BEARING, BALL ボール ベアリング	
501	XD2 - 1100 - 642		2	RING, E E リング	
502	XD3 - 2200 - 162		1	PIN, DOWEL ヘイコウ ピン	

FIGURE 231 LIFTER DRIVE ASSEMBLY

リフタ駆動部



NOTE: This assembly does not include the part shown with key No.6.

注：このユニットにKey No. 6の部品は含まれません。

FIGURE & KEY NO.	PART NUMBER	RANK	QTY	DESCRIPTION	SERIAL NUMBER / REMARKS
231 -	FG6 - 2243 - 000		2	LIFTER DRIVE ASSEMBLY リフタ駆動部	
1	FB2 - 9248 - 000		2	ARM, PAPER SENSOR 紙検知アーム	
2	FB5 - 0553 - 000		2	SPRING, TORSION ネジリ バネ	
3	FG6 - 1888 - 000		1	CABLE, DECK SENSOR デッキ残量検知束線	J258-260 J268-270
3A	VS1 - 5057 - 006		1	CONNECTOR, SNAP TIGHT チュウケイ コネクタ	J258,268
4	FH6 - 1541 - 000		1	MOTOR, DC 19.2W DCモータ	M13,14 J263,267
5	FH7 - 7462 - 000		2	PHOTO-INTERRUPTER フォトインタラプタ	PS51,52,54,55 J259,260,269,270
6	WT2 - 5565 - 000		1	CLAMP, CABLE ソクセン オサエ	SEE NOTE
7	XA9 - 0628 - 000		1	SCREW,RS,M4X8 RS タイト ネジ	
501	XB5 - 6401 - 609		3	SCREW,CT,M4X16 CT ネジ	
502	XD2 - 1100 - 242		2	RING,E E リング	

FIGURE 250 MAIN DRIVE ASSEMBLY メイン駆動部

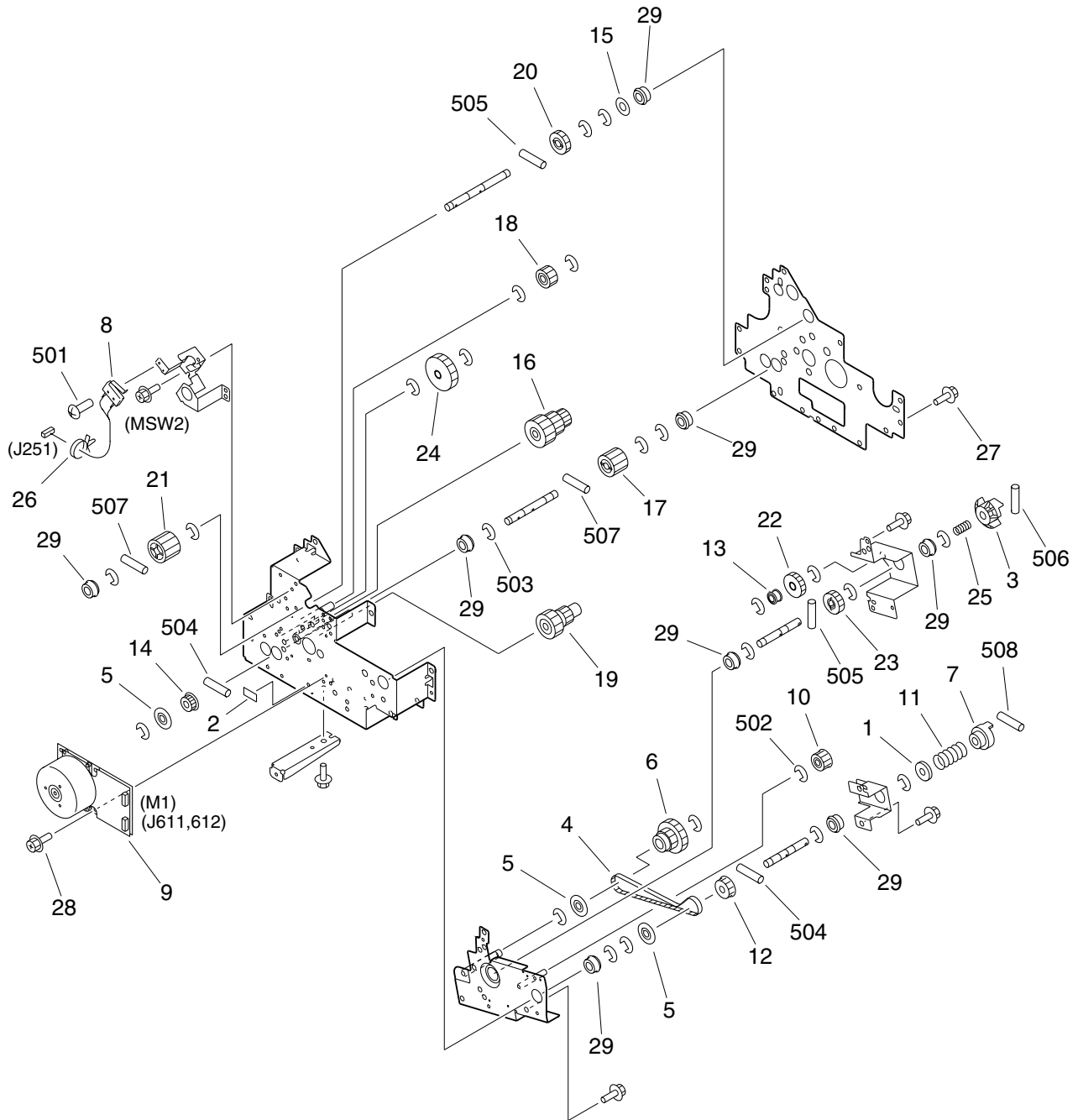


FIGURE & KEY NO.	PART NUMBER	RANK	QTY	DESCRIPTION	SERIAL NUMBER / REMARKS
250 -	FG6 - 7326 - 000		1	MAIN DRIVE ASSEMBLY メイン駆動部	
1	FA6 - 8304 - 000		1	WASHER, SPRING バネ ザガネ	
2	FA9 - 3805 - 000		1	LABEL, DISCRIMINATE 識別ラベル	
3	FB2 - 1047 - 000		1	COUPLING, INPUT 入力カップリング	
4	FB4 - 1766 - 000		1	BELT, TIMING タイミング ベルト	
5	FB4 - 1806 - 000		2	FLANGE フランジ	
6	FB5 - 6895 - 000		1	GEAR, 38T/36T/PULLY, 22T 38T / 36T ギア / 22T プーリ	
7	FB6 - 0581 - 000		1	COUPLING カップリング	
8	FG6 - 6903 - 000		1	CABLE, WASTE TONER SWITCH 廃トナー スイッチ束線	MSW2 J251
9	FH6 - 1868 - 000		1	MOTOR, BRUSHLESS ブラシレス モータ	M1 J611,612
10	FS2 - 3495 - 000		1	PULLEY プーリ	
11	FS5 - 2978 - 000		1	SPRING, COMPRESSION アッシュク バネ	
12	FS5 - 3609 - 000		1	PULLEY, 22T 22T プーリ	
13	FS5 - 3612 - 000		1	PULLEY プーリ	
14	FS5 - 3890 - 000		1	PULLT, 18T 18T プーリ	
15	FS5 - 6487 - 000		1	SHIM ワッシャ	
16	FS7 - 0012 - 000		1	GEAR, 50T/24T/18T 50T / 24T / 18T ギア	
17	FS7 - 0014 - 000		1	GEAR, 24T 24T ギア	
18	FS7 - 0016 - 000		1	GEAR, 20T 20T ギア	
19	FS7 - 0017 - 000		1	GEAR, 18T/27T 18T / 27T ギア	
20	FS7 - 0018 - 000		1	GEAR, 24T 24T ギア	
21	FS7 - 0019 - 000		1	GEAR, 26T 26T ギア	
22	FS7 - 0896 - 000		1	GEAR, 44T 44T ギア	
23	FS7 - 0897 - 000		1	GEAR, 40T 40T ギア	
24	FS7 - 0898 - 000		1	GEAR, 39T 39T ギア	
25	FS7 - 2531 - 000		1	SPRING, COMPRESSION アッシュク バネ	
26	WT2 - 5565 - 000		1	CLAMP, CABLE ソクセン オサエ	
27	XA9 - 0628 - 000		12	SCREW, RS, M4X8 RS タイト ネジ	
28	XA9 - 1030 - 000		4	SCREW, RS, M4X12 RS タイト ネジ	
29	XG9 - 0250 - 000		10	BEARING, BALL ボール ベアリング	

FIGURE & KEY NO.	PART NUMBER	R A N K	Q' T Y	DESCRIPTION	SERIAL NUMBER / REMARKS
250 - 501	XB1 - 2231 - 009		1	SCREW,MACH.,TRUSS HEAD,M2.3X10 バインド ネジ	
502	XD2 - 1100 - 502		1	RING,E E リング	
503	XD2 - 1100 - 642		18	RING,E E リング	
504	XD3 - 2200 - 122		2	PIN,DOWEL ヘイコウ ピン	
505	XD3 - 2200 - 142		2	PIN,DOWEL ヘイコウ ピン	
506	XD3 - 2200 - 162		2	PIN,DOWEL ヘイコウ ピン	
507	XD3 - 2200 - 182		2	PIN,DOWEL ヘイコウ ピン	
508	XD3 - 2300 - 142		1	PIN,DOWEL ヘイコウ ピン	

FIGURE 251 DRUM DRIVE ASSEMBLY

ドラム駆動部

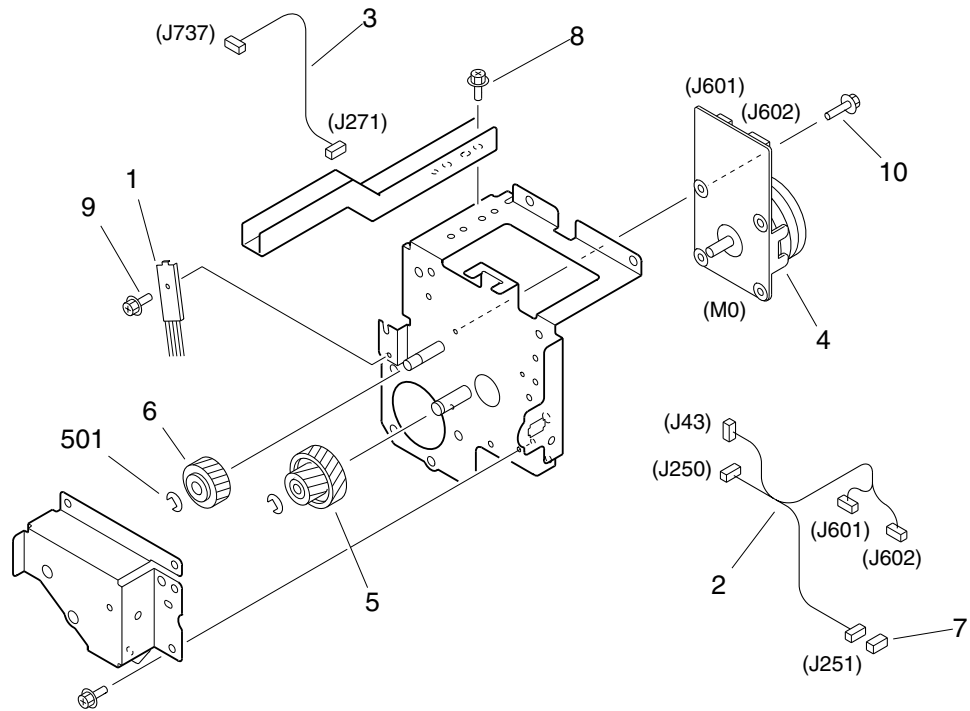


FIGURE & KEY NO.	PART NUMBER	RANK	QTY	DESCRIPTION	SERIAL NUMBER / REMARKS
251 -	FG6 - 7325 - 000		1	DRUM DRIVE ASSEMBLY ドラム駆動部	
1	FC1 - 1117 - 000		1	ELIMINATOR, STATIC CHARGE 除電針	
2	FG6 - 1894 - 000		1	CABLE, DRUM MOTOR DRIVE ドラム モータ駆動束線	J43,250,251,601,602
3	FG6 - 3570 - 000		1	CABLE, SEPARATION CLAW CONNECT 分離爪中継束線	J271,737
4	FH6 - 1867 - 000		1	MOTOR, BRUSHLESS ブラシレス モータ	M0 J601,602
5	FS7 - 0010 - 000		1	GEAR, 19T/63T 19T / 63T ギア	
6	RS6 - 0057 - 000		1	GEAR, 49T 49T ギア	
7	VS1 - 5057 - 002		1	CONNECTOR, SNAP TIGHT チュウケイ コネクタ	J251
8	XA9 - 0628 - 000		7	SCREW,RS,M4X8 RS タイト ネジ	
9	XA9 - 0813 - 000		1	SCREW,RS,M3X8 RS タイト ネジ	
10	XA9 - 0962 - 000		4	SCREW,RS,M3X10 RS タイト ネジ	
501	XD2 - 1100 - 642		2	RING,E E リング	

FIGURE 260 PAPER PICK-UP DRIVE ASSEMBLY
給紙駆動部

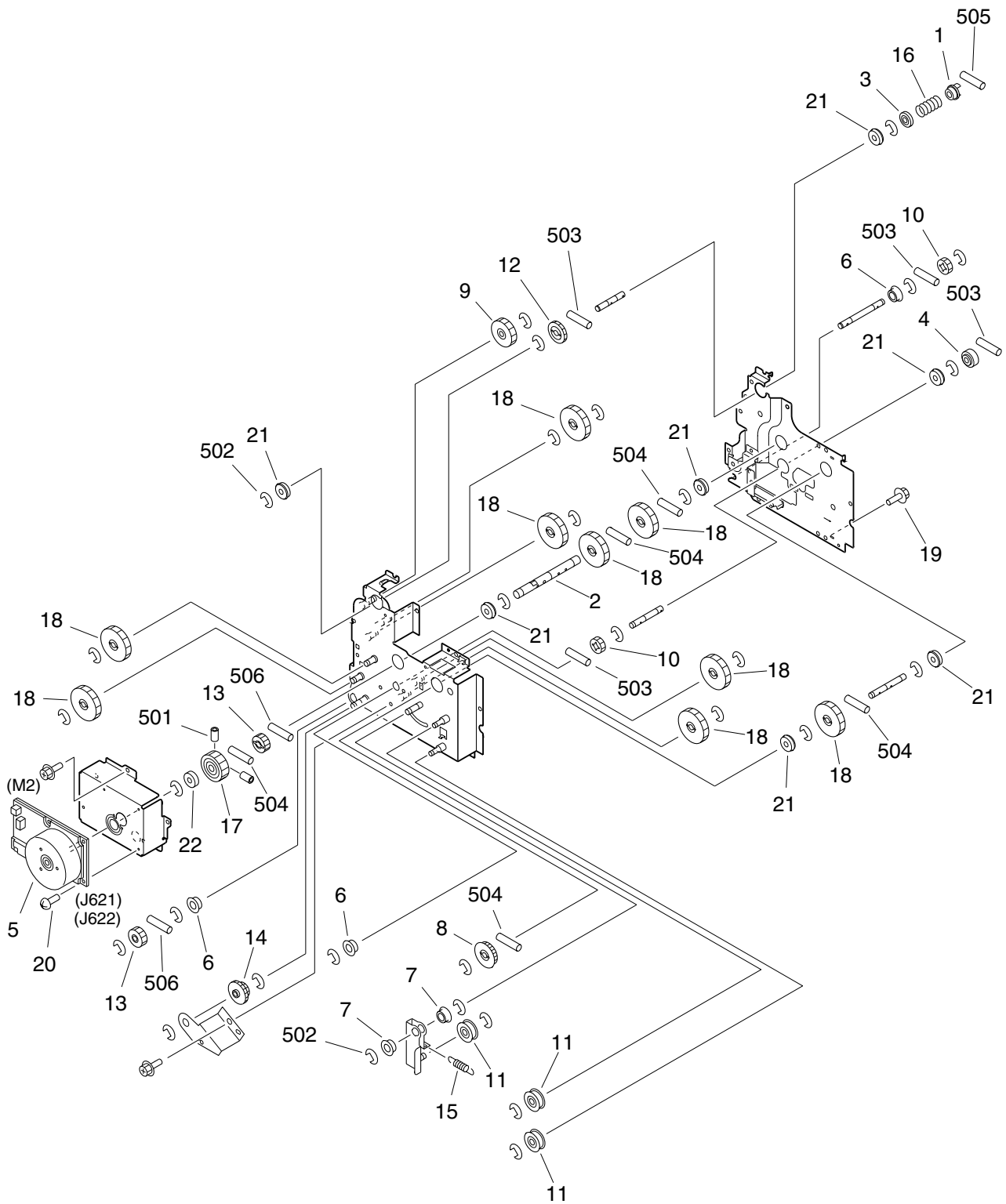


FIGURE & KEY NO.	PART NUMBER	RANK	QTY	DESCRIPTION	SERIAL NUMBER / REMARKS
260 -	FG6 - 7329 - 000		1	PAPER PICK-UP DRIVE ASSEMBLY 給紙駆動部	
1	FB2 - 7841 - 000		1	COUPLING, REGISTRATION レジスト カップリング	
2	FB4 - 3723 - 020		1	SHAFT, INPUT 入力軸	
3	FB4 - 3728 - 000		1	SUPPORT, COUPLING カップリング受け	
4	FB4 - 3729 - 000		1	COUPLING カップリング	
5	FH6 - 1870 - 000		1	MOTOR, BRUSHLESS ブラシレス モータ	M2 J621,622
6	FS1 - 1189 - 000		3	BUSHING ブッシング	
7	FS1 - 1449 - 000		2	BUSHING ブッシング	
8	FS2 - 3494 - 020		1	PULLEY, 39T 39T プーリ	
9	FS3 - 0165 - 000		1	GEAR, 40T 40T ギア	
10	FS4 - 0145 - 000		2	GEAR, 20T 20T ギア	
11	FS5 - 3337 - 020		3	PULLEY, IDLER アイドラ プーリ	
12	FS6 - 0056 - 000		1	GEAR, 32T 32T ギア	
13	FS6 - 0062 - 000		2	GEAR, 25T 25T ギア	
14	FS6 - 0096 - 000		1	GEAR, 20T/32T 20T / 32T ギア	
15	FS6 - 2776 - 000		1	SPRING, TENSION ヒツパリ バネ	
16	FS6 - 2999 - 000		1	SPRING, COMPRESSION アッシュク バネ	
17	FS7 - 0035 - 020		1	GEAR, 68T 68T ギア	
18	FS7 - 0036 - 000		9	GEAR, 50T 50T ギア	
19	XA9 - 0628 - 000		12	SCREW,RS,M4X8 RS タイト ネジ	
20	XA9 - 1030 - 000		4	SCREW, RS, M4X12 RS タイト ネジ	
21	XG9 - 0249 - 000		7	BEARING, BALL ボール ベアリング	
22	XG9 - 0250 - 000		1	BEARING, BALL ボール ベアリング	
501	XB6 - 2401 - 008		2	SETSCREW,M4X10 ロック アナツキ トメネジ	
502	XD2 - 1100 - 642		31	RING,E E リング	
503	XD3 - 2200 - 142		4	PIN,DOWEL ヘイコウ ピン	
504	XD3 - 2200 - 162		5	PIN,DOWEL ヘイコウ ピン	
505	XD3 - 2300 - 142		1	PIN,DOWEL ヘイコウ ピン	
506	XD3 - 2300 - 182		2	PIN,DOWEL ヘイコウ ピン	

FIGURE 261 CASSETTE PICK-UP DRIVE ASSEMBLY
カセット給紙駆動部

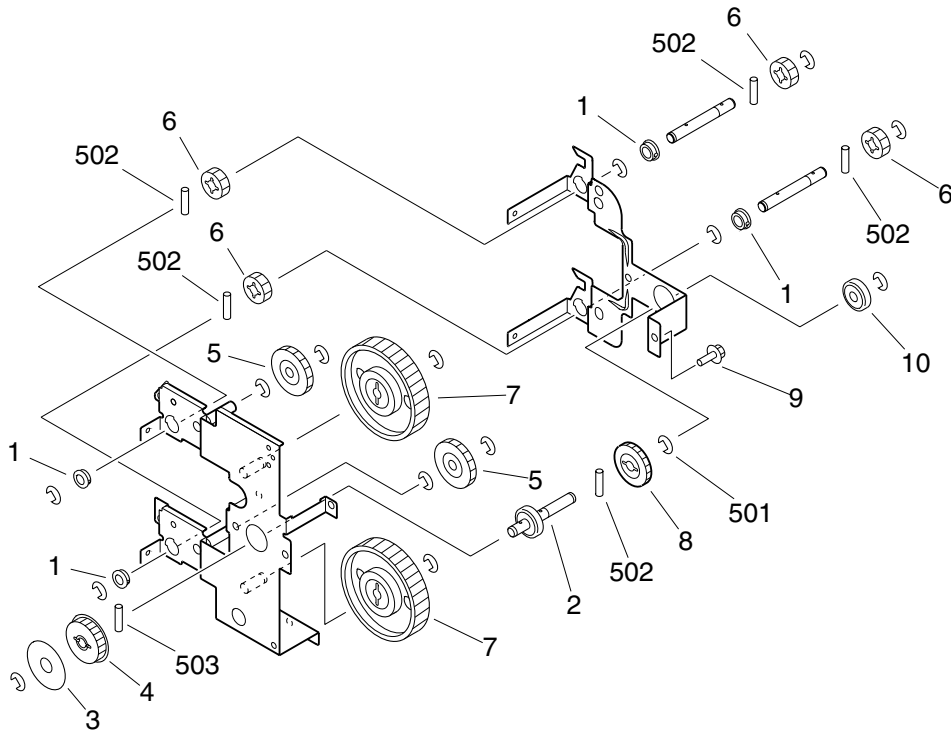


FIGURE & KEY NO.	PART NUMBER	RANK	QTY	DESCRIPTION	SERIAL NUMBER / REMARKS
261 -	FG5 - 4449 - 050		1	CASSETTE PICK-UP DRIVE ASS'Y カセット給紙駆動部	
1	FA9 - 2112 - 000		4	BUSHING ブッシング	
2	FB3 - 8615 - 000		1	SHAFT, PICK-UP PULLEY 給紙プーリ軸	
3	FB3 - 8616 - 000		1	FLANGE フランジ	
4	FS2 - 3494 - 020		1	PULLEY, 39T 39T プーリ	
5	FS4 - 0014 - 000		2	GEAR, 36T 36T ギア	
6	FS4 - 0145 - 000		4	GEAR, 20T 20T ギア	
7	FS6 - 0055 - 000		2	GEAR, 76T 76T ギア	
8	FS6 - 0056 - 000		1	GEAR, 32T 32T ギア	
9	XA9 - 0628 - 000		3	SCREW,RS,M4X8 RS タイト ネジ	
10	XG9 - 0208 - 000		1	BEARING, BALL ボール ベアリング	
501	XD2 - 1100 - 642		15	RING,E E リング	
502	XD3 - 2200 - 142		5	PIN,DOWEL ヘイコウ ピン	
503	XD3 - 2200 - 162		1	PIN,DOWEL ヘイコウ ピン	

FIGURE 263 LEFT PICK-UP DRIVE ASSEMBLY 左給紙駆動部

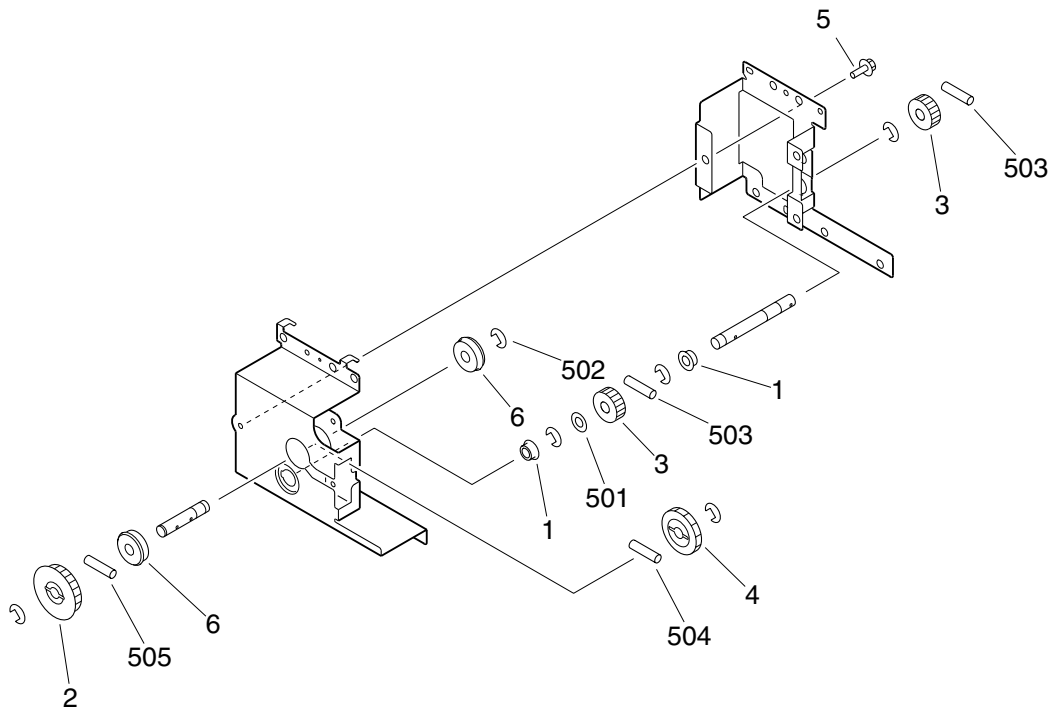
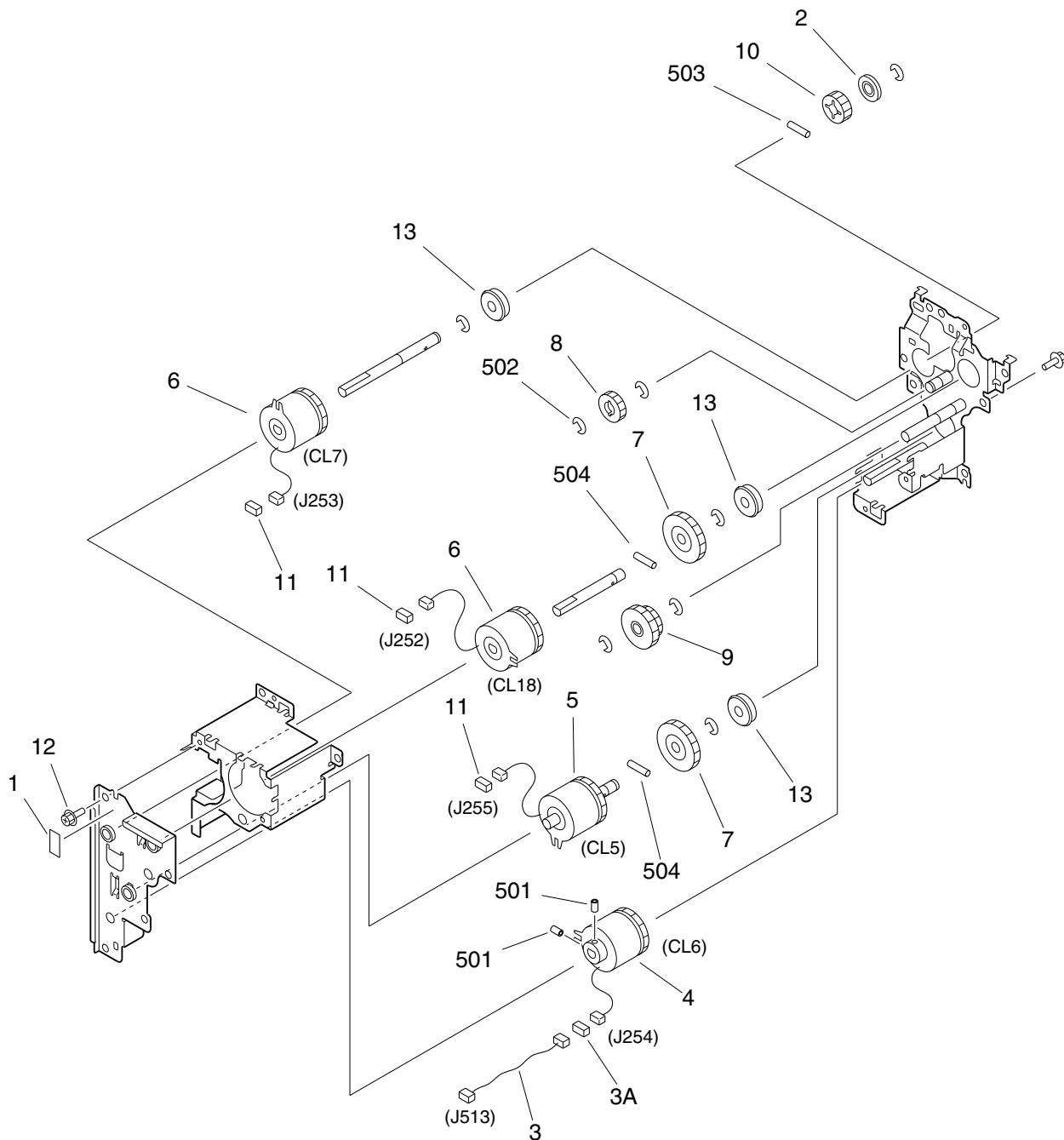


FIGURE & KEY NO.	PART NUMBER	RANK	Q'TY	DESCRIPTION	SERIAL NUMBER / REMARKS
263 -	FG6 - 1996 - 000		1	LEFT PICK-UP DRIVE ASSEMBLY 左給紙駆動部	
1	FS1 - 1189 - 000		2	BUSHING ブッシング	
2	FS2 - 3494 - 020		1	PULLEY, 39T 39T プーリ	
3	FS5 - 0514 - 000		2	GEAR, 20T 20T ギア	
4	FS6 - 0056 - 000		1	GEAR, 32T 32T ギア	
5	XA9 - 0628 - 000		5	SCREW, RS, M4X8 RS タイト ネジ	
6	XG9 - 0249 - 000		2	BEARING, BALL ボール ベアリング	
501	XD1 - 1108 - 219		1	SHIM ヒョウジュン ワッシャ	
502	XD2 - 1100 - 642		6	RING, E E リング	
503	XD3 - 2200 - 122		2	PIN, DOWEL ヘイコウ ピン	
504	XD3 - 2200 - 142		1	PIN, DOWEL ヘイコウ ピン	
505	XD3 - 2200 - 162		1	PIN, DOWEL ヘイコウ ピン	

FIGURE 264 MULTI FEED DRIVE ASSEMBLY

手差し給紙駆動部



NOTE: This assembly does not include the part shown with key No.11.

注：このユニットにKey No. 11の部品は含まれません。

FIGURE & KEY NO.	PART NUMBER	R A N K	Q' T Y	DESCRIPTION	SERIAL NUMBER / REMARKS
264 -	FG6 - 7330 - 000		1	MULTI FEED DRIVE ASSEMBLY マルチ給紙駆動部	
1	FA9 - 3805 - 000		1	LABEL, DISCRIMINATE 識別ラベル	
2	FB4 - 3767 - 000		1	COLLAR, PUSH-ON 突き当てコロ	
3	FG6 - 3572 - 000		1	CABLE, MULTI FEED DRIVE マルチ給紙駆動中継束線	J254,271
3 A	VS1 - 5057 - 002		1	CONNECTOR, SNAP TIGHT チュウケイ コネクタ	J254
4	FH6 - 5014 - 000		1	CLUTCH, ELECTROMAGNETIC 電磁クラッチ	CL6 J254
5	FH6 - 5016 - 000		1	CLUTCH, ELECTROMAGNETIC 電磁クラッチ	CL5 J255
6	FH7 - 5826 - 000		2	CLUTCH, ELECTROMAGNETIC 電磁クラッチ	CL7,18 J253,252
7	FS4 - 0014 - 000		2	GEAR, 36T 36T ギア	
8	FS6 - 0053 - 020		1	GEAR, 20T 20T ギア	
9	FS7 - 0033 - 000		1	GEAR, 24T/30T 24T / 30T ギア	
10	FS7 - 0034 - 000		1	GEAR, 20T 20T ギア	
11	VS1 - 5057 - 002		3	CONNECTOR, SNAP TIGHT チュウケイ コネクタ	SEE NOTE J252,253,255
12	XA9 - 0628 - 000		7	SCREW,RS,M4X8 RS タイト ネジ	
13	XG9 - 0249 - 000		3	BEARING, BALL ボール ベアリング	
501	XB6 - 2400 - 608		2	SETSCREW,M4X6 ロツカク アナツキ トメネジ	
502	XD2 - 1100 - 642		9	RING,E E リング	
503	XD3 - 2200 - 122		1	PIN,DOWEL ヘイコウ ピン	
504	XD3 - 2200 - 162		2	PIN,DOWEL ヘイコウ ピン	

FIGURE 270 DEVELOPING DRIVE ASSEMBLY 現像駆動部

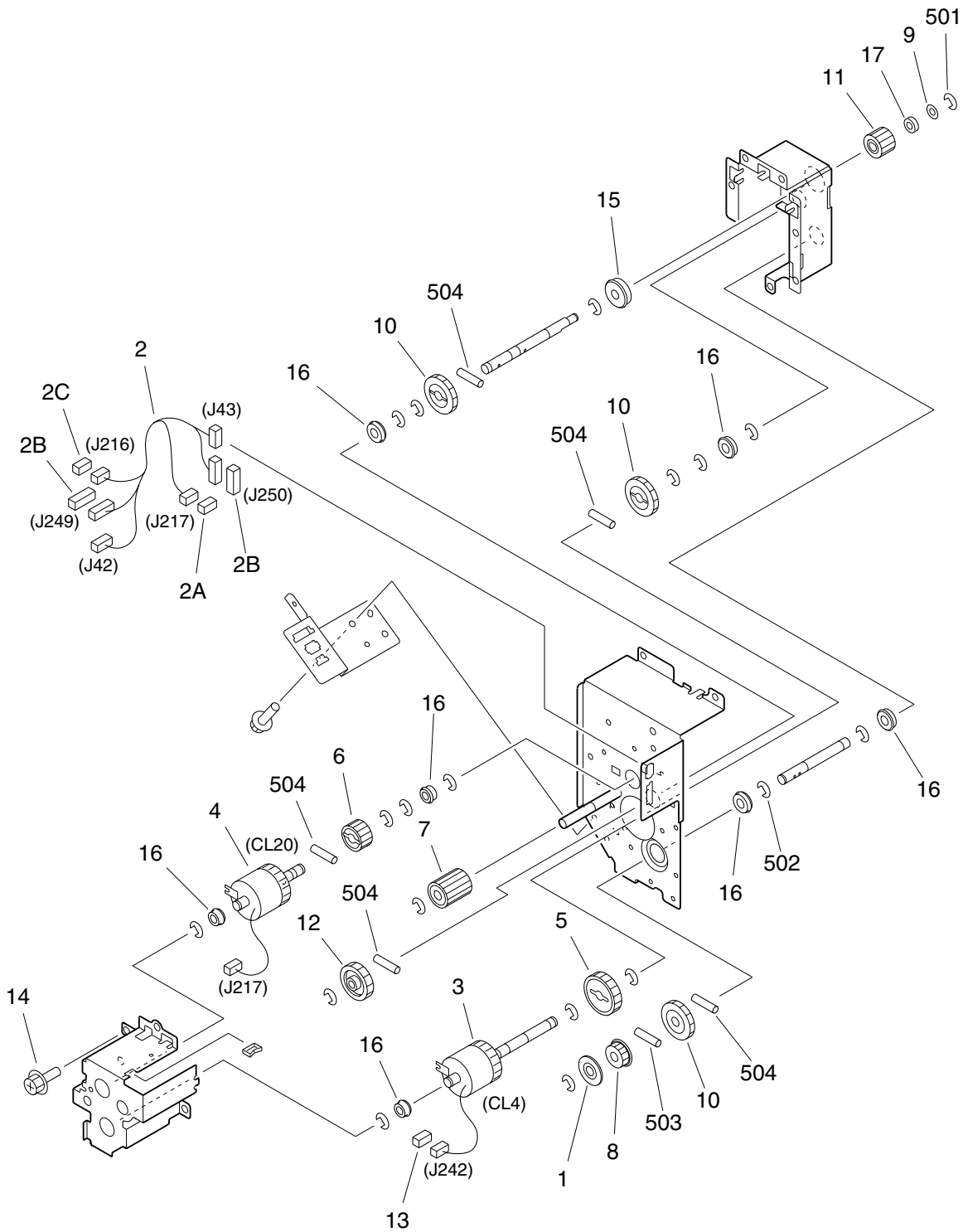
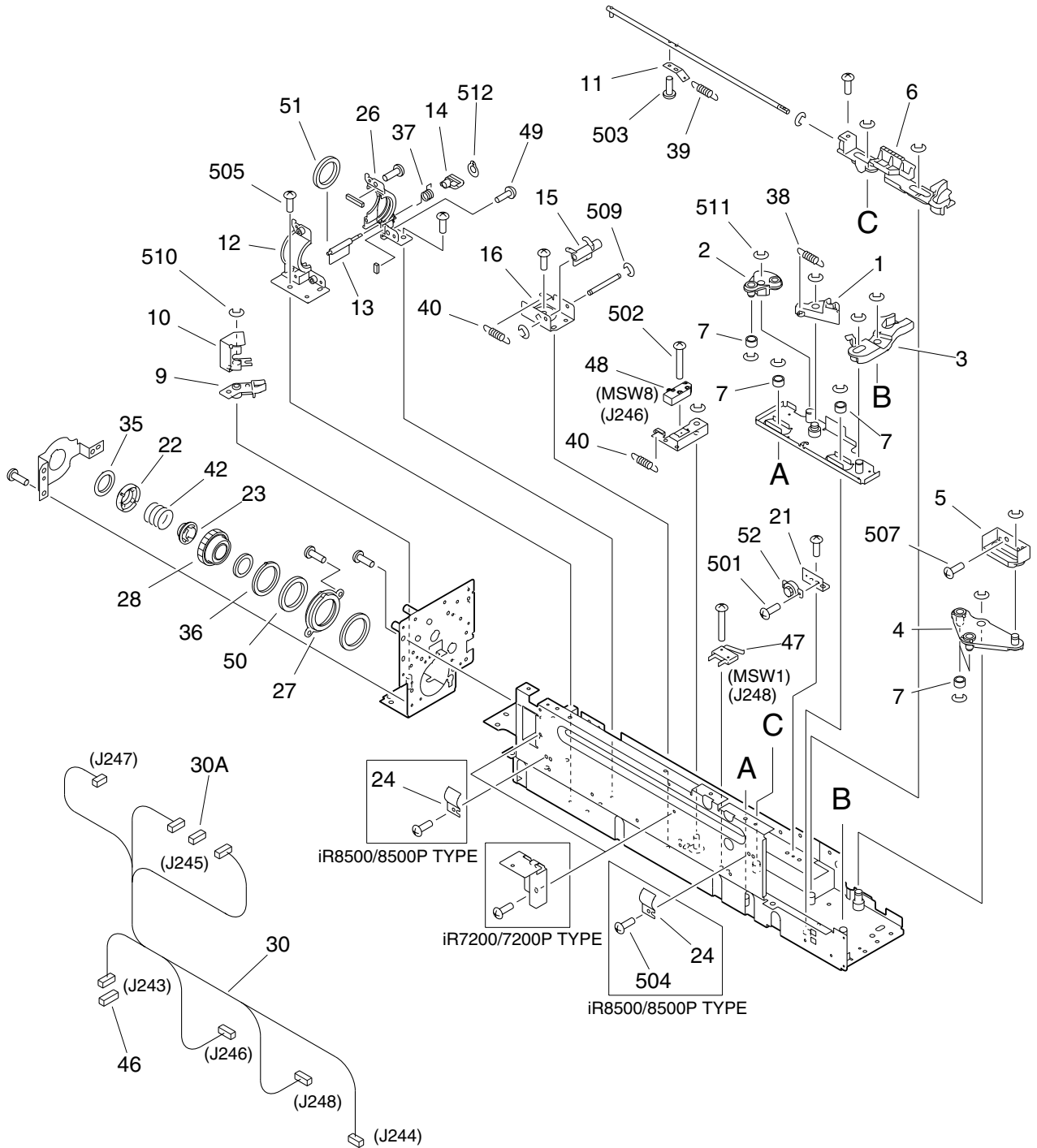


FIGURE & KEY NO.	PART NUMBER	RANK	QTY	DESCRIPTION	SERIAL NUMBER / REMARKS
270 -	FG6 - 7327 - 000		1	DEVELOPING DRIVE ASSEMBLY 現像駆動部	
1	FB4 - 1806 - 000		1	FLANGE フランジ	
2	FG6 - 7214 - 000		1	CABLE, MAIN DRIVE メイン駆動束線	J42,43,216,217,249 J250
2A	VS1 - 5057 - 002		1	CONNECTOR, SNAP TIGHT チュウケイ コネクタ	J217
2B	VS1 - 5057 - 007		2	CONNECTOR, SNAP TIGHT チュウケイ コネクタ	J249,250
2C	VS1 - 6318 - 002		1	CONNECTOR, SNAP TIGHT 中継コネクタ	J216
3	FH6 - 5015 - 000		1	CLUTCH, ELECTROMAGNETIC 電磁クラッチ	CL4 J242
4	FH6 - 5017 - 000		1	CLUTCH, ELECTROMAGNETIC 電磁クラッチ	CL20 J217
5	FS2 - 0485 - 000		1	GEAR, 32T 32T ギア	
6	FS3 - 0046 - 000		1	GEAR, 20T 20T ギア	
7	FS4 - 0157 - 000		1	GEAR, 20T 20T ギア	
8	FS5 - 3889 - 000		1	PULLEY, 20T 20T プーリ	
9	FS5 - 6488 - 000		1	WASHER ワッシャ	
10	FS6 - 0056 - 000		3	GEAR, 32T 32T ギア	
11	FS7 - 0015 - 000		1	GEAR, 23T 23T ギア	
12	FS7 - 0072 - 000		1	GEAR, 27T 27T ギア	
13	VS1 - 5057 - 002		1	CONNECTOR, SNAP TIGHT チュウケイ コネクタ	J242
14	XA9 - 0628 - 000		11	SCREW,RS,M4X8 RS タイト ネジ	
15	XG9 - 0249 - 000		1	BEARING, BALL ボール ベアリング	
16	XG9 - 0250 - 000		7	BEARING, BALL ボール ベアリング	
17	XG9 - 0395 - 000		1	BEARING, BALL ボール ベアリング	
501	XD2 - 1100 - 502		1	RING,E E リング	
502	XD2 - 1100 - 642		13	RING,E E リング	
503	XD3 - 2200 - 122		1	PIN,DOWEL ヘイコウ ピン	
504	XD3 - 2200 - 142		5	PIN,DOWEL ヘイコウ ピン	

FIGURE 275 TONER CARTRIDGE DRIVE ASSEMBLY(1/2) トナーカートリッジ駆動部(1/2)



NOTE: This assembly does not include the part shown with key No. 46.
注：このユニットにKey No. 46の部品は含まれません。

FIGURE 275 TONER CARTRIDGE DRIVE ASSEMBLY(2/2)
 トナーカートリッジ駆動部(2/2)

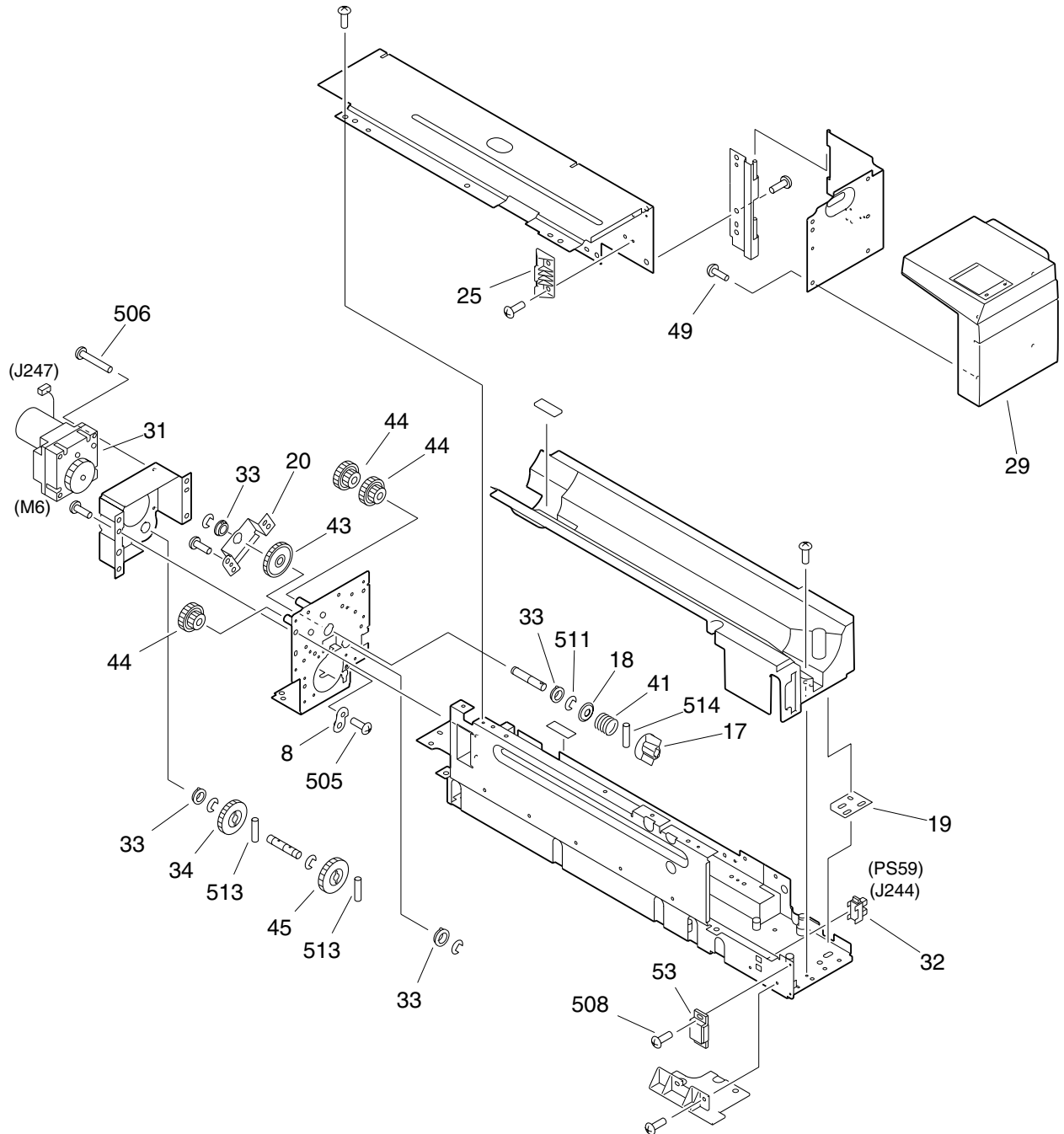


FIGURE & KEY NO.	PART NUMBER	RANK	QTY	DESCRIPTION	SERIAL NUMBER / REMARKS
275 -	FG6 - 7348 - 000		1	TONER CARTRIDGE DRIVE ASSEMBLY トナー カートリッジ駆動部	iR8500/8500P TYPE
	FG6 - 7752 - 000		1	TONER CARTRIDGE DRIVE ASSEMBLY トナー カートリッジ駆動部	iR7200/7200P TYPE
	1 FB4 - 1892 - 000		1	ARM, SEPARATION 分離アーム	
2	FB4 - 1893 - 000		1	HOLDER, BUSHING 軸受けホルダ	
3	FB4 - 1894 - 000		1	LINK, CHUCK チャック リンク	
4	FB4 - 1895 - 000		1	LEVER, CAM カム レバー	
5	FB4 - 1896 - 000		1	COVER, RAIL レール カバー	
6	FB4 - 1899 - 000		1	MOUNT, SLIDE スライド台	
7	FB4 - 1900 - 000		5	ROLLER コロ	
8	FB4 - 1901 - 000		1	BUSHING ブッシング	
9	FB4 - 1902 - 000		1	MOUNT, CAP キャップ台	
10	FB4 - 1903 - 000		1	PLATE, CHUCK CAP チャック キャップ	
11	FB4 - 1904 - 000		1	PLATE, SHAFT SUPPORT 軸支え板	
12	FB4 - 1913 - 000		1	MOUNT, RUBBER, LEFT ゴム台 (左)	
13	FB4 - 1915 - 000		1	SHUTTER シャッター	
14	FB4 - 1916 - 000		1	LEVER, SHUTTER シャッター レバー	
15	FB4 - 1924 - 000		1	LEVER, SENSOR 検知レバー	
16	FB4 - 1925 - 000		1	MOUNT, LEVER レバー支持台	
17	FB4 - 1926 - 000		1	COUPLING カップリング	
18	FB4 - 1927 - 000		1	SUPPORT, SPRING ばね押さえ	
19	FB4 - 5309 - 000		1	PLATE, HINGE ADJUSTING ヒンジ調整板	
20	FB4 - 5310 - 000		1	MOUNT, SHAFT 軸支え板	
21	FB4 - 9026 - 000		1	PLATE, DAMPER SUPPORT ダンパ支持板	
22	FB4 - 9027 - 000		1	GEAR, CAP, REAR キャップ ギア (後)	
23	FB4 - 9028 - 000		1	CLAW, DRIVE 駆動爪	
24	FB4 - 9514 - 000		2	PLATE, GROUNDING アース板	iR8500/8500P TYPE
25	FB5 - 6877 - 000		1	GUIDE ガイド	iR8500/8500P TYPE
	FB4 - 1890 - 000		1	GUIDE ガイド	iR7200/7200P TYPE
26	FF5 - 7715 - 000		1	MOUNT, RUBBER, RIGHT ゴム台 (右)	
27	FF5 - 8655 - 000		1	CASE, GEAR HOLDER ギア軸受ケース	

FIGURE & KEY NO.	PART NUMBER	R A N K	Q' T Y	DESCRIPTION	SERIAL NUMBER / REMARKS
275 - 28	FF5 - 8732 - 000		1	GEAR, CAP, FRONT キャップ ギア(前)	
29	FF6 - 1086 - 000		1	COVER, CARTRIDGE, FRONT カートリッジ カバー(前)	
30	FG6 - 1889 - 020		1	CABLE, CARTRIDGE カートリッジ束線	J243-248
30 A	VS1 - 5057 - 002		1	CONNECTOR, SNAP TIGHT チュウケイ コネクタ	J245
31	FH6 - 1538 - 000		1	MOTOR, DC 9.6W DCモ - タ	M6 J247
32	FH7 - 7462 - 000		1	PHOTO-INTERRUPTER フォトインタラプタ	PS59 J244
33	FS1 - 1510 - 000		4	BUSHING ブッシング	
34	FS3 - 0098 - 000		1	GEAR, 35T 35T ギア	
35	FS5 - 1796 - 000		1	SUPPORT, CAP GEAR, REAR キャップ ギア受け(後)	
36	FS5 - 1802 - 000		1	SUPPORT, CAP GEAR, FRONT キャップ ギア受け(前)	
37	FS5 - 2901 - 000		1	SPRING, TORSION ネジリ バネ	
38	FS6 - 2763 - 000		1	SPRING, TENSION ヒツパリ バネ	
39	FS6 - 2764 - 000		1	SPRING, TENSION ヒツパリ バネ	
40	FS6 - 2774 - 000		2	SPRING, TENSION ヒツパリ バネ	
41	FS6 - 2887 - 000		1	SPRING, COMPRESSION アッシュク バネ	
42	FS6 - 2998 - 000		1	SPRING, COMPRESSION アッシュク バネ	
43	FS7 - 0043 - 000		1	GEAR, 36T 36T ギア	
44	FS7 - 0044 - 000		3	GEAR, 16T/28T 16T/28T ギア	
45	FS7 - 0051 - 000		1	GEAR, 36T 36T ギア	
46	VS1 - 5057 - 007		1	CONNECTOR, SNAP TIGHT チュウケイ コネクタ	SEE NOTE J243
47	WC4 - 5153 - 000		1	MICRO SWITCH マイクロ スイッチ	MSW1 J248
48	WC4 - 5157 - 000		1	MICRO SWITCH マイクロ スイッチ	MSW8 J246
49	XA9 - 0605 - 000		6	SCREW, M4X8 タイト ネジ	
50	XG9 - 0175 - 000		1	SEAL, OIL オイル シール	
51	XG9 - 0385 - 000		1	PACKING パッキン	
52	XH9 - 0090 - 000		1	OIL DAMPER UNIT オイル ダンパ ユニット	
53	XZ9 - 0472 - 000		1	CATCH, MAGNET マグネット キャッチ	
501	XB1 - 1200 - 405		2	SCREW, MACH., PAN HEAD, M2X4 ナベ ネジ	
502	XB1 - 2231 - 009		2	SCREW, MACH., TRUSS HEAD, M2.3X10 バインド ネジ	
503	XB1 - 2300 - 609		3	SCREW, MACH., TRUSS HEAD, M3X6 バインド ネジ	

FIGURE & KEY NO.	PART NUMBER	R A N K	Q' T Y	DESCRIPTION	SERIAL NUMBER / REMARKS
275 - 504	XB1 - 2400 - 607		2	SCREW,MACH.,TRUSS HEAD,M4X6 バインド ネジ	
505	XB1 - 2400 - 609		33	SCREW,MACH.,TRUSS HEAD,M4X6 バインド ネジ	
506	XB1 - 2402 - 509		3	SCREW,MACH.,TRUSS HEAD,M4X25 バインド ネジ	
507	XB2 - 8400 - 809		2	SCREW,W/WASHER,M4X8 パネツキ バインド ネジ	
508	XB6 - 7300 - 809		2	SCREW,TP,M3X8 TP ネジ	
509	XD2 - 1100 - 322		2	RING,E E リング	
510	XD2 - 1100 - 502		6	RING,E E リング	
511	XD2 - 1100 - 642		15	RING,E E リング	
512	XD2 - 2100 - 302		1	RING,GRIP グリップ リング	
513	XD3 - 2200 - 142		2	PIN,DOWEL ヘイコウ ビン	
514	XD3 - 2300 - 122		1	PIN,DOWEL ヘイコウ ビン	

FIGURE 280 WASTE TONER DRIVE ASSEMBLY
 廃トナー駆動部

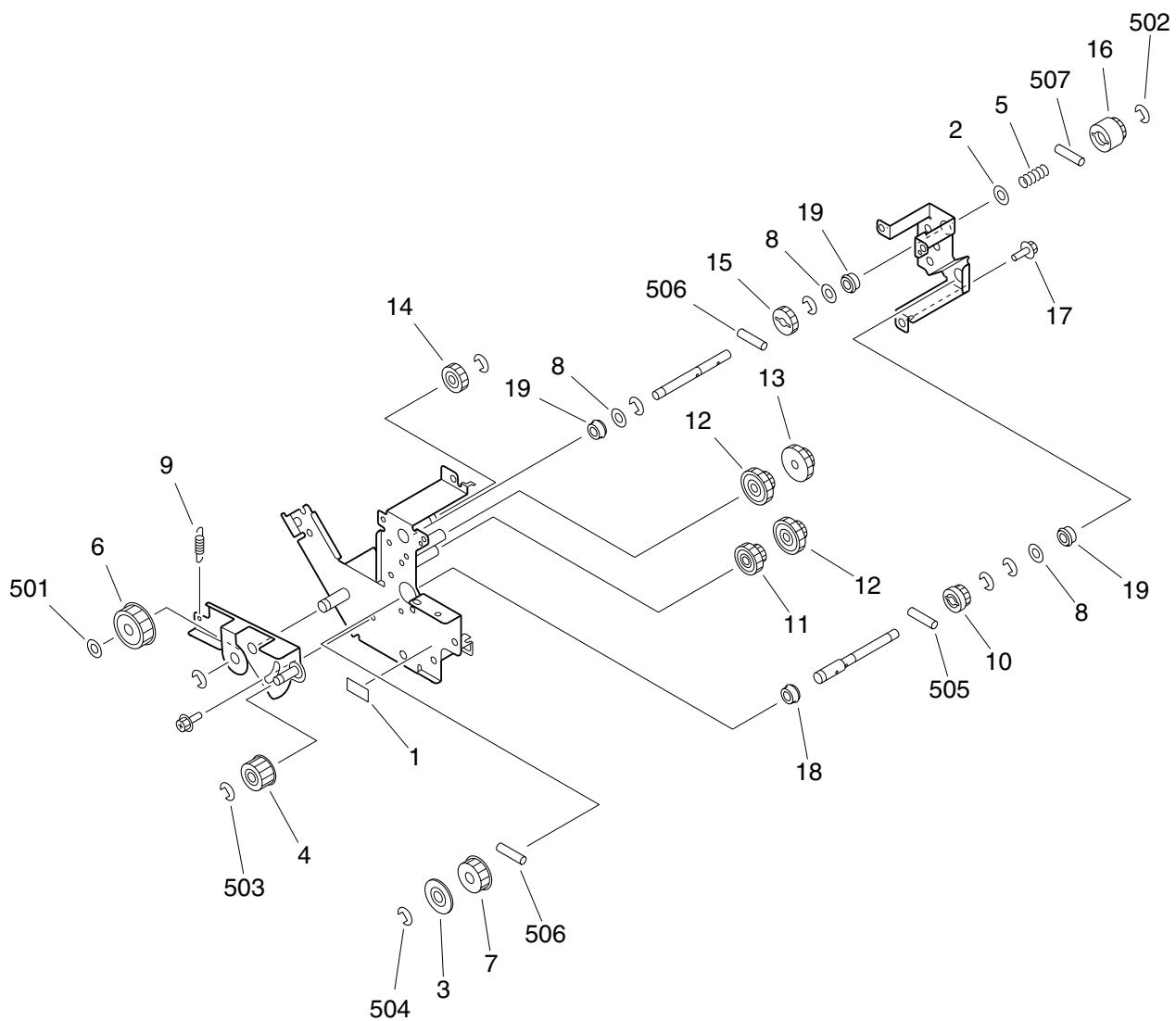


FIGURE & KEY NO.	PART NUMBER	R A N K	Q' T Y	DESCRIPTION	SERIAL NUMBER / REMARKS
280 -	FG6 - 7328 - 000		1	WASTE TONER DRIVE ASSEMBLY 廃トナー駆動部	
1	FA9 - 3805 - 000		1	LABEL, DISCRIMINATE 識別ラベル	
2	FB4 - 1762 - 000		1	RING, SPRING SUPPORT バネ座	
3	FB4 - 1806 - 000		1	FLANGE フランジ	
4	FS2 - 3495 - 000		1	PULLEY プーリ	
5	FS5 - 2959 - 000		1	SPRING, COMPRESSION アッシュク バネ	
6	FS5 - 3610 - 000		1	PULLEY, 30T 30T プーリ	
7	FS5 - 3890 - 000		1	PULLT, 18T 18T プーリ	
8	FS5 - 6488 - 000		3	WASHER ワッシャ	
9	FS6 - 2752 - 000		1	SPRING, TENSION ヒツパリ バネ	
10	FS7 - 0020 - 000		1	GEAR, 29T 29T ギア	
11	FS7 - 0021 - 000		1	GEAR, 24T/40T 24T / 40T ギア	
12	FS7 - 0022 - 000		2	GEAR, 24T/48T 24T / 48T ギア	
13	FS7 - 0023 - 000		1	GEAR, 28T/48T 28T / 48T ギア	
14	FS7 - 0024 - 000		1	GEAR, 36T 36T ギア	
15	FS7 - 0025 - 000		1	GEAR, 36T 36T ギア	
16	FS7 - 0026 - 000		1	GEAR, 18T 18T ギア	
17	XA9 - 0628 - 000		4	SCREW,RS,M4X8 RS タイト ネジ	
18	XG9 - 0250 - 000		1	BEARING, BALL ボール ベアリング	
19	XG9 - 0350 - 000		3	BALL BEARING, MF106ZZ1MC3 ボール ベアリング	
501	XD1 - 1108 - 222		1	SHIM ヒョウジュン ワッシャ	
502	XD2 - 1100 - 322		1	RING,E E リング	
503	XD2 - 1100 - 502		6	RING,E E リング	
504	XD2 - 1100 - 642		2	RING,E E リング	
505	XD3 - 2200 - 102		1	PIN,DOWEL ヘイコウ ピン	
506	XD3 - 2200 - 122		2	PIN,DOWEL ヘイコウ ピン	
507	XD3 - 2200 - 142		1	PIN,DOWEL ヘイコウ ピン	

FIGURE 300 CASSETTE カセット

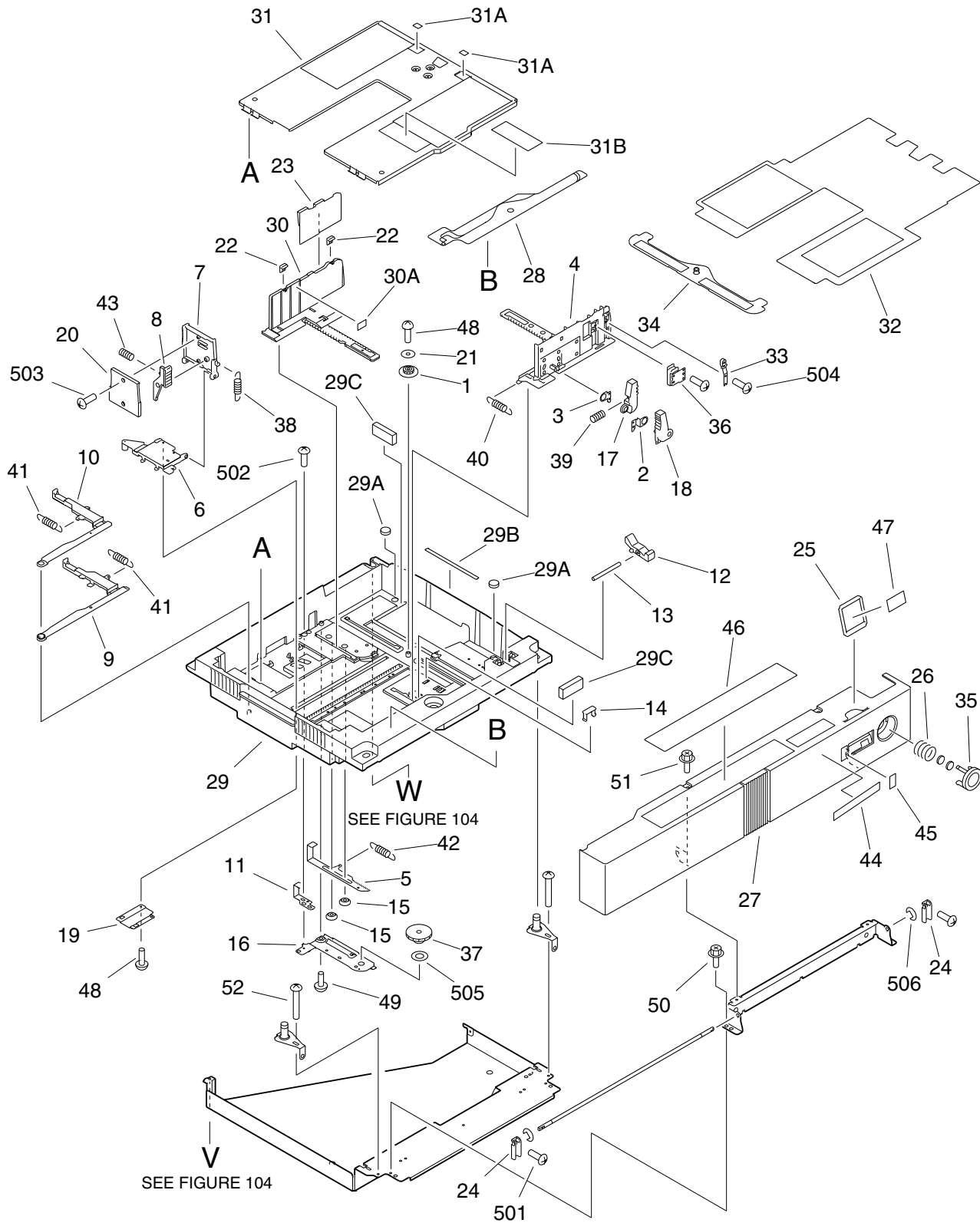


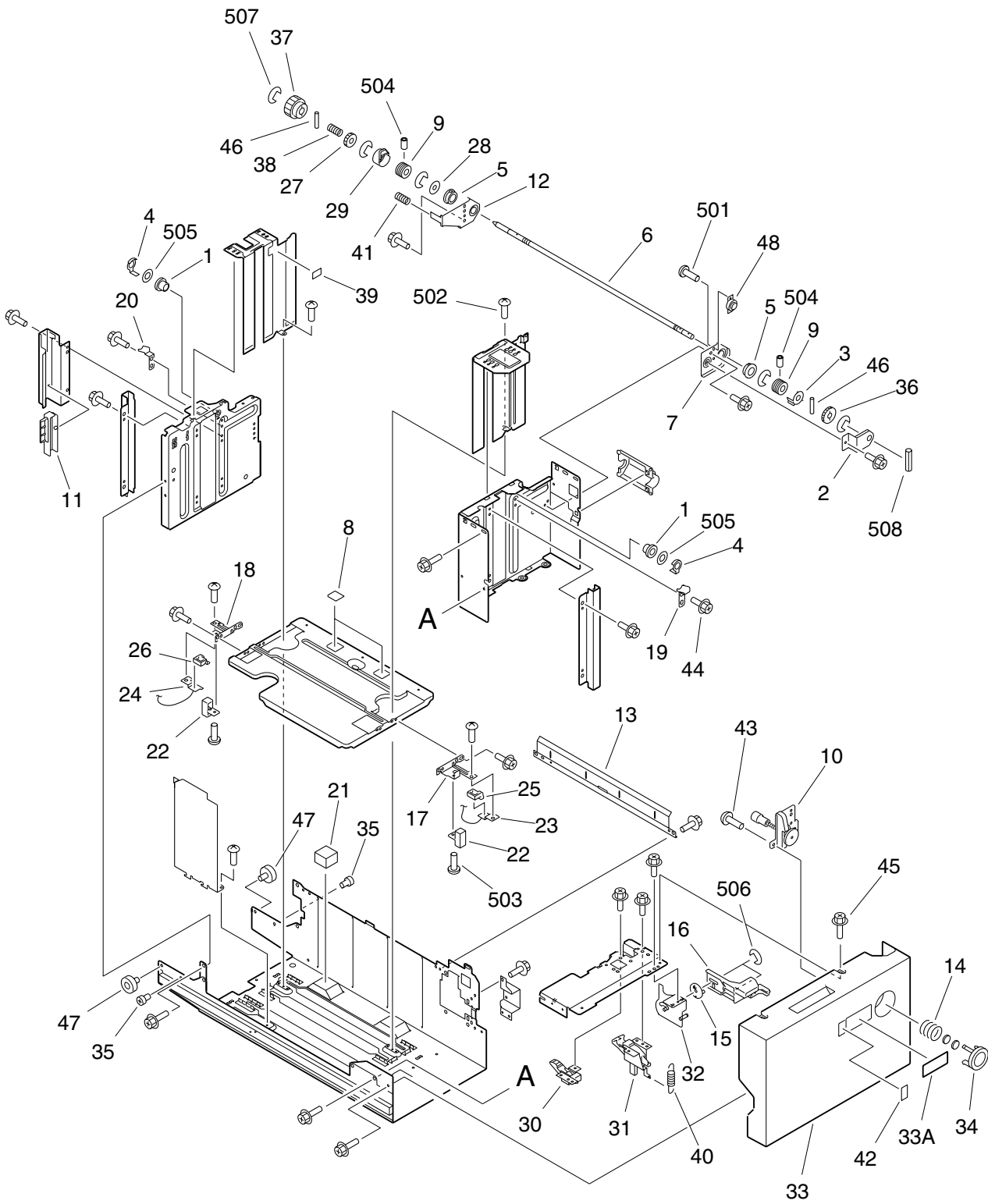
FIGURE & KEY NO.	PART NUMBER	RANK	QTY	DESCRIPTION	SERIAL NUMBER / REMARKS
300 -	NPN		RF	CASSETTE カセット	
1	FA9 - 3674 - 000		1	GEAR, 17T 17T ギア	
2	FB2 - 6043 - 000		1	PLATE, CATCH, 1 つまみ板 (1)	
3	FB2 - 6044 - 000		1	PLATE, CATCH, 2 つまみ板 (2)	
4	FB3 - 9303 - 020		1	PLATE, SIDE GUIDE, FRONT サイド規制板 (前)	
5	FB3 - 9305 - 000		1	PLATE, VOLUME RACK ボリューム ラック	
6	FB3 - 9306 - 000		1	MOUNT, END GUIDE 後端規制台	
7	FB3 - 9307 - 000		1	PLATE, END GUIDE 後端規制板	
8	FB3 - 9308 - 000		1	LEVER, END GUIDE 後端規制レバー	
9	FB3 - 9311 - 000		1	CAM, END PLATE SENSING, 1 後端検知カム (1)	
10	FB3 - 9312 - 000		1	CAM, END PLATE SENSING, 2 後端検知カム (2)	
11	FB3 - 9313 - 000		1	PLATE, VOLUME ボリューム コマ	
12	FB3 - 9314 - 000		1	LEVER, RELEASE 解除レバー	
13	FB3 - 9315 - 000		1	SHAFT, RELEASE LEVER 解除レバー軸	
14	FB3 - 9316 - 000		3	CLAW, SENSING 誤検知防止爪	
15	FB3 - 9319 - 000		2	BUSHING ブッシング	
16	FB3 - 9320 - 000		1	PLATE, COVER, LOWER カバー支板 (下)	
17	FB3 - 9322 - 020		1	KNOB, SIDE GUIDE, 1 サイド規制板つまみ (1)	
18	FB3 - 9323 - 030		1	KNOB, SIDE GUIDE, 2 サイド規制板つまみ (2)	
19	FB3 - 9326 - 000		1	PLATE, END GUIDE, LOWER 後端規制支板 (下)	
20	FB3 - 9327 - 000		1	COVER, END GUIDE PLATE 後端規制板カバー	
21	FB3 - 9335 - 000		1	RING, GEAR STOP ギア押え	
22	FB3 - 9337 - 000		2	CLAW, SIDE GUIDE PLATE サイド爪	
23	FB3 - 9340 - 000		1	COVER, SIDE GUIDE PLATE サイド規制板カバー	
24	FB4 - 5253 - 000		2	LINK, CASSETTE カセット リンク	
25	FB5 - 1489 - 000		1	PLATE, SIZE サイズ プレート	
26	FB5 - 3365 - 000		1	SPRING, COMPRESSION アッシュク バネ	
27	FB5 - 6987 - 000		1	COVER, CASSETTE, FRONT カセット カバー (前)	
28	FB5 - 9351 - 000		1	SHEET, TAB ATTACHMENT タブ装着シート	
29	FF5 - 6183 - 000	N	1	BODY, CASSETTE カセット オケ	

FIGURE & KEY NO.	PART NUMBER	RANK	QTY	DESCRIPTION	SERIAL NUMBER / REMARKS
300 - 29A	FB3 - 9321 - 000		2	SHEET, DAMPER ダンパ シート	
29B	FB3 - 9329 - 000		1	LABEL, CASSETTE GRIP, RIGHT カセット 把手ラベル (右)	
29C	FB3 - 9336 - 000		2	PAD, SILENCER 消音パッド	
30	FF5 - 6189 - 000		1	PLATE, SIDE GUIDE, REAR サイド規制板 (後)	
30A	FS5 - 8618 - 000		1	LABEL, "MAXIMUM LOAD" 積載制限ラベル	
31	FF5 - 9550 - 000		1	PLATE, LIFTING 中板	
31A	FB5 - 2841 - 000		2	SHEET, SEPARATION 分離シート	
31B	FS5 - 8619 - 000		1	LABEL, SIZE サイズ ラベル	
32	FF6 - 1019 - 000		1	SHEET, TAB タブ下敷きシート	
33	FF6 - 1034 - 000		1	SPRING, LEAF, 1 板バネ (1)	
34	FF6 - 1052 - 000		1	COVER, WEIGHT 重し蓋	A4 TYPE
	FF6 - 1051 - 000		1	COVER, WEIGHT 重し蓋	LTR TYPE
35	FF6 - 1054 - 000		1	BUTTON, PUSH プッシュ ボタン	
36	FF6 - 1333 - 000		1	SPRING, LEAF, 2 板バネ (2)	
37	FS5 - 0532 - 000		1	GEAR, 15T/42T 15T / 42T ギア	
38	FS5 - 2328 - 000		1	SPRING, TENSION ヒツパリ バネ	
39	FS5 - 2650 - 000		1	SPRING, COMPRESSION アッシュク バネ	
40	FS6 - 2691 - 000		1	SPRING, TENSION ヒツパリ バネ	
41	FS6 - 2692 - 000		2	SPRING, TENSION ヒツパリ バネ	
42	FS6 - 2693 - 000		1	SPRING, TENSION ヒツパリ バネ	
43	FS6 - 2694 - 000		1	SPRING, COMPRESSION アッシュク バネ	
44	FS6 - 8411 - 000		1	LABEL, "UNIVERSAL" ユニバーサル カセット ラベル	
45	FS6 - 8980 - 000		1	LABEL, NUMBER ナンバ ラベル	
46	FS6 - 8982 - 000		1	LABEL, CASSETTE OPERATION カセット操作説明ラベル	
47	FS6 - 8990 - 000		1	LABEL, SIZE カセット サイズ ラベル	
48	XA9 - 0591 - 000		3	SCREW, M3X8 タイト ネジ	
49	XA9 - 0605 - 000		2	SCREW, M4X8 タイト ネジ	
50	XA9 - 0628 - 000		14	SCREW, RS, M4X8 RS タイト ネジ	
51	XA9 - 0628 - 000		5	SCREW, RS, M4X8 RS タイト ネジ	
52	XA9 - 0721 - 000		2	SCREW, RS, M4X10 RS タイト ネジ	

FIGURE & KEY NO.	PART NUMBER	R A N K	Q' T Y	DESCRIPTION	SERIAL NUMBER / REMARKS
300 - 501	XB1 - 2300 - 609		2	SCREW,MACH.,TRUSS HEAD,M3X6 バインド ネジ	
502	XB1 - 2400 - 609		1	SCREW,MACH.,TRUSS HEAD,M4X6 バインド ネジ	
503	XB4 - 7300 - 607		2	SCREW,TAPPING,TRUSS HEAD,M3X6 バインド タッピン ネジ	
504	XB4 - 7300 - 607		2	SCREW,TAPPING,TRUSS HEAD,M3X6 バインド タッピン ネジ	
505	XD1 - 1108 - 235		1	SHIM ヒョウジュン ワッシャ	
506	XD2 - 1100 - 502		2	RING,E E リング	

FIGURE 302 1.5K RIGHT PAPER STOCK ASSEMBLY

1.5K右収納庫部



NOTE: This assembly does not include the part shown with key No. 42.
 注：このユニットにKey No. 42の部品は含まれません。

FIGURE & KEY NO.	PART NUMBER	RANK	QTY	DESCRIPTION	SERIAL NUMBER / REMARKS
302 -	FG6 - 7376 - 000		1	1.5K RIGHT PAPER STOCK ASS'Y 1.5K右収納庫部	
1	FA6 - 9971 - 000		2	PULLEY, IDLER アイドラ プーリ	
2	FA6 - 9986 - 000		1	HOLDER, DAMPER ダンパ トリツケ バン	
3	FA6 - 9988 - 020		1	FLANGE, LIFTER リフト フランジ	
4	FA6 - 9989 - 000		2	FLANGE, IDLER アイドラ フランジ	
5	FA9 - 2112 - 000		2	BUSHING ブッシング	
6	FB2 - 7625 - 000		1	SHAFT, LIFT リフト軸	
7	FB2 - 7652 - 000		1	SUPPORT, SHAFT, FRONT 軸支板 (前)	
8	FB2 - 7740 - 020		2	SHEET, SEPARATION 分離シート	
9	FB2 - 8465 - 000		2	PULLEY, LIFTING, FRONT リフト プーリ (前)	
10	FB3 - 8508 - 000		1	PAPER QUANTITY INDICATOR UNIT 残量表示ユニット	
11	FB4 - 2026 - 000		1	LEVER, SLIDE スライド レバー	
12	FB4 - 5268 - 000		1	SUPPORT, SHAFT, REAR 軸支板 (後)	
13	FB4 - 9509 - 000		1	PLATE, SEPARATION 分離板	
14	FB5 - 3365 - 000		1	SPRING, COMPRESSION アッシュク バネ	
15	FB5 - 3370 - 000		1	LEVER, HOOK RELEASE フック解除レバー	
16	FB5 - 3569 - 000		1	LEVER, HOOK RELEASE フック解除レバー	
17	FB5 - 5606 - 000		1	HOOK, WIRE, FRONT ワイヤ掛け (前)	
18	FB5 - 5607 - 000		1	HOOK, WIRE, REAR ワイヤ掛け (後)	
19	FB5 - 5608 - 000		1	SUPPORT, FRONT 支え板 (前)	
20	FB5 - 5609 - 000		1	SUPPORT, REAR 支え板 (後)	
21	FB6 - 2719 - 000		3	PAD 消音パッド	
22	FC1 - 5049 - 000		2	BRACKET スライド コマ	
23	FC1 - 5051 - 000		1	WIRE, LIFTING, FRONT ワイヤ (前)	
24	FC1 - 5052 - 000		1	WIRE, LIFTING, REAR ワイヤ (後)	
25	FC1 - 5055 - 000		1	HOLDER, CABLE, FRONT ワイヤ オサエ (前)	
26	FC1 - 5056 - 000		1	HOLDER, CABLE, REAR ワイヤ オサエ (後)	
27	FC1 - 5061 - 000		1	GEAR, 28T 28T ギア	
28	FC1 - 5080 - 000		1	PLATE, LIMIT, WIRE ワイヤ キセイ バン	
29	FC1 - 5081 - 000		1	FLANGE, REAR 1.5K リフト フランジ (後)	

FIGURE & KEY NO.	PART NUMBER	RANK	QTY	DESCRIPTION	SERIAL NUMBER / REMARKS
302 - 30	FF5 - 8150 - 000		1	LEVER, CAM RELEASE カム解除レバー	
31	FF5 - 8151 - 000		1	HOOK フック	
32	FF5 - 9791 - 000		1	PLATE, LEVER SUPPORT 解除支板	
33	FF6 - 1013 - 000		1	FRONT COVER, RIGHT 前カバー (右)	
33A	FB5 - 3366 - 000		1	PLATE, INDEX, PAPER 残量表示プレート	
34	FF6 - 1054 - 000		1	BUTTON, PUSH プッシュ ボタン	
35	FS2 - 9428 - 000		2	SCREW, M6X6 ネジ	
36	FS4 - 0012 - 000		1	GEAR, 27T 27T ギア	
37	FS4 - 0160 - 000		1	GEAR, 28T 28T ギア	
38	FS4 - 2136 - 000		1	SPRING, COMPRESSION アッシュク バネ	
39	FS5 - 8618 - 000		1	LABEL, "MAXIMUM LOAD" 積載制限ラベル	
40	FS6 - 2983 - 000		1	SPRING, TENSION ヒツパリ バネ	
41	FS6 - 2984 - 000		1	SPRING, COMPRESSION アッシュク バネ	
42	FS6 - 8981 - 000		2	LABEL, PAPER SIZE 紙サイズ ラベル	SEE NOTE
43	XA9 - 0605 - 000		2	SCREW, M4X8 タイト ネジ	
44	XA9 - 0685 - 000		28	SCREW, RS, M4X6 RS タイト ネジ	
45	XA9 - 0721 - 000		10	SCREW, RS, M4X10 RS タイト ネジ	
46	XD9 - 0104 - 000		2	PIN, DOWEL ヘイコウ ピン	
47	XG9 - 0439 - 000		2	BEARING, ROLLER ロ-ラ ベアリング	
48	XH9 - 0082 - 000		1	DAMPER, OIL オイル ダンパ	
501	XB1 - 2200 - 409		2	SCREW, MACH., TRUSS HEAD, M2X4 バインド ネジ	
502	XB1 - 2400 - 607		3	SCREW, MACH., TRUSS HEAD, M4X6 バインド ネジ	
503	XB1 - 2400 - 609		4	SCREW, MACH., TRUSS HEAD, M4X6 バインド ネジ	
504	XB6 - 2300 - 408		4	SETSCREW, M3X4 ロック アナツキ トメネジ	
505	XD1 - 1108 - 239		2	SHIM ヒョウジュン ワッシャ	
506	XD2 - 1100 - 402		2	RING, E E リング	
507	XD2 - 1100 - 642		5	RING, E E リング	
508	XD3 - 1200 - 122		1	PIN, SPRING スプリング ピン	

FIGURE 303 1.5K LEFT PAPER STOCK ASSEMBLY

1.5K左収納庫部

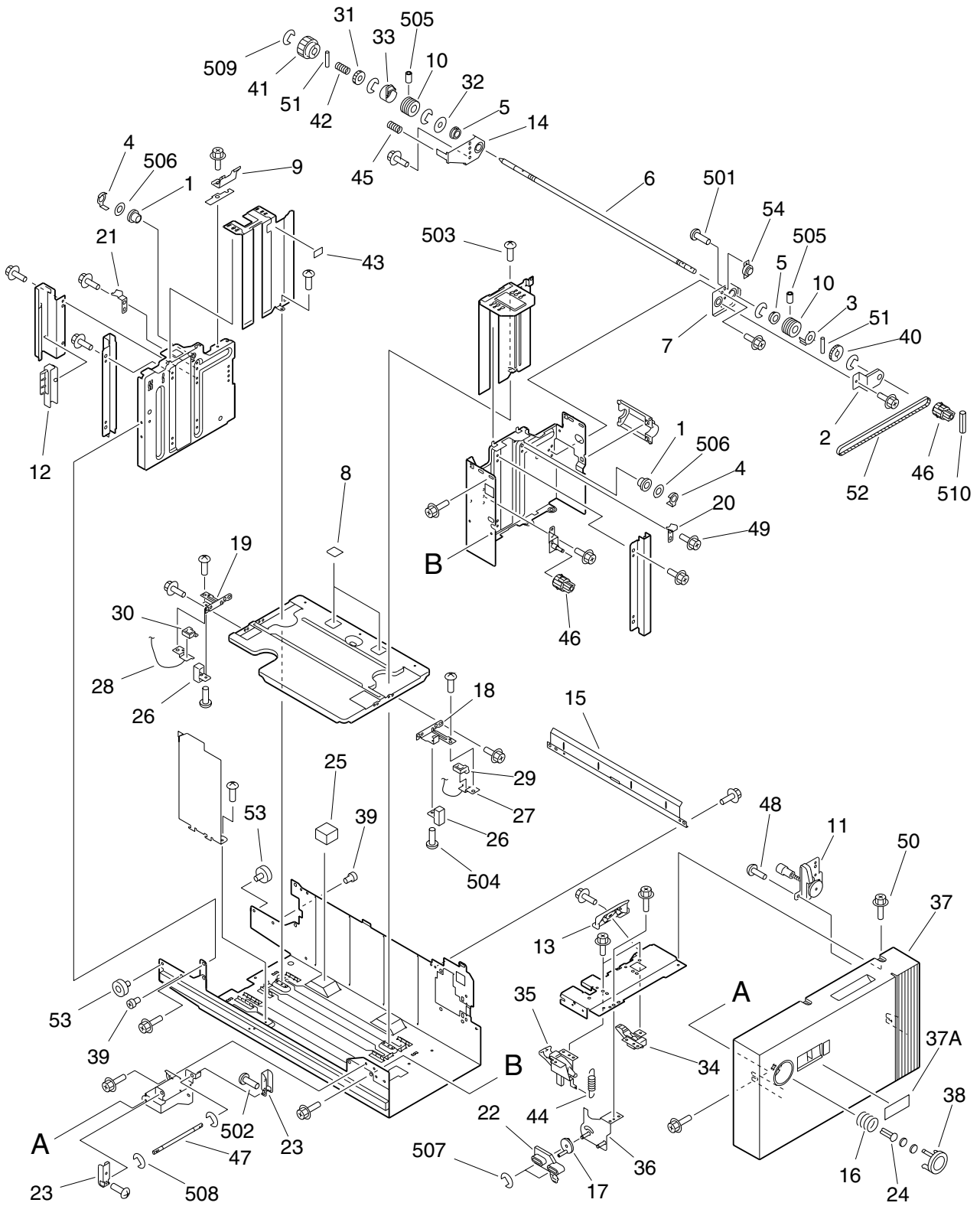


FIGURE & KEY NO.	PART NUMBER	RANK	QTY	DESCRIPTION	SERIAL NUMBER / REMARKS
303 -	FG6 - 7377 - 000		1	1.5K LEFT PAPER STOCK ASSEMBLY 1.5K左収納庫部	
1	FA6 - 9971 - 000		2	PULLEY, IDLER アイドラ プーリ	
2	FA6 - 9986 - 000		1	HOLDER, DAMPER ダンパ トリツケ バン	
3	FA6 - 9988 - 020		1	FLANGE, LIFTER リフト フランジ	
4	FA6 - 9989 - 000		2	FLANGE, IDLER アイドラ フランジ	
5	FA9 - 2112 - 000		2	BUSHING ブッシング	
6	FB2 - 7625 - 000		1	SHAFT, LIFT リフト軸	
7	FB2 - 7652 - 000		1	SUPPORT, SHAFT, FRONT 軸支板 (前)	
8	FB2 - 7740 - 020		2	SHEET, SEPARATION 分離シート	
9	FB2 - 7758 - 000		1	PLATE, JAM STOP, 1 ジャム ストップバ (1)	
10	FB2 - 8465 - 000		2	PULLEY, LIFTING, FRONT リフト プーリ (前)	
11	FB3 - 8508 - 000		1	PAPER QUANTITY INDICATOR UNIT 残量表示ユニット	
12	FB4 - 2026 - 000		1	LEVER, SLIDE スライド レバー	
13	FB4 - 5267 - 000		1	LEVER, SEPARATION RELEASE 分離解除レバー	
14	FB4 - 5268 - 000		1	SUPPORT, SHAFT, REAR 軸支板 (後)	
15	FB4 - 9509 - 000		1	PLATE, SEPARATION 分離板	
16	FB5 - 3365 - 000		1	SPRING, COMPRESSION アッシュク バネ	
17	FB5 - 3370 - 000		1	LEVER, HOOK RELEASE フック解除レバー	
18	FB5 - 5606 - 000		1	HOOK, WIRE, FRONT ワイヤ掛け (前)	
19	FB5 - 5607 - 000		1	HOOK, WIRE, REAR ワイヤ掛け (後)	
20	FB5 - 5608 - 000		1	SUPPORT, FRONT 支え板 (前)	
21	FB5 - 5609 - 000		1	SUPPORT, REAR 支え板 (後)	
22	FB5 - 6980 - 000		1	LEVER, HOOK RELEASE フック解除レバー	
23	FB5 - 6982 - 000		2	LINK, DECK デッキ リンク	
24	FB5 - 6986 - 000		1	LEVER, LEFT COVER 左カバー レバー	
25	FB6 - 2719 - 000		3	PAD 消音パッド	
26	FC1 - 5049 - 000		2	BRACKET スライド コマ	
27	FC1 - 5051 - 000		1	WIRE, LIFTING, FRONT ワイヤ (前)	
28	FC1 - 5052 - 000		1	WIRE, LIFTING, REAR ワイヤ (後)	
29	FC1 - 5055 - 000		1	HOLDER, CABLE, FRONT ワイヤ オサエ (前)	

FIGURE & KEY NO.	PART NUMBER	RANK	QTY	DESCRIPTION	SERIAL NUMBER / REMARKS
303 - 30	FC1 - 5056 - 000		1	HOLDER, CABLE, REAR ワイヤ オサエ (後)	
31	FC1 - 5061 - 000		1	GEAR, 28T 28T ギア	
32	FC1 - 5080 - 000		1	PLATE, LIMIT, WIRE ワイヤ キセイ パン	
33	FC1 - 5081 - 000		1	FLANGE, REAR 1.5K リフト フランジ (後)	
34	FF5 - 8150 - 000		1	LEVER, CAM RELEASE カム解除レバー	
35	FF5 - 8151 - 000		1	HOOK フック	
36	FF5 - 9793 - 000		1	PLATE, LEVER SUPPORT フック解除レバー支板	
37	FF6 - 1014 - 000		1	FRONT COVER, LEFT 前カバー (左)	
37A	FB5 - 3367 - 000		1	PLATE, INDEX, PAPER 残量表示プレート	
38	FF6 - 1054 - 000		1	BUTTON, PUSH プッシュ ボタン	
39	FS2 - 9428 - 000		2	SCREW, M6X6 ネジ	
40	FS4 - 0012 - 000		1	GEAR, 27T 27T ギア	
41	FS4 - 0160 - 000		1	GEAR, 28T 28T ギア	
42	FS4 - 2136 - 000		1	SPRING, COMPRESSION アッシュク バネ	
43	FS5 - 8618 - 000		1	LABEL, "MAXIMUM LOAD" 積載制限ラベル	
44	FS6 - 2983 - 000		1	SPRING, TENSION ヒツパリ バネ	
45	FS6 - 2984 - 000		1	SPRING, COMPRESSION アッシュク バネ	
46	FS7 - 0662 - 000		2	PULLEY, 25T 25T プーリ	
47	FS7 - 5687 - 000		1	SHAFT, RELEASE 解除支軸	
48	XA9 - 0605 - 000		2	SCREW, M4X8 タイト ネジ	
49	XA9 - 0685 - 000		31	SCREW, RS, M4X6 RS タイト ネジ	
50	XA9 - 0721 - 000		10	SCREW, RS, M4X10 RS タイト ネジ	
51	XD9 - 0104 - 000		2	PIN, DOWEL ヘイコウ ピン	
52	XF9 - 0723 - 000		1	BELT, TIMING タイミング ベルト	
53	XG9 - 0439 - 000		2	BEARING, ROLLER ロ-ラ ベアリング	
54	XH9 - 0082 - 000		1	DAMPER, OIL オイル ダンパ	
501	XB1 - 2200 - 409		2	SCREW, MACH., TRUSS HEAD, M2X4 バインド ネジ	
502	XB1 - 2300 - 609		2	SCREW, MACH., TRUSS HEAD, M3X6 バインド ネジ	
503	XB1 - 2400 - 607		3	SCREW, MACH., TRUSS HEAD, M4X6 バインド ネジ	
504	XB1 - 2400 - 609		4	SCREW, MACH., TRUSS HEAD, M4X6 バインド ネジ	

FIGURE & KEY NO.	PART NUMBER	R A N K	Q' T Y	DESCRIPTION	SERIAL NUMBER / REMARKS
303 - 505	XB6 - 2300 - 408		4	SETSCREW,M3X4 ロツカク アナツキ トメネジ	
506	XD1 - 1108 - 239		2	SHIM ヒョウジュン ワッシャ	
507	XD2 - 1100 - 402		2	RING,E E リング	
508	XD2 - 1100 - 502		2	RING,E E リング	
509	XD2 - 1100 - 642		5	RING,E E リング	
510	XD3 - 1200 - 122		1	PIN,SPRING スプリング ピン	

FIGURE 305 CASSETTE HEATER ASSEMBLY カセットヒータ部

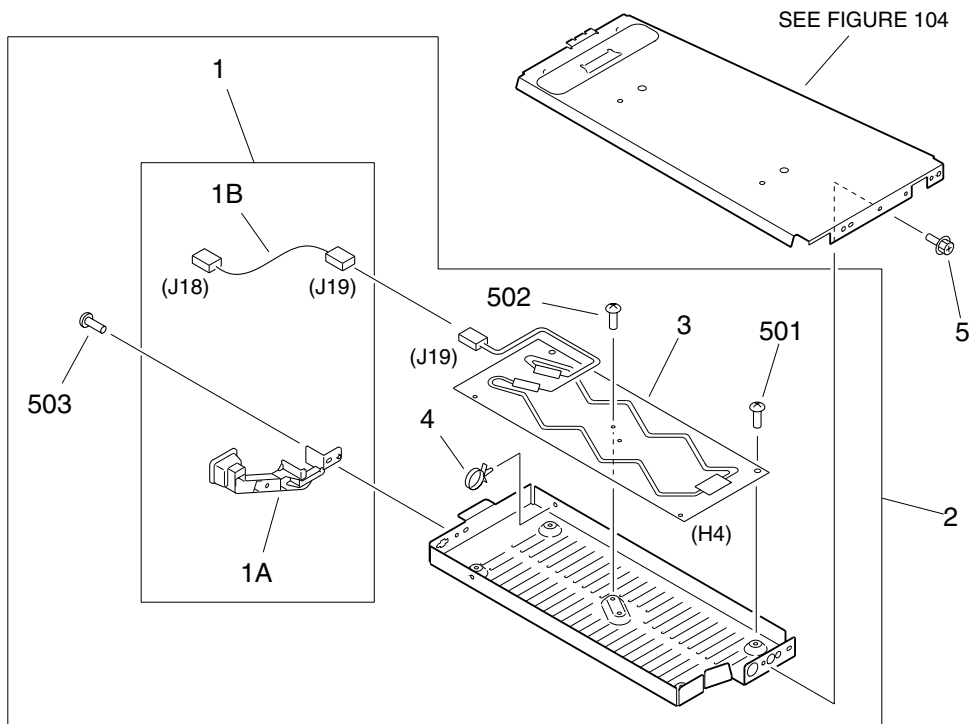
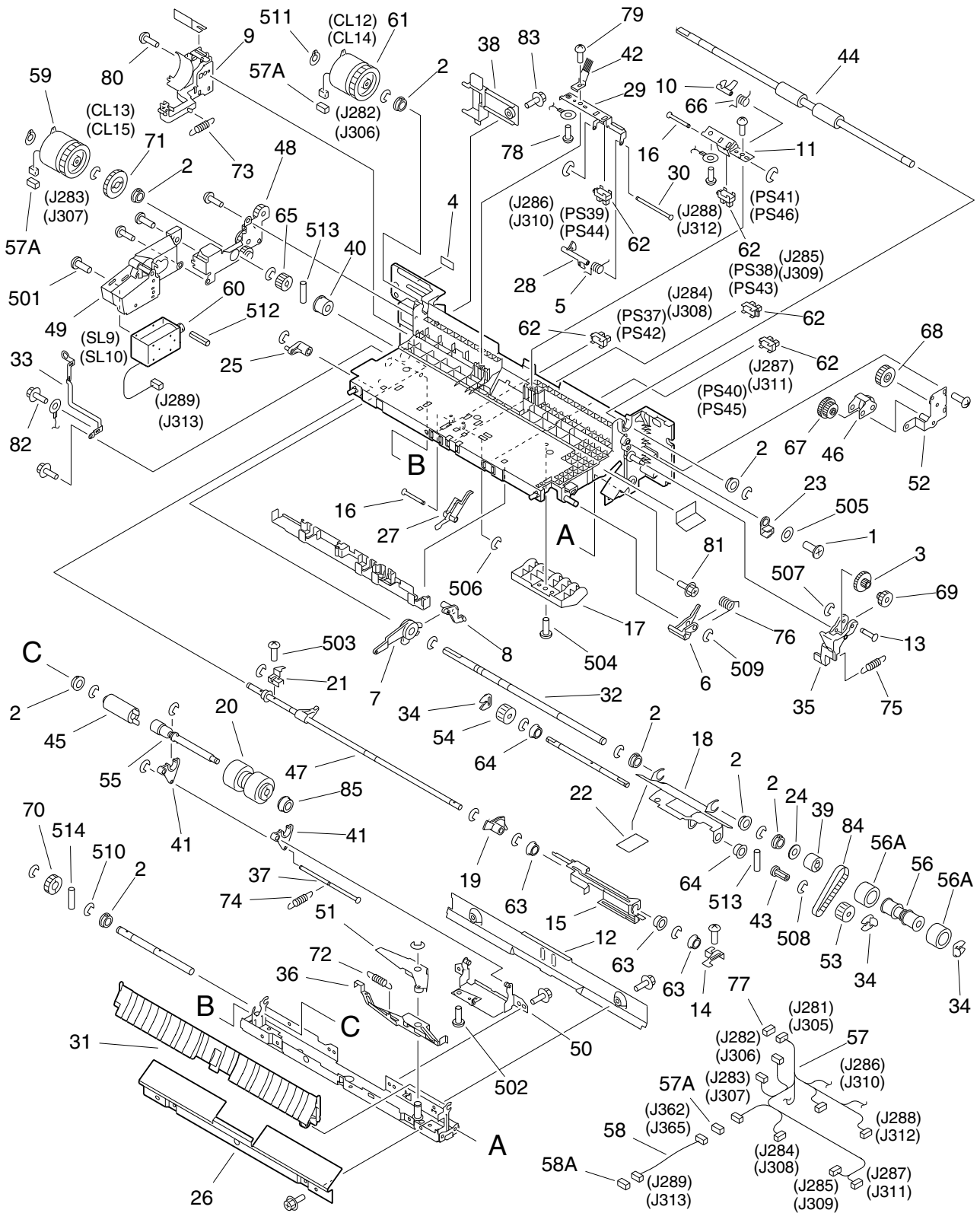


FIGURE & KEY NO.	PART NUMBER	RANK	QTY	DESCRIPTION	SERIAL NUMBER / REMARKS
305 -	NPN		RF	CASSETTE HEATER ASSEMBLY カセット ヒータ部	100V ACCESSORY 208V
1	FG2 - 9195 - 000		1	CORD GUIDE ASSEMBLY コード ガイド部	
1A	FB3 - 9910 - 000		1	GUIDE, HEATER CABLE ヒータ ガイド	
1B	FG5 - 9419 - 000		1	CABLE, HEATER ヒータ中継束線	J18,19
2	FG2 - 9811 - 000		1	CASSETTE HEATER UNIT カセット ヒータ ユニット	100V
	FG2 - 9921 - 000		1	HEATER ASSEMBLY ヒータ ユニット	ACCESSORY 208V
3	FH7 - 4584 - 000		1	HEATER, CASSETTE カセット ヒータ	H4 J19
4	WT2 - 5041 - 000		1	CLAMP, CABLE ケーブル クランプ	
5	XA9 - 0628 - 000		2	SCREW,RS,M4X8 RS タイト ネジ	
501	XB1 - 2400 - 409		4	SCREW,MACH.,TRUSS HEAD,M4X4 バインド ネジ	
502	XB6 - 7300 - 409		1	SCREW,TP,M3X4 TP ネジ	
503	XB6 - 7400 - 609		1	SCREW,TP,M4X6 TP ネジ	

FIGURE 311 CASSETTE PICK-UP ASSEMBLY

カセット給紙部



NOTE: This assembly does not include the parts shown with key No. 38, 77, and 83.
 注: このユニットにKey No. 38、77、83の部品は含まれません。

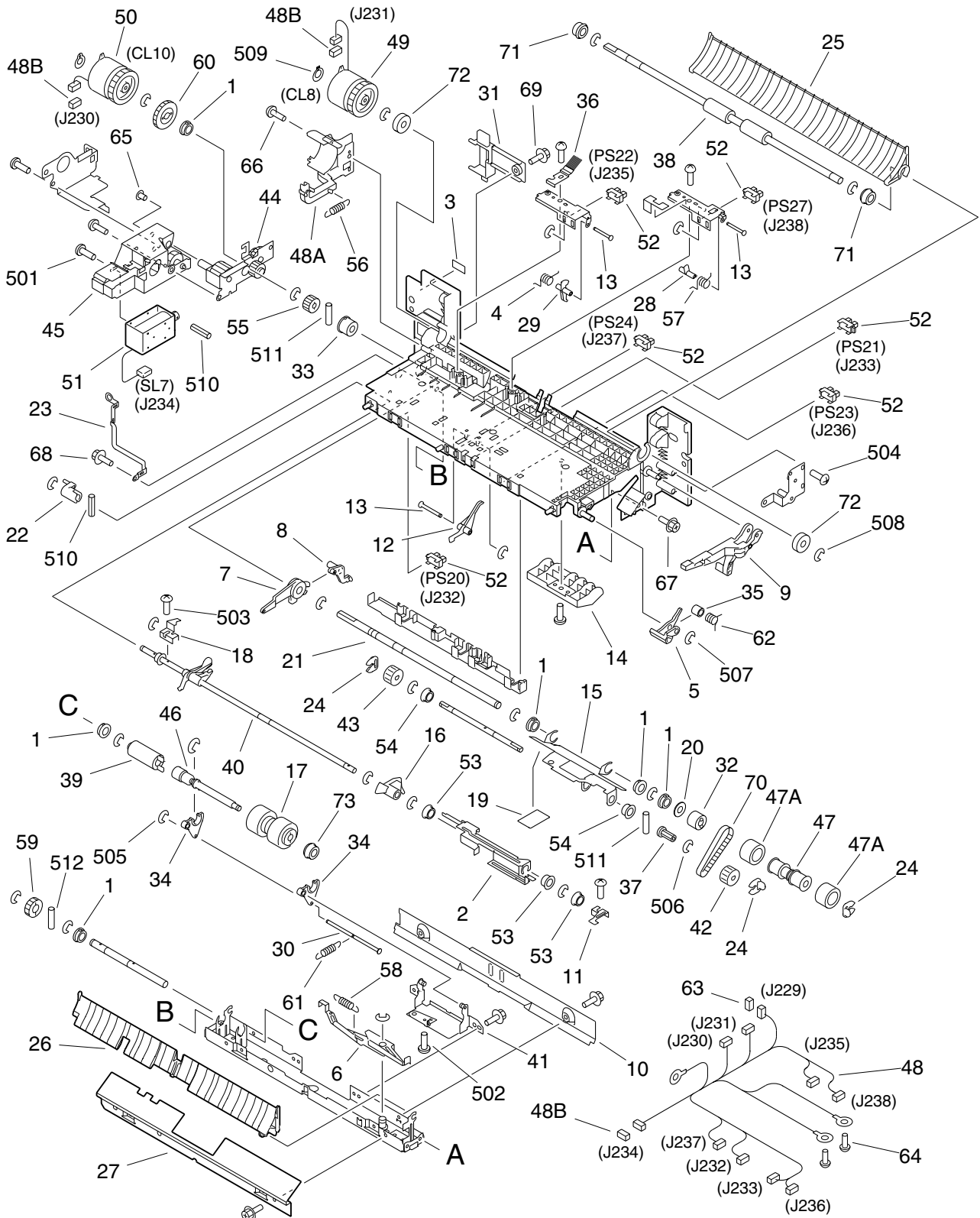
FIGURE & KEY NO.	PART NUMBER	R A N K	Q' T Y	DESCRIPTION	SERIAL NUMBER / REMARKS
311 -	FG6 - 7383 - 000		2	CASSETTE PICK-UP ASSEMBLY カセット給紙部	
1	FA6 - 6457 - 000		1	SCREW,M3X5 ネジ	
2	FA9 - 2112 - 000		8	BUSHING ブッシング	
3	FA9 - 3827 - 000		1	GEAR, 17T/58T 17T / 58T ギア	
4	FA9 - 3828 - 000		1	LABEL, DISCRIMINATE 識別ラベル	
5	FA9 - 3846 - 000		1	SPRING, TORSION ネジリ バネ	
6	FB2 - 7593 - 000		1	CAM カム	
7	FB2 - 7605 - 000		1	LINK, UP, 1 アップ リンク (1)	
8	FB2 - 7606 - 000		1	LINK, UP, 2 アップ リンク (2)	
9	FB2 - 7607 - 020		1	PLATE, LIMIT, CLUTCH クラッチ キセイ バン	
10	FB2 - 7611 - 000		1	LEVER, SENSOR キュウシ センサ レバー	
11	FB2 - 7613 - 000		1	MOUNT, SENSOR キュウシ センサ シダイ	
12	FB2 - 7616 - 000		1	GUIDE, FEED ハンソウ ガイド	
13	FB2 - 7620 - 000		1	SHAFT, LIFT, UPPER リフト ヨウドウ ジク (ウエ)	
14	FB2 - 7624 - 000		1	PLATE, PICK-UP, FRONT ピックアップ板 (前)	
15	FB2 - 7631 - 020		1	PLATE, RELEASE シメン フラッグ カイジョ バン	
16	FB2 - 7633 - 000		2	SHAFT, SENSOR センサ シジク	
17	FB2 - 7635 - 000		1	PLATE, GUIDE, UPPER ガイド バン (ウエ)	
18	FB2 - 7641 - 000		1	PLATE, PICK-UP ピックアップ板	
19	FB2 - 7642 - 000		1	ARM, PAPER カミ アリ ア - ム	
20	FB2 - 7777 - 020		1	ROLLER, SEPARATION 分離ローラ	
21	FB2 - 8266 - 000		1	PLATE, PICK-UP, REAR ピックアップ バン (ウシロ)	
22	FB2 - 8410 - 000		1	SHEET, PICK-UP ピックアップ シ - ト	
23	FB2 - 8436 - 000		1	BUSHING ブッシング	
24	FB2 - 8512 - 000		1	SPACER スペーサ	
25	FB3 - 8333 - 000		1	CAM, PICK-UP RELEASE 給紙解除カム	
26	FB3 - 9367 - 000		1	GUIDE, PICK-UP INLET, RIGHT 給紙入口ガイド (右)	
27	FB4 - 1202 - 000		1	FLAG, PAPER 紙面フラッグ	
28	FB4 - 1978 - 020		1	LEVER, PICK-UP SENSOR 給紙センサ レバー	
29	FB4 - 1979 - 000		1	MOUNT, PICK-UP SENSOR 給紙センサ支台	

FIGURE & KEY NO.	PART NUMBER	RANK	QTY	DESCRIPTION	SERIAL NUMBER / REMARKS
311 - 30	FB4 - 1980 - 000		1	SHAFT, PICK-UP SENSOR 給紙センサ支軸	
31	FB4 - 1982 - 000		1	GUIDE, OPEN/CLOSE 開閉ガイド	
32	FB4 - 1989 - 000		1	SHAFT, PAPER FEED ROLLER 搬送ローラ軸	
33	FB4 - 2004 - 000		1	PLATE, GROUNDING アース板	
34	FB4 - 2007 - 000		3	RING, RETAINING 止め輪	
35	FB4 - 3700 - 000		1	LEVER, LIFTER RELEASE リフタ解除レバー	
36	FB4 - 6214 - 000		1	LEVER, SEPARATION RELEASE, 2 分離解除レバー (2)	
37	FB4 - 6227 - 000		1	SHAFT, COUNTER カウンタ軸	
38	FB4 - 7835 - 000		1	COVER, CONNECTOR, PICK-UP コネクタ カバー (給紙)	SEE NOTE
39	FB4 - 9029 - 000		1	CLUTCH, ONE-WAY ワンウェイ クラッチ	
40	FB4 - 9043 - 000		1	CLUTCH, ONE-WAY ワンウェイ クラッチ	
41	FB5 - 2063 - 000		2	ARM, SEPARATION ROLLER 分離ローラ アーム	
42	FB5 - 5621 - 000		1	ELIMINATOR, STATIC CHARGE 除電針	
43	FB5 - 7005 - 000		1	PULLEY, 18T 18T プーリ	
44	FB5 - 7013 - 000		1	ROLLER, FEED 搬送ローラ	
45	FB6 - 0775 - 000		1	TORQUE, LIMITER トルク リミッタ	
46	FF5 - 3063 - 030		1	PLATE, LIFT リフタ ヨウドウ パン	
47	FF5 - 3220 - 000		1	SHAFT, PAPER PICK-UP 給紙軸	
48	FF5 - 5894 - 000		1	PLATE, SUPPORT, LOWER 入力支持板 (下)	
49	FF5 - 5895 - 000		1	MOUNT, PICK-UP SOLENOID 給紙ソレノイド台	
50	FF5 - 6889 - 000		1	MOUNT, SEPARATION ROLLER 分離ローラ支台	
51	FF5 - 6904 - 000		1	LEVER, SEPARATION RELEASE, 1 分離解除レバー (1)	
52	FF5 - 6905 - 000		1	SUPPORT, LIFTER GEAR リフタ ギア支持板	
53	FF5 - 7829 - 000		1	ROLLER, PICK-UP 給紙ローラ	FRONT
54	FF5 - 7830 - 000		1	ROLLER, PICK-UP 給紙ローラ	REAR
55	FF5 - 9784 - 000		1	SHAFT, SEPARATION ROLLER 分離ローラ軸	
56	FF9 - 1913 - 000		1	ROLLER, FEED 搬送ローラ	
56 A	FB4 - 2034 - 000		2	ROLLER, FEED 搬送ローラ	
57	FG6 - 1832 - 000		1	CABLE, PAPER PICK-UP カセット給紙束線	J281-288,362 J305-312,365
57 A	VS1 - 5057 - 002		3	CONNECTOR, SNAP TIGHT チュウケイ コネクタ	J282,283,362 J306,307,365

FIGURE & KEY NO.	PART NUMBER	R A N K	Q' T Y	DESCRIPTION	SERIAL NUMBER / REMARKS
311 - 58	FG6 - 2335 - 000		1	CABLE, SOLENOID CONNECTING ソレノイド中継束線	J289,362 J313,365
58 A	VS1 - 5057 - 002		1	CONNECTOR, SNAP TIGHT チュウケイ コネクタ	J289,313
59	FH6 - 5014 - 000		1	CLUTCH, ELECTROMAGNETIC 電磁クラッチ	CL13 J283 CL15 J307
60	FH7 - 5702 - 000		1	SOLENOID ソレノイド	SL9 J289 SL10 J313
61	FH7 - 5839 - 000		1	CLUTCH, ELECTROMAGNETIC 電磁クラッチ	CL12 J282 CL14 J306
62	FH7 - 7462 - 000		5	PHOTO-INTERRUPTER フォトインタラプタ	PS37-41 J284-288 PS42-46 J308-312
63	FS1 - 1512 - 000		3	BUSHING ブッシング	
64	FS1 - 1569 - 000		2	BUSHING ブッシング	
65	FS5 - 0338 - 000		1	GEAR, 16T 16T ギア	
66	FS5 - 2913 - 000		1	SPRING, TORSION ネジリ バネ	
67	FS6 - 0048 - 000		1	GEAR, 16T/46T 16T / 46T ギア	
68	FS6 - 0049 - 000		1	GEAR, 48T 48T ギア	
69	FS6 - 0051 - 000		1	GEAR, 17T/20T 17T / 20T ギア	
70	FS6 - 0053 - 020		1	GEAR, 20T 20T ギア	
71	FS6 - 0056 - 000		1	GEAR, 32T 32T ギア	
72	FS6 - 2668 - 000		1	SPRING, TENSION ヒツパリ バネ	
73	FS6 - 2670 - 000		1	SPRING, TENSION ヒツパリ バネ	
74	FS6 - 2678 - 000		1	SPRING, TENSION ヒツパリ バネ	
75	FS6 - 2742 - 000		1	SPRING, TENSION ヒツパリ バネ	
76	FS6 - 2996 - 000		1	SPRING, TORSION ネジリ バネ	
77	VS1 - 6319 - 022		1	CONNECTOR, SNAP TIGHT チュウケイ コネクタ	SEE NOTE J281,305
78	XA9 - 0265 - 000		2	SCREW,W/WASHER,TRUSS HEAD ザツキ バインド ネジ	
79	XA9 - 0591 - 000		2	SCREW,M3X8 タイト ネジ	
80	XA9 - 0605 - 000		4	SCREW,M4X8 タイト ネジ	
81	XA9 - 0628 - 000		9	SCREW,RS,M4X8 RS タイト ネジ	
82	XA9 - 0633 - 000		1	SCREW,RS,M4X8 RS タイト ネジ	
83	XA9 - 0643 - 000		1	SCREW,RS,M4X10 RS タイト ネジ	SEE NOTE
84	XF9 - 0724 - 000		1	BELT, TIMING タイミング ベルト	
85	XG9 - 0407 - 000		1	BEARING, BALL, UGF106P12ZZD4ML ボール ベアリング	
501	XB1 - 2300 - 407		2	SCREW,MACH.,TRUSS HEAD,M3X4 バインド ネジ	

FIGURE & KEY NO.	PART NUMBER	R A N K	Q' T Y	DESCRIPTION	SERIAL NUMBER / REMARKS
311 - 502	XB1 - 2300 - 409		1	SCREW,MACH.,TRUSS HEAD,M3X4 バインド ネジ	
503	XB1 - 2300 - 609		2	SCREW,MACH.,TRUSS HEAD,M3X6 バインド ネジ	
504	XB1 - 2400 - 609		4	SCREW,MACH.,TRUSS HEAD,M4X6 バインド ネジ	
505	XD1 - 1104 - 132		1	SHIM ヒョウジュン ワッシャ	
506	XD2 - 1100 - 242		4	RING,E E リング	
507	XD2 - 1100 - 322		1	RING,E E リング	
508	XD2 - 1100 - 372		1	RING,E E リング	
509	XD2 - 1100 - 502		7	RING,E E リング	
510	XD2 - 1100 - 642		11	RING,E E リング	
511	XD2 - 2100 - 802		1	RING,GRIP グリップ リング	
512	XD3 - 0300 - 082		1	PIN,SPRING スプリング ピン	
513	XD3 - 2200 - 102		2	PIN,DOWEL ヘイコウ ピン	
514	XD3 - 2200 - 122		1	PIN,DOWEL ヘイコウ ピン	

FIGURE 312 FRONT DECK RIGHT PICK-UP ASSEMBLY フロントデッキ右給紙部



NOTE: This assembly does not include the parts shown with key No. 31, 63, and 69.
注: このユニットにKey No. 31, 63, 69の部品は含まれません。

FIGURE & KEY NO.	PART NUMBER	R A N K	Q' T Y	DESCRIPTION	SERIAL NUMBER / REMARKS
312 -	FG6 - 7384 - 000		1	FRONT DECK RIGHT PICK-UP ASS'Y フロント デッキ右給紙部	
1	FA9 - 2112 - 000		6	BUSHING ブッシング	
2	FA9 - 3691 - 000		1	PLATE, PAPER FLAG RELEASE 紙面フラグ解除板	
3	FA9 - 3828 - 000		1	LABEL, DISCRIMINATE 識別ラベル	
4	FA9 - 3846 - 000		1	SPRING, TORSION ネジリ バネ	
5	FB2 - 7593 - 000		1	CAM カム	
6	FB2 - 7603 - 000		1	LEVER, RELEASE カイジョ レバ-	
7	FB2 - 7605 - 000		1	LINK, UP, 1 アップ リンク (1)	
8	FB2 - 7606 - 000		1	LINK, UP, 2 アップ リンク (2)	
9	FB2 - 7614 - 000		1	LEVER, RELEASE リフタ カイジョ レバ-	
10	FB2 - 7616 - 000		1	GUIDE, FEED ハンソウ ガイド	
11	FB2 - 7624 - 000		1	PLATE, PICK-UP, FRONT ピックアップ板 (前)	
12	FB2 - 7630 - 000		1	FLAG, PAPER 紙面フラッグ	
13	FB2 - 7633 - 000		3	SHAFT, SENSOR センサ シジク	
14	FB2 - 7635 - 000		1	PLATE, GUIDE, UPPER ガイド パン (ウエ)	
15	FB2 - 7641 - 000		1	PLATE, PICK-UP ピックアップ板	
16	FB2 - 7642 - 000		1	ARM, PAPER カミ アリ ア-ム	
17	FB2 - 7777 - 020		1	ROLLER, SEPARATION 分離ローラ	
18	FB2 - 8266 - 000		1	PLATE, PICK-UP, REAR ピックアップ パン (ウシロ)	
19	FB2 - 8410 - 000		1	SHEET, PICK-UP ピックアップ シ-ト	
20	FB2 - 8512 - 000		1	SPACER スペーサ	
21	FB4 - 1989 - 000		1	SHAFT, PAPER FEED ROLLER 搬送ローラ軸	
22	FB4 - 2000 - 000		1	CAM, PICK-UP RELEASE, REAR 給紙解除カム (後)	
23	FB4 - 2004 - 000		1	PLATE, GROUNDING アース板	
24	FB4 - 2007 - 000		3	RING, RETAINING 止め輪	
25	FB4 - 2010 - 000		1	GUIDE, JOINT ジョイント ガイド	
26	FB4 - 2012 - 000		1	GUIDE, OPEN/CLOSE, RIGHT 開閉ガイド (右)	
27	FB4 - 2013 - 000		1	GUIDE, PICK-UP INLET 給紙入口ガイド	
28	FB4 - 2014 - 000		1	LEVER, SENSOR センサ レバー	
29	FB4 - 2016 - 000		1	LEVER, PICK-UP SENSOR, RIGHT 給紙センサ レバー (右)	

FIGURE & KEY NO.	PART NUMBER	RANK	QTY	DESCRIPTION	SERIAL NUMBER / REMARKS
312 - 30	FB4 - 6227 - 000		1	SHAFT, COUNTER カウンタ軸	SEE NOTE
31	FB4 - 7835 - 000		1	COVER, CONNECTOR, PICK-UP コネクタ カバー (給紙)	
32	FB4 - 9029 - 000		1	CLUTCH, ONE-WAY ワンウェイ クラッチ	
33	FB4 - 9043 - 000		1	CLUTCH, ONE-WAY ワンウェイ クラッチ	
34	FB5 - 2063 - 000		2	ARM, SEPARATION ROLLER 分離ローラ アーム	
35	FB5 - 4339 - 000		1	SPACER, CAM カム スペーサ	
36	FB5 - 5620 - 000		1	ELIMINATOR, STATIC CHARGE 除電針	
37	FB5 - 7005 - 000		1	PULLEY, 18T 18T プーリ	
38	FB5 - 7013 - 000		1	ROLLER, FEED 搬送ローラ	
39	FB6 - 0775 - 000		1	TORQUE, LIMITER トルク リミッタ	
40	FF5 - 3228 - 000		1	SHAFT, PICK-UP, UPPER ピックアップ軸 (上)	FRONT
41	FF5 - 6889 - 000		1	MOUNT, SEPARATION ROLLER 分離ローラ支台	
42	FF5 - 7829 - 000		1	ROLLER, PICK-UP 給紙ローラ	
43	FF5 - 7830 - 000		1	ROLLER, PICK-UP 給紙ローラ	
44	FF5 - 7832 - 000		1	SUPPORT, PLATE, RIGHT 入力支持板 (右)	
45	FF5 - 7833 - 000		1	MOUNT, SOLENOID, RIGHT ソレノイド台 (右)	J229-238
46	FF5 - 9784 - 000		1	SHAFT, SEPARATION ROLLER 分離ローラ軸	
47	FF9 - 1913 - 000		1	ROLLER, FEED 搬送ローラ	
47A	FB4 - 2034 - 000		2	ROLLER, FEED 搬送ローラ	
48	FG6 - 1834 - 000		1	CABLE, RIGHT DECK 右デッキ給紙束線	
48A	FB4 - 2009 - 000		1	PLATE, CLUTCH LIMIT, RIGHT クラッチ規制板 (右)	J230,231,234
48B	VS1 - 5057 - 002		3	CONNECTOR, SNAP TIGHT チュウケイ コネクタ	
49	FH6 - 5014 - 000		1	CLUTCH, ELECTROMAGNETIC 電磁クラッチ	
50	FH7 - 5826 - 000		1	CLUTCH, ELECTROMAGNETIC 電磁クラッチ	
51	FH7 - 5827 - 000		1	SOLENOID ソレノイド	
52	FH7 - 7462 - 000		6	PHOTO-INTERRUPTER フォトインタラプタ	PS20-24,27 J232,233,235-238
53	FS1 - 1512 - 000		3	BUSHING ブッシング	
54	FS1 - 1569 - 000		2	BUSHING ブッシング	
55	FS5 - 0338 - 000		1	GEAR, 16T 16T ギア	
56	FS5 - 2911 - 000		1	SPRING, TENSION ヒツバリ バネ	

FIGURE & KEY NO.	PART NUMBER	RANK	QTY	DESCRIPTION	SERIAL NUMBER / REMARKS
312 - 57	FS5 - 2913 - 000		1	SPRING, TORSION ネジリ パネ	
58	FS5 - 2914 - 000		1	SPRING, TENSION ヒツパリ パネ	
59	FS6 - 0053 - 020		1	GEAR, 20T 20T ギア	
60	FS6 - 0056 - 000		1	GEAR, 32T 32T ギア	
61	FS6 - 2678 - 000		1	SPRING, TENSION ヒツパリ パネ	
62	FS6 - 2997 - 000		1	SPRING, TORSION ネジリ パネ	
63	VS1 - 6319 - 024		1	CONNECTOR, SNAP TIGHT チュウケイ コネクタ	SEE NOTE J229
64	XA9 - 0265 - 000		2	SCREW,W/WASHER,TRUSS HEAD ザツキ バインド ネジ	
65	XA9 - 0271 - 000		1	SCREW,M4X6 ネジ	
66	XA9 - 0605 - 000		5	SCREW,M4X8 タイト ネジ	
67	XA9 - 0628 - 000		9	SCREW,RS,M4X8 RS タイト ネジ	
68	XA9 - 0633 - 000		1	SCREW,RS,M4X8 RS タイト ネジ	
69	XA9 - 0643 - 000		1	SCREW,RS,M4X10 RS タイト ネジ	SEE NOTE
70	XF9 - 0724 - 000		1	BELT, TIMING タイミング ベルト	
71	XG9 - 0211 - 000		2	BALL BEARING, MF128ZZ1MC3D4M ボール ベアリング	
72	XG9 - 0250 - 000		2	BEARING, BALL ボール ベアリング	
73	XG9 - 0407 - 000		1	BEARING, BALL, UGF106P12ZZD4ML ボール ベアリング	
501	XB1 - 2300 - 407		2	SCREW,MACH.,TRUSS HEAD,M3X4 バインド ネジ	
502	XB1 - 2300 - 409		1	SCREW,MACH.,TRUSS HEAD,M3X4 バインド ネジ	
503	XB1 - 2300 - 609		2	SCREW,MACH.,TRUSS HEAD,M3X6 バインド ネジ	
504	XB1 - 2400 - 609		4	SCREW,MACH.,TRUSS HEAD,M4X6 バインド ネジ	
505	XD2 - 1100 - 242		4	RING,E E リング	
506	XD2 - 1100 - 372		1	RING,E E リング	
507	XD2 - 1100 - 502		9	RING,E E リング	
508	XD2 - 1100 - 642		13	RING,E E リング	
509	XD2 - 2100 - 802		1	RING,GRIP グリップ リング	
510	XD3 - 0300 - 082		1	PIN,SPRING スプリング ピン	
511	XD3 - 2200 - 102		2	PIN,DOWEL ヘイコウ ピン	
512	XD3 - 2200 - 122		1	PIN,DOWEL ヘイコウ ピン	

FIGURE 313 FRONT DECK LEFT PICK-UP ASSEMBLY
 フロントデッキ左給紙部

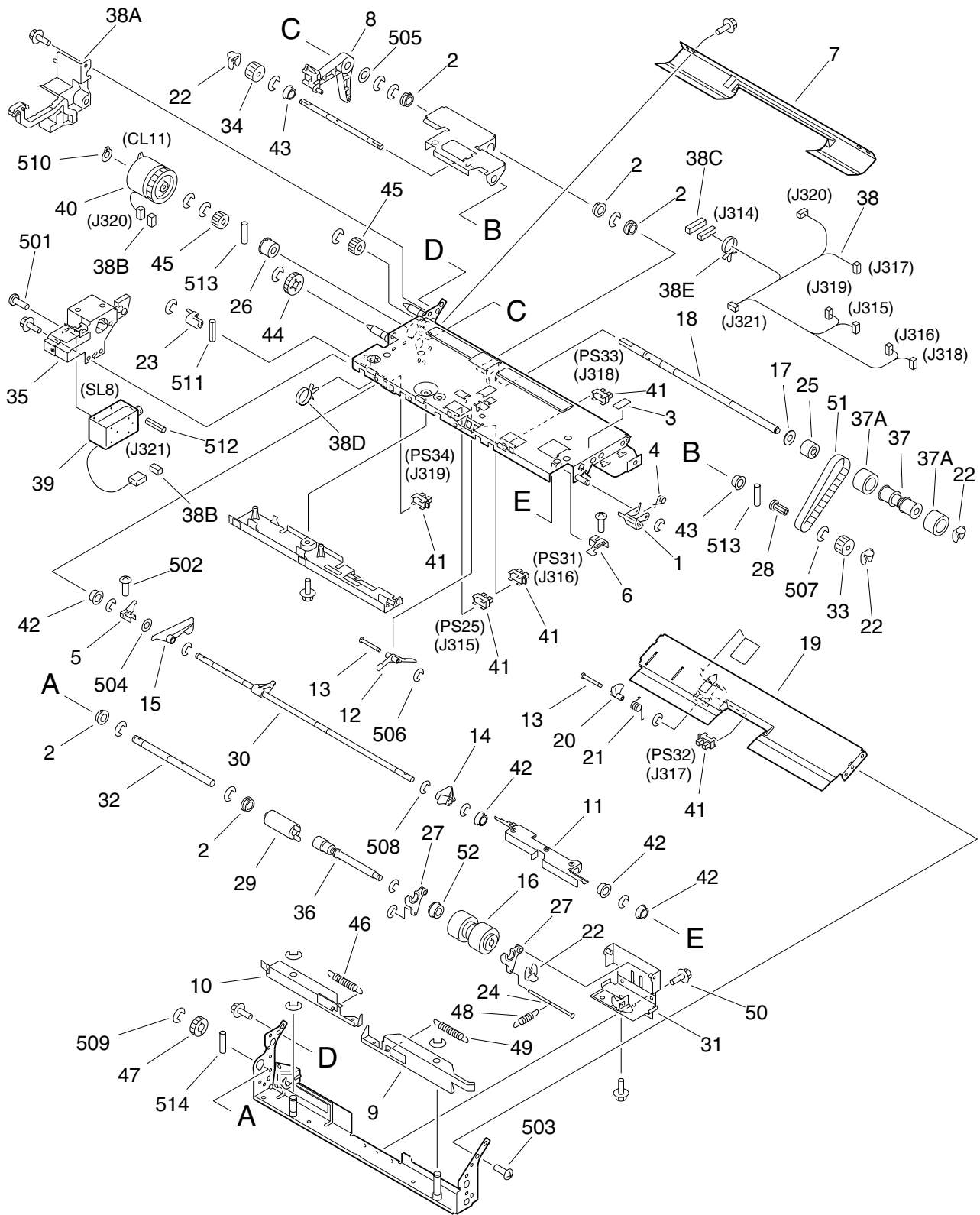


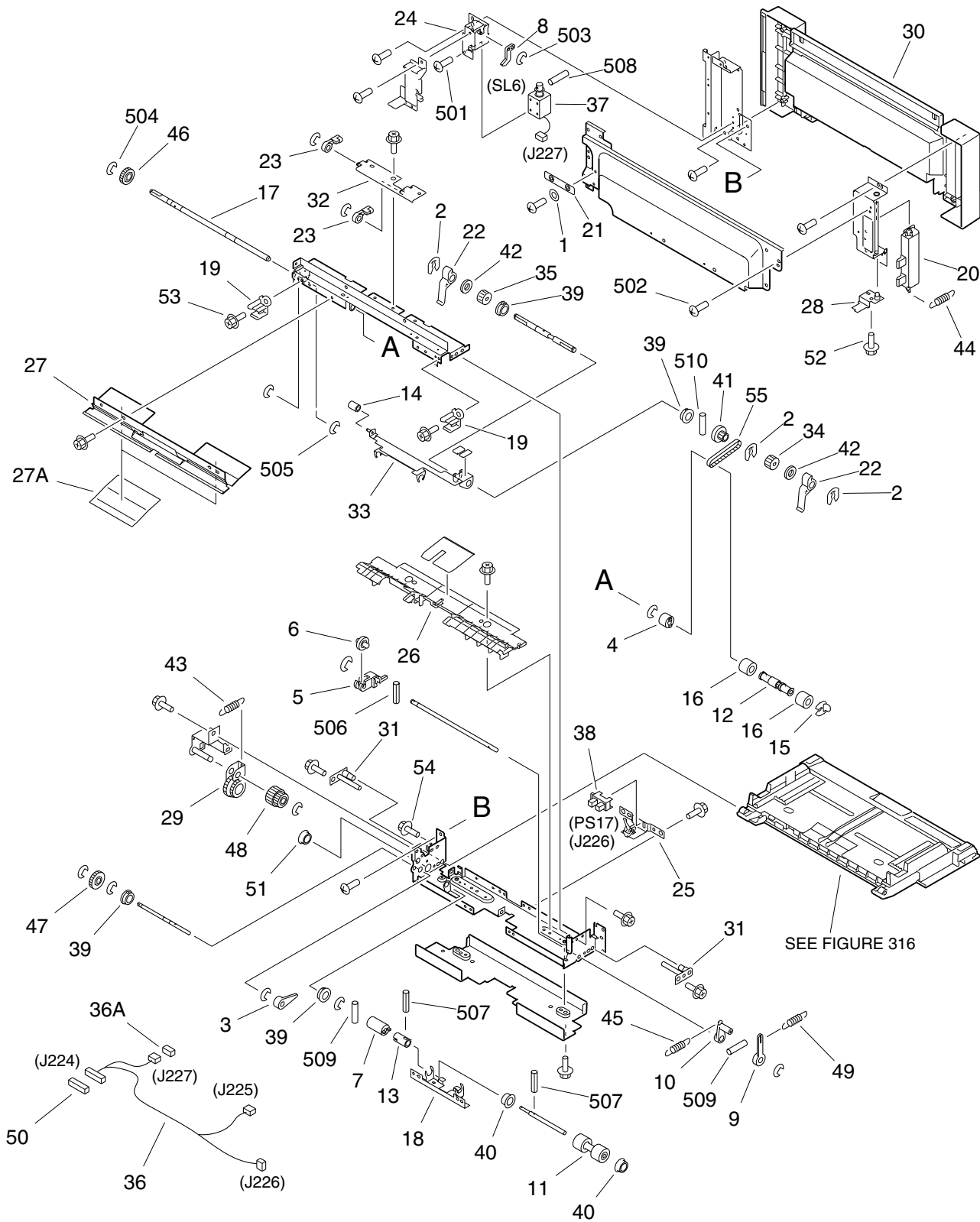
FIGURE & KEY NO.	PART NUMBER	R A N K	Q' T Y	DESCRIPTION	SERIAL NUMBER / REMARKS
313 -	FG6 - 7385 - 000		1	FRONT DECK LEFT PICK-UP ASS'Y フロント デッキ左給紙部	
	1 FA5 - 2872 - 000		1	ARM, RELEASE, ROLLER, FRONT 給紙ローラ解除アーム (前)	
	2 FA9 - 2112 - 000		5	BUSHING ブッシング	
	3 FA9 - 3828 - 000		1	LABEL, DISCRIMINATE 識別ラベル	
4	FB1 - 7070 - 000		1	SPRING, TORSION ネジリ バネ	
5	FB2 - 7623 - 000		1	PLATE, PICK-UP, REAR ピックアップ板 (後)	
6	FB2 - 7624 - 000		1	PLATE, PICK-UP, FRONT ピックアップ板 (前)	
7	FB2 - 7693 - 000		1	GUIDE, PICK-UP, UPPER 給紙ガイド (上)	
8	FB2 - 7715 - 020		1	LINK, RELEASE 解除リンク	
9	FB2 - 7716 - 000		1	PLATE, RELEASE 分離解除リンク板	
10	FB2 - 7717 - 000		1	PLATE, RELEASE 分離解除リンク板	
11	FB2 - 7718 - 000		1	PLATE, RELEASE LEVER 紙面レバー解除板	
12	FB2 - 7720 - 000		1	LEVER, PAPER 紙面レバー	
13	FB2 - 7721 - 000		2	SHAFT, PAPER LEVER 紙面レバー軸	
14	FB2 - 7722 - 000		1	LEVER, PAPER SENSOR 紙無しレバー	
15	FB2 - 7723 - 000		1	LEVER, LIMITER リミッタ レバー	
16	FB2 - 7777 - 020		1	ROLLER, SEPARATION 分離ローラ	
17	FB2 - 8512 - 000		1	SPACER スペーサ	
18	FB4 - 1990 - 000		1	SHAFT, FEED ROLLER 搬送ローラ軸	
19	FB4 - 1992 - 000		1	GUIDE, PICK-UP, LOWER 給紙ガイド (下)	
20	FB4 - 1994 - 000		1	LEVER, PICK-UP SENSOR, LEFT 給紙センサ レバー (左)	
21	FB4 - 1996 - 000		1	SPRING, TENSION ネジリ バネ	
22	FB4 - 2007 - 000		3	RING, RETAINING 止め輪	
23	FB4 - 2031 - 000		1	CAM, PICK-UP RELEASE, REAR 給紙解除カム (後)	
24	FB4 - 6227 - 000		1	SHAFT, COUNTER カウンタ軸	
25	FB4 - 9029 - 000		1	CLUTCH, ONE-WAY ワンウェイ クラッチ	
26	FB4 - 9043 - 000		1	CLUTCH, ONE-WAY ワンウェイ クラッチ	
27	FB5 - 2063 - 000		2	ARM, SEPARATION ROLLER 分離ローラ アーム	
28	FB5 - 7005 - 000		1	PULLEY, 18T 18T プーリ	
29	FB6 - 0775 - 000		1	TORQUE, LIMITER トルク リミッタ	

FIGURE & KEY NO.	PART NUMBER	RANK	QTY	DESCRIPTION	SERIAL NUMBER / REMARKS
313 - 30	FF5 - 3221 - 000		1	SHAFT, PICK-UP, LEFT ピックアップ軸 (左)	
31	FF5 - 6890 - 000		1	MOUNT, SEPARATION ROLLER 分離ローラ支台	
32	FF5 - 7540 - 000		1	SHAFT, SEPARATION DRIVE 分離駆動軸	
33	FF5 - 7829 - 000		1	ROLLER, PICK-UP 給紙ローラ	FRONT
34	FF5 - 7830 - 000		1	ROLLER, PICK-UP 給紙ローラ	REAR
35	FF5 - 7840 - 000		1	MOUNT, SOLENOID, LEFT ソレノイド台 (左)	
36	FF5 - 9784 - 000		1	SHAFT, SEPARATION ROLLER 分離ローラ軸	
37	FF9 - 1913 - 000		1	ROLLER, FEED 搬送ローラ	
37 A	FB4 - 2034 - 000		2	ROLLER, FEED 搬送ローラ	
38	FG6 - 1836 - 000		1	CABLE, LEFT DECK 左デッキ給紙束線	J314-321
38 A	FB2 - 7724 - 000		1	GUIDE, CABLE ソクセン ガイド	
38 B	VS1 - 5057 - 002		2	CONNECTOR, SNAP TIGHT チュウケイ コネクタ	J320,321
38 C	VS1 - 6319 - 020		1	CONNECTOR, SNAP TIGHT チュウケイ コネクタ	J314
38 D	WT2 - 5178 - 000		4	CLIP, CABLE ロッキング ワイヤ サドル	
38 E	WT2 - 5565 - 000		1	CLAMP, CABLE ソクセン オサエ	
39	FH7 - 5827 - 000		1	SOLENOID ソレノイド	SL8 J321
40	FH7 - 5839 - 000		1	CLUTCH, ELECTROMAGNETIC 電磁クラッチ	CL11 J320
41	FH7 - 7462 - 000		5	PHOTO-INTERRUPTER フォトインタラプタ	PS25,31-34 J315-319
42	FS1 - 1512 - 000		4	BUSHING ブッシング	
43	FS1 - 1569 - 000		2	BUSHING ブッシング	
44	FS2 - 0544 - 000		1	GEAR, 24T 24T ギア	
45	FS5 - 0338 - 000		2	GEAR, 16T 16T ギア	
46	FS5 - 2919 - 000		1	SPRING, TENSION ヒツバリ バネ	
47	FS6 - 0053 - 020		1	GEAR, 20T 20T ギア	
48	FS6 - 2678 - 000		1	SPRING, TENSION ヒツバリ バネ	
49	FS7 - 2533 - 000		1	SPRING, TENSION ヒツバリ バネ	
50	XA9 - 0628 - 000		11	SCREW,RS,M4X8 RS タイト ネジ	
51	XF9 - 0724 - 000		1	BELT, TIMING タイミング ベルト	
52	XG9 - 0407 - 000		1	BEARING, BALL, UGF106P12ZZD4ML ボール ベアリング	
501	XB1 - 2300 - 407		2	SCREW,MACH.,TRUSS HEAD,M3X4 バインド ネジ	

FIGURE & KEY NO.	PART NUMBER	R A N K	Q' T Y	DESCRIPTION	SERIAL NUMBER / REMARKS
313 - 502	XB1 - 2300 - 609		3	SCREW,MACH.,TRUSS HEAD,M3X6 バインド ネジ	
503	XB1 - 2400 - 609		1	SCREW,MACH.,TRUSS HEAD,M4X6 バインド ネジ	
504	XD1 - 1108 - 223		1	SHIM ヒョウジュン ワッシャ	
505	XD1 - 1108 - 226		1	SHIM ヒョウジュン ワッシャ	
506	XD2 - 1100 - 242		3	RING,E E リング	
507	XD2 - 1100 - 322		1	RING,E E リング	
508	XD2 - 1100 - 502		9	RING,E E リング	
509	XD2 - 1100 - 642		13	RING,E E リング	
510	XD2 - 2100 - 802		1	RING,GRIP グリップ リング	
511	XD3 - 1200 - 102		1	PIN,SPRING スプリング ピン	
512	XD3 - 1300 - 102		1	PIN,SPRING スプリング ピン	
513	XD3 - 2200 - 102		2	PIN,DOWEL ヘイコウ ピン	
514	XD3 - 2200 - 122		1	PIN,DOWEL ヘイコウ ピン	

FIGURE 315 MULTI FEED ASSEMBLY

マルチ手差し給紙部



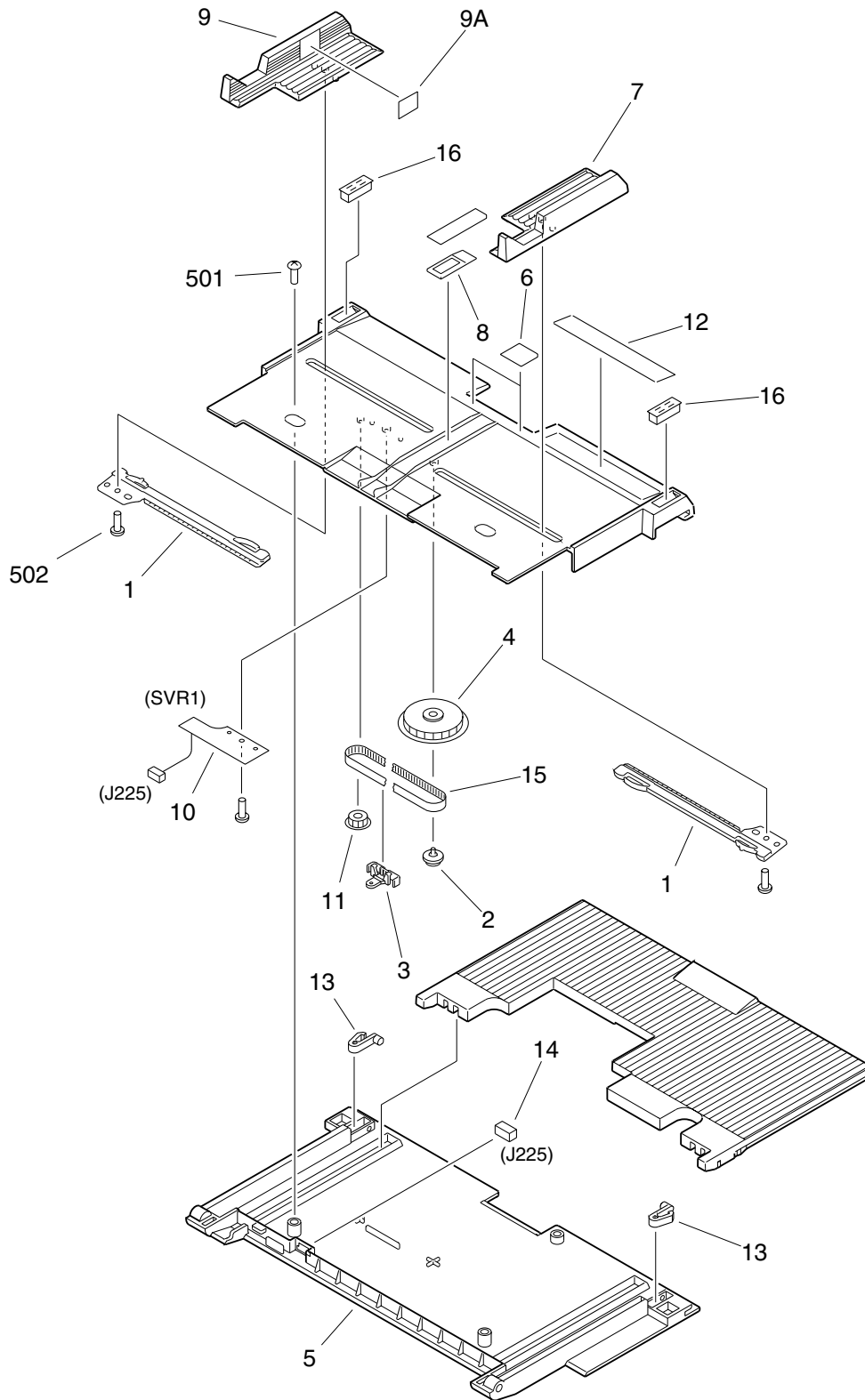
NOTE1: This assembly includes the assembly shown in Figure 316.
 NOTE2: This assembly does not include the part shown with key No.50.
 注1: このユニットはFigure316のユニットを含みます。
 注2: このユニットにKey No. 50の部品は含まれません。

FIGURE & KEY NO.	PART NUMBER	RANK	QTY	DESCRIPTION	SERIAL NUMBER / REMARKS
315 - 1	FG6 - 9113 - 000		1	MULTI FEED ASSEMBLY マルチ手差し給紙部	SEE NOTE 1
	FA2 - 7162 - 000		1	WASHER, PLAIN バンド ワッシャ	
	FA3 - 8727 - 000		3	RING, RETAINING 止め輪	
	FA5 - 4266 - 000		1	ARM ア-ム	
4	FA6 - 7728 - 000		1	COLLAR, FEEDER ROLLER ハンソウ ロ-ラ カラ-	
5	FA6 - 7737 - 000		1	ARM, RETARD リタ-ド ア-ム	
6	FA6 - 8071 - 000		1	ROLLER コロ	
7	FA9 - 3669 - 000		1	TORQUE LIMITER トルク リミッタ	
8	FB2 - 7515 - 020		1	ARM, PICK-UP ピック アップ アーム	
9	FB2 - 7537 - 000		1	LEVER, PRESSURE カアツ レバ-	
10	FB2 - 7542 - 000		1	LEVER, RELEASE アツ カイジョ レバ-	
11	FB2 - 7545 - 000		1	ROLLER, SPONGE スポンジ ロ-ラ	
12	FB2 - 7558 - 000		1	COLLAR, FEED ROLLER 搬送ローラ コロ	
13	FB2 - 8227 - 000		1	COUPLING カップリング	
14	FB2 - 8384 - 000		1	ROLLER, PICK-UP ピックアップ コロ	
15	FB4 - 2007 - 000		1	RING, RETAINING 止め輪	
16	FB4 - 2035 - 000		2	ROLLER, FEED ROLLER 搬送ローラ	
17	FB4 - 3747 - 000		1	SHAFT, FEEDER ROLLER 搬送ローラ軸	
18	FB4 - 3750 - 000		1	MOUNT, SEPARATION ROLLER 分離ローラ台	
19	FB4 - 3759 - 000		2	GUIDE, POSITIONING 位置決めガイド	
20	FB4 - 3772 - 000		1	HANDLE, MULTI FEED DOOR マルチ扉ハンドル	
21	FB4 - 7840 - 000		1	TAPE, SUPPORT 支えテ-プ	
22	FB5 - 2837 - 000		2	SHUTTER シャッタ	
23	FB5 - 2838 - 000		2	BLOCK, SHUTTER STOP シャッタ ストップ	
24	FF5 - 2939 - 000		1	PLATE, SOLENOID ソレノイド パン	
25	FF5 - 2943 - 000		1	MOUNT, SENSOR センサ ダイ	
26	FF5 - 3135 - 020		1	PLATE, GUIDE PAPER マルチ ナカイタ	
27	FF5 - 7673 - 000		1	GUIDE, UPPER マルチ上ガイド	
27 A	FB4 - 3762 - 000		2	SHEET, GUIDE ガイド シ-ト	
28	FF5 - 7674 - 000		1	PLATE, MULTI FEED DOOR SWITCH マルチ扉スイッチ板	

FIGURE & KEY NO.	PART NUMBER	RANK	QTY	DESCRIPTION	SERIAL NUMBER / REMARKS
315 - 29	FF5 - 7675 - 000		1	GEAR, SWING 揺動ギア	
30	FF5 - 8157 - 000		1	DOOR, MULTI FEED マルチ扉	
31	FF5 - 9416 - 000		2	PLATE, TRAY FIXING トレイ固定板	
32	FF5 - 9551 - 000		1	PLATE, SHUTTER シャッター板	
33	FF5 - 9561 - 000		1	PLATE, PICK-UP ピック アップ板	
34	FF9 - 1763 - 000		1	ROLLER, PICK-UP, FRONT 給紙ローラ (前)	
35	FF9 - 1764 - 000		1	ROLLER, PICK-UP, REAR 給紙ローラ (後)	
36	FG6 - 1866 - 000		1	CABLE, MULTI マルチ束線	J224-227
36A	VS1 - 5057 - 003		1	CONNECTOR, SNAP TIGHT チュウケイ コネクタ	J227
37	FH7 - 5838 - 000		1	SOLENOID ソレノイド	SL6 J227
38	FH7 - 7462 - 000		1	PHOTO-INTERRUPTER フォトインタラプタ	PS17 J226
39	FS1 - 1569 - 000		9	BUSHING ブッシング	
40	FS2 - 1357 - 000		2	BUSHING ブッシング	
41	FS5 - 3331 - 000		1	PULLEY, 14T 14T プーリ	
42	FS5 - 6581 - 000		2	SPACER, PICK-UP SHAFT 給紙軸スペーサ	
43	FS6 - 2892 - 000		1	SPRING, TENSION ヒツパリ バネ	
44	FS6 - 2893 - 000		1	SPRING, TENSION ヒツパリ バネ	
45	FS6 - 2985 - 000		1	SPRING, TENSION ヒツパリ バネ	
46	FS7 - 0039 - 000		1	GEAR, 16T 16T ギア	
47	FS7 - 0040 - 000		1	GEAR, 20T 20T ギア	
48	FS7 - 0041 - 000		1	GEAR, 16T/20T 16T / 20T ギア	
49	FS7 - 2057 - 000		1	SPRING, TENSION ヒツパリ バネ	
50	VS1 - 5057 - 012		1	CONNECTOR, SNAP TIGHT チュウケイ コネクタ	SEE NOTE 2 J224
51	WT2 - 5189 - 000		1	BUSHING ブッシング	
52	XA9 - 0628 - 000		18	SCREW,RS,M4X8 RS タイト ネジ	
53	XA9 - 0628 - 000		15	SCREW,RS,M4X8 RS タイト ネジ	
54	XA9 - 0908 - 000		1	SCREW,RS,M4X8 RS タイト ネジ	
55	XF9 - 0502 - 000		1	BELT, TIMING タイミング ベルト	
501	XB1 - 2300 - 409		2	SCREW,MACH.,TRUSS HEAD,M3X4 バインド ネジ	
502	XB1 - 2400 - 609		11	SCREW,MACH.,TRUSS HEAD,M4X6 バインド ネジ	

FIGURE & KEY NO.	PART NUMBER	R A N K	Q' T Y	DESCRIPTION	SERIAL NUMBER / REMARKS
315 - 503	XD2 - 1100 - 322		3	RING,E E リング	
504	XD2 - 1100 - 322		1	RING,E E リング	
505	XD2 - 1100 - 502		11	RING,E E リング	
506	XD3 - 1200 - 102		1	PIN,SPRING スプリング ピン	
507	XD3 - 1200 - 122		2	PIN,SPRING スプリング ピン	
508	XD3 - 2200 - 082		1	PIN,DOWEL ヘイコウ ピン	
509	XD3 - 2200 - 102		3	PIN,DOWEL ヘイコウ ピン	
510	XD3 - 2200 - 122		1	PIN,DOWEL ヘイコウ ピン	

FIGURE 316 MULTI FEED TRAY ASSEMBLY
手差し給紙トレイ部



NOTE1: This assembly is included in the assembly shown in Figure 315.

NOTE2: This assembly does not include the part shown with key No.12.

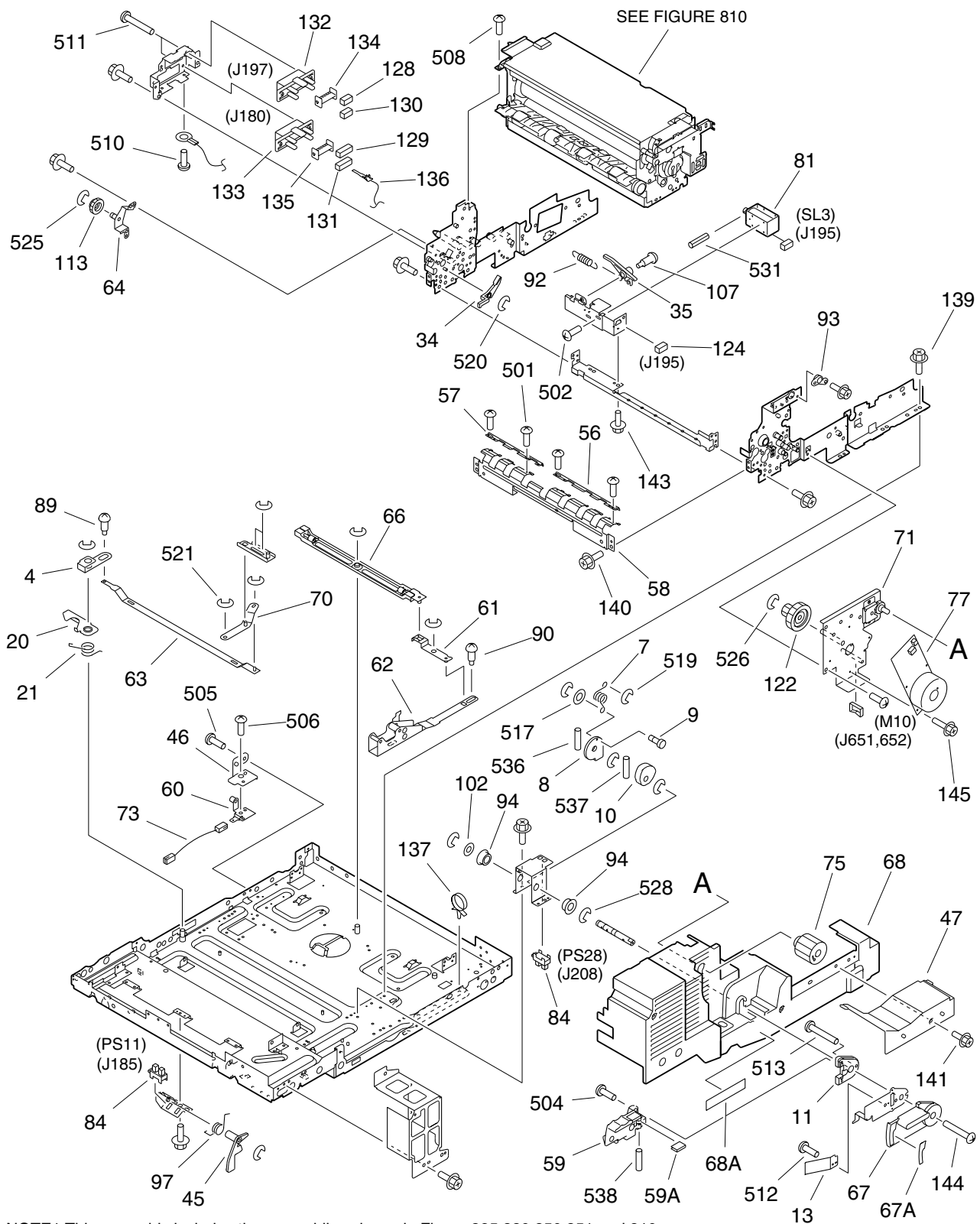
注1: このユニットはFigure315のユニットに含まれます。

注2: このユニットにKey No. 12の部品は含まれません。

FIGURE & KEY NO.	PART NUMBER	RANK	QTY	DESCRIPTION	SERIAL NUMBER / REMARKS
316 -	FG6 - 9114 - 000		1	MULTI FEED TRAY ASSEMBLY 手差し給紙トレイ部	SEE NOTE 1
1	FB1 - 8619 - 000		2	RACK ラック パン	
2	FB1 - 8620 - 000		1	RING, PULLEY プーリ リング	
3	FB1 - 8621 - 000		1	PLATE, LOCK ベルト ロック イタ	
4	FB1 - 8625 - 000		1	GEAR, 18T 18T ギア	
5	FB2 - 7521 - 000		1	BASE, TRAY マルチ トレイ ベース	
6	FB2 - 7740 - 020		2	SHEET, SEPARATION 分離シート	
7	FB4 - 3774 - 000		1	PANEL, SIDE LIMIT, FRONT サイド規制板(前)	
8	FB6 - 2887 - 000		1	SUPPORT, MULTI PAD マルチ パッド支台	
9	FF5 - 8140 - 000		1	PANEL, SIDE LIMIT, REAR サイド規制板(後)	
9 A	FS6 - 8709 - 000		1	LABEL, "LIMIT, PAPER HEIGHT" 用紙積載限界ラベル	
10	FG5 - 1958 - 000		1	MULTI VR PCB ASSEMBLY マルチ VR キパン プ	SVR1 J225
11	FS5 - 3177 - 000		1	PULLEY, IDLER アイドラ プーリ	
12	FS6 - 8705 - 000		1	LABEL, PAPER SIZE 紙サイズ ラベル	AB SIZE SEE NOTE 2
	FS6 - 8706 - 000		1	LABEL, PAPER SIZE 紙サイズ ラベル	A/INCH SIZE SEE NOTE 2
	FS6 - 8707 - 000		1	LABEL, PAPER SIZE 紙サイズ ラベル	A SIZE SEE NOTE 2
	FS6 - 8708 - 000		1	LABEL, PAPER SIZE 紙サイズ ラベル	AB/INCH SIZE SEE NOTE 2
13	RA1 - 7807 - 000		2	LOCK, MP MP ロック	
14	VS1 - 5057 - 003		1	CONNECTOR, SNAP TIGHT チュウケイ コネクタ	J225
15	XF9 - 0393 - 000		1	BELT, TIMING タイミング ベルト	
16	XZ9 - 0407 - 000		2	LATCH, MAGNET マグネット キャッチ	
501	XB1 - 2400 - 606		2	SCREW, MACH., TRUSS HEAD, M4X6 バインド ネジ	
502	XB4 - 7300 - 609		2	SCREW, TAPPING, TRUSS HEAD, M3X6 バインド タッピン ネジ	

FIGURE 320 FIXING/FEEDER FRAME ASSEMBLY(1/3)

定着 / 搬送基台部(1/3)



NOTE1: This assembly includes the assemblies shown in Figure 325, 330, 350, 351 and 810.
 NOTE2: This assembly does not include the parts shown with key No. 47, 68, 68A, and 141.
 注1: このユニットはFigure325、330、350、351、810のユニットを含みます。
 注2: このユニットにKey No. 47、68、68A、141の部番は含まれません。

FIGURE 320 FIXING/FEEDER FRAME ASSEMBLY(2/3)

定着 / 搬送基台部(2/3)

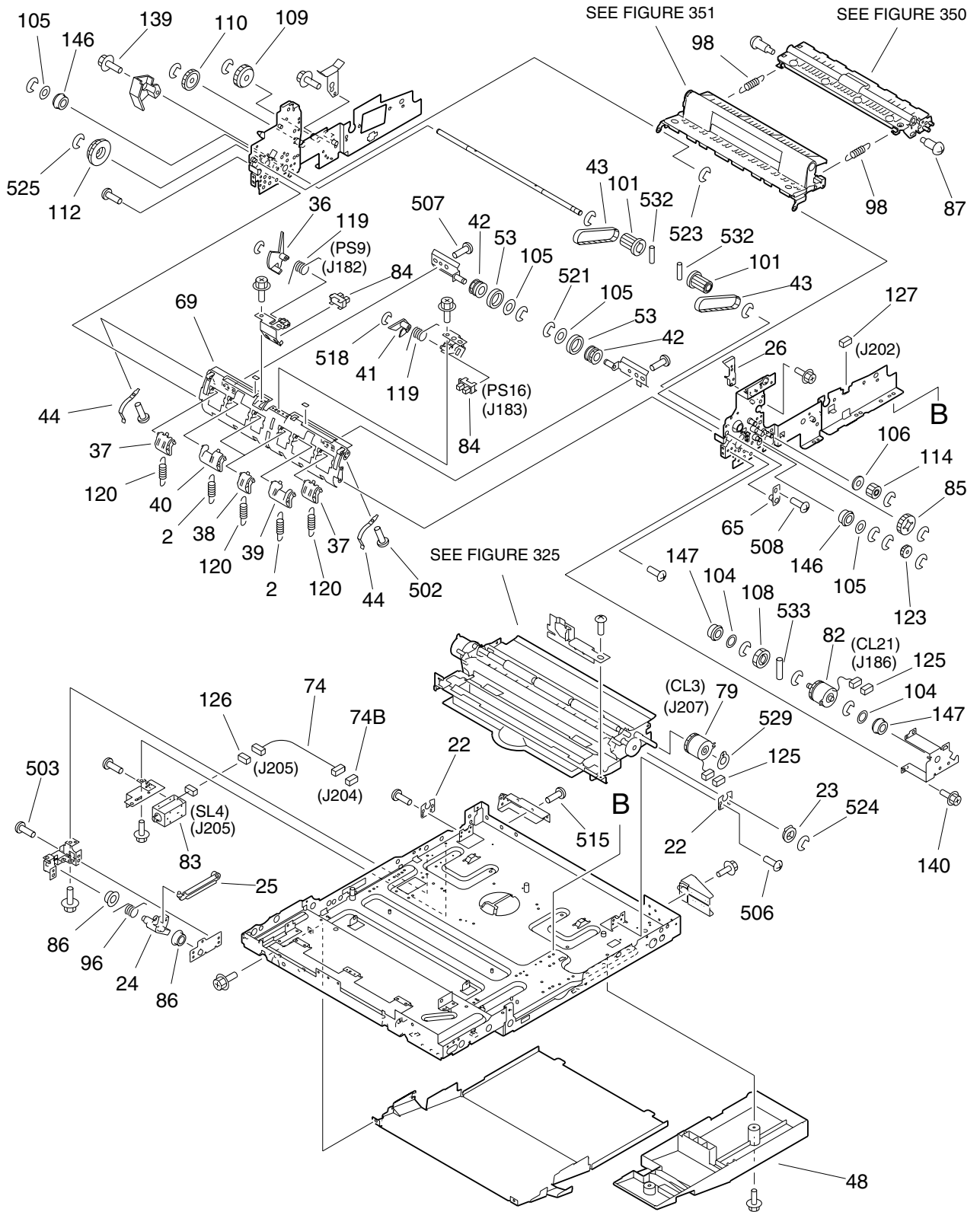


FIGURE 320 FIXING/FEEDER FRAME ASSEMBLY(3/3) 定着 / 搬送基台部(3/3)

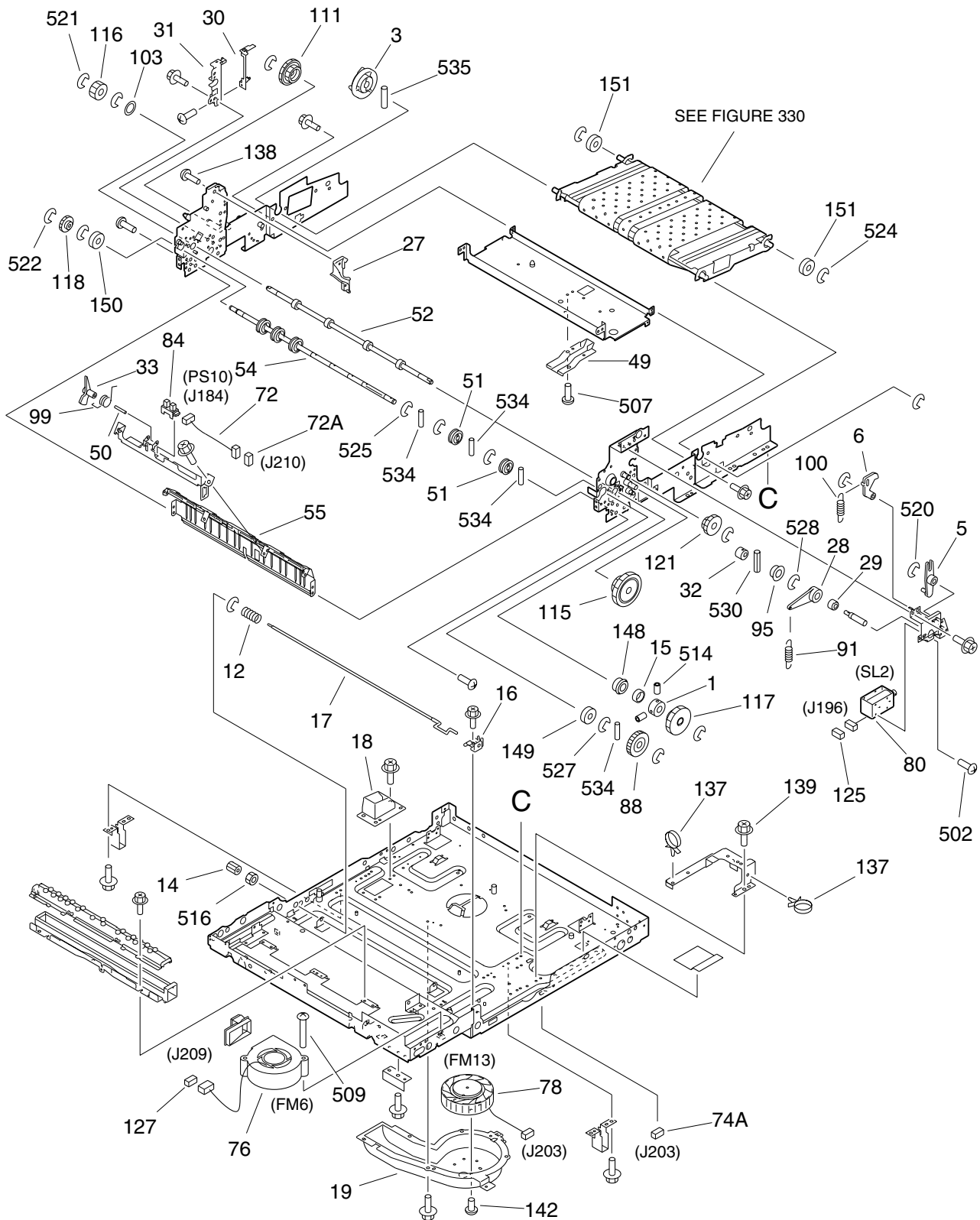


FIGURE & KEY NO.	PART NUMBER	RANK	QTY	DESCRIPTION	SERIAL NUMBER / REMARKS
320 -	FG6 - 7291 - 000		1	FIXING/FEEDER FRAME ASSEMBLY 定着 / 搬送基台部	iR8500 100V/8500P SEE NOTE 1
	FG6 - 7292 - 000		1	FIXING/FEEDER FRAME ASSEMBLY 定着 / 搬送基台部	208V SEE NOTE 1
	FG6 - 7293 - 000		1	FIXING/FEEDER FRAME ASSEMBLY 定着 / 搬送基台部	220/240V SEE NOTE 1
	FG6 - 8919 - 000		1	FIXING/FEEDER FRAME ASSEMBLY 定着 / 搬送基台部	iR7200 100V/7200P SEE NOTE 1
	1	FA2 - 1753 - 000		1	COLLAR カラー
2	FA9 - 3863 - 000		2	SPRING, TENSION ヒツパリ バネ	
3	FB2 - 1035 - 000		1	COUPLING, DRIVE 駆動カップリング	
4	FB2 - 7056 - 000		1	PLATE, JOINT ジョイント板	
5	FB2 - 7242 - 000		1	ARM, SOLENOID, 1 ソレノイド アーム (1)	
6	FB2 - 7243 - 000		1	ARM, SOLENOID, 2 ソレノイド アーム (2)	
7	FB2 - 8192 - 000		1	SPRING, TORSION ネジリ バネ	
8	FB2 - 8196 - 020		1	PLATE, HANDLE STOP レジスト ハンドル ストップ	
9	FB2 - 8198 - 000		1	SHAFT, SPRING ハンドル バネ支軸	
10	FB2 - 8204 - 000		1	CAM, REGISTRATION レジスト回転カム	
11	FB2 - 8213 - 000		1	COVER, HANDLE, REAR ハンドル裏カバー	
12	FB2 - 8214 - 000		1	SPRING, COMPRESSION アッシュク バネ	
13	FB2 - 8217 - 020		1	SPRING, LEAF 板バネ	
14	FB2 - 8376 - 000		1	GUIDE, SHAFT 軸調整ガイド	
15	FB3 - 2331 - 000		1	SPACER スペーサ	
16	FB3 - 8398 - 000		1	GUIDE, HANDLE ハンドル ガイド	
17	FB3 - 8457 - 000		1	SHAFT, HANDLE LOCK ハンドル ロック軸	
18	FB4 - 2055 - 000		1	DUCT, JOINT ジョイント ダクト	
19	FB4 - 2058 - 000		1	CASE, SEPARATION FAN 分離ファン ケース	
20	FB4 - 2061 - 000		1	PLATE, LATCH ラッチ板	
21	FB4 - 2062 - 000		1	SPRING, TORSION ネジリ バネ	
22	FB4 - 2067 - 000		2	PLATE, REGISTRATION ADJUSTING レジスト調整板	
23	FB4 - 2068 - 000		1	BUSHING ブッシング	
24	FB4 - 2077 - 000		1	HOOK, LOCK ロック フック	
25	FB4 - 2078 - 000		1	ARM, LOCK ロック アーム	
26	FB4 - 2224 - 000		1	GUIDE, CLAW, FRONT 2 爪ガイド (前2)	

FIGURE & KEY NO.	PART NUMBER	RANK	QTY	DESCRIPTION	SERIAL NUMBER / REMARKS
320 - 27	FB4 - 2225 - 000		1	GUIDE, CLAW, REAR 爪ガイド(後)	
28	FB4 - 2235 - 000		1	CAM, ONE-WAY, 1 ワンウェイ カム(1)	
29	FB4 - 2236 - 000		1	CAM, ONE-WAY, 2 ワンウェイ カム(2)	
30	FB4 - 2237 - 000		1	TERMINAL, FIXING BIAS 定着バイアス接点	
31	FB4 - 2238 - 000		1	MOUNT, FIXING BIAS 定着バイアス台	
32	FB4 - 2254 - 000		1	CAM, RECIPROCATING INPUT レシプロ入力カム	
33	FB4 - 2297 - 000		1	LEVER, DELIVERY SENSOR, 2 排紙センサ レバー(2)	
34	FB4 - 2299 - 000		1	LEVER, DEFLECTOR, 1 フラップ レバー(1)	
35	FB4 - 2300 - 000		1	LEVER, DEFLECTOR, 2 フラップ レバー(2)	
36	FB4 - 2303 - 000		1	LEVER, DELIVERY SENSOR 排紙センサ レバー	
37	FB4 - 2305 - 020		2	DEFLECTOR, 1 フラップ(1)	
38	FB4 - 2306 - 020		2	DEFLECTOR, 2 フラップ(2)	
39	FB4 - 2307 - 020		1	DEFLECTOR, 3 フラップ(3)	
40	FB4 - 2308 - 020		1	DEFLECTOR, 4 フラップ(4)	
41	FB4 - 2310 - 000		1	LEVER, DELIVERY SENSOR, 3 排紙センサ レバー(3)	
42	FB4 - 2312 - 000		2	ROLLER, DELIVERY AUXILIARY 排紙補助ローラ	
43	FB4 - 2314 - 000		2	BELT, TIMING タイミング ベルト	
44	FB4 - 2317 - 000		2	SPRING, LEAF 板バネ	
45	FB4 - 2318 - 020		1	LEVER, REVERSE JAM SENSOR 反転ジャム センサ レバー	
46	FB4 - 2327 - 000		1	TERMINAL, BIAS バイアス接点	
47	FB4 - 7878 - 000		1	COVER, TRANSFER 転写カバー	SEE NOTE 2
48	FB4 - 9797 - 020		1	COVER, FIXING/FEEDER, LOWER 定着/搬送カバー(下)	
49	FB5 - 0527 - 000		1	DUCT, COOLING 冷却ダクト	
50	FB5 - 0539 - 000		1	SHAFT, SENSOR 検知軸	
51	FB5 - 3407 - 000		6	ROLLER, DELIVERY, OUTER 外排紙ローラ	
52	FB5 - 7075 - 000		1	SHAFT, DELIVERY 排紙ローラ軸	
53	FB5 - 7076 - 000		2	ROLLER, REVERSE AUXILIARY 反転補助ローラ ゴム	
54	FB5 - 7655 - 000		1	SHAFT, EXTERNAL DELIVERY 外排紙ローラ軸	
55	FB5 - 7656 - 000		1	GUIDE, DELIVERY REVERSE 排紙反転ガイド	
56	FB5 - 7671 - 000		1	GUIDE, PAPER PASS, 1 通紙ガイド(1)	

FIGURE & KEY NO.	PART NUMBER	RANK	QTY	DESCRIPTION	SERIAL NUMBER / REMARKS
320 - 57	FB5 - 7672 - 000		1	GUIDE, PAPER PASS, 2 通紙ガイド (2)	
58	FB5 - 7673 - 000		1	GUIDE, STOP 巻き込み防止ガイド	
59	FF5 - 6000 - 000		1	LEVER 把手	
59 A	FS6 - 8386 - 000		1	LABEL, HANDLE, 2 ハンドル ラベル (2)	
60	FF5 - 7845 - 000		1	TERMINAL, BIAS バイアス接点	
61	FF5 - 7846 - 000		1	LINK, ROTATING 回転リンク	
62	FF5 - 7850 - 000		1	LINK, SLIDE スライド リンク	
63	FF5 - 7855 - 000		1	LINK, LOCK RELEASE ロック解除リンク	
64	FF5 - 7880 - 000		1	SUPPORT, IDLER SHAFT, 4 アイドラ軸支板 (4)	
65	FF5 - 7881 - 000		1	SUPPORT, DELIVERY SHAFT 排紙軸支板	
66	FF5 - 7944 - 000		1	CROSSMEMBER, REGIST. PRESSURE レジスト加圧ステイ	
67	FF5 - 8196 - 000		1	HANDLE, FIXING/FEEDER 定着 / 搬送ハンドル	
67 A	FS6 - 8387 - 000		1	LABEL, HANDLE, 1 ハンドル ラベル (1)	
68	FF5 - 8654 - 040		1	COVER, FIXING/FEEDER 定着 / 搬送カバー	SEE NOTE 2
68 A	FS6 - 8703 - 000		1	LABEL, FIXING UNIT NUMBER 定着 / 搬送ユニット番号ラベル	SEE NOTE 2
69	FF5 - 8736 - 000		1	GUIDE, DELIVERY, LOWER, 2 排紙下ガイド (2)	
70	FF5 - 8787 - 000		1	LINK, LATCH RELEASE, 1 ラッチ解除リンク (1)	
71	FF6 - 1017 - 000		1	MOTOR GEAR UNIT モータ ギア ユニット	
72	FG6 - 1871 - 000		1	CABLE, EXT. DELIVERY SENSOR 外排紙センサ束線	J184,210
72 A	VS1 - 5057 - 003		1	CONNECTOR, SNAP TIGHT チュウケイ コネクタ	J210
73	FG6 - 1876 - 000		1	CABLE, FIXING HIGH-VOLTAGE 定着高圧束線	
74	FG6 - 1879 - 000		1	CABLE, LOCK SOLENOID ロック ソレノイド中継束線	J204,205
74 A	VS1 - 5057 - 003		1	CONNECTOR, SNAP TIGHT チュウケイ コネクタ	J205
74 B	VS1 - 5057 - 004		1	CONNECTOR, SNAP TIGHT チュウケイ コネクタ	J204
75	FG6 - 8738 - 000		1	FIXING KNOB UNIT 定着つまみ	
76	FH6 - 1548 - 000		1	FAN, COOLING 冷却ファン	FM6 J209
77	FH6 - 1872 - 000		1	MOTOR, BRUSHLESS, DC 3.3W ブラシレス モータ	M10 J651,652
78	FH6 - 1889 - 000		1	FAN, DC24V ファン モータ	FM13 J203
79	FH6 - 5014 - 000		1	CLUTCH, ELECTROMAGNETIC 電磁クラッチ	CL3 J207
80	FH7 - 5834 - 000		1	SOLENOID ソレノイド	SL2 J196

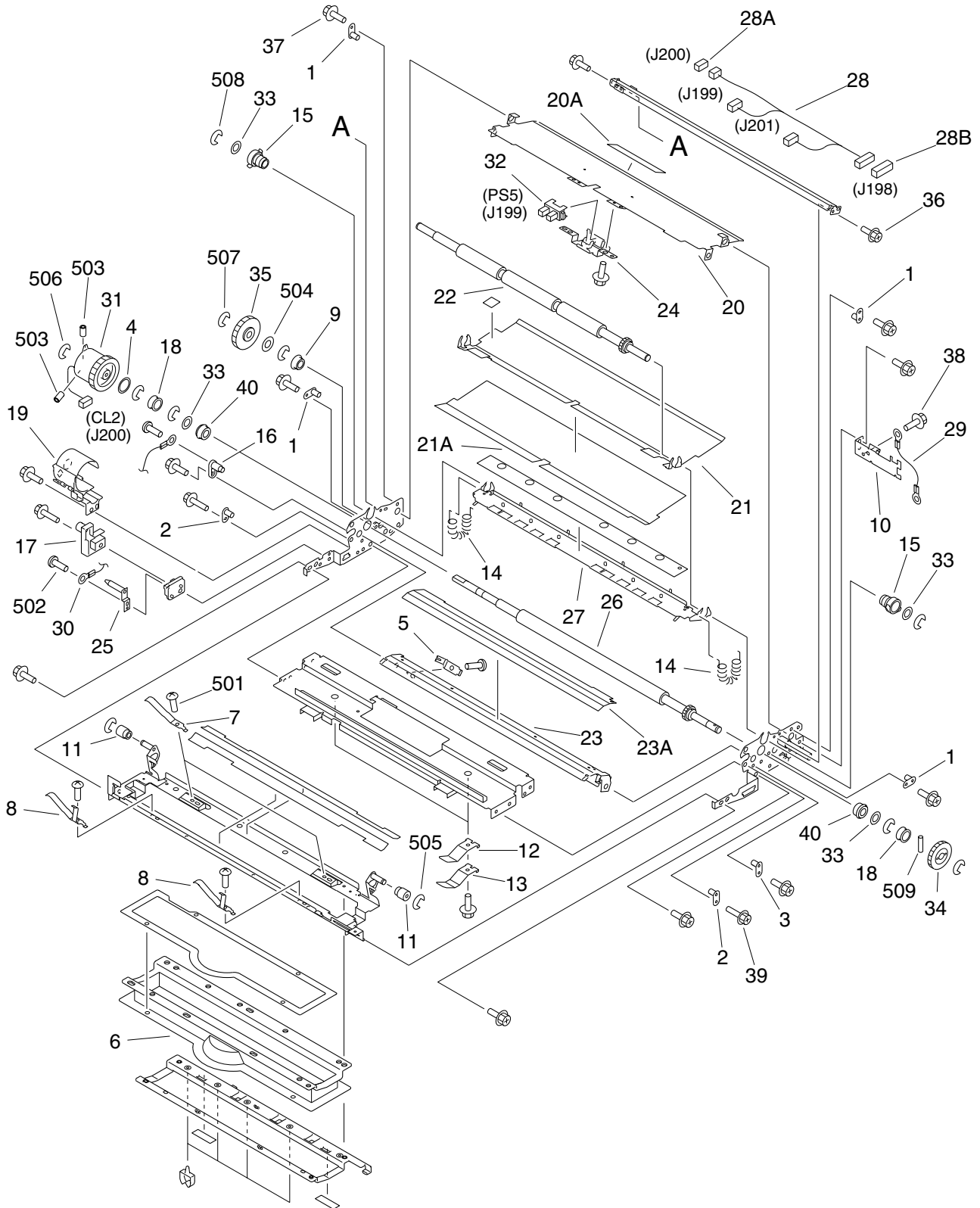
FIGURE & KEY NO.	PART NUMBER	RANK	QTY	DESCRIPTION	SERIAL NUMBER / REMARKS
320 - 81	FH7 - 5835 - 000		1	SOLENOID ソレノイド	SL3 J195
82	FH7 - 5844 - 000		1	CLUTCH, ELECTROMAGNETIC 電磁クラッチ	CL21 J186
83	FH7 - 5895 - 000		1	SOLENOID ソレノイド	SL4 J205
84	FH7 - 7462 - 000		5	PHOTO-INTERRUPTER フォトインタラプタ	PS9-11,16,28 J182,184,185,183,208
85	FS1 - 0542 - 000		1	GEAR, 22T 22T ギア	
86	FS1 - 1508 - 000		2	BUSHING ブッシング	
87	FS1 - 9199 - 000		2	SCREW, STEPPED, M4 段ビス	
88	FS2 - 0441 - 000		1	GEAR, 28T 28T ギア	
89	FS2 - 9001 - 000		1	SCREW, STEPPED, M4 ダン ビス	
90	FS2 - 9267 - 000		2	SCREW, STEPPED, M4 ダンビス	
91	FS3 - 2159 - 000		1	SPRING, TENSION ヒツバリ バネ	
92	FS4 - 2048 - 000		1	SPRING, TENSION ヒツバリ バネ	
93	FS5 - 1467 - 020		1	BUSHING, 3 ブッシング (3)	
94	FS5 - 1474 - 000		2	BUSHING ブッシング	
95	FS5 - 1803 - 000		1	BUSHING ブッシング	
96	FS5 - 2907 - 020		1	SPRING, TORSION ネジリ バネ	
97	FS5 - 2943 - 000		1	SPRING, TORSION ネジリ バネ	
98	FS5 - 2947 - 000		2	SPRING, TENSION ヒツバリ バネ	
99	FS5 - 2949 - 000		1	SPRING, TORSION ネジリ バネ	
100	FS5 - 2967 - 000		1	SPRING, TENSION ヒツバリ バネ	
101	FS5 - 3615 - 000		2	PULLEY, 18T 18T プーリ	
102	FS5 - 6329 - 000		1	SHIM, HANDLE ハンドル ワッシャ	
103	FS5 - 6487 - 000		1	SHIM ワッシャ	
104	FS5 - 6487 - 000		2	SHIM ワッシャ	
105	FS5 - 6488 - 000		4	WASHER ワッシャ	
106	FS5 - 6575 - 000		1	ROLLER, BACKLASH バックラッシュ コロ	
107	FS5 - 9210 - 000		1	SCREW, STEPPED, M4 段ビス	
108	FS6 - 0081 - 000		1	GEAR, 20T 20T ギア	
109	FS6 - 0899 - 000		1	GEAR, 38T 38T ギア	
110	FS6 - 0991 - 000		1	GEAR, 37T 37T ギア	

FIGURE & KEY NO.	PART NUMBER	R A N K	Q' T Y	DESCRIPTION	SERIAL NUMBER / REMARKS
320 - 111	FS6 - 0992 - 000		1	GEAR, 28T/45T 28T / 45T ギア	
112	FS6 - 0993 - 000		1	GEAR, 39T/46T 39T / 46T ギア	
113	FS6 - 0994 - 000		1	GEAR, 16T/26T 16T / 26T ギア	
114	FS6 - 0995 - 000		1	GEAR, 21T 21T ギア	
115	FS6 - 0996 - 000		1	GEAR, 20T/38T 20T / 38T ギア	
116	FS6 - 0997 - 000		1	GEAR, 18T 18T ギア	
117	FS6 - 0998 - 000		1	GEAR, 15T/32T 15T / 32T ギア	
118	FS6 - 0999 - 000		1	GEAR, 30T 30T ギア	
119	FS6 - 2833 - 000		2	SPRING, TORSION ネジリ パネ	
120	FS6 - 2982 - 000		4	SPRING, TENSION ヒツパリ パネ	
121	FS7 - 0002 - 000		1	GEAR, 22T 22T ギア	
122	FS7 - 0006 - 000		1	GEAR, 25T/75T 25T / 75T ギア	
123	FS7 - 0899 - 000		1	GEAR, 20T 20T ギア	
124	VS1 - 5057 - 002		1	CONNECTOR, SNAP TIGHT チュウケイ コネクタ	J195
125	VS1 - 5057 - 002		3	CONNECTOR, SNAP TIGHT チュウケイ コネクタ	J186,196,207
126	VS1 - 5057 - 003		1	CONNECTOR, SNAP TIGHT チュウケイ コネクタ	J203
127	VS1 - 5057 - 003		2	CONNECTOR, SNAP TIGHT チュウケイ コネクタ	J202,209
128	VS1 - 6313 - 013		1	CONNECTOR, 13P, FEMALE コネクタ (メス)	J197
129	VS1 - 6313 - 020		1	CONNECTOR, 20P, FEMALE コネクタ (メス)	J180
130	VS1 - 6314 - 013		1	CONNECTOR, 13P, FEMALE コネクタ (メス)	J197
131	VS1 - 6314 - 020		1	CONNECTOR, 20P, FEMALE コネクタ (メス)	J180
132	VS1 - 6327 - 026		1	CONNECTOR, 26P, FEMALE コネクタ (メス)	J197
133	VS1 - 6327 - 040		1	CONNECTOR, 40P, FEMALE コネクタ (メス)	J180
134	VT2 - 5161 - 026		1	HOLDER, CONNECTOR, 26P コネクタ ホルダ	J197
135	VT2 - 5161 - 040		1	HOLDER, CONNECTOR, 40P コネクタ ホルダ	J180
136	WS3 - 5609 - 000		2	SOCKET CONTACT, 12-14AWG ソケット コンタクト	J180
137	WT2 - 5565 - 000		6	CLAMP, CABLE ソクセン オサエ	
138	XA9 - 0605 - 000		13	SCREW, M4X8 タイト ネジ	
139	XA9 - 0628 - 000		50	SCREW, RS, M4X8 RS タイト ネジ	
140	XA9 - 0628 - 000		16	SCREW, RS, M4X8 RS タイト ネジ	

FIGURE & KEY NO.	PART NUMBER	RANK	QTY	DESCRIPTION	SERIAL NUMBER / REMARKS
320 - 141	XA9 - 0643 - 000		3	SCREW,RS,M4X10 RS タイト ネジ	SEE NOTE 2
142	XA9 - 0807 - 000		3	SCREW, TP, M3X6 TP ネジ	
143	XA9 - 0908 - 000		2	SCREW,RS,M4X8 RS タイト ネジ	
144	XA9 - 0940 - 000		1	SCREW,W/WASHER,M4X12 パネツキ バインド ネジ	
145	XA9 - 1030 - 000		4	SCREW, RS, M4X12 RS タイト ネジ	
146	XG3 - 6012 - 405		2	BEARING, BALL ボール ベアリング	
147	XG9 - 0211 - 000		2	BALL BEARING, MF128ZZ1MC3D4M ボール ベアリング	
148	XG9 - 0211 - 000		2	BALL BEARING, MF128ZZ1MC3D4M ボール ベアリング	
149	XG9 - 0250 - 000		1	BEARING, BALL ボール ベアリング	
150	XG9 - 0250 - 000		1	BEARING, BALL ボール ベアリング	
151	XG9 - 0250 - 000		2	BEARING, BALL ボール ベアリング	
501	XB1 - 2260 - 407		4	SCREW,MACH.,TRUSS HEAD,M2.6X4 バインド ネジ	
502	XB1 - 2300 - 407		8	SCREW,MACH.,TRUSS HEAD,M3X4 バインド ネジ	
503	XB1 - 2300 - 609		1	SCREW,MACH.,TRUSS HEAD,M3X6 バインド ネジ	
504	XB1 - 2300 - 809		2	SCREW,MACH.,TRUSS HEAD,M3X8 バインド ネジ	
505	XB1 - 2400 - 407		1	SCREW,MACH.,TRUSS HEAD,M4X4 バインド ネジ	
506	XB1 - 2400 - 409		4	SCREW,MACH.,TRUSS HEAD,M4X4 バインド ネジ	
507	XB1 - 2400 - 609		46	SCREW,MACH.,TRUSS HEAD,M4X6 バインド ネジ	
508	XB1 - 2400 - 609		5	SCREW,MACH.,TRUSS HEAD,M4X6 バインド ネジ	
509	XB1 - 2404 - 009		2	SCREW,MACH.,TRUSS HEAD,M4X40 バインド ネジ	
510	XB2 - 7400 - 806		1	SCREW,W/WASHER,M4X8 パネツキ バインド ネジ	
511	XB2 - 8401 - 009		4	SCREW,W/WASHER,M4X10 パネツキ バインド ネジ	
512	XB4 - 7300 - 809		2	SCREW,TAPPING,TRUSS HEAD,M3X8 バインド タッピン ネジ	
513	XB4 - 7301 - 609		1	SCREW,TAPPING,TRUSS HEAD,M3X16 バインド タッピン ネジ	
514	XB6 - 2400 - 509		2	SETSCREW,M4X5 ロッカク アナツキ トメネジ	
515	XB6 - 7400 - 609		3	SCREW,TP,M4X6 TP ネジ	
516	XB7 - 2100 - 309		1	NUT,HEX,M3 ロッカク ナット	
517	XD1 - 1103 - 137		1	SHIM ヒョウジュン ワッシャ	
518	XD2 - 1100 - 172		2	RING,E E リング	
519	XD2 - 1100 - 242		2	RING,E E リング	

FIGURE & KEY NO.	PART NUMBER	R A N K	Q' T Y	DESCRIPTION	SERIAL NUMBER / REMARKS
320 - 520	XD2 - 1100 - 322		5	RING,E E リング	
521	XD2 - 1100 - 502		15	RING,E E リング	
522	XD2 - 1100 - 502		1	RING,E E リング	
523	XD2 - 1100 - 602		1	RING,E E リング	
524	XD2 - 1100 - 642		8	RING,E E リング	
525	XD2 - 1100 - 642		35	RING,E E リング	
526	XD2 - 1100 - 642		1	RING,E E リング	
527	XD2 - 1100 - 642		6	RING,E E リング	
528	XD2 - 1100 - 802		15	RING,E E リング	
529	XD2 - 2100 - 802		1	RING,GRIP グリップ リング	
530	XD3 - 1200 - 102		1	PIN,SPRING スプリング ピン	
531	XD3 - 1300 - 082		1	PIN,SPRING スプリング ピン	
532	XD3 - 2200 - 102		3	PIN,DOWEL ヘイコウ ピン	
533	XD3 - 2200 - 122		1	PIN,DOWEL ヘイコウ ピン	
534	XD3 - 2200 - 142		7	PIN,DOWEL ヘイコウ ピン	
535	XD3 - 2200 - 162		1	PIN,DOWEL ヘイコウ ピン	
536	XD3 - 2200 - 202		1	PIN,DOWEL ヘイコウ ピン	
537	XD3 - 2300 - 202		1	PIN,DOWEL ヘイコウ ピン	
538	XD3 - 2300 - 322		1	PIN,DOWEL ヘイコウ ピン	

FIGURE 325 REGISTRATION/TRANSFER ASSEMBLY
レジスト/転写部

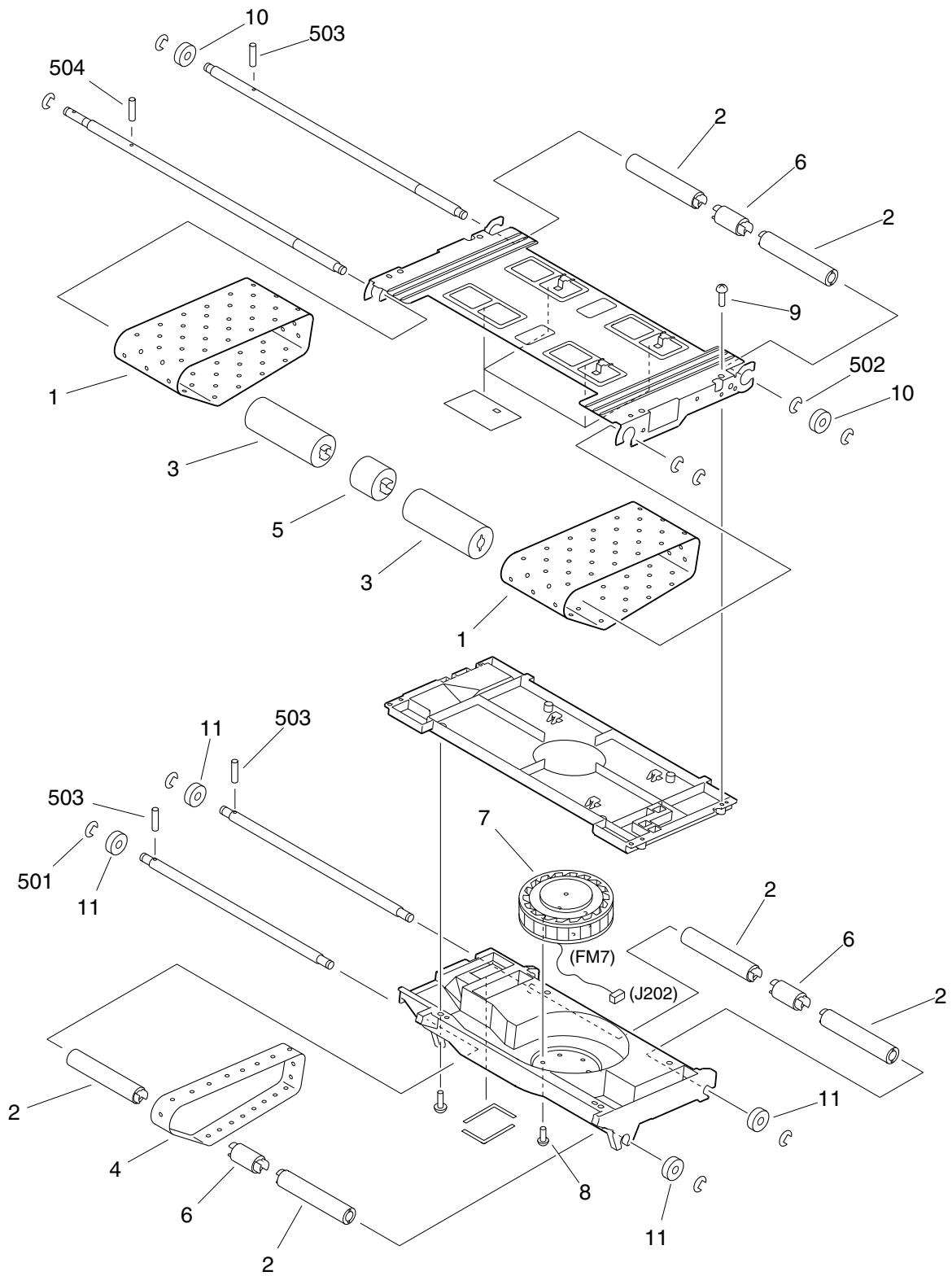


NOTE: This assembly is included in the assembly shown in Figure 320.
注：このユニットはFigure320のユニットに含まれます。

FIGURE & KEY NO.	PART NUMBER	RANK	QTY	DESCRIPTION	SERIAL NUMBER / REMARKS
325 -	FG6 - 7290 - 000		1	REGISTRATION/TRANSFER ASSEMBLY レジスト/転写部	SEE NOTE
1	FA3 - 9120 - 000		4	PIN, GUIDE フロート ピン	
2	FA4 - 1149 - 000		2	PIN, PLATE 絶縁ピン	
3	FA5 - 2839 - 000		1	PLATE, PIN フロート ピン	
4	FB2 - 6285 - 000		1	SHIM ワッシャ	
5	FB4 - 1670 - 000		1	TERMINAL, LOWER GUIDE 下ガイド接点	
6	FB4 - 1675 - 000		1	SEAL, DUCT JOINT 連結シール	
7	FB4 - 1679 - 000		2	SPRING, LEAF 板バネ	
8	FB4 - 1719 - 000		2	SPRING, LEAF 板バネ	
9	FB4 - 2068 - 000		1	BUSHING ブッシング	
10	FB4 - 2322 - 020		1	PLATE, STOP 回転止め板	
11	FB4 - 3850 - 000		2	COLLAR, POSITIONING 位置決めコロ	
12	FB4 - 3851 - 000		2	SPRING, LEAF 板バネ	
13	FB4 - 3852 - 000		2	SPRING, LEAF 板バネ	
14	FB4 - 3858 - 000		2	SPRING, TENSION ヒツパリ バネ	
15	FB4 - 3860 - 000		2	BUSHING ブッシング	
16	FB4 - 9033 - 000		1	PLATE, PIN フロート ピン	
17	FB4 - 9515 - 000		1	COVER, TERMINAL 接点カバー	
18	FB5 - 7676 - 000		2	COLLAR, REGISTRATION, LOWER レジスト カラー (下)	
19	FB6 - 2372 - 000		1	COVER, REGISTRATION CLUTCH レジスト クラッチ カバー	
20	FF5 - 7872 - 000		1	GUIDE, REGISTRATION, LOWER レジスト前ガイド (下)	
20 A	FB4 - 3853 - 000		1	SHEET, PROTECTIVE 保護シート	
21	FF5 - 7875 - 000		1	GUIDE, REGISTRATION, UPPER レジスト前ガイド (上)	
21 A	FB4 - 3857 - 000		1	SHEET, PROTECTIVE 保護シート	
22	FF5 - 7877 - 000		1	ROLLER, REGISTRATION, UPPER レジスト ローラ (上)	
23	FF5 - 7878 - 000		1	GUIDE, PRE-TRANSFER, LOWER 転写前ガイド (下)	
23 A	FB4 - 1667 - 000		1	SHEET, PROTECTIVE 保護シート	
24	FF5 - 8194 - 000		1	MOUNT, PAPER SENSOR 紙検知台	
25	FF5 - 8796 - 000		1	PIN, PAPER FEEDER 紙搬送接点	
26	FF6 - 1049 - 000		1	ROLLER, REGISTRATION, LOWER レジスト ローラ (下)	

FIGURE & KEY NO.	PART NUMBER	RANK	QTY	DESCRIPTION	SERIAL NUMBER / REMARKS
325 - 27	FF6 - 1053 - 000		1	GUIDE, PRE-TRANSFER, UPPER 転写前ガイド(上)	
28	FG6 - 1872 - 000		1	CABLE, REGISTRATION レジスト束線	J198-201
28A	VS1 - 5057 - 002		1	CONNECTOR, SNAP TIGHT チュウケイ コネクタ	J200
28B	VS1 - 5057 - 007		1	CONNECTOR, SNAP TIGHT チュウケイ コネクタ	J198
29	FG6 - 1873 - 000		1	CABLE, GROUNDING アース線	
30	FG6 - 1874 - 000		1	CABLE, FEEDER HIGH-VOLTAGE 搬送高圧束線	
31	FH6 - 5013 - 000		1	CLUTCH, ELECTROMAGNETIC 電磁クラッチ	CL2 J200
32	FH7 - 7462 - 000		1	PHOTO-INTERRUPTER フォトインタラプタ	PS5 J199
33	FS5 - 6487 - 000		4	SHIM ワッシャ	
34	FS6 - 0056 - 000		1	GEAR, 32T 32T ギア	
35	FS7 - 0901 - 000		1	GEAR, 38T 38T ギア	
36	XA9 - 0626 - 000		2	SCREW,RS,M3X6 RS タイト ネジ	
37	XA9 - 0628 - 000		21	SCREW,RS,M4X8 RS タイト ネジ	
38	XA9 - 0633 - 000		1	SCREW,RS,M4X8 RS タイト ネジ	
39	XA9 - 1030 - 000		3	SCREW, RS, M4X12 RS タイト ネジ	
40	XG9 - 0211 - 000		2	BALL BEARING, MF128ZZ1MC3D4M ボール ベアリング	
501	XB1 - 2300 - 409		4	SCREW,MACH.,TRUSS HEAD,M3X4 バインド ネジ	
502	XB2 - 7300 - 607		5	SCREW,W/WASHER,M3X6 パネツキ バインド ネジ	
503	XB6 - 2400 - 609		2	SETSCREW,M4X6 ロッカク アナツキ トメネジ	
504	XD1 - 1108 - 212		1	SHIM ヒョウジュン ワッシャ	
505	XD2 - 1100 - 322		2	RING,E E リング	
506	XD2 - 1100 - 402		1	RING,E E リング	
507	XD2 - 1100 - 502		1	RING,E E リング	
508	XD2 - 1100 - 642		8	RING,E E リング	
509	XD3 - 2200 - 142		1	PIN,DOWEL ヘイコウ ピン	

FIGURE 330 FEEDER ASSEMBLY 搬送部

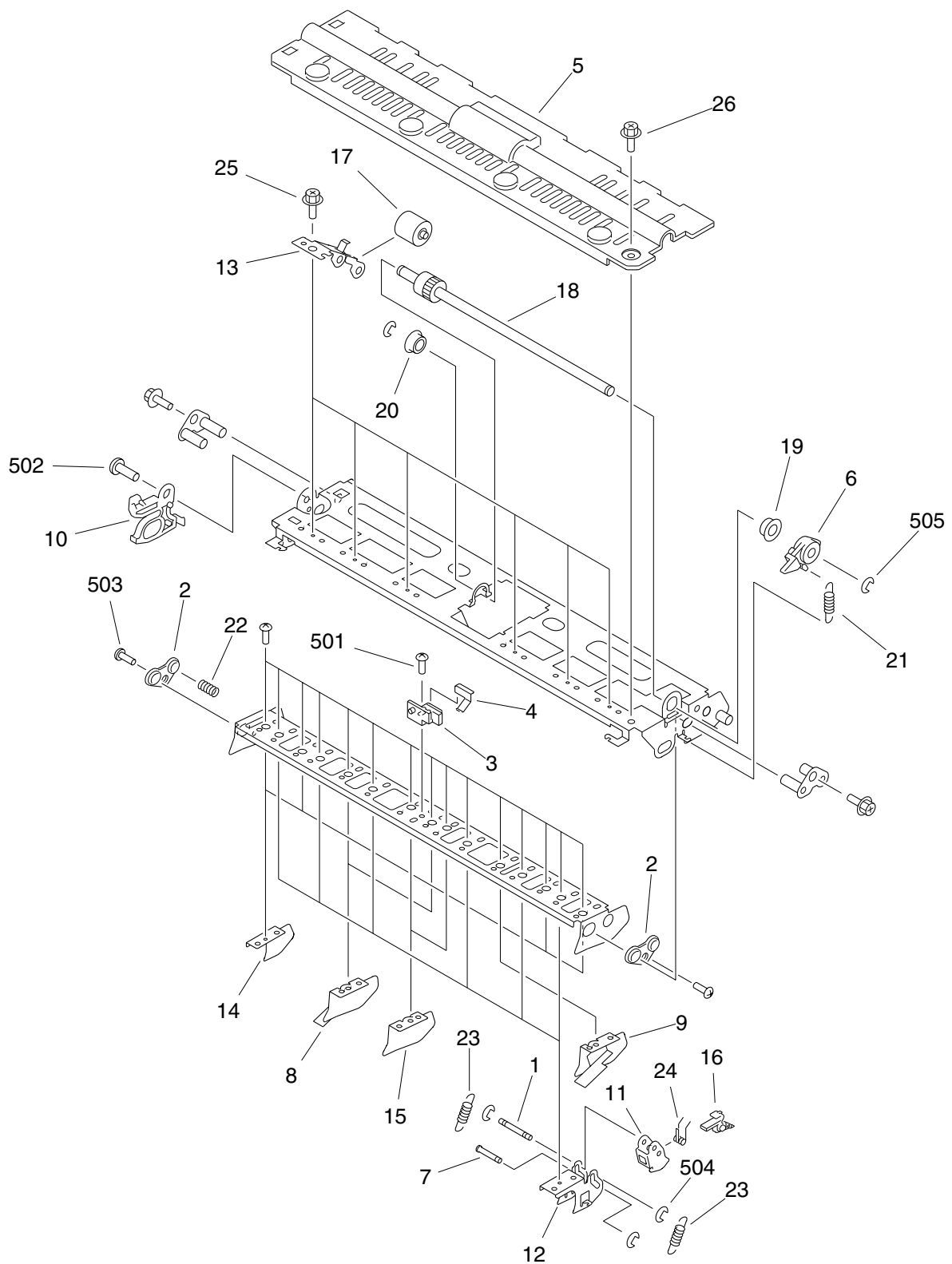


NOTE: This assembly is included in the assembly shown in Figure 320.
注：このユニットはFigure320のユニットに含まれます。

FIGURE & KEY NO.	PART NUMBER	R A N K	Q' T Y	DESCRIPTION	SERIAL NUMBER / REMARKS
330 -	FG6 - 7333 - 000		1	FEEDER ASSEMBLY 搬送部	SEE NOTE
1	FB4 - 2087 - 000		2	BELT, PAPER FEED 搬送ベルト	
2	FB4 - 2088 - 000		6	ROLLER, IDLER 従動ローラ	
3	FB4 - 2090 - 000		2	ROLLER, FEEDER BELT DRIVE 駆動ローラ	
4	FB4 - 2092 - 000		1	BELT, PAPER FEED 搬送ベルト	
5	FB4 - 2093 - 000		1	ROLLER, FEEDER BELT DRIVE 駆動ローラ	
6	FB4 - 2094 - 000		3	ROLLER, IDLER 従動ローラ	
7	FH6 - 1889 - 000		1	FAN, DC24V ファン モータ	FM7 J202
8	XA9 - 0253 - 000		3	SCREW, MACH., PAN HEAD, M3X8 ナベ ネジ	
9	XA9 - 0605 - 000		8	SCREW, M4X8 タイト ネジ	
10	XG9 - 0250 - 000		2	BEARING, BALL ボール ベアリング	
11	XG9 - 0387 - 000		4	BEARING, BALL ボール ベアリング	
501	XD2 - 1100 - 642		8	RING, E E リング	
502	XD2 - 1100 - 802		2	RING, E E リング	
503	XD3 - 2200 - 142		3	PIN, DOWEL ヘイコウ ピン	
504	XD3 - 2200 - 162		1	PIN, DOWEL ヘイコウ ピン	

FIGURE 350 INTERNAL DELIVERY UPPER ASSEMBLY

内排紙上部

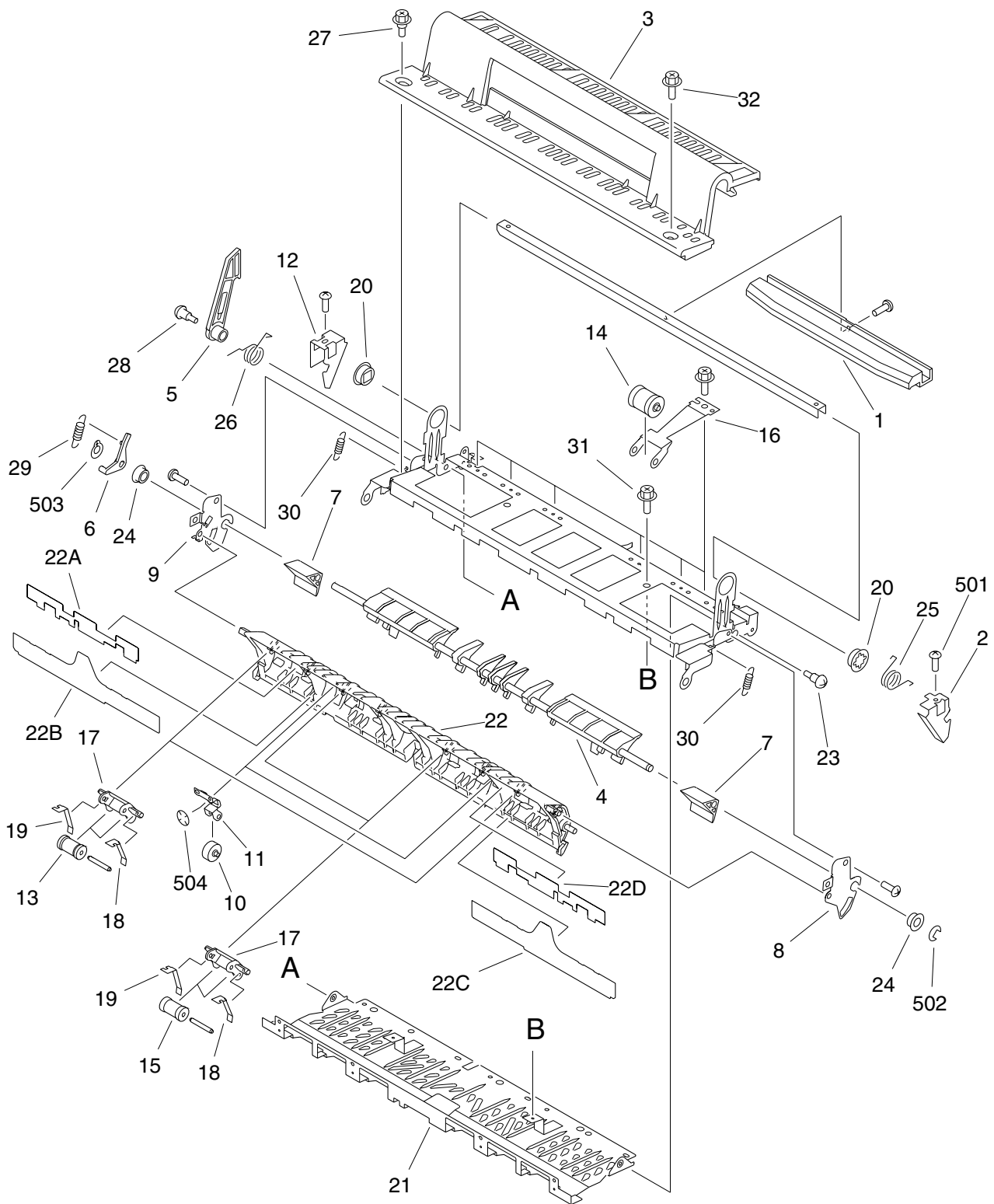


NOTE: This assembly is included in the assembly shown in Figure 320.
 注：このユニットはFigure320のユニットに含まれます。

FIGURE & KEY NO.	PART NUMBER	RANK	QTY	DESCRIPTION	SERIAL NUMBER / REMARKS
350 -	FG6 - 7365 - 000		1	INTERNAL DELIVERY UPPER ASS'Y 内排紙上部	SEE NOTE
1	FA3 - 2764 - 020		6	ROD 2, SEPARATION CLAW, UPPER 上分離爪軸 (2)	
2	FB2 - 7163 - 000		2	BUSHING ブッシング	
3	FB2 - 7168 - 000		1	MOUNT, PIN リ - ド ピン	
4	FB2 - 7169 - 000		1	PLATE, RATCHET ラチェット板	
5	FB2 - 7174 - 040		1	COVER, INTERNAL DELIVERY, UPPER 内排紙カバー - (上)	
6	FB3 - 8369 - 000		1	LEVER, ONE-WAY ワンウェイ レバ -	
7	FB3 - 8414 - 000		6	ROD 1, SEPARATION CLAW, UPPER 上分離爪軸 (1)	
8	FB4 - 2261 - 000		2	PLATE, UPPER GUIDE, 1 上ガイド板 (1)	
9	FB4 - 2262 - 000		1	PLATE, UPPER GUIDE, 2 上ガイド板 (2)	
10	FB4 - 2263 - 000		1	GUIDE, LOCK 開閉ロック ガイド	
11	FB5 - 6974 - 000		6	MOUNT, CLAW, UPPER 分離爪台 (上)	
12	FB5 - 6976 - 000		6	SUPPORT, SEPARATION CLAW 爪支板	
13	FB5 - 7666 - 000		6	HOLDER, FEEDER ROLLER 搬送コロ ホルダ	
14	FB5 - 7668 - 000		4	GUIDE, UPPER, 1 上ガイド (1)	
15	FB5 - 8717 - 000		2	GUIDE, UPPER, 2 上ガイド (2)	
16	FB5 - 8727 - 000		6	CLAW, SEPARATION, UPPER 分離爪 (上)	
17	FB5 - 8729 - 000		6	ROLLER, INSIDE DELIVERY 内排紙コロ	
18	FF5 - 5914 - 000		1	SHAFT, RECIPROCATION レシプロ軸	
19	FS1 - 1401 - 000		1	BUSHING ブッシング	
20	FS5 - 1372 - 000		1	BUSHING ブッシング	
21	FS5 - 2946 - 000		1	SPRING, TENSION ヒッパリ パネ	
22	FS5 - 2953 - 020		1	SPRING, COMPRESSION アッシュク パネ	
23	FS7 - 2319 - 000		12	SPRING, TENSION ヒッパリ パネ	
24	FS7 - 2522 - 000		6	SPRING, TORSION ネジリ パネ	
25	XA9 - 0625 - 000		6	SCREW, RS, M3X4 RS タイト ネジ	
26	XA9 - 0628 - 000		3	SCREW, RS, M4X8 RS タイト ネジ	
501	XB1 - 2300 - 409		16	SCREW, MACH., TRUSS HEAD, M3X4 バインド ネジ	
502	XB1 - 2400 - 609		1	SCREW, MACH., TRUSS HEAD, M4X6 バインド ネジ	
503	XB6 - 7300 - 609		2	SCREW, TP, M3X6 TP ネジ	

FIGURE & KEY NO.	PART NUMBER	R A N K	Q' T Y	DESCRIPTION	SERIAL NUMBER / REMARKS
350 - 504	XD2 - 1100 - 242		18	RING,E E リング	
505	XD2 - 1100 - 502		2	RING,E E リング	

FIGURE 351 EXTERNAL DELIVERY UPPER ASSEMBLY 外排紙上部



NOTE1: This assembly is included in the assembly shown in Figure 320.

NOTE2: This assembly does not include the parts shown with key No. 3, 27, and 32.

注1: このユニットはFigure320のユニットに含まれます。

注2: このユニットにKey No. 3、27、32の部品は含まれません。

FIGURE & KEY NO.	PART NUMBER	R A N K	Q' T Y	DESCRIPTION	SERIAL NUMBER / REMARKS
351 -	FG6 - 7366 - 000		1	EXTERNAL DELIVERY UPPER ASS'Y 外排紙上部	SEE NOTE 1
1	FB2 - 7137 - 000		1	HANDLE, FEEDER ハিশ トッテ	
2	FB2 - 7181 - 000		1	PLATE, LOCK, FRONT ロック ツメ (マエ)	
3	FB4 - 2268 - 000		1	COVER, EXTERNAL DELIVERY, UPPER 外排紙カバー (上)	SEE NOTE 2
4	FB4 - 2270 - 000		1	DEFLECTOR, 1 フラッパ (1)	
5	FB4 - 2271 - 000		1	ARM, LOCK 開閉ロック	
6	FB4 - 2272 - 000		1	ARM, DEFLECTOR フラッパ アーム	
7	FB4 - 2284 - 000		2	GUIDE, AUXILIARY, 1 補助ガイド (1)	
8	FB4 - 2288 - 000		1	SUPPORT, DEFLECTOR, FRONT フラッパ支持板 (前)	
9	FB4 - 2289 - 000		1	SUPPORT, DEFLECTOR, REAR フラッパ支持板 (後)	
10	FB4 - 2293 - 000		2	ROLLER, IDLER 従動ローラ	
11	FB4 - 2294 - 000		2	HOLDER, ROLLER 従動ローラ ホルダ	
12	FB5 - 2508 - 000		1	PLATE, LOCK, REAR ロック爪 (後)	
13	FB5 - 3395 - 000		4	ROLLER, CURL カール付けコロ	
14	FB5 - 3410 - 000		6	ROLLER, EXTERNAL DELIVERY 外排紙コロ	
15	FB5 - 3421 - 000		4	ROLLER, CURL, 2 カール付けコロ (2)	
16	FB5 - 7657 - 000		6	HOLDER, FEEDER ROLLER 搬送コロ ホルダ	
17	FB5 - 7662 - 000		4	HOLDER, ROLLER ローラ ホルダ	
18	FB5 - 7663 - 000		4	SPRING, LEAF 板バネ	
19	FB5 - 7664 - 000		4	SPRING, LEAF 板バネ	
20	FC1 - 7438 - 000		2	BUSHING ブッシング	
21	FF6 - 1029 - 000		1	GUIDE, EXTERNAL DELIVERY 外排紙上ガイド	
22	FF6 - 1046 - 000		1	GUIDE, FEEDER ROLLER 搬送ローラ ガイド	
22 A	FB5 - 7674 - 000		1	SHEET, PROTECTIVE 保護シート	
22 B	FB5 - 7677 - 000		1	SHEET, PROTECTIVE 保護シート	
22 C	FB5 - 7678 - 000		1	SHEET, PROTECTIVE 保護シート	
22 D	FB5 - 8718 - 000		1	SHEET, PROTECTIVE 保護シート	
23	FS1 - 9199 - 000		1	SCREW, STEPPED, M4 段ビス	
24	FS5 - 1004 - 000		2	BUSHING, POLYACETAR ブッシング	
25	FS5 - 2944 - 000		1	SPRING, TORSION ネジリ バネ	

FIGURE & KEY NO.	PART NUMBER	RANK	QTY	DESCRIPTION	SERIAL NUMBER / REMARKS
351 - 26	FS5 - 2982 - 000		1	SPRING, TORSION ネジリ バネ	SEE NOTE 2
27	FS5 - 9277 - 000		1	SCREW,RS STEPPED,M4 RS タイト 段ビス	
28	FS5 - 9284 - 000		1	SCREW,STEPPED ダン ビス	
29	FS6 - 2885 - 000		1	SPRING, TENSION ヒツパリ バネ	
30	FS6 - 2886 - 000		2	SPRING, TENSION ヒツパリ バネ	
31	XA9 - 0626 - 000		8	SCREW,RS,M3X6 RS タイト ネジ	SEE NOTE 2
32	XA9 - 0628 - 000		1	SCREW,RS,M4X8 RS タイト ネジ	
501	XB1 - 2300 - 609		7	SCREW,MACH.,TRUSS HEAD,M3X6 バインド ネジ	
502	XD2 - 1100 - 402		1	RING,E E リング	
503	XD2 - 2100 - 502		1	RING,GRIP グリップ リング	
504	XD2 - 2300 - 242		4	RING,TOOTHED LOCK ハツキ トメワ	

FIGURE 360 DUPLEXING FEEDER ASSEMBLY(1/3)

両面ユニット(1/3)

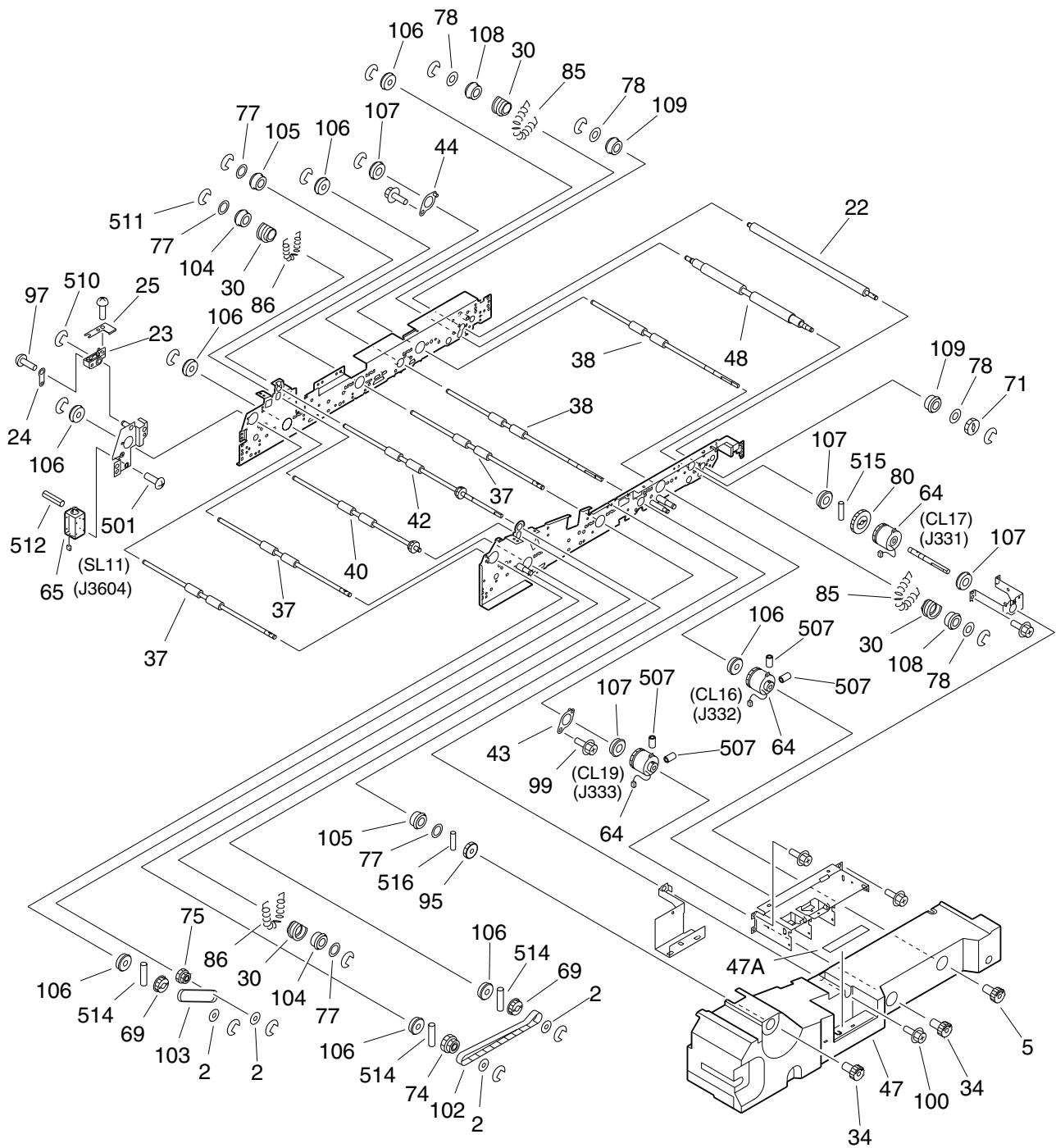


FIGURE 360 DUPLEXING FEEDER ASSEMBLY(2/3)
両面ユニット(2/3)

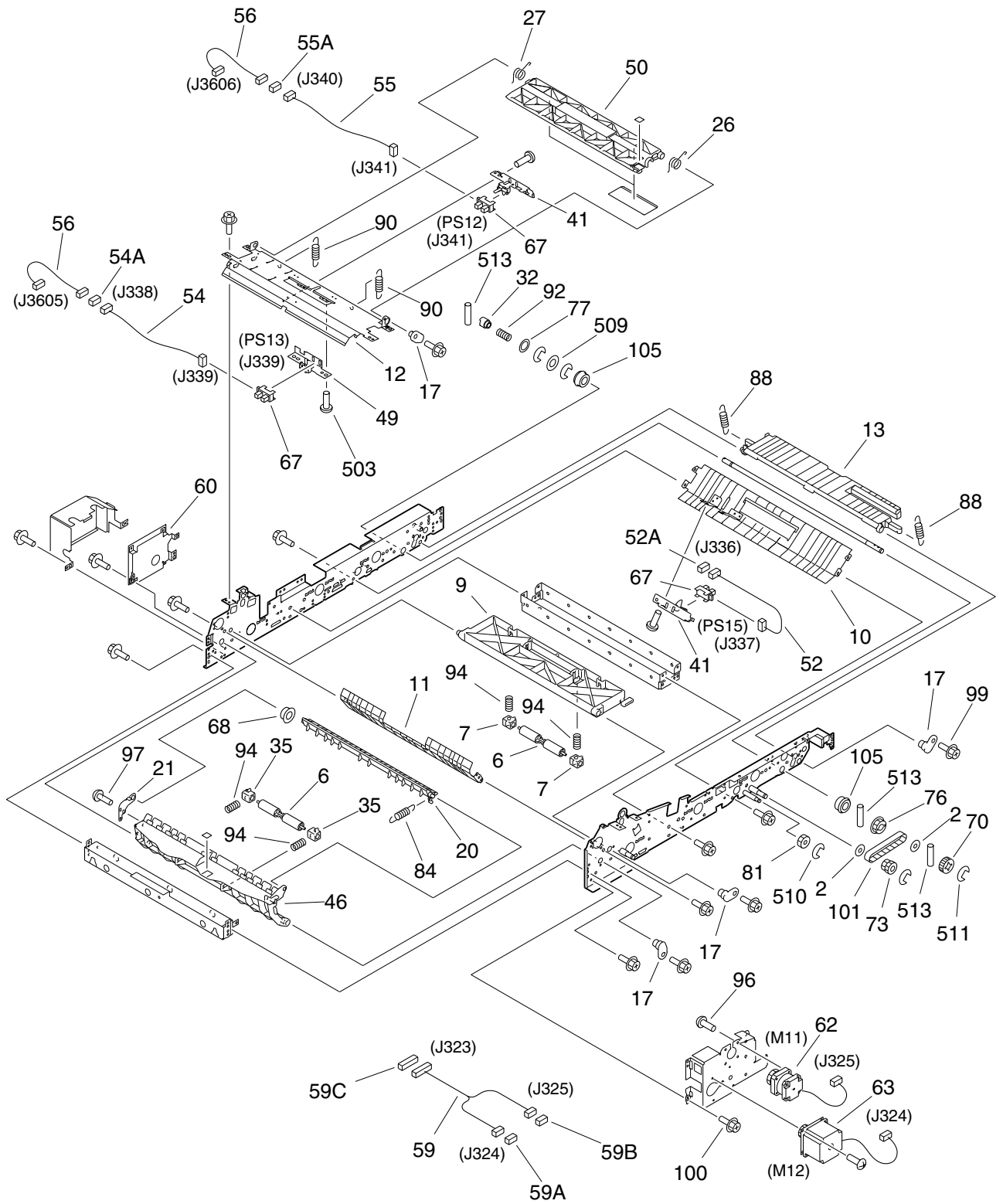


FIGURE 360 DUPLEXING FEEDER ASSEMBLY(3/3)

両面ユニット(3/3)

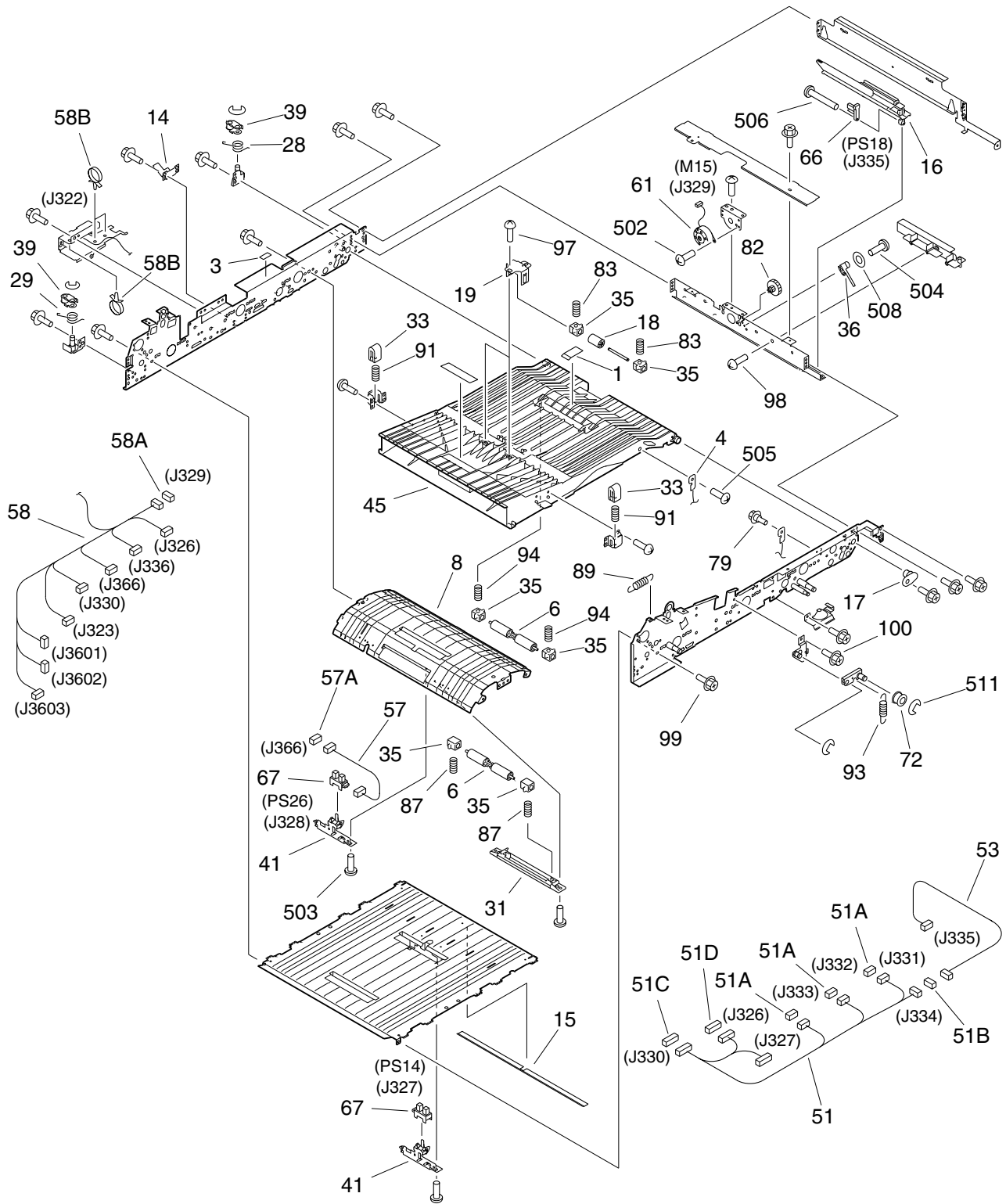


FIGURE & KEY NO.	PART NUMBER	R A N K	Q' T Y	DESCRIPTION	SERIAL NUMBER / REMARKS
360 -	FG6 - 7363 - 000		1	DUPLEXING FEEDER ASSEMBLY 両面搬送部	
1	FA6 - 3672 - 000		1	PLATE, LOWER FEEDER SUPPORT 下搬送ガイド補助板	
2	FA6 - 7939 - 000		6	FLANGE, PULLEY, 2 プーリ フランジ (2)	
3	FA9 - 3805 - 000		1	LABEL, DISCRIMINATE 識別ラベル	
4	FB1 - 7041 - 000		1	WIRE, RIGHT DOOR SUPPORTING 右扉支え ワイヤ	
5	FB2 - 2139 - 020		1	KNOB ツマミ	
6	FB2 - 7754 - 030		4	ROLLER コロ	
7	FB2 - 7755 - 000		2	BUSHING ブッシング	
8	FB4 - 2104 - 000		1	GUIDE, LOWER FEEDER, RIGHT 下搬送ガイド(右)	
9	FB4 - 2106 - 000		1	GUIDE, REVERSE DELIVERY 反転排紙ガイド	
10	FB4 - 2111 - 000		1	GUIDE, LEFT DECK 左デッキ ガイド	
11	FB4 - 2113 - 000		1	GUIDE, REVERSING, LOWER 反転ガイド(下)	
12	FB4 - 2114 - 020		1	GUIDE, REVERSING, UPPER 反転ガイド(上)	
13	FB4 - 2119 - 000		1	GUIDE, DUPLEXING OUTLET 両面出口ガイド	
14	FB4 - 2121 - 000		1	PLATE, DECK PRESSURE デッキ押し板	
15	FB4 - 2122 - 000		1	SHEET, FEEDER, LOWER 搬送シート(下)	
16	FB4 - 2124 - 000		1	GUIDE, SIDE REGISTRATION SLIDE 横レジ スライド ガイド	
17	FB4 - 2131 - 000		5	GUIDE, HINGE ヒンジ ガイド	
18	FB4 - 2132 - 000		2	ROLLER, FEED 搬送ローラ	
19	FB4 - 2133 - 000		2	HOLDER, ROLLER ローラ ホルダ	
20	FB4 - 2135 - 000		1	DEFLECTOR フラッパ	
21	FB4 - 2136 - 000		1	SUPPORT, DEFLECTOR フラッパ支持板	
22	FB4 - 2145 - 000		1	ROLLER, STEEL 鉄ローラ	
23	FB4 - 2149 - 000		1	ARM, SOLENOID ソレノイド アーム	
24	FB4 - 2150 - 000		1	LINK, SOLENOID ソレノイド リンク	
25	FB4 - 2151 - 000		1	PLATE, FLAPPER PRESSURE フラッパ押し板	
26	FB4 - 2152 - 000		1	SPRING, TORSION ネジリ バネ	
27	FB4 - 2153 - 000		1	SPRING, TORSION ネジリ バネ	
28	FB4 - 2155 - 000		1	SPRING, TORSION ネジリ バネ	
29	FB4 - 2156 - 000		1	SPRING, TORSION ネジリ バネ	

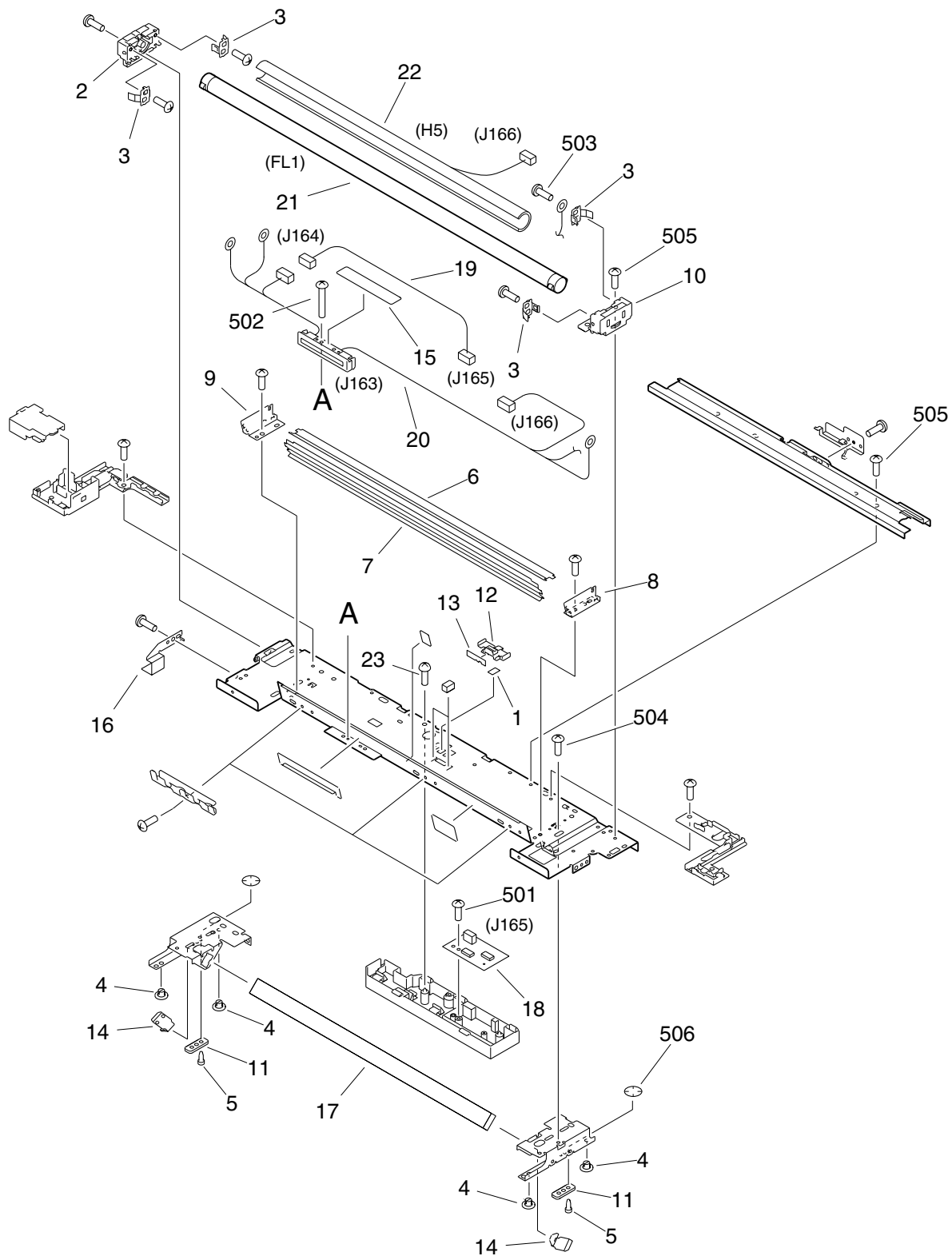
FIGURE & KEY NO.	PART NUMBER	RANK	QTY	DESCRIPTION	SERIAL NUMBER / REMARKS
360 - 30	FB4 - 2159 - 000		4	HOLDER, BUSHING 軸受ホルダ	
31	FB4 - 2161 - 000		1	HOLDER, ROLLER ローラ ホルダ	
32	FB4 - 2164 - 000		1	COUPLING カップリング	
33	FB4 - 2325 - 000		2	BLOCK, GUIDE PRESSURE ガイド加圧ブロック	
34	FB4 - 7481 - 000		2	KNOB, DUPLEXING FEEDER 両面搬送ツマミ	
35	FB4 - 7486 - 000		10	BUSHING ブッシング	
36	FB4 - 9035 - 000		1	PLATE, RETAINER 押さえ板	
37	FB5 - 2626 - 000		3	ROLLER, FEEDER 搬送ローラ	
38	FB5 - 6925 - 000		2	ROLLER, FEEDER 搬送ローラ	
39	FF5 - 7734 - 000		2	PLATE, LOCK ロック板	
40	FF5 - 7736 - 000		1	ROLLER, REVERSE, 1 反転ローラ (1)	
41	FF5 - 7737 - 020		4	PLATE, SENSOR SUPPORT センサ支板	
42	FF5 - 7738 - 000		1	ROLLER, REVERSE, 2 反転ローラ (2)	
43	FF5 - 7948 - 000		1	PLATE, POSITIONING, FRONT 位置決め板 (前)	
44	FF5 - 7949 - 000		1	PLATE, POSITIONING, REAR 位置決め板 (後)	
45	FF5 - 8200 - 000		1	GUIDE, LOWER FEEDER, UPPER 下搬送ガイド (上)	
46	FF5 - 8202 - 000		1	GUIDE, LEFT 左ガイド	
47	FF5 - 8652 - 000		1	FRONT COVER, DUPLEXING 両面前カバー	
47 A	FS6 - 8704 - 000		1	LABEL, DUPLEXING UNIT NUMBER 両面ユニット番号ラベル	
48	FF6 - 1342 - 000		1	ROLLER, SPONGE, DUPLEXING 両面スポンジ ローラ	
49	FF6 - 1858 - 000		1	MOUNT, REVERSE SENSOR 反転センサ台	
50	FF9 - 1910 - 000		1	GUIDE, REVERSING 反転ガイド	
51	FG6 - 1839 - 000		1	CABLE, DUPLEXING FEEDER 両面搬送束線	J326,327,330-334
51 A	VS1 - 5057 - 002		3	CONNECTOR, SNAP TIGHT チュウケイ コネクタ	J331-333
51 B	VS1 - 5057 - 003		1	CONNECTOR, SNAP TIGHT チュウケイ コネクタ	J334
51 C	VS1 - 5057 - 009		1	CONNECTOR, SNAP TIGHT チュウケイ コネクタ	J330
51 D	VS1 - 6318 - 003		1	CONNECTOR, SNAP TIGHT チュウケイ コネクタ	J326
52	FG6 - 1840 - 000		1	CABLE, CONFLUENT SENSOR 合流センサ中継束線	J336,337
52 A	VS1 - 5057 - 003		1	CONNECTOR, SNAP TIGHT チュウケイ コネクタ	J336
53	FG6 - 1841 - 000		1	CABLE, REGIST.SENSOR CONNECT 横レジ センサ中継束線	J334,335

FIGURE & KEY NO.	PART NUMBER	RANK	QTY	DESCRIPTION	SERIAL NUMBER / REMARKS
360 - 54	FG6 - 1842 - 000		1	CABLE, U-TURN SENSOR Uターン センサ束線	J338,339
54 A	VS1 - 5057 - 003		1	CONNECTOR, SNAP TIGHT チュウケイ コネクタ	J338
55	FG6 - 1843 - 000		1	CABLE, REVERSING SENSOR 反転センサ束線	J340,341
55 A	VS1 - 5057 - 003		1	CONNECTOR, SNAP TIGHT チュウケイ コネクタ	J340
56	FG6 - 1906 - 000		2	CABLE, CASSETTE PAPER SENSOR カセット残量検知束線	J338,340,3605,3606
57	FG6 - 2332 - 000		1	CABLE, DECK SENSOR CONNECTING デッキ引き抜きセンサ中継束線	J328,366
57 A	VS1 - 6318 - 004		1	CONNECTOR, SNAP TIGHT チュウケイ コネクタ	J366
58	FG6 - 7209 - 000		1	CABLE, DUPLEXING FEEDER 両面搬送束線	J322,323,326,329,330 J336,366,3601-3603
58 A	VS1 - 5057 - 006		1	CONNECTOR, SNAP TIGHT チュウケイ コネクタ	J329
58 B	WT2 - 5178 - 000		3	CLIP, CABLE ロックンク ワイヤ サドル	
59	FG6 - 7210 - 000		1	CABLE, MOTOR CONNECTING モータ中継束線	J323-325
59 A	VS1 - 5057 - 006		1	CONNECTOR, SNAP TIGHT チュウケイ コネクタ	J324
59 B	VS1 - 5057 - 007		1	CONNECTOR, SNAP TIGHT チュウケイ コネクタ	J325
59 C	VS1 - 6318 - 012		1	CONNECTOR, SNAP TIGHT チュウケイ コネクタ	J323
60	FG6 - 7273 - 000		1	THROUGH-PATH PCB ASSEMBLY スルーパス回路基板	
61	FH6 - 1542 - 000		1	MOTOR, STEPPING, DC, 2.9W ステッピング モータ	M15 J329
62	FH6 - 1875 - 000		1	MOTOR, STEPPING ステッピング モータ	M11 J325
63	FH6 - 1876 - 000		1	MOTOR, STEPPING ステッピング モータ	M12 J324
64	FH6 - 5014 - 000		3	CLUTCH, ELECTROMAGNETIC 電磁クラッチ	CL16,17,19 J332,331,333
65	FH7 - 5837 - 000		1	SOLENOID ソレノイド	SL11 J3604
66	FH7 - 7196 - 020		1	PHOTO-INTERRUPTER フォトインタラプタ	PS18 J335
67	FH7 - 7462 - 000		5	PHOTO-INTERRUPTER フォトインタラプタ	PS12-15,26 J341,339,327,337,328
68	FS1 - 1401 - 000		1	BUSHING ブッシング	
69	FS2 - 3488 - 000		2	PULLEY, 32T 32T プーリ	
70	FS5 - 0514 - 000		1	GEAR, 20T 20T ギア	
71	FS5 - 0714 - 000		1	GEAR, 20T 20T ギア	
72	FS5 - 3612 - 000		1	PULLEY プーリ	
73	FS5 - 3613 - 000		1	GEAR, 16T/24T 16T / 24T ギア	
74	FS5 - 3614 - 000		1	GEAR, 22T/32T 22T / 32T ギア	
75	FS5 - 3616 - 000		1	GEAR, 22T/32T 22T / 32T ギア	

FIGURE & KEY NO.	PART NUMBER	R A N K	Q' T Y	DESCRIPTION	SERIAL NUMBER / REMARKS
360 - 76	FS5 - 3617 - 000		1	PULLEY, 30T 30T プーリ	
77	FS5 - 6487 - 000		7	SHIM ワッシャ	
78	FS5 - 6488 - 000		4	WASHER ワッシャ	
79	FS5 - 9221 - 000		1	SCREW,RS STEPPED,M3 RS タイト 段ビス	
80	FS6 - 0070 - 000		1	GEAR, 40T 40T ギア	
81	FS6 - 0145 - 000		1	GEAR, 16T 16T ギア	
82	FS6 - 0557 - 000		1	GEAR, 12T/36T 12T / 36T ギア	
83	FS6 - 2769 - 000		4	SPRING, COMPRESSION アッシュク バネ	
84	FS6 - 2770 - 000		1	SPRING, TENSION ヒツバリ バネ	
85	FS6 - 2771 - 000		2	SPRING, TENSION ヒツバリ バネ	
86	FS6 - 2772 - 000		2	SPRING, TENSION ヒツバリ バネ	
87	FS6 - 2773 - 000		2	SPRING, COMPRESSION アッシュク バネ	
88	FS6 - 2777 - 000		2	SPRING, TENSION ヒツバリ バネ	
89	FS6 - 2830 - 000		1	SPRING, TENSION ヒツバリ バネ	
90	FS6 - 2831 - 000		2	SPRING, TENSION ヒツバリ バネ	
91	FS6 - 2832 - 000		2	SPRING, COMPRESSION アッシュク バネ	
92	FS6 - 2980 - 000		1	SPRING, COMPRESSION アッシュク バネ	
93	FS6 - 2989 - 000		1	SPRING, TENSION ヒツバリ バネ	
94	FS6 - 2992 - 000		6	SPRING, COMPRESSION アッシュク バネ	
95	FS7 - 0903 - 000		1	GEAR, 26T 26T ギア	
96	XA9 - 0253 - 000		6	SCREW,MACH.,PAN HEAD, M3X8 ナベ ネジ	
97	XA9 - 0605 - 000		5	SCREW,M4X8 タイト ネジ	
98	XA9 - 0605 - 000		1	SCREW,M4X8 タイト ネジ	
99	XA9 - 0628 - 000		47	SCREW,RS,M4X8 RS タイト ネジ	
100	XA9 - 0908 - 000		10	SCREW,RS,M4X8 RS タイト ネジ	
101	XF9 - 0662 - 000		1	BELT, TIMING タイミング ベルト	
102	XF9 - 0663 - 000		1	BELT, TIMING タイミング ベルト	
103	XF9 - 0664 - 000		1	BELT, TIMING タイミング ベルト	
104	XG2 - 8012 - 355		2	BEARING, BALL ボール ベアリング	
105	XG9 - 0211 - 000		4	BALL BEARING, MF128ZZ1MC3D4M ボール ベアリング	

FIGURE & KEY NO.	PART NUMBER	R A N K	Q' T Y	DESCRIPTION	SERIAL NUMBER / REMARKS
360 - 106	XG9 - 0249 - 000		8	BEARING, BALL ボール ベアリング	
107	XG9 - 0250 - 000		4	BEARING, BALL ボール ベアリング	
108	XG9 - 0291 - 000		2	BEARING, BALL ボール ベアリング	
109	XG9 - 0362 - 000		2	BEARING, BALL, DDL-1260ZZR ボール ベアリング	
501	XB1 - 2300 - 409		4	SCREW,MACH.,TRUSS HEAD,M3X4 バインド ネジ	
502	XB1 - 2300 - 409		2	SCREW,MACH.,TRUSS HEAD,M3X4 バインド ネジ	
503	XB1 - 2400 - 609		18	SCREW,MACH.,TRUSS HEAD,M4X6 バインド ネジ	
504	XB1 - 2400 - 609		2	SCREW,MACH.,TRUSS HEAD,M4X6 バインド ネジ	
505	XB4 - 7300 - 809		1	SCREW,TAPPING,TRUSS HEAD,M3X8 バインド タッピン ネジ	
506	XB4 - 7301 - 209		1	SCREW,TAPPING,TRUSS HEAD,M3X12 バインド タッピン ネジ	
507	XB6 - 2400 - 509		4	SETSCREW,M4X5 ロックク アナツキ トメネジ	
508	XD1 - 1104 - 139		1	SHIM ヒョウジュン ワッシャ	
509	XD1 - 1108 - 229		1	SHIM ヒョウジュン ワッシャ	
510	XD2 - 1100 - 502		2	RING,E E リング	
511	XD2 - 1100 - 642		34	RING,E E リング	
512	XD3 - 1300 - 082		1	PIN,SPRING スプリング ピン	
513	XD3 - 2200 - 122		3	PIN,DOWEL ヘイコウ ピン	
514	XD3 - 2200 - 142		3	PIN,DOWEL ヘイコウ ピン	
515	XD3 - 2200 - 162		2	PIN,DOWEL ヘイコウ ピン	
516	XD3 - 2200 - 182		1	PIN,DOWEL ヘイコウ ピン	

FIGURE 420 MIRROR ASSEMBLY 1 (iR8500/8500P TYPE)
 第1ミラー台部 (iR8500/8500Pタイプ)



NOTE: This assembly does not include the part shown with key No.15.
 注：このユニットにKey No. 15の部品は含まれません。

FIGURE & KEY NO.	PART NUMBER	RANK	QTY	DESCRIPTION	SERIAL NUMBER / REMARKS
420 -	FG6 - 2036 - 060		1	MIRROR ASSEMBLY 1 第1ミラー台部	iR8500/8500P TYPE
1	FB1 - 0715 - 000		1	ND FILTER 調光フィルタ	
2	FB2 - 1947 - 000		1	MOUNT, LAMP, FRONT ランプ支台 (前)	
3	FB2 - 1954 - 000		4	PLATE, CONTACT 電極パネ板	
4	FB3 - 2411 - 000		4	PIN, SLIDE スライド ピン	
5	FB3 - 7692 - 000		4	PIN, PAD, 2 パッド ピン (2)	
6	FB4 - 0786 - 000		1	REFLECTOR, LOWER 反射笠 (下)	
7	FB4 - 0787 - 000		1	REFLECTOR, AUXILIARY 補助反射笠	
8	FB4 - 0788 - 000		1	REFLECTOR, FRONT 反射笠 (前)	
9	FB4 - 0789 - 000		1	REFLECTOR, REAR 反射笠 (後)	
10	FB4 - 0795 - 000		1	MOUNT, TERMINAL 電極台	
11	FB4 - 0802 - 000		2	PAD, OIL オイル パッド	
12	FB4 - 0804 - 000		1	CAP, SENSOR 調光センサ キャップ	
13	FB4 - 0832 - 000		1	PLATE, LIGHT BLOCKING 調光キャップ遮光	
14	FB4 - 0864 - 000		2	SPRING, LEAF, MIRROR ミラー押えパネ	
15	FB4 - 0867 - 000		1	LABEL, "WARNING" サービス注意ラベル	SEE NOTE 100V
	FB4 - 0868 - 000		1	LABEL, "WARNING" サービス注意ラベル	SEE NOTE 208/220/240V
16	FB4 - 2385 - 000		1	FLAG, SENSOR センサ フラグ	
17	FF5 - 6579 - 000		1	MIRROR, 1 第1ミラー	
18	FG6 - 1943 - 000		1	EXPOSURE SENSOR PCB ASSEMBLY 調光センサ基板	J165
19	FG6 - 2326 - 000		1	CABLE, EXPOSURE SENSOR 調光センサ中継束線	J164,165
20	FH2 - 6453 - 000		1	CABLE, FLUORESCENT LAMP 蛍光灯束線	J163,164,166
21	FH7 - 3347 - 000		1	LAMP, FLUORESCENT 蛍光灯	FL1
22	FH7 - 4559 - 000		1	HEATER, FLUORESCENT LAMP 蛍光灯ヒータ	H5 J166
23	XA9 - 0596 - 000		1	SCREW,P,M3X6 P タイト ネジ	
501	XB1 - 2300 - 409		1	SCREW,MACH.,TRUSS HEAD,M3X4 バインド ネジ	
502	XB1 - 2301 - 209		2	SCREW,MACH.,TRUSS HEAD,M3X12 バインド ネジ	
503	XB2 - 8300 - 607		4	SCREW,W,WASHER,M3X6 パネツキ バインド ネジ	
504	XB2 - 8300 - 809		4	SCREW,W,WASHER,M3X8 パネツキ バインド ネジ	
505	XB6 - 7300 - 609		15	SCREW,TP,M3X6 TP ネジ	

FIGURE & KEY NO.	PART NUMBER	R A N K	Q' T Y	DESCRIPTION	SERIAL NUMBER / REMARKS
420 - 506	XD2 - 2300 - 202		4	RING,TOOTHED LOCK ハツキ トメワ	

FIGURE 421 MIRROR ASSEMBLY 1 (iR7200/7200P TYPE)
 第1ミラー台部 (iR7200/7200Pタイプ)

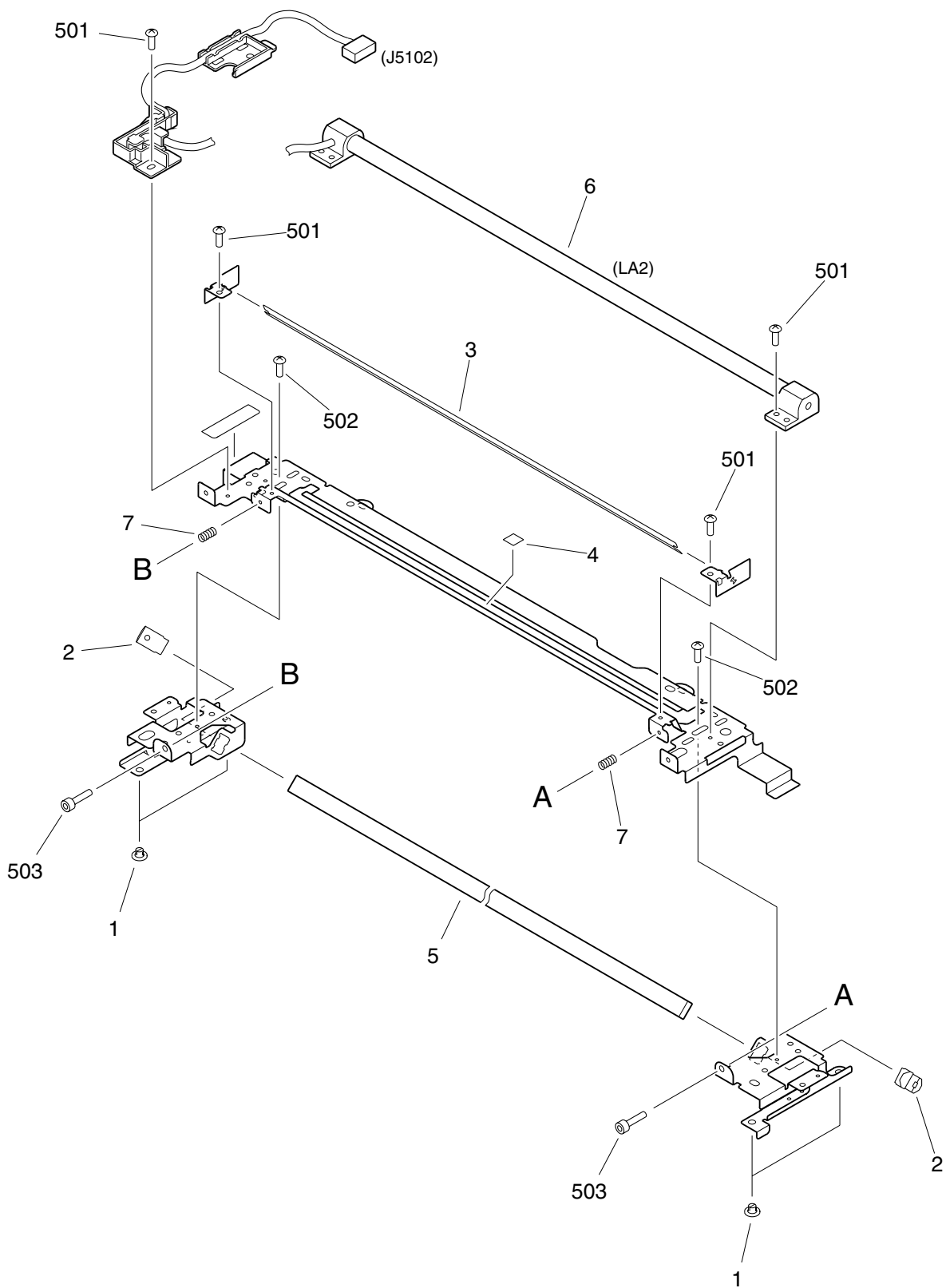


FIGURE & KEY NO.	PART NUMBER	R A N K	Q' T Y	DESCRIPTION	SERIAL NUMBER / REMARKS
421 -	FG6 - 5918 - 000		1	MIRROR ASSEMBLY 1 第1ミラー台	iR7200/7200P TYPE
1	FB3 - 2411 - 000		4	PIN, SLIDE スライド ピン	
2	FB4 - 5434 - 000		2	SPRING, LEAF ミラー パネ	
3	FB5 - 3068 - 000		1	REFLECTOR 反射笠	
4	FB5 - 3069 - 000		1	PAD, REFLECTOR 笠パッド	
5	FF5 - 9825 - 000		1	MIRROR, 1 第1ミラー	
6	FG6 - 5943 - 000		1	LAMP ASSEMBLY ランプ	LA101 J5102
7	FS6 - 2341 - 000		2	SPRING, COMPRESSION アッシュク パネ	
501	XB2 - 8300 - 809		3	SCREW, W/WASHER, M3X8 パネツキ バインド ネジ	
502	XB6 - 7300 - 409		4	SCREW, TP, M3X4 TP ネジ	
503	XB7 - 1030 - 169		2	BOLT, HEX SKT, M3X16 六角穴付ボルト	

FIGURE 430 MIRROR ASSEMBLY 2 (iR8500/8500P TYPE)
 第2ミラー台部 (iR8500/8500Pタイプ)

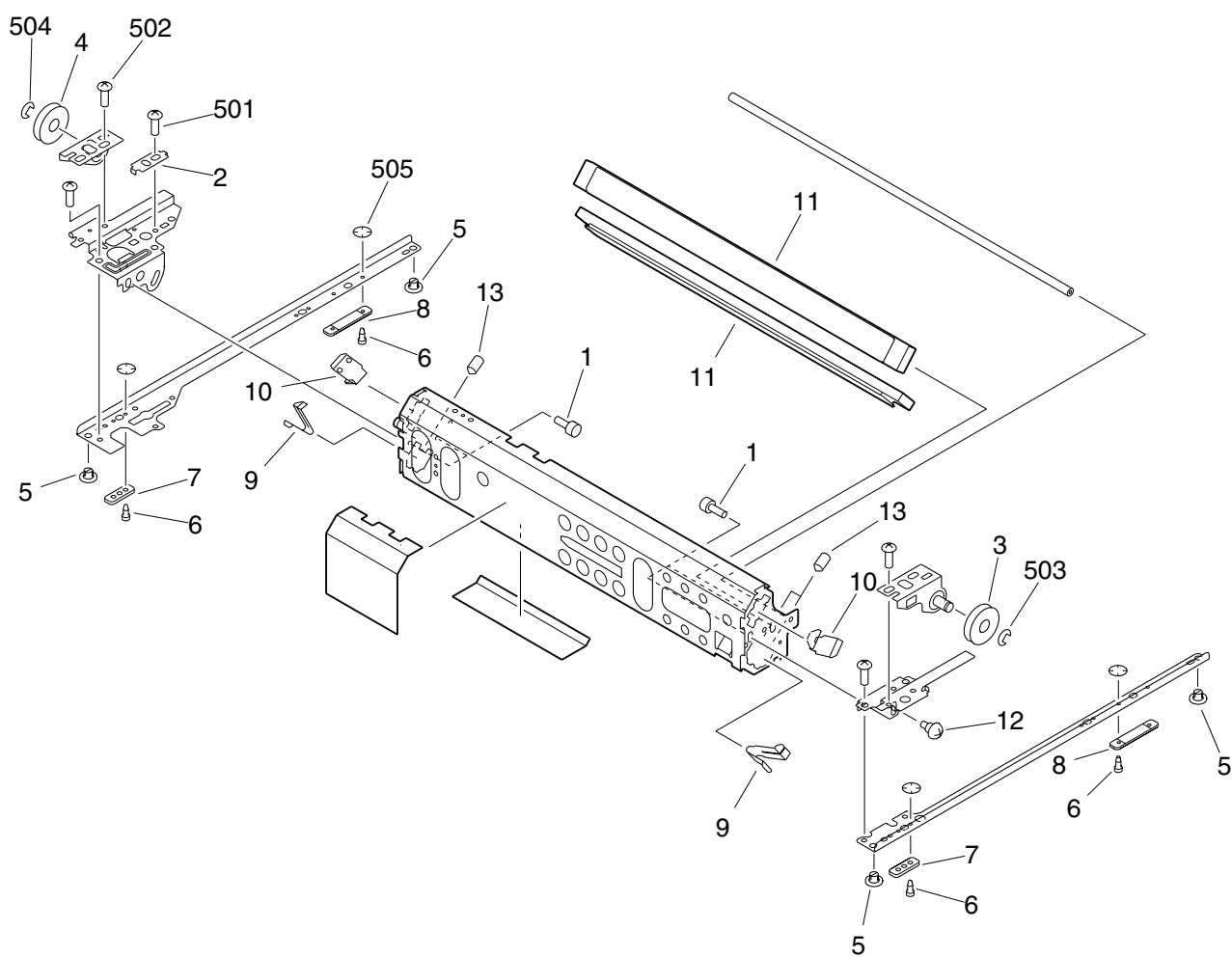


FIGURE & KEY NO.	PART NUMBER	R A N K	Q' T Y	DESCRIPTION	SERIAL NUMBER / REMARKS
430 -	FG6 - 4380 - 000		1	MIRROR ASSEMBLY 2 第2ミラー台部	iR8500/8500P TYPE
1	FA9 - 1990 - 000		4	SCREW, ALLEN HEAD, M3X6 ロッカク アナツキ ボルト	
2	FB1 - 6655 - 000		1	PLATE 直角板	
3	FB1 - 6663 - 000		1	PULLEY プ-リ	
4	FB1 - 6663 - 000		1	PULLEY プ-リ	
5	FB3 - 2411 - 000		4	PIN, SLIDE スライド ピン	
6	FB3 - 7692 - 000		8	PIN, PAD, 2 パッド ピン (2)	
7	FB4 - 0802 - 000		2	PAD, OIL オイル パッド	
8	FB4 - 0825 - 000		2	PAD, OIL, LEFT オイル パッド (左)	
9	FB4 - 0831 - 000		2	SPRING, LEAF 板バネ	
10	FB4 - 0864 - 000		2	SPRING, LEAF, MIRROR ミラー押えバネ	
11	FF5 - 6581 - 000		2	MIRROR, 2/3 第2 / 第3ミラー	
12	FS1 - 9009 - 000		2	SCREW, STEPPED, M3 ダンピス	
13	XA9 - 0425 - 000		3	SETSCREW, HEX SOCKET ロッカク アナツキ トメネジ	
501	XB1 - 2300 - 409		3	SCREW, MACH., TRUSS HEAD, M3X4 バインド ネジ	
502	XB6 - 7300 - 409		9	SCREW, TP, M3X4 TP ネジ	
503	XD2 - 1100 - 642		1	RING, E E リング	
504	XD2 - 1100 - 642		1	RING, E E リング	
505	XD2 - 2300 - 202		8	RING, TOOTHED LOCK ハツキ トメワ	

FIGURE 431 MIRROR ASSEMBLY 2 (iR7200/7200P TYPE)
 第2ミラー台部 (iR7200/7200Pタイプ)

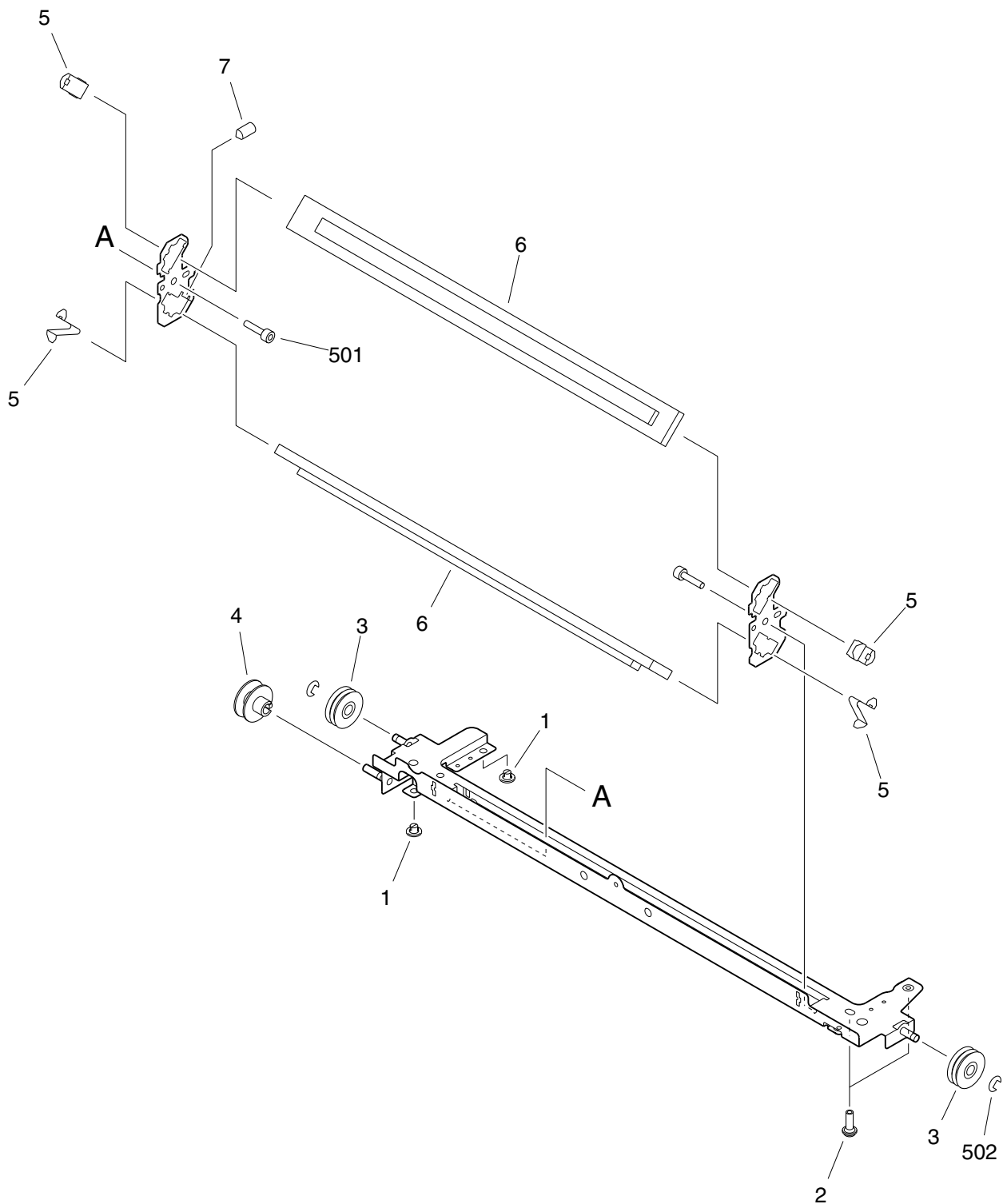
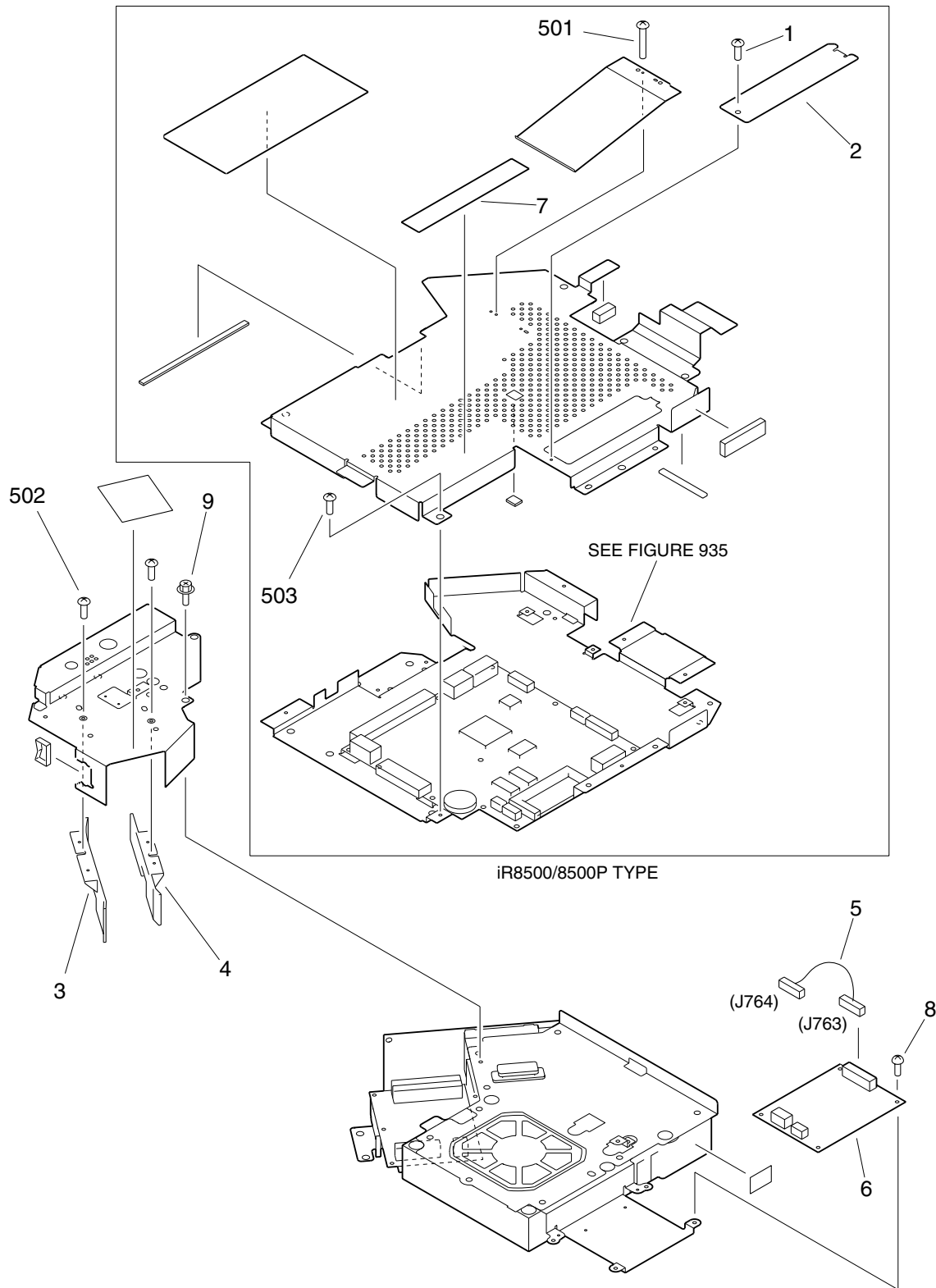


FIGURE & KEY NO.	PART NUMBER	RANK	QTY	DESCRIPTION	SERIAL NUMBER / REMARKS
431 -	FG6 - 4852 - 000		1	MIRROR ASSEMBLY 2 第2ミラー台	iR7200/7200P TYPE
1	FB3 - 2411 - 000		2	PIN, SLIDE スライド ピン	
2	FB4 - 5435 - 000		2	SLIDER B スライダ B	
3	FB5 - 3077 - 000		2	PULLEY 第2プーリ	
4	FB5 - 4588 - 000		1	GUIDE, CABLE 第2コード ガイド	
5	FB6 - 0342 - 000		4	SPRING, LEAF ミラー パネ	
6	FF5 - 9827 - 000		2	MIRROR, 2 第2ミラー	
7	XA9 - 0425 - 000		1	SETSCREW, HEX SOCKET ロック アナツキ トメネジ	
501	XB7 - 1030 - 069		2	SCREW, ALLEN HEAD, M3X6 ロック アナツキ ボルト	
502	XD2 - 1100 - 502		2	RING, E E リング	

FIGURE 460 SCANNER ASSEMBLY スキャナ部



NOTE: This assembly does not include the parts shown with key No. 1, 2, 3, 4, 9, 501, 502 and 503.
注: このユニットにKey No. 1, 2, 3, 4, 9, 501, 502, 503の部品は含まれません。

FIGURE & KEY NO.	PART NUMBER	R A N K	Q' T Y	DESCRIPTION	SERIAL NUMBER / REMARKS
460 -	FG6 - 7177 - 000		1	SCANNER ASSEMBLY スキャナ部	
1	FA9 - 1449 - 000		1	SCREW,W/WASHER,M3X6 パネツキ バインド ネジ	iR8500/8500P TYPE SEE NOTE
2	FB4 - 2347 - 000		1	COVER, ROM ROMカバー	iR8500/8500P TYPE SEE NOTE
3	FB5 - 7028 - 000		1	GUIDE, AIR, LEFT エア ガイド(左)	iR8500/8500P TYPE SEE NOTE
4	FB5 - 7029 - 000		1	GUIDE, AIR, RIGHT エア ガイド(右)	iR8500/8500P TYPE SEE NOTE
5	FG6 - 2340 - 000		1	CABLE, POLYGON MOTOR ポリゴン モータ束線	J763,764
6	FG6 - 7244 - 000		1	POLYGON MOTOR DRIVER PCB ASS'Y ポリゴン モータ ドライバ基板	
7	FS6 - 8820 - 000		1	LABEL, "WARNING LASER" レーザ注意ラベル	100/208V
	FS5 - 8623 - 000		1	LABEL, "WARNING LASER" レーザ注意ラベル	220/240V
8	XA9 - 0385 - 000		6	SCREW, W/WASHER, TRUSS HEAD パネツキ ネジ	
9	XA9 - 0643 - 000		4	SCREW,RS,M4X10 RS タイト ネジ	iR8500/8500P TYPE SEE NOTE
501	XB1 - 2301 - 209		2	SCREW,MACH.,TRUSS HEAD,M3X12 バインド ネジ	iR8500/8500P TYPE SEE NOTE
502	XB1 - 2400 - 609		2	SCREW,MACH.,TRUSS HEAD,M4X6 バインド ネジ	iR8500/8500P TYPE SEE NOTE
503	XB2 - 7400 - 607		15	SCREW,W/WASHER,M4X6 パネツキ バインド ネジ	iR8500/8500P TYPE SEE NOTE

FIGURE 510 PHOTO-SENSITIVE DRUM ASSEMBLY 感光ドラム部

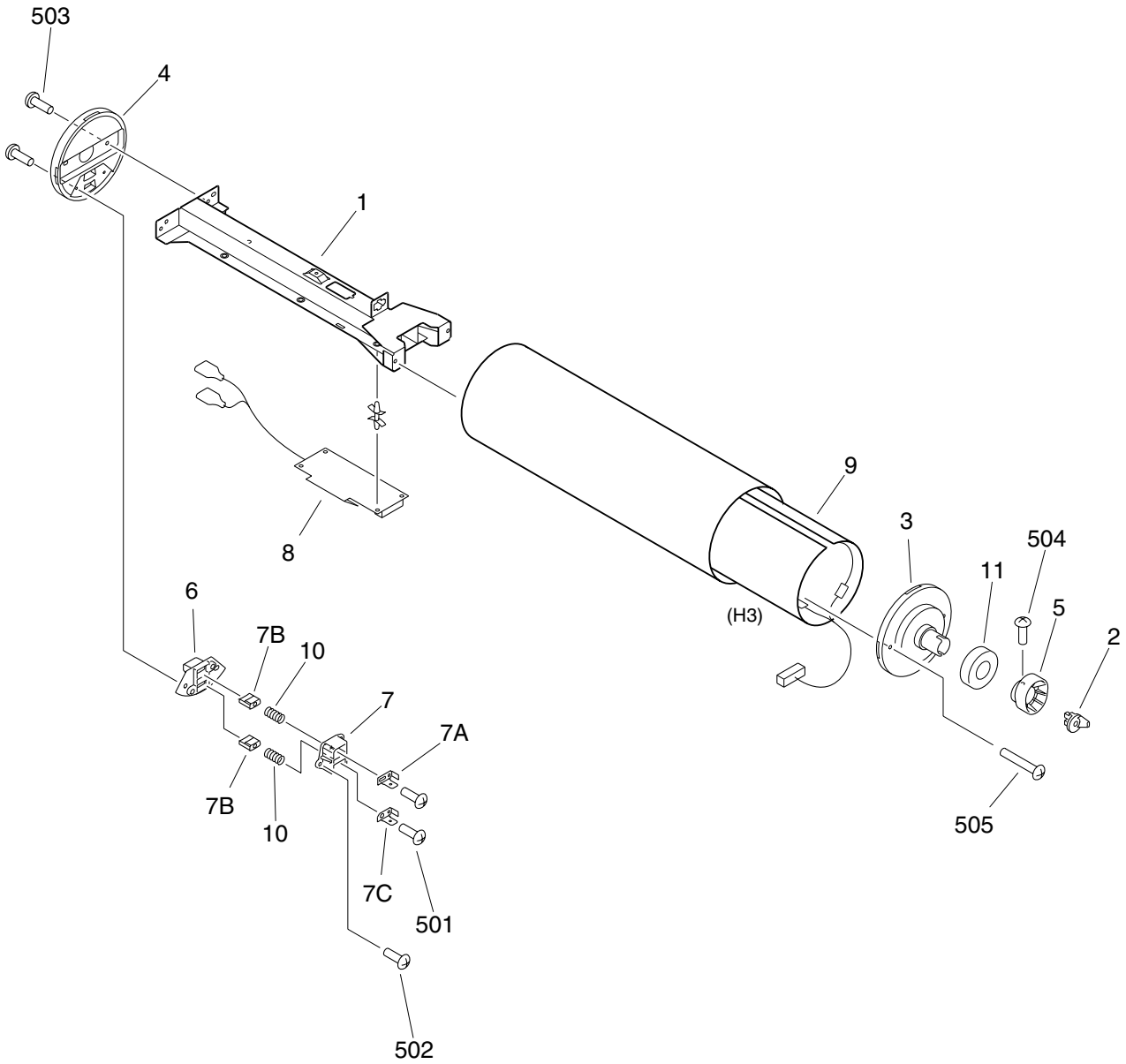
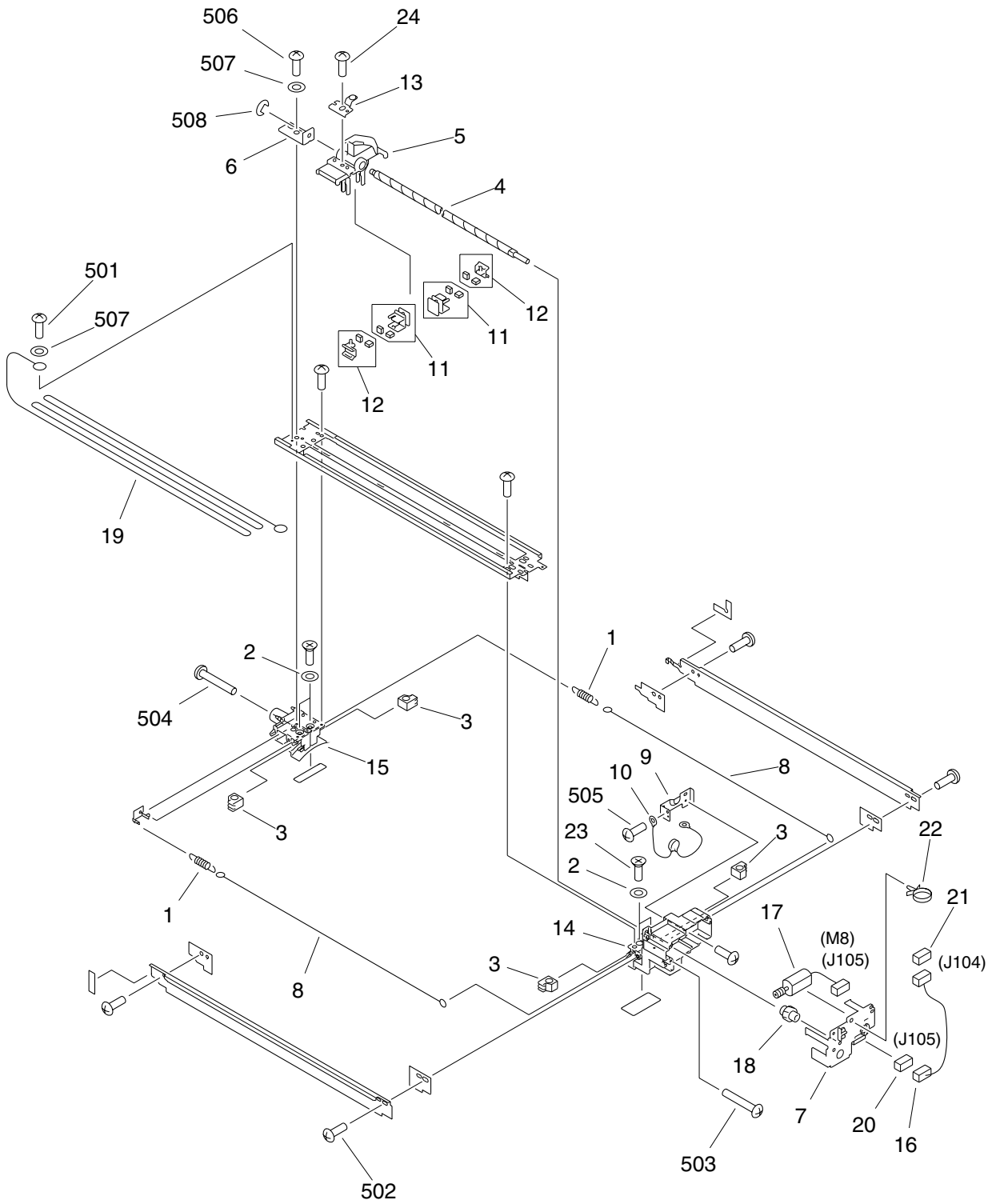


FIGURE & KEY NO.	PART NUMBER	RANK	QTY	DESCRIPTION	SERIAL NUMBER / REMARKS
510 -	NPN		RF	PHOTO-SENSITIVE DRUM ASSEMBLY 感光ドラム部	
1	FA6 - 0648 - 000		1	GUIDE, DRUM ドラム ガイド	
2	FB4 - 1416 - 000		1	SUPPORT, DRUM ドラム固定筒	
3	FB4 - 1620 - 000		1	FLANGE, DRUM, FRONT ドラム フランジ (前)	
4	FB4 - 1621 - 000		1	FLANGE, DRUM, REAR ドラム フランジ (後)	
5	FB4 - 1622 - 000		1	CAM カム	
6	FB4 - 1623 - 000		1	MOUNT, BRUSH 摺電ブラシ台	
7	FF5 - 8733 - 000		1	BLOCK, TERMINAL 端子台	
7 A	FA3 - 2394 - 000		1	TERMINAL, 1 摺電ブラシ端子 (1)	
7 B	FA3 - 2395 - 000		2	BRUSH 摺電ブラシ	
7 C	FB3 - 6117 - 000		1	TERMINAL, 2 摺電ブラシ端子 (2)	
8	FH6 - 3993 - 000		1	HEATER CONTROL PCB ASSEMBLY ヒータ制御回路基板	100V
	FH6 - 3994 - 000		1	HEATER CONTROL PCB ASSEMBLY ヒータ制御回路基板	208/220/240V
9	FH7 - 4713 - 000		1	HEATER, DRUM ドラム ヒータ	100V H3
	FH7 - 4714 - 000		1	HEATER, DRUM ドラム ヒータ	208V H3
	FH7 - 4715 - 000		1	HEATER, DRUM ドラム ヒータ	220/240V H3
10	FS2 - 2036 - 020		2	SPRING, COMPRESSION アッシュク バネ	
11	XG9 - 0307 - 000		1	BEARING, BALL ボール ベアリング	
501	XA1 - 6260 - 409		2	SCREW, M2, 6X4 ナベ ネジ	
502	XB1 - 2300 - 609		2	SCREW, MACH., TRUSS HEAD, M3X6 バインド ネジ	
503	XB1 - 2400 - 609		4	SCREW, MACH., TRUSS HEAD, M4X6 バインド ネジ	
504	XB2 - 8400 - 809		1	SCREW, W/WASHER, M4X8 パネツキ バインド ネジ	
505	XB6 - 7401 - 609		2	SCREW, TP, M4X16 TP ネジ	

FIGURE 550 PRIMARY CORONA ASSEMBLY 一次帯電器



NOTE: This assembly does not include the part shown with key No. 21.

注：このユニットにKey No. 21の部品は含まれません。

FIGURE & KEY NO.	PART NUMBER	RANK	QTY	DESCRIPTION	SERIAL NUMBER / REMARKS
550 -	FG6 - 7313 - 000		1	PRIMARY CORONA ASSEMBLY 一次帯電器	
1	97 - 5527 - 000		2	SPRING, TENSION 帯電線ヒツバリ パネ	
2	FA2 - 1498 - 000		4	WASHER ワッシャ	
3	FA3 - 2118 - 000		4	GUIDE, CORONA WIRE 帯電線ガイド	
4	FB4 - 1693 - 000		1	SCREW, SHAFT リード ネジ	
5	FB4 - 1933 - 000		1	HOLDER, PRIMARY CORONA クリップ台	
6	FB4 - 1940 - 000		1	PLATE, SHAFT SCREW リード ネジ板	
7	FB4 - 1941 - 000		1	COVER, MOTOR モータ カバー	
8	FB4 - 3687 - 000		2	WIRE, CORONA, 0.06MM (20M) 帯電線	
9	FB4 - 5305 - 000		1	PLATE, HEIGHT ADJUSTING 高さ調整板	
10	FF3 - 3330 - 000		1	VARISTOR UNIT バリスタ ユニット	
11	FF5 - 6883 - 000		2	BLOCK, WIRE CLEANING PAD 帯電線清掃パッド ブロック	
12	FF5 - 6884 - 000		2	BLOCK, WIRE CLEANING PAD 帯電線清掃パッド ブロック	
13	FF5 - 6885 - 000		1	GUIDE, PIN ピン ガイド	
14	FF5 - 7705 - 000		1	BLOCK, PRIMARY CORONA, FRONT 一次帯電器ブロック (前)	
15	FF5 - 7706 - 000		1	BLOCK, PRIMARY CORONA, REAR 一次帯電器ブロック (後)	
16	FG6 - 1858 - 000		1	CABLE, MOTOR CONNECTING モータ中継束線	J104,105
17	FH6 - 1135 - 000		1	MOTOR, DC, 1.36W DCモータ	M8 J105
18	FS6 - 0115 - 000		1	GEAR, 18T 18T ギア	
19	FY1 - 0883 - 000		1	WIRE, GRID, 0.1MM (100M) グリッド ワイヤ	
20	VS1 - 5057 - 002		1	CONNECTOR, SNAP TIGHT チュウケイ コネクタ	J105
21	VS1 - 5057 - 002		1	CONNECTOR, SNAP TIGHT チュウケイ コネクタ	SEE NOTE J104
22	WT2 - 5178 - 000		1	CLIP, CABLE ロッキング ワイヤ サドル	
23	XA9 - 0228 - 000		4	SCREW, MACH., C.S. HEAD, M4X18 サラ ネジ	
24	XA9 - 0915 - 000		3	SCREW, M3X6 タイト ネジ	
501	XB1 - 2300 - 603		1	SCREW, MACH., TRUSS HEAD, M3X6 バインド ネジ	
502	XB1 - 2300 - 609		12	SCREW, MACH., TRUSS HEAD, M3X6 バインド ネジ	
503	XB1 - 2301 - 207		1	SCREW, MACH., TRUSS HEAD, M3X12 バインド ネジ	
504	XB1 - 2302 - 503		1	SCREW, MACH., TRUSS HEAD, M3X25 バインド ネジ	
505	XB2 - 7300 - 607		2	SCREW, W/WASHER, M3X6 バネツキ バインド ネジ	

FIGURE & KEY NO.	PART NUMBER	R A N K	Q' T Y	DESCRIPTION	SERIAL NUMBER / REMARKS
550 - 506	XB6 - 7300 - 609		1	SCREW,TP,M3X6 TP ネジ	
507	XD1 - 2100 - 307		1	WASHER,PLAIN ヒラ ザガネ	
508	XD2 - 1100 - 242		1	RING,E E リンゲ	

FIGURE 570 PRE-TRANSFER CORONA ASSEMBLY
 転写前帯電器

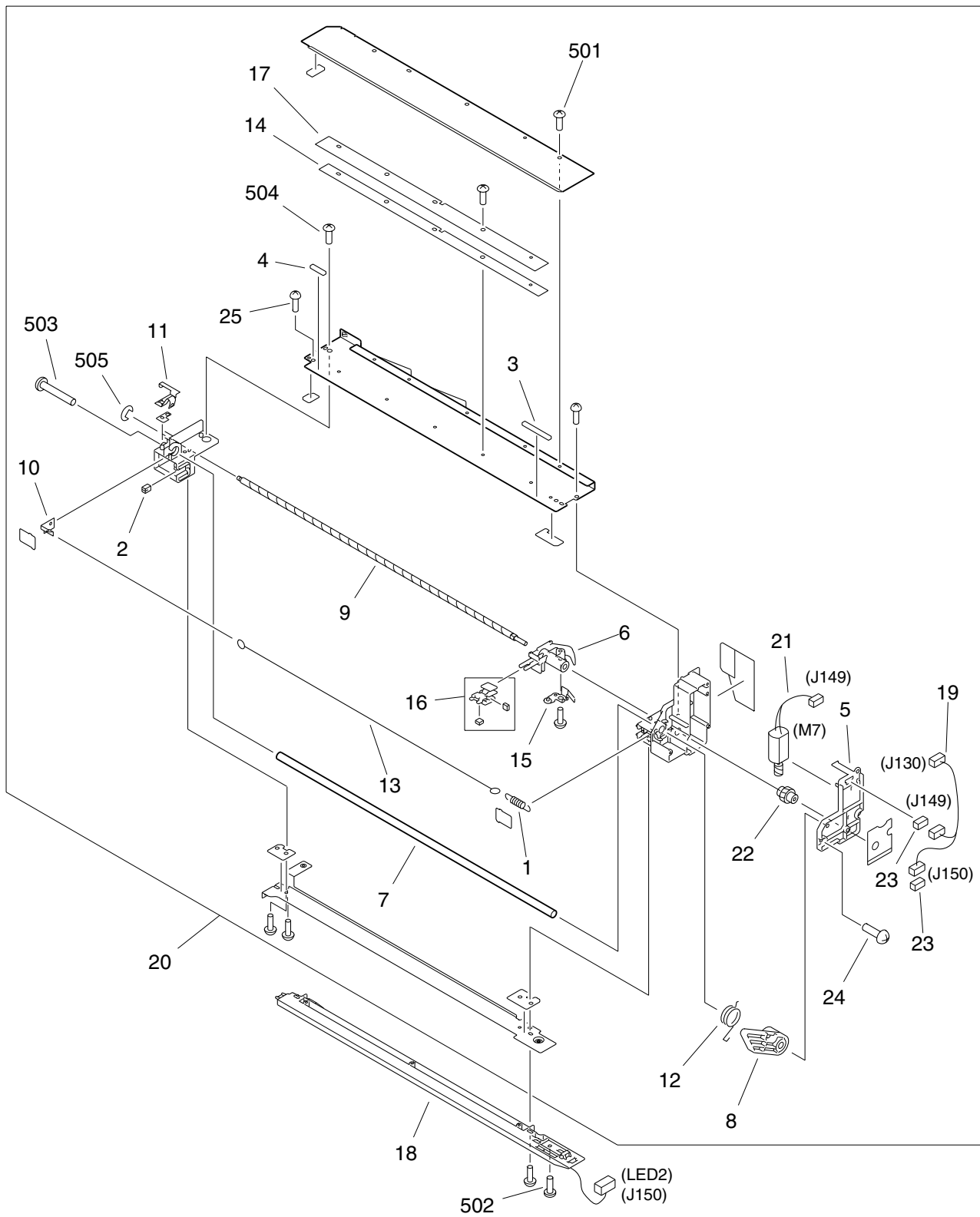


FIGURE & KEY NO.	PART NUMBER	RANK	QTY	DESCRIPTION	SERIAL NUMBER / REMARKS
570 -	FG6 - 7424 - 000		1	PRE-TRANSFER CORONA ASSEMBLY 転写前帯電器	
1	97 - 5527 - 000		1	SPRING, TENSION 帯電線ヒツバリ パネ	
2	FA3 - 2128 - 000		1	DAMPER パッド	
3	FA3 - 2565 - 000		1	BRUSH, FRONT バイアス ブラシ (前)	
4	FA3 - 8004 - 000		1	BRUSH, REAR バイアス ブラシ (後)	
5	FB4 - 1680 - 020		1	COVER, PRE-TRANSFER MOTOR 転写前モータ カバー	
6	FB4 - 1681 - 020		1	HOLDER, SHAFT SCREW リード ネジ ホルダ	
7	FB4 - 1682 - 000		1	ROLLER, BIAS バイアス ローラ	
8	FB4 - 1683 - 000		1	ARM, BIAS ROLLER バイアス ローラ アーム	
9	FB4 - 1693 - 000		1	SCREW, SHAFT リード ネジ	
10	FB4 - 1694 - 000		1	TERMINAL, CORONA 帯電電極	
11	FB4 - 1695 - 000		1	TERMINAL, BIAS ROLLER バイアス ローラ電極	
12	FB4 - 1696 - 000		1	SPRING, TORSION ネジリ パネ	
13	FB4 - 3687 - 000		AR	WIRE, CORONA, 0.06MM (20M) 帯電線	
14	FB5 - 9354 - 000		1	PLATE, SCRAPER RETAINING スクレーパ押え板	
15	FF5 - 2942 - 020		1	PLATE, PRESSURE 加圧板	
16	FF5 - 9552 - 000		1	CLEANER, WIRE ワイヤ クリーナ	
17	FF6 - 1031 - 000		1	MOUNT, PRE-TRANSFER SCRAPER 転写前スクレーパ	
18	FG6 - 7185 - 000		1	PRE-TRANSFER EXPOSURE UNIT 転写露光ユニット	LED2 J150
19	FG6 - 7203 - 000		1	CABLE, PRE-TRANSFER CONNECTING 転写前中継束線	J130,149,150
20	FG9 - 3863 - 000		1	PRE-TRANSFER SUB UNIT 転写前サブ ユニット	
21	FH6 - 1135 - 000		1	MOTOR, DC, 1.36W DCモータ	M7 J149
22	FS6 - 0115 - 000		1	GEAR, 18T 18T ギア	
23	VS1 - 5057 - 002		2	CONNECTOR, SNAP TIGHT チュウケイ コネクタ	J149,150
24	XA9 - 0591 - 000		2	SCREW,M3X8 タイト ネジ	
25	XA9 - 0596 - 000		6	SCREW,P,M3X6 P タイト ネジ	
501	XB1 - 2300 - 407		8	SCREW,MACH.,TRUSS HEAD,M3X4 バインド ネジ	
502	XB1 - 2300 - 609		1	SCREW,MACH.,TRUSS HEAD,M3X6 バインド ネジ	
503	XB1 - 2301 - 603		1	SCREW,MACH.,TRUSS HEAD,M3X16 バインド ネジ	
504	XB1 - 2400 - 407		1	SCREW,MACH.,TRUSS HEAD,M4X4 バインド ネジ	

FIGURE & KEY NO.	PART NUMBER	R A N K	Q' T Y	DESCRIPTION	SERIAL NUMBER / REMARKS
570 - 505	XD2 - 1100 - 242		1	RINGE E リング	

FIGURE 580 TRANSFER/SEPARATE CORONA ASSEMBLY

転写 / 分離帯電器

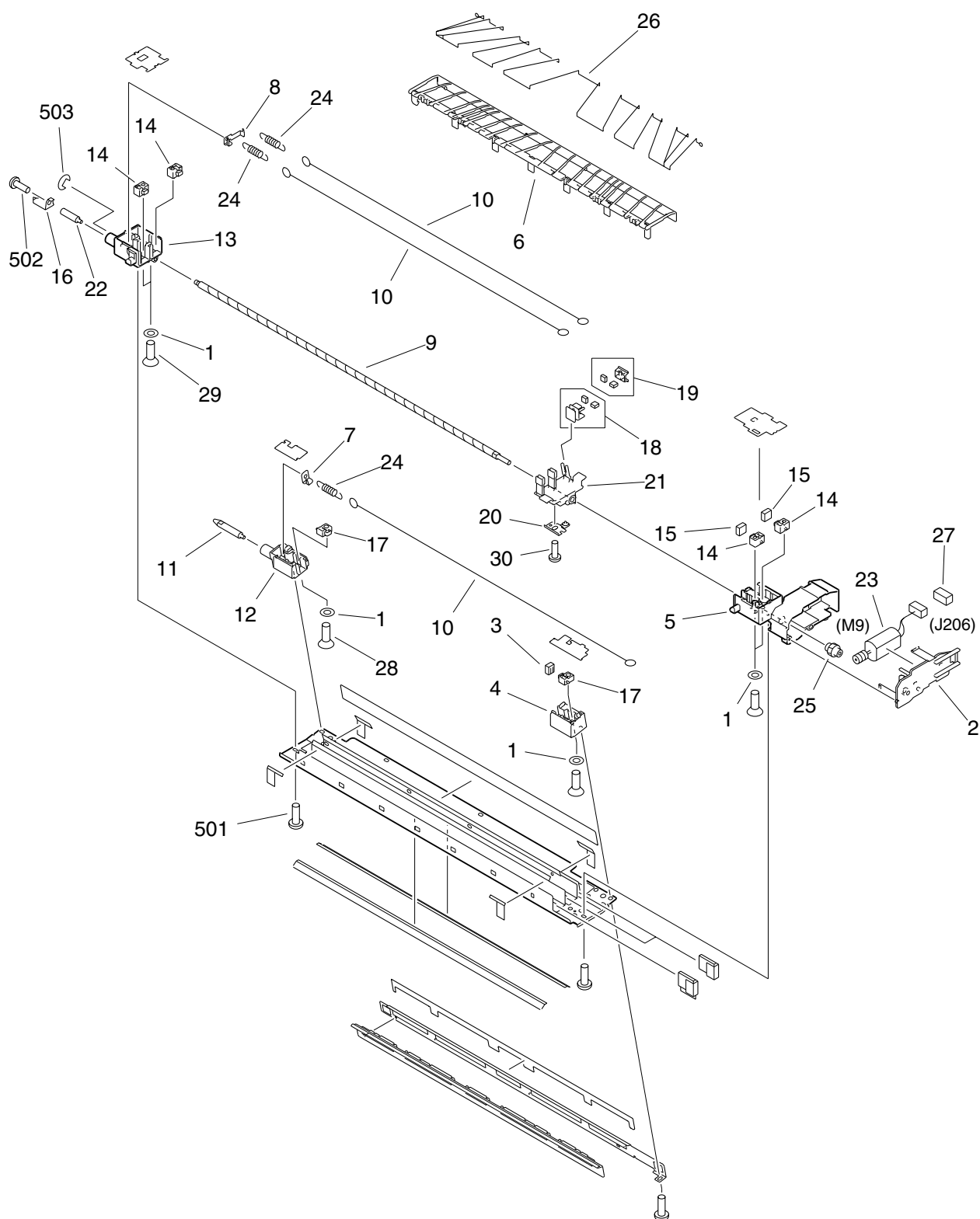
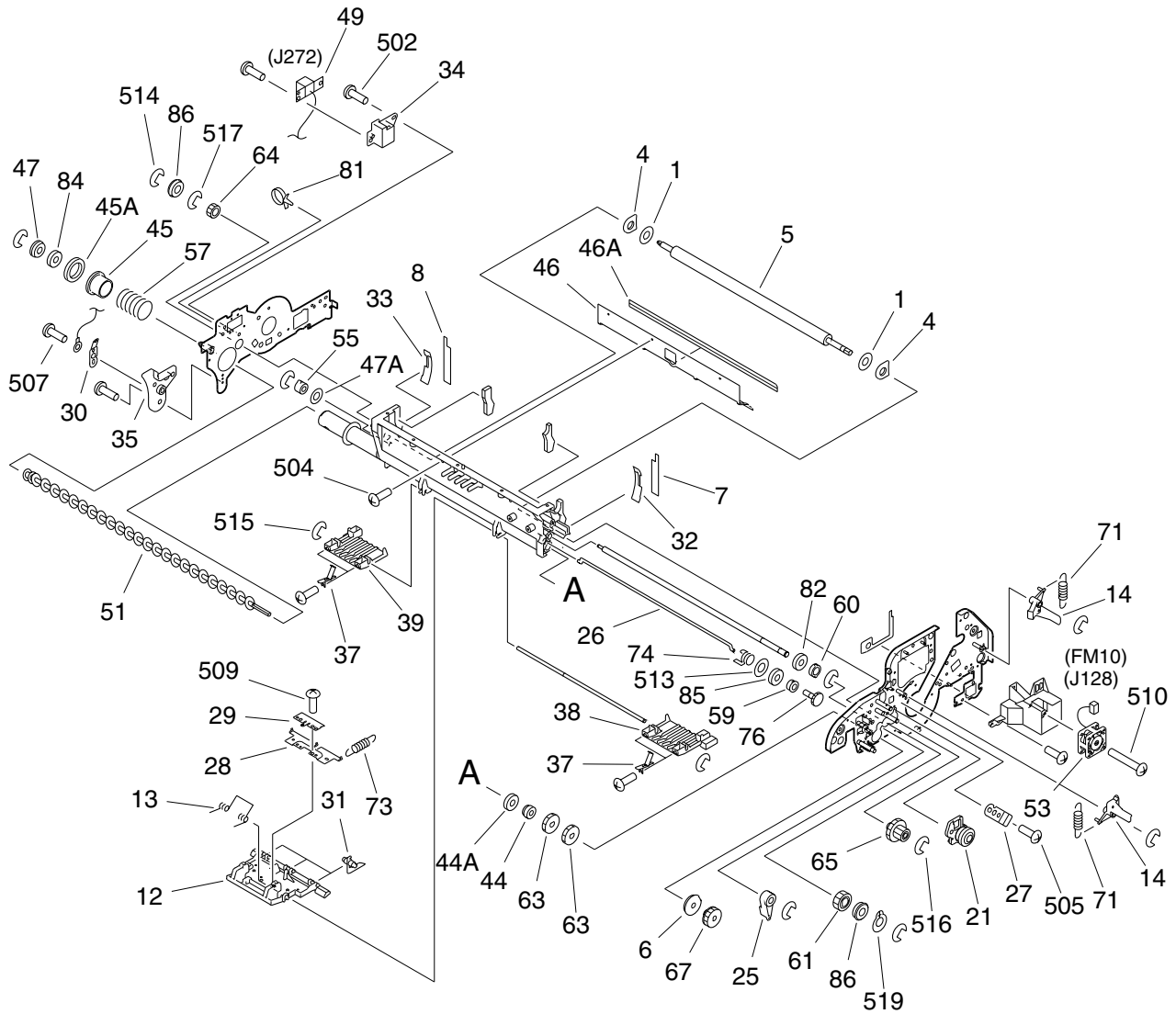


FIGURE & KEY NO.	PART NUMBER	RANK	QTY	DESCRIPTION	SERIAL NUMBER / REMARKS
580 -	FG6 - 7740 - 000		1	TRANSFER/SEPARATE CORONA ASS'Y 転写 / 分離帯電器	
1	FA2 - 1498 - 000		6	WASHER ワッシャ	
2	FB2 - 6850 - 000		1	COVER, MOTOR モ - タ カバ -	
3	FB2 - 7096 - 000		3	PAD, DUST-PROOF 防塵パッド	
4	FB4 - 1648 - 000		1	BLOCK, TRANSFER, FRONT 転写ブロック (前)	
5	FB4 - 1650 - 000		1	BLOCK, SEPARATION, FRONT 分離ブロック (前)	
6	FB4 - 1653 - 000		1	GUIDE, PAPER SEPARATION 分離紙ガイド	
7	FB4 - 1656 - 000		1	HOOK, SPRING, 1 バネ掛け (1)	
8	FB4 - 1657 - 000		1	HOOK, SPRING, 2 バネ掛け (2)	
9	FB4 - 1693 - 000		1	SCREW, SHAFT リード ネジ	
10	FB4 - 3687 - 000		AR	WIRE, CORONA, 0.06MM (20M) 帯電線	
11	FB4 - 9355 - 000		1	PIN, TRANSFER/SEPARATION 転写 / 分離ピン	
12	FB5 - 0529 - 000		1	BLOCK, TRANSFER, REAR 転写ブロック (後)	
13	FB5 - 0530 - 000		1	BLOCK, SEPARATION, REAR 分離ブロック (後)	
14	FB5 - 2394 - 000		4	BLOCK, ADJUSTING 調整コマ	
15	FB5 - 2515 - 000		2	PAD, CUSHION 防振パッド	
16	FB5 - 3105 - 000		1	TERMINAL, TRANSFER/SEPARATION 転写 / 分離接点板	
17	FB5 - 9648 - 000		2	GUIDE, CORONA WIRE 高さ調整コマ	
18	FF5 - 6883 - 000		1	BLOCK, WIRE CLEANING PAD 帯電線清掃パッド ブロック	
19	FF5 - 6884 - 000		1	BLOCK, WIRE CLEANING PAD 帯電線清掃パッド ブロック	
20	FF5 - 6885 - 000		1	GUIDE, PIN ピン ガイド	
21	FF5 - 7891 - 020		1	HOLDER, FELT フェルト ホルダ	
22	FH2 - 9242 - 000		1	PIN, RESISTANCE 抵抗ピン	
23	FH6 - 1135 - 000		1	MOTOR, DC, 1.36W DCモ - タ	M9 J206
24	FS2 - 2551 - 000		3	SPRING, TENSION ヒツパリ バネ	
25	FS6 - 0115 - 000		1	GEAR, 18T 18T ギア	
26	RY1 - 1502 - 000		AR	WIRE, GUIDE テグス線	
27	VS1 - 5057 - 002		1	CONNECTOR, SNAP TIGHT チュウケイ コネクタ	J206
28	XA9 - 0034 - 000		2	SCREW, MACH., C.S. HEAD, M4X15 サラ ネジ	
29	XA9 - 0228 - 000		4	SCREW, MACH., C.S. HEAD, M4X18 サラ ネジ	

FIGURE & KEY NO.	PART NUMBER	RANK	QTY	DESCRIPTION	SERIAL NUMBER / REMARKS
580 - 30	XA9 - 0915 - 000		1	SCREW,M3X6 タイト ネジ	
501	XB1 - 2300 - 609		8	SCREW,MACH.,TRUSS HEAD,M3X6 バインド ネジ	
502	XB2 - 7300 - 607		1	SCREW,W/WASHER,M3X6 パネツキ バインド ネジ	
503	XD2 - 1100 - 242		1	RING,E E リング	

FIGURE 600 AP KIT ASSEMBLY(1/2)

APキット部(1/2)



NOTE1: This assembly includes the assembly shown in Figure 720.

NOTE2: This assembly does not include the parts shown with key No. 10, 20, 27, and 505.

注1: このユニットはFigure720のユニットを含みます。

注2: このユニットにKey No. 10、20、27、505の部品は含まれません。

FIGURE 600 AP KIT ASSEMBLY(2/2)

APキット部(2/2)

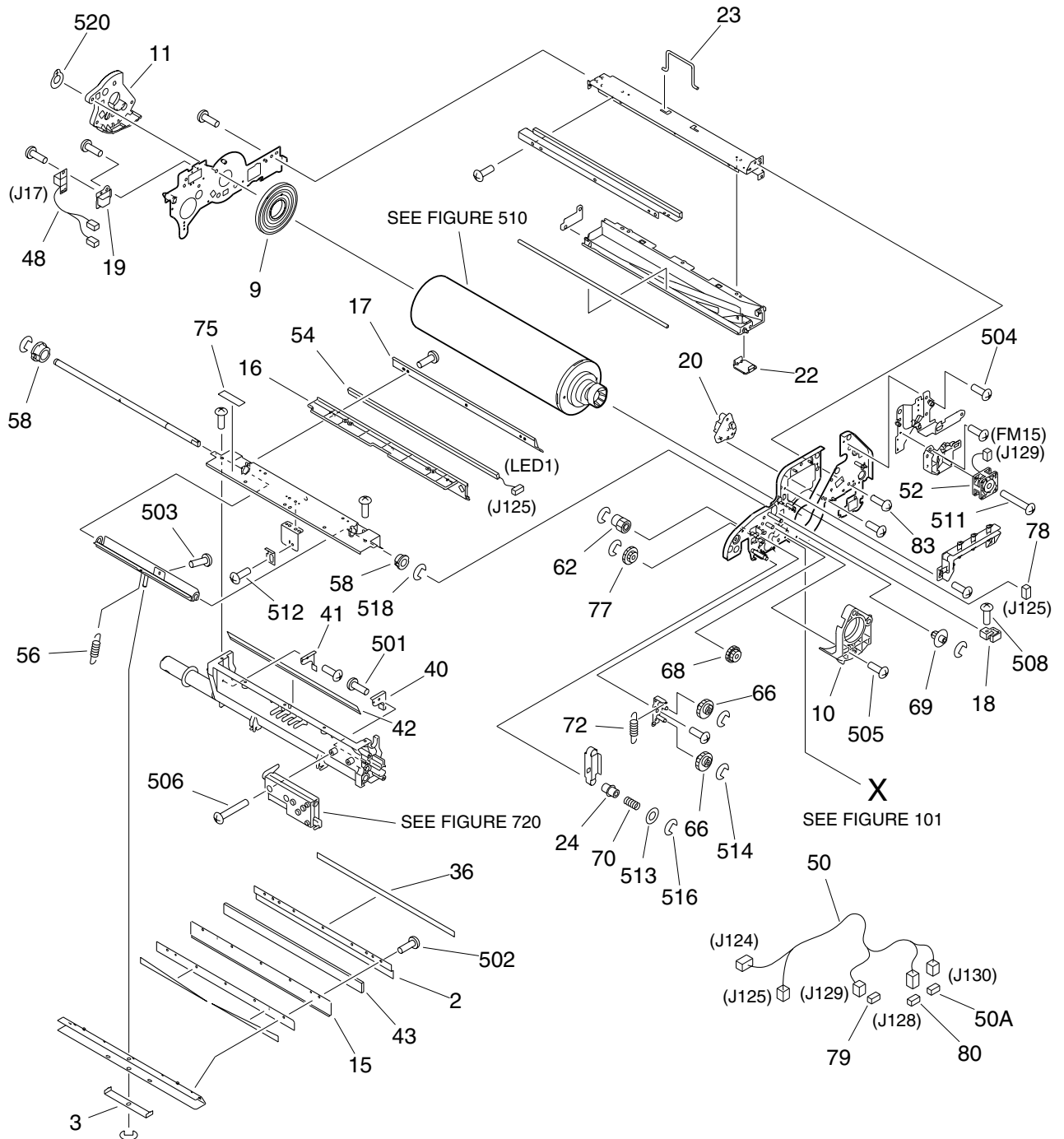


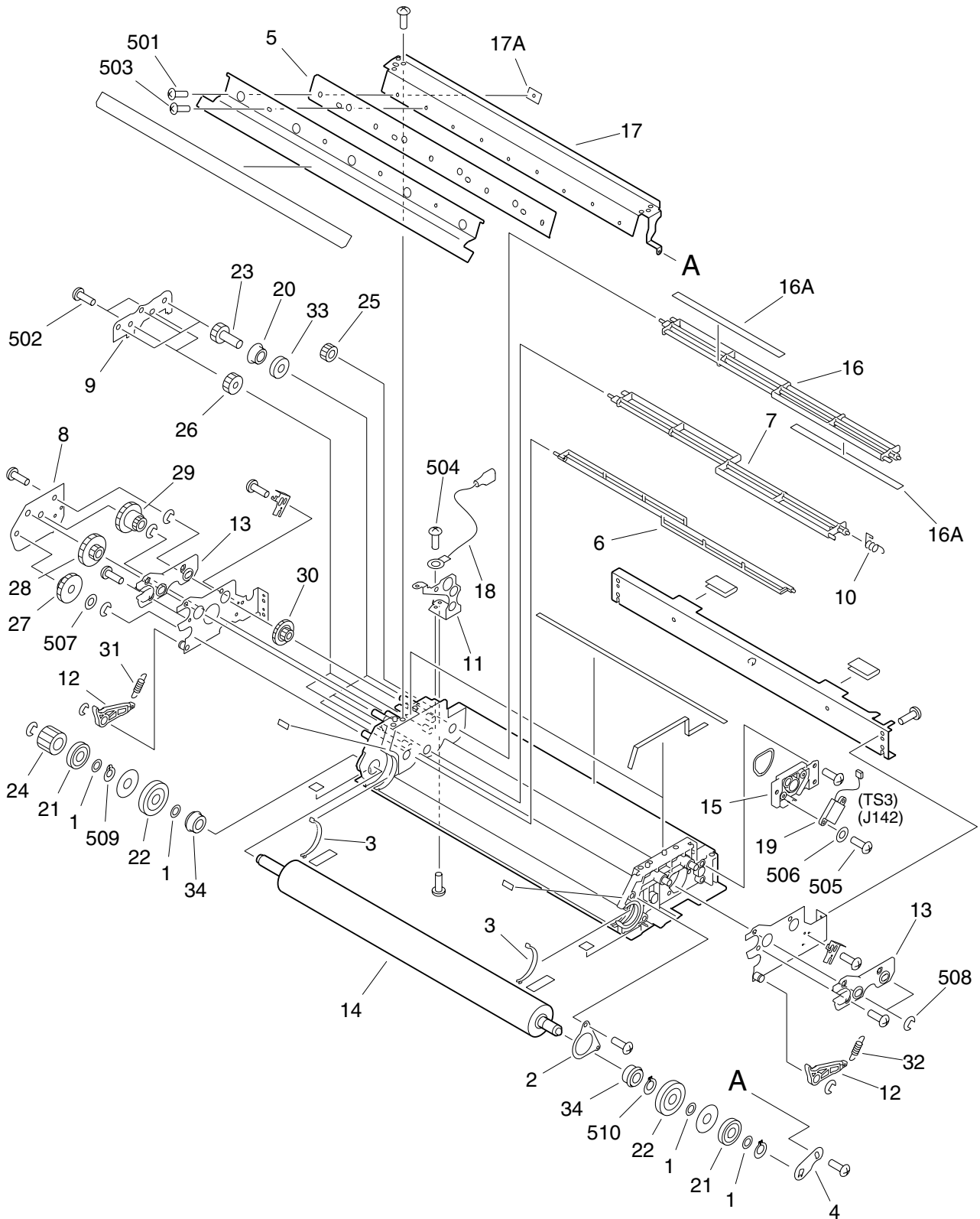
FIGURE & KEY NO.	PART NUMBER	RANK	QTY	DESCRIPTION	SERIAL NUMBER / REMARKS
600 -	FG6 - 7345 - 000		1	AP KIT ASSEMBLY APキット部	SEE NOTE 1
1	FA4 - 1819 - 000		2	SPACER スペーサ	
2	FA4 - 2037 - 000		1	RETAINER, BLADE ブレード オサエ	
3	FA5 - 4590 - 000		1	SPRING, LEAF 板バネ	
4	FA6 - 7865 - 000		2	SEAL, FELT シール フェルト	
5	FA9 - 3730 - 000		1	ROLLER, MAGNET マグネット ローラ	
6	FB2 - 8302 - 000		1	BUSHING ブッシング	
7	FB4 - 1569 - 000		1	SEAL, SIDE, FRONT サイド シール (前)	
8	FB4 - 1570 - 000		1	SEAL, SIDE, REAR サイド シール (後)	
9	FB4 - 1575 - 000		1	SUPPORT, DRUM SIDE ドラム サイド押え	
10	FB4 - 1576 - 000		1	BLOCK, TRANSFER FIXING, FRONT 転写固定ブロック (前)	SEE NOTE 2
11	FB4 - 1577 - 000		1	BLOCK, TRANSFER FIXING, REAR 転写固定ブロック (後)	
12	FB4 - 1584 - 000		1	HOLDER, CLAW 爪ホルダ	
13	FB4 - 1585 - 000		1	SPRING, TORSION ネジリ バネ	
14	FB4 - 1590 - 000		2	SUPPORT, CORONA FIXING 帯電器固定板	
15	FB4 - 1592 - 000		1	PLATE, BLADE BACKING ブレード背板	
16	FB4 - 1594 - 000		1	HOLDER, PRECONDITIONING, A 前露光ホルダ (A)	
17	FB4 - 1595 - 000		1	HOLDER, PRECONDITIONING, B 前露光ホルダ (B)	
18	FB4 - 1598 - 000		1	ARM, RECIPROCATING レシプロ アーム	
19	FB4 - 1600 - 000		1	HOLDER, CONNECTOR コネクタ ホルダ	
20	FB4 - 1607 - 000		1	HOLDER, POSITIONING, FRONT 位置決めホルダ (前)	SEE NOTE 2
21	FB4 - 1609 - 000		1	LIMITER, TORQUE トルク リミッタ	
22	FB4 - 1611 - 000		1	COVER, PRE-TRANSFER DUCT 転写前ダクト カバー	
23	FB4 - 1612 - 000		1	HANDLE 把手	
24	FB4 - 1613 - 000		1	SPACER スペーサ	
25	FB4 - 1617 - 000		1	ARM, ROLLER ローラ アーム	
26	FB4 - 1618 - 000		1	SHAFT, CLEANER STIRRING クリーナ攪拌棒	
27	FB4 - 1619 - 000		1	RETAINER, BEARING ベアリング押え	SEE NOTE 2
28	FB4 - 8012 - 000		1	PLATE, SEPARATION CLAW 分離爪プレート	
29	FB4 - 8013 - 000		1	PLATE, GROUNDING, 1 アース板 (1)	

FIGURE & KEY NO.	PART NUMBER	RANK	QTY	DESCRIPTION	SERIAL NUMBER / REMARKS
600 - 30	FB4 - 8014 - 000		1	PLATE, GROUNDING, 2 アース板 (2)	
31	FB4 - 8018 - 000		3	CLAW, SEPARATION 分離爪	
32	FB4 - 9517 - 000		1	PLATE, SHEET SUPPORT, FRONT シート保護板 (前)	
33	FB4 - 9518 - 000		1	PLATE, SHEET SUPPORT, REAR シート保護板 (後)	
34	FB4 - 9525 - 000		1	HOLDER, CONNECTOR コネクタ ホルダ	
35	FB4 - 9526 - 000		1	HOLDER, BIAS SUPPORT バイアス支持ホルダ	
36	FB5 - 1844 - 000		1	LABEL, "CAUTION, BLADE CHANGE" ブレード交換注意ラベル	
37	FB5 - 2598 - 000		4	PLATE, HOLDER SUPPORT ホルダ支持板	
38	FB5 - 6856 - 000		1	GUIDE, CLEANER COOLING, FRONT クリーナ冷却ガイド (前)	
39	FB5 - 6857 - 000		1	GUIDE, CLEANER COOLING, REAR クリーナ冷却ガイド (後)	
40	FB5 - 6868 - 000		1	SCRAPER, FRONT スクレーパ (前)	
41	FB5 - 6869 - 000		1	SCRAPER, REAR スクレーパ (後)	
42	FB5 - 8817 - 000		1	SHEET, SCRAPER, LOWER スクレーパ シート (下)	
43	FB6 - 2720 - 000		1	BLADE, CLEANING クリーニング ブレード	
44	FF2 - 2891 - 000		1	BUSHING ブッシング	
44 A	XG9 - 0111 - 000		1	SEAL, OIL オイル シール	
45	FF5 - 2986 - 000		1	SHUTTER, WASTE TONER ハイトナ - シャッタ	
45 A	FB2 - 6897 - 000		1	SEAL, SHUTTER シャッタ シール	
46	FF5 - 7682 - 000		1	SCRAPER スクレーパ	
46 A	FB4 - 1616 - 000		1	SHEET, SCRAPER スクレーパ シート	
47	FF6 - 1016 - 000		1	BUSHING ブッシング	
47 A	XG9 - 0143 - 000		1	SEAL, OIL オイル シール	
48	FG6 - 1853 - 000		1	CABLE, DRUM HEATER ドラム ヒータ中継束線	J17
49	FG6 - 3568 - 000		1	CABLE, SEPARATION CLAW 分離爪束線	J272
50	FG6 - 7204 - 000		1	CABLE, AP KIT APキット束線	J124,125,128-130
50 A	VS1 - 5057 - 004		1	CONNECTOR, SNAP TIGHT チュウケイ コネクタ	J130
51	FG6 - 7429 - 000		1	SCREW, CLEANING クリーナ スクリュ	
52	FH6 - 1547 - 000		1	FAN, COOLING 冷却ファン	FM15 J129
53	FH6 - 1547 - 000		1	FAN, COOLING 冷却ファン	FM10 J128
54	FH7 - 3395 - 000		1	LED ARRAY UNIT LEDアレイ ユニット	LED1 J125

FIGURE & KEY NO.	PART NUMBER	R A N K	Q' T Y	DESCRIPTION	SERIAL NUMBER / REMARKS
600 - 55	FS2 - 1463 - 000		1	BUSHING ブッシング	
56	FS3 - 2886 - 020		1	SPRING, TENSION ヒツバリ バネ	
57	FS3 - 2887 - 000		1	SPRING, COMPRESSION アッシュク バネ	
58	FS5 - 1795 - 000		2	BUSHING ブッシング	
59	FS5 - 1800 - 000		1	BUSHING ブッシング	
60	FS5 - 1801 - 000		1	BUSHING ブッシング	
61	FS6 - 0121 - 000		1	GEAR, 14T 14T ギア	
62	FS6 - 0136 - 000		1	GEAR, 18T 18T ギア	
63	FS6 - 0138 - 000		2	GEAR, 30T 30T ギア	
64	FS6 - 0972 - 000		1	GEAR, 14T 14T ギア	
65	FS6 - 0973 - 000		1	GEAR, 14T/26T 14T / 26T ギア	
66	FS6 - 0975 - 000		2	GEAR, 24T 24T ギア	
67	FS6 - 0976 - 000		1	GEAR, 20T 20T ギア	
68	FS6 - 0977 - 000		1	GEAR, 14T/26T 14T / 26T ギア	
69	FS6 - 0978 - 000		1	GEAR, 14T 14T ギア	
70	FS6 - 2748 - 000		1	SPRING, COMPRESSION アッシュク バネ	
71	FS6 - 2749 - 000		2	SPRING, TENSION ヒツバリ バネ	
72	FS6 - 2981 - 000		1	SPRING, TENSION ヒツバリ バネ	
73	FS6 - 2991 - 000		3	SPRING, TENSION ヒツバリ バネ	
74	FS6 - 2994 - 000		1	SPRING, TORSION ネジリ バネ	
75	FS6 - 8399 - 000		1	LABEL, GREASE TYPE グリス指示ラベル	
76	FS7 - 0048 - 000		1	GEAR, 26T 26T ギア	
77	FS7 - 0050 - 000		1	GEAR, 23T/39T 23T / 39T ギア	
78	VS1 - 5057 - 002		1	CONNECTOR, SNAP TIGHT チュウケイ コネクタ	J125
79	VS1 - 5057 - 003		1	CONNECTOR, SNAP TIGHT チュウケイ コネクタ	J129
80	VS1 - 5057 - 003		1	CONNECTOR, SNAP TIGHT チュウケイ コネクタ	J128
81	WT2 - 5565 - 000		2	CLAMP, CABLE ソクセン オサエ	
82	X71 - 9310 - 000		1	SEAL, OIL オイル シール	
83	XA9 - 0605 - 000		4	SCREW, M4X8 タイト ネジ	
84	XG9 - 0111 - 000		1	SEAL, OIL オイル シール	

FIGURE & KEY NO.	PART NUMBER	RANK	QTY	DESCRIPTION	SERIAL NUMBER / REMARKS
600 - 85	XG9 - 0143 - 000		1	SEAL, OIL オイル シール	
86	XG9 - 0250 - 000		2	BEARING, BALL ボール ベアリング	
501	XB1 - 2300 - 602		2	SCREW, MACH., TRUSS HEAD, M3X6 バインド ネジ	
502	XB1 - 2300 - 609		12	SCREW, MACH., TRUSS HEAD, M3X6 バインド ネジ	
503	XB1 - 2300 - 809		4	SCREW, MACH., TRUSS HEAD, M3X8 バインド ネジ	
504	XB1 - 2400 - 609		36	SCREW, MACH., TRUSS HEAD, M4X6 バインド ネジ	SEE NOTE 2
505	XB1 - 2400 - 609		7	SCREW, MACH., TRUSS HEAD, M4X6 バインド ネジ	
506	XB1 - 2401 - 609		2	SCREW, MACH., TRUSS HEAD, M4X16 バインド ネジ	
507	XB2 - 7300 - 607		1	SCREW, W/WASHER, M3X6 パネツキ バインド ネジ	
508	XB2 - 8300 - 609		1	SCREW, W/WASHER, M3X6 パネツキ バインド ネジ	
509	XB4 - 7300 - 509		1	SCREW, TAPPING, TRUSS HEAD, M3X5 バインド タッピン ネジ	
510	XB4 - 7303 - 009		2	SCREW, TAPPING, TRUSS HEAD, M3X30 バインド タッピン ネジ	
511	XB4 - 7303 - 009		2	SCREW, TAPPING, TRUSS HEAD, M3X30 バインド タッピン ネジ	
512	XB6 - 7400 - 609		1	SCREW, TP, M4X6 TP ネジ	
513	XD1 - 1106 - 235		2	SHIM ヒョウジュン ワッシャ	
514	XD2 - 1100 - 322		6	RING, E E リング	
515	XD2 - 1100 - 402		8	RING, E E リング	
516	XD2 - 1100 - 502		6	RING, E E リング	
517	XD2 - 1100 - 642		4	RING, E E リング	
518	XD2 - 1100 - 802		2	RING, E E リング	
519	XD2 - 2100 - 802		1	RING, GRIP グリップ リング	
520	XD2 - 2300 - 602		3	RING, GRIP グリップ リング	

FIGURE 640 DEVELOPING ASSEMBLY
現像器



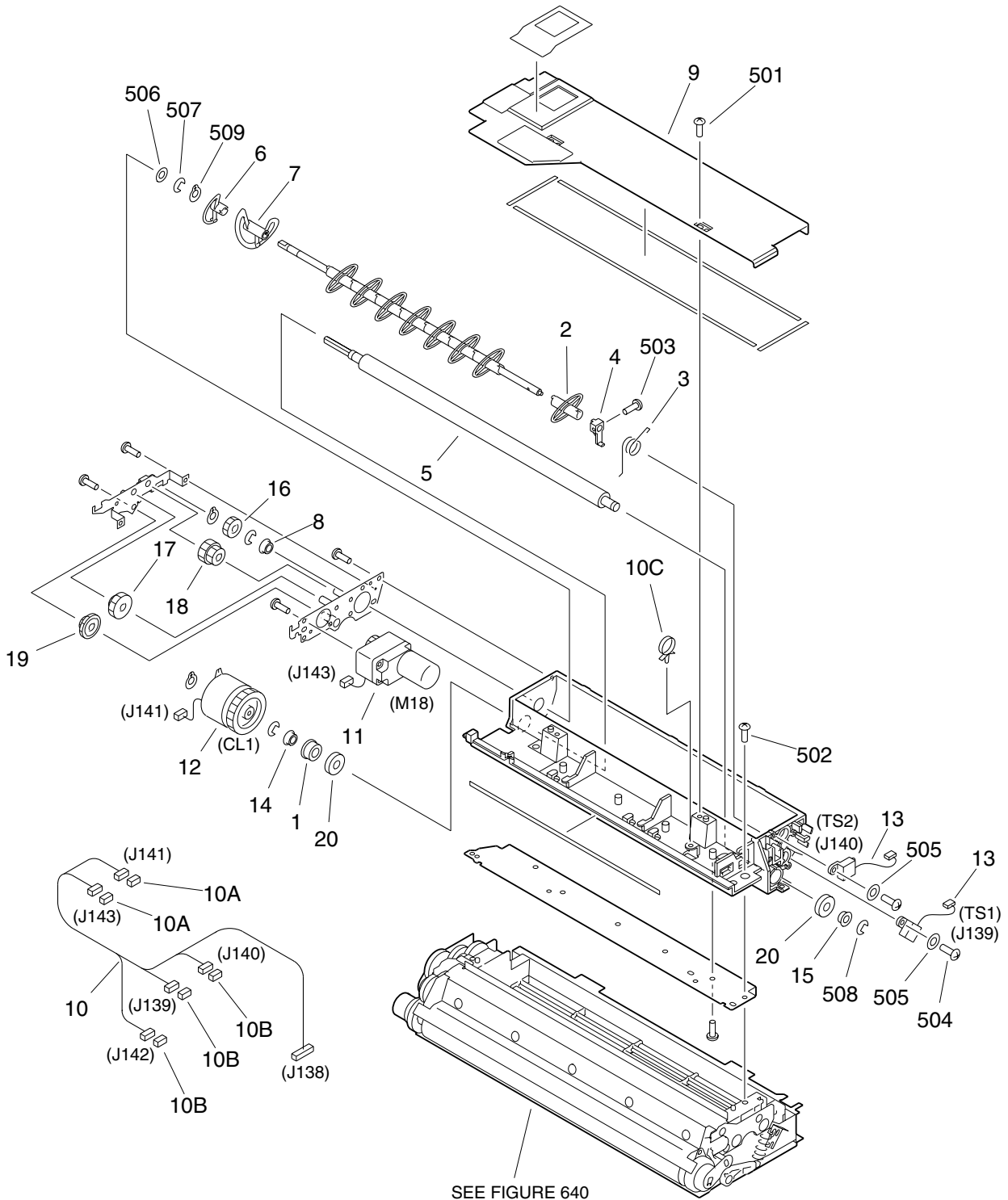
NOTE: This assembly includes the assembly shown in Figure 645.
注：このユニットはFigure645のユニットを含みます。

FIGURE & KEY NO.	PART NUMBER	RANK	QTY	DESCRIPTION	SERIAL NUMBER / REMARKS
640 -	FG6 - 7423 - 000		1	DEVELOPING ASSEMBLY 現像器ユニット	SEE NOTE
1	FA3 - 0515 - 000		4	WASHER ワッシャ	
2	FA6 - 7822 - 000		1	MOUNT, BUSHING 軸受押え	
3	FB4 - 0464 - 000		2	PLATE, MAGNETIC 磁性板	
4	FB4 - 1820 - 020		1	PLATE, MAGNET POSITIONING 極決め板	
5	FB4 - 1821 - 020		1	BLADE, MAGNET 磁性ブレード	
6	FB4 - 1824 - 000		1	ROD, STIRRING, 1 攪拌棒 (1)	
7	FB4 - 1825 - 000		1	ROD, STIRRING, 2 攪拌棒 (2)	
8	FB4 - 1828 - 000		1	RETAINER, REDUCTION GEAR 減速ギア押え	
9	FB4 - 1829 - 000		1	RETAINER, STIRRER DRIVE GEAR 攪拌ギア押え	
10	FB4 - 1831 - 000		1	SPRING, TORSION ネジリ バネ	
11	FB4 - 1837 - 000		1	TERMINAL, BIAS バイアス電極	
12	FB4 - 1862 - 000		2	ARM, PRESSURE 加圧アーム	
13	FB4 - 1866 - 000		2	MOUNT, PRESSURE SLIDE 加圧スライド台	
14	FB5 - 3111 - 000		1	CYLINDER, DEVELOPING 現像シリンダ	
15	FF5 - 7698 - 000		1	MOUNT, TONER SENSOR トナー センサ台	
16	FF5 - 7701 - 000		1	ROD, STIRRING, 3 攪拌棒 (3)	
16 A	FB4 - 1830 - 000		2	RUBBER, STIRRING 攪拌ゴム	
17	FF6 - 1041 - 000		1	MOUNT, BLADE SUPPORT ブレード台	
17 A	FB5 - 6853 - 000		1	SHEET シート	
18	FG6 - 1854 - 000		1	CABLE, HV, DEVELOPING UNIT 現像ユニット高圧束線	TS3 J142
19	FH7 - 7337 - 000		1	SENSOR, TONER トナー センサ	
20	FS2 - 1014 - 000		3	BUSHING ブッシング	
21	FS5 - 6574 - 000		2	ROLLER, PRESSURE 加圧コロ	
22	FS5 - 6579 - 000		2	COLLAR 突き当てコロ	
23	FS6 - 0857 - 000		3	GEAR, 20T 20T ギア	
24	FS6 - 0979 - 000		1	GEAR, 24T 24T ギア	
25	FS6 - 0980 - 000		1	GEAR, 19T 19T ギア	
26	FS6 - 0981 - 000		2	GEAR, 21T 21T ギア	
27	FS6 - 0982 - 000		1	GEAR, 16T/31T 16T / 31T ギア	

FIGURE & KEY NO.	PART NUMBER	R A N K	Q' T Y	DESCRIPTION	SERIAL NUMBER / REMARKS
640 - 28	FS6 - 0983 - 000		1	GEAR, 14T/34T 14T / 34T ギア	
29	FS6 - 0984 - 000		1	GEAR, 14T/32T 14T / 32T ギア	
30	FS6 - 0985 - 000		1	GEAR, 16T/34T 16T / 34T ギア	
31	FS6 - 2750 - 000		1	SPRING, TENSION ヒツバリ バネ	
32	FS6 - 2751 - 000		1	SPRING, TENSION ヒツバリ バネ	
33	X71 - 9310 - 000		3	SEAL, OIL オイル シール	
34	XG9 - 0120 - 000		2	BEARING, BALL ボール ベアリング	
501	XB1 - 2300 - 402		5	SCREW, MACH., TRUSS HEAD, M3X4 バインド ネジ	
502	XB1 - 2300 - 409		28	SCREW, MACH., TRUSS HEAD, M3X4 バインド ネジ	
503	XB1 - 2300 - 604		4	SCREW, MACH., TRUSS HEAD, M3X6 バインド ネジ	
504	XB2 - 7300 - 407		3	SCREW, W/WASHER, M3X4 パネツキ バインド ネジ	
505	XB4 - 7300 - 809		2	SCREW, TAPPING, TRUSS HEAD, M3X8 バインド タッピン ネジ	
506	XD1 - 1103 - 139		2	SHIM ヒョウジュン ワッシャ	
507	XD1 - 1106 - 222		1	SHIM ヒョウジュン ワッシャ	
508	XD2 - 1100 - 502		8	RING, E E リング	
509	XD2 - 2101 - 002		1	RING, GRIP グリップ リング	
510	XD2 - 3100 - 102		2	RING, C, EXTERNAL C リング (ジクヨウ)	

FIGURE 645 BUFFER ASSEMBLY

バッファ部

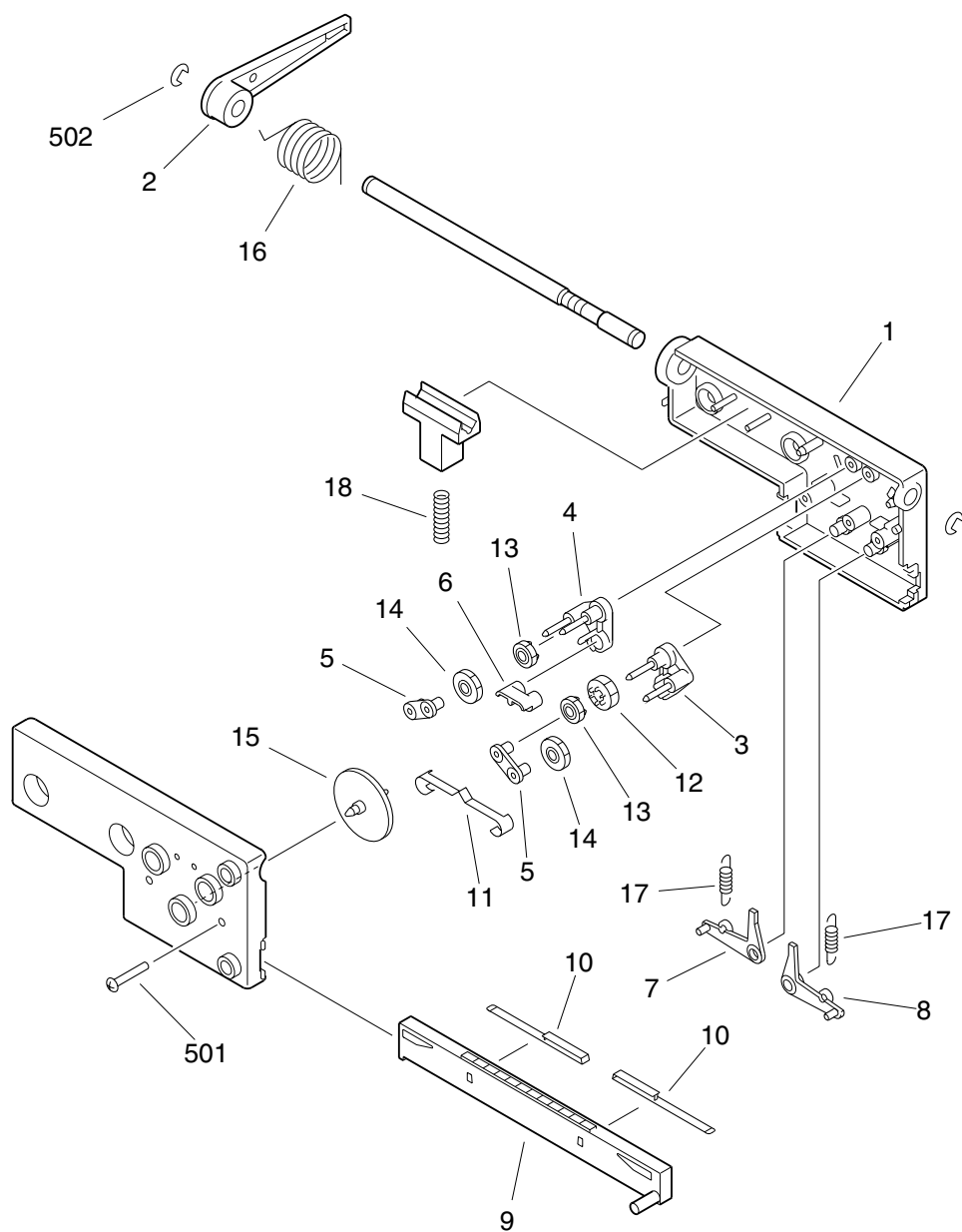


NOTE1: This assembly is included in the assembly shown in Figure 640.
 NOTE2: This assembly does not include the part shown with key No. 502.
 注1: このユニットはFigure640のユニットに含まれます。
 注2: このユニットにKey No. 502の部品は含まれません。

FIGURE & KEY NO.	PART NUMBER	RANK	QTY	DESCRIPTION	SERIAL NUMBER / REMARKS
645 -	FG6 - 2011 - 000		1	BUFFER ASSEMBLY バッファ部	SEE NOTE 1
1	FA4 - 0207 - 000		1	HOLDER, OIL SEAL シール ホルダ	
2	FB4 - 1842 - 000		8	BLADE, STIRRING 攪拌羽根	
3	FB4 - 1849 - 000		1	SPRING, TORSION ネジリ バネ	
4	FB4 - 1850 - 000		1	MOUNT, SCRAPER スクレーパ台	
5	FB4 - 1856 - 000		1	ROLLER, MAGNET マグネット ローラ	
6	FB4 - 1857 - 000		1	BLADE, STIRRING 攪拌羽根	
7	FB4 - 1858 - 000		1	BLADE, STIRRING 攪拌羽根	
8	FF2 - 5730 - 000		1	BUSHING ブッシング	
9	FF5 - 7695 - 000		1	COVER, BUFFER バッファ カバー	
10	FG6 - 1891 - 000		1	CABLE, BUFFER UNIT バッファ ユニット束線	J138-143
10 A	VS1 - 5057 - 002		2	CONNECTOR, SNAP TIGHT チュウケイ コネクタ	J141,143
10 B	VS1 - 5057 - 003		3	CONNECTOR, SNAP TIGHT チュウケイ コネクタ	J139,140,142
10 C	WT2 - 5565 - 000		1	CLAMP, CABLE ソクセン オサエ	
11	FH6 - 1543 - 000		1	MOTOR, DC 16.8W DCモータ	M18 J143
12	FH7 - 5840 - 000		1	CLUTCH, ELECTROMAGNETIC 電磁クラッチ	CL1 J141
13	FH7 - 7337 - 000		2	SENSOR, TONER トナー センサ	TS1,2 J139,140
14	FS1 - 1202 - 000		1	BUSHING ブッシング	
15	FS1 - 1503 - 000		1	BUSHING ブッシング	
16	FS2 - 0875 - 000		1	GEAR, 16T 16T ギア	
17	FS6 - 0988 - 000		1	GEAR, 14T/27T 14T / 27T ギア	
18	FS6 - 0989 - 000		1	GEAR, 18T/19T 18T / 19T ギア	
19	FS6 - 0990 - 000		1	GEAR, 14T/27T 14T / 27T ギア	
20	X71 - 9310 - 000		2	SEAL, OIL オイル シール	
501	XB1 - 2300 - 409		13	SCREW,MACH.,TRUSS HEAD,M3X4 バインド ネジ	
502	XB1 - 2300 - 409		4	SCREW,MACH.,TRUSS HEAD,M3X4 バインド ネジ	SEE NOTE 2
503	XB1 - 2300 - 809		1	SCREW,MACH.,TRUSS HEAD,M3X8 バインド ネジ	
504	XB4 - 7300 - 809		9	SCREW,TAPPING,TRUSS HEAD,M3X8 バインド タッピン ネジ	
505	XD1 - 1103 - 139		4	SHIM ヒョウジュン ワッシャ	
506	XD1 - 1106 - 221		1	SHIM ヒョウジュン ワッシャ	

FIGURE & KEY NO.	PART NUMBER	R A N K	Q' T Y	DESCRIPTION	SERIAL NUMBER / REMARKS
645 - 507	XD2 - 1100 - 502		2	RING,E E リング	
508	XD2 - 1100 - 642		2	RING,E E リング	
509	XD2 - 2100 - 602		3	RING,GRIP グリップ リング	

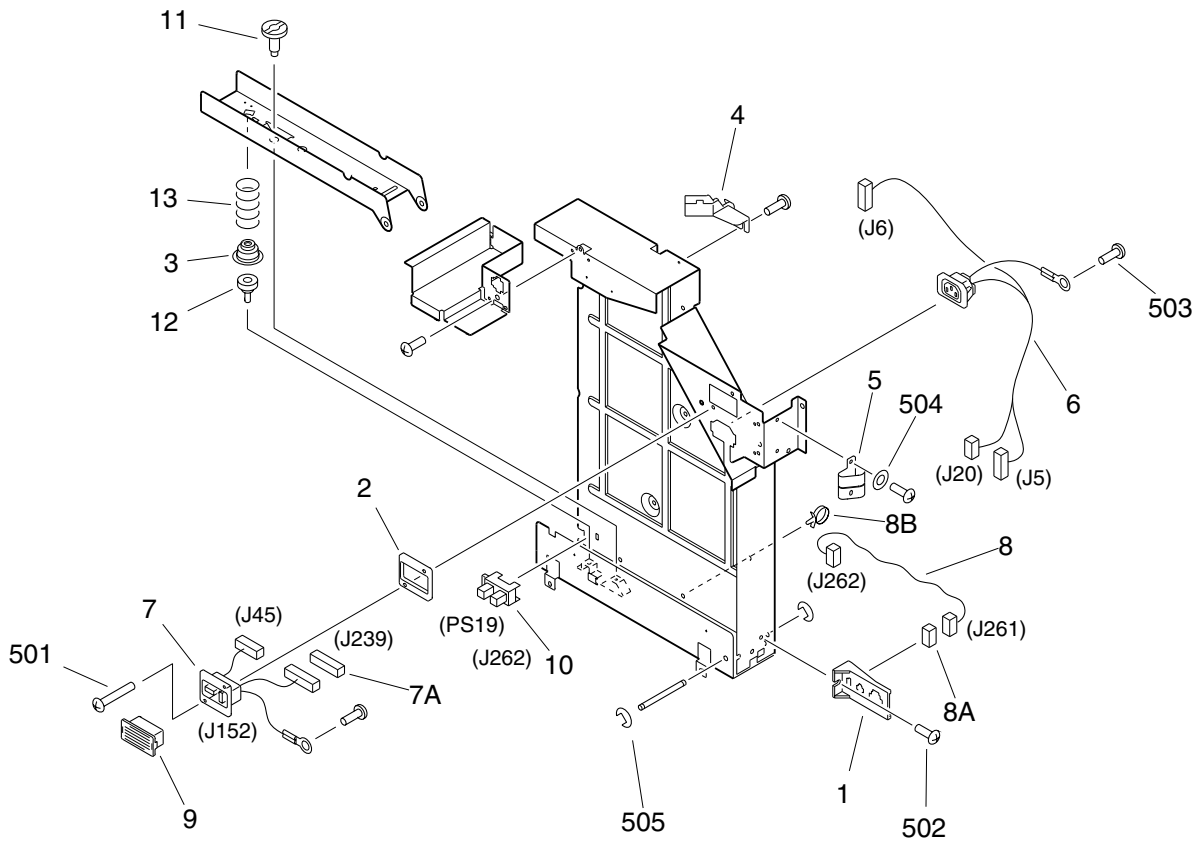
FIGURE 720 SEPARATION CLAW DRIVE ASSEMBLY 分離爪駆動部



NOTE: This assembly is included in the assembly shown in Figure 600.
注：このユニットはFigure600のユニットに含まれます。

FIGURE & KEY NO.	PART NUMBER	R A N K	Q' T Y	DESCRIPTION	SERIAL NUMBER / REMARKS
720 -	FG1 - 3472 - 000		1	SEPARATION CLAW DRIVE ASSEMBLY 分離爪駆動部	SEE NOTE
1	FA3 - 2471 - 000		1	BASE ベ-ス	
2	FA3 - 2472 - 000		1	LEVER クドウレバ-	
3	FA3 - 2473 - 000		1	LINK, RIGHT ユウドウ リンク (ミギ)	
4	FA3 - 2474 - 000		1	LINK, LEFT ユウドウ リンク (ヒダリ)	
5	FA3 - 2475 - 000		2	BRACE ツナギ リンク	
6	FA3 - 2476 - 000		1	LINK クリック リンク	
7	FA3 - 2477 - 000		1	LEVER, RIGHT キリカエ レバ- (ミギ)	
8	FA3 - 2478 - 000		1	LEVER, LEFT キリカエ レバ- (ヒダリ)	
9	FA3 - 2479 - 000		1	RACK ラック	
10	FA3 - 2480 - 000		2	SPRING, LEAF イタ バネ	
11	FA3 - 2481 - 000		1	SPRING, LEAF クリック イタ バネ	
12	FS2 - 0088 - 000		1	GEAR, 20T 20T ギア	
13	FS2 - 0089 - 000		2	GEAR, 20T 20T ギア	
14	FS2 - 0090 - 000		2	GEAR, 25T 25T ギア	
15	FS2 - 0091 - 000		1	GEAR, 60T 60T ギア	
16	FS2 - 2001 - 000		1	SPRING, TORSION ネジリ バネ	
17	FS2 - 2002 - 000		2	SPRING, TENSION ヒツパリ バネ	
18	FS2 - 2058 - 000		1	SPRING, COMPRESSION アッシュク バネ	
501	XB4 - 7301 - 209		2	SCREW, TAPPING, TRUSS HEAD, M3X12 バインド タッピン ネジ	
502	XD2 - 1100 - 502		2	RING, E E リング	

FIGURE 770 WASTE TONER ASSEMBLY 廃トナー部



NOTE: This assembly does not include the part shown with key No. 9.
注: このユニットにKey No. 9の部品は含まれません。

FIGURE & KEY NO.	PART NUMBER	RANK	QTY	DESCRIPTION	SERIAL NUMBER / REMARKS
770 -	FG6 - 7747 - 000		1	WASTE TONER ASSEMBLY 廃トナー部	
1	FB4 - 1443 - 000		1	MOUNT, AC CONNECTOR ACコネクタ台	
2	FB4 - 1542 - 000		1	SPACER, LATTICE CABLE ラティス束線スペーサ	
3	FB4 - 9511 - 000		1	SUPPORT, SPRING バネ座	
4	FB4 - 9799 - 000		1	GUIDE, CABLE 束線ガイド	
5	FB6 - 0783 - 000		1	SPRING, LEAF, GROUNDING アース バネ	
6	FG6 - 1818 - 000		1	CABLE, MAIN SWITCH CONNECTING メイン スイッチ中継束線	J12,13,20
7	FG6 - 1819 - 000		1	CABLE, LATTICE, 3.5K DECK ラティス束線 (3.5KPD)	J45,228,239
7 A	VS1 - 5057 - 007		1	CONNECTOR, SNAP TIGHT チュウケイ コネクタ	J239
8	FG6 - 1820 - 000		1	CABLE, WASTE TONER SENSOR 廃トナー検知束線	J261,262
8 A	VS1 - 5057 - 003		1	CONNECTOR, SNAP TIGHT チュウケイ コネクタ	J261
8 B	WT2 - 5565 - 000		4	CLAMP, CABLE ソクセン オサエ	
9	FH2 - 6552 - 000		1	COVER, CONNECTOR コネクタ カバー	SEE NOTE
10	FH7 - 7462 - 000		1	PHOTO-INTERRUPTER フォトインタラプタ	PS19 J262
11	FS2 - 9410 - 000		1	SCREW, STEPPED, M4X12.7 段ビス	
12	FS5 - 9398 - 000		1	SCREW, SIDE REGIST., M3X8 横レジ ビス	
13	FS6 - 2760 - 000		1	SPRING, COMPRESSION アッシュク バネ	
501	XB1 - 2301 - 407		2	SCREW,MACH.,TRUSS HEAD,M3X14 バインド ネジ	
502	XB1 - 2400 - 609		5	SCREW,MACH.,TRUSS HEAD,M4X6 バインド ネジ	
503	XB2 - 7400 - 607		2	SCREW,W/WASHER,M4X6 バネツキ バインド ネジ	
504	XD1 - 1104 - 138		2	SHIM ヒョウジュン ワッシャ	
505	XD2 - 1100 - 502		2	RING,E E リング	

FIGURE 775 WASTE TONER PIPE ASSEMBLY 廃トナーパイプ部

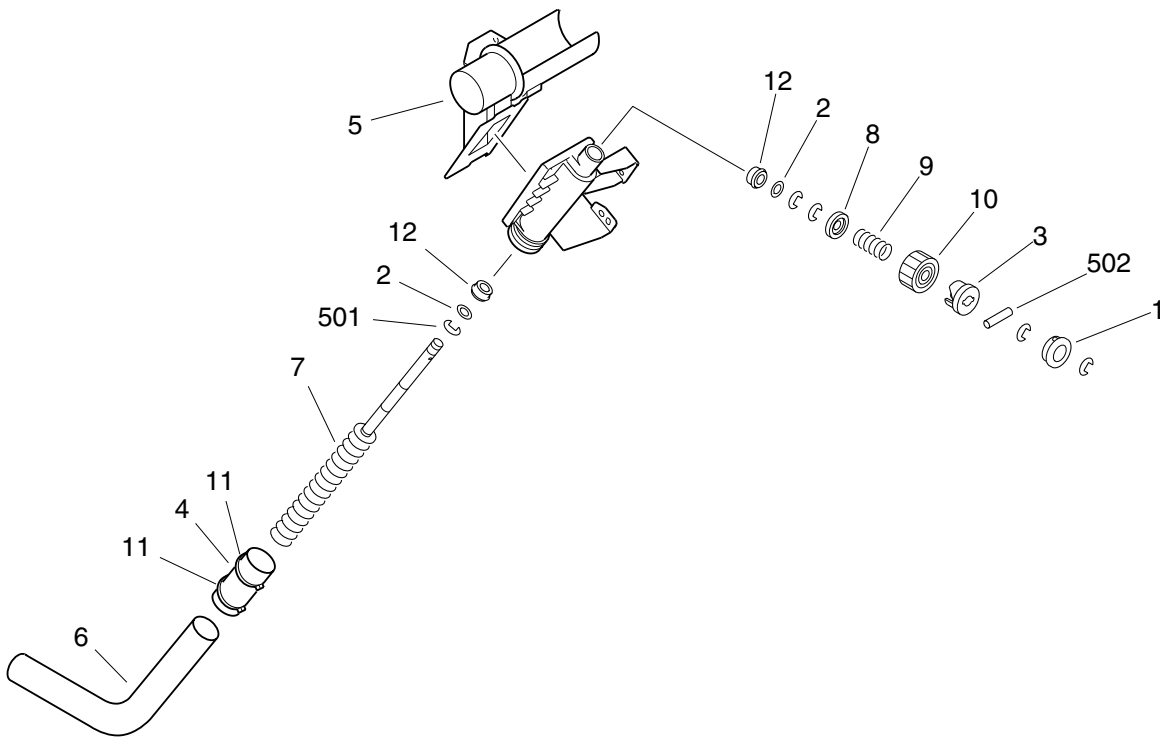
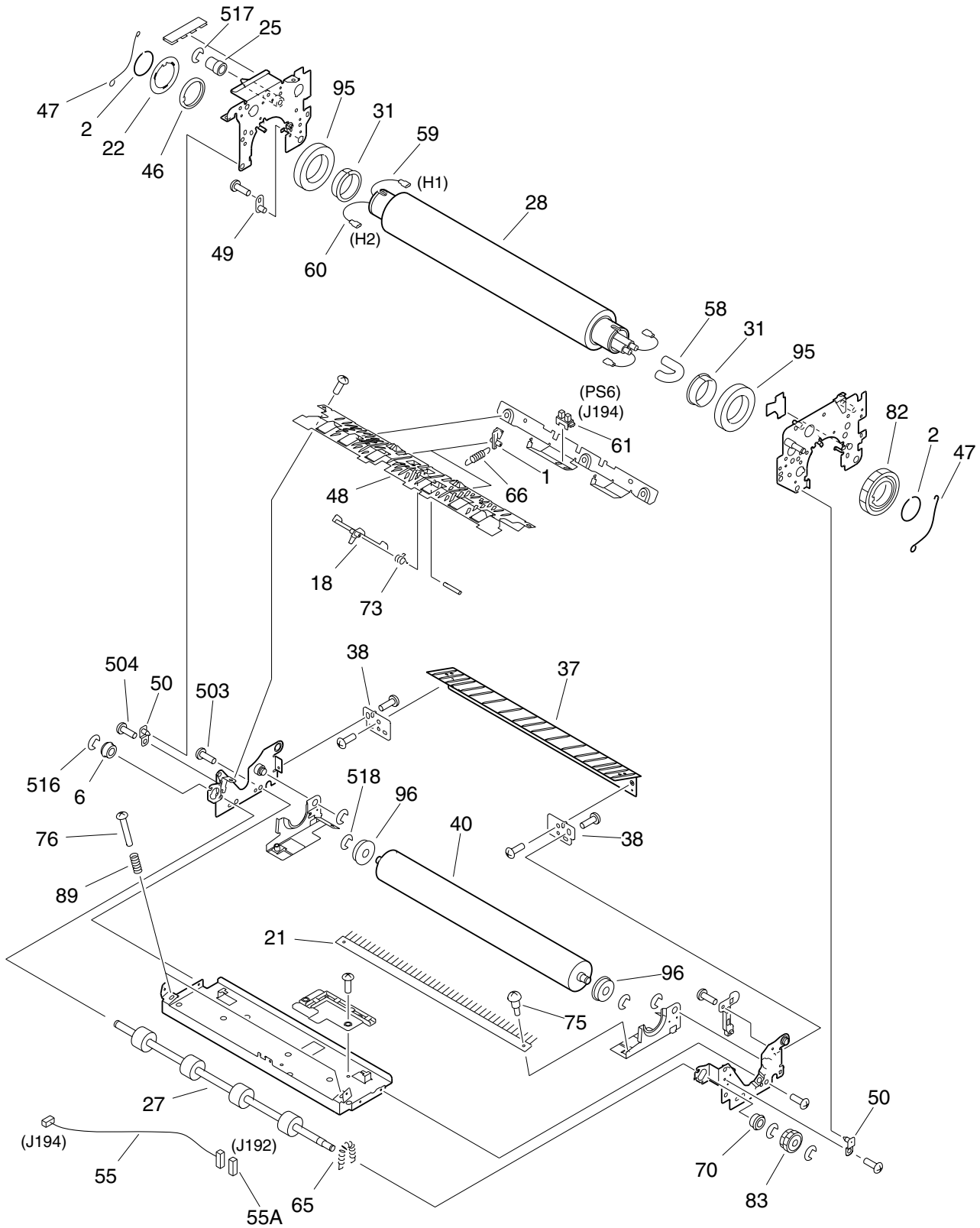


FIGURE & KEY NO.	PART NUMBER	RANK	QTY	DESCRIPTION	SERIAL NUMBER / REMARKS
775 -	FG6 - 2020 - 020		1	WASTE TONER PIPE ASSEMBLY 廃トナー パイプ部	
1	FA9 - 2112 - 000		1	BUSHING ブッシング	
2	FB2 - 6285 - 000		2	SHIM ワッシャ	
3	FB2 - 7981 - 000		1	CAM カム	
4	FB2 - 8402 - 000		1	TUBE チューブ	
5	FB4 - 1792 - 000		1	CAP, WASTE TONER, 1 廃トナー キャップ (1)	
6	FB4 - 1794 - 000		1	PIPE, WASTE TONER 廃トナー パイプ	
7	FB4 - 1795 - 000		1	SHAFT, WASTE TONER 廃トナー軸	
8	FB4 - 1797 - 000		1	SUPPORT, SPRING バネ受け	
9	FS6 - 2756 - 000		1	SPRING, COMPRESSION アッシュク バネ	
10	FS7 - 0027 - 000		1	GEAR, 26T 26T ギア	
11	X62 - 7921 - 000		2	CLAMP, CABLE 束線バンド	
12	XG9 - 0211 - 000		2	BALL BEARING, MF128ZZ1MC3D4M ボール ベアリング	
501	XD2 - 1100 - 642		4	RING, E E リング	
502	XD3 - 2200 - 182		1	PIN, DOWEL ヘイコウ ピン	

FIGURE 810 FIXING ASSEMBLY(1/2)
 定着器(1/2)



NOTE: This assembly is included in the assembly shown in Figure 320.
 注：このユニットはFigure320のユニットに含まれます。

FIGURE 810 FIXING ASSEMBLY(2/2) 定着器(2/2)

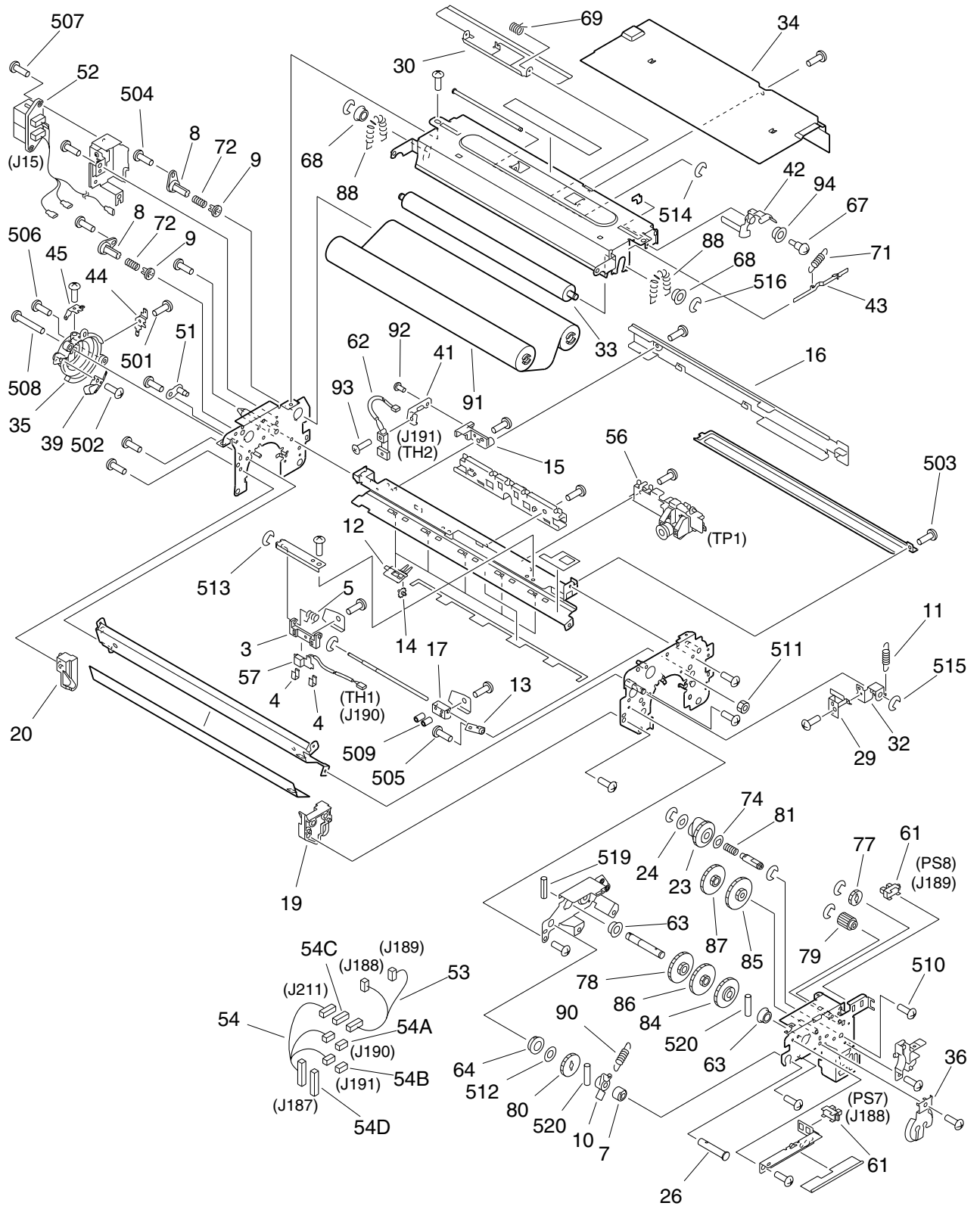


FIGURE & KEY NO.	PART NUMBER	RANK	QTY	DESCRIPTION	SERIAL NUMBER / REMARKS
810 -	FG6 - 7287 - 000		1	FIXING ASSEMBLY 定着器	iR8500 100V/8500P SEE NOTE
	FG6 - 7288 - 000		1	FIXING ASSEMBLY 定着器	208V SEE NOTE
	FG6 - 7289 - 000		1	FIXING ASSEMBLY 定着器	220/240V SEE NOTE
	FG6 - 8920 - 000		1	FIXING ASSEMBLY 定着器	iR7200 100V/7200P SEE NOTE
	1 FA2 - 9037 - 000		2	CLAW, SEPARATION, LOWER 分離爪(下)	
2	FA3 - 8894 - 000		2	RING, RETAINING トメワ	
3	FA5 - 4400 - 000		1	MOUNT, THERMISTOR サ-ミスタ トリツケ ダイ	
4	FA5 - 4403 - 000		2	SPRING, LEAF サ-ミスタ オサエ パネ	
5	FA6 - 8003 - 000		1	SPRING, TORSION ネジリ パネ	
6	FA9 - 2112 - 000		1	BUSHING ブッシング	
7	FB1 - 6833 - 000		1	BUSHING ブッシング	
8	FB2 - 7224 - 030		2	SUPPORT, SHAFT ウェブ ササエ ジク	
9	FB2 - 7225 - 030		2	FLANGE, SHAFT ウェブ ジク フランジ	
10	FB2 - 7228 - 000		1	ARM, ONE-WAY ワンウェイ ア-ム	
11	FB2 - 7238 - 000		1	SPRING, TENSION ヒツバリ パネ	
12	FB2 - 7240 - 000		5	MOUNT, ROWEL ハクシャ ダイ	
13	FB2 - 7261 - 000		1	BUSHING レシプロ ジク ウケ	
14	FB2 - 7264 - 000		5	ROWEL 拍車	
15	FB3 - 8409 - 000		1	HOLDER, THERMISTOR, 2 サ-ミスタ ホルダ(2)	
16	FB3 - 8412 - 000		1	COVER, CROSSMEMBER ステイ カバー	
17	FB3 - 9372 - 000		1	BLOCK, MOUNTING 束線固定ブロック	
18	FB4 - 2191 - 000		1	LEVER, PAPER JAM SENSOR 滞留センサ レバー	
19	FB4 - 2195 - 020		1	BLOCK, CLAW STOP, FRONT 爪ストップ(前)	
20	FB4 - 2196 - 020		1	BLOCK, CLAW STOP, REAR 爪ストップ(後)	
21	FB4 - 2214 - 000		1	ELIMINATOR, STATIC CHARGE 除電針	
22	FB4 - 2239 - 000		1	RING, BIAS バイアス リング	
23	FB4 - 9360 - 000		1	GEAR CAM, 50T 50T ギア カム	
24	FB4 - 9361 - 000		1	PLATE, FRICTION 摩擦板	
25	FB4 - 9524 - 000		1	COLLAR カラー	
26	FB5 - 6825 - 000		1	SHAFT, ONE-WAY ワンウェイ軸	

FIGURE & KEY NO.	PART NUMBER	R A N K	Q' T Y	DESCRIPTION	SERIAL NUMBER / REMARKS
810 - 27	FB5 - 6833 - 000		1	ROLLER, INTERNAL DELIVERY 内排紙ローラ	
28	FB5 - 6930 - 000		1	ROLLER, FIXING 定着ローラ	
29	FB5 - 6931 - 000		1	PLATE, LIMIT, ARM アーム規制板	
30	FB5 - 6932 - 000		1	SUPPORT, WEB RETAINER ウェブ押え板	
31	FB5 - 6934 - 000		2	BUSHING ブッシング	
32	FB5 - 6935 - 000		1	PLATE, LIMIT, ARM, 2 アーム規制板 (2)	
33	FB5 - 6936 - 000		1	ROLLER, CLEANING ウェブ ローラ	
34	FB5 - 6941 - 000		1	COVER, FIXING, UPPER 定着カバー (上)	
35	FB5 - 6944 - 000		1	HOLDER, HEATER ヒータ ホルダ	
36	FB5 - 6945 - 000		1	SUPPORT, HEATER ヒータ支持板	
37	FB5 - 6946 - 000		1	GUIDE, INLET 入口ガイド	
38	FB5 - 6948 - 000		2	PLATE, HEIGHT ADJUSTING 高さ調整板	
39	FB5 - 6951 - 000		1	TERMINAL, BIAS バイアス接点	
40	FB5 - 6952 - 000		1	ROLLER, PRESSURE 加圧ローラ	
41	FB5 - 6957 - 000		1	HOLDER, THERMISTOR, 1 サーミスタ ホルダ (1)	
42	FB5 - 6973 - 000		1	LEVER, PAPER SENSOR ウェブ残量検知レバー	
43	FB5 - 7077 - 000		1	PLATE, LIMIT, LEVER レバー規制板	
44	FB5 - 7558 - 000		1	TERMINAL, HEATER, LARGE ヒータ端子 (大)	
45	FB5 - 7559 - 000		1	TERMINAL, HEATER, SMALL ヒータ端子 (小)	
46	FB5 - 7560 - 000		1	COLLAR, FIXING ROLLER 定着ローラ カラー	
47	FB5 - 7562 - 000		2	SUPPORT, BEARING ベアリング押さえ	
48	FB5 - 7660 - 000		1	GUIDE, DELIVERY, LOWER 排紙ガイド (下)	
49	FF5 - 7860 - 000		1	PIN, POSITIONING 位置決めピン	
50	FF6 - 1082 - 000		2	SUPPORT, FIXING POSITION 定着位置決め支板	
51	FF6 - 1087 - 000		1	PLATE, PIN フロード ピン	
52	FG6 - 1875 - 000		1	CABLE, AC, FIXING/FEEDER 定着 / 搬送AC束線	J15
53	FG6 - 1880 - 000		1	CABLE, CLEANING BELT SENSOR ウェブ センサ束線	J188,189,211
54	FG6 - 1881 - 000		1	CABLE, DC, FIXING, UPPER 定着DC上束線	J187,190,191,211
54 A	VS1 - 5057 - 002		1	CONNECTOR, SNAP TIGHT チュウケイ コネクタ	J190
54 B	VS1 - 5057 - 003		1	CONNECTOR, SNAP TIGHT チュウケイ コネクタ	J191

FIGURE & KEY NO.	PART NUMBER	RANK	QTY	DESCRIPTION	SERIAL NUMBER / REMARKS
810 - 54 C	VS1 - 5057 - 006		1	CONNECTOR, SNAP TIGHT チュウケイ コネクタ	J211
54 D	VS1 - 6318 - 010		1	CONNECTOR, SNAP TIGHT チュウケイ コネクタ	J187
55	FG6 - 7200 - 000		1	CABLE, DC, FIXING 定着DC束線	J192,194
55 A	VS1 - 6318 - 006		1	CONNECTOR, SNAP TIGHT チュウケイ コネクタ	J192
56	FG6 - 7745 - 000		1	THERMOSWITCH HOLDER UNIT サーモ スイッチ ホルダ ユニット	
57	FG6 - 7748 - 000		1	THERMISTOR UNIT サーミスタ ユニット	TH1 J190
58	FH2 - 6841 - 000		1	TUBE チューブ	
59	FH7 - 4707 - 000		1	HEATER, MAIN メイン ヒータ	iR8500 100V/8500P H1
	FH7 - 4708 - 000		1	HEATER, MAIN メイン ヒータ	208V H1
	FH7 - 4709 - 000		1	HEATER, MAIN メイン ヒータ	220/240V H1
	FH7 - 4729 - 000		1	HEATER, MAIN メイン ヒータ	iR7200 100V/7200P H1
60	FH7 - 4710 - 000		1	HEATER, SUB サブ ヒータ	iR8500 100V/8500P H2
	FH7 - 4711 - 000		1	HEATER, SUB サブ ヒータ	208V H2
	FH7 - 4712 - 000		1	HEATER, SUB サブ ヒータ	220/240V H2
	FH7 - 4730 - 000		1	HEATER, SUB サブ ヒータ	iR7200 100V/7200P H2
61	FH7 - 7462 - 000		3	PHOTO-INTERRUPTER フォトインタラプタ	PS6,7,8 J194,188,189
62	FH7 - 7464 - 000		1	SUB THERMISTOR ASSEMBLY サブ サーミスタ部	TH2 J191
63	FS1 - 1449 - 000		2	BUSHING ブッシング	
64	FS1 - 1569 - 000		1	BUSHING ブッシング	
65	FS1 - 2370 - 000		1	SPRING, TENSION ヒツバリ バネ	
66	FS1 - 2834 - 000		2	SPRING, TENSION ヒツバリ バネ	
67	FS1 - 9051 - 000		2	SCREW, STEPPED, M3 段ビス	
68	FS2 - 1256 - 000		2	BUSHING ブッシング	
69	FS3 - 2053 - 000		1	SPRING, TORSION ネジリ バネ	
70	FS5 - 1466 - 000		1	BUSHING ブッシング	
71	FS5 - 2940 - 000		1	SPRING, TENSION ヒツバリ バネ	
72	FS5 - 2941 - 000		2	SPRING, COMPRESSION アッシュク バネ	
73	FS5 - 2950 - 000		1	SPRING, TORSION ネジリ バネ	
74	FS5 - 6583 - 000		2	SPACER スペーサ	
75	FS5 - 9619 - 000		4	SCREW, STEPPED, M3 段ビス	

FIGURE & KEY NO.	PART NUMBER	R A N K	Q' T Y	DESCRIPTION	SERIAL NUMBER / REMARKS
810 - 76	FS5 - 9752 - 000		2	SCREW,M5 加圧ビス	
77	FS6 - 0103 - 000		1	GEAR, 28T 28T ギア	
78	FS6 - 0105 - 000		1	GEAR, 22T/60T 22T / 60T ギア	
79	FS6 - 0106 - 000		1	GEAR, 23T 23T ギア	
80	FS6 - 0134 - 000		2	GEAR, 44T 44T ギア	
81	FS6 - 2990 - 000		1	SPRING, COMPRESSION アッシュク バネ	
82	FS7 - 0007 - 000		1	GEAR, 52T 52T ギア	
83	FS7 - 0008 - 000		1	GEAR, 23T 23T ギア	
84	FS7 - 0891 - 000		1	GEAR, 60T 60T ギア	
85	FS7 - 0893 - 000		1	GEAR, 22T/63T 22T / 63T ギア	
86	FS7 - 0894 - 000		1	GEAR, 19T/63T 19T / 63T ギア	
87	FS7 - 0895 - 000		1	GEAR, 19T/60T 19T / 60T ギア	
88	FS7 - 2523 - 000		2	SPRING, TENSION ヒツバリ バネ	
89	FS7 - 2524 - 000		2	SPRING, COMPRESSION アッシュク バネ	
90	FS7 - 2530 - 000		1	SPRING, TENSION ヒツバリ バネ	
91	FY1 - 1157 - 000		1	ROLLER, CLEANING BELT ウェブ ローラ	
92	XA9 - 0807 - 000		1	SCREW, TP, M3X6 TP ネジ	
93	XA9 - 0925 - 000		1	SCREW,MACH.,TRUSS HEAD,M3X10 バインド ネジ	
94	XG9 - 0406 - 000		1	BEARING, BALL ボール ベアリング	
95	XG9 - 0421 - 000		2	BEARING, BALL ボール ベアリング	
96	XG9 - 0447 - 000		2	BEARING, BALL ボール ベアリング	
501	XB1 - 2300 - 409		4	SCREW,MACH.,TRUSS HEAD,M3X4 バインド ネジ	
502	XB1 - 2300 - 609		3	SCREW,MACH.,TRUSS HEAD,M3X6 バインド ネジ	
503	XB1 - 2400 - 409		7	SCREW,MACH.,TRUSS HEAD,M4X4 バインド ネジ	
504	XB1 - 2400 - 609		32	SCREW,MACH.,TRUSS HEAD,M4X6 バインド ネジ	
505	XB1 - 2400 - 809		3	SCREW,MACH.,TRUSS HEAD,M4X8 バインド ネジ	
506	XB1 - 2401 - 009		2	SCREW,MACH.,TRUSS HEAD,M4X10 バインド ネジ	
507	XB2 - 8401 - 009		5	SCREW,W/WASHER,M4X10 パネツキ バインド ネジ	
508	XB2 - 8401 - 209		2	SCREW,W/WASHER,M4X12 パネツキ バインド ネジ	
509	XB6 - 2300 - 408		2	SETSCREW,M3X4 ロッカク アナツキ トメネジ	

FIGURE & KEY NO.	PART NUMBER	R A N K	Q' T Y	DESCRIPTION	SERIAL NUMBER / REMARKS
810 - 510	XB6 - 7300 - 609		1	SCREW,TP,M3X6 TP ネジ	
511	XB7 - 2200 - 409		1	NUT,HEX,M4 ロツカク ナット	
512	XD1 - 1106 - 222		1	SHIM ヒョウジュン ワッシャ	
513	XD2 - 1100 - 242		1	RING,E E リング	
514	XD2 - 1100 - 322		5	RING,E E リング	
515	XD2 - 1100 - 502		10	RING,E E リング	
516	XD2 - 1100 - 642		6	RING,E E リング	
517	XD2 - 1100 - 802		1	RING,E E リング	
518	XD2 - 1200 - 902		2	RING, E E リング	
519	XD3 - 1300 - 142		1	PIN,SPRING スプリング ピン	
520	XD3 - 2200 - 122		2	PIN,DOWEL ヘイコウ ピン	

FIGURE 900 CONTROLLER BOX ASSEMBLY コントローラ ボックス部

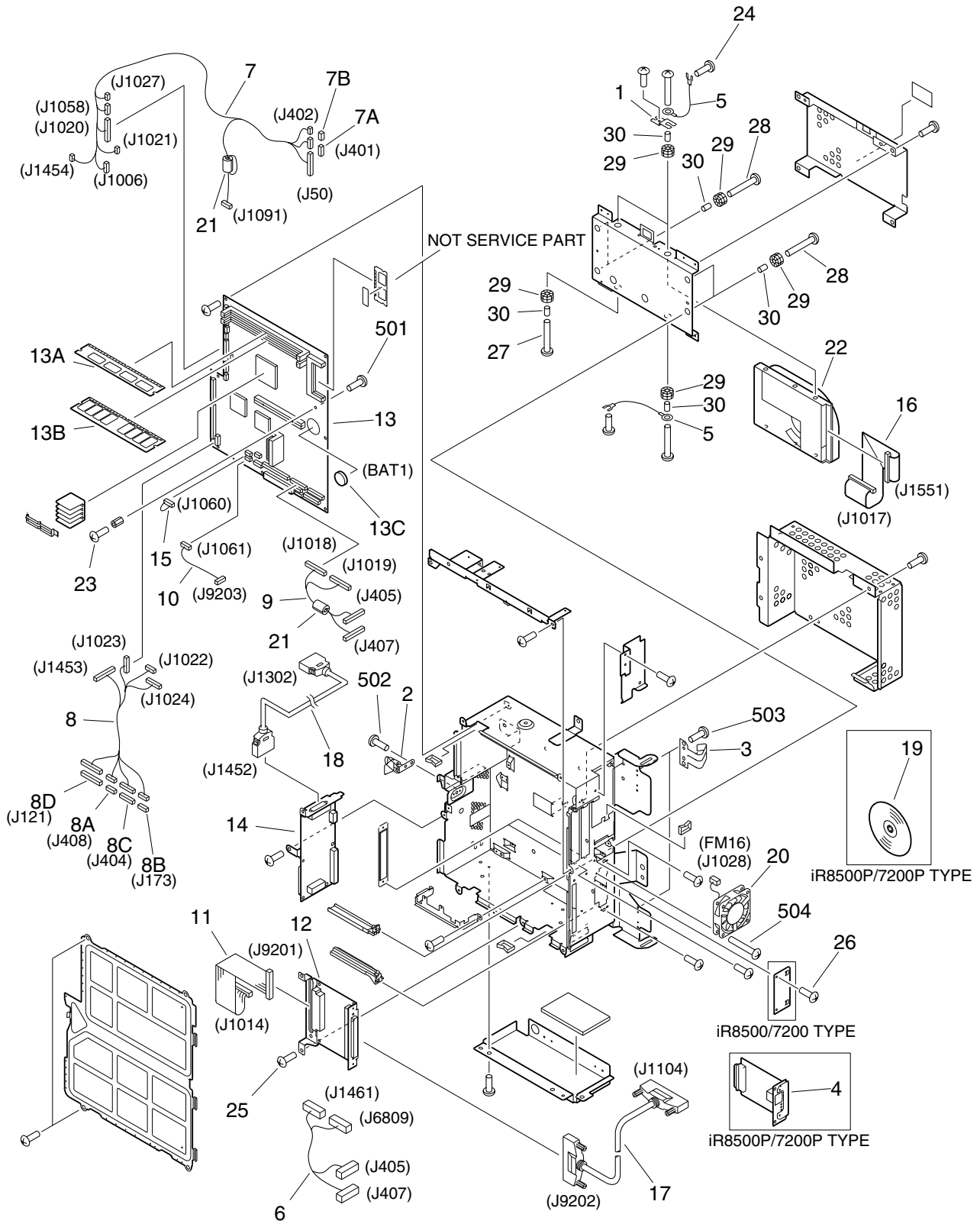
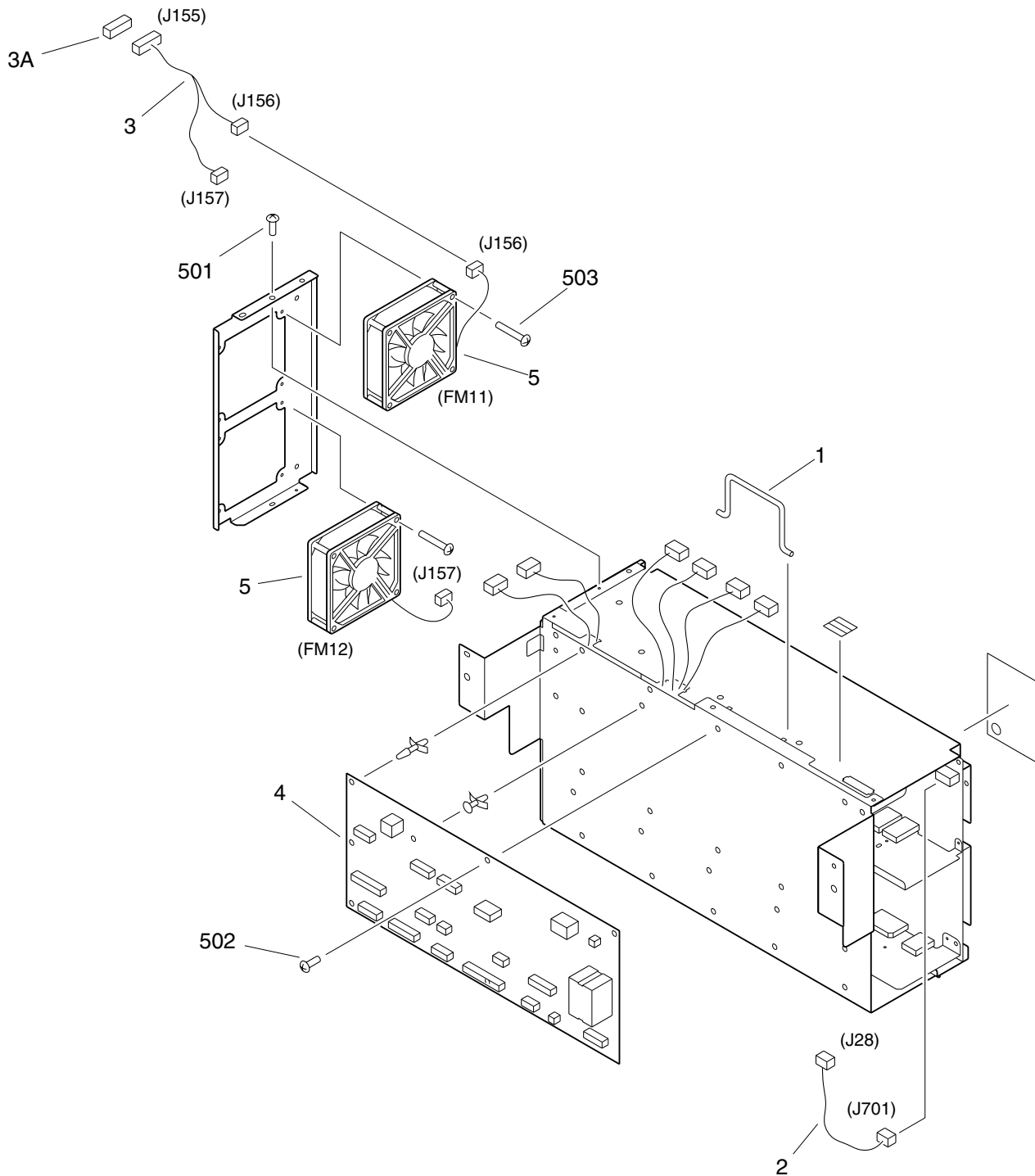


FIGURE & KEY NO.	PART NUMBER	RANK	QTY	DESCRIPTION	SERIAL NUMBER / REMARKS
900 -	NPN		RF	CONTROLLER BOX ASSEMBLY コントローラ ボックス部	
1	FB5 - 4010 - 000		1	GROUNDING PLATE, HARD DISK ハード ディスク アース板	
2	FB5 - 8482 - 000		1	HOOK, COVER 蓋止め	
3	FB6 - 0782 - 000		2	SPRING, LEAF アース パネ	
4	FG6 - 5964 - 000		1	ETHERNET BOARD PCB ASSEMBLY ETHERNET ボード回路基板	iR8500P/7200P TYPE
5	FG6 - 6853 - 000		2	CABLE, GROUNDING アース線	
6	FG6 - 7215 - 000		1	CABLE, CONTROL PANEL CONNECT 操作部中継束線	iR8500/8500P TYPE J405,407,1461,6801
	FG6 - 9253 - 000		1	CABLE, CONTROL PANEL CONNECT 操作部中継束線	iR7200/7200P TYPE J405,407,1461,6801
7	FG6 - 7216 - 000		1	CABLE, CONTROLLER コントローラ中継束線	J50,401,402,1006 J1020,1021,1027,1058 J1091,1454
7A	VS1 - 6318 - 004		1	CONNECTOR, SNAP TIGHT チュウケイ コネクタ	J401
7B	VS1 - 6318 - 009		1	CONNECTOR, SNAP TIGHT チュウケイ コネクタ	J402
8	FG6 - 7217 - 000		1	CABLE, PIXEL/LINE CHANGE 画素 / ライン変換束線	J121,173,404,408 J1022-1024,1453
8A	VS1 - 6318 - 005		1	CONNECTOR, SNAP TIGHT チュウケイ コネクタ	J408
8B	VS1 - 6318 - 007		1	CONNECTOR, SNAP TIGHT チュウケイ コネクタ	J173
8C	VS1 - 6318 - 011		1	CONNECTOR, SNAP TIGHT チュウケイ コネクタ	J404
8D	VS1 - 6319 - 028		1	CONNECTOR, SNAP TIGHT チュウケイ コネクタ	J121
9	FG6 - 7218 - 000		1	CABLE, CONTROL PANEL 操作部束線	J405,407,1018,1019
10	FG6 - 7222 - 000		1	CABLE, DDI-S POWER SUPPLY DDI - S電源束線	J1061,9203
11	FG6 - 7258 - 000		1	CABLE, FLAT フラット ケーブル	J1014,9201
12	FG6 - 7266 - 000		1	LVDS PCB ASSEMBLY 差動ボード回路基板	
13	FG6 - 7278 - 050		1	CONTROL PANEL BORAD PCB コントローラ ボード回路基板	
13A	WA7 - 1497 - 000		1	DIMM, MT4LSDT864AG-133 DIMM	
13B	WA7 - 1498 - 000		1	DIMM, MT8LSDT1664AG-133 DIMM	
13C	WK1 - 5019 - 000		1	BATTERY,LITHIUM,CR2477-HE6H 3V バッテリー	BAT1
14	FG6 - 7281 - 000		1	PIXEL/LINE CHANGE PCB ASSEMBLY 画素 / ライン変換回路基板	
15	FG6 - 7284 - 000		1	CABLE, CC-IV CC - IV束線	J1060
16	FG6 - 8625 - 000		1	CABLE, HARD DISK ハード ディスク中継束線	J1017,1551
17	FH2 - 6756 - 000		1	CABLE, DDI-S INTERFACE DDI - S I/Fケーブル	iR8500/7200P iR7200 100/220/240V J1104,9202

FIGURE & KEY NO.	PART NUMBER	RANK	QTY	DESCRIPTION	SERIAL NUMBER / REMARKS
900 17	FF5 9451 000		1	CABLE, DDI-S INTERFACE DDI S	iR7200 208V J1104,9202
18	FH2 6900 000		1	CABLE, SHIELD	J1302,1452
19	FH5 3207 000		1	CD-ROM, USER SOFTWARE,PS-KANJI CD ROM PS	iR8500P TYPE
	FH5 3270 000		1	CD-ROM, USER SOFTWARE,PS-KANJI CD ROM PS	iR7200P TYPE
20	FH6 1878 000		1	FAN	FM16 J1028
21	WE8 5851 000		2	CORE, FERRITE	
22	WM2 5152 000		1	HARD DISK DRIVE	
23	XA9 0465 000		1	SCREW, W/WASHER, M3X4	
24	XA9 0828 000		3	SCREW, W/STAR WASHER, M3X4	
25	XA9 0836 000		22	SCREW,TP,M3X6 TP	
26	XA9 0836 000		2	SCREW,TP,M3X6 TP	
27	XA9 1207 000		4	SCREW,M4X12	
28	XA9 1208 000		4	SCREW,M3X12	
29	XH9 0110 000		8	RUBBER, CUSHION	
30	XZ9 0503 000		8	SPACER	
501	XB1 2300 607		1	SCREW,MACH.,TRUSS HEAD,M3X6	
502	XB1 2300 607		2	SCREW,MACH.,TRUSS HEAD,M3X6	
503	XB1 2400 607		16	SCREW,MACH.,TRUSS HEAD,M4X6	
504	XB1 2402 009		2	SCREW,MACH.,TRUSS HEAD,M4X20	
I C1003	FH4 6123 000		1	IC, M38871M2-010GP, MCU MCU	
I C1005	FH4 6145 000		1	IC, GATE ARRAY	
I C1006	FH4 6151 000		1	IC, UPD89410S1-003, GATE ARRAY	
I C1009	FH4 6085 000		1	IC, SLA902FM2J, GATE ARRAY	
I C1010	FH4 6149 000		1	IC, L7B1697, GATE ARRAY	

FIGURE 910 DC POWER SUPPLY PCB ASSEMBLY

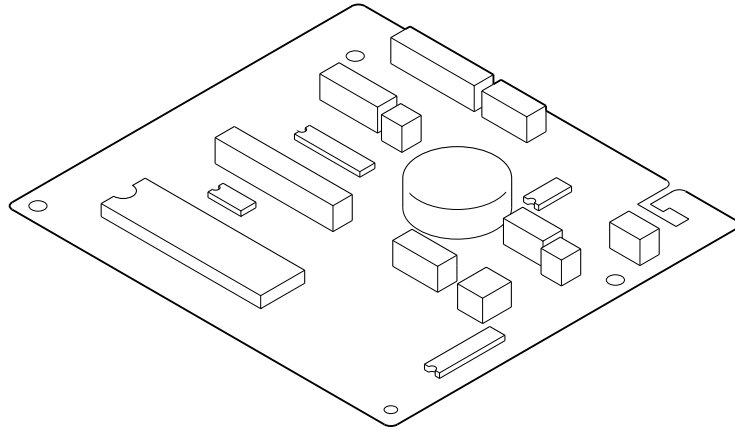
DC電源回路基板



NOTE: This assembly does not include the parts shown with key No. 4 and 502.
 注: このユニットにKey No. 4、502の部品は含まれません。

FIGURE & KEY NO.	PART NUMBER	RANK	QTY	DESCRIPTION	SERIAL NUMBER / REMARKS
910 - 1 2 3	FG6 - 7237 - 000		1	DC POWER SUPPLY PCB ASSEMBLY DC電源回路基板	100V
	FG6 - 7238 - 000		1	DC POWER SUPPLY PCB ASSEMBLY DC電源回路基板	208/220/240V
	FB4 - 1612 - 000		1	HANDLE 把手	
	FG6 - 1882 - 000		1	CABLE, POWER SUPPLY INTERNAL 電源内部束線	J28,701
	FG6 - 1887 - 000		1	CABLE, POWER SUPPLY FAN 電源ファン束線	J155-157
3 A	VS1 - 6318 - 006		1	CONNECTOR, SNAP TIGHT チュウケイ コネクタ	J155
4	FG6 - 7239 - 000		1	RELAY PCB ASSEMBLY リレー回路基板	SEE NOTE
5	FH6 - 1546 - 000		2	FAN, COOLING 冷却ファン	FM11,12 J156,157
501	XB1 - 2300 - 607		1	SCREW,MACH.,TRUSS HEAD,M3X6 バインド ネジ	
502	XB1 - 2300 - 607		1	SCREW,MACH.,TRUSS HEAD,M3X6 バインド ネジ	SEE NOTE
503	XB1 - 2403 - 009		4	SCREW,MACH.,TRUSS HEAD,M4X30 バインド ネジ	
CT111	FH3 - 0666 - 000		1	TRANSFORMER トランス	208/220/240V
CT301	FH3 - 0665 - 000		1	TRANSFORMER トランス	
FU101	VD7 - 0461 - 502		1	FUSE, AC125V 15A ヒューズ	100V
	VD7 - 0646 - 301		1	FUSE ヒューズ	208/220/240V
L 4	FH3 - 7195 - 000		1	CHOKE COIL, SN14-8000 チョーク コイル	208/220/240V
L101	FH7 - 9308 - 000		1	COIL, CHOKE チョーク コイル	100V
L111	FH3 - 7170 - 000		1	COIL, CHOKE チョーク コイル	100V
L112	FH3 - 0887 - 000		1	COIL, CHOKE チョーク コイル	100V
L151	FH3 - 7170 - 000		1	COIL, CHOKE チョーク コイル	100V
L251	FH3 - 0889 - 000		1	COIL, CHOKE チョーク コイル	
L301	RH6 - 3148 - 000		1	SN COIL, 110UH, 3A SN コイル	100V
L351	FH3 - 0890 - 000		1	COIL, CHOKE チョーク コイル	
L501	FH3 - 0688 - 000		1	COIL, CHOKE チョーク コイル	
Q901	FH4 - 6040 - 000		1	IC, H8D2885, HYBRID ハイブリッドIC	
Q931	FH4 - 6040 - 000		1	IC, H8D2885, HYBRID ハイブリッドIC	
T301	FH3 - 0744 - 000		1	TRANSFORMER トランス	
T901	FH3 - 0888 - 000		1	TRANSFORMER トランス	
T931	FH3 - 0740 - 000		1	TRANSFORMER トランス	

FIGURE 920 CONTROL PANEL CPU PCB ASSEMBLY 操作部CPU回路基板

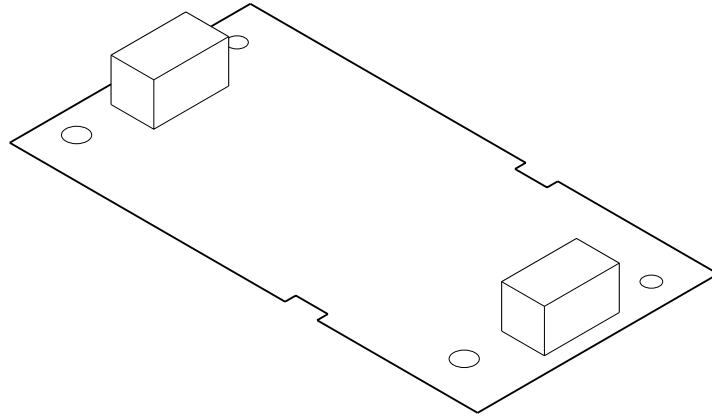


NOTE: This assembly is included in the assembly shown in Figure 130.
注：このユニットはFigure130のユニットに含まれます。

FIGURE & KEY NO.	PART NUMBER	RANK	QTY	DESCRIPTION	SERIAL NUMBER / REMARKS
920 -	FG3 - 1795 - 000		1	CONTROL PANEL CPU PCB ASSEMBLY 操作部CPU回路基板	SEE NOTE
Q6 8 2 2	FH4 - 1380 - 000		1	IC, N010-0559-V123, MPU マイクロ コンピュータ	

FIGURE 925 CONTROL PANEL INVERTER PCB ASSEMBLY

操作部インバータ回路基板



NOTE: This assembly is included in the assembly shown in Figure 130.
 注：このユニットはFigure130のユニットに含まれます。

FIGURE & KEY NO.	PART NUMBER	RANK	QTY	DESCRIPTION	SERIAL NUMBER / REMARKS
925 -	FG6 - 7738 - 000		1	C. PANEL INVERTER PCB ASSEMBLY 操作部インバータ回路基板	SEE NOTE
FU1	VD7 - 1622 - 001		1	FUSE, 2A, 60V ヒューズ	
T1	FH3 - 0961 - 000		1	TRANSFORMER, INVERTER インバータ トランス	

FIGURE 930 DC CONTROLLER PCB ASSEMBLY
DCコントローラ回路基板

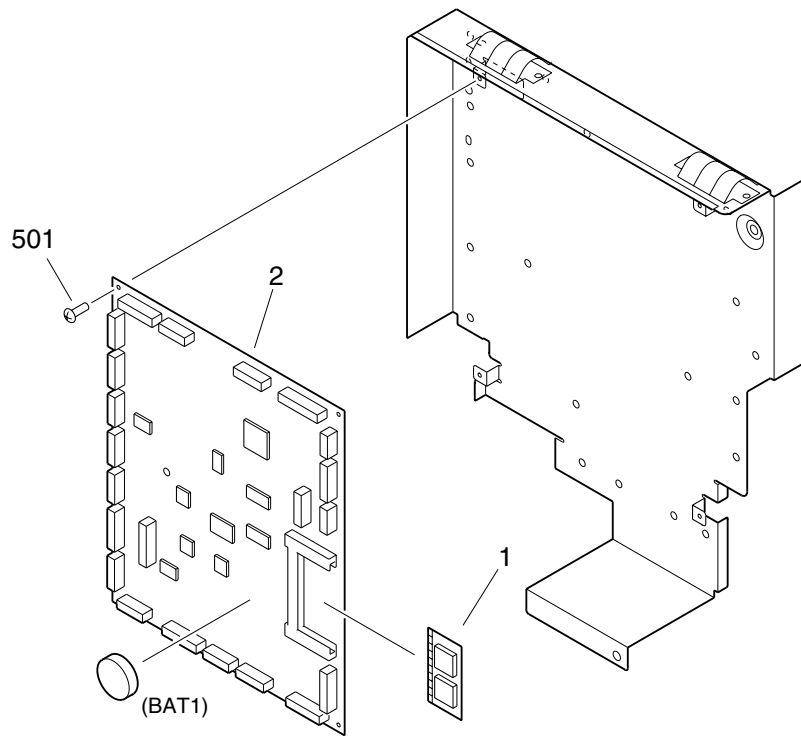


FIGURE & KEY NO.	PART NUMBER	RANK	QTY	DESCRIPTION	SERIAL NUMBER / REMARKS
930 -	NPN		RF	DC CONTROLLER PCB ASSEMBLY DCコントローラ回路基板	
1	FG3 - 1689 - 100		1	DIMM ASS'Y DIMM	
2	FG9 - 3851 - 000		1	DC CONTROLLER PCB ASSEMBLY DCコントローラ回路基板	
501	XB1 - 2400 - 607		4	SCREW,MACH.,TRUSS HEAD,M4X6 バインド ネジ	
BAT1	WK1 - 0084 - 000		1	BATTERY, 3V, 550 MAH バッテリー	
I C32	FH4 - 6156 - 000		1	IC, HG71G046A2R09FE,GATE ARRAY ゲート アレイ	
I C40	FH4 - 6123 - 000		1	IC, M38871M2-010GP, MCU MCU	

READER CONTROLLER PCB ASSEMBLY
 (iR8500/8500P TYPE)
 リーダコントローラ回路基板
 (iR8500/8500Pタイプ)

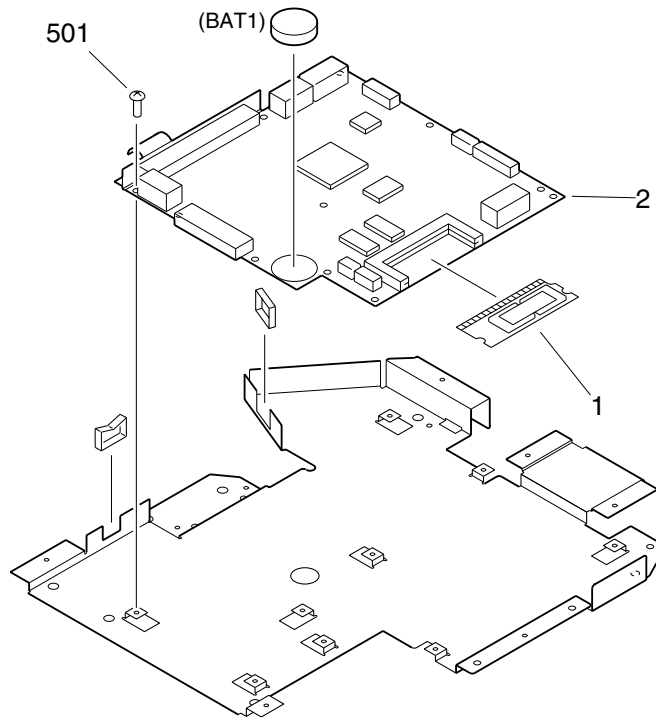


FIGURE & KEY NO.	PART NUMBER	RANK	QTY	DESCRIPTION	SERIAL NUMBER / REMARKS
935 -	NPN		RF	READER CONTROLLER PCB ASSEMBLY リーダ コントローラ回路基板	iR8500/8500P TYPE
1	FG3 - 1690 - 030		1	DIMM ASS'Y, MBM29F040C-90PFTN DIMM	
2	FG6 - 7405 - 000		1	READER CONTROL PCB ASSEMBLY リーダ コントローラ回路基板	
501	XB1 - 2400 - 607		7	SCREW,MACH.,TRUSS HEAD,M4X6 バインド ネジ	
BAT1	WK1 - 0084 - 000		1	BATTERY, 3V, 550 MAH バッテリー	
IC 4	FH4 - 6135 - 000		1	IC, UPD65454GN-121, GATE ARRAY ゲート アレイ	
IC 5	FH4 - 6123 - 000		1	IC, M38871M2-010GP, MCU MCU	
IC18	FH4 - 6136 - 000		1	IC, MB87L1870, GATE ARRAY ゲート アレイ	

READER CONTROLLER PCB ASSEMBLY
(iR7200/7200P TYPE)
リーダコントローラ回路基板
(iR7200/7200Pタイプ)

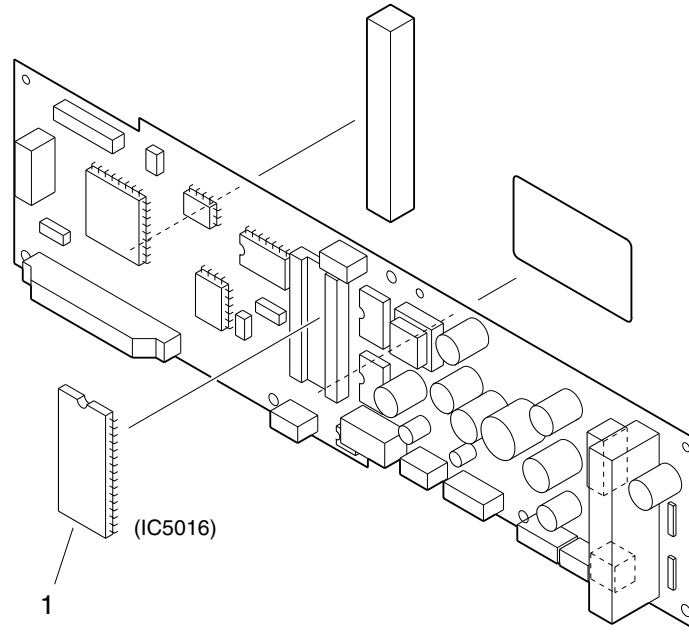
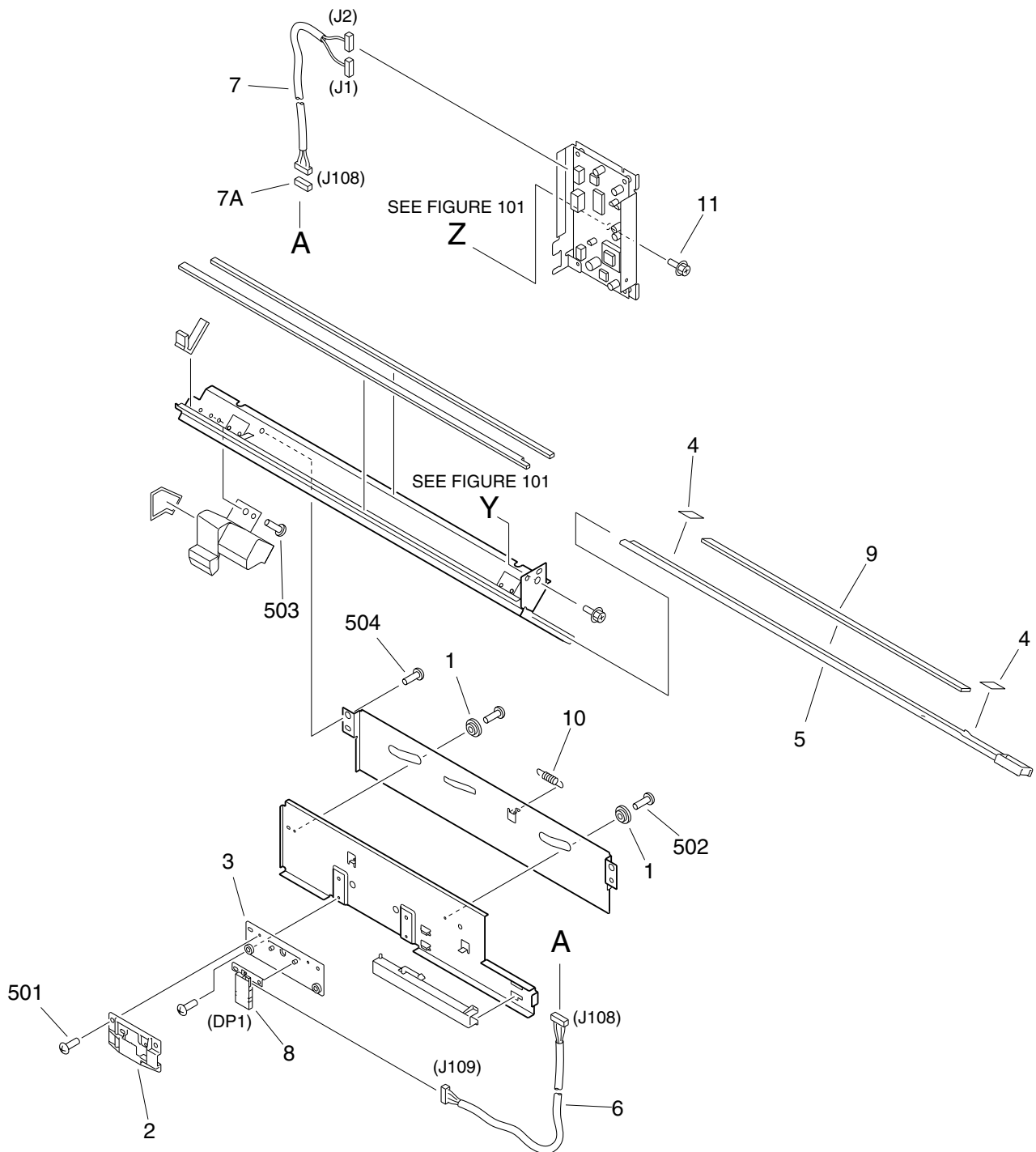


FIGURE & KEY NO.	PART NUMBER	RANK	QTY	DESCRIPTION	SERIAL NUMBER / REMARKS
936 -	FG6 - 4954 - 030		1	READER CONTROLLER PCB ASSEMBLY リーダ コントローラ回路基板	iR7200/7200P TYPE
1	FF3 - 3952 - 040		1	IC, HN27C4096AHG-85, EP-ROM EP - ROM	IC5016
IC5005	FH4 - 5855 - 000		1	IC, H8D2760A, PWM CONTROL ハイブリッド IC	
IC5021	FH4 - 6123 - 000		1	IC, M38871M2-010GP, MCU MCU	
IC5023	FH4 - 6102 - 000		1	IC, UPD82425GD-001-LML ゲート アレイIC	
L5002	FH3 - 0932 - 000		1	COIL, CHOKE チョークコイル	

FIGURE 940 POTENTIAL MEASURING PCB ASSEMBLY 電位測定回路基板



NOTE: This assembly does not include the parts shown with key No. 4, 5, 9, and 11.
注：このユニットにKey No. 4、5、9、11の部品は含まれません。

FIGURE & KEY NO.	PART NUMBER	RANK	QTY	DESCRIPTION	SERIAL NUMBER / REMARKS
940 -	FG6 - 7428 - 000		1	POTENTIAL MEASURING PCB ASS'Y 電位測定回路基板	
1	FA4 - 8609 - 000		2	SPACER スペーサ	
2	FB4 - 1947 - 000		1	MOUNT, SENSOR, UPPER センサ台(上)	
3	FB4 - 1948 - 000		1	MOUNT, SENSOR, LOWER センサ台(下)	
4	FB4 - 9346 - 000		2	TAPE, GLASS ガラス接着テープ	SEE NOTE
5	FF5 - 7651 - 000		1	HOLDER, DUST-PROOF GLASS 防塵ガラス ホルダ	SEE NOTE
6	FG6 - 1884 - 000		1	CABLE, SENSOR CONNECTING 電位センサ中継束線	J108,109
7	FG6 - 1885 - 000		1	CABLE, POTENTIAL SENSOR 電位センサ束線	J1,2,108
7 A	VS1 - 5057 - 006		1	CONNECTOR, SNAP TIGHT チュウケイ コネクタ	J108
8	FH4 - 6019 - 000		1	POTENTIAL SENSOR UNIT 電位センサ ユニット	DP1 J109
9	FN5 - 4002 - 000		1	GLASS, DUST-PROOF 防塵ガラス	SEE NOTE
10	FS6 - 2759 - 000		1	SPRING, TENSION ヒツパリ パネ	
11	XA9 - 0643 - 000		2	SCREW,RS,M4X10 RS タイト ネジ	SEE NOTE
501	XB1 - 2300 - 609		4	SCREW,MACH.,TRUSS HEAD,M3X6 バインド ネジ	
502	XB1 - 2300 - 609		2	SCREW,MACH.,TRUSS HEAD,M3X6 バインド ネジ	
503	XB1 - 2400 - 609		1	SCREW,MACH.,TRUSS HEAD,M4X6 バインド ネジ	
504	XB1 - 2400 - 609		2	SCREW,MACH.,TRUSS HEAD,M4X6 バインド ネジ	
RA1	FH4 - 9181 - 000		1	RESISTOR ARRAY, 10MOHM 抵抗アレイ	
T1	FH3 - 0242 - 000		1	TRANSFORMER トランス	

FIGURE 945 INVERTER PCB ASSEMBLY

インバータ回路基板

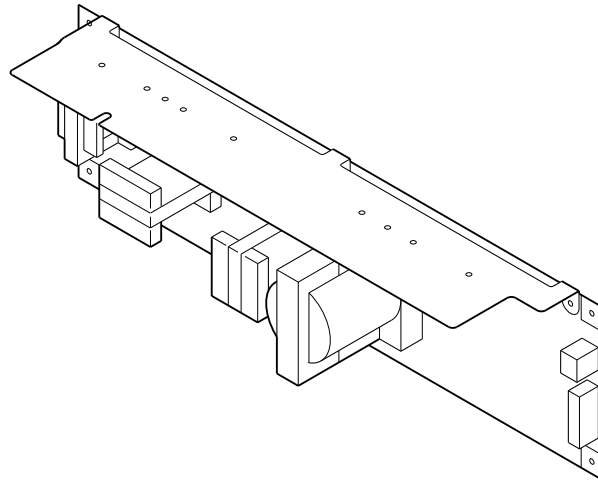


FIGURE & KEY NO.	PART NUMBER	RANK	QTY	DESCRIPTION	SERIAL NUMBER / REMARKS
945 -	FG6 - 2291 - 000		1	INVERTER PCB ASSEMBLY インバータ回路基板	
FU1001	VD7 - 1624 - 000		1	FUSE, 4A, 60V ヒューズ	
FU1002	VD7 - 1621 - 001		1	FUSE, 60V, 1A ヒューズ	
L1001	FH3 - 7203 - 000		1	INDUCTOR インダクタ	
L1002	FH3 - 7202 - 000		1	INDUCTOR インダクタ	
T1001	FH3 - 0879 - 000		1	TRANSFORMER トランス	
T1002	FH3 - 0666 - 000		1	TRANSFORMER トランス	
T1003	FH3 - 0881 - 000		1	TRANSFORMER トランス	

FIGURE 960 AC DRIVER PCB ASSEMBLY
ACドライバ回路基板

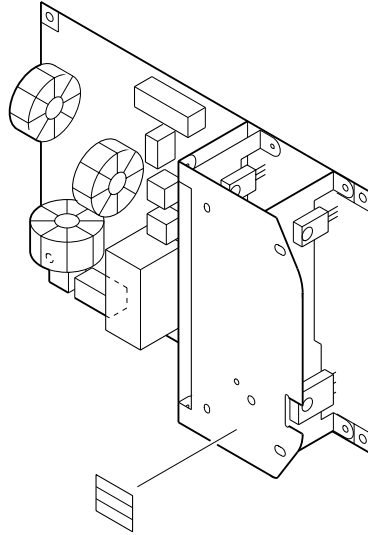


FIGURE & KEY NO.	PART NUMBER	RANK	QTY	DESCRIPTION	SERIAL NUMBER / REMARKS
960 -	FG6 - 7263 - 000		1	AC DRIVER PCB ASSEMBLY ACドライバ回路基板	100V
	FG6 - 7264 - 000		1	AC DRIVER PCB ASSEMBLY ACドライバ回路基板	208/220/240V
FU1	VD5 - 0322 - 501		1	FUSE, 2.5A 125V ヒューズ	100V
FU2	VD7 - 1832 - 501		1	FUSE, 2.5A 250V ヒューズ	208/220/240V
L 1	FH3 - 0939 - 000		1	INDUCTOR インダクタ	100V
	FH3 - 0938 - 000		1	INDUCTOR インダクタ	208/220/240V
L 2	FH3 - 0939 - 000		1	INDUCTOR インダクタ	100V
	FH3 - 0938 - 000		1	INDUCTOR インダクタ	208/220/240V
RL 1	FH7 - 6331 - 000		1	RELAY リレー	
SK1	RH6 - 3434 - 000		1	FILTER, NOISE ノイズ フィルタ	
SK2	RH6 - 3434 - 000		1	FILTER, NOISE ノイズ フィルタ	
SK3	RH6 - 3434 - 000		1	FILTER, NOISE ノイズ フィルタ	
SK4	RH6 - 3434 - 000		1	FILTER, NOISE ノイズ フィルタ	
T 1	FH3 - 0937 - 000		1	INDUCTOR インダクタ	100V
	FH3 - 0936 - 000		1	INDUCTOR インダクタ	208/220/240V

DOCUMENT DETECT PCB ASSEMBLY
 (iR8500/8500P TYPE)
FIGURE 970 原稿向き検出回路基板
 (iR8500/8500Pタイプ)

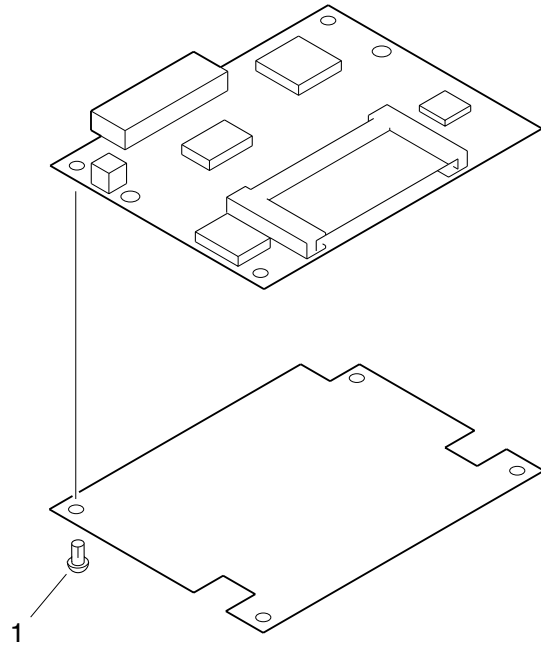
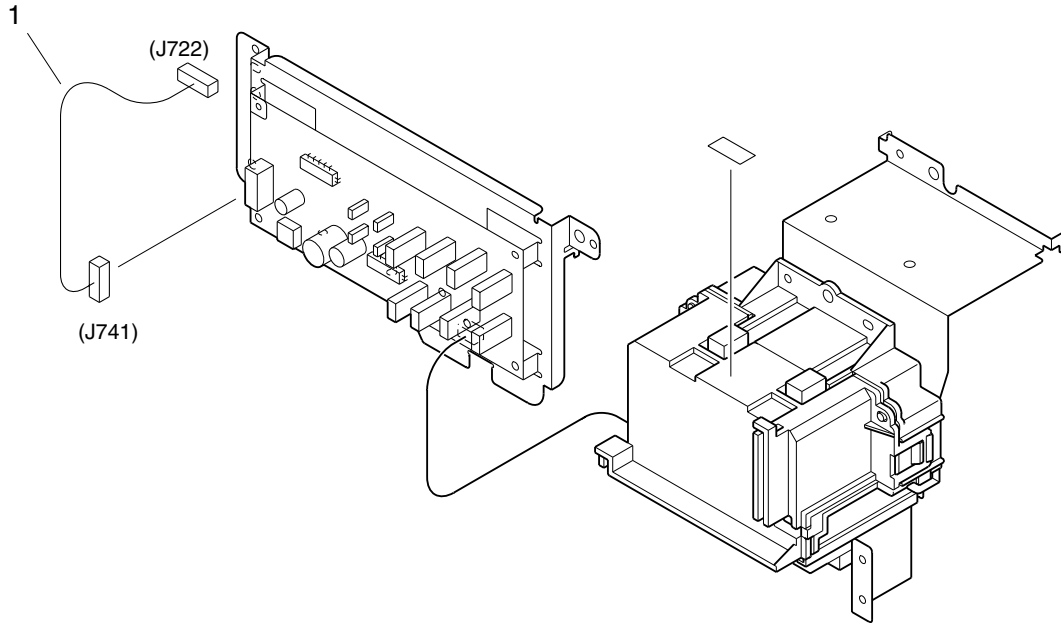


FIGURE & KEY NO.	PART NUMBER	RANK	QTY	DESCRIPTION	SERIAL NUMBER / REMARKS
970 -	FG6 - 7256 - 000		1	DOCUMENT DETECT PCB ASSEMBLY 原稿向き検出回路基板	iR8500/8500P TYPE
1	WT8 - 0053 - 000		4	RIVET, NYLON ナイロン リベット	
I C 2	FH4 - 5904 - 000		1	IC, MBCG46833-119, GATE ARRAY ゲート アレイ	
I C 3	FH4 - 5905 - 000		1	IC, MB87D119, GATE ARRAY ゲート アレイ	
I C 5	FH4 - 6154 - 000		1	IC, MB87L1890, GATE ARRAY ゲート アレイ	
I C 12	FH4 - 3882 - 000		1	IC, MR27V402E-013TP, MASK-ROM MASK - ROM	
I C 13	FH4 - 3883 - 000		1	IC, MR27V402E-038TP, MASK-ROM MASK - ROM	

FIGURE 980 H.V. AC TRANSFORMER PCB ASSEMBLY 高圧ACトランス回路基板



NOTE: This assembly does not include the part shown with key No.1.
注：このユニットにKey No. 1の部品は含まれません。

FIGURE & KEY NO.	PART NUMBER	RANK	QTY	DESCRIPTION	SERIAL NUMBER / REMARKS
980 - 1 T1	FG9 - 3903 - 000		1	H.V. AC TRANSFORMER PCB ASS'Y 高圧ACトランス回路基板	iR8500/8500P TYPE
	FG6 - 7249 - 030		1	H.V. AC TRANSFORMER PCB ASS'Y 高圧ACトランス回路基板	iR7200/7200P TYPE
	FG6 - 7220 - 000		1	CABLE, H.V. CONNECTING 高圧中継束線	J722,741 SEE NOTE
	FH3 - 5237 - 000		1	TRANSFORMER トランス	

FIGURE 985 H.V. DC TRANSFORMER PCB ASSEMBLY 高圧DCトランス回路基板

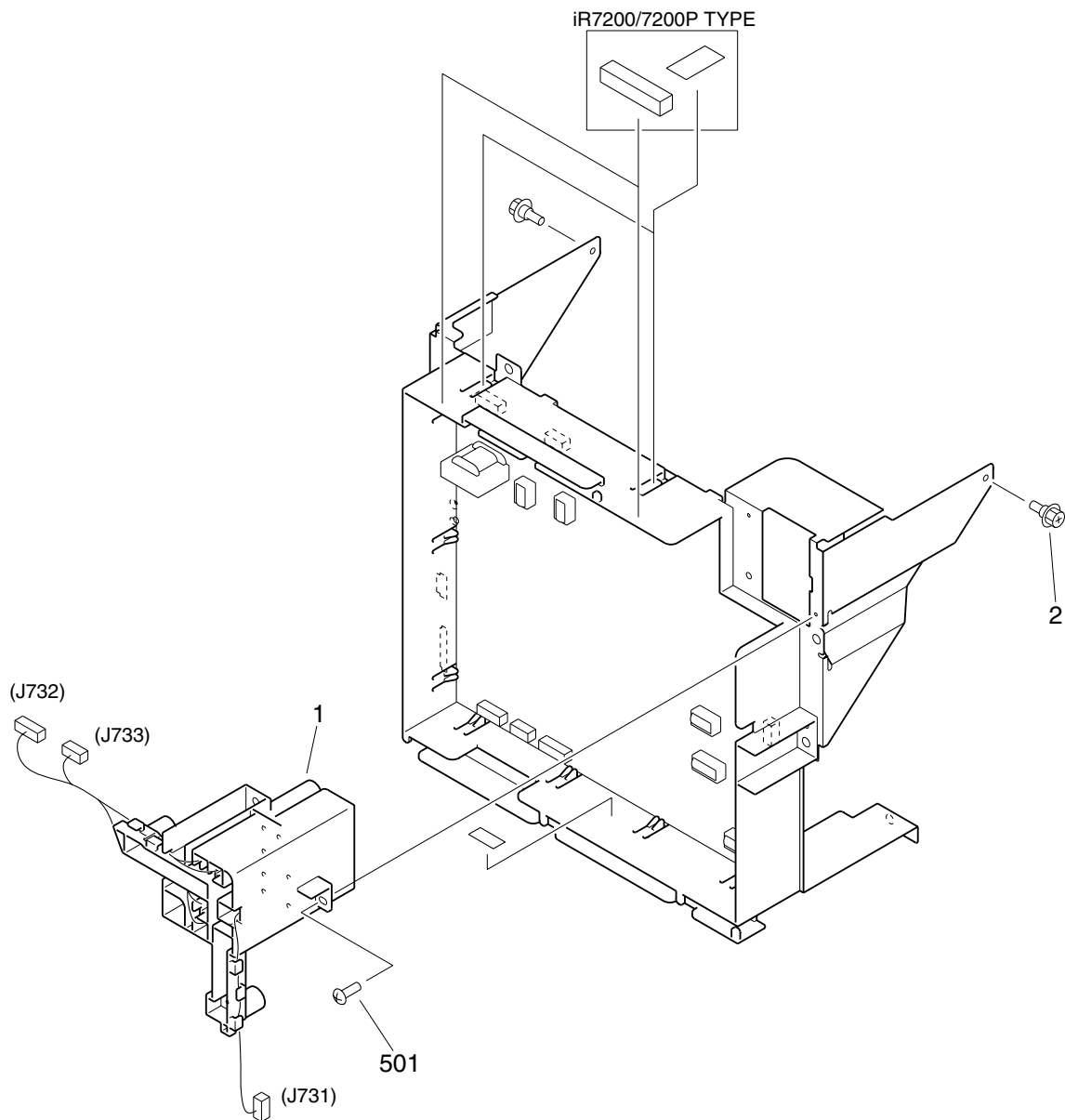


FIGURE & KEY NO.	PART NUMBER	RANK	QTY	DESCRIPTION	SERIAL NUMBER / REMARKS
985 - 1 2 501	FG6 - 7251 - 000		1	H.V. DC TRANSFORMER PCB ASS'Y 高圧DCトランス回路基板	iR8500/8500P TYPE
	FG6 - 8913 - 000		1	H.V. DC TRANSFORMER PCB ASS'Y 高圧DCトランス回路基板	iR7200/7200P TYPE
	FH2 - 9231 - 000		1	JOINT CONNECTOR UNIT 連結コネクタ ユニット	J731-733
	FS5 - 9214 - 000		2	SCREW,RS STEPPED,M4 RS タイト 段ビス	
	XB1 - 2400 - 609		4	SCREW,MACH.,TRUSS HEAD,M4X6 バインド ネジ	
R206	FH4 - 9157 - 000		1	RESISTOR, 4MOHM, 1/4W 抵抗	
R551	FH6 - 3337 - 000		1	RESISTOR, 3MOHM, 1/3W 抵抗	
R561	FH6 - 3337 - 000		1	RESISTOR, 3MOHM, 1/3W 抵抗	
R571	FH6 - 3337 - 000		1	RESISTOR, 3MOHM, 1/3W 抵抗	
R581	FH6 - 3337 - 000		1	RESISTOR, 3MOHM, 1/3W 抵抗	
R851	FH6 - 3337 - 000		1	RESISTOR, 3MOHM, 1/3W 抵抗	
R857	FH6 - 3337 - 000		1	RESISTOR, 3MOHM, 1/3W 抵抗	
T101	FH3 - 0893 - 000		1	TRANSFORMER トランス	
T202	RH3 - 0071 - 000		1	TRANSFORMER トランス	
T301	FH3 - 0894 - 000		1	TRANSFORMER トランス	
T401	FH3 - 0894 - 000		1	TRANSFORMER トランス	
T501	FH3 - 0893 - 000		1	TRANSFORMER トランス	
T601	FH3 - 0766 - 000		1	TRANSFORMER トランス	
T701	FH3 - 0830 - 000		1	TRANSFORMER トランス	
T801	FH3 - 0893 - 000		1	TRANSFORMER トランス	

FIGURE B LIST OF CONNECTORS(1/5)

コネクター一覧(1/5)

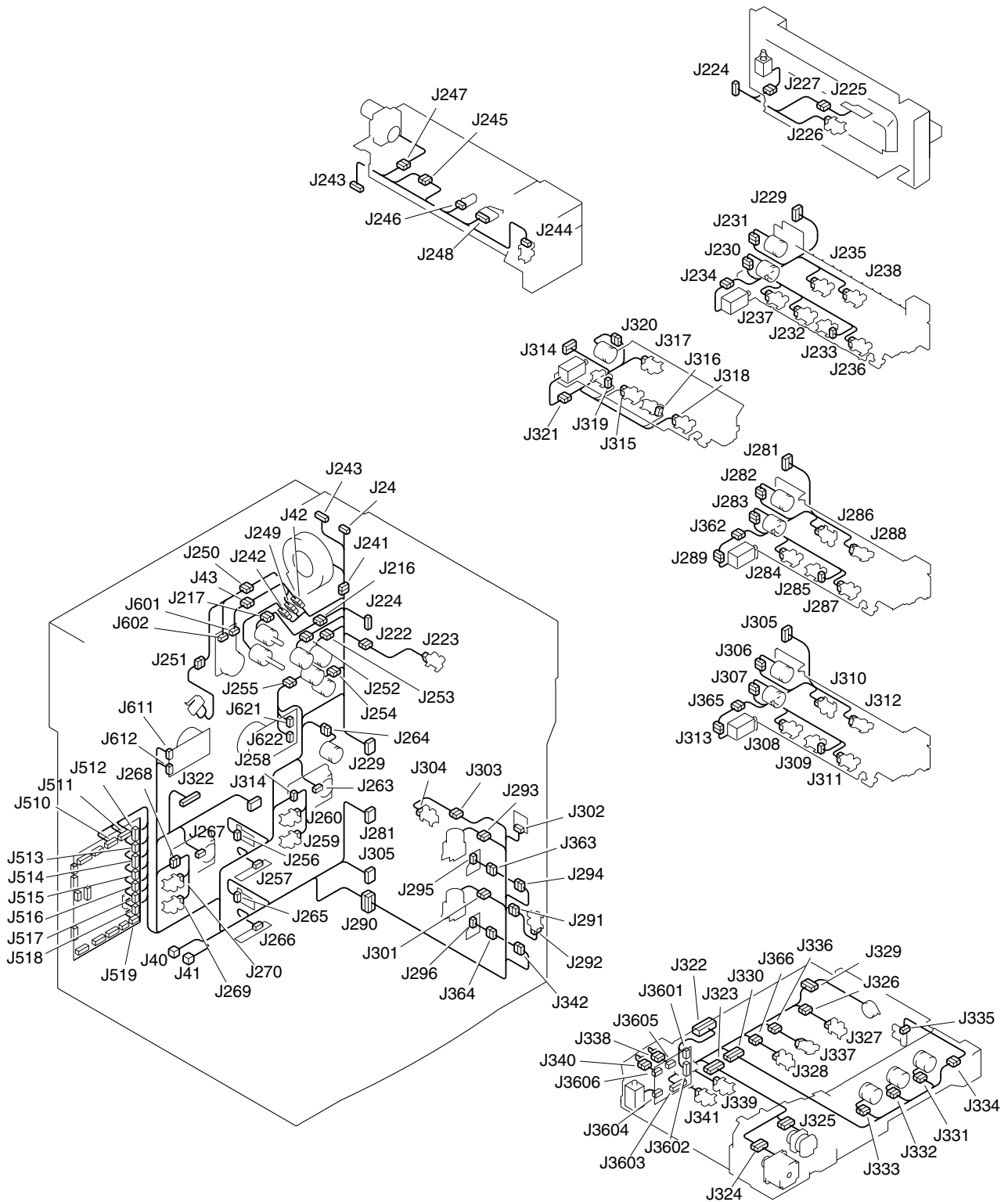


FIGURE B LIST OF CONNECTORS(2/5)

コネクター一覧(2/5)

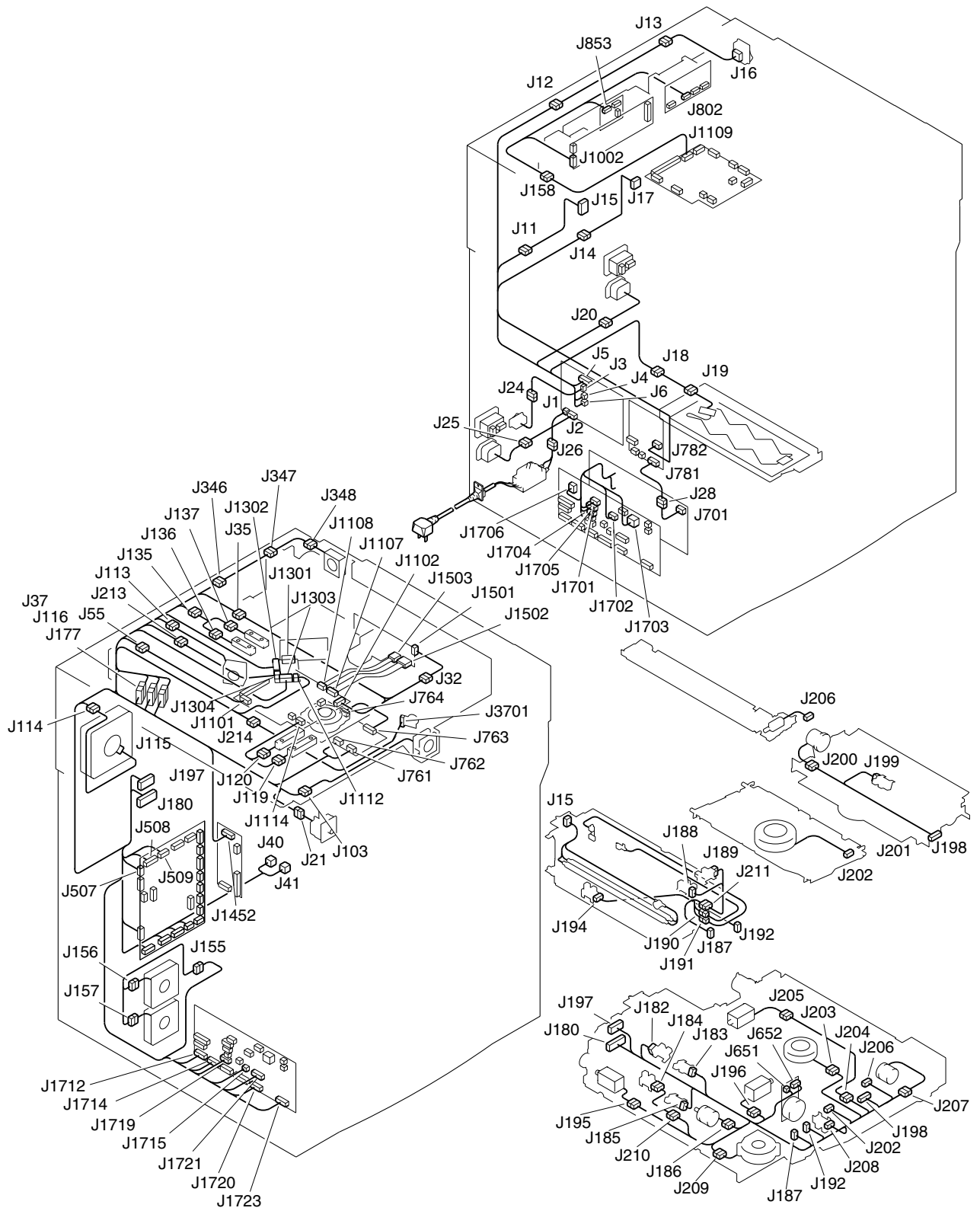


FIGURE B LIST OF CONNECTORS(3/5) コネクター一覧(3/5)

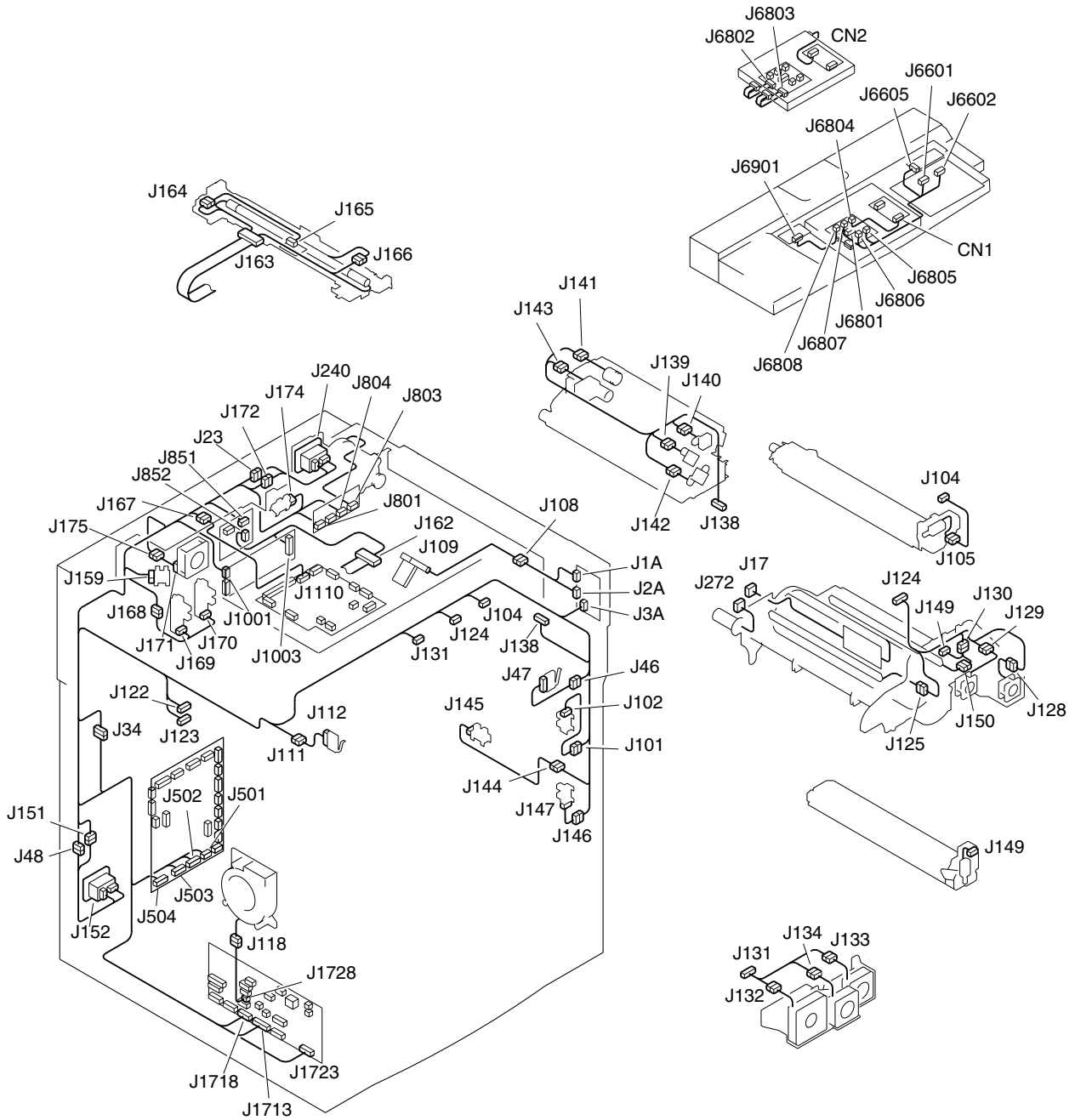


FIGURE B LIST OF CONNECTORS(4/5)

コネクター一覧(4/5)

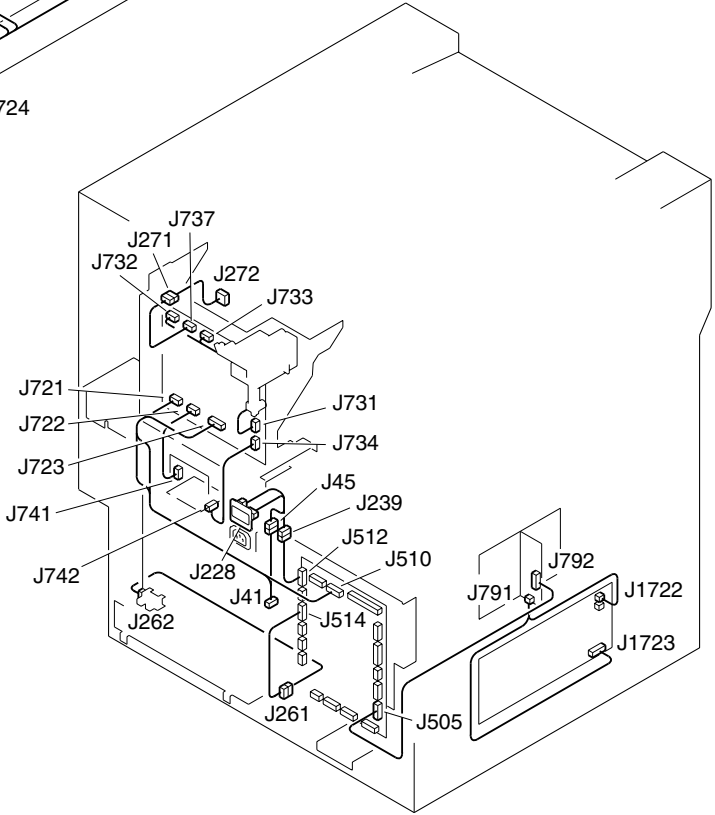
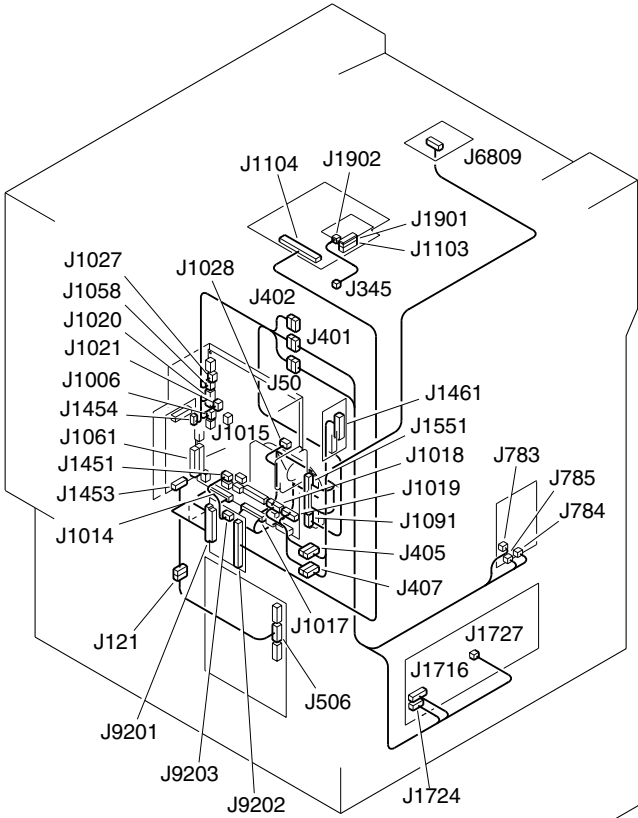


FIGURE B LIST OF CONNECTORS(5/5) コネクター一覧(5/5)

iR7200/7200P TYPE

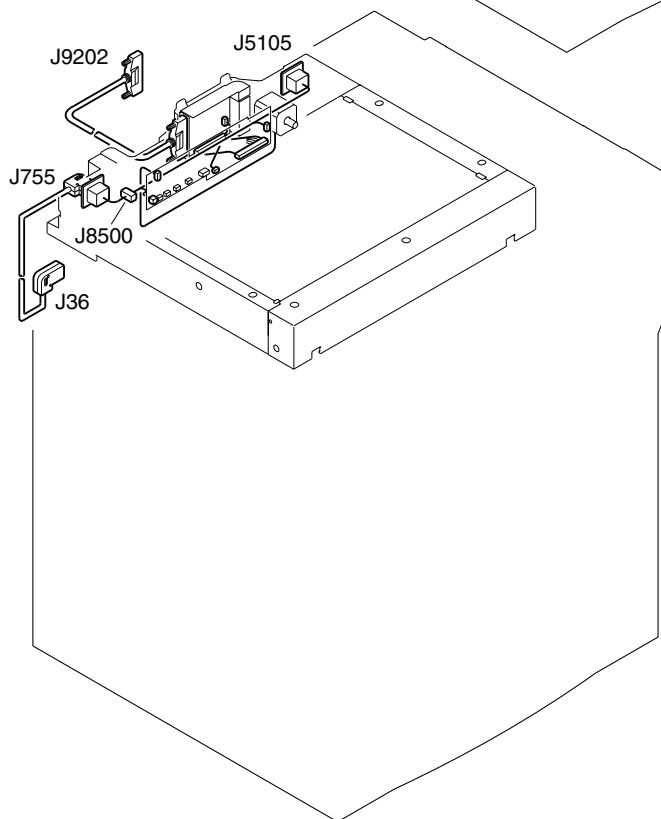
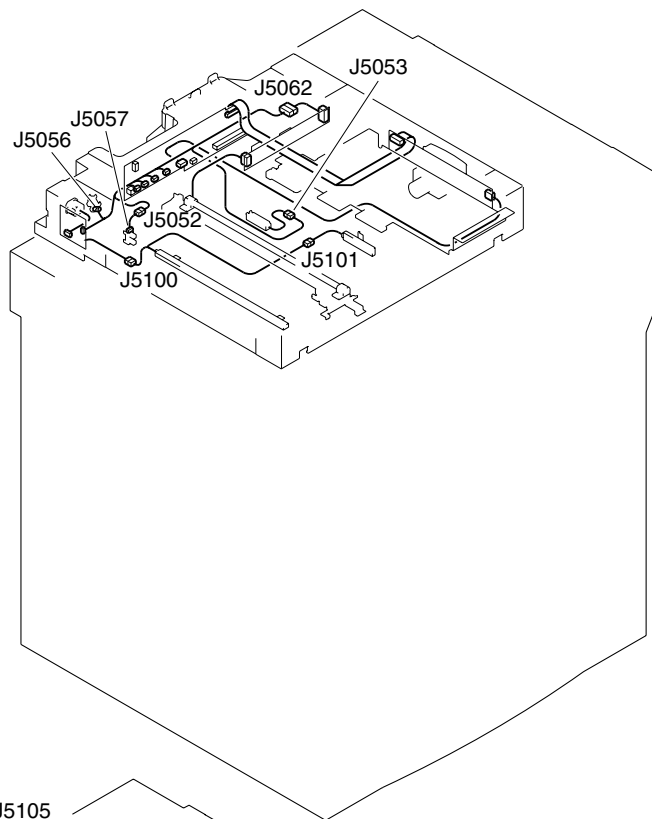


FIGURE & KEY NO.	PART NUMBER	RANK	QTY	DESCRIPTION	SERIAL NUMBER / REMARKS
B - CN1 CN2	NPN		RF	LIST OF CONNECTORS コネクタ一覧	
	NPN			ANALOG TOUCH PANEL アナログ タッチ パネル	
	VS1 - 0842 - 002		1	CONNECTOR, 2P, FEMALE コネクタ (メス)	
	NPN			LCD CONTROL PANEL 液晶パネル	
	NPN			ANALOG TOUCH PANEL アナログ タッチ パネル	
J 1	PCB			POTENTIAL MEASURING 電位制御	
	VS1 - 0279 - 005		1	CONNECTOR, 5P, FEMALE コネクタ (メス)	
	WS3 - 0437 - 000		3	SOCKET CONTACT, 20-30AWG ソケット コンタクト	
	PCB			AC DRIVER ACドライバ	
	VS1 - 6380 - 003		1	CONNECTOR, 3P, MALE コネクタ (オス)	
J 2	WS3 - 5472 - 000		2	SOCKET CONTACT, 12AWG ソケット コンタクト	
	PCB			POTENTIAL MEASURING 電位制御	
	VS1 - 0279 - 004		1	CONNECTOR, 4P, FEMALE コネクタ (メス)	
	WS3 - 0469 - 000		3	SOCKET CONTACT, 26-30AWG ソケット コンタクト	
	PCB			AC DRIVER ACドライバ	
J 3	VS3 - 5083 - 007		1	CONNECTOR, 7P, FEMALE コネクタ (メス)	
	WS3 - 5160 - 000		2	SOCKET CONTACT, 18-24AWG ソケット コンタクト	
	PCB			POTENTIAL MEASURING 電位制御	
	VS1 - 6321 - 004		1	CONNECTOR, 4P, FEMALE コネクタ (メス)	
	PCB			AC DRIVER ACドライバ	
J 4	VS3 - 5083 - 003		1	CONNECTOR, 3P, FEMALE コネクタ (メス)	
	WS3 - 5160 - 000		3	SOCKET CONTACT, 18-24AWG ソケット コンタクト	
	PCB			AC DRIVER ACドライバ	
	VS1 - 6380 - 002		1	CONNECTOR, 2P, MALE コネクタ (オス)	
	WS3 - 5292 - 000		2	SOCKET CONTACT ソケット コンタクト	
J 5	PCB			AC DRIVER ACドライバ	
	VS3 - 5083 - 011		1	CONNECTOR, 11P, FEMALE コネクタ (メス)	
	WS3 - 5160 - 000		6	SOCKET CONTACT, 18-24AWG ソケット コンタクト	
J 6	PCB			AC DRIVER ACドライバ	
	VS1 - 6380 - 004		1	CONNECTOR, 4P, MALE コネクタ (オス)	

FIGURE & KEY NO.	PART NUMBER	RANK	QTY	DESCRIPTION	SERIAL NUMBER / REMARKS
B - J 6	WS3 - 5292 - 000		3	SOCKET CONTACT ソケット コンタクト	
J 11	FG6 - 1904 - 000		1	CABLE, FIXING DRAWER CONNECT 定着ドリア中継束線	
	VS3 - 5121 - 003		1	CONNECTOR, 3P, FEMALE コネクタ (メス)	
	WS3 - 5291 - 000		3	PIN CONTACT ピン コンタクト	
J 12	VS1 - 6380 - 004		1	CONNECTOR, 4P, MALE コネクタ (オス)	
	VS3 - 5121 - 004		1	CONNECTOR, 4P, FEMALE コネクタ (メス)	
	WS3 - 5291 - 000		4	PIN CONTACT ピン コンタクト	
	WS3 - 5292 - 000		4	SOCKET CONTACT ソケット コンタクト	
J 13	VS1 - 6380 - 004		1	CONNECTOR, 4P, MALE コネクタ (オス)	
	VS3 - 5121 - 004		1	CONNECTOR, 4P, FEMALE コネクタ (メス)	
	WS3 - 5291 - 000		4	PIN CONTACT ピン コンタクト	
	WS3 - 5292 - 000		4	SOCKET CONTACT ソケット コンタクト	
J 14	FG6 - 7201 - 000		1	CABLE, DRUM HEATER CONNECTING ドラム ヒータ中継束線	
	VS4 - 0002 - 003		1	CONNECTOR, 3P, FEMALE コネクタ (メス)	
	WS4 - 0217 - 000		2	SOCKET CONTACT, 22-18AWG ソケット コンタクト	
J 15	FG6 - 1875 - 000		1	CABLE, AC, FIXING/FEEDER 定着 / 搬送AC束線	
	FG6 - 1904 - 000		1	CABLE, FIXING DRAWER CONNECT 定着ドリア中継束線	
J 16	NPN			MAIN SWITCH メイン スイッチ	SW1
	RH2 - 5339 - 000		1	CONNECTOR, 4P, FEMALE ハウジング	
	WT1 - 0579 - 000		4	RECEPTACLE リセプタクル	
J 17	FG6 - 1853 - 000		1	CABLE, DRUM HEATER ドラム ヒータ中継束線	
	FG6 - 7201 - 000		1	CABLE, DRUM HEATER CONNECTING ドラム ヒータ中継束線	
J 18	VS4 - 0001 - 003		1	CONNECTOR, 3P, MALE コネクタ (オス)	
	VS4 - 0002 - 003		1	CONNECTOR, 3P, FEMALE コネクタ (メス)	
	WS4 - 0217 - 000		2	SOCKET CONTACT, 22-18AWG ソケット コンタクト	
J 19	WS4 - 0219 - 000		2	PIN CONTACT, 18-22AWG ピン コンタクト	H4
	NPN			CASSETTE HEATER カセット ヒータ	
	VS4 - 0001 - 003		1	CONNECTOR, 3P, MALE コネクタ (オス)	
	WS4 - 0219 - 000		2	PIN CONTACT, 18-22AWG ピン コンタクト	
J 20	VS4 - 0001 - 002		1	CONNECTOR, 2P, MALE コネクタ (オス)	

FIGURE & KEY NO.	PART NUMBER	RANK	QTY	DESCRIPTION	SERIAL NUMBER / REMARKS	
B - J 20	VS4 - 0002 - 002		1	CONNECTOR, 2P, FEMALE コネクタ (メス)		
	WS4 - 0217 - 000		2	SOCKET CONTACT, 22-18AWG ソケット コンタクト		
	WS4 - 0219 - 000		2	PIN CONTACT, 18-22AWG ピン コンタクト		
	J 21	VS4 - 0001 - 002		1	CONNECTOR, 2P, MALE コネクタ (オス)	
		VS4 - 0002 - 002		1	CONNECTOR, 2P, FEMALE コネクタ (メス)	
J 23	WS4 - 0218 - 000		2	SOCKET CONTACT, 22-26AWG ソケット コンタクト		
	WS4 - 0220 - 000		2	PIN CONTACT, 22-26AWG ピン コンタクト		
	VS1 - 5729 - 002		1	CONNECTOR, 2P, MALE コネクタ (オス)	iR8500/8500P TYPE	
	VS3 - 5083 - 002		1	CONNECTOR, 2P, FEMALE コネクタ (メス)	iR8500/8500P TYPE	
	WS3 - 5160 - 000		2	SOCKET CONTACT, 18-24AWG ソケット コンタクト	iR8500/8500P TYPE	
J 24	WS3 - 5301 - 000		2	PIN CONTACT ピン コンタクト	iR8500/8500P TYPE	
	VS1 - 6380 - 004		1	CONNECTOR, 4P, MALE コネクタ (オス)		
	VS3 - 5121 - 004		1	CONNECTOR, 4P, FEMALE コネクタ (メス)		
	WS3 - 5291 - 000		3	PIN CONTACT ピン コンタクト		
	WS3 - 5292 - 000		3	SOCKET CONTACT ソケット コンタクト		
J 25	VS3 - 5121 - 002		1	CONNECTOR, 2P, FEMALE コネクタ (メス)	208/220/240V	
	VS4 - 0001 - 003		1	CONNECTOR, 3P, MALE コネクタ (オス)		
	WS4 - 0217 - 000		2	SOCKET CONTACT, 22-18AWG ソケット コンタクト	208/220/240V	
	WS4 - 0219 - 000		2	PIN CONTACT, 18-22AWG ピン コンタクト		
J 26	VS1 - 6380 - 002		1	CONNECTOR, 2P, MALE コネクタ (オス)		
J 28	VS3 - 5121 - 002		1	CONNECTOR, 2P, FEMALE コネクタ (メス)		
	WS3 - 5472 - 000		2	SOCKET CONTACT, 12AWG ソケット コンタクト		
	WS3 - 5473 - 000		2	PIN, CONTACT, 12AWG ピンコンタクト		
	VS1 - 5729 - 007		1	CONNECTOR, 7P, MALE コネクタ (オス)		
	VS3 - 5083 - 007		1	CONNECTOR, 7P, FEMALE コネクタ (メス)		
J 30	WS3 - 5160 - 000		4	SOCKET CONTACT, 18-24AWG ソケット コンタクト		
	WS3 - 5301 - 000		4	PIN CONTACT ピン コンタクト		
	VS1 - 5729 - 004		1	CONNECTOR, 4P, MALE コネクタ (オス)	iR7200/7200P TYPE	
	VS3 - 5083 - 004		1	CONNECTOR, 4P, FEMALE コネクタ (メス)	iR7200/7200P TYPE	
	WS3 - 5160 - 000		4	SOCKET CONTACT, 18-24AWG ソケット コンタクト	iR7200/7200P TYPE	

FIGURE & KEY NO.	PART NUMBER	RANK	QTY	DESCRIPTION	SERIAL NUMBER / REMARKS
B - J 30	WS3 - 5301 - 000		4	PIN CONTACT ピン コンタクト	iR7200/7200P TYPE
J 32	VS1 - 6373 - 008		1	CONNECTOR, 8P, FEMALE コネクタ (メス)	iR8500/8500P TYPE
	VS1 - 6490 - 008		1	CONNECTOR, 8P, MALE コネクタ (オス)	iR8500/8500P TYPE
	WS3 - 5598 - 000		8	PIN CONTACT ピン コンタクト	iR8500/8500P TYPE
	WS3 - 5680 - 000		8	SOCKET CONTACT, 20-24AWG ソケット コンタクト	iR8500/8500P TYPE
J 34	VS4 - 0001 - 015		1	CONNECTOR, 15P, MALE コネクタ (オス)	iR8500/8500P TYPE
	VS4 - 0002 - 015		1	CONNECTOR, 15P, FEMALE コネクタ (メス)	
	WS4 - 0217 - 000		15	SOCKET CONTACT, 22-18AWG ソケット コンタクト	
	WS4 - 0219 - 000		15	PIN CONTACT, 18-22AWG ピン コンタクト	iR8500/8500P TYPE
J 35	VS1 - 6372 - 008		1	CONNECTOR, 8P, MALE コネクタ (オス)	iR8500/8500P TYPE
	VS1 - 6373 - 008		1	CONNECTOR, 8P, FEMALE コネクタ (メス)	
	WS3 - 5598 - 000		8	PIN CONTACT ピン コンタクト	iR8500/8500P TYPE
	WS3 - 5680 - 000		8	SOCKET CONTACT, 20-24AWG ソケット コンタクト	
J 36	FH2 - 5821 - 000		1	CONNECTOR, 12P, FEMALE コネクタ (メス)	iR7200/7200P TYPE
	FH2 - 5825 - 000		5	PIN CONTACT, 16-20AWG ピン コンタクト	iR7200/7200P TYPE
	FH2 - 6855 - 000		1	HOUSING ハウジング	iR7200/7200P TYPE
	FH2 - 6856 - 000		1	HOUSING ハウジング	iR7200/7200P TYPE
	WS3 - 5264 - 000		5	SOCKET CONTACT ソケット コンタクト	iR7200/7200P TYPE
J 37	VS1 - 6372 - 002		1	CONNECTOR, 2P, MALE コネクタ (オス)	
	VS1 - 6373 - 002		1	CONNECTOR, 2P, FEMALE コネクタ (メス)	
	WS3 - 5598 - 000		2	PIN CONTACT ピン コンタクト	
	WS3 - 5680 - 000		2	SOCKET CONTACT, 20-24AWG ソケット コンタクト	
J 40	VS4 - 0001 - 006		1	CONNECTOR, 6P, MALE コネクタ (オス)	
	VS4 - 0002 - 006		1	CONNECTOR, 6P, FEMALE コネクタ (メス)	
	WS4 - 0217 - 000		6	SOCKET CONTACT, 22-18AWG ソケット コンタクト	
J 41	WS4 - 0220 - 000		6	PIN CONTACT, 22-26AWG ピン コンタクト	
	VS4 - 0001 - 012		1	CONNECTOR, 12P, MALE コネクタ (オス)	
	VS4 - 0002 - 012		1	CONNECTOR, 12P, FEMALE コネクタ (メス)	
	WS4 - 0217 - 000		11	SOCKET CONTACT, 22-18AWG ソケット コンタクト	
	WS4 - 0220 - 000		11	PIN CONTACT, 22-26AWG ピン コンタクト	

FIGURE & KEY NO.	PART NUMBER	RANK	QTY	DESCRIPTION	SERIAL NUMBER / REMARKS
B - J 42	VS1 - 5729 - 002		1	CONNECTOR, 2P, MALE コネクタ (オス)	
	VS3 - 5083 - 002		1	CONNECTOR, 2P, FEMALE コネクタ (メス)	
	WS3 - 5160 - 000		2	SOCKET CONTACT, 18-24AWG ソケット コンタクト	
	WS3 - 5301 - 000		2	PIN CONTACT ピン コンタクト	
J 43	VS1 - 5729 - 002		1	CONNECTOR, 2P, MALE コネクタ (オス)	
J 45	VS3 - 5083 - 002		1	CONNECTOR, 2P, FEMALE コネクタ (メス)	
	WS3 - 5160 - 000		2	SOCKET CONTACT, 18-24AWG ソケット コンタクト	
	WS3 - 5301 - 000		2	PIN CONTACT ピン コンタクト	
	VS4 - 0001 - 004		1	CONNECTOR, 4P, MALE コネクタ (オス)	
	VS4 - 0002 - 004		1	CONNECTOR, 4P, FEMALE コネクタ (メス)	
J 46	WS4 - 0218 - 000		3	SOCKET CONTACT, 22-26AWG ソケット コンタクト	
	WS4 - 0219 - 000		3	PIN CONTACT, 18-22AWG ピン コンタクト	
	VS1 - 5729 - 002		1	CONNECTOR, 2P, MALE コネクタ (オス)	
	VS3 - 5083 - 002		1	CONNECTOR, 2P, FEMALE コネクタ (メス)	
	WS3 - 5160 - 000		2	SOCKET CONTACT, 18-24AWG ソケット コンタクト	
J 47	WS3 - 5301 - 000		2	PIN CONTACT ピン コンタクト	MSW5
	NPN			MULTI DOOR INTERLOCK SWITCH マルチ扉インターロック スイッチ	
	RH2 - 5283 - 000		1	CONNECTOR, 3P, FEMALE コネクタ (メス)	
J 48	WS3 - 5419 - 000		2	SOCKET CONTACT, 22-26AWG ソケット コンタクト	
	VS1 - 5057 - 002		1	CONNECTOR, SNAP TIGHT チュウケイ コネクタ	
J 50	VS1 - 5824 - 002		1	CONNECTOR, 2P, FEMALE コネクタ (メス)	
	VS1 - 6321 - 002		1	CONNECTOR, 2P, FEMALE コネクタ (メス)	
	WS3 - 5358 - 000		2	SOCKET CONTACT, 22-26AWG ソケット コンタクト	
	VS1 - 6694 - 030		1	CONNECTOR, 30P, MALE コネクタ (オス)	
	VS1 - 6695 - 030		1	CONNECTOR, 30P, FEMALE コネクタ (メス)	
J 55	WS3 - 5680 - 000		28	SOCKET CONTACT, 20-24AWG ソケット コンタクト	
	WS3 - 5719 - 000		28	PIN CONTACT, 20-24AWG ピン コンタクト	
	VS1 - 6372 - 008		1	CONNECTOR, 8P, MALE コネクタ (オス)	iR8500/8500P TYPE
	VS1 - 6373 - 008		1	CONNECTOR, 8P, FEMALE コネクタ (メス)	iR8500/8500P TYPE
	WS3 - 5598 - 000		8	PIN CONTACT ピン コンタクト	iR8500/8500P TYPE

FIGURE & KEY NO.	PART NUMBER	RANK	QTY	DESCRIPTION	SERIAL NUMBER / REMARKS
B - J 55	WS3 - 5680 - 000		8	SOCKET CONTACT, 20-24AWG ソケット コンタクト	iR8500/8500P TYPE
J 56	VS1 - 5729 - 002		1	CONNECTOR, 2P, MALE コネクタ (オス)	iR8500/8500P TYPE
	VS3 - 5083 - 002		1	CONNECTOR, 2P, FEMALE コネクタ (メス)	iR8500/8500P TYPE
	WS3 - 5160 - 000		2	SOCKET CONTACT, 18-24AWG ソケット コンタクト	iR8500/8500P TYPE
	WS3 - 5301 - 000		2	PIN CONTACT ピン コンタクト	iR8500/8500P TYPE
J 101	VS1 - 5057 - 003		1	CONNECTOR, SNAP TIGHT チュウケイ コネクタ	
	VS1 - 6321 - 003		2	CONNECTOR, 3P, FEMALE コネクタ (メス)	
J 102	NPN			MULTI DOOR OPEN/CLOSE SENSOR マルチ扉開閉センサ	PS56
	VS1 - 6321 - 003		1	CONNECTOR, 3P, FEMALE コネクタ (メス)	
J 103	NPN			FEED/READ FAN 流し読みファン	iR8500/8500P TYPE FM4
	VS1 - 5057 - 003		1	CONNECTOR, SNAP TIGHT チュウケイ コネクタ	iR8500/8500P TYPE
	VS1 - 6321 - 003		1	CONNECTOR, 3P, FEMALE コネクタ (メス)	iR8500/8500P TYPE
J 104	VS1 - 5057 - 002		1	CONNECTOR, SNAP TIGHT チュウケイ コネクタ	
	VS1 - 6321 - 002		2	CONNECTOR, 2P, FEMALE コネクタ (メス)	
J 105	NPN			PRIMARY CLEANING MOTOR 一次清掃モータ	M8
J 108	VS1 - 5057 - 002		1	CONNECTOR, SNAP TIGHT チュウケイ コネクタ	
	VS1 - 6321 - 002		1	CONNECTOR, 2P, FEMALE コネクタ (メス)	
	VS1 - 0842 - 006		1	CONNECTOR, 6P, FEMALE コネクタ (メス)	
	VS1 - 5057 - 006		1	CONNECTOR, SNAP TIGHT チュウケイ コネクタ	
	VS1 - 5824 - 006		1	CONNECTOR, 6P, FEMALE コネクタ (メス)	
J 109	WS3 - 5358 - 000		6	SOCKET CONTACT, 22-26AWG ソケット コンタクト	
	NPN			VOLTAGE SENSOR 電位センサ	DP1
	VS3 - 5203 - 005		1	CONNECTOR, 5P, MALE コネクタ (オス)	
	WS3 - 5365 - 000		5	PIN CONTACT, 28-32AWG ピン コンタクト	
J 111	VS1 - 5057 - 002		1	CONNECTOR, SNAP TIGHT チュウケイ コネクタ	
J 112	VS1 - 6321 - 002		2	CONNECTOR, 2P, FEMALE コネクタ (メス)	
	NPN			FRONT DOOR OPEN/CLOSE SWITCH 前扉開閉スイッチ	MSW7
	RH2 - 5283 - 000		1	CONNECTOR, 3P, FEMALE コネクタ (メス)	
	WS3 - 5419 - 000		2	SOCKET CONTACT, 22-26AWG ソケット コンタクト	
J 113	NPN			LASER DRIVER COOLING FAN レーザ ドライバ冷却ファン	FM5

FIGURE & KEY NO.	PART NUMBER	RANK	QTY	DESCRIPTION	SERIAL NUMBER / REMARKS	
B - J 113	VS1 - 5057 - 003		1	CONNECTOR, SNAP TIGHT チュウケイ コネクタ	FM2	
	VS1 - 6321 - 003		1	CONNECTOR, 3P, FEMALE コネクタ (メス)		
J 114	VS1 - 5057 - 003		1	CONNECTOR, SNAP TIGHT チュウケイ コネクタ		
	VS1 - 6321 - 003		2	CONNECTOR, 3P, FEMALE コネクタ (メス)		
J 115	NPN		FIXING EXHAUST FAN 定着排熱ファン			
J 116	VS1 - 6321 - 003		1	CONNECTOR, 3P, FEMALE コネクタ (メス)		FM17
	VS1 - 5057 - 004		1	CONNECTOR, SNAP TIGHT チュウケイ コネクタ		
	VS1 - 6321 - 004		2	CONNECTOR, 4P, FEMALE コネクタ (メス)		
	NPN			DELIVERY FAN 1 排紙ファン(1)		
J 118	VS1 - 5057 - 003		1	CONNECTOR, SNAP TIGHT チュウケイ コネクタ		
J 119	VS1 - 6321 - 003		1	CONNECTOR, 3P, FEMALE コネクタ (メス)	iR8500/8500P TYPE SIZE1	
	NPN			PAPER SIZE SENSOR 1 紙サイズ検知(1)	iR8500/8500P TYPE	
	VS1 - 5057 - 003		1	CONNECTOR, SNAP TIGHT チュウケイ コネクタ	iR8500/8500P TYPE	
J 120	VS1 - 6320 - 003		1	CONNECTOR, 3P, FEMALE コネクタ (メス)	iR8500/8500P TYPE	
	NPN			PAPER SIZE SENSOR 2 紙サイズ検知(2)	iR8500/8500P TYPE SIZE2	
J 121	VS1 - 5057 - 003		1	CONNECTOR, SNAP TIGHT チュウケイ コネクタ	iR8500/8500P TYPE	
	VS1 - 6321 - 003		1	CONNECTOR, 3P, FEMALE コネクタ (メス)	iR8500/8500P TYPE	
	VS1 - 6313 - 014		2	CONNECTOR, 14P, FEMALE コネクタ (メス)		
	VS1 - 6314 - 014		2	CONNECTOR, 14P, FEMALE コネクタ (メス)		
	VS1 - 6319 - 028		1	CONNECTOR, SNAP TIGHT チュウケイ コネクタ		
J 122	VT2 - 5161 - 028		2	HOLDER, CONNECTOR, 28P コネクタ ホルダ	FM18	
	NPN			DELIVERY FAN 2 排紙ファン(2)		
	VS1 - 5057 - 003		1	CONNECTOR, SNAP TIGHT チュウケイ コネクタ		
J 123	VS1 - 6321 - 003		1	CONNECTOR, 3P, FEMALE コネクタ (メス)	FM19	
	NPN			DELIVERY FAN 3 排紙ファン(3)		
J 124	VS1 - 5057 - 003		1	CONNECTOR, SNAP TIGHT チュウケイ コネクタ	LED1	
	VS1 - 6321 - 003		1	CONNECTOR, 3P, FEMALE コネクタ (メス)		
	VS1 - 6314 - 014		2	CONNECTOR, 14P, FEMALE コネクタ (メス)		
	VS1 - 6318 - 014		1	CONNECTOR, SNAP TIGHT 中継コネクタ		
J 125	NPN		PRE-CONDITIONING EXPOSURE LED 前露光LED			

FIGURE & KEY NO.	PART NUMBER	RANK	QTY	DESCRIPTION	SERIAL NUMBER / REMARKS
B - J 125	VS1 - 5057 - 002		1	CONNECTOR, SNAP TIGHT チュウケイ コネクタ	FM10
	VS1 - 6321 - 002		1	CONNECTOR, 2P, FEMALE コネクタ (メス)	
	J 128	NPN		PRE-TRANSFER FAN 転写前ファン	
	VS1 - 5057 - 003		1	CONNECTOR, SNAP TIGHT チュウケイ コネクタ	
	VS1 - 6321 - 003		1	CONNECTOR, 3P, FEMALE コネクタ (メス)	
J 129	NPN			DEVELOPMENT FAN 現像ファン	FM15
	VS1 - 5057 - 003		1	CONNECTOR, SNAP TIGHT チュウケイ コネクタ	
	VS1 - 6321 - 003		1	CONNECTOR, 3P, FEMALE コネクタ (メス)	
	J 130	VS1 - 5057 - 004	1	CONNECTOR, SNAP TIGHT チュウケイ コネクタ	
	VS1 - 6321 - 004		2	CONNECTOR, 4P, FEMALE コネクタ (メス)	
J 131	VS1 - 6314 - 009		2	CONNECTOR, 9P, FEMALE コネクタ (メス)	FM3
	VS1 - 6318 - 009		1	CONNECTOR, SNAP TIGHT チュウケイ コネクタ	
	J 132	NPN		SCANNER COOLING FAN 光学冷却ファン	
	VS1 - 6321 - 003		1	CONNECTOR, 3P, FEMALE コネクタ (メス)	
	J 133	NPN		PRIMARY CORONA FAN 一次帯電ファン	
J 134	VS1 - 6321 - 003		1	CONNECTOR, 3P, FEMALE コネクタ (メス)	FM14
	NPN			POLYGON FAN ポリゴン ファン	
	VS1 - 6321 - 003		1	CONNECTOR, 3P, FEMALE コネクタ (メス)	
	J 135	VS1 - 6314 - 006	2	CONNECTOR, 6P, FEMALE コネクタ (メス)	
	VS1 - 6318 - 006		1	CONNECTOR, SNAP TIGHT チュウケイ コネクタ	
J 136	NPN			PAPER SIZE SENSOR, 3 紙サイズ検知 (3)	iR8500/8500P TYPE SIZE3
	VS1 - 5057 - 003		1	CONNECTOR, SNAP TIGHT チュウケイ コネクタ	iR8500/8500P TYPE
	VS1 - 6321 - 003		1	CONNECTOR, 3P, FEMALE コネクタ (メス)	iR8500/8500P TYPE
	J 137	NPN		PAPER SIZE SENSOR, 4 紙サイズ検知 (4)	iR8500/8500P TYPE SIZE4
	VS1 - 5057 - 003		1	CONNECTOR, SNAP TIGHT チュウケイ コネクタ	iR8500/8500P TYPE
J 138	VS1 - 6321 - 003		1	CONNECTOR, 3P, FEMALE コネクタ (メス)	iR8500/8500P TYPE
	VS1 - 6314 - 013		2	CONNECTOR, 13P, FEMALE コネクタ (メス)	
	VS1 - 6318 - 013		1	CONNECTOR, SNAP TIGHT チュウケイ コネクタ	
	J 139	NPN		BUFFER TONER SENSOR バッファ残量検知	
	VS1 - 5057 - 003		1	CONNECTOR, SNAP TIGHT チュウケイ コネクタ	
J 139	NPN			TS1	

FIGURE & KEY NO.	PART NUMBER	RANK	QTY	DESCRIPTION	SERIAL NUMBER / REMARKS
B - J 139	VS1 - 6321 - 003		1	CONNECTOR, 3P, FEMALE コネクタ (メス)	TS2
J 140	NPN			BUFFER TONER EMPTINESS SENSOR パッファ空検知	
	VS1 - 5057 - 003		1	CONNECTOR, SNAP TIGHT チュウケイ コネクタ	CL1
	VS1 - 6321 - 003		1	CONNECTOR, 3P, FEMALE コネクタ (メス)	
J 141	NPN			BUFFER CLUTCH パッファ クラッチ	
	VS1 - 5057 - 002		1	CONNECTOR, SNAP TIGHT チュウケイ コネクタ	TS3
	VS1 - 6321 - 002		1	CONNECTOR, 2P, FEMALE コネクタ (メス)	
J 142	NPN			DEVELOPING TONER SENSOR 現像トナー センサ	
	VS1 - 5057 - 003		1	CONNECTOR, SNAP TIGHT チュウケイ コネクタ	
	VS1 - 6321 - 003		1	CONNECTOR, 3P, FEMALE コネクタ (メス)	
J 143	NPN			BUFFER MOTOR パッファ モータ	M18
	VS1 - 5057 - 002		1	CONNECTOR, SNAP TIGHT チュウケイ コネクタ	
	VS1 - 6321 - 002		1	CONNECTOR, 2P, FEMALE コネクタ (メス)	J 144
	VS1 - 5057 - 003		1	CONNECTOR, SNAP TIGHT チュウケイ コネクタ	
	VS1 - 6321 - 003		2	CONNECTOR, 3P, FEMALE コネクタ (メス)	
J 145	NPN			VERTICAL PATH SENSOR 1 縦パス センサ(1)	PS47
	VS1 - 6321 - 003		1	CONNECTOR, 3P, FEMALE コネクタ (メス)	
J 146	VS1 - 5057 - 004		1	CONNECTOR, SNAP TIGHT チュウケイ コネクタ	J 147
	VS1 - 6321 - 004		2	CONNECTOR, 4P, FEMALE コネクタ (メス)	
	NPN			RIGHT DOOR UPPER OPEN SENSOR 右扉上開閉センサ	PS58
	VS1 - 6321 - 003		1	CONNECTOR, 3P, FEMALE コネクタ (メス)	J 149
	NPN			PRE-TRANSFER CLEANING MOTOR 転写前清掃モータ	
	VS1 - 6321 - 002		1	CONNECTOR, 2P, FEMALE コネクタ (メス)	J 150
	NPN			POST EXPOSURE LED ポスト露光LED	
	VS1 - 6321 - 002		1	CONNECTOR, 2P, FEMALE コネクタ (メス)	LED2
J 151	VS1 - 5057 - 005		1	CONNECTOR, SNAP TIGHT チュウケイ コネクタ	ACCESSORY
	VS1 - 6321 - 005		2	CONNECTOR, 5P, FEMALE コネクタ (メス)	
J 152	SYS			TO FINISHER フィニッシャ	
	FH2 - 6480 - 000		1	CONNECTOR, FEMALE コネクタ (メス)	
	VS1 - 5452 - 007		1	CONNECTOR, 7P, FEMALE コネクタ (メス)	

FIGURE & KEY NO.	PART NUMBER	RANK	QTY	DESCRIPTION	SERIAL NUMBER / REMARKS
B - J 155	VS1 - 6314 - 006		2	CONNECTOR, 6P, FEMALE コネクタ (メス)	FM11
	VS1 - 6318 - 006		1	CONNECTOR, SNAP TIGHT チュウケイ コネクタ	
J 156	NPN			POWER SUPPLY FAN, 1 電源ファン (1)	FM12
	VS1 - 6321 - 003		1	CONNECTOR, 3P, FEMALE コネクタ (メス)	
J 157	NPN			POWER SUPPLY FAN, 2 電源ファン (2)	
J 158	VS1 - 6321 - 003		1	CONNECTOR, 3P, FEMALE コネクタ (メス)	iR8500/8500P TYPE
	VS1 - 6313 - 013		2	CONNECTOR, 13P, FEMALE コネクタ (メス)	
	VS1 - 6314 - 013		2	CONNECTOR, 13P, FEMALE コネクタ (メス)	
	VS1 - 6319 - 026		1	CONNECTOR, SNAP TIGHT チュウケイ コネクタ	
	VT2 - 5161 - 026		2	HOLDER, CONNECTOR, 26P コネクタ ホルダ	
J 159	NPN			GLASS SENSOR ガラス有無センサ	iR8500/8500P TYPE PS57
	VS1 - 6321 - 003		1	CONNECTOR, 3P, FEMALE コネクタ (メス)	iR8500/8500P TYPE
J 162	FH2 - 6452 - 000		1	CABLE, FLUORESCENT LAMP 蛍光灯フレキ束線	iR8500/8500P TYPE
	FH2 - 6574 - 000		1	CABLE, FLUORESCENT 蛍光灯束線	iR8500/8500P TYPE
J 163	FH2 - 6452 - 000		1	CABLE, FLUORESCENT LAMP 蛍光灯フレキ束線	iR8500/8500P TYPE
J 164	FH2 - 6453 - 000		1	CABLE, FLUORESCENT LAMP 蛍光灯束線	iR8500/8500P TYPE
	FH2 - 6453 - 000		1	CABLE, FLUORESCENT LAMP 蛍光灯束線	
	VS1 - 6304 - 003		1	CONNECTOR, 3P, MALE コネクタ (オス)	
	WS3 - 5571 - 000		3	PIN CONTACT, 22-28AWG ピン コンタクト	
J 165	PCB			EXPOSURE SENSOR 調光センサ	
J 166	VS1 - 6302 - 005		1	CONNECTOR, 5P, FEMALE コネクタ (メス)	H5
	WS3 - 5569 - 000		3	SOCKET CONTACT, 22-28AWG ソケット コンタクト	
	NPN			FLUORESCENT LAMP HEATER 蛍光灯ヒータ	
J 167	FH2 - 6453 - 000		1	CABLE, FLUORESCENT LAMP 蛍光灯束線	iR8500/8500P TYPE
	VS1 - 6313 - 010		2	CONNECTOR, 10P, FEMALE コネクタ (メス)	
J 168	VS1 - 6314 - 010		2	CONNECTOR, 10P, FEMALE コネクタ (メス)	iR8500/8500P TYPE
	VS1 - 6319 - 020		1	CONNECTOR, SNAP TIGHT チュウケイ コネクタ	iR8500/8500P TYPE
	VT2 - 5161 - 020		2	HOLDER, CONNECTOR, 20P コネクタ ホルダ	iR8500/8500P TYPE
	VS1 - 5057 - 006		1	CONNECTOR, SNAP TIGHT チュウケイ コネクタ	iR8500/8500P TYPE
	VS1 - 6321 - 006		2	CONNECTOR, 6P, FEMALE コネクタ (メス)	iR8500/8500P TYPE

FIGURE & KEY NO.	PART NUMBER	RANK	QTY	DESCRIPTION	SERIAL NUMBER / REMARKS
B - J 169	NPN			SCANNER HOME POSITION SENSOR 光学ホーム ポジション センサ	iR8500/8500P TYPE PS1
	VS1 - 6321 - 003		1	CONNECTOR, 3P, FEMALE コネクタ (メス)	iR8500/8500P TYPE
	J 170	NPN		DOCUMENT TOP SENSOR 画先センサ	iR8500/8500P TYPE PS3
J 170	VS1 - 6320 - 003		1	CONNECTOR, 3P, FEMALE コネクタ (メス)	iR8500/8500P TYPE
	J 171	NPN		INVERTER FAN インバータ ファン	iR8500/8500P TYPE FM9
J 172	VS1 - 6321 - 003		1	CONNECTOR, 3P, FEMALE コネクタ (メス)	iR8500/8500P TYPE
	VS1 - 5057 - 007		1	CONNECTOR, SNAP TIGHT チュウケイ コネクタ	iR8500/8500P TYPE
	VS1 - 6321 - 007		2	CONNECTOR, 7P, FEMALE コネクタ (メス)	iR8500/8500P TYPE
	J 173	VS1 - 6314 - 007		2	CONNECTOR, 7P, FEMALE コネクタ (メス)
VS1 - 6318 - 007			1	CONNECTOR, SNAP TIGHT チュウケイ コネクタ	
J 174	NPN			COPYBOARD COVER OPEN SENSOR 圧板開閉検知	iR8500/8500P TYPE PS4
	VS1 - 6321 - 003		1	CONNECTOR, 3P, FEMALE コネクタ (メス)	iR8500/8500P TYPE
J 175	VS1 - 5057 - 003		1	CONNECTOR, SNAP TIGHT チュウケイ コネクタ	iR8500/8500P TYPE
	VS1 - 6321 - 003		2	CONNECTOR, 3P, FEMALE コネクタ (メス)	iR8500/8500P TYPE
J 177	VS1 - 6314 - 003		2	CONNECTOR, 3P, FEMALE コネクタ (メス)	iR8500/8500P TYPE
J 180	VS1 - 6318 - 003		1	CONNECTOR, SNAP TIGHT チュウケイ コネクタ	iR8500/8500P TYPE
	VS1 - 6313 - 020		2	CONNECTOR, 20P, FEMALE コネクタ (メス)	
	VS1 - 6314 - 020		2	CONNECTOR, 20P, FEMALE コネクタ (メス)	
	VS1 - 6327 - 040		1	CONNECTOR, 40P, FEMALE コネクタ (メス)	
	VS1 - 6328 - 040		1	CONNECTOR, 40P, FEMALE コネクタ (メス)	
J 182	VT2 - 5161 - 040		2	HOLDER, CONNECTOR, 40P コネクタ ホルダ	
	WS3 - 5607 - 000		2	SOCKET CONTACT, 20-24AWG コンタクト	
	WS3 - 5609 - 000		2	SOCKET CONTACT, 12-14AWG ソケット コンタクト	
J 182	NPN			INTERNAL DELIVERY SENSOR 内排紙センサ	PS9
	VS1 - 6321 - 003		1	CONNECTOR, 3P, FEMALE コネクタ (メス)	
J 183	NPN			INVERT SENSOR 反転センサ	PS16
	VS1 - 6321 - 003		1	CONNECTOR, 3P, FEMALE コネクタ (メス)	
J 184	NPN			EXTERNAL DELIVERY SENSOR 外排紙センサ	PS10
	VS1 - 6321 - 003		1	CONNECTOR, 3P, FEMALE コネクタ (メス)	
J 185	NPN			FIXING EXIT SENSOR 定着出口センサ	PS11

FIGURE & KEY NO.	PART NUMBER	RANK	QTY	DESCRIPTION	SERIAL NUMBER / REMARKS
B - J 185	VS1 - 6321 - 003		1	CONNECTOR, 3P, FEMALE コネクタ (メス)	CL21
J 186	NPN			DELIVERY SPEED CHANGE CLUTCH 排紙速度切換クラッチ	
	VS1 - 5057 - 002		1	CONNECTOR, SNAP TIGHT チュウケイ コネクタ	
	VS1 - 6321 - 002		1	CONNECTOR, 2P, FEMALE コネクタ (メス)	
J 187	VS1 - 6314 - 010		2	CONNECTOR, 10P, FEMALE コネクタ (メス)	
	VS1 - 6318 - 010		1	CONNECTOR, SNAP TIGHT チュウケイ コネクタ	PS7
J 188	NPN			CLEANING BELT SENSOR ウェブ センサ	
	VS1 - 6320 - 003		1	CONNECTOR, 3P, FEMALE コネクタ (メス)	PS8
J 189	NPN			CLEANING BELT WARNING SENSOR ウェブ予告センサ	
	VS1 - 6320 - 003		1	CONNECTOR, 3P, FEMALE コネクタ (メス)	
J 190	NPN			FIXING MAIN THERMISTOR 定着サーミスタ (メイン)	TH1
	VS1 - 5057 - 002		1	CONNECTOR, SNAP TIGHT チュウケイ コネクタ	TH2
	VS1 - 6321 - 002		1	CONNECTOR, 2P, FEMALE コネクタ (メス)	
J 191	NPN			FIXING SUB THERMISTOR 定着サーミスタ (サブ)	
	VS1 - 5057 - 003		1	CONNECTOR, SNAP TIGHT チュウケイ コネクタ	
	VS1 - 6321 - 003		1	CONNECTOR, 3P, FEMALE コネクタ (メス)	PS6
J 192	VS1 - 6314 - 006		2	CONNECTOR, 6P, FEMALE コネクタ (メス)	
	VS1 - 6318 - 006		1	CONNECTOR, SNAP TIGHT チュウケイ コネクタ	
J 194	NPN			CLAW JAM SENSOR 爪ジャム センサ	
	VS1 - 6321 - 003		1	CONNECTOR, 3P, FEMALE コネクタ (メス)	
J 195	NPN			FLAPPER SOLENOID フラッパー ソレノイド	SL3
	VS1 - 5057 - 002		1	CONNECTOR, SNAP TIGHT チュウケイ コネクタ	SL2
	VS1 - 6321 - 002		1	CONNECTOR, 2P, FEMALE コネクタ (メス)	
J 196	NPN			CLEANING BELT SOLENOID ウェブ ソレノイド	
	VS1 - 5057 - 002		1	CONNECTOR, SNAP TIGHT チュウケイ コネクタ	
	VS1 - 6321 - 002		1	CONNECTOR, 2P, FEMALE コネクタ (メス)	
J 197	VS1 - 6313 - 013		2	CONNECTOR, 13P, FEMALE コネクタ (メス)	
	VS1 - 6314 - 013		2	CONNECTOR, 13P, FEMALE コネクタ (メス)	
	VS1 - 6327 - 026		1	CONNECTOR, 26P, FEMALE コネクタ (メス)	
	VS1 - 6328 - 026		1	CONNECTOR, 26P, FEMALE コネクタ (メス)	

FIGURE & KEY NO.	PART NUMBER	RANK	QTY	DESCRIPTION	SERIAL NUMBER / REMARKS
B - J 197	VT2 - 5161 - 026		1	HOLDER, CONNECTOR, 26P コネクタ ホルダ	
J 198	VS1 - 5057 - 007		1	CONNECTOR, SNAP TIGHT チュウケイ コネクタ	
	VS1 - 6321 - 007		2	CONNECTOR, 7P, FEMALE コネクタ (メス)	
J 199	NPN			REGISTRATION SENSOR レジスト センサ	PS5
	VS1 - 6321 - 003		1	CONNECTOR, 3P, FEMALE コネクタ (メス)	
J 200	NPN			REGISTRATION CLUTCH レジスト クラッチ	CL2
	VS1 - 5057 - 002		1	CONNECTOR, SNAP TIGHT チュウケイ コネクタ	
	VS1 - 6321 - 002		1	CONNECTOR, 2P, FEMALE コネクタ (メス)	
J 202	NPN			FEEDER FAN 搬送ファン	FM7
	VS1 - 5057 - 003		1	CONNECTOR, SNAP TIGHT チュウケイ コネクタ	
J 203	NPN			SEPARATION FAN 分離ファン	FM13
	VS1 - 6321 - 003		1	CONNECTOR, 3P, FEMALE コネクタ (メス)	
	VS1 - 5057 - 003		1	CONNECTOR, SNAP TIGHT チュウケイ コネクタ	
	VS1 - 6321 - 003		1	CONNECTOR, 3P, FEMALE コネクタ (メス)	
J 204	VS1 - 5057 - 004		1	CONNECTOR, SNAP TIGHT チュウケイ コネクタ	
J 205	NPN			UNIT LOCK SOLENOID ユニット ロック ソレノイド	SL4
	VS1 - 5057 - 003		1	CONNECTOR, SNAP TIGHT チュウケイ コネクタ	
	VS1 - 6321 - 003		1	CONNECTOR, 3P, FEMALE コネクタ (メス)	
J 206	NPN			TRANSFER/SEP. CLEANING MOTOR 転写 / 分離清掃モータ	M9
J 207	NPN			REGISTRATION BRAKE CLUTCH レジスト ブレーキ クラッチ	CL3
	VS1 - 5057 - 002		1	CONNECTOR, SNAP TIGHT チュウケイ コネクタ	
	VS1 - 6321 - 002		1	CONNECTOR, 2P, FEMALE コネクタ (メス)	
J 208	NPN			FIXING/FEEDER LEVER SENSOR 定着 / 搬送レバー センサ	PS28
J 209	NPN			CURL FAN カール取りファン	FM6
	VS1 - 6321 - 003		1	CONNECTOR, 3P, FEMALE コネクタ (メス)	
	VS1 - 5057 - 003		1	CONNECTOR, SNAP TIGHT チュウケイ コネクタ	
	VS1 - 6321 - 003		1	CONNECTOR, 3P, FEMALE コネクタ (メス)	
J 210	VS1 - 5057 - 003		1	CONNECTOR, SNAP TIGHT チュウケイ コネクタ	

FIGURE & KEY NO.	PART NUMBER	RANK	QTY	DESCRIPTION	SERIAL NUMBER / REMARKS
B - J 210	VS1 - 6321 - 003		2	CONNECTOR, 3P, FEMALE コネクタ (メス)	
J 211	VS1 - 5057 - 006		1	CONNECTOR, SNAP TIGHT チュウケイ コネクタ	
	VS1 - 6320 - 006		1	CONNECTOR, 6P, FEMALE コネクタ (メス)	
	VS1 - 6321 - 006		1	CONNECTOR, 6P, FEMALE コネクタ (メス)	
J 213	VS1 - 5057 - 006		1	CONNECTOR, SNAP TIGHT チュウケイ コネクタ	
	VS1 - 6321 - 006		2	CONNECTOR, 6P, FEMALE コネクタ (メス)	
J 214	VS1 - 5057 - 006		1	CONNECTOR, SNAP TIGHT チュウケイ コネクタ	
	VS1 - 6321 - 006		2	CONNECTOR, 6P, FEMALE コネクタ (メス)	
J 216	VS1 - 6314 - 002		2	CONNECTOR, 2P, FEMALE コネクタ (メス)	
	VS1 - 6318 - 002		1	CONNECTOR, SNAP TIGHT 中継コネクタ	
J 217	NPN			DEVELOPEMENT 2 CLUTCH 現像 (2) クラッチ	CL20
	VS1 - 5057 - 002		1	CONNECTOR, SNAP TIGHT チュウケイ コネクタ	
	VS1 - 6321 - 002		1	CONNECTOR, 2P, FEMALE コネクタ (メス)	
J 222	VS1 - 5057 - 003		1	CONNECTOR, SNAP TIGHT チュウケイ コネクタ	
	VS1 - 6321 - 003		2	CONNECTOR, 3P, FEMALE コネクタ (メス)	
J 223	NPN			MULTI CURL INLET SENSOR マルチ カール付け入口センサ	PS35
	VS1 - 6321 - 003		1	CONNECTOR, 3P, FEMALE コネクタ (メス)	
J 224	VS1 - 5057 - 012		1	CONNECTOR, SNAP TIGHT チュウケイ コネクタ	
	VS1 - 6321 - 012		2	CONNECTOR, 12P, FEMALE コネクタ (メス)	
J 225	NPN			MULTI PAPER WIDTH SENSOR マルチ紙幅検知	SVR1
	VS1 - 5057 - 003		1	CONNECTOR, SNAP TIGHT チュウケイ コネクタ	
	VS1 - 6321 - 003		1	CONNECTOR, 3P, FEMALE コネクタ (メス)	
J 226	NPN			MULTI PAPER SENSOR マルチ紙検知	PS17
	VS1 - 6321 - 003		1	CONNECTOR, 3P, FEMALE コネクタ (メス)	
J 227	NPN			MULTI PICK-UP SOLENOID マルチ給紙ソレノイド	SL6
	VS1 - 5057 - 003		1	CONNECTOR, SNAP TIGHT チュウケイ コネクタ	
	VS1 - 6321 - 003		1	CONNECTOR, 3P, FEMALE コネクタ (メス)	
J 228	SYS			TO 3.5K SIDE PAPER DECK 3.5Kサイド ペーパー デッキ	ACCESSORY
	FH2 - 6480 - 000		1	CONNECTOR, FEMALE コネクタ (メス)	
	VS1 - 5452 - 008		1	CONNECTOR, 8P, FEMALE コネクタ (メス)	

FIGURE & KEY NO.	PART NUMBER	RANK	QTY	DESCRIPTION	SERIAL NUMBER / REMARKS
B - J 228	WS3 - 5596 - 000		4	PIN CONTACT, 18-24AWG ピン コンタクト	
J 229	VS1 - 6313 - 012		2	CONNECTOR, 12P, FEMALE コネクタ (メス)	
	VS1 - 6314 - 012		2	CONNECTOR, 12P, FEMALE コネクタ (メス)	
	VS1 - 6319 - 024		1	CONNECTOR, SNAP TIGHT チュウケイ コネクタ	
	VT2 - 5161 - 024		2	HOLDER, CONNECTOR, 24P コネクタ ホルダ	
J 230	NPN			RIGHT DECK PICK-UP CLUTCH 右デッキ給紙クラッチ	CL10
	VS1 - 5057 - 002		1	CONNECTOR, SNAP TIGHT チュウケイ コネクタ	
	VS1 - 6320 - 002		1	CONNECTOR, 2P, FEMALE コネクタ (メス)	
J 231	NPN			VERTICAL PATH 1 CLUTCH 縦パス(1)クラッチ	CL8
	VS1 - 5057 - 002		1	CONNECTOR, SNAP TIGHT チュウケイ コネクタ	
J 232	NPN			RIGHT DECK LIFTER SENSOR 右デッキ リフタ センサ	PS21
	VS1 - 6321 - 002		1	CONNECTOR, 2P, FEMALE コネクタ (メス)	
J 233	NPN			RIGHT DECK PAPER SENSOR 右デッキ紙検知センサ	PS22
	VS1 - 6321 - 003		1	CONNECTOR, 3P, FEMALE コネクタ (メス)	
J 234	NPN			RIGHT PICK-UP SOLENOID 右デッキ給紙ソレノイド	SL7
	VS1 - 5057 - 002		1	CONNECTOR, SNAP TIGHT チュウケイ コネクタ	
	VS1 - 6321 - 002		1	CONNECTOR, 2P, FEMALE コネクタ (メス)	
J 235	NPN			RIGHT DECK PICK-UP SENSOR 右デッキ給紙センサ	PS20
	VS1 - 6321 - 003		1	CONNECTOR, 3P, FEMALE コネクタ (メス)	
J 236	NPN			RIGHT DECK OPEN/CLOSE SENSOR 右デッキ開閉センサ	PS23
	VS1 - 6320 - 003		1	CONNECTOR, 3P, FEMALE コネクタ (メス)	
J 237	NPN			RIGHT DECK LIMIT SENSOR 右デッキ リミット センサ	PS24
	VS1 - 6321 - 003		1	CONNECTOR, 3P, FEMALE コネクタ (メス)	
J 238	NPN			RIGHT DECK PULL-OUT SENSOR 右デッキ引き抜きセンサ	PS27
J 239	VS1 - 6321 - 003		1	CONNECTOR, 3P, FEMALE コネクタ (メス)	
	VS1 - 5057 - 007		1	CONNECTOR, SNAP TIGHT チュウケイ コネクタ	
	VS1 - 6321 - 007		2	CONNECTOR, 7P, FEMALE コネクタ (メス)	
J 240	SYS			TO ADF ADF	iR8500/8500P TYPE ACCESSORY
	FH2 - 6480 - 000		1	CONNECTOR, FEMALE コネクタ (メス)	iR8500/8500P TYPE

FIGURE & KEY NO.	PART NUMBER	RANK	QTY	DESCRIPTION	SERIAL NUMBER / REMARKS
B - J 240	VS1 - 5452 - 007		1	CONNECTOR, 7P, FEMALE コネクタ (メス)	iR8500/8500P TYPE
	WS3 - 5596 - 000		3	PIN CONTACT, 18-24AWG ピン コンタクト	iR8500/8500P TYPE
	J 241 NPN			DRUM INTAKE FAN ドラム吸引ファン	FM8
	VS1 - 5057 - 003		1	CONNECTOR, SNAP TIGHT チュウケイ コネクタ	
	VS1 - 6321 - 003		1	CONNECTOR, 3P, FEMALE コネクタ (メス)	
J 242	NPN			DEVELOPING SLEEVE CLUTCH 現像スリーブ クラッチ	CL4
	VS1 - 5057 - 002		1	CONNECTOR, SNAP TIGHT チュウケイ コネクタ	
	VS1 - 6321 - 002		1	CONNECTOR, 2P, FEMALE コネクタ (メス)	
J 243	VS1 - 5057 - 007		1	CONNECTOR, SNAP TIGHT チュウケイ コネクタ	
	VS1 - 5824 - 007		1	CONNECTOR, 7P, FEMALE コネクタ (メス)	
J 244	VS1 - 6321 - 007		1	CONNECTOR, 7P, FEMALE コネクタ (メス)	PS59
	WS3 - 5358 - 000		7	SOCKET CONTACT, 22-26AWG ソケット コンタクト	
	NPN			CARTRIDGE DOOR SENSOR カートリッジ扉センサ	
	VS1 - 5824 - 003		1	CONNECTOR, 3P, FEMALE コネクタ (メス)	
J 245	WS3 - 5358 - 000		3	SOCKET CONTACT, 22-26AWG ソケット コンタクト	MSW8
	VS1 - 5057 - 002		1	CONNECTOR, SNAP TIGHT チュウケイ コネクタ	
	VS1 - 5824 - 002		2	CONNECTOR, 2P, FEMALE コネクタ (メス)	
J 246	WS3 - 5358 - 000		4	SOCKET CONTACT, 22-26AWG ソケット コンタクト	MSW1
	NPN			CARTRIDGE MOTOR DRIVE SWITCH カートリッジ モータ駆動スイッチ	
J 247	RH2 - 5283 - 000		1	CONNECTOR, 3P, FEMALE コネクタ (メス)	M6
	WS3 - 5419 - 000		2	SOCKET CONTACT, 22-26AWG ソケット コンタクト	
	NPN			CARTRIDGE MOTOR カートリッジ モータ	
J 248	VS1 - 6373 - 002		1	CONNECTOR, 2P, FEMALE コネクタ (メス)	MSW1
	WS3 - 5569 - 000		2	SOCKET CONTACT, 22-28AWG ソケット コンタクト	
J 249	NPN			CARTRIDGE DETECT SWITCH カートリッジ有無スイッチ	
	VS1 - 6302 - 002		1	CONNECTOR, 2P, FEMALE コネクタ (メス)	
	WS3 - 5569 - 000		2	SOCKET CONTACT, 22-28AWG ソケット コンタクト	
J 250	VS1 - 5057 - 007		1	CONNECTOR, SNAP TIGHT チュウケイ コネクタ	
	VS1 - 6321 - 007		2	CONNECTOR, 7P, FEMALE コネクタ (メス)	

FIGURE & KEY NO.	PART NUMBER	RANK	QTY	DESCRIPTION	SERIAL NUMBER / REMARKS
B - J 250	VS1 - 6321 - 007		2	CONNECTOR, 7P, FEMALE コネクタ (メス)	MSW2
J 251	NPN			WASTE TONER CLOGGING SWITCH 廃トナー詰まりスイッチ	
	VS1 - 5057 - 002		1	CONNECTOR, SNAP TIGHT チュウケイ コネクタ	CL18
	VS1 - 6321 - 002		1	CONNECTOR, 2P, FEMALE コネクタ (メス)	
J 252	NPN			MULTI PULL-OUT CLUTCH マルチ引き抜きクラッチ	
	VS1 - 5057 - 002		1	CONNECTOR, SNAP TIGHT チュウケイ コネクタ	CL7
	VS1 - 6321 - 002		1	CONNECTOR, 2P, FEMALE コネクタ (メス)	
J 253	NPN			MULTI PICK-UP CLUTCH マルチ給紙クラッチ	
	VS1 - 5057 - 002		1	CONNECTOR, SNAP TIGHT チュウケイ コネクタ	
	VS1 - 6321 - 002		1	CONNECTOR, 2P, FEMALE コネクタ (メス)	
J 254	NPN			FRONT REGIST. BRAKE CLUTCH レジ前ブレーキ クラッチ	CL6
	VS1 - 5057 - 002		1	CONNECTOR, SNAP TIGHT チュウケイ コネクタ	CL5
	VS1 - 6321 - 002		1	CONNECTOR, 2P, FEMALE コネクタ (メス)	
J 255	NPN			FRONT REGISTRATION CLUTCH レジ前クラッチ	
	VS1 - 5057 - 002		1	CONNECTOR, SNAP TIGHT チュウケイ コネクタ	
J 256	VS1 - 6321 - 002		1	CONNECTOR, 2P, FEMALE コネクタ (メス)	SVR2
	NPN			CASSETTE 3 PAPER WIDTH SENSOR カセット (3) 紙幅検知	
	VS1 - 5057 - 003		1	CONNECTOR, SNAP TIGHT チュウケイ コネクタ	
	VS1 - 6321 - 003		1	CONNECTOR, 3P, FEMALE コネクタ (メス)	SV1
J 257	NPN			CASSETTE 3 PAPER LENGTH SENSOR カセット (3) 長さ検知	
	VS1 - 5057 - 004		1	CONNECTOR, SNAP TIGHT チュウケイ コネクタ	PS51
	VS1 - 6321 - 004		1	CONNECTOR, 4P, FEMALE コネクタ (メス)	
J 258	VS1 - 5057 - 006		1	CONNECTOR, SNAP TIGHT チュウケイ コネクタ	
	VS1 - 6321 - 006		2	CONNECTOR, 6P, FEMALE コネクタ (メス)	
J 259	NPN			RIGHT DECK PAPER MIDDLE SENSOR 右デッキ紙残量センサ (中)	
J 260	VS1 - 6321 - 003		1	CONNECTOR, 3P, FEMALE コネクタ (メス)	PS52
	NPN			RIGHT DECK PAPER UPPER SENSOR 右デッキ紙残量センサ (上)	
	VS1 - 6321 - 003		1	CONNECTOR, 3P, FEMALE コネクタ (メス)	PS51
J 261	VS1 - 5057 - 003		1	CONNECTOR, SNAP TIGHT チュウケイ コネクタ	
	VS1 - 6321 - 003		2	CONNECTOR, 3P, FEMALE コネクタ (メス)	

FIGURE & KEY NO.	PART NUMBER	RANK	QTY	DESCRIPTION	SERIAL NUMBER / REMARKS
B - J 262	NPN			WASTE TONER FULL SENSOR 廃トナー満杯検知	PS19
	VS1 - 6321 - 003		1	CONNECTOR, 3P, FEMALE コネクタ (メス)	
J 263	NPN			RIGHT DECK LIFTER MOTOR 右デッキ リフタ モータ	M13
	VS1 - 6321 - 002		1	CONNECTOR, 2P, FEMALE コネクタ (メス)	
J 264	NPN			VERTICAL PATH 2 CLUTCH 縦パス(2)クラッチ	CL9
	VS1 - 5057 - 002		1	CONNECTOR, SNAP TIGHT チュウケイ コネクタ	
	VS1 - 6321 - 002		1	CONNECTOR, 2P, FEMALE コネクタ (メス)	
J 265	NPN			CASSETTE 4 PAPER WIDTH SENSOR カセット(4)紙幅検知	SVR3
	VS1 - 5057 - 003		1	CONNECTOR, SNAP TIGHT チュウケイ コネクタ	
	VS1 - 6321 - 003		1	CONNECTOR, 3P, FEMALE コネクタ (メス)	
J 266	NPN			CASSETTE 4 PAPER LENGTH SENSOR カセット(4)長さ検知	SV2
	VS1 - 5057 - 004		1	CONNECTOR, SNAP TIGHT チュウケイ コネクタ	
	VS1 - 6321 - 004		1	CONNECTOR, 4P, FEMALE コネクタ (メス)	
J 267	NPN			LEFT DECK LIFTER MOTOR 左デッキ リフタ モータ	M14
	VS1 - 6321 - 002		1	CONNECTOR, 2P, FEMALE コネクタ (メス)	
J 268	VS1 - 5057 - 006		1	CONNECTOR, SNAP TIGHT チュウケイ コネクタ	
	VS1 - 6321 - 006		2	CONNECTOR, 6P, FEMALE コネクタ (メス)	
J 269	NPN			LEFT DECK PAPER MIDDLE SENSOR 左デッキ紙残量検センサ(中)	PS54
	VS1 - 6321 - 003		1	CONNECTOR, 3P, FEMALE コネクタ (メス)	
J 270	NPN			LEFT DECK PAPER UPPER SENSOR 左デッキ紙残量センサ(上)	PS55
	VS1 - 6321 - 003		1	CONNECTOR, 3P, FEMALE コネクタ (メス)	
J 271	FG6 - 3569 - 000		1	CABLE, BIAS SEPARATION CLAW 分離爪バイアス束線	
	VS1 - 5729 - 002		1	CONNECTOR, 2P, MALE コネクタ (オス)	
	WS3 - 5301 - 000		1	PIN CONTACT ピン コンタクト	
J 272	FG6 - 3568 - 000		1	CABLE, SEPARATION CLAW 分離爪束線	
J 281	FG6 - 3569 - 000		1	CABLE, BIAS SEPARATION CLAW 分離爪バイアス束線	
	VS1 - 6313 - 011		2	CONNECTOR, 11P, FEMALE コネクタ (メス)	
	VS1 - 6314 - 011		2	CONNECTOR, 11P, FEMALE コネクタ (メス)	
	VS1 - 6319 - 022		1	CONNECTOR, SNAP TIGHT チュウケイ コネクタ	
	VT2 - 5161 - 022		2	HOLDER, CONNECTOR, 22P コネクタ ホルダ	

FIGURE & KEY NO.	PART NUMBER	RANK	QTY	DESCRIPTION	SERIAL NUMBER / REMARKS
B - J 282	NPN			CASSETTE 3 PICK-UP CLUTCH カセット(3) 給紙クラッチ	CL12
	VS1 - 5057 - 002		1	CONNECTOR, SNAP TIGHT チュウケイ コネクタ	
J 283	VS1 - 6321 - 002		1	CONNECTOR, 2P, FEMALE コネクタ (メス)	CL13
	NPN			CASSETTE 3 VERT. PATH CLUTCH カセット(3) 縦パス クラッチ	
	VS1 - 5057 - 002		1	CONNECTOR, SNAP TIGHT チュウケイ コネクタ	PS38
	VS1 - 6320 - 002		1	CONNECTOR, 2P, FEMALE コネクタ (メス)	
J 284	NPN			CASSETTE 3 LIFTER SENSOR カセット(3) リフタ センサ	PS39
	VS1 - 6321 - 003		1	CONNECTOR, 3P, FEMALE コネクタ (メス)	
J 285	NPN			CASSETTE 3 PAPER DETECT SENSOR カセット(3) 紙検センサ	PS37
	VS1 - 6321 - 003		1	CONNECTOR, 3P, FEMALE コネクタ (メス)	
J 286	NPN			CASSETTE 3 PICK-UP SENSOR カセット(3) 給紙センサ	PS40
	VS1 - 6321 - 003		1	CONNECTOR, 3P, FEMALE コネクタ (メス)	
J 287	NPN			CASSETTE 3 OPEN/CLOSE SENSOR カセット(3) 開閉センサ	PS41
	VS1 - 6320 - 003		1	CONNECTOR, 3P, FEMALE コネクタ (メス)	
J 288	NPN			CASSETTE 3 VERT. PATH SENSOR カセット(3) 縦パス センサ	SL9
	VS1 - 6321 - 003		1	CONNECTOR, 3P, FEMALE コネクタ (メス)	
J 289	NPN			CASSETTE 3 PICK-UP SOLENOID カセット(3) 給紙ソレノイド	PS48
	VS1 - 5057 - 002		1	CONNECTOR, SNAP TIGHT チュウケイ コネクタ	
J 290	VS1 - 6321 - 002		1	CONNECTOR, 2P, FEMALE コネクタ (メス)	M16
	VS1 - 6313 - 011		2	CONNECTOR, 11P, FEMALE コネクタ (メス)	
J 291	VS1 - 6314 - 011		2	CONNECTOR, 11P, FEMALE コネクタ (メス)	PS48
	VT2 - 5161 - 022		2	HOLDER, CONNECTOR, 22P コネクタ ホルダ	
J 292	VS1 - 5057 - 004		1	CONNECTOR, SNAP TIGHT チュウケイ コネクタ	PS48
	VS1 - 6321 - 004		2	CONNECTOR, 4P, FEMALE コネクタ (メス)	
J 293	NPN			RIGHT DOOR LOWER OPEN SENSOR 右扉下開閉センサ	M16
	VS1 - 6321 - 003		1	CONNECTOR, 3P, FEMALE コネクタ (メス)	
J 294	VS1 - 5057 - 002		1	CONNECTOR, SNAP TIGHT チュウケイ コネクタ	M16
	VS1 - 6321 - 002		1	CONNECTOR, 2P, FEMALE コネクタ (メス)	
J 294	VS1 - 5057 - 003		1	CONNECTOR, SNAP TIGHT チュウケイ コネクタ	

FIGURE & KEY NO.	PART NUMBER	RANK	QTY	DESCRIPTION	SERIAL NUMBER / REMARKS
B - J 294	VS1 - 6321 - 003		2	CONNECTOR, 3P, FEMALE コネクタ (メス)	
J 295	PCB			CASSETTE 3 PAPER DETECT カセット (3) 紙残量検知	
	VS1 - 6321 - 003		1	CONNECTOR, 3P, FEMALE コネクタ (メス)	
J 296	PCB			CASSETTE 4 PAPER DETECT カセット (4) 紙残量検知	
	VS1 - 6321 - 003		1	CONNECTOR, 3P, FEMALE コネクタ (メス)	
J 301	NPN			CASSETTE 4 LIFTER MOTOR カセット (4) リフタ モータ	M17
	VS1 - 5057 - 002		1	CONNECTOR, SNAP TIGHT チュウケイ コネクタ	
	VS1 - 6321 - 002		1	CONNECTOR, 2P, FEMALE コネクタ (メス)	
J 302	PCB			HUMIDITY SENSOR 湿度センサ	
	VS1 - 6321 - 005		1	CONNECTOR, 5P, FEMALE コネクタ (メス)	
J 303	VS1 - 5057 - 003		1	CONNECTOR, SNAP TIGHT チュウケイ コネクタ	
	VS1 - 6321 - 003		2	CONNECTOR, 3P, FEMALE コネクタ (メス)	
J 304	NPN			VERTICAL PATH 2 SENSOR 縦パス (2) センサ	PS49
	VS1 - 6321 - 003		1	CONNECTOR, 3P, FEMALE コネクタ (メス)	
J 305	VS1 - 6313 - 011		2	CONNECTOR, 11P, FEMALE コネクタ (メス)	
	VS1 - 6314 - 011		2	CONNECTOR, 11P, FEMALE コネクタ (メス)	
	VS1 - 6319 - 022		1	CONNECTOR, SNAP TIGHT チュウケイ コネクタ	
	VT2 - 5161 - 022		2	HOLDER, CONNECTOR, 22P コネクタ ホルダ	
J 306	NPN			CASSETTE 4 PICK-UP CLUTCH カセット (4) 給紙クラッチ	CL14
	VS1 - 5057 - 002		1	CONNECTOR, SNAP TIGHT チュウケイ コネクタ	
J 307	NPN			CASSETTE 4 VERT. PATH CLUTCH カセット (4) 縦パス クラッチ	CL15
	VS1 - 5057 - 002		1	CONNECTOR, SNAP TIGHT チュウケイ コネクタ	
	VS1 - 6320 - 002		1	CONNECTOR, 2P, FEMALE コネクタ (メス)	
J 308	NPN			CASSETTE 4 LIFTER MOTOR カセット (4) リフタ モータ	PS43
J 309	NPN			CASSETTE 4 PAPER SENSOR カセット (4) 紙検センサ	PS44
	VS1 - 6321 - 003		1	CONNECTOR, 3P, FEMALE コネクタ (メス)	
J 310	NPN			CASSETTE 4 PICK-UP SENSOR カセット (4) 給紙センサ	PS42
	VS1 - 6321 - 003		1	CONNECTOR, 3P, FEMALE コネクタ (メス)	

FIGURE & KEY NO.	PART NUMBER	R A N K	Q' T Y	DESCRIPTION	SERIAL NUMBER / REMARKS
B - J 311	NPN			CASSETTE 4 OPEN/CLOSE SENSOR カセット(4) 開閉センサ	PS45
	VS1 - 6321 - 003		1	CONNECTOR, 3P, FEMALE コネクタ (メス)	
	J 312	NPN		CASSETTE 4 VERT. PATH SENSOR カセット(4) 縦パス センサ	
	VS1 - 6321 - 003		1	CONNECTOR, 3P, FEMALE コネクタ (メス)	PS46
J 313	NPN			CASSETTE 4 PICK-UP SOLENOID カセット(4) 給紙ソレノイド	SL10
J 314	VS1 - 5057 - 002		1	CONNECTOR, SNAP TIGHT チュウケイ コネクタ	
	VS1 - 6321 - 002		1	CONNECTOR, 2P, FEMALE コネクタ (メス)	
	VS1 - 6313 - 010		2	CONNECTOR, 10P, FEMALE コネクタ (メス)	
	VS1 - 6314 - 010		2	CONNECTOR, 10P, FEMALE コネクタ (メス)	
	VS1 - 6319 - 020		1	CONNECTOR, SNAP TIGHT チュウケイ コネクタ	
J 315	VT2 - 5161 - 020		2	HOLDER, CONNECTOR, 20P コネクタ ホルダ	PS31
	NPN			LEFT DECK LIFTER SENSOR 左デッキ リフタ センサ	
	VS1 - 6321 - 003		1	CONNECTOR, 3P, FEMALE コネクタ (メス)	PS32
J 316	NPN			LEFT DECK PAPER SENSOR 左デッキ紙検センサ	
	VS1 - 6321 - 003		1	CONNECTOR, 3P, FEMALE コネクタ (メス)	
J 317	NPN			LEFT DECK PICK-UP SENSOR 左デッキ給紙センサ	PS25
	VS1 - 6321 - 003		1	CONNECTOR, 3P, FEMALE コネクタ (メス)	PS33
J 318	NPN			LEFT DECK OPEN/CLOSE SENSOR 左デッキ開閉センサ	
	VS1 - 6320 - 003		1	CONNECTOR, 3P, FEMALE コネクタ (メス)	PS34
J 319	NPN			LEFT DECK LIMIT SENSOR 左デッキ リミット センサ	
J 320	VS1 - 6321 - 003		1	CONNECTOR, 3P, FEMALE コネクタ (メス)	CL11
	NPN			LEFT DECK PICK-UP CLUTCH 左デッキ給紙クラッチ	
	VS1 - 5057 - 002		1	CONNECTOR, SNAP TIGHT チュウケイ コネクタ	
	VS1 - 6321 - 002		1	CONNECTOR, 2P, FEMALE コネクタ (メス)	SL8
J 321	NPN			LEFT DECK PICK-UP SOLENOID 左デッキ給紙ソレノイド	
J 322	VS1 - 5057 - 002		1	CONNECTOR, SNAP TIGHT チュウケイ コネクタ	
	VS1 - 6321 - 002		1	CONNECTOR, 2P, FEMALE コネクタ (メス)	
	FG6 - 7209 - 000		1	CABLE, DUPLEXING FEEDER 両面搬送束線	
	VS1 - 6313 - 012		1	CONNECTOR, 12P, FEMALE コネクタ (メス)	
	VS1 - 6314 - 012		1	CONNECTOR, 12P, FEMALE コネクタ (メス)	

FIGURE & KEY NO.	PART NUMBER	RANK	QTY	DESCRIPTION	SERIAL NUMBER / REMARKS
B - J 322	VS1 - 6328 - 024		1	CONNECTOR, 24P, FEMALE コネクタ (メス)	
	VT2 - 5161 - 024		1	HOLDER, CONNECTOR, 24P コネクタ ホルダ	
	WS3 - 5607 - 000		4	SOCKET CONTACT, 20-24AWG コンタクト	
	J 323	FG6 - 7209 - 000	1	CABLE, DUPLEXING FEEDER 両面搬送束線	
		VS1 - 6313 - 012	1	CONNECTOR, 12P, FEMALE コネクタ (メス)	
J 324	VS1 - 6318 - 012		1	CONNECTOR, SNAP TIGHT チュウケイ コネクタ	M12
	NPN			DUPLEXING FEED MOTOR 両面搬送モータ	
	VS1 - 5057 - 006		1	CONNECTOR, SNAP TIGHT チュウケイ コネクタ	
J 325	VS1 - 6320 - 006		1	CONNECTOR, 6P, FEMALE コネクタ (メス)	M11
	NPN			DUPLEXING INVERT MOTOR 両面反転モータ	
J 326	VS1 - 5057 - 007		1	CONNECTOR, SNAP TIGHT チュウケイ コネクタ	
	VS1 - 6320 - 007		1	CONNECTOR, 7P, FEMALE コネクタ (メス)	
	FG6 - 7209 - 000		1	CABLE, DUPLEXING FEEDER 両面搬送束線	
	VS1 - 6314 - 003		1	CONNECTOR, 3P, FEMALE コネクタ (メス)	
	VS1 - 6318 - 003		1	CONNECTOR, SNAP TIGHT チュウケイ コネクタ	
J 327	NPN			FRONT JOINT SENSOR 合流前センサ	PS14
	VS1 - 6321 - 003		1	CONNECTOR, 3P, FEMALE コネクタ (メス)	
J 328	NPN			LEFT DECK PULL SENSOR 左デッキ引き抜きセンサ	PS26
	VS1 - 6321 - 003		1	CONNECTOR, 3P, FEMALE コネクタ (メス)	
J 329	NPN			SIDE REGISTRATION MOTOR 横レジ モータ	M15
J 330	FG6 - 7209 - 000		1	CABLE, DUPLEXING FEEDER 両面搬送束線	
	FG6 - 7209 - 000		1	CABLE, DUPLEXING FEEDER 両面搬送束線	
	VS1 - 5057 - 009		1	CONNECTOR, SNAP TIGHT チュウケイ コネクタ	
	VS1 - 6321 - 009		1	CONNECTOR, 9P, FEMALE コネクタ (メス)	
J 331	NPN			LOWER FEED RIGHT CLUTCH 下搬送右クラッチ	CL17
J 332	VS1 - 5057 - 002		1	CONNECTOR, SNAP TIGHT チュウケイ コネクタ	CL16
	VS1 - 6321 - 002		1	CONNECTOR, 2P, FEMALE コネクタ (メス)	
	NPN			LOWER FEED CENTER CLUTCH 下搬送中クラッチ	
	VS1 - 5057 - 002		1	CONNECTOR, SNAP TIGHT チュウケイ コネクタ	
	VS1 - 6321 - 002		1	CONNECTOR, 2P, FEMALE コネクタ (メス)	

FIGURE & KEY NO.	PART NUMBER	RANK	QTY	DESCRIPTION	SERIAL NUMBER / REMARKS	
B - J 333	NPN			LEFT DECK PULL CLUTCH 左デッキ引き抜きクラッチ	CL19	
	VS1 - 5057 - 002		1	CONNECTOR, SNAP TIGHT チュウケイ コネクタ		
	VS1 - 6321 - 002		1	CONNECTOR, 2P, FEMALE コネクタ (メス)		
	J 334	VS1 - 5057 - 003		1		CONNECTOR, SNAP TIGHT チュウケイ コネクタ
		VS1 - 5824 - 003		1		CONNECTOR, 3P, FEMALE コネクタ (メス)
J 335	VS1 - 6321 - 003		1	CONNECTOR, 3P, FEMALE コネクタ (メス)	PS18	
	WS3 - 5358 - 000		3	SOCKET CONTACT, 22-26AWG ソケット コンタクト		
	NPN			SIDE REGISTRATION SENSOR 横レジ センサ		
	VS1 - 0279 - 003		1	CONNECTOR, 3P, FEMALE コネクタ (メス)		
	WS3 - 0469 - 000		3	SOCKET CONTACT, 26-30AWG ソケット コンタクト		
J 336	FG6 - 7209 - 000		1	CABLE, DUPLEXING FEEDER 両面搬送束線	PS15	
	VS1 - 5057 - 003		1	CONNECTOR, SNAP TIGHT チュウケイ コネクタ		
	VS1 - 6321 - 003		1	CONNECTOR, 3P, FEMALE コネクタ (メス)		
J 337	NPN			AFTER JOINT SENSOR 合流後センサ	PS15	
	VS1 - 6321 - 003		1	CONNECTOR, 3P, FEMALE コネクタ (メス)		
J 338	VS1 - 5057 - 003		1	CONNECTOR, SNAP TIGHT チュウケイ コネクタ	PS13	
	VS1 - 6321 - 003		2	CONNECTOR, 3P, FEMALE コネクタ (メス)		
J 339	NPN			U-TURN SENSOR Uターン センサ	PS13	
	VS1 - 6321 - 003		1	CONNECTOR, 3P, FEMALE コネクタ (メス)		
J 340	VS1 - 5057 - 003		1	CONNECTOR, SNAP TIGHT チュウケイ コネクタ		
J 341	VS1 - 6321 - 003		2	CONNECTOR, 3P, FEMALE コネクタ (メス)	PS12	
	NPN			DUPLEXING INVERT SENSOR 両面反転センサ		
	VS1 - 6321 - 003		1	CONNECTOR, 3P, FEMALE コネクタ (メス)		
J 342	VS1 - 5057 - 003		1	CONNECTOR, SNAP TIGHT チュウケイ コネクタ	PS12	
	VS1 - 6321 - 003		2	CONNECTOR, 3P, FEMALE コネクタ (メス)		
J 343	VS1 - 6314 - 004		2	CONNECTOR, 4P, FEMALE コネクタ (メス)	PS12	
	VS1 - 6318 - 004		1	CONNECTOR, SNAP TIGHT チュウケイ コネクタ		
J 344	SYS			FOR RS-232C RS - 232C用	PS12	
	VS1 - 6314 - 008		1	CONNECTOR, 8P, FEMALE コネクタ (メス)		
	VS1 - 6318 - 008		1	CONNECTOR, SNAP TIGHT チュウケイ コネクタ		

FIGURE & KEY NO.	PART NUMBER	RANK	QTY	DESCRIPTION	SERIAL NUMBER / REMARKS
B - J 346	VS1 - 6314 - 003		2	CONNECTOR, 3P, FEMALE コネクタ (メス)	iR8500/8500P TYPE
	VS1 - 6318 - 003		1	CONNECTOR, SNAP TIGHT チュウケイ コネクタ	iR8500/8500P TYPE
J 347	VS1 - 6314 - 003		2	CONNECTOR, 3P, FEMALE コネクタ (メス)	iR8500/8500P TYPE
	VS1 - 6318 - 003		1	CONNECTOR, SNAP TIGHT チュウケイ コネクタ	iR8500/8500P TYPE
J 348	NPN			SCANNER MOTOR COOLING FAN 光学モータ冷却ファン	FM20
J 362	VS1 - 5057 - 004		1	CONNECTOR, SNAP TIGHT チュウケイ コネクタ	iR8500/8500P TYPE
	VS1 - 6321 - 004		1	CONNECTOR, 4P, FEMALE コネクタ (メス)	
	VS1 - 5057 - 002		1	CONNECTOR, SNAP TIGHT チュウケイ コネクタ	
	VS1 - 6321 - 002		2	CONNECTOR, 2P, FEMALE コネクタ (メス)	
	VS1 - 5057 - 003		1	CONNECTOR, SNAP TIGHT チュウケイ コネクタ	
J 364	VS1 - 6321 - 003		2	CONNECTOR, 3P, FEMALE コネクタ (メス)	
	VS1 - 5057 - 003		1	CONNECTOR, SNAP TIGHT チュウケイ コネクタ	
	VS1 - 6321 - 003		2	CONNECTOR, 3P, FEMALE コネクタ (メス)	
	VS1 - 5057 - 002		1	CONNECTOR, SNAP TIGHT チュウケイ コネクタ	
J 365	VS1 - 6321 - 002		2	CONNECTOR, 2P, FEMALE コネクタ (メス)	
	VS1 - 5057 - 003		1	CONNECTOR, SNAP TIGHT チュウケイ コネクタ	
J 366	FG6 - 7209 - 000		1	CABLE, DUPLEXING FEEDER 両面搬送束線	
	VS1 - 6314 - 004		1	CONNECTOR, 4P, FEMALE コネクタ (メス)	
	VS1 - 6318 - 004		1	CONNECTOR, SNAP TIGHT チュウケイ コネクタ	
J 401	VS1 - 6314 - 004		2	CONNECTOR, 4P, FEMALE コネクタ (メス)	
	VS1 - 6318 - 004		1	CONNECTOR, SNAP TIGHT チュウケイ コネクタ	
J 402	VS1 - 6314 - 009		2	CONNECTOR, 9P, FEMALE コネクタ (メス)	
	VS1 - 6318 - 009		1	CONNECTOR, SNAP TIGHT チュウケイ コネクタ	
J 403	SYS			FOR RS-232C RS - 232C用	
	VS1 - 6314 - 013		1	CONNECTOR, 13P, FEMALE コネクタ (メス)	
	VS1 - 6318 - 013		1	CONNECTOR, SNAP TIGHT チュウケイ コネクタ	
J 404	VS1 - 6314 - 011		2	CONNECTOR, 11P, FEMALE コネクタ (メス)	
	VS1 - 6318 - 011		1	CONNECTOR, SNAP TIGHT チュウケイ コネクタ	
J 405	VS1 - 6313 - 018		2	CONNECTOR, 18P, FEMALE コネクタ (メス)	
	VS1 - 6314 - 018		2	CONNECTOR, 18P, FEMALE コネクタ (メス)	
	VS1 - 6319 - 036		1	CONNECTOR, 36P, MALE コネクタ (オス)	

FIGURE & KEY NO.	PART NUMBER	RANK	QTY	DESCRIPTION	SERIAL NUMBER / REMARKS
B - J 405	VT2 - 5161 - 036		2	HOLDER, CONNECTOR, 36P コネクタ ホルダ	
J 407	VS1 - 6313 - 017		2	CONNECTOR, 17P, FEMALE コネクタ (メス)	
	VS1 - 6314 - 017		2	CONNECTOR, 17P, FEMALE コネクタ (メス)	
	VS1 - 6319 - 034		1	CONNECTOR, 34P, MALE コネクタ (オス)	
	VT2 - 5161 - 034		2	HOLDER, CONNECTOR, 34P コネクタ ホルダ	
J 408	VS1 - 6314 - 005		2	CONNECTOR, 5P, FEMALE コネクタ (メス)	
	VS1 - 6318 - 005		1	CONNECTOR, SNAP TIGHT チュウケイ コネクタ	
J 409	SYS			TO CARD READER カード リーダ	ACCESSORY
	VS1 - 6314 - 005		1	CONNECTOR, 5P, FEMALE コネクタ (メス)	
J 411	SYS			TO COIN ROBO コイン ロボ	ACCESSORY
J 412	VS1 - 6321 - 004		1	CONNECTOR, 4P, FEMALE コネクタ (メス)	
	SYS			TO COIN ROBO コイン ロボ	
	VS1 - 0280 - 004		1	CONNECTOR, 4P, MALE コネクタ (オス)	
J 501	WS3 - 5016 - 000		4	PIN CONTACT, 30-26AWG ピン コンタクト	
	PCB			DC CONTROLLER DCコントローラ	
J 502	VS3 - 5083 - 006		1	CONNECTOR, 6P, FEMALE コネクタ (メス)	
	WS3 - 5160 - 000		6	SOCKET CONTACT, 18-24AWG ソケット コンタクト	
	PCB			DC CONTROLLER DCコントローラ	
	VS1 - 6313 - 015		1	CONNECTOR, 15P, FEMALE コネクタ (メス)	
	VS1 - 6314 - 015		1	CONNECTOR, 15P, FEMALE コネクタ (メス)	
J 503	VT2 - 5161 - 030		1	HOLDER, CONNECTOR, 30P コネクタ ホルダ	
	PCB			DC CONTROLLER DCコントローラ	
	VS1 - 6313 - 010		1	CONNECTOR, 10P, FEMALE コネクタ (メス)	
	VS1 - 6314 - 010		1	CONNECTOR, 10P, FEMALE コネクタ (メス)	
	VT2 - 5161 - 020		1	HOLDER, CONNECTOR, 20P コネクタ ホルダ	
J 504	PCB			DC CONTROLLER DCコントローラ	
	VS1 - 6314 - 014		1	CONNECTOR, 14P, FEMALE コネクタ (メス)	
	VT2 - 5161 - 028		1	HOLDER, CONNECTOR, 28P コネクタ ホルダ	
J 505	PCB			DC CONTROLLER DCコントローラ	
	VS1 - 6313 - 017		1	CONNECTOR, 17P, FEMALE コネクタ (メス)	

FIGURE & KEY NO.	PART NUMBER	RANK	QTY	DESCRIPTION	SERIAL NUMBER / REMARKS	
B - J 505	VS1 - 6314 - 017		1	CONNECTOR, 17P, FEMALE コネクタ (メス)		
	VT2 - 5161 - 034		1	HOLDER, CONNECTOR, 34P コネクタ ホルダ		
	J 506	PCB			DC CONTROLLER DCコントローラ	
		VS1 - 6313 - 014		1	CONNECTOR, 14P, FEMALE コネクタ (メス)	
		VS1 - 6314 - 014		1	CONNECTOR, 14P, FEMALE コネクタ (メス)	
J 507	VT2 - 5161 - 028		1	HOLDER, CONNECTOR, 28P コネクタ ホルダ		
	PCB			DC CONTROLLER DCコントローラ		
	VS1 - 6313 - 008		1	CONNECTOR, 8P, FEMALE コネクタ (メス)		
	VS1 - 6314 - 008		1	CONNECTOR, 8P, FEMALE コネクタ (メス)		
	VT2 - 5161 - 016		1	HOLDER, CONNECTOR, 16P コネクタ ホルダ		
J 508	PCB			DC CONTROLLER DCコントローラ		
	VS1 - 6313 - 020		1	CONNECTOR, 20P, FEMALE コネクタ (メス)		
	VS1 - 6314 - 020		1	CONNECTOR, 20P, FEMALE コネクタ (メス)		
	VT2 - 5161 - 040		1	HOLDER, CONNECTOR, 40P コネクタ ホルダ		
J 509	PCB		DC CONTROLLER DCコントローラ			
J 510	VS1 - 6313 - 013		1	CONNECTOR, 13P, FEMALE コネクタ (メス)		
	VS1 - 6314 - 013		1	CONNECTOR, 13P, FEMALE コネクタ (メス)		
	VT2 - 5161 - 026		1	HOLDER, CONNECTOR, 26P コネクタ ホルダ		
	PCB			DC CONTROLLER DCコントローラ		
	VS1 - 6313 - 016		1	CONNECTOR, 16P, FEMALE コネクタ (メス)		
J 511	VS1 - 6314 - 016		1	CONNECTOR, 16P, FEMALE コネクタ (メス)		
	VT2 - 5161 - 032		1	HOLDER, CONNECTOR, 32P コネクタ ホルダ		
	PCB			DC CONTROLLER DCコントローラ		
	VS1 - 6313 - 012		1	CONNECTOR, 12P, FEMALE コネクタ (メス)		
	VS1 - 6314 - 012		1	CONNECTOR, 12P, FEMALE コネクタ (メス)		
J 512	VT2 - 5161 - 024		1	HOLDER, CONNECTOR, 24P コネクタ ホルダ		
	PCB			DC CONTROLLER DCコントローラ		
	VS1 - 6313 - 014		1	CONNECTOR, 14P, FEMALE コネクタ (メス)		
	VS1 - 6314 - 014		1	CONNECTOR, 14P, FEMALE コネクタ (メス)		
	VT2 - 5161 - 028		1	HOLDER, CONNECTOR, 28P コネクタ ホルダ		

FIGURE & KEY NO.	PART NUMBER	RANK	QTY	DESCRIPTION	SERIAL NUMBER / REMARKS
B - J 513	PCB			DC CONTROLLER DCコントローラ	
	VS1 - 6313 - 013		1	CONNECTOR, 13P, FEMALE コネクタ (メス)	
	VS1 - 6314 - 013		1	CONNECTOR, 13P, FEMALE コネクタ (メス)	
	VT2 - 5161 - 026		1	HOLDER, CONNECTOR, 26P コネクタ ホルダ	
J 514	PCB		DC CONTROLLER DCコントローラ		
J 515	VS1 - 6313 - 014		1	CONNECTOR, 14P, FEMALE コネクタ (メス)	
	VS1 - 6314 - 014		1	CONNECTOR, 14P, FEMALE コネクタ (メス)	
	VT2 - 5161 - 028		1	HOLDER, CONNECTOR, 28P コネクタ ホルダ	
	PCB			DC CONTROLLER DCコントローラ	
J 516	VS1 - 6313 - 011		1	CONNECTOR, 11P, FEMALE コネクタ (メス)	
	VT2 - 5161 - 022		1	HOLDER, CONNECTOR, 22P コネクタ ホルダ	
	PCB			DC CONTROLLER DCコントローラ	
	VS1 - 6313 - 012		1	CONNECTOR, 12P, FEMALE コネクタ (メス)	
J 517	VS1 - 6314 - 012		1	CONNECTOR, 12P, FEMALE コネクタ (メス)	
	VT2 - 5161 - 024		1	HOLDER, CONNECTOR, 24P コネクタ ホルダ	
	PCB			DC CONTROLLER DCコントローラ	
	VS1 - 6313 - 011		1	CONNECTOR, 11P, FEMALE コネクタ (メス)	
J 518	VS1 - 6314 - 011		1	CONNECTOR, 11P, FEMALE コネクタ (メス)	
	VT2 - 5161 - 022		1	HOLDER, CONNECTOR, 22P コネクタ ホルダ	
	PCB			DC CONTROLLER DCコントローラ	
	VS1 - 6313 - 010		1	CONNECTOR, 10P, FEMALE コネクタ (メス)	
J 519	VS1 - 6314 - 010		1	CONNECTOR, 10P, FEMALE コネクタ (メス)	
	VT2 - 5161 - 020		1	HOLDER, CONNECTOR, 20P コネクタ ホルダ	
	PCB			DC CONTROLLER DCコントローラ	
J 523	VS1 - 6313 - 012		1	CONNECTOR, 12P, FEMALE コネクタ (メス)	
	VS1 - 6314 - 012		1	CONNECTOR, 12P, FEMALE コネクタ (メス)	
	VT2 - 5161 - 024		1	HOLDER, CONNECTOR, 24P コネクタ ホルダ	
	PCB			DC CONTROLLER DCコントローラ	
	VS1 - 6314 - 004		1	CONNECTOR, 4P, FEMALE コネクタ (メス)	

FIGURE & KEY NO.	PART NUMBER	RANK	QTY	DESCRIPTION	SERIAL NUMBER / REMARKS
B - J 526	PCB			DC CONTROLLER DCコントローラ	
	VS1 - 6314 - 007		1	CONNECTOR, 7P, FEMALE コネクタ (メス)	
J 601	NPN			DRUM MOTOR ドラム モータ	M0
	VS3 - 5083 - 002		1	CONNECTOR, 2P, FEMALE コネクタ (メス)	
	WS3 - 5160 - 000		2	SOCKET CONTACT, 18-24AWG ソケット コンタクト	
J 602	NPN			DRUM MOTOR ドラム モータ	
	VS1 - 6321 - 005		1	CONNECTOR, 5P, FEMALE コネクタ (メス)	
J 611	NPN			MAIN MOTOR メイン モータ	M1
	VS3 - 5083 - 002		1	CONNECTOR, 2P, FEMALE コネクタ (メス)	
	WS3 - 5160 - 000		2	SOCKET CONTACT, 18-24AWG ソケット コンタクト	
J 612	NPN			MAIN MOTOR メイン モータ	M1
	VS1 - 6321 - 005		1	CONNECTOR, 5P, FEMALE コネクタ (メス)	
J 621	NPN			PAPER PICK-UP MOTOR 給紙モータ	M2
	VS3 - 5083 - 002		1	CONNECTOR, 2P, FEMALE コネクタ (メス)	
	WS3 - 5160 - 000		2	SOCKET CONTACT, 18-24AWG ソケット コンタクト	
J 622	NPN			PAPER PICK-UP MOTOR 給紙モータ	
	VS1 - 6321 - 005		1	CONNECTOR, 5P, FEMALE コネクタ (メス)	
J 651	NPN			FIXING DRIVE MOTOR 定着駆動モータ	M10
	VS3 - 5083 - 002		1	CONNECTOR, 2P, FEMALE コネクタ (メス)	
	WS3 - 5160 - 000		2	SOCKET CONTACT, 18-24AWG ソケット コンタクト	
J 652	NPN			FIXING DRIVE MOTOR 定着駆動モータ	M10
	VS1 - 6321 - 006		1	CONNECTOR, 6P, FEMALE コネクタ (メス)	
J 701	PCB			MACHINE POWER SUPPLY 本体電源	
	VS3 - 5083 - 007		1	CONNECTOR, 7P, FEMALE コネクタ (メス)	
	WS3 - 5160 - 000		4	SOCKET CONTACT, 18-24AWG ソケット コンタクト	
J 721	PCB			HIGH VOLTAGE DC TRANSFORMER 高圧DCトランス	
	VS1 - 6302 - 004		1	CONNECTOR, 4P, FEMALE コネクタ (メス)	
	WS3 - 5569 - 000		4	SOCKET CONTACT, 22-28AWG ソケット コンタクト	
J 722	PCB			HIGH VOLTAGE DC TRANSFORMER 高圧DCトランス	
	VS1 - 6302 - 005		1	CONNECTOR, 5P, FEMALE コネクタ (メス)	

FIGURE & KEY NO.	PART NUMBER	R A N K	Q' T Y	DESCRIPTION	SERIAL NUMBER / REMARKS
B - J 722	WS3 - 5569 - 000		5	SOCKET CONTACT, 22-28AWG ソケット コンタクト	
J 723	PCB			HIGH VOLTAGE DC TRANSFORMER 高圧DCトランス	
	VS1 - 6314 - 016		1	CONNECTOR, 16P, FEMALE コネクタ (メス)	
J 731	PCB			HIGH VOLTAGE DC TRANSFORMER 高圧DCトランス	
	FH2 - 9231 - 000		1	JOINT CONNECTOR UNIT 連結コネクタ ユニット	
J 732	PCB			HIGH VOLTAGE DC TRANSFORMER 高圧DCトランス	
	FH2 - 9231 - 000		1	JOINT CONNECTOR UNIT 連結コネクタ ユニット	
J 733	PCB			HIGH VOLTAGE DC TRANSFORMER 高圧DCトランス	
	FH2 - 9231 - 000		1	JOINT CONNECTOR UNIT 連結コネクタ ユニット	
J 734	PCB			HIGH VOLTAGE DC TRANSFORMER 高圧DCトランス	
J 737	NPN			AC TRANSFORMER ACトランス	
	PCB			HIGH VOLTAGE DC TRANSFORMER 高圧DCトランス	
	VS3 - 5083 - 002		1	CONNECTOR, 2P, FEMALE コネクタ (メス)	
	WS3 - 5160 - 000		1	SOCKET CONTACT, 18-24AWG ソケット コンタクト	
J 741	PCB			HIGH VOLTAGE AC TRANSFORMER 高圧ACトランス	
J 742	VS1 - 6302 - 005		1	CONNECTOR, 5P, FEMALE コネクタ (メス)	
	WS3 - 5569 - 000		5	SOCKET CONTACT, 22-28AWG ソケット コンタクト	
	PCB			HIGH VOLTAGE AC TRANSFORMER 高圧ACトランス	
	NPN			AC TRANSFORMER ACトランス	
J 755	FH2 - 5821 - 000		1	CONNECTOR, 12P, FEMALE コネクタ (メス)	iR7200/7200P TYPE
J 761	FH2 - 5825 - 000		5	PIN CONTACT, 16-20AWG ピン コンタクト	iR7200/7200P TYPE
	FH2 - 6855 - 000		1	HOUSING ハウジング	iR7200/7200P TYPE
	FH2 - 6856 - 000		1	HOUSING ハウジング	iR7200/7200P TYPE
	WS3 - 5264 - 000		5	SOCKET CONTACT ソケット コンタクト	iR7200/7200P TYPE
	PCB			POLYGON MOTOR DRIVER ポリゴン モータ ドライバ	
J 762	VS3 - 5083 - 003		1	CONNECTOR, 3P, FEMALE コネクタ (メス)	
	WS3 - 5160 - 000		2	SOCKET CONTACT, 18-24AWG ソケット コンタクト	
	PCB			POLYGON MOTOR DRIVER ポリゴン モータ ドライバ	
J 763	VS1 - 6321 - 004		1	CONNECTOR, 4P, FEMALE コネクタ (メス)	
	PCB			POLYGON MOTOR DRIVER ポリゴン モータ ドライバ	

FIGURE & KEY NO.	PART NUMBER	RANK	QTY	DESCRIPTION	SERIAL NUMBER / REMARKS
B - J 763	VS1 - 6302 - 011		1	CONNECTOR, 11P, FEMALE コネクタ (メス)	M4
	WS3 - 5569 - 000		11	SOCKET CONTACT, 22-28AWG ソケット コンタクト	
	J 764 NPN			POLYGON MOTOR ポリゴン モータ	
	VS3 - 0315 - 011		1	CONNECTOR, 11P, FEMALE コネクタ (メス)	
J 764	WS3 - 1091 - 000		11	SOCKET CONTACT ソケット コンタクト	
	J 781 PCB			EVERYNIGHT POWER 常夜電源	
J 781	VS1 - 6380 - 003		1	CONNECTOR, 3P, MALE コネクタ (オス)	
	WS3 - 5292 - 000		2	SOCKET CONTACT ソケット コンタクト	
J 782	J 782 PCB			EVERYNIGHT POWER 常夜電源	
	VS3 - 5083 - 006		1	CONNECTOR, 6P, FEMALE コネクタ (メス)	
J 783	WS3 - 5160 - 000		4	SOCKET CONTACT, 18-24AWG ソケット コンタクト	
	J 783 PCB			EVERYNIGHT POWER 常夜電源	
	VS1 - 6302 - 006		1	CONNECTOR, 6P, FEMALE コネクタ (メス)	
J 784	WS3 - 5680 - 000		6	SOCKET CONTACT, 20-24AWG ソケット コンタクト	
	J 784 PCB			EVERYNIGHT POWER 常夜電源	
J 785	VS1 - 6321 - 003		1	CONNECTOR, 3P, FEMALE コネクタ (メス)	
	J 785 PCB			EVERYNIGHT POWER 常夜電源	
J 791	VS1 - 6321 - 004		1	CONNECTOR, 4P, FEMALE コネクタ (メス)	
	J 791 PCB			AC DRIVER ACドライバ	
J 792	VS1 - 6302 - 004		1	CONNECTOR, 4P, FEMALE コネクタ (メス)	
	WS3 - 5569 - 000		4	SOCKET CONTACT, 22-28AWG ソケット コンタクト	
J 801	J 792 PCB			AC DRIVER SUB ACドライバ サブ	
	VS1 - 6321 - 012		1	CONNECTOR, 12P, FEMALE コネクタ (メス)	
J 802	J 801 PCB			SCANNER MOTOR DRIVER 光学モータ ドライバ	
	VS3 - 5083 - 007		1	CONNECTOR, 7P, FEMALE コネクタ (メス)	
J 803	WS3 - 5160 - 000		7	SOCKET CONTACT, 18-24AWG ソケット コンタクト	
	J 802 PCB			SCANNER MOTOR DRIVER 光学モータ ドライバ	
J 803	VS1 - 6321 - 012		1	CONNECTOR, 12P, FEMALE コネクタ (メス)	
	J 803 PCB			SCANNER MOTOR DRIVER 光学モータ ドライバ	
J 803	NPN			SCANNER MOTOR 光学モータ	

FIGURE & KEY NO.	PART NUMBER	RANK	QTY	DESCRIPTION	SERIAL NUMBER / REMARKS
B - J 804	PCB			SCANNER MOTOR DRIVER 光学モータ ドライバ	iR8500/8500P TYPE
	VS1 - 6321 - 003		1	CONNECTOR, 3P, FEMALE コネクタ (メス)	iR8500/8500P TYPE
J 851	PCB			EXPOSURE CONTROLLER 調光制御	iR8500/8500P TYPE
	VS3 - 5083 - 004		1	CONNECTOR, 4P, FEMALE コネクタ (メス)	iR8500/8500P TYPE
	WS3 - 5160 - 000		4	SOCKET CONTACT, 18-24AWG ソケット コンタクト	iR8500/8500P TYPE
J 852	PCB			EXPOSURE CONTROLLER 調光制御	iR8500/8500P TYPE
	FH2 - 6574 - 000		1	CABLE, FLUORESCENT 蛍光灯束線	iR8500/8500P TYPE
J 853	PCB			EXPOSURE CONTROLLER 調光制御	iR8500/8500P TYPE
	VS1 - 6321 - 005		1	CONNECTOR, 5P, FEMALE コネクタ (メス)	iR8500/8500P TYPE
J 943	PCB			INVERTER POWER インバータ電源	iR8500/8500P TYPE
J 1001	VS3 - 5083 - 004		1	CONNECTOR, 4P, FEMALE コネクタ (メス)	iR8500/8500P TYPE
	WS3 - 5160 - 000		4	SOCKET CONTACT, 18-24AWG ソケット コンタクト	iR8500/8500P TYPE
	PCB			FLUORESCENT LAMP INVERTER 蛍光灯インバータ	iR8500/8500P TYPE
	VS3 - 5083 - 002		1	CONNECTOR, 2P, FEMALE コネクタ (メス)	iR8500/8500P TYPE
	WS3 - 5160 - 000		2	SOCKET CONTACT, 18-24AWG ソケット コンタクト	iR8500/8500P TYPE
J 1002	PCB			FLUORESCENT LAMP INVERTER 蛍光灯インバータ	iR8500/8500P TYPE
	VS1 - 6321 - 008		1	CONNECTOR, 8P, FEMALE コネクタ (メス)	iR8500/8500P TYPE
J 1003	PCB			FLUORESCENT LAMP INVERTER 蛍光灯インバータ	iR8500/8500P TYPE
	FH2 - 6574 - 000		1	CABLE, FLUORESCENT 蛍光灯束線	iR8500/8500P TYPE
J 1006	PCB			MAIN CONTROLLER メイン コントローラ	
J 1014	VS1 - 6314 - 009		1	CONNECTOR, 9P, FEMALE コネクタ (メス)	
	PCB			MAIN CONTROLLER メイン コントローラ	
J 1015	VS1 - 6407 - 080		1	CONNECTOR, 80P, FEMALE コネクタ (メス)	
	PCB			PIXEL/LINE CHANGE 画素 / ライン変換	
	PCB			MAIN CONTROLLER メイン コントローラ	
J 1017	PCB			MAIN CONTROLLER メイン コントローラ	
	VS1 - 6619 - 040		1	CONNECTOR, 40P, FEMALE コネクタ (メス)	
J 1018	PCB			MAIN CONTROLLER メイン コントローラ	
	VS1 - 6313 - 018		2	CONNECTOR, 18P, FEMALE コネクタ (メス)	
	VT2 - 5161 - 036		1	HOLDER, CONNECTOR, 36P コネクタ ホルダ	

FIGURE & KEY NO.	PART NUMBER	RANK	QTY	DESCRIPTION	SERIAL NUMBER / REMARKS
B - J1019	PCB			MAIN CONTROLLER メイン コントローラ	
	VS1 - 6313 - 013		2	CONNECTOR, 13P, FEMALE コネクタ (メス)	
	VT2 - 5161 - 026		1	HOLDER, CONNECTOR, 26P コネクタ ホルダ	
	J1020	PCB		MAIN CONTROLLER メイン コントローラ	
	VS1 - 6302 - 015		1	CONNECTOR, 15P, MALE コネクタハウジング	
J1021	WS3 - 5680 - 000		14	SOCKET CONTACT, 20-24AWG ソケット コンタクト	
	PCB			MAIN CONTROLLER メイン コントローラ	
	VS1 - 6314 - 003		1	CONNECTOR, 3P, FEMALE コネクタ (メス)	
	J1022	PCB		MAIN CONTROLLER メイン コントローラ	
	VS1 - 6321 - 006		1	CONNECTOR, 6P, FEMALE コネクタ (メス)	
J1023	PCB			MAIN CONTROLLER メイン コントローラ	
	VS1 - 6314 - 011		1	CONNECTOR, 11P, FEMALE コネクタ (メス)	
J1024	PCB			MAIN CONTROLLER メイン コントローラ	
	VS1 - 6314 - 010		1	CONNECTOR, 10P, FEMALE コネクタ (メス)	
J1027	PCB			MAIN CONTROLLER メイン コントローラ	
J1028	VS1 - 6302 - 002		1	CONNECTOR, 2P, FEMALE コネクタ (メス)	
	WS3 - 5680 - 000		2	SOCKET CONTACT, 20-24AWG ソケット コンタクト	
	PCB			MAIN CONTROLLER メイン コントローラ	
	NPN			SYSTEM FAN システム ファン	FM16
J1058	PCB			MAIN CONTROLLER メイン コントローラ	
J1060	VS1 - 6302 - 004		1	CONNECTOR, 4P, FEMALE コネクタ (メス)	
	WS3 - 5680 - 000		4	SOCKET CONTACT, 20-24AWG ソケット コンタクト	
	PCB			MAIN CONTROLLER メイン コントローラ	
	VS1 - 6321 - 004		1	CONNECTOR, 4P, FEMALE コネクタ (メス)	
J1061	PCB			MAIN CONTROLLER メイン コントローラ	
J1091	VS1 - 6314 - 004		1	CONNECTOR, 4P, FEMALE コネクタ (メス)	
	NPN			HARD DISK ハード ディスク	
J1101	X62 - 5133 - 000		4	SOCKET CONTACT, 18-24AWG ソケット コンタクト	
	PCB			READER CONTROLLER リーダー コントローラ	iR8500/8500P TYPE
	VS1 - 6302 - 008		1	CONNECTOR, 8P, FEMALE コネクタ (メス)	iR8500/8500P TYPE

FIGURE & KEY NO.	PART NUMBER	R A N K	Q' T Y	DESCRIPTION	SERIAL NUMBER / REMARKS
B - J 1101	WS3 - 5569 - 000		8	SOCKET CONTACT, 22-28AWG ソケット コンタクト	iR8500/8500P TYPE
J 1102	PCB			READER CONTROLLER リーダ コントローラ	iR8500/8500P TYPE
	VS1 - 6302 - 009		1	CONNECTOR, 9P, FEMALE コネクタ (メス)	iR8500/8500P TYPE
	WS3 - 5680 - 000		8	SOCKET CONTACT, 20-24AWG ソケット コンタクト	iR8500/8500P TYPE
J 1103	PCB			DOCUMENT DETECT 原稿向き検知	iR8500/8500P TYPE
	PCB			READER CONTROLLER リーダ コントローラ	iR8500/8500P TYPE
J 1104	PCB			READER CONTROLLER リーダ コントローラ	iR8500/8500P TYPE
	FH2 - 6756 - 000		1	CABLE, DDI-S INTERFACE DDI - S I/Fケーブル	iR8500/8500P TYPE
J 1107	PCB			READER CONTROLLER リーダ コントローラ	iR8500/8500P TYPE
	FH2 - 6899 - 000		1	CABLE, FLAT フラット ケーブル	iR8500/8500P TYPE
J 1108	PCB			READER CONTROLLER リーダ コントローラ	iR8500/8500P TYPE
	FH2 - 6898 - 000		1	CABLE, FLAT フラット ケーブル	iR8500/8500P TYPE
J 1109	PCB			READER CONTROLLER リーダ コントローラ	iR8500/8500P TYPE
	VS1 - 6313 - 013		1	CONNECTOR, 13P, FEMALE コネクタ (メス)	iR8500/8500P TYPE
	VT2 - 5161 - 026		1	HOLDER, CONNECTOR, 26P コネクタ ホルダ	iR8500/8500P TYPE
J 1110	PCB			READER CONTROLLER リーダ コントローラ	iR8500/8500P TYPE
	VS1 - 6313 - 010		1	CONNECTOR, 10P, FEMALE コネクタ (メス)	iR8500/8500P TYPE
	VS1 - 6314 - 010		1	CONNECTOR, 10P, FEMALE コネクタ (メス)	iR8500/8500P TYPE
	VT2 - 5161 - 020		1	HOLDER, CONNECTOR, 20P コネクタ ホルダ	iR8500/8500P TYPE
J 1112	PCB			READER CONTROLLER リーダ コントローラ	iR8500/8500P TYPE
J 1113	PCB			READER CONTROLLER リーダ コントローラ	iR8500/8500P TYPE
	VS1 - 6314 - 012		1	CONNECTOR, 12P, FEMALE コネクタ (メス)	iR8500/8500P TYPE
	VS1 - 6314 - 004		1	CONNECTOR, 4P, FEMALE コネクタ (メス)	iR8500/8500P TYPE
J 1114	PCB			READER CONTROLLER リーダ コントローラ	iR8500/8500P TYPE
	VS1 - 6321 - 006		1	CONNECTOR, 6P, FEMALE コネクタ (メス)	iR8500/8500P TYPE
J 1301	PCB			LASER DRIVER 1 レーザ ドライバ (1)	
	PCB			LASER DRIVER 2 レーザ ドライバ (2)	
J 1302	PCB			LASER DRIVER 2 レーザ ドライバ (2)	
	FH2 - 6900 - 000		1	CABLE, SHIELD シールド ケーブル	
J 1303	PCB			LASER DRIVER 2 レーザ ドライバ (2)	

FIGURE & KEY NO.	PART NUMBER	RANK	QTY	DESCRIPTION	SERIAL NUMBER / REMARKS
B - J 1303	VS1 - 6314 - 016		1	CONNECTOR, 16P, FEMALE コネクタ (メス)	
J 1304	PCB			LASER DRIVER 2 レーザ ドライバ (2)	
	VS1 - 6314 - 006		1	CONNECTOR, 6P, FEMALE コネクタ (メス)	
J 1305	PCB			LASER DRIVER 1 レーザ ドライバ (1)	
	VS1 - 6302 - 004		1	CONNECTOR, 4P, FEMALE コネクタ (メス)	
	WS3 - 5680 - 000		4	SOCKET CONTACT, 20-24AWG ソケット コンタクト	
J 1451	PCB			PIXEL/LINE CHANGE 画素/ライン変換	
	PCB			MAIN CONTROLLER メイン コントローラ	
J 1452	PCB			PIXEL/LINE CHANGE 画素/ライン変換	
	FH2 - 6900 - 000		1	CABLE, SHIELD シールド ケーブル	
J 1453	PCB			PIXEL/LINE CHANGE 画素/ライン変換	
	VS1 - 6313 - 014		1	CONNECTOR, 14P, FEMALE コネクタ (メス)	
	VS1 - 6314 - 014		1	CONNECTOR, 14P, FEMALE コネクタ (メス)	
	VT2 - 5161 - 028		1	HOLDER, CONNECTOR, 28P コネクタ ホルダ	
J 1454	PCB			PIXEL/LINE CHANGE 画素/ライン変換	
	VS3 - 5083 - 004		1	CONNECTOR, 4P, FEMALE コネクタ (メス)	
J 1461	WS3 - 5160 - 000		4	SOCKET CONTACT, 18-24AWG ソケット コンタクト	
	PCB			BICENTRO INTERFACE バイセントロ インターフェース	
	VS1 - 6313 - 017		1	CONNECTOR, 17P, FEMALE コネクタ (メス)	
	VS1 - 6314 - 017		1	CONNECTOR, 17P, FEMALE コネクタ (メス)	
J 1501	VT2 - 5161 - 034		1	HOLDER, CONNECTOR, 34P コネクタ ホルダ	iR8500/8500P TYPE
	PCB			CCD CCD	
	VS1 - 6302 - 008		1	CONNECTOR, 8P, FEMALE コネクタ (メス)	iR8500/8500P TYPE
	WS3 - 5569 - 000		8	SOCKET CONTACT, 22-28AWG ソケット コンタクト	iR8500/8500P TYPE
J 1502	PCB			CCD CCD	iR8500/8500P TYPE
J 1503	FH2 - 6899 - 000		1	CABLE, FLAT フラット ケーブル	iR8500/8500P TYPE
	PCB			CCD CCD	iR8500/8500P TYPE
	FH2 - 6898 - 000		1	CABLE, FLAT フラット ケーブル	iR8500/8500P TYPE
J 1551	NPN			HARD DISK ハード ディスク	
	VS1 - 6619 - 040		1	CONNECTOR, 40P, FEMALE コネクタ (メス)	

FIGURE & KEY NO.	PART NUMBER	R A N K	Q' T Y	DESCRIPTION	SERIAL NUMBER / REMARKS	
B - J 1701	PCB			RELAY リレー		
	PCB			MACHINE POWER SUPPLY 本体電源		
	J 1702	PCB		RELAY リレー		
		PCB		MACHINE POWER SUPPLY 本体電源		
	J 1703	PCB		RELAY リレー		
		PCB				
J 1704	PCB			MACHINE POWER SUPPLY 本体電源		
	PCB			RELAY リレー		
	PCB			MACHINE POWER SUPPLY 本体電源		
	J 1705	PCB		RELAY リレー		
		PCB		MACHINE POWER SUPPLY 本体電源		
J 1706	PCB			RELAY リレー		
	PCB			MACHINE POWER SUPPLY 本体電源		
	J 1712	PCB		RELAY リレー		
		VS1 - 6302 - 008		1	CONNECTOR, 8P, FEMALE コネクタ (メス)	
		WS3 - 5680 - 000		8	SOCKET CONTACT, 20-24AWG ソケット コンタクト	
J 1713	PCB			RELAY リレー		
	VS3 - 5083 - 015		1	CONNECTOR, 15P, FEMALE コネクタ (メス)		
	WS3 - 5160 - 000		15	SOCKET CONTACT, 18-24AWG ソケット コンタクト		
	J 1714	PCB			RELAY リレー	
VS1 - 6302 - 012			1	CONNECTOR, 12P, FEMALE コネクタ (メス)		
J 1715	WS3 - 5680 - 000		12	SOCKET CONTACT, 20-24AWG ソケット コンタクト		
	PCB			RELAY リレー		
	VS1 - 6302 - 003		1	CONNECTOR, 3P, FEMALE コネクタ (メス)		
	WS3 - 5680 - 000		2	SOCKET CONTACT, 20-24AWG ソケット コンタクト		
J 1716	PCB			RELAY リレー		
	PCB					
J 1718	VS1 - 6302 - 015		1	CONNECTOR, 15P, MALE コネクタハウジング		
	WS3 - 5680 - 000		14	SOCKET CONTACT, 20-24AWG ソケット コンタクト		
	PCB			RELAY リレー		
	VS3 - 5083 - 007		1	CONNECTOR, 7P, FEMALE コネクタ (メス)		
	WS3 - 5160 - 000		6	SOCKET CONTACT, 18-24AWG ソケット コンタクト		

FIGURE & KEY NO.	PART NUMBER	RANK	QTY	DESCRIPTION	SERIAL NUMBER / REMARKS
B - J 1719	PCB			RELAY リレー	
	VS1 - 6314 - 010		1	CONNECTOR, 10P, FEMALE コネクタ (メス)	
	J 1720	PCB		RELAY リレー	
	VS1 - 6302 - 008		1	CONNECTOR, 8P, FEMALE コネクタ (メス)	
	WS3 - 5680 - 000		8	SOCKET CONTACT, 20-24AWG ソケット コンタクト	
J 1721	PCB			RELAY リレー	
	VS1 - 6302 - 013		1	CONNECTOR, 13P, FEMALE コネクタ (メス)	
	WS3 - 5680 - 000		11	SOCKET CONTACT, 20-24AWG ソケット コンタクト	
J 1722	PCB			RELAY リレー	
	VS1 - 6302 - 002		1	CONNECTOR, 2P, FEMALE コネクタ (メス)	
J 1723	WS3 - 5569 - 000		2	SOCKET CONTACT, 22-28AWG ソケット コンタクト	
	PCB			RELAY リレー	
	VS1 - 6302 - 009		1	CONNECTOR, 9P, FEMALE コネクタ (メス)	
	WS3 - 5569 - 000		8	SOCKET CONTACT, 22-28AWG ソケット コンタクト	
J 1724	PCB			RELAY リレー	
J 1726	VS3 - 5083 - 008		1	CONNECTOR, 8P, FEMALE コネクタ (メス)	
	WS3 - 5160 - 000		8	SOCKET CONTACT, 18-24AWG ソケット コンタクト	
	PCB			RELAY リレー	
	VS3 - 5083 - 005		1	CONNECTOR, 5P, FEMALE コネクタ (メス)	
	WS3 - 5160 - 000		4	SOCKET CONTACT, 18-24AWG ソケット コンタクト	
J 1727	PCB			RELAY リレー	
	VS1 - 6321 - 003		1	CONNECTOR, 3P, FEMALE コネクタ (メス)	
J 1728	PCB			RELAY リレー	
	VS1 - 6314 - 003		1	CONNECTOR, 3P, FEMALE コネクタ (メス)	
J 1901	PCB			DOCUMENT DETECT 原稿向き検知	iR8500/8500P TYPE
J 3601	PCB			READER CONTROLLER リーダー コントローラ	iR8500/8500P TYPE
	PCB			THROUGH-PATH スルーパス	
	FG6 - 7209 - 000		1	CABLE, DUPLEXING FEEDER 両面搬送束線	
J 3602	PCB			THROUGH-PATH スルーパス	
	FG6 - 7209 - 000		1	CABLE, DUPLEXING FEEDER 両面搬送束線	

FIGURE & KEY NO.	PART NUMBER	R A N K	Q' T Y	DESCRIPTION	SERIAL NUMBER / REMARKS
B - J3603	PCB			THROUGH-PATH スルーパス	
	FG6 - 7209 - 000		1	CABLE, DUPLEXING FEEDER 両面搬送束線	
J3604	PCB			THROUGH-PATH スルーパス	
	NPN			INVERT GUIDE SOLENOID 反転ガイド ソレノイド	SL11
J3605	PCB			THROUGH-PATH スルーパス	
	VS1 - 6321 - 003		1	CONNECTOR, 3P, FEMALE コネクタ (メス)	
J3606	PCB			THROUGH-PATH スルーパス	
	VS1 - 6321 - 003		1	CONNECTOR, 3P, FEMALE コネクタ (メス)	
J3701	PCB			BEAM DETECT ビーム デテクタ	
	VS1 - 6314 - 005		1	CONNECTOR, 5P, FEMALE コネクタ (メス)	
J5001	PCB			READER CONTROLLER リーダー コントローラ	iR7200/7200P TYPE
	VS1 - 6314 - 003		1	CONNECTOR, 3P, FEMALE コネクタ (メス)	iR7200/7200P TYPE
J5002	PCB			READER CONTROLLER リーダー コントローラ	iR7200/7200P TYPE
	VS3 - 5083 - 004		1	CONNECTOR, 4P, FEMALE コネクタ (メス)	iR7200/7200P TYPE
	WS3 - 5160 - 000		4	SOCKET CONTACT, 18-24AWG ソケット コンタクト	iR7200/7200P TYPE
J5003	PCB			READER CONTROLLER リーダー コントローラ	iR7200/7200P TYPE
	FH2 - 6853 - 000		1	CABLE, FLAT フラット ケーブル	iR7200/7200P TYPE
J5004	PCB			READER CONTROLLER リーダー コントローラ	iR7200/7200P TYPE
	VS1 - 6407 - 080		1	CONNECTOR, 80P, FEMALE コネクタ (メス)	iR7200/7200P TYPE
J5005	PCB			READER CONTROLLER リーダー コントローラ	iR7200/7200P TYPE
	VS3 - 5083 - 002		1	CONNECTOR, 2P, FEMALE コネクタ (メス)	iR7200/7200P TYPE
	WS3 - 5160 - 000		2	SOCKET CONTACT, 18-24AWG ソケット コンタクト	iR7200/7200P TYPE
J5006	PCB			READER CONTROLLER リーダー コントローラ	iR7200/7200P TYPE
	VS1 - 6314 - 004		1	CONNECTOR, 4P, FEMALE コネクタ (メス)	iR7200/7200P TYPE
J5007	PCB			READER CONTROLLER リーダー コントローラ	iR7200/7200P TYPE
	VS1 - 6314 - 005		1	CONNECTOR, 5P, FEMALE コネクタ (メス)	iR7200/7200P TYPE
J5008	PCB			READER CONTROLLER リーダー コントローラ	iR7200/7200P TYPE
	VS1 - 6302 - 003		1	CONNECTOR, 3P, FEMALE コネクタ (メス)	iR7200/7200P TYPE
	WS3 - 5569 - 000		2	SOCKET CONTACT, 22-28AWG ソケット コンタクト	iR7200/7200P TYPE
J5010	PCB			READER CONTROLLER リーダー コントローラ	iR7200/7200P TYPE

FIGURE & KEY NO.	PART NUMBER	RANK	QTY	DESCRIPTION	SERIAL NUMBER / REMARKS
B - J 5010	VS1 - 5452 - 007		1	CONNECTOR, 7P, FEMALE コネクタ (メス)	iR7200/7200P TYPE
	J 5011	PCB		READER CONTROLLER リーダ コントローラ	iR7200/7200P TYPE
		NPN		SCANNER MOTOR スキャナ モータ	iR7200/7200P TYPE M101
	J 5012	PCB		READER CONTROLLER リーダ コントローラ	iR7200/7200P TYPE
		VS1 - 6314 - 006		1	CONNECTOR, 6P, FEMALE コネクタ (メス)
J 5052	VS1 - 5057 - 003		1	CONNECTOR, SNAP TIGHT チュウケイ コネクタ	iR7200/7200P TYPE
		VS1 - 6321 - 003	2	CONNECTOR, 3P, FEMALE コネクタ (メス)	iR7200/7200P TYPE
	J 5053	NPN		DOCUMENT SENSOR 原稿センサ	iR7200/7200P TYPE PS101
		VS1 - 5057 - 003	1	CONNECTOR, SNAP TIGHT チュウケイ コネクタ	iR7200/7200P TYPE
		VS1 - 6321 - 003	1	CONNECTOR, 3P, FEMALE コネクタ (メス)	iR7200/7200P TYPE
J 5056	NPN			COPYBOARD COVER SENSOR 原稿台カバー センサ	iR7200/7200P TYPE PS103
		VS1 - 6321 - 003	1	CONNECTOR, 3P, FEMALE コネクタ (メス)	iR7200/7200P TYPE
	J 5057	NPN		SCANNER HOME POSITION SENSOR スキャナ ホーム ポジション センサ	iR7200/7200P TYPE PS102
		VS1 - 6320 - 003	1	CONNECTOR, 3P, FEMALE コネクタ (メス)	iR7200/7200P TYPE
	J 5062	VS1 - 6314 - 005	2	CONNECTOR, 5P, FEMALE コネクタ (メス)	iR7200/7200P TYPE
J 5100	VS1 - 6318 - 005		1	CONNECTOR, SNAP TIGHT チュウケイ コネクタ	iR7200/7200P TYPE
	PCB			FUSE ヒューズ	iR7200/7200P TYPE
		NPN		MIRROR HEATER ミラー ヒータ	iR7200/7200P TYPE H102
	J 5101	PCB		INVERTER インバータ	iR7200/7200P TYPE
		VS1 - 6313 - 005	1	CONNECTOR, 5P, FEMALE コネクタ (メス)	iR7200/7200P TYPE
J 5102	NPN			MIRROR HEATER ミラー ヒータ	iR7200/7200P TYPE H102
		NPN		LENS HEATER レンズ ヒータ	iR7200/7200P TYPE H101
	PCB			INVERTER インバータ	iR7200/7200P TYPE
		NPN		SCANNING LAMP 原稿照明ランプ	iR7200/7200P TYPE LA101
	J 5105	SYS		ADF ADF	iR7200/7200P TYPE
J 5501	FH2 - 6480 - 000		1	CONNECTOR, FEMALE コネクタ (メス)	iR7200/7200P TYPE
		VS1 - 5452 - 007	1	CONNECTOR, 7P, FEMALE コネクタ (メス)	iR7200/7200P TYPE
		WS3 - 5596 - 000	3	PIN CONTACT, 18-24AWG ピン コンタクト	iR7200/7200P TYPE
	PCB			DDIS DDI - S差動	iR7200/7200P TYPE
		VS1 - 6407 - 080	1	CONNECTOR, 80P, FEMALE コネクタ (メス)	iR7200/7200P TYPE

FIGURE & KEY NO.	PART NUMBER	R A N K	Q' T Y	DESCRIPTION	SERIAL NUMBER / REMARKS
B - J5503	PCB			DDIS DDI - S差動	iR7200/7200P TYPE
	VS1 - 6302 - 003		1	CONNECTOR, 3P, FEMALE コネクタ (メス)	iR7200/7200P TYPE
J5601	WS3 - 5569 - 000		2	SOCKET CONTACT, 22-28AWG ソケット コンタクト	iR7200/7200P TYPE
	PCB			FUSE ヒューズ	iR7200/7200P TYPE
	VS1 - 6314 - 003		1	CONNECTOR, 3P, FEMALE コネクタ (メス)	iR7200/7200P TYPE
J5602	PCB			FUSE ヒューズ	iR7200/7200P TYPE
	VS3 - 5083 - 003		1	CONNECTOR, 3P, FEMALE コネクタ (メス)	iR7200/7200P TYPE
	WS3 - 5160 - 000		2	SOCKET CONTACT, 18-24AWG ソケット コンタクト	iR7200/7200P TYPE
J6001	PCB			CCD/AP CCD / AP	iR7200/7200P TYPE
	VS3 - 5083 - 004		1	CONNECTOR, 4P, FEMALE コネクタ (メス)	iR7200/7200P TYPE
J6002	WS3 - 5160 - 000		4	SOCKET CONTACT, 18-24AWG ソケット コンタクト	iR7200/7200P TYPE
J6002	PCB			CCD/AP CCD / AP	iR7200/7200P TYPE
	FH2 - 6853 - 000		1	CABLE, FLAT フラット ケーブル	iR7200/7200P TYPE
J6601	PCB			CONTROL PANEL KEY 操作キー	
	VS1 - 6314 - 011		1	CONNECTOR, 11P, FEMALE コネクタ (メス)	
J6602	PCB			CONTROL PANEL KEY 操作キー	
	VS1 - 6314 - 010		1	CONNECTOR, 10P, FEMALE コネクタ (メス)	
J6605	PCB			CONTROL PANEL KEY 操作キー	
	VS1 - 6314 - 006		1	CONNECTOR, 6P, FEMALE コネクタ (メス)	
J6801	PCB			CONTROL PANEL CPU 操作CPU	
J6802	VS1 - 6313 - 018		2	CONNECTOR, 18P, FEMALE コネクタ (メス)	
	VT2 - 5161 - 036		1	HOLDER, CONNECTOR, 36P コネクタ ホルダ	
J6802	PCB			CONTROL PANEL CPU 操作CPU	
J6803	NPN			LCD CONTROL PANEL 液晶パネル	
J6803	PCB			CONTROL PANEL CPU 操作CPU	
J6804	NPN			LCD CONTROL PANEL 液晶パネル	
J6804	PCB			CONTROL PANEL CPU 操作CPU	
	VS1 - 0842 - 003		1	CONNECTOR, 3P, FEMALE コネクタ (メス)	
J6805	PCB			CONTROL PANEL CPU 操作CPU	
	VS1 - 6314 - 010		1	CONNECTOR, 10P, FEMALE コネクタ (メス)	

FIGURE & KEY NO.	PART NUMBER	RANK	QTY	DESCRIPTION	SERIAL NUMBER / REMARKS
B - J 6806	PCB			CONTROL PANEL CPU 操作CPU	
	VS1 - 6314 - 011		1	CONNECTOR, 11P, FEMALE コネクタ (メス)	
	J 6807 PCB			CONTROL PANEL CPU 操作CPU	
J 6807	VS1 - 6314 - 006		1	CONNECTOR, 6P, FEMALE コネクタ (メス)	
	J 6808 PCB			CONTROL PANEL CPU 操作CPU	
J 6901	VS1 - 6314 - 008		1	CONNECTOR, 8P, FEMALE コネクタ (メス)	
	PCB			CONTROL PANEL KEY 操作キー	
	VS1 - 6314 - 008		1	CONNECTOR, 8P, FEMALE コネクタ (メス)	
J 6909	SYS			FOR FOOT SWITCH フット スイッチ	
	PCB			CONTROL PANEL CPU 操作CPU	
J 8500	VS1 - 5729 - 004		1	CONNECTOR, 4P, MALE コネクタ (オス)	iR7200/7200P TYPE
	VS3 - 5083 - 004		1	CONNECTOR, 4P, FEMALE コネクタ (メス)	iR7200/7200P TYPE
	WS3 - 5160 - 000		4	SOCKET CONTACT, 18-24AWG ソケット コンタクト	iR7200/7200P TYPE
	WS3 - 5301 - 000		4	PIN CONTACT ピン コンタクト	iR7200/7200P TYPE
J 9001	PCB			SERIAL NUMBER シリアル ナンバ	
J 9009	VS1 - 6314 - 011		1	CONNECTOR, 11P, FEMALE コネクタ (メス)	
	VS1 - 5729 - 002		1	CONNECTOR, 2P, MALE コネクタ (オス)	iR7200/7200P TYPE
	VS3 - 5083 - 002		1	CONNECTOR, 2P, FEMALE コネクタ (メス)	iR7200/7200P TYPE
	WS3 - 5160 - 000		2	SOCKET CONTACT, 18-24AWG ソケット コンタクト	iR7200/7200P TYPE
	WS3 - 5301 - 000		2	PIN CONTACT ピン コンタクト	iR7200/7200P TYPE
J 9201	PCB			LVDS 差動	
	VS1 - 6407 - 080		1	CONNECTOR, 80P, FEMALE コネクタ (メス)	
J 9202	PCB			LVDS 差動	
	FH2 - 6756 - 000		1	CABLE, DDI-S INTERFACE DDI - S I / Fケーブル	
J 9203	PCB			LVDS 差動	
	VS1 - 6314 - 004		1	CONNECTOR, 4P, FEMALE コネクタ (メス)	

ネットワークLIPSプリンタキット-B1

ネットワークLIPSプリンタキット-B1
〔 F61-9001 〕

CONTENTS

- UA. ASSEMBLY LOCATION DIAGRAM
- U10. LIPS PRINTER KIT ASSEMBLY
- U90. LIPS BOARD PCB ASSEMBLY
- D2. NUMERICAL INDEX

FIGURE UA ASSEMBLY LOCATION DIAGRAM
主要部品配置図

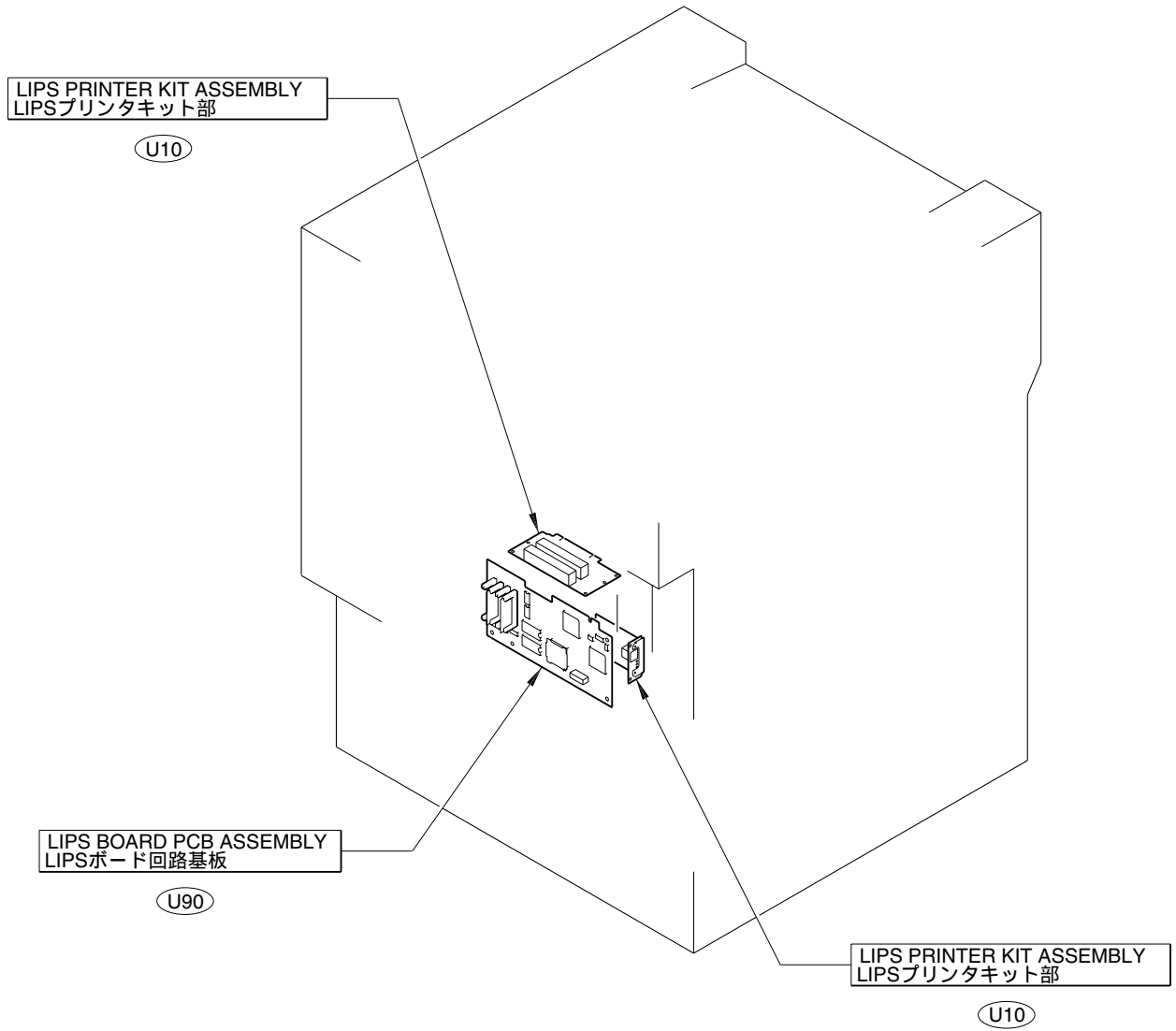


FIGURE U10 LIPS PRINTER KIT ASSEMBLY

LIPSプリンタキット部

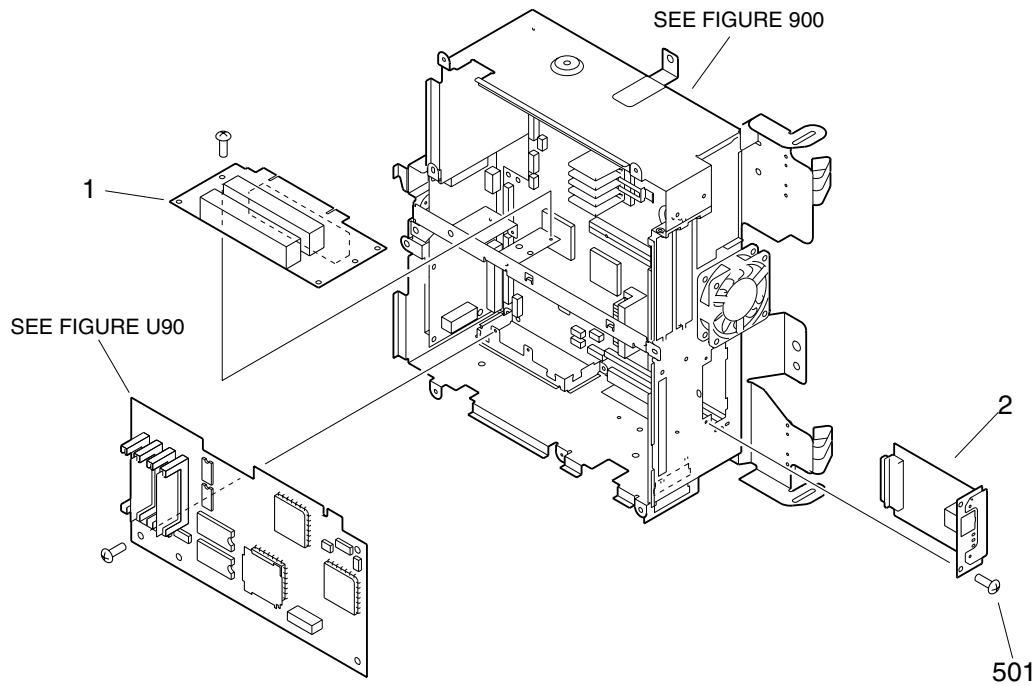


FIGURE & KEY NO.	PART NUMBER	RANK	QTY	DESCRIPTION	SERIAL NUMBER / REMARKS
U10 -	NPN		RF	LIPS PRINTER KIT ASSEMBLY LIPS プリンタ キット部	
1	FG3 - 1745 - 000		1	RAISER BOARD PCB ASSEMBLY RAISER ボード回路基板	
2	FG6 - 5964 - 000		1	ETHERNET BOARD PCB ASSEMBLY ETHERNET ボード回路基板	
501	XB1 - 2300 - 607		10	SCREW, MACH., TRUSS HEAD, M3X6 バインド ネジ	

FIGURE U90 LIPS BOARD PCB ASSEMBLY

LIPSボード回路基板

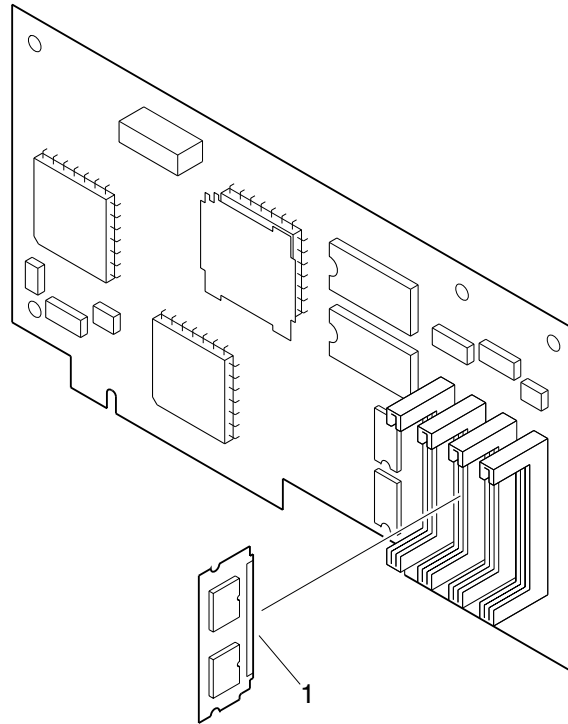


FIGURE & KEY NO.	PART NUMBER	RANK	QTY	DESCRIPTION	SERIAL NUMBER / REMARKS
U90 -	FG3 - 1970 - 000		1	LIPS BOARD PCB ASSEMBLY LIPS ボード回路基板	
1	FH5 - 3127 - 000		1	DIMM ASS'Y DIMM	
I C1	RH4 - 5394 - 000		1	IC, HG73EF03VRO1TB, OTP-ROM ASIC	
I C4	FH4 - 6127 - 000		1	IC, MB87F4670PFV-G-BND, ASIC ASIC	
I C7	FG9 - 3845 - 000		1	IC, MR27V3255DMB, OTP-ROM OTP - ROM	

Ethernet Network Interface Adapter

iN-E3

ネットワークインターフェースボード

iN-E3

Ethernet Network Interface Adapter iN-E3
ネットワークインターフェースボード iN-E3
〔 F61-8905 〕

CONTENTS

- GA. ASSEMBLY LOCATION DIAGRAM
- G10. NETWORK MULTI PDL PRINTER KIT ASSEMBLY
- D3. NUMERICAL INDEX

FIGURE GA ASSEMBLY LOCATION DIAGRAM

主要部品配置図

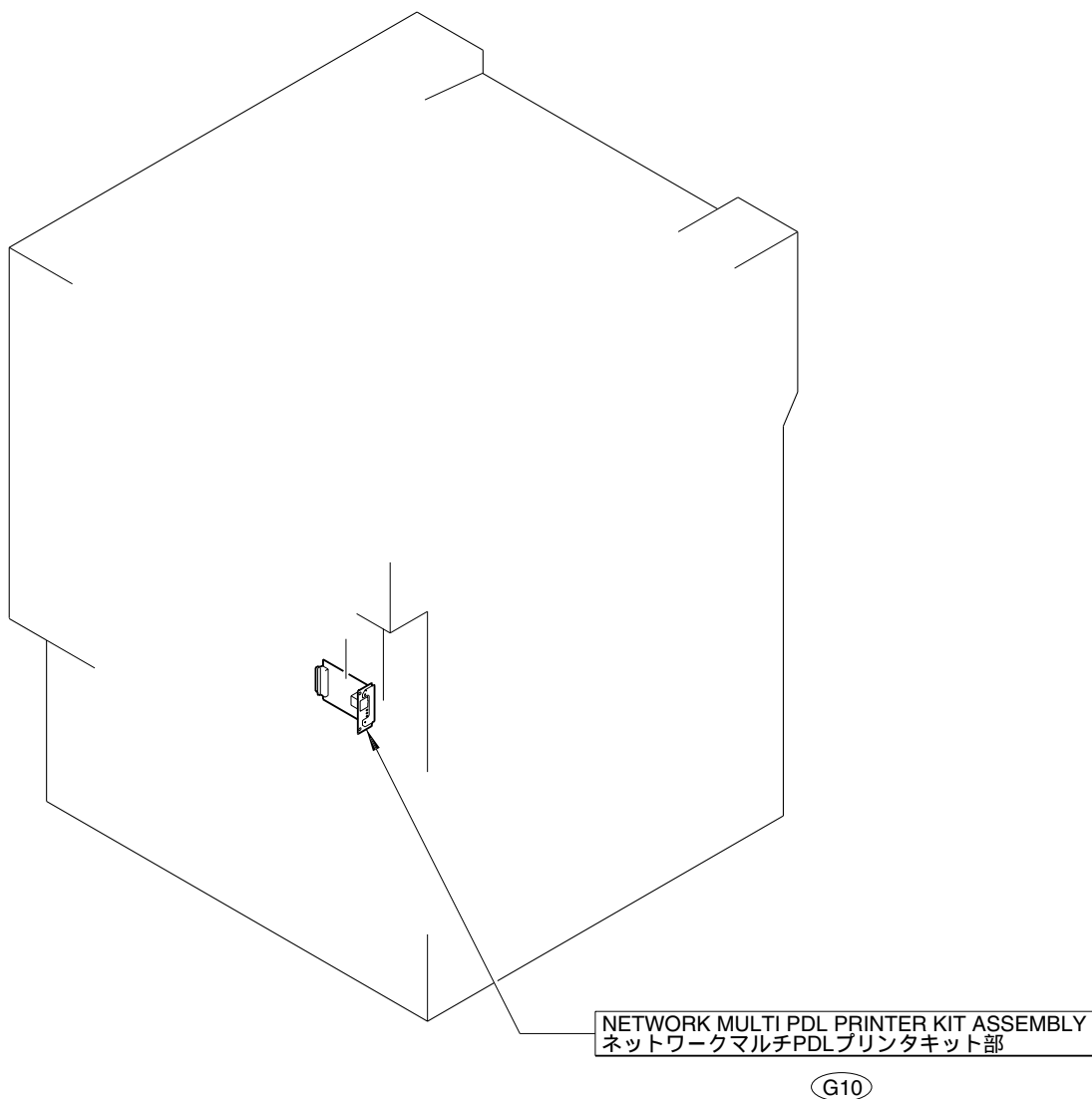


FIGURE G10 NETWORK MULTI PDL PRINTER KIT ASSEMBLY

ネットワークマルチPDLプリンタキット部

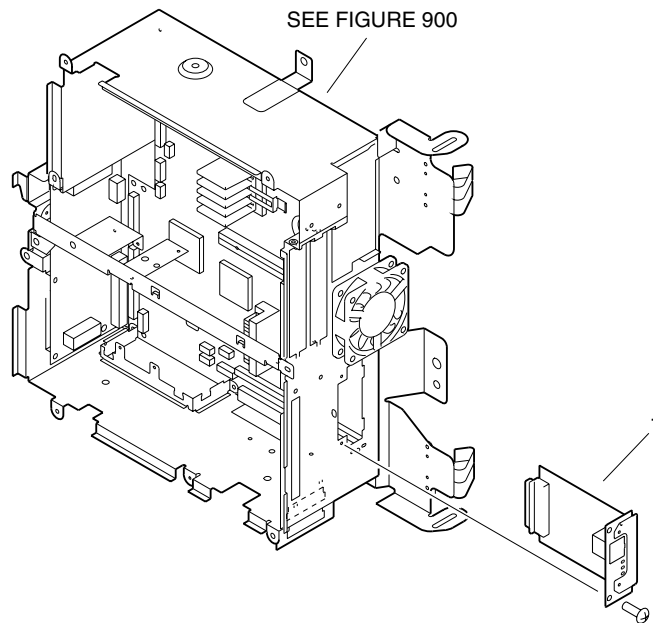


FIGURE & KEY NO.	PART NUMBER	RANK	QTY	DESCRIPTION	SERIAL NUMBER / REMARKS
G10 - 1	NPN FG6 - 5964 - 000		RF 1	N. MULTI PDL PRINTER KIT ASS'Y ネットワーク マルチPDLプリンタ キット部 ETHERNET BOARD PCB ASSEMBLY ETHERNET ボード回路基板	

C LIST OF STANDARD FASTENERS

機械標準部品一覧表

I. SCREWS	C - 2	I. ネジ	C - 2
A. Machine screws		A. 精密機器用小ネジ	C - 3
(for precision use)	C - 3	B. ナベ小ネジ	C - 3
B. Pan head machine screws	C - 3	E. バインド小ネジ	C - 3
E. Binding head machine screws	C - 3	F. サラ小ネジ	C - 3
F. Flat head machine screws	C - 3	G. タッピンネジ	C - 3
G. Self-tapping screws	C - 3	H. バネ座金付き十字ナベ小ネジ	C - 3
H. Pan head machine screws with		K. TP小ネジ	C - 4
captive spring washer	C - 3	L. 六角穴付き止めネジおよび	
K. Washer head machine screws	C - 4	六角穴付きボルト	C - 4
L. Hex socket setscrews and		II. ナット	C - 4
socket head cap screws	C - 4	M. 六角ナット	C - 4
II. NUTS	C - 4	III. ワッシャ	C - 5
M. Hexagon nuts	C - 4	N. S & T. 標準ワッシャ	C - 5
III. WASHER AND SHIM WASHERS	C - 5	U. 平座金、バネ座金および	
N. S&T. Shim washers	C - 5	歯付き座金	C - 6
U. Plain Washers, spring washers&		IV. 止め輪	C - 7
toothed lock washers	C - 6	V. E形止め輪	C - 7
IV. RETAINING RINGS	C - 7	W. グリップ止め輪	C - 7
V. E rings	C - 7	X. C形止め輪	C - 8
W. Grip rings	C - 7	V. ピン	C - 9
X. C rings	C - 8	Y. スプリングピンおよび	
V. PINS	C - 9	平行ピン	C - 9
Y. Spring and dowel pins	C - 9	VI. スペーサ	C - 9
VI. SPACERS	C - 9	Z. スペーサ	C - 9
Z. Spacers	C - 9		

I. SCREWS

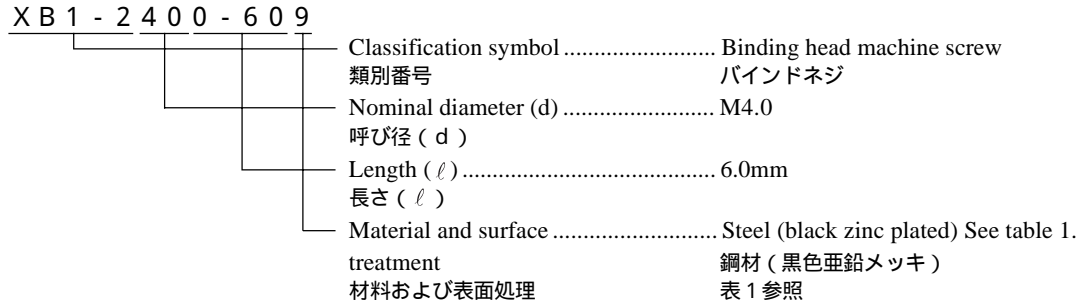
ネジ

How to read Part Numbers

部品番号の見方

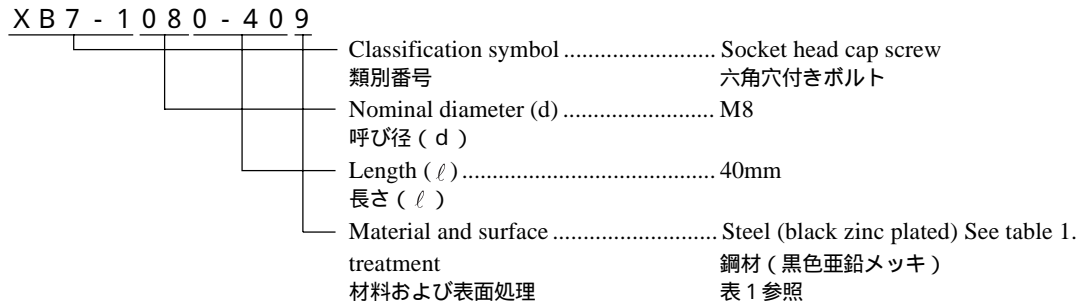
Screws (except socket head cap screws)

ネジ (六角穴付ボルトを除く)



Socket head cap screws

六角穴付ボルト



Material and surface treatment

No.	Material	Surface treatment	Color
1	Stainless	Blackened	Black
2		Without surface treatment	White
3	Brass	Nickel plated	White
4		Black nickel plated	Black
5	Steel	Zinc plated	Yellow
6		Nickel and chrome plated	White
7		Nickel plated	White
8		Phosphated	Black
9		Black zinc plated	Black

Table 1

材料および表面処理

番号	材質	表面処理	色
1	ステンレス	黒着色	黒
2		なし	白
3	黄銅	ニッケルメッキ	白
4		黒色ニッケルメッキ	黒
5	鋼	亜鉛メッキ	黄
6		ニッケルクロムメッキ	白
7		ニッケルメッキ	白
8		鉄鋼燐酸塩被膜	黒
9		黒色亜鉛メッキ	黒

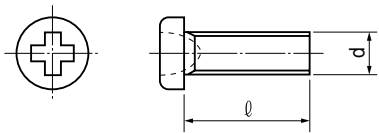
表 1

A . MACHINE SCREWS (FOR PRECISION USE)

精密機器用小ネジ

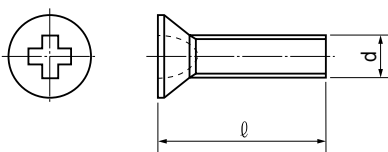
Pan head machine Screws

ナベ小ネジ



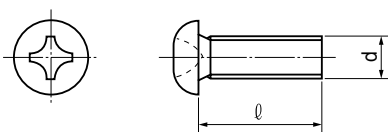
Flat head machine Screws

サラ小ネジ



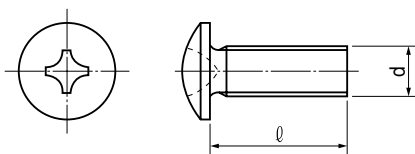
B . PAN HEAD MACHINE SCREWS

ナベ小ネジ



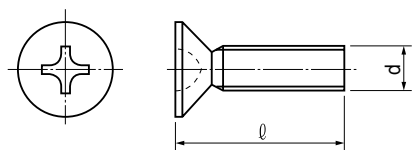
E . BINDING HEAD MACHINE SCREWS

バインド小ネジ



F . FLAT HEAD MACHINE SCREWS

サラ小ネジ

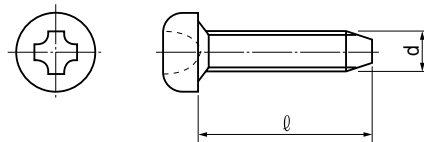


G . SELF-TAPPING SCREWS

タッピンネジ

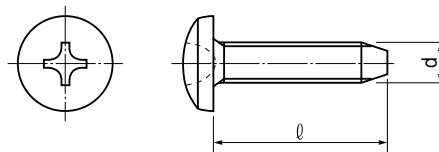
Pan head self-tapping screws

ナベタッピンネジ



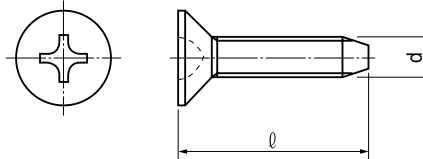
Binding head self-tapping screws

バインドタッピンネジ



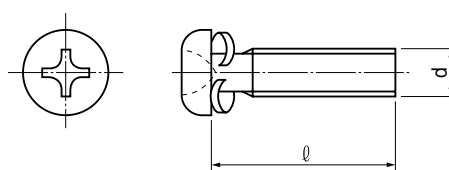
Flat head self-tapping screws

サラタッピンネジ



H . PAN HEAD MACHINE SCREWS WITH CAPTIVE SPRING WASHER

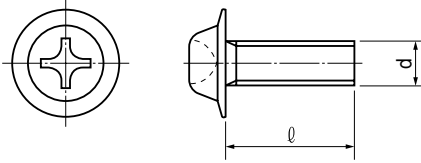
バネ座金付き十字ナベ小ネジ



K - L

K . WASHER HEAD MACHINE SCREWS

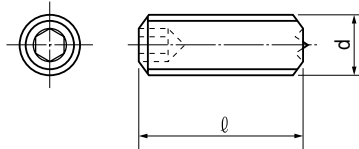
TP小ネジ



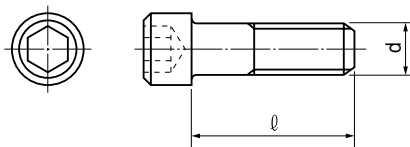
L . HEX SOCKET SETSCREWS AND SOCKET HEAD CAP SCREWS

六角穴付き止めネジおよび六角穴付きボルト

Hex socket setscrews
六角穴付き止めネジ



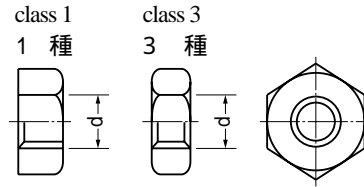
Socket head cap screws
六角穴付きボルト



II . NUTS
ナット

M . HEXAGON NUTS

六角ナット



How to read Part Numbers

部品番号の見方

X B 7 - 2 1 0 0 - 3 0 9

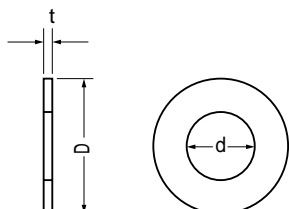
Hexagon nut 六角ナット	Material and surface treatment	Nominal diameter (d) .. M3 呼び径 (d) Steel (black zinc plated) 鋼材 (黒色亜鉛メッキ)
----------------------	---	--

XB7 - 2 1 0class 1
1種
XB7 - 2 2 0class 3
3種

III. WASHERS AND SHIM WASHERS ワッシャ

N . S&T . SHIM WASHERS 標準ワッシャ

How to read Part Numbers
部品番号の見方



X D 1 - 1 1 0 2 - 6 2 5

Shim washer
標準ワッシャ

Inner diameter (d) ... 2.6mm
内径 (d)
Outer diameter (D) .. Class 2 (See table 2)
外径 (D) 2種 (表2参照)
Thickness code (t) ... 0.5mm
板厚番号 (t) See table 3.
表3参照

* Material : Brass
材料 : 黄銅

d (mm)	D (mm)		
	Class 1 1種	Class 2 2種	Class 3 3種
1.5	—	2.6	3.2
1.8	2.7	3.1	3.7
2.1	3.2	3.6	4.2
2.3	3.6	4	4.6
2.6	4	4.4	5
3.1	4.6	5	5.6
3.6	5.4	5.8	6.4
4.1	5.7	6.6	8
4.6	6.4	7.4	9
5.2	7.2	8.2	10
5.7	7.8	9	11
6.2	8.5	9.8	12
6.7	9.2	10.5	13
7.2	10	11.4	14
7.7	10.6	12.2	15
8.2	11.4	13	16
8.7	12	13.8	17
9.2	12.8	14.6	18
9.7	13.5	15.4	19

Table 2 表2

Thickness code 板厚番号	t (mm)
0	0.05
1	0.1
2	0.2
3	0.3
4	0.4
5	0.5
6	0.6
7	0.7
8	0.8
9	1

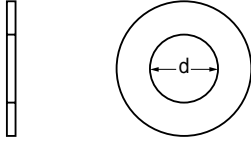
Table 3 表3

U

U . PLAIN WASHERS, SPRING WASHERS & TOOTHED LOCK WASHERS

平座金、バネ座金および歯付き座金

Plain washers
平座金



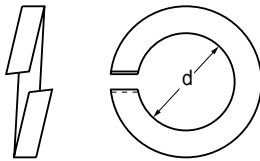
How to read Part Numbers
部品番号の見方

X D 1 - 2 1 0 0 - 3 0 7

Plain washer
平座金

Inner diameter (d) 3.0mm
呼び径 (d)
Material and surface
treatment Steel (nickel plated)
材料および表面処理 鋼材 (ニッケルメッキ)

Spring washers
バネ座金



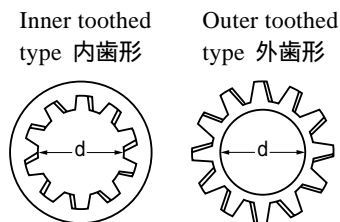
How to read Part Numbers
部品番号の見方

X D 1 - 3 1 0 0 - 5 0 7

Spring washer
バネ座金

Inner diameter (d) 5.0mm
呼び径 (d)
Material and surface
treatment Steel (nickel plated)
材料および表面処理 鋼材 (ニッケルメッキ)

Toothed lock washers
歯付き座金



How to read Part Numbers
部品番号の見方

X D 1 - 4 1 0 0 - 3 0 2

Toothed lock washer
歯付き座金

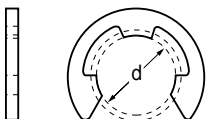
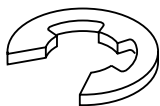
Inner diameter (d) 3mm
呼び径 (d)
Material and surface
treatment Stainless (without
surface treatment)
材料および表面処理 ステンレス
(表面処理なし)

X D 1 - 4 1 0 . . . Inner toothed type
内歯形

X D 1 - 4 2 0 . . . Outer toothed type
外歯形

IV. RETAINING RINGS 止め輪

V. E RINGS E形止め輪



How to read Part Numbers
部品番号の見方

X D 2 - 1 1 0 0 - 1 7 2

E ring
E形止め輪

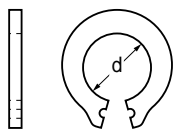
Inner diameter (d) 1.7mm
呼び径 (d)
Material and surface treatment
材料および表面処理

X D 2 - 1 1 0 ... class 1
1種

X D 2 - 1 2 0 ... class 2
2種

2 Stainless (without surface treatment)
ステンレス (表面処理なし)
7 Steel (nickel plated)
鋼材 (ニッケルメッキ)

W. GRIP RINGS グリップ止め輪



How to read Part Numbers
部品番号の見方

X D 2 - 2 1 0 0 - 5 0 2

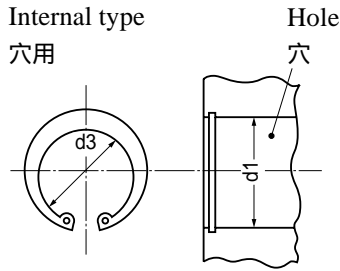
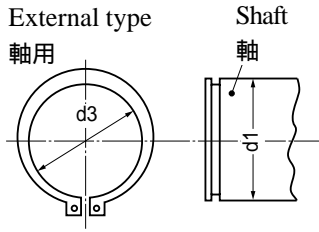
Grip ring
グリップ止め輪

Inner diameter (d) 5.0mm
呼び径 (d)

Material and surface treatment Stainless (without surface treatment)
材料および表面処理 ステンレス (表面処理なし)

X . C RINGS

C形止め輪



How to read Part Numbers
部品番号の見方

X D 2 - 3 1 0 0 - 2 0 2

C ring
C形止め輪

Nominal diameter (d) . 20mm
呼び径 (d)

Material and surface treatment
材料および表面処理

- 2 Stainless (without surface treatment)
ステンレス (表面処理なし)
- 8 Steel (phosphated)
鋼材 (鉄鋼磷酸塩被膜)

X D 2 - 3 1 0 ... External type
軸用

X D 2 - 3 2 0 ... Internal type
穴用

External type
軸用

Nominal diameter 呼び径	d1 (mm)	d3 (mm)
010	10	9.3
012	12	11.1
014	14	12.9
015	15	13.8
016	16	14.7
017	17	15.7
018	18	16.5
020	20	18.5
022	22	20.5
025	25	23.2
028	28	25.9
030	30	27.9
032	32	29.6
035	35	32.2

Table 4 表 4

Internal type
穴用

Nominal diameter 呼び径	d1 (mm)	d3 (mm)	Nominal diameter 呼び径	d1 (mm)	d3 (mm)
010	10	10.7	040	40	43.5
011	11	11.8	042	42	45.5
012	12	13	045	45	48.5
014	14	15.1	047	47	50.5
016	16	17.3	050	50	54.2
018	18	19.5	052	52	56.2
019	19	20.5	055	55	59.2
020	20	21.5	060	60	64.2
022	22	23.5	062	62	66.2
025	25	26.9	068	68	72.5
028	28	30.1	072	72	76.5
030	30	32.1	075	75	79.5
032	32	34.4	080	80	85.5
035	35	37.8	085	85	90.5
037	37	39.8	090	90	95.5
			095	95	100.5

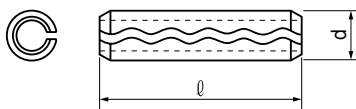
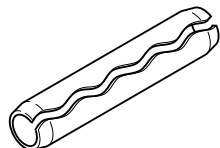
Table 5 表 5

V. PINS ピン

Y. SPRING AND DOWEL PINS

スプリングピンおよび平行ピン

Spring pins
スプリングピン



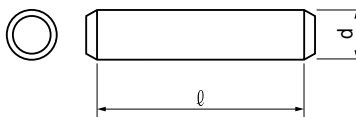
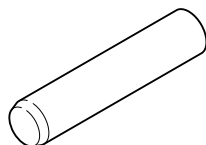
How to read Part Numbers
部品番号の見方

X D 3 - 1 2 0 0 - 1 2 2

Spring pin
スプリングピン

Nominal diameter (D) .. 2.0mm
呼び径 (D)
Length (ℓ) 12mm
長さ (ℓ)
Material and surface
treatment Stainless (without
surface treatment)
材料および表面処理 ステンレス
(表面処理なし)

Dowel pins
平行ピン



How to read Part Numbers
部品番号の見方

X D 3 - 2 2 0 0 - 0 8 2

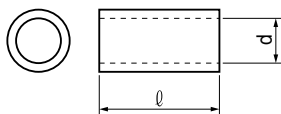
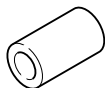
Dowel pin
平行ピン

Nominal diameter (d) ... 2.0mm
呼び径 (d)
Length (ℓ) 8mm
長さ (ℓ)
Material and surface
treatment Stainless (without
surface treatment)
材料および表面処理 ステンレス
(表面処理なし)

VI. SPACERS スペーサ

Z. SPACERS

スペーサ



How to read Part Numbers
部品番号の見方

X Z 1 - 1 3 0 0 - 3 0 5

Spacer
スペーサ

Nominal diameter (d) ... 3.0mm
呼び径 (d)
Length (ℓ) 3.0mm
長さ (ℓ)
Material and surface
treatment Steel (zinc plated)
材料および表面処理 鋼 (亜鉛メッキ)

D1 NUMERICAL INDEX (iR8500/8500P/7200/7200P)

部品索引表

PART NUMBER	FIGURE & KEY NO.	PART NUMBER	FIGURE & KEY NO.	PART NUMBER	FIGURE & KEY NO.
97 - 5527 - 000	550 - 1	FA9 - 3805 - 000	264 - 1	FB2 - 7624 - 000	311 - 14
	570 - 1		280 - 1		312 - 11
FA2 - 1498 - 000	550 - 2		360 - 3		313 - 6
	580 - 1	FA9 - 3827 - 000	311 - 3	FB2 - 7625 - 000	302 - 6
FA2 - 1753 - 000	320 - 1	FA9 - 3828 - 000	311 - 4		303 - 6
FA2 - 7162 - 000	100 - 1		312 - 3	FB2 - 7630 - 000	312 - 12
	315 - 1		313 - 3	FB2 - 7631 - 020	311 - 15
FA2 - 8361 - 000	215 - 1	FA9 - 3846 - 000	311 - 5	FB2 - 7633 - 000	311 - 16
FA2 - 9037 - 000	810 - 1		312 - 4		312 - 13
FA3 - 0515 - 000	640 - 1	FA9 - 3863 - 000	320 - 2	FB2 - 7635 - 000	311 - 17
FA3 - 2118 - 000	550 - 3	FA9 - 3864 - 000	103 - 1		312 - 14
FA3 - 2128 - 000	570 - 2	FB1 - 0715 - 000	420 - 1	FB2 - 7641 - 000	311 - 18
FA3 - 2394 - 000	510 - 7 A	FB1 - 6655 - 000	430 - 2		312 - 15
FA3 - 2395 - 000	510 - 7 B	FB1 - 6663 - 000	430 - 3	FB2 - 7642 - 000	311 - 19
FA3 - 2471 - 000	720 - 1		430 - 4		312 - 16
FA3 - 2472 - 000	720 - 2	FB1 - 6833 - 000	810 - 7	FB2 - 7652 - 000	302 - 7
FA3 - 2473 - 000	720 - 3	FB1 - 7041 - 000	360 - 4		303 - 7
FA3 - 2474 - 000	720 - 4	FB1 - 7070 - 000	313 - 4	FB2 - 7693 - 000	313 - 7
FA3 - 2475 - 000	720 - 5	FB1 - 7109 - 000	210 - 2	FB2 - 7715 - 020	313 - 8
FA3 - 2476 - 000	720 - 6		210 - 3	FB2 - 7716 - 000	313 - 9
FA3 - 2477 - 000	720 - 7		211 - 2	FB2 - 7717 - 000	313 - 10
FA3 - 2478 - 000	720 - 8	FB1 - 7112 - 000	210 - 4	FB2 - 7718 - 000	313 - 11
FA3 - 2479 - 000	720 - 9	FB1 - 7157 - 000	100 - 3	FB2 - 7720 - 000	313 - 12
FA3 - 2480 - 000	720 - 10	FB1 - 8619 - 000	316 - 1	FB2 - 7721 - 000	313 - 13
FA3 - 2481 - 000	720 - 11	FB1 - 8620 - 000	316 - 2	FB2 - 7722 - 000	313 - 14
FA3 - 2565 - 000	570 - 3	FB1 - 8621 - 000	316 - 3	FB2 - 7723 - 000	313 - 15
FA3 - 2764 - 020	350 - 1	FB1 - 8625 - 000	316 - 4	FB2 - 7724 - 000	313 - 38 A
FA3 - 8004 - 000	570 - 4	FB1 - 8735 - 000	107 - 1	FB2 - 7740 - 020	302 - 8
FA3 - 8727 - 000	315 - 2	FB1 - 8737 - 000	107 - 2		303 - 8
FA3 - 8894 - 000	810 - 2	FB2 - 0037 - 000	100 - 4		316 - 6
FA3 - 9120 - 000	325 - 1	FB2 - 1035 - 000	320 - 3	FB2 - 7750 - 000	100 - 5
FA3 - 9315 - 000	130 - 1	FB2 - 1047 - 000	250 - 3	FB2 - 7754 - 030	100 - 6
FA4 - 0207 - 000	645 - 1	FB2 - 1382 - 000	215 - 2		100 - 7
FA4 - 1149 - 000	325 - 2	FB2 - 1947 - 000	420 - 2		360 - 6
FA4 - 1819 - 000	600 - 1	FB2 - 1954 - 000	420 - 3	FB2 - 7755 - 000	100 - 8
FA4 - 2037 - 000	600 - 2	FB2 - 2139 - 020	360 - 5		100 - 9
FA4 - 8609 - 000	940 - 1	FB2 - 4234 - 000	130 - 2		360 - 7
FA5 - 2839 - 000	325 - 3	FB2 - 4236 - 000	130 - 3	FB2 - 7758 - 000	303 - 9
FA5 - 2872 - 000	313 - 1	FB2 - 6043 - 000	300 - 2	FB2 - 7777 - 020	311 - 20
FA5 - 2924 - 000	104 - 1	FB2 - 6044 - 000	300 - 3		312 - 17
FA5 - 4266 - 000	315 - 3	FB2 - 6285 - 000	325 - 4		313 - 16
FA5 - 4400 - 000	810 - 3		775 - 2	FB2 - 7841 - 000	260 - 1
FA5 - 4403 - 000	810 - 4	FB2 - 6310 - 000	210 - 5	FB2 - 7864 - 000	100 - 10
FA5 - 4590 - 000	600 - 3	FB2 - 6850 - 000	580 - 2	FB2 - 7887 - 040	104 - 4
FA6 - 0648 - 000	510 - 1	FB2 - 6897 - 000	600 - 4.5 A		104 - 5
FA6 - 0745 - 000	100 - 2	FB2 - 7056 - 000	320 - 4	FB2 - 7888 - 030	104 - 6
FA6 - 3672 - 000	360 - 1	FB2 - 7096 - 000	580 - 3	FB2 - 7899 - 000	108 - 1
FA6 - 6457 - 000	311 - 1	FB2 - 7137 - 000	351 - 1	FB2 - 7900 - 000	108 - 2
FA6 - 7728 - 000	315 - 4	FB2 - 7163 - 000	350 - 2	FB2 - 7981 - 000	775 - 3
FA6 - 7737 - 000	315 - 5	FB2 - 7168 - 000	350 - 3	FB2 - 8002 - 030	102 - 1
FA6 - 7822 - 000	640 - 2	FB2 - 7169 - 000	350 - 4	FB2 - 8003 - 000	102 - 2
FA6 - 7865 - 000	600 - 4	FB2 - 7174 - 040	350 - 5	FB2 - 8010 - 000	102 - 3
FA6 - 7939 - 000	360 - 2	FB2 - 7181 - 000	351 - 2		105 - 2
FA6 - 8003 - 000	810 - 5	FB2 - 7224 - 030	810 - 8	FB2 - 8021 - 000	100 - 11
FA6 - 8071 - 000	315 - 6	FB2 - 7225 - 030	810 - 9	FB2 - 8033 - 020	104 - 7
FA6 - 8304 - 000	250 - 1	FB2 - 7228 - 000	810 - 10	FB2 - 8041 - 000	103 - 2
FA6 - 9971 - 000	302 - 1	FB2 - 7238 - 000	810 - 11	FB2 - 8043 - 000	100 - 12
	303 - 1	FB2 - 7240 - 000	810 - 12	FB2 - 8102 - 000	100 - 13
FA6 - 9986 - 000	302 - 2	FB2 - 7242 - 000	320 - 5	FB2 - 8167 - 000	210 - 6
	303 - 2	FB2 - 7243 - 000	320 - 6	FB2 - 8192 - 000	320 - 7
FA6 - 9988 - 020	302 - 3	FB2 - 7261 - 000	810 - 13	FB2 - 8196 - 020	320 - 8
	303 - 3	FB2 - 7264 - 000	810 - 14	FB2 - 8198 - 000	320 - 9
FA6 - 9989 - 000	302 - 4	FB2 - 7515 - 020	315 - 8	FB2 - 8204 - 000	320 - 10
	303 - 4	FB2 - 7521 - 000	316 - 5	FB2 - 8213 - 000	320 - 11
FA9 - 1449 - 000	211 - 1	FB2 - 7537 - 000	315 - 9	FB2 - 8214 - 000	320 - 12
	460 - 1	FB2 - 7542 - 000	315 - 10	FB2 - 8217 - 020	320 - 13
FA9 - 1800 - 000	210 - 1	FB2 - 7545 - 000	315 - 11	FB2 - 8226 - 000	100 - 14
FA9 - 1969 - 000	104 - 2	FB2 - 7558 - 000	315 - 12	FB2 - 8227 - 000	315 - 13
	104 - 3	FB2 - 7559 - 000	101 - 1	FB2 - 8248 - 020	105 - 3
FA9 - 1990 - 000	430 - 1	FB2 - 7560 - 000	101 - 2	FB2 - 8266 - 000	311 - 21
FA9 - 2112 - 000	261 - 1	FB2 - 7593 - 000	311 - 6		312 - 18
	302 - 5		312 - 5	FB2 - 8302 - 000	600 - 6
	303 - 5	FB2 - 7603 - 000	312 - 6	FB2 - 8345 - 000	101 - 3
	311 - 2	FB2 - 7605 - 000	311 - 7	FB2 - 8376 - 000	320 - 14
	312 - 1		312 - 7	FB2 - 8384 - 000	315 - 14
	313 - 2	FB2 - 7606 - 000	311 - 8	FB2 - 8402 - 000	775 - 4
	775 - 1		312 - 8	FB2 - 8410 - 000	311 - 22
	810 - 6	FB2 - 7607 - 020	311 - 9		312 - 19
FA9 - 3622 - 000	105 - 1	FB2 - 7611 - 000	311 - 10	FB2 - 8436 - 000	311 - 23
	194 - 1	FB2 - 7613 - 000	311 - 11	FB2 - 8465 - 000	302 - 9
FA9 - 3669 - 000	315 - 7	FB2 - 7614 - 000	312 - 9		303 - 10
FA9 - 3674 - 000	300 - 1	FB2 - 7616 - 000	311 - 12	FB2 - 8506 - 000	108 - 3
FA9 - 3691 - 000	312 - 2		312 - 10	FB2 - 8512 - 000	311 - 24
FA9 - 3730 - 000	600 - 5	FB2 - 7620 - 000	311 - 13		312 - 20
FA9 - 3805 - 000	250 - 2	FB2 - 7623 - 000	313 - 5		313 - 17

D1 NUMERICAL INDEX (iR8500/8500P/7200/7200P)

部品索引表

PART NUMBER	FIGURE & KEY NO.	PART NUMBER	FIGURE & KEY NO.	PART NUMBER	FIGURE & KEY NO.
FB2 - 9248 - 000	231 - 1	FB4 - 1391 - 000	100 - 16	FB4 - 1712 - 000	210 - 20 A
FB3 - 2331 - 000	320 - 15	FB4 - 1392 - 000	100 - 17	FB4 - 1713 - 000	210 - 33 A
FB3 - 2398 - 020	211 - 3	FB4 - 1396 - 000	100 - 18	FB4 - 1714 - 000	210 - 20 B
FB3 - 2411 - 000	420 - 4	FB4 - 1407 - 000	101 - 13 A	FB4 - 1715 - 000	210 - 33 B
	421 - 1	FB4 - 1408 - 000	101 - 12 A	FB4 - 1717 - 000	100 - 22
	430 - 5	FB4 - 1409 - 000	101 - 11 A	FB4 - 1719 - 000	325 - 8
	431 - 1	FB4 - 1410 - 000	103 - 3	FB4 - 1727 - 000	100 - 23
FB3 - 6117 - 000	510 - 7 C	FB4 - 1411 - 000	103 - 4	FB4 - 1734 - 000	210 - 9
FB3 - 7692 - 000	420 - 5	FB4 - 1416 - 000	510 - 2	FB4 - 1735 - 000	100 - 24
	430 - 6	FB4 - 1418 - 000	103 - 5	FB4 - 1740 - 000	210 - 33 C
FB3 - 8320 - 000	130 - 22 A		103 - 6	FB4 - 1750 - 000	106 - 2
FB3 - 8333 - 000	311 - 25	FB4 - 1421 - 000	103 - 7	FB4 - 1753 - 000	106 - 3
FB3 - 8369 - 000	350 - 6	FB4 - 1423 - 000	100 - 19	FB4 - 1762 - 000	280 - 2
FB3 - 8398 - 000	320 - 16	FB4 - 1428 - 000	210 - 8	FB4 - 1766 - 000	250 - 4
FB3 - 8409 - 000	810 - 15	FB4 - 1430 - 000	101 - 6	FB4 - 1781 - 000	106 - 4
FB3 - 8412 - 000	810 - 16	FB4 - 1432 - 000	120 - 1	FB4 - 1792 - 000	775 - 5
FB3 - 8414 - 000	350 - 7	FB4 - 1433 - 000	120 - 2	FB4 - 1794 - 000	775 - 6
FB3 - 8457 - 000	320 - 17	FB4 - 1436 - 000	120 - 3	FB4 - 1795 - 000	775 - 7
FB3 - 8508 - 000	302 - 10	FB4 - 1437 - 000	100 - 20	FB4 - 1797 - 000	775 - 8
	303 - 11	FB4 - 1443 - 000	770 - 1	FB4 - 1806 - 000	250 - 5
FB3 - 8615 - 000	261 - 2	FB4 - 1447 - 000	107 - 6		270 - 1
FB3 - 8616 - 000	261 - 3	FB4 - 1512 - 000	215 - 3		280 - 3
FB3 - 9303 - 020	300 - 4	FB4 - 1521 - 000	215 - 4	FB4 - 1820 - 020	640 - 4
FB3 - 9305 - 000	300 - 5	FB4 - 1522 - 000	215 - 5	FB4 - 1821 - 020	640 - 5
FB3 - 9306 - 000	300 - 6	FB4 - 1532 - 000	215 - 6	FB4 - 1824 - 000	640 - 6
FB3 - 9307 - 000	300 - 7	FB4 - 1533 - 000	215 - 7	FB4 - 1825 - 000	640 - 7
FB3 - 9308 - 000	300 - 8	FB4 - 1534 - 000	215 - 8	FB4 - 1828 - 000	640 - 8
FB3 - 9311 - 000	300 - 9	FB4 - 1538 - 000	215 - 9	FB4 - 1829 - 000	640 - 9
FB3 - 9312 - 000	300 - 10	FB4 - 1539 - 020	215 - 10	FB4 - 1830 - 000	640 - 16 A
FB3 - 9313 - 000	300 - 11	FB4 - 1540 - 000	215 - 11	FB4 - 1831 - 000	640 - 10
FB3 - 9314 - 000	300 - 12	FB4 - 1542 - 000	110 - 1	FB4 - 1837 - 000	640 - 11
FB3 - 9315 - 000	300 - 13		111 - 1	FB4 - 1842 - 000	645 - 2
FB3 - 9316 - 000	300 - 14		770 - 2	FB4 - 1849 - 000	645 - 3
FB3 - 9319 - 000	300 - 15	FB4 - 1546 - 000	215 - 12	FB4 - 1850 - 000	645 - 4
FB3 - 9320 - 000	300 - 16	FB4 - 1550 - 000	215 - 13	FB4 - 1856 - 000	645 - 5
FB3 - 9321 - 000	300 - 29 A	FB4 - 1554 - 000	215 - 14	FB4 - 1857 - 000	645 - 6
FB3 - 9322 - 020	300 - 17	FB4 - 1557 - 020	120 - 4	FB4 - 1858 - 000	645 - 7
FB3 - 9323 - 030	300 - 18	FB4 - 1558 - 000	100 - 21	FB4 - 1862 - 000	640 - 12
FB3 - 9326 - 000	300 - 19	FB4 - 1564 - 000	215 - 15	FB4 - 1866 - 000	640 - 13
FB3 - 9327 - 000	300 - 20	FB4 - 1569 - 000	600 - 7	FB4 - 1869 - 000	105 - 13 A
FB3 - 9329 - 000	300 - 29 B	FB4 - 1570 - 000	600 - 8	FB4 - 1871 - 000	100 - 25
FB3 - 9335 - 000	300 - 21	FB4 - 1575 - 000	600 - 9	FB4 - 1876 - 000	100 - 26
FB3 - 9336 - 000	300 - 29 C	FB4 - 1576 - 000	600 - 10	FB4 - 1890 - 000	275 - 25
FB3 - 9337 - 000	300 - 22	FB4 - 1577 - 000	600 - 11	FB4 - 1892 - 000	275 - 1
FB3 - 9340 - 000	300 - 23	FB4 - 1584 - 000	600 - 12	FB4 - 1893 - 000	275 - 2
FB3 - 9345 - 000	104 - 8	FB4 - 1585 - 000	600 - 13	FB4 - 1894 - 000	275 - 3
FB3 - 9356 - 000	104 - 9	FB4 - 1590 - 000	600 - 14	FB4 - 1895 - 000	275 - 4
FB3 - 9362 - 000	107 - 3	FB4 - 1592 - 000	600 - 15	FB4 - 1896 - 000	275 - 5
FB3 - 9363 - 000	107 - 4	FB4 - 1594 - 000	600 - 16	FB4 - 1899 - 000	275 - 6
FB3 - 9364 - 000	107 - 5	FB4 - 1595 - 000	600 - 17	FB4 - 1900 - 000	275 - 7
FB3 - 9367 - 000	311 - 26	FB4 - 1598 - 000	600 - 18	FB4 - 1901 - 000	275 - 8
FB3 - 9372 - 000	810 - 17	FB4 - 1600 - 000	600 - 19	FB4 - 1902 - 000	275 - 9
FB3 - 9907 - 000	100 - 62 B	FB4 - 1607 - 000	600 - 20	FB4 - 1903 - 000	275 - 10
FB3 - 9910 - 000	305 - 1 A	FB4 - 1609 - 000	600 - 21	FB4 - 1904 - 000	275 - 11
FB4 - 0464 - 000	640 - 3	FB4 - 1611 - 000	600 - 22	FB4 - 1913 - 000	275 - 12
FB4 - 0650 - 000	104 - 10	FB4 - 1612 - 000	600 - 23	FB4 - 1915 - 000	275 - 13
FB4 - 0715 - 000	210 - 7		910 - 1	FB4 - 1916 - 000	275 - 14
FB4 - 0753 - 000	211 - 4	FB4 - 1613 - 000	600 - 24	FB4 - 1924 - 000	275 - 15
FB4 - 0786 - 000	420 - 6	FB4 - 1616 - 000	600 - 46 A	FB4 - 1925 - 000	275 - 16
FB4 - 0787 - 000	420 - 7	FB4 - 1617 - 000	600 - 25	FB4 - 1926 - 000	275 - 17
FB4 - 0788 - 000	420 - 8	FB4 - 1618 - 000	600 - 26	FB4 - 1927 - 000	275 - 18
FB4 - 0789 - 000	420 - 9	FB4 - 1619 - 000	600 - 27	FB4 - 1933 - 000	550 - 5
FB4 - 0795 - 000	420 - 10	FB4 - 1620 - 000	510 - 3	FB4 - 1940 - 000	550 - 6
FB4 - 0802 - 000	420 - 11	FB4 - 1621 - 000	510 - 4	FB4 - 1941 - 000	550 - 7
	430 - 7	FB4 - 1622 - 000	510 - 5	FB4 - 1947 - 000	940 - 2
FB4 - 0804 - 000	420 - 12	FB4 - 1623 - 000	510 - 6	FB4 - 1948 - 000	940 - 3
FB4 - 0825 - 000	430 - 8	FB4 - 1648 - 000	580 - 4	FB4 - 1953 - 000	106 - 5
FB4 - 0831 - 000	430 - 9	FB4 - 1650 - 000	580 - 5	FB4 - 1957 - 000	103 - 8
FB4 - 0832 - 000	420 - 13	FB4 - 1653 - 000	580 - 6	FB4 - 1960 - 000	100 - 27
FB4 - 0864 - 000	420 - 14	FB4 - 1656 - 000	580 - 7	FB4 - 1962 - 000	100 - 28
	430 - 10	FB4 - 1657 - 000	580 - 8	FB4 - 1964 - 000	100 - 29
FB4 - 0867 - 000	420 - 15	FB4 - 1667 - 000	325 - 23 A	FB4 - 1965 - 000	100 - 30
FB4 - 0868 - 000	420 - 15	FB4 - 1670 - 000	325 - 5		100 - 31
FB4 - 1202 - 000	311 - 27	FB4 - 1675 - 000	325 - 6	FB4 - 1967 - 000	100 - 32
FB4 - 1334 - 000	108 - 4	FB4 - 1679 - 000	325 - 7	FB4 - 1969 - 000	100 - 33
FB4 - 1339 - 000	108 - 5	FB4 - 1680 - 020	570 - 5		100 - 34
FB4 - 1340 - 000	108 - 6	FB4 - 1681 - 020	570 - 6	FB4 - 1970 - 000	100 - 35
FB4 - 1341 - 000	104 - 11	FB4 - 1682 - 000	570 - 7	FB4 - 1978 - 020	311 - 28
FB4 - 1342 - 000	104 - 12	FB4 - 1683 - 000	570 - 8	FB4 - 1979 - 000	311 - 29
FB4 - 1350 - 000	102 - 4	FB4 - 1693 - 000	550 - 4	FB4 - 1980 - 000	311 - 30
FB4 - 1354 - 000	106 - 1		570 - 9	FB4 - 1982 - 000	311 - 31
FB4 - 1355 - 000	104 - 13		580 - 9	FB4 - 1989 - 000	311 - 32
FB4 - 1359 - 000	100 - 15	FB4 - 1694 - 000	570 - 10		312 - 21
FB4 - 1385 - 020	101 - 4	FB4 - 1695 - 000	570 - 11	FB4 - 1990 - 000	313 - 18
FB4 - 1386 - 000	101 - 5	FB4 - 1696 - 000	570 - 12	FB4 - 1992 - 000	313 - 19

D1 NUMERICAL INDEX (iR8500/8500P/7200/7200P)

部品索引表

PART NUMBER	FIGURE & KEY NO.	PART NUMBER	FIGURE & KEY NO.	PART NUMBER	FIGURE & KEY NO.
FB4 - 1994 - 000	313 - 2 0	FB4 - 2270 - 000	351 - 4	FB4 - 6227 - 000	312 - 3 0
FB4 - 1996 - 000	313 - 2 1	FB4 - 2271 - 000	351 - 5		313 - 2 4
FB4 - 2000 - 000	312 - 2 2	FB4 - 2272 - 000	351 - 6	FB4 - 7478 - 000	100 - 3 9
FB4 - 2004 - 000	311 - 3 3	FB4 - 2284 - 000	351 - 7	FB4 - 7481 - 000	360 - 3 4
	312 - 2 3	FB4 - 2288 - 000	351 - 8	FB4 - 7486 - 000	360 - 3 5
FB4 - 2007 - 000	311 - 3 4	FB4 - 2289 - 000	351 - 9	FB4 - 7833 - 000	103 - 1 3
	312 - 2 4	FB4 - 2293 - 000	351 - 1 0	FB4 - 7834 - 000	104 - 1 9
	313 - 2 2	FB4 - 2294 - 000	351 - 1 1	FB4 - 7835 - 000	311 - 3 8
	315 - 1 5	FB4 - 2297 - 000	320 - 3 3		312 - 3 1
FB4 - 2009 - 000	312 - 4 8 A	FB4 - 2299 - 000	320 - 3 4	FB4 - 7839 - 000	102 - 1 6
FB4 - 2010 - 000	312 - 2 5	FB4 - 2300 - 000	320 - 3 5	FB4 - 7840 - 000	315 - 2 1
FB4 - 2012 - 000	312 - 2 6	FB4 - 2303 - 000	320 - 3 6	FB4 - 7845 - 000	103 - 1 4
FB4 - 2013 - 000	312 - 2 7	FB4 - 2305 - 020	320 - 3 7	FB4 - 7846 - 000	108 - 7
FB4 - 2014 - 000	312 - 2 8	FB4 - 2306 - 020	320 - 3 8	FB4 - 7878 - 000	320 - 4 7
FB4 - 2016 - 000	312 - 2 9	FB4 - 2307 - 020	320 - 3 9	FB4 - 7882 - 000	100 - 4 0
FB4 - 2019 - 000	104 - 1 4	FB4 - 2308 - 020	320 - 4 0	FB4 - 7883 - 000	100 - 4 1
FB4 - 2020 - 000	104 - 1 5	FB4 - 2310 - 000	320 - 4 1	FB4 - 8012 - 000	600 - 2 8
FB4 - 2023 - 000	104 - 1 6	FB4 - 2312 - 000	320 - 4 2	FB4 - 8013 - 000	600 - 2 9
FB4 - 2024 - 000	104 - 1 7	FB4 - 2314 - 000	320 - 4 3	FB4 - 8014 - 000	600 - 3 0
FB4 - 2026 - 000	302 - 1 1	FB4 - 2317 - 000	320 - 4 4	FB4 - 8018 - 000	600 - 3 1
	303 - 1 2	FB4 - 2318 - 020	320 - 4 5	FB4 - 9026 - 000	275 - 2 1
FB4 - 2031 - 000	313 - 2 3	FB4 - 2322 - 020	325 - 1 0	FB4 - 9027 - 000	275 - 2 2
FB4 - 2034 - 000	311 - 5 6 A	FB4 - 2325 - 000	360 - 3 3	FB4 - 9028 - 000	275 - 2 3
	312 - 4 7 A	FB4 - 2327 - 000	320 - 4 6	FB4 - 9029 - 000	311 - 3 9
	313 - 3 7 A	FB4 - 2343 - 000	130 - 4		312 - 3 2
FB4 - 2035 - 000	315 - 1 6	FB4 - 2347 - 000	460 - 2		313 - 2 5
FB4 - 2041 - 000	103 - 9	FB4 - 2358 - 000	210 - 1 0	FB4 - 9032 - 000	106 - 6
FB4 - 2042 - 000	103 - 1 0	FB4 - 2360 - 000	210 - 1 1	FB4 - 9033 - 000	325 - 1 6
	103 - 1 1	FB4 - 2366 - 000	210 - 1 2	FB4 - 9034 - 000	105 - 4
FB4 - 2055 - 000	320 - 1 8	FB4 - 2376 - 000	210 - 1 3	FB4 - 9035 - 000	360 - 3 6
FB4 - 2058 - 000	320 - 1 9	FB4 - 2384 - 000	210 - 1 4	FB4 - 9043 - 000	311 - 4 0
FB4 - 2061 - 000	320 - 2 0	FB4 - 2385 - 000	420 - 1 6		312 - 3 3
FB4 - 2062 - 000	320 - 2 1	FB4 - 3118 - 000	101 - 2 1 A		313 - 2 6
FB4 - 2067 - 000	320 - 2 2	FB4 - 3687 - 000	550 - 8	FB4 - 9343 - 000	110 - 2
FB4 - 2068 - 000	320 - 2 3		570 - 1 3	FB4 - 9346 - 000	940 - 4
	325 - 9		580 - 1 0	FB4 - 9355 - 000	580 - 1 1
FB4 - 2077 - 000	320 - 2 4	FB4 - 3700 - 000	311 - 3 5	FB4 - 9360 - 000	810 - 2 3
FB4 - 2078 - 000	320 - 2 5	FB4 - 3723 - 020	260 - 2	FB4 - 9361 - 000	810 - 2 4
FB4 - 2087 - 000	330 - 1	FB4 - 3728 - 000	260 - 3	FB4 - 9509 - 000	302 - 1 3
FB4 - 2088 - 000	330 - 2	FB4 - 3729 - 000	260 - 4		303 - 1 5
FB4 - 2090 - 000	330 - 3	FB4 - 3731 - 000	102 - 5	FB4 - 9511 - 000	770 - 3
FB4 - 2092 - 000	330 - 4		102 - 6	FB4 - 9514 - 000	275 - 2 4
FB4 - 2093 - 000	330 - 5	FB4 - 3732 - 000	102 - 7	FB4 - 9515 - 000	325 - 1 7
FB4 - 2094 - 000	330 - 6	FB4 - 3741 - 020	102 - 8	FB4 - 9517 - 000	600 - 3 2
FB4 - 2104 - 000	360 - 8	FB4 - 3743 - 000	102 - 2 0 A	FB4 - 9518 - 000	600 - 3 3
FB4 - 2106 - 000	360 - 9	FB4 - 3747 - 000	315 - 1 7	FB4 - 9524 - 000	810 - 2 5
FB4 - 2111 - 000	360 - 1 0	FB4 - 3750 - 000	315 - 1 8	FB4 - 9525 - 000	600 - 3 4
FB4 - 2113 - 000	360 - 1 1	FB4 - 3759 - 000	315 - 1 9	FB4 - 9526 - 000	600 - 3 5
FB4 - 2114 - 020	360 - 1 2	FB4 - 3762 - 000	315 - 2 7 A	FB4 - 9797 - 020	320 - 4 8
FB4 - 2119 - 000	360 - 1 3	FB4 - 3767 - 000	264 - 2	FB4 - 9799 - 000	770 - 4
FB4 - 2121 - 000	360 - 1 4	FB4 - 3772 - 000	315 - 2 0	FB5 - 0527 - 000	320 - 4 9
FB4 - 2122 - 000	360 - 1 5	FB4 - 3773 - 000	102 - 9	FB5 - 0529 - 000	580 - 1 2
FB4 - 2124 - 000	360 - 1 6	FB4 - 3774 - 000	316 - 7	FB5 - 0530 - 000	580 - 1 3
FB4 - 2131 - 000	360 - 1 7	FB4 - 3811 - 000	103 - 1 2	FB5 - 0532 - 000	101 - 8
FB4 - 2132 - 000	360 - 1 8	FB4 - 3814 - 000	102 - 1 0	FB5 - 0539 - 000	320 - 5 0
FB4 - 2133 - 000	360 - 1 9	FB4 - 3816 - 000	102 - 1 1	FB5 - 0553 - 000	231 - 2
FB4 - 2135 - 000	360 - 2 0	FB4 - 3817 - 000	102 - 1 2	FB5 - 1489 - 000	300 - 2 5
FB4 - 2136 - 000	360 - 2 1	FB4 - 3822 - 000	102 - 1 3	FB5 - 1523 - 000	105 - 5
FB4 - 2145 - 000	360 - 2 2	FB4 - 3823 - 000	102 - 1 4	FB5 - 1524 - 000	105 - 6
FB4 - 2149 - 000	360 - 2 3	FB4 - 3850 - 000	325 - 1 1	FB5 - 1837 - 000	100 - 4 2
FB4 - 2150 - 000	360 - 2 4	FB4 - 3851 - 000	325 - 1 2	FB5 - 1840 - 000	105 - 7
FB4 - 2151 - 000	360 - 2 5	FB4 - 3852 - 000	325 - 1 3	FB5 - 1844 - 000	600 - 3 6
FB4 - 2152 - 000	360 - 2 6	FB4 - 3853 - 000	325 - 2 0 A	FB5 - 2063 - 000	311 - 4 1
FB4 - 2153 - 000	360 - 2 7	FB4 - 3857 - 000	325 - 2 1 A		312 - 3 4
FB4 - 2155 - 000	360 - 2 8	FB4 - 3858 - 000	325 - 1 4		313 - 2 7
FB4 - 2156 - 000	360 - 2 9	FB4 - 3860 - 000	325 - 1 5	FB5 - 2172 - 000	130 - 6
FB4 - 2159 - 000	360 - 3 0	FB4 - 5005 - 000	130 - 5	FB5 - 2173 - 000	130 - 7
FB4 - 2161 - 000	360 - 3 1	FB4 - 5093 - 020	102 - 1 5	FB5 - 2174 - 000	130 - 2 2 B
FB4 - 2164 - 000	360 - 3 2	FB4 - 5253 - 000	300 - 2 4	FB5 - 2195 - 000	130 - 2 2 C
FB4 - 2191 - 000	810 - 1 8	FB4 - 5257 - 000	101 - 7	FB5 - 2394 - 000	580 - 1 4
FB4 - 2195 - 020	810 - 1 9	FB4 - 5267 - 000	303 - 1 3	FB5 - 2508 - 000	351 - 1 2
FB4 - 2196 - 020	810 - 2 0	FB4 - 5268 - 000	302 - 1 2	FB5 - 2512 - 000	100 - 4 3
FB4 - 2214 - 000	810 - 2 1		303 - 1 4	FB5 - 2515 - 000	580 - 1 5
FB4 - 2224 - 000	320 - 2 6	FB4 - 5297 - 000	100 - 3 6	FB5 - 2594 - 000	101 - 1 7 A
FB4 - 2225 - 000	320 - 2 7	FB4 - 5298 - 000	100 - 3 7	FB5 - 2596 - 000	106 - 7
FB4 - 2235 - 000	320 - 2 8	FB4 - 5305 - 000	550 - 9	FB5 - 2598 - 000	600 - 3 7
FB4 - 2236 - 000	320 - 2 9	FB4 - 5309 - 000	275 - 1 9	FB5 - 2626 - 000	360 - 3 7
FB4 - 2237 - 000	320 - 3 0	FB4 - 5310 - 000	275 - 2 0	FB5 - 2837 - 000	315 - 2 2
FB4 - 2238 - 000	320 - 3 1	FB4 - 5311 - 000	100 - 3 8	FB5 - 2838 - 000	315 - 2 3
FB4 - 2239 - 000	810 - 2 2	FB4 - 5335 - 000	104 - 1 8	FB5 - 2841 - 000	300 - 3 1 A
FB4 - 2254 - 000	320 - 3 2	FB4 - 5402 - 000	211 - 5	FB5 - 3046 - 000	211 - 6
FB4 - 2261 - 000	350 - 8	FB4 - 5434 - 000	421 - 2	FB5 - 3049 - 000	211 - 7
FB4 - 2262 - 000	350 - 9	FB4 - 5435 - 000	431 - 2	FB5 - 3050 - 000	211 - 8
FB4 - 2263 - 000	350 - 1 0	FB4 - 6214 - 000	311 - 3 6	FB5 - 3052 - 000	211 - 2 9 A
FB4 - 2268 - 000	351 - 3	FB4 - 6227 - 000	311 - 3 7	FB5 - 3055 - 000	211 - 9

D1 NUMERICAL INDEX (iR8500/8500P/7200/7200P)

部品索引表

PART NUMBER	FIGURE & KEY NO.	PART NUMBER	FIGURE & KEY NO.	PART NUMBER	FIGURE & KEY NO.
FB5 - 3056 - 000	211 - 10	FB5 - 6916 - 000	100 - 45	FB6 - 0782 - 000	900 - 3
FB5 - 3068 - 000	421 - 3	FB5 - 6925 - 000	360 - 38	FB6 - 0783 - 000	770 - 5
FB5 - 3069 - 000	421 - 4	FB5 - 6930 - 000	810 - 28	FB6 - 0784 - 000	107 - 7
FB5 - 3077 - 000	431 - 3	FB5 - 6931 - 000	810 - 29	FB6 - 2372 - 000	325 - 19
FB5 - 3085 - 000	211 - 11	FB5 - 6932 - 000	810 - 30	FB6 - 2719 - 000	302 - 21
FB5 - 3086 - 000	211 - 12	FB5 - 6934 - 000	810 - 31		303 - 25
FB5 - 3087 - 000	211 - 13	FB5 - 6935 - 000	810 - 32	FB6 - 2720 - 000	600 - 43
FB5 - 3090 - 000	211 - 14	FB5 - 6936 - 000	810 - 33	FB6 - 2724 - 000	210 - 16
FB5 - 3105 - 000	580 - 16	FB5 - 6941 - 000	810 - 34	FB6 - 2725 - 000	210 - 17
FB5 - 3111 - 000	640 - 14	FB5 - 6944 - 000	810 - 35	FB6 - 2726 - 000	104 - 22
FB5 - 3351 - 000	104 - 20	FB5 - 6945 - 000	810 - 36	FB6 - 2727 - 000	104 - 23
FB5 - 3365 - 000	300 - 26	FB5 - 6946 - 000	810 - 37	FB6 - 2728 - 000	104 - 24
	302 - 14	FB5 - 6948 - 000	810 - 38	FB6 - 2878 - 000	105 - 9
	303 - 16	FB5 - 6951 - 000	810 - 39	FB6 - 2887 - 000	316 - 8
FB5 - 3366 - 000	302 - 33 A	FB5 - 6952 - 000	810 - 40	FB6 - 2888 - 000	100 - 44
FB5 - 3367 - 000	303 - 37 A	FB5 - 6957 - 000	810 - 41	FB6 - 2889 - 000	100 - 44
FB5 - 3370 - 000	302 - 15	FB5 - 6973 - 000	810 - 42	FB6 - 4200 - 000	105 - 10
	303 - 17	FB5 - 6974 - 000	350 - 11	FB6 - 4254 - 000	100 - 44
FB5 - 3395 - 000	351 - 13	FB5 - 6976 - 000	350 - 12	FB6 - 4255 - 000	100 - 44
FB5 - 3407 - 000	320 - 51	FB5 - 6980 - 000	303 - 22	FC1 - 1117 - 000	251 - 1
FB5 - 3410 - 000	351 - 14	FB5 - 6982 - 000	303 - 23	FC1 - 5049 - 000	302 - 22
FB5 - 3421 - 000	351 - 15	FB5 - 6986 - 000	303 - 24		303 - 26
FB5 - 3502 - 000	211 - 15	FB5 - 6987 - 000	300 - 27	FC1 - 5051 - 000	302 - 23
	211 - 34 A	FB5 - 6988 - 000	100 - 46		303 - 27
FB5 - 3569 - 000	302 - 16	FB5 - 6989 - 000	100 - 47	FC1 - 5052 - 000	302 - 24
FB5 - 3635 - 000	211 - 16	FB5 - 6991 - 000	100 - 48		303 - 28
FB5 - 3636 - 000	211 - 17	FB5 - 6992 - 000	100 - 49	FC1 - 5055 - 000	302 - 25
FB5 - 3641 - 000	211 - 18	FB5 - 6996 - 000	100 - 58 A		303 - 29
FB5 - 3642 - 000	211 - 19	FB5 - 7000 - 000	100 - 50	FC1 - 5056 - 000	302 - 26
FB5 - 3698 - 000	130 - 8	FB5 - 7001 - 000	100 - 51		303 - 30
FB5 - 3699 - 000	130 - 9	FB5 - 7005 - 000	311 - 43	FC1 - 5061 - 000	302 - 27
FB5 - 3708 - 000	130 - 10		312 - 37		303 - 31
FB5 - 3709 - 000	130 - 11		313 - 28	FC1 - 5080 - 000	302 - 28
FB5 - 3718 - 000	130 - 22 D	FB5 - 7013 - 000	311 - 44		303 - 32
FB5 - 3728 - 000	130 - 12		312 - 38	FC1 - 5081 - 000	302 - 29
FB5 - 3730 - 000	130 - 22 E	FB5 - 7028 - 000	460 - 3		303 - 33
FB5 - 4010 - 000	900 - 1	FB5 - 7029 - 000	460 - 4	FC1 - 7438 - 000	351 - 20
FB5 - 4339 - 000	312 - 35	FB5 - 7042 - 000	215 - 18	FF2 - 2891 - 000	600 - 44
FB5 - 4346 - 000	215 - 16	FB5 - 7048 - 000	105 - 8	FF2 - 5730 - 000	645 - 8
FB5 - 4347 - 000	215 - 17	FB5 - 7054 - 000	210 - 15	FF3 - 3330 - 000	550 - 10
FB5 - 4535 - 000	211 - 29 B	FB5 - 7075 - 000	320 - 52	FF3 - 3952 - 040	936 - 1
FB5 - 4553 - 000	211 - 29 B	FB5 - 7076 - 000	320 - 53	FF5 - 2173 - 000	210 - 18
FB5 - 4554 - 000	211 - 29 B	FB5 - 7077 - 000	810 - 43	FF5 - 2930 - 000	103 - 16
FB5 - 4555 - 000	211 - 29 B	FB5 - 7545 - 000	100 - 61	FF5 - 2939 - 000	315 - 24
FB5 - 4557 - 000	211 - 29 A	FB5 - 7558 - 000	810 - 44	FF5 - 2942 - 020	570 - 15
FB5 - 4558 - 000	211 - 29 A	FB5 - 7559 - 000	810 - 45	FF5 - 2943 - 000	315 - 25
FB5 - 4559 - 000	211 - 29 A	FB5 - 7560 - 000	810 - 46	FF5 - 2986 - 000	600 - 45
FB5 - 4586 - 000	211 - 30 A	FB5 - 7562 - 000	810 - 47	FF5 - 3063 - 030	311 - 46
FB5 - 4588 - 000	431 - 4	FB5 - 7655 - 000	320 - 54	FF5 - 3135 - 020	315 - 26
FB5 - 5455 - 000	211 - 20	FB5 - 7656 - 000	320 - 55	FF5 - 3220 - 000	311 - 47
FB5 - 5456 - 000	211 - 21	FB5 - 7657 - 000	351 - 16	FF5 - 3221 - 000	313 - 30
FB5 - 5458 - 000	211 - 22	FB5 - 7660 - 000	810 - 48	FF5 - 3228 - 000	312 - 40
FB5 - 5467 - 000	211 - 23	FB5 - 7662 - 000	351 - 17	FF5 - 5593 - 030	100 - 54
FB5 - 5544 - 000	211 - 24	FB5 - 7663 - 000	351 - 18	FF5 - 5594 - 030	100 - 55
FB5 - 5547 - 000	211 - 25	FB5 - 7664 - 000	351 - 19	FF5 - 5894 - 000	311 - 48
FB5 - 5549 - 000	211 - 26	FB5 - 7666 - 000	350 - 13	FF5 - 5895 - 000	311 - 49
FB5 - 5551 - 000	211 - 27	FB5 - 7668 - 000	350 - 14	FF5 - 5914 - 000	350 - 18
FB5 - 5555 - 000	211 - 28	FB5 - 7671 - 000	320 - 56	FF5 - 6000 - 000	320 - 59
FB5 - 5606 - 000	302 - 17	FB5 - 7672 - 000	320 - 57	FF5 - 6183 - 000	300 - 29
	303 - 18	FB5 - 7673 - 000	320 - 58	FF5 - 6189 - 000	300 - 30
FB5 - 5607 - 000	302 - 18	FB5 - 7674 - 000	351 - 22 A	FF5 - 6579 - 000	420 - 17
	303 - 19	FB5 - 7676 - 000	325 - 18	FF5 - 6581 - 000	430 - 11
FB5 - 5608 - 000	302 - 19	FB5 - 7677 - 000	351 - 22 B	FF5 - 6883 - 000	550 - 11
	303 - 20	FB5 - 7678 - 000	351 - 22 C		580 - 18
FB5 - 5609 - 000	302 - 20	FB5 - 8482 - 000	900 - 2	FF5 - 6884 - 000	550 - 12
	303 - 21	FB5 - 8717 - 000	350 - 15		580 - 19
FB5 - 5620 - 000	312 - 36	FB5 - 8718 - 000	351 - 22 D	FF5 - 6885 - 000	550 - 13
FB5 - 5621 - 000	311 - 42	FB5 - 8722 - 000	102 - 17		580 - 20
FB5 - 6825 - 000	810 - 26	FB5 - 8723 - 000	102 - 18	FF5 - 6889 - 000	311 - 50
FB5 - 6833 - 000	810 - 27	FB5 - 8727 - 000	350 - 16		312 - 41
FB5 - 6838 - 000	130 - 13	FB5 - 8729 - 000	350 - 17	FF5 - 6890 - 000	313 - 31
FB5 - 6840 - 000	130 - 14	FB5 - 8735 - 000	104 - 21	FF5 - 6904 - 000	311 - 51
FB5 - 6846 - 000	130 - 15	FB5 - 8809 - 000	215 - 19	FF5 - 6905 - 000	311 - 52
FB5 - 6853 - 000	640 - 17 A	FB5 - 8810 - 000	215 - 20	FF5 - 7540 - 000	313 - 32
FB5 - 6856 - 000	600 - 38	FB5 - 8817 - 000	600 - 42	FF5 - 7651 - 000	940 - 5
FB5 - 6857 - 000	600 - 39	FB5 - 9351 - 000	300 - 28	FF5 - 7654 - 000	103 - 17
FB5 - 6862 - 000	103 - 15	FB5 - 9354 - 000	570 - 14	FF5 - 7655 - 000	103 - 18
FB5 - 6868 - 000	600 - 40	FB5 - 9648 - 000	580 - 17	FF5 - 7658 - 000	101 - 9
FB5 - 6869 - 000	600 - 41	FB6 - 0342 - 000	431 - 5	FF5 - 7661 - 020	101 - 10
FB5 - 6877 - 000	275 - 25	FB6 - 0581 - 000	250 - 7	FF5 - 7662 - 000	101 - 11
FB5 - 6878 - 000	100 - 44	FB6 - 0775 - 000	311 - 45	FF5 - 7663 - 000	101 - 12
FB5 - 6879 - 000	100 - 44		312 - 39	FF5 - 7664 - 000	101 - 13
FB5 - 6882 - 000	106 - 8		313 - 29	FF5 - 7665 - 000	107 - 8
FB5 - 6884 - 000	106 - 9	FB6 - 0776 - 000	100 - 52	FF5 - 7667 - 000	102 - 19
FB5 - 6895 - 000	250 - 6	FB6 - 0777 - 000	100 - 53	FF5 - 7673 - 000	315 - 27

D1 NUMERICAL INDEX (iR8500/8500P/7200/7200P)

部品索引表

PART NUMBER	FIGURE & KEY NO.	PART NUMBER	FIGURE & KEY NO.	PART NUMBER	FIGURE & KEY NO.
FF5 - 7674 - 000	315 - 2 8	FF5 - 9813 - 000	211 - 2 9	FG6 - 1822 - 000	210 - 3 3 D
FF5 - 7675 - 000	315 - 2 9	FF5 - 9814 - 000	211 - 2 9	FG6 - 1823 - 000	210 - 2 2
FF5 - 7682 - 000	600 - 4 6	FF5 - 9816 - 000	211 - 3 0	FG6 - 1824 - 000	210 - 2 3
FF5 - 7695 - 000	645 - 9	FF5 - 9820 - 000	211 - 3 1	FG6 - 1825 - 000	210 - 3 2 A
FF5 - 7698 - 000	640 - 1 5	FF5 - 9821 - 000	211 - 3 2	FG6 - 1826 - 000	215 - 2 2
FF5 - 7701 - 000	640 - 1 6	FF5 - 9825 - 000	421 - 5	FG6 - 1827 - 000	210 - 2 4
FF5 - 7705 - 000	550 - 1 4	FF5 - 9827 - 000	431 - 6	FG6 - 1828 - 000	210 - 2 5
FF5 - 7706 - 000	550 - 1 5	FF5 - 9830 - 000	211 - 3 3	FG6 - 1832 - 000	311 - 5 7
FF5 - 7715 - 000	275 - 2 6	FF5 - 9854 - 000	211 - 3 4	FG6 - 1834 - 000	312 - 4 8
FF5 - 7717 - 000	215 - 2 1	FF5 - 9892 - 000	104 - 2 5	FG6 - 1836 - 000	313 - 3 8
FF5 - 7726 - 000	105 - 1 1	FF5 - 9956 - 000	211 - 3 5	FG6 - 1839 - 000	360 - 5 1
FF5 - 7734 - 000	360 - 3 9	FF5 - 9957 - 000	211 - 3 6	FG6 - 1840 - 000	360 - 5 2
FF5 - 7736 - 000	360 - 4 0	FF5 - 9959 - 000	211 - 3 7	FG6 - 1841 - 000	360 - 5 3
FF5 - 7737 - 020	360 - 4 1	FF5 - 9963 - 000	130 - 1 6	FG6 - 1842 - 000	360 - 5 4
FF5 - 7738 - 000	360 - 4 2	FF6 - 0384 - 000	211 - 3 8	FG6 - 1843 - 000	360 - 5 5
FF5 - 7829 - 000	311 - 5 3	FF6 - 1013 - 000	302 - 3 3	FG6 - 1853 - 000	600 - 4 8
	312 - 4 2	FF6 - 1014 - 000	303 - 3 7		B - J 1 7
	313 - 3 3	FF6 - 1016 - 000	600 - 4 7	FG6 - 1854 - 000	640 - 1 8
FF5 - 7830 - 000	311 - 5 4	FF6 - 1017 - 000	320 - 7 1	FG6 - 1858 - 000	550 - 1 6
	312 - 4 3	FF6 - 1019 - 000	300 - 3 2	FG6 - 1866 - 000	315 - 3 6
	313 - 3 4	FF6 - 1029 - 000	351 - 2 1	FG6 - 1867 - 000	102 - 2 3
FF5 - 7832 - 000	312 - 4 4	FF6 - 1031 - 000	570 - 1 7	FG6 - 1871 - 000	320 - 7 2
FF5 - 7833 - 000	312 - 4 5	FF6 - 1034 - 000	300 - 3 3	FG6 - 1872 - 000	325 - 2 8
FF5 - 7840 - 000	313 - 3 5	FF6 - 1037 - 000	100 - 5 8	FG6 - 1873 - 000	325 - 2 9
FF5 - 7845 - 000	320 - 6 0	FF6 - 1038 - 000	100 - 5 9	FG6 - 1874 - 000	325 - 3 0
FF5 - 7846 - 000	320 - 6 1	FF6 - 1041 - 000	640 - 1 7	FG6 - 1875 - 000	810 - 5 2
FF5 - 7850 - 000	320 - 6 2	FF6 - 1046 - 000	351 - 2 2		B - J 1 5
FF5 - 7855 - 000	320 - 6 3	FF6 - 1049 - 000	325 - 2 6	FG6 - 1876 - 000	320 - 7 3
FF5 - 7860 - 000	810 - 4 9	FF6 - 1051 - 000	300 - 3 4	FG6 - 1879 - 000	320 - 7 4
FF5 - 7872 - 000	325 - 2 0	FF6 - 1052 - 000	300 - 3 4	FG6 - 1880 - 000	810 - 5 3
FF5 - 7875 - 000	325 - 2 1	FF6 - 1053 - 000	325 - 2 7	FG6 - 1881 - 000	810 - 5 4
FF5 - 7877 - 000	325 - 2 2	FF6 - 1054 - 000	300 - 3 5	FG6 - 1882 - 000	910 - 2
FF5 - 7878 - 000	325 - 2 3		302 - 3 4	FG6 - 1884 - 000	940 - 6
FF5 - 7880 - 000	320 - 6 4		303 - 3 8	FG6 - 1885 - 000	940 - 7
FF5 - 7881 - 000	320 - 6 5	FF6 - 1062 - 000	105 - 1 2	FG6 - 1887 - 000	910 - 3
FF5 - 7882 - 020	101 - 1 4	FF6 - 1067 - 000	100 - 6 0	FG6 - 1888 - 000	231 - 3
FF5 - 7883 - 000	210 - 1 9	FF6 - 1068 - 000	100 - 6 1	FG6 - 1889 - 020	275 - 3 0
FF5 - 7884 - 000	120 - 5	FF6 - 1082 - 000	810 - 5 0	FG6 - 1891 - 000	645 - 1 0
FF5 - 7891 - 020	580 - 2 1	FF6 - 1086 - 000	275 - 2 9	FG6 - 1892 - 000	101 - 1 9
FF5 - 7938 - 000	210 - 2 0	FF6 - 1087 - 000	810 - 5 1	FG6 - 1893 - 000	210 - 2 6
FF5 - 7942 - 000	100 - 5 6	FF6 - 1333 - 000	300 - 3 6	FG6 - 1895 - 000	194 - 2
FF5 - 7943 - 000	100 - 5 7	FF6 - 1336 - 000	101 - 1 8	FG6 - 1896 - 000	103 - 2 2
FF5 - 7944 - 000	320 - 6 6	FF6 - 1342 - 000	360 - 4 8	FG6 - 1898 - 000	190 - 1
FF5 - 7948 - 000	360 - 4 3	FF6 - 1858 - 000	360 - 4 9	FG6 - 1901 - 000	101 - 2 0
FF5 - 7949 - 000	360 - 4 4	FF6 - 1996 - 000	100 - 6 2	FG6 - 1904 - 000	107 - 1 2
FF5 - 8139 - 000	101 - 1 5	FF6 - 1997 - 000	100 - 6 2		B - J 1 1
FF5 - 8140 - 000	316 - 9	FF6 - 1998 - 000	100 - 6 2		B - J 1 5
FF5 - 8141 - 000	102 - 2 0	FF6 - 1999 - 000	100 - 6 2	FG6 - 1906 - 000	104 - 2 6
FF5 - 8147 - 000	102 - 2 1	FF6 - 2000 - 000	100 - 6 3		360 - 5 6
FF5 - 8150 - 000	302 - 3 0	FF6 - 2001 - 000	100 - 6 3	FG6 - 1941 - 000	104 - 2 7
	303 - 3 4	FF6 - 2002 - 000	100 - 6 3	FG6 - 1942 - 000	210 - 2 7
FF5 - 8151 - 000	302 - 3 1	FF6 - 2003 - 000	100 - 6 3	FG6 - 1943 - 000	420 - 1 8
	303 - 3 5	FF6 - 2004 - 000	100 - 6 4	FG6 - 1971 - 000	105 - 1 3
FF5 - 8152 - 000	101 - 1 6	FF9 - 1763 - 000	315 - 3 4	FG6 - 1987 - 000	195 -
FF5 - 8157 - 000	315 - 3 0	FF9 - 1764 - 000	315 - 3 5	FG6 - 1996 - 000	263 -
FF5 - 8194 - 000	102 - 2 2	FF9 - 1901 - 000	100 - 6 5	FG6 - 1997 - 000	194 -
	103 - 1 9	FF9 - 1909 - 000	210 - 2 1	FG6 - 2011 - 000	645 -
	325 - 2 4	FF9 - 1910 - 000	360 - 5 0	FG6 - 2017 - 000	230 -
FF5 - 8196 - 000	320 - 6 7	FF9 - 1913 - 000	311 - 5 6	FG6 - 2020 - 020	775 -
FF5 - 8200 - 000	360 - 4 5		312 - 4 7	FG6 - 2023 - 000	101 - 2 1
FF5 - 8202 - 000	360 - 4 6		313 - 3 7	FG6 - 2033 - 000	210 - 2 8
FF5 - 8652 - 000	360 - 4 7	FG1 - 3472 - 000	720 -	FG6 - 2036 - 060	420 -
FF5 - 8654 - 040	320 - 6 8	FG2 - 9195 - 000	305 - 1	FG6 - 2243 - 000	231 -
FF5 - 8655 - 000	275 - 2 7	FG2 - 9811 - 000	305 - 2	FG6 - 2247 - 000	190 -
FF5 - 8661 - 000	103 - 2 0	FG2 - 9921 - 000	305 - 2	FG6 - 2291 - 020	945 -
FF5 - 8732 - 000	275 - 2 8	FG3 - 1689 - 100	930 - 1	FG6 - 2305 - 000	102 - 2 4
FF5 - 8733 - 000	510 - 7	FG3 - 1690 - 030	935 - 1	FG6 - 2326 - 000	420 - 1 9
FF5 - 8736 - 000	320 - 6 9	FG3 - 1795 - 000	920 -	FG6 - 2328 - 000	101 - 2 2
FF5 - 8787 - 000	320 - 7 0	FG3 - 1796 - 000	130 - 1 7	FG6 - 2330 - 000	101 - 2 3
FF5 - 8796 - 000	325 - 2 5	FG3 - 1797 - 000	130 - 1 8	FG6 - 2331 - 000	102 - 2 5
FF5 - 8895 - 030	103 - 2 1	FG3 - 1798 - 000	130 - 1 9	FG6 - 2332 - 000	360 - 5 7
FF5 - 9416 - 000	315 - 3 1	FG3 - 1799 - 000	130 - 2 0	FG6 - 2334 - 000	104 - 2 8
FF5 - 9451 - 000	900 - 1 7	FG3 - 1800 - 000	130 - 2 1	FG6 - 2335 - 000	311 - 5 8
FF5 - 9547 - 000	101 - 1 7	FG3 - 2295 - 000	107 - 9	FG6 - 2340 - 000	460 - 5
FF5 - 9550 - 000	300 - 3 1	FG5 - 1957 - 000	107 - 1 0	FG6 - 2512 - 000	210 - 2 9
FF5 - 9551 - 000	315 - 3 2	FG5 - 1958 - 000	316 - 1 0	FG6 - 3568 - 000	600 - 4 9
FF5 - 9552 - 000	570 - 1 6	FG5 - 4449 - 050	261 -		B - J 2 7 2
FF5 - 9561 - 000	315 - 3 3	FG5 - 8221 - 000	107 - 1 1	FG6 - 3569 - 000	106 - 1 0
FF5 - 9784 - 000	311 - 5 5	FG5 - 9419 - 000	305 - 1 B		B - J 2 7 1
	312 - 4 6	FG6 - 1813 - 000	110 - 3		B - J 2 7 2
	313 - 3 6		111 - 2	FG6 - 3570 - 000	251 - 2
FF5 - 9791 - 000	302 - 3 2	FG6 - 1817 - 000	120 - 6	FG6 - 3572 - 000	264 - 3
FF5 - 9793 - 000	303 - 3 6	FG6 - 1818 - 000	770 - 6	FG6 - 4380 - 000	430 -
FF5 - 9811 - 000	211 - 2 9	FG6 - 1819 - 000	770 - 7	FG6 - 4852 - 000	431 -
FF5 - 9812 - 000	211 - 2 9	FG6 - 1820 - 000	770 - 8	FG6 - 4853 - 000	211 - 3 9

D1 NUMERICAL INDEX (iR8500/8500P/7200/7200P)

部品索引表

PART NUMBER	FIGURE & KEY NO.	PART NUMBER	FIGURE & KEY NO.	PART NUMBER	FIGURE & KEY NO.
FG6 - 4954 - 030	936 -	FG6 - 7289 - 000	810 -	FH2 - 6756 - 000	B - J 9 2 0 2
FG6 - 4970 - 000	211 - 4 0	FG6 - 7290 - 000	325 -	FH2 - 6807 - 000	106 - 13
FG6 - 4971 - 000	211 - 4 1	FG6 - 7291 - 000	320 -	FH2 - 6841 - 000	810 - 5 8
FG6 - 4973 - 000	211 - 3 9 A	FG6 - 7292 - 000	320 -	FH2 - 6842 - 000	130 - 2 4
FG6 - 4985 - 000	211 - 4 2	FG6 - 7293 - 000	320 -	FH2 - 6853 - 000	211 - 5 3
FG6 - 4988 - 000	211 - 4 3	FG6 - 7294 - 000	120 -		B - J 5 0 0 3
FG6 - 5176 - 000	130 - 2 2	FG6 - 7313 - 000	550 -		B - J 6 0 0 2
FG6 - 5475 - 000	211 - 4 4	FG6 - 7319 - 000	111 -	FH2 - 6855 - 000	B - J 3 6
FG6 - 5476 - 000	211 - 4 5	FG6 - 7320 - 000	111 -		B - J 7 5 5
FG6 - 5479 - 000	211 - 4 6	FG6 - 7325 - 000	251 -	FH2 - 6856 - 000	B - J 3 6
FG6 - 5480 - 000	211 - 4 7	FG6 - 7326 - 000	250 -		B - J 7 5 5
FG6 - 5917 - 000	211 - 4 8	FG6 - 7327 - 000	270 -	FH2 - 6898 - 000	210 - 3 3 E
FG6 - 5918 - 000	421 -	FG6 - 7328 - 000	280 -		B - J 1 1 0 8
FG6 - 5943 - 000	421 - 6	FG6 - 7329 - 000	260 -		B - J 1 5 0 3
FG6 - 5954 - 000	211 - 5 2 A	FG6 - 7330 - 000	264 -	FH2 - 6899 - 000	210 - 3 3 F
FG6 - 5955 - 000	211 - 5 2 B	FG6 - 7332 - 000	210 - 3 2		B - J 1 1 0 7
FG6 - 5956 - 000	211 - 4 9	FG6 - 7333 - 000	330 -		B - J 1 5 0 2
FG6 - 5957 - 000	211 - 5 0	FG6 - 7337 - 000	130 -	FH2 - 6900 - 000	900 - 1 8
FG6 - 5958 - 000	211 - 5 1	FG6 - 7338 - 000	130 -		B - J 1 3 0 2
FG6 - 5964 - 000	900 - 4	FG6 - 7339 - 000	130 -		B - J 1 4 5 2
FG6 - 6100 - 000	211 - 5 2	FG6 - 7345 - 000	600 -	FH2 - 6901 - 000	111 - 6
FG6 - 6853 - 000	900 - 5	FG6 - 7348 - 000	275 -	FH2 - 6919 - 000	111 - 7
FG6 - 6885 - 000	251 - 3	FG6 - 7363 - 000	360 -	FH2 - 6920 - 000	111 - 8
FG6 - 6903 - 000	250 - 8	FG6 - 7365 - 000	350 -	FH2 - 6921 - 000	111 - 9
FG6 - 7177 - 000	460 -	FG6 - 7366 - 000	351 -	FH2 - 9231 - 000	985 - 1
FG6 - 7185 - 000	570 - 1 8	FG6 - 7376 - 000	302 -		B - J 7 3 1
FG6 - 7200 - 000	810 - 5 5	FG6 - 7377 - 000	303 -		B - J 7 3 2
FG6 - 7201 - 000	106 - 1 1	FG6 - 7383 - 000	311 -		B - J 7 3 3
	B - J 1 4	FG6 - 7384 - 000	312 -	FH2 - 9232 - 000	106 - 1 4
	B - J 1 7	FG6 - 7385 - 000	313 -	FH2 - 9233 - 000	106 - 1 5
FG6 - 7202 - 000	215 - 2 3	FG6 - 7401 - 000	210 - 3 3	FH2 - 9235 - 000	106 - 1 6
FG6 - 7203 - 000	570 - 1 9	FG6 - 7405 - 000	935 - 2	FH2 - 9242 - 000	580 - 2 2
FG6 - 7204 - 000	600 - 5 0	FG6 - 7423 - 000	640 -	FH3 - 0242 - 000	940 - T 1
FG6 - 7206 - 000	111 - 3	FG6 - 7424 - 000	570 -	FH3 - 0665 - 000	910 - CT 3 0 1
FG6 - 7207 - 000	110 - 4	FG6 - 7428 - 000	940 -	FH3 - 0666 - 000	910 - CT 1 1 1
	111 - 4	FG6 - 7429 - 000	600 - 5 1		945 - T 1 0 0 2
FG6 - 7208 - 000	105 - 1 4	FG6 - 7738 - 000	925 -	FH3 - 0688 - 000	910 - L 5 0 1
FG6 - 7209 - 000	360 - 5 8	FG6 - 7740 - 000	580 -	FH3 - 0740 - 000	910 - T 9 3 1
	B - J 3 2 2	FG6 - 7745 - 000	810 - 5 6	FH3 - 0744 - 000	910 - T 3 0 1
	B - J 3 2 3	FG6 - 7747 - 000	770 -	FH3 - 0766 - 000	985 - T 6 0 1
	B - J 3 2 6	FG6 - 7748 - 000	810 - 5 7	FH3 - 0830 - 000	985 - T 7 0 1
	B - J 3 2 9	FG6 - 7752 - 000	275 -	FH3 - 0879 - 000	945 - T 1 0 0 1
	B - J 3 3 0	FG6 - 8625 - 000	900 - 1 6	FH3 - 0881 - 000	945 - T 1 0 0 3
	B - J 3 3 6	FG6 - 8738 - 000	320 - 7 5	FH3 - 0887 - 000	910 - L 1 1 2
	B - J 3 6 6	FG6 - 8904 - 000	130 -	FH3 - 0888 - 000	910 - T 9 0 1
	B - J 3 6 0 1	FG6 - 8905 - 000	130 -	FH3 - 0889 - 000	910 - L 2 5 1
	B - J 3 6 0 2	FG6 - 8906 - 000	130 -	FH3 - 0890 - 000	910 - L 3 5 1
	B - J 3 6 0 3	FG6 - 8913 - 000	985 -	FH3 - 0893 - 000	985 - T 1 0 1
FG6 - 7210 - 000	360 - 5 9	FG6 - 8918 - 000	110 -		985 - T 5 0 1
FG6 - 7211 - 000	106 - 1 2	FG6 - 8919 - 000	320 -		985 - T 8 0 1
FG6 - 7213 - 000	210 - 3 0	FG6 - 8920 - 000	810 -	FH3 - 0894 - 000	985 - T 3 0 1
FG6 - 7214 - 000	270 - 2	FG6 - 9113 - 000	315 -		985 - T 4 0 1
FG6 - 7215 - 000	900 - 6	FG6 - 9114 - 000	316 -	FH3 - 0932 - 000	936 - L 5 0 0 2
FG6 - 7216 - 000	900 - 7	FG6 - 9149 - 000	130 - 2 3	FH3 - 0936 - 000	960 - T 1
FG6 - 7217 - 000	900 - 8	FG6 - 9253 - 000	900 - 6	FH3 - 0937 - 000	960 - T 1
FG6 - 7218 - 000	900 - 9	FG9 - 3851 - 000	930 - 2	FH3 - 0938 - 000	960 - L 1
FG6 - 7220 - 000	980 - 1	FG9 - 3863 - 000	570 - 2 0		960 - L 2
FG6 - 7221 - 000	105 - 1 5	FG9 - 3903 - 000	980 -	FH3 - 0939 - 000	960 - L 1
FG6 - 7222 - 000	900 - 1 0	FH2 - 5006 - 000	020 - 1		960 - L 2
FG6 - 7223 - 000	210 - 3 2 B	FH2 - 5821 - 000	B - J 3 6	FH3 - 0961 - 000	925 - T 1
FG6 - 7237 - 000	910 -		B - J 7 5 5	FH3 - 5237 - 000	980 - T 1
FG6 - 7238 - 000	910 -	FH2 - 5825 - 000	B - J 3 6	FH3 - 7170 - 000	910 - L 1 1 1
FG6 - 7239 - 000	910 - 4		B - J 7 5 5		910 - L 1 5 1
FG6 - 7244 - 000	460 - 6	FH2 - 6452 - 000	210 - 3 4	FH3 - 7195 - 000	910 - L 4
FG6 - 7249 - 030	980 -		B - J 1 6 2	FH3 - 7202 - 000	945 - L 1 0 0 2
FG6 - 7251 - 000	985 -		B - J 1 6 3	FH3 - 7203 - 000	945 - L 1 0 0 1
FG6 - 7256 - 000	970 -	FH2 - 6453 - 000	420 - 2 0	FH3 - 7208 - 000	211 - 5 4
FG6 - 7258 - 000	900 - 1 1		B - J 1 6 3	FH4 - 1380 - 000	920 - Q 6 8 2 2
FG6 - 7260 - 000	210 - 3 1		B - J 1 6 4	FH4 - 3882 - 000	970 - I C 1 2
FG6 - 7261 - 000	107 - 1 3		B - J 1 6 6	FH4 - 3883 - 000	970 - I C 1 3
FG6 - 7263 - 000	960 -	FH2 - 6480 - 000	B - J 1 5 2	FH4 - 5855 - 000	936 - I C 5 0 0 5
FG6 - 7264 - 030	960 -		B - J 2 2 8	FH4 - 5904 - 000	970 - I C 2
FG6 - 7266 - 000	900 - 1 2		B - J 2 4 0	FH4 - 5905 - 000	970 - I C 3
FG6 - 7267 - 000	105 - 1 6		B - J 5 1 0 5	FH4 - 6019 - 000	940 - 8
FG6 - 7268 - 000	105 - 1 6	FH2 - 6552 - 000	110 - 6	FH4 - 6040 - 000	910 - Q 9 0 1
FG6 - 7269 - 000	110 -		111 - 5		910 - Q 9 3 1
FG6 - 7270 - 000	111 -		770 - 9	FH4 - 6085 - 000	900 - I C 1 0 0 9
FG6 - 7271 - 000	111 -	FH2 - 6569 - 000	110 - 7	FH4 - 6102 - 000	936 - I C 5 0 2 3
FG6 - 7273 - 000	360 - 6 0	FH2 - 6570 - 000	110 - 8	FH4 - 6123 - 000	900 - I C 1 0 0 3
FG6 - 7278 - 050	900 - 1 3	FH2 - 6574 - 000	210 - 3 5		930 - I C 4 0
FG6 - 7281 - 000	900 - 1 4		B - J 1 6 2		935 - I C 5
FG6 - 7284 - 000	900 - 1 5		B - J 8 5 2		936 - I C 5 0 2 1
FG6 - 7285 - 000	110 - 5		B - J 1 0 0 3	FH4 - 6135 - 000	935 - I C 4
FG6 - 7287 - 000	810 -	FH2 - 6756 - 000	900 - 1 7	FH4 - 6136 - 000	935 - I C 1 8
FG6 - 7288 - 000	810 -		B - J 1 1 0 4	FH4 - 6145 - 000	900 - I C 1 0 0 5

D1 NUMERICAL INDEX (iR8500/8500P/7200/7200P)

部品索引表

PART NUMBER	FIGURE & KEY NO.	PART NUMBER	FIGURE & KEY NO.	PART NUMBER	FIGURE & KEY NO.
FH4 - 6149 - 000	900 - I C 1 0 1 0	FH7 - 5837 - 000	360 - 6 5	FS2 - 1357 - 000	315 - 4 0
FH4 - 6151 - 000	900 - I C 1 0 0 6	FH7 - 5838 - 000	315 - 3 7	FS2 - 1463 - 000	600 - 5 5
FH4 - 6154 - 000	970 - I C 5	FH7 - 5839 - 000	311 - 6 1	FS2 - 2001 - 000	720 - 1 6
FH4 - 6156 - 000	930 - I C 3 2		313 - 4 0	FS2 - 2002 - 000	720 - 1 7
FH4 - 9157 - 000	985 - R 2 0 6	FH7 - 5840 - 000	645 - 1 2	FS2 - 2036 - 020	510 - 1 0
FH4 - 9181 - 000	940 - RA 1	FH7 - 5844 - 000	320 - 8 2	FS2 - 2058 - 000	720 - 1 8
FH5 - 3207 - 000	900 - 1 9	FH7 - 5895 - 000	320 - 8 3	FS2 - 2551 - 000	580 - 2 4
FH5 - 3270 - 000	900 - 1 9	FH7 - 6253 - 000	120 - 7	FS2 - 3488 - 000	360 - 6 9
FH6 - 0767 - 000	130 - 2 2 F	FH7 - 6327 - 000	105 - 1 9	FS2 - 3494 - 020	260 - 8
FH6 - 0768 - 000	130 - 2 2 G	FH7 - 6331 - 000	960 - RL 1		261 - 4
FH6 - 0784 - 000	130 - 2 5	FH7 - 7196 - 020	360 - 6 6		263 - 2
FH6 - 1135 - 000	550 - 1 7	FH7 - 7312 - 000	211 - 5 7	FS2 - 3495 - 000	250 - 1 0
	570 - 2 1		211 - 5 8		280 - 4
	580 - 2 3	FH7 - 7337 - 000	640 - 1 9	FS2 - 9001 - 000	215 - 2 6
FH6 - 1441 - 000	101 - 2 4		645 - 1 3		320 - 8 9
FH6 - 1538 - 000	275 - 3 1	FH7 - 7342 - 000	101 - 2 5	FS2 - 9267 - 000	210 - 4 6
FH6 - 1541 - 000	231 - 4	FH7 - 7386 - 000	211 - 5 9		320 - 9 0
FH6 - 1542 - 000	360 - 6 1	FH7 - 7423 - 000	210 - 3 9	FS2 - 9327 - 000	107 - 1 4
FH6 - 1543 - 000	645 - 1 1	FH7 - 7424 - 000	210 - 4 0	FS2 - 9343 - 000	103 - 2 4
FH6 - 1544 - 000	194 - 3		210 - 4 1		103 - 2 5
	210 - 3 6	FH7 - 7462 - 000	101 - 2 6	FS2 - 9410 - 000	770 - 1 1
FH6 - 1545 - 000	190 - 2		101 - 2 7	FS2 - 9428 - 000	302 - 3 5
FH6 - 1546 - 000	194 - 4		102 - 2 4 A		303 - 3 9
	910 - 5		102 - 2 6	FS2 - 9540 - 000	211 - 6 0
FH6 - 1547 - 000	210 - 3 7		103 - 2 3	FS2 - 9542 - 000	211 - 6 1
	215 - 2 4		210 - 4 2	FS3 - 0046 - 000	270 - 6
	600 - 5 2		210 - 4 3	FS3 - 0098 - 000	275 - 3 4
	600 - 5 3		231 - 5	FS3 - 0165 - 000	230 - 3
FH6 - 1548 - 000	320 - 7 6		275 - 3 2		260 - 9
FH6 - 1550 - 000	195 - 1		311 - 6 2	FS3 - 2044 - 000	107 - 1 5
FH6 - 1706 - 000	194 - 5		312 - 5 2	FS3 - 2053 - 000	810 - 6 9
FH6 - 1734 - 000	211 - 5 5		313 - 4 1	FS3 - 2159 - 000	320 - 9 1
FH6 - 1740 - 000	105 - 1 7		315 - 3 8	FS3 - 2886 - 020	600 - 5 6
FH6 - 1867 - 000	251 - 4		320 - 8 4	FS3 - 2887 - 000	600 - 5 7
FH6 - 1868 - 000	250 - 9		325 - 3 2	FS4 - 0012 - 000	302 - 3 6
FH6 - 1870 - 000	260 - 5		360 - 6 7		303 - 4 0
FH6 - 1872 - 000	320 - 7 7		770 - 1 0	FS4 - 0014 - 000	261 - 5
FH6 - 1875 - 000	360 - 6 2		810 - 6 1		264 - 7
FH6 - 1876 - 000	360 - 6 3	FH7 - 7464 - 000	810 - 6 2	FS4 - 0145 - 000	260 - 1 0
FH6 - 1877 - 000	105 - 1 8	FH7 - 7485 - 000	210 - 4 4		261 - 6
FH6 - 1878 - 000	900 - 2 0	FH7 - 7573 - 000	110 - 9	FS4 - 0157 - 000	270 - 7
FH6 - 1886 - 000	210 - 3 8	FH7 - 7574 - 000	110 - 9	FS4 - 0160 - 000	302 - 3 7
FH6 - 1889 - 000	320 - 7 8		111 - 1 0		303 - 4 1
	330 - 7	FH7 - 9308 - 000	910 - L 1 0 1	FS4 - 2048 - 000	320 - 9 2
FH6 - 3337 - 000	985 - R 5 5 1	FN5 - 4002 - 000	940 - 9	FS4 - 2136 - 000	302 - 3 8
	985 - R 5 6 1	FN5 - 4009 - 000	215 - 2 5		303 - 4 2
	985 - R 5 7 1	FS1 - 0542 - 000	320 - 8 5	FS5 - 0338 - 000	311 - 6 5
	985 - R 5 8 1	FS1 - 1189 - 000	230 - 2		312 - 5 5
	985 - R 8 5 1		260 - 6		313 - 4 5
	985 - R 8 5 7	FS1 - 1202 - 000	263 - 1	FS5 - 0398 - 000	230 - 4
FH6 - 3993 - 000	510 - 8	FS1 - 1401 - 000	645 - 1 4	FS5 - 0514 - 000	102 - 2 9
FH6 - 3994 - 000	510 - 8		350 - 1 9		263 - 3
FH6 - 5013 - 000	325 - 3 1	FS1 - 1449 - 000	360 - 6 8		360 - 7 0
FH6 - 5014 - 000	264 - 4		260 - 7	FS5 - 0532 - 000	300 - 3 7
	311 - 5 9	FS1 - 1503 - 000	810 - 6 3	FS5 - 0714 - 000	360 - 7 1
	312 - 4 9	FS1 - 1508 - 000	645 - 1 5	FS5 - 1004 - 000	351 - 2 4
	320 - 7 9	FS1 - 1508 - 000	320 - 8 6	FS5 - 1372 - 000	350 - 2 0
	360 - 6 4	FS1 - 1510 - 000	275 - 3 3	FS5 - 1466 - 000	810 - 7 0
FH6 - 5015 - 000	270 - 3	FS1 - 1512 - 000	311 - 6 3	FS5 - 1467 - 020	106 - 1 7
FH6 - 5016 - 000	264 - 5		312 - 5 3		320 - 9 3
FH6 - 5017 - 000	270 - 4		313 - 4 2	FS5 - 1468 - 020	107 - 1 6
FH7 - 3347 - 000	420 - 2 1	FS1 - 1569 - 000	311 - 6 4	FS5 - 1474 - 000	320 - 9 4
FH7 - 3395 - 000	600 - 5 4		312 - 5 4	FS5 - 1787 - 000	104 - 2 9
FH7 - 4559 - 000	420 - 2 2		313 - 4 3	FS5 - 1795 - 000	600 - 5 8
FH7 - 4584 - 000	305 - 3		315 - 3 9	FS5 - 1796 - 000	275 - 3 5
FH7 - 4666 - 000	211 - 5 6		810 - 6 4	FS5 - 1798 - 000	105 - 2 0
FH7 - 4707 - 000	810 - 5 9	FS1 - 2370 - 000	810 - 6 5	FS5 - 1800 - 000	600 - 5 9
FH7 - 4708 - 000	810 - 5 9	FS1 - 2834 - 000	810 - 6 6	FS5 - 1801 - 000	600 - 6 0
FH7 - 4709 - 000	810 - 5 9	FS1 - 9002 - 000	210 - 4 5	FS5 - 1802 - 000	275 - 3 6
FH7 - 4710 - 000	810 - 6 0	FS1 - 9009 - 000	430 - 1 2	FS5 - 1803 - 000	320 - 9 5
FH7 - 4711 - 000	810 - 6 0	FS1 - 9051 - 000	810 - 6 7	FS5 - 1804 - 000	107 - 1 7
FH7 - 4712 - 000	810 - 6 0	FS1 - 9199 - 000	320 - 8 7	FS5 - 2322 - 000	107 - 1 8
FH7 - 4713 - 000	510 - 9		351 - 2 3	FS5 - 2323 - 020	107 - 1 9
FH7 - 4714 - 000	510 - 9	FS2 - 0088 - 000	720 - 1 2	FS5 - 2328 - 000	300 - 3 8
FH7 - 4715 - 000	510 - 9	FS2 - 0089 - 000	720 - 1 3	FS5 - 2650 - 000	300 - 3 9
FH7 - 4729 - 000	810 - 5 9	FS2 - 0090 - 000	720 - 1 4	FS5 - 2901 - 000	275 - 3 7
FH7 - 4730 - 000	810 - 6 0	FS2 - 0091 - 000	720 - 1 5	FS5 - 2907 - 020	320 - 9 6
FH7 - 5702 - 000	311 - 6 0	FS2 - 0441 - 000	320 - 8 8	FS5 - 2911 - 000	312 - 5 6
FH7 - 5826 - 000	230 - 1	FS2 - 0485 - 000	270 - 5	FS5 - 2913 - 000	311 - 6 6
	264 - 6	FS2 - 0544 - 000	313 - 4 4		312 - 5 7
	312 - 5 0	FS2 - 0566 - 000	102 - 2 7	FS5 - 2914 - 000	312 - 5 8
FH7 - 5827 - 000	312 - 5 1		102 - 2 8	FS5 - 2919 - 000	313 - 4 6
	313 - 3 9	FS2 - 0875 - 000	645 - 1 6	FS5 - 2921 - 000	100 - 6 6
FH7 - 5834 - 000	320 - 8 0	FS2 - 1014 - 000	640 - 2 0		100 - 6 7
FH7 - 5835 - 000	320 - 8 1	FS2 - 1256 - 000	810 - 6 8	FS5 - 2922 - 000	100 - 6 8

D1 NUMERICAL INDEX (iR8500/8500P/7200/7200P)

部品索引表

PART NUMBER	FIGURE & KEY NO.	PART NUMBER	FIGURE & KEY NO.	PART NUMBER	FIGURE & KEY NO.
FS5 - 2922 - 000	100 - 69	FS6 - 0055 - 000	261 - 7	FS6 - 2826 - 000	100 - 70
FS5 - 2928 - 000	120 - 8	FS6 - 0056 - 000	260 - 12		100 - 71
FS5 - 2940 - 000	810 - 71		261 - 8	FS6 - 2828 - 000	102 - 33
FS5 - 2941 - 000	810 - 72		263 - 4	FS6 - 2830 - 000	360 - 89
FS5 - 2943 - 000	320 - 97		270 - 10	FS6 - 2831 - 000	360 - 90
FS5 - 2944 - 000	351 - 25		311 - 71	FS6 - 2832 - 000	360 - 91
FS5 - 2946 - 000	350 - 21		312 - 60	FS6 - 2833 - 000	320 - 119
FS5 - 2947 - 000	320 - 98		325 - 34	FS6 - 2847 - 000	104 - 32
FS5 - 2949 - 000	320 - 99	FS6 - 0062 - 000	260 - 13	FS6 - 2885 - 000	351 - 29
FS5 - 2950 - 000	810 - 73	FS6 - 0070 - 000	360 - 80	FS6 - 2886 - 000	351 - 30
FS5 - 2953 - 020	350 - 22	FS6 - 0081 - 000	320 - 108	FS6 - 2887 - 000	275 - 41
FS5 - 2958 - 000	101 - 28	FS6 - 0096 - 000	260 - 14	FS6 - 2888 - 000	102 - 34
FS5 - 2959 - 000	280 - 5	FS6 - 0103 - 000	810 - 77	FS6 - 2889 - 000	102 - 35
FS5 - 2964 - 000	107 - 12 A	FS6 - 0105 - 000	810 - 78	FS6 - 2892 - 000	315 - 43
FS5 - 2965 - 000	107 - 20	FS6 - 0106 - 000	810 - 79	FS6 - 2893 - 000	315 - 44
	107 - 21	FS6 - 0115 - 000	550 - 18	FS6 - 2894 - 000	210 - 52
FS5 - 2967 - 000	320 - 100		570 - 22	FS6 - 2913 - 000	211 - 65
FS5 - 2978 - 000	250 - 11		580 - 25	FS6 - 2980 - 000	360 - 92
FS5 - 2982 - 000	351 - 26	FS6 - 0121 - 000	600 - 61	FS6 - 2981 - 000	600 - 72
FS5 - 3177 - 000	316 - 11	FS6 - 0134 - 000	810 - 80	FS6 - 2982 - 000	320 - 120
FS5 - 3331 - 000	315 - 41	FS6 - 0136 - 000	600 - 62	FS6 - 2983 - 000	302 - 40
FS5 - 3337 - 020	260 - 11	FS6 - 0138 - 000	600 - 63		303 - 44
FS5 - 3609 - 000	250 - 12	FS6 - 0145 - 000	360 - 81	FS6 - 2984 - 000	302 - 41
FS5 - 3610 - 000	280 - 6	FS6 - 0557 - 000	360 - 82		303 - 45
FS5 - 3612 - 000	250 - 13	FS6 - 0857 - 000	640 - 23	FS6 - 2985 - 000	315 - 45
	360 - 72	FS6 - 0899 - 000	320 - 109	FS6 - 2989 - 000	360 - 93
FS5 - 3613 - 000	360 - 73	FS6 - 0972 - 000	600 - 64	FS6 - 2990 - 000	810 - 81
FS5 - 3614 - 000	360 - 74	FS6 - 0973 - 000	600 - 65	FS6 - 2991 - 000	600 - 73
FS5 - 3615 - 000	320 - 101	FS6 - 0975 - 000	600 - 66	FS6 - 2992 - 000	360 - 94
FS5 - 3616 - 000	360 - 75	FS6 - 0976 - 000	600 - 67	FS6 - 2994 - 000	600 - 74
FS5 - 3617 - 000	360 - 76	FS6 - 0977 - 000	600 - 68	FS6 - 2996 - 000	311 - 76
FS5 - 3804 - 000	211 - 33 A	FS6 - 0978 - 000	600 - 69	FS6 - 2997 - 000	312 - 62
FS5 - 3889 - 000	270 - 8	FS6 - 0979 - 000	640 - 24	FS6 - 2998 - 000	275 - 42
FS5 - 3890 - 000	250 - 14	FS6 - 0980 - 000	640 - 25	FS6 - 2999 - 000	260 - 16
	280 - 7	FS6 - 0981 - 000	640 - 26	FS6 - 4243 - 000	104 - 33
FS5 - 6329 - 000	320 - 102	FS6 - 0982 - 000	640 - 27		104 - 34
FS5 - 6487 - 000	250 - 15	FS6 - 0983 - 000	640 - 28	FS6 - 8386 - 000	320 - 59 A
	320 - 103	FS6 - 0984 - 000	640 - 29	FS6 - 8387 - 000	320 - 67 A
	320 - 104	FS6 - 0985 - 000	640 - 30	FS6 - 8399 - 000	600 - 75
	325 - 33	FS6 - 0988 - 000	645 - 17	FS6 - 8411 - 000	300 - 44
	360 - 77	FS6 - 0989 - 000	645 - 18	FS6 - 8703 - 000	320 - 68 A
FS5 - 6488 - 000	270 - 9	FS6 - 0990 - 000	645 - 19	FS6 - 8704 - 000	360 - 47 A
	280 - 8	FS6 - 0991 - 000	320 - 110	FS6 - 8705 - 000	316 - 12
	320 - 105	FS6 - 0992 - 000	320 - 111	FS6 - 8706 - 000	316 - 12
	360 - 78	FS6 - 0993 - 000	320 - 112	FS6 - 8707 - 000	316 - 12
FS5 - 6574 - 000	640 - 21	FS6 - 0994 - 000	320 - 113	FS6 - 8708 - 000	316 - 12
FS5 - 6575 - 000	320 - 106	FS6 - 0995 - 000	320 - 114	FS6 - 8709 - 000	316 - 9 A
FS5 - 6579 - 000	640 - 22	FS6 - 0996 - 000	320 - 115	FS6 - 8820 - 000	105 - 21
FS5 - 6581 - 000	315 - 42	FS6 - 0997 - 000	320 - 116		460 - 7
FS5 - 6582 - 000	102 - 30	FS6 - 0998 - 000	320 - 117	FS6 - 8821 - 000	101 - 31
	102 - 31	FS6 - 0999 - 000	320 - 118	FS6 - 8822 - 000	101 - 31
FS5 - 6583 - 000	810 - 74	FS6 - 2341 - 000	421 - 7	FS6 - 8823 - 000	100 - 72
FS5 - 6684 - 000	210 - 47	FS6 - 2667 - 000	104 - 30	FS6 - 8980 - 000	300 - 45
FS5 - 7128 - 000	107 - 22		104 - 31	FS6 - 8981 - 000	302 - 42
FS5 - 8618 - 000	300 - 30 A	FS6 - 2668 - 000	311 - 72	FS6 - 8982 - 000	300 - 46
	302 - 39	FS6 - 2670 - 000	311 - 73	FS6 - 8990 - 000	300 - 47
	303 - 43	FS6 - 2678 - 000	311 - 74	FS6 - 8991 - 000	211 - 66
FS5 - 8619 - 000	300 - 31 B		312 - 61	FS6 - 8992 - 000	100 - 73
FS5 - 8623 - 000	105 - 21		313 - 48	FS7 - 0002 - 000	320 - 121
	460 - 7	FS6 - 2691 - 000	300 - 40	FS7 - 0006 - 000	320 - 122
FS5 - 9166 - 000	101 - 29	FS6 - 2692 - 000	300 - 41	FS7 - 0007 - 000	810 - 82
FS5 - 9210 - 000	320 - 107	FS6 - 2693 - 000	300 - 42	FS7 - 0008 - 000	810 - 83
FS5 - 9214 - 000	985 - 2	FS6 - 2694 - 000	300 - 43	FS7 - 0010 - 000	251 - 5
FS5 - 9216 - 000	101 - 30	FS6 - 2737 - 000	210 - 50	FS7 - 0011 - 000	106 - 18
FS5 - 9219 - 000	210 - 48	FS6 - 2742 - 000	311 - 75	FS7 - 0012 - 000	250 - 16
FS5 - 9221 - 000	360 - 79	FS6 - 2748 - 000	600 - 70	FS7 - 0014 - 000	250 - 17
FS5 - 9227 - 000	211 - 62	FS6 - 2749 - 000	600 - 71	FS7 - 0015 - 000	270 - 11
FS5 - 9277 - 000	351 - 27	FS6 - 2750 - 000	640 - 31	FS7 - 0016 - 000	250 - 18
FS5 - 9282 - 000	107 - 12 B	FS6 - 2751 - 000	640 - 32	FS7 - 0017 - 000	250 - 19
	107 - 23	FS6 - 2752 - 000	280 - 9	FS7 - 0018 - 000	250 - 20
	107 - 24	FS6 - 2756 - 000	775 - 9	FS7 - 0019 - 000	250 - 21
FS5 - 9284 - 000	351 - 28	FS6 - 2759 - 000	940 - 10	FS7 - 0020 - 000	280 - 10
FS5 - 9398 - 000	770 - 12	FS6 - 2760 - 000	770 - 13	FS7 - 0021 - 000	280 - 11
FS5 - 9491 - 000	210 - 49	FS6 - 2761 - 000	210 - 51	FS7 - 0022 - 000	280 - 12
FS5 - 9619 - 000	810 - 75	FS6 - 2763 - 000	275 - 38	FS7 - 0023 - 000	280 - 13
FS5 - 9642 - 000	211 - 63	FS6 - 2764 - 000	275 - 39	FS7 - 0024 - 000	280 - 14
FS5 - 9665 - 000	211 - 64	FS6 - 2769 - 000	360 - 83	FS7 - 0025 - 000	280 - 15
FS5 - 9752 - 000	810 - 76	FS6 - 2770 - 000	360 - 84	FS7 - 0026 - 000	280 - 16
FS6 - 0048 - 000	311 - 67	FS6 - 2771 - 000	360 - 85	FS7 - 0027 - 000	775 - 10
FS6 - 0049 - 000	311 - 68	FS6 - 2772 - 000	360 - 86	FS7 - 0033 - 000	264 - 9
FS6 - 0051 - 000	311 - 69	FS6 - 2773 - 000	360 - 87	FS7 - 0034 - 000	264 - 10
FS6 - 0053 - 020	264 - 8	FS6 - 2774 - 000	275 - 40	FS7 - 0035 - 020	260 - 17
	311 - 70	FS6 - 2776 - 000	260 - 15	FS7 - 0036 - 000	260 - 18
	312 - 59	FS6 - 2777 - 000	360 - 88	FS7 - 0039 - 000	315 - 46
	313 - 47	FS6 - 2825 - 000	102 - 32	FS7 - 0040 - 000	315 - 47

D1 NUMERICAL INDEX (iR8500/8500P/7200/7200P)

部品索引表

PART NUMBER	FIGURE & KEY NO.	PART NUMBER	FIGURE & KEY NO.	PART NUMBER	FIGURE & KEY NO.
FS7 - 0041 - 000	315 - 48	VS1 - 5057 - 002	270 - 13	VS1 - 5057 - 003	645 - 10 B
FS7 - 0043 - 000	275 - 43		275 - 30 A		770 - 8 A
FS7 - 0044 - 000	275 - 44		311 - 57 A		810 - 54 B
FS7 - 0048 - 000	600 - 76		311 - 58 A		B - J 101
FS7 - 0050 - 000	600 - 77		312 - 48 B		B - J 103
FS7 - 0051 - 000	275 - 45		313 - 38 B		B - J 113
FS7 - 0072 - 000	270 - 12		320 - 124		B - J 114
FS7 - 0662 - 000	303 - 46		320 - 125		B - J 118
FS7 - 0891 - 000	810 - 84		325 - 28 A		B - J 119
FS7 - 0893 - 000	810 - 85		360 - 51 A		B - J 120
FS7 - 0894 - 000	810 - 86		550 - 20		B - J 122
FS7 - 0895 - 000	810 - 87		550 - 21		B - J 123
FS7 - 0896 - 000	250 - 22		570 - 23		B - J 128
FS7 - 0897 - 000	250 - 23		580 - 27		B - J 129
FS7 - 0898 - 000	250 - 24		600 - 78		B - J 136
FS7 - 0899 - 000	320 - 123		645 - 10 A		B - J 137
FS7 - 0901 - 000	325 - 35		810 - 54 A		B - J 139
FS7 - 0903 - 000	360 - 95		B - J 48		B - J 140
FS7 - 2057 - 000	315 - 49		B - J 104		B - J 142
FS7 - 2319 - 000	350 - 23		B - J 105		B - J 144
FS7 - 2324 - 000	211 - 67		B - J 111		B - J 175
FS7 - 2522 - 000	350 - 24		B - J 125		B - J 191
FS7 - 2523 - 000	810 - 88		B - J 141		B - J 202
FS7 - 2524 - 000	810 - 89		B - J 143		B - J 203
FS7 - 2530 - 000	810 - 90		B - J 186		B - J 205
FS7 - 2531 - 000	250 - 25		B - J 190		B - J 209
FS7 - 2532 - 000	104 - 35		B - J 195		B - J 210
FS7 - 2533 - 000	313 - 49		B - J 196		B - J 222
FS7 - 5687 - 000	303 - 47		B - J 200		B - J 225
FS7 - 8109 - 000	210 - 33 G		B - J 207		B - J 227
FS7 - 8317 - 000	100 - 62 A		B - J 217		B - J 241
FS7 - 8318 - 000	100 - 62 A		B - J 230		B - J 256
FS7 - 8319 - 000	100 - 62 A		B - J 231		B - J 261
FS7 - 8320 - 000	100 - 62 A		B - J 234		B - J 265
FS7 - 8321 - 000	100 - 63 A		B - J 242		B - J 294
FS7 - 8322 - 000	100 - 63 A		B - J 245		B - J 303
FS7 - 8323 - 000	100 - 63 A		B - J 251		B - J 334
FS7 - 8324 - 000	100 - 63 A		B - J 252		B - J 336
FS7 - 8325 - 000	105 - 22		B - J 253		B - J 338
FS7 - 8326 - 000	105 - 22		B - J 254		B - J 340
FS8 - 8194 - 000	100 - 74		B - J 255		B - J 342
FY1 - 0883 - 000	550 - 19		B - J 264		B - J 363
FY1 - 1157 - 000	810 - 91		B - J 282		B - J 364
FY9 - 3014 - 000	020 - 2		B - J 283		B - J 5052
FY9 - 3040 - 020	020 - 3		B - J 289		B - J 5053
FY9 - 3041 - 000	020 - 4		B - J 293	VS1 - 5057 - 004	101 - 19 A
RA1 - 7807 - 000	316 - 13		B - J 301		105 - 24
RH2 - 5191 - 000	211 - 68		B - J 306		107 - 11 A
RH2 - 5283 - 000	B - J 47		B - J 307		215 - 22 A
	B - J 112		B - J 313		320 - 74 B
	B - J 246		B - J 320		600 - 50 A
	B - J 16		B - J 321		B - J 116
RH2 - 5339 - 000			B - J 331		B - J 130
RH3 - 0071 - 000	985 - T202		B - J 332		B - J 146
RH6 - 3148 - 000	910 - L301		B - J 333		B - J 204
RH6 - 3434 - 000	960 - SK1		B - J 362		B - J 257
	960 - SK2		B - J 365		B - J 266
	960 - SK3	VS1 - 5057 - 003	101 - 20 B		B - J 291
	960 - SK4		101 - 23 A		B - J 348
RS6 - 0057 - 000	251 - 6		102 - 36	VS1 - 5057 - 005	110 - 3 B
RY1 - 1502 - 000	580 - 26		103 - 22 A		111 - 2 B
VD5 - 0322 - 501	960 - FU1		104 - 36		B - J 151
VD7 - 0213 - 001	105 - 16 A		105 - 23	VS1 - 5057 - 006	210 - 23 A
VD7 - 0461 - 502	910 - FU101		107 - 25		215 - 22 B
VD7 - 0646 - 301	910 - FU101		190 - 1 A		231 - 3 A
VD7 - 1621 - 001	945 - FU1002		195 - 2		360 - 58 A
VD7 - 1622 - 001	210 - 27 A		210 - 22 A		360 - 59 A
	925 - FU1		210 - 24 A		810 - 54 C
VD7 - 1624 - 000	945 - FU1001		210 - 25 A		940 - 7 A
VD7 - 1832 - 501	960 - FU2		210 - 53		B - J 108
VS1 - 0279 - 003	B - J 335		211 - 47 A		B - J 168
VS1 - 0279 - 004	B - J 2		211 - 69		B - J 211
VS1 - 0279 - 005	B - J 1		215 - 27		B - J 213
VS1 - 0280 - 004	B - J 412		315 - 36 A		B - J 214
VS1 - 0842 - 002	B - CN1		316 - 14		B - J 258
VS1 - 0842 - 003	B - J6804		320 - 72 A		B - J 268
VS1 - 0842 - 006	B - J 108		320 - 74 A		B - J 324
VS1 - 5057 - 002	101 - 20 A		320 - 126	VS1 - 5057 - 007	210 - 32 C
	110 - 3 A		320 - 127		270 - 2 B
	111 - 2 A		360 - 51 B		275 - 46
	120 - 9		360 - 52 A		325 - 28 B
	230 - 5		360 - 54 A		360 - 59 B
	251 - 3 A		360 - 55 A		770 - 7 A
	264 - 3 A		600 - 79		B - J 172
	264 - 11		600 - 80		B - J 198
	270 - 2 A				

D1 NUMERICAL INDEX (iR8500/8500P/7200/7200P)

部品索引表

PART NUMBER	FIGURE & KEY NO.	PART NUMBER	FIGURE & KEY NO.	PART NUMBER	FIGURE & KEY NO.
VS1 - 5057 - 007	B - J 239 B - J 243 B - J 249 B - J 250 B - J 325	VS1 - 6313 - 014	B - J 512 B - J 514 B - J1453	VS1 - 6314 - 013	B - J 403 B - J 509 B - J 513
VS1 - 5057 - 009	360 - 51C B - J 330	VS1 - 6313 - 015	B - J 502	VS1 - 6314 - 014	B - J 121 B - J 124 B - J 504 B - J 506 B - J 512 B - J 514 B - J1453
VS1 - 5057 - 012	315 - 50 B - J 224	VS1 - 6313 - 018	B - J 510 B - J 407 B - J 505 B - J1461 B - J 405 B - J1018	VS1 - 6314 - 015	B - J 502
VS1 - 5452 - 007	B - J 152 B - J 240 B - J5010 B - J5105	VS1 - 6313 - 020	107 - 28 320 - 129 B - J 180 B - J 508	VS1 - 6314 - 016	B - J 510 B - J 723 B - J1303 B - J 407 B - J 505 B - J1461 B - J 405
VS1 - 5452 - 008	B - J 228	VS1 - 6314 - 002	B - J 216	VS1 - 6314 - 017	B - J 407 B - J 505 B - J1461 B - J 405
VS1 - 5729 - 002	B - J 23 B - J 42 B - J 43 B - J 46 B - J 56 B - J 271 B - J9009	VS1 - 6314 - 003	B - J 177 B - J 326 B - J 346 B - J 347 B - J1021 B - J1728	VS1 - 6314 - 018	B - J 407 B - J 505 B - J1461 B - J 405
VS1 - 5729 - 004	B - J 30 B - J8500	VS1 - 6314 - 004	B - J 343 B - J 366 B - J 401 B - J 523 B - J1061 B - J1113 B - J5006 B - J9203	VS1 - 6314 - 020	107 - 31 320 - 131 B - J 180 B - J 508 270 - 2C B - J 216
VS1 - 5729 - 007	B - J 28	VS1 - 6314 - 005	B - J 408 B - J 409 B - J3701 B - J5007 B - J5062	VS1 - 6318 - 002	210 - 32D 360 - 51D B - J 177 B - J 326 B - J 346 B - J 347
VS1 - 5824 - 002	B - J 48 B - J 245 B - J 244 B - J 334	VS1 - 6314 - 006	B - J 135 B - J 155 B - J 192 B - J1304 B - J5012 B - J6605 B - J6807	VS1 - 6318 - 003	210 - 51D B - J 177 B - J 326 B - J 346 B - J 347
VS1 - 5824 - 003	B - J 108 B - J 243 B - J 248	VS1 - 6314 - 007	B - J 408 B - J 409 B - J3701 B - J5007 B - J5062	VS1 - 6318 - 004	215 - 22C 360 - 57A 900 - 7A B - J 343 B - J 366 B - J 401
VS1 - 5824 - 006	B - J 108	VS1 - 6314 - 008	B - J 507 B - J6808 B - J6901 B - J 131 B - J 402 B - J1006 B - J 167 B - J 187 B - J 314 B - J 503 B - J 518 B - J1024 B - J1110 B - J1719 B - J6602 B - J6805	VS1 - 6318 - 005	211 - 70 900 - 8A B - J 408 B - J5062 210 - 25B 810 - 55A 910 - 3A B - J 135 B - J 155 B - J 192
VS1 - 5824 - 007	B - J 243	VS1 - 6314 - 009	B - J 173 B - J 526 B - J 344 B - J 507	VS1 - 6318 - 006	210 - 55A 910 - 3A B - J 135 B - J 155 B - J 192
VS1 - 6302 - 002	B - J 248 B - J1027 B - J1722	VS1 - 6314 - 010	B - J 344 B - J 507 B - J6808 B - J6901 B - J 131 B - J 402 B - J1006 B - J 167 B - J 187 B - J 314 B - J 503 B - J 518 B - J1024 B - J1110 B - J1719 B - J6602 B - J6805	VS1 - 6318 - 007	211 - 70 900 - 8A B - J 408 B - J5062 210 - 25B 810 - 55A 910 - 3A B - J 135 B - J 155 B - J 192
VS1 - 6302 - 003	B - J1715 B - J5008 B - J5503	VS1 - 6314 - 011	B - J 507 B - J6808 B - J6901 B - J 131 B - J 402 B - J1006 B - J 167 B - J 187 B - J 314 B - J 503 B - J 518 B - J1024 B - J1110 B - J1719 B - J6602 B - J6805	VS1 - 6318 - 008	900 - 8B B - J 173 B - J 344 B - J 347
VS1 - 6302 - 004	B - J 721 B - J 791 B - J1058 B - J1305	VS1 - 6314 - 012	B - J 281 B - J 290 B - J 305 B - J 404 B - J 515 B - J 517	VS1 - 6318 - 009	194 - 2A 900 - 7B B - J 131 B - J 402
VS1 - 6302 - 005	B - J 165 B - J 722 B - J 741	VS1 - 6314 - 013	B - J 281 B - J 290 B - J 305 B - J 404 B - J 515 B - J 517	VS1 - 6318 - 010	810 - 54D B - J 187 900 - 8C B - J 404
VS1 - 6302 - 006	B - J 783	VS1 - 6314 - 014	B - J 281 B - J 290 B - J 305 B - J 404 B - J 515 B - J 517	VS1 - 6318 - 011	360 - 59C B - J 323 B - J 138 B - J 403 B - J 124
VS1 - 6302 - 008	B - J1101 B - J1501 B - J1712 B - J1720	VS1 - 6314 - 015	B - J 281 B - J 290 B - J 305 B - J 404 B - J 515 B - J 517	VS1 - 6318 - 012	313 - 38C B - J 167 B - J 314
VS1 - 6302 - 009	B - J1102 B - J1723	VS1 - 6314 - 016	B - J 281 B - J 290 B - J 305 B - J 404 B - J 515 B - J 517	VS1 - 6318 - 013	101 - 32 311 - 77 B - J 281 B - J 305
VS1 - 6302 - 011	B - J 763	VS1 - 6314 - 017	B - J 281 B - J 290 B - J 305 B - J 404 B - J 515 B - J 517	VS1 - 6318 - 014	312 - 63 B - J 229
VS1 - 6302 - 012	B - J1714	VS1 - 6314 - 018	B - J 281 B - J 290 B - J 305 B - J 404 B - J 515 B - J 517	VS1 - 6318 - 015	210 - 54 B - J 158
VS1 - 6302 - 013	B - J1721	VS1 - 6314 - 019	B - J 281 B - J 290 B - J 305 B - J 404 B - J 515 B - J 517	VS1 - 6318 - 016	900 - 8D B - J 121 B - J 407
VS1 - 6302 - 015	B - J1020 B - J1716	VS1 - 6314 - 020	B - J 281 B - J 290 B - J 305 B - J 404 B - J 515 B - J 517	VS1 - 6318 - 017	B - J 405 B - J 230 B - J 283 B - J 307
VS1 - 6304 - 003	B - J 164	VS1 - 6314 - 021	B - J 281 B - J 290 B - J 305 B - J 404 B - J 515 B - J 517	VS1 - 6318 - 018	B - J 119 B - J 170 B - J 188 B - J 189
VS1 - 6313 - 005	B - J5101	VS1 - 6314 - 022	B - J 281 B - J 290 B - J 305 B - J 404 B - J 515 B - J 517	VS1 - 6318 - 019	B - J 236
VS1 - 6313 - 008	B - J 507 B - J 167 B - J 314 B - J 503 B - J 518 B - J1110	VS1 - 6314 - 023	B - J 281 B - J 290 B - J 305 B - J 404 B - J 515 B - J 517	VS1 - 6318 - 020	
VS1 - 6313 - 010	B - J 507 B - J 167 B - J 314 B - J 503 B - J 518 B - J1110	VS1 - 6314 - 024	B - J 281 B - J 290 B - J 305 B - J 404 B - J 515 B - J 517	VS1 - 6318 - 021	
VS1 - 6313 - 011	B - J 281 B - J 290 B - J 305 B - J 515 B - J 517	VS1 - 6314 - 025	B - J 281 B - J 290 B - J 305 B - J 404 B - J 515 B - J 517	VS1 - 6318 - 022	
VS1 - 6313 - 012	107 - 26 B - J 229 B - J 322 B - J 323 B - J 511 B - J 516 B - J 519	VS1 - 6314 - 026	B - J 281 B - J 290 B - J 305 B - J 404 B - J 515 B - J 517	VS1 - 6318 - 023	
VS1 - 6313 - 013	107 - 27 320 - 128 B - J 158 B - J 197 B - J 509 B - J 513 B - J1019 B - J1109	VS1 - 6314 - 027	B - J 281 B - J 290 B - J 305 B - J 404 B - J 515 B - J 517	VS1 - 6318 - 024	
VS1 - 6313 - 014	B - J 121 B - J 506	VS1 - 6314 - 028	B - J 281 B - J 290 B - J 305 B - J 404 B - J 515 B - J 517	VS1 - 6318 - 025	

D1 NUMERICAL INDEX (iR8500/8500P/7200/7200P)

部品索引表

PART NUMBER	FIGURE & KEY NO.	PART NUMBER	FIGURE & KEY NO.	PART NUMBER	FIGURE & KEY NO.				
VS1 - 6320 - 003	B - J 287 B - J 318 B - J 5057	VS1 - 6321 - 003	B - J 203 B - J 205 B - J 208 B - J 209 B - J 210 B - J 222 B - J 223 B - J 225 B - J 226 B - J 227 B - J 232 B - J 233 B - J 235 B - J 237 B - J 238 B - J 241 B - J 256 B - J 259 B - J 260 B - J 261 B - J 262 B - J 265 B - J 269 B - J 270 B - J 284 B - J 285 B - J 286 B - J 288 B - J 292 B - J 294 B - J 295 B - J 296 B - J 303 B - J 304 B - J 308 B - J 309 B - J 310 B - J 311 B - J 312 B - J 315 B - J 316 B - J 317 B - J 319 B - J 327 B - J 328 B - J 334 B - J 336 B - J 337 B - J 338 B - J 339 B - J 340 B - J 341 B - J 342 B - J 363 B - J 364 B - J 784 B - J 804 B - J 1727 B - J 3605 B - J 3606 B - J 5052 B - J 5053 B - J 5056	VS1 - 6321 - 004	B - J 3 B - J 116 B - J 130 B - J 146 B - J 204 B - J 257 B - J 266 B - J 291 B - J 348 B - J 411 B - J 762 B - J 785 B - J 1060	VS1 - 6321 - 005	B - J 151 B - J 302 B - J 602 B - J 612 B - J 622 B - J 853 B - J 168 B - J 211 B - J 213	VS1 - 6321 - 006	B - J 214 B - J 258 B - J 268 B - J 652 B - J 1022 B - J 1114 B - J 172 B - J 198 B - J 239 B - J 243 B - J 249 B - J 250 B - J 1002 B - J 330 B - J 224 B - J 792 B - J 802 320 - 132 B - J 197 320 - 133 B - J 180 107 - 32 B - J 322 107 - 33 B - J 197 107 - 34 B - J 180 B - J 37 B - J 35 B - J 55 B - J 37 B - J 247 B - J 32 B - J 35 B - J 55 VS1 - 6380 - 002 B - J 4 B - J 26 VS1 - 6380 - 003 B - J 1 B - J 781 VS1 - 6380 - 004 B - J 6 B - J 12 B - J 13 B - J 24 B - J 1014 B - J 5004 B - J 5501 B - J 9201 B - J 32 VS1 - 6490 - 008 VS1 - 6619 - 040 B - J 1017 B - J 1551 VS1 - 6694 - 030 B - J 50 VS1 - 6695 - 030 B - J 50 VS3 - 0315 - 011 B - J 764 VS3 - 5083 - 002 B - J 23 B - J 42 B - J 43 B - J 46 B - J 56 B - J 601 B - J 611 B - J 621 B - J 651 B - J 737 B - J 1001 B - J 5005 B - J 9009 VS3 - 5083 - 003 B - J 3 B - J 761 B - J 5602 VS3 - 5083 - 004 B - J 30 B - J 851 B - J 943 B - J 1454 B - J 5002 B - J 6001 B - J 8500 VS3 - 5083 - 005 B - J 1726 VS3 - 5083 - 006 B - J 501 B - J 782 VS3 - 5083 - 007 B - J 2 B - J 28 B - J 701 B - J 801 B - J 1718 VS3 - 5083 - 008 B - J 1724
VS1 - 6320 - 006	B - J 211 B - J 324			VS1 - 6321 - 007	B - J 172 B - J 198 B - J 239 B - J 243 B - J 249 B - J 250 B - J 1002 B - J 330 B - J 224 B - J 792 B - J 802 320 - 132 B - J 197 320 - 133 B - J 180 107 - 32 B - J 322 107 - 33 B - J 197 107 - 34 B - J 180 B - J 37 B - J 35 B - J 55 B - J 37 B - J 247 B - J 32 B - J 35 B - J 55 VS1 - 6380 - 002 B - J 4 B - J 26 VS1 - 6380 - 003 B - J 1 B - J 781 VS1 - 6380 - 004 B - J 6 B - J 12 B - J 13 B - J 24 B - J 1014 B - J 5004 B - J 5501 B - J 9201 B - J 32 VS1 - 6490 - 008 VS1 - 6619 - 040 B - J 1017 B - J 1551 VS1 - 6694 - 030 B - J 50 VS1 - 6695 - 030 B - J 50 VS3 - 0315 - 011 B - J 764 VS3 - 5083 - 002 B - J 23 B - J 42 B - J 43 B - J 46 B - J 56 B - J 601 B - J 611 B - J 621 B - J 651 B - J 737 B - J 1001 B - J 5005 B - J 9009 VS3 - 5083 - 003 B - J 3 B - J 761 B - J 5602 VS3 - 5083 - 004 B - J 30 B - J 851 B - J 943 B - J 1454 B - J 5002 B - J 6001 B - J 8500 VS3 - 5083 - 005 B - J 1726 VS3 - 5083 - 006 B - J 501 B - J 782 VS3 - 5083 - 007 B - J 2 B - J 28 B - J 701 B - J 801 B - J 1718 VS3 - 5083 - 008 B - J 1724				
VS1 - 6320 - 007	B - J 325								
VS1 - 6321 - 002	B - J 48 B - J 104 B - J 105 B - J 111 B - J 125 B - J 141 B - J 143 B - J 149 B - J 150 B - J 186 B - J 190 B - J 195 B - J 196 B - J 200 B - J 206 B - J 207 B - J 217 B - J 231 B - J 234 B - J 242 B - J 251 B - J 252 B - J 253 B - J 254 B - J 255 B - J 263 B - J 264 B - J 267 B - J 282 B - J 289 B - J 293 B - J 301 B - J 306 B - J 313 B - J 320 B - J 321 B - J 331 B - J 332 B - J 333 B - J 362 B - J 365								
VS1 - 6321 - 003	B - J 101 B - J 102 B - J 103 B - J 113 B - J 114 B - J 115 B - J 118 B - J 120 B - J 122 B - J 123 B - J 128 B - J 129 B - J 132 B - J 133 B - J 134 B - J 136 B - J 137 B - J 139 B - J 140 B - J 142 B - J 144 B - J 145 B - J 147 B - J 156 B - J 157 B - J 159 B - J 169 B - J 171 B - J 174 B - J 175 B - J 182 B - J 183 B - J 184 B - J 185 B - J 191 B - J 194 B - J 199 B - J 202								

D1 NUMERICAL INDEX (iR8500/8500P/7200/7200P)

部品索引表

PART NUMBER	FIGURE & KEY NO.	PART NUMBER	FIGURE & KEY NO.	PART NUMBER	FIGURE & KEY NO.
VS3 - 5083 - 011	B - J 5	WM2 - 5152 - 000	900 - 22	WS3 - 5569 - 000	B - J 1722
VS3 - 5083 - 015	B - J 1713	WS3 - 0437 - 000	B - J 1		B - J 1723
VS3 - 5121 - 002	B - J 25	WS3 - 0469 - 000	B - J 2		B - J 5008
	B - J 26		B - J 335	WS3 - 5571 - 000	B - J 5503
VS3 - 5121 - 003	B - J 11	WS3 - 1091 - 000	B - J 764		B - J 164
VS3 - 5121 - 004	B - J 12	WS3 - 5016 - 000	B - J 412	WS3 - 5596 - 000	B - J 228
	B - J 13	WS3 - 5160 - 000	B - J 2		B - J 240
	B - J 24		B - J 3		B - J 5105
VS3 - 5203 - 005	B - J 109		B - J 5	WS3 - 5598 - 000	B - J 32
VS4 - 0001 - 002	B - J 20		B - J 23		B - J 35
	B - J 21		B - J 28		B - J 37
VS4 - 0001 - 003	B - J 18		B - J 30		B - J 55
	B - J 19		B - J 42	WS3 - 5607 - 000	107 - 38
	B - J 25		B - J 43		107 - 39
VS4 - 0001 - 004	B - J 45		B - J 46		B - J 180
VS4 - 0001 - 006	B - J 40		B - J 56		B - J 322
VS4 - 0001 - 012	B - J 41		B - J 501	WS3 - 5609 - 000	320 - 136
VS4 - 0001 - 015	B - J 34		B - J 601		B - J 180
VS4 - 0002 - 002	B - J 20		B - J 611	WS3 - 5610 - 000	110 - 10
	B - J 21		B - J 621		111 - 11
VS4 - 0002 - 003	B - J 14		B - J 651	WS3 - 5612 - 000	111 - 12
	B - J 18		B - J 701	WS3 - 5613 - 000	110 - 11
VS4 - 0002 - 004	B - J 45		B - J 737		111 - 12
VS4 - 0002 - 006	B - J 40		B - J 761	WS3 - 5680 - 000	B - J 32
VS4 - 0002 - 012	B - J 41		B - J 782		B - J 35
VS4 - 0002 - 015	B - J 34		B - J 801		B - J 37
VT2 - 0021 - 003	211 - 71		B - J 851		B - J 50
VT2 - 5161 - 016	B - J 507		B - J 943		B - J 55
VT2 - 5161 - 020	B - J 167		B - J 1001		B - J 783
	B - J 314		B - J 1454		B - J 1020
	B - J 503		B - J 1713		B - J 1027
	B - J 518		B - J 1718		B - J 1058
	B - J 1110		B - J 1724		B - J 1102
VT2 - 5161 - 022	B - J 281		B - J 1726		B - J 1305
	B - J 290		B - J 5002		B - J 1712
	B - J 305		B - J 5005		B - J 1714
	B - J 515		B - J 5602		B - J 1715
	B - J 517		B - J 6001		B - J 1716
VT2 - 5161 - 024	107 - 35		B - J 8500		B - J 1720
	B - J 229		B - J 9009		B - J 1721
	B - J 322	WS3 - 5264 - 000	B - J 36	WS3 - 5719 - 000	B - J 50
	B - J 511		B - J 755	WS4 - 0217 - 000	B - J 14
	B - J 516	WS3 - 5291 - 000	B - J 11		B - J 18
	B - J 519		B - J 12		B - J 20
VT2 - 5161 - 026	107 - 36		B - J 13		B - J 25
	320 - 134		B - J 24		B - J 34
	B - J 158	WS3 - 5292 - 000	B - J 4		B - J 40
	B - J 197		B - J 6		B - J 41
	B - J 509		B - J 12	WS4 - 0218 - 000	B - J 21
	B - J 513		B - J 13		B - J 45
	B - J 1019		B - J 24	WS4 - 0219 - 000	B - J 18
	B - J 1109		B - J 781		B - J 19
VT2 - 5161 - 028	B - J 121	WS3 - 5301 - 000	B - J 23		B - J 20
	B - J 504		B - J 28		B - J 25
	B - J 506		B - J 30		B - J 34
	B - J 512		B - J 42		B - J 45
	B - J 514		B - J 43	WS4 - 0220 - 000	B - J 21
	B - J 1453		B - J 46		B - J 40
VT2 - 5161 - 030	B - J 502		B - J 56		B - J 41
VT2 - 5161 - 032	B - J 510		B - J 271	WT1 - 0579 - 000	B - J 16
VT2 - 5161 - 034	B - J 407		B - J 8500	WT1 - 0580 - 000	111 - 13
	B - J 505		B - J 9009	WT2 - 0184 - 000	102 - 37
	B - J 1461	WS3 - 5358 - 000	B - J 48	WT2 - 5041 - 000	305 - 4
VT2 - 5161 - 036	B - J 405		B - J 108	WT2 - 5178 - 000	104 - 28A
	B - J 1018		B - J 243		194 - 2B
	B - J 6801		B - J 244		210 - 24B
VT2 - 5161 - 040	107 - 37		B - J 245		313 - 38D
	320 - 135		B - J 334		360 - 58B
	B - J 180	WS3 - 5365 - 000	B - J 109		550 - 22
	B - J 508	WS3 - 5419 - 000	B - J 47	WT2 - 5189 - 000	315 - 51
WA7 - 1497 - 000	900 - 13A		B - J 112	WT2 - 5546 - 000	107 - 40
WA7 - 1498 - 000	900 - 13B		B - J 246	WT2 - 5565 - 000	101 - 20C
WC4 - 0153 - 000	120 - 10	WS3 - 5472 - 000	B - J 1		105 - 14A
WC4 - 5153 - 000	101 - 33		B - J 26		106 - 11A
	275 - 47	WS3 - 5473 - 000	B - J 26		107 - 41
WC4 - 5157 - 000	275 - 48	WS3 - 5569 - 000	B - J 165		211 - 41A
WE8 - 5266 - 000	211 - 72		B - J 247		231 - 6
WE8 - 5406 - 000	211 - 44A		B - J 248		250 - 26
	211 - 47B		B - J 721		313 - 38E
WE8 - 5622 - 000	211 - 39B		B - J 722		320 - 137
WE8 - 5791 - 000	211 - 39C		B - J 741		600 - 81
WE8 - 5851 - 000	900 - 21		B - J 763		645 - 10C
WK1 - 0084 - 000	930 - BAT1		B - J 791		770 - 8B
	935 - BAT1		B - J 1101	WT8 - 0053 - 000	970 - 1
WK1 - 5019 - 000	900 - 13C		B - J 1501	X62 - 5133 - 000	B - J 1091

D1 NUMERICAL INDEX (iR8500/8500P/7200/7200P)

部品索引表

PART NUMBER	FIGURE & KEY NO.	PART NUMBER	FIGURE & KEY NO.	PART NUMBER	FIGURE & KEY NO.
X62 - 7921 - 000	775 - 11	XA9 - 0628 - 000	312 - 67	XB1 - 2230 - 809	101 - 501
X71 - 9310 - 000	600 - 82		313 - 50		120 - 501
	640 - 33		315 - 52	XB1 - 2231 - 009	250 - 501
	645 - 20		315 - 53		275 - 502
XA1 - 6260 - 409	510 - 501		320 - 139	XB1 - 2260 - 407	320 - 501
XA9 - 0034 - 000	580 - 28		320 - 140	XB1 - 2300 - 402	640 - 501
XA9 - 0189 - 000	190 - 3		325 - 37	XB1 - 2300 - 407	311 - 501
XA9 - 0207 - 000	106 - 19		350 - 26		312 - 501
	106 - 20		351 - 32		313 - 501
	106 - 21		360 - 99		320 - 502
XA9 - 0228 - 000	550 - 23	XA9 - 0629 - 000	100 - 80		570 - 501
	580 - 29		100 - 81	XB1 - 2300 - 409	210 - 501
XA9 - 0253 - 000	330 - 8		100 - 82		311 - 502
	360 - 96		107 - 43		312 - 502
XA9 - 0265 - 000	107 - 42	XA9 - 0630 - 000	101 - 34		315 - 501
	215 - 28		103 - 28		325 - 501
	311 - 78		104 - 42		350 - 501
	312 - 64		105 - 28		360 - 501
XA9 - 0271 - 000	210 - 55		107 - 44		360 - 502
	312 - 65	XA9 - 0633 - 000	311 - 82		420 - 501
XA9 - 0384 - 000	106 - 22		312 - 68		430 - 501
XA9 - 0385 - 000	460 - 8		325 - 38		640 - 502
XA9 - 0425 - 000	430 - 13	XA9 - 0642 - 000	211 - 73		645 - 501
	431 - 7	XA9 - 0643 - 000	100 - 83		645 - 502
	215 - 29		101 - 35		810 - 501
XA9 - 0427 - 000	900 - 23		102 - 40	XB1 - 2300 - 506	107 - 501
XA9 - 0465 - 000	210 - 56		103 - 29	XB1 - 2300 - 602	600 - 501
XA9 - 0520 - 000	130 - 26		104 - 43	XB1 - 2300 - 603	550 - 501
XA9 - 0591 - 000	130 - 27		105 - 29	XB1 - 2300 - 604	640 - 503
	300 - 48		106 - 24	XB1 - 2300 - 607	107 - 502
	311 - 79		107 - 45		130 - 501
	570 - 24		107 - 46		210 - 502
XA9 - 0596 - 000	104 - 37		108 - 10		900 - 501
	420 - 23		210 - 58		900 - 502
	570 - 25		311 - 83		910 - 501
XA9 - 0605 - 000	100 - 75		312 - 69		910 - 502
	100 - 76		320 - 141	XB1 - 2300 - 609	102 - 501
	100 - 77		460 - 9		102 - 502
	100 - 78		940 - 11		102 - 503
	190 - 4	XA9 - 0670 - 000	130 - 28		103 - 501
	275 - 49	XA9 - 0685 - 000	302 - 44		105 - 501
	300 - 49		303 - 49		210 - 503
	302 - 43	XA9 - 0721 - 000	100 - 84		211 - 501
	303 - 48		300 - 52		211 - 502
	311 - 80		302 - 45		211 - 503
	312 - 66		303 - 50		211 - 504
	320 - 138	XA9 - 0732 - 000	211 - 74		275 - 503
	330 - 9	XA9 - 0739 - 000	110 - 12		300 - 501
	360 - 97		111 - 14		303 - 502
	360 - 98	XA9 - 0774 - 000	107 - 47		311 - 503
	600 - 83	XA9 - 0791 - 000	211 - 75		312 - 503
XA9 - 0615 - 000	100 - 79	XA9 - 0807 - 000	320 - 142		313 - 502
XA9 - 0625 - 000	350 - 25		810 - 92		320 - 503
XA9 - 0626 - 000	325 - 36	XA9 - 0813 - 000	251 - 8		351 - 501
	351 - 31	XA9 - 0828 - 000	900 - 24		510 - 502
XA9 - 0628 - 000	102 - 38	XA9 - 0836 - 000	900 - 25		550 - 502
	102 - 39		900 - 26		570 - 502
	103 - 26	XA9 - 0870 - 000	215 - 30		580 - 501
	103 - 27	XA9 - 0908 - 000	211 - 76		600 - 502
	104 - 38		315 - 54		810 - 502
	104 - 39		320 - 143		940 - 501
	104 - 40		360 - 100		940 - 502
	104 - 41	XA9 - 0915 - 000	103 - 30	XB1 - 2300 - 809	320 - 504
	105 - 25		550 - 24		600 - 503
	105 - 26		580 - 30		645 - 503
	105 - 27	XA9 - 0924 - 000	103 - 31	XB1 - 2301 - 207	210 - 504
	106 - 23	XA9 - 0925 - 000	810 - 93		550 - 503
	108 - 8	XA9 - 0940 - 000	320 - 144	XB1 - 2301 - 209	420 - 502
	108 - 9	XA9 - 0962 - 000	251 - 9		460 - 501
	195 - 3	XA9 - 0965 - 000	210 - 59	XB1 - 2301 - 407	110 - 501
	210 - 57	XA9 - 1030 - 000	250 - 28		111 - 501
	230 - 6		260 - 20		770 - 501
	231 - 7		320 - 145	XB1 - 2301 - 603	570 - 503
	250 - 27		325 - 39	XB1 - 2302 - 503	550 - 504
	251 - 7	XA9 - 1090 - 000	106 - 25	XB1 - 2400 - 407	320 - 505
	260 - 19	XA9 - 1091 - 000	106 - 26		570 - 504
	261 - 9		215 - 31	XB1 - 2400 - 409	103 - 502
	263 - 5		210 - 60		103 - 503
	264 - 12	XA9 - 1092 - 000	900 - 27		103 - 504
	270 - 14	XA9 - 1207 - 000	900 - 28		104 - 501
	280 - 17	XA9 - 1208 - 000	900 - 28		104 - 502
	300 - 50	XA9 - 1278 - 000	106 - 27		104 - 503
	300 - 51	XA9 - 1331 - 000	103 - 32		305 - 501
	305 - 5	XB1 - 1200 - 405	275 - 501		320 - 506
	311 - 81	XB1 - 2200 - 409	302 - 501		810 - 503
			303 - 501		

D1 NUMERICAL INDEX (iR8500/8500P/7200/7200P)

部品索引表

PART NUMBER	FIGURE & KEY NO.	PART NUMBER	FIGURE & KEY NO.	PART NUMBER	FIGURE & KEY NO.		
XB1 - 2400 - 606	100 - 501	XB3 - 6400 - 800	100 - 502	XD1 - 1108 - 235	300 - 505		
	101 - 502		105 - 505		XD1 - 1108 - 239	302 - 505	
	110 - 502		211 - 506		303 - 506		
	111 - 502		211 - 507	XD1 - 2100 - 307	550 - 507		
	316 - 501		211 - 508		XD1 - 3100 - 805	108 - 501	
	XB1 - 2400 - 607		107 - 503	XB3 - 6400 - 805	211 - 509	XD1 - 4200 - 502	110 - 505
			275 - 504		105 - 506		111 - 506
			302 - 502		105 - 507	XD1 - 4200 - 602	211 - 513
			303 - 503		211 - 510		XD2 - 1100 - 172
			900 - 503		194 - 501	XD2 - 1100 - 242	231 - 502
930 - 501		600 - 509			311 - 506		
935 - 501		300 - 503			312 - 505		
XB1 - 2400 - 609		102 - 504	300 - 504			313 - 506	
		103 - 505	101 - 504			320 - 519	
		103 - 506	316 - 502			350 - 504	
	103 - 507	210 - 512		550 - 508			
	104 - 504	320 - 512		570 - 505			
	210 - 505	360 - 505		580 - 503			
	210 - 506	640 - 505		810 - 513			
	215 - 501	645 - 504	XD2 - 1100 - 322	275 - 509			
	275 - 505	360 - 506		280 - 502			
	300 - 502	720 - 501		311 - 507			
302 - 503	320 - 513		313 - 507				
303 - 504	215 - 503		315 - 503				
311 - 504	210 - 513		315 - 504				
312 - 504	600 - 510		320 - 520				
313 - 503	600 - 511		325 - 505				
315 - 502	107 - 505		600 - 514				
320 - 507	231 - 501		810 - 514				
320 - 508	302 - 504	XD2 - 1100 - 372	311 - 508				
350 - 502	303 - 505		312 - 506				
360 - 503	810 - 509	XD2 - 1100 - 402	104 - 505				
360 - 504	211 - 511		302 - 506				
460 - 502	320 - 514		303 - 507				
510 - 503	360 - 507		325 - 506				
600 - 504	264 - 501		351 - 502				
600 - 505	325 - 503	XD2 - 1100 - 502	600 - 515				
770 - 502	260 - 501		102 - 507				
810 - 504	211 - 512		102 - 508				
940 - 503	305 - 502		104 - 506				
940 - 504	421 - 502		104 - 507				
985 - 501	430 - 502		104 - 508				
XB1 - 2400 - 806	101 - 503	XB6 - 7300 - 609	210 - 514		107 - 511		
	810 - 505		350 - 503	108 - 502			
	810 - 506		420 - 505	250 - 502			
	210 - 507		550 - 506	270 - 501			
	210 - 508		810 - 510	275 - 510			
	215 - 502		275 - 508	280 - 503			
	XB1 - 2401 - 609		600 - 506	105 - 508	300 - 506		
			XB1 - 2402 - 009	210 - 503	210 - 515	303 - 508	
				111 - 503	215 - 504	311 - 509	
				900 - 504	305 - 503	312 - 507	
275 - 506		320 - 515		313 - 508			
210 - 509		600 - 512		315 - 505			
910 - 503		510 - 505		320 - 521			
105 - 502		431 - 501		320 - 522			
320 - 509		421 - 503		325 - 507			
110 - 504		320 - 516		350 - 505			
111 - 504	810 - 511	360 - 510					
XB1 - 2403 - 509	130 - 502	XD1 - 1103 - 137	320 - 517	431 - 502			
	210 - 510	XD1 - 1103 - 139	640 - 506	600 - 516			
	640 - 504	XD1 - 1103 - 633	645 - 505	640 - 508			
	325 - 502		107 - 506	645 - 507			
	550 - 505		107 - 507	720 - 502			
	580 - 502		311 - 505	770 - 505			
	600 - 507		107 - 508	810 - 515			
	111 - 505		107 - 509	320 - 523			
	XB2 - 7400 - 606	210 - 511	XD1 - 1104 - 132	101 - 505	102 - 509		
		XB2 - 7400 - 607	460 - 503	XD1 - 1104 - 133	107 - 508	102 - 510	
770 - 503				107 - 509	102 - 511		
211 - 505			XD1 - 1104 - 135	105 - 509	105 - 511		
320 - 510			XD1 - 1104 - 138	105 - 510	120 - 503		
420 - 503			XD1 - 1104 - 139	102 - 505	210 - 516		
600 - 508			XD1 - 1105 - 239	645 - 506	210 - 517		
420 - 504				640 - 507	211 - 514		
421 - 501				810 - 512	211 - 515		
275 - 507			XD1 - 1106 - 218	102 - 506	211 - 516		
510 - 504	XD1 - 1106 - 221		107 - 510	230 - 501			
XB2 - 8401 - 007	105 - 503	XD1 - 1106 - 222	600 - 513	250 - 503			
	105 - 504	XD1 - 1106 - 223	325 - 504	251 - 501			
	320 - 511	XD1 - 1106 - 235	263 - 501	260 - 502			
	810 - 507		280 - 501	261 - 501			
	810 - 508	XD1 - 1108 - 212	313 - 504	263 - 502			
	107 - 504	XD1 - 1108 - 219	313 - 505	264 - 502			
	120 - 502	XD1 - 1108 - 222	360 - 509	270 - 502			
		XD1 - 1108 - 223					
		XD1 - 1108 - 226					
		XD1 - 1108 - 229					

D1 NUMERICAL INDEX (iR8500/8500P/7200/7200P)

部品索引表

PART NUMBER	FIGURE & KEY NO.	PART NUMBER	FIGURE & KEY NO.	PART NUMBER	FIGURE & KEY NO.	
XD2 - 1100 - 642	275 - 5 1 1	XD3 - 2200 - 142	320 - 5 3 4	XG9 - 0362 - 000	360 - 1 0 9	
	280 - 5 0 4		325 - 5 0 9		XG9 - 0385 - 000	275 - 5 1
	302 - 5 0 7		330 - 5 0 3		XG9 - 0387 - 000	330 - 1 1
	303 - 5 0 9		360 - 5 1 4		XG9 - 0395 - 000	270 - 1 7
	311 - 5 1 0		230 - 5 0 2		XG9 - 0406 - 000	810 - 9 4
	312 - 5 0 8		250 - 5 0 6		XG9 - 0407 - 000	311 - 8 5
	313 - 5 0 9		260 - 5 0 4			312 - 7 3
	320 - 5 2 4		261 - 5 0 3		313 - 5 2	
	320 - 5 2 5		263 - 5 0 5	XG9 - 0421 - 000	810 - 9 5	
	320 - 5 2 6		264 - 5 0 4	XG9 - 0439 - 000	302 - 4 7	
	320 - 5 2 7	320 - 5 3 5		303 - 5 3		
	325 - 5 0 8	330 - 5 0 4	XG9 - 0447 - 000	810 - 9 6		
	330 - 5 0 1	360 - 5 1 5	XH9 - 0006 - 000	210 - 6 3		
	360 - 5 1 1	250 - 5 0 7	XH9 - 0082 - 000	302 - 4 8		
	430 - 5 0 3	360 - 5 1 6		303 - 5 4		
	430 - 5 0 4	775 - 5 0 2	XH9 - 0090 - 000	275 - 5 2		
	600 - 5 1 7	320 - 5 3 6	XH9 - 0110 - 000	900 - 2 9		
	645 - 5 0 8	275 - 5 1 4	XZ9 - 0251 - 000	120 - 1 1		
	775 - 5 0 1	250 - 5 0 8	XZ9 - 0367 - 000	108 - 1 1		
	810 - 5 1 6	260 - 5 0 5	XZ9 - 0407 - 000	316 - 1 6		
	XD2 - 1100 - 802	320 - 5 2 8	XD3 - 2300 - 182	260 - 5 0 6	XZ9 - 0444 - 000	211 - 7 9
330 - 5 0 2		320 - 5 3 7		XZ9 - 0472 - 000	275 - 5 3	
600 - 5 1 8		XD3 - 2300 - 202	320 - 5 3 8	XZ9 - 0503 - 000	900 - 3 0	
810 - 5 1 7		XD3 - 2300 - 142	302 - 4 6			
810 - 5 1 8		XF9 - 0393 - 000	303 - 5 1			
275 - 5 1 2		XF9 - 0502 - 000	316 - 1 5			
351 - 5 0 3		XF9 - 0533 - 000	315 - 5 5			
645 - 5 0 9		XF9 - 0662 - 000	106 - 2 8			
311 - 5 1 1		XF9 - 0663 - 000	360 - 1 0 1			
312 - 5 0 9		XF9 - 0664 - 000	360 - 1 0 2			
XD2 - 1200 - 902	313 - 5 1 0	XF9 - 0680 - 000	360 - 1 0 3			
	320 - 5 2 9	XF9 - 0716 - 000	210 - 6 1			
	600 - 5 1 9	XF9 - 0723 - 000	211 - 7 7			
	640 - 5 0 9	XF9 - 0724 - 000	303 - 5 2			
	XD2 - 2100 - 302	420 - 5 0 6		311 - 8 4		
		430 - 5 0 5		312 - 7 0		
		351 - 5 0 4		313 - 5 1		
		100 - 5 0 3	XG2 - 8012 - 355	360 - 1 0 4		
		600 - 5 2 0	XG3 - 6012 - 405	102 - 4 1		
		640 - 5 1 0		102 - 4 2		
106 - 5 0 1			320 - 1 4 6			
311 - 5 1 2		XG9 - 0018 - 000	210 - 6 2			
312 - 5 1 0		XG9 - 0111 - 000	600 - 4 4 A			
313 - 5 1 1			600 - 8 4			
XD2 - 2100 - 502	315 - 5 0 6	XG9 - 0120 - 000	640 - 3 4			
	320 - 5 3 0	XG9 - 0143 - 000	600 - 4 7 A			
	302 - 5 0 8		600 - 8 5			
	303 - 5 1 0	XG9 - 0175 - 000	275 - 5 0			
	315 - 5 0 7	XG9 - 0208 - 000	261 - 1 0			
	102 - 5 1 2	XG9 - 0211 - 000	312 - 7 1			
	102 - 5 1 3		320 - 1 4 7			
	320 - 5 3 1		320 - 1 4 8			
	360 - 5 1 2		325 - 4 0			
	313 - 5 1 2		360 - 1 0 5			
XD2 - 2100 - 602	211 - 5 1 7		775 - 1 2			
	810 - 5 1 9	XG9 - 0224 - 000	104 - 4 4			
	315 - 5 0 8		104 - 4 5			
	280 - 5 0 5	XG9 - 0248 - 000	106 - 2 9			
	311 - 5 1 3	XG9 - 0249 - 000	102 - 4 3			
	312 - 5 1 1		230 - 7			
	313 - 5 1 3		260 - 2 1			
	315 - 5 0 9		263 - 6			
	320 - 5 3 2		264 - 1 3			
	102 - 5 1 4		270 - 1 5			
XD2 - 2100 - 802	102 - 5 1 5		360 - 1 0 6			
	102 - 5 1 6	XG9 - 0250 - 000	102 - 4 4			
	250 - 5 0 4		102 - 4 5			
	263 - 5 0 3		102 - 4 6			
	264 - 5 0 3		211 - 7 8			
	270 - 5 0 3		250 - 2 9			
	280 - 5 0 6		260 - 2 2			
	311 - 5 1 4		270 - 1 6			
	312 - 5 1 2		280 - 1 8			
	313 - 5 1 4		312 - 7 2			
XD2 - 2100 - 802	315 - 5 1 0		320 - 1 4 9			
	320 - 5 3 3		320 - 1 5 0			
	360 - 5 1 3		320 - 1 5 1			
	810 - 5 2 0		330 - 1 0			
	250 - 5 0 5		360 - 1 0 7			
	260 - 5 0 3		600 - 8 6			
	261 - 5 0 2	XG9 - 0291 - 000	360 - 1 0 8			
	263 - 5 0 4	XG9 - 0302 - 000	104 - 4 6			
	270 - 5 0 4		104 - 4 7			
	275 - 5 1 3	XG9 - 0307 - 000	510 - 1 1			
280 - 5 0 7	XG9 - 0350 - 000	280 - 1 9				
XD3 - 1200 - 102						
XD3 - 1200 - 122						
XD3 - 1200 - 142						
XD3 - 1300 - 082						
XD3 - 1300 - 102						
XD3 - 1300 - 142						
XD3 - 2200 - 082						
XD3 - 2200 - 102						
XD3 - 2200 - 122						
XD3 - 2200 - 142						

D2 NUMERICAL INDEX

部品索引表 (ネットワークLIPSプリンタキット-B1)

PART NUMBER	FIGURE & KEY NO.	PART NUMBER	FIGURE & KEY NO.	PART NUMBER	FIGURE & KEY NO.
FG3 - 1745 - 000	U10 - - 1				
FG3 - 1970 - 000	U90 - -				
FG6 - 5964 - 000	U10 - - 2				
FG9 - 3845 - 000	U90 - I C7				
FH4 - 6127 - 000	U90 - I C4				
FH5 - 3127 - 000	U90 - - 1				
RH4 - 5394 - 000	U90 - I C1				
XB1 - 2300 - 607	U10 - - 501				

D3 NUMERICAL INDEX (Ethernet Network Interface Adapter) 部品索引表 (ネットワークインターフェースボード iN-E3)

PART NUMBER	FIGURE & KEY NO.	PART NUMBER	FIGURE & KEY NO.	PART NUMBER	FIGURE & KEY NO.
FG6 - 5964 - 000	G10 - 1				

〒302-8501

茨城県取手市白山7-5-1

キヤノン株式会社

映像事務機品質保証センター

2001年 4月初版 発行

2001年 10月改訂版 1発行

Prepared by
OFFICE IMAGING PRODUCTS QUALITY ASSURANCE CENTER

CANON INC.
Printed in U.S.A.

REVISION 0 [APR. 2001]
REVISION 1 [OCT. 2001]

5-1, Hakusan 7-chome, Toride-city, Ibaraki 302-8501, Japan



This publication is
printed on 100%
recycled paper.

Canon