

**imageRUNNER ADVANCE
6575i/6565i/6555i series**

PARTS CATALOG

Canon

JUL. 2015

Figure SNL Product Code No./Serial No.

	Product Code No.	Model Name	Remarks	Serial No.
1	F15-5399-000	imageRUNNER ADVANCE 6575i	ADF	SMZ(Printer) TZC(Reader) SRA(ADF)
2	F15-5299-000	imageRUNNER ADVANCE 6565i	ADF	SMQ(Printer) TZC(Reader) SRA(ADF)
3	F15-5197-000	imageRUNNER ADVANCE 6555i	-	TAU
4	F15-5199-000	imageRUNNER ADVANCE 6555i	ADF	SMF(Printer) TZC(Reader) SRA(ADF)

	中オーダー	製品名	備考	シリアル No.
1	F15-5399-000	imageRUNNER ADVANCE 6575i	A D F	SMZ(Printer) TZC(Reader) SRA(ADF)
2	F15-5299-000	imageRUNNER ADVANCE 6565i	A D F	SMQ(Printer) TZC(Reader) SRA(ADF)
3	F15-5197-000	imageRUNNER ADVANCE 6555i	-	TAU
4	F15-5199-000	imageRUNNER ADVANCE 6555i	A D F	SMF(Printer) TZC(Reader) SRA(ADF)

FIG/KEY	PART NUMBER	RANK	QTY	DESCRIPTION	REMARKS
SNL	NPN		RF	Product Code No./Serial No.	
1	F15-5399-000		1	imageRUNNER ADVANCE 6575i	SMZ(Printer)TZC (Reader)SRA(ADF) ADF
2	F15-5299-000		1	imageRUNNER ADVANCE 6565i	SMQ(Printer)TZC (Reader)SRA(ADF) ADF
3	F15-5197-000		1	imageRUNNER ADVANCE 6555i	TAU-
4	F15-5199-000		1	imageRUNNER ADVANCE 6555i	SMF(Printer)TZC (Reader)SRA(ADF) ADF

Figure A1G (1 / 9) ASSEMBLY LOCATION DIAGRAM

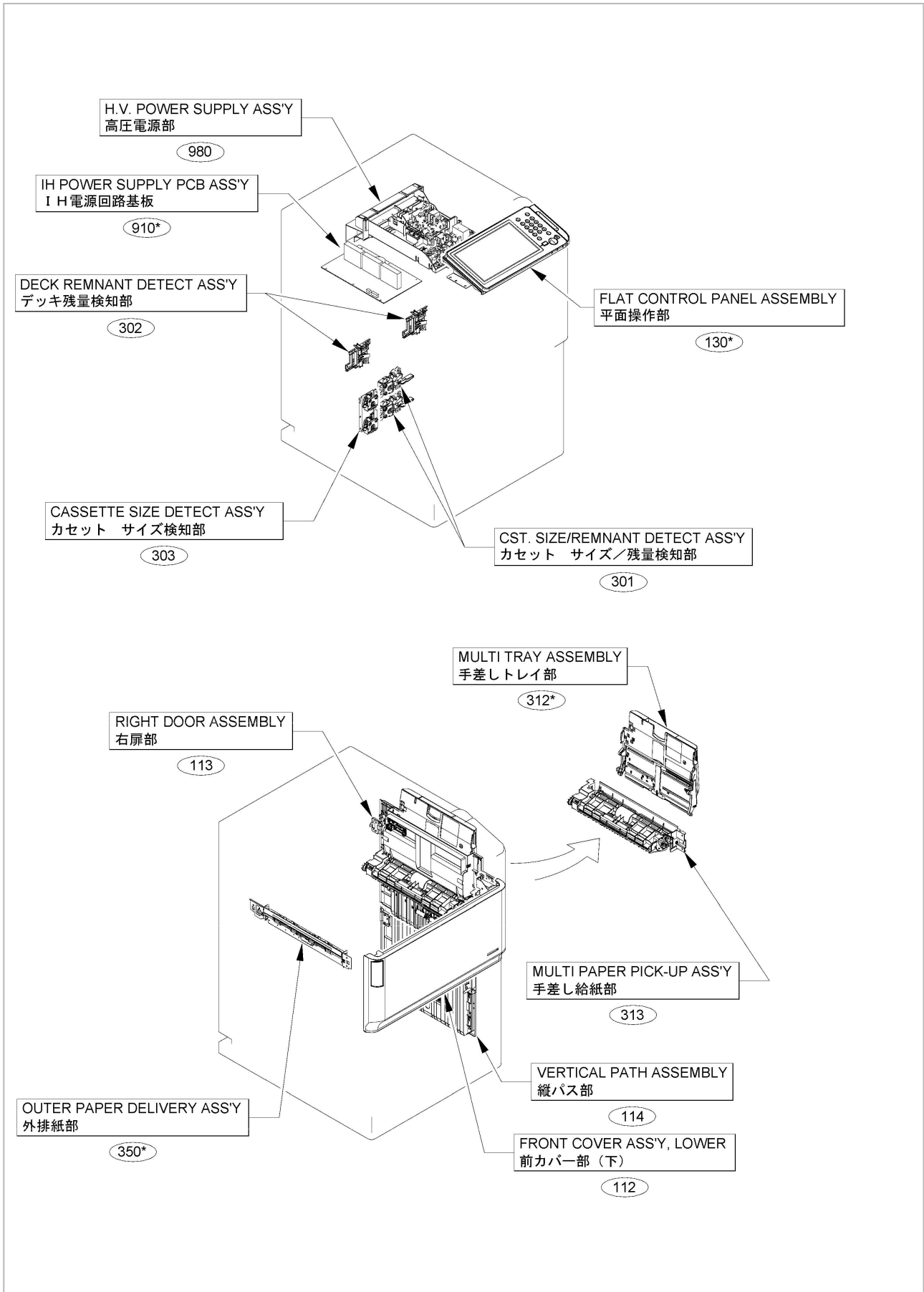


Figure A1G (2 / 9) ASSEMBLY LOCATION DIAGRAM

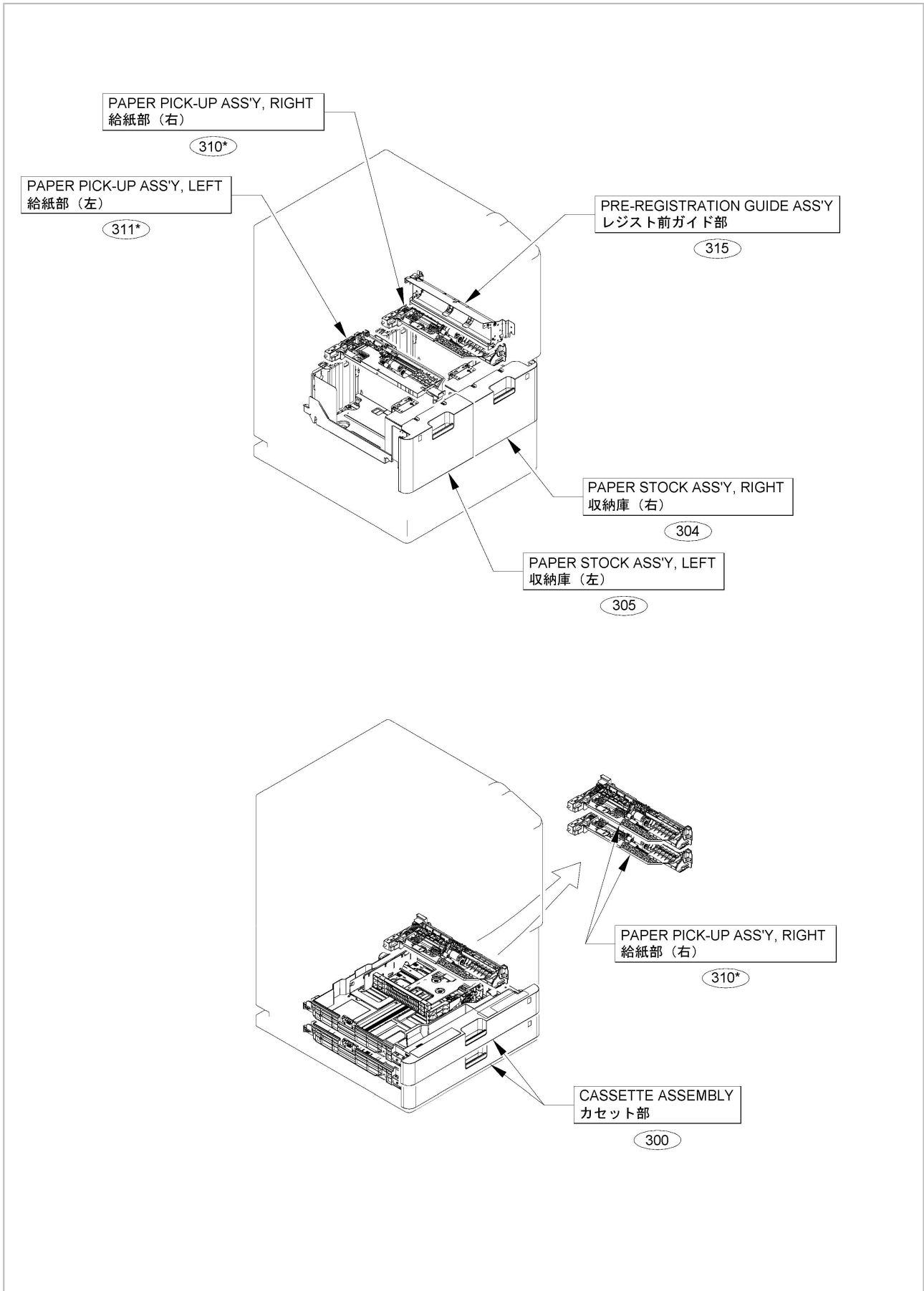


Figure A1G (3 / 9) ASSEMBLY LOCATION DIAGRAM

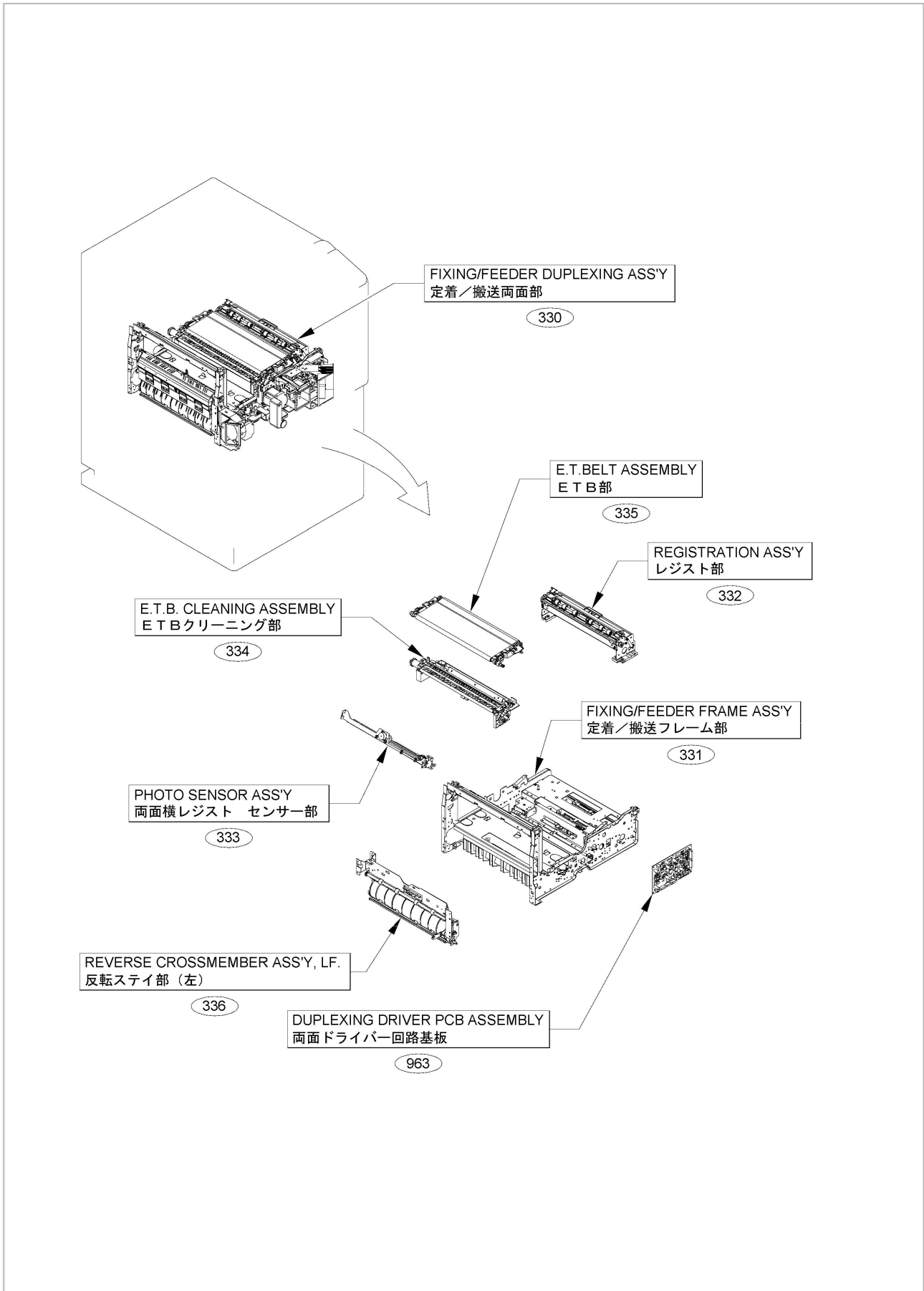


Figure A1G (4 / 9) ASSEMBLY LOCATION DIAGRAM

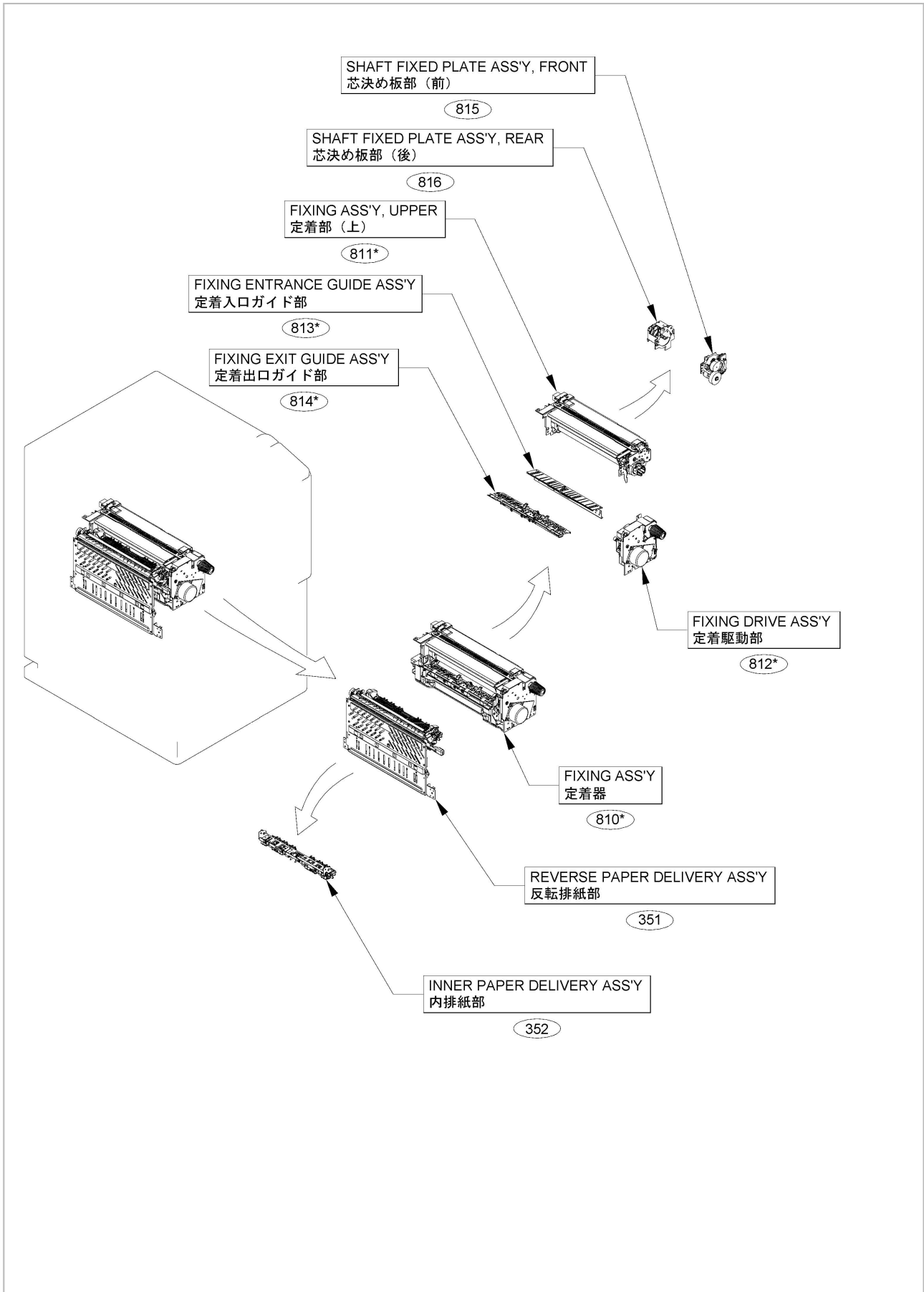


Figure A1G (5 / 9) ASSEMBLY LOCATION DIAGRAM

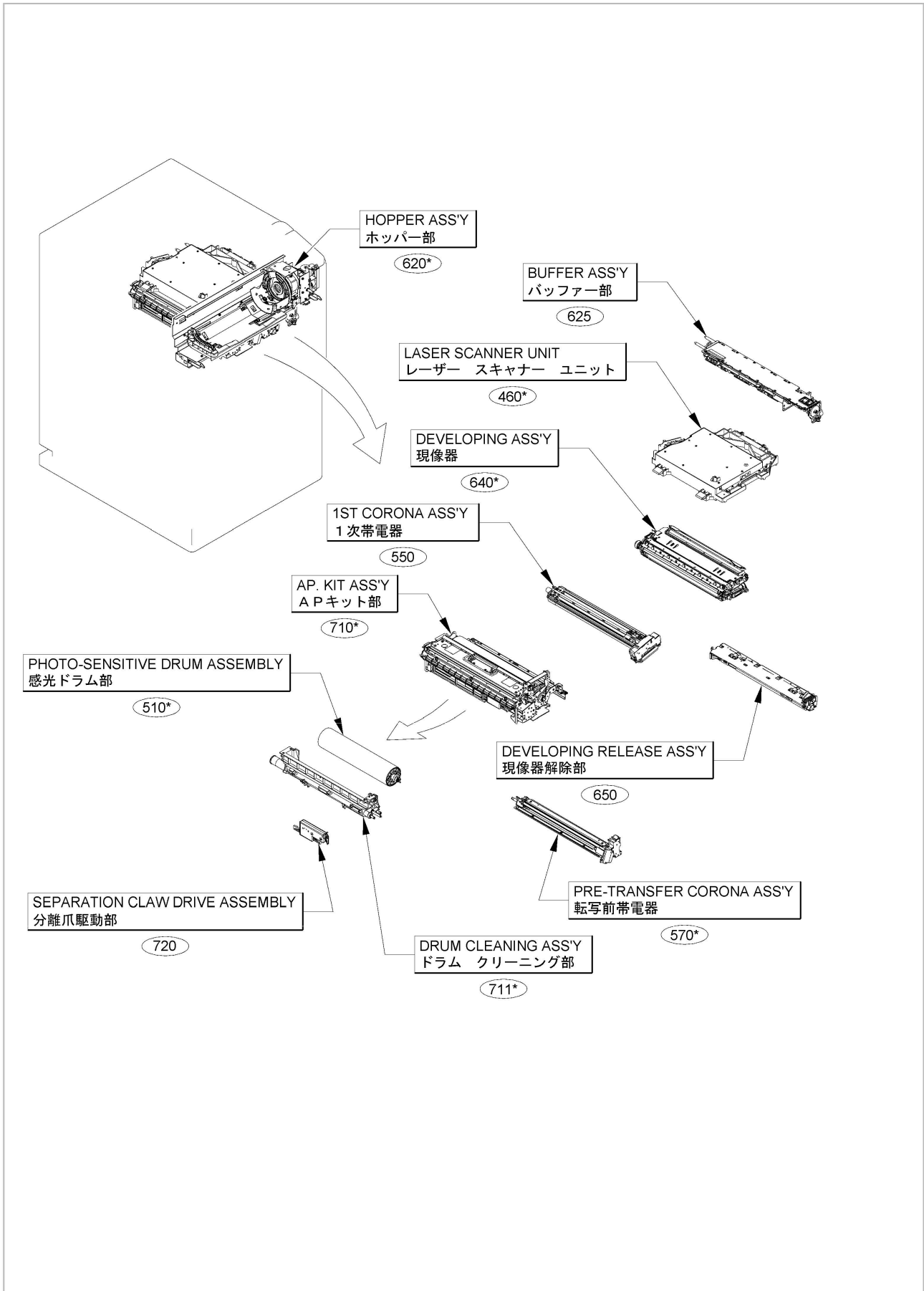


Figure A1G (6 / 9) ASSEMBLY LOCATION DIAGRAM

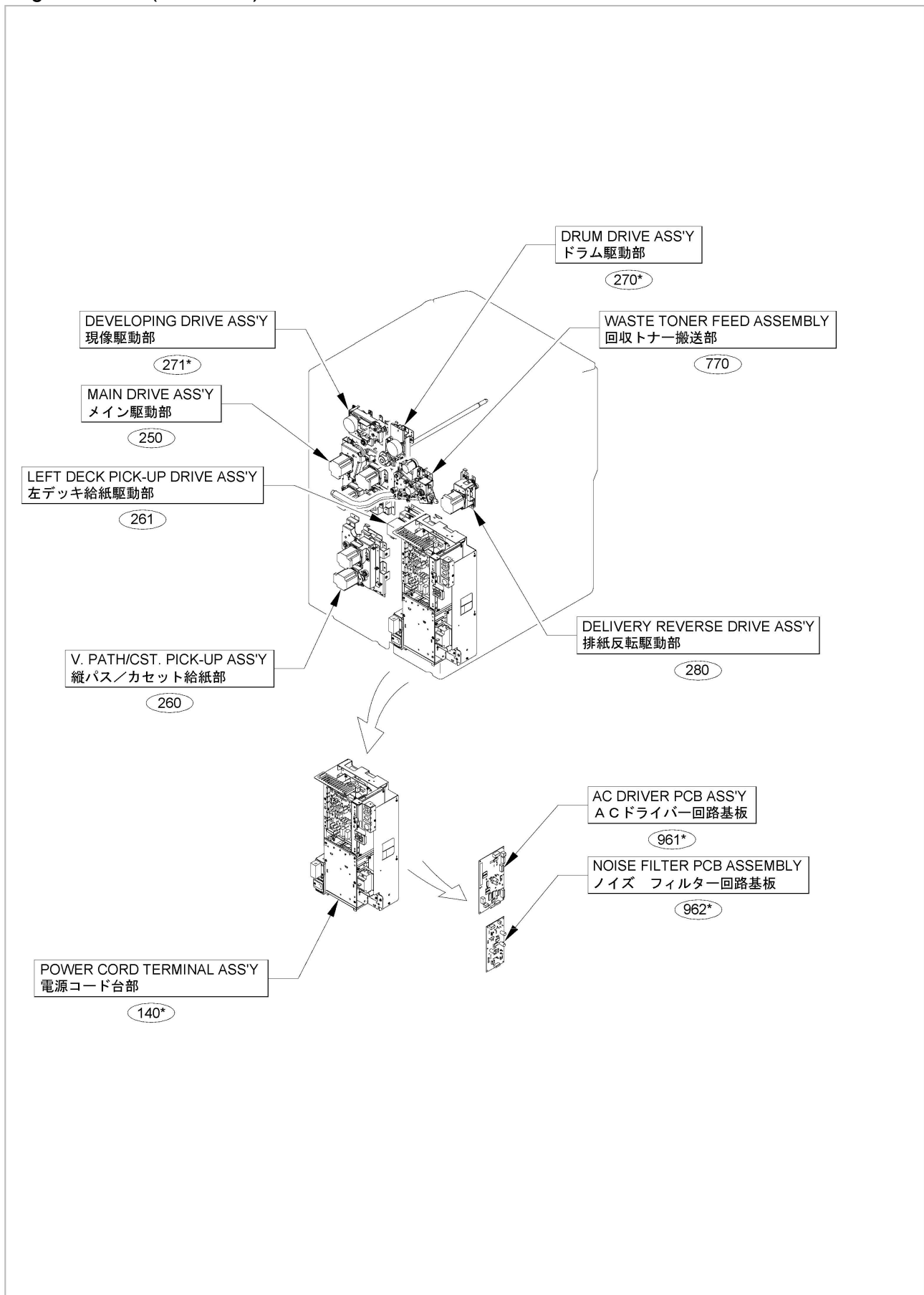


Figure A1G (7 / 9) ASSEMBLY LOCATION DIAGRAM

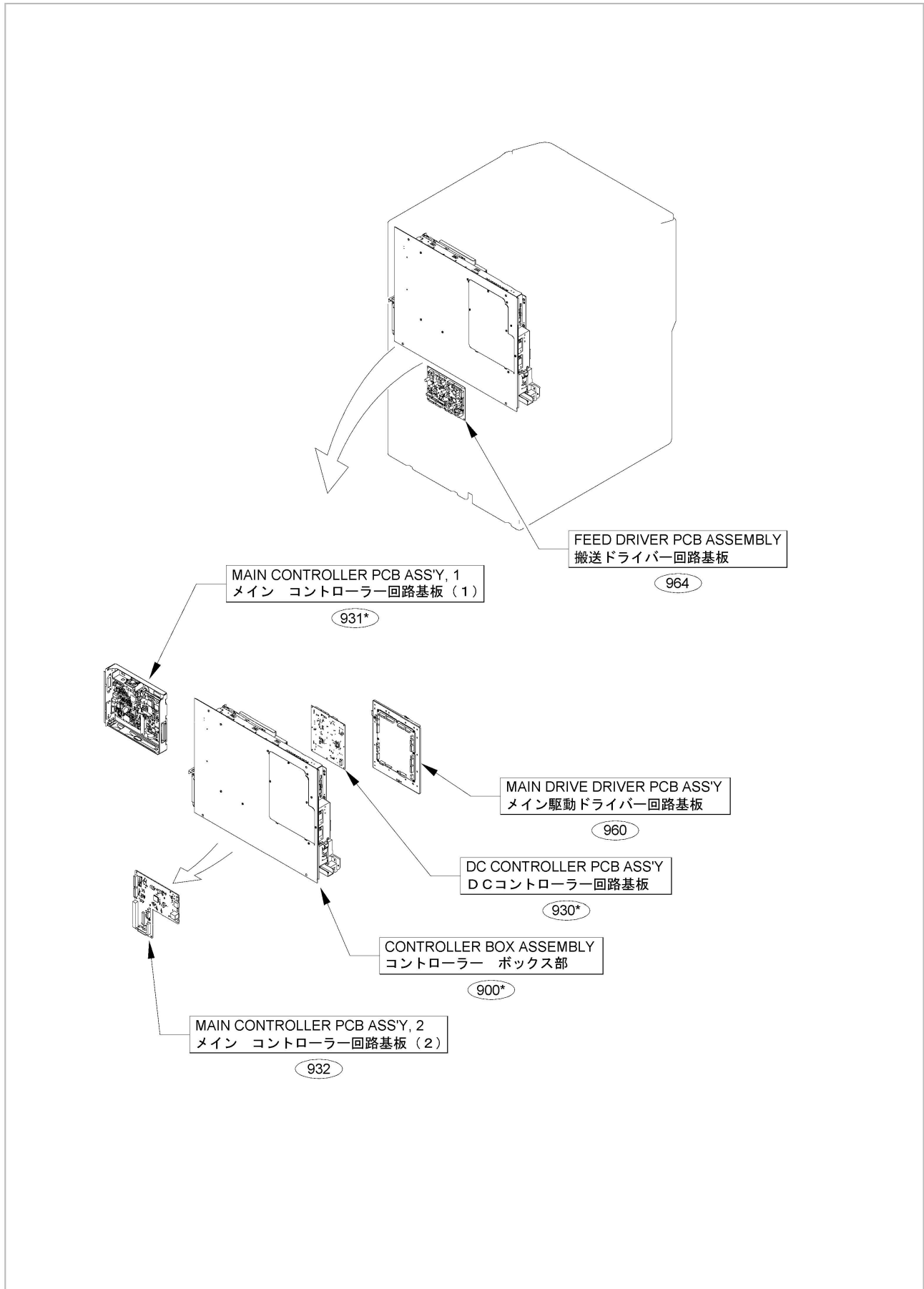


Figure A1G (8 / 9) ASSEMBLY LOCATION DIAGRAM

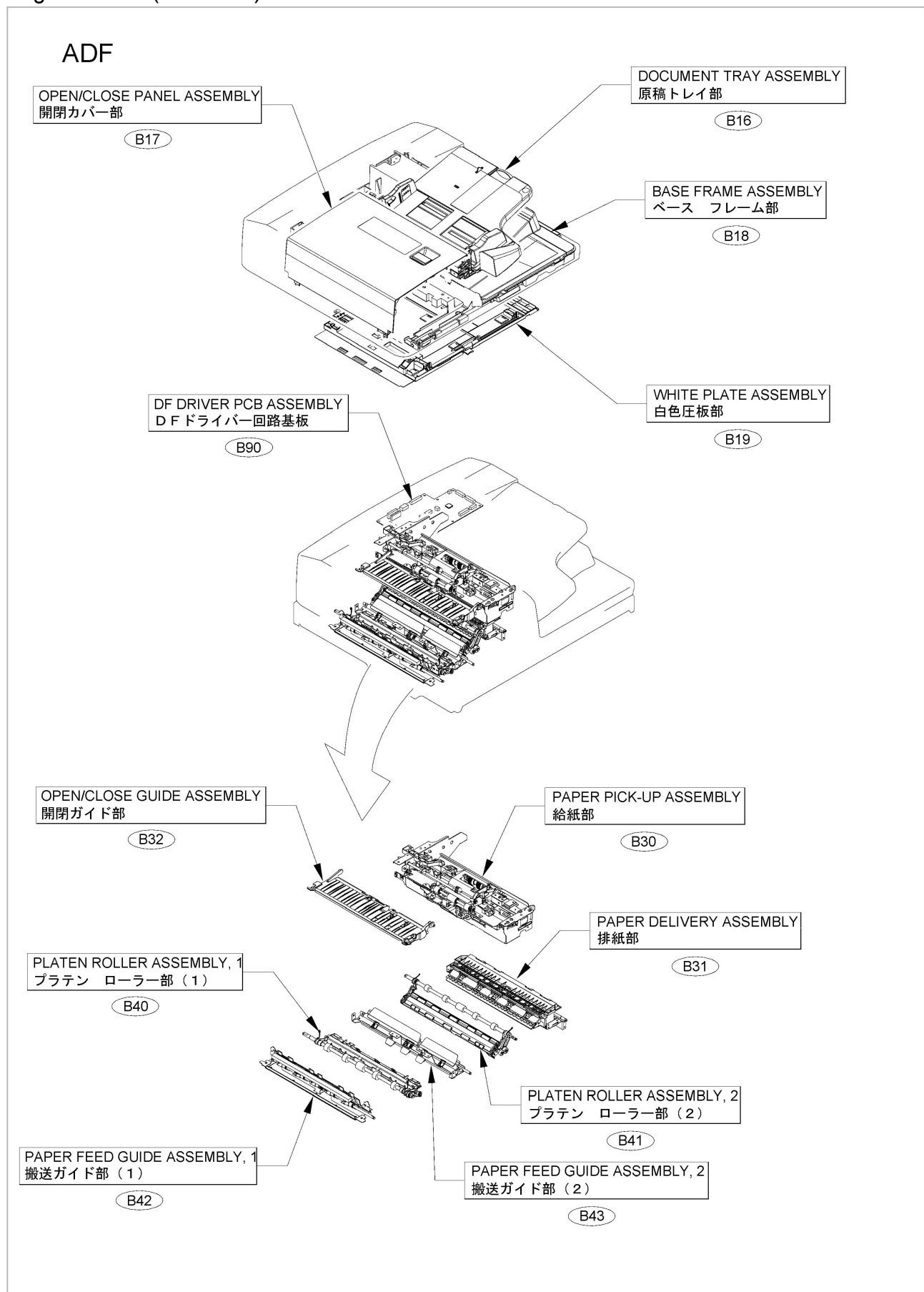
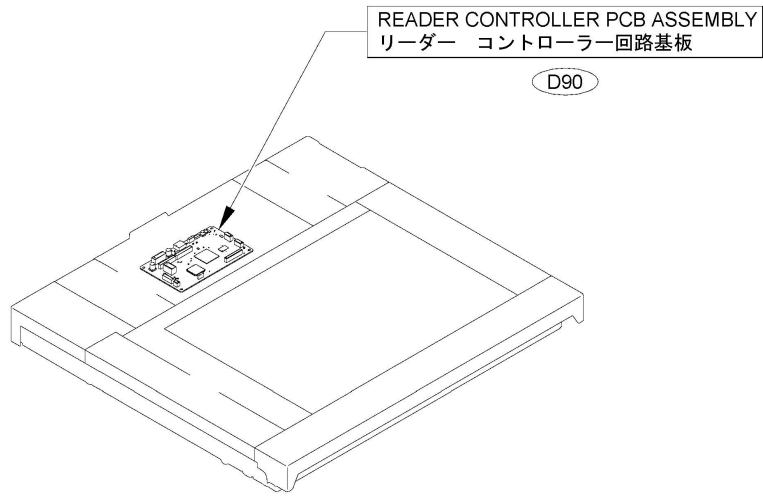


Figure A1G (9 / 9) ASSEMBLY LOCATION DIAGRAM

READER



FIG/KEY	PART NUMBER	RANK	QTY	DESCRIPTION	REMARKS
---------	-------------	------	-----	-------------	---------

Figure A1H (1 / 7) ASSEMBLY LOCATION DIAGRAM

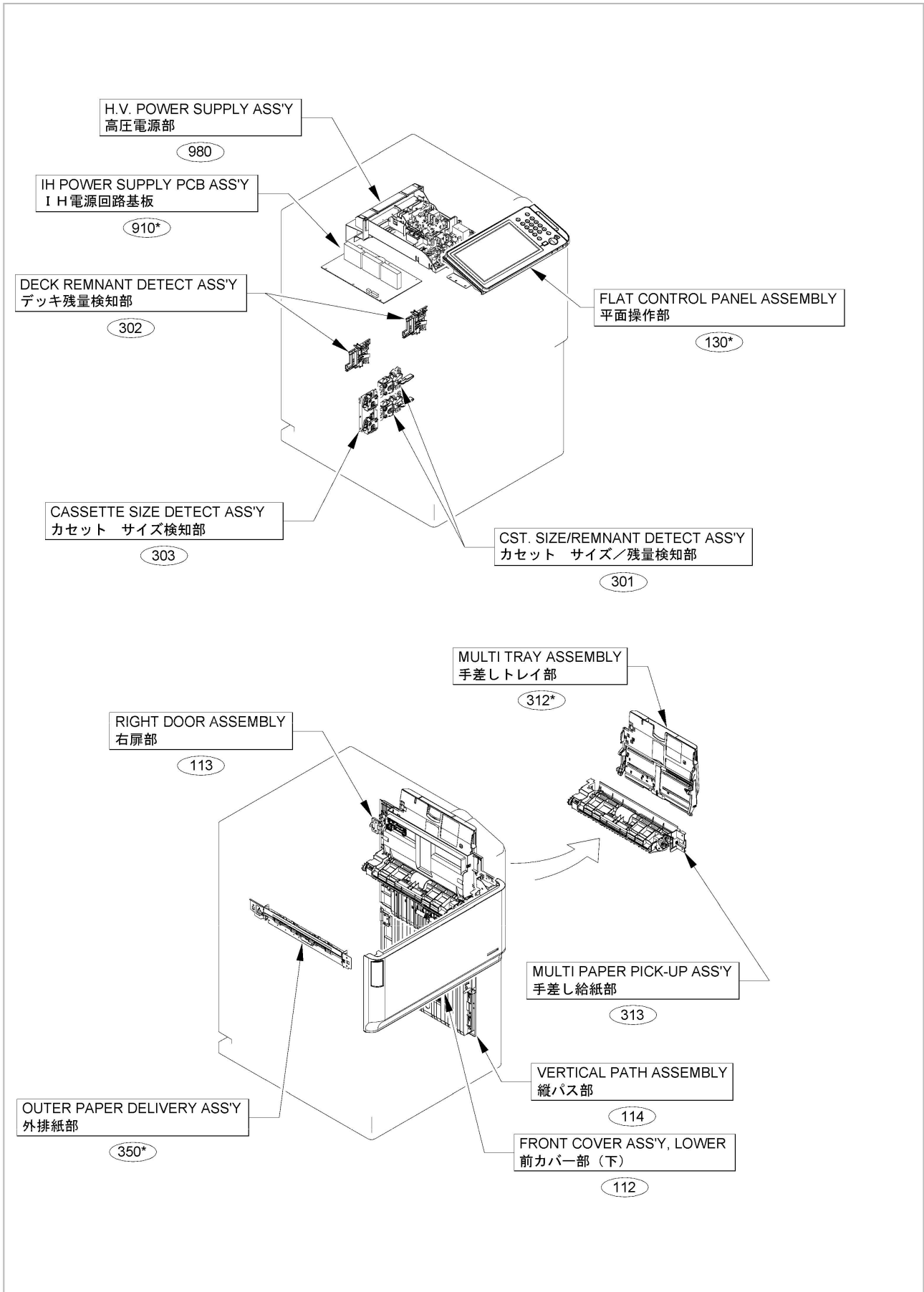


Figure A1H (2 / 7) ASSEMBLY LOCATION DIAGRAM

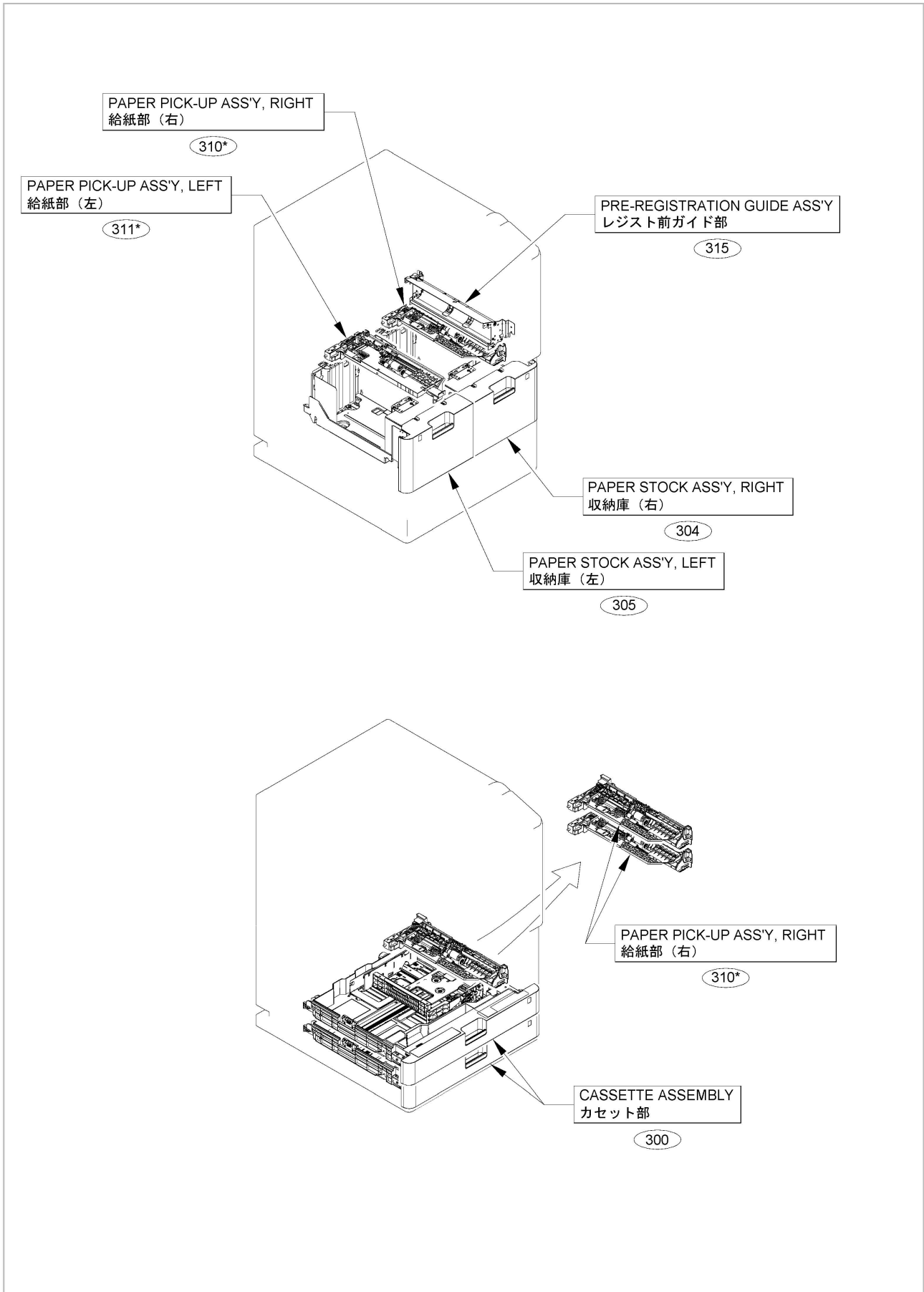


Figure A1H (3 / 7) ASSEMBLY LOCATION DIAGRAM

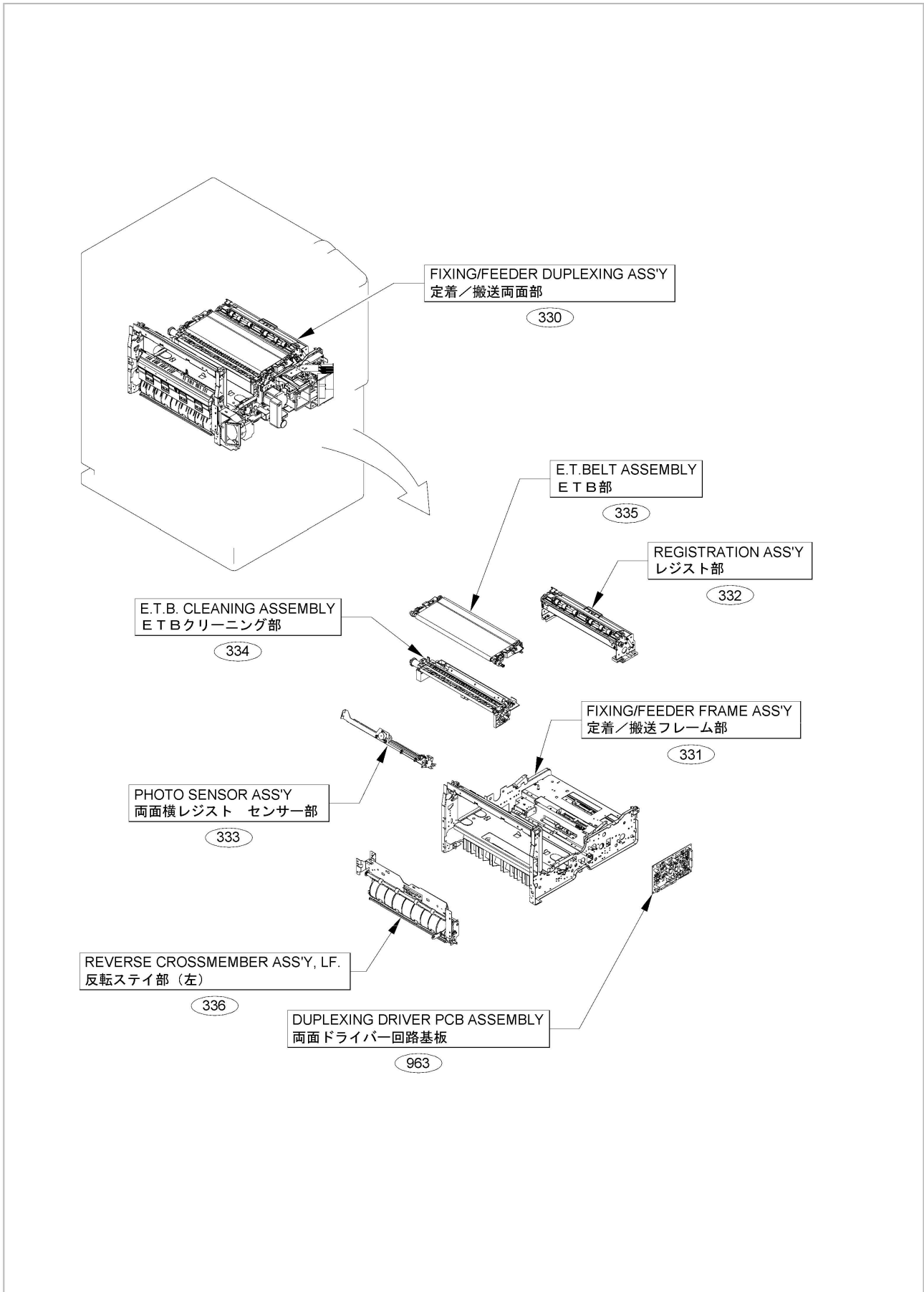


Figure A1H (4 / 7) ASSEMBLY LOCATION DIAGRAM

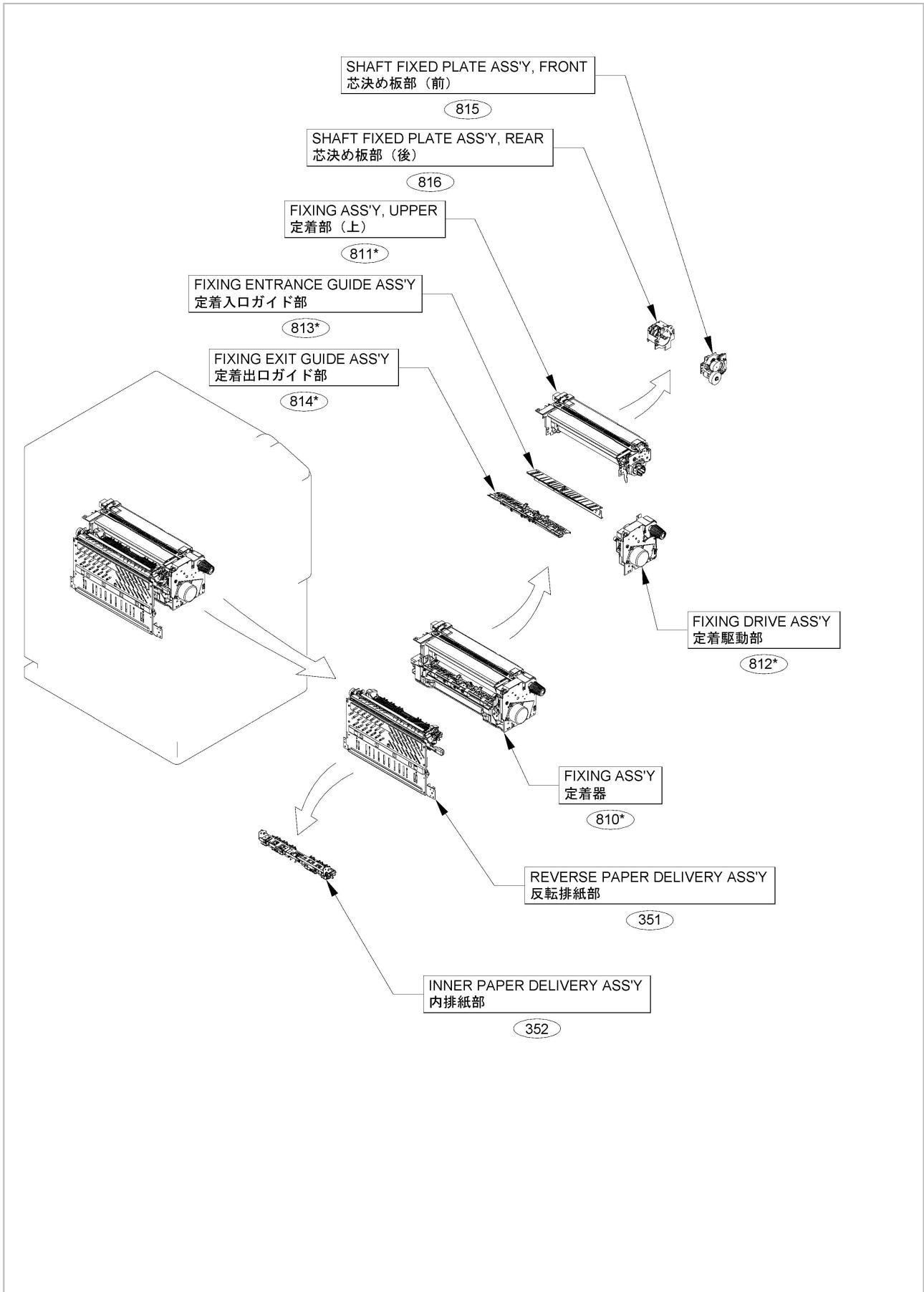


Figure A1H (5 / 7) ASSEMBLY LOCATION DIAGRAM

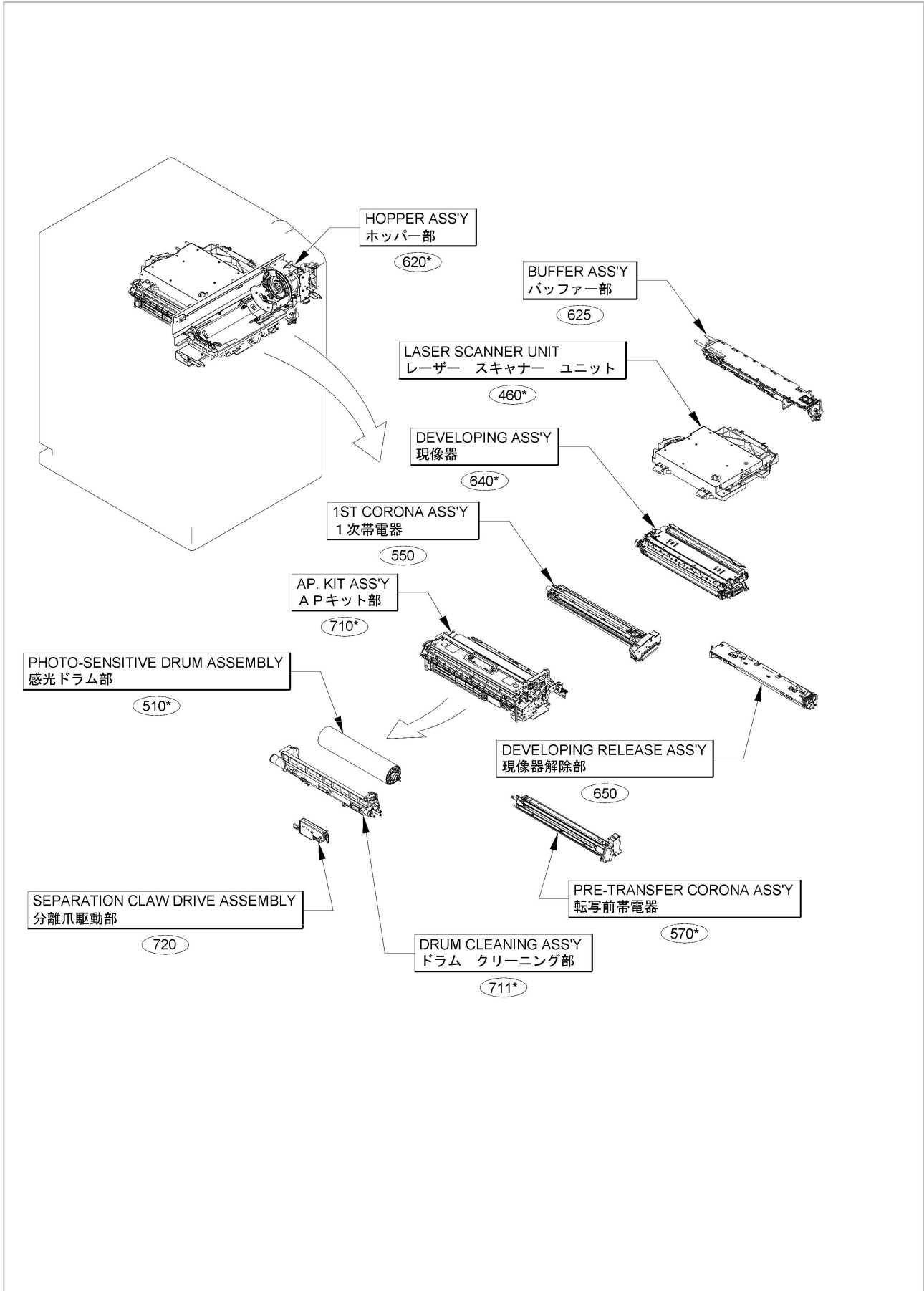


Figure A1H (6 / 7) ASSEMBLY LOCATION DIAGRAM

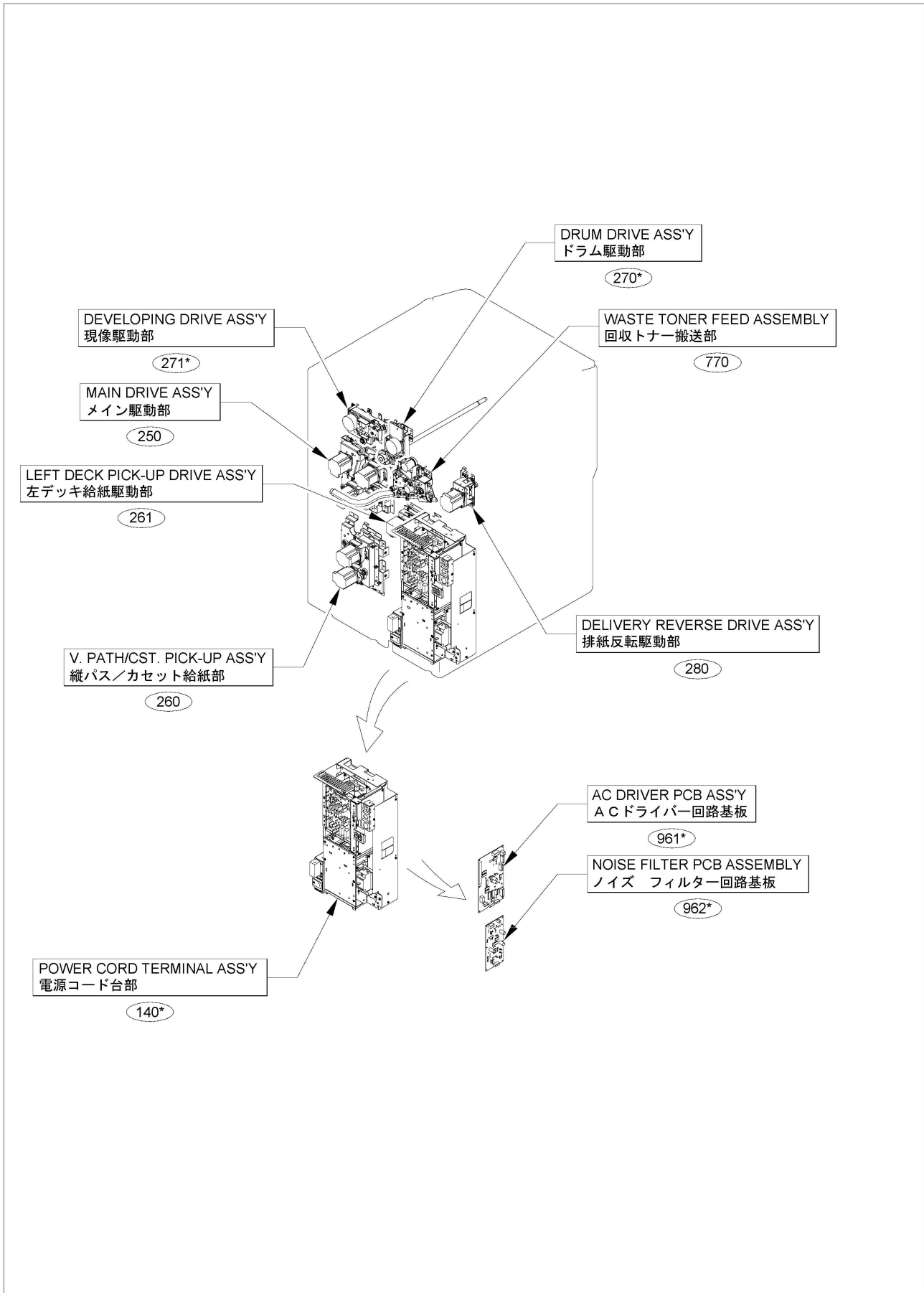
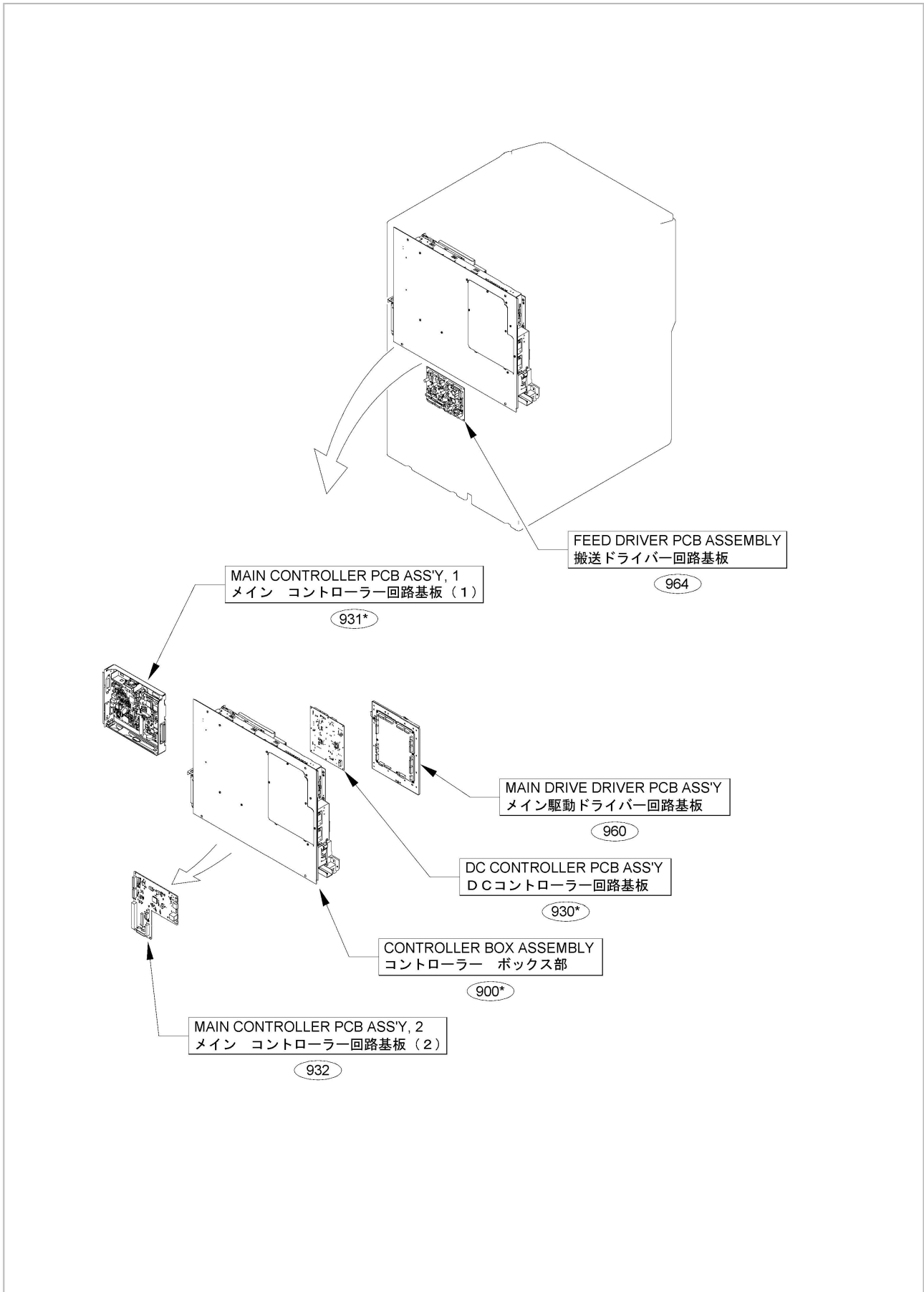


Figure A1H (7 / 7) ASSEMBLY LOCATION DIAGRAM



FIG/KEY	PART NUMBER	RANK	QTY	DESCRIPTION	REMARKS
---------	-------------	------	-----	-------------	---------

Figure A2B (1 / 2) OPTION PARTS CATALOG LIST

This is the table of the machine's options whose parts catalog is issued.
 本機のオプションで、パーツカタログが発行されている機種の一覧である。

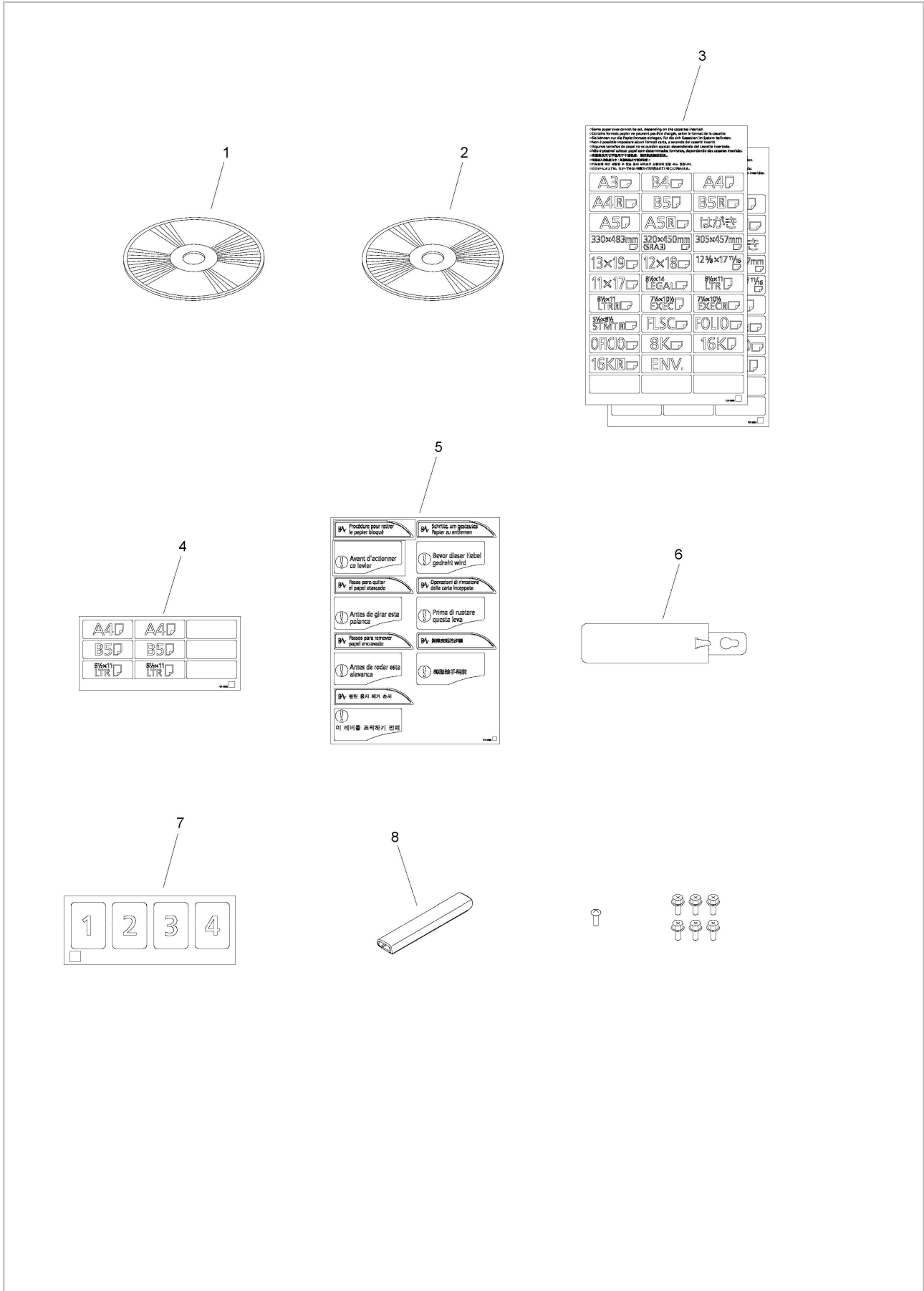
No.	Model Name(English)	Model Name(Japanese)
1	Printer Cover-H1	プリンタカバー・H1
2	Staple Finisher-W1/Booklet Finisher-W1	ステイプルフィニッシャー・W1/ 中綴じフィニッシャー・W1
3	Double Feeding Detection Kit-B1	重送検知キット・B1
4	Inserter Option controller Kit-A1	インサーター オプション コントローラキット・A1
5	Utility Tray-B1	ユーティリティートレイ・B1
6	Copy Card Reader Attachment-A3	コピーカードリーダー取付けキット・A3
7	Upright Control Panel-E1	立面操作部・E1
8	Super G3 FAX Board-AS1	スーパーG3FAXボード・AS1
9	Super G3 2nd Line Fax Board-AS1	G3回線増設キット(2回線)・AS1
10	Super G3 3rd/4th Line Fax Board-AS1	G3回線増設キット(3・4回線)・AS1
11	Voice Guidance Kit-G1	(日本仕向けなし)
12	Voice Operation Kit-D1	音声操作キット・D1
13	2.5inch/1TB HDD-P1/250GB HDD-N1	オプションHDD (2.5inch/1TB)・P1/ (2.5inch/250GB)・N1
14	Removable HDD Kit-AL1	リムーバブルHDDキット・AL1
15	HDD Mirroring Kit-J1	HDDミラーリングキット・J1
16	IC Card Reader Box-B1	ICカードリーダーボックス・B1
17	MF Professional Puncher Attachment Kit-A1	(日本仕向けなし)
18	Shift Tray-F1	シフトトレイ・F1
19	imagePASS-Y1	(日本仕向けなし)
20	(JAPAN ONLY)	原稿台カバー タイプV
21	Copy Tray-R	コピートレイ・R1
22	NFC Kit-B1 (Flat Control Panel)	NFCキット・B1 (平面操作部)
23	NFC Kit-A1 (for Upright Control Panel)	NFCキット・A1 (立面操作部用)
24	Paper Deck Unit-E1	ペーパーデッキユニット・E1
25	POD Deck Lite-C1	PODデッキライト・C1
26	Staple Finisher-V1/Booklet Finisher-V1	ステイプルフィニッシャー・V1/ 中綴じフィニッシャー・V1
27	2/3 Hole, 2/4 Hole, 4 Hole Puncher Unit-A1	2/3穴、2/4穴、 4穴パンチャーユニット・A1
28	Document Insertion Unit-P1	(日本仕向けなし)
29	Document Insertion / Folding Unit-J1	ペーパーフォールディング インサーターユニット・J1
30	Document Insertion Unit-N1	インサーター・N1
31	Paper Folding Unit-J1	ペーパーフォールディングユニット・J1
32	Staple Finisher-X1/Booklet Finisher-X1	ステイプルフィニッシャー・X1/ 中綴じフィニッシャー・X1
33	READER HEATER KIT-G1	リーダーヒーターキット・G1
34	ADF ASSISTANT-A1	ADF アクセスハンドル・A1
35	Booklet Trimmer-D1	トリマー・D1
36	Cassette Heater Unit-38	カセットヒーターユニット38
37	Puncher Unit-BE1/BF1/BG1/BH1	パンチャーユニット・BE1/BF1/ BG1/BH1
38	Inner Booklet Trimmer-A1	インナートリマー・A1
39	Hand Set-G2	ハンドセット・G2

Figure A2B (2 / 2) OPTION PARTS CATALOG LIST

No.	Model Name(English)	Model Name(Japanese)
40	Copy Control Interface Kit-A1	コントロールインターフェースキット・A 1
41	Copy Card Reader-F1	コピーカードリーダー・F 1
42	Document Scan Lock Kit-B1	イメージ解析ボード・B 1
43	Serial Interface Kit-K1/K2	シリアルインターフェースキット・K 1
44	IR-ADV COIN MGR ATT-A2	i R - A D V 課金装置接続キット・A 2
45	Paper Deck Heater Unit-A1	ペーパーデッキヒーターユニット・A 1
46	Puncher Unit-BS1/BT1/BU1	パンチャーユニット・B S 1 / B T 1 / B U 1

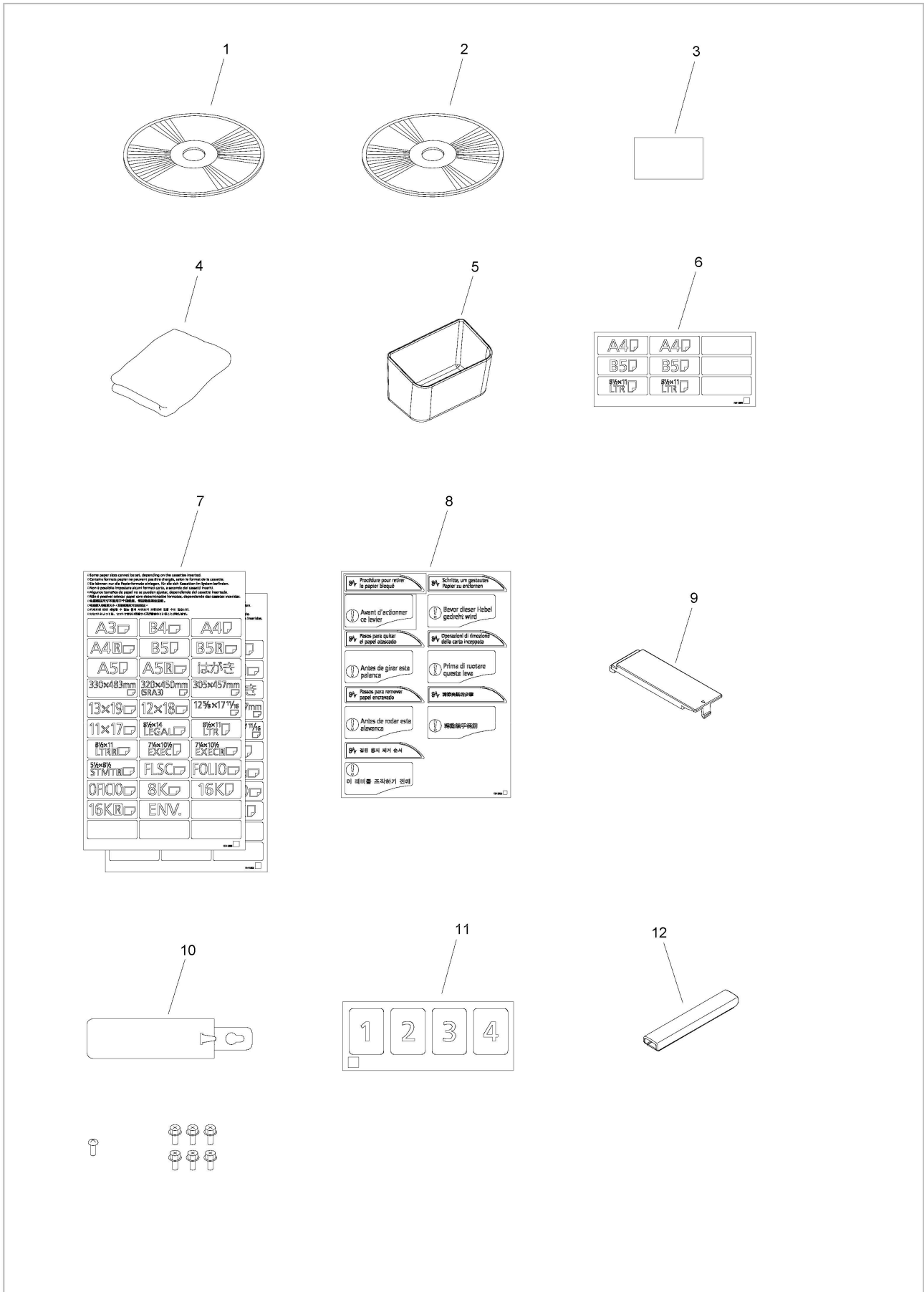
FIG/KEY	PART NUMBER	RANK	QTY	DESCRIPTION	REMARKS
---------	-------------	------	-----	-------------	---------

Figure 001J ACCESSORIES (WITHOUT ADF)



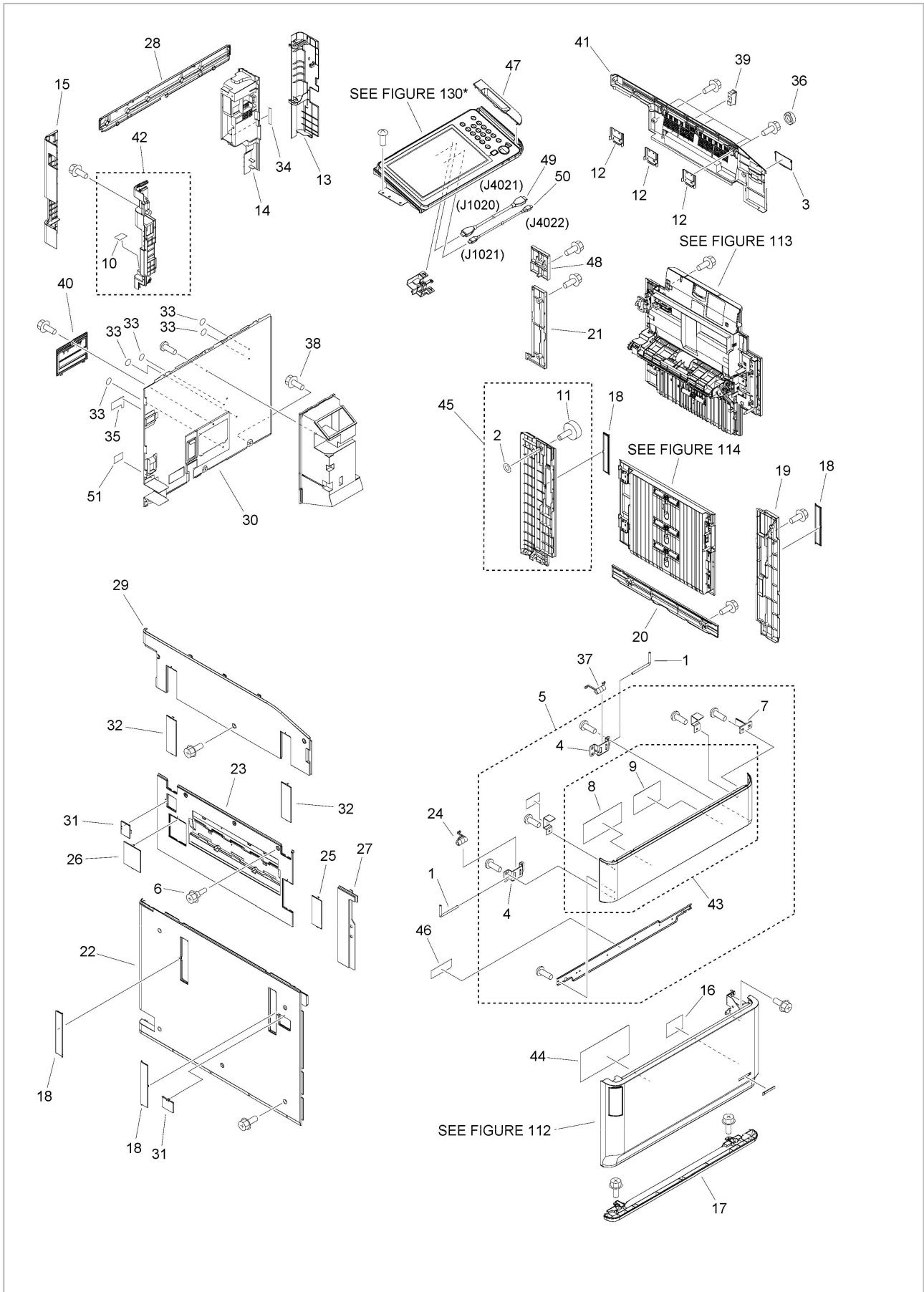
FIG/KEY	PART NUMBER	RANK	QTY	DESCRIPTION	REMARKS
001J	NPN		RF	ACCESSORIES	WITHOUT ADF
1	FK4-3207-000		1	CD-ROM, SOFTWARE FOR UFR II	
2	FK4-3210-000		1	CD-ROM, SOFTWARE FOR PCL	
3	FE4-5866-000		2	LABEL, PAPER SIZE	
4	FE4-5895-000		1	LABEL, PAPER SIZE	
5	FE4-5906-000		1	LABEL, JAM CLEARING	
6	FM4-5435-000		1	CLEANING SHEET UNIT	
7	FLO-6118-000		1	LABEL, CASSETTE NUMBER	
8	FM1-K089-000		1	COVER, CABLE	

Figure 001K ACCESSORIES (ADF)



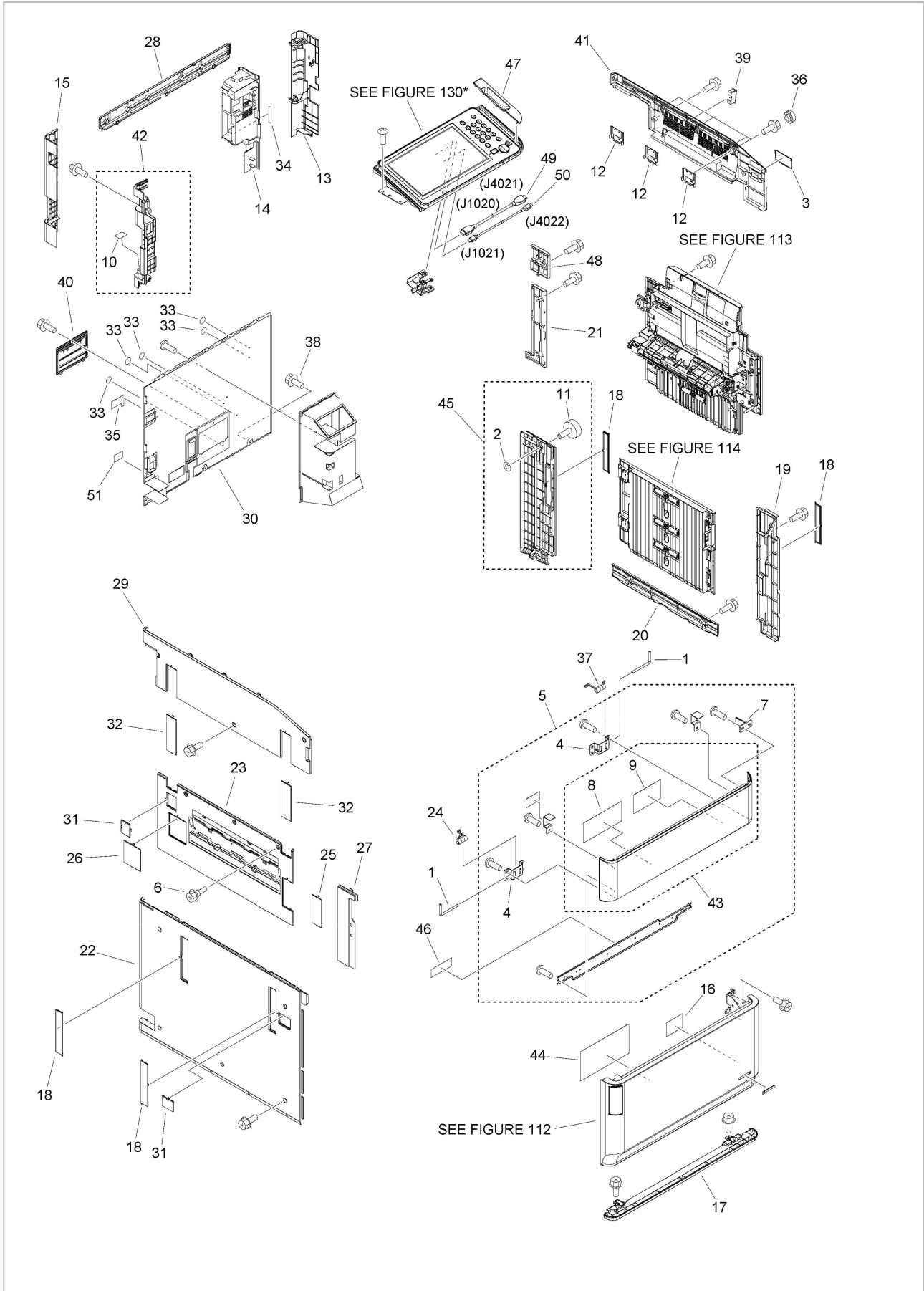
FIG/KEY	PART NUMBER	RANK	QTY	DESCRIPTION	REMARKS
001K	NPN		RF	ACCESSORIES	ADF
1	FK4-3207-000		1	CD-ROM, SOFTWARE FOR UFR II	
2	FK4-3210-000		1	CD-ROM, SOFTWARE FOR PCL	
3	FE3-4465-000		1	TAPE, DUPLEXING	
4	FE3-4473-000		1	CLOTH, CLEANING	
5	FE3-9210-000		1	BOX, CLEANING CLOTH STOCK	
6	FE4-5895-000		1	LABEL, PAPER SIZE	
7	FE4-5866-000		2	LABEL, PAPER SIZE	
8	FE4-5906-000		1	LABEL, JAM CLEARING	
9	FE4-6211-000		1	COVER, LEFT UPPER, SMALL	
10	FM4-5435-000		1	CLEANING SHEET UNIT	
11	FLO-6118-000		1	TAPE, DUPLEXING	
12	FM1-K089-000		1	COVER, CABLE	

Figure 100S EXTERNAL COVERS, PANELS, ETC. (iR-ADV 6555i WITH ADF)



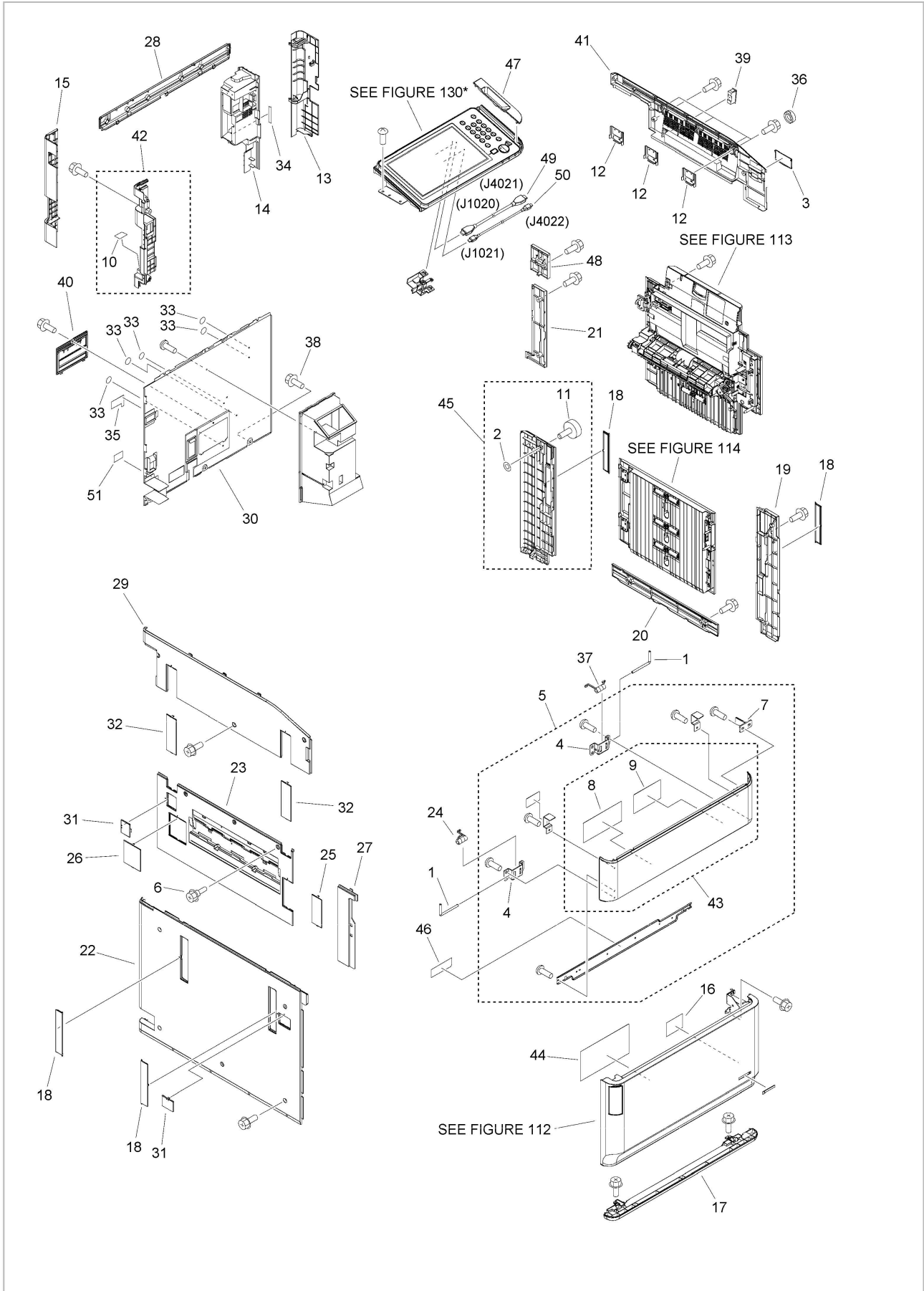
FIG/KEY	PART NUMBER	RANK	QTY	DESCRIPTION	REMARKS
100S	NPN		RF	EXTERNAL COVERS, PANELS, ETC.	iR-ADV 6555i WITH ADF
1	FB6-6644-000		2	PIN	
2	FC2-2121-000		1	WASHER	
3	FC8-1844-000		1	COVER, MAIN SWITCH	
4	FC9-7047-000		2	HINGE, DOOR	
5	FM1-H208-000		1	FRONT COVER ASSEMBLY, UPPER	
6	FS5-9217-010		5	SCREW, STEPPED, M4	
7	FC9-8073-000		1	FLAG, BOTTLE DOOR SENSOR	
8	FC9-9055-000		1	LABEL, BOTTLE INSERT CAUTION	
9	FC9-9057-000		1	LABEL, LEVER OPERATOR CAUTION	
10	FU5-9905-000		1	LABEL, CONNECTION CAUTION	
11	FE4-1272-000		1	SCREW, M4X12.2	
12	FE4-1280-000		3	PLATE, COVER AUXILIARY, RIGHT	
13	FE4-1312-000		1	COVER, RIGHT REAR, 1	
14	FE4-1331-000		1	COVER, SIDE	
15	FE4-1639-000		1	COVER, LEFT REAR	
16	FU7-8495-000		1	LABEL, WIRE HEIGHT	
17	FE4-5159-000		1	COVER, CASSETTE, LOWER	
18	FE4-5160-000		4	COVER, KNOB	
19	FE4-5161-000		1	COVER, RIGHT FRONT	
20	FE4-5162-000		1	COVER, RIGHT LOWER	
21	FE4-5163-000		1	COVER, RIGHT REAR, 2	
22	FE4-5164-000		1	COVER, LEFT, LOWER	
23	FE4-5165-000		1	COVER, PAPER DELIVERY	
24	FU8-2348-000		1	SPRING, TORSION	
25	FE4-5167-000		1	COVER, BLANKING, 1	
26	FE4-5168-000		1	COVER, BLANKING, 2	
27	FE4-5169-000		1	COVER, LEFT FRONT	
28	FE4-5171-000		1	COVER, UPPER REAR	
29	FE4-5172-000		1	COVER, LEFT UPPER	
30	FE4-5175-000		1	COVER, REAR LOWER	
31	FE4-5188-000		2	COVER, BLANKING, 3	
32	FE4-5189-000		2	COVER, BLANKING	
33	FE4-5428-000		5	SEAL	
34	FE4-5882-000		1	LABEL, USB LAN INDICATION	
35	FE4-5897-000		1	LABEL, DRUM HEATER	
36	FE4-7426-000		4	CAP	
37	FU8-2349-000		1	SPRING, TORSION	
38	XA9-0899-000		7	SCREW,RS,M4X10	
39	XZ9-0603-000		1	CATCH, MAGNET	
40	FL0-5100-000		1	COVER, FILTER CASE	
41	FL0-6121-000		1	COVER, RIGHT UPPER	
42	FL0-6130-000		1	COVER, BOX, LEFT	
43	FL0-7667-000		1	COVER, FRONT, UPPER	
44	FL3-3872-000		1	LABEL, SERVICE	
45	FM1-H203-000		1	WASTE TONER BOTTLE BOX COVER	
46	FE3-4775-000		1	LABEL, TONER BOTTLE CAUTION	
47	FE4-1801-000		1	COVER, CONTROL PANEL, RIGHT	
48	FE4-5166-000		1	COVER, CONTROL PANEL ASS'Y	
49	FK4-2498-000		1	CABLE, USER INTERFACE	
50	FK4-2499-000		1	CABLE, USB	
51	FE4-5899-000		1	LABEL, GROUNDING CAUTION	

Figure 100T EXTERNAL COVERS, PANELS, ETC. (iR-ADV 6565i)



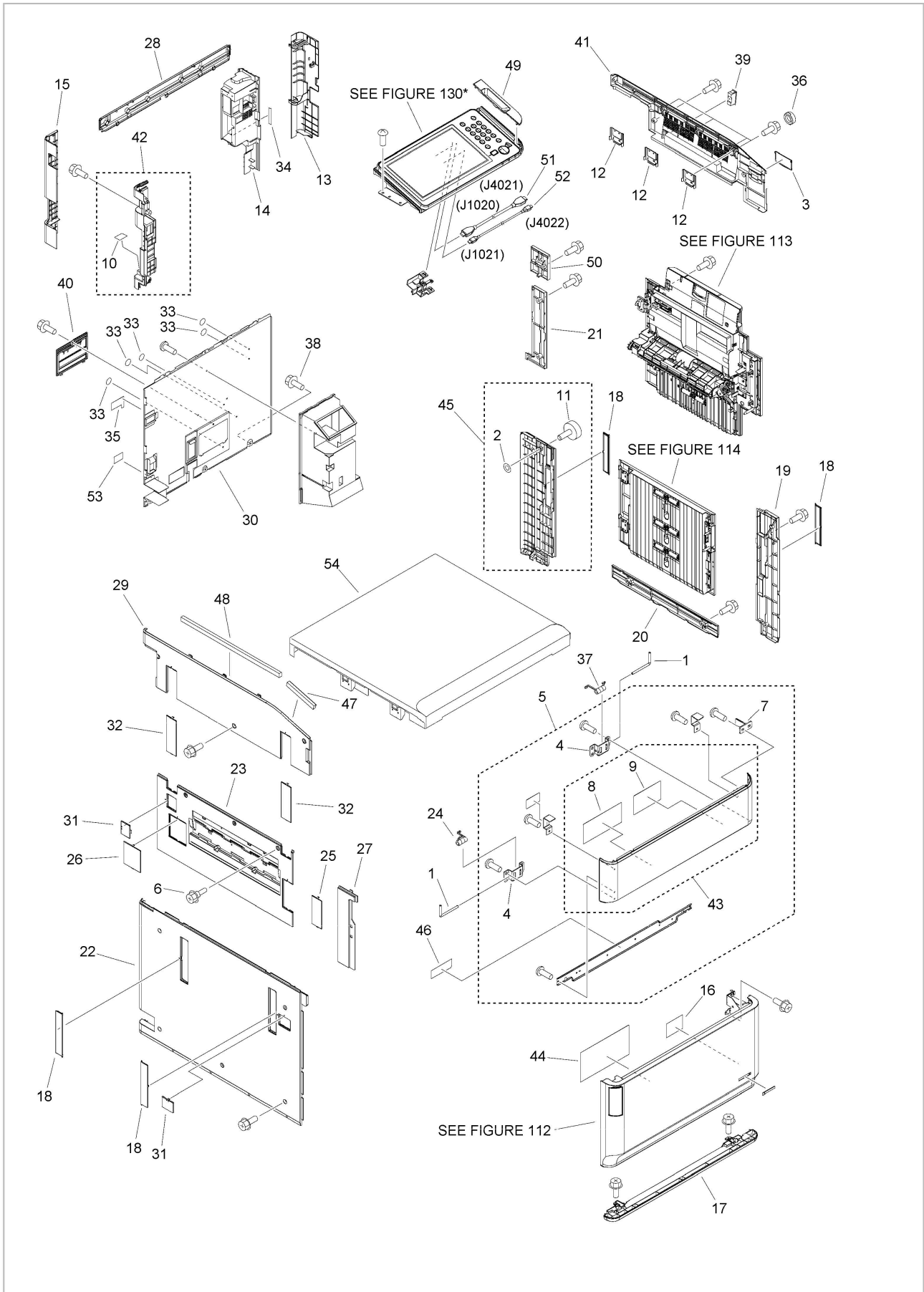
FIG/KEY	PART NUMBER	RANK	QTY	DESCRIPTION	REMARKS
100T	NPN		RF	EXTERNAL COVERS, PANELS, ETC.	iR-ADV 6565i
1	FB6-6644-000		2	PIN	
2	FC2-2121-000		1	WASHER	
3	FC8-1844-000		1	COVER, MAIN SWITCH	
4	FC9-7047-000		2	HINGE, DOOR	
5	FM1-H208-000		1	FRONT COVER ASSEMBLY, UPPER	
6	FS5-9217-010		5	SCREW, STEPPED, M4	
7	FC9-8073-000		1	FLAG, BOTTLE DOOR SENSOR	
8	FC9-9055-000		1	LABEL, BOTTLE INSERT CAUTION	
9	FC9-9057-000		1	LABEL, LEVER OPERATOR CAUTION	
10	FU5-9905-000		1	LABEL, CONNECTION CAUTION	
11	FE4-1272-000		1	SCREW, M4X12.2	
12	FE4-1280-000		3	PLATE, COVER AUXILIARY, RIGHT	
13	FE4-1312-000		1	COVER, RIGHT REAR, 1	
14	FE4-1331-000		1	COVER, SIDE	
15	FE4-1639-000		1	COVER, LEFT REAR	
16	FU7-8495-000		1	LABEL, WIRE HEIGHT	
17	FE4-5159-000		1	COVER, CASSETTE, LOWER	
18	FE4-5160-000		4	COVER, KNOB	
19	FE4-5161-000		1	COVER, RIGHT FRONT	
20	FE4-5162-000		1	COVER, RIGHT LOWER	
21	FE4-5163-000		1	COVER, RIGHT REAR, 2	
22	FE4-5164-000		1	COVER, LEFT, LOWER	
23	FE4-5165-000		1	COVER, PAPER DELIVERY	
24	FU8-2348-000		1	SPRING, TORSION	
25	FE4-5167-000		1	COVER, BLANKING, 1	
26	FE4-5168-000		1	COVER, BLANKING, 2	
27	FE4-5169-000		1	COVER, LEFT FRONT	
28	FE4-5171-000		1	COVER, UPPER REAR	
29	FE4-5172-000		1	COVER, LEFT UPPER	
30	FE4-5175-000		1	COVER, REAR LOWER	
31	FE4-5188-000		2	COVER, BLANKING, 3	
32	FE4-5189-000		2	COVER, BLANKING	
33	FE4-5428-000		5	SEAL	
34	FE4-5882-000		1	LABEL, USB LAN INDICATION	
35	FE4-5897-000		1	LABEL, DRUM HEATER	
36	FE4-7426-000		4	CAP	
37	FU8-2349-000		1	SPRING, TORSION	
38	XA9-0899-000		7	SCREW,RS,M4X10	
39	XZ9-0603-000		1	CATCH, MAGNET	
40	FL0-5100-000		1	COVER, FILTER CASE	
41	FL0-6121-000		1	COVER, RIGHT UPPER	
42	FL0-6130-000		1	COVER, BOX, LEFT	
43	FL0-7667-000		1	COVER, FRONT, UPPER	
44	FL3-3872-000		1	LABEL, SERVICE	
45	FM1-H203-000		1	WASTE TONER BOTTLE BOX COVER	
46	FE3-4775-000		1	LABEL, TONER BOTTLE CAUTION	
47	FE4-1801-000		1	COVER, CONTROL PANEL, RIGHT	
48	FE4-5166-000		1	COVER, CONTROL PANEL ASS'Y	
49	FK4-2498-000		1	CABLE, USER INTERFACE	
50	FK4-2499-000		1	CABLE, USB	
51	FE4-5899-000		1	LABEL, GROUNDING CAUTION	

Figure 100U EXTERNAL COVERS, PANELS, ETC. (iR-ADV 6575i)



FIG/KEY	PART NUMBER	RANK	QTY	DESCRIPTION	REMARKS
100U	NPN		RF	EXTERNAL COVERS, PANELS, ETC.	iR-ADV 6575i
1	FB6-6644-000		2	PIN	
2	FC2-2121-000		1	WASHER	
3	FC8-1844-000		1	COVER, MAIN SWITCH	
4	FC9-7047-000		2	HINGE, DOOR	
5	FM1-H208-000		1	FRONT COVER ASSEMBLY, UPPER	
6	FS5-9217-010		5	SCREW, STEPPED, M4	
7	FC9-8073-000		1	FLAG, BOTTLE DOOR SENSOR	
8	FC9-9055-000		1	LABEL, BOTTLE INSERT CAUTION	
9	FC9-9057-000		1	LABEL, LEVER OPERATOR CAUTION	
10	FU5-9905-000		1	LABEL, CONNECTION CAUTION	
11	FE4-1272-000		1	SCREW, M4X12.2	
12	FE4-1280-000		3	PLATE, COVER AUXILIARY, RIGHT	
13	FE4-1312-000		1	COVER, RIGHT REAR, 1	
14	FE4-1331-000		1	COVER, SIDE	
15	FE4-1639-000		1	COVER, LEFT REAR	
16	FU7-8495-000		1	LABEL, WIRE HEIGHT	
17	FE4-5159-000		1	COVER, CASSETTE, LOWER	
18	FE4-5160-000		4	COVER, KNOB	
19	FE4-5161-000		1	COVER, RIGHT FRONT	
20	FE4-5162-000		1	COVER, RIGHT LOWER	
21	FE4-5163-000		1	COVER, RIGHT REAR, 2	
22	FE4-5164-000		1	COVER, LEFT, LOWER	
23	FE4-5165-000		1	COVER, PAPER DELIVERY	
24	FU8-2348-000		1	SPRING, TORSION	
25	FE4-5167-000		1	COVER, BLANKING, 1	
26	FE4-5168-000		1	COVER, BLANKING, 2	
27	FE4-5169-000		1	COVER, LEFT FRONT	
28	FE4-5171-000		1	COVER, UPPER REAR	
29	FE4-5172-000		1	COVER, LEFT UPPER	
30	FE4-5175-000		1	COVER, REAR LOWER	
31	FE4-5188-000		2	COVER, BLANKING, 3	
32	FE4-5189-000		2	COVER, BLANKING	
33	FE4-5428-000		5	SEAL	
34	FE4-5882-000		1	LABEL, USB LAN INDICATION	
35	FE4-5897-000		1	LABEL, DRUM HEATER	
36	FE4-7426-000		4	CAP	
37	FU8-2349-000		1	SPRING, TORSION	
38	XA9-0899-000		7	SCREW,RS,M4X10	
39	XZ9-0603-000		1	CATCH, MAGNET	
40	FL0-5100-000		1	COVER, FILTER CASE	
41	FL0-6121-000		1	COVER, RIGHT UPPER	
42	FL0-6130-000		1	COVER, BOX, LEFT	
43	FL0-7667-000		1	COVER, FRONT, UPPER	
44	FL3-3872-000		1	LABEL, SERVICE	
45	FM1-H203-000		1	WASTE TONER BOTTLE BOX COVER	
46	FE3-4775-000		1	LABEL, TONER BOTTLE CAUTION	
47	FE4-1801-000		1	COVER, CONTROL PANEL, RIGHT	
48	FE4-5166-000		1	COVER, CONTROL PANEL ASS'Y	
49	FK4-2498-000		1	CABLE, USER INTERFACE	
50	FK4-2499-000		1	CABLE, USB	
51	FE4-5899-000		1	LABEL, GROUNDING CAUTION	

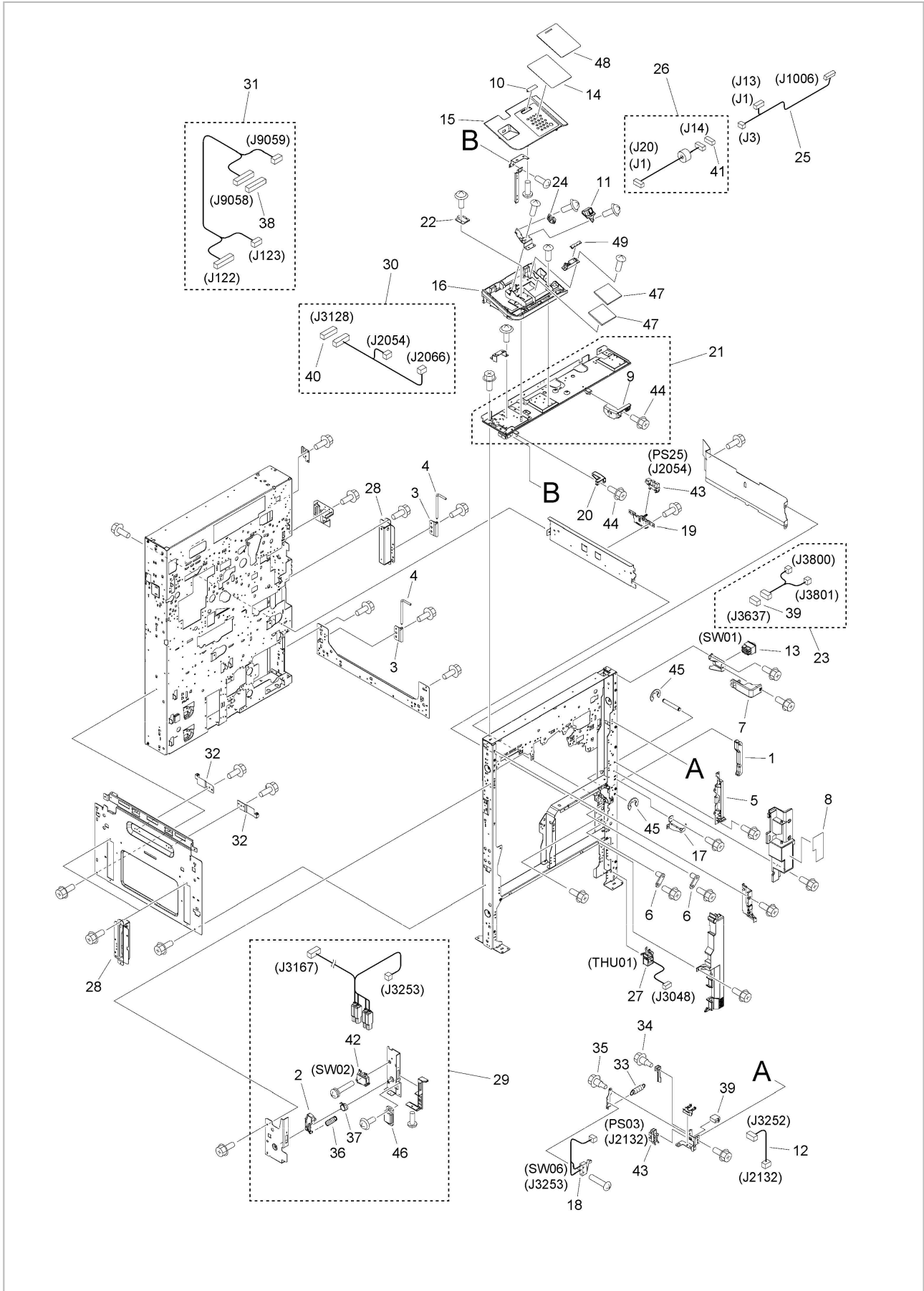
Figure 100V EXTERNAL COVERS, PANELS, ETC. (iR-ADV 6555i WITHOUT ADF)



FIG/KEY	PART NUMBER	RANK	QTY	DESCRIPTION	REMARKS
100V	NPN		RF	EXTERNAL COVERS, PANELS, ETC.	iR-ADV 6555i WITHOUT ADF
1	FB6-6644-000		2	PIN	
2	FC2-2121-000		1	WASHER	
3	FC8-1844-000		1	COVER, MAIN SWITCH	
4	FC9-7047-000		2	HINGE, DOOR	
5	FM1-H208-000		1	FRONT COVER ASSEMBLY, UPPER	
6	FS5-9217-010		5	SCREW, STEPPED, M4	
7	FC9-8073-000		1	FLAG, BOTTLE DOOR SENSOR	
8	FC9-9055-000		1	LABEL, BOTTLE INSERT CAUTION	
9	FC9-9057-000		1	LABEL, LEVER OPERATOR CAUTION	
10	FU5-9905-000		1	LABEL, CONNECTION CAUTION	
11	FE4-1272-000		1	SCREW, M4X12.2	
12	FE4-1280-000		3	PLATE, COVER AUXILIARY, RIGHT	
13	FE4-1312-000		1	COVER, RIGHT REAR, 1	
14	FE4-1331-000		1	COVER, SIDE	
15	FE4-1639-000		1	COVER, LEFT REAR	
16	FU7-8495-000		1	LABEL, WIRE HEIGHT	
17	FE4-5159-000		1	COVER, CASSETTE, LOWER	
18	FE4-5160-000		4	COVER, KNOB	
19	FE4-5161-000		1	COVER, RIGHT FRONT	
20	FE4-5162-000		1	COVER, RIGHT LOWER	
21	FE4-5163-000		1	COVER, RIGHT REAR, 2	
22	FE4-5164-000		1	COVER, LEFT, LOWER	
23	FE4-5165-000		1	COVER, PAPER DELIVERY	
24	FU8-2348-000		1	SPRING, TORSION	
25	FE4-5167-000		1	COVER, BLANKING, 1	
26	FE4-5168-000		1	COVER, BLANKING, 2	
27	FE4-5169-000		1	COVER, LEFT FRONT	
28	FE4-5171-000		1	COVER, UPPER REAR	
29	FE4-5172-000		1	COVER, LEFT UPPER	
30	FE4-5175-000		1	COVER, REAR LOWER	
31	FE4-5188-000		2	COVER, BLANKING, 3	
32	FE4-5189-000		2	COVER, BLANKING	
33	FE4-5428-000		5	SEAL	
34	FE4-5882-000		1	LABEL, USB LAN INDICATION	
35	FE4-5897-000		1	LABEL, DRUM HEATER	
36	FE4-7426-000		4	CAP	
37	FU8-2349-000		1	SPRING, TORSION	
38	XA9-0899-000		7	SCREW,RS,M4X10	
39	XZ9-0603-000		1	CATCH, MAGNET	
40	FLO-5100-000		1	COVER, FILTER CASE	
41	FLO-6121-000		1	COVER, RIGHT UPPER	
42	FLO-6130-000		1	COVER, BOX, LEFT	
43	FLO-7667-000		1	COVER, FRONT, UPPER	
44	FL3-3872-000		1	LABEL, SERVICE	
45	FM1-H203-000		1	WASTE TONER BOTTLE BOX COVER	
46	FE3-4775-000		1	LABEL, TONER BOTTLE CAUTION	
47	FC9-8049-000		1	SEAL, FRONT	
48	FC9-8050-000		1	SEAL, REAR	
49	FE4-1801-000		1	COVER, CONTROL PANEL, RIGHT	
50	FE4-5166-000		1	COVER, CONTROL PANEL ASS'Y	
51	FK4-2498-000		1	CABLE, USER INTERFACE	
52	FK4-2499-000		1	CABLE, USB	

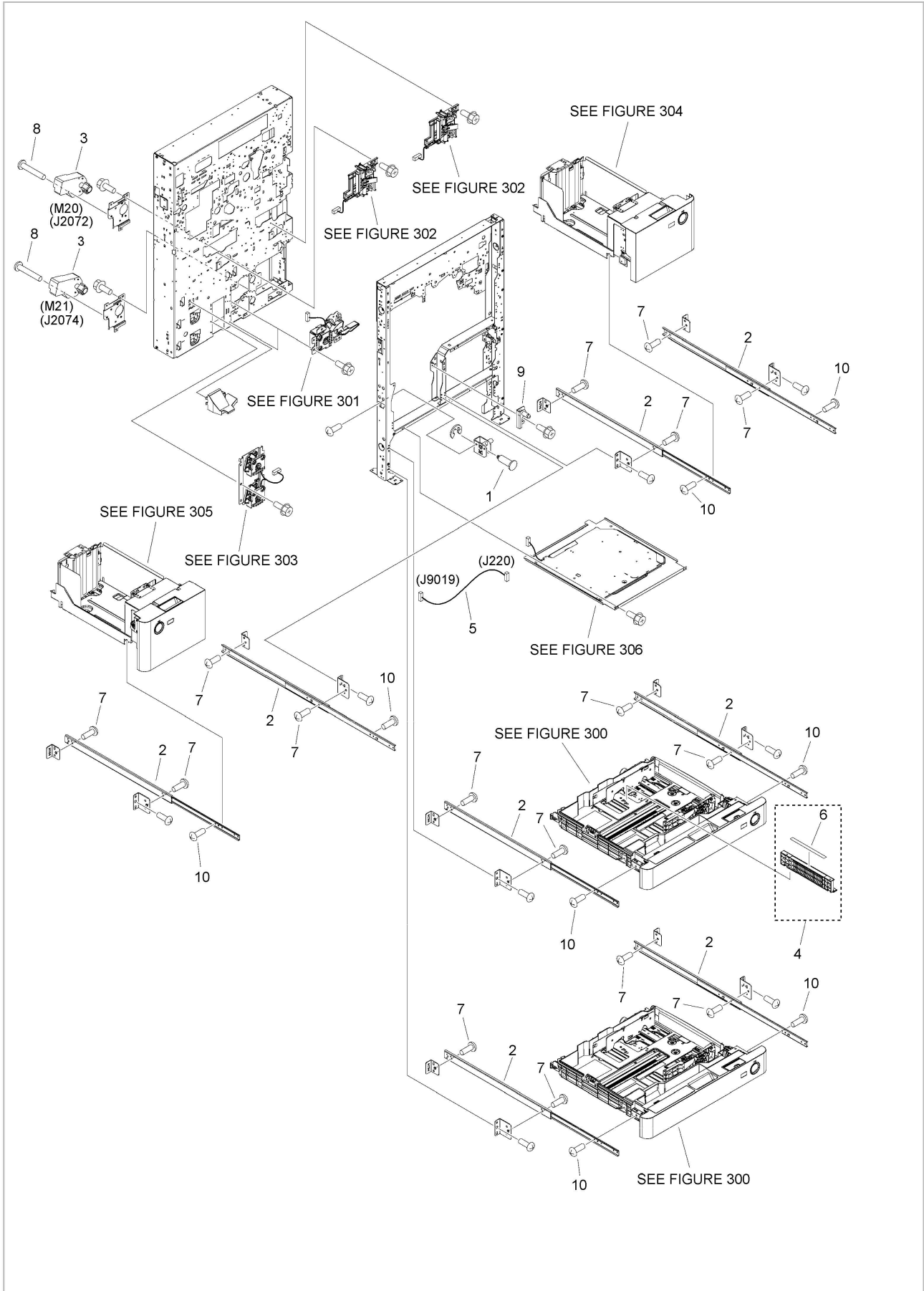
FIG/KEY	PART NUMBER	RANK	QTY	DESCRIPTION	REMARKS
53	FE4-5899-000		1	LABEL, GROUNDING CAUTION	
54	FM1-H406-000		1	PRINTER COVER ASSEMBLY	

Figure 101B INTERNAL COMPONENTS 1 (120V,230V EUR)



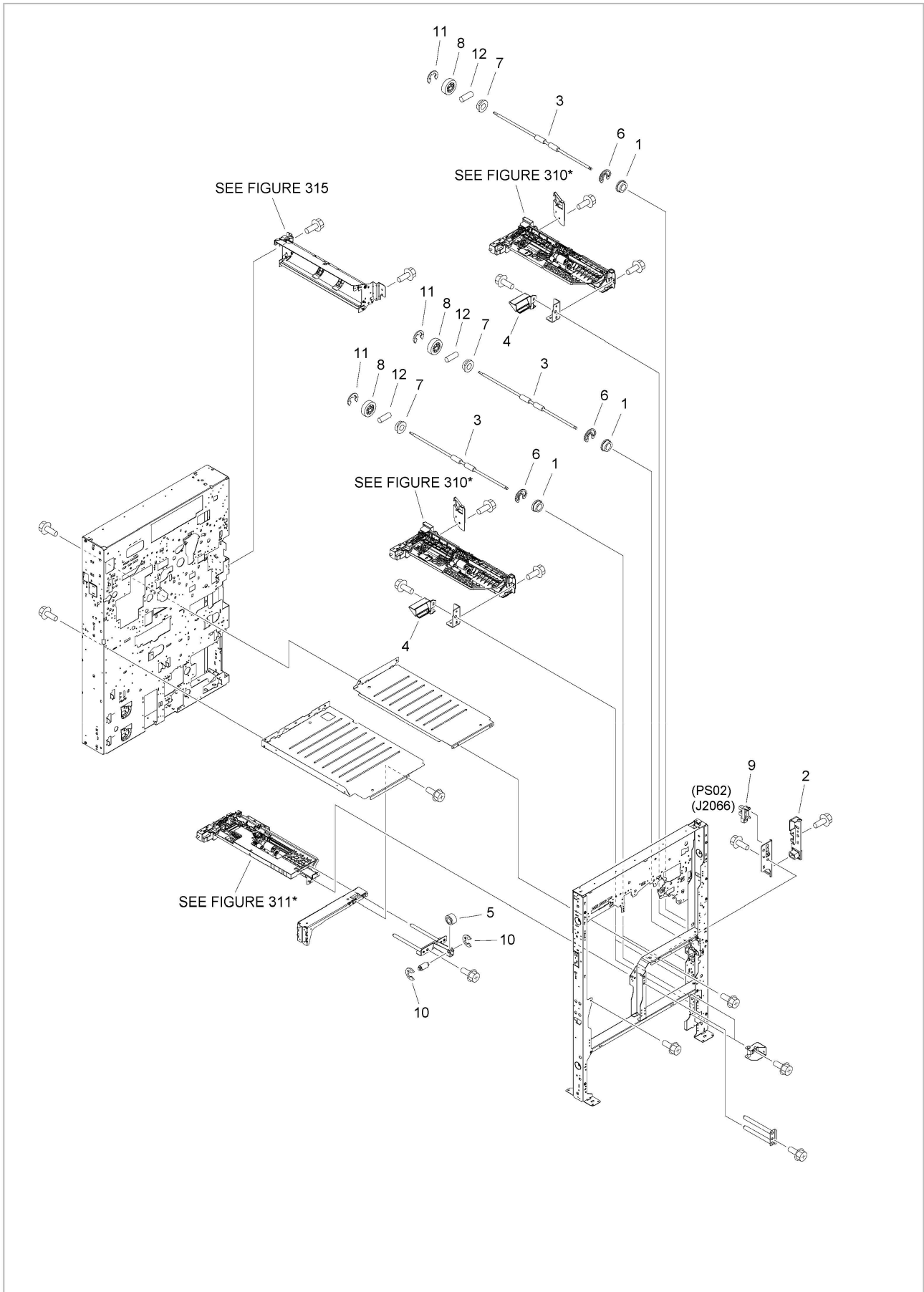
FIG/KEY	PART NUMBER	RANK	QTY	DESCRIPTION	REMARKS
101B	NPN		RF	INTERNAL COMPONENTS 1	120V,230V EUR
1	FB2-8094-020		1	KNOB, 1	
2	FC5-1635-000		1	LEVER, SWITCH	
3	FC8-7352-000		2	PLATE, HINGE	
4	FC8-9488-000		2	SHAFT, HINGE	
5	FC8-9490-000		1	HOOK, DOOR, RIGHT	
6	FC9-4117-000		2	PIN, POSITIONING	
7	FC9-4356-000		1	COVER, MAIN POWER PROTECTION	
8	FC9-8683-000		1	LABEL, LASER CAUTION, UPPER	
9	FE2-0555-000		1	RAIL, BOTTLE LIMIT, RIGHT	
10	FE4-2089-000		1	GUIDE, LAMP LED	
11	FE4-4709-000		1	COVER, SENSOR, SMALL	
12	FG2-7383-000		1	CABLE, DOOR CONNECTING	
13	FK3-3266-000		1	SWITCH, POWER SUPPLY	SW01
14	FLO-4117-000		1	SHEET	
15	FLO-6122-000		1	COVER, UPPER LEFT	
16	FLO-6133-000		1	COVER, CONTROL PANEL, LEFT	
17	FL3-1240-000		1	HINGE, LOWER	
18	FL3-1271-000		1	CABLE, MULTI DOOR SWITCH	SW06
19	FL3-2813-010		1	SENSOR FLAG UNIT	
20	FL3-7918-000		1	RAIL, BOTTLE LIMIT, LEFT	
21	FM1-H194-000		1	CONTROL PANEL SUPPORT ASSEMBLY	
22	FM1-K076-000		1	WIRELESS NETWORK PCB ASSEMBLY	
23	FM1-K911-000		1	CABLE, MAIN SWITCH DC	
24	FM1-M939-000		1	SENSOR PCB ASSEMBLY	
25	FM1-M940-000		1	CABLE, SIGNAL	
26	FM1-M946-000		1	CABLE, SIGNAL	
27	FM3-7307-000		1	ENVIRONMENT SENSOR ASS'Y	THU01
28	FM3-7327-000		3	KNOB ASSEMBLY	
29	FM4-0967-000		1	DOOR SWITCH ASS'Y	
30	FM4-1041-000		1	CABLE, VERTICAL PATH SENSOR	
31	FM4-1072-000		1	CABLE, SHIFT TRAY	
32	FM4-5312-000		2	PRESSURE PLATE ASS'Y	
33	FS5-2958-000		1	SPRING, TENSION	
34	FS5-9166-020		1	SCREW, STEPPED, M4	
35	FS5-9216-020		1	SCREW, STEPPED, M4X6	
36	FU5-2165-000		1	SPRING, TENSION	
37	FU5-2178-000		1	SPRING, TORSION	
38	VS1-7173-010		1	CONNECTOR, SNAP TIGHT, 10P, W	
39	VS1-7177-004		2	CONNECTOR, SNAP TIGHT, BK	
40	VS1-8412-007		1	CONNECTOR, SNAP TIGHT, BL	
41	VS1-8959-005		1	CONNECTOR, SNAP TIGHT, 5P, W	
42	WC4-5125-000		1	SWITCH, SENSITIVE	SW02
43	WG8-5848-000		2	IC, PHOTO-INTERRUPTER	PS03, PS25
44	XA9-0732-010		6	SCREW, RS, M4X8	
45	XD9-0137-010		2	RING, E	
46	XZ9-0581-000		1	CATCH, MAGNET	
47	FE4-7896-000		2	CUSHION	
48	FLO-4116-000		1	SHEET, DEVICE PORT	
49	FM1-M945-000		1	LED PCB ASSEMBLY	

Figure 102 INTERNAL COMPONENTS 2



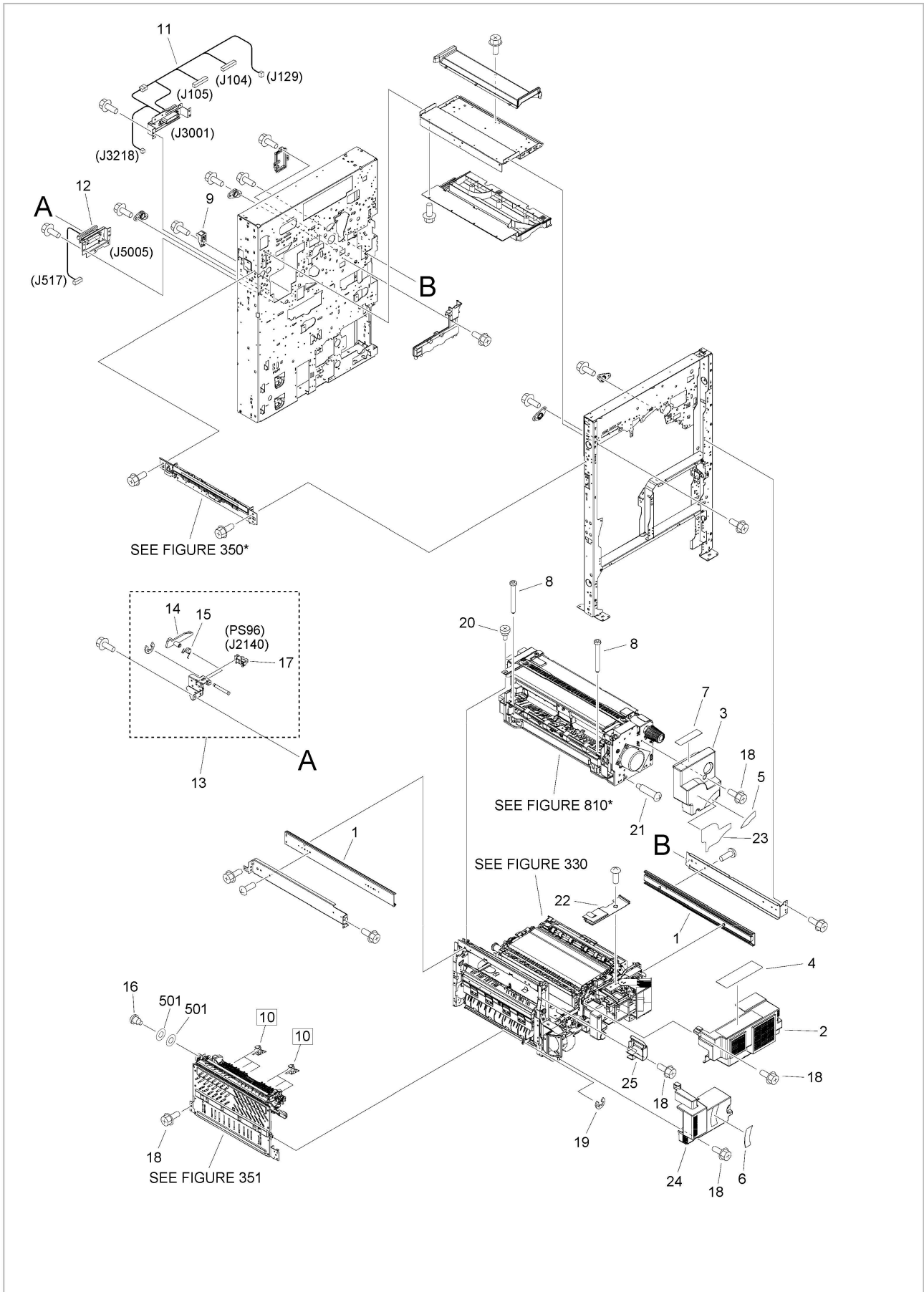
FIG/KEY	PART NUMBER	RANK	QTY	DESCRIPTION	REMARKS
102	NPN		RF	INTERNAL COMPONENTS 2	
1	FC5-2544-000		1	SCREW, ADJUSTMENT, M6X16	
2	FC9-3904-000		8	RAIL, SLIDE	
3	FM4-9814-000		2	MOTOR, DC	M20, M21
4	FL2-8948-000		1	PLATE, BACK END LIMIT	
5	FM4-4317-000		1	CABLE, CASSETTE HEATER	
6	FU6-8537-010		1	LABEL, INDEX PAPER GUIDE	
7	XA9-1035-000		16	SCREW, M4X4	
8	XA9-1491-000		6	SCREW, W/WASHER PAN HEAD, M3X30	
9	FL3-0244-000		1	PLATE, DECK POSITIONING, LEFT	
10	XA9-1934-000		16	SCREW, M4X4	

Figure 103 INTERNAL COMPONENTS 3



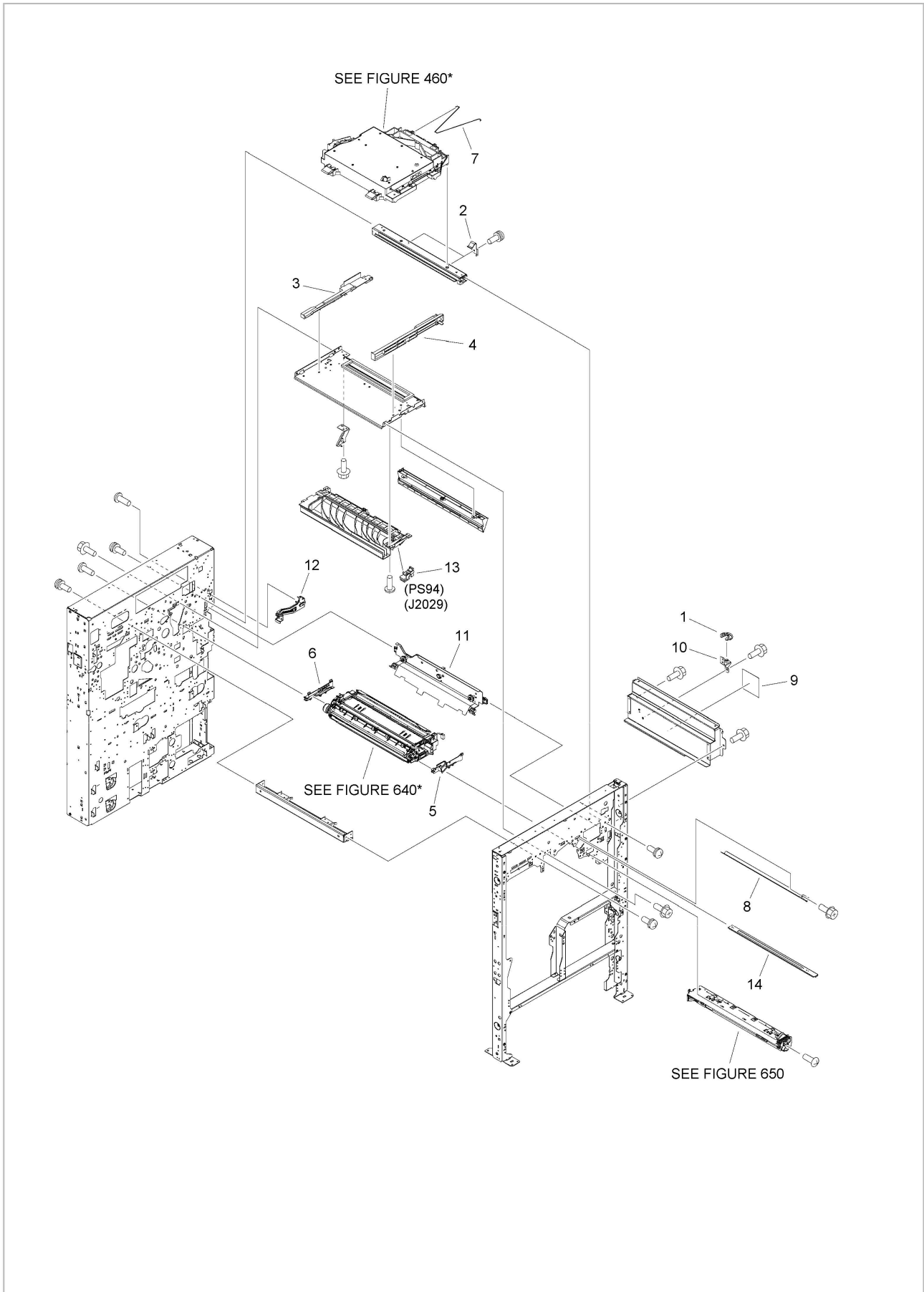
FIG/KEY	PART NUMBER	RANK	QTY	DESCRIPTION	REMARKS
103	NPN		RF	INTERNAL COMPONENTS 3	
1	XG9-0737-000		4	BUSHING	
2	FC8-2700-000		1	MOUNT, HOOK	
3	FC8-9486-000		4	ROLLER, PAPER FEED	
4	FC9-4084-000		3	GUIDE, PAPER EXHAUST, RIGHT	
5	FC9-9145-000		1	SPACER, INNER PAPER DELIVERY	
6	FC5-2715-000		4	RING, RETAINING	
7	FS1-1508-000		4	BUSHING	
8	FU8-0333-000		4	GEAR, 24T	
9	WG8-5848-000		1	IC, PHOTO- INTERRUPTER	PS02
10	XD9-0134-000		2	RING, E	
11	XD9-0136-000		4	RING, E	
12	XD9-0289-000		4	PIN, PARALLEL	

Figure 104D INTERNAL COMPONENTS 4



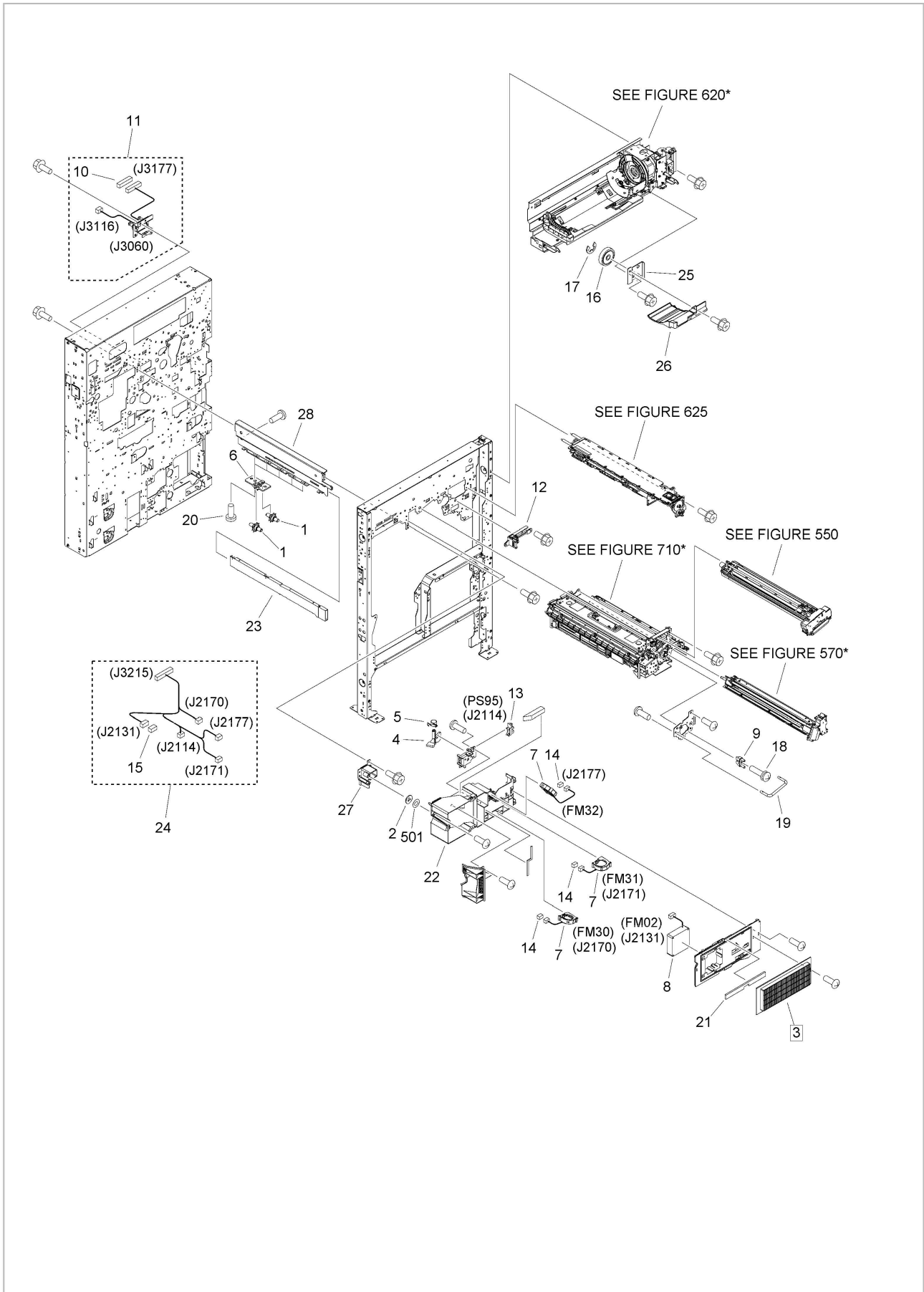
FIG/KEY	PART NUMBER	RANK	QTY	DESCRIPTION	REMARKS
104D	NPN		RF	INTERNAL COMPONENTS 4	
1	FC9-5089-000		2	RAIL, SLIDE	
2	FC8-9678-000		1	COVER, FIXING/FEEDER, RIGHT	
3	FC8-7237-000		1	COVER, FIXING	
4	FC9-9032-000		1	LABEL, FINGER NIP CAUTION	
5	FC9-9033-000		1	LABEL, OPERATION, UPPER	
6	FC9-9034-000		1	LABEL, OPERATION, LOWER	
7	FC9-9066-000		1	LABEL, JAM CLEARING	
8	FC9-9100-000		2	SCREW, S, M4X50	
9	FC9-9137-000		1	LATCH	
10	FB5-3625-000		6	CLAW, SEPARATING	[DP]
11	FM3-7351-000		1	CABLE, FIXING DRAWER	
12	FM1-G113-000		1	CABLE, FIXING/FEEDER DRAWER	
13	FM4-0908-000		1	HANDLE SENSOR MOUNT ASS'Y	
14	FC8-9569-000		1	FLAG, HANDLE SENSOR	
15	FS6-2619-000		1	SPRING, TORSION	
16	FU5-9035-000		1	SCREW, STEPPED, M3X3	
17	WG8-5848-000		1	IC, PHOTO-INTERRUPTER	PS96
18	XA9-0732-010		5	SCREW,RS,M4X8	
19	XD9-0136-000		1	RING, E	
20	FU5-9305-000		1	SCREW, STEPPED, M4	
21	FU5-9370-000		1	SCREW,STEPPED,M4	
22	FC9-7050-000		1	COVER, FIXING/FEEDER, RIGHT	
23	FE4-5901-000		1	LABEL, JAM CLEARING CAUTION	
24	FC8-9677-000		1	COVER, FIXING/FEEDER, LEFT	
25	FC9-7058-000		1	COVER, RAIL	
501	XD1-1106-216		2	SHIM	

Figure 105B INTERNAL COMPONENTS 5



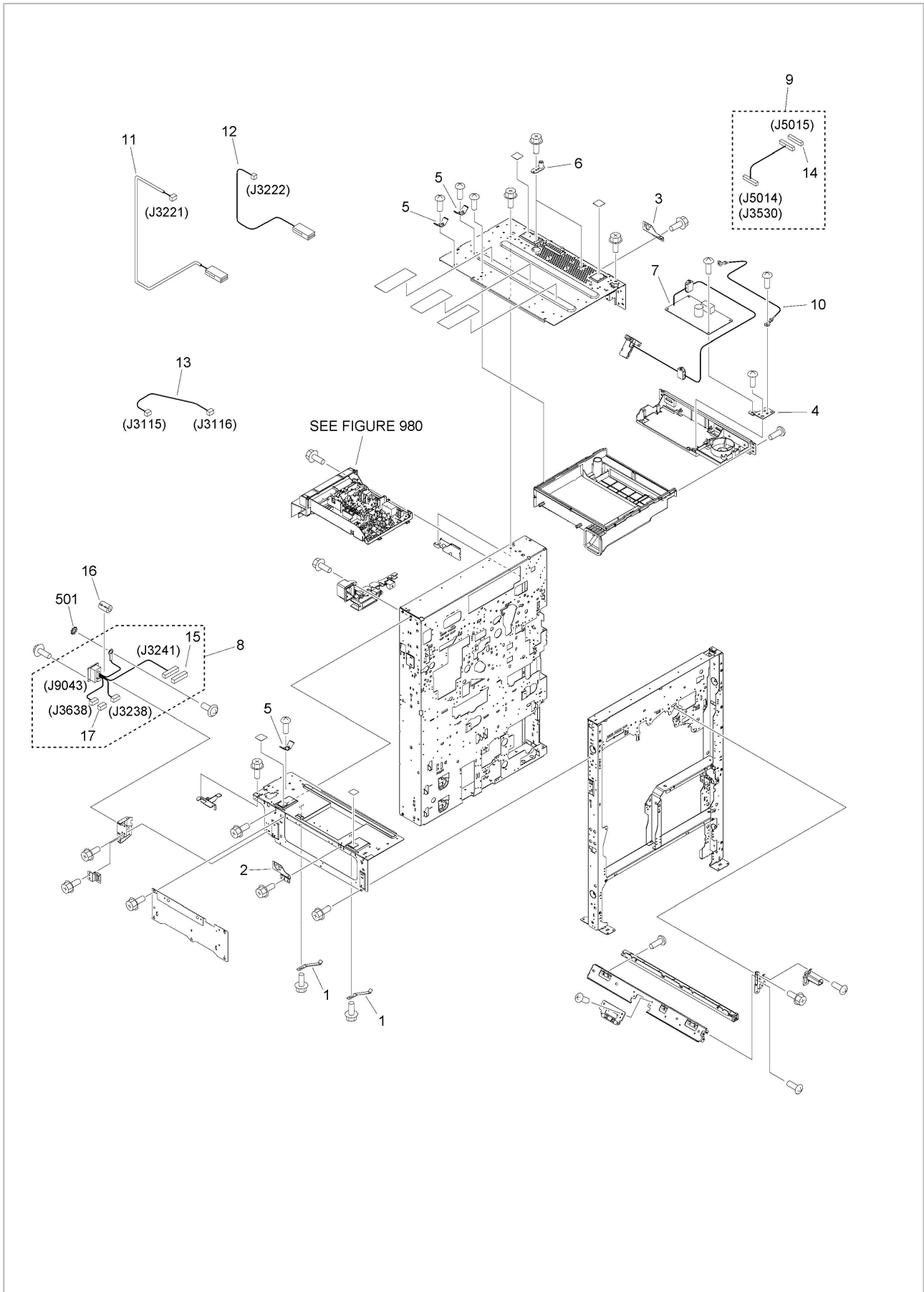
FIG/KEY	PART NUMBER	RANK	QTY	DESCRIPTION	REMARKS
105B	NPN		RF	INTERNAL COMPONENTS 5	
1	FC5-2715-000		1	RING, RETAINING	
2	FC8-7034-000		2	SPRING, LEAF	
3	FC8-7038-000		1	RAIL, SCANNER, REAR	
4	FC8-7039-000		1	RAIL, SCANNER, FRONT	
5	FC8-9454-000		1	RAIL, DEVELOPING, FRONT	
6	FC8-9453-000		1	RAIL, DEVELOPING, REAR	
7	FC9-5579-000		1	WIRE, SUPPORT	
8	FC9-7439-000		1	RAIL, POTENTIAL SENSOR	
9	FC9-8684-000		1	LABEL, LASER CAUTION, LOWER	
10	FL3-3871-000		1	MOUNT, HINGE	
11	FM3-7383-000		1	DEVELOPING PRESSURE ASS'Y	
12	FM4-0951-010		1	DEV. HIGH VOLTAGE CONTACT UNIT	
13	WG8-5848-000		1	IC, PHOTO-INTERRUPTER	PS94
14	FL3-2141-000		1	GLASS, DUST-PROOF	

Figure 106B INTERNAL COMPONENTS 6



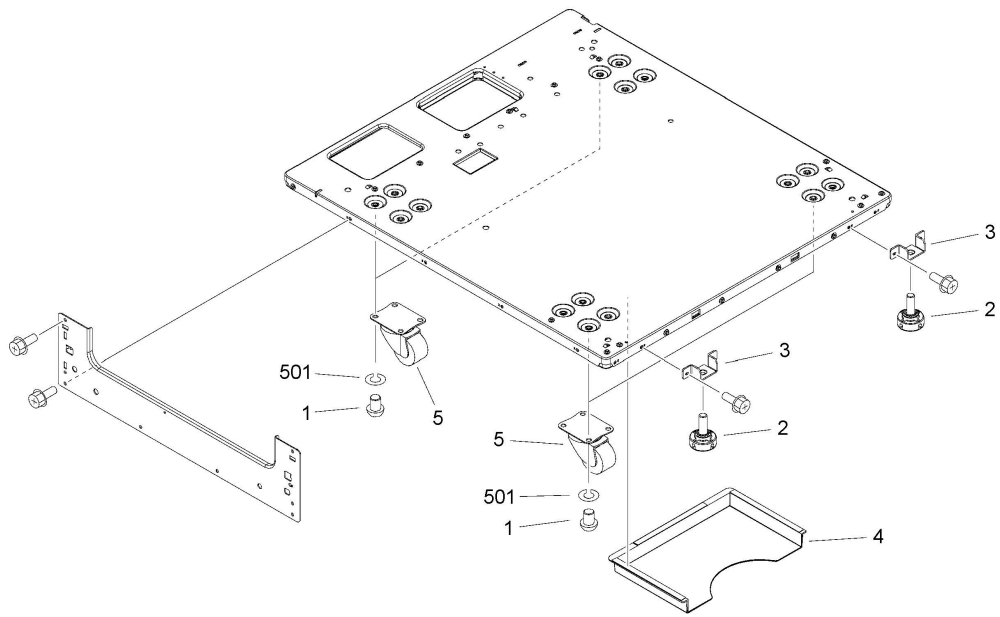
FIG/KEY	PART NUMBER	RANK	QTY	DESCRIPTION	REMARKS
106B	NPN		RF	INTERNAL COMPONENTS 6	
1	FB1-8776-000		10	ROWEL	
2	FC2-2121-000		1	WASHER	
3	FC8-9564-000		1	FILTER, DUST	[DP]
4	FC9-6163-000		1	FLAG, SENSOR	
5	FC9-6164-000		1	SPRING, TORSION	
6	FC9-8981-010		5	MOUNT, ROWEL	
7	FK2-3149-000		3	FAN	FM30, FM31, FM32
8	FK2-7678-000		1	FAN	FM02
9	FL2-0469-000		1	HOLDER, DRUM FIXED	
10	VS1-7177-012		1	CONNECTOR, SNAP TIGHT, BK	
11	FM3-7302-000		1	CABLE, AP. KIT DRAWER	
12	FM4-0973-000		1	MOUNT, PRE-TRANS. CORONA CONTACT	
13	WG8-5848-000		1	IC, PHOTO-INTERRUPTER	PS95
14	VS1-7177-003		3	CONNECTOR, SNAP TIGHT, BK	
15	VS1-7177-004		1	CONNECTOR, SNAP TIGHT, BK	
16	FU9-0040-000		1	GEAR, 33T	
17	XD9-0136-000		1	RING, E	
18	XA9-1090-000		1	SCREW, W/WASHER, M5X25	
19	FC9-4868-000		1	HANDLE, FRONT	
20	XA9-0903-000		10	SCREW, M3X5	
21	FL0-1825-000		1	SEAL, FAN DUCT	
22	FL3-2128-000		1	DUCT, PRIMARY FAN, 2	
23	FC8-6989-000		1	DUCT	
24	FM4-1027-000		1	CABLE, FAN	
25	FL3-2172-000		1	PLATE	
26	FC9-4881-000		1	TRAY, TONER CATCH	
27	FL3-2136-000		1	DUCT, PRIMARY AIR INTAKE, 2	
28	FC8-6976-000		1	CROSSMEMBER, LEFT	
501	XD1-1104-135		1	WASHER, COP	

Figure 107C INTERNAL COMPONENTS 7



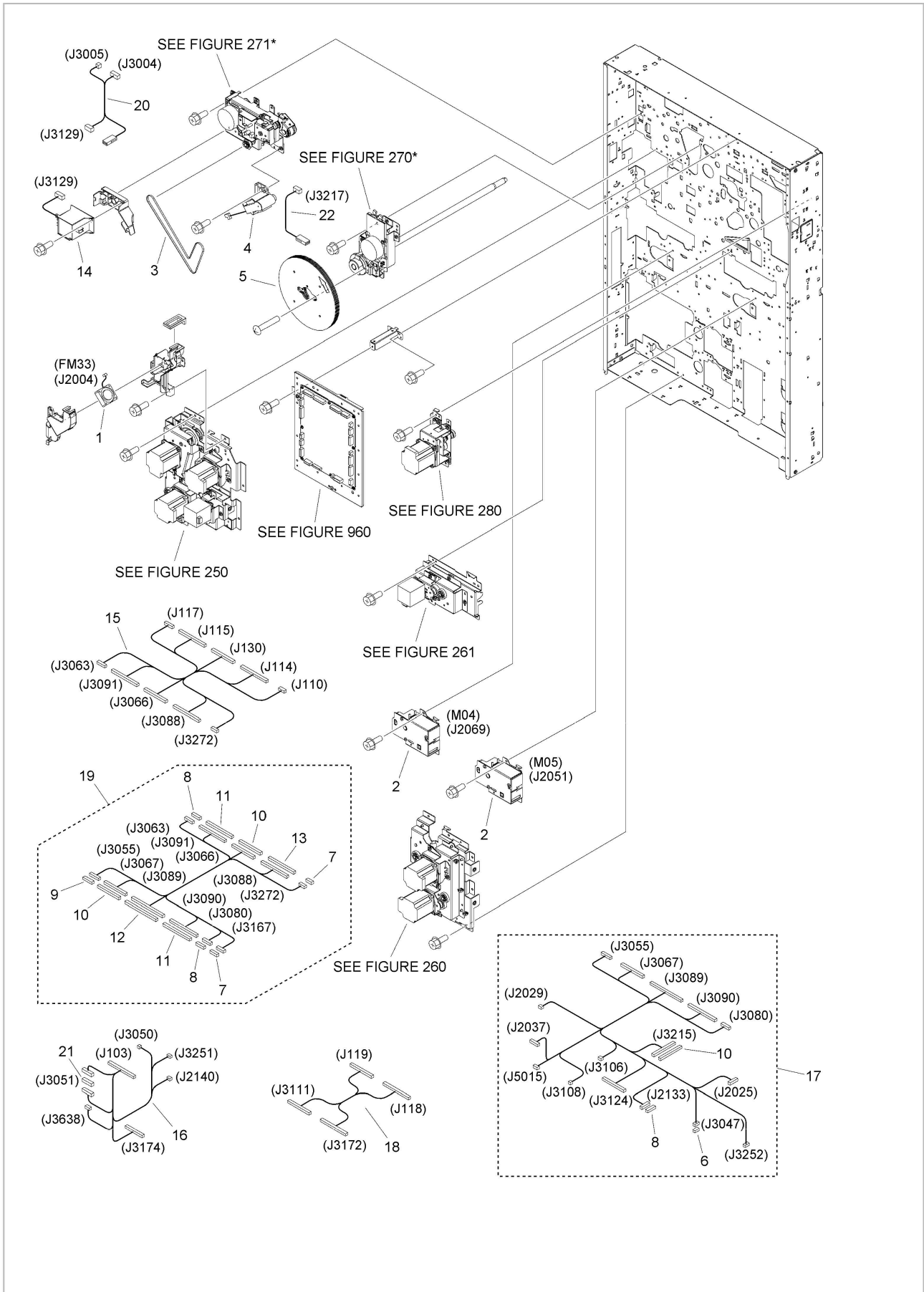
FIG/KEY	PART NUMBER	RANK	QTY	DESCRIPTION	REMARKS
107C	NPN		RF	INTERNAL COMPONENTS 7	
1	FC6-3462-000		2	PLATE, GROUNDING	
2	FC8-7026-000		1	PLATE, READER FIXED, LEFT	
3	FC8-7027-000		1	PLATE, READER FIXED, RIGHT	
4	FC9-4888-000		1	PLATE, GROUNDING	
5	FE2-3472-000		3	PLATE, GROUNDING, UPPER	
6	FL2-8926-000		2	PIN, READER POSITIONING	
7	FM1-H197-000		1	POTENTIAL MEASURING PCB ASS'Y	
8	FM1-K914-000		1	CABLE, FINISHER CONNECTOR	
9	FM1-K920-000		1	CABLE, POTENTIAL SENSOR	
10	FM3-9128-000		1	CABLE, GROUNDING	
11	FM4-1004-000		1	CABLE, DEVELOPING HIGH VOLTAGE	
12	FM4-1005-000		1	CABLE, SEPARATION HIGH VOLTAGE	
13	FM4-1031-000		1	CABLE, AC DRUM HEATER	
14	VS1-7177-007		1	CONNECTOR, 7P, FEMALE, BK	
15	VS1-8412-009		1	CONNECTOR, SNAP TIGHT, BL	
16	WE8-5780-000		1	CORE, FERRITE	
17	VS1-7177-004		1	CONNECTOR, SNAP TIGHT, BK	
501	XD1-4200-402		1	WASHER, TOOTHED LOCK, M4	

Figure 108 MACHINE BOTTOM PLATE



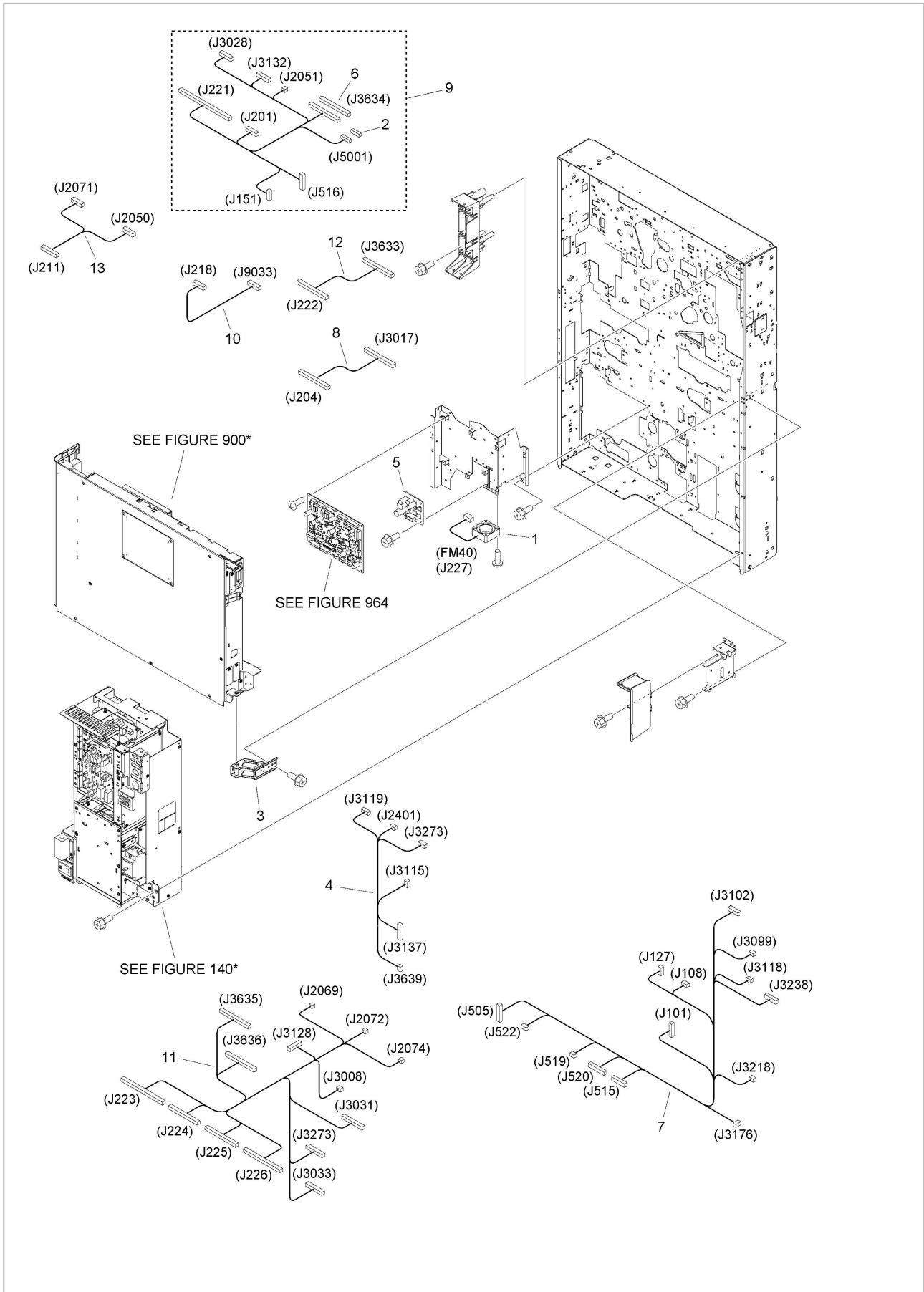
FIG/KEY	PART NUMBER	RANK	QTY	DESCRIPTION	REMARKS
108	NPN		RF	MACHINE BOTTOM PLATE	
1	FB4-1340-000		16	SCREW, ALLEN HEAD, M8X10	
2	FC8-6639-000		2	ADJUSTER	
3	FC9-5467-000		2	PLATE, ADJUSTING	
4	FE4-3758-000		1	HOLDER, SERVICE BOOK	
5	XZ9-0409-020		4	CASTER	
501	XD1-3100-805		16	WASHER, SPRING	

Figure 109B MACHINE REAR PLATE 1



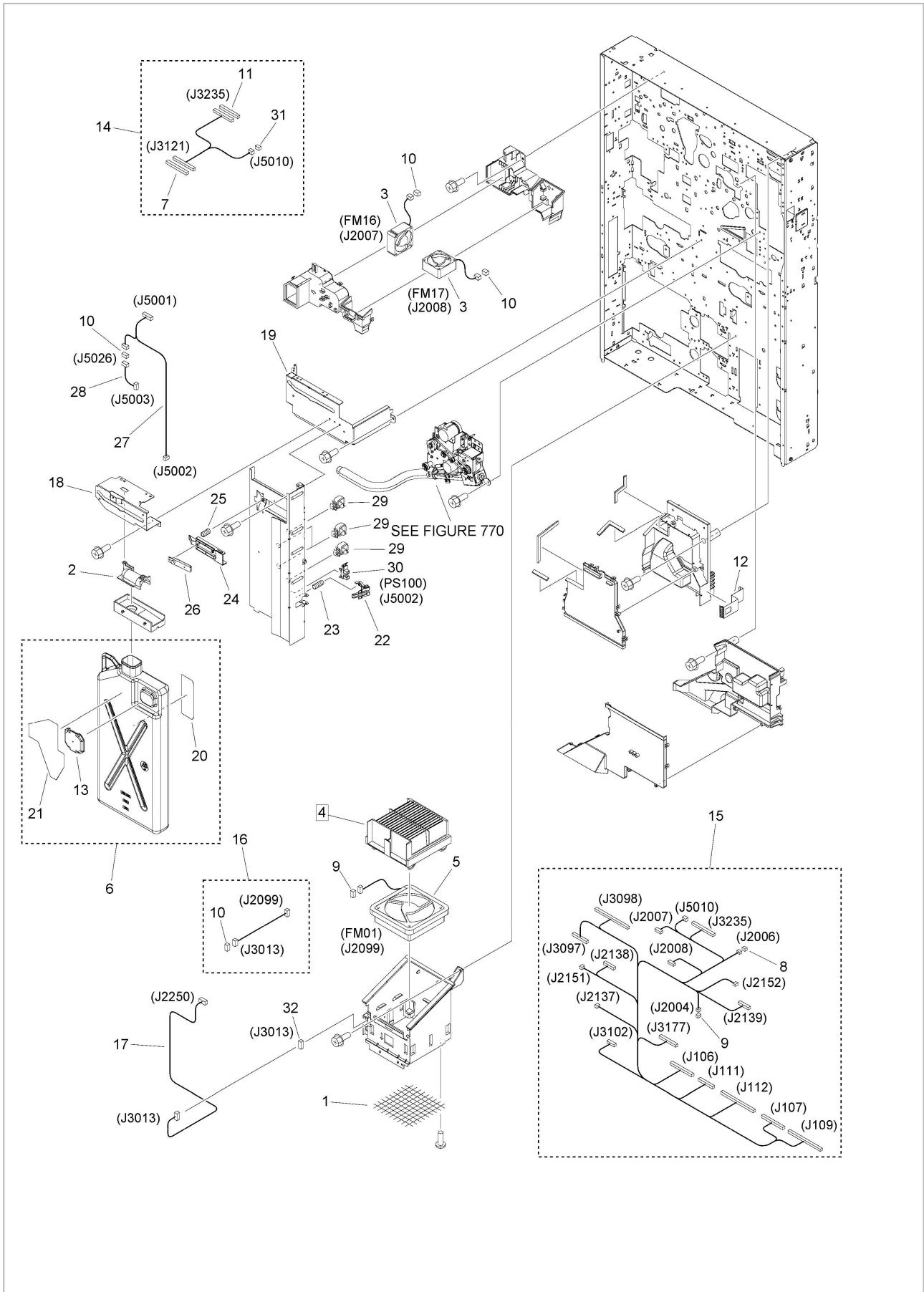
FIG/KEY	PART NUMBER	RANK	QTY	DESCRIPTION	REMARKS
109B	NPN		RF	MACHINE REAR PLATE 1 DUMMY	
1	FK2-7241-000		1	FAN	FM33
2	FM2-4663-000		2	MOTOR, DC	M4 ,M5
3	XF2-4128-940		1	BELT, TIMING, CR, 578MM	
4	FM4-0969-000		1	CABLE, PRE-TRANS. CORONA H.V.	
5	FC9-7855-000		1	FLYWHEEL	
6	VS1-7177-004		1	CONNECTOR, SNAP TIGHT, BK	
7	VS1-7177-005		2	CONNECTOR, SNAP TIGHT, BK	
8	VS1-7177-006		3	CONNECTOR, SNAP TIGHT, BK	
9	VS1-7177-007		1	CONNECTOR, 7P, FEMALE, BK	
10	VS1-8412-017		3	CONNECTOR, SNAP TIGHT, BL	
11	VS1-8412-021		2	CONNECTOR, SNAP TIGHT, BL	
12	VS1-8412-025		1	CONNECTOR, SNAP TIGHT, BL	
13	VS1-8412-031		1	CONNECTOR, SNAP TIGHT, 31P, BL	
14	FK2-7718-000		1	TRANSFORMER, H.V.	
15	FM4-1015-000		1	CABLE, MAIN DRIVER, REAR UPPER	
16	FM1-K909-000		1	CABLE, MAIN DRIVER RELAY	
17	FM1-K919-000		1	CABLE, MAIN DRIVER, FRONT	
18	FM4-1016-000		1	CABLE, MAIN DRIVER IH	
19	FM4-1023-000		1	CABLE, RELAY, FRONT	
20	FM4-1080-000		1	CABLE, POST CORONA H.V.	
21	VS1-8412-009		1	CONNECTOR, SNAP TIGHT, BL	
22	FM4-1003-000		1	CABLE, BIAS HIGH VOLTAGE	

Figure 110 MACHINE REAR PLATE 2



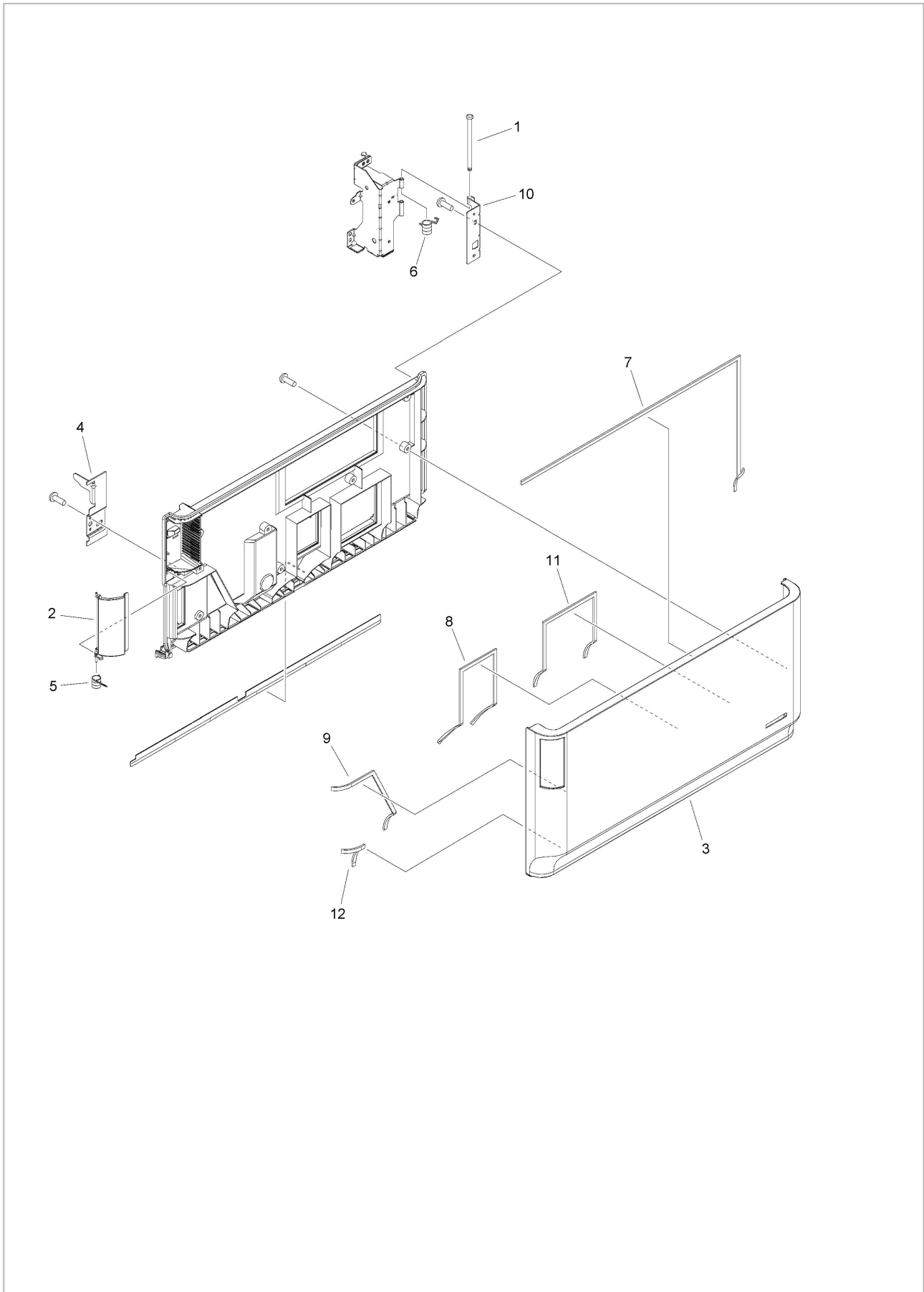
FIG/KEY	PART NUMBER	RANK	QTY	DESCRIPTION	REMARKS
110	NPN		RF	MACHINE REAR PLATE 2	
1	FK2-7241-000		1	FAN	FM40
2	VS1-8412-007		1	CONNECTOR, SNAP TIGHT, BL	
3	FL3-5780-000		1	HINGE, CONTROLLER BOX, LOWER	
4	FMO-2974-000		1	CABLE, AC MAIN BODY	
5	FM4-1089-000		1	DC-DC CONVERT PCB ASS'Y	
6	VS1-8412-017		1	CONNECTOR, SNAP TIGHT, BL	
7	FM1-M866-000		1	CABLE, SIGNAL	
8	FM1-M872-000		1	CABLE, SERIAL	
9	FM1-K929-000		1	CABLE, DECK, LEFT	
10	FM4-1040-000		1	CABLE, DC	
11	FM4-1034-000		1	CABLE, CASSETTE, 3 , 4	
12	FM4-1035-000		1	CABLE, DECK, RIGHT	
13	FM4-1037-000		1	CABLE, DECK MOTOR	

Figure 111A MACHINE REAR PLATE 3



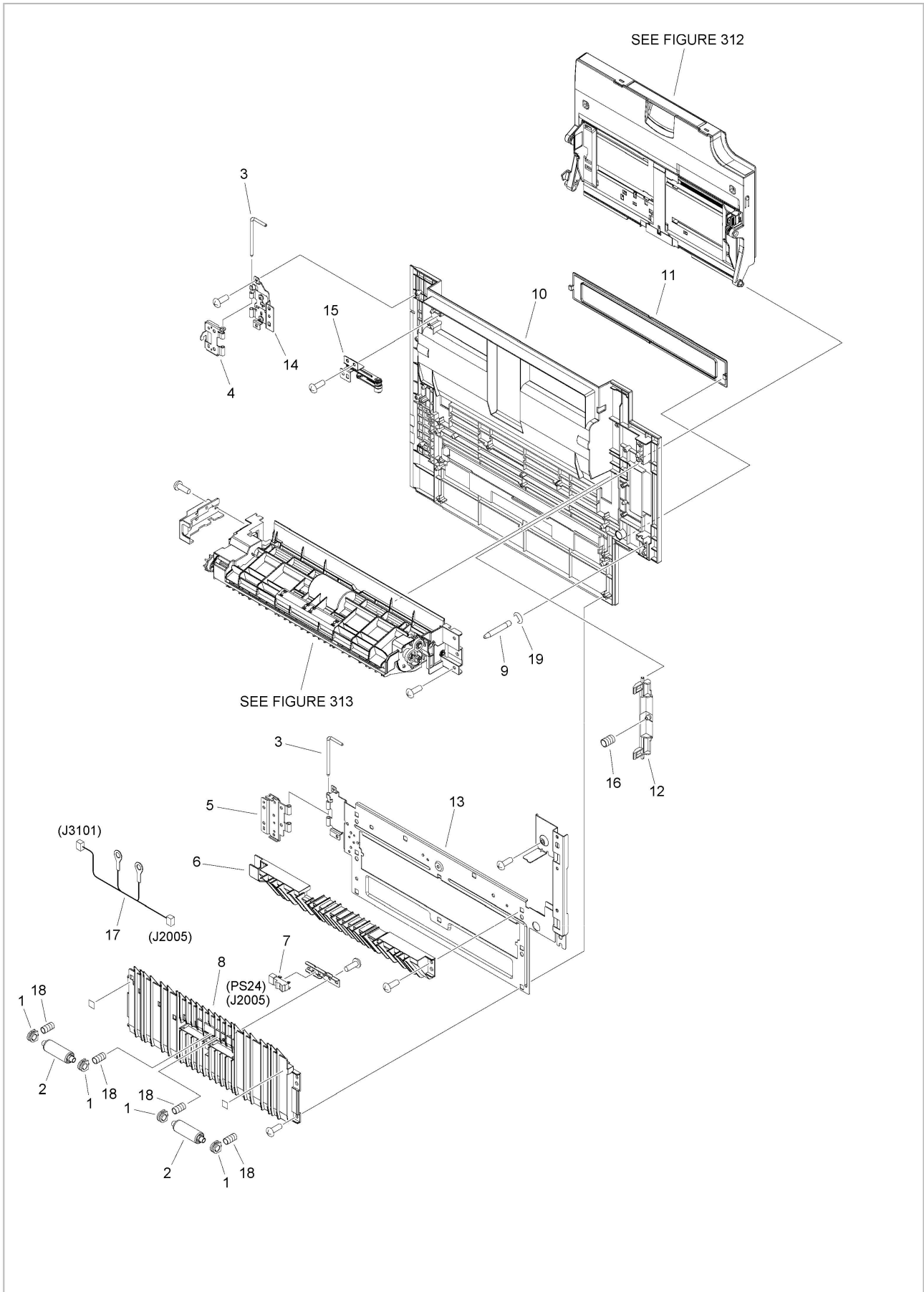
FIG/KEY	PART NUMBER	RANK	QTY	DESCRIPTION	REMARKS
111A	NPN		RF	MACHINE REAR PLATE 3	
1	FA9-3847-000		1	SHEET, MESH	
2	FC8-7409-010		1	CAP, PIPE	
3	FK2-3100-000		2	FAN	FM16,FM17
4	FL3-2134-000		1	AIR FILTER, EXHAUST	[DP]
5	FL0-1829-000		1	FAN UNIT	FM01
6	FM1-G392-000		1	CASE, WASTE TONER	
7	VS1-8412-017		1	CONNECTOR, SNAP TIGHT, BL	
8	VS1-7177-002		1	CONNECTOR, SNAP TIGHT, BK	
9	VS1-7177-003		2	CONNECTOR, SNAP TIGHT, BK	
10	VS1-7177-004		4	CONNECTOR, SNAP TIGHT, BK	
11	VS1-8412-015		1	CONNECTOR, SNAP TIGHT, BL	
12	FC9-8072-000		1	PLATE, GROUNDING	
13	FC8-7404-000		1	CAP, WASTE TONER CASE	
14	FM1-K923-000		1	CABLE, MULTI RELAY	
15	FM1-K922-000		1	CABLE, MAIN, REAR UPPER	
16	FMO-2979-000		1	CABLE, FAN	
17	FMO-2969-000		1	CABLE, SUB FAN	
18	FC8-7406-000		1	SIDE PLATE, SHIELD PLATE, REAR	
19	FC8-7407-000		1	PLATE, SHIELD, FRONT UPPER	
20	FE4-5881-000		1	LABEL, WASTE TONER	
21	FE4-5905-000		1	LABEL, CAUTION	
22	FE4-1267-000		1	FLAG, BOTTLE SENSING	
23	FE4-1269-000		1	SPRING, COMPRESSION	
24	FE4-1270-000		1	CASE, SENSOR	
25	FE4-1271-000		1	SPRING, COMPRESSION	
26	FK2-0591-000		1	SENSOR, TONER	
27	FM1-K930-000		1	CABLE, WASTE TONER RELAY, 2	
28	FM1-K931-000		1	CABLE, WASTE TONER RELAY, 3	
29	WT2-5694-000		4	CLIP CLAMP, WIRE	
30	WG8-5783-000		1	IC,PHOTO- INTERRUPTER,LG248NL1A	PS100
31	VS1-8412-003		1	CONNECTOR, SNAP TIGHT, BL	
32	VS1-8412-005		1	CONNECTOR, SNAP TIGHT, BL	

Figure 112 FRONT COVER ASS'Y, LOWER



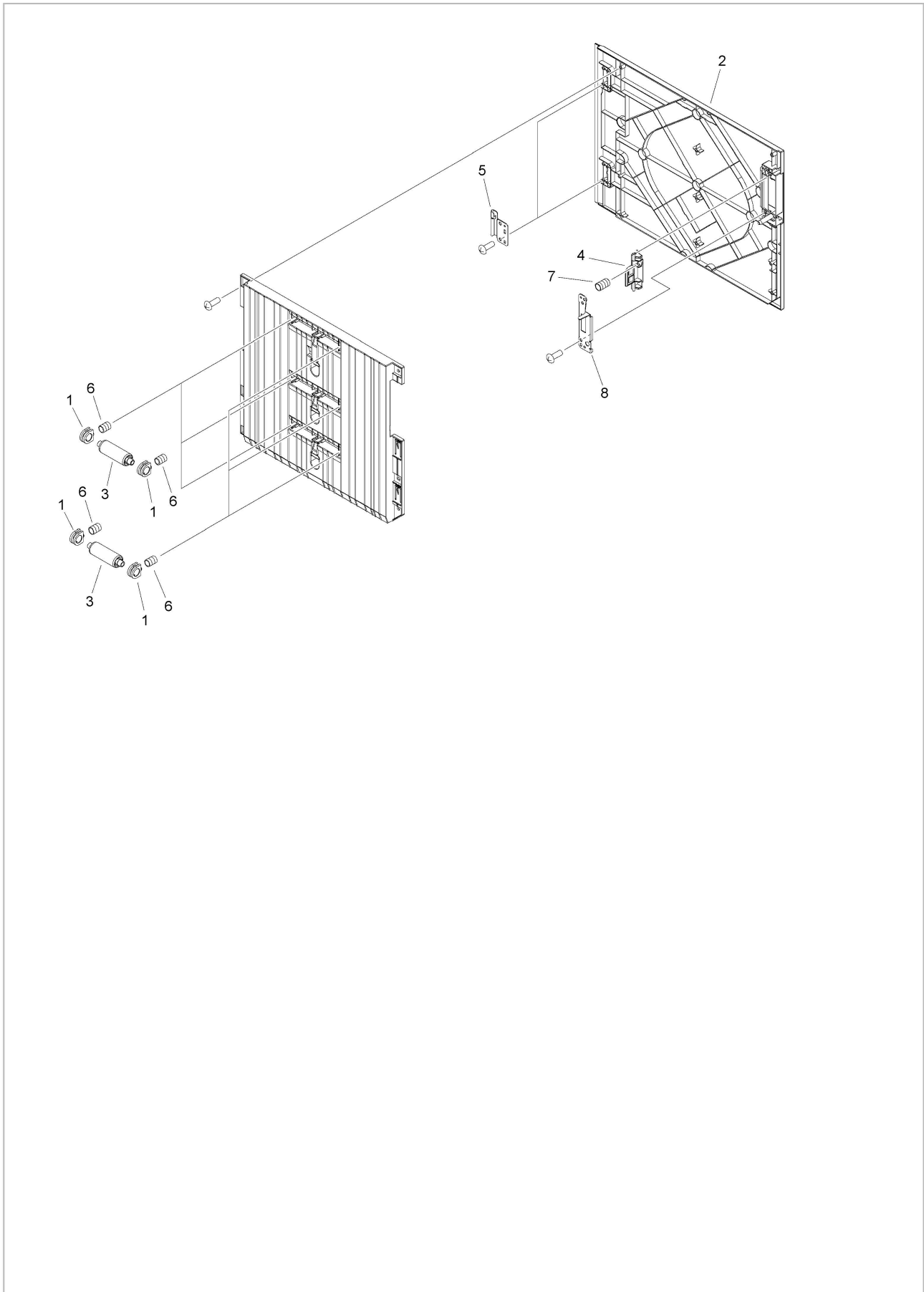
FIG/KEY	PART NUMBER	RANK	QTY	DESCRIPTION	REMARKS
112	FM1-H381-000		1	FRONT COVER ASS'Y, LOWER	
1	FB2-7867-030		1	SHAFT, HINGE	
2	FE4-5206-000		1	COVER, KNOB	
3	FLO-6151-000		1	PANEL, FRONT, LOWER	
4	FC8-9646-000		1	PLATE, COVER SWITCH, FRONT	
5	FU7-2709-000		1	SPRING, TORSION	
6	FU7-2710-000		1	SPRING, TORSION	
7	FC8-9639-000		1	SEAL, FRONT COVER, 1	
8	FC8-9641-000		1	SEAL, FRONT COVER, 3	
9	FC8-9642-000		1	SEAL, FRONT COVER, 4	
10	FC8-9647-000		1	SUPPORT, HINGE	
11	FC9-8850-000		1	SEAL, FRONT COVER, E	
12	FC9-6171-000		1	SEAL, FRONT COVER, 5	

Figure 113 RIGHT DOOR ASSEMBLY



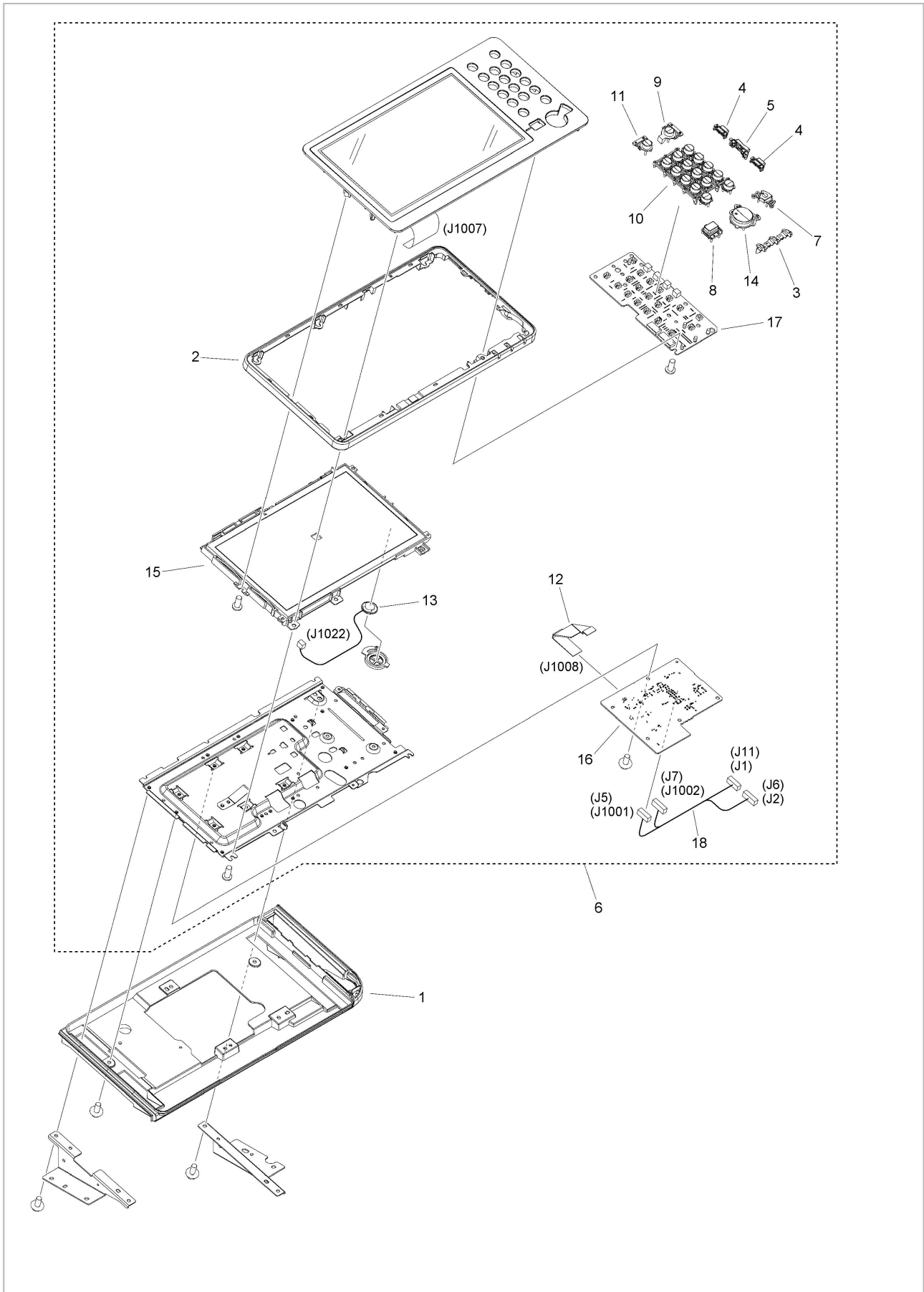
FIG/KEY	PART NUMBER	RANK	QTY	DESCRIPTION	REMARKS
113	NPN		RF	RIGHT DOOR ASSEMBLY	
1	FC7-7209-000		4	BUSHING, VERTICAL ROLLER	
2	FC8-3782-000		2	ROLLER, PAPER FEED	
3	FC8-9488-000		2	SHAFT, HINGE	
4	FC8-9492-000		1	HINGE, UPPER	
5	FC8-9679-000		1	HINGE, RIGHT DOOR, LOWER	
6	FE4-5419-000		1	GUIDE, UPPER	
7	FK2-6470-000		1	PHOTO-SENSOR, KUA0055C	PS24
8	FLO-6141-000		1	GUIDE, RIGHT DOOR, LOWER	
9	FC9-8806-000		1	PIN, DOOR, RIGHT	
10	FE4-5173-000		1	COVER, RIGHT	
11	FE4-5174-000		1	COVER, BLANKING	
12	FE4-5208-000		1	LEVER, DOOR, RIGHT	
13	FL3-5779-000		1	PLATE, REINFORCEMENT	
14	FM1-B154-000		1	HINGE, DOOR, RIGHT	
15	FM1-H395-000		1	LINK UNIT	
16	FU7-2696-000		1	SPRING, COMPRESSION	
17	FM4-1001-000		1	CABLE, SENSOR	
18	FU8-2317-000		4	SPRING, COMPRESSION	
19	XD9-0137-010		1	RING, E	

Figure 114 VERTICAL PATH ASSEMBLY



FIG/KEY	PART NUMBER	RANK	QTY	DESCRIPTION	REMARKS
114	FM1-H382-000		1	VERTICAL PATH ASSEMBLY	
1	FC7-7209-000		12	BUSHING, VERTICAL ROLLER	
2	FE4-5177-000		1	COVER, VERTICAL PATH	
3	FC8-3782-000		6	ROLLER, PAPER FEED	
4	FE4-5423-000		1	HOOK	
5	FC8-7348-000		2	HINGE	
6	FS7-2788-000		12	SPRING, COMPRESSION	
7	FU7-2341-000		1	SPRING, COMPRESSION	
8	FC8-7349-000		1	PLATE, DOOR SWITCH, RIGHT	

Figure 130C FLAT CONTROL PANEL ASSEMBLY



FIG/KEY	PART NUMBER	RANK	QTY	DESCRIPTION	REMARKS
130C	NPN		RF	FLAT CONTROL PANEL ASSEMBLY	
1	FLO-6131-000		1	COVER, LOWER	
2	FE4-1774-000		1	COVER, FRAME	
3	FE4-1787-000		1	GUIDE, LAMP LED	
4	FE4-1788-000		2	KEY TOP, SIDE	
5	FE4-1789-000		1	KEY TOP, VOLUME	
6	FM1-H746-000		1	FLAT CONTROL PANEL ASSEMBLY	
7	FE4-5109-000		1	KEY TOP, STOP	
8	FE4-5110-000		1	KEY TOP, RESET	
9	FE4-5111-000		1	KEY TOP, SLEEP	
10	FE4-5555-000		1	KEY TOP, NUMBERS	
11	FE4-5556-000		1	KEY TOP, SETTINGS/REGISTRATION	
12	FK4-2360-000		1	CABLE, FLEXIBLE FLAT	
13	FK4-2365-000		1	SPEAKER	
14	FLO-5116-000		1	KEY TOP, START	
15	FM1-L493-000		1	LCD HOLDER UNIT	
16	FM1-T858-000		1	CPU PCB ASSEMBLY	
17	FM1-M929-000		1	KEY TOP PCB ASSEMBLY	
18	FM1-M930-000		1	CABLE, 10 KEY	

Figure 140C (1 / 2) POWER CORD TERMINAL ASS'Y (230V)

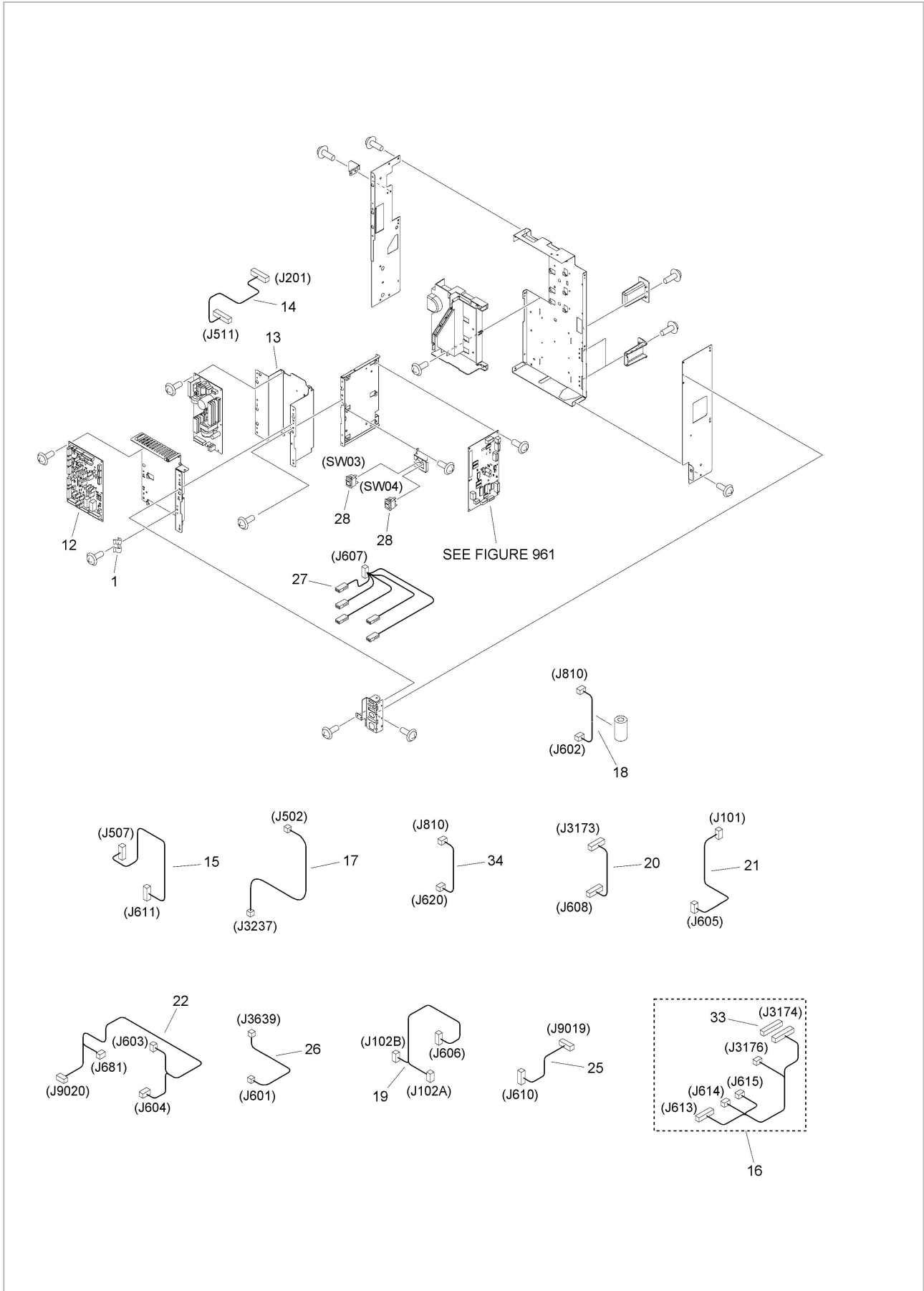
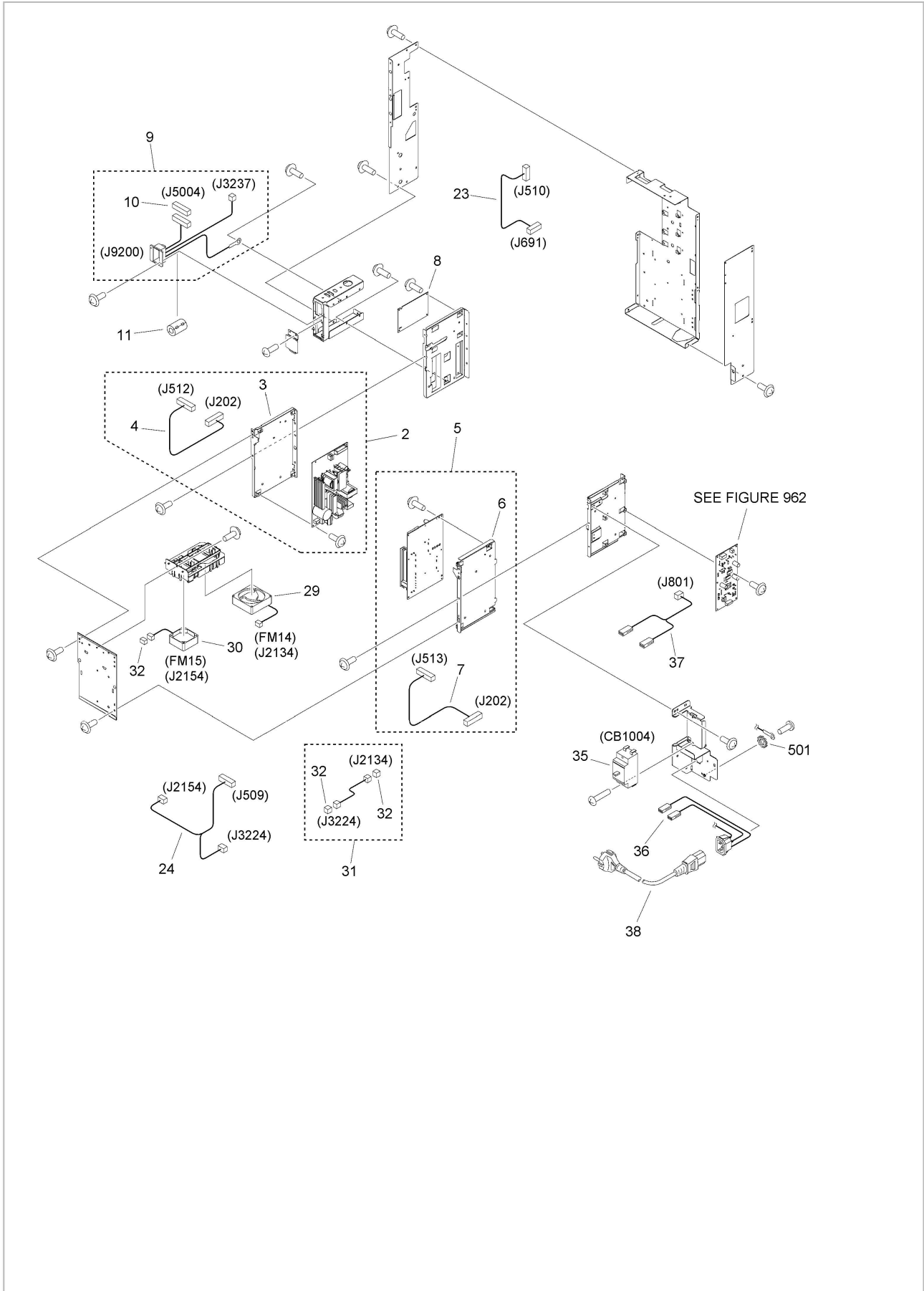
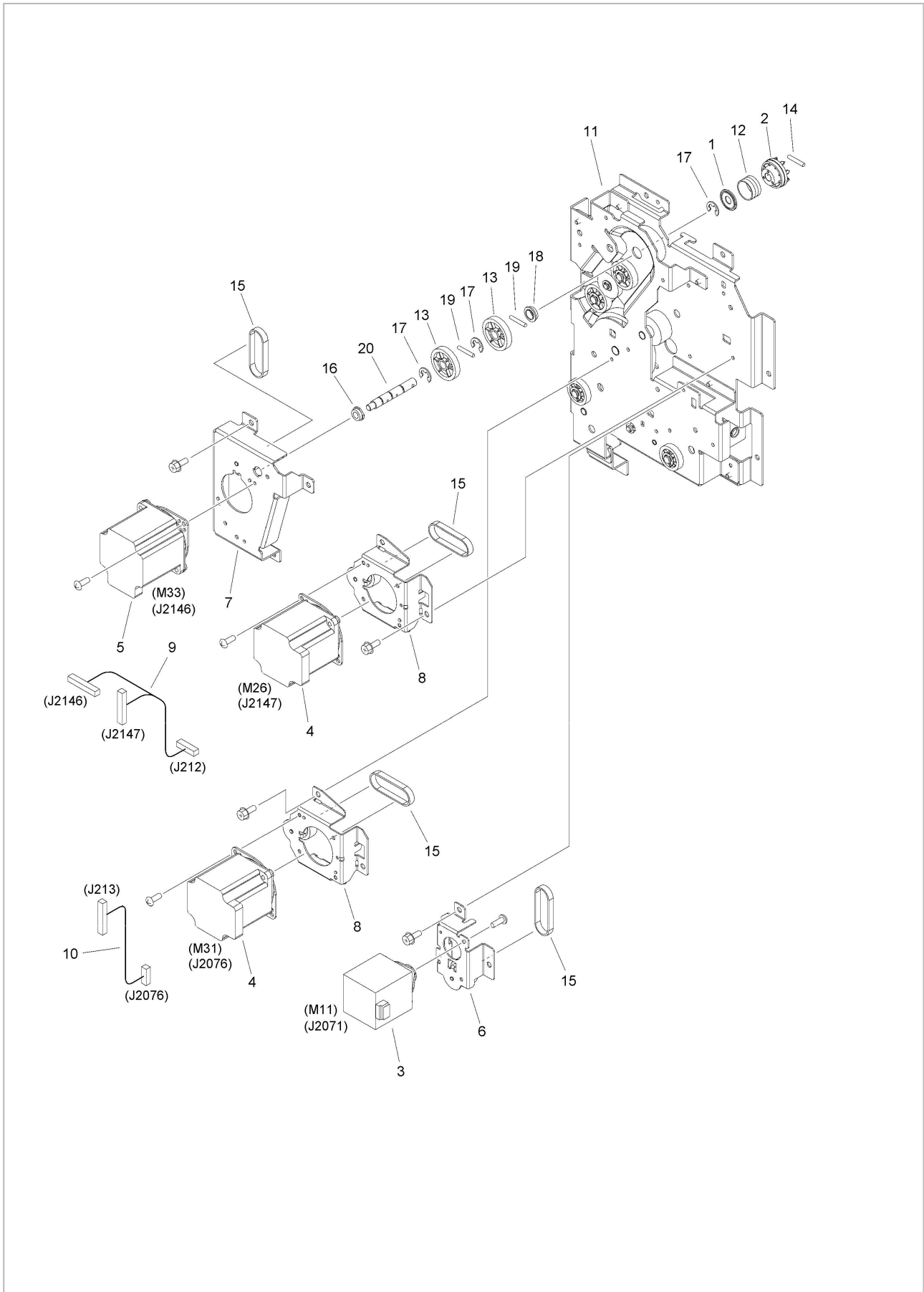


Figure 140C (2 / 2) POWER CORD TERMINAL ASS'Y (230V)



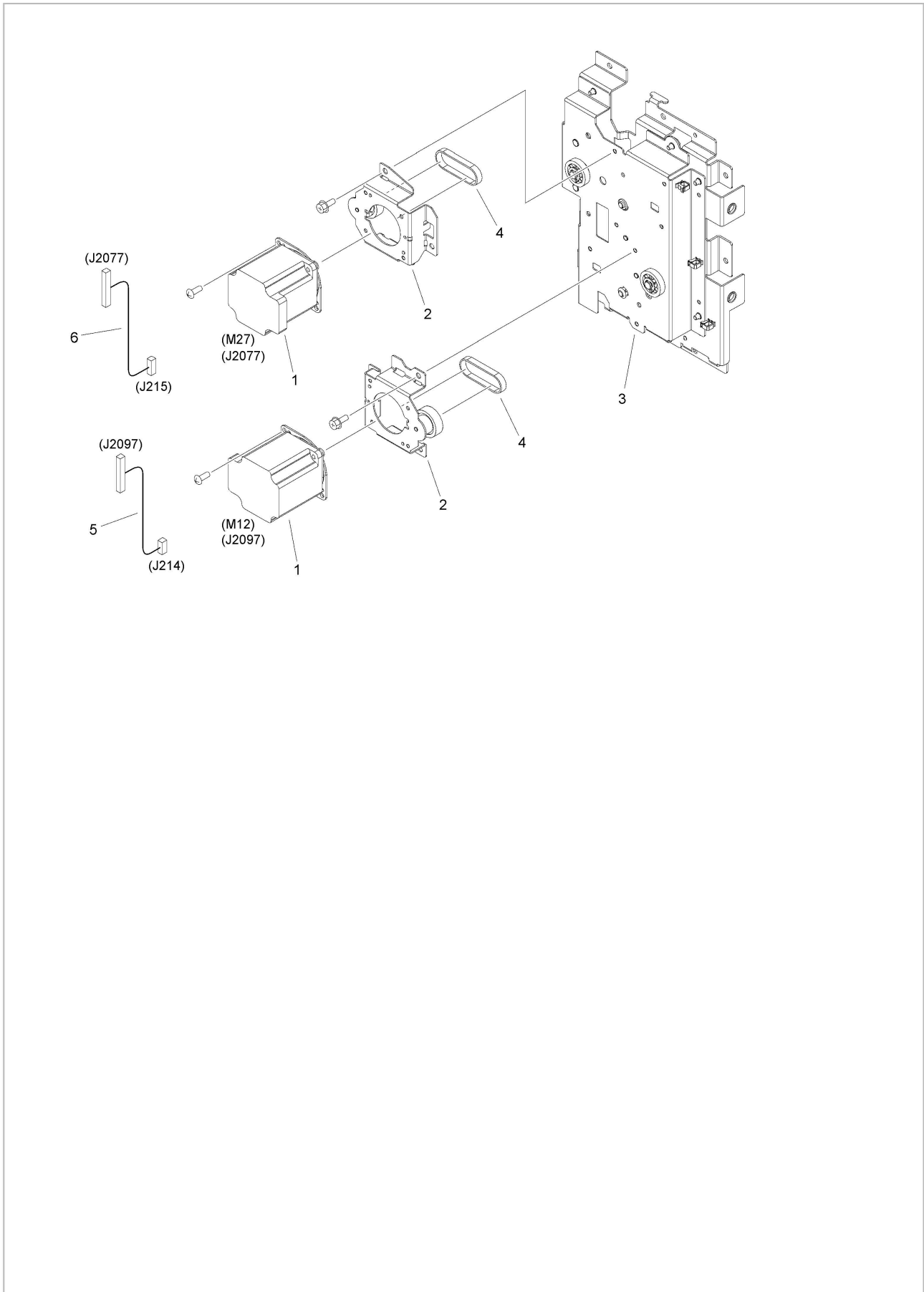
FIG/KEY	PART NUMBER	RANK	QTY	DESCRIPTION	REMARKS
140C	FM1-H388-000		1	POWER CORD TERMINAL ASS'Y	SEE NOTE 2230V
1	FC0-2113-000		1	PLATE, GROUNDING	
2	FM0-4152-000		1	24V POWER SUPPLY ASS'Y, LEFT	
3	FC9-5008-000		1	SUPPORT, 24V POWER, LEFT	
4	FM3-9145-000		1	CABLE, DC 24V, A	
5	FM0-4153-000		1	24V POWER SUPPLY ASS'Y, RIGHT	
6	FC9-5007-000		1	SUPPORT, 24V POWER, RIGHT	
7	FM3-9146-000		1	CABLE, DC 24V, B	
8	FK3-3273-000		1	ALL NIGHT POWER SUPPLY PCB	
9	FM1-K915-000		1	CABLE, DECK CONNECTOR	
10	VS1-8412-009		1	CONNECTOR, SNAP TIGHT, BL	
11	WE8-5780-000		1	CORE, FERRITE	
12	FM1-M871-000		1	RELAY PCB ASSEMBLY	
13	FC9-5006-000		1	SUPPORT, 12V POWER SUPPLY	
14	FM3-9144-000		1	CABLE, DC 12V	
15	FM1-K907-000		1	CABLE, AC DRIVER RELAY	
16	FM1-K908-000		1	CABLE, SIGNAL	
17	FM1-M868-000		1	CABLE, DECK, DC	
18	FM0-2977-000		1	CABLE, AC FILTER/AC DRUM	
19	FM3-9132-010		1	CABLE, AC MAIN	
20	FM3-9133-000		1	CABLE, AC DRUM	
21	FM3-9138-000		1	CABLE, AC 12V POWER SUPPLY	
22	FM3-9139-000		1	CABLE, ALL DAY POWER SUPPLY	
23	FM3-9143-000		1	CABLE, ALL DAY POWER PCB ASS'Y	
24	FM3-9147-000		1	CABLE, POWER FAN	
25	FM4-1067-000		1	CABLE, CASSETTE HEATER	
26	FM4-4315-000		1	CABLE, AC-1H	
27	FM3-9135-000		1	CABLE, ENVIRONMENT SWITCH	
28	WC1-5179-000		2	SWITCH, TOGGLE	SW03, SW04
29	FK2-0360-000		1	FAN	FM14
30	FK2-2064-000		1	FAN	FM15
31	FM3-9148-000		1	CABLE, POWER FAN	
32	VS1-7177-003		3	CONNECTOR, SNAP TIGHT, BK	
33	VS1-8412-013		1	CONNECTOR, SNAP TIGHT, BL	
34	FM0-2970-000		1	CABLE, AC FILTER/ADR	
35	FH7-7625-030		1	BREAKER, ELECTRIC LEAKAGE	
36	FL3-1269-000		1	CABLE, INLET	
37	FM3-9130-000		1	CABLE, AC BREAKER	
38	FK2-0146-000		1	CORD, POWER SUPPLY	SEE NOTE 1
501	XD1-4200-502		1	LOCK WASHER (SUS)	

Figure 250 MAIN DRIVE ASS'Y



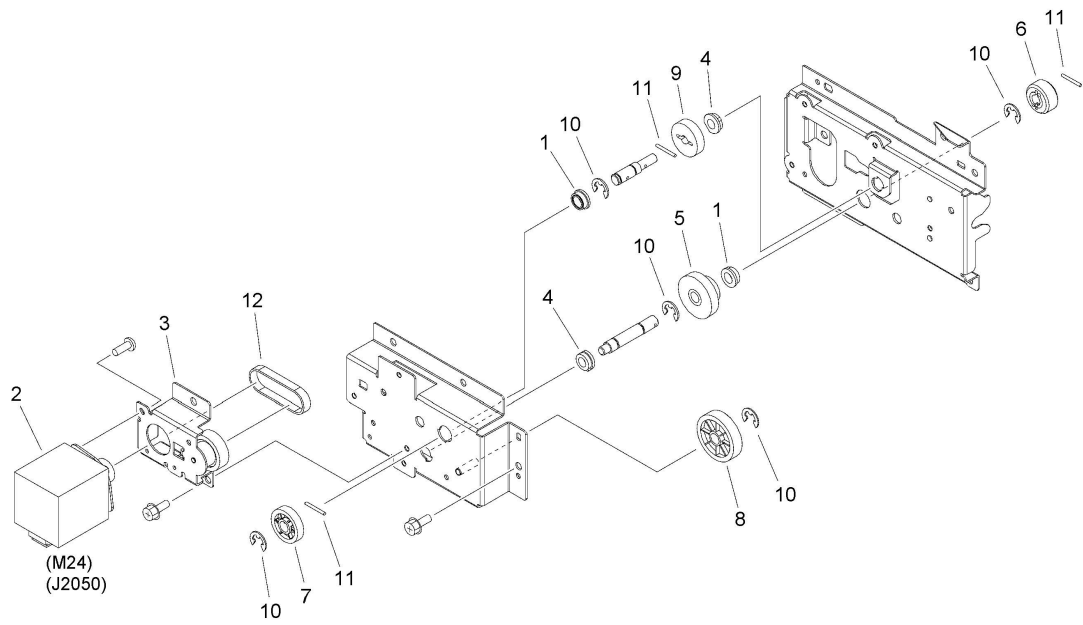
FIG/KEY	PART NUMBER	RANK	QTY	DESCRIPTION	REMARKS
250	NPN		RF	MAIN DRIVE ASS'Y	
1	FC9-5263-000		1	HOLDER, SPRING	
2	FC9-9156-000		1	COUPLING	
3	FK2-7674-000		1	MOTOR, STEPPING, DC	M11
4	FK2-7675-000		2	MOTOR, STEPPING, DC	M26, M31
5	FK3-3275-000		1	MOTOR, STEPPING, DC	M33
6	FL3-0247-000		1	COVER, DRIVE ASS'Y	
7	FL3-0248-000		1	COVER, MULTI PRE-REG. DRIVE	
8	FL3-0255-000		2	COVER, DRIVE ASS'Y	
9	FM4-1038-000		1	CABLE, REG. MOTOR	
10	FM4-4319-000		1	CABLE, MOTOR	
11	FM4-5154-000		1	MAIN DRIVE UNIT	
12	FS5-2925-000		1	SPRING, TORSION	
13	FU8-0334-000		2	GEAR, 36T	
14	XD9-0300-000		1	PIN, PARALLEL	
15	XF2-1606-260		4	BELT, TIMING, COGGED	
16	FS1-1508-000		1	BUSHING	
17	XD9-0137-000		3	RING, E	
18	XG9-0709-000		1	BEARING, BALL, MF128ZZ-3	
19	XD9-0290-000		2	PIN, PARALLEL	
20	FC8-9366-000		1	SHAFT, DRIVE	

Figure 260 V. PATH/CST. PICK-UP ASS'Y



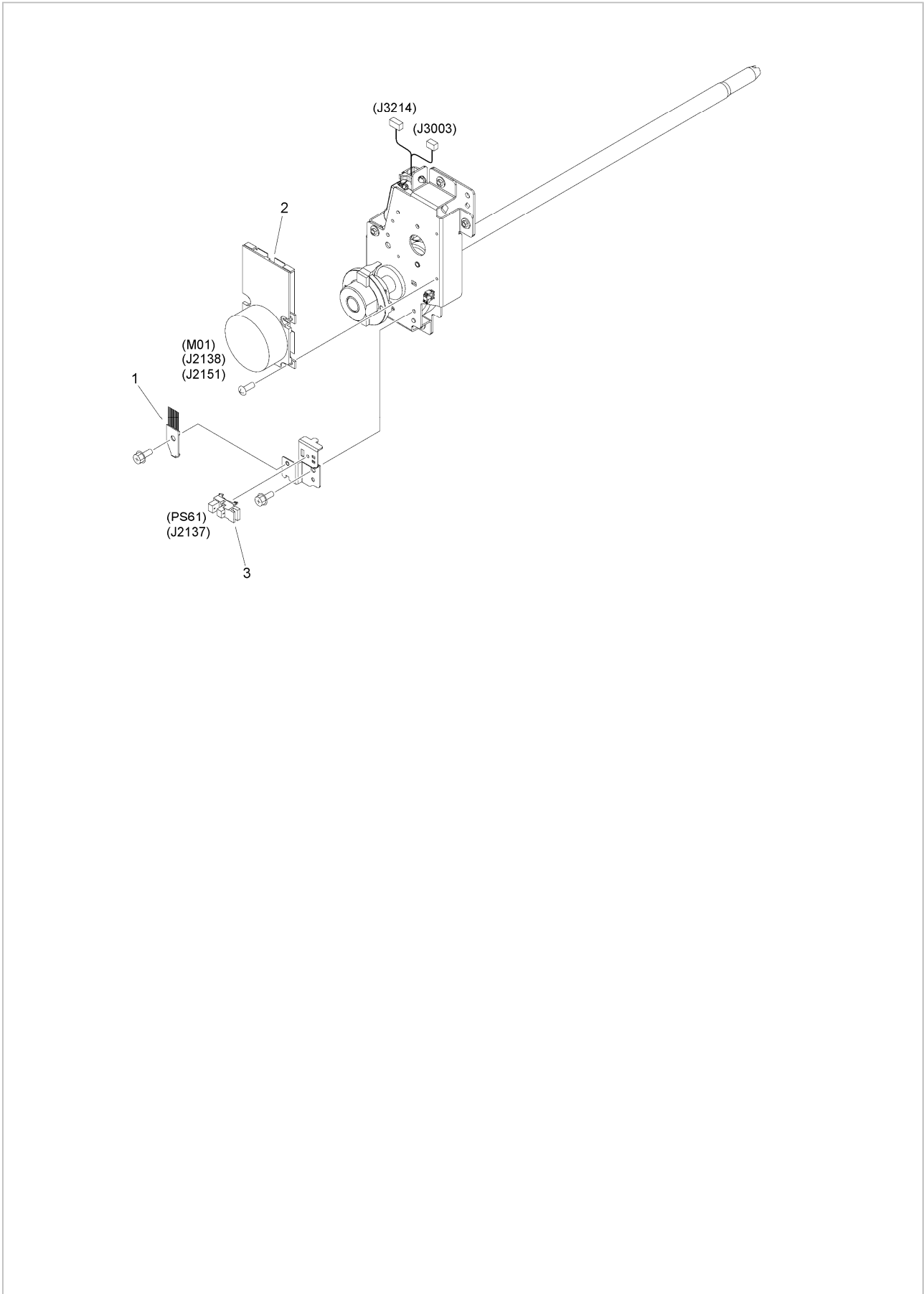
FIG/KEY	PART NUMBER	RANK	QTY	DESCRIPTION	REMARKS
260	FM3-7374-000		1	PAPER PICK-UP DRIVE ASSEMBLY	
1	FK2-7675-000		2	MOTOR, STEPPING, DC	M12, M27
2	FL3-0255-000		2	COVER, DRIVE ASS'Y	
3	FM4-5155-000		1	V.PATH/CST.PICK-UP DRIVE UNIT	
4	XF2-1606-260		2	BELT, TIMING, COGGED	
5	FM4-1039-000		1	CABLE, CASSETTE MOTOR	
6	FM4-4319-000		1	CABLE, MOTOR	

Figure 261 LEFT DECK PICK-UP DRIVE ASS'Y



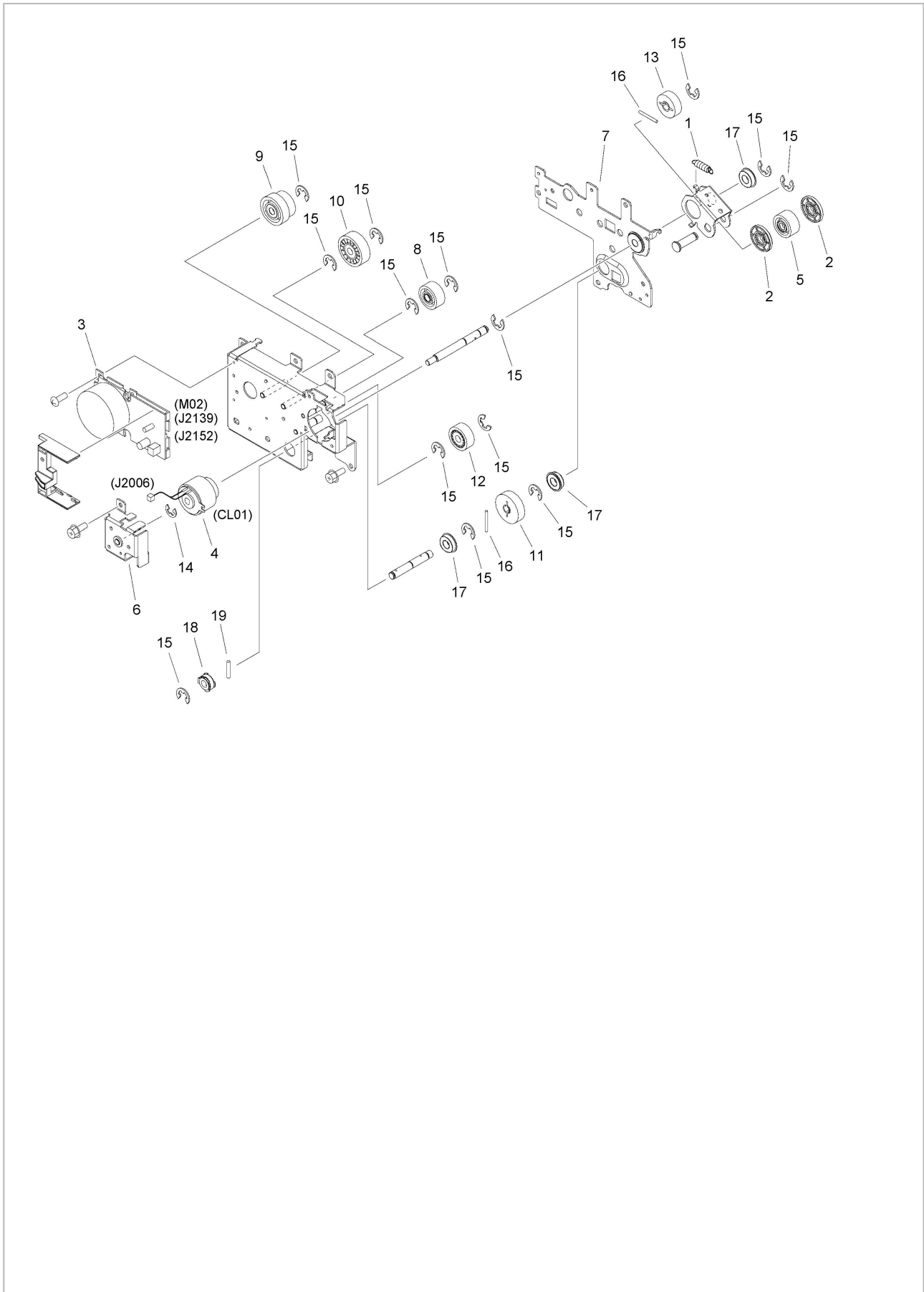
FIG/KEY	PART NUMBER	RANK	QTY	DESCRIPTION	REMARKS
261	FM4-0947-000		1	LEFT DECK PICK-UP DRIVE ASS'Y	
1	XG9-0737-000		2	BUSHING	
2	FK2-7674-000		1	MOTOR, STEPPING, DC	M24
3	FL3-0247-000		1	COVER, DRIVE ASS'Y	
4	FS1-1508-000		2	BUSHING	
5	FU5-0204-000		1	GEAR, 30T	
6	FU5-0266-000		1	GEAR, 20T	
7	FU8-0335-000		1	GEAR, 28T	
8	FU8-0908-000		1	GEAR, 33T	
9	FU9-0050-000		1	GEAR, 23T	
10	XD9-0137-010		5	RING, E	
11	XD9-0290-000		3	PIN, PARALLEL	
12	XF2-1606-260		1	BELT, TIMING, COGGED	

Figure 270B DRUM DRIVE ASS'Y



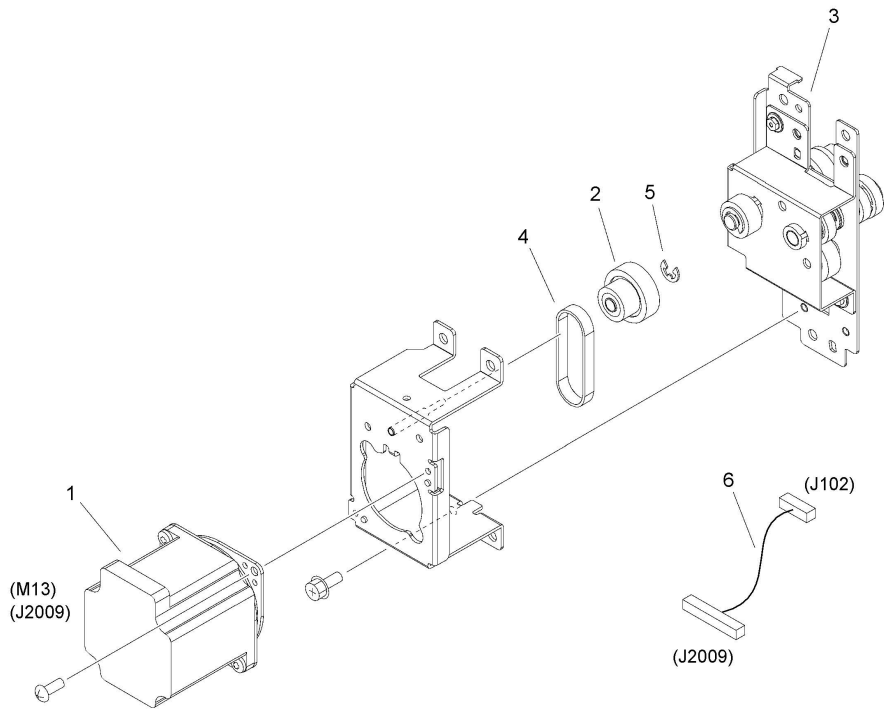
FIG/KEY	PART NUMBER	RANK	QTY	DESCRIPTION	REMARKS
270B	FM4-0904-000		1	DRUM DRIVE ASS'Y	
1	FC6-9029-000		1	BRUSH, GROUNDING	
2	FK2-7671-000		1	MOTOR, DC	M01
3	WG8-5848-000		1	IC, PHOTO- INTERRUPTER	PS61

Figure 271B DEVELOPING DRIVE ASS'Y



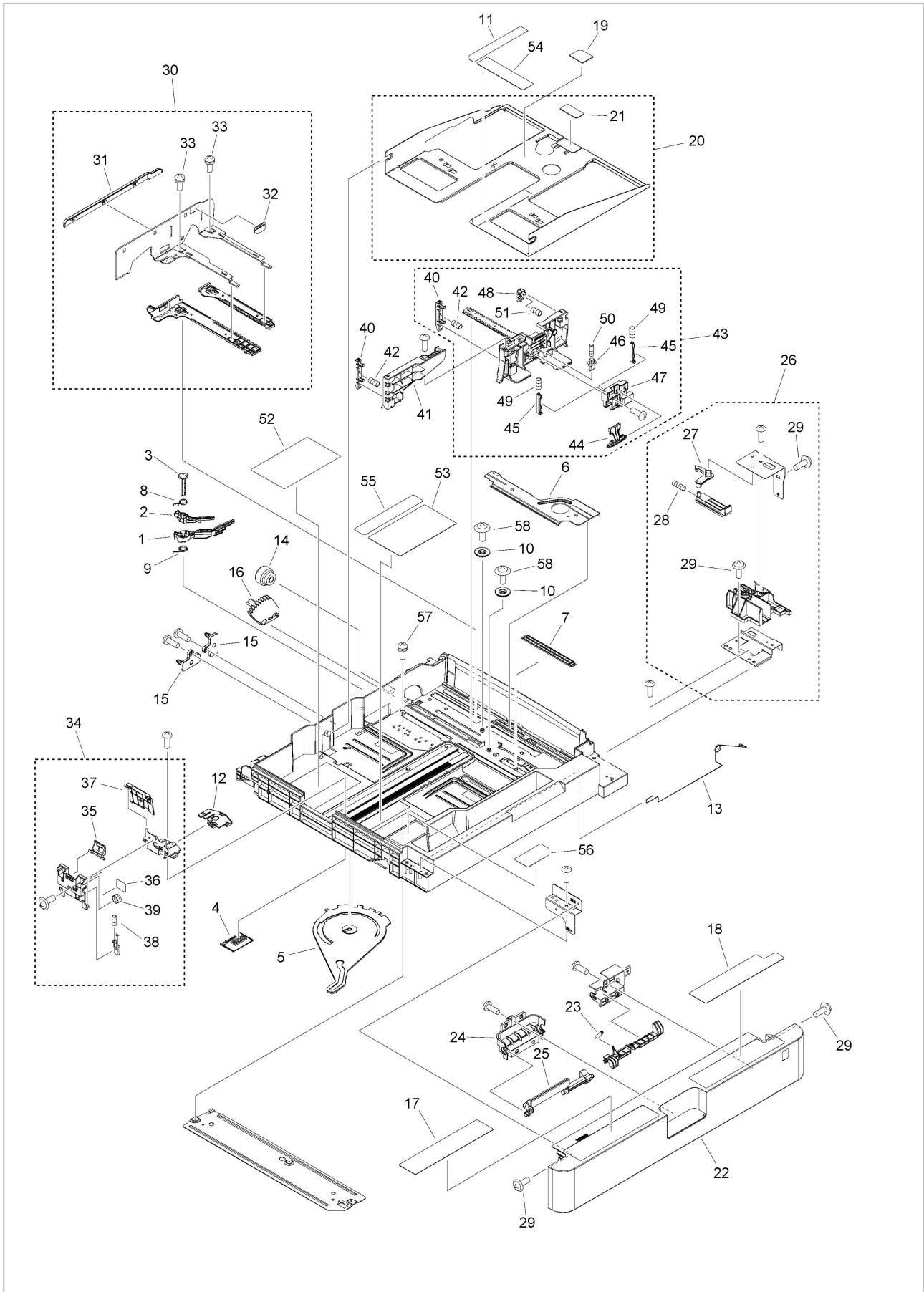
FIG/KEY	PART NUMBER	RANK	QTY	DESCRIPTION	REMARKS
271B	FM3-7386-000		1	DEVELOPING DRIVE ASS'Y	
1	FC8-7125-000		1	SPRING, TENSION	
2	FC8-9495-000		2	ROLLER	
3	FK2-7667-000		1	MOTOR, DC	MO2
4	FK2-7684-000		1	CLUTCH, ELECTROMAGNETIC	CL01
5	FL3-2169-000		1	GEAR, 29T	
6	FL3-2806-000		1	SUPPORT, CLUTCH	
7	FL3-2807-000		1	PLATE, DEVELOPING DRIVE, 1	
8	FL3-3869-000		1	GEAR, 30T	
9	FL3-4560-000		1	GEAR, 50T/32T	
10	FL3-4575-000		1	GEAR, 40T	
11	FU5-0236-000		1	GEAR, 38T	
12	FU6-0562-000		1	GEAR, 30T	
13	FU6-0603-000		1	GEAR, 30T	
14	XD9-0136-000		1	RING, E	
15	XD9-0137-010		15	RING, E	
16	XD9-0292-000		2	PIN, PARALLEL	
17	XG9-0794-000		3	BEARING, BALL, LNR-1680KKR	
18	FU9-0157-000		1	PULLEY, 28T	
19	XD9-0289-000		1	PIN, PARALLEL	

Figure 280 DELIVERY REVERSE DRIVE ASS'Y



FIG/KEY	PART NUMBER	RANK	QTY	DESCRIPTION	REMARKS
280	NPN		RF	DELIVERY REVERSE DRIVE ASS'Y	
1	FK2-7675-000		1	MOTOR, STEPPING, DC	M13
2	FL3-2819-000		1	GEAR, 30T/PULLEY, 28T	
3	FM4-5138-010		1	DELIVERY REVERSE DRIVE UNIT	
4	XF2-1606-260		1	BELT, TIMING, COGGED	
5	XD9-0135-000		1	RING, E	
6	FM4-4319-000		1	CABLE, MOTOR	

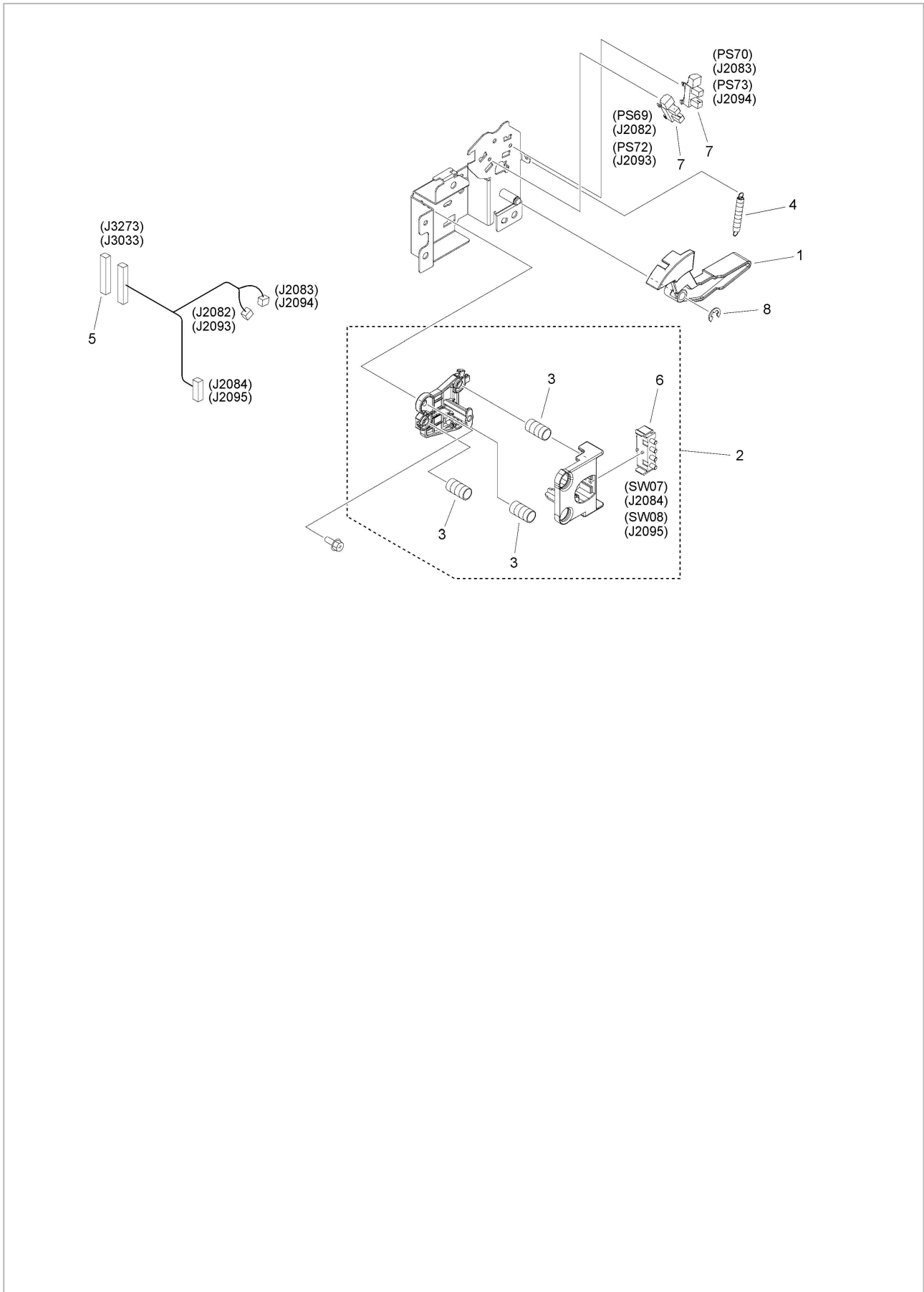
Figure 300 CASSETTE ASSEMBLY



FIG/KEY	PART NUMBER	RANK	QTY	DESCRIPTION	REMARKS
300	FM1-G103-000		1	CASSETTE ASSEMBLY	
1	FC8-2469-000		1	DIAL, DETECT, SMALL	
2	FC8-2470-000		1	DIAL, DETECT, LARGE	
3	FC8-2474-000		1	SHAFT, SUPPORT	
4	FC8-2475-000		1	PLATE, JOINT	
5	FC8-2476-000		1	LINK, BACK END DETECT	
6	FC8-2482-000		1	PLATE, LIFTER	
7	FC8-2670-000		1	PLATE, FREE STOP	
8	FC8-2671-000		1	SPRING, TORSION	
9	FC8-2672-000		1	SPRING, TORSION	
10	FC8-4990-000		2	GEAR, 14T	
11	FC8-4994-000		1	LABEL, SIZE INDEX, END	
12	FC8-4996-000		1	COVER, TOP	
13	FC8-9051-000		1	SPRING, GROUNDING	
14	FC9-3785-000		1	COUPLING	
15	FC9-3831-000		2	PIN, SIZE DETECT	
16	FC9-3962-000		1	GEAR, 50T	
17	FE4-5875-000		1	LABEL, PAPER SET	
18	FE4-5876-000		1	LABEL, CASSETTE SIZE CAUTION	
19	FE4-5900-000		1	LABEL, PAPER SUPPLY	
20	FL2-8638-000		1	PLATE, LIFTING	
21	FB6-3499-000		1	SHEET, SEPARATION	
22	FE4-1282-000		1	COVER, CASSETTE, FRONT	
23	FE4-5073-000		1	SPRING, TENSION	
24	FE4-5426-000		1	SUPPORT, LEVER	
25	FE4-5427-000		1	LEVER	
26	FM1-G105-000		1	BUTTON LINK MOUNT ASSEMBLY	
27	FE4-1287-000		1	ARM, LOCK, A	
28	FU7-2518-000		1	SPRING, COMPRESSION	
29	XA9-0926-000		15	SCREW, TP, M4X8	
30	FM3-8906-010		1	SIDE END PLATE ASSEMBLY, REAR	
31	FC0-2781-000		1	COVER, PAPER SIDE END	
32	FC8-4964-010		1	LABEL, HEIGHT LIMIT, S	
33	XA9-2006-000		4	SCREW, W/WASHER, M3X6	
34	FM3-8907-000		1	BACK END LIMIT PLATE ASSEMBLY	
35	FC8-2466-000		1	LEVER	
36	FC8-4965-000		1	LABEL, HEIGHT LIMIT, R	
37	FC8-4997-000		1	FLAPPER	
38	FU7-2328-000		1	SPRING, COMPRESSION	
39	FU7-2515-000		1	SPRING, COMPRESSION	
40	FC8-5262-000		2	BLOCK, PAPER SIDE END, LARGE	
41	FC9-0133-000		1	PLATE, PAPER SIDE END EXTENSION	
42	FU7-2514-000		2	SPRING, COMPRESSION	
43	FM4-5709-010		1	SIDE END PLATE ASSEMBLY, FRONT	
44	FC8-2462-000		1	KNOB, PAPER SIDE END	
45	FC8-2463-000		2	STOPPER	
46	FC8-2464-000		1	PLATE, CLICK	
47	FC8-2484-000		1	COVER, HANDLE	
48	FM3-8911-000		1	BLOCK, PAPER SIDE END, SMALL	
49	FU7-2326-000		2	SPRING, COMPRESSION	
50	FU7-2327-000		1	SPRING, COMPRESSION	
51	FU7-2513-000		1	SPRING, COMPRESSION	
52	FU6-8535-000		1	LABEL, TAB PAPER SET, 1	
53	FU6-8536-010		1	LABEL, TAB PAPER SET, 2	

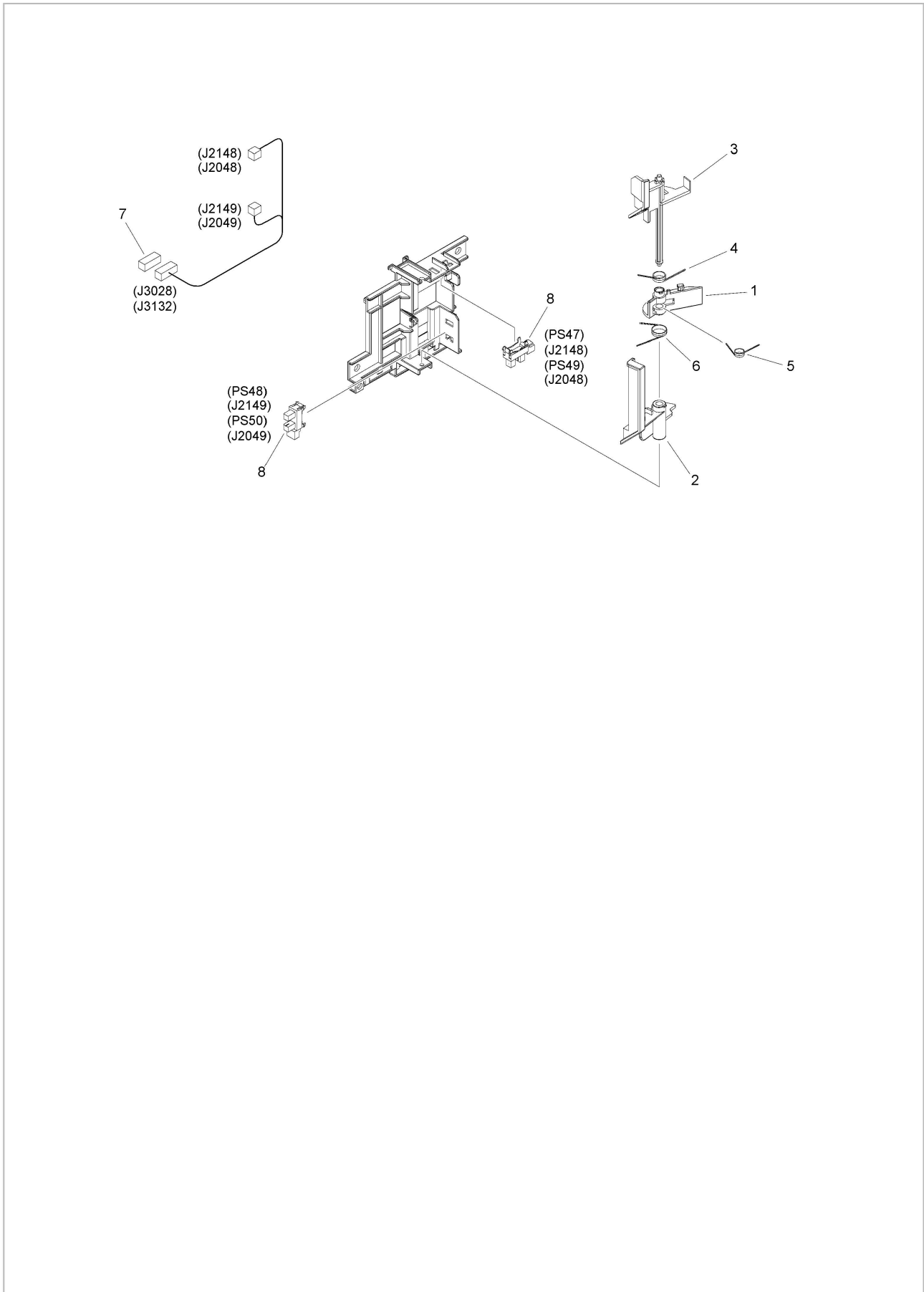
FIG/KEY	PART NUMBER	RANK	QTY	DESCRIPTION	REMARKS
54	FU6-8538-000		1	LABEL, SIZE INDEX, SIDE	
55	FU6-8539-000		1	LABEL, SIZE INDEX, BACK END	
56	FU7-8292-000		1	LABEL, INDEX PAPER GUIDE AUX.	
57	XA9-1016-000		2	SCREW W/WASHER, M3X6	
58	XA9-1523-000		2	SCREW, B, M4X8	

Figure 301 CST. SIZE/REMNANT DETECT ASS'Y



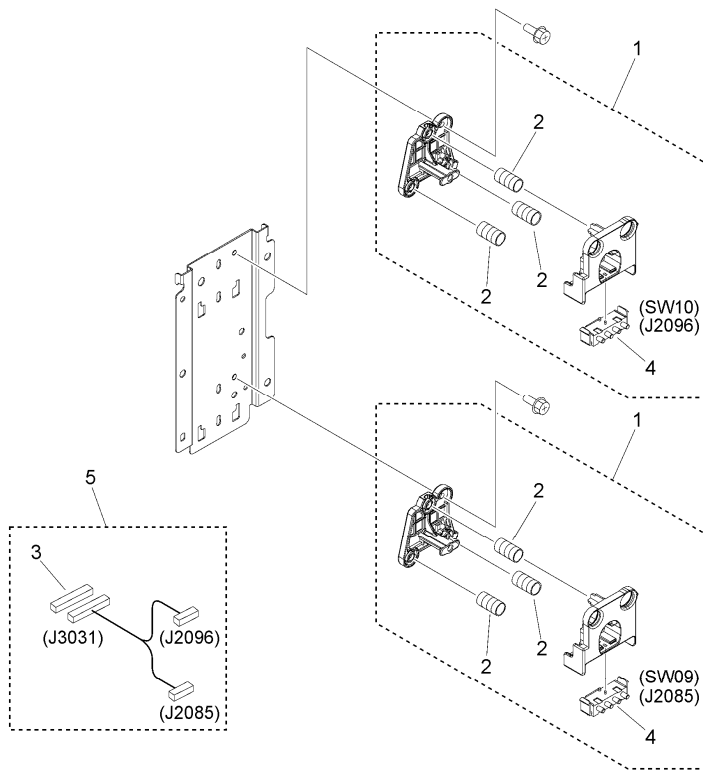
FIG/KEY	PART NUMBER	RANK	QTY	DESCRIPTION	REMARKS
301	FM4-0929-000		1	CST. SIZE/REMNANT DETECT ASS'Y	
1	FC8-2487-000		1	ARM, REMNANT DETECT	
2	FM3-4932-000		1	SWITCH HOLDER UNIT	
3	FU7-2332-000		3	SPRING, COMPRESSION	
4	FU7-2333-000		1	SPRING, TENSION	
5	VS1-8412-011		1	CONNECTOR, SNAP TIGHT, BL	
6	WC2-5680-000		1	SWITCH, DETECT PUSH	SW07 , SW08
7	WG8-5848-000		2	IC, PHOTO-INTERRUPTER	PS69 , PS70 , PS72 , PS73
8	XD9-0136-000		1	RING, E	

Figure 302 DECK REMNANT DETECT ASS'Y



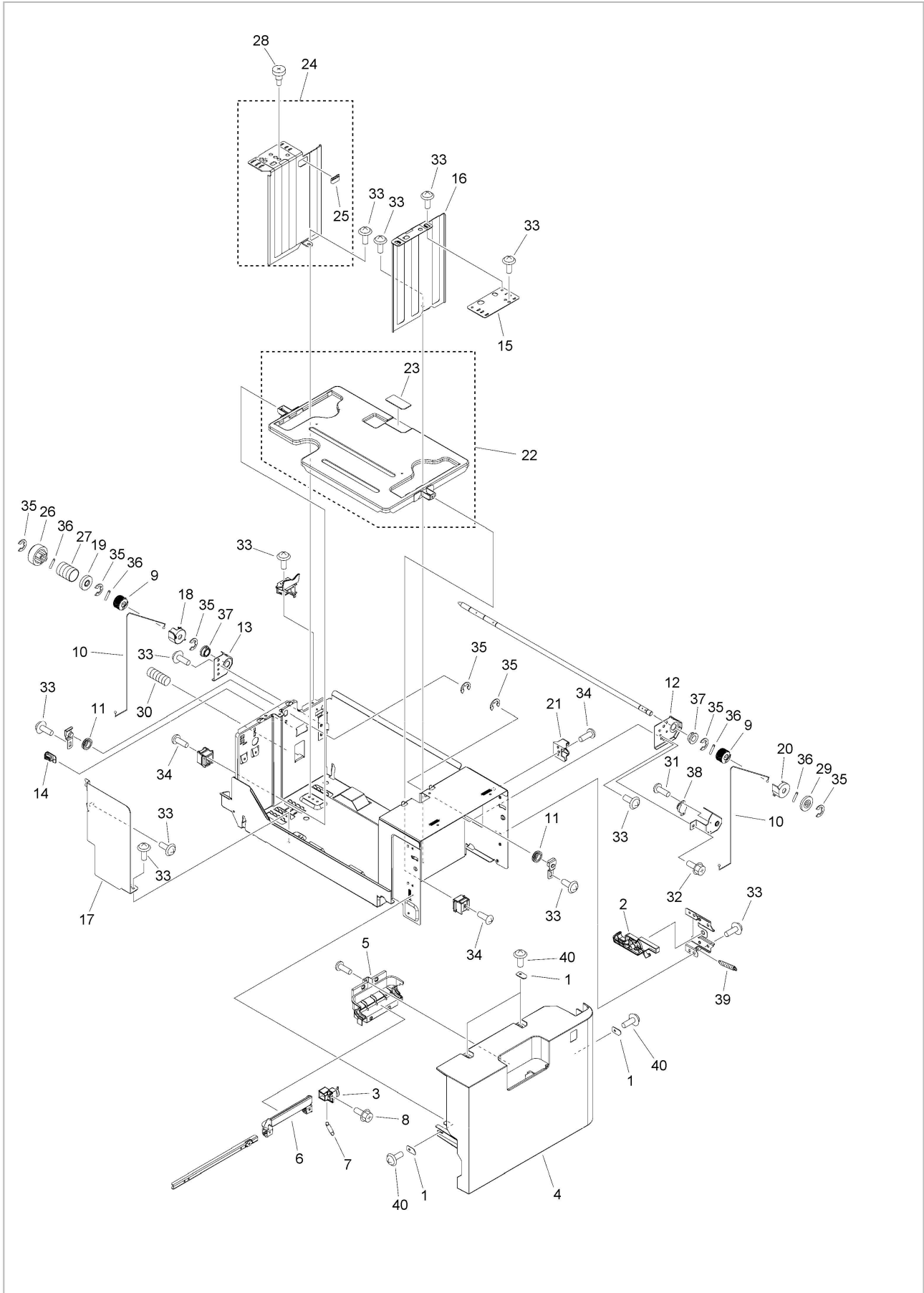
FIG/KEY	PART NUMBER	RANK	QTY	DESCRIPTION	REMARKS
302	FM4-0931-000		1	DECK REMNANT DETECT ASS'Y	
1	FC9-3963-000		1	FLAG, PRESENCE	
2	FC9-3964-000		1	FLAG, REMNANT DETECT, 1	
3	FC9-3965-000		1	FLAG, REMNANT DETECT, 2	
4	FC9-3966-000		1	SPRING, TORSION	
5	FC9-3967-000		1	SPRING, TORSION	
6	FC9-3968-000		1	SPRING, TORSION	
7	VS1-8412-007		1	CONNECTOR, SNAP TIGHT, BL	
8	WG8-5848-000		2	IC, PHOTO-INTERRUPTER	PS47, PS48, PS49, PS50

Figure 303 CASSETTE SIZE DETECT ASS'Y



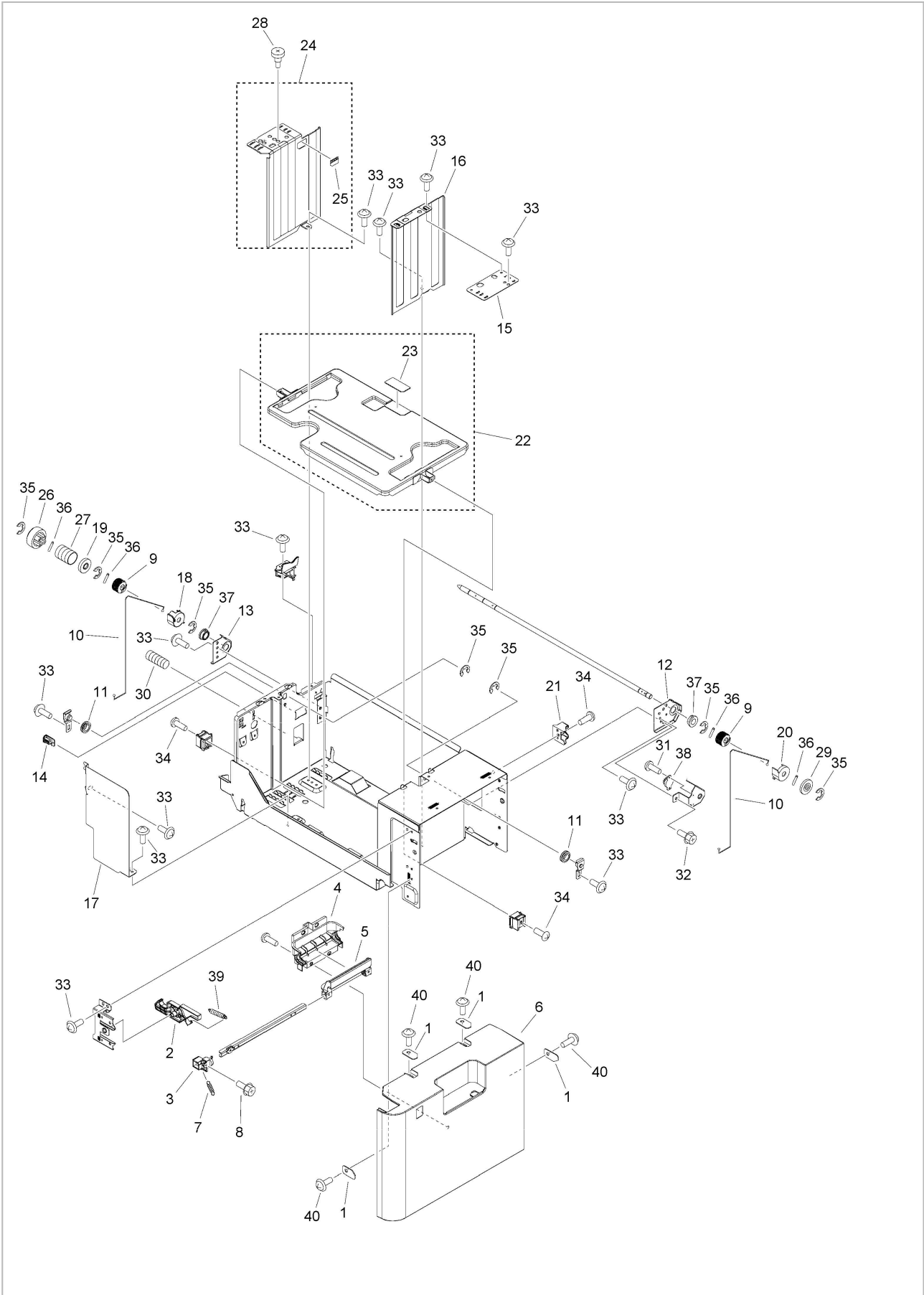
FIG/KEY	PART NUMBER	RANK	QTY	DESCRIPTION	REMARKS
303	NPN		RF	CASSETTE SIZE DETECT ASS'Y	
1	FM3-4932-000		2	SWITCH HOLDER UNIT	
2	FU7-2332-000		6	SPRING, COMPRESSION	
3	VS1-8412-013		1	CONNECTOR, SNAP TIGHT, BL	
4	WC2-5680-000		2	SWITCH, DETECT PUSH	SW09, SW10
5	FM4-1044-000		1	CABLE, CASSETTE LENGTH SENSING	

Figure 304 PAPER STOCK ASS'Y, RIGHT



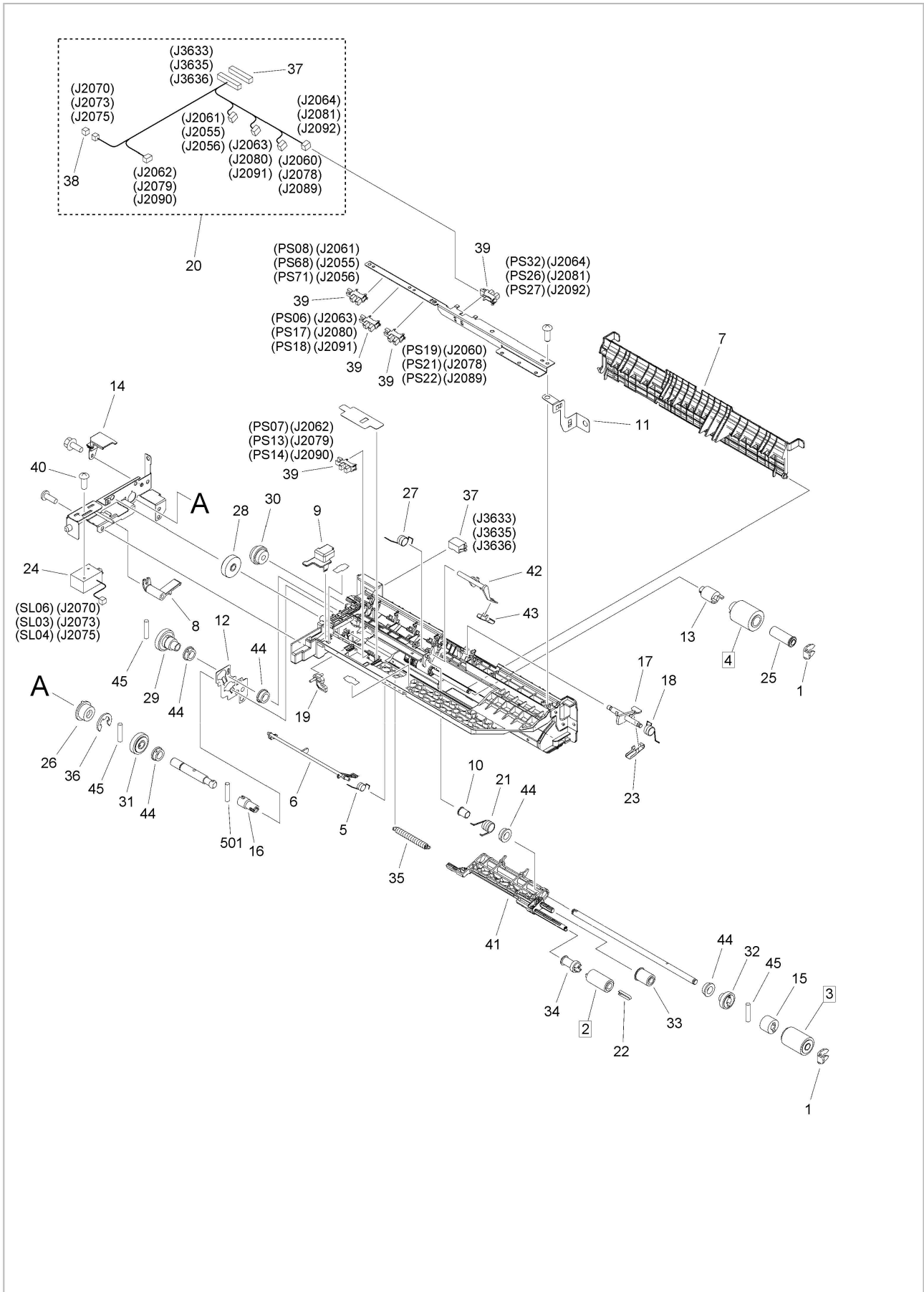
FIG/KEY	PART NUMBER	RANK	QTY	DESCRIPTION	REMARKS
304	FM1-G120-000		1	PAPER STOCK ASS'Y, RIGHT	
1	FE3-8153-000		4	WASHER	
2	FE4-1288-000		1	HOOK	
3	FE4-1289-000		1	LEVER, DECK	
4	FE4-1294-000		1	COVER, DECK FRONT, RIGHT	
5	FE4-1297-000		1	COVER, HANDLE, LEFT	
6	FE4-1298-000		1	HANDLE, LEFT	
7	FE4-2098-000		1	SPRING, TENSION	
8	XA9-1386-000		1	SCREW,RS,M3X8	
9	FB2-8465-000		2	PULLEY, LIFTING	
10	FC0-2206-000		2	WIRE	
11	FC5-2609-000		2	PULLEY	
12	FC6-3762-000		1	SUPPORT, SHAFT, FRONT	
13	FC6-3763-000		1	SUPPORT,SHAFT,REAR	
14	FC6-9969-000		1	SLIDER, RACK	
15	FC8-2533-000		1	PLATE, PAPER SIDE END ADJUST	
16	FC8-7356-000		1	PLATE, PAPER SIDE END, FRONT	
17	FC8-7358-000		1	PLATE, BACK END LIMIT	
18	FC9-3989-000		1	FLANGE, LIFT	
19	FC9-4119-000		1	STOPPER, COUPLING	
20	FC9-8565-000		1	FLANGE, LIFT	
21	FC9-9359-010		1	BLOCK, POSITIONING	
22	FL3-0237-000		1	PLATE, LIFTER	
23	FB6-3499-000		1	SHEET, SEPARATION	
24	FL3-0238-000		1	PLATE, PAPER SIDE END, REAR	
25	FC8-4964-010		1	LABEL, HEIGHT LIMIT, S	
26	FS4-0160-000		1	GEAR, 28T	
27	FS4-2136-000		1	SPRING, COMPRESSION	
28	FS5-9360-020		1	SCREW,STEPPED,M4	
29	FU0-0078-000		1	GEAR, 27T	
30	FU8-2361-000		1	SPRING, COMPRESSION	
31	XA1-1200-405		2	SCREW PH2X4 (S)	
32	XA9-0732-010		1	SCREW,RS,M4X8	
33	XA9-1450-000		15	SCREW, TP, M4X6	
34	XA9-1934-000		3	SCREW, M4X4	
35	XD9-0137-010		7	RING, E	
36	XD9-0289-000		4	PIN, PARALLEL	
37	XG9-0737-000		2	BUSHING	
38	XH9-0148-000		1	DAMPER, OIL	
39	FU7-2368-000		1	SPRING, TENSION	
40	XA9-1249-010		4	SCREW,TP M4X8	

Figure 305 PAPER STOCK ASS'Y, LEFT



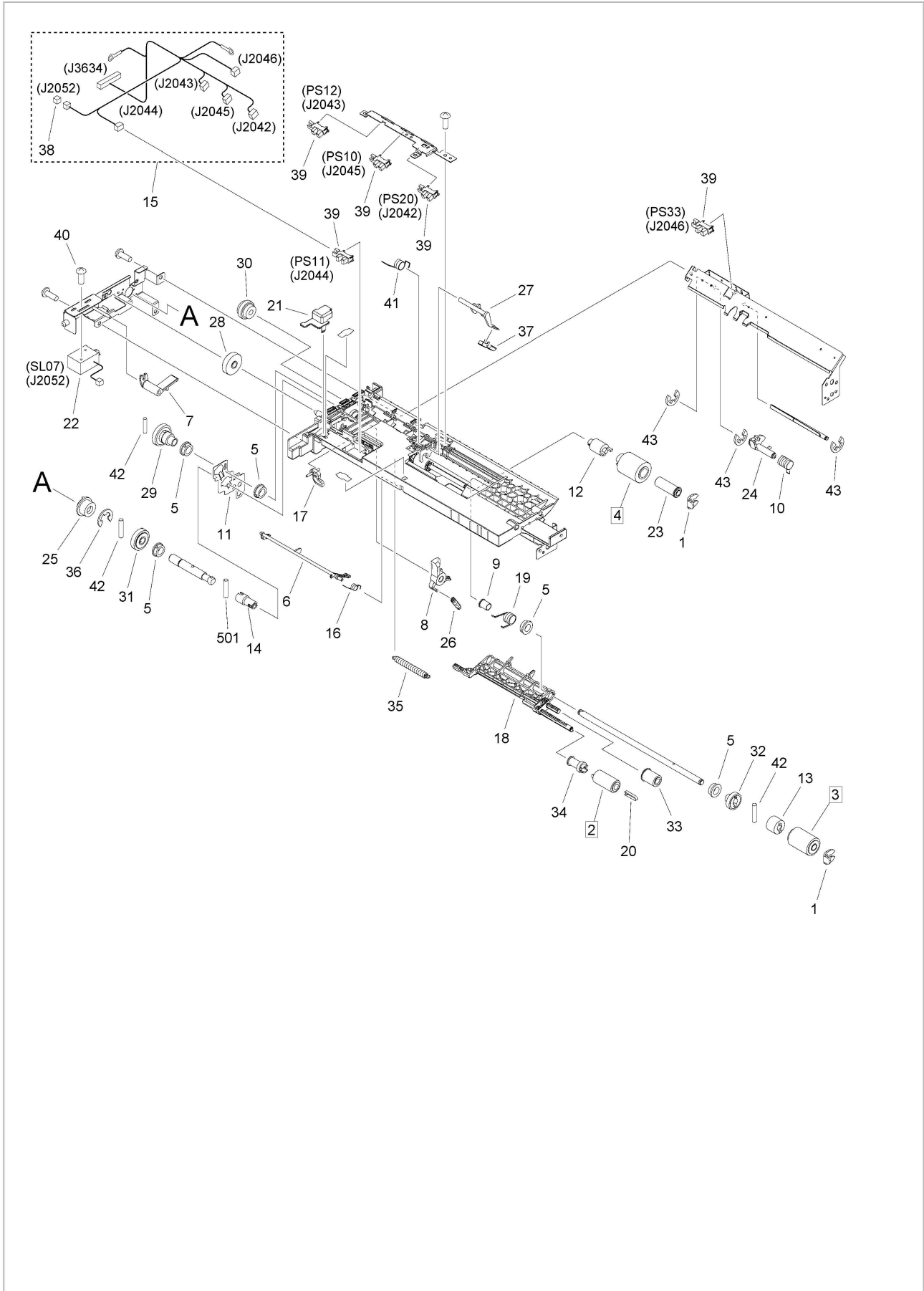
FIG/KEY	PART NUMBER	RANK	QTY	DESCRIPTION	REMARKS
305	FM1-G117-000		1	PAPER STOCK ASS'Y, LEFT	
1	FE3-8153-000		4	WASHER	
2	FE4-1288-000		1	HOOK	
3	FE4-1289-000		1	LEVER, DECK	
4	FE4-1297-000		1	COVER, HANDLE, LEFT	
5	FE4-1298-000		1	HANDLE, LEFT	
6	FE4-1299-000		1	COVER, DECK FRONT, LEFT	
7	FE4-2098-000		1	SPRING, TENSION	
8	XA9-1386-000		1	SCREW,RS,M3X8	
9	FB2-8465-000		2	PULLEY, LIFTING	
10	FC0-2206-000		2	WIRE	
11	FC5-2609-000		2	PULLEY	
12	FC6-3762-000		1	SUPPORT, SHAFT, FRONT	
13	FC6-3763-000		1	SUPPORT,SHAFT,REAR	
14	FC6-9969-000		1	SLIDER, RACK	
15	FC8-2533-000		1	PLATE, PAPER SIDE END ADJUST	
16	FC8-7356-000		1	PLATE, PAPER SIDE END, FRONT	
17	FC8-7358-000		1	PLATE, BACK END LIMIT	
18	FC9-3989-000		1	FLANGE, LIFT	
19	FC9-4119-000		1	STOPPER, COUPLING	
20	FC9-8565-000		1	FLANGE, LIFT	
21	FC9-9359-010		1	BLOCK, POSITIONING	
22	FL3-0237-000		1	PLATE, LIFTER	
23	FB6-3499-000		1	SHEET, SEPARATION	
24	FL3-0238-000		1	PLATE, PAPER SIDE END, REAR	
25	FC8-4964-010		1	LABEL, HEIGHT LIMIT, S	
26	FS4-0160-000		1	GEAR, 28T	
27	FS4-2136-000		1	SPRING, COMPRESSION	
28	FS5-9360-020		1	SCREW,STEPPED,M4	
29	FU0-0078-000		1	GEAR, 27T	
30	FU8-2361-000		1	SPRING, COMPRESSION	
31	XA1-1200-405		2	SCREW PH2X4 (S)	
32	XA9-0732-010		1	SCREW,RS,M4X8	
33	XA9-1450-000		15	SCREW, TP, M4X6	
34	XA9-1934-000		3	SCREW, M4X4	
35	XD9-0137-010		7	RING, E	
36	XD9-0289-000		4	PIN, PARALLEL	
37	XG9-0737-000		2	BUSHING	
38	XH9-0148-000		1	DAMPER, OIL	
39	FU7-2368-000		1	SPRING, TENSION	
40	XA9-1249-010		4	SCREW,TP M4X8	

Figure 310B PAPER PICK-UP ASS'Y, RIGHT



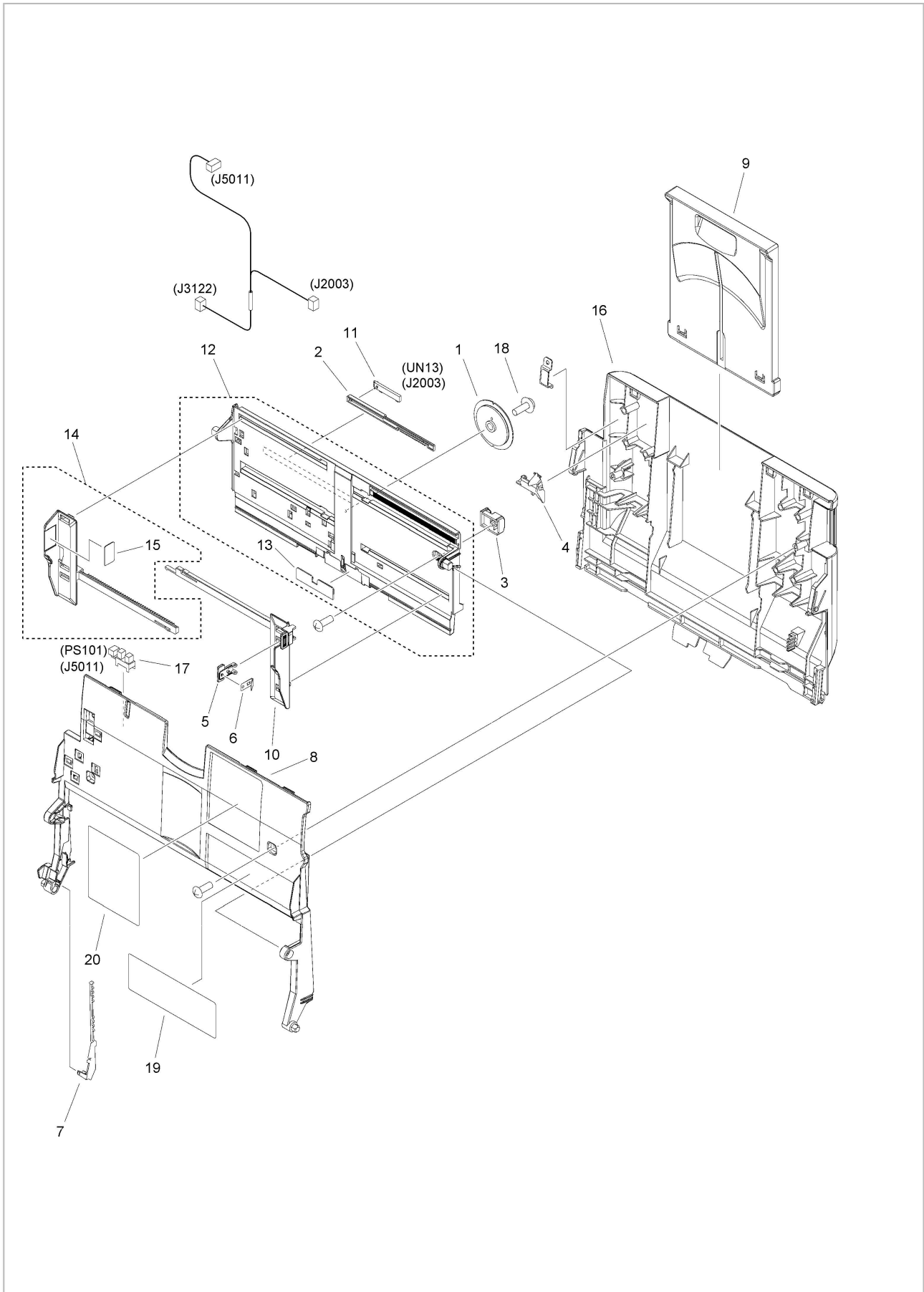
FIG/KEY	PART NUMBER	RANK	QTY	DESCRIPTION	REMARKS
310B	FMO-3209-010		1	PAPER PICK-UP ASS'Y, RIGHT	
1	FB4-2007-000		2	RING, RETAINING	
2	FC5-2524-000		1	ROLLER, PAPER PICK-UP	[DP]
3	FC5-2526-000		1	ROLLER, PAPER FEEDER	[DP]
4	FC5-2528-000		1	ROLLER, SEPARATION	[DP]
5	FC9-8060-000		1	SPRING, TORSION	
6	FC5-2537-010		1	LEVER, PAPER SENSOR	
7	FC5-2538-000		1	GUIDE, SWING	
8	FC5-2540-000		1	ARM, PICK-UP	
9	FC5-2547-000		1	COVER, SOLENOID CABLE	
10	FC5-2548-000		1	COLLAR, SPRING	
11	FC5-2573-000		1	PLATE, GROUNDING	
12	FC5-6211-000		1	PLATE, SHAFT GROUNDING, FEEDER	
13	FC0-8737-000		1	LIMITER, TORQUE	
14	FC5-6260-000		1	COVER, CONNECTOR	
15	FC6-3863-000		1	CLUTCH, ONE-WAY	
16	FC6-4358-000		1	JOINT, RETARD	
17	FC8-7812-000		1	FLAG, VERTICAL PATH SENSOR	
18	FC8-7813-000		1	SPRING, TORSION	
19	FC8-9045-000		1	ARM, RELEASE, PAPER PICK-UP	
20	FM4-1078-000		1	CABLE, PAPER PICK-UP ASS'Y	
21	FC8-9047-000		1	SPRING, TORSION	
22	FC7-5845-000		1	STOPPER, ROLLER	
23	FC9-3970-000		1	PLATE, V. PATH SENSOR FLAG	
24	FL3-4906-000		1	SOLENOID	SL03,SL04,SL06
25	FL3-7179-000		1	HOLDER, BEARING	
26	FL3-2254-000		1	CLUTCH, ONE-WAY	
27	FC5-2542-000		1	SPRING, TORSION	
28	FU5-0183-000		1	GEAR, 30T	
29	FU5-0184-000		1	GEAR, 16T/25T	
30	FU5-0185-000		1	GEAR, 18T/32T	
31	FU5-0186-000		1	GEAR, 24T	
32	FU5-0187-000		1	GEAR, 50T	
33	FU5-0188-000		1	GEAR, 34T	
34	FU5-0263-000		1	GEAR, 32T	
35	FU5-2162-000		1	SPRING, TENSION	
36	XD9-0137-010		1	RING, E	
37	VS1-8412-017		2	CONNECTOR, SNAP TIGHT, BL	
38	VS1-7177-002		1	CONNECTOR, SNAP TIGHT, BK	
39	WG8-5783-000		5	IC,PHOTO- INTERRUPTER ,LG248NL1A	PS06,PS07,PS08,PS13,PS14,PS17,PS18,P S26,PS27,PS32,PS68 ,PS71
40	XA9-1659-000		2	SCREW,M3X4	
41	FC8-7809-000		1	HOLDER, ROLLER SUPPORT	
42	FC5-2535-000		1	FLAG, PAPER PICK-UP SENSOR	
43	FC9-3969-000		1	PLATE, PICK-UP SENSOR FLAG	
44	XG9-0737-000		5	BUSHING	
45	XD9-0301-000		3	PIN, DOWEL	
501	XD3-1250-142		1	PIN, SPRING	

Figure 311B PAPER PICK-UP ASS'Y, LEFT



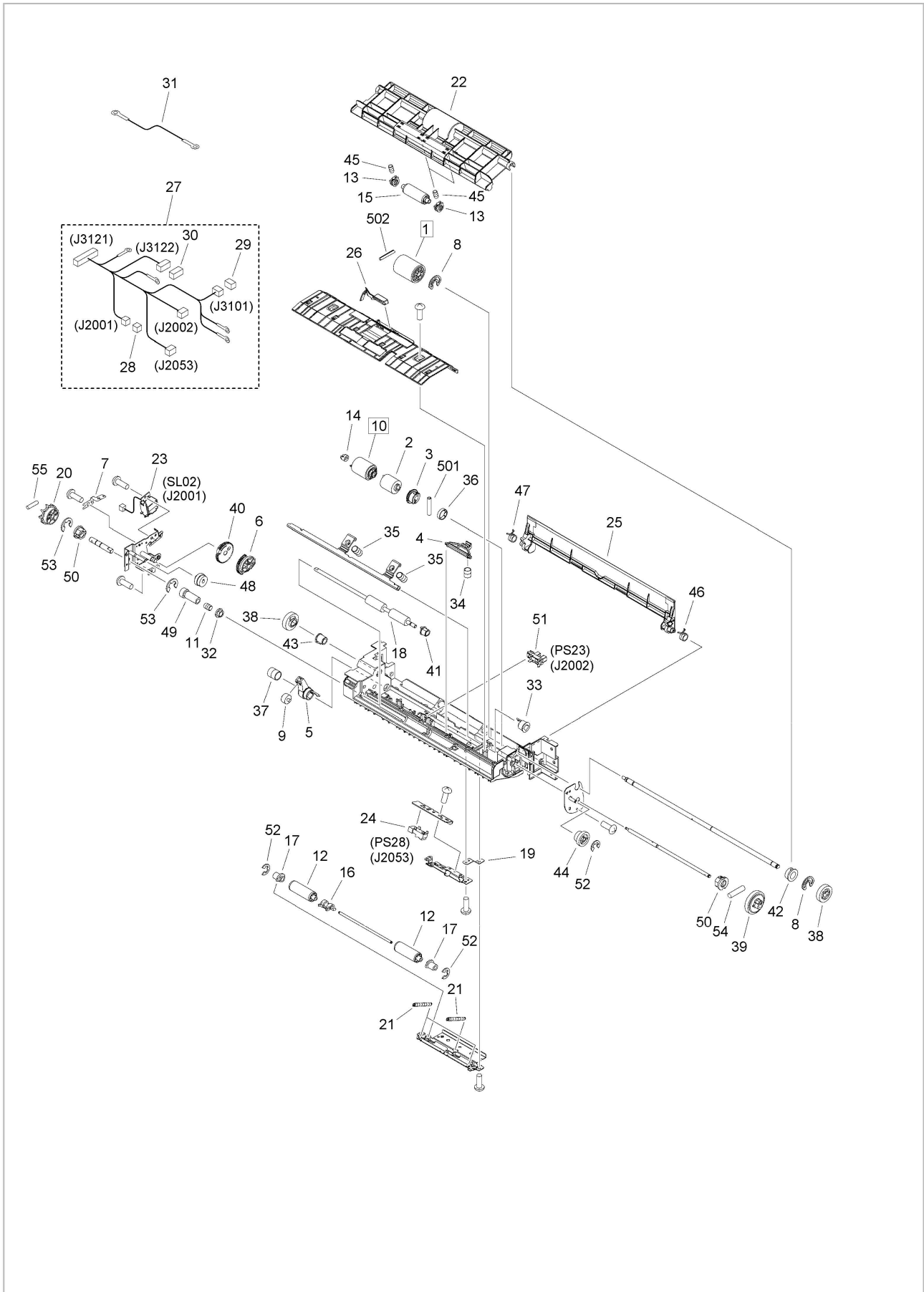
FIG/KEY	PART NUMBER	RANK	QTY	DESCRIPTION	REMARKS
311B	FMO-3210-010		1	PAPER PICK-UP ASS'Y, LEFT	
1	FB4-2007-000		2	RING, RETAINING	
2	FC5-2524-000		1	ROLLER, PAPER PICK-UP	[DP]
3	FC5-2526-000		1	ROLLER, PAPER FEEDER	[DP]
4	FC5-2528-000		1	ROLLER, SEPARATION	[DP]
5	XG9-0737-000		5	BUSHING	
6	FC5-2537-010		1	LEVER, PAPER SENSOR	
7	FC5-2540-000		1	ARM, PICK-UP	
8	FC5-2635-000		1	LEVER, FIXING/FEEDER RELEASE	
9	FC5-2548-000		1	COLLAR, SPRING	
10	FC5-2638-000		1	SPRING, TORSION	
11	FC5-6211-000		1	PLATE, SHAFT GROUNDING, FEEDER	
12	FC0-8737-000		1	LIMITER, TORQUE	
13	FC6-3863-000		1	CLUTCH, ONE-WAY	
14	FC6-4358-000		1	JOINT, RETARD	
15	FM4-1296-000		1	CABLE, DECK PICK-UP, LEFT	
16	FC9-8060-000		1	SPRING, TORSION	
17	FC8-9045-000		1	ARM, RELEASE, PAPER PICK-UP	
18	FC8-7809-000		1	HOLDER, ROLLER SUPPORT	
19	FC8-9047-000		1	SPRING, TORSION	
20	FC7-5845-000		1	STOPPER, ROLLER	
21	FC5-2547-000		1	COVER, SOLENOID CABLE	
22	FL3-4906-000		1	SOLENOID	SL07
23	FL3-7179-000		1	HOLDER, BEARING	
24	FL2-8916-000		1	FLAG, DECK PATH SENSOR, LEFT	
25	FL3-2254-000		1	CLUTCH, ONE-WAY	
26	FU5-2142-000		1	SPRING, TENSION	
27	FC5-2535-000		1	FLAG, PAPER PICK-UP SENSOR	
28	FU5-0183-000		1	GEAR, 30T	
29	FU5-0184-000		1	GEAR, 16T/25T	
30	FU5-0185-000		1	GEAR, 18T/32T	
31	FU5-0186-000		1	GEAR, 24T	
32	FU5-0187-000		1	GEAR, 50T	
33	FU5-0188-000		1	GEAR, 34T	
34	FU5-0263-000		1	GEAR, 32T	
35	FU5-2162-000		1	SPRING, TENSION	
36	XD9-0137-010		1	RING, E	
37	FC9-3969-000		1	PLATE, PICK-UP SENSOR FLAG	
38	VS1-7177-002		1	CONNECTOR, SNAP TIGHT, BK	
39	WG8-5783-000		5	IC, PHOTO- INTERRUPTER, LG248NL1A	PS10, PS11, PS12, PS20, PS33
40	XA9-1659-000		2	SCREW, M3X4	
41	FC5-2542-000		1	SPRING, TORSION	
42	XD9-0301-000		3	PIN, DOWEL	
43	XD9-0133-000		3	RING, E	
501	XD3-1250-142		1	PIN, SPRING	

Figure 312G MULTI TRAY ASSEMBLY



FIG/KEY	PART NUMBER	RANK	QTY	DESCRIPTION	REMARKS
312G	FM1-G112-000		1	MULTI TRAY ASSEMBLY	
1	FB6-3456-000		1	GEAR, 46T/20T	
2	FB6-3457-000		1	RACK	
3	FB6-3459-000		1	BLOCK, SIDE REGIST. ADJUSTING	
4	FC0-9863-000		1	FLAG, SIZE SENSOR	
5	FE4-8652-000		1	STOPPER, SIDE	
6	FC8-2713-000		1	SPRING, LEAF	
7	FE2-0255-000		1	COVER, MULTI CABLE	
8	FE4-1275-000		1	COVER, MULTI INNER	
9	FE4-5414-000		1	TRAY, SECOND	
10	FE4-5416-000		1	PLATE, PAPER SIDE END, FRONT	
11	FH7-7600-010		1	SLIDE VOLUME SENSOR UNIT	UN13
12	FLO-6115-000		1	PLATE, MULTI PRESSURE	
13	FB6-4937-000		1	SHEET, SEPARATION	
14	FLO-6116-000		1	PLATE, PAPER SIDE END, REAR	
15	FE4-5896-000		1	LABEL, MAXIMUM LOAD	
16	FLO-6120-000		1	COVER, MULTI TRAY, LOWER	
17	WG8-5783-000		1	IC, PHOTO- INTERRUPTER, LG248NL1A	PS101
18	XA9-1523-000		1	SCREW, B, M4X8	
19	FE4-5869-000		1	LABEL, MULTI SIZE	SEE NOTE
20	FE4-5879-000		1	LABEL, PAPER SET INSTRUCTION	SEE NOTE

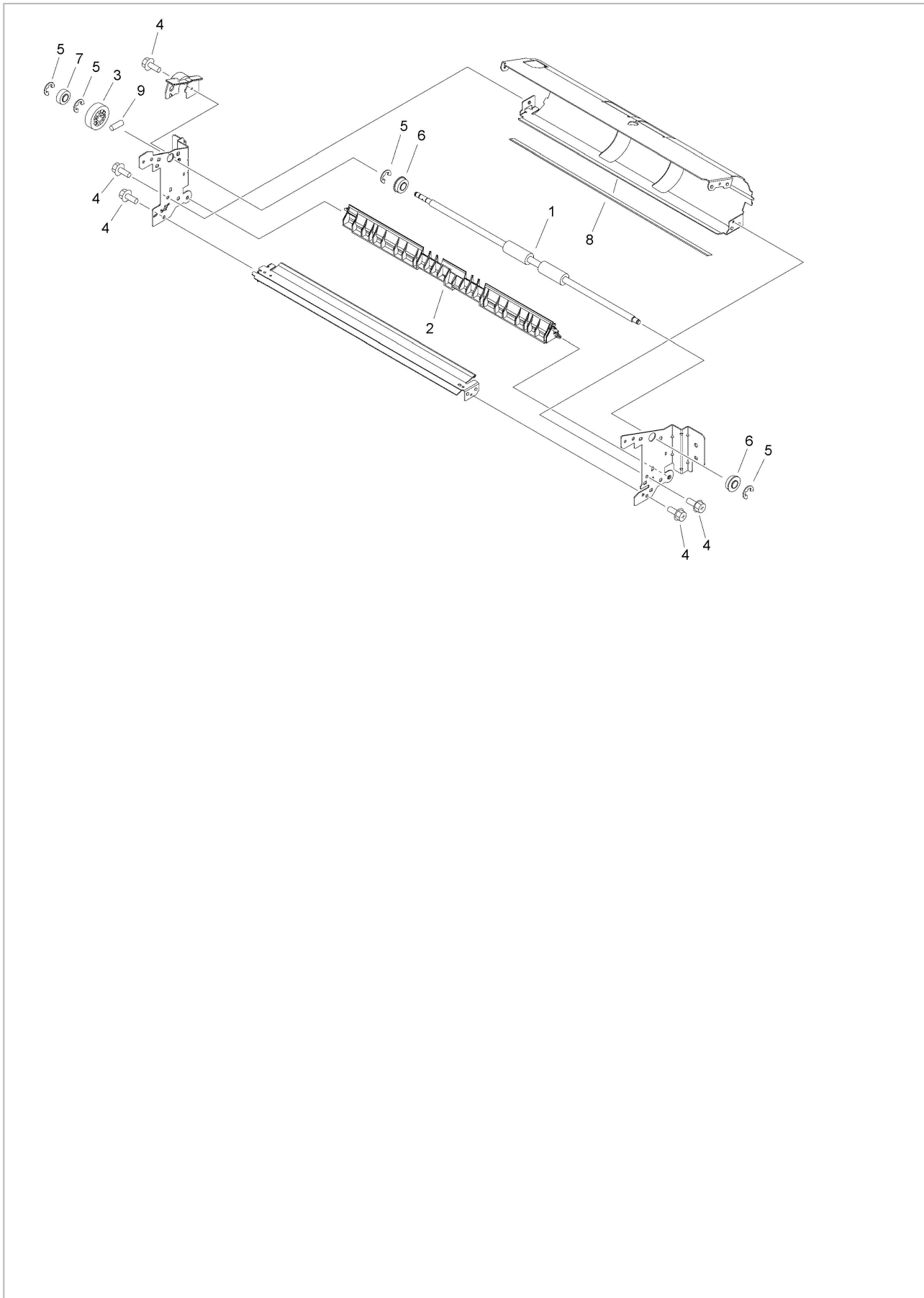
Figure 313 MULTI PAPER PICK-UP ASS'Y



FIG/KEY	PART NUMBER	RANK	QTY	DESCRIPTION	REMARKS
313	FM1-G379-000		1	MULTI PAPER PICK-UP ASS'Y	
1	FB1-8581-000		1	ROLLER	[DP]
2	FB6-3410-000		1	LIMITER, TORQUE	
3	FB6-3463-000		1	CLUTCH	
4	FB6-3464-000		1	HOLDER, SEPARATION ROLLER	
5	FB6-3466-000		1	CAM, JOINT	
6	FB6-3467-000		1	GEAR, 27T	
7	FC5-2179-000		1	PLATE, M.P. GROUNDING, REAR	
8	FC5-2715-000		2	RING, RETAINING	
9	FC5-5078-000		1	ROLLER, ARM	
10	FC6-6661-000		1	ROLLER, SEPARATION	[DP]
11	FC7-5009-000		1	SPRING, COMPRESSION	
12	FC7-7208-000		2	ROLLER, DRIVEN	
13	FC7-7209-000		4	BUSHING, VERTICAL ROLLER	
14	FC8-0785-000		1	HEAD, ROLLER SHAFT	
15	FC8-3782-000		2	ROLLER, PAPER FEED	
16	FC8-7271-000		1	BUSHING	
17	FC8-7273-000		2	BUSHING	
18	FC9-8082-000		1	ROLLER, MULTI EXTRACTION	
19	FC9-8805-000		1	PLATE, GROUNDING	
20	FC9-9157-000		1	COUPLING	
21	FE4-1276-000		3	SPRING, TENSION	
22	FE4-5417-000		1	GUIDE, MULTI PAPER PICK-UP	
23	FK2-0115-000		1	SOLENOID	SL02
24	FK2-6470-000		1	PHOTO-SENSOR, KUA0055C	PS28
25	FLO-5099-000		1	COVER, TRAY AUXILIARY	
26	FL2-2925-000		1	FLAG, PAPER SENSOR	
27	FM1-M865-000		1	CABLE, MULTI PAPER PICK-UP	
28	VS1-7177-002		1	CONNECTOR, SNAP TIGHT, BK	
29	VS1-7177-003		1	CONNECTOR, SNAP TIGHT, BK	
30	VS1-7177-006		1	CONNECTOR, SNAP TIGHT, BK	
31	FM4-4324-000		1	CABLE, GROUNDING	
32	FS1-1569-000		1	BUSHING	
33	FS6-1058-000		1	BUSHING	
34	FS7-2809-000		1	SPRING, COMPRESSION	
35	FS7-2810-000		2	SPRING, COMPRESSION	
36	FS7-2812-010		1	SPRING, TORSION	
37	FS7-2839-000		1	SPRING, COMPRESSION	
38	FU3-0296-000		2	GEAR, 24T	
39	FU3-0297-000		1	GEAR, 36T	
40	FU5-0256-000		1	GEAR, 48T	
41	FU5-1036-000		1	BUSHING	
42	FU6-1184-000		1	BUSHING	
43	FU6-1185-000		1	BUSHING	
44	FU8-0182-000		1	GEAR, 18T/27T	
45	FU8-2317-000		4	SPRING, COMPRESSION	
46	FU8-2321-000		1	SPRING, TORSION	
47	FU8-2322-000		1	SPRING, TORSION	
48	FU9-0152-000		1	GEAR, 27T/24T	
49	FU9-0153-000		1	GEAR, 13T	
50	RS5-1567-000		2	BUSHING	
51	WG8-5783-000		1	IC, PHOTO- INTERRUPTER, LG248NL1A	PS23
52	XD9-0134-000		3	RING, E	
53	XD9-0136-000		2	RING, E	

FIG/KEY	PART NUMBER	RANK	QTY	DESCRIPTION	REMARKS
54	XD9-0290-000		1	PIN, PARALLEL	
55	XD9-0300-000		1	PIN, PARALLEL	
501	XD3-1200-102		1	SPRING PIN	
502	XD3-1200-142		1	SPRING PIN	

Figure 315 PRE-REGISTRATION GUIDE ASS'Y



FIG/KEY	PART NUMBER	RANK	QTY	DESCRIPTION	REMARKS
315	FM3-7375-010		1	PRE-REGISTRATION GUIDE ASS'Y	
1	FC8-9354-000		1	ROLLER, PRE-REGISTRATION	
2	FL3-0277-000		1	GUIDE, MOVABLE	
3	FU8-0333-000		1	GEAR, 24T	
4	XA9-1386-000		15	SCREW, RS, M3X8	
5	XD9-0136-000		4	RING, E	
6	XG9-0707-000		2	BEARING, BALL, MF126ZZ-1	
7	XG9-0706-000		1	BEARING, BALL, MR126ZZ-1	
8	FE2-0547-000		1	SHEET, PRE-REGISTRATION GUIDE	
9	XD9-0289-000		1	PIN, PARALLEL	

Figure 330 (1 / 3) FIXING/FEEDER DUPLEXING ASS'Y

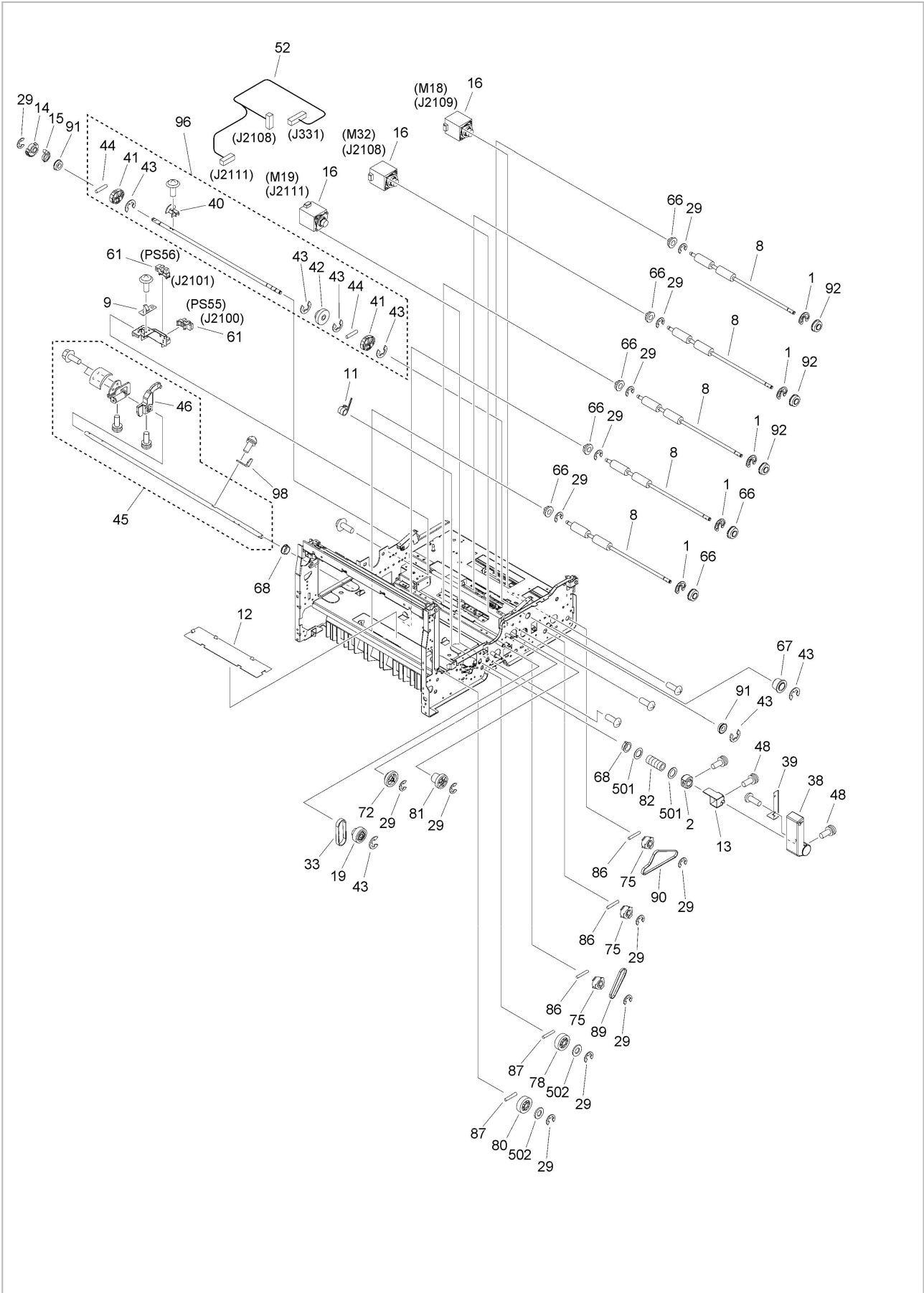


Figure 330 (2 / 3) FIXING/FEEDER DUPLEXING ASS'Y

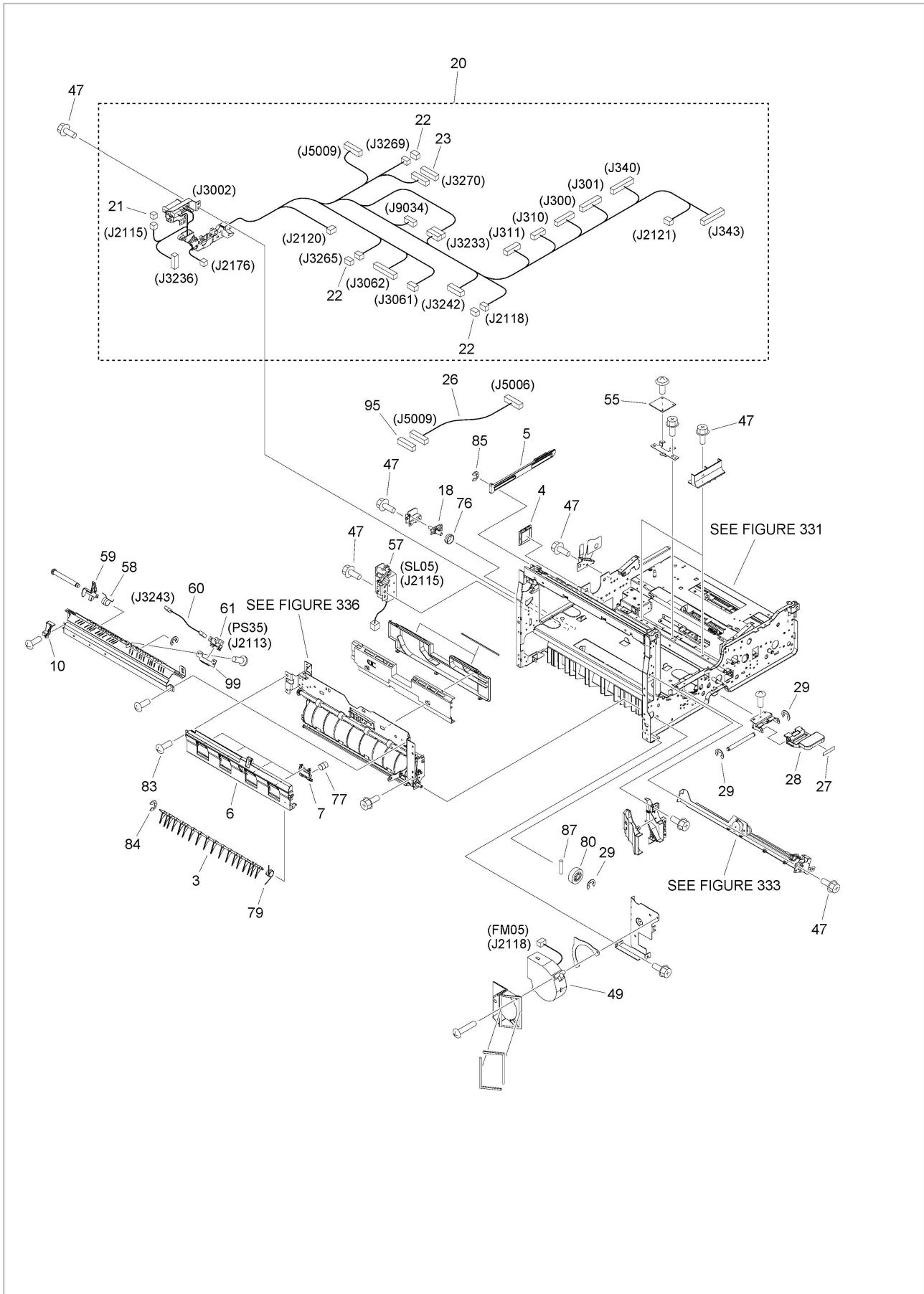
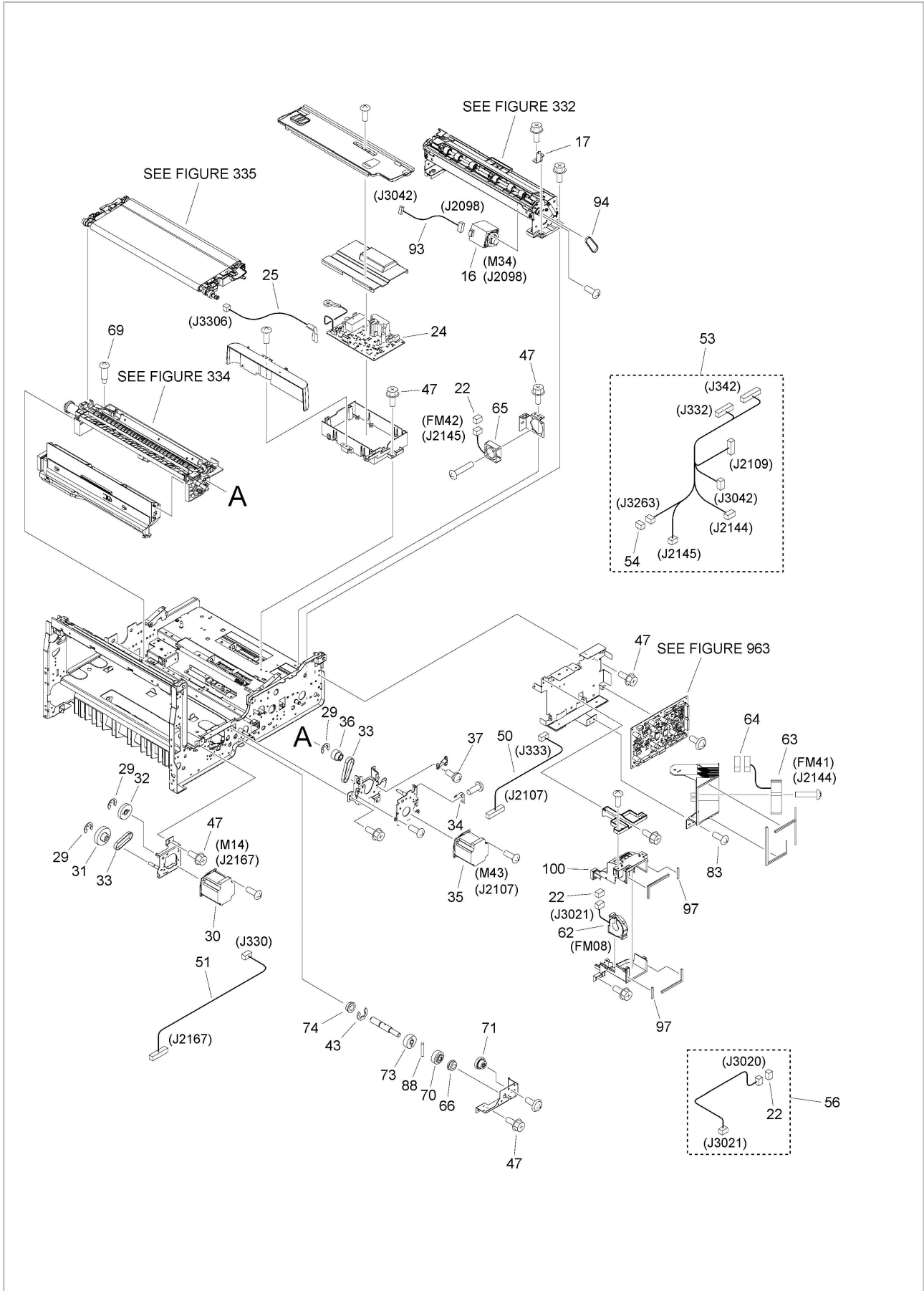


Figure 330 (3 / 3) FIXING/FEEDER DUPLEXING ASS'Y



FIG/KEY	PART NUMBER	RANK	QTY	DESCRIPTION	REMARKS
330	NPN		RF	FIXING/FEEDER DUPLEXING ASS'Y	
1	FB6-6088-000		5	RING, RETAINING	
2	FC5-2108-000		1	CAM, PRESSURE	
3	FC6-1968-000		1	FLAPPER, DUPLEXING REVERSE	
4	FC6-9542-000		1	BUSHING	
5	FC8-7192-010		1	RACK, RELEASE ARM	
6	FC8-7327-000		1	GUIDE, REVERSE, LEFT	
7	FC8-7328-000		4	GUIDE, REVERSE SWING	
8	FC9-5463-000		5	ROLLER, DUPLEXING PAPER FEED	
9	FC9-5700-000		1	PLATE, CLEANER GROUNDING	
10	FC9-6182-000		1	COVER, SENSOR	
11	FC9-7845-000		1	SPRING, TORSION	
12	FC9-8828-000		1	SHEET, FIXING CROSSMEMBER	
13	FC9-9067-000		1	STOPPER, HANDLE	
14	FE2-3468-000		1	GEAR, 26T	
15	FE2-3469-000		1	STOPPER, RELEASE GEAR	
16	FK2-7674-000		4	MOTOR, STEPPING, DC	M18, M19, M32, M34
17	FL3-0293-000		1	PLATE, POSITIONING	
18	FL3-1306-010		1	LOCK, HANDLE	
19	FL3-2814-000		1	GEAR, 30T/PULLEY, 28T	
20	FM1-G118-000		1	CABLE, FIXING/FEEDER DRAWER	
21	VS1-7177-002		1	CONNECTOR, SNAP TIGHT, BK	
22	VS1-7177-003		6	CONNECTOR, SNAP TIGHT, BK	
23	VS1-7177-008		1	CONNECTOR, SNAP TIGHT, BK	
24	FM1-K905-000		1	HIGH VOLTAGE PCB ASS'Y	
25	FM4-1051-000		1	CABLE, TRANSFER HIGH VOLTAGE	
26	FM1-P892-000		1	CABLE, SIGNAL CONNECTING	
27	FC9-9015-000		1	LABEL, OPEN/CLOSE	
28	FC9-9102-000		1	HANDLE, OPEN/CLOSE	
29	XD9-0136-000		22	RING, E	
30	FK2-7675-000		1	MOTOR, STEPPING, DC	M14
31	FL3-3018-000		1	GEAR, 39T/PULLEY, 28T	
32	FS5-0395-000		1	GEAR, 25T	
33	XF2-1606-260		3	BELT, TIMING, COGGED	
34	FC8-9664-000		1	SPRING, GROUNDING	
35	FK2-7719-000		1	MOTOR, STEPPING, DC	M43
36	FL3-2171-000		1	GEAR, 26T/PULLEY, 30T	
37	XA9-2003-000		1	SCREW, W/WASHER, M3X6	
38	FC5-2386-000		1	HANDLE, TRANSFER FRAME, LOWER	
39	FC5-5170-000		1	PLATE, GROUNDING	
40	FC8-7171-000		1	FLAG, CAM SENSOR	
41	FC8-7200-000		2	CAM, BELT PRESSURE	
42	FU9-0314-000		1	GEAR, 30T	
43	XD9-0137-010		9	RING, E	
44	XD9-0301-000		2	PIN, DOWEL	
45	FM4-0912-010		1	FIXING/FEEDER LOCK HANDLE UNIT	
46	FL3-7921-000		1	LEVER, RELEASE	
47	XA9-0732-010		43	SCREW, RS, M4X8	
48	XA9-0961-000		3	SCREW, W/WASHER, M4X10	
49	FH6-1548-040		1	FAN, COOLING	FM05
50	FM4-1052-000		1	CABLE, MOTOR	
51	FM4-1053-000		1	CABLE, MOTOR	
52	FM4-1054-000		1	CABLE, MOTOR	
53	FM4-1056-000		1	CABLE, DUPLEXING FEED ASS'Y	

FIG/KEY	PART NUMBER	RANK	QTY	DESCRIPTION	REMARKS
54	VS1-8412-003		1	CONNECTOR, SNAP TIGHT, BL	
55	FM4-1089-000		1	DC-DC CONVERT PCB ASS'Y	
56	FM4-4327-000		1	CABLE, DUPLEXING FEED FAN	
57	FM4-5141-000		1	REVERSE SOLENOID ASS'Y	SL05
58	FC8-9450-010		1	SPRING, TORSION	
59	FL3-3868-000		1	LEVER, REVERSE SENSOR	
60	FM4-1061-000		1	CABLE, SENSOR CONNECTING	
61	WG8-5848-000		3	IC, PHOTO-INTERRUPTER	PS35, PS55, PS56
62	FK2-3149-000		1	FAN	FM08
63	FK2-3100-000		1	FAN	FM41
64	VS1-7177-004		1	CONNECTOR, SNAP TIGHT, BK	
65	FK2-7241-000		1	FAN	FM42
66	FS1-1508-000		8	BUSHING	
67	FS2-6458-000		1	ROLLER	
68	FS5-1474-000		2	BUSHING COP	
69	FS5-9227-020		1	SCREW, STEPPED, M4	
70	FU3-0339-000		1	GEAR, 20T	
71	FU6-0137-000		1	GEAR, 27T/18T	
72	FU6-0138-000		1	GEAR, 32T/19T	
73	FU6-0603-000		1	GEAR, 30T	
74	FU6-1199-000		1	BUSHING	
75	FU6-3053-000		3	PULLEY, 22T	
76	FU7-2699-000		1	SPRING, COMPRESSION	
77	FU7-2702-000		4	SPRING, COMPRESSION	
78	FU8-0333-000		1	GEAR, 24T	
79	FU8-2343-000		1	SPRING, TORSION	
80	FU9-0048-000		2	GEAR, 19T	
81	FU9-0083-000		1	GEAR, 33T/20T	
82	FU9-2460-000		1	SPRING, COMPRESSION	
83	XA9-1031-000		7	SCREW, MACH. TRUSS HEAD, M4X6	
84	XD9-0134-000		1	RING, E	
85	XD9-0135-000		1	RING, E	
86	XD9-0288-000		3	PIN, DOWEL	
87	XD9-0289-000		4	PIN, PARALLEL	
88	XD9-0292-000		1	PIN, PARALLEL	
89	XF2-1607-440		1	BELT, TIMING	
90	XF2-1610-440		1	BELT, TIMING, CR	
91	XG9-0365-000		2	BEARING,BALL, LNR-1680HHR	
92	XG9-0707-000		3	BEARING, BALL, MF126ZZ-1	
93	FM4-4320-000		1	CABLE, MOTOR	
94	XF2-1607-040		1	BELT, TIMING	
95	VS1-8959-008		1	CONNECTOR, SNAP TIGHT, 17P, W	
96	FM4-0911-000		1	BELT PRESSURE SHAFT UNIT	
97	FC9-9061-000		2	SHEET, INNER COVER, 2	
98	FC9-7843-000		1	STAY, SPRING	
99	FC8-9449-000		1	SUPPORT, SENSOR	
100	FL3-3795-000		1	DUCT, TRANSFER, UPPER	
501	XD1-1100-225		2	WASHER, COP	
502	XD1-1106-239		2	WASHER,COP	

Figure 331 (1 / 2) FIXING/FEEDER FRAME ASS'Y

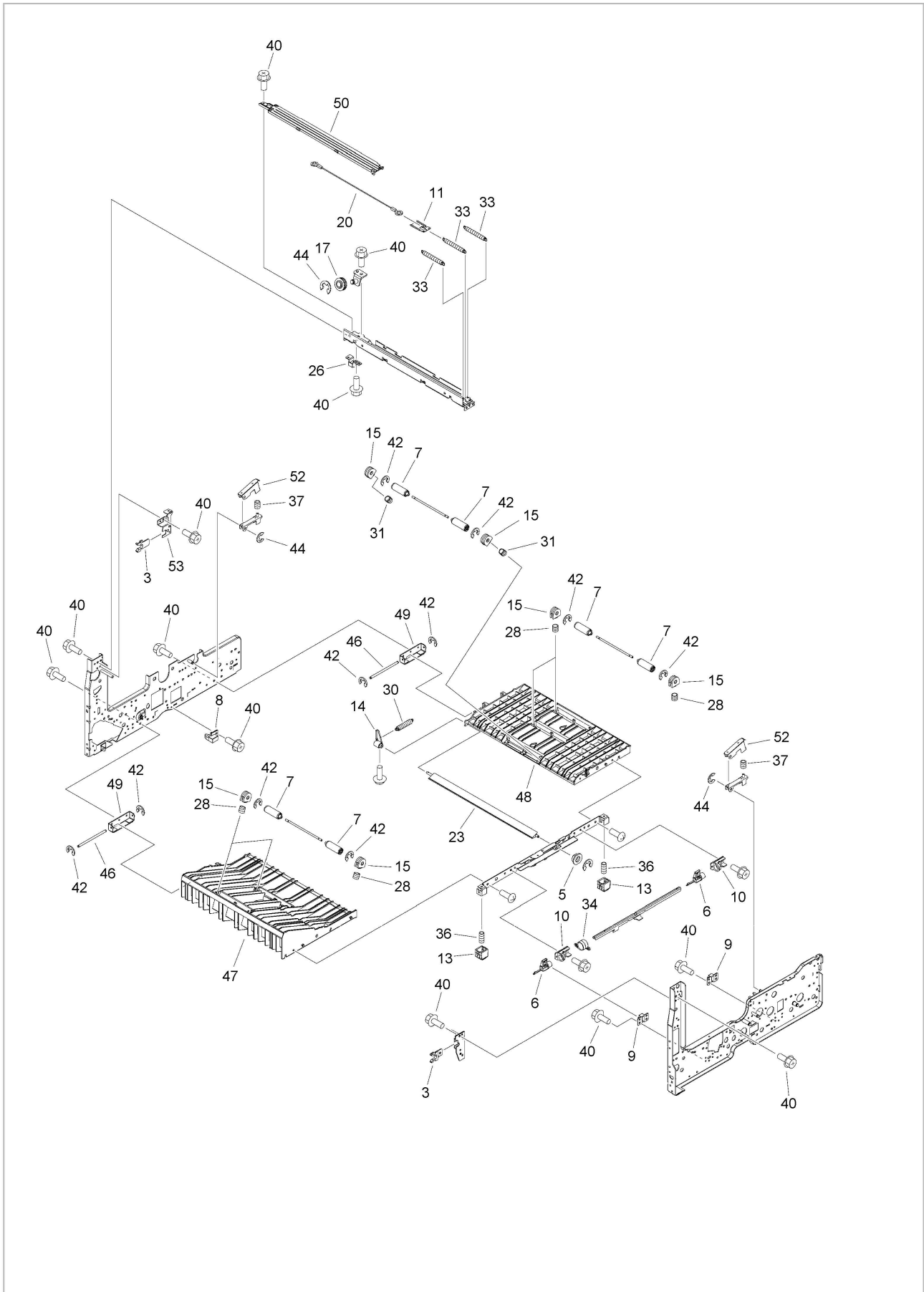
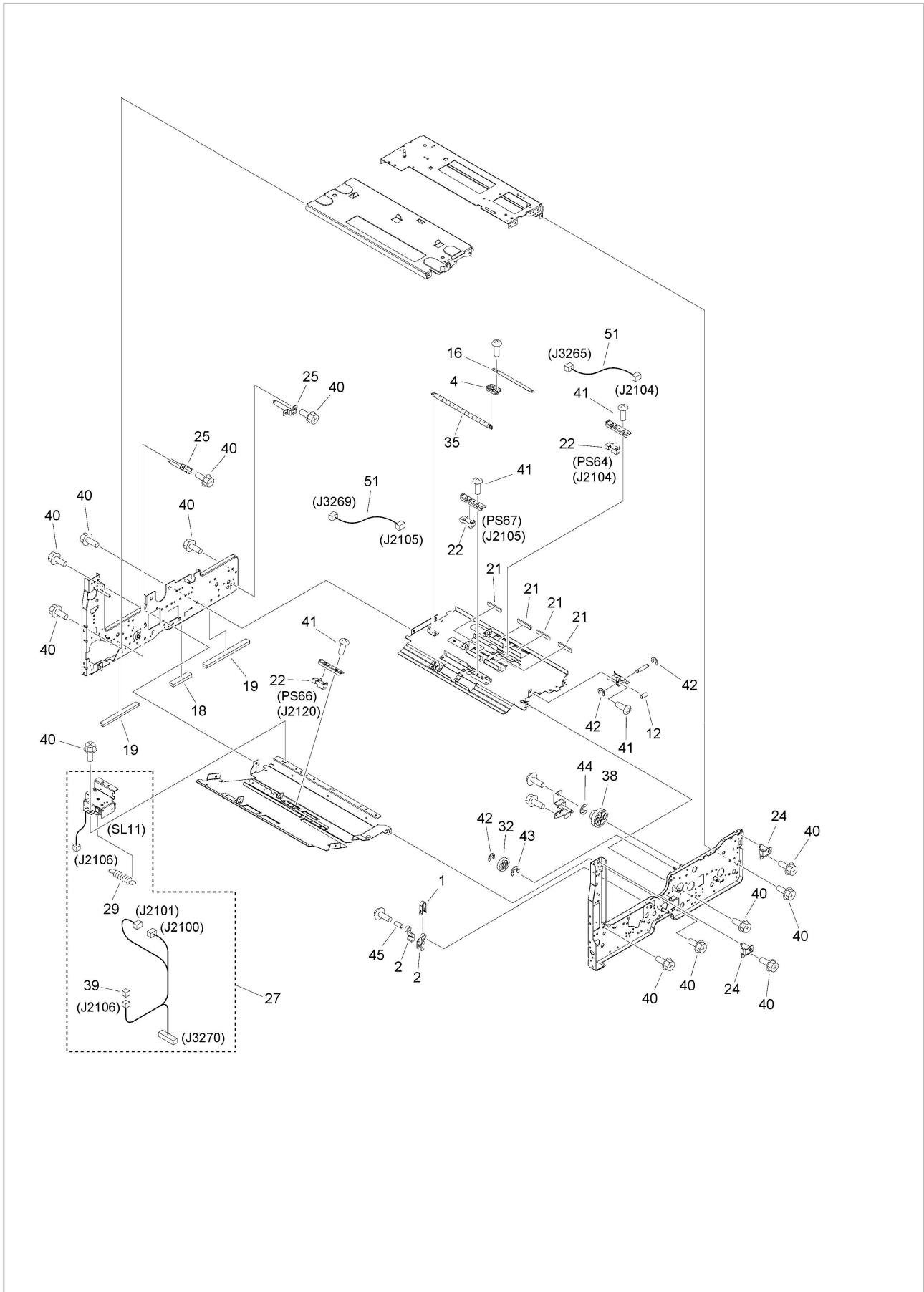
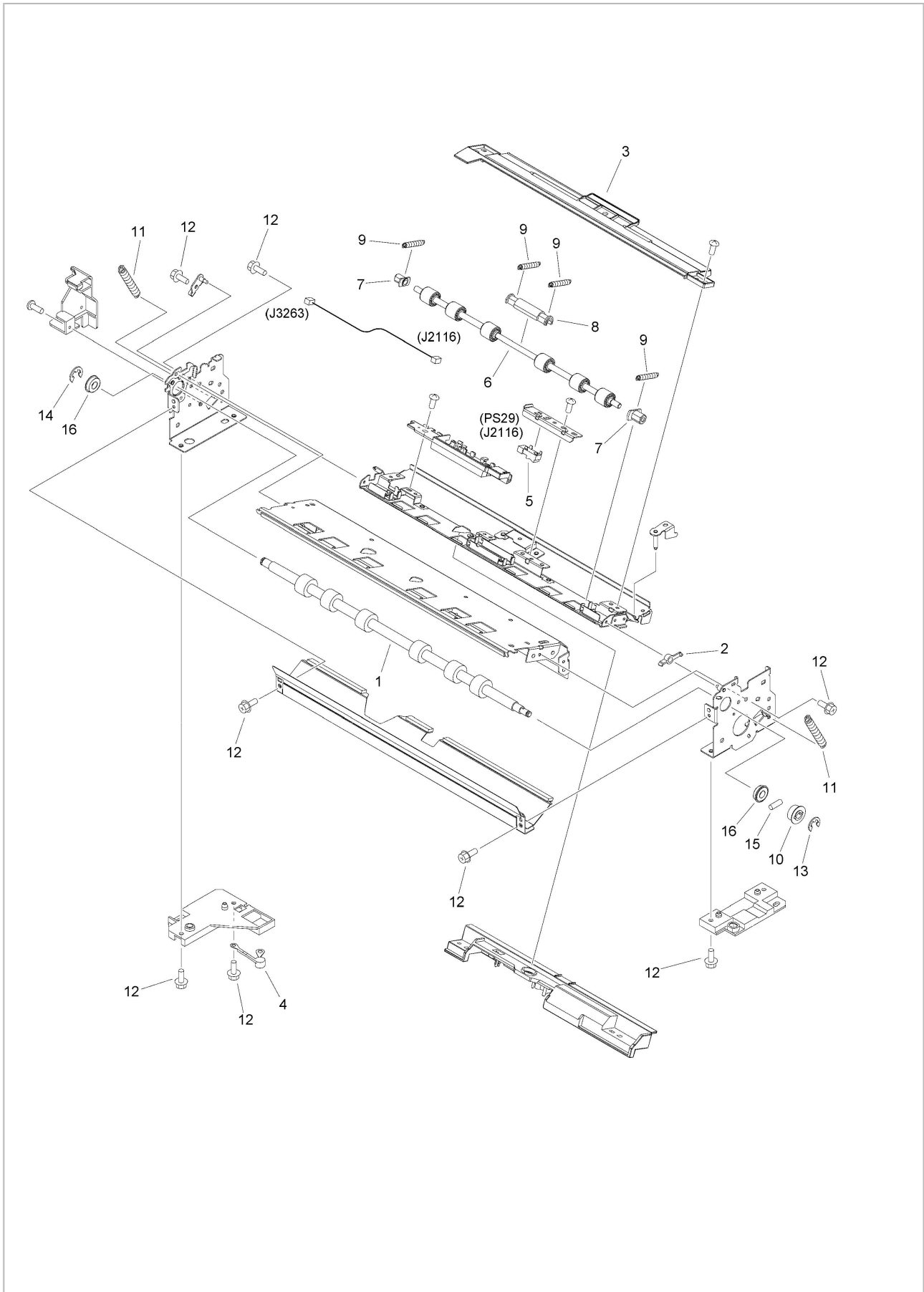


Figure 331 (2 / 2) FIXING/FEEDER FRAME ASS'Y



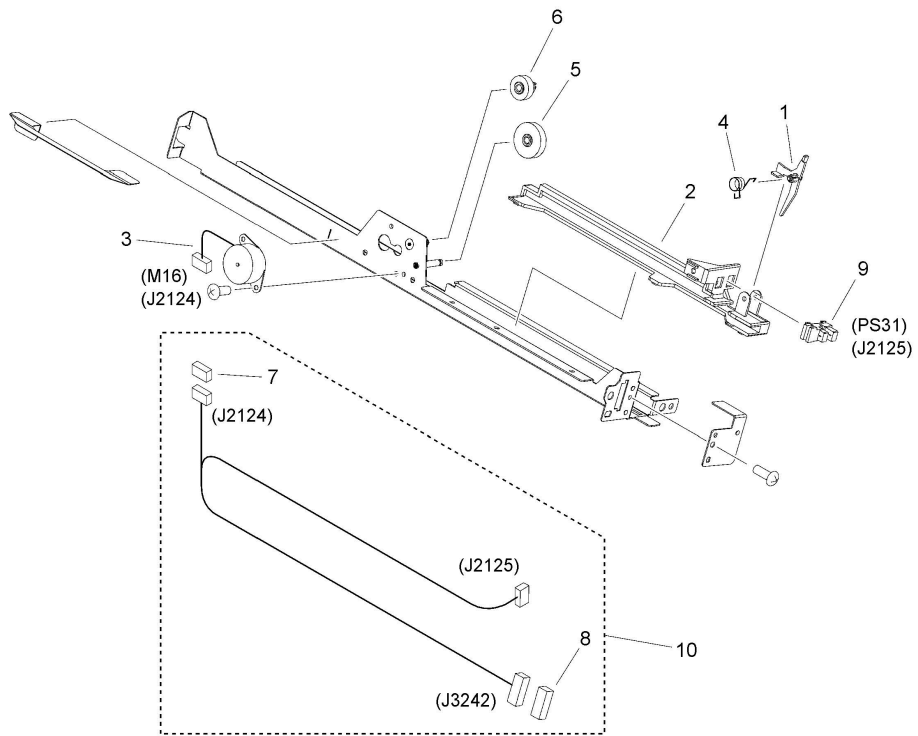
FIG/KEY	PART NUMBER	RANK	QTY	DESCRIPTION	REMARKS
331	NPN		RF	FIXING/FEEDER FRAME ASS'Y	
1	FC1-3975-020		1	SPRING, LEAF	
2	FC1-3976-000		2	PAD, BRAKE, PA	
3	FC5-2271-000		2	BUSHING	
4	FC5-5167-000		1	MOUNT, TAPE	
5	FC5-6287-000		1	BUSHING	
6	FC7-6972-000		2	HOOK, RIGHT DOOR, LOWER	
7	FC7-7208-000		10	ROLLER, DRIVEN	
8	FC8-7297-000		1	BLOCK, ROLLER PRESSURE RELEASE	
9	FC8-7309-000		2	CATCH, GUIDE	
10	FC8-7324-000		2	BUSHING	
11	FC8-7334-000		1	HOOK	
12	FC8-7343-000		1	ROLLER, BELT	
13	FC8-8802-000		2	BLOCK, PUSHING	
14	FC9-5580-000		1	BUSHING	
15	FC9-7993-000		10	BUSHING	
16	FC9-8817-000		1	BAND, GUIDE	
17	FC9-8821-000		1	PULLEY, WIRE	
18	FC9-9104-000		1	SHEET, EXHAUST	
19	FC9-9105-000		2	SHEET, EXHAUST	
20	FC9-9152-000		1	WIRE, LIFT	
21	FC9-9162-000		4	BRUSH	
22	FK2-6470-000		3	PHOTO-SENSOR, KUA0055C	PS64, PS66, PS67
23	FL3-8109-000		1	FLAPPER	
24	FL3-0272-000		2	PIN, POSITIONING, FRONT	
25	FL3-0273-000		2	PIN, POSITIONING, REAR	
26	FL3-0297-000		1	ROLLER UNIT	
27	FM4-0889-010		1	SOLENOID ASSEMBLY	SL11
28	FU8-2526-000		8	SPRING, COMPRESSION	
29	FU5-2151-000		1	SPRING, TENSION	
30	FU5-2152-000		1	SPRING, TENSION	
31	FU5-2177-000		2	SPRING, COMPRESSION	
32	FU6-0139-000		1	GEAR, 26T	
33	FU7-2701-000		3	SPRING, TENSION	
34	FU7-2703-000		1	SPRING, TORSION	
35	FU7-2704-000		1	SPRING, TENSION	
36	FU7-2838-000		2	SPRING, TORSION	
37	FU8-2344-000		2	SPRING, COMPRESSION	
38	FU9-0082-000		1	GEAR, 36T/18T	
39	VS1-7177-002		1	CONNECTOR, SNAP TIGHT, BK	
40	XA9-0732-010		15	SCREW, RS, M4X8	
41	XA9-0893-000		4	SCREW, M4X8	
42	XD9-0134-000		18	RING, E	
43	XD9-0135-000		1	RING, E	
44	XD9-0136-000		4	RING, E	
45	XZ1-1401-205		1	SPACER	
46	FC5-2051-000		2	SHAFT, GUIDE SUPPORT	
47	FC8-7321-000		1	GUIDE, DUPLEXING LOWER, 1	
48	FC8-7322-000		1	GUIDE, DUPLEXING LOWER, 2	
49	FE3-4463-000		2	PLATE, HINGE FIXED	
50	FC8-7333-000		1	COVER, DAMPER	
51	FM4-1055-000		2	CABLE, SENSOR	
52	FC9-5576-000		2	PLATE, PRESSURE	
53	FC8-9445-000		1	SUPPORT, HOOK SHAFT, REAR	

Figure 332 REGISTRATION ASS'Y



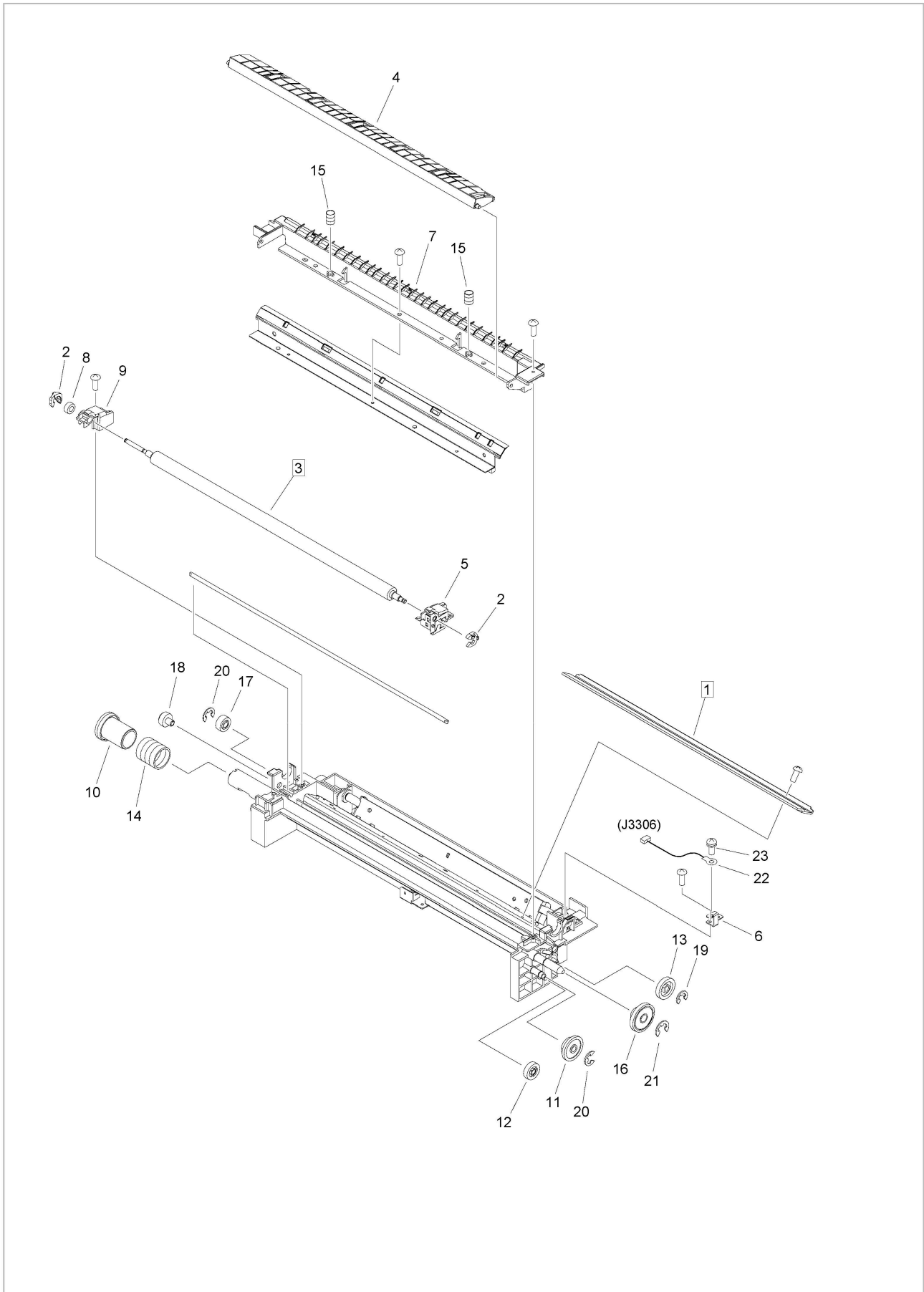
FIG/KEY	PART NUMBER	RANK	QTY	DESCRIPTION	REMARKS
332	FM1-G391-000		1	REGISTRATION ASS'Y	
1	FC8-7276-000		1	ROLLER, REGISTRATION DRIVE	
2	FC9-8811-000		1	GUIDE, LIMIT	
3	FE4-7886-000		1	COVER, REGISTRATION	
4	FF3-4656-000		1	VARISTOR	
5	FK2-6470-000		1	PHOTO-SENSOR, KUA0055C	PS29
6	FC8-7277-000		1	ROLLER, REGISTRATION DRIVEN	
7	FC8-7283-000		2	BUSHING	
8	FC8-7284-000		1	BUSHING	
9	FU7-2687-000		4	SPRING, TENSION	
10	FU6-3047-000		1	PULLEY, 24T	
11	FU7-2688-000		2	SPRING, TENSION	
12	XA9-1386-000		12	SCREW, RS, M3X8	
13	XD9-0136-000		1	RING, E	
14	XD9-0137-010		1	RING, E	
15	XD9-0288-000		1	PIN, DOWEL	
16	XG9-0779-000		2	BEARING, BALL, 688ZZNR D41	

Figure 333 PHOTO SENSOR ASS'Y



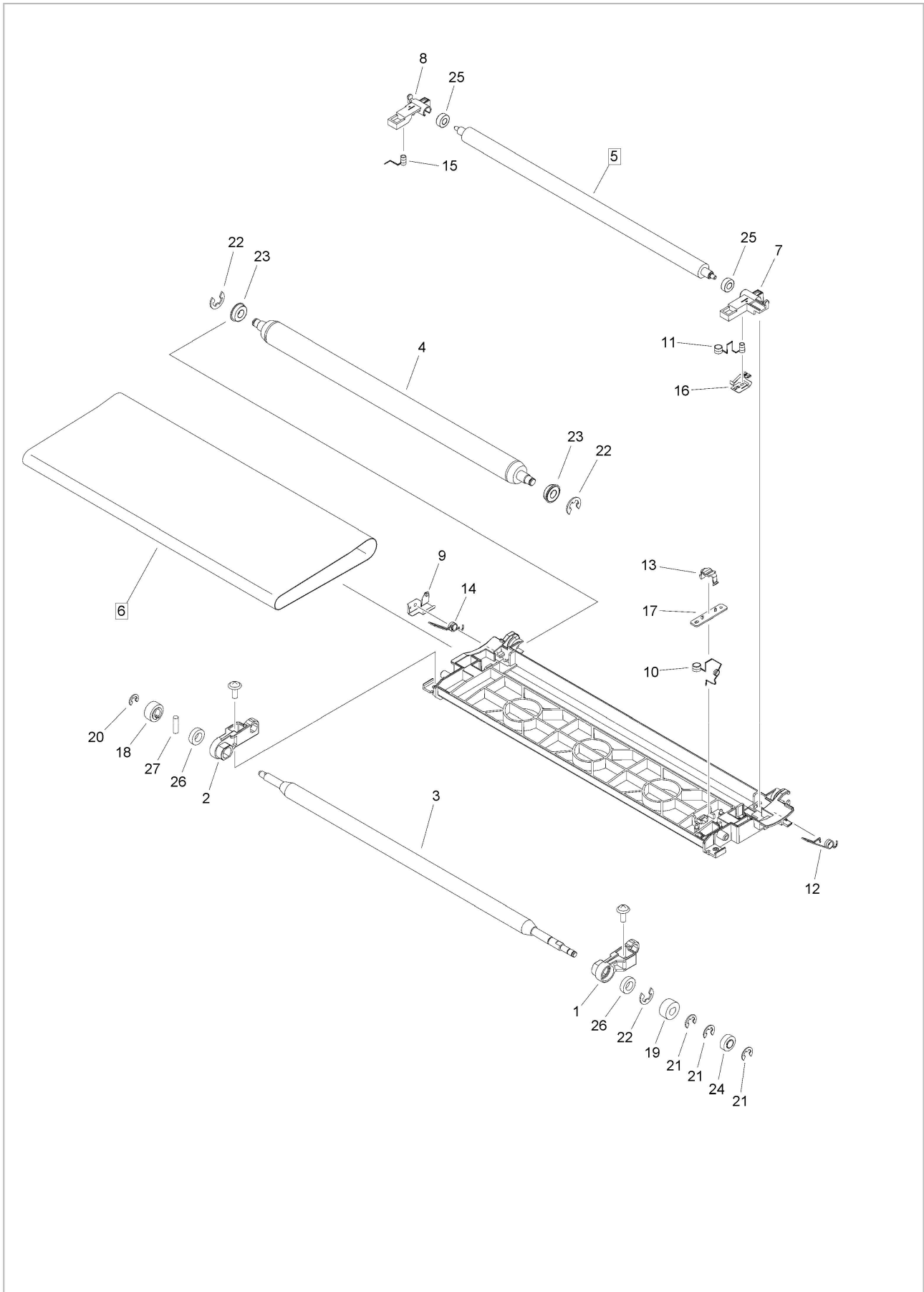
FIG/KEY	PART NUMBER	RANK	QTY	DESCRIPTION	REMARKS
333	FM4-0897-010		1	PHOTO SENSOR ASS'Y	
1	FC8-7295-000		1	FLAG, SIDE REGISTRATION DETECT	
2	FC9-5450-010		1	SLIDER, SIDE REGISTRATION	
3	FK2-2069-000		1	MOTOR, STEPPING, DC	M16
4	FU7-2705-000		1	SPRING, TORSION	
5	FU9-0052-000		1	GEAR, 12T/36T	
6	FU9-0053-000		1	GEAR, 12T/24T	
7	VS1-7177-004		1	CONNECTOR, SNAP TIGHT, BK	
8	VS1-7177-007		1	CONNECTOR, 7P, FEMALE, BK	
9	WG8-5848-000		1	IC, PHOTO-INTERRUPTER	PS31
10	FM4-1059-000		1	CABLE, SIDE REGISTRATION	

Figure 334 E.T.B. CLEANING ASSEMBLY



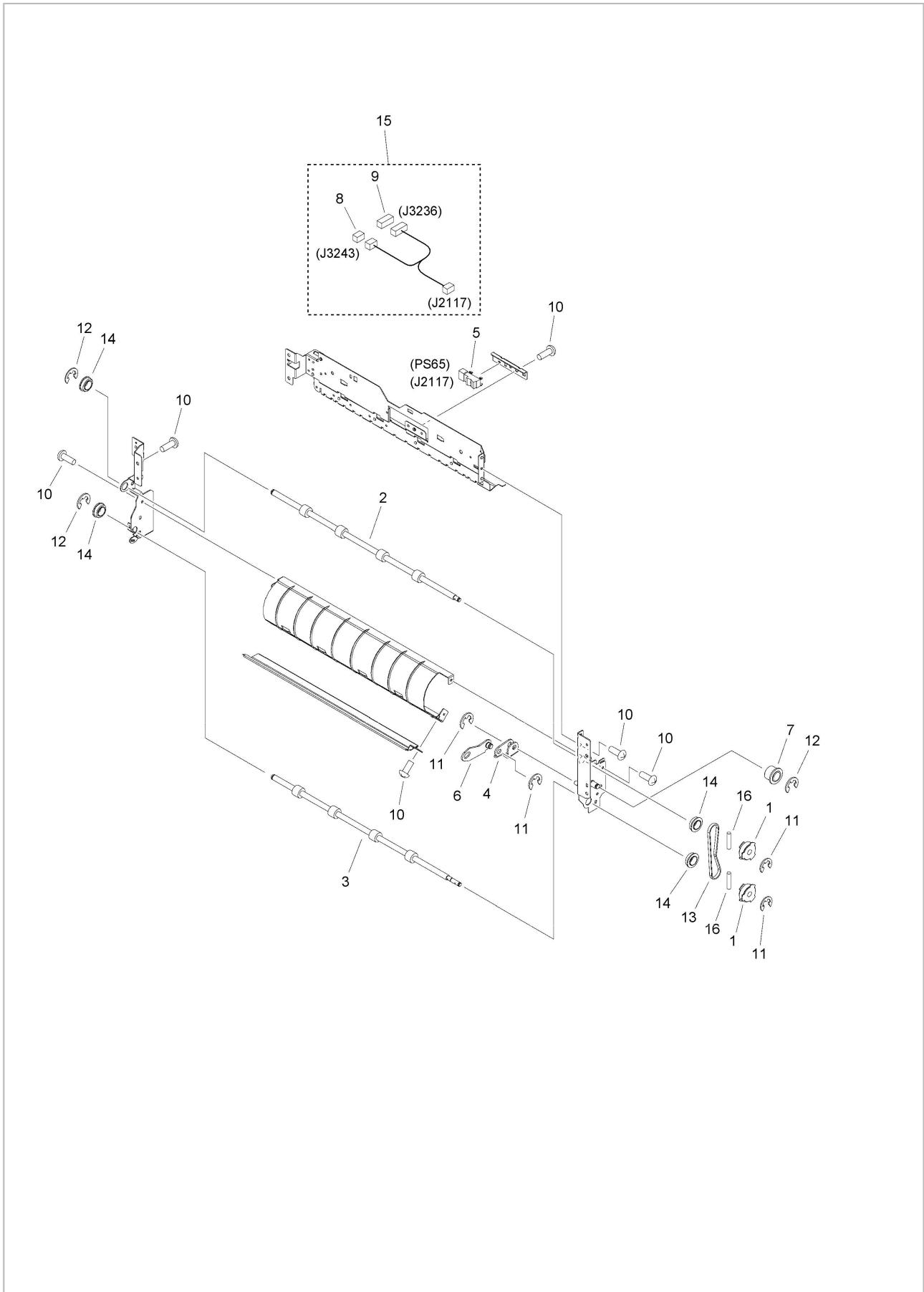
FIG/KEY	PART NUMBER	RANK	QTY	DESCRIPTION	REMARKS
334	FM4-0913-010		1	E.T.B. CLEANING ASSEMBLY	
1	FC6-1647-000		1	BLADE, CLEANING	[DP]
2	FC7-4155-000		2	RING, E	
3	FC8-7175-000		1	ROLLER, BRUSH	[DP]
4	FC8-7196-000		1	GUIDE, TRANSFER, REAR	
5	FM4-5398-000		1	MOUNT, FRONT	
6	FC9-5698-000		1	PLATE, CONTACT	
7	FL3-2815-000		1	GUIDE, SEPARATION	
8	XG9-0774-000		1	BEARING, BALL, MR84-2RS-SH41M	
9	FL3-3799-000		1	MOUNT, REAR	
10	FL3-4552-000		1	SHUTTER	
11	FU5-0016-000		1	GEAR, 33T/22T	
12	FU6-0092-000		1	GEAR, 21T	
13	FU6-0119-000		1	GEAR, 27T	
14	FU6-2043-000		1	SPRING, COMPRESSION	
15	FU7-2697-000		2	SPRING, COMPRESSION	
16	FU9-0037-000		1	GEAR, 34T/16T	
17	FU9-0074-000		1	GEAR, 24T	
18	FU9-0075-000		1	GEAR, 22T	
19	XD9-0134-000		1	RING, E	
20	XD9-0136-000		2	RING, E	
21	XD9-0137-010		1	RING, E	
22	FM4-1063-000		1	CABLE, TRANSFER HIGH VOLTAGE	
23	FE4-0431-000		1	SCREW, W/WASHER, M3X6	

Figure 335 E.T.BELT ASSEMBLY



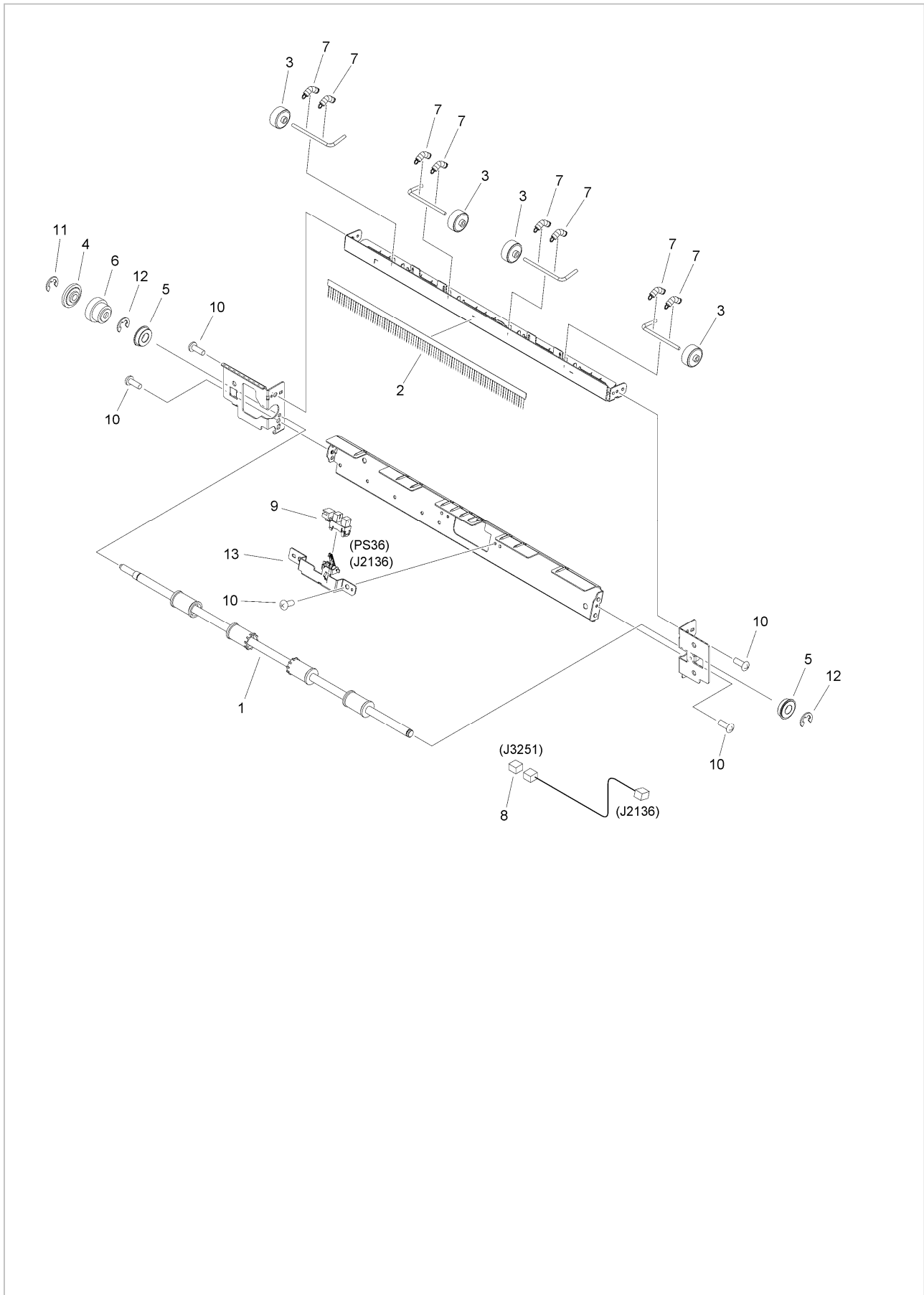
FIG/KEY	PART NUMBER	RANK	QTY	DESCRIPTION	REMARKS
335	FM4-0916-010		1	E.T.BELT ASSEMBLY	
1	FE4-4115-000		1	HOLDER, DRIVE ROLLER, FRONT	
2	FE4-4116-000		1	HOLDER, DRIVE ROLLER, REAR	
3	FC8-7157-000		1	ROLLER, DRIVE	
4	FC8-7158-000		1	ROLLER, IDLER	
5	FC8-7159-000		1	ROLLER, TRANSFER	[DP]
6	FC8-7160-000		1	BELT, ELECTROSTATIC TRANSFER	[DP]
7	FC8-7161-000		1	HOLDER, TRANSFER ROLLER, FRONT	
8	FC8-7162-000		1	HOLDER, TRANSFER ROLLER, REAR	
9	FC8-7166-000		1	SPRING, CONTACT	
10	FC9-5586-000		1	SPRING, COMPRESSION	
11	FC9-5587-000		1	SPRING, COMPRESSION	
12	FC9-6167-000		1	SPRING, TORSION	
13	FC9-7853-000		1	STOPPER	
14	FC9-7854-000		1	SPRING, TORSION	
15	FC9-8815-000		1	SPRING, COMPRESSION	
16	FC9-9193-000		1	SPRING, HIGH VOLTAGE CONTACT	
17	FM2-7196-000		1	HVR PCB ASSEMBLY	
18	FU6-0414-000		1	GEAR, 20T	
19	FU9-0032-000		1	GEAR, 18T	
20	XD9-0134-000		1	RING, E	
21	XD9-0136-000		3	RING, E	
22	XD9-0137-010		3	RING, E	
23	XG9-0794-000		2	BEARING, BALL, LNR-1680KKR	
24	XG9-0706-000		1	BEARING, BALL, MR126ZZ-1	
25	XG9-0774-000		2	BEARING, BALL, MR84-2RS-SH41M	
26	XG9-0758-000		2	BEARING, BALL, MR148ZZ-2	
27	XD9-0287-000		1	PIN, DOWEL	

Figure 336 REVERSE CROSSMEMBER ASS'Y, LF.



FIG/KEY	PART NUMBER	RANK	QTY	DESCRIPTION	REMARKS
336	FM4-0893-000		1	REVERSE CROSSMEMBER ASS'Y, LF.	
1	FC5-2261-000		2	PULLEY, 29T	
2	FC8-7332-000		1	ROLLER, REVERSE V.P.	
3	FC9-5457-000		1	ROLLER, REVERSE V.P., LOWER	
4	FC9-8286-000		1	LINK	
5	FK2-6470-000		1	PHOTO-SENSOR, KUA0055C	PS65
6	FL3-3733-000		1	LINK	
7	FS2-6458-000		1	ROLLER	
8	VS1-7177-003		1	CONNECTOR, SNAP TIGHT, BK	
9	VS1-7177-006		1	CONNECTOR, SNAP TIGHT, BK	
10	XA9-1031-000		15	SCREW, MACH. TRUSS HEAD, M4X6	
11	XD9-0136-000		4	RING, E	
12	XD9-0137-010		3	RING, E	
13	XF2-4110-440		1	BELT, TIMING, CR, 208MM	
14	XG9-0709-000		4	BEARING, BALL, MF128ZZ-3	
15	FM4-1060-000		1	CABLE, SENSOR	
16	XD9-0289-000		2	PIN, PARALLEL	

Figure 350B OUTER PAPER DELIVERY ASS'Y



FIG/KEY	PART NUMBER	RANK	QTY	DESCRIPTION	REMARKS
350B	FM3-7379-000		1	OUTER PAPER DELIVERY ASS'Y	
1	FC8-7378-000		1	ROLLER, OUTER PAPER DELIVERY	
2	FC0-2131-000		1	ELIMINATOR, STATIC CHARGE	
3	FC9-8283-000		4	ROLLER, PAPER DELIVERY	
4	FC9-9135-000		1	ROLLER	
5	XG9-0794-000		2	BEARING, BALL, LNR-1680KKR	
6	FU5-0207-000		1	GEAR, 19T	
7	FU5-2141-000		8	SPRING, TENSION	
8	VS1-7177-003		1	CONNECTOR, SNAP TIGHT, BK	
9	WG8-5848-000		1	IC, PHOTO-INTERRUPTER	PS36
10	XA9-1659-000		15	SCREW,M3X4	
11	XD9-0134-000		1	RING, E	
12	XD9-0137-010		2	RING, E	
13	FL3-3867-000		1	SENSOR FLAG UNIT	

Figure 351 (1 / 2) REVERSE PAPER DELIVERY ASS'Y

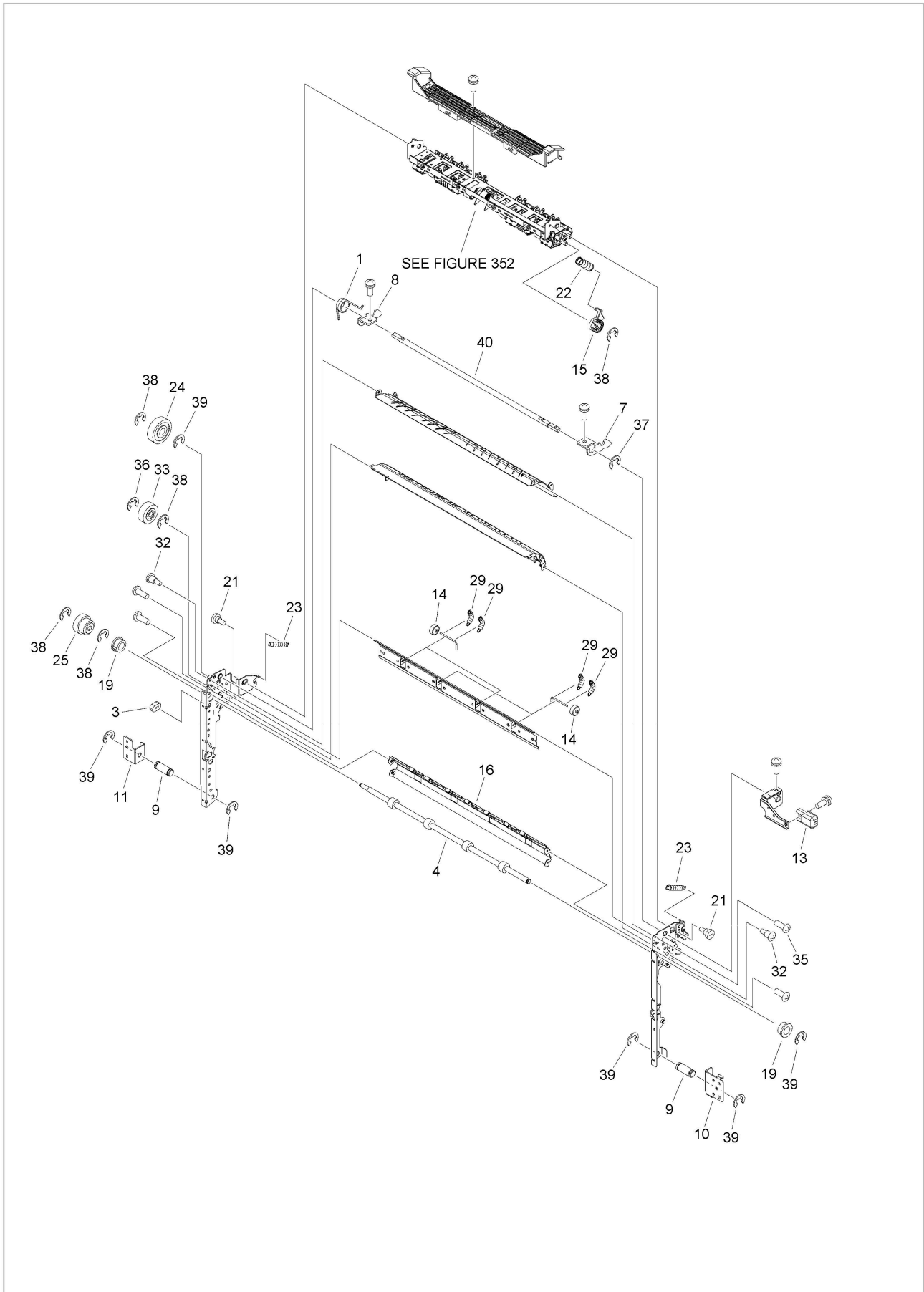
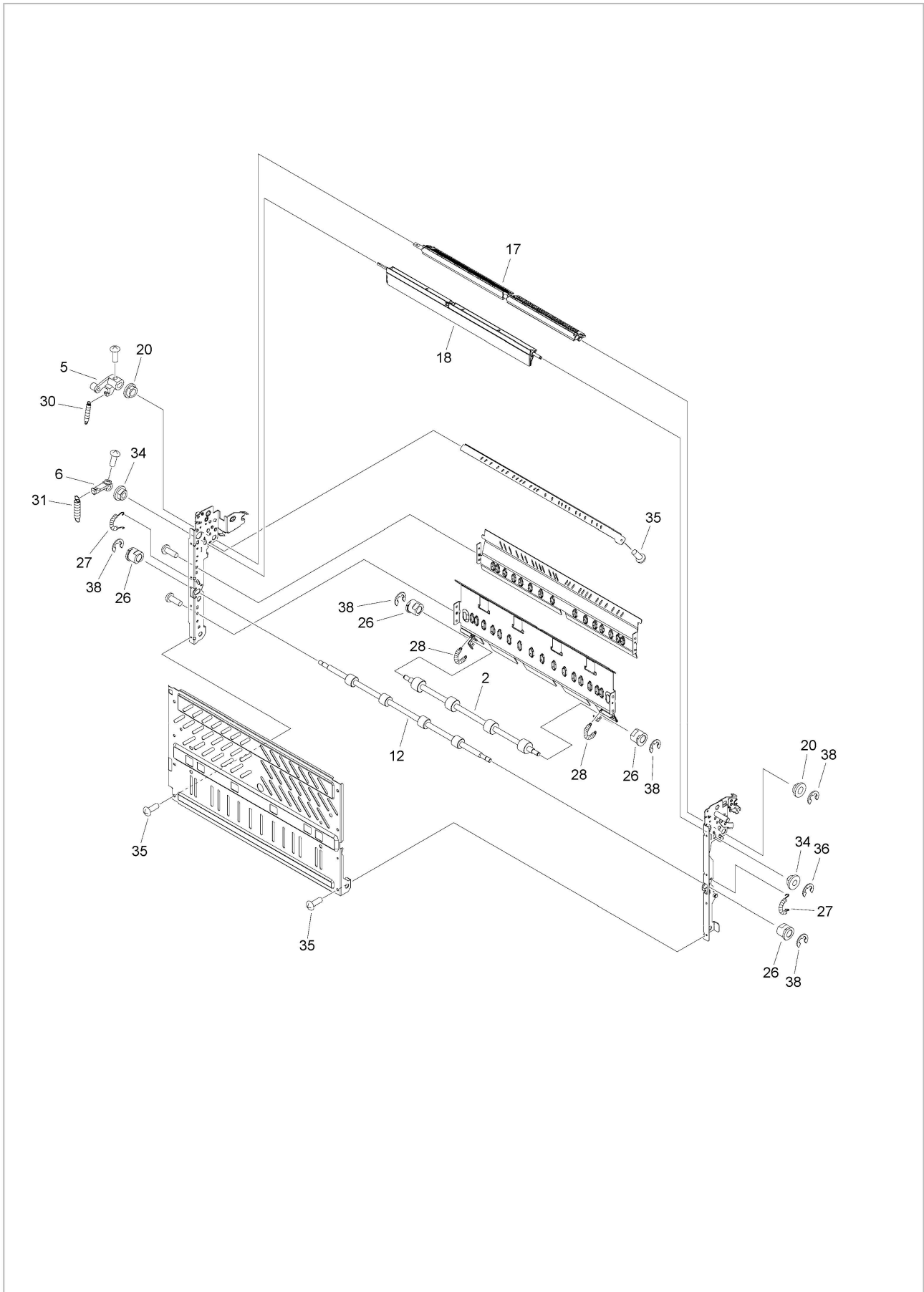
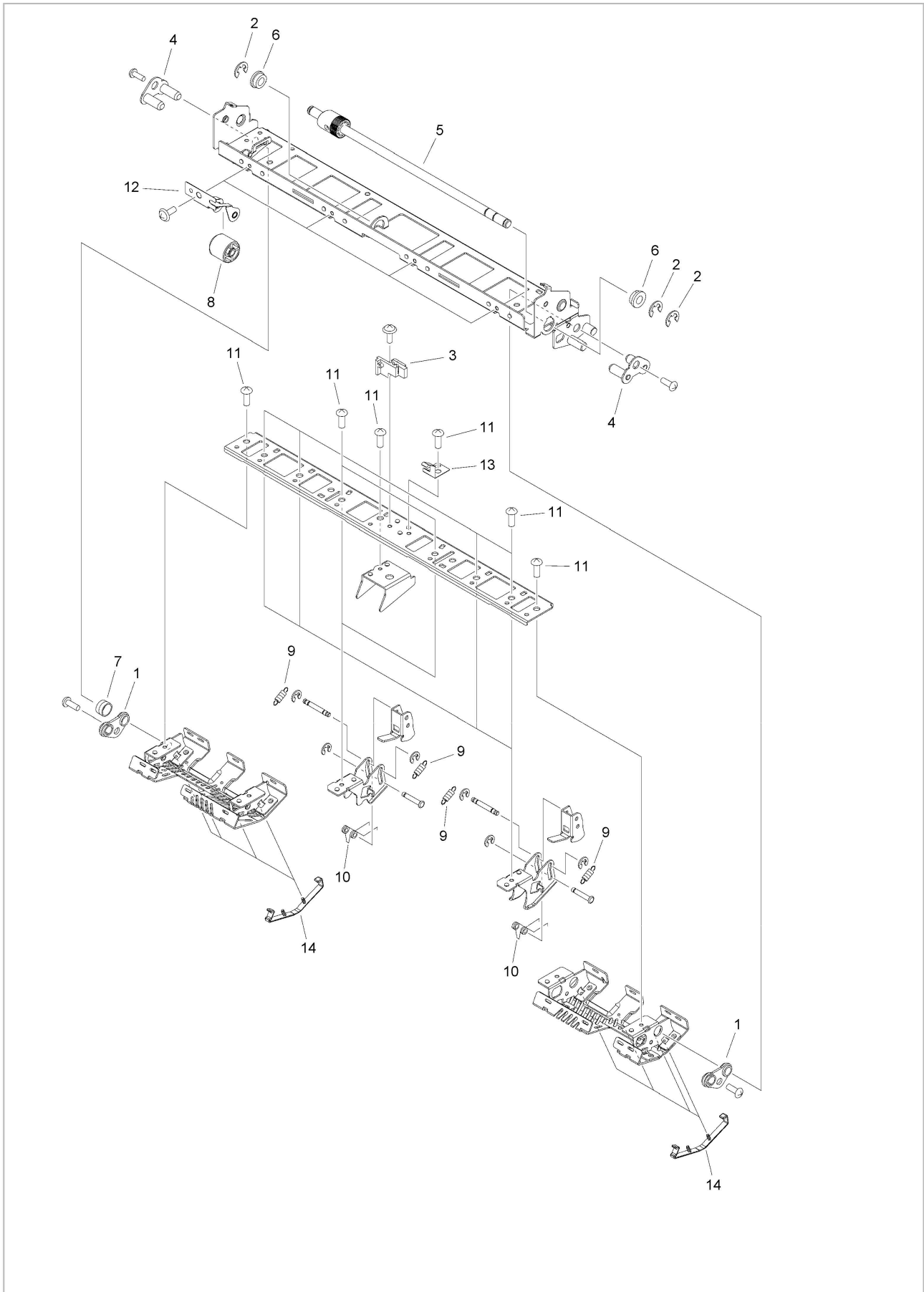


Figure 351 (2 / 2) REVERSE PAPER DELIVERY ASS'Y



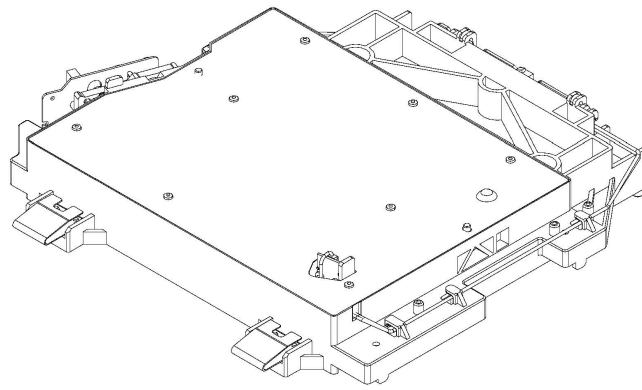
FIG/KEY	PART NUMBER	RANK	QTY	DESCRIPTION	REMARKS
351	FM4-5316-010		1	REVERSE PAPER DELIVERY ASS'Y	SEE NOTE
1	FC5-2226-000		1	SPRING, TORSION	
2	FC6-9782-000		1	ROLLER, REVERSE DRIVEN, LOWER	
3	FC8-7236-000		1	DAMPER	
4	FC8-7387-000		1	ROLLER, REVERSE FEED	
5	FC8-7389-000		1	ARM, FLAPPER	
6	FC8-7390-000		1	ARM, CROSSING FLAPPER	
7	FC8-7392-000		1	HOOK, FRONT	
8	FC8-7393-000		1	HOOK, REAR	
9	FC8-9346-000		2	SHAFT, HINGE	
10	FC8-9347-000		1	PLATE, HINGE, FRONT	
11	FC8-9348-000		1	PLATE, HINGE, REAR	
12	FC9-5458-000		1	ROLLER, REVERSE V.P. DRIVEN	
13	FC9-8281-000		1	HANDLE, SMALL	
14	FC9-8283-000		4	ROLLER, PAPER DELIVERY	
15	FL3-0275-000		1	LEVER, ONE-WAY	
16	FL3-3022-000		1	GUIDE, REVERSE, LOWER	
17	FL3-3784-010		1	FLAPPER, REVERSE PAPER DELIVERY	
18	FM4-5153-000		1	FLAPPER UNIT	
19	XG9-0709-000		2	BEARING, BALL, MF128ZZ-3	
20	FS1-1569-000		2	BUSHING	
21	FU5-9305-000		2	SCREW, STEPPED, M4	
22	FS5-2946-000		1	SPRING, TENSION	
23	FS5-2947-000		2	SPRING, TENSION	
24	FS6-0042-000		1	GEAR, 26T	
25	FU5-0207-000		1	GEAR, 19T	
26	FE2-0636-000		4	BUSHING	
27	FU5-2139-040		2	SPRING, TENSION	
28	FU5-2140-000		2	SPRING, TENSION	
29	FU5-2141-000		8	SPRING, TENSION	
30	FU5-2147-000		1	SPRING, TENSION	
31	FU5-2160-000		1	SPRING, TENSION	
32	FU5-9035-000		6	SCREW, STEPPED, M3X3	
33	FU6-0375-000		1	GEAR, 20T	
34	FU6-1196-000		2	BUSHING	
35	XA9-1116-030		15	SCREW, M3X5	
36	XD9-0134-000		2	RING, E	
37	XD9-0135-000		1	RING, E	
38	XD9-0136-000		11	RING, E	
39	XD9-0137-010		6	RING, E	
40	FC9-6949-000		1	SHAFT, HOOK	

Figure 352 INNER PAPER DELIVERY ASS'Y



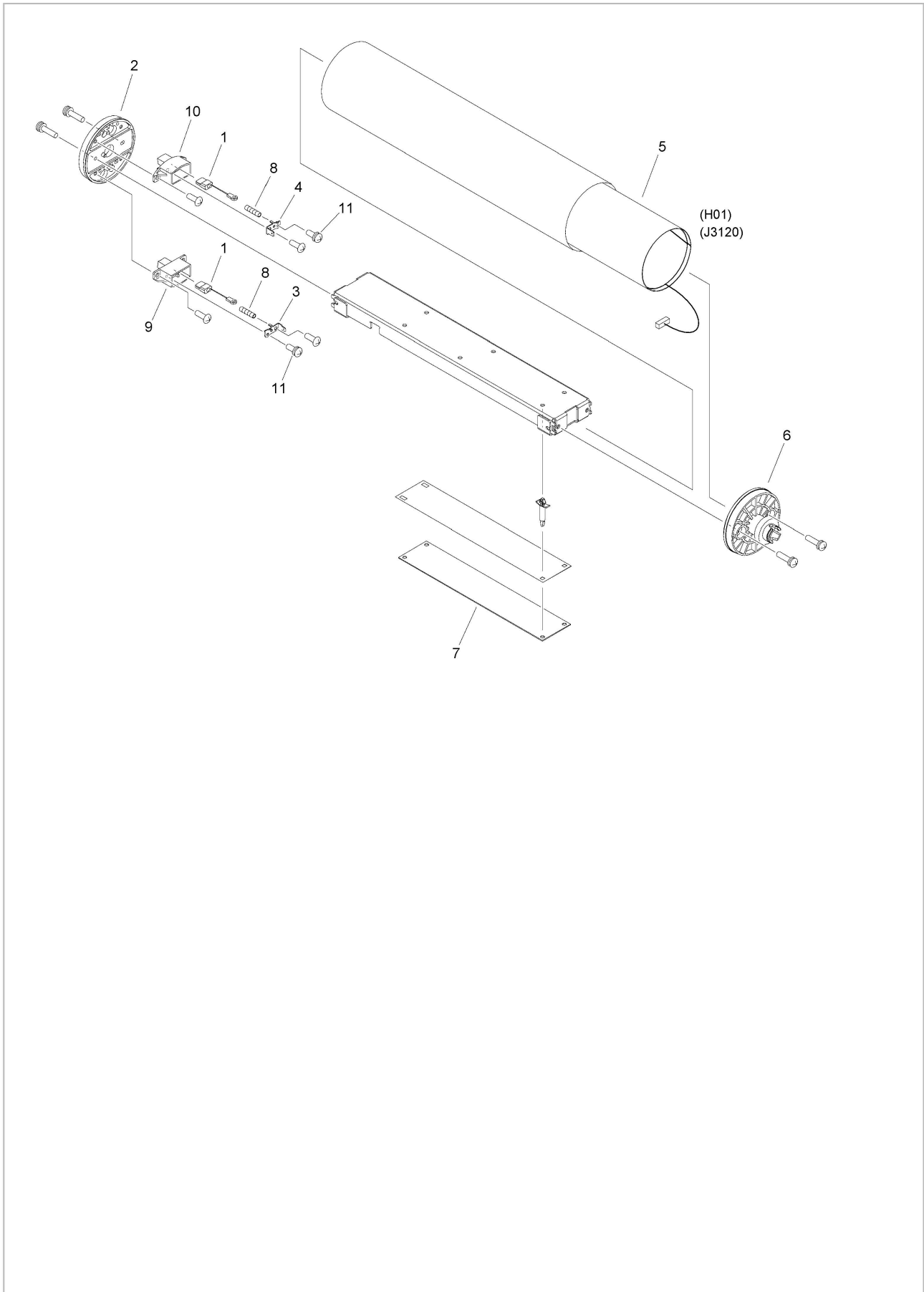
FIG/KEY	PART NUMBER	RANK	QTY	DESCRIPTION	REMARKS
352	FM3-7381-000		1	INNER PAPER DELIVERY ASS'Y	SEE NOTE
1	FB2-7163-000		2	BUSHING	
2	XD9-0136-000		3	RING, E	
3	FC9-9071-000		1	MOUNT, PIN	
4	FF5-3055-030		2	SUPPORT, PLATE	
5	FL3-3019-000		1	SHAFT, RECIPROCATING	
6	FS5-1372-000		2	BUSHING	
7	FS5-2953-020		1	SPRING, COMPRESSION	
8	FC9-9187-000		4	ROLLER, FEED	
9	FS7-2319-000		12	SPRING, TENSION	
10	FE2-1022-000		6	SPRING, TORSION	
11	XA9-1659-000		15	SCREW, M3X4	
12	FC8-9343-000		4	HOLDER, FEED ROLLER	
13	FC9-5130-000		1	PLATE, RATCHET CLAW	
14	FC9-6947-000		8	GUIDE, PAPER	

Figure 460B LASER SCANNER UNIT



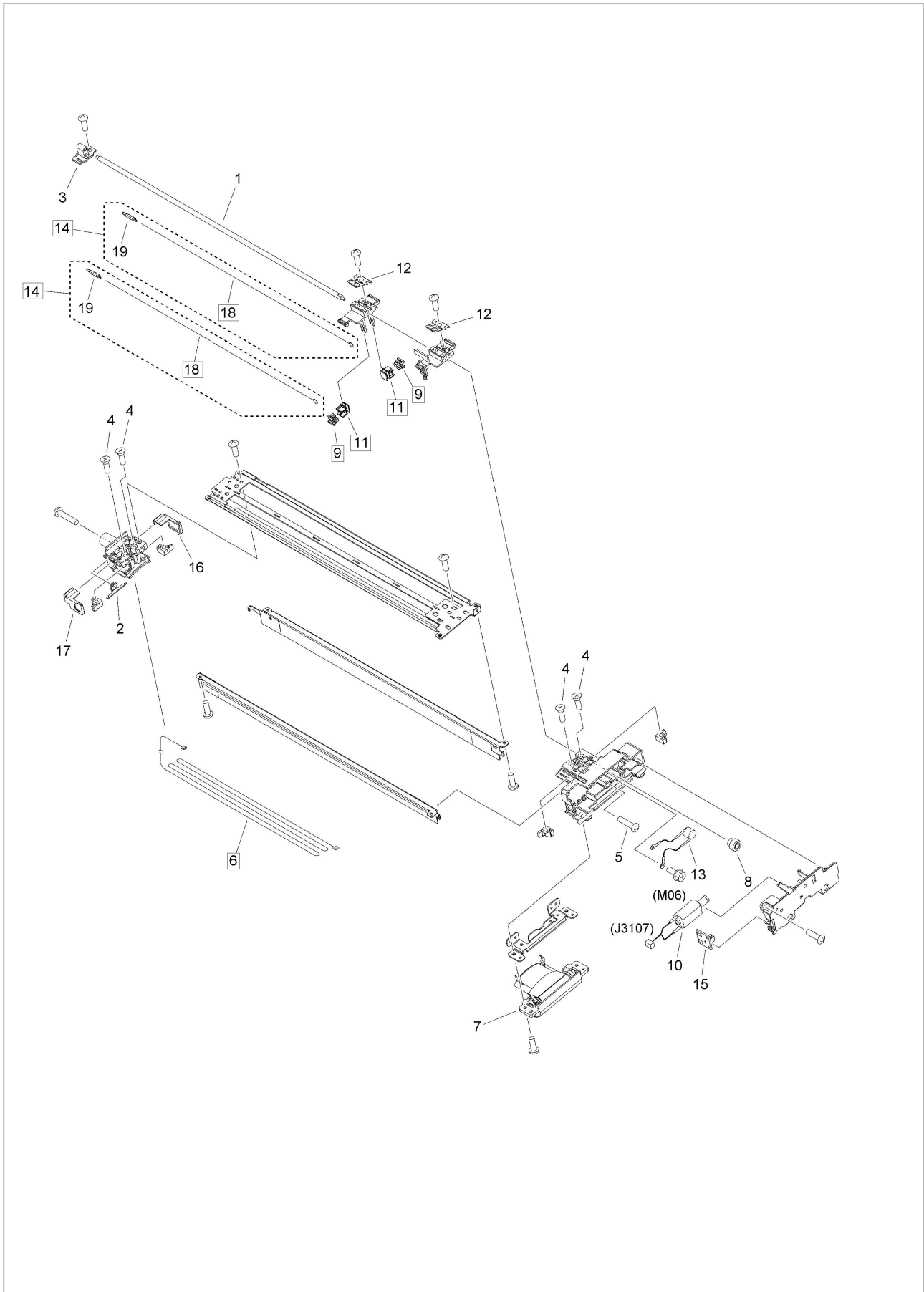
FIG/KEY	PART NUMBER	RANK	QTY	DESCRIPTION	REMARKS
460B	FM3-7526-010		1	LASER SCANNER UNIT	

Figure 510F PHOTO-SENSITIVE DRUM ASSEMBLY (230V)



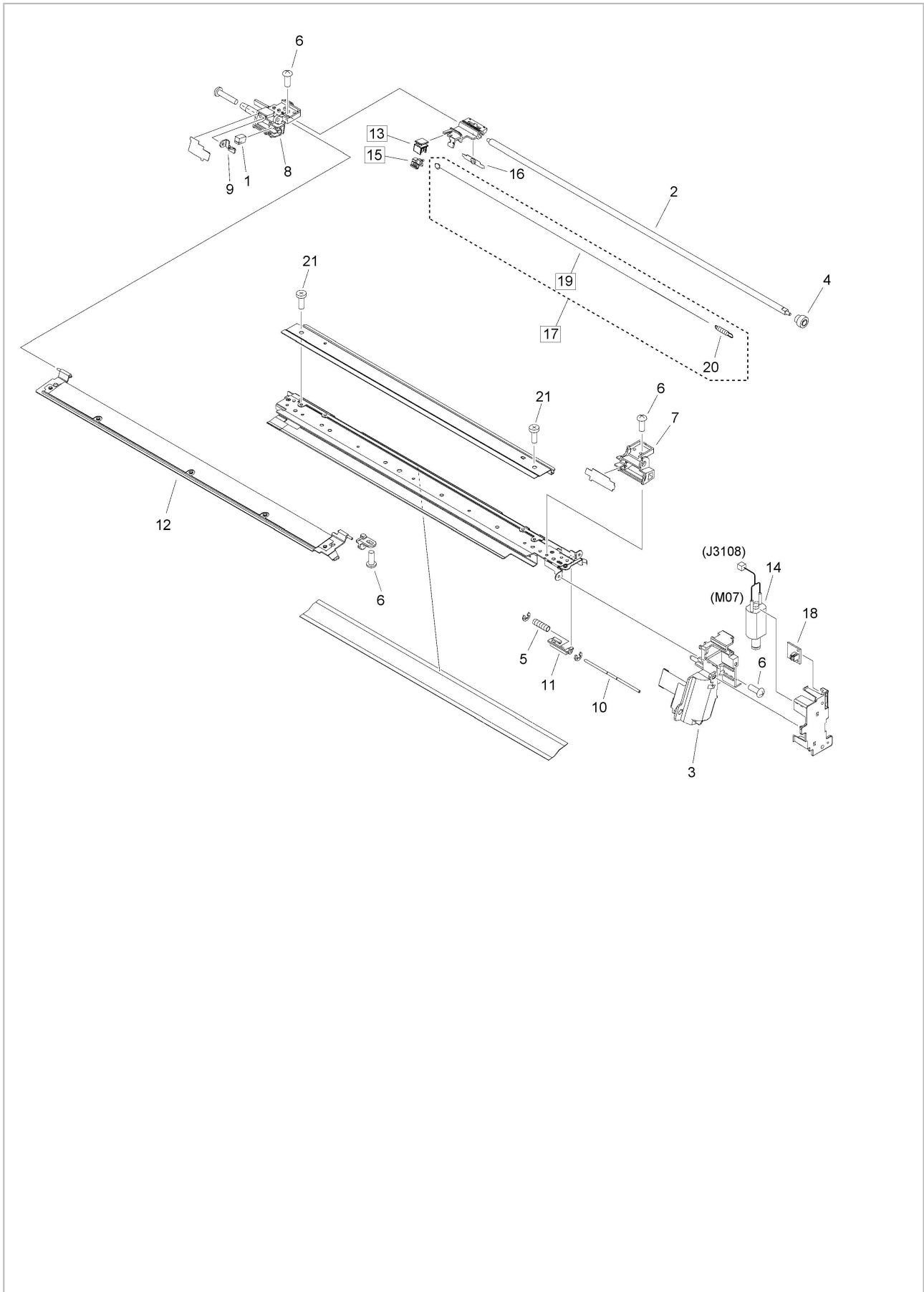
FIG/KEY	PART NUMBER	RANK	QTY	DESCRIPTION	REMARKS
510F	NPN		RF	PHOTO-SENSITIVE DRUM ASSEMBLY	230V
1	FC5-1766-000		2	ELIMINATOR, STATIC CHARGE	
2	FC0-5520-000		1	FLANGE, DRUM, REAR	
3	FC9-9133-000		1	TERMINAL, POWER DISPATCHING, 1	
4	FC9-9134-000		1	TERMINAL, POWER DISPATCHING, 2	
5	FK2-7725-000		1	HEATER, DRUM	H01
6	FL3-1250-000		1	FLANGE, DRUM, FRONT	
7	FM4-1107-010		1	DRUM HEATER DRIVER PCB ASS'Y	
8	FS2-2036-020		2	SPRING, COMPRESSION	
9	FC9-9139-000		1	MOUNT, TERMINAL, 1	
10	FC9-9140-000		1	MOUNT, TERMINAL, 2	
11	FE4-0431-000		2	SCREW, W/WASHER, M3X6	

Figure 550 1ST CORONA ASS'Y



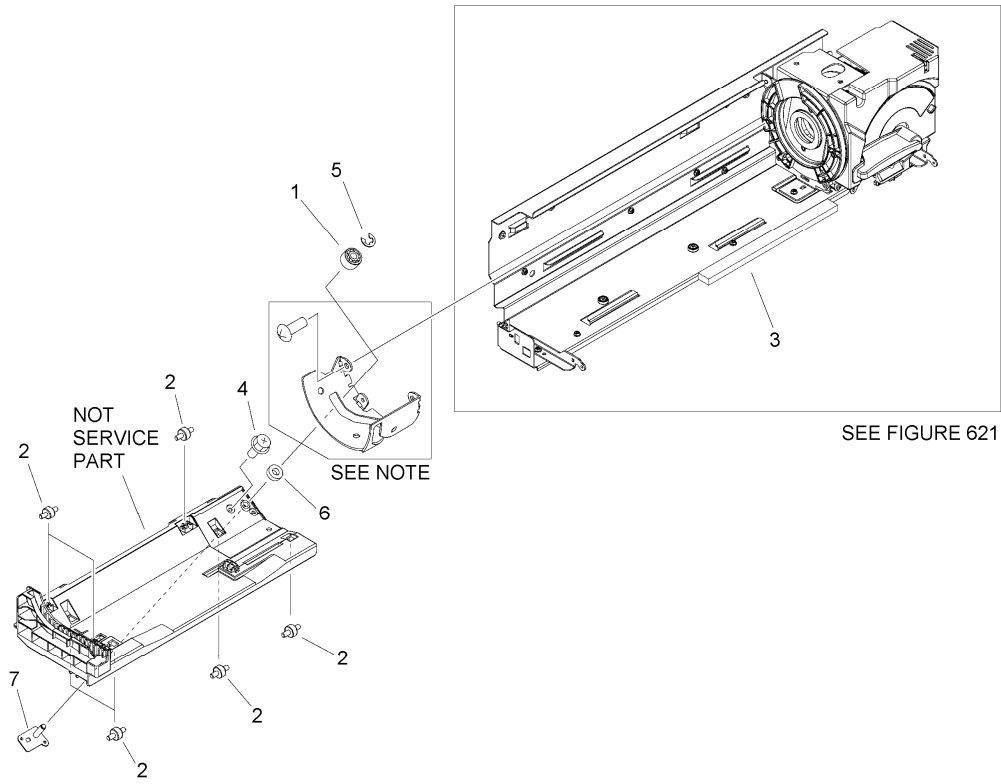
FIG/KEY	PART NUMBER	RANK	QTY	DESCRIPTION	REMARKS
550	FM3-7288-020		1	1ST CORONA ASS'Y	[DP]
1	FC5-1810-000		1	SCREW, LEAD	
2	FC8-7053-000		1	HOOK, CORONA WIRE SPRING	
3	FC8-7054-000		1	BUSHING	
4	XA9-0228-000		4	SCREW, INSUL., C.S.HEAD	
5	XA9-1302-010		1	SCREW,MACH,TRUSS HEAD,M3X14	
6	FY1-0883-000		1	CORONA WIRE ROLL (100M)	[DP]
7	FM4-5432-010		1	SHUTTER UNIT	
8	FU5-0268-000		1	GEAR, 18T	
9	FL2-7750-010		2	SLIDER, PAD	[DP]
10	FL2-0991-000		1	DC MOTOR UNIT	M06
11	FL3-7560-000		2	HOLDER, WIRE CLEANING PAD	[DP]
12	FL3-8789-000		2	PIN, SLIDER	
13	FL3-1270-000		1	VARISTOR	
14	FL3-4558-000		2	WIRE, 1ST CORONA	[DP]
15	FM4-1102-000		1	CONTACT PCB ASS'Y	
16	FC0-2088-000		1	COVER, 1ST CORONA INNER, RIGHT	
17	FC0-2089-000		1	COVER, 1ST CORONA INNER, LEFT	
18	FB4-3687-000		2	WIRE, CORONA, 0.06MM (20M)	
19	FU8-2522-000		2	SPRING, TENSION	

Figure 570B PRE-TRANSFER CORONA ASS'Y



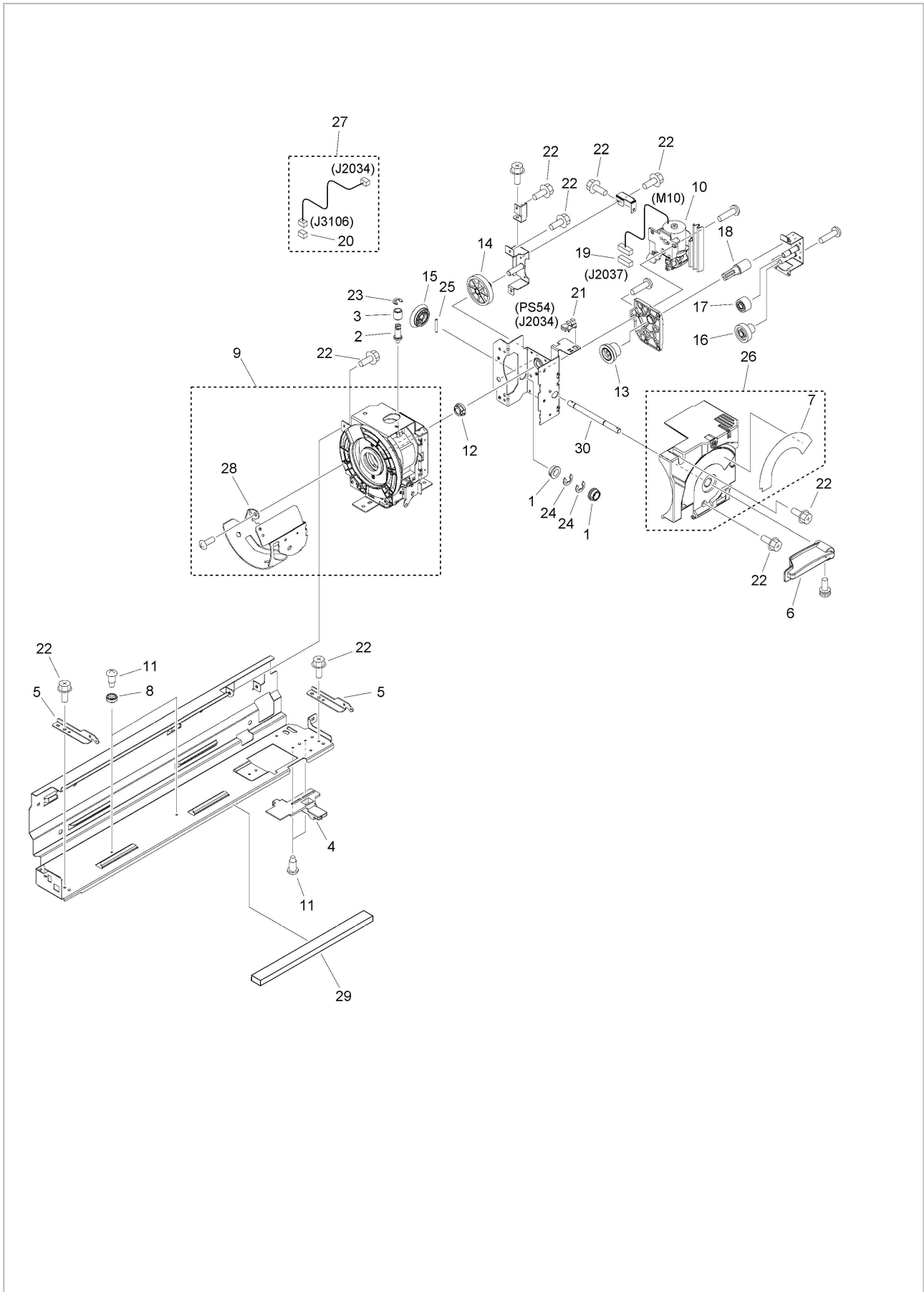
FIG/KEY	PART NUMBER	RANK	QTY	DESCRIPTION	REMARKS
570B	FM3-7297-020		1	PRE-TRANSFER CORONA ASS'Y	[DP]
1	FA4-1864-000		1	DAMPER	
2	FC5-1810-000		1	SCREW, LEAD	
3	FM4-5433-010		1	SHUTTER UNIT	
4	FU5-0268-000		1	GEAR, 18T	
5	FU8-2345-000		1	SPRING, COMPRESSION	
6	XA9-1659-000		6	SCREW,M3X4	
7	FC9-0071-000		1	BLOCK, PRE-TRANSFER CORONA, FR	
8	FC9-0074-000		1	BLOCK, PRE-TRANSFER CORONA, RR	
9	FC9-4111-000		1	TERMINAL, CORONA WIRE	
10	FC9-6165-000		1	PIN, SLIDE	
11	FC9-6166-000		1	HOLDER, SLIDE PIN	
12	FL3-3802-010		1	GUIDE, PRE-TRANSFER	
13	FL2-7750-010		1	SLIDER, PAD	[DP]
14	FL2-0991-000		1	DC MOTOR UNIT	M07
15	FL3-7560-000		1	HOLDER, WIRE CLEANING PAD	[DP]
16	FL3-8790-000		1	SPRING, PRESSURE	
17	FL3-4559-000		1	WIRE, PRE-TRANSFER CORONA	[DP]
18	FM4-1102-000		1	CONTACT PCB ASS'Y	
19	FB4-3687-000		1	WIRE, CORONA, 0.06MM (20M)	[DP]
20	FU8-2522-000		1	SPRING, TENSION	
21	XA9-0624-000		2	SCREW,M3X4	

Figure 620B HOPPER ASS'Y



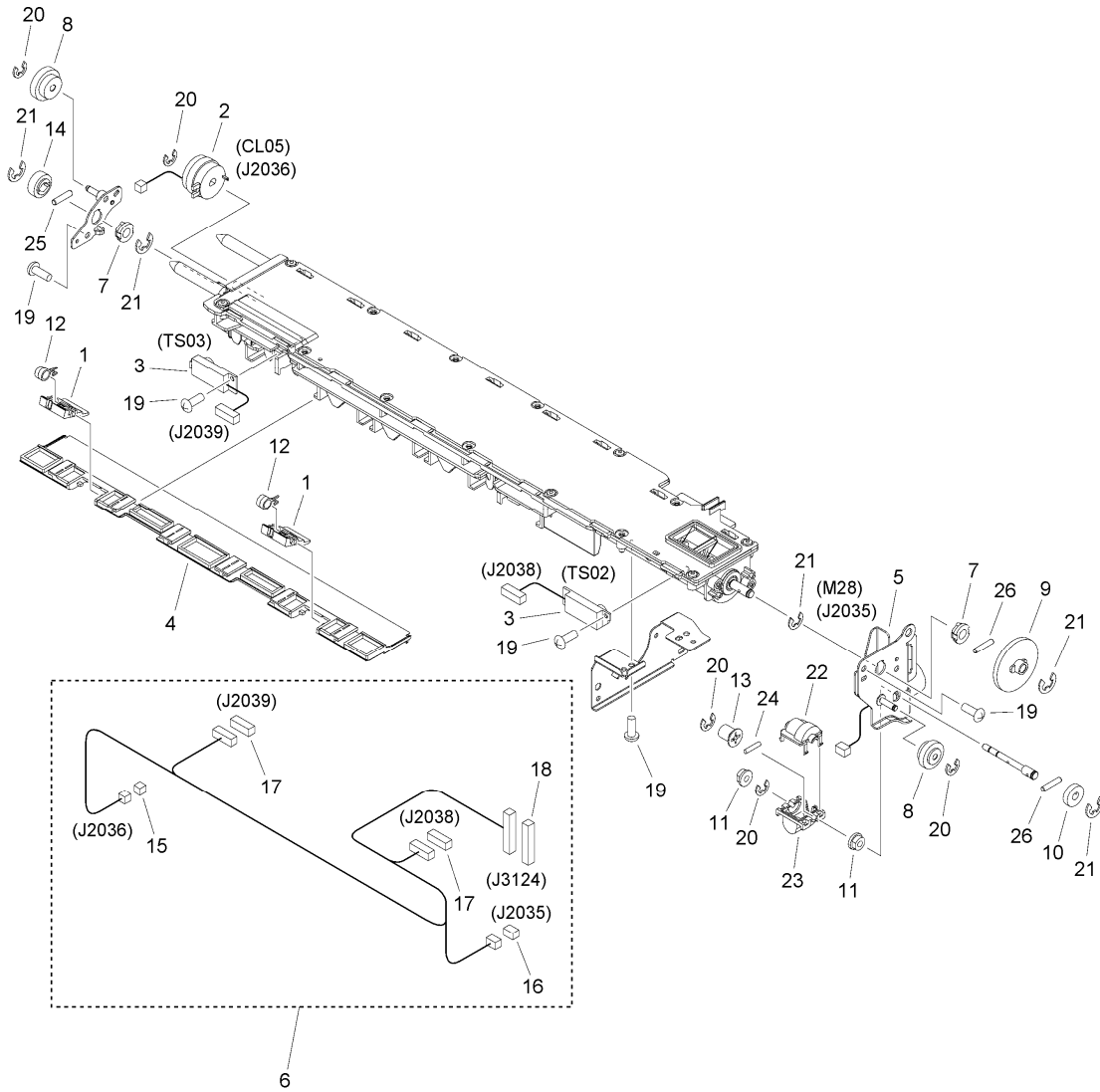
FIG/KEY	PART NUMBER	RANK	QTY	DESCRIPTION	REMARKS
620B	NPN		RF	HOPPER ASS'Y	
1	FC5-1950-000		1	ROLLER, BOTTLE STOP	
2	FC5-5092-000		7	ROLLER	
3	FM4-9813-010		1	HOPPER UNIT(L)	
4	XA9-1386-000		2	SCREW,RS,M3X8	
5	XD9-0136-000		1	RING, E	
6	XG9-0521-000		1	BEARING, BALL, MR126ZZ	
7	FL3-2174-000		1	PLATE, SUPPORT	

Figure 621 HOPPER ASS'Y



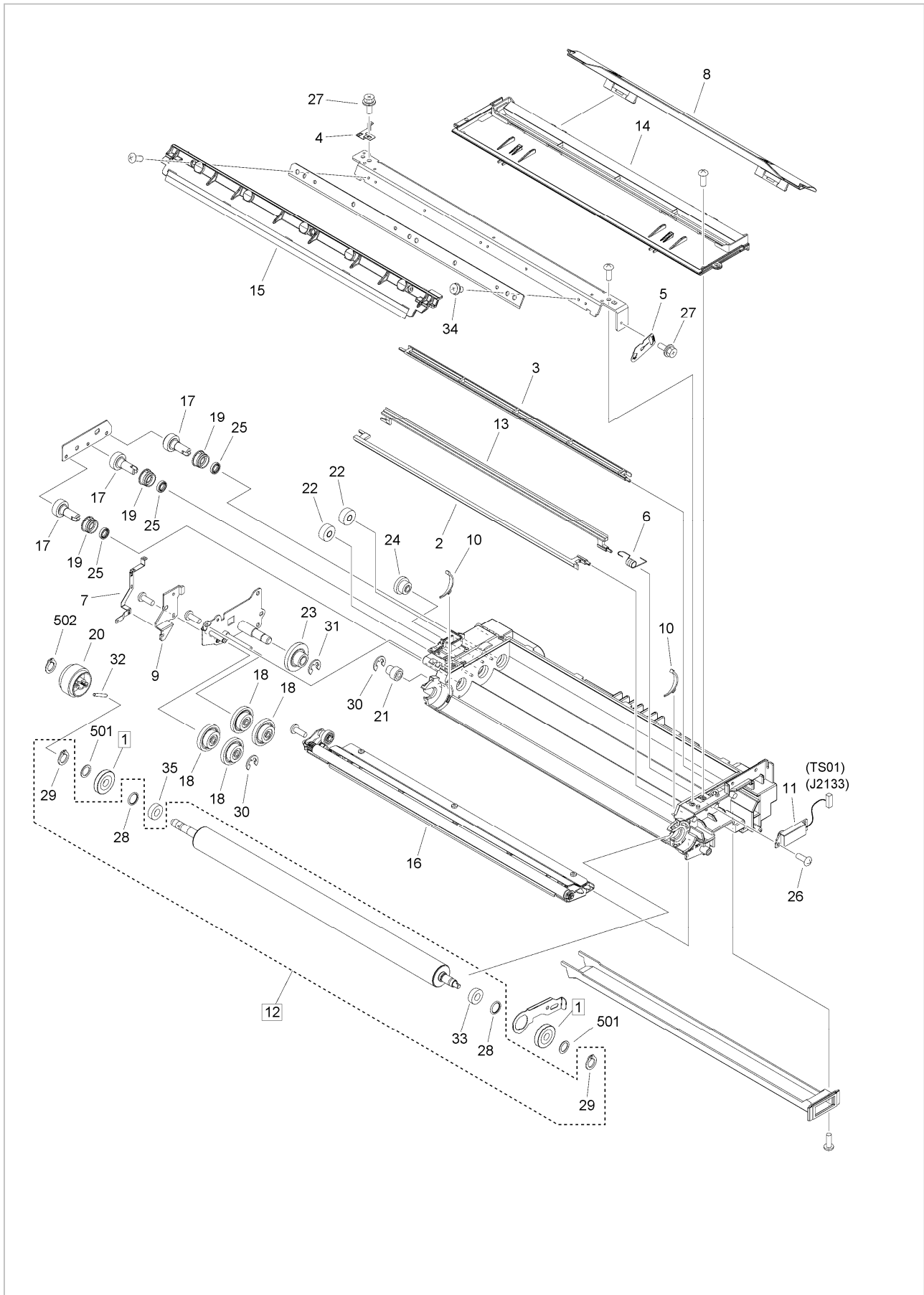
FIG/KEY	PART NUMBER	RANK	QTY	DESCRIPTION	REMARKS
621	NPN		RF	HOPPER ASS'Y	
1	XG9-0737-000		2	BUSHING	
2	FC6-2327-000		1	SHAFT, RING	
3	FC6-3230-000		1	STOPPER, FRONT	
4	FC8-7139-000		1	SHUTTER, TONER CASE	
5	FC9-0160-000		2	SUPPORT, HINGE	
6	FC9-6942-000		1	LEVER, OPERATOR	
7	FC9-9054-000		1	LABEL, LEVER POSITION	
8	FC9-9196-000		2	ROLLER, BOTTLE BOX LIMIT	
9	FM4-0880-010		1	CAM UNIT	
10	FM4-5309-000		1	BOTTLE DRIVE UNIT	M10
11	FS5-9438-030		4	SCREW, STEPPED	
12	FU6-1197-000		1	BUSHING	
13	FU7-0841-000		1	GEAR, 28T	
14	FU0-0055-000		1	GEAR, BEVEL, 13T/48T	
15	FU0-0054-000		1	GEAR, BEVEL, 16T	
16	FU9-0078-000		1	GEAR, 17T/47T	
17	FU9-0079-000		1	GEAR, 25T	
18	FU9-0080-000		1	GEAR, 18T	
19	VS1-7177-006		1	CONNECTOR, SNAP TIGHT, BK	
20	VS1-8412-003		1	CONNECTOR, SNAP TIGHT, BL	
21	WG8-5848-000		1	IC, PHOTO-INTERRUPTER	PS54
22	XA9-1386-000		18	SCREW, RS, M3X8	
23	XD9-0134-000		1	RING, E	
24	XD9-0137-010		2	RING, E	
25	XD9-0293-000		1	PIN, PARALLEL	
26	FL3-7917-000		1	COVER, SET ON, RIGHT	
27	FM4-0998-000		1	CABLE, HOPPER UNIT	
28	FL3-7929-000		1	CAM, BOTTLE	
29	FL0-1826-000		1	SEAL, HOPPER	
30	FU6-4982-000		1	SHAFT, LEVER	

Figure 625 BUFFER ASS'Y



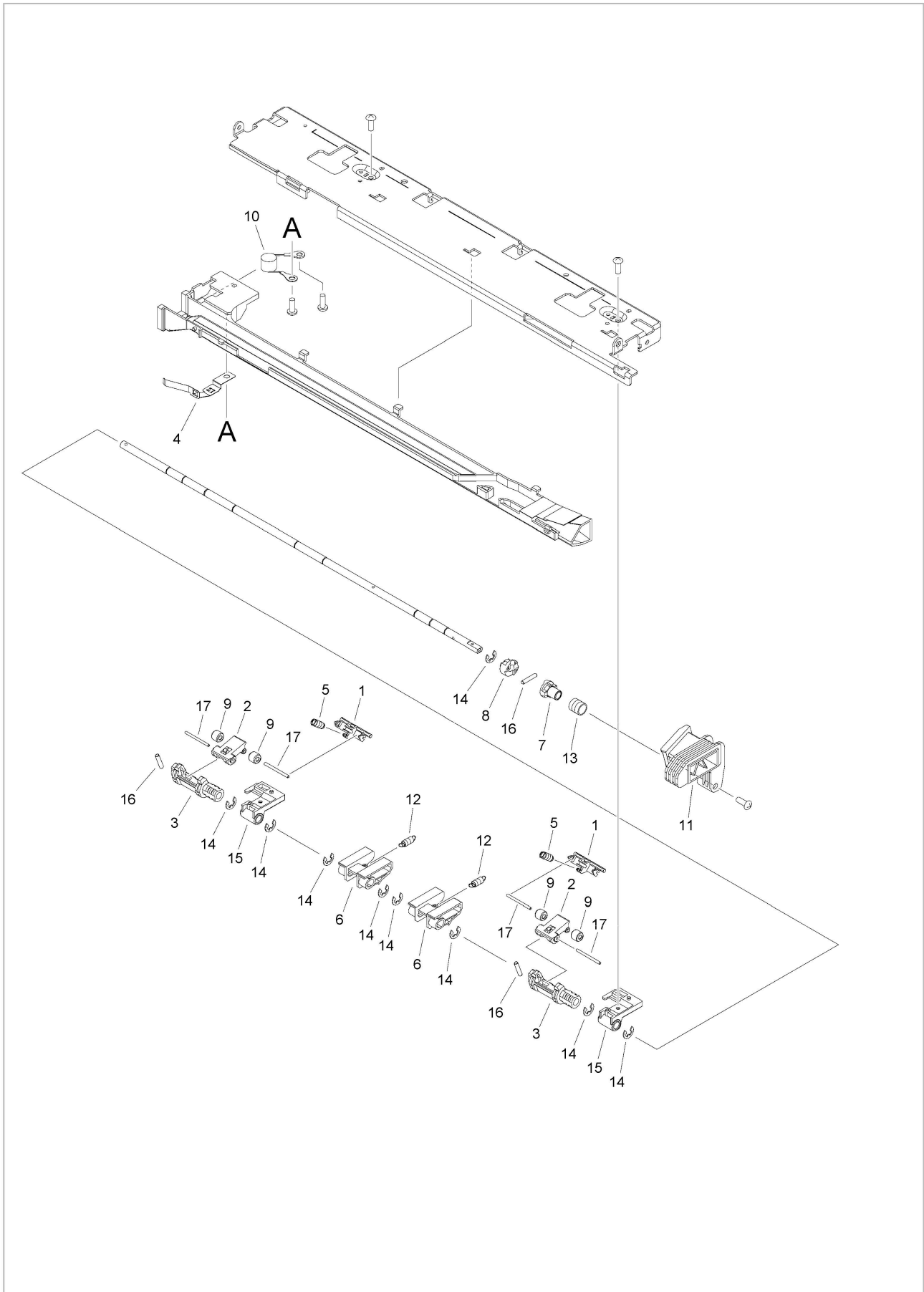
FIG/KEY	PART NUMBER	RANK	QTY	DESCRIPTION	REMARKS
625	FM4-0953-000		1	BUFFER ASS'Y	
1	FC9-5091-000		2	ARM, SHUTTER	
2	FK2-7728-000		1	CLUTCH, ELECTROMAGNETIC	CL05
3	FK2-7713-000		2	SENSOR UNIT, TONER	TS02, TS03
4	FL3-3782-000		1	SHUTTER, BUFFER	
5	FM4-0956-000		1	MOTOR, STEPPING, DC	M28
6	FM4-0999-000		1	CABLE, BUFFER	
7	FU6-1219-000		2	BUSHING	
8	FS6-0028-000		2	GEAR, 23T/16T	
9	FU5-0362-000		1	GEAR, 48T	
10	FU6-0152-000		1	GEAR, 17T	
11	FU6-1194-000		2	BUSHING	
12	FU7-2715-000		2	SPRING, TORSION	
13	FU9-0031-000		1	GEAR, 14T	
14	FU9-0155-000		1	GEAR, 16T	
15	VS1-7177-002		1	CONNECTOR, SNAP TIGHT, BK	
16	VS1-7177-003		1	CONNECTOR, SNAP TIGHT, BK	
17	VS1-7177-006		2	CONNECTOR, SNAP TIGHT, BK	
18	VS1-8412-017		1	CONNECTOR, SNAP TIGHT, BL	
19	XA9-1659-000		15	SCREW, M3X4	
20	XD9-0134-000		5	RING, E	
21	XD9-0136-000		5	RING, E	
22	FC9-5092-000		1	COVER, WORM GEAR, UPPER	
23	FC9-5093-000		1	COVER, WORM GEAR, LOWER	
24	XD9-0285-000		1	PIN, DOWEL	
25	XD9-0287-000		1	PIN, DOWEL	
26	XD9-0288-000		2	PIN, DOWEL	

Figure 640B DEVELOPING ASS'Y



FIG/KEY	PART NUMBER	RANK	QTY	DESCRIPTION	REMARKS
640B	FM3-7384-010		1	DEVELOPING ASS'Y	
1	FC0-2276-000		2	ROLLER, SPACER	[DP]
2	FC8-9468-000		1	ROD, STIRRING	
3	FC8-9469-000		1	ROD, STIRRING	
4	FC8-9472-010		1	PLATE, SLEEVE BIAS, REAR	
5	FC8-9473-000		1	PLATE, SLEEVE BIAS, FRONT	
6	FC8-9474-000		1	SPRING, COMPRESSION	
7	FC8-9503-010		1	PLATE, ROLLER BIAS	
8	FC8-9582-000		1	COVER, DEVELOPING ENTRANCE	
9	FC9-5448-000		1	GUIDE, SPRING	
10	FC9-5449-000		2	SEAL, SIDE END MAGNET	
11	FK2-7713-000		1	SENSOR UNIT, TONER	TS01
12	FM4-5438-010		1	CYLINDER, DEVELOPING	[DP]
13	FL3-2163-000		1	ROD, STIRRING	
14	FL3-2167-000		1	LID, DEVELOPING	
15	FL3-3613-000		1	COVER, SLEEVE	
16	FM3-7385-000		1	WASTE ASS'Y	
17	FS6-0857-000		3	GEAR, 20T	
18	FU5-0166-000		4	GEAR, 32T/20T	
19	FL3-5186-000		3	BUSHING	
20	FU8-0492-000		1	GEAR, 35T	
21	FU8-0903-000		1	GEAR, 14T/16T	
22	FU9-0036-000		2	GEAR, 19T	
23	FU9-0037-000		1	GEAR, 34T/16T	
24	FU9-0039-000		1	GEAR, 14T/21T	
25	X71-9310-000		3	SEAL, OIL	
26	XA9-1659-000		2	SCREW, M3X4	
27	XA9-1932-000		2	SCREW, W/WASHER, M3X6	
28	FC0-2281-000		2	RING, O	
29	XD9-0183-000		2	RING, C, EXTERNAL	
30	XD9-0134-000		2	RING, E	
31	XD9-0136-000		1	RING, E	
32	XD9-0290-000		1	PIN, PARALLEL	
33	XG9-0218-000		1	BALL BEARING, L1680DDLY13, NMB,	
34	XA9-2026-000		15	SCREW, WASHER, FLAT HEAD, M3X4	
35	XG9-0814-000		1	BEARING, BALL, L-1680DDRPOP25L	
501	XD1-1108-216		2	WASHER	
502	XD2-2100-602		1	GRIP RING (D=6)	

Figure 650 DEVELOPING RELEASE ASS'Y



FIG/KEY	PART NUMBER	RANK	QTY	DESCRIPTION	REMARKS
650	FM4-0950-000		1	DEVELOPING RELEASE ASS'Y	
1	FC8-7106-000		2	ARM, PRESSURE RELEASE, 1	
2	FC8-7107-000		2	ARM, PRESSURE RELEASE, 2	
3	FC8-7108-000		2	ARM, PRESSURE RELEASE, 3	
4	FC9-7984-000		1	PLATE, VARISTOR	
5	FC8-7113-000		2	SPRING, TENSION	
6	FC8-9571-000		2	BLOCK, MULTI PRESSURE	
7	FC9-5094-000		1	CLAMP, ROTATION, 1	
8	FC9-5095-000		1	CLAMP, ROTATION, 2	
9	FC9-5096-000		4	ROLLER, PRESSURE RELEASE	
10	FL3-1270-000		1	VARISTOR	
11	FL3-2154-000		1	ARM, DUCT	
12	FU7-2706-000		2	SPRING, TENSION	
13	FU8-2313-000		1	SPRING, COMPRESSION	
14	XD9-0136-000		9	RING, E	
15	FC8-7109-000		2	HOLDER, ARM	
16	XD9-0288-000		3	PIN, DOWEL	
17	XD9-0321-000		4	PIN, DOWEL	

Figure 710B (1 / 2) HOLDER UNIT, DRUM UNIT

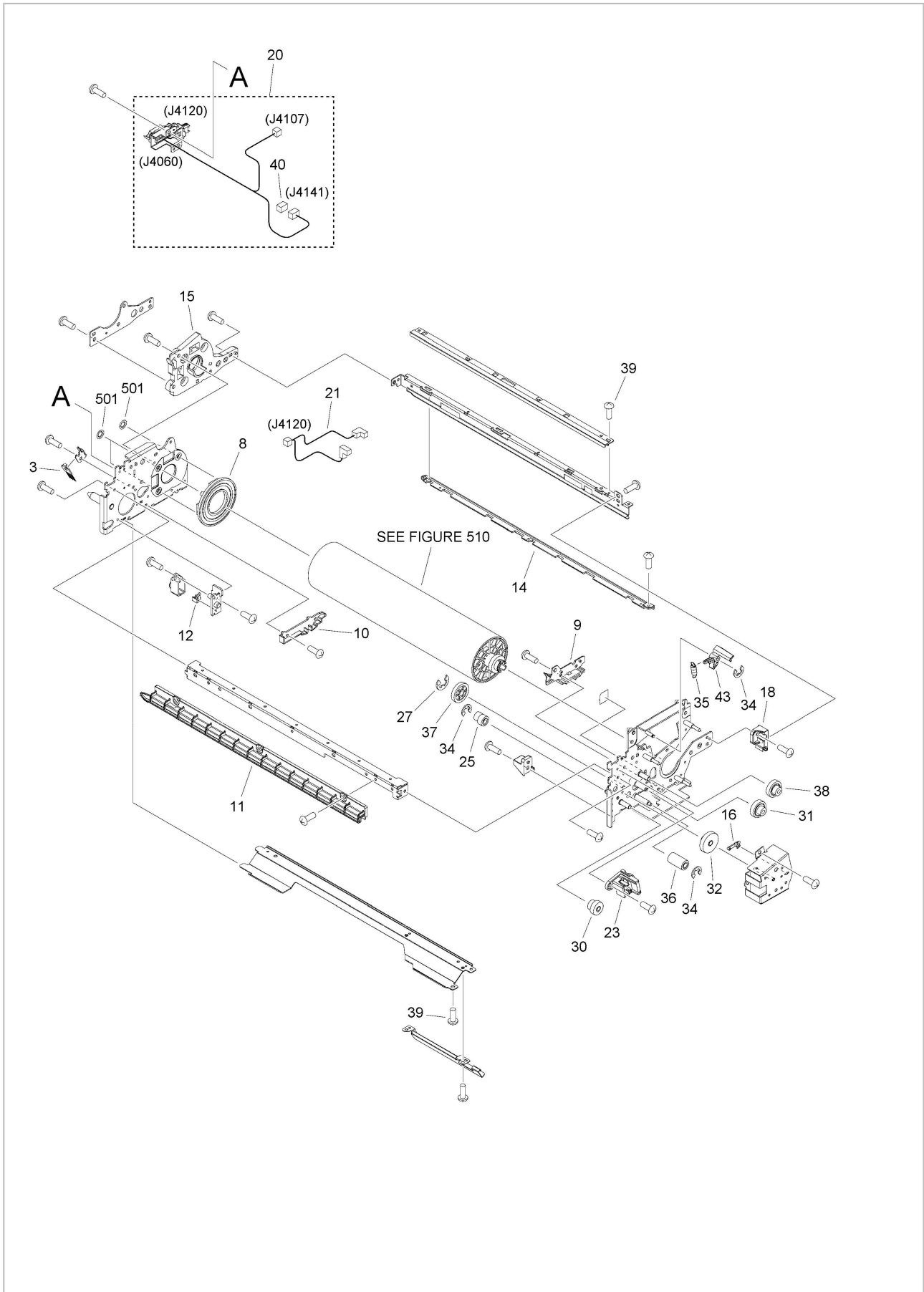
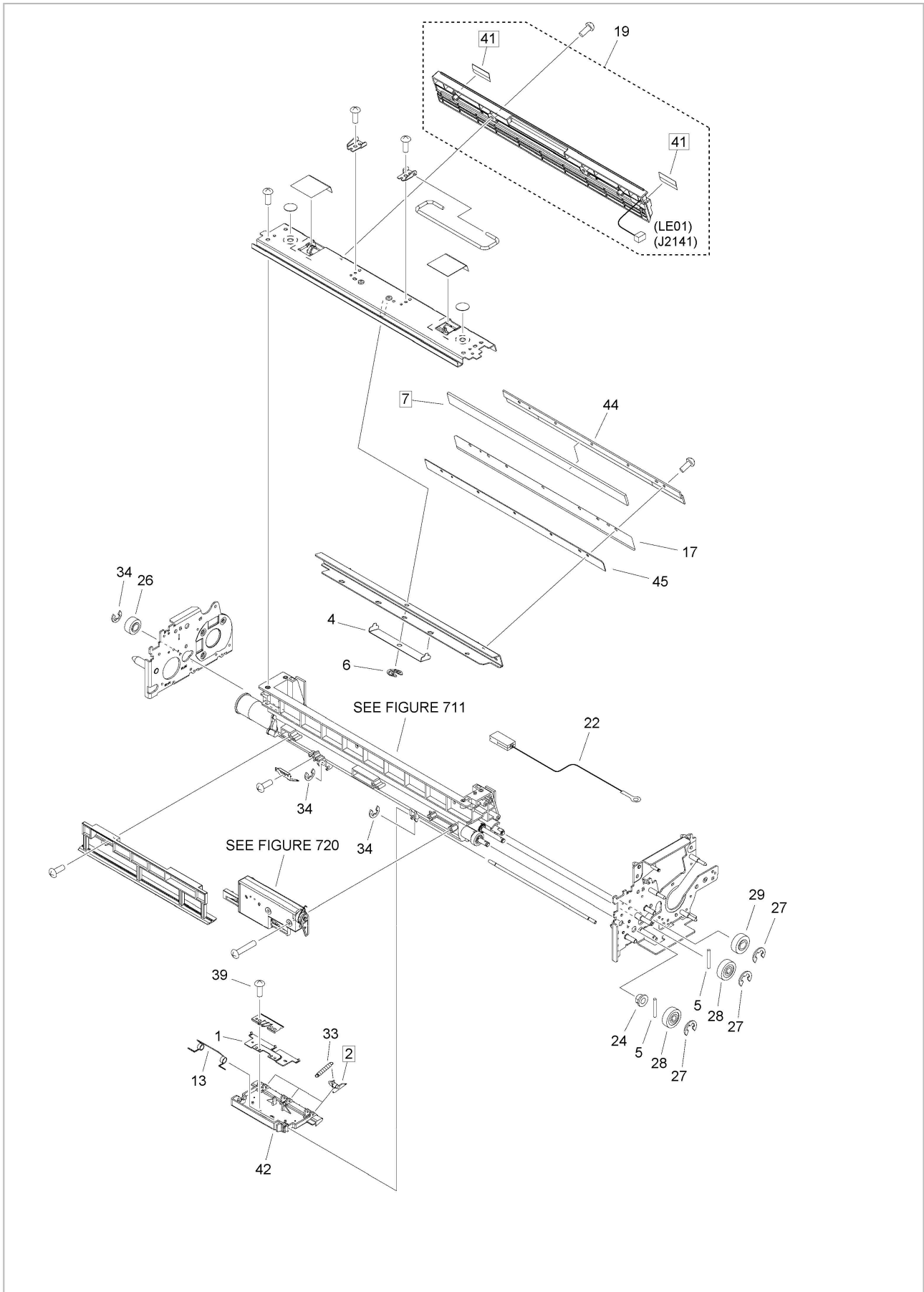
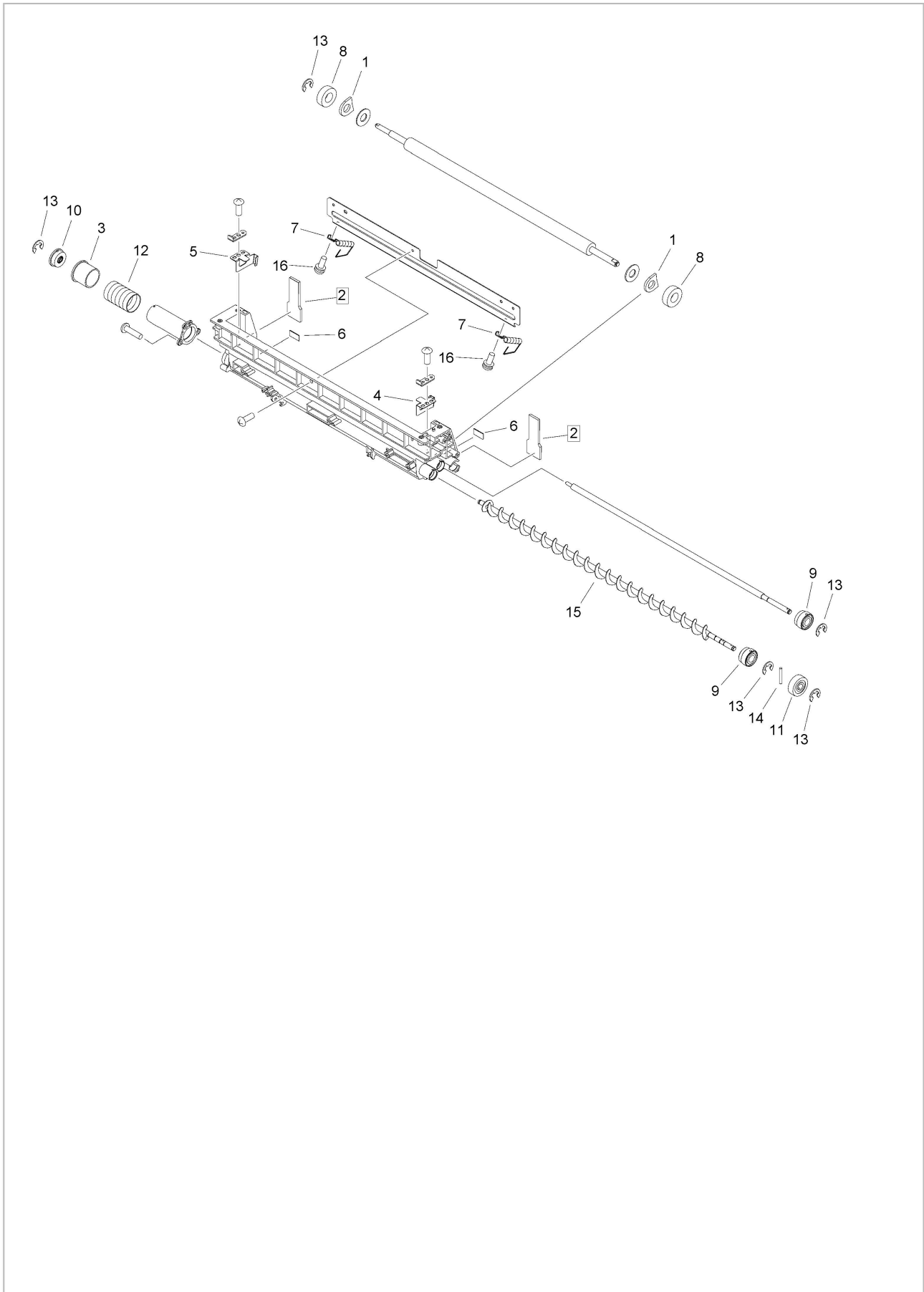


Figure 710B (2 / 2) HOLDER UNIT, DRUM UNIT



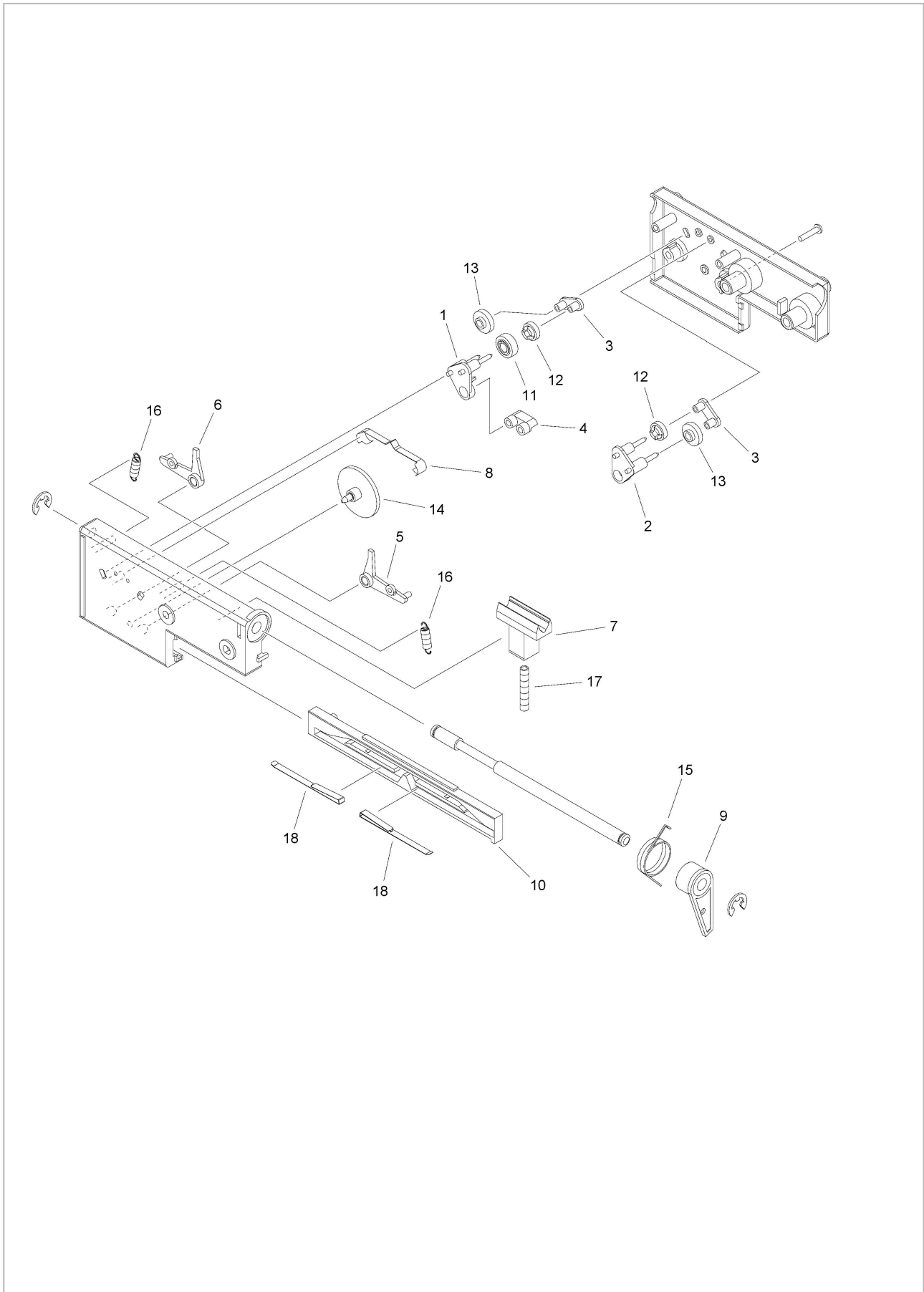
FIG/KEY	PART NUMBER	RANK	QTY	DESCRIPTION	REMARKS
710B	FM4-5397-010		1	HOLDER UNIT, DRUM UNIT	SEE NOTE1,SEE NOTE2
1	FB4-8012-020		1	PLATE, SEPARATION CLAW	
2	FB4-8018-010		3	CLAW, SEPARATION	[DP]
3	FB5-9104-010		1	ELIMINATOR, STATIC CHARGE	
4	FB6-2385-000		1	SPRING, LEAF	
5	XD9-0290-000		2	PIN, PARALLEL	
6	FB6-6088-000		1	RING, RETAINING	
7	FL3-6291-000		1	BLADE, DRUM CLEANING	[DP]
8	FC8-7093-000		1	RING, SLIP	
9	FC8-7097-000		1	GUIDE, TRANSFER POSITION,FRONT	
10	FC8-7098-000		1	GUIDE, TRANSFER POSITION, REAR	
11	FC8-9404-000		1	RAIL, LEFT	
12	FC8-9413-000		1	CONNECTOR, HIGH VOLTAGE	
13	FC9-4863-000		1	SPRING, TORSION	
14	FC9-4867-000		1	RAIL, RIGHT	
15	FC9-4870-000		1	GUIDE, POSITIONING	
16	FC9-5573-000		1	STOPPER	
17	FL3-5193-000		1	PLATE, BLADE BACKKING	
18	FC9-7440-000		1	JOINT, RAIL	
19	FM3-7292-000		1	PRE-EXPOSURE ASS'Y	LE01
20	FM4-5431-000		1	DRAWER ASSEMBLY	
21	FM4-0992-000		1	CABLE, DRUM HEATER	
22	FM4-0994-000		1	CABLE, HIGH VOLTAGE	
23	FM4-5148-000		1	MOUNT, CONTACT	
24	FS1-1205-000		1	BUSHING	
25	FS6-0136-000		1	GEAR, 18T	
26	FU0-0074-000		1	GEAR, 14T	
27	XD9-0136-000		4	RING, E	
28	FU3-0303-000		2	GEAR, 30T	
29	FU6-0619-000		1	GEAR, 20T	
30	FU6-0620-000		1	GEAR, 21T/30T	
31	FU7-0363-000		1	GEAR, 18T/36T	
32	FU7-0364-000		1	GEAR, 18T/48T	
33	FU7-2711-000		3	SPRING, TENSION	
34	XD9-0134-000		6	RING, E	
35	FU7-2713-000		1	SPRING, TENSION	
36	FU8-0899-000		1	GEAR, 18T	
37	FU9-0051-000		1	GEAR, 38T	
38	FU9-0159-000		1	GEAR, 18T/26T	
39	XA9-1659-000		15	SCREW,M3X4	
40	VS1-7177-003		1	CONNECTOR, SNAP TIGHT, BK	
41	FC9-9153-000		2	SHEET, SCRAPER	[DP]
42	FC9-4860-010		1	HOLDER, SEPARATION CLAW	
43	FC9-4871-000		1	STOPPER, CORONA	
44	FL3-5194-020		1	RETAINER, BLADE	
45	FC8-7083-000		1	PLATE, BLADE AUXILIARY	
501	XD2-2300-602		3	GRIP RING	

Figure 711B DRUM CLEANING ASS'Y



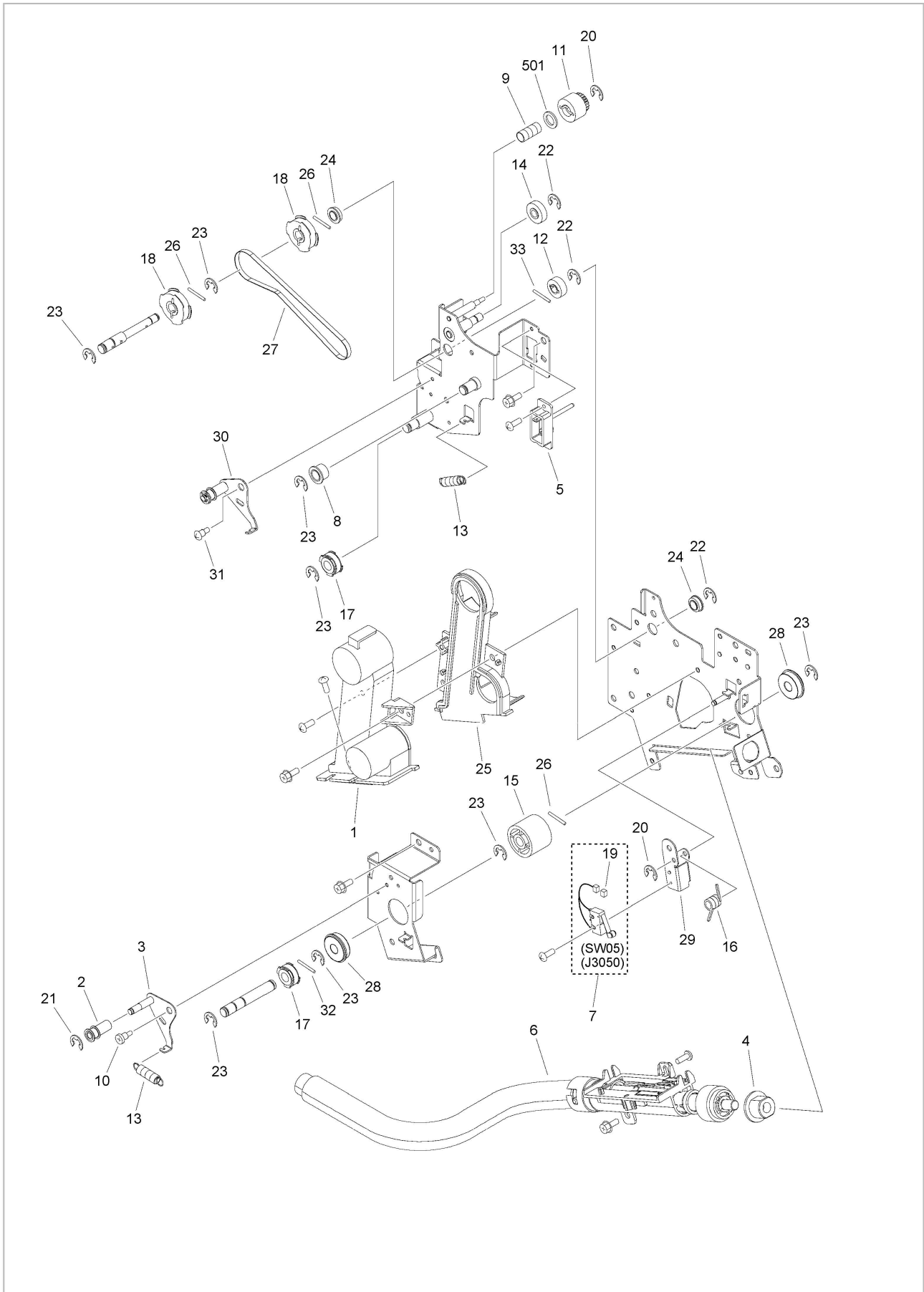
FIG/KEY	PART NUMBER	RANK	QTY	DESCRIPTION	REMARKS
711B	FM4-5396-000		1	DRUM CLEANING ASS'Y	SEE NOTE
1	FB2-6872-000		2	SEAL, FELT	
2	FC9-9024-000		2	SCRAPER, SIDE END	[DP]
3	FC9-9143-000		1	SHUTTER, WASTE TONER	
4	FC9-9154-000		1	SCRAPER, SIDE, FRONT	
5	FC9-9155-000		1	SCRAPER, SIDE, REAR	
6	FC9-9159-000		2	SHEET, POSITIONING	
7	FC9-9173-000		2	SPRING, TORSION	
8	XG9-0727-000		2	BEARING, BALL, 688-2RS,	
9	FL3-3700-000		2	BUSHING	
10	FL3-4551-000		1	BUSHING	
11	FU3-0303-000		1	GEAR, 30T	
12	FU7-2695-000		1	SPRING, COMPRESSION	
13	XD9-0136-000		5	RING, E	
14	XD9-0290-000		1	PIN, PARALLEL	
15	FC8-7078-000		1	FEEDSCREW, CLEANER	
16	FE4-0431-000		2	SCREW, W/WASHER, M3X6	

Figure 720 SEPARATION CLAW DRIVE ASSEMBLY



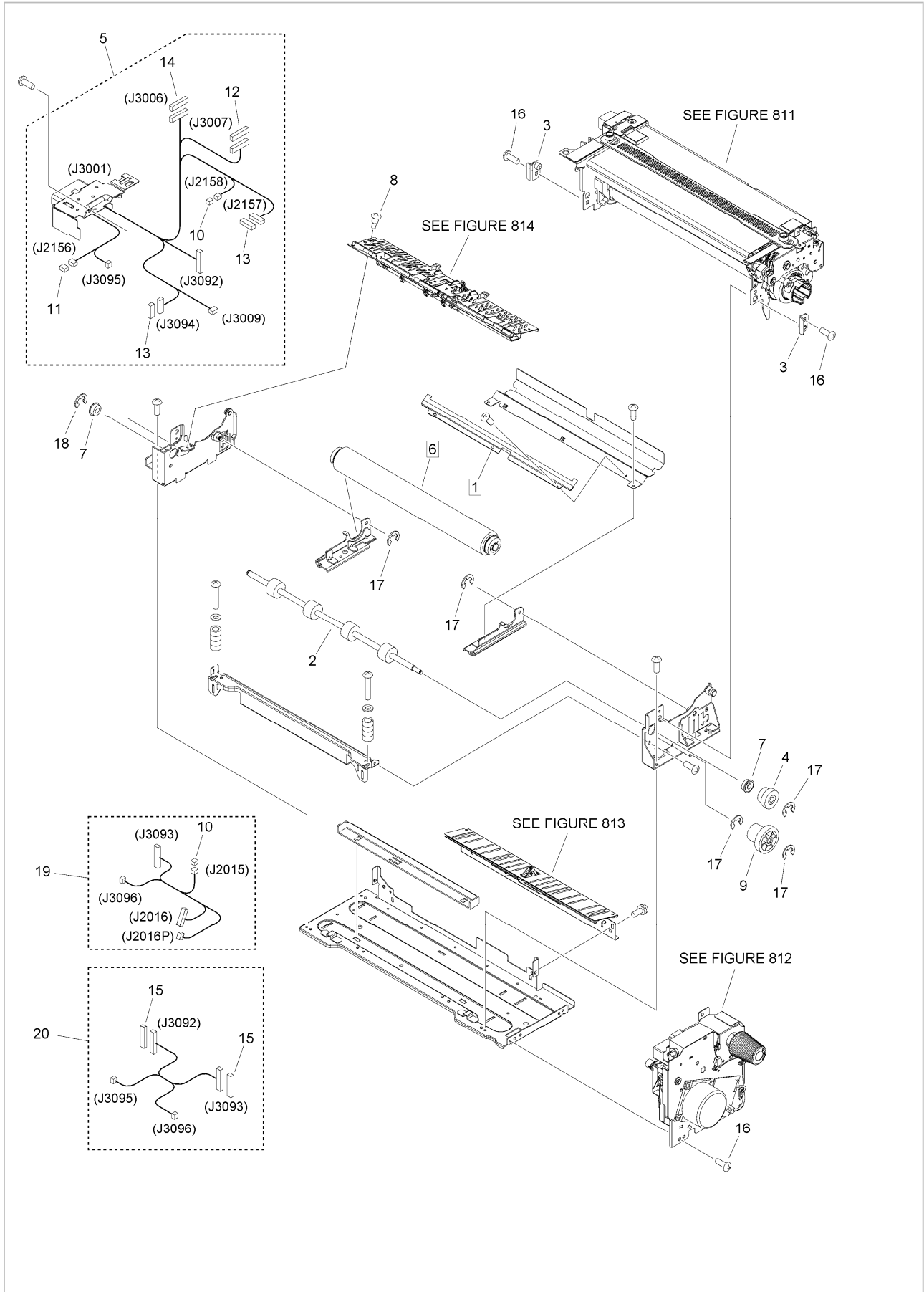
FIG/KEY	PART NUMBER	RANK	QTY	DESCRIPTION	REMARKS
720	FG5-5789-000		1	SEPARATION CLAW DRIVE ASSEMBLY	SEE NOTE
1	FA3-2473-000		1	LINK, LEFT	
2	FA3-2474-000		1	LINK, RIGHT	
3	FA3-2475-000		2	BRACE	
4	FA3-2476-000		1	LINK	
5	FA3-2477-000		1	LEVER, RESET, RIGHT	
6	FA3-2478-000		1	LEVER, RESET, LEFT	
7	FA3-2483-000		1	BRAKE	
8	FS7-2995-000		1	SPRING, LEAF	
9	FA9-3943-000		1	LEVER, DRIVE	
10	FB2-8299-000		1	RACK	
11	FS2-0088-000		1	GEAR, 20T	
12	FS2-0089-000		2	GEAR, 20T	
13	FS2-0090-000		2	GEAR, 25T	
14	FS2-0091-000		1	GEAR, 60T	
15	FS2-2001-000		1	SPRING, TORSION	
16	FS2-2002-000		2	SPRING	
17	FS2-2058-000		1	SPRING, COMPRESSION	
18	FS7-2994-000		2	SPRING, LEAF	

Figure 770 WASTE TONER FEED ASSEMBLY



FIG/KEY	PART NUMBER	RANK	QTY	DESCRIPTION	REMARKS
770	FM4-0899-020		1	WASTE TONER FEED ASSEMBLY	
1	FL0-5638-000		1	CAP, WASTE TONER DRIVE, UPPER	
2	FC9-5134-000		1	ROLLER, TENSIONER	
3	FL3-0286-000		1	TENSIONER	
4	FL3-3875-000		1	BUSHING	
5	FM4-0902-000		1	CONTACT PIN SUPPORT UNIT	
6	FM4-0903-000		1	WASTE TONER SCREW DRIVE ASS'Y	
7	FM4-1029-000		1	CABLE, LOCK DETECT SWITCH	SW05
8	FS2-6458-000		1	ROLLER	
9	FS5-2959-000		1	SPRING, TORSION	
10	FS5-9714-000		1	SCREW, STEPPED, M3	
11	FU9-0315-000		1	GEAR, 18T	
12	FU6-0446-000		1	GEAR, 18T	
13	FU7-2692-000		2	SPRING, TENSION	
14	FU8-0079-000		1	GEAR, 20T	
15	FU8-0082-000		1	GEAR, 26T	
16	FU8-2515-000		1	SPRING, TORSION	
17	FU9-0157-000		2	PULLEY, 28T	
18	FU9-0158-000		2	PULLEY, 40T	
19	VS1-7177-002		1	CONNECTOR, SNAP TIGHT, BK	
20	XD9-0134-000		2	RING, E	
21	XD9-0135-000		1	RING, E	
22	XD9-0136-000		3	RING, E	
23	XD9-0137-010		8	RING, E	
24	XG9-0705-000		2	BEARING, BALL, MF106ZZS	
25	FL3-1300-000		1	CAP, WASTE TONER DRIVE, LOWER	
26	XD9-0292-000		3	PIN, PARALLEL	
27	XF2-4114-240		1	BELT, TIMING, CR	
28	XG9-0492-000		2	BEARING, BALL, 608ZZ	
29	FC9-9131-000		1	SUPPORT, WASTE TONER, SENSOR	
30	FM4-9816-000		1	TENSIONER ASSEMBLY	
31	FS1-9010-020		1	SCREW, STEPPED, M3	
32	XD9-0289-000		1	PIN, PARALLEL	
33	XD9-0288-000		1	PIN, DOWEL	
501	XD1-1106-229		1	WASHER, COP	

Figure 810C FIXING ASS'Y



FIG/KEY	PART NUMBER	RANK	QTY	DESCRIPTION	REMARKS
810C	NPN		RF	FIXING ASS'Y	
1	FC7-4287-000		1	ELIMINATOR, STATIC CHARGE	[DP]
2	FC8-7232-000		1	ROLLER, INNER PAPER DELIVERY	
3	FL3-0219-010		2	SUPPORT, FIXING	
4	FL3-3731-000		1	GEAR, 19T	
5	FM3-7356-000		1	CABLE, FIXING DC DRAWER	
6	FM4-3160-010		1	ROLLER, PRESSURE	[DP]
7	XG9-0365-000		2	BEARING,BALL, LNR-1680HHR	
8	FS5-9162-020		1	SCREW, STEPPED	
9	FU9-0083-000		1	GEAR, 33T/20T	
10	VS1-7177-002		2	CONNECTOR, SNAP TIGHT, BK	
11	VS1-7177-003		1	CONNECTOR, SNAP TIGHT, BK	
12	VS1-7177-004		1	CONNECTOR, SNAP TIGHT, BK	
13	VS1-7177-006		2	CONNECTOR, SNAP TIGHT, BK	
14	VS1-7177-007		1	CONNECTOR, 7P, FEMALE, BK	
15	VS1-7177-009		2	CONNECTOR, 9P	
16	XA9-1031-000		5	SCREW, MACH. TRUSS HEAD, M4X6	
17	XD9-0136-000		5	RING, E	
18	XD9-0137-010		1	RING, E	
19	FM3-9165-000		1	CABLE, FIXING MOTOR, 1	
20	FM4-0987-000		1	CABLE, FIXING MOTOR, 2	

Figure 811B (1 / 2) FIXING ASS'Y, UPPER

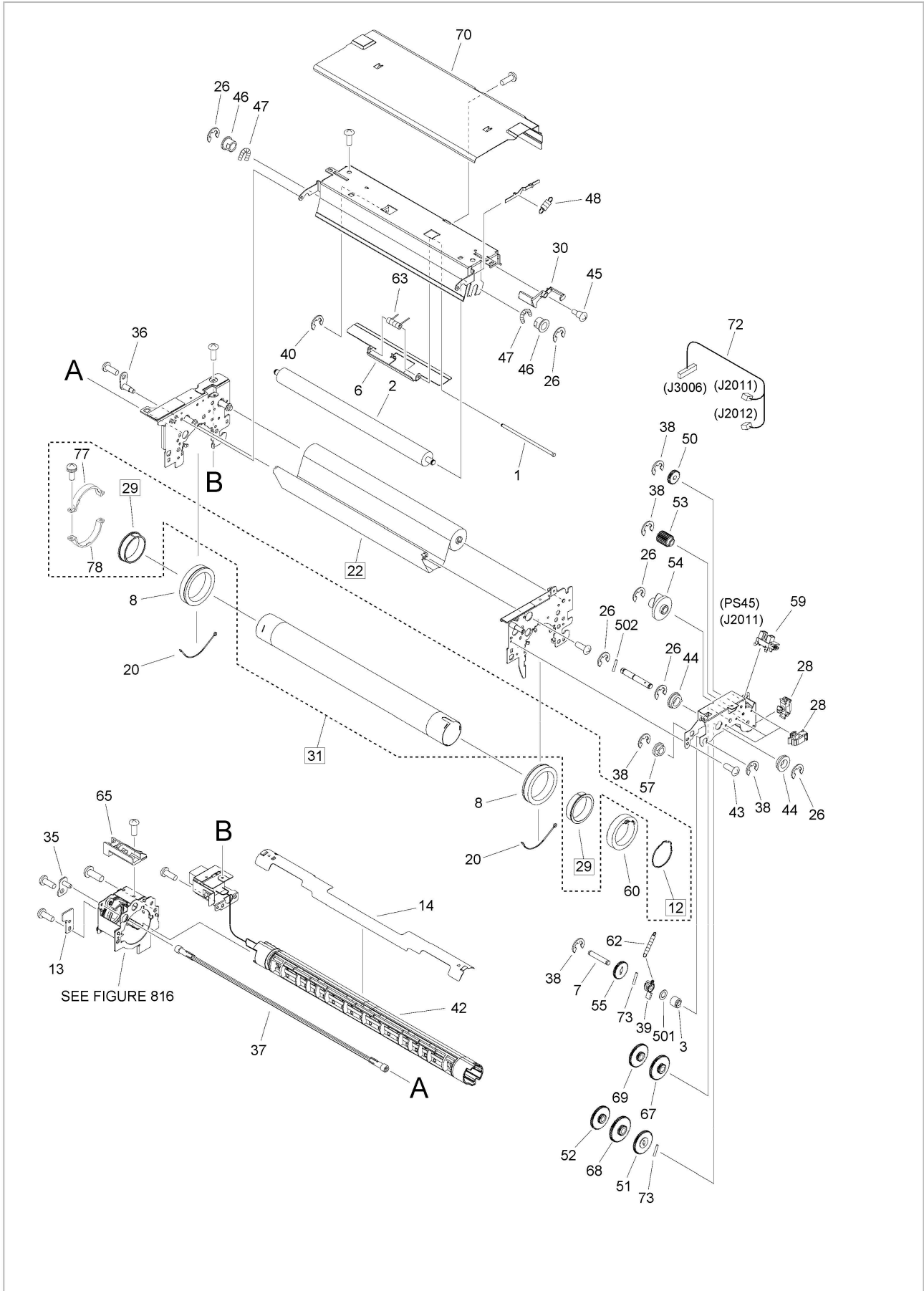
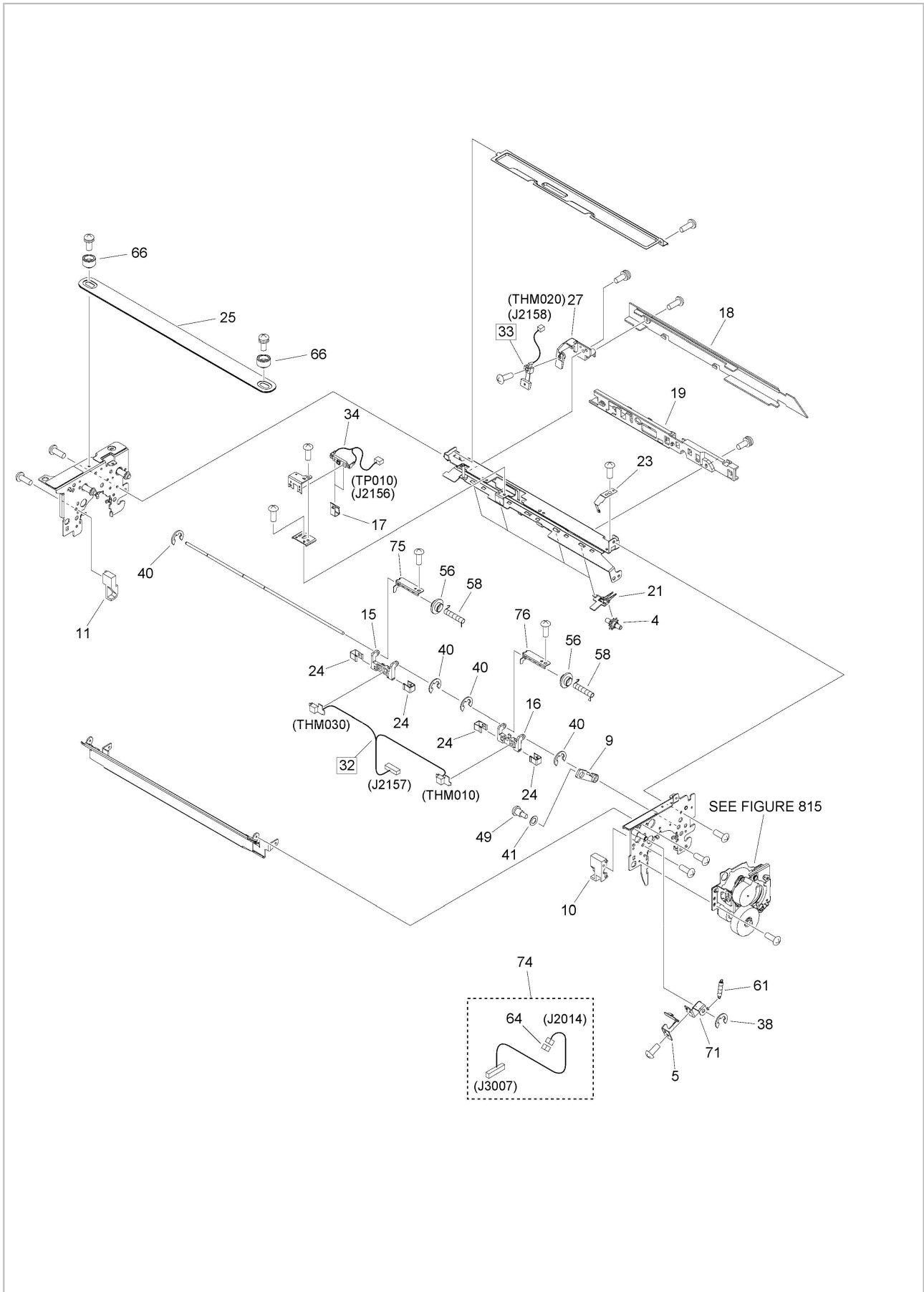


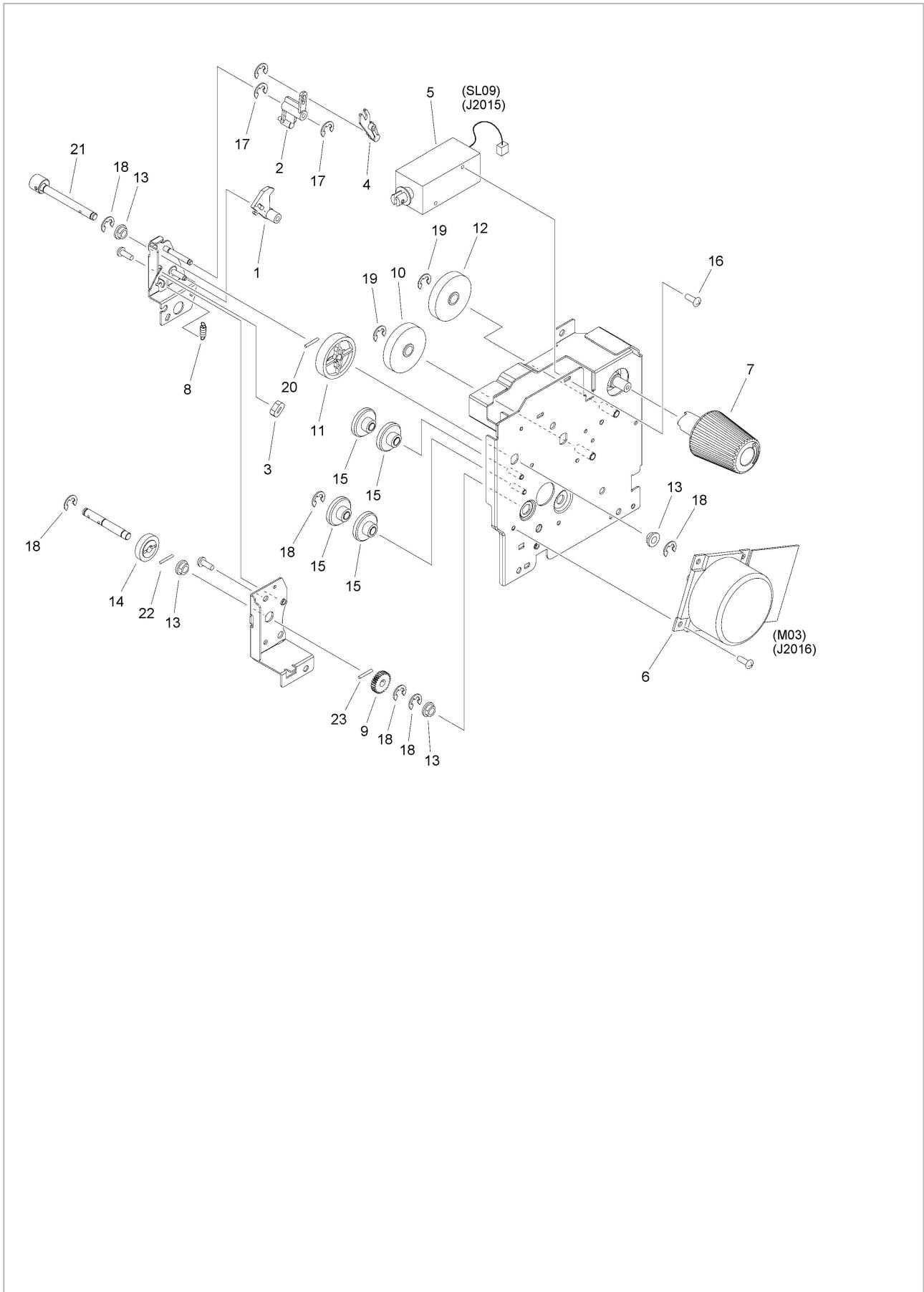
Figure 811B (2 / 2) FIXING ASS'Y, UPPER



FIG/KEY	PART NUMBER	RANK	QTY	DESCRIPTION	REMARKS
811B	FM3-7358-050		1	FIXING ASS'Y, UPPER	SEE NOTE
1	FA6-3071-020		1	ROD, PLATE MOUNTING	
2	FA9-3860-000		1	ROLLER, CLEANING	
3	FB1-6833-000		1	BUSHING	
4	FB1-8776-000		4	ROWEL	
5	FB2-7219-030		1	PLATE, LIMIT, ARM	
6	FB2-7221-000		1	PLATE, SUPPORT	
7	FB2-7230-000		1	SHAFT, ONE-WAY	
8	XG9-0563-000		2	BEARING,BALL,6809ZZN S1C4	
9	FB5-5521-000		1	HOLDER, SHAFT	
10	FC6-3499-000		1	STOPPER,CLAW,FRONT	
11	FC6-3500-000		1	STOPPER,CLAW,REAR	
12	FC6-3501-020		1	RETAINER, FIXING ROLLER, THRUST	[DP]
13	FC6-3524-000		1	STOPPER, HOPPER, RIGHT	
14	FC6-3525-000		1	SHUTTER	
15	FC6-3588-000		1	HOLDER, THERMISTOR INNER, RIGHT	
16	FC6-3592-000		1	HOLDER, MAIN THERMISTOR	
17	FC6-3596-000		2	SPRING, LEAF	
18	FC6-3628-000		1	COVER, CROSSMEMBER, RIGHT	
19	FC6-3669-000		1	GUIDE, CORD, RIGHT	
20	FC6-3673-000		2	RETAINER, BEARING	
21	FC6-3808-000		4	HOLDER, ROLLER	
22	FY1-1157-000		1	CLEANER SUPPLY ROLL	[DP]
23	FC7-7717-000		1	TERMINAL, ROLLER GROUNDING	
24	FC7-7800-000		4	SPRING	
25	FL0-5207-000		1	BELT, HANDLE	
26	XD9-0137-010		6	RING, E	
27	FC8-9512-000		1	HOLDER, SUB THERMISTOR, RIGHT	
28	WT2-6237-000		4	CLAMP, WIRE	
29	FM1-C081-010		2	BUSHING	[DP]
30	FC9-8282-000		1	LEVER, CLEANER REMNANT SENSING	
31	FMO-3465-030		1	FIXING ROLLER SET	[DP]
32	FK2-7683-000		1	THERMISTOR UNIT, MAIN	THM010, THM030 [DP]
33	FK2-7693-000		1	THERMISTOR UNIT, SUB	THM020 [DP]
34	FK2-7698-000		1	THERMOSWITCH	TP010
35	FL2-3049-000		1	SUPPORT, SHAFT	
36	FL2-3051-000		1	PLATE, ROLL SHAFT, REAR	
37	FL2-3058-000		1	SHAFT, DRIVE	
38	XD9-0136-000		6	RING, E	
39	FL3-2159-000		1	ARM, ONE-WAY	
40	XD9-0134-000		5	RING, E	
41	XD9-0067-000		1	WASHER, FRONT PANEL ARM, S	
42	FM3-7359-010		1	FIXING HEATER UNIT	
43	XA9-1031-000		2	SCREW, MACH. TRUSS HEAD, M4X6	
44	FS1-1449-000		2	BUSHING, PL	
45	FS1-9009-020		1	TWO-STEP SCREW, M3	
46	FS2-1256-000		2	BUSHING	
47	FU8-2523-000		2	SPRING, TENSION	
48	FS5-2940-000		1	SPRING, TENSION	
49	FS5-9162-020		1	SCREW, STEPPED	
50	FS6-0103-000		1	GEAR, 28T	
51	FS7-0891-000		1	GEAR, 60T	
52	FS6-0105-000		1	GEAR, 22T/60T	

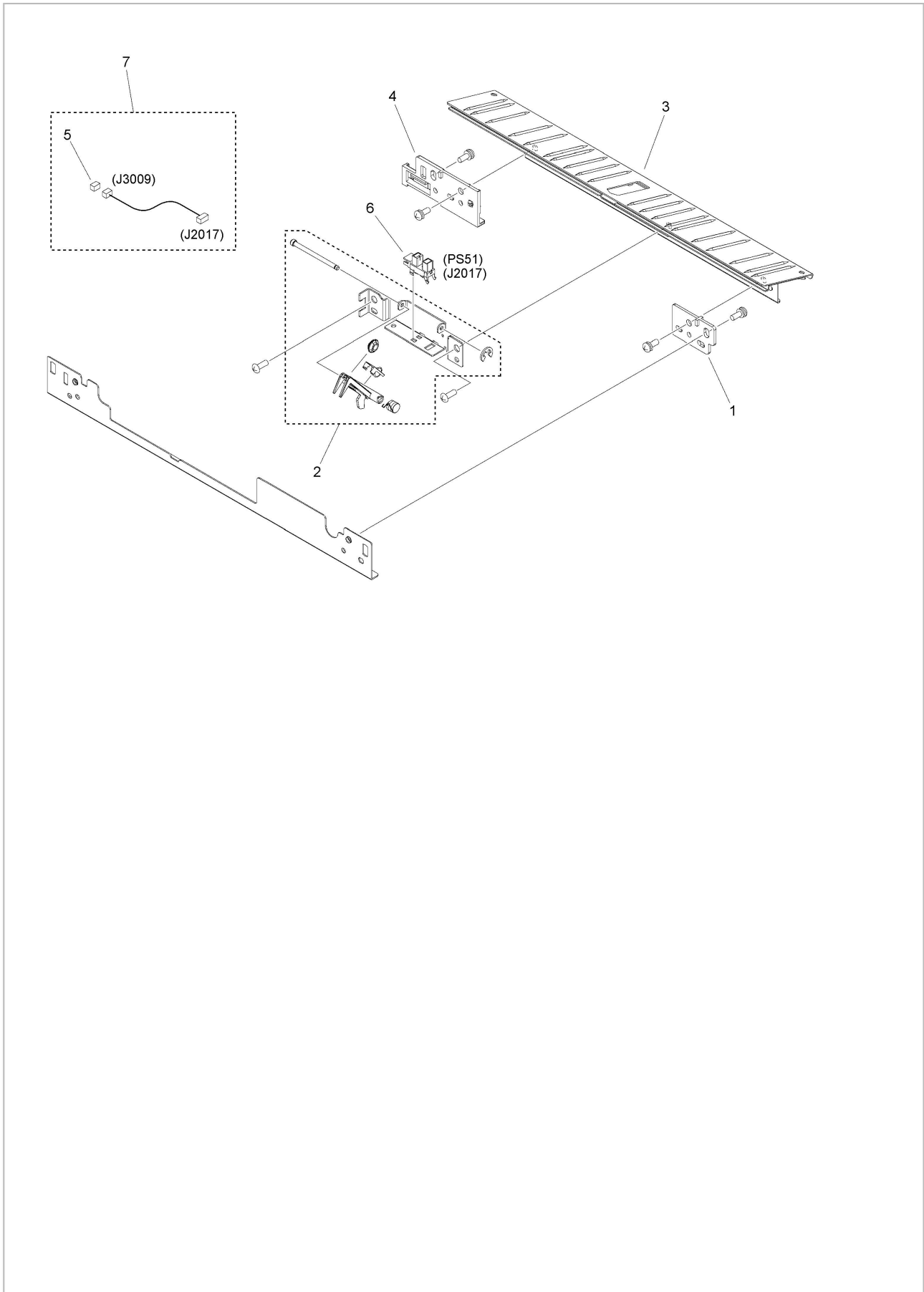
FIG/KEY	PART NUMBER	RANK	QTY	DESCRIPTION	REMARKS
53	FS6-0106-000		1	GEAR, 23T	
54	FS6-0107-000		1	GEAR, 50T	
55	FS6-0134-000		1	GEAR	
56	FU5-1468-000		2	BUSHING	
57	FU6-1193-000		1	BUSHING	
58	FU6-2107-000		2	SPRING	
59	WG8-5783-000		1	IC, PHOTO- INTERRUPTER, LG248NL1A	PS45
60	FU8-0505-000		1	GEAR, 52T	
61	FU8-2315-000		1	SPRING, TENSION	
62	FU8-2316-000		1	SPRING, TENSION	
63	FU8-2516-000		1	SPRING, TORSION	
64	VS1-7177-004		1	CONNECTOR, SNAP TIGHT, BK	
65	FC6-3447-000		1	GUIDE, COIL CORD	
66	FC8-7213-000		2	SPACER	
67	FS7-0893-000		1	GEAR, 22T/63T	
68	FS7-0894-000		1	GEAR, 19T/63T	
69	FS7-0895-000		1	GEAR, 19T/60T	
70	FC9-7840-000		1	COVER, FIXING, UPPER	
71	FC9-5137-000		1	PLATE, LIMIT, ARM, 2	
72	FM4-0990-000		1	CABLE, FIXING CLEANER	
73	XD9-0289-000		2	PIN, PARALLEL	
74	FM4-0991-000		1	CABLE, MOTOR	
75	FC6-3587-000		1	SUPPORT, THERMISTOR INNER, RIGHT	
76	FC6-3591-000		1	SUPPORT, MAIN THERMISTOR	
77	FE4-5931-000		1	STOPPER, FIXING ROLLER, UPPER	
78	FE4-5932-000		1	STOPPER, FIXING ROLLER, LOWER	
501	XD1-1106-235		1	WASHER, COP	
502	XD3-1300-122		1	PIN, SPRING	

Figure 812B FIXING DRIVE ASS'Y



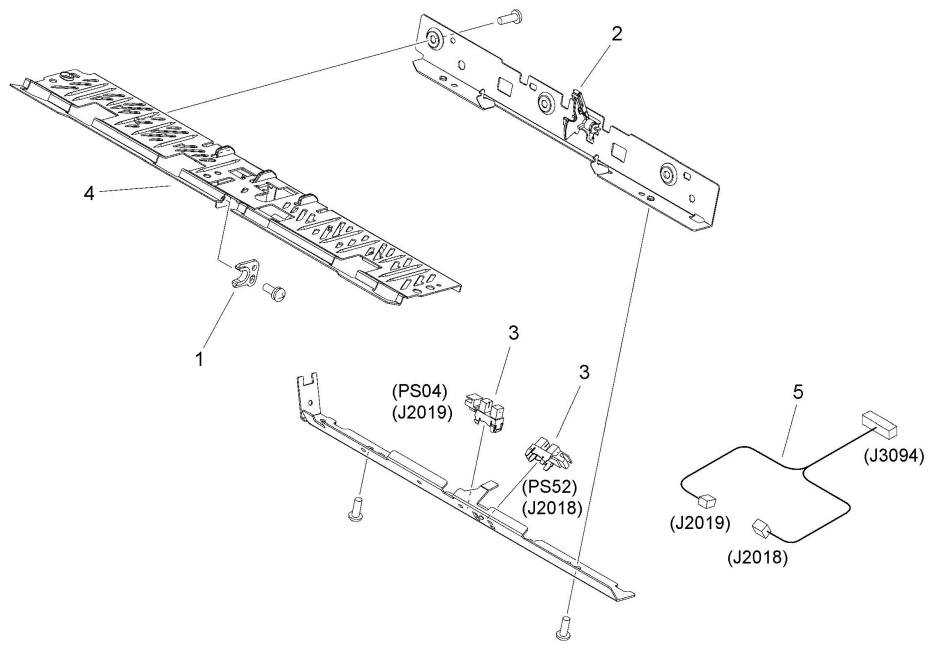
FIG/KEY	PART NUMBER	RANK	QTY	DESCRIPTION	REMARKS
812B	FM3-7357-000		1	FIXING DRIVE ASS'Y	
1	FB2-7243-000		1	ARM, SOLENOID, 2	
2	FC8-7235-000		1	LINK, SOLENOID	
3	FC8-7236-000		1	DAMPER	
4	FC8-7244-000		1	ARM, SOLENOID	
5	FK2-0839-000		1	SOLENOID	SL09
6	FK2-7669-000		1	MOTOR, DC	M03
7	FM2-4169-000		1	FIXING KNOB UNIT	
8	FS5-2967-000		1	SPRING, TENSION	
9	FS6-0103-000		1	GEAR, 28T	
10	FS7-0665-000		1	GEAR, 60T	
11	FU3-0302-000		1	GEAR, 58T	
12	FU6-0738-000		1	GEAR, 60T	
13	FU6-1193-000		4	BUSHING	
14	FU9-0045-000		1	GEAR, 20T	
15	FU9-0156-000		4	GEAR, 16T/38T	
16	XA9-1659-000		2	SCREW, M3X4	
17	XD9-0134-000		2	RING, E	
18	XD9-0136-000		6	RING, E	
19	XD9-0137-010		2	RING, E	
20	XD9-0290-000		1	PIN, PARALLEL	
21	FL3-0227-000		1	SHAFT, RECIPROCATING DRIVE	
22	XD9-0289-000		1	PIN, PARALLEL	
23	XD9-0288-000		1	PIN, DOWEL	

Figure 813B FIXING ENTRANCE GUIDE ASS'Y



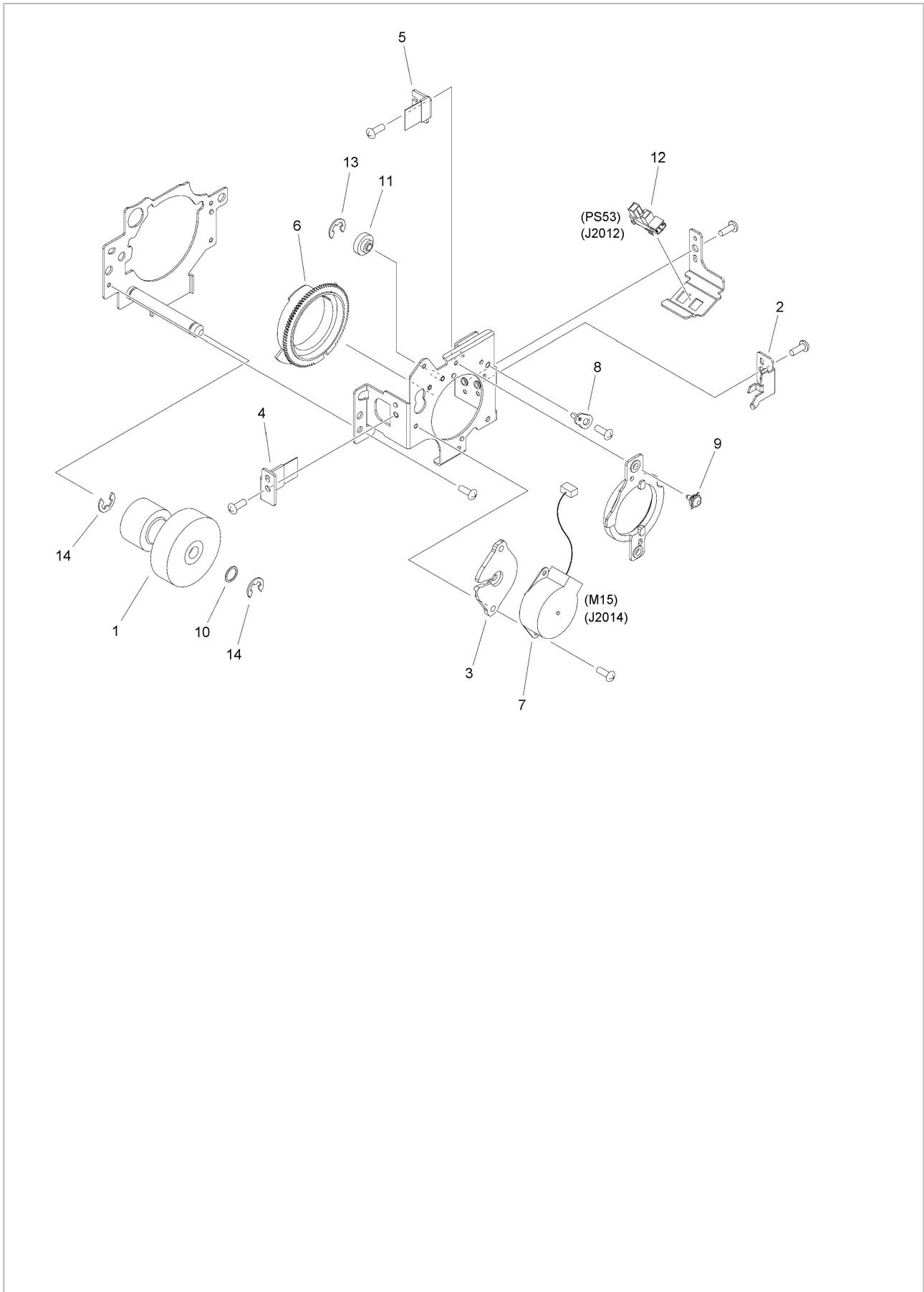
FIG/KEY	PART NUMBER	RANK	QTY	DESCRIPTION	REMARKS
813B	NPN		RF	FIXING ENTRANCE GUIDE ASS'Y	
1	FB5-6948-000		1	PLATE, HEIGHT ADJUSTING	
2	FM1-C082-010		1	FIXING INLET SENSOR FLAG ASS'Y	
3	FC8-7225-000		1	GUIDE, ENTRANCE	
4	FC9-5026-000		1	MOUNT, HEIGHT	
5	VS1-7177-003		1	CONNECTOR, SNAP TIGHT, BK	
6	WG8-5848-000		1	IC, PHOTO-INTERRUPTER	PS51
7	FM4-0982-000		1	CABLE, FIXING ENTRANCE SENSOR	

Figure 814B FIXING EXIT GUIDE ASS'Y



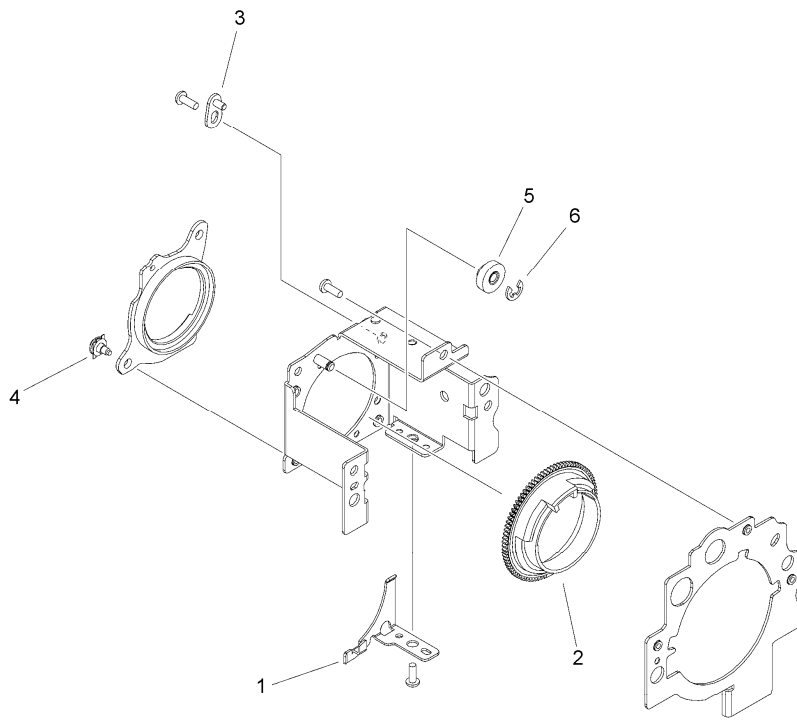
FIG/KEY	PART NUMBER	RANK	QTY	DESCRIPTION	REMARKS
814B	NPN		RF	FIXING EXIT GUIDE ASS'Y	
1	FB5-5530-000		1	HOLDER, SHAFT	
2	FL3-3619-000		1	CLAMP UNIT, SEPARATION CLAW	
3	WG8-5848-000		2	IC, PHOTO-INTERRUPTER	PS04, PS52
4	FL3-3620-000		1	GUIDE, INNER PAPER DELIVERY	
5	FM4-0983-000		1	CABLE, FIXING JAM SENSOR	

Figure 815 SHAFT FIXED PLATE ASS'Y, FRONT



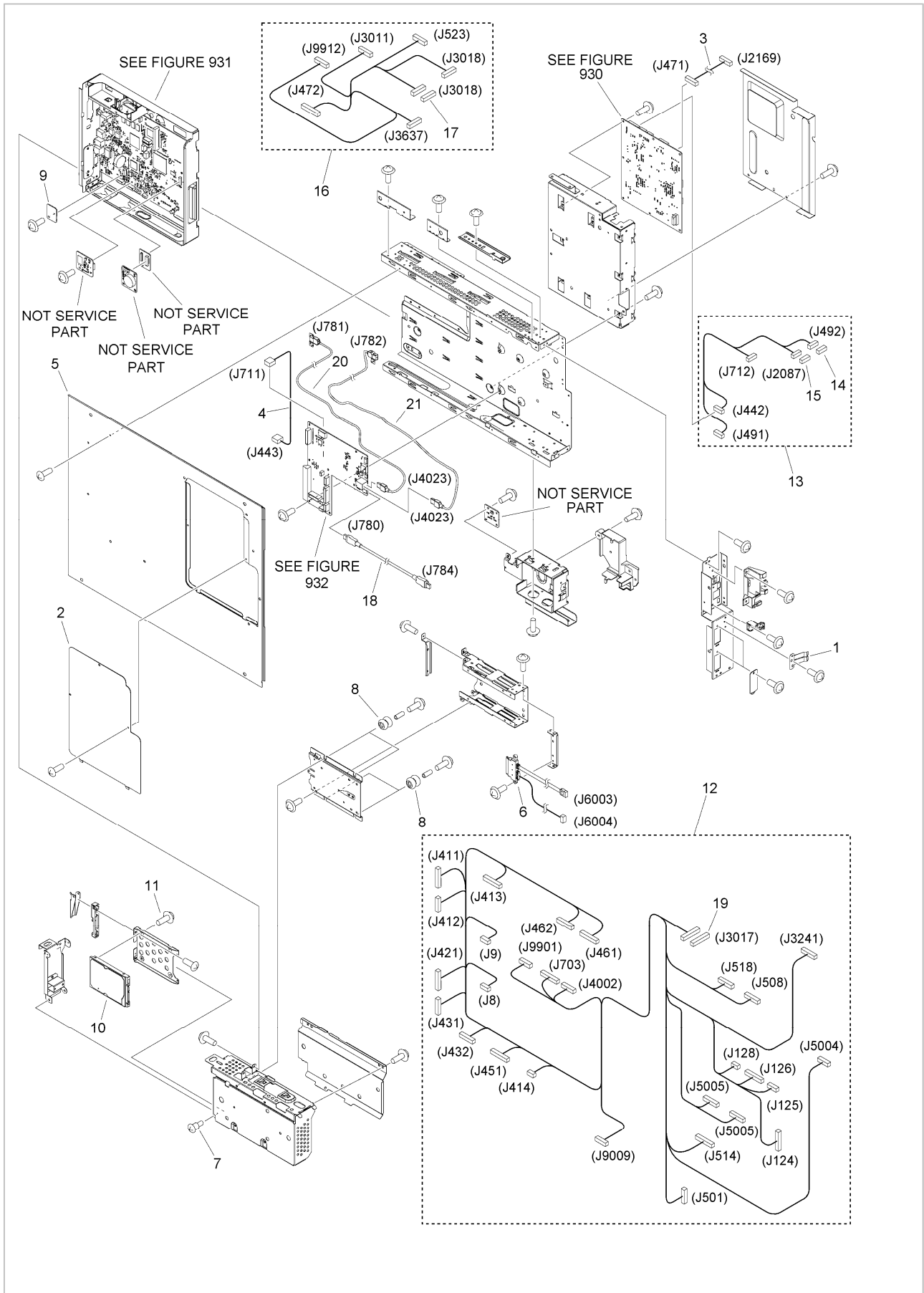
FIG/KEY	PART NUMBER	RANK	QTY	DESCRIPTION	REMARKS
815	FM4-5147-000		1	SHAFT FIXED PLATE ASS'Y, FRONT	SEE NOTE
1	FC6-3494-000		1	GEAR, 71T/26T	
2	FC6-3527-000		1	STOPPER, SHUTTER GEAR, FRONT	
3	FC6-3584-000		1	PLATE, MOTOR DAMPER	
4	FC0-2305-000		1	ELIMINATOR, STATIC CHARGE	
5	FC0-2306-000		1	ELIMINATOR, STATIC CHARGE	
6	FC7-4235-000		1	GEAR, 90T	
7	FK2-7677-000		1	MOTOR, STEPPING, DC	M15
8	FL2-3056-000		1	MOUNT, GEAR STOPPER SHAFT	
9	FL2-4269-000		2	SCREW, STEPPED M3, GUIDE	
10	FS5-6487-000		1	WASHER	
11	FU6-0734-000		1	GEAR, 12T/21T	
12	WG8-5848-000		1	IC, PHOTO-INTERRUPTER	PS53
13	XD9-0134-000		1	RING, E	
14	XD9-0137-010		2	RING, E	

Figure 816 SHAFT FIXED PLATE ASS'Y, REAR



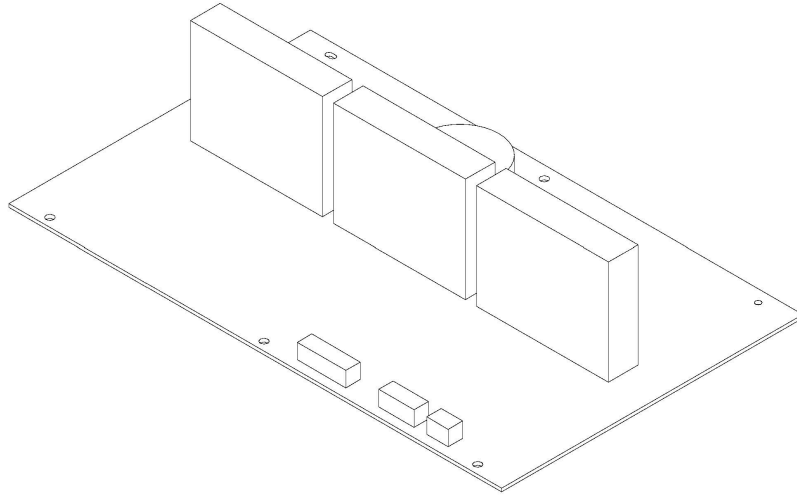
FIG/KEY	PART NUMBER	RANK	QTY	DESCRIPTION	REMARKS
816	FM3-7360-000		1	SHAFT FIXED PLATE ASS'Y, REAR	SEE NOTE
1	FC6-3528-000		1	STOPPER, SHUTTER GEAR, REAR	
2	FC6-3857-000		1	GEAR, 90T	
3	FL2-3056-000		1	MOUNT, GEAR STOPPER SHAFT	
4	FL2-4269-000		2	SCREW, STEPPED M3, GUIDE	
5	FU6-0734-000		1	GEAR, 12T/21T	
6	XD9-0134-000		1	RING, E	

Figure 900B CONTROLLER BOX ASSEMBLY



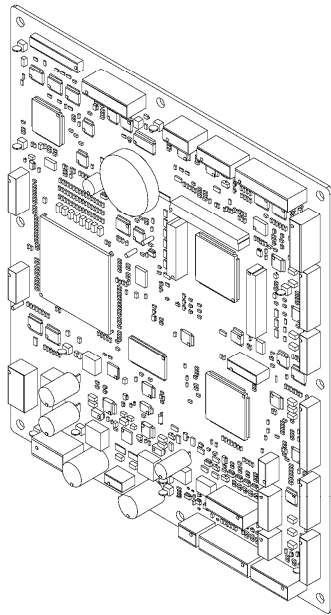
FIG/KEY	PART NUMBER	RANK	QTY	DESCRIPTION	REMARKS
900B	NPN		RF	CONTROLLER BOX ASSEMBLY	
1	FC9-8812-000		1	PLATE, GROUNDING	
2	FE4-1637-000		1	COVER, REAR, SMALL	
3	FK2-7714-000		1	CABLE, COAXIAL	
4	FK4-2507-000		1	CABLE, COMMUNICATION	
5	FLO-4120-000		1	COVER, REAR UPPER	
6	FK4-2497-000		1	CABLE, HARD DISK DRIVE, 1	
7	FS5-9391-000		2	SCREW, STEPPED, M3	
8	XH9-0149-000		4	DAMPER, CUSHION	
9	FM1-M981-000		1	TPM PCB ASSEMBLY	
10	FK4-1550-000		1	HARD DISK DRIVE, MQ01ABF032	
11	XA9-1979-000		4	SCREW, MACH. PAN HEAD, M3X4	
12	FM1-K913-000		1	CABLE, SIGNAL	
13	FM1-M869-000		1	CABLE, SIGNAL	
14	VS1-7177-004		1	CONNECTOR, SNAP TIGHT, BK	
15	VS1-7177-005		1	CONNECTOR, SNAP TIGHT, BK	
16	FM1-M870-000		1	CABLE, LASER	
17	VS1-8412-009		1	CONNECTOR, SNAP TIGHT, BL	
18	FK4-2379-000		1	CABLE, USB	
19	VS1-8959-017		1	CONNECTOR, SNAP TIGHT, 17P, W	
20	FK4-2530-000		1	CABLE, USB	
21	FK4-2531-000		1	CABLE, USB	

Figure 910C IH POWER SUPPLY PCB ASS'Y (230V)



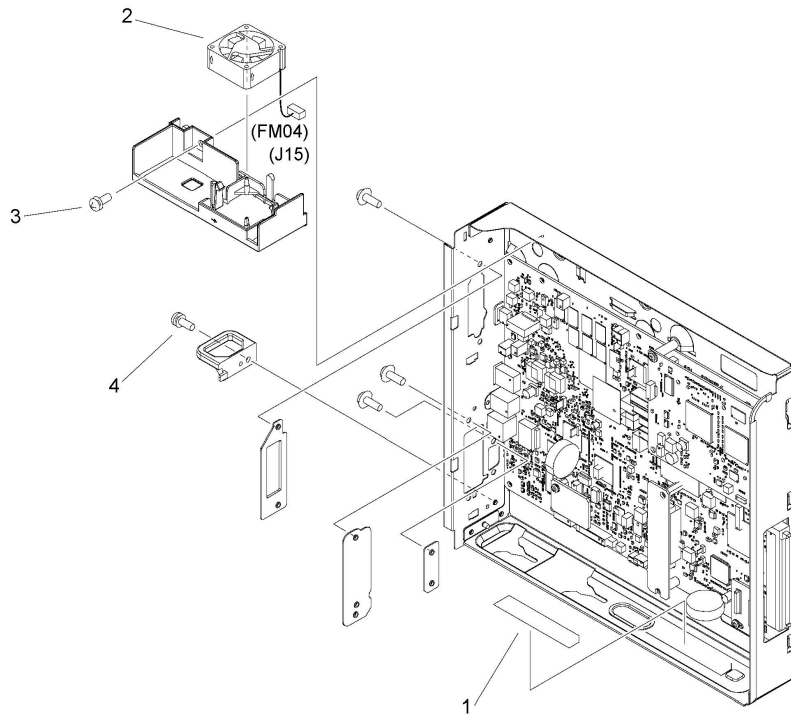
FIG/KEY	PART NUMBER	RANK	QTY	DESCRIPTION	REMARKS
910C	FM1-M920-000		1	IH POWER SUPPLY PCB ASS'Y	230V
T	FK2-0680-000		2	TRANSFORMER	T101, T161
T	FH3-0636-000		1	TRANSFORMER (220/240V), 0.3VA	T102

Figure 930B DC CONTROLLER PCB ASS'Y



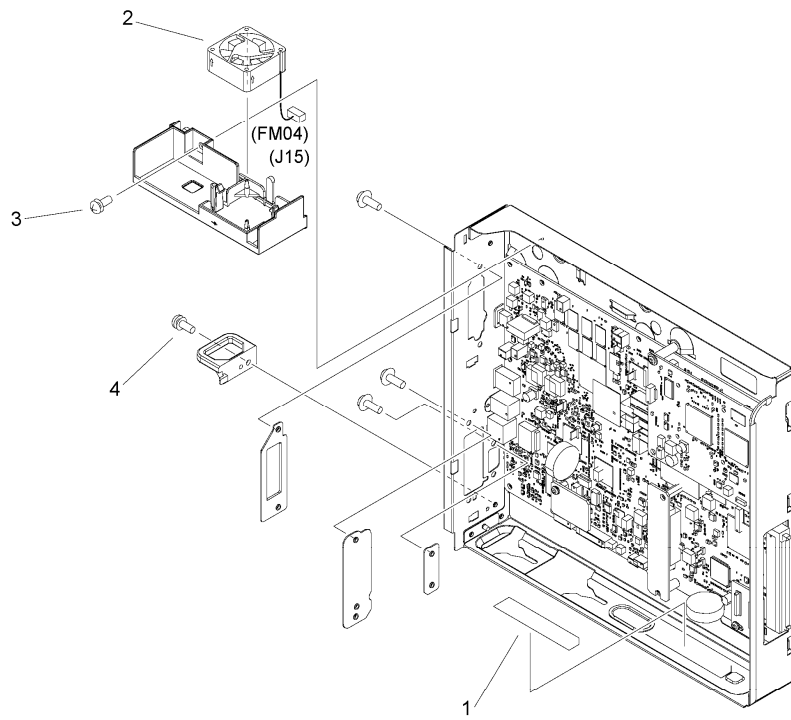
FIG/KEY	PART NUMBER	RANK	QTY	DESCRIPTION	REMARKS
930B	FM1-J712-000		1	DC CONTROLLER PCB ASS'Y	
IC	FK2-7596-000		1	IC, STANDARD CELL	IC101
IC	FK3-1009-000		1	IC, STANDARD CELL	IC23
IC	FK2-7712-000		1	IC, T6UP4AFG-0102(0), MPU	IC28

Figure 931B MAIN CONTROLLER PCB ASS'Y, 1 (iR-ADV 6555 series)



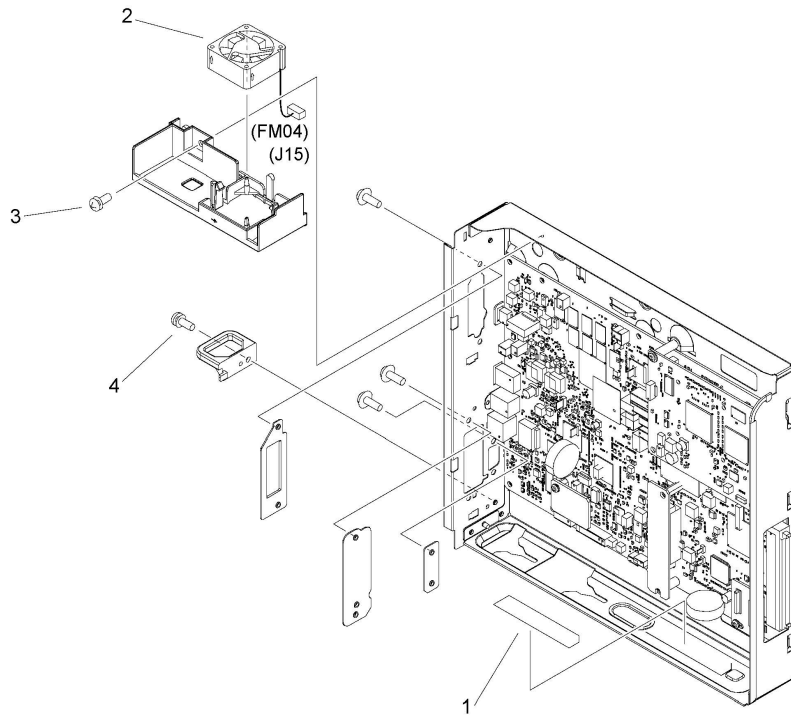
FIG/KEY	PART NUMBER	RANK	QTY	DESCRIPTION	REMARKS
931B	FM1-K345-000		1	MAIN CONTROLLER PCB ASS'Y, 1	iR-ADV 6555 series
1	FC0-5049-000		1	LABEL, MEMORY CAUTION	
2	FK4-2852-000		1	FAN	FM04
3	FU8-8257-000		1	LABEL, CAUTION	
4	XA9-1979-000		1	SCREW, MACH. PAN HEAD, M3X4	

Figure 931C MAIN CONTROLLER PCB ASS'Y, 1 (iR-ADV 6565 series)



FIG/KEY	PART NUMBER	RANK	QTY	DESCRIPTION	REMARKS
931C	FM1-K344-000		1	MAIN CONTROLLER PCB ASS'Y, 1	iR-ADV 6565 series
1	FC0-5049-000		1	LABEL, MEMORY CAUTION	
2	FK4-2852-000		1	FAN	FM04
3	FU8-8257-000		1	LABEL, CAUTION	
4	XA9-1979-000		1	SCREW, MACH. PAN HEAD, M3X4	

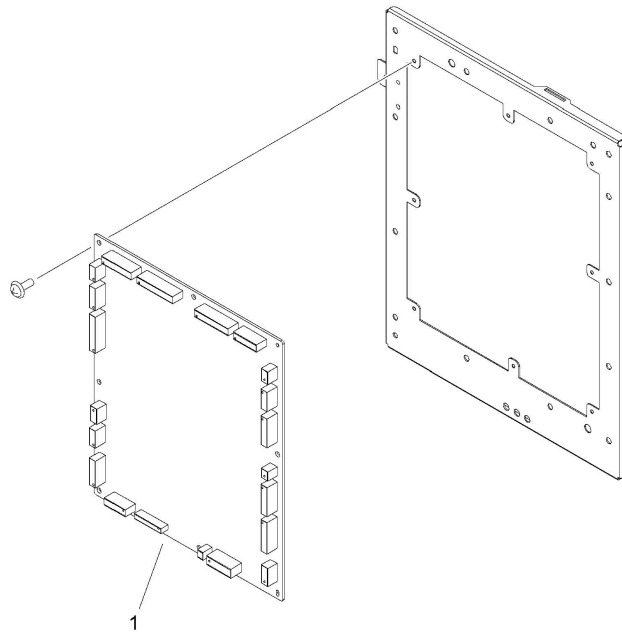
Figure 931D MAIN CONTROLLER PCB ASS'Y, 1 (iR-ADV 6575 series)



FIG/KEY	PART NUMBER	RANK	QTY	DESCRIPTION	REMARKS
931D	FM1-K343-000		1	MAIN CONTROLLER PCB ASS'Y, 1	iR-ADV 6575 series
1	FC0-5049-000		1	LABEL, MEMORY CAUTION	
2	FK4-2852-000		1	FAN	FM04
3	FU8-8257-000		1	LABEL, CAUTION	
4	XA9-1979-000		1	SCREW, MACH. PAN HEAD, M3X4	

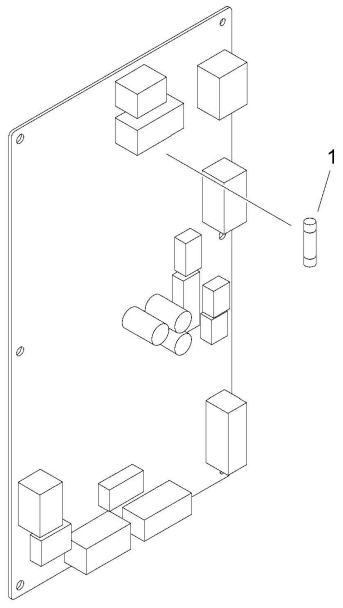
FIG/KEY	PART NUMBER	RANK	QTY	DESCRIPTION	REMARKS
932	FM1-M962-000		1	MAIN CONTROLLER PCB ASS'Y, 2	

Figure 960 MAIN DRIVE DRIVER PCB ASS'Y



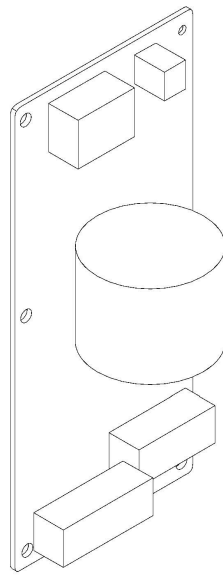
FIG/KEY	PART NUMBER	RANK	QTY	DESCRIPTION	REMARKS
960	NPN		RF	MAIN DRIVE DRIVER PCB ASS'Y	
1	FM1-M996-000		1	MAIN DRIVE DRIVER PCB ASS'Y	
IC	FK2-1773-000		3	IC,TC200G02EFG-1031,GATE ARRAY	

Figure 961B AC DRIVER PCB ASS'Y (230V)



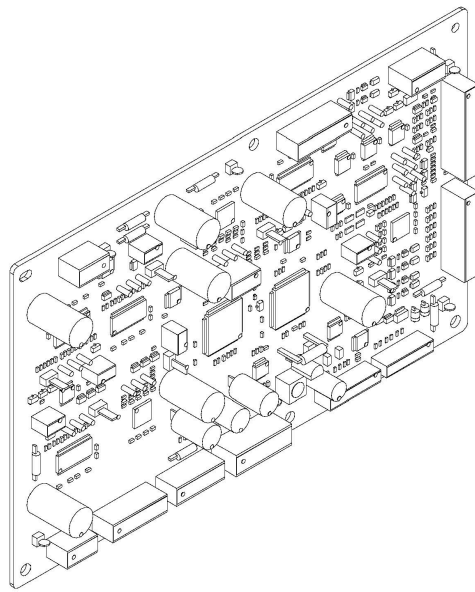
FIG/KEY	PART NUMBER	RANK	QTY	DESCRIPTION	REMARKS
961B	FM1-M999-000		1	AC DRIVER PCB ASS'Y	230V
1	VD7-3502-501		1	FUSE	FU601
SR	FK2-7681-000		1	SENSOR UNIT, CURRENT	SR601

Figure 962B NOISE FILTER PCB ASSEMBLY(230V)



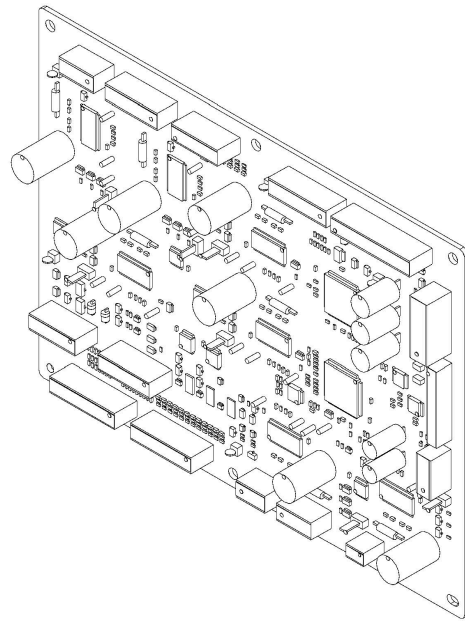
FIG/KEY	PART NUMBER	RANK	QTY	DESCRIPTION	REMARKS
962B	FMO-2959-000		1	NOISE FILTER PCB ASSEMBLY	230VSEE NOTE
NF	FH3-0937-000		1	INDUCTOR	NF1

Figure 963 DUPLEXING DRIVER PCB ASSEMBLY



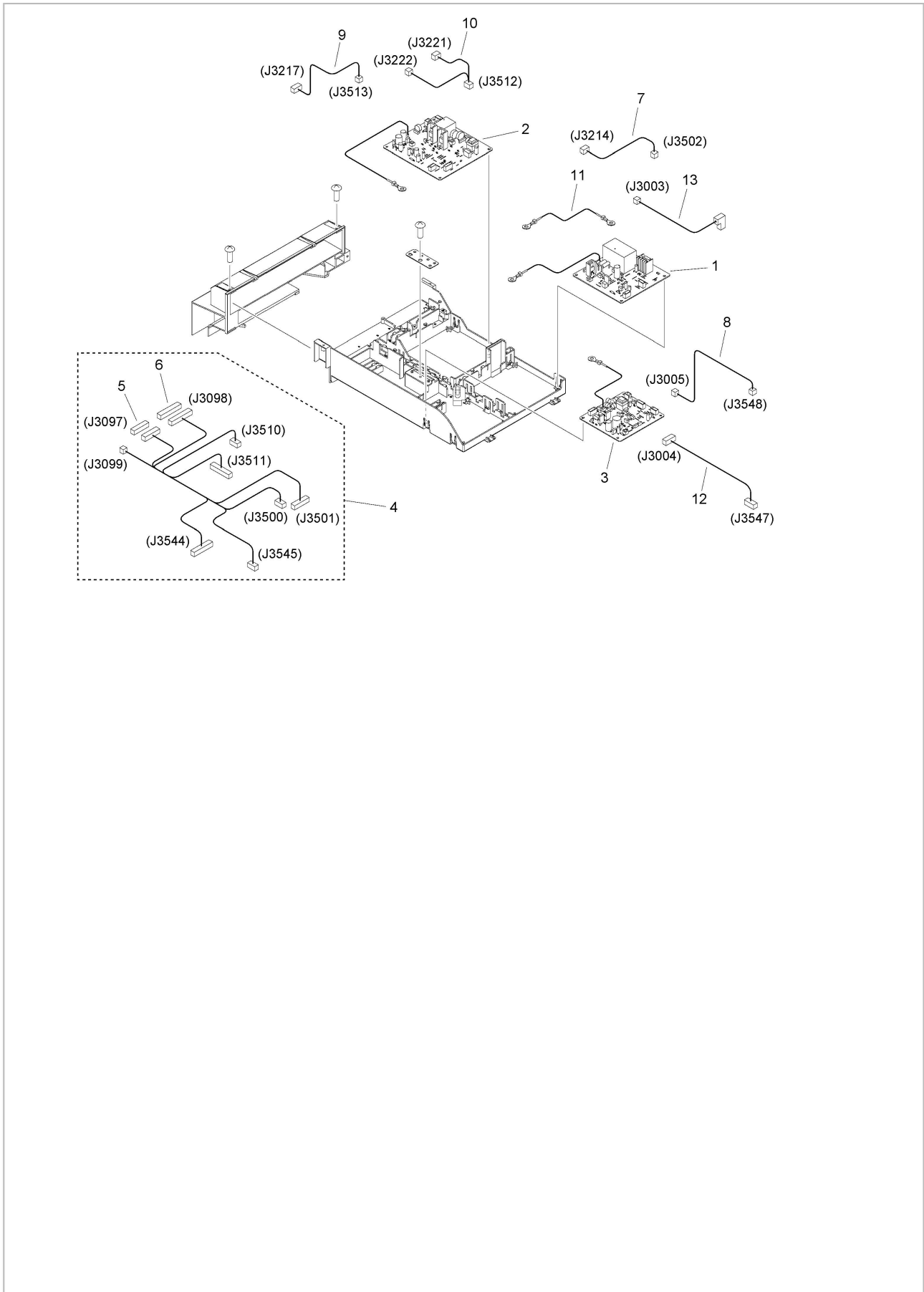
FIG/KEY	PART NUMBER	RANK	QTY	DESCRIPTION	REMARKS
963	FM4-1085-000		1	DUPLEXING DRIVER PCB ASSEMBLY	
IC	FK2-1773-000		2	IC, TC200G02EFG-1031, GATE ARRAY	IC319, IC320

Figure 964 FEED DRIVER PCB ASSEMBLY



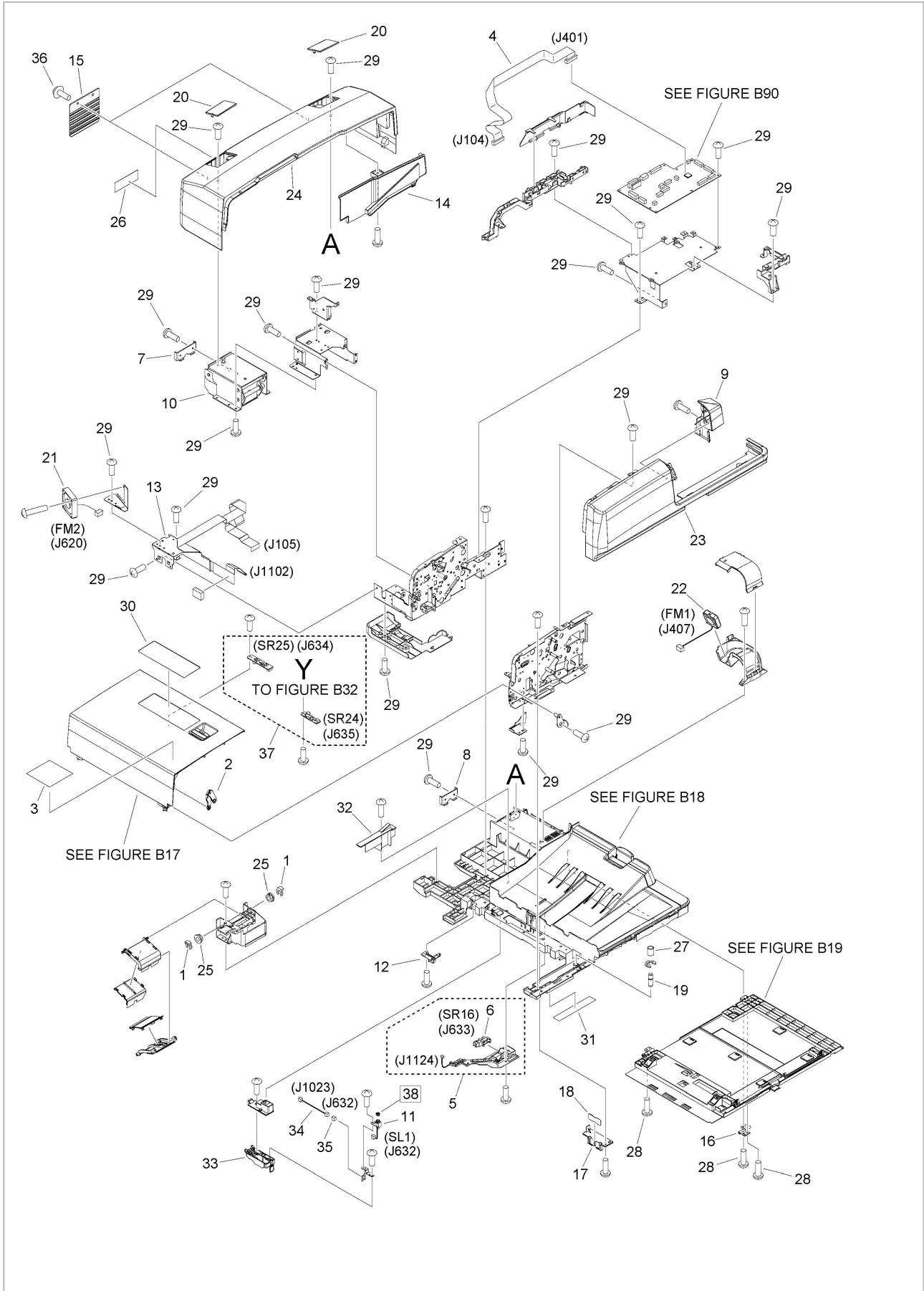
FIG/KEY	PART NUMBER	RANK	QTY	DESCRIPTION	REMARKS
964	FM4-1084-010		1	FEED DRIVER PCB ASSEMBLY	
IC	FK2-1773-000		2	IC, TC200G02EFG-1031, GATE ARRAY	IC17, IC18

Figure 980 H.V. POWER SUPPLY ASS'Y



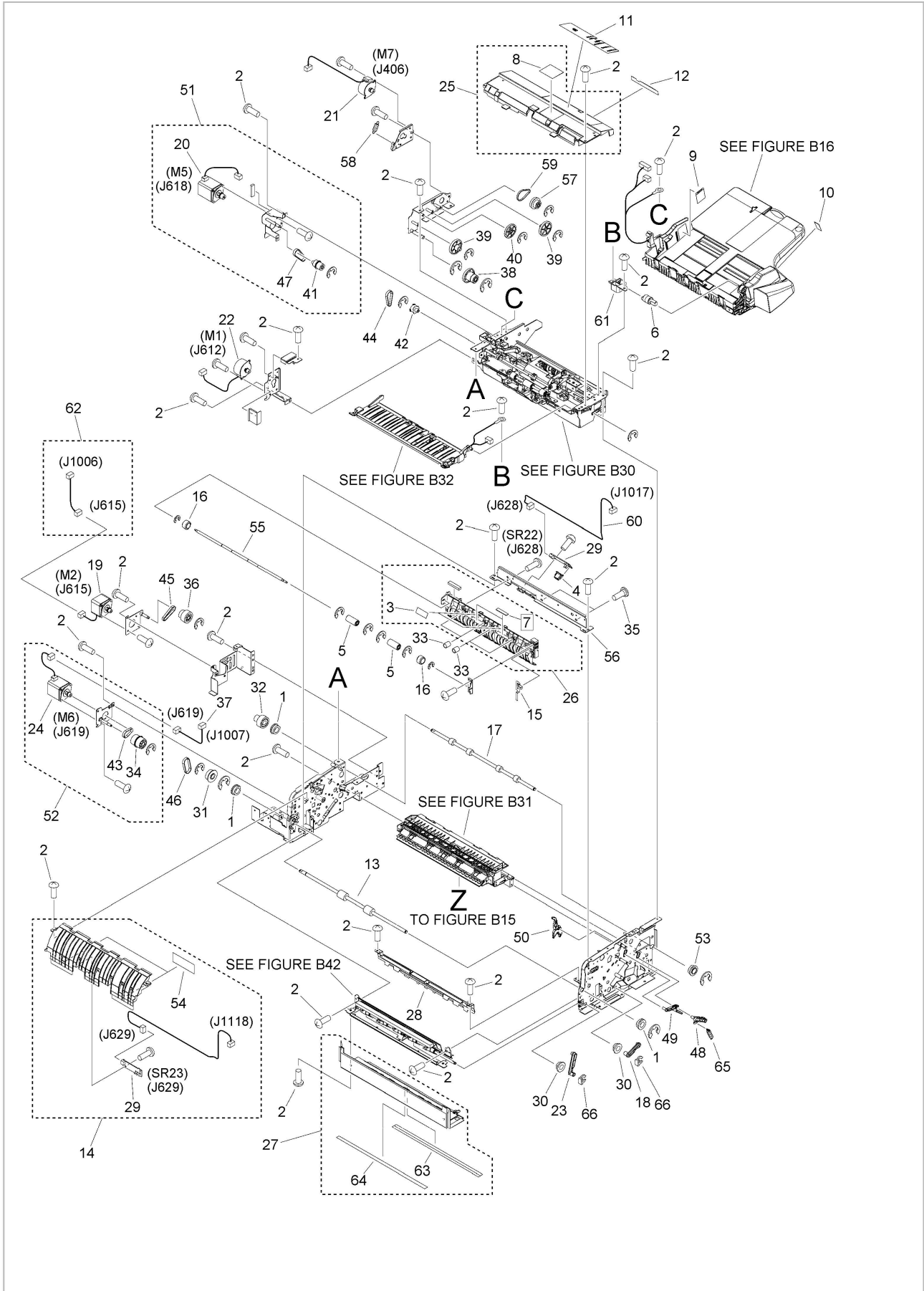
FIG/KEY	PART NUMBER	RANK	QTY	DESCRIPTION	REMARKS
980	NPN		RF	H.V. POWER SUPPLY ASS'Y	
1	FM1-K903-000		1	HIGH VOLTAGE PCB ASS'Y	
2	FM1-K904-000		1	HIGH VOLTAGE PCB ASS'Y	
3	FM1-K906-000		1	PRE-TRANSFER CHARGE PCB ASS'Y	
4	FM3-9117-000		1	CABLE, HIGH VOLTAGE SIGNAL	
5	VS1-8412-009		1	CONNECTOR, SNAP TIGHT, BL	
6	VS1-8412-025		1	CONNECTOR, SNAP TIGHT, BL	
7	FM3-9118-000		1	CABLE, HIGH VOLTAGE GRID	
8	FM3-9120-000		1	CABLE, H.V. POST CORONA	
9	FM3-9121-000		1	CABLE, H.V. DEVELOPING	
10	FM3-9122-000		1	CABLE, HIGH VOLTAGE SEP. CLAW	
11	FM3-9123-000		1	CABLE, HIGH VOLTAGE GROUNDING	
12	FM4-1081-000		1	CABLE, SIGNAL	
13	FM4-4314-000		1	CABLE, H.V. MAIN 1ST CORONA	

Figure B10C INTERNAL COMPONENTS 1 (ADF)



FIG/KEY	PART NUMBER	RANK	QTY	DESCRIPTION	REMARKS
B10C	NPN		RF	INTERNAL COMPONENTS 1	ADF
1	FC5-4424-000		2	CLIP	
2	FM1-G460-000		1	OPEN/CLOSE COVER STOPPER SET	
3	FE4-6290-000		1	LABEL, CLEANING	
4	FK4-2204-000		1	CABLE, FLEXIBLE FLAT	
5	FM1-L581-000		1	PHOTO SENSOR UNIT	
6	WG8-5783-000		1	IC, PHOTO- INTERRUPTER, LG248NL1A	SR16
7	FC8-5831-000		1	STOPPER, HINGE, LEFT	
8	FC8-5832-000		1	STOPPER, HINGE, RIGHT	
9	FE4-6232-000		1	COVER, FRONT, B	
10	FE3-5583-000		1	HINGE, LEFT	
11	FK2-3724-010		1	SOLENOID	SL1
12	FE2-1387-000		1	COVER, STAMP CABLE	
13	FMO-0509-000		1	FLEXIBLE FLAT CABLE UNIT	
14	FE4-6237-000		1	COVER, REAR, B	
15	FE4-6250-000		2	COVER, HINGE	
16	FC8-5811-000		1	HINGE, PLATE	
17	FC8-5833-000		1	COVER, PAPER DEL. SENSOR, A	
18	FC8-5834-000		1	COVER, PAPER DEL. SENSOR, B	
19	FC8-5837-000		1	PIN	
20	FE4-6249-000		2	COVER, HINGE ADJUSTING	
21	FK2-6471-000		1	FAN	FM2
22	FL2-9591-000		1	FAN	FM1
23	FL0-1456-000		1	COVER, FRONT, A	
24	FL0-4601-000		1	COVER, REAR, S	
25	FS5-1372-000		2	BUSHING	
26	FE4-6287-000		1	LABEL, FINGER NIP CAUTION	
27	FU7-2560-000		1	SPRING, COMPRESSION	
28	XA9-2016-000		6	SCREW, W/WASHER, M3X12	
29	XA9-2014-000		15	SCREW, MACH. TRUSS HEAD, M4X6	
30	FE4-6263-000		1	LABEL, PROHIBITION DOCUMENT	
31	FE4-6277-000		1	LABEL, CLEANING PROCESS	Spanish
31	FE4-6278-000		1	LABEL, CLEANING PROCESS	US English
31	FE4-6279-000		1	LABEL, CLEANING PROCESS	French
31	FE4-6280-000		1	LABEL, CLEANING PROCESS	German
31	FE4-6281-000		1	LABEL, CLEANING PROCESS	Italian
32	FE4-6238-000		1	COVER, BASE FRAME, C	
33	FL2-9701-000		1	COVER, STAMP	
34	FM3-9168-000		1	CABLE, SOLENOID CONNECTING, 1	
35	VS1-7177-002		1	CONNECTOR, SNAP TIGHT, BK	
36	XA9-2019-000		4	SCREW, W/WASHER P, M3X8	
37	FM1-K086-000		1	DOUBLE FEED DETECTION KIT	
38	FC7-5465-000		1	STAMPER	[DP]

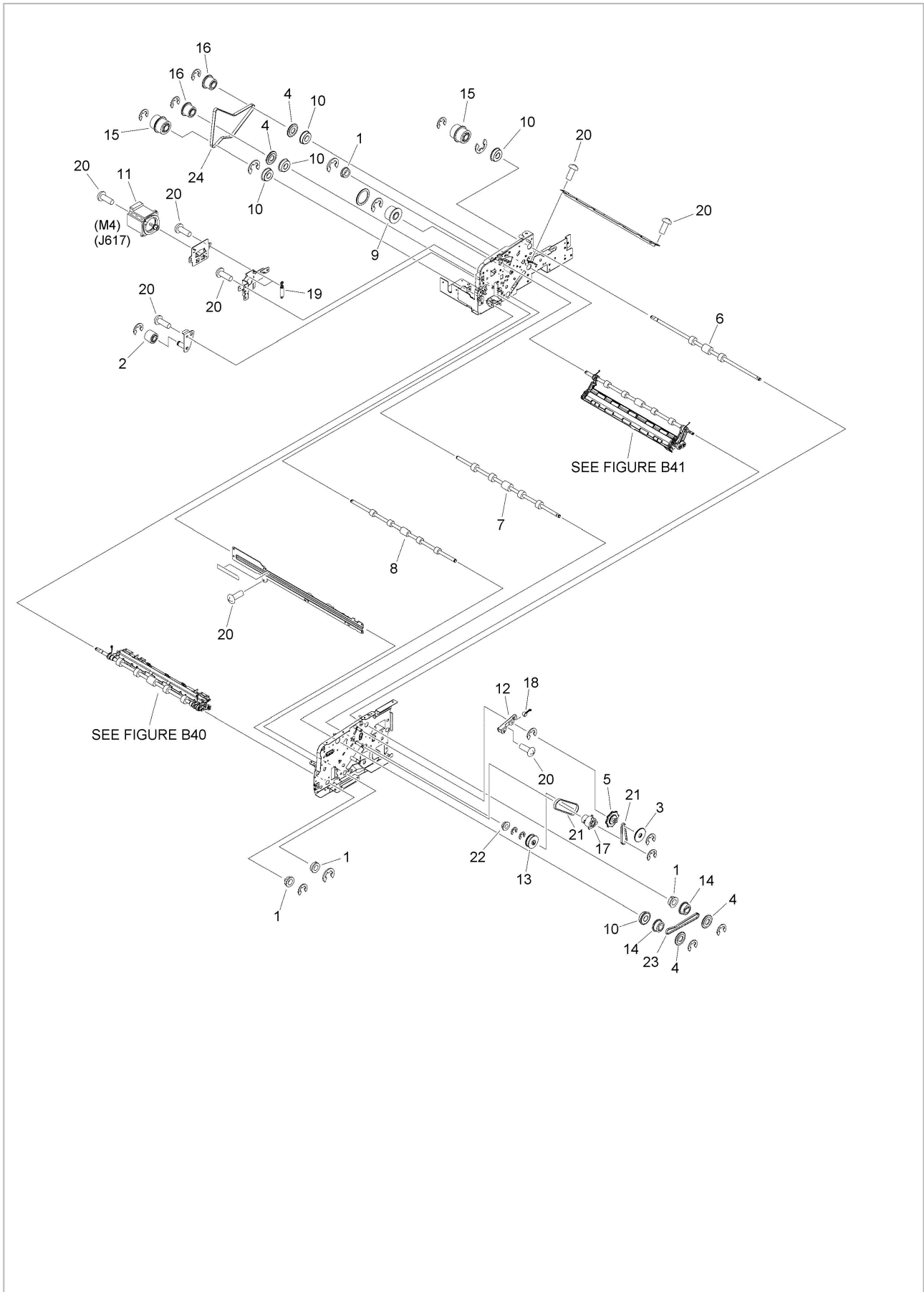
Figure B11C INTERNAL COMPONENTS 2 (ADF)



FIG/KEY	PART NUMBER	RANK	QTY	DESCRIPTION	REMARKS
B11C	NPN		RF	INTERNAL COMPONENTS 2	ADF
1	FA9-2112-000		3	BUSHING, PL	
2	XA9-2014-000		15	SCREW, MACH. TRUSS HEAD, M4X6	
3	FC5-2954-000		2	SCRAPER	
4	FC5-3131-000		1	HOLDER, SEPARATION SENSOR	
5	FC8-5636-000		2	ROLLER, REGISTRATION	
6	FL3-7438-000		1	DAMPER, DOCUMENT TRAY	
7	FC8-5633-000		2	SHEET, CLEANER DUST	[DP]
8	FE4-6309-000		1	LABEL, JAM CLEARING	
9	FE4-6273-000		1	LABEL, DOCUMENT HEIGHT	
10	FE4-6274-000		1	LABEL, DOCUMENT HEIGHT	
11	FE4-6266-000		1	LABEL, DOCUMENT SIZE	
12	FE4-6270-000		1	LABEL, DOCUMENT SIZE	
13	FC8-5680-000		1	ROLLER, REGISTRATION	
14	FM3-6194-010		1	PRE-REG. INNER GUIDE ASSEMBLY	
15	FC8-5739-000		1	SPRING, LEAF	
16	FC8-5776-000		2	ROLLER, PRESSURE	
17	FE4-1936-000		1	ROLLER, DELIVERY	
18	FE3-3580-000		1	ARM, PRESSURE, 1	
19	FMO-3144-000		1	MOTOR, STEPPING, DC	M2
20	FMO-3142-000		1	MOTOR, STEPPING, DC	M5
21	FK3-2270-000		1	MOTOR, STEPPING, DC	M7
22	FK2-7177-000		1	MOTOR, STEPPING, DC	M1
23	FE3-3581-000		1	ARM, PRESSURE, 2	
24	FMO-3143-000		1	MOTOR, STEPPING, DC	M6
25	FLO-4609-000		1	COVER, PAPER PICK-UP, UPPER	
26	FL2-9663-000		1	GUIDE, REG. INNER, LOWER	
27	FLO-4600-000		1	COVER, SIDE, LEFT	
28	FL2-9670-000		1	GUIDE, REGISTRATION	
29	FM2-1022-000		2	SENSOR PCB UNIT	SR22, SR23
30	FS1-1569-000		2	BUSHING	
31	FU5-0338-000		1	PULLEY, 30T	
32	FLO-1463-000		1	GEAR, 24T	
33	FU5-2234-000		4	SPRING, COMPRESSION	
34	FU5-3534-000		1	PULLEY, 30T/30T(REG)	
35	FU5-9372-000		2	SCREW, STEPPED, M3X10	
36	FU7-0515-000		1	PULLEY, 24T/GEAR, 24T	
37	FM1-K824-000		1	CABLE, MOTOR	
38	FU8-0228-000		1	GEAR, 20T/48T	
39	FU8-0229-000		2	GEAR, 16T/50T	
40	FU8-0230-000		1	GEAR, 25T/48T	
41	FU8-0232-000		1	GEAR, 16T/PULLEY, 30T	
42	FU9-0921-000		1	PULLEY, 32T	
43	XF2-1604-360		1	BELT, TIMING	
44	XF2-1605-640		1	BELT, TIMING	
45	XF2-1605-660		1	BELT, TIMING	
46	XF2-1606-260		1	BELT, TIMING, COGGED	
47	XF2-1606-560		1	BELT, TIMING	
48	FE4-1950-000		1	LEVER, ESTRANGEMENT, 1	
49	FE4-1951-000		1	LEVER, ESTRANGEMENT, 2	
50	FE4-1952-000		1	LEVER, ESTRANGEMENT, 3	
51	FM1-G794-000		1	PAPER PICK-UP DRIVE ASSEMBLY	
52	FM1-G792-000		1	REGISTRATION DRIVE ASSEMBLY	
53	XG9-0709-000		1	BEARING, BALL, MF128ZZ-3	

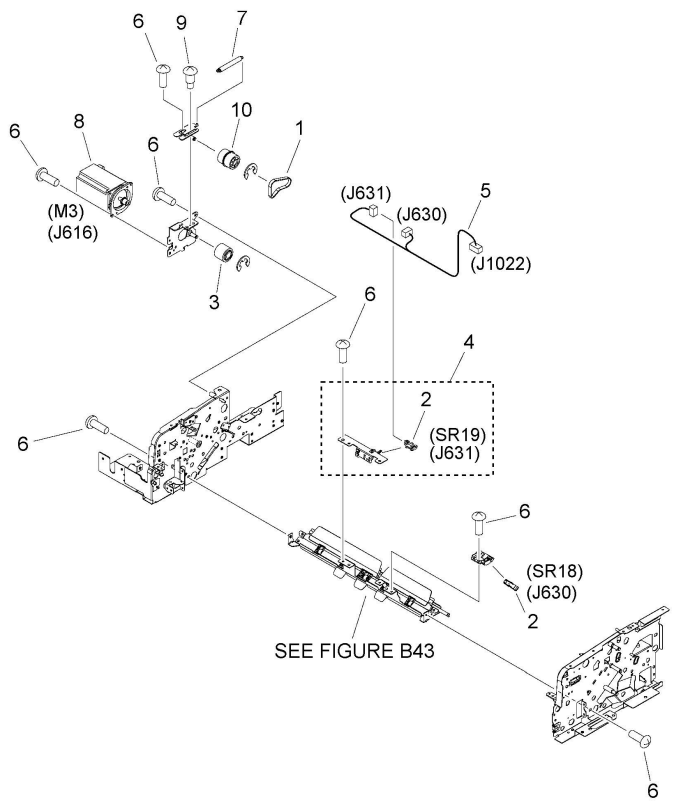
FIG/KEY	PART NUMBER	RANK	QTY	DESCRIPTION	REMARKS
54	FC8-5765-000		2	SHEET	
55	FC8-5637-000		1	SHAFT, REGISTRATION IDLER	
56	FC8-5735-000		1	SUPPORT, INNER GUIDE, REAR	
57	FU9-0920-000		1	GEAR/PULLEY, 48T/25T	
58	FU7-2580-000		1	SPRING, TENSION	
59	XF2-1606-040		1	BELT, TIMING	
60	FM3-7565-000		1	CABLE, READER SENSOR	
61	FC8-5622-000		1	HOLDER, DOCUMENT TRAY DAMPER	
62	FM1-K823-000		1	CABLE, MOTOR	
63	FC8-5732-000		1	SHEET, SIDE COVER	
64	FC8-5733-000		1	SHEET, SIDE COVER BLANKING	
65	FU7-2588-000		1	SPRING, TENSION	
66	FC5-4424-000		2	CLIP	

Figure B12 INTERNAL COMPONENTS 3 (ADF)



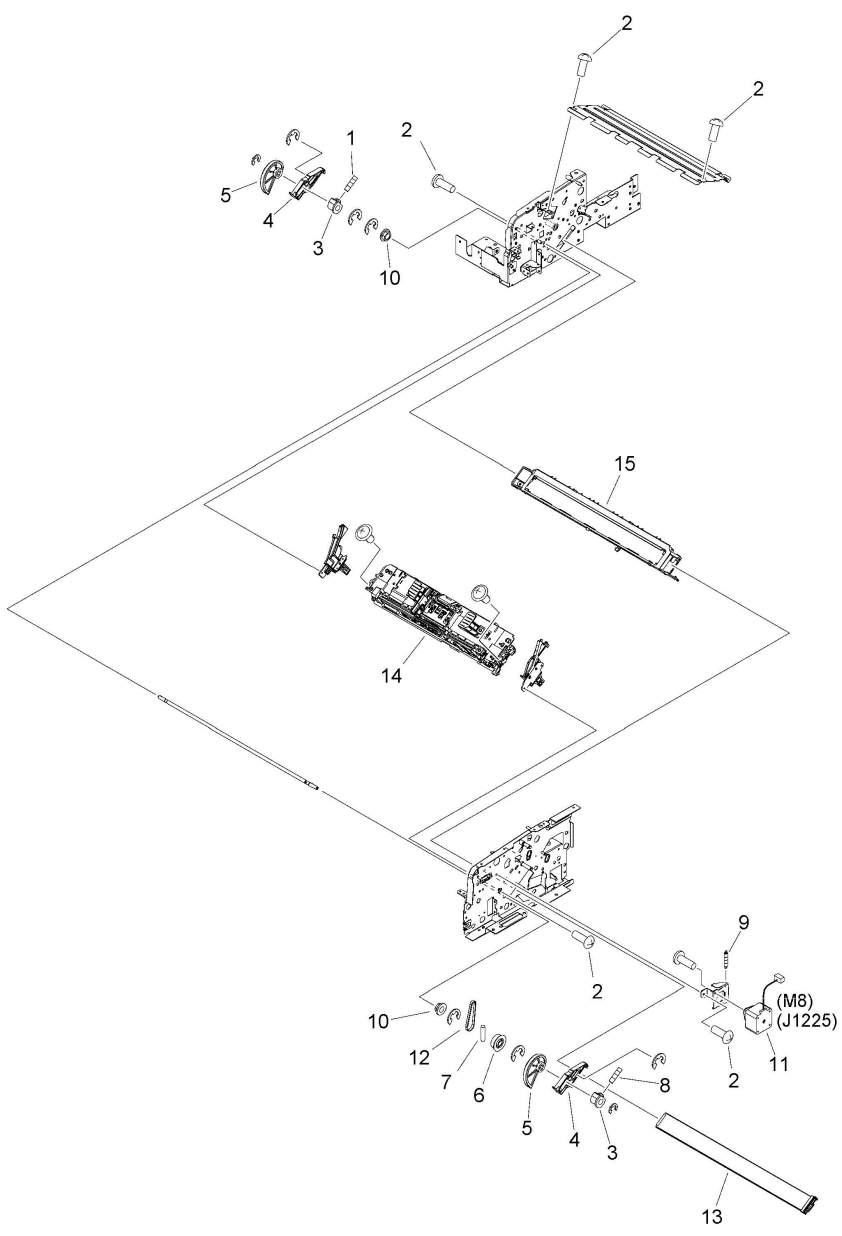
FIG/KEY	PART NUMBER	RANK	QTY	DESCRIPTION	REMARKS
B12	NPN		RF	INTERNAL COMPONENTS 3	ADF
1	FA9-2112-000		4	BUSHING, PL	
2	FC7-0285-000		1	PULLEY, TENSION	
3	FC7-4185-000		1	STOPPER	
4	FC8-5484-000		4	FLANGE, PULLEY	
5	FC8-5530-000		1	DIAL, JAM CLEARING	
6	FC8-5580-000		1	ROLLER, EXTRACTION	
7	FC8-5679-000		1	ROLLER, FEED	
8	FC8-5682-000		1	ROLLER, READ, 2	
9	FC8-5725-000		1	PULLEY, IDLER	
10	XG9-0508-000		5	BEARING, BALL, F688ZZ	
11	FK2-7173-000		1	MOTOR, STEPPING, DC	M4
12	FL2-9573-000		1	TENSIONER ASSEMBLY, FRONT	
13	FS5-3989-000		1	PULLEY, 32T	
14	FU5-0339-000		2	PULLEY, 23T	
15	FU5-3530-000		2	PULLEY, 30T	
16	FU5-3531-000		2	PULLEY, 24T	
17	FU7-2585-000		1	GEAR/PULLEY, T30T/T24T	
18	FU7-2552-000		1	SPRING, TORSION	
19	FU7-2554-000		2	SPRING, TENSION	
20	XA9-2014-000		15	SCREW, MACH. TRUSS HEAD, M4X6	
21	XF2-1607-640		2	BELT, TIMING	
22	FS1-1569-000		1	BUSHING	
23	XF2-1613-040		1	BELT, TIMING	
24	XF2-1623-080		1	BELT, TIMING	

Figure B13 INTERNAL COMPONENTS 4 (ADF)



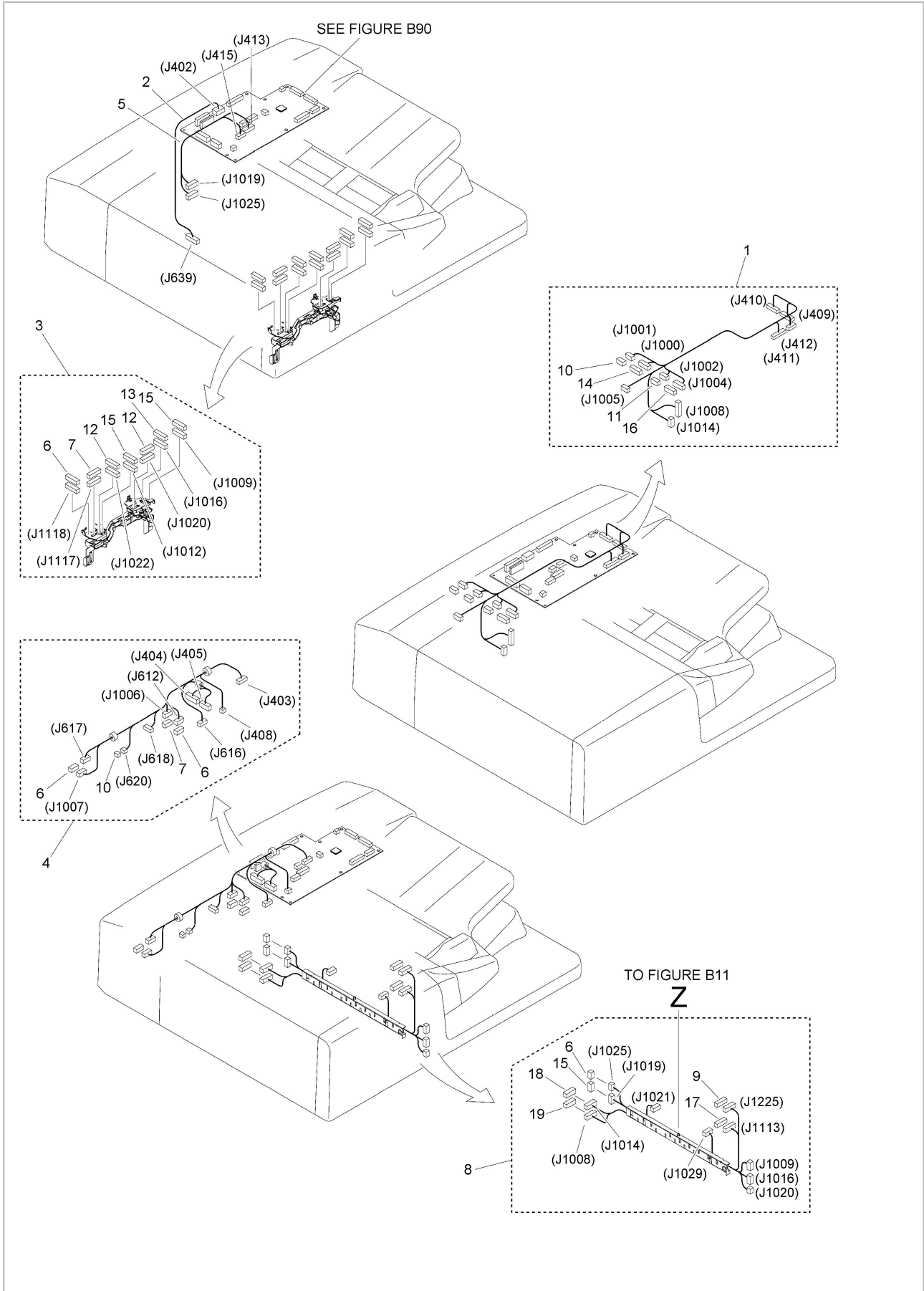
FIG/KEY	PART NUMBER	RANK	QTY	DESCRIPTION	REMARKS
B13	NPN		RF	INTERNAL COMPONENTS 4	ADF
1	XF2-1607-660		1	BELT, TIMING	
2	WG8-5783-000		2	IC, PHOTO- INTERRUPTER, LG248NL1A	SR18, SR19
3	FC7-0285-000		1	PULLEY, TENSION	
4	FM3-6184-000		1	PHOTO SENSOR ASSEMBLY	
5	FM3-7572-000		1	CABLE, READ 2 SENSOR	
6	XA9-2014-000		8	SCREW, MACH. TRUSS HEAD, M4X6	
7	FU7-2553-000		1	SPRING, TENSION	
8	FK2-7175-000		1	MOTOR, STEPPING, DC	M3
9	FU5-9038-000		1	SCREW, STEPPED, M3	
10	FU5-3534-000		1	PULLEY, 30T/30T(REG)	

Figure B14 INTERNAL COMPONENTS 5 (ADF)



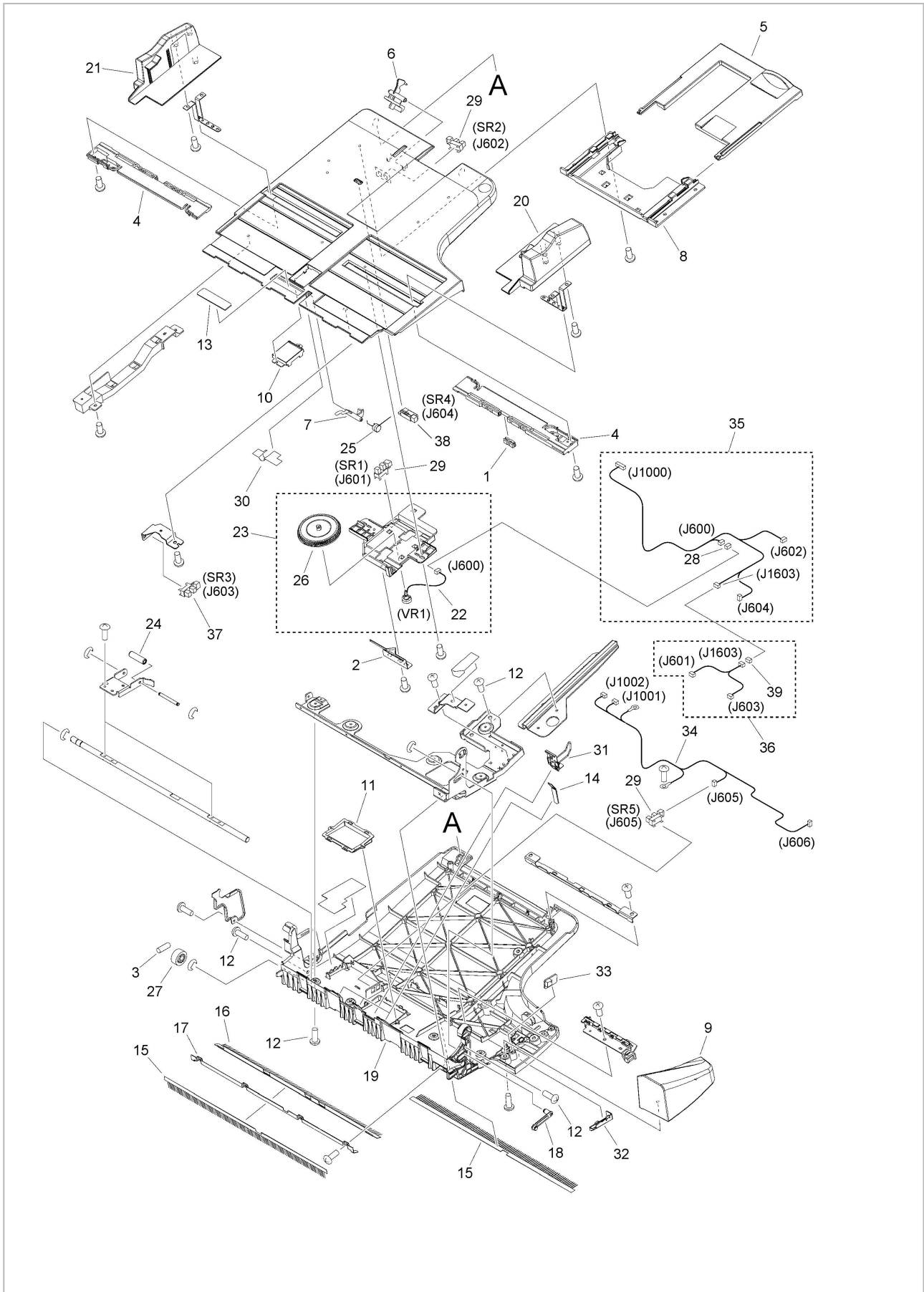
FIG/KEY	PART NUMBER	RANK	QTY	DESCRIPTION	REMARKS
B14	NPN		RF	INTERNAL COMPONENTS 5	ADF
1	FU7-2572-000		1	SPRING, COMPRESSION	
2	XA9-2014-000		8	SCREW, MACH. TRUSS HEAD, M4X6	
3	FC8-5513-000		2	BUSHING	
4	FC8-5514-000		2	SLIDER	
5	FC8-5516-000		2	CAM, GLASS SHIFT	
6	FU8-0240-000		1	PULLEY	
7	XD9-0289-000		1	PIN, PARALLEL	
8	FU7-2551-010		1	SPRING, COMPRESSION	
9	FU7-2550-000		1	SPRING, TENSION	
10	FS1-1569-000		2	BUSHING	
11	FK2-7178-000		1	MOTOR, STEPPING, DC	M8
12	XF2-1607-240		1	BELT, TIMING	
13	FL3-8423-000		1	GLASS, READER	
14	FM1-B002-000		1	SCANNER UNIT, ADF	
15	FMO-3131-000		1	GLASS HOLDER ASSEMBLY	

Figure B15 INTERNAL COMPONENTS 6 (ADF)



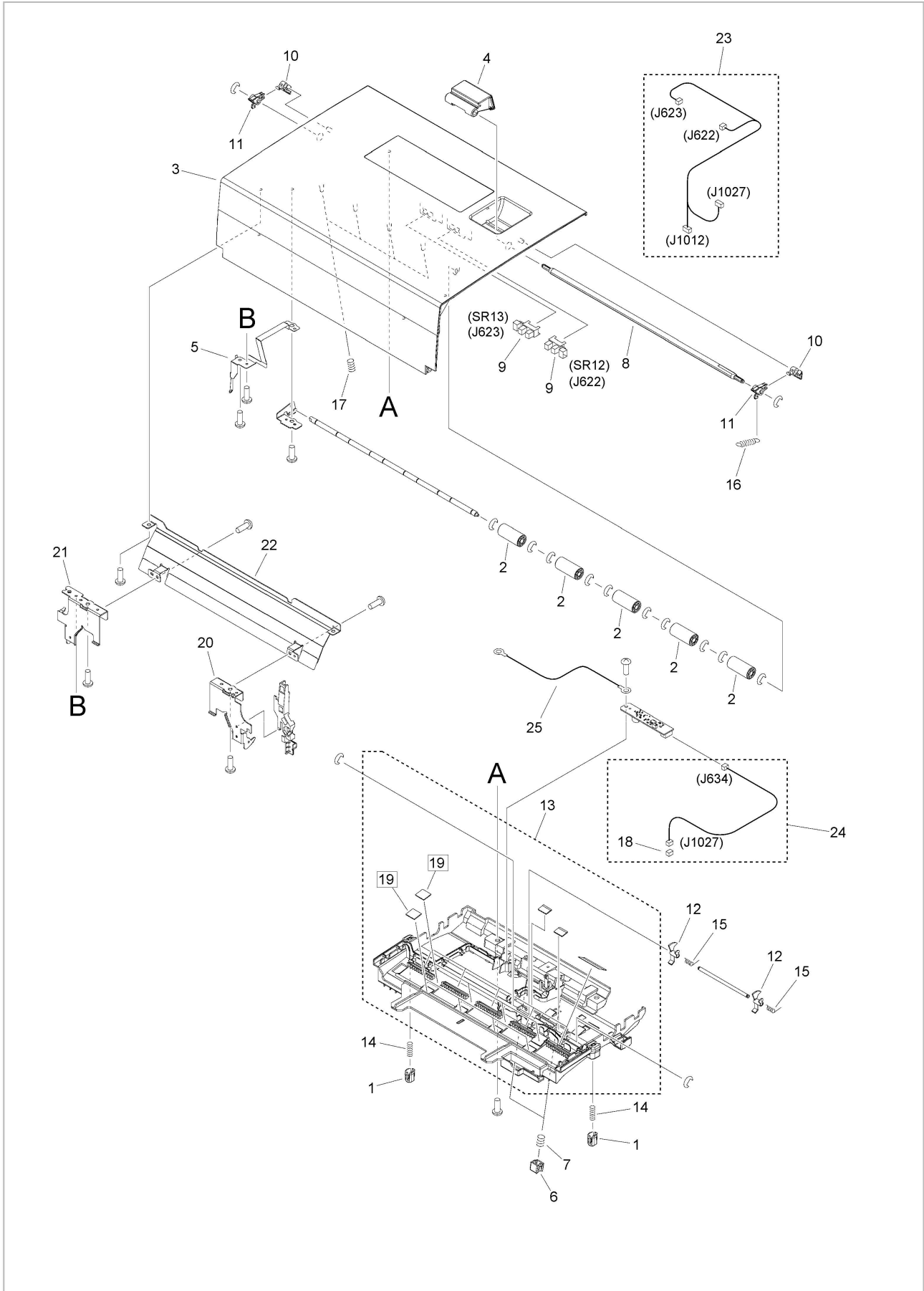
FIG/KEY	PART NUMBER	RANK	QTY	DESCRIPTION	REMARKS
B15	NPN		RF	INTERNAL COMPONENTS 6	ADF
1	FM1-K813-000		1	CABLE, MAIN SENSOR	
2	FM3-8316-000		1	CABLE, ADF POWER SUPPLY	
3	FM1-G783-000		1	CABLE, SENSOR, FRONT	
4	FM1-K820-000		1	CABLE, REAR MOTOR, 2	
5	FM1-K814-000		1	CABLE, MOTOR	
6	VS1-7177-004		4	CONNECTOR, SNAP TIGHT, BK	
7	VS1-7177-005		2	CONNECTOR, SNAP TIGHT, BK	
8	FMO-3138-000		1	CABLE GUIDE UNIT	
9	VS1-7177-009		1	CONNECTOR, 9P	
10	VS1-7177-003		2	CONNECTOR, SNAP TIGHT, BK	
11	VS1-7177-002		1	CONNECTOR, SNAP TIGHT, BK	
12	VS1-7177-006		2	CONNECTOR, SNAP TIGHT, BK	
13	VS1-7177-008		1	CONNECTOR, SNAP TIGHT, BK	
14	VS1-7177-015		1	CONNECTOR, SNAP TIGHT	
15	VS1-7177-011		3	CONNECTOR, SNAP TIGHT, 11P, BK	
16	VS1-8412-007		1	CONNECTOR, SNAP TIGHT, BL	
17	VS1-7177-014		1	CONNECTOR, SNAP TIGHT, BK	
18	VS1-8412-013		1	CONNECTOR, SNAP TIGHT, BL	
19	VS1-8412-027		1	CONNECTOR, SNAP TIGHT, BL	

Figure B16 DOCUMENT TRAY ASSEMBLY (ADF)



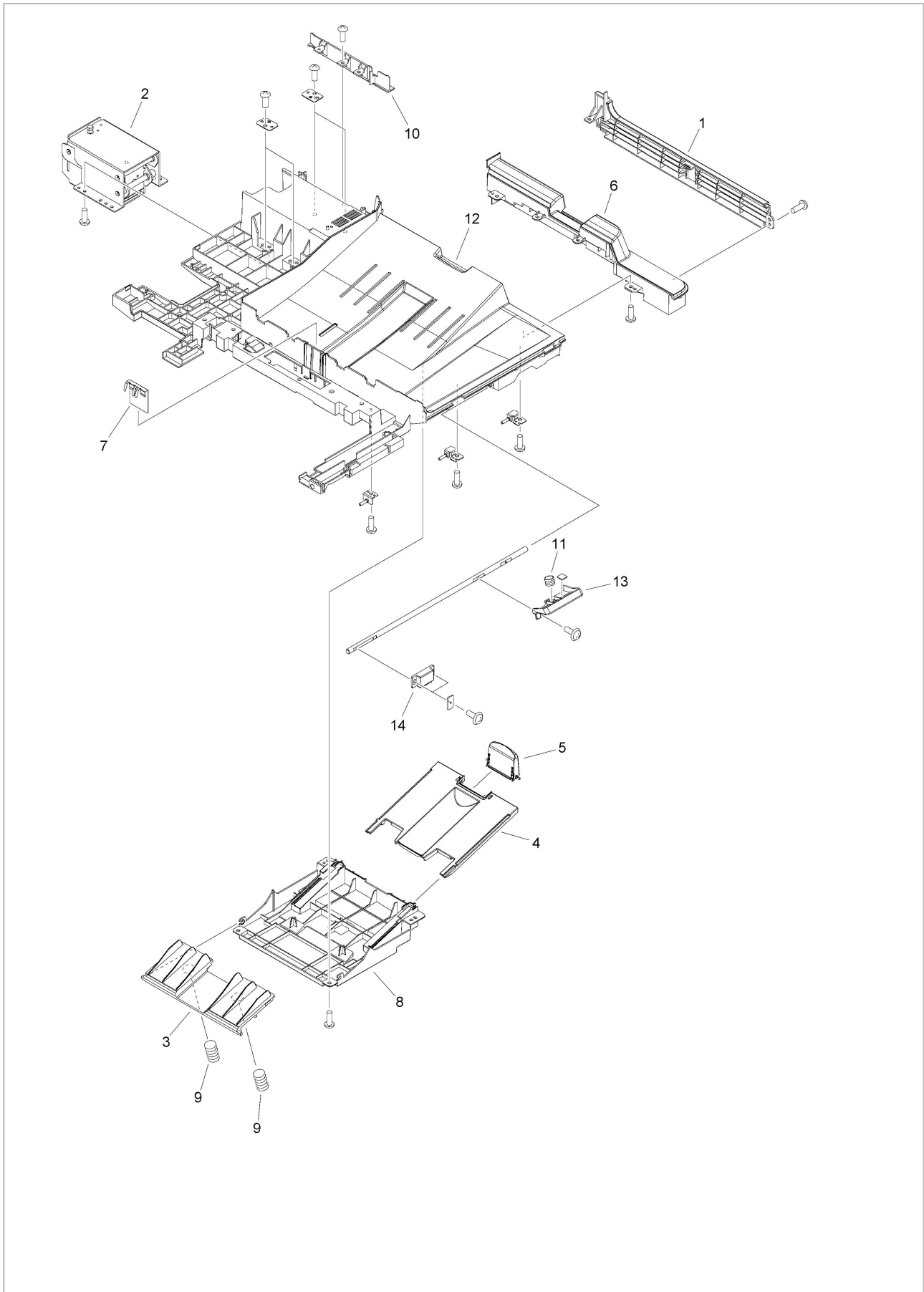
FIG/KEY	PART NUMBER	RANK	QTY	DESCRIPTION	REMARKS
B16	FMO-3125-000		1	DOCUMENT TRAY ASSEMBLY	ADF
1	FC5-3108-000		1	RACK	
2	FC5-3113-000		1	SPRING, LEAF	
3	XD9-0289-000		1	PIN, PARALLEL	
4	FE4-6225-000		2	RACK, DOCUMENT TRAY	
5	FE4-6226-000		1	TRAY, SLIDE	
6	FE4-6227-000		1	FLAG, TRAY DOCUMENT SENSOR	
7	FE4-6228-000		1	FLAG, DOCUMENT SET SENSOR	
8	FE8-1346-000		1	COVER, DOCUMENT TRAY	
9	FE4-6230-000		1	COVER, DOCUMENT TRAY, FRONT	
10	FC8-5616-000		1	WINDOW, DOCUMENT TRAY, UPPER	
11	FC8-5617-000		1	WINDOW, DOCUMENT TRAY, LOWER	
12	XA9-2014-000		13	SCREW, MACH. TRUSS HEAD, M4X6	
13	FC8-5625-000		1	SHEET, SEPARATION	
14	FC8-5627-000		3	PLATE, SEPARATION	
15	FC8-5841-000		2	ELIMINATOR, STATIC CHARGE	
16	FC8-5842-000		1	ELIMINATOR, STATIC CHARGE	
17	FC8-5846-000		1	PLATE, ELIMINATION	
18	FL2-9614-000		1	PLATE, DOCUMENT TRAY STOPPER	
19	FL1-0167-000		1	TRAY, DOCUMENT, LOWER	
20	FE4-6223-000		1	GUIDE, SIDE, REAR	
21	FE4-6224-000		1	GUIDE, SIDE, FRONT	
22	FM2-1024-000		1	VARIABLE RESISTOR UNIT	VR1
23	FM3-6211-000		1	HOLDER, VOLUME	
24	FU5-6078-000		2	ROLLER, PLATEN	
25	FU7-2541-000		1	SPRING, TORSION	
26	FU8-0237-000		1	GEAR, 70T	
27	FU8-0238-000		1	GEAR, 20T	
28	VS1-7177-003		1	CONNECTOR, SNAP TIGHT, BK	
29	WG8-5783-000		3	IC, PHOTO- INTERRUPTER, LG248NL1A	SR1, SR2, SR5
30	FC8-5773-000		1	SHEET	
31	FM3-6234-000		1	DOCUMENT GUIDE ASSEMBLY	
32	FC0-8359-000		1	COVER, LED ILLUMINATION	
33	FMO-0294-000		1	EJECT LIGHT LED PCB ASS'Y	
34	FMO-0700-000		1	CABLE, TRAY, LOWER	
35	FM1-K821-000		1	CABLE, TRAY UPPER, 1	
36	FM1-K822-000		1	CABLE, TRAY UPPER, 2	
37	WG8-5935-000		1	IC, PHOTO INTERRUPTER	SR3
38	WP2-5428-000		1	PHOTOSENSOR	SR4
39	VS1-7177-006		1	CONNECTOR, SNAP TIGHT, BK	

Figure B17 OPEN/CLOSE PANEL ASSEMBLY (ADF)



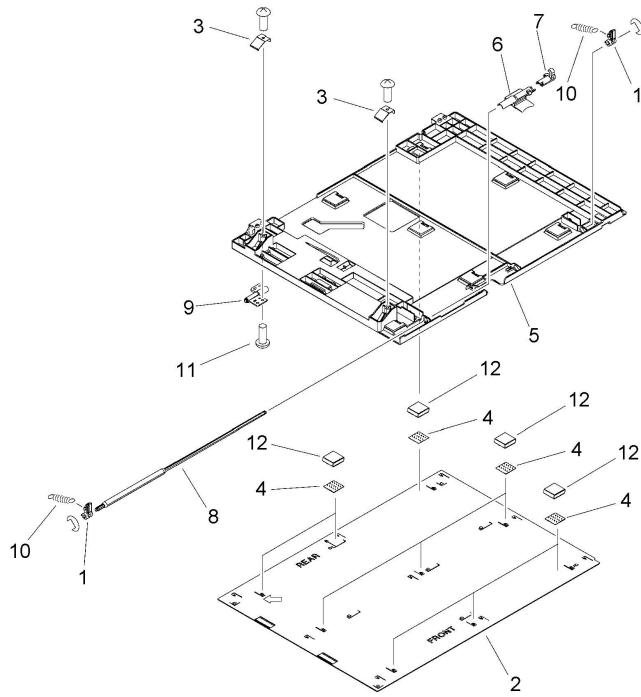
FIG/KEY	PART NUMBER	RANK	QTY	DESCRIPTION	REMARKS
B17	NPN		RF	OPEN/CLOSE PANEL ASSEMBLY	ADF
1	FC5-2963-000		2	RETAINER, OPEN/CLOSE GUIDE	
2	FC7-4188-000		5	ROLLER, REGISTRATION	
3	FL0-4602-000		1	COVER, OPEN/CLOSE	
4	FE4-6248-000		1	LEVER, OPEN/CLOSE	
5	FC8-5706-000		1	SPRING, LEAF	
6	FC8-5713-000		2	RETAINER, ROLLER	
7	FU7-2566-000		2	SPRING, COMPRESSION	
8	FC8-5699-000		1	SHAFT, OPEN/CLOSE COVER LEVER	
9	WG8-5783-000		2	IC, PHOTO- INTERRUPTER, LG248NL1A	SR12, SR13
10	FC8-5743-000		2	RATCHET, OPEN/CLOSE COVER	
11	FC8-5744-000		2	ARM, OPEN/CLOSE COVER	
12	FC8-5751-000		2	FLAG, WIDTH SENSING, UPPER	
13	FL0-1457-000		1	GUIDE, OPEN/CLOSE COVER	
14	FU7-2568-000		2	SPRING, COMPRESSION	
15	FU7-2567-000		2	SPRING, TORSION	
16	FU6-2900-000		1	SPRING, TENSION	
17	FU7-2555-000		4	SPRING, COMPRESSION	
18	VS1-7177-006		1	CONNECTOR, SNAP TIGHT, BK	
19	FC8-5727-000		8	SHEET, CLEANER DUST	[DP]
20	FC8-5740-000		1	SUPPORT, ROLLER RELEASE, FRONT	
21	FC8-5741-000		1	SUPPORT, ROLLER RELEASE, REAR	
22	FL2-9657-000		1	GUIDE, LOOP	
23	FM1-K818-000		1	CABLE, COVER	
24	FM1-K819-000		1	CABLE, RECEIVE	
25	FM1-K825-000		1	CABLE, GROUNDING	

Figure B18 BASE FRAME ASSEMBLY (ADF)



FIG/KEY	PART NUMBER	RANK	QTY	DESCRIPTION	REMARKS
B18	NPN		RF	BASE FRAME ASSEMBLY	ADF
1	FE4-6245-000		1	COVER, SIDE, RIGHT	
2	FE3-5584-000		1	HINGE, RIGHT	
3	FE4-6239-000		1	STOPPER, PAPER DELIVERY	
4	FE4-6240-000		1	TRAY, PAPER DELIVERY AUXILIARY	
5	FE4-6242-000		1	TRAY, PAPER DELIVERY AUXILIARY	
6	FE4-6243-000		1	COVER, FRAME BASE, D	
7	FC8-5898-000		1	PLATE, DELIVERY GROUND	
8	FL2-9698-000		1	COVER, FRAME BASE, B	
9	FU7-2545-000		2	SPRING, COMPRESSION	
10	FE4-6244-000		1	COVER, FRAME BASE, E	
11	FU7-2584-000		1	SPRING, COMPRESSION	
12	FE3-5587-000		1	FRAME, BASE	
13	FE3-5588-000		1	HANDLE, ADF	
14	FE4-1953-000		1	CATCH, MAGNET	

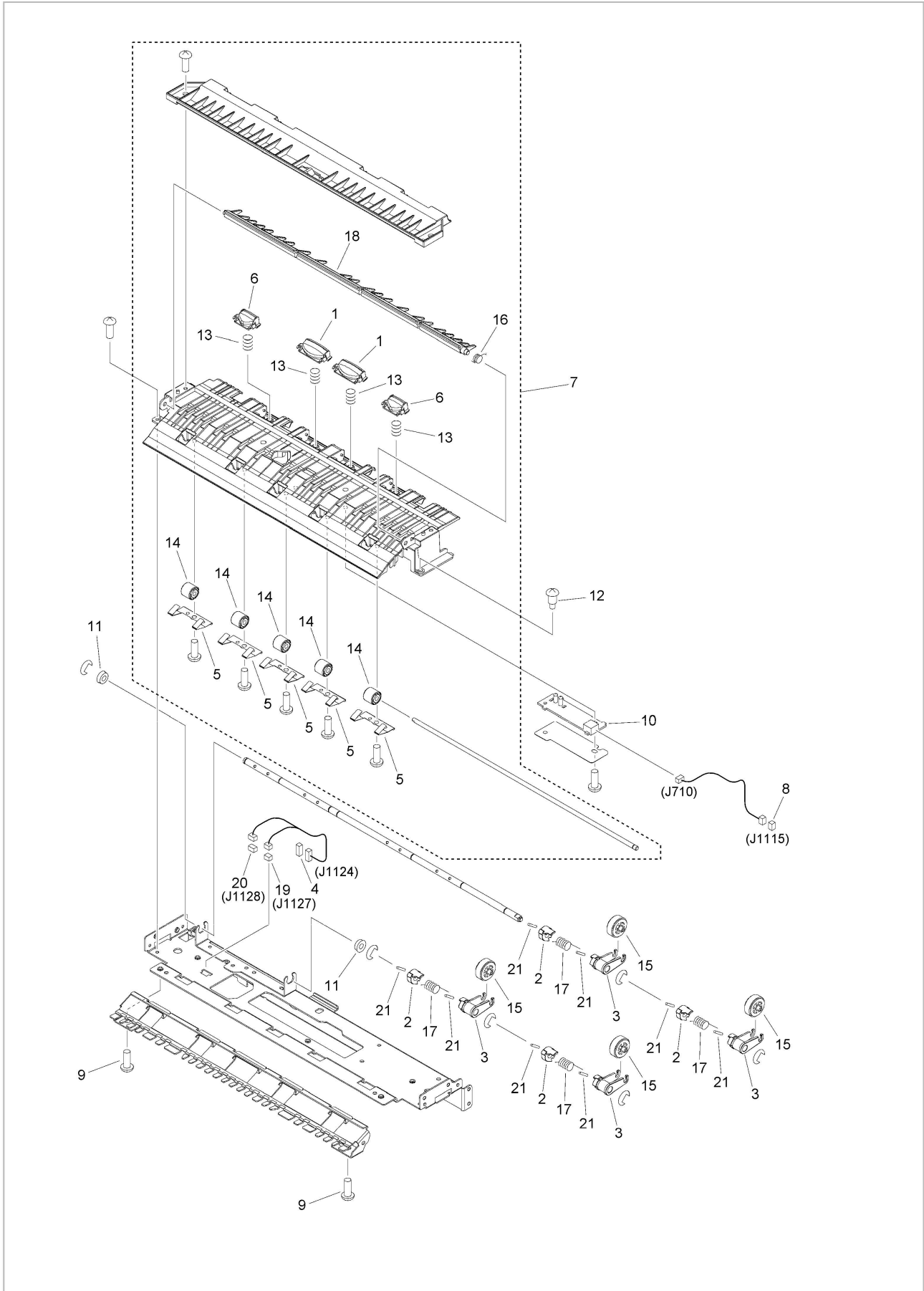
Figure B19 WHITE PLATE ASSEMBLY (ADF)



FIG/KEY	PART NUMBER	RANK	QTY	DESCRIPTION	REMARKS
B19	FM1-L580-000		1	WHITE PLATE ASSEMBLY	ADF
1	FC5-2957-000		2	LEVER, LATCH	
2	FC0-1304-000		1	PANEL, COPYBOARD	SEE NOTE
3	FC7-3156-000		2	SPRING, LEAF	
4	FE4-4680-000		9	SPONGE, SHEET, WHITE	SEE NOTE
5	FE4-6258-000		1	SUPPORT, SHEET, WHITE	
6	FC8-5921-000		1	RATCHET, SHEET, WHITE A	
7	FC8-5920-000		1	RATCHET, SHEET, WHITE B	
8	FC8-5810-000		1	SHAFT, RATCHET ROTATION	
9	FC8-5811-000		1	HINGE, PLATE	
10	FU5-2235-020		2	SPRING, TENSION	
11	XA9-2016-000		2	SCREW, W/WASHER, M3X12	
12	FLO-5178-000		9	CUSHION	

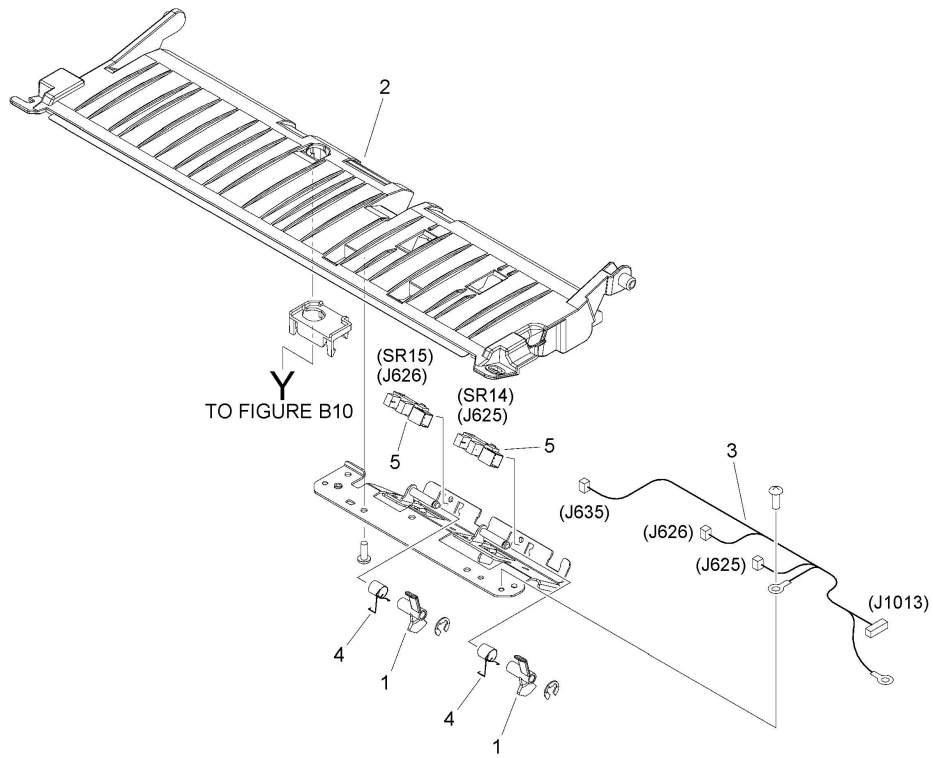
FIG/KEY	PART NUMBER	RANK	QTY	DESCRIPTION	REMARKS
B30	NPN		RF	PAPER PICK-UP ASSEMBLY	ADF
1	FA9-2112-000		2	BUSHING, PL	
2	FL2-9615-000		1	SHAFT, TRANSMISSION	
3	FL2-9616-000		1	GUIDE, PAPER PICK-UP, UPPER	
4	XG9-0497-000		1	BEARING, BALL, MR106ZZ,	
5	FC5-3163-000		1	JOINT	
6	FC6-5046-000		8	RING, RETAINING	
7	FC8-5907-010		1	LIMITER, TORQUE	
8	FL0-1462-000		1	SHAFT,ROLLER ARM DRIVE	
9	FM1-K829-000		1	CABLE, SENSOR JOINT	
10	FC8-5586-000		1	GUIDE, PAPER PICK-UP LW., FEED	
11	FC8-5594-000		2	ROLLER, LEVER	
12	FM0-3122-000		1	ARM ASSEMBLY	
13	XD9-0289-000		1	PIN, PARALLEL	
14	FC8-5673-000		1	COVER, SENSOR	
15	FC8-5760-000		1	FLAG, DELAY SENSOR	
16	FK2-6470-000		2	PHOTO-SENSOR, KUA0055C	SR6,SR7
17	FL2-9608-000		1	ROLLER, PAPER FEED	[DP]
18	FL2-9623-000		1	SHAFT, ROLLER C DRIVE	
19	FM2-1022-000		1	SENSOR PCB UNIT	SR20
20	FE4-7009-000		1	ARM, PAPER PICK-UP ROLLER	
21	FS1-1569-000		10	BUSHING	
22	FU3-0277-000		1	GEAR, 16T	
23	FU3-0313-000		1	GEAR, 20T	
24	FU5-3695-000		1	PULLEY, 22T	
25	FU5-3696-000		1	PULLEY, 25T	
26	FU5-6871-000		1	ROLLER	
27	FU5-6872-000		2	ROLLER	
28	FU7-2542-000		1	SPRING, TENSION	
29	FL3-7266-000		1	ROLLER, PAPER PICK-UP	[DP]
30	FU7-2563-000		1	SPRING, TORSION	
31	FM1-K827-000		1	LED PCB ASSEMBLY	
32	VS1-7177-009		1	CONNECTOR, 9P	
33	VS1-8412-017		2	CONNECTOR, SNAP TIGHT, BL	
34	WG8-5783-000		5	IC,PHOTO- INTERRUPTER,LG248NL1A	SR8,SR9,SR10,SR11,SR17
35	XA9-2014-000		19	SCREW, MACH. TRUSS HEAD, M4X6	
36	XF2-1606-640		1	TIMING, BELT	
37	FC8-5899-000		4	ELIMINATOR, STATIC CHARGE	
38	FB2-7777-020		1	ROLLER, SPONGE	[DP]
39	FL2-9617-000		1	SUPPORT, SEPARATION SENSOR	
40	FM1-K826-000		1	CABLE, GUIDE UNIT DOCKING	
41	FC8-5919-010		1	SHEET, CABLE PROTECTION	
42	FM3-6231-010		1	CABLE, PICK-UP, REAR LOWER	
43	XA9-1522-000		1	SCREW, M3X6	
44	XD9-0288-000		2	PIN, DOWEL	
45	FC8-5588-000		1	PLATE, SENSOR SEPARATION, 1	
46	FU7-2583-000		2	SPRING, TENSION	
47	FM3-7570-000		1	CABLE, PAPER PICK-UP REAR, UP.	
48	FC8-5908-000		1	SHEET	

Figure B31 PAPER DELIVERY ASSEMBLY (ADF)



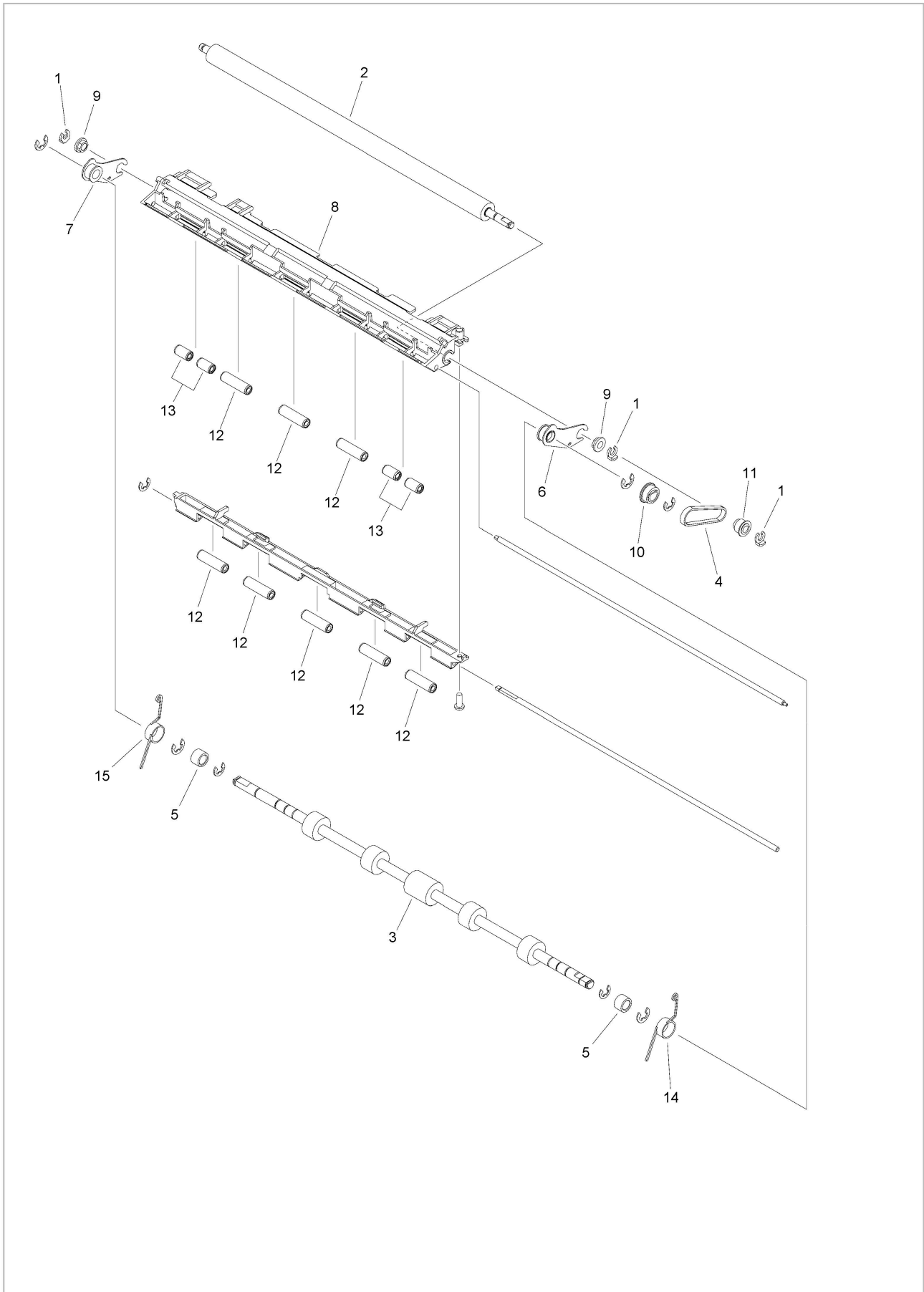
FIG/KEY	PART NUMBER	RANK	QTY	DESCRIPTION	REMARKS
B31	FMO-0501-000		1	PAPER DELIVERY ASSEMBLY	ADF
1	FC5-2978-000		2	GUIDE, REFORM	
2	FC5-2988-000		4	RETAINER, ROLLER	
3	FC5-2989-000		4	HOLDER, PAPER DELIVERY ROLLER	
4	VS1-7177-005		1	CONNECTOR, SNAP TIGHT, BK	
5	FC8-5830-000		5	SPRING, LEAF	
6	FC8-5845-000		2	RIB, DELIVERY SHAPE	
7	FM3-6182-000		1	PAPER DELIVERY LW. GUIDE ASS'Y	
8	VS1-7177-004		1	CONNECTOR, SNAP TIGHT, BK	
9	XA9-2014-000		2	SCREW, MACH. TRUSS HEAD, M4X6	
10	FM2-1022-000		1	SENSOR PCB UNIT	
11	FS1-1569-000		2	BUSHING	
12	FS1-9009-020		1	TWO-STEP SCREW, M3	
13	FU5-2240-000		4	SPRING, COMPRESSION	
14	FU5-6073-000		5	ROLLER, FEED	
15	FU5-6077-000		4	ROLLER, PAPER DELIVERY	
16	FU6-2740-000		1	SPRING, TORSION	
17	FU7-2562-000		4	SPRING, TORSION	
18	FC8-5817-000		1	FLAPPER, REVERSE	
19	VS1-7177-002		1	CONNECTOR, SNAP TIGHT, BK	
20	VS1-7177-003		1	CONNECTOR, SNAP TIGHT, BK	
21	XD9-0289-000		8	PIN, PARALLEL	

Figure B32 OPEN/CLOSE GUIDE ASSEMBLY (ADF)



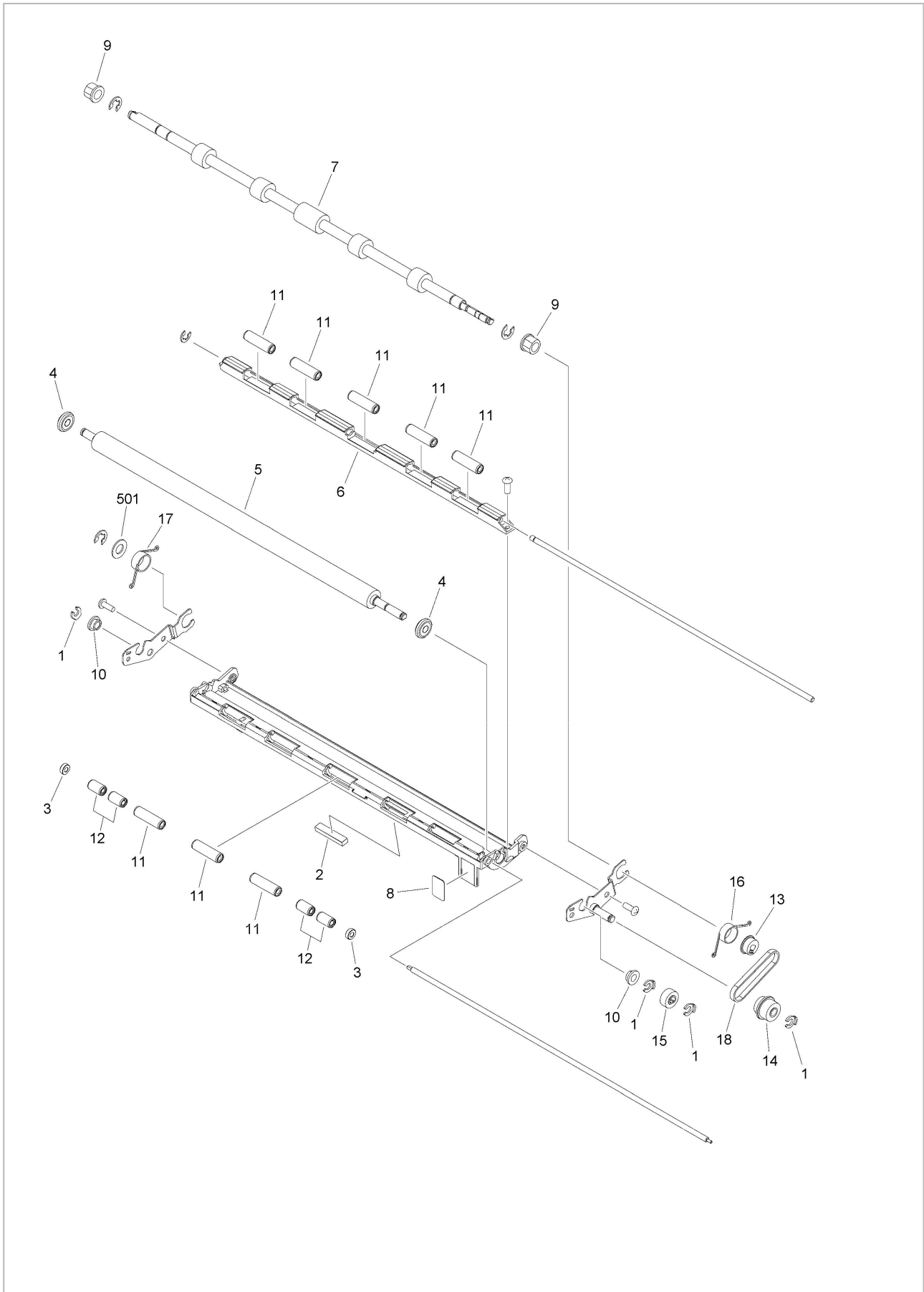
FIG/KEY	PART NUMBER	RANK	QTY	DESCRIPTION	REMARKS
B32	NPN		RF	OPEN/CLOSE GUIDE ASSEMBLY	ADF
1	FC8-5761-000		2	FLAG, WIDTH SENSOR, LOWER	
2	FLO-1454-000		1	GUIDE, OPEN/CLOSE, UPPER	
3	FM1-K817-000		1	CABLE, SENSOR	
4	FU7-2556-000		2	SPRING, TORSION	
5	WG8-5783-000		2	IC, PHOTO- INTERRUPTER, LG248NL1A	SR14, SR15

Figure B40 PLATEN ROLLER ASSEMBLY, 1 (ADF)



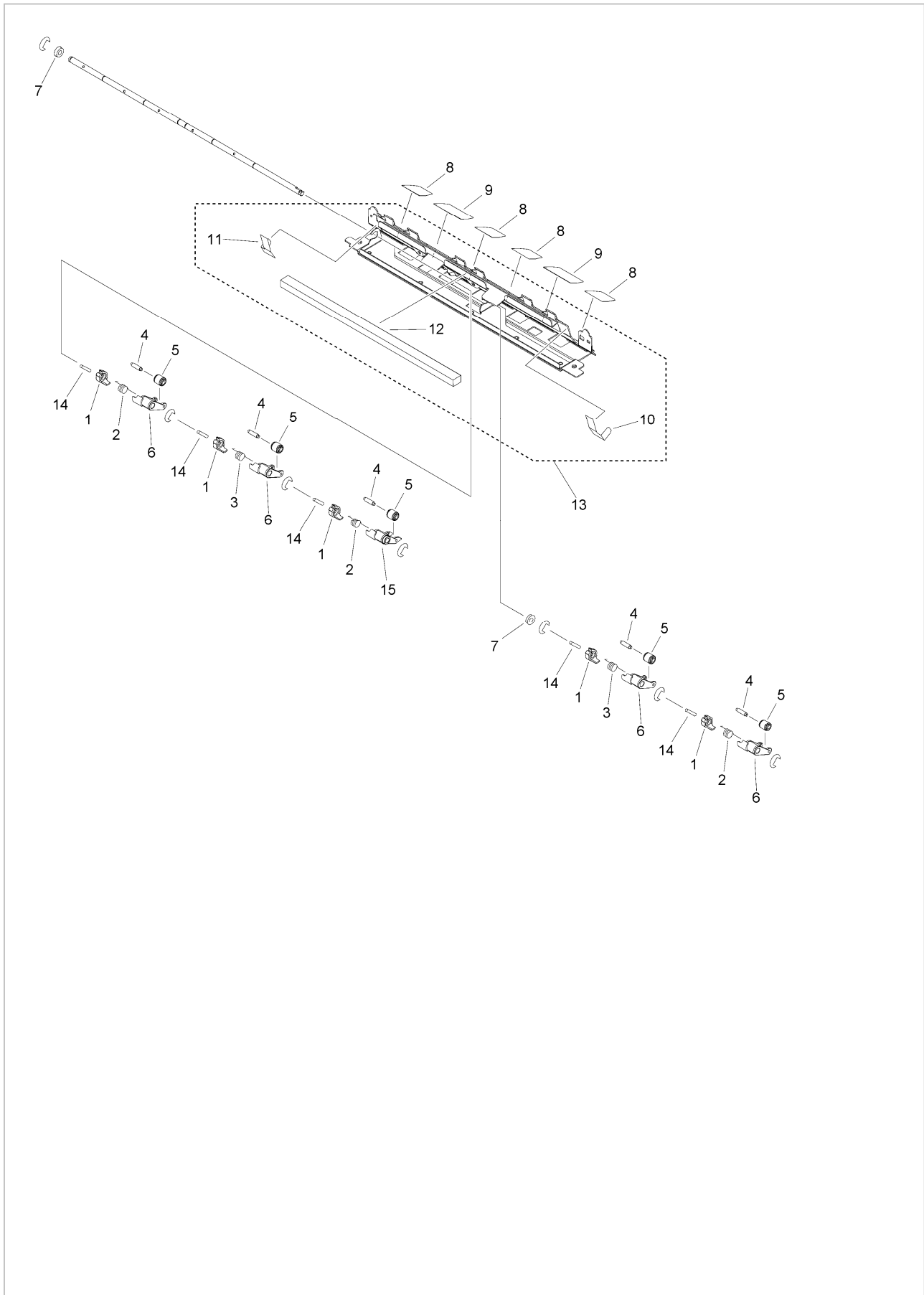
FIG/KEY	PART NUMBER	RANK	QTY	DESCRIPTION	REMARKS
B40	FM3-6176-000		1	PLATEN ROLLER ASSEMBLY, 1	ADF
1	FC5-4424-000		3	CLIP	
2	FC8-5487-000		1	ROLLER, PLATEN, 1	
3	FC8-5681-000		1	ROLLER, READ, 1	
4	XF2-1605-740		1	BELT, TIMING	
5	FC8-5775-000		2	ROLLER, SUPPORT	
6	FL2-9568-000		1	SUPPORT, PLATEN ROLLER, FRONT	
7	FL2-9569-000		1	SUPPORT, PLATEN ROLLER, REAR	
8	FL2-9571-000		1	GUIDE, PLATEN, 1	
9	FS1-1569-000		2	BUSHING	
10	FU5-0339-000		1	PULLEY, 23T	
11	FU5-0341-000		1	PULLEY, 18T	
12	FU5-6078-000		8	ROLLER, PLATEN	
13	FU5-6080-000		4	ROLLER	
14	FU7-2546-000		1	SPRING, TORSION	
15	FU7-2547-000		1	SPRING, TORSION	

Figure B41 PLATEN ROLLER ASSEMBLY, 2 (ADF)



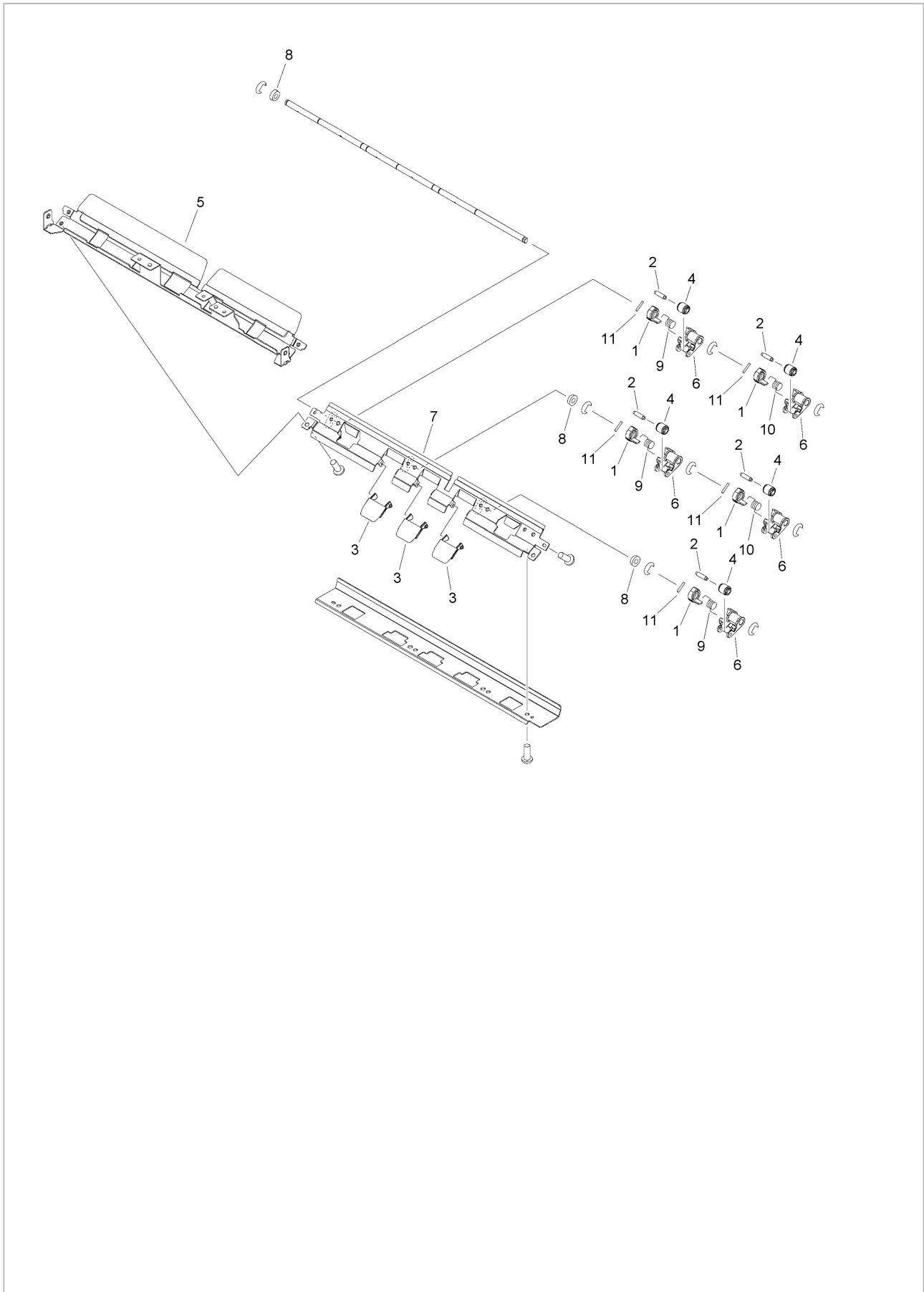
FIG/KEY	PART NUMBER	RANK	QTY	DESCRIPTION	REMARKS
B41	FMO-3134-000		1	PLATEN ROLLER ASSEMBLY, 2	ADF
1	FC5-4424-000		4	CLIP	
2	FC7-4191-000		1	MAGNET	
3	FC8-5485-000		2	ROLLER	
4	FC8-5486-000		2	ROLLER	
5	FC8-5488-000		1	ROLLER, PLATEN, 2	
6	FC8-5490-000		1	GUIDE, PLATEN ROLLER, 2B	
7	FC8-5683-000		1	SHAFT, READ 3 ROLLER	
8	FC8-5545-000		1	LABEL, PLATEN KNOB	
9	FU6-1021-000		2	BUSHING	
10	FS1-1569-000		2	BUSHING	
11	FU5-6078-000		8	ROLLER, PLATEN	
12	FU5-6080-000		4	ROLLER	
13	FU7-0205-000		1	PULLEY, 21T	
14	FU7-0473-000		1	GEAR, 18T/PULLEY, 23T	
15	FU7-0514-000		1	GEAR, 16T	
16	FU7-2548-000		1	SPRING, TORSION	
17	FU7-2549-000		1	SPRING, TORSION	
18	XF2-1606-140		1	BELT, TIMING	
501	XD1-1108-239		1	WASHER, COP	

Figure B42 PAPER FEED GUIDE ASSEMBLY, 1 (ADF)



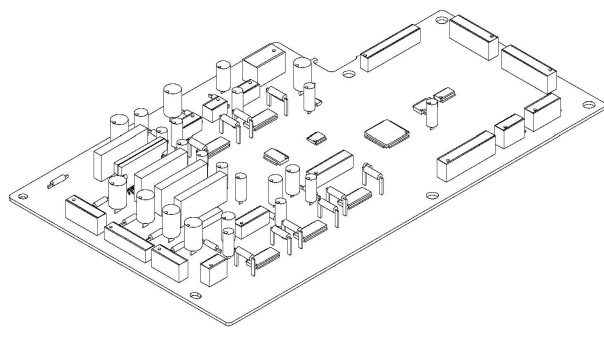
FIG/KEY	PART NUMBER	RANK	QTY	DESCRIPTION	REMARKS
B42	NPN		RF	PAPER FEED GUIDE ASSEMBLY, 1	ADF
1	FC5-2988-000		5	RETAINER, ROLLER	
2	FC5-3021-000		3	SPRING, TORSION	
3	FC5-3026-000		2	SPRING, TORSION	
4	FC8-5520-000		5	SHAFT, READ 1 ROLLER	
5	FC8-5654-000		5	ROLLER, IDLER READ	
6	FL2-0741-000		4	HOLDER, PAPER FEEDER ROLLER	
7	FS1-1569-000		2	BUSHING	
8	FLO-4461-000		4	LABEL, FINGER NIP CAUTION	
9	FLO-4460-000		2	LABEL, FINGER NIP CAUTION	
10	FC8-5767-000		1	SHEET, GUIDE SIDE END FRONT	
11	FC8-5768-000		1	SHEET, GUIDE SIDE END REAR	
12	FC8-5860-000		1	SHEET, NOISE-PROOF	
13	FL2-9669-000		1	GUIDE, PAPER FEED	
14	XD9-0289-000		5	PIN, PARALLEL	
15	FLO-1469-000		1	HOLDER, PAPER FEEDER ROLLER	

Figure B43 PAPER FEED GUIDE ASSEMBLY, 2 (ADF)



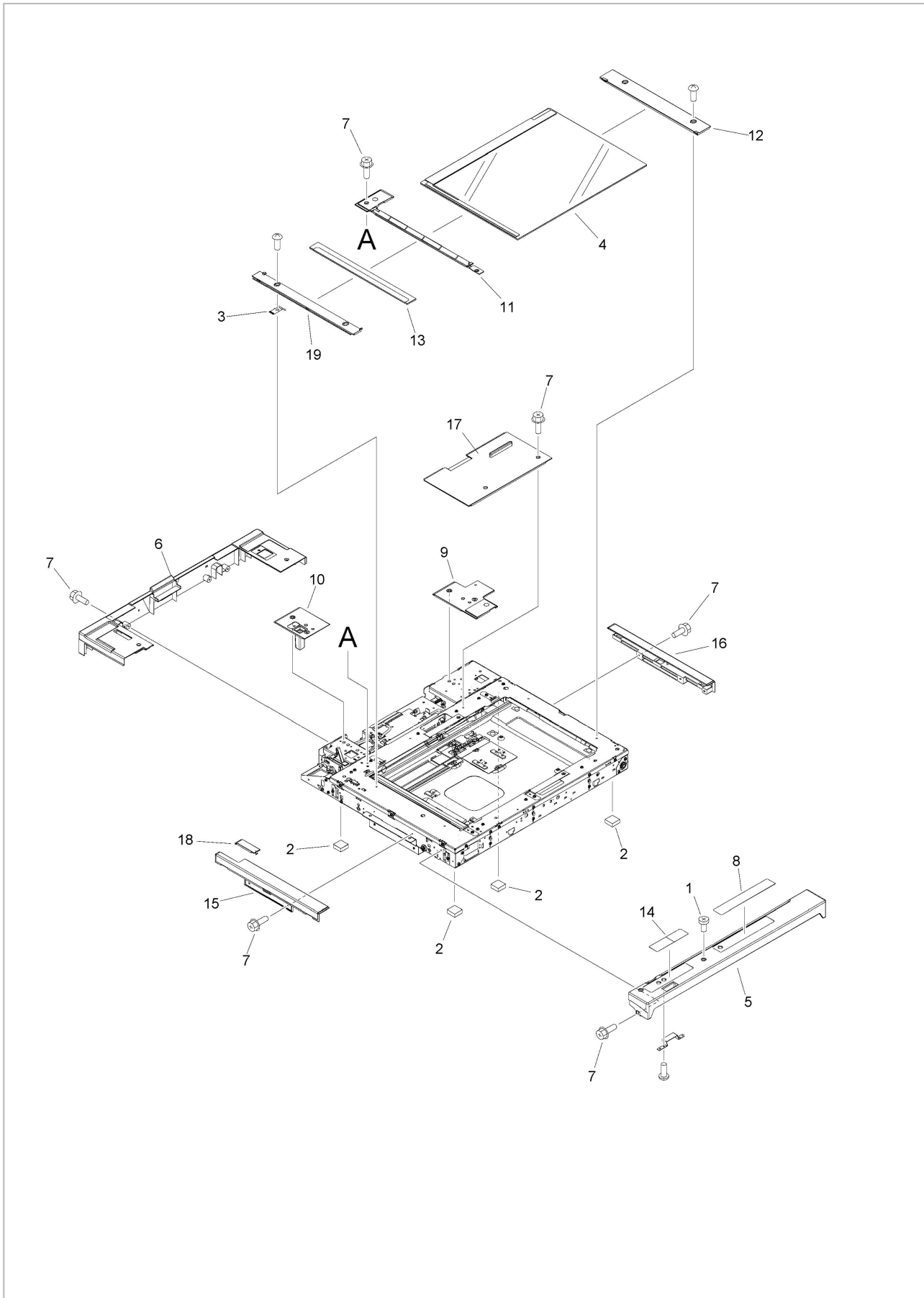
FIG/KEY	PART NUMBER	RANK	QTY	DESCRIPTION	REMARKS
B43	NPN		RF	PAPER FEED GUIDE ASSEMBLY, 2	ADF
1	FC8-5505-000		5	STOPPER, ROLLER	
2	FC8-5520-000		5	SHAFT, READ 1 ROLLER	
3	FL2-9667-000		3	GUIDE, READ 2 FEED SWING, LW.	
4	FC8-5654-000		5	ROLLER, IDLER READ	
5	FL3-8428-000		1	GUIDE, READ 2 FEED, UPPER	
6	FL2-9575-000		5	HOLDER, READ 2 ROLLER	
7	FL2-9586-000		1	GUIDE, READ 2 FEED, LOWER	
8	FS1-1569-000		3	BUSHING	
9	FU7-2557-000		3	SPRING, TORSION	
10	FU7-2558-000		2	SPRING, TORSION	
11	XD9-0289-000		5	PIN, PARALLEL	

Figure B90 DF DRIVER PCB ASSEMBLY (ADF)



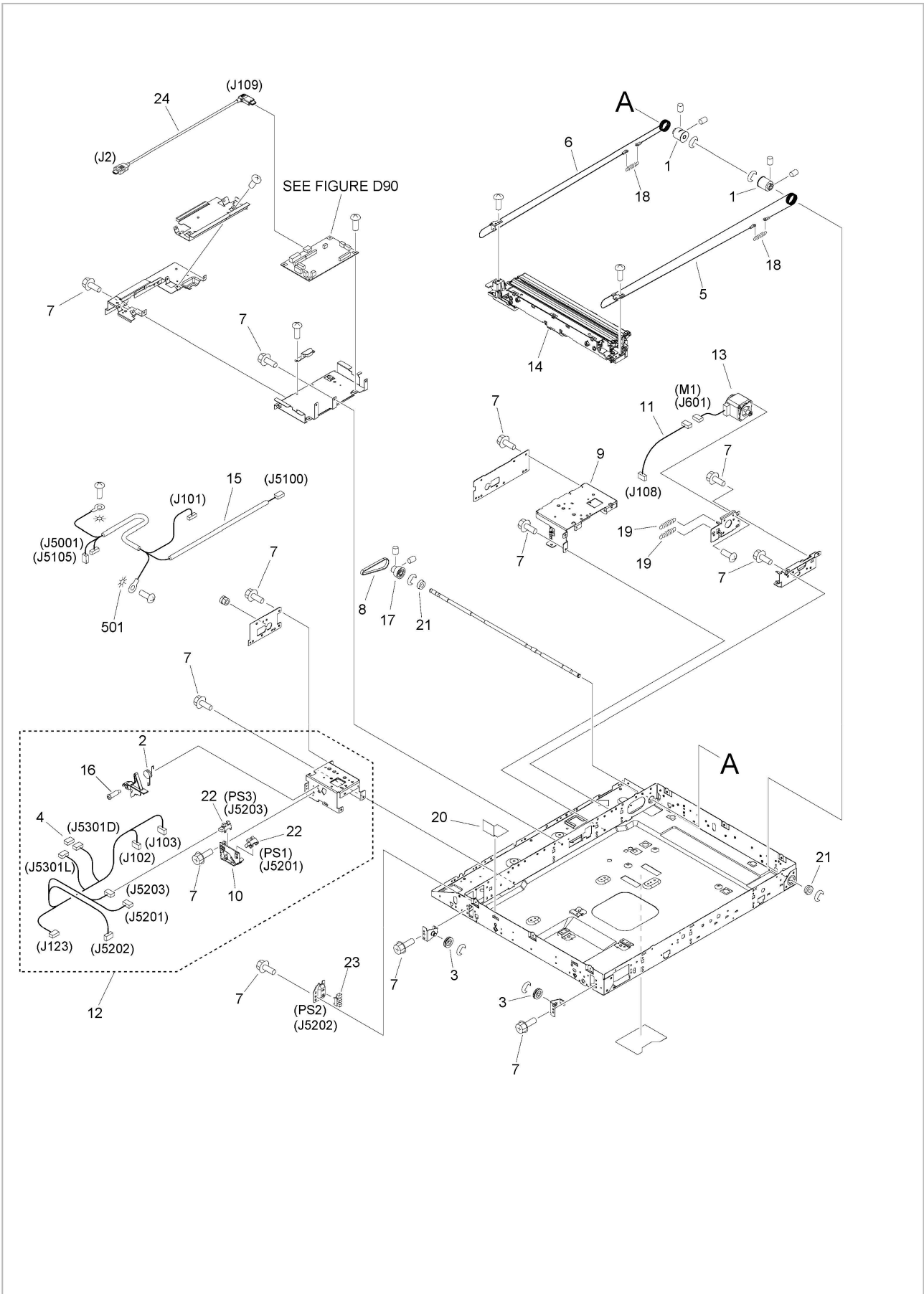
FIG/KEY	PART NUMBER	RANK	QTY	DESCRIPTION	REMARKS
B90	FM1-K812-000		1	DF DRIVER PCB ASSEMBLY	ADF
IC	FK2-1773-000		1	IC, TC200G02EFG-1031, GATE ARRAY	

Figure D10C EXTERNAL COVERS, PANELS, ETC. (READER)



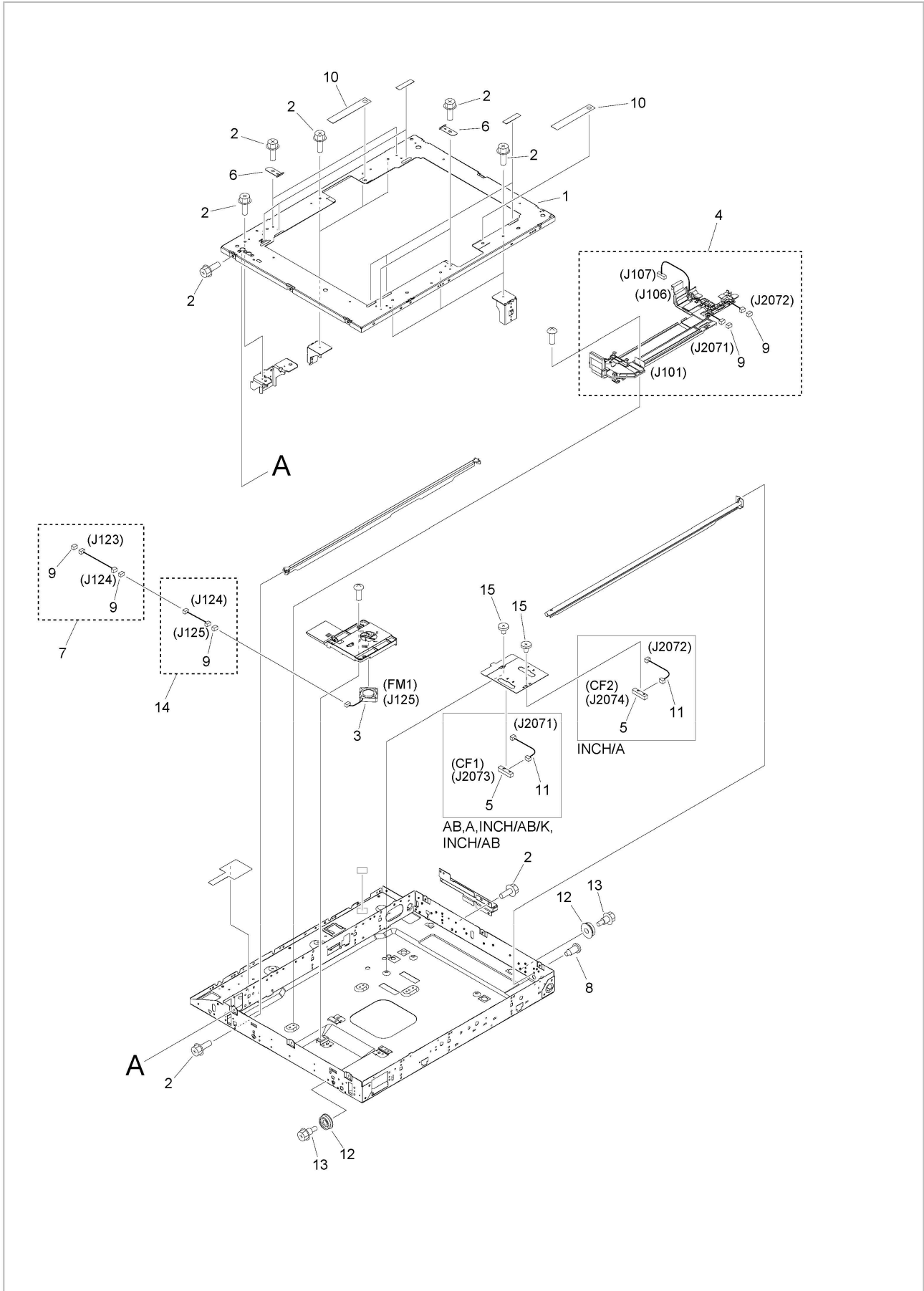
FIG/KEY	PART NUMBER	RANK	QTY	DESCRIPTION	REMARKS
D10C	NPN		RF	EXTERNAL COVERS, PANELS, ETC.	READER
1	XA9-2017-000		1	SCREW, PANHEAD MACHINE M4X6	
2	FC6-5156-000		4	DAMPER	
3	FC7-1333-000		1	SPRING, GROUNDING	
4	FL1-0446-000		1	GLASS, COPYBOARD	
5	FE4-1734-000		1	COVER, FRONT	
6	FE4-1735-000		1	COVER, REAR UPPER	
7	FS5-9562-020		12	SCREW, STEPPED, M3X1.4	
8	FE4-6293-000		1	LABEL, COPY INHIBITED	US English
8	FE4-6305-000		1	LABEL, COPY INHIBITED	UK English
8	FE4-6306-000		1	LABEL, COPY INHIBITED	French
8	FE4-6307-000		1	LABEL, COPY INHIBITED	German
8	FE4-6308-000		1	LABEL, COPY INHIBITED	Italian
9	FE4-6251-000		1	COVER, DF MOUNT, RIGHT	
10	FE4-6252-000		1	COVER, DF MOUNT, LEFT	
11	FE4-6256-000		1	MOUNT, JUMP	
12	FLO-4598-000		1	COVER, RIGHT UPPER	
13	FL2-9620-000		1	GLASS, READER	
14	FE4-6301-000		1	LABEL, CLEANING POSITION	
15	FE4-6260-000		1	COVER, LEFT	
16	FE4-6257-000		1	COVER, RIGHT	
17	FLO-4597-000		1	COVER, CABLE	
18	FE4-6211-000		1	COVER, LEFT UPPER, SMALL	
19	FE4-6254-000		1	COVER, LEFT UPPER	

Figure D11 INTERNAL COMPONENTS 1 (READER)



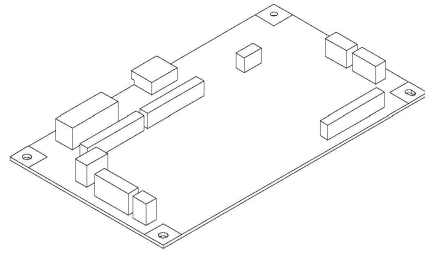
FIG/KEY	PART NUMBER	RANK	QTY	DESCRIPTION	REMARKS
D11	NPN		RF	INTERNAL COMPONENTS 1	READER
1	FB5-3087-000		2	PULLEY	
2	FU7-2593-000		1	SPRING, TORSION	
3	FC7-1312-000		2	PULLEY	
4	VS1-7207-003		1	CONNECTOR, SNAP TIGHT, BK	
5	FC0-8333-000		1	WIRE, FRONT	
6	FC8-6035-000		1	WIRE, REAR	
7	XA9-1386-000		15	SCREW,RS,M3X8	
8	XF9-0774-000		1	BELT, TIMING	
9	FC8-6014-000		1	MOUNT, DF, R	
10	FE4-1733-000		1	HOLDER, OPEN/CLOSE SENSOR, A	
11	FM3-8274-000		1	CABLE, MOTOR	
12	FM1-C248-000		1	DF MOUNT ASSEMBLY, L	
13	FM1-H106-000		1	MOTOR, STEPPING, DC	M1
14	FM1-B001-000		1	SCANNER UNIT, READER	
15	FM1-K804-000		1	CABLE, READER POWER SUPPLY	
16	FS5-9227-020		1	SCREW, STEPPED, M4	
17	FU5-3705-000		1	PULLEY, 52T	
18	FU7-2591-000		2	SPRING, TENSION	
19	FU8-8031-000		2	SPRING, TENSION	
20	FC8-3555-000		1	SHEET, FLEXIBLE FLAT CABLE	
21	XG9-0508-000		2	BEARING, BALL, F688ZZ	
22	WG8-5935-000		2	IC, PHOTO INTERRUPTER	PS1, PS3
23	WG8-5783-000		1	IC,PHOTO- INTERRUPTER,LG248NL1A	PS2
24	FK4-2202-000		1	CABLE, INTERFACE	
501	XD1-4200-402		1	WASHER, TOOTHED LOCK, M4	

Figure D12 INTERNAL COMPONENTS 2 (READER)



FIG/KEY	PART NUMBER	RANK	QTY	DESCRIPTION	REMARKS
D12	NPN		RF	INTERNAL COMPONENTS 2	READER
1	FL2-9793-010		1	FRAME, UPPER	
2	XA9-1386-000		15	SCREW,RS,M3X8	
3	FK2-6459-000		1	FAN	FM1
4	FM0-0482-000		1	FLAT CABLE UNIT	
5	FK2-7162-000		1	IC,PHOTO SENSOR, DOCUMENT SIZE	CF1, CF2
6	FL2-4856-000		4	PLATE,GLASS SUPPORT	
7	FM3-8282-000		1	CABLE, FAN CONNECTING, 2	
8	FS1-9120-020		1	SCREW, STEPPED, M3	
9	VS1-7177-003		5	CONNECTOR, SNAP TIGHT, BK	
10	FC8-6056-000		2	SHEET, GLASS GAP	
11	FM3-7552-000		1	CABLE, SIZE DETECT	
12	FC8-6017-000		2	BUSH, RUBBER	
13	FS5-9343-000		2	SCREW, STEPPED, M4	
14	FM1-K806-000		1	CABLE, FAN	
15	XA9-2017-000		2	SCREW, PANHEAD MACHINE M4X6	

Figure D90 READER CONTROLLER PCB ASSEMBLY (READER)



FIG/KEY	PART NUMBER	RANK	QTY	DESCRIPTION	REMARKS
D90	FM1-K808-000		1	READER CONTROLLER PCB ASSEMBLY	READER

Figure ZZA MECHANICAL STANDARD PARTS (HOW TO USE)

Mechanical standard parts

機械標準部品

About a mechanical standard parts

A Mechanical standard parts is a mechanical part which not parts peculiar to a product.
They are parts which are common to a Canon product and are used, such as a screw and a washer.
The Fig No. and parts number of the mechanical standard parts are not listed in the product parts catalog.
Refer to the parts catalog of mechanical standard parts when checking the parts number for screw or washer etc. and identify them by part shape or size.

機械標準部品とは

機械標準部品とは、製品特有の部品ではなく、ねじやワッシャなどキヤノン製品共通で使用されている機械部品（メカ部品）のことです。
製品のパーツカタログには、機械標準部品のFig No.や部品番号は記載しておりません。
ねじや、ワッシャ等の部品番号を調べるときは、機械標準部品のパーツカタログを参照し、部品の形状や大きさから判断し、使用している部品を調べてください。

Material and surface treatment of a mechanical standard parts

Material and surface treatment of mechanical standard parts are assigned commonly for each part.
Refer to the Table 1 for the parts which material and surface treatment are assigned as numbers.

機械標準部品の材料および表面処理

機械標準部品の材料および表面処理については、各種部品共通で決められています。
材料および表面処理が番号で決められている部品については、表1を参照してください。

Table 1 Material and Surface treatment

表1 材料および表面処理

No. 番号	Material 材料	Surface treatment 表面処理	Color 色
1	Stainless steel ステンレス	Stainless steel black coloring (BC4) ステンレス黒着色(BC4)	Black 黒
2		not to be given なし	White 白
3	Brass 黄銅	Regular nickel plating (NL) 普通ニッケルメッキ(NL)	White 白
4		Black nickel plating (BN) 黒色ニッケルメッキ(BN)	Black 黒
5	Steel 鋼	White zinc trivalent chromate treating (ZC3) 白色亜鉛3価クロメート(ZC3)	White 白
6		Regular nickel chromium plating (NC) 普通ニッケルクロムメッキ(NC)	White 白
7		Regular nickel plating (NL) 普通ニッケルメッキ(NL)	White 白
8		Iron and steel phosphating (P1) 鉄鋼燐酸塩処理(P1)	Black 黒
9		Black zinc trivalent chromate treating (BZ3) 黒色亜鉛3価クロメート(BZ3)	Black 黒

FIG/KEY	PART NUMBER	RANK	QTY	DESCRIPTION	REMARKS
---------	-------------	------	-----	-------------	---------

Figure ZZB (1 / 7) MECHANICAL STANDARD PARTS (SCREWS)

1. Screws ねじ

How to read Parts Numbers
部品番号の見方

Screws
ねじ

XB1-2400-609

Type No.
類別番号

Normal designation (d)
ねじの呼び (d)

Length (L)
ねじの長さ (L)

Material and Surface treatment
材料および表面処理

XB1-2 expresses Binding head machine screw.
XB1-2は、バインドねじを表す

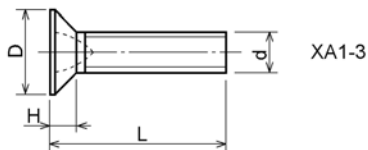
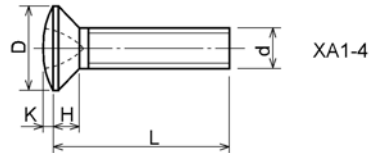
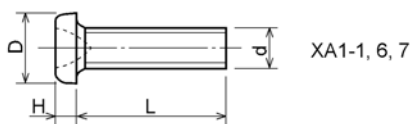
40 expresses M4.0.
40は、M4.0を表す

0-60 expresses a length of 6.0mm.
0-60は、6.0mmの長さを表す

9 expresses Steel (Black zinc trivalent chromate
treating) from Table 1.

9は、表1より鋼（黒色亜鉛3価クロメート）を表す

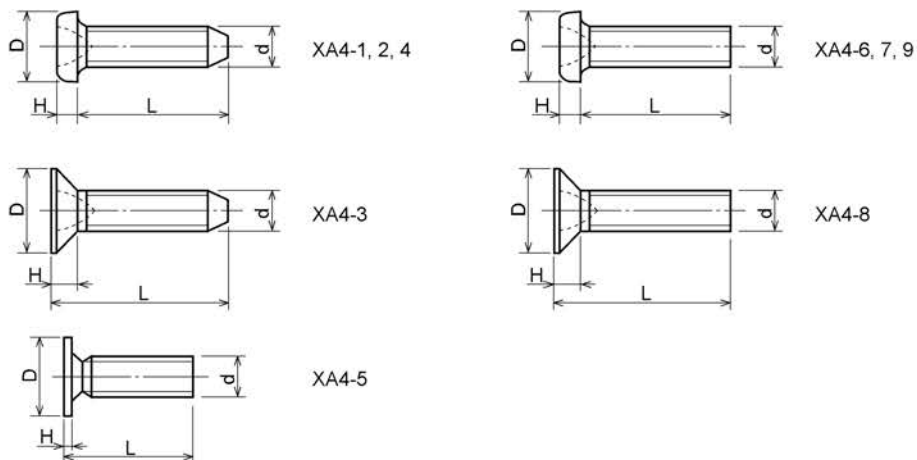
1-1. Cross Recessed Head Screws for Precision Equipments 精密機器用十字穴付き小ねじ



Type No. 類別番号	Type 類別	Head size (mm) 頭部寸法 (mm)						
		M1.4	M1.6	M1.7	M2	M2.5	M2.6	
XA1-1	Pan head Class 1 なべ1種	D	2	2.4	2.5	3	3.8	4
		H	0.5	0.55	0.5	0.6	0.9	0.8
XA1-3	Countersunk head Class 1 さら1種	D	2	2.4	2.5	3	3.8	4
		H	0.48	0.55	0.58	0.73	0.85	0.93
XA1-4	Oval countersunk head Class 1 丸さら1種	D	2	2.4	2.5	3	3.8	4
		H + K	0.68	0.8	0.88	1	1.25	1.3
XA1-6	Pan head Class 3 なべ3種	D	2.5	2.8	3	3.5	4.3	4.5
		H	0.8	0.85	0.9	1	1.3	1.2
XA1-7	Pan head Class 2 なべ2種	D	2.5	2.8	3	3.5	4.3	4.5
		H	0.5	0.55	0.5	0.6	0.9	0.8

Figure ZZB (2 / 7) MECHANICAL STANDARD PARTS (SCREWS)

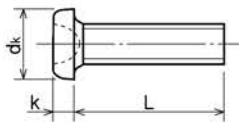
1-2. Precision Tapping Screws 精密用タッピンねじ



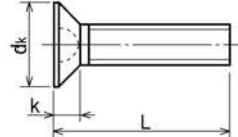
Type No. 類別番号	Type 類別	Head size (mm) 頭部寸法 (mm)						
		M1.4	M1.6	M1.7	M2	M2.5	M2.6	
XA4-1	With tapered end pan head Class 1 絞り-なべ1種	D XA4-1	2	2.4	2.5	3	3.8	4
		H XA4-1	0.5	0.55	0.5	0.6	0.9	0.8
XA4-2	With tapered end pan head Class 3 絞り-なべ3種	D XA4-2	2.5	2.8	3	3.5	4.3	4.5
		H XA4-2	0.8	0.85	0.9	1	1.3	1.2
XA4-3	With tapered end countersunk head 絞り-さら	D XA4-3	2	2.4	2.5	3	3.8	4
		H XA4-3	0.48	0.55	0.58	0.73	0.85	0.93
XA4-4	With tapered end pan head Class 2 絞り-なべ2種	D XA4-4	2.5	2.8	3	3.5	4.3	4.5
		H XA4-4	0.5	0.55	0.5	0.6	0.9	0.8
XA4-5	With parallel end ultra thin head ストレート-超薄頭	D XA4-5	2.5	2.8	3	-	-	-
		H XA4-5	0.2	0.2	0.2	-	-	-
XA4-6	With parallel end pan head Class 1 ストレート-なべ1種	D XA4-6	2	2.4	2.5	3	3.8	4
		H XA4-6	0.5	0.55	0.5	0.6	0.9	0.8
XA4-7	With parallel end pan head Class 3 ストレート-なべ3種	D XA4-7	2.5	2.8	3	3.5	4.3	4.5
		H XA4-7	0.8	0.85	0.9	1	1.3	1.2
XA4-8	With parallel end countersunk head ストレート-さら	D XA4-8	2	2.4	2.5	3	3.8	4
		H XA4-8	0.48	0.55	0.58	0.73	0.85	0.93
XA4-9	With parallel end pan head Class 2 ストレート-なべ2種	D XA4-9	2.5	2.8	3	3.5	4.3	4.5
		H XA4-9	0.5	0.55	0.5	0.6	0.9	0.8

Figure ZZB (3 / 7) MECHANICAL STANDARD PARTS (SCREWS)

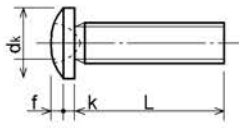
1-3. Cross Recessed Head Screws
一般用十字穴付き小ねじ



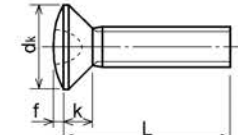
XB1-1



XB1-3



XB1-2



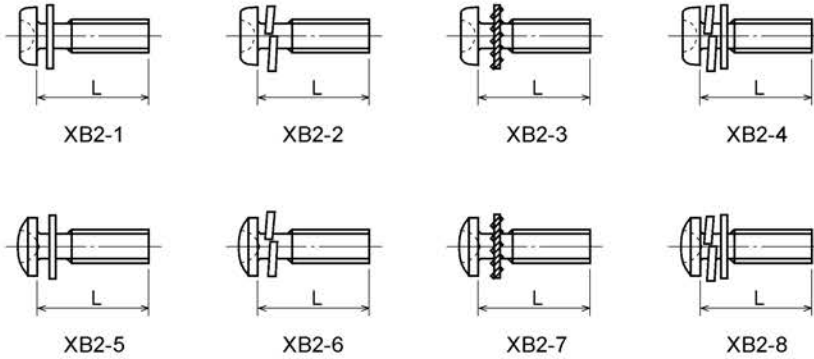
XB1-4

Type No. 類別番号	Type 類別
XB1-1	Pan head なべ
XB1-2	Binding head バインド
XB1-3	Countersunk head さら
XB1-4	Oval countersunk head 丸さら

		Head size (mm) 頭部寸法 (mm)					
		M2	M2.5	M2.6	M3	M4	M5
dk	XB1-1	3.5	4.5	4.5	5.5	7	9
k	XB1-1	1.3	1.7	1.7	2	2.6	3.3
dk	XB1-2	4.3	5.3	5.5	6.3	8.3	10.3
k+f	XB1-2	1.2	1.5	1.6	1.9	2.5	3.1
dk	XB1-3	4	5	-	6	8	10
k	XB1-3	1.2	1.45	-	1.75	2.3	2.8
dk	XB1-4	4	5	-	6	8	10
k+f	XB1-4	1.6	2	-	2.45	3.2	4
Screw part length ねじ部長さ b		8	12	12	12	16	20

Figure ZZB (4 / 7) MECHANICAL STANDARD PARTS (SCREWS)

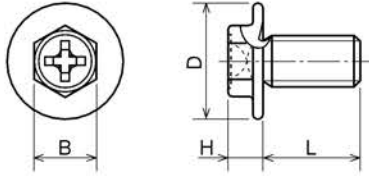
1-4. Cross Recessed Head Screws with Captive Washer 座金組み込み十字穴付き小ねじ



Type No. 類別番号	Type 類別
XB2-1	Pan head + Plain washer (circular bright) なべねじ+平座金
XB2-2	Pan head + Spring washer なべねじ+ばね座金
XB2-3	Pan head + Toothed lock washer なべねじ+歯付座金
XB2-4	Pan head + Spring washer and plain washer (circular bright) なべねじ+(ばね+平)座金
XB2-5	Binding head + Plain washer (circular bright) バインドねじ+平座金
XB2-6	Binding head + Spring washer バインドねじ+ばね座金
XB2-7	Binding head + Toothed lock washer バインドねじ+歯付座金
XB2-8	Binding head + Spring washer and plain washer (circular bright) バインドねじ+(ばね+平)座金

Figure ZZB (5 / 7) MECHANICAL STANDARD PARTS (SCREWS)

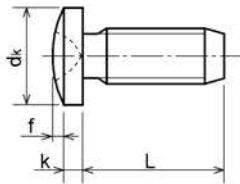
1-5. Hexagon Head Tapping Screws for Matallic Materials 金属用六角タッピンねじ



Type No. 類別番号	Type 類別
XB3-6	For metallic materials 金属用タッピン
XB3-7	For metallic materials with clawed 金属用タッピン-つめ付き

	Head size (mm) 頭部寸法 (mm)	
	M3	M4
D	8	10
B	5.5	5.5
H XB3-6	3.1	3.1
H XB3-7	3.2	3.2

1-6. Special Tapping Screws 特殊タッピンねじ

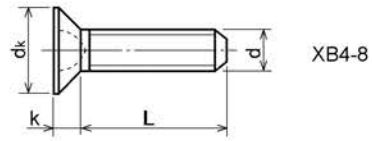
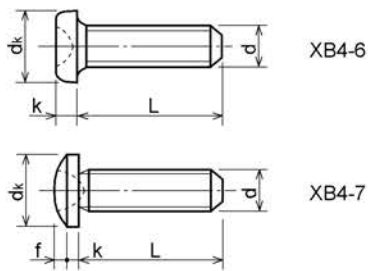


Type No. 類別番号	Type 類別
XB4-5	Binding head バインド

	Head size (mm) 頭部寸法 (mm)	
	M3	M4
dk	6.3	8.3
k	1.3	1.7
k+f	1.9	2.5

Figure ZZB (6 / 7) MECHANICAL STANDARD PARTS (SCREWS)

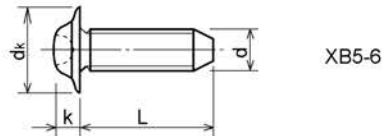
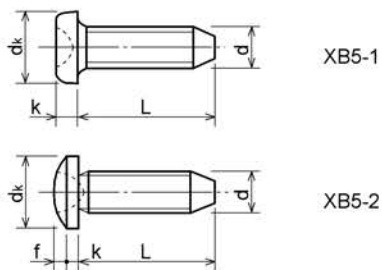
1-7. General Head Tapping Screws 一般用タッピンねじ



Type No. 類別番号	Type 類別
XB4-6	Pan head なべ
XB4-7	Binding head バインド
XB4-8	Countersunk head さら

		Head size (mm) 頭部寸法 (mm)					
		M2	M2.5	M2.6	M3	M4	M5
dk	XB4-6	3.5	4.5	4.5	5.5	7	9
k	XB4-6	1.3	1.7	1.7	2	2.6	3.3
dk	XB4-7	4.3	5.3	5.5	6.3	8.3	10.3
k+f	XB4-7	1.2	1.5	1.6	1.9	2.5	3.1
dk	XB4-8	4	5	5.2	6	8	10
k	XB4-8	1.2	1.45	1.5	1.75	2.3	2.8

1-8. Tapping Screws for Metallic Materials 金属用タッピンねじ

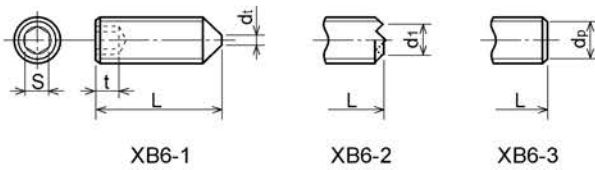


Type No. 類別番号	Type 類別
XB5-1	Pan head なべ
XB5-2	Binding head バインド
XB5-6	Flanged pan head つば付きなべ

		Head size (mm) 頭部寸法 (mm)				
		M2.5	M2.6	M3	M4	M5
dk	XB5-1	4.5	4.5	5.5	7	9
k	XB5-1	1.7	1.7	2	2.6	3.3
dk	XB5-2	5.5	5.5	6.3	8.3	10.3
k+f	XB5-2	1.6	1.6	1.9	2.5	3.1
dk	XB5-6	6.5	6.5	8	10	12
k	XB5-6	2.1	2.1	1.75	3.2	4

Figure ZZB (7 / 7) MECHANICAL STANDARD PARTS (SCREWS)

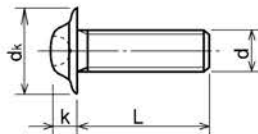
1-9. Hexagon Socket Set Screws 六角穴付き止めねじ



Type No. 類別番号	Type 類別
XB6-1	Cone point とがり先
XB6-2	Double point ダブルポイント
XB6-3	Flat point 平先

	Head size (mm) 頭部寸法 (mm)						
	M1.6 M1.7	M2	M2.5 M2.6	M3	M5	M5	M6
S	0.7	0.9	1.3	1.5	2	2.5	3
t	1.5	1.7	2	2	2.5	3	3.5
d _{t max} XB6-1	0.4	0.5	0.65	0.75	1	1.25	1.5
d _{1 max} XB6-2	-	1.2	1.5	1.7	2.2	2.8	3.3
d _{1 min} XB6-2	-	1	1.2	1.4	1.9	2.4	2.9
d _{p max} XB6-3	0.8	1	1.5	2	2.5	3.5	4
d _{p min} XB6-3	0.55	0.75	1.25	1.75	2.25	3.2	3.7

1-10. Flanged Pan Head Machine Screws つば付きなべ小ねじ



Type No. 類別番号	Type 類別
XB6-7	Flanged pan head つば付きなべ

	Head size (mm) 頭部寸法 (mm)				
	M2	M2.5 M2.6	M3	M5	M5
d _k	5	6.5	8	10	12
k	1.7	2.1	2.5	3.2	4

FIG/KEY	PART NUMBER	RANK	QTY	DESCRIPTION	REMARKS
---------	-------------	------	-----	-------------	---------

Figure ZZC MECHANICAL STANDARD PARTS (BOLTS)

2. Bolts (Socket head cap screw) ボルト

How to read Parts Numbers
部品番号の見方

Bolt (Socket head cap screw)
ボルト

XB7-1080-409

Type No.
類別番号

Normal designation (d)
ねじの呼び (d)

Length (L)
ねじの長さ (L)

Material and Surface treatment
材料および表面処理

XB7-1 expresses Hexagon socket head cap screws.
XB7-1は、六角穴付きボルトを表す

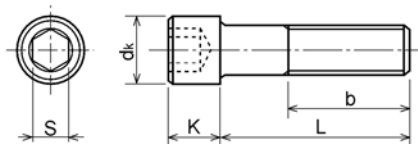
080 expresses M8.0.
080は、M8.0を表す

40 expresses a length of 40mm.
40は、40mmの長さを表す

9 expresses Steel (Black zinc trivalent chromate treating) from Table 1.

9は、表1より鋼（黒色亜鉛3価クロメート）を表す

2-1. Hexagon socket head cap screws 六角穴付きボルト



Type No. 類別番号	Type 類別
XB7-1	Hexagon socket head cap screws 六角穴付きボルト

	Head size (mm) 頭部寸法 (mm)						
	M3	M4	M5	M6	M8	M10	M12
S	2.5	3	4	5	6	8	10
dk	5.5	7	8.5	10	13	16	18
K	3	4	5	6	8	10	12
Screw part length ねじ部長さ b_{max}	18	20	22	24	28	32	36

FIG/KEY	PART NUMBER	RANK	QTY	DESCRIPTION	REMARKS
---------	-------------	------	-----	-------------	---------

Figure ZZD MECHANICAL STANDARD PARTS (NUTS)

3. Nuts ナット

How to read Parts Numbers
部品番号の見方

Nuts
ナット

XB7-2100-309

Type No.
類別番号

Normal designation (d)
ねじの呼び (d)

Material and Surface treatment
材料および表面処理

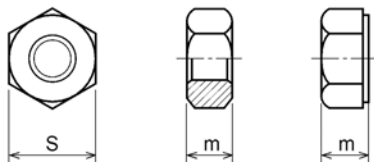
XB7-210 expresses Hexagon nut class 1.
XB7-210は、六角ナット1種を表す

0-30 expresses M3.0.
0-30は、M3.0を表す

9 expresses Steel (Black zinc trivalent chromate
treating) from Table 1.

9は、表1より鋼（黒色亜鉛3価クロメート）を表す

3-1. Hexagon Nuts and Hexagon Thin Nuts 六角ナット



Type No. 類別番号	Type 類別
XB7-210	Hexagon nut Class 1 六角ナット-1種
XB7-220	Hexagon nut Class 3 六角ナット-3種
XB7-230	Hexagon nut Style 1 double chamfered 六角ナット-スタイル1-両面とり
XB7-231	Hexagon nut Style 1 washer faced 六角ナット-スタイル1-座付き
XB7-240	Hexagon nut Style 2 double chamfered 六角ナット-スタイル2-両面とり
XB7-241	Hexagon nut Style 2 washer faced 六角ナット-スタイル2-座付き
XB7-250	Hexagon nut 六角ナット
XB7-260	Hexagon thin nut double chamfered 六角低ナット-両面とり
XB7-270	Hexagon thin nut not chamfered 六角低ナット-面とり無し

	Head size (mm) 頭部寸法 (mm)						
	M2	M2.5	M3	M4	M5	M6	M8
S	4	5	5.5	7	8	10	13
m XB7-210	1.6	2	2.4	3.2	4	5	6.5
m XB7-220	1.2	1.6	1.8	2.4	3.2	3.6	5
m XB7-230, 231	1.6	2	2.4	3.2	4.7	5.2	6.8
m XB7-240, 241	-	-	-	-	5.1	5.7	7.5
m XB7-250	-	-	-	-	5.6	6.1	7.9
m XB7-260	1.2	1.6	1.8	2.2	2.7	3.2	4
m XB7-270	1.2	1.6	1.8	2.2	2.7	3.2	4

FIG/KEY	PART NUMBER	RANK	QTY	DESCRIPTION	REMARKS
---------	-------------	------	-----	-------------	---------

Figure ZZE (1 / 3) MECHANICAL STANDARD PARTS (RETAINING RINGS)

5. Retaining Rings 止め輪

How to read Parts Numbers
部品番号の見方

Retaining Rings
止め輪

XD2-1100-202

Type No.
類別番号
Nominal designation
呼び
Material and Surface treatment
材料および表面処理

XD2-110 expresses retaining ring-E type (Type1).
XD2-110は、E形止め輪（1種）を表す

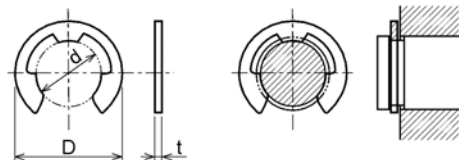
0-20 expresses a 020 of nominal designation.
(See Table 5)

0-20は、呼び020を表す（表5参照）

2 expresses Stainless steel (Surface treatment is not to be given) from Table 1.

2は、表1よりステンレス（表面処理なし）を表す

5-1. Retaining Rings - E type E形止め輪



Type No. 類別番号	Type 類別
XD2-110	Retaining ring - E type (Type 1) E形止め輪（1種）
XD2-120	Retaining ring - E type (Type 2) E形止め輪（2種）

Table 5 表5

Type 種類	Nominal designation 呼び	d (mm)	D (mm)	t (mm)
Type 1 1種	007	0.65	2	0.2
	010	0.95	2.8	0.2
	013	1.25	3.3	0.3
	017	1.65	4.2	0.4
	020	1.95	4.6	0.5
	024	2.35	6	0.6
	028	2.74	6.5	0.6
	032	3.14	7.2	0.6
	037	3.64	8	0.7
	040	3.93	10	0.7
	042	4.13	10	0.7
	050	4.93	11	0.7
	058	5.73	12	0.7
Type 2 2種	060	5.93	12.7	0.9
	064	6.32	13.5	0.9
	074	7.31	15	0.9
	080	7.91	16.5	1
	008	0.8	2	0.2
	012	1.2	3	0.3
	015	1.5	4	0.4
	020	2	5	0.4
	025	2.5	6	0.4
	030	3	7	0.6
	040	4	9	0.6
	050	5	11	0.6
	060	6	12	0.8
070	7	14	0.8	
080	8	16	0.8	
090	9	18	0.8	
100	10	20	1	

Figure ZZE (2 / 3) MECHANICAL STANDARD PARTS (RETAINING RINGS)

5-2. Grip Rings
グリップ止め輪

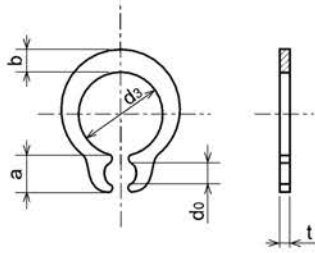


Table 5 表5

Nominal designation 呼び	d_3 (mm)	t (mm)	b (mm)	a (mm)	d_o (mm)
020	1.9	0.5	1	1.8	0.8
025	2.35	0.5	1.2	1.9	0.9
030	2.85	0.6	1.4	1.9	0.9
035	3.3	0.6	1.6	2	0.9
040	3.8	0.8	1.8	2.8	1.2
045	4.25	0.8	2	2.9	1.3
050	4.75	0.8	2.2	2.9	1.3
060	5.7	1	2.4	3.1	1.4
070	6.7	1	2.7	3.3	1.4
080	7.7	1	3	3.5	1.4
090	8.65	1.2	3.3	4.7	1.5
100	9.65	1.2	3.5	4.7	2

Type No. 類別番号	Type 類別
XD2-210	Grip ring グリップ止め輪

5-3. Toothed Retaining Rings
歯付き形止め輪

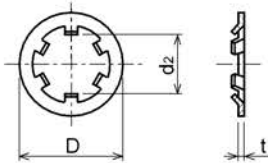


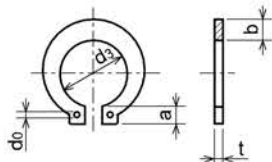
Table 5 表5

Nominal designation 呼び	d_2 (mm)	D (mm)	t (mm)	No of teeth 歯数
015	1.4	5.2	0.25	3
020	1.9	6	0.25	3
024	2.3	6.4	0.25	3
030	2.8	8	0.25	4
040	3.8	9	0.25	4
050	4.8	10	0.25	5
060	5.8	11	0.25	5
080	7.8	13	0.25	5
100	9.8	15.4	0.25	6

Type No. 類別番号	Type 類別
XD2-230	Toothed retaining ring 歯付き形止め輪

Figure ZZE (3 / 3) MECHANICAL STANDARD PARTS (RETAINING RINGS)

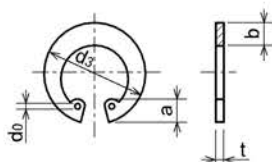
5-4. Retaining Rings - C Type
C形止め輪



Type No. 類別番号	Type 類別
XD2-310	Retaining ring - C type for shaft C形止め輪 軸用

Table 5 表5

Nominal designation 呼び	d ₃ (mm)	t (mm)	b (mm)	a (mm)	d ₀ (mm)
010	9.3	1	1.6	3	1.2
012	11.1	1	1.8	3.2	1.5
014	12.9	1	2	3.4	1.7
015	13.8	1	2.1	3.5	1.7
016	14.7	1	2.2	3.6	1.7
017	15.7	1	2.2	3.7	1.7
018	16.5	1.2	2.6	3.8	1.7
020	18.5	1.2	2.7	3.9	2
022	20.5	1.2	2.7	4.1	2
025	23.2	1.2	3.1	4.3	2
028	25.9	1.5	3.1	4.6	2
030	27.9	1.5	3.5	4.8	2
032	29.6	1.5	3.5	5	2.5
035	32.2	1.5	4	5.4	2.5



Type No. 類別番号	Type 類別
XD2-320	Retaining ring - C type for hole C形止め輪 穴用

Table 5 表5

Nominal designation 呼び	d ₃ (mm)	t (mm)	b (mm)	a (mm)	d ₀ (mm)
010	10.7	1	1.8	3.1	1.2
011	11.8	1	1.8	3.2	1.2
012	13	1	1.8	3.3	1.5
014	15.1	1	2	3.6	1.7
016	17.3	1	2	3.7	1.7
018	19.5	1	2.5	4	1.7
019	20.5	1	2.5	4	2
020	21.5	1	2.5	4	2
022	23.5	1	2.5	4.1	2
025	26.9	1.2	3	4.4	2
028	30.1	1.2	3	4.6	2
030	32.1	1.2	3	4.7	2
032	34.4	1.2	3.5	5.2	2.5
035	37.8	1.5	3.5	5.2	2.5
037	39.8	1.5	3.5	5.2	2.5
040	43.5	1.8	4	5.7	2.5
042	45.5	1.8	4	5.8	2.5
045	48.5	1.8	4.5	5.9	2.5
047	50.5	1.8	4.5	6.1	2.5
050	54.2	2	4.5	6.5	2.5
052	56.2	2	5.1	6.5	2.5
055	59.2	2	5.1	6.5	2.5
060	64.2	2	5.1	6.8	2.5
062	66.2	2	5.5	6.9	2.5
068	72.5	2.5	6	7.4	2.5
072	76.5	2.5	6.6	7.4	2.5
075	79.5	2.5	6.6	7.8	2.5
080	85.5	2.5	7	8	2.5
085	90.5	3	7	8	3
090	95.5	3	7.6	8.3	3
095	100.5	3	8	8.5	3

FIG/KEY	PART NUMBER	RANK	QTY	DESCRIPTION	REMARKS
---------	-------------	------	-----	-------------	---------