

PARTS CATALOG

**imageRUNNER ADVANCE
6275/6265/6255 Series**

Canon

Sep 19 2012

PREFACE

This Parts Catalog contains listings of parts used

Diagrams are provided with the listings to aid the service technician in identifying clearly, the item to be ordered.

Whenever ordering parts, consult this Parts Catalog for all of the information pertaining to each item. Be sure to include, in the Parts Request, the full item description, the item part number, and the quantity.

COPYRIGHT (C) 1999 CANON INC.

Use of this manual should be strictly supervised to avoid disclosure of confidential information.

Contents

NUMERICAL INDEX

imageRUNNER ADVANCE 6275/6265/6255 Series(Numerical Index) 1-1

imageRUNNER ADVANCE 6275/6265/6255 Series(Parts Catalog)

A1	ASSEMBLY LOCATION DIAGRAM	2-1
A2	OPTION PARTS CATALOG LIST	2-8
001	ACCESSOREIS	2-9
100	EXTERNAL COVERS, PANELS, ETC.	2-11
101	INTERNAL COMPONENTS 1	2-15
102	INTERNAL COMPONENTS 2	2-18
103	INTERNAL COMPONENTS 3	2-20
104	INTERNAL COMPONENTS 4	2-22
105	INTERNAL COMPONENTS 5	2-24
106	INTERNAL COMPONENTS 6	2-26
107	INTERNAL COMPONENTS 7	2-28
108	MACHINE BOTTOM PLATE	2-30
109	MACHINE REAR PLATE 1	2-31
110	MACHINE REAR PLATE 2	2-33
111	MACHINE REAR PLATE 3	2-35
112	FRONT COVER ASS'Y, LOWER	2-37
113	RIGHT DOOR ASSEMBLY	2-39
114	VERTICAL PATH ASSEMBLY	2-41
130	FLAT CONTROL PANEL ASSEMBLY	2-42
140	POWER CORD TERMINAL ASS'Y	2-45
250	MAIN DRIVE ASS'Y	2-49
260	V. PATH/CST. PICK-UP ASS'Y	2-51
261	LEFT DECK PICK-UP DRIVE ASS'Y	2-52
270	DRUM DRIVE ASS'Y	2-54
271	DEVELOPING DRIVE ASS'Y	2-55
280	DELIVERY REVERSE DRIVE ASS'Y	2-57
300	CASSETTE ASSEMBLY	2-58
301	CST. SIZE/REMNANT DETECT ASS'Y	2-61
302	DECK REMNANT DETECT ASS'Y	2-62
303	CASSETTE SIZE DETECT ASS'Y	2-63
304	PAPER STOCK ASS'Y, RIGHT	2-64
305	PAPER STOCK ASS'Y, LEFT	2-67
310	PAPER PICK-UP ASS'Y, RIGHT	2-70
311	PAPER PICK-UP ASS'Y, LEFT	2-73
312	MULTI TRAY ASS'Y	2-76

Contents

313	MULTI PAPER PICK-UP ASS'Y	2-78
315	PRE-REGISTRATION GUIDE ASS'Y	2-81
330	FIXING/FEEDER DUPLEXING ASS'Y	2-82
331	FIXING/FEEDER FRAME ASS'Y	2-88
332	REGISTRATION ASS'Y	2-92
333	DUPLEX. SIDE REG. SENSOR ASS'Y	2-94
334	E. T. B. CLEANING ASSEMBLY	2-95
335	E. T. BELT ASSEMBLY	2-97
336	REVERSE CROSSMEMBER ASS'Y, LF.	2-99
350	OUTER PAPER DELIVERY ASS'Y	2-101
351	REVERSE PAPER DELIVERY ASS'Y	2-103
352	INNER PAPER DELIVERY ASS'Y	2-107
460	LASER SCANNER UNIT	2-109
510	PHOTO-SENSITIVE DRUM ASSEMBLY	2-110
550	1ST CORONA ASS'Y	2-112
570	PRE-TRANSFER CORONA ASS'Y	2-114
620	HOPPER ASS'Y	2-116
620A	HOPPER ASS'Y	2-117
625	BUFFER ASS'Y	2-119
640	DEVELOPING ASS'Y	2-121
650	DEVELOPING RELEASE ASS'Y	2-124
710	AP. KIT ASS'Y	2-126
711	DRUM CLEANING ASS'Y	2-130
720	SEPARATION CLAW DRIVE ASSEMBLY	2-132
770	WASTE TONER FEED ASSEMBLY	2-134
810	FIXING ASS'Y	2-137
811	FIXING ASS'Y, UPPER	2-139
812	FIXING DRIVE ASS'Y	2-144
813	FIXING ENTRANCE GUIDE ASS'Y	2-146
814	FIXING EXIT GUIDE ASS'Y	2-147
815	SHAFT FIXED PLATE ASS'Y, FRONT	2-148
816	SHAFT FIXED PLATE ASS'Y, REAR	2-150
900	CONTROLLER BOX ASSEMBLY	2-151
910	FIXING HEATER PS PCB ASSEMBLY	2-154
930	DC CONTROLLER PCB ASS'Y	2-155
931	MAIN CONTROLLER PCB ASS'Y, 1	2-156
932	MAIN CONTROLLER PCB ASS'Y, 2	2-157
960	MAIN DRIVE DRIVER PCB ASS'Y	2-158
961	AC DRIVER PCB ASS'Y	2-159
962	NOISE FILTER PCB ASSEMBLY	2-160
963	DUPLEXING DRIVER PCB ASSEMBLY	2-161
964	FEED DRIVER PCB ASSEMBLY	2-162
980	H.V. POWER SUPPLY ASS'Y	2-163
T40	DEVICE PORT ASSEMBLY (EUR)	2-164
ZZA	MECHANICAL STANDARD PARTS (HOW TO USE)	2-165

Contents

ZZB	MECHANICAL STANDARD PARTS (SCREWS)	2-166
ZZC	MECHANICAL STANDARD PARTS (BOLTS)	2-173
ZZD	MECHANICAL STANDARD PARTS (NUTS)	2-174
ZZE	MECHANICAL STANDARD PARTS (RETAINING RINGS)	2-175

NUMERICAL INDEX

imageRUNNER ADVANCE 6275/6265/6255 Series(Numerical Index)

PARTS NUMBER	FIGURE & KEY NO.	PARTS NUMBER	FIGURE & KEY NO.	PARTS NUMBER	FIGURE & KEY NO.
FA3-2473-000	720 - 1	FB6-3499-000	304 - 4	FC5-2537-010	311 - 6
FA3-2474-000	720 - 2	FB6-3499-000	305 - 4	FC5-2538-000	310 - 7
FA3-2475-000	720 - 3	FB6-4937-000	312 - 17	FC5-2540-000	310 - 8
FA3-2476-000	720 - 4	FB6-6088-000	330 - 1	FC5-2540-000	311 - 7
FA3-2477-000	720 - 5	FB6-6088-000	710 - 6	FC5-2542-000	310 - 27
FA3-2478-000	720 - 6	FB6-6644-000	100 - 1	FC5-2542-000	311 - 41
FA3-2483-000	720 - 7	FC0-0205-000	101 - 38	FC5-2544-000	102 - 1
FA4-1864-000	570 - 1	FC0-2088-000	550 - 16	FC5-2547-000	310 - 9
FA6-3071-020	811 - 1	FC0-2089-000	550 - 17	FC5-2547-000	311 - 21
FA9-3847-000	111 - 1	FC0-2113-000	140 - 30	FC5-2548-000	310 - 10
FA9-3860-000	811 - 2	FC0-2131-000	350 - 2	FC5-2548-000	311 - 9
FA9-3943-000	720 - 9	FC0-2206-000	304 - 34	FC5-2573-000	310 - 11
FB1-6833-000	811 - 3	FC0-2206-000	305 - 34	FC5-2609-000	304 - 5
FB1-8581-000	313 - 1	FC0-2276-000	640 - 1	FC5-2609-000	305 - 5
FB1-8776-000	106 - 1	FC0-2281-000	640 - 28	FC5-2635-000	311 - 8
FB1-8776-000	811 - 4	FC0-2305-000	815 - 4	FC5-2638-000	311 - 10
FB2-6285-020	335 - 28	FC0-2306-000	815 - 5	FC5-2715-000	103 - 6
FB2-6872-000	711 - 1	FC0-2781-000	300 - 32	FC5-2715-000	105 - 1
FB2-7163-000	352 - 1	FC0-5153-000	130 - 1	FC5-2715-000	313 - 7
FB2-7219-030	811 - 5	FC0-5520-000	510 - 2	FC5-5078-000	313 - 8
FB2-7221-000	811 - 6	FC0-6856-000	130 - 2	FC5-5092-000	620 - 2
FB2-7230-000	811 - 7	FC0-6857-000	130 - 3	FC5-5145-000	813 - 4
FB2-7243-000	812 - 1	FC0-6861-000	130 - 4	FC5-5167-000	331 - 4
FB2-7867-030	112 - 1	FC0-6863-000	130 - 5	FC5-5170-000	330 - 4
FB2-8094-020	101 - 1	FC0-8737-000	310 - 13	FC5-6211-000	310 - 12
FB2-8299-000	720 - 10	FC0-8737-000	311 - 12	FC5-6211-000	311 - 11
FB2-8465-000	304 - 2	FC0-9151-000	100 - 28	FC5-6260-000	310 - 14
FB2-8465-000	305 - 2	FC0-9272-000	140 - 46	FC5-6287-000	331 - 5
FB4-1200-020	810 - 1	FC1-3975-020	331 - 1	FC6-1647-000	334 - 1
FB4-1340-000	108 - 1	FC1-3976-000	331 - 2	FC6-1968-000	330 - 5
FB4-2007-000	310 - 1	FC2-2121-000	106 - 2	FC6-2327-000	620A - 2
FB4-2007-000	311 - 1	FC5-1635-000	101 - 35	FC6-3230-000	620A - 3
FB4-3687-000	550 - 18	FC5-1766-000	510 - 1	FC6-3447-000	811 - 65
FB4-3687-000	570 - 19	FC5-1810-000	550 - 1	FC6-3462-000	107 - 1
FB4-8012-020	710 - 1	FC5-1810-000	570 - 2	FC6-3494-000	815 - 1
FB4-8018-010	710 - 2	FC5-1950-000	620 - 1	FC6-3499-000	811 - 10
FB5-3625-000	104 - 10	FC5-2051-000	331 - 46	FC6-3500-000	811 - 11
FB5-5521-000	811 - 9	FC5-2108-000	330 - 2	FC6-3501-020	811 - 12
FB5-5530-000	814 - 1	FC5-2179-000	313 - 6	FC6-3524-000	811 - 13
FB5-6948-000	813 - 1	FC5-2226-000	351 - 1	FC6-3525-000	811 - 14
FB5-9104-010	710 - 3	FC5-2261-000	336 - 1	FC6-3527-000	815 - 2
FB6-2385-000	710 - 4	FC5-2271-000	331 - 3	FC6-3528-000	816 - 1
FB6-3150-000	813 - 2	FC5-2386-000	330 - 3	FC6-3584-000	815 - 3
FB6-3410-000	313 - 2	FC5-2524-000	310 - 2	FC6-3588-000	811 - 15
FB6-3456-000	312 - 1	FC5-2524-000	311 - 2	FC6-3592-000	811 - 16
FB6-3457-000	312 - 2	FC5-2526-000	310 - 3	FC6-3596-000	811 - 17
FB6-3459-000	312 - 3	FC5-2526-000	311 - 3	FC6-3628-000	811 - 18
FB6-3463-000	313 - 3	FC5-2528-000	310 - 4	FC6-3669-000	811 - 19
FB6-3464-000	313 - 15	FC5-2528-000	311 - 4	FC6-3673-000	811 - 20
FB6-3466-000	313 - 4	FC5-2535-000	310 - 42	FC6-3762-000	304 - 6
FB6-3467-000	313 - 5	FC5-2535-000	311 - 27	FC6-3762-000	305 - 6
FB6-3499-000	300 - 60	FC5-2537-010	310 - 6	FC6-3763-000	304 - 7

NUMERICAL INDEX

imageRUNNER ADVANCE 6275/6265/6255 Series(Numerical Index)

PARTS NUMBER	FIGURE & KEY NO.	PARTS NUMBER	FIGURE & KEY NO.	PARTS NUMBER	FIGURE & KEY NO
FC6-3763-000	305 - 7	FC8-2527-000	305 - 9	FC8-7108-000	650 - 3
FC6-3808-000	811 - 21	FC8-2533-000	304 - 10	FC8-7109-000	650 - 15
FC6-3857-000	816 - 2	FC8-2533-000	305 - 10	FC8-7113-000	650 - 5
FC6-3863-000	310 - 15	FC8-2667-000	300 - 13	FC8-7125-000	271 - 1
FC6-3863-000	311 - 13	FC8-2668-000	300 - 14	FC8-7139-000	620A - 4
FC6-4358-000	310 - 16	FC8-2670-000	300 - 15	FC8-7155-010	335 - 1
FC6-4358-000	311 - 14	FC8-2671-000	300 - 16	FC8-7156-010	335 - 2
FC6-6661-000	313 - 9	FC8-2672-000	300 - 17	FC8-7157-000	335 - 3
FC6-9029-000	270 - 1	FC8-2697-000	114 - 2	FC8-7158-000	335 - 4
FC6-9542-000	330 - 6	FC8-2700-000	103 - 2	FC8-7159-000	335 - 5
FC6-9782-000	351 - 2	FC8-2708-000	312 - 4	FC8-7160-000	335 - 6
FC6-9969-000	304 - 8	FC8-2712-000	312 - 5	FC8-7161-000	335 - 7
FC6-9969-000	305 - 8	FC8-2713-000	312 - 6	FC8-7162-000	335 - 8
FC7-4155-000	334 - 2	FC8-2727-000	312 - 7	FC8-7166-000	335 - 9
FC7-4235-000	815 - 6	FC8-3782-000	114 - 3	FC8-7171-000	330 - 7
FC7-4287-000	810 - 2	FC8-4051-000	900 - 1	FC8-7175-000	334 - 3
FC7-5009-000	313 - 10	FC8-4964-010	300 - 18	FC8-7192-010	330 - 8
FC7-5845-000	310 - 22	FC8-4964-010	304 - 11	FC8-7196-000	334 - 4
FC7-5845-000	311 - 20	FC8-4964-010	305 - 11	FC8-7200-000	330 - 10
FC7-6972-000	331 - 6	FC8-4965-000	300 - 19	FC8-7212-000	811 - 25
FC7-7207-000	113 - 1	FC8-4967-000	300 - 20	FC8-7213-000	811 - 66
FC7-7207-000	313 - 12	FC8-4967-000	304 - 12	FC8-7225-000	813 - 3
FC7-7208-000	313 - 13	FC8-4967-000	305 - 12	FC8-7232-000	810 - 3
FC7-7208-000	331 - 7	FC8-4968-000	300 - 21	FC8-7235-000	812 - 2
FC7-7209-000	113 - 2	FC8-4968-000	304 - 13	FC8-7236-000	351 - 3
FC7-7209-000	114 - 1	FC8-4968-000	305 - 13	FC8-7236-000	812 - 3
FC7-7209-000	313 - 14	FC8-4987-000	300 - 22	FC8-7237-000	104 - 3
FC7-7717-000	811 - 23	FC8-4990-000	300 - 23	FC8-7244-000	812 - 4
FC7-7800-000	811 - 24	FC8-4994-000	300 - 24	FC8-7271-000	313 - 17
FC8-0785-000	313 - 18	FC8-4996-000	300 - 25	FC8-7273-000	313 - 19
FC8-1844-000	100 - 3	FC8-4997-000	300 - 26	FC8-7274-000	312 - 8
FC8-1876-000	100 - 4	FC8-5262-000	300 - 55	FC8-7275-000	312 - 9
FC8-1877-000	100 - 5	FC8-6109-000	100 - 11	FC8-7276-000	332 - 1
FC8-2366-000	100 - 6	FC8-6639-000	108 - 2	FC8-7277-000	332 - 2
FC8-2367-000	100 - 7	FC8-6989-000	106 - 23	FC8-7283-000	332 - 3
FC8-2368-000	100 - 8	FC8-7023-000	900 - 3	FC8-7284-000	332 - 4
FC8-2369-000	100 - 57	FC8-7024-000	900 - 4	FC8-7286-000	332 - 15
FC8-2462-000	300 - 1	FC8-7026-000	107 - 2	FC8-7290-000	113 - 3
FC8-2463-000	300 - 2	FC8-7027-000	107 - 3	FC8-7291-000	113 - 4
FC8-2464-000	300 - 3	FC8-7033-000	100 - 12	FC8-7293-000	113 - 15
FC8-2466-000	300 - 4	FC8-7034-000	105 - 2	FC8-7295-000	333 - 1
FC8-2469-000	300 - 5	FC8-7038-000	105 - 3	FC8-7297-000	331 - 8
FC8-2470-000	300 - 6	FC8-7039-000	105 - 4	FC8-7309-000	331 - 9
FC8-2474-000	300 - 7	FC8-7053-000	550 - 2	FC8-7321-000	331 - 47
FC8-2475-000	300 - 8	FC8-7054-000	550 - 3	FC8-7322-000	331 - 48
FC8-2476-000	300 - 54	FC8-7083-000	710 - 45	FC8-7323-000	331 - 49
FC8-2477-000	300 - 9	FC8-7086-000	711 - 2	FC8-7324-000	331 - 10
FC8-2482-000	300 - 10	FC8-7093-000	710 - 8	FC8-7327-000	330 - 11
FC8-2484-000	300 - 11	FC8-7097-000	710 - 9	FC8-7328-000	330 - 12
FC8-2487-000	301 - 1	FC8-7098-000	710 - 10	FC8-7332-000	336 - 2
FC8-2495-000	300 - 12	FC8-7106-000	650 - 1	FC8-7333-000	331 - 50
FC8-2527-000	304 - 9	FC8-7107-000	650 - 2	FC8-7334-000	331 - 11

NUMERICAL INDEX

imageRUNNER ADVANCE 6275/6265/6255 Series(Numerical Index)

PARTS NUMBER	FIGURE & KEY NO.	PARTS NUMBER	FIGURE & KEY NO.	PARTS NUMBER	FIGURE & KEY NO
FC8-7343-000	331 - 12	FC8-9413-000	710 - 12	FC9-3785-000	300 - 58
FC8-7347-000	114 - 4	FC8-9450-000	330 - 13	FC9-3831-000	300 - 29
FC8-7348-000	114 - 5	FC8-9453-000	105 - 5	FC9-3892-000	304 - 20
FC8-7349-000	114 - 8	FC8-9454-000	105 - 6	FC9-3892-000	305 - 20
FC8-7352-000	101 - 32	FC8-9468-000	640 - 2	FC9-3893-000	100 - 42
FC8-7353-000	304 - 14	FC8-9469-000	640 - 3	FC9-3904-000	102 - 2
FC8-7354-000	305 - 14	FC8-9472-010	640 - 4	FC9-3907-000	100 - 31
FC8-7356-000	304 - 15	FC8-9473-000	640 - 5	FC9-3909-000	100 - 32
FC8-7356-000	305 - 15	FC8-9474-000	640 - 6	FC9-3911-000	100 - 33
FC8-7358-000	304 - 16	FC8-9486-000	103 - 3	FC9-3934-000	100 - 34
FC8-7358-000	305 - 16	FC8-9488-000	101 - 20	FC9-3956-000	313 - 20
FC8-7378-000	350 - 1	FC8-9488-000	113 - 8	FC9-3962-000	300 - 30
FC8-7387-000	351 - 4	FC8-9490-000	101 - 5	FC9-3963-000	302 - 1
FC8-7389-000	351 - 5	FC8-9492-000	113 - 16	FC9-3964-000	302 - 2
FC8-7390-000	351 - 6	FC8-9495-000	271 - 2	FC9-3965-000	302 - 3
FC8-7392-000	351 - 7	FC8-9503-010	640 - 7	FC9-3966-000	302 - 4
FC8-7393-000	351 - 8	FC8-9512-000	811 - 27	FC9-3967-000	302 - 5
FC8-7404-000	111 - 13	FC8-9561-000	112 - 2	FC9-3968-000	302 - 6
FC8-7409-000	111 - 2	FC8-9562-000	112 - 3	FC9-3969-000	310 - 43
FC8-7424-000	770 - 1	FC8-9564-000	106 - 3	FC9-3969-000	311 - 37
FC8-7809-000	310 - 41	FC8-9566-010	100 - 15	FC9-3970-000	310 - 23
FC8-7809-000	311 - 18	FC8-9569-000	104 - 14	FC9-3989-000	304 - 21
FC8-7812-000	310 - 17	FC8-9571-000	650 - 6	FC9-3989-000	305 - 21
FC8-7813-000	310 - 18	FC8-9582-000	640 - 8	FC9-4042-000	300 - 31
FC8-8649-000	130 - 7	FC8-9639-000	112 - 7	FC9-4084-000	103 - 4
FC8-8655-000	130 - 8	FC8-9641-000	112 - 8	FC9-4111-000	570 - 9
FC8-8660-000	130 - 9	FC8-9642-000	112 - 9	FC9-4117-000	101 - 33
FC8-8661-000	130 - 10	FC8-9646-000	112 - 4	FC9-4119-000	304 - 22
FC8-8662-000	130 - 11	FC8-9647-000	112 - 10	FC9-4119-000	305 - 22
FC8-8669-000	130 - 12	FC8-9664-000	330 - 14	FC9-4356-000	101 - 6
FC8-8670-000	130 - 13	FC8-9678-000	104 - 2	FC9-4860-010	710 - 42
FC8-8802-000	331 - 13	FC8-9679-000	113 - 9	FC9-4863-000	710 - 13
FC8-9045-000	310 - 19	FC9-0071-000	570 - 7	FC9-4867-000	710 - 14
FC8-9045-000	311 - 17	FC9-0074-000	570 - 8	FC9-4868-000	106 - 19
FC8-9047-000	310 - 21	FC9-0077-000	100 - 16	FC9-4870-000	710 - 15
FC8-9047-000	311 - 19	FC9-0078-000	100 - 17	FC9-4871-000	710 - 43
FC8-9049-000	300 - 27	FC9-0079-000	900 - 5	FC9-4881-000	106 - 26
FC8-9050-000	304 - 17	FC9-0080-010	100 - 18	FC9-4888-000	107 - 4
FC8-9050-000	305 - 17	FC9-0081-000	100 - 19	FC9-5006-000	140 - 5
FC8-9051-000	300 - 56	FC9-0133-000	300 - 57	FC9-5007-000	140 - 32
FC8-9053-000	304 - 18	FC9-0136-000	300 - 28	FC9-5008-000	140 - 7
FC8-9054-000	304 - 19	FC9-0145-000	001 - 4	FC9-5026-000	813 - 5
FC8-9055-000	305 - 19	FC9-0152-000	100 - 21	FC9-5089-000	104 - 1
FC8-9343-000	352 - 12	FC9-0156-000	100 - 23	FC9-5091-000	625 - 1
FC8-9346-000	351 - 9	FC9-0157-000	100 - 24	FC9-5092-000	625 - 22
FC8-9347-000	351 - 10	FC9-0160-000	620A - 5	FC9-5093-000	625 - 23
FC8-9348-000	351 - 11	FC9-0311-000	100 - 26	FC9-5094-000	650 - 7
FC8-9349-000	113 - 5	FC9-0311-000	900 - 15	FC9-5095-000	650 - 8
FC8-9350-000	113 - 6	FC9-0376-000	100 - 27	FC9-5096-000	650 - 9
FC8-9353-000	113 - 7	FC9-0381-000	100 - 29	FC9-5130-000	352 - 13
FC8-9354-000	315 - 1	FC9-0382-000	100 - 30	FC9-5134-000	770 - 2
FC8-9404-000	710 - 11	FC9-3775-000	305 - 18	FC9-5137-000	811 - 71

NUMERICAL INDEX

imageRUNNER ADVANCE 6275/6265/6255 Series(Numerical Index)

PARTS NUMBER	FIGURE & KEY NO.	PARTS NUMBER	FIGURE & KEY NO.	PARTS NUMBER	FIGURE & KEY NO
FC9-5263-000	250 - 16	FC9-8283-000	351 - 14	FC9-9162-000	331 - 21
FC9-5448-000	640 - 9	FC9-8286-000	336 - 4	FC9-9173-000	711 - 7
FC9-5449-000	640 - 10	FC9-8565-000	304 - 23	FC9-9187-000	352 - 8
FC9-5450-000	333 - 2	FC9-8565-000	305 - 23	FC9-9193-000	335 - 16
FC9-5457-000	336 - 3	FC9-8683-000	101 - 39	FC9-9196-000	620A - 8
FC9-5458-000	351 - 12	FC9-8684-000	105 - 9	FC9-9235-000	130 - 14
FC9-5463-000	330 - 15	FC9-8805-000	313 - 22	FC9-9237-000	130 - 15
FC9-5465-000	100 - 53	FC9-8806-000	113 - 10	FC9-9238-000	130 - 16
FC9-5467-000	108 - 3	FC9-8811-000	332 - 16	FC9-9239-000	130 - 17
FC9-5573-000	710 - 16	FC9-8812-000	900 - 11	FC9-9240-000	130 - 18
FC9-5579-000	105 - 7	FC9-8815-000	335 - 15	FC9-9359-000	304 - 24
FC9-5580-000	331 - 14	FC9-8817-000	331 - 16	FC9-9359-000	305 - 24
FC9-5586-000	335 - 10	FC9-8821-000	331 - 17	FE2-0547-000	315 - 8
FC9-5587-000	335 - 11	FC9-8828-000	330 - 18	FE2-0550-000	811 - 28
FC9-5698-000	334 - 6	FC9-8850-000	112 - 11	FE2-0555-000	101 - 4
FC9-5700-000	330 - 16	FC9-8980-000	900 - 12	FE2-0560-000	100 - 41
FC9-6163-000	106 - 4	FC9-8981-000	106 - 6	FE2-0561-000	100 - 25
FC9-6164-000	106 - 5	FC9-9015-000	330 - 79	FE2-0636-000	351 - 26
FC9-6165-000	570 - 10	FC9-9032-000	104 - 4	FE2-1022-000	352 - 10
FC9-6166-000	570 - 11	FC9-9033-000	104 - 5	FE2-1883-000	100 - 35
FC9-6167-000	335 - 12	FC9-9034-000	104 - 6	FE2-1885-000	100 - 36
FC9-6171-000	112 - 12	FC9-9049-000	100 - 45	FE2-1893-000	900 - 10
FC9-6182-000	330 - 78	FC9-9054-000	620A - 7	FE2-1899-000	900 - 30
FC9-6942-000	620A - 6	FC9-9055-000	100 - 46	FE2-2145-000	130 - 6
FC9-6947-000	352 - 14	FC9-9057-000	100 - 47	FE2-2146-000	130 - 6
FC9-6958-020	900 - 8	FC9-9066-000	104 - 7	FE2-2147-000	130 - 6
FC9-7040-000	100 - 37	FC9-9067-000	330 - 19	FE2-2157-000	130 - 6
FC9-7041-000	100 - 38	FC9-9069-000	108 - 4	FE2-2158-000	130 - 6
FC9-7044-000	100 - 39	FC9-9071-000	352 - 3	FE2-2159-000	130 - 6
FC9-7047-000	100 - 40	FC9-9076-000	100 - 48	FE2-2927-000	100 - 56
FC9-7059-000	900 - 9	FC9-9077-000	100 - 48	FE2-3468-000	330 - 9
FC9-7165-000	312 - 16	FC9-9100-000	104 - 8	FE2-3469-000	330 - 84
FC9-7261-000	300 - 33	FC9-9102-000	330 - 33	FE2-3472-000	107 - 5
FC9-7439-000	105 - 8	FC9-9103-000	100 - 49	FF3-4656-000	332 - 5
FC9-7440-000	710 - 18	FC9-9104-000	331 - 18	FF5-3055-030	352 - 4
FC9-7840-000	811 - 70	FC9-9105-000	331 - 19	FG2-7383-000	101 - 12
FC9-7845-000	330 - 17	FC9-9131-000	770 - 29	FG5-5789-000	720 -
FC9-7853-000	335 - 13	FC9-9133-000	510 - 3	FH3-0636-000	910 - T
FC9-7854-000	335 - 14	FC9-9134-000	510 - 4	FH3-0936-000	910 - L
FC9-7855-000	109 - 5	FC9-9135-000	350 - 4	FH3-0937-000	962 - NF
FC9-7984-000	650 - 4	FC9-9137-000	104 - 9	FH6-1548-040	330 - 20
FC9-7993-000	331 - 15	FC9-9139-000	510 - 9	FH7-7600-010	312 - 11
FC9-8060-000	310 - 5	FC9-9140-000	510 - 10	FH7-7625-030	140 - 8
FC9-8060-000	311 - 16	FC9-9143-000	711 - 3	FH7-9245-000	910 - L
FC9-8061-000	312 - 10	FC9-9145-000	103 - 5	FK2-0115-000	313 - 24
FC9-8069-000	811 - 29	FC9-9152-000	331 - 20	FK2-0146-000	140 - 12
FC9-8072-000	111 - 12	FC9-9153-000	710 - 41	FK2-0360-000	140 - 3
FC9-8073-000	100 - 43	FC9-9154-000	711 - 4	FK2-0680-000	910 - T
FC9-8082-000	313 - 21	FC9-9155-000	711 - 5	FK2-0681-000	910 - T
FC9-8281-000	351 - 13	FC9-9156-000	250 - 1	FK2-0839-000	812 - 5
FC9-8282-000	811 - 30	FC9-9157-000	313 - 23	FK2-1773-000	960 - IC
FC9-8283-000	350 - 3	FC9-9159-000	711 - 6	FK2-1773-000	963 - IC

NUMERICAL INDEX

imageRUNNER ADVANCE 6275/6265/6255 Series(Numerical Index)

PARTS NUMBER	FIGURE & KEY NO.	PARTS NUMBER	FIGURE & KEY NO.	PARTS NUMBER	FIGURE & KEY NO.
FK2-1773-000	964 - IC	FK2-8477-000	130 - 19	FL3-0275-000	351 - 15
FK2-2064-000	140 - 4	FK2-8978-000	932 - IC	FL3-0277-000	315 - 2
FK2-2069-000	333 - 3	FK2-8980-000	900 - 24	FL3-0286-000	770 - 3
FK2-3100-000	111 - 3	FK2-8981-000	900 - 25	FL3-0292-000	332 - 7
FK2-3100-000	330 - 21	FK2-8982-000	900 - 6	FL3-0293-000	330 - 27
FK2-3149-000	106 - 7	FK2-8988-000	932 - IC	FL3-0297-000	331 - 26
FK2-3149-000	330 - 22	FK2-9006-000	110 - 2	FL3-0833-000	130 - 20
FK2-3218-000	932 - IC	FK2-9794-000	931 - IC	FL3-1185-000	100 - 51
FK2-6470-000	113 - 11	FK3-0426-000	001 - 1	FL3-1240-000	101 - 7
FK2-6470-000	313 - 25	FK3-0427-000	001 - 1	FL3-1250-000	510 - 6
FK2-6470-000	331 - 22	FK3-0527-000	001 - 1	FL3-1269-000	140 - 11
FK2-6470-000	332 - 6	FK3-1009-000	930 - IC	FL3-1270-000	550 - 13
FK2-6470-000	336 - 5	FK3-1998-000	140 - 6	FL3-1270-000	650 - 10
FK2-6757-000	932 - IC	FK3-2053-000	140 - 10	FL3-1271-000	101 - 8
FK2-7241-000	109 - 1	FK3-2219-000	900 - 14	FL3-1300-000	770 - 25
FK2-7241-000	110 - 1	FK3-2222-000	931 - IC	FL3-1306-010	330 - 80
FK2-7241-000	330 - 23	FK3-3266-000	101 - 26	FL3-2128-000	106 - 22
FK2-7359-000	140 - 8	FK3-3267-000	961 - SR	FL3-2134-000	111 - 4
FK2-7596-000	930 - IC	FL2-0469-000	106 - 9	FL3-2136-000	106 - 21
FK2-7667-000	271 - 3	FL2-0991-000	550 - 10	FL3-2141-000	105 - 14
FK2-7669-000	812 - 6	FL2-0991-000	570 - 14	FL3-2142-000	100 - 52
FK2-7671-000	270 - 2	FL2-2720-000	550 - 11	FL3-2154-000	650 - 11
FK2-7674-000	250 - 2	FL2-2720-000	570 - 15	FL3-2159-000	811 - 39
FK2-7674-000	261 - 2	FL2-2925-000	313 - 27	FL3-2163-000	640 - 13
FK2-7674-000	330 - 24	FL2-3049-000	811 - 35	FL3-2167-000	640 - 14
FK2-7675-000	250 - 3	FL2-3051-000	811 - 36	FL3-2169-000	271 - 5
FK2-7675-000	260 - 1	FL2-3056-000	815 - 8	FL3-2171-000	330 - 28
FK2-7675-000	280 - 1	FL2-3056-000	816 - 3	FL3-2172-000	106 - 25
FK2-7675-000	330 - 25	FL2-3058-000	811 - 37	FL3-2174-000	620 - 7
FK2-7677-000	815 - 7	FL2-4269-000	815 - 9	FL3-2254-000	310 - 26
FK2-7678-000	106 - 8	FL2-4269-000	816 - 4	FL3-2254-000	311 - 25
FK2-7678-000	107 - 6	FL2-4271-000	550 - 9	FL3-2806-000	271 - 6
FK2-7681-000	961 - SR	FL2-4271-000	570 - 13	FL3-2807-000	271 - 7
FK2-7683-000	811 - 32	FL2-8638-000	300 - 34	FL3-2811-000	313 - 28
FK2-7684-000	271 - 4	FL2-8916-000	311 - 24	FL3-2813-010	101 - 9
FK2-7693-000	811 - 33	FL2-8926-000	107 - 7	FL3-2814-000	330 - 29
FK2-7698-000	811 - 34	FL2-8930-000	570 - 16	FL3-2815-000	334 - 7
FK2-7712-000	930 - IC	FL2-8948-000	102 - 4	FL3-2819-000	280 - 2
FK2-7713-000	625 - 3	FL3-0219-000	810 - 4	FL3-3018-000	330 - 30
FK2-7713-000	640 - 11	FL3-0227-000	812 - 21	FL3-3019-000	352 - 5
FK2-7714-000	900 - 13	FL3-0237-000	304 - 25	FL3-3022-000	351 - 16
FK2-7718-000	109 - 14	FL3-0237-000	305 - 25	FL3-3172-000	312 - 12
FK2-7719-000	330 - 26	FL3-0238-000	304 - 26	FL3-3609-000	312 - 13
FK2-7721-000	930 - IC	FL3-0238-000	305 - 26	FL3-3613-000	640 - 15
FK2-7724-000	510 - 5	FL3-0244-000	102 - 10	FL3-3619-000	814 - 2
FK2-7725-000	510 - 5	FL3-0247-000	250 - 4	FL3-3620-000	814 - 4
FK2-7728-000	625 - 2	FL3-0247-000	261 - 3	FL3-3700-000	711 - 9
FK2-7819-000	932 - IC	FL3-0248-000	250 - 5	FL3-3731-000	810 - 5
FK2-8276-000	931 - 1	FL3-0255-000	250 - 6	FL3-3733-000	336 - 6
FK2-8321-000	932 - IC	FL3-0255-000	260 - 2	FL3-3782-000	625 - 4
FK2-8363-000	101 - 41	FL3-0272-000	331 - 24	FL3-3784-000	351 - 17
FK2-8364-000	100 - 54	FL3-0273-000	331 - 25	FL3-3799-000	334 - 9

NUMERICAL INDEX

imageRUNNER ADVANCE 6275/6265/6255 Series(Numerical Index)

PARTS NUMBER	FIGURE & KEY NO.	PARTS NUMBER	FIGURE & KEY NO.	PARTS NUMBER	FIGURE & KEY NO
FL3-3802-000	570 - 12	FM0-3446-000	140 -	FM3-9135-000	140 - 17
FL3-3866-000	111 - 5	FM0-4152-000	140 - 34	FM3-9136-000	140 - 40
FL3-3867-000	350 - 13	FM0-4153-000	140 - 1	FM3-9137-000	140 - 39
FL3-3868-000	330 - 31	FM0-4158-000	930 -	FM3-9138-000	140 - 18
FL3-3869-000	271 - 8	FM0-4161-000	140 - 2	FM3-9139-000	140 - 19
FL3-3871-000	105 - 10	FM2-3648-000	910 -	FM3-9140-000	140 - 23
FL3-3872-000	100 - 50	FM2-4169-000	812 - 7	FM3-9142-000	140 - 47
FL3-3875-000	770 - 4	FM2-4663-000	109 - 2	FM3-9143-000	140 - 14
FL3-4551-000	711 - 10	FM2-7196-000	335 - 17	FM3-9144-000	140 - 33
FL3-4552-000	334 - 10	FM3-4746-010	300 -	FM3-9145-000	140 - 20
FL3-4558-000	550 - 14	FM3-4932-000	301 - 2	FM3-9146-000	140 - 21
FL3-4559-000	570 - 17	FM3-4932-000	303 - 1	FM3-9147-000	140 - 13
FL3-4560-000	271 - 9	FM3-7288-010	550 -	FM3-9148-000	140 - 9
FL3-4575-000	271 - 10	FM3-7292-000	710 - 19	FM3-9155-000	900 - 32
FL3-4906-000	310 - 24	FM3-7297-010	570 -	FM3-9160-000	900 - 31
FL3-4906-000	311 - 22	FM3-7302-000	106 - 11	FM3-9162-010	900 - 29
FL3-5027-000	550 - 12	FM3-7307-000	101 - 10	FM3-9165-000	810 - 22
FL3-5030-000	313 - 16	FM3-7327-000	101 - 11	FM3-9989-000	300 - 38
FL3-5186-000	640 - 19	FM3-7351-000	104 - 11	FM4-0783-000	900 - 27
FL3-5193-000	710 - 17	FM3-7356-000	810 - 6	FM4-0880-000	620A - 9
FL3-5194-020	710 - 44	FM3-7357-000	812 -	FM4-0885-020	104 - 12
FL3-5779-000	113 - 18	FM3-7358-020	811 -	FM4-0889-000	331 - 27
FL3-5780-000	110 - 3	FM3-7359-000	811 - 42	FM4-0893-000	336 -
FL3-6291-000	710 - 7	FM3-7360-000	816 -	FM4-0897-000	333 -
FL3-7112-000	130 - 21	FM3-7367-020	313 -	FM4-0899-010	770 -
FL3-7179-000	310 - 25	FM3-7368-000	312 -	FM4-0902-000	770 - 5
FL3-7179-000	311 - 23	FM3-7374-000	260 -	FM4-0903-000	770 - 6
FL3-7916-000	900 - 2	FM3-7375-010	315 -	FM4-0904-000	270 -
FL3-7917-000	620A - 26	FM3-7379-000	350 -	FM4-0905-000	111 - 6
FL3-7918-000	101 - 2	FM3-7381-000	352 -	FM4-0908-000	104 - 13
FL3-7919-000	900 - 23	FM3-7383-000	105 - 11	FM4-0912-010	330 - 34
FL3-7920-000	100 - 22	FM3-7384-010	640 -	FM4-0913-000	334 -
FL3-7921-000	330 - 90	FM3-7385-000	640 - 16	FM4-0916-000	335 -
FL3-8109-000	331 - 23	FM3-7386-000	271 -	FM4-0924-000	112 -
FL3-8340-000	140 - 45	FM3-7526-010	460 -	FM4-0929-000	301 -
FM0-0319-000	T40 - 1	FM3-8906-010	300 - 36	FM4-0931-000	302 -
FM0-1155-000	130 -	FM3-8907-000	300 - 37	FM4-0937-000	305 -
FM0-2958-000	962 -	FM3-8911-000	300 - 59	FM4-0939-000	304 -
FM0-2959-000	962 -	FM3-9117-000	980 - 13	FM4-0943-000	114 -
FM0-2961-000	961 -	FM3-9118-000	980 - 7	FM4-0947-000	261 -
FM0-2962-000	961 -	FM3-9120-000	980 - 8	FM4-0950-000	650 -
FM0-2963-000	140 - 22	FM3-9121-000	980 - 9	FM4-0951-010	105 - 12
FM0-2970-000	140 - 44	FM3-9122-000	980 - 10	FM4-0953-000	625 -
FM0-2971-000	900 - 28	FM3-9123-000	980 - 11	FM4-0956-000	625 - 5
FM0-2972-000	110 - 7	FM3-9125-000	107 - 15	FM4-0967-000	101 - 34
FM0-2973-000	101 - 13	FM3-9126-000	107 - 19	FM4-0969-000	109 - 4
FM0-2974-000	110 - 4	FM3-9128-000	107 - 20	FM4-0973-000	106 - 12
FM0-2977-000	140 - 36	FM3-9130-000	140 - 35	FM4-0982-000	813 - 9
FM0-3206-000	100 - 2	FM3-9131-000	140 - 36	FM4-0983-000	814 - 5
FM0-3209-000	310 -	FM3-9132-010	140 - 37	FM4-0987-000	810 - 23
FM0-3210-000	311 -	FM3-9133-000	140 - 15	FM4-0990-000	811 - 72
FM0-3444-000	140 -	FM3-9134-000	140 - 16	FM4-0991-000	811 - 74

NUMERICAL INDEX

imageRUNNER ADVANCE 6275/6265/6255 Series(Numerical Index)

PARTS NUMBER	FIGURE & KEY NO.	PARTS NUMBER	FIGURE & KEY NO.	PARTS NUMBER	FIGURE & KEY NO
FM4-0992-000	710 - 21	FM4-1085-000	963 -	FM4-5433-010	570 - 3
FM4-0994-000	710 - 22	FM4-1089-000	110 - 5	FM4-5435-000	001 - 3
FM4-0998-000	620A - 27	FM4-1089-000	330 - 36	FM4-5438-010	640 - 12
FM4-0999-000	625 - 6	FM4-1093-000	980 - 1	FM4-5709-010	300 - 35
FM4-1001-000	113 - 17	FM4-1094-000	980 - 2	FM4-9809-000	330 - 32
FM4-1003-000	109 - 15	FM4-1095-000	330 - 37	FM4-9813-000	620 - 3
FM4-1004-000	107 - 8	FM4-1096-000	107 - 12	FM4-9814-000	102 - 3
FM4-1005-000	107 - 9	FM4-1099-000	910 -	FM4-9816-000	770 - 30
FM4-1013-000	101 - 15	FM4-1102-000	550 - 15	FM4-9877-000	130 - 28
FM4-1014-000	109 - 16	FM4-1102-000	570 - 18	FM4-9878-000	130 - 29
FM4-1015-000	109 - 21	FM4-1103-000	140 - 41	FM4-9879-000	130 - 30
FM4-1016-000	109 - 18	FM4-1106-000	980 - 3	FM4-9880-000	130 - 24
FM4-1021-000	111 - 14	FM4-1107-000	510 - 7	FM4-9881-000	130 - 25
FM4-1023-000	109 - 19	FM4-1108-000	510 - 7	FM4-9882-000	130 - 31
FM4-1025-000	109 - 17	FM4-1178-000	130 - 26	FS1-1189-000	351 - 19
FM4-1027-000	106 - 24	FM4-1181-000	130 - 27	FS1-1205-000	710 - 24
FM4-1029-000	770 - 7	FM4-1183-000	130 - 22	FS1-1449-000	811 - 44
FM4-1031-000	107 - 16	FM4-1195-000	130 - 23	FS1-1508-000	103 - 7
FM4-1032-000	107 - 11	FM4-1296-000	311 - 15	FS1-1508-000	250 - 8
FM4-1034-000	110 - 11	FM4-2497-000	932 -	FS1-1508-000	261 - 4
FM4-1035-000	110 - 12	FM4-2500-000	931 -	FS1-1508-000	330 - 39
FM4-1036-000	110 - 9	FM4-2501-000	931 -	FS1-1569-000	313 - 29
FM4-1037-000	110 - 13	FM4-2517-000	931 -	FS1-1569-000	351 - 20
FM4-1038-000	250 - 18	FM4-3160-000	810 - 7	FS1-9009-020	811 - 45
FM4-1039-000	260 - 5	FM4-4314-000	980 - 4	FS1-9010-020	770 - 31
FM4-1040-000	110 - 15	FM4-4315-000	140 - 24	FS2-0088-000	720 - 11
FM4-1041-000	101 - 14	FM4-4316-000	140 - 42	FS2-0089-000	720 - 12
FM4-1044-000	303 - 5	FM4-4317-000	102 - 5	FS2-0090-000	720 - 13
FM4-1046-000	110 - 14	FM4-4319-000	250 - 17	FS2-0091-000	720 - 14
FM4-1047-000	900 - 26	FM4-4319-000	260 - 6	FS2-1256-000	811 - 46
FM4-1051-000	330 - 35	FM4-4319-000	280 - 6	FS2-2001-000	720 - 15
FM4-1052-000	330 - 86	FM4-4320-000	330 - 85	FS2-2002-000	720 - 16
FM4-1053-000	330 - 87	FM4-4324-000	313 - 55	FS2-2036-020	510 - 8
FM4-1054-000	330 - 88	FM4-4327-000	330 - 83	FS2-2058-000	720 - 17
FM4-1055-000	331 - 51	FM4-5138-000	280 - 3	FS2-6458-000	330 - 40
FM4-1056-000	330 - 81	FM4-5141-000	330 - 38	FS2-6458-000	336 - 7
FM4-1059-000	333 - 10	FM4-5147-000	815 -	FS2-6458-000	770 - 8
FM4-1060-000	336 - 15	FM4-5148-000	710 - 23	FS4-0160-000	304 - 29
FM4-1061-000	330 - 82	FM4-5153-000	351 - 18	FS4-0160-000	305 - 29
FM4-1063-000	334 - 22	FM4-5154-000	250 - 7	FS4-2136-000	304 - 30
FM4-1065-000	313 - 54	FM4-5155-000	260 - 3	FS4-2136-000	305 - 30
FM4-1067-000	140 - 38	FM4-5156-000	332 -	FS5-0395-000	330 - 41
FM4-1068-000	140 - 43	FM4-5166-020	101 - 30	FS5-1219-000	625 - 7
FM4-1069-000	111 - 15	FM4-5309-000	620A - 10	FS5-1372-000	352 - 6
FM4-1072-000	101 - 3	FM4-5312-000	101 - 16	FS5-1474-000	330 - 42
FM4-1073-000	110 - 10	FM4-5316-000	351 -	FS5-2925-000	250 - 9
FM4-1078-000	310 - 20	FM4-5320-000	113 - 12	FS5-2940-000	811 - 48
FM4-1079-000	111 - 16	FM4-5396-000	711 -	FS5-2946-000	351 - 22
FM4-1080-000	109 - 20	FM4-5397-010	710 -	FS5-2947-000	351 - 23
FM4-1081-000	980 - 12	FM4-5398-000	334 - 5	FS5-2953-020	352 - 7
FM4-1083-000	960 - 1	FM4-5431-000	710 - 20	FS5-2958-000	101 - 17
FM4-1084-000	964 -	FM4-5432-010	550 - 7	FS5-2959-000	770 - 9

NUMERICAL INDEX

imageRUNNER ADVANCE 6275/6265/6255 Series(Numerical Index)

PARTS NUMBER	FIGURE & KEY NO.	PARTS NUMBER	FIGURE & KEY NO.	PARTS NUMBER	FIGURE & KEY NO
FS5-2964-000	107 - 18	FU5-0186-000	310 - 31	FU6-0619-000	710 - 29
FS5-2967-000	812 - 8	FU5-0186-000	311 - 31	FU6-0620-000	710 - 30
FS5-6487-000	815 - 10	FU5-0187-000	310 - 32	FU6-0734-000	815 - 11
FS5-9162-020	810 - 9	FU5-0187-000	311 - 32	FU6-0734-000	816 - 5
FS5-9162-020	811 - 49	FU5-0188-000	310 - 33	FU6-0738-000	812 - 12
FS5-9166-020	101 - 18	FU5-0188-000	311 - 33	FU6-1184-000	313 - 35
FS5-9216-020	101 - 19	FU5-0204-000	261 - 5	FU6-1185-000	313 - 36
FS5-9217-010	100 - 14	FU5-0207-000	350 - 6	FU6-1193-000	811 - 57
FS5-9227-020	330 - 43	FU5-0207-000	351 - 25	FU6-1193-000	812 - 13
FS5-9438-030	620A - 11	FU5-0236-000	271 - 11	FU6-1194-000	625 - 11
FS5-9714-000	770 - 10	FU5-0256-000	313 - 33	FU6-1196-000	351 - 34
FS5-9758-020	107 - 17	FU5-0263-000	310 - 34	FU6-1197-000	620A - 12
FS6-0028-000	625 - 8	FU5-0263-000	311 - 34	FU6-1199-000	330 - 50
FS6-0042-000	351 - 24	FU5-0266-000	261 - 6	FU6-2043-000	334 - 14
FS6-0103-000	811 - 50	FU5-0268-000	550 - 8	FU6-2107-000	811 - 58
FS6-0103-000	812 - 9	FU5-0268-000	570 - 4	FU6-2926-000	313 - 38
FS6-0105-000	811 - 52	FU5-0362-000	625 - 9	FU6-2927-000	313 - 39
FS6-0106-000	811 - 53	FU5-1036-000	313 - 34	FU6-3047-000	332 - 8
FS6-0107-000	811 - 54	FU5-1468-000	811 - 56	FU6-3053-000	330 - 51
FS6-0134-000	811 - 55	FU5-2139-040	351 - 27	FU6-8534-000	300 - 39
FS6-0136-000	710 - 25	FU5-2140-000	351 - 28	FU6-8535-000	300 - 61
FS6-0857-000	640 - 17	FU5-2141-000	350 - 7	FU6-8536-000	300 - 62
FS6-1058-000	313 - 30	FU5-2141-000	351 - 29	FU6-8537-000	102 - 6
FS6-2619-000	104 - 15	FU5-2142-000	311 - 26	FU6-8538-000	300 - 40
FS7-0665-000	812 - 10	FU5-2147-000	351 - 30	FU6-8539-000	300 - 41
FS7-0891-000	811 - 51	FU5-2151-000	331 - 29	FU6-8861-000	900 - 16
FS7-0893-000	811 - 67	FU5-2152-000	331 - 30	FU7-0363-000	710 - 31
FS7-0894-000	811 - 68	FU5-2160-000	351 - 31	FU7-0364-000	710 - 32
FS7-0895-000	811 - 69	FU5-2162-000	310 - 35	FU7-0841-000	620A - 13
FS7-2319-000	352 - 9	FU5-2162-000	311 - 35	FU7-2326-000	300 - 42
FS7-2788-000	114 - 6	FU5-2165-000	101 - 36	FU7-2327-000	300 - 43
FS7-2809-000	313 - 37	FU5-2175-000	813 - 6	FU7-2328-000	300 - 44
FS7-2812-010	313 - 11	FU5-2177-000	331 - 31	FU7-2332-000	301 - 3
FS7-2994-000	720 - 18	FU5-2178-000	101 - 37	FU7-2332-000	303 - 2
FS7-2995-000	720 - 8	FU5-8560-000	100 - 55	FU7-2333-000	301 - 4
FU0-0074-000	710 - 26	FU5-9035-000	104 - 16	FU7-2341-000	114 - 7
FU0-0078-000	304 - 28	FU5-9035-000	351 - 32	FU7-2368-000	304 - 31
FU0-0078-000	305 - 28	FU5-9305-000	104 - 20	FU7-2368-000	305 - 31
FU3-0296-000	313 - 31	FU5-9305-000	351 - 21	FU7-2386-000	300 - 45
FU3-0297-000	313 - 32	FU5-9370-000	104 - 21	FU7-2387-000	304 - 32
FU3-0302-000	812 - 11	FU6-0092-000	334 - 12	FU7-2387-000	305 - 32
FU3-0303-000	710 - 28	FU6-0119-000	334 - 13	FU7-2395-000	102 - 7
FU3-0303-000	711 - 11	FU6-0137-000	330 - 47	FU7-2513-000	300 - 46
FU3-0339-000	330 - 44	FU6-0138-000	330 - 48	FU7-2514-000	300 - 47
FU5-0016-000	334 - 11	FU6-0139-000	331 - 32	FU7-2515-000	300 - 48
FU5-0166-000	640 - 18	FU6-0152-000	625 - 10	FU7-2518-000	300 - 49
FU5-0183-000	310 - 28	FU6-0375-000	351 - 33	FU7-2687-000	332 - 9
FU5-0183-000	311 - 28	FU6-0414-000	335 - 18	FU7-2688-000	332 - 10
FU5-0184-000	310 - 29	FU6-0446-000	770 - 12	FU7-2689-000	313 - 40
FU5-0184-000	311 - 29	FU6-0562-000	271 - 12	FU7-2692-000	770 - 13
FU5-0185-000	310 - 30	FU6-0603-000	271 - 13	FU7-2695-000	711 - 12
FU5-0185-000	311 - 30	FU6-0603-000	330 - 49	FU7-2696-000	113 - 13

NUMERICAL INDEX

imageRUNNER ADVANCE 6275/6265/6255 Series(Numerical Index)

PARTS NUMBER	FIGURE & KEY NO.	PARTS NUMBER	FIGURE & KEY NO.	PARTS NUMBER	FIGURE & KEY NO
FU7-2697-000	334 - 15	FU8-2516-000	811 - 63	NPN	110 -
FU7-2699-000	330 - 52	FU8-2519-000	335 - 23	NPN	111 -
FU7-2701-000	331 - 33	FU8-2522-000	550 - 19	NPN	113 -
FU7-2702-000	330 - 53	FU8-2522-000	570 - 20	NPN	250 -
FU7-2703-000	331 - 34	FU8-2523-000	811 - 47	NPN	280 -
FU7-2704-000	331 - 35	FU8-2526-000	331 - 28	NPN	303 -
FU7-2705-000	333 - 4	FU9-0031-000	625 - 13	NPN	330 -
FU7-2706-000	650 - 12	FU9-0032-000	335 - 19	NPN	331 -
FU7-2709-000	112 - 5	FU9-0036-000	640 - 22	NPN	510 -
FU7-2710-000	112 - 6	FU9-0037-000	334 - 16	NPN	620 -
FU7-2711-000	710 - 33	FU9-0037-000	640 - 23	NPN	620A -
FU7-2713-000	710 - 35	FU9-0039-000	640 - 24	NPN	810 -
FU7-2715-000	625 - 12	FU9-0040-000	106 - 16	NPN	813 -
FU7-2838-000	331 - 36	FU9-0045-000	812 - 14	NPN	814 -
FU7-8272-000	300 - 50	FU9-0048-000	330 - 56	NPN	900 -
FU7-8273-000	001 - 5	FU9-0050-000	261 - 9	NPN	960 -
FU7-8279-000	100 - 13	FU9-0051-000	710 - 37	NPN	980 -
FU7-8288-000	100 - 13	FU9-0052-000	333 - 5	NPN	T40 -
FU7-8495-000	100 - 10	FU9-0053-000	333 - 6	RH3-0323-000	910 - T
FU7-8501-000	312 - 14	FU9-0074-000	334 - 17	RH6-3032-000	910 - L
FU7-8502-000	312 - 14	FU9-0075-000	334 - 18	RK2-0299-000	910 - T
FU7-8503-000	312 - 14	FU9-0078-000	620A - 16	RS5-1567-000	313 - 47
FU8-0079-000	770 - 14	FU9-0079-000	620A - 17	VD7-0271-502	910 - 1
FU8-0082-000	770 - 15	FU9-0080-000	620A - 18	VD7-0522-501	961 - 1
FU8-0182-000	313 - 41	FU9-0082-000	331 - 38	VD7-3502-501	961 - 1
FU8-0333-000	103 - 8	FU9-0083-000	330 - 57	VS1-7173-010	101 - 21
FU8-0333-000	315 - 3	FU9-0083-000	810 - 11	VS1-7173-014	111 - 7
FU8-0333-000	330 - 54	FU9-0152-000	313 - 45	VS1-7173-017	900 - 17
FU8-0334-000	250 - 10	FU9-0153-000	313 - 46	VS1-7177-002	111 - 8
FU8-0335-000	261 - 7	FU9-0155-000	625 - 14	VS1-7177-002	310 - 38
FU8-0492-000	640 - 20	FU9-0156-000	812 - 15	VS1-7177-002	311 - 38
FU8-0505-000	811 - 60	FU9-0157-000	271 - 18	VS1-7177-002	313 - 48
FU8-0899-000	710 - 36	FU9-0157-000	770 - 17	VS1-7177-002	330 - 58
FU8-0903-000	640 - 21	FU9-0158-000	770 - 18	VS1-7177-002	331 - 39
FU8-0906-000	620A - 14	FU9-0159-000	710 - 38	VS1-7177-002	625 - 15
FU8-0907-000	620A - 15	FU9-0314-000	330 - 45	VS1-7177-002	770 - 19
FU8-0908-000	261 - 8	FU9-0315-000	770 - 11	VS1-7177-002	810 - 12
FU8-2313-000	650 - 13	FU9-2460-000	330 - 46	VS1-7177-002	900 - 22
FU8-2315-000	811 - 61	FU9-2461-000	810 - 10	VS1-7177-003	106 - 14
FU8-2316-000	811 - 62	FY1-0883-000	550 - 6	VS1-7177-003	111 - 9
FU8-2317-000	113 - 14	FY1-1157-000	811 - 22	VS1-7177-003	140 - 25
FU8-2317-000	313 - 42	NPN	001 -	VS1-7177-003	313 - 49
FU8-2321-000	313 - 43	NPN	100 -	VS1-7177-003	330 - 59
FU8-2322-000	313 - 44	NPN	101 -	VS1-7177-003	336 - 8
FU8-2343-000	330 - 55	NPN	102 -	VS1-7177-003	350 - 8
FU8-2344-000	331 - 37	NPN	103 -	VS1-7177-003	625 - 16
FU8-2345-000	570 - 5	NPN	104 -	VS1-7177-003	710 - 40
FU8-2348-000	100 - 9	NPN	105 -	VS1-7177-003	810 - 13
FU8-2349-000	100 - 44	NPN	106 -	VS1-7177-003	813 - 7
FU8-2361-000	304 - 33	NPN	107 -	VS1-7177-004	101 - 22
FU8-2361-000	305 - 33	NPN	108 -	VS1-7177-004	106 - 15
FU8-2515-000	770 - 16	NPN	109 -	VS1-7177-004	107 - 13

NUMERICAL INDEX

imageRUNNER ADVANCE 6275/6265/6255 Series(Numerical Index)

PARTS NUMBER	FIGURE & KEY NO.	PARTS NUMBER	FIGURE & KEY NO.	PARTS NUMBER	FIGURE & KEY NO
VS1-7177-004	109 - 6	WG8-5848-000	104 - 17	XA9-1659-000	352 - 11
VS1-7177-004	111 - 10	WG8-5848-000	105 - 13	XA9-1659-000	570 - 6
VS1-7177-004	330 - 60	WG8-5848-000	106 - 13	XA9-1659-000	625 - 19
VS1-7177-004	333 - 7	WG8-5848-000	270 - 3	XA9-1659-000	640 - 26
VS1-7177-004	810 - 14	WG8-5848-000	301 - 7	XA9-1659-000	710 - 39
VS1-7177-004	811 - 64	WG8-5848-000	302 - 8	XA9-1659-000	812 - 16
VS1-7177-005	109 - 7	WG8-5848-000	310 - 39	XA9-1932-000	640 - 27
VS1-7177-006	109 - 8	WG8-5848-000	311 - 39	XA9-1934-000	102 - 11
VS1-7177-006	336 - 9	WG8-5848-000	330 - 63	XA9-1934-000	304 - 27
VS1-7177-006	620A - 19	WG8-5848-000	333 - 9	XA9-1934-000	305 - 27
VS1-7177-006	625 - 17	WG8-5848-000	350 - 9	XA9-1945-000	810 - 19
VS1-7177-006	810 - 15	WG8-5848-000	620A - 21	XA9-1979-000	900 - 7
VS1-7177-007	109 - 9	WG8-5848-000	813 - 8	XA9-2026-000	640 - 34
VS1-7177-007	140 - 26	WG8-5848-000	814 - 3	XD1-1100-225	330 - 501
VS1-7177-007	333 - 8	WG8-5848-000	815 - 12	XD1-1104-133	107 - 501
VS1-7177-007	810 - 16	WG6-5201-000	001 - 2	XD1-1104-135	106 - 501
VS1-7177-008	140 - 27	X71-9310-000	640 - 25	XD1-1106-216	104 - 501
VS1-7177-008	330 - 61	XA9-0228-000	550 - 4	XD1-1106-229	770 - 501
VS1-7177-009	810 - 17	XA9-0732-010	101 - 29	XD1-1106-235	811 - 501
VS1-7177-012	101 - 24	XA9-0732-010	104 - 18	XD1-1106-239	330 - 502
VS1-7177-012	106 - 10	XA9-0732-010	304 - 35	XD1-1108-216	640 - 501
VS1-8412-003	330 - 62	XA9-0732-010	305 - 35	XD1-3100-805	108 - 501
VS1-8412-003	620A - 20	XA9-0732-010	330 - 64	XD1-4200-502	140 - 501
VS1-8412-005	110 - 8	XA9-0732-010	331 - 40	XD2-2100-602	640 - 502
VS1-8412-007	101 - 25	XA9-0893-000	331 - 41	XD2-2300-602	710 - 501
VS1-8412-007	302 - 7	XA9-0899-000	100 - 20	XD3-1300-122	811 - 502
VS1-8412-009	900 - 18	XA9-0903-000	106 - 20	XD3-2160-082	625 - 501
VS1-8412-009	980 - 5	XA9-0926-000	300 - 51	XD3-2200-082	335 - 501
VS1-8412-011	301 - 5	XA9-0961-000	330 - 65	XD3-2200-082	625 - 502
VS1-8412-013	107 - 14	XA9-1016-000	300 - 52	XD3-2200-102	330 - 503
VS1-8412-013	140 - 28	XA9-1031-000	330 - 66	XD3-2200-102	332 - 501
VS1-8412-013	303 - 3	XA9-1031-000	336 - 10	XD3-2200-102	625 - 503
VS1-8412-015	111 - 11	XA9-1031-000	810 - 18	XD3-2200-102	650 - 501
VS1-8412-017	109 - 10	XA9-1031-000	811 - 43	XD3-2200-102	770 - 502
VS1-8412-017	110 - 6	XA9-1035-000	102 - 8	XD3-2200-102	812 - 501
VS1-8412-017	310 - 37	XA9-1090-000	106 - 18	XD3-2200-262	650 - 502
VS1-8412-017	625 - 18	XA9-1116-030	351 - 35	XD3-2300-142	310 - 501
VS1-8412-019	107 - 10	XA9-1249-010	304 - 36	XD3-2300-142	311 - 501
VS1-8412-021	109 - 11	XA9-1249-010	305 - 36	XD3-2300-142	330 - 504
VS1-8412-025	109 - 12	XA9-1302-010	550 - 5	XD9-0067-000	811 - 41
VS1-8412-025	980 - 6	XA9-1386-000	315 - 4	XD9-0134-000	103 - 10
VS1-8412-031	109 - 13	XA9-1386-000	332 - 11	XD9-0134-000	313 - 53
WC1-5179-000	140 - 29	XA9-1386-000	620 - 4	XD9-0134-000	330 - 67
WC2-5680-000	301 - 6	XA9-1386-000	620A - 22	XD9-0134-000	331 - 42
WC2-5680-000	303 - 4	XA9-1450-000	304 - 37	XD9-0134-000	334 - 19
WC4-5125-000	101 - 28	XA9-1450-000	305 - 37	XD9-0134-000	335 - 20
WE8-5780-000	101 - 40	XA9-1491-000	102 - 9	XD9-0134-000	350 - 11
WE8-5780-000	140 - 31	XA9-1523-000	300 - 53	XD9-0134-000	351 - 11
WG8-5783-000	313 - 50	XA9-1523-000	312 - 15	XD9-0134-000	620A - 23
WG8-5783-000	811 - 59	XA9-1659-000	310 - 40	XD9-0134-000	625 - 20
WG8-5848-000	101 - 27	XA9-1659-000	311 - 40	XD9-0134-000	640 - 30
WG8-5848-000	103 - 9	XA9-1659-000	350 - 10	XD9-0134-000	710 - 34

NUMERICAL INDEX

imageRUNNER ADVANCE 6275/6265/6255 Series(Numerical Index)

PARTS NUMBER	FIGURE & KEY NO.	PARTS NUMBER	FIGURE & KEY NO.	PARTS NUMBER	FIGURE & KEY NO
XD9-0134-000	770 - 20	XD9-0137-010	620A - 24	XG9-0709-000	250 - 15
XD9-0134-000	811 - 40	XD9-0137-010	770 - 23	XG9-0709-000	336 - 14
XD9-0134-000	812 - 17	XD9-0137-010	810 - 21	XG9-0727-000	711 - 8
XD9-0134-000	815 - 13	XD9-0137-010	811 - 26	XG9-0737-000	103 - 1
XD9-0134-000	816 - 6	XD9-0137-010	812 - 19	XG9-0737-000	261 - 1
XD9-0134-000	900 - 19	XD9-0137-010	815 - 14	XG9-0737-000	304 - 1
XD9-0135-000	280 - 5	XD9-0183-000	640 - 29	XG9-0737-000	305 - 1
XD9-0135-000	330 - 68	XD9-0289-000	103 - 12	XG9-0737-000	310 - 44
XD9-0135-000	331 - 43	XD9-0289-000	271 - 19	XG9-0737-000	311 - 5
XD9-0135-000	351 - 37	XD9-0289-000	304 - 3	XG9-0737-000	620A - 1
XD9-0135-000	770 - 21	XD9-0289-000	305 - 3	XG9-0758-000	335 - 29
XD9-0136-000	103 - 11	XD9-0289-000	315 - 9	XG9-0773-000	335 - 27
XD9-0136-000	104 - 19	XD9-0289-000	330 - 89	XG9-0774-000	334 - 8
XD9-0136-000	106 - 17	XD9-0289-000	336 - 16	XG9-0774-000	335 - 26
XD9-0136-000	271 - 14	XD9-0289-000	770 - 32	XG9-0779-000	332 - 13
XD9-0136-000	301 - 8	XD9-0289-000	811 - 73	XG9-0794-000	335 - 24
XD9-0136-000	313 - 26	XD9-0289-000	812 - 22	XG9-0794-000	350 - 5
XD9-0136-000	315 - 5	XD9-0290-000	250 - 12	XG9-0822-000	620 - 6
XD9-0136-000	330 - 69	XD9-0290-000	261 - 11	XH9-0148-000	304 - 39
XD9-0136-000	331 - 44	XD9-0290-000	313 - 51	XH9-0148-000	305 - 39
XD9-0136-000	332 - 12	XD9-0290-000	620A - 25	XH9-0149-000	900 - 20
XD9-0136-000	334 - 20	XD9-0290-000	640 - 32	XZ1-1401-205	331 - 45
XD9-0136-000	335 - 21	XD9-0290-000	710 - 5	XZ9-0379-000	900 - 21
XD9-0136-000	336 - 11	XD9-0290-000	711 - 14	XZ9-0409-020	108 - 5
XD9-0136-000	351 - 38	XD9-0290-000	812 - 20	XZ9-0581-000	101 - 23
XD9-0136-000	352 - 2	XD9-0292-000	271 - 16		
XD9-0136-000	620 - 5	XD9-0292-000	330 - 71		
XD9-0136-000	625 - 21	XD9-0292-000	770 - 26		
XD9-0136-000	640 - 31	XD9-0300-000	250 - 13		
XD9-0136-000	650 - 14	XD9-0300-000	313 - 52		
XD9-0136-000	710 - 27	XF2-1606-260	250 - 14		
XD9-0136-000	711 - 13	XF2-1606-260	260 - 4		
XD9-0136-000	770 - 22	XF2-1606-260	261 - 12		
XD9-0136-000	810 - 20	XF2-1606-260	280 - 4		
XD9-0136-000	811 - 38	XF2-1606-260	330 - 72		
XD9-0136-000	812 - 18	XF2-1607-040	330 - 73		
XD9-0137-010	101 - 31	XF2-1607-440	330 - 74		
XD9-0137-010	113 - 19	XF2-1610-440	330 - 75		
XD9-0137-010	250 - 11	XF2-4110-440	336 - 13		
XD9-0137-010	261 - 10	XF2-4114-240	770 - 27		
XD9-0137-010	271 - 15	XF2-4128-940	109 - 3		
XD9-0137-010	304 - 38	XG9-0218-000	640 - 33		
XD9-0137-010	305 - 38	XG9-0365-000	330 - 76		
XD9-0137-010	310 - 36	XG9-0365-000	810 - 8		
XD9-0137-010	311 - 36	XG9-0492-000	770 - 28		
XD9-0137-010	330 - 70	XG9-0508-000	271 - 17		
XD9-0137-010	332 - 14	XG9-0563-000	811 - 8		
XD9-0137-010	334 - 21	XG9-0705-000	770 - 24		
XD9-0137-010	335 - 22	XG9-0706-000	315 - 7		
XD9-0137-010	336 - 12	XG9-0706-000	335 - 25		
XD9-0137-010	350 - 12	XG9-0707-000	315 - 6		
XD9-0137-010	351 - 39	XG9-0707-000	330 - 77		

imageRUNNER ADVANCE 6275/6265/ 6255 Series(Parts Catalog)

Canon imageRUNNER ADVANCE 6275i

230V EUR	F15-5398-000	NMH	PCL
-----------------	---------------------	------------	------------

Canon imageRUNNER ADVANCE 6275

120V	F15-5336-000	NMC
-------------	---------------------	------------

230V	F15-5346-000	NMD
-------------	---------------------	------------

Canon imageRUNNER ADVANCE 6265i

230V EUR	F15-5298-000	NMR	PCL
-----------------	---------------------	------------	------------

Canon imageRUNNER ADVANCE 6265

120V	F15-5236-000	NML
-------------	---------------------	------------

230V	F15-5246-000	NMM
-------------	---------------------	------------

Canon imageRUNNER ADVANCE 6255i

230V EUR	F15-5198-000	NMY	PCL
-----------------	---------------------	------------	------------

Canon imageRUNNER ADVANCE 6255

120V	F15-5136-000	NMU
-------------	---------------------	------------

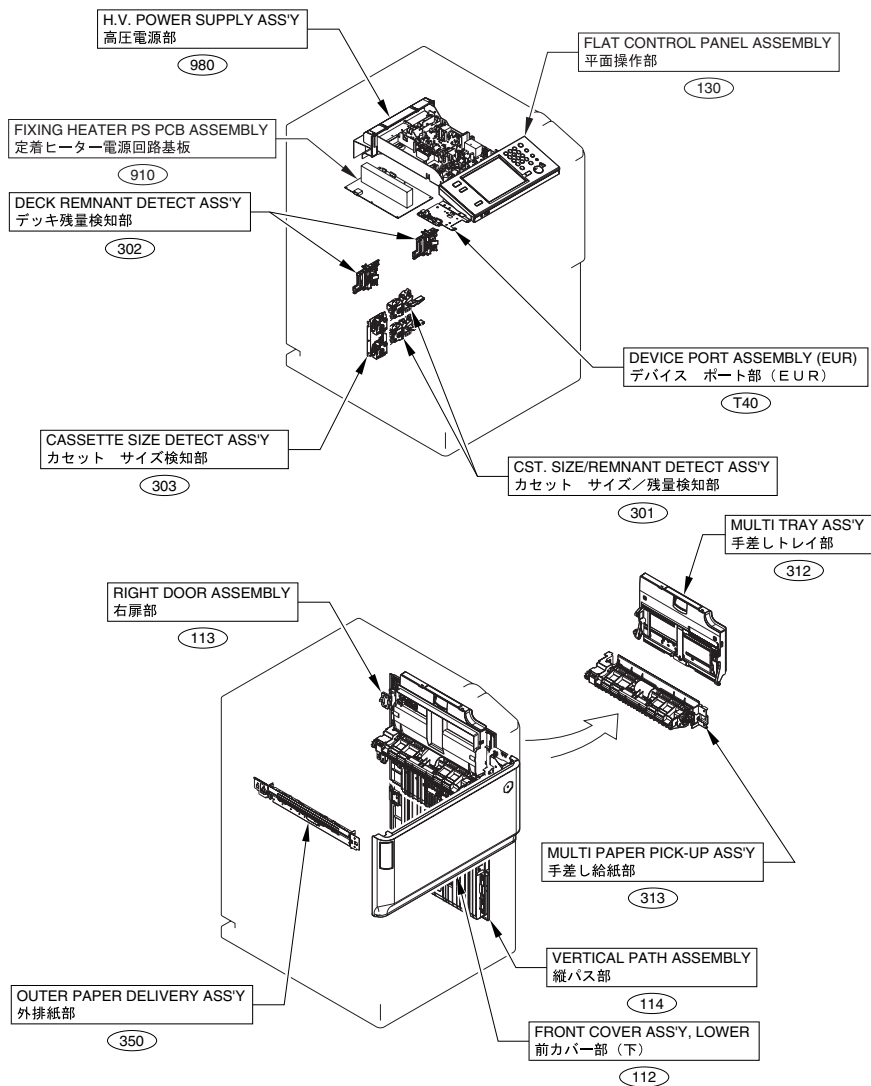
230V	F15-5146-000	NMV
-------------	---------------------	------------

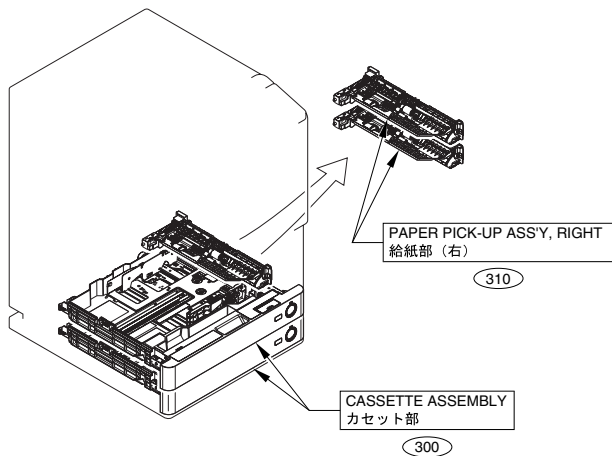
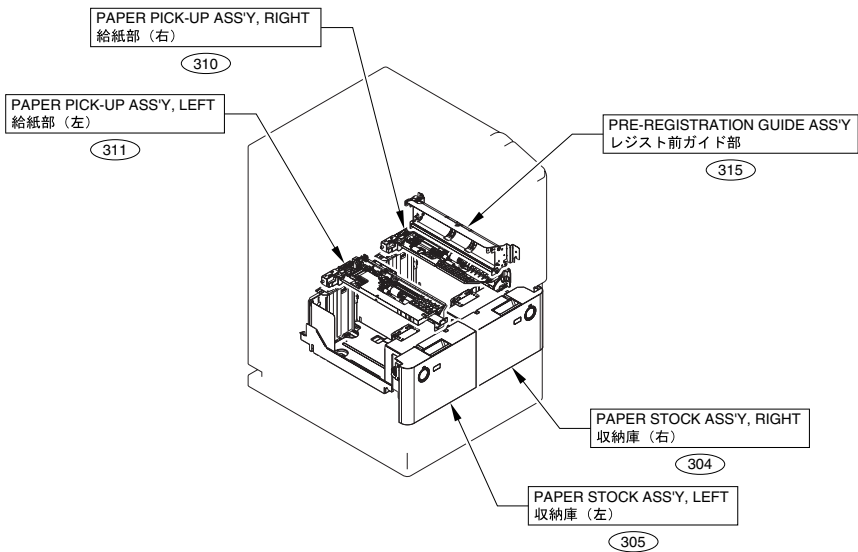
Contents

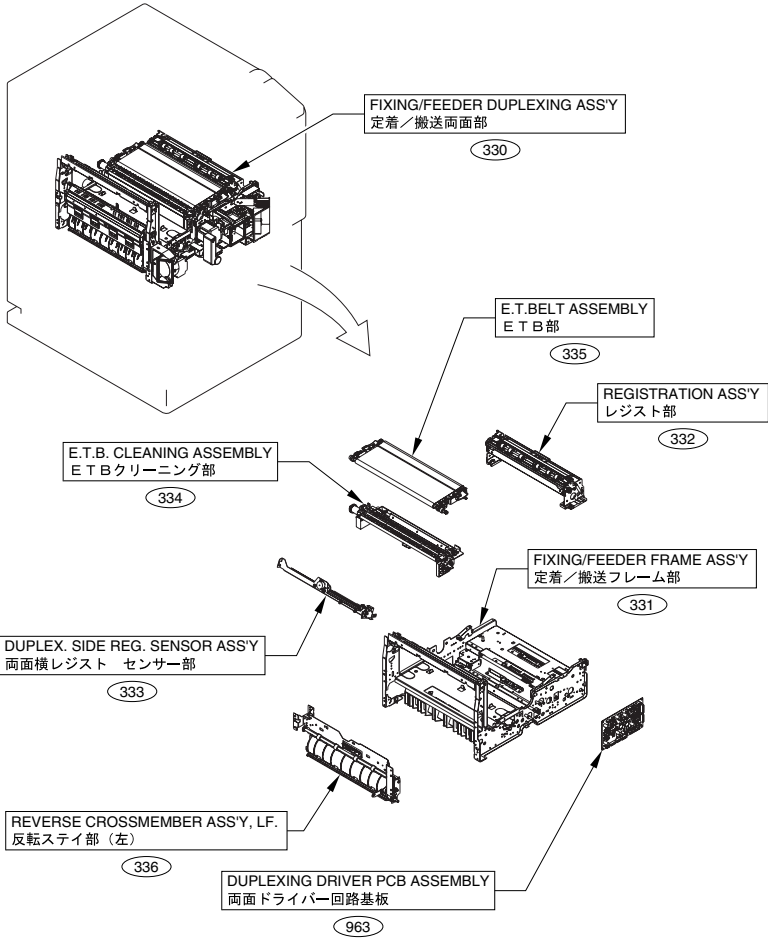
A1	ASSEMBLY LOCATION DIAGRAM	2-1
A2	OPTION PARTS CATALOG LIST	2-8
001	ACCESSOREIS	2-9
100	EXTERNAL COVERS, PANELS, ETC.	2-11
101	INTERNAL COMPONENTS 1	2-15
102	INTERNAL COMPONENTS 2	2-18
103	INTERNAL COMPONENTS 3	2-20
104	INTERNAL COMPONENTS 4	2-22
105	INTERNAL COMPONENTS 5	2-24
106	INTERNAL COMPONENTS 6	2-26
107	INTERNAL COMPONENTS 7	2-28
108	MACHINE BOTTOM PLATE.....	2-30
109	MACHINE REAR PLATE 1	2-31
110	MACHINE REAR PLATE 2	2-33
111	MACHINE REAR PLATE 3	2-35
112	FRONT COVER ASS'Y, LOWER	2-37
113	RIGHT DOOR ASSEMBLY.....	2-39
114	VERTICAL PATH ASSEMBLY	2-41
130	FLAT CONTROL PANEL ASSEMBLY	2-42
140	POWER CORD TERMINAL ASS'Y	2-45
250	MAIN DRIVE ASS'Y.....	2-49
260	V. PATH/CST. PICK-UP ASS'Y	2-51
261	LEFT DECK PICK-UP DRIVE ASS'Y	2-52
270	DRUM DRIVE ASS'Y	2-54
271	DEVELOPING DRIVE ASS'Y	2-55
280	DELIVERY REVERSE DRIVE ASS'Y.....	2-57
300	CASSETTE ASSEMBLY.....	2-58
301	CST. SIZE/REMNANT DETECT ASS'Y	2-61
302	DECK REMNANT DETECT ASS'Y	2-62
303	CASSETTE SIZE DETECT ASS'Y	2-63
304	PAPER STOCK ASS'Y, RIGHT	2-64
305	PAPER STOCK ASS'Y, LEFT	2-67
310	PAPER PICK-UP ASS'Y, RIGHT.....	2-70
311	PAPER PICK-UP ASS'Y, LEFT	2-73
312	MULTI TRAY ASS'Y	2-76
313	MULTI PAPER PICK-UP ASS'Y	2-78
315	PRE-REGISTRATION GUIDE ASS'Y.....	2-81
330	FIXING/FEEDER DUPLEXING ASS'Y	2-82
331	FIXING/FEEDER FRAME ASS'Y.....	2-88
332	REGISTRATION ASS'Y.....	2-92
333	DUPLEX. SIDE REG. SENSOR ASS'Y	2-94
334	E.T.B. CLEANING ASSEMBLY	2-95
335	E.T.BELT ASSEMBLY	2-97
336	REVERSE CROSSMEMBER ASS'Y, LF.....	2-99
350	OUTER PAPER DELIVERY ASS'Y	2-101

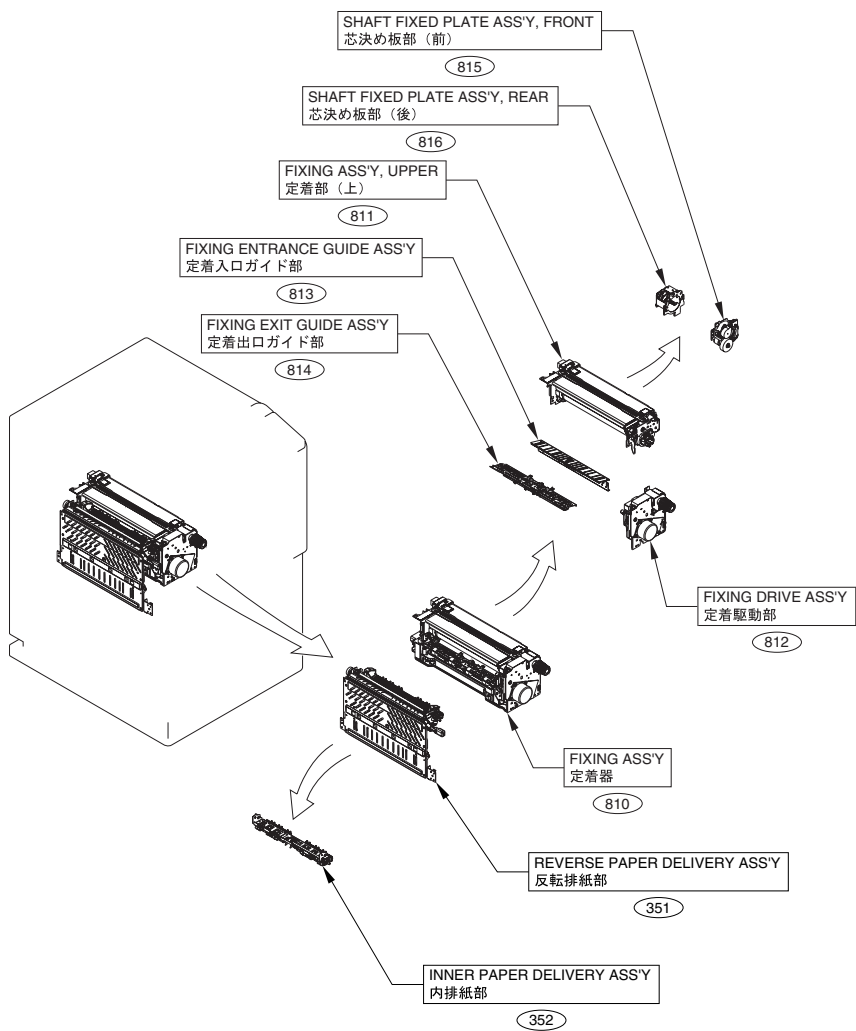
351	REVERSE PAPER DELIVERY ASS'Y.....	2-103
352	INNER PAPER DELIVERY ASS'Y.....	2-107
460	LASER SCANNER UNIT	2-109
510	PHOTO-SENSITIVE DRUM ASSEMBLY	2-110
550	1ST CORONA ASS'Y	2-112
570	PRE-TRANSFER CORONA ASS'Y	2-114
620	HOPPER ASS'Y.....	2-116
620A	HOPPER ASS'Y.....	2-117
625	BUFFER ASS'Y	2-119
640	DEVELOPING ASS'Y	2-121
650	DEVELOPING RELEASE ASS'Y.....	2-124
710	AP. KIT ASS'Y	2-126
711	DRUM CLEANING ASS'Y.....	2-130
720	SEPARATION CLAW DRIVE ASSEMBLY	2-132
770	WASTE TONER FEED ASSEMBLY.....	2-134
810	FIXING ASS'Y.....	2-137
811	FIXING ASS'Y, UPPER	2-139
812	FIXING DRIVE ASS'Y.....	2-144
813	FIXING ENTRANCE GUIDE ASS'Y.....	2-146
814	FIXING EXIT GUIDE ASS'Y	2-147
815	SHAFT FIXED PLATE ASS'Y, FRONT.....	2-148
816	SHAFT FIXED PLATE ASS'Y, REAR	2-150
900	CONTROLLER BOX ASSEMBLY	2-151
910	FIXING HEATER PS PCB ASSEMBLY	2-154
930	DC CONTROLLER PCB ASS'Y.....	2-155
931	MAIN CONTROLLER PCB ASS'Y, 1.....	2-156
932	MAIN CONTROLLER PCB ASS'Y, 2.....	2-157
960	MAIN DRIVE DRIVER PCB ASS'Y.....	2-158
961	AC DRIVER PCB ASS'Y.....	2-159
962	NOISE FILTER PCB ASSEMBLY.....	2-160
963	DUPLEXING DRIVER PCB ASSEMBLY	2-161
964	FEED DRIVER PCB ASSEMBLY	2-162
980	H.V. POWER SUPPLY ASS'Y.....	2-163
T40	DEVICE PORT ASSEMBLY (EUR).....	2-164
ZZA	MECHANICAL STANDARD PARTS (HOW TO USE).....	2-165
ZZB	MECHANICAL STANDARD PARTS (SCREWS).....	2-166
ZZC	MECHANICAL STANDARD PARTS (BOLTS).....	2-173
ZZD	MECHANICAL STANDARD PARTS (NUTS).....	2-174
ZZE	MECHANICAL STANDARD PARTS (RETAINING RINGS)	2-175

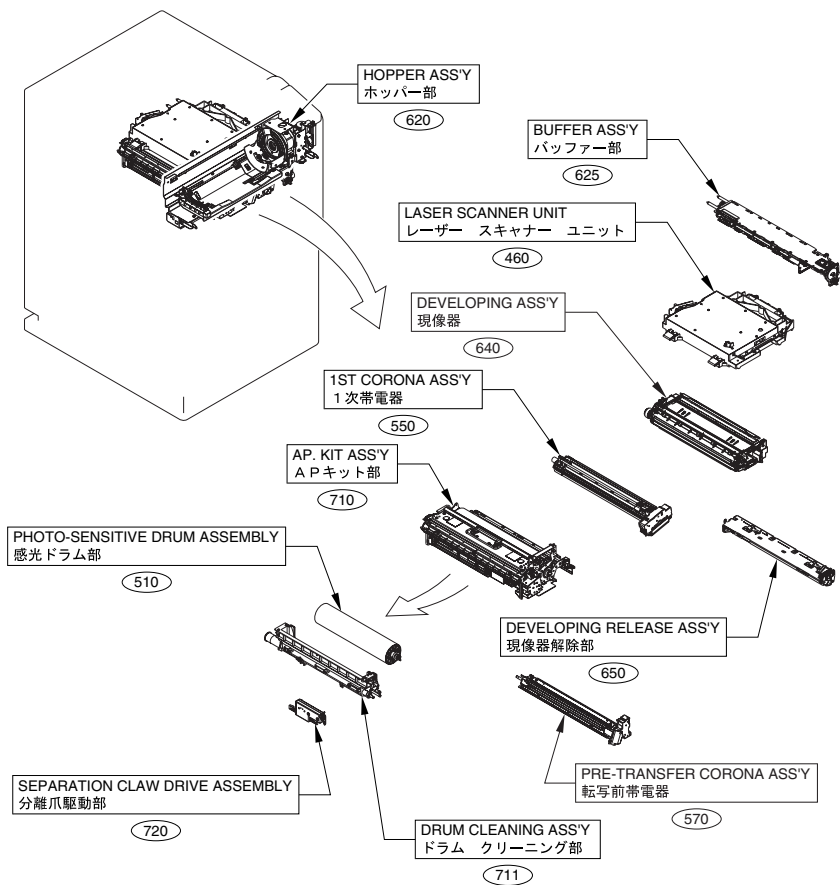
FIGURE A1 ASSEMBLY LOCATION DIAGRAM

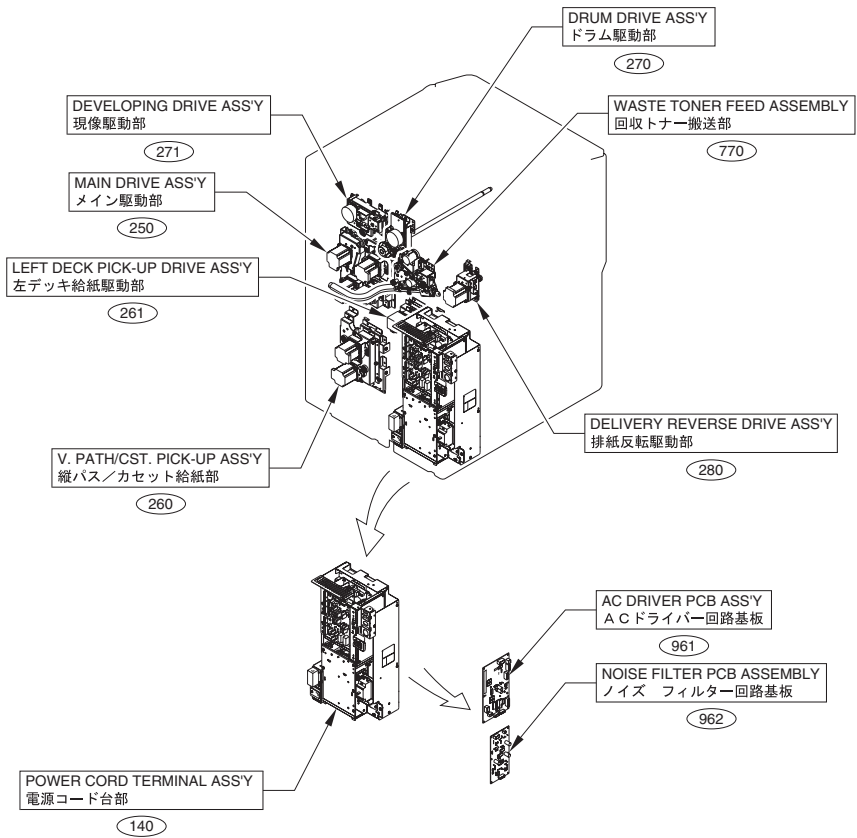












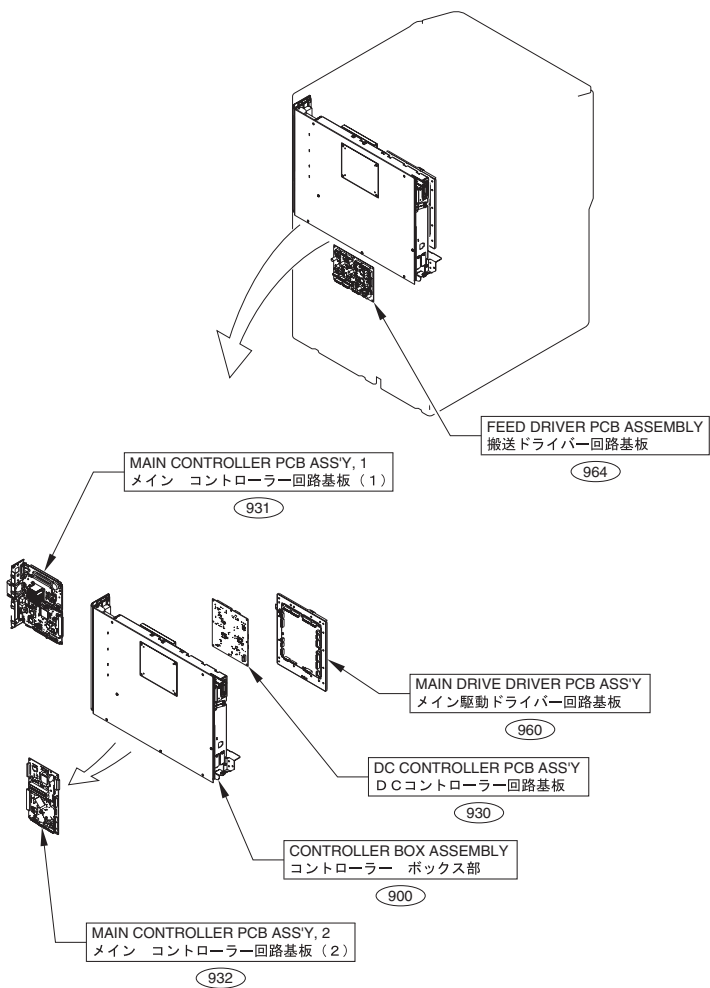


FIGURE A2

OPTION PARTS CATALOG LIST

This is the table of the machine's options whose parts catalog is issued.
本機のオプションで、パーツカタログが発行されている機種の一覧である。

No.	Model Name(English)	Model Name(Japanese)
1	Duplex Color Image Reader Unit-F1/G1	マルチカラーイメージリーダーユニット・F1/G1
2	ADF Access Handle-A1	ADFアクセスハンドル・A1
3	Printer Cover-B1	プリンタカバー・B1
4	Paper Deck Unit-A1	ペーパーデッキユニット・A1
5	Paper Deck Unit-D1	ペーパーデッキユニット・D1
6	Shift Tray-E1	シフトトレイ・E1
7	Copy Tray-Q1	コピートレイ・Q1
8	Staple Finisher-P1/Booklet Finisher-P1	ステイプルフィニッシャー・P1/中綴じフィニッシャー・P1
9	External 2 Hole, 2/3 Hole, 2/4 Hole, 4 Hole Puncher-A1	外付け2穴パンチャー・A1
10	Document Insertion Unit-L1	インサーター・L1
11	Document Insertion Folding Unit-H1	ペーパーフォールディングインサーターユニット・H1
12	Reader Heater Unit-G1	リーダーヒーターキット・G1
13	Cassette Heater Unit-38	カセットヒーターユニット38
14	Paper Deck Heater Unit-A1	ペーパーデッキヒーターユニット・A1
15	Utility Tray-A2	ユーティリティートレイ・A2
16	Copy Card Reader-F1	コピーカードリーダー・F1
17	Copy Card Reader Attachment-A1/A2	コピーカードリーダー取付けキット・A1/A2
18	Upright Control Panel-B1	立面操作部・B1
19	Super G3 FAX Board-AL1	スーパーG3FAXボード・AL1
20	Super G3 2nd Line Fax Board-AL1	G3回線増設キット(2回線)・AL1
21	Super G3 3rd/4th Line Fax Board-AL1	G3回線増設キット(3・4回線)・AL1
22	HAND SET-G2	ハンドセット・G2
23	Voice Guidance Kit-F1/F2	音声ガイダンスキット・F1/F2
24	Voice Operation Kit-C2	音声操作キット・C2
25	HDD Data Encryption & Mirroring Kit-C5	HDDデータ暗号化ミラーリングキット・C5
26	Document Scan Lock Kit-B1	イメージ解析ボード・B1
27	USB Device Port-A1/A2	USBデバイスポート・A1/A2
28	2.5inch/160GB HDD-J1/1TB HDD-K1	オプションHDD 2.5inch/160GB・J1/1TB・K1
29	Removable HDD Kit-AG1	リムーバブルHDDキット・AG1
30	HDD Mirroring Kit-G1	HDD Mirroring Kit-G1
31	Document Scan Lock Kit-B1	イメージ解析ボード・B1
32	Multimedia Reader/Writer-A1/A2	マルチメディアリーダー/ライター・A1/A2
33	IR-ADV COIN MGR ATT-A1	iR-ADV課金装置接続キット・A1
34	Serial Interface Kit-K1	シリアルインターフェースキット・K1
35	Copy Control Interface Kit-A1	コントロールインターフェースキット・A1
36	imagePASS-U2	(日本仕向けなし)

FIGURE 001 ACCESSOREIS

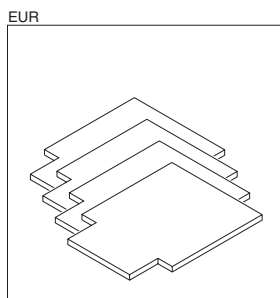
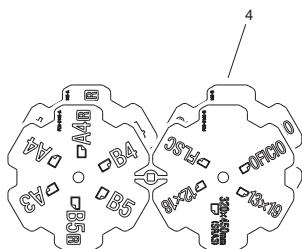
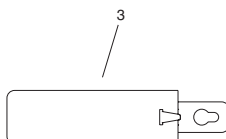
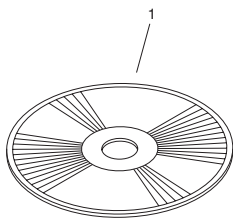
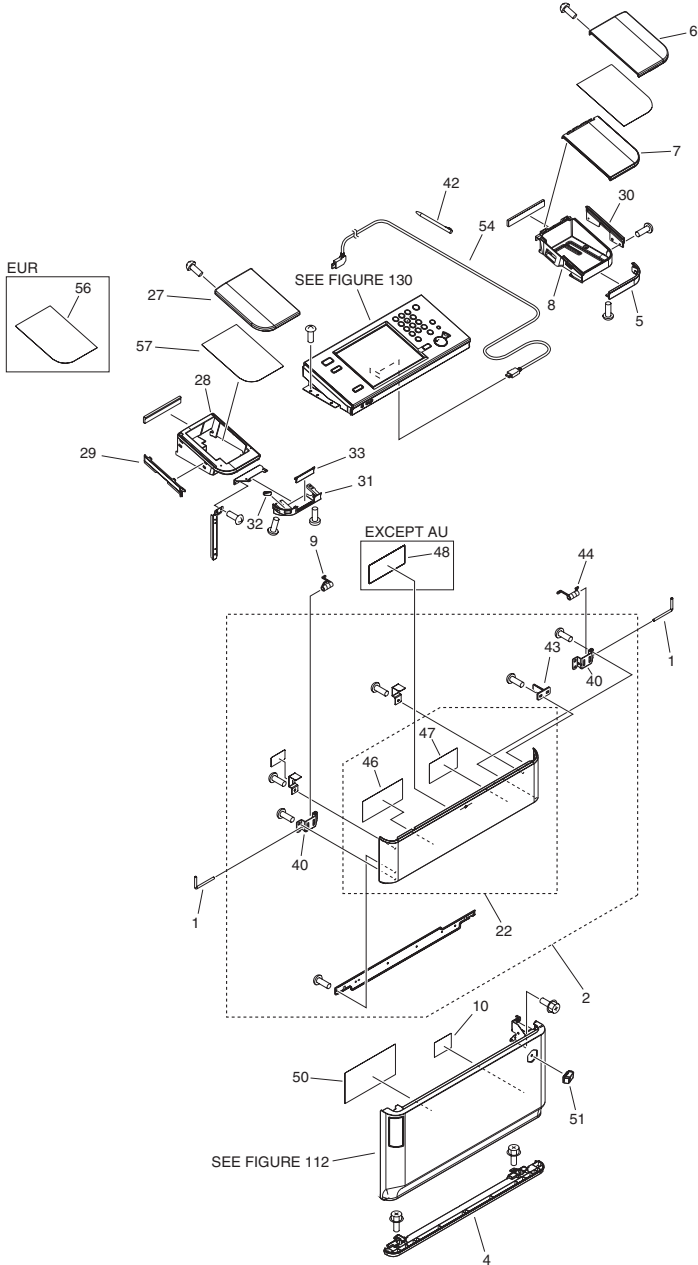


FIGURE & KEY NO.	PARTS NUMBER	RANK	Q'TY	DESCRIPTION	SERIAL NUMBER/REMARKS	SVC
Fig.001	NPN		RF	ASSEMBLY LOCATION DIAGRAM		
1	FK3-0426-000		1	CD-ROM, SOFTWARE FOR UFR II	English	
1	FK3-0427-000		1	CD-ROM, SOFTWARE FOR UFR II	English/French/Italian/ German/Spanish	
1	FK3-0527-000		1	CD-ROM, SOFTWARE FOR PCL	English/French/Italian/ German/Spanish	
2	WS6-5201-000		1	TERMINATOR		
3	FM4-5435-000		1	CLEANING SHEET UNIT		
4	FC9-0145-000		2	PLATE, SIZE INDICATION		
5	FU7-8273-000		2	PLATE, SIZE INDICATION		

FIGURE 100 EXTERNAL COVERS, PANELS, ETC.



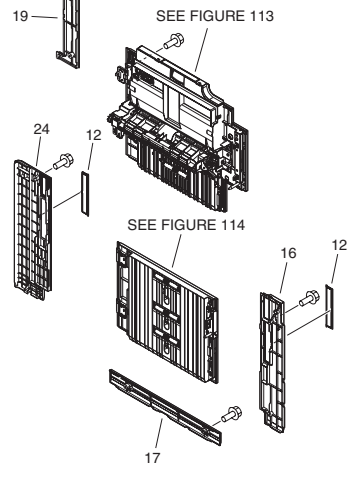
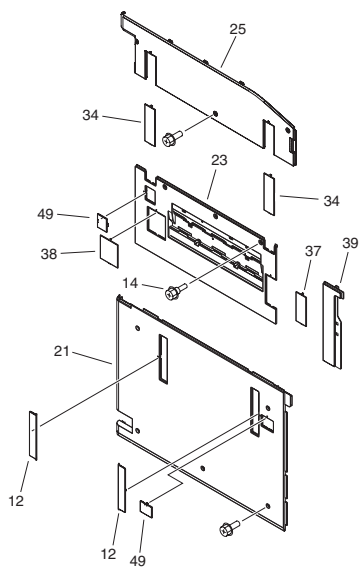
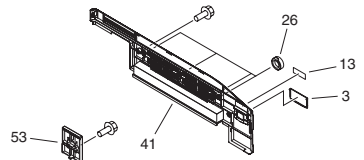
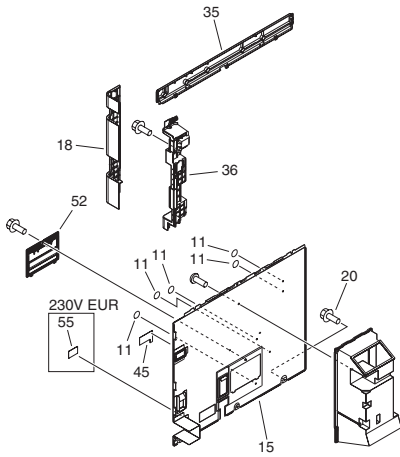


FIGURE & KEY NO.	PARTS NUMBER	RANK	Q'TY	DESCRIPTION	SERIAL NUMBER/REMARKS	SVC
Fig.100	NPN		RF	EXTERNAL COVERS, PANELS, ETC.		
1	FB6-6644-000		2	PIN		
2	FM0-3206-000		1	FRONT COVER ASSEMBLY, UPPER		
3	FC8-1844-000		1	COVER, MAIN SWITCH		
4	FC8-1876-000		1	COVER, CASSETTE, LOWER		
5	FC8-1877-000		1	COVER, CORNER, RIGHT		
6	FC8-2366-000		1	COVER, UPPER RIGHT		
7	FC8-2367-000		1	COVER, FRONT UPPER, RIGHT		
8	FC8-2368-000		1	CASE, RIGHT		
9	FU8-2348-000		1	SPRING, TORSION		
10	FU7-8495-000		1	LABEL, WIRE HEIGHT		
11	FC8-6109-000		5	SEAL		
12	FC8-7033-000		4	COVER, KNOB		
13	FU7-8279-000		1	LABEL, MAIN POWER	US,AU	
13	FU7-8288-000		1	LABEL, MAIN POWER	EUR	
14	FS5-9217-010		5	SCREW, STEPPED, M4		
15	FC8-9566-010		1	COVER, REAR LOWER		
16	FC9-0077-000		1	COVER, RIGHT FRONT		
17	FC9-0078-000		1	COVER, RIGHT LOWER		
18	FC9-0080-010		1	COVER, LEFT REAR		
19	FC9-0081-000		1	COVER, RIGHT REAR, 2		
20	XA9-0899-000		AR	SCREW,RS,M4X10		
21	FC9-0152-000		1	COVER, LEFT, LOWER		
22	FL3-7920-000		1	COVER, FRONT, UPPER		
23	FC9-0156-000		1	COVER, PAPER DELIVERY		
24	FC9-0157-000		1	COVER, WASTE TONER CONTAINER		
25	FE2-0561-000		1	COVER, LEFT UPPER		
26	FC9-0311-000		4	CAP		
27	FC9-0376-000		1	COVER, UPPER LEFT		
28	FC0-9151-000		1	COVER, FRONT UPPER, LEFT		
29	FC9-0381-000		1	COVER, SMALL, LEFT		
30	FC9-0382-000		1	COVER, SMALL, RIGHT		

FIGURE & KEY NO.	PARTS NUMBER	R A N K	Q'TY	DESCRIPTION	SERIAL NUMBER/ REMARKS	S V C
31	FC9-3907-000		1	COVER, SMALL, LEFT FRONT		
32	FC9-3909-000		1	WINDOW, RECEIVE		
33	FC9-3911-000		1	COVER, SMALL, LEFT FRONT 2		
34	FC9-3934-000		2	COVER, BLANKING		
35	FE2-1883-000		1	COVER, UPPER REAR		
36	FE2-1885-000		1	COVER, INNER, REAR LEFT		
37	FC9-7040-000		1	COVER, BLANKING, 1		
38	FC9-7041-000		1	COVER, BLANKING, 2		
39	FC9-7044-000		1	COVER, LEFT FRONT		
40	FC9-7047-000		2	HINGE, DOOR		
41	FE2-0560-000		1	COVER, RIGHT UPPER		
42	FC9-3893-000		1	PEN, TOUCH		
43	FC9-8073-000		1	FLAG, BOTTLE DOOR SENSOR		
44	FU8-2349-000		1	SPRING, TORSION		
45	FC9-9049-000		1	LABEL, DRUM HEATER		
46	FC9-9055-000		1	LABEL, BOTTLE INSERT CAUTION		
47	FC9-9057-000		1	LABEL, LEVER OPERATOR CAUTION		
48	FC9-9076-000		1	LABEL, TONER TYPE	English/French/Italian/ German/Spanish	
48	FC9-9077-000		1	LABEL, TONER TYPE	English	
49	FC9-9103-000		2	COVER, BLANKING, 3		
50	FL3-3872-000		1	LABEL, SERVICE		
51	FL3-1185-000		1	EMBLEM		
52	FL3-2142-000		1	COVER, FILTER CASE		
53	FC9-5465-000		1	COVER, CONTROL PANEL ASS'Y		
54	FK2-8364-000		1	CABLE, USER INTERFACE		
55	FU5-8560-000		1	LABEL, GROUNDING CAUTION	EUR	
56	FE2-2927-000		1	SHEET, CASE	EUR	
57	FC8-2369-000		1	SHEET, CASE		

FIGURE & KEY NO.	PARTS NUMBER	R A N K	Q'TY	DESCRIPTION	SERIAL NUMBER/ REMARKS	S V C
Fig.101	NPN		RF	INTERNAL COMPONENTS 1		
1	FB2-8094-020		1	KNOB, 1		
2	FL3-7918-000		1	RAIL, BOTTLE LIMIT, LEFT		
3	FM4-1072-000		1	CABLE, SHIFT TRAY		
4	FE2-0555-000		1	RAIL, BOTTLE LIMIT, RIGHT		
5	FC8-9490-000		1	HOOK, DOOR, RIGHT		
6	FC9-4356-000		1	COVER, MAIN POWER PROTECTION		
7	FL3-1240-000		1	HINGE, LOWER		
8	FL3-1271-000		1	CABLE, MULTI DOOR SWITCH	SW6	
9	FL3-2813-010		1	SENSOR FLAG UNIT		
10	FM3-7307-000		1	ENVIRONMENT SENSOR ASS'Y	THU1	
11	FM3-7327-000		3	KNOB ASSEMBLY		
12	FG2-7383-000		1	CABLE, DOOR CONNECTING		
13	FM0-2973-000		1	CABLE, MAIN SWITCH DC		
14	FM4-1041-000		1	CABLE, VERTICAL PATH SENSOR		
15	FM4-1013-000		1	CABLE, FINISHER CONNECTOR		
16	FM4-5312-000		2	PRESSURE PLATE ASS'Y		
17	FS5-2958-000		1	SPRING, TENSION		
18	FS5-9166-020		1	SCREW, STEPPED, M4		
19	FS5-9216-020		1	SCREW, STEPPED, M4X6		
20	FC8-9488-000		2	SHAFT, HINGE		
21	VS1-7173-010		1	CONNECTOR, SNAP TIGHT, 10P, W		
22	VS1-7177-004		2	CONNECTOR, SNAP TIGHT, BK		
23	XZ9-0581-000		1	CATCH,MAGNET		
24	VS1-7177-012		1	CONNECTOR, SNAP TIGHT, BK		
25	VS1-8412-007		1	CONNECTOR, SNAP TIGHT, BL		
26	FK3-3266-000		1	SWITCH, POWER SUPPLY		
27	WG8-5848-000		2	IC, PHOTO-INTERRUPTER	PS3,PS25	
28	WC4-5125-000		1	SWITCH,SENSITIVE	SW2	
29	XA9-0732-010		AR	SCREW,RS,M4X8		
30	FM4-5166-020		1	CONTROL PANEL SUPPORT ASSEMBLY		

FIGURE & KEY NO.	PARTS NUMBER	R A N K	Q'TY	DESCRIPTION	SERIAL NUMBER/ REMARKS	S V C
31	XD9-0137-010		2	RING, E		
32	FC8-7352-000		2	PLATE, HINGE		
33	FC9-4117-000		2	PIN, POSITIONING		
34	FM4-0967-000		1	DOOR SWITCH ASS'Y		
35	FC5-1635-000		1	LEVER, SWITCH		
36	FU5-2165-000		1	SPRING, TENSION		
37	FU5-2178-000		1	SPRING, TORSION		
38	FC0-0205-000		1	COVER, CONNECTOR		
39	FC9-8683-000		1	LABEL, LASER CAUTION, UPPER		
40	WE8-5780-000		1	CORE,FERRITE		
41	FK2-8363-000		1	CABLE, USB	EUR	

FIGURE 102 INTERNAL COMPONENTS 2

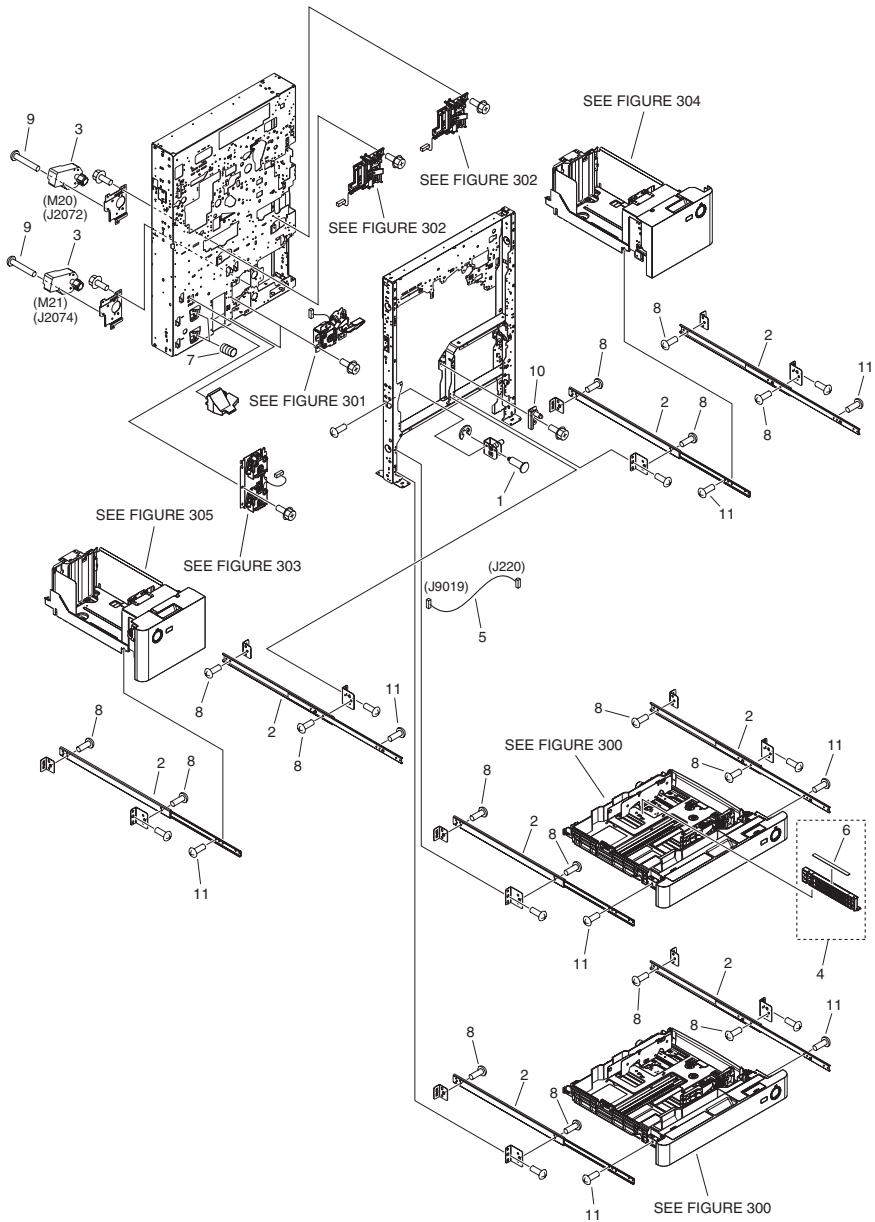


FIGURE & KEY NO.	PARTS NUMBER	RANK	Q'TY	DESCRIPTION	SERIAL NUMBER/REMARKS	SVC
Fig.102	NPN		RF	INTERNAL COMPONENTS 2		
1	FC5-2544-000		1	SCREW, ADJUSTMENT, M6X16		
2	FC9-3904-000		8	RAIL, SLIDE		
3	FM4-9814-000		2	MOTOR, DC	M20,M21	
4	FL2-8948-000		1	PLATE, BACK END LIMIT		
5	FM4-4317-000		1	CABLE, CASSETTE HEATER		
6	FU6-8537-000		1	LABEL, INDEX PAPER GUIDE		
7	FU7-2395-000		2	SPRING, COMPRESSION		
8	XA9-1035-000		AR	SCREW,M4X4		
9	XA9-1491-000		AR	SCREW,W/WASHER PAN HEAD, M3X30		
10	FL3-0244-000		1	PLATE, DECK POSITIONING, LEFT		
11	XA9-1934-000		AR	SCREW, M4X4		

FIGURE 103 INTERNAL COMPONENTS 3

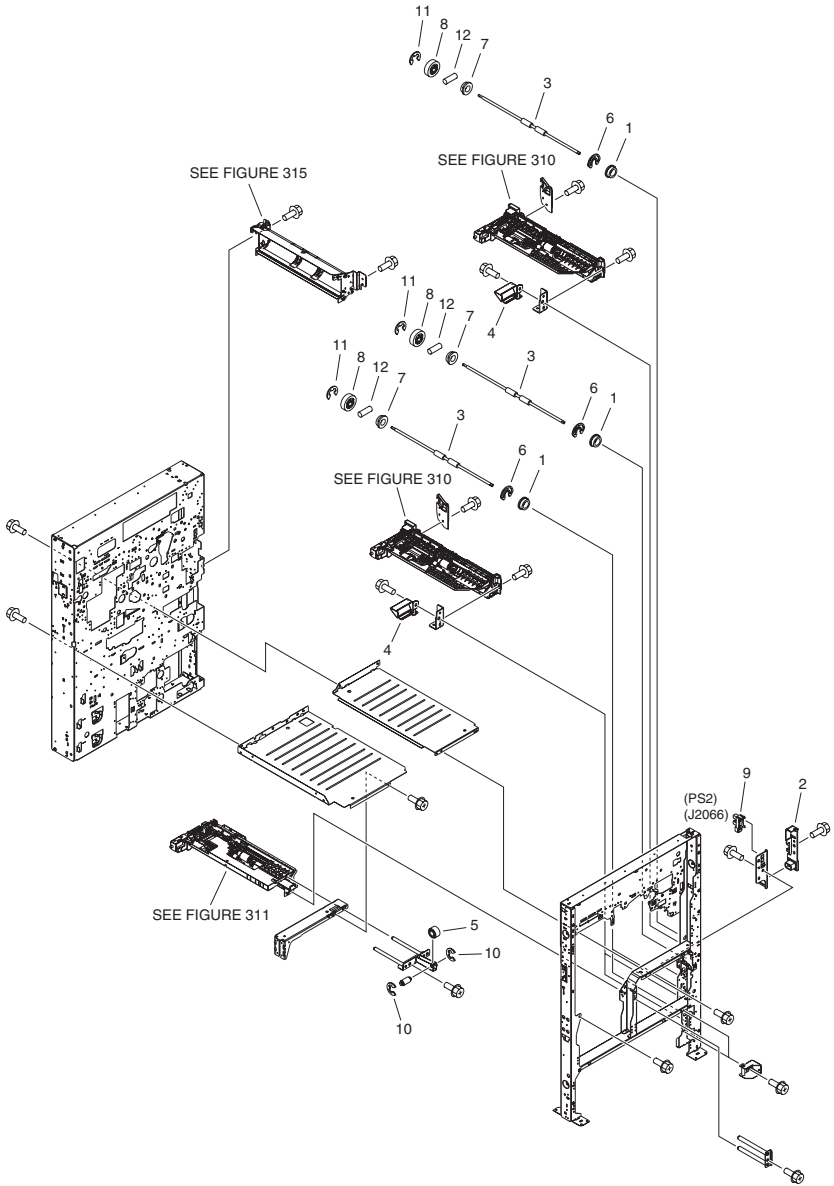


FIGURE & KEY NO.	PARTS NUMBER	R A N K	Q'TY	DESCRIPTION	SERIAL NUMBER/ REMARKS	S V C
Fig.103	NPN		RF	INTERNAL COMPONENTS 3		
1	XG9-0737-000		4	BUSHING		
2	FC8-2700-000		1	MOUNT, HOOK		
3	FC8-9486-000		4	ROLLER, PAPER FEED		
4	FC9-4084-000		3	GUIDE, PAPER EXHAUST, RIGHT		
5	FC9-9145-000		1	SPACER, INNER PAPER DELIVERY		
6	FC5-2715-000		4	RING, RETAINING		
7	FS1-1508-000		4	BUSHING		
8	FU8-0333-000		4	GEAR, 24T		
9	WG8-5848-000		1	IC, PHOTO-INTERRUPTER	PS2	
10	XD9-0134-000		2	RING, E		
11	XD9-0136-000		4	RING, E		
12	XD9-0289-000		4	PIN, PARALLEL		

FIGURE 104 INTERNAL COMPONENTS 4

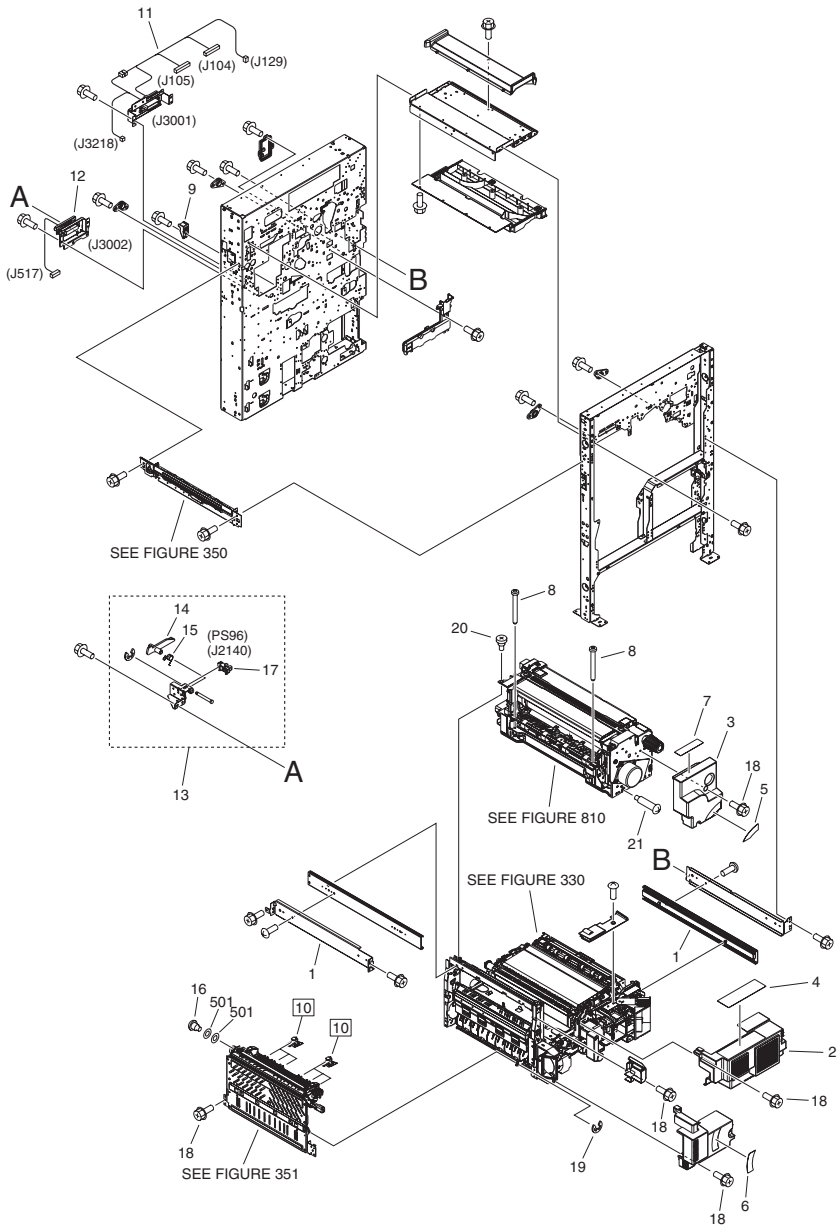


FIGURE & KEY NO.	PARTS NUMBER	R A N K	Q'TY	DESCRIPTION	SERIAL NUMBER/ REMARKS	S V C
Fig.104	NPN		RF	INTERNAL COMPONENTS 4		
1	FC9-5089-000		2	RAIL, SLIDE		
2	FC8-9678-000		1	COVER, FIXING/FEEDER, RIGHT		
3	FC8-7237-000		1	COVER, FIXING		
4	FC9-9032-000		1	LABEL, FINGER NIP CAUTION		
5	FC9-9033-000		1	LABEL, OPERATION, UPPER		
6	FC9-9034-000		1	LABEL, OPERATION, LOWER		
7	FC9-9066-000		1	LABEL, JAM CLEARING		
8	FC9-9100-000		2	SCREW, S, M4X50		
9	FC9-9137-000		1	LATCH		
10	FB5-3625-000		6	CLAW, SEPARATING	[DP]	
11	FM3-7351-000		1	CABLE, FIXING DRAWER		
12	FM4-0885-020		1	CABLE, FIXING/FEEDER DRAWER		
13	FM4-0908-000		1	HANDLE SENSOR MOUNT ASS'Y		
14	FC8-9569-000		1	FLAG, HANDLE SENSOR		
15	FS6-2619-000		1	SPRING, TORSION		
16	FU5-9035-000		1	SCREW, STEPPED, M3X3		
17	WG8-5848-000		1	IC, PHOTO-INTERRUPTER	PS96	
18	XA9-0732-010		AR	SCREW,RS,M4X8		
19	XD9-0136-000		1	RING, E		
20	FU5-9305-000		1	SCREW, STEPPED, M4		
21	FU5-9370-000		1	SCREW,STEPPED,M4		
501	XD1-1106-216		2	SHIM		

FIGURE 105 INTERNAL COMPONENTS 5

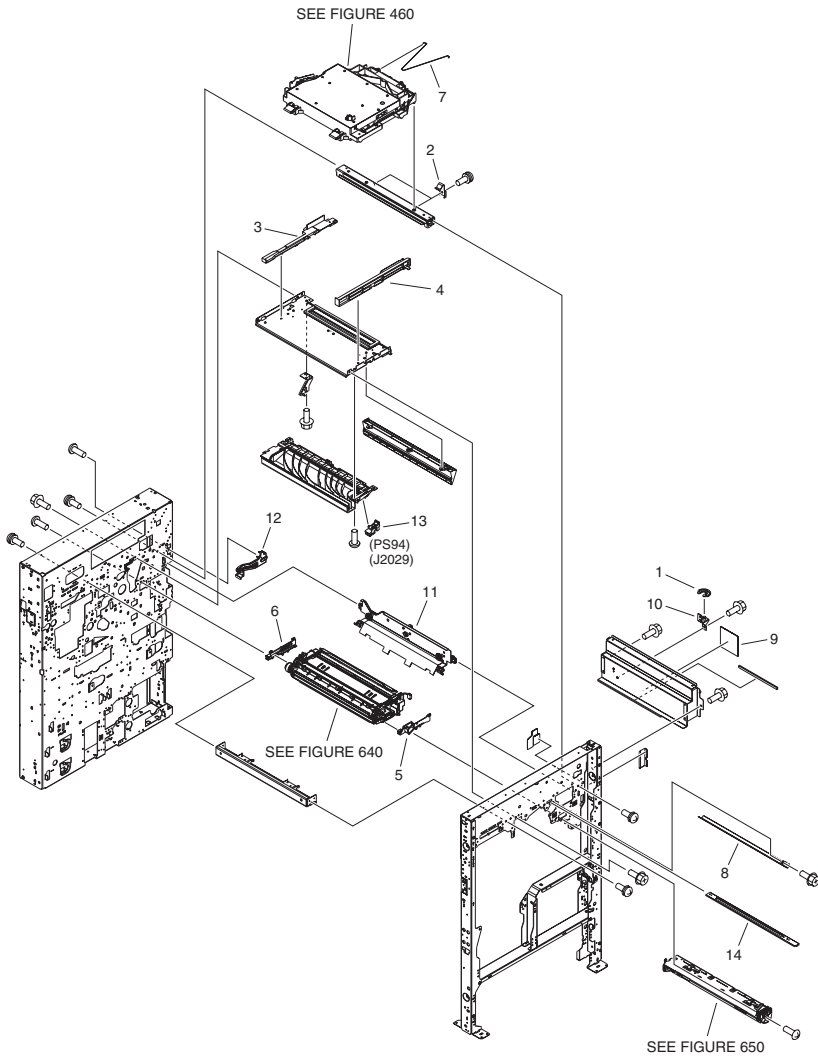


FIGURE & KEY NO.	PARTS NUMBER	R A N K	Q'TY	DESCRIPTION	SERIAL NUMBER/ REMARKS	S V C
Fig.105	NPN		RF	INTERNAL COMPONENTS 5		
1	FC5-2715-000		1	RING, RETAINING		
2	FC8-7034-000		2	SPRING, LEAF		
3	FC8-7038-000		1	RAIL, SCANNER, REAR		
4	FC8-7039-000		1	RAIL, SCANNER, FRONT		
5	FC8-9453-000		1	RAIL, DEVELOPING, FRONT		
6	FC8-9454-000		1	RAIL, DEVELOPING, REAR		
7	FC9-5579-000		1	WIRE, SUPPORT		
8	FC9-7439-000		1	RAIL, POTENTIAL SENSOR		
9	FC9-8684-000		1	LABEL, LASER CAUTION, LOWER		
10	FL3-3871-000		1	MOUNT, HINGE		
11	FM3-7383-000		1	DEVELOPING PRESSURE ASS'Y		
12	FM4-0951-010		1	DEV. HIGH VOLTAGE CONTACT UNIT		
13	WG8-5848-000		1	IC, PHOTO-INTERRUPTER	PS94	
14	FL3-2141-000		1	GLASS, DUST-PROOF		

FIGURE 106 INTERNAL COMPONENTS 6

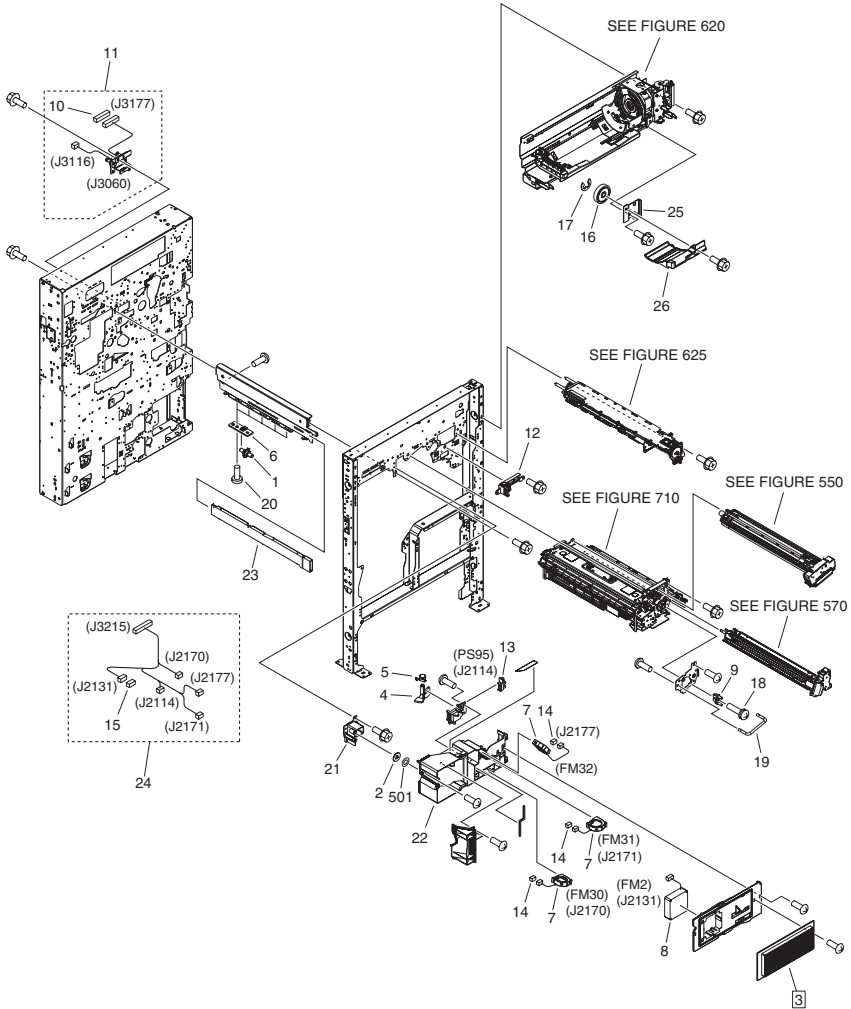


FIGURE & KEY NO.	PARTS NUMBER	R A N K	Q'TY	DESCRIPTION	SERIAL NUMBER/ REMARKS	S V C
Fig.106	NPN		RF	INTERNAL COMPONENTS 6		
1	FB1-8776-000		5	ROWEL		
2	FC2-2121-000		1	WASHER		
3	FC8-9564-000		1	FILTER, DUST	[DP]	
4	FC9-6163-000		1	FLAG, SENSOR		
5	FC9-6164-000		1	SPRING, TORSION		
6	FC9-8981-000		5	MOUNT, ROWEL		
7	FK2-3149-000		3	FAN	FM30,FM31,FM32	
8	FK2-7678-000		1	FAN	FM2	
9	FL2-0469-000		1	HOLDER, DRUM FIXED		
10	VS1-7177-012		1	CONNECTOR, SNAP TIGHT, BK		
11	FM3-7302-000		1	CABLE, AP. KIT DRAWER		
12	FM4-0973-000		1	MOUNT,PRE-TRANS.CORONA CONTACT		
13	WG8-5848-000		1	IC, PHOTO-INTERRUPTER	PS95	
14	VS1-7177-003		3	CONNECTOR, SNAP TIGHT, BK		
15	VS1-7177-004		1	CONNECTOR, SNAP TIGHT, BK		
16	FU9-0040-000		1	GEAR, 33T		
17	XD9-0136-000		1	RING, E		
18	XA9-1090-000		1	SCREW,W/WASHER,M5X25		
19	FC9-4868-000		1	HANDLE, FRONT		
20	XA9-0903-000		AR	SCREW, M3X5		
21	FL3-2136-000		1	DUCT, PRIMARY AIR INTAKE, 2		
22	FL3-2128-000		1	DUCT, PRIMARY FAN, 2		
23	FC8-6989-000		1	DUCT		
24	FM4-1027-000		1	CABLE, FAN		
25	FL3-2172-000		1	PLATE		
26	FC9-4881-000		1	TRAY, TONER CATCH		
501	XD1-1104-135		1	WASHER,COP		

FIGURE 107 INTERNAL COMPONENTS 7

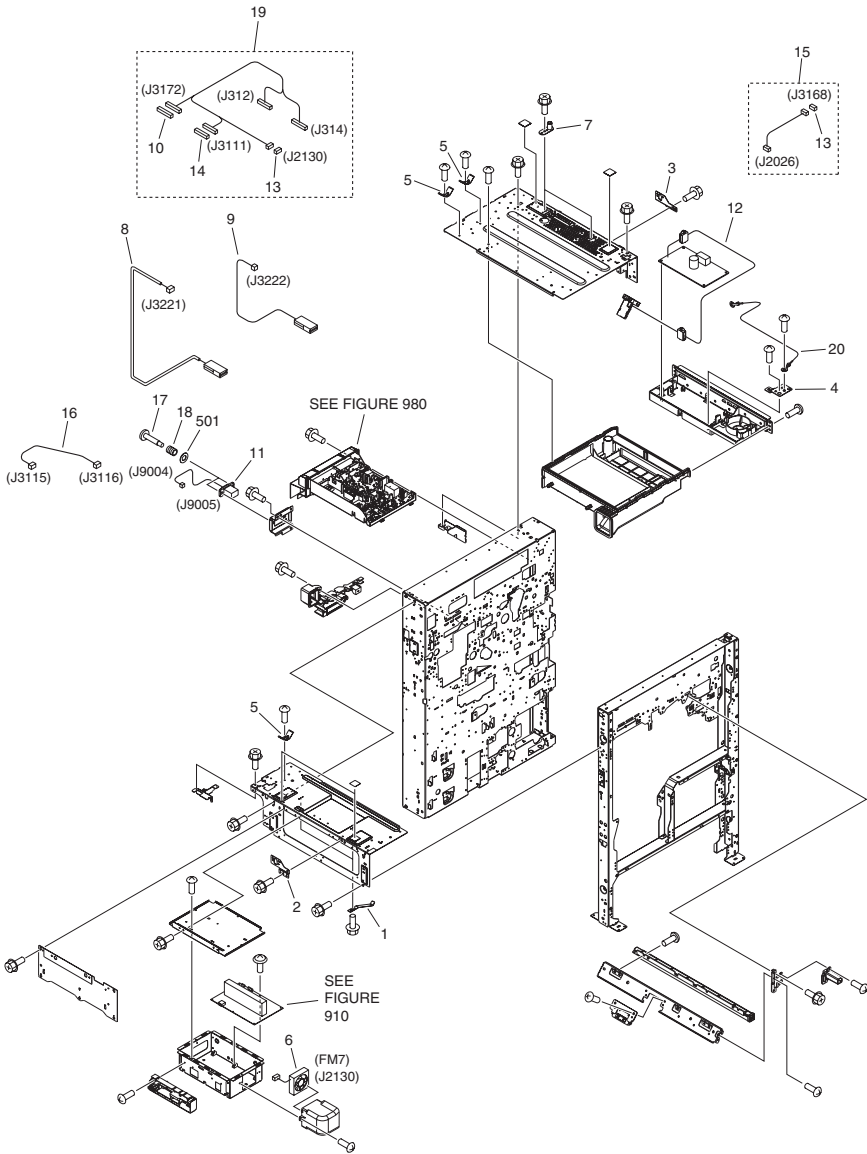


FIGURE & KEY NO.	PARTS NUMBER	RANK	Q'TY	DESCRIPTION	SERIAL NUMBER/REMARKS	SVC
Fig.107	NPN		RF	INTERNAL COMPONENTS 7		
1	FC6-3462-000		2	PLATE, GROUNDING		
2	FC8-7026-000		1	PLATE, READER FIXED, LEFT		
3	FC8-7027-000		1	PLATE, READER FIXED, RIGHT		
4	FC9-4888-000		1	PLATE, GROUNDING		
5	FE2-3472-000		3	PLATE, GROUNDING, UPPER		
6	FK2-7678-000		1	FAN	FM7	
7	FL2-8926-000		2	PIN, READER POSITIONING		
8	FM4-1004-000		1	CABLE, DEVELOPING HIGH VOLTAGE		
9	FM4-1005-000		1	CABLE, SEPARATION HIGH VOLTAGE		
10	VS1-8412-019		1	CONNECTOR, SNAP TIGHT, BL		
11	FM4-1032-000		1	CABLE, IH DRAWER		
12	FM4-1096-000		1	POTENTIAL MEASURING PCB ASS'Y		
13	VS1-7177-004		2	CONNECTOR, SNAP TIGHT, BK		
14	VS1-8412-013		1	CONNECTOR, SNAP TIGHT, BL		
15	FM3-9125-000		1	CABLE, POTENTIAL SENSOR		
16	FM4-1031-000		1	CABLE, AC DRUM HEATER		
17	FS5-9758-020		2	SCREW, STEPPED, M3		
18	FS5-2964-000		2	SPRING, COMPRESSION		
19	FM3-9126-000		1	CABLE, IH SIGNAL		
20	FM3-9128-000		1	CABLE, GROUNDING		
501	XD1-1104-133		2	WASHER,COP		

FIGURE 108 MACHINE BOTTOM PLATE

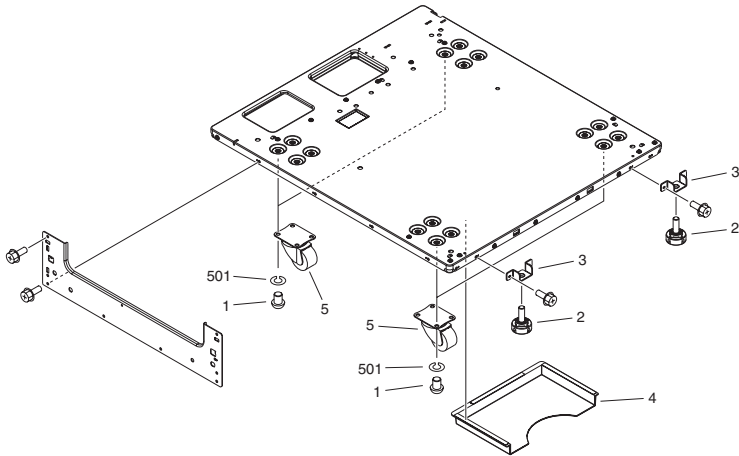


FIGURE & KEY NO.	PARTS NUMBER	RANK	Q'TY	DESCRIPTION	SERIAL NUMBER/REMARKS	SVC
Fig.108	NPN		RF	MACHINE BOTTOM PLATE		
1	FB4-1340-000		16	SCREW,ALLEN HEAD,M8X10		
2	FC8-6639-000		1	ADJUSTER		
3	FC9-5467-000		1	PLATE,ADJUSTING		
4	FC9-9069-000		1	HOLDER, SERVICE BOOK		
5	XZ9-0409-020		4	CASTER		
501	XD1-3100-805		16	WASHER,SPRING		

FIGURE 109 MACHINE REAR PLATE 1

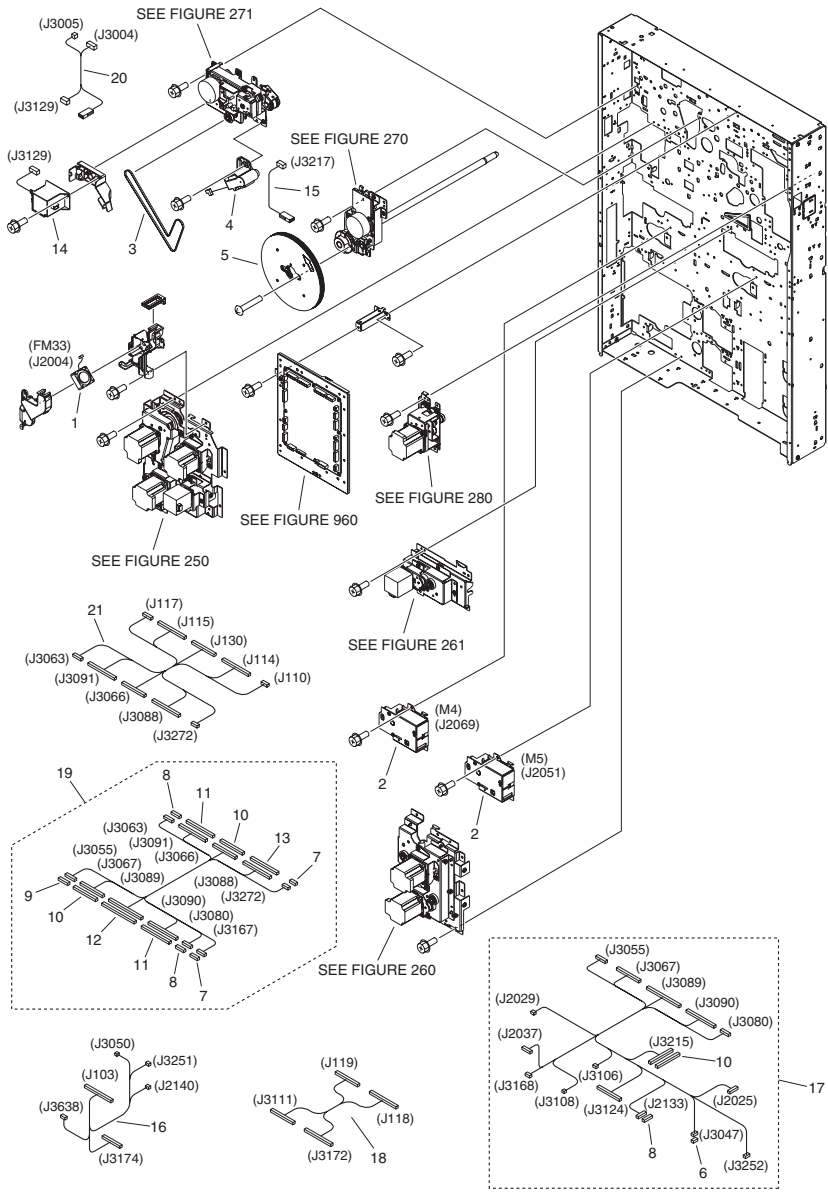


FIGURE & KEY NO.	PARTS NUMBER	RANK	Q'TY	DESCRIPTION	SERIAL NUMBER/REMARKS	SVC
Fig.109	NPN		RF	MACHINE REAR PLATE 1		
1	FK2-7241-000		1	FAN	FM33	
2	FM2-4663-000		2	MOTOR, DC	M4,M5	
3	XF2-4128-940		1	BELT, TIMING, CR, 578MM		
4	FM4-0969-000		1	CABLE, PRE-TRANS. CORONA H.V.		
5	FC9-7855-000		1	FLYWHEEL		
6	VS1-7177-004		1	CONNECTOR, SNAP TIGHT, BK		
7	VS1-7177-005		2	CONNECTOR, SNAP TIGHT, BK		
8	VS1-7177-006		3	CONNECTOR, SNAP TIGHT, BK		
9	VS1-7177-007		1	CONNECTOR, 7P, FEMALE, BK		
10	VS1-8412-017		3	CONNECTOR, SNAP TIGHT, BL		
11	VS1-8412-021		2	CONNECTOR, SNAP TIGHT, BL		
12	VS1-8412-025		1	CONNECTOR, SNAP TIGHT, BL		
13	VS1-8412-031		1	CONNECTOR, SNAP TIGHT, 31P, BL		
14	FK2-7718-000		1	TRANSFORMER, H.V.		
15	FM4-1003-000		1	CABLE, BIAS HIGH VOLTAGE		
16	FM4-1014-000		1	CABLE, MAIN DRIVER RELAY		
17	FM4-1025-000		1	CABLE, MAIN DRIVER, FRONT		
18	FM4-1016-000		1	CABLE, MAIN DRIVER IH		
19	FM4-1023-000		1	CABLE, RELAY, FRONT		
20	FM4-1080-000		1	CABLE, POST CORONA H.V.		
21	FM4-1015-000		1	CABLE, MAIN DRIVER, REAR UPPER		

FIGURE 110 MACHINE REAR PLATE 2

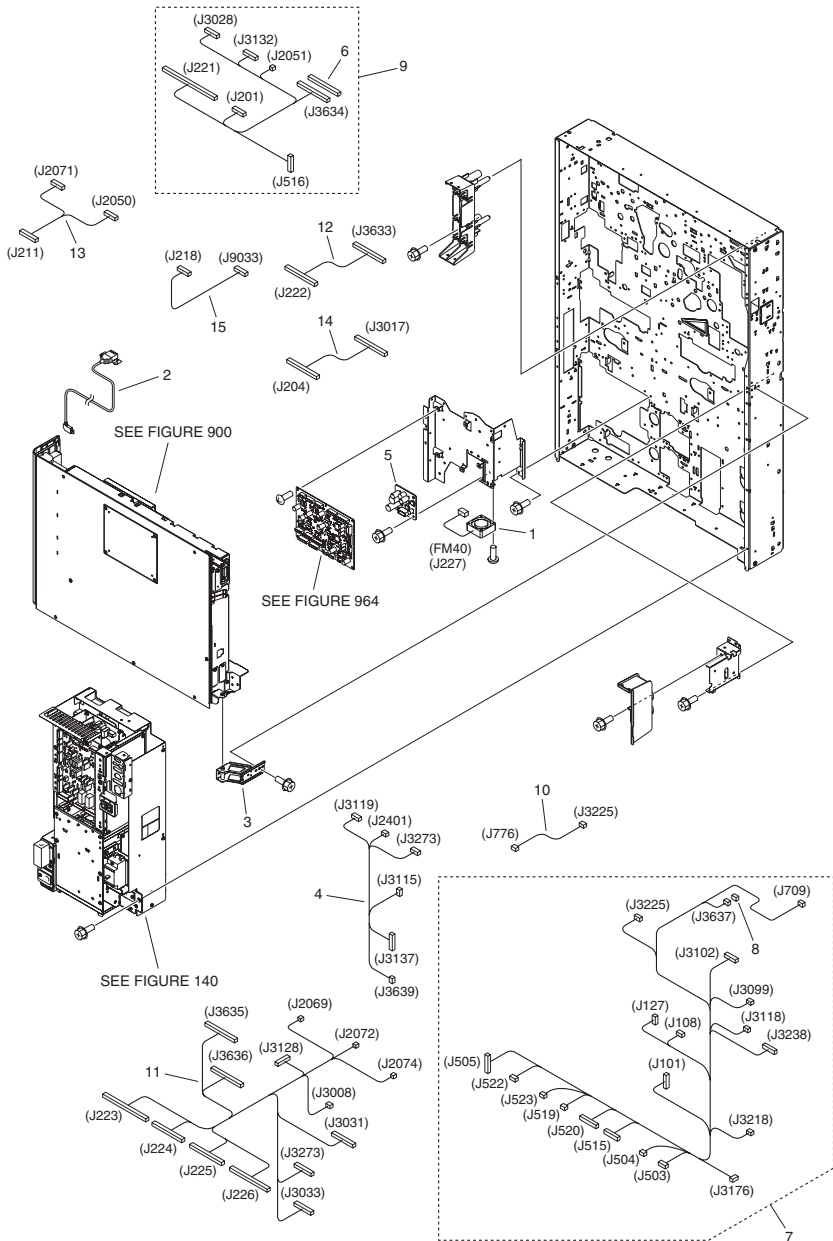


FIGURE & KEY NO.	PARTS NUMBER	R A N K	Q'TY	DESCRIPTION	SERIAL NUMBER/ REMARKS	S V C
Fig.110	NPN		RF	MACHINE REAR PLATE 2		
1	FK2-7241-000		1	FAN	FM40	
2	FK2-9006-000		1	CABLE, USB		
3	FL3-5780-000		1	HINGE, CONTROLLER BOX, LOWER		
4	FM0-2974-000		1	CABLE, AC MAIN BODY		
5	FM4-1089-000		1	DC-DC CONVERT PCB ASSY		
6	VS1-8412-017		1	CONNECTOR, SNAP TIGHT, BL		
7	FM0-2972-000		1	CABLE, DC POWER SUPPLY		
8	VS1-8412-005		1	CONNECTOR, SNAP TIGHT, BL		
9	FM4-1036-000		1	CABLE, DECK, LEFT		
10	FM4-1073-000		1	CABLE, CONTROL PANEL POWER		
11	FM4-1034-000		1	CABLE, CASSETTE, 3 , 4		
12	FM4-1035-000		1	CABLE, DECK, RIGHT		
13	FM4-1037-000		1	CABLE, DECK MOTOR		
14	FM4-1046-000		1	CABLE, SERIAL		
15	FM4-1040-000		1	CABLE, DC DC		

FIGURE 111 MACHINE REAR PLATE 3

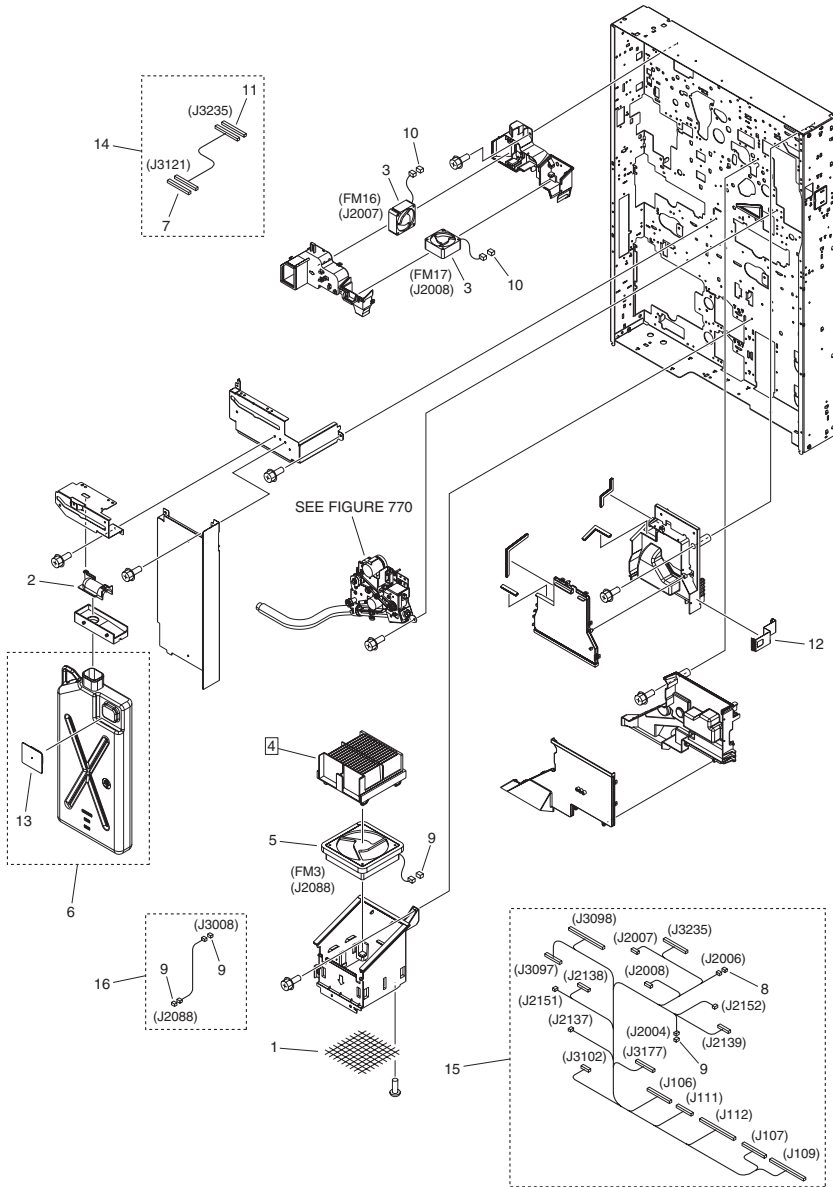


FIGURE & KEY NO.	PARTS NUMBER	RANK	Q'TY	DESCRIPTION	SERIAL NUMBER/REMARKS	SVC
Fig.111	NPN		RF	MACHINE REAR PLATE 3		
1	FA9-3847-000		1	SHEET, MESH		
2	FC8-7409-000		1	CAP, PIPE		
3	FK2-3100-000		2	FAN	FM16,FM17	
4	FL3-2134-000		1	AIR FILTER, EXHAUST	[DP]	
5	FL3-3866-000		1	FAN UNIT	FM3	
6	FM4-0905-000		1	CASE, WASTE TONER		
7	VS1-7173-014		1	CONNECTOR, SNAP TIGHT, 14P, W		
8	VS1-7177-002		1	CONNECTOR, SNAP TIGHT, BK		
9	VS1-7177-003		4	CONNECTOR, SNAP TIGHT, BK		
10	VS1-7177-004		2	CONNECTOR, SNAP TIGHT, BK		
11	VS1-8412-015		1	CONNECTOR, SNAP TIGHT, BL		
12	FC9-8072-000		1	PLATE, GROUNDING		
13	FC8-7404-000		1	CAP, WASTE TONER CASE		
14	FM4-1021-000		1	CABLE, MULTI RELAY		
15	FM4-1069-000		1	CABLE, MAIN, REAR UPPER		
16	FM4-1079-000		1	CABLE, FAN		

FIGURE 112
FRONT COVER ASS'Y, LOWER

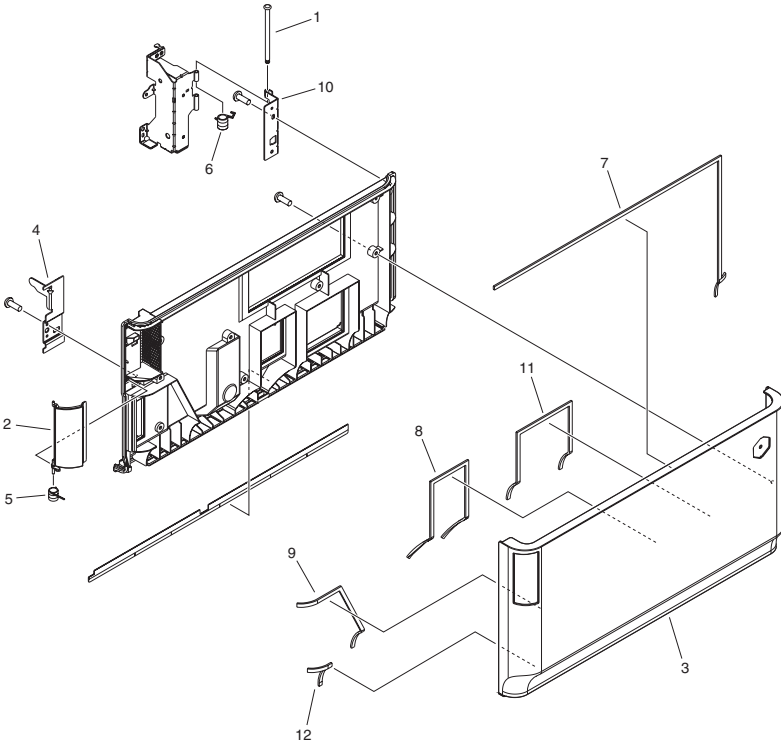


FIGURE & KEY NO.	PARTS NUMBER	R A N K	Q'TY	DESCRIPTION	SERIAL NUMBER/ REMARKS	S V C
Fig.112	FM4-0924-000		1	FRONT COVER ASS'Y, LOWER		
1	FB2-7867-030		1	SHAFT, HINGE		
2	FC8-9561-000		1	COVER, KNOB		
3	FC8-9562-000		1	PANEL, FRONT, LOWER		
4	FC8-9646-000		1	PLATE, COVER SWITCH, FRONT		
5	FU7-2709-000		1	SPRING, TORSION		
6	FU7-2710-000		1	SPRING, TORSION		
7	FC8-9639-000		1	SEAL, FRONT COVER, 1		
8	FC8-9641-000		1	SEAL, FRONT COVER, 3		
9	FC8-9642-000		1	SEAL, FRONT COVER, 4		
10	FC8-9647-000		1	SUPPORT, HINGE		
11	FC9-8850-000		1	SEAL, FRONT COVER, E		
12	FC9-6171-000		1	SEAL, FRONT COVER, 5		

FIGURE 113 RIGHT DOOR ASSEMBLY

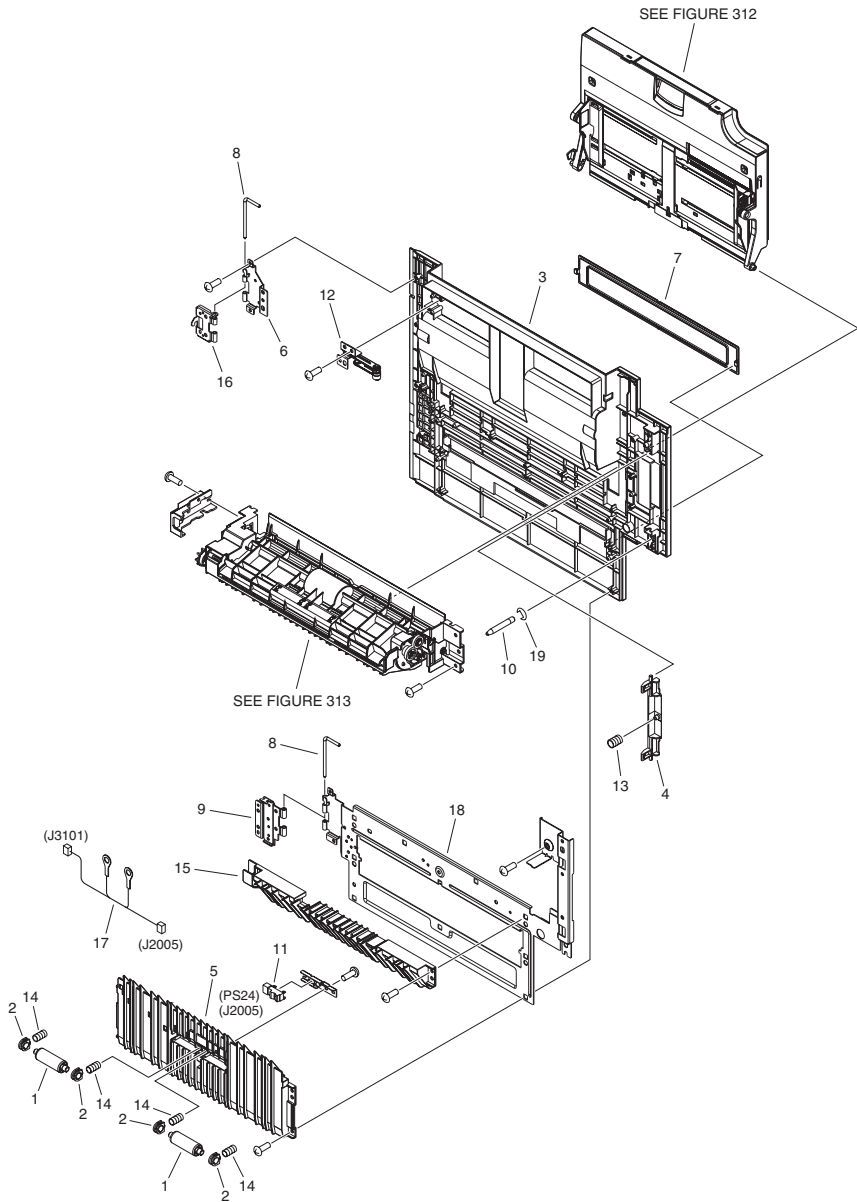


FIGURE & KEY NO.	PARTS NUMBER	RANK	Q'TY	DESCRIPTION	SERIAL NUMBER/REMARKS	SVC
Fig.113	NPN		RF	RIGHT DOOR ASSEMBLY		
1	FC7-7207-000		2	ROLLER, DRIVEN		
2	FC7-7209-000		4	BUSHING, VERTICAL ROLLER		
3	FC8-7290-000		1	COVER, RIGHT		
4	FC8-7291-000		1	LEVER, DOOR, RIGHT		
5	FC8-9349-000		1	GUIDE, RIGHT DOOR, LOWER		
6	FC8-9350-000		1	HINGE, DOOR, RIGHT		
7	FC8-9353-000		1	COVER, BLANKING		
8	FC8-9488-000		2	SHAFT, HINGE		
9	FC8-9679-000		1	HINGE, RIGHT DOOR, LOWER		
10	FC9-8806-000		1	PIN, DOOR, RIGHT		
11	FK2-6470-000		1	PHOTO-SENSOR, KUA0055C	PS24	
12	FM4-5320-000		1	LINK UNIT		
13	FU7-2696-000		1	SPRING, COMPRESSION		
14	FU8-2317-000		4	SPRING, COMPRESSION		
15	FC8-7293-000		1	GUIDE, UPPER		
16	FC8-9492-000		1	HINGE, UPPER		
17	FM4-1001-000		1	CABLE, SENSOR		
18	FL3-5779-000		1	PLATE, REINFORCEMENT		
19	XD9-0137-010		1	RING, E		

FIGURE 114 VERTICAL PATH ASSEMBLY

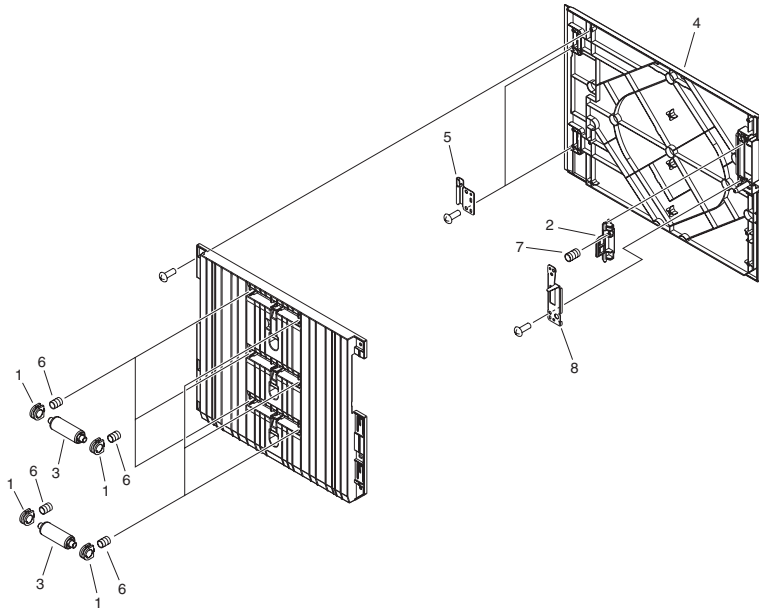
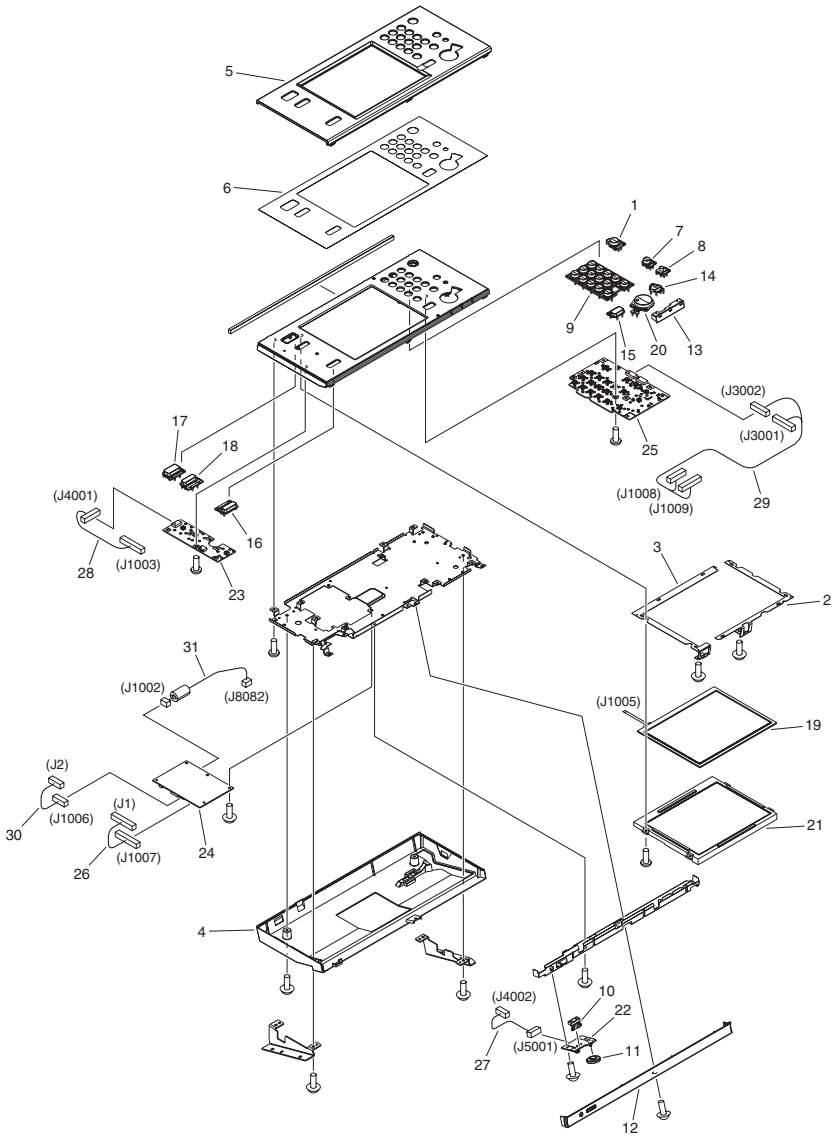


FIGURE & KEY NO.	PARTS NUMBER	R A N K	Q'TY	DESCRIPTION	SERIAL NUMBER/ REMARKS	S V C
Fig.114	FM4-0943-000		1	VERTICAL PATH ASSEMBLY		
1	FC7-7209-000		12	BUSHING, VERTICAL ROLLER		
2	FC8-2697-000		1	HOOK		
3	FC8-3782-000		6	ROLLER, PAPER FEED		
4	FC8-7347-000		1	COVER, VERTICAL PATH		
5	FC8-7348-000		2	HINGE		
6	FS7-2788-000		12	SPRING, COMPRESSION		
7	FU7-2341-000		1	SPRING, COMPRESSION		
8	FC8-7349-000		1	PLATE, DOOR SWITCH, RIGHT		

FIGURE 130 FLAT CONTROL PANEL ASSEMBLY

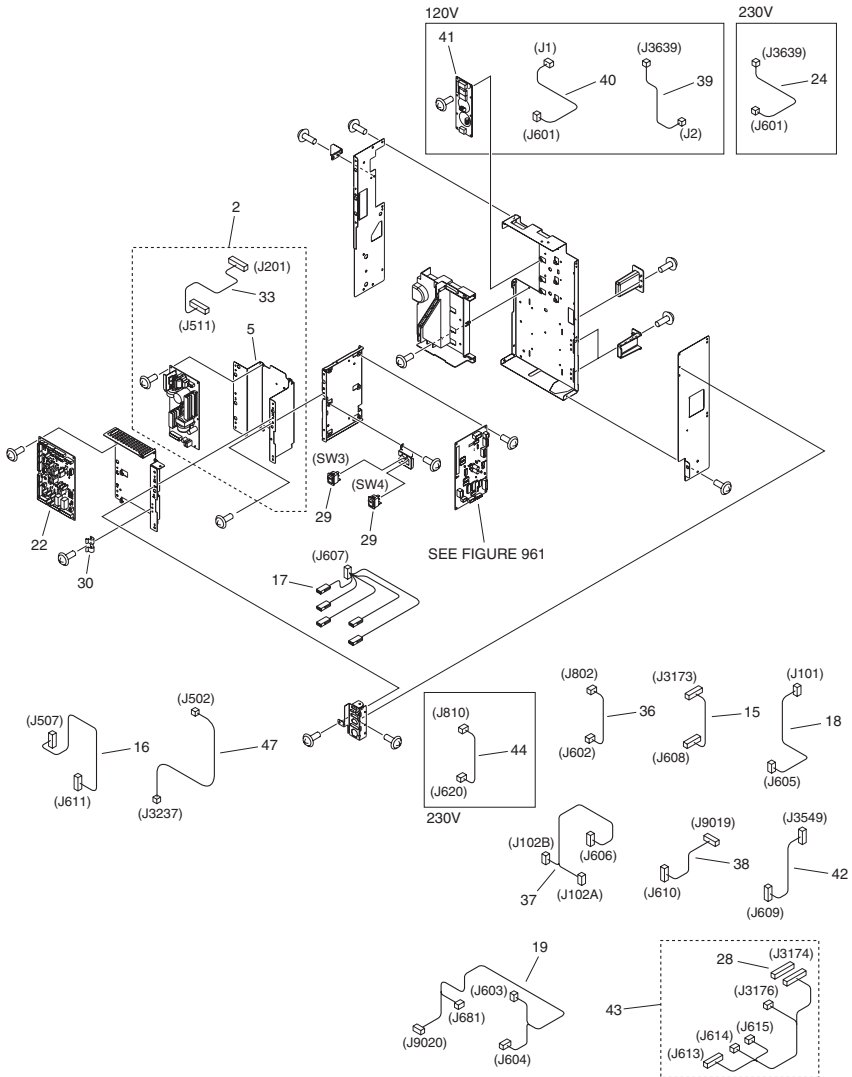


NOTE : This assembly does not include the part shown with key No. 6.
 注 : このユニットにKey No. 6の部品は含まれません。

FIGURE & KEY NO.	PARTS NUMBER	R A N K	Q'TY	DESCRIPTION	SERIAL NUMBER/ REMARKS	S V C
Fig.130	FM0-1155-000		1	FLAT CONTROL PANEL ASSEMBLY	SEE NOTE	
1	FC0-5153-000		1	KEY TOP, SLEEP		
2	FC0-6856-000		1	SHEET, ELECTROSTATIC, 1		
3	FC0-6857-000		1	SHEET, ELECTROSTATIC, 2		
4	FC0-6861-000		1	COVER, REAR		
5	FC0-6863-000		1	COVER, UPPER		
6	FE2-2145-000		1	SHEET, CONTROL PANEL ASS'Y	SEE NOTE iR-ADV 6275 EUR	
6	FE2-2146-000		1	SHEET, CONTROL PANEL ASS'Y	SEE NOTE iR-ADV 6265 EUR	
6	FE2-2147-000		1	SHEET, CONTROL PANEL ASS'Y	SEE NOTE iR-ADV 6255 EUR	
6	FE2-2157-000		1	SHEET, CONTROL PANEL ASS'Y	SEE NOTE iR-ADV 6275 EXCEPT EUR	
6	FE2-2158-000		1	SHEET, CONTROL PANEL ASS'Y	SEE NOTE iR-ADV 6265 EXCEPT EUR	
6	FE2-2159-000		1	SHEET, CONTROL PANEL ASS'Y	SEE NOTE iR-ADV 6255 EXCEPT EUR	
7	FC8-8649-000		1	KEY TOP, SETTINGS/REGISTRATION		
8	FC8-8655-000		1	KEY TOP, COUNTER CHECK		
9	FC8-8660-000		1	KEY TOP, NUMBERS		
10	FC8-8661-000		1	KEY TOP, VOLUME		
11	FC8-8662-000		1	KEY TOP, ADJUSTMENT BRIGHTNESS		
12	FC8-8669-000		1	COVER, BELT		
13	FC8-8670-000		1	COVER, LED		
14	FC9-9235-000		1	KEY TOP, STOP		
15	FC9-9237-000		1	KEY TOP, RESET		
16	FC9-9238-000		1	KEY TOP, CANCEL		
17	FC9-9239-000		1	KEY TOP, MAIN MENU		
18	FC9-9240-000		1	KEY TOP, PORTAL		
19	FK2-8477-000		1	TOUCH PANEL ASSEMBLY		
20	FL3-0833-000		1	KEY TOP, START		
21	FL3-7112-000		1	LCD		
22	FM4-1183-000		1	VOLUME PCB ASSEMBLY		
23	FM4-1195-000		1	KEY TOP PCB ASSEMBLY, SUB		

FIGURE & KEY NO.	PARTS NUMBER	RANK	Q'TY	DESCRIPTION	SERIAL NUMBER/REMARKS	SVC
24	FM4-9880-000		1	CPU PCB ASSEMBLY		
25	FM4-9881-000		1	KEY TOP PCB ASSEMBLY		
26	FM4-1178-000		1	CABLE, CONTROL PANEL LCD		
27	FM4-1181-000		1	CABLE, CONTROL PANEL VOLUME		
28	FM4-9877-000		1	CABLE, PANEL CPU SUB		
29	FM4-9878-000		1	CABLE, PANEL CPU TENKEY		
30	FM4-9879-000		1	CABLE, CPU-LCD PANEL		
31	FM4-9882-000		1	CABLE, CONTROL PANEL POWER		

FIGURE 140 POWER CORD TERMINAL ASS'Y



NOTE : This assembly does not include the parts shown with key No. 12.
 NOTE : This assembly includes the assemblies shown in Figure 961 and 962.
 注 : このユニットにKey No. 12の部品は含まれません。
 注 : このユニットはFigure 961, 962のユニットを含みます。

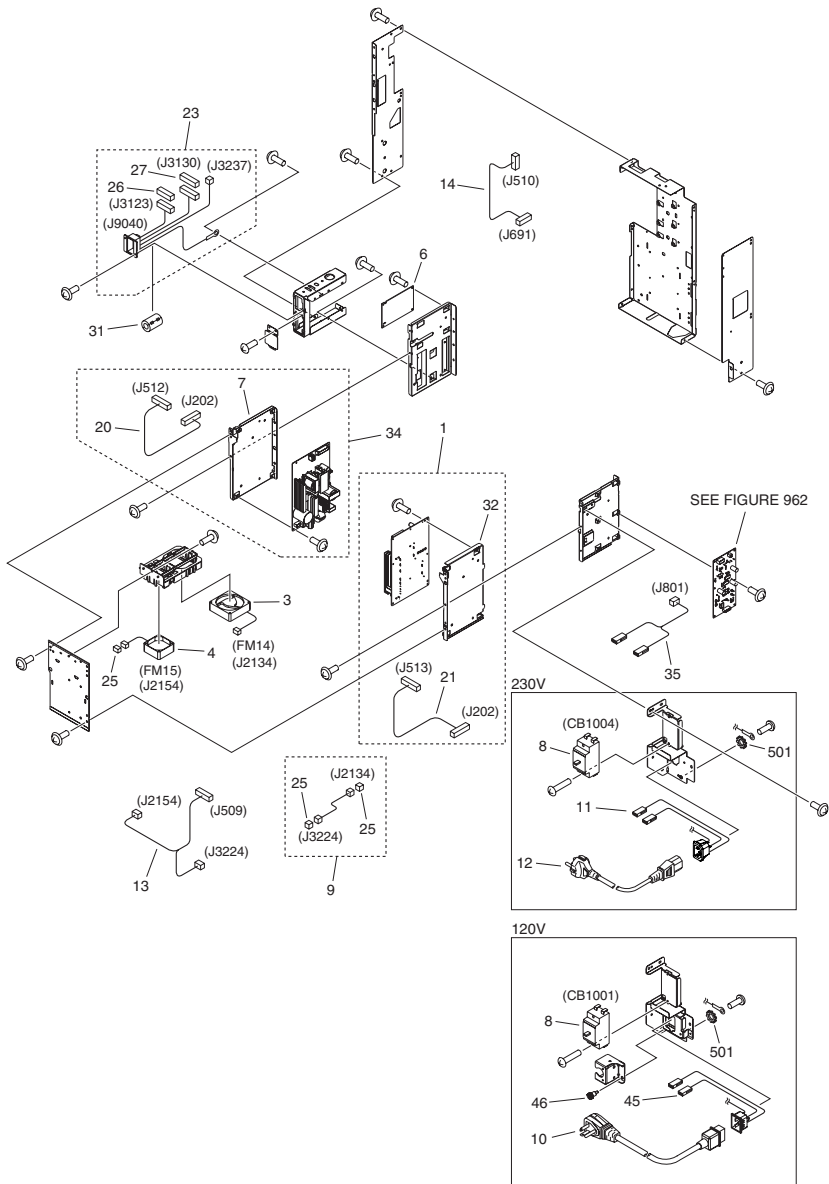


FIGURE & KEY NO.	PARTS NUMBER	R A N K	Q'TY	DESCRIPTION	SERIAL NUMBER/ REMARKS	S V C
Fig.140	FM0-3444-000		1	POWER CORD TERMINAL ASS'Y	SEE NOTE 120V	
Fig.140	FM0-3446-000		1	POWER CORD TERMINAL ASS'Y	SEE NOTE 230V	
1	FM0-4153-000		1	24V POWER SUPPLY ASS'Y, RIGHT		
2	FM0-4161-000		1	12V POWER SUPPLY ASS'Y		
3	FK2-0360-000		1	FAN	FM14	
4	FK2-2064-000		1	FAN	FM15	
5	FC9-5006-000		1	SUPPORT, 12V POWER SUPPLY		
6	FK3-1998-000		1	ALL NIGHT POWER SUPPLY PCB		
7	FC9-5008-000		1	SUPPORT, 24V POWER, LEFT		
8	FH7-7625-030		1	BREAKER, ELECTRIC LEAKAGE	230V CB1004	
8	FK2-7359-000		1	BREAKER, ELECTRIC LEAKAGE	120V CB1001	
9	FM3-9148-000		1	CABLE, POWER FAN		
10	FK3-2053-000		1	CORD, POWER SUPPLY, 120V	120V	
11	FL3-1269-000		1	CABLE, INLET	230V	
12	FK2-0146-000		1	CORD, POWER SUPPLY	SEE NOTE 230V	
13	FM3-9147-000		1	CABLE, POWER FAN		
14	FM3-9143-000		1	CABLE, ALL DAY POWER PCB ASS'Y		
15	FM3-9133-000		1	CABLE, AC DRUM		
16	FM3-9134-000		1	CABLE, AC DRUM RELAY		
17	FM3-9135-000		1	CABLE, ENVIRONMENT SWITCH		
18	FM3-9138-000		1	CABLE, AC 12V POWER SUPPLY		
19	FM3-9139-000		1	CABLE, ALL DAY POWER SUPPLY		
20	FM3-9145-000		1	CABLE, DC 24V, A		
21	FM3-9146-000		1	CABLE, DC 24V, B		
22	FM0-2963-000		1	RELAY PCB ASS'Y		
23	FM3-9140-000		1	CABLE, DECK CONNECTOR		
24	FM4-4315-000		1	CABLE, AC-IH	230V	
25	VS1-7177-003		3	CONNECTOR, SNAP TIGHT, BK		
26	VS1-7177-007		1	CONNECTOR, 7P, FEMALE, BK		
27	VS1-7177-008		1	CONNECTOR, SNAP TIGHT, BK		
28	VS1-8412-013		1	CONNECTOR, SNAP TIGHT, BL		
29	WC1-5179-000		2	SWITCH,TOGGLE	SW3,SW4	

FIGURE & KEY NO.	PARTS NUMBER	RANK	Q'TY	DESCRIPTION	SERIAL NUMBER/REMARKS	SVC
30	FC0-2113-000		1	PLATE, GROUNDING		
31	WE8-5780-000		1	CORE,FERRITE		
32	FC9-5007-000		1	SUPPORT, 24V POWER, RIGHT		
33	FM3-9144-000		1	CABLE, DC 12V		
34	FM0-4152-000		1	24V POWER SUPPLY ASS'Y, LEFT		
35	FM3-9130-000		1	CABLE, AC BREAKER		
36	FM3-9131-000		1	CABLE, AC FILTER/AC DRUM	120V	
36	FM0-2977-000		1	CABLE, AC FILTER/AC DRUM	230V	
37	FM3-9132-010		1	CABLE, AC MAIN		
38	FM4-1067-000		1	CABLE, CASSETTE HEATER		
39	FM3-9137-000		1	CABLE, AC CHOKE IH	120V	
40	FM3-9136-000		1	CABLE, AC CHOKE/AC DRUM	120V	
41	FM4-1103-000		1	CHOKE COIL ASS'Y	120V	
42	FM4-4316-000		1	CABLE, MAIN SWITCH		
43	FM4-1068-000		1	CABLE, SIGNAL		
44	FM0-2970-000		1	CABLE, AC FILTER/ADR	230V	
45	FL3-8340-000		1	CORD, POWER SUPPLY	120V	
46	FC0-9272-000		1	SCREW, COIN LOCK	120V	
47	FM3-9142-000		1	CABLE, DECK, DC		
501	XD1-4200-502		1	LOCK WASHER (SUS)		

FIGURE 250
MAIN DRIVE ASS'Y

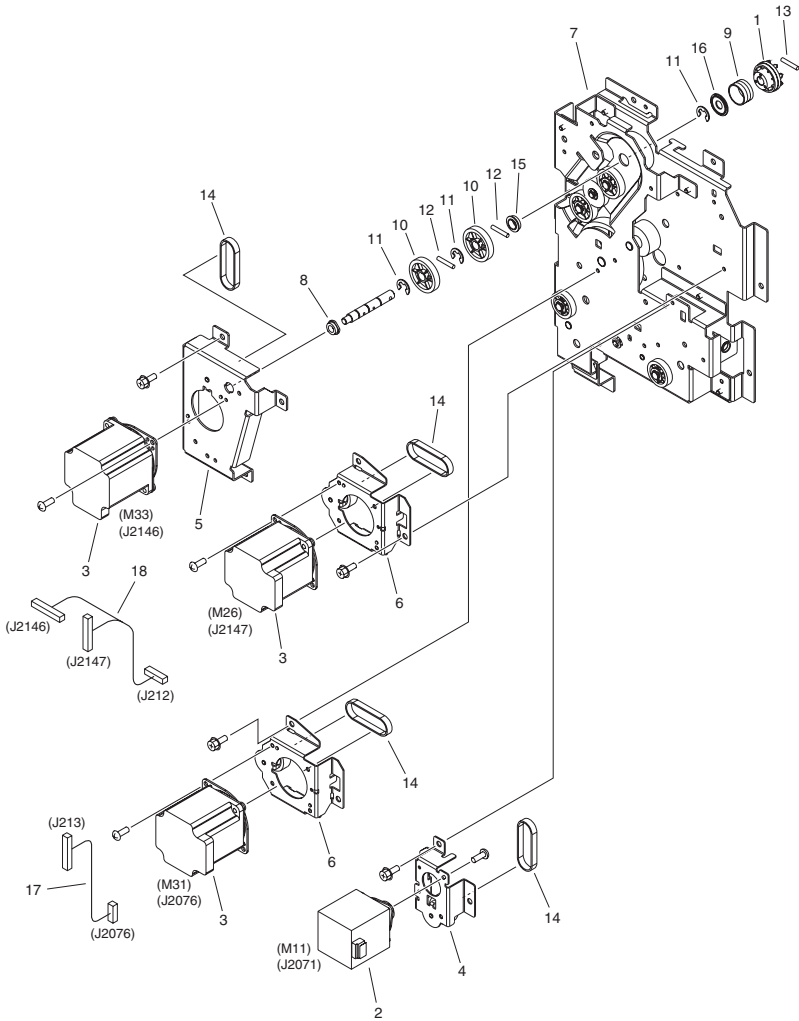


FIGURE & KEY NO.	PARTS NUMBER	R A N K	Q'TY	DESCRIPTION	SERIAL NUMBER/ REMARKS	S V C
Fig.250	NPN		RF	MAIN DRIVE ASSY		
1	FC9-9156-000		1	COUPLING		
2	FK2-7674-000		1	MOTOR, STEPPING, DC	M11	
3	FK2-7675-000		3	MOTOR, STEPPING, DC	M26,M31,M33	
4	FL3-0247-000		1	COVER, DRIVE ASS'Y		
5	FL3-0248-000		1	COVER, MULTI PRE-REG. DRIVE		
6	FL3-0255-000		2	COVER, DRIVE ASS'Y		
7	FM4-5154-000		1	MAIN DRIVE UNIT		
8	FS1-1508-000		1	BUSHING		
9	FS5-2925-000		1	SPRING, TORSION		
10	FU8-0334-000		2	GEAR, 36T		
11	XD9-0137-010		3	RING, E		
12	XD9-0290-000		2	PIN, PARALLEL		
13	XD9-0300-000		1	PIN, PARALLEL		
14	XF2-1606-260		4	BELT, TIMING, COGGED		
15	XG9-0709-000		1	BEARING, BALL, MF128ZZ-3		
16	FC9-5263-000		1	HOLDER, SPRING		
17	FM4-4319-000		1	CABLE, MOTOR		
18	FM4-1038-000		1	CABLE, REG. MOTOR		

FIGURE 260 V. PATH/CST. PICK-UP ASS'Y

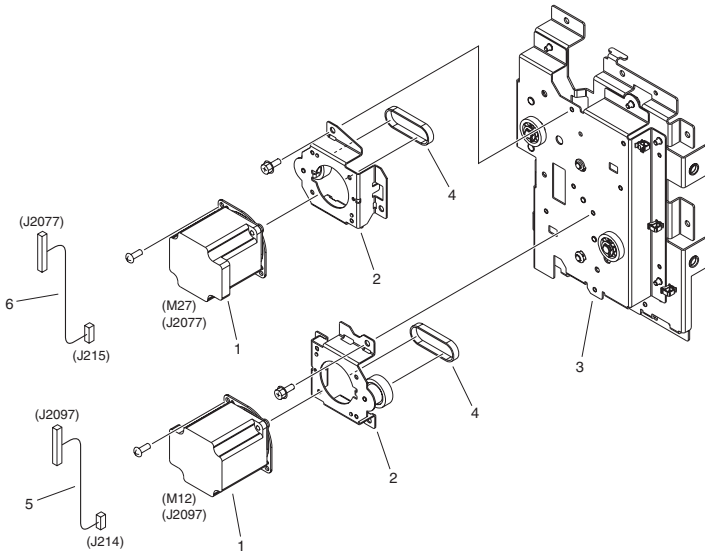


FIGURE & KEY NO.	PARTS NUMBER	R A N K	Q'TY	DESCRIPTION	SERIAL NUMBER/ REMARKS	S V C
Fig.260	FM3-7374-000		1	PAPER PICK-UP DRIVE ASSEMBLY		
1	FK2-7675-000		2	MOTOR, STEPPING, DC	M12,M27	
2	FL3-0255-000		2	COVER, DRIVE ASS'Y	M24	
3	FM4-5155-000		1	V.PATH/CST.PICK-UP DRIVE UNIT		
4	XF2-1606-260		2	BELT, TIMING, COGGED		
5	FM4-1039-000		1	CABLE, CASSETTE MOTOR		
6	FM4-4319-000		1	CABLE, MOTOR		

FIGURE 261 LEFT DECK PICK-UP DRIVE ASS'Y

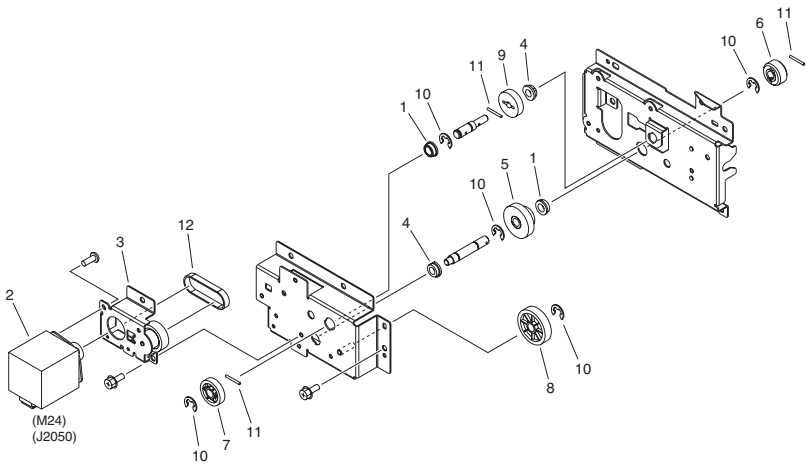


FIGURE & KEY NO.	PARTS NUMBER	RANK	Q'TY	DESCRIPTION	SERIAL NUMBER/REMARKS	SVC
Fig.261	FM4-0947-000		1	LEFT DECK PICK-UP DRIVE ASS'Y		
1	XG9-0737-000		2	BUSHING		
2	FK2-7674-000		1	MOTOR, STEPPING, DC		
3	FL3-0247-000		1	COVER, DRIVE ASS'Y		
4	FS1-1508-000		2	BUSHING		
5	FU5-0204-000		1	GEAR, 30T		
6	FU5-0266-000		1	GEAR, 20T		
7	FU8-0335-000		1	GEAR, 28T		
8	FU8-0908-000		1	GEAR, 33T		
9	FU9-0050-000		1	GEAR, 23T		
10	XD9-0137-010		5	RING, E		
11	XD9-0290-000		3	PIN, PARALLEL		
12	XF2-1606-260		1	BELT, TIMING, COGGED		

FIGURE 270 DRUM DRIVE ASS'Y

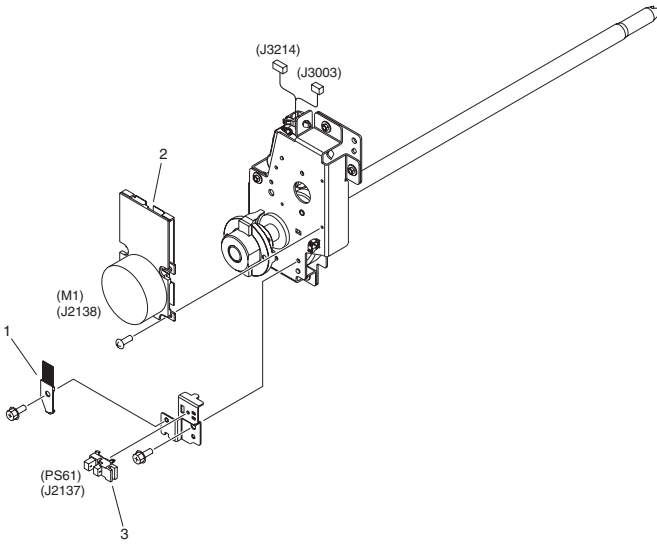


FIGURE & KEY NO.	PARTS NUMBER	RANK	QTY	DESCRIPTION	SERIAL NUMBER/REMARKS	SVC
Fig.270	FM4-0904-000		1	DRUM DRIVE ASS'Y		
1	FC6-9029-000		1	BRUSH, GROUNDING		
2	FK2-7671-000		1	MOTOR, DC	M1	
3	WG8-5848-000		1	IC, PHOTO-INTERRUPTER	PS61	

FIGURE 271
DEVELOPING DRIVE ASS'Y

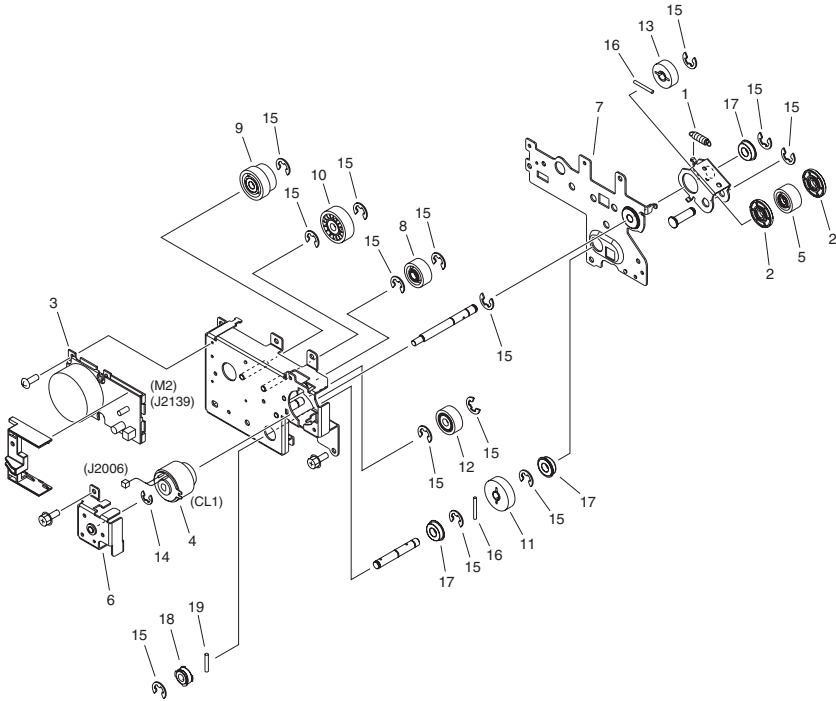


FIGURE & KEY NO.	PARTS NUMBER	RANK	Q'TY	DESCRIPTION	SERIAL NUMBER/REMARKS	SVC
Fig.271	FM3-7386-000		1	DEVELOPING DRIVE ASSY		
1	FC8-7125-000		1	SPRING, TENSION		
2	FC8-9495-000		2	ROLLER		
3	FK2-7667-000		1	MOTOR, DC	M2	
4	FK2-7684-000		1	CLUTCH, ELECTROMAGNETIC	CL1	
5	FL3-2169-000		1	GEAR, 29T		
6	FL3-2806-000		1	SUPPORT, CLUTCH		
7	FL3-2807-000		1	PLATE, DEVELOPING DRIVE, 1		
8	FL3-3869-000		1	GEAR, 30T		
9	FL3-4560-000		1	GEAR, 50T/32T		
10	FL3-4575-000		1	GEAR, 40T		
11	FU5-0236-000		1	GEAR, 38T		
12	FU6-0562-000		1	GEAR, 30T		
13	FU6-0603-000		1	GEAR, 30T		
14	XD9-0136-000		1	RING, E		
15	XD9-0137-010	AR		RING, E		
16	XD9-0292-000		2	PIN, PARALLEL		
17	XG9-0508-000		3	BEARING, BALL, F688ZZ		
18	FU9-0157-000		1	PULLEY, 28T		
19	XD9-0289-000		1	PIN, PARALLEL		

FIGURE 280 DELIVERY REVERSE DRIVE ASS'Y

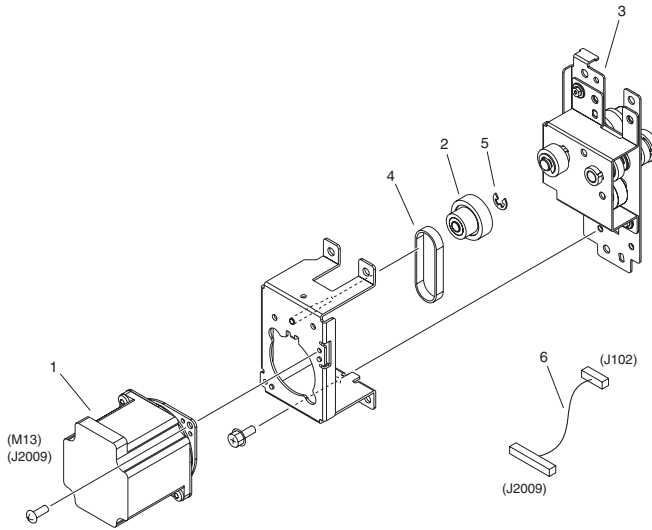


FIGURE & KEY NO.	PARTS NUMBER	RANK	Q'TY	DESCRIPTION	SERIAL NUMBER/REMARKS	SVC
Fig.280	NPN		RF	DELIVERY REVERSE DRIVE ASS'Y		
1	FK2-7675-000		1	MOTOR, STEPPING, DC	M13	
2	FL3-2819-000		1	GEAR, 30T/PULLEY, 28T		
3	FM4-5138-000		1	DELIVERY REVERSE DRIVE UNIT		
4	XF2-1606-260		1	BELT, TIMING, COGGED		
5	XD9-0135-000		1	RING, E		
6	FM4-4319-000		1	CABLE, MOTOR		

FIGURE 300 CASSETTE ASSEMBLY

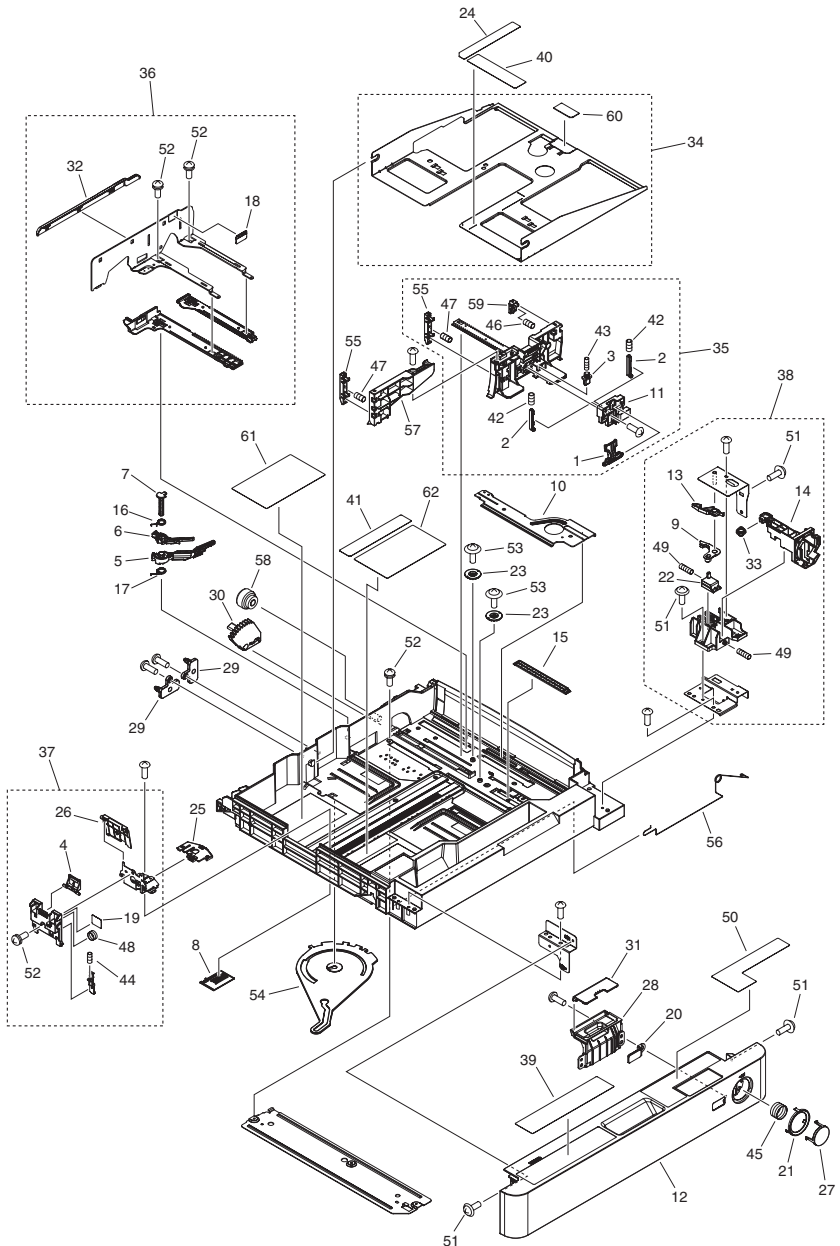


FIGURE & KEY NO.	PARTS NUMBER	R A N K	Q'TY	DESCRIPTION	SERIAL NUMBER/ REMARKS	S V C
Fig.300	FM3-4746-010		2	CASSETTE ASSEMBLY		
1	FC8-2462-000		1	KNOB, PAPER SIDE END		
2	FC8-2463-000		2	STOPPER		
3	FC8-2464-000		1	PLATE, CLICK		
4	FC8-2466-000		1	LEVER		
5	FC8-2469-000		1	DIAL, DETECT, SMALL		
6	FC8-2470-000		1	DIAL, DETECT, LARGE		
7	FC8-2474-000		1	SHAFT, SUPPORT		
8	FC8-2475-000		1	PLATE, JOINT		
9	FC8-2477-000		1	ARM, LOCK, A		
10	FC8-2482-000		1	PLATE, LIFTER		
11	FC8-2484-000		1	COVER, HANDLE		
12	FC8-2495-000		1	COVER, CASSETTE, FRONT		
13	FC8-2667-000		1	ARM, LOCK, B		
14	FC8-2668-000		1	LINK, BUTTON, UPPER		
15	FC8-2670-000		1	PLATE, FREE STOP		
16	FC8-2671-000		1	SPRING, TORSION		
17	FC8-2672-000		1	SPRING, TORSION		
18	FC8-4964-010		1	LABEL, HEIGHT LIMIT, S		
19	FC8-4965-000		1	LABEL, HEIGHT LIMIT, R		
20	FC8-4967-000		1	WINDOW, CST FR. COVER IND.		
21	FC8-4968-000		1	RING, BUTTON		
22	FC8-4987-000		1	LINK, BUTTON, LOWER		
23	FC8-4990-000		2	GEAR, 14T		
24	FC8-4994-000		1	LABEL, SIZE INDEX, END		
25	FC8-4996-000		1	COVER, TOP		
26	FC8-4997-000		1	FLAPPER		
27	FC8-9049-000		1	BUTTON, PUSHING		
28	FC9-0136-000		1	HOLDER, SIZE INDEX		
29	FC9-3831-000		2	PIN, SIZE DETECT		
30	FC9-3962-000		1	GEAR, 50T		
31	FC9-4042-000		1	COVER, SIZEPLATE		

FIGURE & KEY NO.	PARTS NUMBER	R A N K	Q'TY	DESCRIPTION	SERIAL NUMBER/ REMARKS	S V C
32	FC0-2781-000		1	COVER, PAPER SIDE END		
33	FC9-7261-000		1	ROLLER, LINK		
34	FL2-8638-000		1	PLATE, LIFTING		
35	FM4-5709-010		1	SIDE END PLATE ASSEMBLY, FRONT		
36	FM3-8906-010		1	SIDE END PLATE ASSEMBLY, REAR		
37	FM3-8907-000		1	BACK END LIMIT PLATE ASSEMBLY		
38	FM3-9989-000		1	BUTTON LINK MOUNT ASSEMBLY		
39	FU6-8534-000		1	LABEL, PAPER SET		
40	FU6-8538-000		1	LABEL, SIZE INDEX, SIDE		
41	FU6-8539-000		1	LABEL, SIZE INDEX, BACK END		
42	FU7-2326-000		2	SPRING, COMPRESSION		
43	FU7-2327-000		1	SPRING, COMPRESSION		
44	FU7-2328-000		1	SPRING, COMPRESSION		
45	FU7-2386-000		1	SPRING, COMPRESSION		
46	FU7-2513-000		1	SPRING, COMPRESSION		
47	FU7-2514-000		2	SPRING, COMPRESSION		
48	FU7-2515-000		1	SPRING, COMPRESSION		
49	FU7-2518-000		2	SPRING, COMPRESSION		
50	FU7-8272-000		1	LABEL, CASSETTE SIZE CAUTION		
51	XA9-0926-000		AR	SCREW, TP, M4X8		
52	XA9-1016-000		AR	SCREW W/WASHER, M3X6		
53	XA9-1523-000		2	SCREW, B, M4X8		
54	FC8-2476-000		1	LINK, BACK END DETECT		
55	FC8-5262-000		2	BLOCK, PAPER SIDE END, LARGE		
56	FC8-9051-000		1	SPRING, GROUNDING		
57	FC9-0133-000		1	PLATE,PAPER SIDE END EXTENSION		
58	FC9-3785-000		1	COUPLING		
59	FM3-8911-000		1	BLOCK, PAPER SIDE END, SMALL		
60	FB6-3499-000		1	SHEET, SEPARATION		
61	FU6-8535-000		1	LABEL, TAB PAPER SET, 1		
62	FU6-8536-000		1	LABEL, TAB PAPER SET, 2		

FIGURE 301 CST. SIZE/REMNANT DETECT ASS'Y

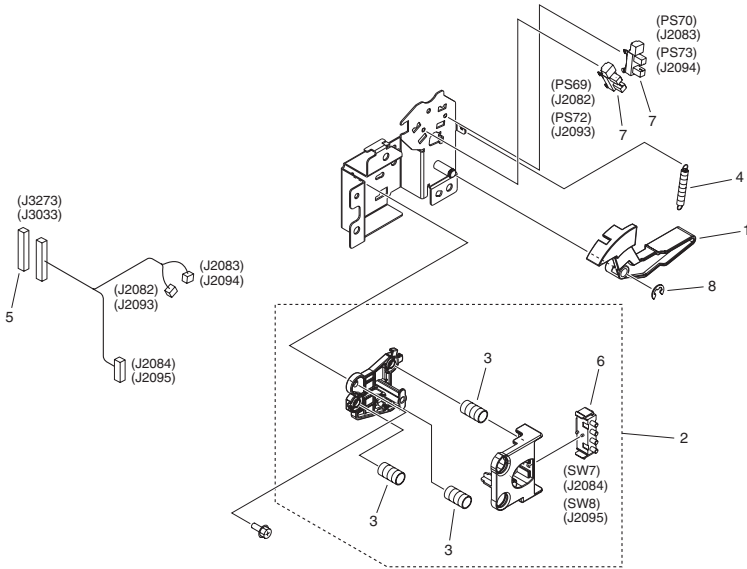


FIGURE & KEY NO.	PARTS NUMBER	R A N K	Q'TY	DESCRIPTION	SERIAL NUMBER/ REMARKS	S V C
Fig.301	FM4-0929-000		2	CST. SIZE/REMNANT DETECT ASS'Y		
1	FC8-2487-000		1	ARM, REMNANT DETECT		
2	FM3-4932-000		1	SWITCH HOLDER UNIT		
3	FU7-2332-000		3	SPRING, COMPRESSION		
4	FU7-2333-000		1	SPRING, TENSION		
5	VS1-8412-011		1	CONNECTOR, SNAP TIGHT, BL		
6	WC2-5680-000		1	SWITCH, DETECT PUSH	SW7,SW8	
7	WG8-5848-000		2	IC, PHOTO-INTERRUPTER	PS69,PS70,PS72,PS73	
8	XD9-0136-000		1	RING, E		

FIGURE 302 DECK REMNANT DETECT ASS'Y

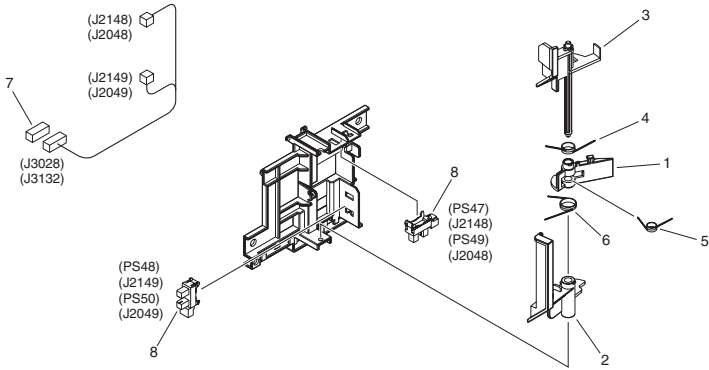


FIGURE & KEY NO.	PARTS NUMBER	R A N K	Q'TY	DESCRIPTION	SERIAL NUMBER/ REMARKS	S V C
Fig.302	FM4-0931-000		2	DECK REMNANT DETECT ASS'Y		
1	FC9-3963-000		1	FLAG, PRESENCE		
2	FC9-3964-000		1	FLAG, REMNANT DETECT, 1		
3	FC9-3965-000		1	FLAG, REMNANT DETECT, 2		
4	FC9-3966-000		1	SPRING, TORSION		
5	FC9-3967-000		1	SPRING, TORSION		
6	FC9-3968-000		1	SPRING, TORSION		
7	VS1-8412-007		1	CONNECTOR, SNAP TIGHT, BL		
8	WG8-5848-000		2	IC, PHOTO-INTERRUPTER	PS47,PS48,PS49,PS50	

FIGURE 303 CASSETTE SIZE DETECT ASS'Y

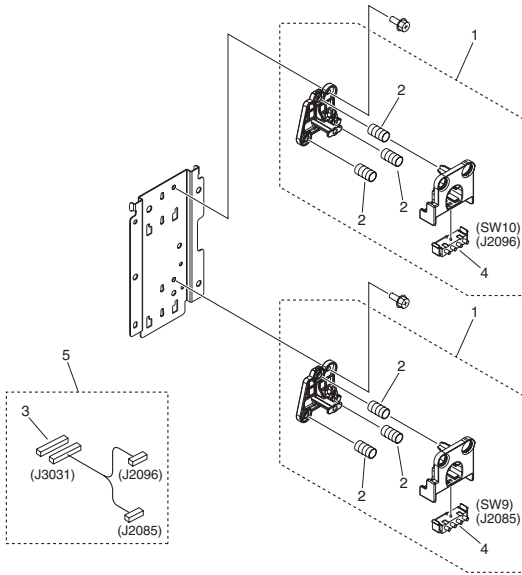


FIGURE & KEY NO.	PARTS NUMBER	RANK	Q'TY	DESCRIPTION	SERIAL NUMBER/REMARKS	SVC
Fig.303	NPN		RF	CASSETTE SIZE DETECT ASS'Y		
1	FM3-4932-000		2	SWITCH HOLDER UNIT		
2	FU7-2332-000		6	SPRING, COMPRESSION		
3	VS1-8412-013		1	CONNECTOR, SNAP TIGHT, BL		
4	WC2-5680-000		2	SWITCH, DETECT PUSH	SW9,SW10	
5	FM4-1044-000		1	CABLE, CASSETTE LENGTH SENSING		

FIGURE 304 PAPER STOCK ASS'Y, RIGHT

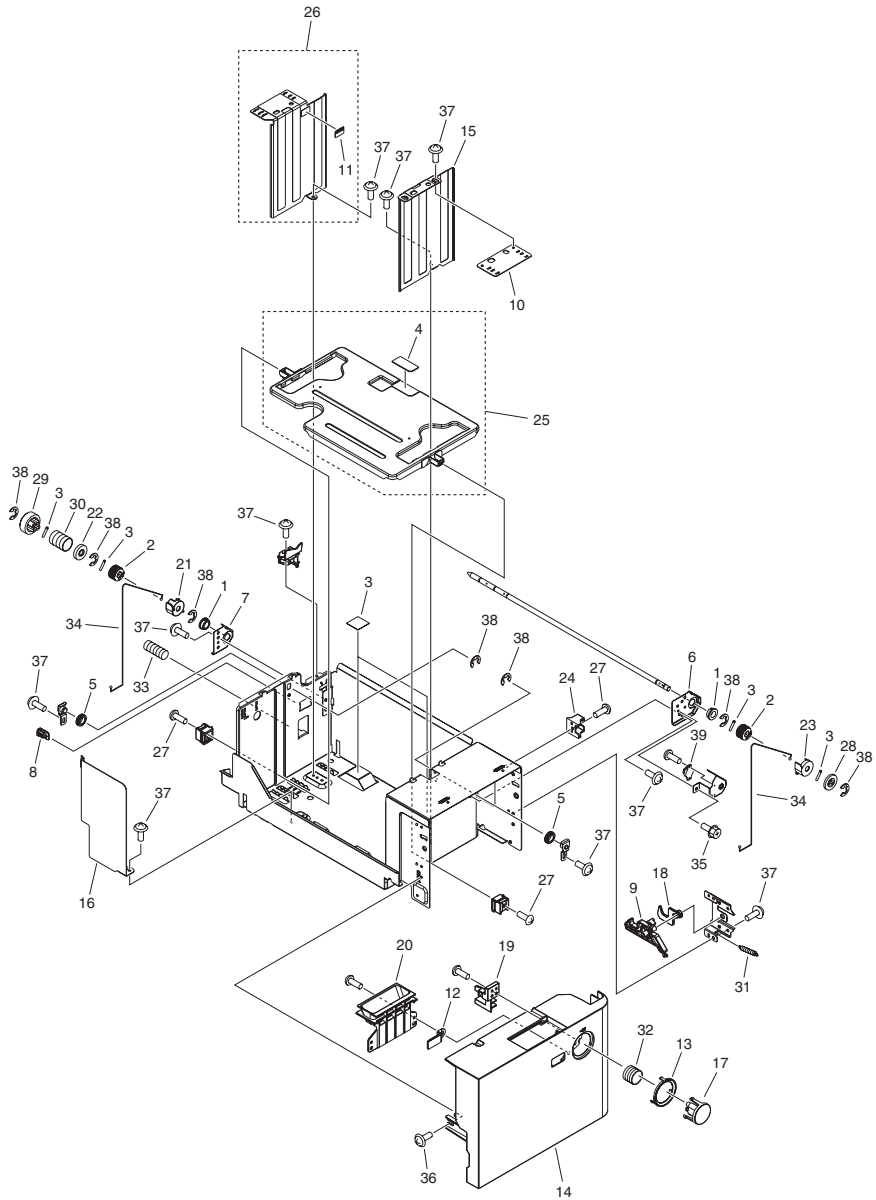


FIGURE & KEY NO.	PARTS NUMBER	R A N K	Q'TY	DESCRIPTION	SERIAL NUMBER/ REMARKS	S V C
Fig.304	FM4-0939-000		1	PAPER STOCK ASS'Y, RIGHT		
1	XG9-0737-000		2	BUSHING		
2	FB2-8465-000		2	PULLEY, LIFTING		
3	XD9-0289-000		4	PIN, PARALLEL		
4	FB6-3499-000		1	SHEET, SEPARATION		
5	FC5-2609-000		2	PULLEY		
6	FC6-3762-000		1	SUPPORT, SHAFT, FRONT		
7	FC6-3763-000		1	SUPPORT,SHAFT,REAR		
8	FC6-9969-000		1	SLIDER, RACK		
9	FC8-2527-000		1	HOOK		
10	FC8-2533-000		1	PLATE, PAPER SIDE END ADJUST		
11	FC8-4964-010		1	LABEL, HEIGHT LIMIT, S		
12	FC8-4967-000		1	WINDOW, CST FR. COVER IND.		
13	FC8-4968-000		1	RING, BUTTON		
14	FC8-7353-000		1	COVER, DECK FRONT, RIGHT		
15	FC8-7356-000		1	PLATE, PAPER SIDE END, FRONT		
16	FC8-7358-000		1	PLATE, BACK END LIMIT		
17	FC8-9050-000		1	BUTTON, DECK PUSHING		
18	FC8-9053-000		1	HOOK, SECOND, RIGHT		
19	FC8-9054-000		1	LINK, RIGHT		
20	FC9-3892-000		1	HOLDER, DECK SIZE INDEX		
21	FC9-3989-000		1	FLANGE, LIFT		
22	FC9-4119-000		1	STOPPER, COUPLING		
23	FC9-8565-000		1	FLANGE, LIFT		
24	FC9-9359-000		1	BLOCK, POSITIONING		
25	FL3-0237-000		1	PLATE, LIFTER		
26	FL3-0238-000		1	PLATE, PAPER SIDE END, REAR		
27	XA9-1934-000		3	SCREW, M4X4		
28	FU0-0078-000		1	GEAR, 27T		
29	FS4-0160-000		1	GEAR, 28T		
30	FS4-2136-000		1	SPRING, COMPRESSION		
31	FU7-2368-000		1	SPRING, TENSION		

FIGURE & KEY NO.	PARTS NUMBER	RANK	Q'TY	DESCRIPTION	SERIAL NUMBER/REMARKS	SVC
32	FU7-2387-000		1	SPRING, COMPRESSION		
33	FU8-2361-000		1	SPRING, COMPRESSION		
34	FC0-2206-000		2	WIRE		
35	XA9-0732-010		1	SCREW,RS,M4X8		
36	XA9-1249-010		4	SCREW,TP M4X8		
37	XA9-1450-000		AR	SCREW, TP, M4X6		
38	XD9-0137-010		7	RING, E		
39	XH9-0148-000		1	DAMPER, OIL		

FIGURE 305 PAPER STOCK ASS'Y, LEFT

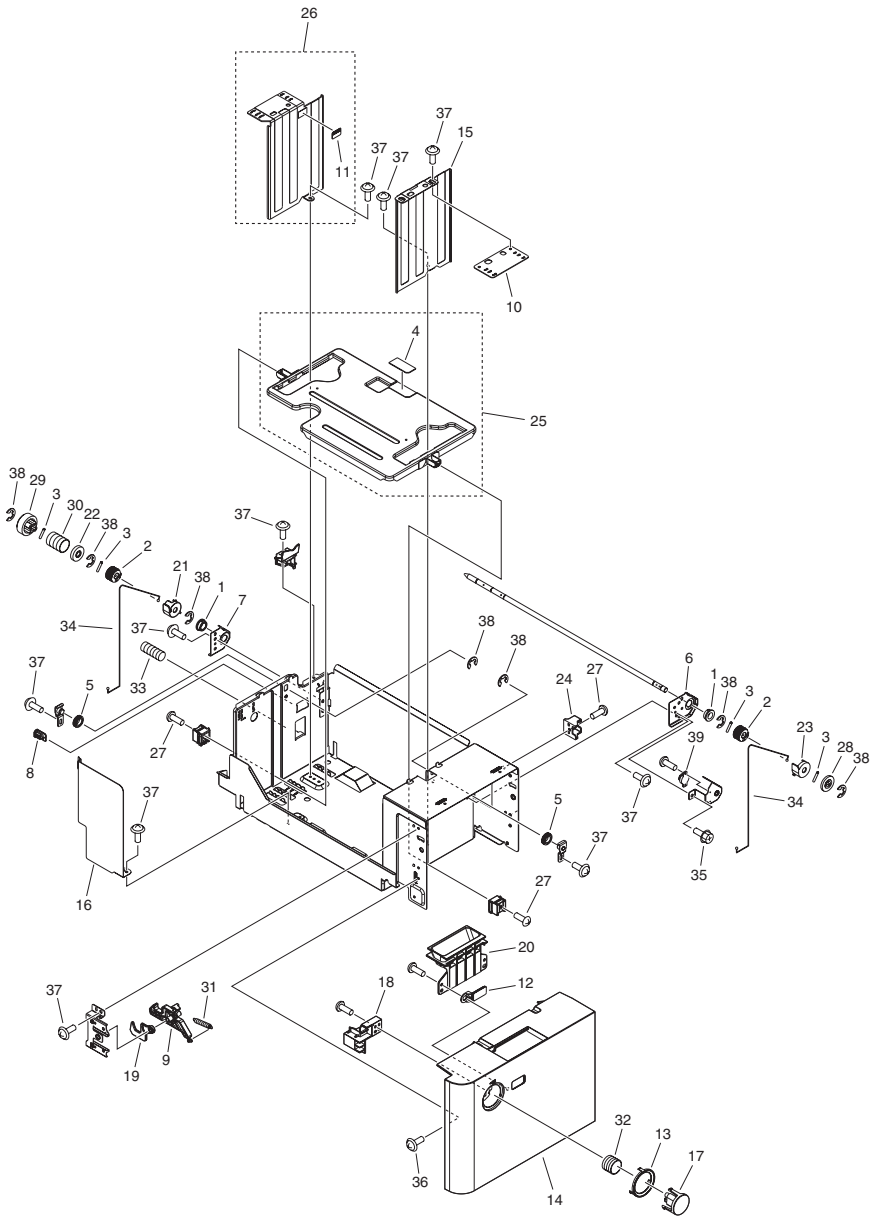


FIGURE & KEY NO.	PARTS NUMBER	R A N K	Q'TY	DESCRIPTION	SERIAL NUMBER/ REMARKS	S V C
Fig.305	FM4-0937-000		1	PAPER STOCK ASS'Y, LEFT		
1	XG9-0737-000		2	BUSHING		
2	FB2-8465-000		2	PULLEY, LIFTING		
3	XD9-0289-000		4	PIN, PARALLEL		
4	FB6-3499-000		1	SHEET, SEPARATION		
5	FC5-2609-000		2	PULLEY		
6	FC6-3762-000		1	SUPPORT, SHAFT, FRONT		
7	FC6-3763-000		1	SUPPORT,SHAFT,REAR		
8	FC6-9969-000		1	SLIDER, RACK		
9	FC8-2527-000		1	HOOK		
10	FC8-2533-000		1	PLATE, PAPER SIDE END ADJUST		
11	FC8-4964-010		1	LABEL, HEIGHT LIMIT, S		
12	FC8-4967-000		1	WINDOW, CST FR. COVER IND.		
13	FC8-4968-000		1	RING, BUTTON		
14	FC8-7354-000		1	COVER, DECK FRONT, LEFT		
15	FC8-7356-000		1	PLATE, PAPER SIDE END, FRONT		
16	FC8-7358-000		1	PLATE, BACK END LIMIT		
17	FC8-9050-000		1	BUTTON, DECK PUSHING		
18	FC9-3775-000		1	LINK, LEFT		
19	FC8-9055-000		1	HOOK, SECOND, LEFT		
20	FC9-3892-000		1	HOLDER, DECK SIZE INDEX		
21	FC9-3989-000		1	FLANGE, LIFT		
22	FC9-4119-000		1	STOPPER, COUPLING		
23	FC9-8565-000		1	FLANGE, LIFT		
24	FC9-9359-000		1	BLOCK, POSITIONING		
25	FL3-0237-000		1	PLATE, LIFTER		
26	FL3-0238-000		1	PLATE, PAPER SIDE END, REAR		
27	XA9-1934-000		3	SCREW, M4X4		
28	FU0-0078-000		1	GEAR, 27T		
29	FS4-0160-000		1	GEAR, 28T		
30	FS4-2136-000		1	SPRING, COMPRESSION		
31	FU7-2368-000		1	SPRING, TENSION		

FIGURE & KEY NO.	PARTS NUMBER	RANK	Q'TY	DESCRIPTION	SERIAL NUMBER/REMARKS	SVC
32	FU7-2387-000		1	SPRING, COMPRESSION		
33	FU8-2361-000		1	SPRING, COMPRESSION		
34	FC0-2206-000		2	WIRE		
35	XA9-0732-010		1	SCREW,RS,M4X8		
36	XA9-1249-010		4	SCREW,TP M4X8		
37	XA9-1450-000		AR	SCREW, TP, M4X6		
38	XD9-0137-010		7	RING, E		
39	XH9-0148-000		1	DAMPER, OIL		

FIGURE 310 PAPER PICK-UP ASS'Y, RIGHT

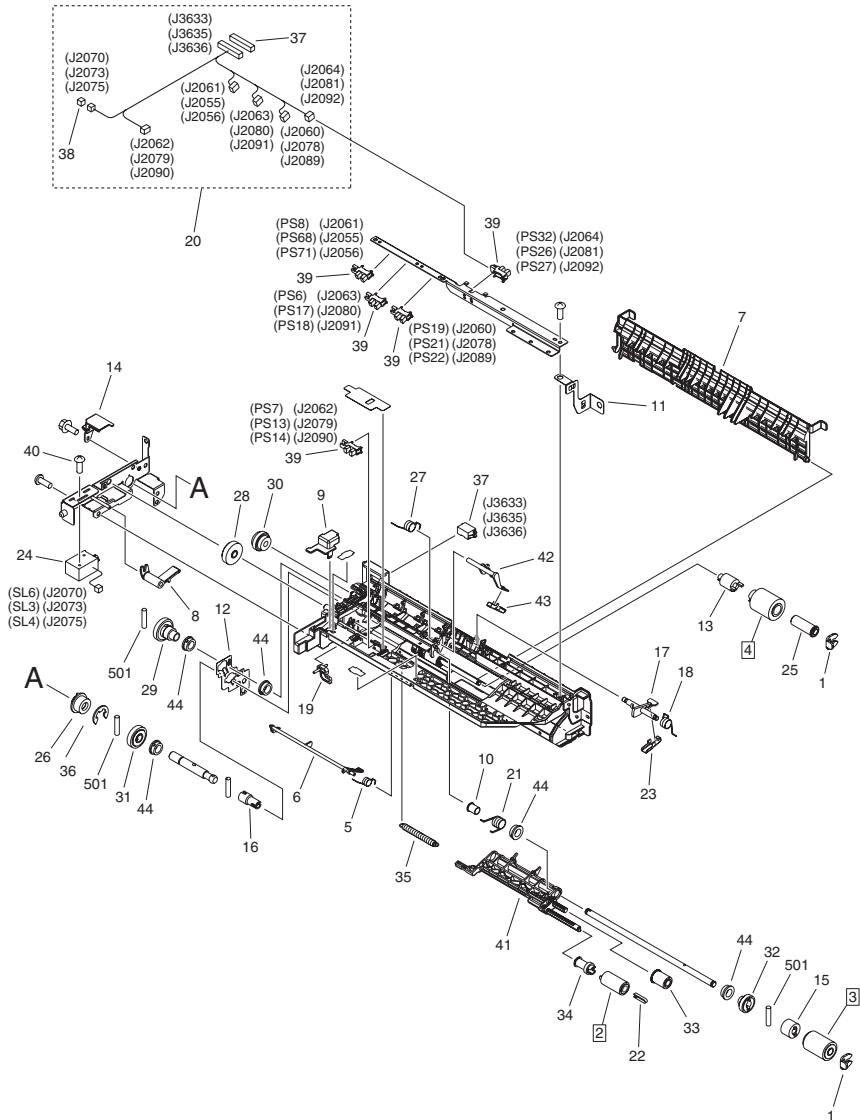


FIGURE & KEY NO.	PARTS NUMBER	R A N K	Q'TY	DESCRIPTION	SERIAL NUMBER/ REMARKS	S V C
Fig.310	FM0-3209-000		3	PAPER PICK-UP ASS'Y, RIGHT		
1	FB4-2007-000		2	RING, RETAINING		
2	FC5-2524-000		1	ROLLER, PAPER PICK-UP	[DP]	
3	FC5-2526-000		1	ROLLER, PAPER FEEDER	[DP]	
4	FC5-2528-000		1	ROLLER, SEPARATION	[DP]	
5	FC9-8060-000		1	SPRING, TORSION		
6	FC5-2537-010		1	LEVER, PAPER SENSOR		
7	FC5-2538-000		1	GUIDE, SWING		
8	FC5-2540-000		1	ARM, PICK-UP		
9	FC5-2547-000		1	COVER, SOLENOID CABLE		
10	FC5-2548-000		1	COLLAR, SPRING		
11	FC5-2573-000		1	PLATE, GROUNDING		
12	FC5-6211-000		1	PLATE, SHAFT GROUNDING, FEEDER		
13	FC0-8737-000		1	LIMITER, TORQUE		
14	FC5-6260-000		1	COVER, CONNECTOR		
15	FC6-3863-000		1	CLUTCH, ONE-WAY		
16	FC6-4358-000		1	JOINT, RETARD		
17	FC8-7812-000		1	FLAG, VERTICAL PATH SENSOR		
18	FC8-7813-000		1	SPRING, TORSION		
19	FC8-9045-000		1	ARM, RELEASE, PAPER PICK-UP		
20	FM4-1078-000		1	CABLE, PAPER PICK-UP ASS'Y		
21	FC8-9047-000		1	SPRING, TORSION		
22	FC7-5845-000		1	STOPPER, ROLLER		
23	FC9-3970-000		1	PLATE, V. PATH SENSOR FLAG		
24	FL3-4906-000		1	SOLENOID	SL3,SL4,SL6	
25	FL3-7179-000		1	HOLDER, BEARING		
26	FL3-2254-000		1	CLUTCH, ONE-WAY		
27	FC5-2542-000		1	SPRING, TORSION		
28	FU5-0183-000		1	GEAR, 30T		
29	FU5-0184-000		1	GEAR, 16T/25T		
30	FU5-0185-000		1	GEAR, 18T/32T		
31	FU5-0186-000		1	GEAR, 24T		

FIGURE & KEY NO.	PARTS NUMBER	R A N K	Q'TY	DESCRIPTION	SERIAL NUMBER/ REMARKS	S V C
32	FU5-0187-000		1	GEAR, 50T	PS6,PS7,PS8,PS13,PS14,PS17,PS18,PS19,PS21,PS22,PS26,PS27,PS32,PS68,PS71	
33	FU5-0188-000		1	GEAR, 34T		
34	FU5-0263-000		1	GEAR, 32T		
35	FU5-2162-000		1	SPRING, TENSION		
36	XD9-0137-010		1	RING, E		
37	VS1-8412-017		2	CONNECTOR, SNAP TIGHT, BL		
38	VS1-7177-002		1	CONNECTOR, SNAP TIGHT, BK		
39	WG8-5848-000		5	IC, PHOTO-INTERRUPTER		
40	XA9-1659-000		2	SCREW,M3X4		
41	FC8-7809-000		1	HOLDER, ROLLER SUPPORT		
42	FC5-2535-000		1	FLAG, PAPER PICK-UP SENSOR		
43	FC9-3969-000		1	PLATE, PICK-UP SENSOR FLAG		
44	XG9-0737-000		5	BUSHING		
501	XD3-2300-142		3	PIN, DOWEL		

FIGURE 311
PAPER PICK-UP ASS'Y, LEFT

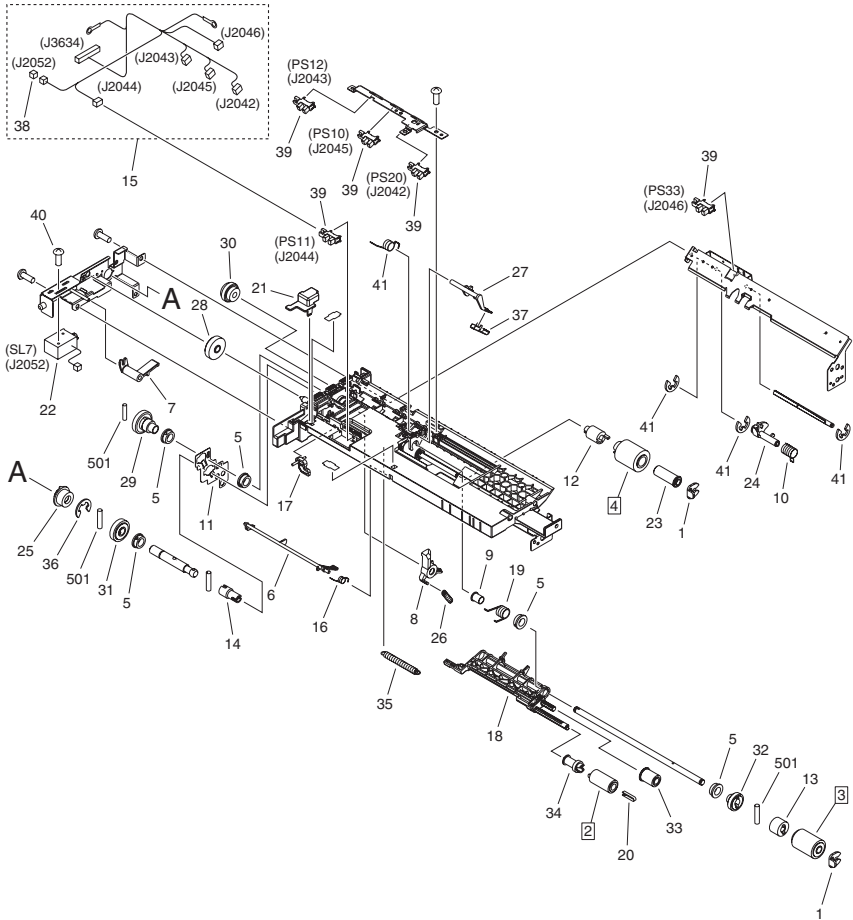
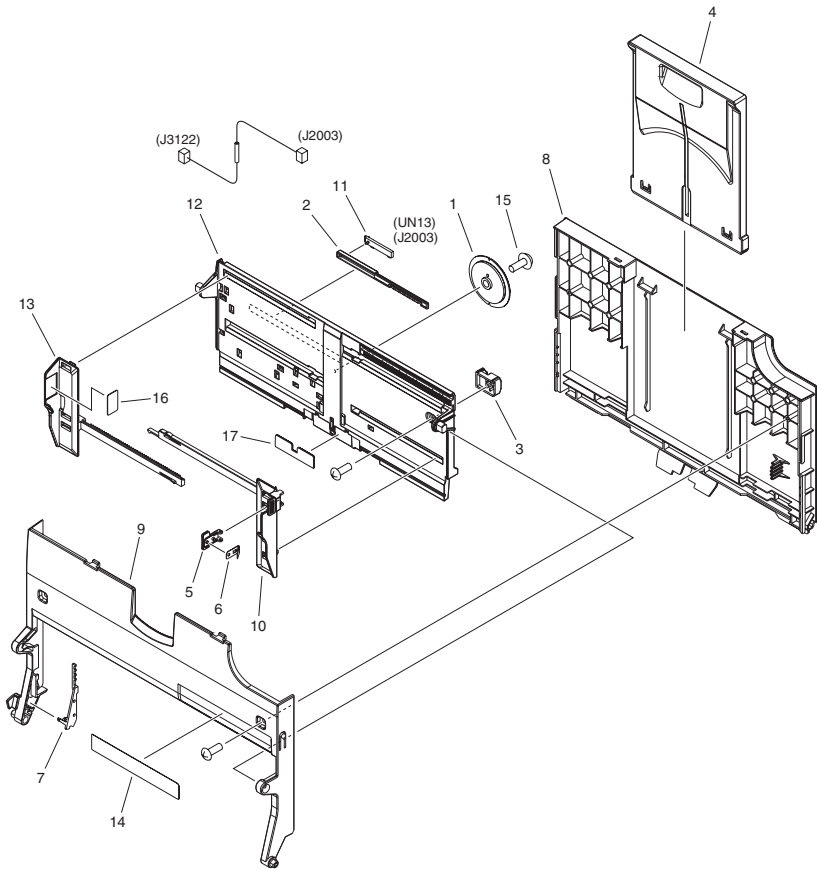


FIGURE & KEY NO.	PARTS NUMBER	RANK	Q'TY	DESCRIPTION	SERIAL NUMBER/REMARKS	SVC
Fig.311	FM0-3210-000		1	PAPER PICK-UP ASS'Y, LEFT		
1	FB4-2007-000		2	RING, RETAINING		
2	FC5-2524-000		1	ROLLER, PAPER PICK-UP	[DP]	
3	FC5-2526-000		1	ROLLER, PAPER FEEDER	[DP]	
4	FC5-2528-000		1	ROLLER, SEPARATION	[DP]	
5	XG9-0737-000		5	BUSHING		
6	FC5-2537-010		1	LEVER, PAPER SENSOR		
7	FC5-2540-000		1	ARM, PICK-UP		
8	FC5-2635-000		1	LEVER, FIXING/FEEDER RELEASE		
9	FC5-2548-000		1	COLLAR, SPRING		
10	FC5-2638-000		1	SPRING, TORSION		
11	FC5-6211-000		1	PLATE, SHAFT GROUNDING, FEEDER		
12	FC0-8737-000		1	LIMITER, TORQUE		
13	FC6-3863-000		1	CLUTCH, ONE-WAY		
14	FC6-4358-000		1	JOINT, RETARD		
15	FM4-1296-000		1	CABLE, DECK PICK-UP, LEFT		
16	FC9-8060-000		1	SPRING, TORSION		
17	FC8-9045-000		1	ARM, RELEASE, PAPER PICK-UP		
18	FC8-7809-000		1	HOLDER, ROLLER SUPPORT		
19	FC8-9047-000		1	SPRING, TORSION		
20	FC7-5845-000		1	STOPPER, ROLLER		
21	FC5-2547-000		1	COVER, SOLENOID CABLE		
22	FL3-4906-000		1	SOLENOID	SL7	
23	FL3-7179-000		1	HOLDER, BEARING		
24	FL2-8916-000		1	FLAG, DECK PATH SENSOR, LEFT		
25	FL3-2254-000		1	CLUTCH, ONE-WAY		
26	FU5-2142-000		1	SPRING, TENSION		
27	FC5-2535-000		1	FLAG, PAPER PICK-UP SENSOR		
28	FU5-0183-000		1	GEAR, 30T		
29	FU5-0184-000		1	GEAR, 16T/25T		
30	FU5-0185-000		1	GEAR, 18T/32T		
31	FU5-0186-000		1	GEAR, 24T		

FIGURE & KEY NO.	PARTS NUMBER	RANK	Q'TY	DESCRIPTION	SERIAL NUMBER/REMARKS	SVC
32	FU5-0187-000		1	GEAR, 50T	PS10,PS11,PS12,PS20,PS33	
33	FU5-0188-000		1	GEAR, 34T		
34	FU5-0263-000		1	GEAR, 32T		
35	FU5-2162-000		1	SPRING, TENSION		
36	XD9-0137-010		1	RING, E		
37	FC9-3969-000		1	PLATE, PICK-UP SENSOR FLAG		
38	VS1-7177-002		1	CONNECTOR, SNAP TIGHT, BK		
39	WG8-5848-000		5	IC, PHOTO-INTERRUPTER		
40	XA9-1659-000		2	SCREW,M3X4		
41	FC5-2542-000		1	SPRING, TORSION		
501	XD3-2300-142		3	PIN, DOWEL		

FIGURE 312 MULTI TRAY ASS'Y



NOTE : This assembly does not include the part shown with key No. 14.
 注 : このユニットにKey No. 14の部品は含まれません。

FIGURE & KEY NO.	PARTS NUMBER	R A N K	Q'TY	DESCRIPTION	SERIAL NUMBER/ REMARKS	S V C
Fig.312	FM3-7368-000		1	MULTI TRAY ASS'Y		
1	FB6-3456-000		1	GEAR, 46T/20T		
2	FB6-3457-000		1	RACK		
3	FB6-3459-000		1	BLOCK, SIDE REGIST. ADJUSTING		
4	FC8-2708-000		1	TRAY, SECOND		
5	FC8-2712-000		1	STOPPER, SIDE		
6	FC8-2713-000		1	SPRING, LEAF		
7	FC8-2727-000		1	COVER, MULTI CABLE		
8	FC8-7274-000		1	COVER, MULTI TRAY, LOWER		
9	FC8-7275-000		1	COVER, MULTI INNER		
10	FC9-8061-000		1	PLATE, PAPER SIDE END, FRONT		
11	FH7-7600-010		1	SLIDE VOLUME SENSOR UNIT		
12	FL3-3172-000		1	PLATE, MULTI PRESSURE		
13	FL3-3609-000		1	PLATE, PAPER SIDE END, REAR		
14	FU7-8501-000		1	LABEL, MULTI SIZE	SEE NOTE US,CA,LTN	
14	FU7-8502-000		1	LABEL, MULTI SIZE	SEE NOTE EUR	
14	FU7-8503-000		1	LABEL, MULTI SIZE	SEE NOTE AU	
15	XA9-1523-000		1	SCREW, B, M4X8		
16	FC9-7165-000		1	LABEL, MAXIMUM LOAD		
17	FB6-4937-000		1	SHEET, SEPARATION		

FIGURE 313 MULTI PAPER PICK-UP ASS'Y

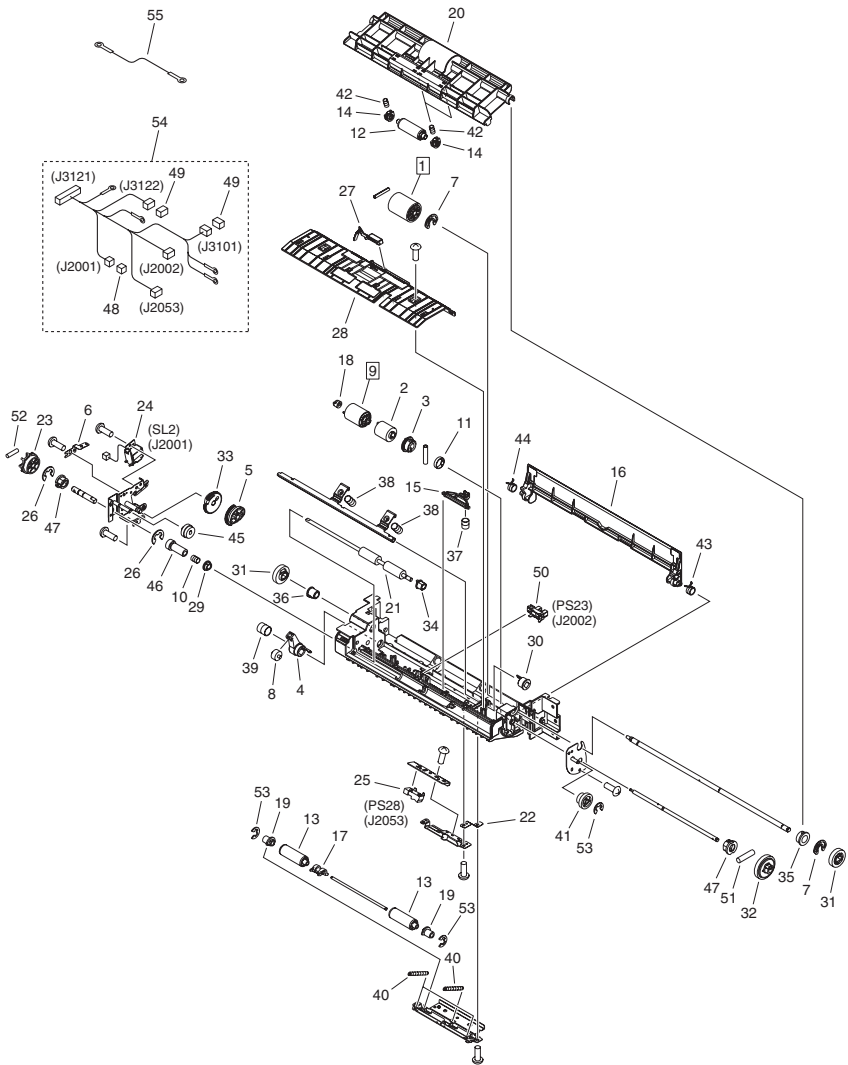


FIGURE & KEY NO.	PARTS NUMBER	RANK	Q'TY	DESCRIPTION	SERIAL NUMBER/REMARKS	SVC
Fig.313	FM3-7367-020		1	MULTI PAPER PICK-UP ASS'Y		
1	FB1-8581-000		1	ROLLER	[DP]	
2	FB6-3410-000		1	LIMITER, TORQUE		
3	FB6-3463-000		1	CLUTCH		
4	FB6-3466-000		1	CAM, JOINT		
5	FB6-3467-000		1	GEAR, 27T		
6	FC5-2179-000		1	PLATE, M.P. GROUNDING, REAR		
7	FC5-2715-000		2	RING, RETAINING		
8	FC5-5078-000		1	ROLLER, ARM		
9	FC6-6661-000		1	ROLLER, SEPARATION	[DP]	
10	FC7-5009-000		1	SPRING, COMPRESSION		
11	FS7-2812-010		1	SPRING		
12	FC7-7207-000		2	ROLLER, DRIVEN		
13	FC7-7208-000		2	ROLLER, DRIVEN		
14	FC7-7209-000		4	BUSHING, VERTICAL ROLLER		
15	FB6-3464-000		1	HOLDER, SEPARATION ROLLER		
16	FL3-5030-000		1	COVER, TRAY AUXILIARY		
17	FC8-7271-000		1	BUSHING		
18	FC8-0785-000		1	HEAD, ROLLER SHAFT		
19	FC8-7273-000		2	BUSHING		
20	FC9-3956-000		1	GUIDE, MULTI PAPER PICK-UP		
21	FC9-8082-000		1	ROLLER, MULTI EXTRACTION		
22	FC9-8805-000		1	PLATE, GROUNDING		
23	FC9-9157-000		1	COUPLING		
24	FK2-0115-000		1	SOLENOID	SL2	
25	FK2-6470-000		1	PHOTO-SENSOR, KUA0055C	PS28	
26	XD9-0136-000		2	RING, E		
27	FL2-2925-000		1	FLAG, PAPER SENSOR		
28	FL3-2811-000		1	GUIDE, MULTI, LOWER		
29	FS1-1569-000		1	BUSHING		
30	FS6-1058-000		1	BUSHING		
31	FU3-0296-000		2	GEAR, 24T		

FIGURE & KEY NO.	PARTS NUMBER	RANK	Q'TY	DESCRIPTION	SERIAL NUMBER/REMARKS	SVC
32	FU3-0297-000		1	GEAR, 36T		
33	FU5-0256-000		1	GEAR, 48T		
34	FU5-1036-000		1	BUSHING		
35	FU6-1184-000		1	BUSHING		
36	FU6-1185-000		1	BUSHING		
37	FS7-2809-000		1	SPRING, COMPRESSION		
38	FU6-2926-000		2	SPRING, COMPRESSION		
39	FU6-2927-000		1	SPRING, LEAF		
40	FU7-2689-000		3	SPRING, TENSION		
41	FU8-0182-000		1	GEAR, 18T/27T		
42	FU8-2317-000		4	SPRING, COMPRESSION		
43	FU8-2321-000		1	SPRING, TORSION		
44	FU8-2322-000		1	SPRING, TORSION		
45	FU9-0152-000		1	GEAR, 27T/24T		
46	FU9-0153-000		1	GEAR, 13T		
47	RS5-1567-000		2	BUSHING		
48	VS1-7177-002		1	CONNECTOR, SNAP TIGHT, BK		
49	VS1-7177-003		2	CONNECTOR, SNAP TIGHT, BK		
50	WG8-5783-000		1	IC,PHOTO-INTERRUPTER,LG248NL1A	PS23	
51	XD9-0290-000		1	PIN, PARALLEL		
52	XD9-0300-000		1	PIN, PARALLEL		
53	XD9-0134-000		3	RING, E		
54	FM4-1065-000		1	CABLE, MULTI PAPER PICK-UP		
55	FM4-4324-000		1	CABLE, GROUNDING		

FIGURE 315 PRE-REGISTRATION GUIDE ASS'Y

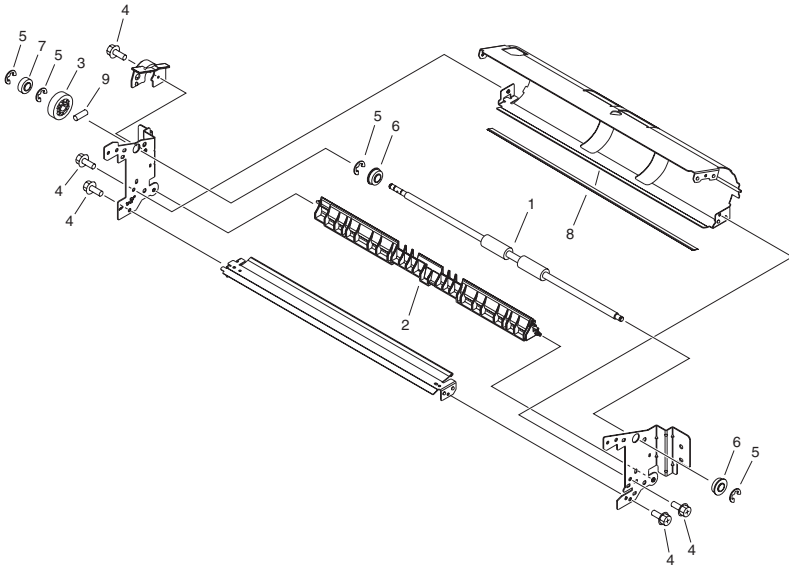
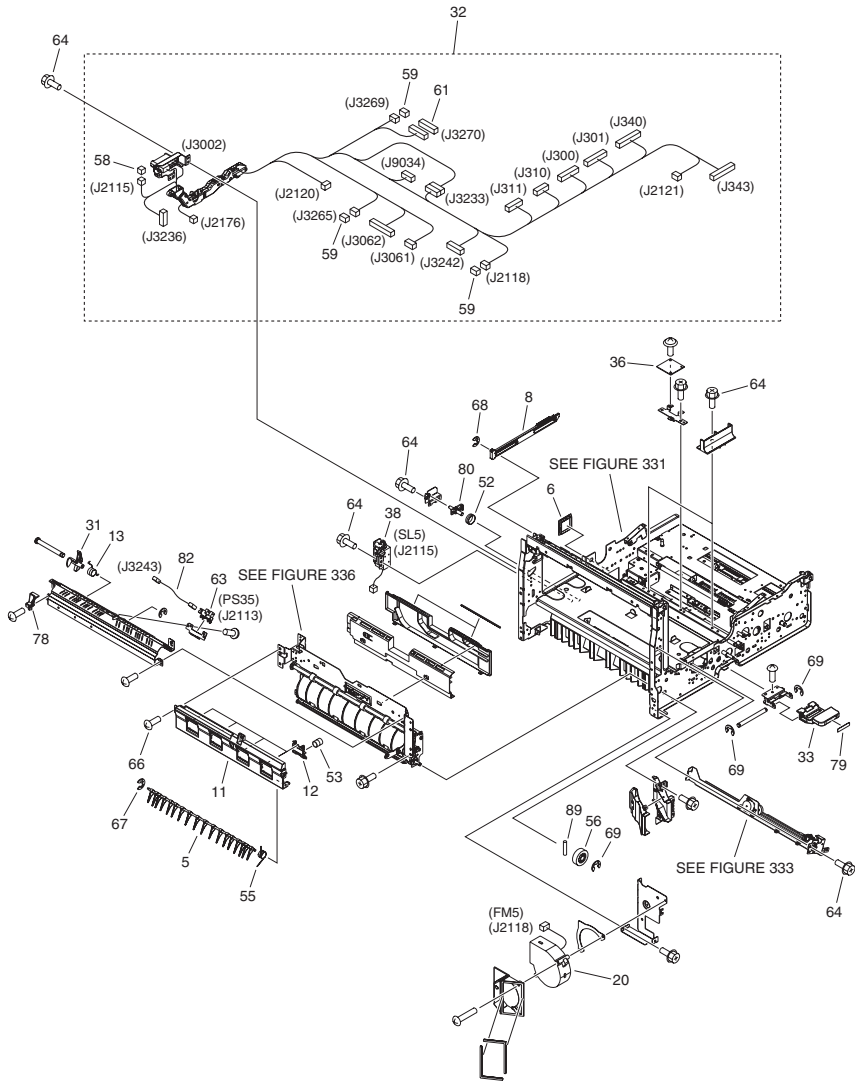
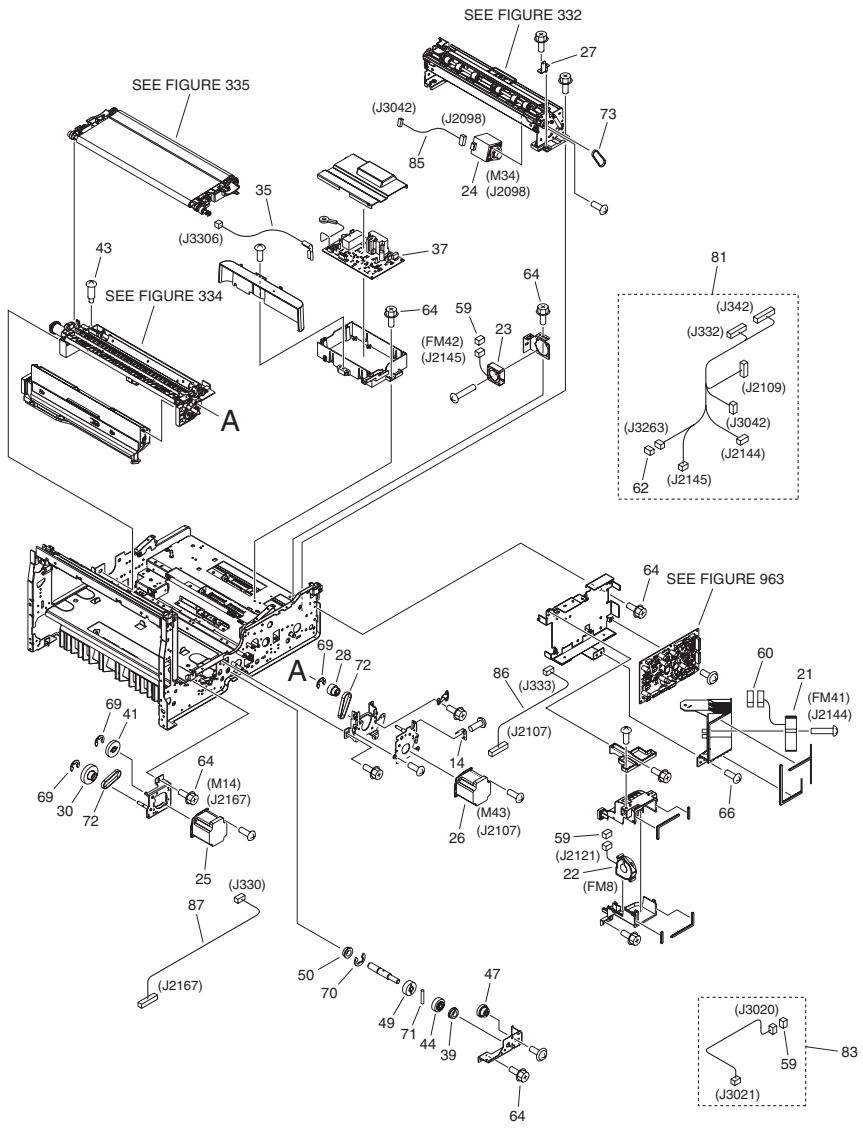


FIGURE & KEY NO.	PARTS NUMBER	RANK	Q'TY	DESCRIPTION	SERIAL NUMBER/REMARKS	SVC
Fig.315	FM3-7375-010		1	PRE-REGISTRATION GUIDE ASS'Y		
1	FC8-9354-000		1	ROLLER, PRE-REGISTRATION		
2	FL3-0277-000		1	GUIDE, MOVABLE		
3	FU8-0333-000		1	GEAR, 24T		
4	XA9-1386-000	AR		SCREW,RS,M3X8		
5	XD9-0136-000		4	RING, E		
6	XG9-0707-000		2	BEARING, BALL, MF126ZZ-1		
7	XG9-0706-000		1	BEARING, BALL, MR126ZZ-1		
8	FE2-0547-000		1	SHEET, PRE-REGISTRATION GUIDE		
9	XD9-0289-000		1	PIN, PARALLEL		

FIGURE 330
FIXING/FEEDER DUPLEXING ASS'Y





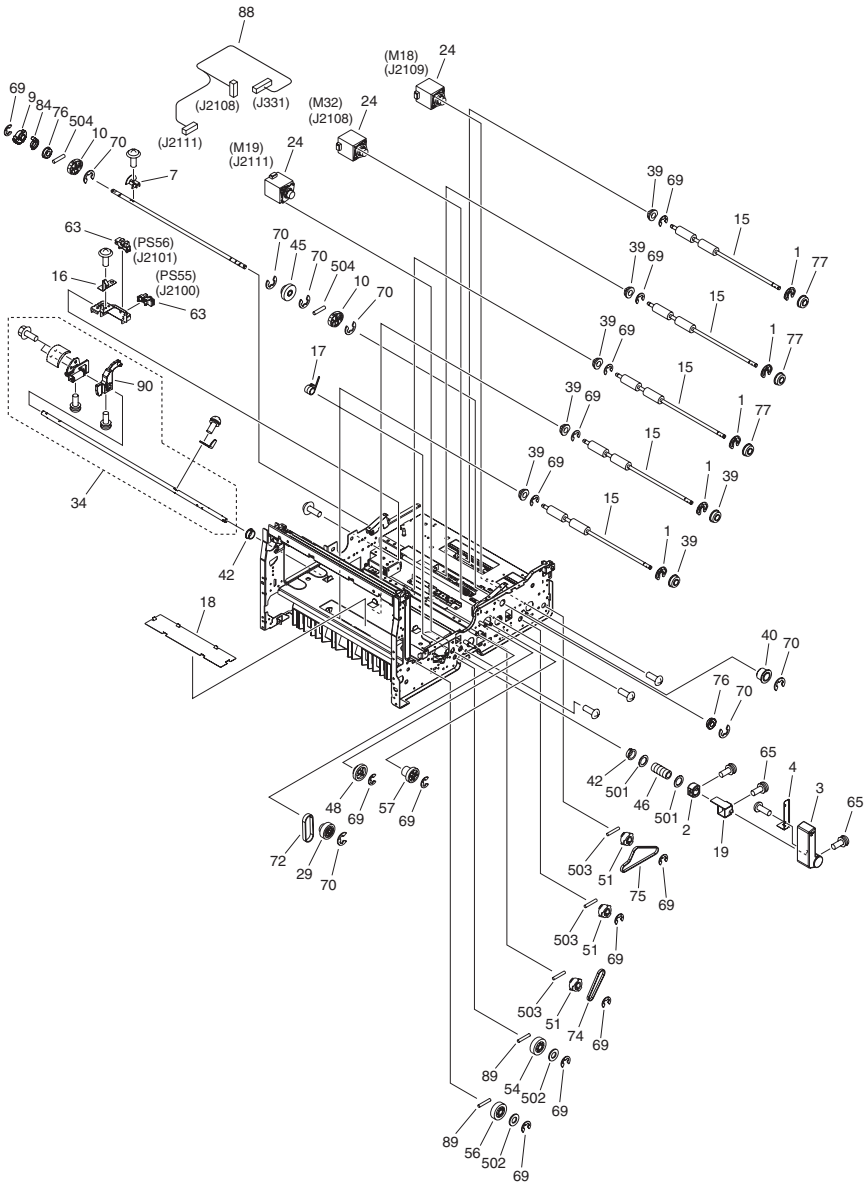
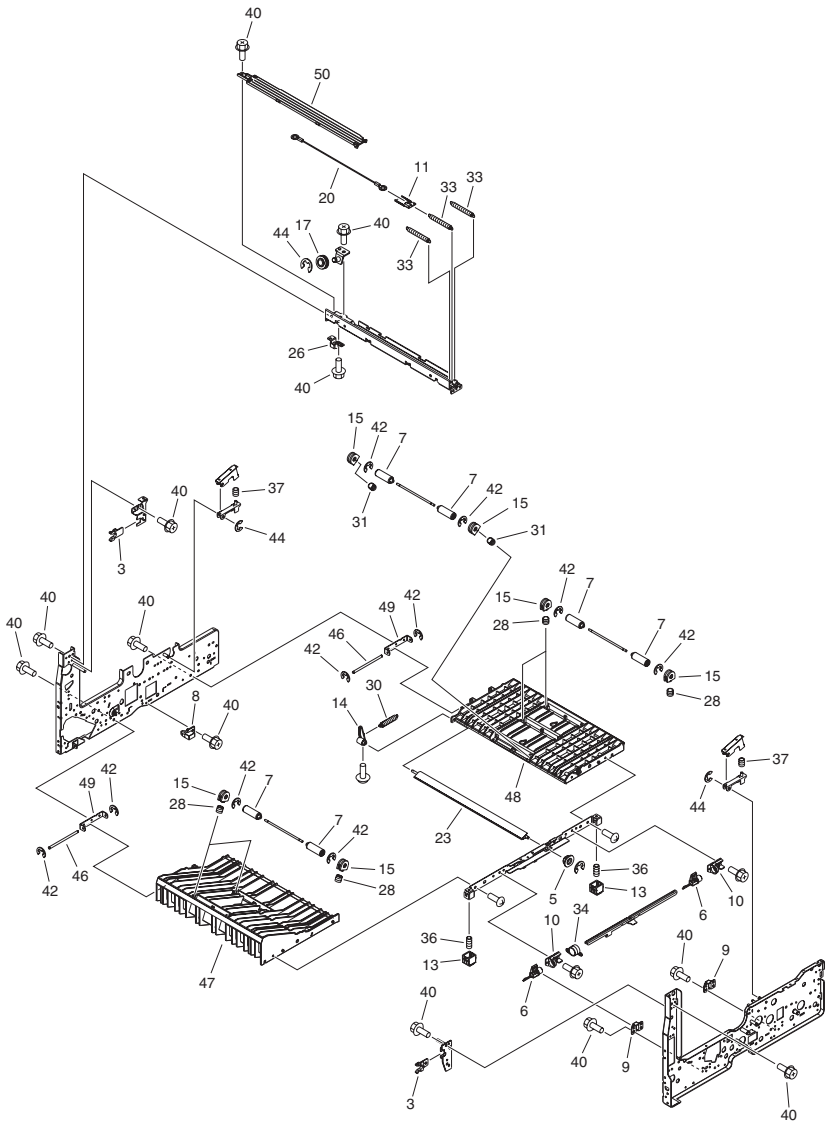


FIGURE & KEY NO.	PARTS NUMBER	R A N K	Q'TY	DESCRIPTION	SERIAL NUMBER/ REMARKS	S V C
Fig.330	NPN		RF	FIXING/FEEDER DUPLEXING ASSY		
1	FB6-6088-000		5	RING, RETAINING		
2	FC5-2108-000		1	CAM, PRESSURE		
3	FC5-2386-000		1	HANDLE, TRANSFER FRAME, LOWER		
4	FC5-5170-000		1	PLATE, GROUNDING		
5	FC6-1968-000		1	FLAPPER, DUPLEXING REVERSE		
6	FC6-9542-000		1	BUSHING		
7	FC8-7171-000		1	FLAG, CAM SENSOR		
8	FC8-7192-010		1	RACK, RELEASE ARM		
9	FE2-3468-000		1	GEAR, 26T		
10	FC8-7200-000		2	CAM, BELT PRESSURE		
11	FC8-7327-000		1	GUIDE, REVERSE, LEFT		
12	FC8-7328-000		4	GUIDE, REVERSE SWING		
13	FC8-9450-000		1	SPRING, TORSION		
14	FC8-9664-000		1	SPRING, GROUNDING		
15	FC9-5463-000		5	ROLLER, DUPLEXING PAPER FEED		
16	FC9-5700-000		1	PLATE, CLEANER GROUNDING		
17	FC9-7845-000		1	SPRING, TORSION		
18	FC9-8828-000		1	SHEET, FIXING CROSSMEMBER		
19	FC9-9067-000		1	STOPPER, HANDLE		
20	FH6-1548-040		1	FAN, COOLING	FM5	
21	FK2-3100-000		1	FAN	FM41	
22	FK2-3149-000		1	FAN	FM8	
23	FK2-7241-000		1	FAN	FM42	
24	FK2-7674-000		4	MOTOR, STEPPING, DC	M18,M19,M32,M34	
25	FK2-7675-000		1	MOTOR, STEPPING, DC	M14	
26	FK2-7719-000		1	MOTOR, STEPPING, DC	M43	
27	FL3-0293-000		1	PLATE, POSITIONING		
28	FL3-2171-000		1	GEAR, 26T/PULLEY, 30T		
29	FL3-2814-000		1	GEAR, 30T/PULLEY, 28T		
30	FL3-3018-000		1	GEAR, 39T/PULLEY, 28T		
31	FL3-3868-000		1	LEVER, REVERSE SENSOR		

FIGURE & KEY NO.	PARTS NUMBER	RANK	Q'TY	DESCRIPTION	SERIAL NUMBER/REMARKS	SVC
32	FM4-9809-000		1	CABLE, FIXING/FEEDER DRAWER		
33	FC9-9102-000		1	HANDLE, OPEN/CLOSE		
34	FM4-0912-010		1	FIXING/FEEDER LOCK HANDLE UNIT		
35	FM4-1051-000		1	CABLE, TRANSFER HIGH VOLTAGE		
36	FM4-1089-000		1	DC-DC CONVERT PCB ASS'Y		
37	FM4-1095-000		1	HIGH VOLTAGE PCB ASS'Y		
38	FM4-5141-000		1	REVERSE SOLENOID ASS'Y	SL5	
39	FS1-1508-000		8	BUSHING		
40	FS2-6458-000		1	ROLLER		
41	FS5-0395-000		1	GEAR, 25T		
42	FS5-1474-000		2	BUSHING COP		
43	FS5-9227-020		1	SCREW, STEPPED, M4		
44	FU3-0339-000		1	GEAR, 20T		
45	FU9-0314-000		1	GEAR, 30T		
46	FU9-2460-000		1	SPRING, COMPRESSION		
47	FU6-0137-000		1	GEAR, 27T/18T		
48	FU6-0138-000		1	GEAR, 32T/19T		
49	FU6-0603-000		1	GEAR, 30T		
50	FU6-1199-000		1	BUSHING		
51	FU6-3053-000		3	PULLEY, 22T		
52	FU7-2699-000		1	SPRING, COMPRESSION		
53	FU7-2702-000		4	SPRING, COMPRESSION		
54	FU8-0333-000		1	GEAR, 24T		
55	FU8-2343-000		1	SPRING, TORSION		
56	FU9-0048-000		2	GEAR, 19T		
57	FU9-0083-000		1	GEAR, 33T/20T		
58	VS1-7177-002		1	CONNECTOR, SNAP TIGHT, BK		
59	VS1-7177-003		6	CONNECTOR, SNAP TIGHT, BK		
60	VS1-7177-004		1	CONNECTOR, SNAP TIGHT, BK		
61	VS1-7177-008		1	CONNECTOR, SNAP TIGHT, BK		
62	VS1-8412-003		1	CONNECTOR, SNAP TIGHT, BL		
63	WG8-5848-000		3	IC, PHOTO-INTERRUPTER	PS35,PS55,PS56	

FIGURE & KEY NO.	PARTS NUMBER	R A N K	Q'TY	DESCRIPTION	SERIAL NUMBER/ REMARKS	S V C
64	XA9-0732-010		AR	SCREW,RS,M4X8		
65	XA9-0961-000		2	SCREW, WWASHER, M4X10		
66	XA9-1031-000		AR	SCREW, MACH. TRUSS HEAD, M4X6		
67	XD9-0134-000		1	RING, E		
68	XD9-0135-000		1	RING, E		
69	XD9-0136-000		AR	RING, E		
70	XD9-0137-010		9	RING, E		
71	XD9-0292-000		1	PIN, PARALLEL		
72	XF2-1606-260		3	BELT, TIMING, COGGED		
73	XF2-1607-040		1	BELT, TIMING		
74	XF2-1607-440		1	BELT, TIMING		
75	XF2-1610-440		1	BELT, TIMING, CR		
76	XG9-0365-000		2	BEARING,BALL, LNR-1680HHR		
77	XG9-0707-000		3	BEARING, BALL, MF126ZZ-1		
78	FC9-6182-000		1	COVER, SENSOR		
79	FC9-9015-000		1	LABEL, OPEN/CLOSE		
80	FL3-1306-010		1	LOCK, HANDLE		
81	FM4-1056-000		1	CABLE, DUPLEXING FEED ASS'Y		
82	FM4-1061-000		1	CABLE, SENSOR CONNECTING		
83	FM4-4327-000		1	CABLE, DUPLEXING FEED FAN		
84	FE2-3469-000		1	STOPPER, RELEASE GEAR		
85	FM4-4320-000		1	CABLE, MOTOR		
86	FM4-1052-000		1	CABLE, MOTOR		
87	FM4-1053-000		1	CABLE, MOTOR		
88	FM4-1054-000		1	CABLE, MOTOR		
89	XD9-0289-000		4	PIN, PARALLEL		
90	FL3-7921-000		1	LEVER, RELEASE		
501	XD1-1100-225		2	WASHER, COP		
502	XD1-1106-239		2	WASHER,COP		
503	XD3-2200-102		3	PIN, PARALLEL		
504	XD3-2300-142		2	PIN, DOWEL		

FIGURE 331 FIXING/FEEDER FRAME ASS'Y



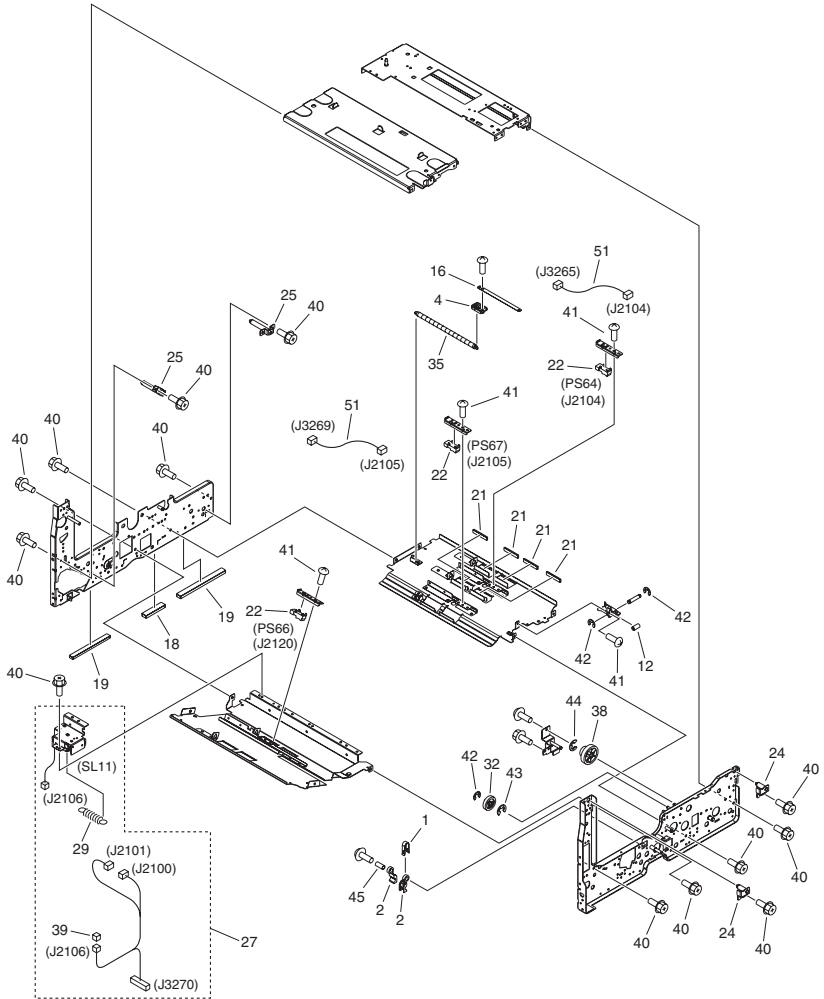


FIGURE & KEY NO.	PARTS NUMBER	R A N K	Q'TY	DESCRIPTION	SERIAL NUMBER/ REMARKS	S V C
Fig.331	NPN		RF	FIXING/FEEDER FRAME ASS'Y		
1	FC1-3975-020		1	SPRING, LEAF		
2	FC1-3976-000		2	PAD, BRAKE, PA		
3	FC5-2271-000		2	BUSHING		
4	FC5-5167-000		1	MOUNT, TAPE		
5	FC5-6287-000		1	BUSHING		
6	FC7-6972-000		2	HOOK, RIGHT DOOR, LOWER		
7	FC7-7208-000		10	ROLLER, DRIVEN		
8	FC8-7297-000		1	BLOCK, ROLLER PRESSURE RELEASE		
9	FC8-7309-000		2	CATCH, GUIDE		
10	FC8-7324-000		2	BUSHING		
11	FC8-7334-000		1	HOOK		
12	FC8-7343-000		1	ROLLER, BELT		
13	FC8-8802-000		2	BLOCK, PUSHING		
14	FC9-5580-000		1	BUSHING		
15	FC9-7993-000		10	BUSHING		
16	FC9-8817-000		1	BAND, GUIDE		
17	FC9-8821-000		1	PULLEY, WIRE		
18	FC9-9104-000		1	SHEET, EXHAUST		
19	FC9-9105-000		2	SHEET, EXHAUST		
20	FC9-9152-000		1	WIRE, LIFT		
21	FC9-9162-000		4	BRUSH		
22	FK2-6470-000		3	PHOTO-SENSOR, KUA0055C	PS64,PS66,PS67	
23	FL3-8109-000		1	FLAPPER		
24	FL3-0272-000		2	PIN, POSITIONING, FRONT		
25	FL3-0273-000		2	PIN, POSITIONING, REAR		
26	FL3-0297-000		1	ROLLER UNIT		
27	FM4-0889-000		1	SOLENOID ASSEMBLY	SL11	
28	FU8-2526-000		8	SPRING, COMPRESSION		
29	FU5-2151-000		1	SPRING, TENSION		
30	FU5-2152-000		1	SPRING, TENSION		
31	FU5-2177-000		2	SPRING, COMPRESSION		

FIGURE & KEY NO.	PARTS NUMBER	RANK	Q'TY	DESCRIPTION	SERIAL NUMBER/REMARKS	SVC
32	FU6-0139-000		1	GEAR, 26T		
33	FU7-2701-000		3	SPRING, TENSION		
34	FU7-2703-000		1	SPRING, TORSION		
35	FU7-2704-000		1	SPRING, TENSION		
36	FU7-2838-000		2	SPRING, TORSION		
37	FU8-2344-000		2	SPRING, COMPRESSION		
38	FU9-0082-000		1	GEAR, 36T/18T		
39	VS1-7177-002		1	CONNECTOR, SNAP TIGHT, BK		
40	XA9-0732-010		AR	SCREW,RS,M4X8		
41	XA9-0893-000		4	SCREW, M4X8		
42	XD9-0134-000		AR	RING, E		
43	XD9-0135-000		1	RING, E		
44	XD9-0136-000		2	RING, E		
45	XZ1-1401-205		1	SPACER		
46	FC5-2051-000		2	SHAFT, GUIDE SUPPORT		
47	FC8-7321-000		1	GUIDE, DUPLEXING LOWER, 1		
48	FC8-7322-000		1	GUIDE, DUPLEXING LOWER, 2		
49	FC8-7323-000		2	PLATE, HINGE FIXED		
50	FC8-7333-000		1	COVER, DAMPER		
51	FM4-1055-000		2	CABLE, SENSOR		

FIGURE 332 REGISTRATION ASS'Y

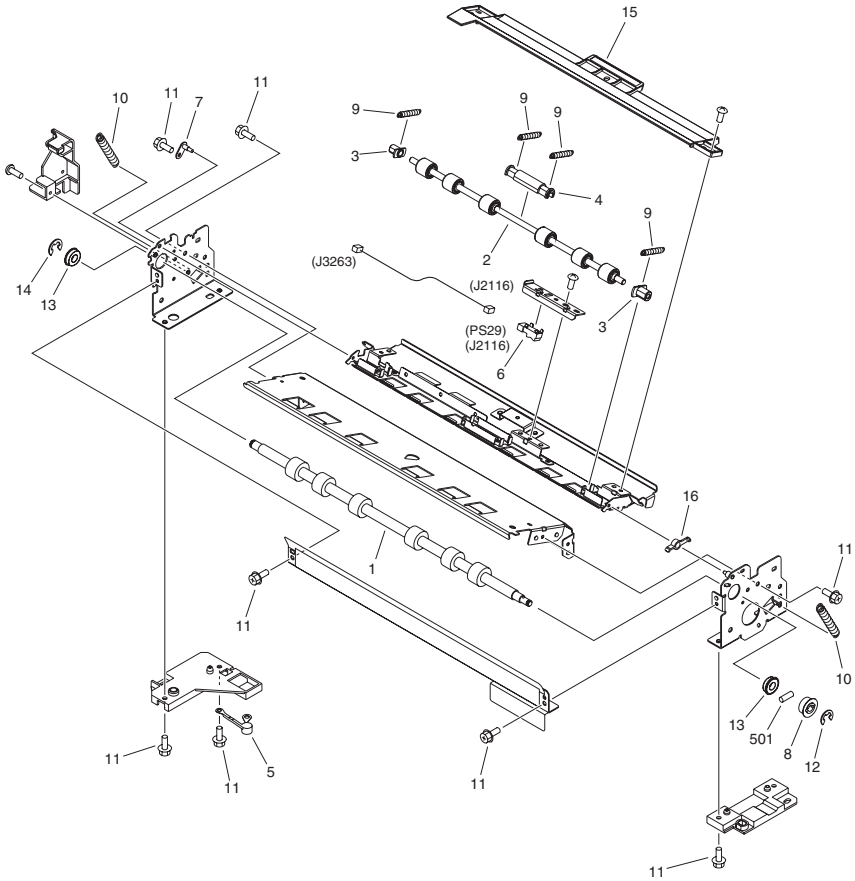


FIGURE & KEY NO.	PARTS NUMBER	R A N K	Q'TY	DESCRIPTION	SERIAL NUMBER/ REMARKS	S V C
Fig.332	FM4-5156-000		1	REGISTRATION ASS'Y		
1	FC8-7276-000		1	ROLLER, REGISTRATION DRIVE		
2	FC8-7277-000		1	ROLLER, REGISTRATION DRIVEN		
3	FC8-7283-000		2	BUSHING		
4	FC8-7284-000		1	BUSHING		
5	FF3-4656-000		1	VARISTOR		
6	FK2-6470-000		1	PHOTO-SENSOR, KUA0055C	PS29	
7	FL3-0292-000		1	PIN, POSITIONING		
8	FU6-3047-000		1	PULLEY, 24T		
9	FU7-2687-000		4	SPRING, TENSION		
10	FU7-2688-000		2	SPRING, TENSION		
11	XA9-1386-000		AR	SCREW,RS,M3X8		
12	XD9-0136-000		1	RING, E		
13	XG9-0779-000		2	BEARING, BALL, 688ZZNR D41		
14	XD9-0137-010		1	RING, E		
15	FC8-7286-000		1	COVER, REGISTRATION		
16	FC9-8811-000		1	GUIDE, LIMIT		
501	XD3-2200-102		1	PIN, PARALLEL		

FIGURE 333 DUPLEX. SIDE REG. SENSOR ASS'Y

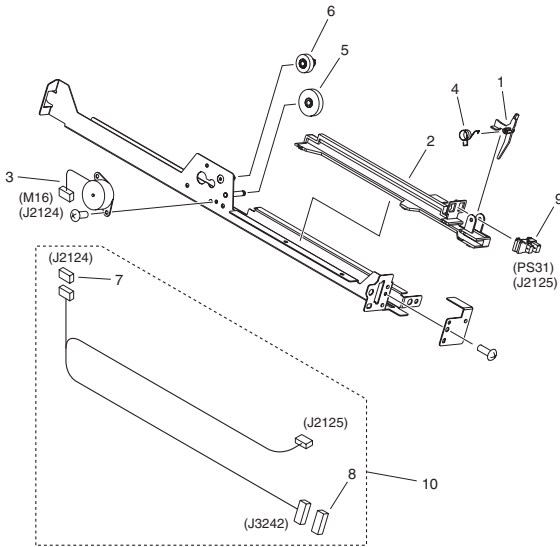


FIGURE & KEY NO.	PARTS NUMBER	R A N K	Q'TY	DESCRIPTION	SERIAL NUMBER/ REMARKS	S V C
Fig.333	FM4-0897-000		1	PHOTO SENSOR ASS'Y		
1	FC8-7295-000		1	FLAG, SIDE REGISTRATION DETECT		
2	FC9-5450-000		1	SLIDER, SIDE REGISTRATION		
3	FK2-2069-000		1	MOTOR, STEPPING, DC	M16	
4	FU7-2705-000		1	SPRING, TORSION		
5	FU9-0052-000		1	GEAR, 12T/36T		
6	FU9-0053-000		1	GEAR, 12T/24T		
7	VS1-7177-004		1	CONNECTOR, SNAP TIGHT, BK		
8	VS1-7177-007		1	CONNECTOR, 7P, FEMALE, BK		
9	WG8-5848-000		1	IC, PHOTO-INTERRUPTER	PS31	
10	FM4-1059-000		1	CABLE, SIDE REGISTRATION		

FIGURE 334 E.T.B. CLEANING ASSEMBLY

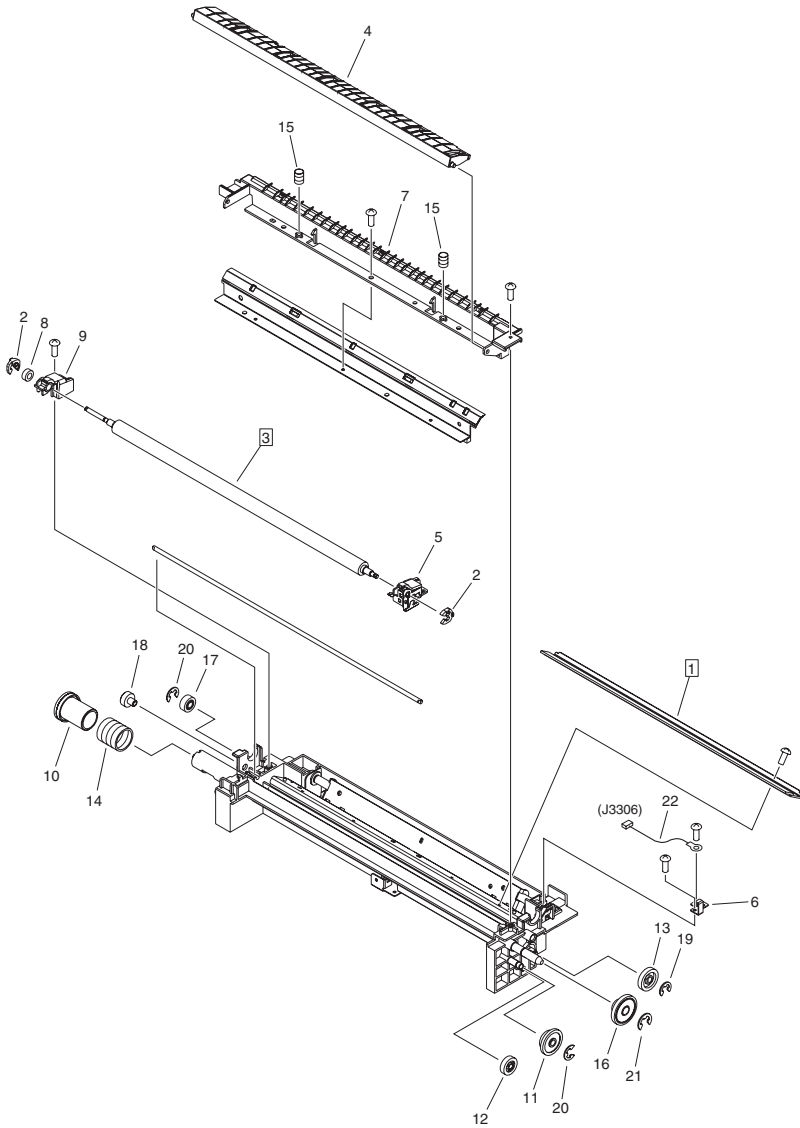


FIGURE & KEY NO.	PARTS NUMBER	R A N K	Q'TY	DESCRIPTION	SERIAL NUMBER/ REMARKS	S V C
Fig.334	FM4-0913-000		1	E.T.B. CLEANING ASSEMBLY		
1	FC6-1647-000		1	BLADE, CLEANING	[DP]	
2	FC7-4155-000		2	RING, E		
3	FC8-7175-000		1	ROLLER, BRUSH	[DP]	
4	FC8-7196-000		1	GUIDE, TRANSFER, REAR		
5	FM4-5398-000		1	MOUNT, FRONT		
6	FC9-5698-000		1	PLATE, CONTACT		
7	FL3-2815-000		1	GUIDE, SEPARATION		
8	XG9-0774-000		1	BEARING, BALL, MR84-2RS-SH41M		
9	FL3-3799-000		1	MOUNT, REAR		
10	FL3-4552-000		1	SHUTTER		
11	FU5-0016-000		1	GEAR, 33T/22T		
12	FU6-0092-000		1	GEAR, 21T		
13	FU6-0119-000		1	GEAR, 27T		
14	FU6-2043-000		1	SPRING, COMPRESSION		
15	FU7-2697-000		2	SPRING, COMPRESSION		
16	FU9-0037-000		1	GEAR, 34T/16T		
17	FU9-0074-000		1	GEAR, 24T		
18	FU9-0075-000		1	GEAR, 22T		
19	XD9-0134-000		1	RING, E		
20	XD9-0136-000		4	RING, E		
21	XD9-0137-010		3	RING, E		
22	FM4-1063-000		1	CABLE, TRANSFER HIGH VOLTAGE		

FIGURE 335 E.T.BELT ASSEMBLY

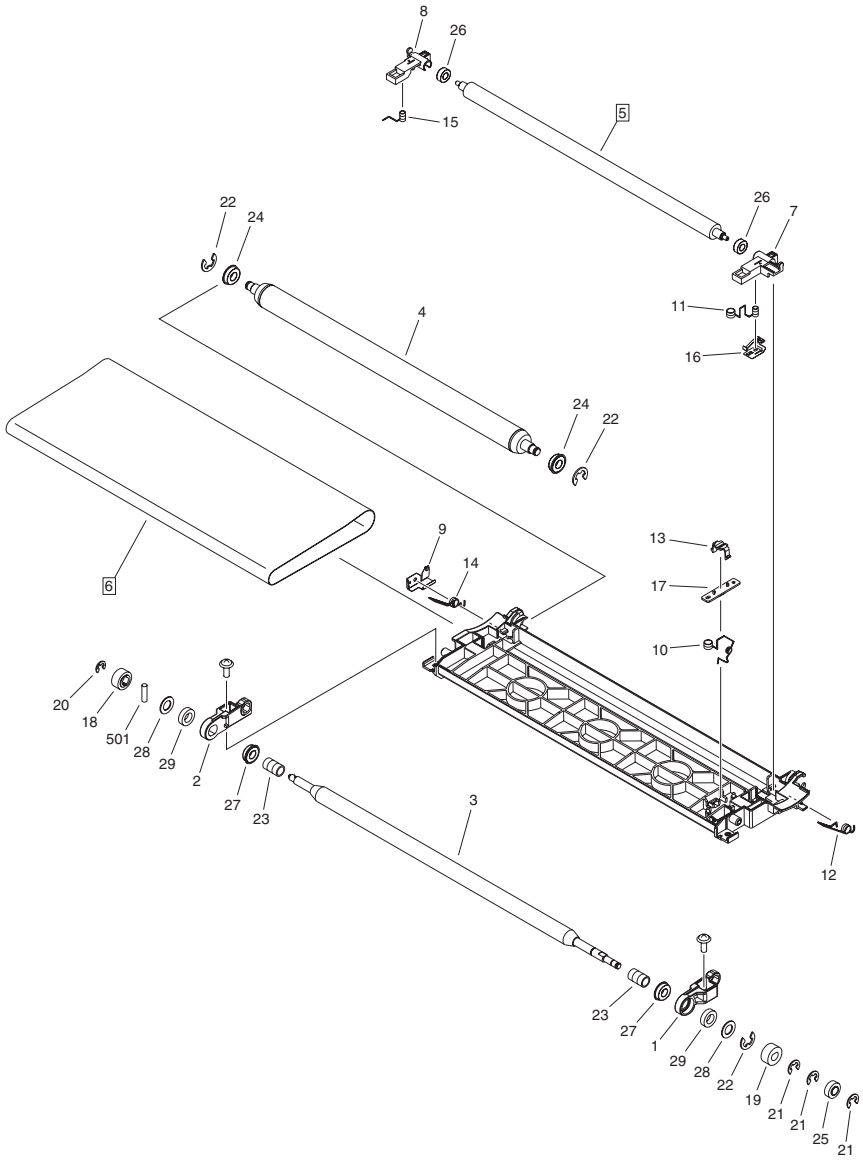


FIGURE & KEY NO.	PARTS NUMBER	R A N K	Q'TY	DESCRIPTION	SERIAL NUMBER/ REMARKS	S V C
Fig.335	FM4-0916-000		1	E.T.BELT ASSEMBLY		
1	FC8-7155-010		1	HOLDER, DRIVE ROLLER, FRONT		
2	FC8-7156-010		1	HOLDER, DRIVE ROLLER, REAR		
3	FC8-7157-000		1	ROLLER, DRIVE		
4	FC8-7158-000		1	ROLLER, IDLER		
5	FC8-7159-000		1	ROLLER, TRANSFER	[DP]	
6	FC8-7160-000		1	BELT, ELECTROSTATIC TRANSFER	[DP]	
7	FC8-7161-000		1	HOLDER, TRANSFER ROLLER, FRONT		
8	FC8-7162-000		1	HOLDER, TRANSFER ROLLER, REAR		
9	FC8-7166-000		1	SPRING, CONTACT		
10	FC9-5586-000		1	SPRING, COMPRESSION		
11	FC9-5587-000		1	SPRING, COMPRESSION		
12	FC9-6167-000		1	SPRING, TORSION		
13	FC9-7853-000		1	STOPPER		
14	FC9-7854-000		1	SPRING, TORSION		
15	FC9-8815-000		1	SPRING, COMPRESSION		
16	FC9-9193-000		1	SPRING, HIGH VOLTAGE CONTACT		
17	FM2-7196-000		1	HVR PCB ASSEMBLY		
18	FU6-0414-000		1	GEAR, 20T		
19	FU9-0032-000		1	GEAR, 18T		
20	XD9-0134-000		1	RING, E		
21	XD9-0136-000		3	RING, E		
22	XD9-0137-010		3	RING, E		
23	FU8-2519-000		2	SPRING, COMPRESSION		
24	XG9-0794-000		2	BEARING, BALL, LNR-1680KKR		
25	XG9-0706-000		1	BEARING, BALL, MR126ZZ-1		
26	XG9-0774-000		2	BEARING, BALL, MR84-2RS-SH41M		
27	XG9-0773-000		2	BEARING, BALL, MF148ZZ-1		
28	FB2-6285-020		2	SHIM		
29	XG9-0758-000		2	BEARING, BALL, MR148ZZ-2		
501	XD3-2200-082		1	PIN, PARALLEL		

FIGURE 336
REVERSE CROSSMEMBER ASS'Y, LF.

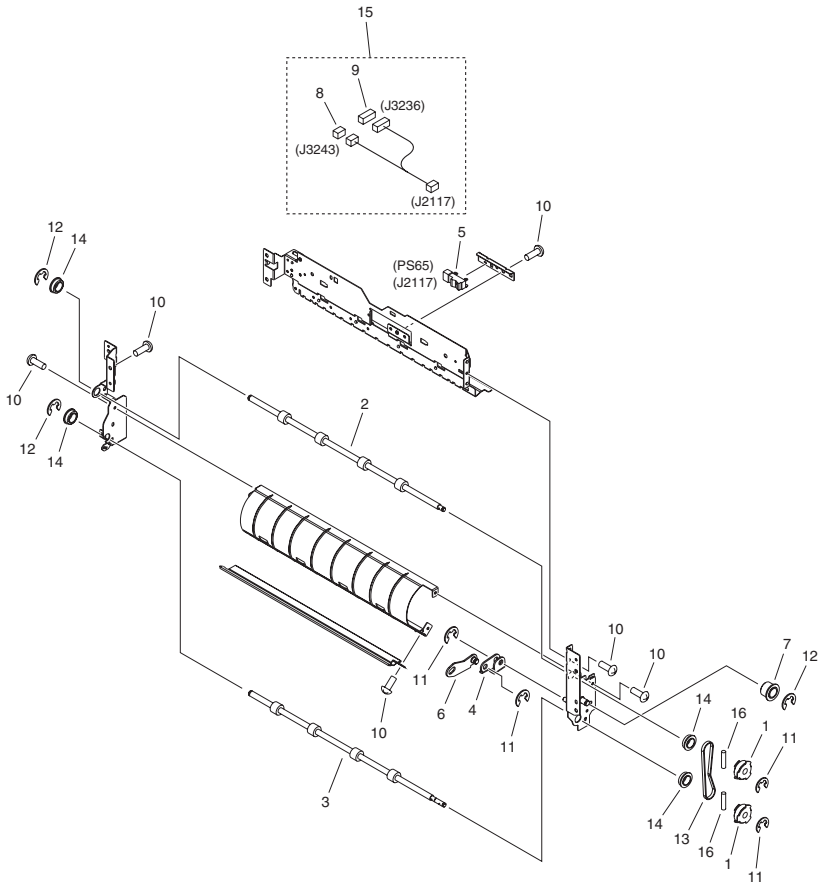


FIGURE & KEY NO.	PARTS NUMBER	R A N K	Q'TY	DESCRIPTION	SERIAL NUMBER/ REMARKS	S V C
Fig.336	FM4-0893-000		1	REVERSE CROSSMEMBER ASS'Y, LF.		
1	FC5-2261-000		2	PULLEY, 29T		
2	FC8-7332-000		1	ROLLER, REVERSE V.P.		
3	FC9-5457-000		1	ROLLER, REVERSE V.P., LOWER		
4	FC9-8286-000		1	LINK		
5	FK2-6470-000		1	PHOTO-SENSOR, KUA0055C	PS65	
6	FL3-3733-000		1	LINK		
7	FS2-6458-000		1	ROLLER		
8	VS1-7177-003		1	CONNECTOR, SNAP TIGHT, BK		
9	VS1-7177-006		1	CONNECTOR, SNAP TIGHT, BK		
10	XA9-1031-000		AR	SCREW, MACH. TRUSS HEAD, M4X6		
11	XD9-0136-000		4	RING, E		
12	XD9-0137-010		3	RING, E		
13	XF2-4110-440		1	BELT, TIMING, CR, 208MM		
14	XG9-0709-000		4	BEARING, BALL, MF128ZZ-3		
15	FM4-1060-000		1	CABLE, SENSOR		
16	XD9-0289-000		2	PIN, PARALLEL		

FIGURE 350 OUTER PAPER DELIVERY ASS'Y

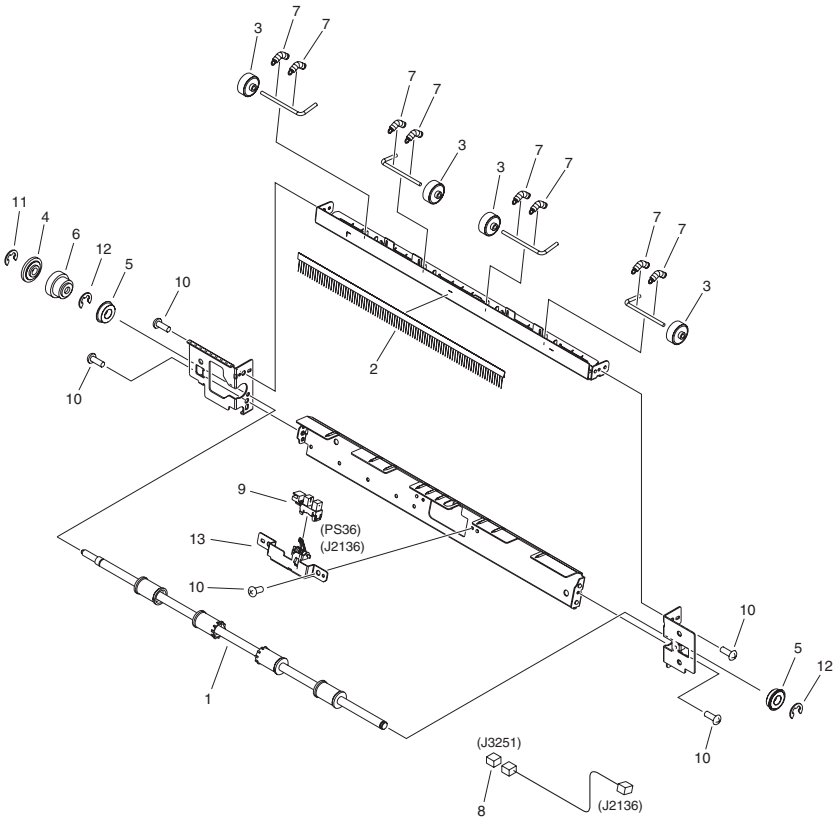
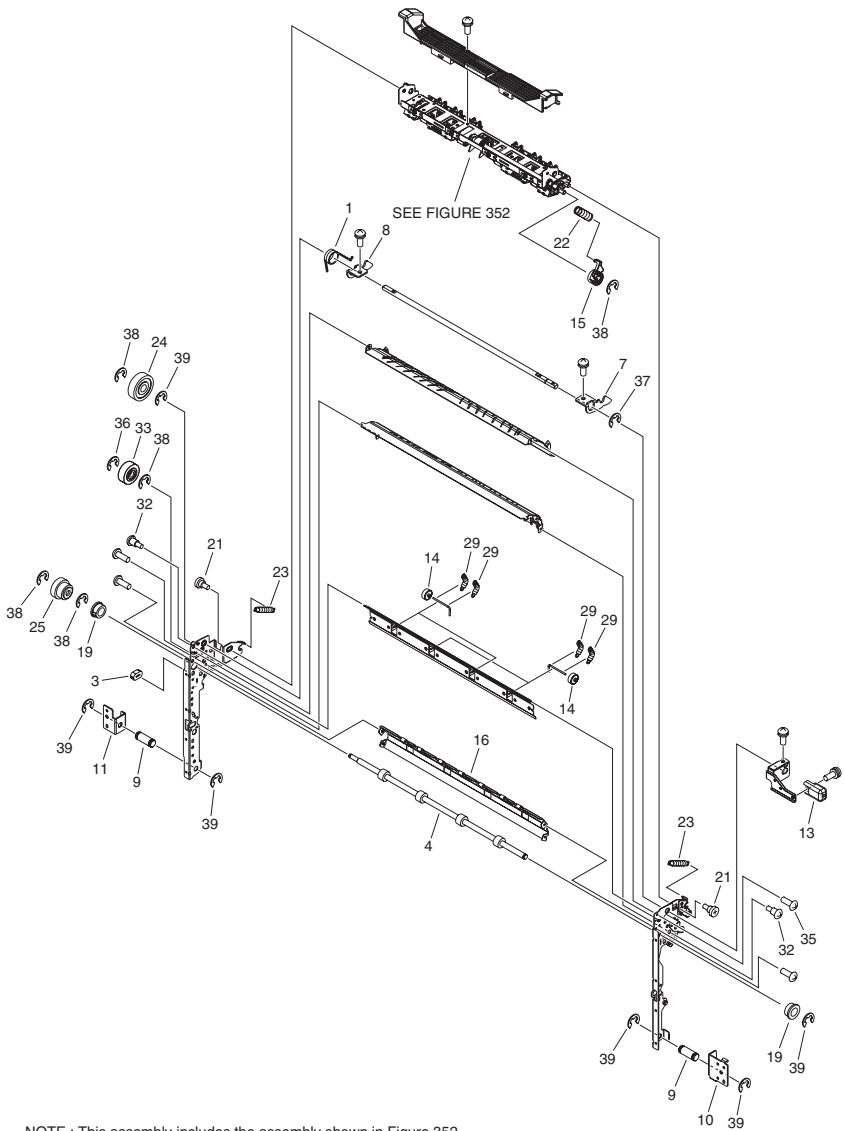


FIGURE & KEY NO.	PARTS NUMBER	R A N K	Q'TY	DESCRIPTION	SERIAL NUMBER/ REMARKS	S V C
Fig.350	FM3-7379-000		1	OUTER PAPER DELIVERY ASS'Y		
1	FC8-7378-000		1	ROLLER, OUTER PAPER DELIVERY		
2	FC0-2131-000		1	ELIMINATOR, STATIC CHARGE		
3	FC9-8283-000		4	ROLLER, PAPER DELIVERY		
4	FC9-9135-000		1	ROLLER		
5	XG9-0794-000		2	BEARING, BALL, LNR-1680KKR		
6	FU5-0207-000		1	GEAR, 19T		
7	FU5-2141-000		8	SPRING, TENSION		
8	VS1-7177-003		1	CONNECTOR, SNAP TIGHT, BK		
9	WG8-5848-000		1	IC, PHOTO-INTERRUPTER	PS36	
10	XA9-1659-000		AR	SCREW,M3X4		
11	XD9-0134-000		1	RING, E		
12	XD9-0137-010		2	RING, E		
13	FL3-3867-000		1	SENSOR FLAG UNIT		

FIGURE 351 REVERSE PAPER DELIVERY ASS'Y



NOTE : This assembly includes the assembly shown in Figure 352.
 注 : このユニットはFigure 352のユニットを含みます。

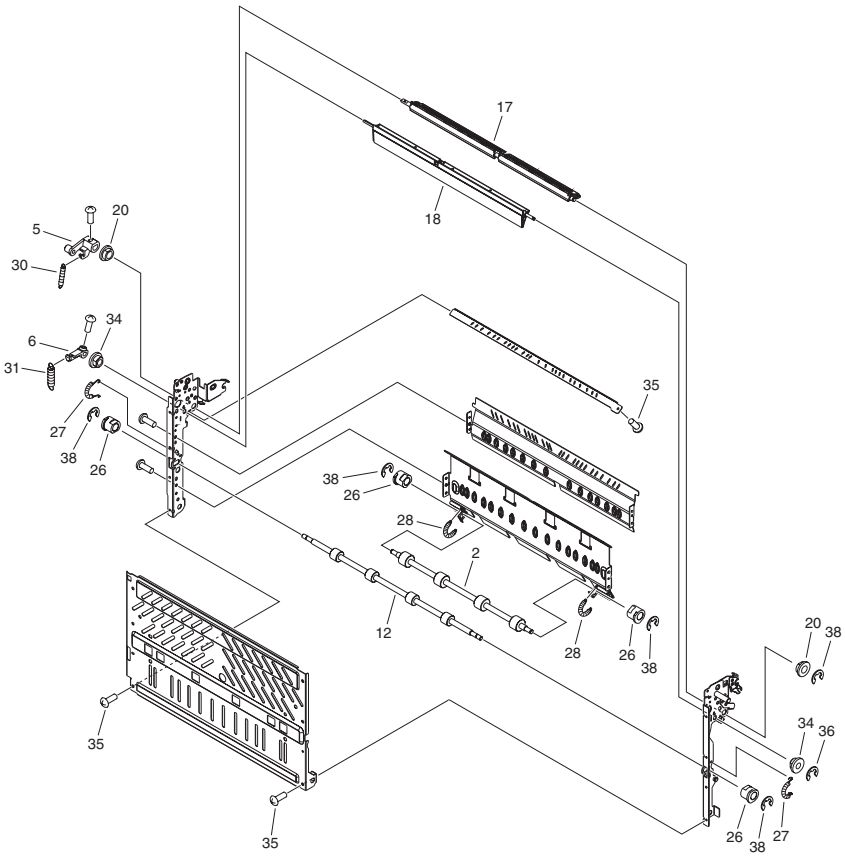
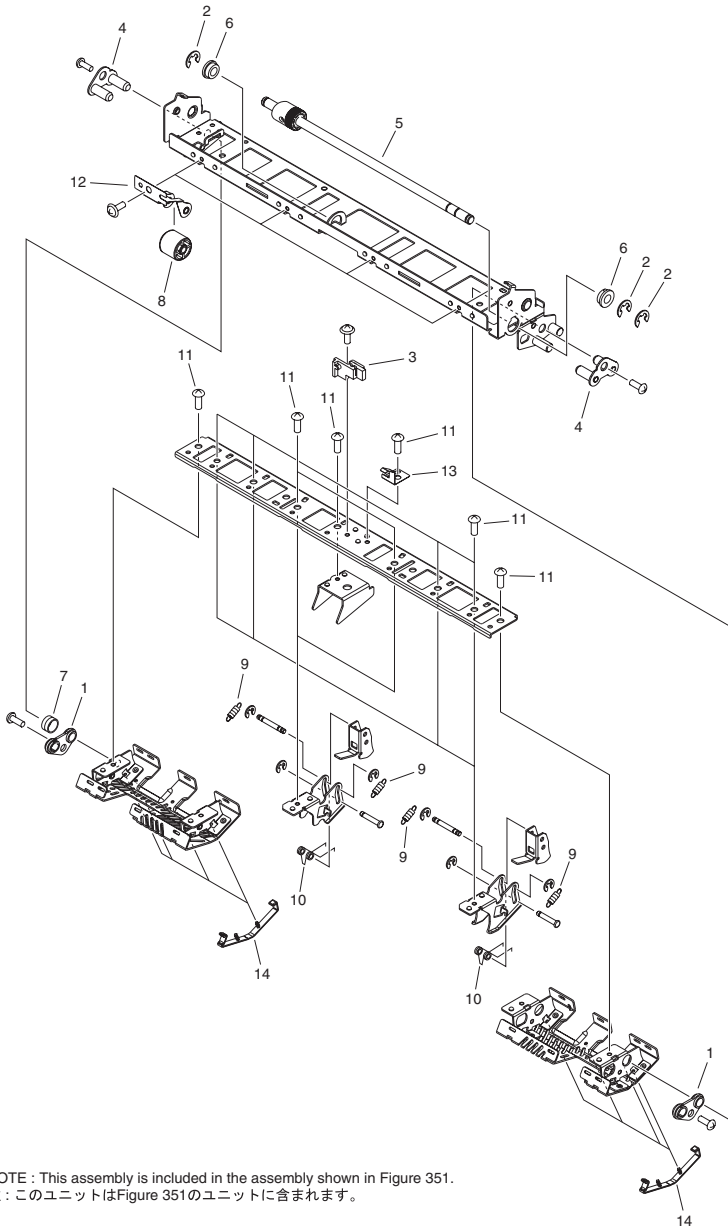


FIGURE & KEY NO.	PARTS NUMBER	R A N K	Q'TY	DESCRIPTION	SERIAL NUMBER/ REMARKS	S V C
Fig.351	FM4-5316-000		1	REVERSE PAPER DELIVERY ASSY	SEE NOTE	
1	FC5-2226-000		1	SPRING, TORSION		
2	FC6-9782-000		1	ROLLER, REVERSE DRIVEN, LOWER		
3	FC8-7236-000		1	DAMPER		
4	FC8-7387-000		1	ROLLER, REVERSE FEED		
5	FC8-7389-000		1	ARM, FLAPPER		
6	FC8-7390-000		1	ARM, CROSSING FLAPPER		
7	FC8-7392-000		1	HOOK, FRONT		
8	FC8-7393-000		1	HOOK, REAR		
9	FC8-9346-000		2	SHAFT, HINGE		
10	FC8-9347-000		1	PLATE, HINGE, FRONT		
11	FC8-9348-000		1	PLATE, HINGE, REAR		
12	FC9-5458-000		1	ROLLER, REVERSE V.P. DRIVEN		
13	FC9-8281-000		1	HANDLE, SMALL		
14	FC9-8283-000		4	ROLLER, PAPER DELIVERY		
15	FL3-0275-000		1	LEVER, ONE-WAY		
16	FL3-3022-000		1	GUIDE, REVERSE, LOWER		
17	FL3-3784-000		1	FLAPPER, REVERSE PAPER DELIVERY		
18	FM4-5153-000		1	FLAPPER UNIT		
19	FS1-1189-000		2	BUSHING, ABS		
20	FS1-1569-000		2	BUSHING		
21	FU5-9305-000		2	SCREW, STEPPED, M4		
22	FS5-2946-000		1	SPRING, TENSION		
23	FS5-2947-000		2	SPRING, TENSION		
24	FS6-0042-000		1	GEAR, 26T		
25	FU5-0207-000		1	GEAR, 19T		
26	FE2-0636-000		4	BUSHING		
27	FU5-2139-040		2	SPRING, TENSION		
28	FU5-2140-000		2	SPRING, TENSION		
29	FU5-2141-000		8	SPRING, TENSION		
30	FU5-2147-000		1	SPRING, TENSION		
31	FU5-2160-000		1	SPRING, TENSION		

FIGURE & KEY NO.	PARTS NUMBER	RANK	Q'TY	DESCRIPTION	SERIAL NUMBER/REMARKS	SVC
32	FU5-9035-000		6	SCREW, STEPPED, M3X3		
33	FU6-0375-000		1	GEAR, 20T		
34	FU6-1196-000		2	BUSHING		
35	XA9-1116-030		AR	SCREW,M3X5		
36	XD9-0134-000		2	RING, E		
37	XD9-0135-000		1	RING, E		
38	XD9-0136-000		11	RING, E		
39	XD9-0137-010		6	RING, E		

FIGURE 352 INNER PAPER DELIVERY ASS'Y



NOTE : This assembly is included in the assembly shown in Figure 351.
 注 : このユニットはFigure 351のユニットに含まれます。

FIGURE & KEY NO.	PARTS NUMBER	R A N K	Q'TY	DESCRIPTION	SERIAL NUMBER/ REMARKS	S V C
Fig.352	FM3-7381-000		1	INNER PAPER DELIVERY ASS'Y	SEE NOTE	
1	FB2-7163-000		2	BUSHING		
2	XD9-0136-000		3	RING, E		
3	FC9-9071-000		1	MOUNT, PIN		
4	FF5-3055-030		2	SUPPORT, PLATE		
5	FL3-3019-000		1	SHAFT, RECIPROCATING		
6	FS5-1372-000		2	BUSHING		
7	FS5-2953-020		1	SPRING, COMPRESSION		
8	FC9-9187-000		4	ROLLER, FEED		
9	FS7-2319-000		12	SPRING,TENSION		
10	FE2-1022-000		6	SPRING, TORSION		
11	XA9-1659-000		AR	SCREW,M3X4		
12	FC8-9343-000		4	HOLDER, FEED ROLLER		
13	FC9-5130-000		1	PLATE, RATCHET CLAW		
14	FC9-6947-000		8	GUIDE, PAPER		

FIGURE 460 LASER SCANNER UNIT

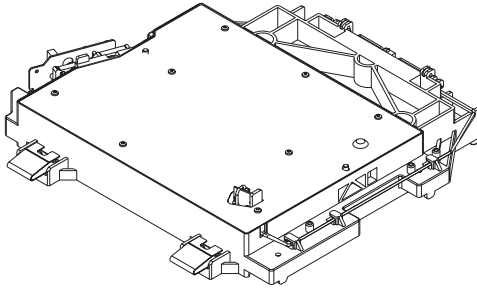


FIGURE & KEY NO.	PARTS NUMBER	RANK	Q'TY	DESCRIPTION	SERIAL NUMBER/REMARKS	SVC
Fig.460	FM3-7526-010		1	LASER SCANNER UNIT		

FIGURE 510 PHOTO-SENSITIVE DRUM ASSEMBLY

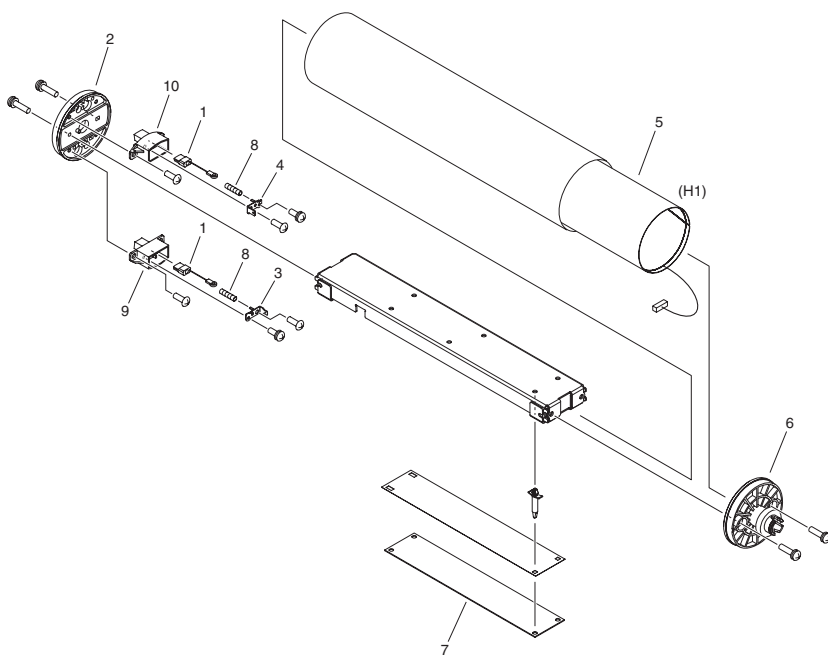


FIGURE & KEY NO.	PARTS NUMBER	R A N K	Q'TY	DESCRIPTION	SERIAL NUMBER/REMARKS	S V C
Fig.510	NPN		RF	PHOTO-SENSITIVE DRUM ASSEMBLY		
1	FC5-1766-000		2	ELIMINATOR, STATIC CHARGE		
2	FC0-5520-000		1	FLANGE, DRUM, REAR		
3	FC9-9133-000		1	TERMINAL, POWER DISPATCHING, 1		
4	FC9-9134-000		1	TERMINAL, POWER DISPATCHING, 2		
5	FK2-7724-000		1	HEATER, DRUM	120V H1	
5	FK2-7725-000		1	HEATER, DRUM	230V H1	
6	FL3-1250-000		1	FLANGE, DRUM, FRONT		
7	FM4-1107-000		1	DRUM HEATER DRIVER PCB ASSY	230V	
7	FM4-1108-000		1	DRUM HEATER DRIVER PCB ASSY	120V	
8	FS2-2036-020		2	SPRING, COMPRESSION		
9	FC9-9139-000		1	MOUNT, TERMINAL, 1		
10	FC9-9140-000		1	MOUNT, TERMINAL, 2		

FIGURE 550 1ST CORONA ASS'Y

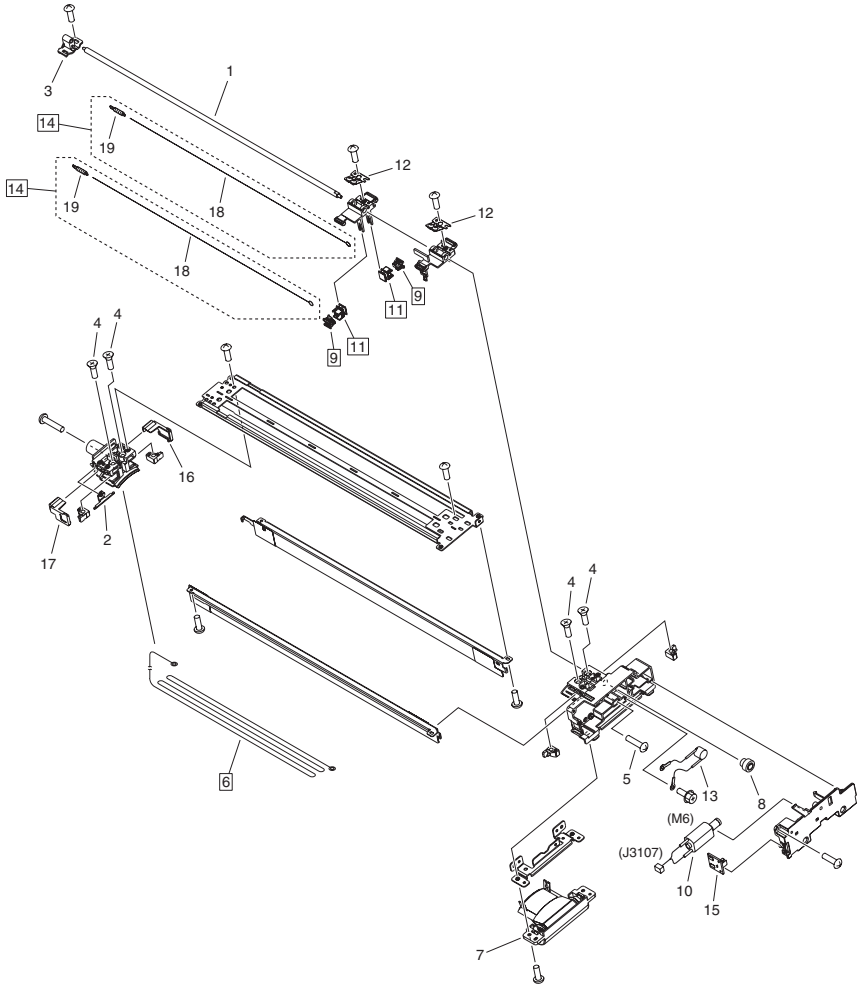


FIGURE & KEY NO.	PARTS NUMBER	R A N K	Q'TY	DESCRIPTION	SERIAL NUMBER/ REMARKS	S V C
Fig.550	FM3-7288-010		1	1ST CORONA ASS'Y	[DP]	
1	FC5-1810-000		1	SCREW, LEAD		
2	FC8-7053-000		1	HOOK, CORONA WIRE SPRING		
3	FC8-7054-000		1	BUSHING		
4	XA9-0228-000		4	SCREW, INSUL., C.S.HEAD		
5	XA9-1302-010		1	SCREW,MACH,TRUSS HEAD,M3X14		
6	FY1-0883-000		1	CORONA WIRE ROLL (100M)	[DP]	
7	FM4-5432-010		1	SHUTTER UNIT		
8	FU5-0268-000		1	GEAR, 18T		
9	FL2-4271-000		2	BLOCK, WIRE CLEANING PAD	[DP]	
10	FL2-0991-000		1	DC MOTOR UNIT	M6	
11	FL2-2720-000		2	HOLDER, WIRE CLEANING PAD	[DP]	
12	FL3-5027-000		2	PIN, SLIDER		
13	FL3-1270-000		1	VARISTOR		
14	FL3-4558-000		2	WIRE, 1ST CORONA	[DP]	
15	FM4-1102-000		1	CONTACT PCB ASS'Y		
16	FC0-2088-000		1	COVER, 1ST CORONA INNER, RIGHT		
17	FC0-2089-000		1	COVER, 1ST CORONA INNER, LEFT		
18	FB4-3687-000		1	WIRE, CORONA, 0.06MM (20M)		
19	FU8-2522-000		2	SPRING, TENSION		

FIGURE 570
PRE-TRANSFER CORONA ASS'Y

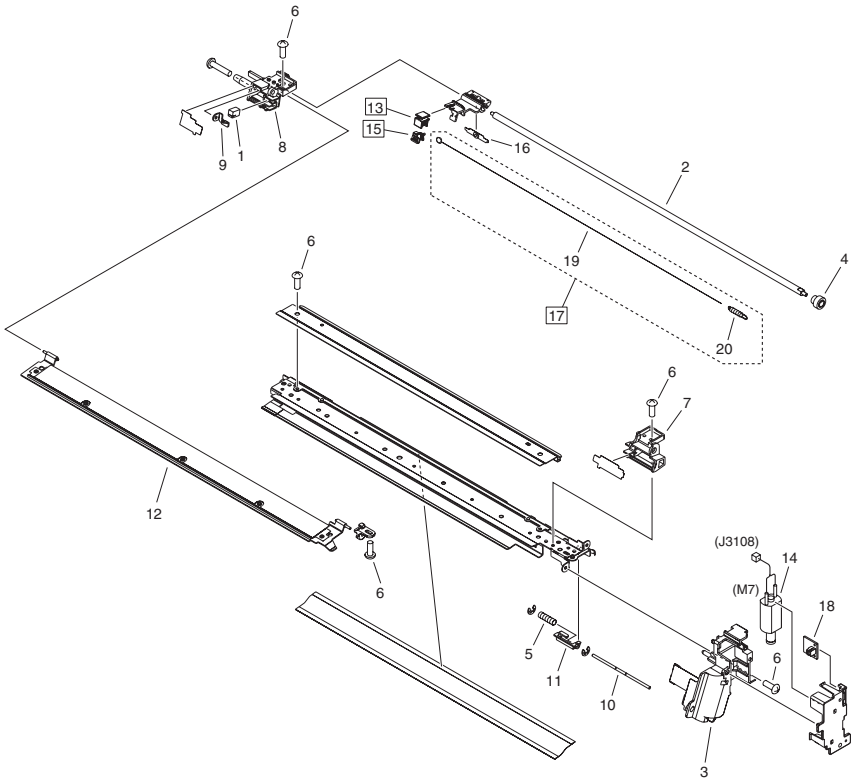
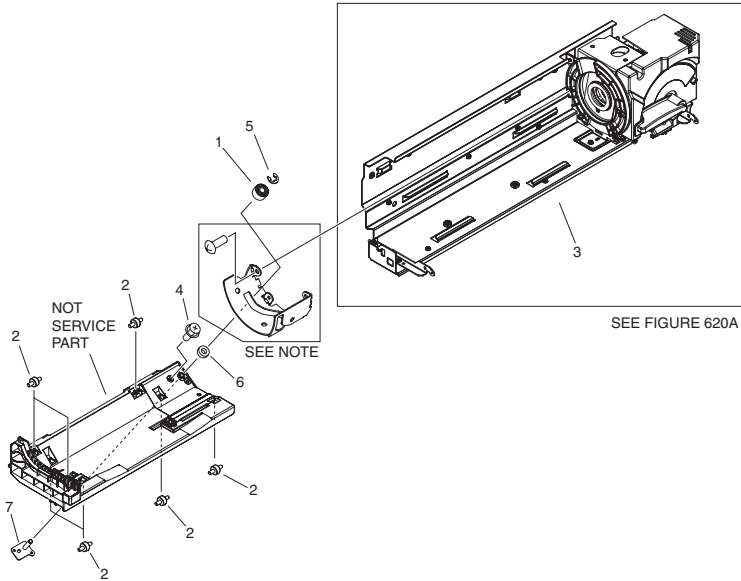


FIGURE & KEY NO.	PARTS NUMBER	R A N K	Q'TY	DESCRIPTION	SERIAL NUMBER/ REMARKS	S V C
Fig.570	FM3-7297-010		1	PRE-TRANSFER CORONA ASS'Y	[DP]	
1	FA4-1864-000		1	DAMPER		
2	FC5-1810-000		1	SCREW, LEAD		
3	FM4-5433-010		1	SHUTTER UNIT		
4	FU5-0268-000		1	GEAR, 18T		
5	FU8-2345-000		1	SPRING, COMPRESSION		
6	XA9-1659-000		AR	SCREW,M3X4		
7	FC9-0071-000		1	BLOCK, PRE-TRANSFER CORONA, FR		
8	FC9-0074-000		1	BLOCK, PRE-TRANSFER CORONA, RR		
9	FC9-4111-000		1	TERMINAL, CORONA WIRE		
10	FC9-6165-000		1	PIN, SLIDE		
11	FC9-6166-000		1	HOLDER, SLIDE PIN		
12	FL3-3802-000		1	GUIDE, PRE-TRANSFER		
13	FL2-4271-000		1	BLOCK, WIRE CLEANING PAD	[DP]	
14	FL2-0991-000		1	DC MOTOR UNIT	M7	
15	FL2-2720-000		1	HOLDER, WIRE CLEANING PAD	[DP]	
16	FL2-8930-000		1	SPRING, PRESSURE		
17	FL3-4559-000		1	WIRE, PRE-TRANSFER CORONA	[DP]	
18	FM4-1102-000		1	CONTACT PCB ASS'Y		
19	FB4-3687-000		1	WIRE, CORONA, 0.06MM (20M)		
20	FU8-2522-000		1	SPRING, TENSION		

FIGURE 620 HOPPER ASS'Y



NOTE : This part is included in the part shown with key No.9 included in Figure 620A.
 注 : この部品はFIGURE 620A内のKey No.9の部品に含まれます。

FIGURE & KEY NO.	PARTS NUMBER	RANK	Q'TY	DESCRIPTION	SERIAL NUMBER/REMARKS	SVC
Fig.620	NPN		RF	HOPPER ASS'Y		
1	FC5-1950-000		1	ROLLER, BOTTLE STOP		
2	FC5-5092-000		8	ROLLER		
3	FM4-9813-000		1	HOPPER UNIT(L)		
4	XA9-1386-000		2	SCREW,RS,M3X8		
5	XD9-0136-000		1	RING, E		
6	XG9-0822-000		1	BEARING, BALL, L-1260ZZR		
7	FL3-2174-000		1	PLATE, SUPPORT		

FIGURE 620A HOPPER ASS'Y

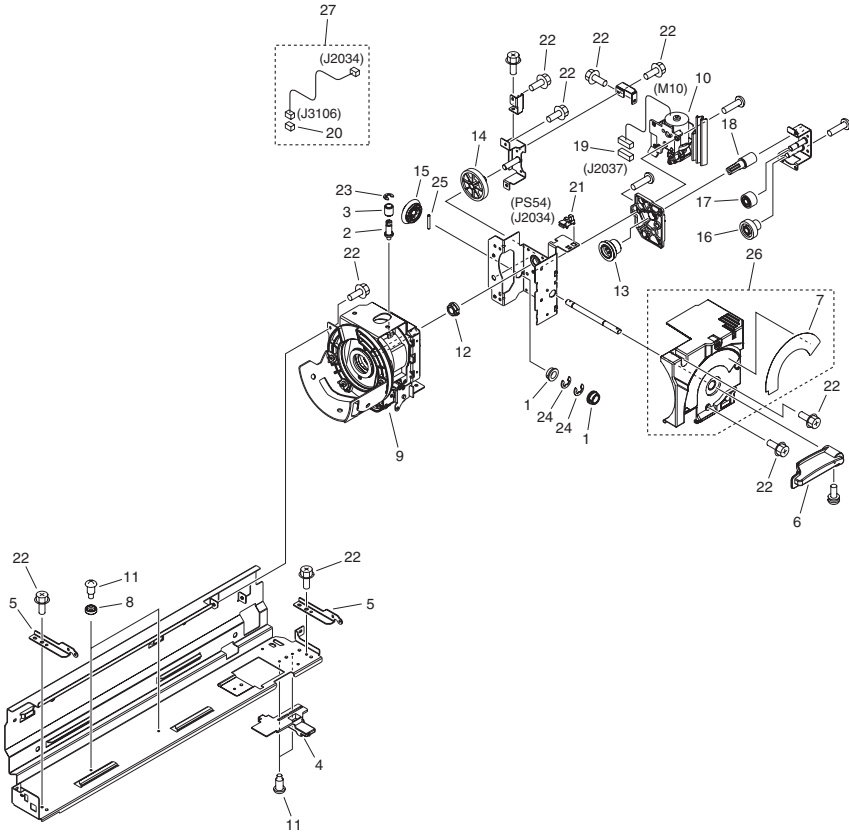


FIGURE & KEY NO.	PARTS NUMBER	R A N K	Q'TY	DESCRIPTION	SERIAL NUMBER/ REMARKS	S V C
Fig.620A	NPN		RF	HOPPER ASS'Y		
1	XG9-0737-000		2	BUSHING		
2	FC6-2327-000		1	SHAFT, RING		
3	FC6-3230-000		1	STOPPER, FRONT		
4	FC8-7139-000		1	SHUTTER, TONER CASE		
5	FC9-0160-000		2	SUPPORT, HINGE		
6	FC9-6942-000		1	LEVER, OPERATOR		
7	FC9-9054-000		1	LABEL, LEVER POSITION		
8	FC9-9196-000		2	ROLLER, BOTTLE BOX LIMIT		
9	FM4-0880-000		1	CAM UNIT		
10	FM4-5309-000		1	BOTTLE DRIVE UNIT	M10	
11	FS5-9438-030		4	SCREW, STEPPED		
12	FU6-1197-000		1	BUSHING		
13	FU7-0841-000		1	GEAR, 28T		
14	FU8-0906-000		1	GEAR, BEVEL, 26T/48T		
15	FU8-0907-000		1	GEAR, 32T		
16	FU9-0078-000		1	GEAR, 17T/47T		
17	FU9-0079-000		1	GEAR, 25T		
18	FU9-0080-000		1	GEAR, 18T		
19	VS1-7177-006		1	CONNECTOR, SNAP TIGHT, BK		
20	VS1-8412-003		1	CONNECTOR, SNAP TIGHT, BL		
21	WG8-5848-000		1	IC, PHOTO-INTERRUPTER	PS54	
22	XA9-1386-000		AR	SCREW, RS, M3X8		
23	XD9-0134-000		1	RING, E		
24	XD9-0137-010		2	RING, E		
25	XD9-0290-000		1	PIN, PARALLEL		
26	FL3-7917-000		1	COVER, SET ON, RIGHT		
27	FM4-0998-000		1	CABLE, HOPPER UNIT		

FIGURE 625 BUFFER ASS'Y

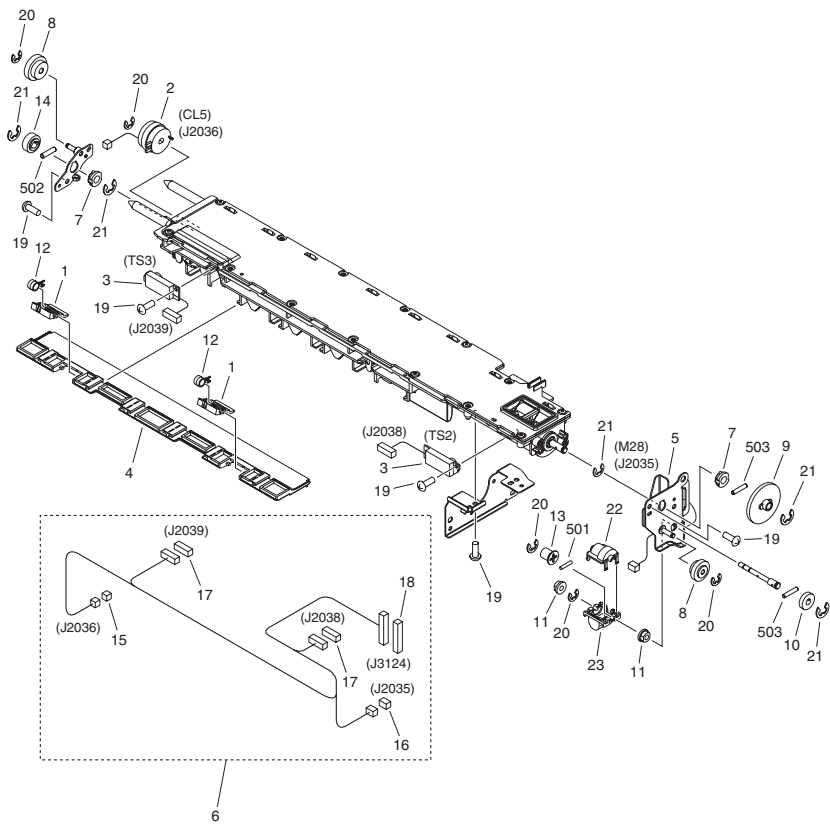


FIGURE & KEY NO.	PARTS NUMBER	R A N K	Q'TY	DESCRIPTION	SERIAL NUMBER/ REMARKS	S V C
Fig.625	FM4-0953-000		1	BUFFER ASS'Y		
1	FC9-5091-000		2	ARM, SHUTTER		
2	FK2-7728-000		1	CLUTCH, ELECTROMAGNETIC	CL5	
3	FK2-7713-000		2	SENSOR UNIT, TONER	TS2,TS3	
4	FL3-3782-000		1	SHUTTER, BUFFER		
5	FM4-0956-000		1	MOTOR, STEPPING, DC	M28	
6	FM4-0999-000		1	CABLE, BUFFER		
7	FS5-1219-000		2	BUSHING		
8	FS6-0028-000		2	GEAR, 23T/16T		
9	FU5-0362-000		1	GEAR, 48T		
10	FU6-0152-000		1	GEAR, 17T		
11	FU6-1194-000		2	BUSHING		
12	FU7-2715-000		2	SPRING, TORSION		
13	FU9-0031-000		1	GEAR, 14T		
14	FU9-0155-000		1	GEAR, 16T		
15	VS1-7177-002		1	CONNECTOR, SNAP TIGHT, BK		
16	VS1-7177-003		1	CONNECTOR, SNAP TIGHT, BK		
17	VS1-7177-006		2	CONNECTOR, SNAP TIGHT, BK		
18	VS1-8412-017		1	CONNECTOR, SNAP TIGHT, BL		
19	XA9-1659-000		AR	SCREW,M3X4		
20	XD9-0134-000		5	RING, E		
21	XD9-0136-000		7	RING, E		
22	FC9-5092-000		1	COVER, WORM GEAR, UPPER		
23	FC9-5093-000		1	COVER, WORM GEAR, LOWER		
501	XD3-2160-082		1	PIN, DOWELL, 1.6X8		
502	XD3-2200-082		1	PIN, PARALLEL		
503	XD3-2200-102		2	PIN, PARALLEL		

FIGURE 640
DEVELOPING ASS'Y

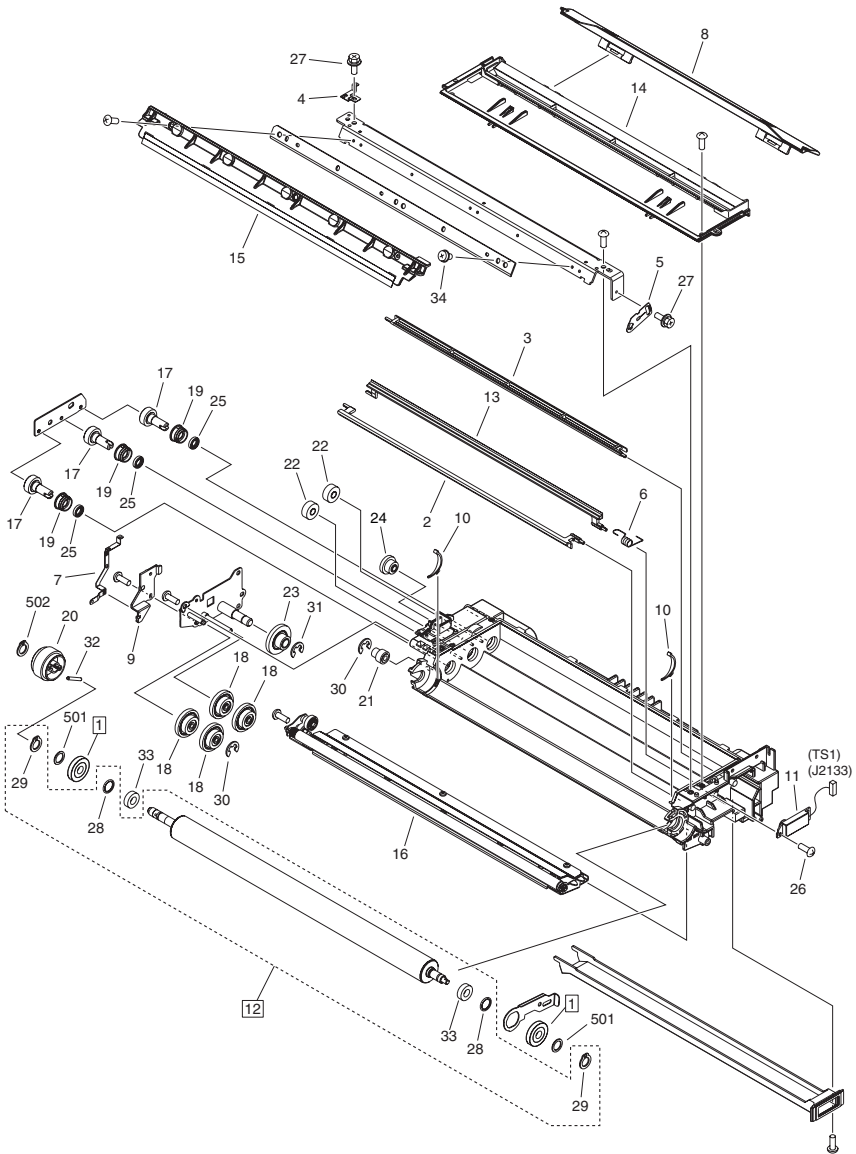


FIGURE & KEY NO.	PARTS NUMBER	R A N K	Q'TY	DESCRIPTION	SERIAL NUMBER/ REMARKS	S V C
Fig.640	FM3-7384-010		1	DEVELOPING ASS'Y		
1	FC0-2276-000		2	ROLLER, SPACER	[DP]	
2	FC8-9468-000		1	ROD, STIRRING		
3	FC8-9469-000		1	ROD, STIRRING		
4	FC8-9472-010		1	PLATE, SLEEVE BIAS, REAR		
5	FC8-9473-000		1	PLATE, SLEEVE BIAS, FRONT		
6	FC8-9474-000		1	SPRING, COMPRESSION		
7	FC8-9503-010		1	PLATE, ROLLER BIAS		
8	FC8-9582-000		1	COVER, DEVELOPING ENTRANCE		
9	FC9-5448-000		1	GUIDE, SPRING		
10	FC9-5449-000		2	SEAL, SIDE END MAGNET		
11	FK2-7713-000		1	SENSOR UNIT, TONER	TS1	
12	FM4-5438-010		1	CYLINDER, DEVELOPING	[DP]	
13	FL3-2163-000		1	ROD, STIRRING		
14	FL3-2167-000		1	LID, DEVELOPING		
15	FL3-3613-000		1	COVER, SLEEVE		
16	FM3-7385-000		1	WASTE ASS'Y		
17	FS6-0857-000		3	GEAR, 20T		
18	FU5-0166-000		4	GEAR, 32T/20T		
19	FL3-5186-000		3	BUSHING		
20	FU8-0492-000		1	GEAR, 35T		
21	FU8-0903-000		1	GEAR, 14T/16T		
22	FU9-0036-000		2	GEAR, 19T		
23	FU9-0037-000		1	GEAR, 34T/16T		
24	FU9-0039-000		1	GEAR, 14T/21T		
25	X71-9310-000		3	SEAL, OIL		
26	XA9-1659-000		2	SCREW,M3X4		
27	XA9-1932-000		2	SCREW, WWASHER, M3X6		
28	FC0-2281-000		2	RING, O		
29	XD9-0183-000		2	RING,C,EXTERNAL		
30	XD9-0134-000		2	RING, E		
31	XD9-0136-000		1	RING, E		

FIGURE & KEY NO.	PARTS NUMBER	RANK	Q'TY	DESCRIPTION	SERIAL NUMBER/REMARKS	SVC
32	XD9-0290-000		1	PIN, PARALLEL		
33	XG9-0218-000		2	BALL BEARING,L1680DDLY13,NMB,		
34	XA9-2026-000		AR	SCREW, WASHER, FLAT HEAD, M3X4		
501	XD1-1108-216		2	WASHER		
502	XD2-2100-602		1	GRIP RING (D=6)		

FIGURE 650
DEVELOPING RELEASE ASS'Y

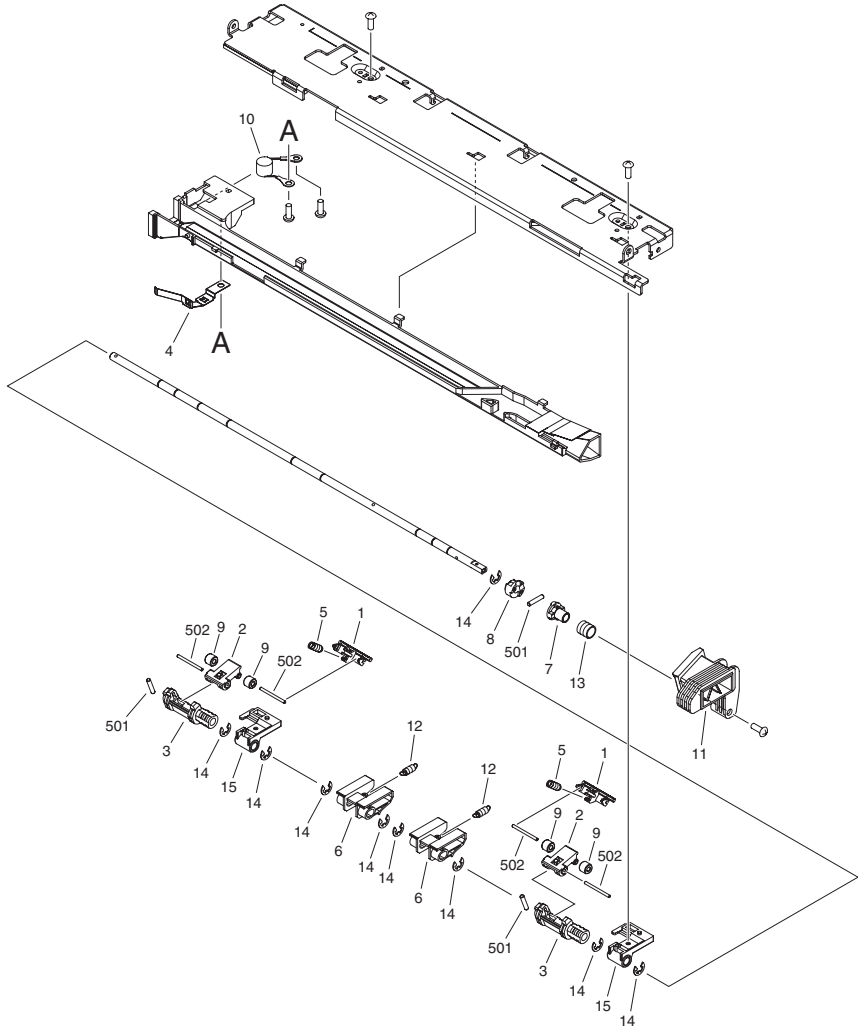
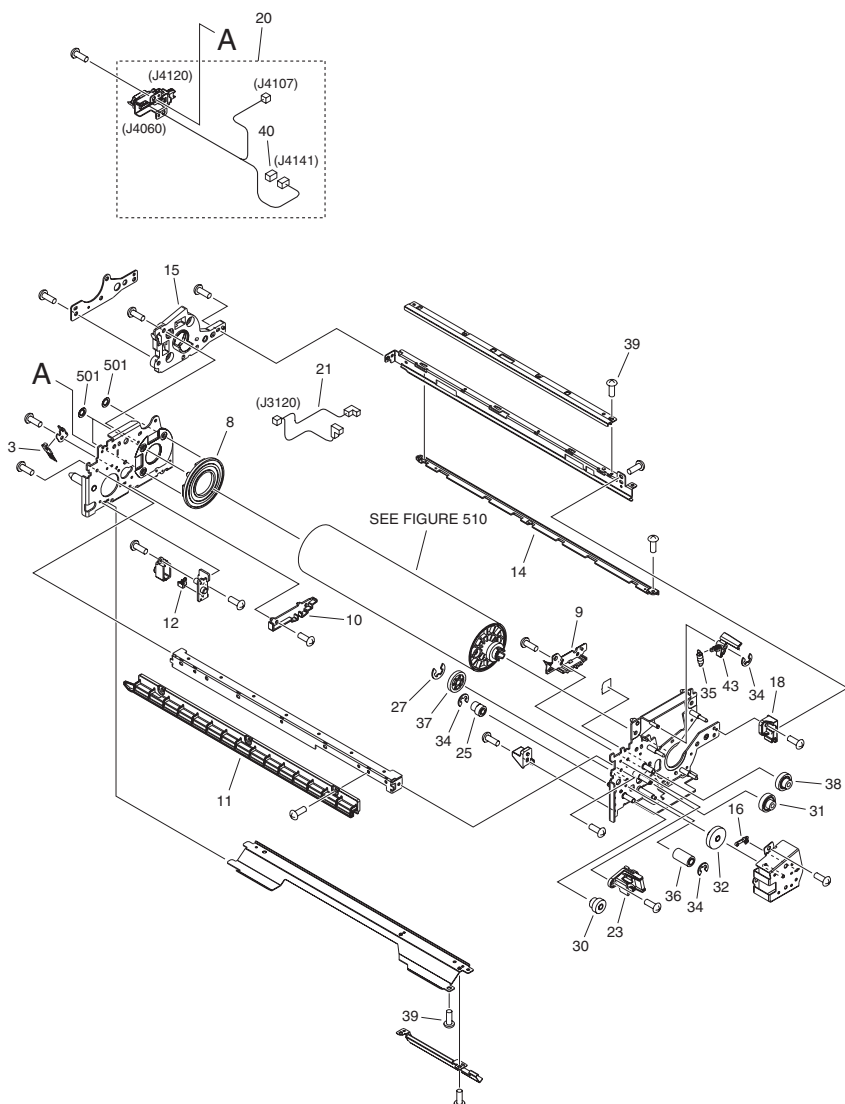


FIGURE & KEY NO.	PARTS NUMBER	R A N K	Q'TY	DESCRIPTION	SERIAL NUMBER/ REMARKS	S V C
Fig.650	FM4-0950-000		1	DEVELOPING RELEASE ASS'Y		
1	FC8-7106-000		2	ARM, PRESSURE RELEASE, 1		
2	FC8-7107-000		2	ARM, PRESSURE RELEASE, 2		
3	FC8-7108-000		2	ARM, PRESSURE RELEASE, 3		
4	FC9-7984-000		1	PLATE, VARISTOR		
5	FC8-7113-000		2	SPRING, TENSION		
6	FC8-9571-000		2	BLOCK, MULTI PRESSURE		
7	FC9-5094-000		1	CLAMP, ROTATION, 1		
8	FC9-5095-000		1	CLAMP, ROTATION, 2		
9	FC9-5096-000		4	ROLLER, PRESSURE RELEASE		
10	FL3-1270-000		1	VARISTOR		
11	FL3-2154-000		1	ARM, DUCT		
12	FU7-2706-000		2	SPRING, TENSION		
13	FU8-2313-000		1	SPRING, COMPRESSION		
14	XD9-0136-000		9	RING, E		
15	FC8-7109-000		2	HOLDER, ARM		
501	XD3-2200-102		3	PIN, PARALLEL		
502	XD3-2200-262		4	PIN, DOWEL		

FIGURE 710 AP. KIT ASS'Y



NOTE : This assembly does not included the assembly shown in Figure 510.

NOTE : This assembly includes the assemblies shown in Figure 711 and 720.

注：このユニットにFigure 510のユニットは含まれません。

注：このユニットはFigure 711, 720のユニットを含みます。

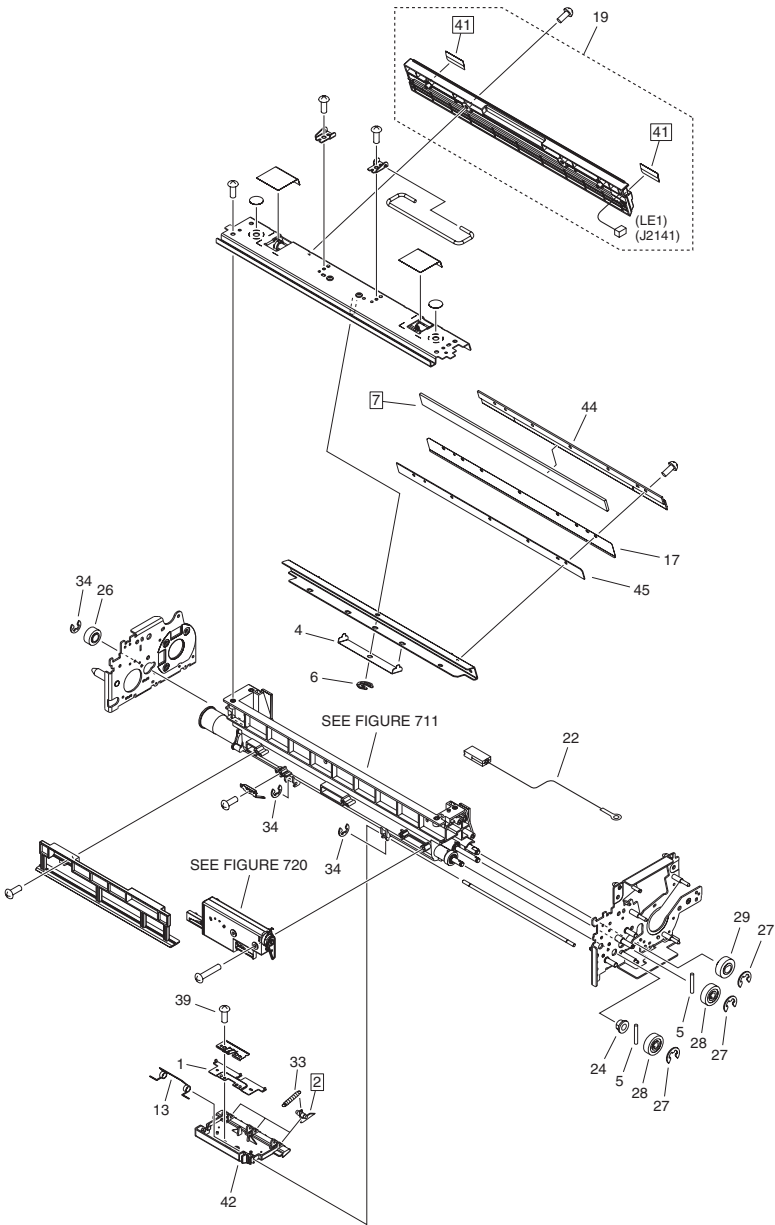
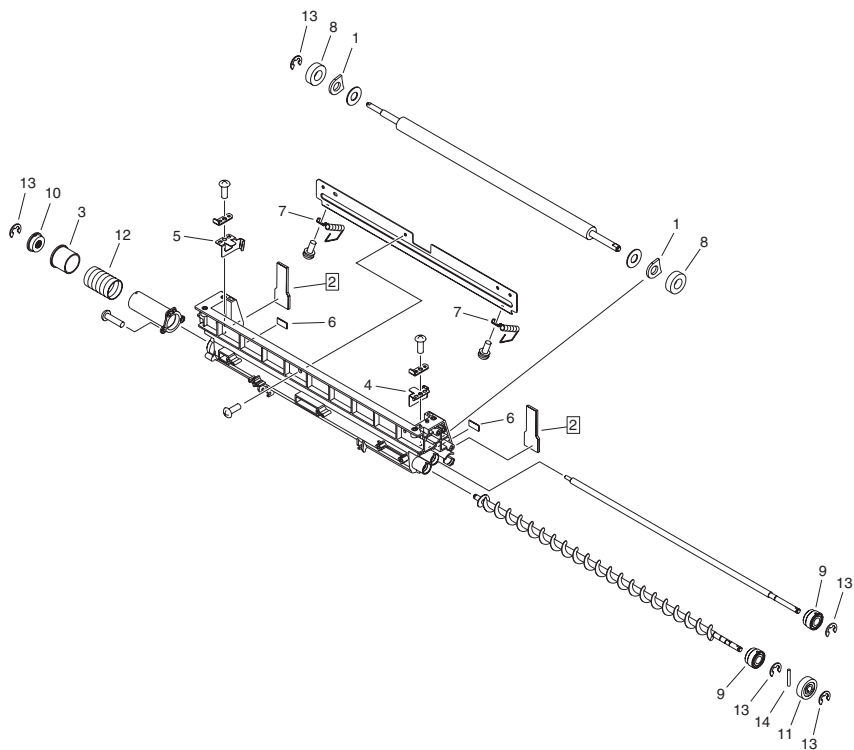


FIGURE & KEY NO.	PARTS NUMBER	R A N K	Q'TY	DESCRIPTION	SERIAL NUMBER/ REMARKS	S V C
Fig.710	FM4-5397-010		1	HOLDER UNIT, DRUM UNIT	SEE NOTE	
1	FB4-8012-020		1	PLATE, SEPARATION CLAW		
2	FB4-8018-010		3	CLAW, SEPARATION	[DP]	
3	FB5-9104-010		1	ELIMINATOR, STATIC CHARGE		
4	FB6-2385-000		1	SPRING, LEAF		
5	XD9-0290-000		2	PIN, PARALLEL		
6	FB6-6088-000		1	RING, RETAINING		
7	FL3-6291-000		1	BLADE, DRUM CLEANING	[DP]	
8	FC8-7093-000		1	RING, SLIP		
9	FC8-7097-000		1	GUIDE, TRANSFER POSITION,FRONT		
10	FC8-7098-000		1	GUIDE, TRANSFER POSITION, REAR		
11	FC8-9404-000		1	RAIL, LEFT		
12	FC8-9413-000		1	CONNECTOR, HIGH VOLTAGE		
13	FC9-4863-000		1	SPRING, TORSION		
14	FC9-4867-000		1	RAIL, RIGHT		
15	FC9-4870-000		1	GUIDE, POSITIONING		
16	FC9-5573-000		1	STOPPER		
17	FL3-5193-000		1	PLATE, BLADE BACKKING		
18	FC9-7440-000		1	JOINT, RAIL		
19	FM3-7292-000		1	PRE-EXPOSURE ASS'Y	LE1	
20	FM4-5431-000		1	DRAWER ASSEMBLY		
21	FM4-0992-000		1	CABLE, DRUM HEATER		
22	FM4-0994-000		1	CABLE, HIGH VOLTAGE		
23	FM4-5148-000		1	MOUNT, CONTACT		
24	FS1-1205-000		1	BUSHING		
25	FS6-0136-000		1	GEAR, 18T		
26	FU0-0074-000		1	GEAR, 14T		
27	XD9-0136-000		4	RING, E		
28	FU3-0303-000		2	GEAR, 30T		
29	FU6-0619-000		1	GEAR, 20T		
30	FU6-0620-000		1	GEAR, 21T/30T		
31	FU7-0363-000		1	GEAR, 18T/36T		

FIGURE & KEY NO.	PARTS NUMBER	R A N K	Q'TY	DESCRIPTION	SERIAL NUMBER/ REMARKS	S V C
32	FU7-0364-000		1	GEAR, 18T/48T	[DP]	
33	FU7-2711-000		3	SPRING, TENSION		
34	XD9-0134-000		6	RING, E		
35	FU7-2713-000		1	SPRING, TENSION		
36	FU8-0899-000		1	GEAR, 18T		
37	FU9-0051-000		1	GEAR, 38T		
38	FU9-0159-000		1	GEAR, 18T/26T		
39	XA9-1659-000		AR	SCREW,M3X4		
40	VS1-7177-003		1	CONNECTOR, SNAP TIGHT, BK		
41	FC9-9153-000		2	SHEET, SCRAPER		
42	FC9-4860-010		1	HOLDER, SEPARATION CLAW		
43	FC9-4871-000		1	STOPPER, CORONA		
44	FL3-5194-020		1	RETAINER, BLADE		
45	FC8-7083-000		1	PLATE, BLADE AUXILIARY		
501	XD2-2300-602		3	GRIP RING		

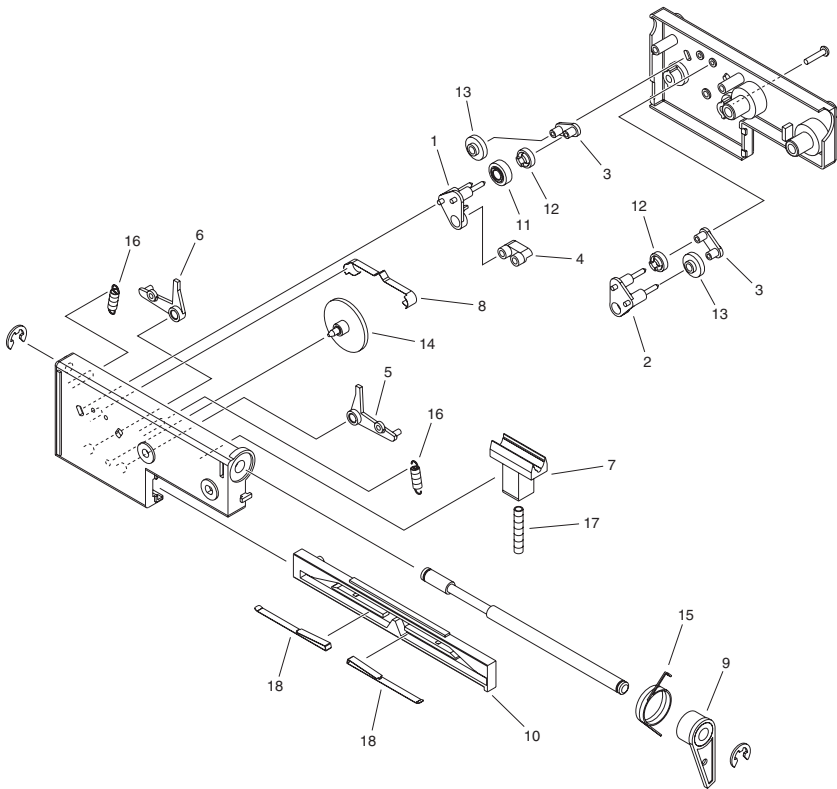
FIGURE 711 DRUM CLEANING ASS'Y



NOTE : This assembly is included in the assembly shown in Figure 710.
注 : このユニットはFigure 710のユニットに含まれます。

FIGURE & KEY NO.	PARTS NUMBER	R A N K	Q'TY	DESCRIPTION	SERIAL NUMBER/ REMARKS	S V C
Fig.711	FM4-5396-000		1	DRUM CLEANING ASS'Y	SEE NOTE	
1	FB2-6872-000		2	SEAL, FELT		
2	FC8-7086-000		2	SCRAPER, SIDE END	[DP]	
3	FC9-9143-000		1	SHUTTER, WASTE TONER		
4	FC9-9154-000		1	SCRAPER, SIDE, FRONT		
5	FC9-9155-000		1	SCRAPER, SIDE, REAR		
6	FC9-9159-000		2	SHEET, POSITIONING		
7	FC9-9173-000		2	SPRING, TORSION		
8	XG9-0727-000		2	BEARING, BALL, 688-2RS,		
9	FL3-3700-000		2	BUSHING		
10	FL3-4551-000		1	BUSHING		
11	FU3-0303-000		1	GEAR, 30T		
12	FU7-2695-000		1	SPRING, COMPRESSION		
13	XD9-0136-000		5	RING, E		
14	XD9-0290-000		1	PIN, PARALLEL		

FIGURE 720 SEPARATION CLAW DRIVE ASSEMBLY



NOTE : This assembly includes the assemblies shown in Figure 710.
 注 : このユニットはFigure 710のユニットに含まれます。

FIGURE & KEY NO.	PARTS NUMBER	R A N K	Q'TY	DESCRIPTION	SERIAL NUMBER/ REMARKS	S V C
Fig.720	FG5-5789-000		1	SEPARATION CLAW DRIVE ASSEMBLY	SEE NOTE	
1	FA3-2473-000		1	LINK, LEFT		
2	FA3-2474-000		1	LINK, RIGHT		
3	FA3-2475-000		2	BRACE		
4	FA3-2476-000		1	LINK		
5	FA3-2477-000		1	LEVER, RESET, RIGHT		
6	FA3-2478-000		1	LEVER, RESET, LEFT		
7	FA3-2483-000		1	BRAKE		
8	FS7-2995-000		1	SPRING, LEAF		
9	FA9-3943-000		1	LEVER, DRIVE		
10	FB2-8299-000		1	RACK		
11	FS2-0088-000		1	GEAR, 20T		
12	FS2-0089-000		2	GEAR, 20T		
13	FS2-0090-000		2	GEAR, 25T		
14	FS2-0091-000		1	GEAR, 60T		
15	FS2-2001-000		1	SPRING, TORSION		
16	FS2-2002-000		2	SPRING		
17	FS2-2058-000		1	SPRING, COMPRESSION		
18	FS7-2994-000		2	SPRING, LEAF		

FIGURE 770 WASTE TONER FEED ASSEMBLY

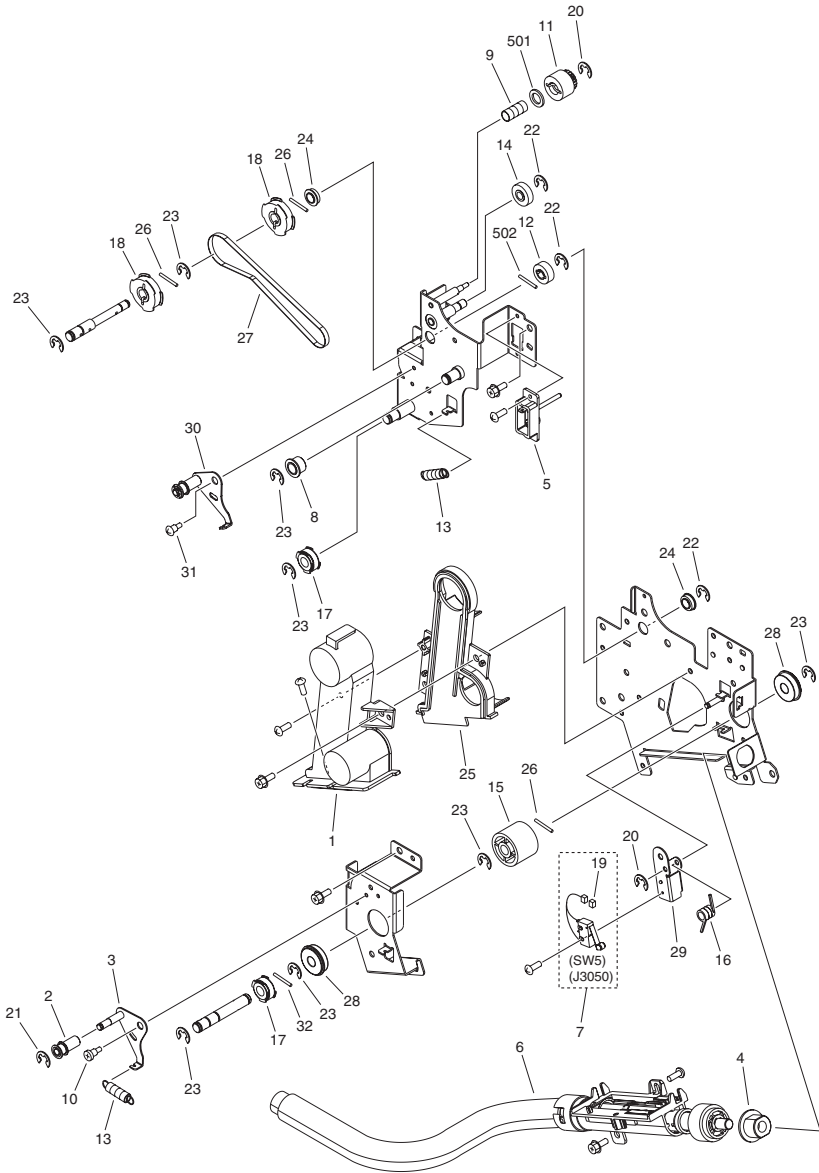


FIGURE & KEY NO.	PARTS NUMBER	R A N K	Q'TY	DESCRIPTION	SERIAL NUMBER/ REMARKS	S V C
Fig.770	FM4-0899-010		1	WASTE TONER FEED ASSEMBLY		
1	FC8-7424-000		1	CAP, WASTE TONER DRIVE, UPPER		
2	FC9-5134-000		1	ROLLER, TENSIONER		
3	FL3-0286-000		1	TENSIONER		
4	FL3-3875-000		1	BUSHING		
5	FM4-0902-000		1	CONTACT PIN SUPPORT UNIT		
6	FM4-0903-000		1	WASTE TONER SCREW DRIVE ASS'Y		
7	FM4-1029-000		1	CABLE, LOCK DETECT SWITCH	SW5	
8	FS2-6458-000		1	ROLLER		
9	FS5-2959-000		1	SPRING, TORSION		
10	FS5-9714-000		1	SCREW, STEPPED, M3		
11	FU9-0315-000		1	GEAR, 18T		
12	FU6-0446-000		1	GEAR, 18T		
13	FU7-2692-000		2	SPRING, TENSION		
14	FU8-0079-000		1	GEAR, 20T		
15	FU8-0082-000		1	GEAR, 26T		
16	FU8-2515-000		1	SPRING, TORSION		
17	FU9-0157-000		2	PULLEY, 28T		
18	FU9-0158-000		2	PULLEY, 40T		
19	VS1-7177-002		1	CONNECTOR, SNAP TIGHT, BK		
20	XD9-0134-000		2	RING, E		
21	XD9-0135-000		1	RING, E		
22	XD9-0136-000		3	RING, E		
23	XD9-0137-010		8	RING, E		
24	XG9-0705-000		2	BEARING, BALL, MF106ZZS		
25	FL3-1300-000		1	CAP, WASTE TONER DRIVE, LOWER		
26	XD9-0292-000		3	PIN, PARALLEL		
27	XF2-4114-240		1	BELT, TIMING, CR		
28	XG9-0492-000		2	BEARING, BALL, 608ZZ		
29	FC9-9131-000		1	SUPPORT, WASTE TONER, SENSOR		
30	FM4-9816-000		1	TENSIONER ASSEMBLY		
31	FS1-9010-020		1	SCREW, STEPPED, M3		

FIGURE & KEY NO.	PARTS NUMBER	R A N K	Q'TY	DESCRIPTION	SERIAL NUMBER/ REMARKS	S V C
32	XD9-0289-000		1	PIN, PARALLEL		
501	XD1-1106-229		1	WASHER,COP		
502	XD3-2200-102		1	PIN, PARALLEL		

FIGURE 810 FIXING ASS'Y

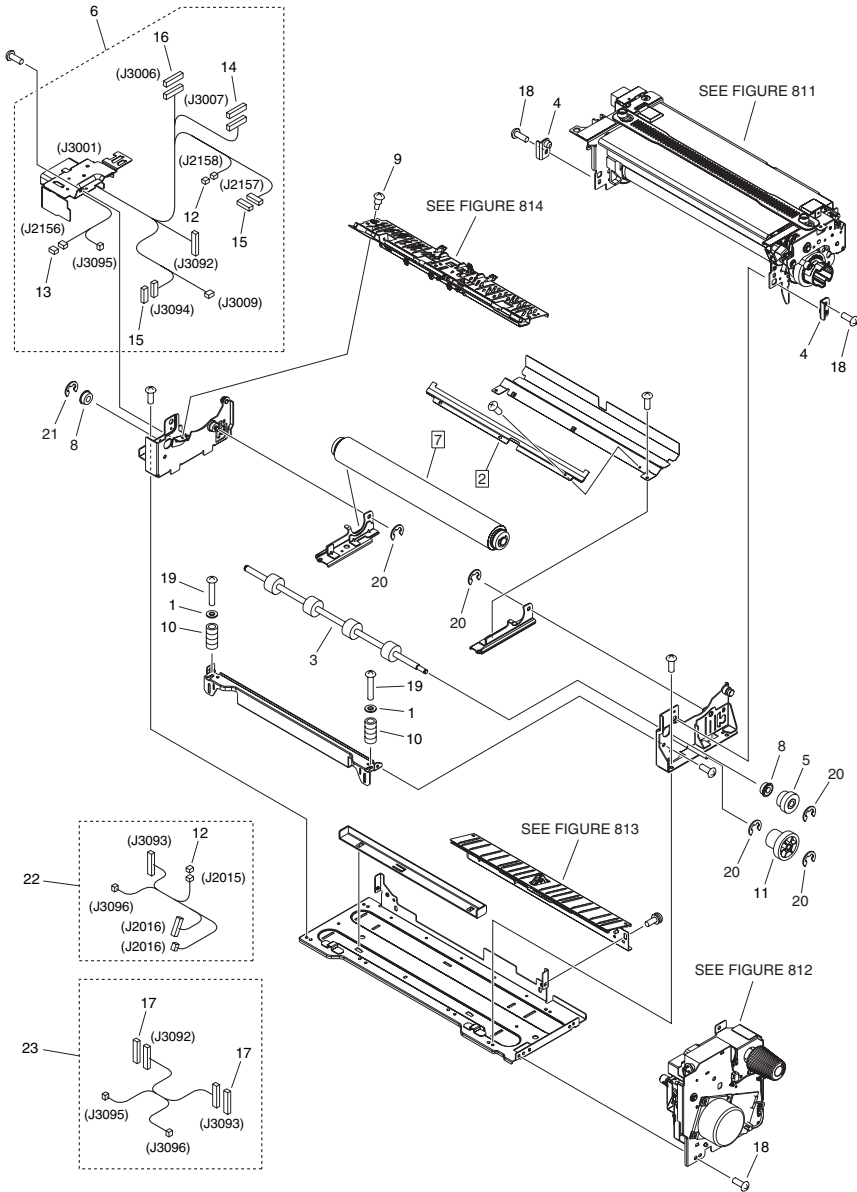
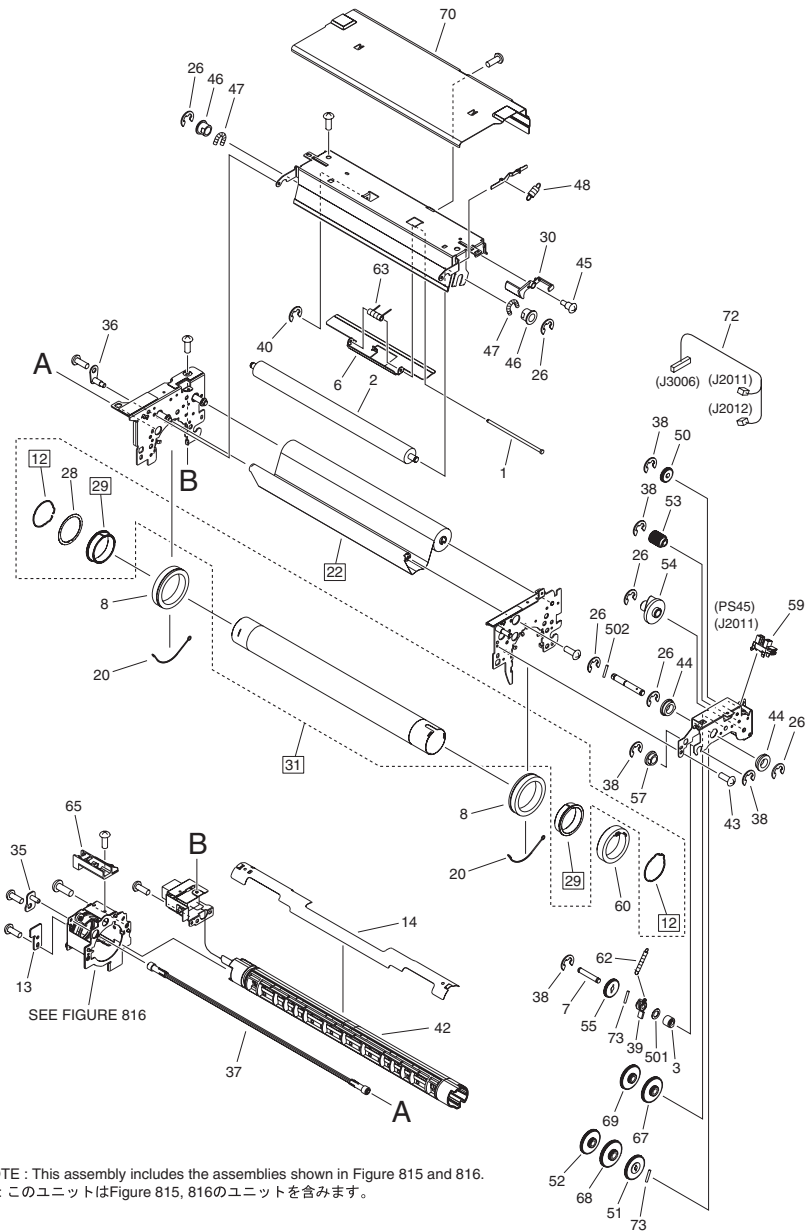


FIGURE & KEY NO.	PARTS NUMBER	R A N K	Q'TY	DESCRIPTION	SERIAL NUMBER/ REMARKS	S V C
Fig.810	NPN		RF	FIXING ASS'Y		
1	FB4-1200-020		2	COLLAR, SPRING		
2	FC7-4287-000		1	ELIMINATOR, STATIC CHARGE	[DP]	
3	FC8-7232-000		1	ROLLER, INNER PAPER DELIVERY		
4	FL3-0219-000		2	SUPPORT, FIXING		
5	FL3-3731-000		1	GEAR, 19T		
6	FM3-7356-000		1	CABLE, FIXING DC DRAWER		
7	FM4-3160-000		1	ROLLER, PRESSURE	[DP]	
8	XG9-0365-000		2	BEARING,BALL, LNR-1680HHR		
9	FS5-9162-020		1	SCREW, STEPPED		
10	FU9-2461-000		2	SPRING, COMPRESSION		
11	FU9-0083-000		1	GEAR, 33T/20T		
12	VS1-7177-002		2	CONNECTOR, SNAP TIGHT, BK		
13	VS1-7177-003		1	CONNECTOR, SNAP TIGHT, BK		
14	VS1-7177-004		1	CONNECTOR, SNAP TIGHT, BK		
15	VS1-7177-006		2	CONNECTOR, SNAP TIGHT, BK		
16	VS1-7177-007		1	CONNECTOR, 7P, FEMALE, BK		
17	VS1-7177-009		2	CONNECTOR, 9P		
18	XA9-1031-000		5	SCREW, MACH. TRUSS HEAD, M4X6		
19	XA9-1945-000		2	SCREW, MACH.,TRUSS HEAD, M4X65		
20	XD9-0136-000		5	RING, E		
21	XD9-0137-010		1	RING, E		
22	FM3-9165-000		1	CABLE, FIXING MOTOR, 1		
23	FM4-0987-000		1	CABLE, FIXING MOTOR, 2		

FIGURE 811 FIXING ASS'Y, UPPER



NOTE : This assembly includes the assemblies shown in Figure 815 and 816.
 注 : このユニットはFigure 815, 816のユニットを含みます。

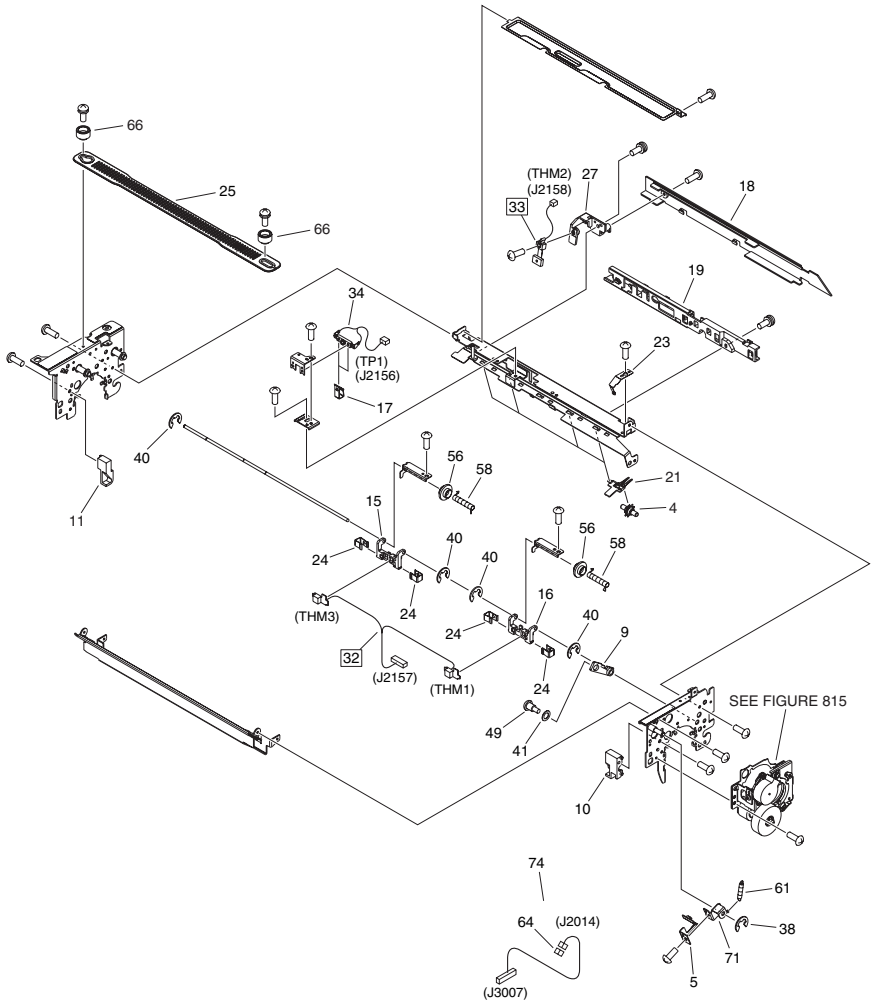


FIGURE & KEY NO.	PARTS NUMBER	R A N K	Q'TY	DESCRIPTION	SERIAL NUMBER/ REMARKS	S V C
Fig.811	FM3-7358-020		1	FIXING ASS'Y, UPPER	SEE NOTE	
1	FA6-3071-020		1	ROD, PLATE MOUNTING		
2	FA9-3860-000		1	ROLLER, CLEANING		
3	FB1-6833-000		1	BUSHING		
4	FB1-8776-000		4	ROWEL		
5	FB2-7219-030		1	PLATE, LIMIT, ARM		
6	FB2-7221-000		1	PLATE, SUPPORT		
7	FB2-7230-000		1	SHAFT, ONE-WAY		
8	XG9-0563-000		2	BEARING,BALL,6809ZZN S1C4		
9	FB5-5521-000		1	HOLDER, SHAFT		
10	FC6-3499-000		1	STOPPER,CLAW,FRONT		
11	FC6-3500-000		1	STOPPER,CLAW,REAR		
12	FC6-3501-020		2	RETAINER,FIXING ROLLER,THRUST	[DP]	
13	FC6-3524-000		1	STOPPER,HOPPER,RIGHT		
14	FC6-3525-000		1	SHUTTER		
15	FC6-3588-000		1	HOLDER,THERMISTOR INNER,RIGHT		
16	FC6-3592-000		1	HOLDER,MAIN THERMISTOR		
17	FC6-3596-000		2	SPRING, LEAF		
18	FC6-3628-000		1	COVER, CROSSMEMBER, RIGHT		
19	FC6-3669-000		1	GUIDE,CORD,RIGHT		
20	FC6-3673-000		2	RETAINER,BEARING		
21	FC6-3808-000		4	HOLDER, ROLLER		
22	FY1-1157-000		1	CLEANER SUPPLY ROLL	[DP]	
23	FC7-7717-000		1	TERMINAL, ROLLER GROUNDING		
24	FC7-7800-000		4	SPRING		
25	FC8-7212-000		1	BELT, HANDLE		
26	XD9-0137-010		6	RING, E		
27	FC8-9512-000		1	HOLDER, SUB THERMISTOR, RIGHT		
28	FE2-0550-000		1	SPACER, BUSHING		
29	FC9-8069-000		2	BUSHING	[DP]	
30	FC9-8282-000		1	LEVER, CLEANER REMNANT SENSING		
32	FK2-7683-000		1	THERMISTOR UNIT, MAIN	THM1,THM3 [DP]	

FIGURE & KEY NO.	PARTS NUMBER	R A N K	Q'TY	DESCRIPTION	SERIAL NUMBER/ REMARKS	S V C
33	FK2-7693-000		1	THERMISTOR UNIT, SUB	THM2 [DP]	
34	FK2-7698-000		1	THERMOSWITCH	TP1	
35	FL2-3049-000		1	SUPPORT,SHAFT		
36	FL2-3051-000		1	PLATE,ROLL SHAFT,REAR		
37	FL2-3058-000		1	SHAFT, DRIVE		
38	XD9-0136-000		6	RING, E		
39	FL3-2159-000		1	ARM, ONE-WAY		
40	XD9-0134-000		5	RING, E		
41	XD9-0067-000		1	WASHER, FRONT PANEL ARM, S		
42	FM3-7359-000		1	FIXING HEATER UNIT		
43	XA9-1031-000		2	SCREW, MACH. TRUSS HEAD, M4X6		
44	FS1-1449-000		2	BUSHING, PL		
45	FS1-9009-020		1	TWO-STEP SCREW, M3		
46	FS2-1256-000		2	BUSHING		
47	FU8-2523-000		2	SPRING, TENSION		
48	FS5-2940-000		1	SPRING, TENSION		
49	FS5-9162-020		1	SCREW, STEPPED		
50	FS6-0103-000		1	GEAR, 28T		
51	FS7-0891-000		1	GEAR, 60T		
52	FS6-0105-000		1	GEAR, 22T/60T		
53	FS6-0106-000		1	GEAR, 23T		
54	FS6-0107-000		1	GEAR, 50T		
55	FS6-0134-000		1	GEAR		
56	FU5-1468-000		2	BUSHING		
57	FU6-1193-000		1	BUSHING		
58	FU6-2107-000		2	SPRING		
59	WG8-5783-000		1	IC,PHOTO-INTERRUPTER,LG248NL1A	PS45	
60	FU8-0505-000		1	GEAR, 52T		
61	FU8-2315-000		1	SPRING, TENSION		
62	FU8-2316-000		1	SPRING, TENSION		
63	FU8-2516-000		1	SPRING, TORSION		
64	VS1-7177-004		1	CONNECTOR, SNAP TIGHT, BK		

FIGURE & KEY NO.	PARTS NUMBER	R A N K	Q'TY	DESCRIPTION	SERIAL NUMBER/ REMARKS	S V C
65	FC6-3447-000		1	GUIDE, COIL CORD		
66	FC8-7213-000		2	SPACER		
67	FS7-0893-000		1	GEAR, 22T/63T		
68	FS7-0894-000		1	GEAR, 19T/63T		
69	FS7-0895-000		1	GEAR, 19T/60T		
70	FC9-7840-000		1	COVER, FIXING, UPPER		
71	FC9-5137-000		1	PLATE, LIMIT, ARM, 2		
72	FM4-0990-000		1	CABLE, FIXING CLEANER		
73	XD9-0289-000		2	PIN, PARALLEL		
74	FM4-0991-000		1	CABLE, MOTOR		
501	XD1-1106-235		1	WASHER, COP		
502	XD3-1300-122		1	PIN, SPRING		

FIGURE 812 FIXING DRIVE ASS'Y

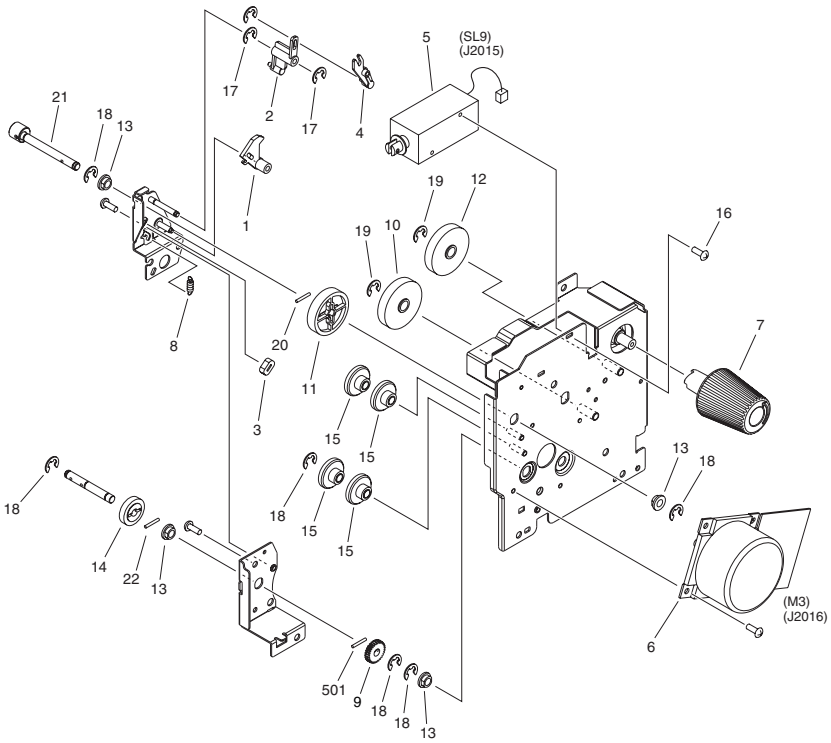


FIGURE & KEY NO.	PARTS NUMBER	RANK	Q'TY	DESCRIPTION	SERIAL NUMBER/REMARKS	SVC
Fig.812	FM3-7357-000		1	FIXING DRIVE ASS'Y		
1	FB2-7243-000		1	ARM, SOLENOID, 2		
2	FC8-7235-000		1	LINK, SOLENOID		
3	FC8-7236-000		1	DAMPER		
4	FC8-7244-000		1	ARM, SOLENOID		
5	FK2-0839-000		1	SOLENOID	SL9	
6	FK2-7669-000		1	MOTOR, DC	M3	
7	FM2-4169-000		1	FIXING KNOB UNIT		
8	FS5-2967-000		1	SPRING, TENSION		
9	FS6-0103-000		1	GEAR, 28T		
10	FS7-0665-000		1	GEAR, 60T		
11	FU3-0302-000		1	GEAR, 58T		
12	FU6-0738-000		1	GEAR,60T		
13	FU6-1193-000		4	BUSHING		
14	FU9-0045-000		1	GEAR, 20T		
15	FU9-0156-000		4	GEAR, 16T/38T		
16	XA9-1659-000		2	SCREW,M3X4		
17	XD9-0134-000		2	RING, E		
18	XD9-0136-000		6	RING, E		
19	XD9-0137-010		2	RING, E		
20	XD9-0290-000		1	PIN, PARALLEL		
21	FL3-0227-000		1	SHAFT, RECIPROCATING DRIVE		
22	XD9-0289-000		1	PIN, PARALLEL		
501	XD3-2200-102		1	PIN, PARALLEL		

FIGURE 813 FIXING ENTRANCE GUIDE ASS'Y

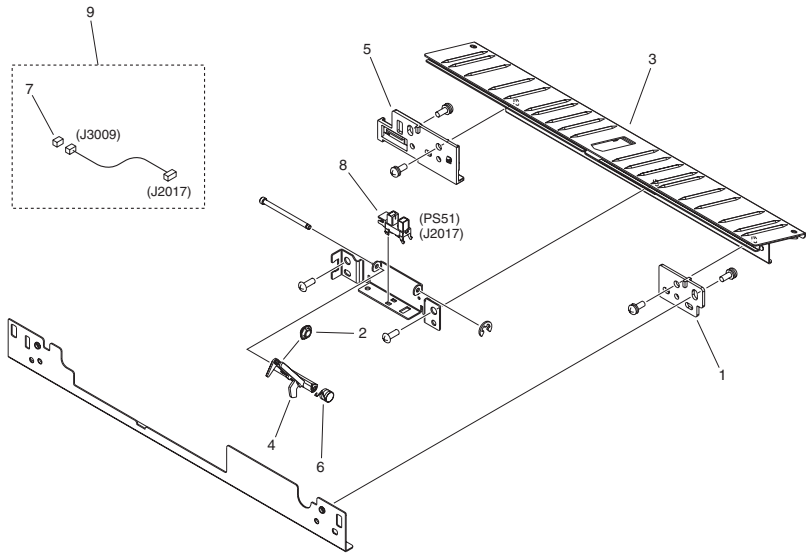


FIGURE & KEY NO.	PARTS NUMBER	RANK	Q'TY	DESCRIPTION	SERIAL NUMBER/REMARKS	SVC
Fig.813	NPN		RF	FIXING ENTRANCE GUIDE ASS'Y		
1	FB5-6948-000		1	PLATE, HEIGHT ADJUSTING		
2	FB6-3150-000		1	ROLLER, TRANSFER SENSOR		
3	FC8-7225-000		1	GUIDE, ENTRANCE		
4	FC5-5145-000		1	FLAG, FIXING INLET SENSOR		
5	FC9-5026-000		1	MOUNT, HEIGHT		
6	FU5-2175-000		1	SPRING, TORSION		
7	VS1-7177-003		1	CONNECTOR, SNAP TIGHT, BK		
8	WG8-5848-000		1	IC, PHOTO-INTERRUPTER	PS51	
9	FM4-0982-000		1	CABLE, FIXING ENTRANCE SENSOR		

FIGURE 814 FIXING EXIT GUIDE ASS'Y

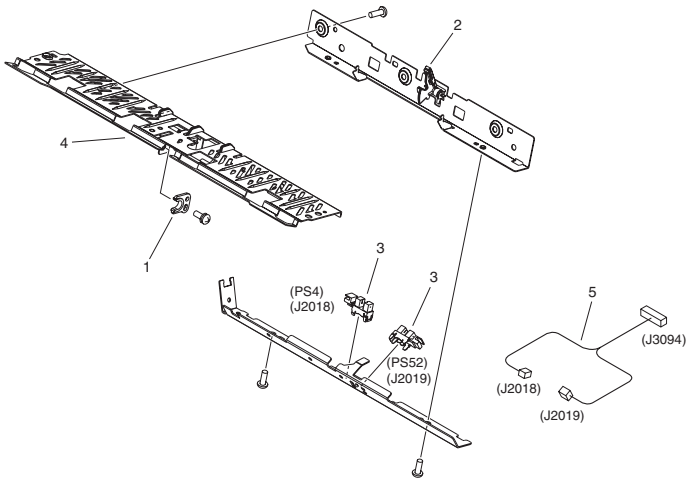
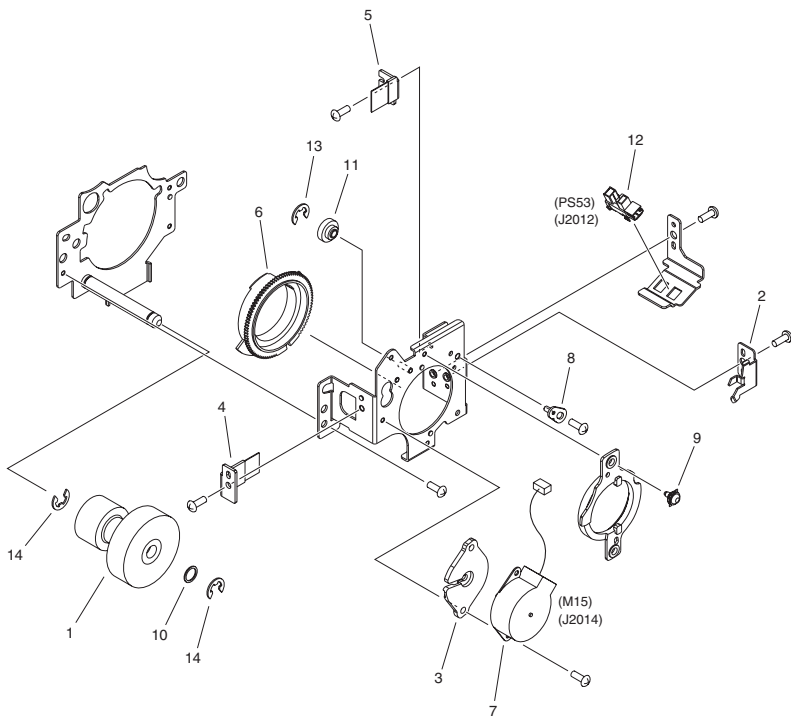


FIGURE & KEY NO.	PARTS NUMBER	RANK	Q'TY	DESCRIPTION	SERIAL NUMBER/REMARKS	SVC
Fig.814	NPN		RF	FIXING EXIT GUIDE ASS'Y		
1	FB5-5530-000		1	HOLDER, SHAFT		
2	FL3-3619-000		1	CLAMP UNIT, SEPARATION CLAW		
3	WG8-5848-000		2	IC, PHOTO-INTERRUPTER	PS4,PS52	
4	FL3-3620-000		1	GUIDE, INNER PAPER DELIVERY		
5	FM4-0983-000		1	CABLE, FIXING JAM SENSOR		

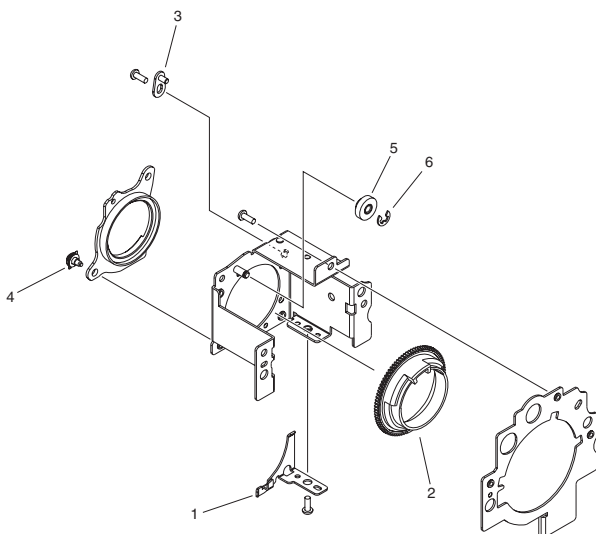
FIGURE 815 SHAFT FIXED PLATE ASS'Y, FRONT



NOTE : This assembly is included in the assembly shown in Figure 811.
注 : このユニットはFigure 811のユニットに含まれます。

FIGURE & KEY NO.	PARTS NUMBER	R A N K	Q'TY	DESCRIPTION	SERIAL NUMBER/ REMARKS	S V C
Fig.815	FM4-5147-000		1	SHAFT FIXED PLATE ASS'Y, FRONT	SEE NOTE	
1	FC6-3494-000		1	GEAR,71T/26T		
2	FC6-3527-000		1	STOPPER, SHUTTER GEAR, FRONT		
3	FC6-3584-000		1	PLATE,MOTOR DAMPER		
4	FC0-2305-000		1	ELIMINATOR,STATIC CHARGE		
5	FC0-2306-000		1	ELIMINATOR,STATIC CHARGE		
6	FC7-4235-000		1	GEAR, 90T		
7	FK2-7677-000		1	MOTOR, STEPPING, DC	M15	
8	FL2-3056-000		1	MOUNT,GEAR STOPPER SHAFT		
9	FL2-4269-000		2	SCREW,STEPED M3, GUIDE		
10	FS5-6487-000		1	WASHER		
11	FU6-0734-000		1	GEAR,12T/21T		
12	WG8-5848-000		1	IC, PHOTO-INTERRUPTER	PS53	
13	XD9-0134-000		1	RING, E		
14	XD9-0137-010		2	RING, E		

FIGURE 816 SHAFT FIXED PLATE ASS'Y, REAR



NOTE : This assembly is included in the assembly shown in Figure 811.
注 : このユニットはFigure 811のユニットに含まれます。

FIGURE & KEY NO.	PARTS NUMBER	RANK	Q'TY	DESCRIPTION	SERIAL NUMBER/REMARKS	SVC
Fig.816	FM3-7360-000		1	SHAFT FIXED PLATE ASS'Y, REAR	SEE NOTE	
1	FC6-3528-000		1	STOPPER,SHUTTER GEAR,REAR		
2	FC6-3857-000		1	GEAR,90T		
3	FL2-3056-000		1	MOUNT,GEAR STOPPER SHAFT		
4	FL2-4269-000		2	SCREW,STEPPED M3, GUIDE		
5	FU6-0734-000		1	GEAR,12T/21T		
6	XD9-0134-000		1	RING, E		

FIGURE 900 CONTROLLER BOX ASSEMBLY

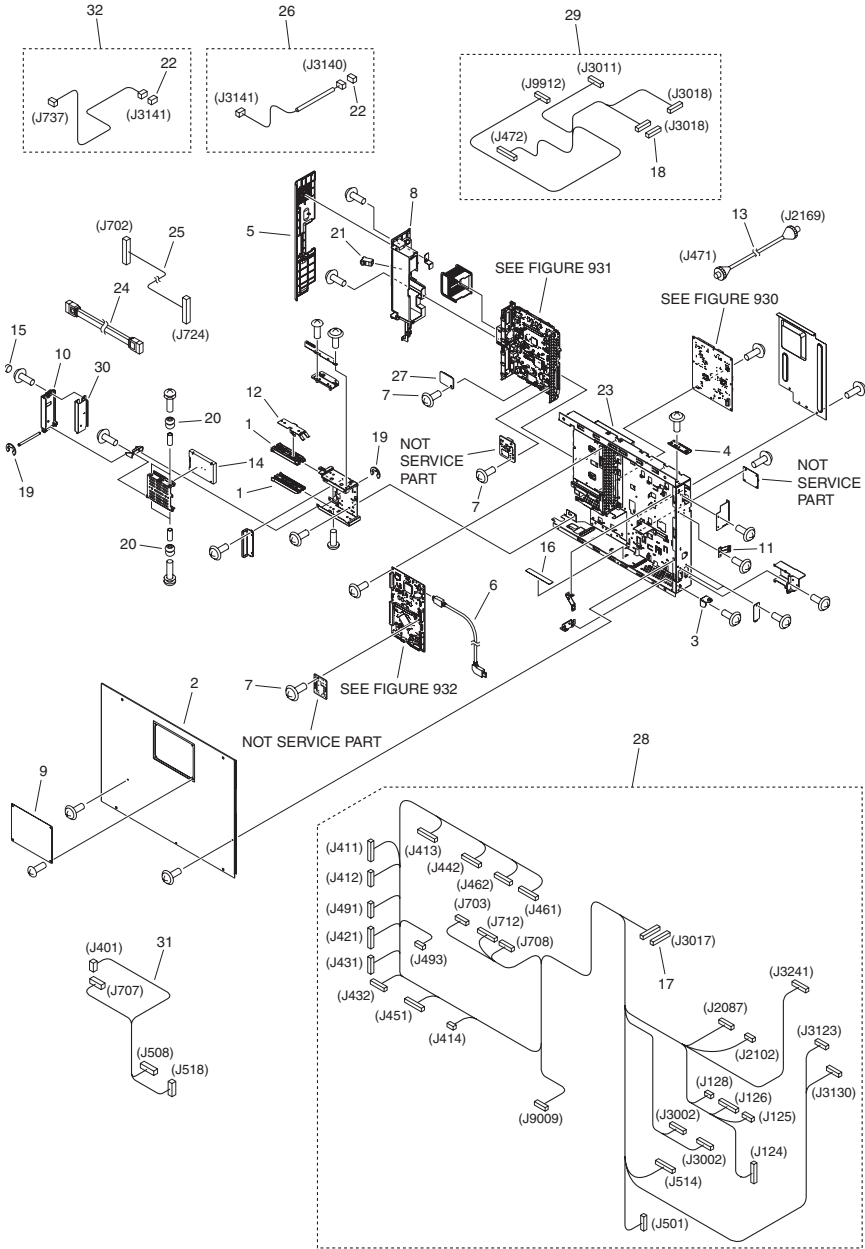


FIGURE & KEY NO.	PARTS NUMBER	R A N K	Q'TY	DESCRIPTION	SERIAL NUMBER/ REMARKS	S V C
Fig.900	NPN		RF	CONTROLLER BOX ASSEMBLY		
1	FC8-4051-000		2	RAIL, HARD DISK DRIVE GUIDE		
2	FL3-7916-000		1	COVER, REAR UPPER		
3	FC8-7023-000		1	SUPPORT, HINGE, 1		
4	FC8-7024-000		1	SUPPORT, HINGE, 2		
5	FC9-0079-000		1	COVER, RIGHT REAR, 1		
6	FK2-8982-000		1	CABLE, INTERFACE		
7	XA9-1979-000		3	SCREW, MACH. PAN HEAD, M3X4		
8	FC9-6958-020		1	COVER, SIDE		
9	FC9-7059-000		1	COVER, REAR, SMALL		
10	FE2-1893-000		1	COVER, HARD DISK DRIVE		
11	FC9-8812-000		1	PLATE, GROUNDING		
12	FC9-8980-000		1	SPRING, LEAF		
13	FK2-7714-000		1	CABLE, COAXIAL		
14	FK3-2219-000		1	HDD, MK1676GSX, TOSHIBA		
15	FC9-0311-000		1	CAP		
16	FU6-8861-000		1	LABEL, MEMORY CAUTION		
17	VS1-7173-017		1	CONNECTOR, SNAP TIGHT		
18	VS1-8412-009		1	CONNECTOR, SNAP TIGHT, BL		
19	XD9-0134-000		2	RING, E		
20	XH9-0149-000		4	DAMPER, CUSHION		
21	XZ9-0379-000		1	LATCH		
22	VS1-7177-002		2	CONNECTOR, SNAP TIGHT, BK		
23	FL3-7919-000		1	BOX, ELECTRICAL COMPONENTS		
24	FK2-8980-000		1	CABLE, HARD DISK DRIVE DATA		
25	FK2-8981-000		1	CABLE, HARD DISK P. S.		
26	FM4-1047-000		1	CABLE, SPEAKER		
27	FM4-0783-000		1	TPM PCB ASSEMBLY		
28	FM0-2971-000		1	CABLE, SIGNAL		
29	FM3-9162-010		1	CABLE, LASER		
30	FE2-1899-000		1	COVER, HARD DISK DRIVE		
31	FM3-9160-000		1	CABLE, CD CONT. POWER SUPPLY		

FIGURE & KEY NO.	PARTS NUMBER	R A N K	Q'TY	DESCRIPTION	SERIAL NUMBER/ REMARKS	S V C
32	FM3-9155-000		1	CABLE, SPEAKER, L1		

FIGURE 910 FIXING HEATER PS PCB ASSEMBLY

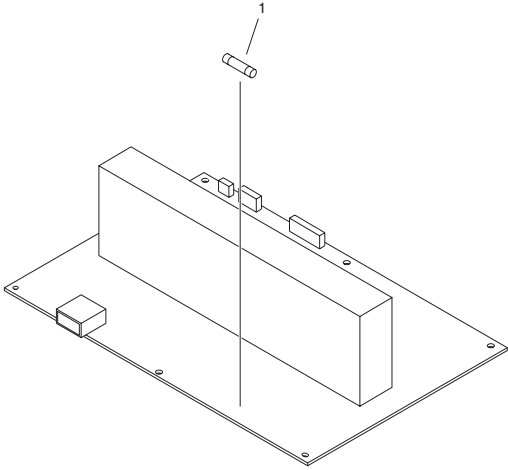


FIGURE & KEY NO.	PARTS NUMBER	RANK	QTY	DESCRIPTION	SERIAL NUMBER/REMARKS	SVC
Fig.910	FM2-3648-000		1	FIXING HEATER PS PCB ASSEMBLY	120V	
Fig.910	FM4-1099-000		1	FIXING HEATER PS PCB ASSEMBLY	230V	
1	VD7-0271-502		1	FUSE, SLOW-BLOW 15A 125V	120V FU101	
L	FH3-0936-000		1	INDUCTOR	120V L103	
L	FH7-9245-000		1	COIL, CHOKE	230V L101	
L	RH6-3032-000		1	COIL, 1MH, 10A	230V L103	
T	FK2-0680-000		2	TRANSFORMER	120V T101 230V T101,T161	
T	FH3-0636-000		1	TRANSFORMER (220/240V), 0.3VA	T102	
T	FK2-0681-000		1	TRANSFORMER	120V T103	
T	RK2-0299-000		1	TRANSFORMER	230V T103	
T	RH3-0323-000		1	TRANSFORMER	T301	

FIGURE 930 DC CONTROLLER PCB ASS'Y

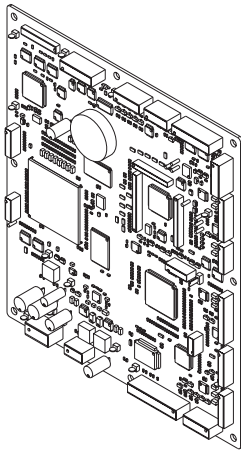


FIGURE & KEY NO.	PARTS NUMBER	RANK	Q'TY	DESCRIPTION	SERIAL NUMBER/REMARKS	SVC
Fig.930	FM0-4158-000		1	DC CONTROLLER PCB ASS'Y		
IC	FK2-7596-000		1	IC, STANDARD CELL	IC101	
IC	FK2-7712-000		1	IC, T6UP4AFG-0102(O), MPU	IC28	
IC	FK2-7721-000		1	IC, R5F61638N50FPV-FK27721	IC14	
IC	FK3-1009-000		1	IC, STANDARD CELL	IC23	

FIGURE 931 MAIN CONTROLLER PCB ASS'Y, 1

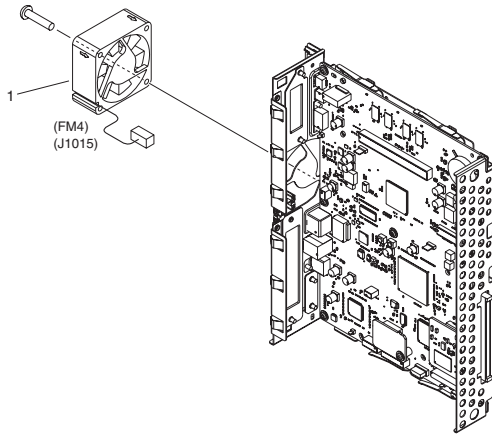


FIGURE & KEY NO.	PARTS NUMBER	RANK	Q'TY	DESCRIPTION	SERIAL NUMBER/REMARKS	SVC
Fig.931	FM4-2500-000		1	MAIN CONTROLLER PCB ASS'Y, 1	iR-ADV 6255	
Fig.931	FM4-2501-000		1	MAIN CONTROLLER PCB ASS'Y, 1	iR-ADV 6265	
Fig.931	FM4-2517-000		1	MAIN CONTROLLER PCB ASS'Y, 1	iR-ADV 6275	
1	FK2-8276-000		1	FAN	FM4	
IC	FK2-9794-000		1	IC, 88E8075B0-NNC2C000,		
IC	FK3-2222-000		1	IC, AU80610006252AASLBXD, MPU		

FIGURE 932 MAIN CONTROLLER PCB ASS'Y, 2

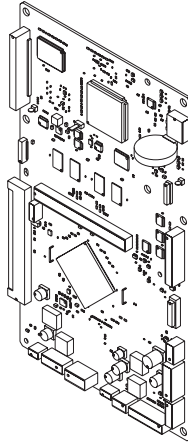


FIGURE & KEY NO.	PARTS NUMBER	RANK	Q'TY	DESCRIPTION	SERIAL NUMBER/REMARKS	SVC
Fig.932	FM4-2497-000		1	MAIN CONTROLLER PCB ASS'Y, 2		
IC	FK2-3218-000		1	IC, MB87L8650, GATE ARRAY	IC24	
IC	FK2-6757-000		1	IC, FSC0HD200B, STANDARD CELL	IC36	
IC	FK2-7819-000		1	IC, ASIC, MB87Q1921	IC35	
IC	FK2-8988-000			IC, R8A03018ABG U200, ASIC	IC1	
IC	FK2-8321-000		1	IC, MB87S1801	IC7	
IC	FK2-8978-000		1	IC, CLOCK GENERATOR	IC22	

FIGURE 960 MAIN DRIVE DRIVER PCB ASS'Y

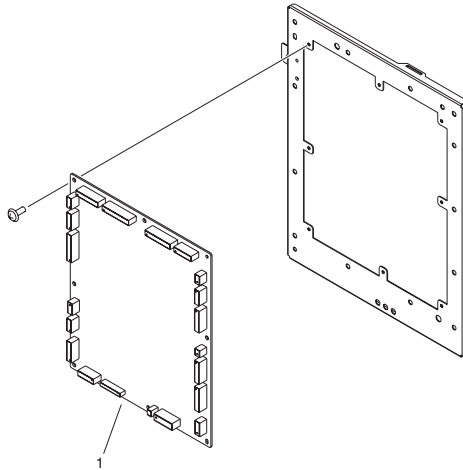
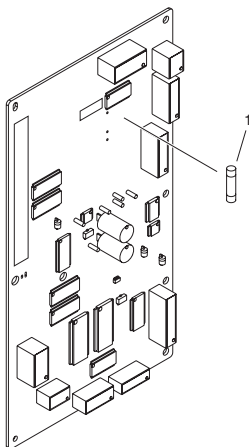


FIGURE & KEY NO.	PARTS NUMBER	RANK	Q'TY	DESCRIPTION	SERIAL NUMBER/REMARKS	S V C
Fig.960	NPN		RF	MAIN DRIVE DRIVER PCB ASS'Y		
1	FM4-1083-000		1	MAIN DRIVE DRIVER PCB ASS'Y		
IC	FK2-1773-000		3	IC,TC200GO2EFG-1031,GATE ARRAY	IC1,IC2,IC3	

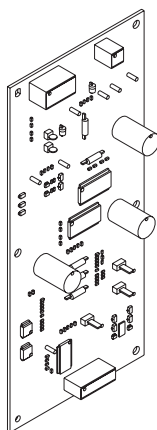
FIGURE 961 AC DRIVER PCB ASS'Y



NOTE : This assembly is included in the assembly shown in Figure 140.
注 : このユニットはFigure 140のユニットに含まれます。

FIGURE & KEY NO.	PARTS NUMBER	RANK	Q'TY	DESCRIPTION	SERIAL NUMBER/REMARKS	SVC
Fig.961	FM0-2961-000		1	AC DRIVER PCB ASS'Y	SEE NOTE 120V	
Fig.961	FM0-2962-000		1	AC DRIVER PCB ASS'Y	SEE NOTE 230V	
1	VD7-0522-501		1	FUSE, 2.5A, 125V	120V FU601	
1	VD7-3502-501		1	FUSE	230V FU601	
SR	FK3-3267-000		1	SENSOR UNIT, CURRENT	120V SR602	
SR	FK2-7681-000		1	SENSOR UNIT, CURRENT	230V SR602	

FIGURE 962 NOISE FILTER PCB ASSEMBLY



NOTE : This assembly is included in the assembly shown in Figure 140.
注 : このユニットはFigure 140のユニットに含まれます。

FIGURE & KEY NO.	PARTS NUMBER	RANK	Q'TY	DESCRIPTION	SERIAL NUMBER/REMARKS	SVC
Fig.962	FM0-2958-000		1	NOISE FILTER PCB ASSEMBLY	SEE NOTE 120V	
Fig.962	FM0-2959-000		1	NOISE FILTER PCB ASSEMBLY	SEE NOTE 230V	
NF	FH3-0937-000		1	INDUCTOR	NF1	

FIGURE 963 DUPLEXING DRIVER PCB ASSEMBLY

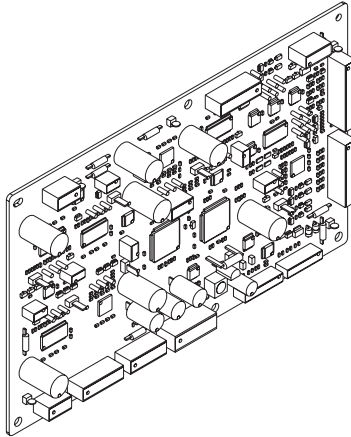


FIGURE & KEY NO.	PARTS NUMBER	RANK	Q'TY	DESCRIPTION	SERIAL NUMBER/REMARKS	SVC
Fig.963	FM4-1085-000		1	DUPLEXING DRIVER PCB ASSEMBLY		
IC	FK2-1773-000		2	IC,TC200GO2EFG-1031,GATE ARRAY	IC319,IC320	

FIGURE 964 FEED DRIVER PCB ASSEMBLY

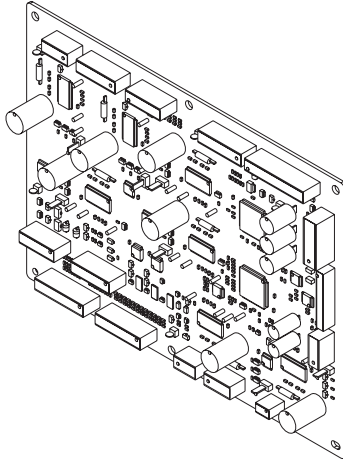


FIGURE & KEY NO.	PARTS NUMBER	RANK	QTY	DESCRIPTION	SERIAL NUMBER/REMARKS	SVC
Fig.964	FM4-1084-000		1	FEED DRIVER PCB ASSEMBLY		
IC	FK2-1773-000		2	IC.TC200GO2EFG-1031,GATE ARRAY	IC17,IC18	

FIGURE 980 H.V. POWER SUPPLY ASS'Y

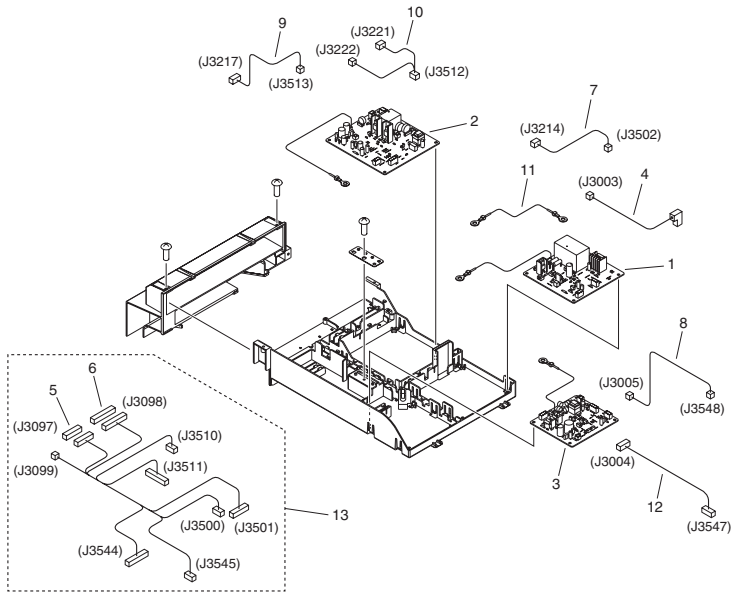


FIGURE & KEY NO.	PARTS NUMBER	R A N K	Q'TY	DESCRIPTION	SERIAL NUMBER/ REMARKS	S V C
Fig.980	NPN		RF	H.V. POWER SUPPLY ASS'Y		
1	FM4-1093-000		1	HIGH VOLTAGE PCB ASS'Y		
2	FM4-1094-000		1	HIGH VOLTAGE PCB ASS'Y		
3	FM4-1106-000		1	PRE-TRANSFER CHARGE PCB ASS'Y		
4	FM4-4314-000		1	CABLE, H.V. MAIN 1ST CORONA		
5	VS1-8412-009		1	CONNECTOR, SNAP TIGHT, BL		
6	VS1-8412-025		1	CONNECTOR, SNAP TIGHT, BL		
7	FM3-9118-000		1	CABLE, HIGH VOLTAGE GRID		
8	FM3-9120-000		1	CABLE, H.V. POST CORONA		
9	FM3-9121-000		1	CABLE, H.V. DEVELOPING		
10	FM3-9122-000		1	CABLE, HIGH VOLTAGE SEP. CLAW		
11	FM3-9123-000		1	CABLE, HIGH VOLTAGE GROUNDING		
12	FM4-1081-000		1	CABLE, SIGNAL		
13	FM3-9117-000		1	CABLE, HIGH VOLTAGE SIGNAL		

FIGURE T40 DEVICE PORT ASSEMBLY (EUR)

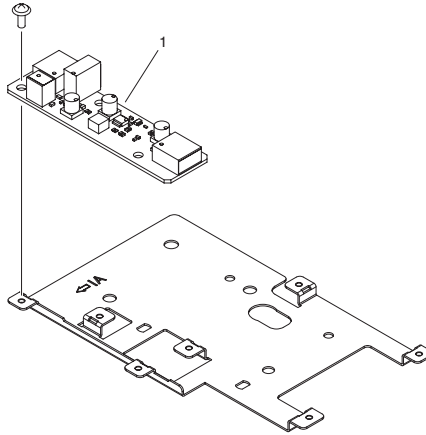


FIGURE & KEY NO.	PARTS NUMBER	RANK	QTY	DESCRIPTION	SERIAL NUMBER/REMARKS	SVC
Fig.T40	NPN		RF	DEVICE PORT ASSEMBLY (EUR)		
1	FM0-0319-000		1	DEVICE PORT PCB ASSEMBLY	EUR	

FIGURE ZZA

MECHANICAL STANDARD PARTS (HOW TO USE)

Mechanical standard parts

機械標準部品

About a mechanical standard parts

A Mechanical standard parts is a mechanical part which not parts peculiar to a product. They are parts which are common to a Canon product and are used, such as a screw and a washer. The Fig No. and parts number of the mechanical standard parts are not listed in the product parts catalog. Refer to the parts catalog of mechanical standard parts when checking the parts number for screw or washer etc. and identify them by part shape or size.

機械標準部品とは

機械標準部品とは、製品特有の部品ではなく、ねじやワッシャなどキヤノン製品共通で使用されている機械部品（メカ部品）のことです。
製品のパーツカタログには、機械標準部品のFig No.や部品番号は記載しておりません。
ねじや、ワッシャ等の部品番号を調べるときは、機械標準部品のパーツカタログを参照し、部品の形状や大きさから判断し、使用している部品を調べてください。

Material and surface treatment of a mechanical standard parts

Material and surface treatment of mechanical standard parts are assigned commonly for each part. Refer to the Table 1 for the parts which material and surface treatment are assigned as numbers.

機械標準部品の材料および表面処理

機械標準部品の材料および表面処理については、各種部品共通で決められています。
材料および表面処理が番号で決められている部品については、表1を参照してください。

Table 1 Material and Surface treatment
表1 材料および表面処理

No. 番号	Material 材料	Surface treatment 表面処理	Color 色
1	Stainless steel ステンレス	Stainless steel black coloring (BC4) ステンレス黒着色(BC4)	Black 黒
2		not to be given なし	White 白
3	Brass 黄銅	Regular nickel plating (NL) 普通ニッケルメッキ(NL)	White 白
4		Black nickel plating (BN) 黒色ニッケルメッキ(BN)	Black 黒
5	Steel 鋼	White zinc trivalent chromate treating (ZC3) 白色亜鉛3価クロメート(ZC3)	White 白
6		Regular nickel chromium plating (NC) 普通ニッケルクロムメッキ(NC)	White 白
7		Regular nickel plating (NL) 普通ニッケルメッキ(NL)	White 白
8		Iron and steel phosphating (P1) 鉄鋼磷酸塩処理(P1)	Black 黒
9		Black zinc trivalent chromate treating (BZ3) 黒色亜鉛3価クロメート(BZ3)	Black 黒

FIGURE ZZB MECHANICAL STANDARD PARTS (SCREWS)

1. Screws ねじ

How to read Parts Numbers
部品番号の見方

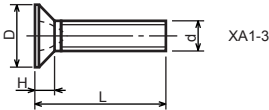
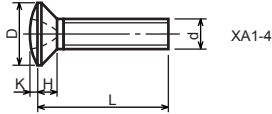
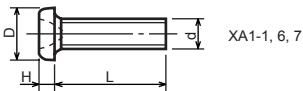
Screws
ねじ

XB1-2400-609

Type No.
類別番号
Normal designation (d)
ねじの呼び(d)
Length (L)
ねじの長さ(L)
Material and Surface treatment
材料および表面処理

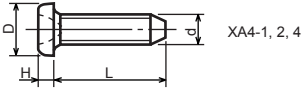
XB1-2 expresses Binding head machine screw.
XB1-2は、バインドねじを表す
40 expresses M4.0.
40は、M4.0を表す
0-60 expresses a length of 6.0mm.
0-60は、6.0mmの長さを表す
9 expresses Steel (Black zinc trivalent chromate
treating) from Table 1.
9は、表1より鋼(黒色亜鉛3価クロメート)を表す

1-1. Cross Recessed Head Screws for Precision Equipments 精密機器用十字穴付き小ねじ

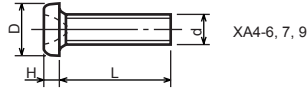


Type No. 類別番号	Type 類別	Head size (mm) 頭部寸法 (mm)							
		M1.4	M1.6	M1.7	M2	M2.5	M2.6		
XA1-1	Pan head Class 1 なべ1種	D	XA1-1	2	2.4	2.5	3	3.8	4
		H	XA1-1	0.5	0.55	0.5	0.6	0.9	0.8
XA1-3	Countersunk head Class 1 さら1種	D	XA1-3	2	2.4	2.5	3	3.8	4
		H	XA1-3	0.48	0.55	0.58	0.73	0.85	0.93
XA1-4	Oval countersunk head Class 1 丸さら1種	D	XA1-4	2	2.4	2.5	3	3.8	4
		H + K	XA1-4	0.68	0.8	0.88	1	1.25	1.3
XA1-6	Pan head Class 3 なべ3種	D	XA1-6	2.5	2.8	3	3.5	4.3	4.5
		H	XA1-6	0.8	0.85	0.9	1	1.3	1.2
XA1-7	Pan head Class 2 なべ2種	D	XA1-7	2.5	2.8	3	3.5	4.3	4.5
		H	XA1-7	0.5	0.55	0.5	0.6	0.9	0.8

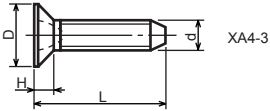
1-2. Precision Tapping Screws
精密用タッピンねじ



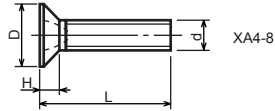
XA4-1, 2, 4



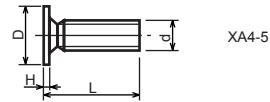
XA4-6, 7, 9



XA4-3



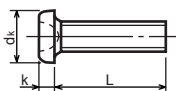
XA4-8



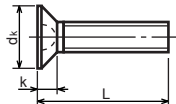
XA4-5

Type No. 類別番号	Type 類別	Head size (mm) 頭部寸法 (mm)						
		M1.4	M1.6	M1.7	M2	M2.5	M2.6	
XA4-1	With tapered end pan head Class 1 絞りなべ1種	D XA4-1	2	2.4	2.5	3	3.8	4
		H XA4-1	0.5	0.55	0.5	0.6	0.9	0.8
XA4-2	With tapered end pan head Class 3 絞りなべ3種	D XA4-2	2.5	2.8	3	3.5	4.3	4.5
		H XA4-2	0.8	0.85	0.9	1	1.3	1.2
XA4-3	With tapered end countersunk head 絞りさら	D XA4-3	2	2.4	2.5	3	3.8	4
		H XA4-3	0.48	0.55	0.58	0.73	0.85	0.93
XA4-4	With tapered end pan head Class 2 絞りなべ2種	D XA4-4	2.5	2.8	3	3.5	4.3	4.5
		H XA4-4	0.5	0.55	0.5	0.6	0.9	0.8
XA4-5	With parallel end ultra thin head ストレート超薄頭	D XA4-5	2.5	2.8	3	-	-	-
		H XA4-5	0.2	0.2	0.2	-	-	-
XA4-6	With parallel end pan head Class 1 ストレートなべ1種	D XA4-6	2	2.4	2.5	3	3.8	4
		H XA4-6	0.5	0.55	0.5	0.6	0.9	0.8
XA4-7	With parallel end pan head Class 3 ストレートなべ3種	D XA4-7	2.5	2.8	3	3.5	4.3	4.5
		H XA4-7	0.8	0.85	0.9	1	1.3	1.2
XA4-8	With parallel end countersunk head ストレートさら	D XA4-8	2	2.4	2.5	3	3.8	4
		H XA4-8	0.48	0.55	0.58	0.73	0.85	0.93
XA4-9	With parallel end pan head Class 2 ストレートなべ2種	D XA4-9	2.5	2.8	3	3.5	4.3	4.5
		H XA4-9	0.5	0.55	0.5	0.6	0.9	0.8

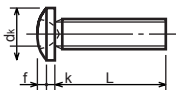
1-3. Cross Recessed Head Screws
 一般用十字穴付き小ねじ



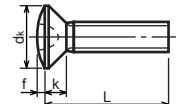
XB1-1



XB1-3



XB1-2

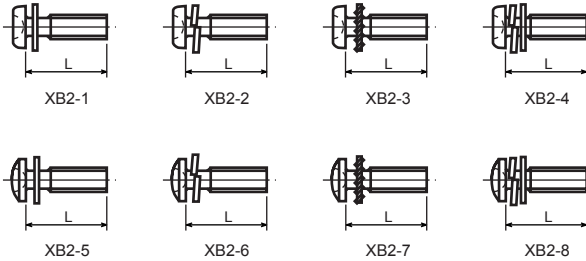


XB1-4

Type No. 類別番号	Type 類別
XB1-1	Pan head なべ
XB1-2	Binding head バインド
XB1-3	Countersunk head さら
XB1-4	Oval countersunk head 丸さら

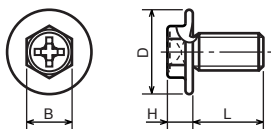
		Head size (mm) 頭部寸法 (mm)					
		M2	M2.5	M2.6	M3	M4	M5
dk	XB1-1	3.5	4.5	4.5	5.5	7	9
k	XB1-1	1.3	1.7	1.7	2	2.6	3.3
dk	XB1-2	4.3	5.3	5.5	6.3	8.3	10.3
k+f	XB1-2	1.2	1.5	1.6	1.9	2.5	3.1
dk	XB1-3	4	5	-	6	8	10
k	XB1-3	1.2	1.45	-	1.75	2.3	2.8
dk	XB1-4	4	5	-	6	8	10
k+f	XB1-4	1.6	2	-	2.45	3.2	4
Screw part length ねじ部長さ b		8	12	12	12	16	20

1-4. Cross Recessed Head Screws with Captive Washer
座金組込み十字穴付き小ねじ



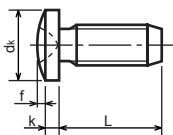
Type No. 類別番号	Type 類別
XB2-1	Pan head + Plain washer (circular bright) なべねじ+平座金
XB2-2	Pan head + Spring washer なべねじ+ばね座金
XB2-3	Pan head + Toothed lock washer なべねじ+歯付座金
XB2-4	Pan head + Spring washer and plain washer (circular bright) なべねじ+(ばね+平)座金
XB2-5	Binding head + Plain washer (circular bright) バインドねじ+平座金
XB2-6	Binding head + Spring washer バインドねじ+ばね座金
XB2-7	Binding head + Toothed lock washer バインドねじ+歯付座金
XB2-8	Binding head + Spring washer and plain washer (circular bright) バインドねじ+(ばね+平)座金

1-5. Hexagon Head Tapping Screws for Metallic Materials
 金属用六角タッピンねじ



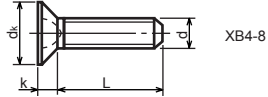
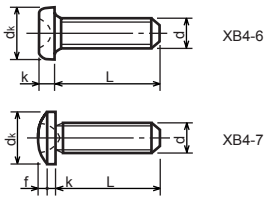
Type No. 類別番号	Type 類別	Head size (mm) 頭部寸法 (mm)	
		M3	M4
XB3-6	For metallic materials 金属用タッピン	D	8 10
		B	5.5 5.5
XB3-7	For metallic materials with clawed 金属用タッピン-つめ付き	H XB3-6	3.1 3.1
		H XB3-7	3.2 3.2

1-6. Special Tapping Screws
 特殊タッピンねじ



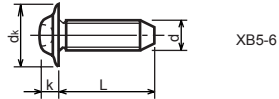
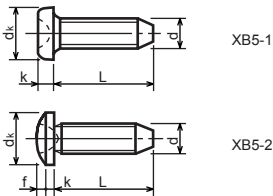
Type No. 類別番号	Type 類別	Head size (mm) 頭部寸法 (mm)	
		M3	M4
XB4-5	Binding head バインド	d _k	6.3 8.3
		k	1.3 1.7
		k+f	1.9 2.5

1-7. General Head Tapping Screws
一般用タッピンねじ



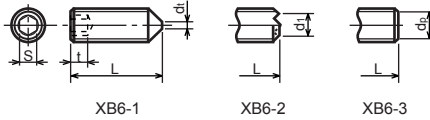
Type No. 類別番号	Type 類別	Head size (mm) 頭部寸法 (mm)						
		M2	M2.5	M2.6	M3	M4	M5	
XB4-6	Pan head なべ	d_k XB4-6	3.5	4.5	4.5	5.5	7	9
		k XB4-6	1.3	1.7	1.7	2	2.6	3.3
XB4-7	Binding head バインド	d_k XB4-7	4.3	5.3	5.5	6.3	8.3	10.3
		$k+f$ XB4-7	1.2	1.5	1.6	1.9	2.5	3.1
XB4-8	Countersunk head さら	d_k XB4-8	4	5	5.2	6	8	10
		k XB4-8	1.2	1.45	1.5	1.75	2.3	2.8

1-8. Tapping Screws for Metallic Materials
金属用タッピンねじ



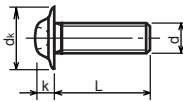
Type No. 類別番号	Type 類別	Head size (mm) 頭部寸法 (mm)					
		M2.5	M2.6	M3	M4	M5	
XB5-1	Pan head なべ	d_k XB5-1	4.5	4.5	5.5	7	9
		k XB5-1	1.7	1.7	2	2.6	3.3
XB5-2	Binding head バインド	d_k XB5-2	5.5	5.5	6.3	8.3	10.3
		$k+f$ XB5-2	1.6	1.6	1.9	2.5	3.1
XB5-6	Flanged pan head つば付きなべ	d_k XB5-6	6.5	6.5	8	10	12
		k XB5-6	2.1	2.1	1.75	3.2	4

1-9. Hexagon Socket Set Screws
六角穴付止めねじ



Type No. 類別番号	Type 類別	Head size (mm) 頭部寸法 (mm)							
		M1.6 M1.7	M2	M2.5 M2.6	M3	M5	M5	M6	
XB6-1	Cone point とがり先	S	0.7	0.9	1.3	1.5	2	2.5	3
		t	1.5	1.7	2	2	2.5	3	3.5
		$d_{t \max}$ XB6-1	0.4	0.5	0.65	0.75	1	1.25	1.5
		$d_{l \max}$ XB6-2	-	1.2	1.5	1.7	2.2	2.8	3.3
		$d_{l \min}$ XB6-2	-	1	1.2	1.4	1.9	2.4	2.9
XB6-3	Flat point 平先	$d_{p \max}$ XB6-3	0.8	1	1.5	2	2.5	3.5	4
		$d_{p \min}$ XB6-3	0.55	0.75	1.25	1.75	2.25	3.2	3.7

1-10. Flanged Pan Head Machine Screws
つば付きなべ小ねじ



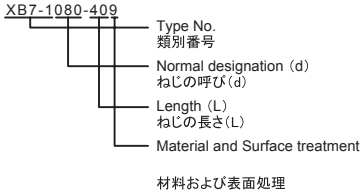
Type No. 類別番号	Type 類別	Head size (mm) 頭部寸法 (mm)					
		M2	M2.5 M2.6	M3	M5	M5	
XB6-7	Flanged pan head つば付きなべ	d_k	5	6.5	8	10	12
		k	1.7	2.1	2.5	3.2	4

FIGURE ZZC MECHANICAL STANDARD PARTS (BOLTS)

2. Bolts (Socket head cap screw) ボルト

How to read Parts Numbers
部品番号の見方

Bolt (Socket head cap screw)
ボルト



XB7-1 expresses Hexagon socket head cap screws.
XB7-1は、六角穴付きボルトを表す

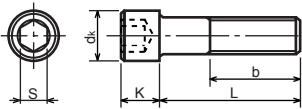
080 expresses M8.0.
080は、M8.0を表す

40 expresses a length of 40mm.
40は、40mmの長さを表す

9 expresses Steel (Black zinc trivalent chromate
treating) from Table 1.

9は、表1より鋼(黒色亜鉛3価クロメート)を表す

2-1. Hexagon socket head cap screws 六角穴付きボルト



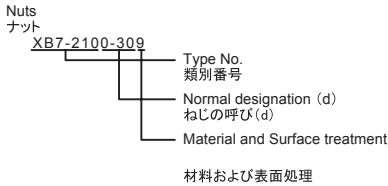
Type No. 類別番号	Type 類別
XB7-1	Hexagon socket head cap screws 六角穴付きボルト

	Head size (mm) 頭部寸法 (mm)						
	M3	M4	M5	M6	M8	M10	M12
S	2.5	3	4	5	6	8	10
d_k	5.5	7	8.5	10	13	16	18
K	3	4	5	6	8	10	12
Screw part length b_{max} ねじ部長さ b_{max}	18	20	22	24	28	32	36

FIGURE ZZD MECHANICAL STANDARD PARTS (NUTS)

3. Nuts ナット

How to read Parts Numbers
部品番号の見方

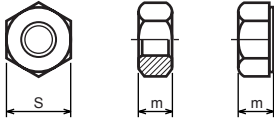


XB7-210 expresses Hexagon nut class 1.
XB7-210は、六角ナット1種を表す

0-30 expresses M3.0.
0-30は、M3.0を表す

9 expresses Steel (Black zinc trivalent chromate
treating) from Table 1.
9は、表1より鋼 (黒色亜鉛3価クロメート)を表す

3-1. Hexagon Nuts and Hexagon Thin Nuts 六角ナット



Type No. 類別番号	Type 類別
XB7-210	Hexagon nut Class 1 六角ナット-1種
XB7-220	Hexagon nut Class 3 六角ナット-3種
XB7-230	Hexagon nut Style 1 double chamfered 六角ナット-スタイル1-両面とり
XB7-231	Hexagon nut Style 1 washer faced 六角ナット-スタイル1-座付き
XB7-240	Hexagon nut Style 2 double chamfered 六角ナット-スタイル2-両面とり
XB7-241	Hexagon nut Style 2 washer faced 六角ナット-スタイル2-座付き
XB7-250	Hexagon nut 六角ナット
XB7-260	Hexagon thin nut double chamfered 六角低ナット-両面とり
XB7-270	Hexagon thin nut not chamfered 六角低ナット-面とり無し

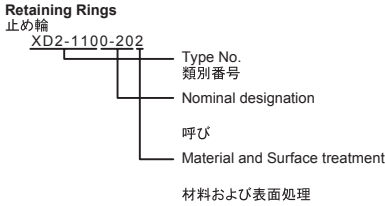
	Head size (mm) 頭部寸法 (mm)						
	M2	M2.5	M3	M4	M5	M6	M8
S	4	5	5.5	7	8	10	13
m XB7-210	1.6	2	2.4	3.2	4	5	6.5
m XB7-220	1.2	1.6	1.8	2.4	3.2	3.6	5
m XB7-230, 231	1.6	2	2.4	3.2	4.7	5.2	6.8
m XB7-240, 241	-	-	-	-	5.1	5.7	7.5
m XB7-250	-	-	-	-	5.6	6.1	7.9
m XB7-260	1.2	1.6	1.8	2.2	2.7	3.2	4
m XB7-270	1.2	1.6	1.8	2.2	2.7	3.2	4

FIGURE ZZE MECHANICAL STANDARD PARTS (RETAINING RINGS)

5. Retaining Rings

止め輪

How to read Parts Numbers
部品番号の見方



XD2-110 expresses retaining ring-E type (Type1).
XD2-110は、E形止め輪(1種)を表す

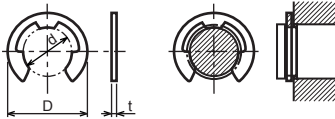
0-20 expresses a 020 of nominal designation.
(See Table 5)

0-20は、呼び020を表す(表5参照)

2 expresses Stainless steel (Surface treatment is not to be given) from Table 1.
2は、表1よりステンレス(表面処理なし)を表す

5-1. Retaining Rings - E type

E形止め輪

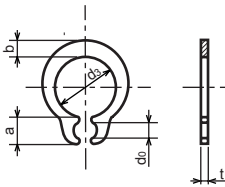


Type No. 類別番号	Type 類別
XD2-110	Retaining ring - E type (Type 1) E形止め輪(1種)
XD2-120	Retaining ring - E type (Type 2) E形止め輪(2種)

Table 5 表5

Type 種類	Nominal designation 呼び	d (mm)	D (mm)	t (mm)
Type 1 1種	007	0.65	2	0.2
	010	0.95	2.8	0.2
	013	1.25	3.3	0.3
	017	1.65	4.2	0.4
	020	1.95	4.6	0.5
	024	2.35	6	0.6
	028	2.74	6.5	0.6
	032	3.14	7.2	0.6
	037	3.64	8	0.7
	040	3.93	10	0.7
	042	4.13	10	0.7
	050	4.93	11	0.7
	058	5.73	12	0.7
	060	5.93	12.7	0.9
	064	6.32	13.5	0.9
	074	7.31	15	0.9
080	7.91	16.5	1	
Type 2 2種	008	0.8	2	0.2
	012	1.2	3	0.3
	015	1.5	4	0.4
	020	2	5	0.4
	025	2.5	6	0.4
	030	3	7	0.6
	040	4	9	0.6
	050	5	11	0.6
	060	6	12	0.8
	070	7	14	0.8
	080	8	16	0.8
	090	9	18	0.8
	100	10	20	1

5-2. Grip Rings
グリップ止め輪

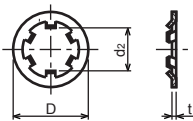


Type No. 類別番号	Type 類別
XD2-210	Grip ring グリップ止め輪

Table 5 表5

Nominal designation 呼び	d ₃ (mm)	t (mm)	b (mm)	a (mm)	d ₀ (mm)
020	1.9	0.5	1	1.8	0.8
025	2.35	0.5	1.2	1.9	0.9
030	2.85	0.6	1.4	1.9	0.9
035	3.3	0.6	1.6	2	0.9
040	3.8	0.8	1.8	2.8	1.2
045	4.25	0.8	2	2.9	1.3
050	4.75	0.8	2.2	2.9	1.3
060	5.7	1	2.4	3.1	1.4
070	6.7	1	2.7	3.3	1.4
080	7.7	1	3	3.5	1.4
090	8.65	1.2	3.3	4.7	1.5
100	9.65	1.2	3.5	4.7	2

5-3. Toothed Retaining Rings
歯付き形止め輪



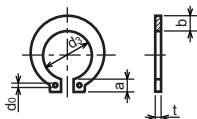
Type No. 類別番号	Type 類別
XD2-230	Toothed retaining ring 歯付き形止め輪

Table 5 表5

Nominal designation 呼び	d _z (mm)	D (mm)	t (mm)	No of teeth 歯数
015	1.4	5.2	0.25	3
020	1.9	6	0.25	3
024	2.3	6.4	0.25	3
030	2.8	8	0.25	4
040	3.8	9	0.25	4
050	4.8	10	0.25	5
060	5.8	11	0.25	5
080	7.8	13	0.25	5
100	9.8	15.4	0.25	6

5-4. Retaining Rings - C Type

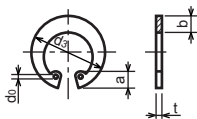
C形止め輪



Type No. 類別番号	Type 類別
XD2-310	Retaining ring - C type for shaft C形止め輪 軸用

Table 5 表5

Nominal designation 呼び	d ₃ (mm)	t (mm)	b (mm)	a (mm)	d ₀ (mm)
010	9.3	1	1.6	3	1.2
012	11.1	1	1.8	3.2	1.5
014	12.9	1	2	3.4	1.7
015	13.8	1	2.1	3.5	1.7
016	14.7	1	2.2	3.6	1.7
017	15.7	1	2.2	3.7	1.7
018	16.5	1.2	2.6	3.8	1.7
020	18.5	1.2	2.7	3.9	2
022	20.5	1.2	2.7	4.1	2
025	23.2	1.2	3.1	4.3	2
028	25.9	1.5	3.1	4.6	2
030	27.9	1.5	3.5	4.8	2
032	29.6	1.5	3.5	5	2.5
035	32.2	1.5	4	5.4	2.5



Type No. 類別番号	Type 類別
XD2-320	Retaining ring - C type for hole C形止め輪 穴用

Table 5 表5

Nominal designation 呼び	d ₃ (mm)	t (mm)	b (mm)	a (mm)	d ₀ (mm)
010	10.7	1	1.8	3.1	1.2
011	11.8	1	1.8	3.2	1.2
012	13	1	1.8	3.3	1.5
014	15.1	1	2	3.6	1.7
016	17.3	1	2	3.7	1.7
018	19.5	1	2.5	4	1.7
019	20.5	1	2.5	4	2
020	21.5	1	2.5	4	2
022	23.5	1	2.5	4.1	2
025	26.9	1.2	3	4.4	2
028	30.1	1.2	3	4.6	2
030	32.1	1.2	3	4.7	2
032	34.4	1.2	3.5	5.2	2.5
035	37.8	1.5	3.5	5.2	2.5
037	39.8	1.5	3.5	5.2	2.5
040	43.5	1.8	4	5.7	2.5
042	45.5	1.8	4	5.8	2.5
045	48.5	1.8	4.5	5.9	2.5
047	50.5	1.8	4.5	6.1	2.5
050	54.2	2	4.5	6.5	2.5
052	56.2	2	5.1	6.5	2.5
055	59.2	2	5.1	6.5	2.5
060	64.2	2	5.1	6.8	2.5
062	66.2	2	5.5	6.9	2.5
068	72.5	2.5	6	7.4	2.5
072	76.5	2.5	6.6	7.4	2.5
075	79.5	2.5	6.6	7.8	2.5
080	85.5	2.5	7	8	2.5
085	90.5	3	7	8	3
090	95.5	3	7.6	8.3	3
095	100.5	3	8	8.5	3

Prepared by
OIP Business Support Group
CANON INC.

Canon