

imageRUNNER ADVANCE 6075/6065/6055 Series

PARTS CATALOG



Canon

**May 19, 2010
Rev. 0**

PREFACE

This Parts Catalog contains listings of parts used

Diagrams are provided with the listings to aid the service technician in identifying clearly, the item to be ordered.

Whenever ordering parts, consult this Parts Catalog for all of the information pertaining to each item. Be sure to include, in the Parts Request, the full item description, the item part number, and the quantity.

COPYRIGHT (C) 1999 CANON INC.

Use of this manual should be strictly supervised to avoid disclosure of confidential information.

Contents

NUMERICAL INDEX

imageRUNNER ADVANCE 6075/6065/6055 Series(Numerical Index) 1-1

imageRUNNER ADVANCE 6075/6065/6055 Series(Parts Catalog)

A1	ASSEMBLY LOCATION DIAGRAM	2-1
A2	OPTION PARTS CATALOG LIST	2-8
001	ACCESSOREIS	2-9
100	EXTERNAL COVERS, PANELS, ETC.	2-11
101	INTERNAL COMPONENTS 1	2-15
102	INTERNAL COMPONENTS 2	2-18
103	INTERNAL COMPONENTS 3	2-20
104	INTERNAL COMPONENTS 4	2-22
105	INTERNAL COMPONENTS 5	2-24
106	INTERNAL COMPONENTS 6	2-26
107	INTERNAL COMPONENTS 7	2-28
108	MACHINE BOTTOM PLATE	2-30
109	MACHINE REAR PANEL 1	2-31
110	MACHINE REAR PANEL 2	2-33
111	MACHINE REAR PANEL 3	2-35
112	FRONT COVER ASS'Y, LOWER	2-37
113	RIGHT DOOR ASSEMBLY	2-39
114	VERTICAL PATH ASSEMBLY	2-41
130	FLAT CONTROL PANEL ASSEMBLY	2-42
140	POWER CORD TERMINAL ASS'Y	2-45
250	MAIN DRIVE ASS'Y	2-49
260	V. PATH/CST. PICK-UP ASS'Y	2-51
261	LEFT DECK PICK-UP DRIVE ASS'Y	2-52
270	DRUM DRIVE ASS'Y	2-54
271	DEVELOPING DRIVE ASS'Y	2-55
280	DELIVERY REVERSE DRIVE ASS'Y	2-57
300	CASSETTE ASSEMBLY	2-58
301	CST. SIZE/REMNANT DETECT ASS'Y	2-61
302	DECK REMNANT DETECT ASS'Y	2-62
303	CASSETTE SIZE DETECT ASS'Y	2-63
304	PAPER STOCK ASS'Y, RIGHT	2-64
305	PAPER STOCK ASS'Y, LEFT	2-67
306	CASSETTE HEATER ASSEMBLY (JP)	2-70
310	PAPER PICK-UP ASS'Y, RIGHT	2-71
311	PAPER PICK-UP ASS'Y, LEFT	2-74

Contents

312	MULTI TRAY ASS'Y	2-77
313	MULTI PAPER PICK-UP ASS'Y	2-79
315	PRE-REGISTRATION GUIDE ASS'Y	2-82
330	FIXING/FEEDER DUPLEXING ASS'Y	2-83
331	FIXING/FEEDER FRAME ASS'Y	2-89
332	REGISTRATION ASS'Y	2-93
333	DUPLEX. SIDE REG. SENSOR ASS'Y	2-95
334	E.T.B. CLEANING ASSEMBLY	2-96
335	E.T.BELT ASSEMBLY	2-98
336	REVERSE CROSSMEMBER ASS'Y, LF.	2-100
350	OUTER PAPER DELIVERY ASS'Y	2-102
351	REVERSE PAPER DELIVERY ASS'Y	2-104
352	INNER PAPER DELIVERY ASS'Y	2-108
460	LASER SCANNER UNIT	2-110
510	PHOTO-SENSITIVE DRUM ASSEMBLY	2-111
550	1ST CORONA ASS'Y	2-113
570	PRE-TRANSFER CORONA ASS'Y	2-115
620	HOPPER ASS'Y	2-117
625	BUFFER ASS'Y	2-119
640	DEVELOPING ASS'Y	2-121
650	DEVELOPING RELEASE ASS'Y	2-124
710	AP. KIT ASS'Y	2-126
711	DRUM CLEANING ASS'Y	2-130
720	SEPARATION CLAW DRIVE ASSEMBLY	2-132
770	WASTE TONER FEED ASSEMBLY	2-134
810	FIXING ASS'Y	2-137
811	FIXING ASS'Y, UPPER	2-139
812	FIXING DRIVE ASS'Y	2-144
813	FIXING ENTRANCE GUIDE ASS'Y	2-146
814	FIXING EXIT GUIDE ASS'Y	2-147
815	SHAFT FIXED PLATE ASS'Y, FRONT	2-148
816	SHAFT FIXED PLATE ASS'Y, REAR	2-150
900	CONTROLLER BOX ASSEMBLY	2-151
910	FIXING HEATER PS PCB ASSEMBLY	2-153
920	INVERTER PCB ASSEMBLY	2-154
930	DC CONTROLLER PCB ASS'Y	2-155
931	MAIN CONTROLLER PCB ASS'Y, 1	2-156
932	MAIN CONTROLLER PCB ASS'Y, 2	2-157
960	MAIN DRIVE DRIVER PCB ASS'Y	2-158
961	AC DRIVER PCB ASS'Y	2-159
962	NOISE FILTER PCB ASSEMBLY	2-160
963	DUPLEXING DRIVER PCB ASSEMBLY	2-161
964	FEED DRIVER PCB ASSEMBLY	2-162
980	H.V. POWER SUPPLY ASS'Y	2-163
T40	DEVICE PORT ASSEMBLY (EUR)	2-164

Contents

ZZA	MECHANICAL STANDARD PARTS (HOW TO USE)	2-165
ZZB	MECHANICAL STANDARD PARTS (SCREWS)	2-166
ZZC	MECHANICAL STANDARD PARTS (BOLTS)	2-173
ZZD	MECHANICAL STANDARD PARTS (NUTS)	2-174
ZZE	MECHANICAL STANDARD PARTS (RETAINING RINGS)	2-175

NUMERICAL INDEX

imageRUNNER ADVANCE 6075/6065/6055 Series(Numerical Index)

PARTS NUMBER	FIGURE & KEY NO.	PARTS NUMBER	FIGURE & KEY NO.	PARTS NUMBER	FIGURE & KEY NO
FA2-9037-000	814 - 4	FB6-3410-000	313 - 2	FC5-2538-000	310 - 7
FA3-2473-000	720 - 1	FB6-3456-000	312 - 1	FC5-2540-000	310 - 8
FA3-2474-000	720 - 2	FB6-3457-000	312 - 2	FC5-2540-000	311 - 7
FA3-2475-000	720 - 3	FB6-3459-000	312 - 3	FC5-2542-000	310 - 48
FA3-2476-000	720 - 4	FB6-3463-000	313 - 3	FC5-2542-000	311 - 43
FA3-2477-000	720 - 5	FB6-3464-000	313 - 15	FC5-2544-000	102 - 1
FA3-2478-000	720 - 6	FB6-3466-000	313 - 4	FC5-2547-000	310 - 45
FA3-2483-000	720 - 7	FB6-3467-000	313 - 5	FC5-2547-000	311 - 21
FA4-1864-000	570 - 1	FB6-3499-000	300 - 60	FC5-2548-000	310 - 10
FA6-3071-020	811 - 1	FB6-3499-000	304 - 4	FC5-2548-000	311 - 9
FA9-2112-000	103 - 1	FB6-3499-000	305 - 4	FC5-2573-000	310 - 11
FA9-2112-000	261 - 1	FB6-4937-000	312 - 17	FC5-2609-000	304 - 5
FA9-2112-000	304 - 1	FB6-6088-000	330 - 1	FC5-2609-000	305 - 5
FA9-2112-000	305 - 1	FB6-6088-000	710 - 6	FC5-2635-000	311 - 8
FA9-2112-000	620 - 1	FC0-0205-000	101 - 38	FC5-2638-000	311 - 10
FA9-3847-000	111 - 1	FC0-2088-000	550 - 16	FC5-2715-000	103 - 6
FA9-3860-000	811 - 2	FC0-2089-000	550 - 17	FC5-2715-000	105 - 1
FA9-3943-000	720 - 9	FC0-2113-000	140 - 30	FC5-2715-000	313 - 7
FB1-6833-000	811 - 3	FC0-2131-000	350 - 2	FC5-5078-000	313 - 8
FB1-7173-000	100 - 1	FC0-2203-000	352 - 10	FC5-5092-000	620 - 5
FB1-8581-000	313 - 1	FC0-2276-000	640 - 1	FC5-5145-000	813 - 4
FB1-8776-000	106 - 1	FC0-2281-000	640 - 28	FC5-5167-000	331 - 4
FB1-8776-000	811 - 4	FC0-2305-000	815 - 4	FC5-5170-000	330 - 4
FB2-6285-020	335 - 28	FC0-2306-000	815 - 5	FC5-6211-000	310 - 12
FB2-6872-000	711 - 1	FC0-2781-000	300 - 32	FC5-6211-000	311 - 11
FB2-7163-000	352 - 1	FC0-3227-000	101 - 43	FC5-6245-000	310 - 13
FB2-7219-030	811 - 5	FC0-3228-000	114 - 9	FC5-6245-000	311 - 12
FB2-7221-000	811 - 6	FC1-3975-020	331 - 1	FC5-6260-000	310 - 14
FB2-7230-000	811 - 7	FC1-3976-000	331 - 2	FC5-6287-000	331 - 5
FB2-7243-000	812 - 1	FC2-2121-000	106 - 2	FC6-1647-000	334 - 1
FB2-7867-030	112 - 1	FC5-1635-000	101 - 35	FC6-1968-000	330 - 5
FB2-8094-020	101 - 1	FC5-1766-000	510 - 1	FC6-2327-000	620 - 10
FB2-8299-000	720 - 10	FC5-1810-000	550 - 1	FC6-3230-000	620 - 29
FB2-8465-000	304 - 2	FC5-1810-000	570 - 2	FC6-3447-000	811 - 65
FB2-8465-000	305 - 2	FC5-1950-000	620 - 4	FC6-3462-000	107 - 1
FB4-1200-020	810 - 1	FC5-2051-000	331 - 46	FC6-3494-000	815 - 1
FB4-1340-000	108 - 1	FC5-2108-000	330 - 2	FC6-3499-000	811 - 10
FB4-2007-000	310 - 1	FC5-2179-000	313 - 6	FC6-3500-000	811 - 11
FB4-2007-000	311 - 1	FC5-2226-000	351 - 1	FC6-3501-020	811 - 12
FB4-3687-000	550 - 18	FC5-2261-000	336 - 1	FC6-3524-000	811 - 13
FB4-3687-000	570 - 19	FC5-2271-000	331 - 3	FC6-3525-000	811 - 14
FB4-8012-020	710 - 1	FC5-2386-000	330 - 3	FC6-3527-000	815 - 2
FB4-8018-010	710 - 2	FC5-2524-000	310 - 2	FC6-3528-000	816 - 1
FB5-3625-000	104 - 10	FC5-2524-000	311 - 2	FC6-3584-000	815 - 3
FB5-5521-000	811 - 9	FC5-2526-000	310 - 3	FC6-3588-000	811 - 15
FB5-5530-000	814 - 1	FC5-2526-000	311 - 3	FC6-3592-000	811 - 16
FB5-6948-000	813 - 1	FC5-2528-000	310 - 4	FC6-3596-000	811 - 17
FB5-9104-010	710 - 3	FC5-2528-000	311 - 4	FC6-3628-000	811 - 18
FB6-2385-000	710 - 4	FC5-2535-000	310 - 47	FC6-3669-000	811 - 19
FB6-2719-000	304 - 3	FC5-2535-000	311 - 45	FC6-3673-000	811 - 20
FB6-2719-000	305 - 3	FC5-2537-000	310 - 6	FC6-3762-000	304 - 6
FB6-3150-000	813 - 2	FC5-2537-000	311 - 6	FC6-3762-000	305 - 6

NUMERICAL INDEX

imageRUNNER ADVANCE 6075/6065/6055 Series(Numerical Index)

PARTS NUMBER	FIGURE & KEY NO.	PARTS NUMBER	FIGURE & KEY NO.	PARTS NUMBER	FIGURE & KEY NO.
FC6-3763-000	304 - 7	FC8-2667-000	300 - 13	FC8-7113-000	650 - 5
FC6-3763-000	305 - 7	FC8-2668-000	300 - 14	FC8-7125-000	271 - 1
FC6-3808-000	811 - 21	FC8-2670-000	300 - 15	FC8-7139-000	620 - 6
FC6-3857-000	816 - 2	FC8-2671-000	300 - 16	FC8-7155-000	335 - 1
FC6-3863-000	310 - 15	FC8-2672-000	300 - 17	FC8-7156-000	335 - 2
FC6-3863-000	311 - 13	FC8-2697-000	114 - 2	FC8-7157-000	335 - 3
FC6-6661-000	313 - 9	FC8-2700-000	103 - 2	FC8-7158-000	335 - 4
FC6-9029-000	270 - 1	FC8-2708-000	312 - 4	FC8-7159-000	335 - 5
FC6-9542-000	330 - 6	FC8-2712-000	312 - 5	FC8-7160-000	335 - 6
FC6-9782-000	351 - 2	FC8-2713-000	312 - 6	FC8-7161-000	335 - 7
FC6-9969-000	304 - 8	FC8-2727-000	312 - 7	FC8-7162-000	335 - 8
FC6-9969-000	305 - 8	FC8-3782-000	114 - 3	FC8-7166-000	335 - 9
FC7-4155-000	334 - 2	FC8-4051-000	900 - 1	FC8-7171-000	330 - 7
FC7-4235-000	815 - 6	FC8-4964-000	300 - 18	FC8-7192-000	330 - 8
FC7-4287-000	810 - 2	FC8-4964-000	304 - 11	FC8-7196-000	334 - 4
FC7-5009-000	313 - 10	FC8-4964-000	305 - 11	FC8-7199-000	330 - 9
FC7-5167-000	313 - 11	FC8-4965-000	300 - 19	FC8-7200-000	330 - 10
FC7-6972-000	331 - 6	FC8-4967-000	300 - 20	FC8-7212-000	811 - 25
FC7-7207-000	113 - 1	FC8-4967-000	304 - 12	FC8-7213-000	811 - 66
FC7-7207-000	313 - 12	FC8-4967-000	305 - 12	FC8-7225-000	813 - 3
FC7-7208-000	313 - 13	FC8-4968-000	300 - 21	FC8-7232-000	810 - 3
FC7-7208-000	331 - 7	FC8-4968-000	304 - 13	FC8-7235-000	812 - 2
FC7-7209-000	113 - 2	FC8-4968-000	305 - 13	FC8-7236-000	351 - 3
FC7-7209-000	114 - 1	FC8-4987-000	300 - 22	FC8-7236-000	812 - 3
FC7-7209-000	313 - 14	FC8-4990-000	300 - 23	FC8-7244-000	812 - 4
FC7-7717-000	811 - 23	FC8-4994-000	300 - 24	FC8-7271-000	313 - 17
FC7-7800-000	811 - 24	FC8-4996-000	300 - 25	FC8-7273-000	313 - 19
FC8-0785-000	313 - 18	FC8-4997-000	300 - 26	FC8-7274-000	312 - 8
FC8-1844-000	100 - 3	FC8-5262-000	300 - 55	FC8-7275-000	312 - 9
FC8-1876-000	100 - 4	FC8-6109-000	100 - 11	FC8-7276-000	332 - 1
FC8-1877-000	100 - 5	FC8-6639-000	108 - 2	FC8-7277-000	332 - 2
FC8-2366-000	100 - 6	FC8-7016-000	900 - 2	FC8-7283-000	332 - 3
FC8-2367-000	100 - 7	FC8-7023-000	900 - 3	FC8-7284-000	332 - 4
FC8-2368-000	100 - 8	FC8-7024-000	900 - 4	FC8-7286-000	332 - 15
FC8-2462-000	300 - 1	FC8-7026-000	107 - 2	FC8-7290-000	113 - 3
FC8-2463-000	300 - 2	FC8-7027-000	107 - 3	FC8-7291-000	113 - 4
FC8-2464-000	300 - 3	FC8-7033-000	100 - 12	FC8-7293-000	113 - 15
FC8-2466-000	300 - 4	FC8-7034-000	105 - 2	FC8-7295-000	333 - 1
FC8-2469-000	300 - 5	FC8-7038-000	105 - 3	FC8-7297-000	331 - 8
FC8-2470-000	300 - 6	FC8-7039-000	105 - 4	FC8-7309-000	331 - 9
FC8-2474-000	300 - 7	FC8-7053-000	550 - 2	FC8-7321-000	331 - 47
FC8-2475-000	300 - 8	FC8-7054-000	550 - 3	FC8-7322-000	331 - 48
FC8-2476-000	300 - 54	FC8-7083-000	710 - 45	FC8-7323-000	331 - 49
FC8-2477-000	300 - 9	FC8-7085-000	710 - 7	FC8-7324-000	331 - 10
FC8-2482-000	300 - 10	FC8-7086-000	711 - 2	FC8-7327-000	330 - 11
FC8-2484-000	300 - 11	FC8-7093-000	710 - 8	FC8-7328-000	330 - 12
FC8-2487-000	301 - 1	FC8-7097-000	710 - 9	FC8-7332-000	336 - 2
FC8-2495-000	300 - 12	FC8-7098-000	710 - 10	FC8-7333-000	331 - 50
FC8-2527-000	304 - 9	FC8-7106-000	650 - 1	FC8-7334-000	331 - 11
FC8-2527-000	305 - 9	FC8-7107-000	650 - 2	FC8-7343-000	331 - 12
FC8-2533-000	304 - 10	FC8-7108-000	650 - 3	FC8-7347-000	114 - 4
FC8-2533-000	305 - 10	FC8-7109-000	650 - 15	FC8-7348-000	114 - 5

NUMERICAL INDEX

imageRUNNER ADVANCE 6075/6065/6055 Series(Numerical Index)

PARTS NUMBER	FIGURE & KEY NO.	PARTS NUMBER	FIGURE & KEY NO.	PARTS NUMBER	FIGURE & KEY NO
FC8-7349-000	114 - 8	FC8-9050-000	305 - 17	FC9-0081-000	100 - 19
FC8-7352-000	101 - 42	FC8-9051-000	300 - 56	FC9-0088-000	100 - 20
FC8-7353-000	304 - 14	FC8-9053-000	304 - 18	FC9-0133-000	300 - 57
FC8-7354-000	305 - 14	FC8-9054-000	304 - 19	FC9-0136-000	300 - 28
FC8-7356-000	304 - 15	FC8-9055-000	305 - 18	FC9-0145-000	001 - 4
FC8-7356-000	305 - 15	FC8-9343-000	352 - 12	FC9-0152-000	100 - 21
FC8-7358-000	304 - 16	FC8-9346-000	351 - 9	FC9-0155-000	100 - 22
FC8-7358-000	305 - 16	FC8-9347-000	351 - 10	FC9-0156-000	100 - 23
FC8-7378-000	350 - 1	FC8-9348-000	351 - 11	FC9-0157-000	100 - 24
FC8-7387-000	351 - 4	FC8-9349-000	113 - 5	FC9-0160-000	620 - 7
FC8-7389-000	351 - 5	FC8-9350-000	113 - 6	FC9-0162-000	100 - 25
FC8-7390-000	351 - 6	FC8-9353-000	113 - 7	FC9-0311-000	100 - 26
FC8-7392-000	351 - 7	FC8-9354-000	315 - 1	FC9-0376-000	100 - 27
FC8-7393-000	351 - 8	FC8-9404-000	710 - 11	FC9-0377-000	100 - 28
FC8-7404-000	111 - 13	FC8-9413-000	710 - 12	FC9-0381-000	100 - 29
FC8-7409-000	111 - 2	FC8-9450-000	330 - 13	FC9-0382-000	100 - 30
FC8-7424-000	770 - 1	FC8-9452-000	101 - 3	FC9-3675-000	306 - 1
FC8-7809-000	310 - 41	FC8-9453-000	105 - 5	FC9-3775-000	305 - 19
FC8-7809-000	311 - 42	FC8-9454-000	105 - 6	FC9-3785-000	300 - 58
FC8-7812-000	310 - 17	FC8-9468-000	640 - 2	FC9-3831-000	300 - 29
FC8-7813-000	310 - 18	FC8-9469-000	640 - 3	FC9-3892-000	304 - 20
FC8-8649-000	130 - 1	FC8-9472-000	640 - 4	FC9-3892-000	305 - 20
FC8-8650-000	130 - 2	FC8-9473-000	640 - 5	FC9-3893-000	100 - 55
FC8-8651-000	130 - 3	FC8-9474-000	640 - 6	FC9-3904-000	102 - 2
FC8-8653-000	130 - 4	FC8-9486-000	103 - 3	FC9-3907-000	100 - 31
FC8-8654-000	130 - 5	FC8-9488-000	101 - 4	FC9-3909-000	100 - 32
FC8-8655-000	130 - 6	FC8-9488-000	113 - 8	FC9-3911-000	100 - 33
FC8-8656-000	130 - 7	FC8-9490-000	101 - 5	FC9-3934-000	100 - 34
FC8-8658-000	130 - 8	FC8-9492-000	113 - 16	FC9-3956-000	313 - 20
FC8-8659-000	130 - 9	FC8-9495-000	271 - 2	FC9-3962-000	300 - 30
FC8-8660-000	130 - 10	FC8-9503-000	640 - 7	FC9-3963-000	302 - 1
FC8-8661-000	130 - 11	FC8-9512-000	811 - 27	FC9-3964-000	302 - 2
FC8-8662-000	130 - 12	FC8-9561-000	112 - 2	FC9-3965-000	302 - 3
FC8-8666-000	130 - 13	FC8-9562-000	112 - 3	FC9-3966-000	302 - 4
FC8-8668-000	130 - 14	FC8-9564-000	106 - 3	FC9-3967-000	302 - 5
FC8-8669-000	130 - 15	FC8-9566-000	100 - 15	FC9-3968-000	302 - 6
FC8-8670-000	130 - 16	FC8-9569-000	104 - 14	FC9-3969-000	310 - 46
FC8-8672-000	130 - 26	FC8-9571-000	650 - 6	FC9-3969-000	311 - 44
FC8-8679-000	130 - 17	FC8-9582-000	640 - 8	FC9-3970-000	310 - 23
FC8-8802-000	331 - 13	FC8-9639-000	112 - 7	FC9-3989-000	304 - 21
FC8-9043-000	310 - 9	FC8-9641-000	112 - 8	FC9-3989-000	305 - 21
FC8-9043-000	311 - 15	FC8-9642-000	112 - 9	FC9-4042-000	300 - 31
FC8-9044-000	310 - 22	FC8-9646-000	112 - 4	FC9-4084-000	103 - 4
FC8-9044-000	311 - 20	FC8-9647-000	112 - 10	FC9-4111-000	570 - 9
FC8-9045-000	310 - 19	FC8-9664-000	330 - 14	FC9-4117-000	101 - 33
FC8-9045-000	311 - 17	FC8-9679-000	113 - 9	FC9-4119-000	304 - 22
FC8-9046-000	310 - 20	FC9-0071-000	570 - 7	FC9-4119-000	305 - 22
FC8-9046-000	311 - 18	FC9-0074-000	570 - 8	FC9-4290-000	310 - 16
FC8-9047-000	310 - 21	FC9-0077-000	100 - 16	FC9-4290-000	311 - 14
FC8-9047-000	311 - 19	FC9-0078-000	100 - 17	FC9-4356-000	101 - 6
FC8-9049-000	300 - 27	FC9-0079-000	900 - 5	FC9-4360-000	710 - 46
FC8-9050-000	304 - 17	FC9-0080-000	100 - 18	FC9-4860-000	710 - 42

NUMERICAL INDEX

imageRUNNER ADVANCE 6075/6065/6055 Series(Numerical Index)

PARTS NUMBER	FIGURE & KEY NO.	PARTS NUMBER	FIGURE & KEY NO.	PARTS NUMBER	FIGURE & KEY NO
FC9-4863-000	710 - 13	FC9-7040-000	100 - 37	FC9-8811-000	332 - 16
FC9-4867-000	710 - 14	FC9-7041-000	100 - 38	FC9-8812-000	900 - 11
FC9-4868-000	106 - 19	FC9-7044-000	100 - 39	FC9-8815-000	335 - 15
FC9-4870-000	710 - 15	FC9-7047-000	100 - 40	FC9-8817-000	331 - 16
FC9-4871-000	710 - 43	FC9-7059-000	900 - 9	FC9-8821-000	331 - 17
FC9-4872-000	510 - 2	FC9-7165-000	312 - 16	FC9-8828-000	330 - 18
FC9-4888-000	107 - 4	FC9-7261-000	300 - 33	FC9-8850-000	112 - 11
FC9-5006-000	140 - 5	FC9-7439-000	105 - 8	FC9-8980-000	900 - 12
FC9-5007-000	140 - 32	FC9-7440-000	710 - 18	FC9-8981-000	106 - 6
FC9-5008-000	140 - 7	FC9-7520-000	100 - 41	FC9-9015-000	330 - 79
FC9-5026-000	813 - 5	FC9-7521-000	100 - 42	FC9-9022-000	334 - 3
FC9-5089-000	104 - 1	FC9-7840-000	811 - 70	FC9-9032-000	104 - 4
FC9-5091-000	625 - 1	FC9-7845-000	330 - 17	FC9-9033-000	104 - 5
FC9-5092-000	625 - 22	FC9-7847-000	900 - 10	FC9-9034-000	104 - 6
FC9-5093-000	625 - 23	FC9-7853-000	335 - 13	FC9-9049-000	100 - 45
FC9-5094-000	650 - 7	FC9-7854-000	335 - 14	FC9-9054-000	620 - 9
FC9-5095-000	650 - 8	FC9-7855-000	109 - 5	FC9-9055-000	100 - 46
FC9-5096-000	650 - 9	FC9-7904-000	900 - 23	FC9-9057-000	100 - 47
FC9-5130-000	352 - 13	FC9-7984-000	650 - 4	FC9-9066-000	104 - 7
FC9-5134-000	770 - 2	FC9-7993-000	331 - 15	FC9-9067-000	330 - 19
FC9-5137-000	811 - 71	FC9-8052-000	570 - 12	FC9-9069-000	108 - 4
FC9-5263-000	250 - 16	FC9-8060-000	310 - 5	FC9-9071-000	352 - 3
FC9-5448-000	640 - 9	FC9-8060-000	311 - 16	FC9-9076-000	100 - 48
FC9-5449-000	640 - 10	FC9-8061-000	312 - 10	FC9-9077-000	100 - 48
FC9-5450-000	333 - 2	FC9-8067-000	811 - 28	FC9-9099-000	100 - 48
FC9-5457-000	336 - 3	FC9-8069-000	811 - 29	FC9-9100-000	104 - 8
FC9-5458-000	351 - 12	FC9-8072-000	111 - 12	FC9-9102-000	330 - 33
FC9-5463-000	330 - 15	FC9-8073-000	100 - 43	FC9-9103-000	100 - 49
FC9-5464-000	100 - 35	FC9-8082-000	313 - 21	FC9-9104-000	331 - 18
FC9-5465-000	100 - 56	FC9-8230-000	130 - 25	FC9-9105-000	331 - 19
FC9-5467-000	108 - 3	FC9-8231-000	130 - 25	FC9-9131-000	770 - 29
FC9-5573-000	710 - 16	FC9-8232-000	130 - 25	FC9-9133-000	510 - 3
FC9-5579-000	105 - 7	FC9-8233-000	130 - 25	FC9-9134-000	510 - 4
FC9-5580-000	331 - 14	FC9-8234-000	130 - 25	FC9-9135-000	350 - 4
FC9-5584-000	104 - 2	FC9-8235-000	130 - 25	FC9-9137-000	104 - 9
FC9-5585-000	104 - 3	FC9-8236-000	130 - 25	FC9-9139-000	510 - 9
FC9-5586-000	335 - 10	FC9-8237-000	130 - 25	FC9-9140-000	510 - 10
FC9-5587-000	335 - 11	FC9-8238-000	130 - 25	FC9-9143-000	711 - 3
FC9-5698-000	334 - 6	FC9-8248-000	130 - 25	FC9-9145-000	103 - 5
FC9-5700-000	330 - 16	FC9-8249-000	130 - 25	FC9-9152-000	331 - 20
FC9-6163-000	106 - 4	FC9-8250-000	130 - 25	FC9-9153-000	710 - 41
FC9-6164-000	106 - 5	FC9-8281-000	351 - 13	FC9-9154-000	711 - 4
FC9-6165-000	570 - 10	FC9-8282-000	811 - 30	FC9-9155-000	711 - 5
FC9-6166-000	570 - 11	FC9-8283-000	350 - 3	FC9-9156-000	250 - 1
FC9-6167-000	335 - 12	FC9-8283-000	351 - 14	FC9-9157-000	313 - 23
FC9-6169-000	710 - 17	FC9-8286-000	336 - 4	FC9-9159-000	711 - 6
FC9-6171-000	112 - 12	FC9-8565-000	304 - 23	FC9-9161-000	107 - 5
FC9-6182-000	330 - 78	FC9-8565-000	305 - 23	FC9-9162-000	331 - 21
FC9-6942-000	620 - 8	FC9-8683-000	101 - 41	FC9-9163-000	811 - 31
FC9-6947-000	352 - 14	FC9-8684-000	105 - 9	FC9-9173-000	711 - 7
FC9-6958-000	900 - 8	FC9-8805-000	313 - 22	FC9-9187-000	352 - 8
FC9-6959-000	100 - 36	FC9-8806-000	113 - 10	FC9-9193-000	335 - 16

NUMERICAL INDEX

imageRUNNER ADVANCE 6075/6065/6055 Series(Numerical Index)

PARTS NUMBER	FIGURE & KEY NO.	PARTS NUMBER	FIGURE & KEY NO.	PARTS NUMBER	FIGURE & KEY NO
FC9-9196-000	620 - 3	FK2-7669-000	812 - 6	FL2-1401-000	310 - 25
FC9-9197-000	101 - 39	FK2-7671-000	270 - 2	FL2-1401-000	311 - 23
FC9-9198-000	101 - 2	FK2-7674-000	250 - 2	FL2-2720-000	550 - 11
FC9-9359-000	304 - 24	FK2-7674-000	261 - 2	FL2-2720-000	570 - 15
FC9-9359-000	305 - 24	FK2-7674-000	330 - 24	FL2-2925-000	313 - 27
FF3-4656-000	332 - 5	FK2-7675-000	250 - 3	FL2-3049-000	811 - 35
FF5-3055-030	352 - 4	FK2-7675-000	260 - 1	FL2-3051-000	811 - 36
FG5-5789-000	720 -	FK2-7675-000	280 - 1	FL2-3056-000	815 - 8
FH3-0636-000	910 - T	FK2-7675-000	330 - 25	FL2-3056-000	816 - 3
FH3-0936-000	910 - L	FK2-7677-000	815 - 7	FL2-3058-000	811 - 37
FH3-0937-000	962 - L	FK2-7678-000	106 - 8	FL2-4269-000	815 - 9
FH3-0991-000	962 - L	FK2-7678-000	107 - 6	FL2-4269-000	816 - 4
FH4-6300-000	930 - IC	FK2-7681-000	961 - SR	FL2-8638-000	300 - 34
FH6-1548-040	330 - 20	FK2-7682-000	961 - SR	FL2-8916-000	311 - 24
FH7-7600-010	312 - 11	FK2-7683-000	811 - 32	FL2-8926-000	107 - 7
FH7-7625-030	140 - 8	FK2-7684-000	271 - 4	FL2-8930-000	570 - 16
FH7-9245-000	910 - L	FK2-7685-000	625 - 2	FL2-8948-000	102 - 4
FK2-0016-000	102 - 3	FK2-7693-000	811 - 33	FL3-0219-000	810 - 4
FK2-0115-000	313 - 24	FK2-7698-000	811 - 34	FL3-0227-000	812 - 21
FK2-0146-000	140 - 12	FK2-7712-000	930 - IC	FL3-0237-000	304 - 25
FK2-0148-000	140 - 13	FK2-7713-000	625 - 3	FL3-0237-000	305 - 25
FK2-0360-000	140 - 3	FK2-7713-000	640 - 11	FL3-0238-000	304 - 26
FK2-0680-000	910 - T	FK2-7714-000	900 - 13	FL3-0238-000	305 - 26
FK2-0681-000	910 - T	FK2-7718-000	109 - 14	FL3-0244-000	102 - 10
FK2-0839-000	812 - 5	FK2-7719-000	330 - 26	FL3-0247-000	250 - 4
FK2-0979-000	001 - 2	FK2-7721-000	930 - IC	FL3-0247-000	261 - 3
FK2-1773-000	960 - IC	FK2-7723-000	510 - 5	FL3-0248-000	250 - 5
FK2-1773-000	963 - IC	FK2-7724-000	510 - 5	FL3-0255-000	250 - 6
FK2-1773-000	964 - IC	FK2-7725-000	510 - 5	FL3-0255-000	260 - 2
FK2-2064-000	140 - 4	FK2-7819-000	932 - IC	FL3-0272-000	331 - 24
FK2-2069-000	333 - 3	FK2-7820-000	932 - IC	FL3-0273-000	331 - 25
FK2-3100-000	111 - 3	FK2-7824-000	900 - 24	FL3-0275-000	351 - 15
FK2-3100-000	330 - 21	FK2-7825-000	900 - 25	FL3-0277-000	315 - 2
FK2-3149-000	106 - 7	FK2-7829-000	932 - IC	FL3-0286-000	770 - 3
FK2-3149-000	330 - 22	FK2-7834-000	110 - 2	FL3-0292-000	332 - 7
FK2-3218-000	932 - IC	FK2-8272-000	931 - IC	FL3-0293-000	330 - 27
FK2-6324-000	140 - 6	FK2-8276-000	931 - 1	FL3-0297-000	331 - 26
FK2-6325-000	140 - 6	FK2-8321-000	932 - IC	FL3-0630-000	130 - 19
FK2-6470-000	113 - 11	FK2-8330-000	100 - 57	FL3-0833-000	130 - 20
FK2-6470-000	313 - 25	FK2-8418-000	900 - 14	FL3-1185-000	100 - 51
FK2-6470-000	331 - 22	FK2-8474-000	920 - T	FL3-1240-000	101 - 7
FK2-6470-000	332 - 6	FK2-8477-000	130 - 18	FL3-1250-000	510 - 6
FK2-6470-000	336 - 5	FK3-0508-000	001 - 1	FL3-1266-000	140 - 10
FK2-6757-000	932 - IC	FK3-0510-000	001 - 1	FL3-1268-000	140 - 9
FK2-7241-000	109 - 1	FK3-0513-000	001 - 1	FL3-1269-000	140 - 11
FK2-7241-000	110 - 1	FK3-0770-000	130 - 27	FL3-1270-000	550 - 13
FK2-7241-000	330 - 23	FL2-0462-020	550 - 9	FL3-1270-000	650 - 10
FK2-7358-000	140 - 8	FL2-0462-020	570 - 13	FL3-1271-000	101 - 8
FK2-7359-000	140 - 8	FL2-0469-000	106 - 9	FL3-1300-000	770 - 25
FK2-7596-000	930 - IC	FL2-0991-000	550 - 10	FL3-1306-000	330 - 80
FK2-7597-000	930 - IC	FL2-0991-000	570 - 14	FL3-2134-000	111 - 4
FK2-7667-000	271 - 3	FL2-1167-000	331 - 23	FL3-2141-000	105 - 14

NUMERICAL INDEX

imageRUNNER ADVANCE 6075/6065/6055 Series(Numerical Index)

PARTS NUMBER	FIGURE & KEY NO.	PARTS NUMBER	FIGURE & KEY NO.	PARTS NUMBER	FIGURE & KEY NO
FL3-2142-000	100 - 52	FL3-5030-000	313 - 16	FM3-9146-000	140 - 21
FL3-2154-000	650 - 11	FL3-5186-000	640 - 19	FM3-9201-000	900 - 15
FL3-2159-000	811 - 39	FM2-3648-000	910 -	FM3-9203-000	900 - 26
FL3-2160-000	107 - 15	FM2-4169-000	812 - 7	FM3-9213-000	932 -
FL3-2161-000	110 - 3	FM2-4663-000	109 - 2	FM3-9989-000	300 - 38
FL3-2163-000	640 - 13	FM2-7196-000	335 - 17	FM4-0721-000	T40 - 1
FL3-2167-000	640 - 14	FM3-4746-000	300 -	FM4-0783-000	900 - 27
FL3-2169-000	271 - 5	FM3-4932-000	301 - 2	FM4-0831-000	900 - 6
FL3-2171-000	330 - 28	FM3-4932-000	303 - 1	FM4-0880-000	620 - 11
FL3-2254-000	310 - 26	FM3-7288-000	550 -	FM4-0885-000	104 - 12
FL3-2254-000	311 - 25	FM3-7292-000	710 - 19	FM4-0886-000	330 - 32
FL3-2806-000	271 - 6	FM3-7297-000	570 -	FM4-0889-000	331 - 27
FL3-2807-000	271 - 7	FM3-7302-000	106 - 11	FM4-0897-000	333 -
FL3-2811-000	313 - 28	FM3-7307-000	101 - 10	FM4-0899-000	770 -
FL3-2813-000	101 - 9	FM3-7316-000	140 -	FM4-0902-000	770 - 5
FL3-2814-000	330 - 29	FM3-7327-000	101 - 11	FM4-0903-000	770 - 6
FL3-2815-000	334 - 7	FM3-7351-000	104 - 11	FM4-0904-000	270 -
FL3-2819-000	280 - 2	FM3-7356-000	810 - 6	FM4-0905-000	111 - 6
FL3-3018-000	330 - 30	FM3-7357-000	812 -	FM4-0908-000	104 - 13
FL3-3019-000	352 - 5	FM3-7358-000	811 -	FM4-0912-000	330 - 34
FL3-3022-000	351 - 16	FM3-7359-000	811 - 42	FM4-0913-000	334 -
FL3-3172-000	312 - 12	FM3-7360-000	816 -	FM4-0916-000	335 -
FL3-3609-000	312 - 13	FM3-7367-000	313 -	FM4-0924-000	112 -
FL3-3613-000	640 - 15	FM3-7368-000	312 -	FM4-0929-000	301 -
FL3-3619-000	814 - 2	FM3-7374-000	260 -	FM4-0931-000	302 -
FL3-3620-000	814 - 6	FM3-7375-000	315 -	FM4-0937-000	305 -
FL3-3700-000	711 - 9	FM3-7379-000	350 -	FM4-0939-000	304 -
FL3-3731-000	810 - 5	FM3-7381-000	352 -	FM4-0941-000	310 -
FL3-3733-000	336 - 6	FM3-7383-000	105 - 11	FM4-0942-000	311 -
FL3-3782-000	625 - 4	FM3-7384-000	640 -	FM4-0943-000	114 -
FL3-3784-000	351 - 17	FM3-7385-000	640 - 16	FM4-0947-000	261 -
FL3-3799-000	334 - 9	FM3-7386-000	271 -	FM4-0950-000	650 -
FL3-3801-000	710 - 44	FM3-7526-000	460 -	FM4-0951-000	105 - 12
FL3-3812-000	100 - 53	FM3-7994-000	130 - 28	FM4-0953-000	625 -
FL3-3866-000	111 - 5	FM3-8262-000	130 -	FM4-0956-000	625 - 5
FL3-3867-000	350 - 13	FM3-8906-000	300 - 36	FM4-0967-000	101 - 34
FL3-3868-000	330 - 31	FM3-8907-000	300 - 37	FM4-0969-000	109 - 4
FL3-3869-000	271 - 8	FM3-8911-000	300 - 59	FM4-0973-000	106 - 12
FL3-3871-000	105 - 10	FM3-8915-000	306 - 2	FM4-0992-000	710 - 21
FL3-3872-000	100 - 50	FM3-9130-000	140 - 35	FM4-0994-000	710 - 22
FL3-3875-000	770 - 4	FM3-9131-000	140 - 36	FM4-0999-000	625 - 6
FL3-4551-000	711 - 10	FM3-9132-000	140 - 37	FM4-1003-000	109 - 15
FL3-4552-000	334 - 10	FM3-9133-000	140 - 15	FM4-1004-000	107 - 8
FL3-4558-000	550 - 14	FM3-9134-000	140 - 16	FM4-1005-000	107 - 9
FL3-4559-000	570 - 17	FM3-9135-000	140 - 17	FM4-1009-000	101 - 12
FL3-4560-000	271 - 9	FM3-9136-000	140 - 40	FM4-1011-000	101 - 13
FL3-4575-000	271 - 10	FM3-9137-000	140 - 39	FM4-1012-000	101 - 14
FL3-4906-000	310 - 24	FM3-9138-000	140 - 18	FM4-1013-000	101 - 15
FL3-4906-000	311 - 22	FM3-9139-000	140 - 19	FM4-1024-000	110 - 4
FL3-4911-000	310 - 27	FM3-9140-000	140 - 23	FM4-1029-000	770 - 7
FL3-4911-000	311 - 27	FM3-9144-000	140 - 33	FM4-1031-000	107 - 16
FL3-5027-000	550 - 12	FM3-9145-000	140 - 20	FM4-1032-000	107 - 11

NUMERICAL INDEX

imageRUNNER ADVANCE 6075/6065/6055 Series(Numerical Index)

PARTS NUMBER	FIGURE & KEY NO.	PARTS NUMBER	FIGURE & KEY NO.	PARTS NUMBER	FIGURE & KEY NO
FM4-1051-000	330 - 35	FM4-5312-000	101 - 16	FS5-2959-000	770 - 9
FM4-1063-000	334 - 22	FM4-5316-000	351 -	FS5-2964-000	107 - 18
FM4-1067-000	140 - 38	FM4-5320-000	113 - 12	FS5-2967-000	812 - 8
FM4-1083-000	960 - 1	FM4-5396-000	711 -	FS5-6487-000	815 - 10
FM4-1084-000	964 -	FM4-5397-000	710 -	FS5-9162-020	810 - 9
FM4-1085-000	963 -	FM4-5398-000	334 - 5	FS5-9162-020	811 - 49
FM4-1086-000	140 - 22	FM4-5403-000	810 - 7	FS5-9166-020	101 - 18
FM4-1087-000	961 -	FM4-5431-000	710 - 20	FS5-9216-020	101 - 19
FM4-1088-000	961 -	FM4-5432-000	550 - 7	FS5-9217-010	100 - 14
FM4-1089-000	110 - 5	FM4-5433-000	570 - 3	FS5-9227-020	330 - 43
FM4-1089-000	330 - 36	FM4-5435-000	001 - 3	FS5-9438-030	620 - 13
FM4-1093-000	980 - 1	FM4-5438-000	640 - 12	FS5-9714-000	770 - 10
FM4-1094-000	980 - 2	FM4-5709-000	300 - 35	FS5-9758-020	107 - 17
FM4-1095-000	330 - 37	FS1-1189-000	351 - 19	FS6-0028-000	625 - 8
FM4-1096-000	107 - 12	FS1-1205-000	710 - 24	FS6-0042-000	351 - 24
FM4-1098-000	962 -	FS1-1449-000	811 - 44	FS6-0103-000	811 - 50
FM4-1099-000	910 -	FS1-1508-000	103 - 7	FS6-0103-000	812 - 9
FM4-1100-000	962 -	FS1-1508-000	250 - 8	FS6-0105-000	811 - 52
FM4-1102-000	550 - 15	FS1-1508-000	261 - 4	FS6-0106-000	811 - 53
FM4-1102-000	570 - 18	FS1-1508-000	330 - 39	FS6-0107-000	811 - 54
FM4-1103-000	140 - 41	FS1-1569-000	313 - 29	FS6-0134-000	811 - 55
FM4-1104-000	930 -	FS1-1569-000	351 - 20	FS6-0136-000	710 - 25
FM4-1106-000	980 - 3	FS1-2834-000	814 - 5	FS6-0857-000	640 - 17
FM4-1107-000	510 - 7	FS1-9009-020	811 - 45	FS6-0972-000	710 - 26
FM4-1108-000	510 - 7	FS2-0088-000	720 - 11	FS6-1058-000	313 - 30
FM4-1183-000	130 - 21	FS2-0089-000	720 - 12	FS6-2619-000	104 - 15
FM4-1194-000	130 - 22	FS2-0090-000	720 - 13	FS7-0026-000	770 - 11
FM4-1195-000	130 - 23	FS2-0091-000	720 - 14	FS7-0665-000	812 - 10
FM4-1196-000	920 -	FS2-1256-000	811 - 46	FS7-0891-000	811 - 51
FM4-1199-000	130 - 24	FS2-2001-000	720 - 15	FS7-0893-000	811 - 67
FM4-3153-000	140 -	FS2-2002-000	720 - 16	FS7-0894-000	811 - 68
FM4-3155-000	140 -	FS2-2036-020	510 - 8	FS7-0895-000	811 - 69
FM4-3160-000	810 - 7	FS2-2058-000	720 - 17	FS7-2319-000	352 - 9
FM4-4314-000	980 - 4	FS2-6458-000	330 - 40	FS7-2788-000	114 - 6
FM4-4315-000	140 - 24	FS2-6458-000	336 - 7	FS7-2994-000	720 - 18
FM4-4316-000	140 - 14	FS2-6458-000	770 - 8	FS7-2995-000	720 - 8
FM4-4317-000	102 - 5	FS4-0012-000	304 - 28	FU3-0296-000	313 - 31
FM4-5128-000	140 - 34	FS4-0012-000	305 - 28	FU3-0297-000	313 - 32
FM4-5129-000	140 - 1	FS4-0160-000	304 - 29	FU3-0302-000	812 - 11
FM4-5131-000	140 - 2	FS4-0160-000	305 - 29	FU3-0303-000	710 - 28
FM4-5138-000	280 - 3	FS4-2136-000	304 - 30	FU3-0303-000	711 - 11
FM4-5141-000	330 - 38	FS4-2136-000	305 - 30	FU3-0339-000	330 - 44
FM4-5147-000	815 -	FS5-0395-000	330 - 41	FU5-0016-000	334 - 11
FM4-5148-000	710 - 23	FS5-1219-000	625 - 7	FU5-0166-000	640 - 18
FM4-5153-000	351 - 18	FS5-1372-000	352 - 6	FU5-0183-000	310 - 28
FM4-5154-000	250 - 7	FS5-1474-000	330 - 42	FU5-0183-000	311 - 28
FM4-5155-000	260 - 3	FS5-2925-000	250 - 9	FU5-0184-000	310 - 29
FM4-5156-000	332 -	FS5-2940-000	811 - 48	FU5-0184-000	311 - 29
FM4-5300-000	931 -	FS5-2946-000	351 - 22	FU5-0185-000	310 - 30
FM4-5301-000	931 -	FS5-2947-000	351 - 23	FU5-0185-000	311 - 30
FM4-5302-000	931 -	FS5-2953-020	352 - 7	FU5-0186-000	310 - 31
FM4-5309-000	620 - 12	FS5-2958-000	101 - 17	FU5-0186-000	311 - 31

NUMERICAL INDEX

imageRUNNER ADVANCE 6075/6065/6055 Series(Numerical Index)

PARTS NUMBER	FIGURE & KEY NO.	PARTS NUMBER	FIGURE & KEY NO.	PARTS NUMBER	FIGURE & KEY NO
FU5-0187-000	310 - 32	FU6-0603-000	330 - 49	FU7-2687-000	332 - 9
FU5-0187-000	311 - 32	FU6-0619-000	710 - 29	FU7-2688-000	332 - 10
FU5-0188-000	310 - 33	FU6-0620-000	710 - 30	FU7-2689-000	313 - 40
FU5-0188-000	311 - 33	FU6-0734-000	815 - 11	FU7-2692-000	770 - 13
FU5-0204-000	261 - 5	FU6-0734-000	816 - 5	FU7-2695-000	711 - 12
FU5-0207-000	350 - 6	FU6-0738-000	812 - 12	FU7-2696-000	113 - 13
FU5-0207-000	351 - 25	FU6-1184-000	313 - 35	FU7-2697-000	334 - 15
FU5-0236-000	271 - 11	FU6-1185-000	313 - 36	FU7-2699-000	330 - 52
FU5-0256-000	313 - 33	FU6-1193-000	811 - 57	FU7-2701-000	331 - 33
FU5-0263-000	310 - 34	FU6-1193-000	812 - 13	FU7-2702-000	330 - 53
FU5-0263-000	311 - 34	FU6-1194-000	625 - 11	FU7-2703-000	331 - 34
FU5-0266-000	261 - 6	FU6-1196-000	351 - 34	FU7-2704-000	331 - 35
FU5-0268-000	550 - 8	FU6-1197-000	620 - 14	FU7-2705-000	333 - 4
FU5-0268-000	570 - 4	FU6-1199-000	330 - 50	FU7-2706-000	650 - 12
FU5-0362-000	625 - 9	FU6-2043-000	334 - 14	FU7-2709-000	112 - 5
FU5-1036-000	313 - 34	FU6-2107-000	811 - 58	FU7-2710-000	112 - 6
FU5-1046-000	351 - 26	FU6-2858-000	810 - 10	FU7-2711-000	710 - 33
FU5-1468-000	811 - 56	FU6-2925-000	313 - 37	FU7-2713-000	710 - 35
FU5-2139-040	351 - 27	FU6-2926-000	313 - 38	FU7-2715-000	625 - 12
FU5-2140-000	351 - 28	FU6-2927-000	313 - 39	FU7-2838-000	331 - 36
FU5-2141-000	350 - 7	FU6-3047-000	332 - 8	FU7-8272-000	300 - 50
FU5-2141-000	351 - 29	FU6-3053-000	330 - 51	FU7-8273-000	001 - 5
FU5-2142-000	311 - 26	FU6-8534-000	300 - 39	FU7-8279-000	100 - 13
FU5-2147-000	351 - 30	FU6-8535-000	300 - 61	FU7-8283-000	100 - 13
FU5-2149-000	331 - 28	FU6-8536-000	300 - 62	FU7-8288-000	100 - 13
FU5-2151-000	331 - 29	FU6-8537-000	102 - 6	FU7-8494-000	100 - 2
FU5-2152-000	331 - 30	FU6-8538-000	300 - 40	FU7-8495-000	100 - 10
FU5-2154-000	330 - 46	FU6-8539-000	300 - 41	FU7-8500-000	312 - 14
FU5-2160-000	351 - 31	FU6-8647-000	306 - 3	FU7-8501-000	312 - 14
FU5-2162-000	310 - 35	FU6-8861-000	900 - 16	FU7-8502-000	312 - 14
FU5-2162-000	311 - 35	FU7-0363-000	710 - 31	FU7-8503-000	312 - 14
FU5-2165-000	101 - 36	FU7-0364-000	710 - 32	FU8-0079-000	770 - 14
FU5-2175-000	813 - 6	FU7-0841-000	620 - 15	FU8-0082-000	770 - 15
FU5-2177-000	331 - 31	FU7-2326-000	300 - 42	FU8-0182-000	313 - 41
FU5-2178-000	101 - 37	FU7-2327-000	300 - 43	FU8-0333-000	103 - 8
FU5-8560-000	100 - 54	FU7-2328-000	300 - 44	FU8-0333-000	315 - 3
FU5-9035-000	104 - 16	FU7-2332-000	301 - 3	FU8-0333-000	330 - 54
FU5-9035-000	351 - 32	FU7-2332-000	303 - 2	FU8-0334-000	250 - 10
FU5-9305-000	104 - 20	FU7-2333-000	301 - 4	FU8-0335-000	261 - 7
FU5-9305-000	351 - 21	FU7-2341-000	114 - 7	FU8-0492-000	640 - 20
FU5-9370-000	104 - 21	FU7-2366-000	310 - 36	FU8-0505-000	811 - 60
FU6-0092-000	334 - 12	FU7-2366-000	311 - 37	FU8-0899-000	710 - 36
FU6-0119-000	334 - 13	FU7-2368-000	304 - 31	FU8-0903-000	640 - 21
FU6-0137-000	330 - 47	FU7-2368-000	305 - 31	FU8-0906-000	620 - 16
FU6-0138-000	330 - 48	FU7-2386-000	300 - 45	FU8-0907-000	620 - 17
FU6-0139-000	331 - 32	FU7-2387-000	304 - 32	FU8-0908-000	261 - 8
FU6-0152-000	625 - 10	FU7-2387-000	305 - 32	FU8-2313-000	650 - 13
FU6-0375-000	351 - 33	FU7-2395-000	102 - 7	FU8-2315-000	811 - 61
FU6-0414-000	335 - 18	FU7-2513-000	300 - 46	FU8-2316-000	811 - 62
FU6-0446-000	770 - 12	FU7-2514-000	300 - 47	FU8-2317-000	113 - 14
FU6-0562-000	271 - 12	FU7-2515-000	300 - 48	FU8-2317-000	313 - 42
FU6-0603-000	271 - 13	FU7-2518-000	300 - 49	FU8-2321-000	313 - 43

NUMERICAL INDEX

imageRUNNER ADVANCE 6075/6065/6055 Series(Numerical Index)

PARTS NUMBER	FIGURE & KEY NO.	PARTS NUMBER	FIGURE & KEY NO.	PARTS NUMBER	FIGURE & KEY NO
FU8-2322-000	313 - 44	NPN	104 -	VS1-7177-003	625 - 16
FU8-2343-000	330 - 55	NPN	105 -	VS1-7177-003	710 - 40
FU8-2344-000	331 - 37	NPN	106 -	VS1-7177-003	810 - 13
FU8-2345-000	570 - 5	NPN	107 -	VS1-7177-003	813 - 7
FU8-2347-000	101 - 20	NPN	108 -	VS1-7177-004	101 - 22
FU8-2348-000	100 - 9	NPN	109 -	VS1-7177-004	106 - 15
FU8-2349-000	100 - 44	NPN	110 -	VS1-7177-004	107 - 13
FU8-2361-000	304 - 33	NPN	111 -	VS1-7177-004	109 - 6
FU8-2361-000	305 - 33	NPN	113 -	VS1-7177-004	111 - 10
FU8-2515-000	770 - 16	NPN	250 -	VS1-7177-004	330 - 60
FU8-2516-000	811 - 63	NPN	280 -	VS1-7177-004	333 - 7
FU8-2519-000	335 - 23	NPN	303 -	VS1-7177-004	810 - 14
FU8-2522-000	550 - 19	NPN	306 -	VS1-7177-004	811 - 64
FU8-2522-000	570 - 20	NPN	330 -	VS1-7177-005	109 - 7
FU8-2523-000	811 - 47	NPN	331 -	VS1-7177-006	109 - 8
FU9-0031-000	625 - 13	NPN	336 -	VS1-7177-006	336 - 9
FU9-0032-000	335 - 19	NPN	510 -	VS1-7177-006	620 - 21
FU9-0036-000	640 - 22	NPN	620 -	VS1-7177-006	625 - 17
FU9-0037-000	334 - 16	NPN	810 -	VS1-7177-006	810 - 15
FU9-0037-000	640 - 23	NPN	813 -	VS1-7177-007	109 - 9
FU9-0039-000	640 - 24	NPN	814 -	VS1-7177-007	140 - 26
FU9-0040-000	106 - 16	NPN	900 -	VS1-7177-007	333 - 8
FU9-0045-000	812 - 14	NPN	960 -	VS1-7177-007	810 - 16
FU9-0048-000	330 - 56	NPN	980 -	VS1-7177-008	140 - 27
FU9-0050-000	261 - 9	NPN	T40 -	VS1-7177-008	330 - 61
FU9-0051-000	710 - 37	RH3-0323-000	910 - T	VS1-7177-009	810 - 17
FU9-0052-000	333 - 5	RH6-3032-000	910 - L	VS1-7177-012	101 - 24
FU9-0053-000	333 - 6	RK2-0299-000	910 - T	VS1-7177-012	106 - 10
FU9-0074-000	334 - 17	RS5-1567-000	313 - 47	VS1-8412-003	330 - 62
FU9-0075-000	334 - 18	VD7-0271-502	910 - 1	VS1-8412-003	620 - 22
FU9-0078-000	620 - 18	VD7-0522-501	961 - 1	VS1-8412-007	101 - 25
FU9-0079-000	620 - 19	VD7-2892-501	961 - 1	VS1-8412-007	302 - 7
FU9-0080-000	620 - 20	VS1-7173-010	101 - 21	VS1-8412-009	900 - 18
FU9-0082-000	331 - 38	VS1-7173-014	111 - 7	VS1-8412-009	980 - 5
FU9-0083-000	330 - 57	VS1-7173-017	900 - 17	VS1-8412-011	301 - 5
FU9-0083-000	810 - 11	VS1-7177-002	111 - 8	VS1-8412-013	107 - 14
FU9-0152-000	313 - 45	VS1-7177-002	310 - 38	VS1-8412-013	140 - 28
FU9-0153-000	313 - 46	VS1-7177-002	311 - 38	VS1-8412-013	303 - 3
FU9-0155-000	625 - 14	VS1-7177-002	313 - 48	VS1-8412-015	111 - 11
FU9-0156-000	812 - 15	VS1-7177-002	330 - 58	VS1-8412-017	109 - 10
FU9-0157-000	271 - 18	VS1-7177-002	331 - 39	VS1-8412-017	110 - 6
FU9-0157-000	770 - 17	VS1-7177-002	625 - 15	VS1-8412-017	310 - 37
FU9-0158-000	770 - 18	VS1-7177-002	770 - 19	VS1-8412-017	625 - 18
FU9-0159-000	710 - 38	VS1-7177-002	810 - 12	VS1-8412-019	107 - 10
FU9-0314-000	330 - 45	VS1-7177-002	900 - 22	VS1-8412-021	109 - 11
FY1-0883-000	550 - 6	VS1-7177-003	106 - 14	VS1-8412-025	109 - 12
FY1-1157-000	811 - 22	VS1-7177-003	111 - 9	VS1-8412-025	980 - 6
NPN	001 -	VS1-7177-003	140 - 25	VS1-8412-031	109 - 13
NPN	100 -	VS1-7177-003	313 - 49	WC1-5179-000	140 - 29
NPN	101 -	VS1-7177-003	330 - 59	WC2-5680-000	301 - 6
NPN	102 -	VS1-7177-003	336 - 8	WC2-5680-000	303 - 4
NPN	103 -	VS1-7177-003	350 - 8	WC2-5688-000	101 - 26

NUMERICAL INDEX

imageRUNNER ADVANCE 6075/6065/6055 Series(Numerical Index)

PARTS NUMBER	FIGURE & KEY NO.	PARTS NUMBER	FIGURE & KEY NO.	PARTS NUMBER	FIGURE & KEY NO
WC4-5125-000	101 - 28	XA9-1523-000	300 - 53	XD3-2300-142	330 - 505
WE8-5780-000	101 - 40	XA9-1523-000	312 - 15	XD9-0067-000	811 - 41
WE8-5780-000	140 - 31	XA9-1659-000	310 - 40	XD9-0133-000	310 - 42
WG8-5848-000	101 - 27	XA9-1659-000	311 - 40	XD9-0133-000	311 - 41
WG8-5848-000	103 - 9	XA9-1659-000	350 - 10	XD9-0134-000	101 - 30
WG8-5848-000	104 - 17	XA9-1659-000	352 - 11	XD9-0134-000	103 - 10
WG8-5848-000	105 - 13	XA9-1659-000	570 - 6	XD9-0134-000	313 - 53
WG8-5848-000	106 - 13	XA9-1659-000	625 - 19	XD9-0134-000	330 - 67
WG8-5848-000	270 - 3	XA9-1659-000	640 - 26	XD9-0134-000	331 - 42
WG8-5848-000	301 - 7	XA9-1659-000	710 - 39	XD9-0134-000	334 - 19
WG8-5848-000	302 - 8	XA9-1659-000	812 - 16	XD9-0134-000	335 - 20
WG8-5848-000	310 - 39	XA9-1932-000	640 - 27	XD9-0134-000	350 - 11
WG8-5848-000	311 - 39	XA9-1934-000	102 - 11	XD9-0134-000	351 - 36
WG8-5848-000	313 - 50	XA9-1934-000	304 - 27	XD9-0134-000	620 - 25
WG8-5848-000	330 - 63	XA9-1934-000	305 - 27	XD9-0134-000	625 - 20
WG8-5848-000	333 - 9	XA9-1936-000	640 - 34	XD9-0134-000	640 - 30
WG8-5848-000	350 - 9	XA9-1945-000	810 - 19	XD9-0134-000	710 - 34
WG8-5848-000	620 - 23	XA9-1979-000	900 - 7	XD9-0134-000	770 - 20
WG8-5848-000	811 - 59	XD1-1100-225	330 - 501	XD9-0134-000	811 - 40
WG8-5848-000	813 - 8	XD1-1104-133	107 - 501	XD9-0134-000	812 - 17
WG8-5848-000	814 - 3	XD1-1106-225	811 - 501	XD9-0134-000	815 - 13
WG8-5848-000	815 - 12	XD1-1108-216	640 - 501	XD9-0134-000	816 - 6
X71-9310-000	640 - 25	XD1-1206-229	770 - 501	XD9-0134-000	900 - 19
XA9-0228-000	550 - 4	XD1-1206-239	330 - 502	XD9-0135-000	280 - 5
XA9-0732-000	101 - 29	XD1-3100-805	108 - 501	XD9-0135-000	330 - 68
XA9-0732-000	104 - 18	XD1-4200-402	101 - 501	XD9-0135-000	331 - 43
XA9-0732-000	304 - 35	XD1-4200-502	140 - 501	XD9-0135-000	351 - 37
XA9-0732-000	305 - 35	XD2-2100-602	640 - 502	XD9-0135-000	770 - 21
XA9-0732-000	330 - 64	XD2-2300-602	710 - 501	XD9-0136-000	103 - 11
XA9-0732-000	331 - 40	XD3-1300-122	811 - 502	XD9-0136-000	104 - 19
XA9-0893-000	331 - 41	XD3-2160-082	625 - 501	XD9-0136-000	106 - 17
XA9-0903-000	106 - 20	XD3-2200-082	335 - 501	XD9-0136-000	271 - 14
XA9-0926-000	300 - 51	XD3-2200-082	625 - 502	XD9-0136-000	301 - 8
XA9-0961-000	330 - 65	XD3-2200-102	330 - 503	XD9-0136-000	313 - 26
XA9-1016-000	300 - 52	XD3-2200-102	332 - 501	XD9-0136-000	315 - 5
XA9-1031-000	306 - 4	XD3-2200-102	625 - 503	XD9-0136-000	330 - 69
XA9-1031-000	330 - 66	XD3-2200-102	650 - 501	XD9-0136-000	331 - 44
XA9-1031-000	336 - 10	XD3-2200-102	770 - 502	XD9-0136-000	332 - 12
XA9-1031-000	810 - 18	XD3-2200-102	812 - 501	XD9-0136-000	334 - 20
XA9-1031-000	811 - 43	XD3-2200-122	103 - 501	XD9-0136-000	335 - 21
XA9-1035-000	102 - 8	XD3-2200-122	271 - 501	XD9-0136-000	336 - 11
XA9-1090-000	106 - 18	XD3-2200-122	304 - 501	XD9-0136-000	351 - 38
XA9-1116-030	351 - 35	XD3-2200-122	305 - 501	XD9-0136-000	352 - 2
XA9-1249-010	304 - 36	XD3-2200-122	315 - 501	XD9-0136-000	620 - 26
XA9-1249-010	305 - 36	XD3-2200-122	330 - 504	XD9-0136-000	625 - 21
XA9-1302-010	550 - 5	XD3-2200-122	336 - 501	XD9-0136-000	640 - 31
XA9-1386-000	315 - 4	XD3-2200-122	770 - 503	XD9-0136-000	650 - 14
XA9-1386-000	332 - 11	XD3-2200-122	811 - 503	XD9-0136-000	710 - 27
XA9-1386-000	620 - 24	XD3-2200-122	812 - 502	XD9-0136-000	711 - 13
XA9-1450-000	304 - 37	XD3-2200-262	650 - 502	XD9-0136-000	770 - 22
XA9-1450-000	305 - 37	XD3-2300-142	310 - 501	XD9-0136-000	810 - 20
XA9-1491-000	102 - 9	XD3-2300-142	311 - 501	XD9-0136-000	811 - 38

NUMERICAL INDEX

imageRUNNER ADVANCE 6075/6065/6055 Series(Numerical Index)

PARTS NUMBER	FIGURE & KEY NO.	PARTS NUMBER	FIGURE & KEY NO.	PARTS NUMBER	FIGURE & KEY NO
XD9-0136-000	812 - 18	XG9-0492-000	770 - 28		
XD9-0137-010	101 - 31	XG9-0506-000	332 - 13		
XD9-0137-010	250 - 11	XG9-0508-000	271 - 17		
XD9-0137-010	261 - 10	XG9-0521-000	620 - 2		
XD9-0137-010	271 - 15	XG9-0563-000	811 - 8		
XD9-0137-010	304 - 38	XG9-0705-000	770 - 24		
XD9-0137-010	305 - 38	XG9-0706-000	315 - 7		
XD9-0137-010	310 - 43	XG9-0706-000	335 - 25		
XD9-0137-010	311 - 36	XG9-0707-000	315 - 6		
XD9-0137-010	330 - 70	XG9-0707-000	330 - 77		
XD9-0137-010	332 - 14	XG9-0709-000	250 - 15		
XD9-0137-010	334 - 21	XG9-0709-000	336 - 14		
XD9-0137-010	335 - 22	XG9-0727-000	711 - 8		
XD9-0137-010	336 - 12	XG9-0737-000	310 - 44		
XD9-0137-010	350 - 12	XG9-0737-000	311 - 5		
XD9-0137-010	351 - 39	XG9-0758-000	335 - 29		
XD9-0137-010	620 - 27	XG9-0773-000	335 - 27		
XD9-0137-010	770 - 23	XG9-0774-000	334 - 8		
XD9-0137-010	810 - 21	XG9-0774-000	335 - 26		
XD9-0137-010	811 - 26	XH9-0132-000	900 - 20		
XD9-0137-010	812 - 19	XH9-0148-000	304 - 39		
XD9-0137-010	815 - 14	XH9-0148-000	305 - 39		
XD9-0183-000	640 - 29	XZ1-1401-205	331 - 45		
XD9-0290-000	250 - 12	XZ9-0379-000	101 - 32		
XD9-0290-000	261 - 11	XZ9-0379-000	900 - 21		
XD9-0290-000	313 - 51	XZ9-0409-020	108 - 5		
XD9-0290-000	620 - 28	XZ9-0581-000	101 - 23		
XD9-0290-000	640 - 32				
XD9-0290-000	710 - 5				
XD9-0290-000	711 - 14				
XD9-0290-000	812 - 20				
XD9-0292-000	271 - 16				
XD9-0292-000	330 - 71				
XD9-0292-000	770 - 26				
XD9-0300-000	250 - 13				
XD9-0300-000	313 - 52				
XF2-1606-260	250 - 14				
XF2-1606-260	260 - 4				
XF2-1606-260	261 - 12				
XF2-1606-260	280 - 4				
XF2-1606-260	330 - 72				
XF2-1607-040	330 - 73				
XF2-1607-440	330 - 74				
XF2-1610-440	330 - 75				
XF2-4110-440	336 - 13				
XF2-4114-240	770 - 27				
XF2-4128-940	109 - 3				
XG9-0218-000	640 - 33				
XG9-0365-000	330 - 76				
XG9-0365-000	335 - 24				
XG9-0365-000	350 - 5				
XG9-0365-000	810 - 8				

imageRUNNER ADVANCE 6075/6065/ 6055 Series(Parts Catalog)

imageRUNNER ADVANCE 6075

100V JP	F15-5311-000	FZD00500-
120V US,CA,LTN	F15-5331-000	FZE00500-
230V LTN,SG,HK	F15-5341-000	FZG00500-
230V AU	F15-5361-000	FZH00500-
230V EUR	F15-5391-000	FZF00500-

imageRUNNER ADVANCE 6075i

230V EUR	F15-5393-000	GEF00500-
----------	--------------	-----------

imageRUNNER ADVANCE 6065

100V JP	F15-5211-000	FZR00500-
120V US,CA,LTN	F15-5231-000	FZS00500-
230V LTN,SG,HK	F15-5241-000	FZU00500-
230V AU	F15-5261-000	FZV00500-
230V EUR	F15-5291-000	FZT00500-

imageRUNNER ADVANCE 6065i

230V EUR	F15-5293-000	GEH00500-
----------	--------------	-----------

imageRUNNER ADVANCE 6055

100V JP	F15-5111-000	GAA00500-
---------	--------------	-----------

120V
US,CA,LTN F15-5131-000 GAB00500-

230V
LTN,SG,HK F15-5141-000 GAD00500-

230V AU F15-5161-000 GAE00500-

230V EUR F15-5191-000 GAC00500-

imageRUNNER ADVANCE 6055i

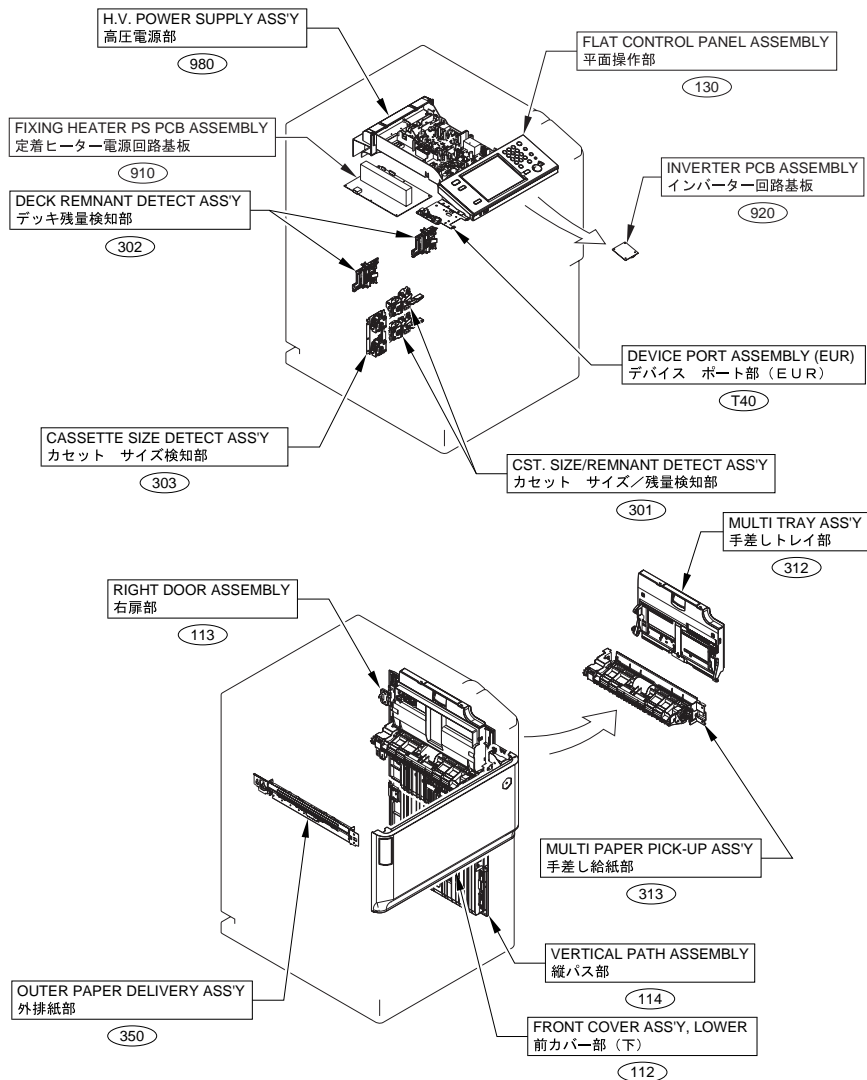
230V EUR F15-5193-000 GEJ00500-

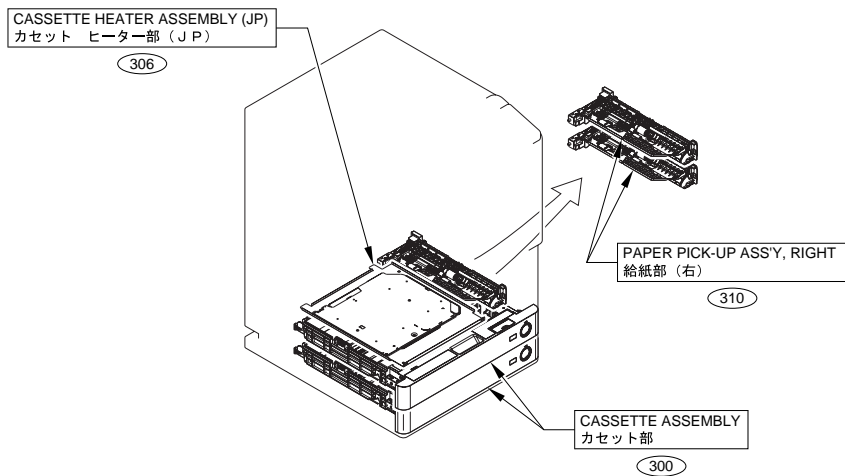
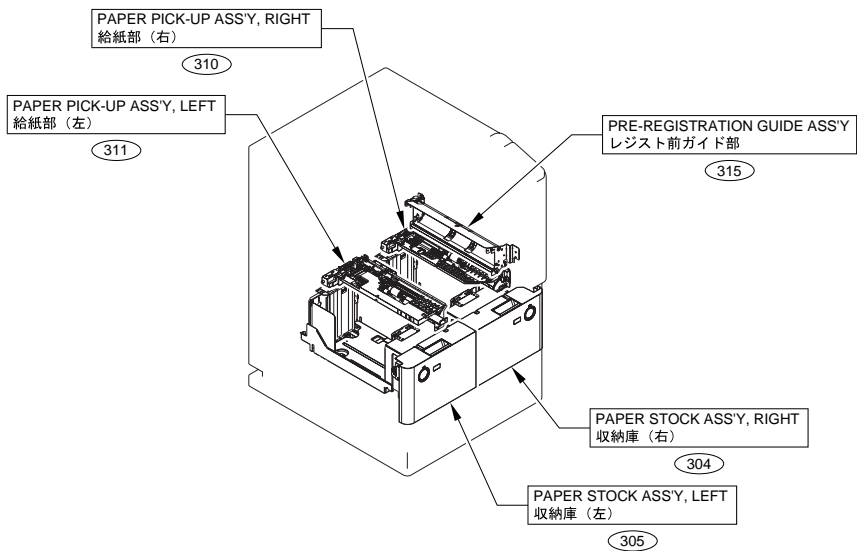
Contents

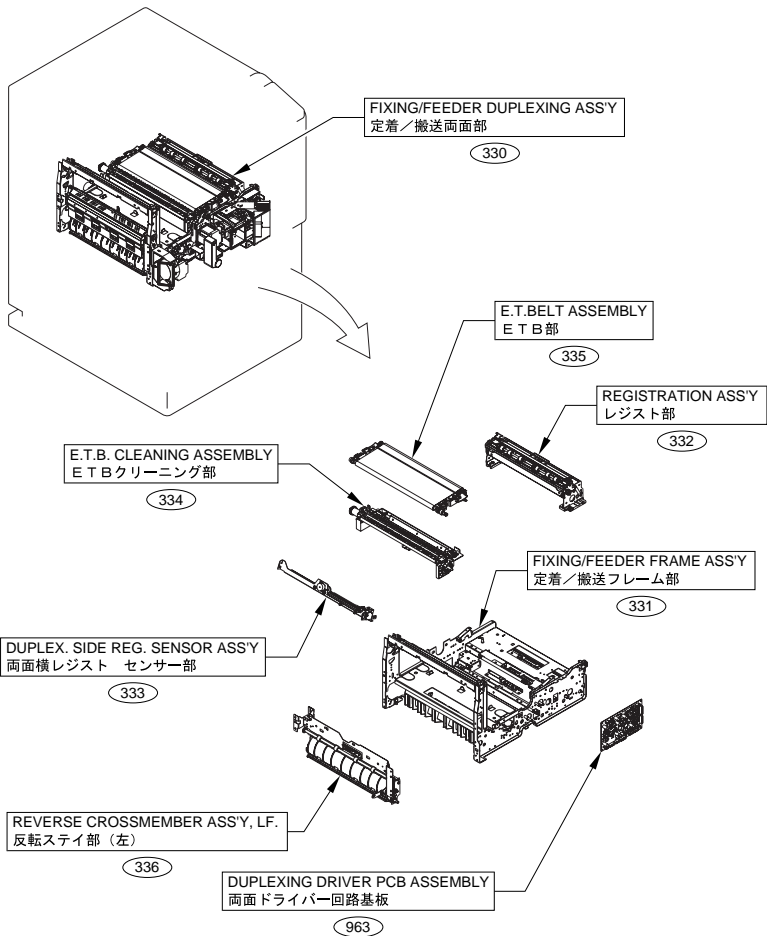
A1	ASSEMBLY LOCATION DIAGRAM	2-1
A2	OPTION PARTS CATALOG LIST	2-8
001	ACCESSOREIS	2-9
100	EXTERNAL COVERS, PANELS, ETC.	2-11
101	INTERNAL COMPONENTS 1	2-15
102	INTERNAL COMPONENTS 2	2-18
103	INTERNAL COMPONENTS 3	2-20
104	INTERNAL COMPONENTS 4	2-22
105	INTERNAL COMPONENTS 5	2-24
106	INTERNAL COMPONENTS 6	2-26
107	INTERNAL COMPONENTS 7	2-28
108	MACHINE BOTTOM PLATE.....	2-30
109	MACHINE REAR PANEL 1.....	2-31
110	MACHINE REAR PANEL 2.....	2-33
111	MACHINE REAR PANEL 3.....	2-35
112	FRONT COVER ASS'Y, LOWER	2-37
113	RIGHT DOOR ASSEMBLY.....	2-39
114	VERTICAL PATH ASSEMBLY	2-41
130	FLAT CONTROL PANEL ASSEMBLY	2-42
140	POWER CORD TERMINAL ASS'Y	2-45
250	MAIN DRIVE ASS'Y.....	2-49
260	V. PATH/CST. PICK-UP ASS'Y	2-51
261	LEFT DECK PICK-UP DRIVE ASS'Y	2-52
270	DRUM DRIVE ASS'Y	2-54
271	DEVELOPING DRIVE ASS'Y	2-55
280	DELIVERY REVERSE DRIVE ASS'Y.....	2-57
300	CASSETTE ASSEMBLY.....	2-58
301	CST. SIZE/REMNANT DETECT ASS'Y	2-61
302	DECK REMNANT DETECT ASS'Y	2-62
303	CASSETTE SIZE DETECT ASS'Y	2-63
304	PAPER STOCK ASS'Y, RIGHT	2-64
305	PAPER STOCK ASS'Y, LEFT	2-67
306	CASSETTE HEATER ASSEMBLY (JP)	2-70
310	PAPER PICK-UP ASS'Y, RIGHT	2-71
311	PAPER PICK-UP ASS'Y, LEFT	2-74
312	MULTI TRAY ASS'Y	2-77
313	MULTI PAPER PICK-UP ASS'Y	2-79
315	PRE-REGISTRATION GUIDE ASS'Y.....	2-82
330	FIXING/FEEDEER DUPLEXING ASS'Y	2-83
331	FIXING/FEEDEER FRAME ASS'Y.....	2-89
332	REGISTRATION ASS'Y.....	2-93
333	DUPLEX. SIDE REG. SENSOR ASS'Y	2-95
334	E.T.B. CLEANING ASSEMBLY	2-96
335	E.T.BELT ASSEMBLY	2-98
336	REVERSE CROSSMEMBER ASS'Y, LF.....	2-100

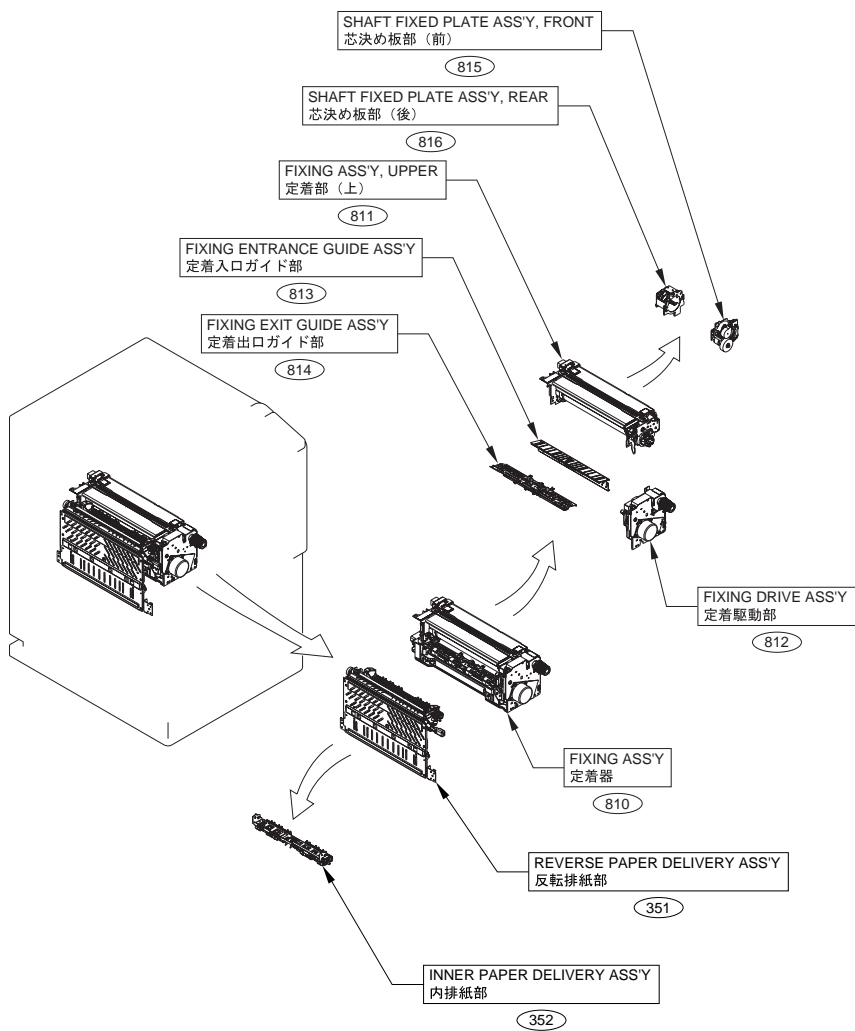
350	OUTER PAPER DELIVERY ASS'Y	2-102
351	REVERSE PAPER DELIVERY ASS'Y.....	2-104
352	INNER PAPER DELIVERY ASS'Y.....	2-108
460	LASER SCANNER UNIT	2-110
510	PHOTO-SENSITIVE DRUM ASSEMBLY	2-111
550	1ST CORONA ASS'Y	2-113
570	PRE-TRANSFER CORONA ASS'Y	2-115
620	HOPPER ASS'Y.....	2-117
625	BUFFER ASS'Y	2-119
640	DEVELOPING ASS'Y	2-121
650	DEVELOPING RELEASE ASS'Y.....	2-124
710	AP. KIT ASS'Y	2-126
711	DRUM CLEANING ASS'Y.....	2-130
720	SEPARATION CLAW DRIVE ASSEMBLY	2-132
770	WASTE TONER FEED ASSEMBLY.....	2-134
810	FIXING ASS'Y.....	2-137
811	FIXING ASS'Y, UPPER	2-139
812	FIXING DRIVE ASS'Y.....	2-144
813	FIXING ENTRANCE GUIDE ASS'Y.....	2-146
814	FIXING EXIT GUIDE ASS'Y	2-147
815	SHAFT FIXED PLATE ASS'Y, FRONT.....	2-148
816	SHAFT FIXED PLATE ASS'Y, REAR	2-150
900	CONTROLLER BOX ASSEMBLY	2-151
910	FIXING HEATER PS PCB ASSEMBLY	2-153
920	INVERTER PCB ASSEMBLY	2-154
930	DC CONTROLLER PCB ASS'Y.....	2-155
931	MAIN CONTROLLER PCB ASS'Y, 1.....	2-156
932	MAIN CONTROLLER PCB ASS'Y, 2.....	2-157
960	MAIN DRIVE DRIVER PCB ASS'Y.....	2-158
961	AC DRIVER PCB ASS'Y.....	2-159
962	NOISE FILTER PCB ASSEMBLY	2-160
963	DUPLEXING DRIVER PCB ASSEMBLY	2-161
964	FEED DRIVER PCB ASSEMBLY	2-162
980	H.V. POWER SUPPLY ASS'Y.....	2-163
T40	DEVICE PORT ASSEMBLY (EUR)	2-164
ZZA	MECHANICAL STANDARD PARTS (HOW TO USE)	2-165
ZZB	MECHANICAL STANDARD PARTS (SCREWS).....	2-166
ZZC	MECHANICAL STANDARD PARTS (BOLTS).....	2-173
ZZD	MECHANICAL STANDARD PARTS (NUTS).....	2-174
ZZE	MECHANICAL STANDARD PARTS (RETAINING RINGS)	2-175

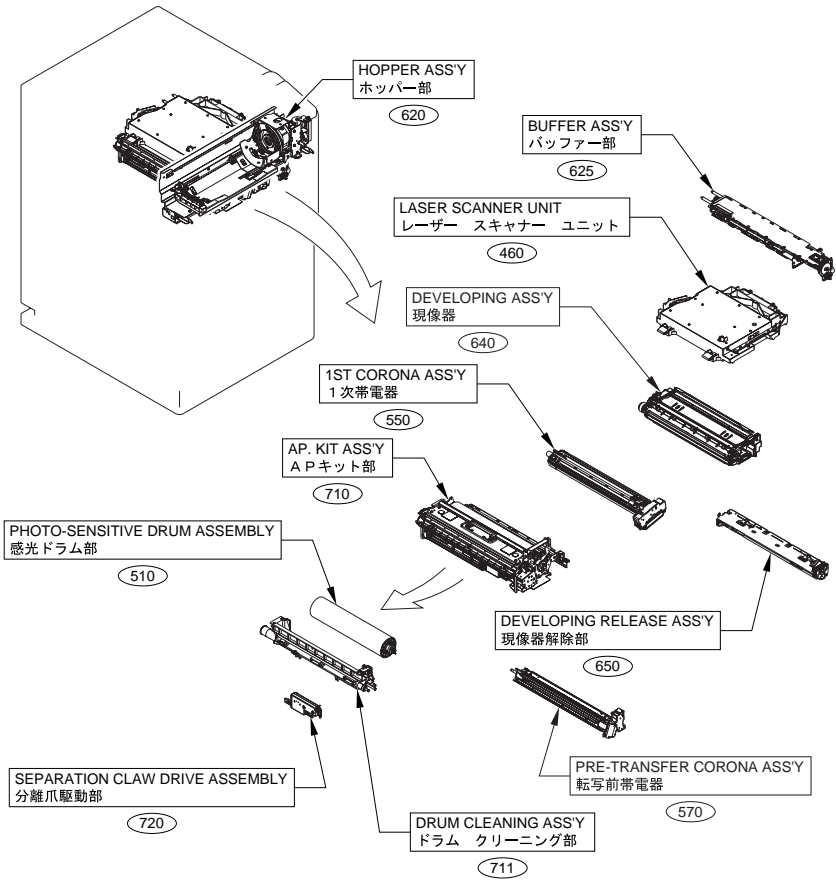
FIGURE A1 ASSEMBLY LOCATION DIAGRAM

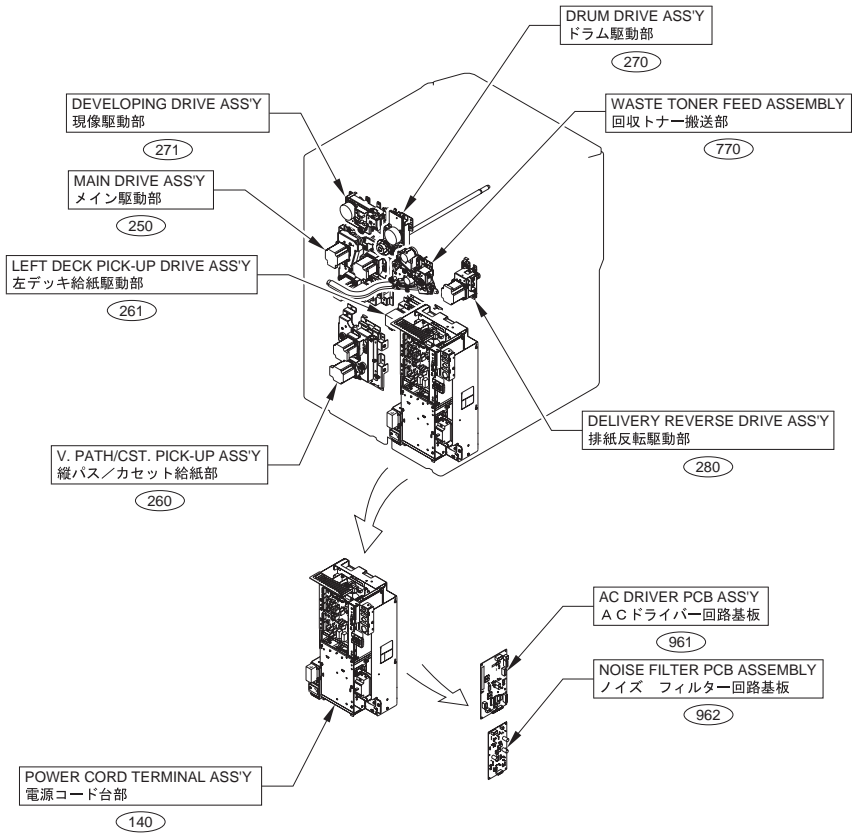












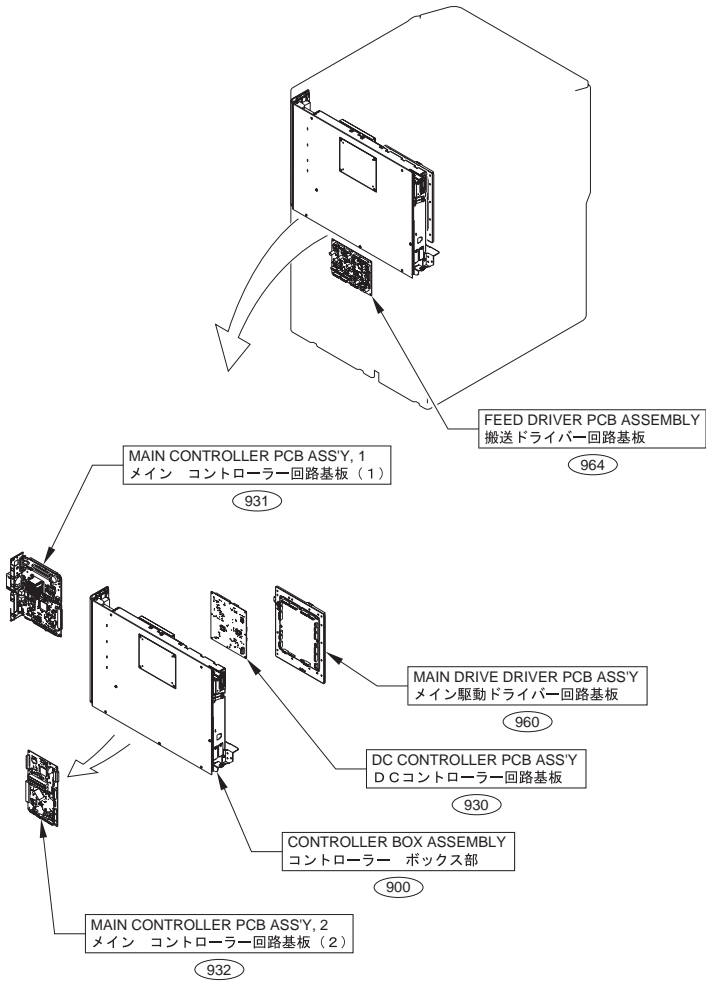


FIGURE A2

OPTION PARTS CATALOG LIST

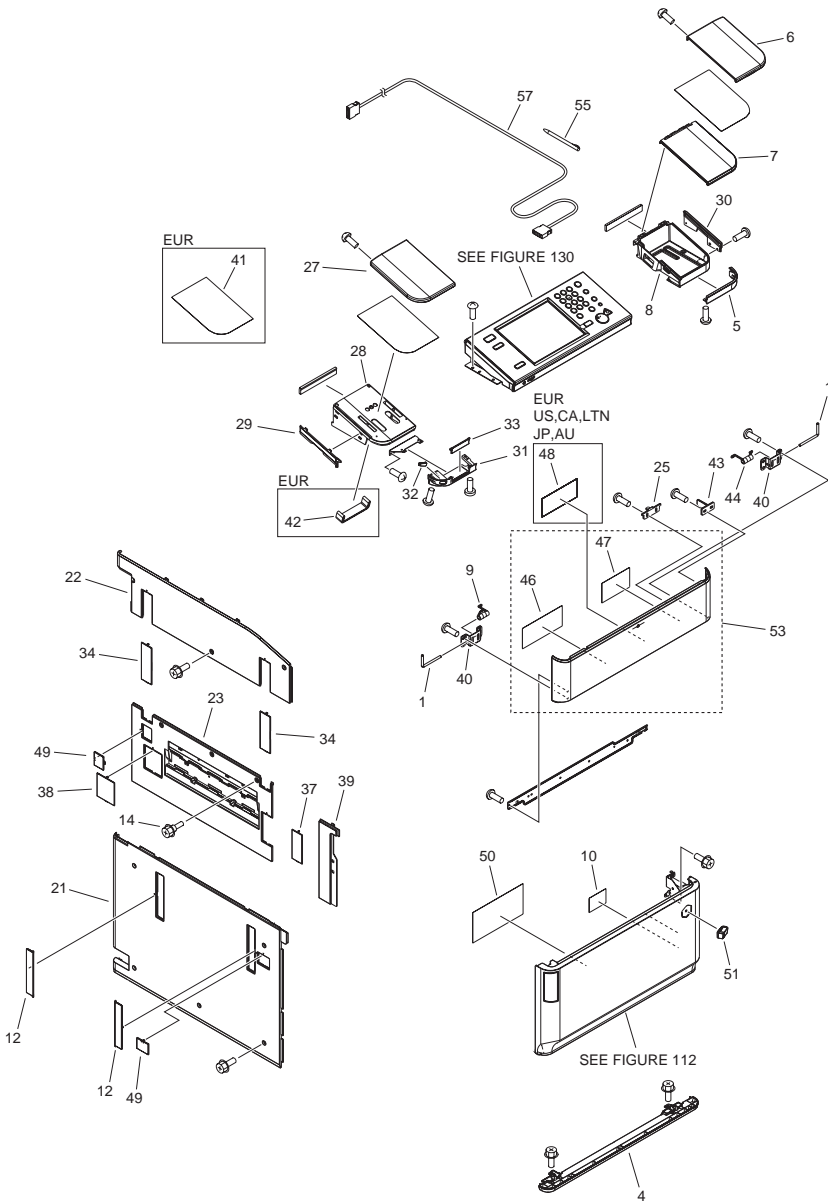
This is the table of the machine's options whose parts catalog is issued.

本機のオプションで、パーツカタログが発行されている機種の一覧である。

No.	Model Name(English)	Model Name(Japanese)
1	Shift Tray-E1	シフトトレイ・E1
2	Copy Tray-Q1	コピートレイ・Q1
3	Cassette Heater Unit-38	カセットヒーターユニット38
4	SUPER G3 FAX BD-AF1	スーパーG3FAXボード・AF1
5	FAX BD(2LINE)-AF1	G3回線増設キット(2回線)・AF1
6	HDD Data Encryption & Mirroring Kit-C2/ HDD Mirroring Kit-E1	HDDデータ暗号化ミラーリングキット・C2/ ミラーリングキット・E1
7	Removable HDD Kit-AD1	リムーバブルHDDキット・AD1
8	Color Image Reader Unit-A1/C1/Duplex Color Image Reader Unit-A1/C1	Color Image Reader Unit-A1/C1/Duplex Color Image Reader Unit-A1/C1
9	ADF Access Handle-A1	ADFアクセスハンドル・A1
10	Printer Cover-B1	プリンタカバー・B1
11	Paper Deck Unit-A1	ペーパーデッキユニット・A1
12	External 2 Hole, 2/3 Hole, 2/4 Hole, 4 Hole Puncher-A1	外付け2穴パンチャー・A1
13	Reader Heater Unit-G1	リーダーヒーターキット・G1
14	Paper Deck Heater Unit-A1	ペーパーデッキヒーターユニット・A1
15	Utility Tray-A1	ユーティリティトレイ・A1
16	CARD READER-C1/D1	カードリーダー-C1/D1
17	Copy Card Reader Attachment-A1/A2	コピーカードリーダー取付けキット・A1/A2
18	Upright Control Panel-A1	立面操作部・A1
19	Super G3 3rd/4th Line Fax Board-AE1	G3回線増設キット(3・4回線)・AE1
20	HAND SET-G2	ハンドセット・G2
21	Voice Guidance Kit-F1	音声ガイダンスキット・F1
22	USB Device Port-A1	USBデバイスポート・A1
23	Wireless LAN Board-B1	無線LANボード・B1
24	2.5inch 80GB-C1/250GB-D1 HDD	オプションHDD 2.5inch 80GB・C1/ 250GB・D1
25	Expansion Bus-F1	PCIバス拡張キット・F1
26	IPSec Board-B2	IPSecセキュリティボード・B2
27	Image Data Analyzer Board-A1	イメージ解析ボード・A1
28	Multimedia Reader/Writer-A1	マルチメディアリーダー/ライター・A1
29	Serial Interface Kit-K1	シリアルインターフェースキット・K1
30	Copy Control Interface Kit-A1	コントロールインターフェースキット・A1
31	(JAPAN ONLY)	iR-ADV課金装置接続キット・A1
32	Staple Finisher-E1/Booklet Finisher-E1	ステイブルフィニッシャー・E1/ 中綴じフィニッシャー・E1
33	Document Insertion Unit-L1	インサーター・L1
34	Document Insertion Folding Unit-H1	ペーパーフォールディング インサーターユニット・H1
35	Paper Deck Unit-D1	ペーパーデッキユニット・D1
36	imagePASS-U1	(日本仕向けなし)
37	(JAPAN ONLY)	モバイル接続キット・A1

FIGURE & KEY NO.	PARTS NUMBER	RANK	Q'TY	DESCRIPTION	SERIAL NUMBER/REMARKS	SVC
Fig.001	NPN		RF	ACCESSOREIS		
1	FK3-0508-000		1	CD-ROM, SOFTWARE FOR LIPS/LX	Japanese	
1	FK3-0510-000		1	CD-ROM, SOFTWARE FOR UFR II	English	
1	FK3-0513-000		1	CD-ROM, SOFTWARE FOR UFR II	English,French,Italian,German,Spanish	
2	FK2-0979-000		1	CABLE, GROUNDING	100V	
3	FM4-5435-000		1	CLEANING SHEET UNIT		
4	FC9-0145-000		3	PLATE, SIZE INDICATION		
5	FU7-8273-000		1	PLATE, SIZE INDICATION		

FIGURE 100 EXTERNAL COVERS, PANELS, ETC.



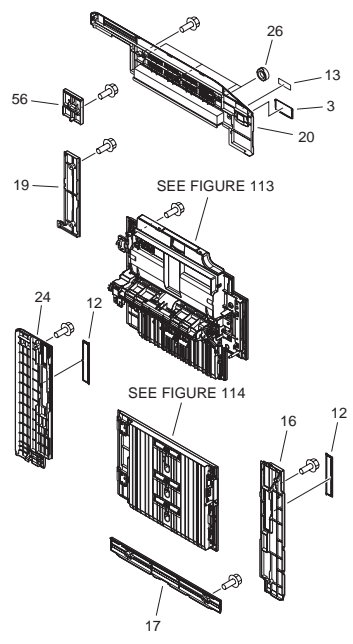
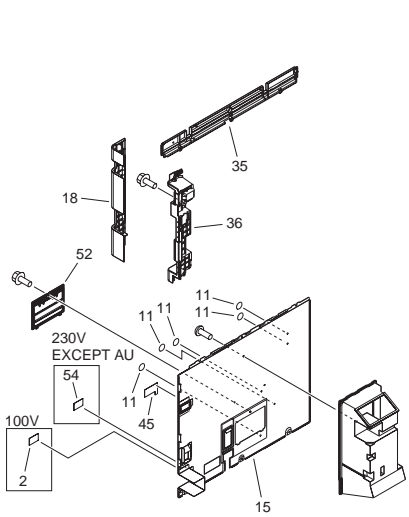


FIGURE & KEY NO.	PARTS NUMBER	RANK	Q'TY	DESCRIPTION	SERIAL NUMBER/REMARKS	SVC
Fig.100	NPN		RF	EXTERNAL COVERS, PANELS, ETC.		
1	FB1-7173-000		2	PIN		
2	FU7-8494-000		1	LABEL, GROUNDING CAUTION	100V	
3	FC8-1844-000		1	COVER, MAIN SWITCH		
4	FC8-1876-000		1	COVER, CASSETTE, LOWER		
5	FC8-1877-000		1	COVER, CORNER, RIGHT		
6	FC8-2366-000		1	COVER, UPPER RIGHT		
7	FC8-2367-000		1	COVER, FRONT UPPER, RIGHT		
8	FC8-2368-000		1	CASE, RIGHT		
9	FU8-2348-000		1	SPRING, TORSION		
10	FU7-8495-000		1	LABEL, WIRE HEIGHT		
11	FC8-6109-000		5	SEAL		
12	FC8-7033-000		4	COVER, KNOB		
13	FU7-8279-000		1	LABEL, MAIN POWER	US,LTN,SG,HK,AU	
13	FU7-8283-000		1	LABEL, MAIN POWER	JP	
13	FU7-8288-000		1	LABEL, MAIN POWER	EUR	
14	FS5-9217-010		5	SCREW, STEPPED, M4		
15	FC8-9566-000		1	COVER, REAR LOWER		
16	FC9-0077-000		1	COVER, RIGHT FRONT		
17	FC9-0078-000		1	COVER, RIGHT LOWER		
18	FC9-0080-000		1	COVER, LEFT REAR		
19	FC9-0081-000		1	COVER, RIGHT REAR, 2		
20	FC9-0088-000		1	COVER, RIGHT UPPER		
21	FC9-0152-000		1	COVER, LEFT, LOWER		
22	FC9-0155-000		1	COVER, LEFT UPPER		
23	FC9-0156-000		1	COVER, PAPER DELIVERY		
24	FC9-0157-000		1	COVER, WASTE TONER CONTAINER		
25	FC9-0162-000		1	LOCK, PUSH		
26	FC9-0311-000		4	CAP		
27	FC9-0376-000		1	COVER, UPPER LEFT		
28	FC9-0377-000		1	COVER, FRONT UPPER, LEFT		
29	FC9-0381-000		1	COVER, SMALL, LEFT		

FIGURE & KEY NO.	PARTS NUMBER	R A N K	Q'TY	DESCRIPTION	SERIAL NUMBER/ REMARKS	S V C
30	FC9-0382-000		1	COVER, SMALL, RIGHT		
31	FC9-3907-000		1	COVER, SMALL, LEFT FRONT		
32	FC9-3909-000		1	WINDOW, RECEIVE		
33	FC9-3911-000		1	COVER, SMALL, LEFT FRONT 2		
34	FC9-3934-000		2	COVER, BLANKING		
35	FC9-5464-000		1	COVER, UPPER REAR		
36	FC9-6959-000		1	COVER, INNER, REAR LEFT		
37	FC9-7040-000		1	COVER, BLANKING, 1		
38	FC9-7041-000		1	COVER, BLANKING, 2		
39	FC9-7044-000		1	COVER, LEFT FRONT		
40	FC9-7047-000		2	HINGE, DOOR		
41	FC9-7520-000		1	SHEET, CASE	EUR	
42	FC9-7521-000		1	TAPE, HOOK AND LOOP FASTENER	EUR	
43	FC9-8073-000		1	FLAG, BOTTLE DOOR SENSOR		
44	FU8-2349-000		1	SPRING, TORSION		
45	FC9-9049-000		1	LABEL, DRUM HEATER		
46	FC9-9055-000		1	LABEL, BOTTLE INSERT CAUTION		
47	FC9-9057-000		1	LABEL, LEVER OPERATOR CAUTION		
48	FC9-9076-000		1	LABEL, TONER TYPE	EUR	
48	FC9-9077-000		1	LABEL, TONER TYPE	US,CA,LTN	
48	FC9-9099-000		1	LABEL, TONER TYPE	JP,AU	
49	FC9-9103-000		2	COVER, BLANKING, 3		
50	FL3-3872-000		1	LABEL, SERVICE		
51	FL3-1185-000		1	EMBLEM		
52	FL3-2142-000		1	COVER, FILTER CASE		
53	FL3-3812-000		1	COVER, FRONT, UPPER		
54	FU5-8560-000		1	LABEL, GROUNDING CAUTION	230V EXCEPT AU	
55	FC9-3893-000		1	PEN, TOUCH		
56	FC9-5465-000		1	COVER, CONTROL PANEL ASS'Y		
57	FK2-8330-000		1	CABLE, USER INTERFACE		

FIGURE & KEY NO.	PARTS NUMBER	RANK	Q'TY	DESCRIPTION	SERIAL NUMBER/REMARKS	SVC
Fig.101	NPN		RF	INTERNAL COMPONENTS 1		
1	FB2-8094-020		1	KNOB, 1		
2	FC9-9198-000		1	RAIL, BOTTLE LIMIT, LEFT		
3	FC8-9452-000		1	RAIL, BOTTLE LIMIT, RIGHT		
4	FC8-9488-000		2	SHAFT, HINGE		
5	FC8-9490-000		1	HOOK, DOOR, RIGHT		
6	FC9-4356-000		1	COVER, MAIN POWER PROTECTION		
7	FL3-1240-000		1	HINGE, LOWER		
8	FL3-1271-000		1	CABLE, MULTI DOOR SWITCH	SW6	
9	FL3-2813-000		1	SENSOR FLAG UNIT		
10	FM3-7307-000		1	ENVIRONMENT SENSOR ASS'Y	THU1	
11	FM3-7327-000		3	KNOB ASSEMBLY		
12	FM4-1009-000		1	CABLE, MAIN SWITCH		
13	FM4-1011-000		1	CABLE, MAIN SWITCH DC		
14	FM4-1012-000		1	CABLE, READER CONNECTOR		
15	FM4-1013-000		1	CABLE, FINISHER CONNECTOR		
16	FM4-5312-000		2	PRESSURE PLATE ASS'Y		
17	FS5-2958-000		1	SPRING, TENSION		
18	FS5-9166-020		1	SCREW, STEPPED, M4		
19	FS5-9216-020		1	SCREW, STEPPED, M4X6		
20	FU8-2347-000		1	SPRING, COMPRESSION		
21	VS1-7173-010		1	CONNECTOR, SNAP TIGHT, 10P, W		
22	VS1-7177-004		2	CONNECTOR, SNAP TIGHT, BK		
23	XZ9-0581-000		1	CATCH,MAGNET		
24	VS1-7177-012		1	CONNECTOR, SNAP TIGHT, BK		
25	VS1-8412-007		1	CONNECTOR, SNAP TIGHT, BL		
26	WC2-5688-000		1	SWITCH, POWER TOGGLE	SW1	
27	WG8-5848-000		2	PHOTO-INTERRUPTER,GP1A173LCS0F	PS3,PS25	
28	WC4-5125-000		1	SWITCH,SENSITIVE	SW2	
29	XA9-0732-000		2	SCREW,RS,M4		
30	XD9-0134-000		1	RING, E		
31	XD9-0137-010		1	RING, E		

FIGURE & KEY NO.	PARTS NUMBER	R A N K	Q'TY	DESCRIPTION	SERIAL NUMBER/ REMARKS	S V C
32	XZ9-0379-000		1	LATCH	EUR	
33	FC9-4117-000		2	PIN, POSITIONING		
34	FM4-0967-000		1	DOOR SWITCH ASS'Y		
35	FC5-1635-000		1	LEVER, SWITCH		
36	FU5-2165-000		1	SPRING, TENSION		
37	FU5-2178-000		1	SPRING, TORSION		
38	FC0-0205-000		1	COVER, CONNECTOR		
39	FC9-9197-000		1	COVER, INNER, FRONT		
40	WE8-5780-000		1	CORE,FERRITE		
41	FC9-8683-000		1	LABEL, LASER CAUTION, UPPER		
42	FC8-7352-000		2	PLATE, HINGE		
43	FC0-3227-000		2	SHEET, SPACER		
501	XD1-4200-402		1	WASHER, TOOTHED LOCK, M4		

FIGURE 102 INTERNAL COMPONENTS 2

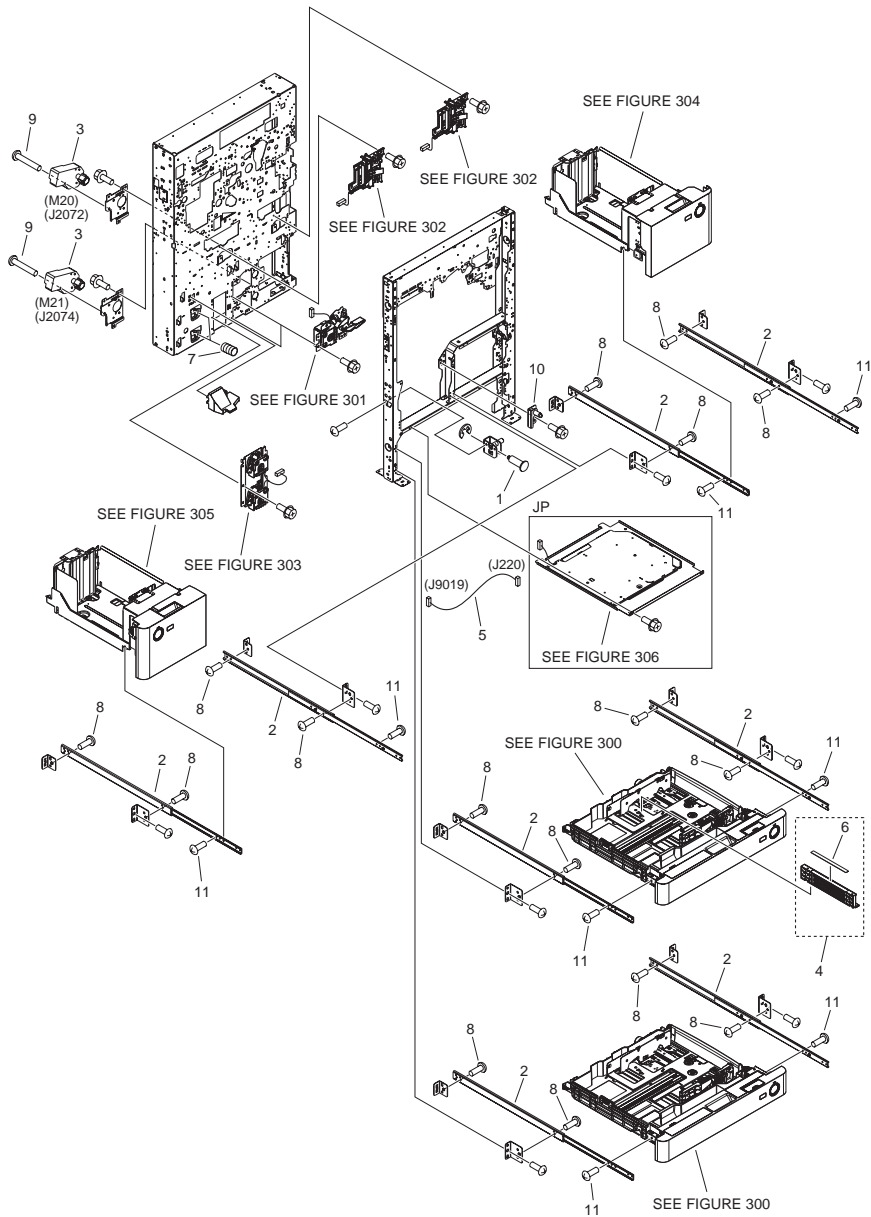


FIGURE & KEY NO.	PARTS NUMBER	R A N K	Q'TY	DESCRIPTION	SERIAL NUMBER/ REMARKS	S V C
Fig.102	NPN		RF	INTERNAL COMPONENTS 2		
1	FC5-2544-000		1	SCREW, ADJUSTMENT, M6X16		
2	FC9-3904-000		8	RAIL, SLIDE		
3	FK2-0016-000		2	MOTOR, DC	M20,M21	
4	FL2-8948-000		1	PLATE, BACK END LIMIT		
5	FM4-4317-000		1	CABLE, CASSETTE HEATER		
6	FU6-8537-000		1	LABEL, INDEX PAPER GUIDE		
7	FU7-2395-000		2	SPRING, COMPRESSION		
8	XA9-1035-000		AR	SCREW,M4X4		
9	XA9-1491-000		6	SCREW,W/WASHER PAN HEAD, M3X30		
10	FL3-0244-000		1	PLATE, DECK POSITIONING, LEFT		
11	XA9-1934-000		AR	SCREW, M4X4		

FIGURE 103 INTERNAL COMPONENTS 3

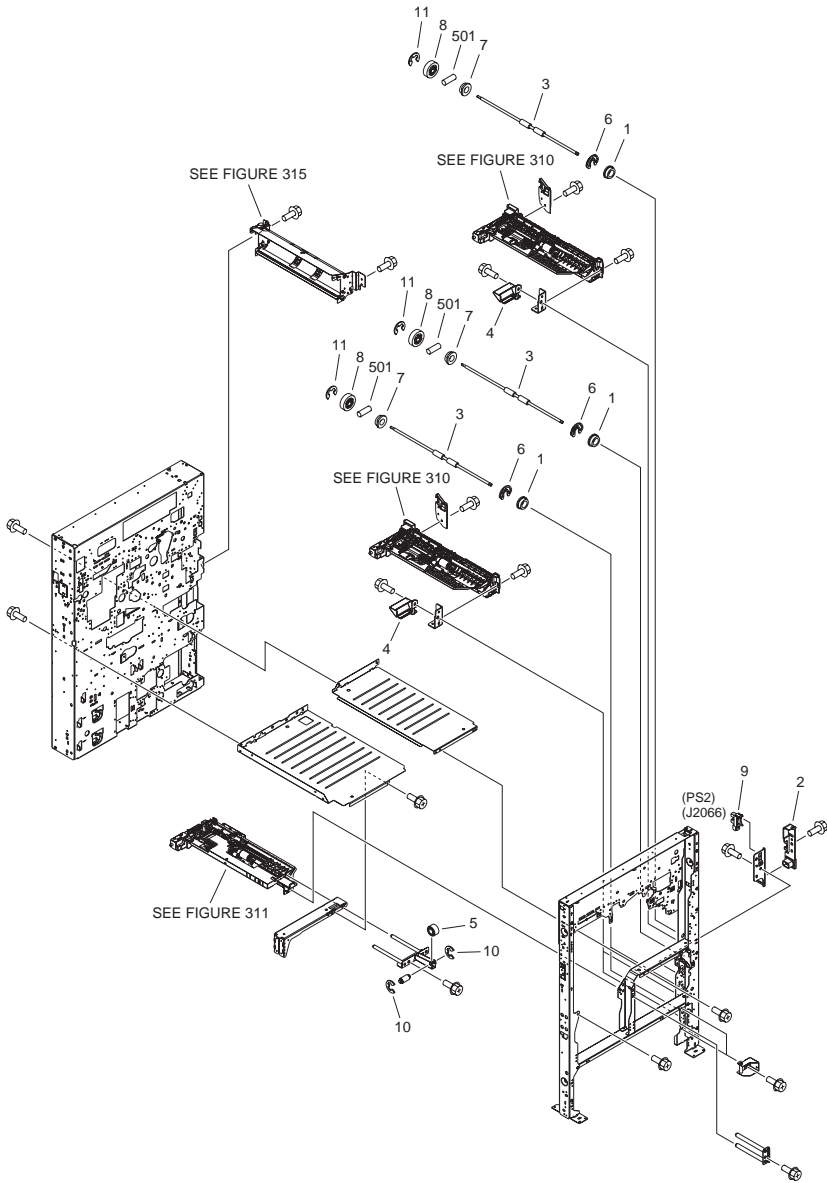


FIGURE & KEY NO.	PARTS NUMBER	R A N K	Q'TY	DESCRIPTION	SERIAL NUMBER/ REMARKS	S V C
Fig.103	NPN		RF	INTERNAL COMPONENTS 3		
1	FA9-2112-000		4	BUSHING, PL		
2	FC8-2700-000		1	MOUNT, HOOK		
3	FC8-9486-000		4	ROLLER, PAPER FEED		
4	FC9-4084-000		3	GUIDE, PAPER EXHAUST, RIGHT		
5	FC9-9145-000		1	SPACER, INNER PAPER DELIVERY		
6	FC5-2715-000		4	RING, RETAINING		
7	FS1-1508-000		4	BUSHING		
8	FU8-0333-000		4	GEAR, 24T		
9	WG8-5848-000		1	PHOTO-INTERRUPTER,GP1A173LCS0F	PS2	
10	XD9-0134-000		2	RING, E		
11	XD9-0136-000		4	RING, E		
501	XD3-2200-122		4	PIN, PARALLEL		

FIGURE 104 INTERNAL COMPONENTS 4

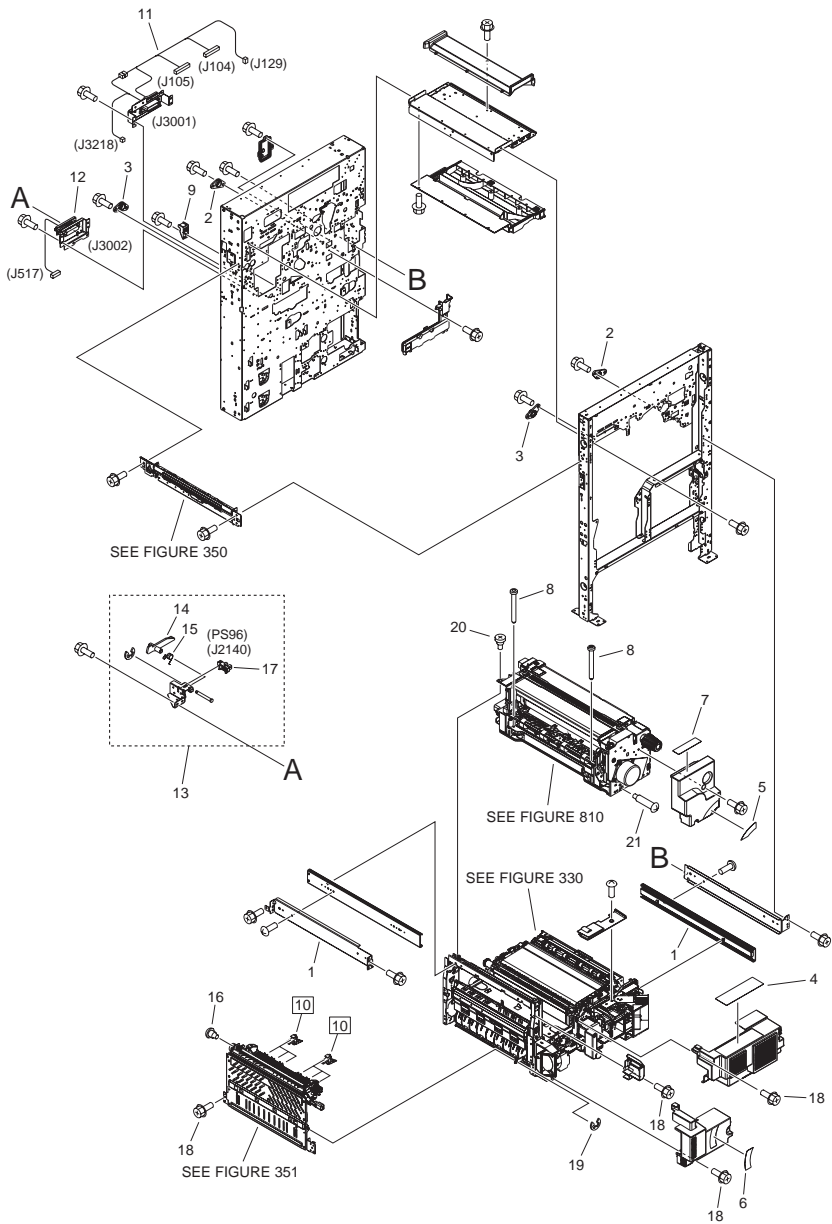


FIGURE & KEY NO.	PARTS NUMBER	R A N K	Q'TY	DESCRIPTION	SERIAL NUMBER/ REMARKS	S V C
Fig.104	NPN		RF	INTERNAL COMPONENTS 4		
1	FC9-5089-000		2	RAIL, SLIDE		
2	FC9-5584-000		2	BUSHING		
3	FC9-5585-000		2	BUSHING		
4	FC9-9032-000		1	LABEL, FINGER NIP CAUTION		
5	FC9-9033-000		1	LABEL, OPERATION, UPPER		
6	FC9-9034-000		1	LABEL, OPERATION, LOWER		
7	FC9-9066-000		1	LABEL, JAM CLEARING		
8	FC9-9100-000		2	SCREW, S, M4X50		
9	FC9-9137-000		1	LATCH		
10	FB5-3625-000		6	CLAW, SEPARATING	[DP]	
11	FM3-7351-000		1	CABLE, FIXING DRAWER		
12	FM4-0885-000		1	CABLE, FIXING/FEEDER DRAWER		
13	FM4-0908-000		1	HANDLE SENSOR MOUNT ASS'Y		
14	FC8-9569-000		1	FLAG, HANDLE SENSOR		
15	FS6-2619-000		1	SPRING, TORSION		
16	FU5-9035-000		1	SCREW, STEPPED, M3X3		
17	WG8-5848-000		1	PHOTO-INTERRUPTER,GP1A173LCS0F	PS96	
18	XA9-0732-000		AR	SCREW,RS,M4		
19	XD9-0136-000		1	RING, E		
20	FU5-9305-000		1	SCREW, STEPPED		
21	FU5-9370-000		1	SCREW,STEPPED,M4		

FIGURE 105 INTERNAL COMPONENTS 5

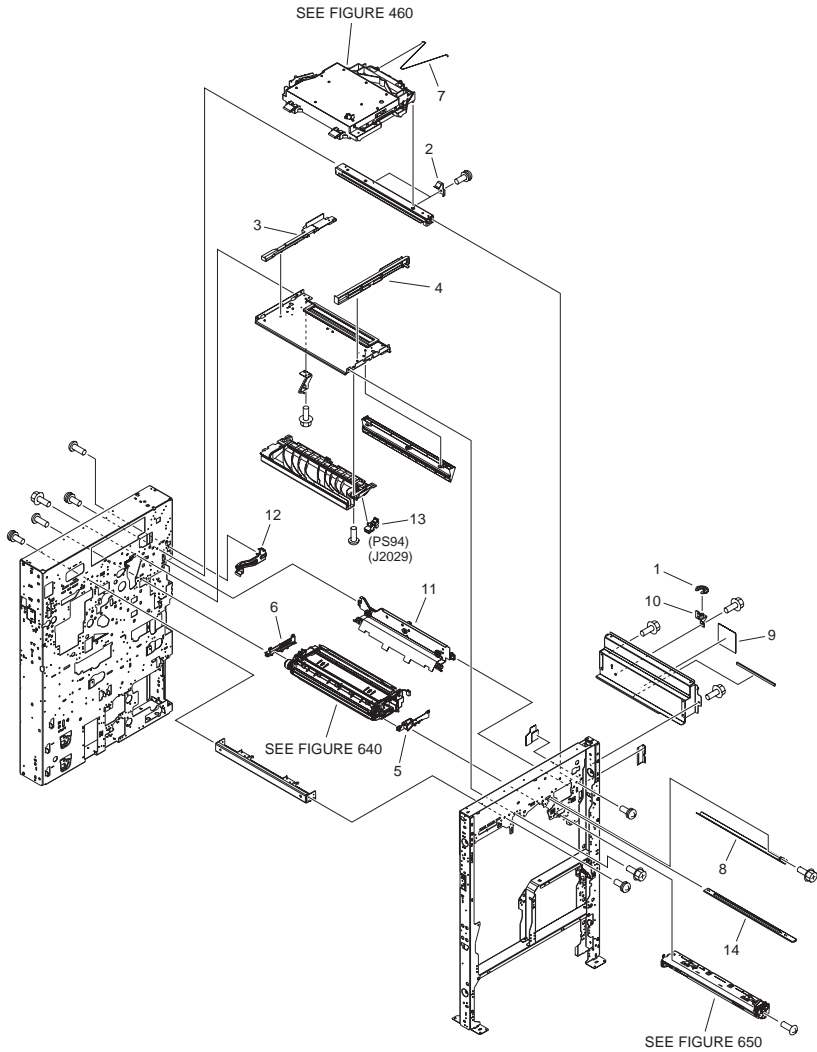


FIGURE & KEY NO.	PARTS NUMBER	R A N K	Q'TY	DESCRIPTION	SERIAL NUMBER/ REMARKS	S V C
Fig.105	NPN		RF	INTERNAL COMPONENTS 5		
1	FC5-2715-000		1	RING, RETAINING		
2	FC8-7034-000		2	SPRING, LEAF		
3	FC8-7038-000		1	RAIL, SCANNER, REAR		
4	FC8-7039-000		1	RAIL, SCANNER, FRONT		
5	FC8-9453-000		1	RAIL, DEVELOPING, FRONT		
6	FC8-9454-000		1	RAIL, DEVELOPING, REAR		
7	FC9-5579-000		1	WIRE, SUPPORT		
8	FC9-7439-000		1	RAIL, POTENTIAL SENSOR		
9	FC9-8684-000		1	LABEL, LASER CAUTION, LOWER		
10	FL3-3871-000		1	MOUNT, HINGE		
11	FM3-7383-000		1	DEVELOPING PRESSURE ASS'Y		
12	FM4-0951-000		1	DEV. HIGH VOLTAGE CONTACT UNIT		
13	WG8-5848-000		1	PHOTO-INTERRUPTER,GP1A173LCS0F	PS94	
14	FL3-2141-000		1	GLASS, DUST-PROOF		

FIGURE 106 INTERNAL COMPONENTS 6

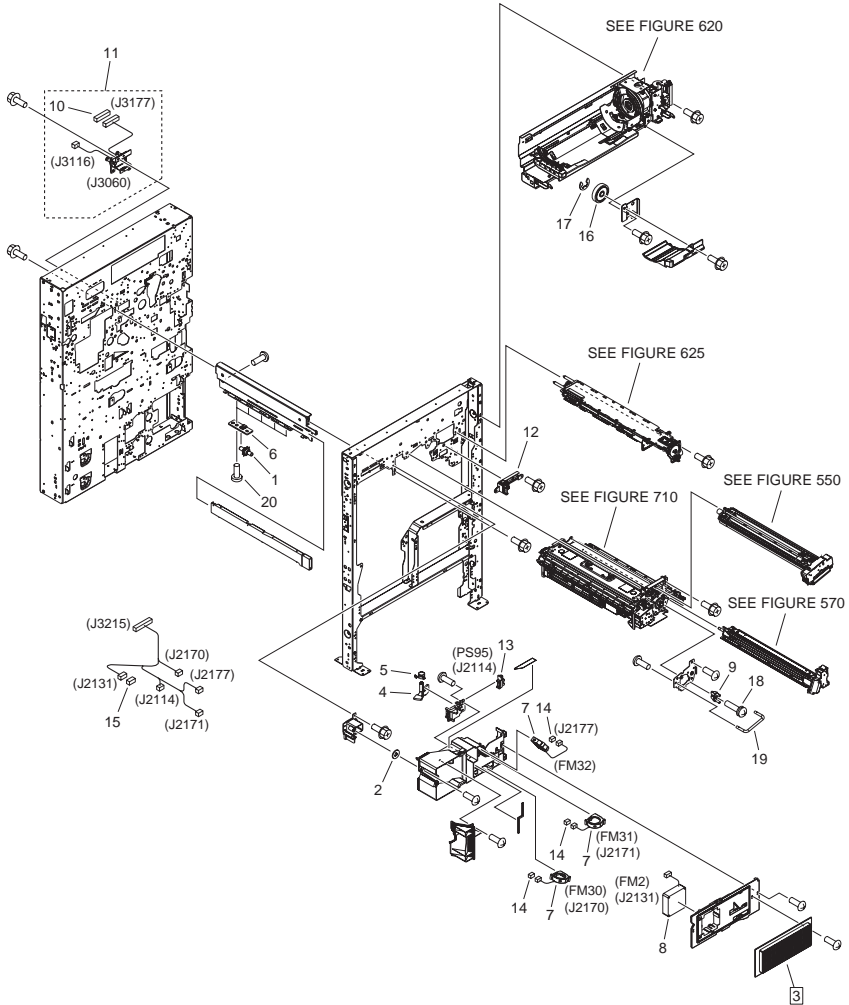


FIGURE & KEY NO.	PARTS NUMBER	RANK	Q'TY	DESCRIPTION	SERIAL NUMBER/REMARKS	SVC
Fig.106	NPN		RF	INTERNAL COMPONENTS 6		
1	FB1-8776-000		5	ROWEL		
2	FC2-2121-000		1	WASHER		
3	FC8-9564-000		1	FILTER, DUST	[DP]	
4	FC9-6163-000		1	FLAG, SENSOR		
5	FC9-6164-000		1	SPRING, TORSION		
6	FC9-8981-000		5	MOUNT, ROWEL		
7	FK2-3149-000		3	FAN	FM30,FM31,FM32	
8	FK2-7678-000		1	FAN	FM2	
9	FL2-0469-000		1	HOLDER, DRUM FIXED		
10	VS1-7177-012		1	CONNECTOR, SNAP TIGHT, BK		
11	FM3-7302-000		1	CABLE, AP. KIT DRAWER		
12	FM4-0973-000		1	MOUNT,PRE-TRANS.CORONA CONTACT		
13	WG8-5848-000		1	PHOTO-INTERRUPTER,GP1A173LCS0F	PS95	
14	VS1-7177-003		3	CONNECTOR, SNAP TIGHT, BK		
15	VS1-7177-004		1	CONNECTOR, SNAP TIGHT, BK		
16	FU9-0040-000		1	GEAR, 33T		
17	XD9-0136-000		1	RING, E		
18	XA9-1090-000		1	SCREW,W/WASHER,M5X25		
19	FC9-4868-000		1	HANDLE, FRONT		
20	XA9-0903-000		AR	SCREW, M3X5		

FIGURE 107 INTERNAL COMPONENTS 7

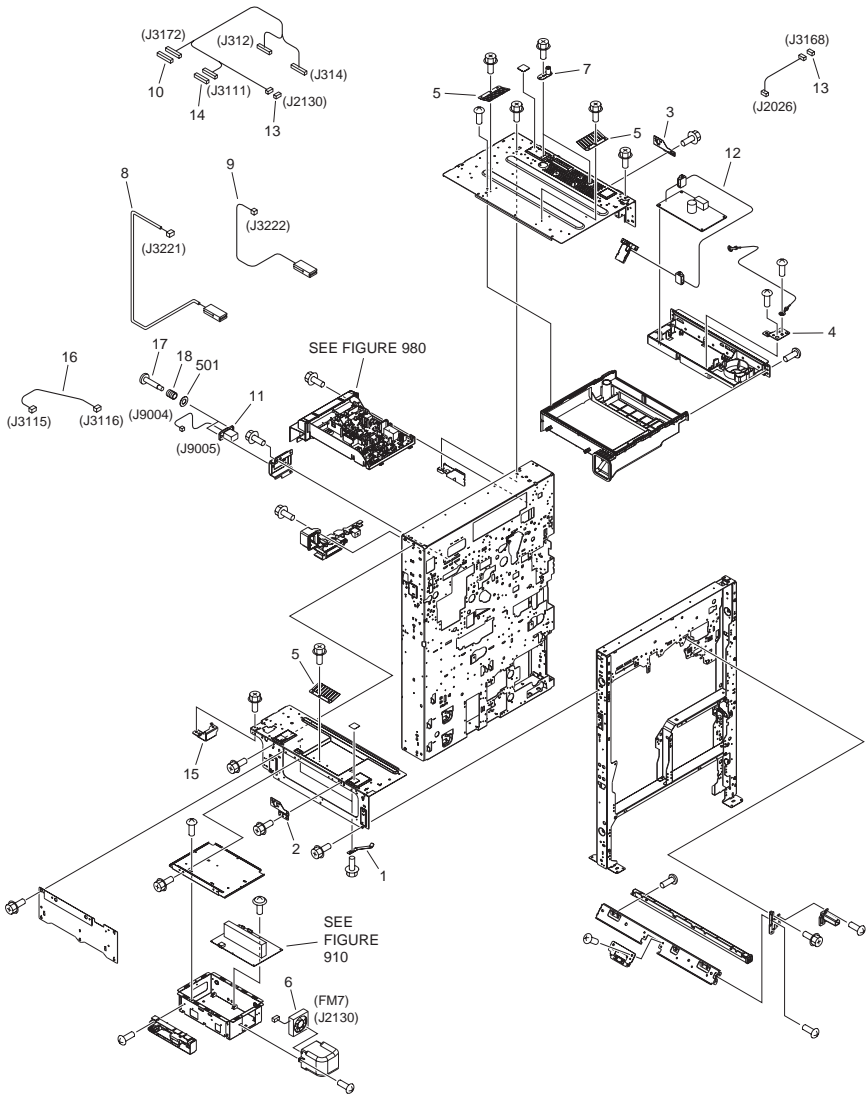


FIGURE & KEY NO.	PARTS NUMBER	R A N K	Q'TY	DESCRIPTION	SERIAL NUMBER/ REMARKS	S V C
Fig.107	NPN		RF	INTERNAL COMPONENTS 7		
1	FC6-3462-000		2	PLATE, GROUNDING		
2	FC8-7026-000		1	PLATE, READER FIXED, LEFT		
3	FC8-7027-000		1	PLATE, READER FIXED, RIGHT		
4	FC9-4888-000		1	PLATE, GROUNDING		
5	FC9-9161-000		3	PLATE, GROUNDING		
6	FK2-7678-000		1	FAN	FM7	
7	FL2-8926-000		2	PIN, READER POSITIONING		
8	FM4-1004-000		1	CABLE, DEVELOPING HIGH VOLTAGE		
9	FM4-1005-000		1	CABLE, SEPARATION HIGH VOLTAGE		
10	VS1-8412-019		1	CONNECTOR, SNAP TIGHT, BL		
11	FM4-1032-000		1	CABLE, IH DRAWER		
12	FM4-1096-000		1	POTENTIAL MEASURING PCB ASS'Y		
13	VS1-7177-004		2	CONNECTOR, SNAP TIGHT, BK		
14	VS1-8412-013		1	CONNECTOR, SNAP TIGHT, BL		
15	FL3-2160-000		1	HINGE, CONTROLLER BOX, UPPER		
16	FM4-1031-000		1	CABLE, AC DRUM HEATER		
17	FS5-9758-020		2	SCREW, STEPPED, M3		
18	FS5-2964-000		2	SPRING, COMPRESSION		
501	XD1-1104-133		2	WASHER, COP		

FIGURE 108 MACHINE BOTTOM PLATE

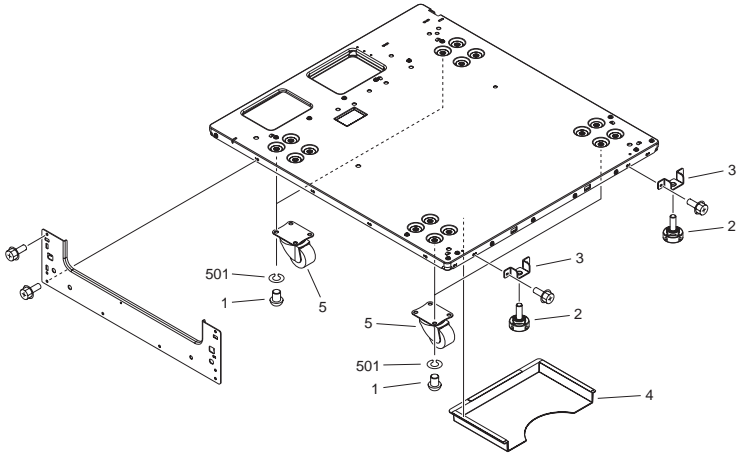


FIGURE & KEY NO.	PARTS NUMBER	RANK	QTY	DESCRIPTION	SERIAL NUMBER/REMARKS	SVC
Fig.108	NPN		RF	MACHINE BOTTOM PLATE		
1	FB4-1340-000		16	SCREW,ALLEN HEAD,M8X10		
2	FC8-6639-000		2	ADJUSTER		
3	FC9-5467-000		2	PLATE,ADJUSTING		
4	FC9-9069-000		1	HOLDER, SERVICE BOOK		
5	XZ9-0409-020		4	CASTER		
501	XD1-3100-805		AR	WASHER,SPRING		

FIGURE & KEY NO.	PARTS NUMBER	R A N K	Q'TY	DESCRIPTION	SERIAL NUMBER/ REMARKS	S V C
Fig.109	NPN		RF	MACHINE REAR PANEL 1		
1	FK2-7241-000		1	FAN	FM33	
2	FM2-4663-000		2	MOTOR, DC	M4,M5	
3	XF2-4128-940		1	BELT, TIMING, COGGED		
4	FM4-0969-000		1	CABLE, PRE-TRANS. CORONA H.V.		
5	FC9-7855-000		1	FLYWHEEL		
6	VS1-7177-004		1	CONNECTOR, SNAP TIGHT, BK		
7	VS1-7177-005		2	CONNECTOR, SNAP TIGHT, BK		
8	VS1-7177-006		3	CONNECTOR, SNAP TIGHT, BK		
9	VS1-7177-007		1	CONNECTOR, 7P, FEMALE, BK		
10	VS1-8412-017		3	CONNECTOR, SNAP TIGHT, BL		
11	VS1-8412-021		2	CONNECTOR, SNAP TIGHT, BL		
12	VS1-8412-025		1	CONNECTOR, SNAP TIGHT, BL		
13	VS1-8412-031		1	CONNECTOR, SNAP TIGHT, 31P, BL		
14	FK2-7718-000		1	TRANSFORMER, H.V.		
15	FM4-1003-000		1	CABLE, BIAS HIGH VOLTAGE		

FIGURE & KEY NO.	PARTS NUMBER	RANK	Q'TY	DESCRIPTION	SERIAL NUMBER/REMARKS	SVC
Fig.110	NPN		RF	MACHINE REAR PANEL 2		
1	FK2-7241-000		1	FAN	FM40	
2	FK2-7834-000		1	CABLE, USB		
3	FL3-2161-000		1	HINGE, CONTROLLER BOX, LOWER		
4	FM4-1024-000		1	CABLE, AC MAIN BODY		
5	FM4-1089-000		1	DC-DC CONVERT PCB ASS'Y		
6	VS1-8412-017		1	CONNECTOR, SNAP TIGHT, BL		

FIGURE 111
MACHINE REAR PANEL 3

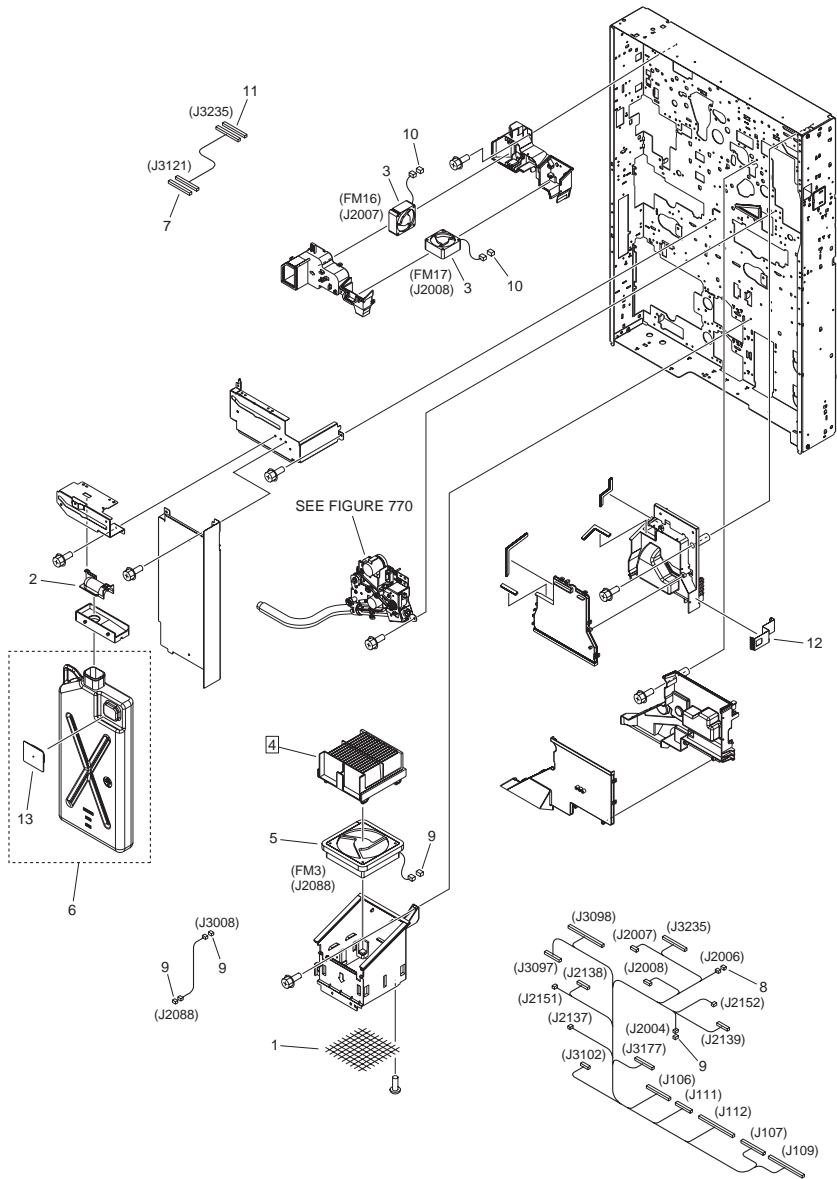


FIGURE & KEY NO.	PARTS NUMBER	R A N K	Q'TY	DESCRIPTION	SERIAL NUMBER/ REMARKS	S V C
Fig.111	NPN		RF	MACHINE REAR PANEL 3		
1	FA9-3847-000		1	SHEET, MESH		
2	FC8-7409-000		1	CAP, PIPE		
3	FK2-3100-000		2	FAN	FM16,FM17	
4	FL3-2134-000		1	FILTER, OZONE	[DP]	
5	FL3-3866-000		1	FAN UNIT	FM3	
6	FM4-0905-000		1	CASE, WASTE TONER		
7	VS1-7173-014		1	CONNECTOR, SNAP TIGHT, 14P, W		
8	VS1-7177-002		1	CONNECTOR, SNAP TIGHT, BK		
9	VS1-7177-003		4	CONNECTOR, SNAP TIGHT, BK		
10	VS1-7177-004		2	CONNECTOR, SNAP TIGHT, BK		
11	VS1-8412-015		1	CONNECTOR, SNAP TIGHT, BL		
12	FC9-8072-000		1	PLATE, GROUNDING		
13	FC8-7404-000		1	CAP, WASTE TONER CASE		

FIGURE 112
FRONT COVER ASS'Y, LOWER

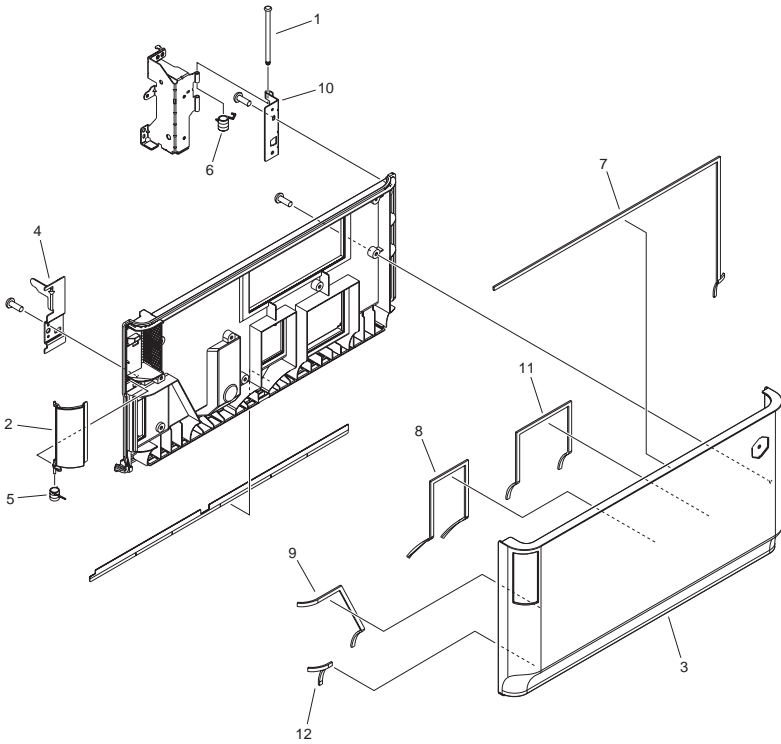


FIGURE & KEY NO.	PARTS NUMBER	R A N K	Q'TY	DESCRIPTION	SERIAL NUMBER/ REMARKS	S V C
Fig.112	FM4-0924-000		1	FRONT COVER ASS'Y, LOWER		
1	FB2-7867-030		1	SHAFT, HINGE		
2	FC8-9561-000		1	COVER, KNOB		
3	FC8-9562-000		1	PANEL, FRONT, LOWER		
4	FC8-9646-000		1	PLATE, COVER SWITCH, FRONT		
5	FU7-2709-000		1	SPRING, TORSION		
6	FU7-2710-000		1	SPRING, TORSION		
7	FC8-9639-000		1	SEAL, FRONT COVER, 1		
8	FC8-9641-000		1	SEAL, FRONT COVER, 3		
9	FC8-9642-000		1	SEAL, FRONT COVER, 4		
10	FC8-9647-000		1	SUPPORT, HINGE		
11	FC9-8850-000		1	SEAL, FRONT COVER, E		
12	FC9-6171-000		1	SEAL, FRONT COVER, 5		

FIGURE 113 RIGHT DOOR ASSEMBLY

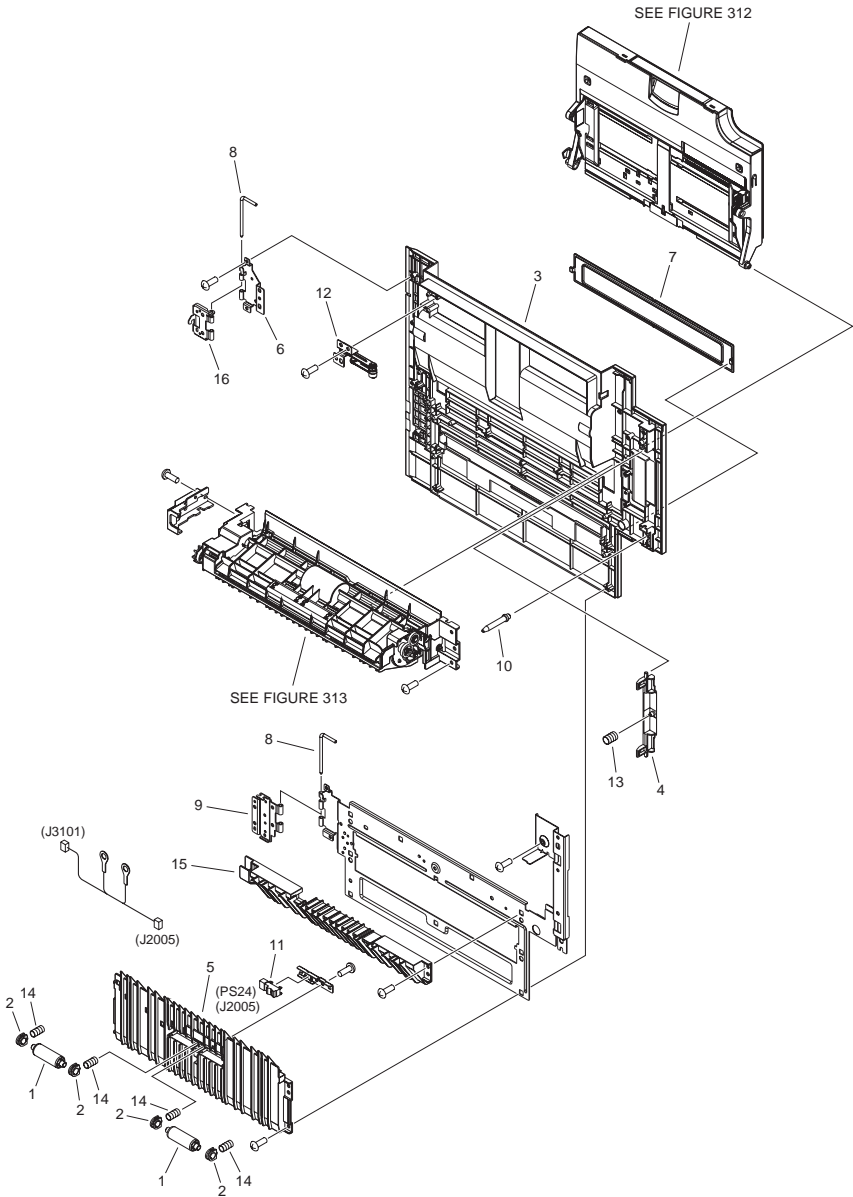


FIGURE & KEY NO.	PARTS NUMBER	R A N K	Q'TY	DESCRIPTION	SERIAL NUMBER/ REMARKS	S V C
Fig.113	NPN		RF	RIGHT DOOR ASSEMBLY		
1	FC7-7207-000		2	ROLLER, DRIVEN		
2	FC7-7209-000		4	BUSHING, VERTICAL ROLLER		
3	FC8-7290-000		1	COVER, RIGHT		
4	FC8-7291-000		1	LEVER, DOOR, RIGHT		
5	FC8-9349-000		1	GUIDE, RIGHT DOOR, LOWER		
6	FC8-9350-000		1	HINGE, DOOR, RIGHT		
7	FC8-9353-000		1	COVER, BLANKING		
8	FC8-9488-000		2	SHAFT, HINGE		
9	FC8-9679-000		1	HINGE, RIGHT DOOR, LOWER		
10	FC9-8806-000		1	PIN, DOOR, RIGHT		
11	FK2-6470-000		1	PHOTO-SENSOR, KUA0055C	PS24	
12	FM4-5320-000		1	LINK UNIT		
13	FU7-2696-000		1	SPRING, COMPRESSION		
14	FU8-2317-000		4	SPRING, COMPRESSION		
15	FC8-7293-000		1	GUIDE, UPPER		
16	FC8-9492-000		1	HINGE, UPPER		

FIGURE 114 VERTICAL PATH ASSEMBLY

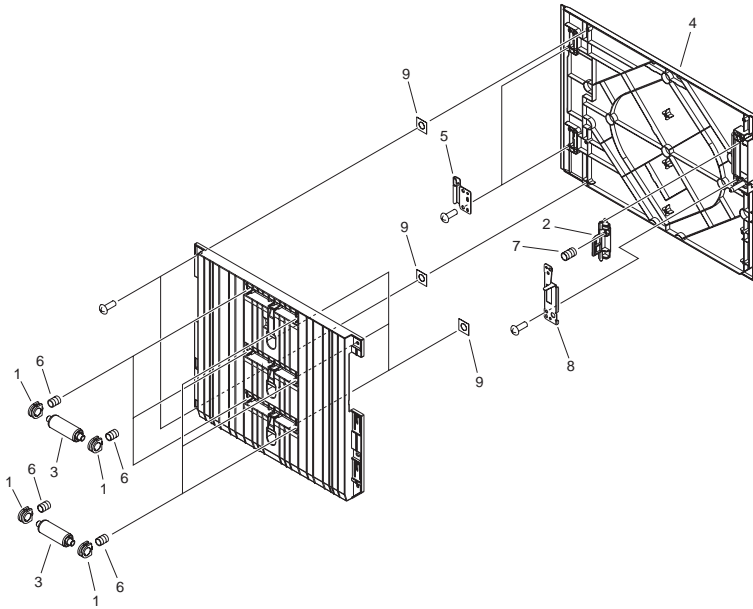
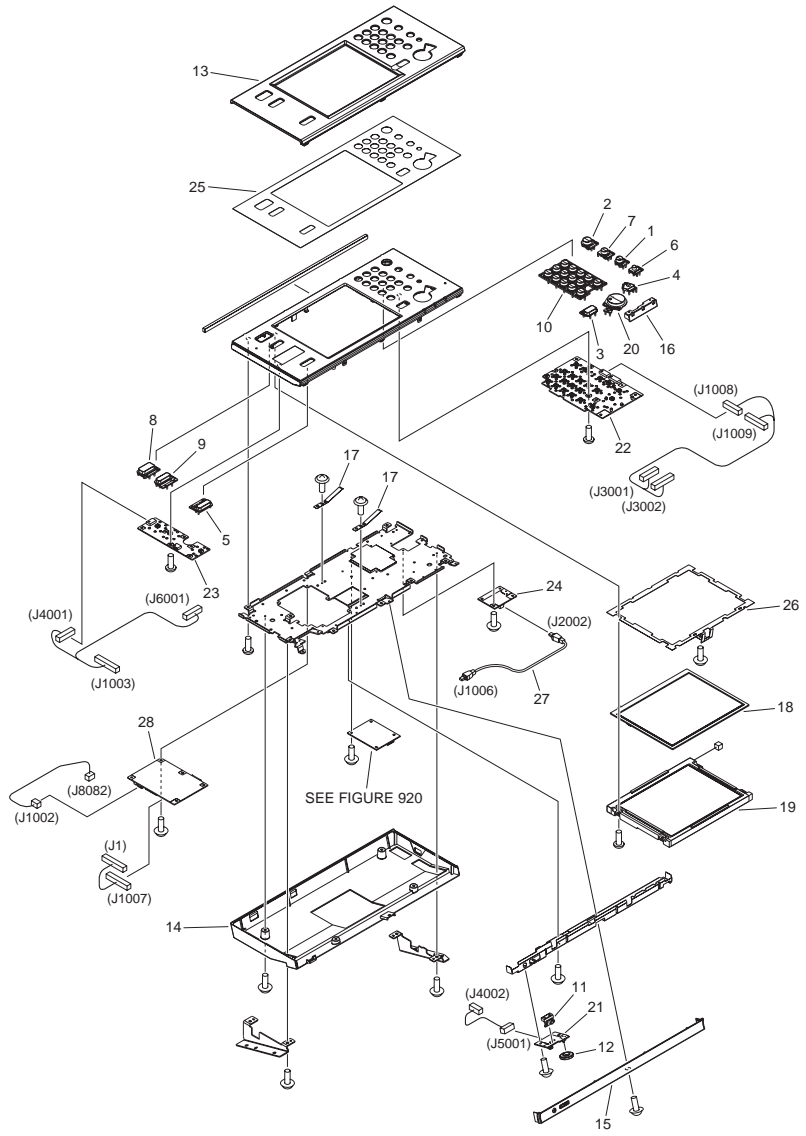


FIGURE & KEY NO.	PARTS NUMBER	RANK	QTY	DESCRIPTION	SERIAL NUMBER/REMARKS	SVC
Fig.114	FM4-0943-000		1	VERTICAL PATH ASSEMBLY		
1	FC7-7209-000		12	BUSHING, VERTICAL ROLLER		
2	FC8-2697-000		1	HOOK		
3	FC8-3782-000		6	ROLLER, PAPER FEED		
4	FC8-7347-000		1	COVER, VERTICAL PATH		
5	FC8-7348-000		2	HINGE		
6	FS7-2788-000		12	SPRING, COMPRESSION		
7	FU7-2341-000		1	SPRING, COMPRESSION		
8	FC8-7349-000		1	PLATE, DOOR SWITCH, RIGHT		
9	FC0-3228-000		5	SHEET, SPACER		

FIGURE 130 FLAT CONTROL PANEL ASSEMBLY

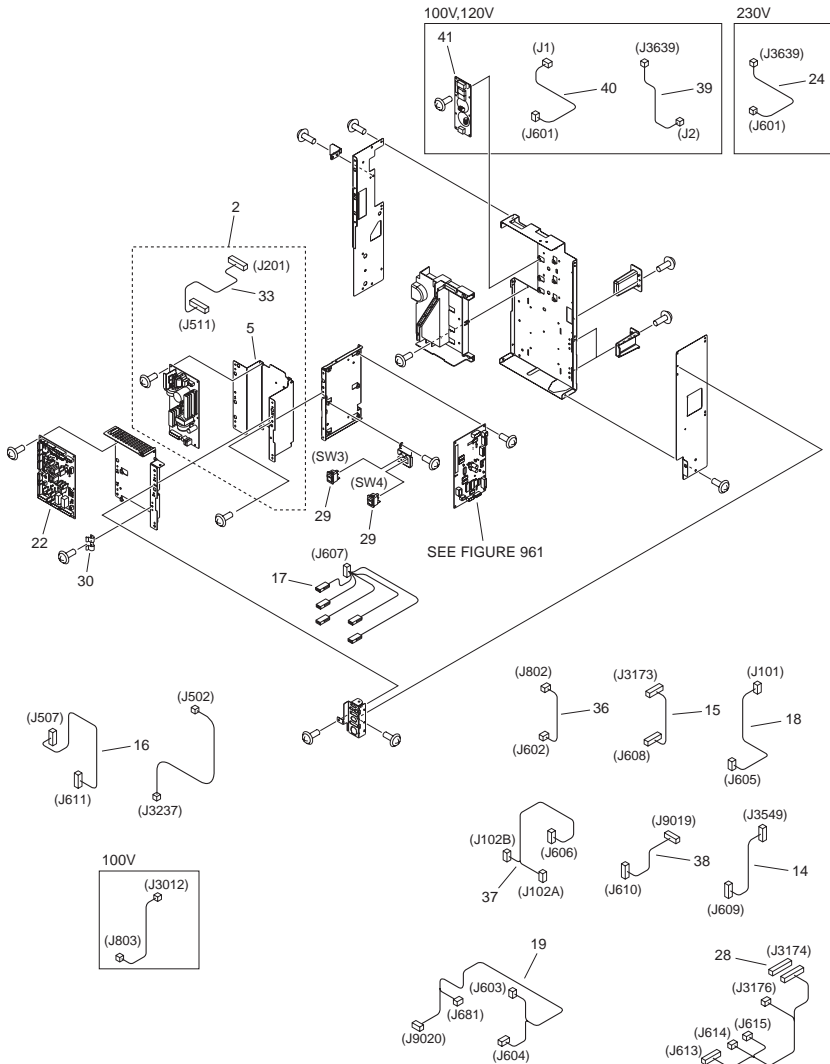


NOTE : This assembly includes the assembly shown in Figure 920.
 NOTE : This assembly does not include the part shown with key No. 25.
 注 : このユニットはFigure 920のユニットを含みます。
 注 : このユニットにKey No. 25の部品は含まれません。

FIGURE & KEY NO.	PARTS NUMBER	R A N K	Q'TY	DESCRIPTION	SERIAL NUMBER/ REMARKS	S V C
Fig.130	FM3-8262-000		1	FLAT CONTROL PANEL ASSEMBLY	SEE NOTE	
1	FC8-8649-000		1	KEY TOP, INITIAL SETTINGS		
2	FC8-8650-000		1	KEY TOP, POWER		
3	FC8-8651-000		1	KEY TOP, RESET		
4	FC8-8653-000		1	KEY TOP, STOP		
5	FC8-8654-000		1	KEY TOP, CANCEL		
6	FC8-8655-000		1	KEY TOP, COUNTER CHECK		
7	FC8-8656-000		1	KEY TOP, ENERGY SAVE		
8	FC8-8658-000		1	KEY TOP, MAIN MENU		
9	FC8-8659-000		1	KEY TOP, PORTAL		
10	FC8-8660-000		1	KEY TOP, NUMBERS		
11	FC8-8661-000		1	KEY TOP, VOLUME		
12	FC8-8662-000		1	KEY TOP, ADJUSTMENT BRIGHTNESS		
13	FC8-8666-000		1	COVER, UPPER		
14	FC8-8668-000		1	COVER, REAR		
15	FC8-8669-000		1	COVER, BELT		
16	FC8-8670-000		1	COVER, LED		
17	FC8-8679-000		2	PLATE, GROUNDING		
18	FK2-8477-000		1	TOUCH PANEL ASSEMBLY		
19	FL3-0630-000		1	LCD, 8 . 4, INCH		
20	FL3-0833-000		1	KEY TOP, START		
21	FM4-1183-000		1	VOLUME PCB ASSEMBLY		
22	FM4-1194-000		1	KEY TOP PCB ASSEMBLY		
23	FM4-1195-000		1	KEY TOP PCB ASSEMBLY, SUB		
24	FM4-1199-000		1	CONTROL PANEL HUB ASSEMBLY		
25	FC9-8230-000		1	SHEET, CONTROL PANEL ASS'Y	SEE NOTE iR-ADV 6075 JP	
25	FC9-8231-000		1	SHEET, CONTROL PANEL ASS'Y	SEE NOTE iR-ADV 6065 JP	
25	FC9-8232-000		1	SHEET, CONTROL PANEL ASS'Y	SEE NOTE iR-ADV 6055 JP	
25	FC9-8233-000		1	SHEET, CONTROL PANEL ASS'Y	SEE NOTE iR-ADV 6075 US,CA,LTN SG,HK,AU	

FIGURE & KEY NO.	PARTS NUMBER	RANK	Q'TY	DESCRIPTION	SERIAL NUMBER/REMARKS	SVC
25	FC9-8234-000		1	SHEET, CONTROL PANEL ASS'Y	SEE NOTE iR-ADV 6065 US,CA,LTN SG,HK,AU	
25	FC9-8235-000		1	SHEET, CONTROL PANEL ASS'Y	SEE NOTE iR-ADV 6055 US,CA,LTN SG,HK,AU	
25	FC9-8236-000		1	SHEET, CONTROL PANEL ASS'Y	SEE NOTE iR-ADV 6075 EUR	
25	FC9-8237-000		1	SHEET, CONTROL PANEL ASS'Y	SEE NOTE iR-ADV 6065 EUR	
25	FC9-8238-000		1	SHEET, CONTROL PANEL ASS'Y	SEE NOTE iR-ADV 6055 EUR	
25	FC9-8248-000		1	SHEET, CONTROL PANEL ASS'Y	SEE NOTE iR-ADV 6075i	
25	FC9-8249-000		1	SHEET, CONTROL PANEL ASS'Y	SEE NOTE iR-ADV 6065i	
25	FC9-8250-000		1	SHEET, CONTROL PANEL ASS'Y	SEE NOTE iR-ADV 6055i	
26	FC8-8672-000		1	SHEET, ELECTROSTATIC, 2		
27	FK3-0770-000		1	CABLE, USB		
28	FM3-7994-000		1	CPU PCB ASSEMBLY		

FIGURE 140 POWER CORD TERMINAL ASS'Y



NOTE : This assembly does not include the parts shown with key No. 1 and 2.

NOTE : This assembly includes the assemblies shown in Figure 961 and 962.

注 : このユニットにKey No. 1, 2の部品は含まれません。

注 : このユニットはFigure 961, 962のユニットを含みます。

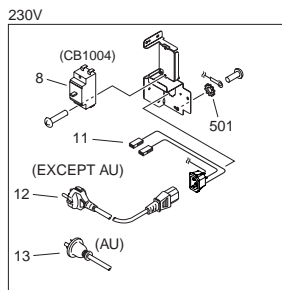
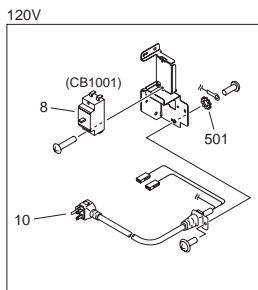
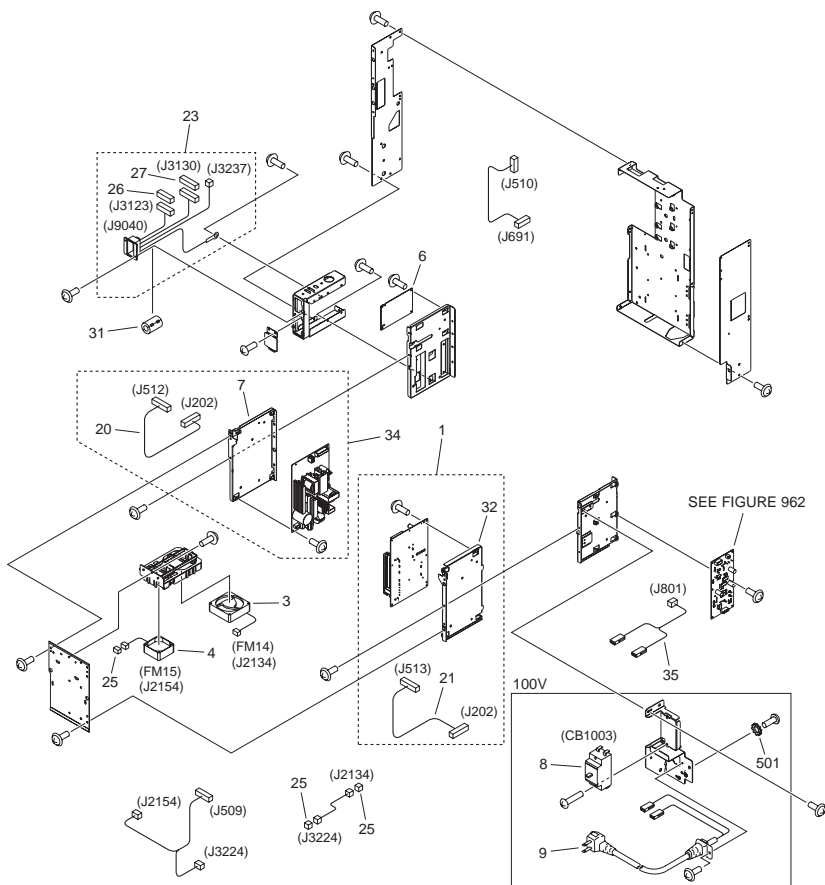


FIGURE & KEY NO.	PARTS NUMBER	R A N K	Q'TY	DESCRIPTION	SERIAL NUMBER/ REMARKS	S V C
Fig.140	FM3-7316-000		1	POWER CORD TERMINAL ASS'Y	SEE NOTE 100V	
Fig.140	FM4-3153-000		1	POWER CORD TERMINAL ASS'Y	SEE NOTE 120V	
Fig.140	FM4-3155-000		1	POWER CORD TERMINAL ASS'Y	SEE NOTE 230V	
1	FM4-5129-000		1	24V POWER SUPPLY ASS'Y, RIGHT		
2	FM4-5131-000		1	12V POWER SUPPLY ASS'Y		
3	FK2-0360-000		1	FAN	FM14	
4	FK2-2064-000		1	FAN	FM15	
5	FC9-5006-000		1	SUPPORT, 12V POWER SUPPLY		
6	FK2-6324-000		1	ALL DAY POWER PCB ASSEMBLY	100V,120V	
6	FK2-6325-000		1	ALL DAY POWER PCB ASSEMBLY	230V	
7	FC9-5008-000		1	SUPPORT, 24V POWER, LEFT		
8	FK2-7358-000		1	BREAKER, ELECTRIC LEAKAGE	100V CB1003	
8	FK2-7359-000		1	BREAKER, ELECTRIC LEAKAGE	120V CB1001	
8	FH7-7625-030		1	BREAKER, ELECTRIC LEAKAGE	230V CB1004	
9	FL3-1268-000		1	CORD, POWER SUPPLY	100V	
10	FL3-1266-000		1	CORD, POWER SUPPLY	120V	
11	FL3-1269-000		1	CABLE, INLET	230V	
12	FK2-0146-000		1	CORD, POWER SUPPLY	SEE NOTE 230V EXCEPT AU	
13	FK2-0148-000		1	CORD, POWER SUPPLY	SEE NOTE 230V AU	
14	FM4-4316-000		1	CABLE, MAIN SWITCH		
15	FM3-9133-000		1	CABLE, AC DRUM		
16	FM3-9134-000		1	CABLE, AC DRUM RELAY		
17	FM3-9135-000		1	CABLE, ENVIRONMENT SWITCH		
18	FM3-9138-000		1	CABLE, AC 12V POWER SUPPLY		
19	FM3-9139-000		1	CABLE, ALL DAY POWER SUPPLY		
20	FM3-9145-000		1	CABLE, DC 24V, A		
21	FM3-9146-000		1	CABLE, DC 24V, B		
22	FM4-1086-000		1	RELAY PCB ASS'Y		
23	FM3-9140-000		1	CABLE, DECK CONNECTOR		
24	FM4-4315-000		1	CABLE, AC-IH	230V	
25	VS1-7177-003		3	CONNECTOR, SNAP TIGHT, BK		

FIGURE & KEY NO.	PARTS NUMBER	R A N K	Q'TY	DESCRIPTION	SERIAL NUMBER/REMARKS	S V C	
26	VS1-7177-007		1	CONNECTOR, 7P, FEMALE, BK	SW3,SW4		
27	VS1-7177-008		1	CONNECTOR, SNAP TIGHT, BK			
28	VS1-8412-013		1	CONNECTOR, SNAP TIGHT, BL			
29	WC1-5179-000		2	SWITCH,TOGGLE			
30	FC0-2113-000		1	PLATE, GROUNDING			
31	WE8-5780-000		1	CORE,FERRITE			
32	FC9-5007-000		1	SUPPORT, 24V POWER, RIGHT			
33	FM3-9144-000		1	CABLE, DC 12V			
34	FM4-5128-000		1	24V POWER SUPPLY ASS'Y, LEFT			
35	FM3-9130-000		1	CABLE, AC BREAKER			
36	FM3-9131-000		1	CABLE, AC FILTER/AC DRUM			
37	FM3-9132-000		1	CABLE, AC MAIN			
38	FM4-1067-000		1	CABLE, CASSETTE HEATER			
39	FM3-9137-000		1	CABLE, AC CHOKE IH			100V,120V
40	FM3-9136-000		1	CABLE, AC CHOKE/AC DRUM			100V,120V
41	FM4-1103-000		1	CHOKE COIL ASS'Y			100V,120V
501	XD1-4200-502		1	LOCK WASHER (SUS)			

FIGURE 250 MAIN DRIVE ASS'Y

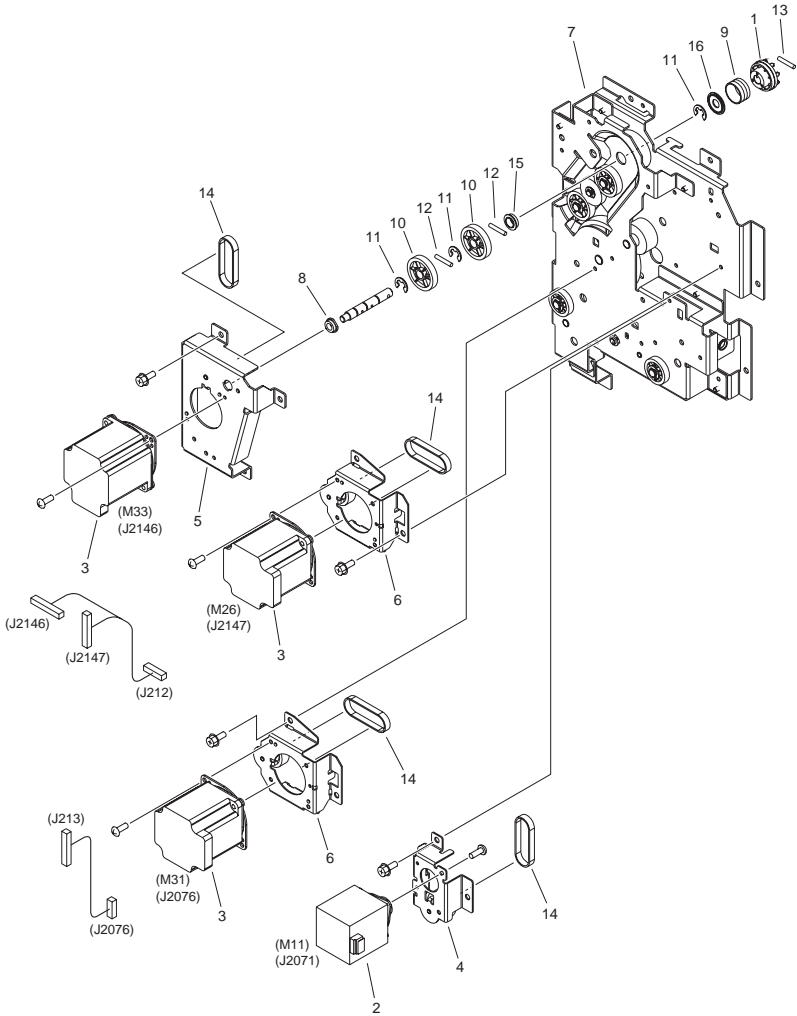


FIGURE & KEY NO.	PARTS NUMBER	R A N K	Q'TY	DESCRIPTION	SERIAL NUMBER/ REMARKS	S V C
Fig.250	NPN		RF	MAIN DRIVE ASSY		
1	FC9-9156-000		1	COUPLING		
2	FK2-7674-000		1	MOTOR, STEPPING, DC	M11	
3	FK2-7675-000		3	MOTOR, STEPPING, DC	M26,M31,M33	
4	FL3-0247-000		1	COVER, DRIVE ASS'Y		
5	FL3-0248-000		1	COVER, MULTI PRE-REG. DRIVE		
6	FL3-0255-000		2	COVER, DRIVE ASS'Y		
7	FM4-5154-000		1	MAIN DRIVE UNIT		
8	FS1-1508-000		1	BUSHING		
9	FS5-2925-000		1	SPRING, TORSION		
10	FU8-0334-000		2	GEAR, 36T		
11	XD9-0137-010		3	RING, E		
12	XD9-0290-000		2	PIN, PARALLEL		
13	XD9-0300-000		1	PIN, PARALLEL		
14	XF2-1606-260		4	BELT, TIMING, COGGED		
15	XG9-0709-000		1	BEARING, BALL, MF128ZZ-3		
16	FC9-5263-000		1	HOLDER, SPRING		

FIGURE 260 V. PATH/CST. PICK-UP ASS'Y

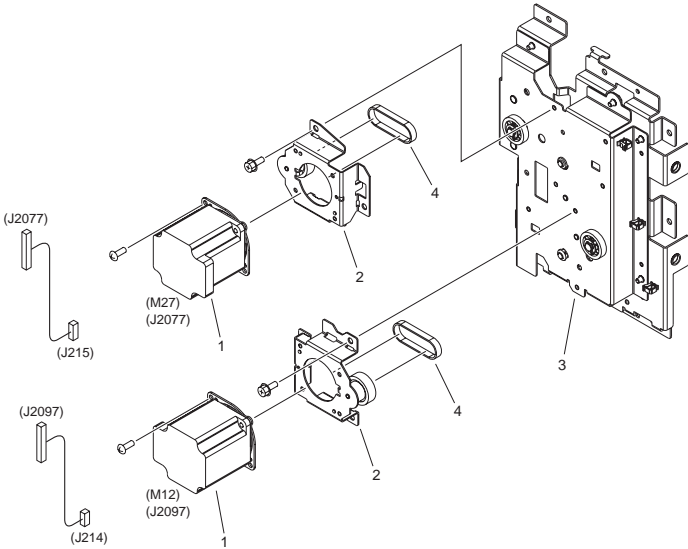


FIGURE & KEY NO.	PARTS NUMBER	RANK	Q'TY	DESCRIPTION	SERIAL NUMBER/REMARKS	SVC
Fig.260	FM3-7374-000		1	V. PATH/CST. PICK-UP ASS'Y		
1	FK2-7675-000		2	MOTOR, STEPPING, DC	M12,M27	
2	FL3-0255-000		2	COVER, DRIVE ASS'Y		
3	FM4-5155-000		1	V.PATH/CST.PICK-UP DRIVE UNIT		
4	XF2-1606-260		2	BELT, TIMING, COGGED		

FIGURE 261 LEFT DECK PICK-UP DRIVE ASS'Y

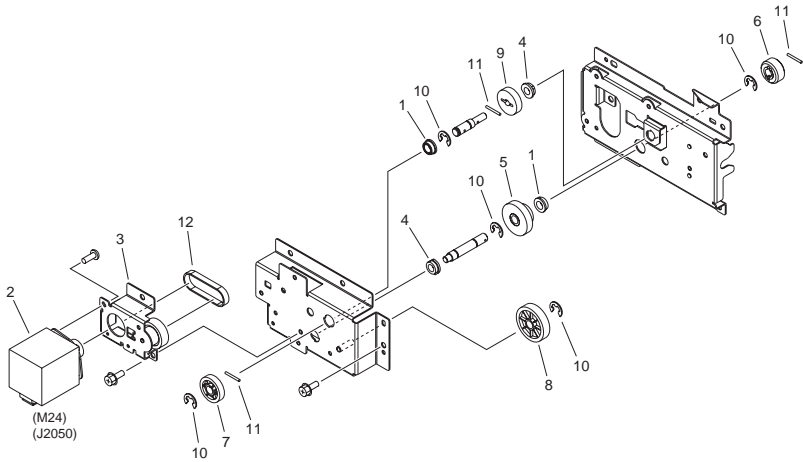


FIGURE & KEY NO.	PARTS NUMBER	RANK	Q'TY	DESCRIPTION	SERIAL NUMBER/REMARKS	SVC
Fig.261	FM4-0947-000		1	LEFT DECK PICK-UP DRIVE ASS'Y		
1	FA9-2112-000		2	BUSHING, PL		
2	FK2-7674-000		1	MOTOR, STEPPING, DC	M24	
3	FL3-0247-000		1	COVER, DRIVE ASS'Y		
4	FS1-1508-000		2	BUSHING		
5	FU5-0204-000		1	GEAR, 30T		
6	FU5-0266-000		1	GEAR, 20T		
7	FU8-0335-000		1	GEAR, 28T		
8	FU8-0908-000		1	GEAR, 33T		
9	FU9-0050-000		1	GEAR, 23T		
10	XD9-0137-010		5	RING, E		
11	XD9-0290-000		3	PIN, PARALLEL		
12	XF2-1606-260		1	BELT, TIMING, COGGED		

FIGURE 270 DRUM DRIVE ASS'Y

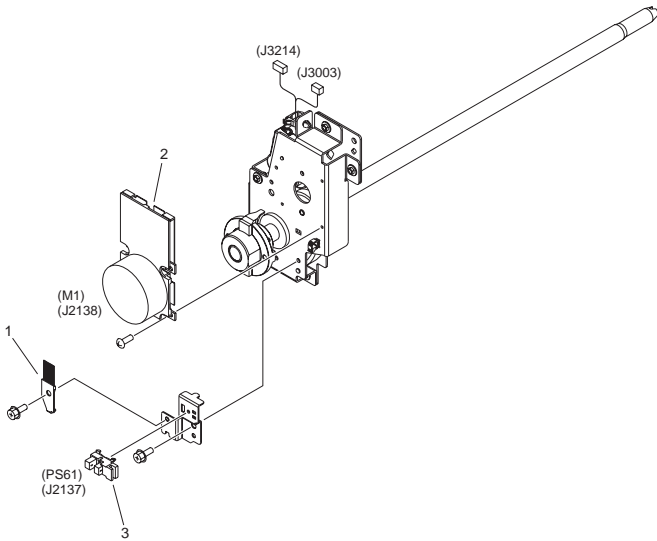


FIGURE & KEY NO.	PARTS NUMBER	RANK	QTY	DESCRIPTION	SERIAL NUMBER/REMARKS	SVC
Fig.270	FM4-0904-000		1	DRUM DRIVE ASS'Y		
1	FC6-9029-000		1	BRUSH, GROUNDING		
2	FK2-7671-000		1	MOTOR, DC	M1	
3	WG8-5848-000		1	PHOTO-INTERRUPTER,GP1A173LCS0F	PS61	

FIGURE 271
DEVELOPING DRIVE ASS'Y

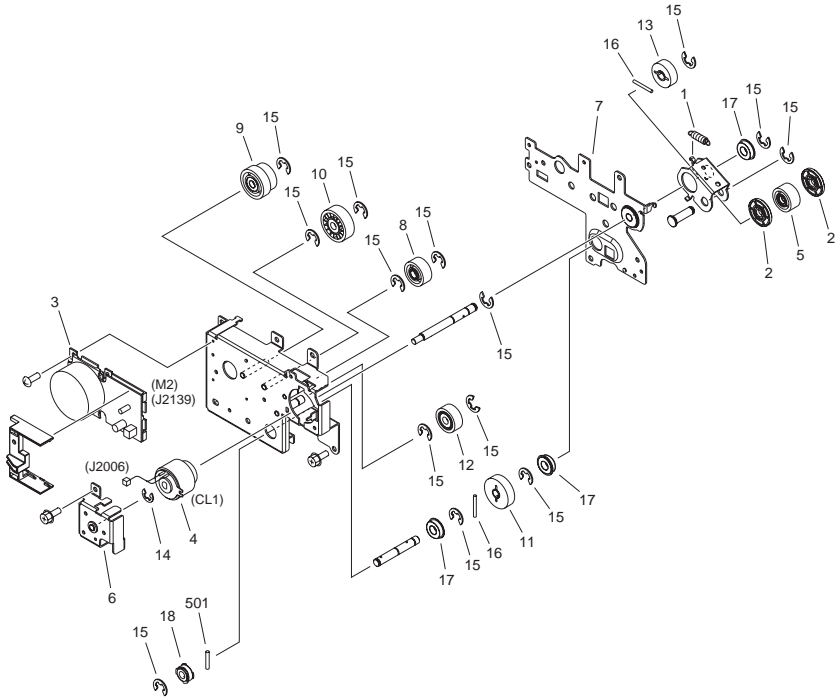


FIGURE & KEY NO.	PARTS NUMBER	RANK	Q'TY	DESCRIPTION	SERIAL NUMBER/REMARKS	SVC
Fig.271	FM3-7386-000		1	DEVELOPING DRIVE ASSY		
1	FC8-7125-000		1	SPRING, TENSION		
2	FC8-9495-000		2	ROLLER		
3	FK2-7667-000		1	MOTOR, DC	M2	
4	FK2-7684-000		1	CLUTCH, ELECTROMAGNETIC	CL1	
5	FL3-2169-000		1	GEAR, 29T		
6	FL3-2806-000		1	SUPPORT, CLUTCH		
7	FL3-2807-000		1	PLATE, DEVELOPING DRIVE, 1		
8	FL3-3869-000		1	GEAR, 30T		
9	FL3-4560-000		1	GEAR, 50T/32T		
10	FL3-4575-000		1	GEAR, 40T		
11	FU5-0236-000		1	GEAR, 38T		
12	FU6-0562-000		1	GEAR, 30T		
13	FU6-0603-000		1	GEAR, 30T		
14	XD9-0136-000		1	RING, E		
15	XD9-0137-010	AR		RING, E		
16	XD9-0292-000		2	PIN, PARALLEL		
17	XG9-0508-000		3	BEARING, BALL, F688ZZ		
18	FU9-0157-000		1	PULLEY, 28T		
501	XD3-2200-122		1	PIN, PARALLEL		

FIGURE 280 DELIVERY REVERSE DRIVE ASS'Y

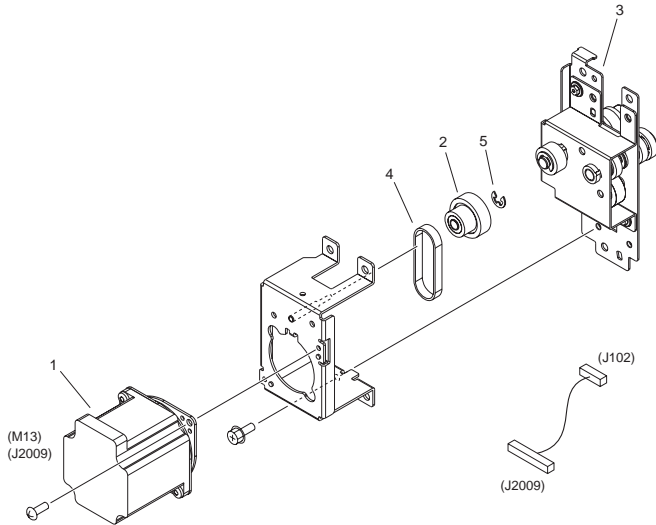


FIGURE & KEY NO.	PARTS NUMBER	RANK	QTY	DESCRIPTION	SERIAL NUMBER/REMARKS	SVC
Fig.280	NPN		RF	DELIVERY REVERSE DRIVE ASS'Y		
1	FK2-7675-000		1	MOTOR, STEPPING, DC	M13	
2	FL3-2819-000		1	GEAR, 30T/PULLEY, 28T		
3	FM4-5138-000		1	DELIVERY REVERSE DRIVE UNIT		
4	XF2-1606-260		1	BELT, TIMING, COGGED		
5	XD9-0135-000		1	RING, E		

FIGURE 300 CASSETTE ASSEMBLY

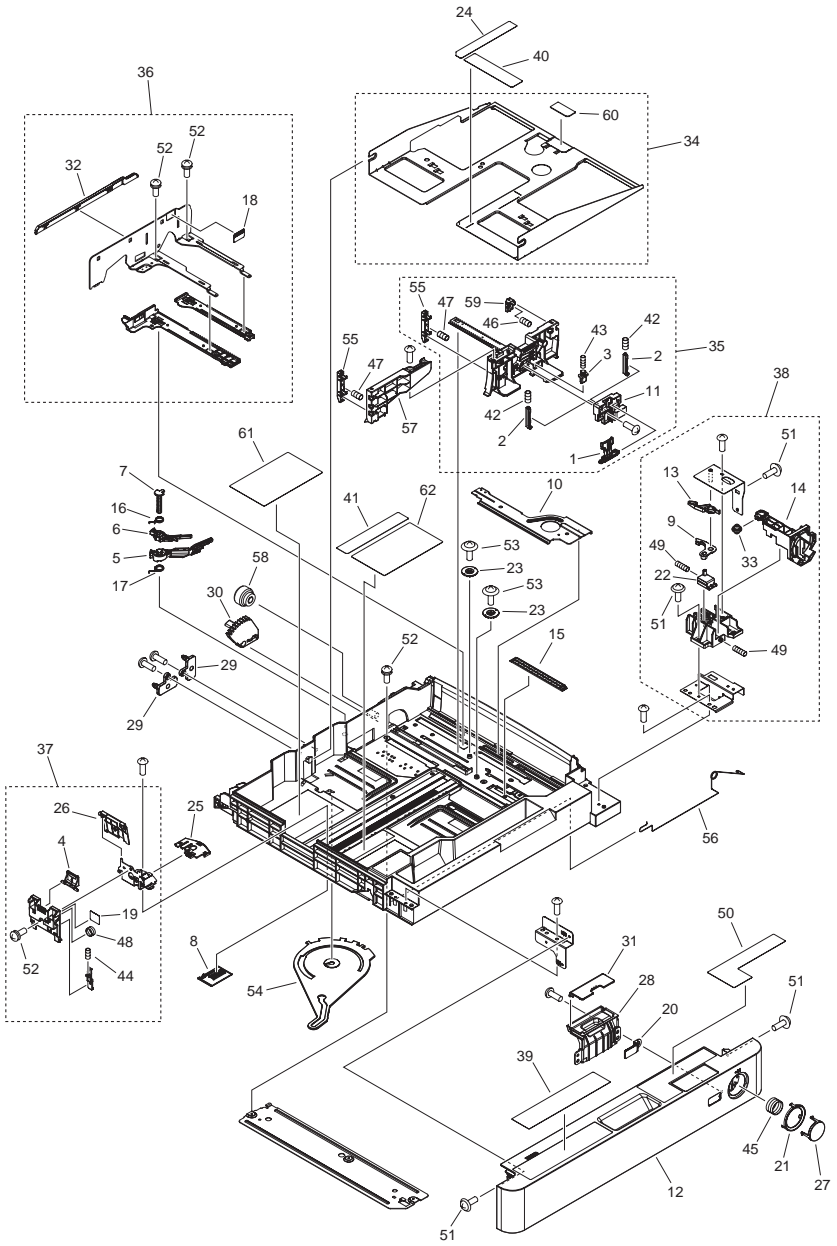


FIGURE & KEY NO.	PARTS NUMBER	R A N K	Q'TY	DESCRIPTION	SERIAL NUMBER/ REMARKS	S V C
Fig.300	FM3-4746-000		2	CASSETTE ASSEMBLY		
1	FC8-2462-000		1	KNOB, PAPER SIDE END		
2	FC8-2463-000		2	STOPPER		
3	FC8-2464-000		1	PLATE, CLICK		
4	FC8-2466-000		1	LEVER		
5	FC8-2469-000		1	DIAL, DETECT, SMALL		
6	FC8-2470-000		1	DIAL, DETECT, LARGE		
7	FC8-2474-000		1	SHAFT, SUPPORT		
8	FC8-2475-000		1	PLATE, JOINT		
9	FC8-2477-000		1	ARM, LOCK, A		
10	FC8-2482-000		1	PLATE, LIFTER		
11	FC8-2484-000		1	COVER, HANDLE		
12	FC8-2495-000		1	COVER, CASSETTE, FRONT		
13	FC8-2667-000		1	ARM, LOCK, B		
14	FC8-2668-000		1	LINK, BUTTON, UPPER		
15	FC8-2670-000		1	PLATE, FREE STOP		
16	FC8-2671-000		1	SPRING, TROSION		
17	FC8-2672-000		1	SPRING, TROSION		
18	FC8-4964-000		1	LABEL, HEIGHT LIMIT, S		
19	FC8-4965-000		1	LABEL, HEIGHT LIMIT MARK, R		
20	FC8-4967-000		1	WINDOW, CST FR. COVER IND.		
21	FC8-4968-000		1	RING, BUTTON		
22	FC8-4987-000		1	LINK, BUTTON, LOWER		
23	FC8-4990-000		2	PLATE, SYNCHRONOUS		
24	FC8-4994-000		1	LABEL, SIZE INDEX, END		
25	FC8-4996-000		1	COVER, TOP		
26	FC8-4997-000		1	FLAPPER		
27	FC8-9049-000		1	BUTTON, PUSHING		
28	FC9-0136-000		1	HOLDER, SIZE INDEX		
29	FC9-3831-000		2	PIN, SIZE DETECT		
30	FC9-3962-000		1	LIFTER, CASSETTE		
31	FC9-4042-000		1	COVER, SIZEPLATE		

FIGURE & KEY NO.	PARTS NUMBER	R A N K	Q'TY	DESCRIPTION	SERIAL NUMBER/ REMARKS	S V C
32	FC0-2781-000		1	COVER, PAPER SIDE END		
33	FC9-7261-000		1	ROLLER, LINK		
34	FL2-8638-000		1	PLATE, LIFTING		
35	FM4-5709-000		1	SIDE END PLATE ASSEMBLY, FRONT		
36	FM3-8906-000		1	SIDE END PLATE ASSEMBLY, REAR		
37	FM3-8907-000		1	BACK END LIMIT PLATE ASSEMBLY		
38	FM3-9989-000		1	BUTTON LINK MOUNT ASSEMBLY		
39	FU6-8534-000		1	LABEL, PAPER SET		
40	FU6-8538-000		1	LABEL, SIZE INDEX, SIDE		
41	FU6-8539-000		1	LABEL, SIZE INDEX, BACK END		
42	FU7-2326-000		2	SPRING, COMPRESSION		
43	FU7-2327-000		1	SPRING, COMPRESSION		
44	FU7-2328-000		1	SPRING, COMPRESSION		
45	FU7-2386-000		1	SPRING, COMPRESSION		
46	FU7-2513-000		1	SPRING, COMPRESSION		
47	FU7-2514-000		2	SPRING, COMPRESSION		
48	FU7-2515-000		1	SPRING, COMPRESSION		
49	FU7-2518-000		2	SPRING, COMPRESSION		
50	FU7-8272-000		1	LABEL, CASSETTE SIZE CAUTION		
51	XA9-0926-000		8	SCREW, TP, M4X8		
52	XA9-1016-000		7	SCREW W/WASHER, M3X6		
53	XA9-1523-000		2	SCREW, B, M4X8		
54	FC8-2476-000		1	LINK, BACK END DETECT		
55	FC8-5262-000		2	BLOCK, PAPER SIDE END, LARGE		
56	FC8-9051-000		1	SPRING, GROUNDING		
57	FC9-0133-000		1	PLATE,PAPER SIDE END EXTENSION		
58	FC9-3785-000		1	COUPLING		
59	FM3-8911-000		1	BLOCK, PAPER SIDE END, SMALL		
60	FB6-3499-000		1	SHEET, SEPARATION		
61	FU6-8535-000		1	LABEL, TAB PAPER SET, 1		
62	FU6-8536-000		1	LABEL, TAB PAPER SET, 2		

FIGURE 301 CST. SIZE/REMNANT DETECT ASS'Y

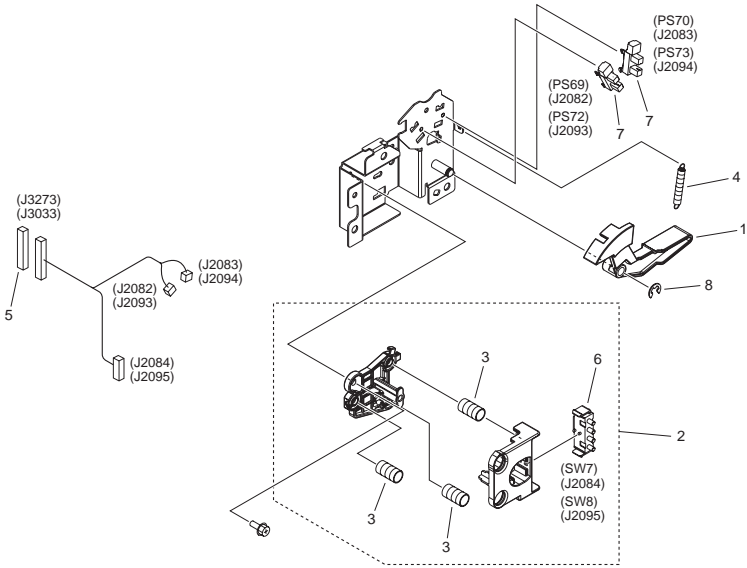


FIGURE & KEY NO.	PARTS NUMBER	R A N K	QTY	DESCRIPTION	SERIAL NUMBER/ REMARKS	S V C
Fig.301	FM4-0929-000		2	CST. SIZE/REMNANT DETECT ASS'Y		
1	FC8-2487-000		1	ARM, REMNANT DETECT		
2	FM3-4932-000		1	SWITCH HOLDER UNIT		
3	FU7-2332-000		3	SPRING, COMPRESSION		
4	FU7-2333-000		1	SPRING, TENSION		
5	VS1-8412-011		1	CONNECTOR, SNAP TIGHT, BL		
6	WC2-5680-000		1	SWITCH, DETECT PUSH	SW7,SW8	
7	WG8-5848-000		2	PHOTO-INTERRUPTER,GP1A173LCS0F	PS69,PS70,PS72,PS73	
8	XD9-0136-000		1	RING, E		

FIGURE 302 DECK REMNANT DETECT ASS'Y

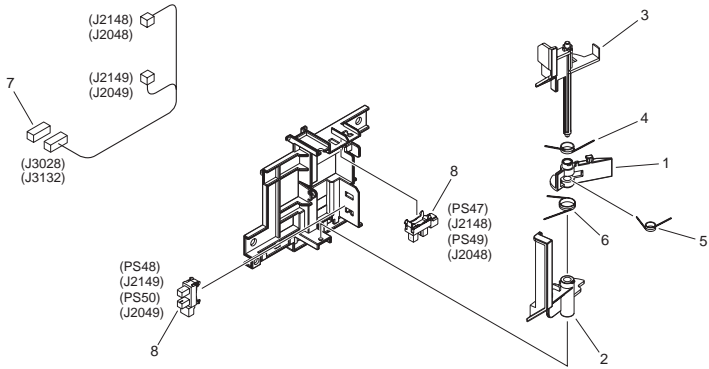


FIGURE & KEY NO.	PARTS NUMBER	R A N K	QTY	DESCRIPTION	SERIAL NUMBER/REMARKS	S V C
Fig.302	FM4-0931-000		2	DECK REMNANT DETECT ASS'Y		
1	FC9-3963-000		1	FLAG, PRESENCE		
2	FC9-3964-000		1	FLAG, REMNANT DETECT, 1		
3	FC9-3965-000		1	FLAG, REMNANT DETECT, 2		
4	FC9-3966-000		1	SPRING, TORSION		
5	FC9-3967-000		1	SPRING, TORSION		
6	FC9-3968-000		1	SPRING, TORSION		
7	VS1-8412-007		1	CONNECTOR, SNAP TIGHT, BL		
8	WG8-5848-000		2	PHOTO-INTERRUPTER,GP1A173LCS0F	PS47,PS48,PS49,PS50	

FIGURE 303 CASSETTE SIZE DETECT ASS'Y

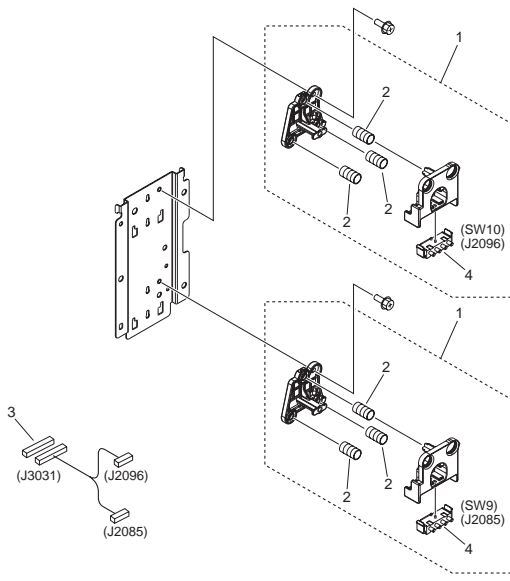


FIGURE & KEY NO.	PARTS NUMBER	RANK	QTY	DESCRIPTION	SERIAL NUMBER/REMARKS	SVC
Fig.303	NPN		RF	CASSETTE SIZE DETECT ASS'Y		
1	FM3-4932-000		2	SWITCH HOLDER UNIT		
2	FU7-2332-000		6	SPRING, COMPRESSION		
3	VS1-8412-013		1	CONNECTOR, SNAP TIGHT, BL		
4	WC2-5680-000		2	SWITCH, DETECT PUSH	SW9,SW10	

FIGURE 304 PAPER STOCK ASS'Y, RIGHT

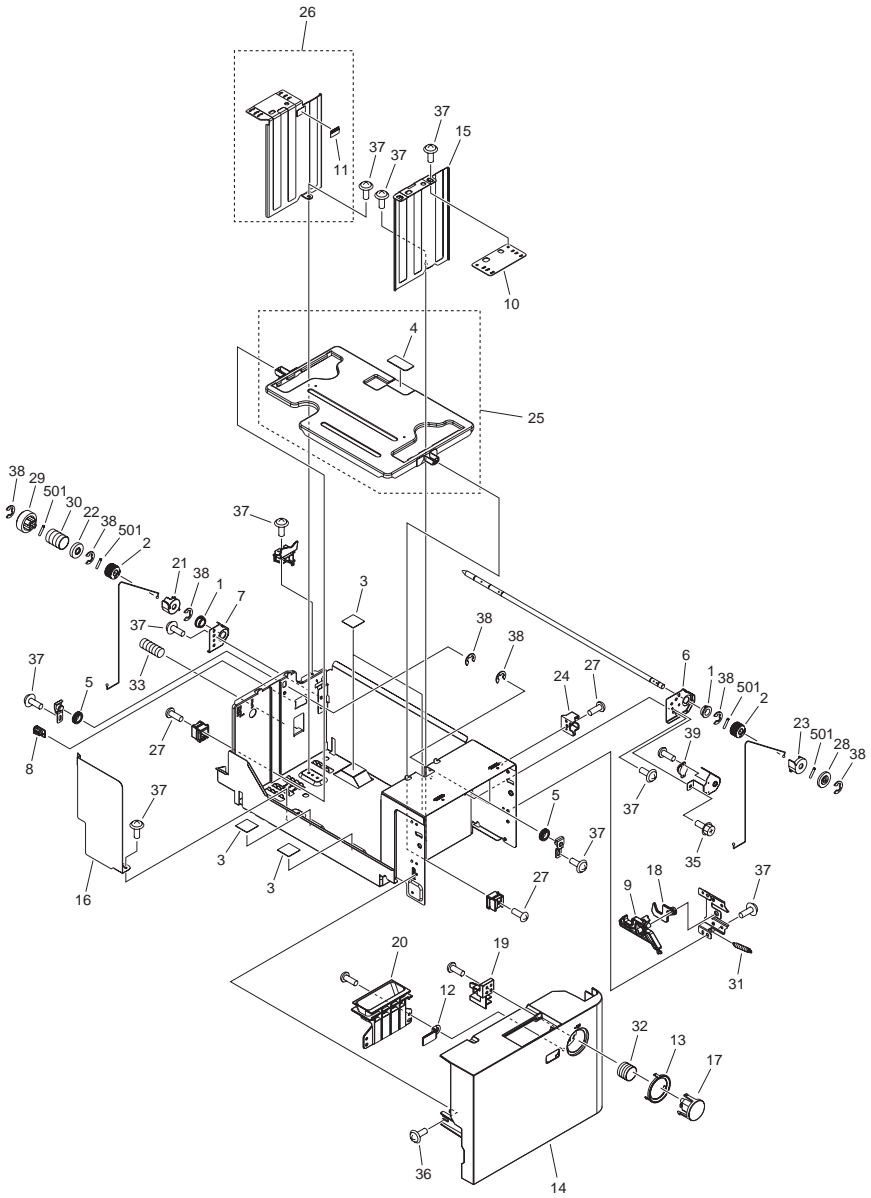


FIGURE & KEY NO.	PARTS NUMBER	R A N K	Q'TY	DESCRIPTION	SERIAL NUMBER/ REMARKS	S V C
Fig.304	FM4-0939-000		1	PAPER STOCK ASS'Y, RIGHT		
1	FA9-2112-000		2	BUSHING, PL		
2	FB2-8465-000		2	PULLEY, LIFTING		
3	FB6-2719-000		4	PAD		
4	FB6-3499-000		1	SHEET, SEPARATION		
5	FC5-2609-000		2	PULLEY		
6	FC6-3762-000		1	SUPPORT, SHAFT, FRONT		
7	FC6-3763-000		1	SUPPORT,SHAFT,REAR		
8	FC6-9969-000		1	SLIDER, RACK		
9	FC8-2527-000		1	HOOK		
10	FC8-2533-000		1	PLATE, PAPER SIDE END ADJUST		
11	FC8-4964-000		1	LABEL, HEIGHT LIMIT, S		
12	FC8-4967-000		1	WINDOW, CST FR. COVER IND.		
13	FC8-4968-000		1	RING, BUTTON		
14	FC8-7353-000		1	COVER, DECK FRONT, RIGHT		
15	FC8-7356-000		1	PLATE, PAPER SIDE END, FRONT		
16	FC8-7358-000		1	PLATE, BACK END LIMIT		
17	FC8-9050-000		1	BUTTON, DECK PUSHING		
18	FC8-9053-000		1	HOOK, SECOND, RIGHT		
19	FC8-9054-000		1	LINK, RIGHT		
20	FC9-3892-000		1	HOLDER, DECK SIZE INDEX		
21	FC9-3989-000		1	FLANGE, LIFT		
22	FC9-4119-000		1	STOPPER, COUPLING		
23	FC9-8565-000		1	FLANGE, LIFT		
24	FC9-9359-000		1	BLOCK, POSITIONING		
25	FL3-0237-000		1	PLATE, LIFTER		
26	FL3-0238-000		1	PLATE, PAPER SIDE END, REAR		
27	XA9-1934-000		3	SCREW, M4X4		
28	FS4-0012-000		1	GEAR, 27T		
29	FS4-0160-000		1	GEAR, 28T		
30	FS4-2136-000		1	SPRING, COMPRESSION		
31	FU7-2368-000		1	SPRING, TENSION		

FIGURE & KEY NO.	PARTS NUMBER	RANK	Q'TY	DESCRIPTION	SERIAL NUMBER/REMARKS	SVC
32	FU7-2387-000		1	SPRING, COMPRESSION		
33	FU8-2361-000		1	SPRING, COMPRESSION		
35	XA9-0732-000		1	SCREW,RS,M4		
36	XA9-1249-010		4	SCREW, TP, M4X8		
37	XA9-1450-000		AR	SCREW, TP, M4X6		
38	XD9-0137-010		7	RING, E		
39	XH9-0148-000		1	DAMPER, OIL		
501	XD3-2200-122		4	PIN, PARALLEL		

FIGURE 305 PAPER STOCK ASS'Y, LEFT

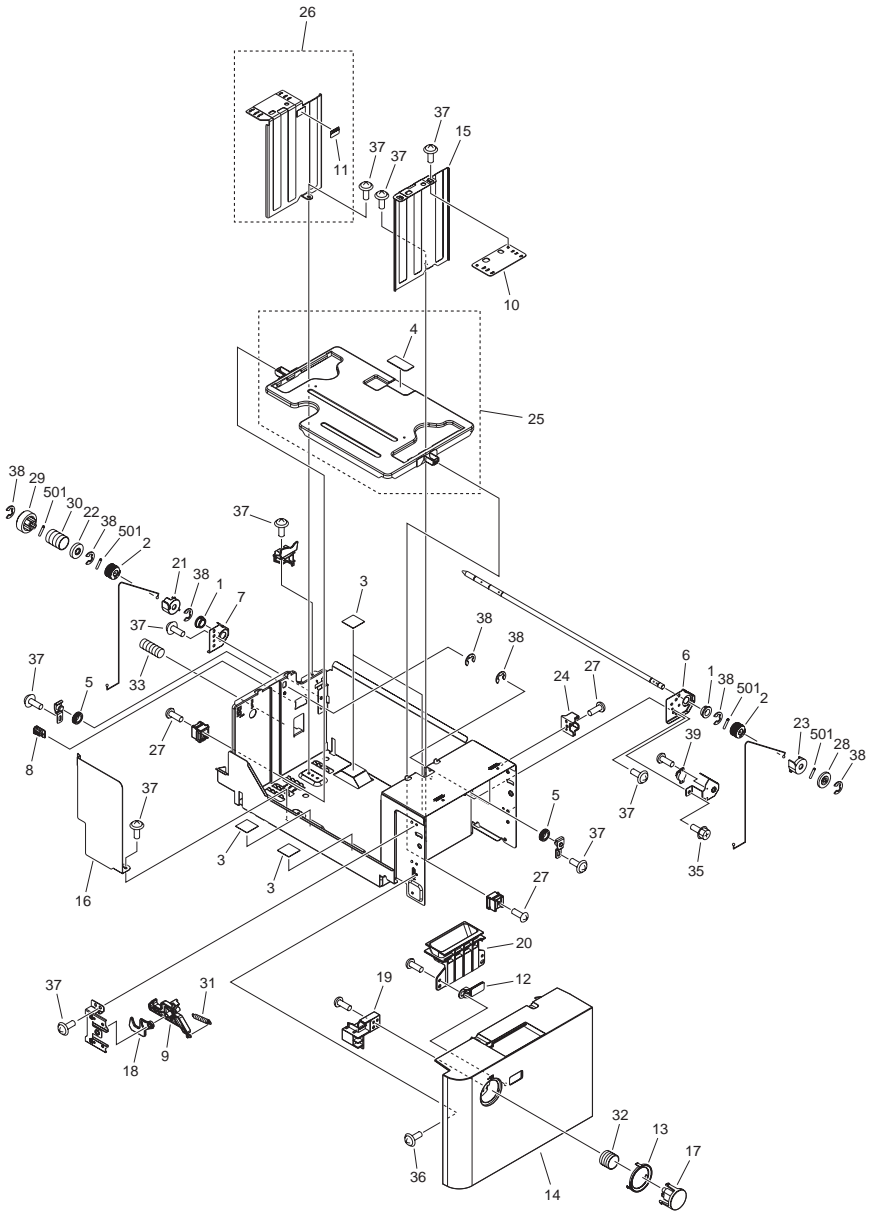


FIGURE & KEY NO.	PARTS NUMBER	R A N K	Q'TY	DESCRIPTION	SERIAL NUMBER/ REMARKS	S V C
Fig.305	FM4-0937-000		1	PAPER STOCK ASS'Y, LEFT		
1	FA9-2112-000		2	BUSHING, PL		
2	FB2-8465-000		2	PULLEY, LIFTING		
3	FB6-2719-000		4	PAD		
4	FB6-3499-000		1	SHEET, SEPARATION		
5	FC5-2609-000		2	PULLEY		
6	FC6-3762-000		1	SUPPORT, SHAFT, FRONT		
7	FC6-3763-000		1	SUPPORT,SHAFT,REAR		
8	FC6-9969-000		1	SLIDER, RACK		
9	FC8-2527-000		1	HOOK		
10	FC8-2533-000		1	PLATE, PAPER SIDE END ADJUST		
11	FC8-4964-000		1	LABEL, HEIGHT LIMIT, S		
12	FC8-4967-000		1	WINDOW, CST FR. COVER IND.		
13	FC8-4968-000		1	RING, BUTTON		
14	FC8-7354-000		1	COVER, DECK FRONT, LEFT		
15	FC8-7356-000		1	PLATE, PAPER SIDE END, FRONT		
16	FC8-7358-000		1	PLATE, BACK END LIMIT		
17	FC8-9050-000		1	BUTTON, DECK PUSHING		
18	FC8-9055-000		1	LINK, LEFT		
19	FC9-3775-000		1	HOOK, SECOND, LEFT		
20	FC9-3892-000		1	HOLDER, DECK SIZE INDEX		
21	FC9-3989-000		1	FLANGE, LIFT		
22	FC9-4119-000		1	STOPPER, COUPLING		
23	FC9-8565-000		1	FLANGE, LIFT		
24	FC9-9359-000		1	BLOCK, POSITIONING		
25	FL3-0237-000		1	PLATE, LIFTER		
26	FL3-0238-000		1	PLATE, PAPER SIDE END, REAR		
27	XA9-1934-000		3	SCREW, M4X4		
28	FS4-0012-000		1	GEAR, 27T		
29	FS4-0160-000		1	GEAR, 28T		
30	FS4-2136-000		1	SPRING, COMPRESSION		
31	FU7-2368-000		1	SPRING, TENSION		

FIGURE & KEY NO.	PARTS NUMBER	R A N K	Q'TY	DESCRIPTION	SERIAL NUMBER/ REMARKS	S V C
32	FU7-2387-000		1	SPRING, COMPRESSION		
33	FU8-2361-000		1	SPRING, COMPRESSION		
35	XA9-0732-000		1	SCREW,RS,M4		
36	XA9-1249-010		4	SCREW, TP, M4X8		
37	XA9-1450-000		AR	SCREW, TP, M4X6		
38	XD9-0137-010		7	RING, E		
39	XH9-0148-000		1	DAMPER, OIL		
501	XD3-2200-122		4	PIN, PARALLEL		

FIGURE 306 CASSETTE HEATER ASSEMBLY (JP)

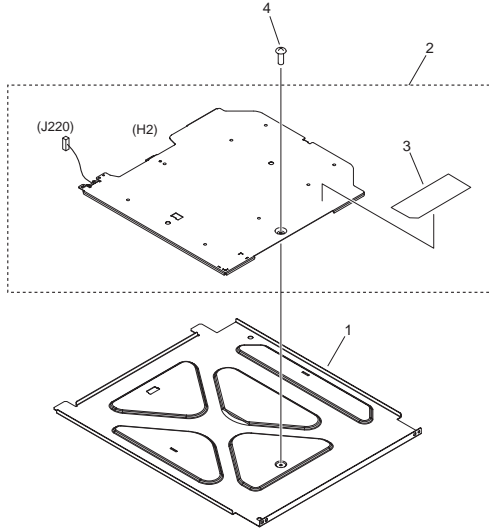


FIGURE & KEY NO.	PARTS NUMBER	RANK	QTY	DESCRIPTION	SERIAL NUMBER/REMARKS	SVC
Fig.306	NPN		RF	CASSETTE HEATER ASSEMBLY	JP	
1	FC9-3675-000		1	MOUNT, CASSETTE HEATER		
2	FM3-8915-000		1	CASSETTE HEATER ASSEMBLY	H2	
3	FU6-8647-000		1	LABEL, HIGH TMP. CAUTION		
4	XA9-1031-000		1	SCREW, MACH. TRUSS HEAD, M4X6		

FIGURE 310 PAPER PICK-UP ASS'Y, RIGHT

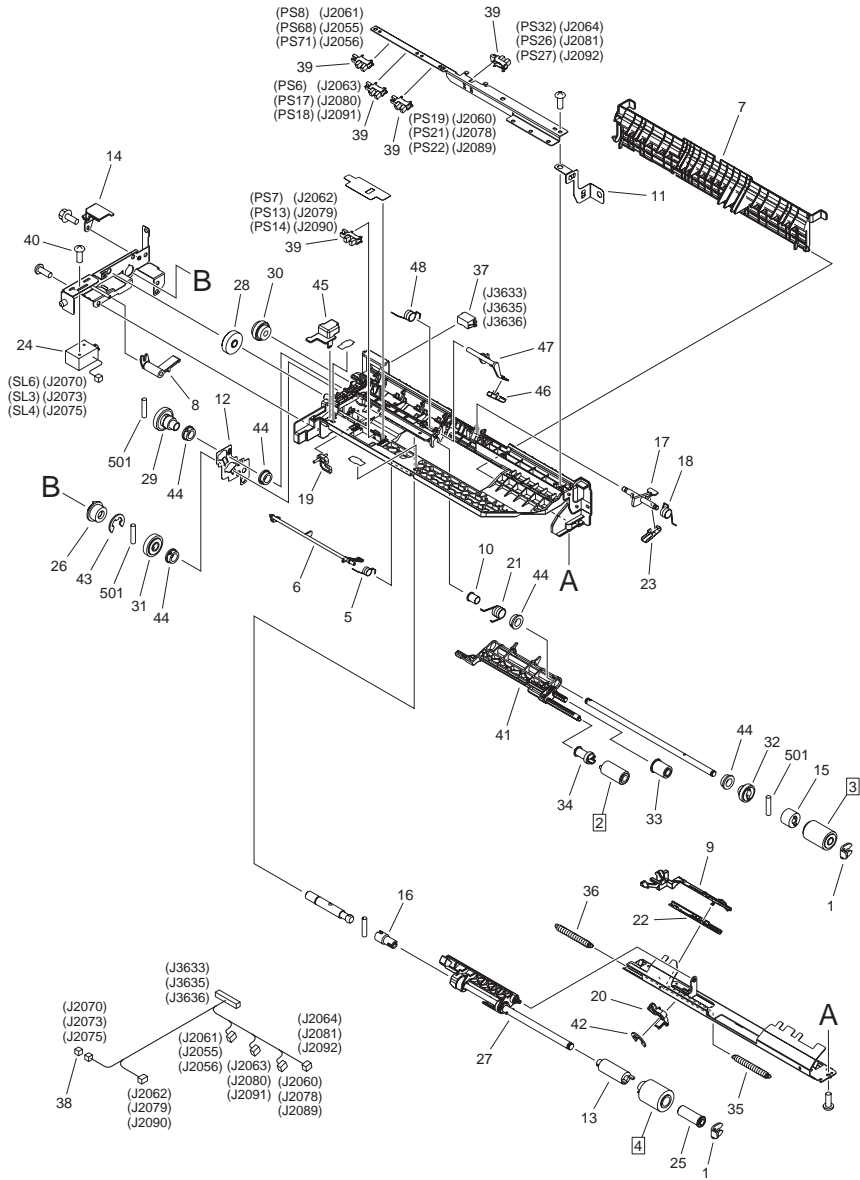


FIGURE & KEY NO.	PARTS NUMBER	R A N K	Q'TY	DESCRIPTION	SERIAL NUMBER/ REMARKS	S V C
Fig.310	FM4-0941-000		3	PAPER PICK-UP ASS'Y, RIGHT		
1	FB4-2007-000		2	RING, RETAINING		
2	FC5-2524-000		1	ROLLER, PAPER PICK-UP	[DP]	
3	FC5-2526-000		1	ROLLER, PAPER FEEDER	[DP]	
4	FC5-2528-000		1	ROLLER, SEPARATION	[DP]	
5	FC9-8060-000		1	SPRING, TORSION		
6	FC5-2537-000		1	LEVER, PAPER SENSOR		
7	FC5-2538-000		1	GUIDE, SWING		
8	FC5-2540-000		1	ARM, PICK-UP		
9	FC8-9043-000		1	ARM, RELEASE		
10	FC5-2548-000		1	COLLAR, SPRING		
11	FC5-2573-000		1	PLATE, GROUNDING		
12	FC5-6211-000		1	PLATE, SHAFT GROUNDING, FEEDER		
13	FC5-6245-000		1	LIMITER, TORQUE		
14	FC5-6260-000		1	COVER, CONNECTOR		
15	FC6-3863-000		1	CLUTCH, ONE-WAY		
16	FC9-4290-000		1	JOINT, RETARD		
17	FC8-7812-000		1	FLAG, VERTICAL PATH SENSOR		
18	FC8-7813-000		1	SPRING, TORSION		
19	FC8-9045-000		1	ARM, RELEASE, PAPER PICK-UP		
20	FC8-9046-000		1	ARM, SEPARATION PRESSURE		
21	FC8-9047-000		1	SPRING, TORSION		
22	FC8-9044-000		1	SLIDER, LINK		
23	FC9-3970-000		1	PLATE, V. PATH SENSOR FLAG		
24	FL3-4906-000		1	SOLENOID	SL3,SL4,SL6	
25	FL2-1401-000		1	HOLDER, BEARING		
26	FL3-2254-000		1	CLUTCH, ONE-WAY		
27	FL3-4911-000		1	MOUNT, SEPARATION ROLLER		
28	FU5-0183-000		1	GEAR, 30T		
29	FU5-0184-000		1	GEAR, 16T/25T		
30	FU5-0185-000		1	GEAR, 18T/32T		
31	FU5-0186-000		1	GEAR, 24T		

FIGURE & KEY NO.	PARTS NUMBER	R A N K	Q'TY	DESCRIPTION	SERIAL NUMBER/REMARKS	S V C
32	FU5-0187-000		1	GEAR, 50T		
33	FU5-0188-000		1	GEAR, 34T		
34	FU5-0263-000		1	GEAR, 32T		
35	FU5-2162-000		1	SPRING, TENSION		
36	FU7-2366-000		1	SPRING, TENSION		
37	VS1-8412-017		1	CONNECTOR, SNAP TIGHT, BL		
38	VS1-7177-002		1	CONNECTOR, SNAP TIGHT, BK		
39	WG8-5848-000		5	PHOTO-INTERRUPTER,GP1A173LCS0F	PS6,PS7,PS8,PS13,PS14,PS17,PS18,PS19,PS21,PS22,PS26,PS27,PS32,PS68,PS71	
40	XA9-1659-000		2	SCREW,M3X4		
41	FC8-7809-000		1	HOLDER, ROLLER SUPPORT		
42	XD9-0133-000		1	RING, E		
43	XD9-0137-010		1	RING, E		
44	XG9-0737-000		5	BUSHING		
45	FC5-2547-000		1	COVER, SOLENOID CABLE		
46	FC9-3969-000		1	PLATE, PICK-UP SENSOR FLAG		
47	FC5-2535-000		1	FLAG, PAPER PICK-UP SENSOR		
48	FC5-2542-000		1	SPRING, TORSION		
501	XD3-2300-142		3	PIN, PARALLEL		

FIGURE 311 PAPER PICK-UP ASS'Y, LEFT

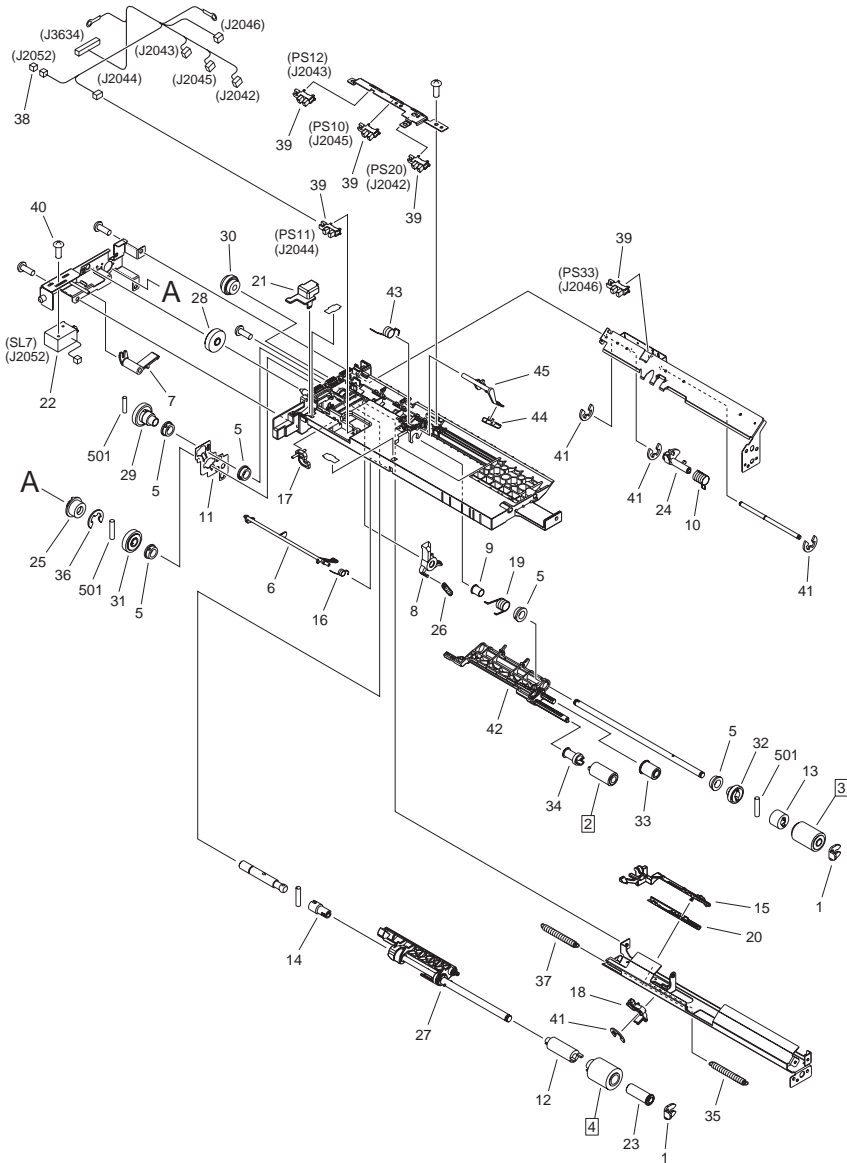
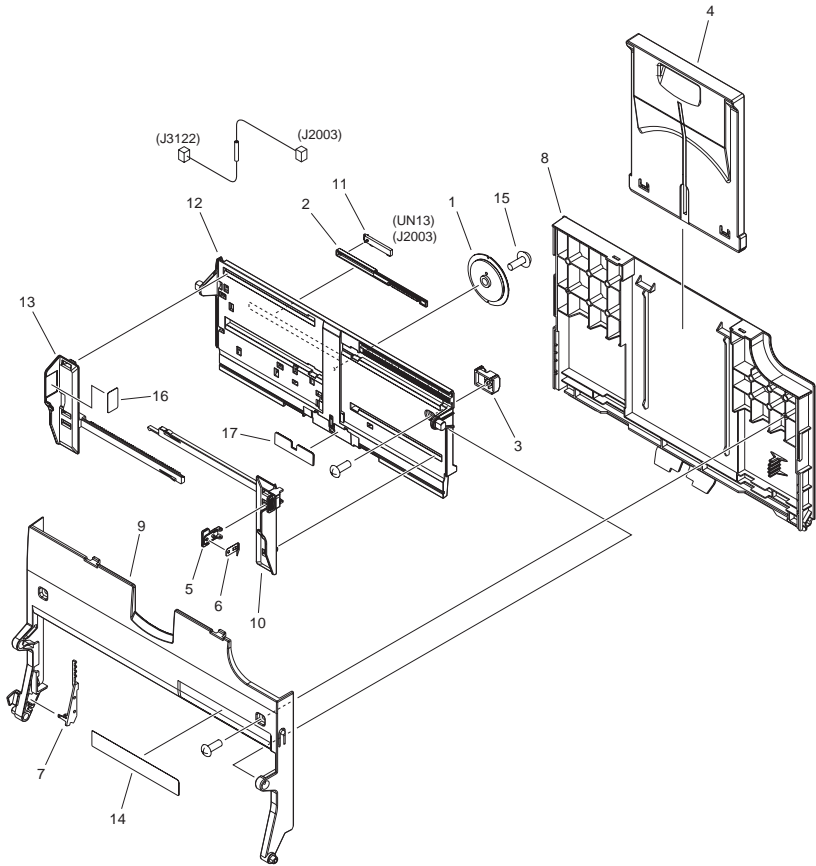


FIGURE & KEY NO.	PARTS NUMBER	R A N K	Q'TY	DESCRIPTION	SERIAL NUMBER/ REMARKS	S V C
Fig.311	FM4-0942-000		1	PAPER PICK-UP ASSY, LEFT		
1	FB4-2007-000		2	RING, RETAINING		
2	FC5-2524-000		1	ROLLER, PAPER PICK-UP	[DP]	
3	FC5-2526-000		1	ROLLER, PAPER FEEDER	[DP]	
4	FC5-2528-000		1	ROLLER, SEPARATION	[DP]	
5	XG9-0737-000		5	BUSHING		
6	FC5-2537-000		1	LEVER, PAPER SENSOR		
7	FC5-2540-000		1	ARM, PICK-UP		
8	FC5-2635-000		1	LEVER, FIXING/FEEDER RELEASE		
9	FC5-2548-000		1	COLLAR, SPRING		
10	FC5-2638-000		1	SPRING, TORSION		
11	FC5-6211-000		1	PLATE, SHAFT GROUNDING, FEEDER		
12	FC5-6245-000		1	LIMITER, TORQUE		
13	FC6-3863-000		1	CLUTCH, ONE-WAY		
14	FC9-4290-000		1	JOINT, RETARD		
15	FC8-9043-000		1	ARM, RELEASE		
16	FC9-8060-000		1	SPRING, TORSION		
17	FC8-9045-000		1	ARM, RELEASE, PAPER PICK-UP		
18	FC8-9046-000		1	ARM, SEPARATION PRESSURE		
19	FC8-9047-000		1	SPRING, TORSION		
20	FC8-9044-000		1	SLIDER, LINK		
21	FC5-2547-000		1	COVER, SOLENOID CABLE		
22	FL3-4906-000		1	SOLENOID	SL7	
23	FL2-1401-000		1	HOLDER, BEARING		
24	FL2-8916-000		1	FLAG, DECK PATH SENSOR, LEFT		
25	FL3-2254-000		1	CLUTCH, ONE-WAY		
26	FU5-2142-000		1	SPRING, TENSION		
27	FL3-4911-000		1	MOUNT, SEPARATION ROLLER		
28	FU5-0183-000		1	GEAR, 30T		
29	FU5-0184-000		1	GEAR, 16T/25T		
30	FU5-0185-000		1	GEAR, 18T/32T		
31	FU5-0186-000		1	GEAR, 24T		

FIGURE & KEY NO.	PARTS NUMBER	R A N K	Q'TY	DESCRIPTION	SERIAL NUMBER/REMARKS	S V C
32	FU5-0187-000		1	GEAR, 50T	PS10,PS11,PS12,PS20,PS33	
33	FU5-0188-000		1	GEAR, 34T		
34	FU5-0263-000		1	GEAR, 32T		
35	FU5-2162-000		1	SPRING, TENSION		
36	XD9-0137-010		1	RING, E		
37	FU7-2366-000		1	SPRING, TENSION		
38	VS1-7177-002		1	CONNECTOR, SNAP TIGHT, BK		
39	WG8-5848-000		5	PHOTO-INTERRUPTER,GP1A173LCS0F		
40	XA9-1659-000		2	SCREW,M3X4		
41	XD9-0133-000		4	RING, E		
42	FC8-7809-000		1	HOLDER, ROLLER SUPPORT		
43	FC5-2542-000		1	SPRING, TORSION		
44	FC9-3969-000		1	PLATE, PICK-UP SENSOR FLAG		
45	FC5-2535-000		1	FLAG, PAPER PICK-UP SENSOR		
501	XD3-2300-142		3	PIN, PARALLEL		

FIGURE 312
MULTI TRAY ASS'Y



NOTE : This assembly does not include the part shown with key No. 14.
注 : このユニットにKey No. 14の部品は含まれません。

FIGURE & KEY NO.	PARTS NUMBER	RANK	Q'TY	DESCRIPTION	SERIAL NUMBER/REMARKS	SVC
Fig.312	FM3-7368-000		1	MULTI TRAY ASS'Y		
1	FB6-3456-000		1	GEAR, 46T/20T		
2	FB6-3457-000		1	RACK		
3	FB6-3459-000		1	BLOCK, SIDE REGIST. ADJUSTING		
4	FC8-2708-000		1	TRAY, SECOND		
5	FC8-2712-000		1	STOPPER, SIDE		
6	FC8-2713-000		1	SPRING, LEAF		
7	FC8-2727-000		1	COVER, MULTI CABLE		
8	FC8-7274-000		1	COVER, MULTI TRAY, LOWER		
9	FC8-7275-000		1	COVER, MULTI INNER		
10	FC9-8061-000		1	PLATE, PAPER SIDE END, FRONT		
11	FH7-7600-010		1	SLIDE VOLUME SENSOR UNIT	UN13	
12	FL3-3172-000		1	PLATE, MULTI PRESSURE		
13	FL3-3609-000		1	PLATE, PAPER SIDE END, REAR		
14	FU7-8500-000		1	LABEL, MULTI SIZE	SEE NOTE JP	
14	FU7-8501-000		1	LABEL, MULTI SIZE	SEE NOTE US,CA,LTN	
14	FU7-8502-000		1	LABEL, MULTI SIZE	SEE NOTE EUR	
14	FU7-8503-000		1	LABEL, MULTI SIZE	SEE NOTE LTN,SG,HK,AU	
15	XA9-1523-000		1	SCREW, B, M4X8		
16	FC9-7165-000		1	LABEL, MAXIMUM LOAD		
17	FB6-4937-000		1	SHEET, SEPARATION		

FIGURE 313
MULTI PAPER PICK-UP ASS'Y

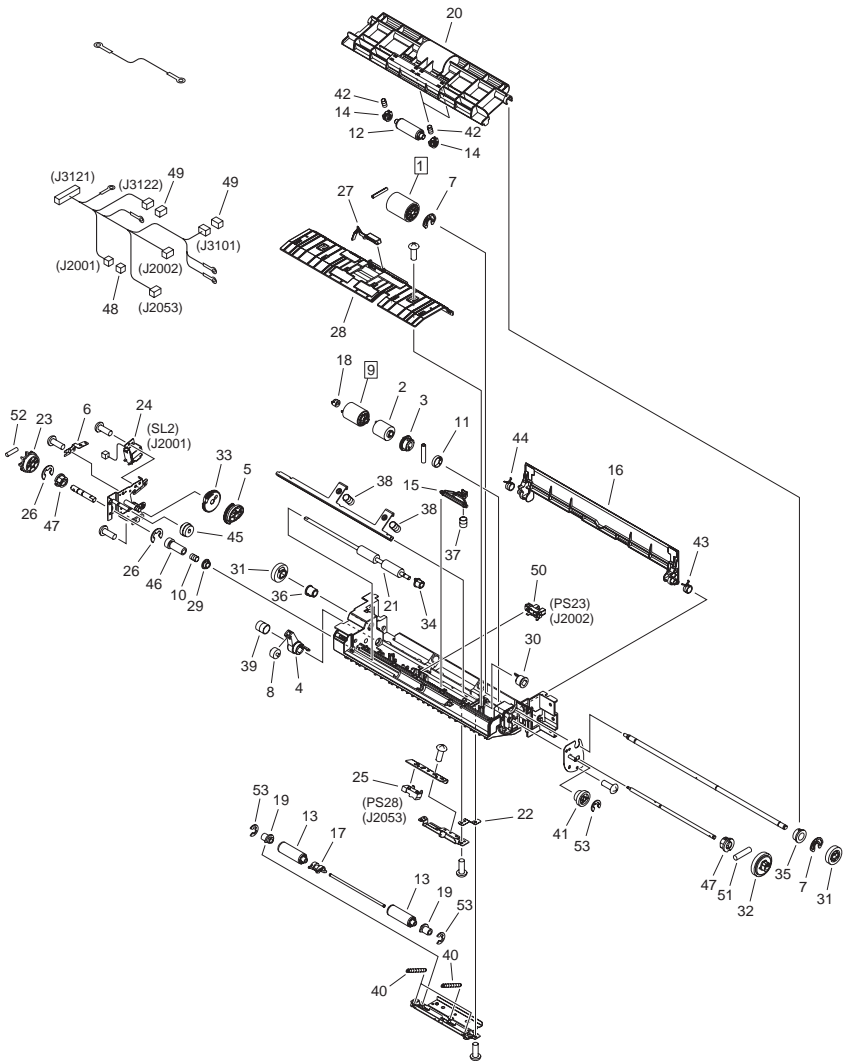


FIGURE & KEY NO.	PARTS NUMBER	R A N K	Q'TY	DESCRIPTION	SERIAL NUMBER/ REMARKS	S V C
Fig.313	FM3-7367-000		1	MULTI PAPER PICK-UP ASS'Y		
1	FB1-8581-000		1	ROLLER, PAPER PICK-UP	[DP]	
2	FB6-3410-000		1	LIMITER, TORQUE		
3	FB6-3463-000		1	CLUTCH		
4	FB6-3466-000		1	CAM, JOINT		
5	FB6-3467-000		1	GEAR, 27T		
6	FC5-2179-000		1	PLATE, M.P. GROUNDING, REAR		
7	FC5-2715-000		2	RING, RETAINING		
8	FC5-5078-000		1	ROLLER, ARM		
9	FC6-6661-000		1	ROLLER, SEPARATION	[DP]	
10	FC7-5009-000		1	SPRING, COMPRESSION		
11	FC7-5167-000		1	SPRING, TORSION		
12	FC7-7207-000		2	ROLLER, DRIVEN		
13	FC7-7208-000		2	ROLLER, DRIVEN		
14	FC7-7209-000		4	BUSHING, VERTICAL ROLLER		
15	FB6-3464-000		1	HOLDER, SEPARATION ROLLER		
16	FL3-5030-000		1	COVER, TRAY AUXILIARY		
17	FC8-7271-000		1	BUSHING		
18	FC8-0785-000		1	HEAD, SEPARATION ROLLER SHAFT		
19	FC8-7273-000		2	BUSHING		
20	FC9-3956-000		1	GUIDE, MULTI PAPER PICK-UP		
21	FC9-8082-000		1	ROLLER, MULTI EXTRACTION		
22	FC9-8805-000		1	PLATE, GROUNDING		
23	FC9-9157-000		1	COUPLING		
24	FK2-0115-000		1	SOLENOID	SL2	
25	FK2-6470-000		1	PHOTO-SENSOR, KUA0055C	PS28	
26	XD9-0136-000		2	RING, E		
27	FL2-2925-000		1	FLAG, PAPER SENSOR		
28	FL3-2811-000		1	GUIDE, MULTI, LOWER		
29	FS1-1569-000		1	BUSHING		
30	FS6-1058-000		1	BUSHING		
31	FU3-0296-000		2	GEAR, 24T		

FIGURE & KEY NO.	PARTS NUMBER	R A N K	Q'TY	DESCRIPTION	SERIAL NUMBER/ REMARKS	S V C
32	FU3-0297-000		1	GEAR, 36T		
33	FU5-0256-000		1	GEAR, 48T		
34	FU5-1036-000		1	BUSHING		
35	FU6-1184-000		1	BUSHING		
36	FU6-1185-000		1	BUSHING		
37	FU6-2925-000		1	SPRING, COMPRESSION		
38	FU6-2926-000		2	SPRING, COMPRESSION		
39	FU6-2927-000		1	SPRING, COMPRESSION		
40	FU7-2689-000		3	SPRING, TENSION		
41	FU8-0182-000		1	GEAR, 18T/27T		
42	FU8-2317-000		4	SPRING, COMPRESSION		
43	FU8-2321-000		1	SPRING, TORSION		
44	FU8-2322-000		1	SPRING, TORSION		
45	FU9-0152-000		1	GEAR, 27T/24T		
46	FU9-0153-000		1	GEAR, 13T		
47	RS5-1567-000		2	BUSHING		
48	VS1-7177-002		1	CONNECTOR, SNAP TIGHT, BK		
49	VS1-7177-003		2	CONNECTOR, SNAP TIGHT, BK		
50	WG8-5848-000		1	PHOTO-INTERRUPTER,GP1A173LCS0F	PS23	
51	XD9-0290-000		1	PIN, PARALLEL		
52	XD9-0300-000		1	PIN, PARALLEL		
53	XD9-0134-000		3	RING, E		

FIGURE 315 PRE-REGISTRATION GUIDE ASS'Y

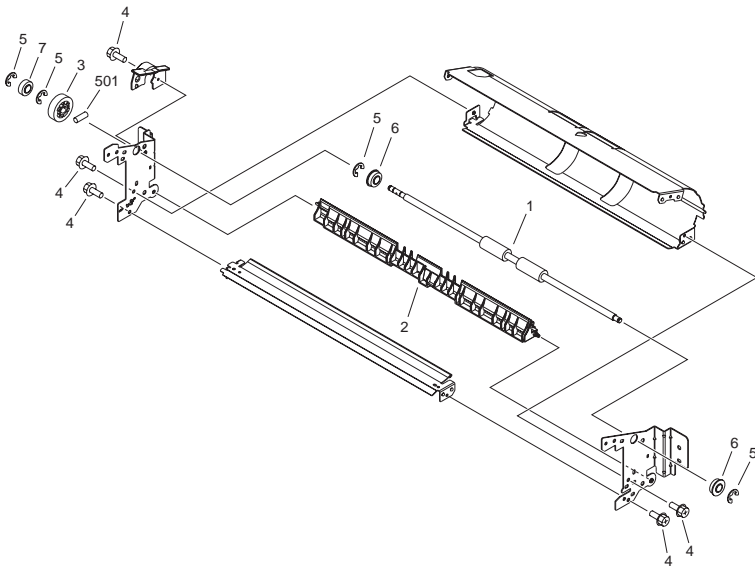


FIGURE & KEY NO.	PARTS NUMBER	RANK	QTY	DESCRIPTION	SERIAL NUMBER/REMARKS	SVC
Fig.315	FM3-7375-000		1	PRE-REGISTRATION GUIDE ASS'Y		
1	FC8-9354-000		1	ROLLER, PRE-REGISTRATION		
2	FL3-0277-000		1	GUIDE, MOVABLE		
3	FU8-0333-000		1	GEAR, 24T		
4	XA9-1386-000		7	SCREW,RS,M3X8		
5	XD9-0136-000		4	RING, E		
6	XG9-0707-000		2	BEARING, BALL, MF126ZZ-1		
7	XG9-0706-000		1	BEARING, BALL, MR126ZZ-1		
501	XD3-2200-122		1	PIN, PARALLEL		

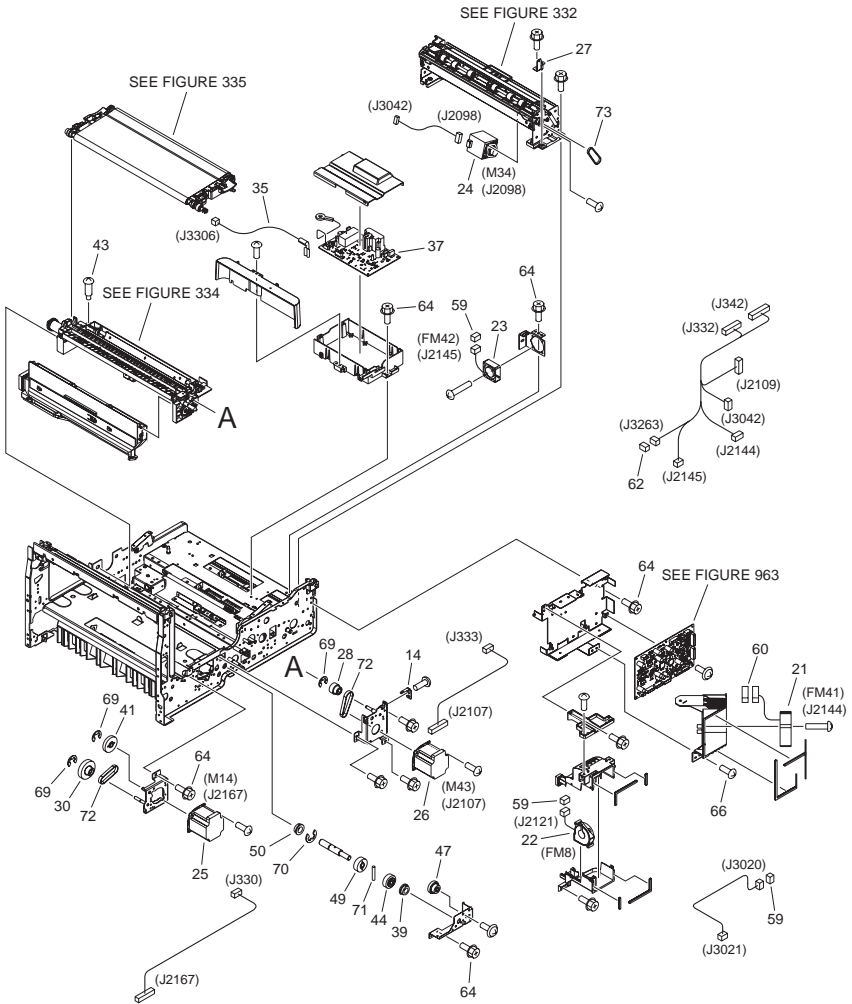


FIGURE & KEY NO.	PARTS NUMBER	R A N K	Q'TY	DESCRIPTION	SERIAL NUMBER/ REMARKS	S V C
Fig.330	NPN		1	FIXING/FEEDER DUPLEXING ASSY		
1	FB6-6088-000		5	RING, RETAINING		
2	FC5-2108-000		1	CAM, PRESSURE		
3	FC5-2386-000		1	HANDLE, TRANSFER FRAME, LOWER		
4	FC5-5170-000		1	PLATE, GROUNDING		
5	FC6-1968-000		1	FLAPPER, DUPLEXING REVERSE		
6	FC6-9542-000		1	BUSHING		
7	FC8-7171-000		1	FLAG, CAM SENSOR		
8	FC8-7192-000		1	RACK, RELEASE ARM		
9	FC8-7199-000		1	GEAR, 26T		
10	FC8-7200-000		2	CAM, BELT PRESSURE		
11	FC8-7327-000		1	GUIDE, REVERSE, LEFT		
12	FC8-7328-000		4	GUIDE, REVERSE SWING		
13	FC8-9450-000		1	SPRING, TORSION		
14	FC8-9664-000		1	SPRING, GROUNDING		
15	FC9-5463-000		5	ROLLER, DUPLEXING PAPER FEED		
16	FC9-5700-000		1	PLATE, CLEANER GROUNDING		
17	FC9-7845-000		1	SPRING, TORSION		
18	FC9-8828-000		1	SHEET, FIXING CROSSMEMBER		
19	FC9-9067-000		1	STOPPER, HANDLE		
20	FH6-1548-040		1	FAN, COOLING	FM5	
21	FK2-3100-000		1	FAN	FM41	
22	FK2-3149-000		1	FAN	FM8	
23	FK2-7241-000		1	FAN	FM42	
24	FK2-7674-000		4	MOTOR, STEPPING, DC	M18,M19,M32,M34	
25	FK2-7675-000		1	MOTOR, STEPPING, DC	M14	
26	FK2-7719-000		1	MOTOR, STEPPING, DC	M43	
27	FL3-0293-000		1	PLATE, POSITIONING		
28	FL3-2171-000		1	GEAR, 26T/PULLEY, 30T		
29	FL3-2814-000		1	GEAR, 30T/PULLEY, 28T		
30	FL3-3018-000		1	GEAR, 39T/PULLEY, 28T		
31	FL3-3868-000		1	LEVER, REVERSE SENSOR		

FIGURE & KEY NO.	PARTS NUMBER	R A N K	Q'TY	DESCRIPTION	SERIAL NUMBER/REMARKS	S V C
32	FM4-0886-000		1	CABLE, FIXING/FEEDER DRAWER		
33	FC9-9102-000		1	HANDLE, OPEN/CLOSE		
34	FM4-0912-000		1	FIXING/FEEDER LOCK HANDLE UNIT		
35	FM4-1051-000		1	CABLE, TRANSFER HIGH VOLTAGE		
36	FM4-1089-000		1	DC-DC CONVERT PCB ASS'Y		
37	FM4-1095-000		1	TRANSFER H.V. PCB ASS'Y		
38	FM4-5141-000		1	REVERSE SOLENOID ASS'Y	SL5	
39	FS1-1508-000		8	BUSHING		
40	FS2-6458-000		1	ROLLER		
41	FS5-0395-000		1	GEAR, 25T		
42	FS5-1474-000		2	BUSHING		
43	FS5-9227-020		1	SCREW, STEPPED, M4		
44	FU3-0339-000		1	GEAR, 20T		
45	FU9-0314-000		1	GEAR, 30T		
46	FU5-2154-000		1	SPRING, COMPRESSION		
47	FU6-0137-000		1	GEAR, 27T/18T		
48	FU6-0138-000		1	GEAR, 32T/19T		
49	FU6-0603-000		1	GEAR, 30T		
50	FU6-1199-000		1	BUSHING		
51	FU6-3053-000		3	PULLEY, 22T		
52	FU7-2699-000		1	SPRING, COMPRESSION		
53	FU7-2702-000		4	SPRING, COMPRESSION		
54	FU8-0333-000		1	GEAR, 24T		
55	FU8-2343-000		1	SPRING, TORSION		
56	FU9-0048-000		2	GEAR, 19T		
57	FU9-0083-000		1	GEAR, 33T/20T		
58	VS1-7177-002		1	CONNECTOR, SNAP TIGHT, BK		
59	VS1-7177-003		6	CONNECTOR, SNAP TIGHT, BK		
60	VS1-7177-004		1	CONNECTOR, SNAP TIGHT, BK		
61	VS1-7177-008		1	CONNECTOR, SNAP TIGHT, BK		
62	VS1-8412-003		1	CONNECTOR, SNAP TIGHT, BL		
63	WG8-5848-000		3	PHOTO-INTERRUPTER,GP1A173LCS0F	PS35,PS55,PS56	

FIGURE & KEY NO.	PARTS NUMBER	RANK	Q'TY	DESCRIPTION	SERIAL NUMBER/REMARKS	SVC
64	XA9-0732-000		AR	SCREW,RS,M4		
65	XA9-0961-000		2	SCREW, WWASHER, M4X10		
66	XA9-1031-000		6	SCREW, MACH. TRUSS HEAD, M4X6		
67	XD9-0134-000		1	RING, E		
68	XD9-0135-000		1	RING, E		
69	XD9-0136-000		AR	RING, E		
70	XD9-0137-010		9	RING, E		
71	XD9-0292-000		1	PIN, PARALLEL		
72	XF2-1606-260		3	BELT, TIMING, COGGED		
73	XF2-1607-040		1	BELT, TIMING		
74	XF2-1607-440		1	BELT, TIMING		
75	XF2-1610-440		1	BELT, TIMING, COGGED		
76	XG9-0365-000		2	BEARING, BALL		
77	XG9-0707-000		3	BEARING, BALL, MF126ZZ-1		
78	FC9-6182-000		1	COVER, SENSOR		
79	FC9-9015-000		1	LABEL, OPEN/CLOSE		
80	FL3-1306-000		1	LOCK, HANDLE		
501	XD1-1100-225		2	WASHER, PLAIN		
502	XD1-1206-239		2	WASHER, PLAIN		
503	XD3-2200-102		3	PIN, DOWEL		
504	XD3-2200-122		4	PIN, PARALLEL		
505	XD3-2300-142		2	PIN, PARALLEL		

FIGURE & KEY NO.	PARTS NUMBER	R A N K	Q'TY	DESCRIPTION	SERIAL NUMBER/ REMARKS	S V C
Fig.331	NPN		RF	FIXING/FEEDER FRAME ASS'Y		
1	FC1-3975-020		1	SPRING, LEAF		
2	FC1-3976-000		2	PAD, BRAKE, PA		
3	FC5-2271-000		2	BUSHING		
4	FC5-5167-000		1	MOUNT, TAPE		
5	FC5-6287-000		1	BUSHING		
6	FC7-6972-000		2	HOOK, RIGHT DOOR, LOWER		
7	FC7-7208-000		10	ROLLER, DRIVEN		
8	FC8-7297-000		1	BLOCK, ROLLER PRESSURE RELEASE		
9	FC8-7309-000		2	CATCH, GUIDE		
10	FC8-7324-000		2	BUSHING		
11	FC8-7334-000		1	HOOK		
12	FC8-7343-000		1	ROLLER, BELT		
13	FC8-8802-000		2	BLOCK, PUSHING		
14	FC9-5580-000		1	BUSHING		
15	FC9-7993-000		10	BUSHING		
16	FC9-8817-000		1	BAND, GUIDE		
17	FC9-8821-000		1	PULLEY, WIRE		
18	FC9-9104-000		1	SHEET, EXHAUST		
19	FC9-9105-000		2	SHEET, EXHAUST		
20	FC9-9152-000		1	WIRE, LIFT		
21	FC9-9162-000		4	BRUSH		
22	FK2-6470-000		3	PHOTO-SENSOR, KUA0055C	PS64,PS66,PS67	
23	FL2-1167-000		1	FLAPPER		
24	FL3-0272-000		2	PIN, POSITIONING, FRONT		
25	FL3-0273-000		2	PIN, POSITIONING, REAR		
26	FL3-0297-000		1	ROLLER UNIT		
27	FM4-0889-000		1	SOLENOID ASSEMBLY	SL11	
28	FU5-2149-000		8	SPRING, COMPRESSION		
29	FU5-2151-000		1	SPRING, TENSION		
30	FU5-2152-000		1	SPRING, TENSION		
31	FU5-2177-000		2	SPRING, COMPRESSION		

FIGURE & KEY NO.	PARTS NUMBER	R A N K	Q'TY	DESCRIPTION	SERIAL NUMBER/REMARKS	S V C
32	FU6-0139-000		1	GEAR, 26T		
33	FU7-2701-000		3	SPRING, TENSION		
34	FU7-2703-000		1	SPRING, TORSION		
35	FU7-2704-000		1	SPRING, TENSION		
36	FU7-2838-000		2	SPRING, COMPRESSION		
37	FU8-2344-000		2	SPRING, COMPRESSION		
38	FU9-0082-000		1	GEAR, 36T/18T		
39	VS1-7177-002		1	CONNECTOR, SNAP TIGHT, BK		
40	XA9-0732-000		AR	SCREW,RS,M4		
41	XA9-0893-000		4	SCREW, M4X8		
42	XD9-0134-000		AR	RING, E		
43	XD9-0135-000		1	RING, E		
44	XD9-0136-000		2	RING, E		
45	XZ1-1401-205		1	SPACER		
46	FC5-2051-000		2	SHAFT, GUIDE SUPPORT		
47	FC8-7321-000		1	GUIDE, DUPLEXING LOWER, 1		
48	FC8-7322-000		1	GUIDE, DUPLEXING LOWER, 2		
49	FC8-7323-000		2	PLATE, HINGE FIXED		
50	FC8-7333-000		1	COVER, DAMPER		

FIGURE 332 REGISTRATION ASS'Y

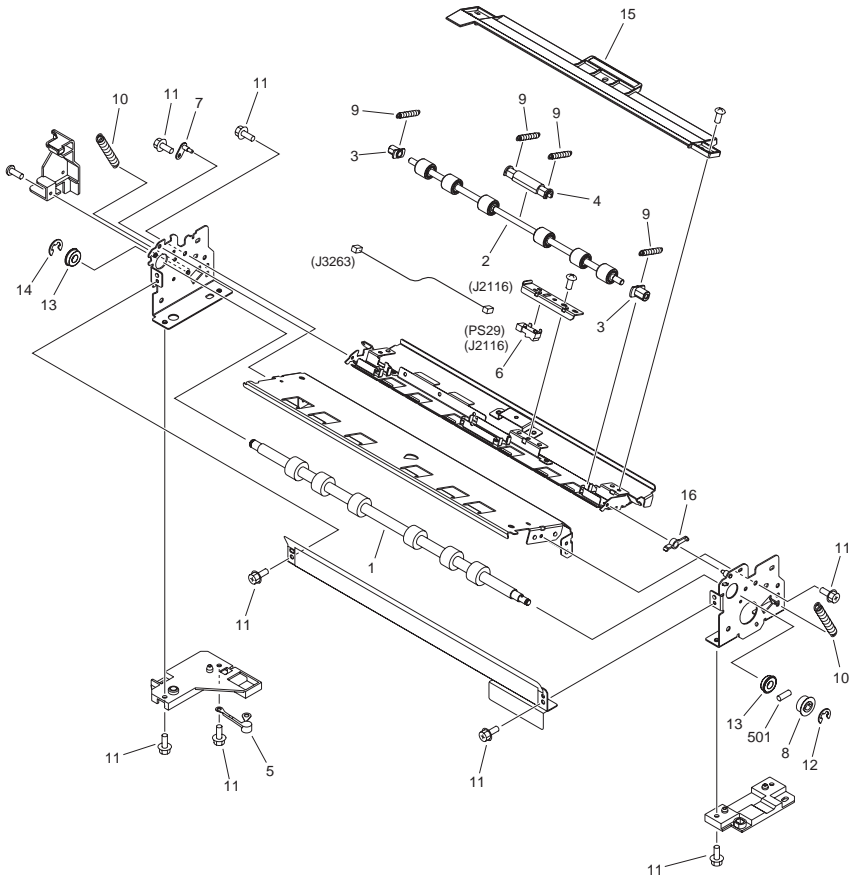


FIGURE & KEY NO.	PARTS NUMBER	R A N K	Q'TY	DESCRIPTION	SERIAL NUMBER/ REMARKS	S V C
Fig.332	FM4-5156-000		1	REGISTRATION ASS'Y		
1	FC8-7276-000		1	ROLLER, REGISTRATION DRIVE		
2	FC8-7277-000		1	ROLLER, REGISTRATION DRIVEN		
3	FC8-7283-000		2	BUSHING		
4	FC8-7284-000		1	BUSHING		
5	FF3-4656-000		1	VARISTOR		
6	FK2-6470-000		1	PHOTO-SENSOR, KUA0055C	PS29	
7	FL3-0292-000		1	PIN, POSITIONING		
8	FU6-3047-000		1	PULLEY, 24T		
9	FU7-2687-000		4	SPRING, TENSION		
10	FU7-2688-000		2	SPRING, TENSION		
11	XA9-1386-000		AR	SCREW,RS,M3X8		
12	XD9-0136-000		1	RING, E		
13	XG9-0506-000		2	BEARING, BALL, 688AZZ1NR MC3		
14	XD9-0137-010		1	RING, E		
15	FC8-7286-000		1	COVER, REGISTRATION		
16	FC9-8811-000		1	GUIDE, LIMIT		
501	XD3-2200-102		1	PIN, DOWEL		

FIGURE 333 DUPLEX. SIDE REG. SENSOR ASS'Y

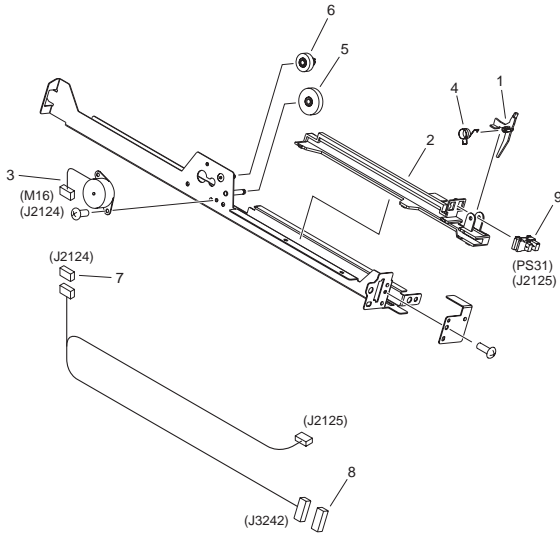


FIGURE & KEY NO.	PARTS NUMBER	RANK	QTY	DESCRIPTION	SERIAL NUMBER/REMARKS	SVC
Fig.333	FM4-0897-000		1	DUPLEX. SIDE REG. SENSOR ASS'Y		
1	FC8-7295-000		1	FLAG, SIDE REGISTRATION DETECT		
2	FC9-5450-000		1	SLIDER, SIDE REGISTRATION		
3	FK2-2069-000		1	MOTOR, STEPPING, DC	M16	
4	FU7-2705-000		1	SPRING, TORSION		
5	FU9-0052-000		1	GEAR, 12T/36T		
6	FU9-0053-000		1	GEAR, 12T/24T		
7	VS1-7177-004		1	CONNECTOR, SNAP TIGHT, BK		
8	VS1-7177-007		1	CONNECTOR, 7P, FEMALE, BK		
9	WG8-5848-000		1	PHOTO-INTERRUPTER,GP1A173LCS0F	PS31	

FIGURE 334 E.T.B. CLEANING ASSEMBLY

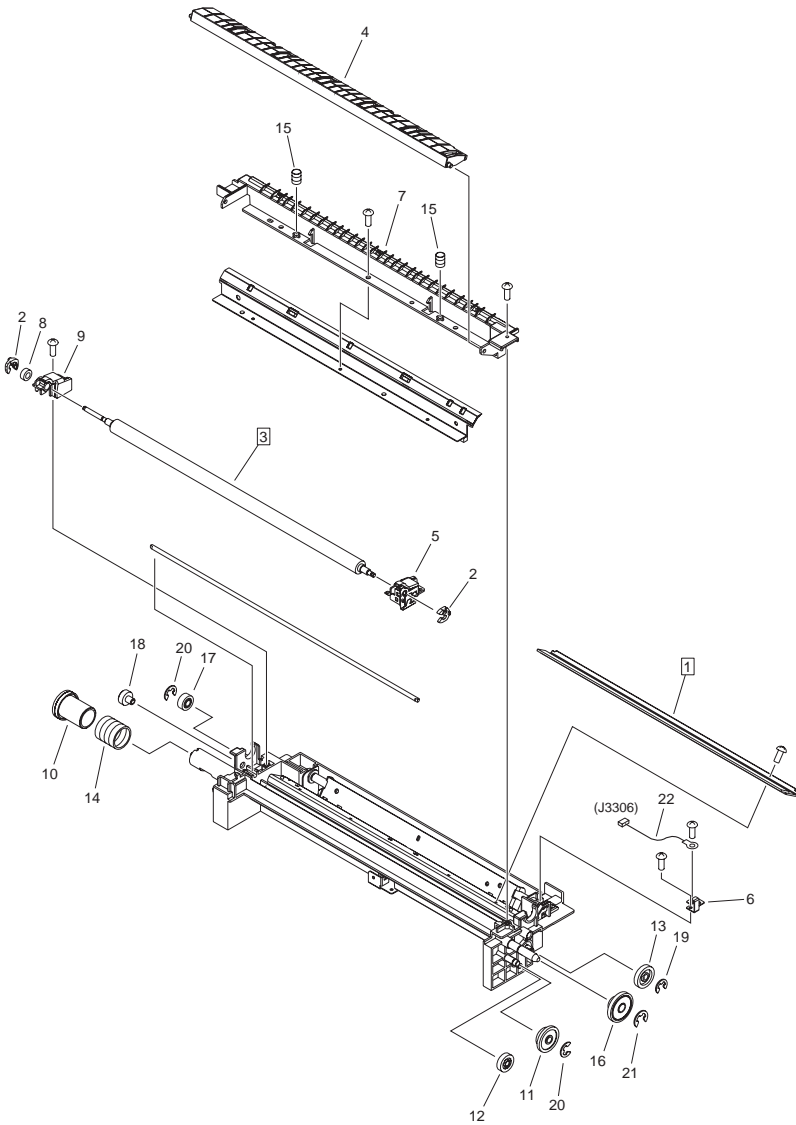


FIGURE & KEY NO.	PARTS NUMBER	R A N K	Q'TY	DESCRIPTION	SERIAL NUMBER/ REMARKS	S V C
Fig.334	FM4-0913-000		1	E.T.B. CLEANING ASSEMBLY		
1	FC6-1647-000		1	BLADE, CLEANING	[DP]	
2	FC7-4155-000		2	RING, E		
3	FC9-9022-000		1	ROLLER, BRUSH	[DP]	
4	FC8-7196-000		1	GUIDE, TRANSFER, REAR		
5	FM4-5398-000		1	MOUNT, FRONT		
6	FC9-5698-000		1	PLATE, CONTACT		
7	FL3-2815-000		1	GUIDE, SEPARATION		
8	XG9-0774-000		1	BEARING, BALL, MR84ZZ		
9	FL3-3799-000		1	MOUNT, REAR		
10	FL3-4552-000		1	SHUTTER		
11	FU5-0016-000		1	GEAR, 33T/22T		
12	FU6-0092-000		1	GEAR, 21T		
13	FU6-0119-000		1	GEAR, 27T		
14	FU6-2043-000		1	SPRING, COMPRESSION		
15	FU7-2697-000		2	SPRING, COMPRESSION		
16	FU9-0037-000		1	GEAR, 34T/16T		
17	FU9-0074-000		1	GEAR, 24T		
18	FU9-0075-000		1	GEAR, 22T		
19	XD9-0134-000		1	RING, E		
20	XD9-0136-000		2	RING, E		
21	XD9-0137-010		1	RING, E		
22	FM4-1063-000		1	CABLE, TRANSFER HIGH VOLTAGE		

FIGURE 335 E.T.BELT ASSEMBLY

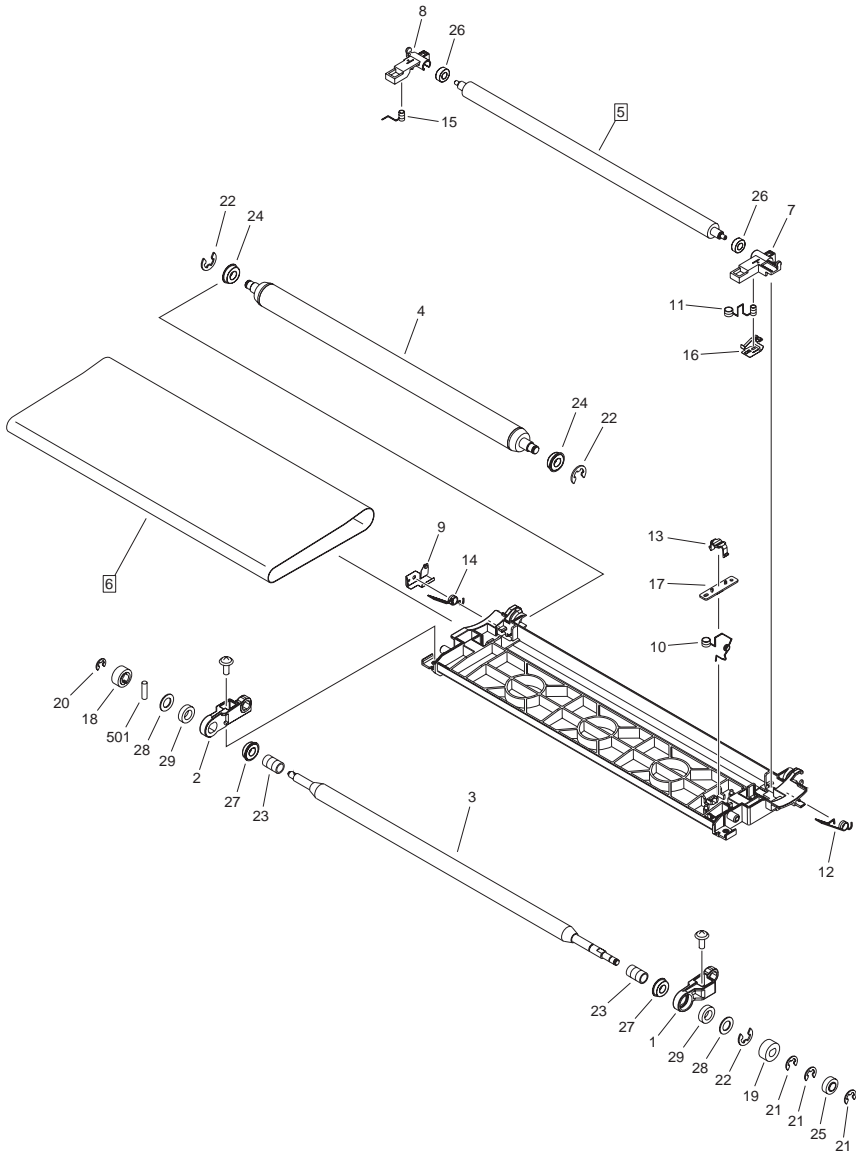


FIGURE & KEY NO.	PARTS NUMBER	R A N K	Q'TY	DESCRIPTION	SERIAL NUMBER/ REMARKS	S V C
Fig.335	FM4-0916-000		1	E.T.BELT ASSEMBLY		
1	FC8-7155-000		1	HOLDER, DRIVE ROLLER, FRONT		
2	FC8-7156-000		1	HOLDER, DRIVE ROLLER, REAR		
3	FC8-7157-000		1	ROLLER, DRIVE		
4	FC8-7158-000		1	ROLLER, IDLER		
5	FC8-7159-000		1	ROLLER, TRANSFER	[DP]	
6	FC8-7160-000		1	BELT, ELECTROSTATIC TRANSPORT.	[DP]	
7	FC8-7161-000		1	HOLDER, TRANSFER ROLLER, FRONT		
8	FC8-7162-000		1	HOLDER, TRANSFER ROLLER, REAR		
9	FC8-7166-000		1	SPRING, LEAF		
10	FC9-5586-000		1	SPRING, COMPRESSION		
11	FC9-5587-000		1	SPRING, COMPRESSION		
12	FC9-6167-000		1	SPRING, TORSION		
13	FC9-7853-000		1	STOPPER		
14	FC9-7854-000		1	SPRING, TORSION		
15	FC9-8815-000		1	SPRING, COMPRESSION		
16	FC9-9193-000		1	SPRING, LEAF		
17	FM2-7196-000		1	HVR PCB ASSEMBLY		
18	FU6-0414-000		1	GEAR, 20T		
19	FU9-0032-000		1	GEAR, 18T		
20	XD9-0134-000		1	RING, E		
21	XD9-0136-000		3	RING, E		
22	XD9-0137-010		3	RING, E		
23	FU8-2519-000		2	SPRING, COMPRESSION		
24	XG9-0365-000		2	BEARING, BALL		
25	XG9-0706-000		1	BEARING, BALL, MR126ZZ-1		
26	XG9-0774-000		2	BEARING, BALL, MR84ZZ		
27	XG9-0773-000		2	BEARING, BALL, MR148ZZ-2		
28	FB2-6285-020		2	SHIM		
29	XG9-0758-000		2	BEARING, BALL, MR148ZZ-2		
501	XD3-2200-082		1	PIN, DOWEL		

FIGURE & KEY NO.	PARTS NUMBER	R A N K	Q'TY	DESCRIPTION	SERIAL NUMBER/ REMARKS	S V C
Fig.336	NPN		RF	REVERSE CROSSMEMBER ASS'Y, LF.		
1	FC5-2261-000		2	PULLEY, 29T		
2	FC8-7332-000		1	ROLLER, REVERSE V.P.		
3	FC9-5457-000		1	ROLLER, REVERSE V.P., LOWER		
4	FC9-8286-000		1	LINK		
5	FK2-6470-000		1	PHOTO-SENSOR, KUA0055C	PS65	
6	FL3-3733-000		1	LINK		
7	FS2-6458-000		1	ROLLER		
8	VS1-7177-003		1	CONNECTOR, SNAP TIGHT, BK		
9	VS1-7177-006		1	CONNECTOR, SNAP TIGHT, BK		
10	XA9-1031-000		9	SCREW, MACH. TRUSS HEAD, M4X6		
11	XD9-0136-000		4	RING, E		
12	XD9-0137-010		3	RING, E		
13	XF2-4110-440		1	BELT, TIMING, COGGED		
14	XG9-0709-000		4	BEARING, BALL, MF128ZZ-3		
501	XD3-2200-122		2	PIN, PARALLEL		

FIGURE 350 OUTER PAPER DELIVERY ASS'Y

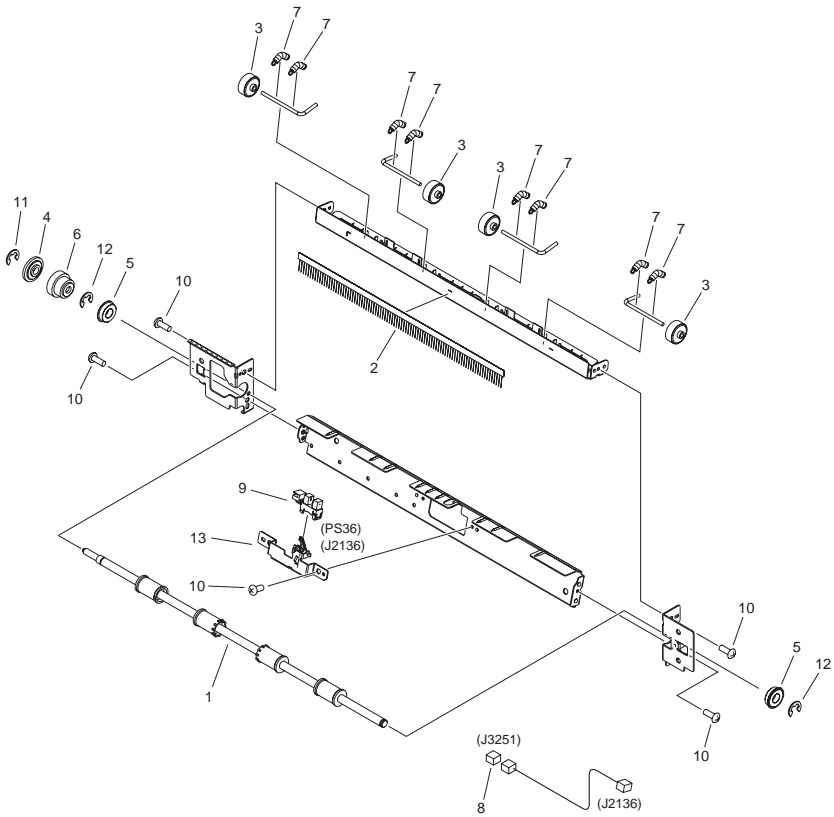
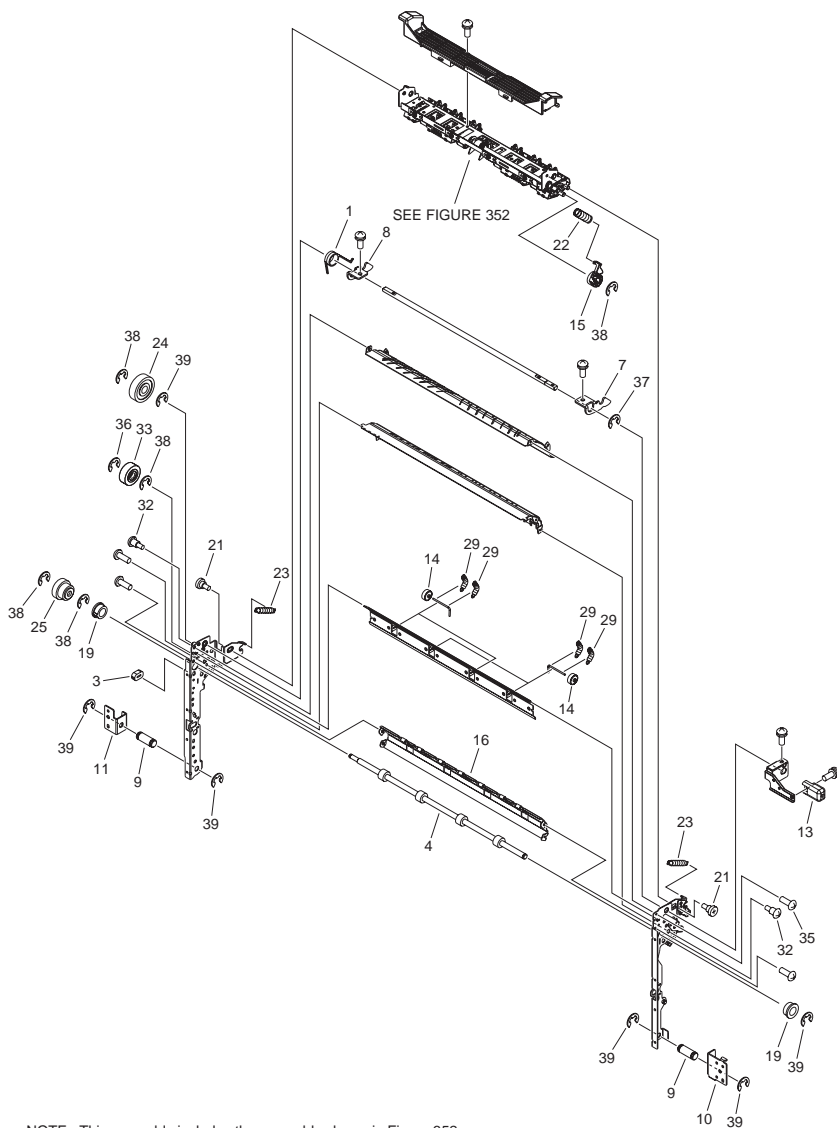


FIGURE & KEY NO.	PARTS NUMBER	R A N K	Q'TY	DESCRIPTION	SERIAL NUMBER/ REMARKS	S V C
Fig.350	FM3-7379-000		1	OUTER PAPER DELIVERY ASS'Y		
1	FC8-7378-000		1	ROLLER, OUTER PAPER DELIVERY		
2	FC0-2131-000		1	ELIMINATOR, STATIC CHARGE		
3	FC9-8283-000		4	ROLLER, PAPER DELIVERY		
4	FC9-9135-000		1	ROLLER		
5	XG9-0365-000		2	BEARING, BALL		
6	FU5-0207-000		1	GEAR, 19T		
7	FU5-2141-000		8	SPRING, TENSION		
8	VS1-7177-003		1	CONNECTOR, SNAP TIGHT, BK		
9	WG8-5848-000		1	PHOTO-INTERRUPTER,GP1A173LCS0F	PS36	
10	XA9-1659-000		6	SCREW,M3X4		
11	XD9-0134-000		1	RING, E		
12	XD9-0137-010		2	RING, E		
13	FL3-3867-000		1	SENSOR FLAG UNIT		

FIGURE 351 REVERSE PAPER DELIVERY ASS'Y



NOTE : This assembly includes the assembly shown in Figure 352.
 注 : このユニットはFigure 352のユニットを含みます。

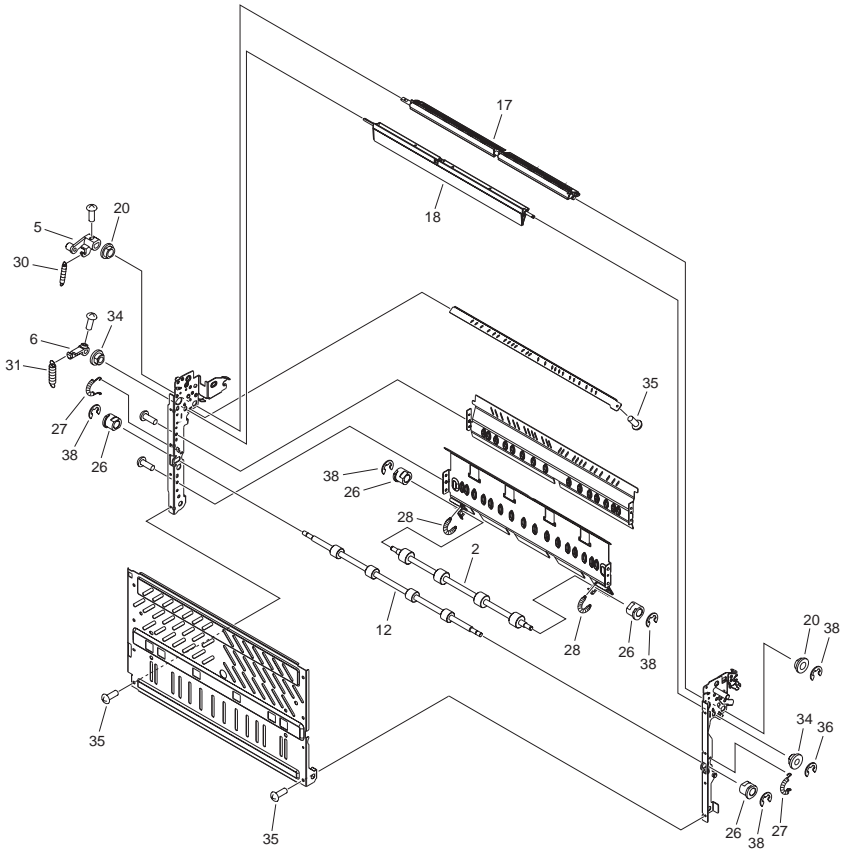
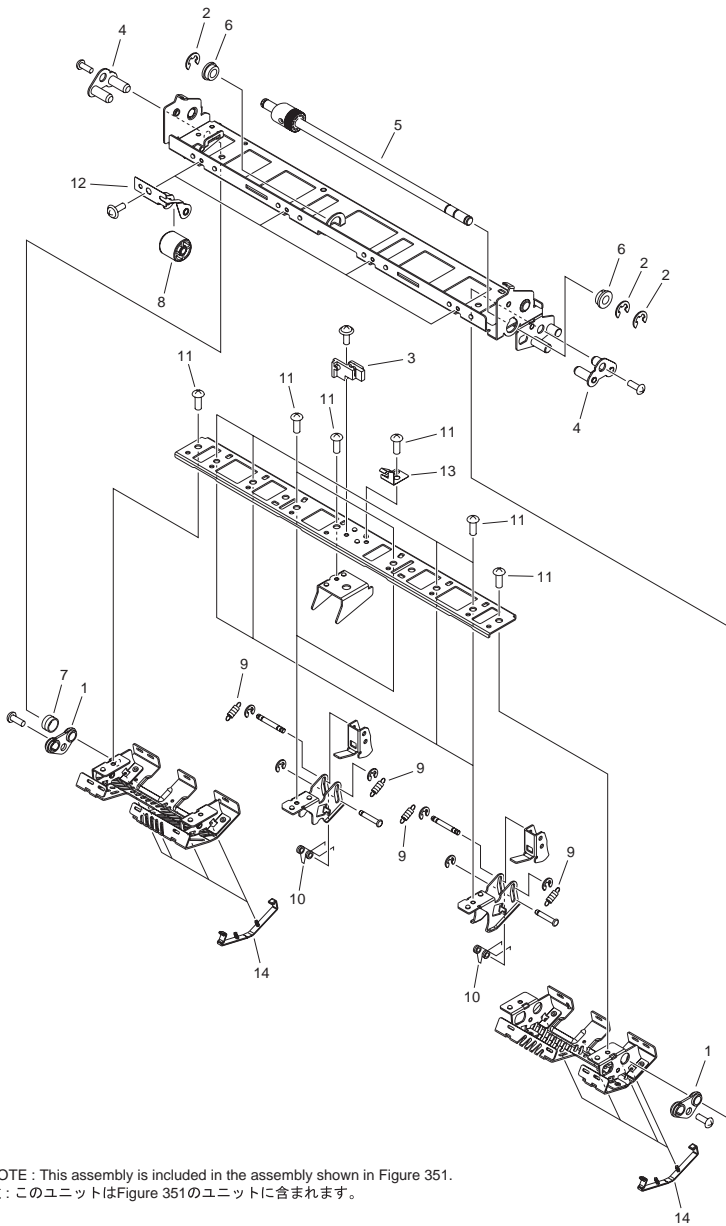


FIGURE & KEY NO.	PARTS NUMBER	R A N K	Q'TY	DESCRIPTION	SERIAL NUMBER/ REMARKS	S V C
Fig.351	FM4-5316-000		1	REVERSE PAPER DELIVERY ASSY	SEE NOTE	
1	FC5-2226-000		1	SPRING, TORSION		
2	FC6-9782-000		1	ROLLER, REVERSE DRIVEN, LOWER		
3	FC8-7236-000		1	DAMPER		
4	FC8-7387-000		1	ROLLER, REVERSE FEED		
5	FC8-7389-000		1	ARM, FLAPPER		
6	FC8-7390-000		1	ARM, CROSSING FLAPPER		
7	FC8-7392-000		1	HOOK, FRONT		
8	FC8-7393-000		1	HOOK, REAR		
9	FC8-9346-000		2	SHAFT, HINGE		
10	FC8-9347-000		1	PLATE, HINGE, FRONT		
11	FC8-9348-000		1	PLATE, HINGE, REAR		
12	FC9-5458-000		1	ROLLER, REVERSE V.P. DRIVEN		
13	FC9-8281-000		1	HANDLE, SMALL		
14	FC9-8283-000		4	ROLLER, PAPER DELIVERY		
15	FL3-0275-000		1	LEVER, ONE-WAY		
16	FL3-3022-000		1	GUIDE, REVERSE, LOWER		
17	FL3-3784-000		1	FLAPPER, REVERSE PAPER DELIVERY		
18	FM4-5153-000		1	FLAPPER UNIT		
19	FS1-1189-000		2	BUSHING, ABS		
20	FS1-1569-000		2	BUSHING		
21	FU5-9305-000		2	SCREW, STEPPED		
22	FS5-2946-000		1	SPRING, TENSION		
23	FS5-2947-000		2	SPRING, TENSION		
24	FS6-0042-000		1	GEAR, 26T		
25	FU5-0207-000		1	GEAR, 19T		
26	FU5-1046-000		4	BUSHING		
27	FU5-2139-040		2	SPRING, TENSION		
28	FU5-2140-000		2	SPRING, TENSION		
29	FU5-2141-000		8	SPRING, TENSION		
30	FU5-2147-000		1	SPRING, TENSION		
31	FU5-2160-000		1	SPRING, TENSION		

FIGURE & KEY NO.	PARTS NUMBER	RANK	Q'TY	DESCRIPTION	SERIAL NUMBER/REMARKS	SVC
32	FU5-9035-000		6	SCREW, STEPPED, M3X3		
33	FU6-0375-000		1	GEAR, 20T		
34	FU6-1196-000		2	BUSHING		
35	XA9-1116-030		9	SCREW,M3X5		
36	XD9-0134-000		2	RING, E		
37	XD9-0135-000		1	RING, E		
38	XD9-0136-000		AR	RING, E		
39	XD9-0137-010		6	RING, E		

FIGURE 352 INNER PAPER DELIVERY ASS'Y



NOTE : This assembly is included in the assembly shown in Figure 351.
 注 : このユニットはFigure 351のユニットに含まれます。

FIGURE & KEY NO.	PARTS NUMBER	R A N K	Q'TY	DESCRIPTION	SERIAL NUMBER/ REMARKS	S V C
Fig.352	FM3-7381-000		1	INNER PAPER DELIVERY ASS'Y	SEE NOTE	
1	FB2-7163-000		2	BUSHING		
2	XD9-0136-000		3	RING, E		
3	FC9-9071-000		1	MOUNT, PIN		
4	FF5-3055-030		2	SUPPORT, PLATE		
5	FL3-3019-000		1	SHAFT, RECIPROCATING		
6	FS5-1372-000		2	BUSHING		
7	FS5-2953-020		1	SPRING, COMPRESSION		
8	FC9-9187-000		4	ROLLER, FEED		
9	FS7-2319-000		12	SPRING,TENSION		
10	FC0-2203-000		6	SPRING, TORSION		
11	XA9-1659-000		AR	SCREW,M3X4		
12	FC8-9343-000		4	HOLDER, FEED ROLLER		
13	FC9-5130-000		1	PLATE, RATCHET CLAW		
14	FC9-6947-000		8	GUIDE, PAPER		

FIGURE 460 LASER SCANNER UNIT

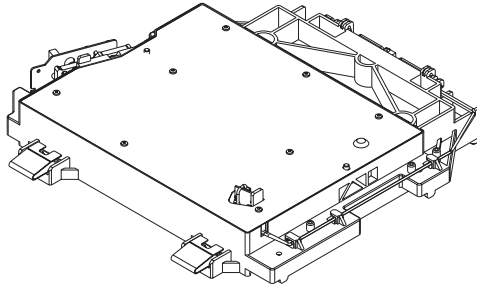


FIGURE & KEY NO.	PARTS NUMBER	RANK	QTY	DESCRIPTION	SERIAL NUMBER/REMARKS	SVC
Fig.460	FM3-7526-000		1	LASER SCANNER UNIT		

FIGURE 510 PHOTO-SENSITIVE DRUM ASSEMBLY

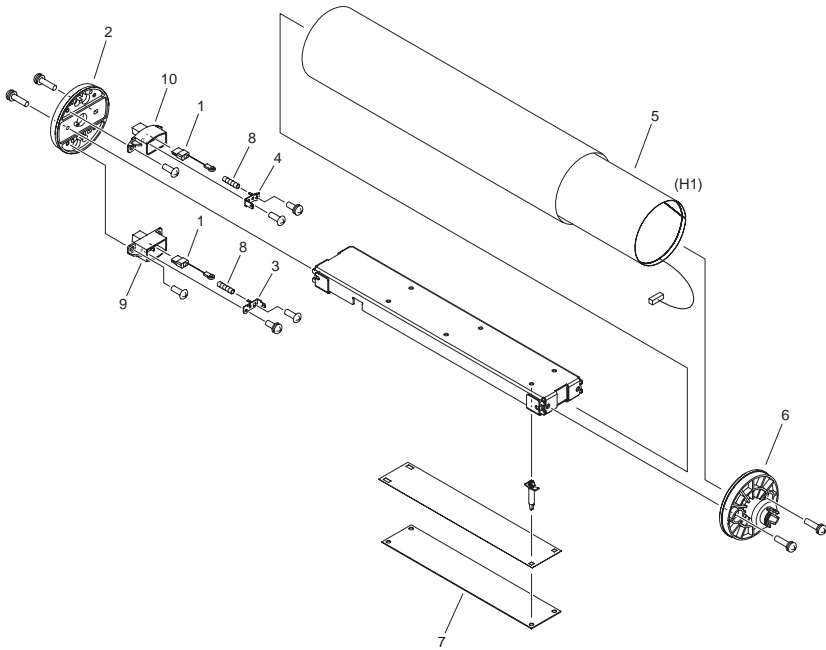


FIGURE & KEY NO.	PARTS NUMBER	R A N K	Q'TY	DESCRIPTION	SERIAL NUMBER/ REMARKS	S V C
Fig.510	NPN		RF	PHOTO-SENSITIVE DRUM ASSEMBLY		
1	FC5-1766-000		2	ELIMINATOR, STATIC CHARGE		
2	FC9-4872-000		1	FLANGE, DRUM, REAR		
3	FC9-9133-000		1	TERMINAL, POWER DISPATCHING, 1		
4	FC9-9134-000		1	TERMINAL, POWER DISPATCHING, 2		
5	FK2-7723-000		1	HEATER, DRUM	100V H1	
5	FK2-7724-000		1	HEATER, DRUM	120V H1	
5	FK2-7725-000		1	HEATER, DRUM	230V H1	
6	FL3-1250-000		1	FLANGE, DRUM, FRONT		
7	FM4-1107-000		1	DRUM HEATER DRIVER PCB ASS'Y	230V	
7	FM4-1108-000		1	DRUM HEATER DRIVER PCB ASS'Y	100V,120V	
8	FS2-2036-020		2	SPRING, COMPRESSION		
9	FC9-9139-000		1	MOUNT, TERMINAL, 1		
10	FC9-9140-000		1	MOUNT, TERMINAL, 2		

FIGURE 550 1ST CORONA ASS'Y

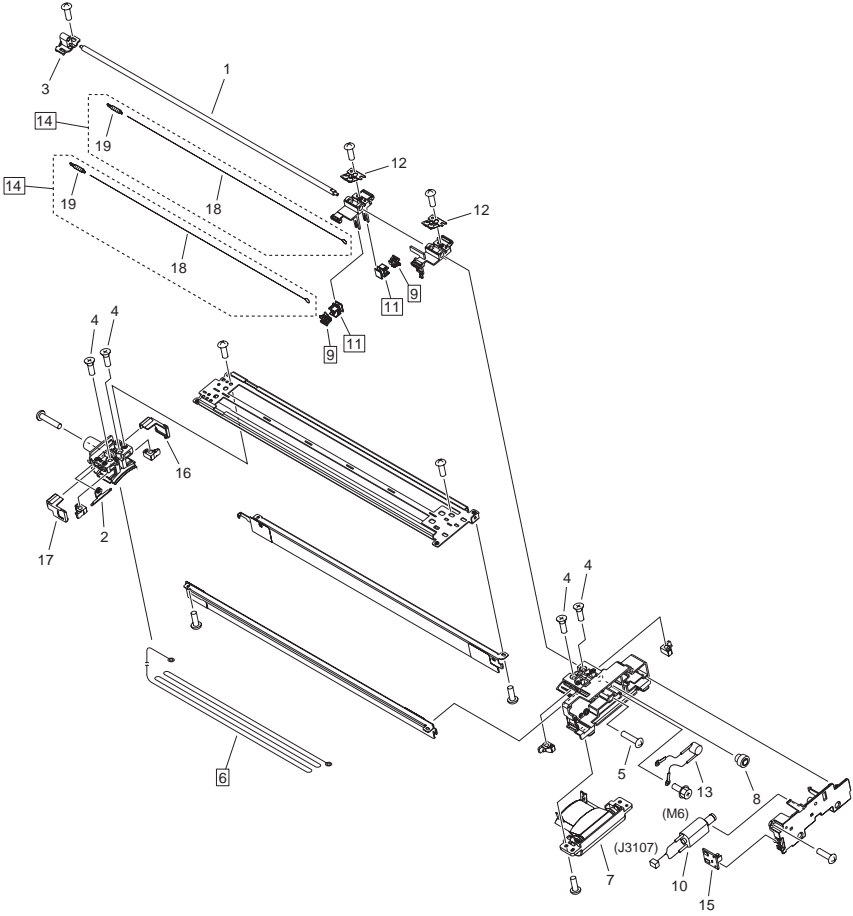


FIGURE & KEY NO.	PARTS NUMBER	R A N K	Q'TY	DESCRIPTION	SERIAL NUMBER/ REMARKS	S V C
Fig.550	FM3-7288-000		1	1ST CORONA ASS'Y	[DP]	
1	FC5-1810-000		1	SCREW, LEAD		
2	FC8-7053-000		1	HOOK, CORONA WIRE SPRING		
3	FC8-7054-000		1	BUSHING		
4	XA9-0228-000		4	SCREW, INSUL., C.S.HEAD		
5	XA9-1302-010		1	SCREW,MACH,TRUSS HEAD,M3X14		
6	FY1-0883-000		1	CORONA WIRE ROLL (100M)	[DP]	
7	FM4-5432-000		1	SHUTTER UNIT		
8	FU5-0268-000		1	GEAR, 18T		
9	FL2-0462-020		2	BLOCK, WIRE CLEANING PAD	[DP]	
10	FL2-0991-000		1	DC MOTOR UNIT	M6	
11	FL2-2720-000		2	HOLDER, WIRE CLEANING PAD	[DP]	
12	FL3-5027-000		2	PIN, SLIDER		
13	FL3-1270-000		1	VARISTOR		
14	FL3-4558-000		2	WIRE, 1ST CORONA	[DP]	
15	FM4-1102-000		1	CONTACT PCB ASS'Y		
16	FC0-2088-000		1	COVER, 1ST CORONA INNER, RIGHT		
17	FC0-2089-000		1	COVER, 1ST CORONA INNER, LEFT		
18	FB4-3687-000		2	WIRE, CORONA, 0.06MM (20M)		
19	FU8-2522-000		2	SPRING, TENSION		

FIGURE 570
PRE-TRANSFER CORONA ASS'Y

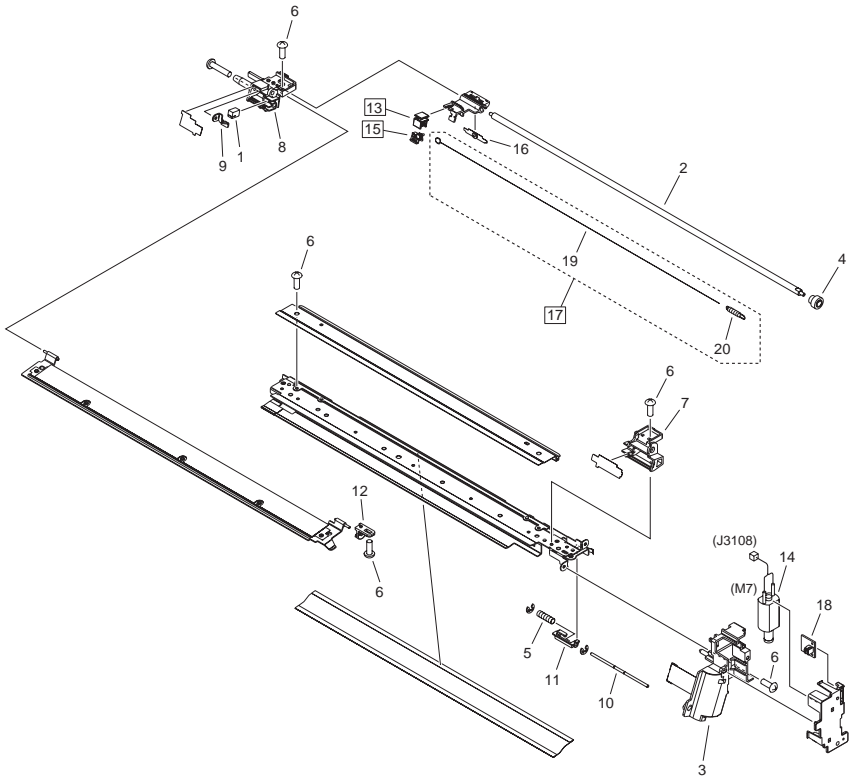


FIGURE & KEY NO.	PARTS NUMBER	R A N K	Q'TY	DESCRIPTION	SERIAL NUMBER/REMARKS	S V C
Fig.570	FM3-7297-000		1	PRE-TRANSFER CORONA ASS'Y	[DP]	
1	FA4-1864-000		1	DAMPER		
2	FC5-1810-000		1	SCREW, LEAD		
3	FM4-5433-000		1	SHUTTER UNIT		
4	FU5-0268-000		1	GEAR, 18T		
5	FU8-2345-000		1	SPRING, COMPRESSION		
6	XA9-1659-000		8	SCREW,M3X4		
7	FC9-0071-000		1	BLOCK, PRE-TRANSFER CORONA, FR		
8	FC9-0074-000		1	BLOCK, PRE-TRANSFER CORONA, RR		
9	FC9-4111-000		1	TERMINAL, CORONA WIRE		
10	FC9-6165-000		1	PIN, SLIDE		
11	FC9-6166-000		1	HOLDER, SLIDE PIN		
12	FC9-8052-000		1	STOPPER, GUIDE		
13	FL2-0462-020		1	BLOCK, WIRE CLEANING PAD	[DP]	
14	FL2-0991-000		1	DC MOTOR UNIT	M7	
15	FL2-2720-000		1	HOLDER, WIRE CLEANING PAD	[DP]	
16	FL2-8930-000		1	SPRING, PRESSURE		
17	FL3-4559-000		1	WIRE, PRE-TRANSFER CORONA	[DP]	
18	FM4-1102-000		1	CONTACT PCB ASS'Y		
19	FB4-3687-000		1	WIRE, CORONA, 0.06MM (20M)		
20	FU8-2522-000		1	SPRING, TENSION		

FIGURE 620
HOPPER ASS'Y

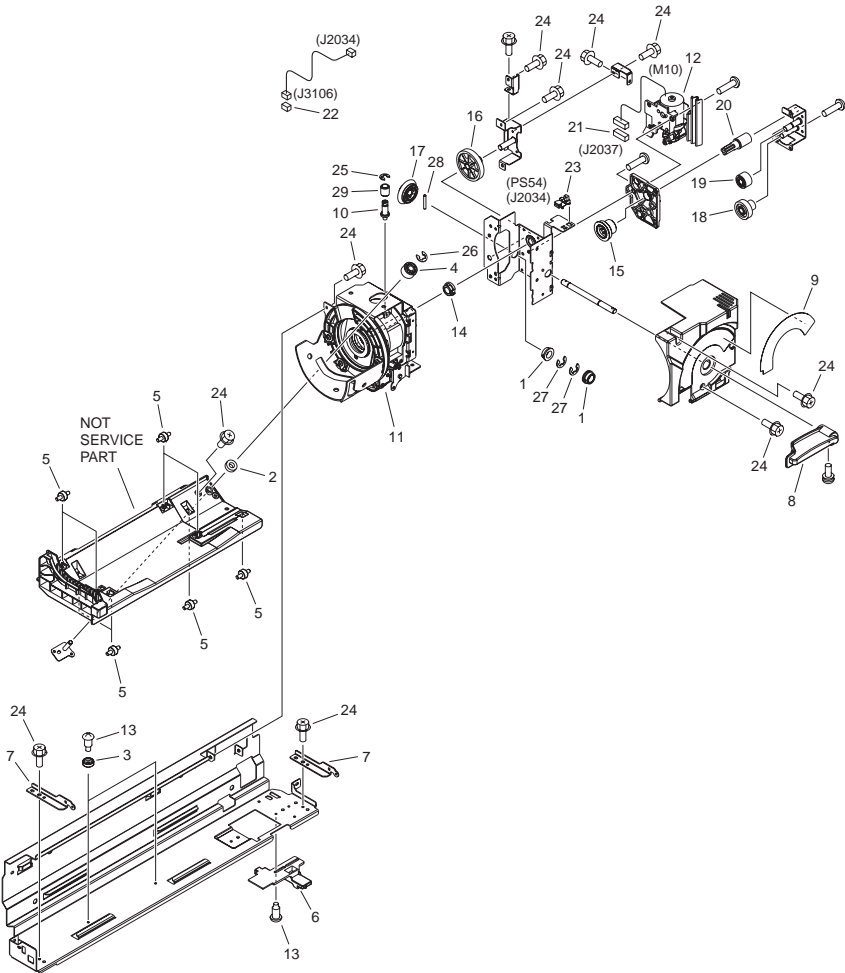


FIGURE & KEY NO.	PARTS NUMBER	R A N K	Q'TY	DESCRIPTION	SERIAL NUMBER/ REMARKS	S V C
Fig.620	NPN		1	HOPPER ASS'Y		
1	FA9-2112-000		2	BUSHING, PL		
2	XG9-0521-000		1	BEARING, BALL, MR126ZZ		
3	FC9-9196-000		2	ROLLER, BOTTLE BOX LIMIT		
4	FC5-1950-000		1	ROLLER, BOTTLE STOP		
5	FC5-5092-000		8	ROLLER		
6	FC8-7139-000		1	SHUTTER, TONER CASE		
7	FC9-0160-000		2	SUPPORT, HINGE		
8	FC9-6942-000		1	LEVER, OPERATOR		
9	FC9-9054-000		1	LABEL, LEVER POSITION		
10	FC6-2327-000		1	SHAFT, RING		
11	FM4-0880-000		1	CAM UNIT		
12	FM4-5309-000		1	BOTTLE DRIVE UNIT	M10	
13	FS5-9438-030		4	SCREW, STEPPED		
14	FU6-1197-000		1	BUSHING		
15	FU7-0841-000		1	GEAR, 28T		
16	FU8-0906-000		1	GEAR, BEVEL, 26T/48T		
17	FU8-0907-000		1	GEAR, 32T		
18	FU9-0078-000		1	GEAR, 17T/47T		
19	FU9-0079-000		1	GEAR, 25T		
20	FU9-0080-000		1	GEAR, 18T		
21	VS1-7177-006		1	CONNECTOR, SNAP TIGHT, BK		
22	VS1-8412-003		1	CONNECTOR, SNAP TIGHT, BL		
23	WG8-5848-000		1	PHOTO-INTERRUPTER, GP1A173LCS0F	PS54	
24	XA9-1386-000		AR	SCREW, RS, M3X8		
25	XD9-0134-000		1	RING, E		
26	XD9-0136-000		1	RING, E		
27	XD9-0137-010		2	RING, E		
28	XD9-0290-000		1	PIN, PARALLEL		
29	FC6-3230-000		1	STOPPER, FRONT		

FIGURE 625 BUFFER ASS'Y

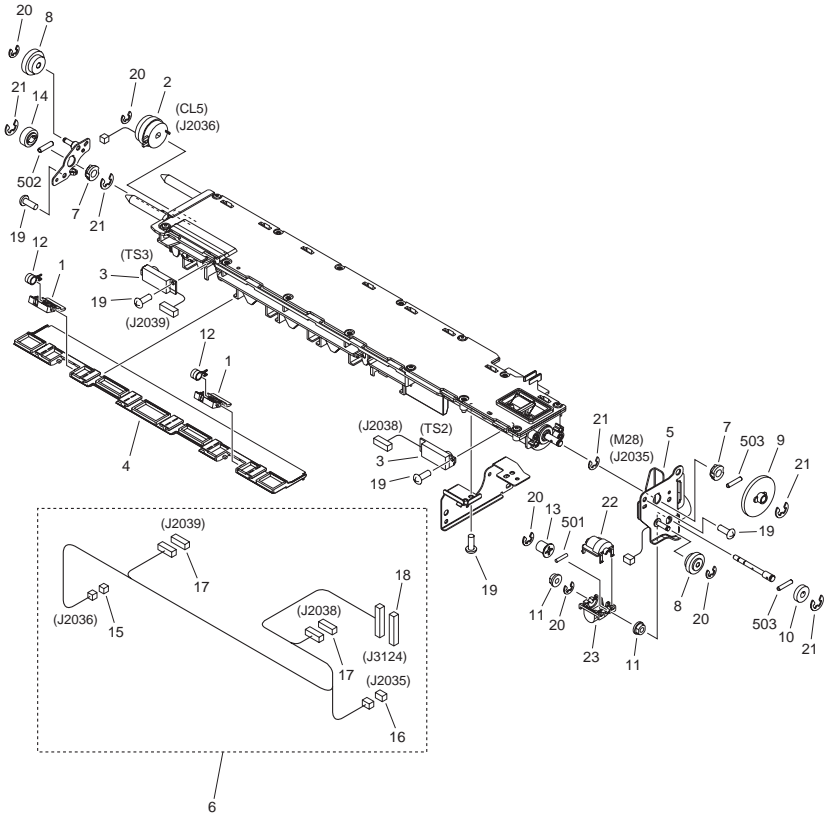


FIGURE & KEY NO.	PARTS NUMBER	R A N K	Q'TY	DESCRIPTION	SERIAL NUMBER/ REMARKS	S V C
Fig.625	FM4-0953-000		1	BUFFER ASS'Y		
1	FC9-5091-000		2	ARM, SHUTTER		
2	FK2-7685-000		1	CLUTCH, ELECTROMAGNETIC	CL5	
3	FK2-7713-000		2	SENSOR UNIT, TONER	TS2,TS3	
4	FL3-3782-000		1	SHUTTER, BUFFER		
5	FM4-0956-000		1	MOTOR, STEPPING, DC	M28	
6	FM4-0999-000		1	CABLE, BUFFER		
7	FS5-1219-000		2	BUSHING		
8	FS6-0028-000		2	GEAR, 23T/16T		
9	FU5-0362-000		1	GEAR, 48T		
10	FU6-0152-000		1	GEAR, 17T		
11	FU6-1194-000		2	BUSHING		
12	FU7-2715-000		2	SPRING, TORSION		
13	FU9-0031-000		1	GEAR, 14T		
14	FU9-0155-000		1	GEAR, 16T		
15	VS1-7177-002		1	CONNECTOR, SNAP TIGHT, BK		
16	VS1-7177-003		1	CONNECTOR, SNAP TIGHT, BK		
17	VS1-7177-006		2	CONNECTOR, SNAP TIGHT, BK		
18	VS1-8412-017		1	CONNECTOR, SNAP TIGHT, BL		
19	XA9-1659-000		AR	SCREW,M3X4		
20	XD9-0134-000		5	RING, E		
21	XD9-0136-000		7	RING, E		
22	FC9-5092-000		1	COVER, WORM GEAR, UPPER		
23	FC9-5093-000		1	COVER, WORM GEAR, LOWER		
501	XD3-2160-082		1	PIN, PARALLEL		
502	XD3-2200-082		1	PIN, DOWEL		
503	XD3-2200-102		2	PIN, DOWEL		

FIGURE 640
DEVELOPING ASS'Y

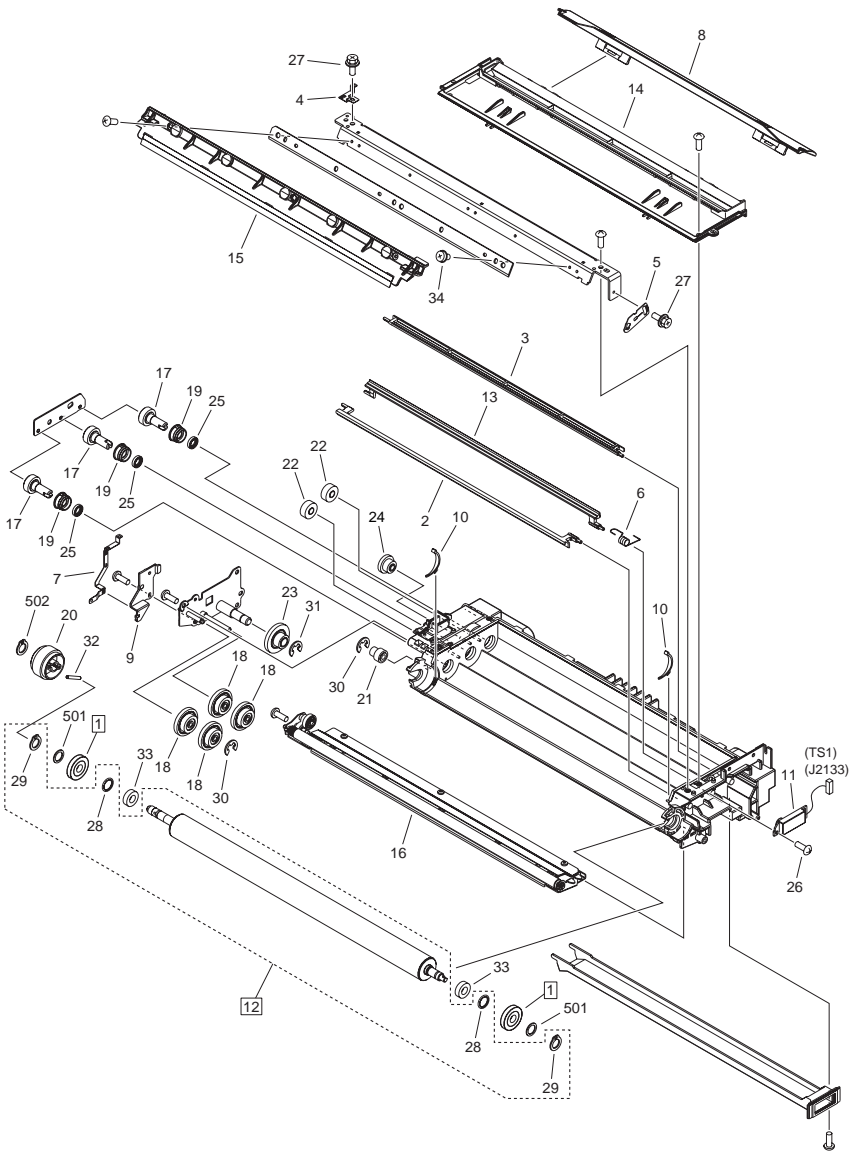


FIGURE & KEY NO.	PARTS NUMBER	R A N K	Q'TY	DESCRIPTION	SERIAL NUMBER/ REMARKS	S V C
Fig.640	FM3-7384-000		1	DEVELOPING ASS'Y		
1	FC0-2276-000		2	ROLLER, SPACER	[DP]	
2	FC8-9468-000		1	ROD, STIRRING		
3	FC8-9469-000		1	ROD, STIRRING		
4	FC8-9472-000		1	PLATE, SLEEVE BIAS, REAR		
5	FC8-9473-000		1	PLATE, SLEEVE BIAS, FRONT		
6	FC8-9474-000		1	SPRING, COMPRESSION		
7	FC8-9503-000		1	PLATE, ROLLER BIAS		
8	FC8-9582-000		1	COVER, DEVELOPING ENTRANCE		
9	FC9-5448-000		1	GUIDE, SPRING		
10	FC9-5449-000		2	SEAL, SIDE END MAGNET		
11	FK2-7713-000		1	SENSOR UNIT, TONER	TS1	
12	FM4-5438-000		1	CYLINDER, DEVELOPING	[DP]	
13	FL3-2163-000		1	ROD, STIRRING		
14	FL3-2167-000		1	LID, DEVELOPING		
15	FL3-3613-000		1	COVER, SLEEVE		
16	FM3-7385-000		1	WASTE ASS'Y		
17	FS6-0857-000		3	GEAR, 20T		
18	FU5-0166-000		4	GEAR, 32T/20T		
19	FL3-5186-000		3	BUSHING		
20	FU8-0492-000		1	GEAR, 35T		
21	FU8-0903-000		1	GEAR, 14T/16T		
22	FU9-0036-000		2	GEAR, 19T		
23	FU9-0037-000		1	GEAR, 34T/16T		
24	FU9-0039-000		1	GEAR, 14T/21T		
25	X71-9310-000		3	SEAL, OIL		
26	XA9-1659-000		2	SCREW,M3X4		
27	XA9-1932-000		2	SCREW, WWASHER, M3X6		
28	FC0-2281-000		2	RING, O		
29	XD9-0183-000		2	RING,C,EXTERNAL		
30	XD9-0134-000		2	RING, E		
31	XD9-0136-000		1	RING, E		

FIGURE & KEY NO.	PARTS NUMBER	R A N K	Q'TY	DESCRIPTION	SERIAL NUMBER/ REMARKS	S V C
32	XD9-0290-000		1	PIN, PARALLEL		
33	XG9-0218-000		2	BALL BEARING,L1680DDLY13,NMB,		
34	XA9-1936-000		3	SCREW, FLAT HEAD, M3X4		
501	XD1-1108-216		2	WASHER		
502	XD2-2100-602		1	GRIP RING (D=6)		

FIGURE 650 DEVELOPING RELEASE ASS'Y

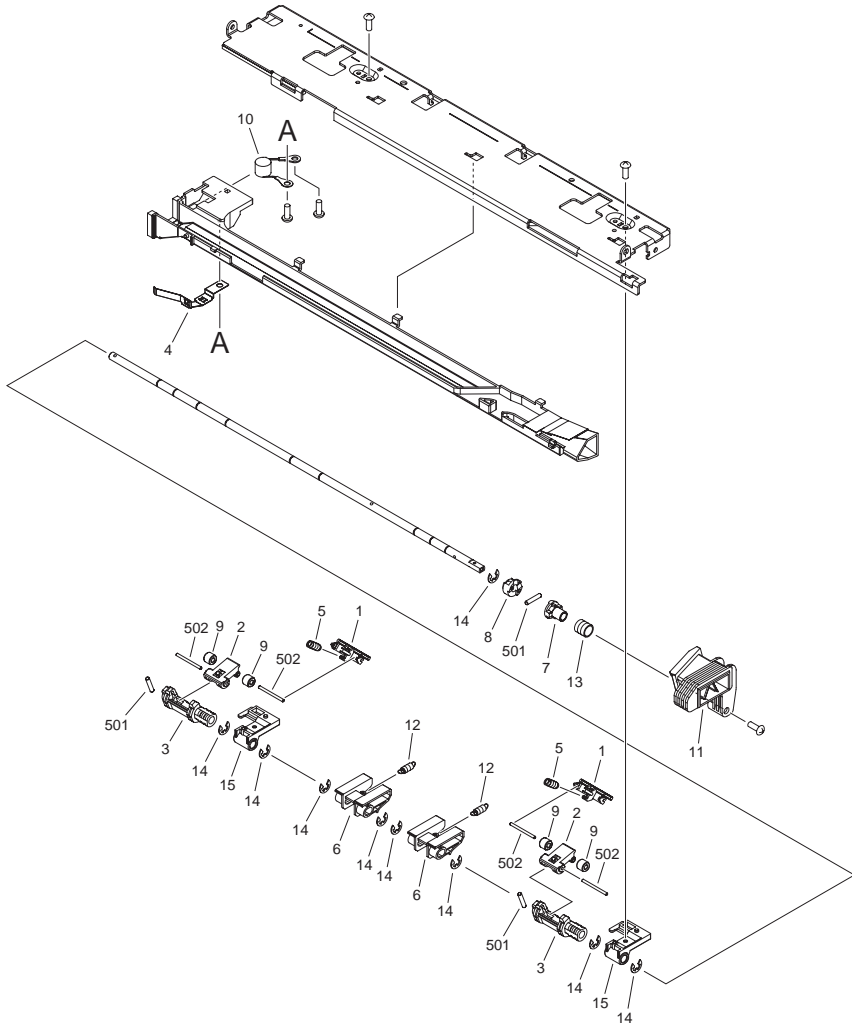
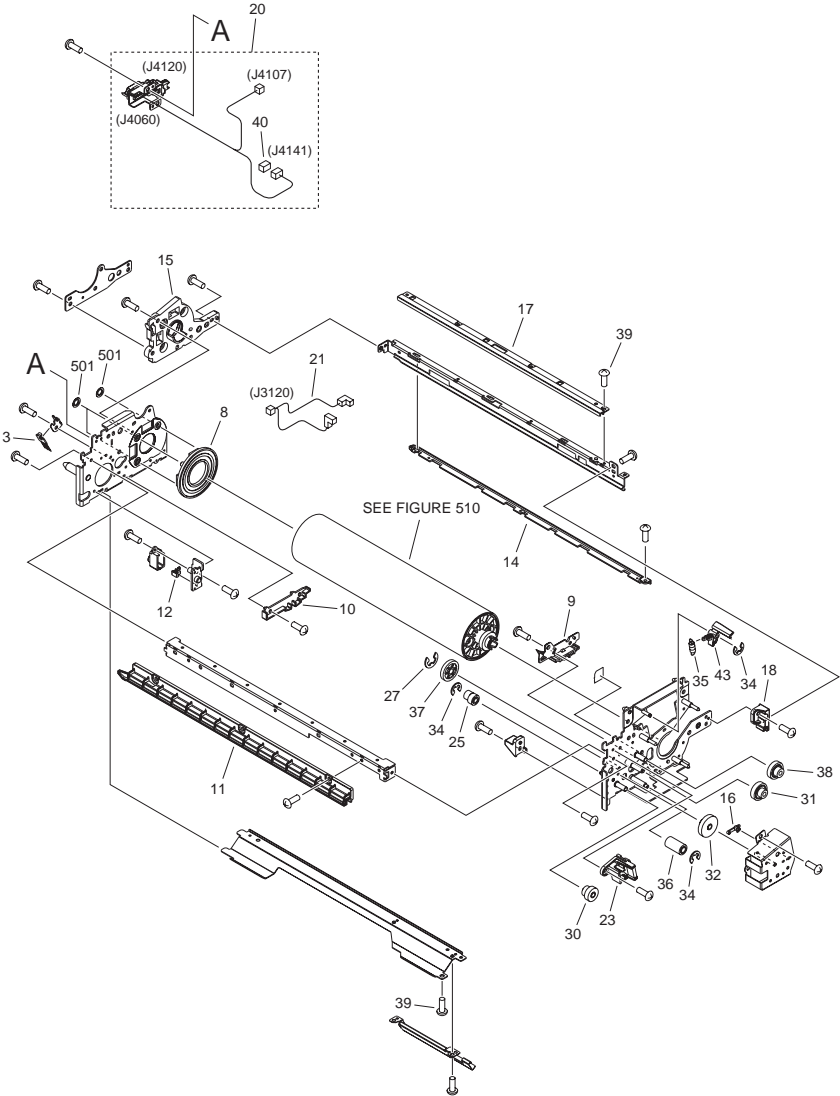


FIGURE & KEY NO.	PARTS NUMBER	R A N K	Q'TY	DESCRIPTION	SERIAL NUMBER/ REMARKS	S V C
Fig.650	FM4-0950-000		1	DEVELOPING RELEASE ASS'Y		
1	FC8-7106-000		2	ARM, PRESSURE RELEASE, 1		
2	FC8-7107-000		2	ARM, PRESSURE RELEASE, 2		
3	FC8-7108-000		2	ARM, PRESSURE RELEASE, 3		
4	FC9-7984-000		1	PLATE, VARISTOR		
5	FC8-7113-000		2	SPRING, TENSION		
6	FC8-9571-000		2	BLOCK, MULTI PRESSURE		
7	FC9-5094-000		1	CLAMP, ROTATION, 1		
8	FC9-5095-000		1	CLAMP, ROTATION, 2		
9	FC9-5096-000		4	ROLLER, PRESSURE RELEASE		
10	FL3-1270-000		1	VARISTOR		
11	FL3-2154-000		1	ARM, DUCT		
12	FU7-2706-000		2	SPRING, TENSION		
13	FU8-2313-000		1	SPRING, COMPRESSION		
14	XD9-0136-000		9	RING, E		
15	FC8-7109-000		2	HOLDER, ARM		
501	XD3-2200-102		3	PIN, DOWEL		
502	XD3-2200-262		4	PIN, PARALLEL		

FIGURE 710 AP. KIT ASS'Y



NOTE : This assembly does not included the assembly shown in Figure 510.
 NOTE : This assembly includes the assemblies shown in Figure 711 and 720.

注：このユニットにFigure 510のユニットは含まれません。
 注：このユニットはFigure 711, 720のユニットを含みます。

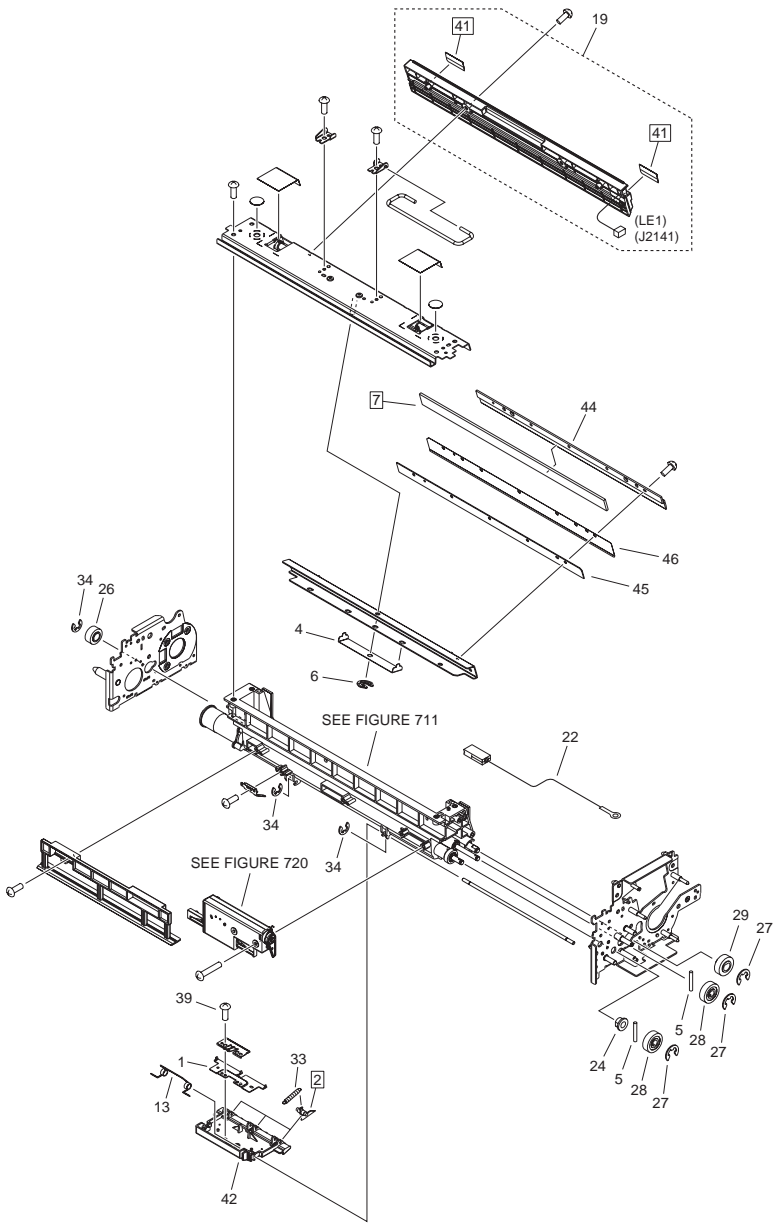
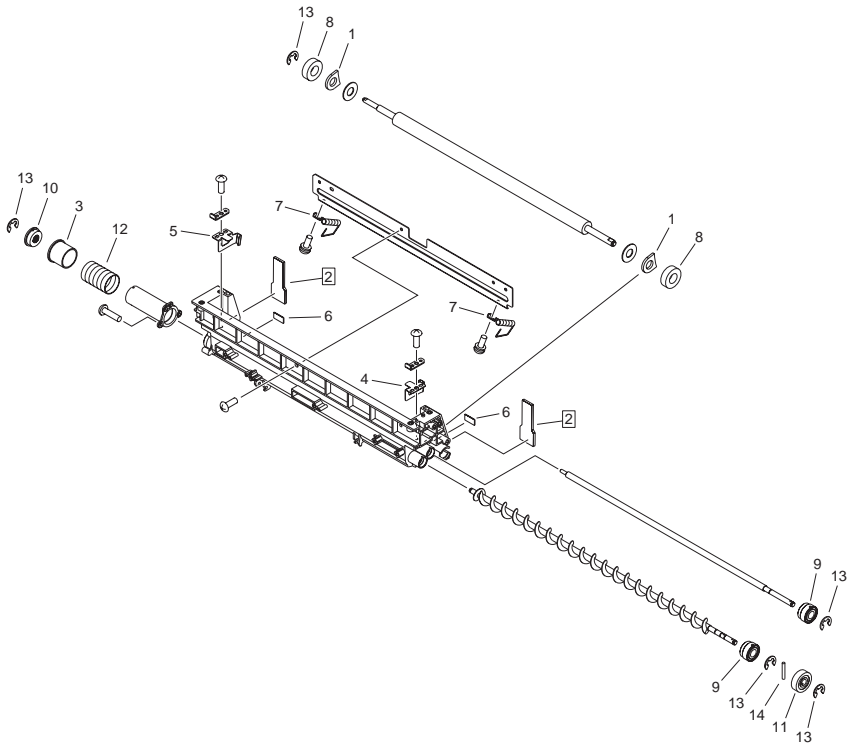


FIGURE & KEY NO.	PARTS NUMBER	R A N K	Q'TY	DESCRIPTION	SERIAL NUMBER/ REMARKS	S V C
Fig.710	FM4-5397-000		1	AP. KIT ASS'Y	SEE NOTE	
1	FB4-8012-020		1	PLATE, SEPARATION CLAW		
2	FB4-8018-010		3	CLAW, SEPARATION	[DP]	
3	FB5-9104-010		1	ELIMINATOR, STATIC CHARGE		
4	FB6-2385-000		1	SPRING, LEAF		
5	XD9-0290-000		2	PIN, PARALLEL		
6	FB6-6088-000		1	RING, RETAINING		
7	FC8-7085-000		1	BLADE, DRUM CLEANING	[DP]	
8	FC8-7093-000		1	RING, SLIP		
9	FC8-7097-000		1	GUIDE, TRANSFER POSITION,FRONT		
10	FC8-7098-000		1	GUIDE, TRANSFER POSITION, REAR		
11	FC8-9404-000		1	RAIL, LEFT		
12	FC8-9413-000		1	CONNECTOR, HIGH VOLTAGE		
13	FC9-4863-000		1	SPRING, TORSION		
14	FC9-4867-000		1	RAIL, RIGHT		
15	FC9-4870-000		1	GUIDE, POSITIONING		
16	FC9-5573-000		1	STOPPER		
17	FC9-6169-000		1	RAIL, PRE-TRANSFER CORONA		
18	FC9-7440-000		1	JOINT, RAIL		
19	FM3-7292-000		1	PRE-EXPOSURE ASS'Y	LE1	
20	FM4-5431-000		1	DRAWER ASSEMBLY		
21	FM4-0992-000		1	CABLE, DRUM HEATER		
22	FM4-0994-000		1	CABLE, HIGH VOLTAGE		
23	FM4-5148-000		1	MOUNT, CONTACT		
24	FS1-1205-000		1	BUSHING		
25	FS6-0136-000		1	GEAR, 18T		
26	FS6-0972-000		1	GEAR, 14T		
27	XD9-0136-000		4	RING, E		
28	FU3-0303-000		2	GEAR, 30T		
29	FU6-0619-000		1	GEAR, 20T		
30	FU6-0620-000		1	GEAR, 21T/30T		
31	FU7-0363-000		1	GEAR, 18T/36T		

FIGURE & KEY NO.	PARTS NUMBER	R A N K	Q'TY	DESCRIPTION	SERIAL NUMBER/ REMARKS	S V C
32	FU7-0364-000		1	GEAR, 18T/48T	[DP]	
33	FU7-2711-000		3	SPRING, TENSION		
34	XD9-0134-000		6	RING, E		
35	FU7-2713-000		1	SPRING, TENSION		
36	FU8-0899-000		1	GEAR, 18T		
37	FU9-0051-000		1	GEAR, 38T		
38	FU9-0159-000		1	GEAR, 18T/26T		
39	XA9-1659-000		7	SCREW,M3X4		
40	VS1-7177-003		1	CONNECTOR, SNAP TIGHT, BK		
41	FC9-9153-000		2	SHEET, SCRAPER		
42	FC9-4860-000		1	HOLDER, SEPARATION CLAW		
43	FC9-4871-000		1	STOPPER, CORONA		
44	FL3-3801-000		1	CLAMP, BLADE		
45	FC8-7083-000		1	PLATE, BLADE AUXILIARY		
46	FC9-4360-000		1	PLATE, BLADE BACKING		
501	XD2-2300-602		3	GRIP RING		

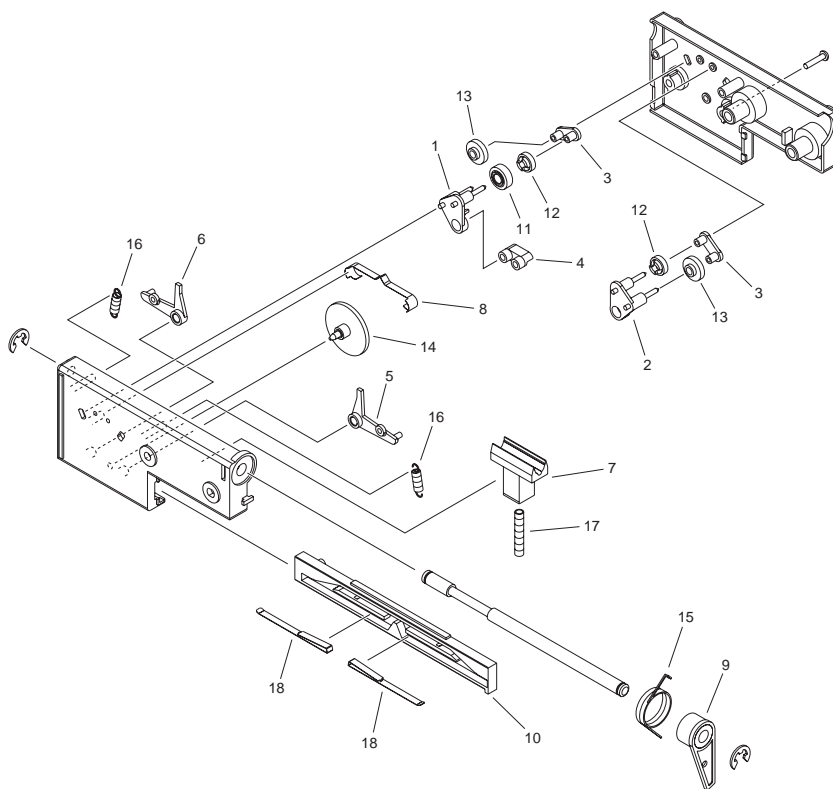
FIGURE 711 DRUM CLEANING ASS'Y



NOTE : This assembly is included in the assembly shown in Figure 710.
 注 : このユニットはFigure 710のユニットに含まれます。

FIGURE & KEY NO.	PARTS NUMBER	R A N K	Q'TY	DESCRIPTION	SERIAL NUMBER/ REMARKS	S V C
Fig.711	FM4-5396-000		1	DRUM CLEANING ASS'Y	SEE NOTE	
1	FB2-6872-000		2	SEAL, FELT		
2	FC8-7086-000		2	SCRAPER, SIDE END	[DP]	
3	FC9-9143-000		1	SHUTTER, WASTE TONER		
4	FC9-9154-000		1	SCRAPER, SIDE, FRONT		
5	FC9-9155-000		1	SCRAPER, SIDE, REAR		
6	FC9-9159-000		2	SHEET, POSITIONING		
7	FC9-9173-000		2	SPRING, TORSION		
8	XG9-0727-000		2	BEARING, BALL, 688-2RS SH44M		
9	FL3-3700-000		2	BUSHING		
10	FL3-4551-000		1	BUSHING		
11	FU3-0303-000		1	GEAR, 30T		
12	FU7-2695-000		1	SPRING, COMPRESSION		
13	XD9-0136-000		5	RING, E		
14	XD9-0290-000		1	PIN, PARALLEL		

FIGURE 720 SEPARATION CLAW DRIVE ASSEMBLY



NOTE : This assembly includes the assemblies shown in Figure 710.
注 : このユニットはFigure 710のユニットに含まれます。

FIGURE & KEY NO.	PARTS NUMBER	R A N K	Q'TY	DESCRIPTION	SERIAL NUMBER/ REMARKS	S V C
Fig.720	FG5-5789-000		1	SEPARATION CLAW DRIVE ASSEMBLY	SEE NOTE	
1	FA3-2473-000		1	LINK, LEFT		
2	FA3-2474-000		1	LINK, RIGHT		
3	FA3-2475-000		2	BRACE		
4	FA3-2476-000		1	LINK		
5	FA3-2477-000		1	LEVER, RESET, RIGHT		
6	FA3-2478-000		1	LEVER, RESET, LEFT		
7	FA3-2483-000		1	BRAKE		
8	FS7-2995-000		1	SPRING, LEAF		
9	FA9-3943-000		1	LEVER, DRIVE		
10	FB2-8299-000		1	RACK		
11	FS2-0088-000		1	GEAR, 20T		
12	FS2-0089-000		2	GEAR, 20T		
13	FS2-0090-000		2	GEAR, 25T		
14	FS2-0091-000		1	GEAR, 60T		
15	FS2-2001-000		1	SPRING, TORSION		
16	FS2-2002-000		2	SPRING		
17	FS2-2058-000		1	SPRING, COMPRESSION		
18	FS7-2994-000		2	SPRING, LEAF		

FIGURE 770 WASTE TONER FEED ASSEMBLY

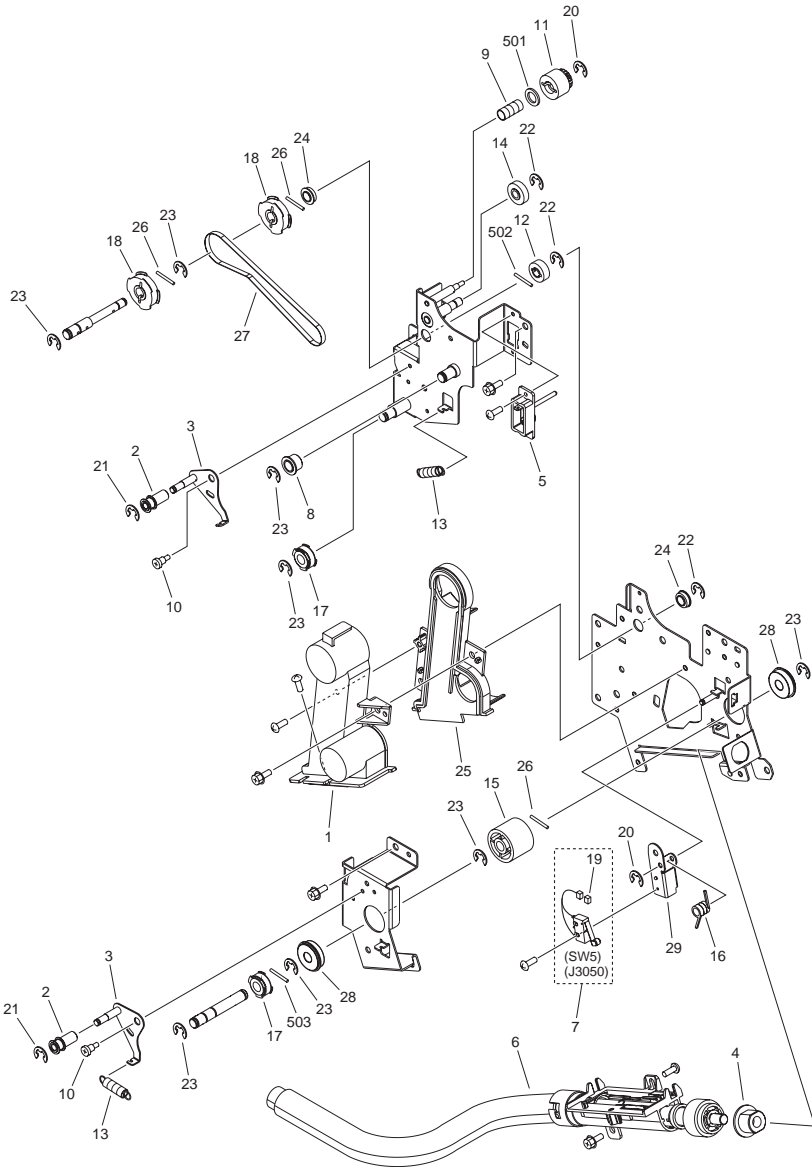


FIGURE & KEY NO.	PARTS NUMBER	R A N K	Q'TY	DESCRIPTION	SERIAL NUMBER/ REMARKS	S V C
Fig.770	FM4-0899-000		1	WASTE TONER FEED ASSEMBLY		
1	FC8-7424-000		1	CAP, WASTE TONER DRIVE, UPPER		
2	FC9-5134-000		2	ROLLER, TENSIONER		
3	FL3-0286-000		2	TENSIONER		
4	FL3-3875-000		1	BUSHING		
5	FM4-0902-000		1	CONTACT PIN SUPPORT UNIT		
6	FM4-0903-000		1	WASTE TONER SCREW DRIVE ASS'Y		
7	FM4-1029-000		1	CABLE, LOCK DETECT SWITCH	SW5	
8	FS2-6458-000		1	ROLLER		
9	FS5-2959-000		1	SPRING, TORSION		
10	FS5-9714-000		2	SCREW, STEPPED, M3		
11	FS7-0026-000		1	GEAR, 18T		
12	FU6-0446-000		1	GEAR, 18T		
13	FU7-2692-000		2	SPRING, TENSION		
14	FU8-0079-000		1	GEAR, 20T		
15	FU8-0082-000		1	GEAR, 26T		
16	FU8-2515-000		1	SPRING, TORSION		
17	FU9-0157-000		2	PULLEY, 28T		
18	FU9-0158-000		2	PULLEY, 40T		
19	VS1-7177-002		1	CONNECTOR, SNAP TIGHT, BK		
20	XD9-0134-000		2	RING, E		
21	XD9-0135-000		2	RING, E		
22	XD9-0136-000		3	RING, E		
23	XD9-0137-010		8	RING, E		
24	XG9-0705-000		2	BEARING, BALL, MF106ZZS		
25	FL3-1300-000		1	CAP, WASTE TONER DRIVE, LOWER		
26	XD9-0292-000		3	PIN, PARALLEL		
27	XF2-4114-240		1	BELT, TIMING, COGGED		
28	XG9-0492-000		2	BEARING, BALL, 608ZZ		
29	FC9-9131-000		1	SUPPORT, WASTE TONER, SENSOR		
501	XD1-1206-229		1	WASHER, PLAIN		
502	XD3-2200-102		1	PIN, DOWEL		

FIGURE & KEY NO.	PARTS NUMBER	R A N K	Q'TY	DESCRIPTION	SERIAL NUMBER/ REMARKS	S V C
503	XD3-2200-122		1	PIN, PARALLEL		

FIGURE 810 FIXING ASS'Y

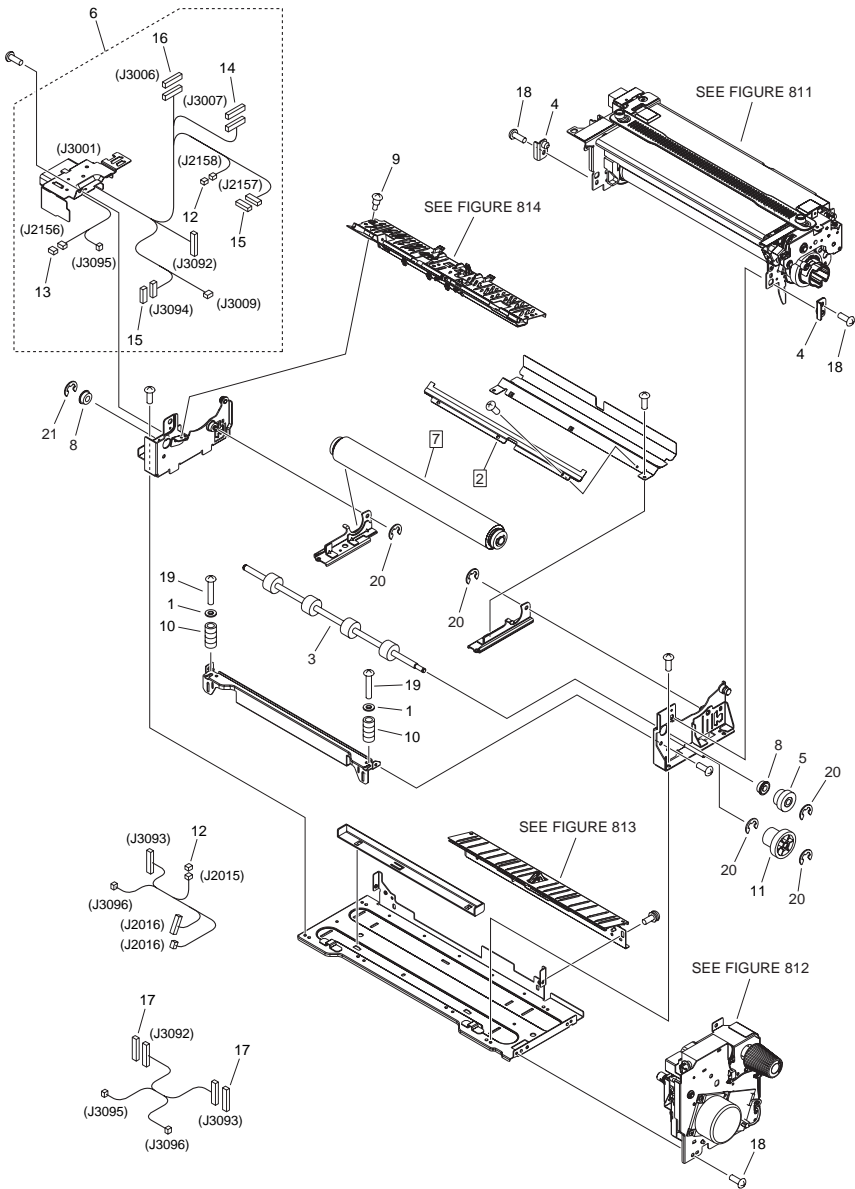
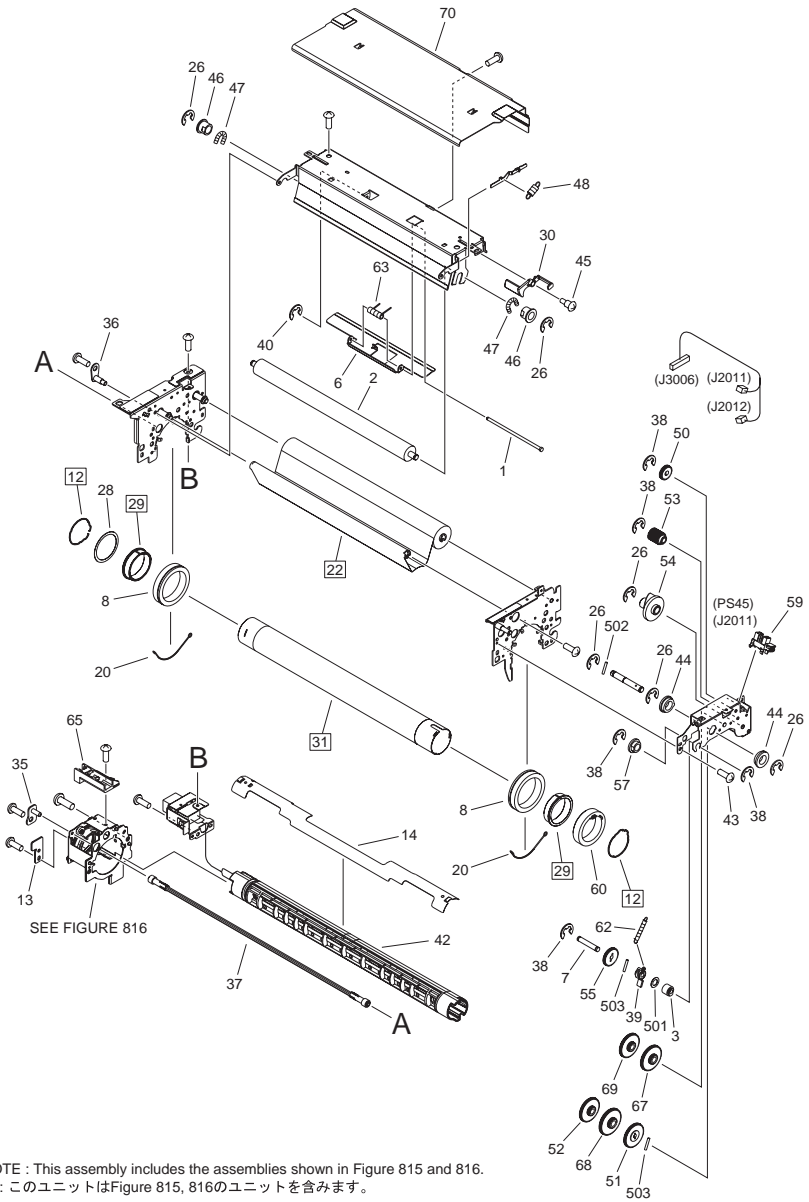


FIGURE & KEY NO.	PARTS NUMBER	R A N K	Q'TY	DESCRIPTION	SERIAL NUMBER/ REMARKS	S V C
Fig.810	NPN		RF	FIXING ASS'Y		
1	FB4-1200-020		2	COLLAR, SPRING		
2	FC7-4287-000		1	ELIMINATOR, STATIC CHARGE	[DP]	
3	FC8-7232-000		1	ROLLER, INNER PAPER DELIVERY		
4	FL3-0219-000		2	SUPPORT, FIXING		
5	FL3-3731-000		1	GEAR, 19T		
6	FM3-7356-000		1	CABLE, FIXING DC DRAWER		
7	FM4-3160-000		1	ROLLER, PRESSURE	120V,230V [DP]	
7	FM4-5403-000		1	ROLLER, PRESSURE	100V [DP]	
8	XG9-0365-000		2	BEARING, BALL		
9	FS5-9162-020		1	SCREW, STEPPED		
10	FU6-2858-000		2	SPRING, COMPRESSION		
11	FU9-0083-000		1	GEAR, 33T/20T		
12	VS1-7177-002		2	CONNECTOR, SNAP TIGHT, BK		
13	VS1-7177-003		1	CONNECTOR, SNAP TIGHT, BK		
14	VS1-7177-004		1	CONNECTOR, SNAP TIGHT, BK		
15	VS1-7177-006		2	CONNECTOR, SNAP TIGHT, BK		
16	VS1-7177-007		1	CONNECTOR, 7P, FEMALE, BK		
17	VS1-7177-009		2	CONNECTOR, 9P		
18	XA9-1031-000		5	SCREW, MACH. TRUSS HEAD, M4X6		
19	XA9-1945-000		2	SCREW, MACH.,TRUSS HEAD, M4X45		
20	XD9-0136-000		5	RING, E		
21	XD9-0137-010		1	RING, E		

FIGURE 811 FIXING ASS'Y, UPPER



NOTE : This assembly includes the assemblies shown in Figure 815 and 816.
 注 : このユニットはFigure 815, 816のユニットを含みます。

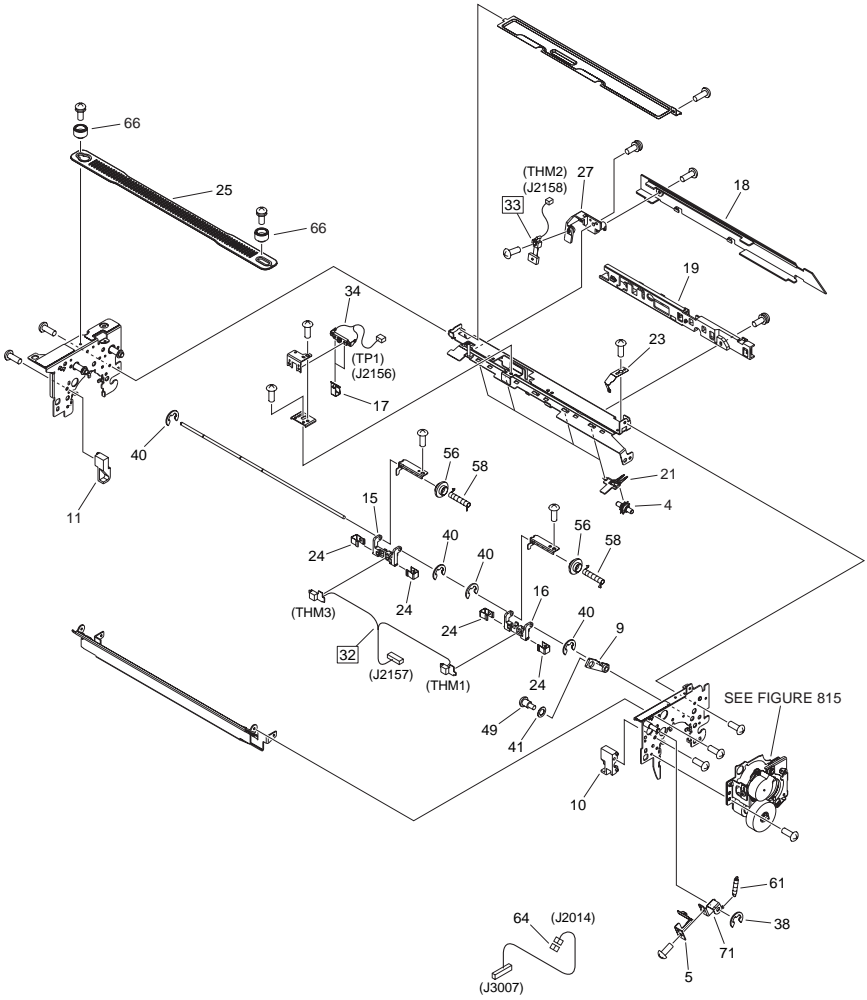


FIGURE & KEY NO.	PARTS NUMBER	R A N K	Q'TY	DESCRIPTION	SERIAL NUMBER/ REMARKS	S V C
Fig.811	FM3-7358-000		1	FIXING ASS'Y, UPPER	SEE NOTE	
1	FA6-3071-020		1	ROD, PLATE MOUNTING		
2	FA9-3860-000		1	ROLLER, CLEANING		
3	FB1-6833-000		1	BUSHING		
4	FB1-8776-000		4	ROWEL		
5	FB2-7219-030		1	PLATE, LIMIT, ARM		
6	FB2-7221-000		1	PLATE, SUPPORT		
7	FB2-7230-000		1	SHAFT, ONE-WAY		
8	XG9-0563-000		2	BEARING,BALL,6809ZZN S1C4		
9	FB5-5521-000		1	HOLDER, SHAFT		
10	FC6-3499-000		1	STOPPER,CLAW,FRONT		
11	FC6-3500-000		1	STOPPER,CLAW,REAR		
12	FC6-3501-020		2	RETAINER,FIXING ROLLER,THRUST	[DP]	
13	FC6-3524-000		1	STOPPER,HOPPER,RIGHT		
14	FC6-3525-000		1	SHUTTER		
15	FC6-3588-000		1	HOLDER,THERMISTOR INNER,RIGHT		
16	FC6-3592-000		1	HOLDER,MAIN THERMISTOR		
17	FC6-3596-000		2	SPRING, LEAF		
18	FC6-3628-000		1	COVER, CROSSMEMBER, RIGHT		
19	FC6-3669-000		1	GUIDE,CORD,RIGHT		
20	FC6-3673-000		2	RETAINER,BEARING		
21	FC6-3808-000		4	HOLDER, ROLLER		
22	FY1-1157-000		1	CLEANER SUPPLY ROLL	[DP]	
23	FC7-7717-000		1	TERMINAL, ROLLER GROUNDING		
24	FC7-7800-000		4	SPRING		
25	FC8-7212-000		1	BELT, HANDLE		
26	XD9-0137-010		6	RING, E		
27	FC8-9512-000		1	HOLDER, SUB THERMISTOR, RIGHT		
28	FC9-8067-000		1	SPACER, BUSHING		
29	FC9-8069-000		2	BUSHING	[DP]	
30	FC9-8282-000		1	LEVER, CLEANER REMNANT SENSING		
31	FC9-9163-000		1	ROLLER, FIXING	[DP]	

FIGURE & KEY NO.	PARTS NUMBER	R A N K	Q'TY	DESCRIPTION	SERIAL NUMBER/ REMARKS	S V C
32	FK2-7683-000		1	THERMISTOR UNIT, MAIN	THM1,THM3 [DP]	
33	FK2-7693-000		1	THERMISTOR UNIT, SUB	THM2 [DP]	
34	FK2-7698-000		1	THERMOSWITCH	TP1	
35	FL2-3049-000		1	SUPPORT,SHAFT		
36	FL2-3051-000		1	PLATE,ROLL SHAFT,REAR		
37	FL2-3058-000		1	SHAFT, DRIVE		
38	XD9-0136-000		6	RING, E		
39	FL3-2159-000		1	ARM, ONE-WAY		
40	XD9-0134-000		5	RING, E		
41	XD9-0067-000		1	WASHER, FRONT PANEL ARM, S		
42	FM3-7359-000		1	FIXING HEATER UNIT		
43	XA9-1031-000		2	SCREW, MACH. TRUSS HEAD, M4X6		
44	FS1-1449-000		2	BUSHING, PL		
45	FS1-9009-020		1	TWO-STEP SCREW, M3		
46	FS2-1256-000		2	BUSHING		
47	FU8-2523-000		2	SPRING, TENSION		
48	FS5-2940-000		1	SPRING, TENSION		
49	FS5-9162-020		1	SCREW, STEPPED		
50	FS6-0103-000		1	GEAR, 28T		
51	FS7-0891-000		1	GEAR, 60T		
52	FS6-0105-000		1	GEAR, 22T/60T		
53	FS6-0106-000		1	GEAR, 23T		
54	FS6-0107-000		1	GEAR, 50T		
55	FS6-0134-000		1	GEAR		
56	FU5-1468-000		2	BUSHING		
57	FU6-1193-000		1	BUSHING		
58	FU6-2107-000		2	SPRING		
59	WG8-5848-000		1	PHOTO-INTERRUPTER,GP1A173LCS0F	PS45	
60	FU8-0505-000		1	GEAR, 52T		
61	FU8-2315-000		1	SPRING, TENSION		
62	FU8-2316-000		1	SPRING, TENSION		
63	FU8-2516-000		1	SPRING, TORSION		

FIGURE & KEY NO.	PARTS NUMBER	RANK	Q'TY	DESCRIPTION	SERIAL NUMBER/REMARKS	SVC
64	VS1-7177-004		1	CONNECTOR, SNAP TIGHT, BK		
65	FC6-3447-000		1	GUIDE, COIL CORD		
66	FC8-7213-000		2	SPACER		
67	FS7-0893-000		1	GEAR, 22T/63T		
68	FS7-0894-000		1	GEAR, 19T/63T		
69	FS7-0895-000		1	GEAR, 19T/60T		
70	FC9-7840-000		1	COVER, FIXING, UPPER		
71	FC9-5137-000		1	PLATE, LIMIT, ARM, 2		
501	XD1-1106-225		1	WASHER, COP		
502	XD3-1300-122		1	PIN, SPRING		
503	XD3-2200-122		2	PIN, PARALLEL		

FIGURE 812 FIXING DRIVE ASS'Y

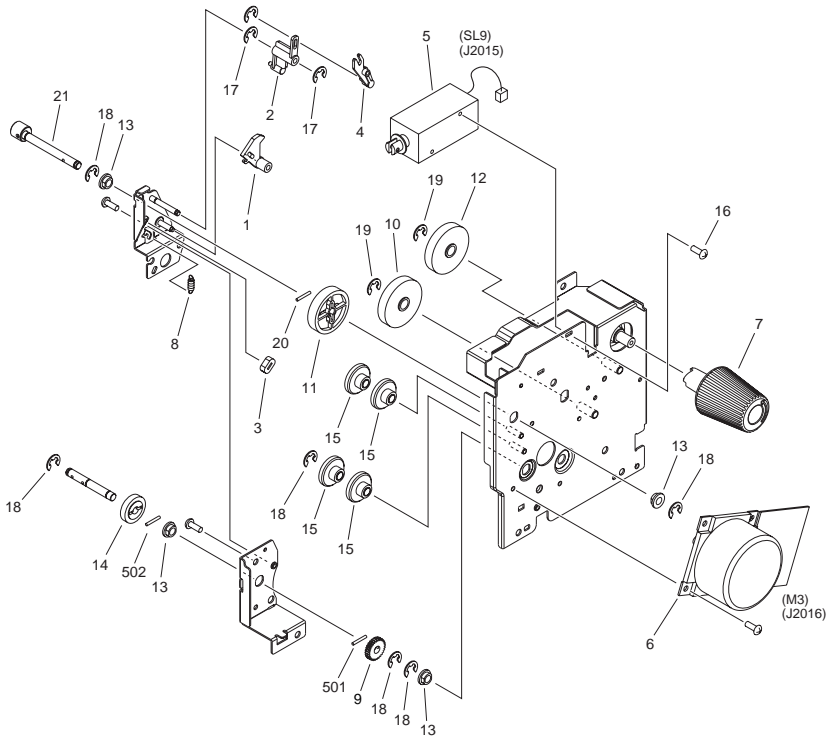


FIGURE & KEY NO.	PARTS NUMBER	R A N K	Q'TY	DESCRIPTION	SERIAL NUMBER/ REMARKS	S V C
Fig.812	FM3-7357-000		1	FIXING DRIVE ASS'Y		
1	FB2-7243-000		1	ARM, SOLENOID, 2		
2	FC8-7235-000		1	LINK, SOLENOID		
3	FC8-7236-000		1	DAMPER		
4	FC8-7244-000		1	ARM, SOLENOID		
5	FK2-0839-000		1	SOLENOID	SL9	
6	FK2-7669-000		1	MOTOR, DC	M3	
7	FM2-4169-000		1	FIXING KNOB UNIT		
8	FS5-2967-000		1	SPRING, TENSION		
9	FS6-0103-000		1	GEAR, 28T		
10	FS7-0665-000		1	GEAR, 60T		
11	FU3-0302-000		1	GEAR, 58T		
12	FU6-0738-000		1	GEAR,60T		
13	FU6-1193-000		4	BUSHING		
14	FU9-0045-000		1	GEAR, 20T		
15	FU9-0156-000		4	GEAR, 16T/38T		
16	XA9-1659-000		2	SCREW,M3X4		
17	XD9-0134-000		2	RING, E		
18	XD9-0136-000		6	RING, E		
19	XD9-0137-010		2	RING, E		
20	XD9-0290-000		1	PIN, PARALLEL		
21	FL3-0227-000		1	SHAFT, RECIPROCATING DRIVE		
501	XD3-2200-102		1	PIN, DOWEL		
502	XD3-2200-122		1	PIN, PARALLEL		

FIGURE 813 FIXING ENTRANCE GUIDE ASS'Y

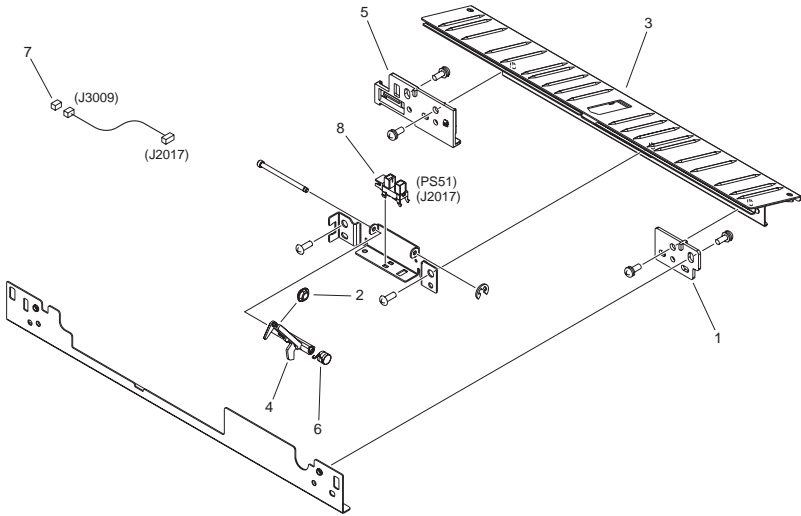


FIGURE & KEY NO.	PARTS NUMBER	RANK	QTY	DESCRIPTION	SERIAL NUMBER/REMARKS	SVC
Fig.813	NPN		1	FIXING ENTRANCE GUIDE ASS'Y		
1	FB5-6948-000		1	PLATE, HEIGHT ADJUSTING		
2	FB6-3150-000		1	ROLLER, TRANSFER SENSOR		
3	FC8-7225-000		1	GUIDE, ENTRANCE		
4	FC5-5145-000		1	FLAG, FIXING ENTRANCE SENSOR		
5	FC9-5026-000		1	MOUNT, HEIGHT		
6	FU5-2175-000		1	SPRING, TORSION		
7	VS1-7177-003		1	CONNECTOR, SNAP TIGHT, BK		
8	WG8-5848-000		1	PHOTO-INTERRUPTER,GP1A173LCS0F	PS51	

FIGURE 814 FIXING EXIT GUIDE ASS'Y

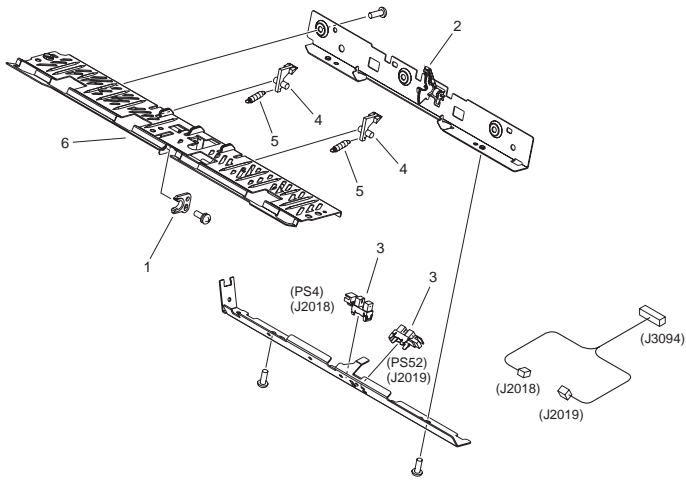
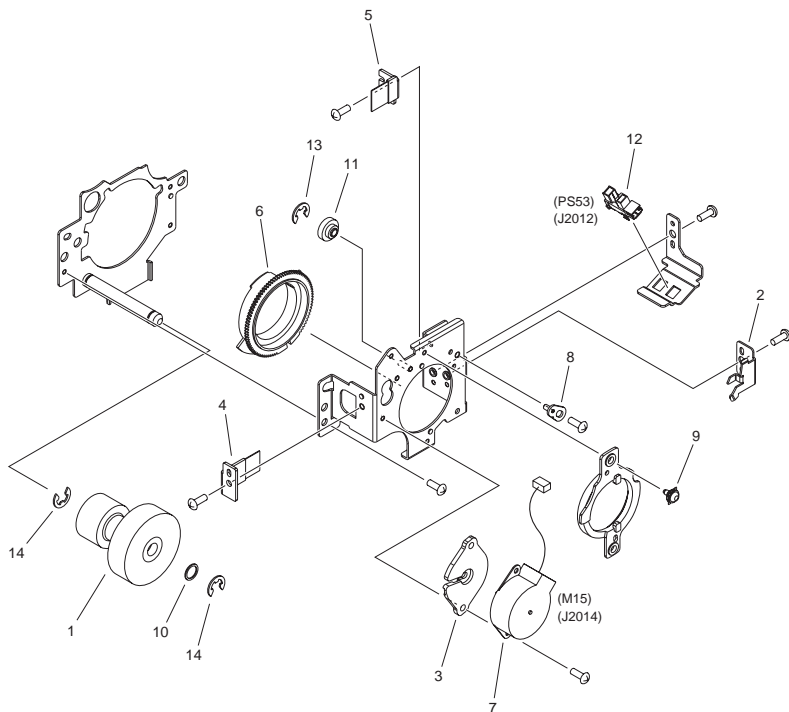


FIGURE & KEY NO.	PARTS NUMBER	RANK	QTY	DESCRIPTION	SERIAL NUMBER/REMARKS	SVC
Fig.814	NPN		1	FIXING EXIT GUIDE ASS'Y		
1	FB5-5530-000		1	HOLDER, SHAFT		
2	FL3-3619-000		1	CLAMP UNIT, SEPARATION CLAW		
3	WG8-5848-000		2	PHOTO-INTERRUPTER,GP1A173LCS0F	PS4,PS52	
4	FA2-9037-000		2	SEPARATION CLAW, LOWER		
5	FS1-2834-000		2	SPRING, TENSION		
6	FL3-3620-000		1	GUIDE, INNER PAPER DELIVERY, L		

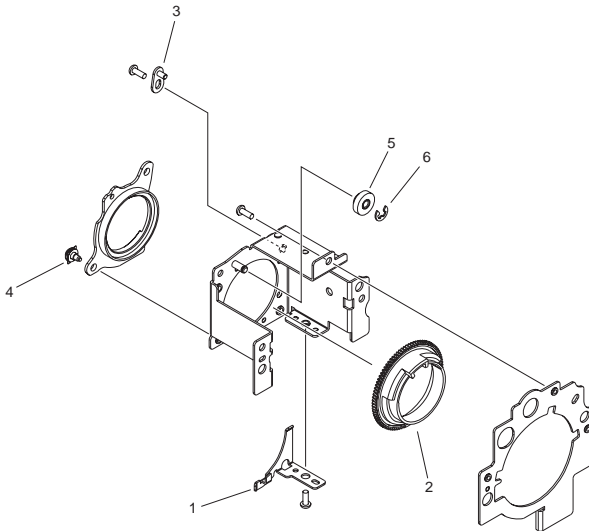
FIGURE 815 SHAFT FIXED PLATE ASS'Y, FRONT



NOTE : This assembly is included in the assembly shown in Figure 811.
注：このユニットはFigure 811のユニットに含まれます。

FIGURE & KEY NO.	PARTS NUMBER	R A N K	Q'TY	DESCRIPTION	SERIAL NUMBER/ REMARKS	S V C
Fig.815	FM4-5147-000		1	SHAFT FIXED PLATE ASS'Y, FRONT	SEE NOTE	
1	FC6-3494-000		1	GEAR,71T/26T		
2	FC6-3527-000		1	STOPPER, SHUTTER GEAR, FRONT		
3	FC6-3584-000		1	PLATE,MOTOR DAMPER		
4	FC0-2305-000		1	ELIMINATOR,STATIC CHARGE		
5	FC0-2306-000		1	ELIMINATOR,STATIC CHARGE		
6	FC7-4235-000		1	GEAR, 90T		
7	FK2-7677-000		1	MOTOR, STEPPING, DC	M15	
8	FL2-3056-000		1	MOUNT,GEAR STOPPER SHAFT		
9	FL2-4269-000		2	SCREW,STEPPED M3, GUIDE		
10	FS5-6487-000		1	WASHER		
11	FU6-0734-000		1	GEAR,12T/21T		
12	WG8-5848-000		1	PHOTO-INTERRUPTER,GP1A173LCS0F	PS53	
13	XD9-0134-000		1	RING, E		
14	XD9-0137-010		2	RING, E		

FIGURE 816 SHAFT FIXED PLATE ASS'Y, REAR



NOTE : This assembly is included in the assembly shown in Figure 811.
注 : このユニットはFigure 811のユニットに含まれます。

FIGURE & KEY NO.	PARTS NUMBER	RANK	QTY	DESCRIPTION	SERIAL NUMBER/REMARKS	SVC
Fig.816	FM3-7360-000		1	SHAFT FIXED PLATE ASS'Y, REAR	SEE NOTE	
1	FC6-3528-000		1	STOPPER, SHUTTER GEAR, REAR		
2	FC6-3857-000		1	GEAR, 90T		
3	FL2-3056-000		1	MOUNT, GEAR STOPPER SHAFT		
4	FL2-4269-000		2	SCREW, STEPPED M3, GUIDE		
5	FU6-0734-000		1	GEAR, 12T/21T		
6	XD9-0134-000		1	RING, E		

FIGURE & KEY NO.	PARTS NUMBER	R A N K	Q'TY	DESCRIPTION	SERIAL NUMBER/ REMARKS	S V C
Fig.900	NPN		RF	CONTROLLER BOX ASSEMBLY		
1	FC8-4051-000		2	RAIL, HARD DISK DRIVE GUIDE		
2	FC8-7016-000		1	COVER, REAR UPPER		
3	FC8-7023-000		1	SUPPORT, HINGE, 1		
4	FC8-7024-000		1	SUPPORT, HINGE, 2		
5	FC9-0079-000		1	COVER, RIGHT REAR, 1		
6	FM4-0831-000		2	DIMM ASS'Y		
7	XA9-1979-000		3	SCREW, WWASHER, M3X4		
8	FC9-6958-000		1	COVER, SIDE		
9	FC9-7059-000		1	COVER, REAR, SMALL		
10	FC9-7847-000		1	COVER, HARD DISK DRIVE		
11	FC9-8812-000		1	PLATE, GROUNDING		
12	FC9-8980-000		1	SPRING, LEAF		
13	FK2-7714-000		1	CABLE, COAXIAL		
14	FK2-8418-000		1	HARD DISK DRIVE		
15	FM3-9201-000		1	CHANNEL LINK PCB ASSEMBLY		
16	FU6-8861-000		1	LABEL, MEMORY CAUTION		
17	VS1-7173-017		1	CONNECTOR, SNAP TIGHT		
18	VS1-8412-009		1	CONNECTOR, SNAP TIGHT, BL		
19	XD9-0134-000		2	RING, E		
20	XH9-0132-000		4	DAMPER, CUSHION		
21	XZ9-0379-000		1	LATCH		
22	VS1-7177-002		2	CONNECTOR, SNAP TIGHT, BK		
23	FC9-7904-000		1	PLATE, GROUNDING, HDD		
24	FK2-7824-000		1	CABLE, HARD DISK DRIVE DATA		
25	FK2-7825-000		1	CABLE, HARD DISK P. S.		
26	FM3-9203-000		1	DIMM ASS'Y		
27	FM4-0783-000		1	TPM PCB ASSEMBLY		

FIGURE 910 FIXING HEATER PS PCB ASSEMBLY

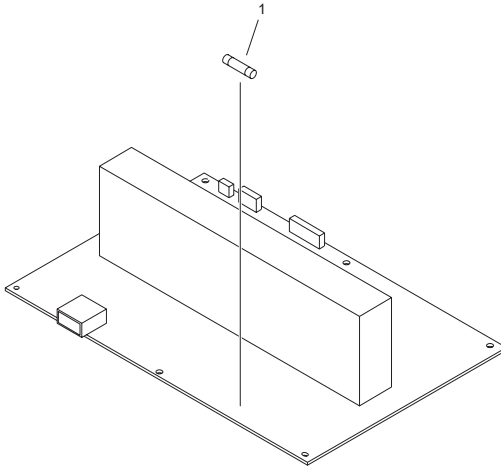
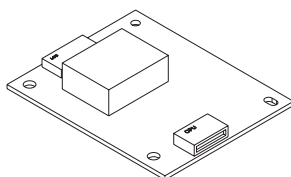


FIGURE & KEY NO.	PARTS NUMBER	RANK	QTY	DESCRIPTION	SERIAL NUMBER/REMARKS	SVC
Fig.910	FM2-3648-000		1	FIXING HEATER PS PCB ASSEMBLY	100V,120V	
Fig.910	FM4-1099-000		1	FIXING HEATER PS PCB ASSEMBLY	230V	
1	VD7-0271-502		1	FUSE, SLOW-BLOW 15A 125V	100V,120V FU101	
L	FH3-0936-000		1	INDUCTOR	100V,120V L103	
L	FH7-9245-000		1	COIL, CHOKE	230V L101	
L	RH6-3032-000		1	COIL, 1MH, 10A	230V L103	
T	FH3-0636-000		1	TRANSFORMER (220/240V), 0.3VA	T102	
T	FK2-0680-000		2	TRANSFORMER	100V,120V T101 230V T101,T161	
T	FK2-0681-000		1	TRANSFORMER	100V,120V T103	
T	RH3-0323-000		1	TRANSFORMER	T301	
T	RK2-0299-000		1	TRANSFORMER	230V T103	

FIGURE 920 INVERTER PCB ASSEMBLY



NOTE : This assembly is included in the assembly shown in Figure 130.
注：このユニットはFigure 130のユニットに含まれます。

FIGURE & KEY NO.	PARTS NUMBER	R A N K	QTY	DESCRIPTION	SERIAL NUMBER/ REMARKS	S V C
Fig.920	FM4-1196-000		1	INVERTER PCB ASSEMBLY	SEE NOTE	
T	FK2-8474-000		1	TRANSFORMER	T9001	

FIGURE 930 DC CONTROLLER PCB ASS'Y

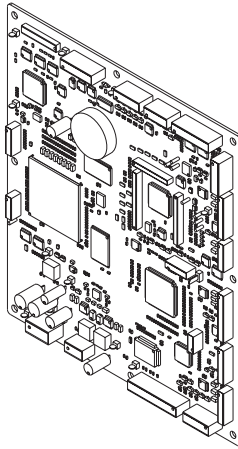


FIGURE & KEY NO.	PARTS NUMBER	RANK	QTY	DESCRIPTION	SERIAL NUMBER/REMARKS	SVC
Fig.930	FM4-1104-000		1	DC CONTROLLER PCB ASSY		
IC	FH4-6300-000		1	IC, M38871M2-010GP, MCU	IC13	
IC	FK2-7596-000		1	IC, STANDARD CELL	IC101	
IC	FK2-7597-000		1	IC, T6UN8EFG-0001(O)	IC23	
IC	FK2-7712-000		1	IC, T6UP4AFG-0102(O), MPU	IC28	
IC	FK2-7721-000		1	IC, R5F61638N50FPV-FK27721	IC14	

FIGURE 931 MAIN CONTROLLER PCB ASS'Y, 1

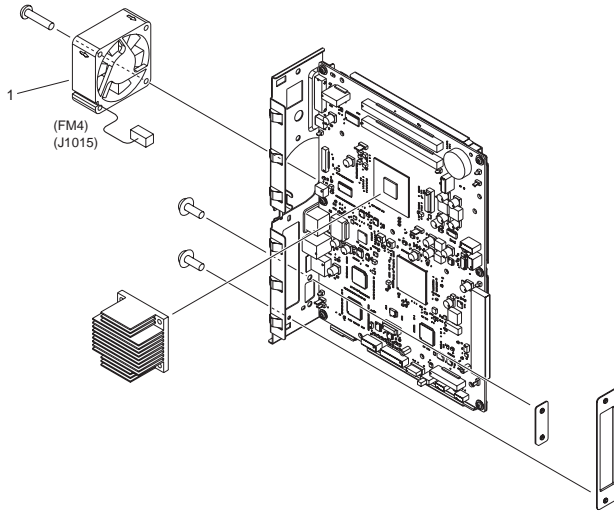


FIGURE & KEY NO.	PARTS NUMBER	RANK	QTY	DESCRIPTION	SERIAL NUMBER/REMARKS	SVC
Fig.931	FM4-5300-000		1	MAIN CONTROLLER PCB ASS'Y, 1	iR-ADV 6055	
Fig.931	FM4-5301-000		1	MAIN CONTROLLER PCB ASS'Y, 1	iR-ADV 6065	
Fig.931	FM4-5302-000		1	MAIN CONTROLLER PCB ASS'Y, 1	iR-ADV 6075	
1	FK2-8276-000		1	FAN	FM4	
IC	FK2-8272-000		1	IC, LE80578EG009C, MPU	IC3	

FIGURE 932 MAIN CONTROLLER PCB ASS'Y, 2

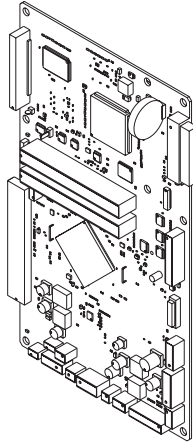


FIGURE & KEY NO.	PARTS NUMBER	RANK	Q'TY	DESCRIPTION	SERIAL NUMBER/REMARKS	SVC
Fig.932	FM3-9213-000		1	MAIN CONTROLLER PCB ASS'Y, 2		
IC	FK2-3218-000		1	IC, MB87L8650, GATE ARRAY	IC24	
IC	FK2-6757-000		1	IC, FSC0HD200B, STANDARD CELL	IC36	
IC	FK2-7819-000		1	IC, ASIC, MB87Q1921	IC35	
IC	FK2-7820-000		1	IC, ASIC, R8A03018ABG	IC1	
IC	FK2-7829-000		1	IC, CLOCK GENERATOR, HYBRID	IC22	
IC	FK2-8321-000		1	IC, MB87S1801	IC7	

FIGURE 960 MAIN DRIVE DRIVER PCB ASS'Y

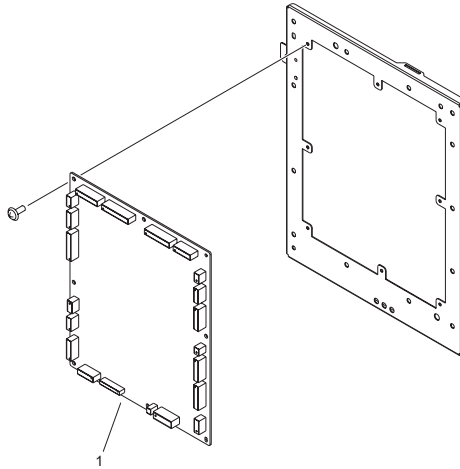
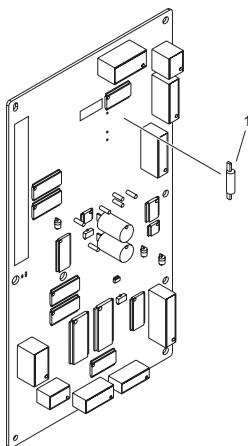


FIGURE & KEY NO.	PARTS NUMBER	RANK	QTY	DESCRIPTION	SERIAL NUMBER/REMARKS	SVC
Fig.960	NPN		RF	MAIN DRIVE DRIVER PCB ASS'Y		
1	FM4-1083-000		1	MAIN DRIVE DRIVER PCB ASS'Y		
IC	FK2-1773-000		3	IC,TC200GO2EFG-1031,GATE ARRAY	IC1,IC2,IC3	

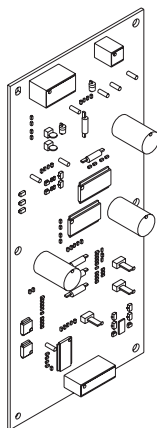
FIGURE 961 AC DRIVER PCB ASS'Y



NOTE : This assembly is included in the assembly shown in Figure 140.
注 : このユニットはFigure 140のユニットに含まれます。

FIGURE & KEY NO.	PARTS NUMBER	RANK	QTY	DESCRIPTION	SERIAL NUMBER/REMARKS	SVC
Fig.961	FM4-1087-000		1	AC DRIVER PCB ASS'Y	SEE NOTE 100V,120V	
Fig.961	FM4-1088-000		1	AC DRIVER PCB ASS'Y	SEE NOTE 230V	
1	VD7-0522-501		1	FUSE, 2.5A, 125V	100V,120V FU601	
1	VD7-2892-501		1	FUSE, 2.5A, 125V	230V FU601	
SR	FK2-7682-000		1	SENSOR UNIT, CURRENT	100V,120V SR601	
SR	FK2-7681-000		1	SENSOR UNIT, CURRENT	230V SR601	

FIGURE 962 NOISE FILTER PCB ASSEMBLY



NOTE : This assembly is included in the assembly shown in Figure 140.
注 : このユニットはFigure 140のユニットに含まれます。

FIGURE & KEY NO.	PARTS NUMBER	RANK	QTY	DESCRIPTION	SERIAL NUMBER/REMARKS	SVC
Fig.962	FM4-1098-000		1	NOISE FILTER PCB ASSEMBLY	SEE NOTE 100V,120V	
Fig.962	FM4-1100-000		1	NOISE FILTER PCB ASSEMBLY	SEE NOTE 230V	
L	FH3-0991-000		2	INDUCTOR	100V,120V L801,L802	
L	FH3-0937-000		1	INDUCTOR	230V L801	

FIGURE 963 DUPLEXING DRIVER PCB ASSEMBLY

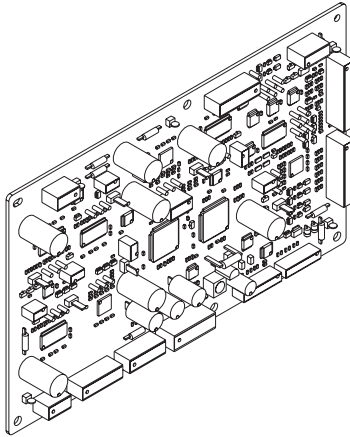


FIGURE & KEY NO.	PARTS NUMBER	RANK	QTY	DESCRIPTION	SERIAL NUMBER/REMARKS	SVC
Fig.963	FM4-1085-000		1	DUPLEXING DRIVER PCB ASSEMBLY		
IC	FK2-1773-000		2	IC,TC200GO2EFG-1031,GATE ARRAY	IC319,IC320	

FIGURE 964 FEED DRIVER PCB ASSEMBLY

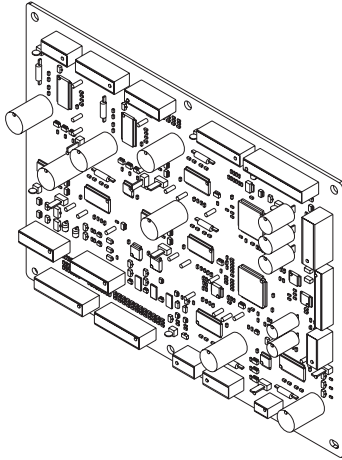


FIGURE & KEY NO.	PARTS NUMBER	RANK	QTY	DESCRIPTION	SERIAL NUMBER/REMARKS	SVC
Fig.964	FM4-1084-000		1	FEED DRIVER PCB ASSEMBLY		
IC	FK2-1773-000		2	IC.TC200GO2EFG-1031,GATE ARRAY	IC17,IC18	

FIGURE 980 H.V. POWER SUPPLY ASS'Y

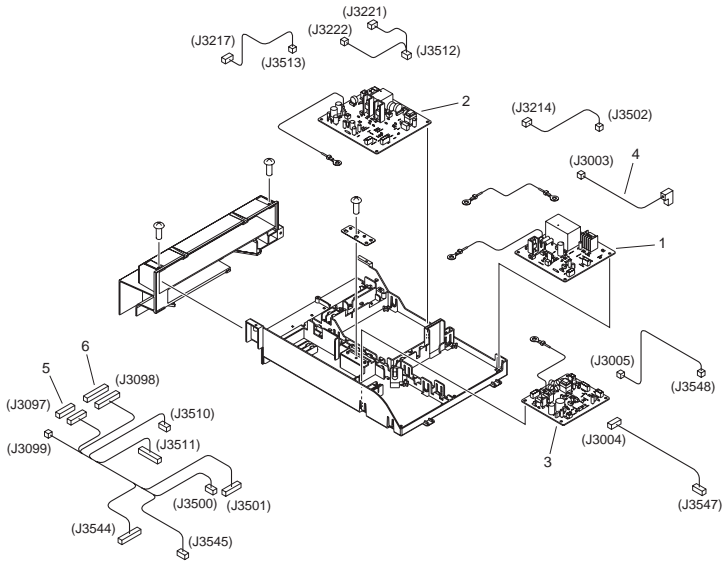


FIGURE & KEY NO.	PARTS NUMBER	R A N K	Q'TY	DESCRIPTION	SERIAL NUMBER/REMARKS	S V C
Fig.980	NPN		RF	H.V. POWER SUPPLY ASS'Y		
1	FM4-1093-000		1	1ST CHARGE H.V. PCB ASS'Y		
2	FM4-1094-000		1	DEVELOPING H.V. PCB ASS'Y		
3	FM4-1106-000		1	PRE-TRANSFER CHARGE PCB ASS'Y		
4	FM4-4314-000		1	CABLE, H.V. MAIN 1ST CORONA		
5	VS1-8412-009		1	CONNECTOR, SNAP TIGHT, BL		
6	VS1-8412-025		1	CONNECTOR, SNAP TIGHT, BL		

FIGURE T40 DEVICE PORT ASSEMBLY (EUR)

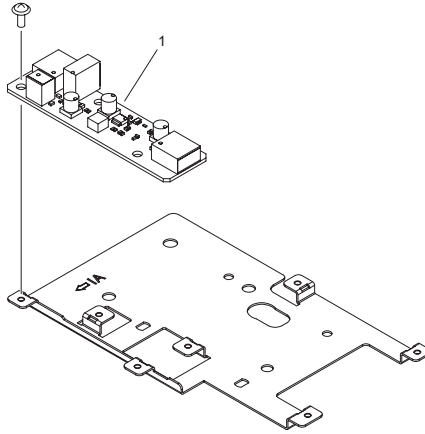


FIGURE & KEY NO.	PARTS NUMBER	RANK	QTY	DESCRIPTION	SERIAL NUMBER/REMARKS	SVC
Fig.T40	NPN		RF	DEVICE PORT ASSEMBLY	EUR	
1	FM4-0721-000		1	DEVICE PORT PCB ASSEMBLY		

FIGURE ZZA

MECHANICAL STANDARD PARTS (HOW TO USE)

Mechanical standard parts

機械標準部品

About a mechanical standard parts

A Mechanical standard parts is a mechanical part which not parts peculiar to a product. They are parts which are common to a Canon product and are used, such as a screw and a washer. The Fig No. and parts number of the mechanical standard parts are not listed in the product parts catalog. Refer to the parts catalog of mechanical standard parts when checking the parts number for screw or washer etc. and identify them by part shape or size.

機械標準部品とは

機械標準部品とは、製品特有の部品ではなく、ねじやワッシャなどキヤノン製品共通で使用されている機械部品（メカ部品）のことです。
製品のパーツカタログには、機械標準部品のFig No.や部品番号は記載しておりません。
ねじや、ワッシャ等の部品番号を調べるときは、機械標準部品のパーツカタログを参照し、部品の形状や大きさから判断し、使用している部品を調べてください。

Material and surface treatment of a mechanical standard parts

Material and surface treatment of mechanical standard parts are assigned commonly for each part. Refer to the Table 1 for the parts which material and surface treatment are assigned as numbers.

機械標準部品の材料および表面処理

機械標準部品の材料および表面処理については、各種部品共通で決められています。
材料および表面処理が番号で決められている部品については、表1を参照してください。

Table 1 Material and Surface treatment
表1 材料および表面処理

No. 番号	Material 材料	Surface treatment 表面処理	Color 色
1	Stainless steel ステンレス	Stainless steel black coloring (BC4) ステンレス黒着色(BC4)	Black 黒
2		not to be given なし	White 白
3	Brass 黄銅	Regular nickel plating (NL) 普通ニッケルメッキ(NL)	White 白
4		Black nickel plating (BN) 黒色ニッケルメッキ(BN)	Black 黒
5	Steel 鋼	White zinc trivalent chromate treating (ZC3) 白色亜鉛3価クロメート(ZC3)	White 白
6		Regular nickel chromium plating (NC) 普通ニッケルクロムメッキ(NC)	White 白
7		Regular nickel plating (NL) 普通ニッケルメッキ(NL)	White 白
8		Iron and steel phosphating (P1) 鉄鋼磷酸塩処理(P1)	Black 黒
9		Black zinc trivalent chromate treating (BZ3) 黒色亜鉛3価クロメート(BZ3)	Black 黒

FIGURE ZZB MECHANICAL STANDARD PARTS (SCREWS)

1. Screws ねじ

How to read Parts Numbers
部品番号の見方

Screws
ねじ

XB1-2400-609

Type No.
類別番号

Normal designation (d)
ねじの呼び(d)

Length (L)
ねじの長さ(L)

Material and Surface treatment
材料および表面処理

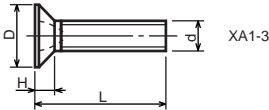
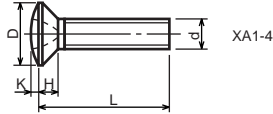
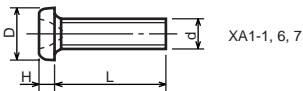
XB1-2 expresses Binding head machine screw.
XB1-2は、バインドねじを表す

40 expresses M4.0.
40は、M4.0を表す

0-60 expresses a length of 6.0mm.
0-60は、6.0mmの長さを表す

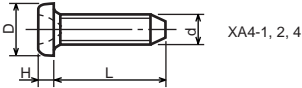
9 expresses Steel (Black zinc trivalent chromate treating) from Table 1.
9は、表1より鋼(黒色亜鉛3価クロメート)を表す

1-1. Cross Recessed Head Screws for Precision Equipments 精密機器用十字穴付き小ねじ

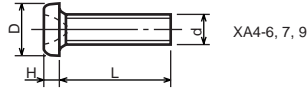


Type No. 類別番号	Type 類別	Head size (mm) 頭部寸法 (mm)							
		M1.4	M1.6	M1.7	M2	M2.5	M2.6		
XA1-1	Pan head Class 1 なべ1種	D	XA1-1	2	2.4	2.5	3	3.8	4
		H	XA1-1	0.5	0.55	0.5	0.6	0.9	0.8
XA1-3	Countersunk head Class 1 さら1種	D	XA1-3	2	2.4	2.5	3	3.8	4
		H	XA1-3	0.48	0.55	0.58	0.73	0.85	0.93
XA1-4	Oval countersunk head Class 1 丸さら1種	D	XA1-4	2	2.4	2.5	3	3.8	4
		H + K	XA1-4	0.68	0.8	0.88	1	1.25	1.3
XA1-6	Pan head Class 3 なべ3種	D	XA1-6	2.5	2.8	3	3.5	4.3	4.5
		H	XA1-6	0.8	0.85	0.9	1	1.3	1.2
XA1-7	Pan head Class 2 なべ2種	D	XA1-7	2.5	2.8	3	3.5	4.3	4.5
		H	XA1-7	0.5	0.55	0.5	0.6	0.9	0.8

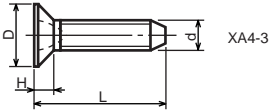
1-2. Precision Tapping Screws
精密用タッピンねじ



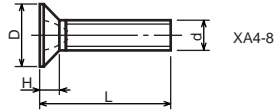
XA4-1, 2, 4



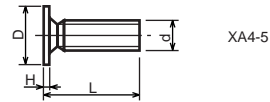
XA4-6, 7, 9



XA4-3



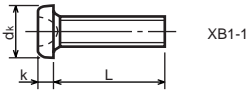
XA4-8



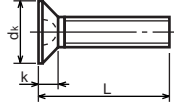
XA4-5

Type No. 類別番号	Type 類別	Head size (mm) 頭部寸法 (mm)						
		M1.4	M1.6	M1.7	M2	M2.5	M2.6	
XA4-1	With tapered end pan head Class 1 絞りなべ1種	D XA4-1	2	2.4	2.5	3	3.8	4
		H XA4-1	0.5	0.55	0.5	0.6	0.9	0.8
XA4-2	With tapered end pan head Class 3 絞りなべ3種	D XA4-2	2.5	2.8	3	3.5	4.3	4.5
		H XA4-2	0.8	0.85	0.9	1	1.3	1.2
XA4-3	With tapered end countersunk head 絞り-さら	D XA4-3	2	2.4	2.5	3	3.8	4
		H XA4-3	0.48	0.55	0.58	0.73	0.85	0.93
XA4-4	With tapered end pan head Class 2 絞りなべ2種	D XA4-4	2.5	2.8	3	3.5	4.3	4.5
		H XA4-4	0.5	0.55	0.5	0.6	0.9	0.8
XA4-5	With parallel end ultra thin head ストレート-超薄頭	D XA4-5	2.5	2.8	3	-	-	-
		H XA4-5	0.2	0.2	0.2	-	-	-
XA4-6	With parallel end pan head Class 1 ストレートなべ1種	D XA4-6	2	2.4	2.5	3	3.8	4
		H XA4-6	0.5	0.55	0.5	0.6	0.9	0.8
XA4-7	With parallel end pan head Class 3 ストレートなべ3種	D XA4-7	2.5	2.8	3	3.5	4.3	4.5
		H XA4-7	0.8	0.85	0.9	1	1.3	1.2
XA4-8	With parallel end countersunk head ストレート-さら	D XA4-8	2	2.4	2.5	3	3.8	4
		H XA4-8	0.48	0.55	0.58	0.73	0.85	0.93
XA4-9	With parallel end pan head Class 2 ストレートなべ2種	D XA4-9	2.5	2.8	3	3.5	4.3	4.5
		H XA4-9	0.5	0.55	0.5	0.6	0.9	0.8

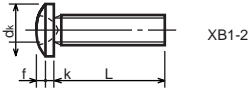
1-3. Cross Recessed Head Screws
一般用十字穴付き小ねじ



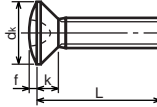
XB1-1



XB1-3



XB1-2

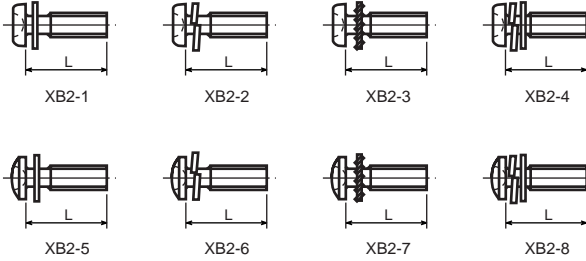


XB1-4

Type No. 類別番号	Type 類別
XB1-1	Pan head なべ
XB1-2	Binding head バインド
XB1-3	Countersunk head さら
XB1-4	Oval countersunk head 丸さら

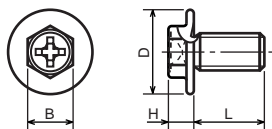
		Head size (mm) 頭部寸法 (mm)					
		M2	M2.5	M2.6	M3	M4	M5
dk	XB1-1	3.5	4.5	4.5	5.5	7	9
k	XB1-1	1.3	1.7	1.7	2	2.6	3.3
dk	XB1-2	4.3	5.3	5.5	6.3	8.3	10.3
k+f	XB1-2	1.2	1.5	1.6	1.9	2.5	3.1
dk	XB1-3	4	5	-	6	8	10
k	XB1-3	1.2	1.45	-	1.75	2.3	2.8
dk	XB1-4	4	5	-	6	8	10
k+f	XB1-4	1.6	2	-	2.45	3.2	4
Screw part length ねじ部長さ b		8	12	12	12	16	20

1-4. Cross Recessed Head Screws with Captive Washer
座金組込み十字穴付き小ねじ



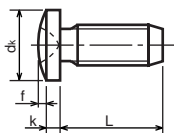
Type No. 類別番号	Type 類別
XB2-1	Pan head + Plain washer (circular bright) なべねじ+平座金
XB2-2	Pan head + Spring washer なべねじ+ばね座金
XB2-3	Pan head + Toothed lock washer なべねじ+歯付座金
XB2-4	Pan head + Spring washer and plain washer (circular bright) なべねじ+(ばね+平)座金
XB2-5	Binding head + Plain washer (circular bright) バインドねじ+平座金
XB2-6	Binding head + Spring washer バインドねじ+ばね座金
XB2-7	Binding head + Toothed lock washer バインドねじ+歯付座金
XB2-8	Binding head + Spring washer and plain washer (circular bright) バインドねじ+(ばね+平)座金

1-5. Hexagon Head Tapping Screws for Metallic Materials
 金属用六角タッピンねじ



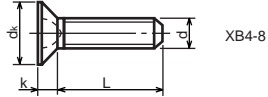
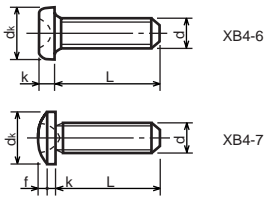
Type No. 類別番号	Type 類別	Head size (mm) 頭部寸法 (mm)	
		M3	M4
XB3-6	For metallic materials 金属用タッピン	D	8 10
		B	5.5 5.5
XB3-7	For metallic materials with clawed 金属用タッピン-つめ付き	H XB3-6	3.1 3.1
		H XB3-7	3.2 3.2

1-6. Special Tapping Screws
 特殊タッピンねじ



Type No. 類別番号	Type 類別	Head size (mm) 頭部寸法 (mm)	
		M3	M4
XB4-5	Binding head バインド	dk	6.3 8.3
		k	1.3 1.7
		k+f	1.9 2.5

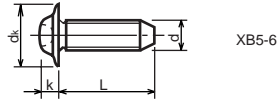
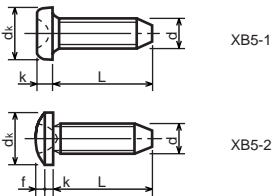
1-7. General Head Tapping Screws
一般用タッピンねじ



Type No. 類別番号	Type 類別
XB4-6	Pan head なべ
XB4-7	Binding head バインド
XB4-8	Countersunk head さら

		Head size (mm) 頭部寸法 (mm)					
		M2	M2.5	M2.6	M3	M4	M5
d _k	XB4-6	3.5	4.5	4.5	5.5	7	9
k	XB4-6	1.3	1.7	1.7	2	2.6	3.3
d _k	XB4-7	4.3	5.3	5.5	6.3	8.3	10.3
k+f	XB4-7	1.2	1.5	1.6	1.9	2.5	3.1
d _k	XB4-8	4	5	5.2	6	8	10
k	XB4-8	1.2	1.45	1.5	1.75	2.3	2.8

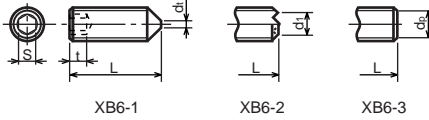
1-8. Tapping Screws for Metallic Materials
金属用タッピンねじ



Type No. 類別番号	Type 類別
XB5-1	Pan head なべ
XB5-2	Binding head バインド
XB5-6	Flanged pan head つば付きなべ

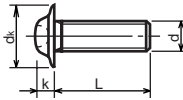
		Head size (mm) 頭部寸法 (mm)				
		M2.5	M2.6	M3	M4	M5
d _k	XB5-1	4.5	4.5	5.5	7	9
k	XB5-1	1.7	1.7	2	2.6	3.3
d _k	XB5-2	5.5	5.5	6.3	8.3	10.3
k+f	XB5-2	1.6	1.6	1.9	2.5	3.1
d _k	XB5-6	6.5	6.5	8	10	12
k	XB5-6	2.1	2.1	1.75	3.2	4

1-9. Hexagon Socket Set Screws
六角穴付止めねじ



Type No. 類別番号	Type 類別	Head size (mm) 頭部寸法 (mm)							
		M1.6 M1.7	M2	M2.5 M2.6	M3	M5	M5	M6	
XB6-1	Cone point とがり先	S	0.7	0.9	1.3	1.5	2	2.5	3
		t	1.5	1.7	2	2	2.5	3	3.5
		$d_{t \max}$ XB6-1	0.4	0.5	0.65	0.75	1	1.25	1.5
		$d_{l \max}$ XB6-2	-	1.2	1.5	1.7	2.2	2.8	3.3
		$d_{l \min}$ XB6-2	-	1	1.2	1.4	1.9	2.4	2.9
XB6-2	Double point ダブルポイント	$d_{p \max}$ XB6-3	0.8	1	1.5	2	2.5	3.5	4
XB6-3	Flat point 平先	$d_{p \min}$ XB6-3	0.55	0.75	1.25	1.75	2.25	3.2	3.7

1-10. Flanged Pan Head Machine Screws
つば付きなべ小ねじ



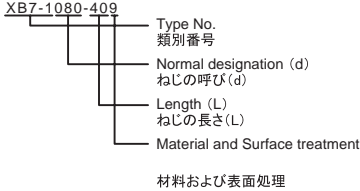
Type No. 類別番号	Type 類別	Head size (mm) 頭部寸法 (mm)					
		M2	M2.5 M2.6	M3	M5	M5	
XB6-7	Flanged pan head つば付きなべ	d_k	5	6.5	8	10	12
		k	1.7	2.1	2.5	3.2	4

FIGURE ZZC MECHANICAL STANDARD PARTS (BOLTS)

2. Bolts (Socket head cap screw) ボルト

How to read Parts Numbers
部品番号の見方

Bolt (Socket head cap screw)
ボルト



XB7-1 expresses Hexagon socket head cap screws.
XB7-1は、六角穴付きボルトを表す

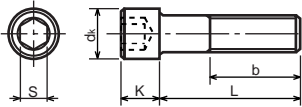
080 expresses M8.0.
080は、M8.0を表す

40 expresses a length of 40mm.
40は、40mmの長さを表す

9 expresses Steel (Black zinc trivalent chromate
treating) from Table 1.

9は、表1より鋼(黒色亜鉛3価クロメート)を表す

2-1. Hexagon socket head cap screws 六角穴付きボルト



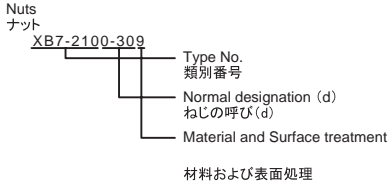
Type No. 類別番号	Type 類別
XB7-1	Hexagon socket head cap screws 六角穴付きボルト

	Head size (mm) 頭部寸法 (mm)						
	M3	M4	M5	M6	M8	M10	M12
S	2.5	3	4	5	6	8	10
d_k	5.5	7	8.5	10	13	16	18
K	3	4	5	6	8	10	12
Screw part length b_{max} ねじ部長さ b_{max}	18	20	22	24	28	32	36

FIGURE ZZD MECHANICAL STANDARD PARTS (NUTS)

3. Nuts ナット

How to read Parts Numbers
部品番号の見方



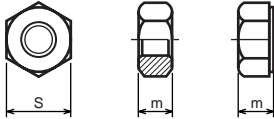
XB7-210 expresses Hexagon nut class 1.
XB7-210は、六角ナット1種を表す

0-30 expresses M3.0.
0-30は、M3.0を表す

9 expresses Steel (Black zinc trivalent chromate
treating) from Table 1.

9は、表1より鋼(黒色亜鉛3価クロメート)を表す

3-1. Hexagon Nuts and Hexagon Thin Nuts 六角ナット



Type No. 類別番号	Type 類別
XB7-210	Hexagon nut Class 1 六角ナット-1種
XB7-220	Hexagon nut Class 3 六角ナット-3種
XB7-230	Hexagon nut Style 1 double chamfered 六角ナット-スタイル1-両面とり
XB7-231	Hexagon nut Style 1 washer faced 六角ナット-スタイル1-座付き
XB7-240	Hexagon nut Style 2 double chamfered 六角ナット-スタイル2-両面とり
XB7-241	Hexagon nut Style 2 washer faced 六角ナット-スタイル2-座付き
XB7-250	Hexagon nut 六角ナット
XB7-260	Hexagon thin nut double chamfered 六角低ナット-両面とり
XB7-270	Hexagon thin nut not chamfered 六角低ナット-面とり無し

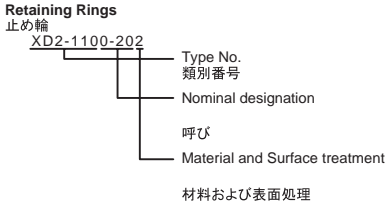
	Head size (mm) 頭部寸法 (mm)						
	M2	M2.5	M3	M4	M5	M6	M8
S	4	5	5.5	7	8	10	13
m XB7-210	1.6	2	2.4	3.2	4	5	6.5
m XB7-220	1.2	1.6	1.8	2.4	3.2	3.6	5
m XB7-230, 231	1.6	2	2.4	3.2	4.7	5.2	6.8
m XB7-240, 241	-	-	-	-	5.1	5.7	7.5
m XB7-250	-	-	-	-	5.6	6.1	7.9
m XB7-260	1.2	1.6	1.8	2.2	2.7	3.2	4
m XB7-270	1.2	1.6	1.8	2.2	2.7	3.2	4

FIGURE ZZE MECHANICAL STANDARD PARTS (RETAINING RINGS)

5. Retaining Rings

止め輪

How to read Parts Numbers
部品番号の見方



XD2-110 expresses retaining ring-E type (Type1).
XD2-110は、E形止め輪(1種)を表す

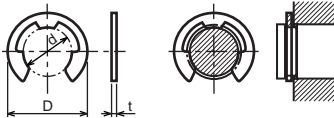
0-20 expresses a 020 of nominal designation.
(See Table 5)

0-20は、呼び020を表す(表5参照)

2 expresses Stainless steel (Surface treatment is not to be given) from Table 1.
2は、表1よりステンレス(表面処理なし)を表す

5-1. Retaining Rings - E type

E形止め輪

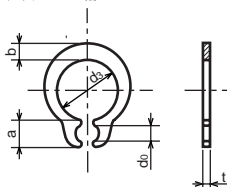


Type No. 類別番号	Type 類別
XD2-110	Retaining ring - E type (Type 1) E形止め輪(1種)
XD2-120	Retaining ring - E type (Type 2) E形止め輪(2種)

Table 5 表5

Type 種類	Nominal designation 呼び	d (mm)	D (mm)	t (mm)
Type 1 1種	007	0.65	2	0.2
	010	0.95	2.8	0.2
	013	1.25	3.3	0.3
	017	1.65	4.2	0.4
	020	1.95	4.6	0.5
	024	2.35	6	0.6
	028	2.74	6.5	0.6
	032	3.14	7.2	0.6
	037	3.64	8	0.7
	040	3.93	10	0.7
	042	4.13	10	0.7
	050	4.93	11	0.7
	058	5.73	12	0.7
	060	5.93	12.7	0.9
	064	6.32	13.5	0.9
	074	7.31	15	0.9
080	7.91	16.5	1	
Type 2 2種	008	0.8	2	0.2
	012	1.2	3	0.3
	015	1.5	4	0.4
	020	2	5	0.4
	025	2.5	6	0.4
	030	3	7	0.6
	040	4	9	0.6
	050	5	11	0.6
	060	6	12	0.8
	070	7	14	0.8
	080	8	16	0.8
	090	9	18	0.8
	100	10	20	1

5-2. Grip Rings
グリップ止め輪

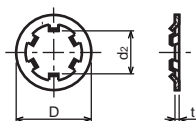


Type No. 類別番号	Type 類別
XD2-210	Grip ring グリップ止め輪

Table 5 表5

Nominal designation 呼び	d ₃ (mm)	t (mm)	b (mm)	a (mm)	d ₀ (mm)
020	1.9	0.5	1	1.8	0.8
025	2.35	0.5	1.2	1.9	0.9
030	2.85	0.6	1.4	1.9	0.9
035	3.3	0.6	1.6	2	0.9
040	3.8	0.8	1.8	2.8	1.2
045	4.25	0.8	2	2.9	1.3
050	4.75	0.8	2.2	2.9	1.3
060	5.7	1	2.4	3.1	1.4
070	6.7	1	2.7	3.3	1.4
080	7.7	1	3	3.5	1.4
090	8.65	1.2	3.3	4.7	1.5
100	9.65	1.2	3.5	4.7	2

5-3. Toothed Retaining Rings
歯付き形止め輪



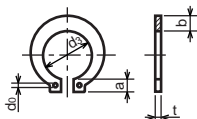
Type No. 類別番号	Type 類別
XD2-230	Toothed retaining ring 歯付き形止め輪

Table 5 表5

Nominal designation 呼び	d _z (mm)	D (mm)	t (mm)	No of teeth 歯数
015	1.4	5.2	0.25	3
020	1.9	6	0.25	3
024	2.3	6.4	0.25	3
030	2.8	8	0.25	4
040	3.8	9	0.25	4
050	4.8	10	0.25	5
060	5.8	11	0.25	5
080	7.8	13	0.25	5
100	9.8	15.4	0.25	6

5-4. Retaining Rings - C Type

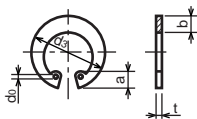
C形止め輪



Type No. 類別番号	Type 類別
XD2-310	Retaining ring - C type for shaft C形止め輪 軸用

Table 5 表5

Nominal designation 呼び	d ₃ (mm)	t (mm)	b (mm)	a (mm)	d ₀ (mm)
010	9.3	1	1.6	3	1.2
012	11.1	1	1.8	3.2	1.5
014	12.9	1	2	3.4	1.7
015	13.8	1	2.1	3.5	1.7
016	14.7	1	2.2	3.6	1.7
017	15.7	1	2.2	3.7	1.7
018	16.5	1.2	2.6	3.8	1.7
020	18.5	1.2	2.7	3.9	2
022	20.5	1.2	2.7	4.1	2
025	23.2	1.2	3.1	4.3	2
028	25.9	1.5	3.1	4.6	2
030	27.9	1.5	3.5	4.8	2
032	29.6	1.5	3.5	5	2.5
035	32.2	1.5	4	5.4	2.5



Type No. 類別番号	Type 類別
XD2-320	Retaining ring - C type for hole C形止め輪 穴用

Table 5 表5

Nominal designation 呼び	d ₃ (mm)	t (mm)	b (mm)	a (mm)	d ₀ (mm)
010	10.7	1	1.8	3.1	1.2
011	11.8	1	1.8	3.2	1.2
012	13	1	1.8	3.3	1.5
014	15.1	1	2	3.6	1.7
016	17.3	1	2	3.7	1.7
018	19.5	1	2.5	4	1.7
019	20.5	1	2.5	4	2
020	21.5	1	2.5	4	2
022	23.5	1	2.5	4.1	2
025	26.9	1.2	3	4.4	2
028	30.1	1.2	3	4.6	2
030	32.1	1.2	3	4.7	2
032	34.4	1.2	3.5	5.2	2.5
035	37.8	1.5	3.5	5.2	2.5
037	39.8	1.5	3.5	5.2	2.5
040	43.5	1.8	4	5.7	2.5
042	45.5	1.8	4	5.8	2.5
045	48.5	1.8	4.5	5.9	2.5
047	50.5	1.8	4.5	6.1	2.5
050	54.2	2	4.5	6.5	2.5
052	56.2	2	5.1	6.5	2.5
055	59.2	2	5.1	6.5	2.5
060	64.2	2	5.1	6.8	2.5
062	66.2	2	5.5	6.9	2.5
068	72.5	2.5	6	7.4	2.5
072	76.5	2.5	6.6	7.4	2.5
075	79.5	2.5	6.6	7.8	2.5
080	85.5	2.5	7	8	2.5
085	90.5	3	7	8	3
090	95.5	3	7.6	8.3	3
095	100.5	3	8	8.5	3

Prepared by
OIP Service Management Center
CANON INC.

Canon