

# **PARTS CATALOG**

**iR2545/2535/2530/2525/  
2520 Series**

**Canon**

**Dec 21 2009**



## **PREFACE**

This Parts Catalog contains listings of parts used

Diagrams are provided with the listings to aid the service technician in identifying clearly, the item to be ordered.

Whenever ordering parts, consult this Parts Catalog for all of the information pertaining to each item. Be sure to include, in the Parts Request, the full item description, the item part number, and the quantity.

***COPYRIGHT (C) 1999 CANON INC.***

Use of this manual should be strictly supervised to avoid disclosure of confidential information.



# Contents

## NUMERICAL INDEX

iR2545/2535/2530/2525/2520 Series(Numerical Index)..... 1-1

## iR2545/2535/2530/2525/2520 Series(Parts Catalog)

A1	ASSEMBLY LOCATION DIAGRAM .....	2-1
A2	OPTION PARTS CATALOG LIST .....	2-7
001	ACCESSOREIS .....	2-8
100	EXTERNAL COVERS, PANELS, ETC. ....	2-9
101	FRONT DOOR ASSEMBLY .....	2-12
102	RIGHT DOOR ASSEMBLY .....	2-13
103	MACHINE FRONT PLATE .....	2-16
104	INTERNAL COMPONENTS 1 .....	2-18
105	INTERNAL COMPONENTS 2 .....	2-20
106	INTERNAL COMPONENTS 3 (550 Sheets/Cassette 1 MODEL) 2-22	
106A	INTERNAL COMPONENTS 3 (250 Sheets/Cassette 1 MODEL) 2-24	
107	INTERNAL COMPONENTS 4 (iR2545/2535 Series) .....	2-26
107A	INTERNAL COMPONENTS 4 (iR2530/2525/2520 Series) .....	2-28
108	INTERNAL COMPONENTS 5 (iR2545/2535 Series) .....	2-30
108A	INTERNAL COMPONENTS 5 (iR2530/2525/2520 Series) .....	2-32
109	MACHINE REAR PLATE .....	2-34
130	CONTROL PANEL ASSEMBLY .....	2-36
140	POWER CORD TERMINAL ASSEMBLY .....	2-38
160	COPYBOARD COVER ASSEMBLY (COPYBOARD MODEL) .....	2-39
170	CARTRIDGE LEFT RAIL ASSEMBLY (iR2545/2535 Series) .....	2-40
170A	CARTRIDGE LEFT RAIL ASSEMBLY (iR2530/2525/2520 Series) 2-41	
171	CARTRIDGE RIGHT RAIL ASSEMBLY (iR2545/2535 Series) .....	2-42
250	MAIN DRIVE ASSEMBLY (iR2545/2535 Series) .....	2-43
250A	MAIN DRIVE ASSEMBLY (iR2530/2525/2520 Series) .....	2-45
260	PAPER PICK-UP MOTOR ASSEMBLY (550 Sheets/Cassette 1 MODEL) .....	2-48
261	DUPLEXING DRIVE ASSEMBLY (iR2545/2535 Series) .....	2-49
280	FIRST DELIVERY DRIVE ASSEMBLY (iR2545/2535 Series) .....	2-50
290	REVERSE DRIVE ASSEMBLY (iR2530/2525/2520 Series) .....	2-51
300	CASSETTE (550 Sheets/Cassette 1 MODEL) .....	2-53
300A	CASSETTE (250 Sheets/Cassette 1 MODEL) .....	2-57
310	PAPER PICK-UP ASSEMBLY (550 Sheets/Cassette 1 MODEL) .....	2-

# Contents

	60
310A	PAPER PICK-UP ASSEMBLY (250 Sheets/Cassette 1 MODEL) 2-64
312	MULTI PAPER PICK-UP ASSEMBLY .....2-66
313	DUPLEXING FEED GUIDE ASSEMBLY (2ND DELIVERY MODEL) 2-69
314	RIGHT LOWER INNER DOOR ASS'Y (550 Sheets/Cassette 1 MODEL) .....2-71
314A	RIGHT LOWER INNER DOOR ASS'Y (250 Sheets/Cassette 1 MODEL) .....2-72
316	PRE-REGISTRATION GUIDE ASS'Y .....2-73
320	TRANSFER PAPER FEED ASSEMBLY .....2-74
350	FIRST PAPER DELIVERY ASSEMBLY .....2-76
351	SECOND PAPER DELIVERY ASSEMBLY (2ND DELIVERY MODEL) .....2-77
352	SECOND DELIVERY FRAME ASSEMBLY (2ND DELIVERY MODEL) .....2-79
400	READER ASSEMBLY (iR2545/2535 Series) .....2-81
400A	READER ASSEMBLY (iR2530/2525/2520 Series) .....2-85
460	LASER SCANNER ASSEMBLY .....2-89
620	HOPPER ASSEMBLY .....2-90
640	DEVELOPING ASSEMBLY .....2-93
810	FIXING ASSEMBLY (iR2545/2535 Series) .....2-95
810A	FIXING ASSEMBLY (iR2530/2525/2520 Series) .....2-98
815	PAPER DELIVERY LOWER GUIDE ASS'Y .....2-101
900	CONTROLLER BOX ASSEMBLY .....2-103
930	ENGINE CONTROLLER PCB ASSEMBLY .....2-105
931	READER PCB ASSEMBLY (iR2545/2535 Series) .....2-106
932	READER CONNECTING PCB ASSEMBLY (iR2530/2525/2520 Series) .....2-107
980	HIGH VOLTAGE PCB ASSEMBLY .....2-108
A10	ADF ASSEMBLY (DADF-AA1 MODEL) .....2-109
A11	BASE ASSEMBLY (DADF-AA1 MODEL) .....2-111
A12	PAPER PICK-UP COVER ASSEMBLY (DADF-AA1 MODEL) 2-113
A13	DOCUMENT TRAY ASSEMBLY (DADF-AA1 MODEL) ....2-115
A21	ESTRANGEMENT DRIVE ASSEMBLY (DADF-AA1 MODEL) 2-117
A41	PAPER FEED ASSEMBLY (DADF-AA1 MODEL) .....2-118
A90	ADF PCB ASSEMBLY (DADF-AA1 MODEL) .....2-123
B10	ADF ASSEMBLY (DADF-AB1 MODEL) .....2-124
B11	BASE ASSEMBLY (DADF-AB1 MODEL) .....2-126
B12	OPEN/CLOSE PANEL ASSEMBLY (DADF-AB1 MODEL) 2-128
B13	DOCUMENT TRAY ASSEMBLY (DADF-AB1 MODEL) ....2-131
B41	PAPER FEEDER ASSEMBLY (DADF-AB1 MODEL) .....2-133
B90	ADF PCB ASSEMBLY (DADF-AB1 MODEL) .....2-136
H11	CASSETTE UNIT MAIN BODY (CASSETTE UNIT MODEL) 2-137

# Contents

H12	CST.U RIGHT DOOR ASSEMBLY (CASSETTE UNIT MODEL) 2-139
H20	PAPER PICK-UP DRIVE ASSEMBLY (CASSETTE UNIT MODEL) 2-140
H30	CASSETTE (CASSETTE UNIT MODEL) .....2-141
H40	PAPER PICK-UP ASSEMBLY, 2 (CASSETTE UNIT MODEL) 2-145
ZZA	MECHANICAL STANDARD PARTS (HOW TO USE) .....2-148
ZZB	MECHANICAL STANDARD PARTS (SCREWS) .....2-149
ZZC	MECHANICAL STANDARD PARTS (BOLTS) .....2-156
ZZD	MECHANICAL STANDARD PARTS (NUTS) .....2-157
ZZE	MECHANICAL STANDARD PARTS (RETAINING RINGS) 2-158





# NUMERICAL INDEX

## iR2545/2535/2530/2525/2520 Series(Numerical Index)

PARTS NUMBER	FIGURE & KEY NO.	PARTS NUMBER	FIGURE & KEY NO.	PARTS NUMBER	FIGURE & KEY NO
FB6-1337-000	400A - 12	FC3-1468-000	B10 - 1	FC5-4425-000	B41 - 15
FB6-3380-020	310 - 14	FC3-1469-000	B41 - 6	FC5-4697-000	351 - 4
FB6-3380-020	H40 - 14	FC3-1470-000	B41 - 7	FC5-6014-000	352 - 4
FB6-3387-000	H40 - 9	FC3-1477-000	B12 - 2	FC5-7182-000	810 - 2
FB6-3388-000	310 - 15	FC3-1478-000	B12 - 3	FC6-2784-000	A12 - 14
FB6-3388-000	H40 - 15	FC3-1479-000	B12 - 4	FC6-2933-000	102 - 20
FB6-3389-000	310 - 16	FC3-1480-000	B12 - 5	FC6-4375-000	810 - 3
FB6-3389-000	H40 - 16	FC3-1486-000	B13 - 2	FC6-4375-000	810A - 3
FB6-3391-000	310 - 17	FC3-1488-000	B13 - 3	FC6-4391-000	100 - 27
FB6-3391-000	H40 - 17	FC3-1491-000	B11 - 5	FC6-4506-000	400A - 30
FB6-3392-020	310 - 18	FC3-1492-000	B10 - 2	FC6-4511-000	400A - 34
FB6-3392-020	H40 - 18	FC3-1493-000	B41 - 9	FC6-4514-000	400A - 26
FB6-3394-000	310 - 19	FC3-1494-000	B41 - 10	FC6-4553-000	400A - 35
FB6-3395-000	310 - 20	FC3-1496-000	B10 - 3	FC6-4559-000	400A - 37
FB6-3395-000	H40 - 20	FC3-1497-000	B11 - 7	FC6-4561-000	400A - 32
FB6-3396-010	310 - 21	FC3-1498-000	B11 - 8	FC6-4625-000	815 - 1
FB6-3396-010	H40 - 21	FC3-1509-000	B41 - 11	FC6-4689-000	105 - 1
FB6-3397-000	310 - 22	FC3-1510-000	B41 - 12	FC6-4689-000	140 - 2
FB6-3397-000	H40 - 22	FC3-1511-000	B41 - 13	FC6-5022-000	H20 - 1
FB6-3398-000	310 - 23	FC3-1512-000	B41 - 14	FC6-6661-000	310 - 4
FB6-3398-000	H40 - 23	FC3-1525-000	B12 - 11	FC6-6661-000	H40 - 4
FB6-3402-000	310 - 24	FC3-1568-000	B41 - 53	FC6-7083-000	310 - 5
FB6-3402-000	H40 - 24	FC3-1571-000	108A - 1	FC6-7083-000	H40 - 5
FB6-3403-000	310 - 25	FC3-1572-010	108A - 2	FC6-7366-000	310A - 1
FB6-3403-000	H40 - 25	FC5-0974-000	352 - 1	FC6-8971-010	A12 - 15
FB6-3404-000	310 - 26	FC5-0997-000	352 - 2	FC6-8973-000	A11 - 5
FB6-3404-000	H40 - 26	FC5-1023-000	313 - 1	FC6-8973-000	A41 - 3
FB6-3405-000	310 - 1	FC5-1358-000	102 - 1	FC6-8973-000	B41 - 8
FB6-3405-000	H40 - 1	FC5-1358-000	104 - 13	FC6-9867-000	310 - 6
FB6-3410-000	310 - 2	FC5-1358-000	313 - 11	FC6-9867-000	H40 - 6
FB6-3410-000	H40 - 2	FC5-1358-000	810A - 31	FC7-0242-000	810A - 5
FB6-3413-000	310 - 27	FC5-1367-000	810 - 1	FC7-2409-000	109 - 1
FB6-3413-000	H40 - 27	FC5-1367-000	810A - 1	FC7-2409-000	900 - 1
FB6-4852-000	310 - 3	FC5-1368-000	810A - 22	FC7-2666-000	250 - 22
FB6-4852-000	H40 - 3	FC5-1516-000	260 - 1	FC7-2666-000	250A - 22
FB6-7078-000	310 - 28	FC5-1536-000	320 - 1	FC7-5845-000	310 - 7
FB6-7078-000	H40 - 28	FC5-4265-000	160 - 3	FC7-5845-000	H40 - 7
FC0-0270-000	102 - 29	FC5-4285-030	A11 - 1	FC7-7154-000	102 - 30
FC0-0274-000	100 - 1	FC5-4286-000	A11 - 2	FC8-0209-000	350 - 1
FC0-0280-000	102 - 2	FC5-4287-000	A11 - 3	FC8-0209-000	352 - 5
FC0-0282-000	300A - 39	FC5-4323-000	A12 - 1	FC8-0352-000	300A - 40
FC0-0293-000	810 - 4	FC5-4324-000	A12 - 2	FC8-0634-000	108A - 8
FC3-1449-000	B10 - 10	FC5-4353-000	A41 - 1	FC8-1110-000	620 - 23
FC3-1450-000	B11 - 1	FC5-4425-000	313 - 2	FC8-1111-000	620 - 24
FC3-1451-000	B11 - 11	FC5-4425-000	351 - 17	FC8-1112-000	620 - 1
FC3-1452-000	B11 - 2	FC5-4425-000	352 - 3	FC8-1113-000	620 - 25
FC3-1454-000	B11 - 3	FC5-4425-000	A11 - 4	FC8-1178-000	310 - 30
FC3-1455-000	B11 - 4	FC5-4425-000	A12 - 3	FC8-1178-000	H40 - 30
FC3-1460-000	B41 - 1	FC5-4425-000	A21 - 1	FC8-1179-000	310 - 10
FC3-1462-000	B41 - 2	FC5-4425-000	A41 - 2	FC8-1202-000	310 - 31
FC3-1465-000	B41 - 4	FC5-4425-000	B11 - 9	FC8-1202-000	H40 - 31
FC3-1466-000	B41 - 5	FC5-4425-000	B12 - 13	FC8-1205-000	310 - 32

# NUMERICAL INDEX

## iR2545/2535/2530/2525/2520 Series(Numerical Index)

PARTS NUMBER	FIGURE & KEY NO.	PARTS NUMBER	FIGURE & KEY NO.	PARTS NUMBER	FIGURE & KEY NO
FC8-1205-000	H40 - 32	FC8-4970-000	300 - 9	FC8-6341-000	A13 - 10
FC8-2462-000	300 - 29	FC8-4970-000	H30 - 9	FC8-6345-000	A12 - 4
FC8-2462-000	H30 - 29	FC8-4986-000	300 - 60	FC8-6346-000	A12 - 5
FC8-2463-000	300 - 30	FC8-4986-000	H30 - 60	FC8-6347-000	A12 - 6
FC8-2463-000	H30 - 30	FC8-4987-000	300 - 61	FC8-6348-000	A12 - 7
FC8-2464-000	300 - 31	FC8-4987-000	H30 - 61	FC8-6351-000	A12 - 16
FC8-2464-000	H30 - 31	FC8-4989-000	300 - 11	FC8-6352-000	A12 - 17
FC8-2466-000	300 - 46	FC8-4989-000	H30 - 11	FC8-6353-000	A12 - 18
FC8-2466-000	H30 - 46	FC8-4990-000	300 - 12	FC8-6355-000	A12 - 19
FC8-2467-000	300 - 47	FC8-4990-000	H30 - 12	FC8-6368-000	A41 - 4
FC8-2467-000	H30 - 47	FC8-4992-000	H30 - 23	FC8-6371-000	A41 - 6
FC8-2468-000	300 - 48	FC8-4993-000	300 - 56	FC8-6372-000	A41 - 7
FC8-2468-000	H30 - 48	FC8-4993-000	H30 - 56	FC8-6373-000	A41 - 31
FC8-2469-000	300 - 1	FC8-4994-000	300 - 24	FC8-6374-000	A41 - 32
FC8-2469-000	H30 - 1	FC8-4994-000	H30 - 24	FC8-6375-000	A41 - 33
FC8-2470-000	300 - 2	FC8-4995-000	300 - 43	FC8-6376-000	A41 - 34
FC8-2470-000	H30 - 2	FC8-4995-000	H30 - 43	FC8-6377-000	A41 - 8
FC8-2474-000	300 - 3	FC8-4996-000	300 - 13	FC8-6378-000	A41 - 9
FC8-2474-000	H30 - 3	FC8-4996-000	H30 - 13	FC8-6379-000	A41 - 10
FC8-2475-000	300 - 4	FC8-4997-000	300 - 50	FC8-6380-000	104 - 2
FC8-2475-000	300A - 1	FC8-4997-000	H30 - 50	FC8-6380-000	107 - 1
FC8-2475-000	H30 - 4	FC8-4999-000	106 - 6	FC8-6380-000	107A - 1
FC8-2478-000	106 - 2	FC8-4999-000	H11 - 13	FC8-6380-000	A41 - 11
FC8-2483-000	300 - 68	FC8-5262-000	300 - 33	FC8-6381-000	A41 - 37
FC8-2483-000	H30 - 68	FC8-5262-000	H30 - 33	FC8-6382-000	A41 - 12
FC8-2484-000	300 - 32	FC8-6163-000	400 - 29	FC8-6383-000	A41 - 24
FC8-2484-000	H30 - 32	FC8-6167-000	400 - 33	FC8-6384-000	A41 - 27
FC8-2485-000	300 - 41	FC8-6169-000	400 - 32	FC8-6385-000	A41 - 13
FC8-2485-000	H30 - 41	FC8-6170-000	400 - 27	FC8-6386-000	A41 - 14
FC8-2486-000	300 - 69	FC8-6171-000	400 - 10	FC8-6387-000	A10 - 6
FC8-2486-000	H30 - 69	FC8-6175-000	400 - 16	FC8-6388-000	A10 - 7
FC8-2670-000	300 - 5	FC8-6178-000	400 - 15	FC8-6395-000	A41 - 15
FC8-2670-000	H30 - 5	FC8-6178-000	400 - 15	FC8-6396-000	A41 - 16
FC8-2671-000	300 - 6	FC8-6180-000	400 - 30	FC8-6397-000	A41 - 17
FC8-2671-000	300A - 2	FC8-6185-000	400 - 17	FC8-6398-000	A41 - 35
FC8-2671-000	H30 - 6	FC8-6187-000	400 - 1	FC8-6399-000	A41 - 30
FC8-2672-000	300 - 7	FC8-6188-000	400 - 9	FC8-6403-000	A12 - 11
FC8-2672-000	300A - 3	FC8-6189-000	400 - 37	FC8-6403-000	A41 - 38
FC8-2672-000	H30 - 7	FC8-6197-000	400 - 25	FC8-6404-000	A11 - 8
FC8-3782-000	H12 - 1	FC8-6198-000	400 - 22	FC8-6405-000	A10 - 8
FC8-4962-000	H30 - 22	FC8-6202-000	400 - 34	FC8-6406-000	A21 - 2
FC8-4963-000	H30 - 21	FC8-6311-000	A10 - 4	FC8-6407-000	A21 - 3
FC8-4964-000	300 - 42	FC8-6312-000	108 - 1	FC8-6410-000	A12 - 20
FC8-4964-000	H30 - 42	FC8-6316-000	A11 - 19	FC8-6411-000	A41 - 25
FC8-4965-000	300 - 49	FC8-6317-000	A11 - 20	FC8-6412-000	A41 - 28
FC8-4965-000	300A - 17	FC8-6318-000	A11 - 21	FC8-6418-000	A41 - 18
FC8-4965-000	H30 - 49	FC8-6319-000	A11 - 6	FC8-6419-000	A11 - 22
FC8-4966-000	300 - 8	FC8-6322-000	A11 - 7	FC8-6419-000	B11 - 12
FC8-4966-000	H30 - 8	FC8-6330-000	A10 - 5	FC8-6420-000	A10 - 9
FC8-4967-000	300 - 55	FC8-6331-000	A11 - 15	FC8-6421-000	A41 - 19
FC8-4967-000	H30 - 55	FC8-6332-000	A11 - 16	FC8-6422-000	A11 - 10
FC8-4969-000	H30 - 63	FC8-6339-000	A13 - 5	FC8-6423-000	A11 - 11

# NUMERICAL INDEX

## iR2545/2535/2530/2525/2520 Series(Numerical Index)

PARTS NUMBER	FIGURE & KEY NO.	PARTS NUMBER	FIGURE & KEY NO.	PARTS NUMBER	FIGURE & KEY NO
FC8-6446-000	160 - 1	FC9-0571-000	100 - 8	FC9-0733-000	171 - 1
FC9-0117-000	300 - 14	FC9-0572-000	100 - 24	FC9-0734-000	171 - 2
FC9-0117-000	H30 - 14	FC9-0573-000	100 - 29	FC9-0738-000	810 - 6
FC9-0118-000	300 - 15	FC9-0576-000	100 - 30	FC9-0738-000	810A - 6
FC9-0118-000	H30 - 15	FC9-0578-000	100 - 11	FC9-0747-000	810 - 29
FC9-0126-000	300 - 16	FC9-0592-000	640 - 1	FC9-0748-000	810 - 7
FC9-0126-000	H30 - 16	FC9-0593-000	103 - 1	FC9-0748-000	810A - 7
FC9-0127-000	300 - 17	FC9-0609-000	105 - 4	FC9-0767-000	815 - 12
FC9-0127-000	H30 - 17	FC9-0612-000	620 - 18	FC9-0769-000	815 - 8
FC9-0128-000	300 - 18	FC9-0613-000	620 - 13	FC9-0772-000	810 - 21
FC9-0128-000	H30 - 18	FC9-0614-000	620 - 17	FC9-0773-000	815 - 9
FC9-0129-000	300 - 19	FC9-0617-000	620 - 19	FC9-0774-000	815 - 2
FC9-0129-000	H30 - 19	FC9-0629-000	320 - 2	FC9-0775-000	810 - 28
FC9-0130-000	300 - 20	FC9-0631-000	620 - 26	FC9-0781-000	810 - 30
FC9-0130-000	300A - 4	FC9-0640-000	620 - 2	FC9-0782-000	810 - 8
FC9-0130-000	H30 - 4	FC9-0641-000	620 - 3	FC9-0783-000	810 - 27
FC9-0491-000	400 - 14	FC9-0645-000	620 - 4	FC9-0783-000	810A - 26
FC9-0492-000	400 - 28	FC9-0646-000	620 - 5	FC9-0784-000	815 - 3
FC9-0494-000	400 - 5	FC9-0651-000	310 - 8	FC9-0787-000	810 - 9
FC9-0494-000	400A - 1	FC9-0655-000	300 - 71	FC9-0787-000	810A - 9
FC9-0496-000	400 - 6	FC9-0659-000	106 - 7	FC9-0790-000	810 - 10
FC9-0500-000	103 - 15	FC9-0662-000	314 - 1	FC9-0790-000	810A - 10
FC9-0502-000	103 - 5	FC9-0662-000	314A - 1	FC9-0792-000	810 - 11
FC9-0503-000	103 - 6	FC9-0668-000	312 - 2	FC9-0795-000	170 - 1
FC9-0504-000	103 - 20	FC9-0670-000	312 - 3	FC9-0795-000	170A - 1
FC9-0506-000	100 - 17	FC9-0671-000	312 - 4	FC9-0802-000	350 - 2
FC9-0507-000	100 - 18	FC9-0672-000	312 - 5	FC9-0804-000	350 - 3
FC9-0510-000	100 - 19	FC9-0673-000	102 - 3	FC9-0805-000	350 - 4
FC9-0512-000	105 - 2	FC9-0674-000	312 - 6	FC9-0806-000	350 - 5
FC9-0513-000	100 - 4	FC9-0678-000	312 - 26	FC9-0814-000	351 - 6
FC9-0514-000	100 - 5	FC9-0679-000	312 - 27	FC9-0816-000	351 - 7
FC9-0520-000	100 - 12	FC9-0681-000	312 - 30	FC9-0822-000	351 - 8
FC9-0521-000	100 - 13	FC9-0682-000	312 - 31	FC9-0825-000	310 - 33
FC9-0523-000	100 - 21	FC9-0684-000	312 - 33	FC9-0826-000	313 - 4
FC9-0524-000	100 - 22	FC9-0685-000	312 - 34	FC9-0831-000	100 - 7
FC9-0525-000	100 - 23	FC9-0687-000	312 - 35	FC9-0832-000	351 - 9
FC9-0526-000	100 - 14	FC9-0688-000	312 - 32	FC9-0835-000	351 - 10
FC9-0527-000	100 - 15	FC9-0689-000	312 - 29	FC9-0836-000	351 - 11
FC9-0533-000	105 - 8	FC9-0692-000	102 - 22	FC9-0838-000	313 - 5
FC9-0535-000	107 - 2	FC9-0693-000	320 - 3	FC9-0841-000	313 - 12
FC9-0535-000	107A - 2	FC9-0699-000	320 - 12	FC9-0843-000	313 - 13
FC9-0536-000	107 - 3	FC9-0700-000	320 - 14	FC9-0846-000	313 - 14
FC9-0536-000	107A - 3	FC9-0702-000	320 - 4	FC9-0852-000	313 - 6
FC9-0544-000	104 - 12	FC9-0704-000	320 - 15	FC9-0854-000	352 - 6
FC9-0545-000	104 - 3	FC9-0709-000	320 - 5	FC9-0856-000	352 - 7
FC9-0552-000	104 - 7	FC9-0717-000	102 - 5	FC9-0857-000	352 - 8
FC9-0554-000	316 - 6	FC9-0717-000	310A - 2	FC9-0864-000	352 - 9
FC9-0555-000	316 - 1	FC9-0717-000	313 - 3	FC9-0870-000	352 - 10
FC9-0556-000	312 - 1	FC9-0717-000	351 - 5	FC9-0898-000	103 - 16
FC9-0557-000	316 - 2	FC9-0718-000	102 - 6	FC9-0899-000	103 - 17
FC9-0561-000	100 - 16	FC9-0723-000	102 - 8	FC9-0900-000	103 - 18
FC9-0562-000	104 - 9	FC9-0726-000	102 - 9	FC9-0904-000	900 - 9

# NUMERICAL INDEX

## iR2545/2535/2530/2525/2520 Series(Numerical Index)

PARTS NUMBER	FIGURE & KEY NO.	PARTS NUMBER	FIGURE & KEY NO.	PARTS NUMBER	FIGURE & KEY NO
FC9-0905-000	900 - 2	FC9-1038-000	300A - 38	FC9-1683-000	312 - 28
FC9-0922-000	250 - 1	FC9-1043-000	300A - 29	FC9-1686-000	100 - 25
FC9-0922-000	250A - 1	FC9-1046-000	300A - 33	FC9-1696-000	300 - 63
FC9-0923-000	250 - 2	FC9-1049-000	100 - 19	FC9-1698-000	103 - 7
FC9-0923-000	250A - 2	FC9-1050-000	300A - 9	FC9-1700-000	106A - 6
FC9-0923-000	290 - 1	FC9-1051-000	310A - 11	FC9-1710-000	102 - 21
FC9-0923-000	310A - 3	FC9-1052-000	300A - 10	FC9-1718-000	300 - 23
FC9-0923-000	312 - 7	FC9-1054-000	300A - 34	FC9-1721-000	130 - 1
FC9-0923-000	313 - 15	FC9-1055-000	300A - 35	FC9-1722-000	130 - 19
FC9-0923-000	352 - 11	FC9-1057-000	314 - 3	FC9-1724-000	130 - 2
FC9-0924-000	250 - 3	FC9-1057-000	314A - 3	FC9-1725-000	130 - 3
FC9-0924-000	250A - 3	FC9-1060-000	314A - 6	FC9-1726-000	130 - 4
FC9-0946-000	640 - 2	FC9-1063-000	810A - 2	FC9-1727-000	130 - 20
FC9-0972-000	312 - 8	FC9-1068-000	810A - 21	FC9-1728-000	130 - 5
FC9-0973-000	312 - 9	FC9-1556-000	810A - 20	FC9-1729-000	130 - 6
FC9-0982-000	109 - 4	FC9-1563-000	810A - 30	FC9-1730-000	130 - 7
FC9-0983-000	109 - 5	FC9-1579-000	106A - 11	FC9-1731-000	130 - 8
FC9-0984-000	109 - 6	FC9-1588-000	300A - 25	FC9-1748-000	400A - 4
FC9-0985-000	109 - 7	FC9-1590-000	290 - 2	FC9-1749-000	400A - 5
FC9-0986-000	109 - 8	FC9-1591-000	290 - 3	FC9-1755-000	109 - 11
FC9-0987-000	109 - 9	FC9-1593-000	250 - 4	FC9-1761-000	400A - 15
FC9-0988-000	109 - 10	FC9-1593-000	250A - 4	FC9-4290-000	310 - 34
FC9-0989-000	104 - 15	FC9-1598-000	290 - 4	FC9-4290-000	H40 - 3A
FC9-0990-000	104 - 16	FC9-1602-000	250 - 23	FC9-4305-000	130 - 9
FC9-0991-000	104 - 17	FC9-1602-000	250A - 23	FC9-4306-000	130 - 10
FC9-0992-000	109 - 12	FC9-1610-000	640 - 3	FC9-4307-000	130 - 11
FC9-0993-000	109 - 13	FC9-1613-000	640 - 4	FC9-4308-000	130 - 12
FC9-1001-000	100 - 17	FC9-1615-000	100 - 3	FC9-4309-000	130 - 13
FC9-1002-000	100 - 18	FC9-1618-000	170 - 2	FC9-4672-000	H12 - 2
FC9-1003-000	106A - 3	FC9-1618-000	170A - 2	FC9-4674-000	H12 - 3
FC9-1004-000	106A - 4	FC9-1619-000	107A - 8	FC9-4675-000	H12 - 4
FC9-1005-000	102 - 19	FC9-1623-000	105 - 6	FC9-4676-000	H12 - 5
FC9-1006-000	100 - 26	FC9-1624-000	310A - 12	FC9-4678-000	H11 - 7
FC9-1007-000	100 - 14	FC9-1625-000	310A - 13	FC9-4679-000	H11 - 8
FC9-1008-000	100 - 15	FC9-1632-000	310A - 14	FC9-4680-000	H11 - 9
FC9-1018-000	620 - 4	FC9-1633-000	400 - 12	FC9-4681-000	H11 - 10
FC9-1019-000	314 - 2	FC9-1638-000	300A - 11	FC9-4682-000	H11 - 11
FC9-1019-000	314A - 2	FC9-1640-000	400A - 2	FC9-4683-000	H11 - 12
FC9-1022-000	310A - 5	FC9-1641-000	400A - 3	FC9-5683-000	A13 - 3
FC9-1023-000	310A - 6	FC9-1642-000	400A - 6	FC9-5684-000	A13 - 4
FC9-1024-000	310A - 7	FC9-1643-000	400A - 7	FC9-5723-000	H12 - 6
FC9-1025-000	310A - 8	FC9-1665-000	105 - 2	FC9-5724-000	300 - 57
FC9-1026-000	310A - 9	FC9-1670-000	810A - 11	FC9-5724-000	H30 - 57
FC9-1026-000	312 - 10	FC9-1671-000	810 - 12	FC9-5725-000	300 - 70
FC9-1028-000	106A - 5	FC9-1671-000	810A - 12	FC9-5725-000	H30 - 70
FC9-1030-000	300A - 5	FC9-1672-000	815 - 10	FC9-5726-000	300 - 58
FC9-1031-000	300A - 6	FC9-1675-000	810 - 26	FC9-5726-000	300A - 26
FC9-1032-000	310A - 10	FC9-1676-000	810A - 29	FC9-5726-000	H30 - 58
FC9-1034-000	106A - 1	FC9-1679-000	300 - 21	FC9-5727-000	300 - 59
FC9-1035-000	300A - 24	FC9-1681-000	300 - 22	FC9-5727-000	H30 - 59
FC9-1036-000	300A - 7	FC9-1683-000	171 - 3	FC9-7107-000	106 - 1
FC9-1037-000	300A - 8	FC9-1683-000	300A - 12	FC9-7107-000	H11 - 15

# NUMERICAL INDEX

## iR2545/2535/2530/2525/2520 Series(Numerical Index)

PARTS NUMBER	FIGURE & KEY NO.	PARTS NUMBER	FIGURE & KEY NO.	PARTS NUMBER	FIGURE & KEY NO
FC9-7170-000	300 - 44	FF3-4626-000	B13 - 6	FK2-9141-000	107 - 4
FC9-7170-000	H30 - 44	FF3-4627-000	B13 - 8	FK2-9143-000	107A - 4
FC9-7175-000	400A - 9	FF3-4628-000	B13 - 9	FK2-9145-000	109 - 3
FC9-7181-000	400A - 13	FF3-4629-000	B12 - 8	FK2-9147-000	620 - 33
FC9-7245-000	H30 - 54	FF3-4630-000	B12 - 9	FK2-9148-000	171 - 4
FC9-7249-000	300 - 62	FF3-4631-000	B41 - 19	FK2-9149-000	261 - 1
FC9-7249-000	H30 - 62	FF3-4633-000	B41 - 16	FK2-9150-000	351 - 18
FC9-7253-000	H40 - 19	FF3-4636-000	B41 - 17	FK2-9151-000	280 - 1
FC9-7257-000	300 - 39	FF3-4637-000	B12 - 8	FK2-9154-000	104 - 4
FC9-7259-000	300 - 64	FF3-4638-000	B41 - 3	FK2-9154-000	107 - 5
FC9-7259-000	H30 - 64	FF6-2397-000	310 - 35	FK2-9154-000	107A - 5
FC9-7260-000	300 - 65	FF6-2397-000	H40 - 35	FK2-9177-000	900 - 3
FC9-7260-000	H30 - 65	FG3-4036-000	B13 -	FK2-9178-000	900 - 4
FC9-7261-000	300 - 66	FG3-4037-000	B12 -	FK2-9179-000	900 - 3
FC9-7261-000	H30 - 66	FG3-4039-000	B10 - 12	FK2-9180-000	900 - 4
FC9-7262-000	400 - 18	FG3-4040-000	B41 - 18	FK2-9195-000	290 - 5
FC9-7281-000	100 - 28	FG3-4041-000	B12 - 14	FK2-9196-000	310A - 17
FC9-7708-000	103 - 8	FG3-4043-000	B12 - 10	FK2-9197-000	130 - 21
FC9-7715-000	310A - 15	FG3-4044-000	B12 - 15	FK2-9425-000	B41 - 49
FC9-7716-000	310A - 16	FG3-4045-000	B12 - 16	FK2-9443-000	900 - 7
FC9-7717-000	300A - 13	FG3-4052-000	B12 -	FK2-9470-000	400A - 38
FC9-7718-000	300A - 14	FH6-0772-000	130 - 14	FK3-0655-000	001 - 1
FC9-7719-000	106A - 7	FH6-5095-000	313 - 7	FK3-0658-000	001 - 2
FC9-7720-000	351 - 3	FH6-5136-000	B11 - 13	FK3-0660-000	001 - 3
FC9-7720-000	810 - 23	FH7-7569-000	400 - 19	FL2-6580-000	H40 - 37
FC9-7720-000	810A - 23	FH7-7569-000	400 - 19	FL2-9839-000	400 - 20
FC9-7723-000	351 - 1	FH7-7569-000	400A - 29	FL2-9840-000	400 - 20
FC9-7725-000	100 - 20	FH7-7569-000	400A - 29	FL2-9841-000	400 - 20
FC9-7741-000	620 - 6	FH7-7569-000	400A - 29	FL2-9842-000	400 - 11
FC9-7744-000	300A - 15	FK2-0149-000	H40 - 40	FL2-9843-000	400 - 21
FC9-7755-000	620 - 6	FK2-0207-000	A21 - 4	FL2-9933-000	A11 - 12
FC9-7759-000	160 - 2	FK2-0360-000	109 - 2	FL2-9934-000	A11 - 13
FC9-8950-000	313 - 20	FK2-0360-000	170 - 3	FL2-9935-010	A11 - 14
FC9-8954-000	810A - 8	FK2-0408-000	310 - 36	FL2-9937-000	A41 - 22
FC9-8959-000	350 - 12	FK2-0408-000	H40 - 36	FL2-9939-000	A41 - 36
FC9-8960-000	100 - 20	FK2-1066-020	400A - 24	FL2-9942-000	A41 - 43
FC9-8964-000	100 - 20	FK2-1410-000	312 - 11	FL2-9945-000	A10 - 12
FC9-8965-000	102 - 25	FK2-1773-000	930 - IC3	FL2-9947-000	A10 - 14
FC9-8966-000	102 - 26	FK2-1773-000	930 - IC4	FL2-9948-000	A12 - 9
FC9-8967-000	352 - 15	FK2-3218-000	900 - IC24	FL2-9949-000	A41 - 5
FC9-8968-000	810 - 33	FK2-4903-000	900 - IC5	FL3-1330-000	620 - 27
FC9-8970-000	109 - 19	FK2-5758-000	900 - IC32	FL3-1332-000	106 - 9
FC9-8974-000	810 - 5	FK2-6450-000	930 - IC2	FL3-1341-000	350 - 6
FC9-8975-000	310A - 28	FK2-6818-000	102 - 11	FL3-1348-000	312 - 12
FC9-9557-000	B13 - 5	FK2-6869-000	A41 - 20	FL3-1349-000	312 - 13
FC9-9558-000	B10 - 4	FK2-6870-000	A41 - 21	FL3-1352-000	310A - 18
FC9-9559-000	B12 - 6	FK2-6871-000	A41 - 39	FL3-1352-000	312 - 25
FC9-9560-000	B12 - 7	FK2-6872-000	A10 - 11	FL3-1354-000	310 - 37
FC9-9561-000	B12 - 12	FK2-6919-000	400 - 23	FL3-1357-000	310A - 19
FF3-4621-000	B10 - 5	FK2-7327-000	260 - 3	FL3-1443-000	313 - 10
FF3-4624-000	B10 - 7	FK2-7327-000	H20 - 4	FL3-1447-000	300A - 30
FF3-4625-000	B13 - 4	FK2-7574-000	900 - IC92	FL3-1448-000	102 - 12

# NUMERICAL INDEX

## iR2545/2535/2530/2525/2520 Series(Numerical Index)

PARTS NUMBER	FIGURE & KEY NO.	PARTS NUMBER	FIGURE & KEY NO.	PARTS NUMBER	FIGURE & KEY NO
FL3-1450-000	351 - 12	FM2-4786-000	140 - 5	FM3-9358-000	130 -
FL3-1451-000	313 - 8	FM2-4788-000	140 - 4	FM3-9361-000	109 - 14
FL3-1452-000	350 - 7	FM3-4146-000	310 - 39	FM3-9362-000	109 - 20
FL3-1454-000	352 - 12	FM3-4146-000	H40 - 39	FM3-9372-000	310A -
FL3-1456-000	106 - 8	FM3-5933-000	H11 - 3	FM3-9373-000	810A - 4
FL3-2449-000	A13 - 9	FM3-6120-000	H11 - 2	FM3-9378-000	300A - 32
FL3-2450-000	A13 - 1	FM3-6892-000	A12 - 13	FM3-9379-000	314A -
FL3-2844-000	A10 - 13	FM3-6916-000	A41 - 45	FM3-9380-000	102 -
FL3-2847-000	A13 - 11	FM3-8905-000	300 - 28	FM3-9381-000	810A -
FL3-2848-000	A13 - 2	FM3-8905-000	H30 - 28	FM3-9382-000	810A - 27
FL3-2858-000	H30 - 39	FM3-8906-000	300 - 40	FM3-9401-000	810 - 32
FL3-2859-000	300 - 10	FM3-8906-000	H30 - 40	FM3-9402-000	810A - 28
FL3-2859-000	H30 - 10	FM3-8907-000	300 - 45	FM3-9406-000	460 -
FL3-3143-000	400A - 11	FM3-8907-000	H30 - 45	FM3-9407-000	460 -
FL3-3144-000	400A - 14	FM3-8911-000	300 - 38	FM3-9409-000	250 -
FL3-3145-000	400A - 36	FM3-8911-000	H30 - 38	FM3-9411-000	290 -
FL3-3151-000	352 - 13	FM3-8912-000	300 - 53	FM3-9415-000	300 - 54
FL3-3152-000	400A - 6	FM3-8912-000	H30 - 53	FM3-9416-000	290 - 12
FL3-3153-000	400A - 7	FM3-9230-000	H40 -	FM3-9417-000	290 - 13
FL3-3190-000	400A - 11	FM3-9234-000	H20 -	FM3-9425-000	400A - 40
FL3-3191-000	400A - 11	FM3-9251-000	316 -	FM3-9426-000	250A -
FL3-3192-000	300A - 16	FM3-9256-000	101 -	FM3-9428-000	620 -
FL3-3193-000	300A - 18	FM3-9258-000	109 - 14	FM3-9429-000	620 -
FL3-3195-000	100 - 6	FM3-9259-000	109 - 20	FM3-9432-000	400 -
FL3-3197-000	310 - 9	FM3-9263-000	640 -	FM3-9433-000	400 -
FL3-3204-000	130 - 15	FM3-9264-000	640 - 15	FM3-9434-000	400 -
FL3-3238-000	B10 - 8	FM3-9265-000	640 - 19	FM3-9435-000	400 - 8
FL3-3239-000	B41 - 20	FM3-9273-000	620 - 22	FM4-0040-000	140 - 3
FL3-3436-000	100 - 10	FM3-9276-000	103 - 13	FM4-1201-000	H40 - 8
FL3-3437-000	100 - 10	FM3-9277-000	310 -	FM4-2459-000	A41 - 42
FL3-3438-000	100 - 10	FM3-9281-000	314 -	FM4-2460-000	A13 -
FL3-3439-000	100 - 10	FM3-9283-000	260 -	FM4-2531-000	H11 - 4
FL3-3440-000	100 - 10	FM3-9284-000	102 -	FM4-2854-000	130 - 17
FL3-3441-000	100 - 10	FM3-9285-000	312 -	FM4-2855-000	130 - 18
FL3-3442-000	100 - 10	FM3-9287-000	312 - 23	FM4-2859-000	932 -
FL3-3443-000	100 - 10	FM3-9293-000	312 - 36	FM4-2860-000	931 -
FL3-3444-000	100 - 10	FM3-9295-000	320 -	FM4-2863-000	930 - 1
FL3-3445-000	100 - 10	FM3-9296-000	320 - 11	FM4-2864-000	930 - 1
FL3-3447-000	100 - 10	FM3-9300-000	102 - 4	FM4-2865-000	930 - 1
FL3-3448-000	100 - 10	FM3-9302-000	810 -	FM4-2866-000	351 - 28
FL3-3449-000	100 - 10	FM3-9303-000	810 - 31	FM4-2871-000	980 - 1
FL3-3450-000	100 - 10	FM3-9310-000	350 -	FM4-2872-000	980 - 1
FL3-3451-000	100 - 10	FM3-9312-000	280 -	FM4-2883-000	900 - 8
FL3-3452-000	100 - 10	FM3-9319-000	313 -	FM4-2968-000	400 - 2
FL3-3453-000	100 - 10	FM3-9322-000	313 - 19	FM4-3023-000	A90 -
FL3-3469-000	312 - 24	FM3-9323-000	352 -	FM4-3024-000	A13 - 13
FL3-3471-000	106A - 2	FM3-9326-000	261 -	FM4-3025-000	A10 - 17
FL3-3473-000	102 - 31	FM3-9335-000	250A -	FM4-3320-000	B10 - 18
FL3-5012-000	B11 - 6	FM3-9338-000	100 - 2	FM4-3321-000	B90 -
FL3-5019-000	A12 - 10	FM3-9348-000	300A - 28	FM4-3363-000	810 -
FL3-5020-000	A12 - 12	FM3-9349-000	300A - 23	FM4-3364-000	810 - 31
FM2-2753-000	130 - 16	FM3-9354-000	130 -	FM4-3367-000	810A -

# NUMERICAL INDEX

## iR2545/2535/2530/2525/2520 Series(Numerical Index)

PARTS NUMBER	FIGURE & KEY NO.	PARTS NUMBER	FIGURE & KEY NO.	PARTS NUMBER	FIGURE & KEY NO
FM4-3368-000	810A - 27	FS4-0659-000	B41 - 43	FU3-0289-000	H40 - 11
FM4-3374-000	109 - 14	FS4-2743-000	B11 - 17	FU3-0347-000	310 - 49
FM4-3442-000	B41 -	FS4-2744-000	B41 - 45	FU3-0347-000	H40 - 49
FM4-3611-000	B13 - 13	FS4-2745-000	B41 - 46	FU3-0349-000	310 - 50
FM4-4187-000	400 -	FS4-2746-000	B41 - 21	FU3-0349-000	H40 - 50
FM4-4189-000	400 -	FS4-2747-000	B12 - 22	FU3-0350-000	310 - 51
FM4-4195-000	109 - 14	FS4-2749-000	B41 - 52	FU3-0350-000	H40 - 51
FM4-4205-000	400 - 7	FS4-2752-000	B41 - 24	FU3-0352-000	H40 - 53
FM4-5642-000	A41 -	FS4-2753-000	B41 - 47	FU5-0076-000	352 - 16
FM4-5643-000	A12 -	FS4-2754-000	B12 - 1	FU5-1009-000	320 - 16
FM4-6215-000	900 - 5	FS5-1943-000	261 - 2	FU5-1030-000	105 - 3
FM4-6216-000	900 - 5	FS5-1943-000	310 - 38	FU5-1033-000	310 - 52
FM4-6217-000	900 - 5	FS5-1943-000	352 - 14	FU5-1033-000	H40 - 52
FM4-6218-000	900 - 5	FS5-1943-000	H40 - 38	FU5-1035-000	H12 - 8
FM4-6219-000	900 - 5	FS5-6448-000	640 - 6	FU5-1168-000	A11 - 18
FM4-6867-000	400A - 10	FS5-6945-000	300 - 25	FU5-1172-000	A12 - 24
FM4-6868-000	400A - 8	FS5-6945-000	H30 - 25	FU5-1172-000	A41 - 50
FS2-1708-000	B12 - 17	FS6-1063-000	310 - 40	FU5-1173-000	A10 - 15
FS2-1708-000	B41 - 26	FS7-2788-000	H12 - 7	FU5-1522-000	350 - 8
FS2-1709-000	B41 - 27	FS7-2800-000	310 - 42	FU5-1522-000	352 - 17
FS2-1710-000	B12 - 18	FS7-2800-000	H40 - 42	FU5-1626-000	A12 - 25
FS2-1710-000	B41 - 28	FS7-2801-000	310 - 43	FU5-1626-000	A41 - 51
FS2-1711-000	B41 - 29	FS7-2801-000	H40 - 43	FU5-1763-000	310 - 12
FS2-3885-000	B41 - 22	FS7-2803-000	H40 - 58	FU5-1763-000	H40 - 12
FS2-3886-000	B41 - 30	FS9-0197-000	A10 - 2	FU5-3339-000	400A - 27
FS2-9567-000	B10 - 17	FS9-0197-000	B11 - 10	FU5-3340-000	400A - 31
FS2-9567-000	B41 - 32	FS9-0198-000	A10 - 3	FU5-3710-000	400 - 31
FS2-9568-000	B11 - 15	FS9-0198-000	B10 - 6	FU5-3796-000	102 - 13
FS2-9569-000	B10 - 14	FS9-0202-000	B10 - 13	FU5-3796-000	351 - 13
FS2-9569-000	B11 - 16	FS9-0203-000	A10 - 1	FU5-3800-000	250A - 31
FS2-9569-000	B12 - 20	FS9-0203-000	B10 - 9	FU5-3821-000	107A - 9
FS2-9569-000	B13 - 14	FS9-0204-000	A41 - 46	FU5-3822-000	280 - 2
FS2-9569-000	B41 - 33	FS9-0204-000	B41 - 56	FU5-3823-000	261 - 3
FS2-9570-000	B10 - 16	FS9-0205-000	A41 - 47	FU5-3825-000	106A - 8
FS2-9570-000	B41 - 51	FS9-0205-000	B41 - 25	FU5-6014-000	102 - 14
FS2-9571-000	B10 - 15	FS9-0208-000	B10 - 11	FU5-8204-000	400 - 13
FS2-9572-000	B13 - 12	FS9-0210-000	B13 - 7	FU5-8204-000	400A - 41
FS2-9573-000	B12 - 19	FS9-0211-000	108A - 7	FU5-8205-000	400 - 13
FS2-9574-000	B41 - 55	FS9-0214-000	400A - 39	FU5-8205-000	400A - 41
FS4-0644-000	B41 - 34	FS9-0224-000	400A - 39	FU5-8206-000	400 - 13
FS4-0645-000	B41 - 23	FU3-0280-000	310 - 44	FU5-8206-000	400A - 41
FS4-0646-000	B41 - 35	FU3-0280-000	H40 - 44	FU5-8207-000	400 - 13
FS4-0647-000	B41 - 36	FU3-0282-000	310 - 45	FU5-8207-000	400A - 41
FS4-0648-000	B41 - 37	FU3-0282-000	H40 - 45	FU5-8208-000	400 - 13
FS4-0649-000	B41 - 38	FU3-0283-000	310 - 46	FU5-8208-000	400A - 41
FS4-0650-000	B41 - 39	FU3-0283-000	H40 - 46	FU5-8209-000	400 - 13
FS4-0651-000	B41 - 40	FU3-0284-000	310 - 47	FU5-8209-000	400A - 41
FS4-0652-000	B41 - 41	FU3-0284-000	H40 - 47	FU5-8210-000	400 - 13
FS4-0653-000	B41 - 42	FU3-0285-000	H20 - 2	FU5-8210-000	400A - 41
FS4-0654-000	B12 - 21	FU3-0288-000	310 - 48	FU5-8211-000	400 - 13
FS4-0657-000	B13 - 10	FU3-0288-000	H40 - 48	FU5-8211-000	400A - 41
FS4-0658-000	B13 - 11	FU3-0289-000	310 - 11	FU5-9139-000	108 - 2

# NUMERICAL INDEX

## iR2545/2535/2530/2525/2520 Series(Numerical Index)

PARTS NUMBER	FIGURE & KEY NO.	PARTS NUMBER	FIGURE & KEY NO.	PARTS NUMBER	FIGURE & KEY NO
FU5-9139-000	108A - 5	FU7-2514-000	H30 - 37	FU7-2960-000	250 - 5
FU5-9140-000	108 - 3	FU7-2515-000	300 - 52	FU7-2960-000	250A - 5
FU5-9140-000	108A - 4	FU7-2515-000	H30 - 52	FU7-2960-000	261 - 4
FU6-0710-000	310 - 53	FU7-2518-000	300 - 67	FU7-2961-000	250 - 6
FU6-1088-000	A41 - 52	FU7-2518-000	H30 - 67	FU7-2962-000	250 - 24
FU6-1089-000	A41 - 53	FU7-2596-000	400 - 35	FU7-2962-000	250A - 24
FU6-1222-000	B11 - 14	FU7-2597-000	400 - 36	FU7-2971-000	312 - 17
FU6-2189-000	350 - 9	FU7-2651-000	A10 - 16	FU7-2972-000	105 - 7
FU6-2189-000	352 - 18	FU7-2652-000	A11 - 9	FU7-2974-000	312 - 18
FU6-2190-000	400A - 25	FU7-2653-000	A11 - 17	FU7-2975-000	310 - 58
FU6-2191-000	400A - 33	FU7-2654-000	A12 - 26	FU7-2979-000	351 - 19
FU6-2193-000	400A - 16	FU7-2655-000	A12 - 27	FU7-2982-000	310A - 22
FU6-2194-000	103 - 19	FU7-2656-000	A12 - 28	FU7-2983-000	106A - 10
FU6-2406-000	310A - 20	FU7-2657-000	A41 - 44	FU7-2984-000	300A - 27
FU6-2684-000	310 - 54	FU7-2658-000	A41 - 54	FU7-2985-000	300A - 36
FU6-2684-000	H40 - 54	FU7-2659-000	A41 - 55	FU7-2987-000	300A - 19
FU6-2784-000	310 - 55	FU7-2660-000	A41 - 56	FU7-2988-000	300A - 20
FU6-2784-000	H40 - 55	FU7-2911-000	103 - 2	FU7-2989-000	300A - 31
FU6-8744-000	A10 - 19	FU7-2912-000	103 - 9	FU7-2990-000	300A - 37
FU6-8745-000	A10 - 19	FU7-2913-000	105 - 9	FU7-2991-000	314 - 4
FU6-8747-000	A10 - 18	FU7-2915-000	316 - 3	FU7-2991-000	314A - 4
FU6-8867-000	312 - 37	FU7-2916-000	640 - 7	FU7-2992-000	314 - 5
FU6-8868-000	312 - 37	FU7-2918-000	105 - 5	FU7-2992-000	314A - 5
FU6-8869-000	312 - 38	FU7-2919-000	620 - 34	FU7-2993-000	300A - 21
FU6-8872-000	312 - 39	FU7-2920-000	620 - 7	FU7-2994-000	810A - 13
FU6-8873-000	103 - 21	FU7-2922-000	620 - 8	FU7-2996-000	103 - 10
FU6-8874-000	100 - 9	FU7-2923-000	310A - 21	FU7-2997-000	103 - 11
FU6-8880-000	103 - 14	FU7-2924-000	312 - 14	FU7-2998-000	102 - 23
FU6-8883-000	400 - 26	FU7-2925-000	312 - 15	FU7-2999-000	400A - 17
FU6-8884-000	102 - 27	FU7-2925-000	350 - 10	FU7-5378-000	310 - 41
FU6-8885-000	400 - 26	FU7-2926-000	312 - 16	FU7-5378-000	H40 - 41
FU6-8886-000	400 - 26	FU7-2927-000	102 - 15	FU7-8159-000	A13 - 6
FU6-8887-000	400 - 38	FU7-2928-000	320 - 13	FU7-8160-000	A13 - 12
FU6-8888-000	400 - 38	FU7-2930-000	320 - 6	FU7-8247-000	B10 - 13
FU6-8889-000	400 - 38	FU7-2931-000	320 - 7	FU7-8249-000	B10 - 11
FU6-8898-000	810 - 24	FU7-2932-000	320 - 8	FU7-8397-000	A10 - 18
FU6-8898-000	810A - 24	FU7-2933-000	320 - 9	FU7-8399-000	108 - 6
FU7-0444-000	310 - 56	FU7-2934-000	102 - 16	FU7-8399-000	108A - 6
FU7-0445-000	310 - 57	FU7-2934-000	351 - 14	FU7-8432-000	108 - 6
FU7-0445-000	H40 - 57	FU7-2934-000	810 - 25	FU7-8433-000	108 - 6
FU7-0848-000	H40 - 56	FU7-2934-000	810A - 25	FU7-8433-000	108A - 6
FU7-2256-000	620 - 28	FU7-2935-000	810 - 13	FU7-8436-000	108 - 5
FU7-2326-000	300 - 34	FU7-2936-000	815 - 4	FU7-8436-000	108A - 9
FU7-2326-000	H30 - 34	FU7-2937-000	810 - 22	FU7-8437-000	108 - 5
FU7-2327-000	300 - 35	FU7-2941-000	104 - 14	FU7-8438-000	108 - 5
FU7-2327-000	H30 - 35	FU7-2943-000	351 - 15	FU7-8438-000	108A - 9
FU7-2328-000	300 - 51	FU7-2945-000	313 - 16	FU7-8748-000	A10 - 18
FU7-2328-000	H30 - 51	FU7-2946-000	352 - 19	FU8-0299-000	A12 - 21
FU7-2332-000	106 - 3	FU7-2947-000	313 - 17	FU8-0300-000	A12 - 22
FU7-2513-000	300 - 36	FU7-2948-000	352 - 20	FU8-0301-000	A12 - 23
FU7-2513-000	H30 - 36	FU7-2949-000	106A - 12	FU8-0302-000	A12 - 8
FU7-2514-000	300 - 37	FU7-2959-000	106A - 9	FU8-0303-000	A41 - 57



# NUMERICAL INDEX

## iR2545/2535/2530/2525/2520 Series(Numerical Index)

PARTS NUMBER	FIGURE & KEY NO.	PARTS NUMBER	FIGURE & KEY NO.	PARTS NUMBER	FIGURE & KEY NO
FU8-0304-000	A41 - 26	FU8-0553-000	640 - 9	NPN	140 -
FU8-0305-000	A41 - 58	FU8-0554-000	640 - 10	NPN	160 -
FU8-0306-000	A41 - 40	FU8-0555-000	250 - 17	NPN	170 -
FU8-0307-000	A41 - 29	FU8-0570-000	310A - 23	NPN	170A -
FU8-0308-000	A41 - 59	FU8-0573-000	310A - 24	NPN	171 -
FU8-0309-000	A41 - 60	FU8-0574-000	300A - 22	NPN	300 -
FU8-0310-000	A41 - 61	FU8-0575-000	810A - 14	NPN	300A -
FU8-0311-000	A21 - 5	FU8-0576-000	810A - 15	NPN	351 -
FU8-0312-000	A41 - 62	FU8-0583-000	250A - 6	NPN	400 -
FU8-0313-000	A41 - 63	FU8-0584-000	250A - 26	NPN	400A -
FU8-0314-000	A41 - 64	FU8-0585-000	250A - 27	NPN	815 -
FU8-0315-000	A41 - 65	FU8-0585-000	261 - 5	NPN	900 -
FU8-0316-000	A41 - 66	FU8-0587-000	250A - 17	NPN	930 -
FU8-0317-000	A41 - 67	FU8-0588-000	290 - 6	NPN	980 -
FU8-0318-000	A41 - 68	FU8-0589-000	290 - 7	NPN	A10 -
FU8-0319-000	A21 - 6	FU8-0590-000	250A - 9	NPN	A11 -
FU8-0320-000	A21 - 7	FU8-0591-000	250A - 10	NPN	A21 -
FU8-0508-000	104 - 8	FU8-0592-000	250A - 11	NPN	B10 -
FU8-0509-000	640 - 16	FU8-0593-000	250A - 28	NPN	B11 -
FU8-0510-000	640 - 17	FU8-0594-000	250A - 13	NPN	H11 -
FU8-0511-000	640 - 8	FU8-0595-000	250A - 14	NPN	H12 -
FU8-0512-000	640 - 18	FU8-0596-000	250A - 29	NPN	H30 -
FU8-0514-000	620 - 20	FU8-0597-000	250A - 15	RS5-1567-000	310 - 59
FU8-0515-000	620 - 21	FU8-0598-000	250A - 12	VS1-7173-003	316 - 7
FU8-0521-000	620 - 9	FU8-0599-000	290 - 8	VS1-7173-005	106A - 14
FU8-0522-000	620 - 10	FU8-0600-000	310A - 25	VS1-7173-005	351 - 27
FU8-0525-000	312 - 19	FU8-0602-000	351 - 20	VS1-7173-007	171 - 6
FU8-0526-000	312 - 20	FU8-0603-000	351 - 21	VS1-7173-009	620 - 31
FU8-0527-000	312 - 21	FU8-0604-000	351 - 22	VS1-7173-010	106 - 11
FU8-0528-000	320 - 17	FU8-0605-000	351 - 23	VS1-7173-010	H11 - 5
FU8-0529-000	102 - 28	FU8-0606-000	351 - 24	VS1-7173-014	106 - 10
FU8-0530-000	102 - 17	FU8-0607-000	313 - 9	VS1-7173-014	H40 - 10
FU8-0531-000	815 - 11	FU8-0608-000	352 - 21	VS1-7177-002	107 - 7
FU8-0533-000	810 - 14	FU8-0609-000	352 - 22	VS1-7177-002	107A - 7
FU8-0534-000	810 - 15	FU8-0610-000	351 - 25	VS1-7177-002	290 - 11
FU8-0535-000	815 - 5	FU8-0611-000	815 - 13	VS1-7177-002	310 - 29
FU8-0537-000	107 - 6	FU8-0910-000	A13 - 7	VS1-7177-002	351 - 29
FU8-0537-000	107A - 6	FU9-0087-000	B41 - 31	VS1-7177-002	352 - 25
FU8-0538-000	350 - 11	FU9-0090-000	B41 - 44	VS1-7177-002	A10 - 20
FU8-0539-000	250 - 7	MB4-8201-000	640 - 5	VS1-7177-002	A41 - 49
FU8-0539-000	250A - 7	NPN	001 -	VS1-7177-002	H40 - 29
FU8-0540-000	250 - 8	NPN	100 -	VS1-7177-003	102 - 24
FU8-0540-000	250A - 8	NPN	103 -	VS1-7177-003	103 - 23
FU8-0541-000	250 - 9	NPN	104 -	VS1-7177-003	109 - 18
FU8-0542-000	250 - 10	NPN	105 -	VS1-7177-003	170 - 4
FU8-0543-000	250 - 11	NPN	106 -	VS1-7177-003	310A - 27
FU8-0544-000	250 - 12	NPN	106A -	VS1-7177-003	313 - 18
FU8-0545-000	250 - 13	NPN	107 -	VS1-7177-003	320 - 18
FU8-0546-000	250 - 14	NPN	107A -	VS1-7177-003	620 - 32
FU8-0547-000	250 - 15	NPN	108 -	VS1-7177-004	171 - 7
FU8-0548-000	250 - 16	NPN	108A -	VS1-7177-004	A21 - 8
FU8-0548-000	250A - 16	NPN	109 -	VS1-7177-008	102 - 7

# NUMERICAL INDEX

## iR2545/2535/2530/2525/2520 Series(Numerical Index)

PARTS NUMBER	FIGURE & KEY NO.	PARTS NUMBER	FIGURE & KEY NO.	PARTS NUMBER	FIGURE & KEY NO
VS1-8412-011	109 - 16	XA9-1523-000	H30 - 27	XD9-0136-000	620 - 15
VS1-8412-015	109 - 17	XA9-1567-000	103 - 24	XD9-0136-000	810 - 19
VS1-8412-015	H11 - 6	XA9-1567-000	104 - 5	XD9-0136-000	815 - 7
VS1-8412-019	109 - 15	XA9-1567-000	105 - 11	XD9-0136-000	H20 - 5
VS1-8412-021	104 - 1	XA9-1567-000	106 - 4	XD9-0136-000	H40 - 13
WA7-5632-000	900 - 6	XA9-1567-000	106A - 15	XD9-0137-010	104 - 6
WA7-5634-000	900 - 6	XA9-1567-000	107 - 8	XD9-0137-010	250 - 20
WC2-5680-000	106 - 5	XA9-1567-000	107A - 10	XD9-0137-010	250A - 20
WC2-5680-000	106A - 13	XA9-1567-000	108 - 4	XD9-0137-010	620 - 29
WC4-5242-000	103 - 12	XA9-1567-000	108A - 3	XD9-0137-010	640 - 12
WE8-6449-000	103 - 22	XA9-1567-000	109 - 21	XD9-0137-010	810A - 19
WE8-6487-000	105 - 10	XA9-1567-000	140 - 1	XD9-0288-000	250A - 32
WG8-5696-000	400A - 18	XA9-1567-000	261 - 6	XD9-0288-000	B11 - 18
WG8-5696-000	A13 - 8	XA9-1567-000	280 - 4	XD9-0288-000	B12 - 23
WG8-5696-000	A21 - 9	XA9-1567-000	310 - 13	XD9-0290-000	640 - 13
WG8-5696-000	A41 - 41	XA9-1567-000	316 - 5	XD9-0294-000	250 - 21
WG8-5696-000	B13 - 1	XA9-1567-000	351 - 2	XD9-0294-000	250A - 21
WG8-5696-000	B41 - 48	XA9-1567-000	400 - 3	XD9-0294-000	620 - 30
WG8-5776-000	400 - 24	XA9-1567-000	400A - 20	XD9-0296-000	250 - 25
WG8-5783-000	H11 - 14	XA9-1567-000	620 - 12	XD9-0296-000	250A - 25
WG8-5836-000	102 - 10	XA9-1685-000	400 - 4	XD9-0301-000	620 - 16
WG8-5836-000	103 - 3	XD1-1104-139	815 - 501	XF2-1104-940	H20 - 3
WG8-5836-000	171 - 5	XD1-1106-231	400A - 501	XF2-1603-940	280 - 5
WG8-5836-000	280 - 3	XD1-1106-232	620 - 501	XF2-1606-240	261 - 9
WG8-5836-000	290 - 9	XD1-2100-305	B12 - 501	XF2-1607-240	B41 - 50
WG8-5836-000	310 - 60	XD1-3100-305	B12 - 502	XF2-1607-640	A21 - 11
WG8-5836-000	310A - 26	XD1-4200-302	640 - 501	XF2-1607-640	A41 - 70
WG8-5836-000	312 - 22	XD1-4200-402	140 - 501	XF2-1608-040	351 - 26
WG8-5836-000	316 - 4	XD1-4200-402	810 - 501	XF2-1608-040	352 - 24
WG8-5836-000	320 - 10	XD1-4200-402	810A - 501	XF2-1609-040	260 - 2
WG8-5836-000	351 - 16	XD3-1160-122	320 - 501	XF2-1611-740	B41 - 54
WG8-5836-000	352 - 23	XD3-1200-122	104 - 501	XF2-3111-840	102 - 18
WG8-5836-000	620 - 11	XD3-2200-102	A12 - 501	XF2-3112-240	250A - 30
WG8-5836-000	810 - 16	XD3-2200-122	A11 - 501	XF2-3308-660	250A - 33
WG8-5836-000	810A - 16	XD3-2200-122	A41 - 501	XF2-4606-740	400 - 40
WP2-5264-000	103 - 4	XD3-2200-122	H40 - 501	XF2-4620-340	400A - 21
WP2-5282-000	640 - 11	XD9-0104-000	310 - 62	XF2-4661-440	400A - 22
XA9-0656-000	310 - 61	XD9-0133-000	810 - 18	XF2-4668-040	400 - 39
XA9-0656-000	H40 - 33	XD9-0133-000	810A - 18	XG9-0172-000	810 - 20
XA9-0702-000	810 - 17	XD9-0134-000	250 - 18	XG9-0387-000	640 - 14
XA9-0702-000	810A - 17	XD9-0134-000	250A - 18	XG9-0507-000	A41 - 23
XA9-0702-000	A41 - 48	XD9-0134-000	261 - 7	XG9-0508-000	250 - 26
XA9-0732-000	A10 - 10	XD9-0134-000	620 - 14	XG9-0508-000	250A - 34
XA9-0732-000	A21 - 10	XD9-0134-000	815 - 6	XH9-0136-000	104 - 11
XA9-1016-000	300 - 26	XD9-0136-000	104 - 10		
XA9-1016-000	H30 - 26	XD9-0136-000	250 - 19		
XA9-1164-000	A41 - 69	XD9-0136-000	250A - 19		
XA9-1386-000	100 - 31	XD9-0136-000	261 - 8		
XA9-1386-000	H11 - 1	XD9-0136-000	290 - 10		
XA9-1415-000	400 - 41	XD9-0136-000	310 - 63		
XA9-1415-000	400A - 19	XD9-0136-000	310A - 4		
XA9-1523-000	300 - 27	XD9-0136-000	400A - 28		

# **iR 2545/2535/2530/2525/2520 Series(Parts Catalog)**

**imageRUNNER 2545iDADF-AA1/CASSETTE UNIT/2ND DELIVERY MODEL**

**120V US            F19-0331-000   FUZ**

**230V AU            F19-0341-000   FVD**

**230V EUR          F19-0391-000   FVA**

**imageRUNNER 2545DADF-AA1/CASSETTE UNIT/2ND DELIVERY MODEL**

**120V US            F19-0332-000   FUU**

**imageRUNNER 2545COPY BOARD/CASSETTE UNIT MODEL**

**230V                F19-0342-000   FUW**

**imageRUNNER 2545CASSETTE UNIT/2ND DELIVERY MODEL**

**230V EUR          F19-0392-000   FUV**

**imageRUNNER 2535iDADF-AA1/CASSETTE UNIT/2ND DELIVERY MODEL**

**120V US            F19-0333-000   FUM**

**230V AU            F19-0343-000   FUP**

**230V EUR          F19-0393-000   FUN**

**imageRUNNER 2535DADF-AA1/CASSETTE UNIT/2ND DELIV-**

ERY MODEL

120V US            F19-0334-000   FUG

imageRUNNER 2535COPY BOARD/CASSETTE UNIT MODEL

230V                F19-0344-000   FUJ

imageRUNNER 2535CASSETTE UNIT/2ND DELIVERY MODEL

230V EUR           F19-0394-000   FUH

imageRUNNER 2530CASSETTE UNIT/2ND DELIVERY MODEL

120V US            F19-0731-000   FTG

imageRUNNER 2530iDADF-AB1/CASSETTE UNIT/2ND DELIV-  
ERY MODEL

230V EUR           F19-0791-000   FTZ

imageRUNNER 2530CASSETTE UNIT MODEL

230V EUR           F19-0792-000   FTK

imageRUNNER 2530COPY BOARD/CASSETTE UNIT MODEL

230V                F19-0841-000   FTU

imageRUNNER 2525CASSETTE UNIT/2ND DELIVERY MODEL

120V US            F19-0732-000   FRU

imageRUNNER 2525iDADF-AB1/CASSETTE UNIT/2ND DELIV-

## ERY MODEL

230V AU            F19-0741-000   FSR

230V EUR           F19-0793-000   FSQ

## imageRUNNER 2525CASSETTE UNIT MODEL

230V EUR           F19-0794-000   FRV

## imageRUNNER 2525COPY BOARD/CASSETTE UNIT MODEL

230V                F19-0842-000   FRZ

## imageRUNNER 25202ND DELIVERY MODEL

120V US            F19-0831-000   FQP

## imageRUNNER 2520iDADF-AB1/2ND DELIVERY MODEL

230V AU            F19-0843-000   FQZ

## imageRUNNER 2520COPY BOARD MODEL

230V                F19-0844-000   FQU

230V EUR           F19-0892-000   FQQ

## imageRUNNER 2520iDADF-AB1 MODEL

230V EUR           F19-0891-000   FQY



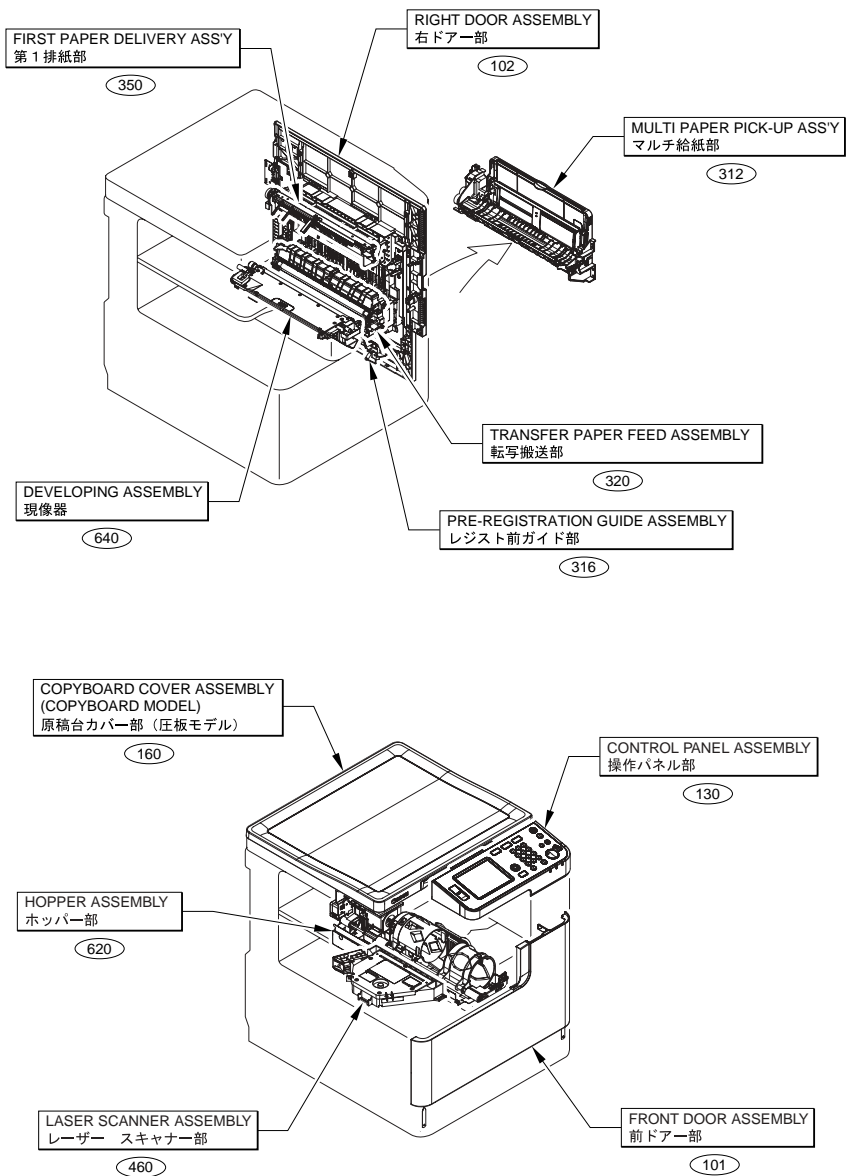
# Contents

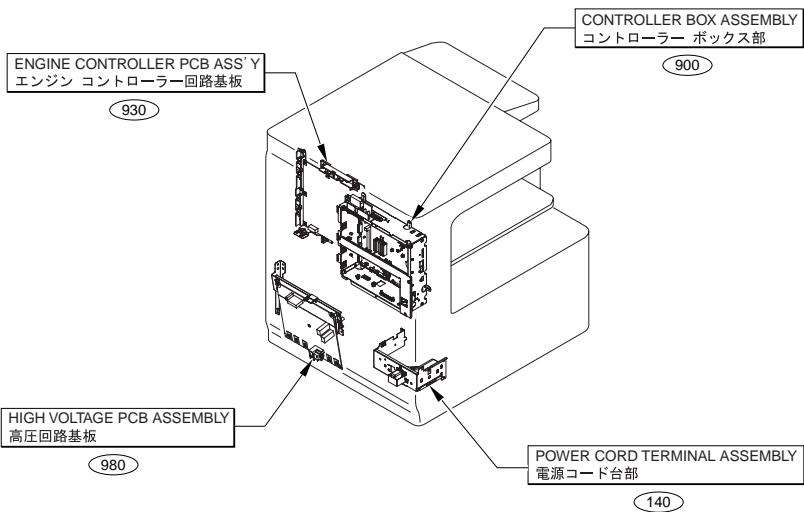
A1	ASSEMBLY LOCATION DIAGRAM .....	2-1
A2	OPTION PARTS CATALOG LIST .....	2-7
001	ACCESSOREIS .....	2-8
100	EXTERNAL COVERS, PANELS, ETC. ....	2-9
101	FRONT DOOR ASSEMBLY .....	2-12
102	RIGHT DOOR ASSEMBLY .....	2-13
103	MACHINE FRONT PLATE .....	2-16
104	INTERNAL COMPONENTS 1 .....	2-18
105	INTERNAL COMPONENTS 2 .....	2-20
106	INTERNAL COMPONENTS 3 (550 Sheets/Cassette 1 MODEL) .....	2-22
106A	INTERNAL COMPONENTS 3 (250 Sheets/Cassette 1 MODEL) .....	2-24
107	INTERNAL COMPONENTS 4 (iR2545/2535 Series) .....	2-26
107A	INTERNAL COMPONENTS 4 (iR2530/2525/2520 Series) .....	2-28
108	INTERNAL COMPONENTS 5 (iR2545/2535 Series) .....	2-30
108A	INTERNAL COMPONENTS 5 (iR2530/2525/2520 Series) .....	2-32
109	MACHINE REAR PLATE .....	2-34
130	CONTROL PANEL ASSEMBLY .....	2-36
140	POWER CORD TERMINAL ASSEMBLY .....	2-38
160	COPYBOARD COVER ASSEMBLY (COPYBOARD MODEL) .....	2-39
170	CARTRIDGE LEFT RAIL ASSEMBLY (iR2545/2535 Series) .....	2-40
170A	CARTRIDGE LEFT RAIL ASSEMBLY (iR2530/2525/2520 Series) .....	2-41
171	CARTRIDGE RIGHT RAIL ASSEMBLY (iR2545/2535 Series) .....	2-42
250	MAIN DRIVE ASSEMBLY (iR2545/2535 Series) .....	2-43
250A	MAIN DRIVE ASSEMBLY (iR2530/2525/2520 Series) .....	2-45
260	PAPER PICK-UP MOTOR ASSEMBLY (550 Sheets/Cassette 1 MODEL) .....	2-48
261	DUPLEXING DRIVE ASSEMBLY (iR2545/2535 Series) .....	2-49
280	FIRST DELIVERY DRIVE ASSEMBLY (iR2545/2535 Series) .....	2-50
290	REVERSE DRIVE ASSEMBLY (iR2530/2525/2520 Series) .....	2-51
300	CASSETTE (550 Sheets/Cassette 1 MODEL) .....	2-53
300A	CASSETTE (250 Sheets/Cassette 1 MODEL) .....	2-57
310	PAPER PICK-UP ASSEMBLY (550 Sheets/Cassette 1 MODEL) .....	2-60
310A	PAPER PICK-UP ASSEMBLY (250 Sheets/Cassette 1 MODEL) .....	2-64
312	MULTI PAPER PICK-UP ASSEMBLY .....	2-66
313	DUPLEXING FEED GUIDE ASSEMBLY (2ND DELIVERY MODEL) .....	2-69
314	RIGHT LOWER INNER DOOR ASS'Y (550 Sheets/Cassette 1 MODEL) .....	2-71
314A	RIGHT LOWER INNER DOOR ASS'Y (250 Sheets/Cassette 1 MODEL) .....	2-72
316	PRE-REGISTRATION GUIDE ASS'Y .....	2-73
320	TRANSFER PAPER FEED ASSEMBLY .....	2-74
350	FIRST PAPER DELIVERY ASSEMBLY .....	2-76
351	SECOND PAPER DELIVERY ASSEMBLY (2ND DELIVERY MODEL) .....	2-77
352	SECOND DELIVERY FRAME ASSEMBLY (2ND DELIVERY MODEL) .....	2-79
400	READER ASSEMBLY (iR2545/2535 Series) .....	2-81
400A	READER ASSEMBLY (iR2530/2525/2520 Series) .....	2-85
460	LASER SCANNER ASSEMBLY .....	2-89
620	HOPPER ASSEMBLY .....	2-90

640	DEVELOPING ASSEMBLY .....	2-93
810	FIXING ASSEMBLY (iR2545/2535 Series).....	2-95
810A	FIXING ASSEMBLY (iR2530/2525/2520 Series).....	2-98
815	PAPER DELIVERY LOWER GUIDE ASS'Y .....	2-101
900	CONTROLLER BOX ASSEMBLY .....	2-103
930	ENGINE CONTROLLER PCB ASSEMBLY .....	2-105
931	READER PCB ASSEMBLY (iR2545/2535 Series) .....	2-106
932	READER CONNECTING PCB ASSEMBLY (iR2530/2525/2520 Series) .....	2-107
980	HIGH VOLTAGE PCB ASSEMBLY .....	2-108
A10	ADF ASSEMBLY (DADF-AA1 MODEL).....	2-109
A11	BASE ASSEMBLY (DADF-AA1 MODEL) .....	2-111
A12	PAPER PICK-UP COVER ASSEMBLY (DADF-AA1 MODEL) .....	2-113
A13	DOCUMENT TRAY ASSEMBLY (DADF-AA1 MODEL) .....	2-115
A21	ESTRANGEMENT DRIVE ASSEMBLY (DADF-AA1 MODEL).....	2-117
A41	PAPER FEED ASSEMBLY (DADF-AA1 MODEL).....	2-118
A90	ADF PCB ASSEMBLY (DADF-AA1 MODEL) .....	2-123
B10	ADF ASSEMBLY (DADF-AB1 MODEL).....	2-124
B11	BASE ASSEMBLY (DADF-AB1 MODEL) .....	2-126
B12	OPEN/CLOSE PANEL ASSEMBLY (DADF-AB1 MODEL).....	2-128
B13	DOCUMENT TRAY ASSEMBLY (DADF-AB1 MODEL) .....	2-131
B41	PAPER FEEDER ASSEMBLY (DADF-AB1 MODEL) .....	2-133
B90	ADF PCB ASSEMBLY (DADF-AB1 MODEL) .....	2-136
H11	CASSETTE UNIT MAIN BODY (CASSETTE UNIT MODEL) .....	2-137
H12	CST.U RIGHT DOOR ASSEMBLY (CASSETTE UNIT MODEL) .....	2-139
H20	PAPER PICK-UP DRIVE ASSEMBLY (CASSETTE UNIT MODEL) .....	2-140
H30	CASSETTE (CASSETTE UNIT MODEL).....	2-141
H40	PAPER PICK-UP ASSEMBLY, 2 (CASSETTE UNIT MODEL) .....	2-145
ZZA	MECHANICAL STANDARD PARTS (HOW TO USE) .....	2-148
ZZB	MECHANICAL STANDARD PARTS (SCREWS).....	2-149
ZZC	MECHANICAL STANDARD PARTS (BOLTS).....	2-156
ZZD	MECHANICAL STANDARD PARTS (NUTS).....	2-157
ZZE	MECHANICAL STANDARD PARTS (RETAINING RINGS) .....	2-158



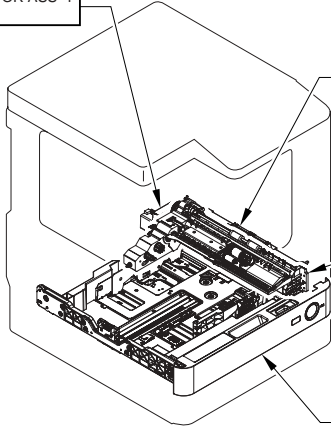
# FIGURE A1 ASSEMBLY LOCATION DIAGRAM





PAPER PICK-UP MOTOR ASS'Y  
給紙モーター部

260



RIGHT LOWER INNER DOOR ASS'Y  
右下ドア内部

314

PAPER PICK-UP ASSEMBLY  
給紙部

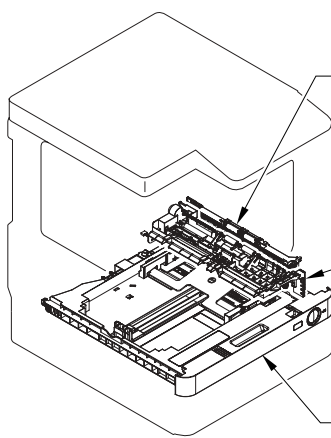
310

CASSETTE  
カセット

300

RIGHT LOWER INNER DOOR ASS'Y  
右下ドア内部

314A



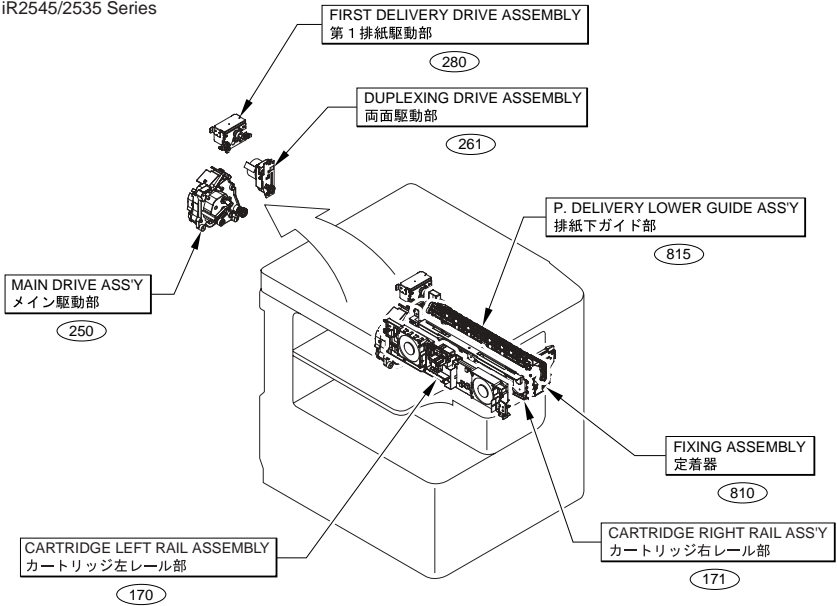
PAPER PICK-UP ASSEMBLY  
給紙部

310A

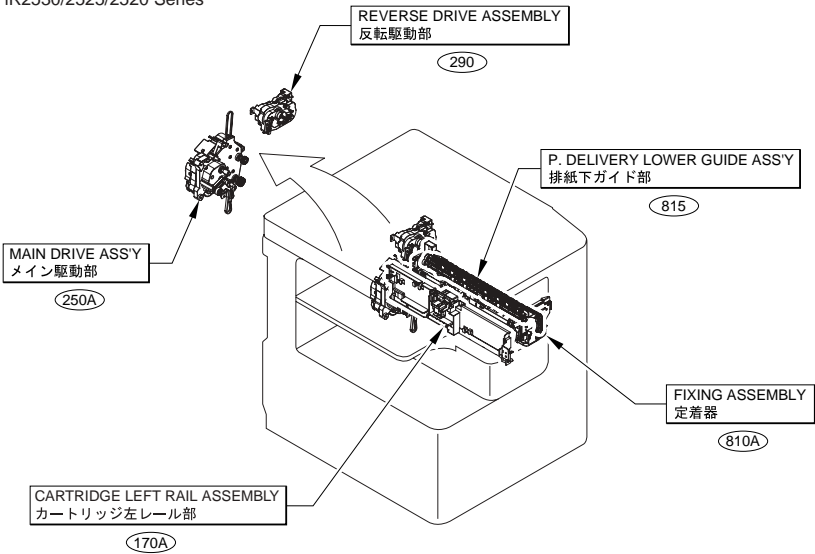
CASSETTE  
カセット

300A

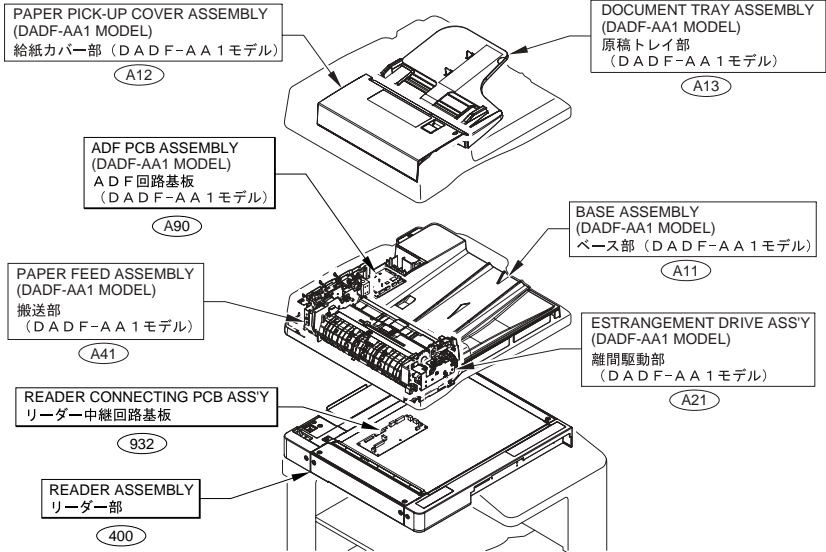
iR2545/2535 Series



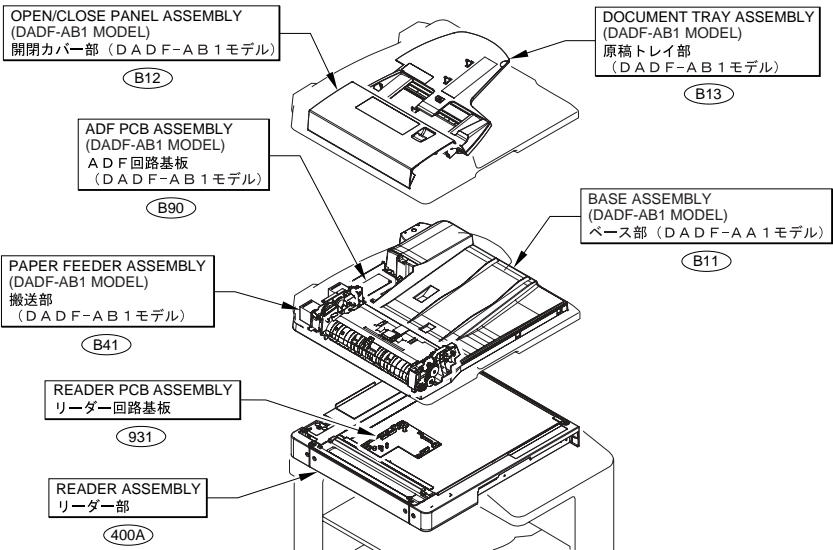
iR2530/2525/2520 Series

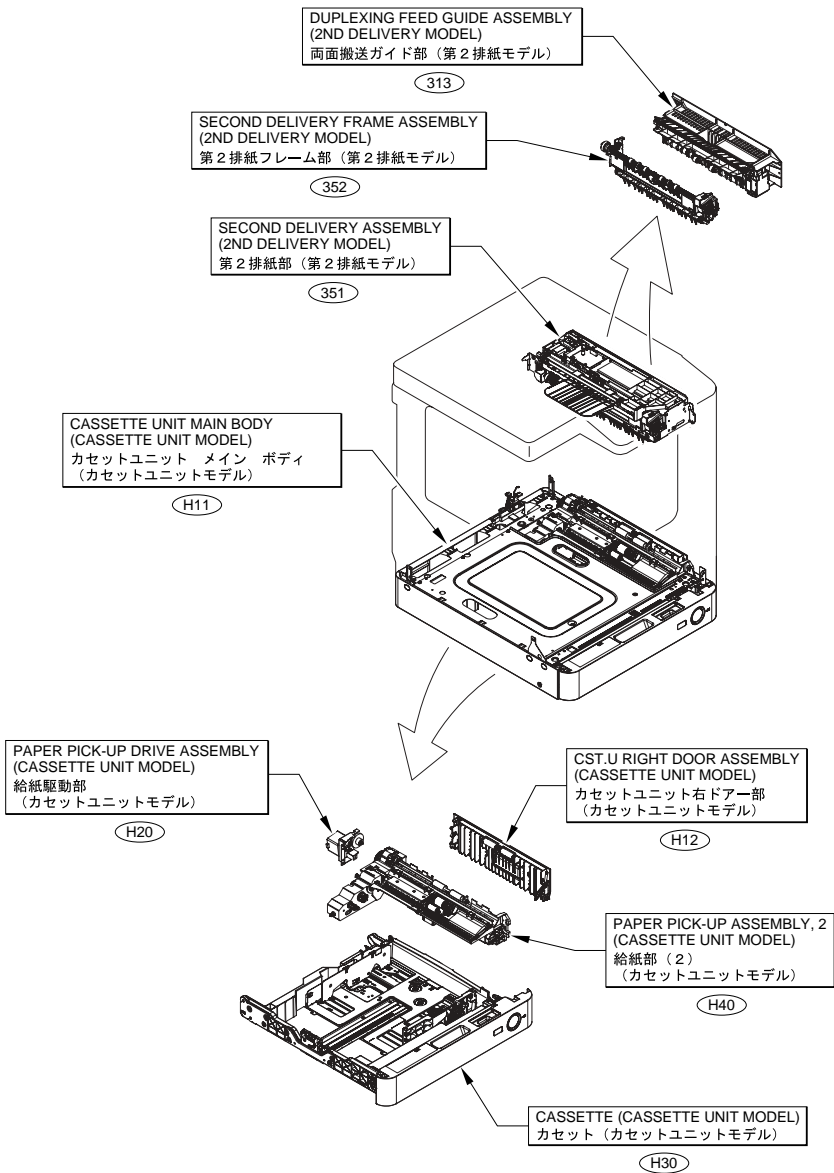


iR2545/2535 Series



iR2530/2525/2520 Series





## FIGURE A2 OPTION PARTS CATALOG LIST

This is the table of the machine's options whose parts catalog is issued.  
本機のオプションで、パーツカタログが発行されている機種の一覧である。

No.	Model Name(English)	Model Name(Japanese)
1	DADF-AA1	DADF-AA1
2	DADF-AB1	DADF-AB1
3	2 WAY UNIT-B1	拡張排紙キット・B1
4	Inner Finisher-B1	インナーフィニッシャー・B1
5	Inner Finisher Additional Tray-B1	インナーフィニッシャー用追加トレイ・B1
6	Cassette Module-W1/ CST. Feeding Unit-AE1	1段カセットユニット・W1/ 2段カセットペディスタル・AE1
7	FL Cassette-AK1	FLカセット・AK1
8	Stamp Unit-B1	スタンプユニット・B1
9	Reader Heater Unit-H1	Reader Heater Unit-H1
10	Document Tray-J1	原稿置き台・J1
11	Cassette Heater Unit-37	カセットヒーターユニット37
12	Cassette Spacer-A1	Cassette Spacer-A1
13	Envelope Feeder Attachment-D1	Envelope Feeder Attachment-D1
14	Cst Heater Kit-J1	ヒーター基板・J1
15	Power Supply Unit-U1	オプション電源・U1
16	ADF Access Handle-A1	ADFアクセスハンドル・A1
17	Card Reader-E1	カードリーダー・E1
18	Card Reader Attachment-D3	カードリーダー取付けキット・D3
19	Super G3 Fax Board-AG1	Super G3 Fax Board-AG1
20	USB Application 3-Port Interface Kit-A1	USB拡張ハブ・A1
21	Serial Interface Kit-J2	Serial Interface Kit-J2

# FIGURE 001 ACCESSOREIS

English,French,Italian,German,Spanish

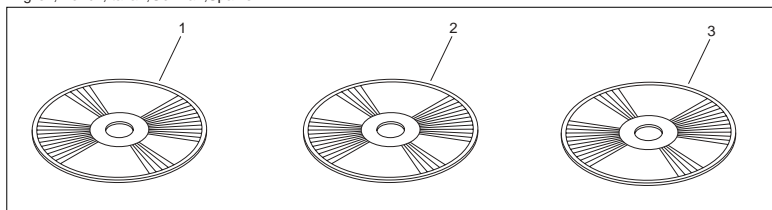


FIGURE & KEY NO.	PARTS NUMBER	RANK	QTY	DESCRIPTION	SERIAL NUMBER/REMARKS	SVC
Fig.001	NPN		RF	ACCESSORIES		
1	FK3-0655-000		1	CD-ROM, SOFTWARE FOR UFR II LT	English,French,Italian,German,Spanish	
2	FK3-0658-000		1	CD-ROM, SOFTWARE FOR PCL	English,French,Italian,German,Spanish	
3	FK3-0660-000		1	CD-ROM, SOFTWARE FOR PS	English,French,Italian,German,Spanish	



# FIGURE 100 EXTERNAL COVERS, PANELS, ETC.

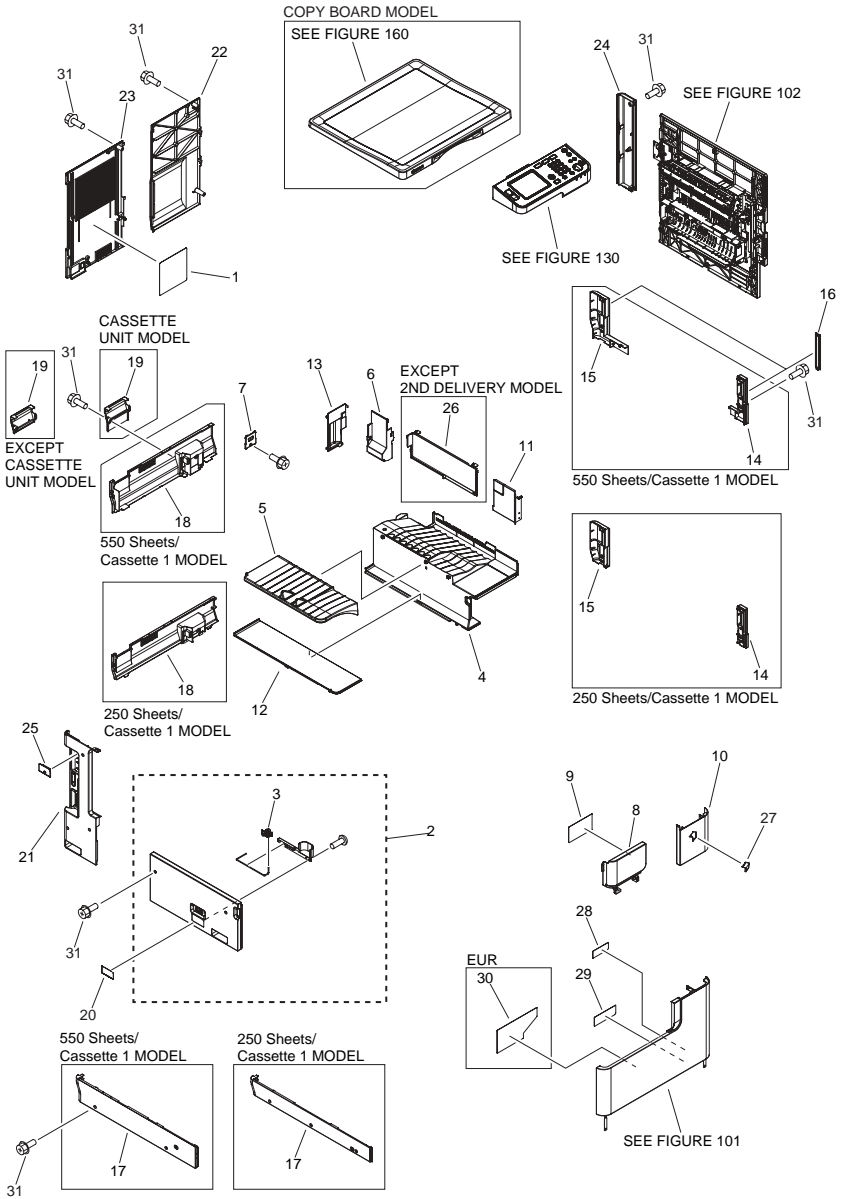


FIGURE & KEY NO.	PARTS NUMBER	R A N K	Q'TY	DESCRIPTION	SERIAL NUMBER/ REMARKS	S V C
Fig.100	NPN		RF	EXTERNAL COVERS, PANELS, ETC.		
1	FC0-0274-000		1	LABEL, SERVICE		
2	FM3-9338-000		1	LEFT COVER ASSEMBLY		
3	FC9-1615-000		1	BUTTON, MAIN SWITCH		
4	FC9-0513-000		1	TRAY, PAPER DELIVERY, 1		
5	FC9-0514-000		1	TRAY, PAPER DELIVERY, 2		
6	FL3-3195-000		1	PANEL, INNER RIGHT REAR		
7	FC9-0831-000		1	PANEL, DELIVERY TRAY AUXILIARY		
8	FC9-0571-000		1	DOOR, TONER		
9	FU6-8874-000		1	LABEL, TONER SUPPLY		
10	FL3-3436-000		1	PANEL, FRONT UPPER	FTK,FTU	
10	FL3-3437-000		1	PANEL, FRONT UPPER	FQA,FQU	
10	FL3-3438-000		1	PANEL, FRONT UPPER	FQY,FQZ	
10	FL3-3439-000		1	PANEL, FRONT UPPER	FRV,FRZ	
10	FL3-3440-000		1	PANEL, FRONT UPPER	FSQ,FSR	
10	FL3-3441-000		1	PANEL, FRONT UPPER	FTZ	
10	FL3-3442-000		1	PANEL, FRONT UPPER	FUH,FUJ	
10	FL3-3443-000		1	PANEL, FRONT UPPER	FUN,FUP	
10	FL3-3444-000		1	PANEL, FRONT UPPER	FUV,FUV	
10	FL3-3445-000		1	PANEL, FRONT UPPER	FVA,FVD	
10	FL3-3447-000		1	PANEL, FRONT UPPER	FQP	
10	FL3-3448-000		1	PANEL, FRONT UPPER	FRU	
10	FL3-3449-000		1	PANEL, FRONT UPPER	FTG	
10	FL3-3450-000		1	PANEL, FRONT UPPER	FUG	
10	FL3-3451-000		1	PANEL, FRONT UPPER	FUM	
10	FL3-3452-000		1	PANEL, FRONT UPPER	FUU	
10	FL3-3453-000		1	PANEL, FRONT UPPER	FUZ	
11	FC9-0578-000		1	PANEL, INNER RIGHT FRONT		
12	FC9-0520-000		1	PANEL, PAPER DELIVERY, LOWER		
13	FC9-0521-000		1	PANEL, PAPER DELIVERY, REAR		
14	FC9-0526-000		1	PANEL, RIGHT LOWER, FRONT	550 Sheets/Cassette 1 MODEL	

FIGURE & KEY NO.	PARTS NUMBER	R A N K	Q'TY	DESCRIPTION	SERIAL NUMBER/ REMARKS	S V C
14	FC9-1007-000		1	PANEL, RIGHT LOWER, FRONT	250 Sheets/Cassette 1 MODEL	
15	FC9-0527-000		1	PANEL, RIGHT LOWER, REAR	550 Sheets/Cassette 1 MODEL	
15	FC9-1008-000		1	PANEL, RIGHT LOWER, REAR	250 Sheets/Cassette 1 MODEL	
16	FC9-0561-000		2	PANEL, HANDLE		
17	FC9-0506-000		1	PANEL, LEFT LOWER	550 Sheets/Cassette 1 MODEL	
17	FC9-1001-000		1	PANEL, LEFT LOWER	250 Sheets/Cassette 1 MODEL	
18	FC9-0507-000		1	PANEL, REAR LOWER	550 Sheets/Cassette 1 MODEL	
18	FC9-1002-000		1	PANEL, REAR LOWER	250 Sheets/Cassette 1 MODEL	
19	FC9-0510-000		1	PANEL, PROTECTIVE	CASSETTE UNIT MODEL	
19	FC9-1049-000		1	PANEL, PROTECTIVE	EXCEPT CASSETTE UNIT MODEL	
20	FC9-7725-000		1	LABEL, POWER SUPPLY	TW	
20	FC9-8960-000		1	LABEL, POWER SUPPLY	US,AU,OTHER	
20	FC9-8964-000		1	LABEL, POWER SUPPLY	EUR	
21	FC9-0523-000		1	PANEL, LEFT REAR		
22	FC9-0524-000		1	PANEL, REAR		
23	FC9-0525-000		1	PANEL, CONTROLLER, REAR		
24	FC9-0572-000		1	PANEL, RIGHT REAR		
25	FC9-1686-000		1	PANEL, BLANKING		
26	FC9-1006-000		1	PANEL, INNER RIGHT CENTER	EXCEPT 2ND DELIVERY MODEL	
27	FC6-4391-000		1	EMBLEM		
28	FC9-7281-000		1	LABEL, WASTE TONER CHANGE, LW.		
29	FC9-0573-000		1	LABEL, WASTE TONER CHANGE, UP.		
30	FC9-0576-000		1	LABEL, DRUM CHANGE OPERATION	EUR	
31	XA9-1386-000		AR	SCREW,RS,M3X8		

# FIGURE 101 FRONT DOOR ASSEMBLY

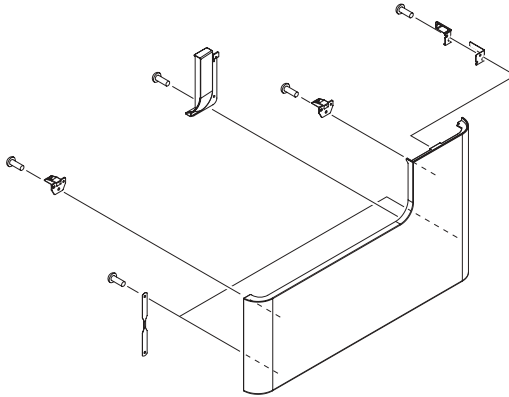
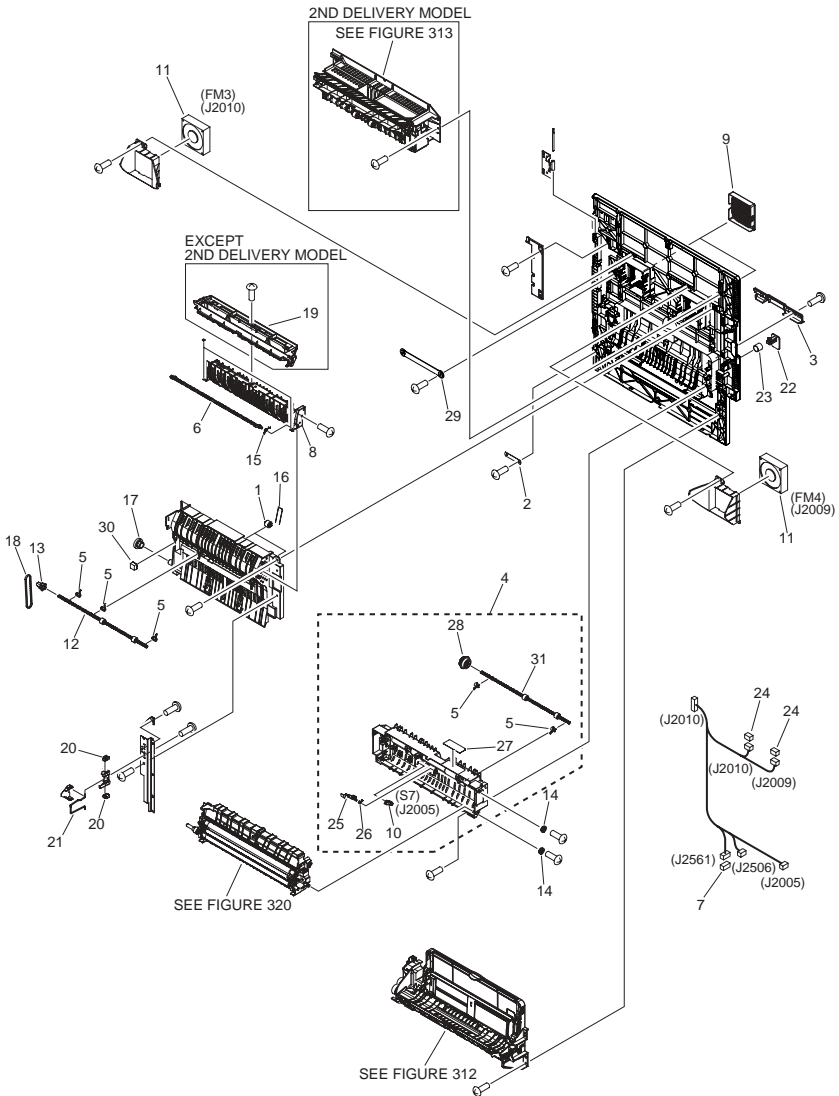


FIGURE & KEY NO.	PARTS NUMBER	RANK	QTY	DESCRIPTION	SERIAL NUMBER/REMARKS	SVC
Fig.101	FM3-9256-000		1	FRONT DOOR ASSEMBLY		

# FIGURE 102 RIGHT DOOR ASSEMBLY



NOTE : This assembly includes the assemblies shown in Figure 312, 313 and 320.  
注 : このユニットはFigure 312, 313, 320のユニットを含みます。

FIGURE & KEY NO.	PARTS NUMBER	R A N K	Q'TY	DESCRIPTION	SERIAL NUMBER/ REMARKS	S V C
Fig.102	FM3-9284-000		1	RIGHT DOOR ASSEMBLY	2ND DELIVERY MODEL SEE NOTE	
Fig.102	FM3-9380-000		1	RIGHT DOOR ASSEMBLY	EXCEPT 2ND DELIVERY MODEL SEE NOTE	
1	FC5-1358-000		2	COLLAR, FIXING DELIVERY		
2	FC0-0280-000		1	BAND, DOOR		
3	FC9-0673-000		1	COVER, M.P. PICK-UP ROLLER		
4	FM3-9300-000		1	DUPLEXING PAPER FEED ASSEMBLY		
5	FC9-0717-000		5	BUSHING		
6	FC9-0718-000		1	FLAPPER, DELIVERY REVERSE		
7	VS1-7177-008		1	CONNECTOR, SNAP TIGHT, BK		
8	FC9-0723-000		1	GUIDE, DUPLEXING PAPER FEED, 2		
9	FC9-0726-000		2	COVER, FAN DUCT		
10	WG8-5836-000		1	PHOTOINTERRUPTER, SG2481-CN	S7	
11	FK2-6818-000		2	FAN	FM3,FM4	
12	FL3-1448-000		1	ROLLER, DUPLEXING PAPER FEED		
13	FU5-3796-000		1	PULLEY, 28T		
14	FU5-6014-000		2	COLLAR		
15	FU7-2927-000		1	SPRING, TORSION		
16	FU7-2934-000		2	SPRING, RETAINING		
17	FU8-0530-000		1	GEAR, 28T		
18	XF2-3111-840		1	BELT, TIMING		
19	FC9-1005-000		1	GUIDE, FIRST DELIVERY	EXCEPT 2ND DELIVERY MODEL	
20	FC6-2933-000		2	BUSHING		
21	FC9-1710-000		1	HOOK, WIRE		
22	FC9-0692-000		1	BUTTON, RIGHT DOOR		
23	FU7-2998-000		1	SPRING, COMPRESSION		
24	VS1-7177-003		2	CONNECTOR, SNAP TIGHT, BK		
25	FC9-8965-000		1	FLAG, REVERSE DETECT		
26	FC9-8966-000		1	SPRING, TORSION		
27	FU6-8884-000		1	LABEL, ROLLER GRIP PROHIBITION		
28	FU8-0529-000		1	GEAR, 26T/26T		

FIGURE & KEY NO.	PARTS NUMBER	R A N K	Q'TY	DESCRIPTION	SERIAL NUMBER/ REMARKS	S V C
29	FC0-0270-000		1	BAND, DOOR		
30	FC7-7154-000		1	SHEET, SUPPORT		
31	FL3-3473-000		1	ROLLER, DUPLEXING PAPER FEED		





FIGURE & KEY NO.	PARTS NUMBER	RANK	Q'TY	DESCRIPTION	SERIAL NUMBER/REMARKS	SVC
Fig.103	NPN		RF	MACHINE FRONT PLATE		
1	FC9-0593-000		1	LABEL, DEV. PRESSURE LOCK	EUR	
2	FU7-2911-000		1	SPRING, COMPRESSION		
3	WG8-5836-000		2	PHOTOINTERRUPTER, SG2481-CN	S17,S18	
4	WP2-5264-000		1	ENVIRONMENTAL SENSOR UNIT	HU1	
5	FC9-0502-000		1	LEVER, BOTTLE EXCHANGE		
6	FC9-0503-000		1	LEVER, HANDLE LOCK		
7	FC9-1698-000		2	HOOK, FRONT DOOR		
8	FC9-7708-000		1	GEAR, 7T		
9	FU7-2912-000		1	SPRING, TORSION		
10	FU7-2996-000		2	SPRING, TENSION		
11	FU7-2997-000		1	SPRING, TORSION		
12	WC4-5242-000		1	MICROSWITCH	SW2	
13	FM3-9276-000		1	WASTE TONER BOX ASSEMBLY	[DP]	
14	FU6-8880-000		1	LABEL, LASER CAUTION		
15	FC9-0500-000		1	LABEL, FIXING JAM DISPOSE		
16	FC9-0898-000		1	HOOK, RIGHT DOOR, UPPER		
17	FC9-0899-000		1	HOOK, RIGHT DOOR, CENTER		
18	FC9-0900-000		1	HOOK, RIGHT DOOR, LOWER		
19	FU6-2194-000		1	SPRING, TENSION		
20	FC9-0504-000		1	LABEL, WASTE TONER UNLOCK		
21	FU6-8873-000		1	LABEL, LOCK UNLOCK		
22	WE8-6449-000		1	CORE, FERRITE		
23	VS1-7177-003		1	CONNECTOR, SNAP TIGHT, BK		
24	XA9-1567-000		AR	SCREW, RS, M3X8.5		

# FIGURE 104 INTERNAL COMPONENTS 1

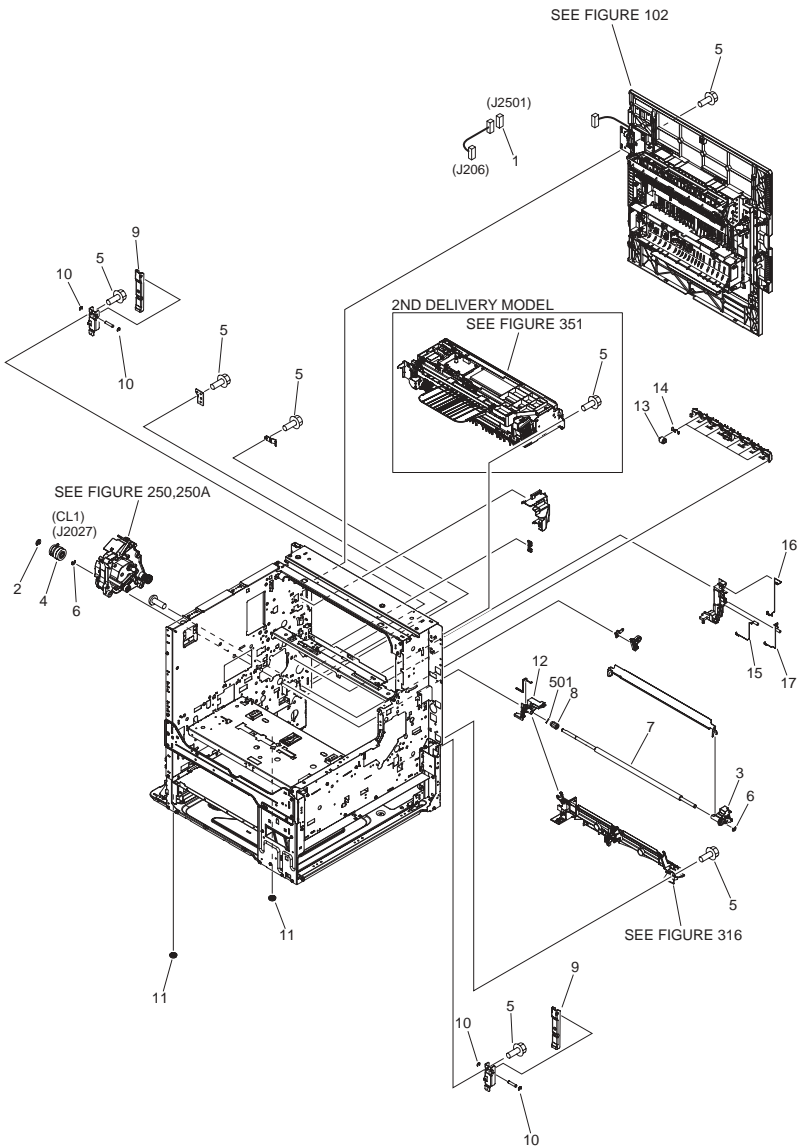


FIGURE & KEY NO.	PARTS NUMBER	R A N K	Q'TY	DESCRIPTION	SERIAL NUMBER/ REMARKS	S V C
Fig.104	NPN		RF	INTERNAL COMPONENTS 1		
1	VS1-8412-021		1	CONNECTOR, SNAP TIGHT, BL		
2	FC8-6380-000		1	CLIP		
3	FC9-0545-000		1	BUSHING		
4	FK2-9154-000		1	CLUTCH	CL1	
5	XA9-1567-000		AR	SCREW, RS, M3X8.5		
6	XD9-0137-010		2	RING, E		
7	FC9-0552-000		1	ROLLER, REGISTRATION PRESSURE		
8	FU8-0508-000		1	GEAR, 17T		
9	FC9-0562-000		1	LEVER, RIGHT		
10	XD9-0136-000		2	RING,E		
11	XH9-0136-000		2	FOOT, RUBBER		
12	FC9-0544-000		1	BUSHING		
13	FC5-1358-000		6	COLLAR, FIXING DELIVERY		
14	FU7-2941-000		6	SPRING, RETAINING		
15	FC9-0989-000		1	SPRING, CONTACT		
16	FC9-0990-000		1	SPRING, CONTACT		
17	FC9-0991-000		1	SPRING, CONTACT		
501	XD3-1200-122		1	PIN,SPRING		

# FIGURE 105 INTERNAL COMPONENTS 2

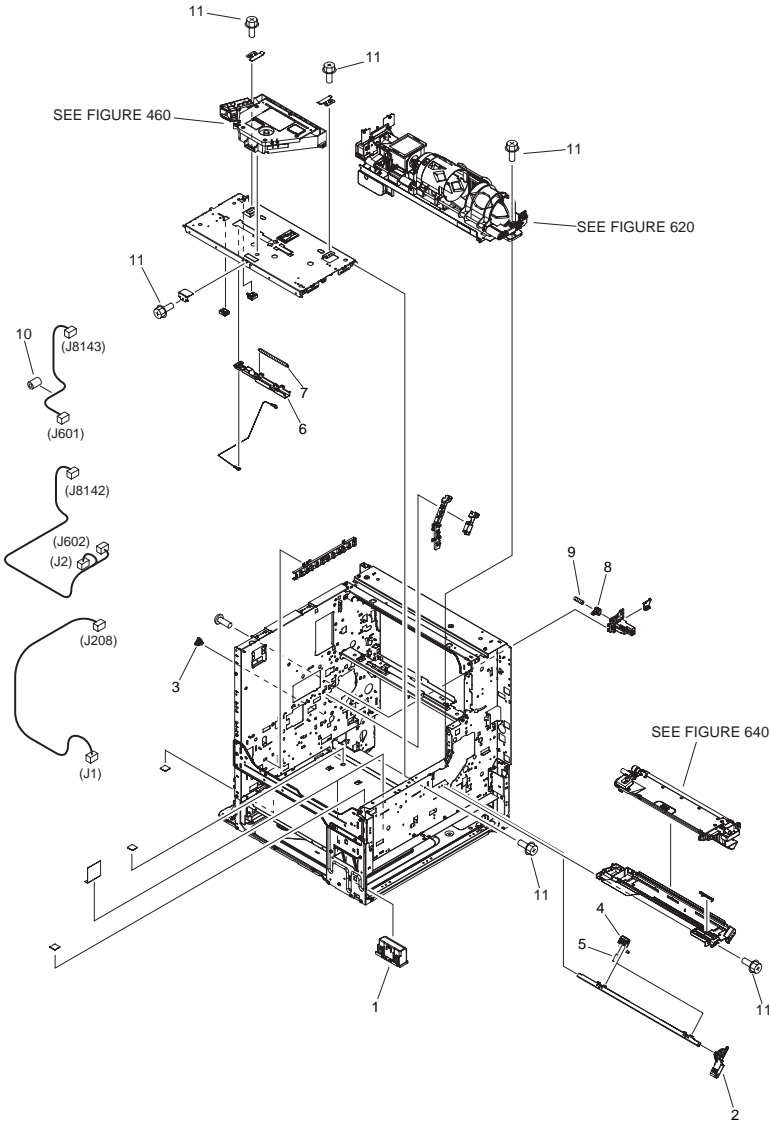


FIGURE & KEY NO.	PARTS NUMBER	RANK	Q'TY	DESCRIPTION	SERIAL NUMBER/REMARKS	SVC
Fig.105	NPN		RF	INTERNAL COMPONENTS 2		
1	FC6-4689-000		1	HANDLE		
2	FC9-0512-000		1	HANDLE, PRESSURE	EXCEPT EUR	
2	FC9-1665-000		1	HANDLE, PRESSURE	EUR	
3	FU5-1030-000		1	BUSHING		
4	FC9-0609-000		2	CAM, DEVELOPING PRESSURE		
5	FU7-2918-000		2	SPRING, COMPRESSION		
6	FC9-1623-000		1	LINK, LASER SHUTTER		
7	FU7-2972-000		1	SPRING, TENSION		
8	FC9-0533-000		1	SLIDER, LASER SHUTTER		
9	FU7-2913-000		1	SPRING, COMPRESSION		
10	WE8-6487-000		1	CORE, RING		
11	XA9-1567-000		AR	SCREW, RS, M3X8.5		

# FIGURE 106 INTERNAL COMPONENTS 3 (550 Sheets/Cassette 1 MODEL)

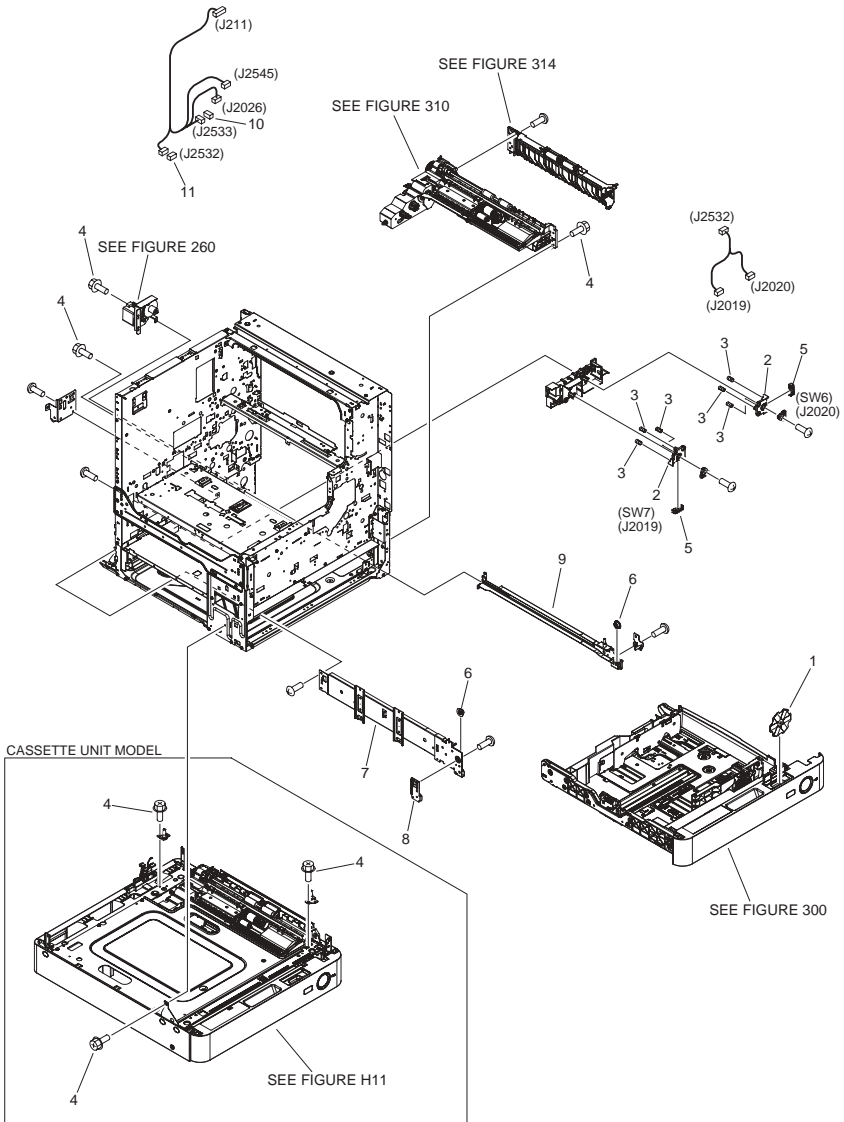


FIGURE & KEY NO.	PARTS NUMBER	RANK	Q'TY	DESCRIPTION	SERIAL NUMBER/REMARKS	SVC
Fig.106	NPN		RF	INTERNAL COMPONENTS 3	550 Sheets/Cassette 1 MODEL	
1	FC9-7107-000		1	SIZE PLATE		
2	FC8-2478-000		2	HOLDER, SWITCH		
3	FU7-2332-000		6	SPRING, COMPRESSION		
4	XA9-1567-000		AR	SCREW, RS, M3X8.5		
5	WC2-5680-000		2	SWITCH, PUSH	SW6,SW7	
6	FC8-4999-000		2	ROLLER, RAIL		
7	FC9-0659-000		1	RAIL, CASSETTE, LEFT		
8	FL3-1456-000		1	RAIL, ROLLER SHAFT PLATE, LEFT		
9	FL3-1332-000		1	RAIL, CASSETTE, RIGHT		
10	VS1-7173-014		1	CONNECTOR, SNAP TIGHT, 14P, W		
11	VS1-7173-010		1	CONNECTOR, SNAP TIGHT, 10P, W		

# FIGURE 106A INTERNAL COMPONENTS 3 (250 Sheets/Cassette 1 MODEL)

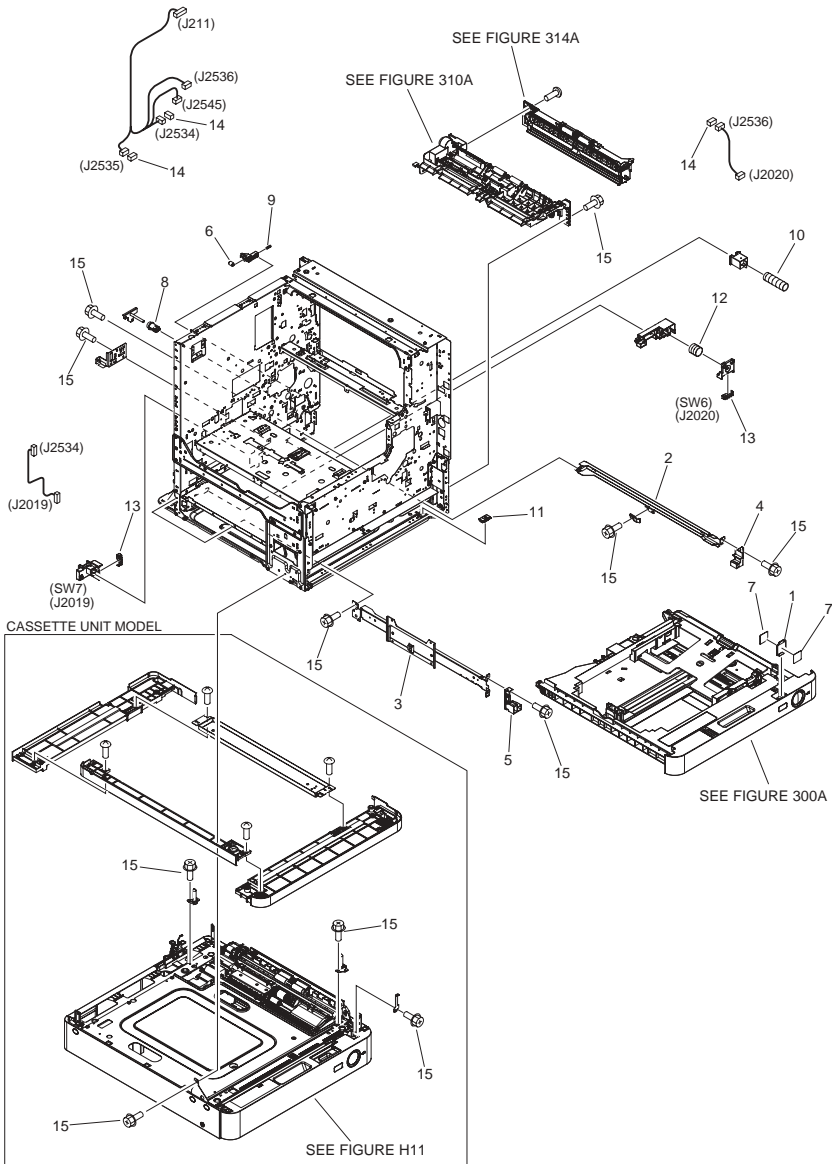




FIGURE & KEY NO.	PARTS NUMBER	R A N K	Q'TY	DESCRIPTION	SERIAL NUMBER/ REMARKS	S V C
Fig.106A	NPN		RF	INTERNAL COMPONENTS 3	250 Sheets/Cassette 1 MODEL	
1	FC9-1034-000		1	PLATE, PAPER SIZE INDICATION		
2	FL3-3471-000		1	RAIL, CASSETTE, RIGHT		
3	FC9-1003-000		1	RAIL, CASSETTE, LEFT		
4	FC9-1004-000		1	GUIDE, CASSETTE RAIL, RIGHT		
5	FC9-1028-000		1	GUIDE, CASSETTE RAIL, LEFT		
6	FC9-1700-000		1	ROLLER, PICK-UP BELT TENSION		
7	FC9-7719-000		1	LABEL, SIZE INDICATION PLATE		
8	FU5-3825-000		1	PULLEY, 19T		
9	FU7-2959-000		1	SPRING, TENSION		
10	FU7-2983-000		1	SPRING, COMPRESSION		
11	FC9-1579-000		1	STOPPER, CASSETTE LOCK ARM		
12	FU7-2949-000		1	SPRING, COMPRESSION		
13	WC2-5680-000		2	SWITCH, PUSH	SW6,SW7	
14	VS1-7173-005		3	CONNECTOR, SNAP TIGHT		
15	XA9-1567-000		AR	SCREW, RS, M3X8.5		

# FIGURE 107 INTERNAL COMPONENTS 4 (iR2545/2535 Series)

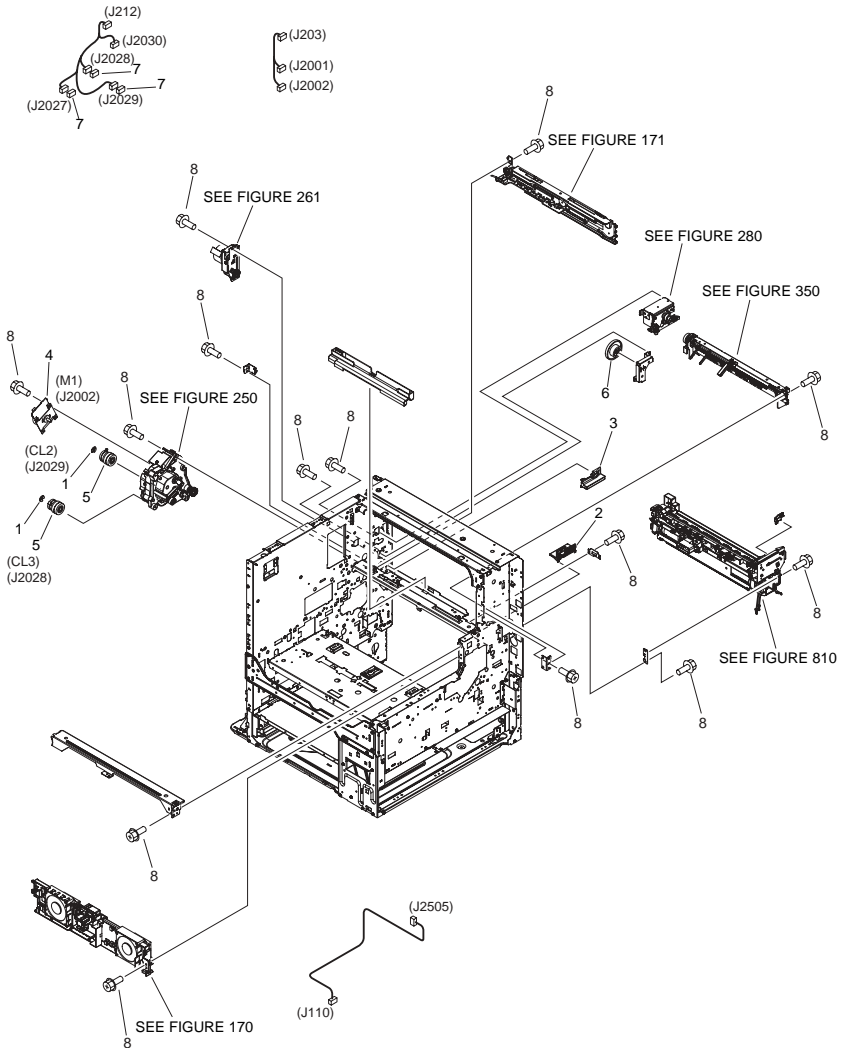


FIGURE & KEY NO.	PARTS NUMBER	RANK	Q'TY	DESCRIPTION	SERIAL NUMBER/REMARKS	SVC
Fig.107	NPN		RF	INTERNAL COMPONENTS 4	iR2545/2535 Series	
1	FC8-6380-000		2	CLIP		
2	FC9-0535-000		1	RAIL, FIXING, FRONT		
3	FC9-0536-000		1	RAIL, FIXING, REAR		
4	FK2-9141-000		1	MOTOR, DC	M1	
5	FK2-9154-000		2	CLUTCH	CL2,CL3	
6	FU8-0537-000		1	GEAR, 106T/24T		
7	VS1-7177-002		3	CONNECTOR, SNAP TIGHT, BK		
8	XA9-1567-000		AR	SCREW, RS, M3X8.5		

# FIGURE 107A INTERNAL COMPONENTS 4 (iR2530/2525/2520 Series)

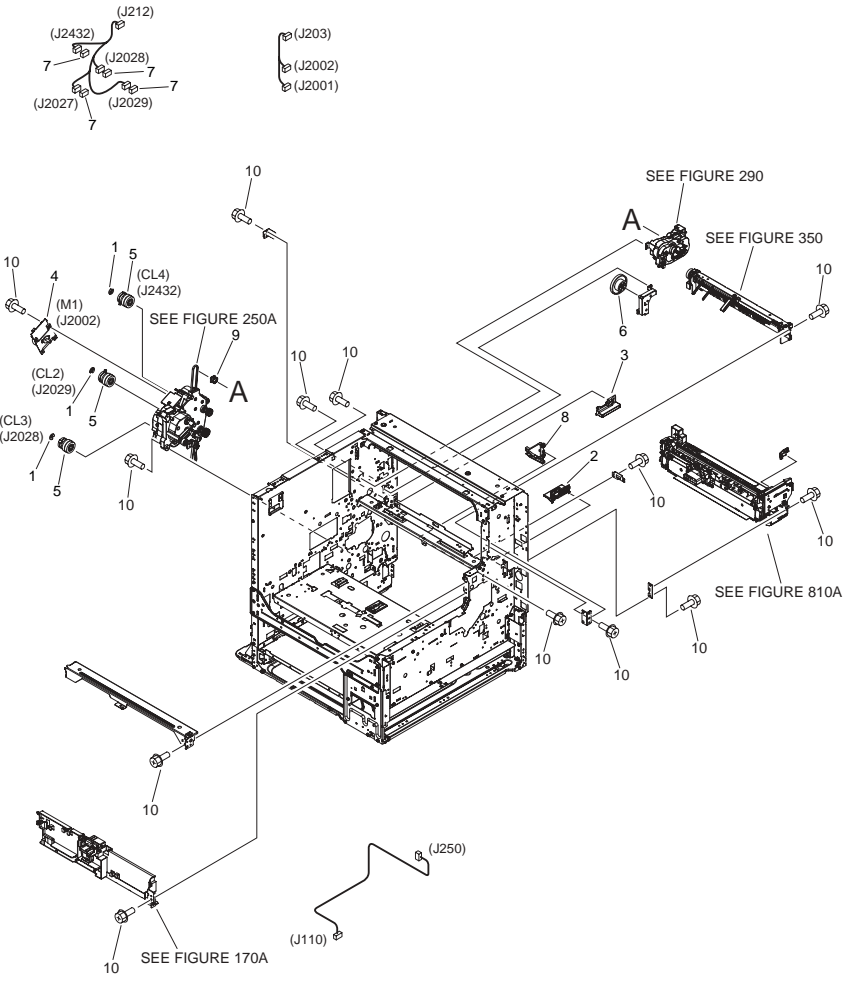


FIGURE & KEY NO.	PARTS NUMBER	R A N K	Q'TY	DESCRIPTION	SERIAL NUMBER/ REMARKS	S V C
Fig.107A	NPN		RF	INTERNAL COMPONENTS 4	iR2530/2525/2520 Series	
1	FC8-6380-000		3	CLIP		
2	FC9-0535-000		1	RAIL, FIXING, FRONT		
3	FC9-0536-000		1	RAIL, FIXING, REAR		
4	FK2-9143-000		1	MOTOR, DC	M1	
5	FK2-9154-000		3	CLUTCH	CL2,CL3,CL4	
6	FU8-0537-000		1	GEAR, 106T/24T		
7	VS1-7177-002		4	CONNECTOR, SNAP TIGHT, BK		
8	FC9-1619-000		1	RAIL, CARTRIDGE, RIGHT L		
9	FU5-3821-000		1	PULLEY, 28T		
10	XA9-1567-000		AR	SCREW, RS, M3X8.5		

# FIGURE 108 INTERNAL COMPONENTS 5 (iR2545/2535 Series)

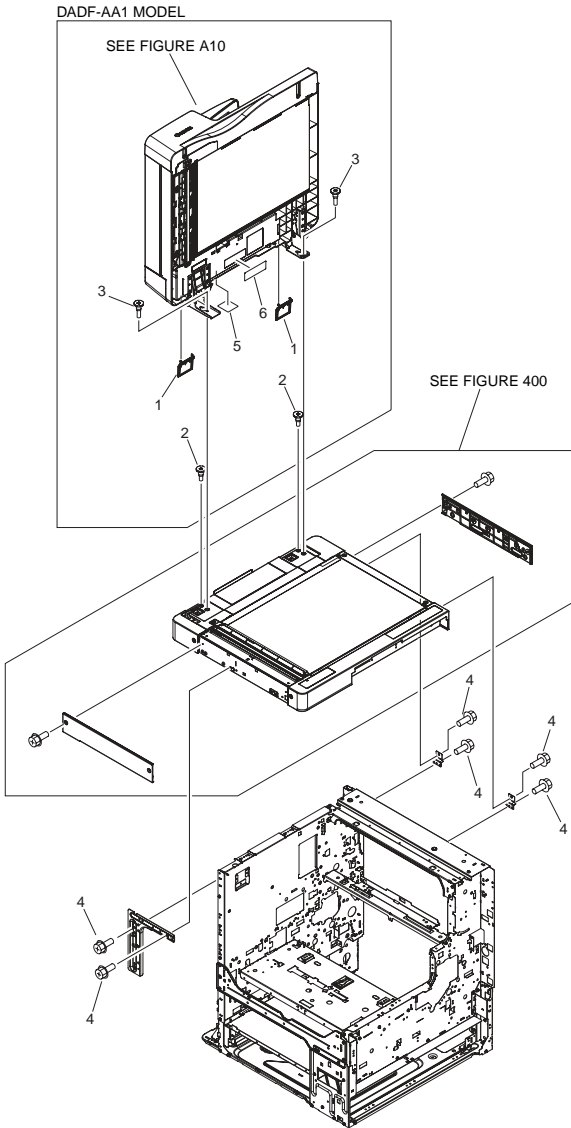


FIGURE & KEY NO.	PARTS NUMBER	R A N K	Q'TY	DESCRIPTION	SERIAL NUMBER/ REMARKS	S V C
Fig.108	NPN		RF	INTERNAL COMPONENTS 5	iR2545/2535 Series	
1	FC8-6312-000		2	COVER, HINGE BLANKING	DADF-AA1 MODEL	
2	FU5-9139-000		2	SCREW, STEPPED, M5X6	DADF-AA1 MODEL	
3	FU5-9140-000		2	SCREW, STEPPED, M4X10	DADF-AA1 MODEL	
4	XA9-1567-000		AR	SCREW, RS, M3X8.5		
5	FU7-8436-000		1	LABEL, HINGE CAUTION, C	English	
5	FU7-8437-000		1	LABEL, HINGE CAUTION, C	US English	
5	FU7-8438-000		1	LABEL, HINGE CAUTION, C	French,UK English,German,Italian,Sp anish,English	
6	FU7-8399-000		1	LABEL, HINGE CAUTION	English	
6	FU7-8432-000		1	LABEL, HINGE CAUTION, A	US English	
6	FU7-8433-000		1	LABEL, HINGE CAUTION, A	French,UK English,German,Italian,Sp anish,English	

# FIGURE 108A INTERNAL COMPONENTS 5 (iR2530/2525/2520 Series)

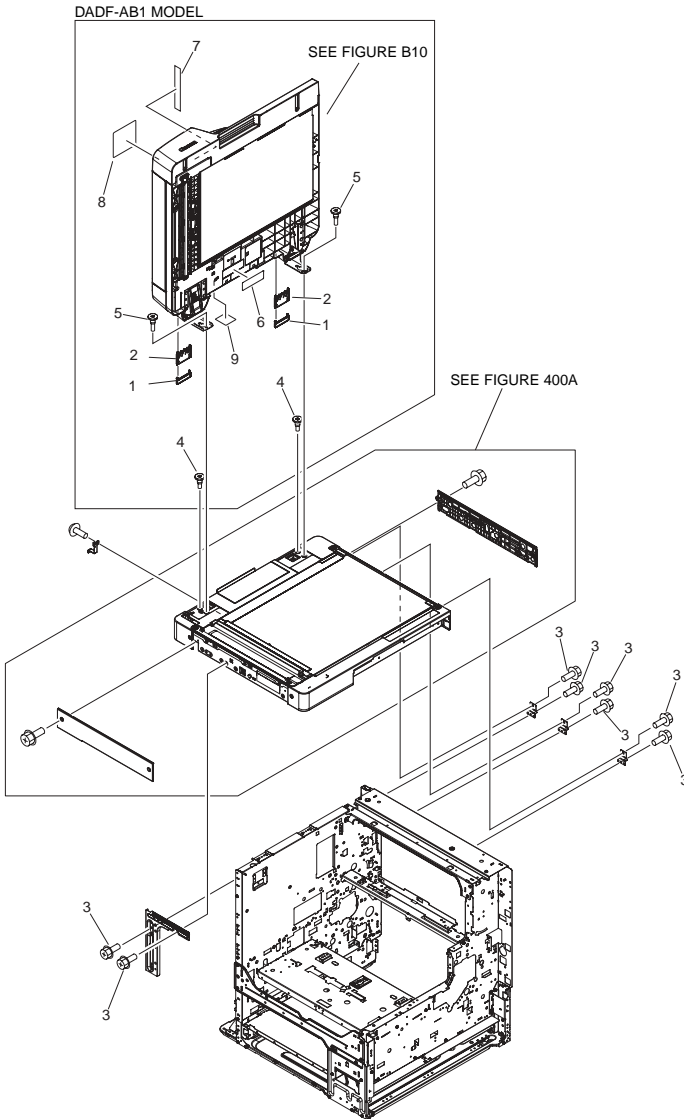




FIGURE & KEY NO.	PARTS NUMBER	R A N K	Q'TY	DESCRIPTION	SERIAL NUMBER/ REMARKS	S V C
Fig.108A	NPN		RF	INTERNAL COMPONENTS 5	iR2530/2525/2520 Series	
1	FC3-1571-000		2	COVER, HINGE, 1	DADF-AB1 MODEL	
2	FC3-1572-010		2	COVER, HINGE	DADF-AB1 MODEL	
3	XA9-1567-000		AR	SCREW, RS, M3X8.5		
4	FU5-9140-000		2	SCREW, STEPPED, M4X10	DADF-AB1 MODEL	
5	FU5-9139-000		2	SCREW, STEPPED, M5X6	DADF-AB1 MODEL	
6	FU7-8399-000		1	LABEL, HINGE CAUTION	English	
6	FU7-8433-000		1	LABEL, HINGE CAUTION, A	French,UK English,German,Italian,Spanish,English	
7	FS9-0211-000		1	LABEL, DOCUMENT SIZE	DADF-AB1 MODEL	
8	FC8-0634-000		1	LABEL, BLACK LINE CLEANING	DADF-AB1 MODEL	
9	FU7-8436-000		1	LABEL, HINGE CAUTION, C	English	
9	FU7-8438-000		1	LABEL, HINGE CAUTION, C	French,UK English,German,Italian,Spanish,English	



FIGURE & KEY NO.	PARTS NUMBER	R A N K	Q'TY	DESCRIPTION	SERIAL NUMBER/ REMARKS	S V C
Fig.109	NPN		RF	MACHINE REAR PLATE		
1	FC7-2409-000		1	BUSHING		
2	FK2-0360-000		1	FAN	FM6	
3	FK2-9145-000		1	MOTOR, DC	M2	
4	FC9-0982-000		3	SPRING, CONTACT		
5	FC9-0983-000		2	SPRING, CONTACT		
6	FC9-0984-000		1	SPRING, CONTACT		
7	FC9-0985-000		2	SPRING, CONTACT		
8	FC9-0986-000		1	SPRING, CONTACT		
9	FC9-0987-000		1	SPRING, CONTACT		
10	FC9-0988-000		1	SPRING, CONTACT		
11	FC9-1755-000		1	SPRING, CONTACT		
12	FC9-0992-000		1	SPRING, CONTACT		
13	FC9-0993-000		1	SPRING, CONTACT		
14	FM3-9258-000		1	POWER SUPPLY ASSEMBLY	550 Sheets/Cassette 1 MODEL 230V	
14	FM3-9361-000		1	POWER SUPPLY ASSEMBLY	250 Sheets/Cassette 1 MODEL 230V	
14	FM4-3374-000		1	POWER SUPPLY ASSEMBLY	250 Sheets/Cassette 1 MODEL 120V	
14	FM4-4195-000		1	POWER SUPPLY ASSEMBLY	550 Sheets/Cassette 1 MODEL 120V	
15	VS1-8412-019		1	CONNECTOR, SNAP TIGHT, BL		
16	VS1-8412-011		2	CONNECTOR, SNAP TIGHT, BL		
17	VS1-8412-015		1	CONNECTOR, SNAP TIGHT, BL		
18	VS1-7177-003		1	CONNECTOR, SNAP TIGHT, BK		
19	FC9-8970-000		1	COVER, POWER SUPPLY	FUZ,FUU,FUM,FUG,FTG, FRU,FQP,FQZ	
20	FM3-9259-000		1	ACCESSORY POWER SUPPLY ASS'Y	FUZ,FUU,FUM,FUG,FTG, FRU,FQP	
20	FM3-9362-000		1	ACCESSORY POWER SUPPLY ASS'Y	FQZ	
21	XA9-1567-000		AR	SCREW, RS, M3X8.5		

# FIGURE 130 CONTROL PANEL ASSEMBLY

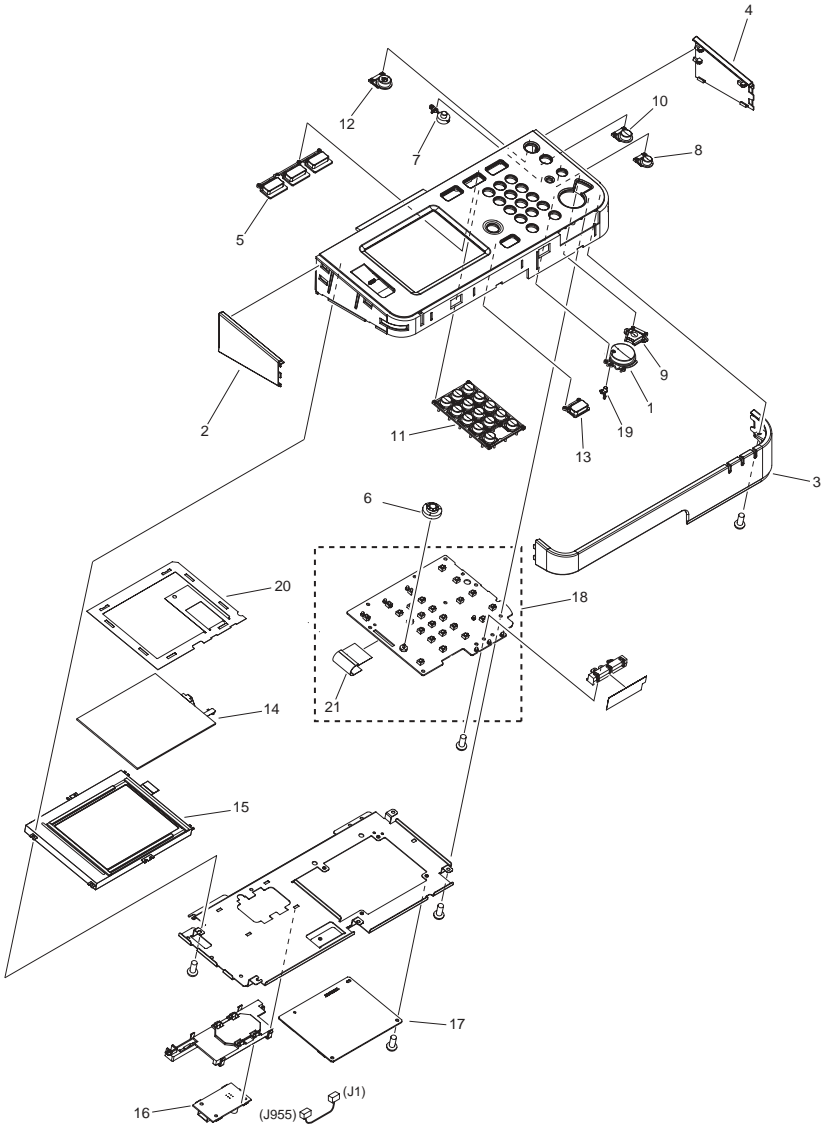


FIGURE & KEY NO.	PARTS NUMBER	R A N K	Q'TY	DESCRIPTION	SERIAL NUMBER/ REMARKS	S V C
Fig.130	FM3-9354-000		1	CONTROL PANEL ASSEMBLY	UL,AU	
Fig.130	FM3-9358-000		1	CONTROL PANEL ASSEMBLY	EUR	
1	FC9-1721-000		1	KEY TOP, START		
2	FC9-1724-000		1	PANEL, CONTROL, LEFT		
3	FC9-1725-000		1	PANEL, CONTROL, FRONT		
4	FC9-1726-000		1	PANEL, CONTROL, RIGHT		
5	FC9-1728-000		1	KEY TOP, SYSTEM		
6	FC9-1729-000		1	DIAL, CONTRAST		
7	FC9-1730-000		1	KEY TOP, COUNTER		
8	FC9-1731-000		1	KEY TOP, VOLUME		
9	FC9-4305-000		1	KEY TOP, STOP		
10	FC9-4306-000		1	KEY TOP, USER MODE		
11	FC9-4307-000		1	KEY TOP, TEN		
12	FC9-4308-000		1	KEY TOP, POWER SUPPLY		
13	FC9-4309-000		1	KEY TOP, RESET		
14	FH6-0772-000		1	PANEL, ANALOG TOUCH		
15	FL3-3204-000		1	LCD UNIT		
16	FM2-2753-000		1	1/4 INVERTER PCB ASSEMBLY		
17	FM4-2854-000		1	CONTROL PANEL CPU PCB ASSEMBLY		
18	FM4-2855-000		1	KEY TOP PCB ASSEMBLY		
19	FC9-1722-000		1	WINDOW, START KEY TOP		
20	FC9-1727-000		1	SHEET, LCD		
21	FK2-9197-000		1	CABLE, CONTROL PANEL FLAT		

# FIGURE 140 POWER CORD TERMINAL ASSEMBLY

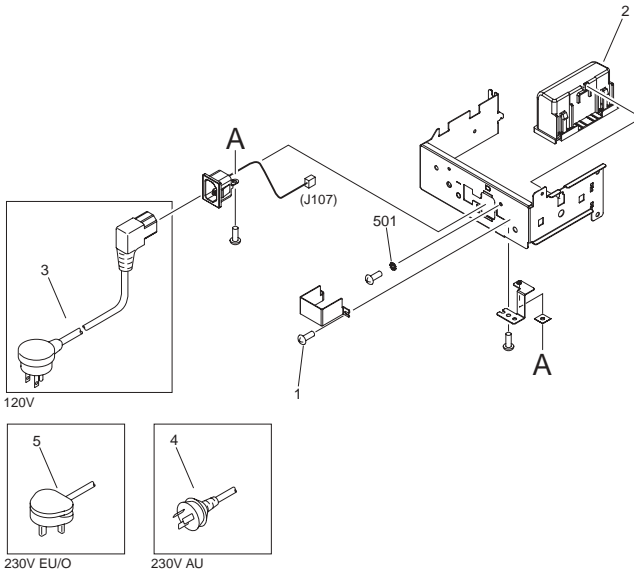


FIGURE & KEY NO.	PARTS NUMBER	RANK	QTY	DESCRIPTION	SERIAL NUMBER/REMARKS	SVC
Fig.140	NPN		RF	POWER CORD TERMINAL ASSEMBLY		
1	XA9-1567-000		2	SCREW, RS, M3X8.5		
2	FC6-4689-000		1	HANDLE		
3	FM4-0040-000		1	CORD, POWER	120V	
4	FM2-4788-000		1	CORD, POWER	230V AU	
5	FM2-4786-000		1	CORD, POWER	230V EU/O	
501	XD1-4200-402		1	WASHER, TOOTHED LOCK, M4		

# FIGURE 160 COPYBOARD COVER ASSEMBLY (COPYBOARD MODEL)

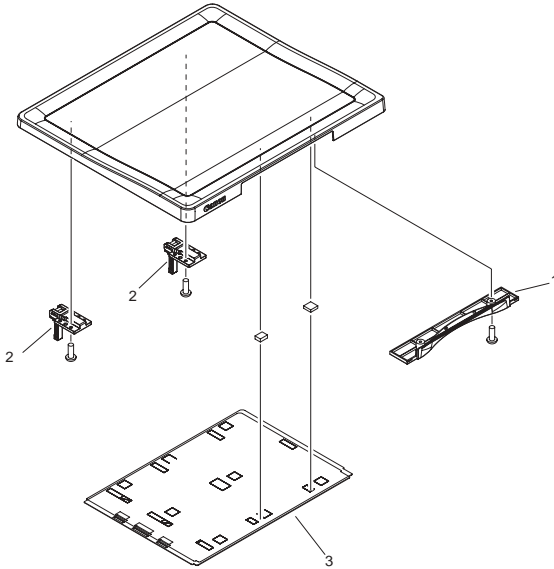


FIGURE & KEY NO.	PARTS NUMBER	RANK	QTY	DESCRIPTION	SERIAL NUMBER/REMARKS	SVC
Fig.160	NPN		RF	COPYBOARD COVER ASSEMBLY	COPY BOARD MODEL	
1	FC8-6446-000		1	COVER, COPYBOARD, FRONT LOWER		
2	FC9-7759-000		2	HINGE, COPYBOARD		
3	FC5-4265-000		1	PANEL, COPYBOARD		

# FIGURE 170 CARTRIDGE LEFT RAIL ASSEMBLY (iR2545/2535 Series)

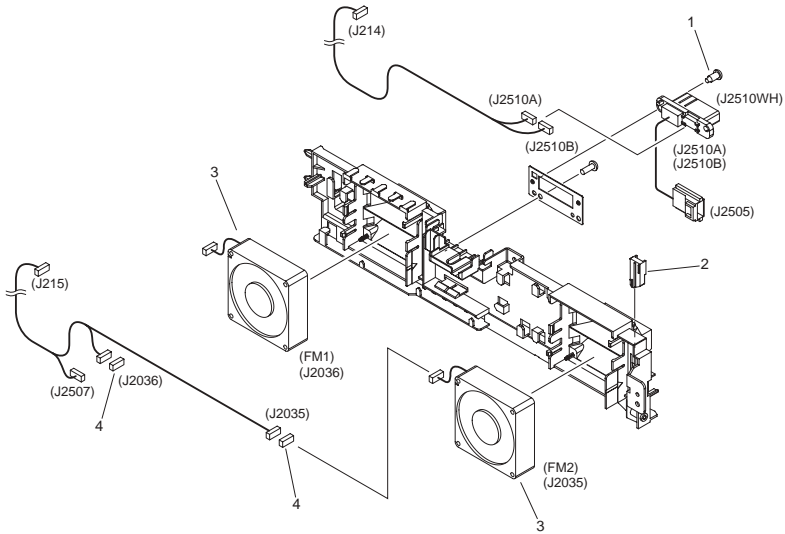


FIGURE & KEY NO.	PARTS NUMBER	R A N K	QTY	DESCRIPTION	SERIAL NUMBER/REMARKS	S V C
Fig.170	NPN		RF	CARTRIDGE LEFT RAIL ASSEMBLY	iR2545/2535 Series	
1	FC9-0795-000		2	SCREW, STEPPED		
2	FC9-1618-000		1	STOPPER, DRUM		
3	FK2-0360-000		2	FAN	FM1,FM2	
4	VS1-7177-003		2	CONNECTOR, SNAP TIGHT, BK		



# FIGURE 170A CARTRIDGE LEFT RAIL ASSEMBLY (iR2530/2525/ 2520 Series)

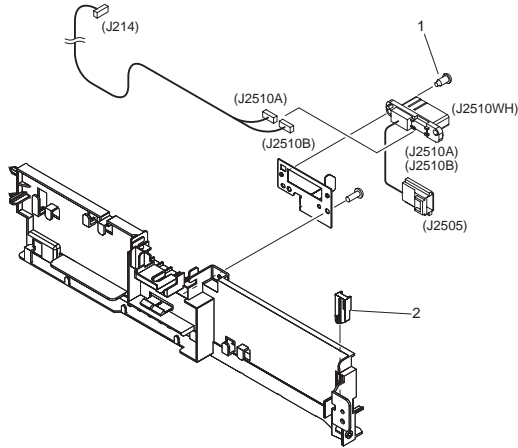


FIGURE & KEY NO.	PARTS NUMBER	RANK	QTY	DESCRIPTION	SERIAL NUMBER/REMARKS	SVC
Fig.170A	NPN		RF	CARTRIDGE LEFT RAIL ASSEMBLY	iR2530/2525/2520 Series	
1	FC9-0795-000		2	SCREW, STEPPED		
2	FC9-1618-000		1	STOPPER, DRUM		

# FIGURE 171 CARTRIDGE RIGHT RAIL ASSEMBLY (iR2545/2535 Series)

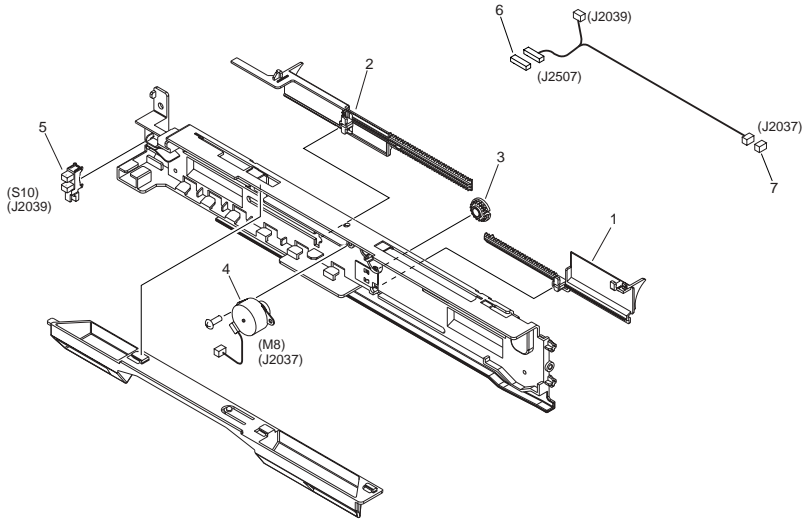


FIGURE & KEY NO.	PARTS NUMBER	R A N K	QTY	DESCRIPTION	SERIAL NUMBER/ REMARKS	S V C
Fig.171	NPN		RF	CARTRIDGE RIGHT RAIL ASSEMBLY	iR2545/2535 Series	
1	FC9-0733-000		1	SHUTTER, FRONT		
2	FC9-0734-000		1	SHUTTER, REAR		
3	FC9-1683-000		1	PINION, 18T		
4	FK2-9148-000		1	MOTOR, STEPPING	M8	
5	WG8-5836-000		1	PHOTOINTERRUPTER, SG2481-CN	S10	
6	VS1-7173-007		1	CONNECTOR, SNAP TIGHT, 7P		
7	VS1-7177-004		1	CONNECTOR, SNAP TIGHT, BK		

FIGURE 250  
MAIN DRIVE ASSEMBLY (iR2545/2535 Series)

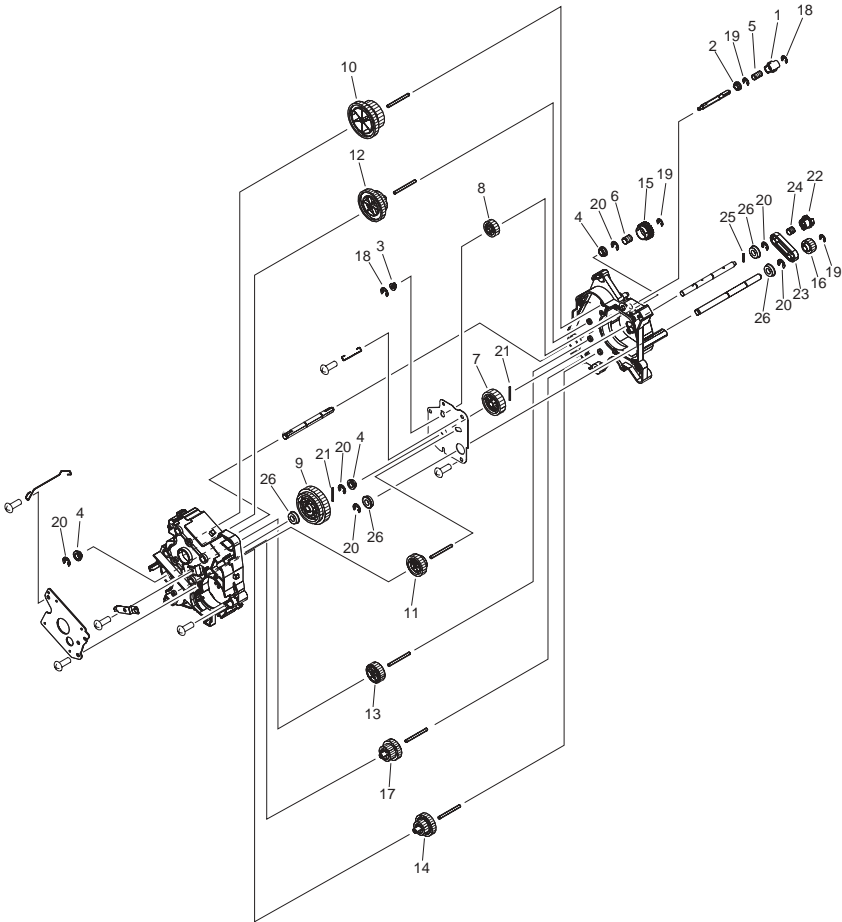


FIGURE & KEY NO.	PARTS NUMBER	R A N K	Q'TY	DESCRIPTION	SERIAL NUMBER/ REMARKS	S V C
Fig.250	FM3-9409-000		1	MAIN DRIVE ASSEMBLY	IR2545/2535 Series	
1	FC9-0922-000		1	COUPLING		
2	FC9-0923-000		1	BUSHING		
3	FC9-0924-000		1	BUSHING		
4	FC9-1593-000		3	BUSHING		
5	FU7-2960-000		1	SPRING, COMPRESSION		
6	FU7-2961-000		1	SPRING, COMPRESSION		
7	FU8-0539-000		1	GEAR, 40T		
8	FU8-0540-000		1	GEAR, 25T		
9	FU8-0541-000		1	GEAR, 99T/52T		
10	FU8-0542-000		1	GEAR, 99T/75T		
11	FU8-0543-000		1	GEAR, 37T/22T		
12	FU8-0544-000		1	GEAR, 37T/87T		
13	FU8-0545-000		1	GEAR, 33T		
14	FU8-0546-000		1	GEAR, 39T/24T		
15	FU8-0547-000		1	GEAR, 22T		
16	FU8-0548-000		1	GEAR, 21T		
17	FU8-0555-000		1	GEAR, 35T/26T		
18	XD9-0134-000		2	RING,E		
19	XD9-0136-000		3	RING,E		
20	XD9-0137-010		6	RING, E		
21	XD9-0294-000		2	PIN, DOWEL		
22	FC7-2666-000		1	COUPLING, DRUM		
23	FC9-1602-000		1	SPACER		
24	FU7-2962-000		1	SPRING, COMPRESSION		
25	XD9-0296-000		1	PIN, DOWEL		
26	XG9-0508-000		4	BEARING, BALL, F688ZZ		

**FIGURE 250A**  
**MAIN DRIVE ASSEMBLY (iR2530/2525/2520 Series)**

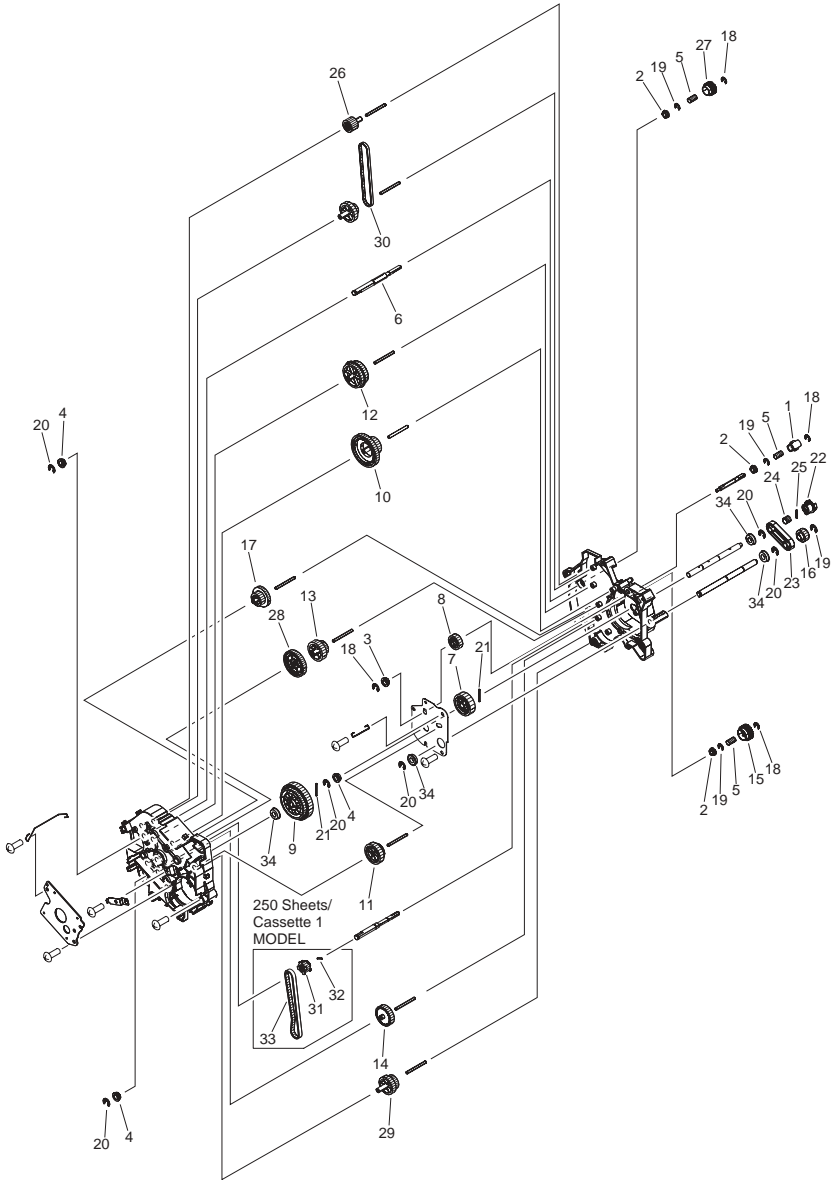


FIGURE & KEY NO.	PARTS NUMBER	R A N K	Q'TY	DESCRIPTION	SERIAL NUMBER/ REMARKS	S V C
Fig.250A	FM3-9335-000		1	MAIN DRIVE ASSEMBLY	250 Sheets/Cassette 1 MODEL	
Fig.250A	FM3-9426-000		1	MAIN DRIVE ASSEMBLY	iR2530/2525/2520 Series 550 Sheets/Cassette 1 MODEL	
1	FC9-0922-000		1	COUPLING		
2	FC9-0923-000		3	BUSHING		
3	FC9-0924-000		1	BUSHING		
4	FC9-1593-000		3	BUSHING		
5	FU7-2960-000		3	SPRING, COMPRESSION		
6	FU8-0583-000		1	GEAR, 30T/PULLEY, 28T		
7	FU8-0539-000		1	GEAR, 40T		
8	FU8-0540-000		1	GEAR, 25T		
9	FU8-0590-000		1	GEAR, 109T/94T		
10	FU8-0591-000		1	GEAR, 99T/49T		
11	FU8-0592-000		1	GEAR, 40T/43T		
12	FU8-0598-000		1	GEAR, 35T/48T		
13	FU8-0594-000		1	GEAR, 30T/25T		
14	FU8-0595-000		1	GEAR, 39T		
15	FU8-0597-000		1	GEAR, 22T		
16	FU8-0548-000		1	GEAR, 21T		
17	FU8-0587-000		1	GEAR, 31T/25T		
18	XD9-0134-000		4	RING,E		
19	XD9-0136-000		4	RING,E		
20	XD9-0137-010		6	RING, E		
21	XD9-0294-000		2	PIN, DOWEL		
22	FC7-2666-000		1	COUPLING, DRUM		
23	FC9-1602-000		1	SPACER		
24	FU7-2962-000		1	SPRING, COMPRESSION		
25	XD9-0296-000		1	PIN, DOWEL		
26	FU8-0584-000		1	GEAR, 23T		
27	FU8-0585-000		1	GEAR, 18T		
28	FU8-0593-000		1	GEAR, 79T		

FIGURE & KEY NO.	PARTS NUMBER	RANK	Q'TY	DESCRIPTION	SERIAL NUMBER/REMARKS	SVC
29	FU8-0596-000		1	GEAR, 35T/27T		
30	XF2-3112-240		1	BELT, TIMING		
31	FU5-3800-000		1	PULLEY, 18T	250 Sheets/Cassette 1 MODEL	
32	XD9-0288-000		1	PIN, DOWEL	250 Sheets/Cassette 1 MODEL	
33	XF2-3308-660		1	BELT, TIMING	250 Sheets/Cassette 1 MODEL	
34	XG9-0508-000		4	BEARING, BALL, F688ZZ		

# FIGURE 260 PAPER PICK-UP MOTOR ASSEMBLY (550 Sheets/ Cassette 1 MODEL)

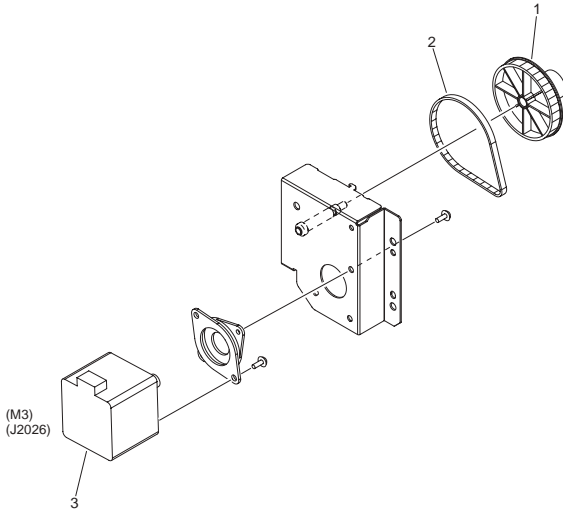


FIGURE & KEY NO.	PARTS NUMBER	RANK	QTY	DESCRIPTION	SERIAL NUMBER/REMARKS	SVC
Fig.260	FM3-9283-000		1	PAPER PICK-UP MOTOR ASSEMBLY	550 Sheets/Cassette 1 MODEL	
1	FC5-1516-000		1	PULLEY, 80T		
2	XF2-1609-040		1	BELT,TIMING		
3	FK2-7327-000		1	MOTOR, STEPPING	M3	



# FIGURE 261 DUPLEXING DRIVE ASSEMBLY (iR2545/2535 Series)

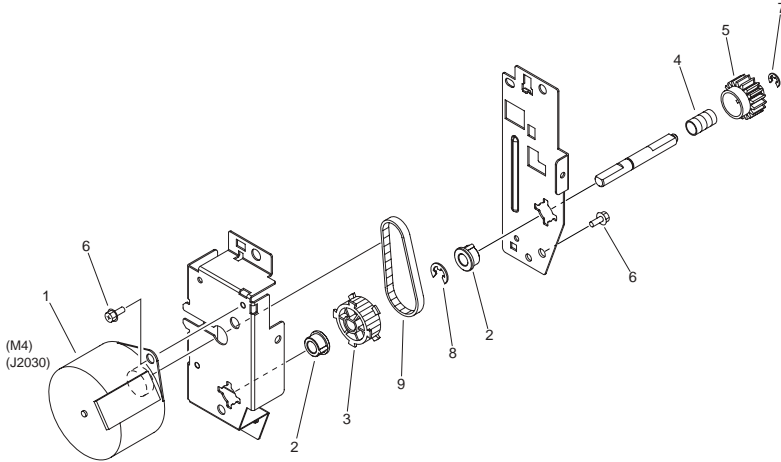


FIGURE & KEY NO.	PARTS NUMBER	RANK	QTY	DESCRIPTION	SERIAL NUMBER/REMARKS	SVC
Fig.261	FM3-9326-000		1	DUPLEXING DRIVE ASSEMBLY	iR2545/2535 Series	
1	FK2-9149-000		1	MOTOR, STEPPING	M4	
2	FS5-1943-000		2	BUSHING		
3	FU5-3823-000		1	PULLEY, 34T		
4	FU7-2960-000		1	SPRING, COMPRESSION		
5	FU8-0585-000		1	GEAR, 18T		
6	XA9-1567-000		3	SCREW, RS, M3X8.5		
7	XD9-0134-000		1	RING,E		
8	XD9-0136-000		1	RING,E		
9	XF2-1606-240		1	BELT,TIMING		

# FIGURE 280 FIRST DELIVERY DRIVE ASSEMBLY (iR2545/2535 Series)

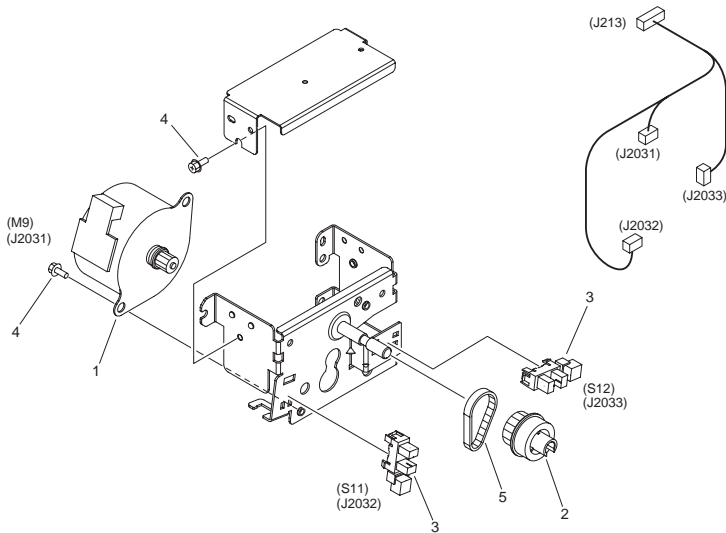


FIGURE & KEY NO.	PARTS NUMBER	RANK	QTY	DESCRIPTION	SERIAL NUMBER/REMARKS	SVC
Fig.280	FM3-9312-000		1	FIRST DELIVERY DRIVE ASSEMBLY	iR2545/2535 Series	
1	FK2-9151-000		1	MOTOR, STEPPING	M9	
2	FU5-3822-000		1	GEAR, 18T/PULLEY, 28T		
3	WG8-5836-000		2	PHOTOINTERRUPTER, SG2481-CN	S11,S12	
4	XA9-1567-000		2	SCREW, RS, M3X8.5		
5	XF2-1603-940		1	BELT,TIMING		

# FIGURE 290 REVERSE DRIVE ASSEMBLY (iR2530/2525/2520 Series)

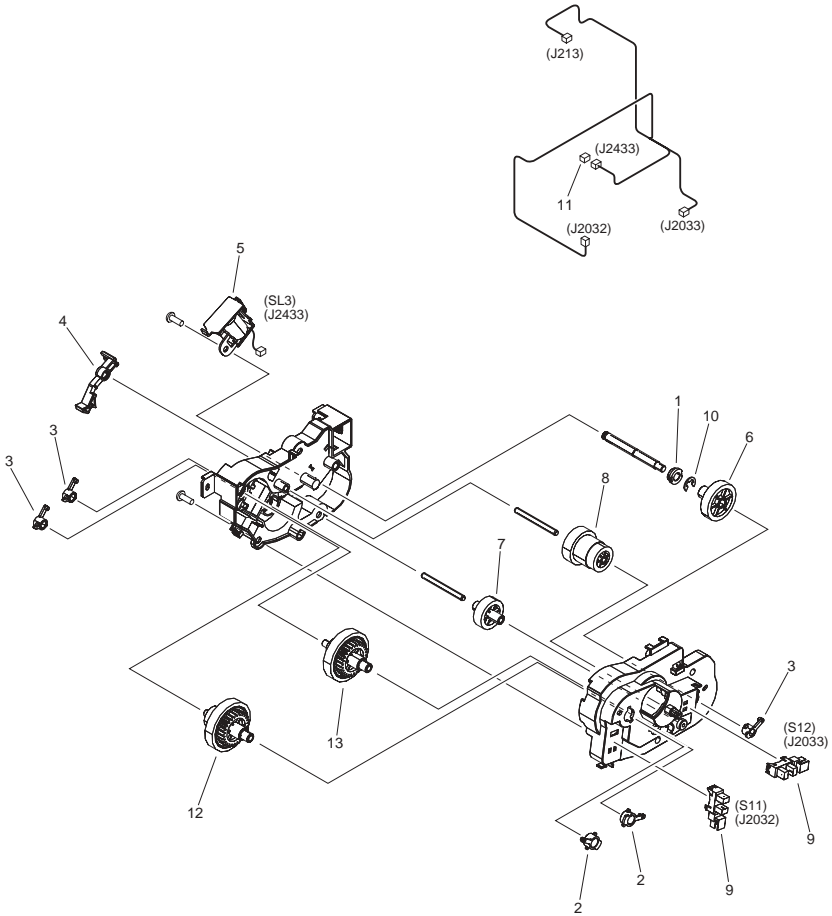


FIGURE & KEY NO.	PARTS NUMBER	R A N K	Q'TY	DESCRIPTION	SERIAL NUMBER/ REMARKS	S V C
Fig.290	FM3-9411-000		1	REVERSE DRIVE ASSEMBLY	iR2530/2525/2520 Series	
1	FC9-0923-000		1	BUSHING		
2	FC9-1590-000		2	BUSHING		
3	FC9-1591-000		3	BUSHING		
4	FC9-1598-000		1	ARM, SOLENOID		
5	FK2-9195-000		1	SOLENOID	SL3	
6	FU8-0588-000		1	GEAR, 27T		
7	FU8-0589-000		1	GEAR, 21T		
8	FU8-0599-000		1	GEAR, 24T/18T		
9	WG8-5836-000		2	PHOTOINTERRUPTER, SG2481-CN	S11,S12	
10	XD9-0136-000		1	RING,E		
11	VS1-7177-002		1	CONNECTOR, SNAP TIGHT, BK		
12	FM3-9416-000		1	PLANETARY GEAR REVERSE ASS'Y		
13	FM3-9417-000		1	PLANETARY GEAR ASSEMBLY		

**FIGURE 300**  
**CASSETTE (550 Sheets/Cassette 1 MODEL)**

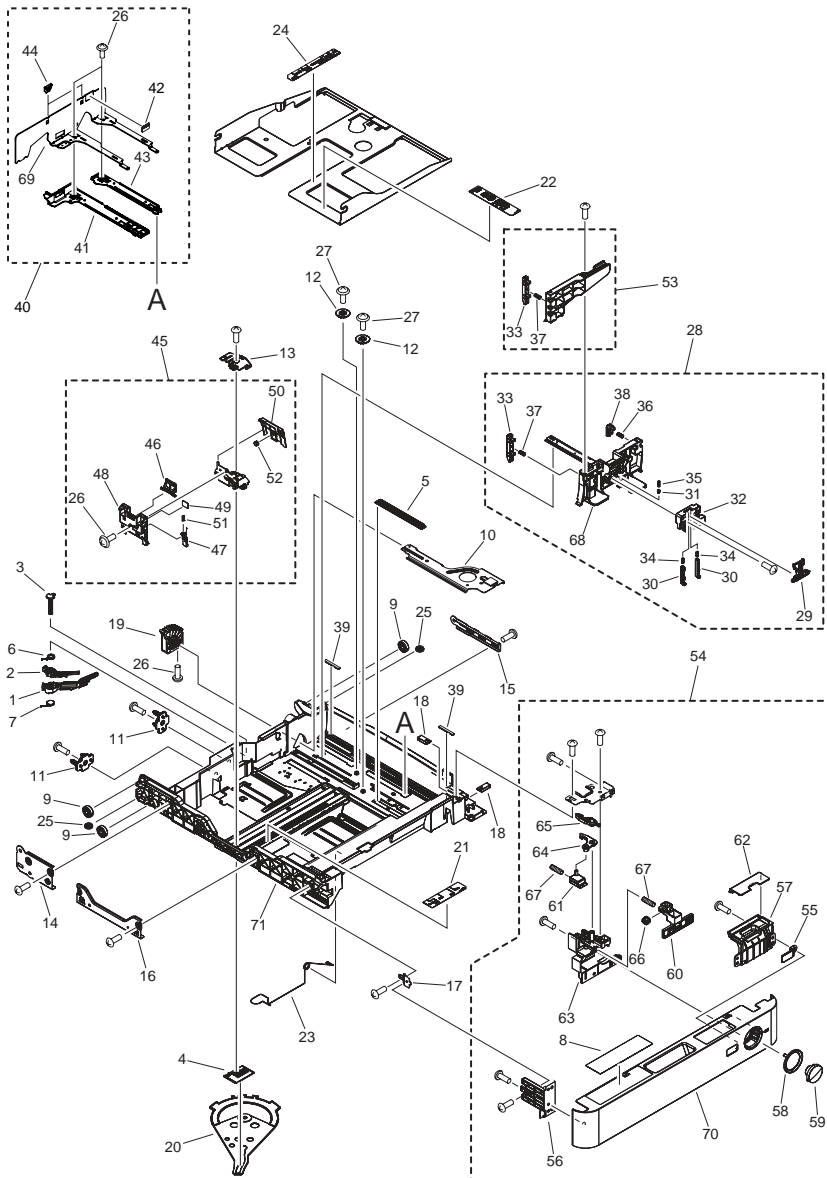


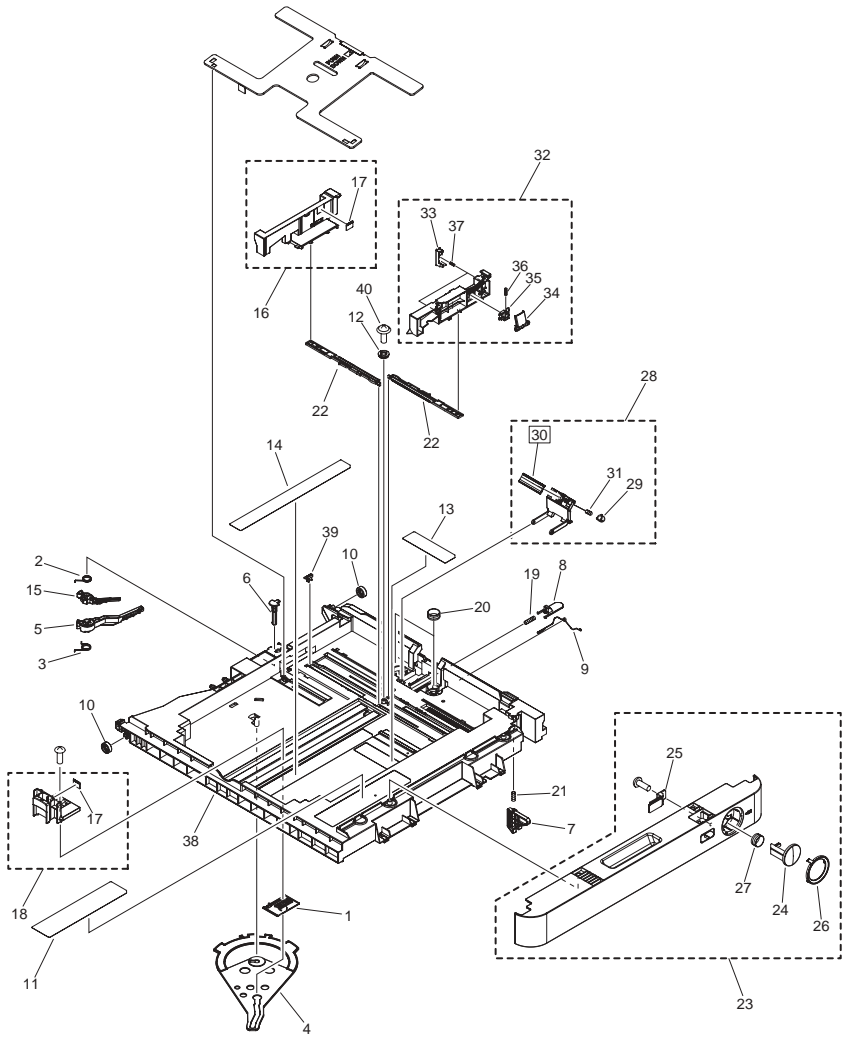
FIGURE & KEY NO.	PARTS NUMBER	R A N K	Q'TY	DESCRIPTION	SERIAL NUMBER/ REMARKS	S V C
Fig.300	NPN		RF	CASSETTE	550 Sheets/Cassette 1 MODEL	
1	FC8-2469-000		1	DIAL, DETECT, SMALL		
2	FC8-2470-000		1	DIAL, DETECT, LARGE		
3	FC8-2474-000		1	SHAFT		
4	FC8-2475-000		1	PLATE, JOINT		
5	FC8-2670-000		1	PLATE, FREE STOP		
6	FC8-2671-000		1	SPRING, TORSION		
7	FC8-2672-000		1	SPRING, TORSION		
8	FC8-4966-000		1	LABEL, PAPER PICK-UP OPERATION		
9	FC8-4970-000		3	ROLLER, CASSETTE SWING		
10	FL3-2859-000		1	PLATE, LIFTER		
11	FC8-4989-000		2	PIN, SIZE DETECT POSITIONING		
12	FC8-4990-000		2	GEAR, 14T		
13	FC8-4996-000		1	COVER, TOP		
14	FC9-0117-000		1	PLATE, CASSETTE ROLLER, LEFT		
15	FC9-0118-000		1	PLATE, CASSETTE ROLLER, RIGHT		
16	FC9-0126-000		1	PLATE, REINFORCEMENT, LEFT		
17	FC9-0127-000		1	PLATE, COVER MOUNTING, L		
18	FC9-0128-000		2	PLATE, COVER MOUNTING, R		
19	FC9-0129-000		1	GEAR, 9T		
20	FC9-0130-000		1	LINK, BACK END DETECT		
21	FC9-1679-000		1	LABEL, SIZE INDEX		
22	FC9-1681-000		1	LABEL, SIZE INDEX		
23	FC9-1718-000		1	CABLE, GROUNDING		
24	FC8-4994-000		1	LABEL, INDEX, SIZE, BACK END		
25	FS5-6945-000		2	COLLAR, REGISTRATION MULTI		
26	XA9-1016-000		6	SCREW W/WASHER, M3X8		
27	XA9-1523-000		2	SCREW, B, M4X8		
28	FM3-8905-000		1	SIDE END PLATE ASSEMBLY, FRONT		
29	FC8-2462-000		1	KNOB, PAPER SIDE END		
30	FC8-2463-000		2	STOPPER		

FIGURE & KEY NO.	PARTS NUMBER	RANK	Q'TY	DESCRIPTION	SERIAL NUMBER/REMARKS	SVC
31	FC8-2464-000		1	PLATE, CLICK		
32	FC8-2484-000		1	COVER, HANDLE		
33	FC8-5262-000		2	BLOCK, PAPER SIDE END, LARGE		
34	FU7-2326-000		2	SPRING, COMPRESSION		
35	FU7-2327-000		1	SPRING, COMPRESSION		
36	FU7-2513-000		1	SPRING, COMPRESSION		
37	FU7-2514-000		2	SPRING, COMPRESSION		
38	FM3-8911-000		1	SIDE END BLOCK ASSEMBLY, SMALL		
39	FC9-7257-000		2	SHEET, SILENCER		
40	FM3-8906-000		1	SIDE END PLATE ASSEMBLY, REAR		
41	FC8-2485-000		1	MOUNT, LIMIT PLATE		
42	FC8-4964-000		1	LABEL, HEIGHT LIMIT, S		
43	FC8-4995-000		1	RACK, PAPER SIDE END, 2		
44	FC9-7170-000		2	CLAW, SIDE		
45	FM3-8907-000		1	BACK END LIMIT PLATE ASSEMBLY		
46	FC8-2466-000		1	LEVER		
47	FC8-2467-000		1	STOPPER, BACK END		
48	FC8-2468-000		1	HOLDER, BACK END STOPPER		
49	FC8-4965-000		1	LABEL, HEIGHT LIMIT, R		
50	FC8-4997-000		1	FLAPPER		
51	FU7-2328-000		1	SPRING, COMPRESSION		
52	FU7-2515-000		1	SPRING, COMPRESSION		
53	FM3-8912-000		1	PAPER SIDE END EXTENSION ASS'Y		
54	FM3-9415-000		1	CASSETTE FRONT COVER ASS'Y		
55	FC8-4967-000		1	WINDOW, CST FR. COVER IND.		
56	FC8-4993-000		1	PLATE, COVER ATTACHMENT, LEFT		
57	FC9-5724-000		1	HOLDER, SIZE INDEX, F		
58	FC9-5726-000		1	GUIDE, CASSETTE BUTTON		
59	FC9-5727-000		1	BUTTON, PUSHING		
60	FC8-4986-000		1	LINK, BUTTON, UPPER, 2		
61	FC8-4987-000		1	LINK, BUTTON, LOWER		
62	FC9-7249-000		1	COVER, SIZE PLATE		

FIGURE & KEY NO.	PARTS NUMBER	R A N K	Q'TY	DESCRIPTION	SERIAL NUMBER/ REMARKS	S V C
63	FC9-1696-000		1	HOLDER, LOCK ARM, RIGHT		
64	FC9-7259-000		1	ARM, LOCK, A		
65	FC9-7260-000		1	ARM, LOCK, B		
66	FC9-7261-000		1	ROLLER, LINK		
67	FU7-2518-000		2	SPRING, COMPRESSION		
68	FC8-2483-000		1	PLATE, PAPER SIDE END, FRONT		
69	FC8-2486-000		1	PLATE, PAPER SIDE END, REAR		
70	FC9-5725-000		1	PANEL, CASSETTE FRONT		
71	FC9-0655-000		1	BODY, CASSETTE		



# FIGURE 300A CASSETTE (250 Sheets/Cassette 1 MODEL)



NOTE : Replace the parts shown with Key No. 30 in Figure 300A and Key No. 18 in Figure 310A at same time.  
 注 : Figure 300A Key No.30とFigure 310A KeyNo.18の部品は同時交換すること。

FIGURE & KEY NO.	PARTS NUMBER	R A N K	Q'TY	DESCRIPTION	SERIAL NUMBER/ REMARKS	S V C
Fig.300A	NPN		RF	CASSETTE	250 Sheets/Cassette 1 MODEL SEE NOTE	
1	FC8-2475-000		1	PLATE, JOINT		
2	FC8-2671-000		1	SPRING, TORSION		
3	FC8-2672-000		1	SPRING, TORSION		
4	FC9-0130-000		1	LINK, BACK END DETECT		
5	FC9-1030-000		1	LEVER, SIZE DETECT		
6	FC9-1031-000		1	SHAFT, LEVER, L		
7	FC9-1036-000		1	ARM, CASSETTE LOCK		
8	FC9-1037-000		1	BLOCK, LIFTER PLATE RETAINING		
9	FC9-1050-000		1	CABLE, GROUNDING		
10	FC9-1052-000		2	ROLLER, CASSETTE RAIL		
11	FC9-1638-000		1	LABEL, PAPER SET		
12	FC9-1683-000		1	PINION, 18T		
13	FC9-7717-000		1	LABEL, PAPER SIZE, HORIZONTAL		
14	FC9-7718-000		1	LABEL, PAPER SIZE, VERTICAL		
15	FC9-7744-000		1	LEVER, SIZE DETECT, L		
16	FL3-3192-000		1	PLATE, PAPER SIDE END, REAR		
17	FC8-4965-000		2	LABEL, HEIGHT LIMIT, R		
18	FL3-3193-000		1	PLATE, BACK END LIMIT		
19	FU7-2987-000		1	SPRING, LEAF		
20	FU7-2988-000		2	SPRING, COMPRESSION		
21	FU7-2993-000		1	SPRING, COMPRESSION		
22	FU8-0574-000		2	RACK, CASSETTE		
23	FM3-9349-000		1	CASSETTE FRONT COVER ASSEMBLY		
24	FC9-1035-000		1	BUTTON, PUSHING		
25	FC9-1588-000		1	WINDOW, FRONT COVER INDICATION		
26	FC9-5726-000		1	GUIDE, CASSETTE BUTTON		
27	FU7-2984-000		1	SPRING, COMPRESSION		
28	FM3-9348-000		1	CASSETTE HOLDER ASSEMBLY		
29	FC9-1043-000		1	CAP, CASSETTE HOLDER SPRING		
30	FL3-1447-000		1	MOUNT, CASSETTE PAD	[DP]	

FIGURE & KEY NO.	PARTS NUMBER	R A N K	Q'TY	DESCRIPTION	SERIAL NUMBER/ REMARKS	S V C
31	FU7-2989-000		1	SPRING, COMPRESSION		
32	FM3-9378-000		1	PAPER SIDE END FRONT ASSEMBLY		
33	FC9-1046-000		2	BLOCK, PAPER RETAINING		
34	FC9-1054-000		1	LEVER, PAPER SIDE END LOCK		
35	FC9-1055-000		1	LOCK, PAPER SIDE END		
36	FU7-2985-000		1	SPRING, COMPRESSION		
37	FU7-2990-000		2	SPRING, COMPRESSION		
38	FC9-1038-000		1	BODY, CASSETTE		
39	FC0-0282-000		1	STOPPER, SIDE END PLATE		
40	FC8-0352-000		1	SCREW, W/WASHER, M3X6		

# FIGURE 310 PAPER PICK-UP ASSEMBLY (550 Sheets/Cassette 1 MODEL)

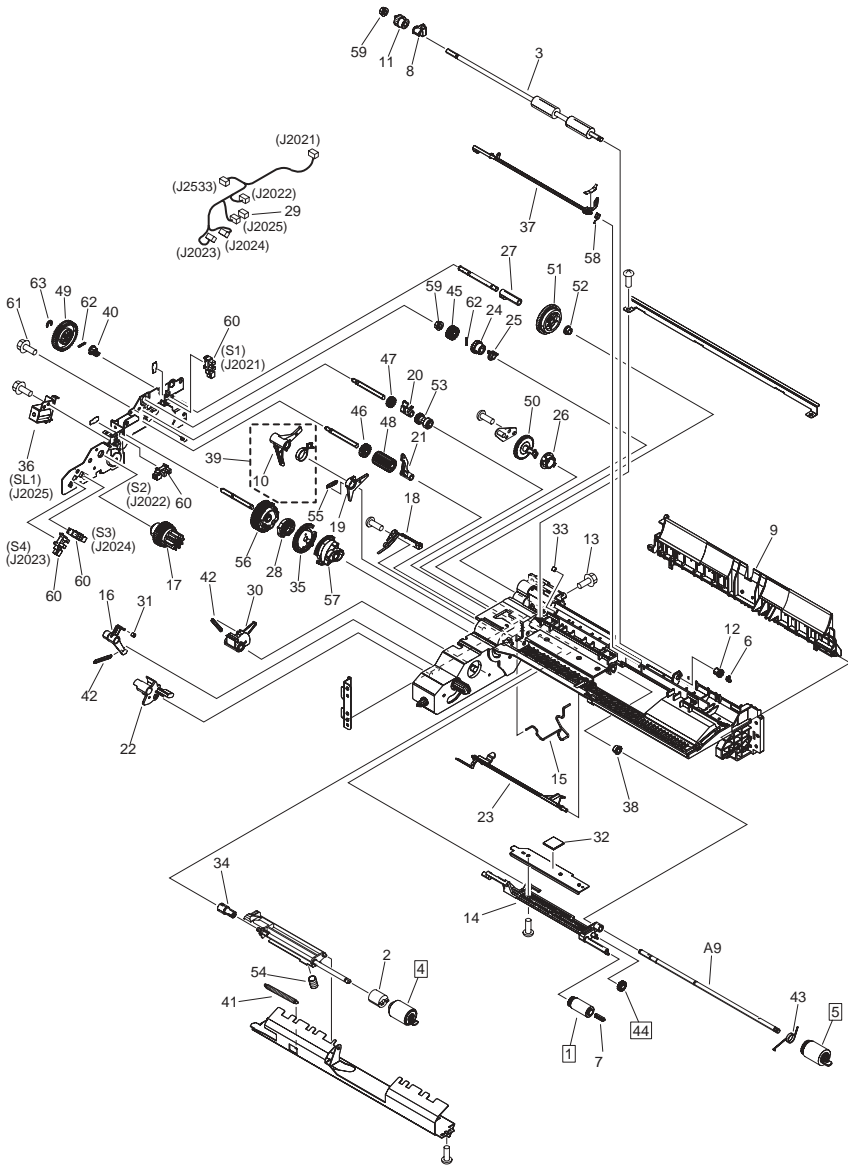
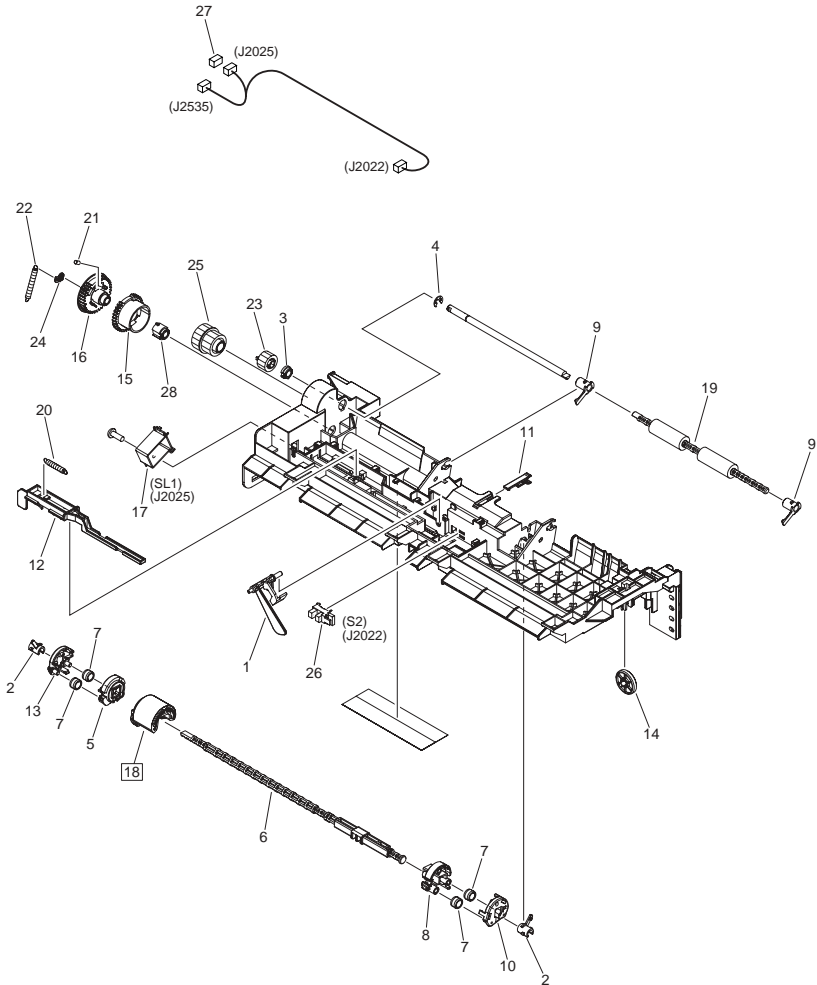


FIGURE & KEY NO.	PARTS NUMBER	R A N K	Q'TY	DESCRIPTION	SERIAL NUMBER/ REMARKS	S V C
Fig.310	FM3-9277-000		1	PAPER PICK-UP ASSEMBLY	550 Sheets/Cassette 1 MODEL	
1	FB6-3405-000		1	ROLLER, PAPER PICK-UP	[DP]	
2	FB6-3410-000		1	LIMITER, TORQUE		
3	FB6-4852-000		1	ROLLER, VERTICAL PATH		
4	FC6-6661-000		1	ROLLER, SEPARATION	[DP]	
5	FC6-7083-000		1	ROLLER, FEED/SEPARATION	[DP]	
6	FC6-9867-000		1	RING, RETAINING		
7	FC7-5845-000		1	STOPPER, ROLLER		
8	FC9-0651-000		1	STOPPER, VERTICAL PATH ROLLER		
9	FL3-3197-000		1	GUIDE, VERTICAL PATH		
10	FC8-1179-000		1	ARM, PICK-UP		
11	FU3-0289-000		1	GEAR, 14T		
12	FU5-1763-000		1	BUSHING		
13	XA9-1567-000		2	SCREW, RS, M3X8.5		
14	FB6-3380-020		1	HOLDER, PAPER PICK-UP ROLLER		
15	FB6-3388-000		1	ROD, SEPARATION ROLLER RELEASE		
16	FB6-3389-000		1	CLAW, PICK-UP		
17	FB6-3391-000		1	GEAR, RATCHET		
18	FB6-3392-020		1	SPRING, LEAF		
19	FB6-3394-000		1	ARM, LIFTING		
20	FB6-3395-000		1	ARM, PAPER FEED SHAFT		
21	FB6-3396-010		1	LOCK, PICK-UP		
22	FB6-3397-000		1	FLAG, PAPER SENSOR		
23	FB6-3398-000		1	FLAG, PAPER DETECT SENSOR		
24	FB6-3402-000		1	GEAR, RATCHET		
25	FB6-3403-000		1	COUPLING, FEED SHAFT STOP		
26	FB6-3404-000		1	COUPLING, SEPARATION SHAFT		
27	FB6-3413-000		1	COLLAR, PAPER PICK-UP SHAFT		
28	FB6-7078-000		1	CAM, LOCK		
29	VS1-7177-002		1	CONNECTOR, SNAP TIGHT, BK		
30	FC8-1178-000		1	CLAW, PAPER PICK-UP		

FIGURE & KEY NO.	PARTS NUMBER	R A N K	Q'TY	DESCRIPTION	SERIAL NUMBER/ REMARKS	S V C
31	FC8-1202-000		1	DAMPER		
32	FC8-1205-000		1	PAD, PAPER PICK-UP HOLDER		
33	FC9-0825-000		1	SHEET, SILENCER		
34	FC9-4290-000		1	JOINT, RETARD		
35	FF6-2397-000		1	GEAR, 46T		
36	FK2-0408-000		1	SOLENOID	SL1	
37	FL3-1354-000		1	FLAG,PRE-REGISTRATION SENSOR		
38	FS5-1943-000		1	BUSHING		
39	FM3-4146-000		1	PICK-UP ARM UNIT		
40	FS6-1063-000		1	BUSHING		
41	FU7-5378-000		1	SPRING, TENSION		
42	FS7-2800-000		2	SPRING, TENSION		
43	FS7-2801-000		1	SPRING, TORSION		
44	FU3-0280-000		1	GEAR, 15T	[DP]	
45	FU3-0282-000		1	GEAR, 21T		
46	FU3-0283-000		1	GEAR, 21T		
47	FU3-0284-000		1	GEAR, 16T		
48	FU3-0288-000		1	GEAR, 21T		
49	FU3-0347-000		1	GEAR, 41T		
50	FU3-0349-000		1	GEAR, 41T		
51	FU3-0350-000		1	GEAR, 41T/41T		
52	FU5-1033-000		1	BUSHING		
53	FU6-0710-000		1	GEAR, 16T/16T		
54	FU6-2684-000		1	SPRING, COMPRESSION		
55	FU6-2784-000		1	SPRING, TENSION		
56	FU7-0444-000		1	GEAR, 51T		
57	FU7-0445-000		1	GEAR, 42T		
58	FU7-2975-000		1	SPRING, TORSION		
59	RS5-1567-000		2	BUSHING		
60	WG8-5836-000		4	PHOTOINTERRUPTER, SG2481-CN	S1,S2,S3,S4	
61	XA9-0656-000		1	SCREW,RS,M3X10		
62	XD9-0104-000		3	PIN,DOWEL		

FIGURE & KEY NO.	PARTS NUMBER	R A N K	Q'TY	DESCRIPTION	SERIAL NUMBER/ REMARKS	S V C
63	XD9-0136-000		1	RING,E		

# FIGURE 310A PAPER PICK-UP ASSEMBLY (250 Sheets/Cassette 1 MODEL)

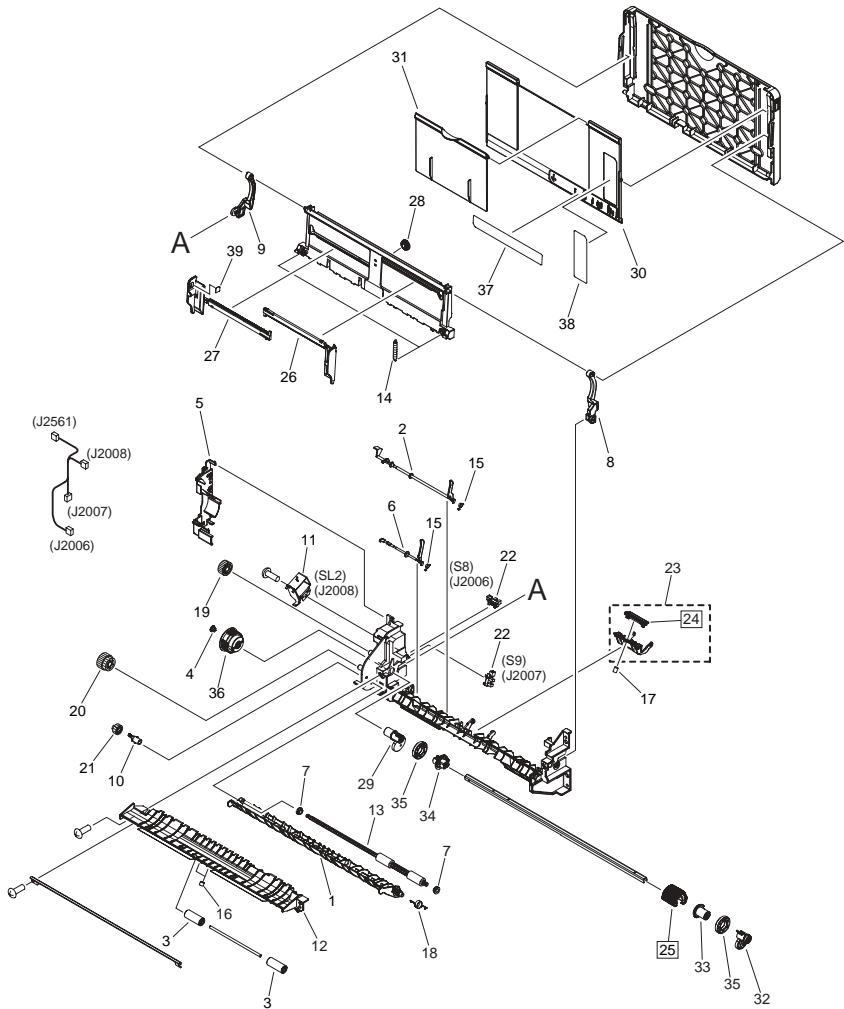


NOTE : Replace the parts shown with Key No. 30 in Figure 300A and Key No. 18 in Figure 310A at same time.  
 注 : Figure 300A Key No.30とFigure 310A KeyNo.18の部品は同時交換すること。



FIGURE & KEY NO.	PARTS NUMBER	R A N K	Q'TY	DESCRIPTION	SERIAL NUMBER/ REMARKS	S V C
Fig.310A	FM3-9372-000		1	PAPER PICK-UP ASSEMBLY	250 Sheets/Cassette 1 MODEL SEE NOTE	
1	FC6-7366-000		1	FLAG, PAPER PRESENCE SENSOR		
2	FC9-0717-000		2	BUSHING		
3	FC9-0923-000		1	BUSHING		
4	XD9-0136-000		1	RING,E		
5	FC9-1022-000		1	CAM,CASSETTE PAPER PICK-UP,RR.		
6	FC9-1023-000		1	SHAFT, PAPER PICK-UP		
7	FC9-1024-000		4	ROLLER, PAPER PICK-UP		
8	FC9-1025-000		1	CAM, CST. PAPER PICK-UP, FRONT		
9	FC9-1026-000		2	BUSHING		
10	FC9-1032-000		1	FLANGE, PICK-UP ROLLER, FRONT		
11	FC9-1051-000		1	BUSHING		
12	FC9-1624-000		1	LEVER, CASSETTE DETECT MOVING		
13	FC9-1625-000		1	FLANGE, PICK-UP ROLLER, REAR		
14	FC9-1632-000		1	ROLLER, PLATE RETAINER, MIDDLE		
15	FC9-7715-000		1	GEAR, 32T		
16	FC9-7716-000		1	GEAR, 32T		
17	FK2-9196-000		1	SOLENOID	SL1	
18	FL3-1352-000		1	ROLLER, PAPER PICK-UP	[DP]	
19	FL3-1357-000		1	ROLLER, CASSETTE EXTRACTION		
20	FU6-2406-000		1	SPRING, TENSION		
21	FU7-2923-000		1	SPRING, COMPRESSION		
22	FU7-2982-000		1	SPRING, TENSION		
23	FU8-0570-000		1	GEAR, 19T		
24	FU8-0573-000		1	HOOK, INTERMITTENT GEAR		
25	FU8-0600-000		1	GEAR, 25T/23T		
26	WG8-5836-000		1	PHOTOINTERRUPTER, SG2481-CN	S2	
27	VS1-7177-003		1	CONNECTOR, SNAP TIGHT, BK		
28	FC9-8975-000		1	BUSHING		

# FIGURE 312 MULTI PAPER PICK-UP ASSEMBLY

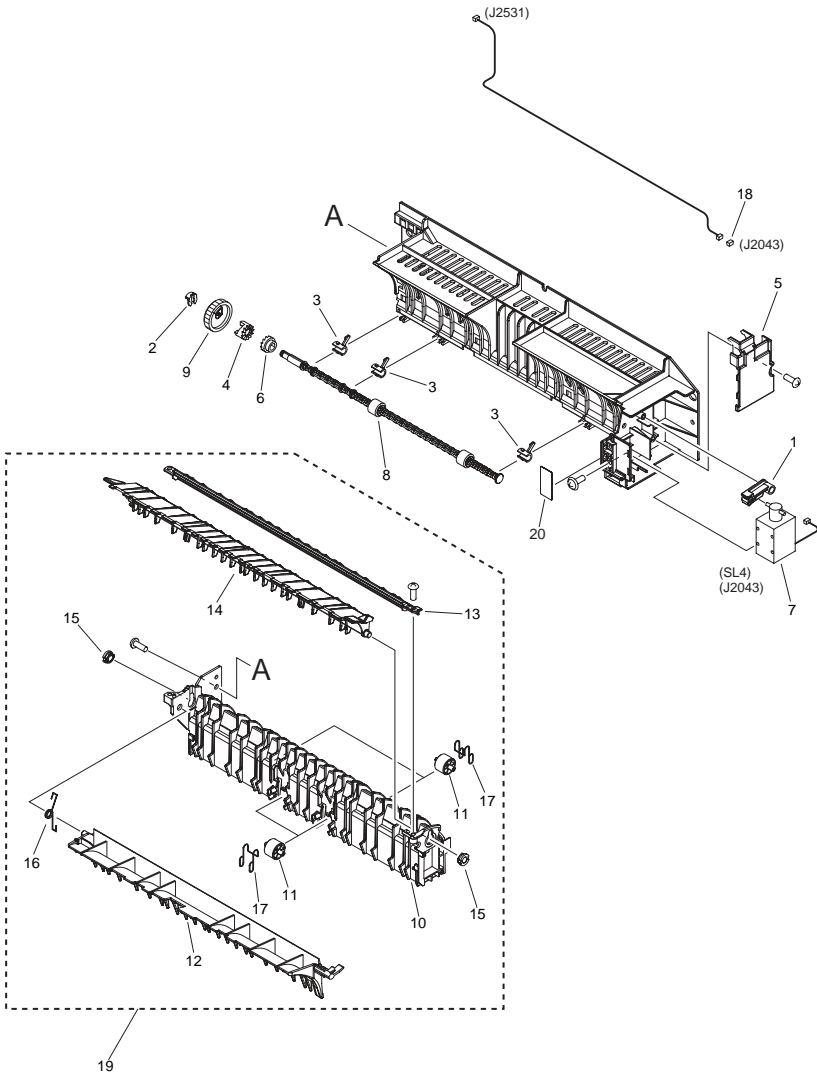


NOTE 1 : This assembly is included in the assembly shown in Figure 102.  
 NOTE 2 : This assembly does not include the parts shown with key No. 37, 38 and 39.  
 注 1 : このユニットはFigure 102のユニットに含まれます。  
 注 2 : このユニットにKey No. 37, 38, 39の部品は含まれません。

FIGURE & KEY NO.	PARTS NUMBER	R A N K	Q'TY	DESCRIPTION	SERIAL NUMBER/ REMARKS	S V C
Fig.312	FM3-9285-000		1	MULTI PAPER PICK-UP ASSEMBLY	SEE NOTE	
1	FC9-0556-000		1	GUIDE, MULTI LOWER		
2	FC9-0668-000		1	FLAG, MULTI PAPER SENSOR		
3	FC9-0670-000		2	ROLLER, EXTRACTION		
4	FC9-0671-000		1	CAP, SHAFT CONDUCTIVE		
5	FC9-0672-000		1	COVER, MULTI SENSOR		
6	FC9-0674-000		1	FLAG, PAPER WIDTH DETECT		
7	FC9-0923-000		2	BUSHING		
8	FC9-0972-000		1	HINGE, MULTI PICK-UP, FRONT		
9	FC9-0973-000		1	HINGE, MULTI PICK-UP, REAR		
10	FC9-1026-000		1	BUSHING		
11	FK2-1410-000		1	SOLENOID	SL2	
12	FL3-1348-000		1	GUIDE, MULTI, UPPER		
13	FL3-1349-000		1	ROLLER, MULTI EXTRACTION DRIVE		
14	FU7-2924-000		2	SPRING, TENSION		
15	FU7-2925-000		2	SPRING, TORSION		
16	FU7-2926-000		2	SPRING, COMPRESSION		
17	FU7-2971-000		1	SPRING, COMPRESSION		
18	FU7-2974-000		1	SPRING, TORSION		
19	FU8-0525-000		1	GEAR, 21T		
20	FU8-0526-000		1	GEAR 27T/25T		
21	FU8-0527-000		1	GEAR, 19T		
22	WG8-5836-000		2	PHOTOINTERRUPTER, SG2481-CN	S8,S9	
23	FM3-9287-000		1	MULTI SEPARATION PAD ASSEMBLY		
24	FL3-3469-000		1	PAD, SEPARATION	[DP]	
25	FL3-1352-000		1	ROLLER, PAPER PICK-UP	[DP]	
26	FC9-0678-000		1	SLIDER, MULTI WIDTH, FRONT		
27	FC9-0679-000		1	SLIDER, MULTI WIDTH, REAR		
28	FC9-1683-000		1	PINION, 18T		
29	FC9-0689-000		1	CAM, MULTI, REAR		
30	FC9-0681-000		1	TRAY, MULTI EXTENSION, 1		
31	FC9-0682-000		1	TRAY, MULTI EXTENSION, 2		

FIGURE & KEY NO.	PARTS NUMBER	R A N K	Q'TY	DESCRIPTION	SERIAL NUMBER/ REMARKS	S V C
32	FC9-0688-000		1	CAM, MULTI, FRONT		
33	FC9-0684-000		1	BUSHING		
34	FC9-0685-000		1	BUSHING		
35	FC9-0687-000		2	ROLLER, MULTI		
36	FM3-9293-000		1	MULTI PAPER PICK-UP GEAR ASS'Y		
37	FU6-8867-000		1	LABEL, PAPER SIZE	A/INCH SIZE SEE NOTE	
37	FU6-8868-000		1	LABEL, PAPER SIZE	AB/K/INCH SIZE SEE NOTE	
38	FU6-8869-000		1	LABEL, PAPER SET SIDE	SEE NOTE	
39	FU6-8872-000		1	LABEL, MAXIMUM LOAD	EXCEPT A SIZE SEE NOTE	

# FIGURE 313 DUPLEXING FEED GUIDE ASSEMBLY (2ND DELIVERY MODEL)



NOTE : This assembly is included in the assembly shown in Figure 102.  
 注 : このユニットはFigure 102のユニットに含まれます。

FIGURE & KEY NO.	PARTS NUMBER	R A N K	Q'TY	DESCRIPTION	SERIAL NUMBER/ REMARKS	S V C
Fig.313	FM3-9319-000		1	DUPLEXING FEED GUIDE ASSEMBLY	2ND DELIVERY MODEL SEE NOTE	
1	FC5-1023-000		1	ARM, SOLENOID		
2	FC5-4425-000		1	CLIP		
3	FC9-0717-000		3	BUSHING		
4	FC9-0826-000		1	RATCHET, INTERMEDIATE		
5	FC9-0838-000		1	COVER, REVERSE SOLENOID		
6	FC9-0852-000		1	RATCHET, FEED		
7	FH6-5095-000		1	SOLENOID	SL4	
8	FL3-1451-000		1	ROLLER, ENTRANCE		
9	FU8-0607-000		1	GEAR, 35T		
10	FL3-1443-000		1	GUIDE, ENTRANCE		
11	FC5-1358-000		4	COLLAR, FIXING DELIVERY		
12	FC9-0841-000		1	FLAPPER, SECOND DELIVERY		
13	FC9-0843-000		1	GUIDE, REVERSE ENTRANCE		
14	FC9-0846-000		1	FLAPPER, REVERSE		
15	FC9-0923-000		2	BUSHING		
16	FU7-2945-000		1	SPRING, TORSION		
17	FU7-2947-000		4	SPRING, RETAINING		
18	VS1-7177-003		1	CONNECTOR, SNAP TIGHT, BK		
19	FM3-9322-000		1	DUPLEXING ENTRANCE GUIDE ASSY		
20	FC9-8950-000		1	SHEET, REVERSE SOLENOID		

**FIGURE 314**  
**RIGHT LOWER INNER DOOR ASS'Y (550 Sheets/  
 Cassette 1 MODEL)**

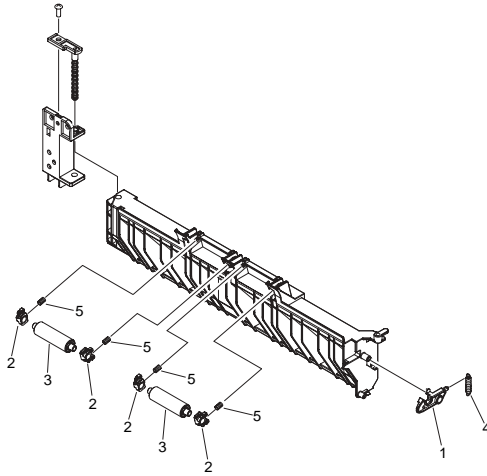


FIGURE & KEY NO.	PARTS NUMBER	RANK	QTY	DESCRIPTION	SERIAL NUMBER/REMARKS	SVC
Fig.314	FM3-9281-000		1	RIGHT LOWER INNER DOOR ASS'Y	550 Sheets/Cassette 1 MODEL	
1	FC9-0662-000		1	HOOK, RIGHT LOWER DOOR		
2	FC9-1019-000		4	BUSHING		
3	FC9-1057-000		2	ROLLER, FOLLOWER		
4	FU7-2991-000		1	SPRING, TENSION		
5	FU7-2992-000		4	SPRING, COMPRESSION		

# FIGURE 314A RIGHT LOWER INNER DOOR ASS'Y (250 Sheets/ Cassette 1 MODEL)

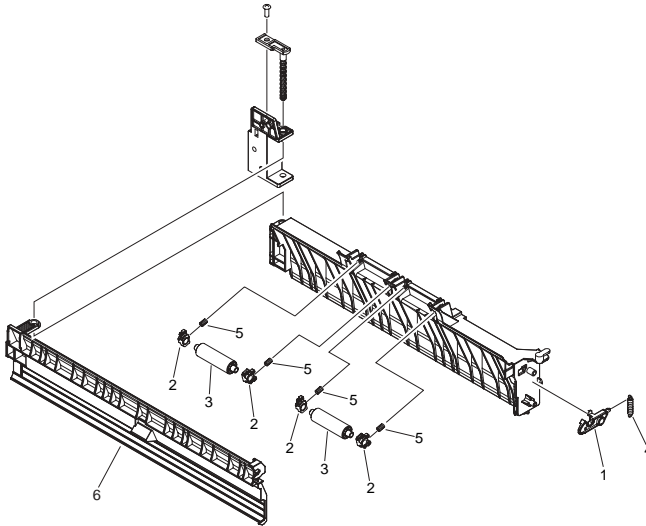


FIGURE & KEY NO.	PARTS NUMBER	R A N K	QTY	DESCRIPTION	SERIAL NUMBER/ REMARKS	S V C
Fig.314A	FM3-9379-000		1	RIGHT LOWER INNER DOOR ASS'Y	250 Sheets/Cassette 1 MODEL	
1	FC9-0662-000		1	HOOK, RIGHT LOWER DOOR		
2	FC9-1019-000		4	BUSHING		
3	FC9-1057-000		2	ROLLER, FOLLOWER		
4	FU7-2991-000		1	SPRING, TENSION		
5	FU7-2992-000		4	SPRING, COMPRESSION		
6	FC9-1060-000		1	GUIDE, CASSETTE CROSSING		



# FIGURE 316 PRE-REGISTRATION GUIDE ASS'Y

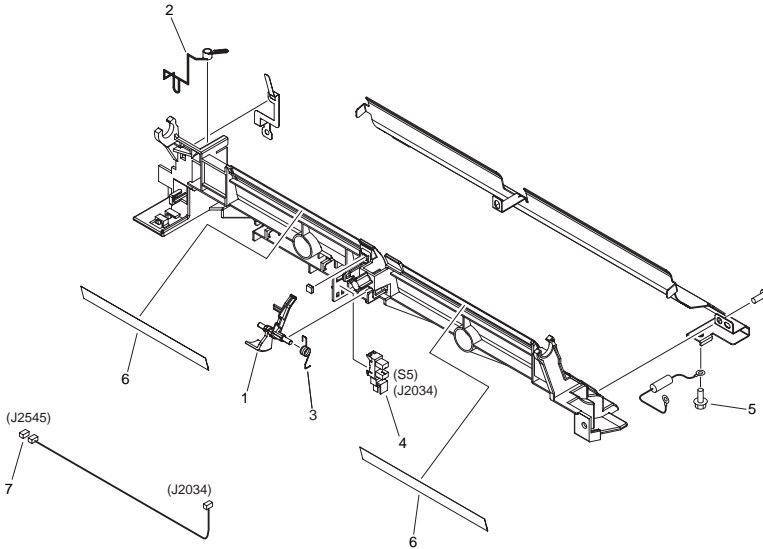
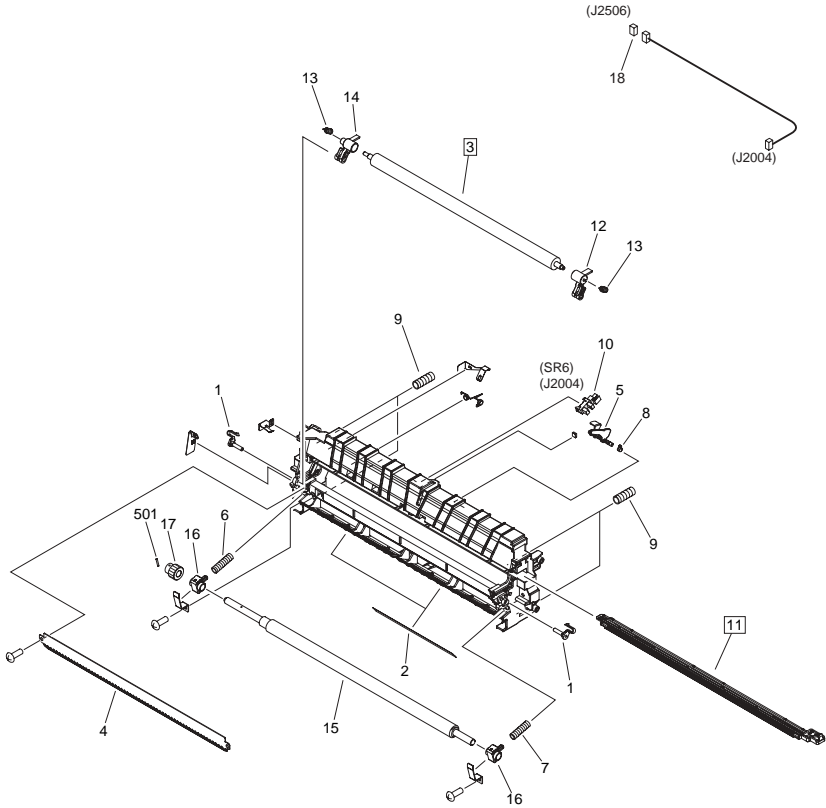


FIGURE & KEY NO.	PARTS NUMBER	R A N K	QTY	DESCRIPTION	SERIAL NUMBER/REMARKS	S V C
Fig.316	FM3-9251-000		1	PRE-REGISTRATION GUIDE ASS'Y		
1	FC9-0555-000		1	FLAG, PRE-REGISTRATION SENSOR		
2	FC9-0557-000		1	CABLE, GROUNDING		
3	FU7-2915-000		1	SPRING, TORSION		
4	WG8-5836-000		1	PHOTOINTERRUPTER, SG2481-CN	S5	
5	XA9-1567-000		1	SCREW, RS, M3X8.5		
6	FC9-0554-000		2	SHEET, PRE-REGISTRATION GUIDE		
7	VS1-7173-003		1	CONNECTOR, SNAP TIGHT, 3P, W		

# FIGURE 320 TRANSFER PAPER FEED ASSEMBLY



NOTE : This assembly is included in the assembly shown in Figure 102.  
 注 : このユニットはFigure 102のユニットに含まれます。

FIGURE & KEY NO.	PARTS NUMBER	R A N K	Q'TY	DESCRIPTION	SERIAL NUMBER/ REMARKS	S V C
Fig.320	FM3-9295-000		1	TRANSFER PAPER FEED ASSEMBLY	SEE NOTE	
1	FC5-1536-000		2	PIN, TRANSFER HINGE		
2	FC9-0629-000		2	SHEET, PRE-REG. DOOR SIDE		
3	FC9-0693-000		1	ROLLER, TRANSFER	[DP]	
4	FC9-0702-000		1	GUIDE, ELIMINATOR		
5	FC9-0709-000		1	FLAG, LOOP SENSOR		
6	FU7-2930-000		1	SPRING, COMPRESSION		
7	FU7-2931-000		1	SPRING, COMPRESSION		
8	FU7-2932-000		1	SPRING, TORSION		
9	FU7-2933-000		4	SPRING, COMPRESSION		
10	WG8-5836-000		1	PHOTOINTERRUPTER, SG2481-CN	S6	
11	FM3-9296-000		1	ELIMINATOR HOLDER ASSEMBLY	[DP]	
12	FC9-0699-000		1	ARM, TRANSFER, FRONT		
13	FU7-2928-000		2	SPRING, COMPRESSION		
14	FC9-0700-000		1	ARM, TRANSFER, REAR		
15	FC9-0704-000		1	ROLLER, REGISTRATION		
16	FU5-1009-000		2	BUSHING		
17	FU8-0528-000		1	GEAR, 21T		
18	VS1-7177-003		1	CONNECTOR, SNAP TIGHT, BK		
501	XD3-1160-122		1	PIN,SPRING		

# FIGURE 350 FIRST PAPER DELIVERY ASSEMBLY

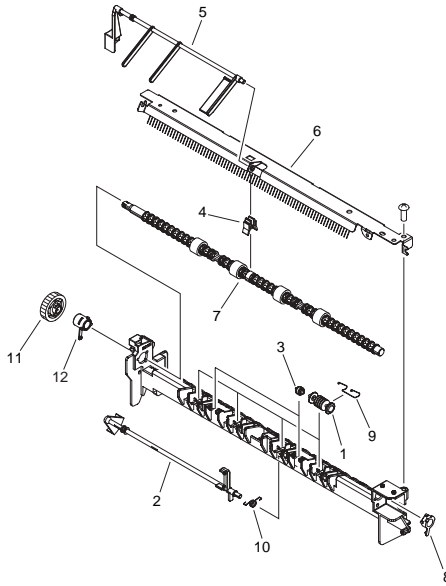


FIGURE & KEY NO.	PARTS NUMBER	RANK	QTY	DESCRIPTION	SERIAL NUMBER/REMARKS	S V C
Fig.350	FM3-9310-000		1	FIRST PAPER DELIVERY ASSEMBLY		
1	FC8-0209-000		4	COLLAR, FACE-DOWN		
2	FC9-0802-000		1	LEVER, DELIVERY SENSOR		
3	FC9-0804-000		2	ROLLER, CURL		
4	FC9-0805-000		1	BUSHING		
5	FC9-0806-000		1	LEVER, FULL DETECT		
6	FL3-1341-000		1	PLATE, ELIMINATOR		
7	FL3-1452-000		1	ROLLER, PAPER DELIVERY		
8	FU5-1522-000		1	BUSHING		
9	FU6-2189-000		4	SPRING, TORSION		
10	FU7-2925-000		1	SPRING, TORSION		
11	FU8-0538-000		1	GEAR, 26T		
12	FC9-8959-000		1	BUSHING		

# FIGURE 351 SECOND PAPER DELIVERY ASSEMBLY (2ND DELIVERY MODEL)

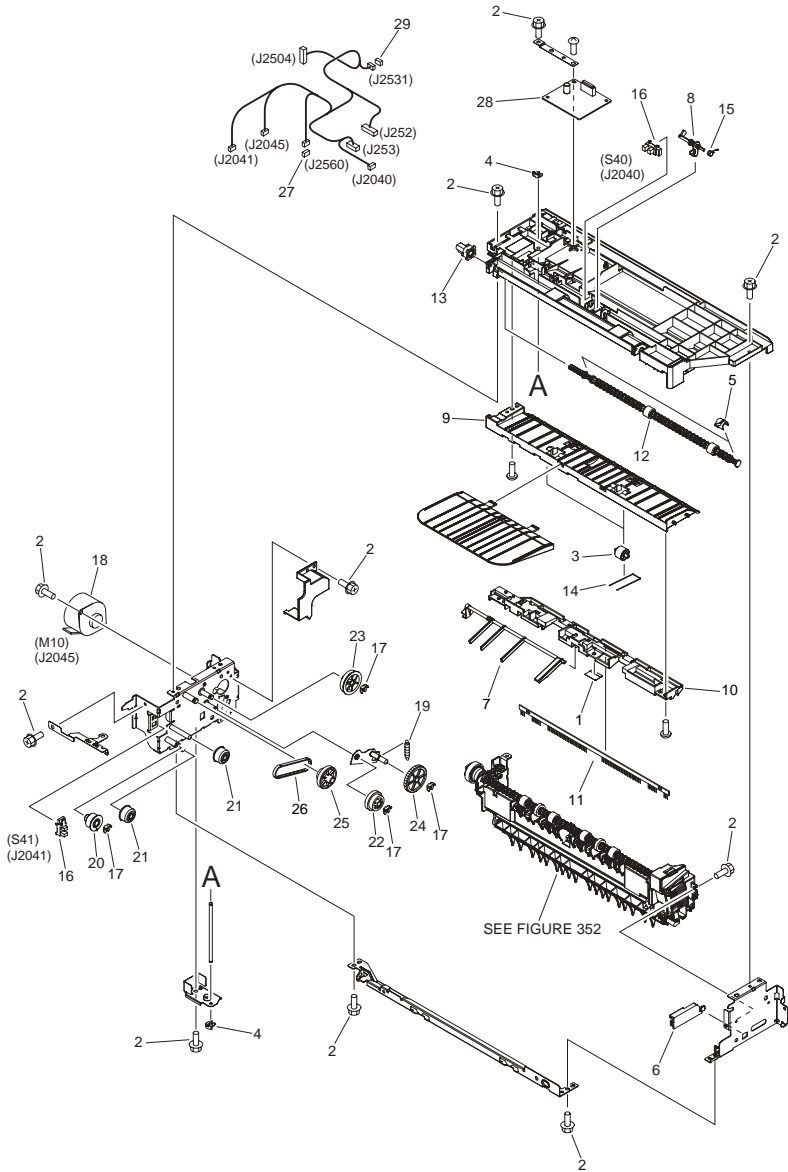


FIGURE & KEY NO.	PARTS NUMBER	RANK	Q'TY	DESCRIPTION	SERIAL NUMBER/REMARKS	SVC
Fig.351	NPN		RF	SECOND PAPER DELIVERY ASSEMBLY	2ND DELIVERY MODEL	
1	FC9-7723-000		1	SHEET, REVERSE AUXILIARY		
2	XA9-1567-000		10	SCREW, RS, M3X8.5		
3	FC9-7720-000		2	COLLAR, FIXING DELIVERY		
4	FC5-4697-000		2	RING, RETAINING		
5	FC9-0717-000		2	BUSHING		
6	FC9-0814-000		1	GUIDE, SLIDE		
7	FC9-0816-000		1	FLAG, FULL SENSOR		
8	FC9-0822-000		1	LEVER, REVERSE SENSOR		
9	FC9-0832-000		1	GUIDE, REVERSE LOWER		
10	FC9-0835-000		1	GUIDE, REVERSE LW. AUXILIARY		
11	FC9-0836-000		1	ELIMINATOR, STATIC CHARGE		
12	FL3-1450-000		1	ROLLER, REVERSE		
13	FU5-3796-000		1	PULLEY, 28T		
14	FU7-2934-000		2	SPRING, RETAINING		
15	FU7-2943-000		1	SPRING, TORSION		
16	WG8-5836-000		2	PHOTOINTERRUPTER, SG2481-CN	S40,S41	
17	FC5-4425-000		4	CLIP		
18	FK2-9150-000		1	MOTOR, STEPPING, DC	M10	
19	FU7-2979-000		1	SPRING, TENSION		
20	FU8-0602-000		1	GEAR, 18T		
21	FU8-0603-000		2	GEAR, 18T		
22	FU8-0604-000		1	GEAR, 30T		
23	FU8-0605-000		1	GEAR, 35T		
24	FU8-0606-000		1	GEAR, 46T		
25	FU8-0610-000		1	GEAR, 35T		
26	XF2-1608-040		1	BELT, TIMING		
27	VS1-7173-005		1	CONNECTOR, SNAP TIGHT		
28	FM4-2866-000		1	SECOND REVERSE PCB ASSEMBLY		
29	VS1-7177-002		1	CONNECTOR, SNAP TIGHT, BK		

# FIGURE 352 SECOND DELIVERY FRAME ASSEMBLY (2ND DELIVERY MODEL)

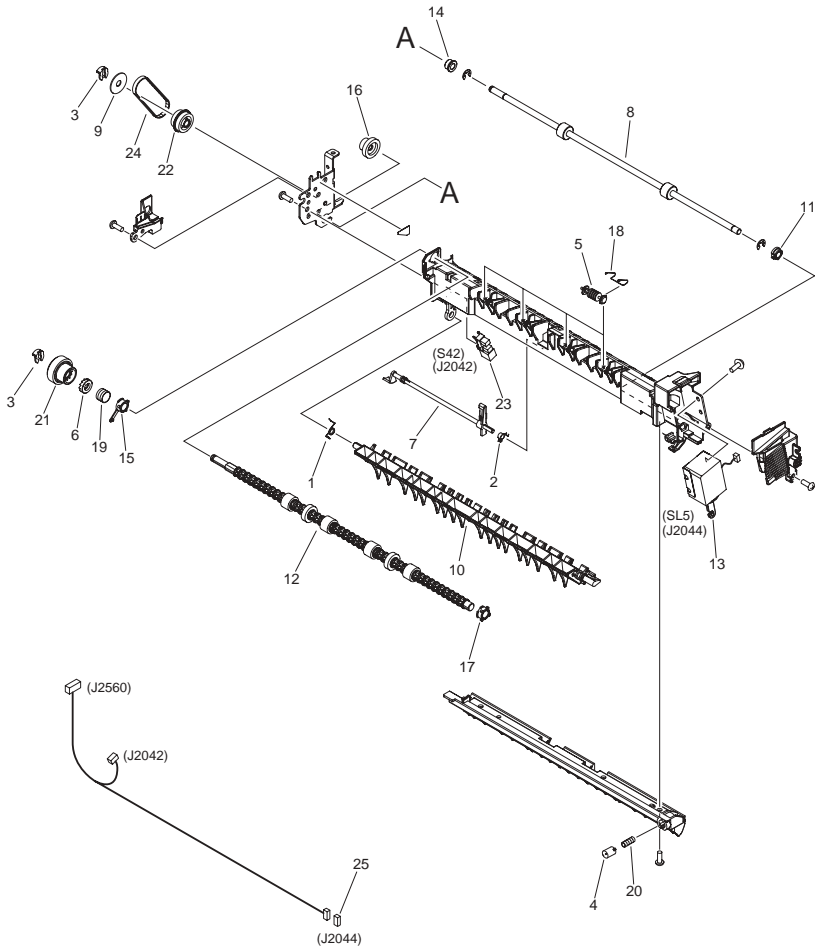


FIGURE & KEY NO.	PARTS NUMBER	R A N K	Q'TY	DESCRIPTION	SERIAL NUMBER/ REMARKS	S V C
Fig.352	FM3-9323-000		1	SECOND DELIVERY FRAME ASSEMBLY	2ND DELIVERY MODEL	
1	FC5-0974-000		1	SPRING, TORSION		
2	FC5-0997-000		1	SPRING, TORSION		
3	FC5-4425-000		2	CLIP		
4	FC5-6014-000		1	CAP, SPRING		
5	FC8-0209-000		4	COLLAR, FACE-DOWN		
6	FC9-0854-000		1	RATCHET, FEED		
7	FC9-0856-000		1	FLAG, SENSOR		
8	FC9-0857-000		1	ROLLER, VERTICAL PASS		
9	FC9-0864-000		1	STOPPER, BELT		
10	FC9-0870-000		1	FLAPPER, FIRST DELIVERY		
11	FC9-0923-000		1	BUSHING		
12	FL3-1454-000		1	ROLLER, SECOND DELIVERY		
13	FL3-3151-000		1	SOLENOID	SL5	
14	FS5-1943-000		1	BUSHING		
15	FC9-8967-000		1	BUSHING		
16	FU5-0076-000		1	GEAR, 24T		
17	FU5-1522-000		1	BUSHING		
18	FU6-2189-000		4	SPRING, TORSION		
19	FU7-2946-000		1	SPRING, COMPRESSION		
20	FU7-2948-000		1	SPRING, COMPRESSION		
21	FU8-0608-000		1	GEAR, 26T		
22	FU8-0609-000		1	GEAR, 24T		
23	WG8-5836-000		1	PHOTOINTERRUPTER, SG2481-CN	S42	
24	XF2-1608-040		1	BELT, TIMING		
25	VS1-7177-002		1	CONNECTOR, SNAP TIGHT, BK		



# FIGURE 400 READER ASSEMBLY (iR2545/2535 Series)

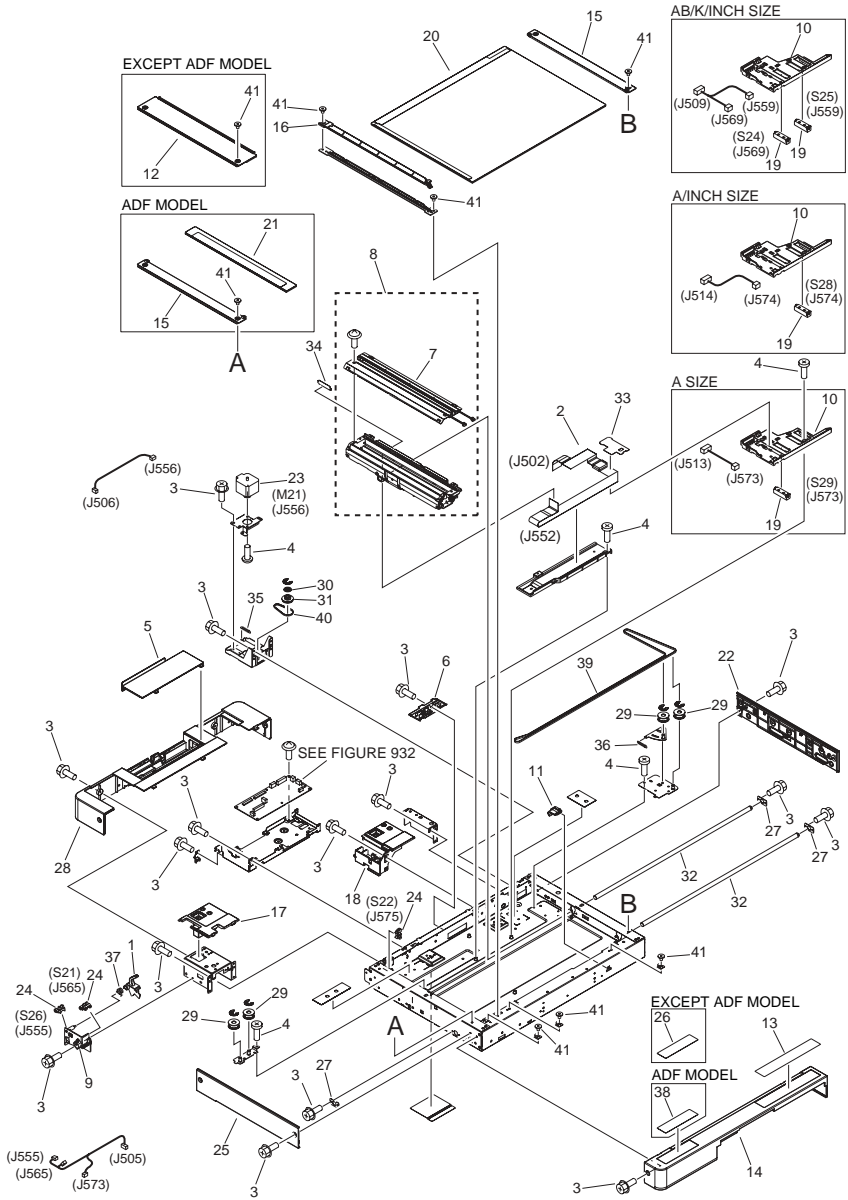


FIGURE & KEY NO.	PARTS NUMBER	R A N K	Q'TY	DESCRIPTION	SERIAL NUMBER/ REMARKS	S V C
Fig.400	NPN		RF		IR2545/2535 Series	
1	FC8-6187-000		1	ARM, OPEN/CLOSE SENSOR		
2	FM4-2968-000		1	CABLE, CCD		
3	XA9-1567-000		AR	SCREW, RS, M3X8.5		
4	XA9-1685-000		AR	SCREW, FLAT HEAD, M3		
5	FC9-0494-000		1	COVER, PCB		
6	FC9-0496-000		1	GUIDE, FLEXIBLE		
7	FM4-4205-000		1	CARRIAGE COVER UNIT		
8	FM3-9435-000		1	CARRIAGE UNIT		
9	FC8-6188-000		1	CASE, OPEN/CLOSE SENSOR		
10	FC8-6171-000		1	CASE, PAPER SIZE SENSOR		
11	FL2-9842-000		1	CCD MIRROR CLEANING UNIT		
12	FC9-1633-000		1	COVER, READER LEFT UPPER	EXCEPT ADF MODEL	
13	FU5-8204-000		1	LABEL, COPY INHIBITED	English	
13	FU5-8205-000		1	LABEL, COPY INHIBITED	US English	
13	FU5-8206-000		1	LABEL, COPY INHIBITED	US English	
13	FU5-8207-000		1	LABEL, COPY INHIBITED	English	
13	FU5-8208-000		1	LABEL, COPY INHIBITED	French,UK English,German,Italian,Spanish	
13	FU5-8209-000		1	LABEL, COPY INHIBITED	French,UK English,German,Italian,Spanish	
13	FU5-8210-000		1	LABEL, COPY INHIBITED	French,UK English,German,Italian,Spanish	
13	FU5-8211-000		1	LABEL, COPY INHIBITED	French,UK English,German,Italian,Spanish	
14	FC9-0491-000		1	COVER, READER, FRONT		
15	FC8-6178-000		2	COVER, GLASS RETAINING	ADF MODEL	
15	FC8-6178-000		1	COVER, GLASS RETAINING	EXCEPT ADF MODEL	
16	FC8-6175-000		1	COVER, GLASS SUPPORT		
17	FC8-6185-000		1	COVER, HINGE, LEFT		
18	FC9-7262-000		1	COVER, HINGE, RIGHT		
19	FH7-7569-000		1	DOCUMENT SIZE SENSOR UNIT	A/INCH SIZE,A SIZE	

FIGURE & KEY NO.	PARTS NUMBER	R A N K	Q'TY	DESCRIPTION	SERIAL NUMBER/ REMARKS	S V C
19	FH7-7569-000		2	DOCUMENT SIZE SENSOR UNIT	AB/K/INCH SIZE	
20	FL2-9839-000		1	GLASS, COPYBOARD	A SIZE	
20	FL2-9840-000		1	GLASS, COPYBOARD	A/INCH SIZE	
20	FL2-9841-000		1	GLASS, COPYBOARD	AB/INCH SIZE	
21	FL2-9843-000		1	GLASS, READER	ADF MODEL	
22	FC8-6198-000		1	COVER, READER, RIGHT		
23	FK2-6919-000		1	MOTOR, STEPPING, DC		
24	WG8-5776-000		3	PHOTO-INTERRUPTER, SG2481		
25	FC8-6197-000		1	COVER, READER, LEFT		
26	FU6-8883-000		1	LABEL, LAMP CAUTION	EXCEPT ADF MODEL EUR,OTHER	
26	FU6-8885-000		1	LABEL, LAMP CAUTION	EXCEPT ADF MODEL OTHER	
26	FU6-8886-000		1	LABEL, LAMP CAUTION	EXCEPT ADF MODEL EUR	
27	FC8-6170-000		3	PLATE, SHAFT RETAINING		
28	FC9-0492-000		1	COVER, READER, REAR		
29	FC8-6163-000		4	PULLEY		
30	FC8-6180-000		1	PULLEY		
31	FU5-3710-000		1	PULLEY, 24T/41T		
32	FC8-6169-000		2	SHAFT, CARRIAGE DRIVE		
33	FC8-6167-000		1	SHEET, CCD CABLE RETAINING		
34	FC8-6202-000		1	SHEET, CCD CABLE RETAINING		
35	FU7-2596-000		1	SPRING, TENSION		
36	FU7-2597-000		1	SPRING, TENSION		
37	FC8-6189-000		1	SPRING, TORSION		
38	FU6-8887-000		1	LABEL, CLEANING POSITION	ADF MODEL English	
38	FU6-8888-000		1	LABEL, CLEANING POSITION	ADF MODEL UK English	
38	FU6-8889-000		1	LABEL, CLEANING POSITION	ADF MODEL EUR	
39	XF2-4668-040		1	BELT, TIMING		
40	XF2-4606-740		1	BELT, TIMING, COGGED		
41	XA9-1415-000		AR	SCREW, FLAT HEAD, M4		
	FM3-9432-000		1	READER UNIT		

FIGURE & KEY NO.	PARTS NUMBER	R A N K	Q'TY	DESCRIPTION	SERIAL NUMBER/ REMARKS	S V C
	FM3-9433-000		1	READER UNIT		
	FM3-9434-000		1	READER UNIT		
	FM4-4187-000		1	READER UNIT		
	FM4-4189-000		1	READER UNIT		



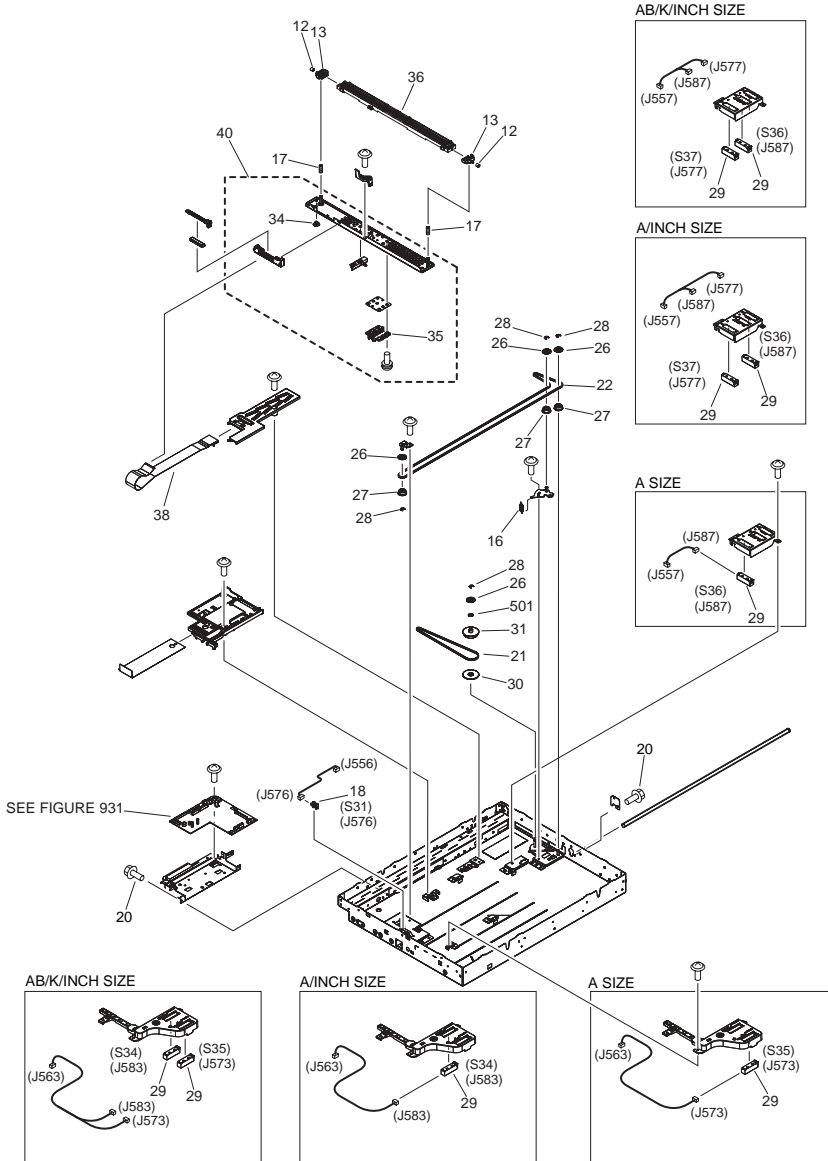


FIGURE & KEY NO.	PARTS NUMBER	R A N K	Q'TY	DESCRIPTION	SERIAL NUMBER/ REMARKS	S V C
Fig.400A	NPN		RF	READER ASSEMBLY	IR2530/2525/2520 Series	
1	FC9-0494-000		1	COVER, PCB		
2	FC9-1640-000		1	COVER, READER, RIGHT		
3	FC9-1641-000		1	COVER, READER, LEFT		
4	FC9-1748-000		1	COVER, READER, FRONT		
5	FC9-1749-000		1	COVER, READER, REAR		
6	FC9-1642-000		1	COVER, LEFT HINGE	ADF MODEL	
6	FL3-3152-000		1	COVER, HINGE, LEFT	EXCEPT ADF MODEL	
7	FC9-1643-000		1	COVER, RIGHT HINGE	ADF MODEL	
7	FL3-3153-000		1	COVER, HINGE, RIGHT	EXCEPT ADF MODEL	
8	FM4-6868-000		1	COVER, GLASS, RIGHT		
9	FC9-7175-000		1	COVER, GLASS, LEFT	ADF MODEL	
10	FM4-6867-000		1	MOUNT, JUMP		
11	FL3-3143-000		1	GLASS, COPYBOARD	AB/K/INCH SIZE	
11	FL3-3190-000		1	GLASS, COPYBOARD	A/INCH SIZE	
11	FL3-3191-000		1	GLASS, COPYBOARD	A SIZE	
12	FB6-1337-000		2	ROLLER		
13	FC9-7181-000		2	HOLDER, ROLLER		
14	FL3-3144-000		1	GLASS, FLOW SCAN	ADF MODEL	
15	FC9-1761-000		1	COVER, READER LEFT UPPER	EXCEPT ADF MODEL	
16	FU6-2193-000		1	SPRING		
17	FU7-2999-000		2	SPRING, COMPRESSION		
18	WG8-5696-000		3	PHOTO INTERRUPTER, TLP1243	S31,S32,S33	
19	XA9-1415-000		AR	SCREW, FLAT HEAD, M4		
20	XA9-1567-000		AR	SCREW, RS, M3X8.5		
21	XF2-4620-340		1	BELT, TIMING		
22	XF2-4661-440		1	BELT, TIMING		
24	FK2-1066-020		1	MOTOR	M31	
25	FU6-2190-000		1	SPRING		
26	FC6-4514-000		4	FLANGE		
27	FU5-3339-000		3	PULLEY		
28	XD9-0136-000		4	RING,E		

FIGURE & KEY NO.	PARTS NUMBER	R A N K	Q'TY	DESCRIPTION	SERIAL NUMBER/ REMARKS	S V C
29	FH7-7569-000		4	DOCUMENT SIZE SENSOR UNIT	AB/K/INCH SIZE S34,S35,S36,S37	
29	FH7-7569-000		3	DOCUMENT SIZE SENSOR UNIT	A/INCH SIZE S34,S36,S37	
29	FH7-7569-000		2	DOCUMENT SIZE SENSOR UNIT	A SIZE S35,S36	
30	FC6-4506-000		1	FLANGE, D		
31	FU5-3340-000		1	PULLEY		
32	FC6-4561-000		1	LEVER, SENSOR		
33	FU6-2191-000		1	SPRING, SENSOR		
34	FC6-4511-000		2	SLIDER		
35	FC6-4553-000		1	BUSHING		
36	FL3-3145-000		1	CONTACT IMAGE SENSOR UNIT		
37	FC6-4559-000		1	HOLDER, SENSOR		
38	FK2-9470-000		1	CABLE, LUGIA-CIS FLAT		
39	FS9-0214-000		1	LABEL, CLEANING	French,UK English,German,Italian,Sp anish,English	
39	FS9-0224-000		1	LABEL, CLEANING	French,UK English,German,Italian,Sp anish,English	
40	FM3-9425-000		1	CARRIAGE ASSEMBLY		
41	FU5-8204-000		1	LABEL, COPY INHIBITED	English	
41	FU5-8205-000		1	LABEL, COPY INHIBITED	US English	
41	FU5-8206-000		1	LABEL, COPY INHIBITED	US English	
41	FU5-8207-000		1	LABEL, COPY INHIBITED	English	
41	FU5-8208-000		1	LABEL, COPY INHIBITED	French,UK English,German,Italian,Sp anish	
41	FU5-8209-000		1	LABEL, COPY INHIBITED	French,UK English,German,Italian,Sp anish	
41	FU5-8210-000		1	LABEL, COPY INHIBITED	French,UK English,German,Italian,Sp anish	
41	FU5-8211-000		1	LABEL, COPY INHIBITED	French,UK English,German,Italian,Sp anish	
501	XD1-1106-231		1	SHIM		



# FIGURE 460 LASER SCANNER ASSEMBLY

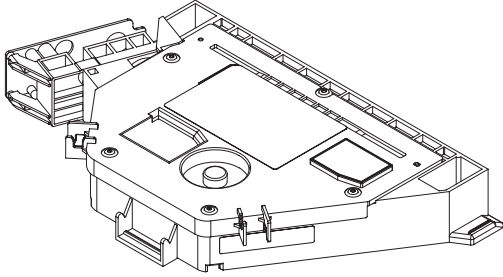


FIGURE & KEY NO.	PARTS NUMBER	RANK	QTY	DESCRIPTION	SERIAL NUMBER/REMARKS	SVC
Fig.460	FM3-9406-000		1	LASER SCANNER ASSEMBLY	iR2530/2525/2520 Series	
Fig.460	FM3-9407-000		1	LASER SCANNER ASSEMBLY	iR2545/2535 Series	

# FIGURE 620 HOPPER ASSEMBLY

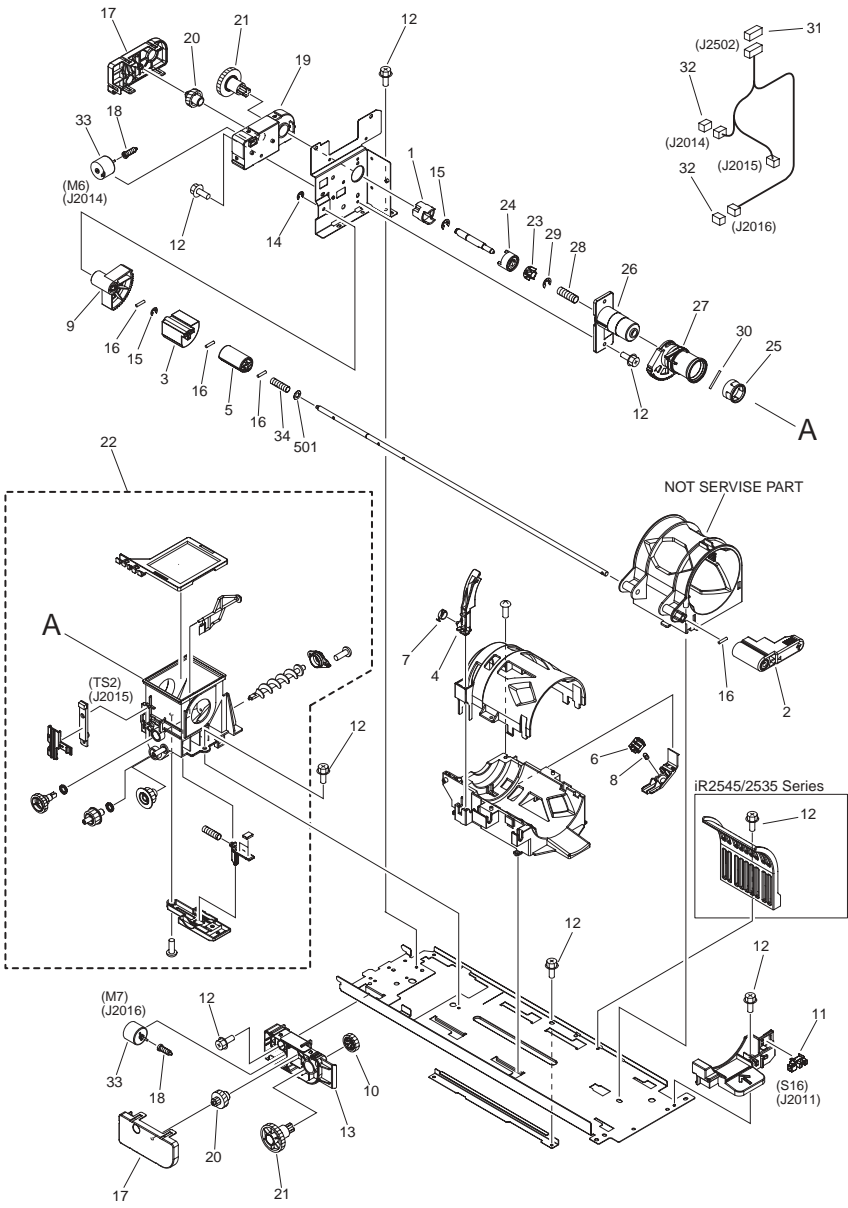


FIGURE & KEY NO.	PARTS NUMBER	R A N K	Q'TY	DESCRIPTION	SERIAL NUMBER/ REMARKS	S V C
Fig.620	FM3-9428-000		1	HOPPER ASSEMBLY	iR2545/2535 Series	
Fig.620	FM3-9429-000		1	HOPPER ASSEMBLY	iR2530/2525/2520 Series	
1	FC8-1112-000		1	COUPLING, MOTOR		
2	FC9-0640-000		1	LEVER, SET		
3	FC9-0641-000		1	CAM, BOTTLE SLIDE		
4	FC9-0645-000		1	HOOK, POSITIONING	iR2545/2535 Series	
4	FC9-1018-000		1	HOOK, POSITIONING	iR2530/2525/2520 Series	
5	FC9-0646-000		1	CAM, POSITIONING		
6	FC9-7741-000		1	CLAW, CLICK	iR2545/2535 Series	
6	FC9-7755-000		1	CLAW, CLICK	iR2530/2525/2520 Series	
7	FU7-2920-000		1	SPRING, TORSION		
8	FU7-2922-000		1	SPRING, COMPRESSION		
9	FU8-0521-000		1	GEAR, 20T		
10	FU8-0522-000		1	GEAR, 21T		
11	WG8-5836-000		1	PHOTOINTERRUPTER, SG2481-CN	S16	
12	XA9-1567-000		AR	SCREW, RS, M3X8.5		
13	FC9-0613-000		1	BOX, DRIVE, FRONT		
14	XD9-0134-000		1	RING,E		
15	XD9-0136-000		2	RING,E		
16	XD9-0301-000		4	PIN, DOWEL		
17	FC9-0614-000		2	BOX, DRIVE, REAR		
18	FC9-0612-000		2	GEAR, WORM		
19	FC9-0617-000		1	BOX, DRIVE, FRONT		
20	FU8-0514-000		2	GEAR, 43T/18T		
21	FU8-0515-000		2	GEAR, 73T		
22	FM3-9273-000		1	SUB HOPPER ASSEMBLY		
23	FC8-1110-000		1	COUPLING, INNER		
24	FC8-1111-000		1	COUPLING, DRIVE		
25	FC8-1113-000		1	BUSHING		
26	FC9-0631-000		1	BUSHING		
27	FL3-1330-000		1	HOLDER, RELEASE		
28	FU7-2256-000		1	SPRING, COMPRESSION		

FIGURE & KEY NO.	PARTS NUMBER	RANK	Q'TY	DESCRIPTION	SERIAL NUMBER/REMARKS	SVC
29	XD9-0137-010		1	RING, E	M6,M7	
30	XD9-0294-000		1	PIN, DOWEL		
31	VS1-7173-009		1	CONNECTOR, SNAP TIGHT, 9P, W		
32	VS1-7177-003		2	CONNECTOR, SNAP TIGHT, BK		
33	FK2-9147-000		2	MOTOR, DC		
34	FU7-2919-000		1	SPRING, COMPRESSION		
501	XD1-1106-232		1	SHIM		

# FIGURE 640 DEVELOPING ASSEMBLY

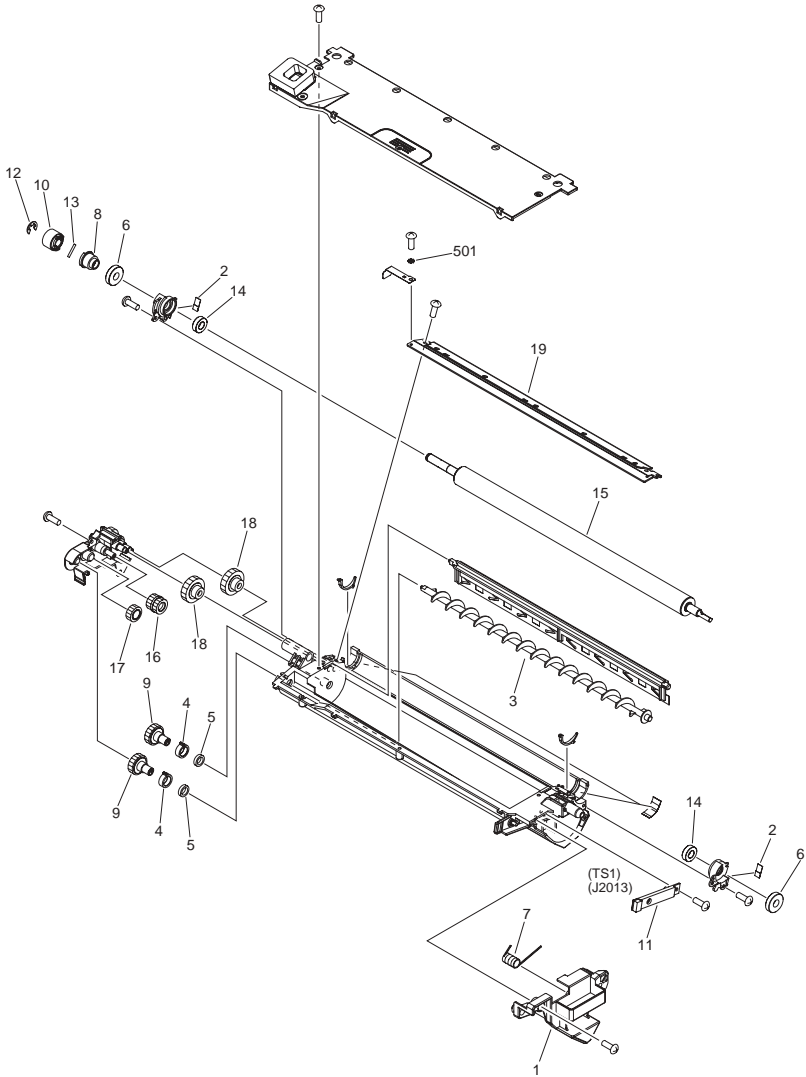


FIGURE & KEY NO.	PARTS NUMBER	R A N K	Q'TY	DESCRIPTION	SERIAL NUMBER/ REMARKS	S V C
Fig.640	FM3-9263-000		1	DEVELOPING ASSEMBLY	[DP]	
1	FC9-0592-000		1	HOLDER, DEVELOPING FRONT		
2	FC9-0946-000		2	SCRAPER, CYLINDER		
3	FC9-1610-000		1	FEEDSCREW, TONER		
4	FC9-1613-000		2	BUSHING		
5	MB4-8201-000		2	SEAL, OIL		
6	FS5-6448-000		2	ROLLER, 1		
7	FU7-2916-000		1	SPRING, TORSION		
8	FU8-0511-000		1	GEAR, 16T		
9	FU8-0553-000		2	GEAR, 24T		
10	FU8-0554-000		1	GEAR, 20T		
11	WP2-5282-000		1	SENSOR, ELECTROMAGNETIC	TS1	
12	XD9-0137-010		1	RING, E		
13	XD9-0290-000		1	PIN, DOWEL		
14	XG9-0387-000		2	BEARING, BALL		
15	FM3-9264-000		1	DEVELOPING CYLINDER ASSEMBLY		
16	FU8-0509-000		1	GEAR, 18T/18T		
17	FU8-0510-000		1	GEAR, 18T		
18	FU8-0512-000		2	GEAR, 31T/13T		
19	FM3-9265-000		1	BLADE ASSEMBLY		
501	XD1-4200-302		1	WASHER, TOOTHED LOCK		

# FIGURE 810 FIXING ASSEMBLY (iR2545/2535 Series)

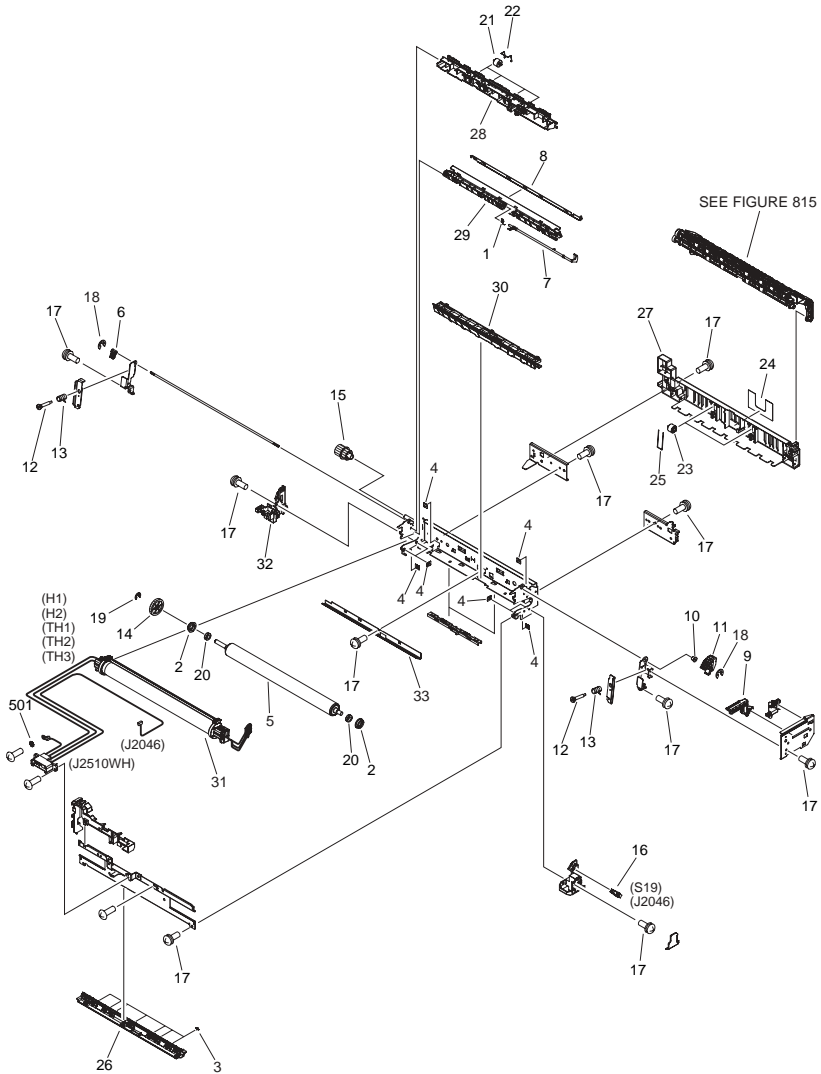


FIGURE & KEY NO.	PARTS NUMBER	RANK	Q'TY	DESCRIPTION	SERIAL NUMBER/REMARKS	SVC
Fig.810	FM3-9302-000		1	FIXING ASSEMBLY	iR2545/2535 Series 230V [DP]	
Fig.810	FM4-3363-000		1	FIXING ASSEMBLY	iR2545/2535 Series 120V [DP]	
1	FC5-1367-000		1	SPRING,SENSOR LEVER		
2	FC5-7182-000		2	HOUSING,BEARING		
3	FC6-4375-000		7	ROWEL, SMALL		
4	FC0-0293-000		11	CAP.DUST		
5	FC9-8974-000		1	ROLLER, PRESSURE		
6	FC9-0738-000		1	LEVER, PRESSURE RELEASE, R		
7	FC9-0748-000		1	FLAG, FIXING OUTLET SENSOR		
8	FC9-0782-000		1	ELIMINATOR, STATIC CHARGE		
9	FC9-0787-000		1	RACK, PRESSURE RELEASE		
10	FC9-0790-000		1	BUSHING		
11	FC9-0792-000		1	GEAR, 7T		
12	FC9-1671-000		2	SCREW, STEPPED		
13	FU7-2935-000		2	SPRING, COMPRESSION		
14	FU8-0533-000		1	GEAR, 29T		
15	FU8-0534-000		1	GEAR, 18T/27T		
16	WG8-5836-000		1	PHOTOINTERRUPTER, SG2481-CN	S19	
17	XA9-0702-000		10	SCREW, WWASHER, M3X6		
18	XD9-0133-000		2	RING,E		
19	XD9-0136-000		1	RING,E		
20	XG9-0172-000		2	BALL BEARING, NSK, 688AZZ1MC4E		
21	FC9-0772-000		4	ROLLER, FIXING DELIVERY,CENTER		
22	FU7-2937-000		4	SPRING, RETAINING		
23	FC9-7720-000		2	COLLAR, FIXING DELIVERY		
24	FU6-8898-000		1	LABEL,HIGH TEMPERATURE CAUTION		
25	FU7-2934-000		2	SPRING, RETAINING		
26	FC9-1675-000		1	GUIDE, FIXING ENTRANCE, 2		
27	FC9-0783-000		1	GUIDE, DUPLEXING FEED, UPPER		
28	FC9-0775-000		1	GUIDE, FIXING DELIVERY UPPER		
29	FC9-0747-000		1	GUIDE, DELIVERY LOWER		



FIGURE & KEY NO.	PARTS NUMBER	RANK	Q'TY	DESCRIPTION	SERIAL NUMBER/REMARKS	SVC
30	FC9-0781-000		1	GUIDE, FIXING ENTRANCE, 1		
31	FM3-9303-000		1	FIXING FILM ASSEMBLY	230V H1,H2,TH1,TH2,TH3	
31	FM4-3364-000		1	FIXING FILM ASSEMBLY	120V H1,H2,TH1,TH2,TH3	
32	FM3-9401-000		1	H.V. CONTACT GUIDE ASSEMBLY		
33	FC9-8968-000		1	ELIMINATOR, STATIC CHARGE		
501	XD1-4200-402		1	WASHER, TOOTHED LOCK, M4		

# FIGURE 810A FIXING ASSEMBLY (iR2530/2525/2520 Series)

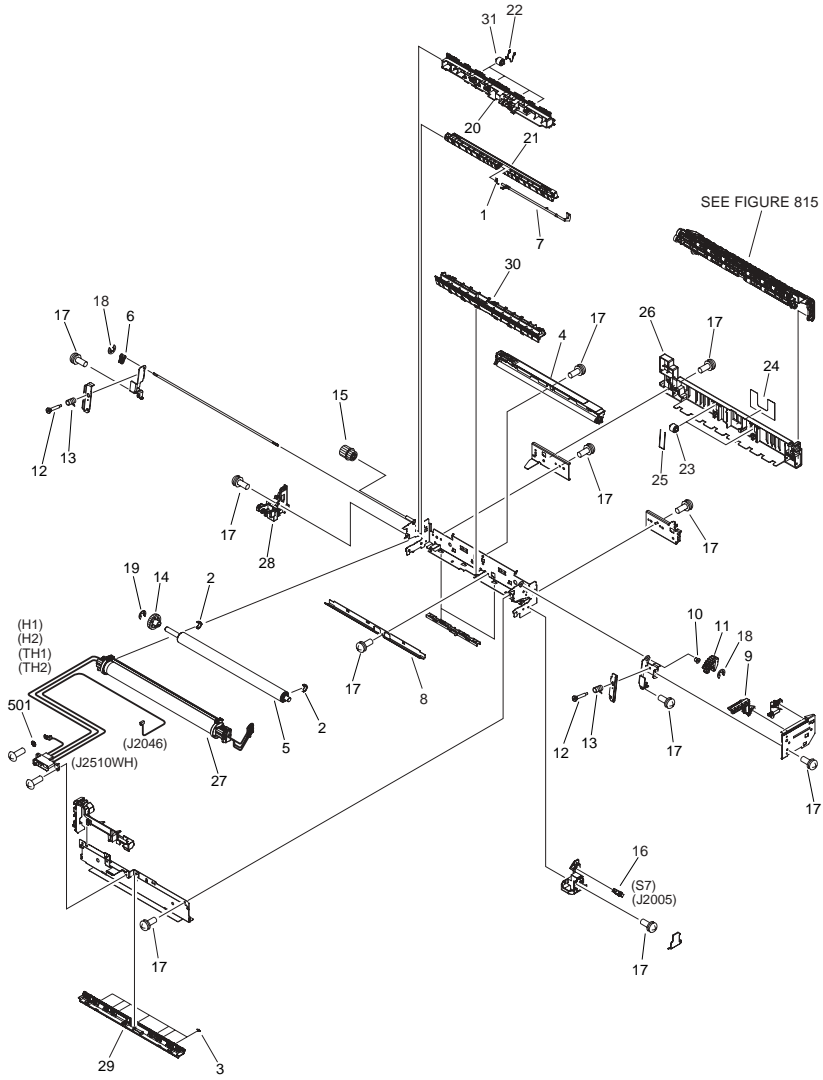


FIGURE & KEY NO.	PARTS NUMBER	R A N K	Q'TY	DESCRIPTION	SERIAL NUMBER/ REMARKS	S V C
Fig.810A	FM3-9381-000		1	FIXING ASSEMBLY	iR2530/2525/2520 Series 230V [DP]	
Fig.810A	FM4-3367-000		1	FIXING ASSEMBLY	iR2530/2525/2520 Series 120V [DP]	
1	FC5-1367-000		1	SPRING,SENSOR LEVER		
2	FC9-1063-000		2	BUSHING		
3	FC6-4375-000		7	ROWEL, SMALL		
4	FM3-9373-000		1	CLEANING ROLLER ASSEMBLY		
5	FC7-0242-000		1	ROLLER, PRESSURE		
6	FC9-0738-000		1	LEVER, PRESSURE RELEASE, R		
7	FC9-0748-000		1	FLAG, FIXING OUTLET SENSOR		
8	FC9-8954-000		1	ELIMINATOR, STATIC CHARGE		
9	FC9-0787-000		1	RACK, PRESSURE RELEASE		
10	FC9-0790-000		1	BUSHING		
11	FC9-1670-000		1	GEAR, 7T		
12	FC9-1671-000		2	SCREW, STEPPED		
13	FU7-2994-000		2	SPRING, COMPRESSION		
14	FU8-0575-000		1	GEAR, 26T		
15	FU8-0576-000		1	GEAR, 18T/25T		
16	WG8-5836-000		1	PHOTOINTERRUPTER, SG2481-CN	S7	
17	XA9-0702-000		13	SCREW, WWASHER, M3X6		
18	XD9-0133-000		2	RING,E		
19	XD9-0137-010		1	RING, E		
20	FC9-1556-000		1	GUIDE, PAPER DELIVERY, UPPER		
21	FC9-1068-000		1	GUIDE, DELIVERY LOWER		
22	FC5-1368-000		4	SPRING		
23	FC9-7720-000		2	COLLAR, FIXING DELIVERY		
24	FU6-8898-000		1	LABEL,HIGH TEMPERATURE CAUTION		
25	FU7-2934-000		2	SPRING, RETAINING		
26	FC9-0783-000		1	GUIDE, DUPLEXING FEED, UPPER		
27	FM3-9382-000		1	FIXING FILM ASSEMBLY	230V H1,H2,TH1,TH2	
27	FM4-3368-000		1	FIXING FILM ASSEMBLY	120V H1,H2,TH1,TH2	
28	FM3-9402-000		1	H.V. CONTACT GUIDE ASSEMBLY		

FIGURE & KEY NO.	PARTS NUMBER	R A N K	Q'TY	DESCRIPTION	SERIAL NUMBER/ REMARKS	S V C
29	FC9-1676-000		1	GUIDE, FIXING ENTRANCE, 2		
30	FC9-1563-000		1	GUIDE, FIXING ENTRANCE, 1		
31	FC5-1358-000		4	COLLAR, FIXING DELIVERY		
501	XD1-4200-402		1	WASHER, TOOTHED LOCK, M4		

# FIGURE 815 PAPER DELIVERY LOWER GUIDE ASS'Y

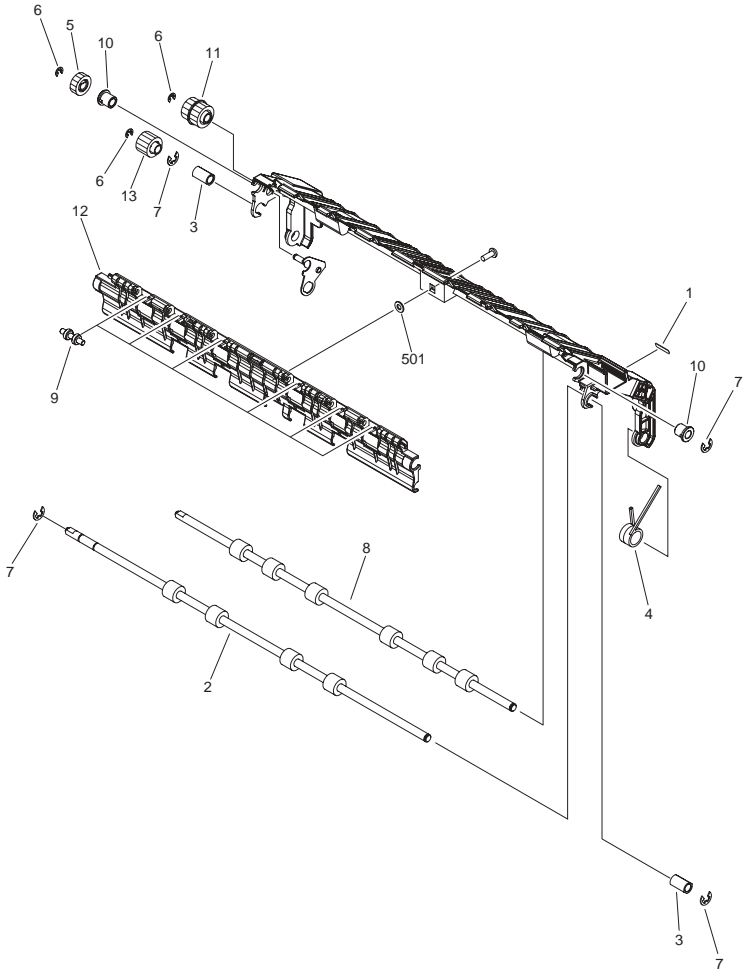


FIGURE & KEY NO.	PARTS NUMBER	R A N K	Q'TY	DESCRIPTION	SERIAL NUMBER/ REMARKS	S V C
Fig.815	NPN		RF	P. DELIVERY LOWER GUIDE ASS'Y		
1	FC6-4625-000		1	LABEL, GUIDE HANDLE		
2	FC9-0774-000		1	ROLLER, PAPER DELIVERY		
3	FC9-0784-000		2	BUSHING		
4	FU7-2936-000		1	SPRING, TORSION		
5	FU8-0535-000		1	GEAR, 18T		
6	XD9-0134-000		3	RING,E		
7	XD9-0136-000		4	RING,E		
8	FC9-0769-000		1	ROLLER, CURLING		
9	FC9-0773-000		6	ROLLER, CURLING		
10	FC9-1672-000		2	BUSHING		
11	FU8-0531-000		1	GEAR, 19T/20T		
12	FC9-0767-000		1	GUIDE, FIXING DELIVERY, 1		
13	FU8-0611-000		1	GEAR, 18T		
501	XD1-1104-139		1	WASHER,COP		

# FIGURE 900 CONTROLLER BOX ASSEMBLY

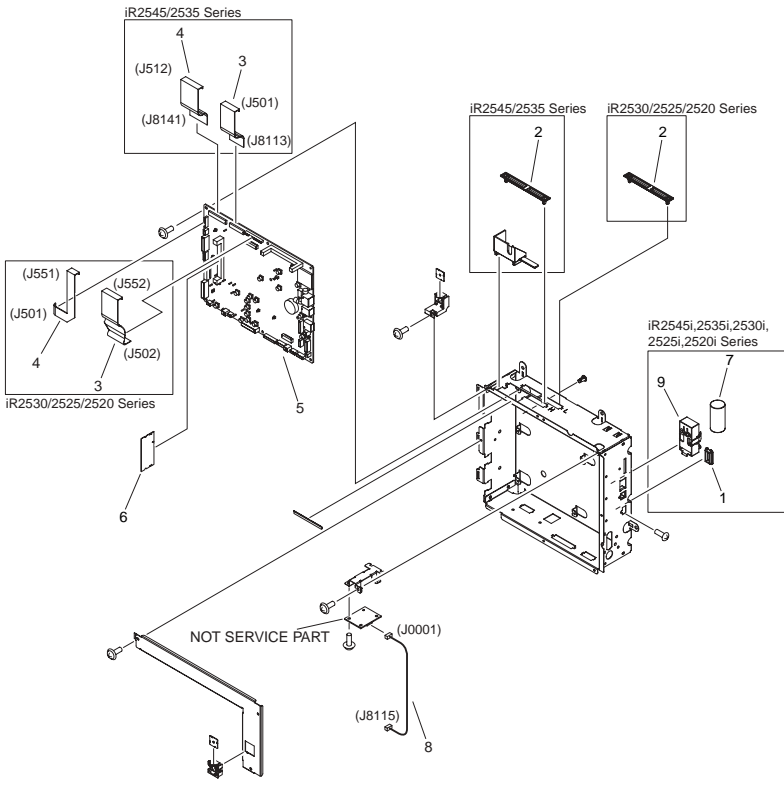


FIGURE & KEY NO.	PARTS NUMBER	R A N K	Q'TY	DESCRIPTION	SERIAL NUMBER/ REMARKS	S V C
Fig.900	NPN		RF	CONTROLLER BOX ASSEMBLY		
1	FC7-2409-000		1	BUSHING	iR2545i,2535i,2530i,2525i,2520i Series	
2	FC9-0905-000		1	BUSHING		
3	FK2-9177-000		1	CABLE, IP-READER FLAT, 1	iR2545/2535 Series	
3	FK2-9179-000		1	CABLE, IP-READER FLAT, 1	iR2530/2525/2520 Series	
4	FK2-9178-000		1	CABLE, IP-READER FLAT, 2	iR2545/2535 Series	
4	FK2-9180-000		1	CABLE, IP-READER FLAT, 2	iR2530/2525/2520 Series	
5	FM4-6215-000		1	MAIN CONTROLLER PCB ASSEMBLY	iR2520 Series	
5	FM4-6216-000		1	MAIN CONTROLLER PCB ASSEMBLY	iR2525 Series	
5	FM4-6217-000		1	MAIN CONTROLLER PCB ASSEMBLY	iR2530 Series	
5	FM4-6218-000		1	MAIN CONTROLLER PCB ASSEMBLY	iR2535 Series	
5	FM4-6219-000		1	MAIN CONTROLLER PCB ASSEMBLY	iR2545 Series	
6	WA7-5632-000		1	DIMM ASSEMBLY	EXCEPT iR2545i,2535i,2530i,2525i,2520i Series	
6	WA7-5634-000		1	DIMM ASSEMBLY	iR2545i,2535i,2530i,2525i,2520i Series	
7	FK2-9443-000		1	BATTERY, NI-MH	iR2545i,2535i,2530i,2525i,2520i Series	
8	FM4-2883-000		1	CABLE, FRAM COUNTER		
9	FC9-0904-000		1	HOLDER, SECONDARY BATTERY	iR2545i,2535i,2530i,2525i,2520i Series	
IC5	FK2-4903-000		1	IC, MB87S4030, ASIC, FUJITSU		
IC24	FK2-3218-000		1	IC, MB87L8650, MPU		
IC32	FK2-5758-000		1	IC, UPD 808000F1-641-RN4-A		
IC92	FK2-7574-000		1	IC, MB87Q1911, ASIC		



# FIGURE 930 ENGINE CONTROLLER PCB ASSEMBLY

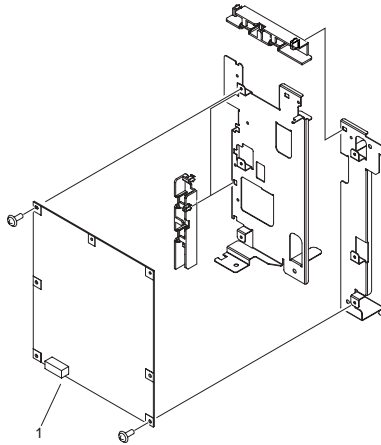


FIGURE & KEY NO.	PARTS NUMBER	RANK	QTY	DESCRIPTION	SERIAL NUMBER/REMARKS	SVC
Fig.930	NPN		RF	ENGINE CONTROLLER PCB ASSEMBLY		
1	FM4-2863-000		1	ENGINE CONTROLLER PCB ASSEMBLY	iR2545/2535 Series	
1	FM4-2864-000		1	ENGINE CONTROLLER PCB ASSEMBLY	iR2530/2525/2520 Series 550Sheets/Cassette 1 MODEL	
1	FM4-2865-000		1	ENGINE CONTROLLER PCB ASSEMBLY	250 Sheets/Cassette 1 MODEL	
IC2	FK2-6450-000		1	IC, FSA0AC211AA, STANDARD CELL		
IC3	FK2-1773-000		1	IC,TC200GO2EFG-1031,GATE ARRAY		
IC4	FK2-1773-000		1	IC,TC200GO2EFG-1031,GATE ARRAY		

# FIGURE 931 READER PCB ASSEMBLY (iR2545/2535 Series)

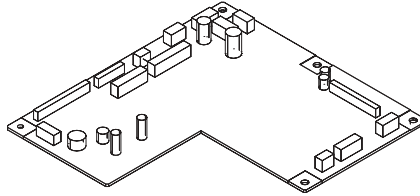


FIGURE & KEY NO.	PARTS NUMBER	RANK	Q'TY	DESCRIPTION	SERIAL NUMBER/REMARKS	SVC
Fig.931	FM4-2860-000		1	READER PCB ASSEMBLY	iR2530/2525/2520 Series	

**FIGURE 932**  
**READER CONNECTING PCB ASSEMBLY (iR2530/  
 2525/2520 Series)**

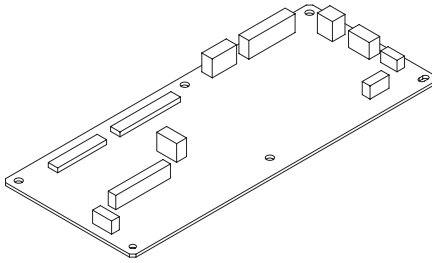


FIGURE & KEY NO.	PARTS NUMBER	RANK	QTY	DESCRIPTION	SERIAL NUMBER/ REMARKS	SVC
Fig.932	FM4-2859-000		1	READER CONNECTING PCB ASSEMBLY	iR2545/2535 Series	

# FIGURE 980 HIGH VOLTAGE PCB ASSEMBLY

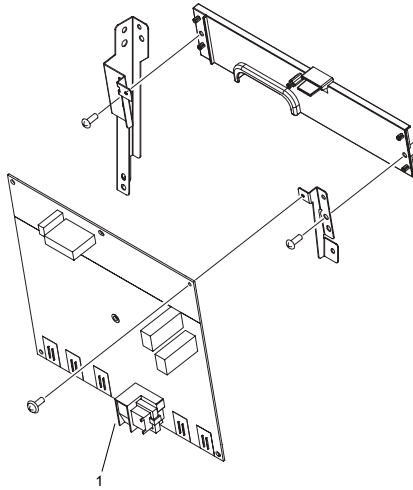


FIGURE & KEY NO.	PARTS NUMBER	RANK	QTY	DESCRIPTION	SERIAL NUMBER/REMARKS	SVC
Fig.980	NPN		RF	HIGH VOLTAGE PCB ASSEMBLY		
1	FM4-2871-000		1	H.V. TRANSFER PCB ASSEMBLY	iR2545/2535 Series	
1	FM4-2872-000		1	H.V. TRANSFER PCB ASSEMBLY	iR2530/2525/2520 Series	

# FIGURE A10 ADF ASSEMBLY (DADF-AA1 MODEL)

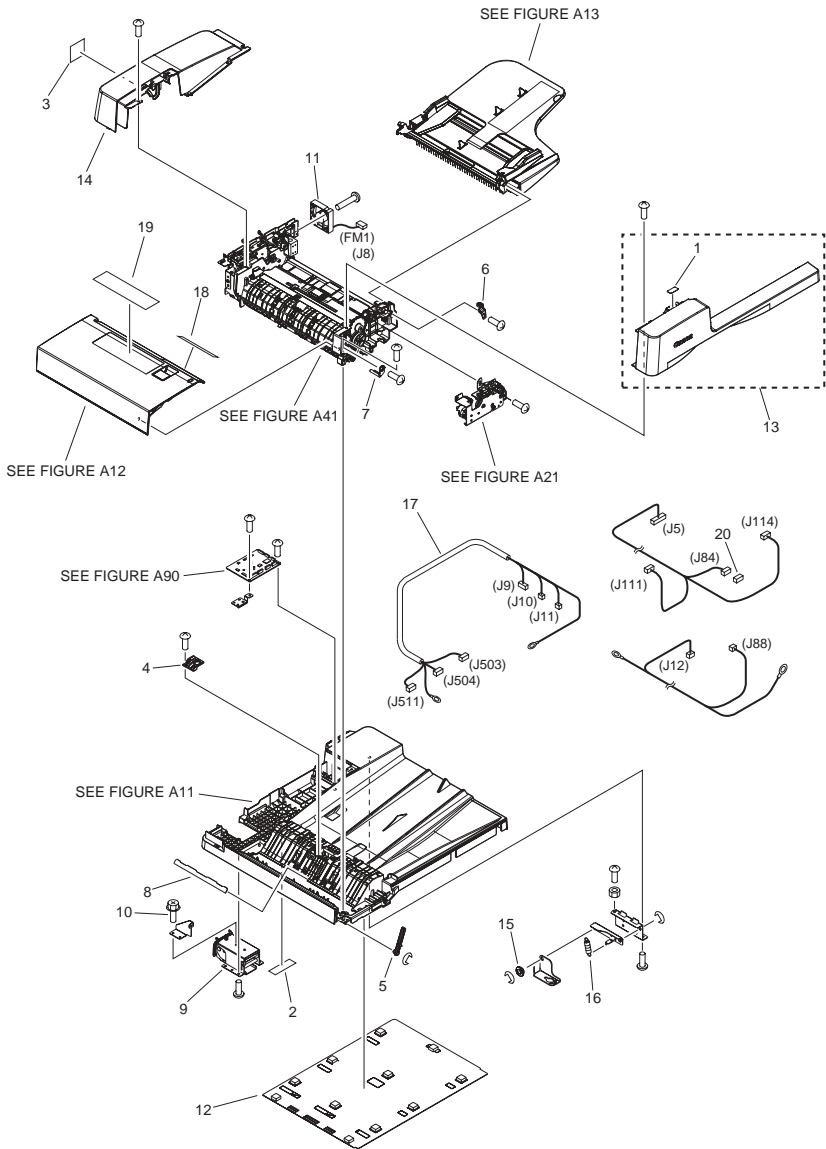


FIGURE & KEY NO.	PARTS NUMBER	R A N K	Q'TY	DESCRIPTION	SERIAL NUMBER/ REMARKS	S V C
Fig.A10	NPN		RF	ADF ASSEMBLY	DADF-AA1 MODEL	
1	FS9-0203-000		1	LABEL, DIAL OPERATION		
2	FS9-0197-000		1	LABEL, HINGE CAUTION		
3	FS9-0198-000		1	LABEL, HINGE CAUTION, C		
4	FC8-6311-000		1	COVER, STAMP		
5	FC8-6330-000		1	LEVER, READ 1 ESTRANGEMENT		
6	FC8-6387-000		1	HOLDER, TRAY SUPPORT		
7	FC8-6388-000		1	HOLDER, FEEDER SHAFT		
8	FC8-6405-000		1	SHEET, READ 2 LEAD		
9	FC8-6420-000		1	HINGE, LEFT		
10	XA9-0732-000		6	SCREW,RS,M4		
11	FK2-6872-000		1	FAN	FM1	
12	FL2-9945-000		1	COVER, COPYBOARD		
13	FL3-2844-000		1	COVER, FRONT		
14	FL2-9947-000		1	COVER, REAR		
15	FU5-1173-000		1	BUSHING		
16	FU7-2651-000		1	SPRING, TENSION		
17	FM4-3025-000		1	CABLE, INTERFACE		
18	FU6-8747-000		1	LABEL, DOCUMENT SIZE	A SIZE	
18	FU7-8397-000		1	LABEL, DOCUMENT SIZE	AB/K/INCH SIZE	
18	FU7-8748-000		1	LABEL, DOCUMENT SIZE	A/INCH SIZE	
19	FU6-8744-000		1	LABEL, PROHIBITION DOCUMENT	A SIZE	
19	FU6-8745-000		1	LABEL, PROHIBITION DOCUMENT	EXCEPT A SIZE	
20	VS1-7177-002		1	CONNECTOR, SNAP TIGHT, BK		

# FIGURE A11 BASE ASSEMBLY (DADF-AA1 MODEL)

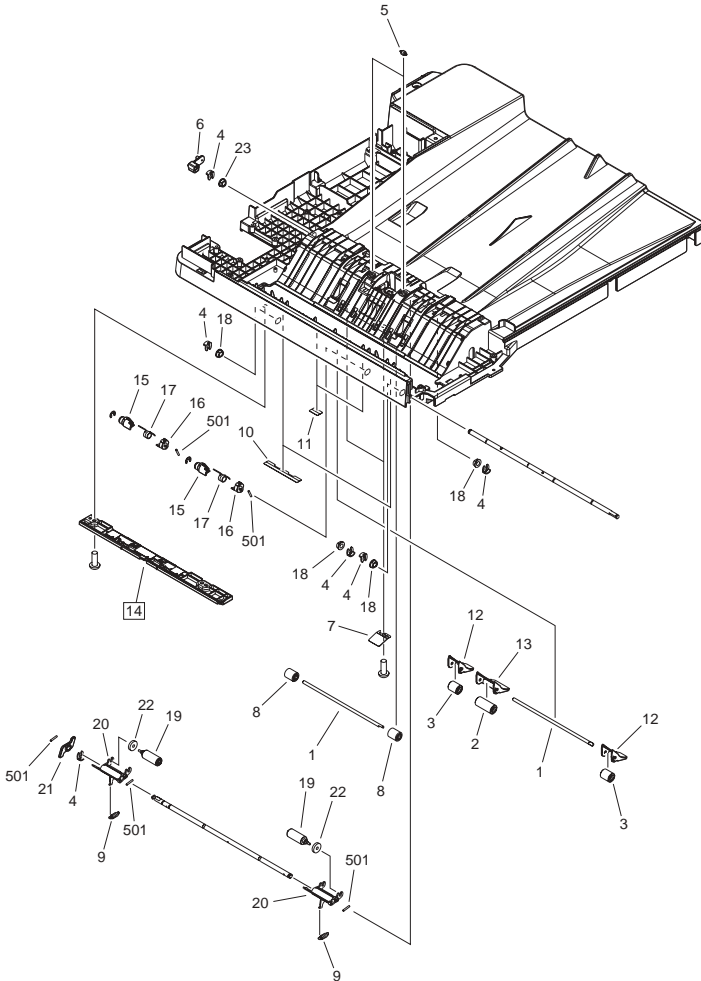


FIGURE & KEY NO.	PARTS NUMBER	R A N K	Q'TY	DESCRIPTION	SERIAL NUMBER/ REMARKS	S V C
Fig.A11	NPN		RF	BASE ASSEMBLY	DADF-AA1 MODEL	
1	FC5-4285-030		2	SHAFT, PAPER FEED ROLLER		
2	FC5-4286-000		1	ROLLER, PAPER FEED, 1		
3	FC5-4287-000		2	ROLLER, PAPER FEED, 2		
4	FC5-4425-000		6	CLIP		
5	FC6-8973-000		2	ROLLER, PLATEN		
6	FC8-6319-000		1	HOLDER, SOLENOID		
7	FC8-6322-000		2	SPRING, LEAF		
8	FC8-6404-000		2	ROLLER, READ 2 PINCH		
9	FU7-2652-000		2	SPRING, TENSION		
10	FC8-6422-000		2	SHEET, PAPER FEED		
11	FC8-6423-000		2	SHEET, PAPER FEED		
12	FL2-9933-000		2	HOLDER, ROLLER, SMALL		
13	FL2-9934-000		1	HOLDER, ROLLER, LARGE		
14	FL2-9935-010		1	COVER, BASE, LOWER	[DP]	
15	FC8-6331-000		2	LEVER, READ 1 PRESSURE		
16	FC8-6332-000		2	COLLAR, READ 1 PRESSURE		
17	FU7-2653-000		2	SPRING, TORSION		
18	FU5-1168-000		5	BUSHING		
19	FC8-6316-000		2	ROLLER, DELIVERY		
20	FC8-6317-000		2	HOLDER, DELIVERY ROLLER		
21	FC8-6318-000		1	CAM, DELIVERY ESTRANGEMENT		
22	FC8-6419-000		2	DAMPER, DELIVERY		
501	XD3-2200-122		5	PIN, DOWEL		



# FIGURE A12 PAPER PICK-UP COVER ASSEMBLY (DADF-AA1 MODEL)

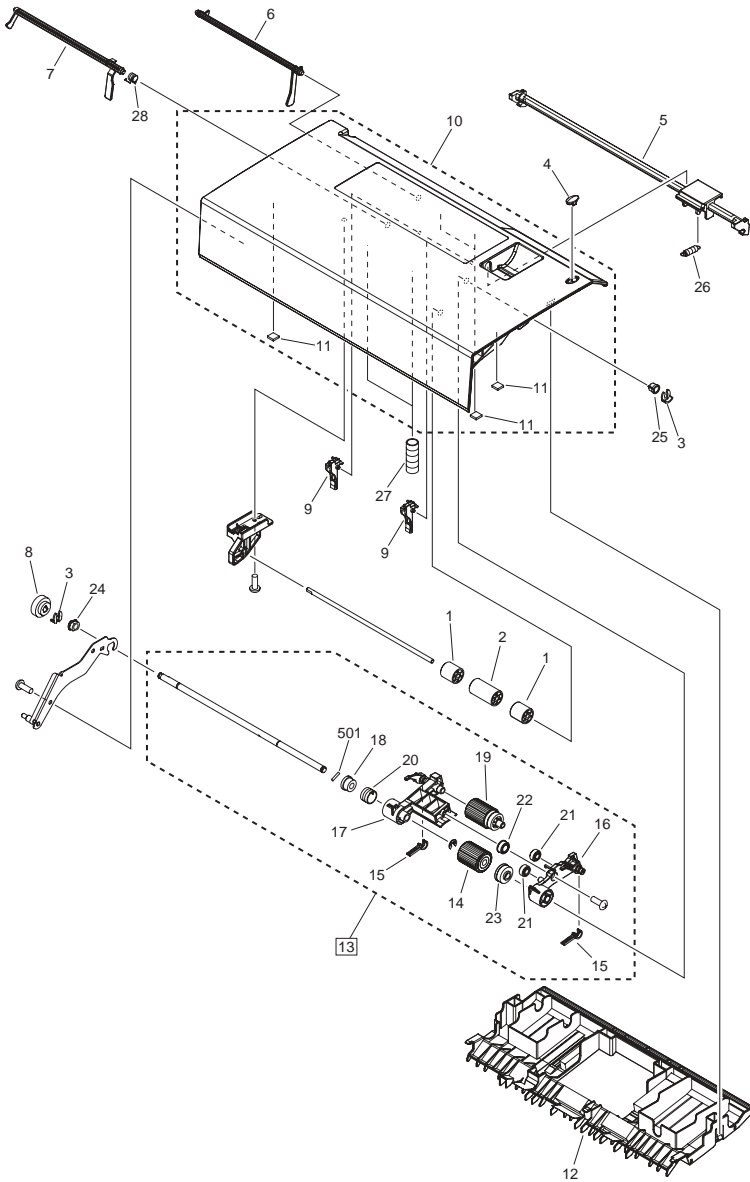


FIGURE & KEY NO.	PARTS NUMBER	R A N K	Q'TY	DESCRIPTION	SERIAL NUMBER/ REMARKS	S V C
Fig.A12	FM4-5643-000		1	PAPER PICK-UP COVER ASSEMBLY	DADF-AA1 MODEL	
1	FC5-4323-000		2	ROLLER, REGISTRATION, 1		
2	FC5-4324-000		1	ROLLER, REGISTRATION, 2		
3	FC5-4425-000		2	CLIP		
4	FC8-6345-000		1	CASE, LED		
5	FC8-6346-000		1	KNOB, PAPER PICK-UP COVER		
6	FC8-6347-000		1	LEVER, EMPTY SENSOR		
7	FC8-6348-000		1	LEVER, TIMING SENSOR		
8	FU8-0302-000		1	GEAR, 24T		
9	FL2-9948-000		2	SHUTTER		
10	FL3-5019-000		1	COVER, PAPER PICK-UP		
11	FC8-6403-000		4	DAMPER, REV. GUIDE RETAINING		
12	FL3-5020-000		1	GUIDE, PAPER PICK-UP, LOWER		
13	FM3-6892-000		1	PAPER PICK-UP ROLLER UNIT	[DP]	
14	FC6-2784-000		1	ROLLER, PAPER SEPARATION		
15	FC6-8971-010		2	LEVER, STOP		
16	FC8-6351-000		1	ARM, PICK, FRONT		
17	FC8-6352-000		1	ARM, PICK, REAR		
18	FC8-6353-000		1	JOINT		
19	FC8-6355-000		1	ROLLER, PICK-UP		
20	FC8-6410-000		1	SPRING, TORSION		
21	FU8-0299-000		2	GEAR, 20T		
22	FU8-0300-000		1	GEAR, 22T		
23	FU8-0301-000		1	GEAR, 33T		
24	FU5-1172-000		1	BUSHING		
25	FU5-1626-000		1	BUSHING		
26	FU7-2654-000		1	SPRING, TENSION		
27	FU7-2655-000		2	SPRING, COMPRESSION		
28	FU7-2656-000		1	SPRING, TORSION		
501	XD3-2200-102		1	PIN, DOWEL		

# FIGURE A13 DOCUMENT TRAY ASSEMBLY (DADF-AA1 MODEL)

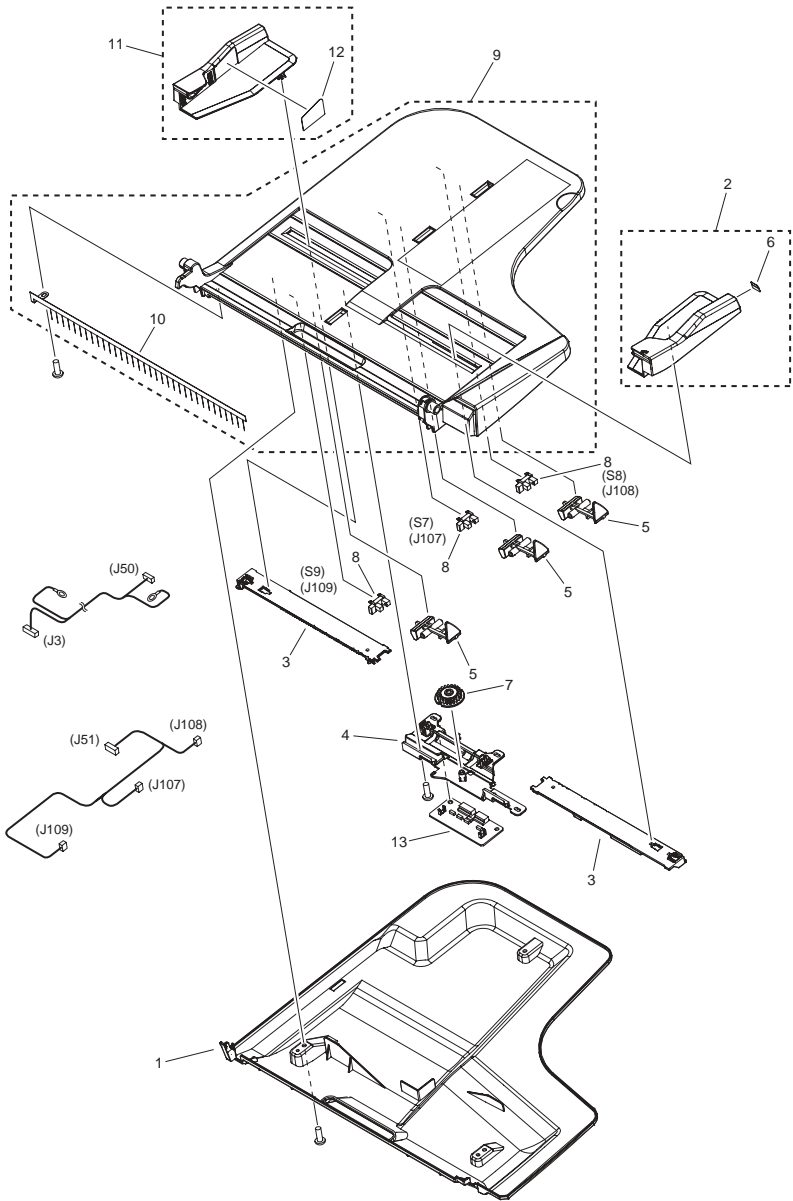


FIGURE & KEY NO.	PARTS NUMBER	R A N K	Q'TY	DESCRIPTION	SERIAL NUMBER/ REMARKS	S V C
Fig.A13	FM4-2460-000		1	DOCUMENT TRAY ASSEMBLY	DADF-AA1 MODEL	
1	FL3-2450-000		1	COVER, TRAY, LOWER		
2	FL3-2848-000		1	GUIDE, TRAY, FRONT		
3	FC9-5683-000		2	RACK, TRAY		
4	FC9-5684-000		1	HOLDER, TRAY VOLUME		
5	FC8-6339-000		3	LEVER, TRAY SENSOR		
6	FU7-8159-000		1	LABEL, DOCUMENT MAXIMUM LOAD		
7	FU8-0910-000		1	PINION, 22T		
8	WG8-5696-000		3	PHOTO INTERRUPTER, TLP1243	S7,S8,S9	
9	FL3-2449-000		1	TRAY, DOCUMENT		
10	FC8-6341-000		1	ELIMINATOR, STATIC CHARGE		
11	FL3-2847-000		1	GUIDE, TRAY, REAR		
12	FU7-8160-000		1	LABEL, DOCUMENT MAXIMUM LOAD		
13	FM4-3024-000		1	PHOTO SENSOR PCB UNIT, TRAY		

# FIGURE A21 ESTRANGEMENT DRIVE ASSEMBLY (DADF-AA1 MODEL)

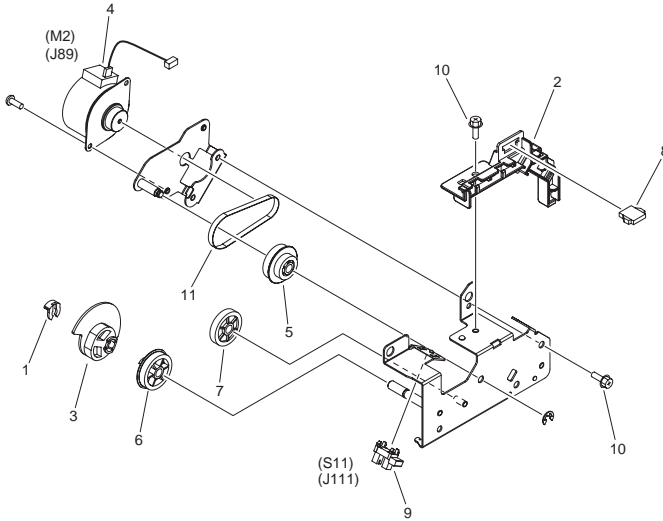
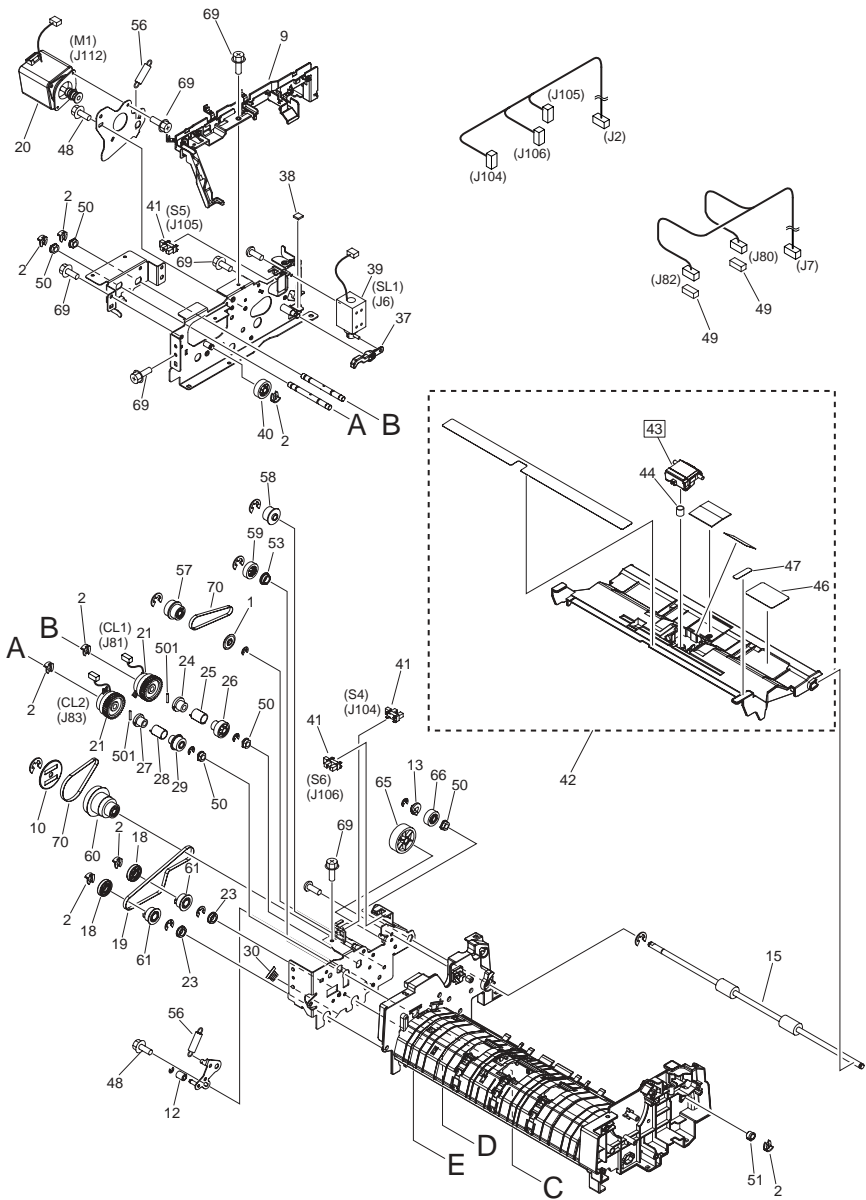


FIGURE & KEY NO.	PARTS NUMBER	RANK	QTY	DESCRIPTION	SERIAL NUMBER/REMARKS	SVC
Fig.A21	NPN		RF	ESTRANGEMENT DRIVE ASSEMBLY	DADF-AA1 MODEL	
1	FC5-4425-000		1	CLIP		
2	FC8-6406-000		1	DUCT, ESTRANGEMENT HARNESS		
3	FC8-6407-000		1	CAM, ESTRANGEMENT		
4	FK2-0207-000		1	MOTOR, STEPPING, DC	M2	
5	FU8-0311-000		1	GEAR/PULLEY, 40T/20T		
6	FU8-0319-000		1	GEAR, 31T		
7	FU8-0320-000		1	GEAR, 30T		
8	VS1-7177-004		1	CONNECTOR, SNAP TIGHT, BK		
9	WG8-5696-000		1	PHOTO INTERRUPTER, TLP1243	S11	
10	XA9-0732-000		3	SCREW,RS,M4		
11	XF2-1607-640		1	BELT, TIMING		

# FIGURE A41 PAPER FEED ASSEMBLY (DADF-AA1 MODEL)



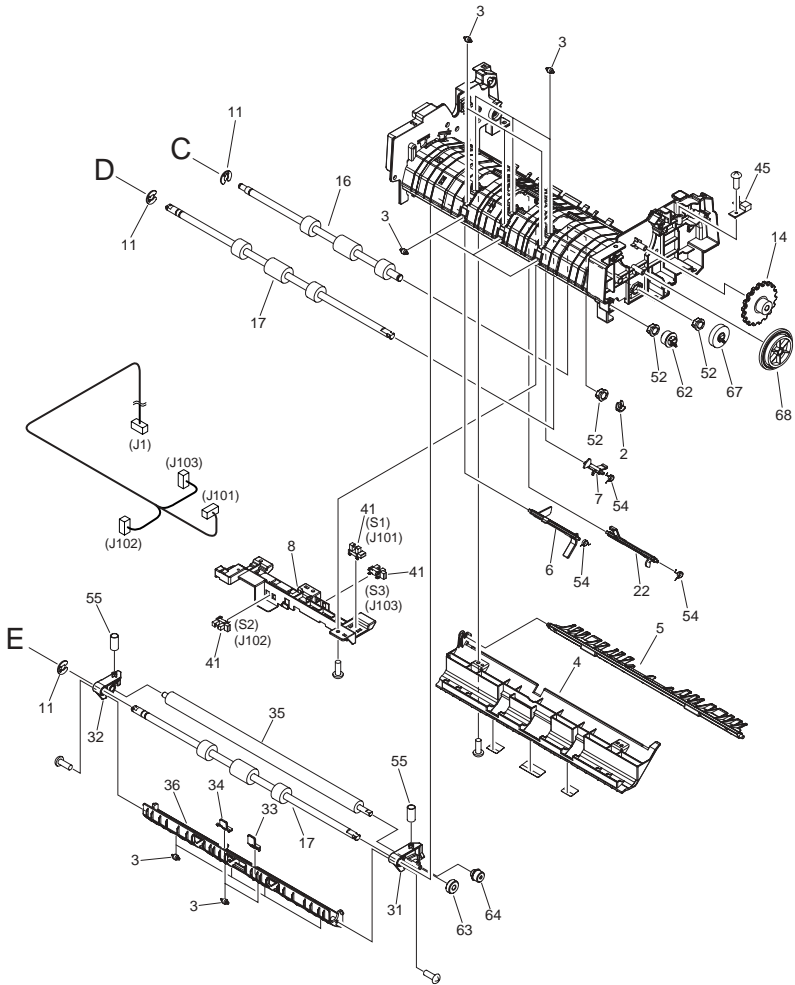


FIGURE & KEY NO.	PARTS NUMBER	R A N K	Q'TY	DESCRIPTION	SERIAL NUMBER/ REMARKS	S V C
Fig.A41	FM4-5642-000		1	PAPER FEED ASSEMBLY	DADF-AA1 MODEL	
1	FC5-4353-000		1	FLANGE, BELT		
2	FC5-4425-000		9	CLIP		
3	FC6-8973-000		15	ROLLER, PLATEN		
4	FC8-6368-000		1	GUIDE, PLATEN, 2		
5	FL2-9949-000		1	FLAPPER, REVERSE		
6	FC8-6371-000		1	LEVER, READ SENSOR		
7	FC8-6372-000		1	LEVER, PAPER DELIVERY SENSOR		
8	FC8-6377-000		1	HOLDER, SENSOR		
9	FC8-6378-000		1	DUCT, HARNESS		
10	FC8-6379-000		1	FLANGE, PULLEY		
11	FC8-6380-000		3	CLIP		
12	FC8-6382-000		1	ROLLER, BELT TENSION		
13	FC8-6385-000		1	JOINT, DELIVERY GEAR		
14	FC8-6386-000		1	DIAL, JAM		
15	FC8-6395-000		1	ROLLER, DELIVERY		
16	FC8-6396-000		1	ROLLER, REGISTRATION		
17	FC8-6397-000		2	ROLLER, READ		
18	FC8-6418-000		2	JOINT, READ PULLEY		
19	FC8-6421-000		1	BELT, TIMING		
20	FK2-6869-000		1	MOTOR, STEPPING, DC	M1	
21	FK2-6870-000		2	CLUTCH, ELECTROMAGNETIC	CL1,CL2	
22	FL2-9937-000		1	FLAG, REGISTRATION SENSOR		
23	XG9-0507-000		2	BEARING, BALL, MF128ZZ		
24	FC8-6383-000		1	JOINT, PICK-UP		
25	FC8-6411-000		1	SPRING, TORSION		
26	FU8-0304-000		1	GEAR, 22T		
27	FC8-6384-000		1	JOINT, REGISTRATION		
28	FC8-6412-000		1	SPRING, TORSION		
29	FU8-0307-000		1	GEAR, 18T		
30	FC8-6399-000		1	ELIMINATOR, STATIC CHARGE		
31	FC8-6373-000		1	ARM, PLATEN, FRONT		



FIGURE & KEY NO.	PARTS NUMBER	R A N K	Q'TY	DESCRIPTION	SERIAL NUMBER/ REMARKS	S V C
32	FC8-6374-000		1	ARM, PLATEN, REAR		
33	FC8-6375-000		1	SPACER, READ, FRONT		
34	FC8-6376-000		1	SPACER, READ, REAR		
35	FC8-6398-000		1	ROLLER, WHITE		
36	FL2-9939-000		1	GUIDE, PLATEN, 1		
37	FC8-6381-000		1	LINK, SOLENOID		
38	FC8-6403-000		1	DAMPER, REV. GUIDE RETAINING		
39	FK2-6871-000		1	SOLENOID	SL1	
40	FU8-0306-000		1	GEAR, 25T		
41	WG8-5696-000		6	PHOTO INTERRUPTER, TLP1243	S1,S2,S3,S4,S5,S6	
42	FM4-2459-000		1	SEPARATION REVERSE GUIDE ASS'Y		
43	FL2-9942-000		1	HOLDER, SEPARATION PAD UNIT	[DP]	
44	FU7-2657-000		1	SPRING, COMPRESSION		
45	FM3-6916-000		1	LED PCB		
46	FS9-0204-000		1	LABEL, JAM CLEARING OPERATION		
47	FS9-0205-000		1	LABEL, GREEN		
48	XA9-0702-000		3	SCREW, WWASHER, M3X6		
49	VS1-7177-002		2	CONNECTOR, SNAP TIGHT, BK		
50	FU5-1172-000		5	BUSHING		
51	FU5-1626-000		1	BUSHING		
52	FU6-1088-000		3	BUSHING		
53	FU6-1089-000		1	BUSHING		
54	FU7-2658-000		3	SPRING, TORSION		
55	FU7-2659-000		2	SPRING, COMPRESSION		
56	FU7-2660-000		2	SPRING, TENSION		
57	FU8-0303-000		1	GEAR PULLEY, 27T/22T		
58	FU8-0305-000		1	GEAR, 18T		
59	FU8-0308-000		1	GEAR, 22T		
60	FU8-0309-000		1	GEAR PULLEY, 36T/54T/28T		
61	FU8-0310-000		2	PULLEY, 36T		
62	FU8-0312-000		1	GEAR, 18T		
63	FU8-0313-000		1	GEAR, 18T		

FIGURE & KEY NO.	PARTS NUMBER	RANK	Q'TY	DESCRIPTION	SERIAL NUMBER/REMARKS	SVC
64	FU8-0314-000		1	GEAR, 14T		
65	FU8-0315-000		1	GEAR, 39T		
66	FU8-0316-000		1	GEAR, 21T		
67	FU8-0317-000		1	GEAR, 32T		
68	FU8-0318-000		1	GEAR, 48T/62T		
69	XA9-1164-000		8	SCREW,RS,M3X6.5		
70	XF2-1607-640		2	BELT, TIMING		
501	XD3-2200-122		2	PIN, DOWEL		

# FIGURE A90

## ADF PCB ASSEMBLY (DADF-AA1 MODEL)

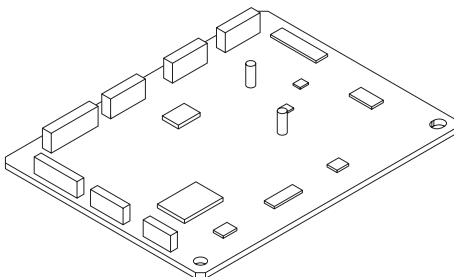


FIGURE & KEY NO.	PARTS NUMBER	RANK	QTY	DESCRIPTION	SERIAL NUMBER/REMARKS	SVC
Fig.A90	FM4-3023-000		1	ADF PCB ASSEMBLY	DADF-AA1 MODEL	

# FIGURE B10 ADF ASSEMBLY (DADF-AB1 MODEL)

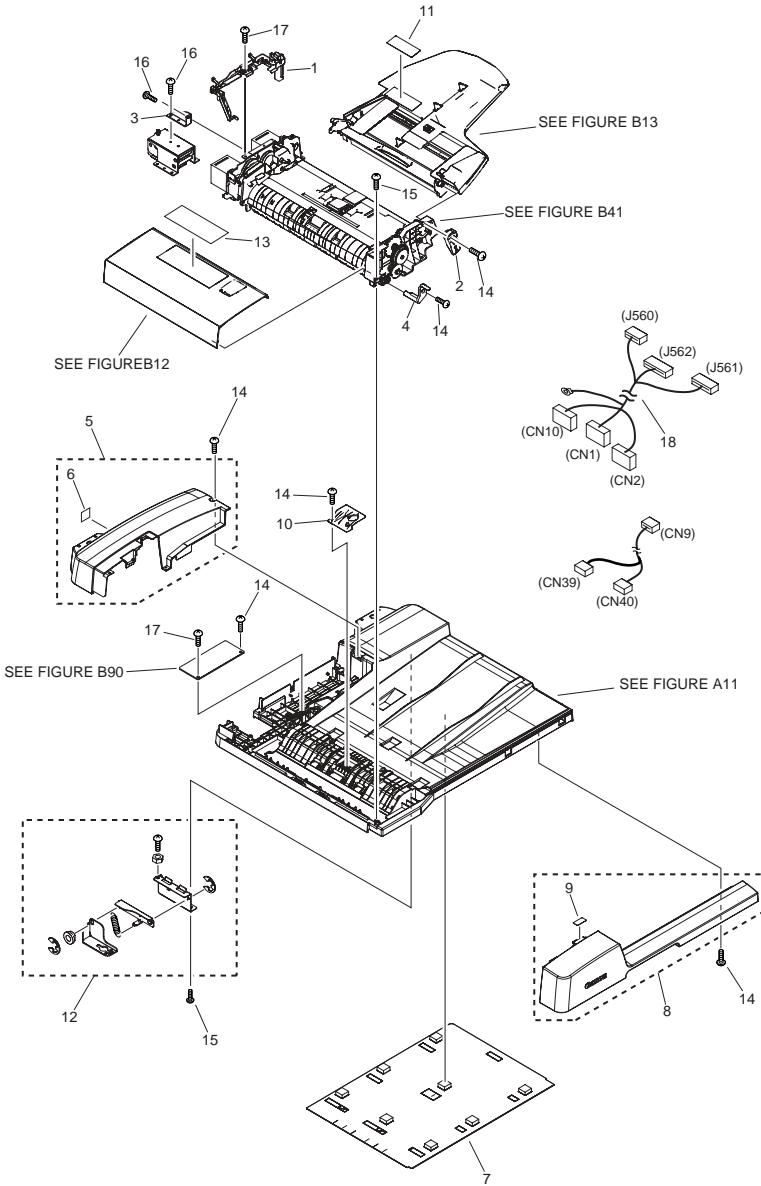


FIGURE & KEY NO.	PARTS NUMBER	R A N K	Q'TY	DESCRIPTION	SERIAL NUMBER/ REMARKS	S V C
Fig.B10	NPN		RF	ADF ASSEMBLY	DADF-AB1 MODEL	
1	FC3-1468-000		1	HOLDER, HARNESS, M		
2	FC3-1492-000		1	HOLDER, TRAY SUPPORTING		
3	FC3-1496-000		1	BRACKET, REINFORCEMENT		
4	FC9-9558-000		1	HOLDER, FEEDER SHAFT		
5	FF3-4621-000		1	COVER, REAR		
6	FS9-0198-000		1	LABEL, HINGE CAUTION, C		
7	FF3-4624-000		1	COPYBOARD		
8	FL3-3238-000		1	COVER, FRONT		
9	FS9-0203-000		1	LABEL, DIAL OPERATION		
10	FC3-1449-000		1	COVER, STAMP		
11	FS9-0208-000		1	LABEL, DOCUMENT SIZE	A SIZE	
11	FU7-8249-000		1	LABEL, DOCUMENT SIZE	AB/K/INCH SIZE	
12	FG3-4039-000		1	HINGE R ASSEMBLY		
13	FS9-0202-000		1	LABEL, PROHIBITION DOCUMENT	A SIZE	
13	FU7-8247-000		1	LABEL, PROHIBITION DOCUMENT	AB/K/INCH SIZE	
14	FS2-9569-000		9	SCREW, M3X10		
15	FS2-9571-000		7	SCREW, M4X12		
16	FS2-9570-000		2	SCREW, M4X7		
17	FS2-9567-000		3	SCREW, M3X6		
18	FM4-3320-000		1	CABLE, INTERFACE		

# FIGURE B11 BASE ASSEMBLY (DADF-AB1 MODEL)

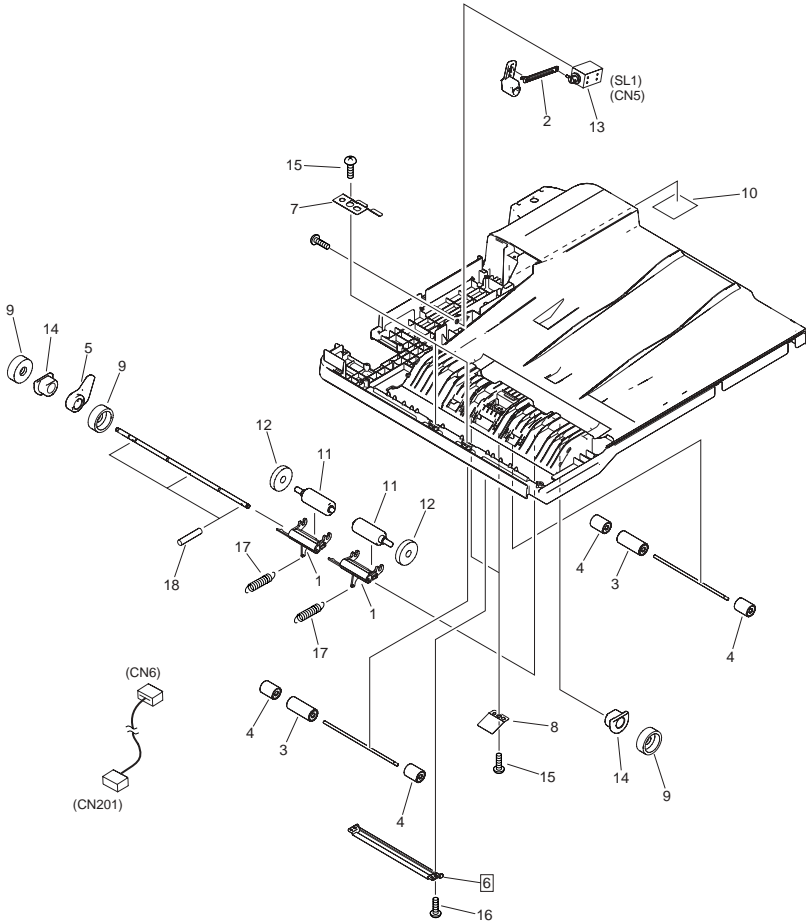


FIGURE & KEY NO.	PARTS NUMBER	R A N K	Q'TY	DESCRIPTION	SERIAL NUMBER/ REMARKS	S V C
Fig.B11	NPN		RF	BASE ASSEMBLY	DADF-AB1 MODEL	
1	FC3-1450-000		2	HOLDER, DELIVERY REVERSE		
2	FC3-1452-000		1	ARM, SOLENOID		
3	FC3-1454-000		2	ROLLER, LEAD, LARGE		
4	FC3-1455-000		4	ROLLER, LEAD, SMALL		
5	FC3-1491-000		1	ARM, DELIVERY REVERSE		
6	FL3-5012-000		1	COVER, FEED	[DP]	
7	FC3-1497-000		2	SPRING, LEAF		
8	FC3-1498-000		2	SPRING, LEAF		
9	FC5-4425-000		3	CLIP		
10	FS9-0197-000		1	LABEL, HINGE CAUTION		
11	FC3-1451-000		1	ROLLER, DELIVERY REVERSE		
12	FC8-6419-000		1	DAMPER, DELIVERY		
13	FH6-5136-000		1	SOLENOID	SL1	
14	FU6-1222-000		2	BUSHING, DELIVERY RELEASE		
15	FS2-9568-000		4	SCREW, M3X8		
16	FS2-9569-000		2	SCREW, M3X10		
17	FS4-2743-000		2	SPRING		
18	XD9-0288-000		3	PIN, DOWEL		

FIGURE B12  
OPEN/CLOSE PANEL ASSEMBLY (DADF-AB1  
MODEL)



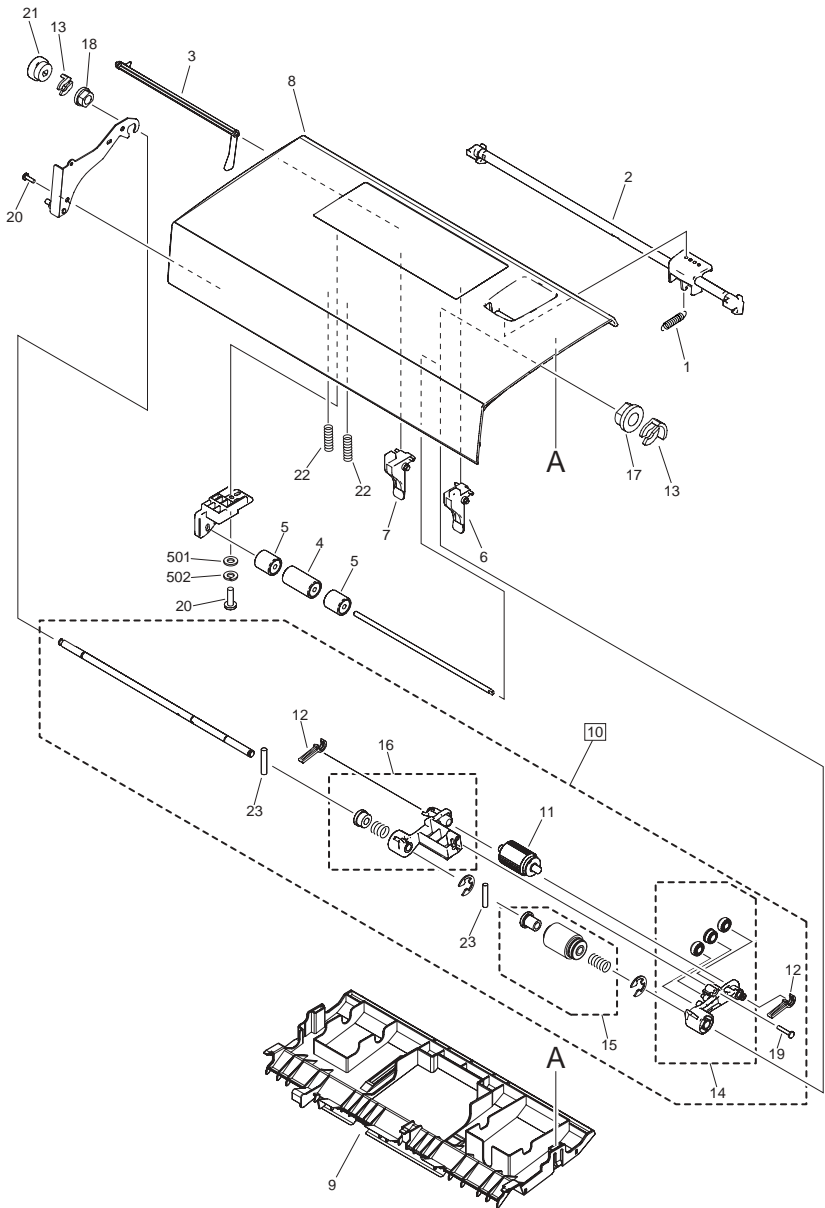


FIGURE & KEY NO.	PARTS NUMBER	R A N K	Q'TY	DESCRIPTION	SERIAL NUMBER/ REMARKS	S V C
Fig.B12	FG3-4037-000		1	OPEN/CLOSE PANEL ASSEMBLY	DADF-AB1 MODEL AB/K/ INCK SIZE	
Fig.B12	FG3-4052-000		1	OPEN/CLOSE PANEL ASSEMBLY	DADF-AB1 MODEL EXCEPT AB/K/INCK SIZE	
1	FS4-2754-000		1	SPRING, TENSION		
2	FC3-1477-000		1	LEVER, OPEN/CLOSE		
3	FC3-1478-000		1	LEVER, SENSOR		
4	FC3-1479-000		1	ROLLER, REGISTRATION, 1		
5	FC3-1480-000		2	ROLLER, REGISTRATION, 2		
6	FC9-9559-000		1	SHUTTER, FRONT		
7	FC9-9560-000		1	SHUTTER, REAR		
8	FF3-4629-000		1	COVER, PAPER PICK-UP	AB/K/INCK SIZE	
8	FF3-4637-000		1	COVER, PAPER PICK-UP	EXCEPT AB/K/INCK SIZE	
9	FF3-4630-000		1	COVER, PAPER PICK-UP BACK		
10	FG3-4043-000		1	PAPER PICK-UP ROLLER ASS'Y, SS	[DP]	
11	FC3-1525-000		1	ROLLER, PICK		
12	FC9-9561-000		2	STOPPER		
13	FC5-4425-000		2	CLIP		
14	FG3-4041-000		1	PICK ARM F ASSEMBLY		
15	FG3-4044-000		1	SEPARATION ROLLER ASSEMBLY, SS		
16	FG3-4045-000		1	PICK ARM R ASSEMBLY		
17	FS2-1708-000		1	BUSHING		
18	FS2-1710-000		1	BUSHING		
19	FS2-9573-000		1	SCREW, M3X16		
20	FS2-9569-000		3	SCREW, M3X10		
21	FS4-0654-000		1	GEAR, 25T		
22	FS4-2747-000		2	SPRING, COMPRESSION		
23	XD9-0288-000		2	PIN, DOWEL		
501	XD1-2100-305		1	WASHER,PLAIN		
502	XD1-3100-305		1	WASHER,SPRING		

# FIGURE B13 DOCUMENT TRAY ASSEMBLY (DADF-AB1 MODEL)

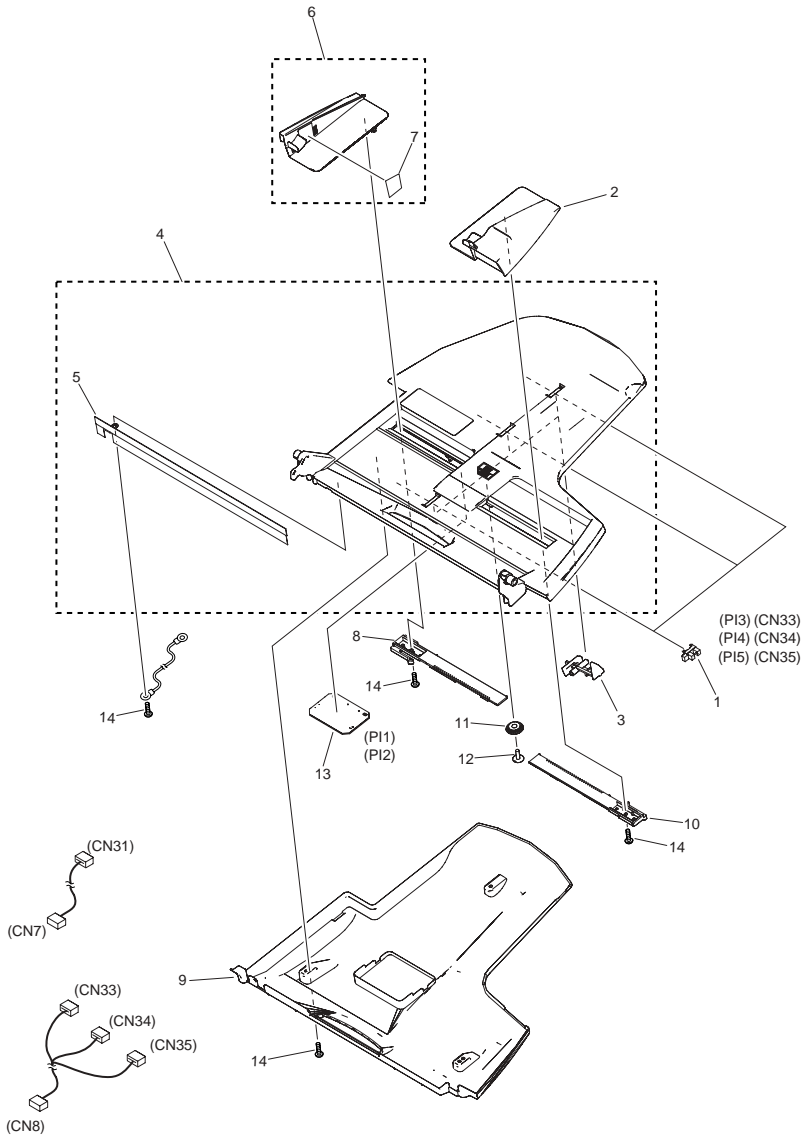


FIGURE & KEY NO.	PARTS NUMBER	R A N K	Q'TY	DESCRIPTION	SERIAL NUMBER/ REMARKS	S V C
Fig.B13	FG3-4036-000		1	DOCUMENT TRAY ASSEMBLY	DADF-AB1 MODEL	
1	WG8-5696-000		3	PHOTO INTERRUPTER, TLP1243	PI3,PI4,PI5	
2	FC3-1486-000		1	GUIDE, TRAY, FRONT		
3	FC3-1488-000		3	LEVER, TRAY SENSOR		
4	FF3-4625-000		1	TRAY		
5	FC9-9557-000		1	ELIMINATOR, STATIC CHARGE		
6	FF3-4626-000		1	GUIDE, TRAY		
7	FS9-0210-000		1	LABEL, DOCUMENT MAXIMUM LOAD		
8	FF3-4627-000		1	RACK		
9	FF3-4628-000		1	COVER, TRAY BACK		
10	FS4-0657-000		1	RACK, TRAY		
11	FS4-0658-000		1	GEAR, 16T		
12	FS2-9572-000		1	SCREW, M3X10		
13	FM4-3611-000		1	CONNECTING PCB ASSEMBLY	PI1,PI2	
14	FS2-9569-000		6	SCREW, M3X10		

# FIGURE B41 PAPER FEEDER ASSEMBLY (DADF-AB1 MODEL)

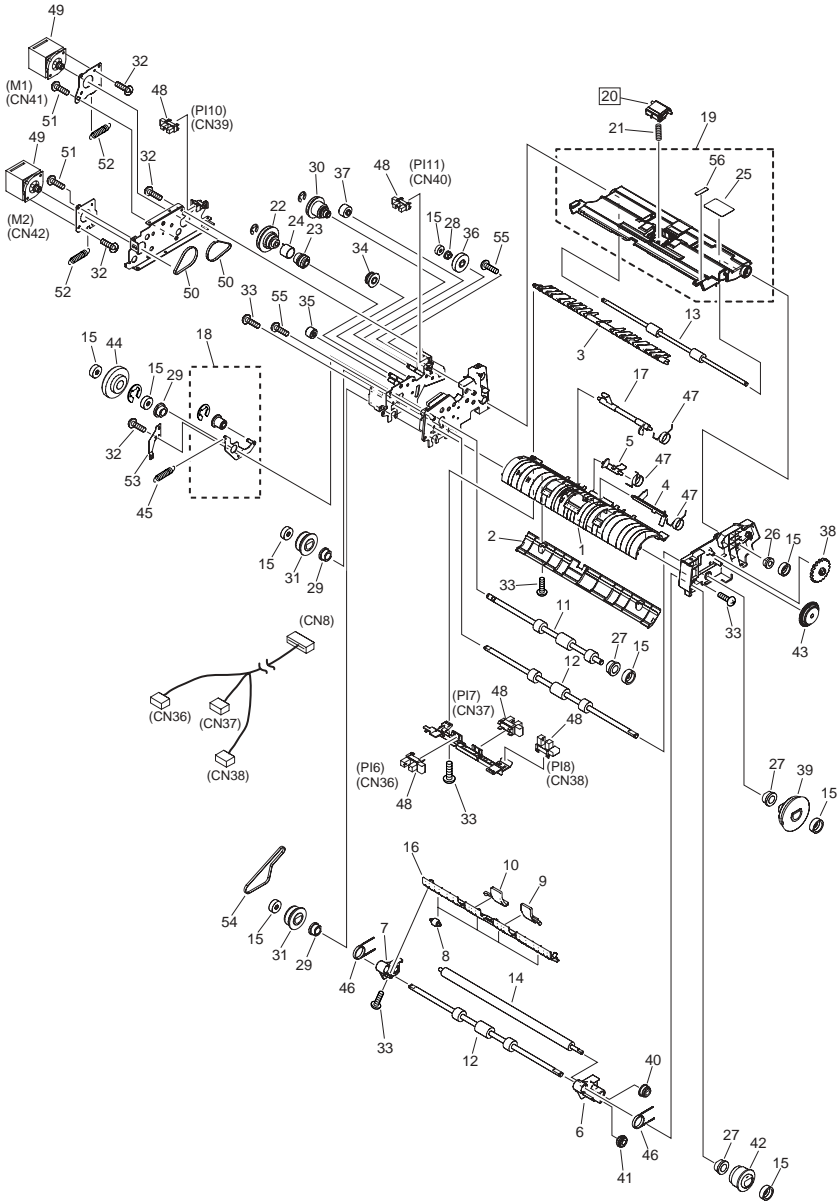


FIGURE & KEY NO.	PARTS NUMBER	R A N K	Q'TY	DESCRIPTION	SERIAL NUMBER/ REMARKS	S V C
Fig.B41	FM4-3442-000		1	PAPER FEEDER ASSEMBLY	DADF-AB1 MODEL	
1	FC3-1460-000		1	GUIDE, PAPER FEED		
2	FC3-1462-000		1	GUIDE, PLATEN, 2		
3	FF3-4638-000		1	FLAPPER		
4	FC3-1465-000		1	LEVER, LEAD SENSOR		
5	FC3-1466-000		1	LEVER, DELIVERY REVERSE SENSOR		
6	FC3-1469-000		1	ARM, PLATEN, FRONT		
7	FC3-1470-000		1	ARM, PLATEN, REAR		
8	FC6-8973-000		4	ROLLER, PLATEN		
9	FC3-1493-000		1	SPACER, PLATEN, FRONT		
10	FC3-1494-000		1	SPACER, PLATEN, REAR		
11	FC3-1509-000		1	ROLLER, REGISTRATION		
12	FC3-1510-000		2	ROLLER, LEAD		
13	FC3-1511-000		1	ROLLER, DELIVERY REVERSE		
14	FC3-1512-000		1	ROLLER, WHITE		
15	FC5-4425-000		9	CLIP		
16	FF3-4633-000		1	GUIDE, PLATEN, 1		
17	FF3-4636-000		1	LEVER, REGISTRATION SENSOR		
18	FG3-4040-000		1	TENSIONER ROLLER ASSEMBLY		
19	FF3-4631-000		1	GUIDE, REVERSE		
20	FL3-3239-000		1	PAD, SEPARATION	[DP]	
21	FS4-2746-000		1	SPRING, COMPRESSION		
22	FS2-3885-000		1	PULLEY, 57T/GEAR, 23T		
23	FS4-0645-000		1	GEAR, 16T		
24	FS4-2752-000		1	SPRING, TENSION		
25	FS9-0205-000		1	LABEL, GREEN		
26	FS2-1708-000		1	BUSHING		
27	FS2-1709-000		3	BUSHING		
28	FS2-1710-000		1	BUSHING		
29	FS2-1711-000		3	BUSHING		
30	FS2-3886-000		1	PULLEY/GEAR		
31	FU9-0087-000		2	PULLEY, 27T		

FIGURE & KEY NO.	PARTS NUMBER	R A N K	Q'TY	DESCRIPTION	SERIAL NUMBER/ REMARKS	S V C
32	FS2-9567-000		7	SCREW, M3X6		
33	FS2-9569-000		10	SCREW, M3X10		
34	FS4-0644-000		1	GEAR, 16T		
35	FS4-0646-000		1	GEAR, 19T		
36	FS4-0647-000		1	GEAR, 25T		
37	FS4-0648-000		1	GEAR, 23T		
38	FS4-0649-000		1	DIAL		
39	FS4-0650-000		1	GEAR, 31T		
40	FS4-0651-000		1	GEAR, 14T		
41	FS4-0652-000		1	GEAR, 15T		
42	FS4-0653-000		1	GEAR, 18T		
43	FS4-0659-000		1	GEAR, 54T/39T		
44	FU9-0090-000		1	GEAR, 33T		
45	FS4-2744-000		1	SPRING, TENSION		
46	FS4-2745-000		2	SPRING, TORSION		
47	FS4-2753-000		3	SPRING, TORSION		
48	WG8-5696-000		5	PHOTO INTERRUPTER, TLP1243	PI6,PI7,PI8,PI10,PI11	
49	FK2-9425-000		2	MOTOR, STEPPING	M1,M2	
50	XF2-1607-240		2	BELT, TIMING		
51	FS2-9570-000		4	SCREW, M4X7		
52	FS4-2749-000		2	SPRING, TENSION		
53	FC3-1568-000		1	SPRING, LEAF		
54	XF2-1611-740		1	BELT, TIMING		
55	FS2-9574-000		2	SCREW, M3X8		
56	FS9-0204-000		1	LABEL, JAM CLEARING OPERATION		

# FIGURE B90

## ADF PCB ASSEMBLY (DADF-AB1 MODEL)

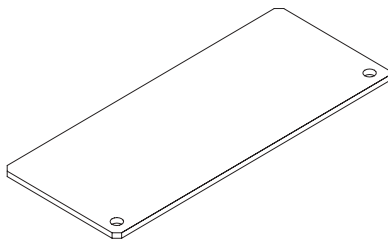


FIGURE & KEY NO.	PARTS NUMBER	RANK	QTY	DESCRIPTION	SERIAL NUMBER/REMARKS	SVC
Fig.B90	FM4-3321-000		1	ADF PCB ASSEMBLY	DADF-AB1 MODEL	





FIGURE & KEY NO.	PARTS NUMBER	R A N K	Q'TY	DESCRIPTION	SERIAL NUMBER/ REMARKS	S V C
Fig.H11	NPN		RF	CASSETTE UNIT MAIN BODY	CASSETTE UNIT MODEL	
1	XA9-1386-000		AR	SCREW,RS,M3X8		
2	FM3-6120-000		1	CASSETTE RAIL ASSEMBLY, RIGHT		
3	FM3-5933-000		1	AUTO SIZE DETECT ASSEMBLY		
4	FM4-2531-000		1	PEDESTAL CONTROLLER PCB ASS'Y		
5	VS1-7173-010		1	CONNECTOR, SNAP TIGHT, 10P, W		
6	VS1-8412-015		1	CONNECTOR, SNAP TIGHT, BL		
7	FC9-4678-000		1	PANEL, RIGHT FRONT		
8	FC9-4679-000		1	PANEL, RIGHT CENTER		
9	FC9-4680-000		1	PANEL, RIGHT REAR		
10	FC9-4681-000		1	PANEL, LEFT		
11	FC9-4682-000		1	PANEL, REAR		
12	FC9-4683-000		1	COVER, CONNECTOR		
13	FC8-4999-000		1	ROLLER, RAIL		
14	WG8-5783-000		1	IC.PHOTO-INTERRUPTER,LG248NL1A	S6	
15	FC9-7107-000		1	SIZE PLATE	CASSETTE UNIT MODEL	

# FIGURE H12 CST.U RIGHT DOOR ASSEMBLY (CASSETTE UNIT MODEL)

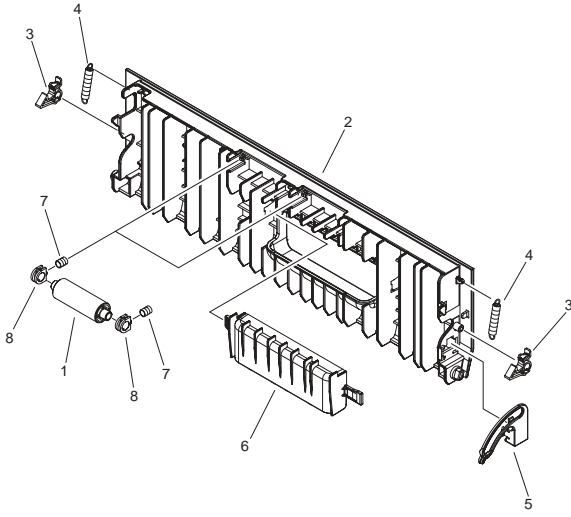


FIGURE & KEY NO.	PARTS NUMBER	R A N K	QTY	DESCRIPTION	SERIAL NUMBER/ REMARKS	S V C
Fig.H12	NPN		RF	CST.U RIGHT DOOR ASSEMBLY	CASSETTE UNIT MODEL	
1	FC8-3782-000		2	ROLLER, PAPER FEED		
2	FC9-4672-000		1	DOOR, RIGHT		
3	FC9-4674-000		2	HOOK, DOOR, RIGHT		
4	FC9-4675-000		2	SPRING, TENSION		
5	FC9-4676-000		1	STOPPER, DOOR, RIGHT		
6	FC9-5723-000		1	HANDLE, RIGHT DOOR, LOWER		
7	FS7-2788-000		4	SPRING, COMPRESSION		
8	FU5-1035-000		4	BUSHING		

# FIGURE H20 PAPER PICK-UP DRIVE ASSEMBLY (CASSETTE UNIT MODEL)

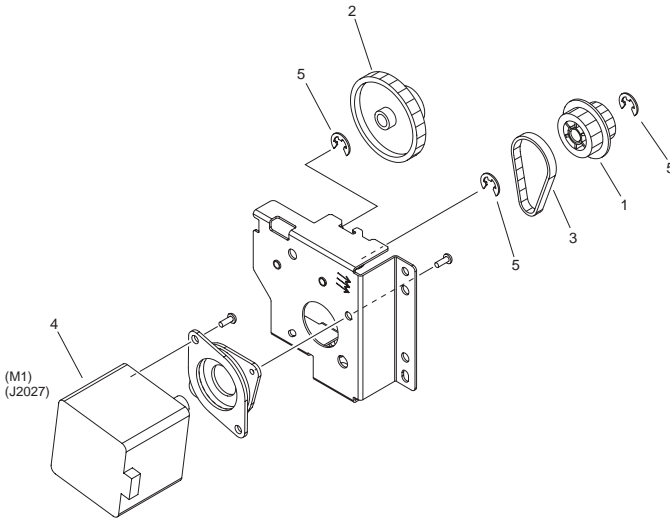


FIGURE & KEY NO.	PARTS NUMBER	R A N K	QTY	DESCRIPTION	SERIAL NUMBER/ REMARKS	S V C
Fig.H20	FM3-9234-000		1	PAPER PICK-UP DRIVE ASSEMBLY	CASSETTE UNIT MODEL	
1	FC6-5022-000		1	PULLEY, 34T		
2	FU3-0285-000		1	GEAR, 80T/16T		
3	XF2-1104-940		1	BELT,TIMING		
4	FK2-7327-000		1	MOTOR, STEPPING	M1	
5	XD9-0136-000		3	RING,E		

# FIGURE H30 CASSETTE (CASSETTE UNIT MODEL)

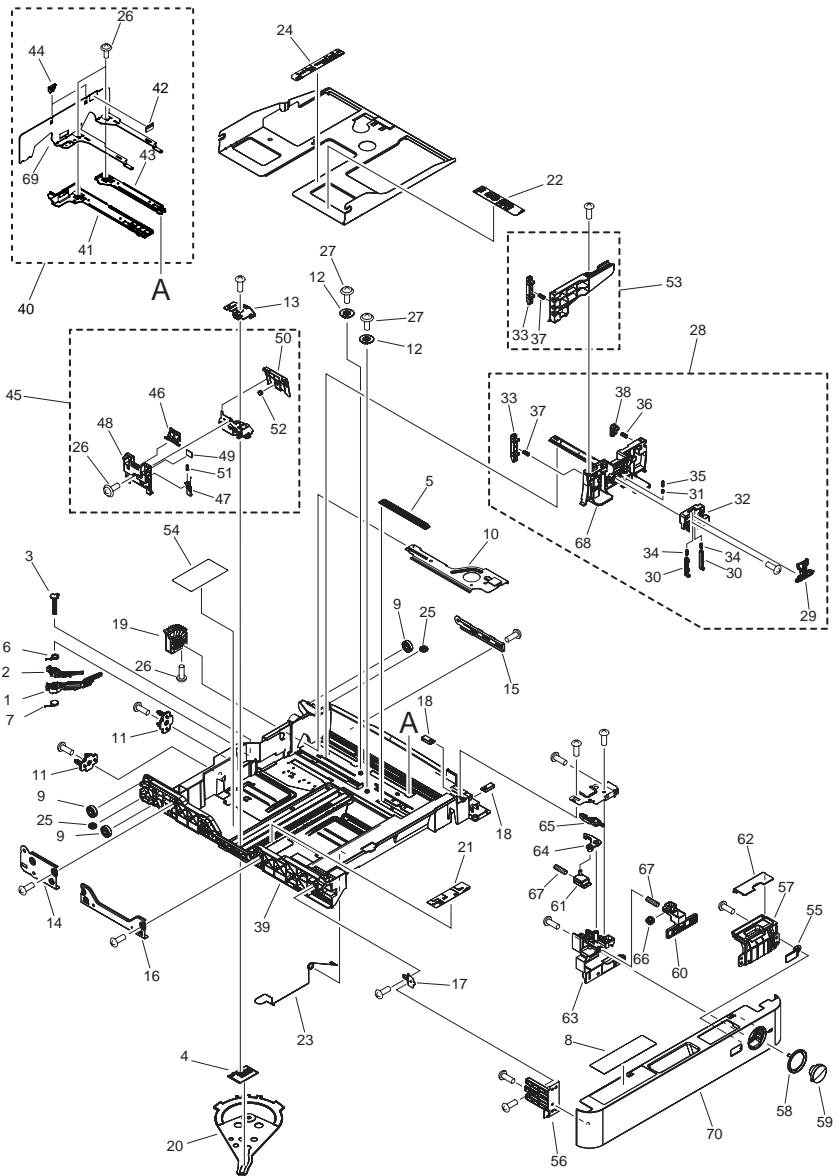


FIGURE & KEY NO.	PARTS NUMBER	R A N K	Q'TY	DESCRIPTION	SERIAL NUMBER/ REMARKS	S V C
Fig.H30	NPN		RF	CASSETTE	CASSETTE UNIT MODEL	
1	FC8-2469-000		1	DIAL, DETECT, SMALL		
2	FC8-2470-000		1	DIAL, DETECT, LARGE		
3	FC8-2474-000		1	SHAFT		
4	FC8-2475-000		1	PLATE, JOINT		
5	FC8-2670-000		1	PLATE, FREE STOP		
6	FC8-2671-000		1	SPRING, TORSION		
7	FC8-2672-000		1	SPRING, TORSION		
8	FC8-4966-000		1	LABEL, PAPER PICK-UP OPERATION		
9	FC8-4970-000		3	ROLLER, CASSETTE SWING		
10	FL3-2859-000		1	PLATE, LIFTER		
11	FC8-4989-000		2	PIN, SIZE DETECT POSITIONING		
12	FC8-4990-000		2	GEAR, 14T		
13	FC8-4996-000		1	COVER, TOP		
14	FC9-0117-000		1	PLATE, CASSETTE ROLLER, LEFT		
15	FC9-0118-000		1	PLATE, CASSETTE ROLLER, RIGHT		
16	FC9-0126-000		1	PLATE, REINFORCEMENT, LEFT		
17	FC9-0127-000		1	PLATE, COVER MOUNTING, L		
18	FC9-0128-000		2	PLATE, COVER MOUNTING, R		
19	FC9-0129-000		1	GEAR, 9T		
20	FC9-0130-000		1	LINK, BACK END DETECT		
21	FC8-4963-000		1	LABEL, INDEX, SIZE L, BACK END		
22	FC8-4962-000		1	LABEL, INDEX, SIZE L, SIDE		
23	FC8-4992-000		1	WIRE,CENTER PLATE GROUNDING,L		
24	FC8-4994-000		1	LABEL, INDEX, SIZE, BACK END		
25	FS5-6945-000		2	COLLAR, REGISTRATION MULTI		
26	XA9-1016-000		6	SCREW W/WASHER, M3X8		
27	XA9-1523-000		2	SCREW, B, M4X8		
28	FM3-8905-000		1	SIDE END PLATE ASSEMBLY, FRONT		
29	FC8-2462-000		1	KNOB, PAPER SIDE END		
30	FC8-2463-000		2	STOPPER		
31	FC8-2464-000		1	PLATE, CLICK		

FIGURE & KEY NO.	PARTS NUMBER	R A N K	Q'TY	DESCRIPTION	SERIAL NUMBER/ REMARKS	S V C
32	FC8-2484-000		1	COVER, HANDLE		
33	FC8-5262-000		2	BLOCK, PAPER SIDE END, LARGE		
34	FU7-2326-000		2	SPRING, COMPRESSION		
35	FU7-2327-000		1	SPRING, COMPRESSION		
36	FU7-2513-000		1	SPRING, COMPRESSION		
37	FU7-2514-000		2	SPRING, COMPRESSION		
38	FM3-8911-000		1	SIDE END BLOCK ASSEMBLY, SMALL		
39	FL3-2858-000		1	BODY, CASSETTE, L		
40	FM3-8906-000		1	SIDE END PLATE ASSEMBLY, REAR		
41	FC8-2485-000		1	MOUNT, LIMIT PLATE		
42	FC8-4964-000		1	LABEL, HEIGHT LIMIT, S		
43	FC8-4995-000		1	RACK, PAPER SIDE END, 2		
44	FC9-7170-000		2	CLAW, SIDE		
45	FM3-8907-000		1	BACK END LIMIT PLATE ASSEMBLY		
46	FC8-2466-000		1	LEVER		
47	FC8-2467-000		1	STOPPER, BACK END		
48	FC8-2468-000		1	HOLDER, BACK END STOPPER		
49	FC8-4965-000		1	LABEL, HEIGHT LIMIT, R		
50	FC8-4997-000		1	FLAPPER		
51	FU7-2328-000		1	SPRING, COMPRESSION		
52	FU7-2515-000		1	SPRING, COMPRESSION		
53	FM3-8912-000		1	PAPER SIDE END EXTENSION ASS'Y		
54	FC9-7245-000		1	LABEL, PAPER SIZE, CAUTION		
55	FC8-4967-000		1	WINDOW, CST FR. COVER IND.		
56	FC8-4993-000		1	PLATE, COVER ATTACHMENT, LEFT		
57	FC9-5724-000		1	HOLDER, SIZE INDEX, F		
58	FC9-5726-000		1	GUIDE, CASSETTE BUTTON		
59	FC9-5727-000		1	BUTTON, PUSHING		
60	FC8-4986-000		1	LINK, BUTTON, UPPER, 2		
61	FC8-4987-000		1	LINK, BUTTON, LOWER		
62	FC9-7249-000		1	COVER, SIZE PLATE		
63	FC8-4969-000		1	MOUNT,CST. FR. COVER ADJUST,R		

FIGURE & KEY NO.	PARTS NUMBER	RANK	Q'TY	DESCRIPTION	SERIAL NUMBER/REMARKS	SVC
64	FC9-7259-000		1	ARM, LOCK, A		
65	FC9-7260-000		1	ARM, LOCK, B		
66	FC9-7261-000		1	ROLLER, LINK		
67	FU7-2518-000		2	SPRING, COMPRESSION		
68	FC8-2483-000		1	PLATE, PAPER SIDE END, FRONT		
69	FC8-2486-000		1	PLATE, PAPER SIDE END, REAR		
70	FC9-5725-000		1	PANEL, CASSETTE FRONT		



# FIGURE H40 PAPER PICK-UP ASSEMBLY, 2 (CASSETTE UNIT MODEL)

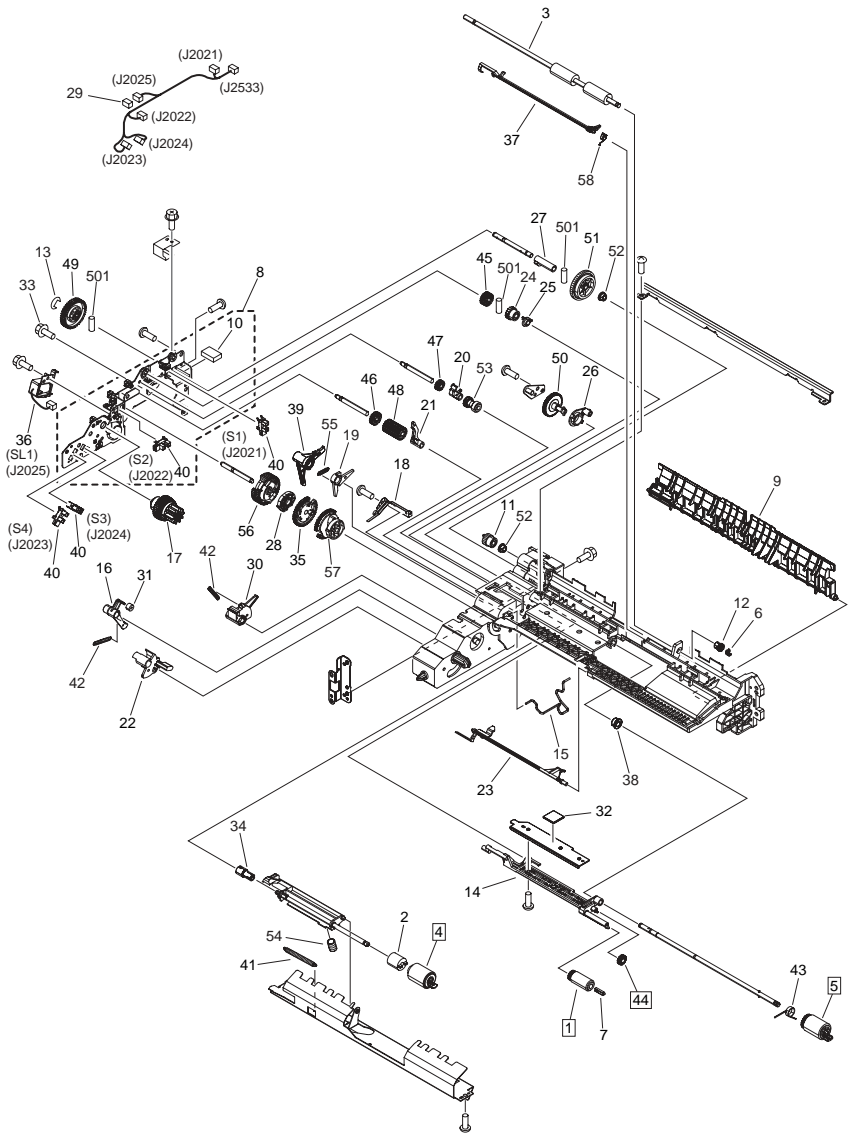


FIGURE & KEY NO.	PARTS NUMBER	R A N K	Q'TY	DESCRIPTION	SERIAL NUMBER/ REMARKS	S V C
Fig.H40	FM3-9230-000		1	PAPER PICK-UP ASSEMBLY, 2	CASSETTE UNIT MODEL	
1	FB6-3405-000		1	ROLLER, PAPER PICK-UP	[DP]	
2	FB6-3410-000		1	LIMITER, TORQUE		
3	FB6-4852-000		1	ROLLER, VERTICAL PATH		
4	FC6-6661-000		1	ROLLER, SEPARATION	[DP]	
5	FC6-7083-000		1	ROLLER, FEED/SEPARATION	[DP]	
6	FC6-9867-000		1	RING, RETAINING		
7	FC7-5845-000		1	STOPPER, ROLLER		
8	FM4-1201-000		1	PICK-UP DRIVE SIDE PLATE ASS'Y		
9	FB6-3387-000		1	GUIDE, VERTICAL PATH		
10	VS1-7173-014		1	CONNECTOR, SNAP TIGHT, 14P, W		
11	FU3-0289-000		1	GEAR, 14T		
12	FU5-1763-000		1	BUSHING		
13	XD9-0136-000		1	RING,E		
14	FB6-3380-020		1	HOLDER, PAPER PICK-UP ROLLER		
15	FB6-3388-000		1	ROD, SEPARATION ROLLER RELEASE		
16	FB6-3389-000		1	CLAW, PICK-UP		
17	FB6-3391-000		1	GEAR, RATCHET		
18	FB6-3392-020		1	SPRING, LEAF		
19	FC9-7253-000		1	ARM, LIFTING		
20	FB6-3395-000		1	ARM, PAPER FEED SHAFT		
21	FB6-3396-010		1	LOCK, PICK-UP		
22	FB6-3397-000		1	FLAG, PAPER SENSOR		
23	FB6-3398-000		1	FLAG, PAPER DETECT SENSOR		
24	FB6-3402-000		1	GEAR, RATCHET		
25	FB6-3403-000		1	COUPLING, FEED SHAFT STOP		
26	FB6-3404-000		1	COUPLING, SEPARATION SHAFT		
27	FB6-3413-000		1	COLLAR, PAPER PICK-UP SHAFT		
28	FB6-7078-000		1	CAM, LOCK		
29	VS1-7177-002		1	CONNECTOR, SNAP TIGHT, BK		
30	FC8-1178-000		1	CLAW, PAPER PICK-UP		
31	FC8-1202-000		1	DAMPER		

FIGURE & KEY NO.	PARTS NUMBER	R A N K	Q'TY	DESCRIPTION	SERIAL NUMBER/ REMARKS	S V C
32	FC8-1205-000		1	PAD, PAPER PICK-UP HOLDER		
33	XA9-0656-000		1	SCREW,RS,M3X10		
34	FC9-4290-000		1	JOINT, RETARD		
35	FF6-2397-000		1	GEAR, 46T		
36	FK2-0408-000		1	SOLENOID	SL1	
37	FL2-6580-000		1	FLAG, REGISTRATION SENSOR		
38	FS5-1943-000		1	BUSHING		
39	FM3-4146-000		1	PICK-UP ARM UNIT		
40	FK2-0149-000		4	PHOTO-INTERRUPTER, TLP1252(C6)	S1,S2,S3,S4	
41	FU7-5378-000		1	SPRING, TENSION		
42	FS7-2800-000		2	SPRING, TENSION		
43	FS7-2801-000		1	SPRING, TORSION		
44	FU3-0280-000		1	GEAR, 15T	[DP]	
45	FU3-0282-000		1	GEAR, 21T		
46	FU3-0283-000		1	GEAR, 21T		
47	FU3-0284-000		1	GEAR, 16T		
48	FU3-0288-000		1	GEAR, 21T		
49	FU3-0347-000		1	GEAR, 41T		
50	FU3-0349-000		1	GEAR, 41T		
51	FU3-0350-000		1	GEAR, 41T/41T		
52	FU5-1033-000		2	BUSHING		
53	FU3-0352-000		1	GEAR, 16T/16T		
54	FU6-2684-000		1	SPRING, COMPRESSION		
55	FU6-2784-000		1	SPRING, TENSION		
56	FU7-0848-000		1	GEAR, 51T		
57	FU7-0445-000		1	GEAR, 42T		
58	FS7-2803-000		1	SPRING, TORSION		
501	XD3-2200-122		3	PIN, DOWEL		

# FIGURE ZZA

## MECHANICAL STANDARD PARTS (HOW TO USE)

### Mechanical standard parts

#### 機械標準部品

##### About a mechanical standard parts

A Mechanical standard parts is a mechanical part which not parts peculiar to a product. They are parts which are common to a Canon product and are used, such as a screw and a washer. The Fig No. and parts number of the mechanical standard parts are not listed in the product parts catalog. Refer to the parts catalog of mechanical standard parts when checking the parts number for screw or washer etc. and identify them by part shape or size.

##### 機械標準部品とは

機械標準部品とは、製品特有の部品ではなく、ねじやワッシャなどキヤノン製品共通で使用されている機械部品（メカ部品）のことです。  
製品のパーツカタログには、機械標準部品のFig No.や部品番号は記載しておりません。  
ねじや、ワッシャ等の部品番号を調べるときは、機械標準部品のパーツカタログを参照し、部品の形状や大きさから判断し、使用している部品を調べてください。

##### Material and surface treatment of a mechanical standard parts

Material and surface treatment of mechanical standard parts are assigned commonly for each part. Refer to the Table 1 for the parts which material and surface treatment are assigned as numbers.

##### 機械標準部品の材料および表面処理

機械標準部品の材料および表面処理については、各種部品共通で決められています。  
材料および表面処理が番号で決められている部品については、表1を参照してください。

Table 1 Material and Surface treatment  
表1 材料および表面処理

No. 番号	Material 材料	Surface treatment 表面処理	Color 色
1	Stainless steel ステンレス	Stainless steel black coloring (BC4) ステンレス黒着色(BC4)	Black 黒
2		not to be given なし	White 白
3	Brass 黄銅	Regular nickel plating (NL) 普通ニッケルメッキ(NL)	White 白
4		Black nickel plating (BN) 黒色ニッケルメッキ(BN)	Black 黒
5	Steel 鋼	White zinc trivalent chromate treating (ZC3) 白色亜鉛3価クロメート(ZC3)	White 白
6		Regular nickel chromium plating (NC) 普通ニッケルクロムメッキ(NC)	White 白
7		Regular nickel plating (NL) 普通ニッケルメッキ(NL)	White 白
8		Iron and steel phosphating (P1) 鉄鋼磷酸塩処理(P1)	Black 黒
9		Black zinc trivalent chromate treating (BZ3) 黒色亜鉛3価クロメート(BZ3)	Black 黒

# FIGURE ZZB MECHANICAL STANDARD PARTS (SCREWS)

## 1. Screws ねじ

How to read Parts Numbers  
部品番号の見方

Screws  
ねじ

XB1-2400-609

Type No.  
類別番号

Normal designation (d)  
ねじの呼び(d)

Length (L)  
ねじの長さ(L)

Material and Surface treatment  
材料および表面処理

XB1-2 expresses Binding head machine screw.  
XB1-2は、バインドねじを表す

40 expresses M4.0.  
40は、M4.0を表す

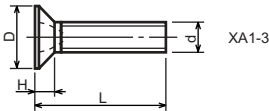
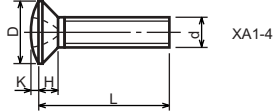
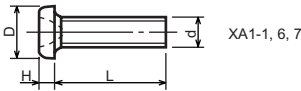
0-60 expresses a length of 6.0mm.  
0-60は、6.0mmの長さを表す

9 expresses Steel (Black zinc trivalent chromate  
treating) from Table 1.

9は、表1より鋼(黒色亜鉛3価クロメート)を表す

### 1-1. Cross Recessed Head Screws for Precision Equipments

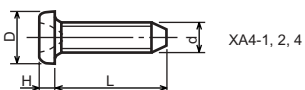
精密機器用十字穴付き小ねじ



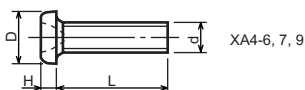
Type No. 類別番号	Type 類別
XA1-1	Pan head Class 1 なべ1種
XA1-3	Countersunk head Class 1 さら1種
XA1-4	Oval countersunk head Class 1 丸さら1種
XA1-6	Pan head Class 3 なべ3種
XA1-7	Pan head Class 2 なべ2種

		Head size (mm) 頭部寸法 (mm)					
		M1.4	M1.6	M1.7	M2	M2.5	M2.6
D	XA1-1	2	2.4	2.5	3	3.8	4
H	XA1-1	0.5	0.55	0.5	0.6	0.9	0.8
D	XA1-3	2	2.4	2.5	3	3.8	4
H	XA1-3	0.48	0.55	0.58	0.73	0.85	0.93
D	XA1-4	2	2.4	2.5	3	3.8	4
H + K	XA1-4	0.68	0.8	0.88	1	1.25	1.3
D	XA1-6	2.5	2.8	3	3.5	4.3	4.5
H	XA1-6	0.8	0.85	0.9	1	1.3	1.2
D	XA1-7	2.5	2.8	3	3.5	4.3	4.5
H	XA1-7	0.5	0.55	0.5	0.6	0.9	0.8

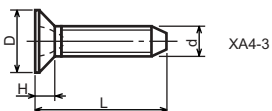
1-2. Precision Tapping Screws  
精密用タッピンねじ



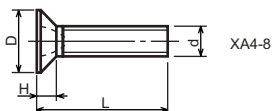
XA4-1, 2, 4



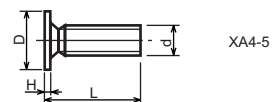
XA4-6, 7, 9



XA4-3



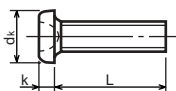
XA4-8



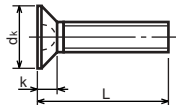
XA4-5

Type No. 類別番号	Type 類別	Head size (mm) 頭部寸法 (mm)						
		M1.4	M1.6	M1.7	M2	M2.5	M2.6	
XA4-1	With tapered end pan head Class 1 絞りなべ1種	D XA4-1	2	2.4	2.5	3	3.8	4
		H XA4-1	0.5	0.55	0.5	0.6	0.9	0.8
XA4-2	With tapered end pan head Class 3 絞りなべ3種	D XA4-2	2.5	2.8	3	3.5	4.3	4.5
		H XA4-2	0.8	0.85	0.9	1	1.3	1.2
XA4-3	With tapered end countersunk head 絞り-さら	D XA4-3	2	2.4	2.5	3	3.8	4
		H XA4-3	0.48	0.55	0.58	0.73	0.85	0.93
XA4-4	With tapered end pan head Class 2 絞りなべ2種	D XA4-4	2.5	2.8	3	3.5	4.3	4.5
		H XA4-4	0.5	0.55	0.5	0.6	0.9	0.8
XA4-5	With parallel end ultra thin head ストレート-超薄頭	D XA4-5	2.5	2.8	3	-	-	-
		H XA4-5	0.2	0.2	0.2	-	-	-
XA4-6	With parallel end pan head Class 1 ストレートなべ1種	D XA4-6	2	2.4	2.5	3	3.8	4
		H XA4-6	0.5	0.55	0.5	0.6	0.9	0.8
XA4-7	With parallel end pan head Class 3 ストレートなべ3種	D XA4-7	2.5	2.8	3	3.5	4.3	4.5
		H XA4-7	0.8	0.85	0.9	1	1.3	1.2
XA4-8	With parallel end countersunk head ストレート-さら	D XA4-8	2	2.4	2.5	3	3.8	4
		H XA4-8	0.48	0.55	0.58	0.73	0.85	0.93
XA4-9	With parallel end pan head Class 2 ストレートなべ2種	D XA4-9	2.5	2.8	3	3.5	4.3	4.5
		H XA4-9	0.5	0.55	0.5	0.6	0.9	0.8

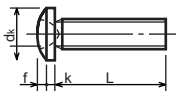
**1-3. Cross Recessed Head Screws**  
 一般用十字穴付き小ねじ



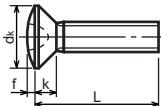
XB1-1



XB1-3



XB1-2

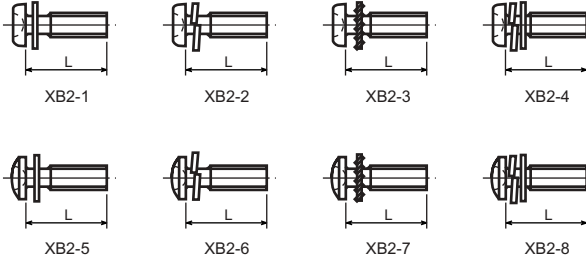


XB1-4

Type No. 類別番号	Type 類別
XB1-1	Pan head なべ
XB1-2	Binding head バインド
XB1-3	Countersunk head ざら
XB1-4	Oval countersunk head 丸ざら

		Head size (mm) 頭部寸法 (mm)					
		M2	M2.5	M2.6	M3	M4	M5
dk	XB1-1	3.5	4.5	4.5	5.5	7	9
k	XB1-1	1.3	1.7	1.7	2	2.6	3.3
dk	XB1-2	4.3	5.3	5.5	6.3	8.3	10.3
k+f	XB1-2	1.2	1.5	1.6	1.9	2.5	3.1
dk	XB1-3	4	5	-	6	8	10
k	XB1-3	1.2	1.45	-	1.75	2.3	2.8
dk	XB1-4	4	5	-	6	8	10
k+f	XB1-4	1.6	2	-	2.45	3.2	4
Screw part length ねじ部長さ b		8	12	12	12	16	20

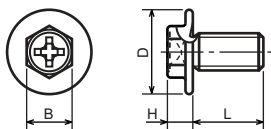
1-4. Cross Recessed Head Screws with Captive Washer  
座金組込み十字穴付き小ねじ



Type No. 類別番号	Type 類別
XB2-1	Pan head + Plain washer (circular bright) なべねじ+平座金
XB2-2	Pan head + Spring washer なべねじ+ばね座金
XB2-3	Pan head + Toothed lock washer なべねじ+歯付座金
XB2-4	Pan head + Spring washer and plain washer (circular bright) なべねじ+(ばね+平)座金
XB2-5	Binding head + Plain washer (circular bright) バインドねじ+平座金
XB2-6	Binding head + Spring washer バインドねじ+ばね座金
XB2-7	Binding head + Toothed lock washer バインドねじ+歯付座金
XB2-8	Binding head + Spring washer and plain washer (circular bright) バインドねじ+(ばね+平)座金

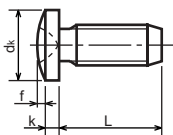


**1-5. Hexagon Head Tapping Screws for Metallic Materials**  
 金属用六角タッピンねじ



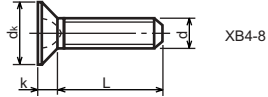
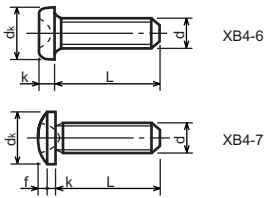
Type No. 類別番号	Type 類別	Head size (mm) 頭部寸法 (mm)	
		M3	M4
XB3-6	For metallic materials 金属用タッピン	D	8 10
		B	5.5 5.5
XB3-7	For metallic materials with clawed 金属用タッピン-つめ付き	H XB3-6	3.1 3.1
		H XB3-7	3.2 3.2

**1-6. Special Tapping Screws**  
 特殊タッピンねじ



Type No. 類別番号	Type 類別	Head size (mm) 頭部寸法 (mm)	
		M3	M4
XB4-5	Binding head バインド	d <sub>k</sub>	6.3 8.3
		k	1.3 1.7
		k+f	1.9 2.5

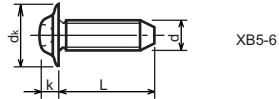
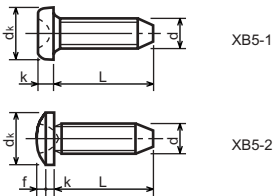
**1-7. General Head Tapping Screws**  
 一般用タッピンねじ



Type No. 類別番号	Type 類別
XB4-6	Pan head なべ
XB4-7	Binding head バインド
XB4-8	Countersunk head さら

		Head size (mm) 頭部寸法 (mm)					
		M2	M2.5	M2.6	M3	M4	M5
dk	XB4-6	3.5	4.5	4.5	5.5	7	9
k	XB4-6	1.3	1.7	1.7	2	2.6	3.3
dk	XB4-7	4.3	5.3	5.5	6.3	8.3	10.3
k+f	XB4-7	1.2	1.5	1.6	1.9	2.5	3.1
dk	XB4-8	4	5	5.2	6	8	10
k	XB4-8	1.2	1.45	1.5	1.75	2.3	2.8

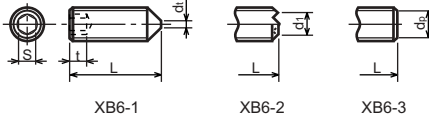
**1-8. Tapping Screws for Metallic Materials**  
 金属用タッピンねじ



Type No. 類別番号	Type 類別
XB5-1	Pan head なべ
XB5-2	Binding head バインド
XB5-6	Flanged pan head つば付きなべ

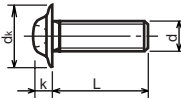
		Head size (mm) 頭部寸法 (mm)				
		M2.5	M2.6	M3	M4	M5
dk	XB5-1	4.5	4.5	5.5	7	9
k	XB5-1	1.7	1.7	2	2.6	3.3
dk	XB5-2	5.5	5.5	6.3	8.3	10.3
k+f	XB5-2	1.6	1.6	1.9	2.5	3.1
dk	XB5-6	6.5	6.5	8	10	12
k	XB5-6	2.1	2.1	1.75	3.2	4

**1-9. Hexagon Socket Set Screws**  
六角穴付止めねじ



Type No. 類別番号	Type 類別	Head size (mm) 頭部寸法 (mm)							
		M1.6 M1.7	M2	M2.5 M2.6	M3	M5	M5	M6	
XB6-1	Cone point とがり先	S	0.7	0.9	1.3	1.5	2	2.5	3
		t	1.5	1.7	2	2	2.5	3	3.5
		$d_{t \max}$ XB6-1	0.4	0.5	0.65	0.75	1	1.25	1.5
		$d_{l \max}$ XB6-2	-	1.2	1.5	1.7	2.2	2.8	3.3
		$d_{l \min}$ XB6-2	-	1	1.2	1.4	1.9	2.4	2.9
XB6-3	Flat point 平先	$d_{p \max}$ XB6-3	0.8	1	1.5	2	2.5	3.5	4
		$d_{p \min}$ XB6-3	0.55	0.75	1.25	1.75	2.25	3.2	3.7

**1-10. Flanged Pan Head Machine Screws**  
つば付きなべ小ねじ



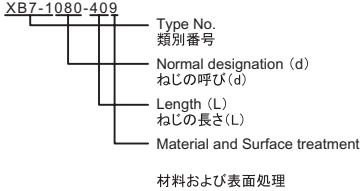
Type No. 類別番号	Type 類別	Head size (mm) 頭部寸法 (mm)					
		M2	M2.5 M2.6	M3	M5	M5	
XB6-7	Flanged pan head つば付きなべ	$d_k$	5	6.5	8	10	12
		k	1.7	2.1	2.5	3.2	4

# FIGURE ZZC MECHANICAL STANDARD PARTS (BOLTS)

## 2. Bolts (Socket head cap screw) ボルト

How to read Parts Numbers  
部品番号の見方

Bolt (Socket head cap screw)  
ボルト



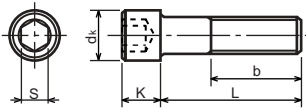
XB7-1 expresses Hexagon socket head cap screws.  
XB7-1は、六角穴付きボルトを表す

080 expresses M8.0.  
080は、M8.0を表す

40 expresses a length of 40mm.  
40は、40mmの長さを表す

9 expresses Steel (Black zinc trivalent chromate treating) from Table 1.  
9は、表1より鋼(黒色亜鉛3価クロメート)を表す

### 2-1. Hexagon socket head cap screws 六角穴付きボルト



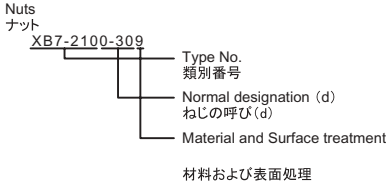
Type No. 類別番号	Type 類別
XB7-1	Hexagon socket head cap screws 六角穴付きボルト

	Head size (mm) 頭部寸法 (mm)						
	M3	M4	M5	M6	M8	M10	M12
S	2.5	3	4	5	6	8	10
d <sub>k</sub>	5.5	7	8.5	10	13	16	18
K	3	4	5	6	8	10	12
Screw part length ねじ部長さ b <sub>max</sub>	18	20	22	24	28	32	36

# FIGURE ZZD MECHANICAL STANDARD PARTS (NUTS)

## 3. Nuts ナット

How to read Parts Numbers  
部品番号の見方

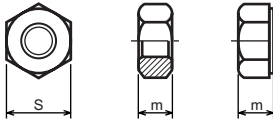


XB7-210 expresses Hexagon nut class 1.  
XB7-210は、六角ナット1種を表す

0-30 expresses M3.0.  
0-30は、M3.0を表す

9 expresses Steel (Black zinc trivalent chromate treating) from Table 1.  
9は、表1より鋼(黒色亜鉛3価クロメート)を表す

### 3-1. Hexagon Nuts and Hexagon Thin Nuts 六角ナット



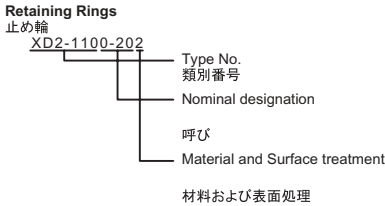
Type No. 類別番号	Type 類別
XB7-210	Hexagon nut Class 1 六角ナット-1種
XB7-220	Hexagon nut Class 3 六角ナット-3種
XB7-230	Hexagon nut Style 1 double chamfered 六角ナット-スタイル1-両面とり
XB7-231	Hexagon nut Style 1 washer faced 六角ナット-スタイル1-座付き
XB7-240	Hexagon nut Style 2 double chamfered 六角ナット-スタイル2-両面とり
XB7-241	Hexagon nut Style 2 washer faced 六角ナット-スタイル2-座付き
XB7-250	Hexagon nut 六角ナット
XB7-260	Hexagon thin nut double chamfered 六角低ナット-両面とり
XB7-270	Hexagon thin nut not chamfered 六角低ナット-面とり無し

	Head size (mm) 頭部寸法 (mm)						
	M2	M2.5	M3	M4	M5	M6	M8
S	4	5	5.5	7	8	10	13
m XB7-210	1.6	2	2.4	3.2	4	5	6.5
m XB7-220	1.2	1.6	1.8	2.4	3.2	3.6	5
m XB7-230, 231	1.6	2	2.4	3.2	4.7	5.2	6.8
m XB7-240, 241	-	-	-	-	5.1	5.7	7.5
m XB7-250	-	-	-	-	5.6	6.1	7.9
m XB7-260	1.2	1.6	1.8	2.2	2.7	3.2	4
m XB7-270	1.2	1.6	1.8	2.2	2.7	3.2	4

# FIGURE ZZE MECHANICAL STANDARD PARTS (RETAINING RINGS)

## 5. Retaining Rings 止め輪

How to read Parts Numbers  
部品番号の見方

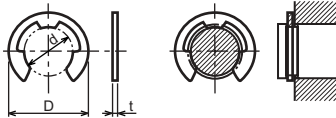


XD2-110 expresses retaining ring-E type (Type1).  
XD2-110は、E形止め輪(1種)を表す

0-20 expresses a 020 of nominal designation.  
(See Table 5)  
0-20は、呼び020を表す(表5参照)

2 expresses Stainless steel (Surface treatment is not to be given) from Table 1.  
2は、表1よりステンレス(表面処理なし)を表す

### 5-1. Retaining Rings - E type E形止め輪

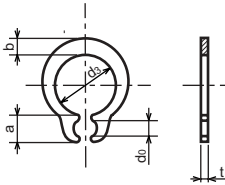


Type No. 類別番号	Type 類別
XD2-110	Retaining ring - E type (Type 1) E形止め輪(1種)
XD2-120	Retaining ring - E type (Type 2) E形止め輪(2種)

Table 5 表5

Type 種類	Nominal designation 呼び	d (mm)	D (mm)	t (mm)
Type 1 1種	007	0.65	2	0.2
	010	0.95	2.8	0.2
	013	1.25	3.3	0.3
	017	1.65	4.2	0.4
	020	1.95	4.6	0.5
	024	2.35	6	0.6
	028	2.74	6.5	0.6
	032	3.14	7.2	0.6
	037	3.64	8	0.7
	040	3.93	10	0.7
	042	4.13	10	0.7
	050	4.93	11	0.7
	058	5.73	12	0.7
	060	5.93	12.7	0.9
	064	6.32	13.5	0.9
	074	7.31	15	0.9
080	7.91	16.5	1	
Type 2 2種	008	0.8	2	0.2
	012	1.2	3	0.3
	015	1.5	4	0.4
	020	2	5	0.4
	025	2.5	6	0.4
	030	3	7	0.6
	040	4	9	0.6
	050	5	11	0.6
	060	6	12	0.8
	070	7	14	0.8
	080	8	16	0.8
	090	9	18	0.8
	100	10	20	1

5-2. Grip Rings  
グリップ止め輪

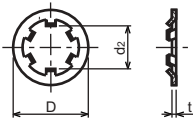


Type No. 類別番号	Type 類別
XD2-210	Grip ring グリップ止め輪

Table 5 表5

Nominal designation 呼び	d <sub>3</sub> (mm)	t (mm)	b (mm)	a (mm)	d <sub>0</sub> (mm)
020	1.9	0.5	1	1.8	0.8
025	2.35	0.5	1.2	1.9	0.9
030	2.85	0.6	1.4	1.9	0.9
035	3.3	0.6	1.6	2	0.9
040	3.8	0.8	1.8	2.8	1.2
045	4.25	0.8	2	2.9	1.3
050	4.75	0.8	2.2	2.9	1.3
060	5.7	1	2.4	3.1	1.4
070	6.7	1	2.7	3.3	1.4
080	7.7	1	3	3.5	1.4
090	8.65	1.2	3.3	4.7	1.5
100	9.65	1.2	3.5	4.7	2

5-3. Toothed Retaining Rings  
歯付き形止め輪



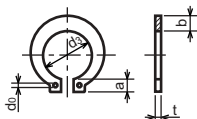
Type No. 類別番号	Type 類別
XD2-230	Toothed retaining ring 歯付き形止め輪

Table 5 表5

Nominal designation 呼び	d <sub>z</sub> (mm)	D (mm)	t (mm)	No of teeth 歯数
015	1.4	5.2	0.25	3
020	1.9	6	0.25	3
024	2.3	6.4	0.25	3
030	2.8	8	0.25	4
040	3.8	9	0.25	4
050	4.8	10	0.25	5
060	5.8	11	0.25	5
080	7.8	13	0.25	5
100	9.8	15.4	0.25	6

### 5-4. Retaining Rings - C Type

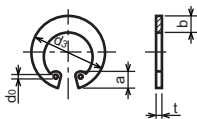
C形止め輪



Type No. 類別番号	Type 類別
XD2-310	Retaining ring - C type for shaft C形止め輪 軸用

Table 5 表5

Nominal designation 呼び	d <sub>3</sub> (mm)	t (mm)	b (mm)	a (mm)	d <sub>0</sub> (mm)
010	9.3	1	1.6	3	1.2
012	11.1	1	1.8	3.2	1.5
014	12.9	1	2	3.4	1.7
015	13.8	1	2.1	3.5	1.7
016	14.7	1	2.2	3.6	1.7
017	15.7	1	2.2	3.7	1.7
018	16.5	1.2	2.6	3.8	1.7
020	18.5	1.2	2.7	3.9	2
022	20.5	1.2	2.7	4.1	2
025	23.2	1.2	3.1	4.3	2
028	25.9	1.5	3.1	4.6	2
030	27.9	1.5	3.5	4.8	2
032	29.6	1.5	3.5	5	2.5
035	32.2	1.5	4	5.4	2.5



Type No. 類別番号	Type 類別
XD2-320	Retaining ring - C type for hole C形止め輪 穴用

Table 5 表5

Nominal designation 呼び	d <sub>3</sub> (mm)	t (mm)	b (mm)	a (mm)	d <sub>0</sub> (mm)
010	10.7	1	1.8	3.1	1.2
011	11.8	1	1.8	3.2	1.2
012	13	1	1.8	3.3	1.5
014	15.1	1	2	3.6	1.7
016	17.3	1	2	3.7	1.7
018	19.5	1	2.5	4	1.7
019	20.5	1	2.5	4	2
020	21.5	1	2.5	4	2
022	23.5	1	2.5	4.1	2
025	26.9	1.2	3	4.4	2
028	30.1	1.2	3	4.6	2
030	32.1	1.2	3	4.7	2
032	34.4	1.2	3.5	5.2	2.5
035	37.8	1.5	3.5	5.2	2.5
037	39.8	1.5	3.5	5.2	2.5
040	43.5	1.8	4	5.7	2.5
042	45.5	1.8	4	5.8	2.5
045	48.5	1.8	4.5	5.9	2.5
047	50.5	1.8	4.5	6.1	2.5
050	54.2	2	4.5	6.5	2.5
052	56.2	2	5.1	6.5	2.5
055	59.2	2	5.1	6.5	2.5
060	64.2	2	5.1	6.8	2.5
062	66.2	2	5.5	6.9	2.5
068	72.5	2.5	6	7.4	2.5
072	76.5	2.5	6.6	7.4	2.5
075	79.5	2.5	6.6	7.8	2.5
080	85.5	2.5	7	8	2.5
085	90.5	3	7	8	3
090	95.5	3	7.6	8.3	3
095	100.5	3	8	8.5	3



Prepared by  
OIP Service Management Center  
CANON INC.

**Canon**