

# Image Reader - B1

**iR2200i/2800i/3300i  
/2220i/2250i/2820i  
/2850i/3320i/3350i  
/2220N/3320N  
/3320G**

# PARTS CATALOG

REVISION 0 - 01 + update (Jan. 2004)

**Canon**

FEB. 2002

**FY8-31FU-000**

## PREFACE

This Parts Catalog contains listings of parts used in the Canon Image Reader-B1/iR2200i/2800i/3300i. Diagrams are provided with the listings to aid the service technician in identifying clearly, the item to be ordered.

Whenever ordering parts, consult this Parts Catalog for all of the information pertaining to each item. Be sure to include, in the Parts Request, the full item description, the item part number, and the quantity.

Canon Inc.

Office Imaging Products Device Quality Assurance Center  
5-1, Hakusan 7-chome,  
Toride-city, Ibaraki 302-8501, Japan

*COPYRIGHT © 2002 CANON INC.*

*Printed in Japan*

*Imprimé au Japon*

Use of this manual should be strictly supervised to avoid disclosure of confidential information.

# CONTENTS

- Image Reader-B1 -	351. LEFT VERTICAL PATH ASSEMBLY
A. ASSEMBLY LOCATION DIAGRAM	360. DUPLEXING FEEDER ASSEMBLY
001. MOUNTING HARDWARE 1	460. SCANNER ASSEMBLY
002. MOUNTING HARDWARE 2	500. DRUM CARTRIDGE ASSEMBLY
210. READER ASSEMBLY	640. DEVELOPING ASSEMBLY
420. MIRROR ASSEMBLY 1	810. FIXING ASSEMBLY
430. MIRROR ASSEMBLY 2	900. CONTROLLER BOX ASSEMBLY
931. READER CONTROLLER PCB ASSEMBLY	910. HV POWER SUPPLY PCB ASSEMBLY
B1. LIST OF CONNECTORS	920. CONTROL PANEL CPU PCB ASSEMBLY
B2. LIST OF ELECTRIC PARTS	921. CONTROL PANEL INVERTER PCB ASSEMBLY
- iR2200i/2800i/3300i -	930. DC CONTROLLER PCB ASSEMBLY
A. ASSEMBLY LOCATION DIAGRAM	940. PAPER PICK-UP PCB ASSEMBLY
100. EXTERNAL COVERS, PANELS, ETC.	950. RESOLUTION CONVERSION PCB ASSEMBLY
101. MACHINE FRONT PLATE	B1. LIST OF CONNECTORS
102. INTERNAL COMPONENTS 1	B2. LIST OF MOTORS
103. INTERNAL COMPONENTS 2	B3. LIST OF FAN MOTORS
104. INTERNAL COMPONENTS 3	B4. LIST OF SENSORS
105. INTERNAL COMPONENTS 4	B5. LIST OF CLUTCHES, AND OTHERS
106. INTERNAL COMPONENTS 5	B6. LIST OF HEATERS, LAMPS, ETC.
107. MACHINE REAR PLATE	B7. LIST OF PCBs
110. POWER CORD TERMINAL ASSEMBLY(100/120V)	- Cassette Feeding Unit-W1 -
111. POWER CORD TERMINAL ASSEMBLY(220/240V)	ZA. ASSEMBLY LOCATION DIAGRAM
120. RIGHT DOOR ASSEMBLY	Z10. EXTERNAL COVERS, PANELS, ETC.
130. CONTROL PANEL ASSEMBLY	Z11. INTERNAL COMPONENTS
190. DEVELOPING FAN ASSEMBLY	Z12. RIGHT DOOR ASSEMBLY
191. MACHINE EXHAUST FAN ASSEMBLY	Z20. MAIN DRIVE ASSEMBLY
250. MAIN DRIVE ASSEMBLY	Z32. CASSETTE HEATER ASSEMBLY (ACCESSORY)
260. PAPER PICK-UP DRIVE ASSEMBLY	Z35. VERTICAL PATH ASSEMBLY
261. DUPLEXING DRIVE ASSEMBLY	Z40. PAPER PICK-UP ASSEMBLY
280. FIXING FEEDER DRIVE ASSEMBLY	Z90. DC CONTROLLER PCB ASSEMBLY
300. CASSETTE	Z91. PEDESTAL PICK-UP PCB ASSEMBLY
310. PAPER PICK-UP MOUNT ASSEMBLY	ZB1. LIST OF CONNECTORS
315. MULTI FEEDER TRAY ASSEMBLY	ZB2. LIST OF ELECTRIC PARTS
320. REGISTRATION FRONT GUIDE ASSEMBLY	
330. PAPER FEEDER ASSEMBLY	
350. PAPER DELIVERY ASSEMBLY	

# CONTENTS

- Paper Deck -L1 -	- Super G3 FAX Board -J1/J2 -
RA. ASSEMBLY LOCATION DIAGRAM	GA. ASSEMBLY LOCATION DIAGRAM
R01. MOUNTING HARDWARE	G90. SUPER G3 FAX KIT
R10. EXTERNAL COVERS, PANELS, ETC	G91. SPEAKER ASSEMBLY
R11. INTERNAL COMPONENTS	GB1. LIST OF CONNECTORS
R30. PAPER STOCK ASSEMBLY	GB2. LIST OF ELECTRIC PARTS
R35. PAPER DECK HEATER ASSEMBLY (ACCESSORY)	
R40. PAPER PICK-UP ASSEMBLY	- CONTROL FONT ROM CFR-M1 -
RB1. LIST OF CONNECTORS	EA. ASSEMBLY LOCATION DIAGRAM
RB2. LIST OF ELECTRIC PARTS	E90. CONTROL FONT ROM
- Inner 2way Tray A1 -	C. LIST OF STANDARD FASTENERS
QA. ASSEMBLY LOCATION DIAGRAM	D1. NUMERICAL INDEX (Image Reader-B1)
Q01. MOUNTING HARDWARE	D2. NUMERICAL INDEX (iR2200i/2800i/3300i)
Q30. DELIVERY ASSEMBLY	D3. NUMERICAL INDEX (Cassette Feeding Unit-W1)
QB1. LIST OF CONNECTORS	D4. NUMERICAL INDEX (Paper Deck -L1)
QB2. LIST OF ELECTRIC PARTS	D5. NUMERICAL INDEX (Inner 2way Tray A1)
	D6. NUMERICAL INDEX (Envelope Feeder Attachment -B1)
- Envelope Feeder Attachment -B1 -	D7. NUMERICAL INDEX (Network Interface Adapter iN-TR2)
LA. ASSEMBLY LOCATION DIAGRAM	D8. NUMERICAL INDEX (Super G3 FAX Board -J1/J2)
L10. ENVELOPE FEEDER ATTACHMENT	D9. NUMERICAL INDEX (CONTROL FONT ROM)
- Token Ring Network Interface Adapter iN-TR2 -	
NA. ASSEMBLY LOCATION DIAGRAM	
N90. TOKENRING BOARD PCB ASSEMBLY	

# Image Reader - B1

[ F13-9502 (AB SIZE) XHP00001 - ]

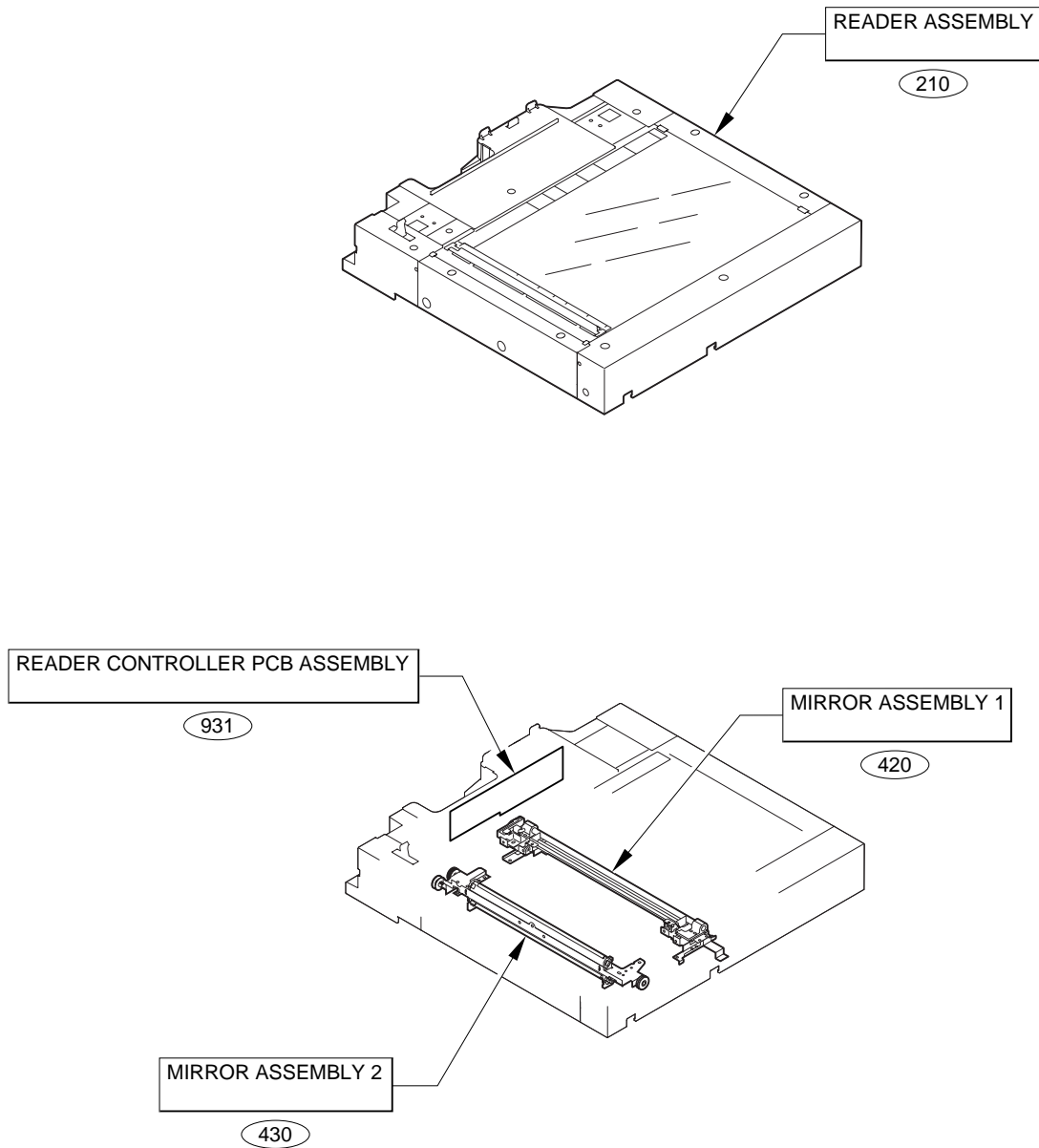
## Image Reader - B1

[ F13-9512 (A/INCH SIZE) XHQ00001 -  
F13-9522 (A SIZE) XHR00001 -  
F13-9532 (AB/INCH SIZE) XHS00001 - ]

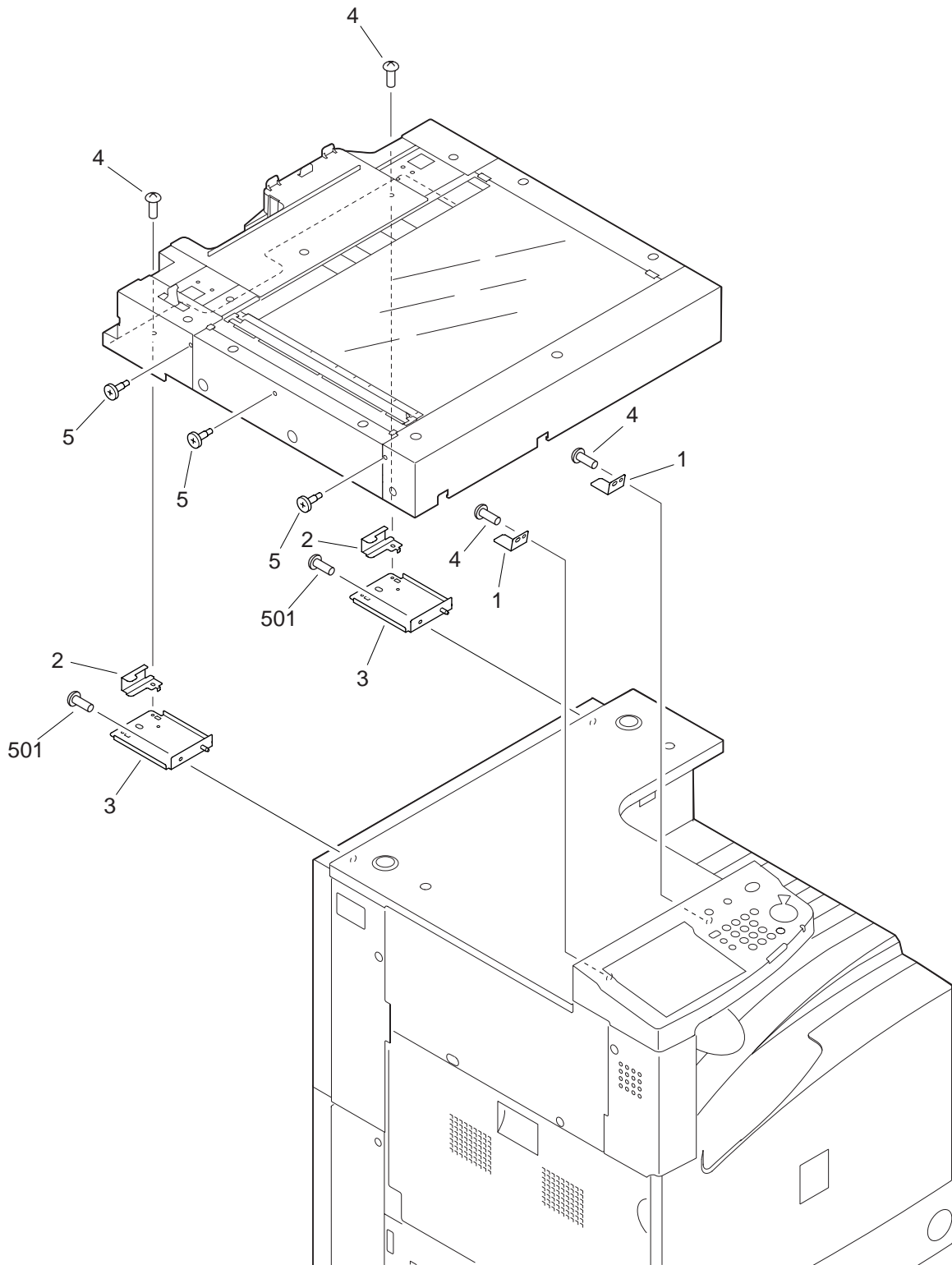
# CONTENTS

- A. ASSEMBLY LOCATION DIAGRAM
  - 001. MOUNTING HARDWARE 1
  - 002. MOUNTING HARDWARE 2
  - 210. READER ASSEMBLY
  - 420. MIRROR ASSEMBLY 1
  - 430. MIRROR ASSEMBLY 2
  - 935. READER CONTROLLER PCB ASSEMBLY
- B1. LIST OF CONNECTORS
- B2. LIST OF ELECTRIC PARTS
- D1. NUMERICAL INDEX  
(Image Reader - B1)

# FIGURE A ASSEMBLY LOCATION DIAGRAM



# FIGURE 001 MOUNTING HARDWARE 1







# FIGURE 002 MOUNTING HARDWARE 2

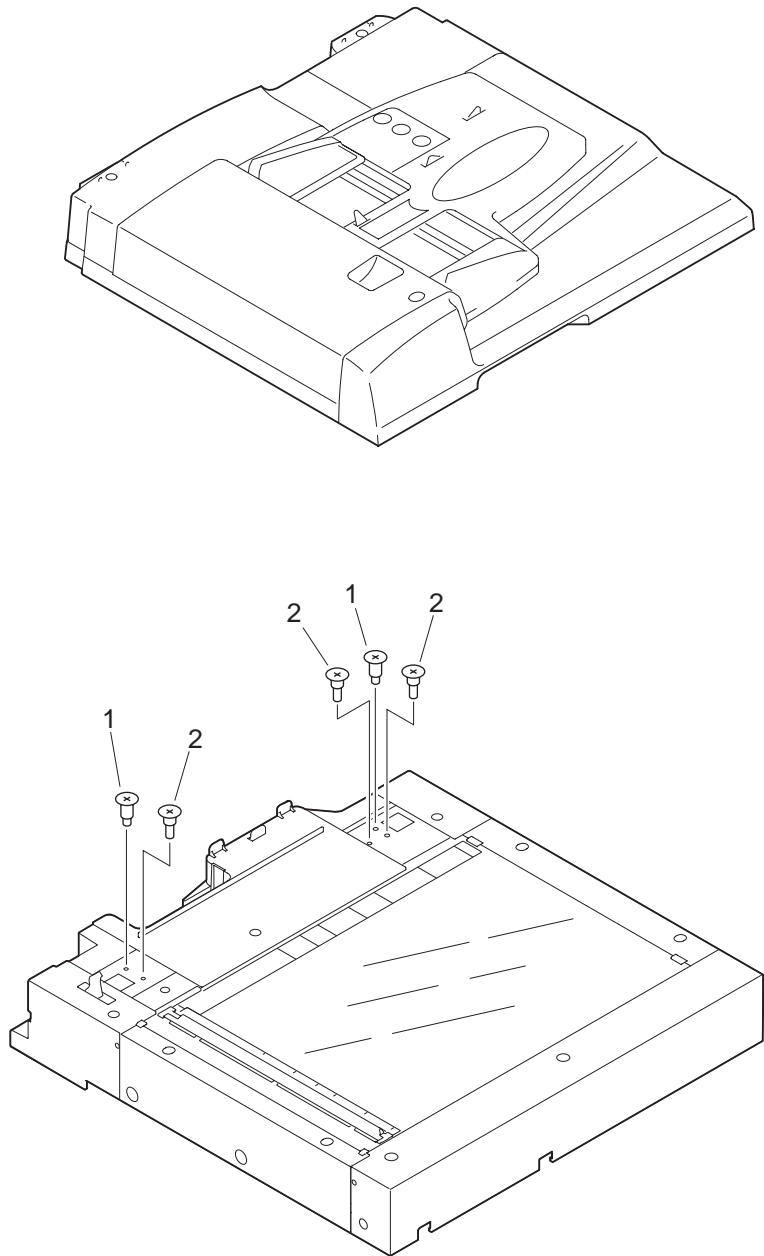


FIGURE & KEY NO.	PART NUMBER	R A N K	Q' T Y	DESCRIPTION	SERIAL NUMBER / REMARKS
002 -	NPN		RF	MOUNTING HARDWARE 2	
1	FS2-9540-000		2	SCREW, STEPPED, M5	
2	FS2-9542-000		3	SCREW, STEPPED	

# FIGURE 210 READER ASSEMBLY (1/2)

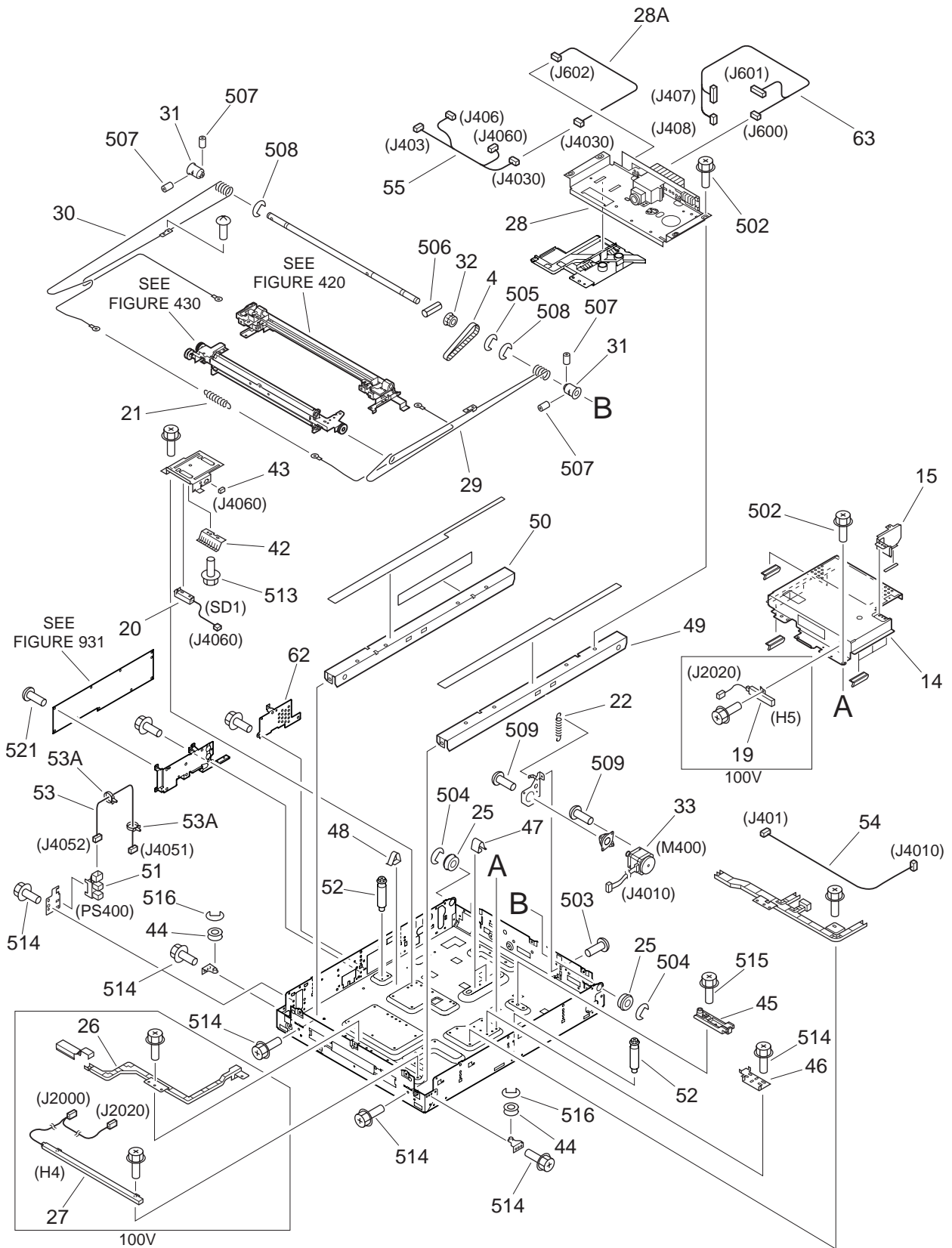




FIGURE & KEY NO.	PART NUMBER	RANK	QTY	DESCRIPTION	SERIAL NUMBER / REMARKS
210 -	NPN		RF	READER ASSEMBLY	
1	FB4-5402-000		2	PLATE, GLASS	
2	FB5-3058-000		1	COVER, POCKET, LEFT	
3	FB5-3059-000		1	COVER, POCKET, RIGHT	
4	FB5-5206-000		1	BELT, SCANNER DRIVE	
5	FH2-6756-000		1	CABLE, DDI-S INTERFACE	J5502,9202
6	FB5-5239-000		2	PLATE, INVERTER	
7	FB5-5221-000		1	PANEL, READER, RIGHT	
8	FH2-6552-000		1	COVER, CONNECTOR	
9	FF3-4279-000		1	CABLE, INVERTER	J402,4020
9A	WT2-5565-000		1	CLAMP, CABLE	
10	FF3-4284-000		1	CABLE, CCD GROUNDING	J603
11	FF5-9816-000		1	GLASS, READER	
11A	FB5-4586-000		1	SPRING, GROUNDING	
12	FF6-0342-000		1	PANEL, READER, LEFT	
12A	FB5-5567-000		1	SEAL, GLASS, 2	
13	FF6-0384-020		1	PANEL, REAR	
14	FF6-0328-000		1	SHIELD, CCD	
15	FF6-0329-000		1	SHIELD, MOTOR	
16	FF6-0340-000		1	GUIDE, PAPER	
17	FF9-1858-000		1	GLASS, COPYBOARD	AB SIZE
	FF9-1859-000		1	GLASS, COPYBOARD	INCH/A SIZE
	FF9-1860-000		1	GLASS, COPYBOARD	A SIZE
	FF9-1861-000		1	GLASS, COPYBOARD	INCH/AB SIZE
17A	FB5-3052-000		1	PLATE, WIDTH INDEX	AB SIZE
	FB5-4557-000		1	PLATE, WIDTH INDEX	INCH/A SIZE
	FB5-4558-000		1	PLATE, WIDTH INDEX	A SIZE
	FB5-4559-000		1	PLATE, WIDTH INDEX	INCH/AB SIZE
17B	FB5-4535-000		1	PLATE, LENGTH INDEX	AB SIZE
	FB5-4553-000		1	PLATE, LENGTH INDEX	INCH/A SIZE

FIGURE & KEY NO.	PART NUMBER	RANK	QTY	DESCRIPTION	SERIAL NUMBER / REMARKS
210 - 17B	FB5-4554-000		1	PLATE, LENGTH INDEX	A SIZE
	FB5-4555-000		1	PLATE, LENGTH INDEX	INCH/AB SIZE
18	FH3-7211-020		1	LAMP INVERTER PCB ASSEMBLY	
19	FH7-4666-000		1	HEATER, PLATE	100V H5 J2020
20	FH7-7550-000		1	PAPER DETECT SENSOR UNIT	SD1 J4060
21	FS6-2913-000		1	SPRING, TENSION	
22	FS7-2399-000		1	SPRING, TENSION	
23	FF6-0346-000		1	PANEL, READER, FRONT	
24	XA9-0721-000		2	SCREW,RS,M4X10	
25	XG9-0250-000		2	BEARING, BALL	
26	FB5-3498-000		1	GUIDE, HEATER CABLE	100V
27	FH7-4665-000		1	HEATER, PLATE	100V H4 J2000,2020
28	FG6-7982-000		1	CCD UNIT	
28A	FF3-4269-000		1	CABLE, CCD POWER SUPPLY	J602,4030
29	FB5-3085-000		1	WIRE, SCANNER, FRONT (MECH)	
30	FB5-3086-000		1	WIRE, SCANNER, REAR (MECH)	
31	FB5-3087-000		2	PULLEY	
32	FS5-3826-000		1	PULLEY, 36T	
33	FH6-1856-000		1	MOTOR, STEPPING	M400 J4010
34	FB5-3090-000		1	LEVER, SENSOR	
35	FB5-3635-000		1	COVER, SENSOR	
36	FB5-3636-000		1	SPRING, TORSION	
37	FF3-4280-000		1	CABLE, DF MOUNT, LEFT	J405,4051,4053
37A	VS1-5057-003		1	CONNECTOR, SNAP TIGHT	J4051
38	FH7-7557-000		1	PHOTO-INTERRUPTER	PS401 J4053
39	FS5-9227-000		1	SCREW,STEPPED,M4	
40	FG3-1679-000		1	CABLE, ADF-S, LATTICE	J404,4100,4101
40A	WE8-5858-000		1	CORE, FERRITE	
41	FF3-4273-000		1	CABLE, INVERTER CONNECT	J4020,4021
41A	VS1-6318-005		1	CONNECTOR, SNAP TIGHT	J4020

FIGURE & KEY NO.	PART NUMBER	R A N K	Q' T Y	DESCRIPTION	SERIAL NUMBER / REMARKS
210 - 42	FB5-5551-000		1	SPRING, LEAF	
43	VS1-5057-003		1	CONNECTOR, SNAP TIGHT	J4060
44	FB1-7109-000		2	PULLEY	
45	FB3-2398-020		1	LEVER	
46	FB5-3046-000		1	PLATE, SKEW ADJUSTMENT	
47	FB5-5228-000		2	SPRING, LEAF	
48	FB5-5544-000		1	SPRING, LEAF	
49	FF5-9820-000		1	RAIL, SCANNER, FRONT	
50	FF5-9821-000		1	RAIL, SCANNER, REAR	
51	FH7-7557-000		1	PHOTO-INTERRUPTER	PS400 J4052
52	FS5-9642-000		2	SCREW, STEPPED, M4	
53	FG6-4971-000		1	CABLE, HOME POSITION SENSOR	J4051, 4052
53A	WT2-5565-000		2	CLAMP, CABLE	
54	FF3-4267-000		1	CABLE, SCANNER MOTOR	J401, 4010
55	FG3-1683-000		1	CABLE, PAPER DETECT SENSOR	J403, 406, 4030, 4060
56	RH2-5191-000		1	CORD, POWER	100V P1
57	FG6-4985-000		1	CABLE, DDI-S POWER SUPPLY	J2, 9200
58	FB5-5555-000		2	COVER, BLANKING	
59	FB5-5593-000		1	LABEL, "SERVICE"	
60	FB6-0340-000		1	GUIDE, PAPER	
61	FB6-0344-000		2	RETAINER, GASKET	
62	FF6-0331-000		1	PLATE, BLANKING	
63	FG3-2397-000		1	CABLE, CCD	J407, 408, 600, 601
64	FS6-8478-000		1	LABLE, POWER	100V
65	XA9-0642-000		6	SCREW, RS, M3X6	
66	FB5-5458-000		1	COVER, INLET	120/220/240V
67	FB5-5462-000		1	SHEET, FIXED SUPPORT	
68	FB5-5467-000		3	SPRING, LEAF	
69	FG6-7978-000		1	DDIS PCB ASSEMBLY	
69A	FG3-2398-000		1	CABLE, FLAT	J409, 5501



FIGURE & KEY NO.	PART NUMBER	RANK	QTY	DESCRIPTION	SERIAL NUMBER / REMARKS
210 - 69B	FG3-2399-000		1	CABLE, DDIS POWER SUPPLY	J411,5503
70	FG3-1680-000		1	CABLE, POWER SUPPLY, LATTICE	J400,4101,9200
70A	WE8-5858-000		2	CORE, FERRITE	
71	FG3-1682-000		1	FUSE PCB ASSEMBLY	100/220/240V
72	FG6-5956-000		1	CABLE, INLET	100V P2 J5602
501	XB1-2300-407		2	SCREW,MACH.,TRUSS HEAD,M3X4	
502	XB3-6400-800		67	SCREW,RS,M4X8	
503	XB6-7300-409		2	SCREW,TP,M3X4	
504	XD2-1100-642		4	RING,E	
505	XD2-1100-642		1	RING,E	
506	XD3-1250-142		1	PIN,SPRING	
507	XB6-2400-508		4	SETSCREW,M4X5	
508	XD2-1100-642		2	RING,E	
509	XB1-2300-609		4	SCREW,MACH.,TRUSS HEAD,M3X6	
510	XB3-6400-800		1	SCREW,RS,M4X8	
511	XB1-2300-609		2	SCREW,MACH.,TRUSS HEAD,M3X6	
512	XB2-7400-609		1	SCREW,W/WASHER,M4X6	
513	XB3-6400-800		1	SCREW,RS,M4X8	
514	XB3-6400-800		19	SCREW,RS,M4X8	
515	XB3-6401-205		1	SCREW,RS,M4X12	
516	XD2-1100-642		2	RING,E	
517	XB3-6400-800		6	SCREW,RS,M4X8	
518	XB1-2300-609		3	SCREW,MACH.,TRUSS HEAD,M3X6	
519	XB2-7400-607		2	SCREW,W/WASHER,M4X6	100/220/240V
520	XB6-7501-007		2	SCREW,TP,M5X10	
521	XB6-7300-607		10	SCREW,TP,M3X6	

# FIGURE 420 MIRROR ASSEMBLY 1

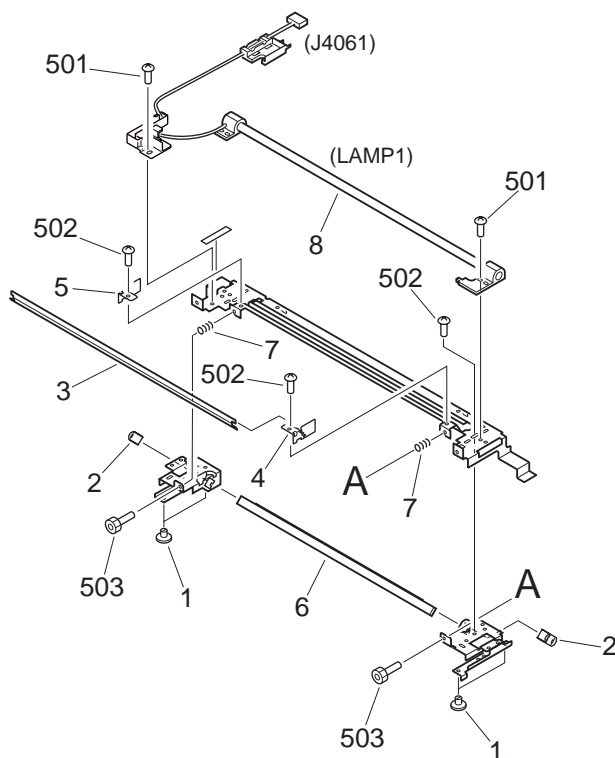


FIGURE & KEY NO.	PART NUMBER	RANK	QTY	DESCRIPTION	SERIAL NUMBER / REMARKS
420 -	FG6-6018-000		1	MIRROR ASSEMBLY 1	
1	FB3-2411-000		4	PIN, SLIDE	
2	FB4-5434-000		2	SPRING, LEAF	
3	FB5-5211-000		1	REFLECTOR	
4	FB5-5212-000		1	SIDE REFLECTOR, FRONT	
5	FB5-5213-000		1	SIDE REFLECTOR, REAR	
6	FF6-0333-000		1	MIRROR UNIT 1	
7	FS6-2341-000		2	SPRING, COMPRESSION	
8	FG6-6028-000		1	LAMP, XENON FLUORESCENT	LAMP1 J4061
501	XB2-8300-809		3	SCREW,W/WASHER,M3X8	
502	XB6-7300-409		4	SCREW, TP,M3X4	
503	XB7-1030-169		2	SCREW,ALLEN HEAD,M3X16	

# FIGURE 430 MIRROR ASSEMBLY 2

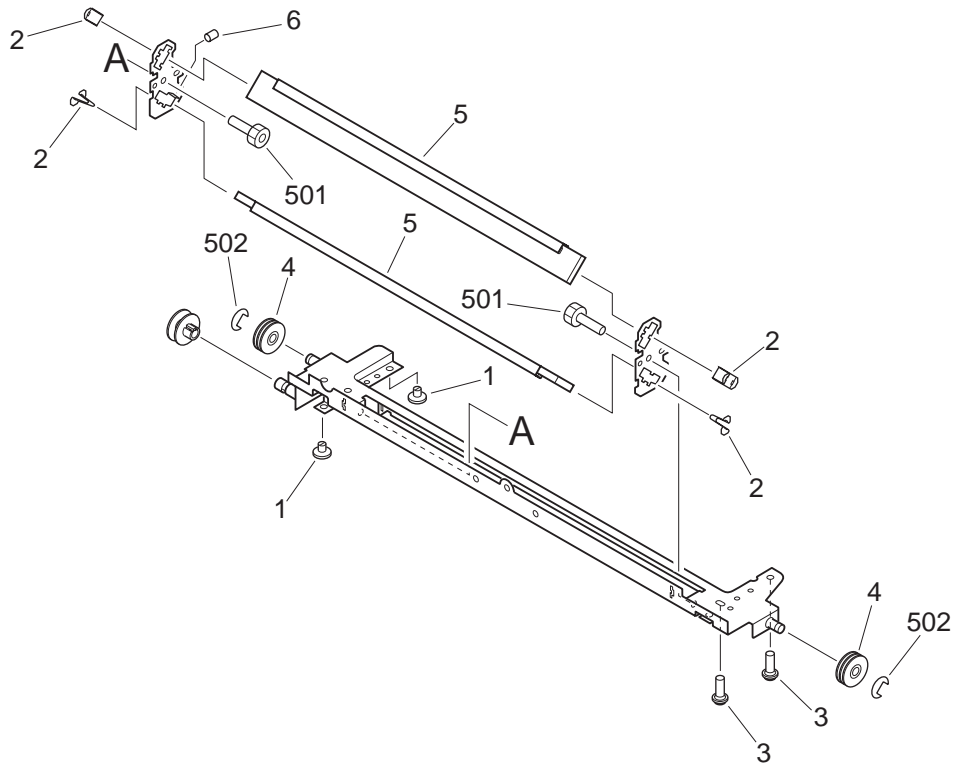


FIGURE & KEY NO.	PART NUMBER	RANK	QTY	DESCRIPTION	SERIAL NUMBER / REMARKS
430 -	FG6-6019-000		1	MIRROR ASSEMBLY 2	
1	FB3-2411-000		2	PIN, SLIDE	
2	FB6-0342-000		4	SPRING, LEAF	
3	FB4-5435-000		2	SLIDER B	
4	FB5-5226-000		2	PULLEY	
5	FF6-0334-000		2	MIRROR UNIT 2/3	
6	XA9-0425-000		1	SETSCREW, HEX SOCKET	
501	XB7-1030-069		2	SCREW, ALLEN HEAD, M3X6	
502	XD2-1100-502		2	RING, E	

# FIGURE 931 READER CONTROLLER PCB ASSEMBLY

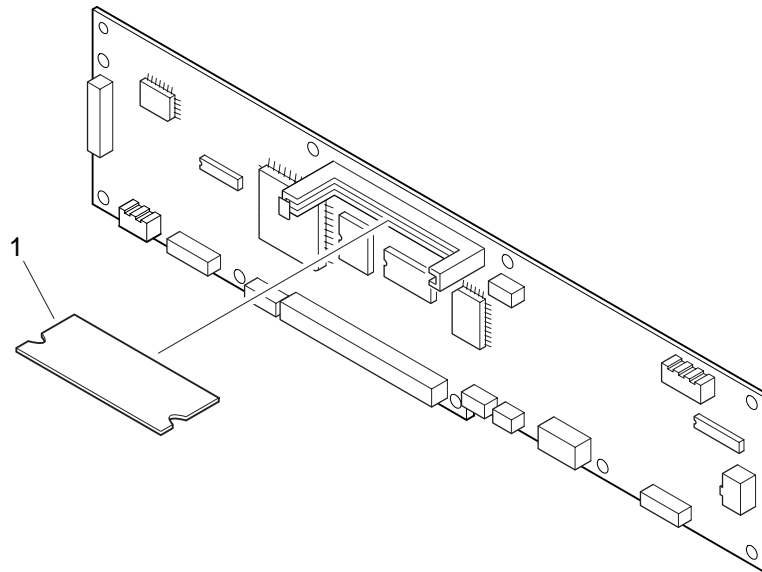
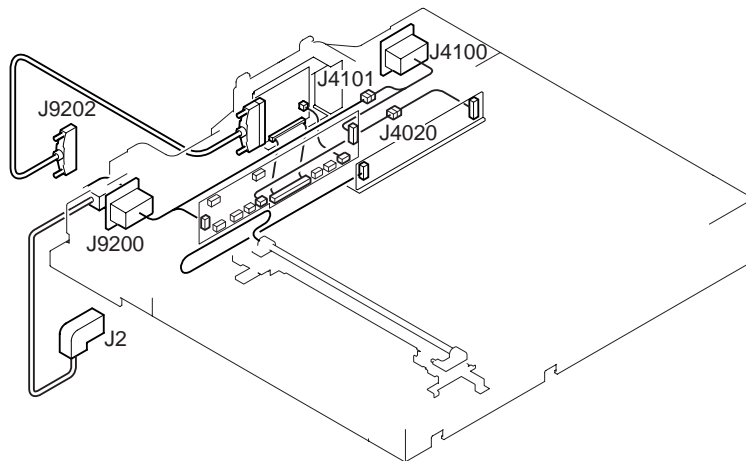
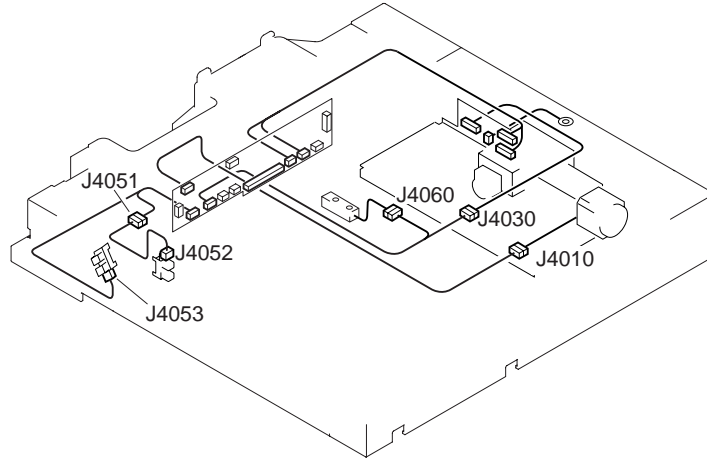


FIGURE & KEY NO.	PART NUMBER	RANK	QTY	DESCRIPTION	SERIAL NUMBER / REMARKS
931 -	FG3-1681-000		1	READER CONTROLLER PCB ASSEMBLY	
1	FG3-1736-070		1	DIMM ASSEMBLY	
FU921	VD7-1625-001		1	FUSE, 60V, 5A	
IC404	FH4-6123-000		1	IC, M38871M2-010GP, MCU	
IC405	FH4-5987-000		1	IC, AN2190FHQ, D/A CONVERTER	
IC407	FH4-6102-000		1	IC, UPD82425GD-001-LML	
IC424	FH4-6202-000		1	IC, SLA7044MC	
IC920	FH4-5855-000		1	IC, H8D2760A, PWM CONTROL	
L924	FH3-0932-000		1	COIL, CHOKE	



# FIGURE B1 LIST OF CONNECTORS



100V

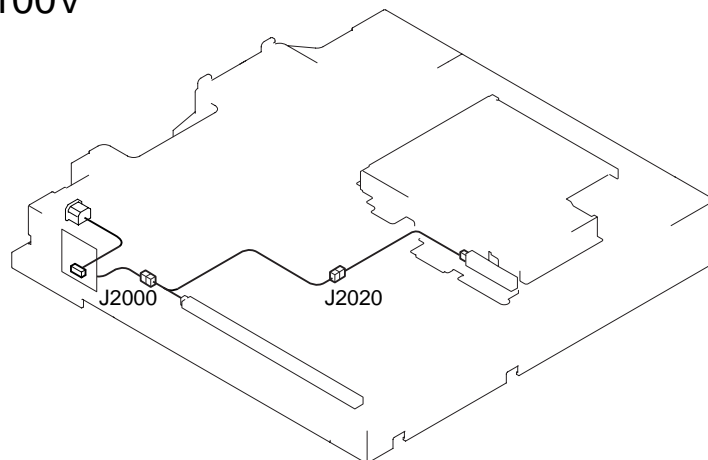


FIGURE & KEY NO.	PART NUMBER	RANK	QTY	DESCRIPTION	SERIAL NUMBER / REMARKS
B1 -	NPN		RF	LIST OF CONNECTORS	
J2	SYS			TO PRINTER	
	FH2-6856-000		1	HOUSING	
	FH2-5821-000		1	CONNECTOR, 12P, MALE	
	WS3-5264-000		5	SOCKET CONTACT	
J400	PCB			READER CONTROLLER	
	VS3-5083-002		1	CONNECTOR, 2P, FEMALE	
	WS3-5160-000		2	SOCKET CONTACT, 18-24AWG	
J401	PCB			READER CONTROLLER	
	VS1-6302-006		1	CONNECTOR, 6P, MALE	
J402	PCB			READER CONTROLLER	
	VS1-6314-004		1	CONNECTOR, 4P, FEMALE	
J403	PCB			READER CONTROLLER	
	VS3-5083-004		1	CONNECTOR, 4P, FEMALE	
J404	PCB			READER CONTROLLER	
	VS1-5452-007		1	CONNECTOR, 7P, FEMALE	
J405	PCB			READER CONTROLLER	
	VS1-6314-006		1	CONNECTOR, 6P, FEMALE	
J406	PCB			READER CONTROLLER	
	VS1-6314-003		1	CONNECTOR, 3P, MALE	
J407	PCB			READER CONTROLLER	
	VS1-6314-010		1	CONNECTOR, 10P, FEMALE	
J408	PCB			READER CONTROLLER	
J409	PCB			READER CONTROLLER	
	VS1-6314-005		1	CONNECTOR, 5P, FEMALE	
	VS1-6407-080		1	CONNECTOR, 80P, FEMALE	
J411	PCB			READER CONTROLLER	
	VS1-6302-003		1	CONNECTOR, 3P, FEMALE	

FIGURE & KEY NO.	PART NUMBER	RANK	QTY	DESCRIPTION	SERIAL NUMBER / REMARKS
B1 - J411	WS3-5569-000		2	PIN, CONTACT	
J600	PCB			CCD	
	VS1-6313-011		1	CONNECTOR, 11P, FEMALE	
J601	PCB			CCD	
	VS1-6313-004		1	CONNECTOR, 4P, FEMALE	
J602	PCB			CCD	
	VS3-5083-004		1	CONNECTOR, 4P, FEMALE	
	WS3-5160-000		4	SOCKET CONTACT, 18-24AWG	
J603	PCB			CCD	
	VS3-5083-002		1	CONNECTOR, 2P, FEMALE	
J2000	WS3-5160-000		1	SOCKET CONTACT, 18-24AWG	
	PCB			FUSE	100V
	NPN			MIRROR HEATER	100V H4
J2020	NPN			LENS HEATER	100V H5
	NPN			MIRROR HEATER	100V H4
J4010	NPN			OPTICAL MOTOR	M400
	VS1-6302-006		1	CONNECTOR, 6P, MALE	
	WS3-5569-000		6	PIN, CONTACT	
J4020	VS1-6314-005		2	CONNECTOR, 5P, FEMALE	
	VS1-6318-005		1	CONNECTOR, SNAP TIGHT	
J4021	PCB			LAMP INVERTER	
	VS1-6314-004		1	CONNECTOR, 4P, FEMALE	
J4030	VS1-5729-004		1	CONNECTOR, 4P, MALE	
	VS3-5083-004		1	CONNECTOR, 4P, FEMALE	
	WS3-5160-000		4	SOCKET CONTACT, 18-24AWG	
J4051	WS3-5301-000		4	PIN CONTACT	
	VS1-5057-003		1	CONNECTOR, SNAP TIGHT	
	VS1-6320-003		2	CONNECTOR, 3P, MALE	
J4052	NPN			OPTICAL HP SENSOR	PS400
	VS1-6321-003		1	CONNECTOR, 3P, FEMALE	



FIGURE & KEY NO.	PART NUMBER	RANK	QTY	DESCRIPTION	SERIAL NUMBER / REMARKS
B1 - J4053	NPN			COPYBOARD COVER OPEN SENSOR	PS401
	VS1-6321-003		1	CONNECTOR, 3P, FEMALE	
J4060	NPN			PAPER DETECT SENSOR	SD1
	VS1-6321-003		1	CONNECTOR, 3P, FEMALE	
	VS1-5057-003		1	CONNECTOR, SNAP TIGHT	
J4061	PCB			LAMP INVERTER	
	NPN			SCANNING LAMP	LAMP1
J4100	SYS			ADF-S	
	FH2-6480-000		1	CONNECTOR, FEMALE	
	VS1-5452-007		1	CONNECTOR, 7P, FEMALE	
J4101	WS3-5596-000		3	PIN CONTACT, 18-24AWG	
	VS1-5729-002		1	CONNECTOR, 2P, MALE	
	VS3-5083-002		1	CONNECTOR, 2P, FEMALE	
	WS3-5160-000		2	SOCKET CONTACT, 18-24AWG	
	WS3-5301-000		2	PIN CONTACT	
J5501	PCB			DIFFERENTIAL	
	VS1-6407-080		1	CONNECTOR, 80P, FEMALE	
J5502	PCB			DIFFERENTIAL	
	FH2-6756-000		1	CABLE, DDI-S INTERFACE	
J5503	PCB			DIFFERENTIAL	
J5602	VS1-6302-003		2	CONNECTOR, 3P, FEMALE	
	WS3-5569-000		4	PIN, CONTACT	
	PCB			FUSE	100V
	VS3-5083-003		1	CONNECTOR, 3P, FEMALE	100V
	WS3-5160-000		2	SOCKET CONTACT, 18-24AWG	100V
J9200	FH2-6856-000		1	HOUSING	
	FH2-5821-000		1	CONNECTOR, 12P, MALE	
	FH2-6855-000		1	CONNECTOR, 12P, FEMALE	
	FH2-5825-000		5	PIN CONTACT, 16-20AWG	
	WS3-5264-000		5	SOCKET CONTACT	

FIGURE & KEY NO.	PART NUMBER	R A N K	Q' T Y	DESCRIPTION	SERIAL NUMBER / REMARKS
B1 - J9202	SYS			TO PRINTER	
	FH2-6756-000		1	CABLE, DDI-S INTERFACE	



# FIGURE B2 LIST OF ELECTRIC PARTS

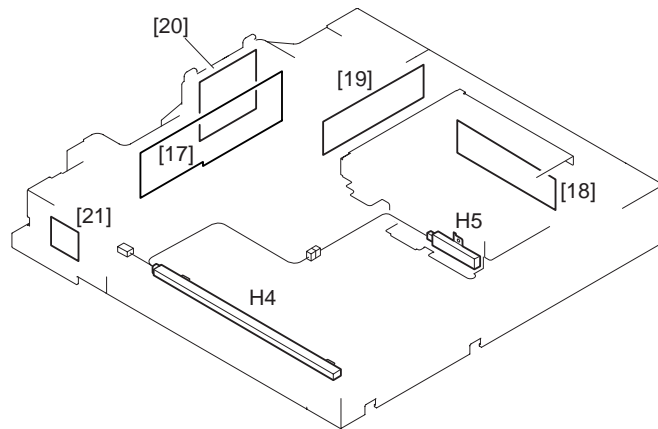
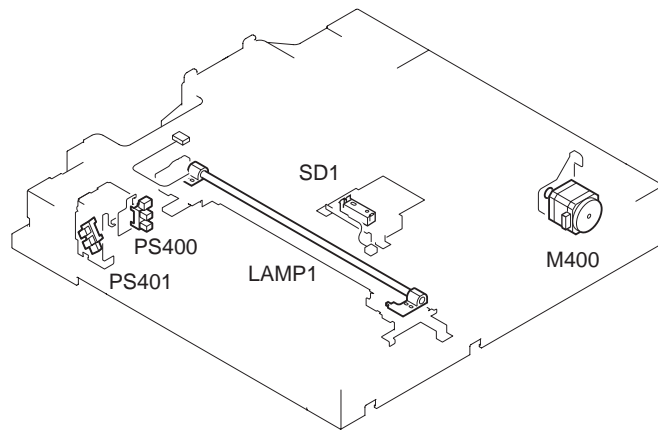


FIGURE & KEY NO.	PART NUMBER	RANK	QTY	DESCRIPTION	SERIAL NUMBER / REMARKS
B2 -	NPN		RF	LIST OF ELECTRIC PARTS	
17	FG3-1681-000		1	READER CONTROLLER PCB ASSEMBLY	
18	FG6-7982-000		1	CCD UNIT	
19	FH3-7211-020		1	LAMP INVERTER PCB ASSEMBLY	
20	FG6-7978-000		1	DDIS PCB ASSEMBLY	
21	FG3-1682-000		1	FUSE PCB ASSEMBLY	100/220/240V
H4	FH7-4665-000		1	HEATER, PLATE	100V
H5	FH7-4666-000		1	HEATER, PLATE	100V
LAMP1	FG6-6028-000		1	LAMP, XENON FLUORESCENT	
M400	FH6-1856-000		1	MOTOR, STEPPING	
PS400	FH7-7557-000		1	PHOTO-INTERRUPTER	
PS401	FH7-7557-000		1	PHOTO-INTERRUPTER	
SD1	FH7-7550-000		1	PAPER DETECT SENSOR UNIT	



**iR2200i/2800i/3300i  
/2220i/2250i/2820i  
/2850i/3320i/3350i  
/2220N/3320N  
/3320G**

## LIST OF ORDER AND SERIAL NUMBERS

NAME	REMARKS	ORDER No.	MIDDLE ORDER No.	SERIAL No.
iR2200i	100V	7470A001AA	F14-0115-000	MJD00001-
	230V ITA	7470A002AA	F14-0125-000	QSZ00001-
	230V	7470A003AA	F14-0145-000	RSD00001-
	230V GB	7470A004AA	F14-0155-000	QEV00001-
	230V AU	7470A005AA	F14-0165-000	REU00001-
	230V FRN	7470A006AA	F14-0175-000	SDT00001-
	230V GER	7470A007AA	F14-0185-000	TEG00001-
	230V EUR	7470A008AA	F14-0195-000	UJB00001-
iR2800i	100V	7469A001AA	F14-3415-000	MJF00001-
iR3300i	100V	7468A001AA	F14-0215-000	MJE00001-
	120V UL	7468A002AA	F14-0235-000	MQC00001-
	230V ITA	7468A003AA	F14-0225-000	RSC00001-
	230V	7468A004AA	F14-0245-000	RSE00001-
	230V GB	7468A005AA	F14-0255-000	QEW00001-
	230V AU	7468A006AA	F14-0265-000	REV00001-
	230V FRN	7468A007AA	F14-0275-000	SDU00001-
	230V GER	7468A008AA	F14-0285-000	TEH00001-
	230V EUR	7468A009AA	F14-0295-000	UJC00001-
iR2220i	230V ITA	8715A008AA	F14-4921-000	JAG00001-
	120V UL	8715A002AA	F14-4931-000	JAE00001-
	230V	8715A009AA	F14-4941-000	JAH00001-
	230V GB	8715A005AA	F14-4951-000	JAJ00001-
	230V AU	8715A010AA	F14-4961-000	JAK00001-
	230V FRN	8715A006AA	F14-4971-000	JAL00001-
	230V GER	8715A007AA	F14-4981-000	JAM00001-
	230V EUR	8715A004AA	F14-4991-000	UKN00001-



## LIST OF ORDER AND SERIAL NUMBERS

NAME	REMARKS	ORDER No.	MIDDLE ORDER No.	SERIAL No.
iR2220N	120V UL	8718A002AA	F14-4932-000	JBB00001-
	230V ITA	8718A008AA	F14-4922-000	JBD00001-
	230V GB	8718A005AA	F14-4952-000	JBH00001-
	230V FRN	8718A006AA	F14-4972-000	JBK00001-
	230V GER	8718A007AA	F14-4982-000	JBL00001-
	230V EUR	8718A004AA	F14-4992-000	JBP00001-
iR2250i	100V	8715A001AA	F14-4911-000	JAD00001-
iR2820i	220V KR	8717A002AA	F14-5080-000	JAZ00001-
iR2850i	100V	8717A001AA	F14-5012-000	JAY00001-
iR3320i	230V ITA	8716A008AA	F14-5021-000	JAQ00001-
	120V UL	8716A002AA	F14-5031-000	MSV00001-
	230V	8716A009AA	F14-5041-000	JAR00001-
	230V GB	8716A005AA	F14-5051-000	JAS00001-
	220V CN	8716A012AA	F14-5060-000	JAX00001-
	230V AU	8716A010AA	F14-5061-000	JAT00001-
	220V KR	8716A011AA	F14-5070-000	JAW00001-
	230V FRN	8716A006AA	F14-5071-000	JAU00001-
	230V GER	8716A007AA	F14-5081-000	JAV00001-
	230V EUR	8716A004AA	F14-5091-000	QRG00001-
	iR3320N	230V ITA	8719A008AA	F14-5023-000
120V UL		8719A002AA	F14-5033-000	MSW00001-
230V GB		8719A005AA	F14-5053-000	JBS00001-
230V FRN		8719A006AA	F14-5073-000	JBU00001-
230V GER		8719A007AA	F14-5083-000	JBY00001-
230V EUR		8719A004AA	F14-5093-000	JBZ00001-

## LIST OF ORDER AND SERIAL NUMBERS

NAME	REMARKS	ORDER No.	MIDDLE ORDER No.	SERIAL No.
iR3350i	100V	8716A001AA	F14-5011-000	JAN00001
iR3320G	120V UL	8719A003AA	F14-5003-000	JDX00001-

# CONTENTS

## A. ASSEMBLY LOCATION DIAGRAM

- 100. EXTERNAL COVERS, PANELS, ETC.
- 101. MACHINE FRONT PLATE
- 102. INTERNAL COMPONENTS 1
- 103. INTERNAL COMPONENTS 2
- 104. INTERNAL COMPONENTS 3
- 105. INTERNAL COMPONENTS 4
- 106. INTERNAL COMPONENTS 5
- 107. MACHINE REAR PLATE
- 110. POWER CORD TERMINAL ASSEMBLY(100/120V)
- 111. POWER CORD TERMINAL ASSEMBLY(220/240V)
- 120. RIGHT DOOR ASSEMBLY
- 130. CONTROL PANEL ASSEMBLY
- 190. DEVELOPING FAN ASSEMBLY
- 191. MACHINE EXHAUST FAN ASSEMBLY
  
- 250. MAIN DRIVE ASSEMBLY
- 260. PAPER PICK-UP DRIVE ASSEMBLY
- 261. DUPLEXING DRIVE ASSEMBLY
- 280. FIXING FEEDER DRIVE ASSEMBLY
  
- 300. CASSETTE
- 310. PAPER PICK-UP MOUNT ASSEMBLY
- 315. MULTI FEEDER TRAY ASSEMBLY
- 320. REGISTRATION FRONT GUIDE ASSEMBLY
- 330. PAPER FEEDER ASSEMBLY
- 350. PAPER DELIVERY ASSEMBLY
- 351. LEFT VERTICAL PATH ASSEMBLY
- 360. DUPLEXING FEEDER ASSEMBLY
  
- 460. SCANNER ASSEMBLY
  
- 500. DRUM CARTRIDGE ASSEMBLY
  
- 640. DEVELOPING ASSEMBLY
  
- 810. FIXING ASSEMBLY
  
- 900. CONTROLLER BOX ASSEMBLY
- 910. HV POWER SUPPLY PCB ASSEMBLY
- 920. CONTROL PANEL CPU PCB ASSEMBLY
- 921. CONTROL PANEL INVERTER PCB ASSEMBLY
- 930. DC CONTROLLER PCB ASSEMBLY
- 940. PAPER PICK-UP PCB ASSEMBLY
- 950. RESOLUTION CONVERSION PCB ASSEMBLY

## B1. LIST OF CONNECTORS

## B2. LIST OF MOTORS

## B3. LIST OF FAN MOTORS

## B4. LIST OF SENSORS

## B5. LIST OF CLUTCHES, AND OTHERS

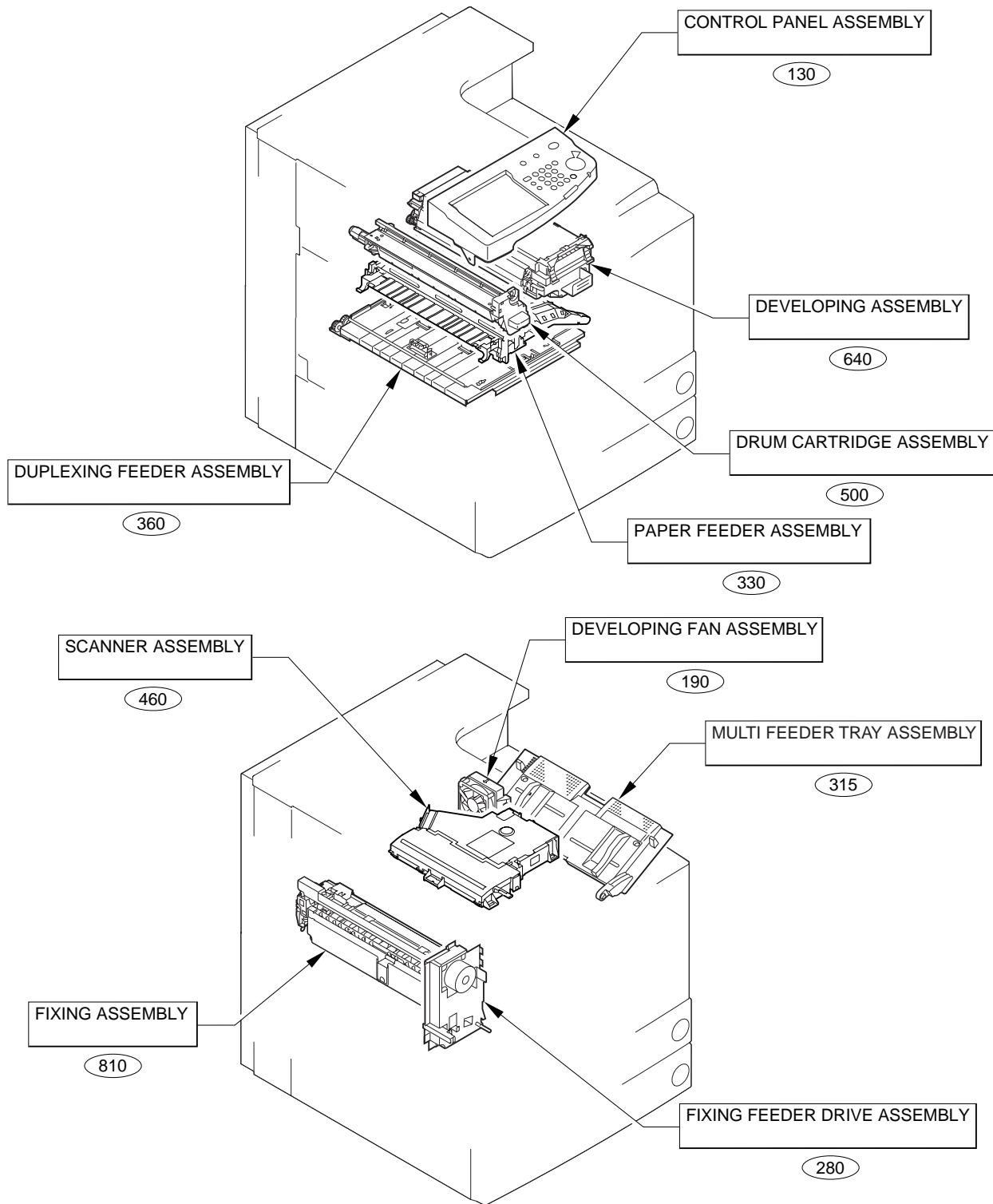
## B6. LIST OF HEATERS, LAMPS, ETC.

## B7. LIST OF PCBs

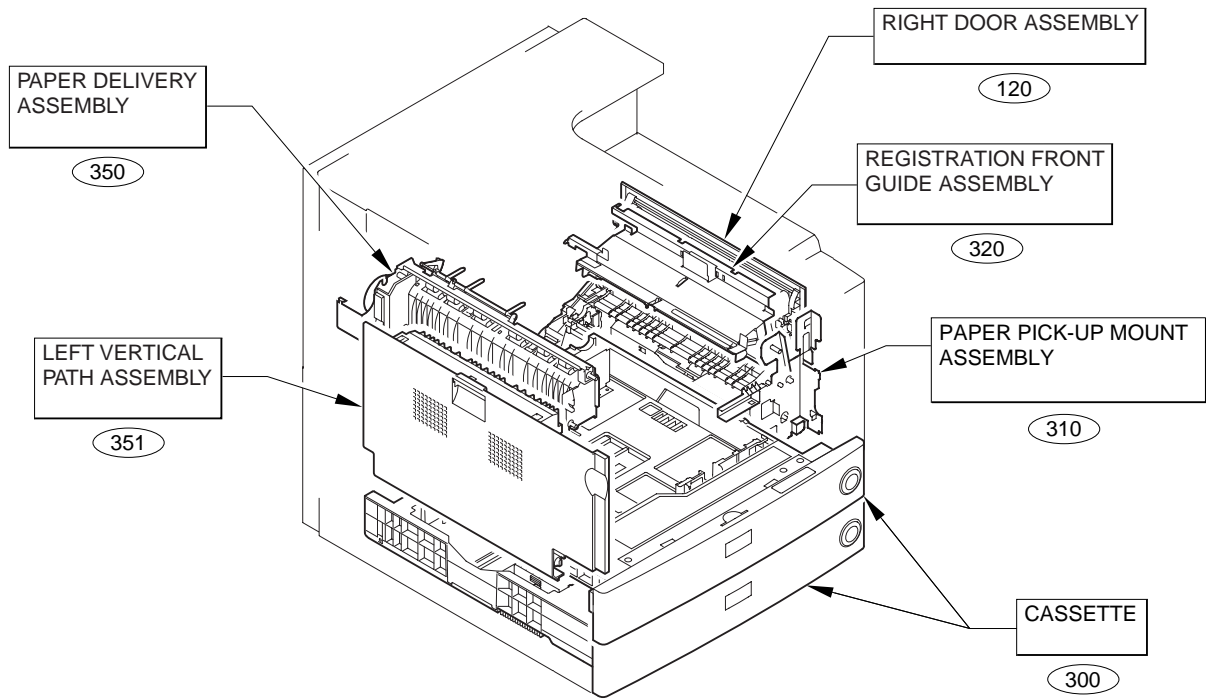
## D2. NUMERICAL INDEX

(iR2200i/2800i/3300i/2220i/2250i/2820i  
/2850i/3320i/3350i/2220N/3320N/3320G)

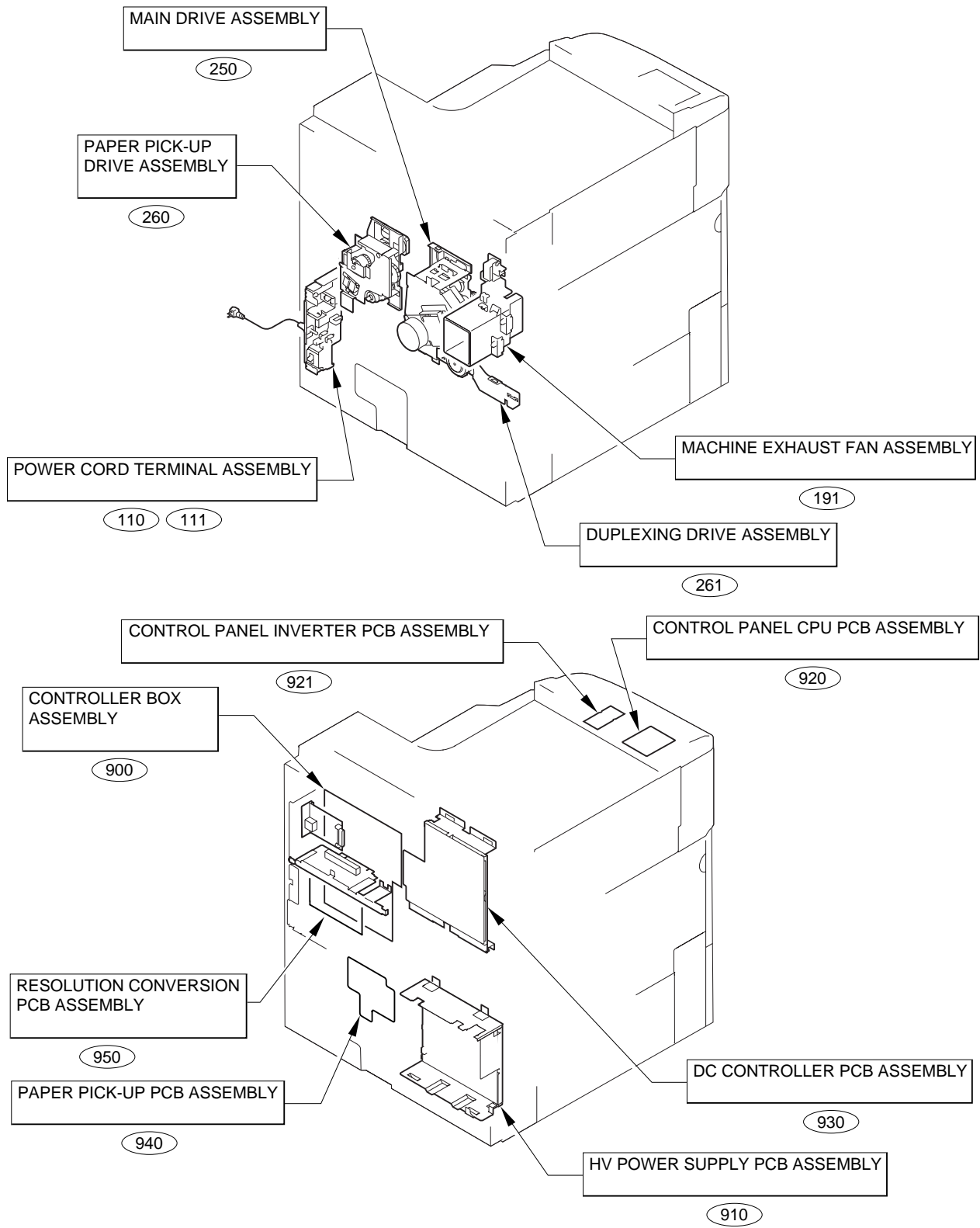
# FIGURE A ASSEMBLY LOCATION DIAGRAM (1/3)



# FIGURE A ASSEMBLY LOCATION DIAGRAM (2/3)



# FIGURE A ASSEMBLY LOCATION DIAGRAM (3/3)



# FIGURE 100 EXTERNAL COVERS, PANELS, ETC.

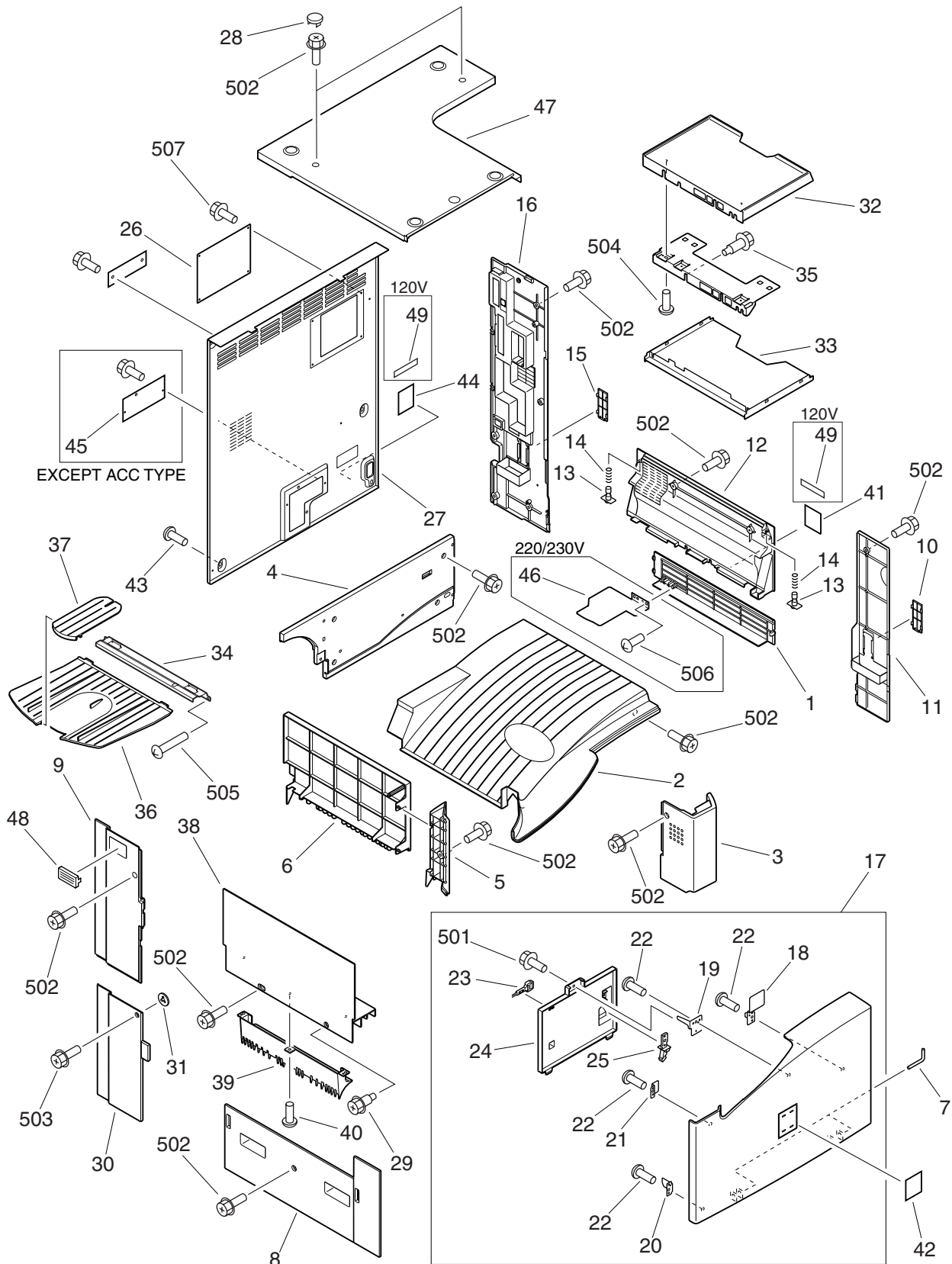


FIGURE & KEY NO.	PART NUMBER	RANK	QTY	DESCRIPTION	SERIAL NUMBER / REMARKS
100 -	NPN		RF	EXTERNAL COVERS, PANELS, ETC	
1	FB5-4769-000		1	PANEL, RIGHT LOWER	
2	FB5-5055-000		1	PANEL, PRINTER, UPPER	
3	FB5-5058-000		1	PANEL, SUPPORT, LEFT	
4	FB5-5063-000		1	PANEL, INTERNAL, REAR	
5	FB5-5182-000		1	PANEL, LEFT SUPPORT, REAR	
6	FB5-5186-030		1	PANEL, PAPER DELIVERY	
7	FB3-2224-000		2	PIN, HINGE	
8	FB5-5266-020		1	LEFT PANEL, MIDDLE	
9	FB5-5267-000		1	LEFT PANEL, REAR	
10	FB5-4731-000		1	PLATE, BLANKING	
11	FB5-4741-030		1	RIGHT PANEL, FRONT	
12	FB5-4767-000		1	RIGHT PANEL, MIDDLE	
13	FB5-4772-000		2	LINK, TRAY	
14	FS7-2404-000		2	SPRING, COMPRESSION	
15	FB5-4731-000		1	PLATE, BLANKING	
16	FB5-4768-000		1	RIGHT PANEL, REAR	
17	FG6-5736-000		1	PANEL, FRONT	
18	FB5-5053-000		1	PLATE, SWITCH SHAFT PRESSURE	
19	FB5-5067-000		1	PLATE, SHUTTER LEVER PRESSURE	
20	FB5-5069-000		1	PLATE, INTERLOCK	
21	FB5-5070-000		1	PLATE, CATCH, LEFT	
22	XA9-0605-000		4	SCREW,P,M4X8	
23	FB4-5380-000		1	BRUSH, CLEANING	
24	FB5-5052-000		1	CASE, SERVICE	
25	FF6-0074-020		1	MIRROR CLEANING TOOL	
26	FB1-7157-000		1	COVER, BLANKING, REAR	
27	FB5-5061-000		1	PANEL, REAR	
28	FB6-2852-000		2	COVER, RUBBER	
29	FS5-9661-000		1	SCREW,STEPPED,RS,M4	



FIGURE & KEY NO.	PART NUMBER	RANK	QTY	DESCRIPTION	SERIAL NUMBER / REMARKS
100 - 30	FB5-5057-000		1	PANEL, WASTE TONER	
31	XD9-0206-000		1	SPACER, SCREW RETAINER	
32	FB1-7737-000		1	TABLE, DOCUMENT, UPPER	
33	FB1-7738-000		1	TABLE, DOCUMENT, LOWER	
34	FB5-9806-000		1	SUPPORT, COPY TRAY	
35	XA9-1301-000		2	SCREW, RS STEPPED, M4	
36	FB4-5933-000		1	TRAY, DOCUMENT	
37	FB5-5143-000		1	TRAY, PAPER DELIVERY AUXILIARY	
38	FB5-4859-000		1	PANEL, PAPER DELIVERY	
39	FB5-4860-000		1	GUIDE, PAPER DELIVERY	
40	XA9-0605-000		3	SCREW,P,M4X8	
41	RS6-8382-000		1	LABEL, "WARNING LASER"	
42	FB6-4433-000		1	EMBLEM	IR2200I
	FB6-4434-000		1	EMBLEM	IR2800I
	FB6-4435-000		1	EMBLEM	IR3300I
	FB6-4436-000		1	EMBLEM	IMAGE RUNNER 3300I
	FB6-5907-000		1	EMBLEM	IR2250I
	FB6-5908-000		1	EMBLEM	IR2850I
	FB6-5909-000		1	EMBLEM	IR3350I
	FB6-5910-000		1	EMBLEM	IMAGE RUNNER 2220I
	FB6-5911-000		1	EMBLEM	IMAGE RUNNER 3320I
	FB6-5912-000		1	EMBLEM	IMAGE RUNNER 2220N
	FB6-5913-000		1	EMBLEM	IMAGE RUNNER 3320N
	FB6-5914-000		1	EMBLEM	IR2220I
	FB6-5915-000		1	EMBLEM	IR2820I
	FB6-5916-000		1	EMBLEM	IR3320I
	FB6-5917-000		1	EMBLEM	IR2220N
	FB6-5918-000		1	EMBLEM	IR3320N
	FB6-5927-000		1	EMBLEM	IMAGE RUNNER 3320G
43	XA9-0266-000		7	SCREW,W/WASHER,M4X8	

FIGURE & KEY NO.	PART NUMBER	RANK	QTY	DESCRIPTION	SERIAL NUMBER / REMARKS
100 - 44	RS6-8382-000		1	LABEL, "WARNING LASER"	
45	FB5-5068-000		1	PLATE, BLANKING	EXCEPT ACC TYPE
46	FB3-2381-000		1	COVER, PAPER PICK-UP, LOWER	220/230V
47	FB5-5066-000		1	PANEL, UPPER	
48	FH2-5824-000		1	COVER, CONNECTOR, 1	
49	FB5-0332-000		2	LABEL, "WARNING, LASER"	120V
501	XB3-6400-805		1	SCREW, RS, M4X8	
502	XB3-6400-800	AR		SCREW, RS, M4X8	
503	XB3-6400-800		1	SCREW, RS, M4X8	
504	XB4-7300-609		2	SCREW, TAPPING, TRUSS HEAD, M3X6	
505	XB6-7401-206		2	SCREW, TP, M4X12	
506	XB4-7400-809		2	SCREW, TAPPING, TRUSS HEAD, M4X8	220/230V
507	XB3-6400-800		7	SCREW, RS, M4X8	

# FIGURE 101 MACHINE FRONT PLATE

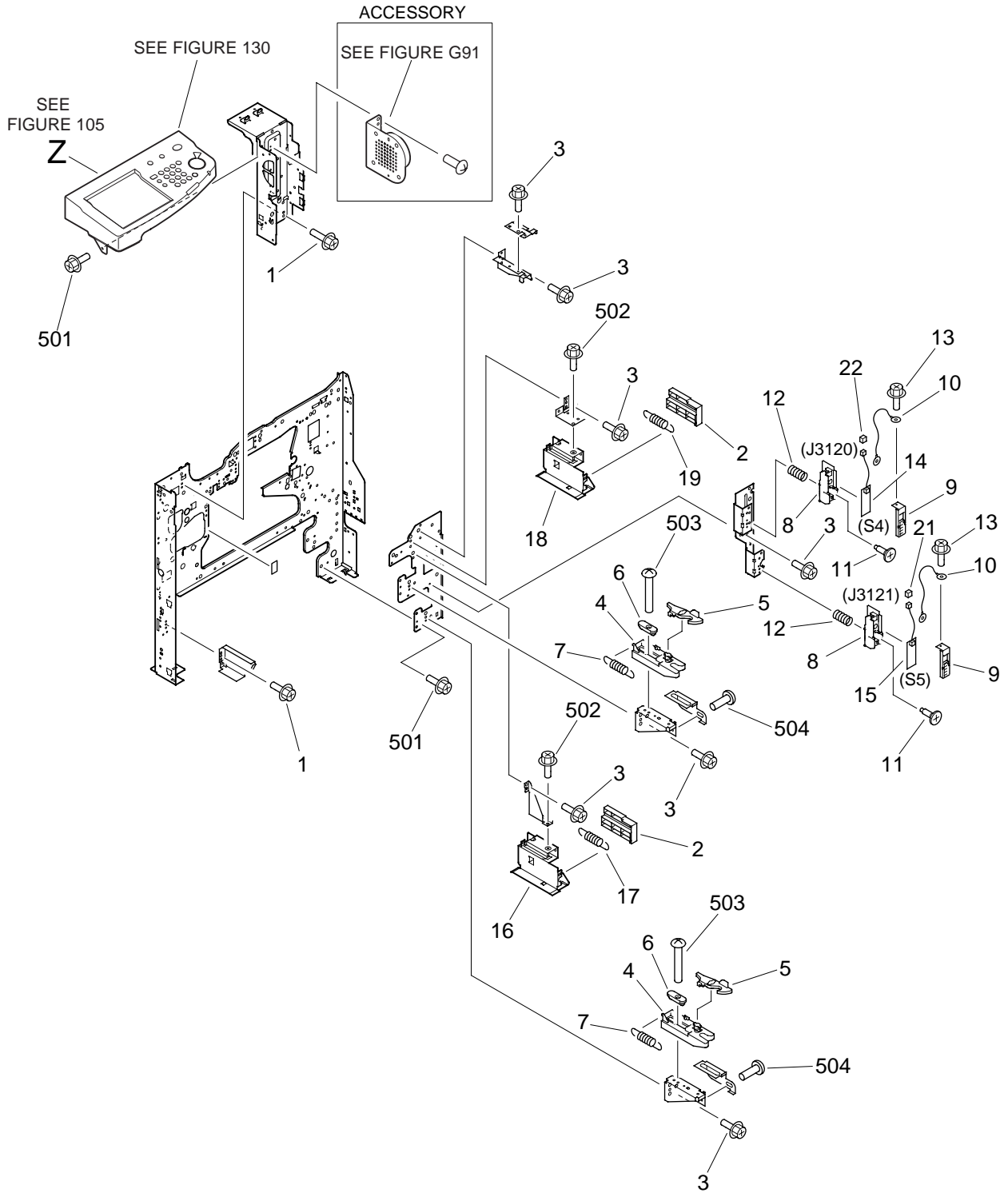


FIGURE & KEY NO.	PART NUMBER	R A N K	Q' T Y	DESCRIPTION	SERIAL NUMBER / REMARKS
101 -	NPN		RF	MACHINE FRONT PLATE	
1	XA9-0721-000		AR	SCREW,RS,M4X10	
2	FB5-3928-000		2	COVER, RIGHT RAIL	
3	XA9-0626-000		9	SCREW,RS,M3X6	
4	FB3-2937-000		2	BLOCK, CASSETTE STOP	
5	FB5-1471-000		2	LEVER, CLICK	
6	FB5-4762-000		2	GUIDE, CASSETTE CLICK	
7	FS7-2287-000		2	SPRING, TENSION	
8	FB3-2947-000		2	HOLDER, PCB	
9	FF6-0112-000		2	COVER, SIZE SENSOR PCB	
10	FF3-1171-000		2	CABLE, GROUNDING	
11	FS5-9397-000		2	SCREW,STEPPED,M4	
12	FS6-2311-000		2	SPRING, COMPRESSION	
13	XA9-0626-000		4	SCREW,RS,M3X6	
14	FG3-1617-000		1	UPPER CASSETTE SIZE PCB ASS'Y	S4 J3120
15	FG3-1618-000		1	LOWER CASSETTE SIZE PCB ASS'Y	S5 J3121
16	FF6-0087-000		1	RAIL, RIGHT, LOWER	
17	FS7-2288-000		1	SPRING, TENSION	
18	FF6-0096-000		1	RAIL, RIGHT, UPPER	
19	FS7-2288-000		1	SPRING, TENSION	
21	VS1-5057-006		1	CONNECTOR, SNAP TIGHT	J3121
22	VS1-5057-007		1	CONNECTOR, SNAP TIGHT	J3120
501	XB3-6400-800		AR	SCREW,RS,M4X8	
502	XB3-6400-805		2	SCREW,RS,M4X8	
503	XB1-2301-009		2	SCREW,MACH.,TRUSS HEAD,M3X10	
504	XB6-7400-609		2	SCREW,TP,M4X6	

# FIGURE 102 INTERNAL COMPONENTS 1

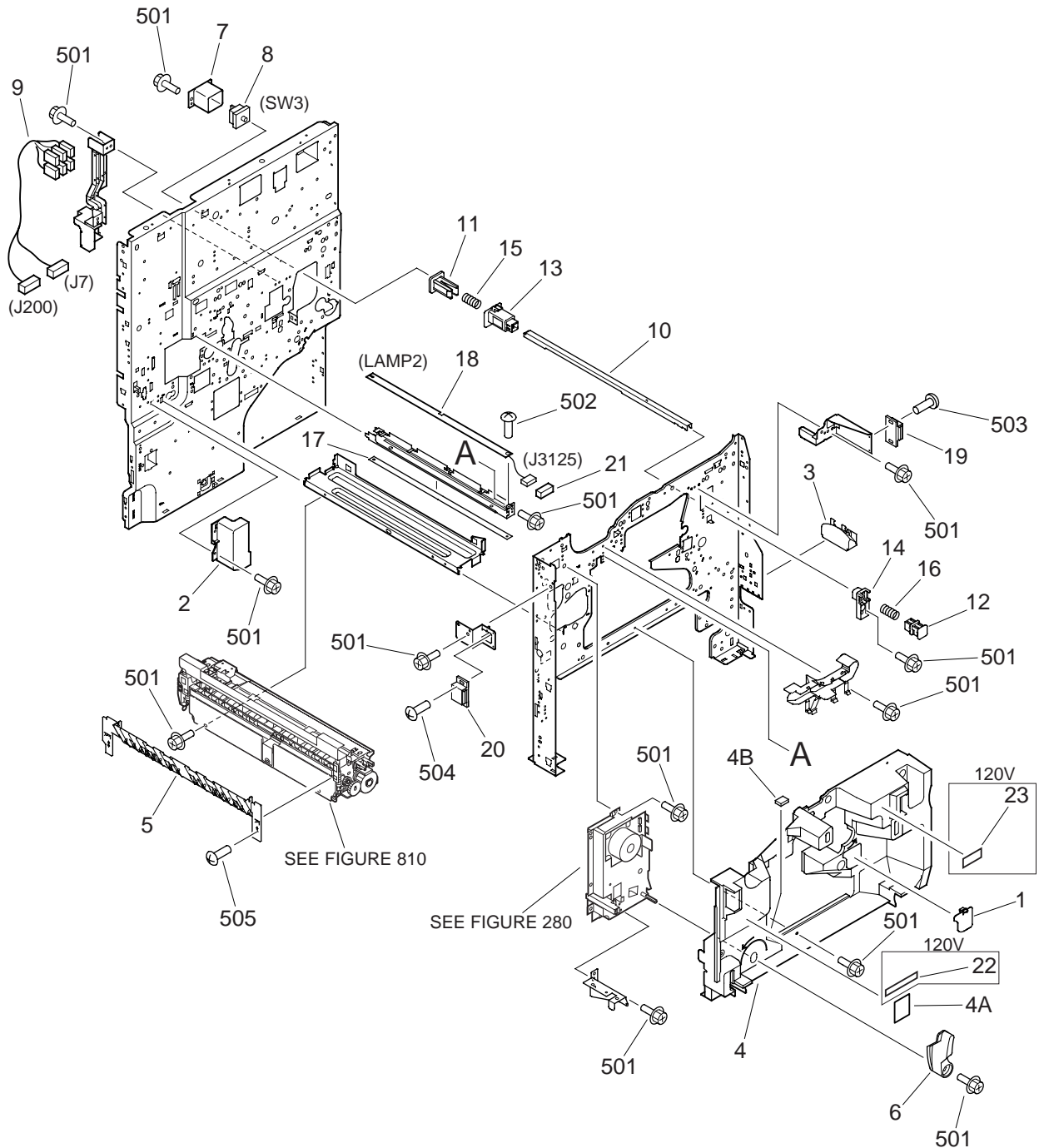


FIGURE & KEY NO.	PART NUMBER	RANK	QTY	DESCRIPTION	SERIAL NUMBER / REMARKS
102 -	NPN		RF	INTERNAL COMPONENTS 1	
1	FB5-5144-000		1	COVER, AUXILIARY	
2	FB5-5155-000		1	COVER, FIXING CONNECTOR	
3	FB5-5185-000		1	HANDLE, RIGHT FRONT	
4	FF6-0107-000		1	COVER, INTERNAL	
4A	FB5-0281-000		1	LABEL, "CAUTION LASER"	
4B	FB5-4839-000		1	DAMPER, PAPER FEED	
5	FF6-0138-000		1	GUIDE, PAPER DELIVERY	
6	FG6-0561-000		1	FEEDER ENGAGEMENT HANDLE UNIT	
7	FB4-3061-000		1	MOUNT, DOOR SWITCH	
8	WC8-5178-000		1	SWITCH, INTERLOCK	SW3
9	FG3-1602-000		1	CABLE, DOOR SWITCH, AC	J7,200
10	FB4-3062-000		1	SHAFT, DOOR SWITCH	
11	FB4-3063-000		1	BLOCK, SWITCH PRESSURE	
12	FB4-3064-000		1	BLOCK, SHAFT PRESSURE	
13	FB4-3065-000		1	HOLDER, DOOR SWITCH, REAR	
14	FB4-3066-000		1	HOLDER, DOOR SWITCH, FRONT	
15	FS6-2784-000		1	SPRING, COMPRESSION	
16	FS7-2411-000		1	SPRING, COMPRESSION	
17	FB3-2765-000		1	FILTER, PRECONDITION. EXPOSURE	
18	FG5-6297-000		1	PRECONDITIONING LAMP PCB UNIT	LAMP2 J3125
19	XZ9-0527-000		1	MAGNET CATCH	
20	XZ9-0526-000		1	MAGNET CATCH	
21	VS1-5057-002		1	CONNECTOR, SNAP TIGHT	J3125
22	FB5-0333-000		1	LABEL, "WARNING, HIGH VOLTAGE"	120V
23	FS6-8992-000		1	LABEL, TONER	120V
501	XB3-6400-800		AR	SCREW, RS, M4X8	
502	XB1-2300-609		1	SCREW, MACH., TRUSS HEAD, M3X6	
503	XB2-8300-807		2	SCREW, W/WASHER, M3X8	
504	XB2-8300-807		2	SCREW, W/WASHER, M3X8	

FIGURE & KEY NO.	PART NUMBER	R A N K	Q' T Y	DESCRIPTION	SERIAL NUMBER / REMARKS
102 - 505	XB6-7300-605		1	SCREW,TP,M3X6	
<hr style="border-top: 1px dashed black;"/>					
<hr style="border-top: 1px dashed black;"/>					
<hr style="border-top: 1px dashed black;"/>					
<hr style="border-top: 1px dashed black;"/>					
<hr style="border-top: 1px dashed black;"/>					
<hr style="border-top: 1px dashed black;"/>					
<hr style="border-top: 1px dashed black;"/>					
<hr style="border-top: 1px dashed black;"/>					





# FIGURE 103

## INTERNAL COMPONENTS 2

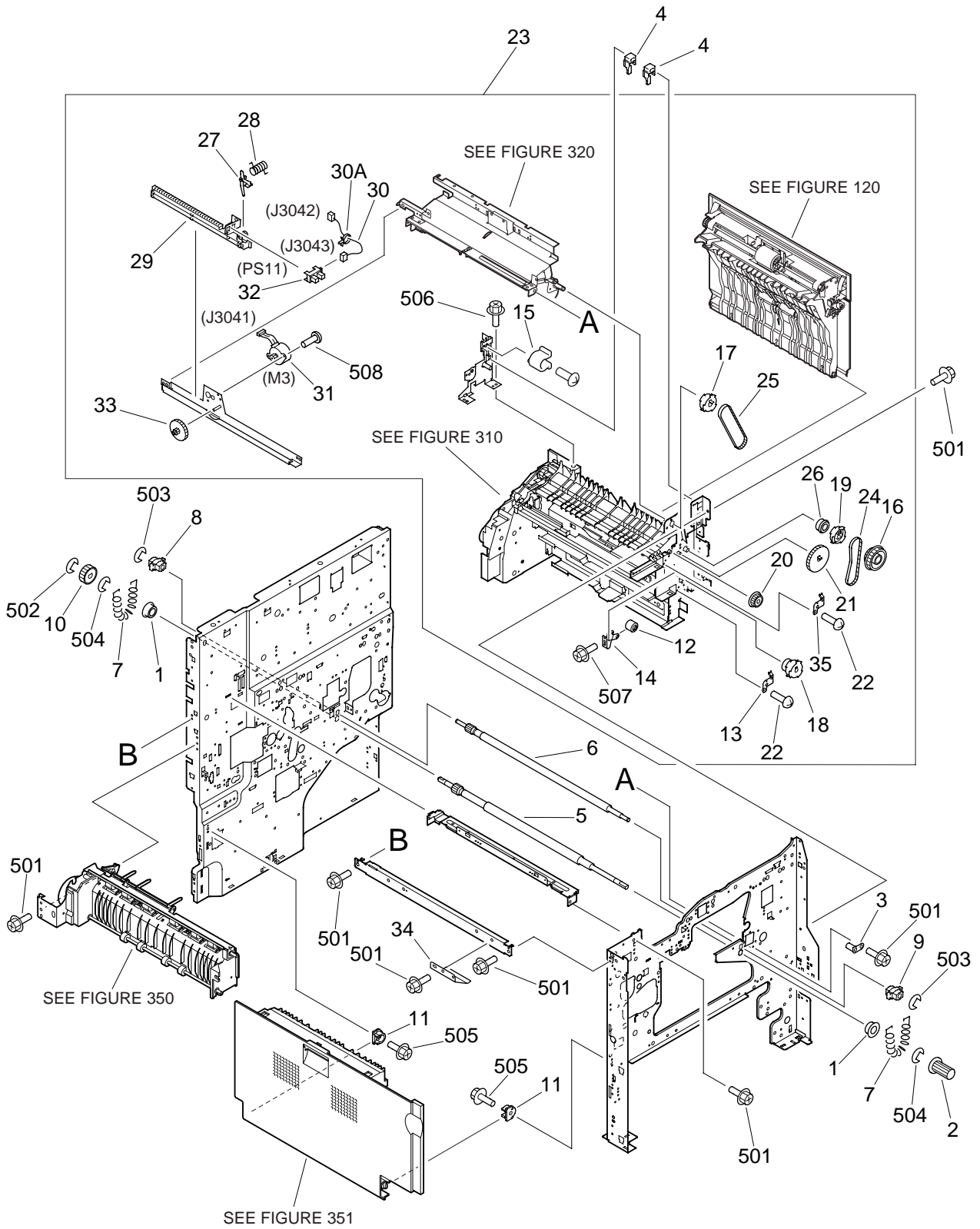


FIGURE & KEY NO.	PART NUMBER	RANK	QTY	DESCRIPTION	SERIAL NUMBER / REMARKS
103 -	NPN		RF	INTERNAL COMPONENTS 2	
1	FA1-0056-000		2	BUSHING	
2	FB1-7214-000		1	KNOB	
3	FB3-2214-000		1	PIN, POSITIONING	
4	FB3-2829-000		2	BLOCK, MULTI FEED TRAY, STOP	
5	FF6-0086-000		1	ROLLER, REGISTRATION, LOWER	
6	FF6-0097-000		1	ROLLER, REGISTRATION, UPPER	
7	FS2-2783-000		2	SPRING, TENSION	
8	FS5-1261-000		1	BUSHING, REGISTRATION, UPPER	
9	FS5-1944-000		1	BUSHING	
10	FS7-0738-000		1	GEAR, 29T	
11	FB5-5175-000		2	BUSHING, LEFT VERTICAL PATH	
12	FB5-4726-000		1	ROLLER, BELT ADJUSTING	
13	FB5-4727-000		1	SPRING, LEAF, GROUNDING	
14	FB5-5289-000		1	HOLDER, ROLLER	
15	FS5-1589-000		1	BUSHING	
16	FS5-3821-000		1	PULLEY, 40T/GEAR, 16T	
17	FS5-3822-000		1	PULLEY, 40T	
18	FS5-3823-000		1	PULLEY, 40T	
19	FS5-3831-000		1	PULLEY, 40T	
20	FS6-0572-000		1	GEAR, 16T	
21	FS7-0760-000		1	GEAR, 38T	
22	XA9-0591-000		2	SCREW,M3X8	
23	FG6-5644-130		1	PAPER PICK-UP ASSEMBLY	
24	XF2-3110-840		1	BELT, TIMING	
25	XF2-3113-140		1	BELT, TIMING	
26	XG9-0250-000		1	BEARING, BALL	
27	FB5-9801-000		1	LINK, SIDE REGISTRATION	
28	FB3-2996-000		1	SPRING, TORSION	
29	FB5-4720-000		1	BLOCK, SIDE REGIST. SENSOR	

FIGURE & KEY NO.	PART NUMBER	RANK	QTY	DESCRIPTION	SERIAL NUMBER / REMARKS
103 - 30	FF3-4174-000		1	CABLE, SIDE REGIST. SENSOR	J3042,3043
30A	WT2-5565-000		1	CLAMP, CABLE	
31	FH6-1253-000		1	MOTOR, STEPPING, DC24V	M3 J3041
32	FH7-7462-000		1	PHOTO-INTERRUPTER	PS11 J3043
33	FS7-0750-000		1	GEAR, 56T/14T	
34	FB5-9789-000		1	SPRING, LEAF	
35	FB5-9809-000		1	SPRING, LEAF	
501	XB3-6400-800		AR	SCREW,RS,M4X8	
502	XD2-1100-402		1	RING,E	
503	XD2-1100-502		2	RING,E	
504	XD2-1100-642		2	RING,E	
505	XB3-7400-809		2	SCREW,RS TOOTHED LOCK,M4X8	
506	XB3-6300-609		1	SCREW,RS,M3X6	
507	XB3-6300-800		11	SCREW,RS,M3X8	
508	XB1-2300-609		2	SCREW,MACH.,TRUSS HEAD,M3X6	



# FIGURE 104 INTERNAL COMPONENTS 3

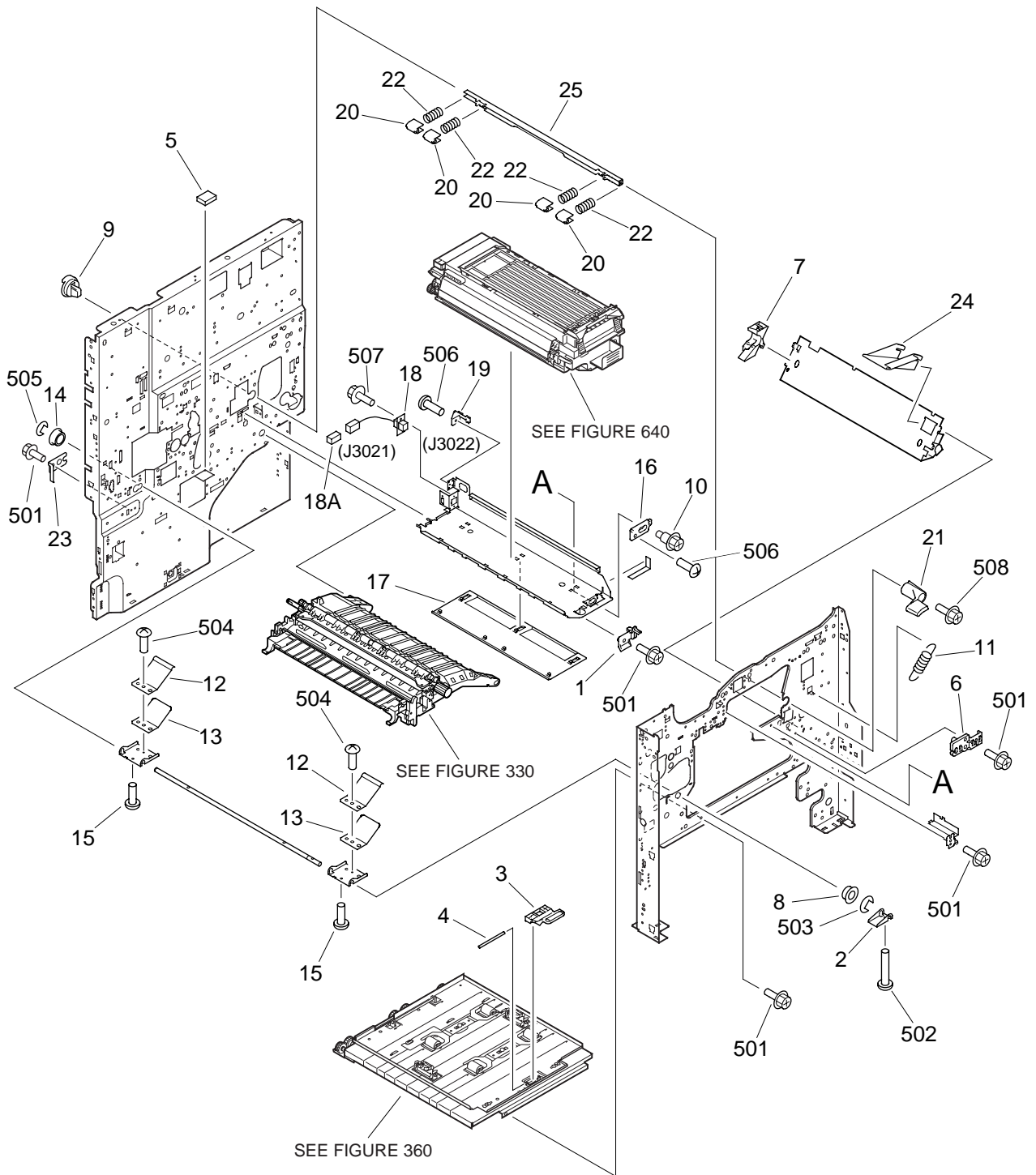


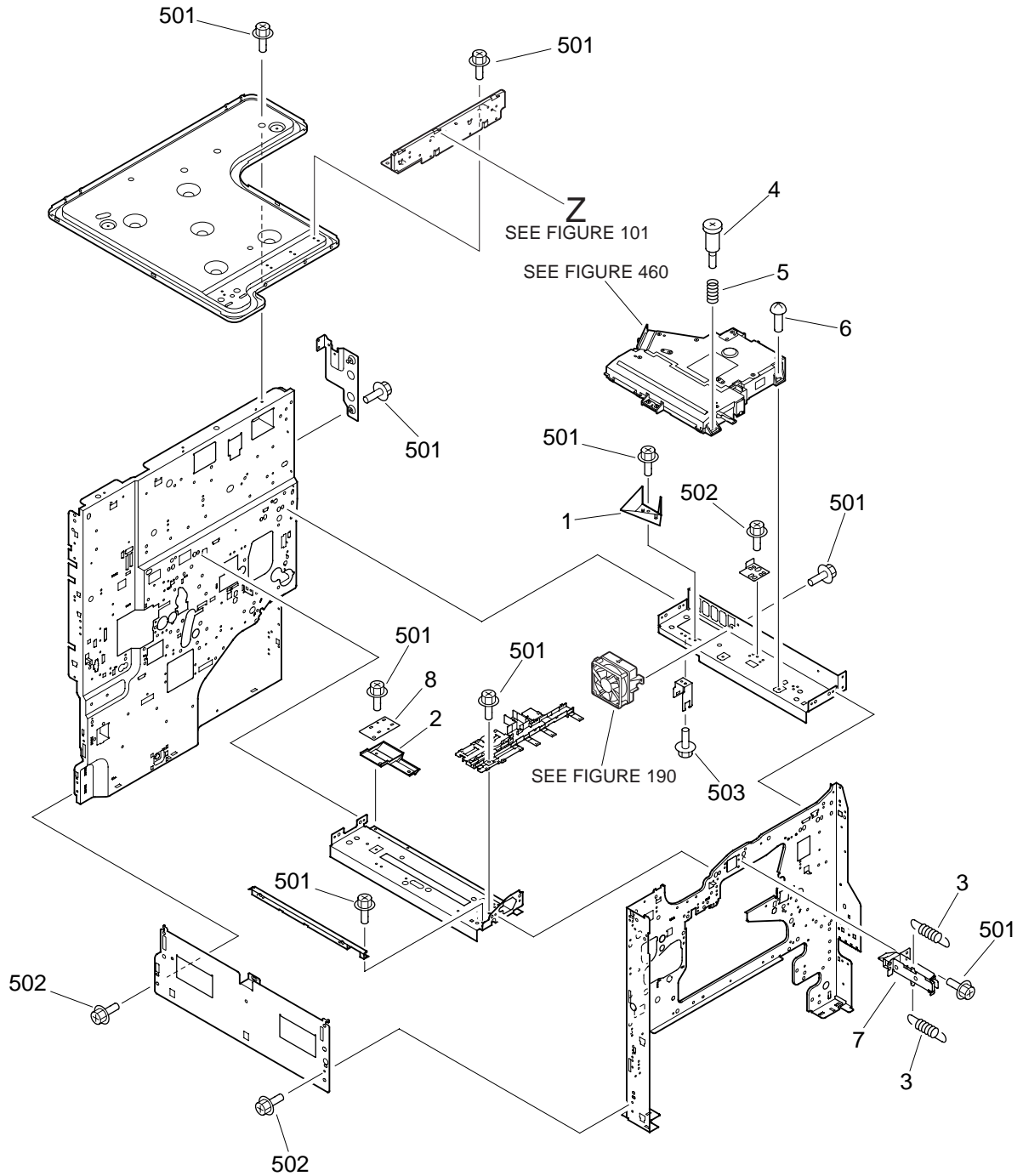
FIGURE & KEY NO.	PART NUMBER	RANK	QTY	DESCRIPTION	SERIAL NUMBER / REMARKS
104 -	NPN		RF	INTERNAL COMPONENTS 3	
1	FB3-2206-000		1	PLATE, STOP DEVELOPING	
2	FB5-4819-000		1	ARM, PRESSURE PLATE	
3	FB4-2943-000		1	HANDLE, PAPER FEEDER	
4	FB4-2944-000		1	SHAFT, HANDLE	
5	FB5-4839-000		1	DAMPER, PAPER FEED	
6	FB5-5160-000		1	PIN, HINGE, PAPER FEEDER	
7	FB5-5192-000		1	GUIDE, PAPER FEEDER HINGE	
8	FS1-1189-000		1	BUSHING	
9	FS2-1431-000		1	BUSHING	
10	FS5-9210-000		1	SCREW, STEPPED, M4	
11	FS7-2386-000		1	SPRING, TENSION	
12	FB5-4816-000		2	PLATE, PRESSURE, BIG	
13	FB5-4817-000		2	PLATE, PRESSURE, SMALL	
14	FS1-1189-000		1	BUSHING	
15	XA9-0700-000		2	SCREW, TP, M4X8	
16	FB5-4976-000		1	SPACER, DEVELOPING RAIL SLIDE	
17	FB5-4979-000		1	SHIELD, RAIL, UPPER	
18	FF3-1136-000		1	CABLE, TONNER SENSOR	J3021,3022
18A	VS1-5057-003		1	CONNECTOR, SNAP TIGHT	J3021
19	FF5-1458-020		1	MOUNT, ELECTRODE	
20	FB2-3900-030		4	CAM, PRESSURE APPLICATION	
21	FB4-5382-000		1	HANDLE, DEVELOPING PRESSURE	
22	FS7-2387-000		4	SPRING, COMPRESSION	
23	FB5-5265-000		1	PLATE, GROUNDING	
24	FB5-9567-000		1	HOLDER, PAPER DUST	
25	FB5-4975-000		1	SHAFT, PRESSURE	
501	XB3-6400-800		AR	SCREW, RS, M4X8	
502	XB6-7501-007		3	SCREW, TP, M5X10	
503	XD2-1100-642		1	RING, E	







# FIGURE 105 INTERNAL COMPONENTS 4





# FIGURE 106 INTERNAL COMPONENTS 5

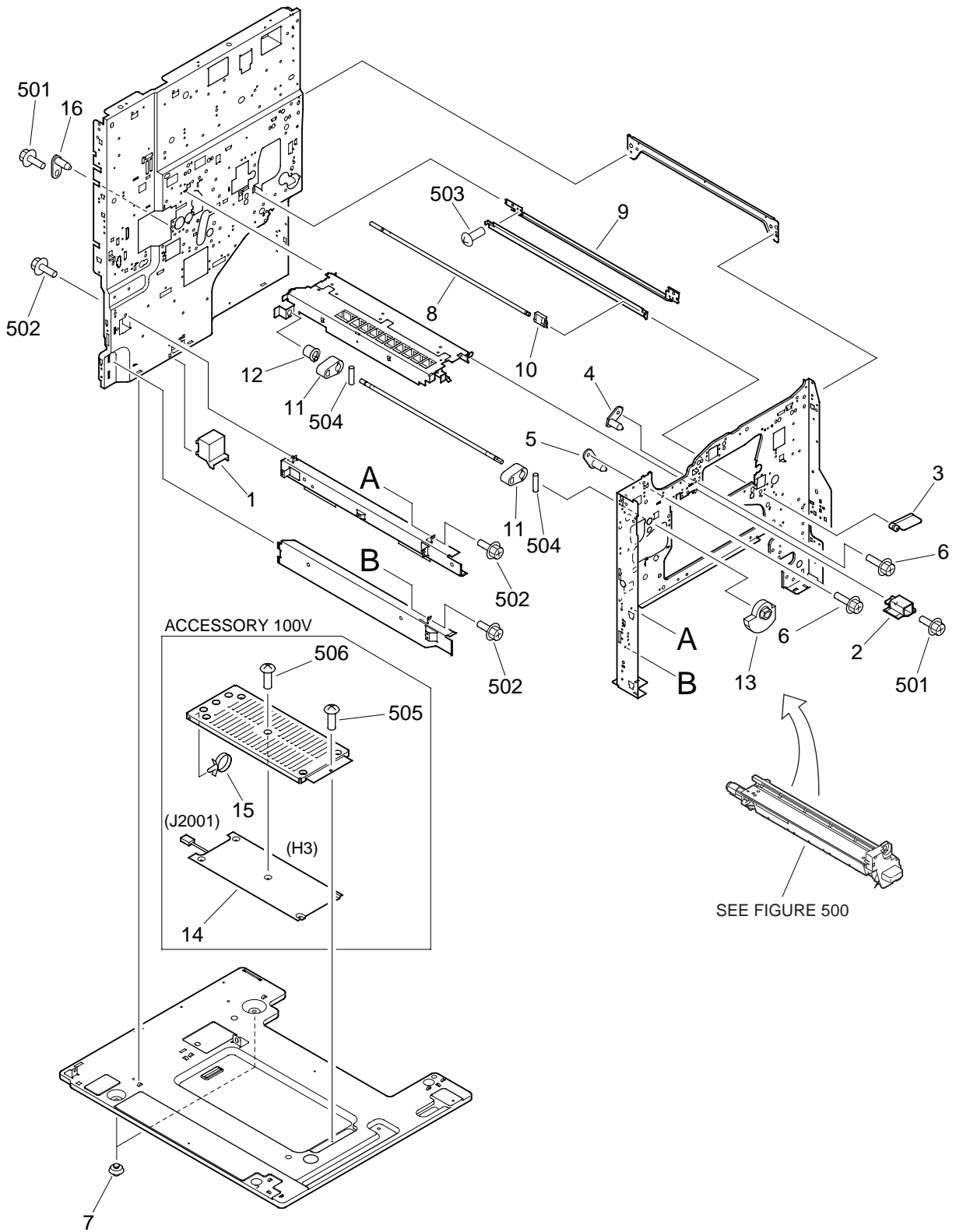


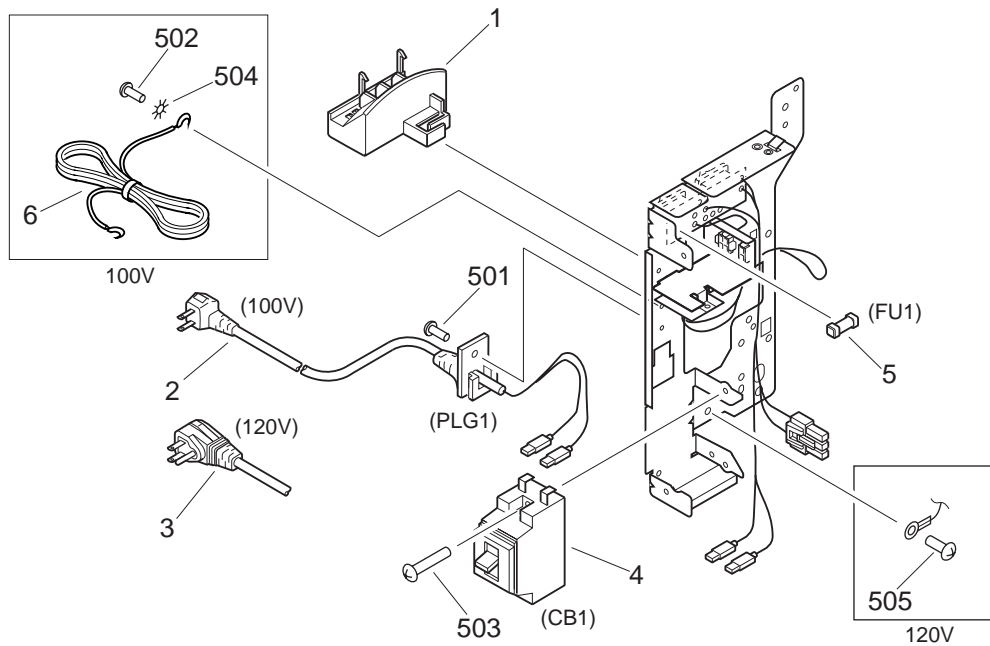
FIGURE & KEY NO.	PART NUMBER	RANK	QTY	DESCRIPTION	SERIAL NUMBER / REMARKS
106 -	NPN		RF	INTERNAL COMPONENTS 5	
1	FB3-3192-030		1	COVER, HEATER CONNECTOR	
2	FB5-5059-000		1	GUIDE, CARTRIDGE	
3	FB5-9252-000		1	HANDLE, PAPER DUST CLEANING	
4	FF6-0247-000		1	PIN, POSITIONING	
5	FF6-0111-000		1	PIN, POSITIONING	
6	XA9-0721-000		AR	SCREW,RS,M4X10	
7	XH9-0125-000		2	FOOT, RUBBER	
8	FB5-9249-000		1	ROD, TENSION	
9	FF6-0092-000		1	PLATE, PAPER DUST CLEANING	
10	FF6-0102-000		1	PAD UNIT, PAPER DUST CLEANING	
11	FB6-2770-000		2	CAM, PRESSURE RELEASE	
12	FS5-1953-000		1	BUSHING	
13	FS7-0707-000		1	GEAR, 22T	
14	FH7-4576-000		1	HEATER, CASSETTE	ACCESSORY 100V H3 J2001
15	WT2-5041-000		1	TIE, CABLE	ACCESSORY 100V
16	FF6-0243-000		1	PIN, POSITIONING	
501	XB3-6400-800		AR	SCREW,RS,M4X8	
502	XB3-6400-800		12	SCREW,RS,M4X8	
503	XB1-2300-409		2	SCREW,MACH.,TRUSS HEAD,M3X4	
504	XD3-2200-122		2	PIN,DOWEL	
505	XB1-2400-606		1	SCREW,MACH.,TRUSS HEAD,M4X6	ACCESSORY 100V
506	XB1-2400-409		5	SCREW,MACH.,TRUSS HEAD,M4X4	ACCESSORY 100V



FIGURE & KEY NO.	PART NUMBER	RANK	QTY	DESCRIPTION	SERIAL NUMBER / REMARKS
107 -	NPN		RF	MACHINE REAR PLATE	
1	FB5-5032-000		1	FLANGE, BELT, 2	
2	FB5-5048-000		1	COVER, PICK-UP DRIVE SHAFT	
3	FB5-5098-000		2	PLATE, GROUNDING	
4	FB5-5264-000		1	COVER, CONNECTOR	
5	FF6-0244-000		1	JOINT, PIPE	
6	FH2-6552-000		1	COVER, CONNECTOR	
7	FH2-6552-000		2	COVER, CONNECTOR	ACC TYPE
8	FH3-2613-000		1	SWITCHING REGULATOR PCB ASS'Y	100/120V
	FH3-2614-000		1	SWITCHING REGULATOR PCB ASS'Y	220/240V
9	FH3-2615-000		1	SWITCHING REGULATOR PCB ASS'Y	100/120V ACC TYPE
	FH3-2616-000		1	SWITCHING REGULATOR PCB ASS'Y	220/240V ACC TYPE
10	FS7-2385-000		1	SPRING, TENSION	
11	FG3-1995-000		1	CABLE, POWER SUPPLY LATTICE	J2,4101
12	FG3-1608-000		1	THERMISTOR PCB ASSEMBLY	220/240V
13	FG3-1616-000		1	CABLE, THERMISTOR POWER SUPPLY	220/240V J127,332,716,717
14	FB3-2596-000		1	SUPPORT, CORD	
15	FB5-4826-000		1	CONNECTOR, HV TRANSFER	
16	FB5-4827-000		1	SPRING UNIT, CONTACT	
17	FB5-4828-000		1	SPRING UNIT, CONTACT	
18	FB5-4829-000		1	SPRING UNIT, CONTACT	
19	VS1-5057-002		1	CONNECTOR, SNAP TIGHT	J3110
20	FG3-0133-000		1	DRUM SENSOR UNIT	
21	FG3-1624-000		1	CABLE, TRANSFER GUIDE, HV	J131
22	FG3-1625-000		1	CABLE, TRANSFER, HV	
23	FG3-1626-000		1	CABLE, STATIC ELIMINATOR, HV	
24	WM2-5160-000		1	HDD, MK6017MAP	120/220/240V HD J2005
	WM2-5166-000		1	HDD, IC25N010ATDA04-0	100V HD J2005
25	FG3-1744-020		1	CENTRO PCB ASSEMBLY	J1019
26	FB5-5014-000		1	LID, SLIDE	

FIGURE & KEY NO.	PART NUMBER	RANK	QTY	DESCRIPTION	SERIAL NUMBER / REMARKS
107 - 27	FF6-0166-000		1	RAIL, WASTE TONER SENSOR	
28	VS1-5057-004		1	CONNECTOR, SNAP TIGHT	J3115
29	FM5-5153-000		1	WASTE TONER SENSOR PCB ASS'Y	S2 J3115
30	FG6-5815-000		1	BOTTLE, WASTE TONER	
31	FB5-0339-000		1	LABEL,"WARNING,HIGH VOLTAGE"	120V
501	XB1-2300-607		4	SCREW,MACH.,TRUSS HEAD,M3X6	220/240V
502	XB3-6400-800		AR	SCREW,RS,M4X8	
503	XB6-7400-807		31	SCREW,TP,M4X8	
504	XB1-2300-407		3	SCREW,MACH.,TRUSS HEAD,M3X4	
505	XB6-7300-407		4	SCREW,TP,M3X4	
506	XB6-7400-807		4	SCREW,TP,M4X8	
507	XB1-2300-607		4	SCREW,MACH.,TRUSS HEAD,M3X6	
508	XB1-2300-609		2	SCREW,MACH.,TRUSS HEAD,M3X6	
509	XB2-7400-607		1	SCREW,W/WASHER,M4X6	

# FIGURE 110 POWER CORD TERMINAL ASSEMBLY (100/120V)



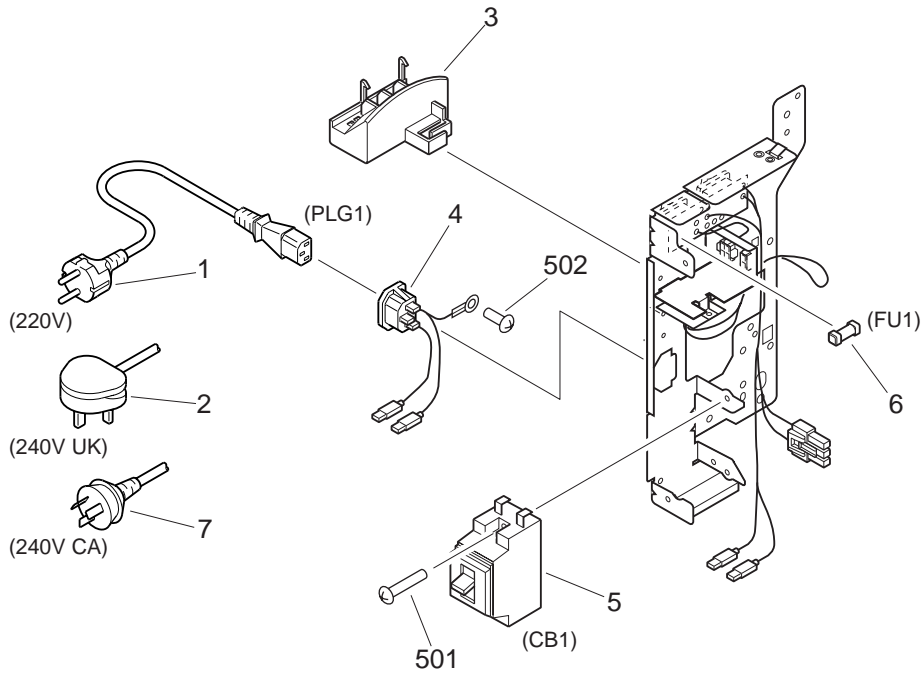
NOTE : This assembly does not include the part shown with key No. 6.

FIGURE & KEY NO.	PART NUMBER	RANK	QTY	DESCRIPTION	SERIAL NUMBER / REMARKS
110 -	FG6-5777-000		1	POWER CORD TERMINAL ASSEMBLY	100V
	FG6-5781-000		1	POWER CORD TERMINAL ASSEMBLY	120V
1	FB5-5193-000		1	HANDLE, RIGHT REAR	
2	FF3-4192-000		1	CORD, POWER	100V PLG1
3	FF3-4193-000		1	CORD, POWER	120V PLG1
4	FH7-7528-000		1	BREAKER, CIRCUIT	CB1
5	VD7-0211-001		1	FUSE	FU1
6	FH2-5006-000		1	CABLE, GROUNDING	100V SEE NOTE
501	XB1-2300-609		1	SCREW,MACH.,TRUSS HEAD,M3X6	
502	XB1-2400-803		1	SCREW,MACH.,TRUSS HEAD,M4X8	100V
503	XB1-2402-009		2	SCREW,MACH.,TRUSS HEAD,M4X20	
504	XD1-4200-402		1	WASHER,TOOTHED LOCK	100V
505	XB2-7400-607		1	SCREW,W/WASHER,M4X6	120V



# FIGURE 111

## POWER CORD TERMINAL ASSEMBLY (220/240V)



NOTE : This assembly does not include the parts shown with key No. 1, 2, and 7.

FIGURE & KEY NO.	PART NUMBER	RANK	QTY	DESCRIPTION	SERIAL NUMBER / REMARKS
111 -	FG6-5782-000		1	POWER CORD TERMINAL ASSEMBLY	220/240V
1	FH2-5761-020		1	CORD, POWER SUPPLY	220V PLG1 SEE NOTE
2	FH2-6941-00G		1	POWER CORD	240V UK PLG1 SEE NOTE
3	FB5-5193-000		1	HANDLE, RIGHT REAR	
4	FF3-4194-000		1	CABLE, AC SOCKET	
5	FH7-7527-000		1	BREAKER, CIRCUIT	CB1
6	VD7-0641-001		1	FUSE, 1A, 250V	FU1
7	FH2-5763-000		1	POWER CORD	240V CA PLG1 SEE NOTE
501	XB1-2402-009		2	SCREW, MACH., TRUSS HEAD, M4X20	
502	XB2-7400-607		1	SCREW, W/WASHER, M4X6	



# FIGURE 120 RIGHT DOOR ASSEMBLY

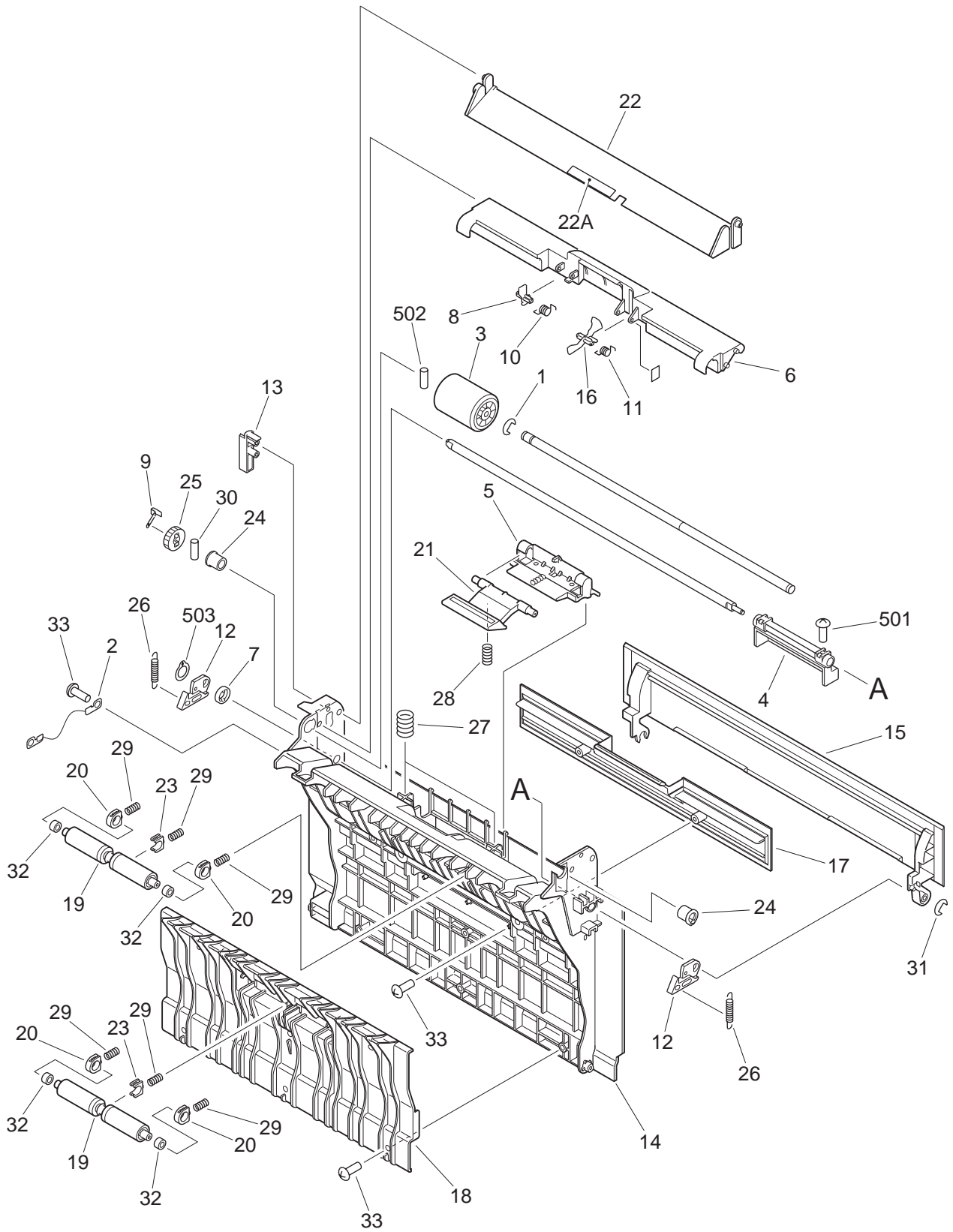
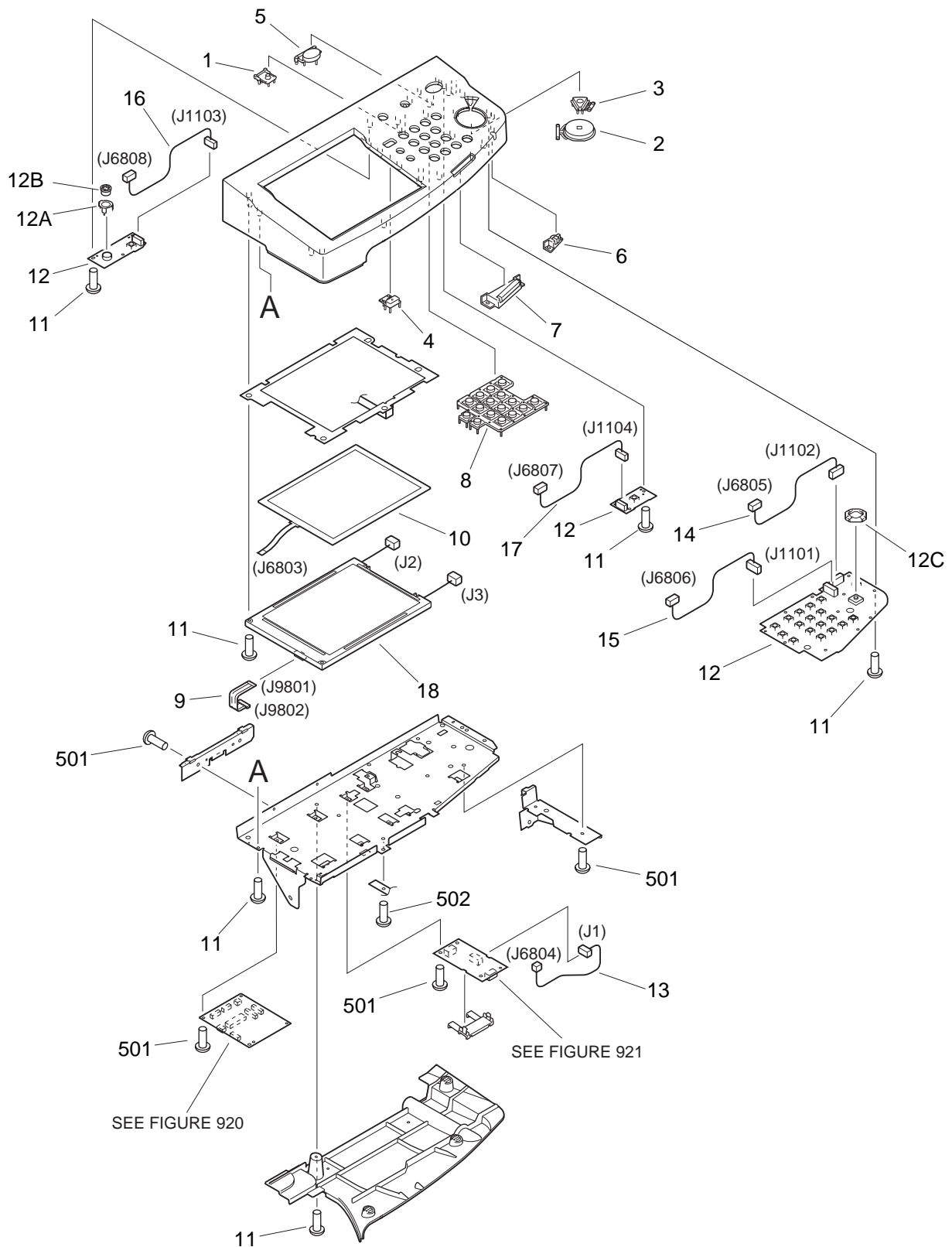


FIGURE & KEY NO.	PART NUMBER	RANK	QTY	DESCRIPTION	SERIAL NUMBER / REMARKS
120 -	FG6-5648-000		1	RIGHT DOOR ASSEMBLY	
1	FA4-1159-000		1	RING, RETAINING	
2	FB1-8439-000		1	WIRE	
3	FB1-8581-000		1	ROLLER, PAPER PICK-UP	
4	FB3-2812-000		1	HANDLE, RIGHT DOOR	
5	FB3-2815-000		1	ARM, MULTI FEED, 1	
6	FB6-2788-000		1	COVER, MULTI FEED ROLLER	
7	FB3-2821-000		1	BUSHING	
8	FB3-2833-000		1	FLAG, PAPER SENSOR, 2	
9	FB3-2834-000		1	PLATE, GROUNDING, MULTIROLLER	
10	FB3-2835-000		1	SPRING, TORSION	
11	FB4-3170-000		1	SPRING, TORSION	
12	FB6-2785-000		2	HOOK, RIGHT DOOR	
13	FB6-2786-000		1	ARM, CAM FOLLOWER	
14	FB5-4733-000		1	DOOR, RIGHT	
15	FB5-4766-000		1	DOOR, RIGHT UPPER	
16	FB5-5145-000		1	FLAG, MULTI PAPER SENSOR	
17	FB5-5194-000		1	PANEL, RIGHT DOOR BLANKING	
18	FB5-5195-000		1	GUIDE, INNER	
19	FB5-5199-000		2	ROLLER, PAPER FEED	
20	FB5-5200-020		4	HOLDER, ROLLER	
21	FE5-4132-000		1	ARM, MULTI FEED	
22	FF6-0101-000		1	GUIDE, MULTI FEED	
22A	FB1-8584-000		1	SHEET, MANUAL FEED PLATE	
23	FS5-1598-000		2	BLOCK, ROLLER	
24	FS5-1950-000		2	BUSHING	
25	FS7-0761-000		1	GEAR, 19T	
26	FS6-2337-000		2	SPRING, TENSION	
27	FS6-2790-000		2	SPRING, COMPRESSION	
28	FS6-2791-000		1	SPRING, COMPRESSION	





# FIGURE 130 CONTROL PANEL ASSEMBLY



NOTE : This assembly includes the assemblies shown in Figure 920 and 921.

FIGURE & KEY NO.	PART NUMBER	RANK	QTY	DESCRIPTION	SERIAL NUMBER / REMARKS
130 -	FG6-5753-000		1	CONTROL PANEL ASSEMBLY	JAPANESE SEE NOTE
	FG6-5754-000		1	CONTROL PANEL ASSEMBLY	ENGLISH USA SEE NOTE
	FG6-5755-000		1	CONTROL PANEL ASSEMBLY	ILLUSTRATION SEE NOTE
	FG6-5756-000		1	CONTROL PANEL ASSEMBLY	ENGLISH EXCEPT USA SEE NOTE
1	FB4-5005-000		1	KEY TOP, COUNTER	
2	FB5-2172-000		1	KEY TOP, START	
3	FB5-2173-000		1	KEY TOP, STOP	
4	FB5-3698-000		1	KEY TOP, RESET	
5	FB5-3699-000		1	KEY TOP, POWER SUPPLY	
6	FB5-5076-000		1	WINDOW, LAMP, 1	
7	FB5-5077-000		1	WINDOW, LAMP, 2	
8	FF6-0206-000		1	KEY TOP, NUMBERS	
9	FH2-6842-000		1	CABLE, FCC	J9801,9802
10	FH6-0834-000		1	ANALOG TOUCH PANEL UNIT	J6803
11	XA9-0591-000		22	SCREW,M3X8	
12	FG6-7021-000		1	CONTROL PANEL PCB ASSEMBLY	
12A	FB3-8320-000		1	PLATE, GROUNDING	
12B	FB5-3718-000		1	KNOB, CONTRAST	
12C	FB5-2195-000		1	HOLDER, LED	
13	FG6-7022-000		1	CABLE, CONTROL PANEL INVERTER	J1,6804
14	FG6-7068-000		1	CABLE, CONTROL PANEL KEY, 1	J1102,6805
15	FG6-7069-000		1	CABLE, CONTROL PANEL KEY, 2	J1101,6806
16	FG6-7070-000		1	CABLE, COUNTER VR	J1103,6808
17	FG6-7071-000		1	CABLE, SWITCH	J1104,6807
18	FG6-9149-000		1	LCD CONTROL PANEL UNIT	J2,3,9801
501	XB1-2300-607		11	SCREW,MACH.,TRUSS HEAD,M3X6	
502	XB2-8300-607		1	SCREW,W/WASHER,M3X6	



# FIGURE 190 DEVELOPING FAN ASSEMBLY

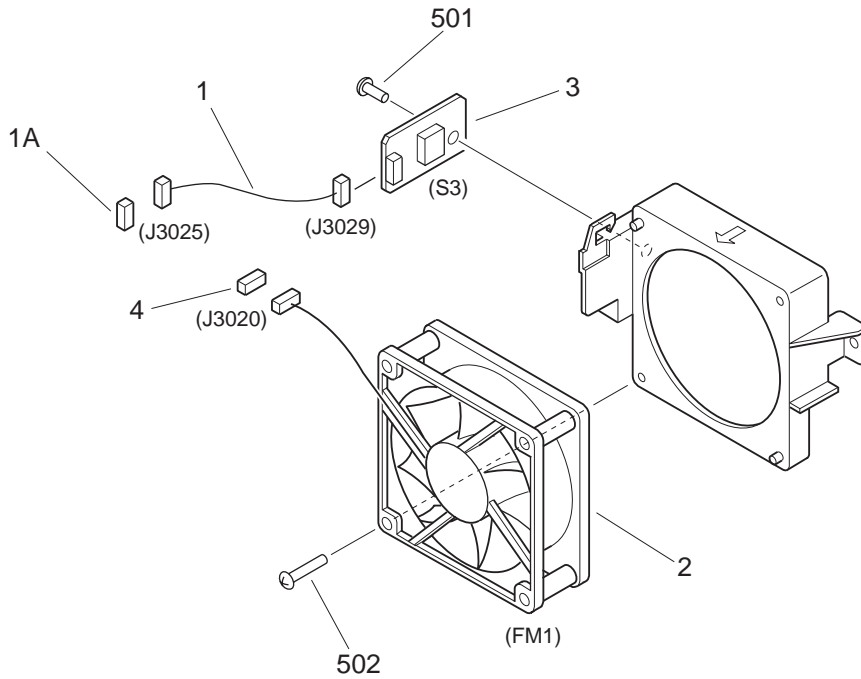


FIGURE & KEY NO.	PART NUMBER	RANK	QTY	DESCRIPTION	SERIAL NUMBER / REMARKS
190 -	FG6-5638-000		1	DEVELOPING FAN ASSEMBLY	
1	FF3-4172-000		1	CABLE, ENVIRONMENT SENSOR	J3025,3029
1A	VS1-5057-004		1	CONNECTOR, SNAP TIGHT	J3025
2	FH6-1852-000		1	FAN	FM1 J3020
3	FH7-7559-000		1	HUMIDITY SENSOR UNIT	S3 J3029
4	VS1-5057-003		1	CONNECTOR, SNAP TIGHT	J3020
501	XB4-7300-809		1	SCREW,TAPPING,TRUSS HEAD,M3X8	
502	XB4-7403-509		2	SCREW,TAPPING,TRUSS HEAD,M4X35	

# FIGURE 191 MASHINE EXHAUST FAN ASSEMBLY

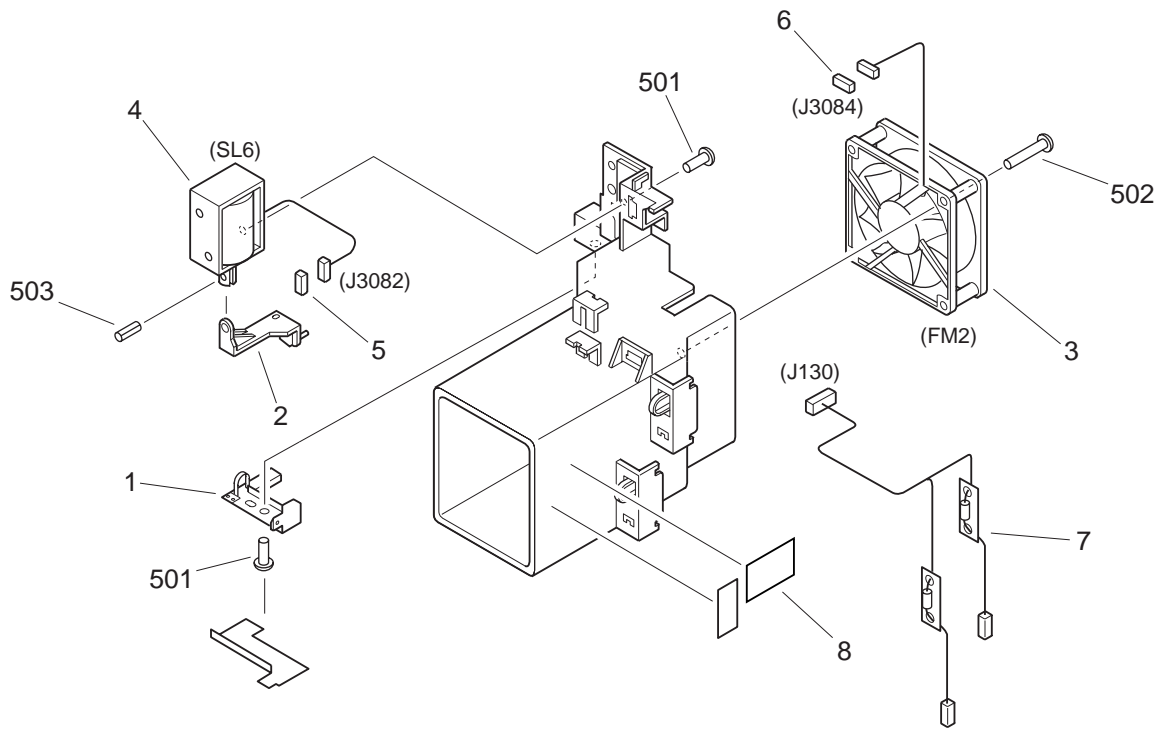


FIGURE & KEY NO.	PART NUMBER	RANK	QTY	DESCRIPTION	SERIAL NUMBER / REMARKS
191 -	FG6-5814-050		1	MACHINE EXHAUST FAN ASSEMBLY	
1	FB5-5257-000		1	PLATE, TERMINAL	
2	FB5-5258-000		1	LINK, DRIVE	
3	FH6-1852-000		1	FAN	FM2 J3084
4	FH6-5048-000		1	SOLENOID	SL6 J3082
5	VS1-5057-002		1	CONNECTOR, SNAP TIGHT	J3082
6	VS1-5057-003		1	CONNECTOR, SNAP TIGHT	J3084
7	FG3-1615-000		1	CABLE, HV EXHAUST	J130
8	FB5-0339-000		1	LABEL, "WARNING, HIGH VOLTAGE"	120V
501	XB1-2300-409		3	SCREW, MACH., TRUSS HEAD, M3X4	
502	XB4-7403-509		2	SCREW, TAPPING, TRUSS HEAD, M4X35	
503	XD3-1300-102		1	PIN, SPRING	

# FIGURE 250 MAIN DRIVE ASSEMBLY

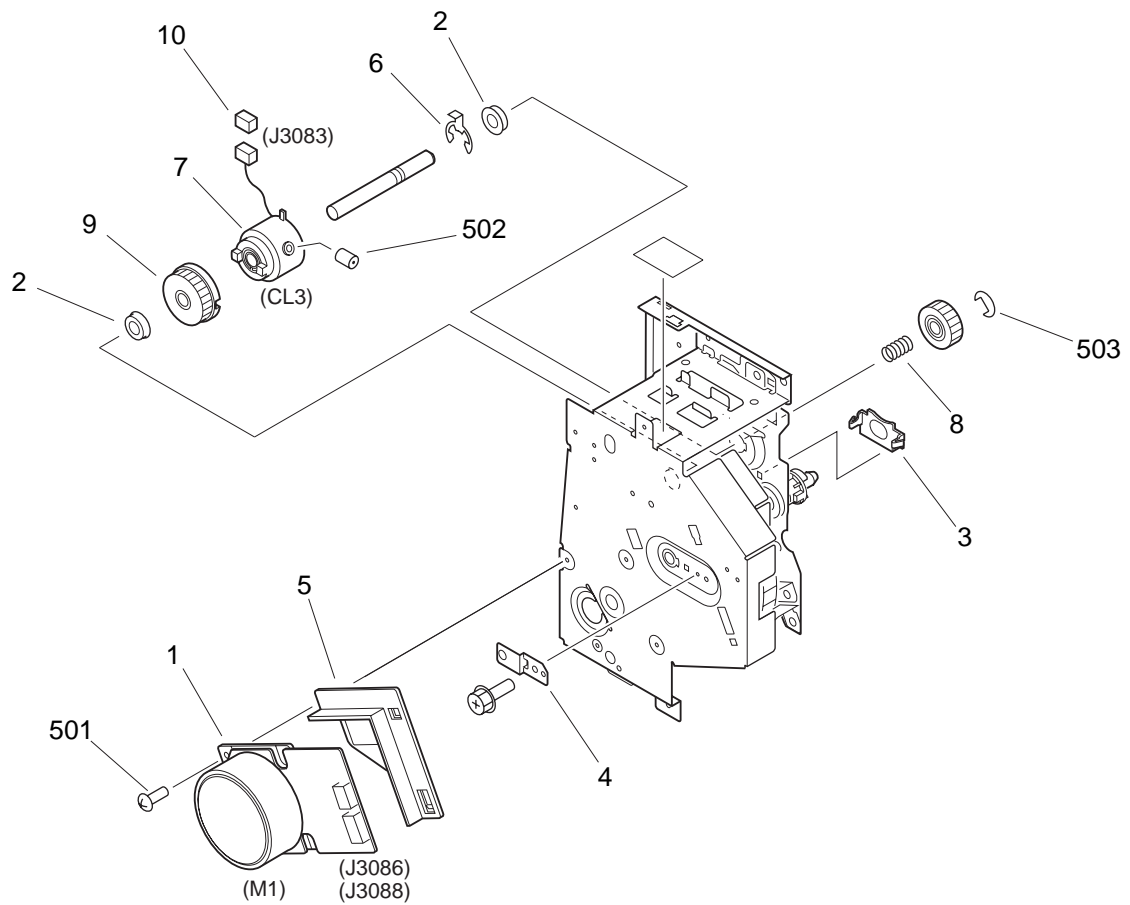
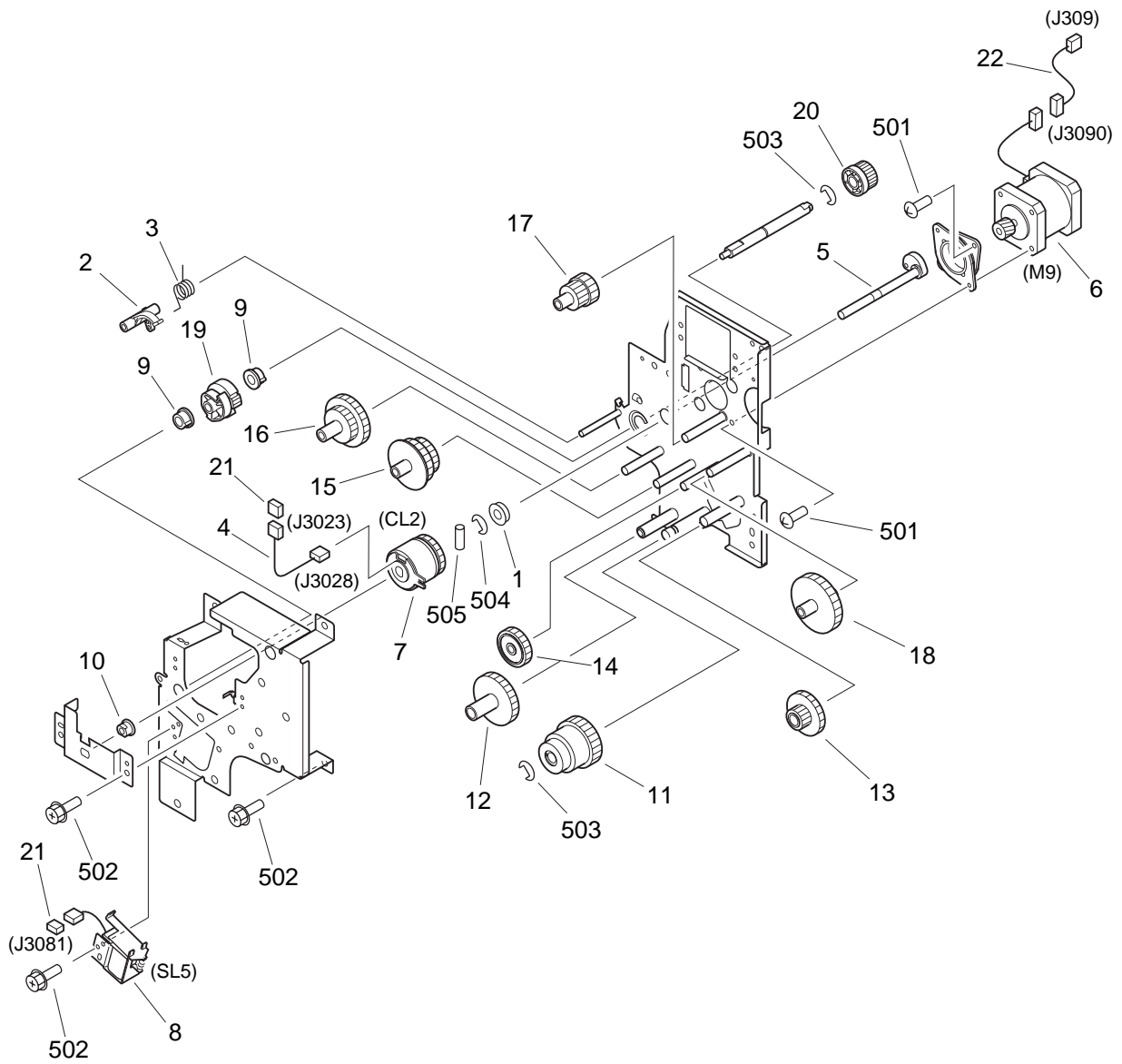


FIGURE & KEY NO.	PART NUMBER	RANK	QTY	DESCRIPTION	SERIAL NUMBER / REMARKS
250 -	FG6-5727-040		1	MAIN DRIVE ASSEMBLY	
1	FH6-1845-000		1	MOTOR, DC BRUSHLESS	M1 J3086,3088
2	FA9-2112-000		2	BUSHING	
3	FB3-2576-000		1	SUPPORT, SLEEVE	
4	FB5-5036-000		1	PLATE, GROUNDING	
5	FB5-5038-000		1	SHIELD, MOTOR	
6	FB5-5039-000		1	RING, E	
7	FH6-5007-000		1	CLUTCH, ELECTRO MAGNETIC	CL3 J3083
8	FS5-2312-000		1	SPRING, COMPRESSION	
9	FS5-3815-000		1	PULLEY, 51T	
10	VS1-5057-002		1	CONNECTOR, SNAP TIGHT	J3083
501	XB6-7300-609		4	SCREW,TP,M3X6	
502	XB6-2300-409		2	SETSCERW,M3X4	
503	XD2-1100-502		1	RING,E	

# FIGURE 260

## PAPER PICK-UP DRIVE ASSEMBLY



NOTE : This assembly does not include the part shown with key No. 22.

FIGURE & KEY NO.	PART NUMBER	RANK	QTY	DESCRIPTION	SERIAL NUMBER / REMARKS
260 -	FG6-5726-000		1	PAPER PICK-UP DRIVE ASSEMBLY	
1	FA9-2112-000		1	BUSHING	
2	FB5-5045-000		1	ARM, TRIGGER	
3	FB5-5046-000		1	SPRING, TORSION	
4	FF3-4190-000		1	CABLE, CLUTCH	J3023,3028
5	FF6-0186-000		1	SHAFT, CAM JOINT	
6	FH6-1849-000		1	MOTOR, STEPPING	M9 J3090
7	FH6-5006-000		1	CLUTCH, ELECTRO MAGNETIC	CL2 J3028
8	FH6-5051-000		1	SOLENOID	SL5 J3081
9	FS5-1943-000		2	BUSHING	
10	FS5-1947-000		1	BUSHING	
11	FS5-3824-000		1	PULLEY, 38T/34T	
12	FS7-0725-000		1	GEAR, 36T	
13	FS7-0726-000		1	GEAR, 36T/18T	
14	FS7-0727-000		1	GEAR, 33T	
15	FS7-0728-000		1	GEAR, 25T/39T	
16	FS7-0729-000		1	GEAR, 36T/24T	
17	FS7-0730-000		1	GEAR, 39T/20T	
18	FS7-0731-000		1	GEAR, 49T	
19	FS7-0737-000		1	GEAR, 24T	
20	FS7-0753-000		1	GEAR, 17T	
21	VS1-5057-002		2	CONNECTOR, SNAP TIGHT	J3023,3081
22	FF3-4165-000		1	CABLE, REGISTRATION	SEE NOTE J309,3090
501	XB1-2300-609		4	SCREW,MACH.,TRUSS HEAD,M3X6	
502	XB3-6300-609		7	SCREW,RS,M3X6	
503	XD2-1100-502		2	RING,E	
504	XD2-1100-642		1	RING,E	
505	XD3-2200-142		1	PIN,DOWEL	

# FIGURE 261 DUPLEXING DRIVE ASSEMBLY

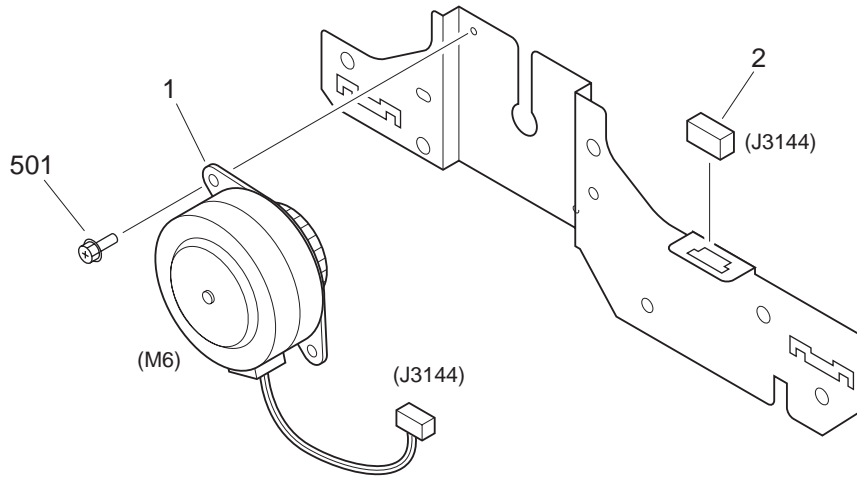


FIGURE & KEY NO.	PART NUMBER	RANK	QTY	DESCRIPTION	SERIAL NUMBER / REMARKS
261 -	FG6-5651-000		1	DUPLEXING DRIVE ASSEMBLY	
1	FH6-1851-000		1	MOTOR, STEPPING	M6 J3144
2	VS1-5057-004		1	CONNECTOR, SNAP TIGHT	J3144
501	XB3-6300-609		2	SCREW,RS,M3X6	
-----					
-----					

# FIGURE 280 FIXING FEEDER DRIVE ASSEMBLY

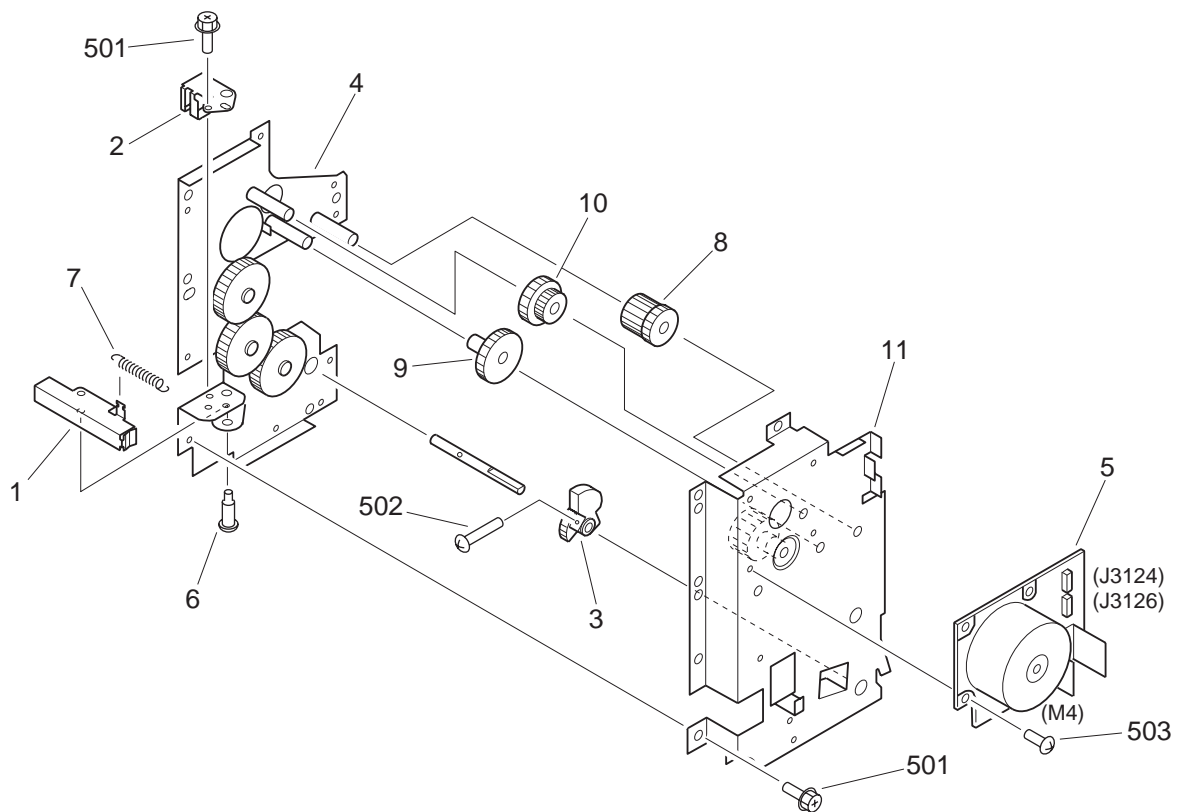


FIGURE & KEY NO.	PART NUMBER	RANK	QTY	DESCRIPTION	SERIAL NUMBER / REMARKS
280 -	FG6-5703-000		1	FIXING FEEDER DRIVE ASSEMBLY	
1	FB1-7099-020		1	LEVER, STOP	
2	FB1-7190-000		1	COVER, LEVER	
3	FB5-4821-000		1	CAM, PRESSURE	
4	FF6-0141-000		1	LOWER PLATE, FEEDER DRIVE	
5	FH6-1848-000		1	MOTOR, DC BRUSHLESS	M4 J3124,3126
6	FS1-9005-000		1	SCREW, STEPPED, M4	
7	FS5-2331-000		1	SPRING, TENSION	
8	FS7-0702-000		1	GEAR, 21T/28T	
9	FS7-0703-000		1	GEAR, 39T	
10	FS7-0704-000		1	GEAR, 23T/70T	
11	FG9-3987-000		1	UPPER PLATE FEEDER DRIVE ASSY	
501	XB3-6300-609		8	SCREW, RS, M3X6	
502	XB5-2401-609		1	SCREW, CT, M4X16	
503	XB6-7300-609		4	SCREW, TP, M3X6	



# FIGURE 300 CASSETTE

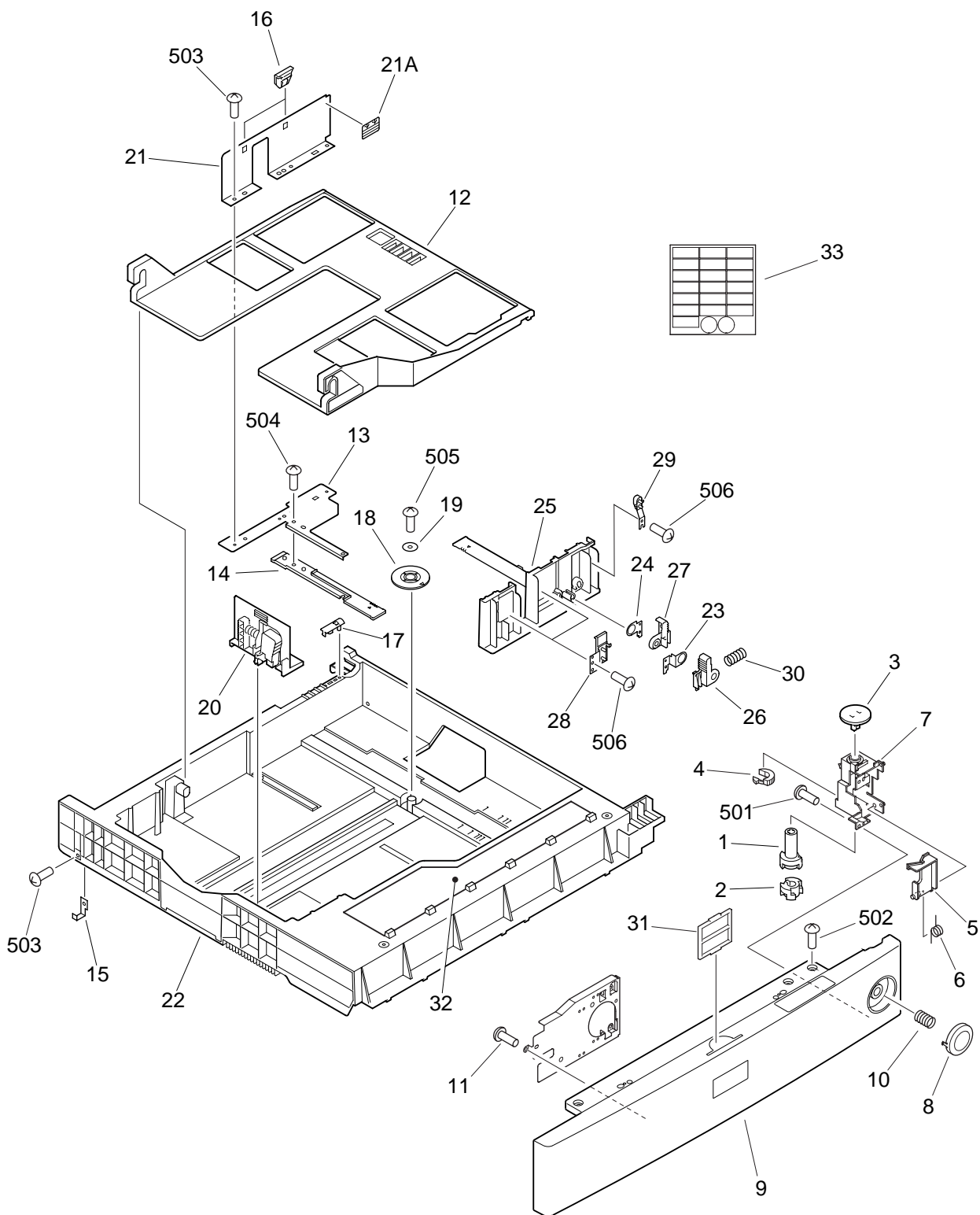


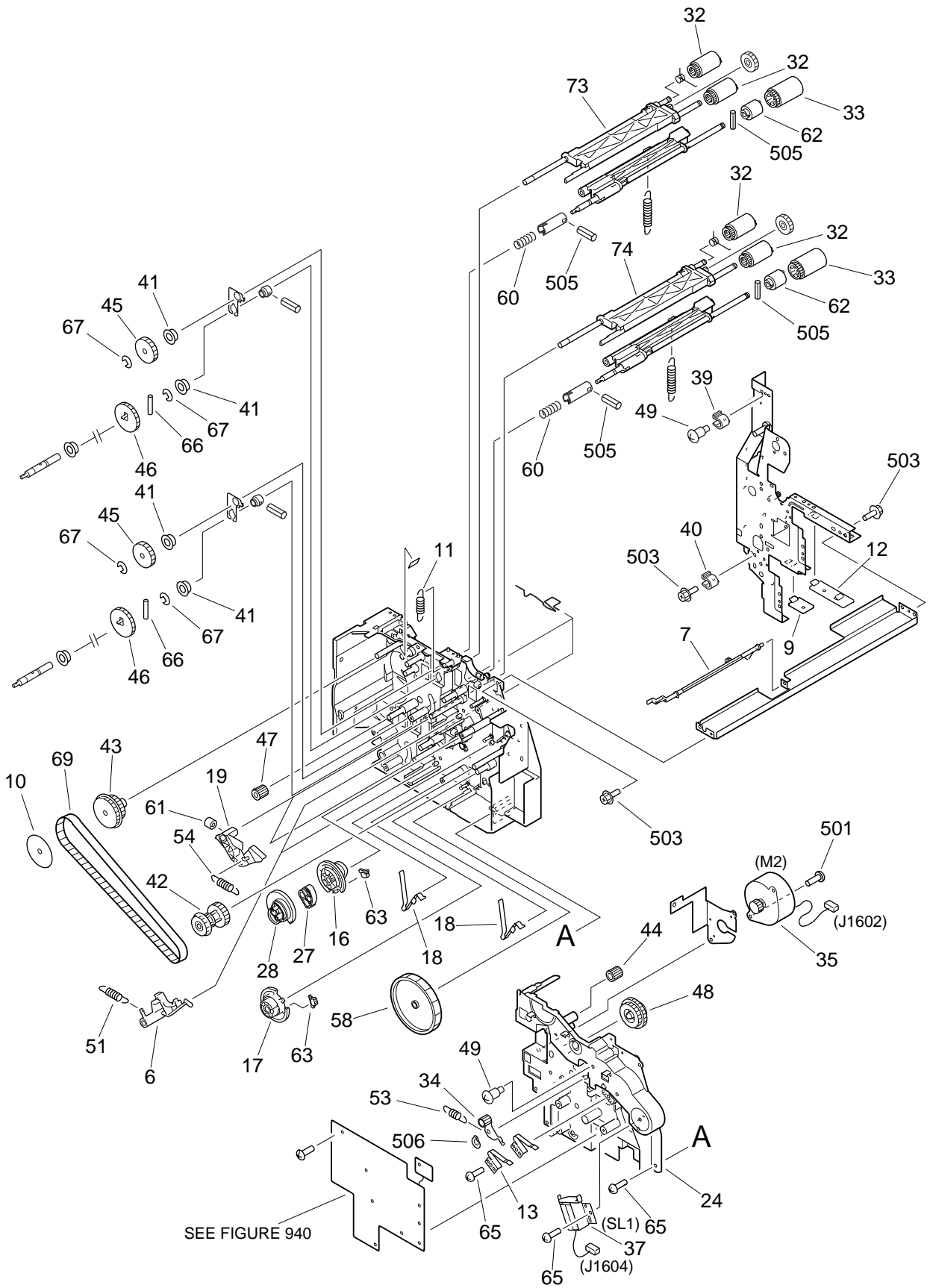
FIGURE & KEY NO.	PART NUMBER	RANK	QTY	DESCRIPTION	SERIAL NUMBER / REMARKS
300 -	NPN		RF	CASSETTE	
1	FB3-2942-000		1	CAM, SIZE SENSOR, 2	
2	FB3-2943-000		1	CAM, SIZE SENSOR, 3	
3	FB5-3811-000		1	KNOB, SIZE SENSOR	
4	FB5-4735-000		1	CAM, SIZE SENSOR, 1	
5	FB5-4737-000		1	ARM, RELEASE	LARGE TYPE
	FB5-4738-000		1	ARM, RELEASE	MIDDLE TYPE
6	FB5-4739-000		1	SPRING, TORSION	
7	FB5-4740-020		1	HINGE, CAM	
8	FB5-4743-000		1	BUTTON, CASSETTE	
9	FF6-0094-000		1	PANEL, CASSETTE, FRONT	
10	FS7-2400-000		1	SPRING, COMPRESSION	
11	XA9-0591-000		3	SCREW,M3X8	
12	FB3-2922-000		1	PLATE, PAPER LIFTING	
13	FB3-2926-000		1	PLATE, SIDE END	
14	FB3-2927-000		1	RACK, MANUAL	
15	FB3-2930-000		2	PLATE, STOP	
16	FB3-2934-000		2	CLAW, SIDE	
17	FB3-2953-000		1	BLOCK, SLIDER	
18	FB3-2955-000		1	GEAR, 20T	
19	FB3-2956-000		1	RING, GEAR STOP	
20	FB5-8353-000		1	PLATE,PAPER SIZE END	
21	FF5-4569-020		1	PLATE, SIDE END, REAR	
21A	FS6-8116-000		1	LABEL, "PAPER HEIGHT"	
22	FF6-0098-000	N	1	BODY, CASSETTE	LARGE TYPE
	FF6-0099-000	N	1	BODY, CASSETTE	MIDDLE TYPE
23	FA9-3313-000		1	PLATE, STOP, 1	
24	FA9-3314-000		1	PLATE, STOP, 2	
25	FB3-2928-000		1	PLATE, SIZE END, FRONT	
26	FB5-3812-000		1	KNOB, FRONT SIDE END PLATE, 1	

FIGURE & KEY NO.	PART NUMBER	RANK	QTY	DESCRIPTION	SERIAL NUMBER / REMARKS
300 - 27	FB5-3813-000		1	KNOB, FRONT SIDE END PLATE, 2	
28	FF5-4491-000		2	BLOCK, SIDE, 2	
29	FF5-4548-030		1	BLOCK, SIDE, 1	
30	FS5-2650-000		1	SPRING, COMPRESSION	
31	FB5-9250-000		1	PLATE, CASSETTE PAPER SIZE	
32	FS7-8071-000		1	LABEL, "PAPER SUPPLY"	
33	FS7-8072-000		2	LABEL, "CASSETTE PAPER SIZE"	
501	XB1-2300-609		2	SCREW, MACH., TRUSS HEAD, M3X6	
502	XB4-7401-009		2	SCREW, TAPPING, TRUSS HEAD, M4X10	
503	XB1-2300-409		5	SCREW, MACH., TRUSS HEAD, M3X4	
504	XB1-2300-609		2	SCREW, MACH., TRUSS HEAD, M3X6	
505	XB4-7300-809		1	SCREW, TAPPING, TRUSS HEAD, M3X8	
506	XB4-7300-609		3	SCREW, TAPPING, TRUSS HEAD, M3X6	



# FIGURE 310

## PAPER PICK-UP MOUNT ASSEMBLY (1/2)



# FIGURE 310

## PAPER PICK-UP MOUNT ASSEMBLY (2/2)

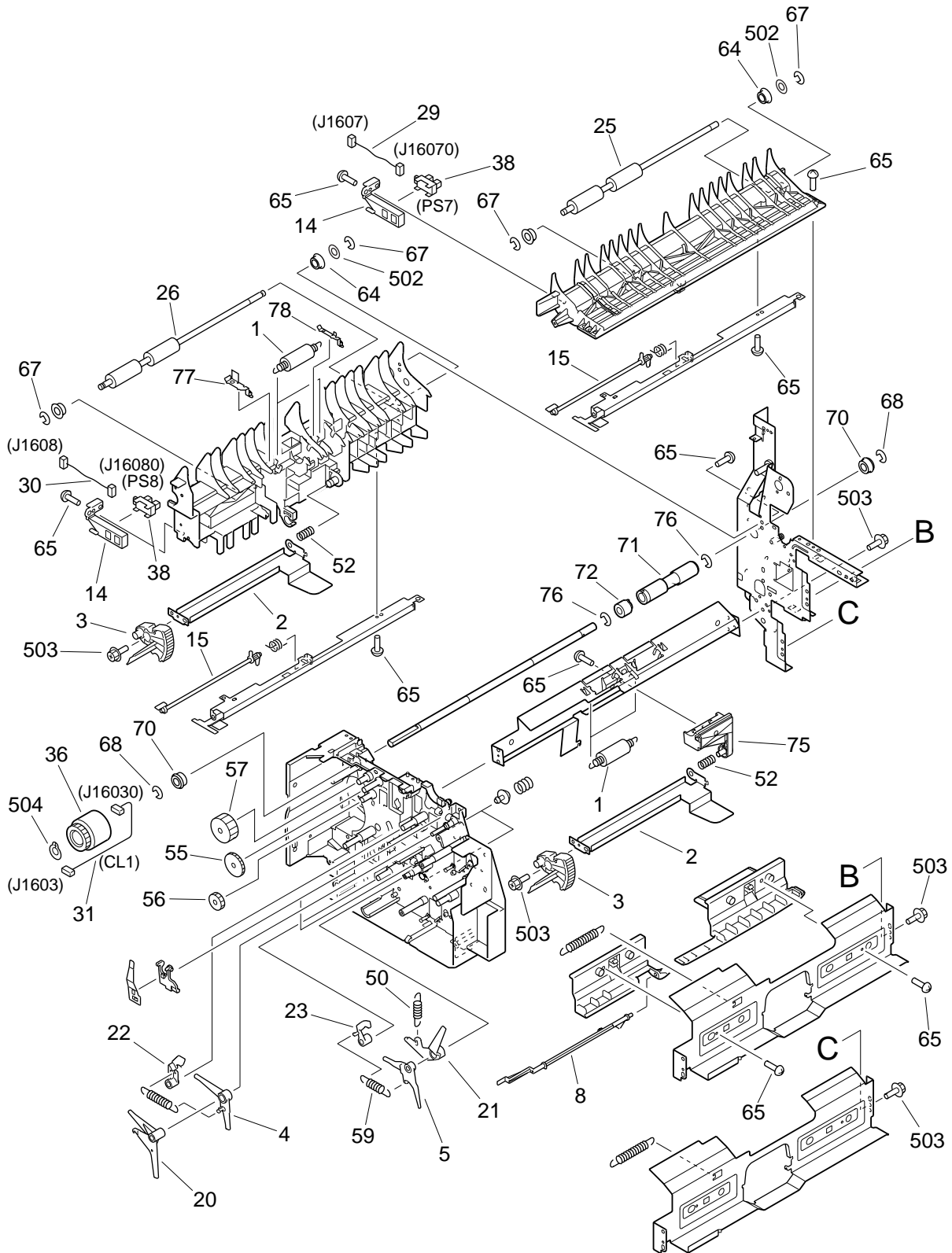


FIGURE & KEY NO.	PART NUMBER	RANK	QTY	DESCRIPTION	SERIAL NUMBER / REMARKS
310 -	NPN		RF	PAPER PICK-UP MOUNT ASSEMBLY	
1	FB6-2776-000		4	ROLLER, PAPER FEED	
2	FB6-2777-000		2	PLATE, LIFTER	
3	FB6-2778-000		2	GEAR, RATCHET	
4	FB6-2779-000		1	LEVER, LIFTER, UPPER	
5	FB6-2780-000		1	LEVER, LIFTER, LOWER	
6	FB6-2781-000		2	CLAW, LIFTER LOCK	
7	FB6-2782-000		1	FLAG, PAPER SENSOR, UPPER	
8	FB6-2783-000		1	FLAG, PAPER SENSOR, LOWER	
9	FB3-2894-020		1	GUIDE, LOWER CASSETTE	
10	FB3-2896-000		1	PLATE, BELT SUPPORT	
11	FS7-2413-000		1	SPRING, TENSION	
12	FB3-2897-020		1	GUIDE, UPPER CASSETTE	
13	FB3-2898-020		1	SPRING, LEAF	
14	FB4-2817-000		2	MOUNT, SENSOR	
15	FB4-3343-020		2	FLAG, RETRY SENSOR	
16	FB6-2787-020		1	CAM, LIFT UP, UPPER	
17	FB5-9802-000		1	CAM, LIFT UP, LOWER	
18	FB4-5349-000		2	SPRING, LEAF	
19	FB6-2789-020		2	CLAW, LIFTER ARM	
20	FB5-9794-000		1	ARM, LIFTER, UPPER	
21	FB6-2790-000		1	ARM, LIFTER, LOWER	
22	FB5-9795-000		1	LEVER, LOCK, UPPER	
23	FB6-2792-000		1	LEVER, PICK LOCK, LOWER	
24	FB5-4728-000		1	COVER, PAPER PICK-UP FRAME	
25	FB5-4779-000		1	ROLLER, PAPER FEED, UPPER	
26	FB5-4780-000		1	ROLLER, PAPER FEED, LOWER	
27	FB5-5286-000		1	CAM, PICK-UP ROLLER, UPPER	
28	FB5-5287-000		1	CAM, PICK-UP ROLLER, LOWER	
29	FF3-2974-000		1	CABLE, UPPER RETRY SENSOR	J1607,16070

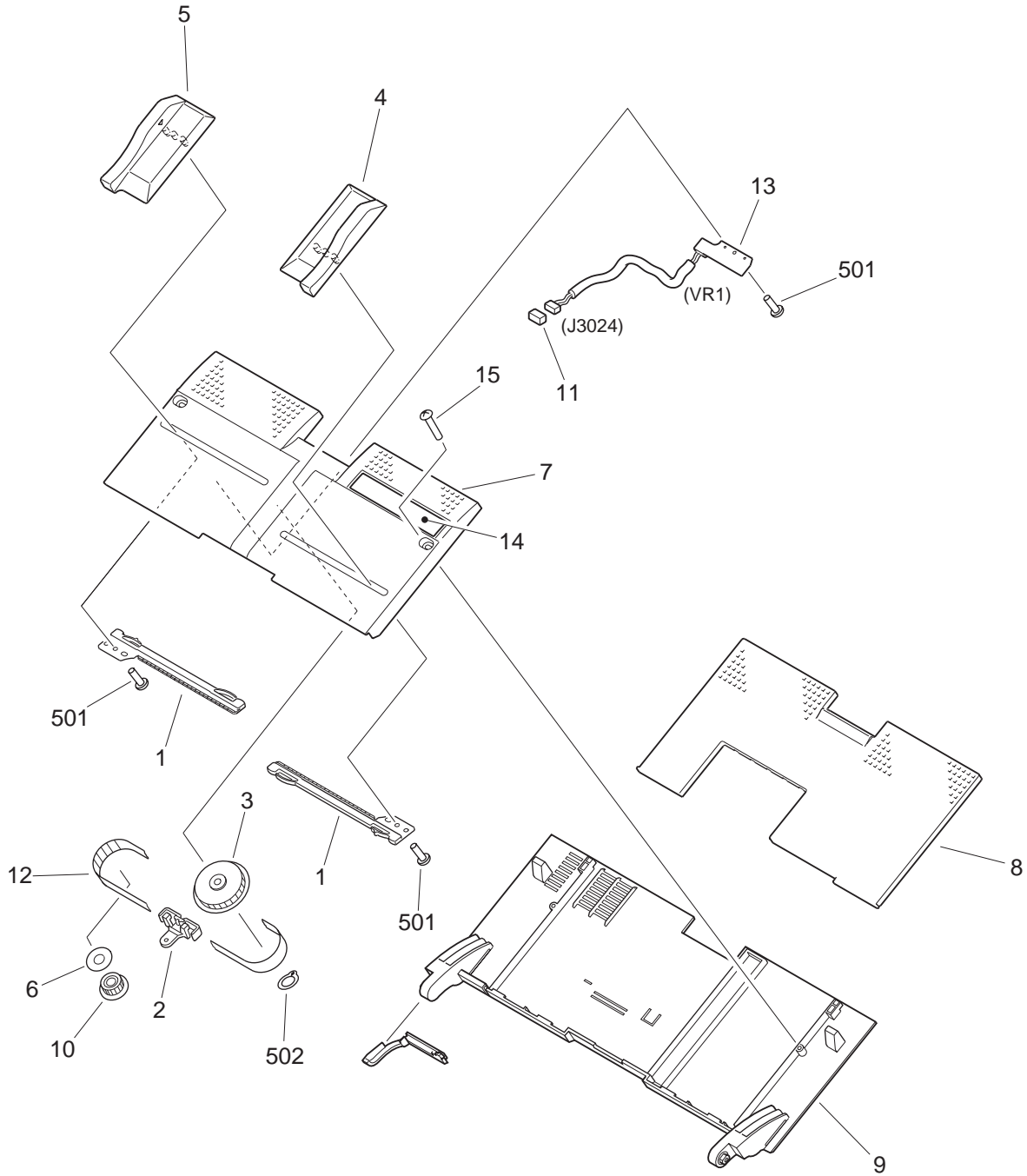
FIGURE & KEY NO.	PART NUMBER	RANK	QTY	DESCRIPTION	SERIAL NUMBER / REMARKS
310 - 30	FF3-2975-000		1	CABLE, LOWER RETRY SENSOR	J1608,16080
31	FF3-4175-000		1	CABLE, VERTICAL PATH CLUTCH	J1603,16030
32	FF5-4552-020		4	ROLLER, PAPER PICK-UP	
33	FF5-4634-020		2	ROLLER, PAPER SEPARATION	
34	FF6-0100-000		1	ARM, TENSION	
35	FH6-1477-000		1	MOTOR, DC24V	M2 J1602
36	FH6-5005-000		1	CLUTCH, ELECTRO MAGNETIC	CL1 J16030
37	FH6-5020-000		1	SOLENOID	SL1 J1604
38	FH7-7462-000		2	PHOTO-INTERRUPTER	PS7,8 J16070,16080
39	FS5-1589-000		1	BUSHING	
40	FS5-1946-000		1	BUSHING	
41	FS5-1948-000		4	BUSHING	
42	FS5-3620-000		1	PULLEY, 32T/40T	
43	FS5-3830-000		1	PULLEY, 25T/GEAR, 28T	
44	FS5-3833-000		1	PULLEY, 24T	
45	FS6-0564-000		2	GEAR, 35T	
46	FS6-0565-000		2	GEAR, 42T	
47	FS7-0758-000		1	GEAR, 14T	
48	FS7-0756-000		1	GEAR, 35T/44T	
49	FS1-9010-000		2	SCREW, STEPPED, M3X2.2	
50	FS7-2414-000		1	SPRING, TENSION	
51	FS6-2328-020		2	SPRING, TENSION	
52	FS6-2330-000		2	SPRING, COMPRESSION	
53	FS6-2331-000		1	SPRING, TENSION	
54	FS6-2900-000		2	SPRING, TENSION	
55	FS7-0103-000		1	GEAR, 35T	
56	FS7-0104-000		1	GEAR, 24T	
57	FS7-0757-000		1	GEAR, 35T	
58	FS7-0752-000		1	GEAR, 86T	
59	FS7-2408-000		1	SPRING, TENSION	



FIGURE & KEY NO.	PART NUMBER	RANK	QTY	DESCRIPTION	SERIAL NUMBER / REMARKS
310 - 60	FS7-2409-000		2	SPRING, COMPRESSION	
61	RB1-6539-000		2	DAMPER	
62	FB6-5091-000		2	LIMITER, TORQUE	
63	RB1-6592-000		2	GEAR, 3T	
64	XG9-0407-000		2	BEARING, BALL, UGF106P12ZZD4ML	
65	XA9-0591-000		28	SCREW,M3X8	
66	XD9-0104-000		3	PIN,DOWEL	
67	XD9-0131-000		8	RING,E	
68	XD9-0137-000		2	RING,E	
69	XF2-1121-540		1	BELT, TIMING	
70	XG9-0403-000		2	BEARING, BALL	
71	FB5-4776-000		1	ROLLER, VERTICAL PATH, 1	
72	FB5-4777-000		1	CLUTCH, ONE-WAY	
73	FF6-0108-000		1	HOLDER, ROLLER, UPPER	
74	FF6-0109-000		1	HOLDER, ROLLER, LOWER	
75	FB6-4577-000		1	ARM, LIFTER SUPPORT	
76	XD9-0137-000		2	RING,E	
77	FA9-3948-000		1	PLATE, NO4	
78	FA9-3949-000		1	PLATE, NO2	
501	XB1-2300-409		2	SCREW,MACH.,TRUSS HEAD,M3X4	
502	XD1-1106-215		2	SHIM	
503	XB3-6300-800		18	SCREW,RS,M3X8	
504	XD2-2100-802		1	RING,GRIP	
505	XD3-1200-122		4	PIN,SPRING	
506	XD2-2100-402		1	RING,GRIP	



# FIGURE 315 MULTI FEEDER TRAY ASSEMBLY



NOTE : This assembly does not include the part shown with key No. 14.

FIGURE & KEY NO.	PART NUMBER	RANK	QTY	DESCRIPTION	SERIAL NUMBER / REMARKS
315 -	FG6-5649-000		1	MULTI FEEDER TRAY ASSEMBLY	
1	FB1-8619-000		2	RACK	
2	FB1-8621-000		1	PLATE, LOCK	
3	FB1-8625-000		1	GEAR, 18T	
4	FB5-3577-000		1	PLATE, PAPER END, FRONT	
5	FB5-3578-000		1	PLATE, PAPER END, REAR	
6	FB3-2836-000		1	SUPPORT, BELT	
7	FB4-3264-000		1	TRAY, MULTI FEED	
8	FB4-3265-000		1	TRAY, SLIDE	
9	FB5-4745-000		1	PANEL, MULTI FEEDER TRAY	
10	FS5-3177-000		1	PULLEY, IDLER	
11	VS1-5057-003		1	CONNECTOR, SNAP TIGHT	J3024
12	XF9-0393-000		1	BELT, TIMING	
13	FG5-6289-000		1	MULTI PAPER SIZE PCB ASSEMBLY	VR1 J3024
14	FS5-8612-000		1	LABEL, SIZE	AB SIZE SEE NOTE
	FS5-8613-000		1	LABEL, SIZE	AB/INCH SIZE SEE NOTE
	FS5-8614-000		1	LABEL, SIZE	A/INCH SIZE SEE NOTE
	FS5-8615-000		1	LABEL, SIZE	A SIZE SEE NOTE
15	XA9-0606-000		2	SCREW, M4X10	
501	XB4-7300-609		3	SCREW,TAPPING,TRUSS HEAD,M3X6	
502	XD2-2100-502		1	RING,GRIP	

# FIGURE 320 REGISTRATION FRONT GUIDE ASSEMBLY

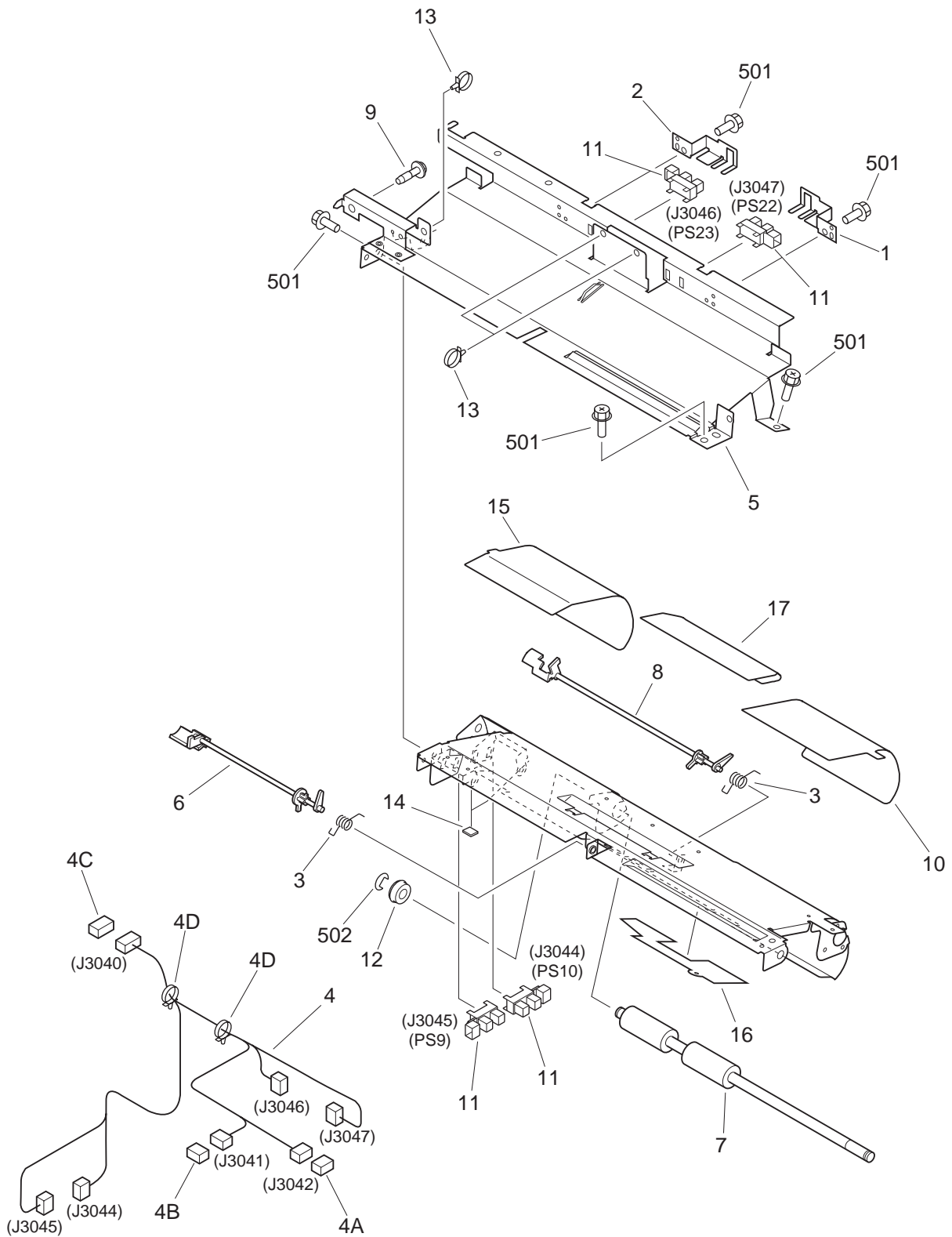
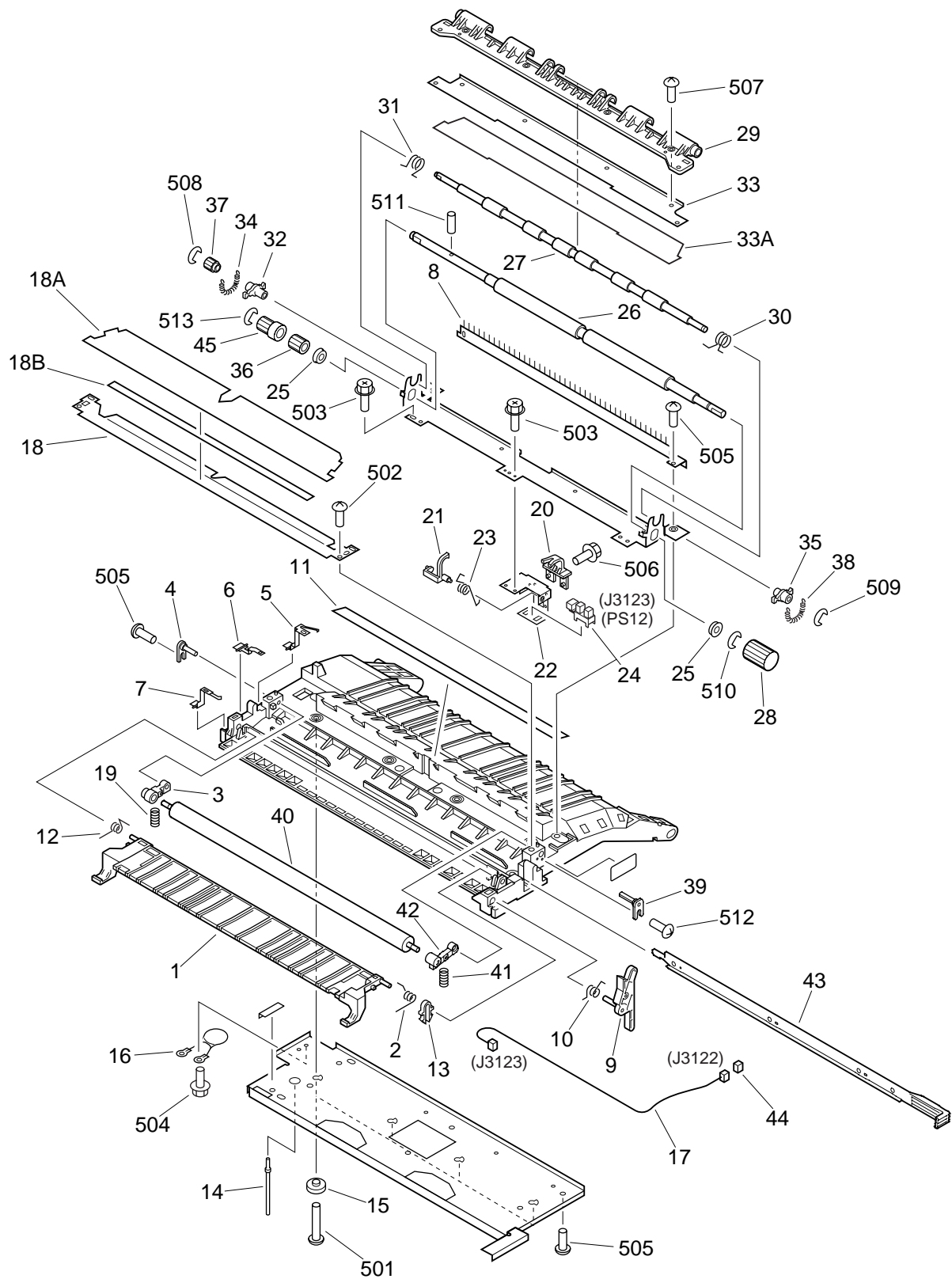


FIGURE & KEY NO.	PART NUMBER	RANK	QTY	DESCRIPTION	SERIAL NUMBER / REMARKS
320 -	NPN		RF	REGIST. FRONT GUIDE ASSEMBLY	
1	FB3-2648-000		1	PLATE, SENSOR, FRONT	
2	FB3-2649-000		1	PLATE, SENSOR, REAR	
3	FB3-2658-000		2	SPRING, TORSION	
4	FG3-1596-000		1	CABLE, REGISTRATION FRONT	J3040-3042,3044-3047
4A	VS1-5057-003		1	CONNECTOR, SNAP TIGHT	J3042
4B	VS1-5057-006		1	CONNECTOR, SNAP TIGHT	J3041
4C	VS1-6319-024		1	CONNECTOR, SNAP TIGHT	J3040
4D	WT2-5565-000		2	CLAMP, CABLE	
5	FB5-4711-000		1	GUIDE, REGIST. FRONT, UPPER	
6	FB5-4713-020		1	FLAG, REGIST. FRONT SENSOR	
7	FB5-4714-000		1	ROLLER, REGISTRATION FRONT, 2	
8	FB5-5146-000		1	FLAG, REGISTRATION FRONT, 2	
9	FB5-5288-000		1	SCREW,RS,M4X16	
10	FB5-4722-020		1	SHEET, REGISTRATION FRONT, 1	
11	FH7-7462-000		4	PHOTO-INTERRUPTER	PS9,10,22,23 J3045,3044,3047,3046
12	FS5-1949-000		1	BUSHING	
13	WT2-5565-000		3	CLAMP, CABLE	
14	FB5-5150-000		2	RUBBER, NOISE PREVENTION	
15	FB5-5281-000		1	SHEET, REGISTRATION FRONT, 2	
16	FB5-5282-000		1	SHEET, REGISTRATION FRONT, 3	
17	FB5-5283-000		1	SHEET, REGISTRATION FRONT, 4	
501	XB3-6300-800		5	SCREW,RS,M3X8	
502	XD2-1100-502		1	RING,E	

# FIGURE 330 PAPER FEEDER ASSEMBLY



NOTE : This assembly does not include the parts shown with key No. 39, 40, 41, 42, 43, 44, 45, 512, and 513.

FIGURE & KEY NO.	PART NUMBER	R A N K	Q' T Y	DESCRIPTION	SERIAL NUMBER / REMARKS
330 -	FG6-5670-000		1	PAPER FEEDER ASSEMBLY	
1	FB5-4782-000		1	GUIDE, PAPER FEEDER	
2	FB5-4783-000		1	SPRING, TORSION	
3	FB5-4785-000		1	ARM, TRANSFER	
4	FB5-4787-000		1	PIN, POSITIONING	
5	FB5-4788-000		1	TERMINAL PLATE, TRANSFER GUIDE	
6	FB5-4789-000		1	TERMINAL PLATE, TRANSFER	
7	FB5-4790-000		1	TERMINAL PLATE, ELIMINATOR	
8	FB5-4791-000		1	ELIMINATOR, STATIC CHARGE	
9	FB5-4793-000		1	ARM, SHUTTER	
10	FB5-4794-000		1	SPRING, TORSION	
11	FB5-4795-000		1	SHEET, GUIDE	
12	FB5-4796-000		1	SPRING, TORSION	
13	FB5-4798-000		1	HOOK, RIB STOP	
14	FB5-4832-000		1	SHAFT, LIFTER, REAR	
15	FB5-4835-000		4	SPACER, SCREW	
16	FF3-1173-000		1	VARISTOR UNIT	
17	FF3-4179-000		1	CABLE, TOP SENSOR	J3122,3123
18	FF6-0105-000		1	GUIDE, TRANSFER, LOWER	
18A	FB5-4811-000		1	SHEET, TRANSFER	
18B	FB5-4814-000		1	SHEET, TRANSFER AUXILIARY	
19	FS7-2382-000		1	SPRING, COMPRESSION	
20	FB5-4799-000		1	GUIDE, TOP SENSOR	
21	FB5-4800-000		1	LINK, TOP SENSOR	
22	FB5-4801-000		1	HOLDER, TOP SENSOR	
23	FB5-4802-000		1	SPRING, TORSION	
24	FH7-7557-000		1	PHOTO-INTERRUPTER	PS12 J3123
25	FA1-0056-000		2	BUSHING	
26	FB5-4804-000		1	ROLLER, PRE-TRANSFER, LOWER	
27	FB5-4805-000		1	ROLLER, PRE-TRANSFER, UPPER	



FIGURE & KEY NO.	PART NUMBER	RANK	QTY	DESCRIPTION	SERIAL NUMBER / REMARKS
330 - 28	FB5-4808-000		1	KNOB, PRE-TRANSFER ROLLER	
29	FB5-4813-000		1	BRACKET, PRE-TRANSFER GUIDE	
30	FB5-4833-000		1	SPRING, TORSION	
31	FB5-4834-000		1	SPRING, TORSION	
32	FE5-4046-000		1	BUSHING, REGIST. ROLLER	
33	FF6-0106-000		1	GUIDE, TRANSFER, UPPER	
33A	FB5-4812-000		1	SHEET, TRANSFER	
34	FS2-2783-000		1	SPRING, TENSION	
35	FS5-1944-000		1	BUSHING	
36	FS7-0739-000		1	GEAR, 32T	
37	FS7-0740-000		1	GEAR, 26T	
38	FS7-2383-000		1	SPRING, TENSION	
39	FB5-4787-000		1	PIN, POSITIONING	SEE NOTE
40	FF6-0104-000		1	ROLLER, TRANSFER	SEE NOTE
41	FS7-2382-000		1	SPRING, COMPRESSION	SEE NOTE
42	FB5-4786-000		1	ARM, TRANSFER, FRONT	SEE NOTE
43	FF5-7246-000		1	ELIMINATOR, STATIC CHARGE	SEE NOTE
44	VS1-5057-003		1	CONNECTOR, SNAP TIGHT	SEE NOTE J3122
45	FS5-3820-000		1	PULLEY, 24T	SEE NOTE
501	XB1-2401-809		4	SCREW,MACH.,TRUSS HEAD,M4X18	
502	XB2-8400-809		2	SCREW,W/WASHER,M4X8	
503	XB3-6300-605		5	SCREW,RS,M3X6	
504	XB3-6400-800		1	SCREW,RS,M4X8	
505	XB4-7400-809		15	SCREW,TAPPING,TRUSS HEAD,M4X8	
506	XB3-6300-605		1	SCREW,RS,M3X6	
507	XB1-2300-409		4	SCREW,MACH.,TRUSS HEAD,M3X4	
508	XD2-1100-322		1	RING,E	
509	XD2-1100-502		1	RING,E	
510	XD2-1100-642		2	RING,E	
511	XD3-2160-102		1	PIN,DOWEL	

FIGURE & KEY NO.	PART NUMBER	R A N K	Q' T Y	DESCRIPTION	SERIAL NUMBER / REMARKS
330 - 512	XB4-7400-809		1	SCREW,TAPPING,TRUSS HEAD,M4X8	SEE NOTE
513	XD2-1100-402		1	RING,E	SEE NOTE

# FIGURE 350 PAPER DELIVERY ASSEMBLY

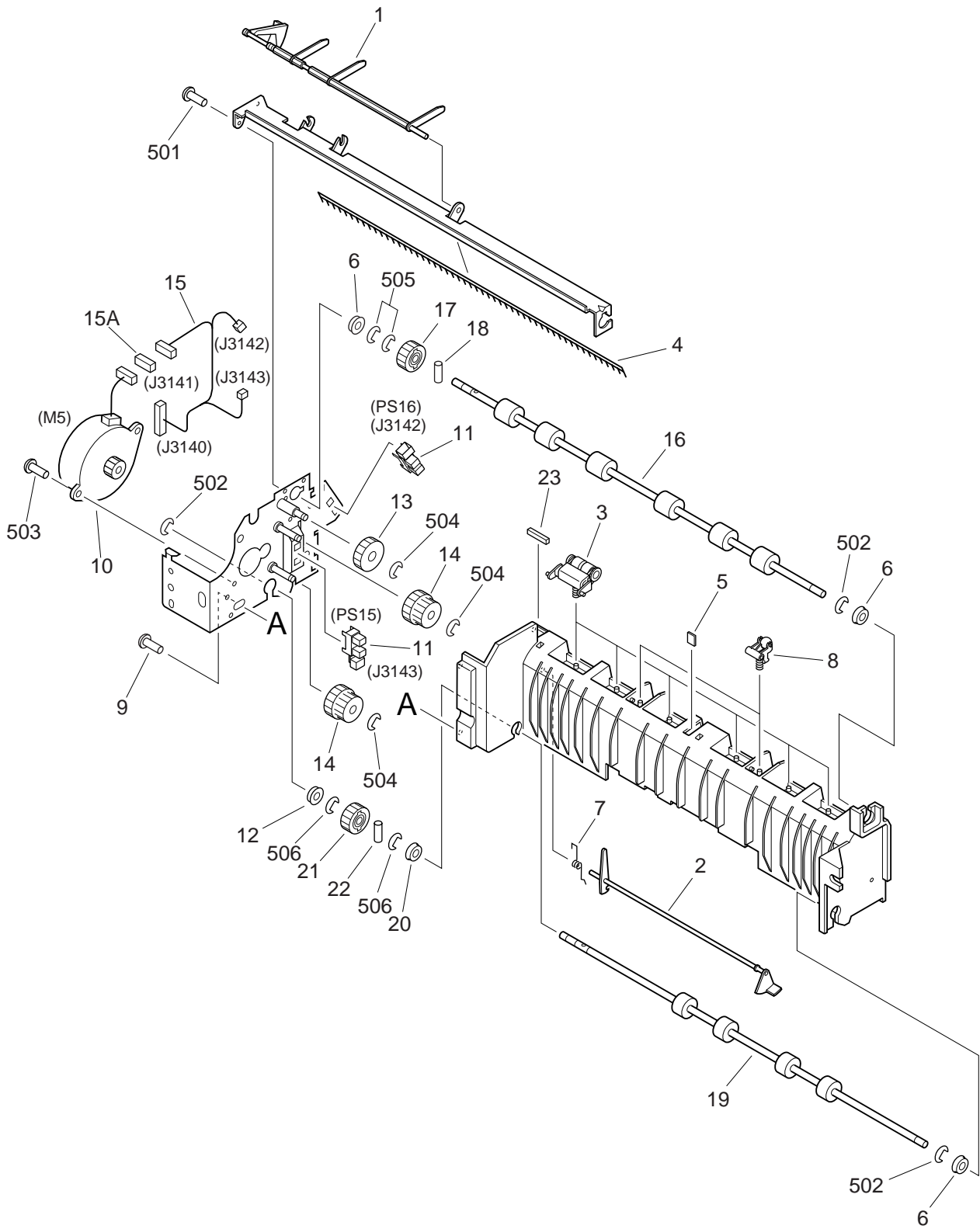


FIGURE & KEY NO.	PART NUMBER	RANK	QTY	DESCRIPTION	SERIAL NUMBER / REMARKS
350 -	FG6-5691-000		1	PAPER DELIVERY ASSEMBLY	
1	FB5-4853-000		1	LINK, PAPER FULL SENSOR	
2	FB5-4854-000		1	ARM, SENSOR	
3	FF6-0132-000		6	HOLDER, ROLLER	
4	FB5-4858-000		1	ELIMINATOR, STATIC CHARGE	
5	FB5-5150-000		1	RUBBER, NOISE PREVENTION	
6	FS5-1943-000		3	BUSHING	
7	FS7-2390-000		1	SPRING, TORSION	
8	FF6-0345-000		2	DELIVERY COLLAR UNIT	
9	XA9-0605-000		4	SCREW,P,M4X8	
10	FH6-1850-000		1	MOTOR, STEPPING	M5 J3141
11	FH7-7557-000		2	PHOTO-INTERRUPTER	PS15,16 J3143,J3142
12	FS5-1943-000		1	BUSHING	
13	FS7-0746-000		1	GEAR, 21T	
14	FS7-0747-000		2	GEAR, 17T/27T	
15	FG3-1598-000		1	CABLE, PAPER DELIVERY	J3140-3143
15A	VS1-5057-004		1	CONNECTOR, SNAP TIGHT	J3141
16	FB5-4855-000		1	ROLLER, PAPER DELIVERY	
17	FS7-0745-000		1	GEAR, 16T	
18	XD9-0104-000		1	PIN,DOWEL	
19	FB5-4856-000		1	ROLLER, VERTICAL PATH	
20	FS1-1202-000		1	BUSHING	
21	FS7-0744-000		1	GEAR, 16T	
22	XD9-0104-000		1	PIN,DOWEL	
23	FB5-9787-000		1	PAD, NOISE PREVENTION	
501	XB1-2300-805		1	SCREW,MACH.,TRUSS HEAD,M3X8	
502	XD2-1100-502		3	RING,E	
503	XB1-2300-805		2	SCREW,MACH.,TRUSS HEAD,M3X8	
504	XD2-1100-502		3	RING,E	
505	XD2-1100-502		2	RING,E	

FIGURE & KEY NO.	PART NUMBER	R A N K	Q' T Y	DESCRIPTION	SERIAL NUMBER / REMARKS
350 - 506	XD2-1100-502		2	RING,E	



# FIGURE 351 LEFT VERTICAL PATH ASSEMBLY

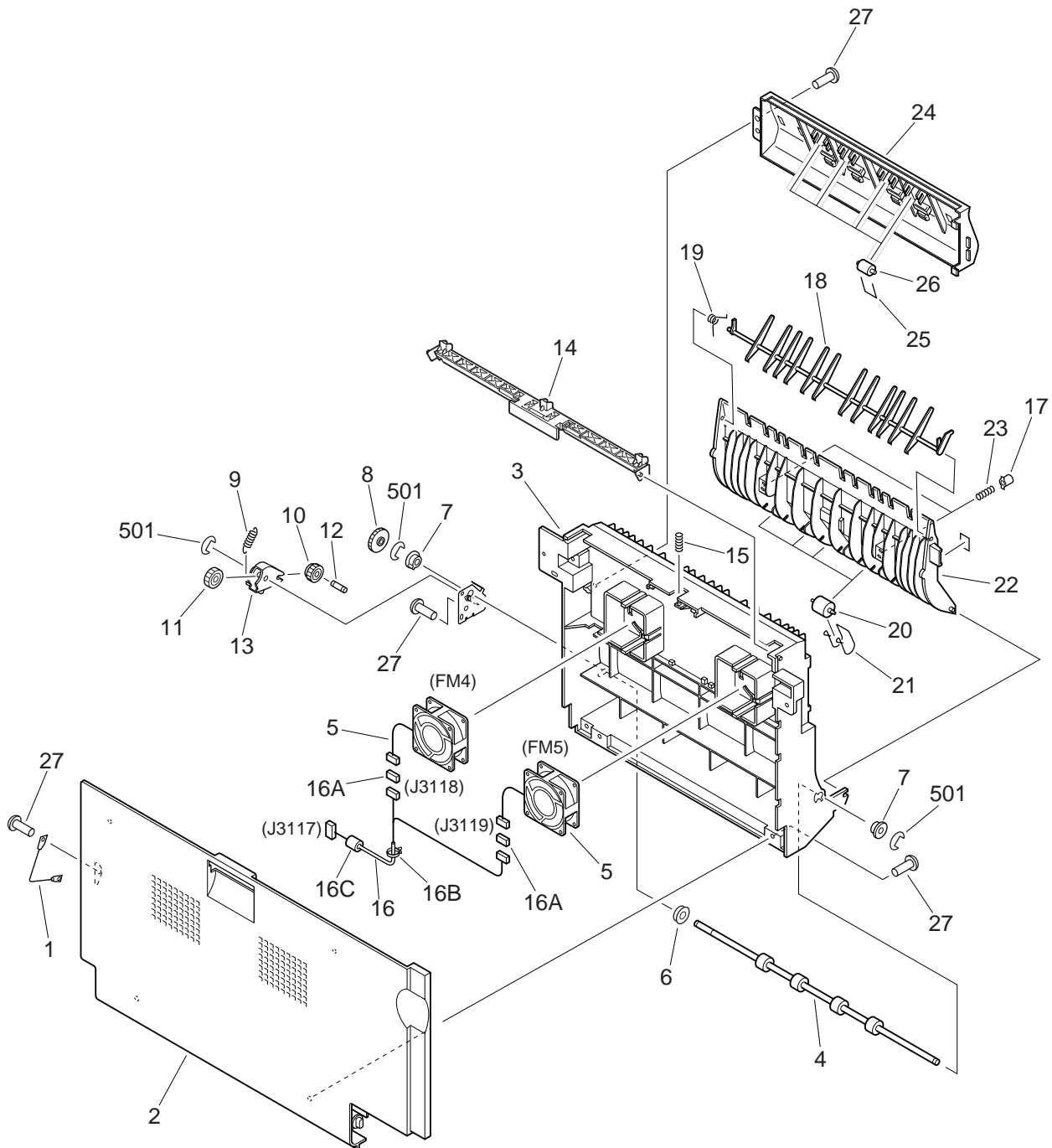


FIGURE & KEY NO.	PART NUMBER	RANK	QTY	DESCRIPTION	SERIAL NUMBER / REMARKS
351 -	FG6-5698-000		1	LEFT VERTICAL PATH ASSEMBLY	
1	FB1-6841-000		1	WIRE, DELIVERY SUPPORT	
2	FB5-4911-000		1	PANEL, PAPER DELIVERY	
3	FB5-4912-000		1	GUIDE, PAPER DELIVERY	
4	FB5-4919-000		1	ROLLER, DELIVERY DUPLEXING	
5	FH6-1854-000		2	FAN	FM4,5 J3118,3119
6	FS1-1202-000		1	BUSHING	
7	FS5-1943-000		2	BUSHING	
8	FS7-0701-000		1	GEAR, 24T	
9	FS7-2372-000		1	SPRING, TENSION	
10	RA9-1124-000		1	GEAR, 18T	
11	FB6-2767-000		1	GEAR, 19T	
12	RB1-6653-000		1	SHAFT, GEAR	
13	FB6-2768-000		1	LEVER, SWING	
14	FB6-2769-000		1	LEVER, DELIVERY COVER	
15	RS5-2489-000		1	SPRING, COMPRESSION	
16	FG3-1599-000		1	CABLE, CURL CORRECT FAN	J3117-3119
16A	VS1-5057-003		2	CONNECTOR, SNAP TIGHT	J3118,3119
16B	WT2-5565-000		2	CLAMP, CABLE	
16C	WE8-5857-000		1	CORE, FERRITE	
17	FB4-3104-000		2	CAP, SPRING	
18	FB5-4914-000		1	DEFLECTOR, DELIVERY INLET	
19	FB5-4915-000		1	SPRING, TORSION	
20	FB5-5260-000		4	COLLAR, DUPLEXING INLET	
21	FB5-5261-000		4	SPRING, TORSION	
22	FF6-0139-000		1	GUIDE, PAPER DELIVERY, LOWER	
23	FS7-2398-000		2	SPRING, COMPRESSION	
24	FB5-4916-000		1	GUIDE, VERTICAL PATH	
25	FB5-4918-000		4	HOOK, PAPER DELIVERY ROLLER	
26	FB5-4920-000		4	ROLLER, FEED	



FIGURE & KEY NO.	PART NUMBER	R A N K	Q' T Y	DESCRIPTION	SERIAL NUMBER / REMARKS
351 - 27	XA9-0605-000		7	SCREW,P,M4X8	
501	XD2-1100-502		3	RING,E	



# FIGURE 360

## DUPLEXING FEEDER ASSEMBLY

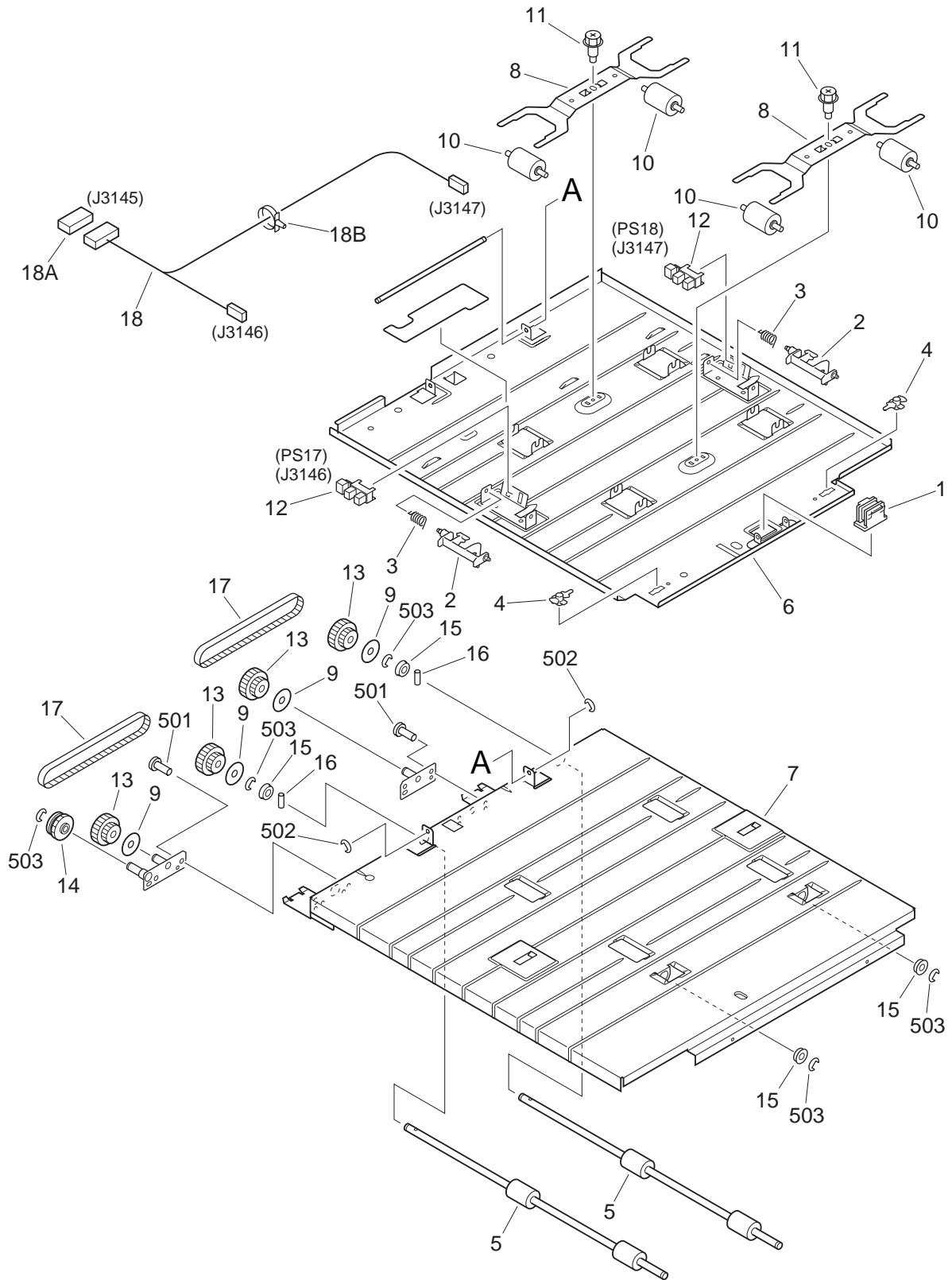


FIGURE & KEY NO.	PART NUMBER	RANK	QTY	DESCRIPTION	SERIAL NUMBER / REMARKS
360 -	FG6-5650-000		1	DUPLEXING FEEDER ASSEMBLY	
1	FB3-2997-000		1	MAGNET, CATCH	
2	FB6-2784-000		2	FLAG, DUPLEXING P. FEED SENSOR	
3	FB4-2935-000		2	SPRING, TORSION	
4	FB4-2955-000		2	SPACER, GUIDE	
5	FB5-4747-000		2	ROLLER, DUPLEXING FEEDER	
6	FB5-4748-000		1	GUIDE, DUPLEXING FEEDER, UPPER	
7	FB5-4749-000		1	GUIDE, DUPLEXING FEEDER, LOWER	
8	FB5-4750-000		2	SPRING, LEAF	
9	FB5-4754-000		4	SPACER	
10	FB5-4773-000		4	ROLLER, DUPLEXING	
11	FS5-9664-000		2	SCREW,RS STEPPED,M3	
12	FH7-7462-000		2	PHOTO-INTERRUPTER	PS17,18 J3146,3147
13	FS7-0722-000		4	PULLEY, 26T/GEAR, 24T	
14	FS7-0723-000		1	GEAR, 20T	
15	XG9-0482-000		4	BUSHING	
16	XD9-0103-000		2	PIN,DOWEL	
17	XF2-3112-940		2	BELT, TIMING	
18	FG3-1597-000		1	CABLE, DUPLEXING FEEDER	J3145-3147
18A	VS1-5057-006		1	CONNECTOR, SNAP TIGHT	J3145
18B	WT2-5565-000		1	CLAMP, CABLE	
501	XB3-6300-600		4	SCREW,RS,M3X6	
502	XD2-1100-242		2	RING,E	
503	XD2-1100-502		5	RING,E	

# FIGURE 460 SCANNER ASSEMBLY

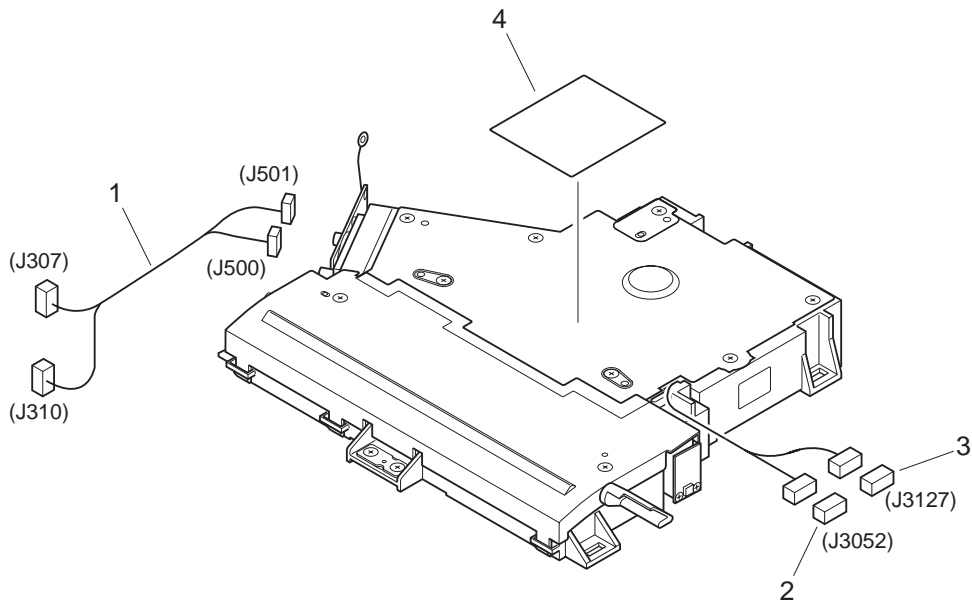


FIGURE & KEY NO.	PART NUMBER	RANK	QTY	DESCRIPTION	SERIAL NUMBER / REMARKS
460 -	FG6-5633-000		1	SCANNER ASSEMBLY	
1	FG3-1592-000		1	CABLE, LASER	J307,310,500,501
2	VS1-5057-002		1	CONNECTOR, SNAP TIGHT	J3052
3	VS1-5057-003		1	CONNECTOR, SNAP TIGHT	J3127
4	RS6-8382-000		1	LABEL, "WARNING LASER"	

# FIGURE 500 DRUM CARTRIDGE ASSEMBLY

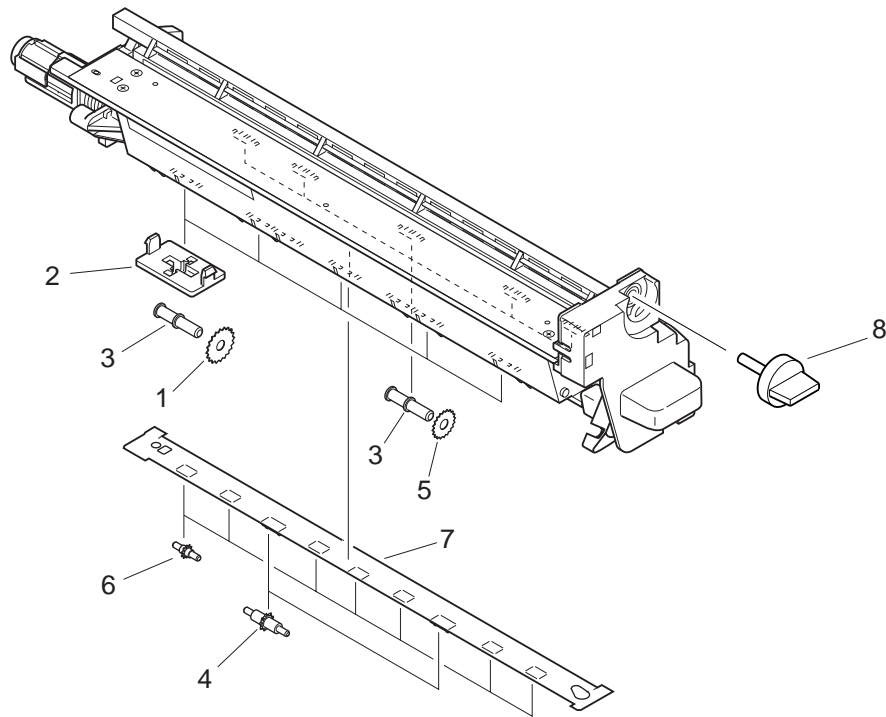


FIGURE & KEY NO.	PART NUMBER	RANK	QTY	DESCRIPTION	SERIAL NUMBER / REMARKS
500 -	NPN		RF	DRUM CARTRIDGE ASSEMBLY	
1	FB5-4986-000		5	ROWEL, 1	
2	FB5-5019-000		5	HOLDER, ROWEL, 1	
3	FB5-5269-000		10	SHAFT, ROWEL	
4	FB5-5270-000		2	ROWEL, 2	
5	FB5-5273-000		5	ROWEL, 3	
6	FB5-5279-000		7	ROWEL, 4	
7	FF6-0160-000		1	SHEET, CONTAINER, LOWER	
8	FA6-5618-000		1	KNOB, CARTRIDGE	

# FIGURE 640

## DEVELOPING ASSEMBLY

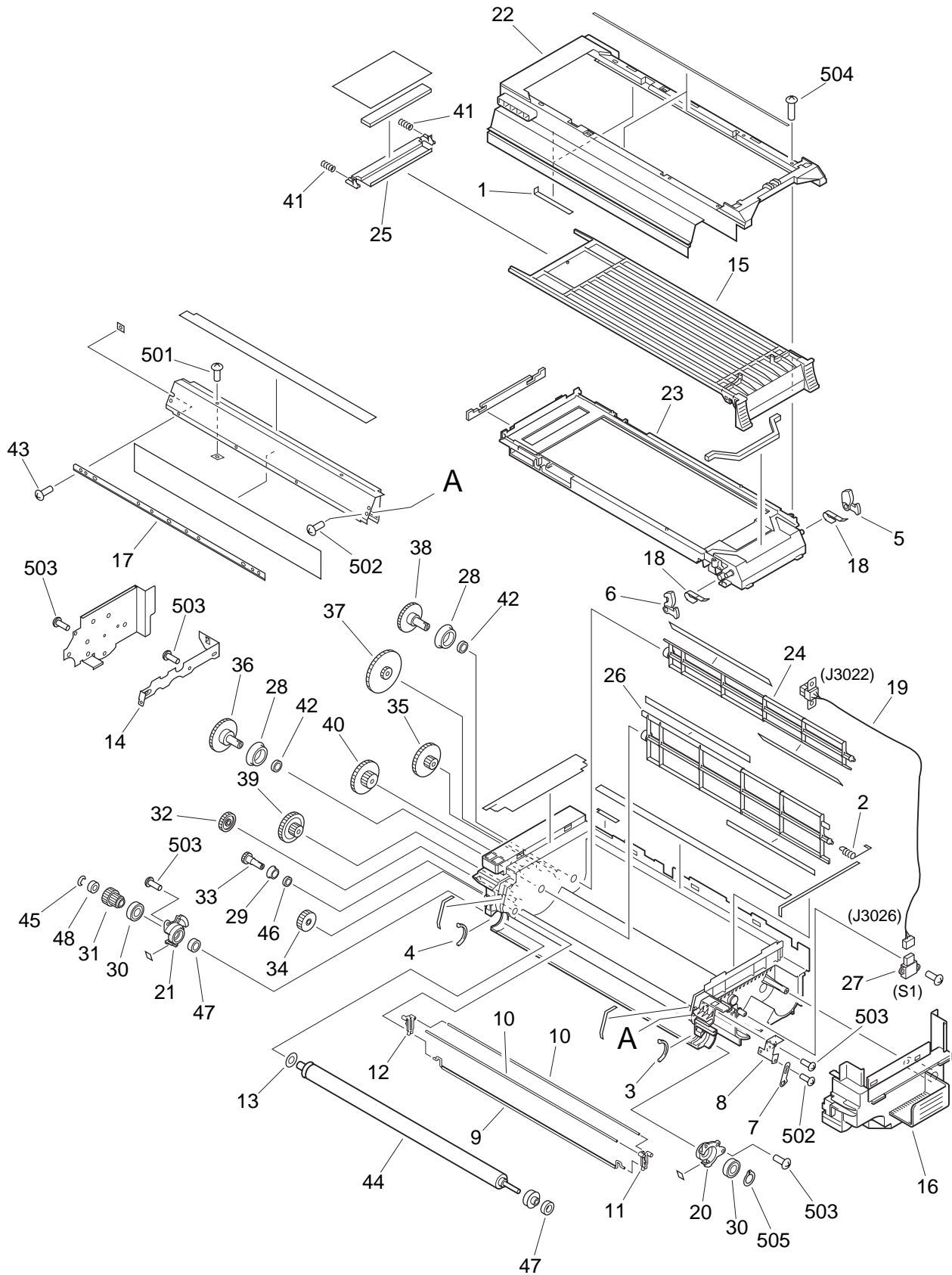


FIGURE & KEY NO.	PART NUMBER	R A N K	Q' T Y	DESCRIPTION	SERIAL NUMBER / REMARKS
640 -	FG9-3917-000		1	DEVELOPING ASSEMBLY	
1	FB1-5816-000		2	SPRING, LEAF	
2	FB1-6710-000		1	SPRING, COMPRESSION	
3	FB1-6718-000		1	SEAL, FRONT	
4	FB1-6719-000		1	SEAL, REAR	
5	FB1-7218-000		1	CARTRIDGE LOCK, RIGHT	
6	FB1-7219-000		1	CARTRIDGE LOCK, LEFT	
7	FB1-8130-000		1	PLATE, POSITIONING	
8	FB3-2672-000		1	PLATE, TERMINAL, FRONT	
9	FB3-2679-000		1	ROD, STIRRING	
10	FB3-2712-000		2	SHAFT, AUXILIARY	
11	FB4-3057-000		1	SUPPORT, STIRRING, FRONT	
12	FB4-3058-000		1	SUPPORT, STIRRING, REAR	
13	FB4-3355-000		1	SHEET, HOLE BLANKING	
14	FB5-4953-000		1	PLATE, BIAS	
15	FB5-4965-000		1	COVER, SLIDE	
16	FB5-4966-000		1	COVER, DEVELOPING, FRONT	
17	FB5-4968-000		1	BLADE	
18	FE5-4134-000		2	SPRING, LEAF	
19	FF3-4188-000		1	CABLE, TONER SENSOR	J3022,3026
20	FF5-4480-000		1	HOLDER, SLEEVE, FRONT	
21	FF5-4481-000		1	HOLDER, SLEEVE, REAR	
22	FF6-0153-000		1	COVER, HOPPER, UPPER	
23	FF6-0154-000		1	COVER, HOPPER, LOWER	
24	FF6-0155-000		1	STIRRER, 3	
25	FF6-0156-000		1	COVER, BUFFER	
26	FF6-0157-000		1	STIRRER, 2	
27	FH7-7422-000		1	SENSOR, TONER	S1 J3026
28	FS1-1594-000		2	BUSHING	
29	FS5-1212-000		1	BUSHING	



FIGURE & KEY NO.	PART NUMBER	RANK	QTY	DESCRIPTION	SERIAL NUMBER / REMARKS
640 - 30	FS5-6448-000		2	ROLLER, 1	
31	FS6-0552-000		1	GEAR, 20T	
32	FS6-0579-000		1	GEAR, 26T	
33	FS6-0592-000		1	GEAR, 14T	
34	FS7-0717-000		1	GEAR, 28T	
35	FS7-0718-000		1	GEAR, 15T/48T	
36	FS7-0719-000		1	GEAR, 17T/48T	
37	FS7-0720-000		1	GEAR, 15T/65T	
38	FS7-0721-000		1	GEAR, 40T	
39	FS7-0754-000		1	GEAR, 20T/48T	
40	FS7-0755-000		1	GEAR, 15T/43T	
41	FS7-2405-000		2	SPRING, COMPRESSION	
42	X71-9310-000		2	SEAL, OIL	
43	XA9-0714-000		4	SCREW,M3X4	
44	FG9-3913-000		1	DEVELOPING CYLINDER UNIT	
45	XD9-0131-000		1	RING,E	
46	XG9-0111-000		1	SEAL, OIL	
47	XG9-0218-000		2	BEARING, BALL	
48	XG9-0262-000		1	BEARING, BALL	
501	XB1-2300-409		2	SCREW,MACH.,TRUSS HEAD,M3X4	
502	XB1-2300-805		3	SCREW,MACH.,TRUSS HEAD,M3X8	
503	XB4-7300-809		13	SCREW,TAPPING,TRUSS HEAD,M3X8	
504	XB4-7301-609		4	SCREW,TAPPING,TRUSS HEAD,M3X16	
505	XD2-2100-802		1	RING,GRIP	



# FIGURE 810 FIXING ASSEMBLY

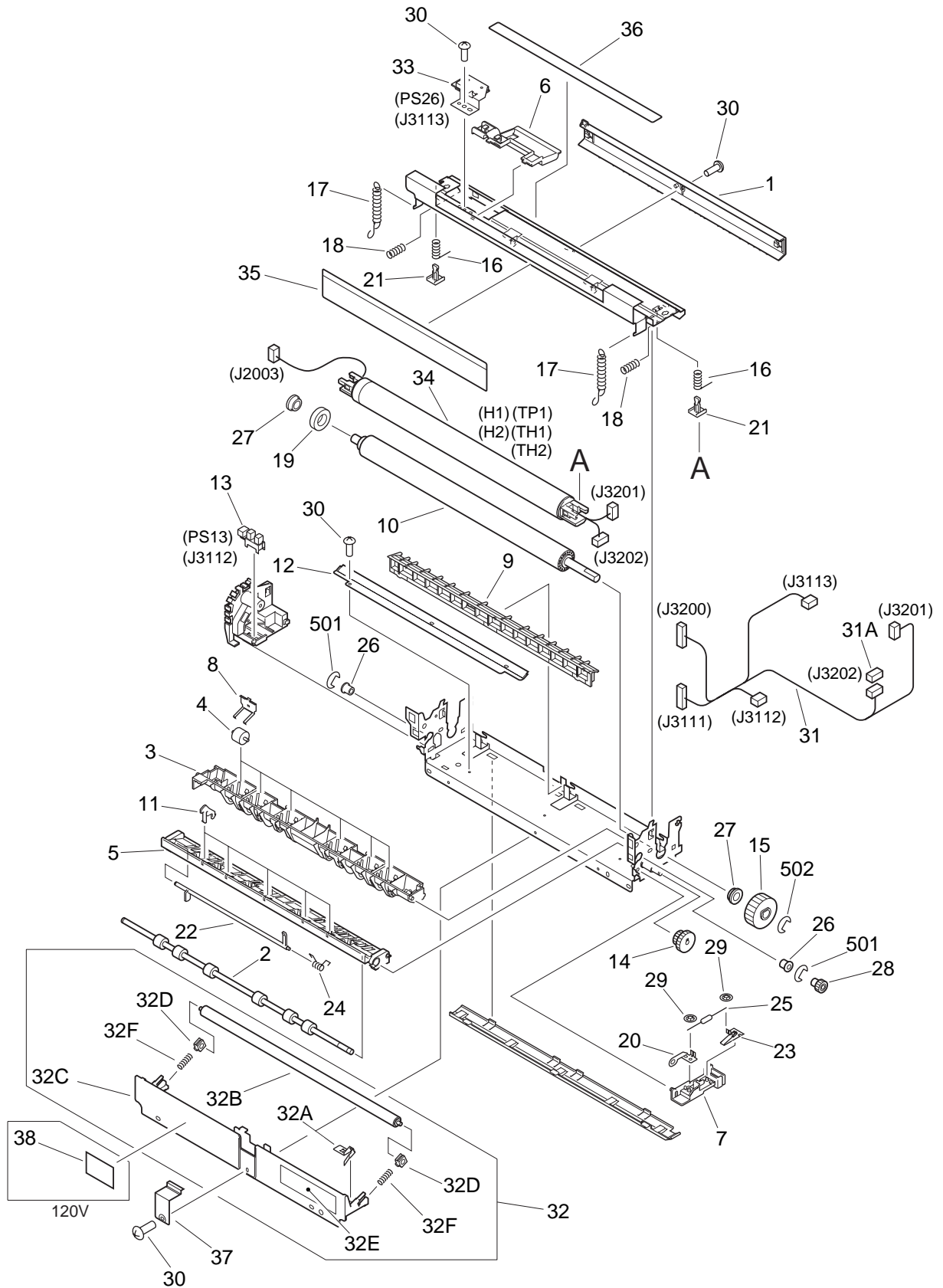


FIGURE & KEY NO.	PART NUMBER	RANK	QTY	DESCRIPTION	SERIAL NUMBER / REMARKS
810 -	FG6-5702-000		1	FIXING ASSEMBLY	100V
	FG6-6038-000		1	FIXING ASSEMBLY	120V
	FG6-6040-000		1	FIXING ASSEMBLY	220/240V
1	FB5-4923-000		1	GUIDE, INLET, UPPER	
2	FB5-4925-000		1	ROLLER, FIXING DELIVERY	
3	FB5-4926-000		1	GUIDE, FIXING DELIVERY, UPPER	
4	FB5-4927-000		6	COLLAR, FIXING DELIVERY	
5	FB5-4928-000		1	GUIDE, FIXING DELIVERY, LOWER	
6	FB5-4934-000		1	COVER, FILM SENSOR	
7	FB5-4938-000		1	MOUNT, FILM BIAS	
8	FB5-4940-000		6	SPRING, LEAF	
9	FB5-4941-000		1	GUIDE, INLET	
10	FB5-4942-000		1	ROLLER, PRESSURE	
11	FB5-4943-000		5	RIB, FIXING GUIDE, LOWER	
12	FB5-5148-000		1	ELIMINATOR, STATIC CHARGE	
13	FH7-7462-000		1	PHOTO-INTERRUPTER	PS13 J3112
14	FS7-0708-000		1	GEAR, 17T/19T	
15	FS7-0709-000		1	GEAR, 27T	
16	FS7-2373-000		2	SPRING, COMPRESSION	
17	FS7-2374-000		2	SPRING, TENSION	
18	FS7-2375-000		2	SPRING, COMPRESSION	
19	RB2-1920-000		1	RUBBER	
20	RB2-1929-000		1	SPRING, LEAF	
21	RB2-1930-000		2	PIN	
22	FB6-2860-000		1	LEVER, SENSOR	
23	RB2-1947-000		1	SPRING, LEAF	
24	RB2-4389-000		1	SPRING, TORSION	
25	RH5-3058-000		1	RESISTOR, 68MOHM, 1/2W	
26	RS1-1087-000		2	BUSHING	
27	RS5-1446-000		2	BUSHING	

FIGURE & KEY NO.	PART NUMBER	RANK	QTY	DESCRIPTION	SERIAL NUMBER / REMARKS
810 - 28	RS6-0354-000		1	GEAR, 15T	
29	XA9-0134-000		2	NUT, PUSH	
30	XA9-0702-000		8	SCREW,M3	
31	FG3-1600-000		1	CABLE, FIXING, DC	J3111-3113,3200-3202
31A	VS1-5057-002		1	CONNECTOR, SNAP TIGHT	J3202
32	FG6-5709-000		1	CLEANING ROLLER ASSEMBLY	
32A	FB5-4930-000		1	PLATE, CLEANING ROLLER	
32B	FB5-4931-000		1	ROLLER, FIXING HEATSINK	
32C	FB5-4932-000		1	MOUNT, CLEANING ROLLER	
32D	FS5-1945-000		2	BUSHING	
32E	FS7-8267-000		1	LABEL, CAUTION	
32F	RS6-2192-000		2	SPRING, COMPRESSION	
33	FG6-5710-000		1	FIXING FILM SENSOR PCB ASS'Y	PS26 J3113
34	FG6-5712-000		1	FIXING FILM ASSEMBLY	100V H1,H2,TP1,TH1,TH2 J2003,3201,3202
	FG6-6039-000		1	FIXING FILM ASSEMBLY	120V H1,H2,TP1,TH1,TH2 J2003,3201,3202
	FG6-6041-000		1	FIXING FILM ASSEMBLY	220/240V H1,H2,TP1,TH1,TH2 J2003,3201,3202
35	FB5-4929-000		1	SHEET, FIXING	
36	FB5-4948-000		1	SHEET, FIXING, 2	
37	FB5-4944-000		1	REINFORCEMENT, FIXING GUIDE	
38	FB5-0339-000		1	LABEL,"WARNING,HIGH VOLTAGE"	120V
501	XD2-1100-502		2	RING,E	
502	XD2-1100-642		1	RING,E	



# FIGURE 900 CONTROLLER BOX ASSEMBLY

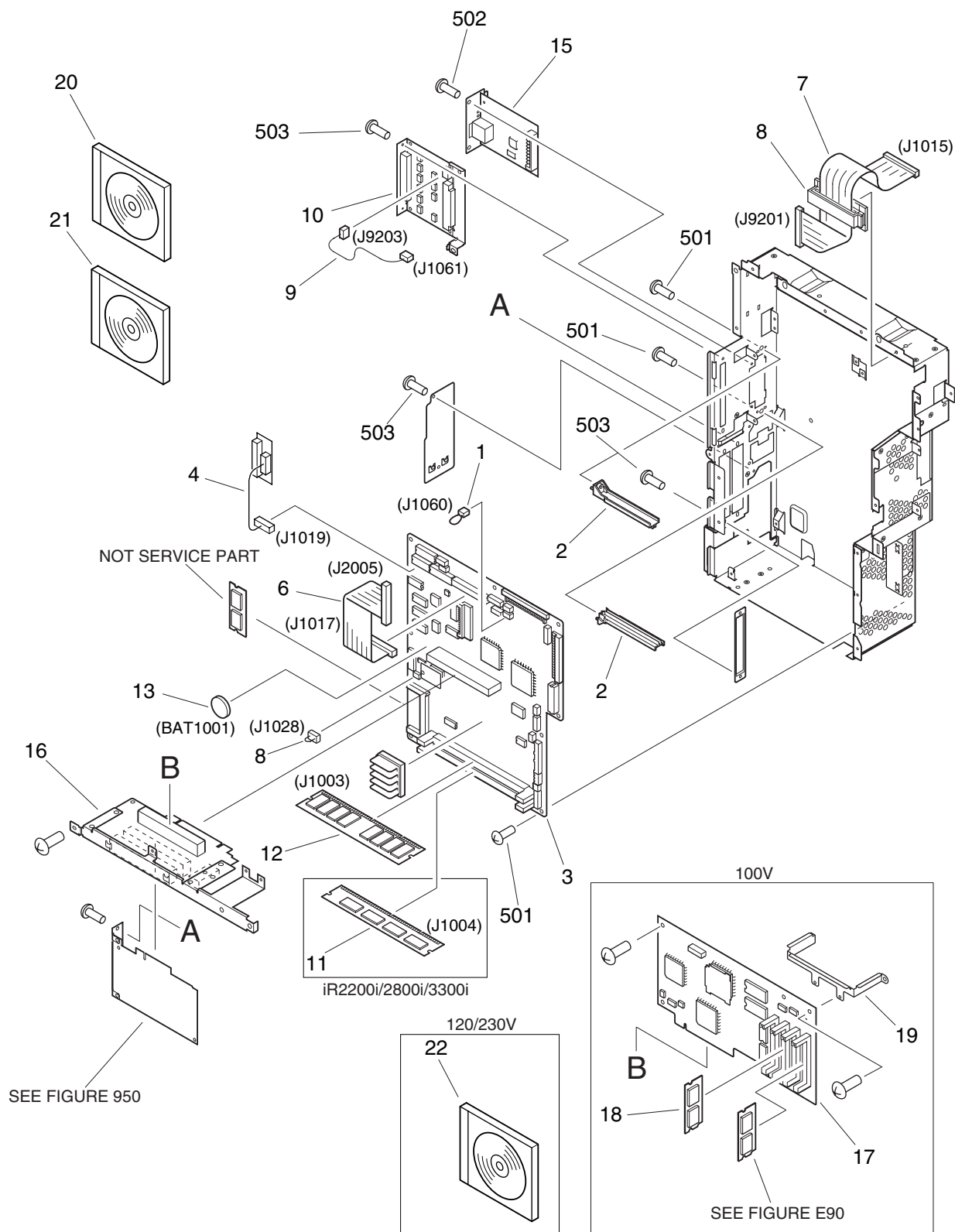


FIGURE & KEY NO.	PART NUMBER	RANK	QTY	DESCRIPTION	SERIAL NUMBER / REMARKS
900 -	NPN		RF	CONTROLLER BOX ASSEMBLY	
1	FF3-4199-000		1	CABLE, CC-4	J1060
2	RB1-7067-000		2	RAIL, GUIDE	
3	FG3-2232-060		1	MAIN CONTROLLER PCB ASSEMBLY	IR2200I/2800I/3300I
	FG3-2492-000		1	MAIN CONTROLLER PCB ASSEMBLY	IR2220I/2220N/2250I IR2820I/2850I/3320I
					IR3320N/3350I/3320G
4	FG3-1744-020		1	CENTRO PCB ASSEMBLY	J1019
6	FF3-4191-000		1	CABLE, FLAT, HD	J1017,2005
7	FG3-1994-000		1	CABLE, FLAT	J1015,9201
8	WE8-5925-000		1	CORE, FERRITE	
9	FG3-2238-000		1	CABLE, POWER SUPPLY	J1061,9203
10	FG6-5831-000		1	DIFFERENTIAL PCB ASSEMBLY	
11	WA7-2376-000		1	DIMM, SMS-6486M-H, SD-RAM	IR2200I/2800I/3300I J1004
12	WA7-2322-000		1	DIMM,M366S1723DTS-C7A,SDRAM	IR2200I/2800I/3300I J1003
	WA7-2372-000		1	DIMM, MT16LSDT3264AG-133E1	IR2220I/2220N/2250I IR2820I/2850I/3320I
					IR3320N/3350I/3320G J1003
13	WK1-5019-000		1	BATTERY,LITHIUM,CR2477-HE4H,3V	BAT1001
15	FG6-5964-000		1	ETHERNET BOARD PCB ASSEMBLY	
16	FG6-5795-000		1	RISER BOARD PCB ASSEMBLY	
17	FG3-2959-000		1	LIPS BOARD PCB ASSEMBLY	100V
18	FH5-3127-000		1	DIMM ASS'Y	100V
19	FB5-6612-000		1	PLATE, PCB FIXING	100V
20	FG3-2478-000		1	CD-ROM, USER SOFTWARE	230V
	FG3-2772-000		1	CD-ROM, USER SOFTWARE	100V
	FH5-3378-000		1	CD-ROM, USER SOFT WEAR US/UK	120V
21	FG3-2484-000		1	CD-ROM, N/W SCANGEAR	100V
	FH5-3381-000		1	CD-ROM, N/W SCAN GEAR	120/230V
22	FG3-3057-000		1	CD-ROM, FAX DRIVER	
23	FF3-4219-000		1	SHORT CONNECTOR	J1028
501	XB1-2300-607		10	SCREW,MACH.,TRUSS HEAD,M3X6	



FIGURE & KEY NO.	PART NUMBER	RANK	QTY	DESCRIPTION	SERIAL NUMBER / REMARKS
900 - 502	XB4-7400-807		2	SCREW,TAPPING,TRUSS HEAD,M4X8	
503	XB1-2300-607		8	SCREW,MACH.,TRUSS HEAD,M3X6	
IC1003	FH4-6123-000		1	IC, M38871M2-010GP, MCU	
IC1005	FH4-6145-000		1	IC, GATE ARRAY	
IC1009	FH4-6085-000		1	IC, SLA902FM2J, GATE ARRAY	

# FIGURE 910

## HV POWER SUPPLY PCB ASSEMBLY

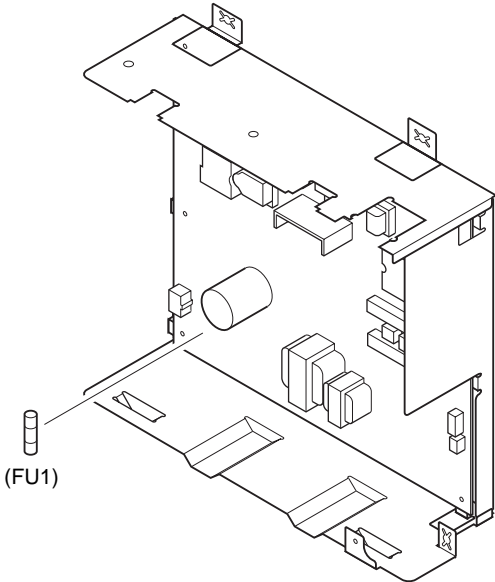
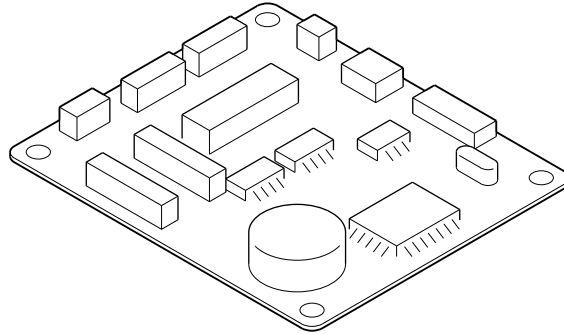


FIGURE & KEY NO.	PART NUMBER	RANK	QTY	DESCRIPTION	SERIAL NUMBER / REMARKS
910 -  FU1	FG3-1603-000		1	HV POWER SUPPLY PCB ASSEMBLY	100/120V
	FG3-1604-000		1	HV POWER SUPPLY PCB ASSEMBLY	220/240V
	VD7-0213-151		1	FUSE, 125V, 3.15A	100/120V
	VD7-0641-601		1	FUSE, 250V, 1.6A	220/240V
-----					
-----					

# FIGURE 920 CONTROL PANEL CPU PCB ASSEMBLY

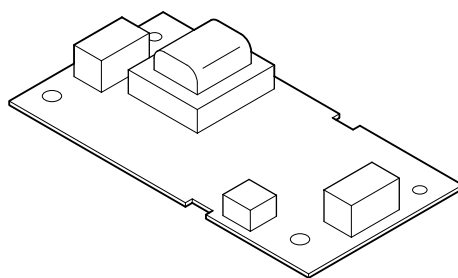


NOTE : This assembly is included in the assembly shown in Figure 130.

FIGURE & KEY NO.	PART NUMBER	RANK	QTY	DESCRIPTION	SERIAL NUMBER / REMARKS
920 -	FG3-1795-000		1	CONTROL PANEL CPU PCB ASSEMBLY	SEE NOTE
Q6822	FH4-1380-000		1	IC, N010-0559-V123, MPU	

# FIGURE 921

## CONTROL PANEL INVERTER PCB ASSEMBLY



NOTE : This assembly is included in the assembly shown in Figure 130.

FIGURE & KEY NO.	PART NUMBER	RANK	QTY	DESCRIPTION	SERIAL NUMBER / REMARKS
921 -	FG6-7738-000		1	C. PANEL INVERTER PCB ASSEMBLY	SEE NOTE
FU1	VD7-1622-001		1	FUSE, 60V, 2A	
T1	FH3-0961-000		1	TRANSFORMER, INVERTER	

# FIGURE 930 DC CONTROLLER PCB ASSEMBLY

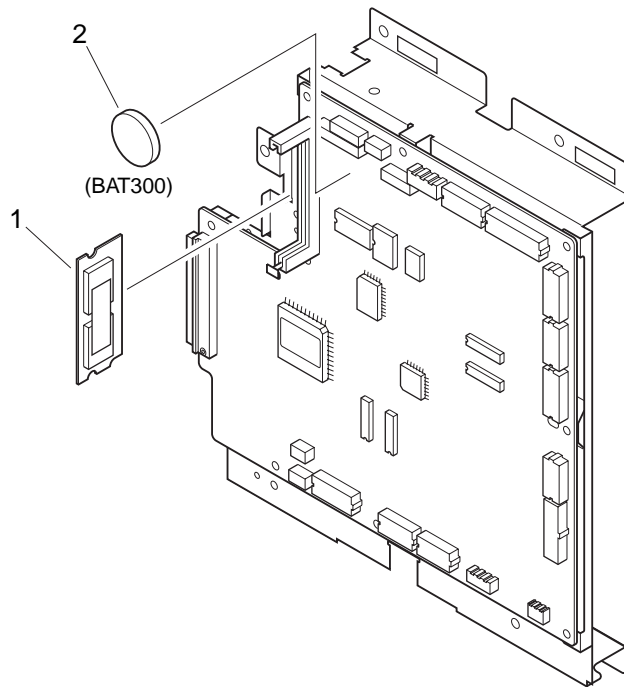


FIGURE & KEY NO.	PART NUMBER	RANK	QTY	DESCRIPTION	SERIAL NUMBER / REMARKS
930 -	FG3-1612-080		1	DC CONTROLLER PCB ASSEMBLY	100/120V
	FG3-1613-090		1	DC CONTROLLER PCB ASSEMBLY	220/240V
1	FG3-1620-100		1	DIMM ASSEMBLY	
2	WK1-0084-000		1	BATTERY, 3V, 550 MAH	BAT300
FU300	VD7-0602-001		1	FUSE, 72V, 2A	
FU301	VD7-0602-001		1	FUSE, 72V, 2A	
FU302	VD7-0602-501		1	FUSE, 72V, 2.5A	
FU303	VD7-0602-001		1	FUSE, 72V, 2A	
FU304	VD7-0602-001		1	FUSE, 72V, 2A	
IC309	FH4-6123-000		1	IC, M38871M2-010GP, MCU	
IC315	FH4-6001-000		1	IC, MTD2003B-4101, DRIVER	
IC316	FH4-6001-000		1	IC, MTD2003B-4101, DRIVER	
IC334	FH4-6141-000		1	IC, KS4H9U1219WEP, GATE ARRAY	

# FIGURE 940 PAPER PICK-UP PCB ASSEMBLY

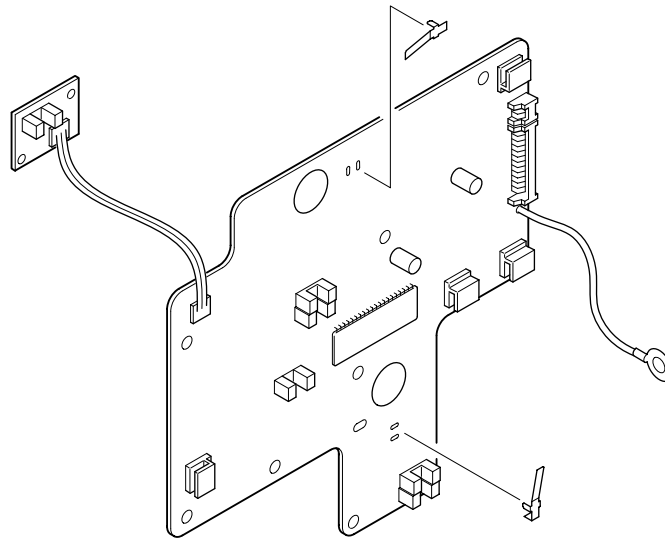


FIGURE & KEY NO.	PART NUMBER	RANK	QTY	DESCRIPTION	SERIAL NUMBER / REMARKS
940 -	FG6-0455-000		1	PAPER PICK-UP PCB ASSEMBLY	
FU1601	VD7-0792-501		1	FUSE, 125V, 2.5A	
IC1601	FH4-6002-000		1	IC, MTD2003B-4102, DRIVER	
Q1604	FH9-0585-000		1	PHOTO-INTERRUPTER	
Q1605	FH9-0585-000		1	PHOTO-INTERRUPTER	
Q1606	FH9-0585-000		1	PHOTO-INTERRUPTER	
Q1607	FH9-0585-000		1	PHOTO-INTERRUPTER	
Q1608	FH9-0585-000		1	PHOTO-INTERRUPTER	
Q1609	FH9-0585-000		1	PHOTO-INTERRUPTER	

# FIGURE 950 RESOLUTION CONVERSION PCB ASSEMBLY

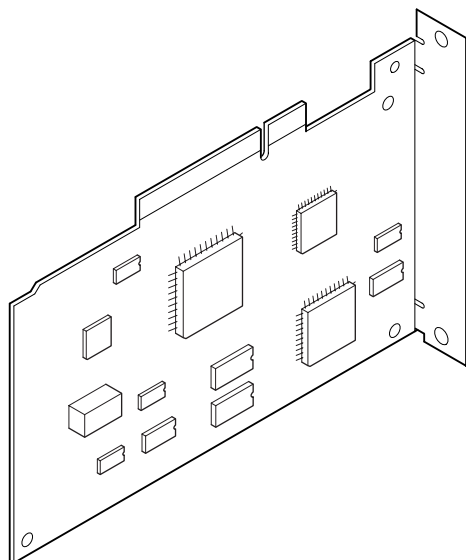
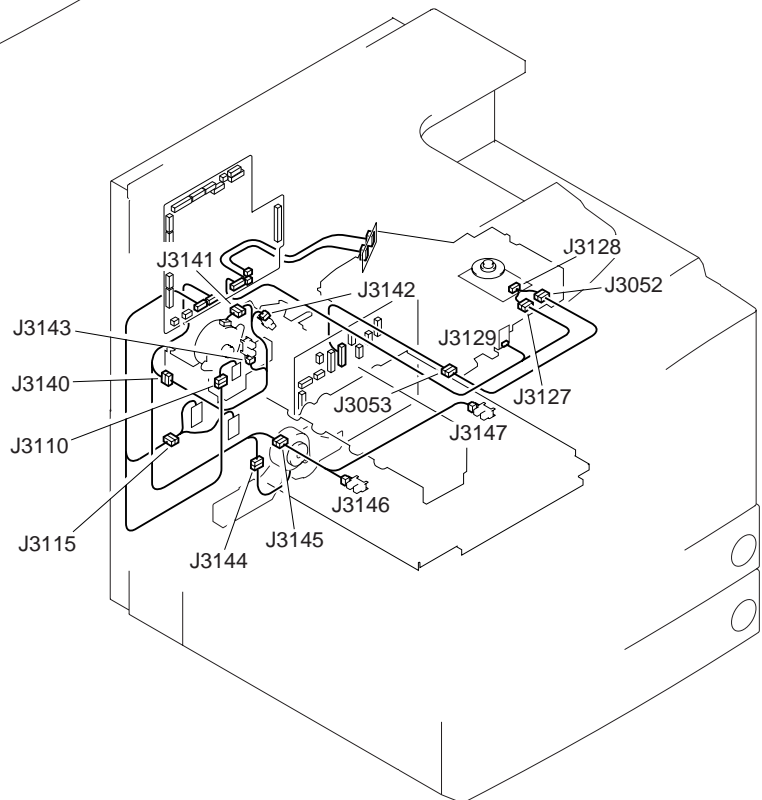
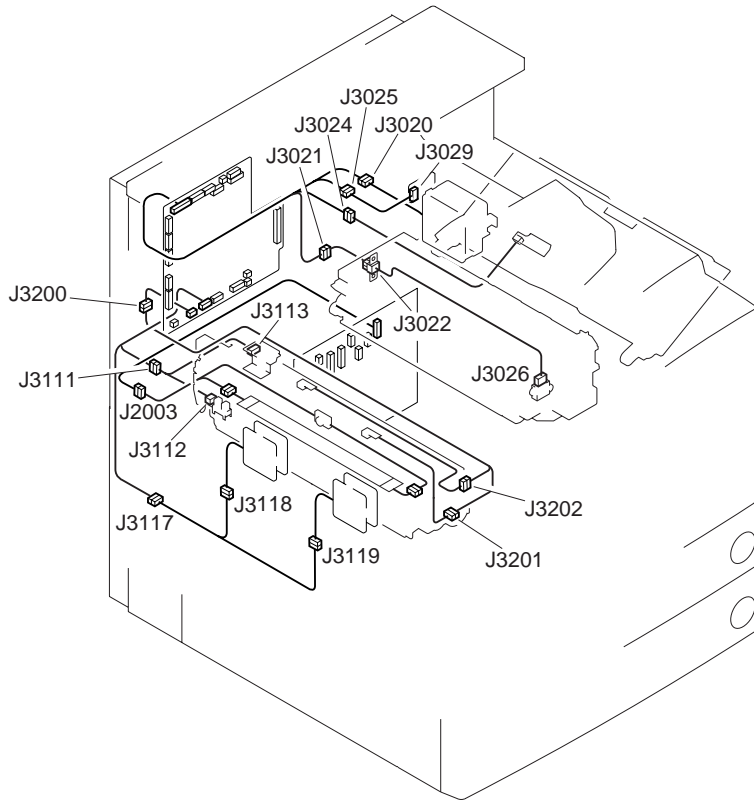


FIGURE & KEY NO.	PART NUMBER	RANK	QTY	DESCRIPTION	SERIAL NUMBER / REMARKS
950 -	FG6-6069-000		1	RESOLUTION CONV. PCB ASSEMBLY	
IC3	FH4-6208-000		1	IC, EPM7032AETC44-4, ASIC	
IC4	FH4-6152-000		1	IC, MB87L1791, GATE ARRAY	
IC8	FH4-6072-000		1	IC, UPD65948GN-053-LMU	
-----					
-----					

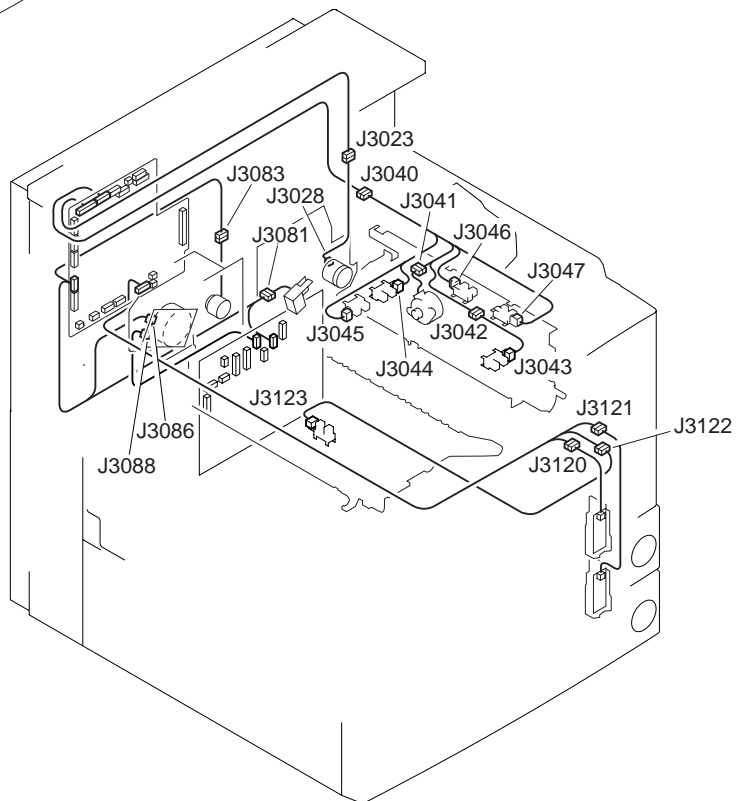
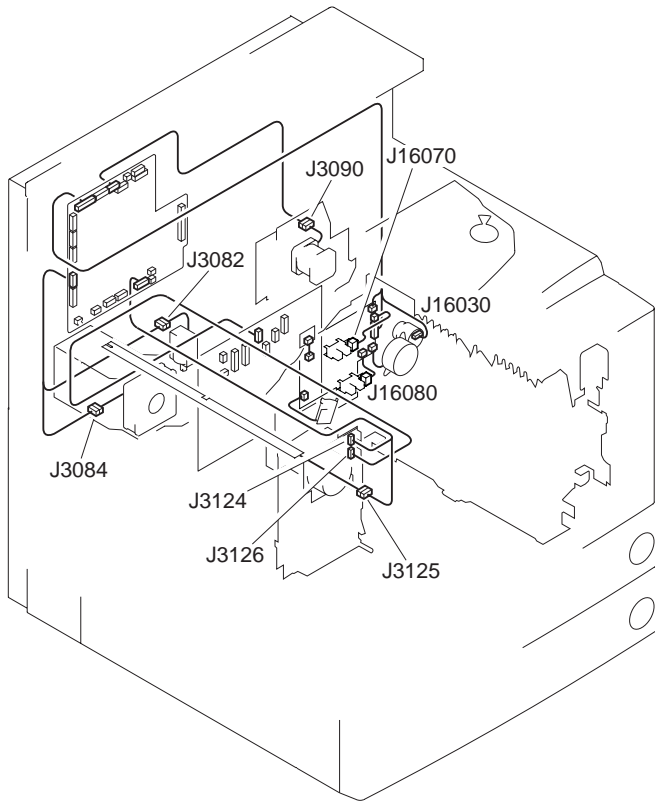




# FIGURE B1 LIST OF CONNECTORS (1/3)



# FIGURE B1 LIST OF CONNECTORS (2/3)



# FIGURE B1 LIST OF CONNECTORS (3/3)

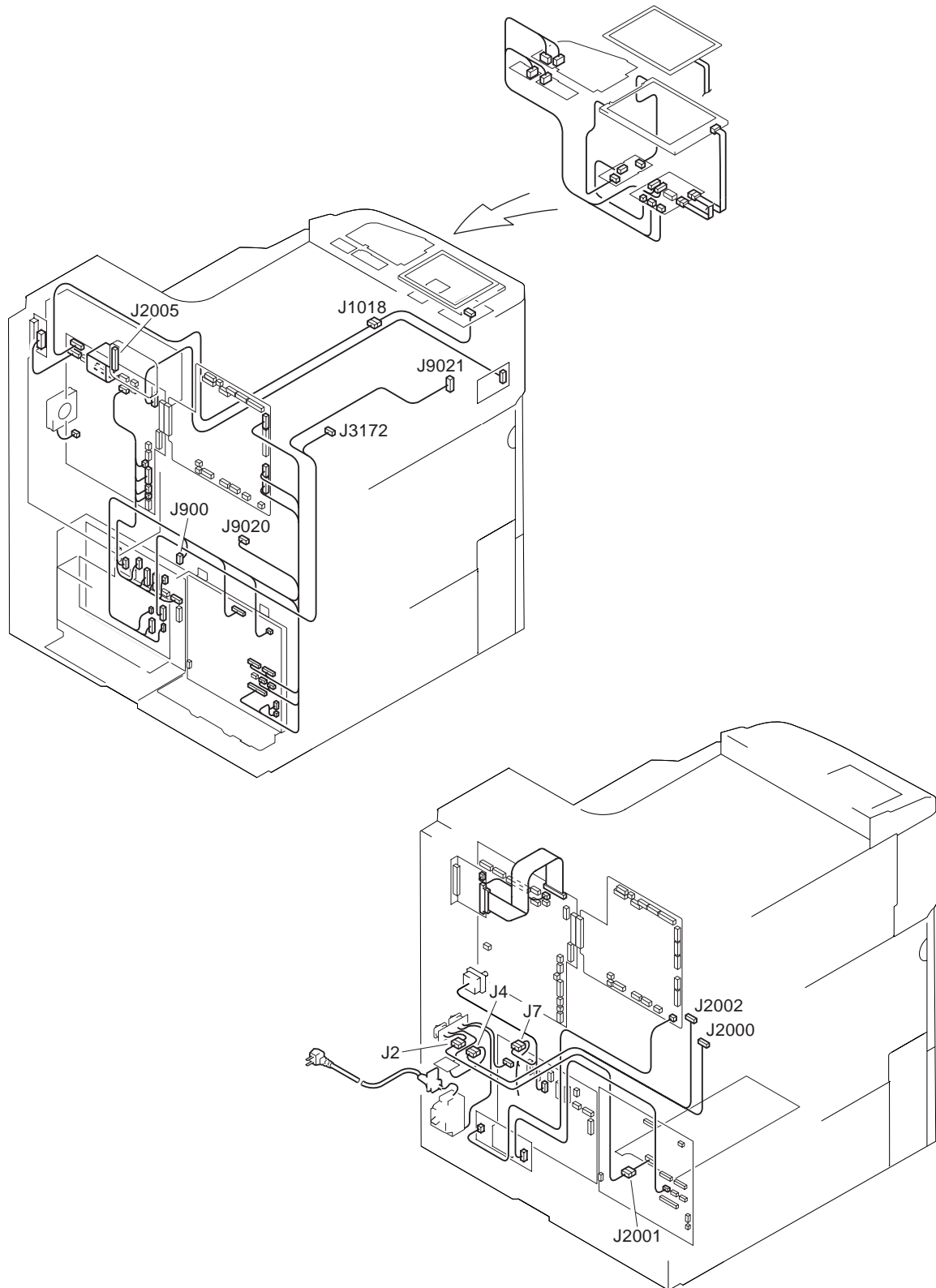


FIGURE & KEY NO.	PART NUMBER	RANK	QTY	DESCRIPTION	SERIAL NUMBER / REMARKS
B1 -	NPN		RF	LIST OF CONNECTORS	
J1	PCB			CONTROL PANEL INVERTER	
	VS1-0842-002		1	CONNECTOR, 2P, FEMALE	
J2	PCB			CONTROL PANEL INVERTER	
	NPN			LCD CONTROL PANEL	
	PCB			SWITCH	
	VS4-0001-004		1	CONNECTOR, 4P, MALE	
	WS4-0219-000		4	PIN CONTACT, 18-22AWG	
	SYS			READER	
	FH2-6855-000		1	CONNECTOR, 12P, FEMALE	
	FH2-5825-000		5	PIN CONTACT, 16-20AWG	
J3	PCB			CONTROL PANEL INVERTER	
	NPN			LCD CONTROL PANEL	
J4	PCB			ARRESTER	
	VS4-0001-002		1	CONNECTOR, 2P, MALE	
	WS4-0219-000		2	PIN CONTACT, 18-22AWG	
	SYS			NEW CARD READER	ACCESSORY
	VS1-6314-005		1	CONNECTOR, 5P, FEMALE	
J5	PCB			MAIN POWER SUPPLY	
	PCB			ACCESSORY POWER SUPPLY	ACC TYPE/ACCESSORY
J6	PCB			MAIN POWER SUPPLY	
	PCB			SWITCH	
J7	PCB			MAIN POWER SUPPLY	
	VS3-5116-006		1	CONNECTOR, 6P, FEMALE	
	WS3-5174-000		4	SOCKET CONTACT, 16-20AWG	
J8	PCB			MAIN POWER SUPPLY	
	WS3-5174-000		3	SOCKET CONTACT, 16-20AWG	
	WS3-5399-000		1	CONNECTOR, 5P, MALE	
J11	PCB			MAIN CONTROLLER	
	PCB			COUNTER	

FIGURE & KEY NO.	PART NUMBER	RANK	QTY	DESCRIPTION	SERIAL NUMBER / REMARKS
B1 - J20	PCB			SOFT ID	
	VS1-6314-011		1	CONNECTOR, 11P, FEMALE	
J21	VS1-5824-002		1	CONNECTOR, 2P, FEMALE	
	VS1-6321-002		1	CONNECTOR, 2P, FEMALE	
	WS3-5358-000		2	SOCKET CONTACT, 22-26AWG	
J47	VS1-5057-002		1	CONNECTOR, SNAP TIGHT	ACCESSORY
	SYS			ASSIST	
	VS1-6321-008		1	CONNECTOR, 8P, FEMALE	
J100	PCB			HV POWER SUPPLY	
	PCB			MAIN POWER SUPPLY	
J110	PCB			HV POWER SUPPLY	
	VS1-6314-003		1	CONNECTOR, 3P, MALE	
J111	PCB			HV POWER SUPPLY	
	VS1-6314-006		1	CONNECTOR, 6P, FEMALE	
J120	PCB			HV POWER SUPPLY	
J121	VS3-5083-004		1	CONNECTOR, 4P, FEMALE	
	WS3-5160-000		2	SOCKET CONTACT, 18-24AWG	
	PCB			HV POWER SUPPLY	
	VS1-6302-015		1	CONNECTOR, 15P, MALE	
	WS3-5569-000		15	PIN, CONTACT	
J122	PCB			HV POWER SUPPLY	
	VS1-6302-004		1	CONNECTOR, 4P, MALE	
	WS3-5569-000		4	PIN, CONTACT	
J124	PCB			HV POWER SUPPLY	
	VS1-6302-010		1	CONNECTOR, 10P, FEMALE	
J126	WS3-5569-000		10	PIN, CONTACT	
	PCB			HV POWER SUPPLY	
	VS1-6302-009		1	CONNECTOR, 9P, MALE	
	WS3-5569-000		6	PIN, CONTACT	
J127	PCB			HV POWER SUPPLY	

FIGURE & KEY NO.	PART NUMBER	RANK	QTY	DESCRIPTION	SERIAL NUMBER / REMARKS	
B1 - J127	VS1-6302-002		1	CONNECTOR, 2P, MALE	220/240V	
	WS3-5569-000		2	PIN, CONTACT	220/240V	
	J130	PCB			HV POWER SUPPLY	
		VS3-5083-007		1	CONNECTOR, 7P, FEMALE	
		WS3-5160-000		2	SOCKET CONTACT, 18-24AWG	
J131	PCB			HV POWER SUPPLY		
	VS3-5083-005		1	CONNECTOR, 5P, FEMALE		
	WS3-5160-000		1	SOCKET CONTACT, 18-24AWG		
J135	PCB			HV POWER SUPPLY		
	VS3-5083-002		1	CONNECTOR, 2P, FEMALE		
J136	WS3-5160-000		2	SOCKET CONTACT, 18-24AWG		
	PCB			HV POWER SUPPLY		
	VT2-5162-024		1	HOLDER, CONNECTOR, 24P		
	VS1-6320-012		1	CONNECTOR, 12P, MALE		
	VS1-6321-012		1	CONNECTOR, 12P, MALE		
J200	PCB			MAIN POWER SUPPLY		
	VS3-5083-003		1	CONNECTOR, 3P, FEMALE		
	WS3-5160-000		2	SOCKET CONTACT, 18-24AWG		
J201	PCB			MAIN POWER SUPPLY		
	VS1-6314-003		1	CONNECTOR, 3P, MALE		
J202	PCB			MAIN POWER SUPPLY		
	VS3-5083-006		1	CONNECTOR, 6P, FEMALE		
	WS3-5160-000		6	SOCKET CONTACT, 18-24AWG		
J203	PCB			MAIN POWER SUPPLY		
	VS3-5083-007		1	CONNECTOR, 7P, FEMALE		
J204	WS3-5160-000		6	SOCKET CONTACT, 18-24AWG		
	PCB			MAIN POWER SUPPLY		
	VS3-5083-010		1	CONNECTOR, 10P, FEMALE		
	WS3-5160-000		8	SOCKET CONTACT, 18-24AWG		
J205	PCB			MAIN POWER SUPPLY		

FIGURE & KEY NO.	PART NUMBER	RANK	QTY	DESCRIPTION	SERIAL NUMBER / REMARKS
B1 - J205	VS1-6321-008		1	CONNECTOR, 8P, FEMALE	
J208	PCB			MAIN POWER SUPPLY	
	VS1-6321-007		1	CONNECTOR, 7P, FEMALE	
J300	PCB			DC CONTROLLER	
	VS3-5083-008		1	CONNECTOR, 8P, FEMALE	
	WS3-5160-000		8	SOCKET CONTACT, 18-24AWG	
J301	PCB			DC CONTROLLER	
	VT2-5161-026		1	HOLDER, CONNECTOR, 26P	
	VS1-6313-013		1	CONNECTOR, 13P, FEMALE	
	VS1-6314-013		1	CONNECTOR, 13P, FEMALE	
J302	PCB			DC CONTROLLER	
	VT2-5161-036		1	HOLDER, CONNECTOR, 36P	
	VS1-6313-018		1	CONNECTOR, 18P, FEMALE	
	VS1-6314-018		1	CONNECTOR, 18P, MALE	
J304	PCB			DC CONTROLLER	
	VT2-5161-024		1	CONNECTOR, 24P, FEMALE	
	VS1-6313-012		1	CONNECTOR, 12P, FEMALE	
	VS1-6314-012		1	CONNECTOR, 12P, FEMALE	
J307	PCB			DC CONTROLLER	
	VS1-6314-004		1	CONNECTOR, 4P, FEMALE	
J308	PCB			DC CONTROLLER	
	VT2-5161-020		1	HOLDER, CONNECTOR, 20P	
	VS1-6313-010		1	CONNECTOR, 10P, FEMALE	
	VS1-6314-010		1	CONNECTOR, 10P, FEMALE	
J309	PCB			DC CONTROLLER	
	VS1-6302-006		1	CONNECTOR, 6P, MALE	
	WS3-5569-000		6	PIN, CONTACT	
J310	PCB			DC CONTROLLER	
	VS1-6314-005		1	CONNECTOR, 5P, FEMALE	
J311	PCB			DC CONTROLLER	

FIGURE & KEY NO.	PART NUMBER	RANK	QTY	DESCRIPTION	SERIAL NUMBER / REMARKS
B1 - J311	VT2-5161-018		1	HOLDER, CONNECTOR, 18P	
	VS1-6313-009		1	CONNECTOR, 9P, FEMALE	
	VS1-6314-009		1	CONNECTOR, 9P, FEMALE	
	J312 PCB			DC CONTROLLER	
	VT2-5161-030		1	HOLDER, CONNECTOR, 30P	
J313	VS1-6313-015		1	CONNECTOR, 15P, FEMALE	
	VS1-6314-015		1	CONNECTOR, 15P, FEMALE	
	J313 PCB			DC CONTROLLER	
	VT2-5161-024		1	CONNECTOR, 24P, FEMALE	
	VS1-6313-012		1	CONNECTOR, 12P, FEMALE	
J314	VS1-6314-012		1	CONNECTOR, 12P, FEMALE	
	J314 PCB			DC CONTROLLER	
	VT2-5161-020		1	HOLDER, CONNECTOR, 20P	
	VS1-6313-010		1	CONNECTOR, 10P, FEMALE	
J315	VS1-6314-010		1	CONNECTOR, 10P, FEMALE	
	J315 PCB			DC CONTROLLER	
	VT2-5161-022		1	HOLDER, CONNECTOR, 22P	
	VS1-6313-011		1	CONNECTOR, 11P, FEMALE	
J316	VS1-6314-011		1	CONNECTOR, 11P, FEMALE	
J320	J316 PCB			DC CONTROLLER	
	J320 PCB			MAIN CONTROLLER	
J332	J320 PCB			DC CONTROLLER	
	VS1-6302-004		1	CONNECTOR, 4P, MALE	
	WS3-5569-000		4	PIN, CONTACT	
J500	J332 PCB			DC CONTROLLER	
	VS1-6302-002		1	CONNECTOR, 2P, MALE	220/240V
	WS3-5569-000		2	PIN, CONTACT	220/240V
	J500 PCB			LASER DRIVER	
J501	VS1-6313-004		1	CONNECTOR, 4P, FEMALE	
	J501 PCB			LASER DRIVER	



FIGURE & KEY NO.	PART NUMBER	RANK	QTY	DESCRIPTION	SERIAL NUMBER / REMARKS
B1 - J501	VS1-6313-005		1	CONNECTOR, 5P, FEMALE	
J701	PCB			ACCESSORY POWER SUPPLY	ACC TYPE/ACCESSORY
	VS1-6314-003		1	CONNECTOR, 3P, MALE	
J702	PCB			ACCESSORY POWER SUPPLY	ACC TYPE/ACCESSORY
	VS3-5083-004		1	CONNECTOR, 4P, FEMALE	
-----					
	WS3-5160-000		4	SOCKET CONTACT, 18-24AWG	
J707	PCB			ACCESSORY POWER SUPPLY	ACC TYPE/ACCESSORY
	VS1-6321-004		1	CONNECTOR, 4P, FEMALE	
J708	PCB			ACCESSORY POWER SUPPLY	ACC TYPE/ACCESSORY
	VS1-6321-007		1	CONNECTOR, 7P, FEMALE	
-----					
J712	PCB			PSEUDO CI	FAX TYPE/ACCESSORY
	VS1-6314-004		1	CONNECTOR, 4P, FEMALE	
J713	PCB			PSEUDO CI	FAX TYPE/ACCESSORY
	VS3-5083-002		1	CONNECTOR, 2P, FEMALE	
	WS3-5160-000		2	SOCKET CONTACT, 18-24AWG	
-----					
J716	PCB			THERMISTOR SEP. POWER SUPPLY	220/240V
	VS1-6302-002		1	CONNECTOR, 2P, MALE	220/240V
	WS3-5569-000		2	PIN, CONTACT	220/240V
J717	PCB			THERMISTOR SEP. POWER SUPPLY	220/240V
	VS1-6302-003		1	CONNECTOR, 3P, FEMALE	220/240V
-----					
	WS3-5569-000		2	PIN, CONTACT	220/240V
J900	SYS			G3 FAX UNIT	FAX TYPE/ACCESSORY
	VS1-6302-010		1	CONNECTOR, 10P, FEMALE	
	WS3-5569-000		10	PIN, CONTACT	
J1011	PCB			MAIN CONTROLLER	
-----					
	PCB			ETHERNET BOARD	PRINTER/LIPS TYPE
J1015	PCB			MAIN CONTROLLER	
	VS1-6407-080		1	CONNECTOR, 80P, FEMALE	
J1017	PCB			MAIN CONTROLLER	
	FF3-4191-000		1	CABLE, FLAT, HD	

FIGURE & KEY NO.	PART NUMBER	RANK	QTY	DESCRIPTION	SERIAL NUMBER / REMARKS
B1 - J1018	PCB			MAIN CONTROLLER	
	VT2-5161-036		1	HOLDER, CONNECTOR, 36P	
	VS1-6313-018		1	CONNECTOR, 18P, FEMALE	
	VS1-6314-018		1	CONNECTOR, 18P, MALE	
J1019	PCB		CENTRO		
J1020	PCB			MAIN CONTROLLER	
	PCB			MAIN CONTROLLER	
	VS1-6302-015		1	CONNECTOR, 15P, MALE	
	WS3-5569-000		15	PIN, CONTACT	
J1021	PCB		MAIN CONTROLLER		
J1022	VS1-6314-003		1	CONNECTOR, 3P, MALE	
	PCB			MAIN CONTROLLER	
	VS1-6321-006		1	CONNECTOR, 6P, FEMALE	
J1023	PCB			MAIN CONTROLLER	
	VS1-6314-011		1	CONNECTOR, 11P, FEMALE	
J1024	PCB			MAIN CONTROLLER	
	VS1-6314-010		1	CONNECTOR, 10P, FEMALE	
J1027	PCB			MAIN CONTROLLER	
	VS1-6302-002		1	CONNECTOR, 2P, MALE	
	WS3-5569-000		2	PIN, CONTACT	
J1028	PCB			MAIN CONTROLLER	
	FF3-4219-000		1	SHORT CONNECTOR	
J1058	PCB			MAIN CONTROLLER	
	VS1-6302-004		1	CONNECTOR, 4P, MALE	
	WS3-5569-000		4	PIN, CONTACT	
J1059	PCB			MAIN CONTROLLER	
	VS1-6314-004		1	CONNECTOR, 4P, FEMALE	
J1060	PCB			MAIN CONTROLLER	
	VS1-0842-004		1	CONNECTOR, 4P, FEMALE	
J1061	PCB			MAIN CONTROLLER	

FIGURE & KEY NO.	PART NUMBER	RANK	QTY	DESCRIPTION	SERIAL NUMBER / REMARKS
B1 - J1061	VS1-6314-004		1	CONNECTOR, 4P, FEMALE	
J1101	PCB			CONTROL PANEL KEY	
	VS1-6314-011		1	CONNECTOR, 11P, FEMALE	
J1102	PCB			CONTROL PANEL KEY	
	VS1-6314-010		1	CONNECTOR, 10P, FEMALE	
J1103	PCB			CONTROL PANEL KEY	
	VS1-6314-008		1	CONNECTOR, 8P, FEMALE	
J1104	PCB			CONTROL PANEL KEY	
	VS1-6314-006		1	CONNECTOR, 6P, FEMALE	
J1601	PCB			PAPER PICK-UP	
J1602	VS1-6314-018		1	CONNECTOR, 18P, MALE	
	PCB			PAPER PICK-UP	
	NPN			PAPER PICK-UP MOTOR	M2
J1603	PCB			PAPER PICK-UP	
	VS1-6321-004		1	CONNECTOR, 4P, FEMALE	
J1604	PCB			PAPER PICK-UP	
	NPN			PAPER FEED DOWN SOLENOID	SL1
J1607	PCB			PAPER PICK-UP	
	VS1-6321-003		1	CONNECTOR, 3P, FEMALE	
J1608	PCB			PAPER PICK-UP	
J2000	VS1-6321-003		1	CONNECTOR, 3P, FEMALE	
	VS4-0002-002		1	CONNECTOR, 2P, FEMALE	
	WS4-0217-000		2	SOCKET CONTACT, 22-18AWG	
J2001	NPN			CASSETTE HEATER	ACCESSORY 100V H3
	VS4-0002-002		1	CONNECTOR, 2P, FEMALE	
J2002	WS4-0217-000		2	SOCKET CONTACT, 22-18AWG	
	SYS			G3 FAX UNIT	FAX TYPE/ACCESSORY
	VS4-0001-002		1	CONNECTOR, 2P, MALE	
	WS4-0219-000		2	PIN CONTACT, 18-22AWG	
J2003	VS3-5121-003		1	CONNECTOR, 3P, MALE	

FIGURE & KEY NO.	PART NUMBER	RANK	QTY	DESCRIPTION	SERIAL NUMBER / REMARKS
B1 - J2003	VS3-5122-003		1	CONNECTOR, 3P, MALE	HD
	WS3-5291-000		3	PIN CONTACT	
	WS3-5292-000		3	SOCKET CONTACT	
	J2005 NPN			HDD	
	FF3-4191-000		1	CABLE, FLAT, HD	
J2060	SYS			CASSETTE PEDESTAL	ACCESSORY
	PCB			MAIN POWER SUPPLY	
J3020	NPN			DEVELOPING FAN	FM1
	VS1-6321-003		1	CONNECTOR, 3P, FEMALE	
	VS1-5057-003		1	CONNECTOR, SNAP TIGHT	
J3021	VS1-5824-003		1	CONNECTOR, 3P, FEMALE	
	VS1-6321-003		1	CONNECTOR, 3P, FEMALE	
	WS3-5358-000		3	SOCKET CONTACT, 22-26AWG	
	VS1-5057-003		1	CONNECTOR, SNAP TIGHT	
J3022	VS3-0247-004		1	CONNECTOR, 4P, MALE	
J3023	VS3-0248-004		1	CONNECTOR, 4P, FEMALE	
	WS3-5595-000		3	CONTACT	
	WS3-5403-000		3	SOCKET CONTACT	
	VS1-6321-002		2	CONNECTOR, 2P, FEMALE	
	VS1-5057-002		1	CONNECTOR, SNAP TIGHT	
J3024	NPN			MULTI PAPER WIDTH SENSOR	VR1
	VS1-6321-003		1	CONNECTOR, 3P, FEMALE	
	VS1-5057-003		1	CONNECTOR, SNAP TIGHT	
J3025	VS1-0842-004		1	CONNECTOR, 4P, FEMALE	
	VS1-6321-004		1	CONNECTOR, 4P, FEMALE	
J3026	VS1-5057-004		1	CONNECTOR, SNAP TIGHT	S1
	NPN			TONER SENSOR	
	VS1-0842-003		1	CONNECTOR, 3P, FEMALE	
J3028	NPN			MULTI CLUTCH	CL2
	VS1-6314-003		1	CONNECTOR, 3P, MALE	

FIGURE & KEY NO.	PART NUMBER	RANK	QTY	DESCRIPTION	SERIAL NUMBER / REMARKS
B1 - J3029	NPN			HUMIDITY SENSOR	S3
	VS1-5452-004		1	CONNECTOR, 4P, FEMALE	
J3040	VT2-5161-024		2	CONNECTOR, 24P, FEMALE	
	VS1-6313-012		2	CONNECTOR, 12P, FEMALE	
	VS1-6314-012		2	CONNECTOR, 12P, FEMALE	
	VS1-6319-024		1	CONNECTOR, SNAP TIGHT	
J3041	NPN			SIDE REGIST MOVE MOTOR	M3
	VS1-6321-006		1	CONNECTOR, 6P, FEMALE	
	VS1-5057-006		1	CONNECTOR, SNAP TIGHT	
J3042	VS1-5824-003		1	CONNECTOR, 3P, FEMALE	
	VS1-6321-003		1	CONNECTOR, 3P, FEMALE	
	WS3-5358-000		3	SOCKET CONTACT, 22-26AWG	
	VS1-5057-003		1	CONNECTOR, SNAP TIGHT	
J3043	NPN			SIDE REGIST PAPER SENSOR	PS11
	VS1-5824-003		1	CONNECTOR, 3P, FEMALE	
	WS3-5358-000		3	SOCKET CONTACT, 22-26AWG	
J3044	NPN			REGIST FRONT PAPER SENSOR	PS10
	VS1-6321-003		1	CONNECTOR, 3P, FEMALE	
J3045	NPN			PRE. REGIST FRONT PAPER SENSOR	PS9
	VS1-6321-003		1	CONNECTOR, 3P, FEMALE	
J3046	NPN			RIGHT DOOR OPEN SENSOR	PS23
	VS1-6320-003		1	CONNECTOR, 3P, MALE	
J3047	NPN			MULTI PAPER SENSOR	PS22
	VS1-6320-003		1	CONNECTOR, 3P, MALE	
J3052	VS1-5824-002		1	CONNECTOR, 2P, FEMALE	
	VS1-6321-002		1	CONNECTOR, 2P, FEMALE	
	WS3-5358-000		2	SOCKET CONTACT, 22-26AWG	
	VS1-5057-002		1	CONNECTOR, SNAP TIGHT	
J3053	VS1-5729-002		1	CONNECTOR, 2P, MALE	
	VS3-5083-002		1	CONNECTOR, 2P, FEMALE	

FIGURE & KEY NO.	PART NUMBER	RANK	QTY	DESCRIPTION	SERIAL NUMBER / REMARKS
B1 - J3053	WS3-5301-000		2	PIN CONTACT	
	WS3-5160-000		2	SOCKET CONTACT, 18-24AWG	
	J3081	NPN		MULTI PLATE RELEASE SOLENOID	SL5
	VS1-6321-002		1	CONNECTOR, 2P, FEMALE	
	VS1-5057-002		1	CONNECTOR, SNAP TIGHT	
J3082	NPN			CORONA ROLLER SOLENOID	SL6
	VS1-6321-002		1	CONNECTOR, 2P, FEMALE	
	VS1-5057-002		1	CONNECTOR, SNAP TIGHT	
J3083	NPN			DEVELOPING CLUTCH	CL3
	VS1-6321-002		1	CONNECTOR, 2P, FEMALE	
J3084	VS1-5057-002		1	CONNECTOR, SNAP TIGHT	
	NPN			FIXING FAN	FM2
	VS1-6321-003		1	CONNECTOR, 3P, FEMALE	
	VS1-5057-003		1	CONNECTOR, SNAP TIGHT	
J3086	NPN		MAIN MOTOR	M1	
J3088	VS1-6321-004		1	CONNECTOR, 4P, FEMALE	
	NPN			MAIN MOTOR	M1
	VS3-5083-003		1	CONNECTOR, 3P, FEMALE	
	WS3-5160-000		2	SOCKET CONTACT, 18-24AWG	
J3090	NPN		REGIST MOTOR	M9	
J3110	VS1-6302-006		1	CONNECTOR, 6P, MALE	
	WS3-5569-000		6	PIN, CONTACT	
	PCB			DRUM SENSOR	
	VS1-6321-002		1	CONNECTOR, 2P, FEMALE	
J3111	VS1-6321-006		2	CONNECTOR, 6P, FEMALE	
J3112	VS1-5057-006		1	CONNECTOR, SNAP TIGHT	
	NPN			FIXING/FEEDER SENSOR	PS13
J3113	VS1-6321-003		1	CONNECTOR, 3P, FEMALE	
	NPN			FIXING FILM SENSOR	PS26
	VS1-6321-003		1	CONNECTOR, 3P, FEMALE	

FIGURE & KEY NO.	PART NUMBER	RANK	QTY	DESCRIPTION	SERIAL NUMBER / REMARKS
B1 - J3115	NPN			WASTE TONER SENSOR	S2
	VS1-6321-004		1	CONNECTOR, 4P, FEMALE	
	VS1-5057-004		1	CONNECTOR, SNAP TIGHT	
	J3117 VS1-6321-006		2	CONNECTOR, 6P, FEMALE	
	VS1-5057-006		1	CONNECTOR, SNAP TIGHT	
J3118	NPN			CURL CORRECT FAN 1	FM4
	VS1-6321-003		1	CONNECTOR, 3P, FEMALE	
	VS1-5057-003		1	CONNECTOR, SNAP TIGHT	
J3119	NPN			CURL CORRECT FAN 2	FM5
	VS1-6321-003		1	CONNECTOR, 3P, FEMALE	
J3120	VS1-5057-003		1	CONNECTOR, SNAP TIGHT	
	NPN			UPPER CASSETTE SIZE SENSOR	
	VS1-6321-007		1	CONNECTOR, 7P, FEMALE	
	VS1-5057-007		1	CONNECTOR, SNAP TIGHT	
J3121	NPN			LOWER CASSETTE SIZE SENSOR	
J3122	VS1-6321-006		1	CONNECTOR, 6P, FEMALE	
	VS1-5057-006		1	CONNECTOR, SNAP TIGHT	
	VS1-6321-003		2	CONNECTOR, 3P, FEMALE	
	VS1-5057-003		1	CONNECTOR, SNAP TIGHT	
J3123	NPN			PAPER TOP SENSOR	PS12
J3124	VS1-6321-003		1	CONNECTOR, 3P, FEMALE	M4
	NPN			FIXING MOTOR	
J3125	VS1-6321-005		1	CONNECTOR, 5P, FEMALE	LAMP2
	NPN			PRECONDITIONING LAMP	
J3126	VS1-6321-002		1	CONNECTOR, 2P, FEMALE	M4
	VS1-5057-002		1	CONNECTOR, SNAP TIGHT	
	NPN			FIXING MOTOR	
	VS3-5083-003		1	CONNECTOR, 3P, FEMALE	
J3127	WS3-5160-000		2	SOCKET CONTACT, 18-24AWG	
	VS1-6321-003		2	CONNECTOR, 3P, FEMALE	

FIGURE & KEY NO.	PART NUMBER	RANK	QTY	DESCRIPTION	SERIAL NUMBER / REMARKS
B1 - J3127	VS1-5057-003		1	CONNECTOR, SNAP TIGHT	
J3128	NPN			POLYGON MOTOR	M10
	VS1-6314-005		1	CONNECTOR, 5P, FEMALE	
J3129	NPN			BEAM DETECT	BD
	VS1-6321-004		1	CONNECTOR, 4P, FEMALE	
J3130	SYS			FIN-J1/INNER 2 WAY TRAY-A1	ACCESSORY
	VS1-6321-012		1	CONNECTOR, 12P, MALE	
	VS1-5057-012		1	CONNECTOR, SNAP TIGHT	
J3140	VS1-6321-010		2	CONNECTOR, 10P, FEMALE	
	VS1-5057-010		1	CONNECTOR, SNAP TIGHT	
J3141	NPN			PAPER DELIVERY MOTOR	M5
	VS1-6321-004		1	CONNECTOR, 4P, FEMALE	
	VS1-5057-004		1	CONNECTOR, SNAP TIGHT	
J3142	NPN			PAPER DELIVERY 1 FULL SENSOR	PS16
	VS1-6321-003		1	CONNECTOR, 3P, FEMALE	
J3143	NPN			PAPER DELIVERY 1 PAPER SENSOR	PS15
	VS1-6320-003		1	CONNECTOR, 3P, MALE	
J3144	NPN			DUPLEXING MOTOR	M6
	VS1-6321-004		1	CONNECTOR, 4P, FEMALE	
	VS1-5057-004		1	CONNECTOR, SNAP TIGHT	
J3145	VS1-6321-006		2	CONNECTOR, 6P, FEMALE	
	VS1-5057-006		1	CONNECTOR, SNAP TIGHT	
J3146	NPN			DUPLEXING INLET PAPER SENSOR	PS17
	VS1-6321-003		1	CONNECTOR, 3P, FEMALE	
J3147	NPN			DUPLEXING OUTLET PAPER SENSOR	PS18
J3151	VS1-6321-003		1	CONNECTOR, 3P, FEMALE	
	VS1-5057-004		1	CONNECTOR, SNAP TIGHT	
	VS1-6321-004		1	CONNECTOR, 4P, FEMALE	
J3172	SYS			FINISHER-J1	ACCESSORY
	VS1-5729-004		1	CONNECTOR, 4P, MALE	



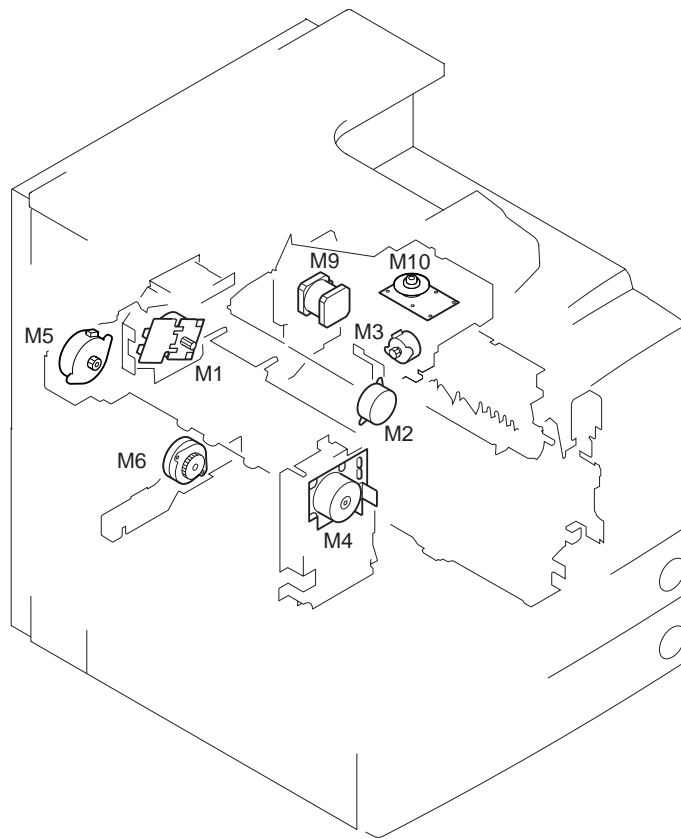
FIGURE & KEY NO.	PART NUMBER	RANK	QTY	DESCRIPTION	SERIAL NUMBER / REMARKS
B1 - J3172	WS3-5301-000		4	PIN CONTACT	
J3200	VS1-6302-004		1	CONNECTOR, 4P, MALE	
	VS1-6702-004		1	CONNECTOR, 4P, FEMALE	
	WS3-5720-000		4	SOCKET CONTACT, 22-28AWG	
	WS3-5569-000		4	PIN, CONTACT	
J3201	NPN			MAIN THERMISTOR	TH1
	RH2-5317-000		1	CONNECTOR, 2P, MALE	
	RH2-5281-000		2	PIN CONTACT, 26AWG	
J3202	NPN			SUB THERMISTOR	TH2
	VS1-5824-002		1	CONNECTOR, 2P, FEMALE	
J3900	WS3-5358-000		2	SOCKET CONTACT, 22-26AWG	
	VS1-5057-002		1	CONNECTOR, SNAP TIGHT	
	SYS			FIN-J1/INNER 2 WAY TRAY-A1	
	VS1-6321-013		1	CONNECTOR, 13P, FEMALE	
	VS1-5057-013		1	CONNECTOR, SNAP TIGHT	
J4101	VS1-5729-004		1	CONNECTOR, 4P, MALE	
	VS3-5083-004		1	CONNECTOR, 4P, FEMALE	
	WS3-5301-000		4	PIN CONTACT	
	WS3-5160-000		4	SOCKET CONTACT, 18-24AWG	
J6801	PCB			CONTROL PANEL CPU	
J6803	VT2-5161-036		1	HOLDER, CONNECTOR, 36P	
	VS1-6313-018		1	CONNECTOR, 18P, FEMALE	
	VS1-6314-018		1	CONNECTOR, 18P, MALE	
	PCB			CONTROL PANEL CPU	
	NPN			ANALOG TOUCH PANEL	
J6804	PCB			CONTROL PANEL CPU	
	VS1-0842-003		1	CONNECTOR, 3P, FEMALE	
J6805	PCB			CONTROL PANEL CPU	
	VS1-6314-010		1	CONNECTOR, 10P, FEMALE	
J6806	PCB			CONTROL PANEL CPU	

FIGURE & KEY NO.	PART NUMBER	RANK	QTY	DESCRIPTION	SERIAL NUMBER / REMARKS
B1 - J6806	VS1-6314-011		1	CONNECTOR, 11P, FEMALE	
J6807	PCB			CONTROL PANEL CPU	
	VS1-6314-006		1	CONNECTOR, 6P, FEMALE	
J6808	PCB			CONTROL PANEL CPU	
	VS1-6314-008		1	CONNECTOR, 8P, FEMALE	
J7040	SYS			HFS	ACCESSORY
	PCB			ACCESSORY POWER SUPPLY	ACC TYPE/ACCESSORY
J7050	SYS			2.5K SIDE PAPER DECK	ACCESSORY
	PCB			ACCESSORY POWER SUPPLY	ACC TYPE/ACCESSORY
J7100	SYS			G4 FAX UNIT	ACCESSORY
	VS1-6534-002		1	CONNECTOR, 2P, MALE	
	WS3-5658-000		2	SOCKET CONTACT	
J9020	SYS			G3 FAX UNIT	FAX TYPE/ACCESSORY
	VS1-6321-002		1	CONNECTOR, 2P, FEMALE	
J9021	VS1-6321-002		1	CONNECTOR, 2P, FEMALE	
J9201	VS1-5057-002		1	CONNECTOR, SNAP TIGHT	
	PCB			DIFFERENTIAL	
	VS1-6407-080		1	CONNECTOR, 80P, FEMALE	
J9202	SYS			READER	
	PCB			DIFFERENTIAL	
J9203	PCB			DIFFERENTIAL	
	VS1-6314-004		1	CONNECTOR, 4P, FEMALE	
J9801	NPN			LCD CONTROL PANEL	
	FH2-6842-000		1	CABLE, FCC	
J9802	PCB			CONTROL PANEL CPU	
J16030	FH2-6842-000		1	CABLE, FCC	CL1
	NPN			VERTICAL PATH CLUTCH	
	VS1-6314-003		1	CONNECTOR, 3P, MALE	
J16070	NPN			UPPER CASSETTE RETRY SENSOR	PS7
	VS1-6314-003		1	CONNECTOR, 3P, MALE	

FIGURE & KEY NO.	PART NUMBER	R A N K	Q' T Y	DESCRIPTION	SERIAL NUMBER / REMARKS
B1 - J16080	NPN			LOWER CASSETTE RETRY SENSOR	PS8
	VS1-6321-003		1	CONNECTOR, 3P, FEMALE	



# FIGURE B2 LIST OF MOTORS





# FIGURE B3 LIST OF FAN MOTORS

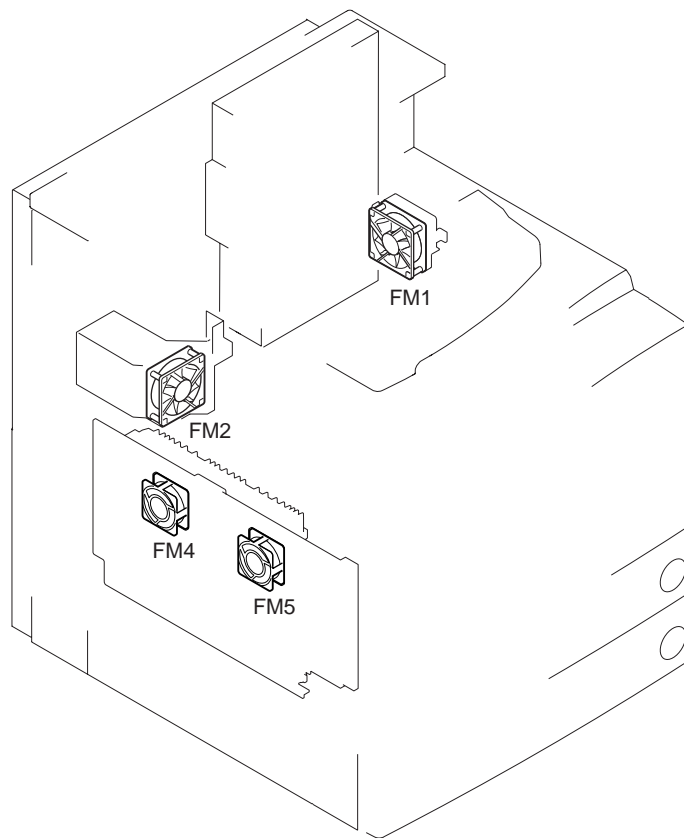


FIGURE & KEY NO.	PART NUMBER	R A N K	Q' T Y	DESCRIPTION	SERIAL NUMBER / REMARKS
B3 - FM1	FH6-1852-000		1	FAN	
FM2	FH6-1852-000		1	FAN	
FM4	FH6-1854-000		1	FAN	
FM5	FH6-1854-000		1	FAN	



# FIGURE B4 LIST OF SENSORS

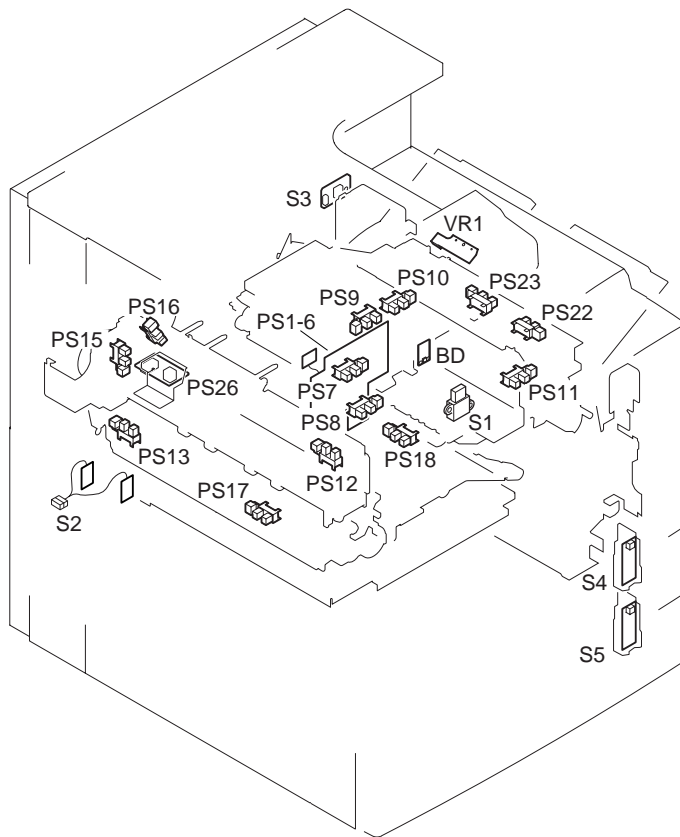


FIGURE & KEY NO.	PART NUMBER	RANK	QTY	DESCRIPTION	SERIAL NUMBER / REMARKS
B4 -	NPN		RF	LIST OF SENSORS	
BD	FG6-5633-000		1	SCANNER ASSEMBLY	
PS1	FH9-0585-000		1	PHOTO-INTERRUPTER	
PS2	FH9-0585-000		1	PHOTO-INTERRUPTER	
PS3	FH9-0585-000		1	PHOTO-INTERRUPTER	
PS4	FH9-0585-000		1	PHOTO-INTERRUPTER	
PS5	FH9-0585-000		1	PHOTO-INTERRUPTER	
PS6	FH9-0585-000		1	PHOTO-INTERRUPTER	
PS7	FH7-7462-000		1	PHOTO-INTERRUPTER	
PS8	FH7-7462-000		1	PHOTO-INTERRUPTER	
PS9	FH7-7462-000		1	PHOTO-INTERRUPTER	
PS10	FH7-7462-000		1	PHOTO-INTERRUPTER	
PS11	FH7-7462-000		1	PHOTO-INTERRUPTER	
PS12	FH7-7557-000		1	PHOTO-INTERRUPTER	
PS13	FH7-7462-000		1	PHOTO-INTERRUPTER	
PS15	FH7-7557-000		1	PHOTO-INTERRUPTER	
PS16	FH7-7557-000		1	PHOTO-INTERRUPTER	
PS17	FH7-7462-000		1	PHOTO-INTERRUPTER	
PS18	FH7-7462-000		1	PHOTO-INTERRUPTER	
PS22	FH7-7462-000		1	PHOTO-INTERRUPTER	
PS23	FH7-7462-000		1	PHOTO-INTERRUPTER	
PS26	FG6-5710-000		1	FIXING FILM SENSOR PCB ASS'Y	
S1	FH7-7422-000		1	SENSOR, TONER	
S2	FM5-5153-000		1	WASTE TONER SENSOR PCB ASS'Y	
S3	FH7-7559-000		1	HUMIDITY SENSOR UNIT	
S4	FG3-1617-000		1	UPPER CASSETTE SIZE PCB ASS'Y	
S5	FG3-1618-000		1	LOWER CASSETTE SIZE PCB ASS'Y	
VR1	FG5-6289-000		1	MULTI PAPER SIZE PCB ASSEMBLY	

# FIGURE B5 LIST OF CLUTCHES, AND OTHERS

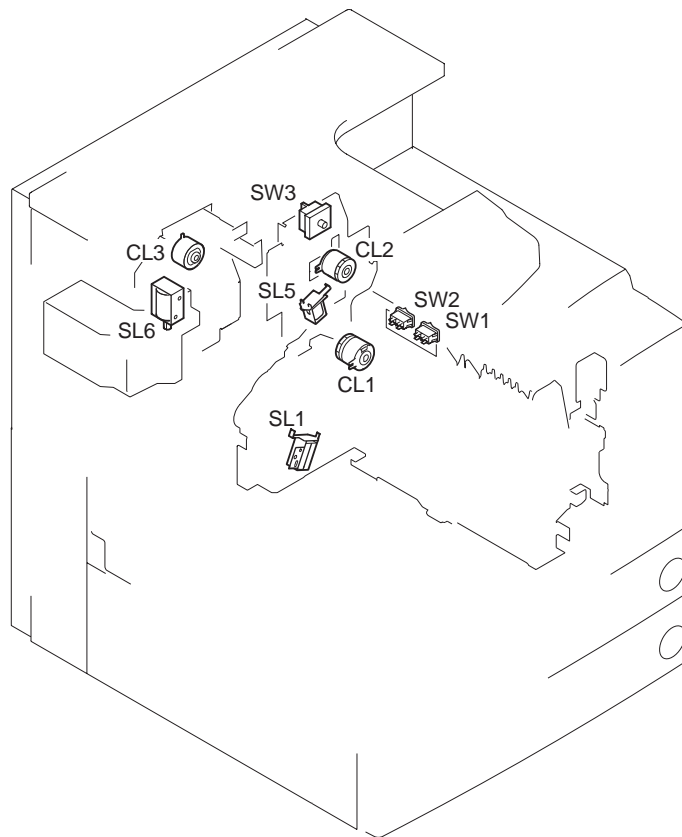


FIGURE & KEY NO.	PART NUMBER	RANK	QTY	DESCRIPTION	SERIAL NUMBER / REMARKS
B5 -	NPN		RF	LIST OF CLUTCHES, AND OTHERS	
CL1	FH6-5005-000		1	CLUTCH, ELECTRO MAGNETIC	
CL2	FH6-5006-000		1	CLUTCH, ELECTRO MAGNETIC	
CL3	FH6-5007-000		1	CLUTCH, ELECTRO MAGNETIC	
SL1	FH6-5020-000		1	SOLENOID	
SL5	FH6-5051-000		1	SOLENOID	
SL6	FH6-5048-000		1	SOLENOID	
SW1	FG6-5777-000		1	POWER CORD TERMINAL ASSEMBLY	100V
	FG6-5781-000		1	POWER CORD TERMINAL ASSEMBLY	120V
	FG6-5782-000		1	POWER CORD TERMINAL ASSEMBLY	220/240V
SW2	FG6-5777-000		1	POWER CORD TERMINAL ASSEMBLY	100V
	FG6-5781-000		1	POWER CORD TERMINAL ASSEMBLY	120V
	FG6-5782-000		1	POWER CORD TERMINAL ASSEMBLY	220/240V
SW3	WC8-5178-000		1	SWITCH, INTERLOCK	

# FIGURE B6 LIST OF HEATERS, LAMPS, ETC.

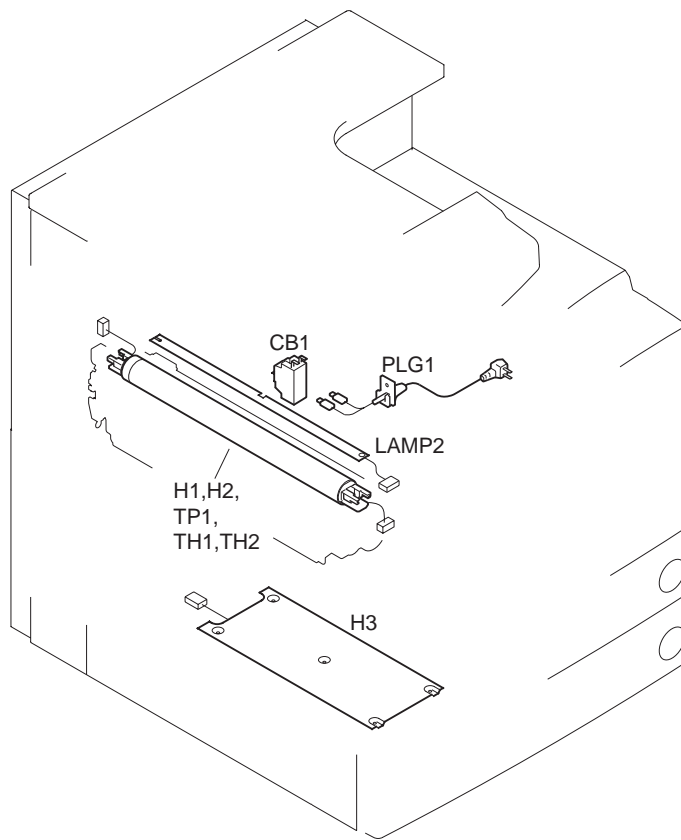


FIGURE & KEY NO.	PART NUMBER	RANK	QTY	DESCRIPTION	SERIAL NUMBER / REMARKS
B6 -	NPN		RF	LIST OF HEATERS, LAMP ETC.	
CB1	FH7-7527-000		1	BREAKER, CIRCUIT	220/240V
	FH7-7528-000		1	BREAKER, CIRCUIT	100/120V
H1	FG6-5712-000		1	FIXING FILM ASSEMBLY	100V
	FG6-6039-000		1	FIXING FILM ASSEMBLY	120V
	FG6-6041-000		1	FIXING FILM ASSEMBLY	220/240V
H2	FG6-5712-000		1	FIXING FILM ASSEMBLY	100V
	FG6-6039-000		1	FIXING FILM ASSEMBLY	120V
	FG6-6041-000		1	FIXING FILM ASSEMBLY	220/240V
H3	FH7-4576-000		1	HEATER, CASSETTE	ACCESSORY 100V
LAMP2	FG5-6297-000		1	PRECONDITIONING LAMP PCB UNIT	
PLG1	FF3-4192-000		1	CORD, POWER	100V
	FF3-4193-000		1	CORD, POWER	120V
	FH2-5761-020		1	CORD, POWER SUPPLY	220V
	FH2-5763-000		1	POWER CORD	240V CA
	FH2-6941-00G		1	POWER CORD	240V UK
TH1	FG6-5712-000		1	FIXING FILM ASSEMBLY	100V
	FG6-6039-000		1	FIXING FILM ASSEMBLY	120V
	FG6-6041-000		1	FIXING FILM ASSEMBLY	220/240V
TH2	FG6-5712-000		1	FIXING FILM ASSEMBLY	100V
	FG6-6039-000		1	FIXING FILM ASSEMBLY	120V
	FG6-6041-000		1	FIXING FILM ASSEMBLY	220/240V
TP1	FG6-5712-000		1	FIXING FILM ASSEMBLY	100V
	FG6-6039-000		1	FIXING FILM ASSEMBLY	120V
	FG6-6041-000		1	FIXING FILM ASSEMBLY	220/240V

# FIGURE B7 LIST OF PCBS

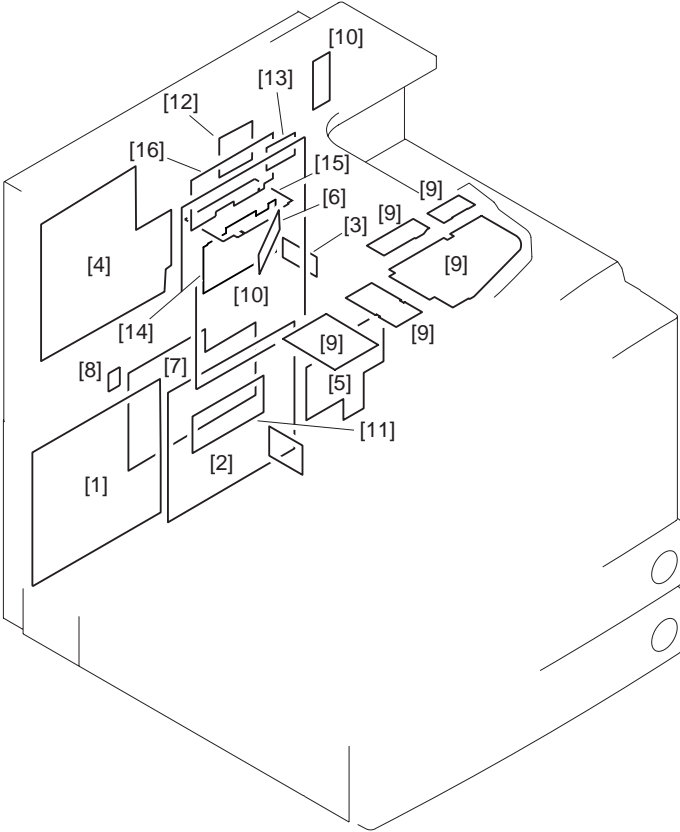


FIGURE & KEY NO.	PART NUMBER	RANK	QTY	DESCRIPTION	SERIAL NUMBER / REMARKS
B7 -	NPN		RF	LIST OF PCBs	
1	FG3-1603-000		1	HV POWER SUPPLY PCB ASSEMBLY	100/120V
	FG3-1604-000		1	HV POWER SUPPLY PCB ASSEMBLY	220/240V
2	FH3-2613-000		1	SWITCHING REGULATOR PCB ASS'Y	100/120V
	FH3-2614-000		1	SWITCHING REGULATOR PCB ASS'Y	220/240V
3	FG6-5777-000		1	POWER CORD TERMINAL ASSEMBLY	100V
	FG6-5781-000		1	POWER CORD TERMINAL ASSEMBLY	120V
	FG6-5782-000		1	POWER CORD TERMINAL ASSEMBLY	220/240V
4	FG3-1612-080		1	DC CONTROLLER PCB ASSEMBLY	100V
	FG3-1613-090		1	DC CONTROLLER PCB ASSEMBLY	220/240V
5	FG6-0455-000		1	PAPER PICK-UP PCB ASSEMBLY	
6	FG6-5633-000		1	SCANNER ASSEMBLY	
7	FH3-2615-000		1	SWITCHING REGULATOR PCB ASS'Y	ACC TYPE 100/120V
	FH3-2616-000		1	SWITCHING REGULATOR PCB ASS'Y	ACC TYPE 220/240V
8	FG3-0133-000		1	DRUM SENSOR UNIT	
9	FG3-1795-000		1	CONTROL PANEL CPU PCB ASSEMBLY	
	FG6-7021-000		1	CONTROL PANEL PCB ASSEMBLY	
	FG6-7738-000		1	C. PANEL INVERTER PCB ASSEMBLY	
10	FG3-2232-060		1	MAIN CONTROLLER PCB ASSEMBLY	
	FG3-1744-020		1	CENTRO PCB ASSEMBLY	
11	FG3-1608-000		1	THERMISTOR PCB ASSEMBLY	220/240V
12	FG6-5831-000		1	DIFFERENTIAL PCB ASSEMBLY	
13	FG6-5964-000		1	ETHERNET BOARD PCB ASSEMBLY	
14	FG6-6069-000		1	RESOLUTION CONV. PCB ASSEMBLY	
15	FG6-5795-000		1	RISER BOARD PCB ASSEMBLY	
16	FG3-2959-000		1	LIPS BOARD PCB ASSEMBLY	100V



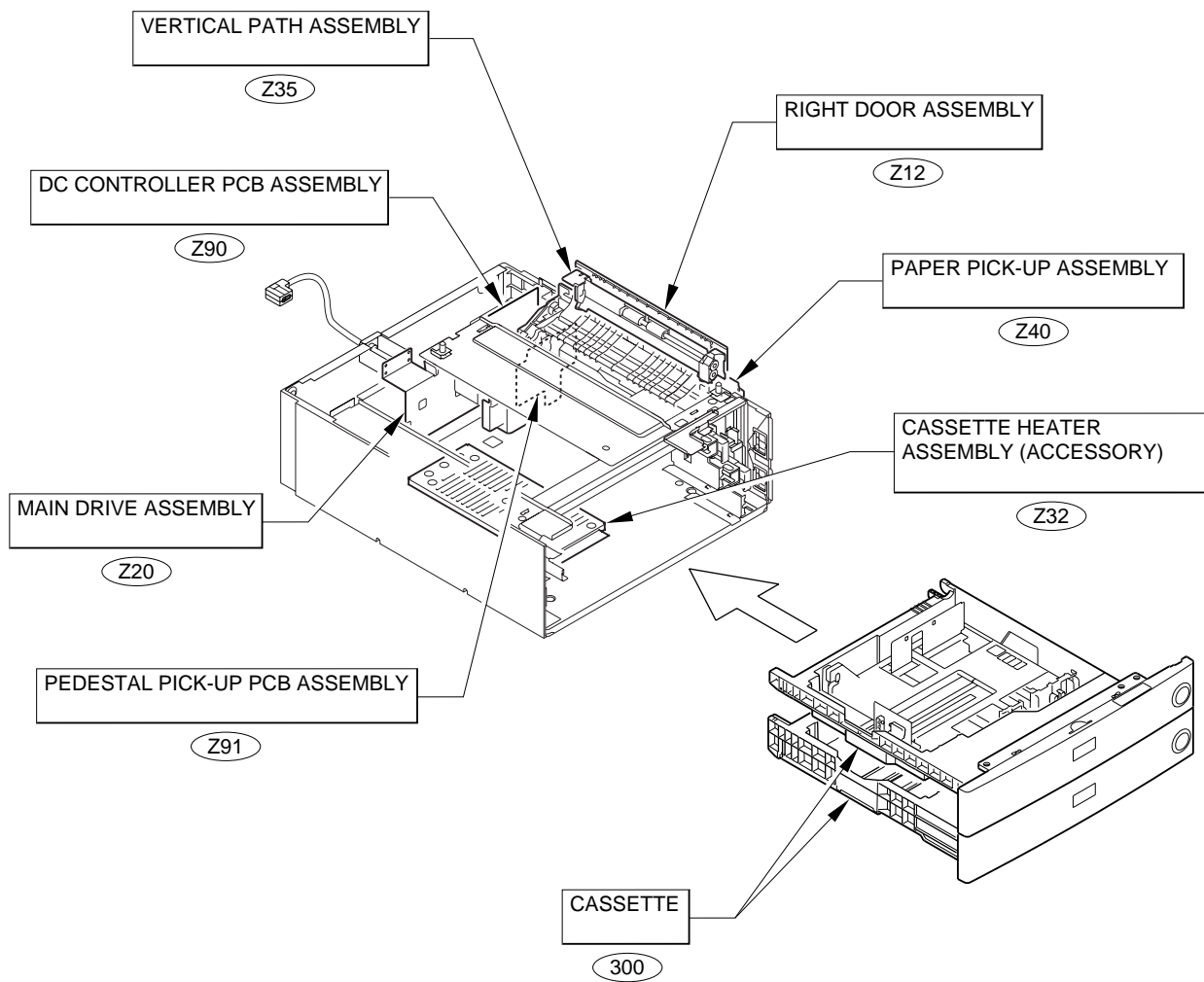
# Cassette Feeding Unit - W1

[ F25 - 5401 XDM00001 - ]

# CONTENTS

- ZA. ASSEMBLY LOCATION DIAGRAM**
  
- Z10. EXTERNAL COVERS, PANELS, ETC.**
- Z11. INTERNAL COMPONENTS**
- Z12. RIGHT DOOR ASSEMBLY**
  
- Z20. MAIN DRIVE ASSEMBLY**
  
- Z32. CASSETTE HEATER ASSEMBLY (ACCESSORY)**
- Z35. VERTICAL PATH ASSEMBLY**
  
- Z40. PAPER PICK-UP ASSEMBLY**
  
- Z90. DC CONTROLLER PCB ASSEMBLY**
- Z91. PEDESTAL PICK-UP PCB ASSEMBLY**
  
  
- ZB1. LIST OF CONNECTORS**
- ZB2. LIST OF ELECTRIC PARTS**
  
  
- D2. NUMERICAL INDEX**

# FIGURE ZA ASSEMBLY LOCATION DIAGRAM



# FIGURE Z10 EXTERNAL COVERS, PANELS, ETC.

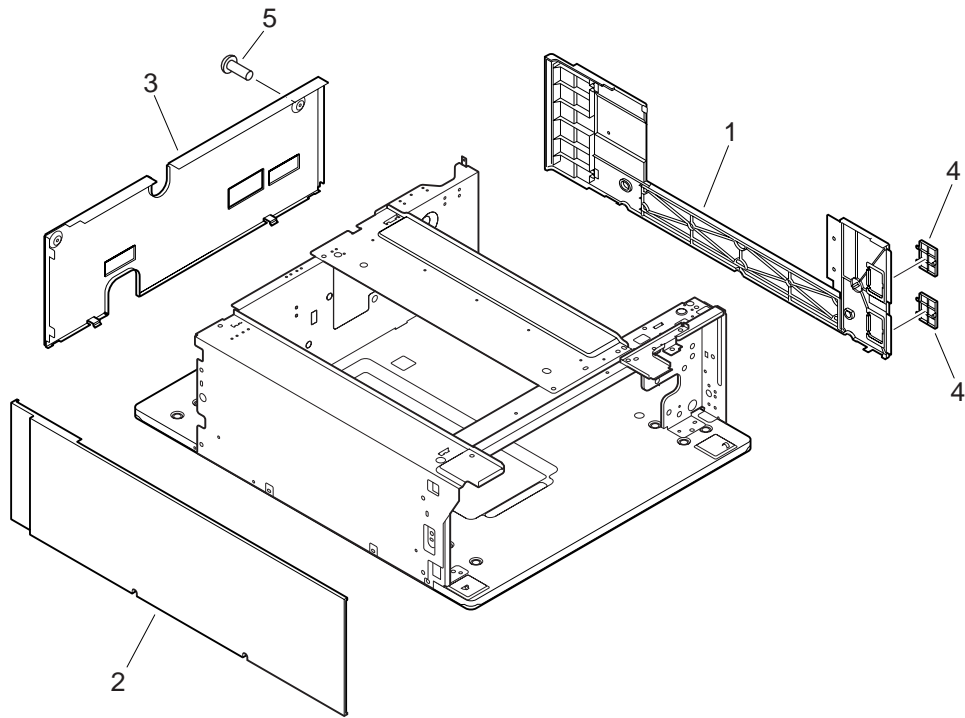
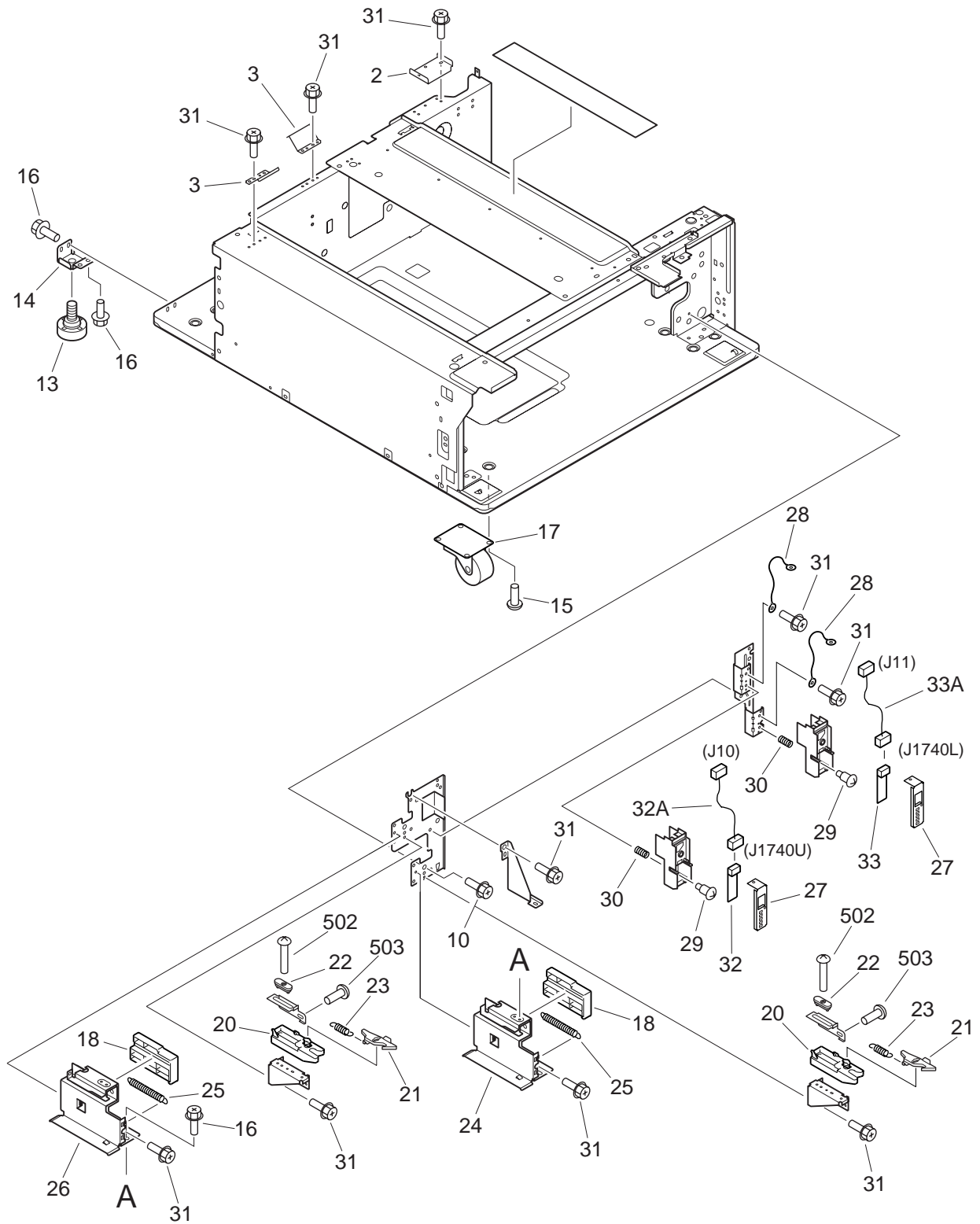


FIGURE & KEY NO.	PART NUMBER	RANK	QTY	DESCRIPTION	SERIAL NUMBER / REMARKS
Z10 -	NPN		RF	EXTERNAL COVERS, PANELS, ETC.	
1	FB5-5385-000		1	PANEL, RIGHT	
2	FB5-5386-000		1	PANEL, LEFT	
3	FB5-5387-000		1	PANEL, REAR	
4	FB5-5399-000		2	COVER, RIGHT, SMALL	
5	XA9-0633-000		2	SCREW,RS W/WASHER,M4X8	



# FIGURE Z11 INTERNAL COMPONENTS (1/2)



# FIGURE Z11 INTERNAL COMPONENTS (2/2)

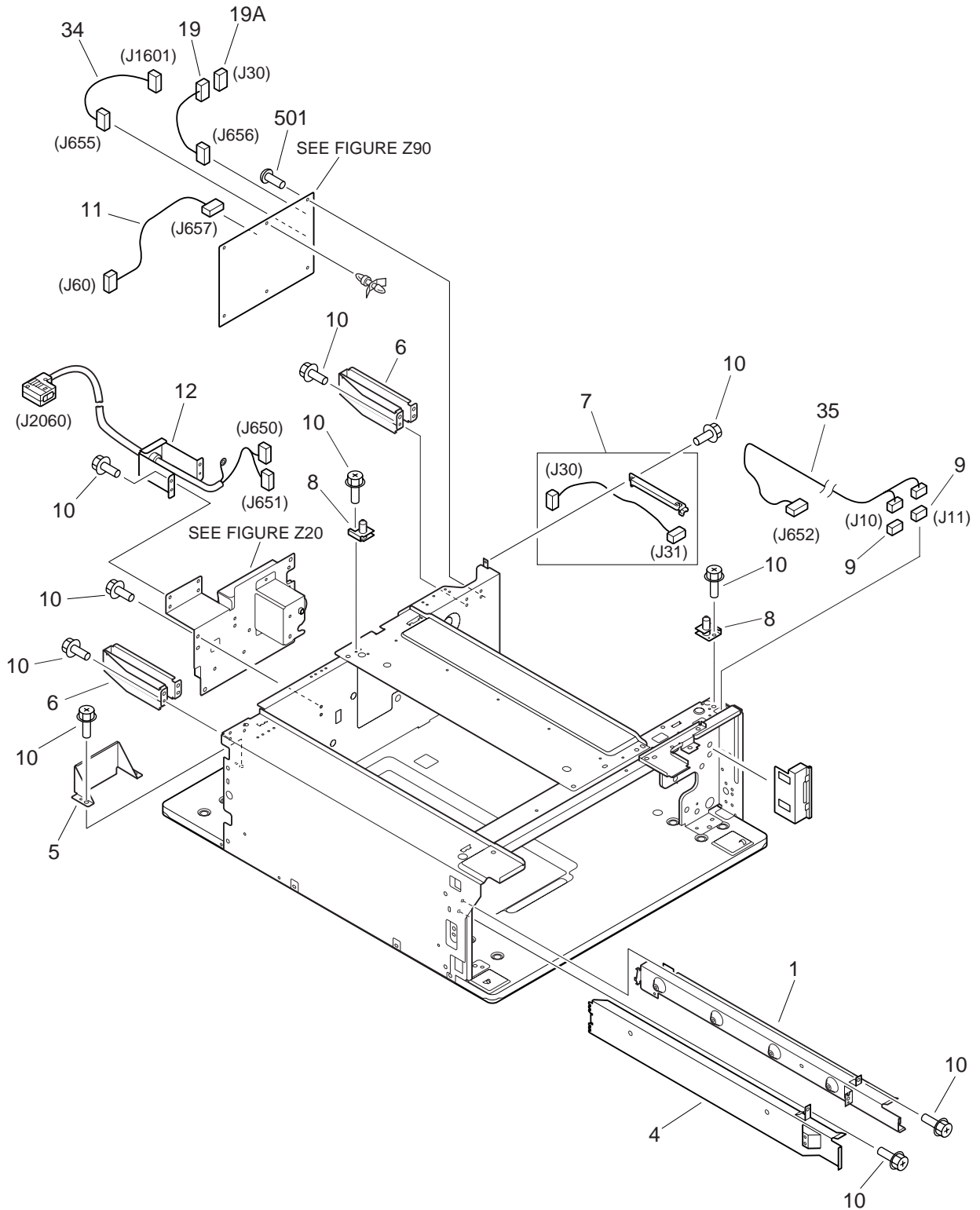


FIGURE & KEY NO.	PART NUMBER	RANK	QTY	DESCRIPTION	SERIAL NUMBER / REMARKS
Z11 -	NPN		RF	INTERNAL COMPONENTS	
1	FB3-2210-000		1	RAIL, LEFT, UPPER	
2	FB3-4144-000		1	COVER, FOOT, RIGHT, REAR	
3	FB3-7216-000		2	PLATE, GROUNDING	
4	FB5-5162-000		1	RAIL, LEFT, LOWER	
5	FB5-5397-000		1	COVER, REAR PANEL	
6	FB5-5398-000		2	SUPPORT, REAR PANEL	
7	FF3-1318-000		1	CABLE, RIGHT DOOR	J30,31
8	FF5-4901-000		2	PIN, POSITIONING	
9	VS1-5057-006		2	CONNECTOR, SNAP TIGHT	J10,11
10	XA9-0732-000		AR	SCREW,RS,M4X8	
11	FG3-1733-000		1	CABLE, MOTOR	J60,657
12	FG3-1730-000		1	INTERFACE CABLE	J650,651,2060
13	FB5-3540-000		4	ADJUSTER	
14	FB5-5400-000		4	MOUNT, ADJUSTING	
15	FE9-0290-000		16	SCREW, W/WASHER	
16	XA9-0629-000		9	SCREW,RS,M4X8	
17	XZ9-0508-000		4	CASTER	
18	FB5-3928-000		2	COVER, RIGHT RAIL	
19	FG3-1734-000		1	CABLE, R. DOOR SENSOR CONNECT	J30,656
19A	VS1-5057-003		1	CONNECTOR, SNAP TIGHT	J30
20	FB3-2937-000		2	BLOCK, CASSETTE STOP	
21	FB5-1471-000		2	LEVER, CLICK	
22	FB5-4762-000		2	GUIDE, CASSETTE CLICK	
23	FS7-2287-000		2	SPRING, TENSION	
24	FF6-0087-000		1	RAIL, RIGHT, LOWER	
25	FS7-2288-000		2	SPRING, TENSION	
26	FF6-0096-000		1	RAIL, RIGHT, UPPER	
27	FB3-2948-000		2	COVER, PCB	
28	FF3-1171-000		2	CABLE, GROUNDING	



FIGURE & KEY NO.	PART NUMBER	RANK	QTY	DESCRIPTION	SERIAL NUMBER / REMARKS
Z11 - 29	FS5-9397-000		2	SCREW, STEPPED, M4	
30	FS6-2311-000		2	SPRING, COMPRESSION	
31	XA9-0626-000		AR	SCREW, RS, M3X6	
32	FG3-1761-000		1	SIZE SENSOR PCB ASSEMBLY	S1 J1740U
32A	FF3-4287-000		1	CABLE, SIZE SENSOR	J10,1740U
33	FG3-1896-000		1	CASSETTE SIZE SENSOR PCB ASS'Y	S2 J1740L
33A	FF3-4341-000		1	CABLE, SIZE SENSOR PCB	J11,1740L
34	FG3-1731-000		1	CABLE, PAPER PICK-UP	J655,1601
35	FG3-1732-000		1	CABLE, CASSETTE SIZE CONNECT	J10,11,652
501	XB1-2300-607		5	SCREW, MACH., TRUSS HEAD, M3X6	
502	XB1-2301-009		2	SCREW, MACH., TRUSS HEAD, M3X10	
503	XB6-7400-609		2	SCREW, TP, M4X6	

# FIGURE Z12 RIGHT DOOR ASSEMBLY

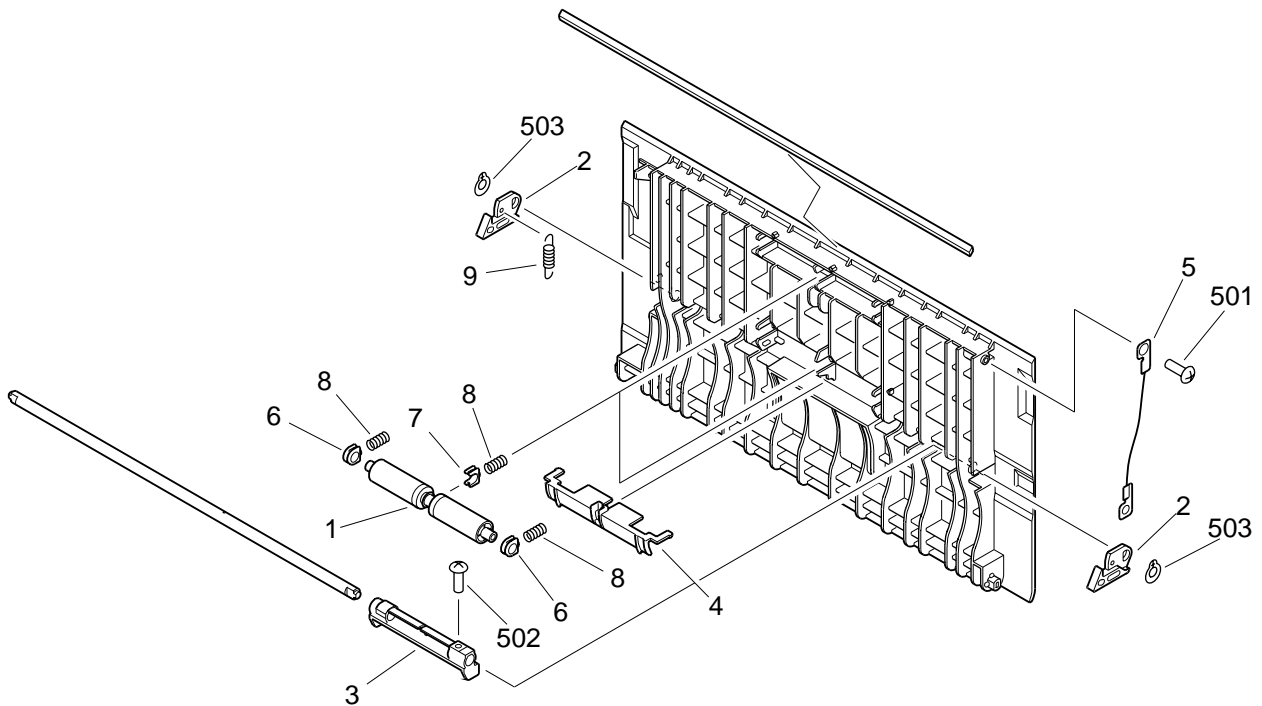


FIGURE & KEY NO.	PART NUMBER	RANK	QTY	DESCRIPTION	SERIAL NUMBER / REMARKS
Z12 -	FG6-5987-000		1	RIGHT DOOR ASSEMBLY	
1	FB3-2811-000		2	ROLLER, BELT IDLER	
2	FB3-2837-000		2	HOOK, RIGHT DOOR	
3	FB3-4151-000		1	KNOB	
4	FB3-4154-000		1	COVER, KNOB	
5	FB5-2340-000		1	WIRE, DOOR STOP	
6	FS5-1595-000		4	BLOCK, ROLLER	
7	FS5-1598-000		2	BLOCK, ROLLER	
8	FS6-2308-000		6	SPRING, COMPRESSION	
9	FS7-2363-000		1	SPRING, TENSION	
501	XB4-7400-809		1	SCREW, TAPPING, TRUSS HEAD, M4X8	
502	XB6-7400-809		1	SCREW, TP, M4X8	
503	XD2-2100-502		2	RING, GRIP	

# FIGURE Z20 MAIN DRIVE ASSEMBLY

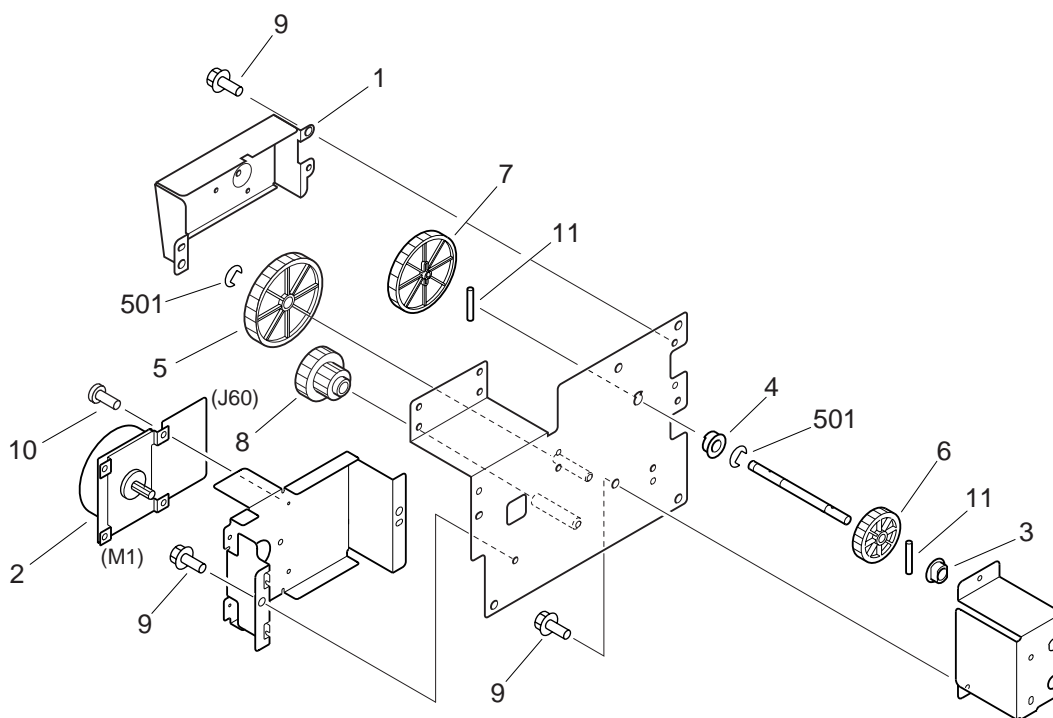


FIGURE & KEY NO.	PART NUMBER	RANK	QTY	DESCRIPTION	SERIAL NUMBER / REMARKS
Z20 -	FG6-5988-000		1	MAIN DRIVE ASSEMBLY	
1	FB5-5396-000		1	COVER, GEAR	M1 J60
2	FH6-1523-000		1	MOTOR, DC24V	
3	FS1-1401-000		1	BUSHING	
4	FS5-1685-000		1	BUSHING	
5	FS6-0633-000		1	GEAR, 60T	
6	FS6-0635-000		1	GEAR, 44T	
7	FS7-0791-000		1	GEAR, 52T	
8	FS7-0792-000		1	GEAR, 19T/65T	
9	XA9-0629-000		6	SCREW,RS,M4X8	
10	XA9-0624-000		4	SCREW,M3X4	
11	XD9-0121-000		2	PIN,DOWEL	
501	XD2-1200-502		3	RING,E	

# FIGURE Z32 CASSETTE HEATER ASSEMBLY (ACCESSORY)

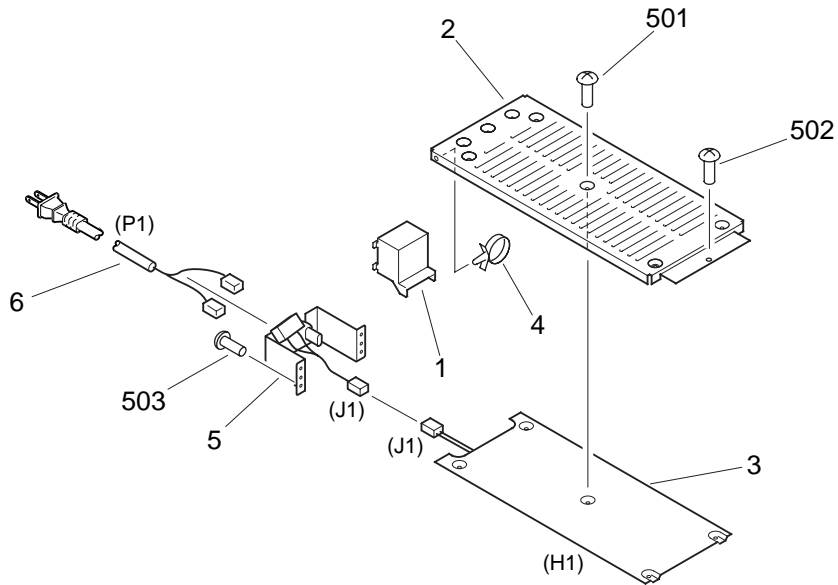


FIGURE & KEY NO.	PART NUMBER	RANK	QTY	DESCRIPTION	SERIAL NUMBER / REMARKS
Z32 -	NPN		RF	CASSETTE HEATER ASSEMBLY	ACCESSORY 100V
1	FB3-3192-030		1	COVER, HEATER CONNECTOR	
2	FB3-7192-000		1	COVER, CASSETTE HEATER	
3	FH7-4576-000		1	HEATER, CASSETTE	H1 J1
4	WT2-5041-000		1	TIE, CABLE	
5	FG6-5995-000		1	POWER SUPPLY CABLE MOUNT UNIT	J1
6	FH2-6706-000		1	CORD, POWER	P1
501	XB1-2400-409		5	SCREW, MACH., TRUSS HEAD, M4X4	
502	XB1-2400-606		1	SCREW, MACH., TRUSS HEAD, M4X6	
503	XB1-2300-609		2	SCREW, MACH., TRUSS HEAD, M3X6	

# FIGURE Z35 VERTICAL PATH ASSEMBLY

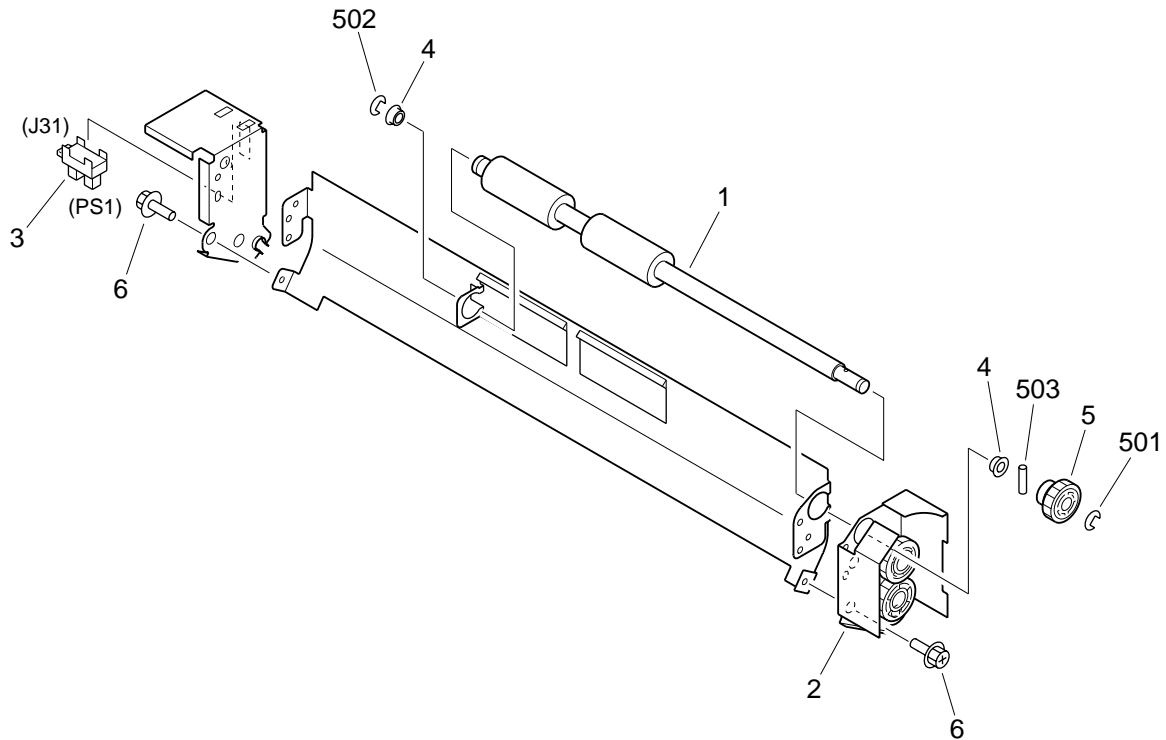
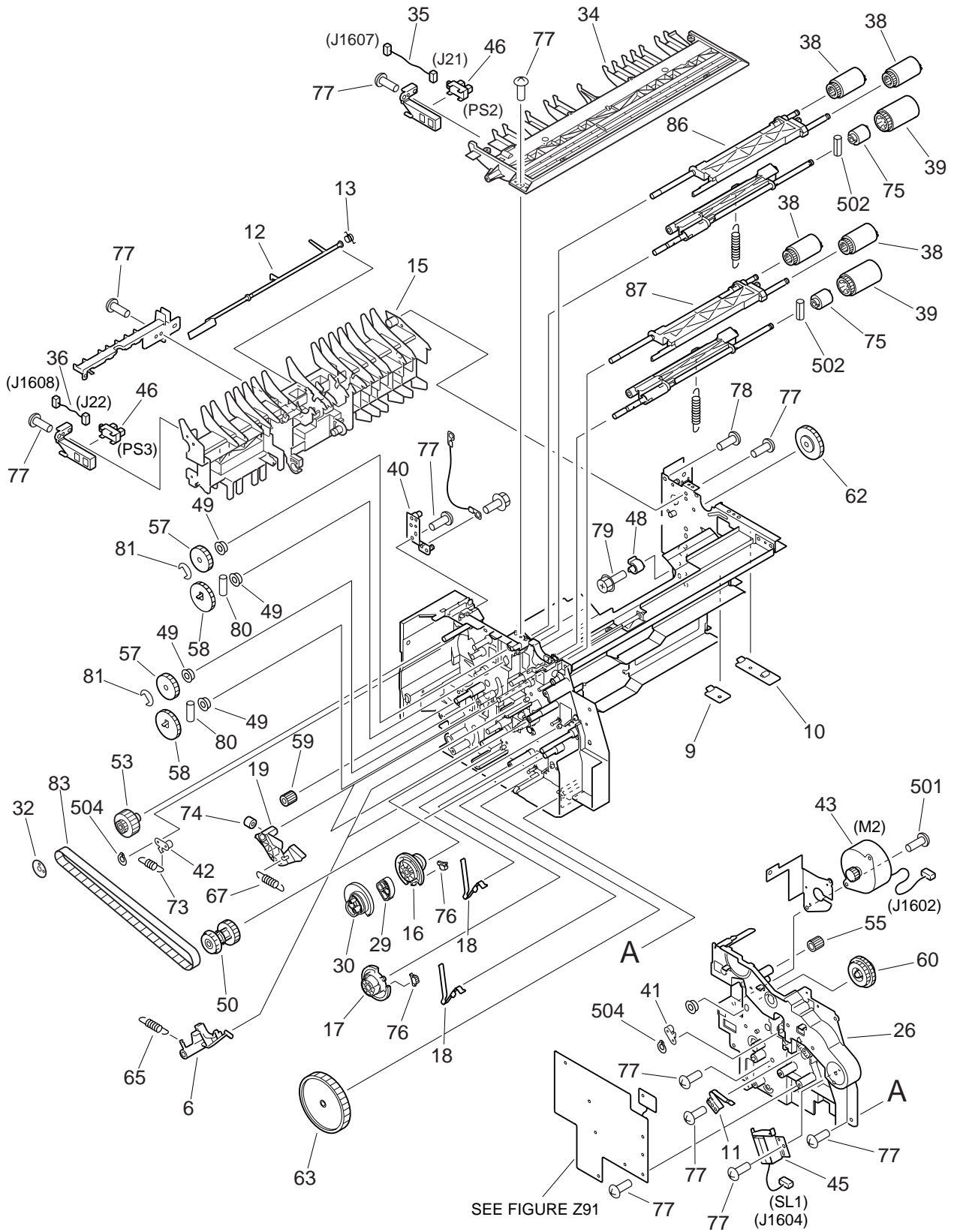


FIGURE & KEY NO.	PART NUMBER	RANK	QTY	DESCRIPTION	SERIAL NUMBER / REMARKS
Z35 -	FG6-5993-000		1	VERTICAL PATH ASSEMBLY	
1	FB5-5403-000		1	ROLLER, VERTICAL PATH	
2	FF5-4908-000		1	BOX, GEAR	
3	FH7-7394-000		1	PHOTO-INTERRUPTER	PS1 J31
4	FS5-1594-020		2	BUSHING	
5	FS6-0629-000		1	GEAR, 16T	
6	XA9-0626-000		4	SCREW,RS,M3X6	
501	XD2-1100-502		1	RING,E	
502	XD2-1100-642		1	RING,E	
503	XD3-2200-082		1	PIN,DOWEL	

# FIGURE Z40

## PAPER PICK-UP ASSEMBLY (1/2)



NOTE : This assembly includes the assembly shown in Figure Z91 .

# FIGURE Z40

## PAPER PICK-UP ASSEMBLY (2/2)

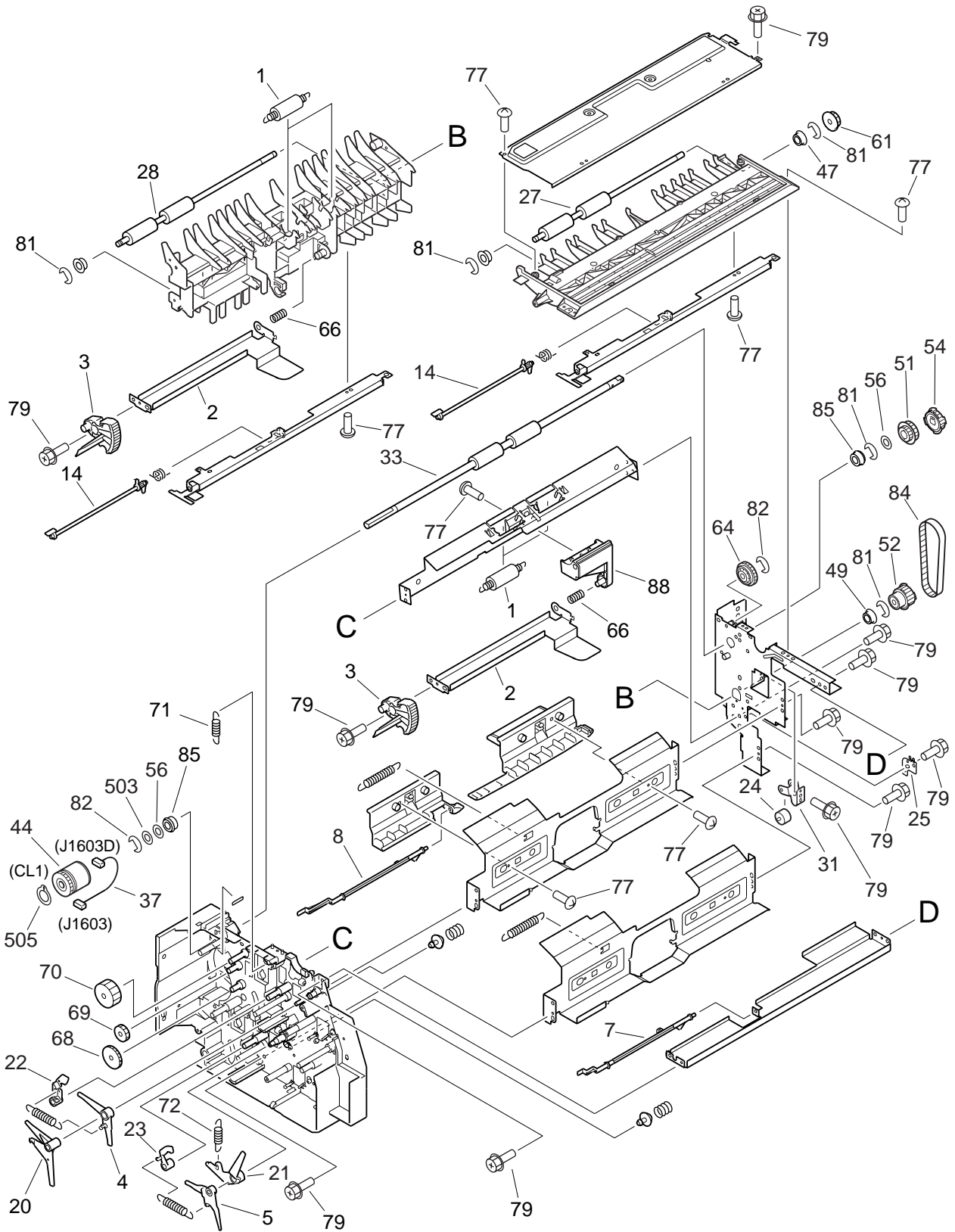


FIGURE & KEY NO.	PART NUMBER	RANK	QTY	DESCRIPTION	SERIAL NUMBER / REMARKS
Z40 -	FG6-5989-000		1	PAPER PICK-UP ASSEMBLY	SEE NOTE
1	FB5-5415-000		4	ROLLER, PAPER FEED	
2	FB3-2855-020		2	PLATE, LIFTER	
3	FB3-2856-020		2	GEAR, RATCHET	
4	FB3-2863-000		1	LEVER, LIFTER, UPPER	
5	FB3-2864-000		1	LEVER, LIFTER, LOWER	
6	FB3-2868-020		2	CLAW, LIFTER LOCK	
7	FB3-2880-000		1	FLAG, PAPER SENSOR, UPPER	
8	FB3-2881-000		1	FLAG, PAPER SENSOR, LOWER	
9	FB3-2894-020		1	GUIDE, LOWER CASSETTE	
10	FB3-2897-020		1	GUIDE, UPPER CASSETTE	
11	FB3-2898-020		1	SPRING, LEAF	
12	FB3-4149-000		1	FLAG, VERTICAL SENSOR	
13	FB3-4155-000		1	SPRING, TORSION	
14	FB4-3343-020		2	FLAG, RETRY SENSOR	
15	FB4-3801-000		1	GUIDE, MIDDLE	
16	FB4-5347-000		1	CAM, LIFT UP, UPPER	
17	FB5-9802-000		1	CAM, LIFT UP, LOWER	
18	FB4-5349-000		2	SPRING, LEAF	
19	FB4-5350-000		2	CLAW, LIFTER ARM	
20	FB5-9794-000		1	ARM, LIFTER, UPPER	
21	FB4-5365-000		1	ARM, LIFTER, LOWER	
22	FB5-9795-000		1	LEVER, LOCK, UPPER	
23	FB4-5367-000		1	LEVER, PICK LOCK, LOWER	
24	FB5-4726-000		1	ROLLER, BELT ADJUSTING	
25	FB5-4727-000		1	SPRING, LEAF, GROUNDING	
26	FB5-4728-000		1	COVER, PAPER PICK-UP FRAME	
27	FB5-5412-000		1	ROLLER, PAPER FEED, UPPER	
28	FB5-5413-000		1	ROLLER, PAPER FEED, LOWER	
29	FB5-5286-000		1	CAM, PICK-UP ROLLER, UPPER	



FIGURE & KEY NO.	PART NUMBER	RANK	QTY	DESCRIPTION	SERIAL NUMBER / REMARKS
Z40 - 30	FB5-5287-000		1	CAM, PICK-UP ROLLER, LOWER	
31	FB5-5289-000		1	HOLDER, ROLLER	
32	FB5-5402-000		1	FLANGE, BELT	
33	FB5-5404-000		1	ROLLER, VERTICAL PATH	
34	FB5-5405-000		1	GUIDE, UPPER	
35	FF3-2974-000		1	CABLE, UPPER RETRY SENSOR	J21,1607
36	FF3-2975-000		1	CABLE, LOWER RETRY SENSOR	J22,1608
37	FF3-4175-000		1	CABLE, VERTICAL PATH CLUTCH	J1603,1603D
38	FF5-4552-020		4	ROLLER, PAPER PICK-UP	
39	FF5-4634-020		2	ROLLER, PAPER SEPARATION	
40	FF5-4903-000		1	PLATE, PIVOT	
41	FF6-0297-000		1	PLATE, TENSION, UPPER	
42	FF6-0299-000		1	PLATE, TENSION, LOWER	
43	FH6-1477-000		1	MOTOR, DC24V	M2 J1602
44	FH6-5005-000		1	CLUTCH, ELECTRO MAGNETIC	CL1 J1603D
45	FH6-5020-000		1	SOLENOID	SL1 J1604
46	FH7-7462-000		2	PHOTO-INTERRUPTER	PS2,3 J21,22
47	FS5-1164-000		1	BUSHING, UPPER ROLLER	
48	FS5-1589-000		1	BUSHING	
49	FS5-1948-000		5	BUSHING	
50	FS5-3620-000		1	PULLEY, 32T/40T	
51	FS5-3821-000		1	PULLEY, 40T/GEAR, 16T	
52	FS5-3823-000		1	PULLEY, 40T	
53	FS5-3830-000		1	PULLEY, 25T/GEAR, 28T	
54	FS5-3831-000		1	PULLEY, 40T	
55	FS5-3833-000		1	PULLEY, 24T	
56	FS5-6487-000		2	WASHER	
57	FS6-0564-000		2	GEAR, 35T	
58	FS6-0565-000		2	GEAR, 42T	
59	FS6-0569-000		1	GEAR, 14T	

FIGURE & KEY NO.	PART NUMBER	R A N K	Q' T Y	DESCRIPTION	SERIAL NUMBER / REMARKS
Z40 - 60	FS6-0570-000		1	GEAR, 35T/44T	
61	FS6-0572-000		1	GEAR, 16T	
62	FS6-0574-000		1	GEAR, 38T	
63	FS6-0576-000		1	GEAR, 86T	
64	FS6-0631-000		1	GEAR, 24T	
65	FS6-2328-020		2	SPRING, TENSION	
66	FS6-2330-000		2	SPRING, COMPRESSION	
67	FS6-2900-000		2	SPRING, TENSION	
68	FS7-0103-000		1	GEAR, 35T	
69	FS7-0104-000		1	GEAR, 24T	
70	FS7-0105-000		1	GEAR, 35T	
71	FS7-2413-000		1	SPRING, TENSION	
72	FS7-2414-000		1	SPRING, TENSION	
73	FS7-2775-000		1	SPRING, TENSION	
74	RB1-6539-000		2	DAMPER	
75	RB1-6588-000		2	LIMITER, TORQUE	
76	RB1-6592-000		2	GEAR, 3T	
77	XA9-0591-000	AR		SCREW,M3X8	
78	XA9-0679-000		1	SCREW,MACH.,FLAT HEAD,M3X4	
79	XA9-0724-000		15	SCREW,RS,M3X8	
80	XD9-0104-000		2	PIN,DOWEL	
81	XD9-0131-000		10	RING,E	
82	XD9-0131-000		2	RING,E	
83	XF2-1121-540		1	BELT, TIMING	
84	XF2-3110-840		1	BELT, TIMING	
85	XG3-8012-355		2	BALL BEARING, NSK MF128ZZ1MC3	
86	FF6-0108-000		1	HOLDER, ROLLER, UPPER	
87	FF6-0109-000		1	HOLDER, ROLLER, LOWER	
88	FB3-2889-000	N	1	MOUNT, LIFTER, LOWER	
501	XB1-2300-409		1	SCREW,MACH.,TRUSS HEAD,M3X4	

FIGURE & KEY NO.	PART NUMBER	R A N K	Q' T Y	DESCRIPTION	SERIAL NUMBER / REMARKS
Z40 - 502	XD3-1200-122		4	PIN,SPRING	
503	XD1-1108-225		1	SHIM	
504	XD2-2100-402		2	RING,GRIP	
505	XD2-2100-802		1	RING,GRIP	

# FIGURE Z90 DC CONTROLLER PCB ASSEMBLY

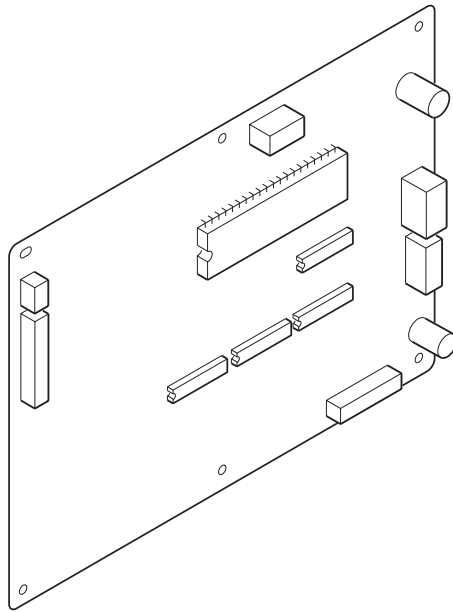
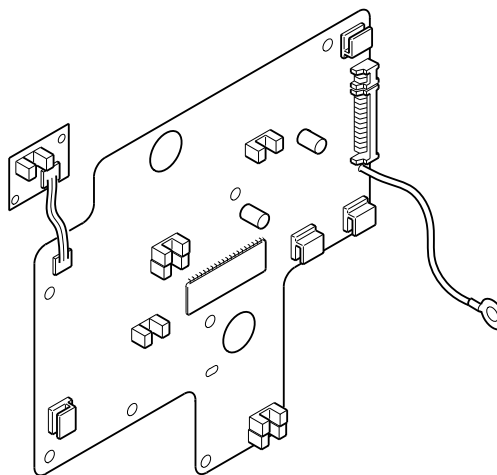


FIGURE & KEY NO.	PART NUMBER	RANK	QTY	DESCRIPTION	SERIAL NUMBER / REMARKS
Z90 -	FG6-0770-000		1	DC CONTROLLER PCB ASSEMBLY	

# FIGURE Z91 PEDESTAL PICK-UP PCB ASSEMBLY



NOTE : This assembly is included in the assembly shown in Figure Z40.

FIGURE & KEY NO.	PART NUMBER	RANK	QTY	DESCRIPTION	SERIAL NUMBER / REMARKS
Z91 -	FG6-0767-000		1	PAPER PICK-UP PCB ASSEMBLY	SEE NOTE

# FIGURE ZB1 LIST OF CONNECTORS

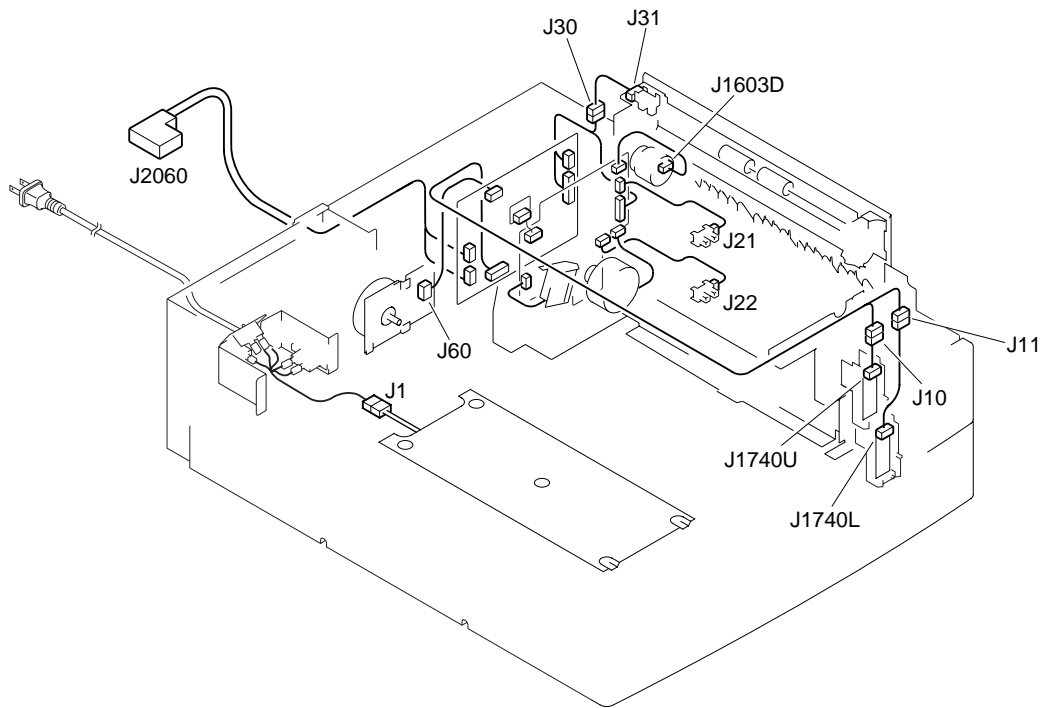


FIGURE & KEY NO.	PART NUMBER	RANK	QTY	DESCRIPTION	SERIAL NUMBER / REMARKS
Z B1 -	NPN		RF	LIST OF CONNECTORS	
J1	NPN			CASSETTE HEATER	ACCESSORY 100V H1
	VS4-0002-002		1	CONNECTOR, 2P, FEMALE	ACCESSORY 100V
	WS4-0217-000		2	SOCKET CONTACT, 22-18AWG	ACCESSORY 100V
J10	VS1-0842-006		1	CONNECTOR, 6P, FEMALE	
	VS1-6321-006		1	CONNECTOR, 6P, FEMALE	
	VS1-5057-006		1	CONNECTOR, SNAP TIGHT	
J11	VS1-0842-006		1	CONNECTOR, 6P, FEMALE	
	VS1-6320-006		1	CONNECTOR, 6P, FEMALE	
	VS1-5057-006		1	CONNECTOR, SNAP TIGHT	
J21	NPN			CASSETTE 3 RETRY SENSOR	PS2
	VS1-6321-003		1	CONNECTOR, 3P, FEMALE	
J22	NPN			CASSETTE 4 RETRY SENSOR	PS3
	VS1-6321-003		1	CONNECTOR, 3P, FEMALE	
J30	VS1-0842-003		1	CONNECTOR, 3P, FEMALE	
	VS1-6321-003		1	CONNECTOR, 3P, FEMALE	
	VS1-5057-003		1	CONNECTOR, SNAP TIGHT	
J31	NPN			RIGHT DOOR SENSOR	PS1
	VS1-0842-003		1	CONNECTOR, 3P, FEMALE	
J60	NPN			PEDESTAL MAIN MOTOR	M1
	VS3-0312-004		1	CONNECTOR, 4P, MALE	
	WS3-5005-000		4	SOCKET CONTACT, 24-28AWG	
J650	PCB			PEDESTAL CONTROLLER	
	VS3-5083-004		1	CONNECTOR, 4P, FEMALE	
	WS3-5160-000		3	SOCKET CONTACT, 18-24AWG	
J651	PCB			PEDESTAL CONTROLLER	
	VS1-0842-007		1	CONNECTOR, 7P, FEMALE	
J652	PCB			PEDESTAL CONTROLLER	
	VS1-6314-014		1	CONNECTOR, 14P, MALE	
J655	PCB			PEDESTAL CONTROLLER	

FIGURE & KEY NO.	PART NUMBER	RANK	QTY	DESCRIPTION	SERIAL NUMBER / REMARKS
Z B1 - J655	VS1-6314-018		1	CONNECTOR, 18P, MALE	
J656	PCB			PEDESTAL CONTROLLER	
J657	VS1-6314-003		1	CONNECTOR, 3P, MALE	
	PCB			PEDESTAL CONTROLLER	
	VS3-0312-004		1	CONNECTOR, 4P, MALE	
J1601	WS3-5005-000		4	SOCKET CONTACT, 24-28AWG	
	PCB			PEDESTAL PICK-UP	
J1602	VS1-6314-018		1	CONNECTOR, 18P, MALE	
	PCB			PEDESTAL PICK-UP	
	NPN			CASSETTE PICK-UP MOTOR	M2
J1603	PCB			PEDESTAL PICK-UP	
J1603D	VS1-6321-004		1	CONNECTOR, 4P, FEMALE	
	NPN			VERTICAL PATH ROLLER CLUTCH	CL1
J1604	VS1-6314-003		1	CONNECTOR, 3P, MALE	
	PCB			PEDESTAL PICK-UP	
J1607	NPN			PICK-UP ROLLER DOWN SOLENOID	SL1
	PCB			PEDESTAL PICK-UP	
J1608	VS1-6314-003		1	CONNECTOR, 3P, MALE	
	PCB			PEDESTAL PICK-UP	
	VS1-6321-003		1	CONNECTOR, 3P, FEMALE	
J1740L	NPN			CASSETTE 4 SIZE SENSOR	S2
	VS1-6023-006		1	CONNECTOR, 6P, FEMALE	
J1740U	NPN			CASSETTE 3 SIZE SENSOR	S1
	VS1-6023-006		1	CONNECTOR, 6P, FEMALE	
J2060	SYS			COPIER	
	FH2-6481-000		1	HOUSING	
	VS1-5452-008		1	CONNECTOR, 8P, FEMALE	
	WS3-5018-000		4	SOCKET, CONTACT, AWG18-24	





# FIGURE ZB2 LIST OF ELECTRIC PARTS

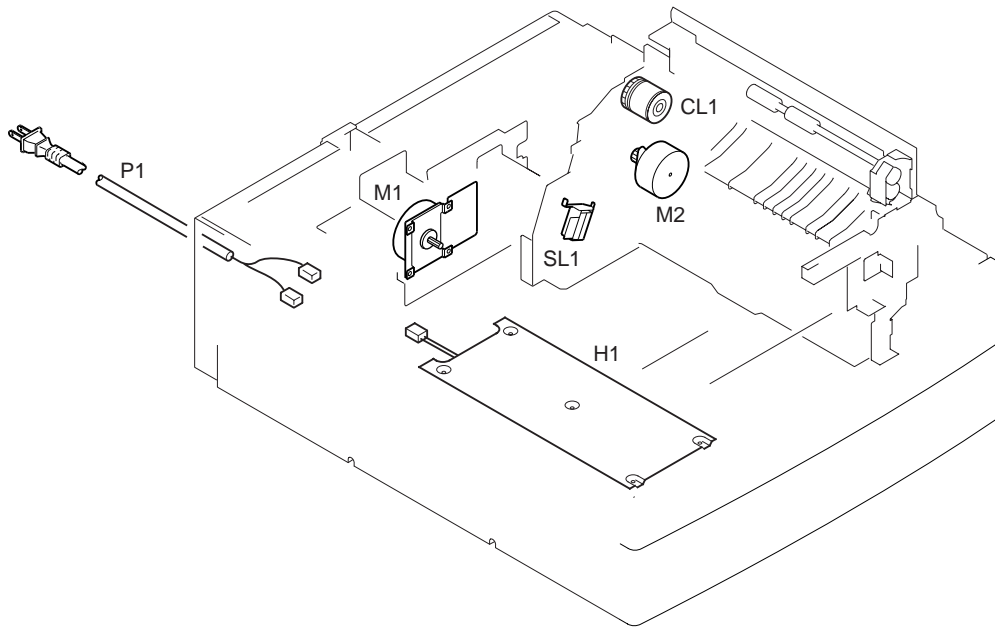
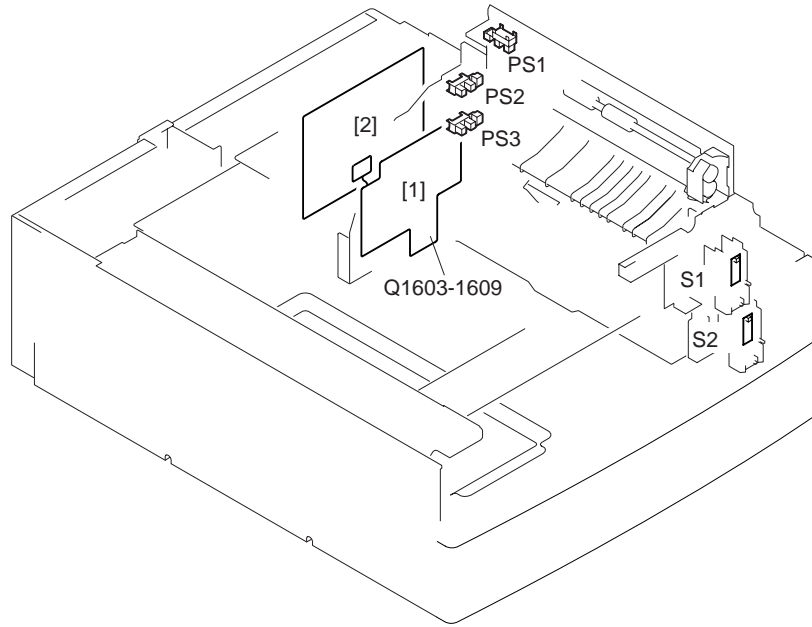


FIGURE & KEY NO.	PART NUMBER	RANK	QTY	DESCRIPTION	SERIAL NUMBER / REMARKS
Z B2 -	NPN		RF	LIST OF ELECTRIC PARTS	
1	FG6-0767-000		1	PAPER PICK-UP PCB ASSEMBLY	
2	FG6-0770-000		1	DC CONTROLLER PCB ASSEMBLY	
CL1	FH6-5005-000		1	CLUTCH, ELECTRO MAGNETIC	
H1	FH7-4576-000		1	HEATER, CASSETTE	ACCESSORY 100V
M1	FH6-1523-000		1	MOTOR, DC24V	
M2	FH6-1477-000		1	MOTOR, DC24V	
P1	FH2-6706-000		1	CORD, POWER	ACCESSORY 100V
PS1	FH7-7394-000		1	PHOTO-INTERRUPTER	
PS2	FH7-7462-000		1	PHOTO-INTERRUPTER	
PS3	FH7-7462-000		1	PHOTO-INTERRUPTER	
Q1603	FG6-0767-000		1	PAPER PICK-UP PCB ASSEMBLY	
Q1604	FG6-0767-000		1	PAPER PICK-UP PCB ASSEMBLY	
Q1605	FG6-0767-000		1	PAPER PICK-UP PCB ASSEMBLY	
Q1606	FG6-0767-000		1	PAPER PICK-UP PCB ASSEMBLY	
Q1607	FG6-0767-000		1	PAPER PICK-UP PCB ASSEMBLY	
Q1608	FG6-0767-000		1	PAPER PICK-UP PCB ASSEMBLY	
Q1609	FG6-0767-000		1	PAPER PICK-UP PCB ASSEMBLY	
S1	FG3-1761-000		1	SIZE SENSOR PCB ASSEMBLY	
S2	FG3-1896-000		1	CASSETTE SIZE SENSOR PCB ASS'Y	
SL1	FH6-5020-000		1	SOLENOID	



# Paper Deck - L1

[ A4 SIZE F25 - 5501 XDS00001-  
LTR SIZE F25 - 5511 XDT00001- ]

# CONTENTS

**RA. ASSEMBLY LOCATION DIAGRAM**

**R01. MOUNTING HARDWARE**

**R10. EXTERNAL COVERS, PANELS, ETC**

**R11. INTERNAL COMPONENTS**

**R30. PAPER STOCK ASSEMBLY**

**R35. PAPER DECK HEATER ASSEMBLY (ACCESSORY)**

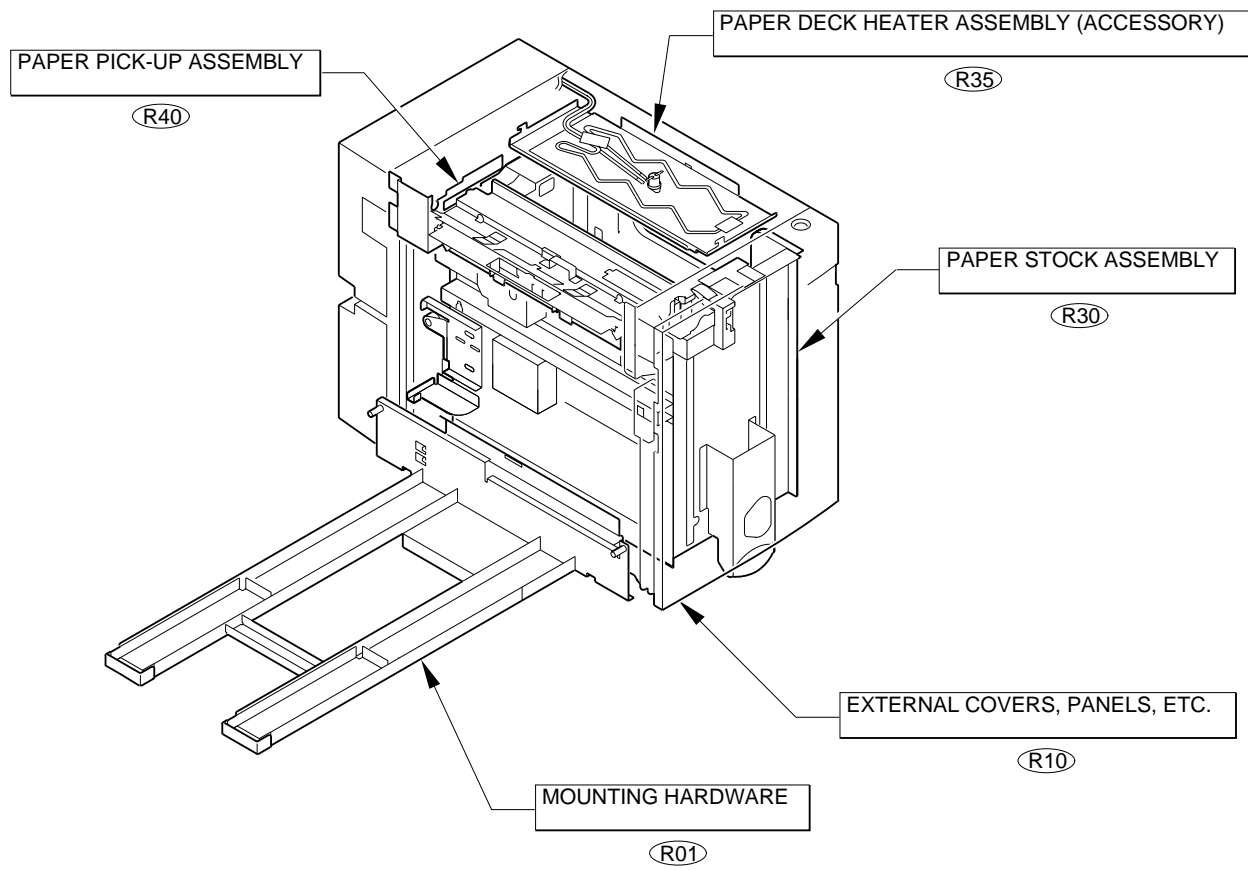
**R40. PAPER PICK-UP ASSEMBLY**

**RB1. LIST OF CONNECTORS**

**RB2. LIST OF ELECTRIC PARTS**

**D3. NUMERICAL INDEX**

# FIGURE RA ASSEMBLY LOCATION DIAGRAM



# FIGURE R01 MOUNTING HARDWARE

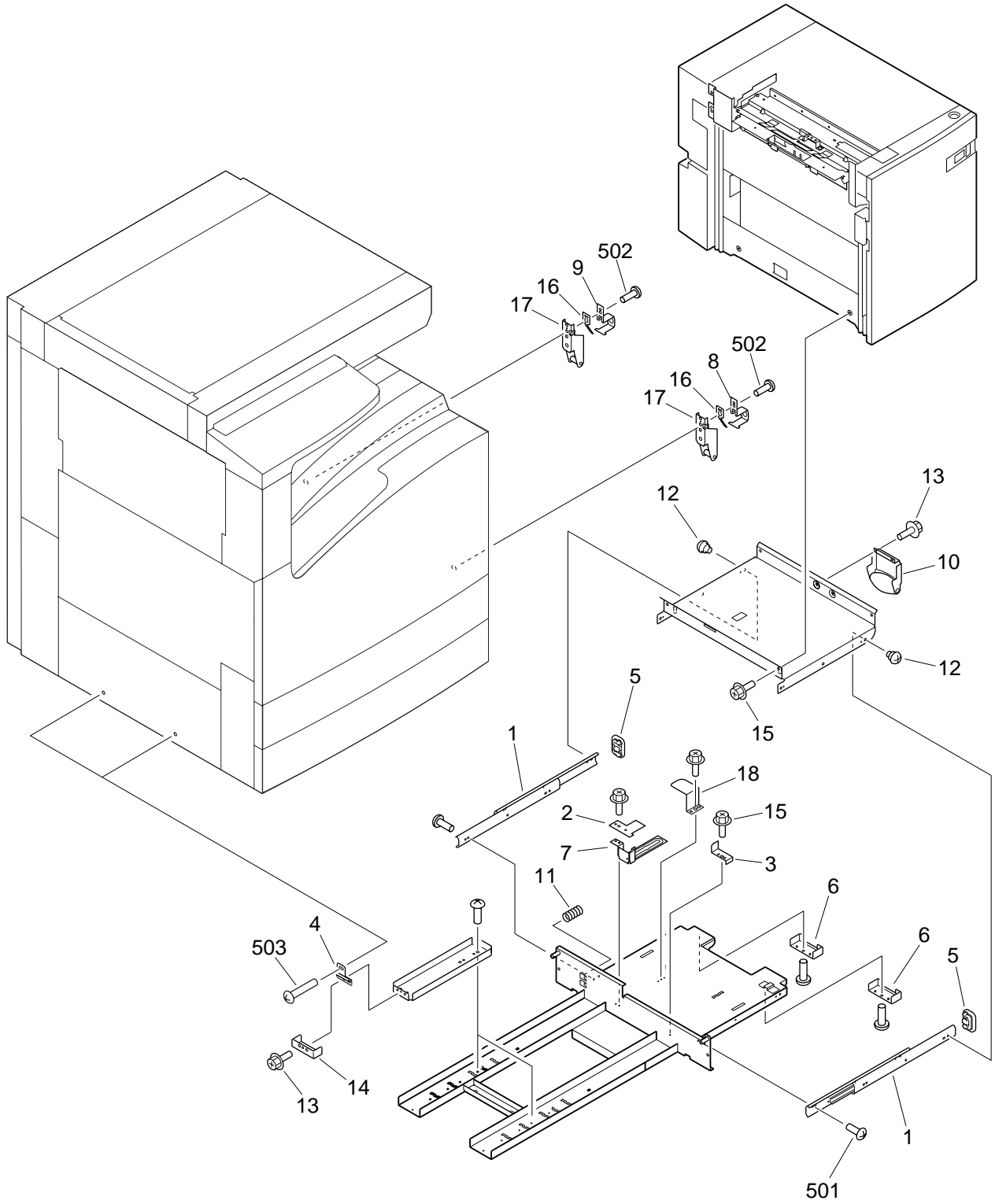




FIGURE & KEY NO.	PART NUMBER	RANK	QTY	DESCRIPTION	SERIAL NUMBER / REMARKS
R01 -	NPN		RF	MOUNTING HARDWARE	
1	FB4-4867-000		2	RAIL, FRAME SLIDE	
2	FB4-4937-000		1	FLAG, SLIDE, UPPER	
3	FB4-4919-000		1	PLATE, DECK STOPPER	
4	FB4-4920-000		2	PLATE, CROSSMEMBER SUPPORT	
5	FB4-4932-000		2	CAP, RAIL	
6	FB4-4933-000		2	COVER, BOTTOM CROSSMEMBER	
7	FB4-4938-000		1	FLAG, SLIDE, LOWER	
8	FB4-6576-000		1	PLATE, LATCH, FRONT	
9	FB4-6577-000		1	PLATE, LATCH, REAR	
10	FF6-0315-000		1	SUPPORT, ROLLER	
11	FS6-2897-000		1	SPRING, COMPRESSION	
12	FS1-9002-000		3	SCREW, STEPPED, M4X5	
13	XA9-0732-000		5	SCREW, RS, M4X8	
14	FB4-4939-000		2	COVER, BOTTOM CROSSMEMBER, 2	
15	XA9-0732-000		AR	SCREW, RS, M4X8	
16	FB4-6578-000		2	SPRING, LEAF	
17	FF6-0316-000		2	PLATE, LATCH	
18	FB4-4918-000		1	PLATE, DECK SENSOR FLAG	
501	XB1-2400-609		15	SCREW, MACH., TRUSS HEAD, M4X6	
502	XB1-2400-809		4	SCREW, MACH., TRUSS HEAD, M4X8	
503	XB1-2401-207		2	SCREW, MACH., TRUSS HEAD, M4X12	

# FIGURE R10

## EXTERNAL COVERS, PANALS, ETC.

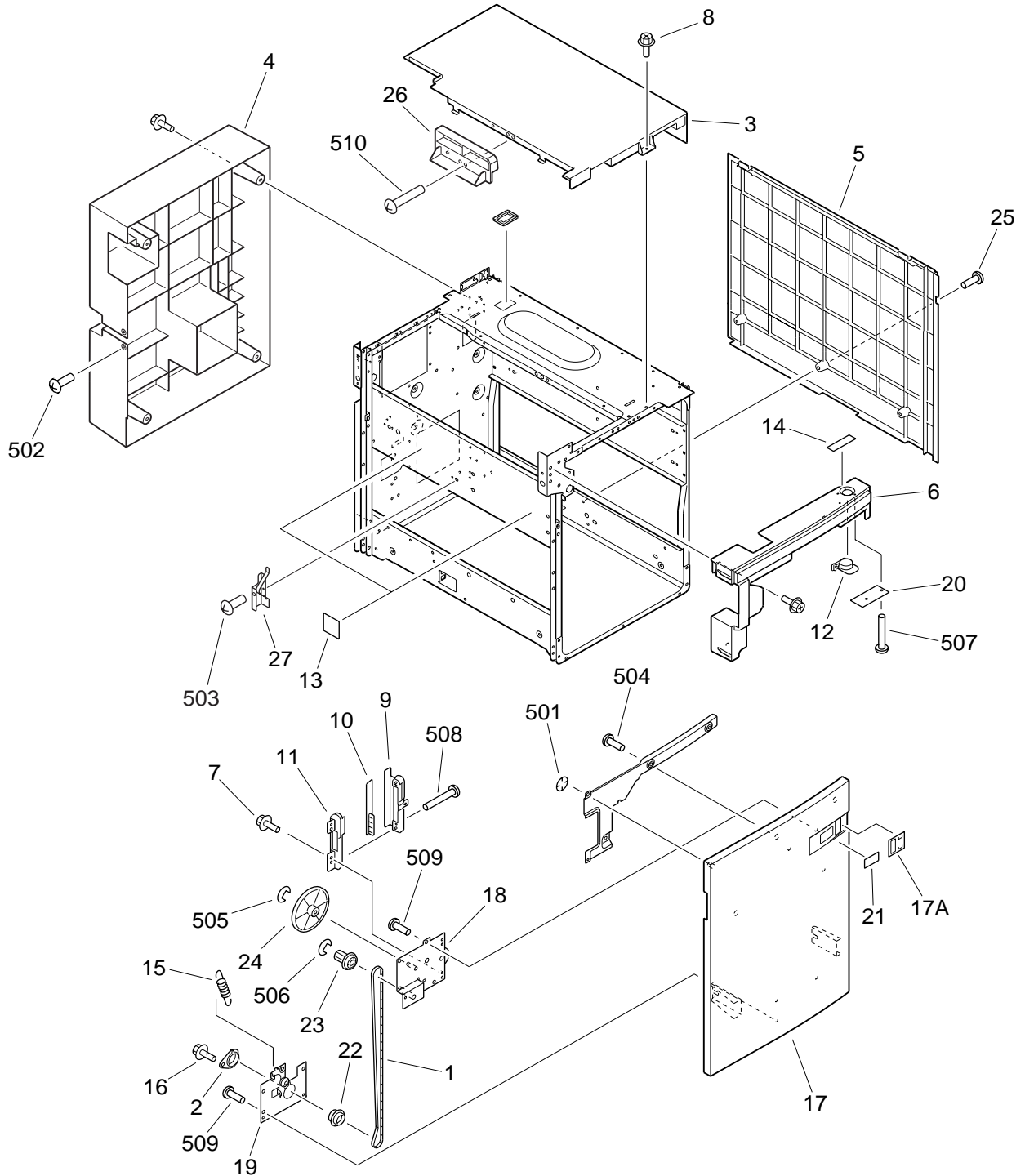


FIGURE & KEY NO.	PART NUMBER	RANK	QTY	DESCRIPTION	SERIAL NUMBER / REMARKS
R10 -	NPN		RF	EXTERNAL COVERS, PANELS, ETC	
1	XF2-3228-532		1	BELT,DRIVE	
2	FB3-9270-000		1	BUSHING	
3	FB4-4926-000		1	COVER, UPPER	
4	FB5-5423-000		1	COVER, REAR	
5	FB5-5424-000		1	COVER, RIGHT	
6	FB4-4925-000		1	COVER, SWITCH	
7	XA9-0732-000		2	SCREW,RS,M4X8	
8	XA9-0732-000		AR	SCREW,RS,M4X8	
9	FB3-9291-000		1	MOUNT, PAPER INDEX, RIGHT	
10	FB3-9292-000		1	TAPE, PAPER INDEX	
11	FB3-9293-000		1	MOUNT, PAPER INDEX, LEFT	
12	FB3-9711-000		1	BUTTON, RELEASE	
13	FB3-9749-000		2	LABEL, "HANDLE"	
14	FB3-9751-000		1	LABEL, "DECK OPEN"	
15	FS6-2677-000		1	SPRING, TENSION	
16	XA9-0732-000		1	SCREW,RS,M4X8	
17	FF5-8912-000		1	COVER, FRONT	
17A	FB3-9732-000		1	PANEL, PAPER INDEX	
18	FF5-6163-000		1	PAPER QUANTITY INDICATOR UNIT	
19	FF5-6164-020		1	TENSIONER	
20	FG5-9288-000		1	SWITCH PCB ASSEMBLY	
21	FS6-8412-000		1	SHEET, PAPER SIZE	
22	FS7-0423-000		1	PULLEY,41T	
23	FS6-0912-000		1	PULLEY, 32T/GEAR, 15T	
24	FS6-0913-000		1	GEAR, 18T/96T	
25	XA9-0266-000		1	SCREW,W/WASHER,M4X8	
26	FB5-5425-000		1	COVER, HANDLE	
27	FB5-5430-020		1	PLATE, SLOPE GUIDE	
501	XD2-2300-402		1	RING,TOOTHED LOCK	







FIGURE & KEY NO.	PART NUMBER	RANK	QTY	DESCRIPTION	SERIAL NUMBER / REMARKS
R11 -	NPN		RF	INTERNAL COMPONENTS	
1	FA6-7751-000		1	ARM, LOCK	
2	FB2-8293-000		1	COVER, CONNECTOR	
3	FB3-9260-000		1	PLATE, CAM RELEASE	
4	FB3-9261-000		2	RAIL, SLIDE	
5	FB3-9290-000		1	LINK, RELEASE LEVER	
6	FB5-5422-000		1	COVER, GEAR	
7	FB4-4877-000		1	HOOK, FRONT	
8	FB4-4878-000		1	HOOK, REAR	
9	FB4-4922-000		1	COVER, RELEASE LEVER	
10	FB4-4929-000		1	SPRING, LEAF	
11	FF5-7535-000		1	PIN, DECK, FRONT	
12	FF5-7536-000		1	PIN, DECK, REAR	
13	FG3-1712-000		1	CABLE, FRAME, 1	J5,10,15,19
13A	VS1-5057-004		1	CONNECTOR, SNAP TIGHT	J19
13B	VS1-5057-010		1	CONNECTOR, SNAP TIGHT	J10
13C	VS1-5057-014		1	CONNECTOR, SNAP TIGHT	J15
14	FG6-2528-000		1	CABLE, FRAME, 2	J6,28-30
15	FG6-2529-000		1	CABLE, PAPER STOCK SWITCH	J7,31
16	FG6-1646-000		1	CABLE, LED SWITCH	J19,20
17	FG3-1711-000		1	DECK CONTROLLER PCB ASSEMBLY	
18	FG3-1713-000		1	CABLE, INTERFACE	J1,3,7050
19	FH6-1571-000		1	MOTOR, STEPPING, DC24V	M1 J2
20	FH7-5828-000		1	SOLENOID, DC24V	SL2 J28
21	FH7-7462-000		1	PHOTO-INTERRUPTER	PS9 J30
22	FH7-7462-000		1	PHOTO-INTERRUPTER	PS5 J29
23	FS1-1189-000		2	BUSHING	
24	FS1-9009-000		1	SCREW, STEPPED, M3	
25	FS2-0544-000		1	GEAR, 24T	
26	FS2-9343-000		4	SCREW, STEPPED, M4	

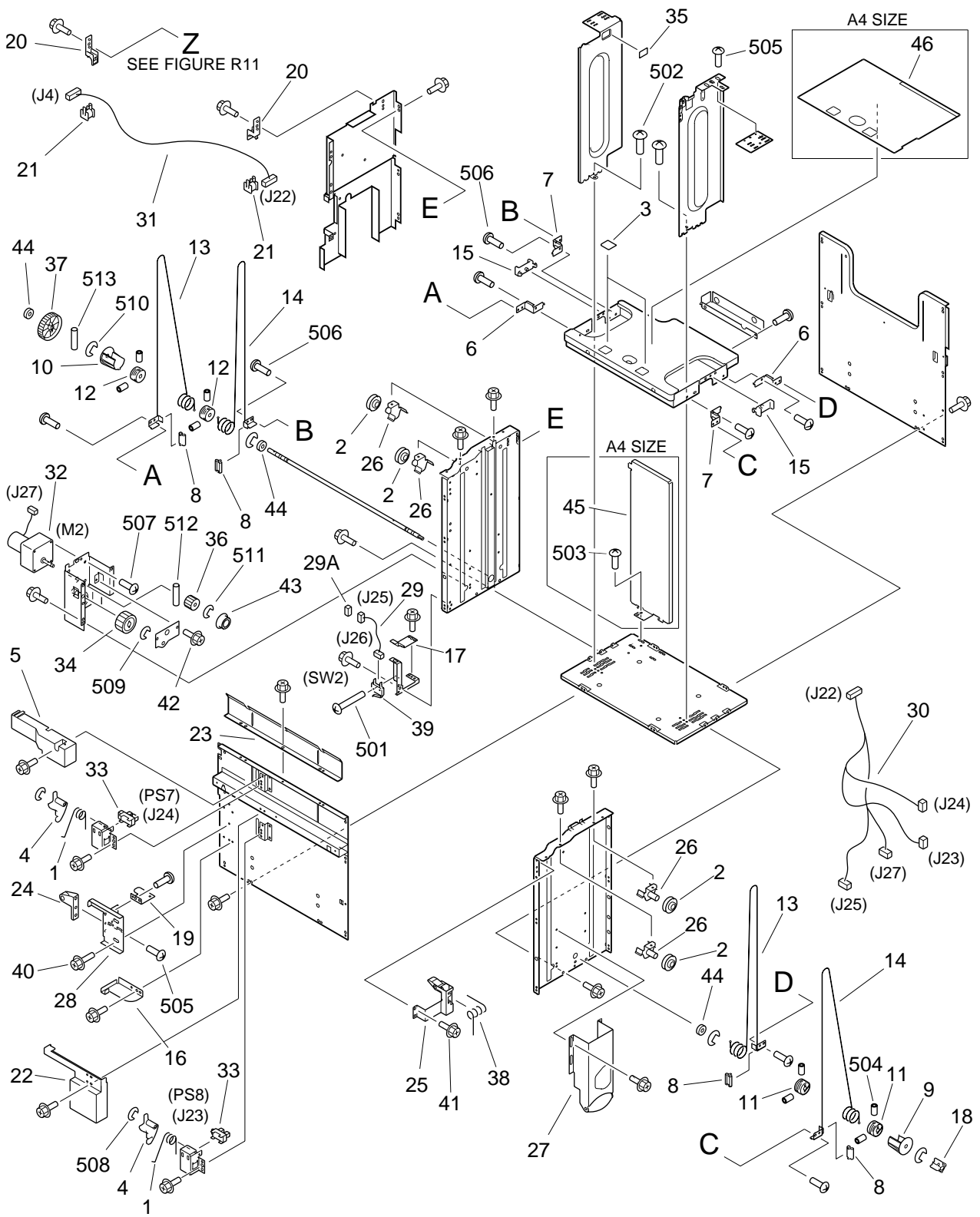
FIGURE & KEY NO.	PART NUMBER	RANK	QTY	DESCRIPTION	SERIAL NUMBER / REMARKS
R11 - 27	FS2-0545-000		1	GEAR, 28T	
28	FS6-2593-000		1	SPRING, TENSION	
29	FS6-2674-000		1	SPRING, TENSION	
30	FS6-2676-000		1	SPRING, COMPRESSION	
31	FS7-0802-000		1	GEAR, 20T/35T	
32	VS1-5057-002		1	CONNECTOR, SNAP TIGHT	J28
33	FS7-0801-000		1	GEAR, 24T	
34	WC4-5153-000		1	MICRO SWITCH	SW1 J31
35	X62-6825-000		1	BUSHING	
36	XA9-0732-000		16	SCREW,RS,M4X8	
37	XA9-0732-000		2	SCREW,RS,M4X8	
38	VT2-0002-003		1	SPACER, SUPPORT	
501	XB1-2231-009		1	SCREW,MACH.,TRUSS HEAD,M2.3X10	
502	XB1-2400-609		6	SCREW,MACH.,TRUSS HEAD,M4X6	
503	XB1-2400-806		8	SCREW,MACH.,TRUSS HEAD,M4X8	
504	XB1-2400-809		4	SCREW,MACH.,TRUSS HEAD,M4X8	
505	XB6-7300-409		3	SCREW,TP,M3X4	
506	XD2-1100-642		2	RING,E	
507	XD2-1100-642		4	RING,E	
508	XD1-4200-402		1	WASHER,TOOTHED LOCK	
509	XD2-1100-502		1	RING,E	
510	XD3-1300-102		1	PIN,SPRING	
511	XD2-1100-402		1	RING,E	
512	XD2-1100-502		1	RING,E	
513	XB1-2400-609		2	SCREW,MACH.,TRUSS HEAD,M4X6	





# FIGURE R30

## PAPER STOCK ASSEMBLY



NOTE: This assembly does not include the parts shown with key No. 16, 18, 27, 45, 46 and 503.

FIGURE & KEY NO.	PART NUMBER	RANK	QTY	DESCRIPTION	SERIAL NUMBER / REMARKS
R30 -	FG6-3577-000		1	PAPER STOCK ASSEMBLY	
1	FB5-0553-000		2	SPRING, TORSION	
2	FA6-8257-000		4	PULLEY	
3	FB2-7740-020		2	SHEET, SEPARATION	
4	FB2-9248-000		2	ARM, PAPER SENSOR	
5	FB3-9235-000		1	COVER, SENSOR	
6	FB3-9237-000		2	PLATE, WIRE STOP, RIGHT	
7	FB3-9238-000		2	PLATE, WIRE STOP, LEFT	
8	FB3-9240-000		4	BLOCK, WIRE GUIDE	
9	FB3-9241-000		1	GUIDE, PULLEY, FRONT	
10	FB3-9242-000		1	GUIDE, PULLEY, REAR	
11	FB3-9243-000		2	PULLEY, DRIVE, FRONT	
12	FB3-9244-000		2	PULLEY, DRIVE, REAR	
13	FB4-9706-000		2	WIRE, DRIVE, RIGHT	
14	FB4-9705-000		2	WIRE, DRIVE, LEFT	
15	FB3-9714-000		2	BLOCK, LIFTER PLATE SLIDE	
16	FB3-9720-000		1	PLATE, PAPER STOCK STOP	SEE NOTE
17	FB3-9723-000		1	SPRING, LEAF	
18	FB3-9735-000		1	COUPLING	SEE NOTE
19	FB3-9742-000		1	FLAG, PAPER STOCK SENSOR	
20	FB4-4873-000		2	CLAMP, CORD, UPPER	
21	FB4-4874-000		2	CLAMP, CORD, LOWER	
22	FB4-4882-000		1	COVER, SENSOR, LOWER	
23	FB4-4928-000		1	PLATE, SEPARATION	
24	FF5-5282-030		1	HOLDER, LATCH	
25	FF5-6148-000		1	LEVER, RELEASE	
26	FF5-6160-000		4	MOUNT, PULLEY	
27	FF5-6161-000		1	MOUNT, ROLLER	SEE NOTE
28	FF5-6171-000		1	PLATE, LOCK	
29	FG6-1642-000		1	CABLE, SWITCH	J25,26

FIGURE & KEY NO.	PART NUMBER	RANK	QTY	DESCRIPTION	SERIAL NUMBER / REMARKS
R30 - 29A	VS1-5057-003		1	CONNECTOR, SNAP TIGHT	J25
30	FG6-2534-000		1	CABLE, PAPER STOCK	J22-25,27
31	FG6-2531-000		1	CABLE, PAPER STOCK CONNECTING	J4,22
32	FH7-1791-020		1	MOTOR, DC24V	M2 J27
33	FH7-7312-000		2	PHOTO-INTERRUPTER	PS7,8 J24,23
34	FS2-0450-000		1	GEAR, 32T	
35	FS5-8618-000		1	LABEL, "MAXIMUM LOAD"	
36	FS6-0722-000		1	GEAR, 19T	
37	FS6-0909-000		1	GEAR, 58T	
38	FS6-2673-000		1	SPRING, TORSION	
39	WC4-0153-000		1	MICROSWITCH	SW2 J26
40	XA9-0721-000		2	SCREW,RS,M4X10	
41	XA9-0732-000		47	SCREW,RS,M4X8	
42	XA9-0732-000		2	SCREW,RS,M4X8	
43	XG3-6012-405		1	BALL BEARING, NSK MF126ZZ	
44	XG9-0250-000		3	BEARING, BALL	
45	FB4-9713-000		1	PLATE, END LIMIT	A4 SIZE SEE NOTE
46	FB5-7009-000		1	SHEET, DECK	A4 SIZE SEE NOTE
501	XB1-2231-009		1	SCREW,MACH.,TRUSS HEAD,M2.3X10	
502	XB1-2400-609		2	SCREW,MACH.,TRUSS HEAD,M4X6	
503	XB1-2400-609		1	SCREW,MACH.,TRUSS HEAD,M4X6	A4 SIZE SEE NOTE
504	XB6-2400-808		8	SETSCREW,M4X8	
505	XB6-7400-609		5	SCREW,TP,M4X6	
506	XB6-7400-809		14	SCREW,TP,M4X8	
507	XB6-7400-809		4	SCREW,TP,M4X8	
508	XD2-1100-242		2	RING,E	
509	XD2-1100-502		1	RING,E	
510	XD2-1100-642		4	RING,E	
511	XD2-1100-642		1	RING,E	
512	XD3-2200-122		1	PIN,DOWEL	

FIGURE & KEY NO.	PART NUMBER	R A N K	Q' T Y	DESCRIPTION	SERIAL NUMBER / REMARKS
R30 - 513	XD3-2200-182		1	PIN,DOWEL	

# FIGURE R35 PAPER DECK HEATER ASSEMBLY (ACCESSORY)

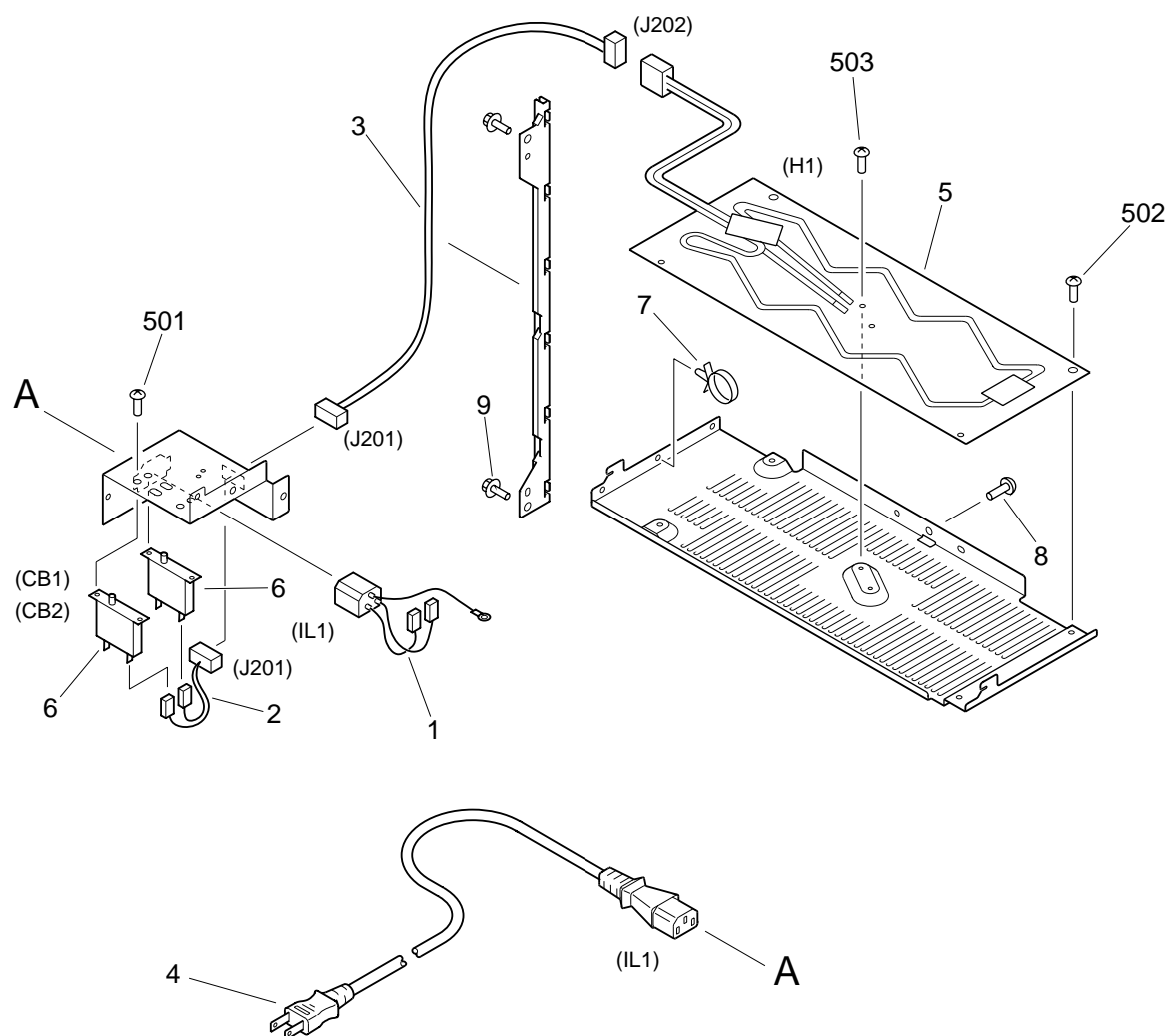
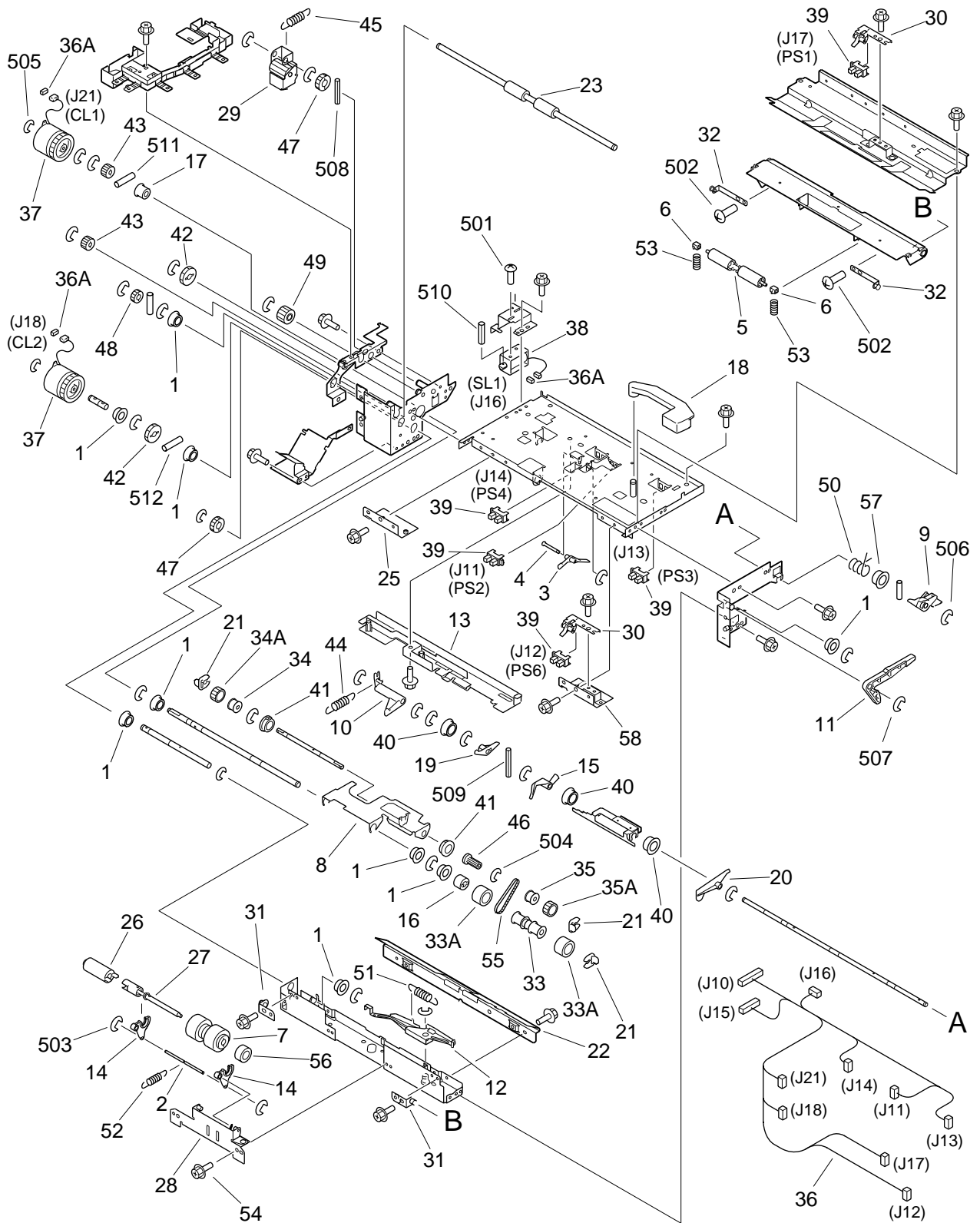


FIGURE & KEY NO.	PART NUMBER	RANK	QTY	DESCRIPTION	SERIAL NUMBER / REMARKS
R35 -	NPN		RF	PAPER DECK HEATER ASSEMBLY	ACCESSORY 100V
1	FF3-3462-000		1	CABLE, SOCKET	IL1
2	FF3-3464-000		1	CABLE, RELAY	J201
3	FG6-2956-000		1	CABLE, CASSETTE HEATER	J201,202
4	FH2-5759-000		1	CORD, POWER	IL1
5	FH7-4584-000		1	HEATER, CASSETTE	H1 J202
6	VD7-0502-001		2	BREAKER, CIRCUIT, 125VAC 3A	CB1,2
7	WT2-5041-000		1	TIE, CABLE	
8	XA9-0266-000		1	SCREW,W/WASHER,M4X8	
9	XA9-0628-000		2	SCREW,RS,M4X8	
501	XB1-2300-409		4	SCREW,MACH.,TRUSS HEAD,M3X4	
502	XB1-2400-409		4	SCREW,MACH.,TRUSS HEAD,M4X4	
503	XB6-7300-409		1	SCREW,TP,M3X4	

# FIGURE R40

## PAPER PICK-UP ASSEMBLY



NOTE: This assembly does not include the part shown with key No. 18.



FIGURE & KEY NO.	PART NUMBER	R A N K	Q' T Y	DESCRIPTION	SERIAL NUMBER / REMARKS
R40 -	FG6-6011-000		1	PAPER PICK-UP ASSEMBLY	
1	FA9-2112-000		7	BUSHING	
2	FB4-6227-000		1	SHAFT, COUNTER	
3	FB2-7720-000		1	LEVER, PAPER	
4	FB2-7721-000		1	SHAFT, LEVER	
5	FB2-7754-030		1	ROLLER	
6	FB2-7755-000		2	BUSHING	
7	FB2-7777-020		1	ROLLER, SEPARATION	
8	FB3-9188-020		1	PLATE, PAPER PICK-UP	
9	FB3-9192-020		1	CAM, FRONT	
10	FB3-9193-020		1	ARM, SOLENOID	
11	FB3-9195-020		1	ARM, SEPARATION RELEASE	
12	FB3-9196-020		1	LEVER, SEPARATION RELEASE	
13	FB3-9206-000		1	COVER, SENSOR	
14	FB3-9207-030		2	ARM, SEPARATION ROLLER	
15	FB3-9214-000		1	FLAG, PAPER SENSOR	
16	FB3-9216-000		1	CLUTCH, ONE-WAY, 1	
17	FB3-9217-000		1	CLUTCH, ONE-WAY, 2	
18	FB3-9289-000		1	LEVER, RELEASE	SEE NOTE
19	FB3-9713-000		1	LEVER, PAPER PICK-UP	
20	FB3-9752-000		1	LEVER, LIMITER	
21	FB4-2007-000		3	RING, RETAINING	
22	FB4-2013-000		1	GUIDE, PICK-UP INLET	
23	FB4-4868-000		1	ROLLER, PAPER FEED	
24	FB4-4898-000		1	PLATE, PAPER FEED GUIDE, FRONT	
25	FB4-4899-000		1	PLATE, PAPER FEED GUIDE, REAR	
26	FB2-8422-000		1	TORQUE LIMITER	
27	FF5-6338-000		1	SHAFT, SEPARATION	
28	FF5-6157-020		1	MOUNT, SEPARATION ROLLER	
29	FF5-7529-000		1	SWING GEAR, 20T	

FIGURE & KEY NO.	PART NUMBER	RANK	QTY	DESCRIPTION	SERIAL NUMBER / REMARKS
R40 - 30	FF5-7530-000		2	MOUNT, VERT. PATH SENSOR FLAG	
31	FF5-7532-000		2	SUPPORT, GUIDE, LOWER	
32	FF6-1976-000		2	SUPPORT, ROLLER	
33	FF5-7541-000		1	ROLLER, PAPER FEED	
33A	FB4-2034-000		2	ROLLER, FEED	
34	FF5-7829-000		1	ROLLER, PAPER PICK-UP, 1	
34A	FB4-2033-000		1	ROLLER, PICK-UP	
35	FF5-7830-000		1	ROLLER, PAPER PICK-UP, 2	
35A	FB4-2033-000		1	ROLLER, PICK-UP	
36	FG6-1641-000		1	CABLE, PAPER PICK-UP	J10-18,21
36A	VS1-5057-002		3	CONNECTOR, SNAP TIGHT	J16,18,21
37	FH7-5826-000		2	CLUTCH, ELECTROMAGNETIC	CL1,2 J21,18
38	FH7-5827-000		1	SOLENOID	SL1 J16
39	FH7-7462-000		5	PHOTO-INTERRUPTER	PS1-4,6 J17,11,13,14,12
40	FS1-1512-000		3	BUSHING	
41	FS1-1569-000		2	BUSHING	
42	FS2-0484-000		2	GEAR, 25T	
43	FS5-0338-000		2	GEAR, 16T	
44	FS5-2291-000		1	SPRING, TENSION	
45	FS5-2885-000		1	SPRING, TENSION	
46	FS5-3333-000		1	PULLEY, 16T	
47	FS6-0053-020		2	GEAR, 20T	
48	FS6-0091-000		1	GEAR, 16T	
49	FS6-0907-000		1	GEAR, 20T	
50	FS5-7441-000		1	SPRING, TORSION	
51	FS6-2675-000		1	SPRING, TENSION	
52	FS6-2678-000		1	SPRING, TENSION	
53	FS6-2895-000		2	SPRING, COMPRESSION	
54	XA9-0732-000		27	SCREW,RS,M4X8	
55	XF9-0525-000		1	BELT, TIMING, 59T	

FIGURE & KEY NO.	PART NUMBER	R A N K	Q' T Y	DESCRIPTION	SERIAL NUMBER / REMARKS
R40 - 56	XG9-0242-000		1	BEARING, BALL	
57	FS5-7442-000		1	BUSHING	
58	FS1-1189-000		2	BUSHING	
501	XB1-2300-409		2	SCREW,MACH.,TRUSS HEAD,M3X4	
502	XB1-2400-609		2	SCREW,MACH.,TRUSS HEAD,M4X6	
503	XD2-1100-242		2	RING,E	
504	XD2-1100-372		1	RING,E	
505	XD2-1100-402		1	RING,E	
506	XD2-1100-502		10	RING,E	
507	XD2-1100-642		18	RING,E	
508	XD3-1200-122		1	PIN,SPRING	
509	XD3-1200-142		1	PIN,SPRING	
510	XD3-1300-082		1	PIN,SPRING	
511	XD3-2200-102		6	PIN,DOWEL	
512	XD3-2200-142		2	PIN,DOWEL	

# FIGURE RB1

## LIST OF CONNECTORS

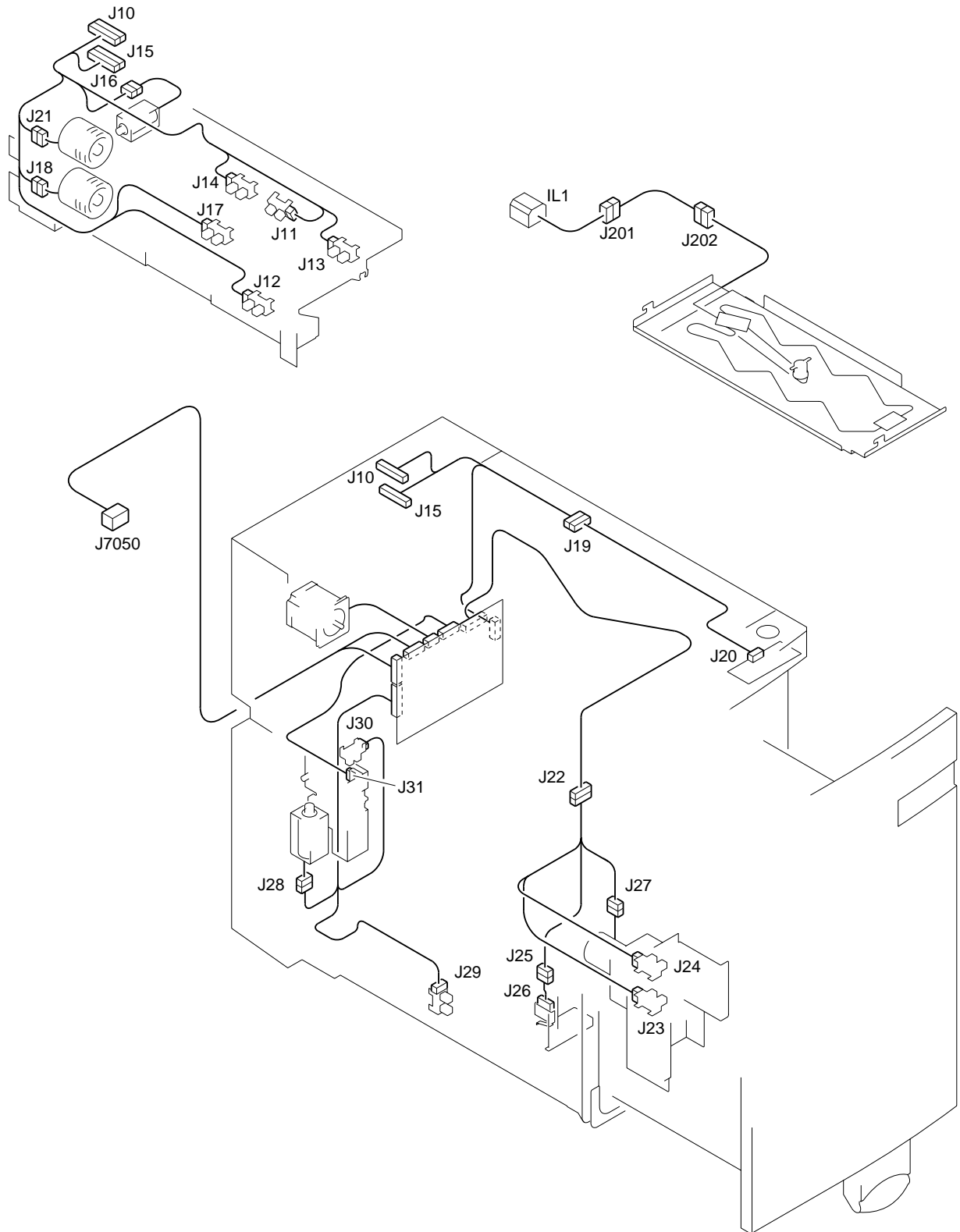


FIGURE & KEY NO.	PART NUMBER	RANK	QTY	DESCRIPTION	SERIAL NUMBER / REMARKS
R B1 -	NPN		RF	LIST OF CONNECTORS	
IL1	NPN			POWER CORD SUPPLY	ACCESSORY 100V
	WS5-5025-000		1	SOCKET, AC	ACCESSORY 100V
J1	PCB			SIDE DECK DRIVER	
	VS1-0852-007		1	CONNECTOR, 7P, FEMALE	
J2	PCB			SIDE DECK DRIVER	
	NPN			DECK MAIN MOTOR	M1
J3	PCB			SIDE DECK DRIVER	
	VS3-5083-003		1	CONNECTOR, 3P, FEMALE	
	WS3-5160-000		3	SOCKET CONTACT, 18-24AWG	
J4	PCB			SIDE DECK DRIVER	
	VS1-6302-010		1	CONNECTOR, 10P, FEMALE	
	WS3-5569-000		10	PIN, CONTACT	
J5	PCB			SIDE DECK DRIVER	
	VT2-5161-026		1	HOLDER, CONNECTOR, 26P	
	VS1-6313-013		1	CONNECTOR, 13P, FEMALE	
	VS1-6314-013		1	CONNECTOR, 13P, FEMALE	
J6	PCB			SIDE DECK DRIVER	
	VS1-6314-008		1	CONNECTOR, 8P, FEMALE	
J7	PCB			SIDE DECK DRIVER	
	VS1-6302-003		1	CONNECTOR, 3P, FEMALE	
	WS3-5569-000		2	PIN, CONTACT	
J10	VS1-6320-010		1	CONNECTOR, 10P, FEMALE	
	VS1-6321-010		1	CONNECTOR, 10P, FEMALE	
	VS1-5057-010		1	CONNECTOR, SNAP TIGHT	
J11	NPN			DECK PAPER EMPTY SENSOR	PS2
	VS1-6321-003		1	CONNECTOR, 3P, FEMALE	
J12	NPN			DECK PAPER FEED SENSOR	PS6
	VS1-6321-003		1	CONNECTOR, 3P, FEMALE	
J13	NPN			DECK LIFTER UPPER LIMIT SENSOR	PS3

FIGURE & KEY NO.	PART NUMBER	R A N K	Q' T Y	DESCRIPTION	SERIAL NUMBER / REMARKS
R B1 - J13	VS1-6321-003		1	CONNECTOR, 3P, FEMALE	
J14	NPN			DECK LIFTER POSITION SENSOR	PS4
	VS1-6321-003		1	CONNECTOR, 3P, FEMALE	
J15	VS1-6320-014		1	CONNECTOR, 14P, FEMALE	
	VS1-6321-014		1	CONNECTOR, 14P, FEMALE	
	VS1-5057-014		1	CONNECTOR, SNAP TIGHT	
J16	NPN			DECK ROLLER RELEASE SOLENOID	SL1
	VS1-6321-002		1	CONNECTOR, 2P, FEMALE	
	VS1-5057-002		1	CONNECTOR, SNAP TIGHT	
J17	NPN			DECK PAPER PICK-UP SENSOR	PS1
	VS1-6321-003		1	CONNECTOR, 3P, FEMALE	
J18	NPN			DECK PAPER PICK-UP CLUTCH	CL2
	VS1-6321-002		1	CONNECTOR, 2P, FEMALE	
	VS1-5057-002		1	CONNECTOR, SNAP TIGHT	
J19	VS1-6320-004		1	CONNECTOR, 4P, FEMALE	
	VS1-6321-004		1	CONNECTOR, 4P, FEMALE	
	VS1-5057-004		1	CONNECTOR, SNAP TIGHT	
J20	PCB			LED SWITCH	
	VS1-6321-004		1	CONNECTOR, 4P, FEMALE	
J21	NPN			DECK PAPER FEED CLUTCH	CL1
	VS1-6321-002		1	CONNECTOR, 2P, FEMALE	
	VS1-5057-002		1	CONNECTOR, SNAP TIGHT	
J22	VS1-6373-010		1	CONNECTOR, 10P, FEMALE	
	VS1-6372-010		1	CONNECTOR, 10P, FEMALE	
	WS3-5569-000		10	PIN, CONTACT	
	WS3-5598-000		10	PIN CONTACT	
J23	NPN			DECK PAPER SENSOR	PS8
	VS1-6321-003		1	CONNECTOR, 3P, FEMALE	
J24	NPN			DECK PAPER POSITION SENSOR	PS7
	VS1-6321-003		1	CONNECTOR, 3P, FEMALE	

FIGURE & KEY NO.	PART NUMBER	RANK	QTY	DESCRIPTION	SERIAL NUMBER / REMARKS
R B1 - J25	VS1-6321-003		2	CONNECTOR, 3P, FEMALE	
	VS1-5057-003		1	CONNECTOR, SNAP TIGHT	
J26	NPN			DECK LOWER DETECT SWITCH	SW2
	RH2-5283-000		1	CONNECTOR, 2P, FEMALE	
	WS3-5419-000		2	SOCKET CONTACT, 22-26AWG	
J27	NPN			DECK LIFTER MOTOR	M2
	VS1-0279-002		1	CONNECTOR, 2P, FEMALE	
	WS3-0437-000		2	SOCKET CONTACT, 20-30AWG	
J28	NPN			DECK OPEN SOLENOID	SL2
	VS1-6321-002		1	CONNECTOR, 2P, FEMALE	
J29	NPN			DECK POSITION SENSOR	PS5
	VS1-6321-003		1	CONNECTOR, 3P, FEMALE	
J30	NPN			DECK OPEN SENSOR	PS9
	VS1-6321-003		1	CONNECTOR, 3P, FEMALE	
J31	NPN			DECK OPEN DETECT SWITCH	SW1
J201	RH2-5283-000		1	CONNECTOR, 2P, FEMALE	
	WS3-5419-000		2	SOCKET CONTACT, 22-26AWG	
	VS4-0001-003		1	CONNECTOR, 3P, MALE	ACCESSORY 100V
	VS4-0002-003		1	CONNECTOR, 3P, FEMALE	ACCESSORY 100V
	WS4-0219-000		2	PIN CONTACT, 18-22AWG	ACCESSORY 100V
J202	WS4-0217-000		2	SOCKET CONTACT, 22-18AWG	ACCESSORY 100V
	NPN			DECK HEATER	ACCESSORY 100V H1
	VS4-0001-003		1	CONNECTOR, 3P, MALE	ACCESSORY 100V
	WS4-0219-000		2	PIN CONTACT, 18-22AWG	ACCESSORY 100V
J7050	SYS			COPIER	
	FH2-6481-000		1	HOUSING	
	VS1-5452-008		1	CONNECTOR, 8P, FEMALE	
	WS3-5018-000		4	SOCKET, CONTACT, AWG18-24	

# FIGURE RB2 LIST OF ELECTRIC PARTS

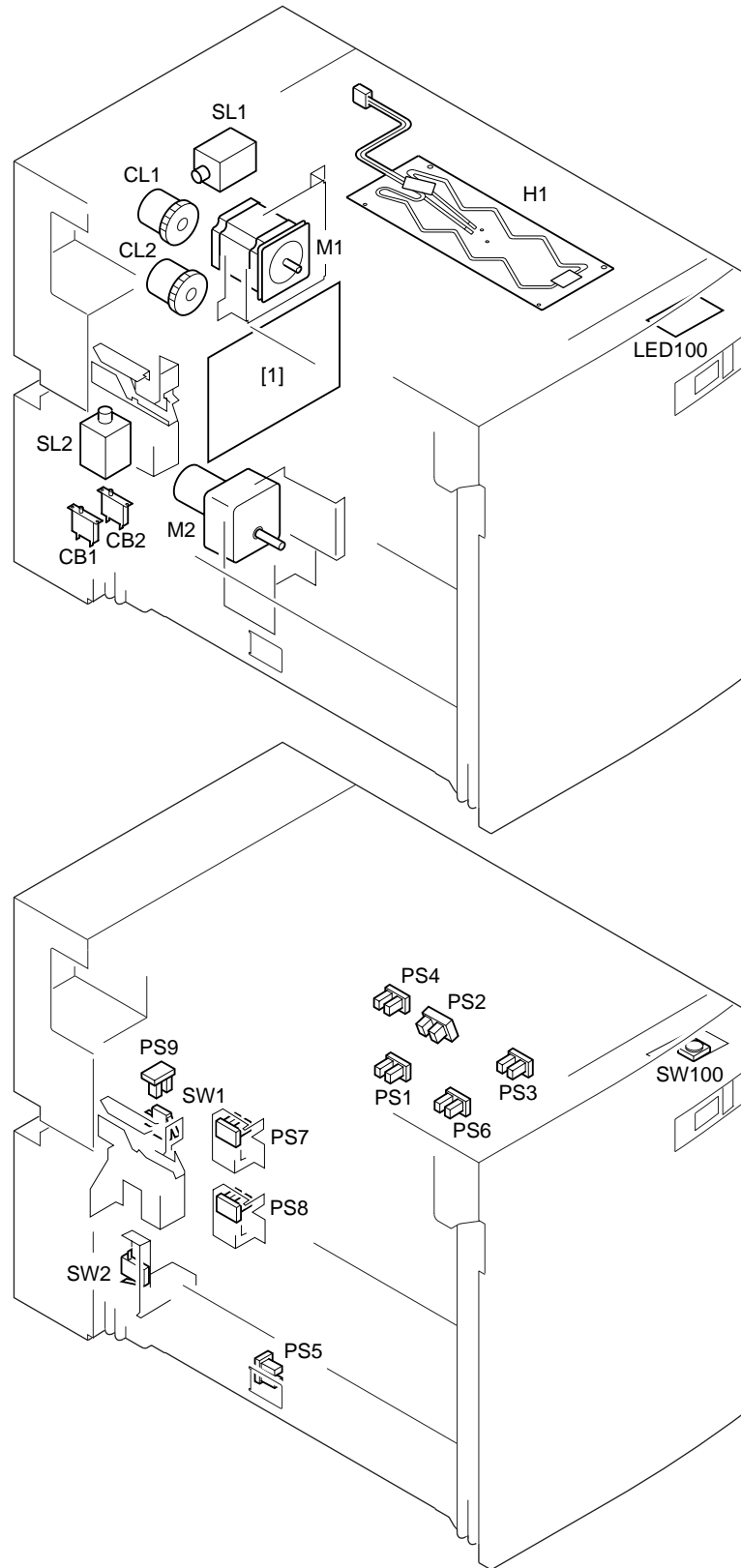




FIGURE & KEY NO.	PART NUMBER	RANK	QTY	DESCRIPTION	SERIAL NUMBER / REMARKS
R B2 -	NPN		RF	LIST OF ELECTRIC PARTS	
1	FG3-1711-000		1	DECK CONTROLLER PCB ASSEMBLY	
CB1	VD7-0502-001		1	BREAKER, CIRCUIT, 125VAC 3A	ACCESSORY 100V
CB2	VD7-0502-001		1	BREAKER, CIRCUIT, 125VAC 3A	ACCESSORY 100V
CL1	FH7-5826-000		1	CLUTCH, ELECTROMAGNETIC	
CL2	FH7-5826-000		1	CLUTCH, ELECTROMAGNETIC	
H1	FH7-4584-000		1	HEATER, CASSETTE	ACCESSORY 100V
LED100	FG5-9288-000		1	SWITCH PCB ASSEMBLY	
M1	FH6-1571-000		1	MOTOR, STEPPING, DC24V	
M2	FH7-1791-020		1	MOTOR, DC24V	
PS1	FH7-7462-000		1	PHOTO-INTERRUPTER	
PS2	FH7-7462-000		1	PHOTO-INTERRUPTER	
PS3	FH7-7462-000		1	PHOTO-INTERRUPTER	
PS4	FH7-7462-000		1	PHOTO-INTERRUPTER	
PS5	FH7-7462-000		1	PHOTO-INTERRUPTER	
PS6	FH7-7462-000		1	PHOTO-INTERRUPTER	
PS7	FH7-7312-000		1	PHOTO-INTERRUPTER	
PS8	FH7-7312-000		1	PHOTO-INTERRUPTER	
PS9	FH7-7462-000		1	PHOTO-INTERRUPTER	
SL1	FH7-5827-000		1	SOLENOID	
SL2	FH7-5828-000		1	SOLENOID, DC24V	
SW1	WC4-5153-000		1	MICRO SWITCH	
SW2	WC4-0153-000		1	MICROSWITCH	
SW100	FG5-9288-000		1	SWITCH PCB ASSEMBLY	

# Inner 2way Tray-A1

[ F25 - 7801 XEF00001 - ]

# CONTENTS

**QA. ASSEMBLY LOCATION DIAGRAM**

**Q01. MOUNTING HARDWARE**

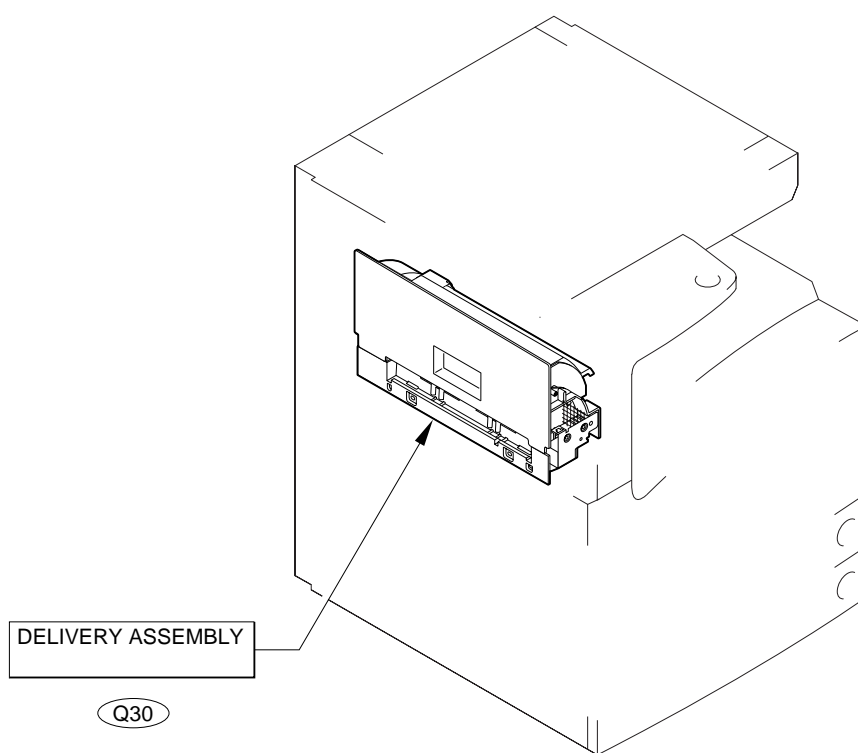
**Q30. DELIVERY ASSEMBLY**

**QB1. LIST OF CONNECTORS**

**QB2. LIST OF ELECTRIC PARTS**

**D4. NUMERICAL INDEX**

# FIGURE QA ASSEMBLY LOCATION DIAGRAM



# FIGURE Q01 MOUNTING HARDWARE

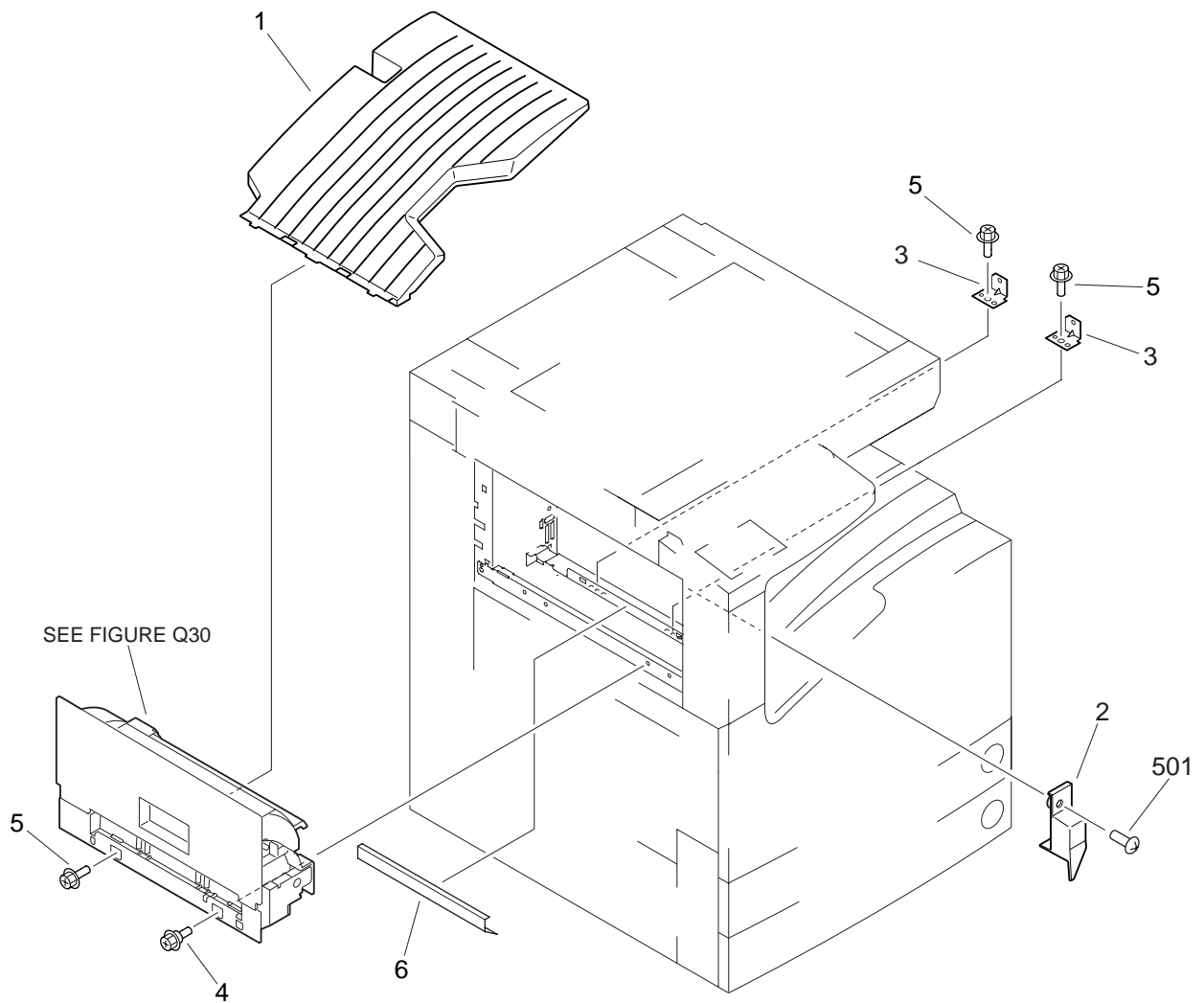
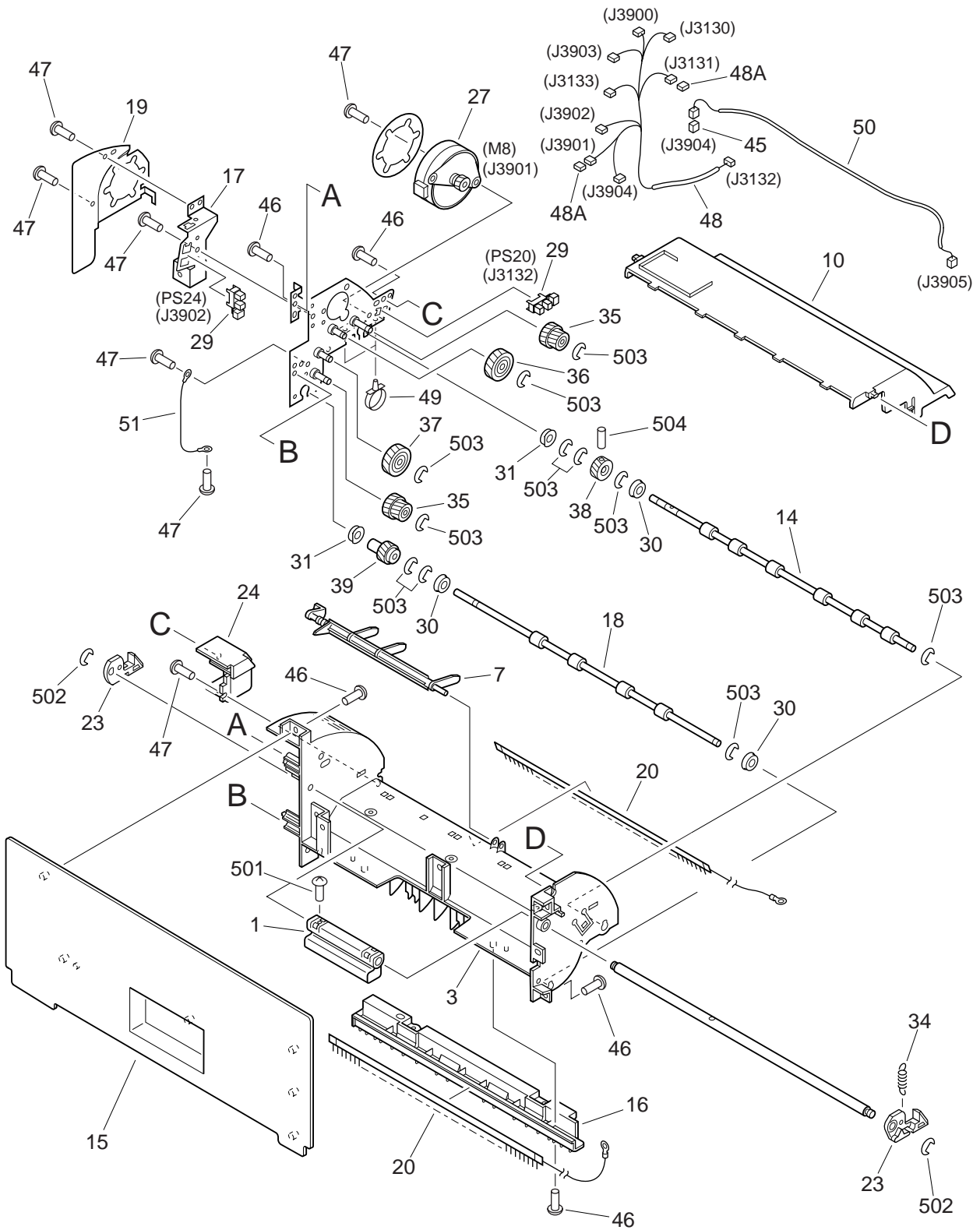


FIGURE & KEY NO.	PART NUMBER	RANK	QTY	DESCRIPTION	SERIAL NUMBER / REMARKS
Q01 -	NPN		RF	MOUNTING HARDWARE	
1	FB5-4886-000		1	TRAY, DELIVERY, 2	
2	FB5-4901-000		1	COVER, DELIVERY CONNECTOR	
3	FB5-4902-000		2	MOUNT, DELIVERY	
4	FS5-9661-000		1	SCREW, STEPPED, RS, M4	
5	XA9-0629-000		3	SCREW, RS, M4X8	
6	FB5-9811-000		1	SHEET, PROTECTIVE	
501	XB1-2401-406		1	SCREW, MACH., TRUSS HEAD, M4X14	

# FIGURE Q30 DELIVERY ASSEMBLY (1/2)



# FIGURE Q30

## DELIVERY ASSEMBLY (2/2)

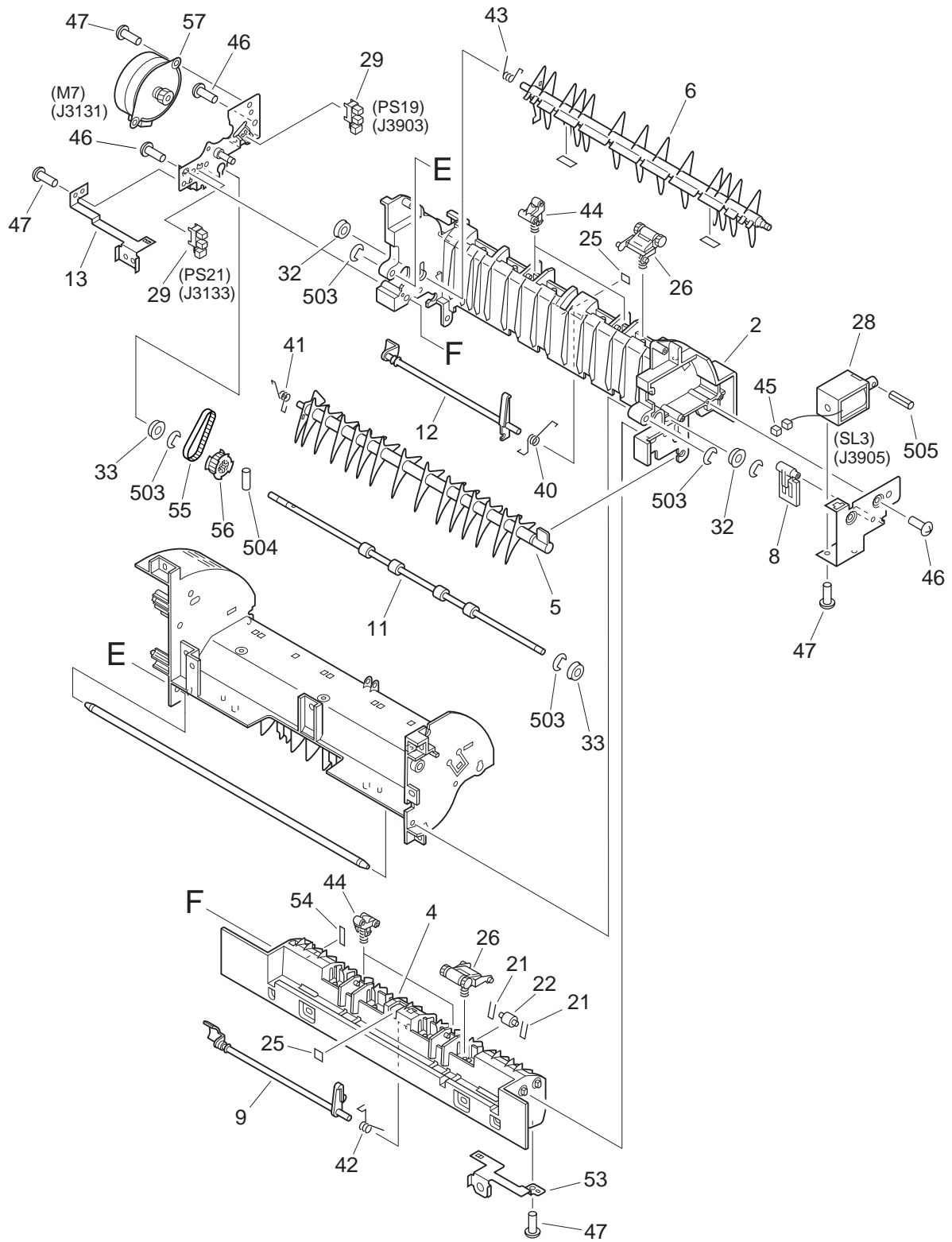




FIGURE & KEY NO.	PART NUMBER	RANK	QTY	DESCRIPTION	SERIAL NUMBER / REMARKS
Q30 -	FG6-5693-000		1	DELIVERY ASSEMBLY	
1	FB3-2812-000		1	HANDLE, RIGHT DOOR	
2	FB5-4861-000		1	FRAME, DELIVERY, FRONT	
3	FB5-4862-000		1	FRAME, DELIVERY, UPPER	
4	FB5-4863-000		1	FRAME, DELIVERY, LOWER	
5	FB5-4866-000		1	DEFLECTOR, LOWER	
6	FB5-4867-000		1	DEFLECTOR, UPPER	
7	FB5-4869-000		1	LEVER, LOAD UP SENSOR	
8	FB5-4872-000		1	LEVER, SL	
9	FB5-4873-000		1	FLAG, DELIVERY SENSOR, 3	
10	FB5-4881-000		1	COVER, DELIVERY, UPPER	
11	FB5-4885-000		1	ROLLER, VERTICAL PATH	
12	FB5-4888-000		1	FLAG, DELIVERY SENSOR, 2	
13	FB5-4891-000		1	GROUNDING PLATE, DELIVERY	
14	FB5-4900-000		1	ROLLER, DELIVERY, 2	
15	FB5-4903-000		1	COVER, DELIVERY	
16	FB5-4904-000		1	RIB, DELIVERY	
17	FB5-4905-000		1	PLATE, OPEN/CLOSE SENSOR	
18	FB5-4906-000		1	ROLLER, DELIVERY, 3	
19	FB5-4907-000		1	COVER, HARNESS	
20	FB5-4908-000		2	ELIMINATOR, STATIC CHARGE	
21	FB5-4910-000		4	SPRING, FEEDING ROLLER	
22	FB5-4920-000		4	ROLLER, FEED	
23	FB5-5141-000		2	HOOK, HANDLE	
24	FB5-5142-000		1	COVER, PI	
25	FB5-5150-000		3	RUBBER, NOISE PREVENTION	
26	FF6-0132-000		10	HOLDER, ROLLER	
27	FH6-1850-000		1	MOTOR, STEPPING	M8 J3901
28	FH6-5019-000		1	SOLENOID, DC24V	SL3 J3905
29	FH7-7462-000		4	PHOTO-INTERRUPTER	PS19-21,24 J3903,3132,3133,3902

FIGURE & KEY NO.	PART NUMBER	RANK	QTY	DESCRIPTION	SERIAL NUMBER / REMARKS
Q30 - 30	FS1-1202-000		2	BUSHING	
31	FS1-1508-000		2	BUSHING	
32	FS5-1377-000		2	BUSHING	
33	FS5-1943-000		4	BUSHING	
34	FS6-2337-000		1	SPRING, TENSION	
35	FS7-0732-000		2	GEAR, 17T/27T	
36	FS7-0733-000		1	GEAR, 30T	
37	FS7-0734-000		1	GEAR, 30T	
38	FS7-0744-000		1	GEAR, 16T	
39	FS7-0748-000		1	GEAR, 16T	
40	FS7-2391-000		1	SPRING, TORSION	
41	FS7-2392-000		1	SPRING, TORSION	
42	FS7-2393-000		1	SPRING, TORSION	
43	FS7-2397-000		1	SPRING, TORSION	
44	RF5-1448-000		4	HOLDER, ROLLER, 2	
45	VS1-5057-002		2	CONNECTOR, SNAP TIGHT	J3904,3905
46	XA9-0606-000		16	SCREW, M4X10	
47	XA9-1116-000		13	SCREW, M3X5	
48	FG3-1878-000		1	CABLE, DELIVERY	J3130-3133,3900-3904
48A	VS1-5057-004		2	CONNECTOR, SNAP TIGHT	J3131,3901
49	WT2-5565-000		2	CLAMP, CABLE	
50	FG3-1879-000		1	CABLE, SOLENOID RELAY	J3904,3905
51	FG3-1880-000		1	CABLE, DELIVERY GROUNDING	
53	FB5-9574-000		1	PLATE, GROUNDING	
54	FB5-9808-000		1	RUBBER, NOISE PREVENTION	
55	XF2-1106-240		1	BELT, TIMING	
56	FS5-3835-000		1	PULLEY, 30T	
57	FH6-1943-000		1	MOTOR, STEPPING	M7 J3131
501	XB1-2400-809		1	SCREW, MACH., TRUSS HEAD, M4X8	
502	XD2-1100-322		2	RING, E	

FIGURE & KEY NO.	PART NUMBER	R A N K	Q' T Y	DESCRIPTION	SERIAL NUMBER / REMARKS
Q30 - 503	XD2-1100-502		12	RING,E	
504	XD3-2200-122		2	PIN,DOWEL	
505	XD3-1300-102		1	PIN,SPRING	



# FIGURE QB1 LIST OF CONNECTORS

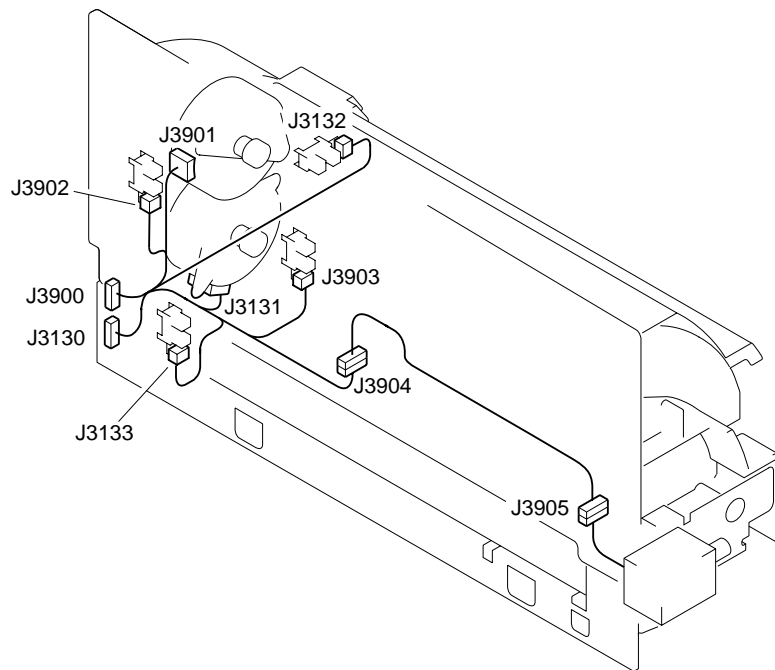


FIGURE & KEY NO.	PART NUMBER	RANK	QTY	DESCRIPTION	SERIAL NUMBER / REMARKS
Q B1 -	NPN		RF	LIST OF CONNECTORS	
J3130	SYS			COPIER	
	VS1-6321-012		1	CONNECTOR, 12P, MALE	
J3131	NPN			DELIVERY INLET MOTOR	M7
	VS1-5057-004		1	CONNECTOR, SNAP TIGHT	
	VS1-6321-004		1	CONNECTOR, 4P, FEMALE	
J3132	NPN			DELIVERY FULL SENSOR	PS20
	VS1-6321-003		1	CONNECTOR, 3P, FEMALE	
J3133	NPN			DELIVERY SENSOR 3	PS21
	VS1-6321-003		1	CONNECTOR, 3P, FEMALE	
J3900	SYS			COPIER	
	VS1-6321-013		1	CONNECTOR, 13P, FEMALE	
J3901	NPN			DELIVERY OUTLET MOTOR	M8
	VS1-5057-004		1	CONNECTOR, SNAP TIGHT	
	VS1-6321-004		1	CONNECTOR, 4P, FEMALE	
J3902	NPN			DELIVERY OPEN/CLOSE SENSOR	PS24
	VS1-6321-003		1	CONNECTOR, 3P, FEMALE	
J3903	NPN			DELIVERY SENSOR 2	PS19
	VS1-6321-003		1	CONNECTOR, 3P, FEMALE	
J3904	VS1-5057-002		1	CONNECTOR, SNAP TIGHT	
J3905	VS1-6321-002		2	CONNECTOR, 2P, FEMALE	
	NPN			DELIVERY SOLENOID	SL3
	VS1-5057-002		1	CONNECTOR, SNAP TIGHT	
	VS1-6321-002		1	CONNECTOR, 2P, FEMALE	

# FIGURE QB2 LIST OF ELECTRIC PARTS

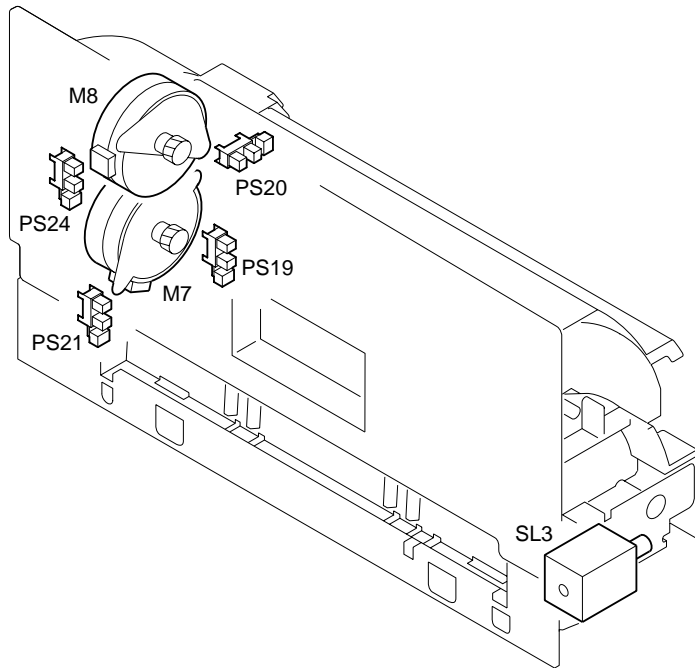


FIGURE & KEY NO.	PART NUMBER	RANK	QTY	DESCRIPTION	SERIAL NUMBER / REMARKS
Q B2 -	NPN		RF	LIST OF ELECTRIC PARTS	
M7	FH6-1850-000		1	MOTOR, STEPPING	
M8	FH6-1850-000		1	MOTOR, STEPPING	
PS19	FH7-7462-000		1	PHOTO-INTERRUPTER	
PS20	FH7-7462-000		1	PHOTO-INTERRUPTER	
PS21	FH7-7462-000		1	PHOTO-INTERRUPTER	
PS24	FH7-7462-000		1	PHOTO-INTERRUPTER	
SL3	FH6-5019-000		1	SOLENOID, DC24V	

# Envelope Feeder Attachment - B1

[100V F25 - 5411 XDU00001 -]

**Envelope Feeder Attachment - B1**

[120/220/240V F24 - 3653 XDV00001 -]



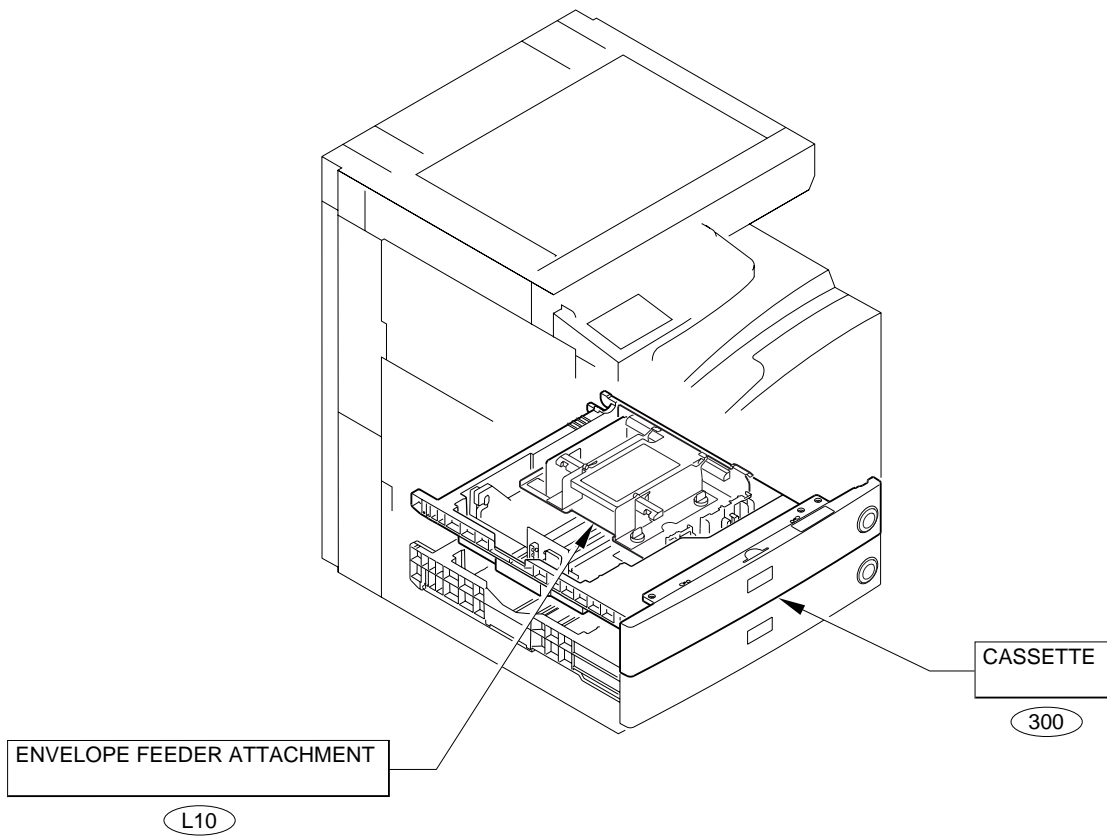
# CONTENTS

LA. ASSEMBLY LOCATION DIAGRAM

L10. ENVELOPE FEEDER ATTACHMENT

D5. NUMERICAL INDEX

# FIGURE LA ASSEMBLY LOCATION DIAGRAM



# FIGURE L10 ENVELOPE FEEDER ATTACHMENT

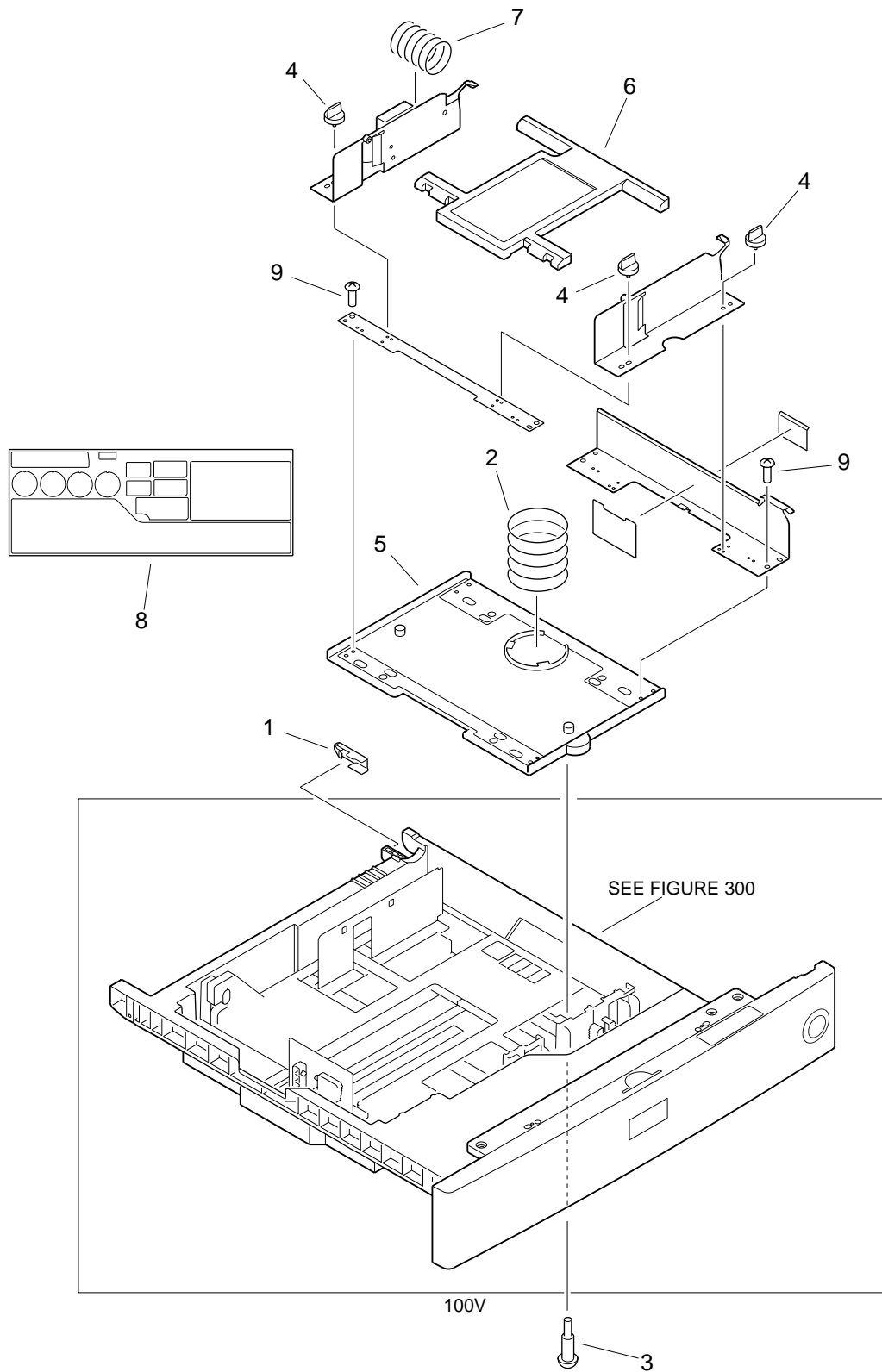


FIGURE & KEY NO.	PART NUMBER	RANK	QTY	DESCRIPTION	SERIAL NUMBER / REMARKS
L10 -	NPN		RF	ENVELOPE FEEDER ATTACHMENT	
1	FB3-2911-000		1	HOLDER, LIFTER STOP	
2	FB3-2916-000		1	SPRING, COMPRESSION	
	FB3-2903-000		1	SPRING, COMPRESSION, GREEN	
3	FS1-9200-000		2	SCREW, STEPPED, M3	
4	FB3-2908-000		4	SCREW, KNOB	
5	FB3-2912-000		1	BASE PLATE, ENVELOPE FEEDER, 1	
6	FB3-2915-000		1	PLATE, PAPER LIFTING	
7	FB3-2966-000		1	SPRING, COMPRESSION	
8	FB5-9575-000		1	LABEL, ENVELOPE	
9	XA9-0929-000		4	SCREW, TP, M4X7	



# Token Ring Network Interface Adapter iN-TR2

[ F61-8503 ]

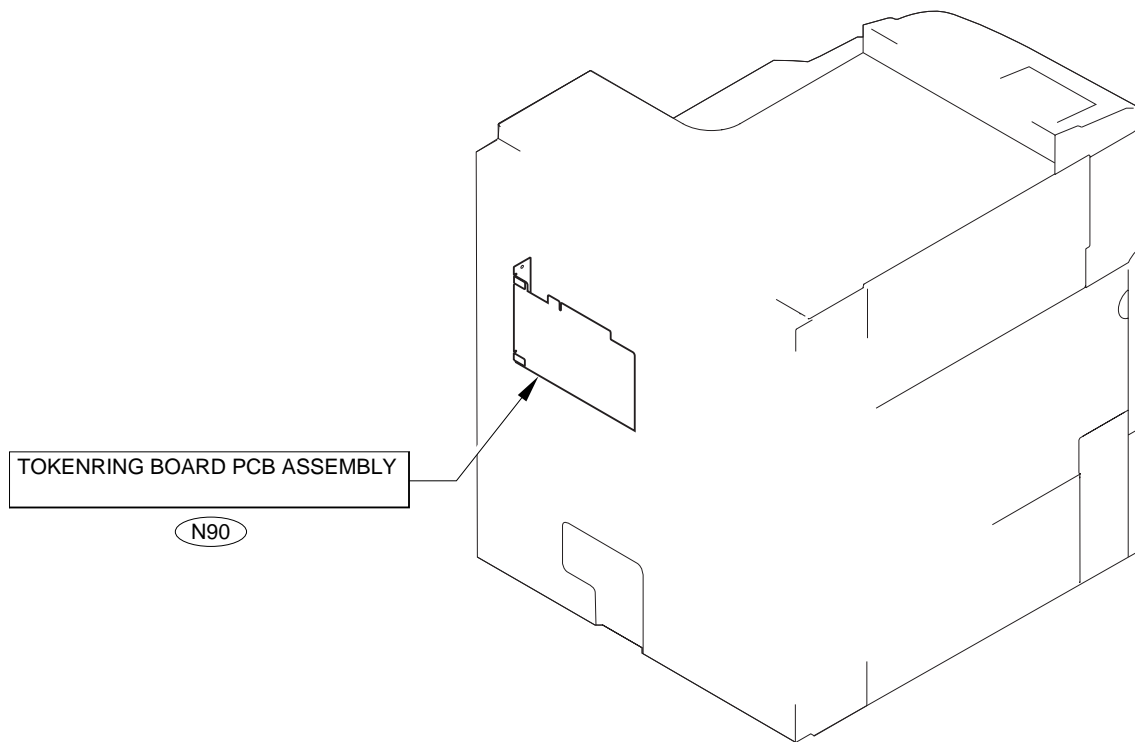
# CONTENTS

NA. ASSEMBLY LOCATION DIAGRAM

N90. TOKENRING BOARD PCB ASSEMBLY

D7. NUMERICAL INDEX

# FIGURE NA ASSEMBLY LOCATION DIAGRAM





# FIGURE N90 TOKENRING BOARD PCB ASSEMBLY

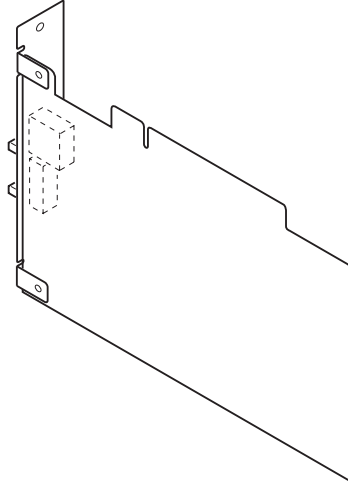


FIGURE & KEY NO.	PART NUMBER	RANK	QTY	DESCRIPTION	SERIAL NUMBER / REMARKS
N90 -	FG6-5796-000		1	TOKENRING BOARD PCB ASSEMBLY	
IC6	FF3-4343-000		1	IC, AT93C46-10SC-2.7, EEP-ROM	

# Super G3 FAX Board-J1/J2

## Super G3 FAX Board-J2

[ 100V F61-8917 ]

## Super G3 FAX Board-J1

[ 220V F61-8941 ]

[ 240V F61-8951 ]

[ 240V F61-8961 ]

[ 220V F61-8971 ]

[ 220V F61-8981 ]

[ 220V F61-8991 ]

[ 120V F61-8936 ]

# CONTENTS

**GA. ASSEMBLY LOCATION DIAGRAM**

**G90. SUPER G3 FAX KIT**

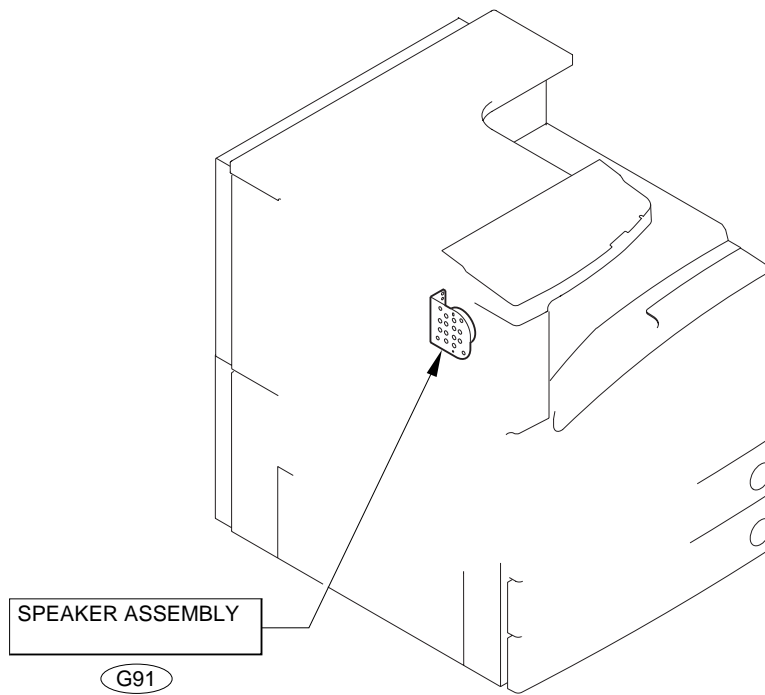
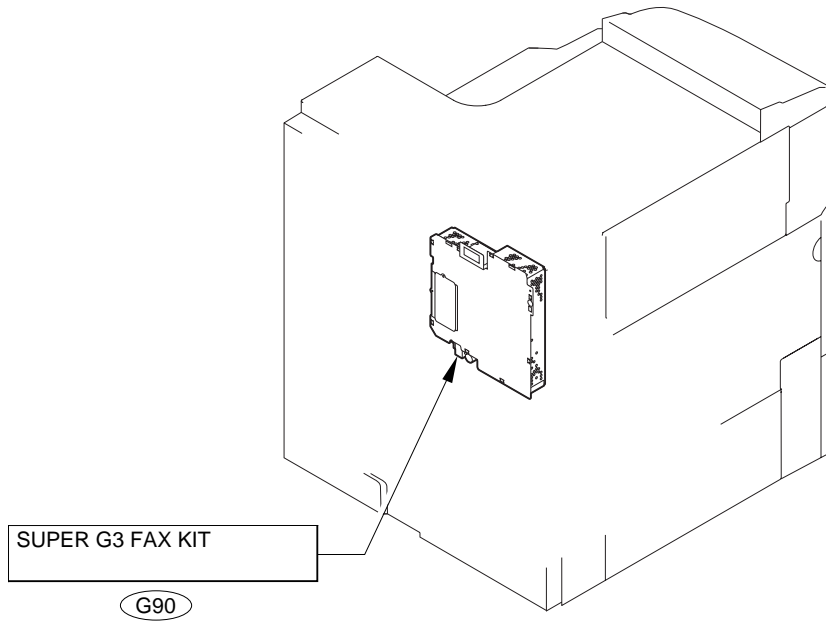
**G91. SPEAKER ASSEMBLY**

**GB1. LIST OF CONNECTORS**

**GB2. LIST OF ELECTRIC PARTS**

**D8. NUMERICAL INDEX**

# FIGURE GA ASSEMBLY LOCATION DIAGRAM



# FIGURE G90 SUPER G3 FAX KIT

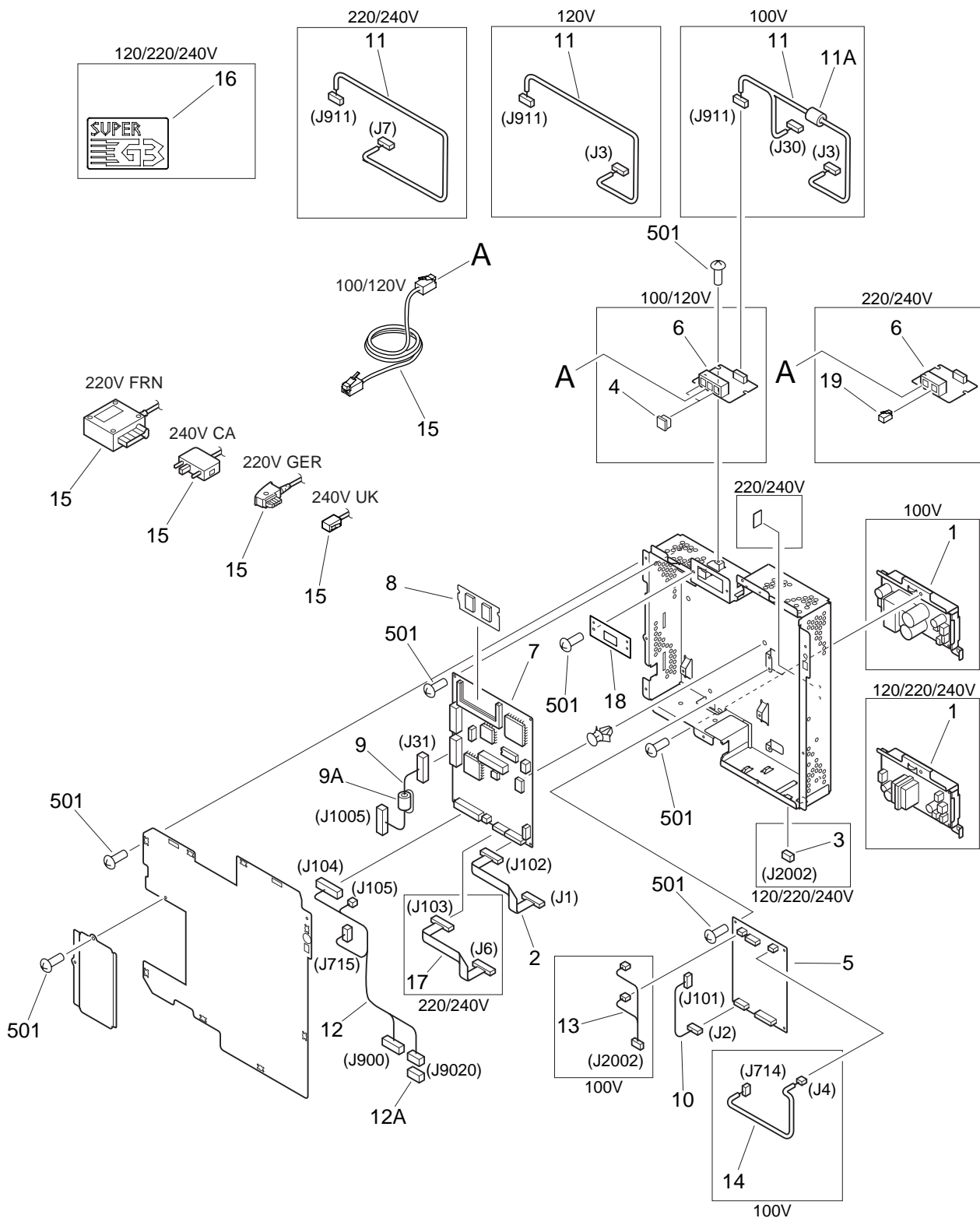
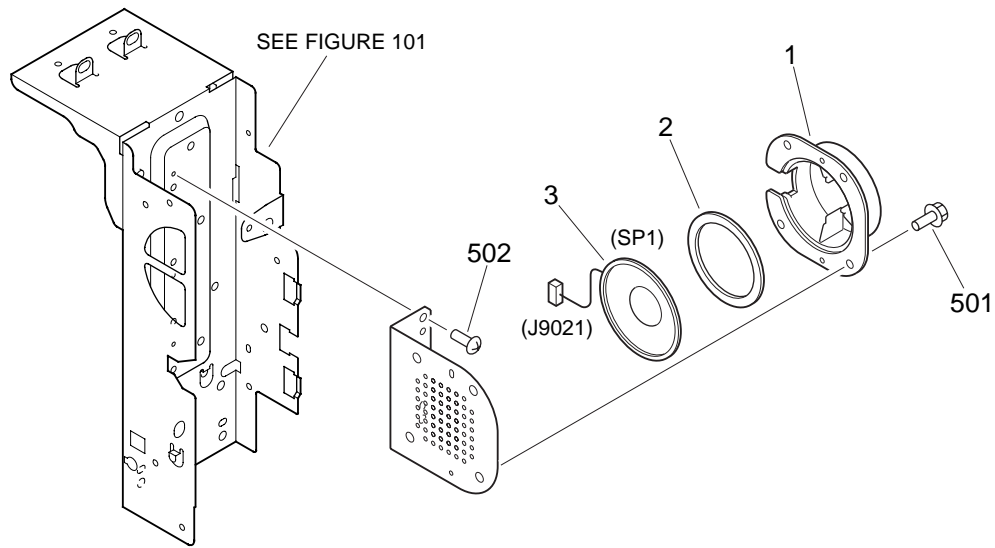


FIGURE & KEY NO.	PART NUMBER	RANK	QTY	DESCRIPTION	SERIAL NUMBER / REMARKS
G90 -	NPN		RF	SUPER G3 FAX KIT	
1	FG6-5798-020		1	PSEUDO CI PCB ASSEMBLY	100V
	FG6-5802-000		1	OFF-HOOK DETECT PCB ASSEMBLY	120/220/240V
2	FH2-6928-000		1	CABLE, FLAT, 1	J1,102
3	VS4-0002-002		1	CONNECTOR, 2P, FEMALE	120/220/240V J2002
4	WT8-5076-000		2	SPACER, MODULAR	100/120V
5	HG1-4365-000		1	NCU PCB ASSEMBLY	120V
	HG5-1866-000		1	NCU PCB ASSEMBLY	100V
	HG5-2587-000		1	NCU PCB ASSEMBLY	220V AMS,GER,FRN 240V UK
	HG5-2598-000		1	NCU PCB ASSEMBLY	220V ASIA 240V CA
6	FG3-1582-000		1	G3 MODULAR PCB ASSEMBLY	100V
	FG3-1992-000		1	G3 MODULAR PCB ASSEMBLY	120V
	FG9-3920-000		1	G3 MODULAR PCB ASSEMBLY	220V AMS,GER,FRN 240V UK
	FG9-3921-000		1	G3 MODULAR PCB ASSEMBLY	220V ASIA 240V CA
7	FG3-1587-000		1	G3 FAX CONTROL PCB ASSEMBLY	
8	FG3-2497-310		1	DIMM ASS'Y	
	FG3-2707-000		1	DIMM ASS'Y	120/220/240V
9	FG3-1983-000		1	CABLE, FAX CONTROLLER	J31,1005
9A	WE8-5800-000		1	CORE, FERRITE	
10	FG3-1984-000		1	CABLE, G3 ANALOG, 1	J2,J101
11	FG3-1985-000		1	CABLE, G3 MODULAR	100V J3,30,911
	FG3-1991-000		1	CABLE, G3 MODULAR	120V J3,911
	FG3-2658-000		1	CABLE, G3 MODULAR	220/240V J7,911
11A	WE8-5780-000		1	CORE,FERRITE	100V
12	FG3-1986-000		1	CABLE, FAX POWER SUPPLY	J104,105,715 J900,9020
12A	VS1-5057-002		1	CONNECTOR, SNAP TIGHT	J9020
13	FG3-1988-000		1	CABLE, GROUNDING	100V J2002
14	FG3-1989-000		1	CABLE, G3 HV	100V J4,714
15	HH2-1914-000		1	MODULAR CABLE	240V UK
	HH2-2074-000		1	MODULAR CABLE	220V GER

FIGURE & KEY NO.	PART NUMBER	RANK	QTY	DESCRIPTION	SERIAL NUMBER / REMARKS
G90 - 15	HH2-2219-000		1	MODULAR CABLE	220V FRN
	HH2-2478-000		1	MODULAR CORD	240V CA
	HH2-2830-000		1	CORD, MODULAR	100/120V
16	FB4-6724-000		1	LABEL, G3	220/240V
	FB4-6728-000		1	LABEL, "SUPER G3"	120V
17	FH2-6962-000		1	CABLE, FLAT, 2	220/240V J6,103
18	FB5-5120-000		1	PLATE, BLANKING, G3	100V
	FB6-2875-000		1	COVER, MODULAR	120/220/240V
19	WS1-5370-000		1	SPACER, MODULAR	220/240V
501	XB6-7300-607		21	SCREW,TP,M3X6	

# FIGURE G91 SPEAKER ASSEMBLY



NOTE : This assembly does not include the part shown with key No. 502.

FIGURE & KEY NO.	PART NUMBER	RANK	QTY	DESCRIPTION	SERIAL NUMBER / REMARKS
G91 -	FG6-5799-000		1	SPEAKER ASSEMBLY	
1	FB5-5126-000		1	HOLDER, SPEAKER	
2	FB5-5130-000		1	DAMPER, RUBBER	
3	FH5-3218-000		1	SPEAKER	SP1 J9021
501	XB3-6400-800		4	SCREW,RS,M4X8	
502	XB6-7300-607		2	SCREW,TP,M3X6	SEE NOTE



# FIGURE GB1 LIST OF CONNECTORS

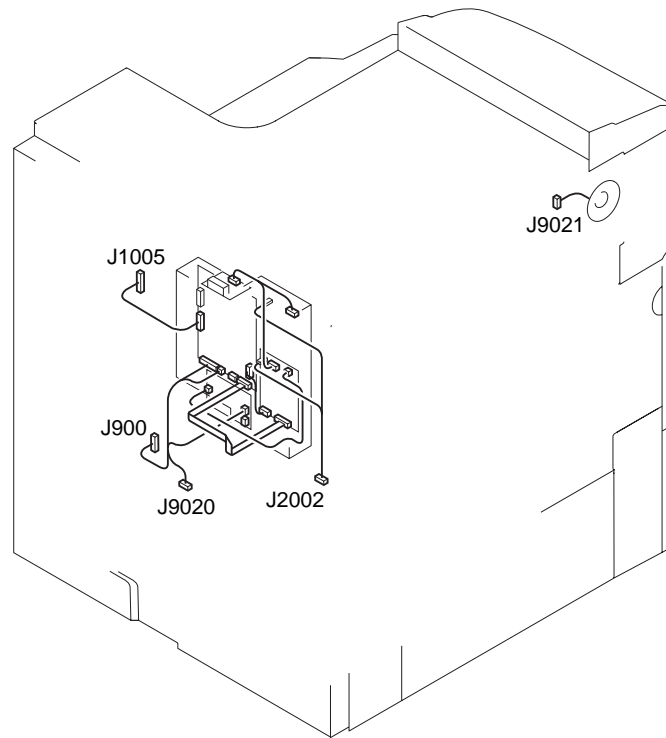


FIGURE & KEY NO.	PART NUMBER	RANK	QTY	DESCRIPTION	SERIAL NUMBER / REMARKS
G B1 -	NPN		RF	LIST OF CONNECTORS	
J1	FH2-6928-000		1	CABLE, FLAT, 1	
	PCB			NCU BOARD 1	
J2	PCB			NCU BOARD 1	
	VS1-5452-006		1	CONNECTOR, 6P, FEMALE	
J3	PCB			NCU BOARD 1	100/120V
	VS3-5080-005		1	CONNECTOR, 5P, FEMALE	120V
	VS3-5080-007		1	CONNECTOR, 7P, FEMALE	100V
	WT1-5155-000		4	TERMINAL	100V
	WT1-5155-000		2	TERMINAL	120V
J4	PCB			NCU BOARD 1	100/120V
	VS3-5080-002		1	CONNECTOR, 2P, MALE	100/120V
	WT1-5155-000		2	TERMINAL	100/120V
J6	FH2-6962-000		1	CABLE, FLAT, 2	220/240V
	PCB			NCU BOARD 1	220/240V
J7	PCB			NCU BOARD 1	220/240V
	VS3-0143-006		1	CONNECTOR, 6P, FEMALE	220/240V
	WS3-5251-000		6	SOCKET CONTACT	220/240V
J30	PCB			NCU BOARD 2	ACCESSORY
	VS3-5080-007		1	CONNECTOR, 7P, FEMALE	100V
J31	WT1-5155-000		2	TERMINAL	100V
	PCB			G3 FAX BOARD	
	VS1-6313-020		1	CONNECTOR, 20P, FEMALE	
	VS1-6314-020		1	CONNECTOR, 20P, FEMALE	
	VT2-5161-040		1	HOLDER, CONNECTOR, 40P	
J101	PCB			G3 FAX BOARD	
	VS1-5452-006		1	CONNECTOR, 6P, FEMALE	
J102	FH2-6928-000		1	CABLE, FLAT, 1	
	PCB			G3 FAX BOARD	
J103	FH2-6962-000		1	CABLE, FLAT, 2	220/240V

FIGURE & KEY NO.	PART NUMBER	RANK	QTY	DESCRIPTION	SERIAL NUMBER / REMARKS
G B1 - J103	PCB			G3 FAX BOARD	220/240V
J104	PCB			G3 FAX BOARD	
	VS1-6302-014		1	CONNECTOR, 14P, MALE	
	WS3-5569-000		12	PIN, CONTACT	
J105	PCB			G3 FAX BOARD	
	VS3-0143-002		1	CONNECTOR, 2P, FEMALE	
	WS3-5251-000		2	SOCKET CONTACT	
J106	PCB			G3 FAX BOARD	
	PCB			MULTIPOINT MODEM	ACCESSORY
J712	PCB			OFF-HOOK DETECT	120/220/240V
	PCB			PSEUDO CI	100V
	SYS			COPIER	
J713	PCB			OFF-HOOK DETECT	120/220/240V
	PCB			PSEUDO CI	100V
	SYS			COPIER	
J714	PCB			OFF-HOOK DETECT	120V
	PCB			PSEUDO CI	100V
	VS3-5083-003		1	CONNECTOR, 3P, FEMALE	100/120V
	WS3-5160-000		2	SOCKET CONTACT, 18-24AWG	100/120V
J715	PCB			OFF-HOOK DETECT	120/220/240V
	PCB			PSEUDO CI	100V
	VS1-6302-002		1	CONNECTOR, 2P, MALE	
	WS3-5569-000		2	PIN, CONTACT	
J900	SYS			COPIER	
	VS1-6702-010		1	CONNECTOR, 10P, FEMALE	
	WS3-5720-000		10	SOCKET CONTACT, 22-28AWG	
J911	PCB			G3 MODULAR BOARD	
	VS3-0143-011		1	CONNECTOR, 11P, FEMALE	220/240V
	VS3-5080-007		1	CONNECTOR, 7P, FEMALE	100/120V
	WS3-5251-000		11	SOCKET CONTACT	220/240V

FIGURE & KEY NO.	PART NUMBER	RANK	QTY	DESCRIPTION	SERIAL NUMBER / REMARKS
G B1 - J911  J1005	WT1-5155-000		6	TERMINAL	100V
	WT1-5155-000		2	TERMINAL	120V
	SYS			COPIER	
	VS1-6313-020		1	CONNECTOR, 20P, FEMALE	
	VS1-6314-020		1	CONNECTOR, 20P, FEMALE	
J2002  J9020	VT2-5161-040		1	HOLDER, CONNECTOR, 40P	
	SYS			COPIER	
	VS4-0002-002		1	CONNECTOR, 2P, FEMALE	
	WS4-0217-000		2	SOCKET CONTACT, 22-18AWG	
J9021	VS1-0842-002		1	CONNECTOR, 2P, FEMALE	
	VS1-5057-002		1	CONNECTOR, SNAP TIGHT	
	NPN			SPEAKER	SP1
	SYS			COPIER	

# FIGURE GB2 LIST OF ELECTRIC PARTS

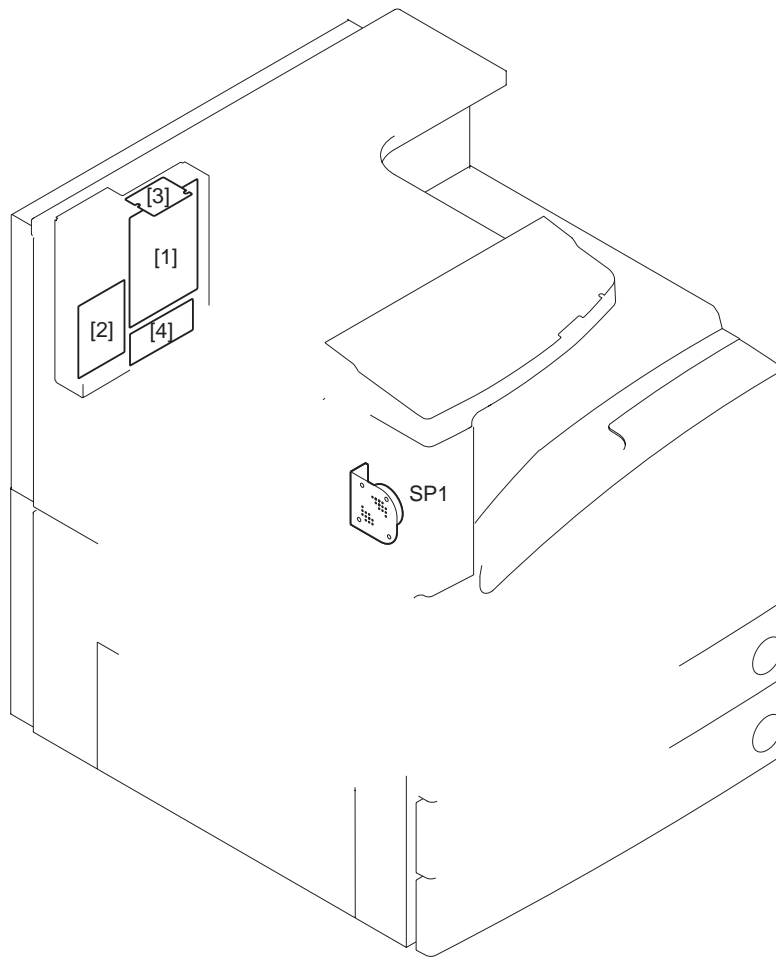


FIGURE & KEY NO.	PART NUMBER	RANK	QTY	DESCRIPTION	SERIAL NUMBER / REMARKS
G B2 -	NPN		RF	LIST OF ELECTRIC PARTS	
1	FG3-1587-000		1	G3 FAX CONTROL PCB ASSEMBLY	
2	HG1-4365-000		1	NCU PCB ASSEMBLY	120V
	HG5-1866-000		1	NCU PCB ASSEMBLY	100V
	HG5-2587-000		1	NCU PCB ASSEMBLY	220V AMS,GER,FRN 240V UK
	HG5-2598-000		1	NCU PCB ASSEMBLY	220V ASIA 240V CA
3	FG3-1582-000		1	G3 MODULAR PCB ASSEMBLY	100V
	FG3-1992-000		1	G3 MODULAR PCB ASSEMBLY	120V
	FG9-3920-000		1	G3 MODULAR PCB ASSEMBLY	220V AMS,GER,FRN 240V UK
	FG9-3921-000		1	G3 MODULAR PCB ASSEMBLY	220V ASIA 240V CA
4	FG6-5798-020		1	PSEUDO CI PCB ASSEMBLY	100V
	FG6-5802-000		1	OFF-HOOK DETECT PCB ASSEMBLY	120/220/240V
SP1	FH5-3218-000		1	SPEAKER	



# CONTROL FONT ROM CFR-M1

[ F61-8504 ]



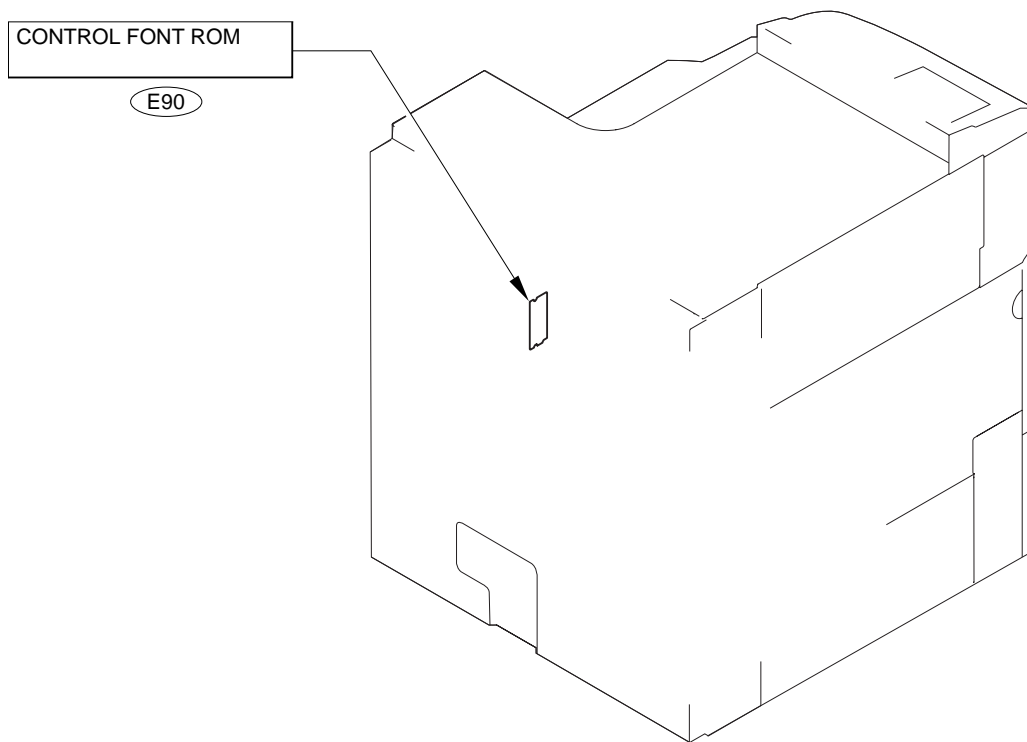
# CONTENTS

**EA. ASSEMBLY LOCATION DIAGRAM**

**E90. CONTROL FONT ROM**

**D9. NUMERICAL INDEX**

# FIGURE EA ASSEMBLY LOCATION DIAGRAM



# FIGURE E90 CONTROL FONT ROM

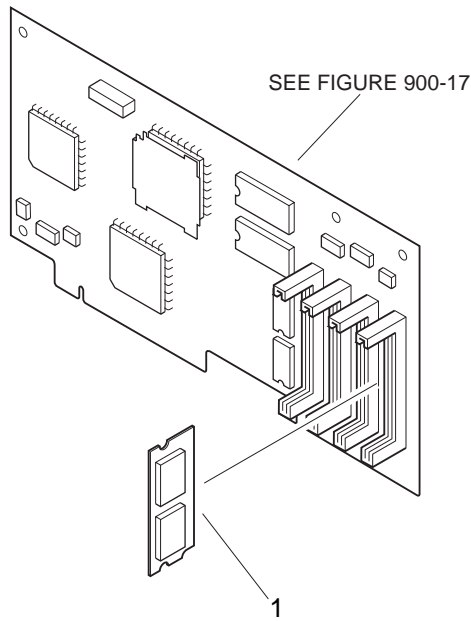


FIGURE & KEY NO.	PART NUMBER	RANK	QTY	DESCRIPTION	SERIAL NUMBER / REMARKS
E90 -	NPN		RF	CONTROL FONT ROM	
1	FG3-1934-000		1	DIMM ASS'Y	

# USB APPLICATION INTERFACE BOARD-B1

## LIST OF ORDER AND SERIAL NUMBERS

NAME	REMARKS	ORDER No.	MIDDLE ORDER No.	SERIAL No.
USB APPLICATION INTERFACE BOARD-B1		8749A002AA	F61-8908-000	

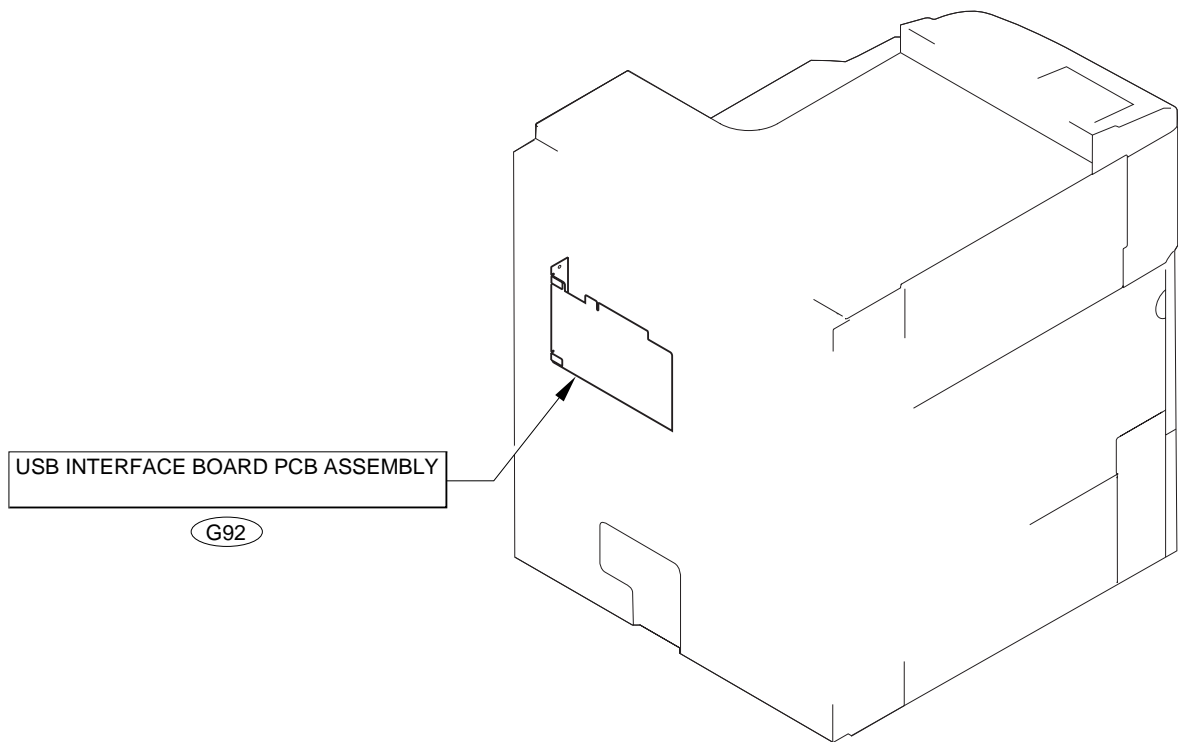
# CONTENTS

**GA. ASSEMBLY LOCATION DIAGRAM**

**G92. USB INTERFACE BOARD PCB ASSEMBLY**

**D10. NUMERICAL INDEX**

# FIGURE GA ASSEMBLY LOCATION DIAGRAM



# FIGURE G92

## USB INTERFACE BOARD PCB ASSEMBLY

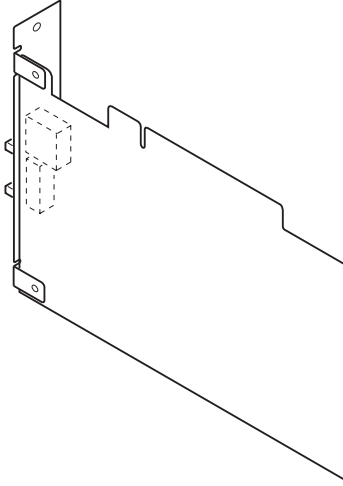


FIGURE & KEY NO.	PART NUMBER	RANK	QTY	DESCRIPTION	SERIAL NUMBER / REMARKS
G92 -	FG6-5024-000		1	USB INTERFACE BOARD PCB ASS'Y	



# D1 NUMERICAL INDEX (Image Reader-B1)

PART NUMBER	FIGURE & KEY NO.	PART NUMBER	FIGURE & KEY NO.	PART NUMBER	FIGURE & KEY NO.
FB1-7109-000	210 - 44	FG6-6019-000	430 -	VS1-6313-011	B1 - J600
FB3-2398-020	210 - 45	FG6-6028-000	420 - 8	VS1-6314-003	B1 - J406
FB3-2411-000	420 - 1		B2 - LAMP1	VS1-6314-004	B1 - J402
	430 - 1	FG6-7978-000	210 - 69		B1 - J4021
FB4-5402-000	210 - 1		B2 - 20	VS1-6314-005	B1 - J408
FB4-5434-000	420 - 2	FG6-7982-000	210 - 28		B1 - J4020
FB4-5435-000	430 - 3		B2 - 18	VS1-6314-006	B1 - J405
FB5-3046-000	210 - 46	FH2-5821-000	B1 - J2	VS1-6314-010	B1 - J407
FB5-3052-000	210 - 17A		B1 - J9200	VS1-6318-005	210 - 41A
FB5-3058-000	210 - 2	FH2-5825-000	B1 - J9200		B1 - J4020
FB5-3059-000	210 - 3	FH2-6480-000	B1 - J4100	VS1-6320-003	B1 - J4051
FB5-3085-000	210 - 29	FH2-6552-000	210 - 8	VS1-6321-003	B1 - J4052
FB5-3086-000	210 - 30	FH2-6756-000	210 - 5		B1 - J4053
FB5-3087-000	210 - 31		B1 - J5502		B1 - J4060
FB5-3090-000	210 - 34		B1 - J9202	VS1-6407-080	B1 - J409
FB5-3498-000	210 - 26	FH2-6855-000	B1 - J9200		B1 - J5501
FB5-3635-000	210 - 35	FH2-6856-000	B1 - J2	VS3-5083-002	B1 - J400
FB5-3636-000	210 - 36		B1 - J9200		B1 - J603
FB5-4535-000	210 - 17B	FH3-0932-000	931 - L924		B1 - J4101
FB5-4553-000	210 - 17B	FH3-7211-020	210 - 18	VS3-5083-003	B1 - J5602
FB5-4554-000	210 - 17B		B2 - 19	VS3-5083-004	B1 - J403
FB5-4555-000	210 - 17B	FH4-5855-000	931 - IC920		B1 - J602
FB5-4557-000	210 - 17A	FH4-5987-000	931 - IC405	WE8-5858-000	B1 - J4030
FB5-4558-000	210 - 17A	FH4-6102-000	931 - IC407		210 - 40A
FB5-4559-000	210 - 17A	FH4-6123-000	931 - IC404		210 - 70A
FB5-4586-000	210 - 11A	FH4-6202-000	931 - IC424	WS3-5160-000	B1 - J400
FB5-5206-000	210 - 4	FH6-1856-000	210 - 33		B1 - J403
FB5-5211-000	420 - 3		B2 - M400		B1 - J602
FB5-5212-000	420 - 4	FH7-4665-000	210 - 27		B1 - J603
FB5-5213-000	420 - 5		B2 - H4		B1 - J4030
FB5-5221-000	210 - 7	FH7-4666-000	210 - 19		B1 - J4101
FB5-5226-000	430 - 4		B2 - H5		B1 - J5602
FB5-5228-000	210 - 47	FH7-7550-000	210 - 20	WS3-5264-000	B1 - J2
FB5-5239-000	210 - 6		B2 - SD1		B1 - J9200
FB5-5458-000	210 - 66	FH7-7557-000	210 - 38	WS3-5301-000	B1 - J4030
FB5-5462-000	210 - 67		210 - 51		B1 - J4101
FB5-5467-000	210 - 68		B2 - PS400	WS3-5569-000	B1 - J401
FB5-5544-000	210 - 48		B2 - PS401		B1 - J411
FB5-5551-000	210 - 42	FS2-9540-000	002 - 1		B1 - J4010
FB5-5555-000	210 - 58	FS2-9542-000	002 - 2		B1 - J5503
FB5-5567-000	210 - 12A	FS5-3826-000	210 - 32	WS3-5596-000	B1 - J4100
FB5-5593-000	210 - 59	FS5-9227-000	210 - 39	WT2-5565-000	210 - 9A
FB6-0334-000	001 - 1	FS5-9642-000	210 - 52		210 - 53A
FB6-0340-000	210 - 60	FS5-9665-000	001 - 5	XA9-0425-000	430 - 6
FB6-0342-000	430 - 2	FS6-2341-000	420 - 7	XA9-0642-000	210 - 65
FB6-0344-000	210 - 61	FS6-2913-000	210 - 21	XA9-0721-000	210 - 24
FF3-4267-000	210 - 54	FS6-8478-000	210 - 64	XA9-1031-000	001 - 4
FF3-4269-000	210 - 28A	FS7-2399-000	210 - 22	XB1-2300-407	210 - 501
FF3-4273-000	210 - 41	PCB	B1 - J400	XB1-2300-609	210 - 509
FF3-4279-000	210 - 9		B1 - J401		210 - 511
FF3-4280-000	210 - 37		B1 - J402		210 - 518
FF3-4284-000	210 - 10		B1 - J403	XB1-2401-007	001 - 501
FF5-9816-000	210 - 11		B1 - J404	XB2-7400-607	210 - 519
FF5-9820-000	210 - 49		B1 - J405	XB2-7400-609	210 - 512
FF5-9821-000	210 - 50		B1 - J406	XB2-8300-809	420 - 501
FF6-0328-000	210 - 14		B1 - J407	XB3-6400-800	210 - 502
FF6-0329-000	210 - 15		B1 - J408		210 - 510
FF6-0331-000	210 - 62		B1 - J409		210 - 513
FF6-0333-000	420 - 6		B1 - J411		210 - 514
FF6-0334-000	430 - 5		B1 - J600		210 - 517
FF6-0340-000	210 - 16		B1 - J601	XB3-6401-205	210 - 515
FF6-0342-000	210 - 12		B1 - J602	XB6-2400-508	210 - 507
FF6-0346-000	210 - 23		B1 - J603	XB6-7300-409	210 - 503
FF6-0384-020	210 - 13		B1 - J2000		420 - 502
FF6-1484-000	001 - 3		B1 - J4021	XB6-7300-607	210 - 521
FF6-2006-000	001 - 2		B1 - J4061	XB6-7501-007	210 - 520
FF9-1858-000	210 - 17		B1 - J5501	XB7-1030-069	430 - 501
FF9-1859-000	210 - 17		B1 - J5502	XB7-1030-169	420 - 503
FF9-1860-000	210 - 17		B1 - J5503	XD2-1100-502	430 - 502
FF9-1861-000	210 - 17		B1 - J5602	XD2-1100-642	210 - 504
FG3-1679-000	210 - 40	RH2-5191-000	210 - 56		210 - 505
FG3-1680-000	210 - 70	VD7-1625-001	931 - FU921		210 - 508
FG3-1681-000	931 -	VS1-5057-003	210 - 37A		210 - 516
	B2 - 17		210 - 43	XD3-1250-142	210 - 506
FG3-1682-000	210 - 71		B1 - J4051	XG9-0250-000	210 - 25
	B2 - 21		B1 - J4060		
FG3-1683-000	210 - 55	VS1-5452-007	B1 - J404		
FG3-1736-070	931 - 1		B1 - J4100		
FG3-2397-000	210 - 63	VS1-5729-002	B1 - J4101		
FG3-2398-000	210 - 69A	VS1-5729-004	B1 - J4030		
FG3-2399-000	210 - 69B	VS1-6302-003	B1 - J411		
FG6-4971-000	210 - 53		B1 - J5503		
FG6-4985-000	210 - 57	VS1-6302-006	B1 - J401		
FG6-5956-000	210 - 72		B1 - J4010		
FG6-6018-000	420 -	VS1-6313-004	B1 - J601		

# D2 NUMERICAL INDEX (iR2200i/2800i/3300i)

PART NUMBER	FIGURE & KEY NO.	PART NUMBER	FIGURE & KEY NO.	PART NUMBER	FIGURE & KEY NO.
FA1-0056-000	103 - 1	FB4-3066-000	102 - 14	FB5-4804-000	330 - 26
	330 - 25	FB4-3104-000	351 - 17	FB5-4805-000	330 - 27
FA4-1159-000	120 - 1	FB4-3170-000	120 - 11	FB5-4808-000	330 - 28
FA6-5618-000	500 - 8	FB4-3264-000	315 - 7	FB5-4811-000	330 - 18A
FA9-2112-000	250 - 2	FB4-3265-000	315 - 8	FB5-4812-000	330 - 33A
	260 - 1	FB4-3343-020	310 - 15	FB5-4813-000	330 - 29
FA9-3313-000	300 - 23	FB4-3355-000	640 - 13	FB5-4814-000	330 - 18B
FA9-3314-000	300 - 24	FB4-5005-000	130 - 1	FB5-4816-000	104 - 12
FA9-3948-000	310 - 77	FB4-5349-000	310 - 18	FB5-4817-000	104 - 13
FA9-3949-000	310 - 78	FB4-5380-000	100 - 23	FB5-4819-000	104 - 2
FB1-5816-000	640 - 1	FB4-5382-000	104 - 21	FB5-4820-000	105 - 8
FB1-6710-000	640 - 2	FB4-5933-000	100 - 36	FB5-4821-000	280 - 3
FB1-6718-000	640 - 3	FB5-0281-000	102 - 4A	FB5-4826-000	107 - 15
FB1-6719-000	640 - 4	FB5-0332-000	100 - 49	FB5-4827-000	107 - 16
FB1-6841-000	351 - 1	FB5-0333-000	102 - 22	FB5-4828-000	107 - 17
FB1-7099-020	280 - 1	FB5-0339-000	107 - 31	FB5-4829-000	107 - 18
FB1-7157-000	100 - 26		191 - 8	FB5-4832-000	330 - 14
FB1-7190-000	280 - 2		810 - 38	FB5-4833-000	330 - 30
FB1-7214-000	103 - 2	FB5-1471-000	101 - 5	FB5-4834-000	330 - 31
FB1-7218-000	640 - 5	FB5-2172-000	130 - 2	FB5-4835-000	330 - 15
FB1-7219-000	640 - 6	FB5-2173-000	130 - 3	FB5-4839-000	102 - 4B
FB1-7737-000	100 - 32	FB5-2195-000	130 - 12C		104 - 5
FB1-7738-000	100 - 33	FB5-3577-000	315 - 4	FB5-4853-000	350 - 1
FB1-8130-000	640 - 7	FB5-3578-000	315 - 5	FB5-4854-000	350 - 2
FB1-8439-000	120 - 2	FB5-3698-000	130 - 4	FB5-4855-000	350 - 16
FB1-8581-000	120 - 3	FB5-3699-000	130 - 5	FB5-4856-000	350 - 19
FB1-8584-000	120 - 22A	FB5-3718-000	130 - 12B	FB5-4858-000	350 - 4
FB1-8619-000	315 - 1	FB5-3811-000	300 - 3	FB5-4859-000	100 - 38
FB1-8621-000	315 - 2	FB5-3812-000	300 - 26	FB5-4860-000	100 - 39
FB1-8625-000	315 - 3	FB5-3813-000	300 - 27	FB5-4911-000	351 - 2
FB2-3900-030	104 - 20	FB5-3928-000	101 - 2	FB5-4912-000	351 - 3
FB3-2206-000	104 - 1	FB5-4711-000	320 - 5	FB5-4914-000	351 - 18
FB3-2214-000	103 - 3	FB5-4713-020	320 - 6	FB5-4915-000	351 - 19
FB3-2224-000	100 - 7	FB5-4714-000	320 - 7	FB5-4916-000	351 - 24
FB3-2381-000	100 - 46	FB5-4720-000	103 - 29	FB5-4918-000	351 - 25
FB3-2576-000	250 - 3	FB5-4722-020	320 - 10	FB5-4919-000	351 - 4
FB3-2596-000	107 - 14	FB5-4726-000	103 - 12	FB5-4920-000	351 - 26
FB3-2648-000	320 - 1	FB5-4727-000	103 - 13	FB5-4923-000	810 - 1
FB3-2649-000	320 - 2	FB5-4728-000	310 - 24	FB5-4925-000	810 - 2
FB3-2658-000	320 - 3	FB5-4731-000	100 - 10	FB5-4926-000	810 - 3
FB3-2672-000	640 - 8		100 - 15	FB5-4927-000	810 - 4
FB3-2679-000	640 - 9	FB5-4733-000	120 - 14	FB5-4928-000	810 - 5
FB3-2712-000	640 - 10	FB5-4735-000	300 - 4	FB5-4929-000	810 - 35
FB3-2765-000	102 - 17	FB5-4737-000	300 - 5	FB5-4930-000	810 - 32A
FB3-2812-000	120 - 4	FB5-4738-000	300 - 5	FB5-4931-000	810 - 32B
FB3-2815-000	120 - 5	FB5-4739-000	300 - 6	FB5-4932-000	810 - 32C
FB3-2821-000	120 - 7	FB5-4740-020	300 - 7	FB5-4934-000	810 - 6
FB3-2829-000	103 - 4	FB5-4741-030	100 - 11	FB5-4938-000	810 - 7
FB3-2833-000	120 - 8	FB5-4743-000	300 - 8	FB5-4940-000	810 - 8
FB3-2834-000	120 - 9	FB5-4745-000	315 - 9	FB5-4941-000	810 - 9
FB3-2835-000	120 - 10	FB5-4747-000	360 - 5	FB5-4942-000	810 - 10
FB3-2836-000	315 - 6	FB5-4748-000	360 - 6	FB5-4943-000	810 - 11
FB3-2894-020	310 - 9	FB5-4749-000	360 - 7	FB5-4944-000	810 - 37
FB3-2896-000	310 - 10	FB5-4750-000	360 - 8	FB5-4948-000	810 - 36
FB3-2897-020	310 - 12	FB5-4754-000	360 - 9	FB5-4953-000	640 - 14
FB3-2898-020	310 - 13	FB5-4762-000	101 - 6	FB5-4965-000	640 - 15
FB3-2922-000	300 - 12	FB5-4766-000	120 - 15	FB5-4966-000	640 - 16
FB3-2926-000	300 - 13	FB5-4767-000	100 - 12	FB5-4968-000	640 - 17
FB3-2927-000	300 - 14	FB5-4768-000	100 - 16	FB5-4975-000	104 - 25
FB3-2928-000	300 - 25	FB5-4769-000	100 - 1	FB5-4976-000	104 - 16
FB3-2930-000	300 - 15	FB5-4772-000	100 - 13	FB5-4979-000	104 - 17
FB3-2934-000	300 - 16	FB5-4773-000	360 - 10	FB5-4986-000	500 - 1
FB3-2937-000	101 - 4	FB5-4776-000	310 - 71	FB5-5014-000	107 - 26
FB3-2942-000	300 - 1	FB5-4777-000	310 - 72	FB5-5019-000	500 - 2
FB3-2943-000	300 - 2	FB5-4779-000	310 - 25	FB5-5032-000	107 - 1
FB3-2947-000	101 - 8	FB5-4780-000	310 - 26	FB5-5036-000	250 - 4
FB3-2953-000	300 - 17	FB5-4782-000	330 - 1	FB5-5038-000	250 - 5
FB3-2955-000	300 - 18	FB5-4783-000	330 - 2	FB5-5039-000	250 - 6
FB3-2956-000	300 - 19	FB5-4785-000	330 - 3	FB5-5045-000	260 - 2
FB3-2996-000	103 - 28	FB5-4786-000	330 - 42	FB5-5046-000	260 - 3
FB3-2997-000	360 - 1	FB5-4787-000	330 - 4	FB5-5048-000	107 - 2
FB3-3192-030	106 - 1		330 - 39	FB5-5052-000	100 - 24
FB3-8320-000	130 - 12A	FB5-4788-000	330 - 5	FB5-5053-000	100 - 18
FB4-2817-000	310 - 14	FB5-4789-000	330 - 6	FB5-5055-000	100 - 2
FB4-2935-000	360 - 3	FB5-4790-000	330 - 7	FB5-5057-000	100 - 30
FB4-2943-000	104 - 3	FB5-4791-000	330 - 8	FB5-5058-000	100 - 3
FB4-2944-000	104 - 4	FB5-4793-000	330 - 9	FB5-5059-000	106 - 2
FB4-2955-000	360 - 4	FB5-4794-000	330 - 10	FB5-5061-000	100 - 27
FB4-3057-000	640 - 11	FB5-4795-000	330 - 11	FB5-5063-000	100 - 4
FB4-3058-000	640 - 12	FB5-4796-000	330 - 12	FB5-5066-000	100 - 47
FB4-3061-000	102 - 7	FB5-4798-000	330 - 13	FB5-5067-000	100 - 19
FB4-3062-000	102 - 10	FB5-4799-000	330 - 20	FB5-5068-000	100 - 45
FB4-3063-000	102 - 11	FB5-4800-000	330 - 21	FB5-5069-000	100 - 20
FB4-3064-000	102 - 12	FB5-4801-000	330 - 22	FB5-5070-000	100 - 21
FB4-3065-000	102 - 13	FB5-4802-000	330 - 23	FB5-5076-000	130 - 6

PART NUMBER	FIGURE & KEY NO.	PART NUMBER	FIGURE & KEY NO.	PART NUMBER	FIGURE & KEY NO.
FB5-5077-000	130 - 7	FE5-4046-000	330 - 32	FG3-1604-000	B7 - 1
FB5-5098-000	107 - 3	FE5-4132-000	120 - 21	FG3-1608-000	107 - 12
FB5-5143-000	100 - 37	FE5-4134-000	640 - 18		B7 - 11
FB5-5144-000	102 - 1	FF3-1136-000	104 - 18	FG3-1612-080	930 -
FB5-5145-000	120 - 16	FF3-1171-000	101 - 10		B7 - 4
FB5-5146-000	320 - 8	FF3-1173-000	330 - 16	FG3-1613-090	930 -
FB5-5148-000	810 - 12	FF3-2974-000	310 - 29		B7 - 4
FB5-5150-000	320 - 14	FF3-2975-000	310 - 30	FG3-1615-000	191 - 7
	350 - 5	FF3-4165-000	260 - 22	FG3-1616-000	107 - 13
FB5-5155-000	102 - 2	FF3-4172-000	190 - 1	FG3-1617-000	101 - 14
FB5-5159-000	105 - 1	FF3-4174-000	103 - 30		B4 - S4
FB5-5160-000	104 - 6	FF3-4175-000	310 - 31	FG3-1618-000	101 - 15
FB5-5173-000	105 - 2	FF3-4179-000	330 - 17		B4 - S5
FB5-5175-000	103 - 11	FF3-4188-000	640 - 19	FG3-1620-100	930 - 1
FB5-5182-000	100 - 5	FF3-4190-000	260 - 4	FG3-1624-000	107 - 21
FB5-5185-000	102 - 3	FF3-4191-000	900 - 6	FG3-1625-000	107 - 22
FB5-5186-030	100 - 6		B1 - J1017	FG3-1626-000	107 - 23
FB5-5192-000	104 - 7		B1 - J2005	FG3-1744-020	107 - 25
FB5-5193-000	110 - 1	FF3-4192-000	110 - 2		900 - 4
	111 - 3		B6 - PLG1		B7 - 10
FB5-5194-000	120 - 17	FF3-4193-000	110 - 3	FG3-1795-000	920 -
FB5-5195-000	120 - 18		B6 - PLG1		B7 - 9
FB5-5199-000	120 - 19	FF3-4194-000	111 - 4	FG3-1994-000	900 - 7
FB5-5200-020	120 - 20	FF3-4199-000	900 - 1	FG3-1995-000	107 - 11
FB5-5257-000	191 - 1	FF3-4219-000	900 - 23	FG3-2232-060	900 - 3
FB5-5258-000	191 - 2		B1 - J1028		B7 - 10
FB5-5260-000	351 - 20	FF5-1458-020	104 - 19	FG3-2238-000	900 - 9
FB5-5261-000	351 - 21	FF5-4480-000	640 - 20	FG3-2478-000	900 - 20
FB5-5264-000	107 - 4	FF5-4481-000	640 - 21	FG3-2484-000	900 - 21
FB5-5265-000	104 - 23	FF5-4491-000	300 - 28	FG3-2772-000	900 - 20
FB5-5266-020	100 - 8	FF5-4548-030	300 - 29	FG3-2959-000	900 - 17
FB5-5267-000	100 - 9	FF5-4552-020	310 - 32		B7 - 16
FB5-5269-000	500 - 3	FF5-4569-020	300 - 21	FG3-3057-000	900 - 22
FB5-5270-000	500 - 4	FF5-4634-020	310 - 33	FG5-6289-000	315 - 13
FB5-5273-000	500 - 5	FF5-7246-000	330 - 43		B4 - VR1
FB5-5279-000	500 - 6	FF6-0074-020	100 - 25	FG5-6297-000	102 - 18
FB5-5281-000	320 - 15	FF6-0086-000	103 - 5		B6 - LAMP2
FB5-5282-000	320 - 16	FF6-0087-000	101 - 16	FG6-0455-000	940 -
FB5-5283-000	320 - 17	FF6-0092-000	106 - 9		B7 - 5
FB5-5286-000	310 - 27	FF6-0094-000	300 - 9	FG6-0561-000	102 - 6
FB5-5287-000	310 - 28	FF6-0096-000	101 - 18	FG6-5633-000	460 -
FB5-5288-000	320 - 9	FF6-0097-000	103 - 6		B2 - M10
FB5-5289-000	103 - 14	FF6-0098-000	300 - 22		B4 - BD
FB5-6612-000	900 - 19	FF6-0099-000	300 - 22		B7 - 6
FB5-8353-000	300 - 20	FF6-0100-000	310 - 34	FG6-5638-000	190 -
FB5-9249-000	106 - 8	FF6-0101-000	120 - 22	FG6-5644-130	103 - 23
FB5-9250-000	300 - 31	FF6-0102-000	106 - 10	FG6-5648-000	120 -
FB5-9252-000	106 - 3	FF6-0104-000	330 - 40	FG6-5649-000	315 -
FB5-9567-000	104 - 24	FF6-0105-000	330 - 18	FG6-5650-000	360 -
FB5-9787-000	350 - 23	FF6-0106-000	330 - 33	FG6-5651-000	261 -
FB5-9789-000	103 - 34	FF6-0107-000	102 - 4	FG6-5670-000	330 -
FB5-9794-000	310 - 20	FF6-0108-000	310 - 73	FG6-5691-000	350 -
FB5-9795-000	310 - 22	FF6-0109-000	310 - 74	FG6-5698-000	351 -
FB5-9801-000	103 - 27	FF6-0111-000	106 - 5	FG6-5702-000	810 -
FB5-9802-000	310 - 17	FF6-0112-000	101 - 9	FG6-5703-000	280 -
FB5-9806-000	100 - 34	FF6-0132-000	350 - 3	FG6-5709-000	810 - 32
FB5-9809-000	103 - 35	FF6-0138-000	102 - 5	FG6-5710-000	810 - 33
FB6-2767-000	351 - 11	FF6-0139-000	351 - 22		B4 - PS26
FB6-2768-000	351 - 13	FF6-0141-000	280 - 4		810 - 34
FB6-2769-000	351 - 14	FF6-0153-000	640 - 22	FG6-5712-000	B6 - H1
FB6-2770-000	106 - 11	FF6-0154-000	640 - 23		B6 - H2
FB6-2776-000	310 - 1	FF6-0155-000	640 - 24		B6 - TH1
FB6-2777-000	310 - 2	FF6-0156-000	640 - 25		B6 - TH2
FB6-2778-000	310 - 3	FF6-0157-000	640 - 26		B6 - TP1
FB6-2779-000	310 - 4	FF6-0160-000	500 - 7	FG6-5726-000	260 -
FB6-2780-000	310 - 5	FF6-0166-000	107 - 27	FG6-5727-040	250 -
FB6-2781-000	310 - 6	FF6-0186-000	260 - 5	FG6-5736-000	100 - 17
FB6-2782-000	310 - 7	FF6-0206-000	130 - 8	FG6-5753-000	130 -
FB6-2783-000	310 - 8	FF6-0243-000	106 - 16	FG6-5754-000	130 -
FB6-2784-000	360 - 2	FF6-0244-000	107 - 5	FG6-5755-000	130 -
FB6-2785-000	120 - 12	FF6-0245-000	105 - 7	FG6-5756-000	130 -
FB6-2786-000	120 - 13	FF6-0247-000	106 - 4	FG6-5777-000	110 -
FB6-2787-020	310 - 16	FF6-0345-000	350 - 8		B5 - SW1
FB6-2788-000	120 - 6	FG3-0133-000	107 - 20		B5 - SW2
FB6-2789-020	310 - 19		B7 - 8		B7 - 3
FB6-2790-000	310 - 21	FG3-1592-000	460 - 1	FG6-5781-000	110 -
FB6-2792-000	310 - 23	FG3-1596-000	320 - 4		B5 - SW1
FB6-2852-000	100 - 28	FG3-1597-000	360 - 18		B5 - SW2
FB6-2860-000	810 - 22	FG3-1598-000	350 - 15		B7 - 3
FB6-4433-000	100 - 42	FG3-1599-000	351 - 16	FG6-5782-000	111 -
FB6-4434-000	100 - 42	FG3-1600-000	810 - 31		B5 - SW1
FB6-4435-000	100 - 42	FG3-1602-000	102 - 9		B5 - SW2
FB6-4436-000	100 - 42	FG3-1603-000	910 -		B7 - 3
FB6-4577-000	310 - 75		B7 - 1	FG6-5795-000	900 - 16
FB6-5091-000	310 - 62	FG3-1604-000	910 -		B7 - 15

PART NUMBER	FIGURE & KEY NO.	PART NUMBER	FIGURE & KEY NO.	PART NUMBER	FIGURE & KEY NO.
FG6-5814-050	191 -	FH6-1850-000	350 - 10	FS5-1943-000	351 - 7
FG6-5815-000	107 - 30		B2 - M5	FS5-1944-000	103 - 9
FG6-5831-000	900 - 10	FH6-1851-000	261 - 1		330 - 35
	B7 - 12		B2 - M6	FS5-1945-000	810 - 32D
FG6-5964-000	900 - 15	FH6-1852-000	190 - 2	FS5-1946-000	310 - 40
	B7 - 13		191 - 3	FS5-1947-000	260 - 10
FG6-6038-000	810 -		B3 - FM1	FS5-1948-000	310 - 41
FG6-6039-000	810 - 34		B3 - FM2	FS5-1949-000	320 - 12
	B6 - H1	FH6-1854-000	351 - 5	FS5-1950-000	120 - 24
	B6 - H2		B3 - FM4	FS5-1953-000	106 - 12
	B6 - TH1		B3 - FM5	FS5-2312-000	250 - 8
	B6 - TH2	FH6-5005-000	310 - 36	FS5-2331-000	280 - 7
	B6 - TP1		B5 - CL1	FS5-2650-000	300 - 30
FG6-6040-000	810 -	FH6-5006-000	260 - 7	FS5-3177-000	315 - 10
FG6-6041-000	810 - 34		B5 - CL2	FS5-3620-000	310 - 42
	B6 - H1	FH6-5007-000	250 - 7	FS5-3815-000	250 - 9
	B6 - H2		B5 - CL3	FS5-3820-000	330 - 45
	B6 - TH1	FH6-5020-000	310 - 37	FS5-3821-000	103 - 16
	B6 - TH2		B5 - SL1	FS5-3822-000	103 - 17
	B6 - TP1	FH6-5048-000	191 - 4	FS5-3823-000	103 - 18
FG6-6069-000	950 -		B5 - SL6	FS5-3824-000	260 - 11
	B7 - 14	FH6-5051-000	260 - 8	FS5-3830-000	310 - 43
FG6-7021-000	130 - 12		B5 - SL5	FS5-3831-000	103 - 19
	B7 - 9	FH7-4576-000	106 - 14	FS5-3833-000	310 - 44
FG6-7022-000	130 - 13		B6 - H3	FS5-6448-000	640 - 30
FG6-7068-000	130 - 14	FH7-7422-000	640 - 27	FS5-8612-000	315 - 14
FG6-7069-000	130 - 15		B4 - S1	FS5-8613-000	315 - 14
FG6-7070-000	130 - 16	FH7-7462-000	103 - 32	FS5-8614-000	315 - 14
FG6-7071-000	130 - 17		310 - 38	FS5-8615-000	315 - 14
FG6-7738-000	921 -		320 - 11	FS5-9210-000	104 - 10
	B7 - 9		360 - 12	FS5-9397-000	101 - 11
FG6-9149-000	130 - 18		810 - 13	FS5-9661-000	100 - 29
FG9-3913-000	640 - 44		B4 - PS7	FS5-9663-000	105 - 4
FG9-3917-000	640 -		B4 - PS8	FS5-9664-000	360 - 11
FG9-3987-000	280 - 11		B4 - PS9	FS6-0552-000	640 - 31
FH2-5006-000	110 - 6		B4 - PS10	FS6-0564-000	310 - 45
FH2-5761-020	111 - 1		B4 - PS11	FS6-0565-000	310 - 46
	B6 - PLG1		B4 - PS13	FS6-0572-000	103 - 20
FH2-5763-000	111 - 7		B4 - PS17	FS6-0579-000	640 - 32
	B6 - PLG1		B4 - PS18	FS6-0592-000	640 - 33
FH2-5824-000	100 - 48		B4 - PS22	FS6-2311-000	101 - 12
FH2-5825-000	B1 - J2		B4 - PS23	FS6-2328-020	310 - 51
FH2-6552-000	107 - 6	FH7-7527-000	111 - 5	FS6-2330-000	310 - 52
	107 - 7		B6 - CB1	FS6-2331-000	310 - 53
FH2-6842-000	130 - 9	FH7-7528-000	110 - 4	FS6-2337-000	120 - 26
	B1 - J9801		B6 - CB1	FS6-2784-000	102 - 15
	B1 - J9802	FH7-7557-000	330 - 24	FS6-2790-000	120 - 27
FH2-6855-000	B1 - J2		350 - 11	FS6-2791-000	120 - 28
FH2-6941-00G	111 - 2		B4 - PS12	FS6-2900-000	310 - 54
	B6 - PLG1		B4 - PS15	FS6-8116-000	300 - 21A
FH3-0961-000	921 - T1		B4 - PS16	FS6-8992-000	102 - 23
FH3-2613-000	107 - 8	FH7-7559-000	190 - 3	FS7-0103-000	310 - 55
	B7 - 2		B4 - S3	FS7-0104-000	310 - 56
FH3-2614-000	107 - 8	FH9-0585-000	940 - Q1604	FS7-0701-000	351 - 8
	B7 - 2		940 - Q1605	FS7-0702-000	280 - 8
FH3-2615-000	107 - 9		940 - Q1606	FS7-0703-000	280 - 9
	B7 - 7		940 - Q1607	FS7-0704-000	280 - 10
FH3-2616-000	107 - 9		940 - Q1608	FS7-0707-000	106 - 13
	B7 - 7		940 - Q1609	FS7-0708-000	810 - 14
FH4-1380-000	920 - Q6822		B4 - PS1	FS7-0709-000	810 - 15
FH4-6001-000	930 - IC315		B4 - PS2	FS7-0717-000	640 - 34
	930 - IC316		B4 - PS3	FS7-0718-000	640 - 35
FH4-6002-000	940 - IC1601		B4 - PS4	FS7-0719-000	640 - 36
FH4-6072-000	950 - IC8		B4 - PS5	FS7-0720-000	640 - 37
FH4-6085-000	900 - IC1009		B4 - PS6	FS7-0721-000	640 - 38
FH4-6123-000	900 - IC1003	FM5-5153-000	107 - 29	FS7-0722-000	360 - 13
	930 - IC309		B4 - S2	FS7-0723-000	360 - 14
FH4-6141-000	930 - IC334	FS1-1189-000	104 - 8	FS7-0725-000	260 - 12
FH4-6145-000	900 - IC1005		104 - 14	FS7-0726-000	260 - 13
FH4-6152-000	950 - IC4	FS1-1202-000	350 - 20	FS7-0727-000	260 - 14
FH4-6208-000	950 - IC3		351 - 6	FS7-0728-000	260 - 15
FH5-3127-000	900 - 18	FS1-1594-000	640 - 28	FS7-0729-000	260 - 16
FH5-3378-000	900 - 20	FS1-9005-000	280 - 6	FS7-0730-000	260 - 17
FH5-3381-000	900 - 21	FS1-9010-000	310 - 49	FS7-0731-000	260 - 18
FH6-0834-000	130 - 10	FS2-1431-000	104 - 9	FS7-0737-000	260 - 19
FH6-1253-000	103 - 31	FS2-2783-000	103 - 7	FS7-0738-000	103 - 10
	B2 - M3		330 - 34	FS7-0739-000	330 - 36
FH6-1477-000	310 - 35	FS5-1212-000	640 - 29	FS7-0740-000	330 - 37
	B2 - M2	FS5-1261-000	103 - 8	FS7-0744-000	350 - 21
FH6-1845-000	250 - 1	FS5-1589-000	103 - 15	FS7-0745-000	350 - 17
	B2 - M1		310 - 39	FS7-0746-000	350 - 13
FH6-1848-000	280 - 5	FS5-1598-000	120 - 23	FS7-0747-000	350 - 14
	B2 - M4	FS5-1943-000	260 - 9	FS7-0750-000	103 - 33
FH6-1849-000	260 - 6		350 - 6	FS7-0752-000	310 - 58
	B2 - M9		350 - 12	FS7-0753-000	260 - 20

PART NUMBER	FIGURE & KEY NO.	PART NUMBER	FIGURE & KEY NO.	PART NUMBER	FIGURE & KEY NO.
FS7-0754-000	640 - 39	PCB	B1 - J316	VD7-0641-601	910 - FU1
FS7-0755-000	640 - 40		B1 - J320	VD7-0792-501	940 - FU1601
FS7-0756-000	310 - 48		B1 - J332	VD7-1622-001	921 - FU1
FS7-0757-000	310 - 57		B1 - J500	VS1-0842-002	B1 - J1
FS7-0758-000	310 - 47		B1 - J501	VS1-0842-003	B1 - J3026
FS7-0760-000	103 - 21		B1 - J701		B1 - J6804
FS7-0761-000	120 - 25		B1 - J702	VS1-0842-004	B1 - J1060
FS7-2287-000	101 - 7		B1 - J707		B1 - J3025
FS7-2288-000	101 - 17		B1 - J708	VS1-5057-002	102 - 21
	101 - 19		B1 - J712		107 - 19
FS7-2372-000	351 - 9		B1 - J713		191 - 5
FS7-2373-000	810 - 16		B1 - J716		250 - 10
FS7-2374-000	810 - 17		B1 - J717		260 - 21
FS7-2375-000	810 - 18		B1 - J1011		460 - 2
FS7-2380-000	105 - 3		B1 - J1011		810 - 31A
FS7-2382-000	330 - 19		B1 - J1015		B1 - J21
	330 - 41		B1 - J1017		B1 - J3023
FS7-2383-000	330 - 38		B1 - J1018		B1 - J3052
FS7-2385-000	107 - 10		B1 - J1019		B1 - J3081
FS7-2386-000	104 - 11		B1 - J1019		B1 - J3082
FS7-2387-000	104 - 22		B1 - J1020		B1 - J3083
FS7-2390-000	350 - 7		B1 - J1021		B1 - J3125
FS7-2398-000	351 - 23		B1 - J1022		B1 - J3202
FS7-2400-000	300 - 10		B1 - J1023		B1 - J9021
FS7-2404-000	100 - 14		B1 - J1024	VS1-5057-003	104 - 18A
FS7-2405-000	640 - 41		B1 - J1027		190 - 4
FS7-2406-000	120 - 29		B1 - J1028		191 - 6
FS7-2408-000	310 - 59		B1 - J1058		315 - 11
FS7-2409-000	310 - 60		B1 - J1059		320 - 4A
FS7-2410-000	105 - 5		B1 - J1060		330 - 44
FS7-2411-000	102 - 16		B1 - J1061		351 - 16A
FS7-2413-000	310 - 11		B1 - J1101		460 - 3
FS7-2414-000	310 - 50		B1 - J1102		B1 - J3020
FS7-8071-000	300 - 32		B1 - J1103		B1 - J3021
FS7-8072-000	300 - 33		B1 - J1104		B1 - J3024
FS7-8267-000	810 - 32E		B1 - J1601		B1 - J3042
PCB	B1 - J1		B1 - J1602		B1 - J3084
	B1 - J2		B1 - J1603		B1 - J3118
	B1 - J2		B1 - J1604		B1 - J3119
	B1 - J3		B1 - J1607		B1 - J3122
	B1 - J4		B1 - J1608		B1 - J3127
	B1 - J5		B1 - J2060	VS1-5057-004	107 - 28
	B1 - J5		B1 - J3110		190 - 1A
	B1 - J6		B1 - J6801		261 - 2
	B1 - J6		B1 - J6803		350 - 15A
	B1 - J7	B1 - J6804		B1 - J3025	
	B1 - J8	B1 - J6805		B1 - J3115	
	B1 - J11	B1 - J6806		B1 - J3141	
	B1 - J11	B1 - J6807		B1 - J3144	
	B1 - J20	B1 - J6808		B1 - J3151	
	B1 - J100	B1 - J7040	VS1-5057-006	101 - 21	
	B1 - J100	B1 - J7050		320 - 4B	
	B1 - J110	B1 - J9201		360 - 18A	
	B1 - J111	B1 - J9202		B1 - J3041	
	B1 - J120	B1 - J9203		B1 - J3111	
	B1 - J121	B1 - J9802		B1 - J3117	
	B1 - J122			B1 - J3121	
	B1 - J124	RA9-1124-000	351 - 10	B1 - J3145	
	B1 - J126	RB1-6539-000	310 - 61		
	B1 - J127	RB1-6592-000	310 - 63	VS1-5057-007	
	B1 - J130	RB1-6653-000	351 - 12	101 - 22	
	B1 - J131	RB1-7067-000	900 - 2	B1 - J3120	
	B1 - J135	RB2-1920-000	810 - 19	B1 - J3140	
	B1 - J136	RB2-1929-000	810 - 20	B1 - J3130	
	B1 - J200	RB2-1930-000	810 - 21	B1 - J3900	
	B1 - J201	RB2-1947-000	810 - 23	B1 - J3029	
	B1 - J202	RB2-4389-000	810 - 24	B1 - J3053	
	B1 - J203	RH2-5281-000	B1 - J3201	B1 - J3172	
	B1 - J204	RH2-5317-000	B1 - J3201	B1 - J4101	
	B1 - J205	RH5-3058-000	810 - 25	B1 - J21	
	B1 - J208	RS1-1087-000	810 - 26	B1 - J3052	
	B1 - J300	RS5-1446-000	810 - 27	B1 - J3202	
	B1 - J301	RS5-2489-000	351 - 15	B1 - J3021	
	B1 - J302	RS6-0354-000	810 - 28	B1 - J3042	
	B1 - J304	RS6-2192-000	810 - 32F	B1 - J3043	
	B1 - J307	RS6-8382-000	100 - 41	B1 - J127	
	B1 - J308		100 - 44	B1 - J332	
	B1 - J309	VD7-0211-001	460 - 4	B1 - J716	
	B1 - J310	VD7-0213-151	110 - 5	B1 - J1027	
	B1 - J311	VD7-0602-001	910 - FU1	B1 - J717	
	B1 - J312		930 - FU300	B1 - J122	
	B1 - J313		930 - FU301	B1 - J320	
	B1 - J314		930 - FU303	B1 - J1058	
	B1 - J315	VD7-0602-501	930 - FU304	B1 - J3200	
	B1 - J316	VD7-0641-001	930 - FU302	B1 - J309	
			111 - 6	B1 - J3090	
				B1 - J126	
				VS1-6302-009	

PART NUMBER	FIGURE & KEY NO.	PART NUMBER	FIGURE & KEY NO.	PART NUMBER	FIGURE & KEY NO.
VS1-6302-010	B1 - J124	VS1-6321-003	B1 - J3118	WM2-5166-000	107 - 24
	B1 - J900		B1 - J3119	WS3-5160-000	B1 - J120
VS1-6302-015	B1 - J121		B1 - J3122		B1 - J130
	B1 - J1020		B1 - J3123		B1 - J131
VS1-6313-004	B1 - J500		B1 - J3127		B1 - J135
VS1-6313-005	B1 - J501		B1 - J3142		B1 - J200
VS1-6313-009	B1 - J311		B1 - J3146		B1 - J202
VS1-6313-010	B1 - J308		B1 - J3147		B1 - J203
	B1 - J314		B1 - J16080		B1 - J204
VS1-6313-011	B1 - J315	VS1-6321-004	B1 - J707		B1 - J300
VS1-6313-012	B1 - J304		B1 - J1603		B1 - J702
	B1 - J313		B1 - J3025		B1 - J713
	B1 - J3040		B1 - J3086		B1 - J3053
VS1-6313-013	B1 - J301		B1 - J3115		B1 - J3088
VS1-6313-015	B1 - J312		B1 - J3129		B1 - J3126
VS1-6313-018	B1 - J302		B1 - J3141		B1 - J4101
	B1 - J1018		B1 - J3144	WS3-5174-000	B1 - J7
	B1 - J6801		B1 - J3151		B1 - J8
VS1-6314-003	B1 - J110	VS1-6321-005	B1 - J3124	WS3-5291-000	B1 - J2003
	B1 - J201	VS1-6321-006	B1 - J1022	WS3-5292-000	B1 - J2003
	B1 - J701		B1 - J3041	WS3-5301-000	B1 - J3053
	B1 - J1021		B1 - J3111		B1 - J3172
	B1 - J3028		B1 - J3117		B1 - J4101
	B1 - J16030		B1 - J3121	WS3-5358-000	B1 - J21
	B1 - J16070		B1 - J3145		B1 - J3021
VS1-6314-004	B1 - J307	VS1-6321-007	B1 - J208		B1 - J3042
	B1 - J712		B1 - J708		B1 - J3043
	B1 - J1059		B1 - J3120		B1 - J3052
	B1 - J1061		B1 - J47		B1 - J3202
	B1 - J9203		B1 - J205	WS3-5399-000	B1 - J8
VS1-6314-005	B1 - J4	VS1-6321-010	B1 - J3140	WS3-5403-000	B1 - J3022
	B1 - J310	VS1-6321-012	B1 - J136	WS3-5569-000	B1 - J121
	B1 - J3128		B1 - J3130		B1 - J122
VS1-6314-006	B1 - J111	VS1-6321-013	B1 - J3900		B1 - J124
	B1 - J1104	VS1-6407-080	B1 - J1015		B1 - J126
	B1 - J6807		B1 - J9201		B1 - J127
VS1-6314-008	B1 - J1103	VS1-6534-002	B1 - J7100		B1 - J309
	B1 - J6808	VS1-6702-004	B1 - J3200		B1 - J320
VS1-6314-009	B1 - J311	VS3-0247-004	B1 - J3022		B1 - J332
VS1-6314-010	B1 - J308	VS3-0248-004	B1 - J3022		B1 - J716
	B1 - J314	VS3-5083-002	B1 - J135		B1 - J717
	B1 - J1024		B1 - J713		B1 - J900
	B1 - J1102		B1 - J3053		B1 - J1020
	B1 - J6805	VS3-5083-003	B1 - J200		B1 - J1027
VS1-6314-011	B1 - J20		B1 - J3088		B1 - J1058
	B1 - J315		B1 - J3126		B1 - J3090
	B1 - J1023	VS3-5083-004	B1 - J120		B1 - J3200
	B1 - J1101		B1 - J702	WS3-5595-000	B1 - J3022
	B1 - J6806		B1 - J4101	WS3-5658-000	B1 - J7100
VS1-6314-012	B1 - J304	VS3-5083-005	B1 - J131	WS3-5720-000	B1 - J3200
	B1 - J313	VS3-5083-006	B1 - J202	WS4-0217-000	B1 - J2000
	B1 - J3040	VS3-5083-007	B1 - J130		B1 - J2001
VS1-6314-013	B1 - J301		B1 - J203	WS4-0219-000	B1 - J2
VS1-6314-015	B1 - J312	VS3-5083-008	B1 - J300		B1 - J4
VS1-6314-018	B1 - J302	VS3-5083-010	B1 - J204		B1 - J2002
	B1 - J1018	VS3-5116-006	B1 - J7	WT2-5041-000	106 - 15
	B1 - J1601	VS3-5121-003	B1 - J2003	WT2-5565-000	103 - 30A
	B1 - J6801	VS3-5122-003	B1 - J2003		320 - 4D
VS1-6319-024	320 - 4C	VS4-0001-002	B1 - J4		320 - 13
	B1 - J3040		B1 - J2002		351 - 16B
VS1-6320-003	B1 - J3046	VS4-0001-004	B1 - J2		360 - 18B
	B1 - J3047	VS4-0002-002	B1 - J2000	X71-9310-000	640 - 42
	B1 - J3143		B1 - J2001	XA9-0134-000	810 - 29
VS1-6320-012	B1 - J136	VT2-5161-018	B1 - J311	XA9-0266-000	100 - 43
VS1-6321-002	B1 - J21	VT2-5161-020	B1 - J308	XA9-0591-000	103 - 22
	B1 - J3023		B1 - J314		130 - 11
	B1 - J3052	VT2-5161-022	B1 - J315		300 - 11
	B1 - J3081	VT2-5161-024	B1 - J304		310 - 65
	B1 - J3082		B1 - J313	XA9-0605-000	100 - 22
	B1 - J3083		B1 - J3040		100 - 40
	B1 - J3110	VT2-5161-026	B1 - J301		120 - 33
	B1 - J3125	VT2-5161-030	B1 - J312		350 - 9
	B1 - J9020	VT2-5161-036	B1 - J302		351 - 27
	B1 - J9021		B1 - J1018	XA9-0606-000	315 - 15
VS1-6321-003	B1 - J1607		B1 - J6801	XA9-0626-000	101 - 3
	B1 - J1608	VT2-5162-024	B1 - J136		101 - 13
	B1 - J3020	WA7-2322-000	900 - 12	XA9-0700-000	104 - 15
	B1 - J3021	WA7-2437-000	900 - 11	XA9-0702-000	810 - 30
	B1 - J3024	WC8-5178-000	102 - 8	XA9-0714-000	640 - 43
	B1 - J3042		B5 - SW3	XA9-0721-000	101 - 1
	B1 - J3044	WE8-5857-000	351 - 16C		106 - 6
	B1 - J3045	WE8-5925-000	900 - 8	XA9-1289-000	105 - 6
	B1 - J3084	WK1-0084-000	930 - 2	XA9-1301-000	100 - 35
	B1 - J3112	WK1-5019-000	900 - 13	XB1-2300-407	107 - 504
	B1 - J3113	WM2-5160-000	107 - 24	XB1-2300-409	104 - 506

PART NUMBER	FIGURE & KEY NO.	PART NUMBER	FIGURE & KEY NO.	PART NUMBER	FIGURE & KEY NO.
XB1-2300-409	106 - 503	XB6-7400-609	101 - 504		
	191 - 501		104 - 504		
	300 - 503		107 - 503		
	310 - 501		107 - 506		
	330 - 507		100 - 505		
XB1-2300-607	640 - 501	XB6-7400-807	104 - 502		
	107 - 501		104 - 502		
	107 - 507		310 - 502		
	130 - 501		110 - 504		
	900 - 501		360 - 502		
XB1-2300-609	900 - 503	XB6-7401-206	330 - 508		
	102 - 502		103 - 502		
	103 - 508		103 - 502		
	107 - 508		330 - 513		
	110 - 501		103 - 503		
XB1-2300-805	260 - 501	XB6-7501-007	250 - 503		
	300 - 501		260 - 503		
	300 - 504		320 - 502		
	350 - 501		330 - 509		
	350 - 503		350 - 502		
XB1-2301-009	640 - 502	XD1-1106-215	350 - 504		
	101 - 503		350 - 505		
	106 - 506		350 - 506		
	106 - 505		351 - 501		
	110 - 502		360 - 503		
XB1-2400-409	106 - 505	XD1-4200-402	810 - 501		
	106 - 506		103 - 504		
	106 - 505		104 - 503		
	110 - 502		104 - 505		
	120 - 501		260 - 504		
XB1-2400-606	330 - 501	XD1-1100-242	330 - 510		
	110 - 503		810 - 502		
	111 - 501		315 - 502		
	107 - 509		120 - 503		
	110 - 505		310 - 504		
XB1-2400-803	111 - 501	XD2-1100-642	640 - 505		
	111 - 501		310 - 505		
	107 - 509		191 - 503		
	110 - 503		330 - 511		
	111 - 501		120 - 502		
XB1-2402-009	107 - 509	XD3-2200-122	106 - 504		
	110 - 505		260 - 505		
	111 - 502		360 - 16		
	130 - 502		120 - 30		
	102 - 503		310 - 66		
XB2-7400-607	102 - 504	XD2-2100-402	350 - 18		
	330 - 502		310 - 506		
	360 - 501		315 - 502		
	330 - 503		120 - 503		
	330 - 506		310 - 504		
XB2-8300-607	102 - 502	XD2-2100-502	640 - 505		
	102 - 503		310 - 505		
	102 - 504		191 - 503		
	330 - 502		330 - 511		
	360 - 501		120 - 502		
XB2-8300-807	330 - 506	XD3-2160-102	106 - 504		
	103 - 506		260 - 505		
	260 - 502		360 - 16		
	261 - 501		120 - 30		
	280 - 501		310 - 66		
XB2-8400-809	103 - 507	XD3-1300-102	350 - 18		
	104 - 507		310 - 506		
	310 - 503		315 - 502		
	320 - 501		120 - 503		
	100 - 502		310 - 504		
XB3-6300-600	100 - 503	XD3-2160-162	640 - 45		
	100 - 507		120 - 31		
	100 - 507		310 - 68		
	101 - 501		310 - 76		
	102 - 501		100 - 31		
XB3-6300-605	103 - 501	XD3-2200-122	310 - 69		
	104 - 501		103 - 24		
	104 - 508		360 - 17		
	105 - 501		103 - 25		
	105 - 502		315 - 12		
XB3-6300-609	105 - 503	XD3-2200-142	640 - 46		
	106 - 501		260 - 505		
	106 - 502		360 - 16		
	107 - 502		120 - 30		
	330 - 504		310 - 66		
XB3-6300-800	330 - 506	XD9-0103-000	350 - 18		
	103 - 506		120 - 30		
	103 - 507		310 - 66		
	104 - 507		350 - 18		
	310 - 503		120 - 30		
XB3-6400-800	320 - 501	XD9-0104-000	350 - 22		
	100 - 502		310 - 67		
	100 - 503		640 - 45		
	100 - 507		120 - 31		
	101 - 501		310 - 68		
XB3-6400-805	102 - 501	XD9-0131-000	310 - 76		
	103 - 501		100 - 31		
	104 - 501		310 - 69		
	104 - 508		103 - 24		
	105 - 501		360 - 17		
XB3-7400-809	105 - 502	XD9-0134-000	103 - 25		
	105 - 503		315 - 12		
	106 - 501		640 - 46		
	106 - 502		640 - 47		
	107 - 502		103 - 26		
XB4-7300-609	330 - 504	XD9-0137-000	640 - 48		
	100 - 501		310 - 70		
	101 - 502		120 - 32		
	103 - 505		310 - 64		
	100 - 504		360 - 15		
XB4-7300-809	300 - 506	XD9-0206-000	106 - 7		
	315 - 501		XF2-1121-540		
	190 - 501		XF2-3110-840		
	300 - 505		XF2-3112-940		
	640 - 503		XF2-3113-140		
XB4-7301-609	640 - 504	XF9-0393-000	315 - 12		
	900 - 502		640 - 46		
	100 - 506		640 - 47		
	330 - 505		103 - 26		
	330 - 512		640 - 48		
XB4-7400-807	300 - 502	XG9-0111-000	310 - 70		
	190 - 502		120 - 32		
	191 - 502		310 - 64		
	280 - 502		360 - 15		
	250 - 502		106 - 7		
XB4-7400-809	107 - 505	XG9-0218-000	102 - 20		
	102 - 505		102 - 19		
	250 - 501				
	280 - 502				
	250 - 502				
XB4-7401-009	280 - 502	XG9-0250-000			
	250 - 502				
	107 - 505				
	102 - 505				
	250 - 501				
XB4-7403-509	280 - 502	XG9-0262-000			
	250 - 502				
	107 - 505				
	102 - 505				
	250 - 501				
XB4-7403-509	280 - 502	XG9-0403-000			
	250 - 502				
	107 - 505				
	102 - 505				
	250 - 501				
XB4-7403-509	280 - 502	XG9-0407-000			
	250 - 502				
	107 - 505				
	102 - 505				
	250 - 501				
XB4-7403-509	280 - 502	XG9-0482-000			
	250 - 502				
	107 - 505				
	102 - 505				
	250 - 501				
XB4-7403-509	280 - 502	XH9-0125-000			
	250 - 502				
	107 - 505				
	102 - 505				
	250 - 501				
XB4-7403-509	280 - 502	XZ9-0526-000			
	250 - 502				
	107 - 505				
	102 - 505				
	250 - 501				
XB4-7403-509	280 - 502	XZ9-0527-000			
	250 - 502				
	107 - 505				
	102 - 505				
	250 - 501				
XB4-7403-509	280 - 502				
	250 - 502				
	107 - 505				
	102 - 505				
	250 - 501				
XB4-7403-509	280 - 502				
	250 - 502				
	107 - 505				
	102 - 505				
	250 - 501				
XB4-7403-509	280 - 502				
	250 - 502				
	107 - 505				
	102 - 505				
	250 - 501				
XB4-7403-509	280 - 502				
	250 - 502				
	107 - 505				
	102 - 505				
	250 - 501				
XB4-7403-509	280 - 502				
	250 - 502				
	107 - 505				
	102 - 505				
	250 - 501				
XB4-7403-509	280 - 502				
	250 - 502				
	107 - 505				
	102 - 505				
	250 - 501				
XB4-7403-509	280 - 502				
	250 - 502				
	107 - 505				
	102 - 505				
	250 - 501				
XB4-7403-509	280 - 502				
	250 - 502				
	107 - 505				
	102 - 505				
	250 - 501				
XB4-7403-509	280 - 502				
	250 - 502				
	107 - 505				
	102 - 505				
	250 - 501				
XB4-7403-509	280 - 502				
	250 - 502				
	107 - 505				
	102 - 505				
	250 - 501				
XB4-7403-509	280 - 502				
	250 - 502				
	107 - 505				
	102 - 505				
	250 - 501				
XB4-7403-509	280 - 502				
	250 - 502				
	107 - 505				
	102 - 505				
	250 - 501				
XB4-7403-509	280 - 502				
	250 - 502				
	107 - 505				
	102 - 505				
	250 - 501				
XB4-7403-509	280 - 502				
	250 - 502				
	107 - 505				
	102 - 505				
	250 - 501				
XB4-7403-509	280 - 502				
	250 - 502				
	107 - 505				
	102 - 505				
	250 - 501				
XB4-7403-509	280 - 502				
	250 - 502				
	107 - 505				
	102 - 505				
	250 - 501				
XB4-7403-509	280 - 502				
	250 - 502				
	107 - 505				
	102 - 505				
	250 - 501				
XB4-7403-509	280 - 502				
	250 - 502				
	107 - 505				

# D3 NUMERICAL INDEX (Cassette Feeding Unit - W1)

PART NUMBER	FIGURE & KEY NO.	PART NUMBER	FIGURE & KEY NO.	PART NUMBER	FIGURE & KEY NO.
FB3-2210-000	Z11 - 1	FG3-1761-000	Z11 - 32	PCB	Z B1 - J656
FB3-2811-000	Z12 - 1		Z B2 - S1		Z B1 - J657
FB3-2837-000	Z12 - 2	FG3-1896-000	Z11 - 33		Z B1 - J1601
FB3-2855-020	Z40 - 2		Z B2 - S2		Z B1 - J1602
FB3-2856-020	Z40 - 3	FG6-0767-000	Z91 -		Z B1 - J1603
FB3-2863-000	Z40 - 4		Z B2 - 1		Z B1 - J1604
FB3-2864-000	Z40 - 5		Z B2 - Q1603		Z B1 - J1607
FB3-2868-020	Z40 - 6		Z B2 - Q1604	RB1-6539-000	Z40 - 74
FB3-2880-000	Z40 - 7		Z B2 - Q1605	RB1-6588-000	Z40 - 75
FB3-2881-000	Z40 - 8		Z B2 - Q1606	RB1-6592-000	Z40 - 76
FB3-2889-000	Z40 - 88		Z B2 - Q1607	VS1-0842-003	Z B1 - J30
FB3-2894-020	Z40 - 9		Z B2 - Q1608		Z B1 - J31
FB3-2897-020	Z40 - 10		Z B2 - Q1609	VS1-0842-006	Z B1 - J10
FB3-2898-020	Z40 - 11	FG6-0770-000	Z90 -		Z B1 - J11
FB3-2937-000	Z11 - 20		Z B2 - 2	VS1-0842-007	Z B1 - J651
FB3-2948-000	Z11 - 27	FG6-5987-000	Z12 -	VS1-5057-003	Z11 - 19A
FB3-3192-030	Z32 - 1	FG6-5988-000	Z20 -		Z B1 - J30
FB3-4144-000	Z11 - 2	FG6-5989-000	Z40 -	VS1-5057-006	Z11 - 9
FB3-4149-000	Z40 - 12	FG6-5993-000	Z35 -		Z B1 - J10
FB3-4151-000	Z12 - 3	FG6-5995-000	Z32 - 5		Z B1 - J11
FB3-4154-000	Z12 - 4	FH2-6481-000	Z B1 - J2060		Z B1 - J2060
FB3-4155-000	Z40 - 13	FH2-6706-000	Z32 - 6	VS1-5452-008	Z B1 - J1740L
FB3-7192-000	Z32 - 2		Z B2 - P1	VS1-6023-006	Z B1 - J1740U
FB3-7216-000	Z11 - 3	FH6-1477-000	Z40 - 43		Z B1 - J656
FB4-3343-020	Z40 - 14		Z B2 - M2	VS1-6314-003	Z B1 - J1603D
FB4-3801-000	Z40 - 15	FH6-1523-000	Z20 - 2		Z B1 - J1607
FB4-5347-000	Z40 - 16		Z B2 - M1	VS1-6314-014	Z B1 - J652
FB4-5349-000	Z40 - 18	FH6-5005-000	Z40 - 44	VS1-6314-018	Z B1 - J655
FB4-5350-000	Z40 - 19		Z B2 - CL1		Z B1 - J1601
FB4-5365-000	Z40 - 21	FH6-5020-000	Z40 - 45	VS1-6320-006	Z B1 - J11
FB4-5367-000	Z40 - 23		Z B2 - SL1	VS1-6321-003	Z B1 - J21
FB5-1471-000	Z11 - 21	FH7-4576-000	Z32 - 3		Z B1 - J22
FB5-2340-000	Z12 - 5		Z B2 - H1		Z B1 - J30
FB5-3540-000	Z11 - 13	FH7-7394-000	Z35 - 3		Z B1 - J1608
FB5-3928-000	Z11 - 18		Z B2 - PS1	VS1-6321-004	Z B1 - J1603
FB5-4726-000	Z40 - 24	FH7-7462-000	Z40 - 46	VS1-6321-006	Z B1 - J10
FB5-4727-000	Z40 - 25		Z B2 - PS2	VS3-0312-004	Z B1 - J60
FB5-4728-000	Z40 - 26		Z B2 - PS3		Z B1 - J657
FB5-4762-000	Z11 - 22	FS1-1401-000	Z20 - 3	VS3-5083-004	Z B1 - J650
FB5-5162-000	Z11 - 4	FS5-1164-000	Z40 - 47	VS4-0002-002	Z B1 - J1
FB5-5286-000	Z40 - 29	FS5-1589-000	Z40 - 48	WS3-5005-000	Z B1 - J60
FB5-5287-000	Z40 - 30	FS5-1594-020	Z35 - 4		Z B1 - J657
FB5-5289-000	Z40 - 31	FS5-1595-000	Z12 - 6	WS3-5018-000	Z B1 - J2060
FB5-5385-000	Z10 - 1	FS5-1598-000	Z12 - 7	WS3-5160-000	Z B1 - J650
FB5-5386-000	Z10 - 2	FS5-1685-000	Z20 - 4	WS4-0217-000	Z B1 - J1
FB5-5387-000	Z10 - 3	FS5-1948-000	Z40 - 49	WT2-5041-000	Z32 - 4
FB5-5396-000	Z20 - 1	FS5-3620-000	Z40 - 50	XA9-0591-000	Z40 - 77
FB5-5397-000	Z11 - 5	FS5-3821-000	Z40 - 51	XA9-0624-000	Z20 - 10
FB5-5398-000	Z11 - 6	FS5-3823-000	Z40 - 52	XA9-0626-000	Z11 - 31
FB5-5399-000	Z10 - 4	FS5-3830-000	Z40 - 53		Z35 - 6
FB5-5400-000	Z11 - 14	FS5-3831-000	Z40 - 54	XA9-0629-000	Z11 - 16
FB5-5402-000	Z40 - 32	FS5-3833-000	Z40 - 55		Z20 - 9
FB5-5403-000	Z35 - 1	FS5-6487-000	Z40 - 56	XA9-0633-000	Z10 - 5
FB5-5404-000	Z40 - 33	FS5-9397-000	Z11 - 29	XA9-0679-000	Z40 - 78
FB5-5405-000	Z40 - 34	FS6-0564-000	Z40 - 57	XA9-0724-000	Z40 - 79
FB5-5412-000	Z40 - 27	FS6-0565-000	Z40 - 58	XA9-0732-000	Z11 - 10
FB5-5413-000	Z40 - 28	FS6-0569-000	Z40 - 59	XB1-2300-409	Z40 - 501
FB5-5415-000	Z40 - 1	FS6-0570-000	Z40 - 60	XB1-2300-607	Z11 - 501
FB5-9794-000	Z40 - 20	FS6-0572-000	Z40 - 61	XB1-2300-609	Z32 - 503
FB5-9795-000	Z40 - 22	FS6-0574-000	Z40 - 62	XB1-2301-009	Z11 - 502
FB5-9802-000	Z40 - 17	FS6-0576-000	Z40 - 63	XB1-2400-409	Z32 - 501
FE9-0290-000	Z11 - 15	FS6-0629-000	Z35 - 5	XB1-2400-606	Z32 - 502
FF3-1171-000	Z11 - 28	FS6-0631-000	Z40 - 64	XB4-7400-809	Z12 - 501
FF3-1318-000	Z11 - 7	FS6-0633-000	Z20 - 5	XB6-7400-609	Z11 - 503
FF3-2974-000	Z40 - 35	FS6-0635-000	Z20 - 6	XB6-7400-809	Z12 - 502
FF3-2975-000	Z40 - 36	FS6-2308-000	Z12 - 8	XD1-1108-225	Z40 - 503
FF3-4175-000	Z40 - 37	FS6-2311-000	Z11 - 30	XD2-1100-502	Z35 - 501
FF3-4287-000	Z11 - 32A	FS6-2328-020	Z40 - 65	XD2-1100-642	Z35 - 502
FF3-4341-000	Z11 - 33A	FS6-2330-000	Z40 - 66	XD2-1200-502	Z20 - 501
FF5-4552-020	Z40 - 38	FS6-2900-000	Z40 - 67	XD2-2100-402	Z40 - 504
FF5-4634-020	Z40 - 39	FS7-0103-000	Z40 - 68	XD2-2100-502	Z12 - 503
FF5-4901-000	Z11 - 8	FS7-0104-000	Z40 - 69	XD2-2100-802	Z40 - 505
FF5-4903-000	Z40 - 40	FS7-0105-000	Z40 - 70	XD3-1200-122	Z40 - 502
FF5-4908-000	Z35 - 2	FS7-0791-000	Z20 - 7	XD3-2200-082	Z35 - 503
FF6-0087-000	Z11 - 24	FS7-0792-000	Z20 - 8	XD9-0104-000	Z40 - 80
FF6-0096-000	Z11 - 26	FS7-2287-000	Z11 - 23	XD9-0121-000	Z20 - 11
FF6-0108-000	Z40 - 86	FS7-2288-000	Z11 - 25	XD9-0131-000	Z40 - 81
FF6-0109-000	Z40 - 87	FS7-2363-000	Z12 - 9		Z40 - 82
FF6-0297-000	Z40 - 41	FS7-2413-000	Z40 - 71	XF2-1121-540	Z40 - 83
FF6-0299-000	Z40 - 42	FS7-2414-000	Z40 - 72	XF2-3110-840	Z40 - 84
FG3-1730-000	Z11 - 12	FS7-2775-000	Z40 - 73	XG3-8012-355	Z40 - 85
FG3-1731-000	Z11 - 34	PCB	Z B1 - J650	XZ9-0508-000	Z11 - 17
FG3-1732-000	Z11 - 35		Z B1 - J651		
FG3-1733-000	Z11 - 11		Z B1 - J652		
FG3-1734-000	Z11 - 19		Z B1 - J655		



# D4 NUMERICAL INDEX (Paper Deck - L1)

PART NUMBER	FIGURE & KEY NO.	PART NUMBER	FIGURE & KEY NO.	PART NUMBER	FIGURE & KEY NO.
FA6-7751-000	R11 - 1	FB5-5423-000	R10 - 4	FS5-2291-000	R40 - 44
FA6-8257-000	R30 - 2	FB5-5424-000	R10 - 5	FS5-2885-000	R40 - 45
FA9-2112-000	R40 - 1	FB5-5425-000	R10 - 26	FS5-3333-000	R40 - 46
FB2-7720-000	R40 - 3	FB5-5430-020	R10 - 27	FS5-7441-000	R40 - 50
FB2-7721-000	R40 - 4	FB5-7009-000	R30 - 46	FS5-7442-000	R40 - 57
FB2-7740-020	R30 - 3	FF3-3462-000	R35 - 1	FS5-8618-000	R30 - 35
FB2-7754-030	R40 - 5	FF3-3464-000	R35 - 2	FS6-0053-020	R40 - 47
FB2-7755-000	R40 - 6	FF5-5282-030	R30 - 24	FS6-0091-000	R40 - 48
FB2-7777-020	R40 - 7	FF5-6148-000	R30 - 25	FS6-0722-000	R30 - 36
FB2-8293-000	R11 - 2	FF5-6157-020	R40 - 28	FS6-0907-000	R40 - 49
FB2-8422-000	R40 - 26	FF5-6160-000	R30 - 26	FS6-0909-000	R30 - 37
FB2-9248-000	R30 - 4	FF5-6161-000	R30 - 27	FS6-0912-000	R10 - 23
FB3-9188-020	R40 - 8	FF5-6163-000	R10 - 18	FS6-0913-000	R10 - 24
FB3-9192-020	R40 - 9	FF5-6164-020	R10 - 19	FS6-2593-000	R11 - 28
FB3-9193-020	R40 - 10	FF5-6171-000	R30 - 28	FS6-2673-000	R30 - 38
FB3-9195-020	R40 - 11	FF5-6338-000	R40 - 27	FS6-2674-000	R11 - 29
FB3-9196-020	R40 - 12	FF5-7529-000	R40 - 29	FS6-2675-000	R40 - 51
FB3-9206-000	R40 - 13	FF5-7530-000	R40 - 30	FS6-2676-000	R11 - 30
FB3-9207-030	R40 - 14	FF5-7532-000	R40 - 31	FS6-2677-000	R10 - 15
FB3-9214-000	R40 - 15	FF5-7535-000	R11 - 11	FS6-2678-000	R40 - 52
FB3-9216-000	R40 - 16	FF5-7536-000	R11 - 12	FS6-2895-000	R40 - 53
FB3-9217-000	R40 - 17	FF5-7541-000	R40 - 33	FS6-2897-000	R01 - 11
FB3-9235-000	R30 - 5	FF5-7829-000	R40 - 34	FS6-8412-000	R10 - 21
FB3-9237-000	R30 - 6	FF5-7830-000	R40 - 35	FS7-0423-000	R10 - 22
FB3-9238-000	R30 - 7	FF5-8912-000	R10 - 17	FS7-0801-000	R11 - 33
FB3-9240-000	R30 - 8	FF6-0315-000	R01 - 10	FS7-0802-000	R11 - 31
FB3-9241-000	R30 - 9	FF6-0316-000	R01 - 17	PCB	R B1 - J1
FB3-9242-000	R30 - 10	FF6-1976-000	R40 - 32		R B1 - J2
FB3-9243-000	R30 - 11	FG3-1711-000	R11 - 17		R B1 - J3
FB3-9244-000	R30 - 12		R B2 - 1		R B1 - J4
FB3-9260-000	R11 - 3	FG3-1712-000	R11 - 13		R B1 - J5
FB3-9261-000	R11 - 4	FG3-1713-000	R11 - 18		R B1 - J6
FB3-9270-000	R10 - 2	FG5-9288-000	R10 - 20		R B1 - J7
FB3-9289-000	R40 - 18		R B2 - LED100		R B1 - J20
FB3-9290-000	R11 - 5		R B2 - SW100	RH2-5283-000	R B1 - J26
FB3-9291-000	R10 - 9	FG6-1641-000	R40 - 36		R B1 - J31
FB3-9292-000	R10 - 10	FG6-1642-000	R30 - 29	VD7-0502-001	R35 - 6
FB3-9293-000	R10 - 11	FG6-1646-000	R11 - 16		R B2 - CB1
FB3-9711-000	R10 - 12	FG6-2528-000	R11 - 14		R B2 - CB2
FB3-9713-000	R40 - 19	FG6-2529-000	R11 - 15	VS1-0279-002	R B1 - J27
FB3-9714-000	R30 - 15	FG6-2531-000	R30 - 31	VS1-0852-007	R B1 - J1
FB3-9720-000	R30 - 16	FG6-2534-000	R30 - 30	VS1-5057-002	R11 - 32
FB3-9723-000	R30 - 17	FG6-2956-000	R35 - 3		R40 - 36A
FB3-9732-000	R10 - 17A	FG6-3577-000	R30 -		R B1 - J16
FB3-9735-000	R30 - 18	FG6-6011-000	R40 -		R B1 - J18
FB3-9742-000	R30 - 19	FH2-5759-000	R35 - 4		R B1 - J21
FB3-9749-000	R10 - 13	FH2-6481-000	R B1 - J7050	VS1-5057-003	R30 - 29A
FB3-9751-000	R10 - 14	FH6-1571-000	R11 - 19		R B1 - J25
FB3-9752-000	R40 - 20		R B2 - M1	VS1-5057-004	R11 - 13A
FB4-2007-000	R40 - 21	FH7-1791-020	R30 - 32		R B1 - J19
FB4-2013-000	R40 - 22		R B2 - M2	VS1-5057-010	R11 - 13B
FB4-2033-000	R40 - 34A	FH7-4584-000	R35 - 5		R B1 - J10
	R40 - 35A		R B2 - H1	VS1-5057-014	R11 - 13C
FB4-2034-000	R40 - 33A	FH7-5826-000	R40 - 37		R B1 - J15
FB4-4867-000	R01 - 1		R B2 - CL1	VS1-5452-008	R B1 - J7050
FB4-4868-000	R40 - 23		R B2 - CL2	VS1-6302-003	R B1 - J7
FB4-4873-000	R30 - 20	FH7-5827-000	R40 - 38	VS1-6302-010	R B1 - J4
FB4-4874-000	R30 - 21		R B2 - SL1	VS1-6313-013	R B1 - J5
FB4-4877-000	R11 - 7	FH7-5828-000	R11 - 20	VS1-6314-008	R B1 - J6
FB4-4878-000	R11 - 8		R B2 - SL2	VS1-6314-013	R B1 - J5
FB4-4882-000	R30 - 22	FH7-7312-000	R30 - 33	VS1-6320-004	R B1 - J19
FB4-4898-000	R40 - 24		R B2 - PS7	VS1-6320-010	R B1 - J10
FB4-4899-000	R40 - 25		R B2 - PS8	VS1-6320-014	R B1 - J15
FB4-4918-000	R01 - 18	FH7-7462-000	R11 - 21	VS1-6321-002	R B1 - J16
FB4-4919-000	R01 - 3		R11 - 22		R B1 - J18
FB4-4920-000	R01 - 4		R40 - 39		R B1 - J21
FB4-4922-000	R11 - 9		R B2 - PS1		R B1 - J28
FB4-4925-000	R10 - 6		R B2 - PS2	VS1-6321-003	R B1 - J11
FB4-4926-000	R10 - 3		R B2 - PS3		R B1 - J12
FB4-4928-000	R30 - 23		R B2 - PS4		R B1 - J13
FB4-4929-000	R11 - 10		R B2 - PS5		R B1 - J14
FB4-4932-000	R01 - 5		R B2 - PS6		R B1 - J17
FB4-4933-000	R01 - 6		R B2 - PS9		R B1 - J23
FB4-4937-000	R01 - 2	FS1-1189-000	R11 - 23		R B1 - J24
FB4-4938-000	R01 - 7		R40 - 58		R B1 - J25
FB4-4939-000	R01 - 14	FS1-1512-000	R40 - 40		R B1 - J29
FB4-6227-000	R40 - 2	FS1-1569-000	R40 - 41		R B1 - J30
FB4-6576-000	R01 - 8	FS1-9002-000	R01 - 12	VS1-6321-004	R B1 - J19
FB4-6577-000	R01 - 9	FS1-9009-000	R11 - 24		R B1 - J20
FB4-6578-000	R01 - 16	FS2-0450-000	R30 - 34	VS1-6321-010	R B1 - J10
FB4-9705-000	R30 - 14	FS2-0484-000	R40 - 42	VS1-6321-014	R B1 - J15
FB4-9706-000	R30 - 13	FS2-0544-000	R11 - 25	VS1-6372-010	R B1 - J22
FB4-9713-000	R30 - 45	FS2-0545-000	R11 - 27	VS1-6373-010	R B1 - J22
FB5-0553-000	R30 - 1	FS2-9343-000	R11 - 26	VS3-5083-003	R B1 - J3
FB5-5422-000	R11 - 6	FS5-0338-000	R40 - 43	VS4-0001-003	R B1 - J201

PART NUMBER	FIGURE & KEY NO.	PART NUMBER	FIGURE & KEY NO.	PART NUMBER	FIGURE & KEY NO.
VS4-0001-003	R B1 - J202	XD3-1300-082	R40 - 510		
VS4-0002-003	R B1 - J201	XD3-1300-102	R11 - 510		
VT2-0002-003	R11 - 38	XD3-2200-102	R40 - 511		
VT2-5161-026	R B1 - J5	XD3-2200-122	R30 - 512		
WC4-0153-000	R30 - 39	XD3-2200-142	R40 - 512		
	R B2 - SW2	XD3-2200-182	R30 - 513		
WC4-5153-000	R11 - 34	XF2-3228-532	R10 - 1		
	R B2 - SW1	XF9-0525-000	R40 - 55		
WS3-0437-000	R B1 - J27	XG3-6012-405	R30 - 43		
WS3-5018-000	R B1 - J7050	XG9-0242-000	R40 - 56		
WS3-5160-000	R B1 - J3	XG9-0250-000	R30 - 44		
WS3-5419-000	R B1 - J26				
	R B1 - J31				
WS3-5569-000	R B1 - J4				
	R B1 - J7				
	R B1 - J22				
WS3-5598-000	R B1 - J22				
WS4-0217-000	R B1 - J201				
WS4-0219-000	R B1 - J201				
	R B1 - J202				
WS5-5025-000	R B1 - IL1				
WT2-5041-000	R35 - 7				
X62-6825-000	R11 - 35				
XA9-0266-000	R10 - 25				
	R35 - 8				
XA9-0628-000	R35 - 9				
XA9-0721-000	R30 - 40				
XA9-0732-000	R01 - 13				
	R01 - 15				
	R10 - 7				
	R10 - 8				
	R10 - 16				
	R11 - 36				
	R11 - 37				
	R30 - 41				
	R30 - 42				
	R40 - 54				
XB1-2231-009	R11 - 501				
	R30 - 501				
XB1-2300-409	R35 - 501				
	R40 - 501				
XB1-2300-806	R10 - 502				
XB1-2400-409	R35 - 502				
XB1-2400-609	R01 - 501				
	R10 - 503				
	R11 - 502				
	R11 - 513				
	R30 - 502				
	R30 - 503				
	R40 - 502				
XB1-2400-806	R11 - 503				
XB1-2400-809	R01 - 502				
	R11 - 504				
XB1-2401-207	R01 - 503				
XB4-7301-209	R10 - 507				
	R10 - 508				
XB4-7400-807	R10 - 504				
	R10 - 509				
XB4-7401-006	R10 - 510				
XB6-2400-808	R30 - 504				
XB6-7300-409	R11 - 505				
	R35 - 503				
XB6-7400-609	R30 - 505				
XB6-7400-809	R30 - 506				
	R30 - 507				
XD1-4200-402	R11 - 508				
XD2-1100-242	R30 - 508				
	R40 - 503				
XD2-1100-372	R40 - 504				
XD2-1100-402	R11 - 511				
	R40 - 505				
XD2-1100-502	R10 - 505				
	R11 - 509				
	R11 - 512				
	R30 - 509				
	R40 - 506				
XD2-1100-642	R10 - 506				
	R11 - 506				
	R11 - 507				
	R30 - 510				
	R30 - 511				
	R40 - 507				
XD2-2300-402	R10 - 501				
XD3-1200-122	R40 - 508				
XD3-1200-142	R40 - 509				

# D5 NUMERICAL INDEX (Inner 2way Tray - A1)

PART NUMBER	FIGURE & KEY NO.	PART NUMBER	FIGURE & KEY NO.	PART NUMBER	FIGURE & KEY NO.
FB3-2812-000	Q30 - 1	XB1-2401-406	Q01 - 501		
FB5-4861-000	Q30 - 2	XD2-1100-322	Q30 - 502		
FB5-4862-000	Q30 - 3	XD2-1100-502	Q30 - 503		
FB5-4863-000	Q30 - 4	XD3-1300-102	Q30 - 505		
FB5-4866-000	Q30 - 5	XD3-2200-122	Q30 - 504		
FB5-4867-000	Q30 - 6	XF2-1106-240	Q30 - 55		
FB5-4869-000	Q30 - 7				
FB5-4872-000	Q30 - 8				
FB5-4873-000	Q30 - 9				
FB5-4881-000	Q30 - 10				
FB5-4885-000	Q30 - 11				
FB5-4886-000	Q01 - 1				
FB5-4888-000	Q30 - 12				
FB5-4891-000	Q30 - 13				
FB5-4900-000	Q30 - 14				
FB5-4901-000	Q01 - 2				
FB5-4902-000	Q01 - 3				
FB5-4903-000	Q30 - 15				
FB5-4904-000	Q30 - 16				
FB5-4905-000	Q30 - 17				
FB5-4906-000	Q30 - 18				
FB5-4907-000	Q30 - 19				
FB5-4908-000	Q30 - 20				
FB5-4910-000	Q30 - 21				
FB5-4920-000	Q30 - 22				
FB5-5141-000	Q30 - 23				
FB5-5142-000	Q30 - 24				
FB5-5150-000	Q30 - 25				
FB5-9574-000	Q30 - 53				
FB5-9808-000	Q30 - 54				
FB5-9811-000	Q01 - 6				
FF6-0132-000	Q30 - 26				
FG3-1878-000	Q30 - 48				
FG3-1879-000	Q30 - 50				
FG3-1880-000	Q30 - 51				
FG6-5693-000	Q30 -				
FH6-1850-000	Q30 - 27				
	Q B2 - M7				
	Q B2 - M8				
FH6-1943-000	Q30 - 57				
FH6-5019-000	Q30 - 28				
	Q B2 - SL3				
	Q30 - 29				
FH7-7462-000	Q B2 - PS19				
	Q B2 - PS20				
	Q B2 - PS21				
	Q B2 - PS24				
FS1-1202-000	Q30 - 30				
FS1-1508-000	Q30 - 31				
FS5-1377-000	Q30 - 32				
FS5-1943-000	Q30 - 33				
FS5-3835-000	Q30 - 56				
FS5-9661-000	Q01 - 4				
FS6-2337-000	Q30 - 34				
FS7-0732-000	Q30 - 35				
FS7-0733-000	Q30 - 36				
FS7-0734-000	Q30 - 37				
FS7-0744-000	Q30 - 38				
FS7-0748-000	Q30 - 39				
FS7-2391-000	Q30 - 40				
FS7-2392-000	Q30 - 41				
FS7-2393-000	Q30 - 42				
FS7-2397-000	Q30 - 43				
RF5-1448-000	Q30 - 44				
VS1-5057-002	Q30 - 45				
	Q B1 - J3904				
	Q B1 - J3905				
VS1-5057-004	Q30 - 48A				
	Q B1 - J3131				
	Q B1 - J3901				
VS1-6321-002	Q B1 - J3904				
	Q B1 - J3905				
VS1-6321-003	Q B1 - J3132				
	Q B1 - J3133				
	Q B1 - J3902				
	Q B1 - J3903				
VS1-6321-004	Q B1 - J3131				
	Q B1 - J3901				
VS1-6321-012	Q B1 - J3130				
VS1-6321-013	Q B1 - J3900				
WT2-5565-000	Q30 - 49				
XA9-0606-000	Q30 - 46				
XA9-0629-000	Q01 - 5				
XA9-1116-000	Q30 - 47				
XB1-2400-809	Q30 - 501				

# D6 NUMERICAL INDEX (Envelope Feeder Attachment - B1)

PART NUMBER	FIGURE & KEY NO.	PART NUMBER	FIGURE & KEY NO.	PART NUMBER	FIGURE & KEY NO.
FB3-2903-000	L10 - 2				
FB3-2908-000	L10 - 4				
FB3-2911-000	L10 - 1				
FB3-2912-000	L10 - 5				
FB3-2915-000	L10 - 6				
FB3-2916-000	L10 - 2				
FB3-2966-000	L10 - 7				
FB5-9575-000	L10 - 8				
FS1-9200-000	L10 - 3				
XA9-0929-000	L10 - 9				

# D7 NUMERICAL INDEX (Network Interface Adapter iN-TR2)

PART NUMBER	FIGURE & KEY NO.	PART NUMBER	FIGURE & KEY NO.	PART NUMBER	FIGURE & KEY NO.
FF3-4343-000 FG6-5796-000	N90 - IC6 N90 -				

# D8 NUMERICAL INDEX (Super G3 FAX Board - J1/J2)

PART NUMBER	FIGURE & KEY NO.	PART NUMBER	FIGURE & KEY NO.	PART NUMBER	FIGURE & KEY NO.
FB4-6724-000	G90 - 16	VS1-6314-020	G B1 - J31		
FB4-6728-000	G90 - 16		G B1 - J1005		
FB5-5120-000	G90 - 18	VS1-6702-010	G B1 - J900		
FB5-5126-000	G91 - 1	VS3-0143-002	G B1 - J105		
FB5-5130-000	G91 - 2	VS3-0143-006	G B1 - J7		
FB6-2875-000	G90 - 18	VS3-0143-011	G B1 - J911		
FG3-1582-000	G90 - 6	VS3-5080-002	G B1 - J4		
	G B2 - 3	VS3-5080-005	G B1 - J3		
FG3-1587-000	G90 - 7	VS3-5080-007	G B1 - J3		
	G B2 - 1		G B1 - J30		
FG3-1983-000	G90 - 9		G B1 - J911		
FG3-1984-000	G90 - 10	VS3-5083-003	G B1 - J714		
FG3-1985-000	G90 - 11	VS4-0002-002	G90 - 3		
FG3-1986-000	G90 - 12		G B1 - J2002		
FG3-1988-000	G90 - 13	VT2-5161-040	G B1 - J31		
FG3-1989-000	G90 - 14		G B1 - J1005		
FG3-1991-000	G90 - 11	WE8-5780-000	G90 - 11A		
FG3-1992-000	G90 - 6	WE8-5800-000	G90 - 9A		
	G B2 - 3	WS1-5370-000	G90 - 19		
FG3-2497-310	G90 - 8	WS3-5160-000	G B1 - J714		
FG3-2658-000	G90 - 11	WS3-5251-000	G B1 - J7		
FG3-2707-000	G90 - 8		G B1 - J105		
FG6-5798-020	G90 - 1		G B1 - J911		
	G B2 - 4	WS3-5569-000	G B1 - J104		
FG6-5799-000	G91 -		G B1 - J715		
FG6-5802-000	G90 - 1	WS3-5720-000	G B1 - J900		
	G B2 - 4	WS4-0217-000	G B1 - J2002		
FG9-3920-000	G90 - 6	WT1-5155-000	G B1 - J3		
	G B2 - 3		G B1 - J3		
FG9-3921-000	G90 - 6		G B1 - J4		
	G B2 - 3		G B1 - J30		
FH2-6928-000	G90 - 2		G B1 - J911		
	G B1 - J1		G B1 - J911		
	G B1 - J102	WT8-5076-000	G90 - 4		
FH2-6962-000	G90 - 17	XB3-6400-800	G91 - 501		
	G B1 - J6	XB6-7300-607	G90 - 501		
	G B1 - J103		G91 - 502		
FH5-3218-000	G91 - 3				
	G B2 - SP1				
HG1-4365-000	G90 - 5				
	G B2 - 2				
HG5-1866-000	G90 - 5				
	G B2 - 2				
HG5-2587-000	G90 - 5				
	G B2 - 2				
HG5-2598-000	G90 - 5				
	G B2 - 2				
HH2-1914-000	G90 - 15				
HH2-2074-000	G90 - 15				
HH2-2219-000	G90 - 15				
HH2-2478-000	G90 - 15				
HH2-2830-000	G90 - 15				
PCB	G B1 - J1				
	G B1 - J2				
	G B1 - J3				
	G B1 - J4				
	G B1 - J6				
	G B1 - J7				
	G B1 - J30				
	G B1 - J31				
	G B1 - J101				
	G B1 - J102				
	G B1 - J103				
	G B1 - J104				
	G B1 - J105				
	G B1 - J106				
	G B1 - J106				
	G B1 - J712				
	G B1 - J712				
	G B1 - J713				
	G B1 - J713				
	G B1 - J714				
	G B1 - J714				
	G B1 - J715				
	G B1 - J715				
	G B1 - J911				
VS1-0842-002	G B1 - J9020				
VS1-5057-002	G90 - 12A				
	G B1 - J9020				
VS1-5452-006	G B1 - J2				
	G B1 - J101				
VS1-6302-002	G B1 - J715				
VS1-6302-014	G B1 - J104				
VS1-6313-020	G B1 - J31				
	G B1 - J1005				

# D9 NUMERICAL INDEX (CONTROL FONT ROM CFR-M1)

PART NUMBER	FIGURE & KEY NO.	PART NUMBER	FIGURE & KEY NO.	PART NUMBER	FIGURE & KEY NO.
FG3-1934-000	E90 - 1				

Prepared by  
OFFICE IMAGING PRODUCTS DEVICE QUALITY ASSURANCE CENTER  
CANON INC.  
Printed in Japan

REVISION 0 [ FEB. 2002 ]

5-1, Hakusan 7-chome, Toride-city, Ibaraki 302-8501, Japan





This publication is  
printed on 100%  
recycled paper.

**Canon**