

PARTS CATALOG

**iR2020S/2020J/2020i/2020/
2016J/2016i/2016**

Canon

Nov 9 2009

PREFACE

This Parts Catalog contains listings of parts used

Diagrams are provided with the listings to aid the service technician in identifying clearly, the item to be ordered.

Whenever ordering parts, consult this Parts Catalog for all of the information pertaining to each item. Be sure to include, in the Parts Request, the full item description, the item part number, and the quantity.

COPYRIGHT (C) 1999 CANON INC.

Use of this manual should be strictly supervised to avoid disclosure of confidential information.

Contents

NUMERICAL INDEX

iR2020S/2020J/2020i/2020/2016J/2016i/2016(Numerical Index) 1-1

iR2020S/2020J/2020i/2020/2016J/2016i/2016(Parts Catalog)

A	ASSEMBLY LOCATION DIAGRAM	2-1
001	ACCESSORIES	2-5
100	EXTERNAL COVERS, PANELS, ETC.	2-7
101	MACHINE FRONT PLATE	2-10
102	INTERNAL COMPONENTS 1	2-12
103	INTERNAL COMPONENTS 2	2-15
104	MACHINE REAR PLATE	2-18
130	CONTROL PANEL ASSEMBLY	2-21
140	LEFT DOOR ASSEMBLY	2-24
141	TRANSFER MOUNT ASSEMBLY	2-27
250	MAIN DRIVE ASSEMBLY	2-29
280	FIXING DRIVE ASSEMBLY	2-31
300	CASSETTE	2-32
310	CASSETTE FEEDER ASSEMBLY	2-34
311	PAPER PICK-UP ASSEMBLY	2-36
312	CASSETTE FEEDER ASSEMBLY (2 CASSETTE UNIT model) 2-39	
313	PAPER PICK-UP ASSEMBLY (2 CASSETTE UNIT model) 2-42	
315	MULTI FEED TRAY ASS'Y	2-45
350	PAPER DELIVERY ASSEMBLY	2-47
400	READER ASSEMBLY	2-49
640	DEVELOPING ASSEMBLY	2-55
810	FIXING ASSEMBLY	2-57
900	COUNTER PCB ASSEMBLY	2-60
930	HVT PCB ASSEMBLY	2-62
C10	COPYBOARD COVER ASSEMBLY (COPYBOARD model) 2-63	
P01	PACKING KIT (ADF model)	2-65
P11	ADF ASSEMBLY (ADF model)	2-67
P12	DOCUMENT TRAY ASSEMBLY (ADF model)	2-70
P31	OPEN/CLOSE PANEL ASSEMBLY (ADF model)	2-72
P33	FEEDER ASSEMBLY (ADF model)	2-74
S01	PACKING KIT (DUPLEX model)	2-77
S20	DUPLEX FEEDER ASSEMBLY (DUPLEX model)	2-79
S50	DUPLEX REVERSE UNIT (DUPLEX model)	2-82

NUMERICAL INDEX

iR2020S/2020J/2020i/2020/2016J/2016i/2016(Numerical Index)

PARTS NUMBER	FIGURE & KEY NO.	PARTS NUMBER	FIGURE & KEY NO.	PARTS NUMBER	FIGURE & KEY NO
FA4-1159-000	103 - 51	FB6-1905-000	313 - 22	FC3-1571-000	P01 - 1
FA8-2447-000	312 - 12	FB6-1908-000	311 - 20	FC3-1572-010	P01 - 2
FA8-2448-000	313 - 1	FB6-1908-000	313 - 31	FC5-0543-000	140 - 24
FA8-2449-000	313 - 2	FB6-1909-000	311 - 5	FC5-0792-000	400 - 12
FA9-2112-000	103 - 11	FB6-1909-000	313 - 23	FC5-1280-000	100 - 2
FA9-3870-000	100 - 27	FB6-1910-000	310 - 5	FC5-1427-000	400 - 50
FB4-5532-000	310 - 1	FB6-1910-000	312 - 7	FC5-1444-000	400 - 13
FB4-5532-000	312 - 2	FB6-1913-000	312 - 9	FC5-1452-000	400 - 55
FB4-5808-020	300 - 18	FB6-1920-000	312 - 14	FC5-4265-000	C10 - 5
FB4-5809-020	300 - 9	FB6-1996-000	312 - 15	FC5-4265-000	P11 - 37
FB4-5810-000	300 - 11	FB6-1997-000	312 - 16	FC5-4425-000	P11 - 19
FB4-5813-020	300 - 10	FB6-2000-000	300 - 4	FC5-4425-000	P31 - 13
FB4-5814-000	300 - 1	FB6-6896-000	640 - 24	FC5-4425-000	P33 - 15
FB4-5824-000	300 - 19	FC3-1449-000	P11 - 10	FC5-4427-000	P01 - 3
FB4-6032-000	313 - 3	FC3-1450-000	P11 - 11	FC5-4847-000	350 - 1
FB4-6033-000	313 - 4	FC3-1451-000	P11 - 23	FC5-4860-000	810 - 1
FB4-6034-000	313 - 5	FC3-1452-000	P11 - 12	FC5-5297-000	810 - 2
FB4-9817-030	311 - 25	FC3-1454-000	P11 - 13	FC5-6805-000	810 - 22
FB4-9817-030	313 - 39	FC3-1455-000	P11 - 14	FC6-3002-000	103 - 19
FB6-1336-000	400 - 48	FC3-1460-000	P33 - 1	FC6-3002-000	810 - 36
FB6-1337-000	400 - 49	FC3-1462-000	P33 - 2	FC6-4113-000	101 - 1
FB6-1536-000	312 - 13	FC3-1465-000	P33 - 4	FC6-4114-000	101 - 14
FB6-1541-000	311 - 22	FC3-1466-000	P33 - 5	FC6-4115-000	101 - 15
FB6-1541-000	313 - 33	FC3-1468-000	P11 - 1	FC6-4116-000	101 - 21
FB6-1550-000	311 - 1	FC3-1469-000	P33 - 6	FC6-4118-000	102 - 29
FB6-1550-000	313 - 6	FC3-1470-000	P33 - 7	FC6-4120-000	101 - 16
FB6-1551-000	313 - 7	FC3-1471-000	P33 - 8	FC6-4135-000	102 - 19
FB6-1608-000	310 - 2	FC3-1477-000	P31 - 2	FC6-4138-000	103 - 27
FB6-1608-000	312 - 3	FC3-1478-000	P31 - 3	FC6-4140-020	101 - 2
FB6-1613-000	313 - 8	FC3-1479-000	P31 - 4	FC6-4143-020	101 - 3
FB6-1614-000	313 - 9	FC3-1480-000	P31 - 5	FC6-4144-000	101 - 13
FB6-1615-000	313 - 10	FC3-1486-000	P12 - 2	FC6-4146-020	101 - 4
FB6-1616-000	313 - 11	FC3-1488-000	P12 - 3	FC6-4147-000	101 - 19
FB6-1623-000	313 - 12	FC3-1491-000	P11 - 15	FC6-4148-000	103 - 20
FB6-1624-000	313 - 13	FC3-1492-000	P11 - 2	FC6-4149-000	101 - 5
FB6-1626-000	311 - 2	FC3-1493-000	P33 - 9	FC6-4163-000	640 - 16
FB6-1626-000	313 - 14	FC3-1494-000	P33 - 10	FC6-4164-000	640 - 2
FB6-1628-000	313 - 15	FC3-1495-000	P11 - 16	FC6-4165-000	640 - 3
FB6-1631-030	313 - 40	FC3-1496-000	P11 - 3	FC6-4166-000	640 - 4
FB6-1633-000	311 - 3	FC3-1497-000	P11 - 17	FC6-4167-000	640 - 5
FB6-1633-000	313 - 17	FC3-1498-000	P11 - 18	FC6-4168-000	640 - 6
FB6-1634-000	313 - 18	FC3-1509-000	P33 - 11	FC6-4169-000	640 - 7
FB6-1635-000	313 - 19	FC3-1510-000	P33 - 12	FC6-4170-000	640 - 8
FB6-1636-000	313 - 20	FC3-1511-000	P33 - 13	FC6-4176-000	640 - 11
FB6-1640-000	300 - 2	FC3-1512-000	P33 - 14	FC6-4177-000	640 - 12
FB6-1644-000	300 - 3	FC3-1525-000	P31 - 11	FC6-4191-000	103 - 40
FB6-1646-000	300 - 12	FC3-1529-000	P12 - 5	FC6-4202-000	640 - 17
FB6-1649-000	300 - 13	FC3-1539-000	P11 - 4	FC6-4205-000	103 - 43
FB6-1650-000	300 - 7	FC3-1540-000	P31 - 6	FC6-4209-020	140 - 9
FB6-1660-000	311 - 4	FC3-1541-000	P31 - 7	FC6-4210-000	140 - 10
FB6-1660-000	313 - 21	FC3-1542-000	P31 - 12	FC6-4211-000	140 - 11
FB6-1722-000	104 - 1	FC3-1568-000	P33 - 53	FC6-4215-000	315 - 1

NUMERICAL INDEX

iR2020S/2020J/2020i/2020/2016J/2016i/2016(Numerical Index)

PARTS NUMBER	FIGURE & KEY NO.	PARTS NUMBER	FIGURE & KEY NO.	PARTS NUMBER	FIGURE & KEY NO.
FC6-4218-000	315 - 2	FC6-4312-020	103 - 5	FC6-4477-000	350 - 3
FC6-4219-000	315 - 3	FC6-4313-000	141 - 7	FC6-4478-000	102 - 3
FC6-4220-000	315 - 4	FC6-4314-030	141 - 1	FC6-4479-000	810 - 7
FC6-4221-000	315 - 5	FC6-4315-000	141 - 2	FC6-4480-000	810 - 8
FC6-4222-000	315 - 6	FC6-4316-000	141 - 11	FC6-4481-000	810 - 9
FC6-4223-000	315 - 7	FC6-4317-000	141 - 3	FC6-4482-000	102 - 4
FC6-4224-000	140 - 12	FC6-4324-000	141 - 4	FC6-4484-000	350 - 15
FC6-4226-020	140 - 13	FC6-4326-000	311 - 10	FC6-4492-000	810 - 10
FC6-4227-020	140 - 14	FC6-4337-000	300 - 5	FC6-4495-000	103 - 10
FC6-4232-000	140 - 15	FC6-4348-000	311 - 11	FC6-4501-000	810 - 11
FC6-4233-000	140 - 16	FC6-4351-000	311 - 27	FC6-4502-000	350 - 7
FC6-4234-000	140 - 17	FC6-4352-000	311 - 13	FC6-4503-000	810 - 42
FC6-4235-000	102 - 1	FC6-4352-000	313 - 25	FC6-4504-000	350 - 19
FC6-4236-000	102 - 2	FC6-4355-000	311 - 14	FC6-4506-000	400 - 30
FC6-4238-000	140 - 18	FC6-4355-000	313 - 26	FC6-4508-000	C10 - 1
FC6-4239-000	140 - 19	FC6-4356-000	311 - 28	FC6-4509-000	C10 - 2
FC6-4241-000	140 - 46	FC6-4356-000	313 - 41	FC6-4511-000	400 - 37
FC6-4244-000	102 - 25	FC6-4357-000	310 - 3	FC6-4513-000	100 - 26
FC6-4245-000	103 - 44	FC6-4357-000	312 - 4	FC6-4514-000	400 - 31
FC6-4259-020	100 - 3	FC6-4360-030	103 - 18	FC6-4516-000	400 - 57
FC6-4260-000	100 - 4	FC6-4361-000	300 - 6	FC6-4519-000	100 - 19
FC6-4261-000	100 - 5	FC6-4375-000	810 - 39	FC6-4522-000	400 - 2
FC6-4262-000	100 - 6	FC6-4376-000	140 - 2	FC6-4525-000	400 - 51
FC6-4264-010	100 - 8	FC6-4377-000	140 - 20	FC6-4528-000	400 - 14
FC6-4265-020	100 - 9	FC6-4386-000	140 - 3	FC6-4529-000	100 - 20
FC6-4266-000	100 - 10	FC6-4388-000	140 - 4	FC6-4541-010	400 - 15
FC6-4267-000	100 - 11	FC6-4389-000	311 - 3	FC6-4558-000	400 - 20
FC6-4268-000	100 - 12	FC6-4389-000	313 - 17	FC6-4559-000	400 - 39
FC6-4269-040	100 - 13	FC6-4399-020	103 - 6	FC6-4560-000	400 - 56
FC6-4271-000	100 - 15	FC6-4413-000	140 - 5	FC6-4561-000	400 - 40
FC6-4272-000	100 - 14	FC6-4414-000	140 - 6	FC6-4562-000	400 - 19
FC6-4273-000	100 - 16	FC6-4435-000	103 - 7	FC6-4573-010	400 - 16
FC6-4284-000	311 - 26	FC6-4436-000	250 - 1	FC6-4576-000	C10 - 3
FC6-4285-000	311 - 6	FC6-4437-000	250 - 2	FC6-4580-000	100 - 21
FC6-4286-000	311 - 7	FC6-4438-020	350 - 2	FC6-4582-000	400 - 5
FC6-4288-020	311 - 45	FC6-4446-000	103 - 8	FC6-4689-000	103 - 47
FC6-4288-020	313 - 51	FC6-4447-000	103 - 9	FC6-4690-000	101 - 6
FC6-4290-000	311 - 21	FC6-4448-000	810 - 21	FC6-4691-000	104 - 7
FC6-4290-000	313 - 32	FC6-4449-000	810 - 16	FC6-4693-000	102 - 24
FC6-4291-000	311 - 8	FC6-4450-000	810 - 17	FC6-4710-000	102 - 5
FC6-4297-000	310 - 9	FC6-4452-000	810 - 3	FC6-4719-000	101 - 23
FC6-4298-000	310 - 10	FC6-4453-000	810 - 4	FC6-4720-000	102 - 6
FC6-4300-000	310 - 11	FC6-4454-000	810 - 41	FC6-4724-000	100 - 22
FC6-4304-000	311 - 9	FC6-4458-020	810 - 38	FC6-4727-000	400 - 17
FC6-4304-000	313 - 24	FC6-4462-000	810 - 5	FC6-4734-000	102 - 7
FC6-4305-000	103 - 2	FC6-4463-000	810 - 6	FC6-4738-000	C10 - 4
FC6-4306-000	103 - 3	FC6-4465-020	350 - 13	FC6-5425-000	130 - 1
FC6-4307-000	103 - 52	FC6-4467-000	810 - 43	FC6-5426-000	130 - 2
FC6-4308-000	103 - 34	FC6-4470-030	350 - 4	FC6-5427-000	130 - 3
FC6-4309-030	103 - 35	FC6-4473-020	350 - 14	FC6-5428-000	130 - 4
FC6-4310-000	103 - 36	FC6-4474-030	350 - 5	FC6-5429-000	130 - 5
FC6-4311-020	103 - 4	FC6-4476-000	100 - 1	FC6-5430-000	130 - 6

NUMERICAL INDEX

iR2020S/2020J/2020i/2020/2016J/2016i/2016(Numerical Index)

PARTS NUMBER	FIGURE & KEY NO.	PARTS NUMBER	FIGURE & KEY NO.	PARTS NUMBER	FIGURE & KEY NO.
FC6-5431-000	130 - 7	FC8-0353-000	312 - 29	FK2-1062-000	102 - 9
FC6-5433-000	130 - 8	FC8-6419-000	P11 - 24	FK2-1064-000	400 - 8
FC6-6706-000	312 - 5	FC9-4288-000	311 - 12	FK2-1066-020	400 - 28
FC6-6710-000	312 - 22	FC9-4288-000	313 - 36	FK2-1067-000	102 - 10
FC6-6712-000	310 - 15	FC9-4290-000	311 - 15	FK2-1068-000	311 - 47
FC6-6712-000	312 - 31	FC9-4290-000	313 - 27	FK2-1070-000	140 - 21
FC6-6714-000	312 - 17	FE5-4048-000	311 - 29	FK2-1072-000	140 - 22
FC6-6718-000	312 - 33	FE5-4048-000	313 - 42	FK2-1074-000	103 - 13
FC6-6720-000	312 - 1	FF3-4621-000	P11 - 5	FK2-1075-000	103 - 13
FC6-6740-000	S20 - 23	FF3-4622-000	P11 - 38	FK2-1080-000	103 - 48
FC6-6752-000	S20 - 1	FF3-4624-000	P11 - 7	FK2-1081-000	103 - 12
FC6-6753-000	S20 - 2	FF3-4625-000	P12 - 4	FK2-1082-000	311 - 18
FC6-6754-000	S20 - 15	FF3-4626-000	P12 - 6	FK2-1084-000	140 - 8
FC6-6755-000	S20 - 3	FF3-4627-000	P12 - 8	FK2-1085-000	104 - 8
FC6-6756-000	S20 - 4	FF3-4628-000	P12 - 9	FK2-1086-000	104 - 8
FC6-6757-000	S20 - 5	FF3-4629-000	P31 - 8	FK2-1104-000	313 - 29
FC6-6758-000	S20 - 6	FF3-4630-000	P31 - 9	FK2-1114-000	S20 - 17
FC6-6759-000	S20 - 7	FF3-4631-000	P33 - 19	FK2-1137-000	102 - 11
FC6-6759-000	S50 - 2	FF3-4632-000	P33 - 20	FK2-1140-000	102 - 11
FC6-6760-000	S20 - 8	FF3-4633-000	P33 - 16	FK2-1141-000	102 - 11
FC6-6764-000	S20 - 24	FF3-4634-000	P11 - 8	FK2-1233-000	001 - 1
FC6-6765-000	S20 - 9	FF3-4636-000	P33 - 17	FK2-1270-000	930 - T1
FC6-6767-000	S20 - 10	FF3-4637-000	P31 - 8	FK2-1271-000	930 - T2
FC6-6768-000	S20 - 11	FF3-4638-000	P33 - 3	FK2-1348-000	930 - T4
FC6-6769-000	S20 - 25	FF6-1610-000	313 - 34	FK2-1601-000	102 - 11
FC6-6776-000	S20 - 12	FF6-1621-000	311 - 16	FK2-1602-000	102 - 11
FC6-6777-000	S20 - 13	FF6-1621-000	313 - 28	FK2-1604-000	102 - 11
FC6-6778-000	S01 - 5	FG3-3501-000	810 - 12	FK2-1612-000	103 - 14
FC6-6779-000	S50 - 3	FG3-4036-000	P12 -	FK2-2152-000	001 - 1
FC6-6780-000	S50 - 4	FG3-4037-000	P31 -	FK2-3279-000	001 - 1
FC6-6781-000	S50 - 1	FG3-4038-020	P33 -	FK2-3280-000	001 - 1
FC6-6782-000	S01 - 1	FG3-4039-000	P11 - 22	FK2-3281-000	001 - 1
FC6-6784-000	S01 - 3	FG3-4040-000	P33 - 18	FK2-3282-000	001 - 1
FC6-7092-000	101 - 8	FG3-4041-000	P31 - 14	FK2-3283-000	001 - 1
FC7-1020-000	130 - 9	FG3-4043-000	P31 - 10	FK2-3284-000	001 - 1
FC7-1749-000	104 - 17	FG3-4044-000	P31 - 15	FK2-4748-000	001 - 1
FC7-1757-020	101 - 3	FG3-4045-000	P31 - 16	FK2-4749-000	001 - 1
FC7-1760-000	900 - 6	FG3-4052-000	P31 -	FK2-5725-000	104 -
FC7-1770-000	311 - 44	FG6-8440-000	312 - 6	FK3-0181-000	104 - 2
FC7-1771-000	810 - 44	FH3-5235-000	930 - T3	FK3-0186-000	400 - 18
FC7-1772-000	640 - 9	FH3-5255-000	930 - T7	FL2-3180-000	102 - 12
FC8-0160-000	313 - 16	FH5-1142-000	P33 - 49	FL2-3181-000	102 - 13
FC8-0165-000	140 - 32	FH5-3543-000	141 - 5	FL2-3184-000	104 - 22
FC8-0166-000	140 - 48	FH5-3730-000	P11 - 34	FL2-3188-000	400 - 52
FC8-0167-010	140 - 16	FH6-0772-000	130 - 10	FL2-3193-000	640 - 13
FC8-0168-000	140 - 13	FH6-5136-000	P11 - 26	FL2-3194-000	640 - 14
FC8-0170-000	311 - 17	FH7-7569-000	400 - 26	FL2-3197-000	640 - 15
FC8-0170-000	313 - 54	FK2-0216-000	P11 - 20	FL2-3199-000	640 -
FC8-0171-000	311 - 7	FK2-0949-000	900 - IC140	FL2-3200-000	140 - 23
FC8-0172-000	313 - 8	FK2-1056-000	102 - 11	FL2-3201-000	140 - 25
FC8-0215-000	350 - 6	FK2-1059-000	104 - 3	FL2-3202-000	140 - 26
FC8-0351-000	S01 - 2	FK2-1060-000	400 - 7	FL2-3206-000	400 - 24

NUMERICAL INDEX

iR2020S/2020J/2020i/2020/2016J/2016i/2016(Numerical Index)

PARTS NUMBER	FIGURE & KEY NO.	PARTS NUMBER	FIGURE & KEY NO.	PARTS NUMBER	FIGURE & KEY NO
FL2-3207-000	400 - 24	FM2-3330-300	140 -	FM2-4424-000	103 - 49
FL2-3208-000	400 - 24	FM2-3333-250	140 -	FM2-4425-000	104 - 11
FL2-3213-000	103 - 15	FM2-3344-000	250 -	FM2-4426-000	101 - 10
FL2-3214-000	141 - 6	FM2-3345-000	810 -	FM2-4427-000	400 - 34
FL2-3220-000	350 - 8	FM2-3346-000	810 - 13	FM2-4428-000	400 - 47
FL2-3229-000	104 - 15	FM2-3348-000	810 - 19	FM2-4433-000	101 - 9
FL2-3230-000	400 - 21	FM2-3349-000	810 - 20	FM2-4483-000	312 - 11
FL2-3231-000	400 - 53	FM2-3350-000	280 -	FM2-4484-010	313 -
FL2-3233-000	400 - 54	FM2-3351-000	350 -	FM2-4493-000	S50 -
FL2-3237-000	400 - 24	FM2-3352-000	810 -	FM2-4495-000	312 - 19
FL2-3268-010	100 - 23	FM2-3353-000	810 - 13	FM2-4496-000	312 - 30
FL2-3269-000	100 - 24	FM2-3383-000	102 - 14	FM2-4497-000	312 - 23
FL2-3280-000	400 - 24	FM2-3384-000	102 - 14	FM2-4498-000	312 - 24
FL2-3282-000	400 - 24	FM2-4008-000	130 -	FM2-4499-000	312 - 25
FL2-3286-010	400 - 38	FM2-4009-000	130 -	FM2-4500-000	312 - 27
FL2-3304-000	640 - 10	FM2-4012-000	130 -	FM2-4515-000	S20 - 41
FL2-3736-000	312 - 20	FM2-4013-000	130 - 14	FM2-4516-000	S01 - 8
FL2-3744-000	S20 - 26	FM2-4014-060	104 - 9	FM2-4517-000	S20 - 30
FL2-3856-000	S20 - 14	FM2-4015-060	104 - 9	FM2-4518-030	S20 - 31
FL2-4785-000	130 - 12	FM2-4016-060	104 - 9	FM2-4519-000	S20 - 32
FL2-4786-000	130 - 12	FM2-4017-060	104 - 9	FM2-4520-000	S20 - 33
FL2-4788-000	130 - 12	FM2-4018-080	930 -	FM2-4535-000	400 - 34
FL2-4944-000	100 - 7	FM2-4020-000	101 - 18	FM2-4536-000	400 - 47
FL2-4945-000	100 - 7	FM2-4023-060	104 - 9	FM2-4537-000	400 - 47
FL2-4946-000	100 - 7	FM2-4024-060	104 - 9	FM2-4538-000	104 - 25
FL2-4947-000	100 - 7	FM2-4026-060	104 - 9	FM2-4541-000	104 - 5
FL2-4948-000	100 - 7	FM2-4053-000	900 - 1	FM2-4542-000	104 - 14
FL2-4949-000	100 - 7	FM2-4054-000	900 - 1	FM2-4596-000	313 -
FL2-4950-000	100 - 7	FM2-4058-000	104 - 10	FM2-4780-000	104 - 24
FL2-4960-000	100 - 7	FM2-4060-000	900 - 5	FM2-4784-030	130 - 16
FL2-4961-000	100 - 7	FM2-4399-000	130 - 15	FM2-4785-000	103 - 14
FL2-4962-000	100 - 7	FM2-4400-000	400 - 41	FM2-4786-000	103 - 14
FL2-4963-000	100 - 7	FM2-4401-000	102 - 28	FM2-4787-000	103 - 14
FL2-6297-000	100 - 7	FM2-4402-000	102 - 26	FM2-4788-000	103 - 14
FL2-8094-000	350 - 6	FM2-4403-000	310 - 7	FM2-4789-000	350 - 16
FL2-8094-000	S01 - 4	FM2-4404-000	104 - 13	FM2-4791-000	400 - 36
FL2-9920-000	103 - 36	FM2-4405-000	810 - 24	FM2-4792-000	400 - 36
FL2-9922-000	313 - 12	FM2-4408-000	103 - 45	FM2-4793-000	104 - 9
FM2-2753-000	130 - 13	FM2-4409-000	102 - 23	FM2-4893-000	900 - 1
FM2-3287-000	640 - 18	FM2-4410-000	104 - 4	FM2-4897-000	900 - 3
FM2-3292-000	130 - 11	FM2-4411-000	810 - 25	FM2-4898-000	900 - 3
FM2-3293-000	102 - 8	FM2-4412-000	400 - 44	FM2-5952-000	130 - 17
FM2-3294-000	315 -	FM2-4413-000	103 - 41	FM2-6353-000	130 - 18
FM2-3302-000	311 -	FM2-4414-000	104 - 12	FM2-6355-000	130 - 18
FM2-3313-000	300 -	FM2-4416-000	104 - 18	FM2-6356-000	130 - 18
FM2-3315-000	141 -	FM2-4417-000	140 - 43	FM2-6685-070	350 -
FM2-3319-000	310 - 4	FM2-4418-000	400 - 10	FM3-1919-000	900 - 1
FM2-3320-050	311 -	FM2-4419-000	400 - 11	FM3-1920-000	900 - 1
FM2-3325-000	300 - 8	FM2-4420-000	103 - 1	FM3-1921-000	900 - 1
FM2-3326-000	300 - 17	FM2-4421-000	140 - 27	FM3-1922-000	900 - 5
FM2-3328-000	810 -	FM2-4422-000	400 - 23	FM3-3671-000	640 -
FM2-3329-000	810 - 13	FM2-4423-020	400 - 45	FM3-3672-000	640 - 20

NUMERICAL INDEX

iR2020S/2020J/2020i/2020/2016J/2016i/2016(Numerical Index)

PARTS NUMBER	FIGURE & KEY NO.	PARTS NUMBER	FIGURE & KEY NO.	PARTS NUMBER	FIGURE & KEY NO
FM3-3676-000	640 - 19	FS4-2745-000	P33 - 46	FU5-2470-000	810 - 18
FM3-6924-000	140 -	FS4-2746-000	P33 - 21	FU5-2476-000	141 - 9
FM4-3611-000	P12 - 13	FS4-2747-000	P31 - 22	FU5-3339-000	400 - 32
FM4-3612-000	P11 - 32	FS4-2749-000	P33 - 52	FU5-3340-000	400 - 33
FM4-3613-000	P12 - 10	FS4-2752-000	P33 - 24	FU5-8574-000	101 - 11
FM4-3614-000	P12 - 11	FS4-2753-000	P33 - 47	FU5-8575-000	810 - 28
FM4-3615-000	P33 - 25	FS4-2754-000	P31 - 1	FU5-8576-000	810 - 29
FM4-3616-000	P11 - 33	FS5-9714-000	311 - 46	FU5-8581-000	400 - 25
FM4-3617-000	P11 - 25	FS5-9714-000	313 - 52	FU5-8582-000	400 - 27
FM4-3618-000	P12 - 12	FS6-2917-000	300 - 20	FU5-8585-000	310 - 8
FS1-1205-000	311 - 30	FS7-0207-000	300 - 21	FU5-8586-000	310 - 13
FS1-1205-000	313 - 43	FS7-0225-000	311 - 31	FU5-8588-000	300 - 14
FS2-1707-000	P11 - 27	FS7-0225-000	313 - 44	FU5-8589-000	315 - 9
FS2-1708-000	P31 - 17	FS7-0226-000	311 - 32	FU5-8590-000	400 - 25
FS2-1708-000	P33 - 26	FS7-0226-000	313 - 45	FU5-8591-000	400 - 27
FS2-1709-000	P33 - 27	FS7-0227-000	313 - 46	FU5-8592-000	400 - 25
FS2-1710-000	P31 - 18	FS7-0228-000	311 - 33	FU5-8593-000	400 - 27
FS2-1710-000	P33 - 28	FS7-0228-000	313 - 47	FU5-8594-000	400 - 27
FS2-1711-000	P33 - 29	FS7-0229-000	311 - 34	FU5-8595-000	400 - 27
FS2-3885-000	P33 - 22	FS7-0229-000	313 - 48	FU5-8596-000	400 - 27
FS2-3886-000	P33 - 30	FS7-0230-000	311 - 35	FU5-8602-000	100 - 17
FS2-3887-000	P33 - 31	FS7-0230-000	313 - 49	FU5-8603-000	100 - 18
FS2-9567-000	P11 - 35	FS7-8335-000	102 - 15	FU5-8604-000	315 - 9
FS2-9567-000	P33 - 32	FS9-0196-000	P01 - 6	FU5-8605-000	315 - 8
FS2-9568-000	P11 - 28	FS9-0197-000	P11 - 21	FU5-8606-000	103 - 42
FS2-9569-000	P11 - 29	FS9-0198-000	P11 - 6	FU5-8607-000	140 - 1
FS2-9569-000	P12 - 14	FS9-0201-000	P01 - 9	FU5-8608-000	101 - 12
FS2-9569-000	P31 - 20	FS9-0202-000	P01 - 9	FU5-8610-000	101 - 20
FS2-9569-000	P33 - 33	FS9-0203-000	P11 - 9	FU5-8680-000	312 - 21
FS2-9570-000	P11 - 36	FS9-0207-000	P01 - 10	FU5-8696-000	S20 - 16
FS2-9570-000	P33 - 51	FS9-0208-000	P01 - 10	FU5-8697-000	S01 - 6
FS2-9571-000	P11 - 30	FS9-0209-000	P01 - 10	FU5-8699-000	S01 - 7
FS2-9572-000	P12 - 15	FS9-0210-000	P12 - 7	FU5-9139-000	P01 - 4
FS2-9573-000	P31 - 19	FS9-0211-000	P01 - 7	FU5-9140-000	P01 - 5
FS2-9574-000	P33 -	FS9-0214-000	P01 - 8	FU5-9340-000	900 - 2
FS4-0644-000	P33 - 34	FS9-0216-000	P01 - 11	FU6-0762-000	640 - 21
FS4-0645-000	P33 - 23	FS9-0217-000	P01 - 11	FU6-0763-000	640 - 22
FS4-0646-000	P33 - 35	FS9-0218-000	P01 - 11	FU6-0764-000	640 - 23
FS4-0647-000	P33 - 36	FS9-0220-000	P01 - 6	FU6-0765-000	640 - 1
FS4-0648-000	P33 - 37	FS9-0221-000	P01 - 6	FU6-0766-000	250 - 5
FS4-0649-000	P33 - 38	FS9-0223-000	P01 - 9	FU6-0767-000	250 - 6
FS4-0650-000	P33 - 39	FS9-0246-000	P01 - 8	FU6-0769-000	311 - 36
FS4-0651-000	P33 - 40	FU5-0732-000	350 - 9	FU6-0770-000	311 - 37
FS4-0652-000	P33 - 41	FU5-1498-000	102 - 20	FU6-0771-030	311 - 38
FS4-0653-000	P33 - 42	FU5-1499-000	102 - 21	FU6-0773-000	141 - 12
FS4-0654-000	P31 - 21	FU5-1519-000	810 - 26	FU6-0775-000	311 - 39
FS4-0657-000	P12 - 16	FU5-1520-000	810 - 27	FU6-0776-030	311 - 40
FS4-0658-000	P12 - 17	FU5-1522-000	350 - 10	FU6-0788-000	250 - 4
FS4-0659-000	P33 - 43	FU5-1527-000	140 - 28	FU6-0790-000	250 - 7
FS4-0660-000	P33 - 44	FU5-1528-000	140 - 29	FU6-0791-000	250 - 8
FS4-2743-000	P11 - 31	FU5-1529-000	140 - 30	FU6-0792-000	250 - 9
FS4-2744-000	P33 - 45	FU5-1530-000	140 - 31	FU6-0793-000	250 - 10

NUMERICAL INDEX

iR2020S/2020J/2020i/2020/2016J/2016i/2016(Numerical Index)

PARTS NUMBER	FIGURE & KEY NO.	PARTS NUMBER	FIGURE & KEY NO.	PARTS NUMBER	FIGURE & KEY NO
FU6-0794-000	103 - 38	FU6-2194-000	101 - 17	VT2-5177-005	900 - 4
FU6-0795-000	250 - 11	FU6-2195-000	103 - 32	WC2-5332-000	310 - 6
FU6-0796-000	103 - 39	FU6-2198-000	103 - 26	WC2-5332-000	312 - 8
FU6-0799-000	810 - 30	FU6-2199-000	103 - 33	WE8-5648-000	312 - 32
FU6-0800-000	810 - 31	FU6-2206-000	350 - 12	WE8-6346-000	104 - 21
FU6-0801-000	810 - 32	FU6-2207-020	102 - 17	WG8-5624-000	313 - 50
FU6-0802-000	280 - 1	FU6-2208-000	810 - 40	WG8-5696-000	101 - 22
FU6-0803-000	102 - 16	FU6-2209-000	103 - 46	WG8-5696-000	103 - 37
FU6-0804-000	280 - 2	FU6-2210-000	350 - 17	WG8-5696-000	140 - 41
FU6-0806-000	103 - 17	FU6-2236-000	400 - 1	WG8-5696-000	311 - 43
FU6-0813-020	140 - 32	FU6-2387-000	S20 - 37	WG8-5696-000	350 - 18
FU6-0814-000	140 - 33	FU6-2388-000	S20 - 38	WG8-5696-000	400 - 43
FU6-0933-000	S20 - 18	FU6-8434-000	100 - 17	WG8-5696-000	810 - 35
FU6-0934-000	S20 - 19	FU6-8435-000	100 - 17	WG8-5696-000	P12 - 1
FU6-0935-000	S20 - 34	FU6-8437-000	300 - 15	WG8-5696-000	P33 - 48
FU6-0936-000	S20 - 20	FU6-8438-000	300 - 16	WG8-5696-000	S20 - 39
FU6-0937-000	S20 - 35	FU6-8457-000	300 - 23	WK1-5130-000	900 - BAT951
FU6-0938-000	S20 - 27	FU6-8645-000	001 - 2	XA9-0702-000	810 - 15
FU6-0939-000	S20 - 28	FU7-0923-000	311 - 36	XA9-1116-000	S20 - 21
FU6-0940-000	S20 - 36	FU7-2221-000	140 - 35	XA9-1415-000	400 - 22
FU6-2146-000	102 - 18	FU7-2222-000	140 - 37	XA9-1567-000	100 - 25
FU6-2148-000	103 - 21	FU7-2234-000	311 - 19	XA9-1567-000	101 - 7
FU6-2149-000	103 - 22	FU7-2234-000	313 - 30	XA9-1567-000	102 - 22
FU6-2150-000	103 - 23	FU7-8048-000	300 - 22	XA9-1567-000	103 - 50
FU6-2151-000	103 - 24	FU7-8049-000	300 - 22	XA9-1567-000	104 - 16
FU6-2152-000	103 - 25	NPN	001 -	XA9-1567-000	400 - 46
FU6-2156-000	103 - 28	NPN	100 -	XB1-1401-407	P11 - 503
FU6-2157-000	103 - 29	NPN	101 -	XB1-2300-407	130 - 501
FU6-2158-000	103 - 30	NPN	102 -	XB1-2400-607	312 - 502
FU6-2159-000	103 - 31	NPN	103 -	XB2-4300-605	P11 - 501
FU6-2160-000	140 - 44	NPN	104 -	XB2-7300-607	250 - 501
FU6-2162-000	140 - 45	NPN	310 -	XB2-7300-607	311 - 503
FU6-2170-000	310 - 12	NPN	312 -	XB2-7300-607	312 - 504
FU6-2171-000	141 - 8	NPN	400 -	XB2-7300-607	313 - 502
FU6-2173-000	141 - 10	NPN	900 -	XB2-8400-805	400 - 502
FU6-2174-000	311 - 41	NPN	C10 -	XB4-5300-807	130 - 502
FU6-2175-000	311 - 42	NPN	P01 -	XB4-5401-005	100 - 501
FU6-2175-000	313 - 53	NPN	P11 -	XB4-5401-005	103 - 501
FU6-2176-000	103 - 16	NPN	S01 -	XB4-5401-005	140 - 501
FU6-2177-020	141 - 13	NPN	S20 -	XB4-5401-005	141 - 501
FU6-2178-000	140 - 47	RB2-1850-000	250 - 13	XB4-5401-005	310 - 501
FU6-2180-000	140 - 34	VS1-7177-002	140 - 38	XB4-5401-005	315 - 501
FU6-2182-000	140 - 36	VS1-7177-002	312 - 10	XB4-5401-007	310 - 502
FU6-2183-020	140 - 37	VS1-7177-003	102 - 27	XB4-5401-007	312 - 501
FU6-2184-000	250 - 12	VS1-7177-003	140 - 39	XB4-5401-007	S01 - 501
FU6-2185-000	810 - 33	VS1-7177-004	140 - 40	XB4-5401-007	S20 - 501
FU6-2186-000	810 - 34	VS1-7177-004	400 - 6	XB4-5401-007	S50 - 501
FU6-2188-000	810 - 23	VS1-7177-010	104 - 6	XB4-7300-807	640 - 501
FU6-2189-000	350 - 11	VS1-7177-013	312 - 26	XB4-7401-005	C10 - 501
FU6-2190-000	400 - 29	VS1-7207-006	104 - 19	XB4-7401-009	103 - 502
FU6-2191-000	400 - 42	VS1-7207-007	104 - 20	XB4-7401-009	300 - 501
FU6-2193-000	400 - 3	VS1-7207-012	S01 - 9	XB4-7401-009	311 - 501

NUMERICAL INDEX

iR2020S/2020J/2020i/2020/2016J/2016i/2016(Numerical Index)

PARTS NUMBER	FIGURE & KEY NO.	PARTS NUMBER	FIGURE & KEY NO.	PARTS NUMBER	FIGURE & KEY NO.
XB4-7401-009	313 - 501				
XB4-7401-209	350 - 501				
XB6-7300-407	400 - 501				
XB6-7300-609	311 - 502				
XB6-7300-609	313 - 503				
XB6-7300-609	S01 - 502				
XB6-7300-805	102 - 501				
XB6-7300-805	104 - 501				
XB6-7300-807	104 - 502				
XD1-1104-133	140 - 502				
XD1-1106-231	400 - 503				
XD1-1106-235	312 - 503				
XD2-1100-322	P33 - 501				
XD2-1100-502	P31 - 501				
XD2-1100-502	P33 - 503				
XD2-1100-642	P33 - 502				
XD3-1200-122	313 - 35				
XD3-2200-102	P31 - 502				
XD9-0133-000	311 - 23				
XD9-0133-000	313 - 37				
XD9-0134-000	810 - 14				
XD9-0136-000	140 - 42				
XD9-0136-000	311 - 24				
XD9-0136-000	312 - 18				
XD9-0136-000	313 - 38				
XD9-0136-000	400 - 35				
XD9-0136-000	810 - 37				
XD9-0136-000	S20 - 22				
XD9-0288-000	P11 - 502				
XF2-1109-040	S20 - 29				
XF2-1112-240	S20 - 40				
XF2-1607-240	P33 - 50				
XF2-1611-740	P33 -				
XF2-4620-340	400 - 4				
XF2-4661-440	400 - 9				
XH9-0135-000	310 - 14				
XH9-0135-000	312 - 28				

iR2020S/2020J/2020i/2020/2016J/ 2016i/2016(Parts Catalog)

iR2020S

230V CN	F18-8966-000	TUS	COPYBOARD model
230V CN	F18-9666-000	CYM	COPYBOARD model

iR2020J 2 CASSETTE UNIT

230V SG	F18-8945-000	KRM	COPYBOARD model
230V CN	F18-8965-000	KRN	COPYBOARD model
230V SG	F18-9645-000	MBZ	COPYBOARD model
230V CN	F18-9665-000	CYL	COPYBOARD model

iR2020i 2 CASSETTE UNIT

120V TW	F18-8904-000	SRG	ADF model
230V ASIA	F18-8944-000	SRE	ADF model
230V AU	F18-8964-000	SRD	ADF model
230V KR	F18-8978-000	SXY	
230V CN	F18-8988-000	SRF	ADF model
230V EUR	F18-8994-000	CLR	ADF model
120V TW	F18-9604-000	CLX	ADF model
230V ASIA	F18-9644-000	MCM	ADF model
230V AU	F18-9664-000	CLS	ADF model
230V CN	F18-9688-000	CYP	ADF model

iR2020 2 CASSETTE UNIT

120V TW	F18-8903-000	KRU	
---------	--------------	-----	--

230V ASIA	F18-8943-000	KRS	COPYBOARD model
230V AU	F18-8963-000	KRQ	
230V CN	F18-8968-000	KRT	COPYBOARD model
230V KR	F18-8974-000	CKV	
230V EUR	F18-8993-000	CKS	
120V TW	F18-9603-000	CLA	
230V ASIA	F18-9643-000	CKX	COPYBOARD model
230V AU	F18-9663-000	CKU	
230V CN	F18-9668-000	CYN	COPYBOARD model

iR2016J

230V	F18-8949-000	KQY	COPYBOARD model
230V CN	F18-8969-000	KQZ	COPYBOARD model
230V EUR	F18-8999-000	CKR	COPYBOARD model
230V	F18-9649-000	CKP	COPYBOARD model
230V CN	F18-9669-000	CYQ	COPYBOARD model

iR2016i

120V TW	F18-8902-000	SRN	ADF model
230V ASIA	F18-8942-000	SRL	ADF model
230V AU	F18-8962-000	SRK	ADF model
230V CN	F18-8986-000	SRM	ADF model
230V EUR	F18-8992-000	CMF	ADF model
120V TW	F18-9602-000	CMN	ADF model
230V ASIA	F18-9642-000	CMK	ADF model
230V AU	F18-9662-000	CMJ	ADF model
230V CN	F18-9686-000	CYW	ADF model

iR2016

120V TW	F18-8901-000	KRL	
230V ASIA	F18-8941-000	KRJ	COPYBOARD model
230V CN	F18-8960-000	KRK	COPYBOARD model
230V AU	F18-8961-000	KRC	
230V KR	F18-8970-000	CLE	
230V EUR	F18-8991-000	CLC	
120V TW	F18-9601-000	CLN	
230V ASIA	F18-9641-000	CLJ	COPYBOARD model
230V CN	F18-9660-000	CYV	COPYBOARD model
230V AU	F18-9661-000	CLD	

imageRUNNER2020i 2 CASSETTE UNIT

120V	F18-8935-000	SRB	ADF/DUPLEX model
120V	F18-9635-000	CLP	ADF/DUPLEX model

imageRUNNER2020 2 CASSETTE UNIT

120V	F18-8934-000	KRR	
120V	F18-9634-000	CKW	

imageRUNNER2016J

120V	F18-8939-000	KQW	COPYBOARD model
120V	F18-9639-000	CKM	COPYBOARD model

imageRUNNER2016i

120V	F18-8933-000	SRH	ADF/DUPLEX model
120V	F18-9633-000	CMA	ADF/DUPLEX model

imageRUNNER2016

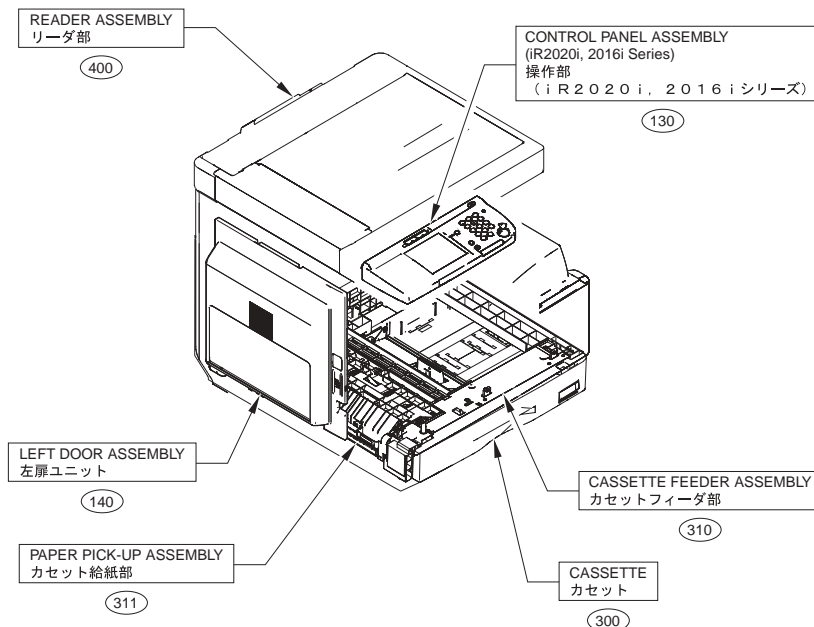
120V F18-8932-000 KRE

120V F18-9632-000 CLH

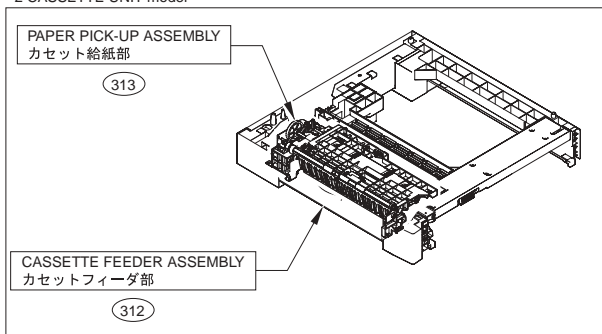
Contents

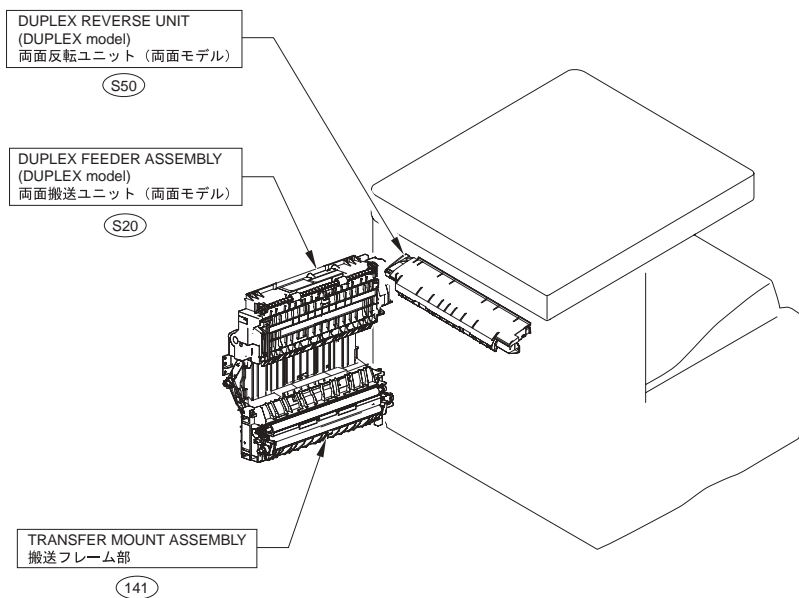
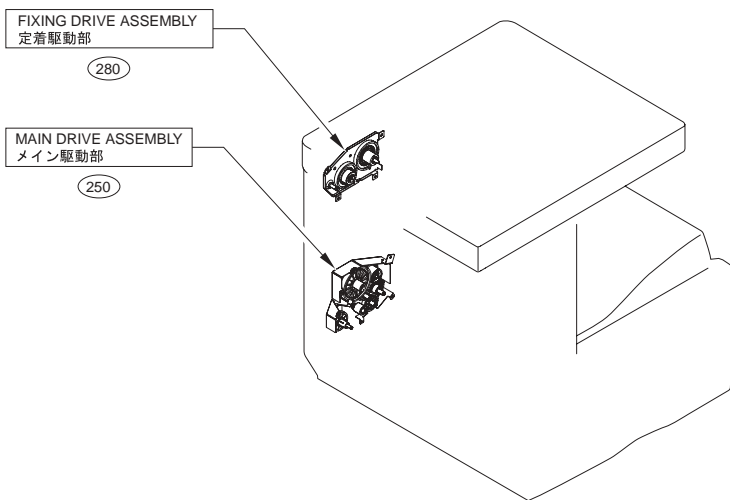
A	ASSEMBLY LOCATION DIAGRAM	2-1
001	ACCESSORIES	2-5
100	EXTERNAL COVERS, PANELS, ETC.	2-7
101	MACHINE FRONT PLATE	2-10
102	INTERNAL COMPONENTS 1	2-12
103	INTERNAL COMPONENTS 2	2-15
104	MACHINE REAR PLATE	2-18
130	CONTROL PANEL ASSEMBLY	2-21
140	LEFT DOOR ASSEMBLY	2-24
141	TRANSFER MOUNT ASSEMBLY	2-27
250	MAIN DRIVE ASSEMBLY	2-29
280	FIXING DRIVE ASSEMBLY	2-31
300	CASSETTE	2-32
310	CASSETTE FEEDER ASSEMBLY	2-34
311	PAPER PICK-UP ASSEMBLY	2-36
312	CASSETTE FEEDER ASSEMBLY (2 CASSETTE UNIT model).....	2-39
313	PAPER PICK-UP ASSEMBLY (2 CASSETTE UNIT model)	2-42
315	MULTI FEED TRAY ASS'Y	2-45
350	PAPER DELIVERY ASSEMBLY	2-47
400	READER ASSEMBLY	2-49
640	DEVELOPING ASSEMBLY	2-55
810	FIXING ASSEMBLY	2-57
900	COUNTER PCB ASSEMBLY	2-60
930	HVT PCB ASSEMBLY	2-62
C10	COPYBOARD COVER ASSEMBLY (COPYBOARD model).....	2-63
P01	PACKING KIT (ADF model)	2-65
P11	ADF ASSEMBLY (ADF model)	2-67
P12	DOCUMENT TRAY ASSEMBLY (ADF model)	2-70
P31	OPEN/CLOSE PANEL ASSEMBLY (ADF model)	2-72
P33	FEEDER ASSEMBLY (ADF model).....	2-74
S01	PACKING KIT (DUPLEX model).....	2-77
S20	DUPLEX FEEDER ASSEMBLY (DUPLEX model)	2-79
S50	DUPLEX REVERSE UNIT (DUPLEX model).....	2-82

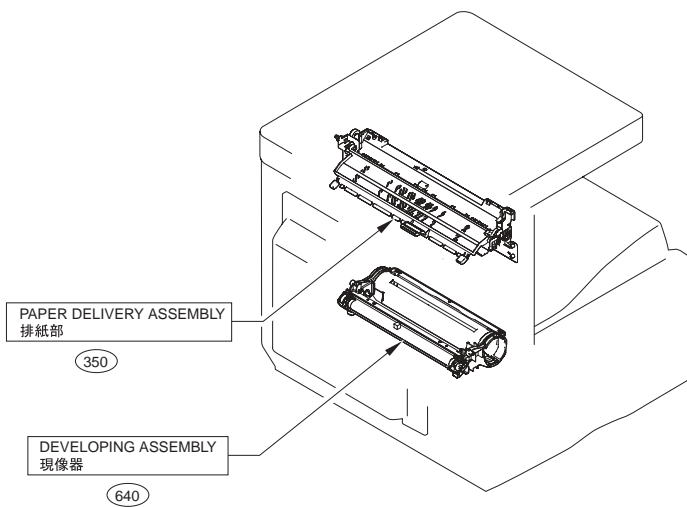
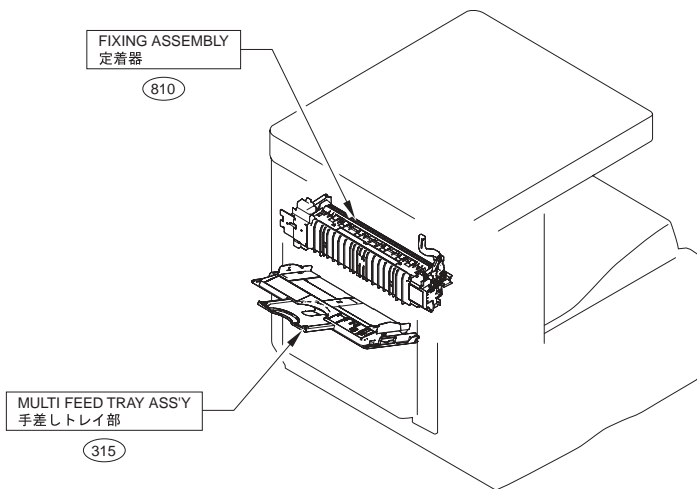
FIGURE A ASSEMBLY LOCATION DIAGRAM



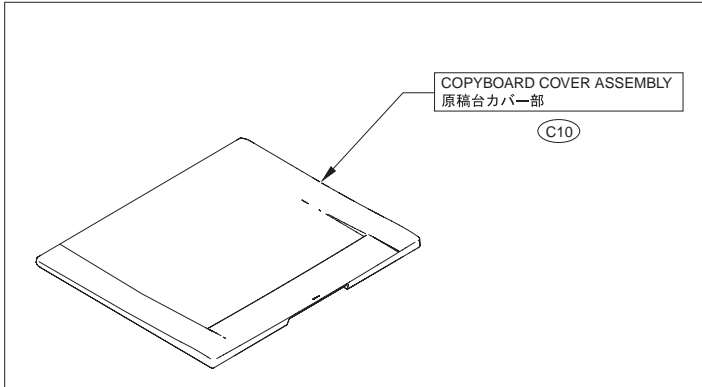
2 CASSETTE UNIT model







COPYBOARD model



ADF model

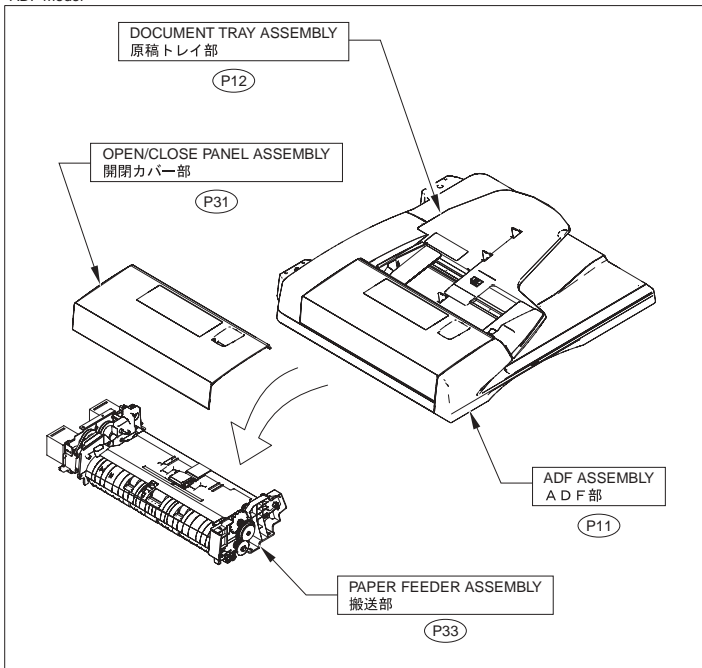
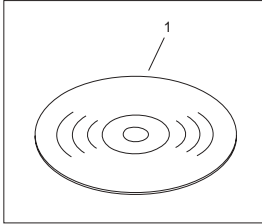
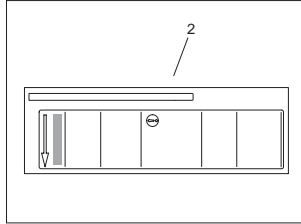


FIGURE 001 ACCESSORIES



iR2020i TW,ASIA,AU,CN,EUR
iR2020 TW,ASIA,CN
iR2016i,2016 TW,ASIA,CN
imageRUNNER2020i,2020,2016i,2016



CYL,CYM,CYN,CYP,CYQ,CYW

FIGURE & KEY NO.	PARTS NUMBER	RANK	QTY	DESCRIPTION	SERIAL NUMBER/ REMARKS	S V C
Fig.001	NPN		RF	ACCESSORIES		
1	FK2-1233-000		1	CD-ROM, PCL	SRB,SRH English	
1	FK2-4748-000		1	CD-ROM, PCL	CLR	
1	FK2-3280-000		1	CD-ROM, PCL	CLP,CMA English	
1	FK2-2152-000		1	CD-ROM, UFR II LT/FAX	KRE,KRJ,KRK,KRL,KRR, KRS,KRT,KRU,SRB,SRD, SRE,SRF,SRG,SRH,SRK, SRL,SRM,SRN English	
1	FK2-3281-000		1	CD-ROM, UFR II LT/FAX	CKW,CKX,CLA,CLH,CLJ, CLN,CLP,CLS,CLX,CMA, CMJ,CMK,CMN,CYN,CYP ,CYV,CYW,MCM English	
1	FK2-3282-000		1	CD-ROM, UFR II LT/FAX	CLR,CMF English	
1	FK2-3283-000		1	CD-ROM, UFR II LT/FAX	CLR,CMF French,Spanish	
1	FK2-3284-000		1	CD-ROM, UFR II LT/FAX	CLR,CMF German,Italian	
1	FK2-3279-000		1	CD-ROM, UFR II LT/PCL/FAX	KRK,KRL,KRT,KRU,SRF, SRG,SRM,SRN Simplified Chinese,Traditional Chinese	

FIGURE & KEY NO.	PARTS NUMBER	RANK	Q'TY	DESCRIPTION	SERIAL NUMBER/REMARKS	SVC
1	FK2-4749-000		1	CD-ROM, UFR II LT/PCL/FAX	CLA,CLN,CLX,CMF,CMN, CYN,CYP,CYV,CYW Simplified Chinese,Traditional Chinese	
2	FU6-8645-000		1	LABEL, JAM CLEARING	CYL,CYM,CYN,CYP,CYQ, CYW	

FIGURE 100 EXTERNAL COVERS, PANELS, ETC.

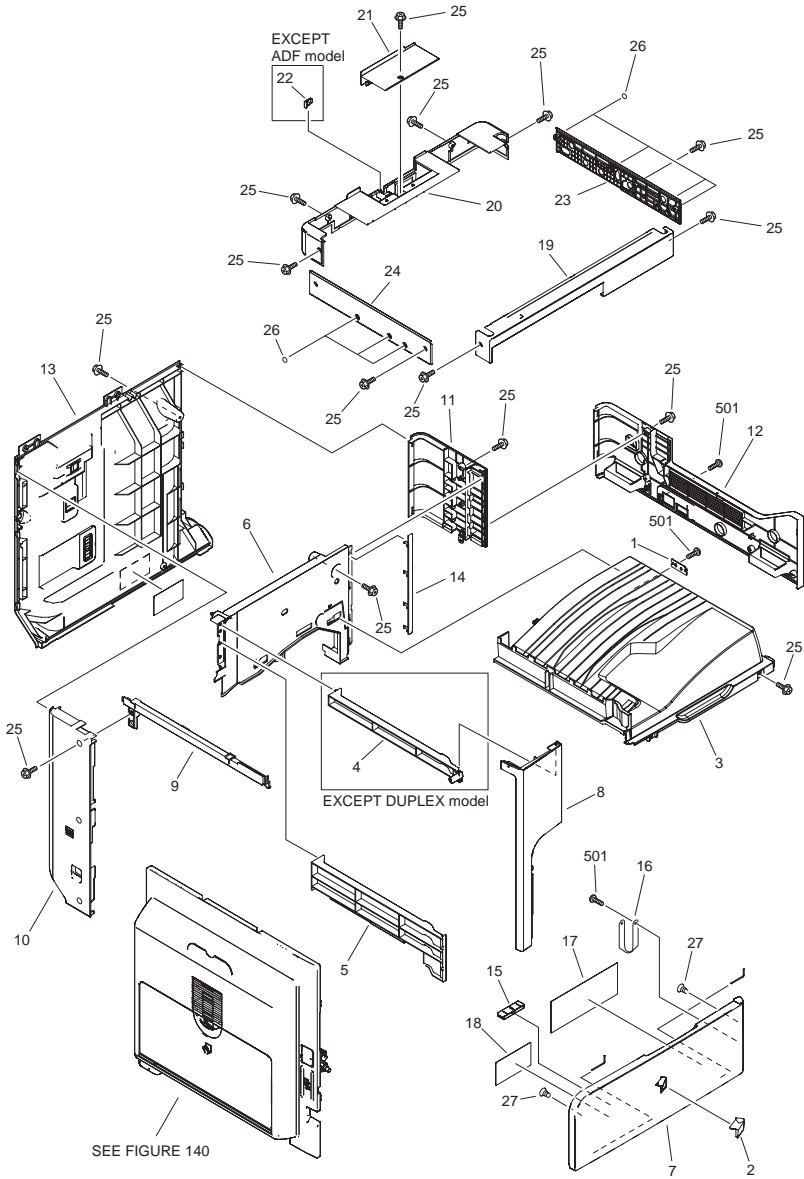


FIGURE & KEY NO.	PARTS NUMBER	R A N K	Q'TY	DESCRIPTION	SERIAL NUMBER/ REMARKS	S V C
Fig.100	NPN		RF	EXTERNAL COVERS, PANELS, ETC.		
1	FC6-4476-000		1	PLATE, SUPPORT, COVER		
2	FC5-1280-000		1	EMBLEM		
3	FC6-4259-020		1	TRAY, DELIVERY		
4	FC6-4260-000		1	COVER, PAPER FEED A	EXCEPT DUPLEX model	
5	FC6-4261-000		1	COVER, PAPER FEED B		
6	FC6-4262-000		1	COVER, REAR, DELIVERY		
7	FL2-6297-000		1	COVER, FRONT	iR2020S	
7	FL2-4944-000		1	COVER, FRONT	iR2020J	
7	FL2-4960-000		1	COVER, FRONT	iR2020i	
7	FL2-4945-000		1	COVER, FRONT	iR2020	
7	FL2-4948-000		1	COVER, FRONT	iR2016J	
7	FL2-4962-000		1	COVER, FRONT	iR2016i	
7	FL2-4949-000		1	COVER, FRONT	iR2016	
7	FL2-4961-000		1	COVER, FRONT	imageRUNNER2020i	
7	FL2-4946-000		1	COVER, FRONT	imageRUNNER2020	
7	FL2-4947-000		1	COVER, FRONT	imageRUNNER2016J	
7	FL2-4963-000		1	COVER, FRONT	imageRUNNER2016i	
7	FL2-4950-000		1	COVER, FRONT	imageRUNNER2016	
8	FC6-4264-010		1	COVER, LEFT, FRONT		
9	FC6-4265-020		1	COVER, LEFT, CENTER		
10	FC6-4266-000		1	COVER, REAR, LEFT		
11	FC6-4267-000		1	COVER, RIGHT, UPPER		
12	FC6-4268-000		1	COVER, RIGHT, LOWER		
13	FC6-4269-040		1	COVER, REAR		
14	FC6-4272-000		1	COVER, BLIND		
15	FC6-4271-000		1	COVER, FOOL PROOF		
16	FC6-4273-000		1	STRAP, COVER SUPPORT		
17	FU5-8602-000		1	LABEL, TONER CARTRIDGE		
17	FU6-8435-000		1	LABEL, TONER CARTRIDGE		
17	FU6-8434-000		1	LABEL, TONER CARTRIDGE		
18	FU5-8603-000		1	LABEL, LEVER, DEVELOPING SET		

FIGURE & KEY NO.	PARTS NUMBER	R A N K	Q'TY	DESCRIPTION	SERIAL NUMBER/ REMARKS	S V C
19	FC6-4519-000		1	COVER, READER, FRONT	EXCEPT ADF model	
20	FC6-4529-000		1	COVER, READER, REAR		
21	FC6-4580-000		1	WINDOW, PCB		
22	FC6-4724-000		1	COVER, CABLE, DF		
23	FL2-3268-010		1	COVER, READER, RIGHT		
24	FL2-3269-000		1	COVER, READER, LEFT		
25	XA9-1567-000		AR	SCREW, RS, M3X8.5		
26	FC6-4513-000		6	SEAL		
27	FA9-3870-000		2	CATCH, MAGNET		
501	XB4-5401-005		2	SCREW, P, M4X10		

FIGURE 101 MACHINE FRONT PLATE

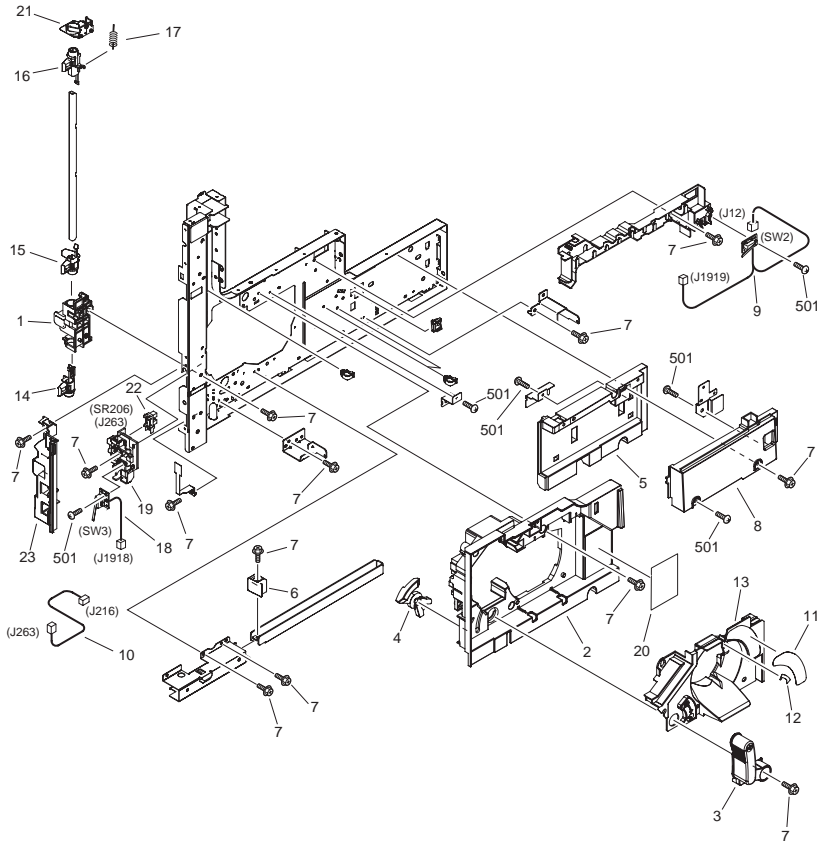


FIGURE & KEY NO.	PARTS NUMBER	RANK	Q'TY	DESCRIPTION	SERIAL NUMBER/REMARKS	SVC
Fig.101	NPN		RF	MACHINE FRONT PLATE		
1	FC6-4113-000		1	BUSHING, HOOK		
2	FC6-4140-020		1	PANEL, INNER		
3	FC7-1757-020		1	LEVER, DEV, PRESSURE	EUR	
3	FC6-4143-020		1	LEVER, DEV, PRESSURE	EXCEPT EUR	
4	FC6-4146-020		1	ARM, RELEASE, LEFT DOOR		
5	FC6-4149-000		1	PANEL, INNER, RIGHT		
6	FC6-4690-000		1	CAP, GRIP, FRONT		
7	XA9-1567-000		AR	SCREW, RS, M3X8.5		
8	FC6-7092-000		1	PANEL, INNER, UPPER		
9	FM2-4433-000		1	DOOR SWITCH PCB ASS'Y 2	SW2,J12,J1919	
10	FM2-4426-000		1	CABLE, WASTE TONER DETECTION	J216,J263	
11	FU5-8574-000		1	LABEL, TONER BOTTLE		
12	FU5-8608-000		1	LABEL, TONER SET INSTRUCTION		
13	FC6-4144-000		1	GUIDE, TONER BOTTLE		
14	FC6-4114-000		1	HOOK, DOOR, LOWER		
15	FC6-4115-000		1	HOOK, DOOR, MIDDLE		
16	FC6-4120-000		1	HOOK, DOOR, UPPER		
17	FU6-2194-000		1	SPRING, TENSION		
18	FM2-4020-000		1	DOOR SWITCH PCB ASS'Y	SW3,J1918	
19	FC6-4147-000		1	GUIDE, SENSOR, TONER FULL		
20	FU5-8610-000		1	LABEL, CAUTION, LASER		
21	FC6-4116-000		1	BUSHING, DOOR HOOK, UPPER		
22	WG8-5696-000		1	PHOTO INTERRUPTER, TLP1243	SR206,J263	
23	FC6-4719-000		1	COVER, INNER, FRONT LEFT		

FIGURE 102 INTERNAL COMPONENTS 1

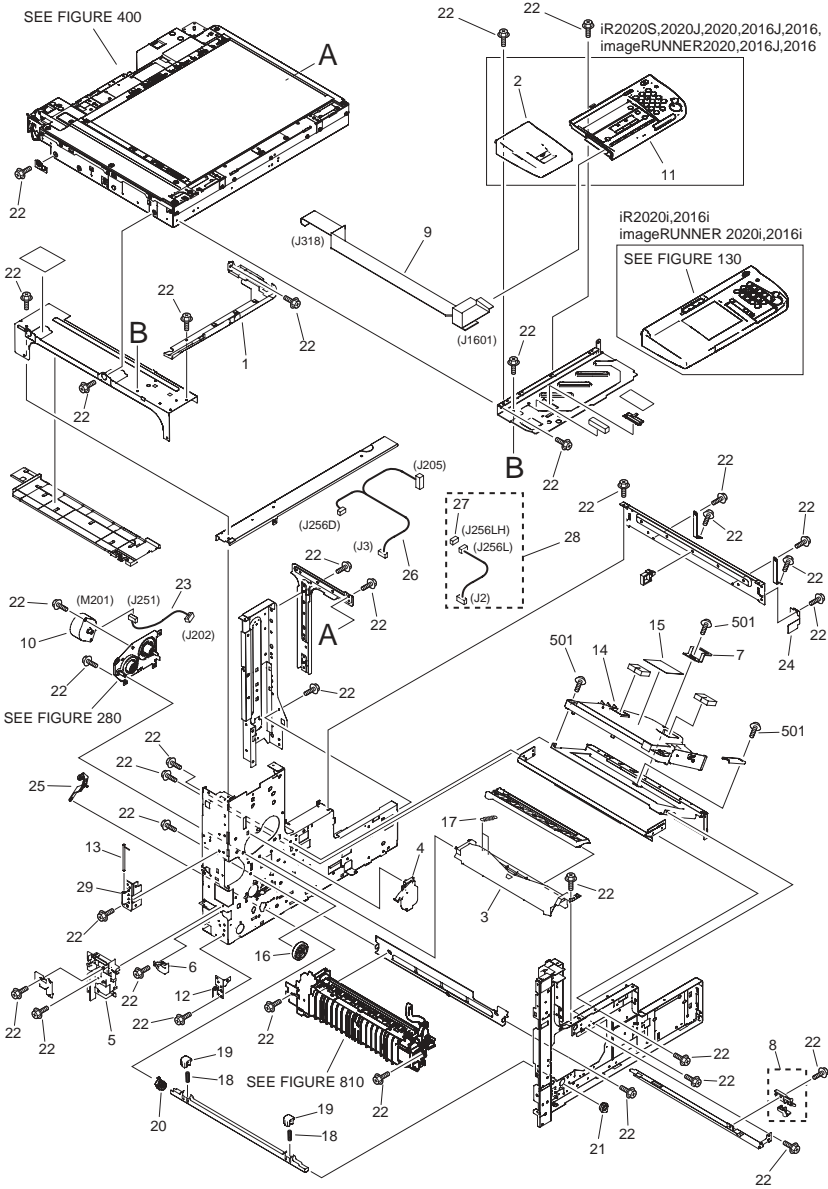


FIGURE & KEY NO.	PARTS NUMBER	RANK	Q'TY	DESCRIPTION	SERIAL NUMBER/REMARKS	SVC
Fig.102	NPN		RF	INTERNAL COMPONENTS 1		
1	FC6-4235-000		1	COVER, OPERATOR, LOWER		
2	FC6-4236-000		1	COVER, OPERATOR, LEFT	iR2020S,2020J,2020,iR2016J,2016,imageRUNNER2020,2016J,imageRUNNER2016	
3	FC6-4478-000		1	DUCT, AIR		
4	FC6-4482-000		1	COVER, GEAR		
5	FC6-4710-000		1	BLOCK, POSITIONING, DOOR		
6	FC6-4720-000		1	BLOCK, POSITIONING, DOOR		
7	FC6-4734-000		1	WASHER, SQUARE		
8	FM2-3293-000		1	HOOK, DRUM, ASS'Y		
9	FK2-1062-000		1	CABLE, FLAT, OPERATION	J318,J1601	
10	FK2-1067-000		1	MOTOR, STEPPING, DC24V	M201,J251	
11	FK2-1604-000		1	CONTROL PANEL ASSEMBLY	iR2020S,2020J,2016J CN	
11	FK2-1141-000		1	CONTROL PANEL ASSEMBLY	iR2020J,iR2016J KQY,CKP imageRUNNER2016J	
11	FK2-1602-000		1	CONTROL PANEL ASSEMBLY	iR2020,2016 TW	
11	FK2-1137-000		1	CONTROL PANEL ASSEMBLY	iR2020,2016,imageRUNNER2020,2016 ASIA,US	
11	FK2-1601-000		1	CONTROL PANEL ASSEMBLY	iR2020,2016 CN	
11	FK2-1056-000		1	CONTROL PANEL ASSEMBLY	iR2020,2016 EUR	
11	FK2-1140-000		1	CONTROL PANEL ASSEMBLY	iR2016J EUR	
12	FL2-3180-000		1	PLATE, HINGE, LOWER		
13	FL2-3181-000		1	HINGE PIN UNIT		
14	FM2-3383-000		1	LASER SCANNER ASSEMBLY	iR2020S,2020J,2016J,imageRUNNER2016J	
14	FM2-3384-000		1	LASER SCANNER ASSEMBLY	iR2020i,2020,2016i,2016,imageRUNNER2020i,2020,imageRUNNER2016i,2016	
15	FS7-8335-000		1	LABEL, LASER WARNING		
16	FU6-0803-000		1	GEAR, 31T		
17	FU6-2207-020		2	SPRING, TORSION		
18	FU6-2146-000		2	SPRING, COMPRESSION		
19	FC6-4135-000		2	CAM, PRESSURE, DEV.		

FIGURE & KEY NO.	PARTS NUMBER	R A N K	Q'TY	DESCRIPTION	SERIAL NUMBER/ REMARKS	S V C
20	FU5-1498-000		1	BUSHING, DEVELOPING, REAR		
21	FU5-1499-000		1	BUSHING, DEVELOPING, FRONT		
22	XA9-1567-000		AR	SCREW, RS, M3X8.5		
23	FM2-4409-000		1	CABLE, FIXING MOTOR	J202,J251	
24	FC6-4693-000		1	SPRING, LEAF		
25	FC6-4244-000		1	ARM, RELEASE, DEVELOPPING		
26	FM2-4402-000		1	CABLE, BD-POLYGON	J3,J205,J256D	
27	VS1-7177-003		1	CONNECTOR, SNAP TIGHT, BK	J256LH	
28	FM2-4401-000		1	CABLE, BD	J2,J256L	
29	FC6-4118-000		1	PLATE, HINGE, UPPER		
501	XB6-7300-805		3	SCREW, BH3X8		

FIGURE 103 INTERNAL COMPONENTS 2

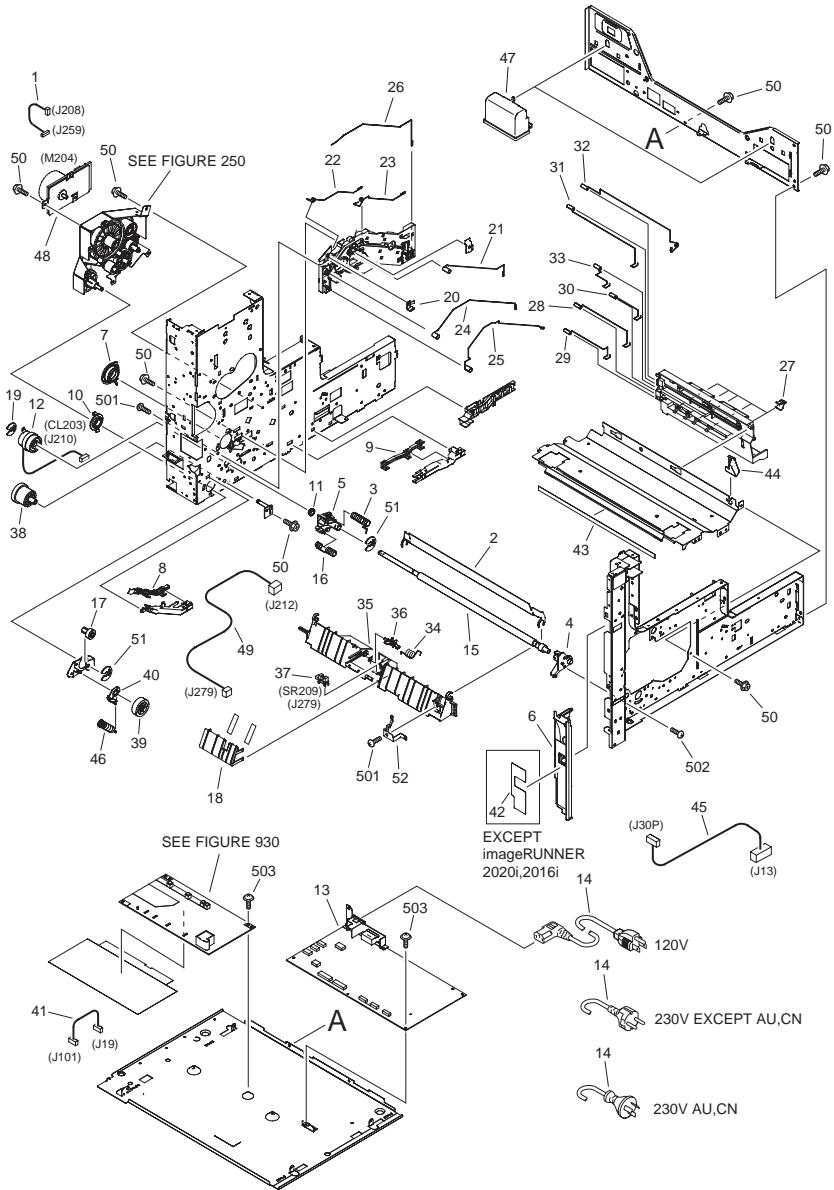
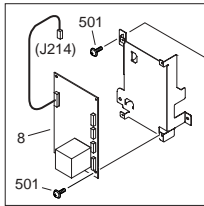


FIGURE & KEY NO.	PARTS NUMBER	RANK	Q'TY	DESCRIPTION	SERIAL NUMBER/REMARKS	SVC
Fig.103	NPN		RF	INTERNAL COMPONENTS 2		
1	FM2-4420-000		1	CABLE, MAIN MOTOR	J208,J259	
2	FC6-4305-000		1	GUIDE, TRANSFER, UPPER		
3	FC6-4306-000		1	SPRING		
4	FC6-4311-020		1	BUSHING, TRANSFER, FRONT		
5	FC6-4312-020		1	BUSHING, TRANSFER, REAR		
6	FC6-4399-020		1	COVER, INNER, LEFT-UP		
7	FC6-4435-000		1	BUSHING		
8	FC6-4446-000		1	LID, AC-1		
9	FC6-4447-000		1	LID, AC-2		
10	FC6-4495-000		1	BUSHING		
11	FA9-2112-000		1	BUSHING, PL		
12	FK2-1081-000		1	CLUTCH, REGISTRATION	CL203,J210	
13	FK2-1074-000		1	POWER SUPPLY ASS'Y	120V	
13	FK2-1075-000		1	POWER SUPPLY ASS'Y	230V EXCEPT CN	
14	FK2-1612-000		1	POWER SUPPLY ASS'Y	230V CN	
14	FM2-4785-000		1	CORD, POWER	120V	
14	FM2-4786-000		1	CORD, POWER	230V EXCEPT AU,CN	
14	FM2-4787-000		1	CORD, POWER	230V CN	
14	FM2-4788-000		1	CORD, POWER	230V AU	
15	FL2-3213-000		1	ROLLER, REGISTRATION		
16	FU6-2176-000		1	SPRING, EARTH		
17	FU6-0806-000		1	GEAR, 17T		
18	FC6-4360-030		1	GUIDE, PRE-REGIST SENSOR		
19	FC6-3002-000		1	RING, RETAINING		
20	FC6-4148-000		1	TERMINAL, LEAF, FIXING BIAS		
21	FU6-2148-000		1	TERMINAL, CHARGE		
22	FU6-2149-000		1	TERMINAL, DEVELOPING		
23	FU6-2150-000		1	TERMINAL, DETECTION		
24	FU6-2151-000		1	TERMINAL, STATIC ELIMINATOR		
25	FU6-2152-000		1	TERMINAL, TRANSFER		
26	FU6-2198-000		1	TERMINAL, FIXING		

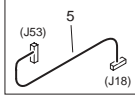
FIGURE & KEY NO.	PARTS NUMBER	RANK	Q'TY	DESCRIPTION	SERIAL NUMBER/REMARKS	SVC
27	FC6-4138-000		5	TERMINAL, LEAF, HVT		
28	FU6-2156-000		1	TERMINAL, CHARGE		
29	FU6-2157-000		1	TERMINAL, DEVELOPING		
30	FU6-2158-000		1	TERMINAL, DETECTION		
31	FU6-2159-000		1	TERMINAL, STATIC ELIMINATOR		
32	FU6-2195-000		1	TERMINAL, TRANSFER		
33	FU6-2199-000		1	TERMINAL, FIXING		
34	FC6-4308-000		1	SPRING, TORSION		
35	FC6-4309-030		1	GUIDE, PRE-REGIST, UPPER		
36	FC6-4310-000		1	FLAG, SENSOR, PRE-REGIST	EXCEPT CN	
36	FL2-9920-000		1	FLAG, SENSOR, PRE-REGIST	CN	
37	WG8-5696-000		1	PHOTO INTERRUPTER, TLP1243	SR209,J279	
38	FU6-0794-000		1	GEAR, 29T		
39	FU6-0796-000		1	GEAR, 33T		
40	FC6-4191-000		1	STOPPER, MULTI FEED		
41	FM2-4413-000		1	CABLE, HVT POWER	J19,J101	
42	FU5-8606-000		1	LABEL, JAM CLEARING	EXCEPT imageRUNNER2020i,2016i	
43	FC6-4205-000		1	SHEET, CLEANING		
44	FC6-4245-000		1	GUIDE, DEVELOPING		
45	FM2-4408-000		1	CABLE, FIXING HEATER	J13,J30P	
46	FU6-2209-000		1	SPRING, TENSION		
47	FC6-4689-000		2	HANDLE		
48	FK2-1080-000		1	MOTOR, DC24V	M204	
49	FM2-4424-000		1	CABLE, RESIST SENSOR	J212,J279	
50	XA9-1567-000	AR		SCREW, RS, M3X8.5		
51	FA4-1159-000		2	RING, RETAINING		
52	FC6-4307-000		1	PLATE, ROLLER, REGIST		
501	XB4-5401-005	AR		SCREW, P, M4X10		
502	XB4-7401-009	AR		SCREW,TAPPING,PAN HEAD,M4X10		

FIGURE 104 MACHINE REAR PLATE

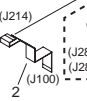
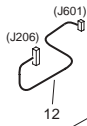
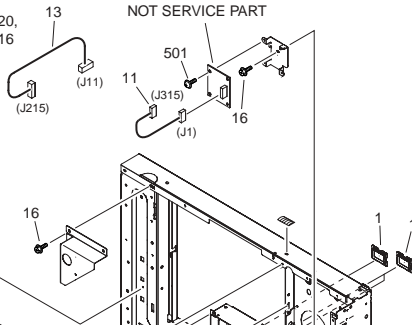
iR2020i,2016i,
iR2020 TW,ASIA,CN,
iR2016 TW,ASIA,CN,
imageRUNNER2020i,2020,
imageRUNNER2016i,2016



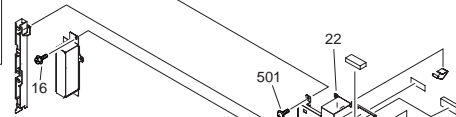
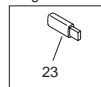
iR2020i,2016i,
iR2020 TW,ASIA,CN,
iR2016 TW,ASIA,CN,
imageRUNNER2020i,2020,
imageRUNNER2016i,2016



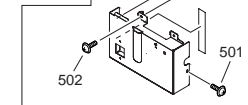
NOT SERVICE PART



iR2020i,2016i,
imageRUNNER2020i,
imageRUNNER2016i



iR2020i,2016i,
KRE,KRJ,
KRK,KRL,
KRR,KRS,
KRT,KRU



iR2020i,2016i,
imageRUNNER2020i,
imageRUNNER2016i

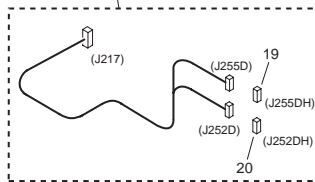
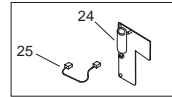


FIGURE & KEY NO.	PARTS NUMBER	RANK	Q'TY	DESCRIPTION	SERIAL NUMBER/REMARKS	SVC
Fig.104	NPN		RF	MACHINE REAR PLATE		
1	FB6-1722-000		3	BUSHING, SQUARE		
2	FK3-0181-000		1	CABLE, FLAT, HVT	J100,J214	
3	FK2-1059-000		1	CABLE, FLAT, DC	J207,J314	
4	FM2-4410-000		1	CABLE, FIXING ASSEMBLY	J217,J252D,J255D	
5	FM2-4541-000		1	CABLE, OPTION POWER SUPPLY	iR2020i,2016i,iR2020 TW,ASIA,CN,iR2016 TW,ASIA,CN,imageRUNNER2020i,2020,imageRUNNER2016i,2016 J18,J53	
6	VS1-7177-010		1	CONNECTOR, SNAP TIGHT, BK	J286DH	
7	FC6-4691-000		1	CAP, GRIP, REAR		
8	FK2-1085-000		1	SUB POWER SUPPLY ASS'Y	120V EXCEPT imageRUNNER2016J J214	
8	FK2-1086-000		1	SUB POWER SUPPLY ASS'Y	230V iR2020i EXCEPT TW,iR2016i EXCEPT TW,iR2020 ASIA,CN,iR2016 ASIA,CNJ214	
9	FM2-4026-060		1	DC CONTROLLER PCB ASSEMBLY	iR2020S,2020J	
9	FM2-4016-060		1	DC CONTROLLER PCB ASSEMBLY	iR2020i,2020,imageRUNNER2020i,2020 120V	
9	FM2-4017-060		1	DC CONTROLLER PCB ASSEMBLY	iR2020i,2020 EXCEPT KR 230V	
9	FM2-4793-000		1	DC CONTROLLER PCB ASSEMBLY	iR2020i KR,2020 KR	
9	FM2-4014-060		1	DC CONTROLLER PCB ASSEMBLY	iR2016i,2016,imageRUNNER2016i,2016 120V	
9	FM2-4015-060		1	DC CONTROLLER PCB ASSEMBLY	iR2016i,2016,imageRUNNER2016i,2016 230V	
9	FM2-4024-060		1	DC CONTROLLER PCB ASSEMBLY	iR2016J	
9	FM2-4023-060		1	DC CONTROLLER PCB ASSEMBLY	imageRUNNER2016J	
10	FM2-4058-000		1	LAN PCB ASSEMBLY	iR2020i,2016i,iR2020 EXCEPT AU,EUR,iR2016 EXCEPT AU,EUR	
11	FM2-4425-000		1	CABLE, SOFT ID	J1,J315	
12	FM2-4414-000		1	CABLE, LASER	J206,J601	
13	FM2-4404-000		1	CABLE, DC CONTROLLER	J11,J215	
14	FM2-4542-000		1	CABLE, IP-LAN	iR2020i,2016i,iR2020 EXCEPT AU,EUR,iR2016 EXCEPT AU,EUR	

FIGURE & KEY NO.	PARTS NUMBER	RANK	Q'TY	DESCRIPTION	SERIAL NUMBER/REMARKS	SVC
15	FL2-3229-000		1	CORE UNIT		
16	XA9-1567-000		AR	SCREW, RS, M3X8.5		
17	FC7-1749-000		1	PLATE, LEAF		
18	FM2-4416-000		1	CABLE, LEFT DOOR	J219,286D,286DH	
19	VS1-7207-006		1	CONNECTOR, SNAP TIGHT	J255DH	
20	VS1-7207-007		1	CONNECTOR, SNAP TIGHT	J252DH	
21	WE8-6346-000		1	CORE,RING	KRE,KRJ,KRK,KRL,KRR, KRS,KRT,KRU	
22	FL2-3184-000		1	COVER, IP		
24	FM2-4780-000		1	CAPACITOR PCB ASSEMBLY	iR2020i,2016i,imageRUN NER2020i,2016i	
25	FM2-4538-000		1	CABLE, IP-CAP	iR2020i,2016i,imageRUN NER2020i,2016i	
501	XB6-7300-805		AR	SCREW, BH3X8 S		
502	XB6-7300-807		AR	SCREW, TP, M3X8		
	FK2-5725-000		1	MEMORY, USB FLASH, 128M		

FIGURE 130 CONTROL PANEL ASSEMBLY

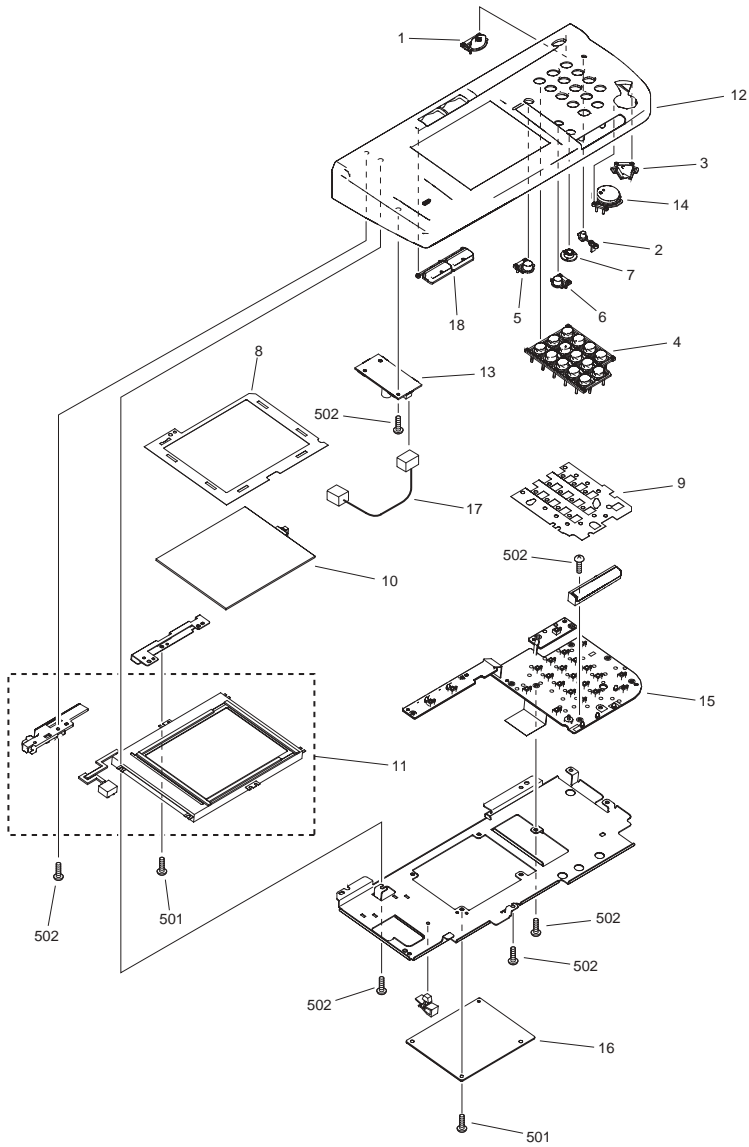
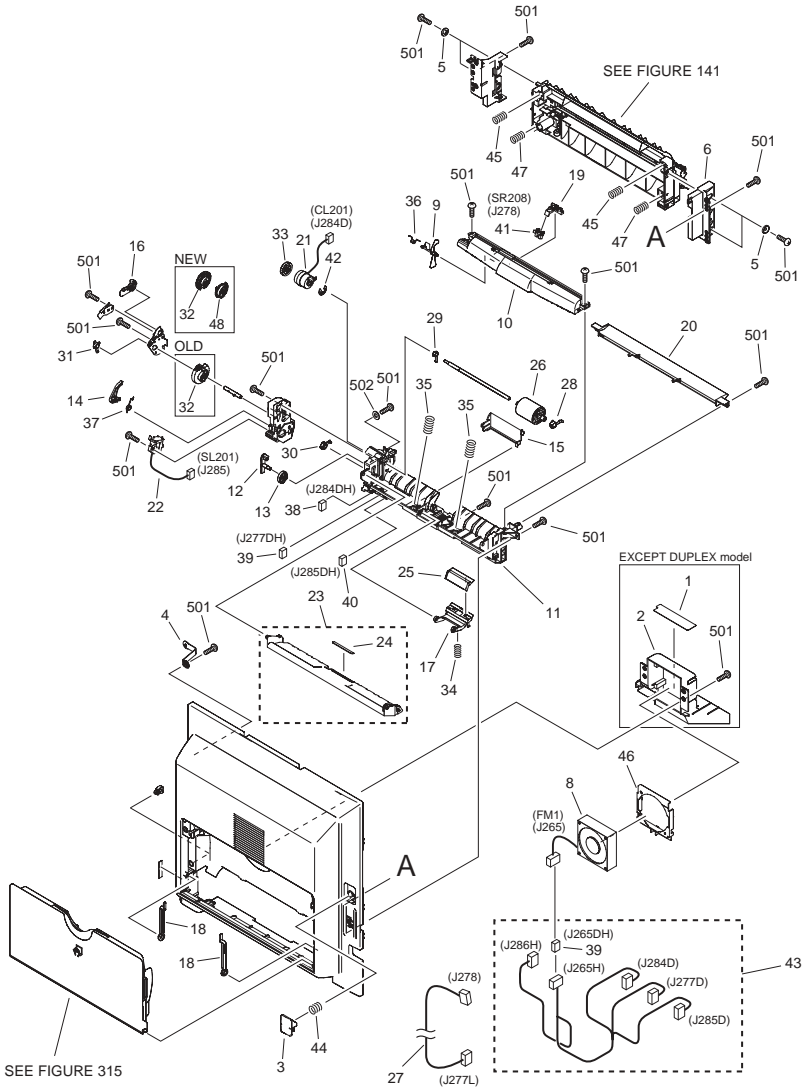


FIGURE & KEY NO.	PARTS NUMBER	R A N K	Q'TY	DESCRIPTION	SERIAL NUMBER/ REMARKS	S V C
Fig.130	FM2-4008-000		1	CONTROL PANEL ASSEMBLY	iR2020i ASIA,AU,iR2016i ASIA,AU,imageRUNNER2020i,2016i	
Fig.130	FM2-4009-000		1	CONTROL PANEL ASSEMBLY	iR2020i CN,iR2016i CN	
Fig.130	FM2-4012-000		1	CONTROL PANEL ASSEMBLY	iR2020i TW,EUR,KR,iR2016i TW,EUR	
1	FC6-5425-000		1	KEY TOP, POWER SUPPLY		
2	FC6-5426-000		1	KEY TOP, COUNTER		
3	FC6-5427-000		1	KEY TOP, STOP		
4	FC6-5428-000		1	KEY TOP, NUMBERS		
5	FC6-5429-000		1	KEY TOP, RESET		
6	FC6-5430-000		1	KEY TOP, USER MODE		
7	FC6-5431-000		1	DIAL, CONTRAST		
8	FC6-5433-000		1	SHEET, LCD		
9	FC7-1020-000		1	SHEET, ELECTROSTATIC		
10	FH6-0772-000		1	PANEL, TOUCH		
11	FM2-3292-000		1	LCD CONTROL PANEL ASS'Y		
12	FL2-4785-000		1	CONTROL PANEL UNIT	iR2020i ASIA,AU,iR2016i ASIA,AU,imageRUNNER2020i,2016i	
12	FL2-4788-000		1	CONTROL PANEL UNIT	iR2020i CN,iR2016i CN	
12	FL2-4786-000		1	CONTROL PANEL UNIT	iR2020i TW,EUR,KR,iR2016i TW,EUR	
13	FM2-2753-000		1	C.PANEL INVERTER PCB ASSEMBLY		
14	FM2-4013-000		1	KEY TOP, START		
15	FM2-4399-000		1	SWITCH PCB ASSEMBLY		
16	FM2-4784-030		1	CONTROL PANEL CPU PCB ASSEMBLY		
17	FM2-5952-000		1	CABLE, CPU-INVERTER	J955,J1705	
18	FM2-6355-000		1	KEY TOP, SYSTEM	iR2020i ASIA,AU,iR2016i ASIA,AU,imageRUNNER2020i,2016i	
18	FM2-6353-000		1	KEY TOP, SYSTEM	iR2020i CN,iR2016i CN	
18	FM2-6356-000		1	KEY TOP, SYSTEM	iR2020i TW,EUR,KR,iR2016i TW,EUR	
501	XB1-2300-407		5	SCREW, BH3X4 (S)		

FIGURE & KEY NO.	PARTS NUMBER	R A N K	Q'TY	DESCRIPTION	SERIAL NUMBER/ REMARKS	S V C
502	XB4-5300-807		19	SCREW, P, M3X8		

FIGURE 140 LEFT DOOR ASSEMBLY



NOTE 1 : This assembly includes the assemblies shown in Figure 141 and 315.

NOTE 2 : This assembly includes the assemblies shown in Figure S20 and 50.

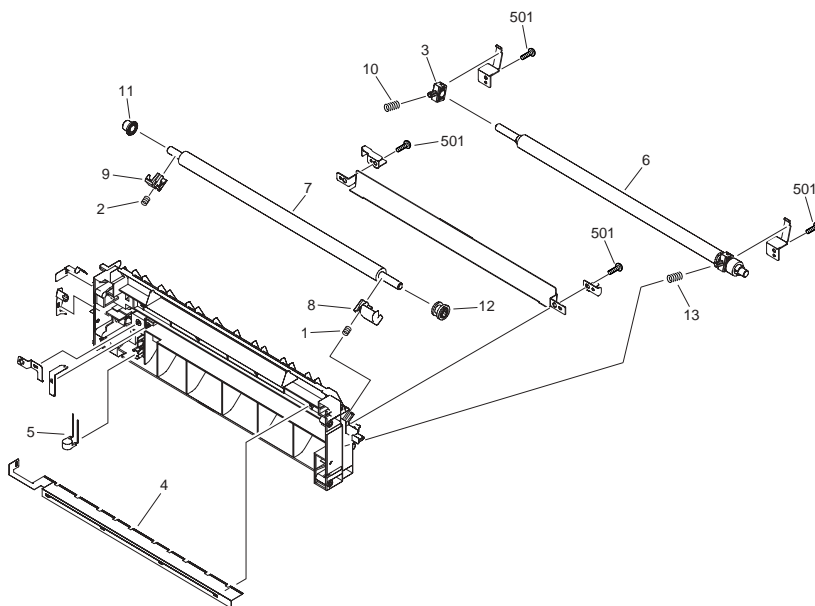
注 1 : このユニットはFigure 141,315のユニットを含みます。

注 2 : このユニットはFigure S20,50のユニットを含みます。

FIGURE & KEY NO.	PARTS NUMBER	R A N K	Q'TY	DESCRIPTION	SERIAL NUMBER/ REMARKS	S V C
Fig.140	FM2-3330-300		1	LEFT DOOR ASSEMBLY	SEE NOTE 1 EXCEPT CN EXCEPT DUPLEX model	
Fig.140	FM3-6924-000		1	LEFT DOOR ASSEMBLY	SEE NOTE 1 CN EXCEPT DUPLEX model	
Fig.140	FM2-3333-250		1	LEFT DOOR ASSEMBLY	SEE NOTE 1,2 DUPLEX model	
1	FU5-8607-000		1	LABEL, WARNING, ROLLER	EXCEPT DUPLEX model	
2	FC6-4376-000		1	HOLDER, FAN	EXCEPT DUPLEX model	
3	FC6-4386-000		1	BUTTON, PUSH		
4	FC6-4388-000		1	STOPPER, DOOR		
5	FC6-4413-000		4	SPACER, FRAME, FEED		
6	FC6-4414-000		1	MOUNT, FRAME, FEED		
8	FK2-1084-000		1	FAN	FM1,J265	
9	FC6-4209-020		1	FLAG, SENSOR		
10	FC6-4210-000		1	COVER, ROLLER		
11	FC6-4211-000		1	GUIDE, MULTI FEED		
12	FC6-4224-000		1	SUPPORT, CAM, LIFTING		
13	FC6-4226-020		1	CAM, LIFTING PLATE	OLD	
13	FC8-0168-000		1	CAM, LIFTING PLATE	NEW	
14	FC6-4227-020		1	ARM, MULTI FEED		
15	FC6-4232-000		1	COVER, HARNESS		
16	FC6-4233-000		1	STOPPER, SWING PLATE	OLD	
16	FC8-0167-010		1	STOPPER, SWING PLATE	NEW	
17	FC6-4234-000		1	ARM, PAD, SEPARATION		
18	FC6-4238-000		2	STOPPER, MULTI FEED		
19	FC6-4239-000		1	HOLDER, SENSOR		
20	FC6-4377-000		1	GUIDE, FEED		
21	FK2-1070-000		1	CLUTCH, ELECTROMAGNETIC	CL201,J284D	
22	FK2-1072-000		1	SOLENOID	SL201,J285	
23	FL2-3200-000		1	LIFTING PLATE ASSEMBLY		
24	FC5-0543-000		1	SHEET, SEPARATION		
25	FL2-3201-000		1	SEPARATION PAD ASS'Y		
26	FL2-3202-000		1	ROLLER, PICK-UP		

FIGURE & KEY NO.	PARTS NUMBER	R A N K	Q'TY	DESCRIPTION	SERIAL NUMBER/ REMARKS	S V C
27	FM2-4421-000		1	HARNESS, SENSOR, PAPER	J277L,J278	
28	FU5-1527-000		1	BUSHING, ROLLER, PICK-UP		
29	FU5-1528-000		1	BUSHING, SHAFT, PICK-UP		
30	FU5-1529-000		1	BUSHING, SHAFT, CAM (F)		
31	FU5-1530-000		1	BUSHING, SHAFT, CAM (R)		
32	FU6-0813-020		1	GEAR, MULTI FEED	OLD	
32	FC8-0165-000		1	GEAR, MULTI FEED	NEW	
33	FU6-0814-000		1	GEAR, 25T		
34	FU6-2180-000		1	SPRING, COMPRESSION		
35	FU7-2221-000		2	SPRING, COMPRESSION		
36	FU6-2182-000		1	SPRING, TORSION		
37	FU6-2183-020		1	SPRING, TORSION	OLD	
37	FU7-2222-000		1	SPRING, TORSION	NEW	
38	VS1-7177-002		1	CONNECTOR, SNAP TIGHT, BK	J284DH	
39	VS1-7177-003		2	CONNECTOR, SNAP TIGHT, BK	J265DH,J277DH	
40	VS1-7177-004		1	CONNECTOR, SNAP TIGHT, BK	J285DH	
41	WG8-5696-000		1	PHOTO INTERRUPTER, TLP1243	SR208,J278	
42	XD9-0136-000		1	RING, E		
43	FM2-4417-000		1	CABLE, LEFT DOOR	J277D,J284D,J285D	
44	FU6-2160-000		1	SPRING, COMPRESSION		
45	FU6-2162-000		2	SPRING, COMPRESSION		
46	FC6-4241-000		1	HOLDER, FILTER		
47	FU6-2178-000		2	SPRING, COMPRESSION		
48	FC8-0166-000		1	GEAR, 39T	NEW	
501	XB4-5401-005		AR	SCREW, P, M4X10		
502	XD1-1104-133		1	SHIM		

FIGURE 141 TRANSFER MOUNT ASSEMBLY



NOTE : This assembly is included in the assembly shown in Figure 140.
注 : このユニットはFigure 140のユニットに含まれます。

FIGURE & KEY NO.	PARTS NUMBER	R A N K	Q'TY	DESCRIPTION	SERIAL NUMBER/ REMARKS	S V C
Fig.141	FM2-3315-000		1	TRANSFER MOUNT ASSEMBLY	SEE NOTE	
1	FC6-4314-030		1	BUSHING, TRANSFER, FRONT		
2	FC6-4315-000		1	BUSHING, TRANSFER, LOWER		
3	FC6-4317-000		1	BUSHING, REGIST ROLLER		
4	FC6-4324-000		1	ELIMINATOR, STATIC CHARGE		
5	FH5-3543-000		1	VARISTOR		
6	FL2-3214-000		1	REGIST ROLLER ASSEMBLY		
7	FC6-4313-000		1	ROLLER, TRANSFER		
8	FU6-2171-000		1	SPRING, TRANSFER ROLLER, LEFT		
9	FU5-2476-000		1	SPRING, TRANSFER ROLLER, RIGHT		
10	FU6-2173-000		1	SPRING, COMPRESSION		
11	FC6-4316-000		1	ROLLER		
12	FU6-0773-000		1	GEAR, 30T		
13	FU6-2177-020		1	SPRING, COMPRESSION		
501	XB4-5401-005		4	SCREW, P, M4X10		

FIGURE 250 MAIN DRIVE ASSEMBLY

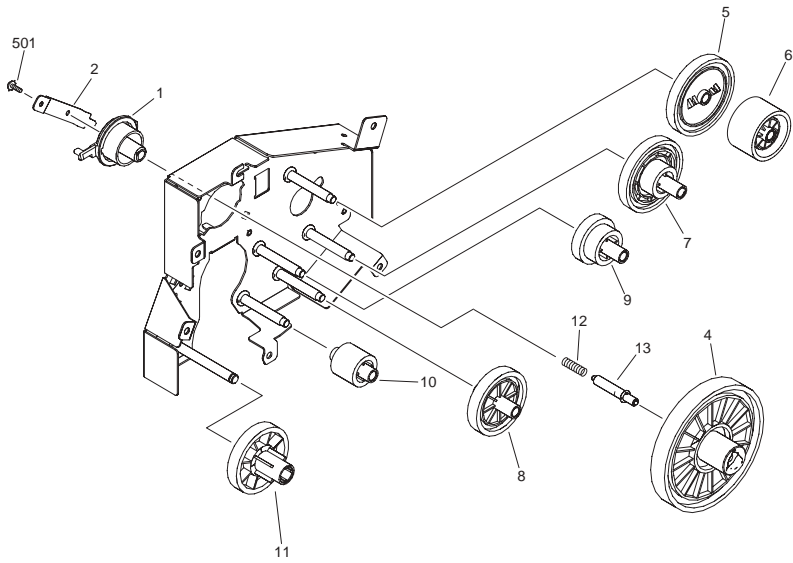


FIGURE & KEY NO.	PARTS NUMBER	RANK	Q'TY	DESCRIPTION	SERIAL NUMBER/REMARKS	SVC
Fig.250	FM2-3344-000		1	MAIN DRIVE ASSEMBLY		
1	FC6-4436-000		1	BUSHING		
2	FC6-4437-000		1	PLATE, EARTH		
4	FU6-0788-000		1	GEAR, 161T		
5	FU6-0766-000		1	GEAR, 13T		
6	FU6-0767-000		1	GEAR, 9T		
7	FU6-0790-000		1	GEAR, 25T/91T		
8	FU6-0791-000		1	GEAR, 53T		
9	FU6-0792-000		1	GEAR, 37T/28T		
10	FU6-0793-000		1	GEAR, 25T		
11	FU6-0795-000		1	GEAR, 55T		
12	FU6-2184-000		1	SPRING, EARTH		
13	RB2-1850-000		1	PIN		
501	XB2-7300-607		1	SCREW,W/WASHER,M3X6		

FIGURE 280 FIXING DRIVE ASSEMBLY

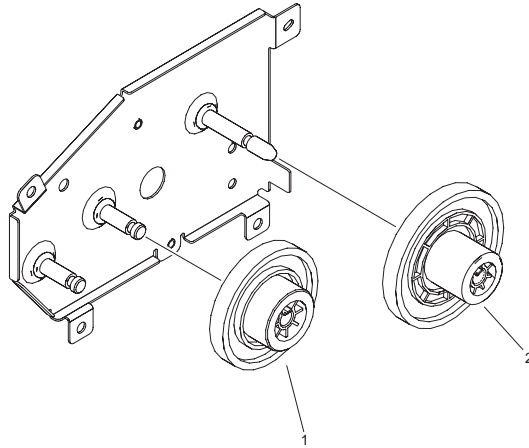
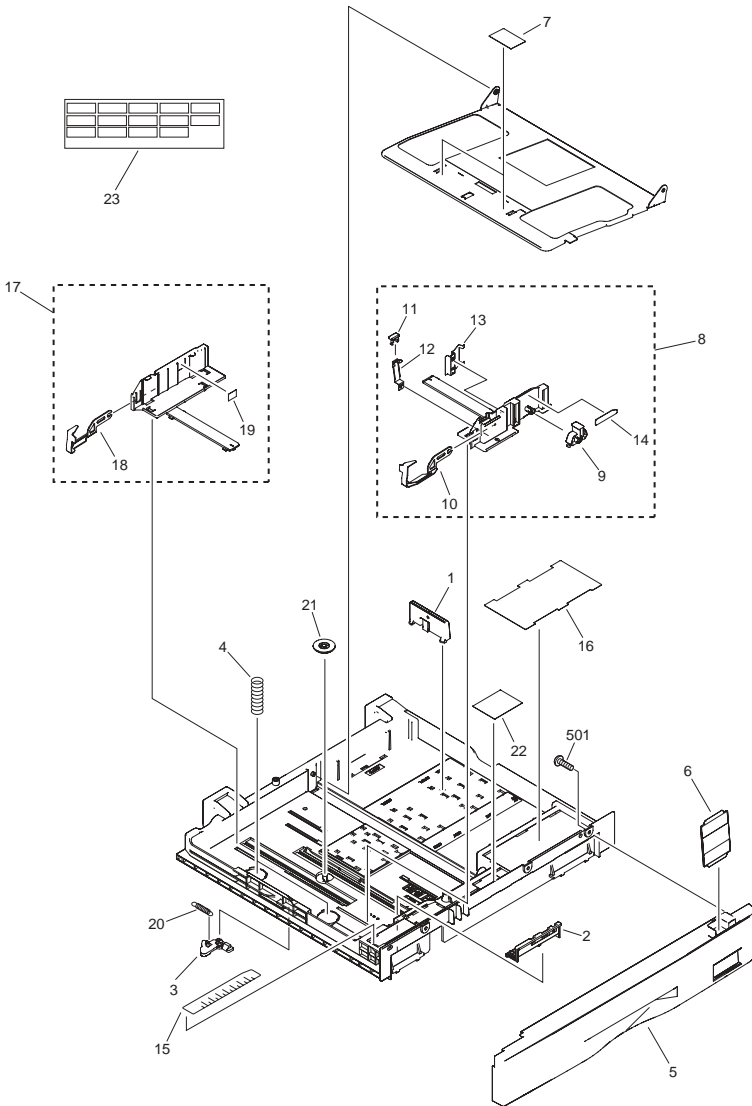


FIGURE & KEY NO.	PARTS NUMBER	RANK	QTY	DESCRIPTION	SERIAL NUMBER/REMARKS	SVC
Fig.280	FM2-3350-000		1	FIXING DRIVE ASSEMBLY		
1	FU6-0802-000		1	GEAR, 80T/17T		
2	FU6-0804-000		1	GEAR, 91T/19T		

FIGURE 300 CASSETTE



NOTE : This assembly does not include the parts shown with key No.22 and23.
 注 : このユニットにKey No.22, 23の部品は含まれません。

FIGURE & KEY NO.	PARTS NUMBER	R A N K	Q'TY	DESCRIPTION	SERIAL NUMBER/ REMARKS	S V C
Fig.300	FM2-3313-000		1	CASSETTE UNIT		
1	FB4-5814-000		1	PLATE, SIZE, REAR		
2	FB6-1640-000		1	LEVER, PAPER SIZE		
3	FB6-1644-000		1	LOCK, PAPER LIFTING PLATE		
4	FB6-2000-000		2	SPRING, COMPRESSION		
5	FC6-4337-000		1	COVER, CASSETTE		
6	FC6-4361-000		1	PLATE, SIZE INDICATOR		
7	FB6-1650-000		2	SHEET, SEPARATION		
8	FM2-3325-000		1	PAPER SIDE GUIDE (F) UNIT		
9	FB4-5809-020		1	LEVER, LOCK		
10	FB4-5813-020		1	PLATE, HOLD-DOWN TAB		
11	FB4-5810-000		1	PLATE, PAPER CONTACT		
12	FB6-1646-000		1	SPRING, LEAF		
13	FB6-1649-000		1	SPRING, LEAF		
14	FU5-8588-000		1	LABEL, SIDE LOCK		
15	FU6-8437-000		1	LABEL, PAPER SIZE SETTING		
16	FU6-8438-000		1	LABEL, PAPER SUPPLY		
17	FM2-3326-000		1	PAPER SIDE GUIDE (R) UNIT		
18	FB4-5808-020		1	PLATE, HOLD-DOWN TAB		
19	FB4-5824-000		1	LABEL, LIMIT		
20	FS6-2917-000		1	SPRING, TENSION		
21	FS7-0207-000		1	GEAR, 20T		
22	FU7-8048-000		1	LABEL, WARNING	SEE NOTE EXCEPT CN,TW	
22	FU7-8049-000		1	LABEL, WARNING	SEE NOTE CN,TW	
23	FU6-8457-000		1	LABEL, PAPER SIZE	SEE NOTE	
501	XB4-7401-009		2	SCREW, TAPPING, PAN HEAD		

FIGURE 310 CASSETTE FEEDER ASSEMBLY

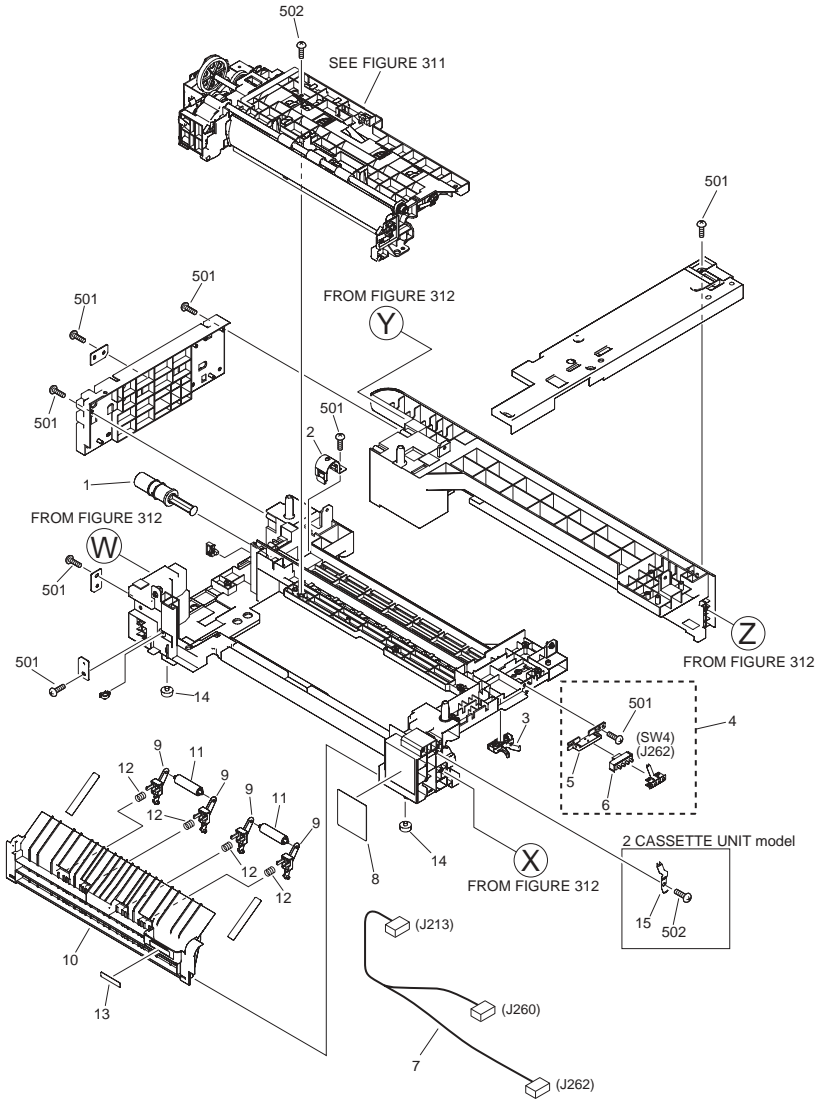


FIGURE & KEY NO.	PARTS NUMBER	R A N K	Q'TY	DESCRIPTION	SERIAL NUMBER/ REMARKS	S V C
Fig.310	NPN		RF	CASSETTE FEEDER ASSEMBLY		
1	FB4-5532-000		1	DAMPER		
2	FB6-1608-000		1	HOLDER, DAMPER		
3	FC6-4357-000		1	BLOCK, POSITION		
4	FM2-3319-000		1	SIZE DETECTION ASS'Y		
5	FB6-1910-000		1	MOUNT, SIZE SENSOR		
6	WC2-5332-000		1	SWITCH, PAPER SIZE	SW4,J262	
7	FM2-4403-000		1	CABLE, CASSETTE	J213,260,262	
8	FU5-8585-000		1	LABEL, JAM CLEARING		
9	FC6-4297-000		4	BUSHING, ROLLER, VERTICAL		
10	FC6-4298-000		1	COVER, CASSETTE, LEFT		
11	FC6-4300-000		2	ROLLER, VERTICAL PASS		
12	FU6-2170-000		4	SPRING, COMPRESSION		
13	FU5-8586-000		1	LABEL, COVER		
14	XH9-0135-000		2	FOOT, RUBBER		
15	FC6-6712-000		1	PLATE, EARTH	2 CASSETTE UNIT model	
501	XB4-5401-005		15	SCREW, P, M4X10		
502	XB4-5401-007		5	SCREW, M4X10		

FIGURE 311 PAPER PICK-UP ASSEMBLY

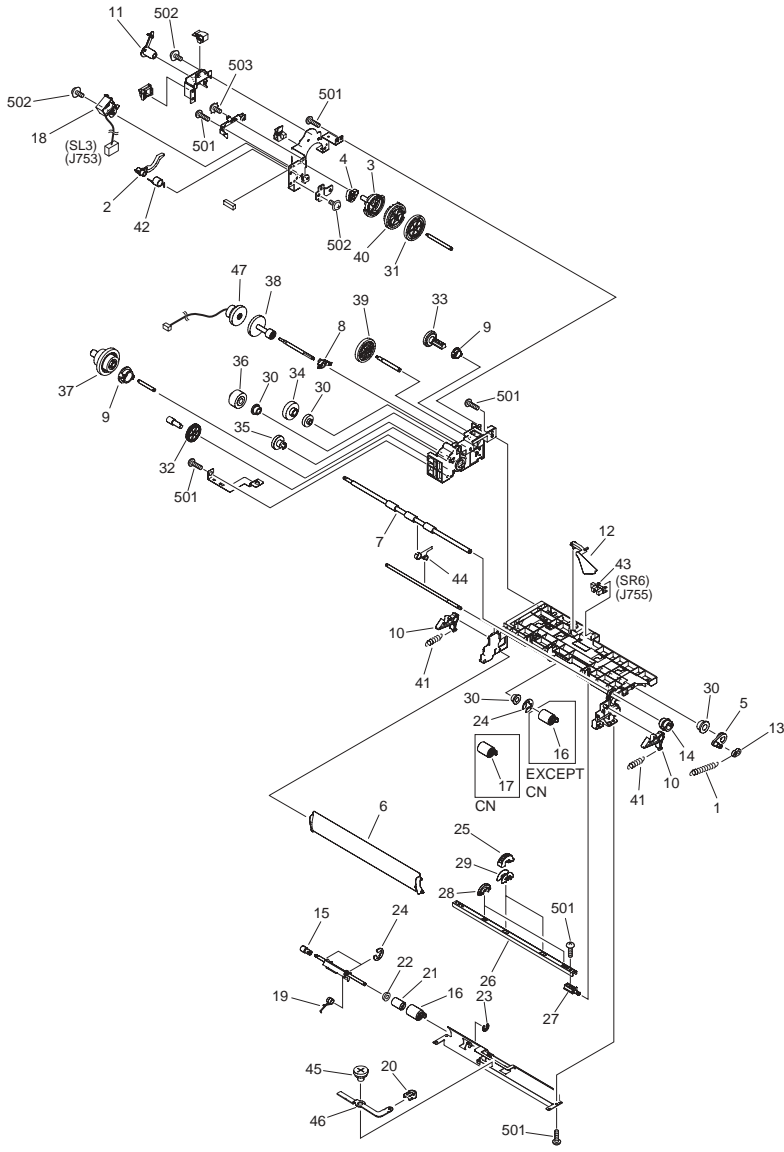


FIGURE & KEY NO.	PARTS NUMBER	R A N K	Q'TY	DESCRIPTION	SERIAL NUMBER/ REMARKS	S V C
Fig.311	FM2-3320-050		1	PAPER PICK-UP ASSEMBLY	EXCEPT CN	
Fig.311	FM2-3302-000		1	PAPER PICK-UP ASSEMBLY	CN	
1	FB6-1550-000		1	SPRING, TENSION		
2	FB6-1626-000		1	LEVER, COUPLING		
3	FB6-1633-000		1	GEAR, 27T/50T	OLD	
3	FC6-4389-000		1	GEAR, 33T/50T	NEW	
4	FB6-1660-000		1	CAM		
5	FB6-1909-000		1	BUSHING		
6	FC6-4285-000		1	GUIDE, TURN		
7	FC6-4286-000		1	ROLLER, VERTICAL PATH	EXCEPT CN	
7	FC8-0171-000		1	ROLLER, VERTICAL PATH	CN	
8	FC6-4291-000		1	BUSHING, CLUTCH		
9	FC6-4304-000		2	BUSHING, ROLLER, PICK-UP		
10	FC6-4326-000		2	LOCK, VERTICAL PASS		
11	FC6-4348-000		1	BUSHING, CLUTCH, REAR		
12	FC9-4288-000		1	ARM, DETECTION, PAPER		
13	FC6-4352-000		1	COLLAR, SPRING		
14	FC6-4355-000		1	BUSHING		
15	FC9-4290-000		1	JOINT, RETARD		
16	FF6-1621-000		2	ROLLER, SEPARATION	EXCEPT CN	
17	FC8-0170-000		1	ROLLER, SEPARATION	CN	
18	FK2-1082-000		1	SOLENOID		
19	FU7-2234-000		1	SPRING, TORSION		
20	FB6-1908-000		1	CAP		
21	FC6-4290-000		1	LIMITER, TORQUE		
22	FB6-1541-000		1	BUSHING		
23	XD9-0133-000		1	RING, E		
24	XD9-0136-000		3	RING, E		
25	FB4-9817-030		2	ROLLER, PICK-UP		
26	FC6-4284-000		1	SHAFT, ROLLER, PICK-UP		
27	FC6-4351-000		1	SHAFT, ROLLER		
28	FC6-4356-000		2	ROLLER, LOOP		

FIGURE & KEY NO.	PARTS NUMBER	R A N K	Q'TY	DESCRIPTION	SERIAL NUMBER/ REMARKS	S V C
29	FE5-4048-000		2	BLOCK, PICK-UP ROLLER ADPTER		
30	FS1-1205-000		4	BUSHING		
31	FS7-0225-000		1	GEAR, 53T		
32	FS7-0226-000		1	GEAR, 36T		
33	FS7-0228-000		1	GEAR, 31T		
34	FS7-0229-000		1	GEAR, 18T		
35	FS7-0230-000		1	GEAR, 27T		
36	FU6-0769-000		1	GEAR, 17T	EXCEPT CN	
36	FU7-0923-000		1	GEAR, 17T	CN	
37	FU6-0770-000		1	GEAR, 21T/37T/22T		
38	FU6-0771-030		1	GEAR, 16T/34T		
39	FU6-0775-000		1	GEAR, 39T		
40	FU6-0776-030		1	GEAR, 29T		
41	FU6-2174-000		2	SPRING, TENSION		
42	FU6-2175-000		1	SPRING, TORSION		
43	WG8-5696-000		1	PHOTO INTERRUPTER, TLP1243	SR6 J755	
44	FC7-1770-000		1	BUSHING		
45	FC6-4288-020		1	LEVER, PRESSURE		
46	FS5-9714-000		1	SCREW, STEPPED, M3		
47	FK2-1068-000		1	CLUTCH, ELECTROMAGNETIC		
501	XB4-7401-009		8	SCREW, TAPPING, PAN HEAD, M4X10		
502	XB6-7300-609		4	SCREW, MACH, PAN HEAD, M3X8		
503	XB2-7300-607		1	SCREW, CROSS-RECESS, FCH		

FIGURE 312
CASSETTE FEEDER ASSEMBLY (2 CASSETTE UNIT
model)

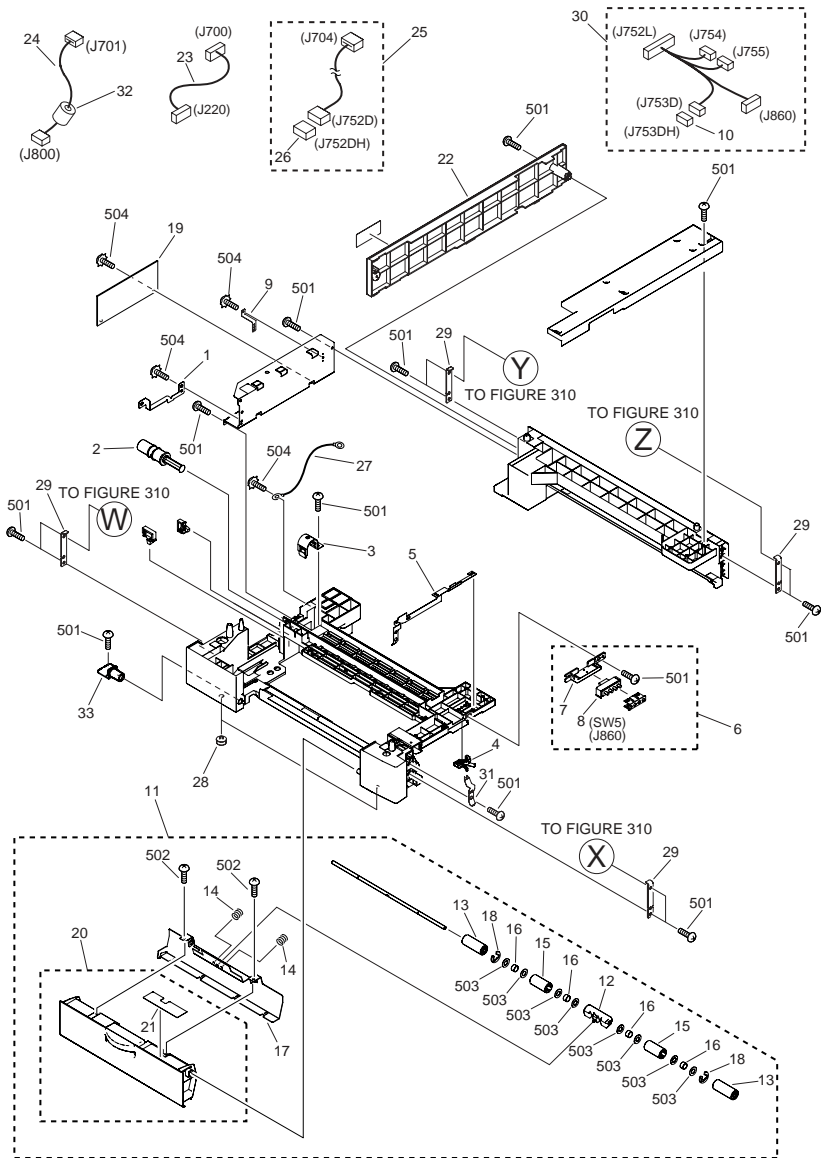


FIGURE & KEY NO.	PARTS NUMBER	R A N K	Q'TY	DESCRIPTION	SERIAL NUMBER/ REMARKS	S V C
Fig.312	NPN		RF	CASSETTE FEEDER ASSEMBLY	2 CASSETTE UNIT model	
1	FC6-6720-000		1	PLATE, GROUNDING		
2	FB4-5532-000		1	DAMPER		
3	FB6-1608-000		1	HOLDER, DAMPER		
4	FC6-4357-000		1	BLOCK, POSITION		
5	FC6-6706-000		1	PLATE, EARTH		
6	FG6-8440-000		1	SIZE SENSOR UNIT		
7	FB6-1910-000		1	MOUNT, SIZE SENSOR		
8	WC2-5332-000		1	SWITCH, PAPER SIZE	SW5,J860	
9	FB6-1913-000		1	PLATE, GROUNDING		
10	VS1-7177-002		1	CONNECTOR, SNAP TIGHT, BK	J753D	
11	FM2-4483-000		1	VERTICAL PATH UNIT		
12	FA8-2447-000		1	MOUNT, ROLLER		
13	FB6-1536-000		2	ROLLER		
14	FB6-1920-000		2	SPRING, COMPRESSION		
15	FB6-1996-000		2	ROLLER, VERTICAL PATH		
16	FB6-1997-000		4	SPRING, COMPRESSION		
17	FC6-6714-000		1	GUIDE, VERTICAL PATH		
18	XD9-0136-000		2	RING, E		
19	FM2-4495-000		1	FEEDER CONTROLLER PCB ASS'Y		
20	FL2-3736-000		1	COVER, VERTICAL PATH		
21	FU5-8680-000		1	LABEL,JAM		
22	FC6-6710-000		1	COVER, CASSETTE, REAR		
23	FM2-4497-000		1	CABLE, INTERFACE, 1	J220,700	
24	FM2-4498-000		2	CABLE, INTERFACE, 2	J701,800	
25	FM2-4499-000		1	CABLE, FEEDER	J704,752D	
26	VS1-7177-013		1	CONNECTOR, SNAP TIGHT	J752DH	
27	FM2-4500-000		2	CABLE, EARTH		
28	XH9-0135-000		2	FOOT, RUBBER		
29	FC8-0353-000		4	PLATE, JOINT		
30	FM2-4496-000		1	CABLE, FEEDER		
31	FC6-6712-000		1	PLATE, EARTH		

FIGURE & KEY NO.	PARTS NUMBER	R A N K	Q'TY	DESCRIPTION	SERIAL NUMBER/ REMARKS	S V C
32	WE8-5648-000		1	CORE, SLEEVE FERRITE		
33	FC6-6718-000		1	SHAFT, COVER		
501	XB4-5401-007		22	SCREW, M4X10		
502	XB1-2400-607		2	SCREW, CROSS-RECESS, FCH		
503	XD1-1106-235		8	WASHER,COP		
504	XB2-7300-607		7	SCREW, W/WASHER, M3X6		

FIGURE 313
PAPER PICK-UP ASSEMBLY (2 CASSETTE UNIT
model)

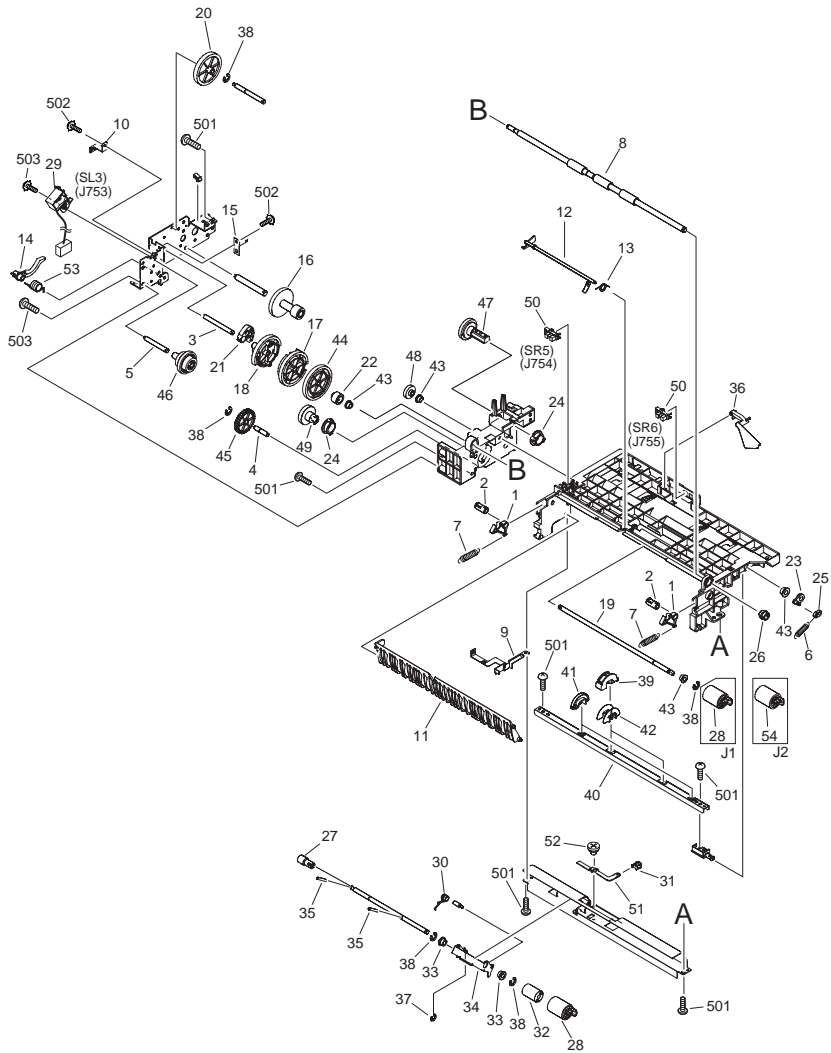
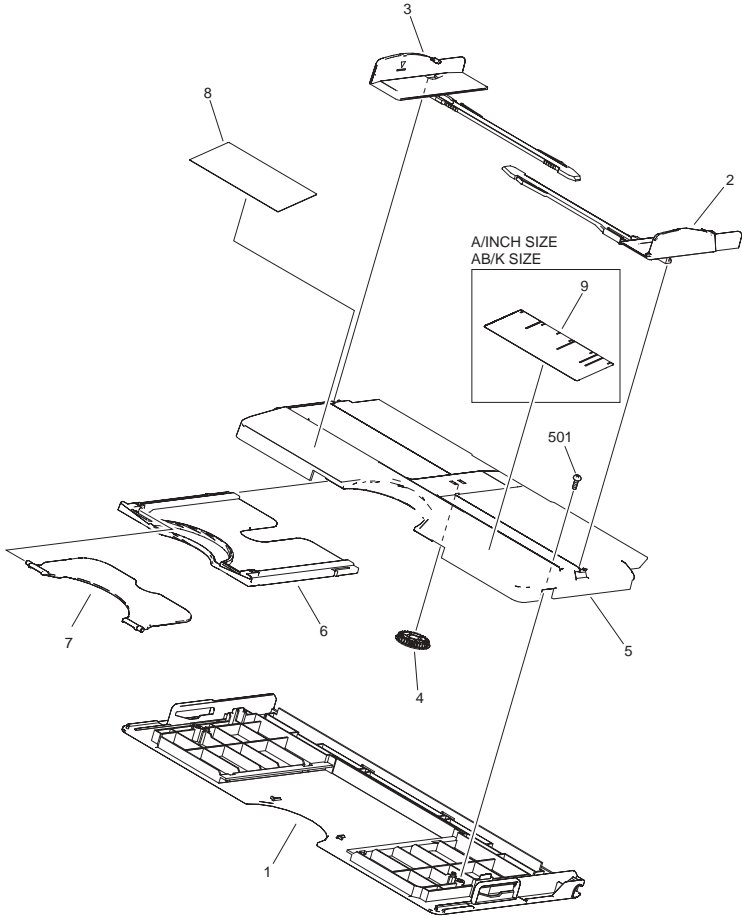


FIGURE & KEY NO.	PARTS NUMBER	R A N K	Q'TY	DESCRIPTION	SERIAL NUMBER/ REMARKS	S V C
Fig.313	FM2-4484-010		1	PAPER PICK-UP ASSEMBLY	2 CASSETTE UNIT model EXCEPT CN	
Fig.313	FM2-4596-000		1	PAPER PICK-UP ASSEMBLY	2 CASSETTE UNIT model CN	
1	FA8-2448-000		2	PAWL, LOCK		
2	FA8-2449-000		2	SHAFT, LOCK		
3	FB4-6032-000		1	SHAFT, CLUCH		
4	FB4-6033-000		1	SHAFT, IDLER		
5	FB4-6034-000		1	SHAFT		
6	FB6-1550-000		1	SPRING, TENSION		
7	FB6-1551-000		2	SPRING, TENSION		
8	FB6-1613-000		1	ROLLER, VERTICAL PATH	EXCEPT CN	
8	FC8-0172-000		1	ROLLER, VERTICAL PATH	CN	
9	FB6-1614-000		1	PLATE, GROUNDING		
10	FB6-1615-000		1	PLATE, GROUNDING		
11	FB6-1616-000		1	GUIDE, VERTICAL PATH		
12	FB6-1623-000		1	ARM, FEED SENSOR	EXCEPT CN	
12	FL2-9922-000		1	ARM, FEED SENSOR	CN	
13	FB6-1624-000		1	SPRING, TORSION		
14	FB6-1626-000		1	LEVER, COUPLING		
15	FB6-1628-000		1	PLATE, GROUNDING		
16	FC8-0160-000		1	GEAR, 16T/34T		
17	FB6-1633-000		1	GEAR, 27T/50T	OLD	
17	FC6-4389-000		1	GEAR, 33T/50T	NEW	
18	FB6-1634-000		1	GEAR, 29T		
19	FB6-1635-000		1	SHAFT		
20	FB6-1636-000		1	GEAR, 39T		
21	FB6-1660-000		1	CAM		
22	FB6-1905-000		1	GEAR, 14T		
23	FB6-1909-000		1	BUSHING		
24	FC6-4304-000		2	BUSHING, ROLLER, PICK-UP		
25	FC6-4352-000		1	COLLAR, SPRING		
26	FC6-4355-000		1	BUSHING		

FIGURE & KEY NO.	PARTS NUMBER	R A N K	Q'TY	DESCRIPTION	SERIAL NUMBER/ REMARKS	S V C
27	FC9-4290-000		1	JOINT, RETARD		
28	FF6-1621-000		2	ROLLER, SEPARATION		
29	FK2-1104-000		1	SOLENOID	SL3,J753	
30	FU7-2234-000		1	SPRING, TORSION		
31	FB6-1908-000		1	CAP		
32	FC6-4290-000		1	LIMITER, TORQUE		
33	FB6-1541-000		2	BUSHING		
34	FF6-1610-000		1	HOLDER, SEPARATION ROLLER		
35	XD3-1200-122		2	SPRING PIN		
36	FC9-4288-000		1	ARM, DETECTION, PAPER		
37	XD9-0133-000		1	RING, E		
38	XD9-0136-000		5	RING, E		
39	FB4-9817-030		2	ROLLER, PICK-UP		
40	FB6-1631-030		1	SHAFT, PICK-UP ROLLER		
41	FC6-4356-000		2	ROLLER, LOOP		
42	FE5-4048-000		2	BLOCK, PICK-UP ROLLER ADPTER		
43	FS1-1205-000		4	BUSHING		
44	FS7-0225-000		1	GEAR, 53T		
45	FS7-0226-000		1	GEAR, 36T		
46	FS7-0227-000		1	GEAR, 21T/33T/22T		
47	FS7-0228-000		1	GEAR, 31T		
48	FS7-0229-000		1	GEAR, 18T		
49	FS7-0230-000		1	GEAR, 27T		
50	WG8-5624-000		2	IC, PHOTO INTERRUPTER	SR5,J754 SR6,J755	
51	FC6-4288-020		1	LEVER, PRESSURE		
52	FS5-9714-000		1	SCREW, STEPPED, M3		
53	FU6-2175-000		1	SPRING, TORSION		
54	FC8-0170-000		1	ROLLER, SEPARATION	CYL/CYN/CYP	
501	XB4-7401-009		10	SCREW, TAPPING, PAN HEAD, M4X10		
502	XB2-7300-607		2	SCREW, W/WASHER, M3X6		
503	XB6-7300-609		1	SCREW, MACH, PAN HEAD, M3X8		

FIGURE 315 MULTI FEED TRAY ASS'Y



NOTE1 : This assembly is included in the assmby shown in Figure 140.

NOTE2 : This assembly does not include the part shown with key No.9.

注1 : このユニットはFigure140のユニットに含まれます。

注2 : このユニットにKey No.9の部品は含まれません。

FIGURE & KEY NO.	PARTS NUMBER	R A N K	Q'TY	DESCRIPTION	SERIAL NUMBER/ REMARKS	S V C
Fig.315	FM2-3294-000		1	MULTI FEED TRAY ASSY	SEE NOTE 1	
1	FC6-4215-000		1	COVER, MULTI FEED		
2	FC6-4218-000		1	PLATE, LIMIT, FRONT		
3	FC6-4219-000		1	PLATE, LIMIT, REAR		
4	FC6-4220-000		1	GEAR, PINION		
5	FC6-4221-000		1	TRAY, MULTI FEED		
6	FC6-4222-000		1	TRAY, MULTI FEED, SUB (L)		
7	FC6-4223-000		1	TRAY, MULTI FEED, SUB (S)		
8	FU5-8605-000		1	LABEL, SET		
9	FU5-8589-000		1	LABEL, SIZE INSTRUCTION	SEE NOTE 2 A/INCH SIZE	
9	FU5-8604-000		1	LABEL, SIZE INSTRUCTION	SEE NOTE 2 AB/K SIZE	
501	XB4-5401-005		2	SCREW, P, M4X10		

FIGURE 350 PAPER DELIVERY ASSEMBLY

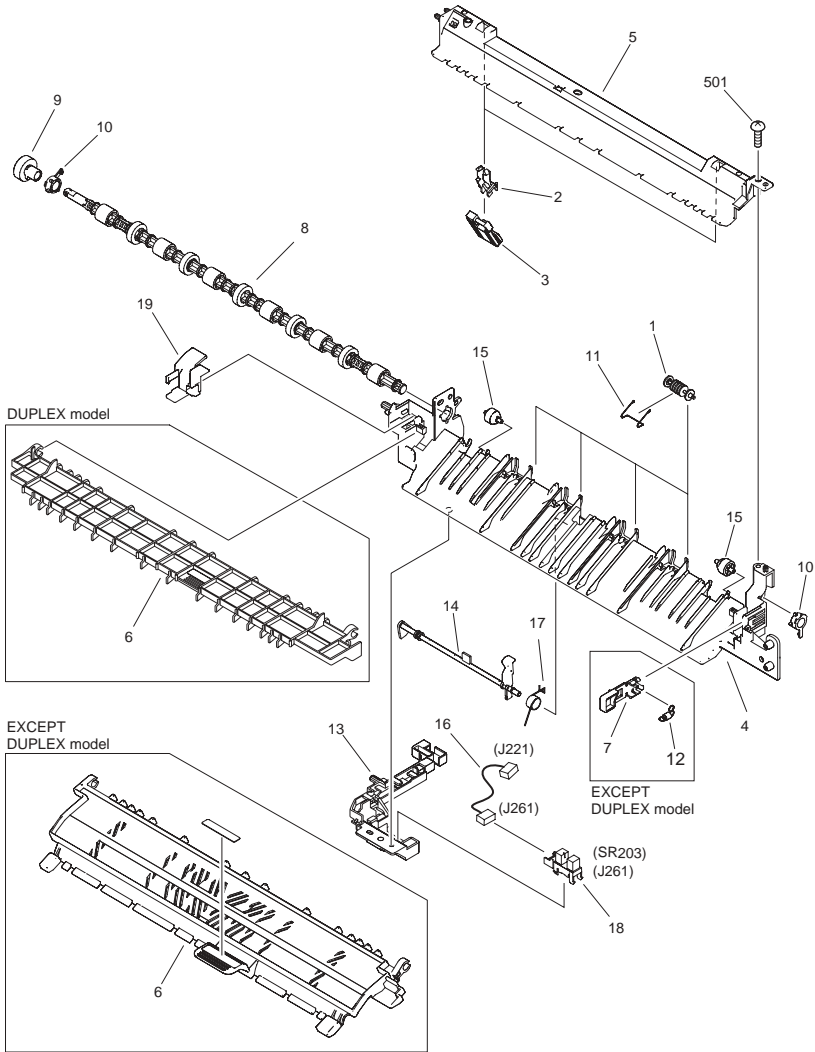
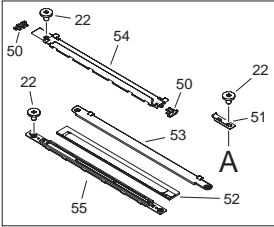


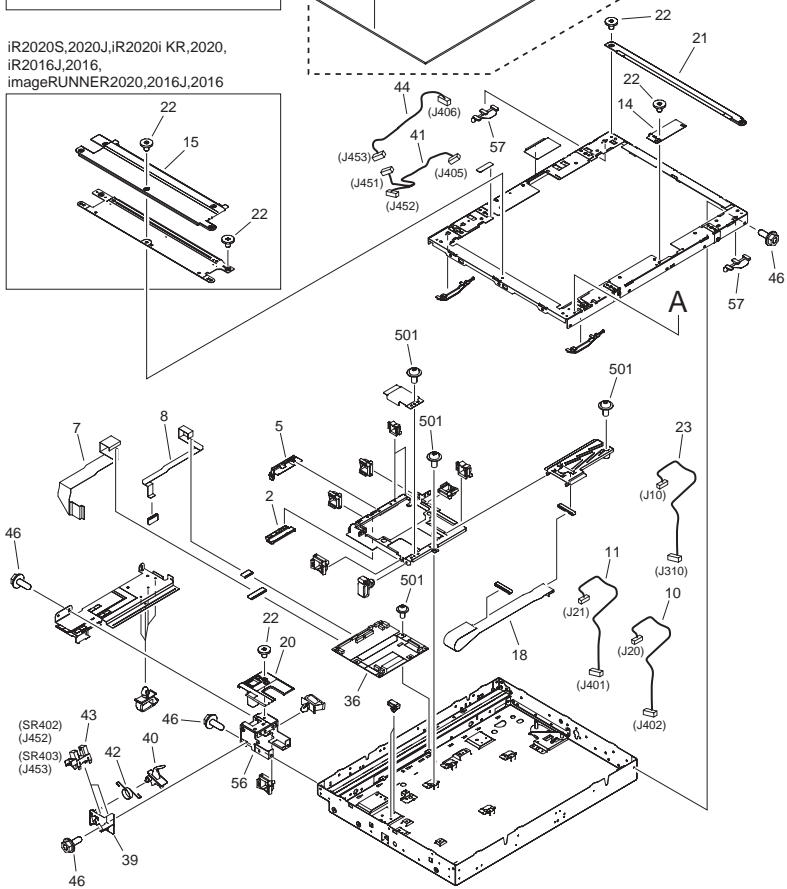
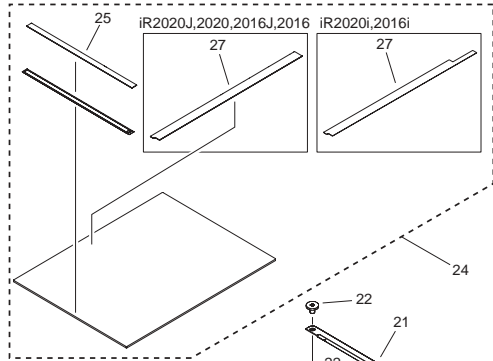
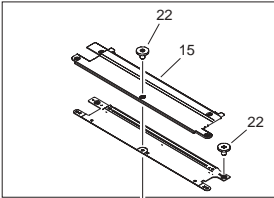
FIGURE & KEY NO.	PARTS NUMBER	R A N K	Q'TY	DESCRIPTION	SERIAL NUMBER/ REMARKS	S V C
Fig.350	FM2-3351-000		1	PAPER DELIVERY ASSEMBLY	EXCEPT DUPLEX model	
Fig.350	FM2-6685-070		1	PAPER DELIVERY ASSEMBLY	DUPLEX model	
1	FC5-4847-000		4	ROLLER, FEEDING		
2	FC6-4438-020		2	HOLDER, RETAINING PLATE		
3	FC6-4477-000		2	PLATE,DELIVERY RETAINING		
4	FC6-4470-030		1	GUIDE, DELIVERY, LOWER		
5	FC6-4474-030		1	GUIDE, DELIVERY, UPPER		
6	FC8-0215-000		1	GUIDE, DELIVERY	EXCEPT DUPLEX model	
6	FL2-8094-000		1	GUIDE, DELIVERY	DUPLEX model	
7	FC6-4502-000		1	STOPPER, DELIVERY GUIDE	EXCEPT DUPLEX model	
8	FL2-3220-000		1	ROLLER, DELIVERY		
9	FU5-0732-000		1	GEAR, 17T		
10	FU5-1522-000		2	BUSHING, DELIVERY ROLLER		
11	FU6-2189-000		4	SPRING, TORSION		
12	FU6-2206-000		1	SPRING, TENSION	EXCEPT DUPLEX model	
13	FC6-4465-020		1	HOLDER, SENSOR	SR203	
14	FC6-4473-020		1	LEVER, DELIVERY SENSOR		
15	FC6-4484-000		2	ROLLER		
16	FM2-4789-000		1	CABLE, SENSOR, DELIVERY	J221,J261	
17	FU6-2210-000		1	SPRING, TORSION		
18	WG8-5696-000		1	PHOTO INTERRUPTER, TLP1243	SR203,J261	
19	FC6-4504-000		1	COVER, GEAR		
501	XB4-7401-209		1	SCREW,TAPPING,PAN HEAD,M4X10		

FIGURE 400 READER ASSEMBLY

iR2020i EXCEPT KR,
iR2016i, imageRUNNER2020i, 2016i



iR2020S, 2020J, iR2020i KR, 2020,
iR2016J, 2016,
imageRUNNER2020, 2016J, 2016



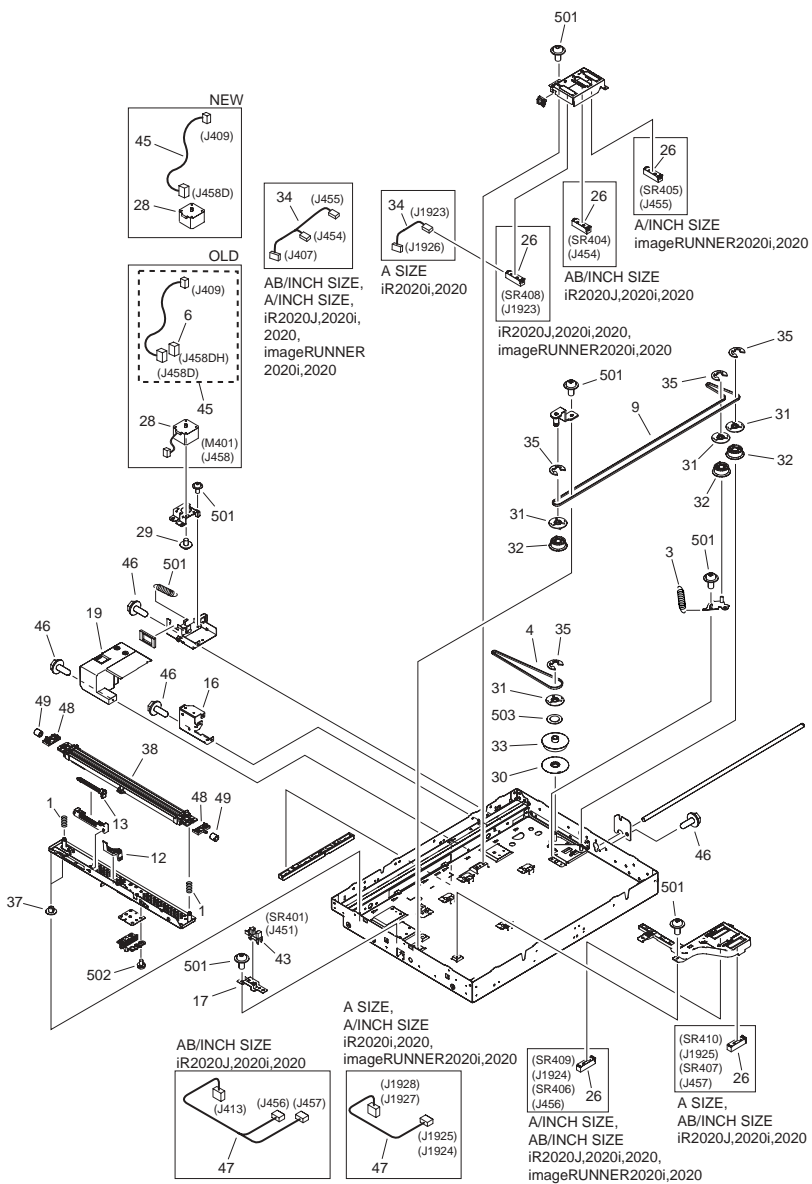


FIGURE & KEY NO.	PARTS NUMBER	R A N K	Q'TY	DESCRIPTION	SERIAL NUMBER/ REMARKS	S V C
Fig.400	NPN		RF	READER ASSEMBLY		
1	FU6-2236-000		2	SPRING, COMPRESSION		
2	FC6-4522-000		1	HOLDER, CORE		
3	FU6-2193-000		1	SPRING, TENSION		
4	XF2-4620-340		1	BELT, TIMING		
5	FC6-4582-000		1	CLAMP,FLEXIBLE		
6	VS1-7177-004		1	CONNECTOR, SNAP TIGHT, BK	J458DH	
7	FK2-1060-000		1	CABLE, FLAT, READER 1	J309,J404	
8	FK2-1064-000		1	CABLE, FLAT, READER 2	J308,J403	
9	XF2-4661-440		1	BELT, TIMING		
10	FM2-4418-000		1	CABLE, READER CONTROLLER 1	J20,J402	
11	FM2-4419-000		1	CABLE, READER CONTROLLER 2	J21,J401	
12	FC5-0792-000		1	RETAINER, BELT		
13	FC5-1444-000		1	HOLDER, FFC		
14	FC6-4528-000		1	LID, GRASS RETAINER		
15	FC6-4541-010		1	COVER, LEFT, UPPER	iR2020S,2020J,iR2020i KR,2020,iR2016J,2016,im ageRUNNER2020,2016J,i mageRUNNER2016	
16	FC6-4573-010		1	PLATE, HINGE, RIGHT		
17	FC6-4727-000		1	HOLDER, SENSOR		
18	FK3-0186-000		1	CABLE, FLAT, READER	J408,J460	
19	FC6-4562-000		1	COVER, HINGE, RIGHT		
20	FC6-4558-000		1	COVER, HINGE, LEFT		
21	FL2-3230-000		1	RETAINER, GLASS (R)		
22	XA9-1415-000		12	SCREW, FLAT HEAD, M4		
23	FM2-4422-000		1	CABLE, READER CONTROLLER	J10,310	
24	FL2-3237-000		1	GLASS, COPYBOARD	iR2020 EUR,iR2016J EUR,iR2016 EUR A SIZE	
24	FL2-3280-000		1	GLASS, COPYBOARD	iR2020S,2020J,iR2020i KR,iR2020 EXCEPT EUR,iR2016J EXCEPT EUR,iR2016 EXCEPT EUR AB,INCH SIZE A,8K16K SIZE	
24	FL2-3208-000		1	GLASS, COPYBOARD	iR2020i EUR ,2016i EUR A SIZE	

FIGURE & KEY NO.	PARTS NUMBER	R A N K	Q'TY	DESCRIPTION	SERIAL NUMBER/ REMARKS	S V C
24	FL2-3206-000		1	GLASS, COPYBOARD	iR2020i EXCEPT EUR ,2016i EXCEPT EUR AB,INCH SIZE A,8K16K SIZE	
24	FL2-3282-000		1	GLASS, COPYBOARD	imageRUNNER2020,2016 J,imageRUNNER2016 A,INCH SIZE	
24	FL2-3207-000		1	GLASS, COPYBOARD	imageRUNNER2020i,201 6i A,INCH SIZE	
25	FU5-8581-000		1	PLATE, WIDTH INDEX	A SIZE	
25	FU5-8592-000		1	PLATE, WIDTH INDEX	A/INCH SIZE	
25	FU5-8590-000		1	PLATE, WIDTH INDEX	AB/INCH SIZE	
26	FH7-7569-000		4	DOCUMENT SIZE SENSOR UNIT		
27	FU5-8582-000		1	PLATE, LENGTH INDEX	iR2020J,2020 iR2016J,2016 A SIZE	
27	FU5-8593-000		1	PLATE, LENGTH INDEX	iR2020J,2020 iR2016J,2016 A/INCH SIZE	
27	FU5-8591-000		1	PLATE, LENGTH INDEX	iR2020J,2020 iR2016J,2016 AB/INCH SIZE A/K SIZE	
27	FU5-8596-000		1	PLATE, LENGTH INDEX	iR2020i,2016i A SIZE	
27	FU5-8595-000		1	PLATE, LENGTH INDEX	iR2020i,2016i A/INCH SIZE	
27	FU5-8594-000		1	PLATE, LENGTH INDEX	iR2020i,2016i AB/INCH SIZE A/K SIZE	
28	FK2-1066-020		1	MOTOR, STEPPING	M401 J458	
29	FU6-2190-000		1	SPRING, TENSION		
30	FC6-4506-000		1	FLANGE		
31	FC6-4514-000		4	FLANGE		
32	FU5-3339-000		3	PULLEY		
33	FU5-3340-000		1	PULLEY		
34	FM2-4535-000		1	CABLE, DOCUMENT SIZE SENSOR	A SIZE iR2020i,2020 J1923,1926	
34	FM2-4427-000		1	CABLE, DOCUMENT SIZE SENSOR	A/INCH SIZE AB/INCH SIZE A,8K16K SIZE iR2020J,2020i,2020,image RUNNER2020i,2020 J407,454,455	
35	XD9-0136-000		4	RING, E		

FIGURE & KEY NO.	PARTS NUMBER	RANK	Q'TY	DESCRIPTION	SERIAL NUMBER/REMARKS	SVC
36	FM2-4791-000		1	READER CONTROLLER PCB ASSEMBLY	EXCEPT iR2020i,2016i,imageRUNNER2020i,2016i	
36	FM2-4792-000		1	READER CONTROLLER PCB ASSEMBLY	iR2020i,2016i,imageRUNNER2020i,2016i	
37	FC6-4511-000		2	SLIDER		
38	FL2-3286-010		1	CONTACT IMAGE SENSOR		
39	FC6-4559-000		1	HOLDER, SENSOR		
40	FC6-4561-000		1	LEVER, SENSOR		
41	FM2-4400-000		1	CABLE, SENSOR	J405,J452,J453	
42	FU6-2191-000		1	SPRING, SENSOR		
43	WG8-5696-000		3	PHOTO INTERRUPTER, TLP1243	SR401,J451 SR402,J452 SR403,J453	
44	FM2-4412-000		1	CABLE, HP SENSOR	J406,J451	
45	FM2-4423-020		1	CABLE, READER MOTOR	J409,J458D	
46	XA9-1567-000		38	SCREW, RS, M3X8.5		
47	FM2-4537-000		1	CABLE, DOCUMENT SIZE SENSOR	A SIZE iR2020i,2020 J1925,J1928	
47	FM2-4536-000		1	CABLE, DOCUMENT SIZE SENSOR	A/INCH SIZE imageRUNNER2020i,2020 J1924,J1927	
47	FM2-4428-000		1	CABLE, DOCUMENT SIZE SENSOR	AB/INCH SIZE A/K SIZE iR2020J,2020i,2020 J413,J456,J457	
48	FB6-1336-000		2	GUIDE, CIS		
49	FB6-1337-000		2	COLLAR		
50	FC5-1427-000		1	COVER, EDGE	iR2020i EXCEPT KR,iR2016i,imageRUNNER2020i,2016i	
51	FC6-4525-000		1	RETAINER, GLASS	iR2020i EXCEPT KR,iR2016i,imageRUNNER2020i,2016i	
52	FL2-3188-000		1	GLASS, READER	iR2020i EXCEPT KR,iR2016i,imageRUNNER2020i,2016i	
53	FL2-3231-000		1	RETAINER, GLASS, LEFT	iR2020i EXCEPT KR,iR2016i,imageRUNNER2020i,2016i	
54	FL2-3233-000		1	GUIDE, PAPER	iR2020i EXCEPT KR,iR2016i,imageRUNNER2020i,2016i	

FIGURE & KEY NO.	PARTS NUMBER	R A N K	Q'TY	DESCRIPTION	SERIAL NUMBER/ REMARKS	S V C
55	FC5-1452-000		1	CROSSMEMBER, GLASS	iR2020i EXCEPT KR,iR2016i,imageRUNNE R2020i,2016i	
56	FC6-4560-000		1	PLATE, HINGE, LEFT		
57	FC6-4516-000		2	GUIDE,CIS,END		
501	XB6-7300-407		4	SCREW, TP, M3X4		
502	XB2-8400-805		6	SCREW, W/WASHER, M4X8		
503	XD1-1106-231		1	WASHER,COP		

FIGURE 640
DEVELOPING ASSEMBLY

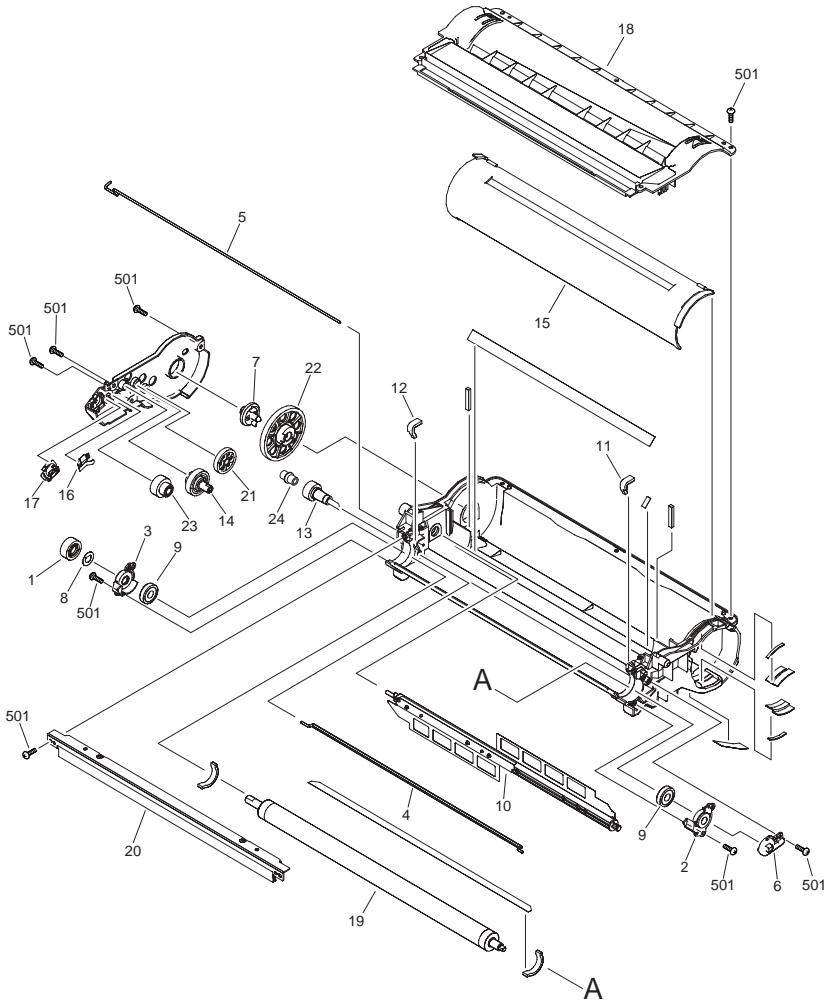
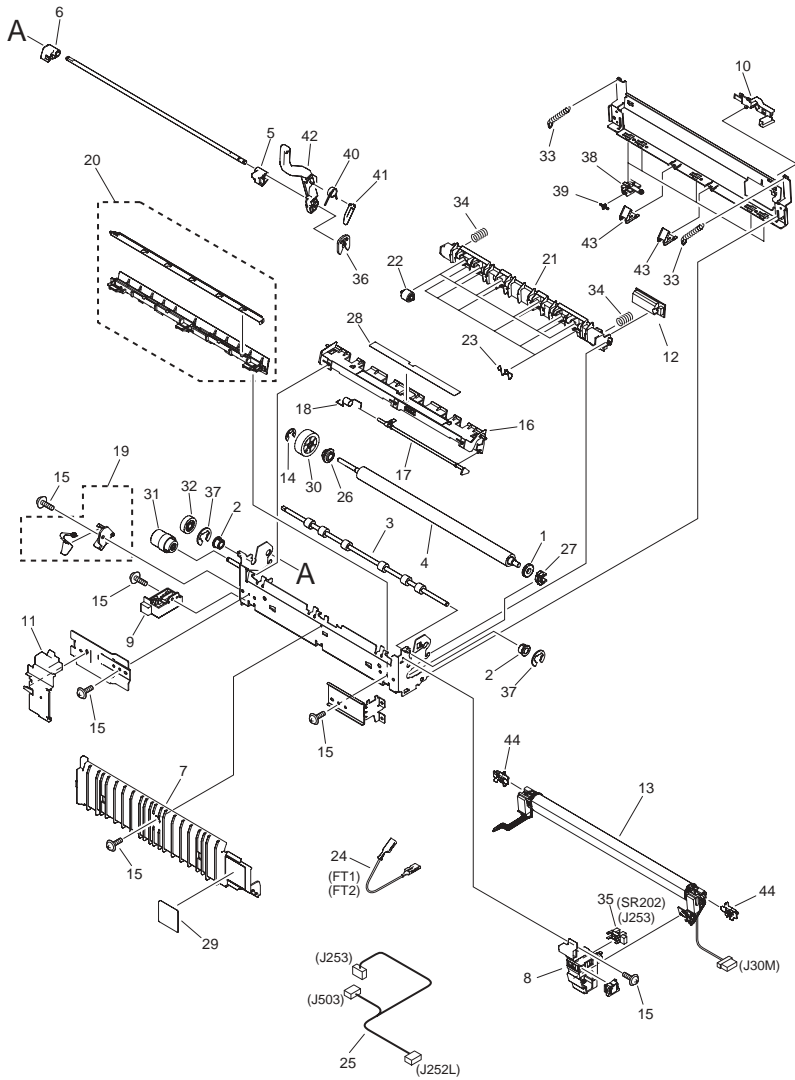


FIGURE & KEY NO.	PARTS NUMBER	RANK	Q'TY	DESCRIPTION	SERIAL NUMBER/REMARKS	SVC
Fig.640	FM3-3671-000		1	DEVELOPING ASSEMBLY		
1	FU6-0765-000		1	GEAR, 32T		
2	FC6-4164-000		1	BUSHING, SLEEVE, FRONT		
3	FC6-4165-000		1	BUSHING, SLEEVE, REAR		
4	FC6-4166-000		1	ROD, STEERING		
5	FC6-4167-000		1	ROD, DETECTION		
6	FC6-4168-000		1	GUIDE, POSITIONING, MAGNET		
7	FC6-4169-000		1	COUPLER		
8	FC6-4170-000		1	PLATE, TERMINAL, SLEEVE		
9	FC7-1772-000		2	ROLLER		
10	FL2-3304-000		1	ROD, STEERING		
11	FC6-4176-000		1	PAD, SIDE, FRONT		
12	FC6-4177-000		1	PAD, SIDE, REAR		
13	FL2-3193-000		1	GEAR ASSEMBLY		
14	FL2-3194-000		1	GEAR ASSEMBLY		
15	FL2-3197-000		1	SHUTTER ASSEMBLY		
16	FC6-4163-000		1	PLATE, DETECTION		
17	FC6-4202-000		1	PLATE, TERMINAL		
18	FM2-3287-000		1	LID, DEVELOPING		
19	FM3-3676-000		1	DEVELOPING SLEEVE UNIT		
20	FM3-3672-000		1	DEVELOPING BLADE UNIT		
21	FU6-0762-000		1	GEAR, 31T		
22	FU6-0763-000		1	GEAR, 70T		
23	FU6-0764-000		1	GEAR, 31T/19T		
24	FB6-6896-000		1	CAP, DEVELOPPING		
501	XB4-7300-807		15	SCREW, TAP TIGHT, BINDING HEAD		
	FL2-3199-000		1	HOLDER, GEAR		

FIGURE 810 FIXING ASSEMBLY



NOTE : This assembly does not include the parts shown with key No. 36, 40, 41 and 42.
 注 : このユニットにKey No.36, 40, 41, 42 の部品は含まれません。

FIGURE & KEY NO.	PARTS NUMBER	R A N K	Q'TY	DESCRIPTION	SERIAL NUMBER/ REMARKS	S V C
Fig.810	FM2-3345-000		1	FIXING ASSEMBLY	120V	
Fig.810	FM2-3352-000		1	FIXING ASSEMBLY	230V EXCEPT CN	
Fig.810	FM2-3328-000		1	FIXING ASSEMBLY	230V CN	
1	FC5-4860-000		1	RUBBER RING,CONDUCTIVE		
2	FC5-5297-000		2	BUSHING		
3	FC6-4452-000		1	ROLLER, DELIVERY, MIDDLE		
4	FC6-4453-000		1	ROLLER, PRESSURE		
5	FC6-4462-000		1	BLOCK, PRESSURE RELEASE (F)		
6	FC6-4463-000		1	BLOCK, PRESSURE RELEASE (R)		
7	FC6-4479-000		1	COVER, FIXING, LEFT		
8	FC6-4480-000		1	GUIDE, FIXING CABLE (F)		
9	FC6-4481-000		1	GUIDE, FIXING CABLE (R)		
10	FC6-4492-000		1	GUIDE, FILM SENSOR CABLE		
11	FC6-4501-000		1	COVER, FIXING GEAR		
12	FG3-3501-000		1	FIXING FILM SENSOR ASS'Y		
13	FM2-3346-000		1	FIXING FILM ASSEMBLY	120V	
13	FM2-3353-000		1	FIXING FILM ASSEMBLY	230V EXCEPT CN	
13	FM2-3329-000		1	FIXING FILM ASSEMBLY	230V CN	
14	XD9-0134-000		1	RING, E		
15	XA9-0702-000		5	SCREW, WWASHER, M3X6		
16	FC6-4449-000		1	GUIDE, DELIVERY, LOWER		
17	FC6-4450-000		1	LEVER, DELIVERY SENSOR		
18	FU5-2470-000		1	SPRING, TORSION		
19	FM2-3348-000		1	TERMINAL HOLDER ASSEMBLY		
20	FM2-3349-000		1	FIXING INLET GUIDE UNIT		
21	FC6-4448-000		1	GUIDE, DELIVERY, UPPER		
22	FC5-6805-000		6	ROLLER, DELIVERY, MIDDLE		
23	FU6-2188-000		6	SPRINGM, TORSION		
24	FM2-4405-000		1	CABLE, FILM BIAS	FT1,FT2	
25	FM2-4411-000		1	CABLE, FIXING SENSOR	J252L,J253,J503	
26	FU5-1519-000		1	BUSHING		
27	FU5-1520-000		1	BUSHING		

FIGURE & KEY NO.	PARTS NUMBER	R A N K	Q'TY	DESCRIPTION	SERIAL NUMBER/ REMARKS	S V C
28	FU5-8575-000		1	LABEL, WARNING, HIGH TEMP.		
29	FU5-8576-000		1	LABEL, DRUM CAUTION		
30	FU6-0799-000		1	GEAR, 27T		
31	FU6-0800-000		1	GEAR, 17T		
32	FU6-0801-000		1	GEAR, 17T		
33	FU6-2185-000		2	SPRING, TENSION		
34	FU6-2186-000		2	SPRING, COMPRESSION		
35	WG8-5696-000		1	PHOTO INTERRUPTER, TLP1243	SR202,J253	
36	FC6-3002-000		1	RING,E	SEE NOTE	
37	XD9-0136-000		2	RING, E		
38	FC6-4458-020		5	MOUNT, ROWEL		
39	FC6-4375-000		5	ROWEL		
40	FU6-2208-000		1	SPRING, TORSION	SEE NOTE	
41	FC6-4454-000		1	BLOCK, LEVER RETURN	SEE NOTE	
42	FC6-4503-000		1	LEVER, RELEASE, FRONT	SEE NOTE	
43	FC6-4467-000		2	GUIDDE, PAPER LIMIT		
44	FC7-1771-000		2	CAP, PRESSURE		

FIGURE 900 COUNTER PCB ASSEMBLY

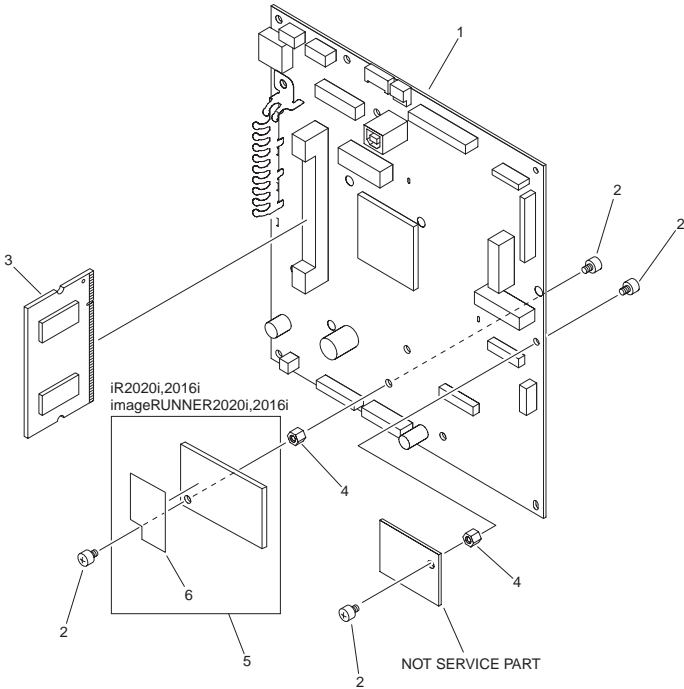


FIGURE & KEY NO.	PARTS NUMBER	R A N K	Q'TY	DESCRIPTION	SERIAL NUMBER/ REMARKS	S V C
Fig.900	NPN		RF	COUNTER PCB ASSEMBLY		
1	FM2-4053-000		1	IMAGE PROCESSOR PCB ASS'Y	KQW,KQY,KQZ,KRM,KR N,TUS	
1	FM2-4054-000		1	IMAGE PROCESSOR PCB ASS'Y	CLE,KRC,KRE,KRJ,KRK, KRL,KRQ,KRR,KRS,KRT, KRU	
1	FM2-4893-000		1	IMAGE PROCESSOR PCB ASS'Y	SRB,SRD,SRE,SRF,SRG, SRH,SRK,SRL,SRM,SRN	
1	FM3-1919-000		1	IMAGE PROCESSOR PCB ASS'Y	CKM,CKP,CKR,CYL,CYM ,CYQ,MBZ	
1	FM3-1920-000		1	IMAGE PROCESSOR PCB ASS'Y	CLA,CKS,CKU,CKW,CKX, CLC,CLD,CLH,CLJ,CLN,C YN,CYV	
1	FM3-1921-000		1	IMAGE PROCESSOR PCB ASS'Y	CLP,CLR,CLS,CLX,CMA, CMF,CMJ,CMK,CMN,CYP ,CYW,MCM	
2	FU5-9340-000		4	SCREW, STEPPED, M3X4		
3	FM2-4897-000		1	DDR MODULE PCB ASS'Y	iR2020S,2020J,2020,iR20 16J,2016,imageRUNNER 2020,2016J,imageRUNNE R2016	
3	FM2-4898-000		1	DDR MODULE PCB ASS'Y	iR2020i,2016i,imageRUN NER2020i,2016i	
4	VT2-5177-005		2	SPACER, METAL		
5	FM2-4060-000		1	ROM PCB ASSEMBLY	iR2020i,2016i,imageRUN NER2020i,2016i SRB,SRD,SRE,SRF,SRG, SRH,SRK,SRL,SRM,SRN	
5	FM3-1922-000		1	ROM PCB ASSEMBLY	iR2020i,2016i,imageRUN NER2020i,2016i CLP,CLR,CLS,CLX,CMA, CMF,CMJ,CMK,CMN,CYP ,CYW,MCM	
6	FC7-1760-000		1	SHEET, INSULATING	iR2020i,2016i,imageRUN NER2020i,2016i	
BAT951	WK1-5130-000		1	BATTERY, LITHIUM, CR2032/1HS		
IC140	FK2-0949-000		1	IC, UPD65942GC-Y24, GATE ARRAY		

FIGURE 930 HVT PCB ASSEMBLY

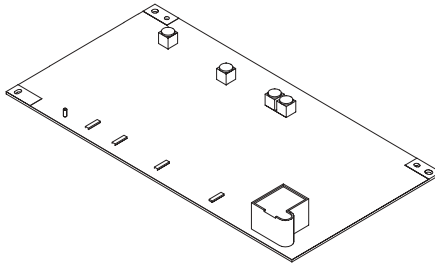


FIGURE & KEY NO.	PARTS NUMBER	RANK	Q'TY	DESCRIPTION	SERIAL NUMBER/REMARKS	S V C
Fig.930	FM2-4018-080		1	HVT PCB ASSEMBLY		
T1	FK2-1270-000		1	TRANSFORMER		
T2	FK2-1271-000		1	TRANSFORMER		
T3	FH3-5235-000		1	TRANSFORMER,INVERTER		
T4	FK2-1348-000		3	TRANSFORMER	T4,T5,T6	
T7	FH3-5255-000		1	TRANSFORMER, HIGH VOLTAGE		

FIGURE C10
COPYBOARD COVER ASSEMBLY (COPYBOARD
model)

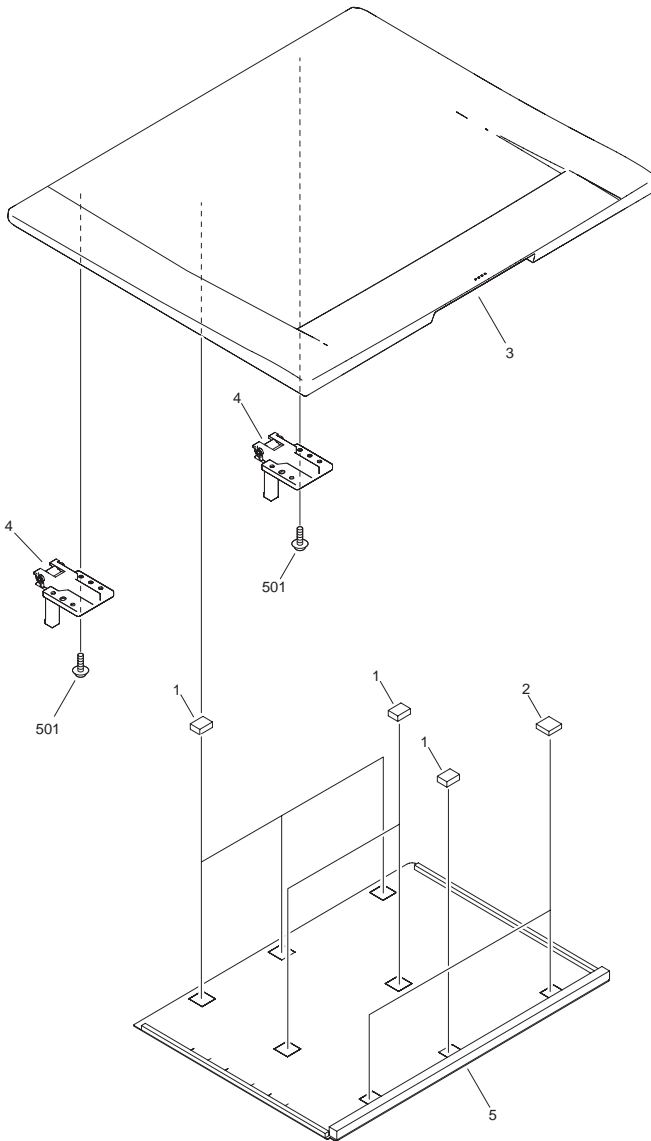


FIGURE & KEY NO.	PARTS NUMBER	RANK	Q'TY	DESCRIPTION	SERIAL NUMBER/REMARKS	SVC
Fig.C10	NPN		RF	COPYBOARD COVER ASSEMBLY	COPYBOARD model	
1	FC6-4508-000		6	SPONGE, 1		
2	FC6-4509-000		2	SPONGE, 2		
3	FC6-4576-000		1	COVER, COPYBOARD		
4	FC6-4738-000		2	HINGE		
5	FC5-4265-000		1	COVER, COPYBOARDWHITE-BOARD		
501	XB4-7401-005		8	SCREW, TAPPING, TRUSS, M4X10		

FIGURE P01 PACKING KIT (ADF model)

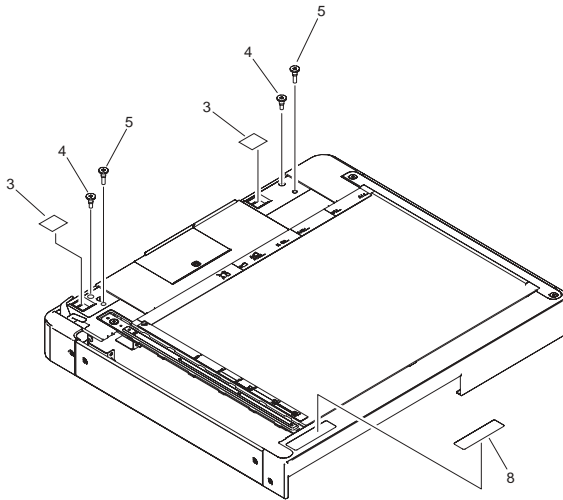
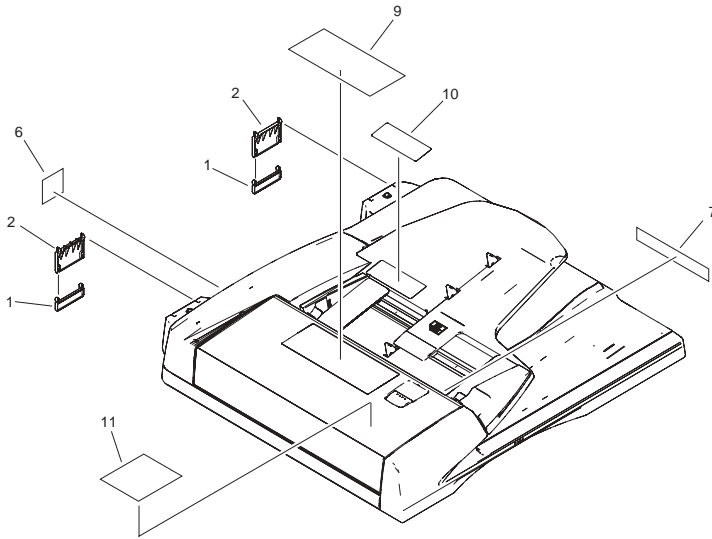


FIGURE & KEY NO.	PARTS NUMBER	R A N K	Q'TY	DESCRIPTION	SERIAL NUMBER/ REMARKS	S V C
Fig.P01	NPN		RF	PACKING KIT	ADF model	
1	FC3-1571-000		2	COVER, HINGE		
2	FC3-1572-010		2	COVER, HINGE		
3	FC5-4427-000		2	SHEET, BLANKING		
4	FU5-9139-000		2	SCREW, STEPPED, M5X6		
5	FU5-9140-000		2	SCREW, STEPPED, M4X10		
6	FS9-0196-000		1	LABEL, CAUTION	EXCEPT CN,TW	
6	FS9-0220-000		1	LABEL, CAUTION	CN	
6	FS9-0221-000		1	LABEL, CAUTION	TW	
7	FS9-0211-000		1	LABEL, DOCUMENT SIZE	EXCEPT CN,TW	
8	FS9-0214-000		1	LABEL, CLEANING	CN	
8	FS9-0246-000		1	LABEL, CLEANING	TW	
9	FS9-0201-000		1	LABEL, DOCUMENT PROHIBITION	EXCEPT FOR EUROPE,ASIA	
9	FS9-0202-000		1	LABEL, DOCUMENT PROHIBITION	FOR EUROPE	
9	FS9-0223-000		1	LABEL, DOCUMENT PROHIBITION	FOR ASIA	
10	FS9-0207-000		1	LABEL, DOCUMENT SIZE	A/INCH SIZE	
10	FS9-0208-000		1	LABEL, DOCUMENT SIZE	A SIZE	
10	FS9-0209-000		1	LABEL, DOCUMENT SIZE	AB/INCH/K SIZE	
11	FS9-0216-000		1	LABEL, CLEANING	FOR USA	
11	FS9-0217-000		1	LABEL, CLEANING	FOR EUROPE	
11	FS9-0218-000		1	LABEL, CLEANING	FOR ASIA	

FIGURE P11 ADF ASSEMBLY (ADF model)

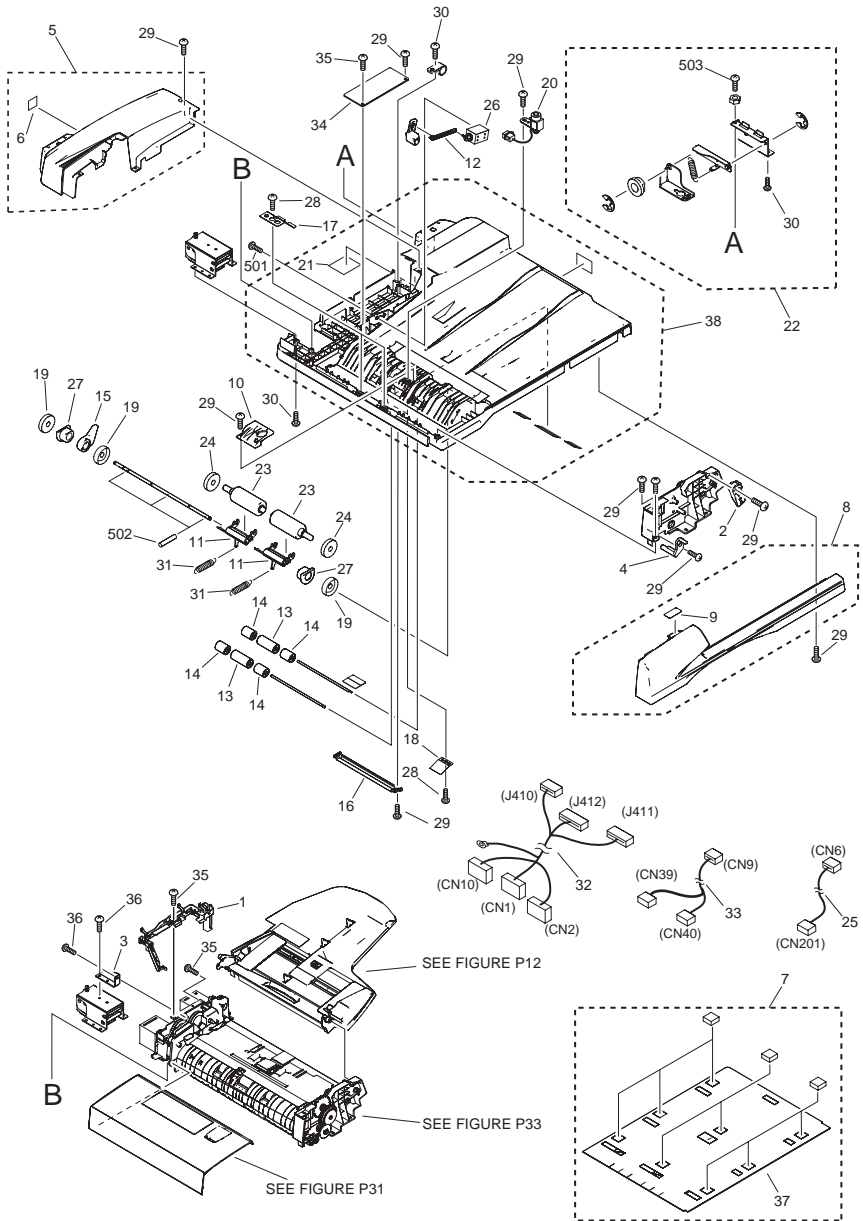


FIGURE & KEY NO.	PARTS NUMBER	R A N K	Q'TY	DESCRIPTION	SERIAL NUMBER/ REMARKS	S V C
Fig.P11	NPN		RF	ADF ASSEMBLY	ADF model	
1	FC3-1468-000		1	HOLDER, HARNESS		
2	FC3-1492-000		1	HOLDER, TRAY SHAFT		
3	FC3-1496-000		1	BRACKET, SUPPORT		
4	FC3-1539-000		1	HOLDER, FEEDER SHAFT		
5	FF3-4621-000		1	PANEL, REAR		
6	FS9-0198-000		1	LABEL, HINGE CAUTION		
7	FF3-4624-000		1	PANEL, COPYBOARD		
8	FF3-4634-000		1	PANEL, FRONT		
9	FS9-0203-000		1	LABEL, DIAL OPERATION		
10	FC3-1449-000		1	COVER, STAMP		
11	FC3-1450-000		2	HOLDER, DELIVERY RELEASE		
12	FC3-1452-000		1	ARM, SOLENOID		
13	FC3-1454-000		2	ROLLER, PAPER FEED, 1		
14	FC3-1455-000		4	ROLLER, PAPER, FEED, 2		
15	FC3-1491-000		1	ARM, DELIVERY RELEASE		
16	FC3-1495-000		1	COVER, FEED		
17	FC3-1497-000		2	SPRING, LEAF		
18	FC3-1498-000		2	SPRING, LEAF		
19	FC5-4425-000		3	CLIP		
20	FK2-0216-000		1	SOLENOID		
21	FS9-0197-000		1	LABEL, HINGE CAUTION		
22	FG3-4039-000		1	HINGE UNIT(RIGHT)		
23	FC3-1451-000		2	ROLLER		
24	FC8-6419-000		2	ROLLER, PRESS		
25	FM4-3617-000		1	CABLE, STAMP		
26	FH6-5136-000		1	SOLENOID		
27	FS2-1707-000		2	BUSHING, DELIVERY RELEASE		
28	FS2-9568-000		4	SCREW, M3X8		
29	FS2-9569-000		12	SCREW, M3X10		
30	FS2-9571-000		7	SCREW, M4X12		
31	FS4-2743-000		2	SPRING		

FIGURE & KEY NO.	PARTS NUMBER	R A N K	Q'TY	DESCRIPTION	SERIAL NUMBER/ REMARKS	S V C
32	FM4-3612-000		1	CABLE, INTERFACE		
33	FM4-3616-000		1	CABLE, OPEN/CLOSE SENSOR		
34	FH5-3730-000		1	CONNECTION PCB UNIT		
35	FS2-9567-000		3	SCREW, M3X6		
36	FS2-9570-000		2	SCREW, M4X7		
37	FC5-4265-000		1	COVER, COPYBOARD		
38	FF3-4622-000		1	BASE		
501	XB2-4300-605		1	SCREW, WWASHER, M3X6		
502	XD9-0288-000		3	PIN,DOWEL		
503	XB1-1401-407		1	SCREW, M4X14		

FIGURE P12 DOCUMENT TRAY ASSEMBLY (ADF model)

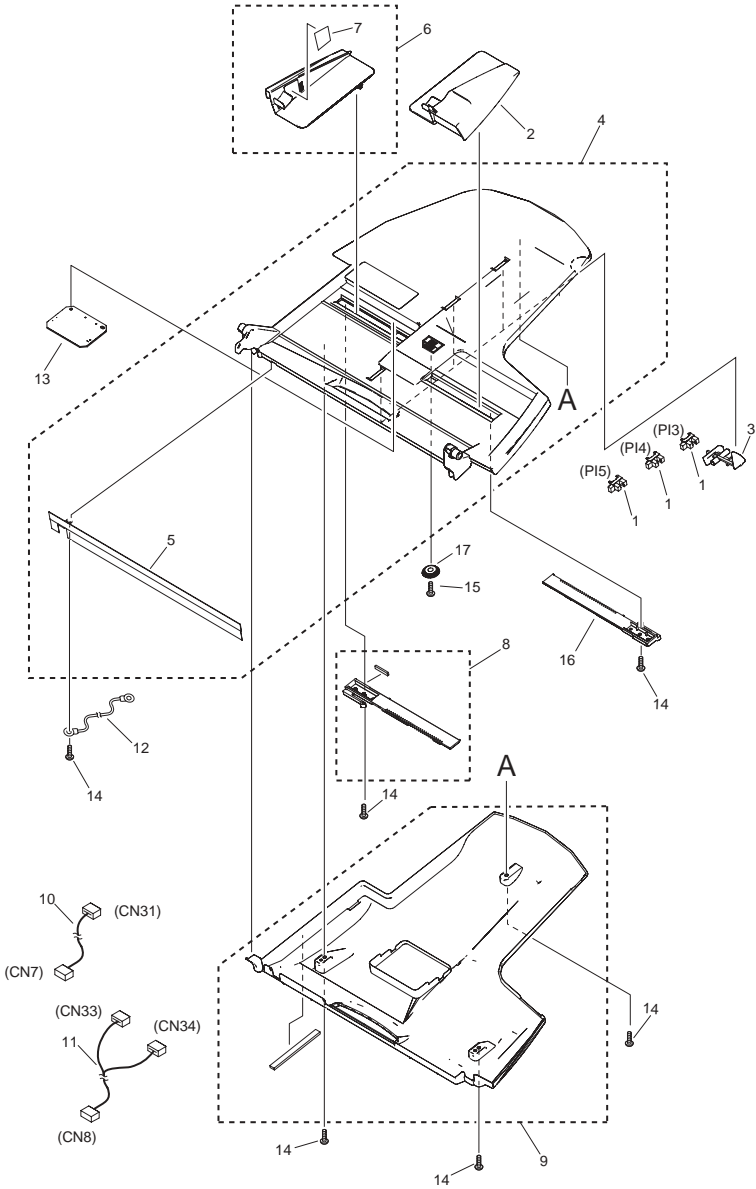


FIGURE & KEY NO.	PARTS NUMBER	R A N K	Q'TY	DESCRIPTION	SERIAL NUMBER/ REMARKS	S V C
Fig.P12	FG3-4036-000		1	DOCUMENT TRAY ASSEMBLY	ADF model	
1	WG8-5696-000		3	PHOTO INTERRUPTER, TLP1243		
2	FC3-1486-000		1	GUIDE, TRAY, FRONT		
3	FC3-1488-000		3	LEVER, TRAY SENSOR		
4	FF3-4625-000		1	TRAY, DOCUMENT, UPPER		
5	FC3-1529-000		1	ELIMINATOR, STATIC CHARGE		
6	FF3-4626-000		1	GUIDE, TRAY		
7	FS9-0210-000		1	LABEL, DOCUMENT HEIGHT LIMIT		
8	FF3-4627-000		1	RACK, TRAY		
9	FF3-4628-000		1	COVER, TRAY, LOWER		
10	FM4-3613-000		1	CABLE, DOCUMENT TRAY	CN7,CN31	
11	FM4-3614-000		1	CABLE, SIZE DETECTION SENSOR	CN8,CN33,CN34	
12	FM4-3618-000		1	CABLE, STATIC ELIMINATOR		
13	FM4-3611-000		1	CONNECTING PCB UNIT		
14	FS2-9569-000		6	SCREW, M3X10		
15	FS2-9572-000		1	SCREW, M3X10		
16	FS4-0657-000		1	RACK, TRAY		
17	FS4-0658-000		1	GEAR, 16T		

FIGURE P31
 OPEN/CLOSE PANEL ASSEMBLY (ADF model)

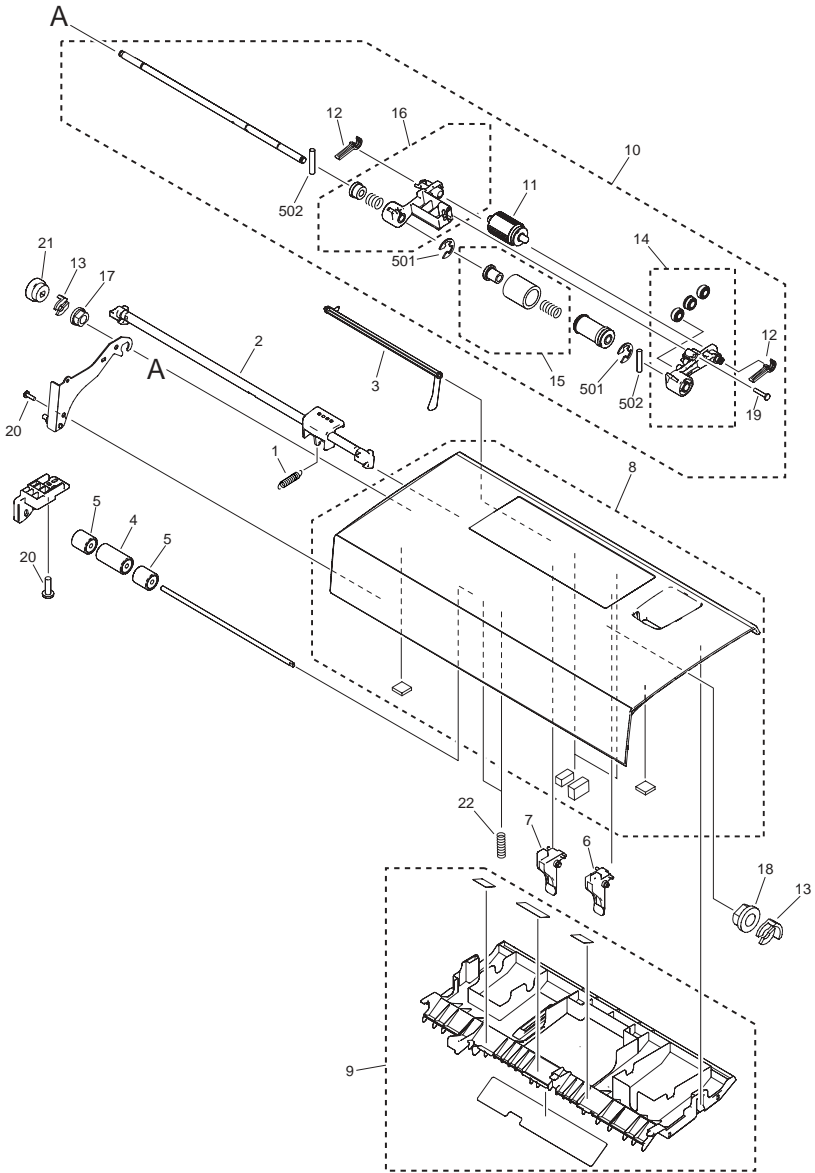


FIGURE & KEY NO.	PARTS NUMBER	R A N K	Q'TY	DESCRIPTION	SERIAL NUMBER/REMARKS	S V C
Fig.P31	FG3-4037-000		1	OPEN/CLOSE PANEL ASSEMBLY	ADF model A SIZE A/INCH SIZE	
Fig.P31	FG3-4052-000		1	OPEN/CLOSE PANEL ASSEMBLY	ADF model AB/INCH SIZE A/K SIZE	
1	FS4-2754-000		1	SPRING, TENSION		
2	FC3-1477-000		1	LEVER, OPEN/CLOSE		
3	FC3-1478-000		1	LEVER, SENSOR		
4	FC3-1479-000		1	ROLLER, REGISTRATION, 1		
5	FC3-1480-000		2	ROLLER, REGISTRATION, 2		
6	FC3-1540-000		1	SHUTTER, FRONT		
7	FC3-1541-000		1	SHUTTER, REAR		
8	FF3-4629-000		1	PANEL, OPEN/CLOSE	A SIZE A/INCH SIZE	
8	FF3-4637-000		1	PANEL, OPEN/CLOSE	AB/INCH SIZE A/K SIZE	
9	FF3-4630-000		1	GUIDE, OPEN/CLOSE		
10	FG3-4043-000		1	PICK-UP ROLLER ASSEMBLY		
11	FC3-1525-000		1	ROLLER, PICK-UP		
12	FC3-1542-000		2	STOPPER		
13	FC5-4425-000		2	CLIP		
14	FG3-4041-000		1	PICK-UP ARM UNIT, FRONT		
15	FG3-4044-000		1	SEPARATION ROLLER UNIT		
16	FG3-4045-000		1	PICK-UP ARM UNIT,REAR		
17	FS2-1708-000		1	BUSHING		
18	FS2-1710-000		1	BUSHING		
19	FS2-9573-000		1	SCREW, M3X16		
20	FS2-9569-000		4	SCREW, M3X10		
21	FS4-0654-000		1	GEAR, 25T		
22	FS4-2747-000		2	SPRING, COMPRESSION		
501	XD2-1100-502		1	RETAINING RING (E-TYPE)		
502	XD3-2200-102		2	PIN, PARALLEL		

FIGURE P33 FEEDER ASSEMBLY (ADF model)

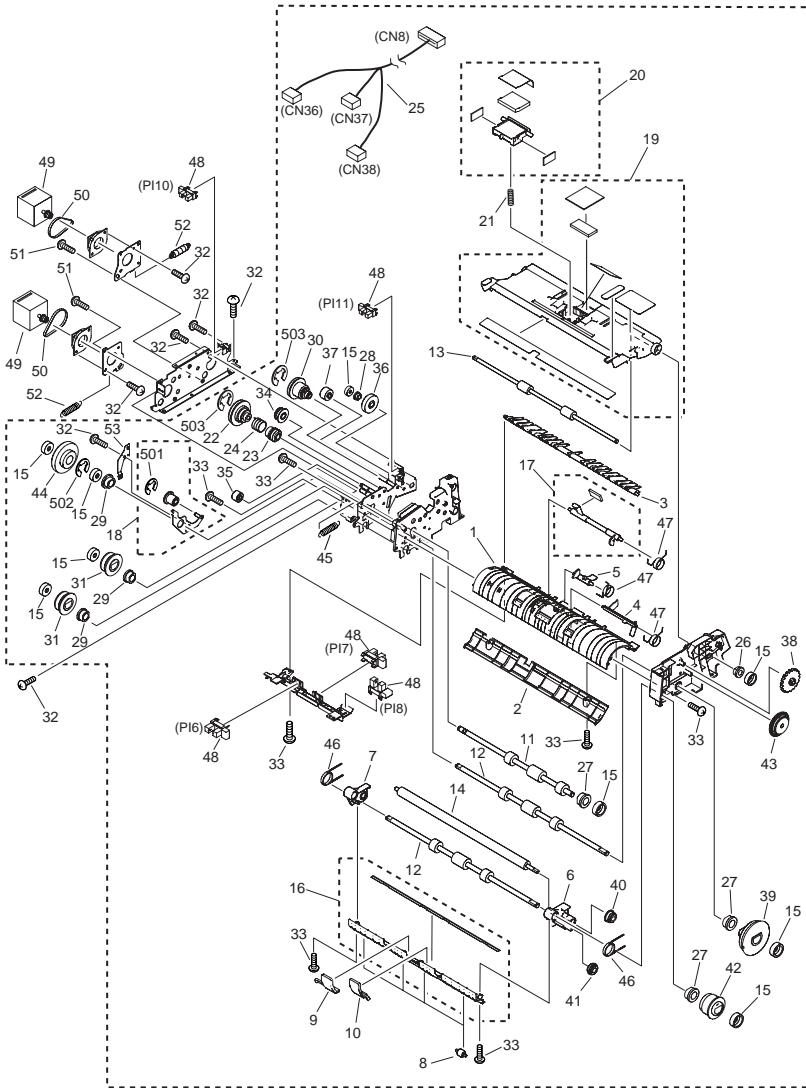


FIGURE & KEY NO.	PARTS NUMBER	R A N K	Q'TY	DESCRIPTION	SERIAL NUMBER/ REMARKS	S V C
Fig.P33	FG3-4038-020		1	PAPER FEEDER ASSEMBLY	ADF model	
1	FC3-1460-000		1	GUIDE, FEEDER		
2	FC3-1462-000		1	GUIDE, PLATEN		
3	FF3-4638-000		1	FLAPPER		
4	FC3-1465-000		1	FLAG, READ SENSOR		
5	FC3-1466-000		1	FLAG, DELIVERY REVERSE SENSOR		
6	FC3-1469-000		1	ARM, PLATEN, FRONT		
7	FC3-1470-000		1	ARM, PLATEN, REAR		
8	FC3-1471-000		4	ROLLER, PLATEN		
9	FC3-1493-000		1	SPACER, PLATEN, FRONT		
10	FC3-1494-000		1	SPACER, PLATEN, REAR		
11	FC3-1509-000		1	ROLLER, REGISTRATION, 1		
12	FC3-1510-000		2	ROLLER, READ		
13	FC3-1511-000		1	ROLLER, DELIVERY REVERSE		
14	FC3-1512-000		1	ROLLER, WHITE		
15	FC5-4425-000		9	CLIP		
16	FF3-4633-000		1	PLATEN GUIDE UNIT		
17	FF3-4636-000		1	REGISTRATION SENSOR UNIT		
18	FG3-4040-000		1	TENSION ROLLER UNIT		
19	FF3-4631-000		1	REVERSE GUIDE UNIT		
20	FF3-4632-000		1	SEPARATION PAD UNIT		
21	FS4-2746-000		1	SPRING, COMPRESSION		
22	FS2-3885-000		1	PULLEY, 57T,GEAR, 23T		
23	FS4-0645-000		1	GEAR, 16T		
24	FS4-2752-000		11	SPRING, TENSION		
25	FM4-3615-000		1	CABLE, FEEDER SENSOR	CN8,CN36,CN37,CN38	
26	FS2-1708-000		1	BUSHING		
27	FS2-1709-000		3	BUSHING		
28	FS2-1710-000		1	BUSHING		
29	FS2-1711-000		3	BUSHING		
30	FS2-3886-000		1	PULLEY, 57T/19T, GEAR, 23T		
31	FS2-3887-000		2	PULLEY, 27T		

FIGURE & KEY NO.	PARTS NUMBER	RANK	Q'TY	DESCRIPTION	SERIAL NUMBER/REMARKS	SVC
32	FS2-9567-000		9	SCREW,M3X6		
33	FS2-9569-000		12	SCREW, M3X10		
34	FS4-0644-000		1	GEAR, 16T		
35	FS4-0646-000		1	GEAR, 19T		
36	FS4-0647-000		1	GEAR, 25T		
37	FS4-0648-000		1	GEAR, 23T		
38	FS4-0649-000		1	DIAL		
39	FS4-0650-000		1	GEAR, 31T		
40	FS4-0651-000		1	GEAR, 14T		
41	FS4-0652-000		1	GEAR, 15T		
42	FS4-0653-000		1	GEAR, 18T		
43	FS4-0659-000		1	GEAR, 54T/39T		
44	FS4-0660-000		1	GEAR, 33T		
45	FS4-2744-000		1	SPRING, TENSION		
46	FS4-2745-000		2	SPRING, TORSION		
47	FS4-2753-000		3	SPRING, TORSION		
48	WG8-5696-000		5	PHOTO INTERRUPTER, TLP1243	PI6,PI7,PI8,PI10,PI11	
49	FH5-1142-000		2	MOTOR, STEPPING		
50	XF2-1607-240		2	BELT, TIMING		
51	FS2-9570-000		4	SCREW, M4X7		
52	FS4-2749-000		2	SPRING, TENSION		
53	FC3-1568-000		1	PLATE, GROUNDING		
501	XD2-1100-322		1	RETAINING RING (E-TYPE)		
502	XD2-1100-642		1	RING, E		
503	XD2-1100-502		1	RETAINING RING (E-TYPE)		
	FS2-9574-000		2	SCREW, M3X8		
	XF2-1611-740		1	BELT, TIMING		

FIGURE S01 PACKING KIT (DUPLEX model)

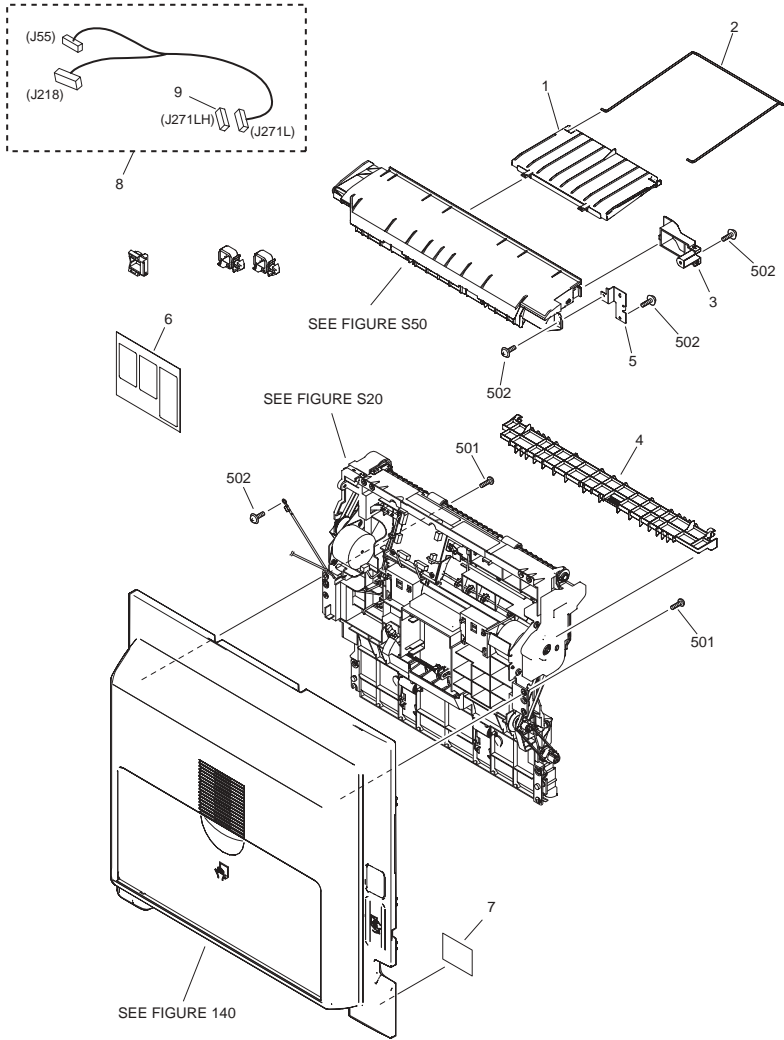


FIGURE & KEY NO.	PARTS NUMBER	R A N K	Q'TY	DESCRIPTION	SERIAL NUMBER/ REMARKS	S V C
Fig.S01	NPN		RF	PACKING KIT	DUPLEX model	
1	FC6-6782-000		1	TRAY, REVERSE		
2	FC8-0351-000		1	TRAY, SUB		
3	FC6-6784-000		1	COVER, REVERSE GUIDE		
4	FL2-8094-000		1	GUIDE, DELIVERY		
5	FC6-6778-000		1	MOUNT, REVERSE GUIDE		
6	FU5-8697-000		1	LABEL, JAM CLEAR		
7	FU5-8699-000		1	LABEL, JAM CLEAR		
8	FM2-4516-000		1	CABLE, DUPLEX UNIT	J55,J218,J271L	
9	VS1-7207-012		1	CONNECTOR	J271LH	
501	XB4-5401-007		4	SCREW, M4X10		
502	XB6-7300-609		5	SCREW, MACH, PAN HEAD		

FIGURE S20 DUPLEX FEEDER ASSEMBLY (DUPLEX model)

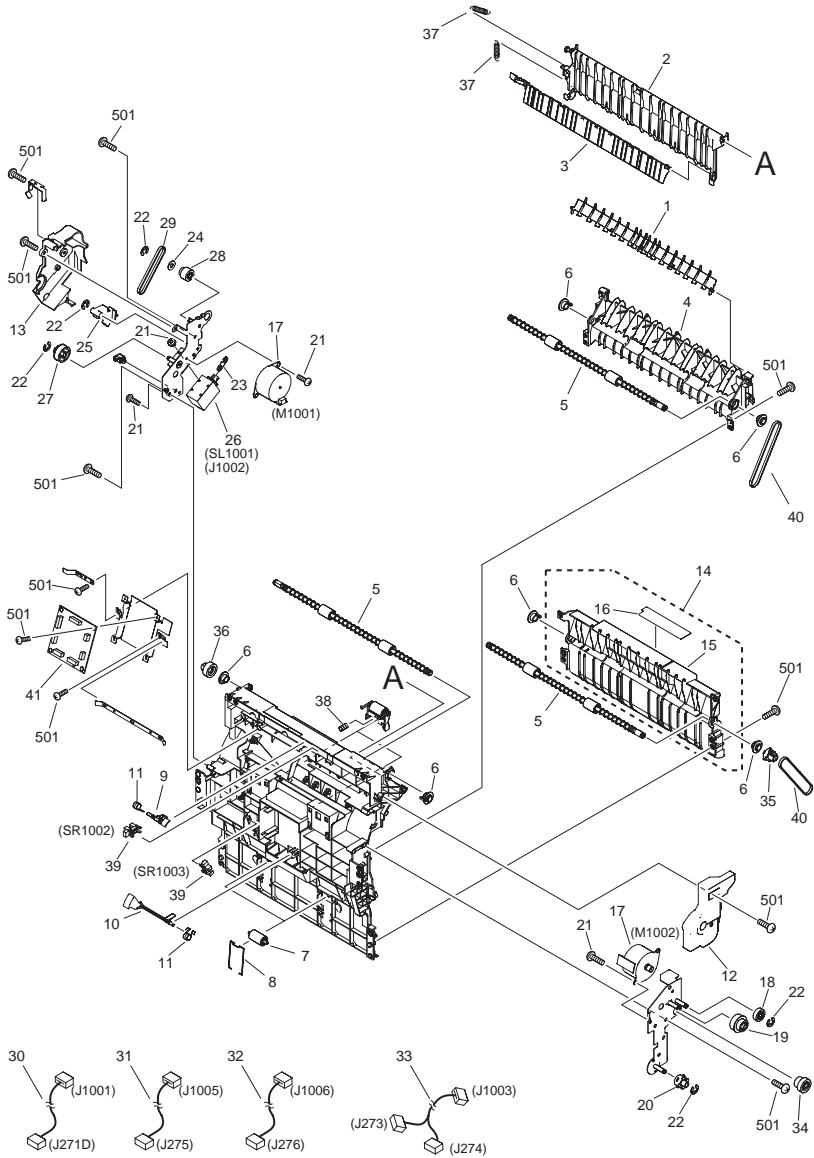


FIGURE & KEY NO.	PARTS NUMBER	R A N K	Q'TY	DESCRIPTION	SERIAL NUMBER/ REMARKS	S V C
Fig.S20	NPN		RF	DUPLEX FEEDER ASSEMBLY	DUPLEX model	
1	FC6-6752-000		1	DEFLECTOR, REVERSE		
2	FC6-6753-000		1	GUIDE, DUPLEX SWING		
3	FC6-6755-000		1	DEFLECTOR, DUPLEX		
4	FC6-6756-000		1	GUIDE, RIGHT UPPER		
5	FC6-6757-000		3	ROLLER		
6	FC6-6758-000		6	BUSHING		
7	FC6-6759-000		4	ROLLER		
8	FC6-6760-000		2	SPRING, ROLLER		
9	FC6-6765-000		1	FLAG, REVERSE SENSOR		
10	FC6-6767-000		1	FLAG, FEEDER SENSOR		
11	FC6-6768-000		2	SPRING, TORSION		
12	FC6-6776-000		1	COVER, DUPLEX, FRONT		
13	FC6-6777-000		1	COVER, DUPLEX, REAR		
14	FL2-3856-000		1	GUIDE, RIGHT, LOWER		
15	FC6-6754-000		1	GUIDE, RIGHT, LOWER		
16	FU5-8696-000		1	LABEL, OPERATION PROHIBITION		
17	FK2-1114-000		2	MOTOR, STEPPING	M1001,M1002	
18	FU6-0933-000		1	GEAR, 47T/17T		
19	FU6-0934-000		1	GEAR, 18T		
20	FU6-0936-000		1	GEAR, 28T		
21	XA9-1116-000		11	SCREW, 3X5		
22	XD9-0136-000		5	RING, E		
23	FC6-6740-000		1	PLATE, LINK		
24	FC6-6764-000		1	FLANGE		
25	FC6-6769-000		1	PLATE, LINK		
26	FL2-3744-000		1	SOLENOID	SL1001,J1002	
27	FU6-0938-000		1	GEAR, 47T/22T		
28	FU6-0939-000		1	GEAR, 22T/17T		
29	XF2-1109-040		1	BELT, TIMING		
30	FM2-4517-000		1	CABLE, DUPLEX RELAY	J271D,J1001	
31	FM2-4518-030		1	CABLE, DUPLEX MOTOR	J275,J1005	

FIGURE & KEY NO.	PARTS NUMBER	RANK	Q'TY	DESCRIPTION	SERIAL NUMBER/REMARKS	SVC
32	FM2-4519-000		1	CABLE, REVERSE MOTOR	J276,J1006	
33	FM2-4520-000		1	CABLE, DUPLEX SENSOR	J273,J274,J1003	
34	FU6-0935-000		1	GEAR, 21T/28T		
35	FU6-0937-000		1	GEAR, 28T		
36	FU6-0940-000		1	GEAR, 21T		
37	FU6-2387-000		2	SPRING, TENSION		
38	FU6-2388-000		2	SPRING, COMPRESSION		
39	WG8-5696-000		2	PHOTO INTERRUPTER, RLP1243	SR1002,SR1003	
40	XF2-1112-240		2	BELT, TIMING		
41	FM2-4515-000		1	PWB, DUPLEX DRIVER		
501	XB4-5401-007		20	SCREW, M4X10		

FIGURE S50 DUPLEX REVERSE UNIT (DUPLEX model)

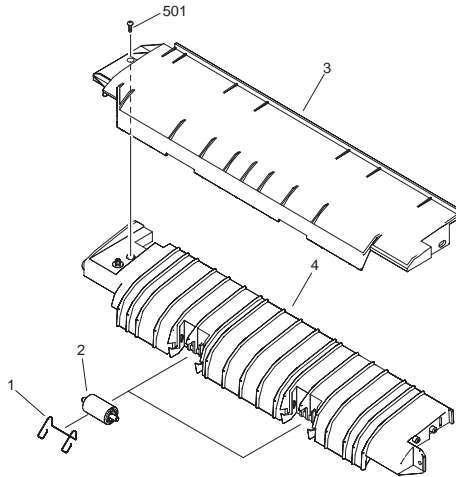


FIGURE & KEY NO.	PARTS NUMBER	RANK	Q'TY	DESCRIPTION	SERIAL NUMBER/REMARKS	SVC
Fig.S50	FM2-4493-000		1	DUPLEX REVERSE UNIT	DUPLEX model	
1	FC6-6781-000		2	SPRING, ROLLER		
2	FC6-6759-000		2	ROLLER		
3	FC6-6779-000		1	GUIDE, REVERSE UPPER		
4	FC6-6780-000		1	GUIDE, REVERSE, LOWER		
501	XB4-5401-007		1	SCREW, M4X10		

Prepared by
OIP Service Management Center
CANON INC.

Canon