

imageRUNNER
1435/1430 Series

PARTS CATALOG

Canon

MAR. 2015

Figure List

Figure No.	Figure Name
SNL	Product Code No./Serial No.
A1A	ASSEMBLY LOCATION DIAGRAM(COPY BOARD MODEL)
A1B	ASSEMBLY LOCATION DIAGRAM (ADF MODEL)
A1C	ASSEMBLY LOCATION DIAGRAM (PRINTER MODEL)
A2	OPTION PARTS CATALOG LIST
001B	ACCESSORIES (IR1435 EUR)
001D	ACCESSORIES (IR1435i EUR)
001G	ACCESSORIES (IR1435iF EUR)
001H	ACCESSORIES (IR1435P EUR)
100D	EXTERNAL COVERS, PANELS, ETC. (IR1435 EUR)
100F	EXTERNAL COVERS, PANELS, ETC. (IR1435i EUR)
100I	EXTERNAL COVERS, PANELS, ETC. (IR1435iF EUR)
100K	EXTERNAL COVERS, PANELS, ETC. (IR1435P EUR)
101C	INTERNAL COMPONENTS 1 (IR1435 EUR)
101D	INTERNAL COMPONENTS 1 (IR1435i,1435iF,1435P EUR)
102E	INTERNAL COMPONENTS 2 (230V EUR)
103	INTERNAL COMPONENTS 3
104	INTERNAL COMPONENTS 4
105	INTERNAL COMPONENTS 5
106A	INTERNAL COMPONENTS 6 (EXCEPT FAX MODEL)
106C	INTERNAL COMPONENTS 6 (IR1435iF EUR)
110	LEFT DOOR ASSEMBLY
130E	CONTROL PANEL ASSEMBLY (IR1435 EUR)
130I	CONTROL PANEL ASSEMBLY (IR1435i EUR)
130N	CONTROL PANEL ASSEMBLY (IR1435P EUR)
130O	CONTROL PANEL ASSEMBLY (IR1435iF EUR)
250	MAIN DRIVE ASSEMBLY
280	FIXING DRIVE ASSEMBLY
312	MULTI FEED ASSEMBLY
315	MULTI FEED TRAY ASS'Y
330	TRANSFER MOUNT ASSEMBLY
350	PAPER DELIVERY ASSEMBLY
400A	READER ASSEMBLY(COPYBOARD MODEL)
400B	READER ASSEMBLY (ADF MODEL)
460B	LASER SCANNER ASSEMBLY (IR1435 EUR)
460C	LASER SCANNER ASSEMBLY (IR1435i,1435iF,1435P EUR)
640C	DEVELOPING ASSEMBLY (EUR)
810B	FIXING ASSEMBLY(230V)
900A	CONTROLLER PCB ASSEMBLY (IR1435/1435P SERIES)
900C	CONTROLLER PCB ASSEMBLY (IR1435i SERIES)
900D	CONTROLLER PCB ASSEMBLY (IR1435iF SERIES)
930	H.V.T PCB ASSEMBLY
B01	ADF MAINTENANCE KIT
B11	AUTO DOCUMENT FEEDER ASSEMBLY
B12	FEEDER COVER ASSEMBLY
B13	PAPER FEED DRIVE ASSEMBLY
D10	COPYBOARD COVER ASSEMBLY
H30B	CASSETTE ASSEMBLY (A4)
ZZA	MECHANICAL STANDARD PARTS (HOW TO USE)
ZZB	MECHANICAL STANDARD PARTS (SCREWS)
ZZC	MECHANICAL STANDARD PARTS (BOLTS)
ZZD	MECHANICAL STANDARD PARTS (NUTS)
ZZE	MECHANICAL STANDARD PARTS (RETAINING RINGS)

Figure SNL Product Code No./Serial No.

	Product Code No.	Model Name	Remarks	Serial No.
1	F19-3091-000	imageRUNNER 1435	230V, COPYBOARD	RZC
2	F19-3092-000	imageRUNNER 1435i	230V, ADF	RZH
3	F19-3093-000	imageRUNNER 1435iF	230V, ADF + FAX	RZH
4	F19-3094-000	imageRUNNER 1435P	230V, PRINTER	TYS

	中オーダー	製品名	備考	シリアル Nb.
1	F19-3091-000	imageRUNNER 1435	230V, 圧板	RZC
2	F19-3092-000	imageRUNNER 1435i	230V, A D F	RZH
3	F19-3093-000	imageRUNNER 1435iF	230V, A D F + F A X	RZH
4	F19-3094-000	imageRUNNER 1435P	230V, プリンター	TYS

FIG/KEY	PART NUMBER	RANK	QTY	DESCRIPTION	REMARKS
SNL	NPN		RF	Product Code No./Serial No.	
1	F19-3091-000		1	imageRUNNER 1435	RZC 230V COPYBOARD MODEL
2	F19-3092-000		1	imageRUNNER 1435i	RZH 230V ADF MODEL
3	F19-3093-000		1	imageRUNNER 1435iF	RZR 230V ADF + FAX MODEL
4	F19-3094-000		1	imageRUNNER 1435P	TYS 230V PRINTER MODEL

Figure A1A (1 / 2) ASSEMBLY LOCATION DIAGRAM(COPY BOARD MODEL)

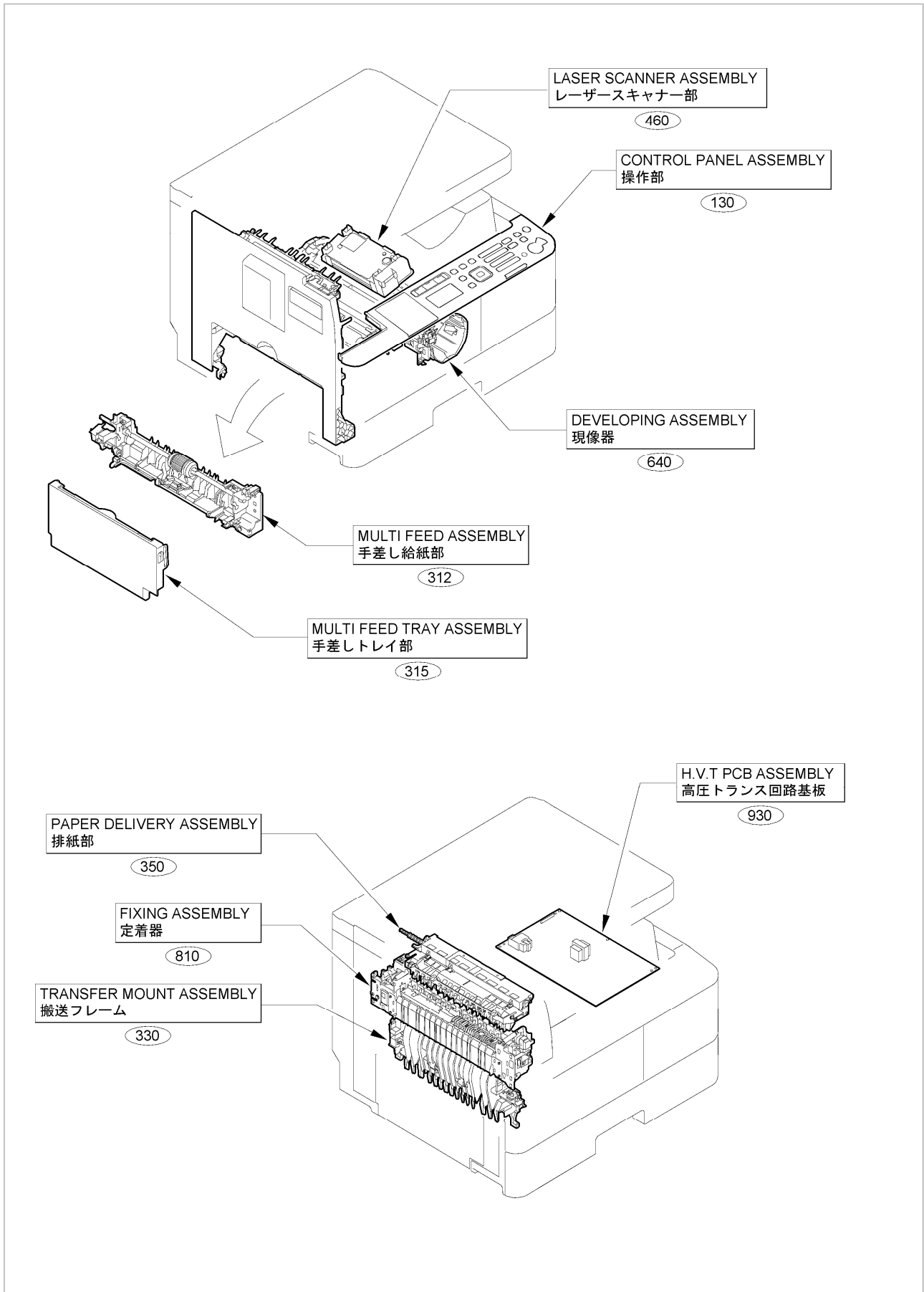
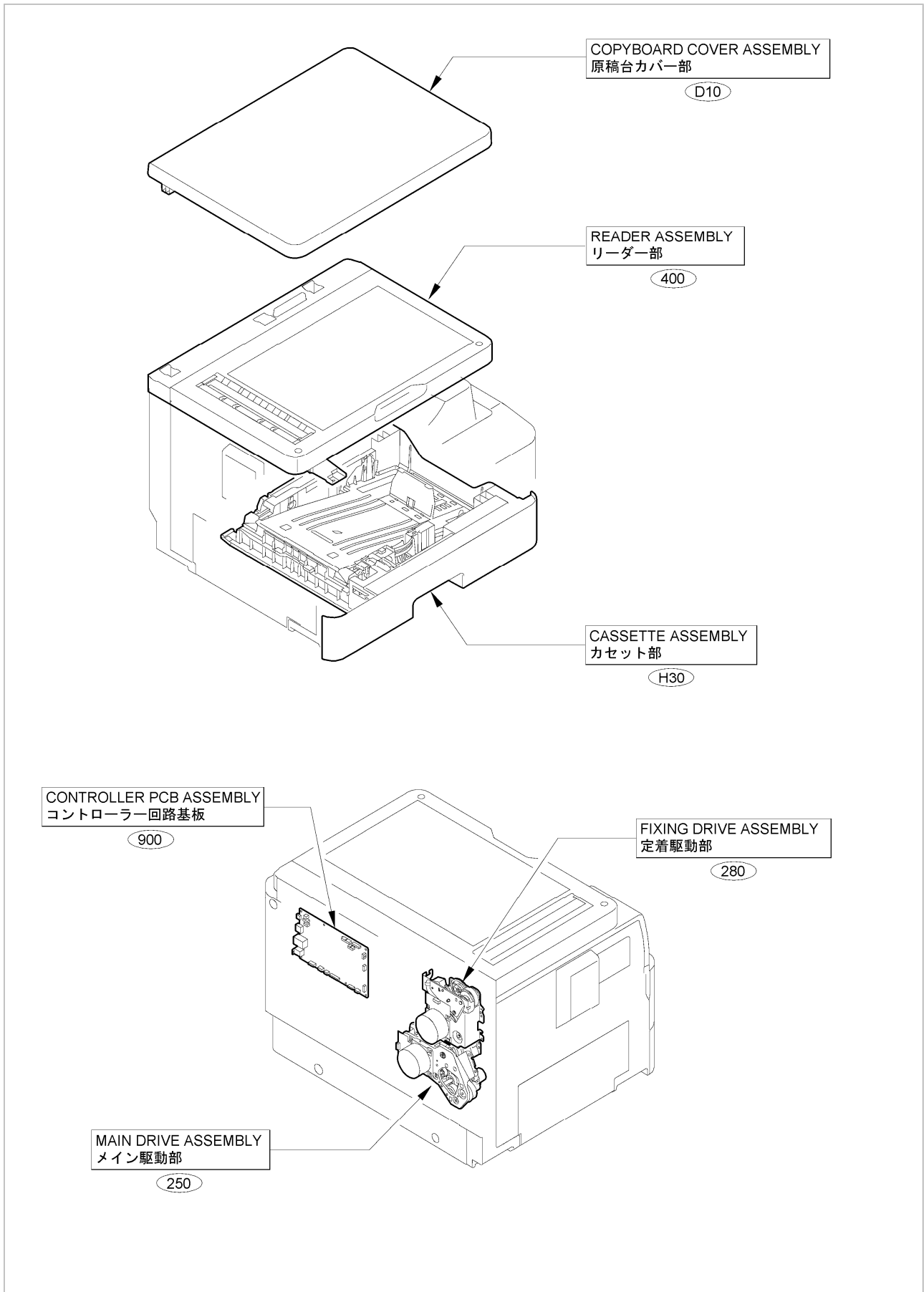


Figure A1A (2 / 2) ASSEMBLY LOCATION DIAGRAM (COPY BOARD MODEL)



FIG/KEY	PART NUMBER	RANK	QTY	DESCRIPTION	REMARKS
---------	-------------	------	-----	-------------	---------

Figure A1B (1 / 2) ASSEMBLY LOCATION DIAGRAM (ADF MODEL)

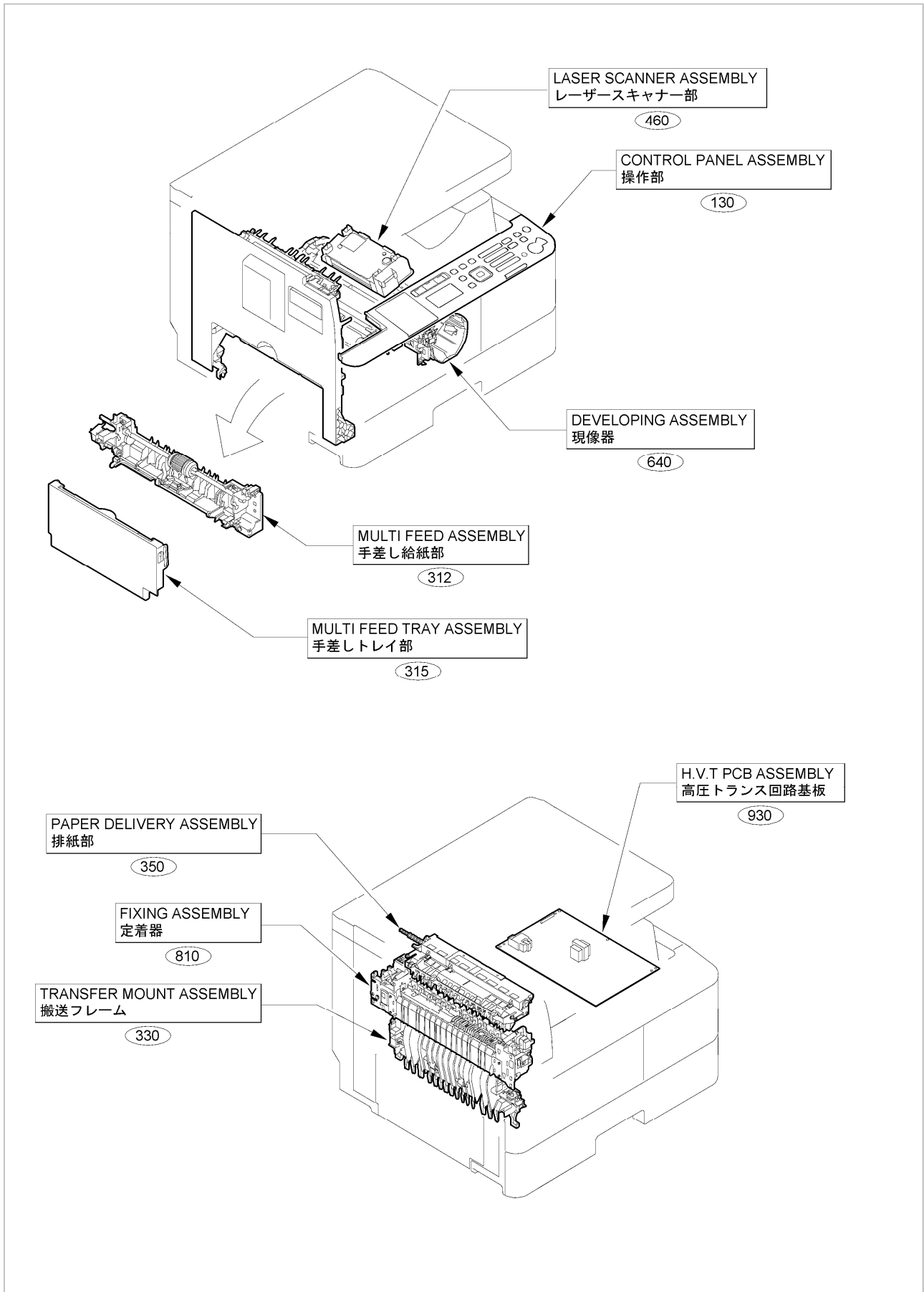
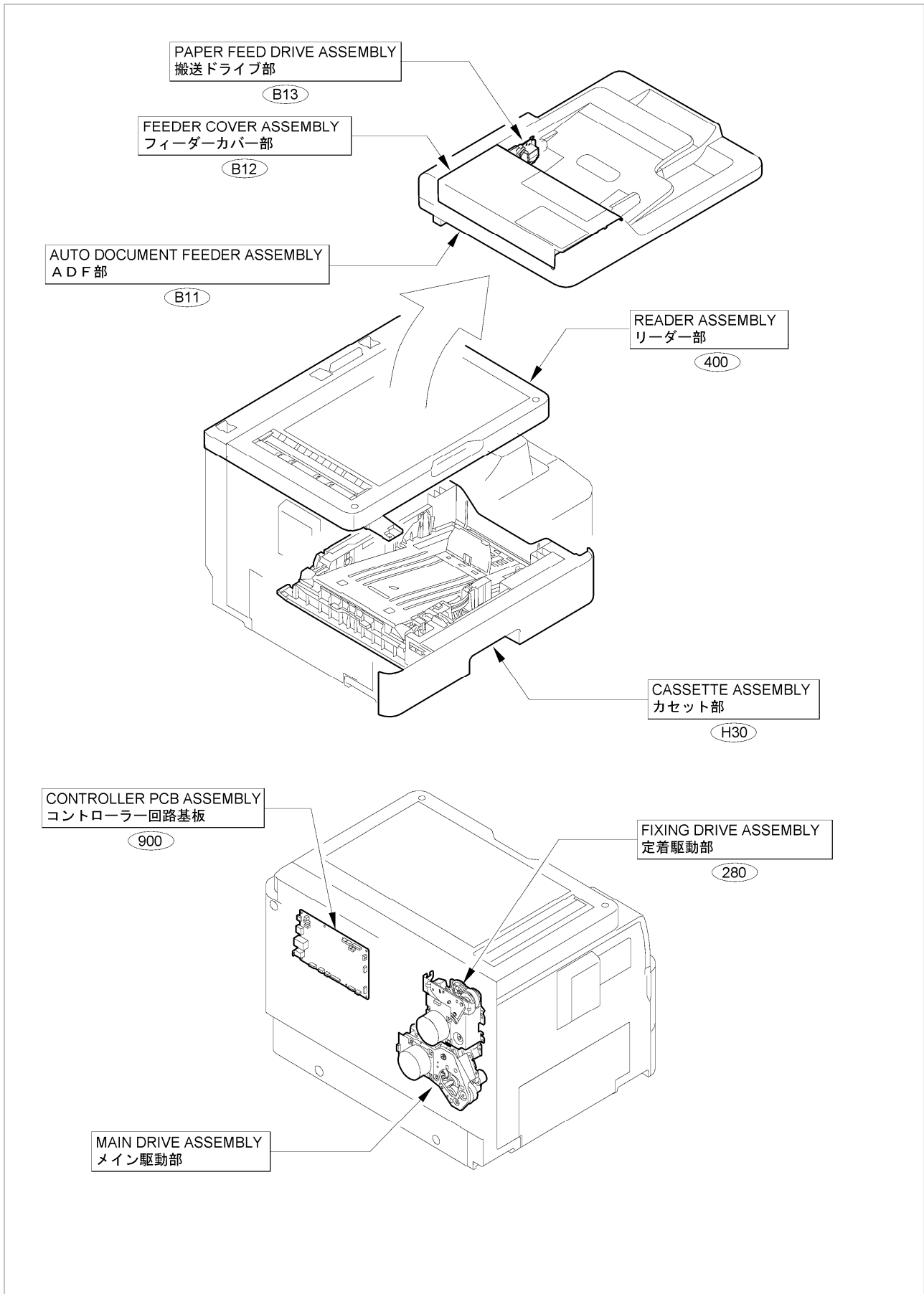


Figure A1B (2 / 2) ASSEMBLY LOCATION DIAGRAM (ADF MODEL)



FIG/KEY	PART NUMBER	RANK	QTY	DESCRIPTION	REMARKS
---------	-------------	------	-----	-------------	---------

Figure A1C (1 / 2) ASSEMBLY LOCATION DIAGRAM (PRINTER MODEL)

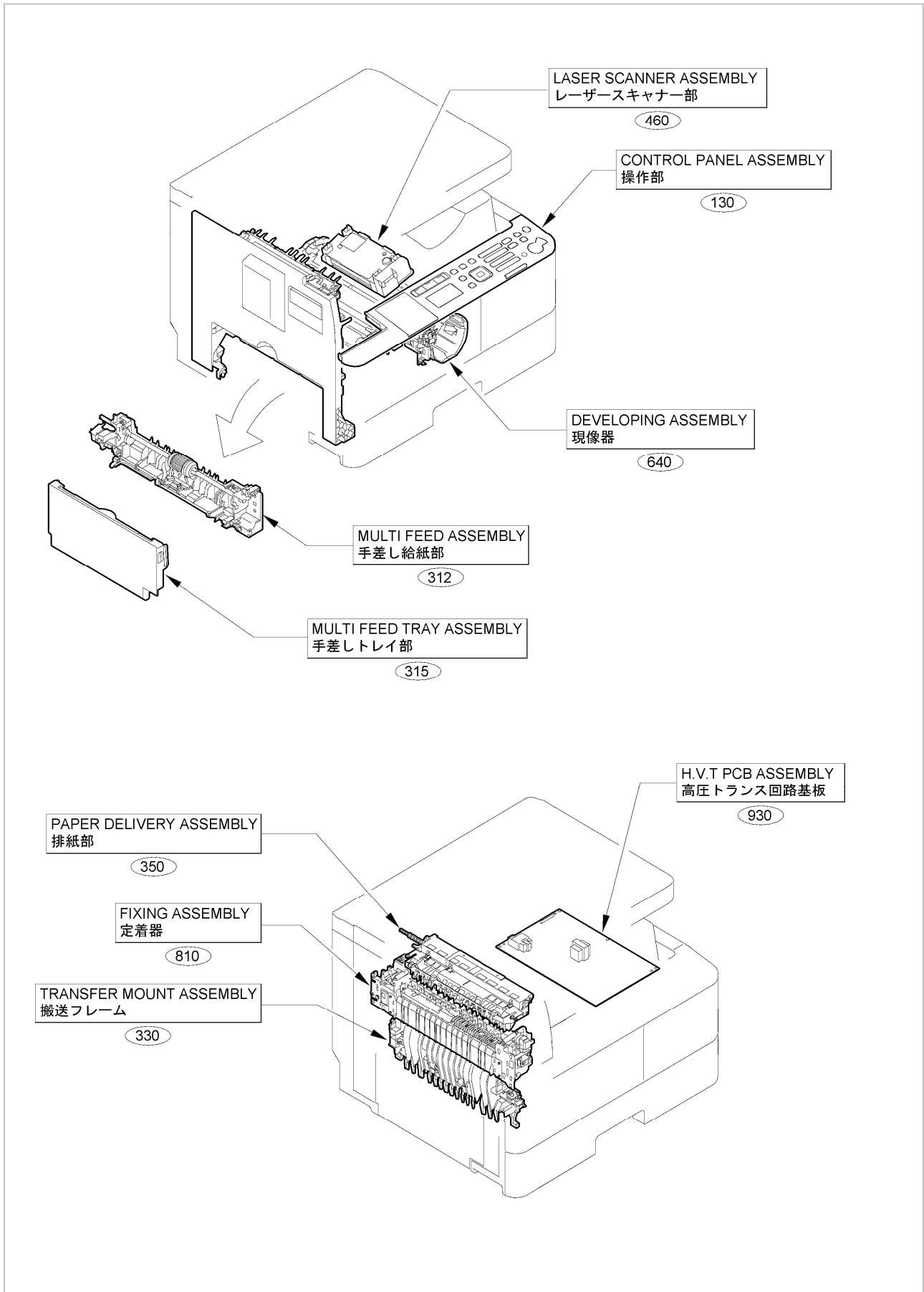
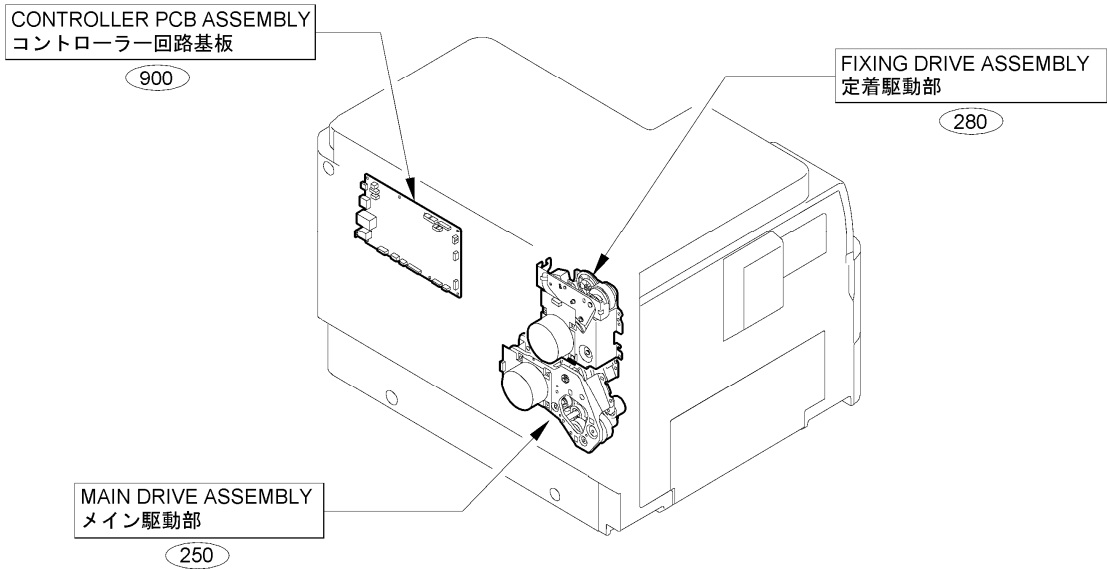
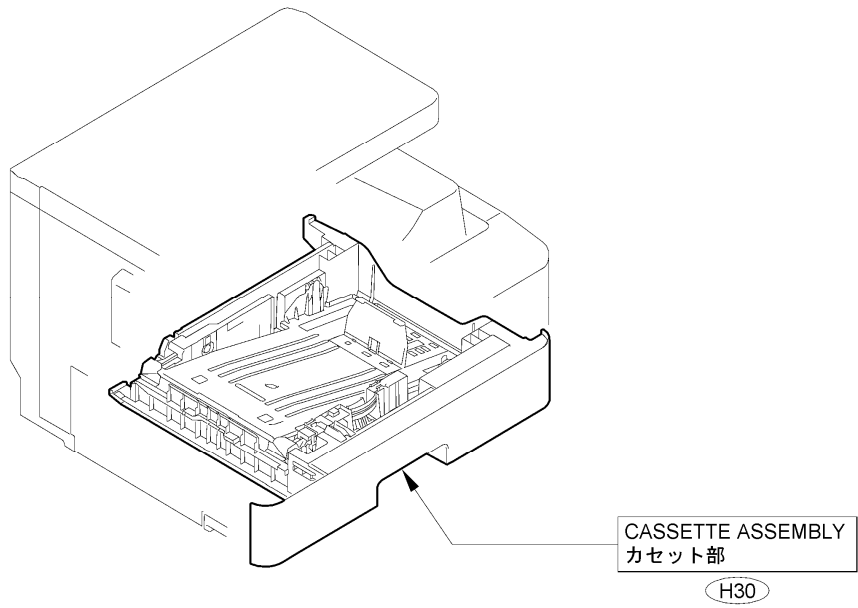


Figure A1C (2 / 2) ASSEMBLY LOCATION DIAGRAM (PRINTER MODEL)



FIG/KEY	PART NUMBER	RANK	QTY	DESCRIPTION	REMARKS
---------	-------------	------	-----	-------------	---------

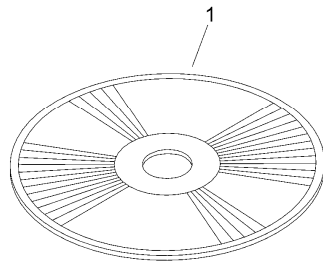
Figure A2 OPTION PARTS CATALOG LIST

This is the table of the machine's options whose parts catalog is issued.
本機のオプションで、パーツカタログが発行されている機種の一覧である。

No.	Model Name(English)	Model Name(Japanese)
1	Cassette Module-AC1	(日本仕向けなし)
2	FL Cassette-AW1	(日本仕向けなし)
3	Copy Card Reader Attachment-E1	(日本仕向けなし)
4	Copy Control Interface Kit-C1	(日本仕向けなし)
5	Copy Card Reader-F1	(日本仕向けなし)

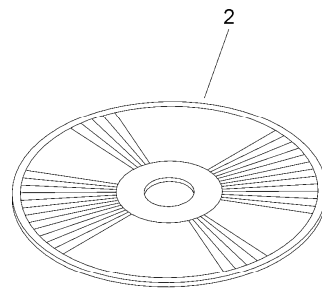
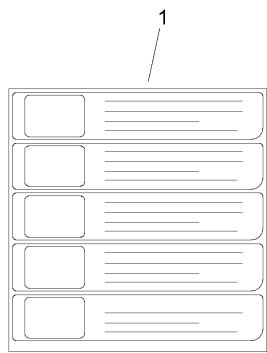
FIG/KEY	PART NUMBER	RANK	QTY	DESCRIPTION	REMARKS
---------	-------------	------	-----	-------------	---------

Figure 001B ACCESSORIES (IR1435 EUR)



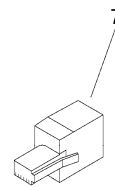
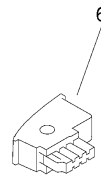
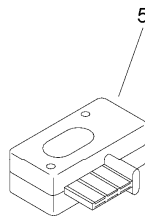
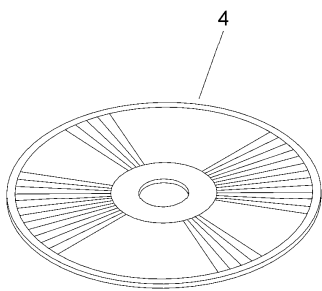
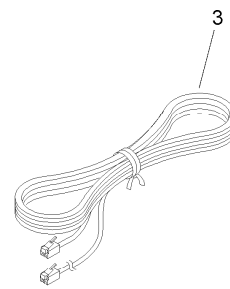
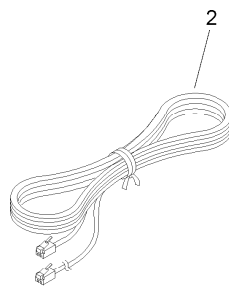
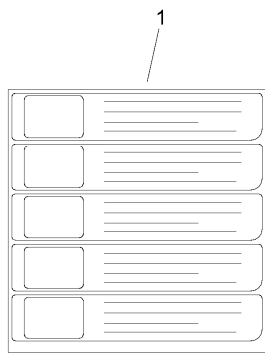
FIG/KEY	PART NUMBER	RANK	QTY	DESCRIPTION	REMARKS
001B	NPN		RF	ACCESSORIES	IR1435 EUR
1	FK4-3191-000		1	CD-ROM, SOFTWARE	

Figure 001D ACCESSORIES (IR1435i EUR)



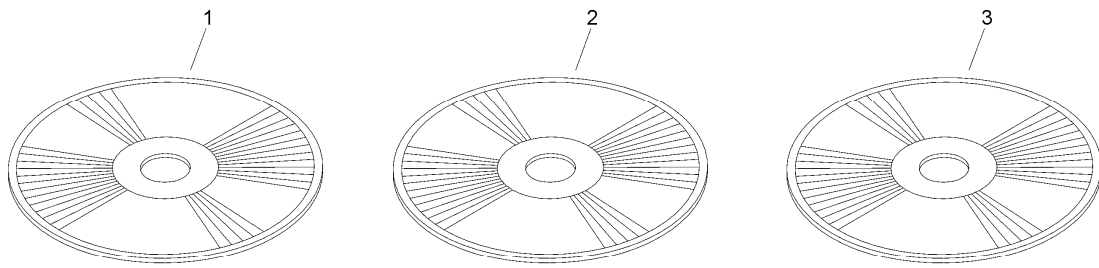
FIG/KEY	PART NUMBER	RANK	QTY	DESCRIPTION	REMARKS
001D	NPN		RF	ACCESSORIES	IR1435i EUR
1	FE4-2232-000		1	LABEL, CLEANING	
2	FK4-3189-000		1	CD-ROM, SOFTWARE	

Figure 001G ACCESSORIES (IR1435IF EUR)



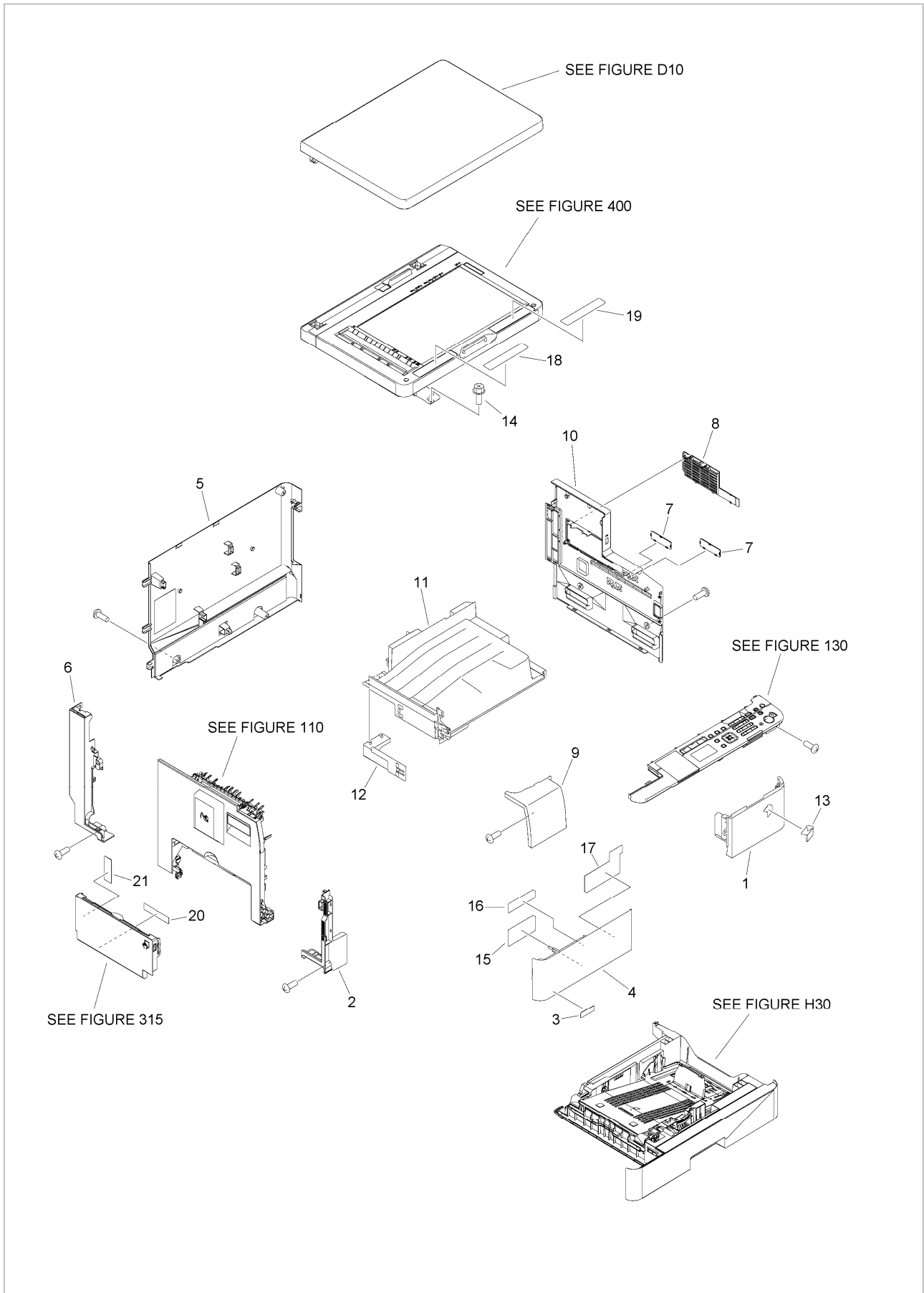
FIG/KEY	PART NUMBER	RANK	QTY	DESCRIPTION	REMARKS
001G	NPN		RF	ACCESSORIES	IR1435IF EUR
1	FE4-2232-000		1	LABEL, CLEANING	
2	FK2-5275-000		1	CORD, MODULAR	
3	QK1-6441-000		1	CORD, MODULER	
4	FK4-3189-000		1	CD-ROM, SOFTWARE	
5	QK1-6446-000		1	PLUG	
6	QK1-6443-000		1	PLUG	
7	QK1-6450-000		1	PLUG	

Figure 001H ACCESSORIES (IR1435P EUR)



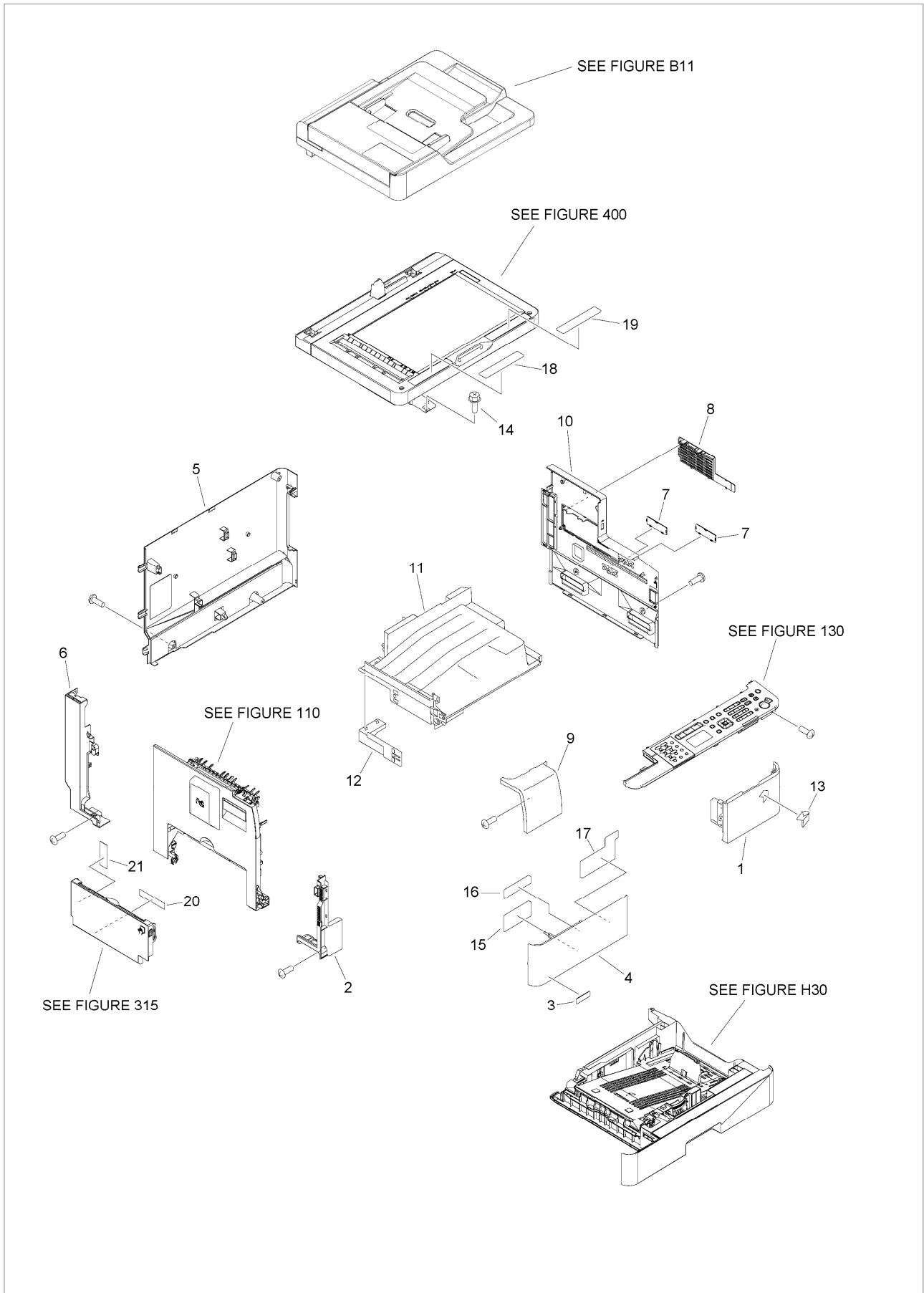
FIG/KEY	PART NUMBER	RANK	QTY	DESCRIPTION	REMARKS
001H	NPN		RF	ACCESSORIES	IR1435P EUR
1	FK4-3184-000		1	CD-ROM, SOFTWARE	For Windows English, French, Ita lian
2	FK4-3185-000		1	CD-ROM, SOFTWARE	For Windows Spanish, German
3	FK4-3186-000		1	CD-ROM, SOFTWARE	For Macintosh

Figure 100D EXTERNAL COVERS, PANELS, ETC. (IR1435 EUR)



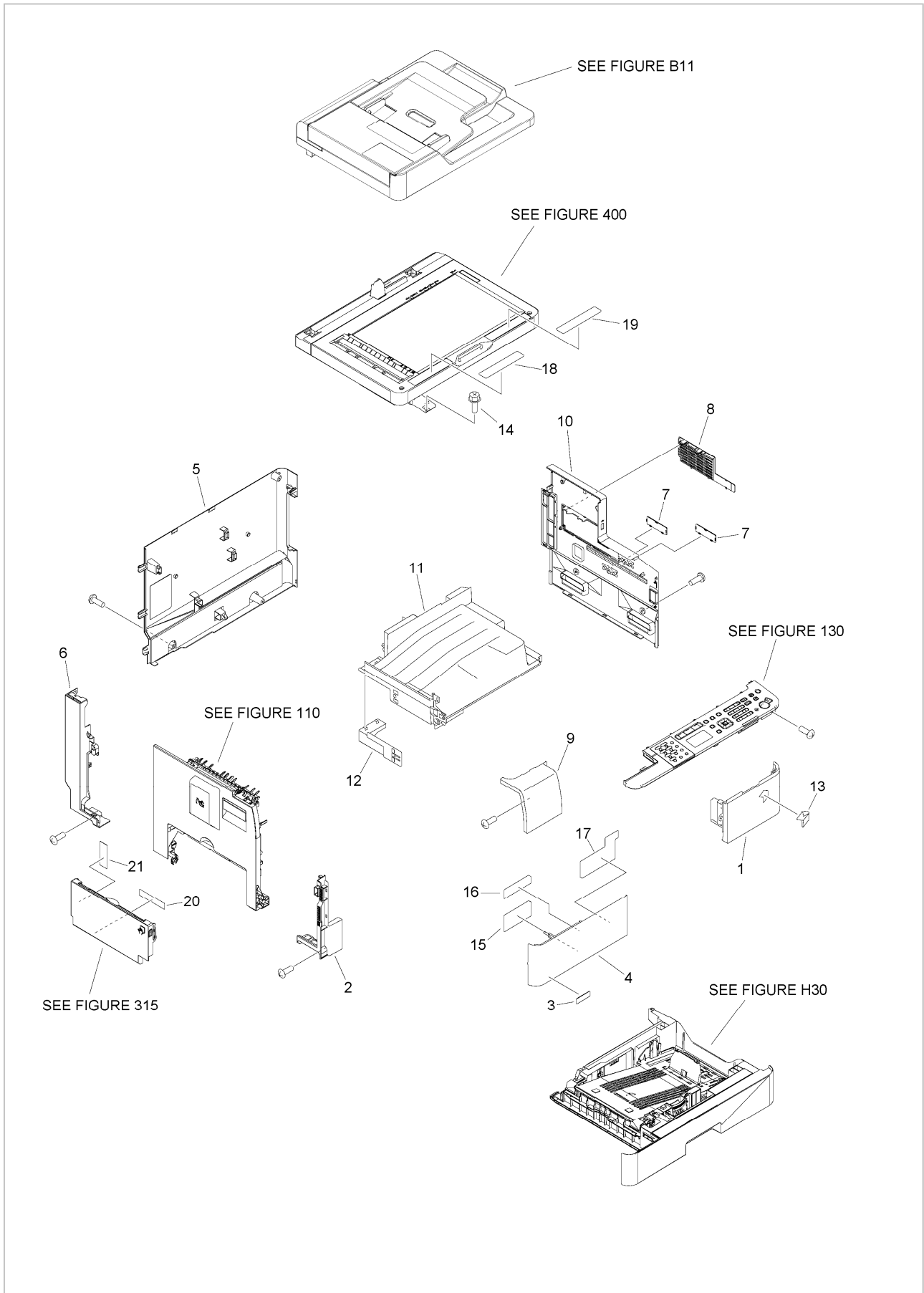
FIG/KEY	PART NUMBER	RANK	QTY	DESCRIPTION	REMARKS
100D	NPN		RF	EXTERNAL COVERS, PANELS, ETC.	IR1435 EUR
1	FLO-6361-000		1	COVER, FRONT, RIGHT	
2	FLO-5362-000		1	COVER, LEFT, FRONT	
3	FE4-1817-000		1	LABEL, TONER	
4	FE3-4140-000		1	COVER, FRONT	
5	FLO-5364-000		1	COVER, REAR	
6	FLO-5363-000		1	COVER, LEFT, REAR	
7	FC6-7545-000		2	COVER, BLANKING	
8	FE3-8685-000		1	DUCT, RIGHT	
9	FE3-4137-000		1	COVER, FRONT, LEFT	
10	FE4-2211-000		1	COVER, RIGHT	
11	FLO-7496-000		1	TRAY, PAPER DELIVERY	
12	FLO-7497-000		1	COVER, PAPER DELIVERY, LEFT	
13	FLO-4990-000		1	EMBLEM	
14	XA9-1386-000		4	SCREW, RS, M3X8	
15	FE4-6186-000		1	LABEL, TONER	
16	FE4-6183-000		1	LABEL, TONER	
17	FE4-7004-000		1	LABEL, TONER EXCHANGE	
18	FE4-2233-000		1	LABEL, CLEANING	
19	FE4-2228-000		1	LABEL, COPY PROHIBITION	
20	FE4-6180-000		1	LABEL, PAPER SIZE	
21	FE4-6177-000		1	LABEL, PAPER SET	

Figure 100F EXTERNAL COVERS, PANELS, ETC. (IR1435i EUR)



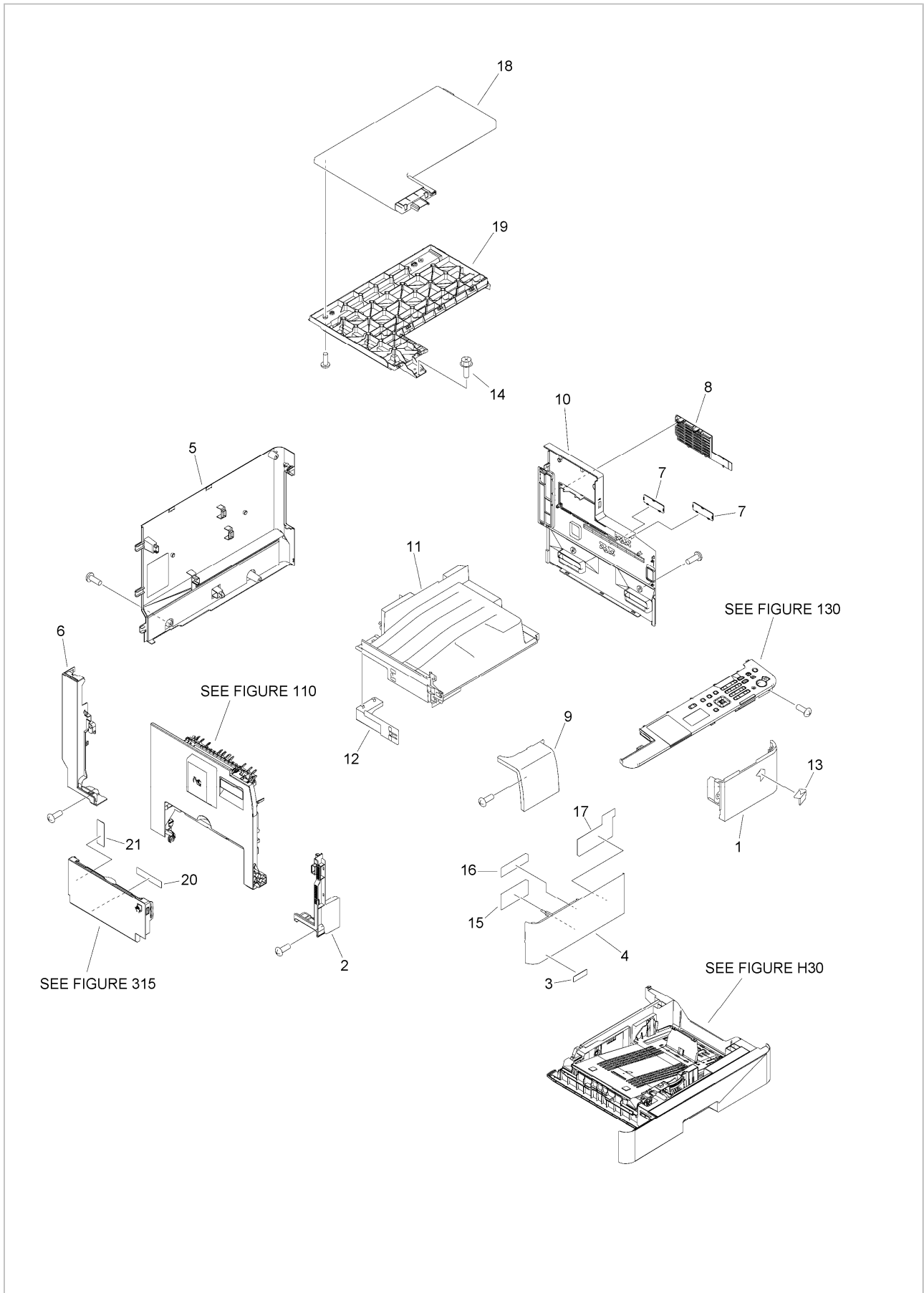
FIG/KEY	PART NUMBER	RANK	QTY	DESCRIPTION	REMARKS
100F	NPN		RF	EXTERNAL COVERS, PANELS, ETC.	IR1435i EUR
1	FLO-6363-000		1	COVER, FRONT, RIGHT	
2	FLO-5362-000		1	COVER, LEFT, FRONT	
3	FE4-1817-000		1	LABEL, TONER	
4	FE3-4140-000		1	COVER, FRONT	
5	FLO-5364-000		1	COVER, REAR	
6	FLO-5363-000		1	COVER, LEFT, REAR	
7	FC6-7545-000		2	COVER, BLANKING	
8	FE3-8685-000		1	DUCT, RIGHT	
9	FE3-4137-000		1	COVER, FRONT, LEFT	
10	FE4-2211-000		1	COVER, RIGHT	
11	FLO-7496-000		1	TRAY, PAPER DELIVERY	
12	FLO-7497-000		1	COVER, PAPER DELIVERY, LEFT	
13	FLO-4990-000		1	EMBLEM	
14	XA9-1386-000		4	SCREW, RS, M3X8	
15	FE4-2236-000		1	LABEL, TONER	
16	FE4-6186-000		1	LABEL, TONER	
17	FE4-7004-000		1	LABEL, TONER EXCHANGE	
18	FE4-2229-000		1	LABEL, CLEANING	
19	FE4-2225-000		1	LABEL, COPY PROHIBITION	
20	FE4-6180-000		1	LABEL, PAPER SIZE	
21	FE4-6176-000		1	LABEL, PAPER SET	

Figure 100I EXTERNAL COVERS, PANELS, ETC. (IR1435iF EUR)



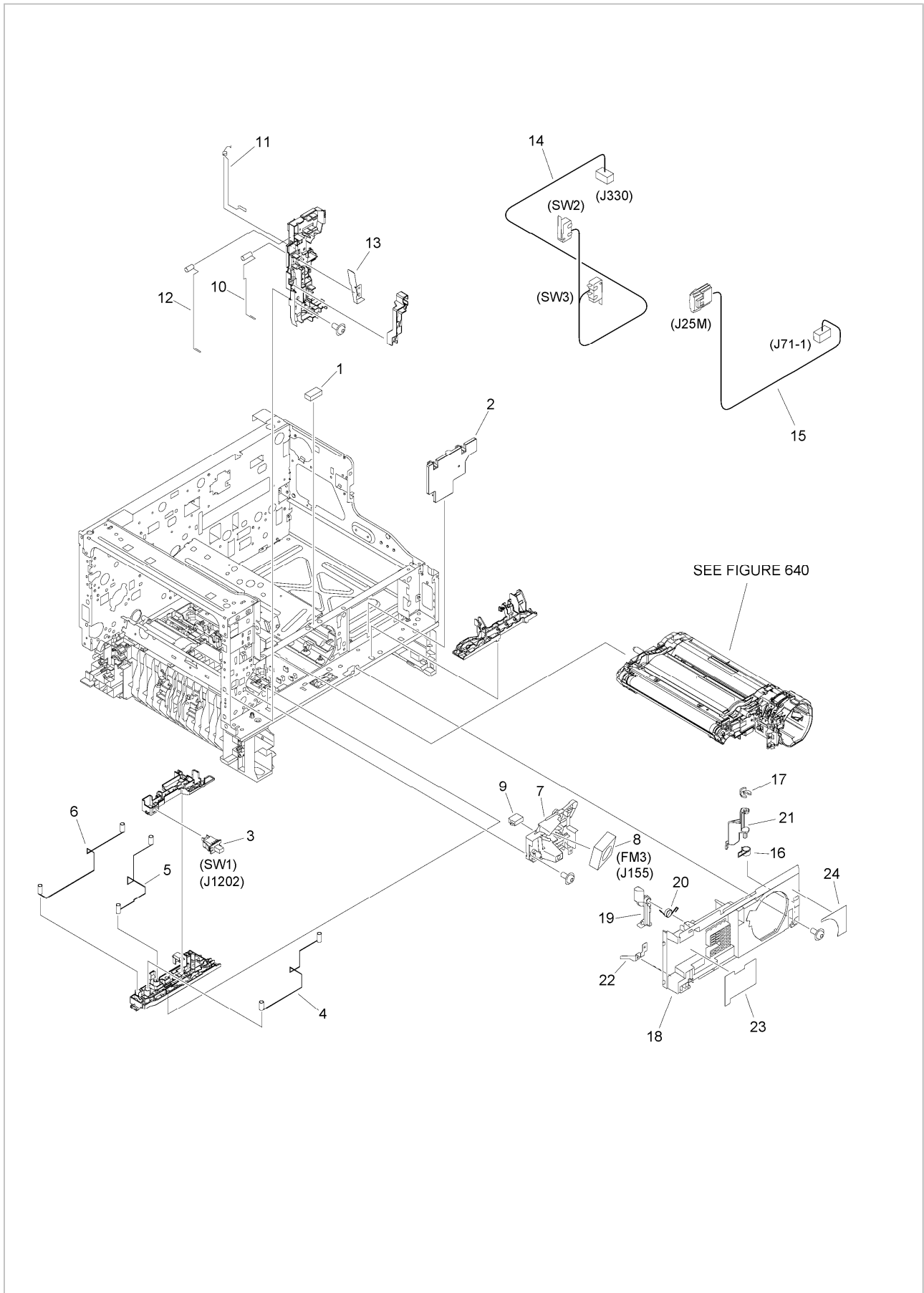
FIG/KEY	PART NUMBER	RANK	QTY	DESCRIPTION	REMARKS
1001	NPN		RF	EXTERNAL COVERS, PANELS, ETC.	IR1435iF EUR
1	FLO-6365-000		1	COVER, FRONT, RIGHT	
2	FLO-5362-000		1	COVER, LEFT, FRONT	
3	FE4-1817-000		1	LABEL, TONER	
4	FE3-4140-000		1	COVER, FRONT	
5	FLO-5364-000		1	COVER, REAR	
6	FLO-5363-000		1	COVER, LEFT, REAR	
7	FC6-7545-000		2	COVER, BLANKING	
8	FE3-8685-000		1	DUCT, RIGHT	
9	FE3-4137-000		1	COVER, FRONT, LEFT	
10	FLO-6456-000		1	COVER, RIGHT	
11	FLO-7496-000		1	TRAY, PAPER DELIVERY	
12	FLO-7497-000		1	COVER, PAPER DELIVERY, LEFT	
13	FLO-4990-000		1	EMBLEM	
14	XA9-1386-000		4	SCREW, RS, M3X8	
15	FE4-2236-000		1	LABEL, TONER	
16	FE4-6186-000		1	LABEL, TONER	
17	FE4-7004-000		1	LABEL, TONER EXCHANGE	
18	FE4-2229-000		1	LABEL, CLEANING	
19	FE4-2225-000		1	LABEL, COPY PROHIBITION	
20	FE4-6180-000		1	LABEL, PAPER SIZE	
21	FE4-6176-000		1	LABEL, PAPER SET	

Figure 100K EXTERNAL COVERS, PANELS, ETC. (IR1435P EUR)



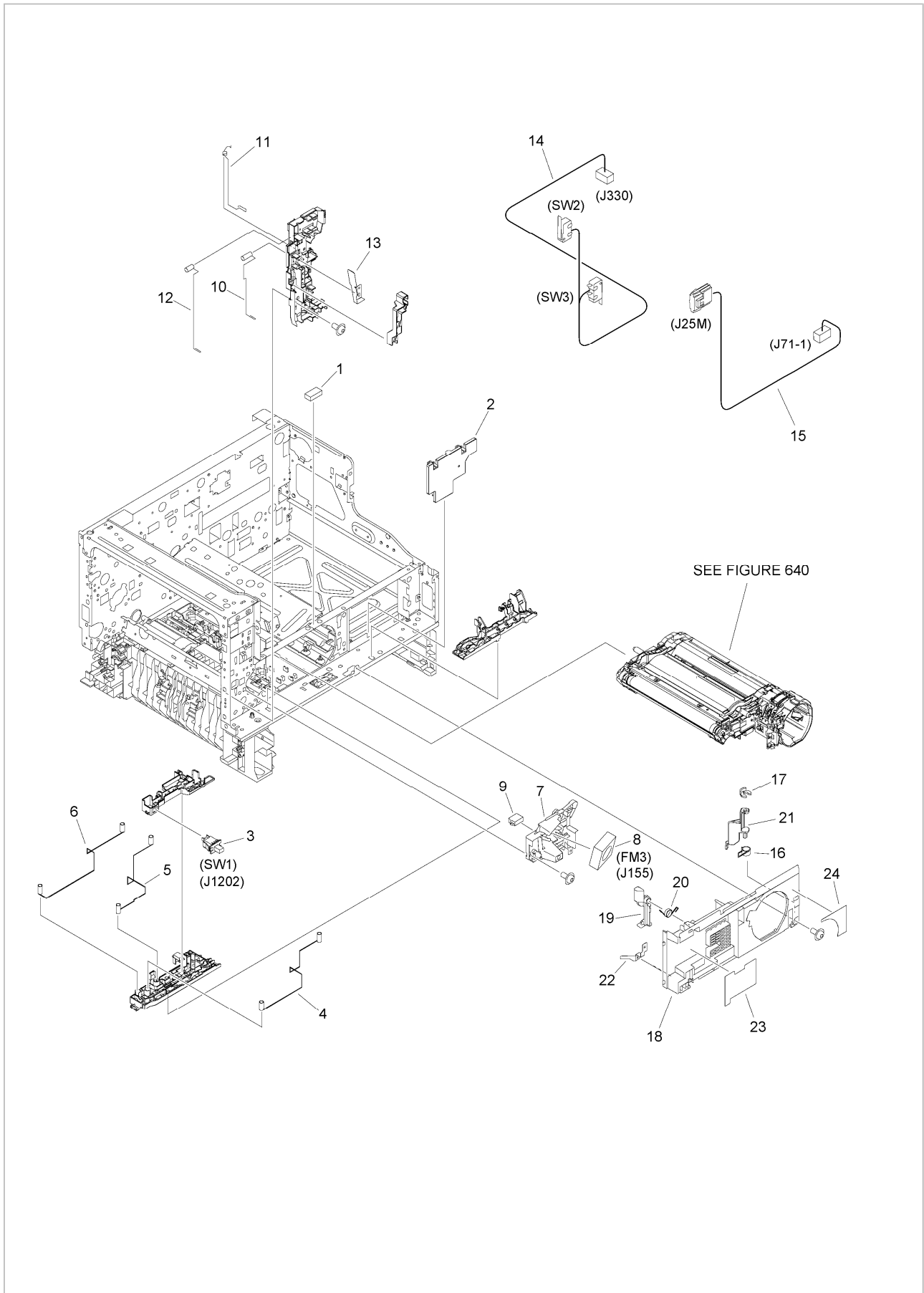
FIG/KEY	PART NUMBER	RANK	QTY	DESCRIPTION	REMARKS
100K	NPN		RF	EXTERNAL COVERS, PANELS, ETC.	IR1435P EUR
1	FLO-6367-000		1	COVER, FRONT, RIGHT	
2	FLO-5362-000		1	COVER, LEFT, FRONT	
3	FE4-1817-000		1	LABEL, TONER	
4	FE3-4140-000		1	COVER, FRONT	
5	FLO-5364-000		1	COVER, REAR	
6	FLO-5363-000		1	COVER, LEFT, REAR	
7	FC6-7545-000		2	COVER, BLANKING	
8	FE3-8685-000		1	DUCT, RIGHT	
9	FLO-5251-000		1	COVER, FRONT UPPER	
10	FE4-2211-000		1	COVER, RIGHT	
11	FLO-7496-000		1	TRAY, PAPER DELIVERY	
12	FLO-7497-000		1	COVER, PAPER DELIVERY, LEFT	
13	FLO-4990-000		1	EMBLEM	
14	XA9-1386-000		4	SCREW, RS, M3X8	
15	FE4-2236-000		1	LABEL, TONER	
16	FE4-6186-000		1	LABEL, TONER	
17	FE4-7004-000		1	LABEL, TONER EXCHANGE	
18	FE4-5408-000		1	COVER, READER, UPPER	
19	FLO-7725-000		1	COVER, READER, LOWER	
20	FE4-6180-000		1	LABEL, PAPER SIZE	
21	FE4-6176-000		1	LABEL, PAPER SET	

Figure 101C INTERNAL COMPONENTS 1 (IR1435 EUR)



FIG/KEY	PART NUMBER	RANK	QTY	DESCRIPTION	REMARKS
101C	NPN		RF	INTERNAL COMPONENTS 1	IR1435 EUR
1	KE8-1091-020		1	GASKET	
2	FE3-4380-000		1	COVER, DUCT	
3	WC2-5806-000		1	SWITCH, PUSH	SW1
4	FE3-4353-000		1	SPRING, CONTACT	
5	FE3-4346-000		1	SPRING, CONTACT	
6	FE3-4352-000		1	SPRING, CONTACT	
7	FL0-7450-000		1	GUIDE, DEV. POSITIONING	
8	FK2-6461-000		1	FAN	FM3
9	VS1-7177-003		1	CONNECTOR, SNAP TIGHT, BK	
10	FE3-4377-000		1	SPRING, CONTACT	
11	FE3-4379-000		1	SPRING, CONTACT	
12	FE3-4378-000		1	SPRING, CONTACT	
13	FE4-1512-000		1	SPRING, LEAF	
14	FM1-B923-000		1	CABLE, INTERLOCK SWITCH	SW2, SW3
15	FM1-B936-000		1	CABLE, HEATER	
16	FE4-5406-000		1	SPRING, TORSION	
17	FC5-4697-000		1	RING, RETAINING	
18	FE3-4141-000		1	COVER, INNER	
19	FE4-4676-000		1	ARM, INTERLOCK	
20	FE4-4677-000		1	SPRING, TORSION	
21	FE4-5405-000		1	SHUTTER	
22	FE4-5669-000		1	SPRING, LEAF	
23	FE4-7568-000		1	LABEL, LASER CAUTION	
24	FE3-4385-000		1	LABEL, TONER BOTTLE SET	

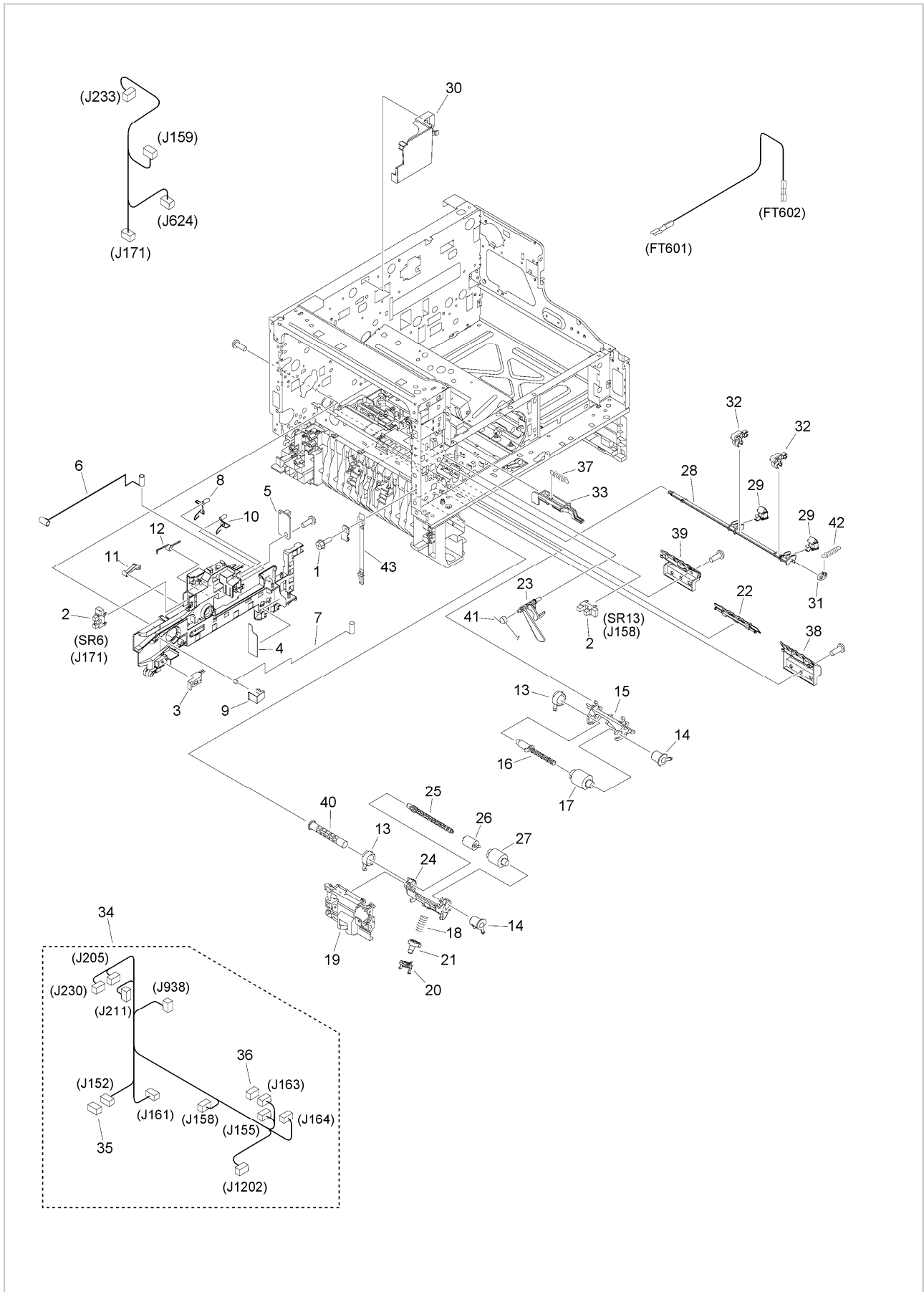
Figure 101D INTERNAL COMPONENTS 1 (IR1435i, 1435iF, 1435P EUR)



FIG/KEY	PART NUMBER	RANK	QTY	DESCRIPTION	REMARKS
101D	NPN		RF	INTERNAL COMPONENTS 1	IR1435i, 1435iF, 1435P EUR
1	KE8-1091-020		1	GASKET	
2	FE3-4380-000		1	COVER, DUCT	
3	WG2-5806-000		1	SWITCH, PUSH	SW1
4	FE3-4353-000		1	SPRING, CONTACT	
5	FE3-4346-000		1	SPRING, CONTACT	
6	FE3-4352-000		1	SPRING, CONTACT	
7	FL0-7450-000		1	GUIDE, DEV. POSITIONING	
8	FK2-6461-000		1	FAN	
9	VS1-7177-003		1	CONNECTOR, SNAP TIGHT, BK	
10	FE3-4377-000		1	SPRING, CONTACT	
11	FE3-4379-000		1	SPRING, CONTACT	
12	FE3-4378-000		1	SPRING, CONTACT	
13	FE4-1512-000		1	SPRING, LEAF	
14	FM1-B923-000		1	CABLE, INTERLOCK SWITCH	
15	FM1-B936-000		1	CABLE, HEATER	
16	FE4-5406-000		1	SPRING, TORSION	
17	FC5-4697-000		1	RING, RETAINING	
18	FE3-4141-000		1	COVER, INNER	
19	FE4-4676-000		1	ARM, INTERLOCK	
20	FE4-4677-000		1	SPRING, TORSION	
21	FE4-5405-000		1	SHUTTER	
22	FE4-5669-000		1	SPRING, LEAF	
23	FE4-7567-000		1	LABEL, LASER CAUTION	
24	FE3-4385-000		1	LABEL, TONER BOTTLE SET	

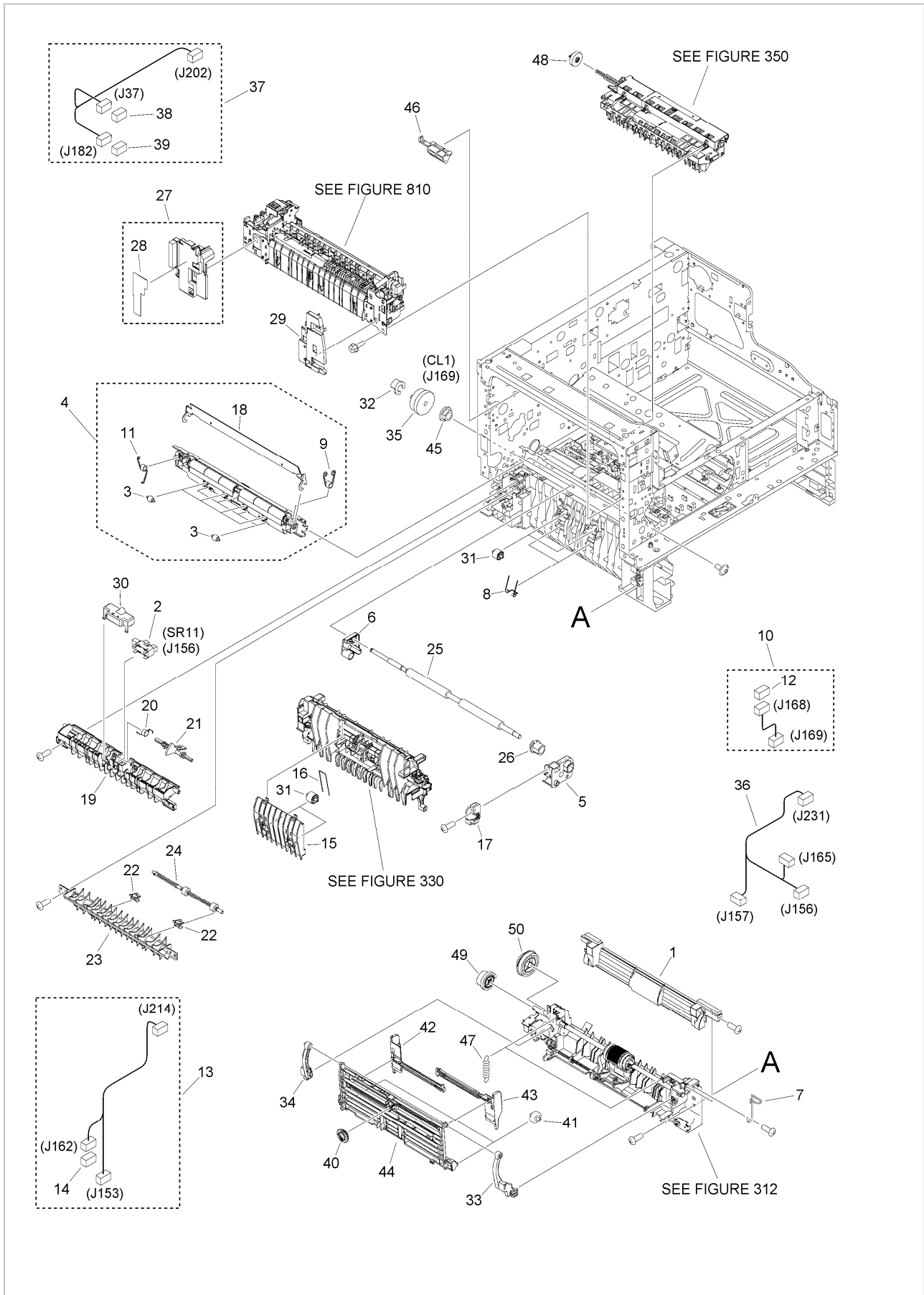
FIG/KEY	PART NUMBER	RANK	QTY	DESCRIPTION	REMARKS
102E	NPN		RF	INTERNAL COMPONENTS 2	230V EUR
1	FM1-J727-000		1	POWER SUPPLY ASSEMBLY	
2	FE3-4338-000		3	SPRING, CONTACT	
3	FE3-4341-000		1	SPRING, CONTACT	
4	FE3-4339-000		1	SPRING, CONTACT	
5	FE3-4131-000		2	SPRING, COMPRESSION	
6	FE3-4132-000		2	CAM, PRESSURE, DEV.	
7	FE3-4550-000		1	BUSHING	
8	FK4-0384-000		1	CABLE, FLEXIBLE FLAT	
9	FE3-4158-000		1	GEAR, 23T	
10	WE8-6946-000		1	CORE, RING	
11	FC6-7363-000		4	FOOT, RUBBER	
12	FM1-B917-000		1	CABLE, INTERFACE	
13	FM1-B915-000		1	CABLE, POWER SUPPLY FAN	
14	VS1-7177-003		1	CONNECTOR, SNAP TIGHT, BK	
15	FK4-0376-000		1	POWER CORD	
16	FK4-0382-000		1	CABLE, FLEXIBLE FLAT	
17	FM1-B930-000		1	CABLE, USB HOST	
18	FE3-4323-000		1	SPRING, TORSION	
19	FE3-4846-000		1	SPRING, GROUNDING	
20	FE3-4426-000		1	GUIDE, FRONT	
21	FE3-4551-000		1	LOCK, FRONT	
22	FE4-0446-000		1	SPRING, LEAF	
23	FL0-6483-000		1	SHEET, SPRING FIXED	
24	FL0-5946-000		1	COVER, PAPER DELIVERY, RIGHT	
25	FM1-B903-000		1	CABLE, MOTOR	
26	FM1-G976-000		1	PCB, USB	
28	FK2-0360-000		1	FAN	FM2

Figure 103 INTERNAL COMPONENTS 3



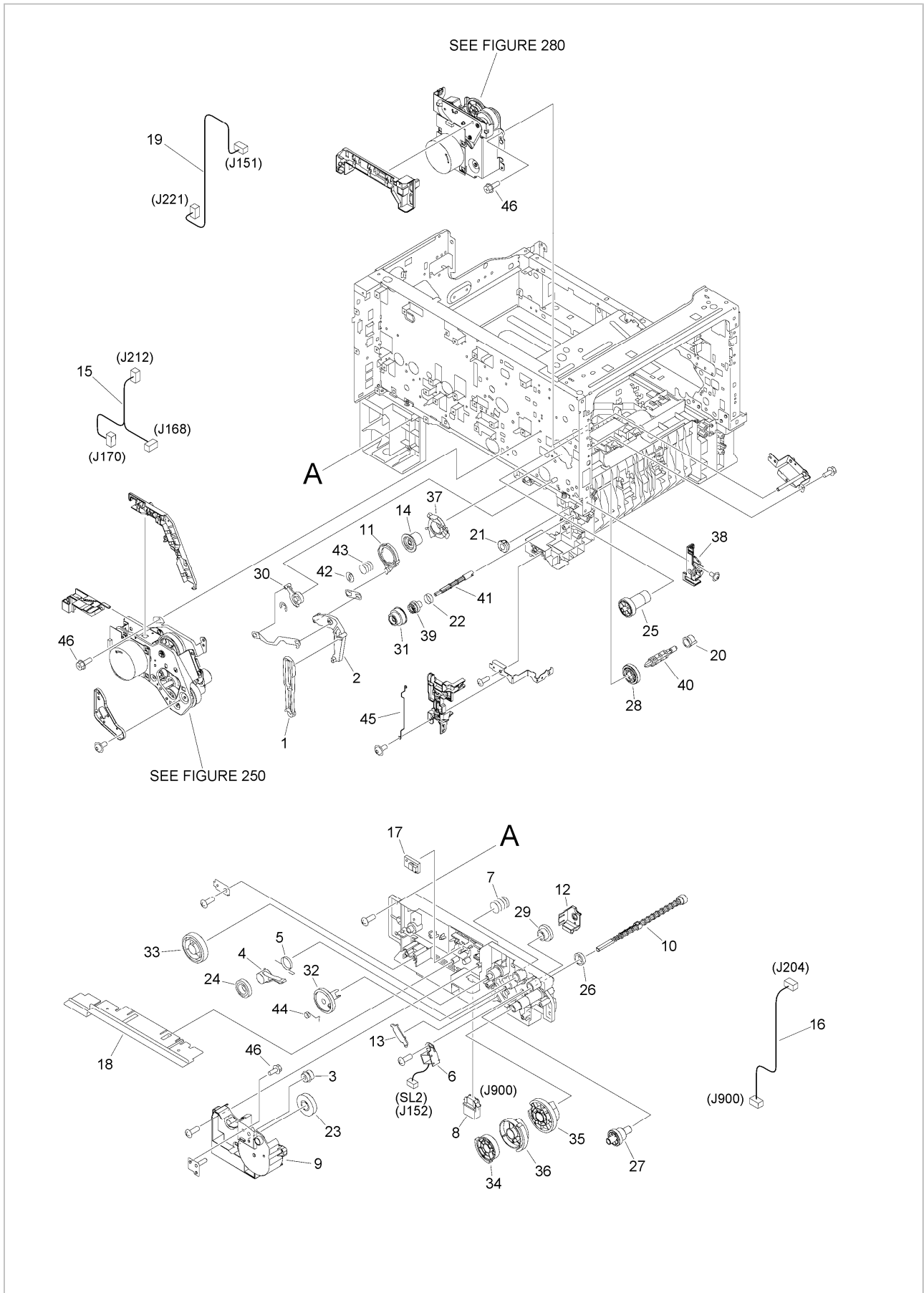
FIG/KEY	PART NUMBER	RANK	QTY	DESCRIPTION	REMARKS
103	NPN		RF	INTERNAL COMPONENTS 3	
1	XA9-1386-000		1	SCREW, RS, M3X8	
2	WG8-5935-000		2	IC, PHOTO INTERRUPTER	SR6, 13
3	FE3-4321-000		1	PLATE, TRANSFER CONTACT	
4	FL0-3978-000		1	SHEET, GUIDE, REAR	
5	FM1-B895-000		1	PCB, FUSE CONNECTING	
6	FE3-4347-000		1	SPRING, CONTACT	
7	FE3-4349-000		1	SPRING, CONTACT	
8	FE3-9545-000		1	SPRING	
9	FE3-9546-000		1	PLATE, STATIC CHARGE CONTACT	
10	FE3-9815-000		1	SPRING	
11	FE4-4398-000		1	LOCK, REAR	
12	FE4-4399-000		1	SPRING, TORSION	
13	FC5-4849-000		2	BUSHING, FACE-DOWN ROLLER	
14	FC6-7354-000		2	BUSHING, FEED ROLLER	
15	FL1-0202-000		1	HOLDER, ROLLER	
16	FL0-3331-000		1	SHAFT, TRANSMISSION	
17	FL0-3407-000		1	ROLLER, FEED	
18	FE4-0233-000		1	SPRING, COMPRESSION	
19	FE4-1051-000		1	MOUNT, ROLLER HOLDER	
20	FE4-1052-000		1	MOUNT, ROLLER SPRING	
21	FE4-1053-000		1	HOLDER, SPRING	
22	FE3-4734-000		1	GUIDE, PAPER, CENTER	
23	FE4-9021-000		1	FLAG, SENSOR	
24	FE3-9551-000		1	HOLDER, ROLLER	
25	FE3-9555-000		1	SHAFT, TRANSMISSION	
26	FE4-4179-000		1	LIMITER, TORQUE	
27	FL0-3408-000		1	ROLLER, SEPARATION	
28	FE4-0299-000		1	SHAFT, TRANSMISSION	
29	FL0-3259-000		2	ROLLER, PAPER PICK-UP	
30	FE4-4356-000		1	COVER, PAPER DELIVERY, REAR	
31	FB4-9820-000		1	COLLAR, SPRING	
32	FC6-7353-000		2	BUSHING, PICK-UP ROLLER	
33	FC6-7367-000		1	LEVER, SENSOR	
34	FM1-B905-000		1	CABLE, TONER SENSOR	
35	VS1-7177-002		1	CONNECTOR, SNAP TIGHT, BK	
36	VS1-7177-006		1	CONNECTOR, SNAP TIGHT, BK	
37	FU6-2406-000		1	SPRING, TENSION	
38	FE3-4733-000		1	GUIDE, PAPER, FRONT	
39	FE4-0217-000		1	GUIDE, PAPER, REAR	
40	FE3-9553-000		1	SHAFT, TRANSMISSION	
41	FE4-3726-000		1	SPRING, TORSION	
42	FE4-5355-000		1	SPRING, TENSION	
43	FE3-4328-000		1	BAND, LEFTDOOR	

Figure 104 INTERNAL COMPONENTS 4



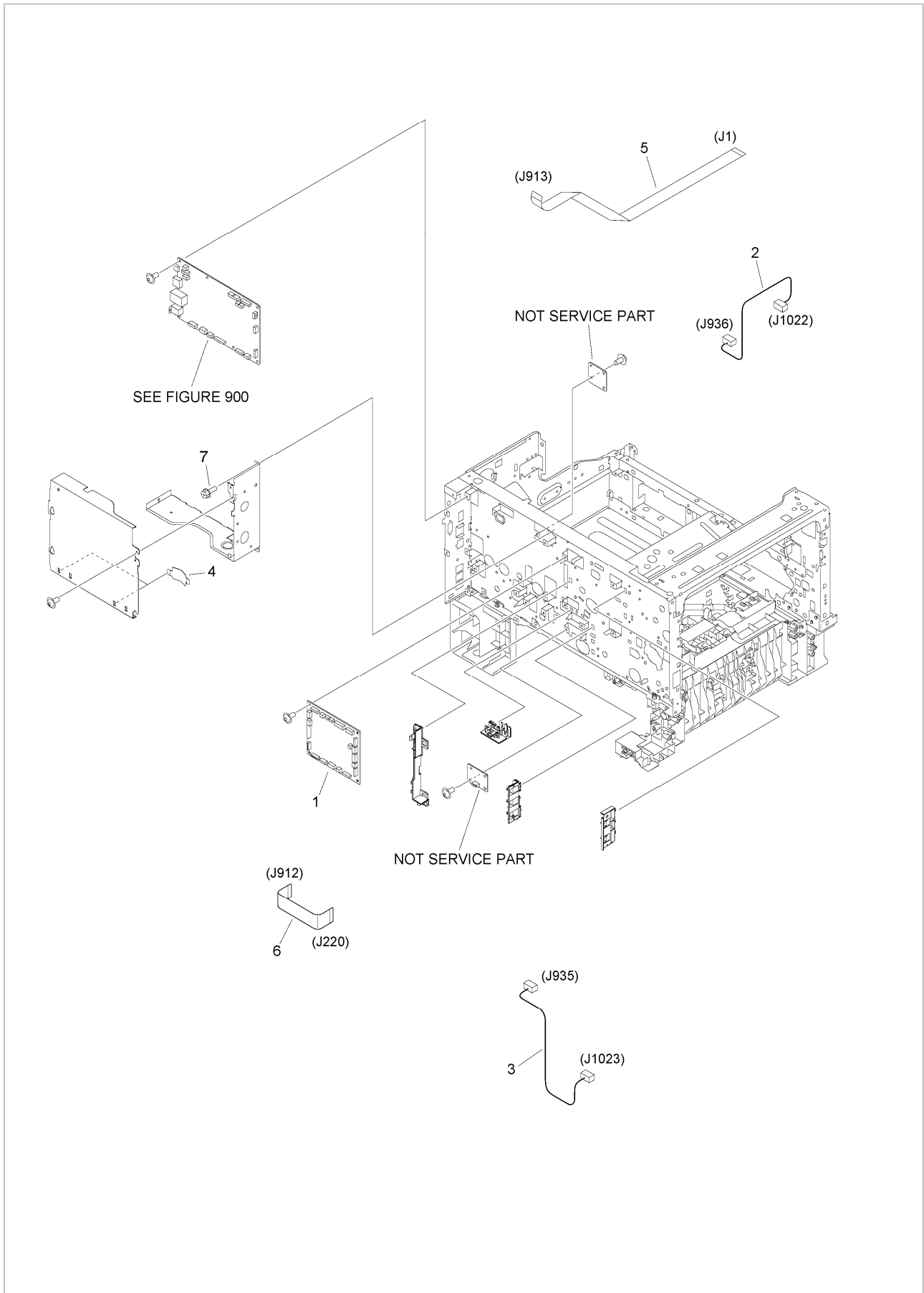
FIG/KEY	PART NUMBER	RANK	QTY	DESCRIPTION	REMARKS
104	NPN		RF	INTERNAL COMPONENTS 4	
1	FL0-5367-000		1	COVER, PAPER PICK-UP	
2	WG8-5935-000		1	IC, PHOTO INTERRUPTER	SR11
3	FC6-8973-000		8	ROLLER, PLATEN	
4	FM1-C209-000		1	REG. PRESSURE ASSEMBLY	
5	FE3-4212-000		1	HOLDER, ROLLER, FRONT	
6	FE3-4213-000		1	HOLDER, ROLLER, REAR	
7	FE4-4708-000		1	SPRING, GROUNDING	
8	FE3-4206-000		2	SPRING, TORSION	
9	FE4-5372-000		1	SPRING, TORSION	
10	FM1-G944-000		1	CABLE, CLUTCH CONNECTING	
11	FE4-5671-000		1	SPRING, TORSION	
12	VS1-8959-003		1	CONNECTOR, SNAP TIGHT, 3P, W	
13	FM1-B914-000		1	CABLE, MULTI SOLENOID	
14	VS1-7177-002		1	CONNECTOR, SNAP TIGHT, BK	
15	FL0-7466-000		1	GUIDE, DUPLEXING FEED	
16	FU8-2883-000		2	SPRING, RETAINING	
17	FE4-0667-000		1	COVER, SHAFT	
18	FL0-3465-000		1	GUIDE, PRE-TRANSFER, UPPER	
19	FL0-6688-000		1	GUIDE, PRE-REG.	
20	FC6-7444-000		1	SPRING, TORSION	
21	FE3-4215-000		1	FLAG, SENSOR	
22	FC6-7401-000		2	BUSHING, FEED ROLLER	
23	FE3-4210-000		1	GUIDE, VERTICAL PATH	
24	FL2-3901-000		1	ROLLER, FEED	
25	FL0-5445-000		1	ROLLER, REGISTRATION	
26	FE4-4377-000		1	BUSHING	
27	FL0-5366-000		1	COVER, FIXING, REAR	
28	FE3-4386-000		1	LABEL, HIGH TMP. CAUTION	
29	FE3-8247-000		1	COVER, FIXING, FRONT	
30	FE3-4216-000		1	COVER, SENSOR	
31	FC5-1358-000		4	COLLAR, FIXING DELIVERY	
32	FC5-4424-000		1	CLIP	
33	FC7-2961-000		1	HINGE, M.P. PICK UP, RIGHT	
34	FC7-2964-000		1	HINGE, MULTI PAPER PICK-UP, LEFT	
35	FK4-0372-000		1	CLUTCH, ELECTROMAGNETIC	CL1
36	FM1-B904-000		1	CABLE, SENSOR	
37	FM1-B910-000		1	CABLE, FIXING	
38	VS1-7177-006		1	CONNECTOR, SNAP TIGHT, BK	
39	VS1-7207-009		1	CONNECTOR, SNAP TIGHT	
40	FC5-4914-000		1	GEAR	
41	FC6-7418-000		2	COLLAR	
42	FC7-2954-000		1	SLIDER, WIDTH, LEFT	
43	FC7-2960-000		1	SLIDER, WIDTH, RIGHT	
44	FL2-5390-000		1	TRAY, MULTI-PURPOSE	
45	FS1-1569-005		1	BUSHING	
46	FE4-9618-000		1	LOCK, DOOR, LEFT	
47	FU6-2423-000		2	SPRING, TORSION	
48	FE3-4192-000		1	GEAR, 23T	
49	FE3-4197-000		1	GEAR, 30T	
50	FE3-4203-000		1	GEAR, 51T/29T	

Figure 105 INTERNAL COMPONENTS 5



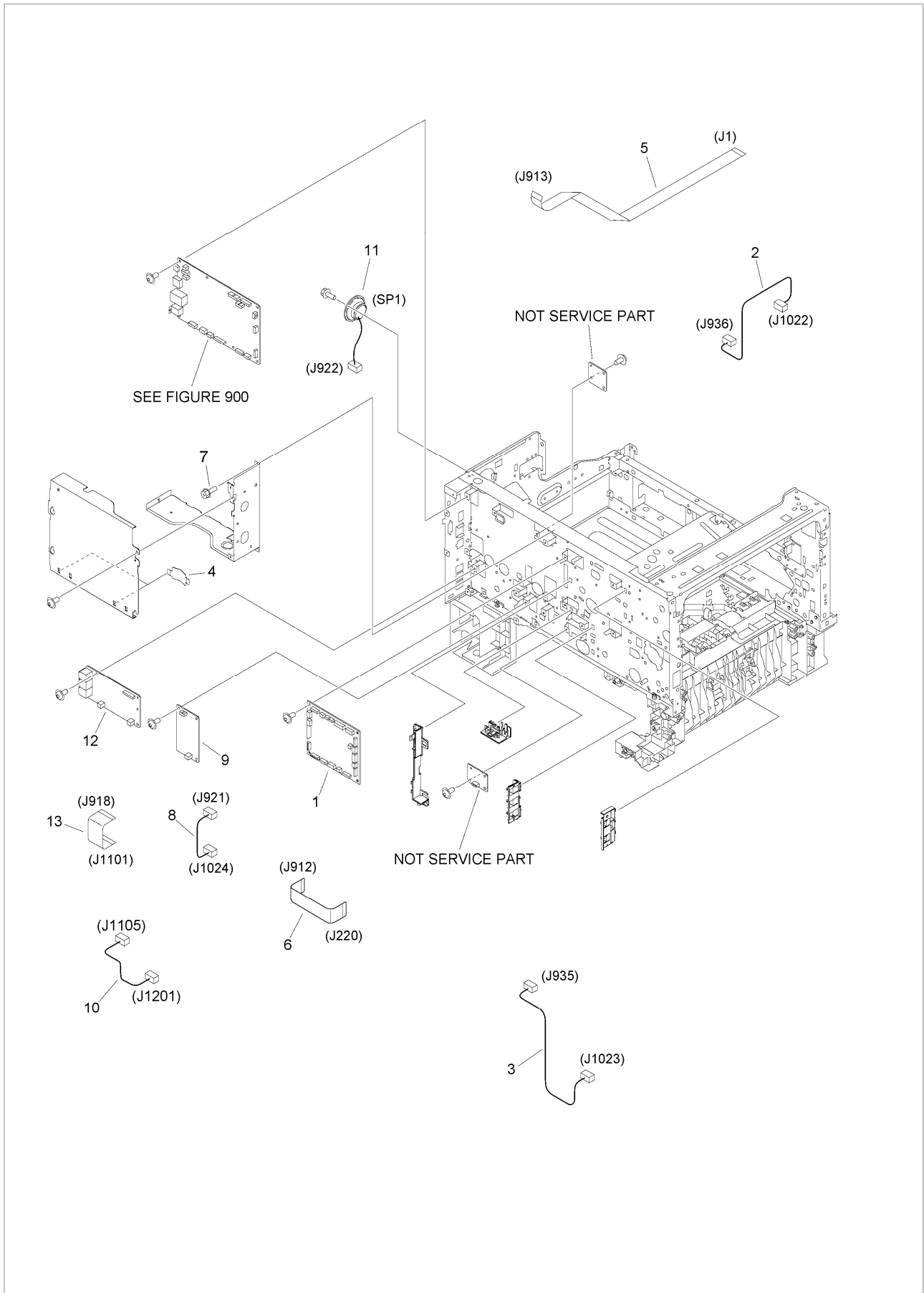
FIG/KEY	PART NUMBER	RANK	QTY	DESCRIPTION	REMARKS
105	NPN		RF	INTERNAL COMPONENTS 5	
1	FE3-8240-000		1	ARM, LINK, 1	
2	FE3-8241-000		1	ARM, LINK, 2	
3	FL0-3364-000		1	GEAR, 14T	
4	FC6-7365-000		1	LEVER, TRIGGER	
5	FC6-7396-000		1	SPRING, TORSION	
6	FK4-0725-000		1	SOLENOID	SL2
7	FU6-2411-000		1	SPRING, COMPRESSION	
8	VS1-7258-007		1	CONNECTOR, DRAWER	
9	FE4-0216-000		1	COVER, DRIVE	
10	FL0-3330-000		1	SHAFT, TRANSMISSION	
11	FE3-8702-000		1	CAM, DRUM COUPLING	
12	FE4-0639-000		1	COVER, GEAR	
13	FE4-0440-000		1	COVER, CABLE	
14	FE3-8701-000		1	COUPLING, DRUM	
15	FM1-B902-000		1	CABLE, MAIN MOTOR	
16	FM1-B908-000		1	CABLE, OPTION CONNECTING	
17	WP2-5316-000		1	SENSOR UNIT, HUMIDITY	
18	FE4-9310-000		1	PLATE, PARTITION	
19	FM1-G939-000		1	CABLE, MOTOR	
20	FU5-1626-000		1	BUSHING	
21	FU6-1220-000		1	BUSHING	
22	FU6-2422-000		1	SPRING, COMPRESSION	
23	FU7-0009-000		1	GEAR, 34T	
24	FU7-0015-000		1	GEAR, 28T	
25	FE3-8230-000		1	GEAR, 17T/38T	
26	FE3-9559-000		1	GEAR, 18T	
27	FE4-5348-000		1	GEAR, 18T/25T	
28	FE3-9554-000		1	GEAR, 23T	
29	FE3-9561-000		1	GEAR, 25T/16T	
30	FE3-4405-000		1	GEAR, 30T	
31	FE3-4176-000		1	GEAR, 31T/23T	
32	FE3-4151-000		1	GEAR, 38T	
33	FE3-4194-000		1	GEAR, 47T	
34	FE4-5346-000		1	GEAR, 53T	
35	FE3-4195-000		1	GEAR, 54T	
36	FE3-4199-000		1	GEAR, 59T/42T	
37	FE3-8703-000		1	GUIDE, DRUM COUPLING	
38	FE3-8242-000		1	HOLDER, LINK ARM	
39	FE4-8329-000		1	RATCHET, FEED	
40	FE3-9552-000		1	SHAFT, TRANSMISSION	
41	FE3-4659-000		1	SHAFT, TRANSMISSION	
42	FE3-4408-000		1	SPACER	
43	FE3-4726-000		1	SPRING, COMPRESSION	
44	FE4-5347-000		1	SPRING, TORSION	
45	FE4-4181-000		1	SPRING, GROUNDING	
46	XA9-1386-000		11	SCREW, RS, M3X8	

Figure 106A INTERNAL COMPONENTS 6 (EXCEPT FAX MODEL)



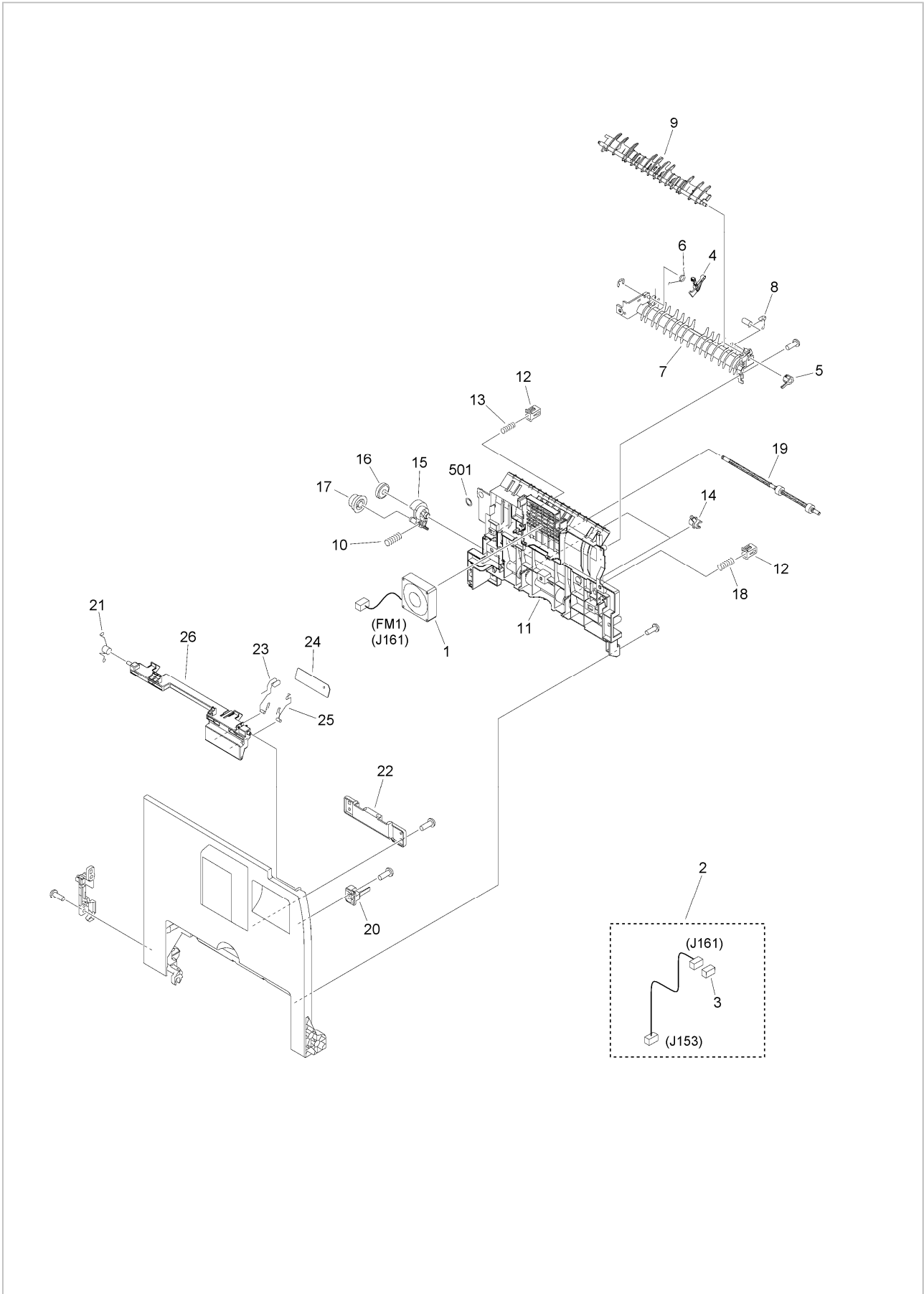
FIG/KEY	PART NUMBER	RANK	QTY	DESCRIPTION	REMARKS
106A	NPN		RF	INTERNAL COMPONENTS 6	EXCEPT FAX
1	FM1-B918-000		1	ENGINE CONTROLLER PCB ASSEMBLY	
2	FM1-B927-000		1	CABLE, SOFT ID	
3	FM1-B928-000		1	CABLE, COUNTER	
4	FE4-5410-000		2	PLATE, GROUNDING	
5	FK4-0385-000		1	CABLE, FLEXIBLE FLAT	
6	FK4-0386-000		1	CABLE, FLEXIBLE FLAT	
7	XA9-1386-000		3	SCREW, RS, M3X8	

Figure 106C INTERNAL COMPONENTS 6 (IR1435iF EUR)



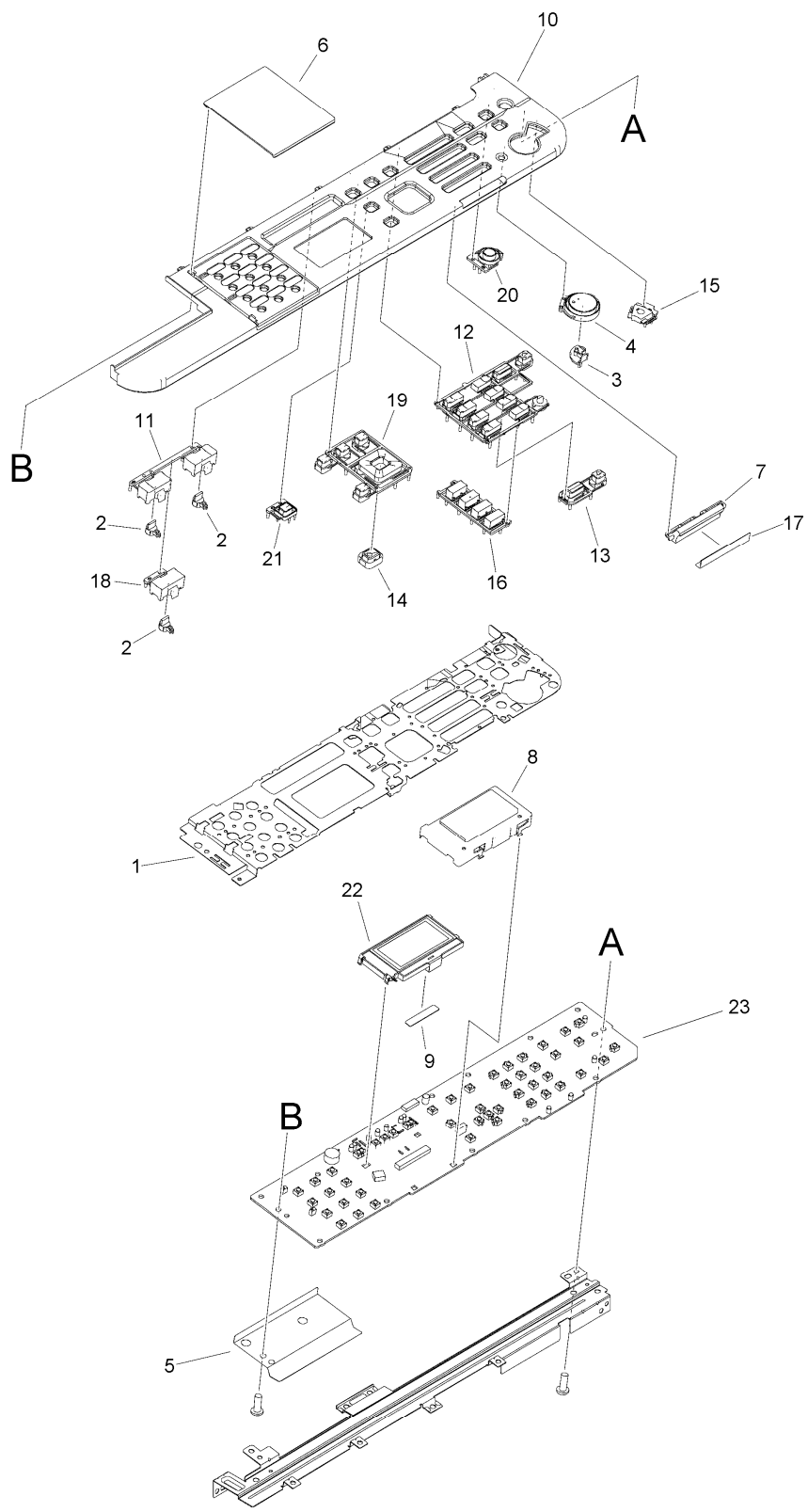
FIG/KEY	PART NUMBER	RANK	QTY	DESCRIPTION	REMARKS
106C	NPN		RF	INTERNAL COMPONENTS 6	IR1435iF EUR
1	FM1-B918-000		1	ENGINE CONTROLLER PCB ASSEMBLY	
2	FM1-B927-000		1	CABLE, SOFT ID	
3	FM1-B928-000		1	CABLE, COUNTER	
4	FE4-5410-000		2	PLATE, GROUNDING	
5	FK4-0385-000		1	CABLE, FLEXIBLE FLAT	
6	FK4-0386-000		1	CABLE, FLEXIBLE FLAT	
7	XA9-1386-000		4	SCREW, RS, M3X8	
8	FM1-B929-000		1	CABLE, OFF HOOK	
9	FM4-8168-000		1	OFF-HOOK DETECT PCB ASSEMBLY	
10	FM1-B931-000		1	CABLE, MODEM	
11	FK2-2076-000		1	SPEAKER	SP1
12	FM1-K854-000		1	PCB, MODEM	
13	FK4-0387-000		1	CABLE, FLEXIBLE FLAT	

Figure 110 LEFT DOOR ASSEMBLY



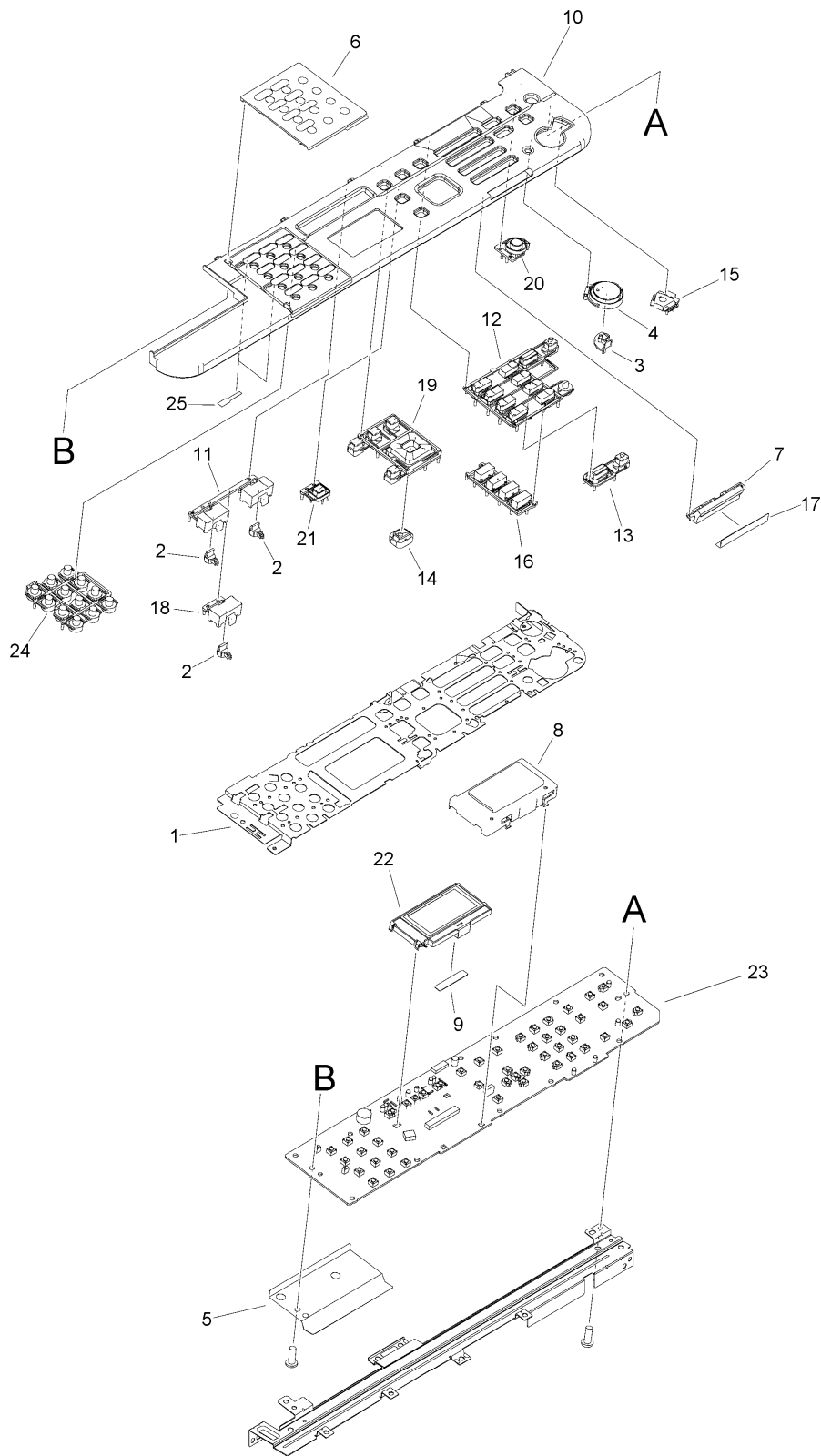
FIG/KEY	PART NUMBER	RANK	QTY	DESCRIPTION	REMARKS
110	FM1-B433-000		1	DOOR UNIT, LEFT	
1	FK4-0371-000		1	FAN	FM1
2	FM1-B916-000		1	CABLE, PAPER DELIVERY FAN	
3	VS1-7177-003		1	CONNECTOR, SNAP TIGHT, BK	
4	FE4-5686-000		1	LEVER, FLAPPER	
5	FE4-4526-000		1	BUSHING	
6	FE4-5687-000		1	SPRING, TORSION	
7	FE3-4234-000		1	GUIDE, FEED ENTRANCE	
8	FE4-5550-000		1	SPRING, GROUNDING	
9	FL0-4768-000		1	FLAPPER, REVERSE	
10	FE3-4076-000		1	SPRING, COMPRESSION	
11	FE3-4094-000		1	GUIDE, FEED	
12	FE4-0302-000		2	BLOCK, PRESSURE	
13	FE4-5797-000		1	SPRING, COMPRESSION	
14	FC6-7466-000		2	BUSHING, FEED	
15	FE3-4092-000		1	ARM, SWING GEAR	
16	FE3-4172-000		1	GEAR, T23	
17	FE3-4394-000		1	GEAR, 23T/23T	
18	FE4-0303-000		1	SPRING, COMPRESSION	
19	FL0-1315-000		1	ROLLER, FEED	
20	FE4-1460-000		1	FLAG, SENSOR	
21	FE3-4083-000		1	SPRING, TORSION	
22	FE4-4255-000		1	COVER, DOOR, LEFT	
23	FE3-8203-000		1	SPRING, GROUNDING	
24	FE3-4075-000		1	PLATE, GROUNDING	
25	FE4-5551-000		1	SPRING, GROUNDING	
26	FE3-4082-000		1	HANDLE, DOOR	
501	XD1-1108-215		1	WASHER, COP	

Figure 130E CONTROL PANEL ASSEMBLY (IR1435 EUR)



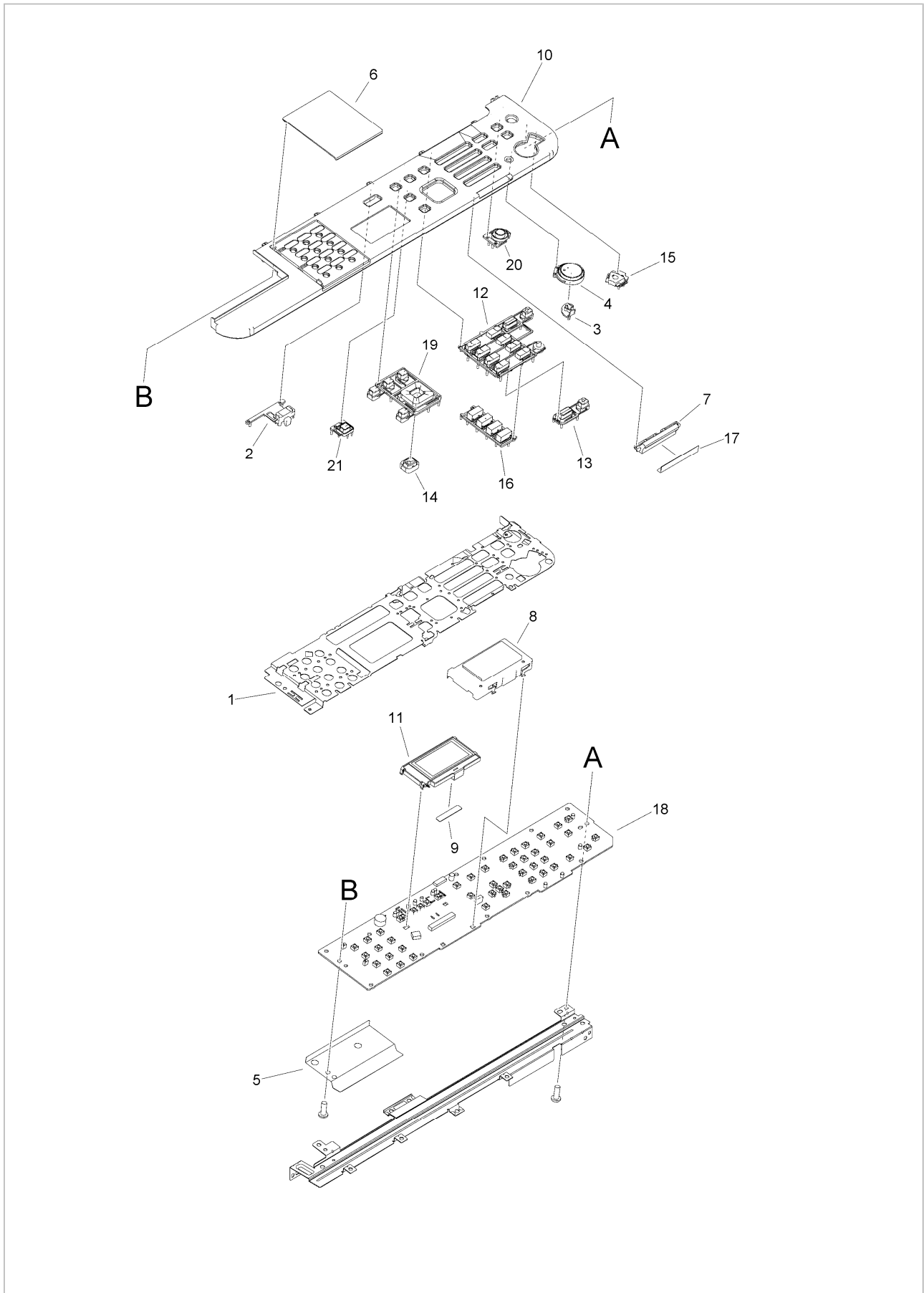
FIG/KEY	PART NUMBER	RANK	QTY	DESCRIPTION	REMARKS
130E	FM1-F572-000		1	CONTROL PANEL ASSEMBLY	IR1435 EUR
1	FE3-6431-000		1	PLATE, GROUNDING	
2	FE3-6442-000		3	COVER, LED	
3	FE4-0595-000		1	COVER, LED	
4	FLO-0671-000		1	KEY TOP, START	
5	FLO-3445-000		1	SHEET, PCB PROTECT.	
6	FE3-6434-000		1	COVER, ONE-TOUCH	
7	FE3-6435-000		1	COVER, LED	
8	FE3-6447-000		1	COVER, LCD	
9	FLO-3348-000		1	SHEET	
10	FLO-3648-000		1	COVER, CONTROL PANEL	
11	FLO-3683-000		1	KEY TOP, 3 FUNCTION, 1	
12	FLO-3692-000		1	KEY TOP, NUMBERS, 1	
13	FLO-3693-000		1	KEY TOP, ID	
14	FLO-3694-000		1	KEY TOP, OK	
15	FLO-3695-000		1	KEY TOP, STOP	
16	FLO-3698-000		1	KEY TOP, NUMBERS, 2	
17	FLO-3450-000		1	SHEET, LED PROTECT.	
18	FLO-3688-000		1	KEY TOP, 3 FUNCTION, 2	
19	FLO-3691-000		1	KEY TOP, UP/DOWN	
20	FLO-3696-000		1	KEY TOP, ENERGY SAVE	
21	FLO-3697-000		1	KEY TOP, RESET	
22	FK4-0521-000		1	LCD UNIT	
23	FM1-G928-000		1	CONTROL PANEL PCB ASSEMBLY	

Figure 130I CONTROL PANEL ASSEMBLY (IR1435i EUR)



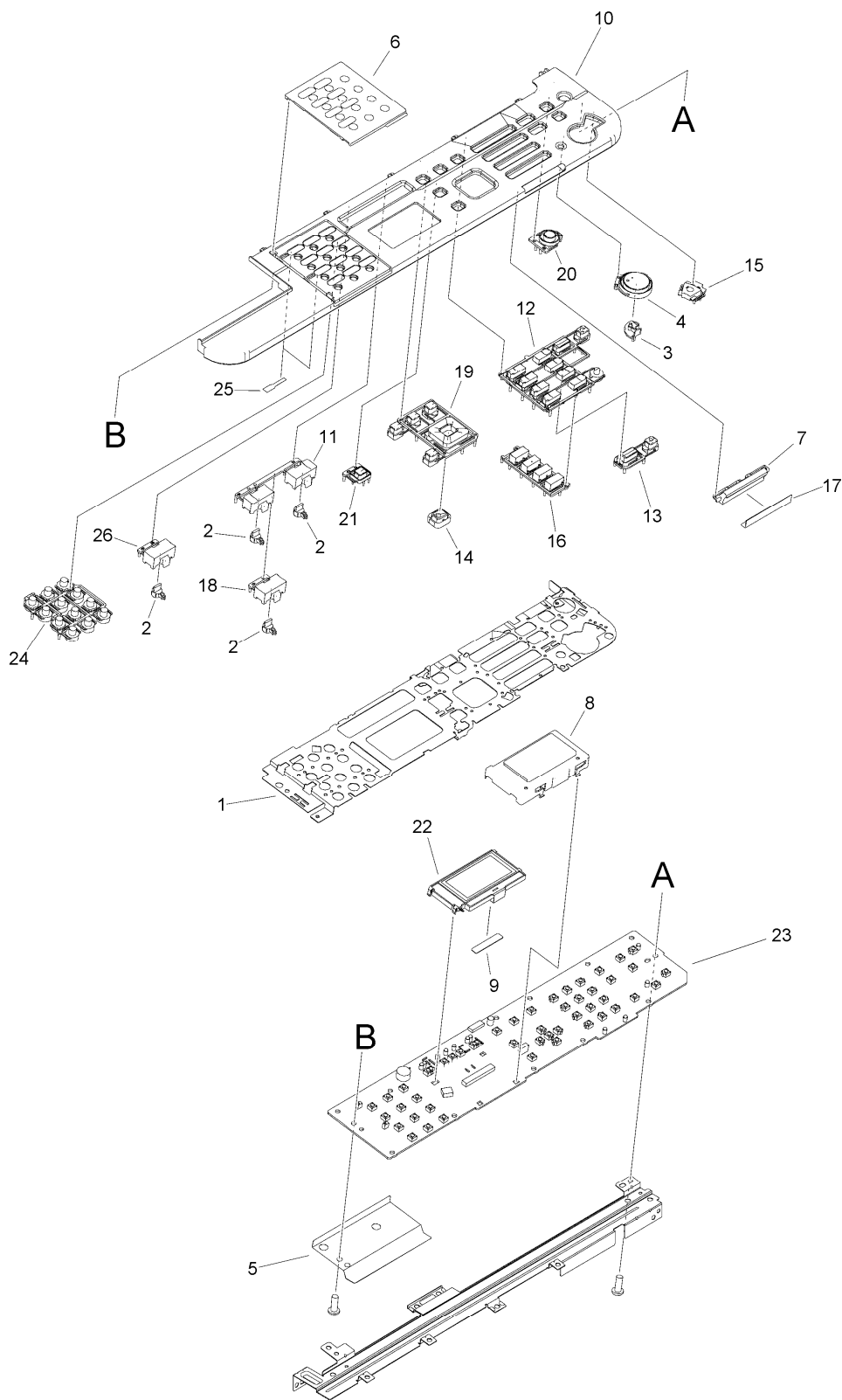
FIG/KEY	PART NUMBER	RANK	QTY	DESCRIPTION	REMARKS
1301	FM1-F571-000		1	CONTROL PANEL ASSEMBLY	IR1435i EUR
1	FE3-6431-000		1	PLATE, GROUNDING	
2	FE3-6442-000		3	COVER, LED	
3	FE4-0595-000		1	COVER, LED	
4	FLO-0671-000		1	KEY TOP, START	
5	FLO-3445-000		1	SHEET, PCB PROTECT.	
6	FLO-3664-000		1	COVER, ONE-TOUCH	
7	FE3-6435-000		1	COVER, LED	
8	FE3-6447-000		1	COVER, LCD	
9	FLO-3348-000		1	SHEET	
10	FLO-3648-000		1	COVER, CONTROL PANEL	
11	FLO-3683-000		1	KEY TOP, 3 FUNCTION, 1	
12	FLO-3692-000		1	KEY TOP, NUMBERS, 1	
13	FLO-3693-000		1	KEY TOP, ID	
14	FLO-3694-000		1	KEY TOP, OK	
15	FLO-3695-000		1	KEY TOP, STOP	
16	FLO-3698-000		1	KEY TOP, NUMBERS, 2	
17	FLO-3450-000		1	SHEET, LED PROTECT.	
18	FLO-3688-000		1	KEY TOP, 3 FUNCTION, 2	
19	FLO-3691-000		1	KEY TOP, UP/DOWN	
20	FLO-3696-000		1	KEY TOP, ENERGY SAVE	
21	FLO-3697-000		1	KEY TOP, RESET	
22	FK4-0521-000		1	LCD UNIT	
23	FM1-G927-000		1	CONTROL PANEL PCB ASSEMBLY	
24	FE3-6436-000		1	KEY TOP, ONE-TOUCH	
25	FLO-3444-000		2	SHEET, ONE-TOUCH COVER	

Figure 130N CONTROL PANEL ASSEMBLY (IR1435P EUR)



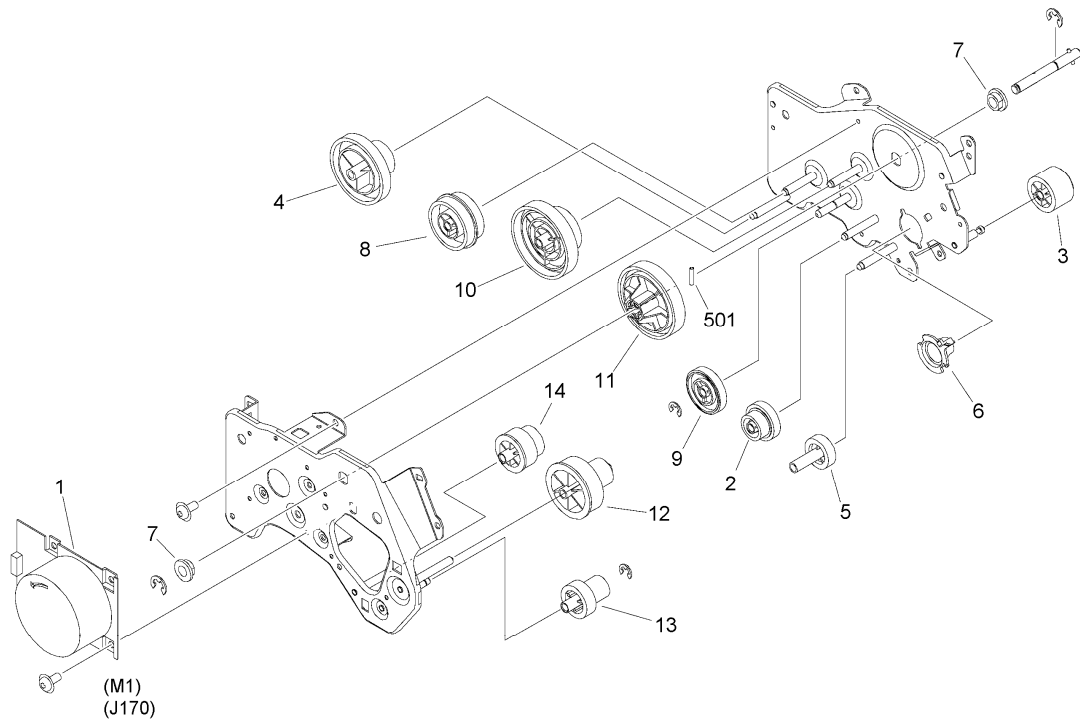
FIG/KEY	PART NUMBER	RANK	QTY	DESCRIPTION	REMARKS
130N	FM1-F574-000		1	CONTROL PANEL ASSEMBLY	IR1435P EUR
1	FE3-6431-000		1	PLATE, GROUNDING	
2	FE4-0597-000		1	KEY TOP, PRINT	
3	FE4-0595-000		1	COVER, LED	
4	FLO-0671-000		1	KEY TOP, START	
5	FLO-3445-000		1	SHEET, PCB PROTECT.	
6	FE3-6434-000		1	COVER, ONE-TOUCH	
7	FE3-6435-000		1	COVER, LED	
8	FE3-6447-000		1	COVER, LCD	
9	FLO-3348-000		1	SHEET	
10	FLO-3655-000		1	COVER, CONTROL PANEL	
11	FK4-0521-000		1	LCD UNIT	
12	FLO-3692-000		1	KEY TOP, NUMBERS, 1	
13	FLO-3693-000		1	KEY TOP, ID	
14	FLO-3694-000		1	KEY TOP, OK	
15	FLO-3695-000		1	KEY TOP, STOP	
16	FLO-3698-000		1	KEY TOP, NUMBERS, 2	
17	FLO-3450-000		1	SHEET, LED PROTECT.	
18	FM1-G928-000		1	CONTROL PANEL PCB ASSEMBLY	
19	FLO-3691-000		1	KEY TOP, UP/DOWN	
20	FLO-3696-000		1	KEY TOP, ENERGY SAVE	
21	FLO-3697-000		1	KEY TOP, RESET	

Figure 1300 CONTROL PANEL ASSEMBLY (IR1435iF EUR)



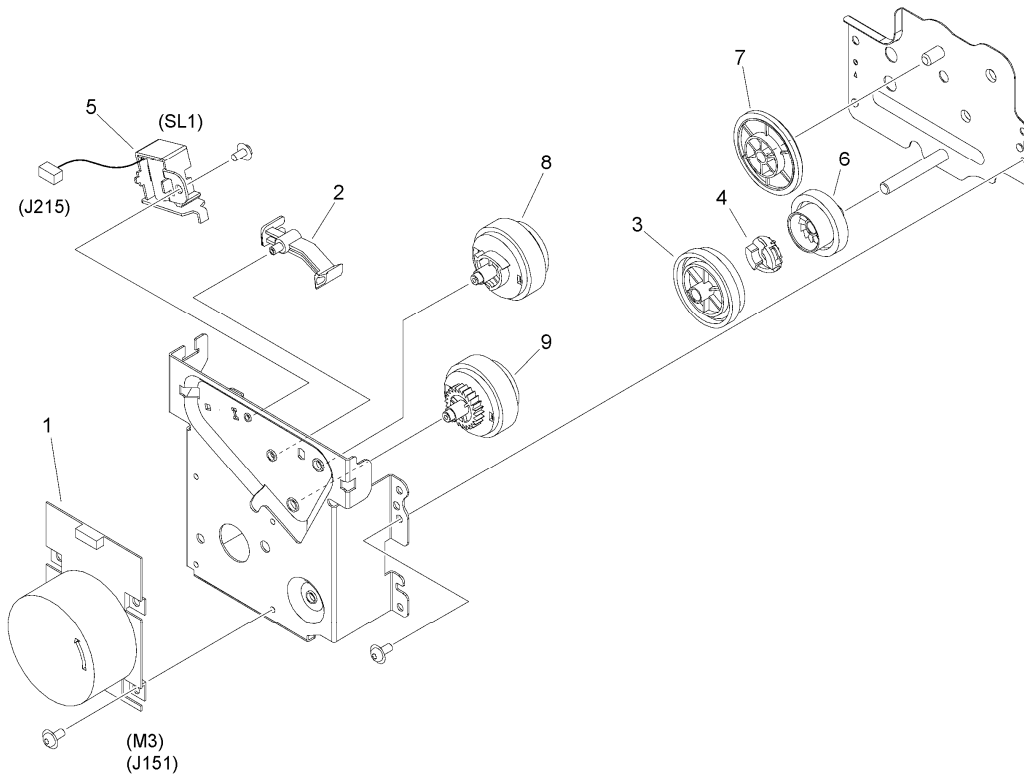
FIG/KEY	PART NUMBER	RANK	QTY	DESCRIPTION	REMARKS
1300	FM1-F570-000		1	CONTROL PANEL ASSEMBLY	IR1435iF EUR
1	FE3-6431-000		1	PLATE, GROUNDING	
2	FE3-6442-000		4	COVER, LED	
3	FE4-0595-000		1	COVER, LED	
4	FLO-0671-000		1	KEY TOP, START	
5	FLO-3445-000		1	SHEET, PCB PROTECT.	
6	FLO-3658-000		1	COVER, ONE-TOUCH	
7	FE3-6435-000		1	COVER, LED	
8	FE3-6447-000		1	COVER, LCD	
9	FLO-3348-000		1	SHEET	
10	FLO-3642-000		1	COVER, CONTROL PANEL	
11	FLO-3678-000		1	KEY TOP, 4 FUNCTION, 3	
12	FLO-3692-000		1	KEY TOP, NUMBERS, 1	
13	FLO-3693-000		1	KEY TOP, ID	
14	FLO-3694-000		1	KEY TOP, OK	
15	FLO-3695-000		1	KEY TOP, STOP	
16	FLO-3698-000		1	KEY TOP, NUMBERS, 2	
17	FLO-3450-000		1	SHEET, LED PROTECT.	
18	FLO-3673-000		1	KEY TOP, 4 FUNCTION, 2	
19	FLO-3691-000		1	KEY TOP, UP/DOWN	
20	FLO-3696-000		1	KEY TOP, ENERGY SAVE	
21	FLO-3697-000		1	KEY TOP, RESET	
22	FK4-0521-000		2	LCD UNIT	
23	FM1-G926-000		2	CONTROL PANEL PCB ASSEMBLY	
24	FE3-6436-000		1	KEY TOP, ONE-TOUCH	
25	FLO-3444-000		2	SHEET, ONE-TOUCH COVER	
26	FLO-3668-000		1	KEY TOP, 4 FUNCTION, 1	

Figure 250 MAIN DRIVE ASSEMBLY



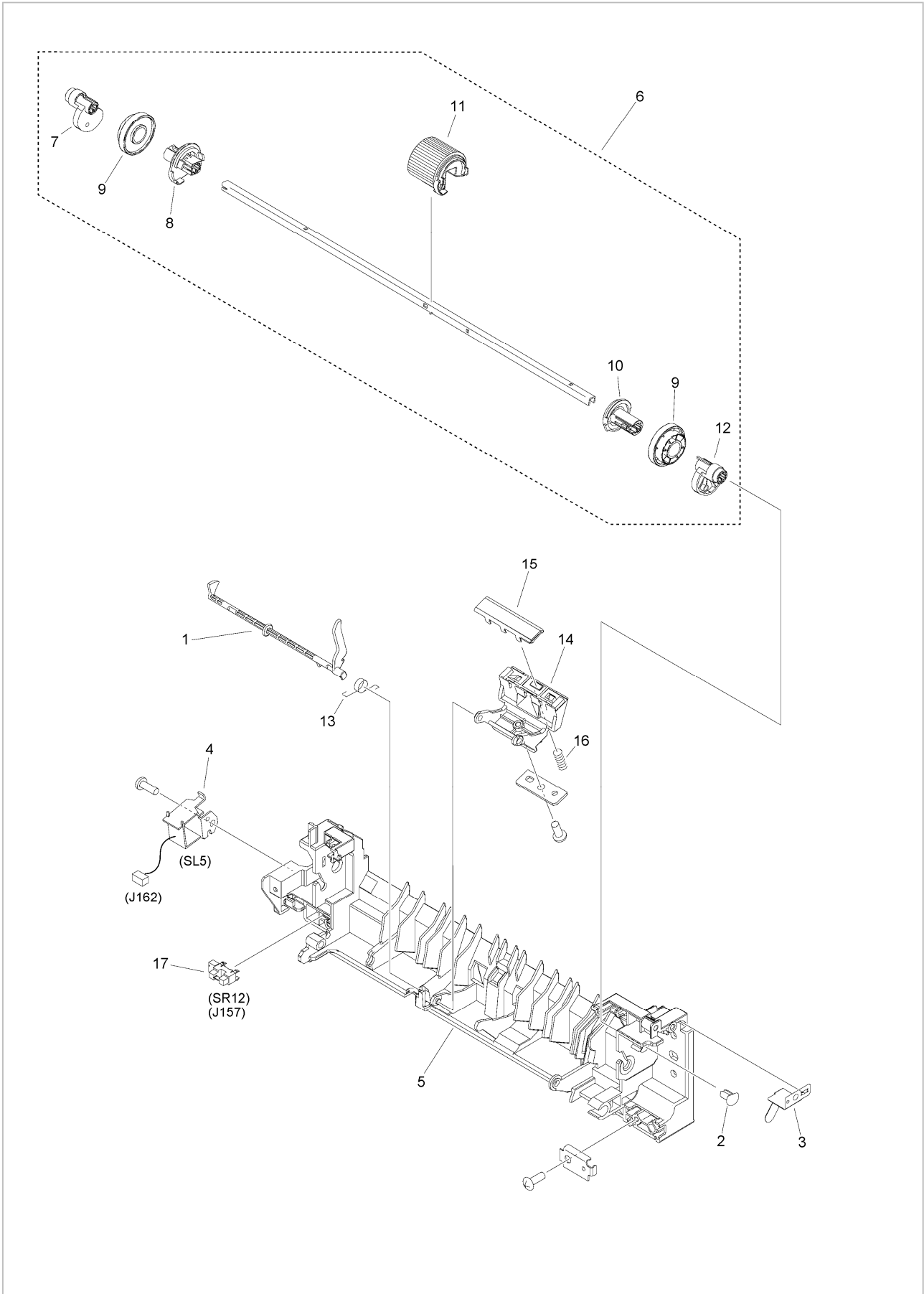
FIG/KEY	PART NUMBER	RANK	QTY	DESCRIPTION	REMARKS
250	NPN		RF	MAIN DRIVE ASSEMBLY	
1	FK4-0374-000		1	MOTOR, DC	M1
2	FE3-4161-000		1	GEAR, 38T/23T	
3	FE3-4177-000		1	GEAR, 29T	
4	FE3-4392-000		1	GEAR, 83T/21T	
5	FE3-4396-000		1	GEAR, 19T	
6	FE3-8204-000		1	STOPPER	
7	FS1-1569-005		2	BUSHING	
8	FE3-4148-000		1	GEAR, 60T/71T	
9	FE3-4162-000		1	GEAR, 67T	
10	FE3-4174-000		1	GEAR, 113T/67T	
11	FE3-4391-000		1	GEAR, 113T	
12	FE3-4393-000		1	GEAR, 35T/21T	
13	FE3-4395-000		1	GEAR, 21T/17T	
14	FE3-4727-000		1	GEAR, 18T/23T	
501	XD9-0288-000		1	PIN, DOWEL	

Figure 280 FIXING DRIVE ASSEMBLY



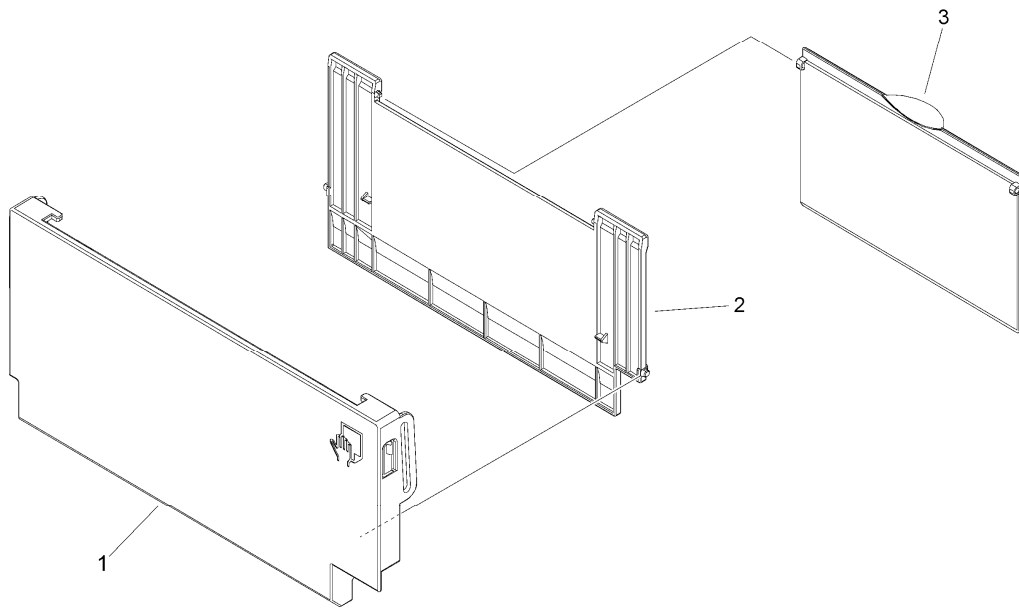
FIG/KEY	PART NUMBER	RANK	QTY	DESCRIPTION	REMARKS
280	NPN		RF	FIXING DRIVE ASSEMBLY	
1	FK4-0374-000		1	MOTOR, DC	M3
2	FC6-7517-000		1	ARM, SOLENOID	
3	FE3-8224-000		1	GEAR, 89T/45T	
4	FE4-8275-000		1	CAM	
5	FK2-3508-000		1	SOLENOID	SL1
6	FE3-8225-000		1	GEAR, 30T	
7	FE3-8704-000		1	GEAR, 41T	
8	FM1-G144-000		1	GEAR UNIT, REVERSE	
9	FM1-H376-000		1	GEAR UNIT, DELIVERY	

Figure 312 MULTI FEED ASSEMBLY



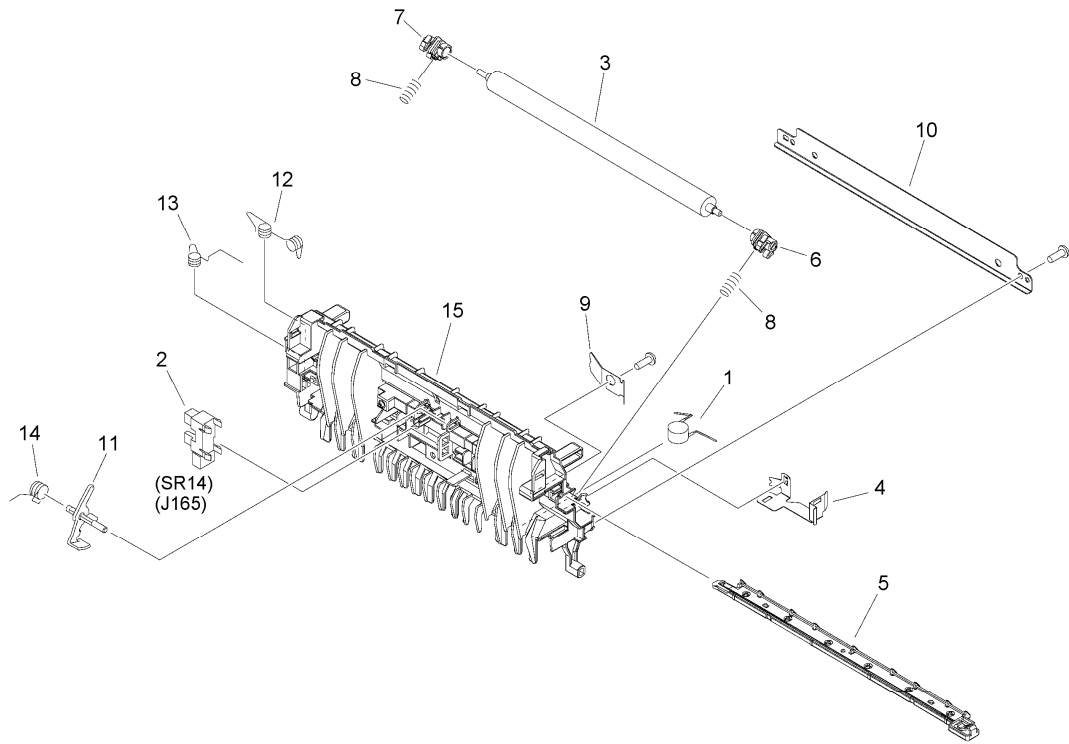
FIG/KEY	PART NUMBER	RANK	QTY	DESCRIPTION	REMARKS
312	NPN		RF	MULTI FEED ASSEMBLY	
1	FE3-9163-000		1	FLAG, SENSOR	
2	FE4-4706-000		1	CAP, SHAFT GROUNDING	
3	FE4-4707-000		1	PLATE, GROUNDING	
4	FK4-0725-000		1	SOLENOID	SL5
5	FLO-5655-000		1	GUIDE, MULTI FEED	
6	FM1-H725-000		1	MP PICK-UP ROLLER UNIT	
7	FC6-7431-000		1	CAM, MP, LEFT	
8	FE4-5917-000		1	CAM, PAPER PICK-UP ROLLER	
9	FE4-5918-000		2	ROLLER	
10	FE4-5919-000		1	BUSHING	
11	FL2-3897-000		1	ROLLER, MP PICK-UP	
12	FC6-7430-000		1	CAM, MP, RIGHT	
13	FU6-2425-000		1	SPRING, TORSION	
14	FLO-5656-000		1	ARM, HOLDER	
15	FL3-4890-000		1	PAD, SEPARATION	
16	FU6-2424-000		1	SPRING, COMPRESSION	
17	WG8-5935-000		1	IC, PHOTO INTERRUPTER	SR12

Figure 315 MULTI FEED TRAY ASS'Y



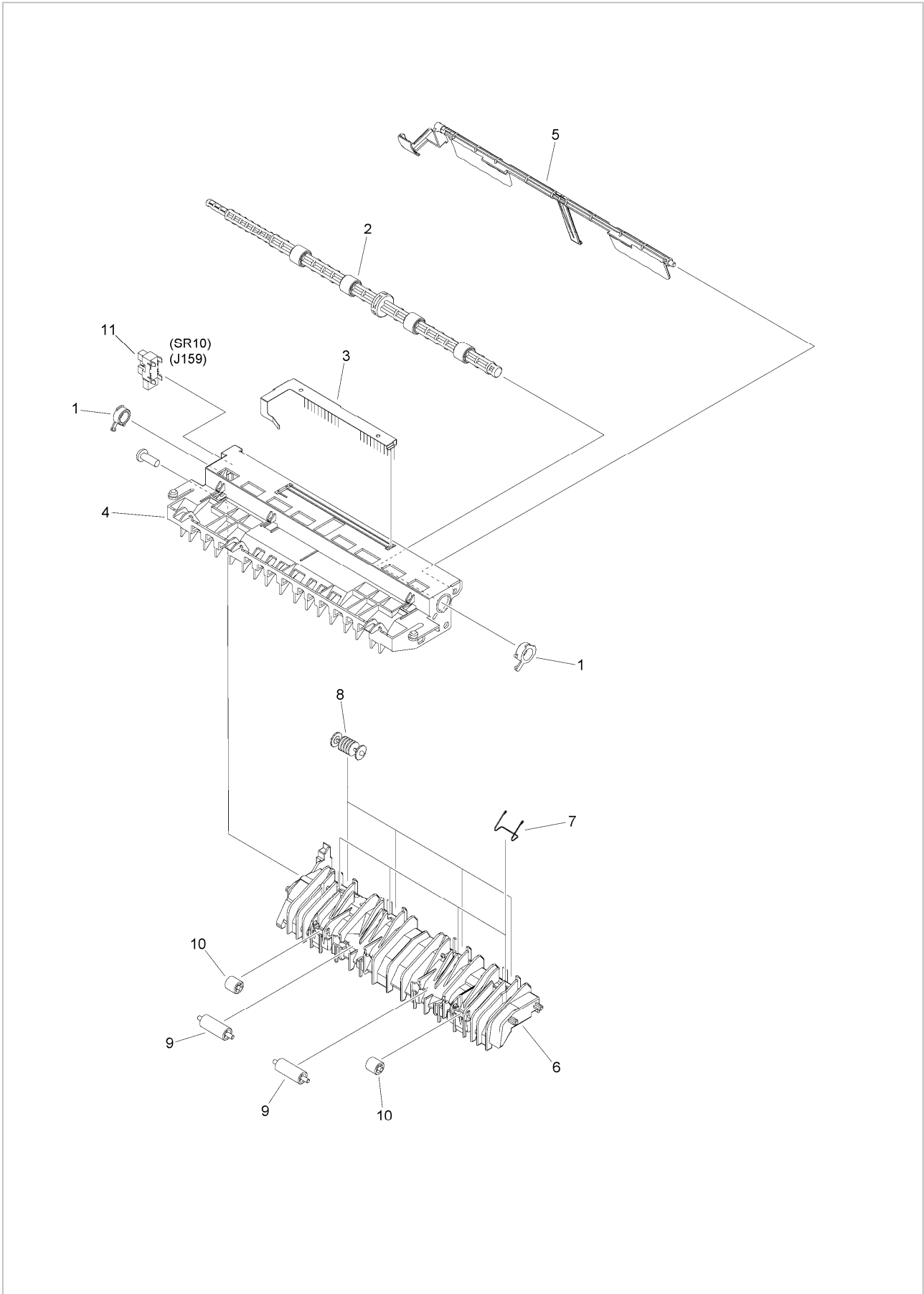
FIG/KEY	PART NUMBER	RANK	QTY	DESCRIPTION	REMARKS
315	FM1-H495-000		1	MULTI FEED TRAY ASSEMBLY	
1	FE4-0463-000		1	COVER, MULTI FEED	
2	FC7-2956-000		1	TRAY, EXTENSION, 1	
3	FC7-2957-000		1	TRAY, EXTENSION, 2	

Figure 330 TRANSFER MOUNT ASSEMBLY



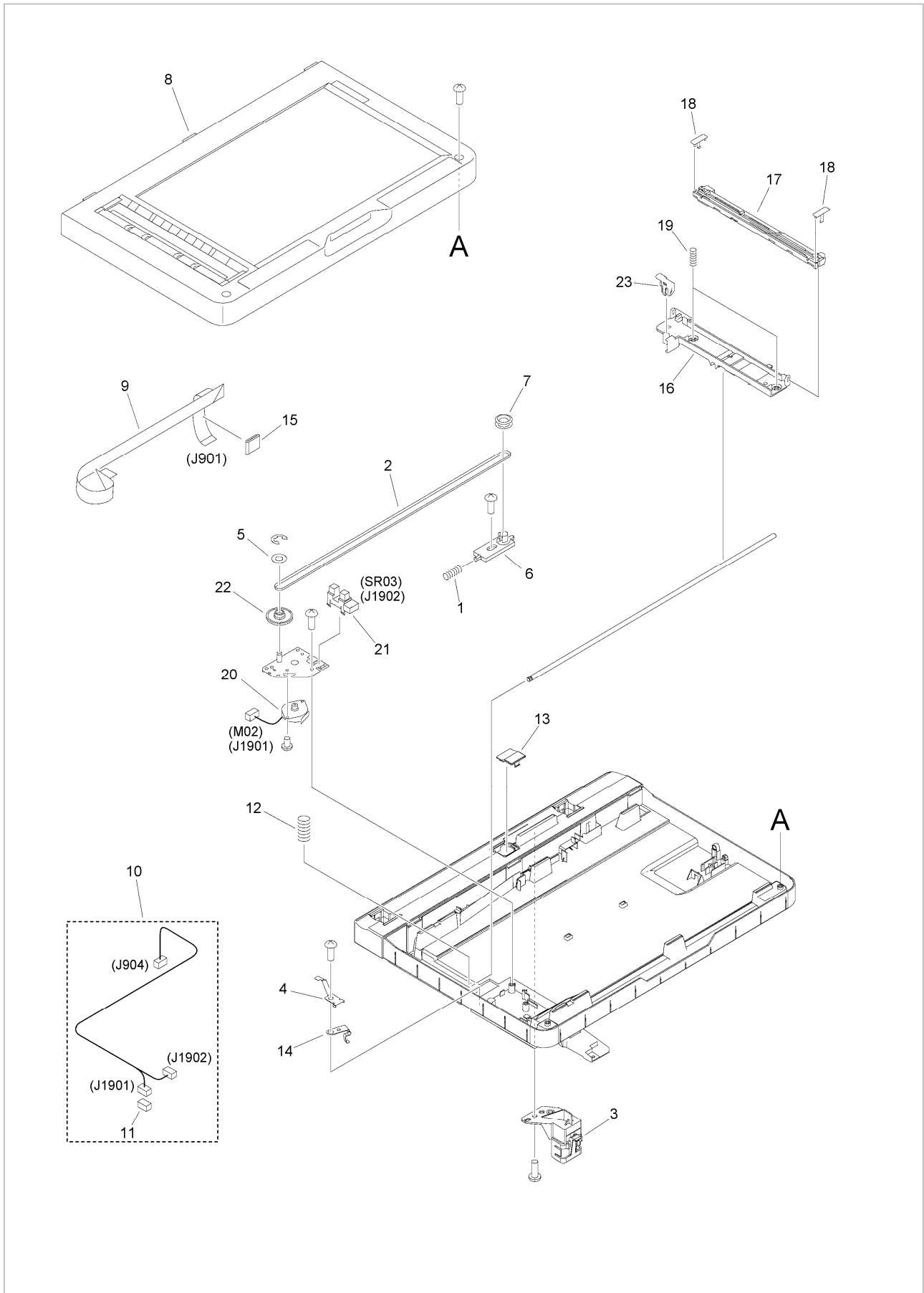
FIG/KEY	PART NUMBER	RANK	QTY	DESCRIPTION	REMARKS
330	NPN		RF	TRANSFER MOUNT ASSEMBLY	
1	WD8-5362-000		1	VARISTOR	
2	WG8-5935-000		1	IC, PHOTO INTERRUPTER	SR14
3	FE3-4057-000		1	ROLLER, TRANSFER	
4	FE3-4069-000		1	SPRING, LEAF	
5	FL0-1316-000		1	HOLDER, ELIMINATOR	
6	FL0-5281-000		1	BUSHING, FRONT	
7	FL0-5282-000		1	BUSHING, REAR	
8	FE3-4064-000		2	SPRING, COMPRESSION	
9	FE4-0445-000		1	SPRING, LEAF	
10	FL0-3464-000		1	GUIDE, PRE-TRANSFER, LOWER	
11	FE3-4059-000		1	FLAG, SENSOR	
12	FE3-4730-000		1	SPRING, CONTACT	
13	FE3-4732-000		1	SPRING, CONTACT	
14	FU7-2932-000		1	SPRING, TORSION	
15	FE3-4056-000		1	FRAME, TRANSFER	

Figure 350 PAPER DELIVERY ASSEMBLY



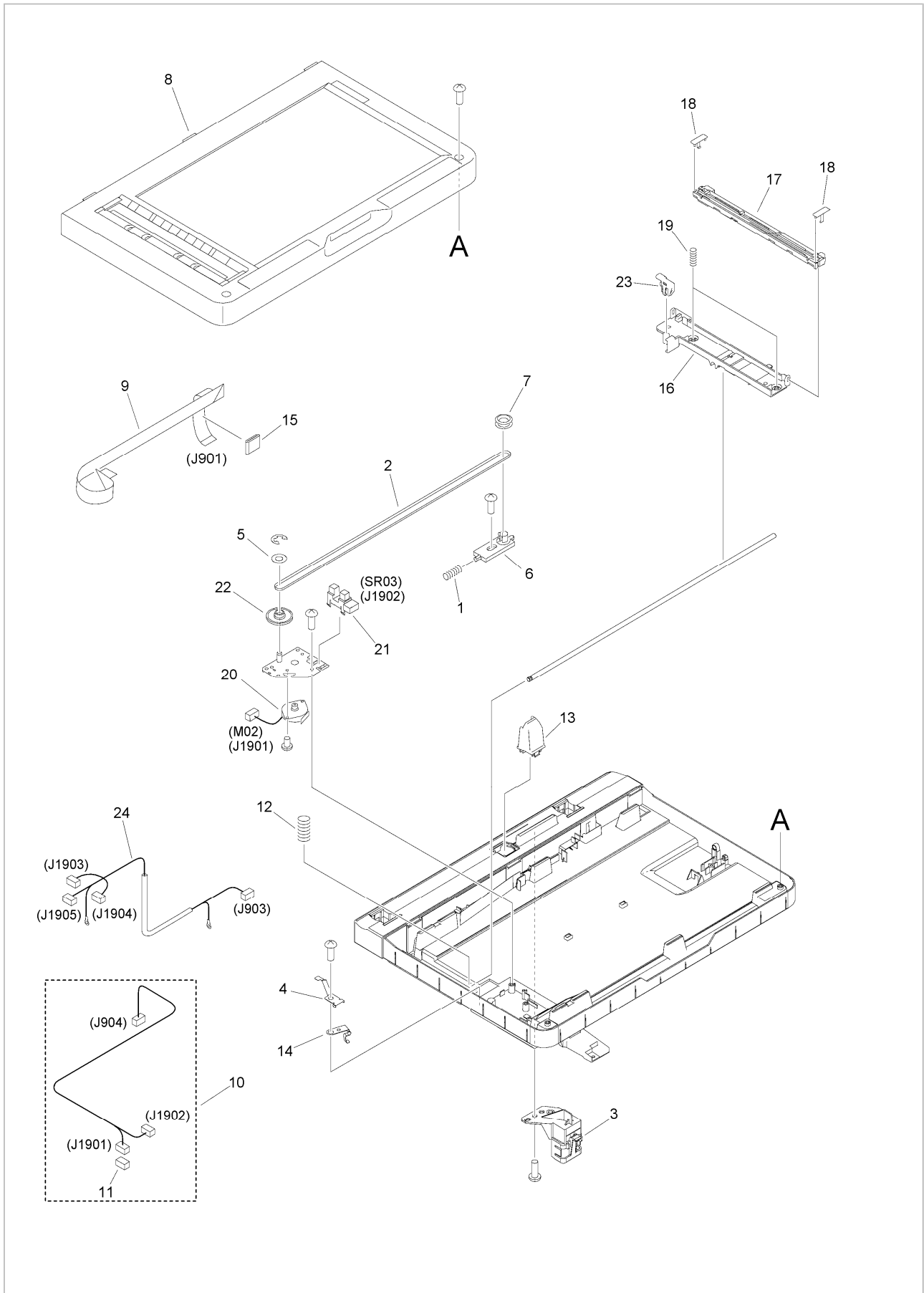
FIG/KEY	PART NUMBER	RANK	QTY	DESCRIPTION	REMARKS
350	FM1-B427-000		1	PAPER DELIVERY REVERSE UNIT	
1	FC5-4849-000		2	BUSHING, FACE-DOWN ROLLER	
2	FLO-2512-000		1	ROLLER, PAPER DELIVERY	
3	FLO-3435-000		1	PLATE, PAPER DELIVERY BRUSH	
4	FLO-3436-000		1	GUIDE, PAPER DELIVERY REVERSE	
5	FLO-3437-000		1	FLAG, FULL DETECT	
6	FE3-4238-000		1	GUIDE, PAPER DELIVERY REVERSE	
7	FE4-4818-000		4	SPRING	
8	FE4-8274-000		4	ROLLER	
9	FE4-4783-000		2	ROLLER	
10	FE4-5692-000		2	ROLLER	
11	WG8-5935-000		1	IC, PHOTO INTERRUPTER	SR10

Figure 400A READER ASSEMBLY (COPYBOARD MODEL)



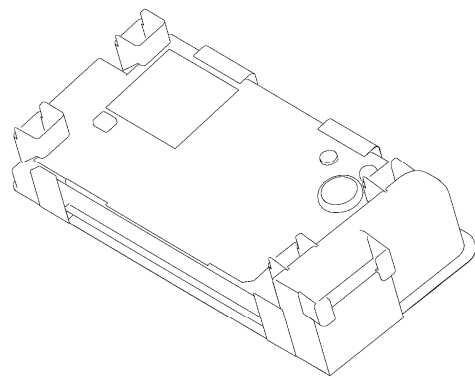
FIG/KEY	PART NUMBER	RANK	QTY	DESCRIPTION	REMARKS
400A	NPN		RF	READER ASSEMBLY	COPYBOARD MODEL
1	FE3-4695-000		1	SPRING, COMPRESSION	
2	FE3-5720-000		1	BELT, TIMING	
3	FE4-1233-000		1	HOLDER, CORE	
4	FE4-5628-000		1	SPRING, GROUNDING	
5	FC0-5550-000		1	STOPPER, BELT	
6	FE3-4694-000		1	HOLDER, PULLEY	
7	FC0-5650-000		1	PULLEY, IDLER	
8	FM1-H105-000		1	COPYBOARD GLASS UNIT	
9	FK4-0361-000		1	CABLE, FLEXIBLE FLAT	
10	FM1-B898-000		1	CABLE, READER	
11	VS1-7177-004		1	CONNECTOR, SNAP TIGHT, BK	
12	FE3-4702-000		1	SPRING, GROUNDING	
13	FE4-0443-000		1	COVER, CABLE GUIDE	
14	FE4-5627-000		1	SPRING, GROUNDING	
15	FK2-8767-000		1	CORE, FERRITE	
16	FE3-8215-000		1	HOLDER, CIS	
17	FK4-0360-000		1	CONTACT IMAGE SENSOR UNIT	
18	FE3-4693-000		2	SPACER, CIS	
19	FE3-8217-000		2	SPRING, COMPRESSION	
20	FK3-3035-000		1	MOTOR, STEPPING	MO2
21	WG8-5935-000		1	IC, PHOTO INTERRUPTER	SR03
22	FE3-8216-000		1	PULLEY, 20T/GEAR, 85T	
23	FE4-9106-000		1	HOLDER, F. F. C.	

Figure 400B READER ASSEMBLY (ADF MODEL)



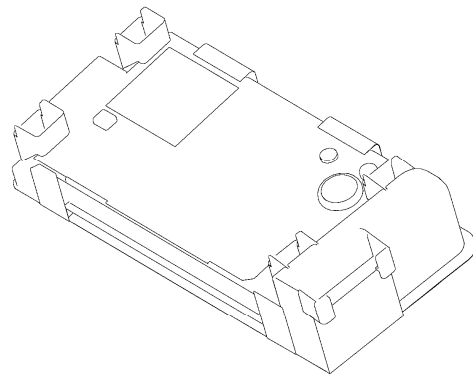
FIG/KEY	PART NUMBER	RANK	QTY	DESCRIPTION	REMARKS
400B	NPN		RF	READER ASSEMBLY	ADF MODEL
1	FE3-4695-000		1	SPRING, COMPRESSION	
2	FE3-5720-000		1	BELT, TIMING	
3	FE4-1233-000		1	HOLDER, CORE	
4	FE4-5628-000		1	SPRING, GROUNDING	
5	FC0-5550-000		1	STOPPER, BELT	
6	FE3-4694-000		1	HOLDER, PULLEY	
7	FC0-5650-000		1	PULLEY, IDLER	
8	FM1-B781-000		1	COPYBOARD GLASS UNIT	
9	FK4-0361-000		1	CABLE, FLEXIBLE FLAT	
10	FM1-B898-000		1	CABLE, READER	
11	VS1-7177-004		1	CONNECTOR, SNAP TIGHT, BK	
12	FE3-4702-000		1	SPRING, GROUNDING	
13	FE3-4697-000		1	GUIDE, CABLE	
14	FE4-5627-000		1	SPRING, GROUNDING	
15	FK2-8767-000		1	CORE, FERRITE	
16	FE3-8215-000		1	HOLDER, CIS	
17	FK4-0360-000		1	CONTACT IMAGE SENSOR UNIT	
18	FE3-4693-000		2	SPACER, CIS	
19	FE3-8217-000		2	SPRING, COMPRESSION	
20	FK3-3035-000		1	MOTOR, STEPPING	MO2
21	WG8-5935-000		1	IC, PHOTO INTERRUPTER	SR03
22	FE3-8216-000		1	PULLEY, 20T/GEAR, 85T	
23	FE4-9106-000		1	HOLDER, F. F. C.	
24	FM1-B897-000		1	CABLE, ADF	

Figure 460B LASER SCANNER ASSEMBLY (IR1435 EUR)



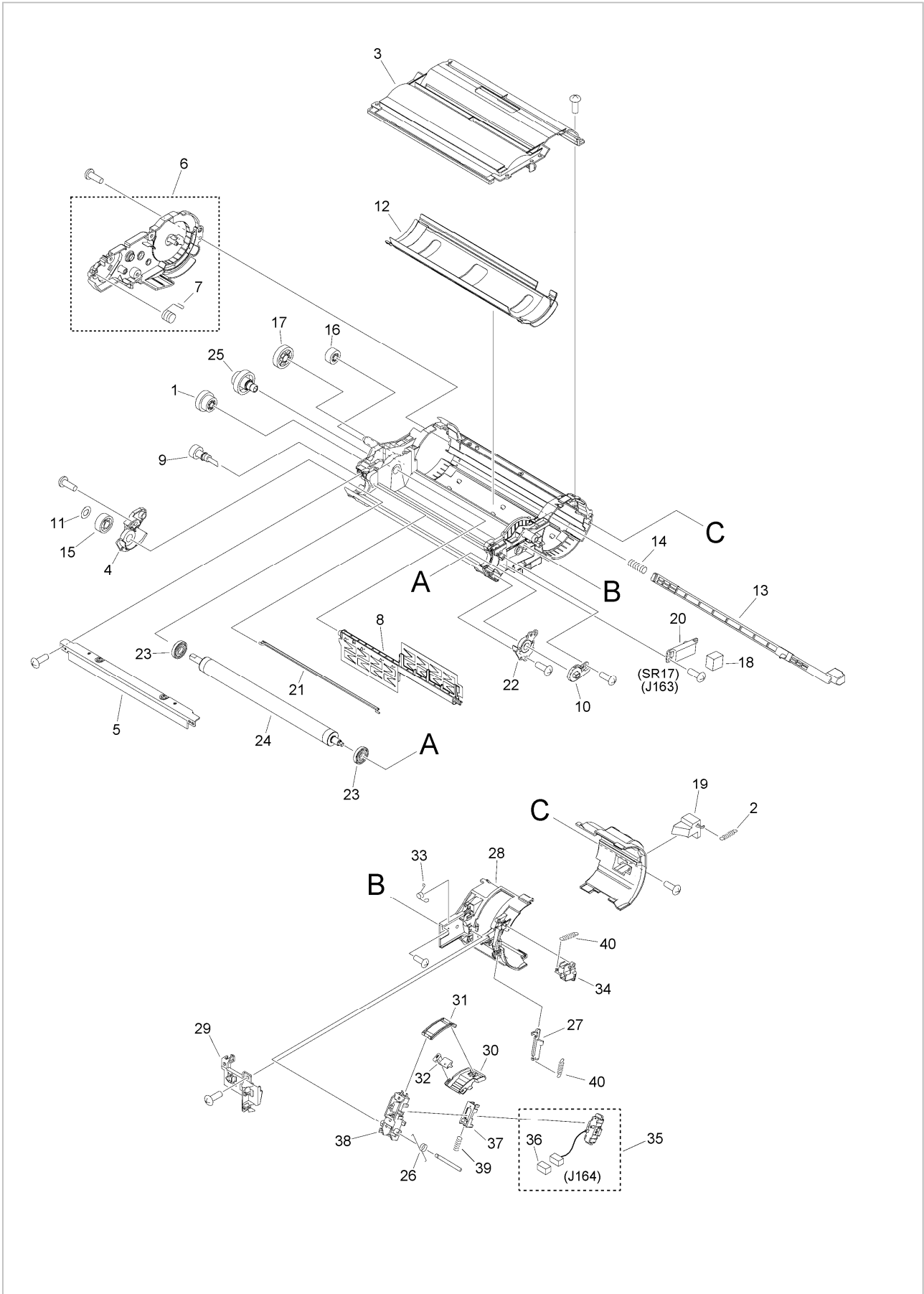
FIG/KEY	PART NUMBER	RANK	QTY	DESCRIPTION	REMARKS
460B	FM1-G757-000		1	LASER SCANNER ASSEMBLY	IR1435 EUR

Figure 460C LASER SCANNER ASSEMBLY (IR1435i, 1435iF, 1435P EUR)



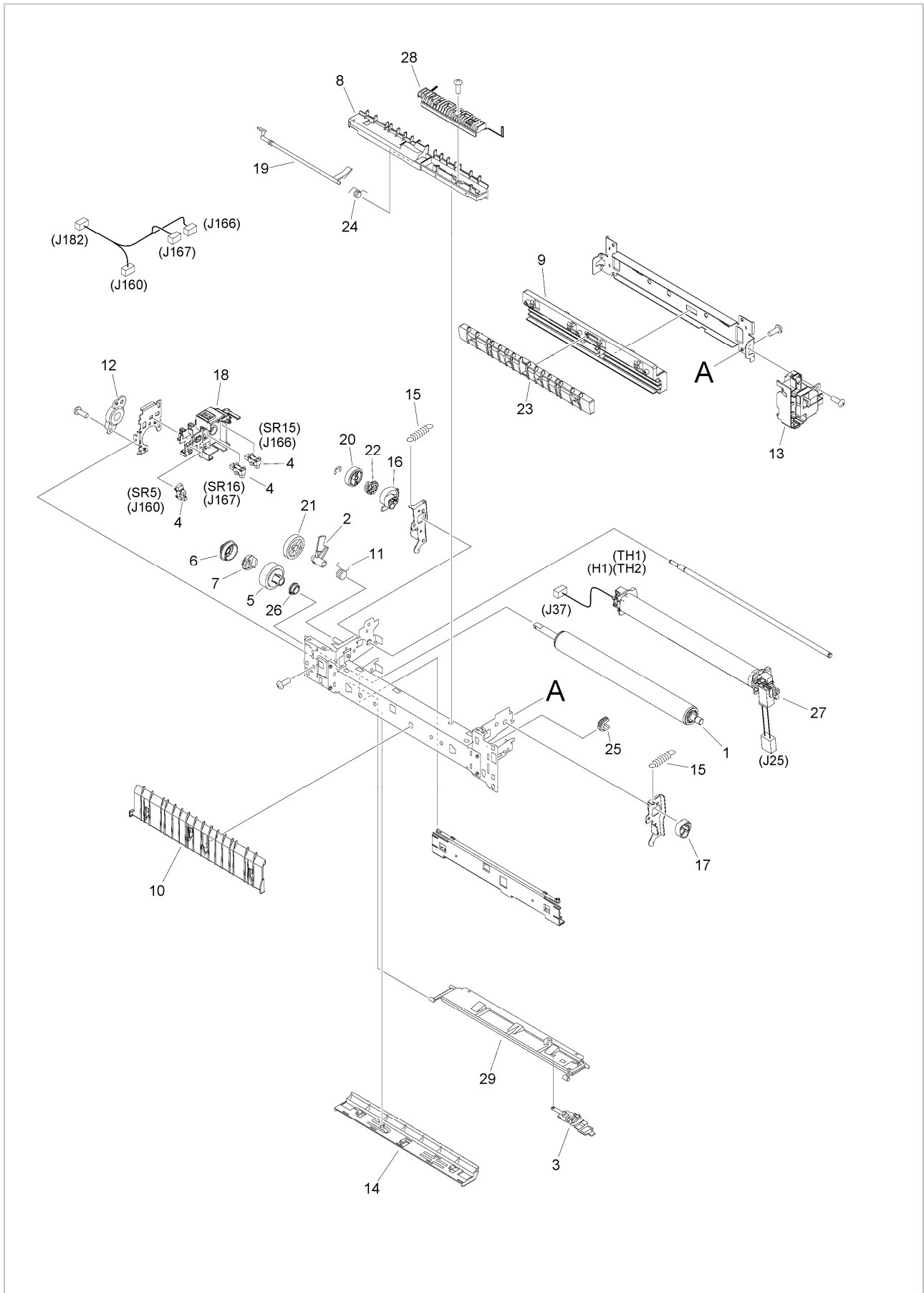
FIG/KEY	PART NUMBER	RANK	QTY	DESCRIPTION	REMARKS
460C	FM1-G758-000		1	LASER SCANNER ASSEMBLY	IR1435i, 1435iF, 1435P EUR

Figure 640C DEVELOPING ASSEMBLY (EUR)



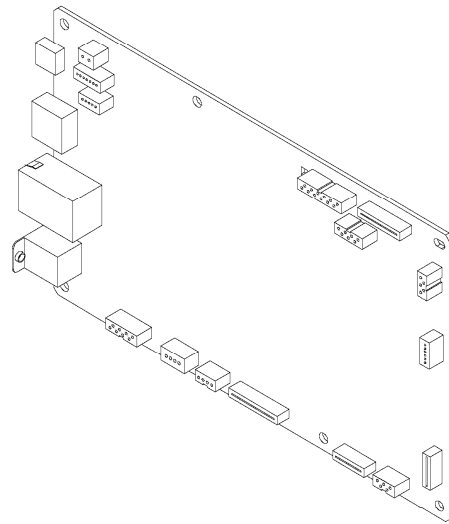
FIG/KEY	PART NUMBER	RANK	QTY	DESCRIPTION	REMARKS
640C	FM1-H643-000		1	DEVELOPING ASSEMBLY	EUR
1	FE3-4112-000		1	GEAR, 23T/48T	
2	FE4-5270-000		1	SPRING, TENSION	
3	FL0-0947-000		1	LID, DEVELOPING	
4	FL0-0959-000		1	BUSHING, SLEEVE, REAR	
5	FM1-K798-000		1	DEVELOPING BLADE UNIT	
6	FM1-B413-000		1	HOLDER, GEAR	
7	FE3-4441-000		1	SPRING, TORSION	
8	FM1-B414-000		1	ROD, STEERING	
9	FM1-F061-000		1	GEAR ASSEMBLY	
10	FC6-4168-000		1	GUIDE, POSITIONING, MAGNET	
11	FC6-4170-000		1	PLATE, TERMINAL, SLEEVE	
12	FE3-4099-000		1	SHUTTER	
13	FE3-4107-000		1	LEVER, LOCK	
14	FE3-4108-000		1	SPRING, COMPRESSION	
15	FE3-4110-000		1	GEAR, 37T	
16	FE3-4114-000		1	GEAR, 17T	
17	FE3-4133-000		1	GEAR, 28T	
18	FE4-4816-000		1	SEAL, TONER SENSOR	
19	FE4-5269-000		1	HOOK, LEVER	
20	FK2-0358-000		1	SENSOR, TONER	SR17
21	FL0-0948-000		1	ROD, STEERING	
22	FL0-0958-000		1	BUSHING, SLEEVE, FRONT	
23	FL0-3702-000		2	ROLLER	
24	FM1-B309-000		1	DEVELOPING SLEEVE UNIT	
25	FM1-F062-000		1	GEAR ASSEMBLY	
26	FE4-1254-000		1	SPRING, TORSION	
27	FC7-3860-000		1	SHUTTER, INTERNAL	
28	FE3-4100-000		1	HOLDER, TONER BOTTLE, LEFT	
29	FE4-1255-000		1	COVER, SENSOR	
30	FE4-4517-000		1	HOLDER, GROUNDING	
31	FE4-4518-000		1	LINK, GROUNDING HOLDER	
32	FE4-4519-000		1	SPRING, LEAF	
33	FE4-5662-000		1	SPRING, TORSION	
34	FE4-5685-000		1	STOPPER, TONER BOTTLE	
35	FM1-G934-000		1	CABLE, TONER SENSOR	
36	VS1-8959-003		1	CONNECTOR, SNAP TIGHT, 3P, W	
37	FE4-1250-000		1	HOLDER, BOTTLE SENSOR, 1	
38	FE4-1251-000		1	HOLDER, BOTTLE SENSOR, 2	
39	FE4-1253-000		1	SPRING, COMPRESSION	
40	FU6-2832-000		2	SPRING, SHUTTER	

Figure 810B FIXING ASSEMBLY (230V)



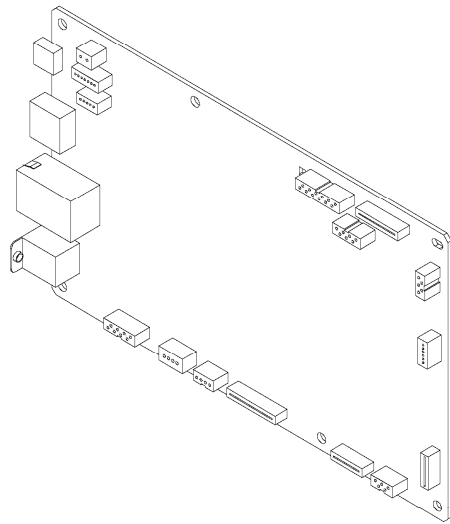
FIG/KEY	PART NUMBER	RANK	QTY	DESCRIPTION	REMARKS
810B	FM1-H641-000		1	FIXING ASSEMBLY	230V
1	RG2-7837-000		1	ROLLER, PRESSURE	
2	FE4-4496-000		1	FLAG, PRESSURE RELEASE SENSOR	
3	FM1-J544-000		1	FIXING CONTACT UNIT	
4	WG8-5935-000		3	IC, PHOTO INTERRUPTER	SR5, SR15, SR16
5	FE3-4249-000		1	GEAR, 31T	
6	FE3-4251-000		1	CAM	
7	FE3-4266-000		1	RATCHET, FIXING ROLLER	
8	FE3-8386-000		1	GUIDE, FIXING OUTLET, LOWER	
9	FE3-9439-000		1	MOUNT, OUTLET GUIDE	
10	FE4-4394-000		1	GUIDE, DUPLEXING PAPER FEED	
11	FE4-4497-000		1	SPRING, TORSION	
12	FL0-4692-000		1	BEARING HOLDER UNIT	
13	FM1-B428-000		1	GROUNDING HOLDER UNIT	
14	FE3-4227-000		1	GUIDE, FIXING ENTRANCE, LOWER	
15	FE3-4230-000		2	SPRING, TENSION	
16	FE3-4232-000		1	CAM, RELEASE, REAR	
17	FE3-4233-000		1	CAM, RELEASE, FRONT	
18	FE3-4241-000		1	HOLDER, SENSOR	
19	FE3-4242-000		1	LEVER, PAPER DELIVERY SENSOR	
20	FE8-0058-000		1	GEAR, 23T	
21	FE3-4252-000		1	GEAR, 29T	
22	FE3-4274-000		1	RATCHET, PRESSURE RELEASE	
23	FE3-8385-000		1	GUIDE, FIXING OUTLET, UPPER	
24	FE3-9029-000		1	SPRING, TORSION	
25	FE4-0326-000		1	BUSHING	
26	FE4-5690-000		1	BUSHING	
27	FM1-H642-000		1	FIXING FILM ASSEMBLY	
28	FM1-E137-000		1	OUTLET GUIDE ASS'Y, LOWER	
29	FE3-4237-000		1	GUIDE, FIXING ENTRANCE, UPPER	

Figure 900A CONTROLLER PCB ASSEMBLY (IR1435/1435P SERIES)



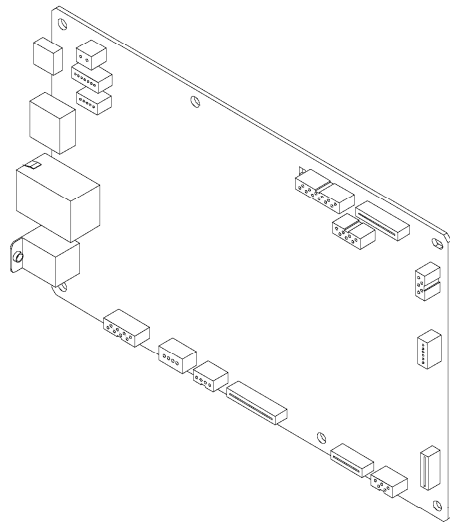
FIG/KEY	PART NUMBER	RANK	QTY	DESCRIPTION	REMARKS
900A	FM1-K857-000		1	CONTROLLER PCB ASSEMBLY	IR1435/1435P SERIES
IC	FK3-1800-000		1	IC, ASIC, MB8AA4241EPBH-GE1	IC14

Figure 900C CONTROLLER PCB ASSEMBLY (IR1435i SERIES)



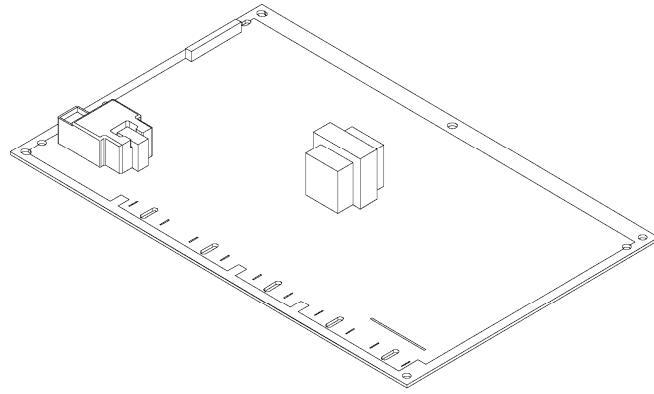
FIG/KEY	PART NUMBER	RANK	QTY	DESCRIPTION	REMARKS
900C	FM1-K856-000		1	CONTROLLER PCB ASSEMBLY	IR1435i SERIES
IC	FK3-1800-000		1	IC, ASIC, MB8AA4241EPBH-GE1	IC14

Figure 900D CONTROLLER PCB ASSEMBLY (IR1435iF SERIES)



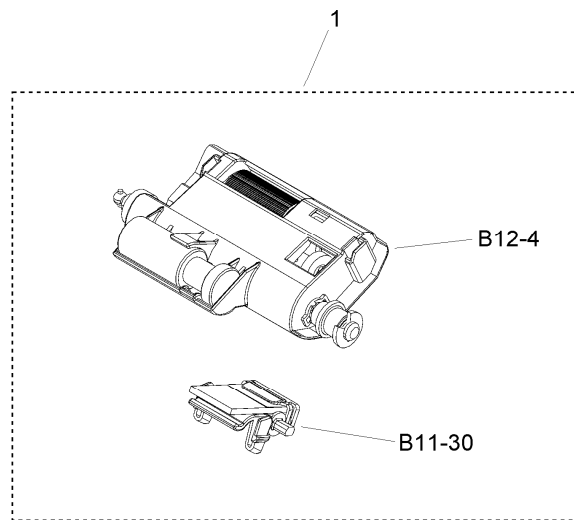
FIG/KEY	PART NUMBER	RANK	QTY	DESCRIPTION	REMARKS
900D	FM1-K855-000		1	CONTROLLER PCB ASSEMBLY	IR1435i SERIES
IC	FK3-1800-000		1	IC, ASIC, MB8AA4241EPBH-GE1	IC14

Figure 930 H. V. T PCB ASSEMBLY



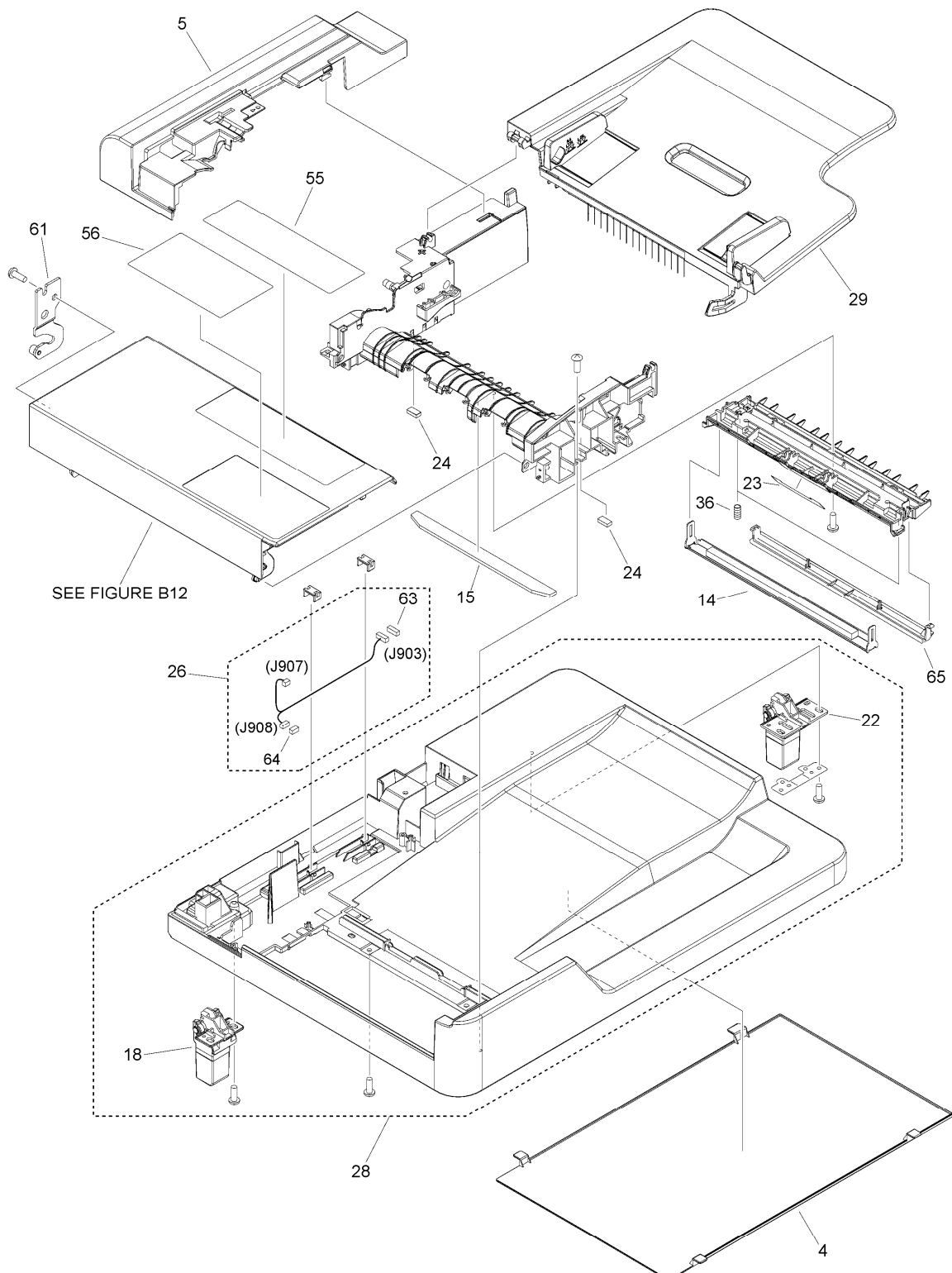
FIG/KEY	PART NUMBER	RANK	QTY	DESCRIPTION	REMARKS
930	FM1-B888-000		1	H. V. T PCB ASSEMBLY	

Figure B01 ADF MAINTENANCE KIT



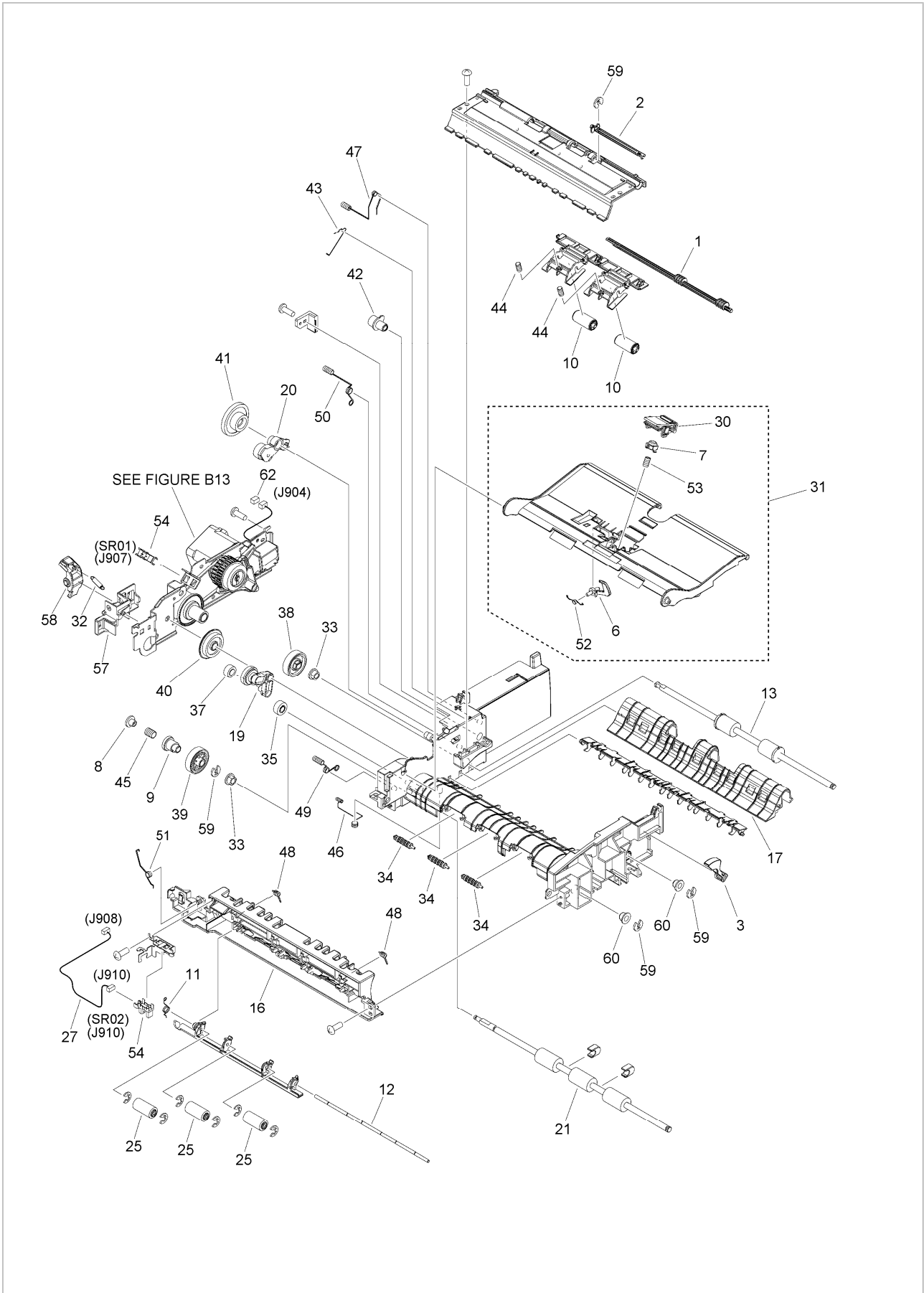
FIG/KEY	PART NUMBER	RANK	QTY	DESCRIPTION	REMARKS
B01	NPN		RF	ADF MAINTENANCE KIT	
1	FM4-9866-000		1	ADF MAINTENANCE KIT, DR-201	FOR NON-TECHNICAL PERSON

Figure B11 (1 / 2) AUTO DOCUMENT FEEDER ASSEMBLY



NOTE : This assembly includes the assemblies shown in Figure B12 and B13.
注 : このユニットはFigure B12, B13のユニットを含みます。

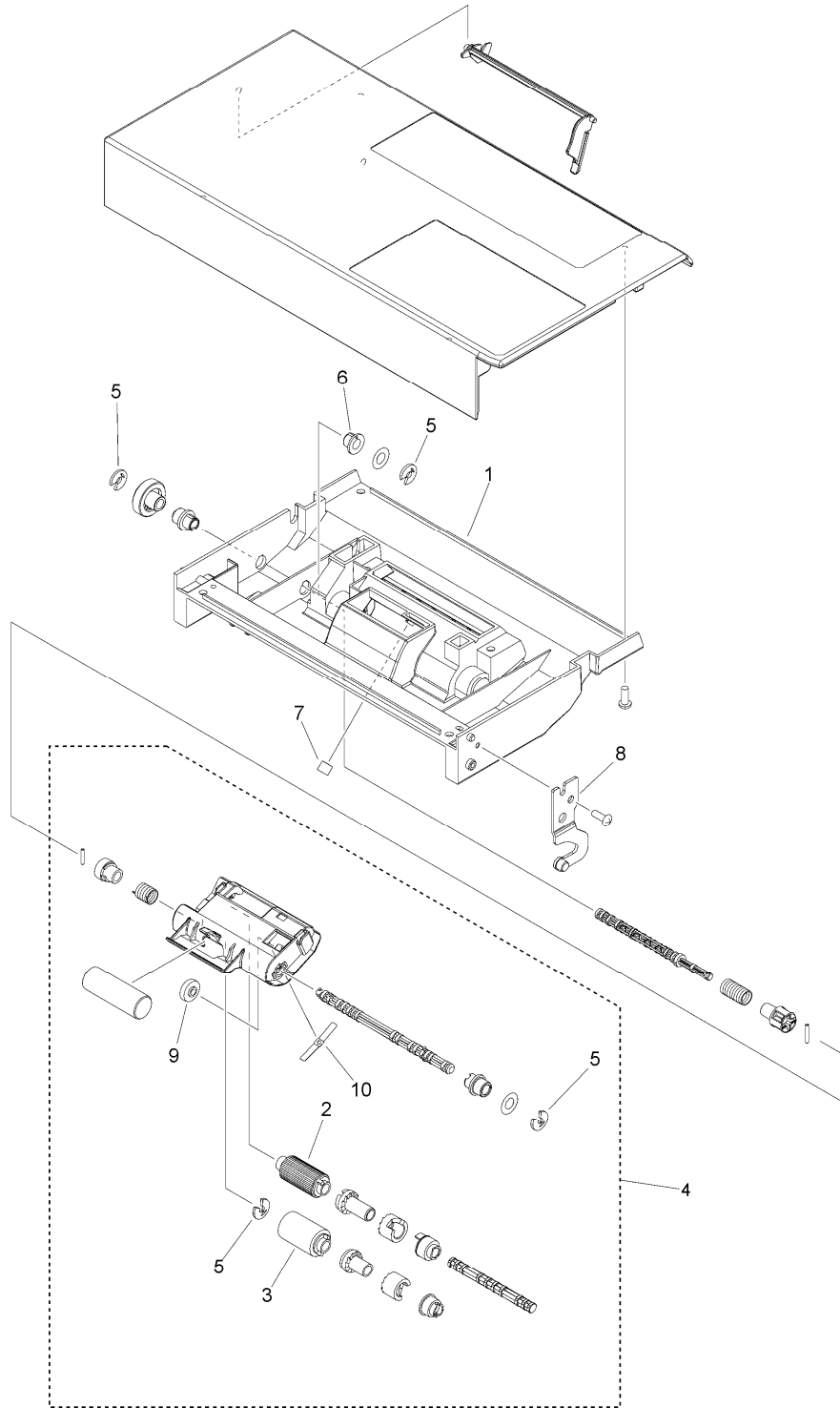
Figure B11 (2 / 2) AUTO DOCUMENT FEEDER ASSEMBLY



FIG/KEY	PART NUMBER	RANK	QTY	DESCRIPTION	REMARKS
B11	FM1-J427-000		1	AUTO DOCUMENT FEEDER ASSEMBLY	
1	FC0-5587-000		1	SHAFT, CAM	
2	FC0-5588-000		1	CAM, HAND	
3	FC0-5589-000		1	LEVER, ROLLER ESTRANGEMENT	
4	FL0-6695-000		1	COVER, COPYBOARD	
5	FE3-9190-000		1	COVER, ADF, REAR	
6	FC0-5629-000		1	STOPPER, DOCUMENT	
7	FC0-5634-000		1	COVER, SEPARATION SPRING	
8	FE4-1402-000		1	STOPPER, SPRING	
9	FC7-6052-010		1	RATCHET, PAPER FEED ROLLER	
10	FE3-8381-000		2	ROLLER, PAPER DELIVERY	
11	FC7-6303-000		1	SPRING, TORSION	
12	FE3-6504-000		1	SHAFT	
13	FL0-1104-000		1	ROLLER, PAPER DELIVERY	
14	FL0-1105-000		1	PANEL, COPYBOARD	
15	FL0-2013-000		1	DAMPER, MAIN FRAME	
16	FL0-2020-000		1	GUIDE, FEED	
17	FL0-2021-000		1	GUIDE, PAPER DELIVERY	
18	FL3-1430-000		1	HINGE, ADF, LEFT	
19	FL3-6308-000		1	ARM, PAPER FEED SWING	
20	FL3-6309-000		1	ARM, SEPARATION SWING	
21	FL3-6311-000		1	ROLLER, DF FEED	
22	FL3-6313-000		1	HINGE, ADF, RIGHT	
23	FL0-5999-000		1	SHEET, GUIDE, LOWER	
24	FL3-6320-000		3	PAD, DAMPER	
25	FE3-8290-000		3	ROLLER, PAPER FEED	
26	FM1-C985-000		1	CABLE, ADF DETECT	
27	FM1-C986-000		1	CABLE, ADF - DES	
28	FM1-F007-000		1	ADF BASE ASSEMBLY	
29	FM1-F010-000		1	DOCUMENT TRAY ASSEMBLY	
30	FM4-9857-000		1	SEPARATION PAD ASSEMBLY	
31	FM1-F009-000		1	GUIDE, UPPER	
32	FU6-2999-000		1	SPRING, TENSION	
33	FU5-1748-000		2	BUSHING	
34	FE3-8380-000		3	ROLLER, AUXILIARY	
35	FU8-0128-000		1	GEAR, 21T	
36	FE4-0007-000		2	SPRING, COMPRESSION	
37	FU9-0237-000		1	GEAR, 18T	
38	FU9-0589-000		1	GEAR, 43T	
39	FU9-0590-000		1	GEAR, 43T	
40	FU9-0591-000		1	GEAR, 41T	
41	FU9-0592-000		1	GEAR, 57T/21T	
42	FU9-0594-000		1	GEAR, 20T	
43	FU9-2005-000		1	SPRING, TORSION	
44	FU2-1543-000		2	SPRING, COMPRESSION	
45	FU9-2008-000		1	SPRING, COMPRESSION	
46	FU9-2009-000		1	SPRING, COMPRESSION	
47	FU9-2010-000		1	SPRING, TENSION	
48	FU9-2011-000		2	SPRING, TORSION	
49	FU9-2015-000		1	SPRING, TENSION	
50	FU9-2016-000		1	SPRING, TENSION	
51	FU9-2017-000		1	SPRING, TENSION	
52	FU9-2019-000		1	SPRING, TORSION	
53	FU9-2020-000		1	SPRING, COMPRESSION	

FIG/KEY	PART NUMBER	RANK	QTY	DESCRIPTION	REMARKS
54	WG8-5935-000		2	IC, PHOTO INTERRUPTER	SR01, SR02
55	FE4-0227-000		1	LABEL, PROHIBITION DOCUMENT	
56	FE4-0226-000		1	LABEL, CLEANING INSTRUCTION	
57	FC0-5574-000		1	HOLDER, LEVER	
58	FE3-7698-000		1	LEVER, DRIVE RELEASE	
59	FE3-7699-000		4	RING, C, EXTERNAL	
60	FE3-8298-000		2	BUSHING	
61	FLO-2564-000		1	COVER, DF, REAR	
62	VS1-7177-002		1	CONNECTOR, SNAP TIGHT, BK	
63	VS1-7207-006		1	CONNECTOR, SNAP TIGHT	
64	VS1-7207-004		1	CONNECTOR, SNAP TIGHT, BK	
65	FLO-6002-000		1	GUIDE, DOCUMENT RETAINING	

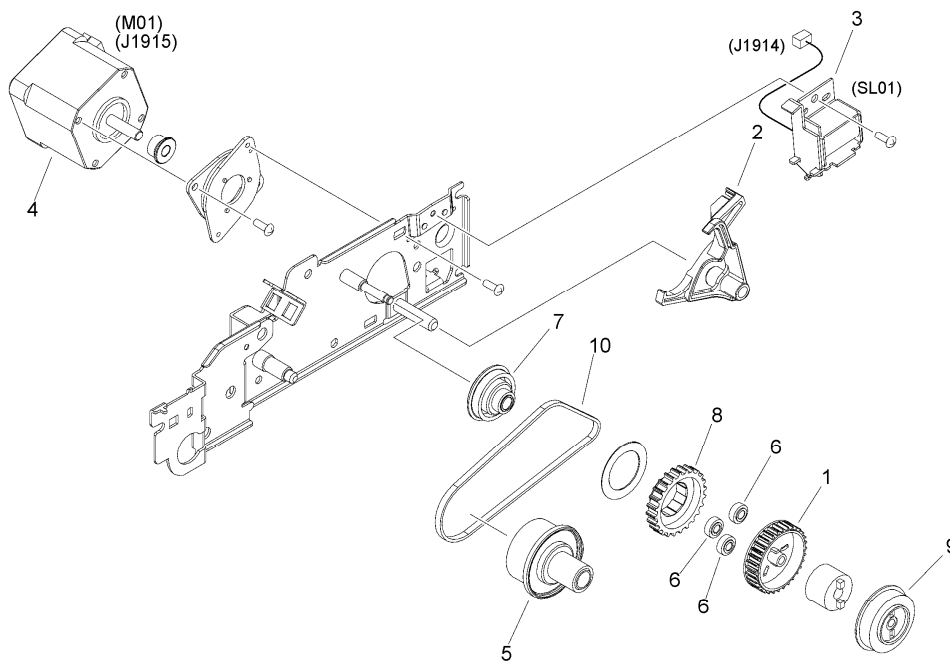
Figure B12 FEEDER COVER ASSEMBLY



NOTE : This assembly is included in the assembly shown in Figure B11.
注 : このユニットはFigure B11のユニットに含まれます。

FIG/KEY	PART NUMBER	RANK	QTY	DESCRIPTION	REMARKS
B12	FM1-F008-000		1	FEEDER COVER ASSEMBLY	
1	FE3-9189-000		1	COVER, ADF INNER	
2	FC7-6189-000		1	ROLLER, PICK-UP	
3	FL2-6637-000		1	ROLLER, SEPARATION	
4	FM4-9859-000		1	ADF PAPER PICK-UP ASSEMBLY	
5	FE3-7699-000		4	RING, C, EXTERNAL	
6	FE3-8298-000		1	BUSHING	
7	FE3-9145-000		1	SPRING, COMPRESSION	
8	FLO-2565-000		1	COVER, DF, FRONT	
9	FE3-8297-000		1	GEAR, 23T	
10	FE3-8383-000		1	SPRING, LEAF	

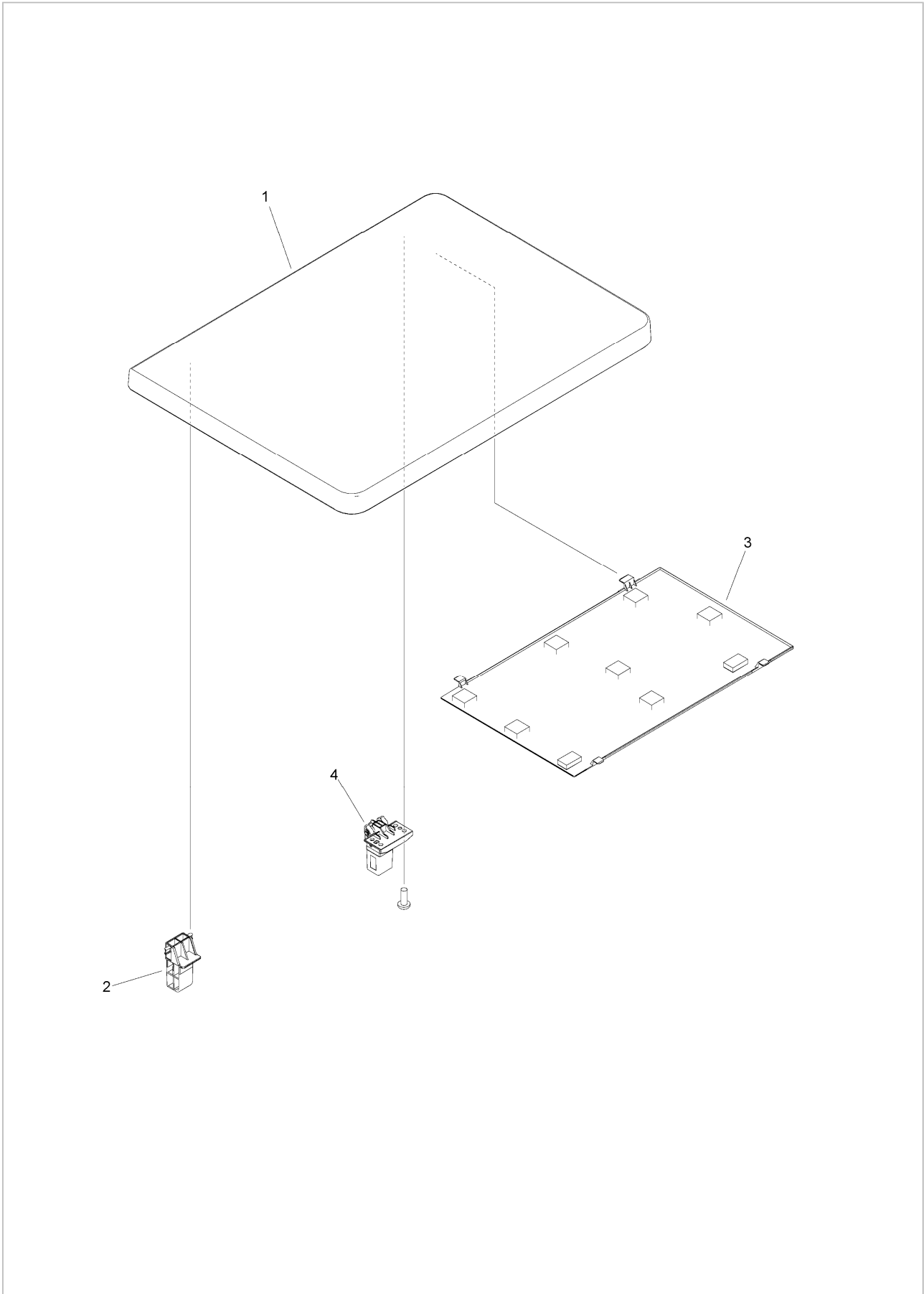
Figure B13 PAPER FEED DRIVE ASSEMBLY



NOTE : This assembly is included in the assembly shown in Figure B11.
注 : このユニットはFigure B11のユニットに含まれます。

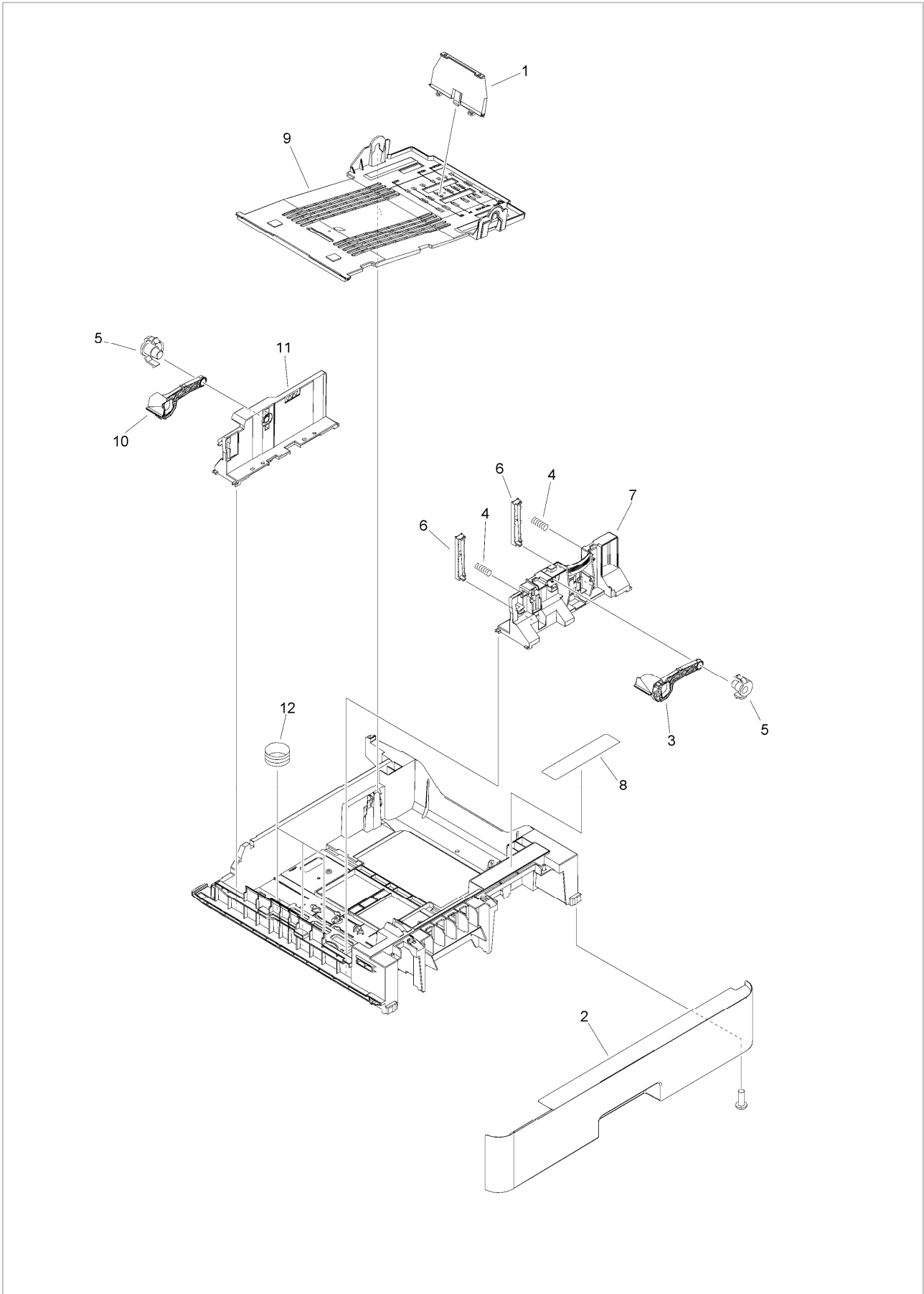
FIG/KEY	PART NUMBER	RANK	QTY	DESCRIPTION	REMARKS
B13	FM4-9862-000		1	PAPER FEED DRIVE ASSEMBLY	
1	FC0-5622-000		1	GEAR, 29T	
2	FC0-5623-000		1	STOPPER, CAM	
3	FK2-0408-010		1	SOLENOID	SL01
4	FK3-2024-000		1	MOTOR, STEPPING	MO1
5	FU9-0588-000		1	GEAR, 47T/20T	
6	FU9-0595-000		3	GEAR, 16T	
7	FU9-0596-000		1	PULLEY	
8	FU9-0597-000		1	GEAR, 52T	
9	FU9-0598-000		1	GEAR, 55T	
10	XF2-1611-830		1	BELT, TIMING, COGGED	

Figure D10 COPYBOARD COVER ASSEMBLY



FIG/KEY	PART NUMBER	RANK	QTY	DESCRIPTION	REMARKS
D10	NPN		RF	COPYBOARD COVER ASSEMBLY	
1	FLO-4530-000		1	COVER, PLATEN	
2	FE4-0643-000		1	HINGE	
3	FLO-3355-000		1	COVER, COPYBOARD	
4	FM1-F183-000		1	HINGE UNIT	

Figure H30B CASSETTE ASSEMBLY (A4)



FIG/KEY	PART NUMBER	RANK	QTY	DESCRIPTION	REMARKS
H30B	FM1-D531-000		1	CASSETTE ASSEMBLY	A4 CASSETTE
1	FC6-7377-000		1	PLATE, SIZE, REAR	
2	FE3-4070-000		1	COVER, FRONT	
3	FC7-2989-000		1	CLAW, SEPARATION, FRONT	
4	FU6-2410-000		2	SPRING, COMPRESSION	
5	FC6-7376-000		2	PIN, SUPPORT, CLAW	
6	FC6-7380-000		2	RETAINER, SHEET	
7	FE3-8658-000		1	PLATE, SIDE LIMIT, FRONT	
8	FE4-2353-000		1	LABEL, PAPER SET	
9	FL0-2767-000		1	PLATE, CST, LIFTER	
10	FC7-2990-000		1	CLAW, SEPARATION, REAR	
11	FE3-8659-000		1	PLATE, SIDE LIMIT, REAR	
12	FU6-2408-020		3	SPRING, LEAF	

Figure ZZA MECHANICAL STANDARD PARTS (HOW TO USE)

Mechanical standard parts

機械標準部品

About a mechanical standard parts

A Mechanical standard parts is a mechanical part which not parts peculiar to a product.

They are parts which are common to a Canon product and are used, such as a screw and a washer.

The Fig No. and parts number of the mechanical standard parts are not listed in the product parts catalog.

Refer to the parts catalog of mechanical standard parts when checking the parts number for screw or washer etc. and identify them by part shape or size.

機械標準部品とは

機械標準部品とは、製品特有の部品ではなく、ねじやワッシャなどキヤノン製品共通で使用されている機械部品（メカ部品）のことです。

製品のパーツカタログには、機械標準部品のFig No.や部品番号は記載しておりません。

ねじや、ワッシャ等の部品番号を調べるときは、機械標準部品のパーツカタログを参照し、部品の形状や大きさから判断し、使用している部品を調べてください。

Material and surface treatment of a mechanical standard parts

Material and surface treatment of mechanical standard parts are assigned commonly for each part.

Refer to the Table 1 for the parts which material and surface treatment are assigned as numbers.

機械標準部品の材料および表面処理

機械標準部品の材料および表面処理については、各種部品共通で決められています。

材料および表面処理が番号で決められている部品については、表1を参照してください。

Table 1 Material and Surface treatment

表1 材料および表面処理

No. 番号	Material 材料	Surface treatment 表面処理	Color 色
1	Stainless steel ステンレス	Stainless steel black coloring (BC4) ステンレス黒着色(BC4)	Black 黒
2		not to be given なし	White 白
3	Brass 黄銅	Regular nickel plating (NL) 普通ニッケルメッキ(NL)	White 白
4		Black nickel plating (BN) 黒色ニッケルメッキ(BN)	Black 黒
5	Steel 鋼	White zinc trivalent chromate treating (ZC3) 白色亜鉛3価クロメート(ZC3)	White 白
6		Regular nickel chromium plating (NC) 普通ニッケルクロムメッキ(NC)	White 白
7		Regular nickel plating (NL) 普通ニッケルメッキ(NL)	White 白
8		Iron and steel phosphating (P1) 鉄鋼燐酸塩処理(P1)	Black 黒
9		Black zinc trivalent chromate treating (BZ3) 黒色亜鉛3価クロメート(BZ3)	Black 黒

FIG/KEY	PART NUMBER	RANK	QTY	DESCRIPTION	REMARKS
---------	-------------	------	-----	-------------	---------

Figure ZZB (1 / 7) MECHANICAL STANDARD PARTS (SCREWS)

1. Screws ねじ

How to read Parts Numbers
部品番号の見方

Screws
ねじ

XB1-2400-609

Type No.
類別番号

Normal designation (d)
ねじの呼び (d)

Length (L)
ねじの長さ (L)

Material and Surface treatment
材料および表面処理

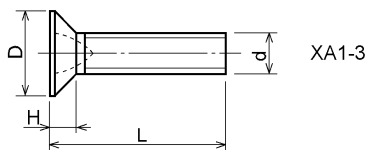
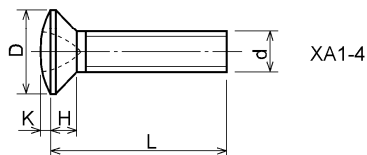
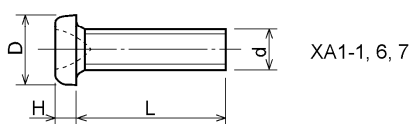
XB1-2 expresses Binding head machine screw.
XB1-2は、バインドねじを表す

40 expresses M4.0.
40は、M4.0を表す

0-60 expresses a length of 6.0mm.
0-60は、6.0mmの長さを表す

9 expresses Steel (Black zinc trivalent chromate
treating) from Table 1.
9は、表1より鋼（黒色亜鉛3価クロメート）を表す

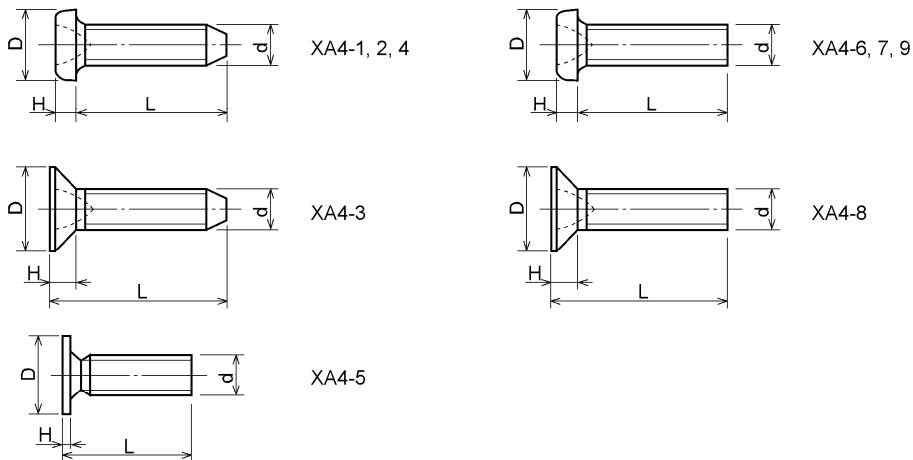
1-1. Cross Recessed Head Screws for Precision Equipments 精密機器用十字穴付き小ねじ



Type No. 類別番号	Type 類別	Head size (mm) 頭部寸法 (mm)						
		M1.4	M1.6	M1.7	M2	M2.5	M2.6	
XA1-1	Pan head Class 1 なべ1種	D	2	2.4	2.5	3	3.8	4
		H	0.5	0.55	0.5	0.6	0.9	0.8
XA1-3	Countersunk head Class 1 さら1種	D	2	2.4	2.5	3	3.8	4
		H	0.48	0.55	0.58	0.73	0.85	0.93
XA1-4	Oval countersunk head Class 1 丸さら1種	D	2	2.4	2.5	3	3.8	4
		H + K	0.68	0.8	0.88	1	1.25	1.3
XA1-6	Pan head Class 3 なべ3種	D	2.5	2.8	3	3.5	4.3	4.5
		H	0.8	0.85	0.9	1	1.3	1.2
XA1-7	Pan head Class 2 なべ2種	D	2.5	2.8	3	3.5	4.3	4.5
		H	0.5	0.55	0.5	0.6	0.9	0.8

Figure ZZB (2 / 7) MECHANICAL STANDARD PARTS (SCREWS)

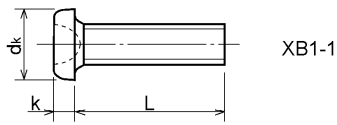
1-2. Precision Tapping Screws 精密用タッピンねじ



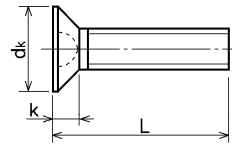
Type No. 類別番号	Type 類別	Head size (mm) 頭部寸法 (mm)						
		M1.4	M1.6	M1.7	M2	M2.5	M2.6	
XA4-1	With tapered end pan head Class 1 絞り-なべ1種	D XA4-1	2	2.4	2.5	3	3.8	4
		H XA4-1	0.5	0.55	0.5	0.6	0.9	0.8
XA4-2	With tapered end pan head Class 3 絞り-なべ3種	D XA4-2	2.5	2.8	3	3.5	4.3	4.5
		H XA4-2	0.8	0.85	0.9	1	1.3	1.2
XA4-3	With tapered end countersunk head 絞り-さら	D XA4-3	2	2.4	2.5	3	3.8	4
		H XA4-3	0.48	0.55	0.58	0.73	0.85	0.93
XA4-4	With tapered end pan head Class 2 絞り-なべ2種	D XA4-4	2.5	2.8	3	3.5	4.3	4.5
		H XA4-4	0.5	0.55	0.5	0.6	0.9	0.8
XA4-5	With parallel end ultra thin head ストレート-超薄頭	D XA4-5	2.5	2.8	3	-	-	-
		H XA4-5	0.2	0.2	0.2	-	-	-
XA4-6	With parallel end pan head Class 1 ストレート-なべ1種	D XA4-6	2	2.4	2.5	3	3.8	4
		H XA4-6	0.5	0.55	0.5	0.6	0.9	0.8
XA4-7	With parallel end pan head Class 3 ストレート-なべ3種	D XA4-7	2.5	2.8	3	3.5	4.3	4.5
		H XA4-7	0.8	0.85	0.9	1	1.3	1.2
XA4-8	With parallel end countersunk head ストレート-さら	D XA4-8	2	2.4	2.5	3	3.8	4
		H XA4-8	0.48	0.55	0.58	0.73	0.85	0.93
XA4-9	With parallel end pan head Class 2 ストレート-なべ2種	D XA4-9	2.5	2.8	3	3.5	4.3	4.5
		H XA4-9	0.5	0.55	0.5	0.6	0.9	0.8

Figure ZZB (3 / 7) MECHANICAL STANDARD PARTS (SCREWS)

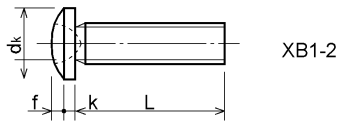
1-3. Cross Recessed Head Screws 一般用十字穴付き小ねじ



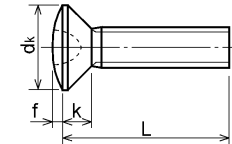
XB1-1



XB1-3



XB1-2



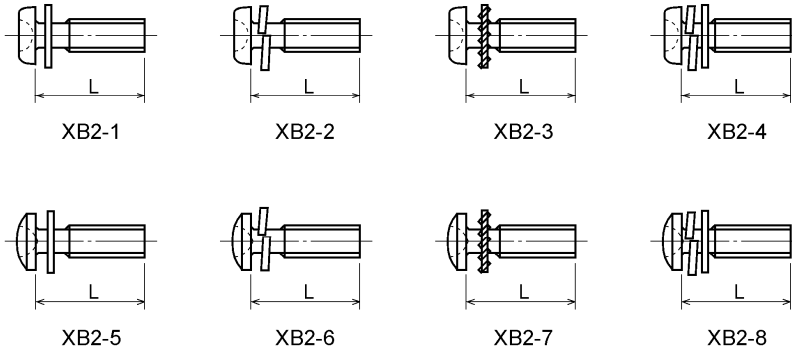
XB1-4

Type No. 類別番号	Type 類別
XB1-1	Pan head なべ
XB1-2	Binding head バインド
XB1-3	Countersunk head さら
XB1-4	Oval countersunk head 丸さら

		Head size (mm) 頭部寸法 (mm)					
		M2	M2.5	M2.6	M3	M4	M5
dk	XB1-1	3.5	4.5	4.5	5.5	7	9
k	XB1-1	1.3	1.7	1.7	2	2.6	3.3
dk	XB1-2	4.3	5.3	5.5	6.3	8.3	10.3
k+f	XB1-2	1.2	1.5	1.6	1.9	2.5	3.1
dk	XB1-3	4	5	-	6	8	10
k	XB1-3	1.2	1.45	-	1.75	2.3	2.8
dk	XB1-4	4	5	-	6	8	10
k+f	XB1-4	1.6	2	-	2.45	3.2	4
Screw part length ねじ部長さ b		8	12	12	12	16	20

Figure ZZB (4 / 7) MECHANICAL STANDARD PARTS (SCREWS)

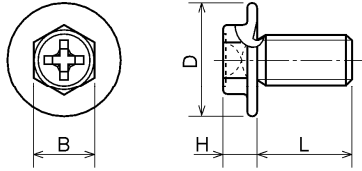
1-4. Cross Recessed Head Screws with Captive Washer
座金組込み十字穴付き小ねじ



Type No. 類別番号	Type 類別
XB2-1	Pan head + Plain washer (circular bright) なべねじ+平座金
XB2-2	Pan head + Spring washer なべねじ+ばね座金
XB2-3	Pan head + Toothed lock washer なべねじ+歯付座金
XB2-4	Pan head + Spring washer and plain washer (circular bright) なべねじ+(ばね+平)座金
XB2-5	Binding head + Plain washer (circular bright) バインドねじ+平座金
XB2-6	Binding head + Spring washer バインドねじ+ばね座金
XB2-7	Binding head + Toothed lock washer バインドねじ+歯付座金
XB2-8	Binding head + Spring washer and plain washer (circular bright) バインドねじ+(ばね+平)座金

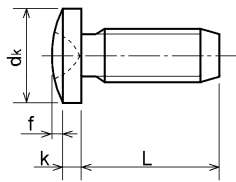
Figure ZZB (5 / 7) MECHANICAL STANDARD PARTS (SCREWS)

1-5. Hexagon Head Tapping Screws for Matallic Materials 金属用六角タッピンねじ



Type No. 類別番号	Type 類別	Head size (mm) 頭部寸法 (mm)		
		M3	M4	
XB3-6	For metallic materials 金属用タッピン	D	8	10
		B	5.5	5.5
XB3-7	For metallic materials with clawed 金属用タッピン-つめ付き	H XB3-6	3.1	3.1
		H XB3-7	3.2	3.2

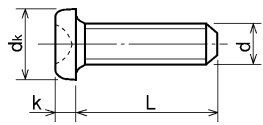
1-6. Special Tapping Screws 特殊タッピンねじ



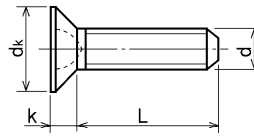
Type No. 類別番号	Type 類別	Head size (mm) 頭部寸法 (mm)		
		M3	M4	
XB4-5	Binding head バインド	dk	6.3	8.3
		k	1.3	1.7
		k+f	1.9	2.5

Figure ZZB (6 / 7) MECHANICAL STANDARD PARTS (SCREWS)

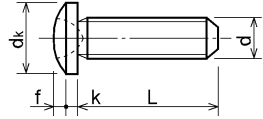
1-7. General Head Tapping Screws 一般タッピンねじ



XB4-6



XB4-8

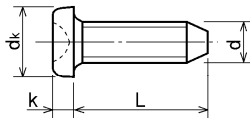


XB4-7

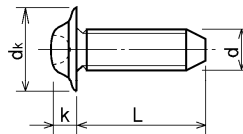
Type No. 類別番号	Type 類別
XB4-6	Pan head なべ
XB4-7	Binding head バインド
XB4-8	Countersunk head さら

		Head size (mm) 頭部寸法 (mm)					
		M2	M2.5	M2.6	M3	M4	M5
dk	XB4-6	3.5	4.5	4.5	5.5	7	9
k	XB4-6	1.3	1.7	1.7	2	2.6	3.3
dk	XB4-7	4.3	5.3	5.5	6.3	8.3	10.3
k+f	XB4-7	1.2	1.5	1.6	1.9	2.5	3.1
dk	XB4-8	4	5	5.2	6	8	10
k	XB4-8	1.2	1.45	1.5	1.75	2.3	2.8

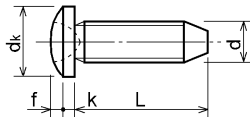
1-8. Tapping Screws for Metallic Materials 金属用タッピンねじ



XB5-1



XB5-6



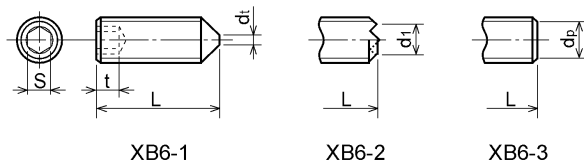
XB5-2

Type No. 類別番号	Type 類別
XB5-1	Pan head なべ
XB5-2	Binding head バインド
XB5-6	Flanged pan head つば付きなべ

		Head size (mm) 頭部寸法 (mm)				
		M2.5	M2.6	M3	M4	M5
dk	XB5-1	4.5	4.5	5.5	7	9
k	XB5-1	1.7	1.7	2	2.6	3.3
dk	XB5-2	5.5	5.5	6.3	8.3	10.3
k+f	XB5-2	1.6	1.6	1.9	2.5	3.1
dk	XB5-6	6.5	6.5	8	10	12
k	XB5-6	2.1	2.1	1.75	3.2	4

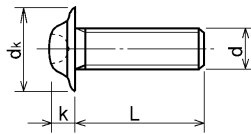
Figure ZZB (7 / 7) MECHANICAL STANDARD PARTS (SCREWS)

1-9. Hexagon Socket Set Screws 六角穴付き止めねじ



Type No. 類別番号	Type 類別	Head size (mm) 頭部寸法 (mm)						
		M1.6 M1.7	M2	M2.5 M2.6	M3	M5	M5	M6
S		0.7	0.9	1.3	1.5	2	2.5	3
t		1.5	1.7	2	2	2.5	3	3.5
dt max	XB6-1	0.4	0.5	0.65	0.75	1	1.25	1.5
d1 max	XB6-2	-	1.2	1.5	1.7	2.2	2.8	3.3
d1 min	XB6-2	-	1	1.2	1.4	1.9	2.4	2.9
dp max	XB6-3	0.8	1	1.5	2	2.5	3.5	4
dp min	XB6-3	0.55	0.75	1.25	1.75	2.25	3.2	3.7

1-10. Flanged Pan Head Machine Screws つば付きなべ小ねじ



Type No. 類別番号	Type 類別	Head size (mm) 頭部寸法 (mm)				
		M2	M2.5 M2.6	M3	M5	M5
dk		5	6.5	8	10	12
k		1.7	2.1	2.5	3.2	4

FIG/KEY	PART NUMBER	RANK	QTY	DESCRIPTION	REMARKS
---------	-------------	------	-----	-------------	---------

Figure ZZC MECHANICAL STANDARD PARTS (BOLTS)

2. Bolts (Socket head cap screw) ボルト

How to read Parts Numbers
部品番号の見方

Bolt (Socket head cap screw)
ボルト

XB7-1080-409

Type No.
類別番号

Normal designation (d)
ねじの呼び (d)

Length (L)
ねじの長さ (L)

Material and Surface treatment
材料および表面処理

XB7-1 expresses Hexagon socket head cap screws.
XB7-1は、六角穴付きボルトを表す

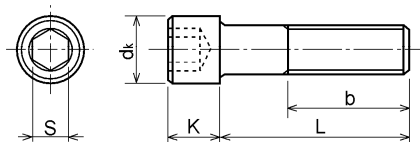
080 expresses M8.0.
080は、M8.0を表す

40 expresses a length of 40mm.
40は、40mmの長さを表す

9 expresses Steel (Black zinc trivalent chromate
treating) from Table 1.

9は、表1より鋼（黒色亜鉛3価クロメート）を表す

2-1. Hexagon socket head cap screws 六角穴付きボルト



Type No. 類別番号	Type 類別
XB7-1	Hexagon socket head cap screws 六角穴付きボルト

	Head size (mm) 頭部寸法 (mm)						
	M3	M4	M5	M6	M8	M10	M12
S	2.5	3	4	5	6	8	10
dk	5.5	7	8.5	10	13	16	18
K	3	4	5	6	8	10	12
Screw part length ねじ部長さ b_{max}	18	20	22	24	28	32	36

FIG/KEY	PART NUMBER	RANK	QTY	DESCRIPTION	REMARKS
---------	-------------	------	-----	-------------	---------

Figure ZZD MECHANICAL STANDARD PARTS (NUTS)

3. Nuts ナット

How to read Parts Numbers
部品番号の見方

Nuts
ナット

XB7-2100-309

Type No.
類別番号

Normal designation (d)
ねじの呼び (d)

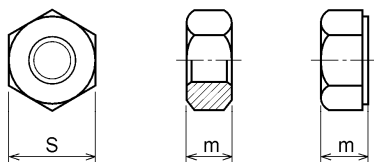
Material and Surface treatment
材料および表面処理

XB7-210 expresses Hexagon nut class 1.
XB7-210は、六角ナット1種を表す

0-30 expresses M3.0.
0-30は、M3.0を表す

9 expresses Steel (Black zinc trivalent chromate
treating) from Table 1.
9は、表1より鋼（黒色亜鉛3価クロメート）を表す

3-1. Hexagon Nuts and Hexagon Thin Nuts 六角ナット



Type No. 類別番号	Type 類別
XB7-210	Hexagon nut Class 1 六角ナット-1種
XB7-220	Hexagon nut Class 3 六角ナット-3種
XB7-230	Hexagon nut Style 1 double chamfered 六角ナット-スタイル1-両面とり
XB7-231	Hexagon nut Style 1 washer faced 六角ナット-スタイル1-座付き
XB7-240	Hexagon nut Style 2 double chamfered 六角ナット-スタイル2-両面とり
XB7-241	Hexagon nut Style 2 washer faced 六角ナット-スタイル2-座付き
XB7-250	Hexagon nut 六角ナット
XB7-260	Hexagon thin nut double chamfered 六角低ナット-両面とり
XB7-270	Hexagon thin nut not chamfered 六角低ナット-面とり無し

	Head size (mm) 頭部寸法 (mm)						
	M2	M2.5	M3	M4	M5	M6	M8
S	4	5	5.5	7	8	10	13
m XB7-210	1.6	2	2.4	3.2	4	5	6.5
m XB7-220	1.2	1.6	1.8	2.4	3.2	3.6	5
m XB7-230, 231	1.6	2	2.4	3.2	4.7	5.2	6.8
m XB7-240, 241	-	-	-	-	5.1	5.7	7.5
m XB7-250	-	-	-	-	5.6	6.1	7.9
m XB7-260	1.2	1.6	1.8	2.2	2.7	3.2	4
m XB7-270	1.2	1.6	1.8	2.2	2.7	3.2	4

FIG/KEY	PART NUMBER	RANK	QTY	DESCRIPTION	REMARKS
---------	-------------	------	-----	-------------	---------

Figure ZZE (1 / 3) MECHANICAL STANDARD PARTS (RETAINING RINGS)

5. Retaining Rings 止め輪

How to read Parts Numbers
部品番号の見方

Retaining Rings
止め輪

XD2-1100-202

Type No.
類別番号
Nominal designation
呼び
Material and Surface treatment
材料および表面処理

XD2-110 expresses retaining ring-E type (Type1).
XD2-110は、E形止め輪（1種）を表す

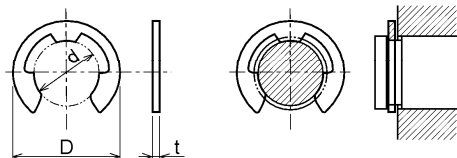
0-20 expresses a 020 of nominal designation.
(See Table 5)

0-20は、呼び020を表す（表5参照）

2 expresses Stainless steel (Surface treatment is not to be given) from Table 1.

2は、表1よりステンレス（表面処理なし）を表す

5-1. Retaining Rings - E type E形止め輪



Type No. 類別番号	Type 類別
XD2-110	Retaining ring - E type (Type 1) E形止め輪（1種）
XD2-120	Retaining ring - E type (Type 2) E形止め輪（2種）

Table 5 表5

Type 種類	Nominal designation 呼び	d (mm)	D (mm)	t (mm)
Type 1 1種	007	0.65	2	0.2
	010	0.95	2.8	0.2
	013	1.25	3.3	0.3
	017	1.65	4.2	0.4
	020	1.95	4.6	0.5
	024	2.35	6	0.6
	028	2.74	6.5	0.6
	032	3.14	7.2	0.6
	037	3.64	8	0.7
	040	3.93	10	0.7
	042	4.13	10	0.7
	050	4.93	11	0.7
	058	5.73	12	0.7
	060	5.93	12.7	0.9
064	6.32	13.5	0.9	
074	7.31	15	0.9	
080	7.91	16.5	1	
Type 2 2種	008	0.8	2	0.2
	012	1.2	3	0.3
	015	1.5	4	0.4
	020	2	5	0.4
	025	2.5	6	0.4
	030	3	7	0.6
	040	4	9	0.6
	050	5	11	0.6
	060	6	12	0.8
	070	7	14	0.8
	080	8	16	0.8
	090	9	18	0.8
100	10	20	1	

Figure ZZE (2 / 3) MECHANICAL STANDARD PARTS (RETAINING RINGS)

5-2. Grip Rings グリップ止め輪

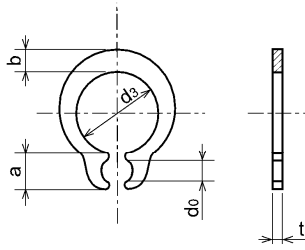


Table 5 表5

Nominal designation 呼び	d_3 (mm)	t (mm)	b (mm)	a (mm)	d_0 (mm)
020	1.9	0.5	1	1.8	0.8
025	2.35	0.5	1.2	1.9	0.9
030	2.85	0.6	1.4	1.9	0.9
035	3.3	0.6	1.6	2	0.9
040	3.8	0.8	1.8	2.8	1.2
045	4.25	0.8	2	2.9	1.3
050	4.75	0.8	2.2	2.9	1.3
060	5.7	1	2.4	3.1	1.4
070	6.7	1	2.7	3.3	1.4
080	7.7	1	3	3.5	1.4
090	8.65	1.2	3.3	4.7	1.5
100	9.65	1.2	3.5	4.7	2

Type No. 類別番号	Type 類別
XD2-210	Grip ring グリップ止め輪

5-3. Toothed Retaining Rings 歯付き形止め輪

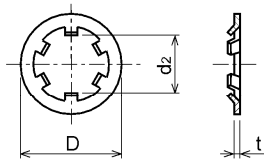


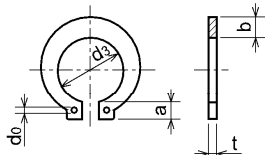
Table 5 表5

Nominal designation 呼び	d_2 (mm)	D (mm)	t (mm)	No of teeth 歯数
015	1.4	5.2	0.25	3
020	1.9	6	0.25	3
024	2.3	6.4	0.25	3
030	2.8	8	0.25	4
040	3.8	9	0.25	4
050	4.8	10	0.25	5
060	5.8	11	0.25	5
080	7.8	13	0.25	5
100	9.8	15.4	0.25	6

Type No. 類別番号	Type 類別
XD2-230	Toothed retaining ring 歯付き形止め輪

Figure ZZE (3 / 3) MECHANICAL STANDARD PARTS (RETAINING RINGS)

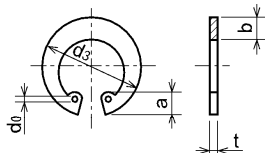
5-4. Retaining Rings - C Type C形止め輪



Type No. 類別番号	Type 類別
XD2-310	Retaining ring - C type for shaft C形止め輪 軸用

Table 5 表5

Nominal designation 呼び	ds (mm)	t (mm)	b (mm)	a (mm)	db (mm)
010	9.3	1	1.6	3	1.2
012	11.1	1	1.8	3.2	1.5
014	12.9	1	2	3.4	1.7
015	13.8	1	2.1	3.5	1.7
016	14.7	1	2.2	3.6	1.7
017	15.7	1	2.2	3.7	1.7
018	16.5	1.2	2.6	3.8	1.7
020	18.5	1.2	2.7	3.9	2
022	20.5	1.2	2.7	4.1	2
025	23.2	1.2	3.1	4.3	2
028	25.9	1.5	3.1	4.6	2
030	27.9	1.5	3.5	4.8	2
032	29.6	1.5	3.5	5	2.5
035	32.2	1.5	4	5.4	2.5



Type No. 類別番号	Type 類別
XD2-320	Retaining ring - C type for hole C形止め輪 穴用

Table 5 表5

Nominal designation 呼び	ds (mm)	t (mm)	b (mm)	a (mm)	db (mm)
010	10.7	1	1.8	3.1	1.2
011	11.8	1	1.8	3.2	1.2
012	13	1	1.8	3.3	1.5
014	15.1	1	2	3.6	1.7
016	17.3	1	2	3.7	1.7
018	19.5	1	2.5	4	1.7
019	20.5	1	2.5	4	2
020	21.5	1	2.5	4	2
022	23.5	1	2.5	4.1	2
025	26.9	1.2	3	4.4	2
028	30.1	1.2	3	4.6	2
030	32.1	1.2	3	4.7	2
032	34.4	1.2	3.5	5.2	2.5
035	37.8	1.5	3.5	5.2	2.5
037	39.8	1.5	3.5	5.2	2.5
040	43.5	1.8	4	5.7	2.5
042	45.5	1.8	4	5.8	2.5
045	48.5	1.8	4.5	5.9	2.5
047	50.5	1.8	4.5	6.1	2.5
050	54.2	2	4.5	6.5	2.5
052	56.2	2	5.1	6.5	2.5
055	59.2	2	5.1	6.5	2.5
060	64.2	2	5.1	6.8	2.5
062	66.2	2	5.5	6.9	2.5
068	72.5	2.5	6	7.4	2.5
072	76.5	2.5	6.6	7.4	2.5
075	79.5	2.5	6.6	7.8	2.5
080	85.5	2.5	7	8	2.5
085	90.5	3	7	8	3
090	95.5	3	7.6	8.3	3
095	100.5	3	8	8.5	3

FIG/KEY	PART NUMBER	RANK	QTY	DESCRIPTION	REMARKS
---------	-------------	------	-----	-------------	---------