

# **PARTS CATALOG**

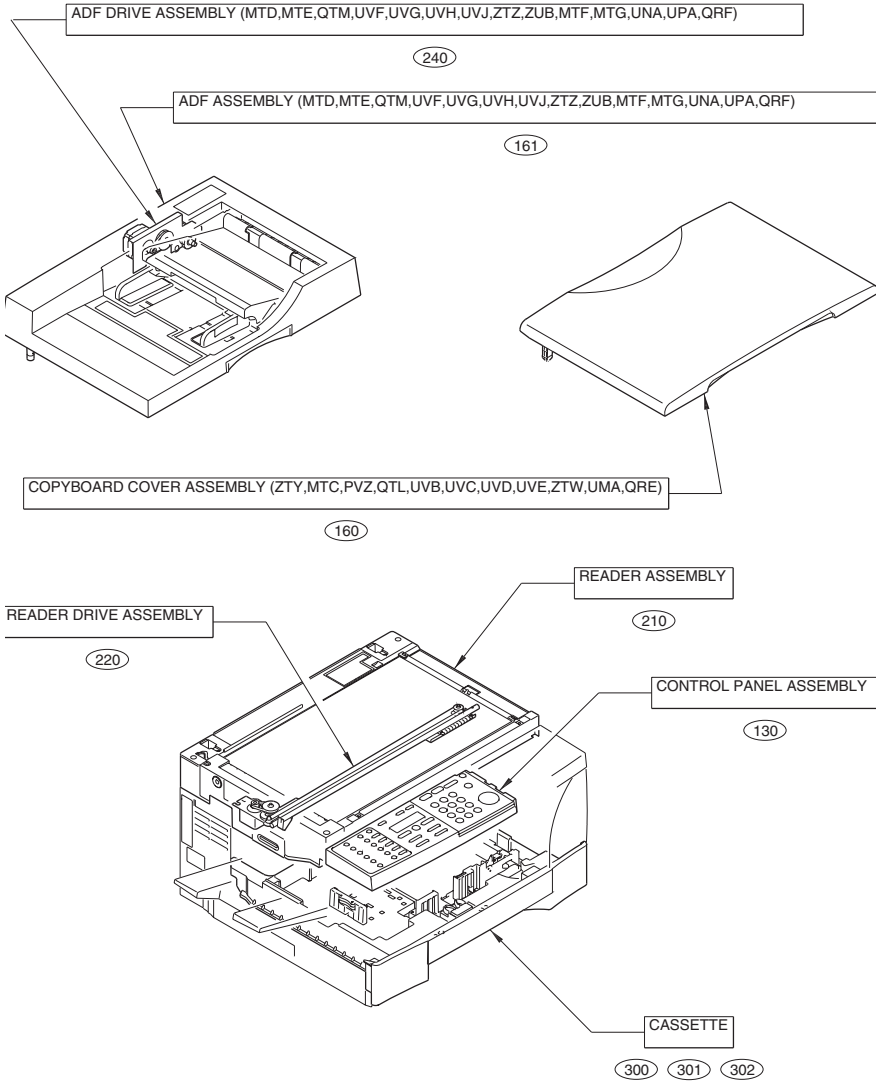
**iR1200/iR1300/iR1500/iR1600  
Series**

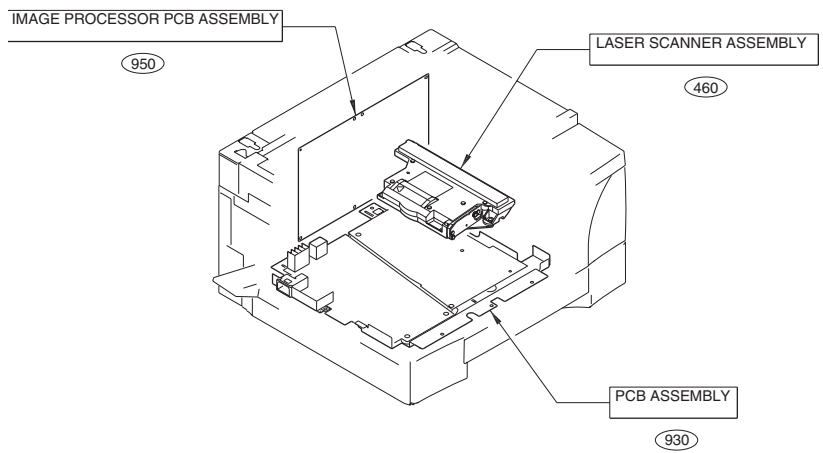
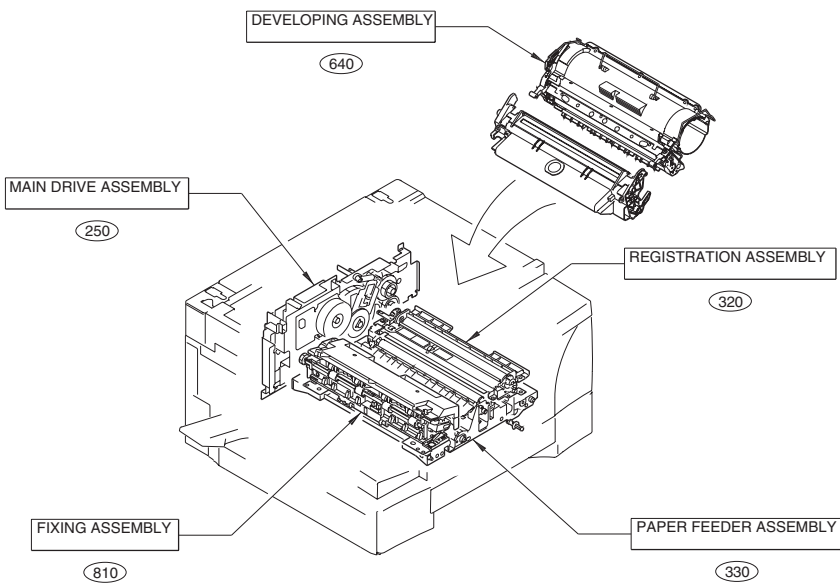
(iR1510/1530/1570F)

**Canon**

**Jun 11 2004**

# FIGURE A ASSEMBLY LOCATION DIAGRAM





# FIGURE 100 EXTERNAL COVERS, PANELS, ETC.

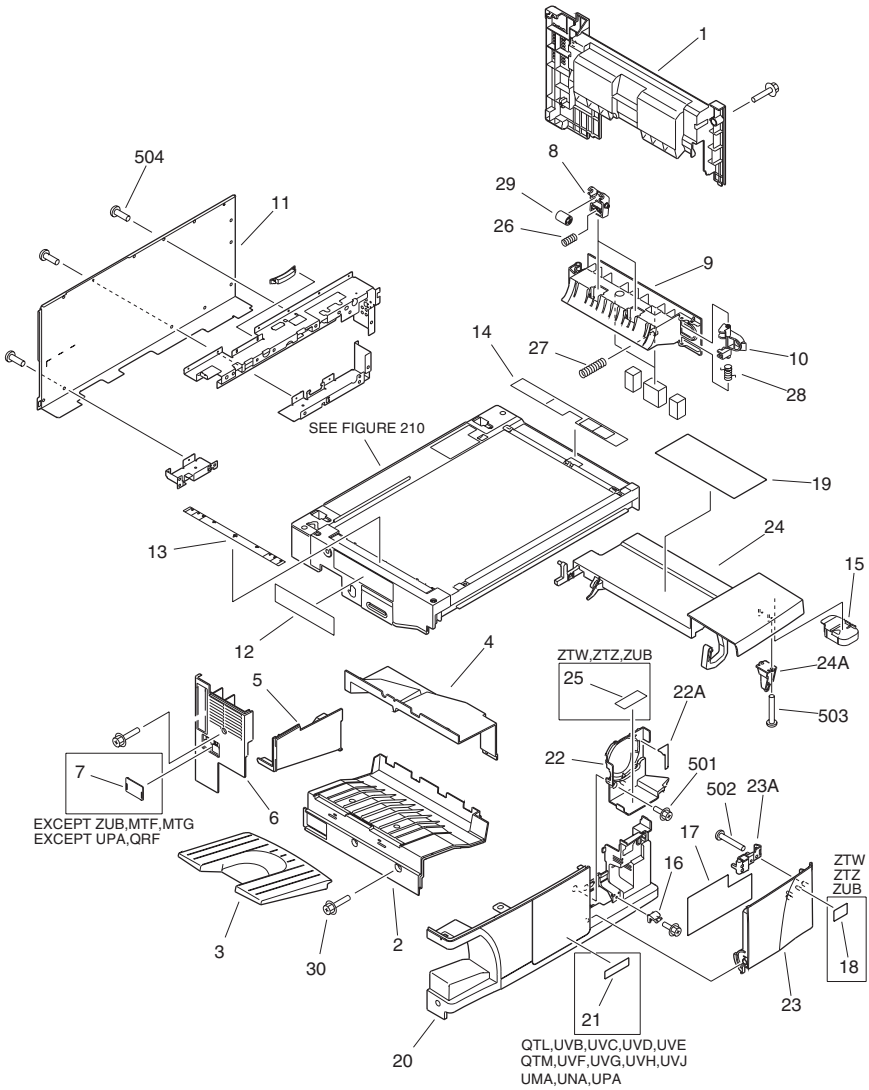


FIGURE & KEY NO.	PARTS NUMBER	R A N K	Q'TY	DESCRIPTION	SERIAL NUMBER/ REMARKS	S V C
Fig.100	NPN		RF	EXTERNAL COVERS, PANELS, ETC.		
1	FB6-0085-000		1	PANEL, RIGHT		
2	FB6-0123-020		1	PANEL, PAPER DELIVERY		
3	FB6-0124-020		1	TRAY, PAPER DELIVERY		
4	FB6-0125-000		1	PANEL, PAPER DELIVERY, UPPER		
5	FB6-0126-000		1	PANEL, PAPER DELIVERY, REAR		
6	FB6-0127-000		1	PANEL, LEFT		
7	FB6-0128-000		1	LID, MODULAR JACK	EXCEPT ZUB,MTF,MTG EXCEPT UP,A,QRF	
8	FB6-0242-000		2	ARM, PRESSURE		
9	FB6-0243-000		1	DOOR, RIGHT		
10	FB6-0250-000		1	ARM, LOCK		
11	FB6-0279-000		1	PANEL, REAR		
12	FB6-2303-000		1	LABEL, REMOVAL	ZTY,ZTW,ZTZ,ZUB	
12	FB6-0283-000		1	LABEL, REMOVAL	QTL,UVB,UVC,UVD,UVE QTM,UVF,UVG,UVH,UVJ UMA,UNA,UPA	
12	FB6-0284-000		1	LABEL, REMOVAL	MTG,PVZ,MTD,MTE,MTF MTG,QRE,QRF	
13	FB6-2305-000		1	LABEL, DOCUMENT SIZE		
14	FB6-2306-000		1	LABEL, READER SLIDE	ZTY,ZTW,ZTZ,ZUB	
14	FB6-2307-000		1	LABEL, READER SLIDE	QTL,UVB,UVC,UVD,UVE QTM,UVF,UVG,UVH,UVJ UMA,UNA,UPA	
14	FB6-2308-000		1	LABEL, READER SLIDE	MTG,PVZ,MTD,MTE,MTF MTG,QRE,QRF	
15	FB6-4633-000		1	COVER, DRUM SHUTTER STOP		
16	FB6-4650-000		1	HINGE, FRONT PANEL		
17	FB6-4768-000		1	LABEL, 'TONER CARTRIDGE'		
18	FB6-4783-000		1	LABEL, 'SUPER G3'	ZTW,ZTZ,ZUB	
19	FB6-4785-000		1	LABEL, JAM CLEARING		
20	FB6-4790-000		1	PANEL, FRONT	ZTY,MTG,PVZ,QRE	
20	FB6-4830-000		1	PANEL, FRONT	QTL,UVB,UVC,UVD,UVE QTM,UVF,UVG,UVH,UVJ UMA,UNA,UPA	
20	FB6-4791-000		1	PANEL, FRONT	MTD,MTE	
20	FB6-4641-000		1	PANEL, FRONT	ZTW	

FIGURE & KEY NO.	PARTS NUMBER	R A N K	Q'TY	DESCRIPTION	SERIAL NUMBER/ REMARKS	S V C
20	FB6-4788-000		1	PANEL, FRONT	ZTZ	
20	FB6-4789-000		1	PANEL, FRONT	ZUB	
20	FB6-4792-000		1	PANEL, FRONT	MTF,MTG,QRF	
20	FB6-6657-000		1	PANEL, FRONT	JQE	
20	FB6-6658-000		1	PANEL, FRONT	JRK	
20	FB6-6659-000		1	PANEL, FRONT	JSD	
20	FB6-6660-000		1	PANEL, FRONT	JQF,JRG,JRH,JRJ,JQG,JQH,JRC,JRD,JRF	
20	FB6-6661-000		1	PANEL, FRONT	JRY,JSC,JRL,JRM,JRP,JRW,JRX	
20	FB6-6662-000		1	PANEL, FRONT	JSP,JSQ,JSR,JSE,JSF,JS G,JSM,JSN	
21	FB6-4831-000		1	LABEL, MODEL NAME	QTL,UVB,UVC,UVD,UVE UMA	
21	FB6-4832-000		1	LABEL, MODEL NAME	QTM,UVF,UVG,UVH,UVJ UNA	
21	FB6-4833-000		1	LABEL, MODEL NAME	UPA	
22	FF6-2301-000		1	PANEL, CARTRIDGE		
22A	FB6-4662-000		1	LABEL, POSITIONING		
23	FG6-9551-000		1	DOOR, FRONT		
23A	FB6-4643-000		1	BLOCK, STOP		
24	FG6-9552-000		1	PANEL, CARTRIDGE OPEN/CLOSE		
24A	FB6-4645-000		1	BLOCK, STOP		
25	FS6-8992-000		1	LABEL, TONER	ZTW,ZTZ,ZUB	
26	FS7-2691-000		2	SPRING, COMPRESSION		
27	FS7-2692-000		1	SPRING, COMPRESSION		
28	FS7-2693-000		1	SPRING, TORSION		
29	RB2-3046-000		2	ROLLER		
30	XA9-0931-000		AR	SCREW, RS, M3X12		
501	XB3-6300-800		AR	SCREW,RS,M3X8		
502	XB4-5401-007		2	SCREW,P,M4X10		
503	XB4-5401-007		2	SCREW,P,M4X10		
504	XB6-7300-807		AR	SCREW,TP,M3X8		

# FIGURE 101 INTERNAL COMPONENTS 1

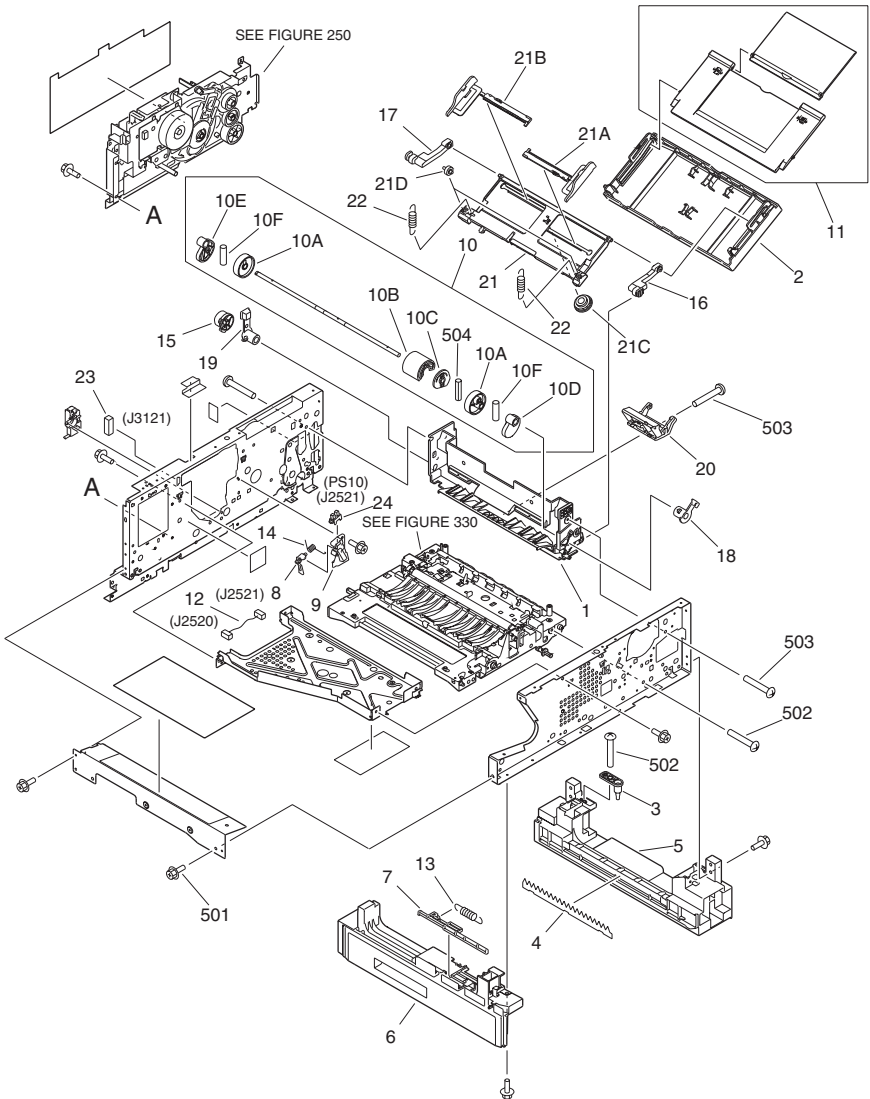


FIGURE & KEY NO.	PARTS NUMBER	R A N K	Q'TY	DESCRIPTION	SERIAL NUMBER/ REMARKS	S V C
Fig.101	NPN		RF	INTERNAL COMPONENTS 1		
1	FB6-0074-000		1	FRAME, MULTI FEED		
2	FB6-0249-000		1	PANEL, MULTI PICK-UP		
3	FB6-0251-000		1	PIN, HINGE		
4	FB6-0265-000		1	SHEET, NOISE PREVENTION	iR1210,iR1230,iR1270F,iR1310,iR1330,iR1370F	
4	FE5-3195-000		1	SHEET, NOISE PREVENTION	iR1510,iR1530,iR1570F,iR1610,iR1630,iR1670F	
5	FB6-0268-000		1	RAIL, CASSETTE, RIGHT		
6	FB6-0269-000		1	RAIL, CASSETTE, LEFT		
7	FB6-0291-000		1	LEVER, CASSETTE SENSOR		
8	FB6-4666-000		1	FLAG, SENSOR		
9	FB6-4667-000		1	HOLDER, SENSOR FLAG		
10	FG6-7953-000		1	MP PICK-UP ROLLER UNIT		
10A	FB6-0314-000		2	COLLAR, MP		
10B	RB2-2900-000		1	ROLLER, MP PICK-UP		
10C	RB2-2901-000		1	CAM, ROLLER		
10D	RB2-2902-000		1	CAM, MP, LEFT		
10E	RB2-2903-000		1	CAM, MP, RIGHT		
10F	XD9-0159-000		2	PIN, DOWEL		
11	FG6-7972-000		1	PAPER PICK-UP TRAY UNIT		
12	FG6-9851-000		1	CABLE, SENSOR, 1	J2520.2521	
13	FS7-2697-000		1	SPRING, TENSION		
14	FS7-2933-000		1	SPRING, TORSION		
15	FU3-0072-000		1	GEAR, 26T		
16	RB2-3041-020		1	HINGE, LEFT		
17	RB2-3042-020		1	HINGE, RIGHT		
18	RB2-3043-000		1	BUSHING, LEFT		
19	RB2-3044-000		1	BUSHING, RIGHT		
20	FF6-1460-000		1	SEPARATION PAD UNIT		
21	FG6-8530-000		1	MULTI-PURPOSE TRAY ASS'Y		
21A	RB2-2883-000		1	GUIDE, SLIDE, LEFT		
21B	RB2-2884-000		1	GUIDE, SLIDE, RIGHT		



FIGURE & KEY NO.	PARTS NUMBER	RANK	Q'TY	DESCRIPTION	SERIAL NUMBER/REMARKS	SVC
21C	RB2-2885-000		1	GEAR, 18T		
21D	RB2-3084-000		2	COLLAR, MP		
22	RS6-2030-000		2	SPRING, TENSION	iR1210,iR1230,iR1270F,iR1310,iR1330,iR1370F J316,801	
22	FS7-2706-000		2	SPRING, TENSION	iR1510,iR1530,iR1570F,iR1610,iR1630,iR1670F J316,801	
23	VS1-5057-004		1	CONNECTOR, SNAP TIGHT	J3121	
24	WG8-5309-000		1	PHOTO-INTERRUPTER	PS10 J2521	
501	XB3-6300-800		AR	SCREW,RS,M3X8		
502	XB4-5401-007		AR	SCREW,P,M4X10		
503	XB4-7401-009		AR	SCREW,TAPPING,TRUSS HEAD,M4X10		
504	XD3-1160-142		1	PIN,SPRING		

# FIGURE 102

## INTERNAL COMPONENTS 2

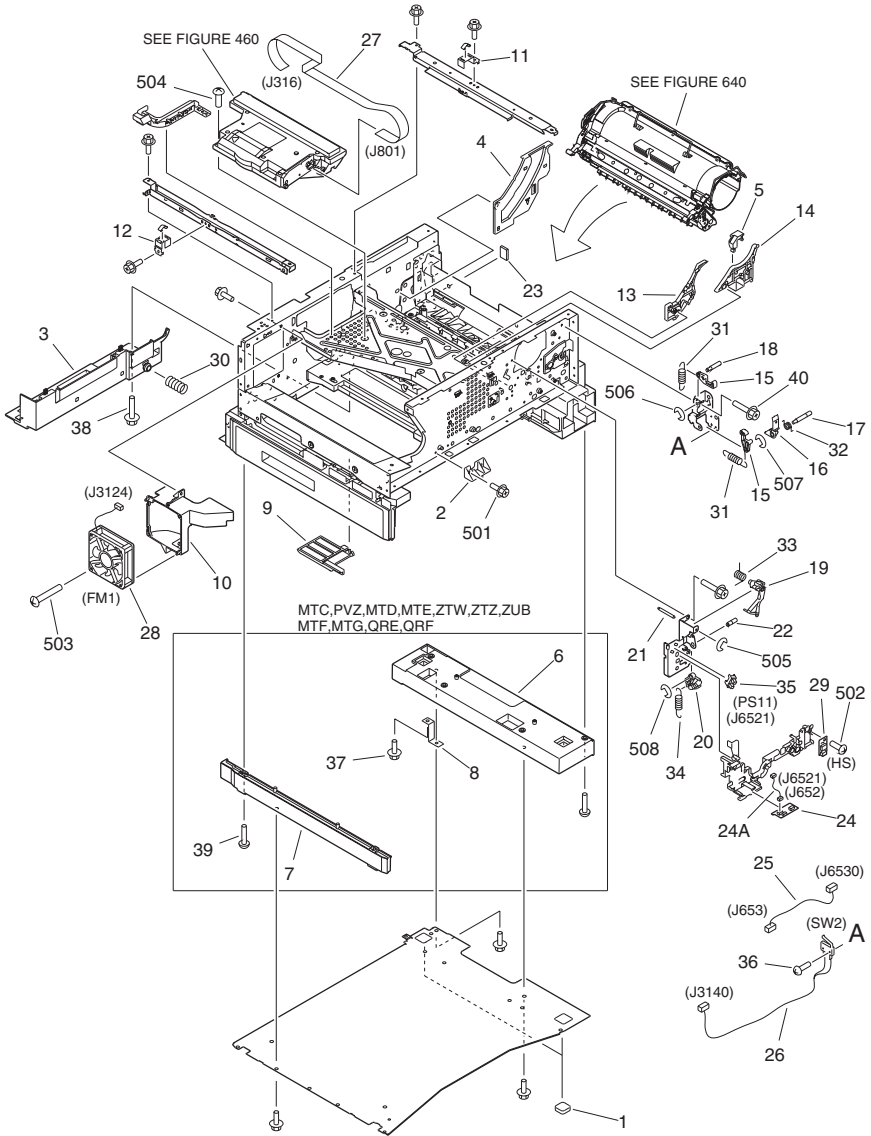


FIGURE & KEY NO.	PARTS NUMBER	RANK	Q'TY	DESCRIPTION	SERIAL NUMBER/REMARKS	SVC
Fig.102	NPN		RF	INTERNAL COMPONENTS 2		
1	FB2-5303-000		2	FOOT, RUBBER		
2	FB6-0077-000		1	LOCK, CASSETTE		
3	FB6-0086-000		1	PANEL, CABLE HOLDER		
4	FB6-0164-000		1	GUIDE, CARTRIDGE, REAR		
5	FB6-0165-000		1	RETAINER, SPRING		
6	FB6-0276-000		1	SUPPORT, RAIL, RIGHT	MTC,PVZ,MTD,MTE,ZTW ZTZ,ZUB,MTF,MTG,QRE QRF,JQF,JQG,JQH,JRC,J RD,JRF,JRL,JRM,JRP,JR W,JRX,JSE,JSF,JSG,JSM ,JSN	
7	FB6-0277-000		1	SUPPORT, RAIL, LEFT	MTC,PVZ,MTD,MTE,ZTW ZTZ,ZUB,MTF,MTG,QRE QRF	
8	FB6-0278-000		1	PLATE, GROUNDING	MTC,PVZ,MTD,MTE,ZTW ZTZ,ZUB,MTF,MTG,QRE QRF,JSE,JSF,JSG,JSM,J SN	
9	FB6-0289-000		1	LEVER, DETECT SENSOR, 1	ZTY,QTL,UVB,UVC,UVD UVE,QTM,UVF,UVG,UVH UVJ,UMA,UNA,UPA	
9	FB6-0303-000		1	LEVER, DETECT SENSOR, 1	MTC,PVZ,MTD,MTE,ZTW ZTZ,ZUB,MTF,MTG,QRE QRF,JQF,JQG,JQH,JRC,J RD,JRF,JRL,JRM,JRP,JR W,JRX	
10	FB6-0307-000		1	HOLDER, FAN		
11	FB6-4556-000		1	PLATE, GROUNDING		
12	FB6-4557-000		1	PLATE, GROUNDING		
13	FB6-4647-000		1	FRONT GUIDE, CARTRIDGE, UPPER		
14	FB6-4648-000		1	FRONT GUIDE, CARTRIDGE, LOWER		
15	FB6-4652-000		2	HOOK, FRONT PANEL RELEASE		
16	FB6-4653-000		1	LEVER, FRONT PANEL DETECT		
17	FB6-4654-000		1	SHAFT, RELEASE HOOK		
18	FB6-4655-000		1	SHAFT, RELEASE HOOK		
19	FB6-4657-000		1	LEVER, TONER BOTTLE SENSOR		
20	FB6-4658-000		1	CAM, LEVER EVACUATE		
21	FB6-4660-000		1	SHAFT, SENSOR LEVER		
22	FB6-4661-000		1	SHAFT, EVACUATE CAM		

FIGURE & KEY NO.	PARTS NUMBER	R A N K	Q'TY	DESCRIPTION	SERIAL NUMBER/ REMARKS	S V C
23	FC5-0039-000		1	SEAL		
24	FG6-9556-000		1	SENSOR CONNECT PCB ASSEMBLY		
24A	FG6-9853-000		1	CABLE, TONER BOTTLE	J652,6521	
25	FG6-9848-000		1	CABLE, HUMIDITY SENSOR	J653,6530	
26	FG6-9849-000		1	CABLE, FRONT PANEL SWITCH	SW2 J3140	
27	FH2-6934-000		1	CABLE, FLAT	iR1210,iR1230,iR1270F,iR1310,iR1330,iR1370F J316,801	
27	FH2-7067-000		1	CABLE, FLAT	iR1510,iR1530,iR1570F,iR1610,iR1630,iR1670F J316,801	
28	FH6-1921-000		1	FAN	FM1 J3124	
29	FH7-7611-000		1	HUMIDITY SENSOR UNIT	HS	
30	FS7-2694-000		1	SPRING, COMPRESSION		
31	FS7-2921-000		2	SPRING, TENSION		
32	FS7-2922-000		1	SPRING, TORSION		
33	FS7-2923-000		1	SPRING, TORSION		
34	FS7-2924-000		1	SPRING, TENSION		
35	WG8-5309-000		1	PHOTO-INTERRUPTER	PS11 J6521	
36	XA9-0554-000		1	SCREW,MACH.,TRUSS HEAD,M2.3X10		
37	XA9-0813-000		1	SCREW,RS,M3X8	MTC,PVZ,MTD,MTE,ZTW ZTZ,ZUB,MTF,MTG,QRE QRF	
38	XA9-0931-000		AR	SCREW, RS, M3X12		
39	XA9-0976-000		6	SCREW,P,M4X16	MTC,PVZ,MTD,MTE,ZTW ZTZ,ZUB,MTF,MTG,QRE QRF	
40	XA9-1164-000		AR	SCREW,RS,M3X6.5		
41	FB6-0301-000		1	GUIDE, CABLE		
501	XB3-6300-800		AR	SCREW,RS,M3X8		
502	XB4-7401-009		1	SCREW,TAPPING,TRUSS HEAD,M4X10		
503	XB4-7403-509		2	SCREW,TAPPING,TRUSS HEAD,M4X35		
504	XB6-7300-807		AR	SCREW,TP,M3X8		
505	XD2-1100-202		1	RING,E		
506	XD2-1100-322		1	RING,E		
507	XD2-1100-502		1	RING,E		

FIGURE & KEY NO.	PARTS NUMBER	R A N K	Q'TY	DESCRIPTION	SERIAL NUMBER/ REMARKS	S V C
508	XD2-1100-502		1	RING,E		



FIGURE & KEY NO.	PARTS NUMBER	R A N K	Q'TY	DESCRIPTION	SERIAL NUMBER/ REMARKS	S V C
Fig.103	NPN		RF	INTERNAL COMPONENTS 3		
1	FB2-5502-000		1	SCREW,STEPPED,M3		
2	FB6-0075-000		1	FLAG, MULTI PICK-UP SENSOR		
3	FB6-0076-000		1	SUPPORT, MULTI PICK-UP SENSOR		
4	FB6-0094-000		2	SUPPORT, READER STOP		
5	FB6-0147-000		1	PLATE, GROUNDING		
6	FB6-0179-000		1	COVER, DF CABLE		
7	FB6-0234-000		4	COLLAR, SWING		
8	FB6-0252-000		1	PLATE, GROUNDING		
9	FB6-0253-000		1	PLATE, GROUNDING		
10	FB6-0256-000		1	DAMPER GEAR UNIT		
11	FB6-4638-000		1	PANEL, UPPER		
12	FF6-1455-000		1	PLATE, GROUNDING		
13	FH5-3415-000		1	CD-ROM, USERSOFTWARE	ZTW,ZTZ,ZUB	
13	FH5-3416-000		1	CD-ROM, USERSOFTWARE	ZTY,MTC,PVZ,QLT,UVB UVC,UVD,UVE,MTD,MTE QTM,UVF,UVG,UVH,UVJ	
13	FG3-3051-00S		1	CD-ROM, USERSOFTWARE	UMA,UNA,UPA	
13	FH5-3416-000		1	CD-ROM, USERSOFTWARE	MTF,MTG,QRE,QRF	
13	FH5-3590-000		1	CD-ROM, USERSOFTWARE	JQE	
13	FH5-3625-000		1	CD-ROM, USERSOFTWARE	JRL,JRM,JRP,JRW,JRX,J SE,JSF,JSG,JSM,JSN	
14	FG6-8829-000		1	MODULAR JACK PCB ASSEMBLY	ZUB	
14	FG6-8830-000		1	MODULAR JACK PCB ASSEMBLY	UPA	
14	FG6-8831-000		1	MODULAR JACK PCB ASSEMBLY	MTF,MTG,QRF	
15	FG6-8840-000		1	CABLE, PSEUDO, CI	ZUB,MTF,MTG,UPA,QRF J4,102	
16	FG6-8841-000		1	CABLE, MULTI PICK-UP	J308,3081	
17	FG6-8844-000		1	CABLE, NCU ANALOG	ZUB,MTF,MTG,UPA,QRF J2,81	
18	FG6-9850-000		1	CABLE, READER/FRONT PANEL	SW1 J314,3140	
19	FG6-9854-000		1	CABLE, SERIAL NUMBER	J352,391	
20	FG6-9860-000		1	PRINTER CONTROLLER PCB ASSY	iR1210,iR1230,iR1270F,iR 1310,iR1330,iR1370F	
20	FM1-0459-000		1	PRINTER CONTROLLER PCB ASSY	iR1510,iR1530,iR1570F,iR 1610,iR1630,iR1670F	

FIGURE & KEY NO.	PARTS NUMBER	R A N K	Q'TY	DESCRIPTION	SERIAL NUMBER/ REMARKS	S V C
21	FH2-6932-000		1	CABLE, FLAT	J315,401	
22	FH2-6935-000		1	CABLE, FLAT	MTF,MTG,UPA,QRF J6,321	
22	FH2-7068-000		1	CABLE, FLAT	JSP,JSQ,JSR,JSE,JSF,JS G,JSM,JSN	
23	FH2-6936-000		1	CABLE, FLAT	ZUB,MTF,MTG,UPA,QRF J1,320	
23	FH2-7069-000		1	CABLE, FLAT	JSD,JSP,JSQ,JSR,JSE,J SF,JSJ,JSM,JSN	
24	FH2-7070-000		1	CABLE, FLAT	J318,701	
25	FH6-5038-000		1	SOLENOID	SL1 J309	
26	FS7-2695-000		1	SPRING, COMPRESSION		
27	FS7-2696-000		1	SPRING, COMPRESSION		
28	HG1-4365-000		1	NCU PCB ASSEMBLY	ZUB	
28	HG5-2587-000		1	NCU PCB ASSEMBLY	UPA	
28	HG5-2598-000		1	NCU PCB ASSEMBLY	MTF,MTG,QRF	
29	HH2-2654-000		1	CABLE, UNIT	QRE,QRF	
30	HH2-2824-000		1	CORD, MODULAR	ZUB,MTG	
30	HH2-2478-000		1	MODULAR CORD	MTF	
30	HH2-3167-000		1	CORD, MODULAR	QRF	
31	RB2-2837-000		1	SPRING, TORSION		
32	WE8-5908-000		1	CORE, RING		
33	WE8-5947-000		1	CORE, FERRITE	ZUB,MTF,MTG,UPA QRF	
33	WE8-6067-000		1	CORE, FERRITE	JSP,JSQ,JSR,JSE,JSF,JS G,JSM,JSN	
34	WG8-5309-000		1	PHOTO-INTERRUPTER	iR1210,iR1230,iR1270F,iR 1310,iR1330,iR1370F PS4 J3081	
34	WG8-5362-000		1	PHOTO-INTERRUPTER	iR1510,iR1530,iR1570F,iR 1610,iR1630,iR1670F PS4 J3081	
35	XA9-1164-000		AR	SCREW,RS,M3X6.5		
501	XB1-1300-807		2	SCREW,MACH.,PAN HEAD,M3X8		
502	XB2-7300-407		1	SCREW,W/WASHER,M3X4		
503	XB3-6300-800		AR	SCREW,RS,M3X8		
504	XB4-7401-009		AR	SCREW,TAPPING,TRUSS HEAD,M4X10		
505	XB6-7300-807		AR	SCREW,TP,M3X8		



# FIGURE 130 CONTROL PANEL ASSEMBLY

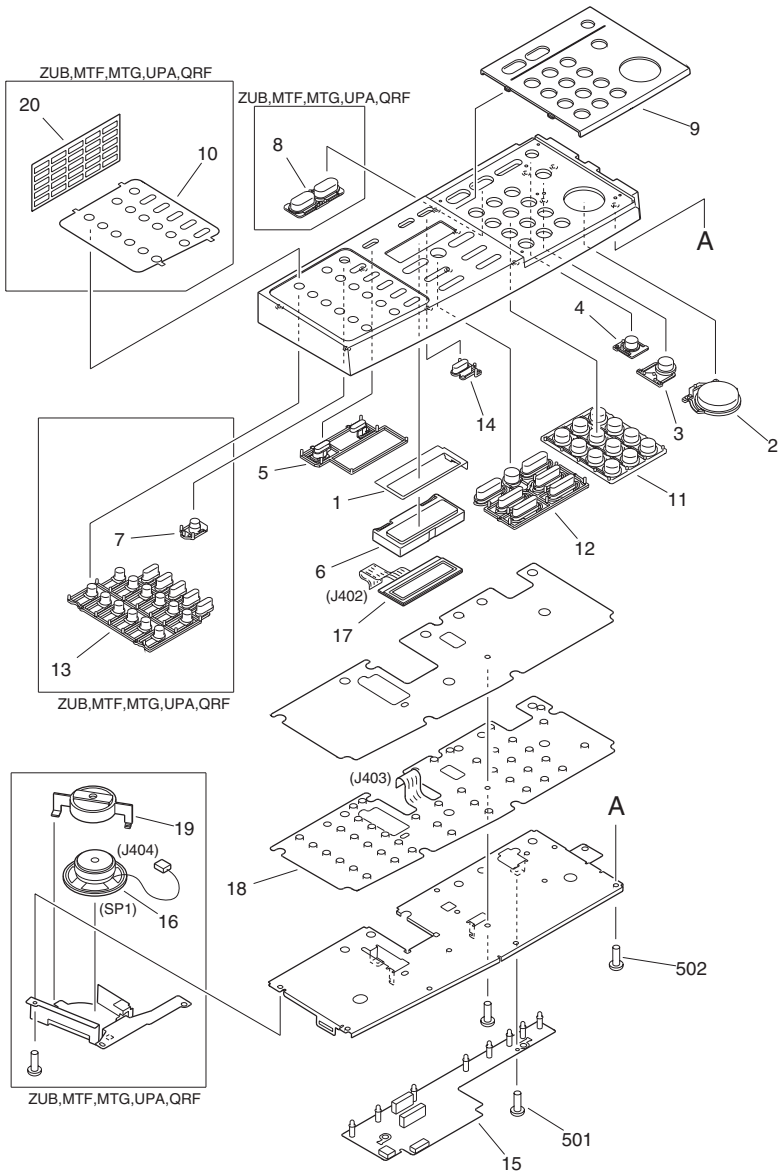


FIGURE & KEY NO.	PARTS NUMBER	R A N K	Q'TY	DESCRIPTION	SERIAL NUMBER/ REMARKS	S V C
Fig.130	FG6-9514-000		1	CONTROL PANEL ASSEMBLY	ZTW,ZTZ	
Fig.130	FG6-9516-000		1	CONTROL PANEL ASSEMBLY	ZTY,RTL,UVB,UVC,UVD UVE,QTM,UVF,UVG,UVH UVJ,UMA,UNA,QRE	
Fig.130	FG6-9518-000		1	CONTROL PANEL ASSEMBLY	MTC,PVZ,MTD,MTE	
Fig.130	FG6-9513-000		1	CONTROL PANEL ASSEMBLY	ZUB	
Fig.130	FG6-9515-000		1	CONTROL PANEL ASSEMBLY	UPA	
Fig.130	FG6-9517-000		1	CONTROL PANEL ASSEMBLY	MTF,MTG	
Fig.130	FG6-9519-000		1	CONTROL PANEL ASSEMBLY	QRF	
Fig.130	FM1-0461-000		1	CONTROL PANEL ASSEMBLY	JSD	
Fig.130	FM1-0462-000		1	CONTROL PANEL ASSEMBLY	JQE,JRK	
Fig.130	FM1-0464-000		1	CONTROL PANEL ASSEMBLY	JQF,JRJ,JQG,JQH,JRC,J RD,JRF,JRL,JRM,JRP,JR W,JRX	
Fig.130	FM1-0463-000		1	CONTROL PANEL ASSEMBLY	JSE,JSF,JSG,JSM,JSN	
Fig.130	FM1-0465-000		1	CONTROL PANEL ASSEMBLY	JSP,JSQ	
Fig.130	FM1-0466-000		1	CONTROL PANEL ASSEMBLY	JRG,JRH,JRY,JSC	
Fig.130	FM1-0467-000		1	CONTROL PANEL ASSEMBLY	JSR	
1	FB6-0133-000		1	PLATE, GROUNDING		
2	FB6-0138-000		1	KEY TOP, START		
3	FB6-0139-000		1	KEY TOP, STOP		
4	FB6-0140-000		1	KEY TOP, ESS		
5	FB6-0141-000		1	KEY TOP, USER-MODE		
6	FB6-0145-000		1	CASE, LCD		
7	FB6-2299-000		1	KEY TOP, FUNCTION	ZUB,MTF,MTG,UPA,QRF	
8	FB6-2323-000		1	KEY TOP, CHANGE	ZUB,MTF,MTG	
8	FB6-2324-000		1	KEY TOP, CHANGE	UPA,QRF	
9	FB6-4807-000		1	COVER, CONTROL PANEL	ZTY,RTL,UVB,UVC,UVD UVE,QTM,UVF,UVG,UVH UVJ,UMA,UNA,QRE	
9	FB6-4806-000		1	COVER, CONTROL PANEL	UPA,QRF	
9	FB6-4805-000		1	COVER, CONTROL PANEL	ZTW,ZTZ,MTC,PVZ,MTD MTE	
9	FB6-4804-000		1	COVER, CONTROL PANEL	ZUB	
9	FB6-4808-000		1	COVER, CONTROL PANEL	MTF,MTG	
10	FB6-4811-000		1	SHEET, ONE-TOUCH	ZUB	

FIGURE & KEY NO.	PARTS NUMBER	RANK	Q'TY	DESCRIPTION	SERIAL NUMBER/REMARKS	SVC
10	FB6-4812-000		1	SHEET, ONE-TOUCH	MTF,MTG,UPA:ENGLISH	
10	FB6-4810-000		1	SHEET, ONE-TOUCH	UPA:FRENCH	
10	FB6-4809-000		1	SHEET, ONE-TOUCH	UPA:GERMAN	
10	FB6-4814-000		1	SHEET, ONE-TOUCH	UPA:ITALIAN	
10	FB6-4813-000		1	SHEET, ONE-TOUCH	QRF	
10	FB6-2311-000		1	SHEET, ONE-TOUCH	UIA:GERMAN	
10	FB6-2312-000		1	SHEET, ONE-TOUCH	UIA:FRENCH	
10	FB6-2313-000		1	SHEET, ONE-TOUCH	UIA:ITALIAN	
11	FB6-4815-000		1	KEY TOP, NUMBERS		
12	FB6-4816-000		1	KEY TOP, OK	ZTY, MTC, PVZ, QTL, UVB UVC, UVD, UVE, MTD, MTE QTM, UVF, UVG, UVH, UVJ MTF, MTG, UMA, UNA, UPA QRE, QRF	
12	FB6-4819-000		1	KEY TOP, OK	ZTW, ZTZ, ZUB	
13	FB6-4817-000		1	KEY TOP, ONE-TOUCH	ZUB, MTF, MTG, UPA, QRF	
14	FB6-4818-000		1	KEY TOP, 2 IN 1		
15	FG6-8804-000		1	CONTROL PANEL PCB ASSEMBLY	ZUB, MTF, MTG, UPA, QRF	
15	FG6-8805-000		1	CONTROL PANEL PCB ASSEMBLY	EXCEPT ZUB, MTF, MTG EXCEPT UPA, QRF	
15	FM1-0468-000		1	CONTROL PANEL PCB ASSEMBLY	JSD, JSP, JSQ, JSR, JSE, J SF, JSG, JSM, JSN	
15	FM1-0469-000		1	CONTROL PANEL PCB ASSEMBLY	JQE, JRK, JRY, JSC, JRL, J RM, JRP, JRW, JRX	
16	FH5-3221-000		1	SPEAKER	ZUB, MTF, MTG, UPA, QRF SP1 J404	
16	FH5-3626-000		1	SPEAKER	JSD, JSP, JSQ, JSR, JSE, J SF, JSG, JSM, JSN	
17	FH6-0813-000		1	LCD CONTROL PANEL UNIT	EXCEPT JQE, JRK, JSD, JRY, JSC, J SP, JSQ, JSR, JRL, JRM, JR P, JRW, JRX, JSE, JSF, JSG , JSM, JSN J402	
17	FH6-0846-000		1	LCD CONTROL PANEL UNIT	JQE, JRK, JSD, JRY, JSC, J SP, JSQ, JSR, JRL, JRM, JR P, JRW, JRX, JSE, JSF, JSG , JSM, JSN J402	
18	FH7-6337-000		1	SWITCH, MEMBRANE	J403	
19	HB1-3023-000		1	HOLDER, SPEAKER	ZUB, MTF, MTG, UPA, QRF	
20	HB1-5127-000		1	LABEL, FAX DESTINATION	ZUB, MTF, MTG, UPA, QRF	

FIGURE & KEY NO.	PARTS NUMBER	R A N K	Q'TY	DESCRIPTION	SERIAL NUMBER/ REMARKS	S V C
501	XB1-2300-607		2	SCREW,MACH.,TRUSS HEAD,M3X6		
502	XB4-5300-809		10	SCREW,P,M3X8		

**FIGURE 160**  
**COPYBOARD COVER ASSEMBLY(ZTY,MTC,PVZ,**  
**QTL,UVB,UVC,UVD,UVE,ZTW,UMA,QRE)**

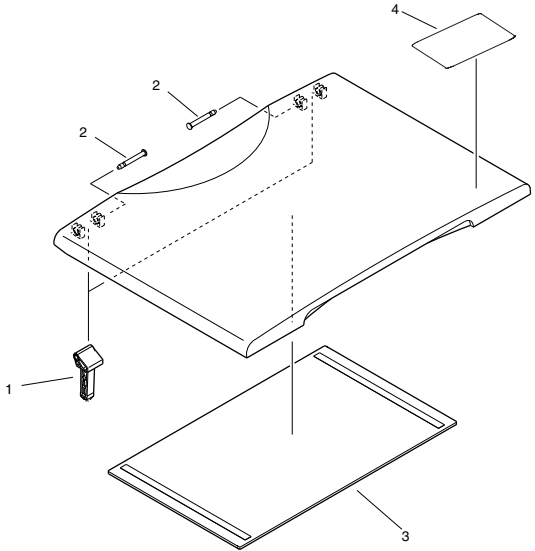
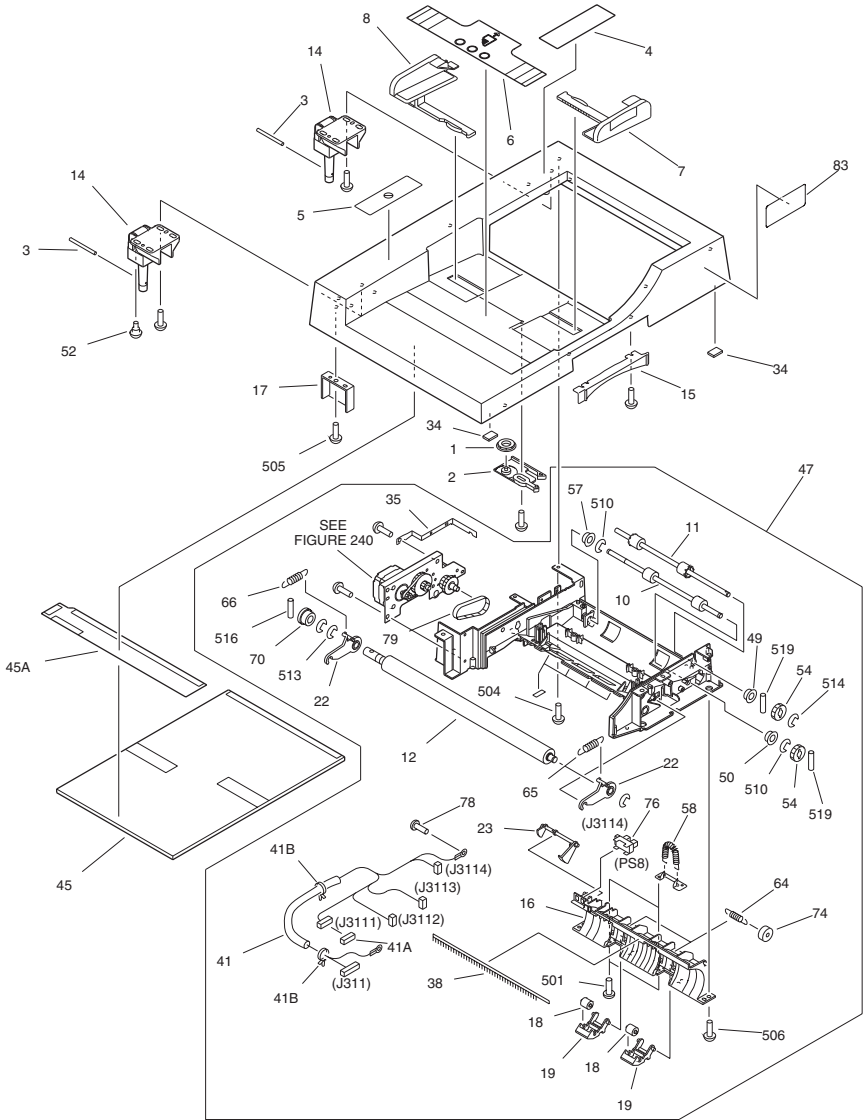


FIGURE & KEY NO.	PARTS NUMBER	RANK	Q'TY	DESCRIPTION	SERIAL NUMBER/REMARKS	S V C
Fig.160	FG6-7944-000		1	COPYBOARD COVER ASSEMBLY	ZTY,MTC,PVZ,QTL,UVB UVC,UVD,UVE,ZTW,UMA QRE	
1	FB6-0330-000		2	HINGE, COPYBOARD COVER		
2	FB6-0332-000		2	SHAFT, HINGE		
3	FB6-4237-000		1	SHEET, COPYBOARD		
4	FB6-6355-000		1	LABEL, SLIDE INDICATION	JQE,JRK,JSD	

# FIGURE 161

ADF ASSEMBLY (MTD, MTE, QTM, UVF, UVG, UVH, UVJ, ZTZ, ZUB, MTF, MTG, UNA, UPA, QRF)



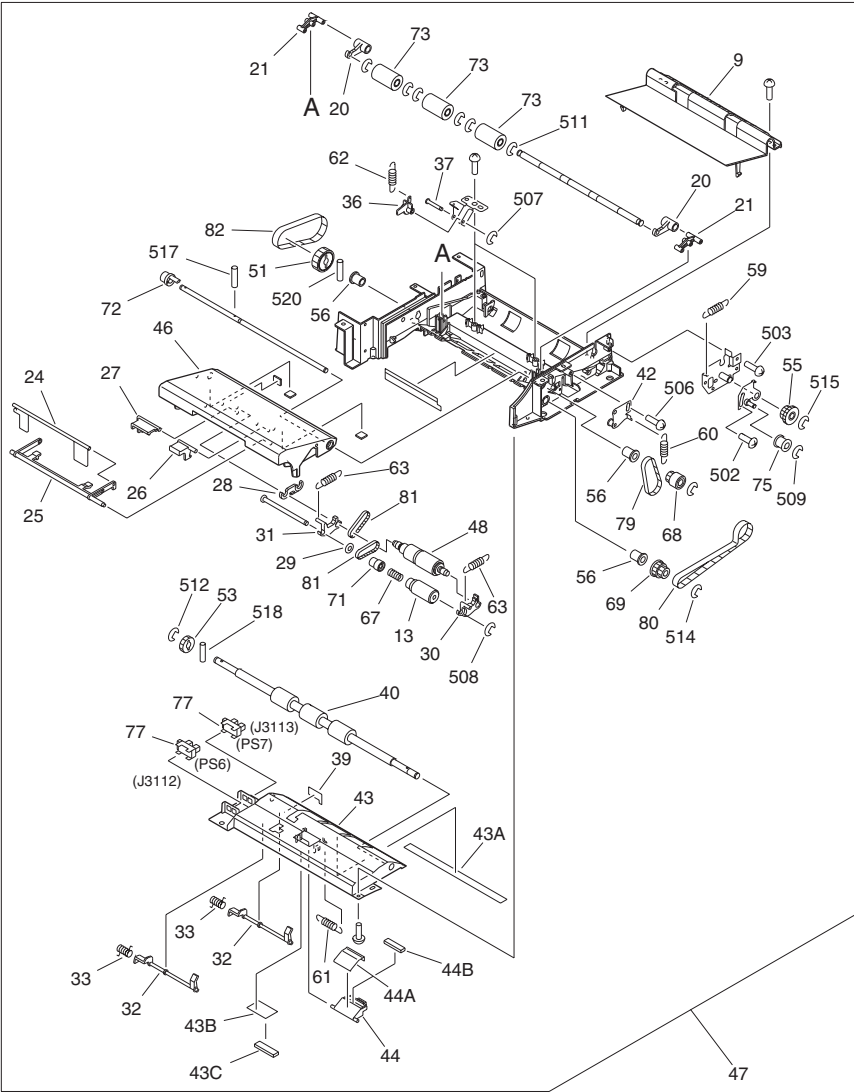


FIGURE & KEY NO.	PARTS NUMBER	RANK	Q'TY	DESCRIPTION	SERIAL NUMBER/REMARKS	SVC
Fig.161	NPN		RF	ADF ASSEMBLY	MTD,MTE,QTM,UVF,UVG UVH,UVJ,ZTZ,ZUB MTF,MTG,UNA,UPA,QRF	
1	FB3-3395-000		1	GEAR, 20T		
2	FB3-3396-000		1	PLATE, SLIDE		
3	FB6-0187-000		2	PIN, FIXING, DF HINGE		
4	FB6-2329-020		1	LABEL, 'COPYBOARD GLASS CLEAN'	ZTZ,ZUB	
4	FB6-2331-020		1	LABEL, 'COPYBOARD GLASS CLEAN'	QTM,UVF,UVG,UVH,UVJ UNA,UPA	
4	FB6-2333-020		1	LABEL, 'COPYBOARD GLASS CLEAN'	MTD,MTE,MTF,MTG,QRF	
5	FB6-5504-000		1	LABEL, PROHIBITED DOCUMENTS	ZTZ,ZUB	
5	FB6-5506-000		1	LABEL, PROHIBITED DOCUMENTS	QTM,UVF,UVG,UVH,UVJ UNA,UPA	
5	FB6-5507-000		1	LABEL, PROHIBITED DOCUMENTS	MTD,MTE,MTF,MTG,QRF	
6	FB6-5514-000		1	LABEL, 'PAPER SIZE'	ZTZ,ZUB	
6	FB6-5515-000		1	LABEL, 'PAPER SIZE'	QTM,UVF,UVG,UVH,UVJ	
6	FB6-5516-000		1	LABEL, 'PAPER SIZE'	MTD,MTE,MTF,MTG,QRF	
6	FB6-5515-000		1	LABEL, 'PAPER SIZE'	UNA,UPA	
7	FC5-0002-000		1	GUIDE, SIDE, FRONT		
8	FC5-0003-000		1	GUIDE, SIDE, REAR		
9	FC5-0004-000		1	TRAY, PAPER DELIVERY		
10	FC5-0005-000		1	ROLLER, PAPER FEED		
11	FC5-0006-000		1	ROLLER, PAPER DELIVERY		
12	FC5-0007-000		1	ROLLER, WHITE		
13	FC5-0009-000		1	ROLLER, PICK-UP		
14	FC5-0011-000		2	HINGE UNIT		
15	FC5-0013-000		1	HANDLE		
16	FC5-0014-000		1	GUIDE, DELIVERY, EXTERNAL		
17	FC5-0018-000		1	HOLDER, DF DETECT SENSOR		
18	FC5-0019-000		2	COLLAR, PAPER FEED		
19	FC5-0020-000		2	HOLDER, PAPER FEED COLLAR		
20	FC5-0021-000		2	ARM, REGIST. PRESSURE RELEASE		
21	FC5-0022-000		2	LINK, REGIST. PRESSURE RELEASE		
22	FC5-0023-020		2	ARM, SWING		



FIGURE & KEY NO.	PARTS NUMBER	R A N K	Q'TY	DESCRIPTION	SERIAL NUMBER/ REMARKS	S V C
23	FC5-0024-000		1	FLAG, DELIVERY SENSOR		
24	FC5-0025-000		1	SHUTTER		
25	FC5-0026-000		1	LINK, SHUTTER, 1		
26	FC5-0027-000		1	LINK, SHUTTER, 2		
27	FC5-0028-000		1	LINK, SHUTTER, 3		
28	FC5-0029-000		1	ARM, ROLLER SEPARATION		
29	FC5-0034-000		1	PAD		
30	FC5-0035-000		1	ARM, PAPER PICK-UP, FRONT		
31	FC5-0036-000		1	ARM, PAPER PICK-UP, REAR		
32	FC5-0037-000		2	FLAG, PAPER PICK-UP SENSOR		
33	FC5-0038-000		2	SPRING, TORSION		
34	FC5-0039-000		3	SEAL		
35	FC5-0047-000		1	PLATE, GROUNDING		
36	FC5-0052-000		2	ARM, REGIST COLLAR PRESSURE		
37	FC5-0054-000		2	SHAFT, REGIST PRESSURE ARM		
38	FC5-0057-000		1	ELIMINATOR, STATIC CHARGE		
39	FC5-0066-000		1	SHEET, PAPER PICK-UP SENSOR		
40	FC5-0070-000		1	ROLLER, REGISTRATION		
41	FG6-8836-000		1	CABLE, ADF	J311,3111-3114	
41A	VS1-5057-006		1	CONNECTOR, SNAP TIGHT	J3111	
41B	WT2-5565-000		2	CLAMP, CABLE		
42	FL2-0004-000		1	ARM, TENSION		
43	FL2-0005-000		1	GUIDE, REGISTRATION LOWER		
43A	FC5-0060-000		1	SHEET, REGIST. LOWER GUIDE		
43B	FC5-0063-000		1	SHEET, PICK-UP		
43C	FC5-0064-000		1	PAD, PICK-UP		
44	FL2-0006-000		1	PAD MOUNT UNIT		
44A	FC5-6087-000		1	PAD, RUBBER		
44B	FC5-6088-000		1	PAD, SPONGE		
45	FL2-0007-030		1	WHITE SHEET UNIT		
45A	FC5-0061-020		1	SHEET, A		
46	FL2-0008-000		1	PANEL, OPEN/CLOSE		

FIGURE & KEY NO.	PARTS NUMBER	RANK	Q'TY	DESCRIPTION	SERIAL NUMBER/REMARKS	SVC
47	FM2-0002-030	N	1	FRAME, FEEDER ASSEMBLY		
48	FM2-0015-000		1	SEPARATION ROLLER UNIT		
49	FS1-1512-000		2	BUSHING		
50	FS1-1569-000		1	BUSHING		
51	FS2-3511-000		1	PULLEY, 25T		
52	FS5-9740-000		1	SCREW, STEPPED, M4		
53	FU5-0001-000		1	GEAR, 18T		
54	FU5-0001-000		2	GEAR, 18T		
55	FU5-0002-000		1	GEAR, 30T/PULLEY 30T		
56	FU5-1001-000		3	BUSHING		
57	FU5-1002-000		1	BUSHING		
58	FU5-2001-000		2	SPRING, TENSION		
59	FU5-2002-000		1	SPRING, TENSION		
60	FU5-2003-000		1	SPRING, TENSION		
61	FU5-2004-000		1	SPRING, TENSION		
62	FU5-2005-000		2	SPRING, TENSION		
63	FU5-2006-000		2	SPRING, TENSION		
64	FU5-2007-000		2	SPRING, TENSION		
65	FU5-2008-000		1	SPRING, TENSION		
66	FU5-2009-000		1	SPRING, TENSION		
67	FU5-2010-000		1	SPRING, COMPRESSION		
68	FU5-3001-000		1	PULLEY, 18T		
69	FU5-3002-000		1	PULLEY, 18T/24T		
70	FU5-3003-000		1	PULLEY, 18T		
71	FU5-3006-000		1	PULLEY, 14T		
72	FU5-3007-000		1	PULLEY, 16T		
73	FU5-6001-000		3	COLLAR, REGISTRATION		
74	FU5-6002-000		2	COLLAR, PAPER DELIVERY		
75	FU5-6003-000		1	COLLAR, BELT IDLER		
76	WG8-5362-000		1	PHOTO-INTERRUPTER	PS8 J3114	
77	WG8-5362-000		2	PHOTO-INTERRUPTER	PS6,7 J3112,3113	
78	XA9-0265-000		1	SCREW, W/WASHER, TRUSS HEAD		

FIGURE & KEY NO.	PARTS NUMBER	RANK	Q'TY	DESCRIPTION	SERIAL NUMBER/REMARKS	SVC
79	XF2-1605-240		2	BELT, TIMING		
80	XF2-1611-240		1	BELT, TIMING		
81	XF9-0404-000		2	BELT, COGGED DRIVE, 71T		
82	XF9-0525-000		1	BELT, TIMING, 59T		
83	FB6-6355-000		1	LABEL, SLIDE INDICATION	JQE,JRK,JSD	
84	FC5-7552-000		1	SHEET,B		
501	XB1-2300-607		2	SCREW,MACH.,TRUSS HEAD,M3X6		
502	XB1-2400-609		1	SCREW,MACH.,TRUSS HEAD,M4X6		
503	XB4-5300-809		2	SCREW,P,M3X8		
504	XB4-5401-007		4	SCREW,P,M4X10		
505	XB4-5401-007		11	SCREW,P,M4X10		
506	XB4-5401-007		12	SCREW,P,M4X10		
507	XD2-1100-242		2	RING,E		
508	XD2-1100-322		1	RING,E		
509	XD2-1100-402		1	RING,E		
510	XD2-1100-402		3	RING,E		
511	XD2-1100-502		6	RING,E		
512	XD2-1100-502		1	RING,E		
513	XD2-1100-502		3	RING,E		
514	XD2-1100-502		5	RING,E		
515	XD2-1100-642		1	RING,E		
516	XD3-2200-082		1	PIN,DOWEL		
517	XD3-2200-102		1	PIN,DOWEL		
518	XD3-2200-102		1	PIN,DOWEL		
519	XD3-2200-102		3	PIN,DOWEL		
520	XD3-2200-122		1	PIN,DOWEL		

# FIGURE 210 READER ASSEMBLY

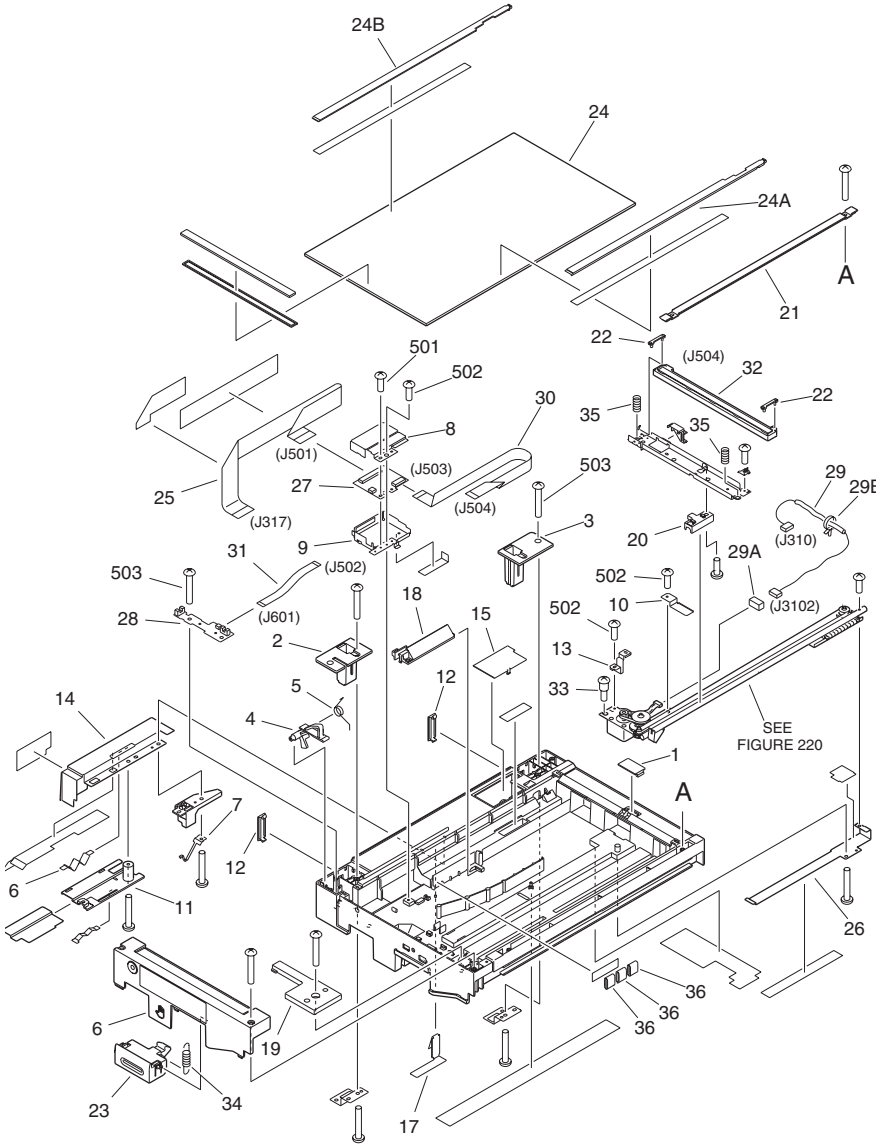


FIGURE & KEY NO.	PARTS NUMBER	RANK	QTY	DESCRIPTION	SERIAL NUMBER/REMARKS	SVC
Fig.210	NPN		RF	READER ASSEMBLY		

FIGURE & KEY NO.	PARTS NUMBER	R A N K	Q'TY	DESCRIPTION	SERIAL NUMBER/ REMARKS	S V C
1	FB6-0171-000		1	COVER, BLANKING, SMALL		
2	FB6-0172-000		1	MOUNT, DF, LEFT		
3	FB6-0173-000		1	MOUNT, DF, RIGHT		
4	FB6-0176-000		1	FLAG, SENSOR		
5	FB6-0177-000		1	SPRING, TORSION		
6	FB6-0181-000		1	GUIDE, DOCUMENT STOP		
7	FB6-0182-000		1	SPRING, LEAF		
8	FB6-0183-000		1	SHIELD, UPPER		
9	FB6-0184-000		1	SHIELD, LOWER		
10	FB6-0185-000		1	PLATE, GROUNDING, LEFT		
11	FB6-0189-000		1	REAR COVER, LOWER		
12	FB6-0191-000		2	COVER, REAR		
13	FB6-0197-000		1	PLATE, GROUNDING		
14	FB6-0198-000		1	COVER, SHIELD		
15	FB6-0204-000		1	COVER, BLANKING	ZTY,MTC,PVZ,QTL,UVB UVC,UVD,UVE,ZTW,UMA QRE	
15	FB6-0178-000		1	COVER, READER	MTD,MTE,QT,M,UVF,UVG UVH,UVJ,ZTZ,ZUB,MTF MTG,UNA,UPA,QRF	
16	FB6-0208-000		1	SPRING, LEAF		
17	FB6-0210-000		1	SPRING, LEAF		
18	FB6-0211-000		1	GUIDE, PRESS DOWN		
19	FB6-0212-000		1	GUIDE, PRESS DOWN		
20	FB6-0224-000		1	BLOCK, SLIDE		
21	FB6-0229-000		1	COVER, FRONT		
22	FB6-0237-000		2	SPACER		
23	FB6-0324-000		1	LEVER, READER		
24	FF6-1435-000		1	GLASS, COPYBOARD		
24A	FB6-0202-000		1	GUIDE, POSITIONING, FRONT		
24B	FB6-0203-000		1	GUIDE, POSITIONING, REAR		
25	FF6-1443-000		1	CABLE, FLAT	J317,501	
26	FF6-1456-000		1	PLATE, GROUNDING, RIGHT		
27	FG6-8800-000		1	ANALOG PROCESSOR PCB ASSEMBLY	iR1210,iR1230,iR1270F,iR 1310,iR1330,iR1370F	

FIGURE & KEY NO.	PARTS NUMBER	R A N K	Q'TY	DESCRIPTION	SERIAL NUMBER/ REMARKS	S V C
27	FM1-0457-000		1	ANALOG PROCESSOR PCB ASSEMBLY	iR1510,iR1530,iR1570F,iR1610,iR1630,iR1670F	
28	FG6-8801-000		1	SENSOR PCB ASSEMBLY	iR1210,iR1230,iR1270F,iR1310,iR1330,iR1370F	
28	FM1-0458-000		1	SENSOR PCB ASSEMBLY	iR1510,iR1530,iR1570F,iR1610,iR1630,iR1670F	
29	FG6-8839-000		1	CABLE, READER MOTOR CONNECTING	J310,3102	
29A	VS1-5057-004		1	CONNECTOR, SNAP TIGHT	J3102	
29B	WT2-5565-000		1	CLAMP, CABLE		
30	FH2-7062-000		1	CABLE, FLAT	J503,504	
31	FH2-6931-000		1	CABLE, FLAT	J502,601	
32	FH7-7565-000		1	CONTACT IMAGE SENSOR UNIT	J504	
33	FS5-9740-000		1	SCREW,STEPPED,M4		
34	FS7-2687-000		1	SPRING, TENSION		
35	FS7-2698-000		2	SPRING, COMPRESSION		
36	WE8-5885-000		3	CORE, FERRITE		
501	XB1-2300-607		2	SCREW,MACH.,TRUSS HEAD,M3X6		
502	XB1-2300-607		5	SCREW,MACH.,TRUSS HEAD,M3X6		
503	XB4-5401-007		20	SCREW,P,M4X10		

**FIGURE 220**  
**READER DRIVE ASSEMBLY**

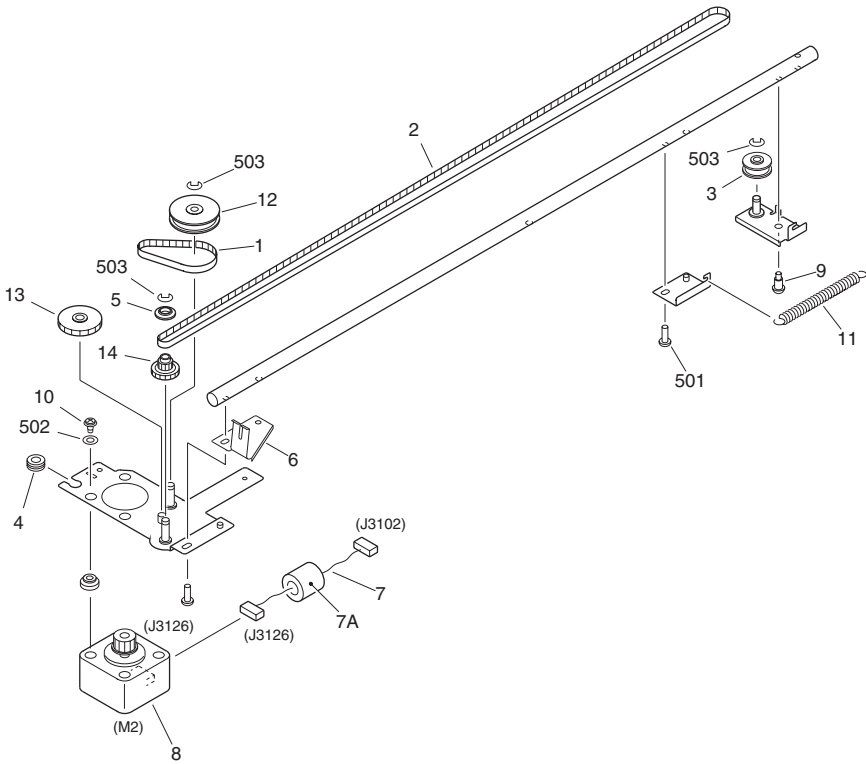


FIGURE & KEY NO.	PARTS NUMBER	RANK	QTY	DESCRIPTION	SERIAL NUMBER/REMARKS	SVC
Fig.220	FG6-7933-000		1	READER DRIVE ASSEMBLY		
1	FB6-0214-000		1	BELT, MOTOR DRIVE		
2	FB6-0215-000		1	BELT, TIMING		
3	FB6-0216-000		1	PULLEY, 20T		
4	FB6-0219-000		1	GROMMET		
5	FB6-0233-000		1	FLANGE		
6	FB6-0235-000		1	SPRING, LEAF		
7	FG6-8550-000		1	CABLE, READER MOTOR	J3102,3126	
7A	WE8-5941-000		1	CORE, FERRITE	QTM,UVF,UVG,UVH,UVJ,UNA,MTF,MTG,UPA,QRF,ZTW,ZTZ,ZUB,JQF,JRG,JRH,JRJ,JQG,JQH,JRC,JRD,JRF,JQE	

FIGURE & KEY NO.	PARTS NUMBER	RANK	Q'TY	DESCRIPTION	SERIAL NUMBER/REMARKS	SVC
7A	WE8-6068-000		1	CORE, FERRITE	JRK,JSD,JRY,JSC,JSP,JSQ,JSR,JRL,JRM,JRP,JRW,JRX,JSE,JSF,JSG,JSM,JSN	
8	FH6-1922-000		1	MOTOR, STEPPING	M2 J3126	
9	FS2-9478-000		1	SCREW, STEPPED, M3X3		
10	FS5-9739-000		3	SCREW,STEPPED,M3		
11	FS7-2701-000		1	SPRING, TENSION		
12	FU3-0075-000		1	PULLEY, 37T/GRAR, 16T		
13	FU3-0076-000		1	GEAR, 45T		
14	FU3-0107-000		1	PULLEY, 13T/GEAR, 28T		
501	XB6-7300-607		2	SCREW,TP,M3X6		
502	XD1-1104-131		3	SHIM		
503	XD2-1100-322		3	RING,E		



**FIGURE 240**

**ADF DRIVE ASSEMBLY(MTD,MTE,QTM,UVF,UVG,UVH,UVJ,ZTZ,ZUB,MTF,MTG,UNA,UPA,QRF)**

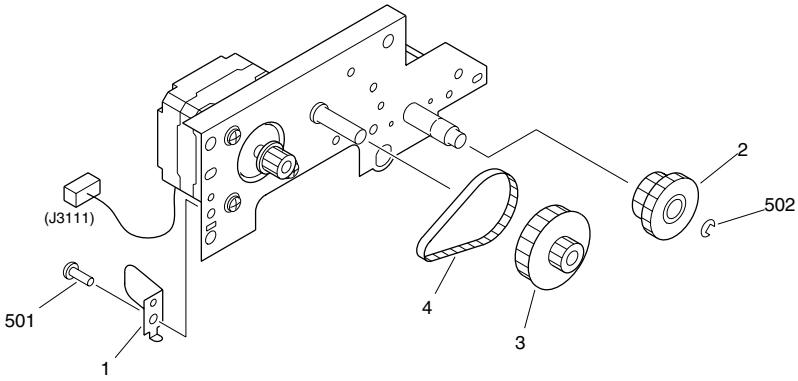


FIGURE & KEY NO.	PARTS NUMBER	RANK	QTY	DESCRIPTION	SERIAL NUMBER/REMARKS	SVC
Fig.240	FM2-0004-000		1	ADF DRIVE ASSEMBLY	MTD,MTE,QTM,UVF,UVG UVH,UVJ,ZTZ,ZUB,MTF MTG,UNA,UPA,QRF	
1	FC5-0065-000		1	SPRING, LEAF		
2	FU5-0002-000		1	GEAR, 30T/PULLEY 30T		
3	FU5-3004-000		1	PULLEY, 20T/48T		
4	XF2-1606-440		1	BELT, TIMING		
501	XB2-7300-407		1	SCREW,W/WASHER,M3X4		
502	XD2-1100-642		1	RING,E		

# FIGURE 250 MAIN DRIVE ASSEMBLY

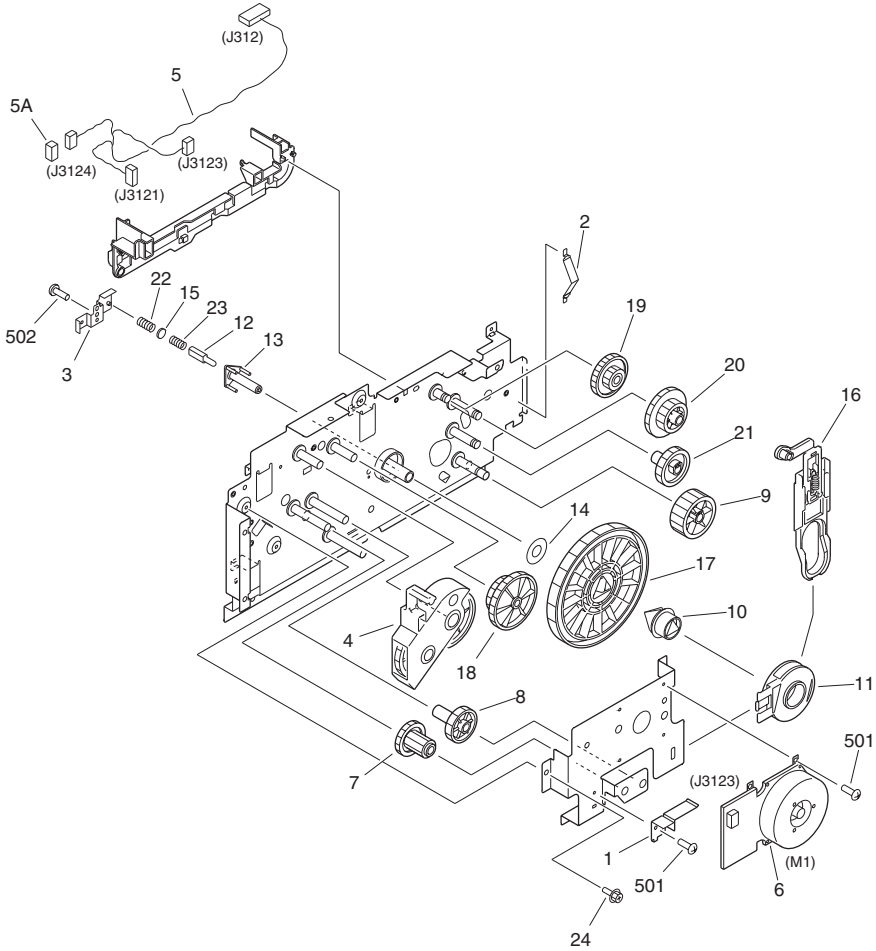


FIGURE & KEY NO.	PARTS NUMBER	RANK	QTY	DESCRIPTION	SERIAL NUMBER/REMARKS	SVC
Fig.250	FG6-7923-000		1	MAIN DRIVE ASSEMBLY	iR1210,iR1230,iR1270F,iR1310,iR1330,iR1370F	
Fig.250	FM5-1012-000		1	MAIN DRIVE ASSEMBLY	iR1510,iR1530,iR1570F,iR1610,iR1630,iR1670F	
1	FB6-0321-000		1	COVER, GEAR		
2	FB6-4573-000		1	SPRING, LEAF		
3	FB6-5519-000		1	PLATE, SPRING		

FIGURE & KEY NO.	PARTS NUMBER	RANK	Q'TY	DESCRIPTION	SERIAL NUMBER/REMARKS	SVC
4	FG6-7924-000		1	SWING GEAR UNIT		
5	FG6-8834-000		1	CABLE, MOTOR/FAN	J312,3121,3123,3124	
5A	VS1-5057-003		1	CONNECTOR, SNAP TIGHT	J3124	
6	FH6-1923-000		1	MOTOR, DC BRUSHLESS	iR1210,iR1230,iR1270F,iR1310,iR1330,iR1370F M1 J3123	
6	FH5-1088-000		1	MOTOR, DC BRUSHLESS	iR1510,iR1530,iR1570F,iR1610,iR1630,iR1670F M1 J3123	
7	FU3-0068-000		1	GEAR, 14T/28T		
8	FU3-0069-000		1	GEAR ,28T		
9	FU3-0070-000		1	GEAR, 36T		
10	RB2-2935-000		1	SHAFT, COUPLING		
11	RB2-2936-000		1	BUSHING		
12	RB2-2943-000		1	PIN		
13	RB2-2947-000		1	HOLDER, PIN		
14	RB2-2949-000		1	WASHER		
15	RB2-2950-000		1	FLANGE, SPRING		
16	RG9-1473-000		1	COUPLING ASS'Y		
17	RS6-0446-000		1	GEAR, 201T		
18	RS6-0447-000		1	GEAR, 58T/92T		
19	RS6-0448-000		1	GEAR, 17T/68T		
20	RS6-0449-000		1	GEAR, 25T/41T		
21	RS6-0450-000		1	GEAR, 31T		
22	RS6-2027-020		1	SPRING, COMPRESSION		
23	RS6-2031-000		1	SPRING, COMPRESSION		
24	XA9-1164-000		3	SCREW,RS,M3X6.5		
501	XB1-2300-607		5	SCREW,MACH.,TRUSS HEAD,M3X6		
502	XB2-7300-407		1	SCREW,W/WASHER,M3X4		

**FIGURE 300**  
**CASSETTE(ZTY)**

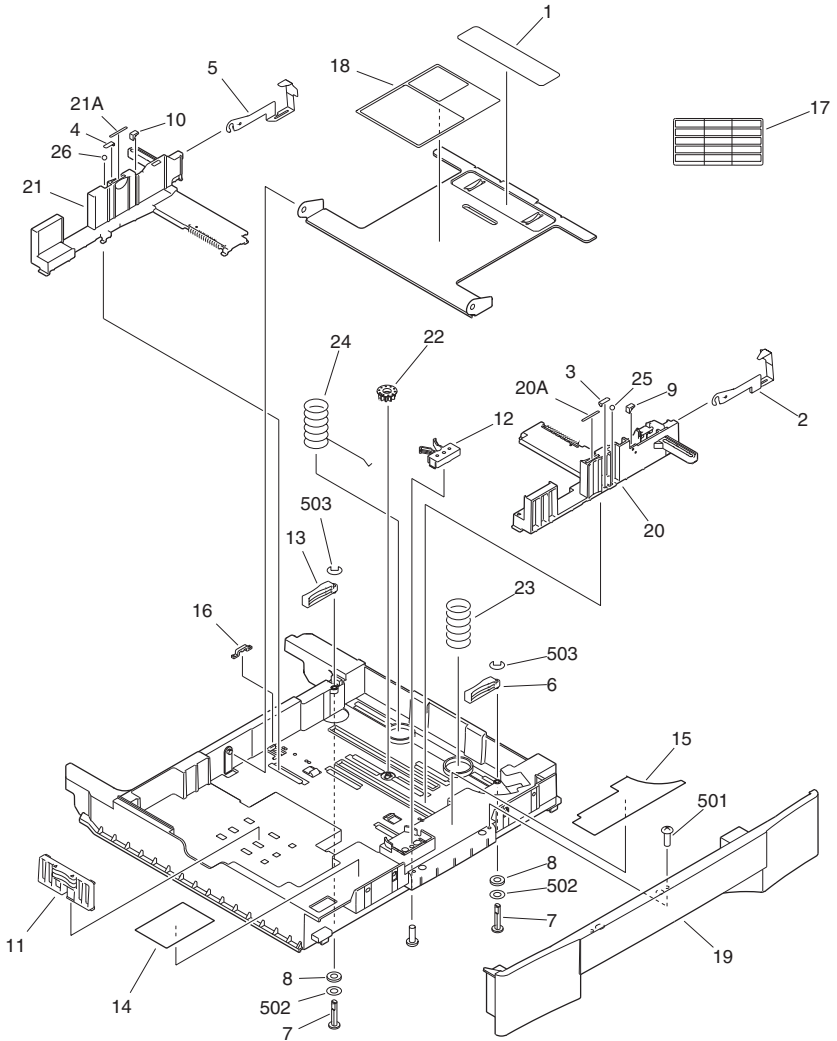


FIGURE & KEY NO.	PARTS NUMBER	RANK	QTY	DESCRIPTION	SERIAL NUMBER/REMARKS	SVC
Fig.300	NPN		1	CASSETTE	ZTY	
1	FB5-0159-000		1	SHEET, SEPARATION		
2	FB5-0161-000		1	CLAW, SEPARATION, FRONT		

FIGURE & KEY NO.	PARTS NUMBER	RANK	Q'TY	DESCRIPTION	SERIAL NUMBER/REMARKS	SVC
3	FB5-0165-000		1	SPRING, LEAF		
4	FB5-0165-000		1	SPRING, LEAF		
5	FB5-0167-000		1	CLAW, SEPARATION, REAR		
6	FB5-0168-000		1	LEVER, SIDE PLATE LOCK, FRONT		
7	FB5-0169-000		2	SHAFT, LOCK LEVER		
8	FB5-0170-000		2	PAD, RUBBER		
9	FB5-0171-000		1	SUPPORT, CLAW		
10	FB5-0171-000		1	SUPPORT, CLAW		
11	FB5-0172-000		1	PLATE, END SIDE LIMIT		
12	FB5-0173-000		1	GUIDE, POSITIONING		
13	FB5-0175-000		1	LEVER, SIDE PLATE LOCK, REAR		
14	FB5-0176-000		1	LABEL, PAPER INSTRUCTION		
15	FB5-0177-000		1	LABEL, SIZE CHANGE INSTRUCTION		
16	FB5-0180-000		1	SUPPORT, STOP		
17	FB5-0181-000		1	LABEL, SIZE CHANGE		
18	FF5-9033-030		1	PLATE, PAPER LIFTING		
19	FB6-0328-000		1	PANEL, CASSETTE, FRONT		
20	FF5-9034-000		1	PLATE, SIDE LIMIT, FRONT		
20A	FB5-0178-000		1	LABEL, SIDE PLATE OPERATION		
21	FF5-9035-000		1	PLATE, SIDE LIMIT, REAR		
21A	FB5-0178-000		1	LABEL, SIDE PLATE OPERATION		
22	FS7-0457-000		1	GEAR, 10T		
23	FS7-2201-000		1	SPRING, COMPRESSION		
24	FS7-2202-000		1	SPRING, COMPRESSION		
25	X71-7503-000		1	BALL, SLIDE CLICK FEELING		
26	X71-7503-000		1	BALL, SLIDE CLICK FEELING		
501	XB4-7400-809		3	SCREW,TAPPING,TRUSS HEAD,M4X8		
502	XD1-1104-635		2	SHIM		
503	XD2-1200-202		2	RING,E		

**FIGURE 301**  
**CASSETTE(QTL,UVB,UVC,UVD,UVE,QTM,UVF,UVG**  
**UVH,UVJ,UMA,UNA,UPA)**

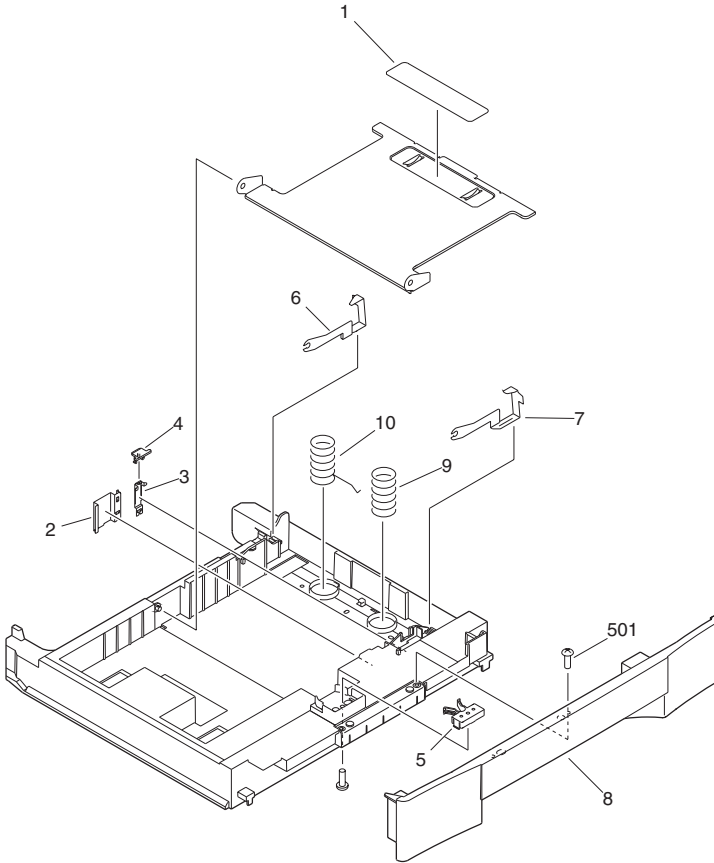


FIGURE & KEY NO.	PARTS NUMBER	RANK	QTY	DESCRIPTION	SERIAL NUMBER/REMARKS	SVC
Fig.301	NPN		RF	CASSETTE	QTL,UVB,UVC,UVD,UVE QTM,UVF,UVG,UVH,UVJ UMA,UNA,UPA	
1	FB5-0159-000		1	SHEET, SEPARATION		
2	FB5-0162-000		1	SPRING, LEAF		
3	FB5-0163-000		1	SPRING, LEAF		
4	FB5-0164-000		1	RETAINER, SIDE		

FIGURE & KEY NO.	PARTS NUMBER	RANK	Q'TY	DESCRIPTION	SERIAL NUMBER/REMARKS	SVC
5	FB5-0173-000		1	GUIDE, POSITIONING		
6	FB5-2843-00S		1	CLAW, SEPARATION, FRONT		
7	FB5-2844-00S		1	CLAW, SEPARATION, REAR		
8	FB6-0328-000		1	PANEL, CASSETTE, FRONT		
9	FS7-2201-000		1	SPRING, COMPRESSION		
10	FS7-2202-000		1	SPRING, COMPRESSION		
501	XB4-7400-809		3	SCREW,TAPPING,TRUSS HEAD,M4X8		

**FIGURE 302**  
**CASSETTE (MTC, PVZ, MTD, MTE, ZTW, ZTZ, ZUB, MTF, MTG, QRE, QRF)**

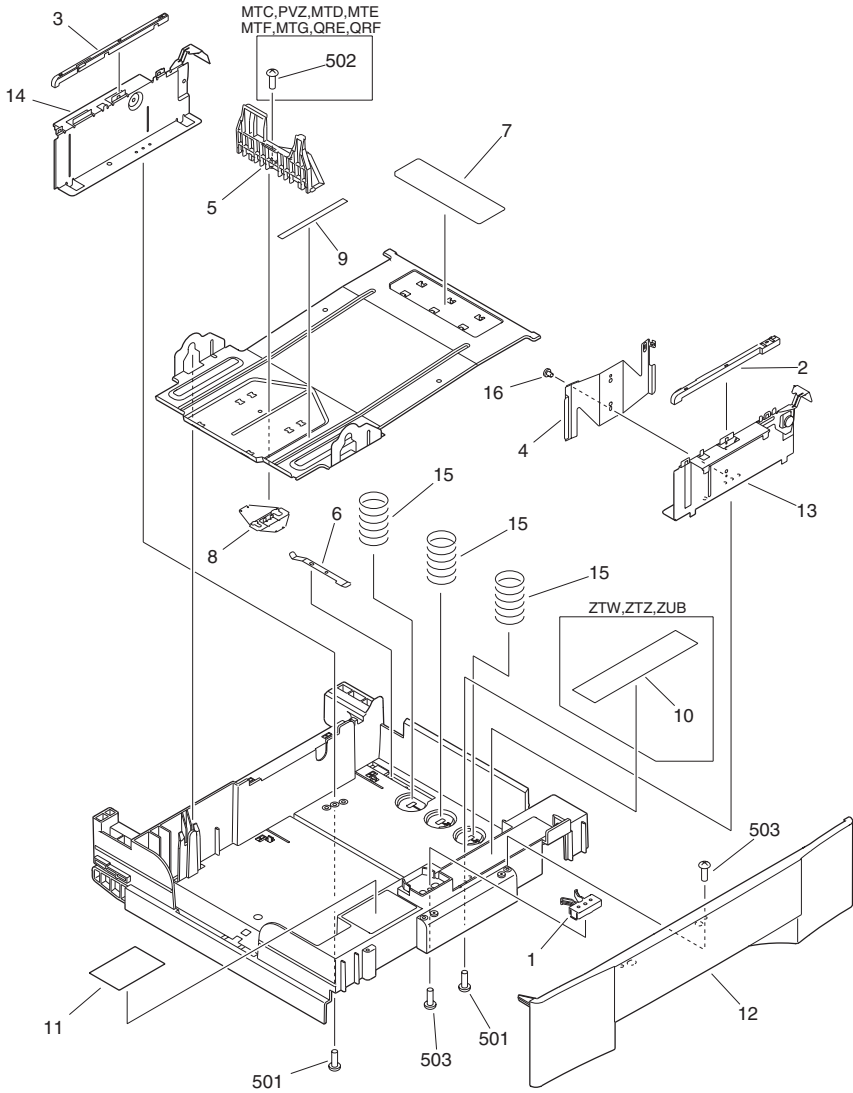
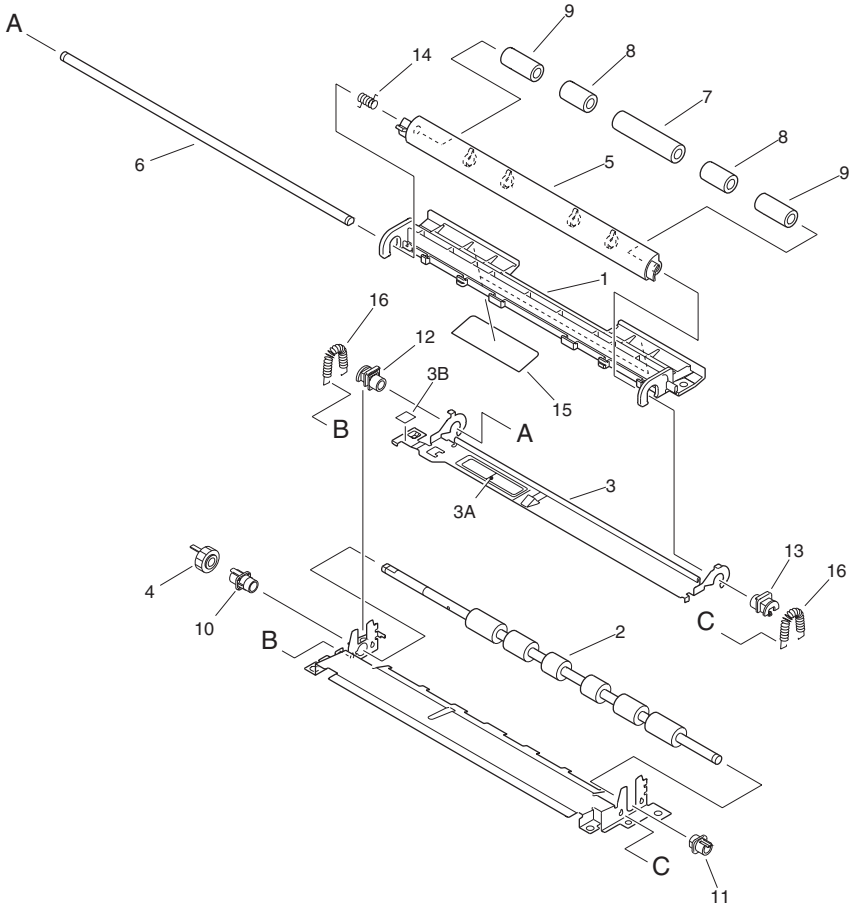




FIGURE & KEY NO.	PARTS NUMBER	R A N K	Q'TY	DESCRIPTION	SERIAL NUMBER/REMARKS	S V C
Fig.302	NPN		RF	CASSETTE	MTC,PVZ,MTD,MTE,ZTW ZTZ,ZUB,MTF,MTG,QRE QRF	
1	FB5-0173-000		1	GUIDE, POSITIONING		
2	FB5-0218-000		1	COVER, LIMIT PLATE, FRONT		
3	FB5-0219-000		1	COVER, LIMIT PLATE, REAR		
4	FB5-0220-000		1	SPRING, LEAF, SIDE LIMIT		
5	FB5-0221-000		1	PLATE, END SIDE LIMIT		
6	FB5-0222-000		1	SPRING, LEAF		
7	FB5-0229-000		1	SHEET, SEPARATION		
8	FB5-0230-000		1	SPRING, LEAF, END LIMIT		
9	FB5-0231-000		1	LABEL, PAPER SIZE		
10	FB5-0232-000		1	LABEL, END LIMIT	ZTW,ZTZ,ZUB	
11	FB5-0233-000	N	1	LABEL, PAPER SET	MTC,PVZ,MTD,MTE,MTF MTG,QRE,QRF	
11	FB5-0234-000	N	1	LABEL, PAPER SET	ZTW,ZTZ,ZUB	
12	FB6-0329-000		1	PANEL, CASSETTE, FRONT		
13	FF5-9073-000		1	PLATE, SIDE LIMIT, FRONT		
14	FF5-9074-000		1	PLATE, SIDE LIMIT, REAR		
15	FS7-2211-000		3	SPRING, COMPRESSION		
16	XA9-0903-000		2	SCREW,M3X5		
501	XB1-2300-809		2	SCREW,MACH.,TRUSS HEAD,M3X8		
502	XB4-7300-505		1	SCREW,TAPPING,TRUSS HEAD,M3X5	MTC,PVZ,MTD,MTE,MTF MTG,QRE,QRF	
503	XB4-7400-809		4	SCREW,TAPPING,TRUSS HEAD,M4X8		

# FIGURE 320 REGISTRATION ASSEMBLY



NOTE: This assembly does not include the part shown with key No.4.

FIGURE & KEY NO.	PARTS NUMBER	R A N K	Q'TY	DESCRIPTION	SERIAL NUMBER/ REMARKS	S V C
Fig.320	FG6-7926-000		1	REGISTRATION ASSEMBLY	SEE NOTE	
1	FB6-0160-000		1	GUIDE, REGISTRATION FRONT		
2	FB6-5512-000		1	ROLLER, REGISTRATION		
3	FF6-1441-000		1	GUIDE, TRANSFER, UPPER		
3A	FB6-2302-000		1	LABEL, JAM		
3B	RB2-2923-000		1	LABEL, TRANSFER GUIDE		
4	FU3-0071-000		1	GEAR, 14T		
5	RB2-2909-000		1	SHUTTER, REGISTRATION		
6	RB2-2910-000		1	SHAFT, REGISTRATION ROLLER		
7	RB2-2911-000		1	ROLLER		
8	RB2-2912-000		2	ROLLER		
9	RB2-2913-000		2	ROLLER		
10	RB2-2918-000		1	BUSHING, RIGHT		
11	RB2-2919-000		1	BUSHING, LEFT		
12	RB2-2920-000		1	BUSHING		
13	RB2-2921-000		1	BUSHING		
14	RB2-2922-000		1	SPRING, TORSION		
15	RB2-2933-000		2	SHEET, REGISTRATION FRONT		
16	RS6-2026-000		2	SPRING, TENSION		

# FIGURE 330 PAPER FEEDER ASSEMBLY

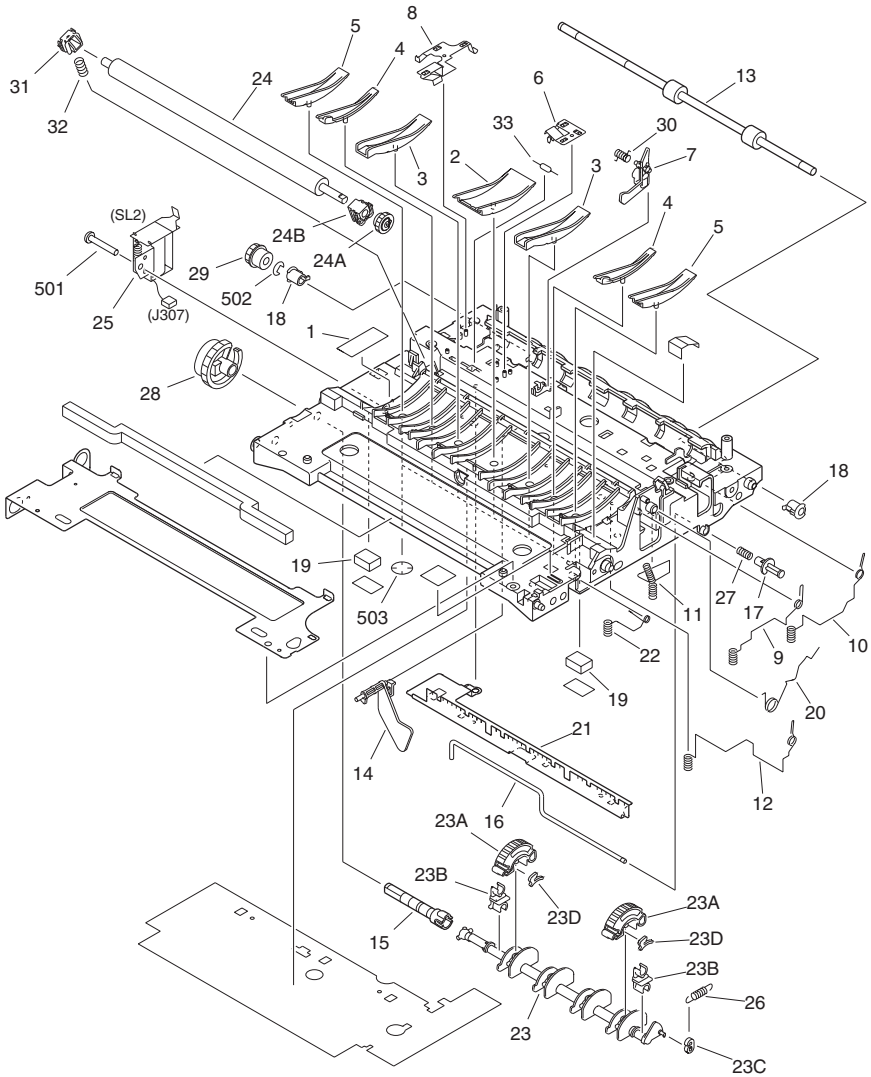


FIGURE & KEY NO.	PARTS NUMBER	R A N K	Q'TY	DESCRIPTION	SERIAL NUMBER/ REMARKS	S V C
Fig.330	NPN		RF	PAPER FEEDER ASSEMBLY		
1	FB2-9653-000		1	LABEL, CAUTION	EXCEPT QRE,QRF	
1	FC3-0030-000		1	LABEL, CAUTION	QRE,QRF	
2	FB6-0079-000		1	GUIDE, PAPER FEED, 1		
3	FB6-0080-000		2	GUIDE, PAPER FEED, 2		
4	FB6-0081-000		2	GUIDE, PAPER FEED, 3		
5	FB6-0082-000		2	GUIDE, PAPER FEED, 4		
6	FB6-0157-000		1	SPRING, LEAF		
7	FB6-0158-000		1	FLAG, REGISTRATION SENSOR		
8	FB6-0162-000		1	SPRING, LEAF, GROUNDING		
9	FB6-0166-000		1	SPRING UNIT, CONTACT		
10	FB6-0167-000		1	SPRING UNIT, CONTACT		
11	FB6-0168-000		1	SPRING UNIT, CONTACT		
12	FB6-0169-000		1	SPRING UNIT, CONTACT		
13	FB6-0258-000		1	ROLLER, PAPER FEED		
14	FB6-0241-000		1	FLAG, PAPER SENSOR		
15	FB6-0245-000		1	SHAFT, JOINT		
16	FB6-0248-000		1	ARM, RETURN		
17	FB6-0260-000		1	GUIDE, ARM		
18	FB6-0261-000		2	BUSHING		
19	FB6-0274-000		2	SEAL, PAPER FEED FRAME		
20	FB6-0286-000		1	SPRING, TORSION		
21	FB6-0296-000		1	ELIMINATOR, STATIC CHARGE		
22	FB6-0297-000		1	SPRING UNIT, CONTACT		
23	FG6-7954-000		1	PAPER PICK-UP SHAFT ASSEMBLY		
23A	FB4-9817-030		2	ROLLER, PICK-UP		
23B	FB4-9819-000		2	HOLDER, PICK-UP SHAFT		
23C	FB4-9820-000		1	COLLAR, SPRING		
23D	FB4-9847-000		2	SPACER, PICK-UP ROLLER		
24	FG6-9504-000		1	TRANSFER ROLLER UNIT		
24A	FU3-0441-000		1	GEAR, 17T		
24B	RB2-2925-020		1	BUSHING, TRANSFER, LEFT		

FIGURE & KEY NO.	PARTS NUMBER	RANK	Q'TY	DESCRIPTION	SERIAL NUMBER/REMARKS	SVC
25	FH6-5037-000		1	SOLENOID	SL2 J307	
26	FS7-2689-000		1	SPRING, TENSION		
27	FS7-2690-000		1	SPRING, COMPRESSION		
28	FU3-0073-000		1	GEAR, 32T		
29	FU3-0074-000		1	GEAR, 14T		
30	RB2-2843-000		1	SPRING, TORSION		
31	RB2-2926-020		1	BUSHING, TRANSFER, RIGHT		
32	RS6-2022-000		1	SPRING, COMPRESSION		
33	WA1-6525-000		1	DIODE, V17C33A		
501	XB4-5401-007		1	SCREW,P,M4X10		
502	XD2-1100-502		1	RING,E		
503	XD2-2300-302		7	RING,TOOTHED LOCK		

# FIGURE 460 LASER SCANNER ASSEMBLY

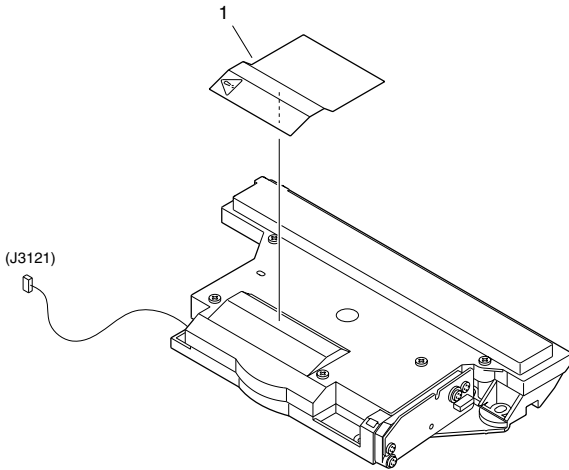


FIGURE & KEY NO.	PARTS NUMBER	RANK	QTY	DESCRIPTION	SERIAL NUMBER/REMARKS	SVC
Fig.460	FG6-7925-000		1	SCANNER ASSEMBLY	iR1210,iR1230,iR1270F,iR1310,iR1330,iR1370F	
Fig.460	FM5-0995-000		1	SCANNER ASSEMBLY	iR1510,iR1530,iR1570F,iR1610,iR1630,iR1670F	
1	RS6-8382-000		1	LABEL, 'WARNING LASER'	iR1210,iR1230,iR1270F,iR1310,iR1330,iR1370F	
1	RU5-8126-000		1	LABEL, 'WARNING LASER'	iR1510,iR1530,iR1570F,iR1610,iR1630,iR1670F	

**FIGURE 640**  
**DEVELOPING ASSEMBLY**

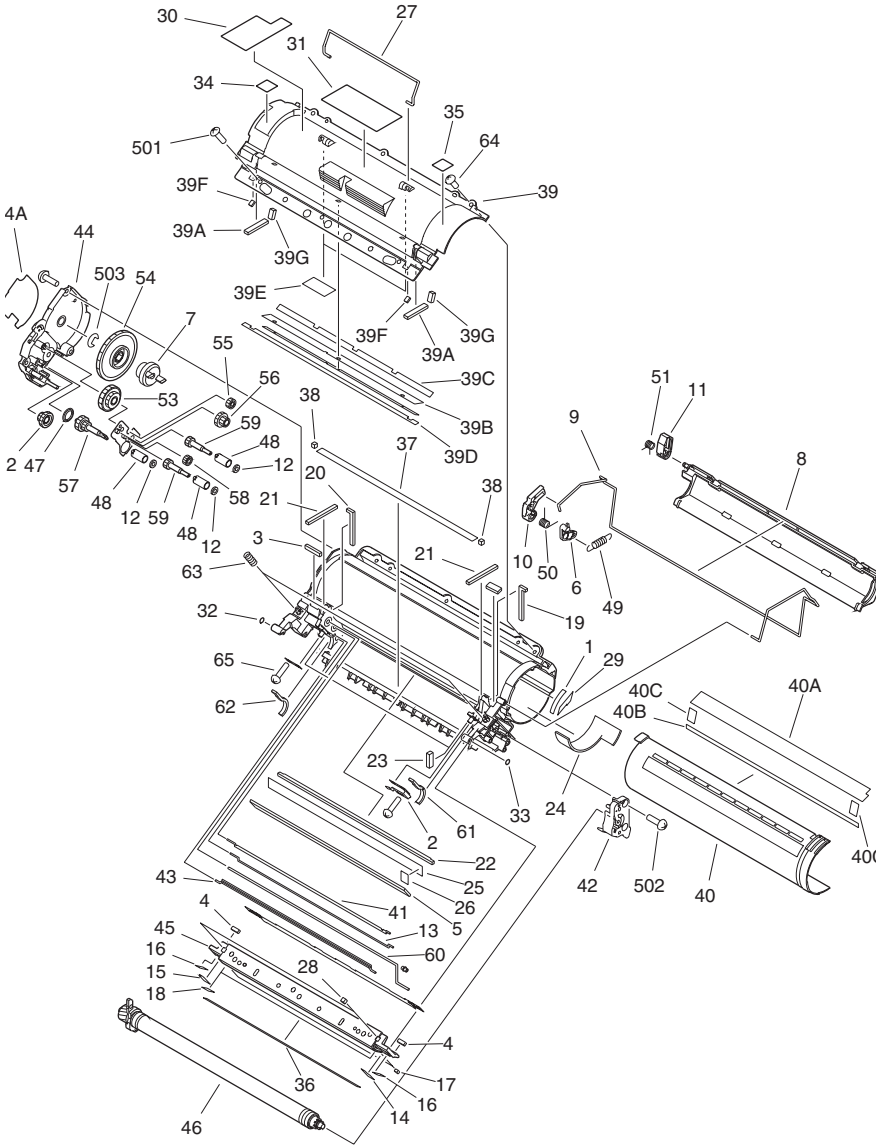




FIGURE & KEY NO.	PARTS NUMBER	R A N K	Q'TY	DESCRIPTION	SERIAL NUMBER/ REMARKS	S V C
Fig.640	FG6-9528-000		1	DEVELOPING ASSEMBLY		
1	FB3-0687-000		1	SEAL, OPEN GUIDE, 1		
2	FB6-4672-000		1	PLATE, GROUNDING		
3	FB6-4677-000		2	SEAL, AUXILIARY, 2		
4	FB6-4679-000		2	SEAL, SCRAPER		
5	FB6-4684-000		1	SHEET, DEVELOPING CONTAINER		
6	FB6-4685-000		1	ARM, SHUTTER		
7	FB6-4687-000		1	JOINT, DRIVE		
8	FB6-4689-000		1	SHUTTER, DEVELOPING		
9	FB6-4690-000		1	ROD, SHUTTER		
10	FB6-4691-000		1	ARM, SHUTTER		
11	FB6-4692-000		1	ARM, SHUTTER, 2		
12	FB6-4693-000		3	SEAL, STIRRER GEAR		
13	FB6-4694-000		1	ROD, STIRRING, 2		
14	FB6-4700-000		1	SHEET, TONER, FRONT		
15	FB6-4701-000		1	SHEET, TONER, REAR		
16	FB6-4702-000		2	SHEET, ROLLER SCRAPER		
17	FB6-4703-000		2	SEAL, BASE PLATE		
18	FB6-4704-000		2	SHEET, BLANKING		
19	FB6-4705-000		1	SEAL, D-S, FRONT		
20	FB6-4706-000		1	SEAL, D-S, REAR		
21	FB6-4707-000		2	SEAL, D-S, VERTICAL		
22	FB6-4708-000		1	SEAL, D-S, SIDE		
23	FB6-4709-000		2	SEAL, DEVELOPING, SIDE		
24	FB6-4710-000		1	SEAL, BOTTLE, INTERNAL		
25	FB6-4711-000		1	SHEET, SHUTTER CLEANING		
26	FB6-4712-000		1	SHEET, SHUTTER CLEANING, SMALL		
27	FB6-4762-000		1	HANDLE, DEVELOPING		
28	FB6-4764-000		2	SEAL, BASE AUXILIARY		
29	FB6-4766-000		1	SEAL, OPEN GUIDE		
30	FB6-4782-000		1	LABEL, DEVELOPING UNIT WARNING		
31	FB6-4784-000		1	LABEL, DEVEL. ASS'Y INHIBITED		

FIGURE & KEY NO.	PARTS NUMBER	R A N K	Q'TY	DESCRIPTION	SERIAL NUMBER/ REMARKS	S V C
32	FB6-4822-000		1	LABEL, JOINT, LEFT		
33	FB6-4823-000		1	LABEL, JOINT, RIGHT		
34	FB6-4824-000		1	LABEL, INSTALLATION, LEFT		
35	FB6-4825-000		1	LABEL, INSTALLATION, RIGHT		
36	FB6-4835-000		1	SHEET, BLADE BASE		
37	FB6-4837-000		1	SHEET, PREVENTION		
38	FB6-4838-000		2	SEAL, MAGNET, SIDE		
39	FF6-2289-000		1	COVER, DEVELOPING CONTAINER		
39A	FB6-4670-000		2	SEAL, AUXILIARY, 4		
39B	FB6-4674-000		1	SHEET, L-S		
39C	FB6-4676-000		1	SEAL, AUXILIARY SHUTTER		
39D	FB6-4713-000		1	SEAL, COVER		
39E	FB6-4763-000		2	SHEET, HANDLE COVER		
39F	FB6-4765-000		2	SEAL, AUXILIARY, 3		
39G	FB6-4829-000		2	SEAL, AUXILIARY, 5		
40	FF6-2290-000		1	SHUTTER, BOTTLE		
40A	FB6-4761-000		1	SEAL, SHUTTER, HORIZONTAL		
40B	FB6-4827-000		1	SEAL, SHUTTER, HORIZONTAL		
40C	FB6-4828-000		2	SEAL, SHUTTER, VERTICAL		
41	FF6-2295-000		1	ROD, STIRRING, 3		
42	FF6-2296-000		1	HOLDER, DEVELOPING, LEFT		
43	FF6-2297-000		1	ROD, DEVELOPING STIRRING		
44	FF6-2299-000		1	HOLDER, DEVELOPING, RIGHT		
44A	FB6-4826-000		1	LABEL, INSTALLATION, RIGHT, 2		
45	FG6-9532-000		1	BLADE UNIT		
46	FG6-9533-000		1	CYLINDER, DEVELOPING		
47	FS6-1091-000		1	BUSHING		
48	FS6-1094-000		3	BUSHING		
49	FS7-2926-000		1	SPRING, TENSION		
50	FS7-2927-000		1	SPRING, TORSION		
51	FS7-2928-000		1	SPRING, TORSION		
52	FU3-0430-000		1	GEAR, 29T/17T		

FIGURE & KEY NO.	PARTS NUMBER	RANK	Q'TY	DESCRIPTION	SERIAL NUMBER/REMARKS	SVC
53	FU3-0431-000		1	GEAR, 51T/15T		
54	FU3-0432-000		1	GEAR, 51T		
55	FU3-0433-000		1	GEAR, 18T		
56	FU3-0434-000		1	GEAR, 28T/17T		
57	FU3-0435-000		1	GEAR, 28T/17T		
58	FU3-0436-000		2	GEAR, 17T		
59	FU3-0437-000		2	GEAR, 17T		
60	MB5-0232-000		1	ROD, DEVELOPING ANTENA		
61	MF4-0008-000		1	SEAL, MAGNET, RIGHT		
62	MF4-0009-000		1	SEAL, MAGNET, LEFT		
63	FS7-2930-000		2	SPRING, COMPRESSION		
64	XA9-0663-000		3	SCREW, W/WASHER, M3X6		
65	XA9-0770-000		2	SCREW,P,M3X12		
501	XB1-2300-807		3	SCREW,MACH.,TRUSS HEAD,M3X8		
502	XB4-5300-806		12	SCREW,P,M3X8		
503	XD2-1100-502		1	RING,E		

**FIGURE 810**  
**FIXING ASSEMBLY**

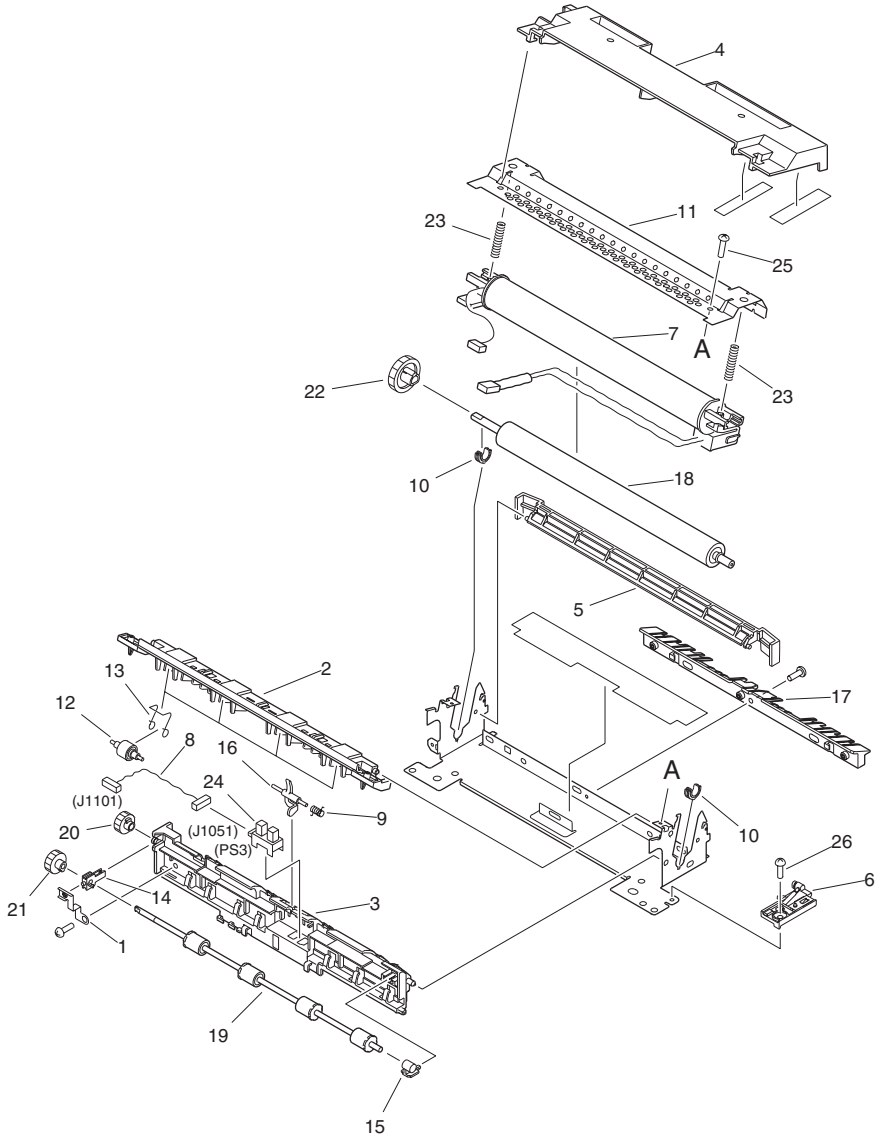


FIGURE & KEY NO.	PARTS NUMBER	R A N K	QTY	DESCRIPTION	SERIAL NUMBER/ REMARKS	S V C
Fig.810	FG6-7947-000		1	FIXING ASSEMBLY	ZTY,ZTW,ZTZ,ZUB	

FIGURE & KEY NO.	PARTS NUMBER	RANK	Q'TY	DESCRIPTION	SERIAL NUMBER/REMARKS	SVC
Fig.810	FG6-7945-000		1	FIXING ASSEMBLY	MTC,PVZ,QLT,UVB,UVC UVD,UVE,MTD,MTE,QTM UVF,UVG,UVH,UVJ,MTF MTG,UMA,UNA,UPA,QRE QRF	
Fig.810	FM5-0992-000		1	FIXING ASSEMBLY	JQE,JRK,JSD,JQF	
Fig.810	FM1-0470-000		1	FIXING ASSEMBLY	JRG,JRH,JRY,JSC,JSP,J SQ,JSR,JRJ,JQG,JQH,JC C,JRD,JRF,JRL,JRM,JRP, JRW,JRX,JSE,JSF,JSG,J SM,JSN	
1	FB6-0114-000		1	PLATE, GROUNDING		
2	FB6-0115-000		1	GUIDE, SEPARATION, UPPER		
3	FB6-0116-000		1	GUIDE, SEPARATION, LOWER		
4	FB6-0121-000		1	COVER, FIXING		
5	FB6-0122-000		1	GUIDE, FIXING INLET, UPPER		
6	FF6-1437-000		1	FIXING TERMINAL UNIT		
7	FG6-7948-000		1	FIXING FILM GUIDE ASSEMBLY	ZTY,ZTW,ZTZ,ZUB	
7	FG6-7946-000		1	FIXING FILM GUIDE ASSEMBLY	MTC,PVZ,QLT,UVB,UVC UVD,UVE,MTD,MTE,QTM UVF,UVG,UVH,UVJ,MTF MTG,UMA,UNA,UPA,QRE QRF	
7	FM5-1014-000		1	FIXING FILM GUIDE ASSEMBLY	JQE,JRK,JSD,JQF	
8	FG6-8849-000		1	CABLE, DELIVERY SENSOR	J1101,1051	
9	FS7-2700-000		1	SPRING, TORSION		
10	RB2-2973-000		2	BUSHING		
11	RB2-2975-000		1	PLATE, PRESSURE		
12	RB2-2977-000		4	ROLLER, DELIVERY		
13	RB2-2978-000		4	SPRING, COMPRESSION		
14	RB2-2985-000		1	BUSHING		
15	RB2-2986-000		1	BUSHING		
16	RB2-6402-000		1	LEVER, DELIVERY		
17	RB2-6357-000		1	GUIDE, ENTRANCE		
18	RF5-2601-000		1	ROLLER, PRESSURE		
19	RF5-2603-000		1	ROLLER, DELIVERY		
20	RS6-0442-000		1	GEAR, 14T		
21	RS6-0443-000		1	GEAR, 15T		

FIGURE & KEY NO.	PARTS NUMBER	RANK	Q'TY	DESCRIPTION	SERIAL NUMBER/REMARKS	SVC
22	RS6-0458-000		1	GEAR, 26T		
23	RS6-2029-000		2	SPRING, COMPRESSION	iR1210,iR1230,iR1270F,iR1310,iR1330,iR1370F	
23	FE5-3194-000		2	SPRING, COMPRESSION	iR1510,iR1530,iR1570F,iR1610,iR1630,iR1670F	
24	WG8-5309-000		1	PHOTO-INTERRUPTER	PS3 J1051	
25	XA9-0836-000		2	SCREW,TP,M3X6		
26	XA9-0924-000		3	SCREW,W/WASHER,M3X8		

# FIGURE 930 PCB ASSEMBLY

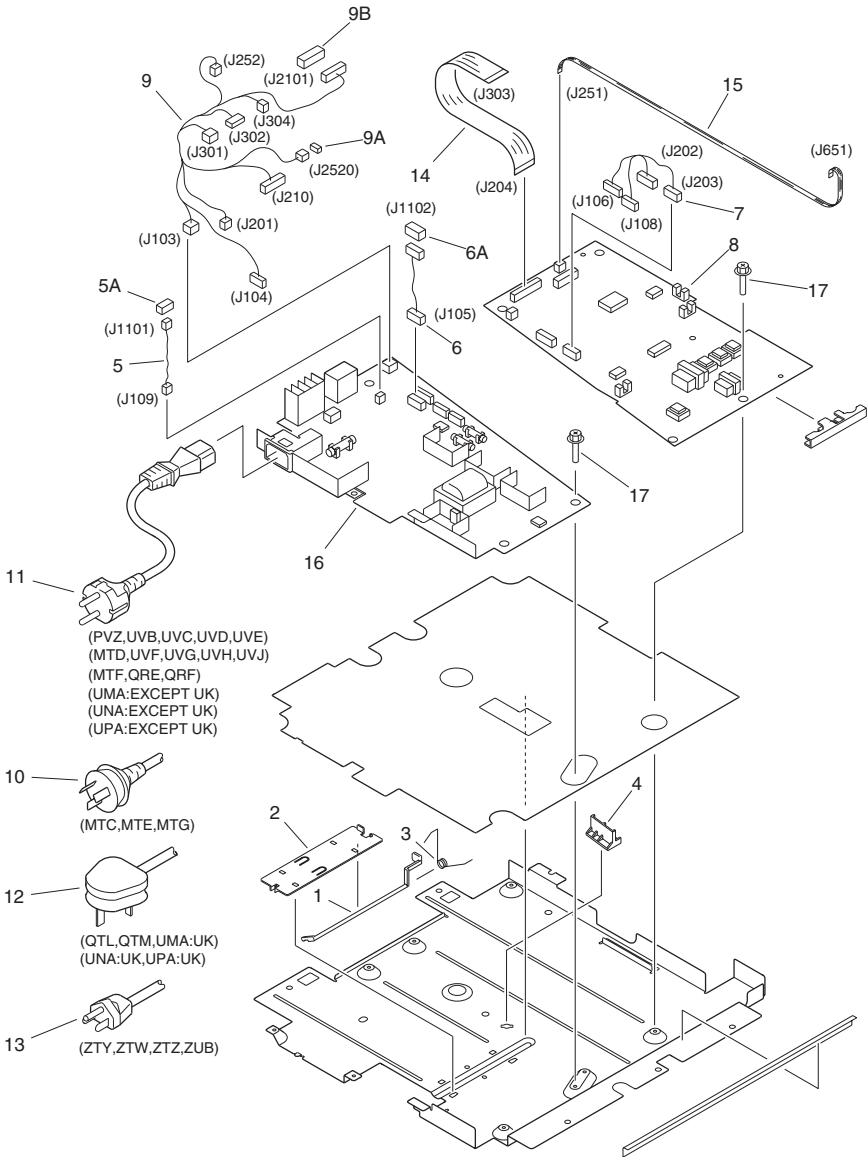


FIGURE & KEY NO.	PARTS NUMBER	R A N K	Q'TY	DESCRIPTION	SERIAL NUMBER/ REMARKS	S V C
Fig.930	NPN		RF	PCB ASSEMBLY		
1	FB6-0290-000		1	FLAG, SENSOR, 2		
2	FB6-0292-000		1	HOLDER, SENSOR FLAG		
3	FB6-0293-000		1	SPRING, TORSION		
4	FB6-0295-000		1	SPACER, CONTROLLER MOUNT		
5	FG6-8547-000		1	CABLE, PAPER DELIVERY SENSOR	J109,1101	
5A	VS1-5057-003		1	CONNECTOR, SNAP TIGHT	J1101	
6	FG6-8548-000		1	CABLE, THRMISTOR	J105,1102	
6A	VS1-5057-004		1	CONNECTOR, SNAP TIGHT	J1102	
7	FG6-8833-000		1	CABLE, POWER SUPPLY/DC	J106,108,202,203	
8	FG6-9555-000		1	DC CONTROLLER PCB ASSEMBLY	iR1210,iR1230,iR1270F,iR1310,iR1330,iR1370F	
8	FM1-0443-000		1	DC CONTROLLER PCB ASSEMBLY	iR1510,iR1530,iR1570F,iR1610,iR1630,iR1670F	
9	FG6-9852-000		1	CABLE, TONER FULL SENSOR, 2	J103,104,201,210,252 J301,302,304,2101 J2520	
9A	VS1-5057-003		1	CONNECTOR, SNAP TIGHT	J2520	
9B	VS1-5057-011		1	CONNECTOR, SNAP TIGHT	J2101	
10	FH2-5276-030		1	CORD, POWER SUPPLY	MTC,MTE,MTG	
11	FH2-7080-000		1	CORD, POWER SUPPLY	PVZ,UVB,UVC,UVD,UVE MTD,UVF,UVG,UVH,UVJ MTF,QRE,QRF UMA:EXCEPT UK UNA:EXCEPT UK UPA:EXCEPT UK	
12	FH2-5762-000		1	CORD, POWER SUPPLY	QTL,QTM,UMA:UK UNA:UK,UPA:UK	
13	FH2-6578-000		1	CORD, POWER SUPPLY	ZTY,ZTW,ZTZ,ZUB	
14	FH2-6933-000		1	CABLE, FLAT	J204,303	
15	FH2-7012-000		1	CABLE, FLAT	J251,651	
16	FH3-2639-000		1	DC POWER SUPPLY PCB ASSEMBLY	ZTY,ZTW,ZTZ,ZUB	
16	FH3-2651-000		1	DC POWER SUPPLY PCB ASSEMBLY	PVZ,MTC,MTD,MTE,MTF MTG,QRE,QRF	
16	FH3-2643-000		1	DC POWER SUPPLY PCB ASSEMBLY	QTL,UVB,UVC,UVD,UVE QTM,UVF,UVG,UVH,UVJ UMA,UNA,UPA	
17	XA9-1164-000		9	SCREW,RS,M3X6.5		



# FIGURE 950 IMAGE PROCESSOR PCB ASSEMBLY

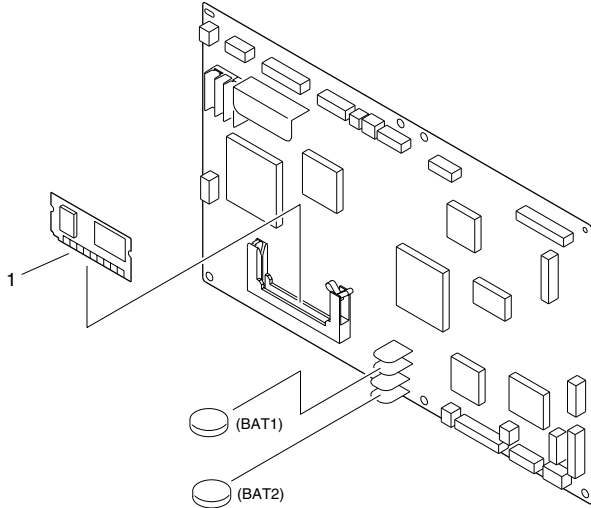


FIGURE & KEY NO.	PARTS NUMBER	RANK	QTY	DESCRIPTION	SERIAL NUMBER/REMARKS	SVC
Fig.950	FG6-9577-000		1	IMAGE PROCESSOR PCB ASSEMBLY	ZTY,MTC,PVZ,QL,UVB UVC,UVD,UVE,ZTW	
Fig.950	FG6-9575-000		1	IMAGE PROCESSOR PCB ASSEMBLY	MTD,MTE,QT,M,UVF,UVG UVH,UVJ,ZTZ	
Fig.950	FG6-9573-000		1	IMAGE PROCESSOR PCB ASSEMBLY	ZUB	
Fig.950	FM1-0451-000		1	IMAGE PROCESSOR PCB ASSEMBLY	JQE,JQF,JRG,JRH,JRJ,J QG,JQH,JRC,JRD,JRF	
Fig.950	FM1-0452-000		1	IMAGE PROCESSOR PCB ASSEMBLY	JRK,JRY,JSC,JRL,JRM,J RP,JRW,JRX	
Fig.950	FM1-0453-000		1	IMAGE PROCESSOR PCB ASSEMBLY	JSD,JSP,JSQ,JSR,JSE,J SF,JSG,JSM,JSN	
1	FG6-9560-000		1	DIMM ASS'Y		
BAT1	WK1-5112-000		1	LITHIUM BATTERY, CR2450VN75N		
BAT2	WK1-5133-000		1	BATTERY, LI-AI/V205,VL2330/G1C		