

imageRUNNER ADVANCE DX C357iF/C257iF

PARTS CATALOG



Canon

October 22, 2021
Rev. 1

Index

SNL	Product Code No. /Serial No.
A1A	ASSEMBLY LOCATION DIAGRAM (ADF model, FAX model)
A2	OPTION PARTS CATALOG LIST
001B	ACCESSORIES (120V)
001C	ACCESSORIES (230V)
100B	EXTERNAL COVERS, PANELS, ETC.
101B	DOOR ASSEMBLY, FRONT
102	DOOR ASSEMBLY, RIGHT
103B	INTERNAL COMPONENTS 1
104	INTERNAL COMPONENTS 2
105A	INTERNAL COMPONENTS 3 (ADF model)
106	INTERNAL COMPONENTS 4
107B	INTERNAL COMPONENTS 5 (120V)
107C	INTERNAL COMPONENTS 5 (230V)
108B	MACHINE REAR PLATE 1 (120V)
108C	MACHINE REAR PLATE 1 (230V)
109B	MACHINE REAR PLATE 2
130	CONTROL PANEL ASSEMBLY
190	CARTRIDGE AIR INTAKE FAN ASS'Y
191	DELIVERY COOLING FAN ASSEMBLY
192	POWER SUPPLY FAN ASSEMBLY
250	MAIN DRIVE ASSEMBLY
260	PAPER PICK-UP DRIVE ASSEMBLY
270	BOTTLE DRIVE ASSEMBLY
280	FIXING DRIVE ASSEMBLY
290	PICK-UP LIFTER DRIVE ASS'Y
300B	CASSETTE
310	RESIST/PAPER PICK-UP ASS'Y
330B	MULTI FEED TRAY ASSEMBLY
331	MULTI FEED PAPER PICK-UP ASS'Y
332	DUPLEXING GUIDE ASSEMBLY
350	PAPER DELIVERY/REVERSE ASS'Y
460	LASER SCANNER ASSEMBLY
530	INTER. TRANSFER BELT ASS'Y
621	BOTTLE MOUNT ASSEMBLY
622	HOPPER ASSEMBLY
771	INTERNAL COVER ASSEMBLY
772	CONTAINER, WASTE TONER, WT-201
810B	FIXING ASSEMBLY, FX-201 (120V)
810C	FIXING ASSEMBLY, FX-201 (230V)

Index

900B	CONTROLLER BOX ASSEMBLY (C357iF)
900D	CONTROLLER BOX ASSEMBLY (C257iF)
910A	POWER SUPPLY ASSEMBLY (100V, 120V)
910B	POWER SUPPLY ASSEMBLY (230V)
930	DC CONTROLLER PCB ASSEMBLY
B01	ADF MAINTENANCE KIT (ADF model)
B10B	READER/ADF ASSEMBLY (ADF model)
B11C	AUTO DOCUMENT FEEDER ASS'Y SET (ADF model) (OLD)
B11D	AUTO DOCUMENT FEEDER ASS'Y SET (ADF model) (NEW)
B12	PAPER PICK-UP COVER ASS'Y (ADF model)
D10B	READER ASSEMBLY
T20B	FAX ASSEMBLY (FAX model)
T21	SPEAKER (FAX model)
ZZA	MECHANICAL STANDARD PARTS (HOW TO USE)
ZZB	MECHANICAL STANDARD PARTS (SCREWS)
ZZC	MECHANICAL STANDARD PARTS (BOLTS)
ZZD	MECHANICAL STANDARD PARTS (NUTS)
ZZE	MECHANICAL STANDARD PARTS (RETAINING RINGS)

Figure SNL Product Code No./Serial No.

	Product Code No.	Model Name	Remarks	Serial No.
1	F17-9231-000	imageRUNNER ADVANCE DX C357iF	120V US, CA, LTN ADF model, FAX model	2UK
2	F17-9233-000	imageRUNNER ADVANCE DX C357iF	120V US, LTN ADF model, FAX model GOVERNMENT	2UL
3	F17-9281-000	imageRUNNER ADVANCE DX C357iF	230V LTN ADF model, FAX model	2UM
4	F17-9234-000	imageRUNNER ADVANCE DX C257iF	120V US, CA, LTN ADF model, FAX model	2CJ
5	F17-9236-000	imageRUNNER ADVANCE DX C257iF	120V US, LTN ADF model, FAX model GOVERNMENT	3CE
6	F17-9284-000	imageRUNNER ADVANCE DX C257iF	230V LTN ADF model, FAX model	2VX

	中オーダー	製品名	備考	シリアル No.
1	F17-9231-000	imageRUNNER ADVANCE DX C357iF	120V US, CA, LTN ADF model, FAX model	2UK
2	F17-9233-000	imageRUNNER ADVANCE DX C357iF	120V US, LTN ADF model, FAX model GOVERNMENT	2UL
3	F17-9281-000	imageRUNNER ADVANCE DX C357iF	230V LTN ADF model, FAX model	2UM
4	F17-9234-000	imageRUNNER ADVANCE DX C257iF	120V US, CA, LTN ADF model, FAX model	2CJ
5	F17-9236-000	imageRUNNER ADVANCE DX C257iF	120V US, LTN ADF model, FAX model GOVERNMENT	3CE
6	F17-9284-000	imageRUNNER ADVANCE DX C257iF	230V LTN ADF model, FAX model	2VX

FIGURE & KEY NO.	PART NUMBER	RANK	QTY	DESCRIPTION	SERIAL NUMBER /REMARKS
SNL	NPN		RF	Product Code No./Serial No.	
1	F17-9231-000		1	imageRUNNER ADVANCE DX C357iF	2UK 120V US, CA, LTN ADF model, FAX model
2	F17-9233-000		1	imageRUNNER ADVANCE DX C357iF	2UL 120V US, LTN ADF model, FAX model GOVERNMENT
3	F17-9281-000		1	imageRUNNER ADVANCE DX C357iF	2UM 230V LTN ADF model, FAX model
4	F17-9234-000		1	imageRUNNER ADVANCE DX C257iF	2CJ 120V US, CA, LTN ADF model, FAX model
5	F17-9236-000		1	imageRUNNER ADVANCE DX C257iF	3CE 120V US, LTN ADF model, FAX model GOVERNMENT
6	F17-9284-000		1	imageRUNNER ADVANCE DX C257iF	2VX 230V LTN ADF model, FAX model

Figure A1A (1/5) ASSEMBLY LOCATION DIAGRAM (ADF model, FAX model)

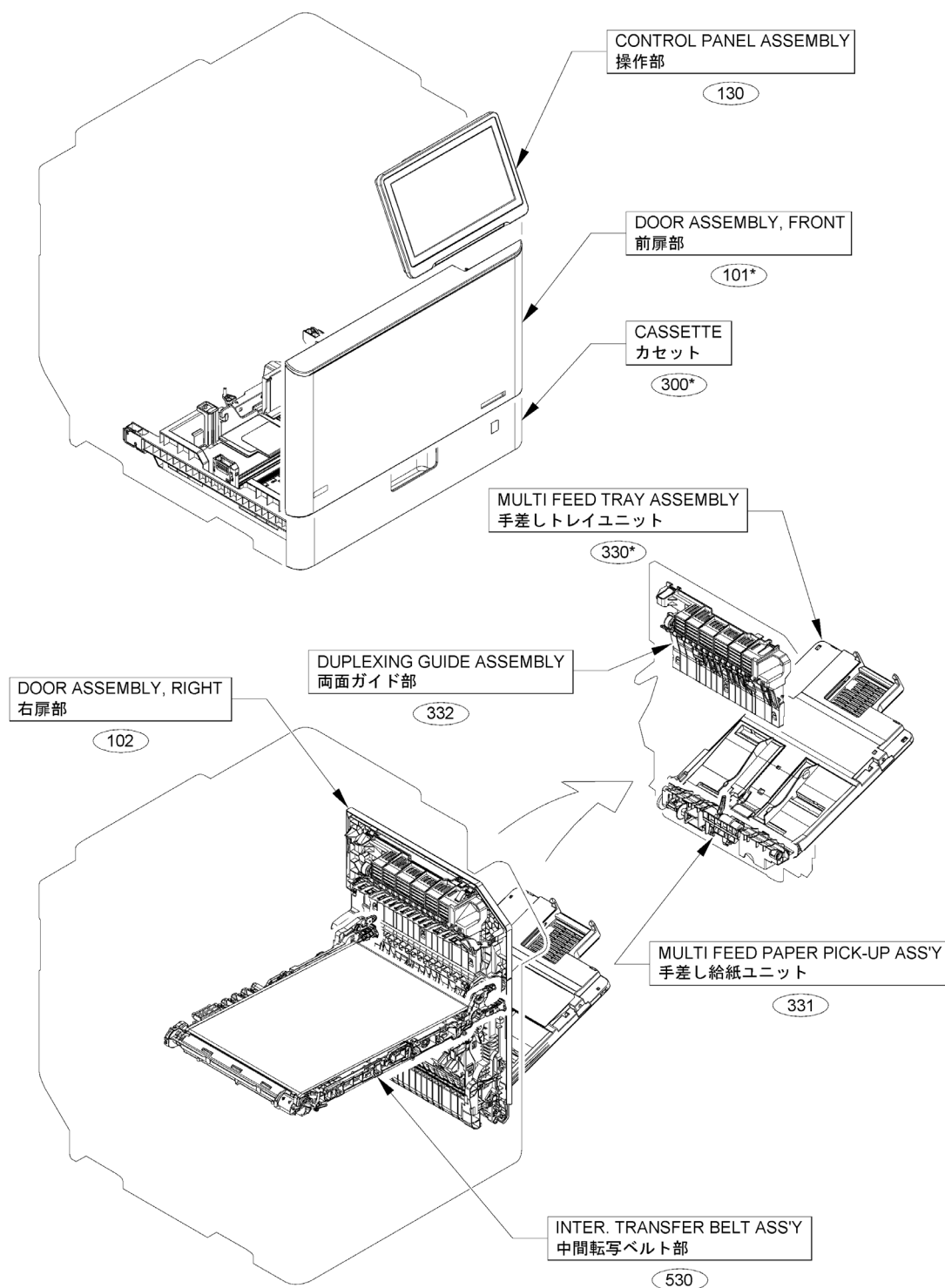


Figure A1A (2/5) ASSEMBLY LOCATION DIAGRAM (ADF model, FAX model)

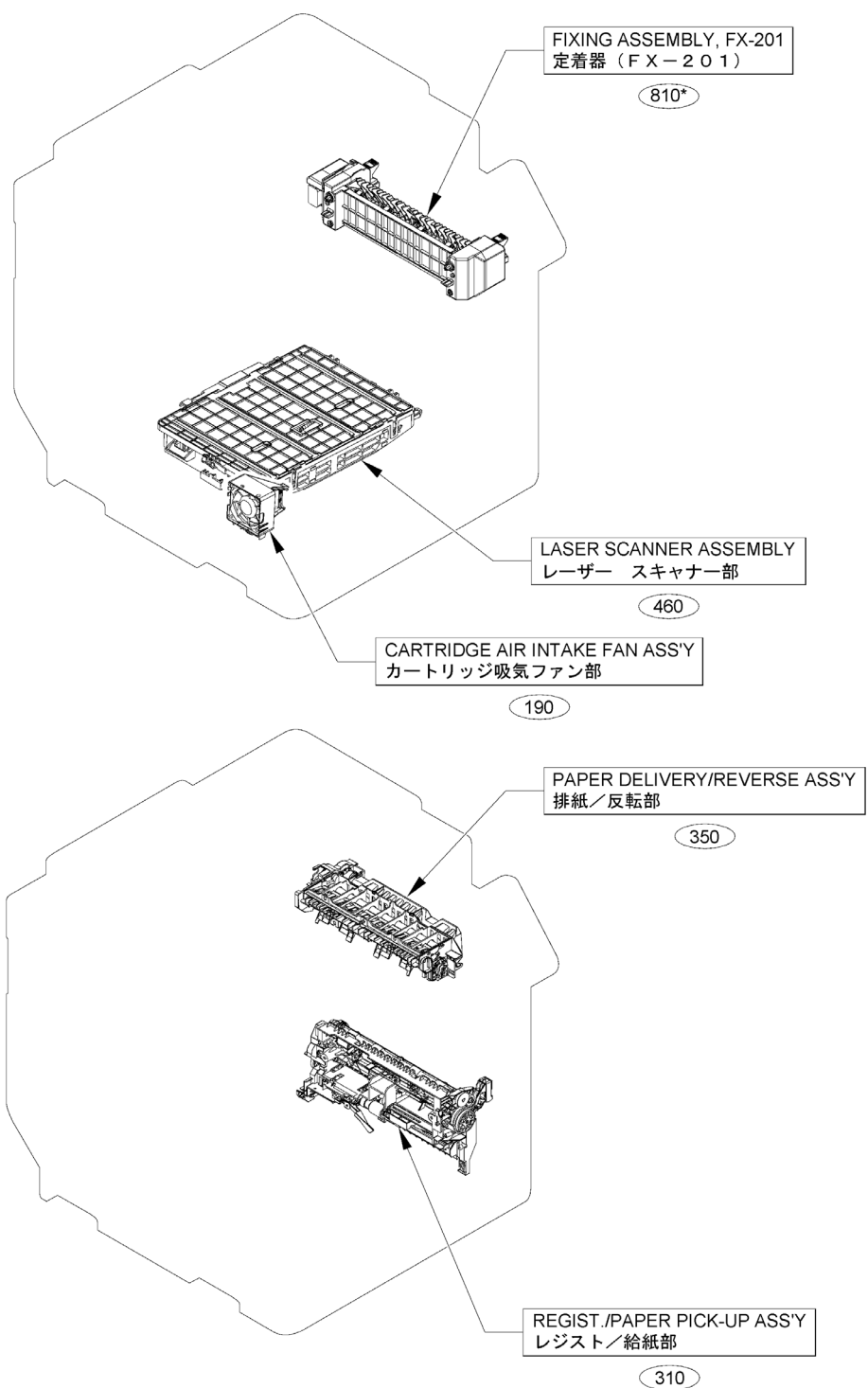


Figure A1A (3/5) ASSEMBLY LOCATION DIAGRAM (ADF model, FAX model)

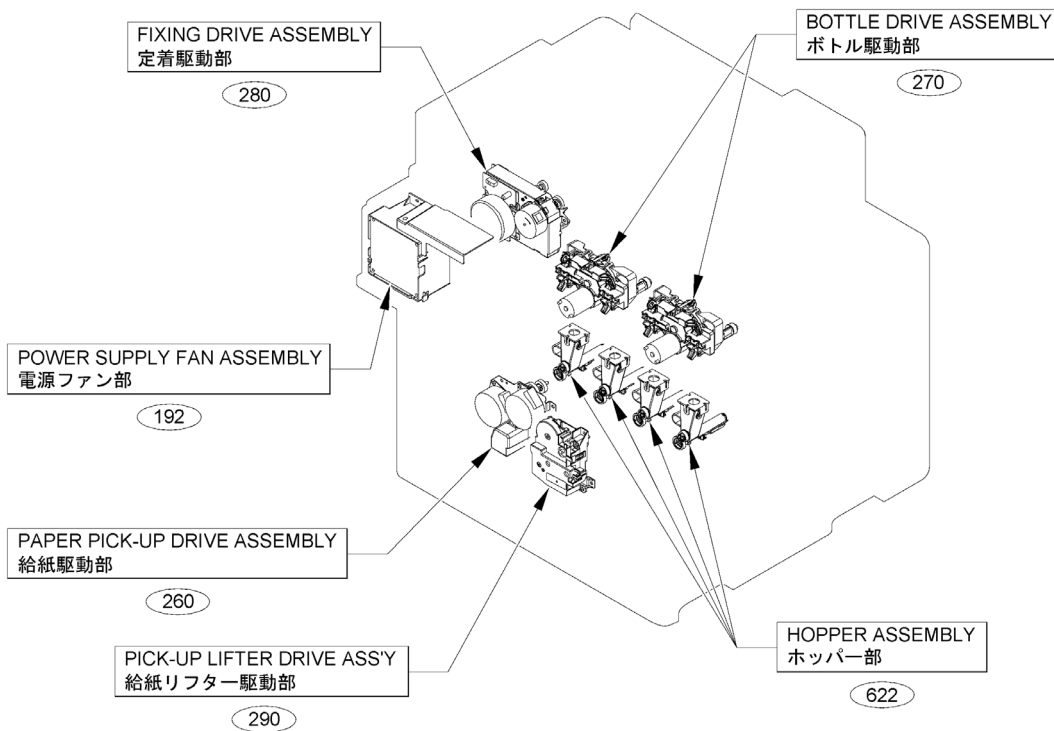
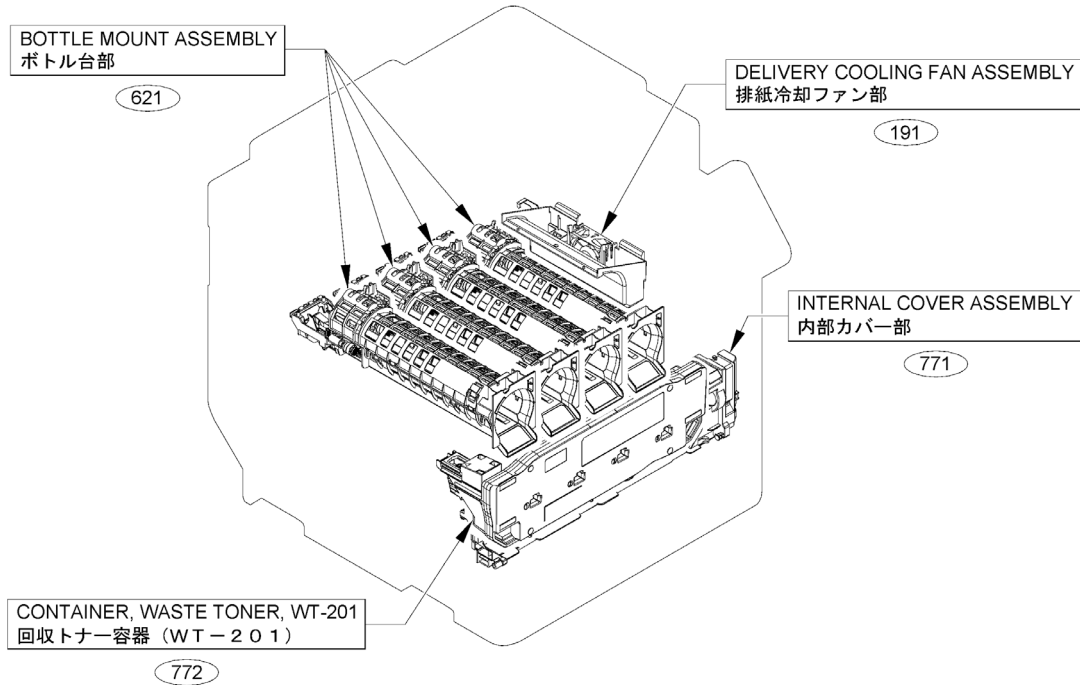


Figure A1A (4/5) ASSEMBLY LOCATION DIAGRAM (ADF model, FAX model)

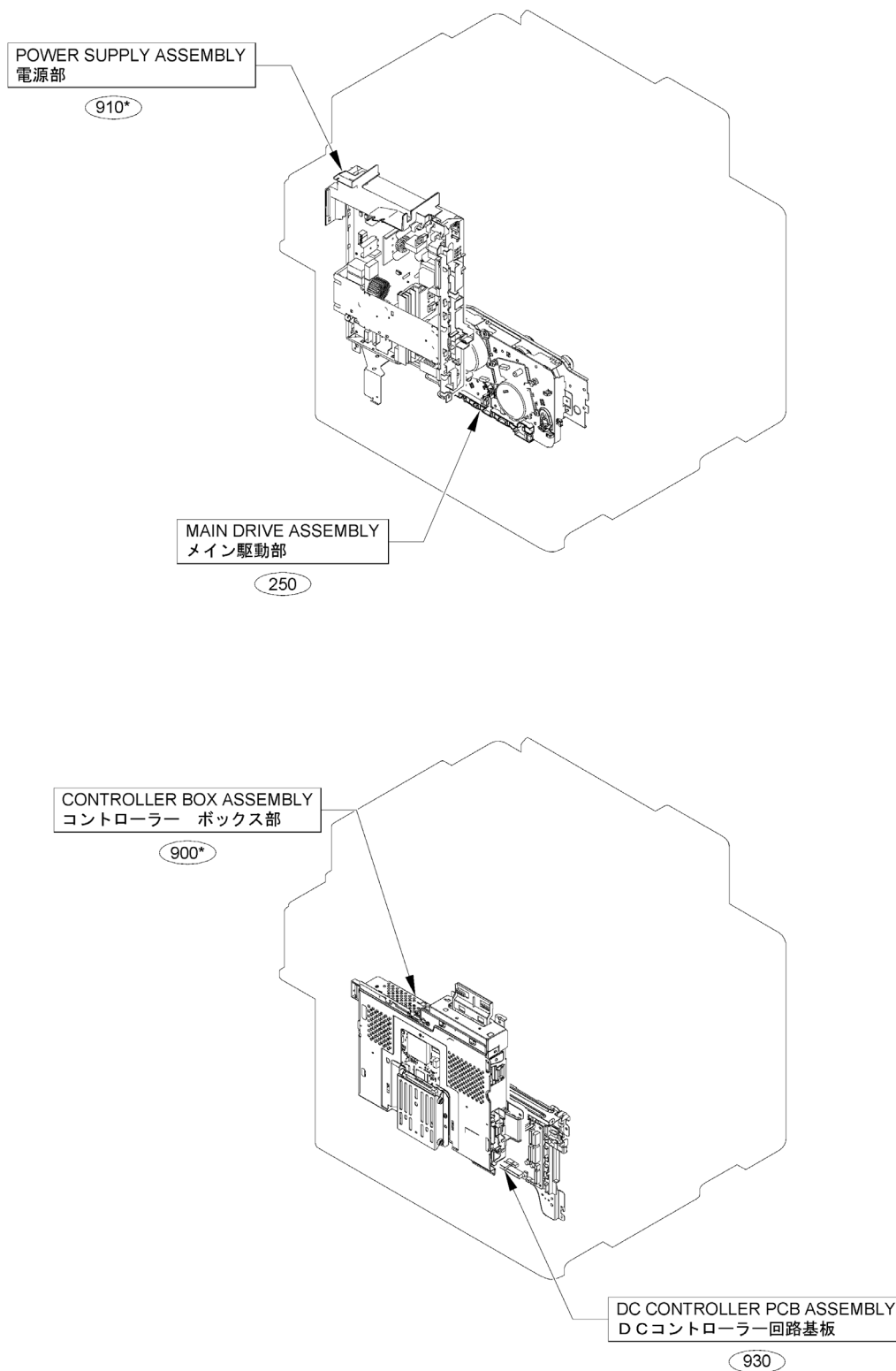


Figure A1A (5/5) ASSEMBLY LOCATION DIAGRAM (ADF model, FAX model)

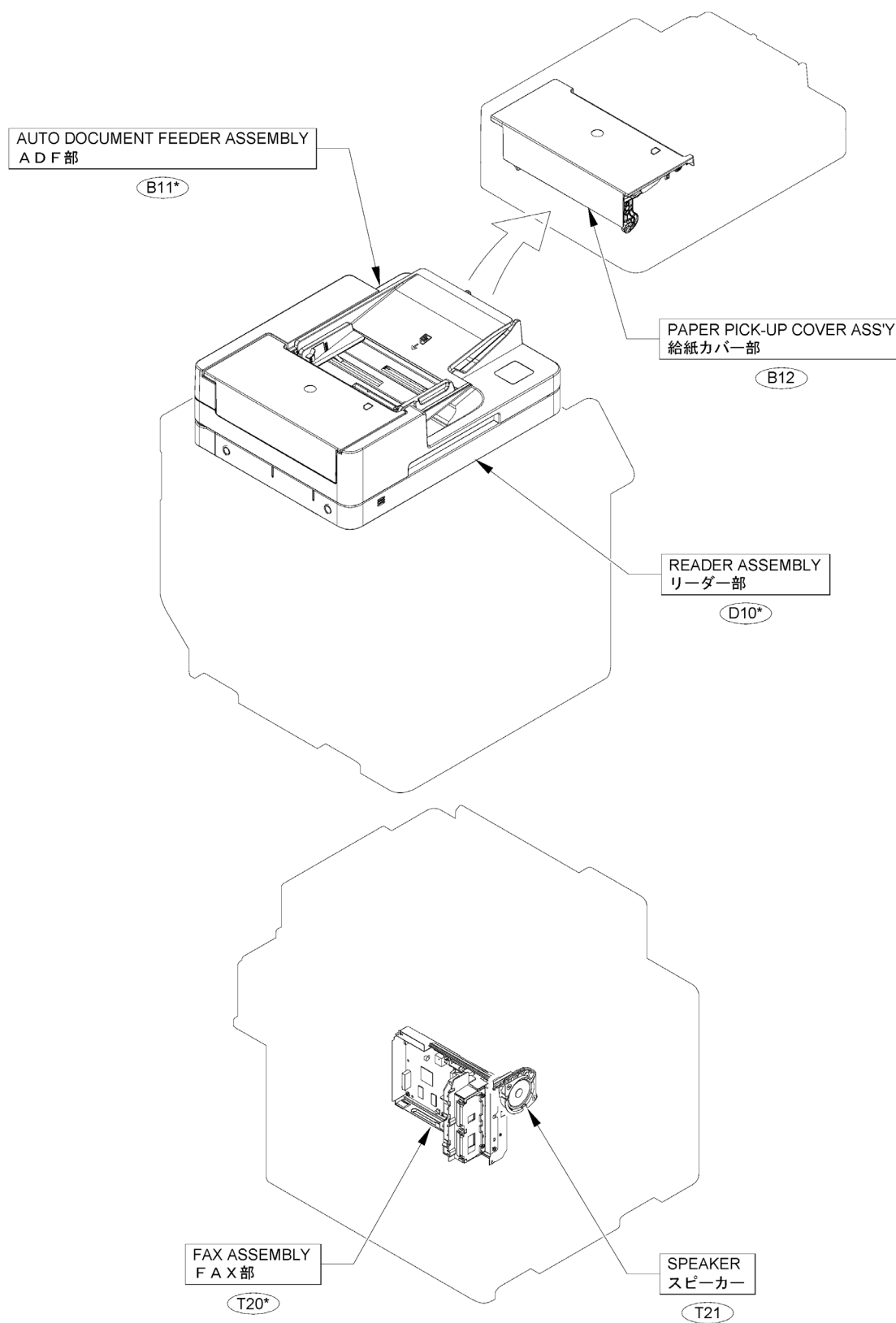


Figure A2 OPTION PARTS CATALOG LIST

This is the table of the machine's options whose parts catalog is issued.
 本機のオプションで、パーツカタログが発行されている機種の一覧である。

No.	Model Name(English)	Model Name(Japanese)
1	ADF Access Handle-A1	A D Fアクセスハンドル・A 1
2	NFC Kit-E1	N F Cキット・E 1
3	Cassette Module-AE1	1段カセットユニット・A E 1
4	Cassette Feeding Unit-AJ1/ Cassette Feeding Unit-AK1	1段カセットペディスタル・A J 1 / 3段カセットペディスタル・A K 1
5	Staple Finisher-Z1	(日本仕向けなし)
6	Cassette Heater Unit-39	(日本仕向けなし)
7	Copy Card Reader Attachment-B5	コピーカードリーダー取付けキット・B 5
8	Super G3 FAX Board-AT1	(日本仕向けなし)
9	Super G3 2nd Line Fax Board-AT1	G 3回線増設キット(2回線)・A T 1
10	(JAPAN ONLY)	ハンドセット・J 1
11	Serial Interface Kit-K3	シリアルインターフェースキット・K 3
12	Copy Control Interface Kit-A1	コントロールインターフェースキット・A 1
13	IC Card Reader Box-D1	I Cカードリーダーボックス・D 1
14	iR-ADV Security Kit-AQ1 for IEEE 2600 Common Criteria Certification	i R - A D Vセキュリティキット・A Q 1 f o r I E E E 2 6 0 0
15	Copy Card Reader-F1	コピーカードリーダー・F 1
16	Connection Kit-A2 for Bluetooth LE	拡張キット・A 2 f o r B l u e t o o t h L E

Figure 001B ACCESSORIES (120V)

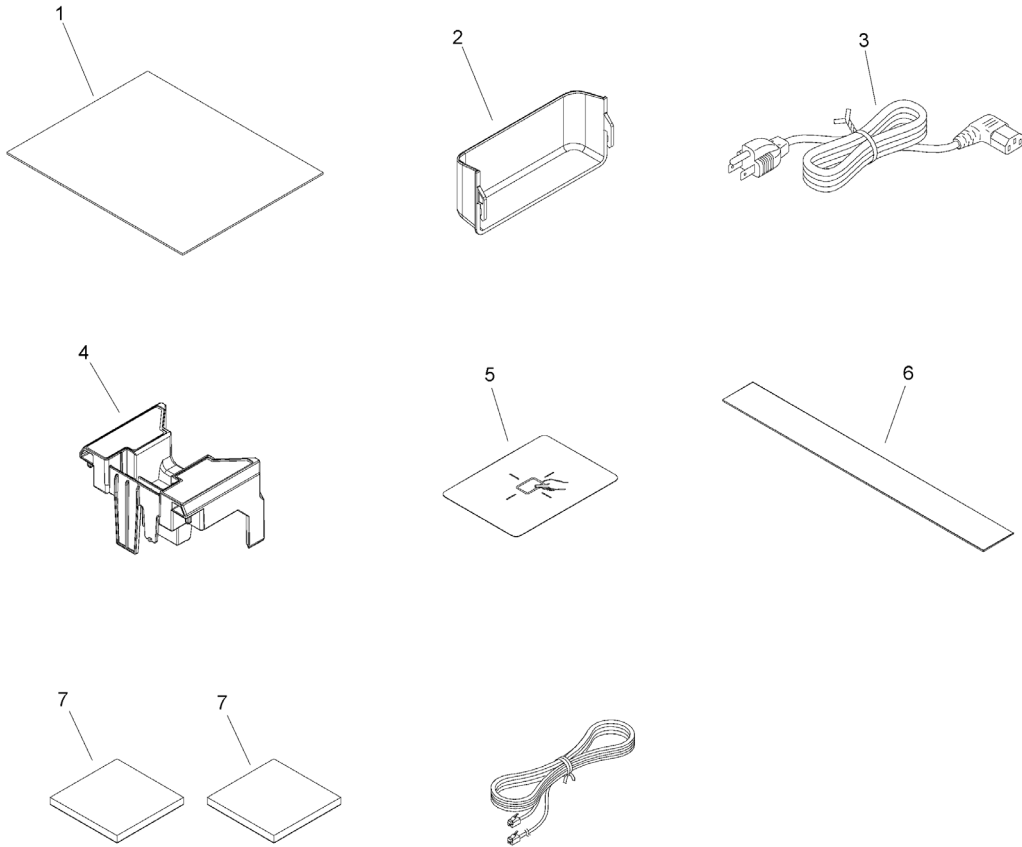


FIGURE & KEY NO.	PART NUMBER	RANK	QTY	DESCRIPTION	SERIAL NUMBER /REMARKS
001B	NPN		RF	ACCESSORIES	120V
1	FE2-A001-000		1	CLOTH, CLEANING	
2	FE2-H874-000		1	BOX, CLEANING CLOTH STOCK	
3	FK4-5598-000		1	CORD, POWER	
4	FL1-6978-000		1	GUIDE, ENVELOPE FEED	
5	FL4-0487-000		1	LABEL, CARD READER	
6	FE8-2357-000		1	BELT, FIXED	
7	FL0-5398-000		2	CUSHION	

Figure 001C ACCESSORIES (230V)

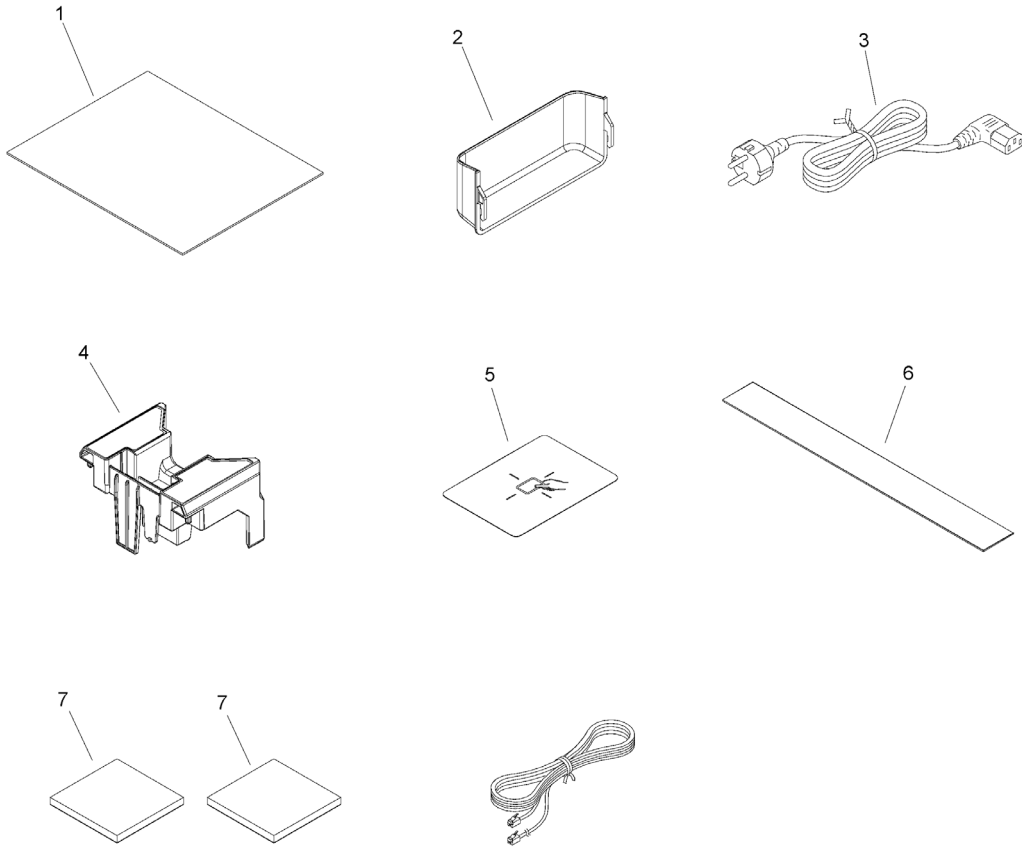


FIGURE & KEY NO.	PART NUMBER	RANK	QTY	DESCRIPTION	SERIAL NUMBER /REMARKS
001C	NPN		RF	ACCESSORIES	230V
1	FE2-A001-000		1	CLOTH, CLEANING	
2	FE2-H874-000		1	BOX, CLEANING CLOTH STOCK	
3	FK4-3860-000		1	CORD, POWER	
4	FL1-6978-000		1	GUIDE, ENVELOPE FEED	
5	FL4-0487-000		1	LABEL, CARD READER	
6	FE8-2357-000		1	BELT, FIXED	
7	FL0-5398-000		2	CUSHION	

Figure 100B EXTERNAL COVERS, PANELS, ETC.

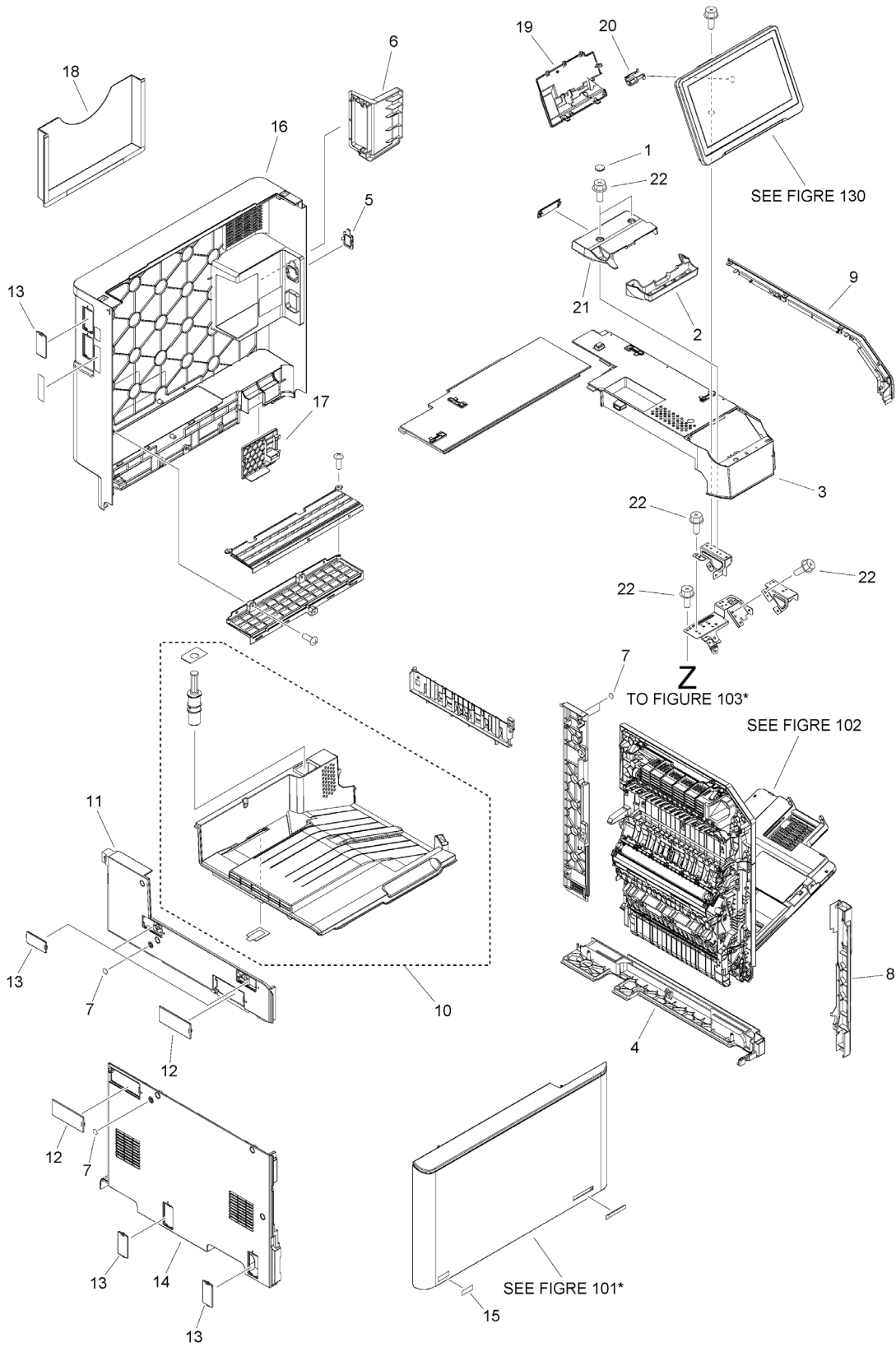


FIGURE & KEY NO.	PART NUMBER	RANK	QTY	DESCRIPTION	SERIAL NUMBER /REMARKS
100B	NPN		RF	EXTERNAL COVERS, PANELS, ETC.	
1	FE3-9169-000		2	CAP	
2	FE2-D430-000		1	COVER, UPPER, 2	
3	FE2-D413-000		1	COVER, UPPER, 1	
4	FE3-9079-000		1	COVER, RIGHT LOWER	
5	FE3-9087-000		1	COVER, ENV. HEATER SWITCH	
6	FE4-9082-000		1	COVER, REAR, 2	
7	FC6-4513-000		4	SEAL	
8	FL0-2604-000		1	COVER, RIGHT FRONT	
9	FL0-2605-000		1	COVER, RIGHT UPPER	
10	FM1-L554-000		1	TRAY, PAPER DELIVERY	
11	FE8-4211-000		1	COVER, LEFT UPPER	
12	FE3-9082-000		2	COVER, DEVICE PORT	
13	FE3-9088-000		5	COVER, FAX CONNECTOR	
14	FL0-5332-000		1	COVER, LEFT LOWER	
15	FE4-1818-000		1	LABEL, TONER	
16	FE4-9078-000		1	COVER, REAR, 1	
17	FE3-9089-010		1	COVER, HEATER, ENVIRONMENT	
18	FE4-3758-000		1	HOLDER, SERVICE BOOK	
19	FL4-0619-000		1	COVER, CONTROL PANEL CABLE	
20	FE2-D432-000		1	HOLDER, CABLE	
21	FE2-D414-000		1	COVER, UI ARM	
22	XA9-1386-000		15	SCREW,RS,M3X8	

Figure 101B DOOR ASSEMBLY, FRONT

NOTE 1 : This assembly does not include the parts shown with key No. 1, 2, 4, 5, 6 and 7. NOTE 2 : Several kinds of labels are attached on the board for the parts of Key No. 6. The same parts as Fig-Key No. 103-23.

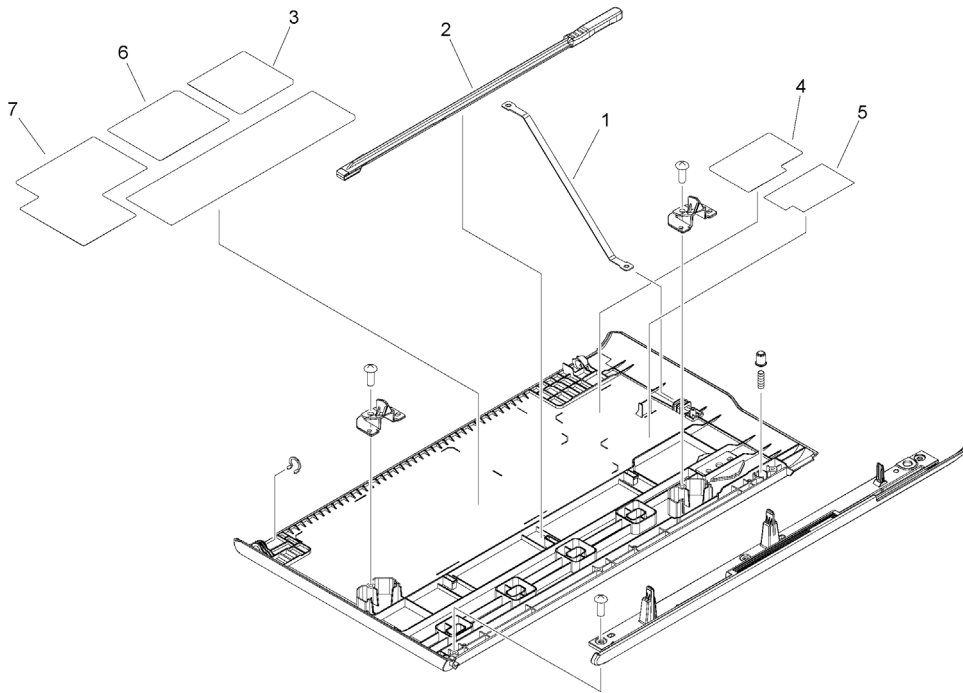


FIGURE & KEY NO.	PART NUMBER	RANK	QTY	DESCRIPTION	SERIAL NUMBER /REMARKS
101B	FM1-Z260-000		1	DOOR ASSEMBLY, FRONT	
1	FC0-7572-000		1	BAND, FRONT COVER, RIGHT	SEE NOTE 1
2	FL0-0237-000		1	ROD, GLASS CLEANING	SEE NOTE 1
3	FU6-8646-000		1	LABEL, LASER CAUTION	
4	FL4-1772-000		1	LABEL, SERVICE	SEE NOTE 1
5	FC0-7807-000		1	LABEL,EXCHANGE OPERATOR,BOTTLE	SEE NOTE 1
6	FE8-8494-000		1	LABEL, TONER TYPE	SEE NOTE 1 SEE NOTE 2
7	FL0-5404-000		1	LABEL, SERVICE	SEE NOTE 1

Figure 102 (1/2) DOOR ASSEMBLY, RIGHT

NOTE : This assembly includes the assemblies shown in Figure 330 and 331.

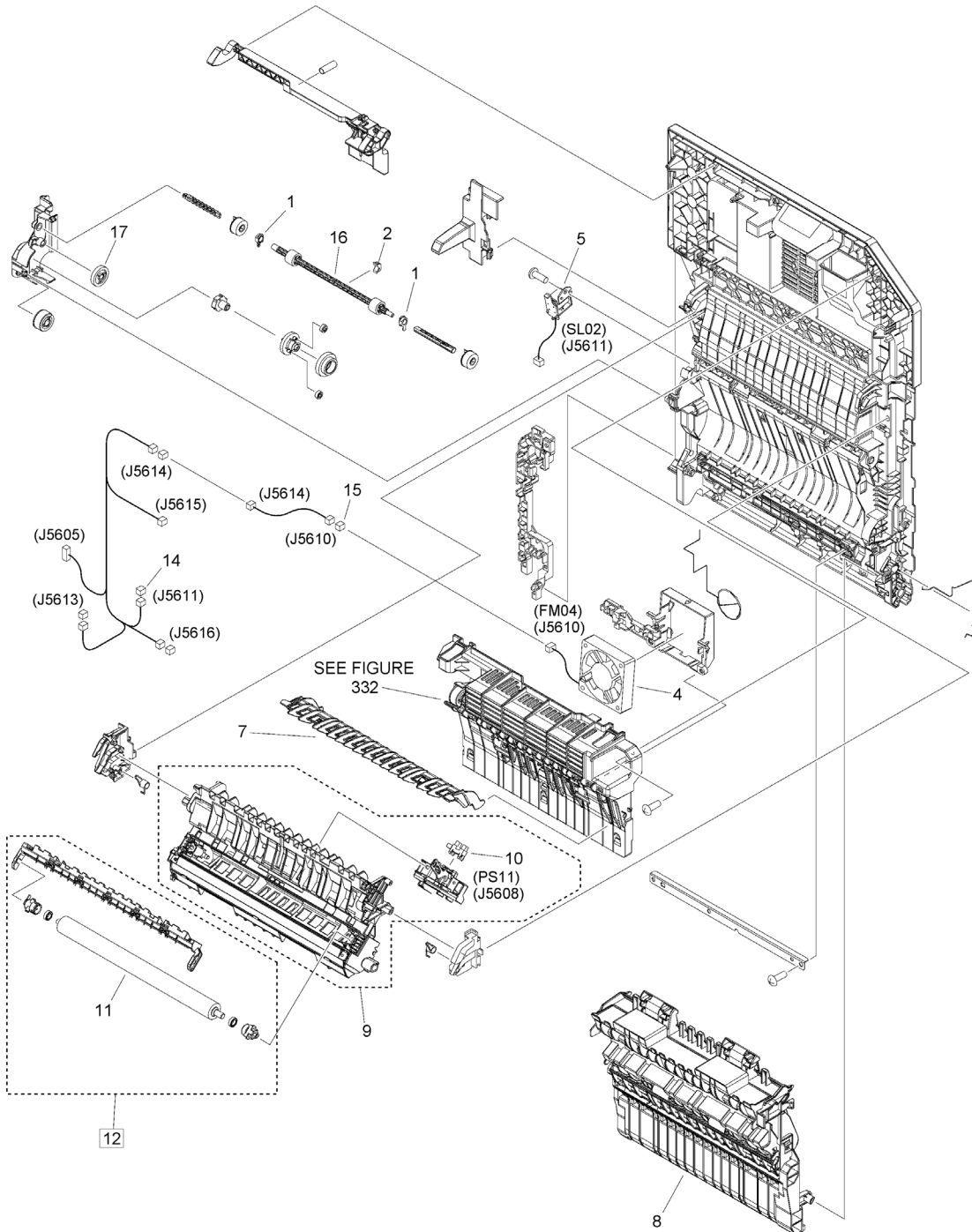


Figure 102 (2/2) DOOR ASSEMBLY, RIGHT

NOTE : This assembly includes the assemblies shown in Figure 330 and 331.

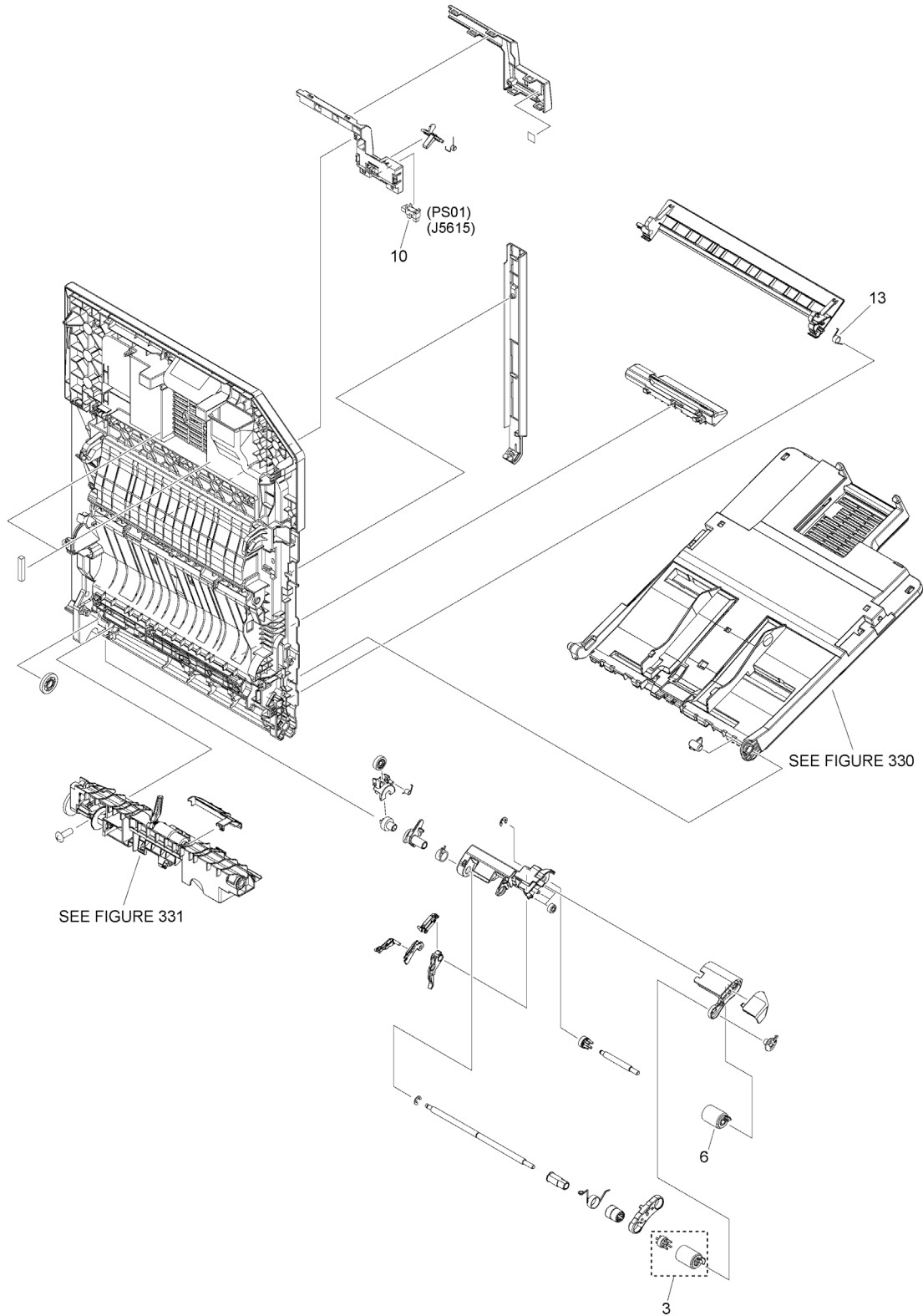


FIGURE & KEY NO.	PART NUMBER	RANK	QTY	DESCRIPTION	SERIAL NUMBER /REMARKS
102	FM1-U038-010		1	DOOR ASSEMBLY, RIGHT	SEE NOTE
1	FC0-5876-000		2	BUSHING	
2	FC0-5888-000		1	BUSHING	
3	FM1-P088-000		1	PAPER PICK-UP ROLLER SET	
4	FK2-0472-010		1	FAN	FM04
5	FK4-0725-010		1	SOLENOID	SL02
6	FL0-4002-000		1	ROLLER, PAPER PICK-UP	
7	FM1-B552-000		1	DUPLEXING INNER GUIDE ASSEMBLY	
8	FM1-B553-000		1	RIGHT INNER DOOR ASSEMBLY	
9	FM1-B554-020		1	2ND TRNSFR. OUTER GUIDE ASS'Y	
10	WG8-5935-000		2	IC, PHOTO INTERRUPTER	PS01, PS11
11	FE2-A308-000		1	ROLLER, 2ND TRNSFR. OUTER	
12	FM1-U036-000		1	2ND TRNSFR. OUTER ROLLER ASS'Y	[DP]
13	FU9-2112-010		1	SPRING, TORSION	
14	VS1-7177-002		1	CONNECTOR, SNAP TIGHT, BK	
15	VS1-7177-003		1	CONNECTOR, SNAP TIGHT, BK	
16	FL3-6443-000		1	ROLLER, DUPLEXING FEED	
17	FU9-0663-000		1	GEAR, 25T	

Figure 103B INTERNAL COMPONENTS 1

NOTE 1 : Several kinds of labels are attached on the board for the parts of Key No. 11. The same parts as Fig-Key No. 101-6. NOTE 2 : Several kinds of labels are attached on the board for the parts of Key No. 14.

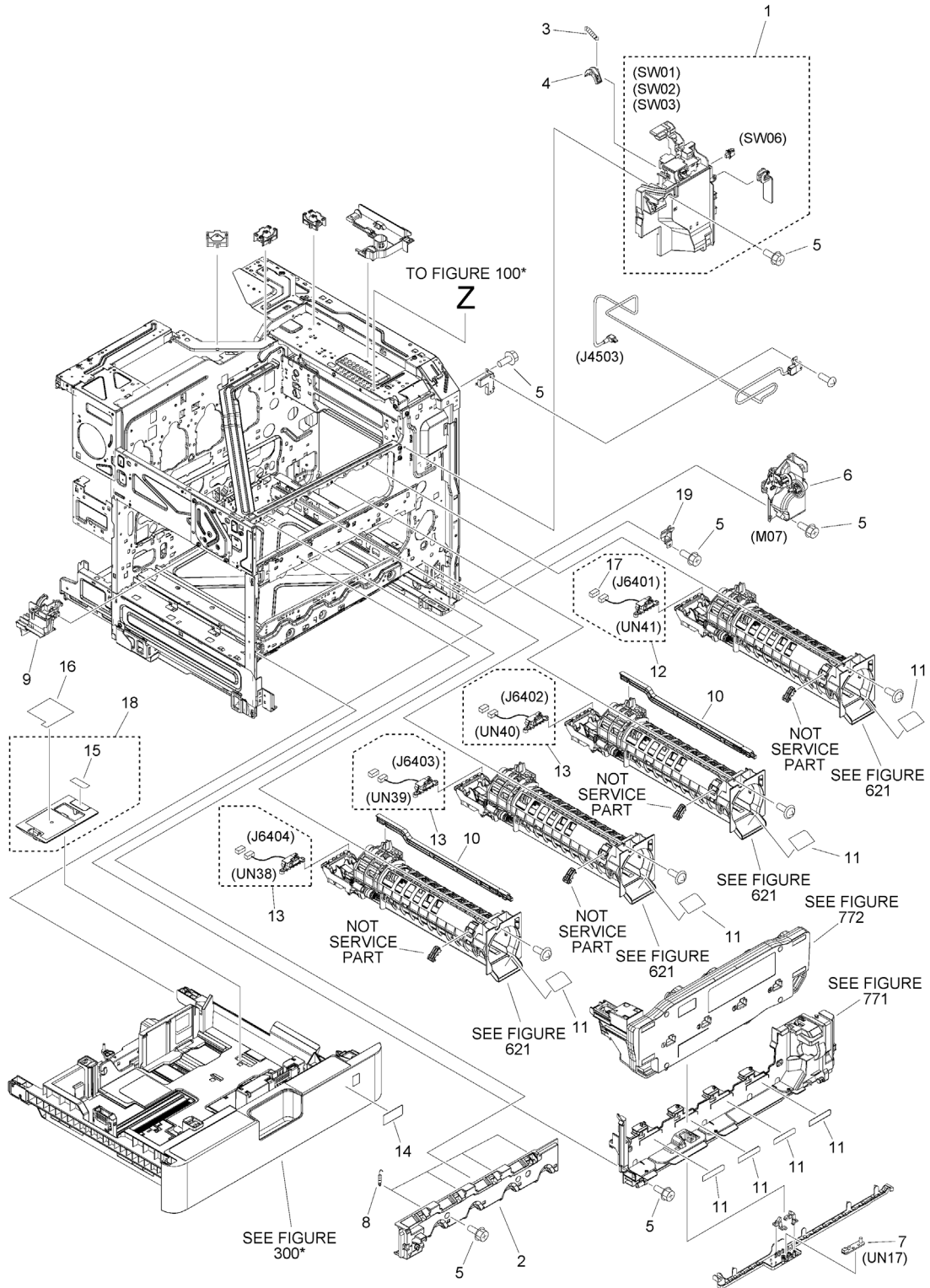


FIGURE & KEY NO.	PART NUMBER	RANK	QTY	DESCRIPTION	SERIAL NUMBER /REMARKS
103B	NPN		RF	INTERNAL COMPONENTS 1	
1	FM1-L556-000		1	COVER, INNER, FRONT, RIGHT	SW01, SW02, SW03, SW06
2	FC0-7020-000		1	COVER, FRONT INNER, UPPER	
3	FU7-2778-000		1	SPRING, TENSION	
4	FE2-2086-000		1	LEVER, TOGGLE	
5	XA9-1386-000		15	SCREW,RS,M3X8	
6	FM1-A225-010		1	REGISTRATION DRIVE ASS'Y	M07
7	FM1-C981-000		1	WASTE TONER SENSOR PCB ASS'Y	UN17
8	FU2-0577-000		4	SPRING, GROUNDING	
9	FM0-0037-000		1	TONER INTER. EJECT ASS'Y	
10	FC0-5801-000		2	ARM, BOTTLE LOCK	
11	FE8-8494-000		1	LABEL, TONER TYPE	SEE NOTE 1
12	FM0-0065-000		1	CONNECTOR, NEW BOTTLE DET., BK	UN41
13	FM0-0075-000		3	CONNECTOR, NEW BOTTLE DET., CL	UN38, UN39, UN40
14	FE2-C775-000		1	LABEL, PAPER SIZE	SEE NOTE 2
15	FL3-6526-000		1	SHEET, SEPARATION	
16	FE3-9943-000		1	LABEL, MOUNTING INSTRUCTION	
17	VS1-7177-003		1	CONNECTOR, SNAP TIGHT, BK	
18	FL0-3261-000		1	PLATE, LIFTING	
19	FE4-1123-000		1	BUSHING	

Figure 104 INTERNAL COMPONENTS 2

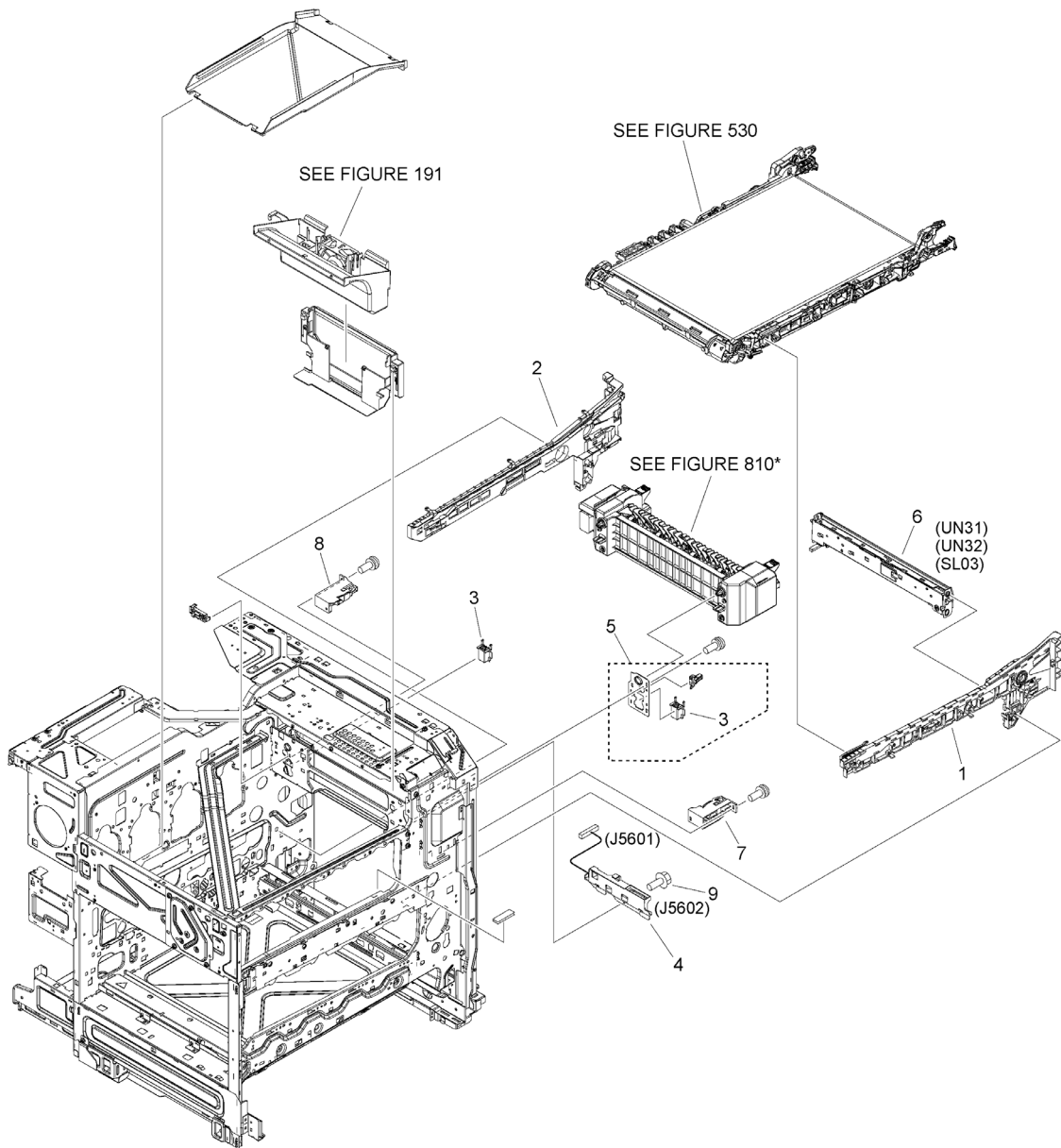


FIGURE & KEY NO.	PART NUMBER	RANK	QTY	DESCRIPTION	SERIAL NUMBER /REMARKS
104	NPN		RF	INTERNAL COMPONENTS 2	
1	FM0-0035-000		1	RAIL, I.T.B., FRONT	
2	FM0-0036-010		1	RAIL, I.T.B., REAR	
3	FM0-0074-000		2	HOLDER, FIXING LOCK	
4	FM1-W396-000		1	CONNECTING CABLE ASSEMBLY	
5	FM1-C347-000		1	PLATE ASSEMBLY	
6	FM1-W397-000		1	REGISTRATION SENSOR ASSEMBLY	UN31, UN32, SL03
7	FM4-9910-000		1	HOLDER, FIXING, FRONT	
8	FM4-9911-000		1	HOLDER, FIXING, REAR	
9	XA9-1386-000		1	SCREW,RS,M3X8	

Figure 105A INTERNAL COMPONENTS 3 (ADF model)

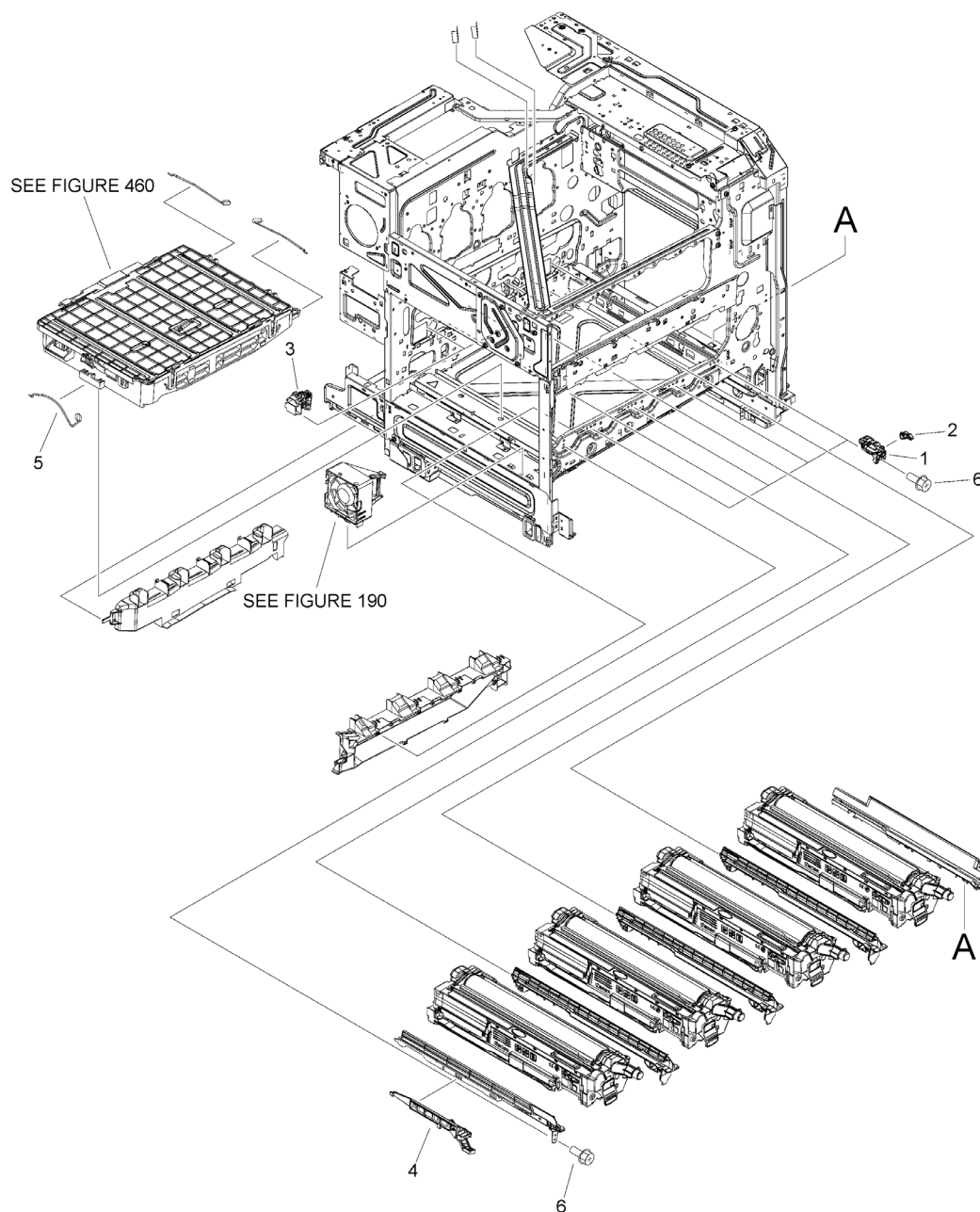


FIGURE & KEY NO.	PART NUMBER	RANK	QTY	DESCRIPTION	SERIAL NUMBER /REMARKS
105A	NPN		RF	INTERNAL COMPONENTS 3	ADF model
1	FM4-9906-000		4	BLOCK, PROCESS PRESSURE, FRONT	
2	FC0-7728-000		4	STOPPER, PROCESS UNIT, FRONT	
3	FM4-9905-000		4	LEVER, PROCESS KIT, REAR	
4	FM0-0032-000		1	SHUTTER LINK ASSEMBLY	
5	FC0-7068-000		1	SPRING	
6	XA9-1386-000		5	SCREW,RS,M3X8	

Figure 106 INTERNAL COMPONENTS 4

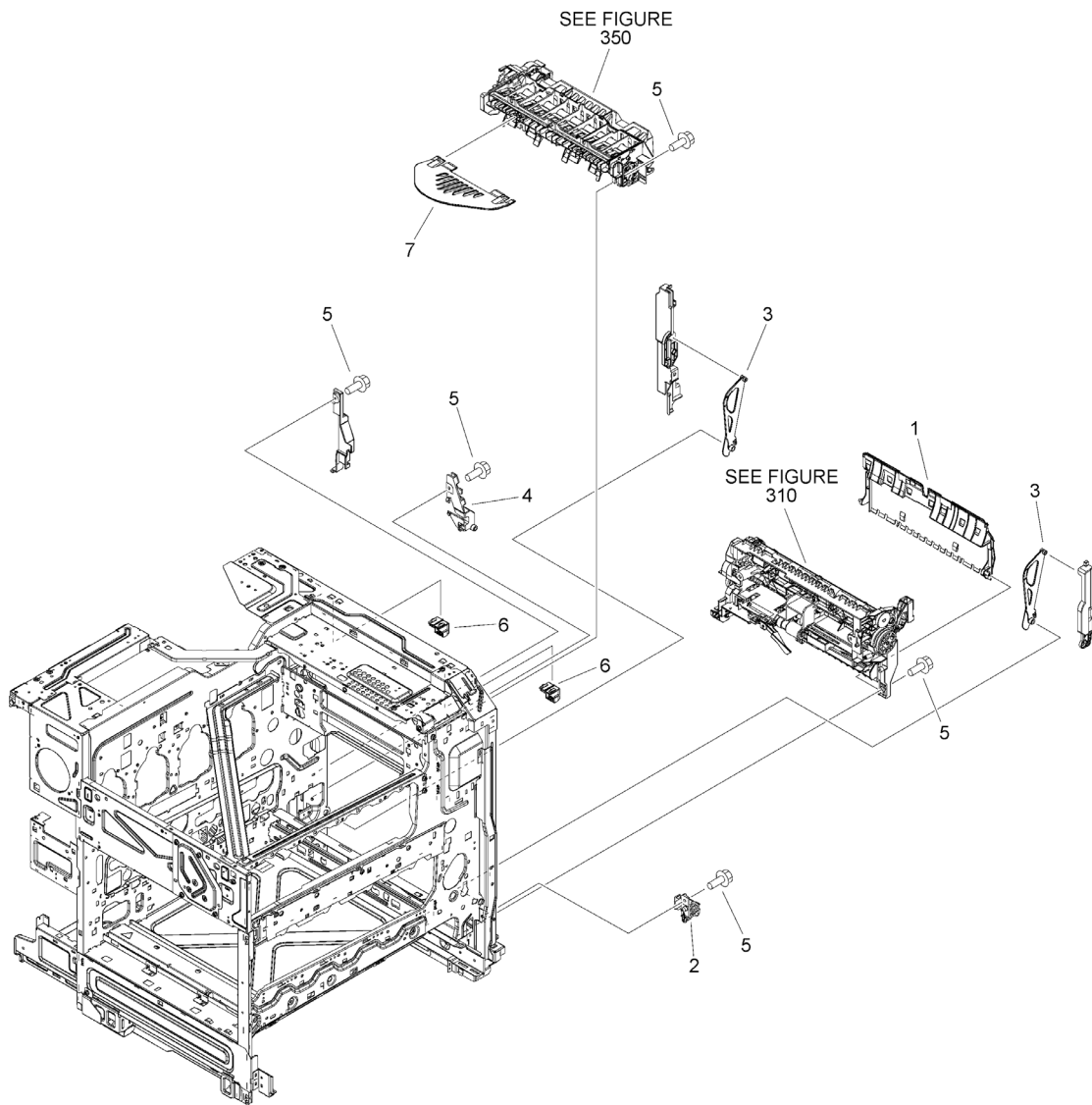


FIGURE & KEY NO.	PART NUMBER	RANK	QTY	DESCRIPTION	SERIAL NUMBER /REMARKS
106	NPN		RF	INTERNAL COMPONENTS 4	
1	FC0-7048-000		1	GUIDE, SWING	
2	FM1-C348-000		1	HINGE, EXTERNAL, FRONT	
3	FC0-5912-000		2	LEVER, STOPPER, RIGHT	
4	FC0-5929-000		1	HINGE, OUTER COVER, REAR	
5	XA9-1386-000		15	SCREW,RS,M3X8	
6	FC0-5918-000		2	BASE, HOOK, RIGHT	
7	FE3-8409-000		1	TRAY, REVERSE	

Figure 107B INTERNAL COMPONENTS 5 (120V)

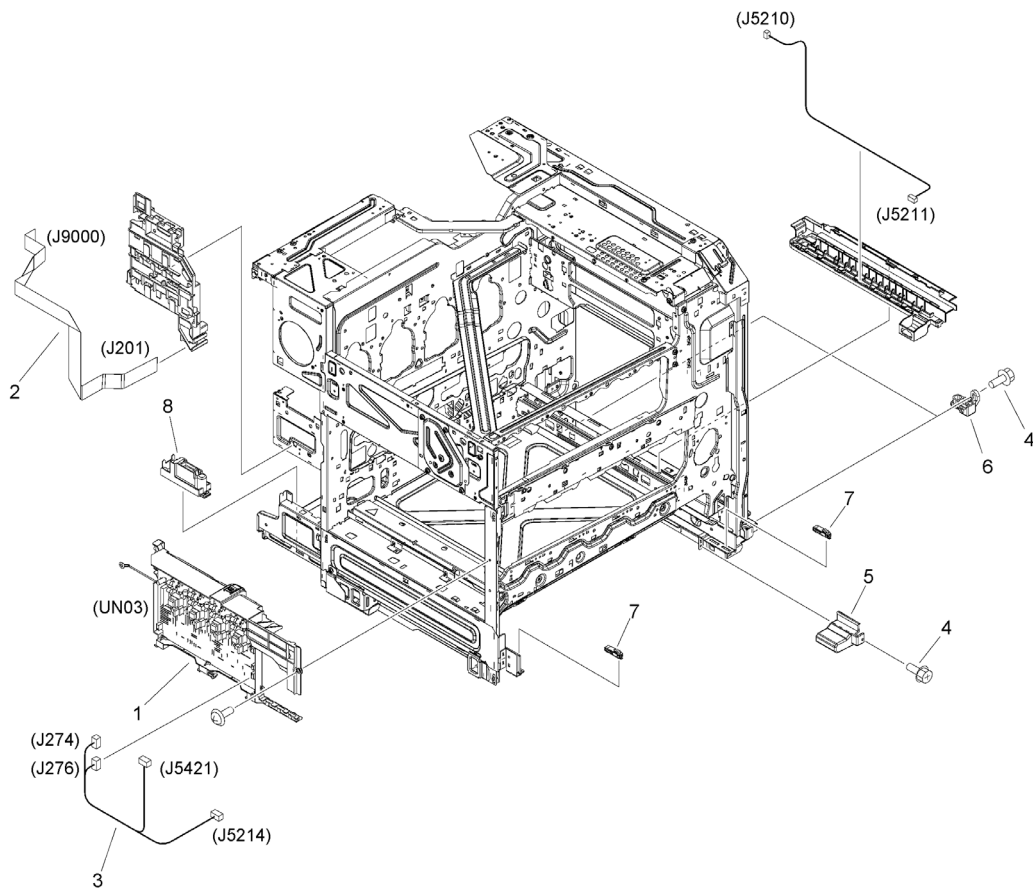


FIGURE & KEY NO.	PART NUMBER	RANK	QTY	DESCRIPTION	SERIAL NUMBER /REMARKS
107B	NPN		RF	INTERNAL COMPONENTS 5	120V
1	FM0-0050-000		1	1ST TRANSFER H.V. PCB ASSEMBLY	UN03
2	FK4-3643-010		1	CABLE, FLAT	
3	FM1-A836-000		1	CABLE, REG. MOTOR WASTE TONER	
4	XA9-1386-000		4	SCREW,RS,M3X8	
5	FE3-4477-000		1	CAP, CONNECTOR	
6	FM1-B574-000		2	FOOT, RUBBER	
7	FM1-B298-000		2	CASSETTE STOPPER ASSEMBLY	
8	FM1-C323-010		1	OPTION CST. DRAWER ASSEMBLY	

Figure 107C INTERNAL COMPONENTS 5 (230V)

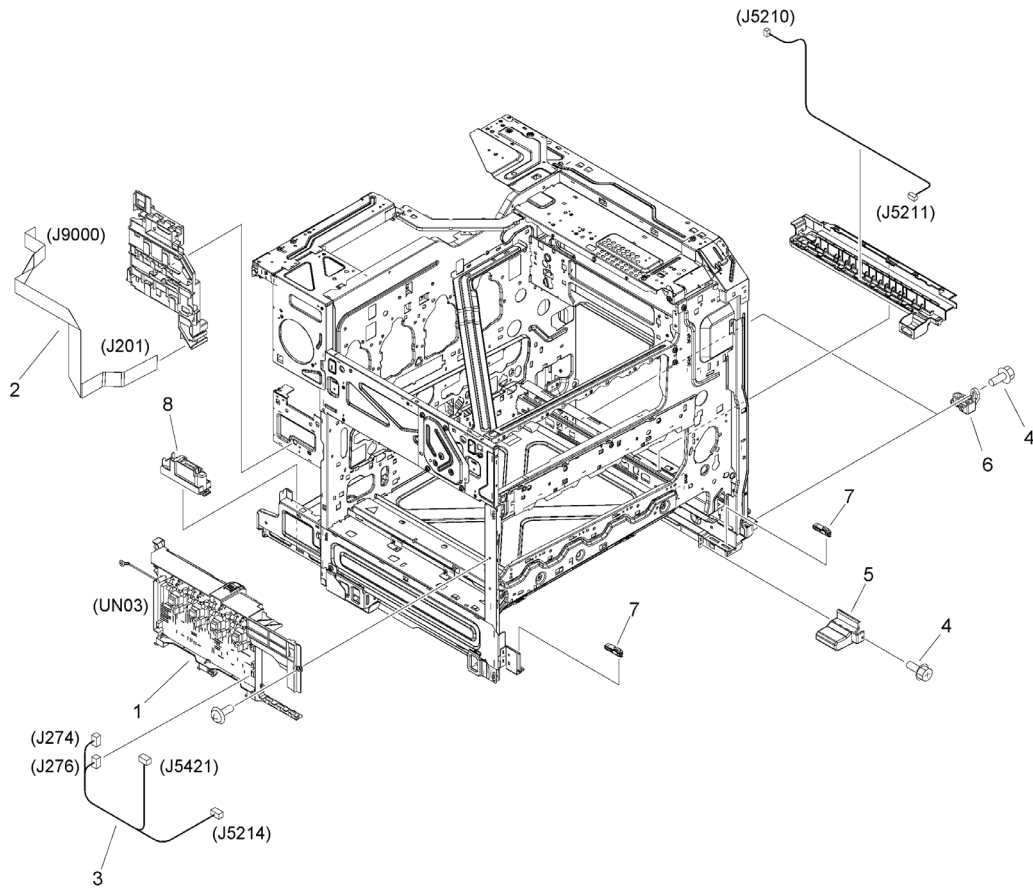


FIGURE & KEY NO.	PART NUMBER	RANK	QTY	DESCRIPTION	SERIAL NUMBER /REMARKS
107C	NPN		RF	INTERNAL COMPONENTS 5	230V
1	FM0-0050-000		1	1ST TRANSFER H.V. PCB ASSEMBLY	UN03
2	FK4-3643-010		1	CABLE, FLAT	
3	FM1-A836-000		1	CABLE, REG. MOTOR WASTE TONER	
4	XA9-1386-000		4	SCREW,RS,M3X8	
5	FE3-4477-000		1	CAP, CONNECTOR	
6	FM1-B574-000		2	FOOT, RUBBER	
7	FM1-B298-000		2	CASSETTE STOPPER ASSEMBLY	
8	FM1-C323-010		1	OPTION CST. DRAWER ASSEMBLY	

Figure 108B MACHINE REAR PLATE 1 (120V)

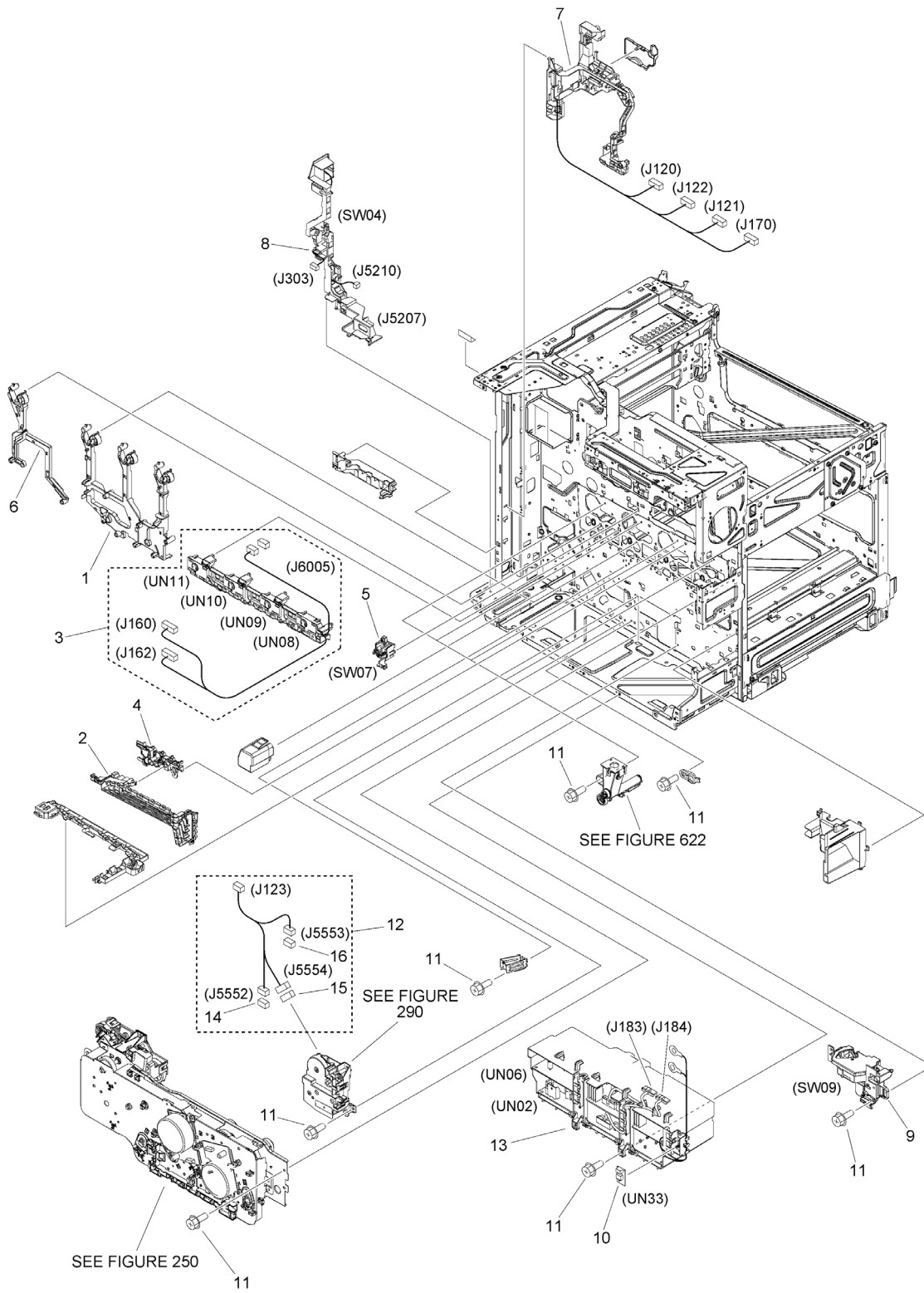


FIGURE & KEY NO.	PART NUMBER	RANK	QTY	DESCRIPTION	SERIAL NUMBER /REMARKS
108B	NPN		RF	MACHINE REAR PLATE 1	120V
1	FM0-0043-000		1	H.V. CONTACT ASSEMBLY, COLOR	
2	FM4-9961-000		1	1ST TRANS. H.V. CONTACT ASS'Y	
3	FM4-9908-020		1	PROCESS CONTROL PCB ASS'Y	UN08, UN09, UN10, UN11
4	FM0-0038-000		1	CONTACT, 1ST TRANSFER H.V., 1	
5	FM0-0039-010		1	I.T.B. RELEASE SWITCH ASSEMBLY	SW07
6	FM0-0042-010		1	H.V. CONTACT ASSEMBLY, BLACK	
7	FM0-0079-000		1	2ND TRANS. H.V. CONTACT ASS'Y	
8	FM0-0083-000		1	HEATER SWITCH ASSEMBLY	SW04
9	FM0-0017-030		1	CASSETTE AUTO CLOSE ASSEMBLY	SW09
10	WP2-5410-000		1	SENSOR, HUMIDITY	UN33
11	XA9-1386-000		15	SCREW,RS,M3X8	
12	FM1-A843-000		1	CABLE, CASSETTE ASS'Y	
13	FM1-R266-010		1	2ND TRANSFER H.V. PCB ASSEMBLY	UN02, UN06
14	VS1-7177-002		1	CONNECTOR, SNAP TIGHT, BK	
15	VS1-7177-003		1	CONNECTOR, SNAP TIGHT, BK	
16	VS1-7177-004		1	CONNECTOR, SNAP TIGHT, BK	

Figure 108C MACHINE REAR PLATE 1 (230V)

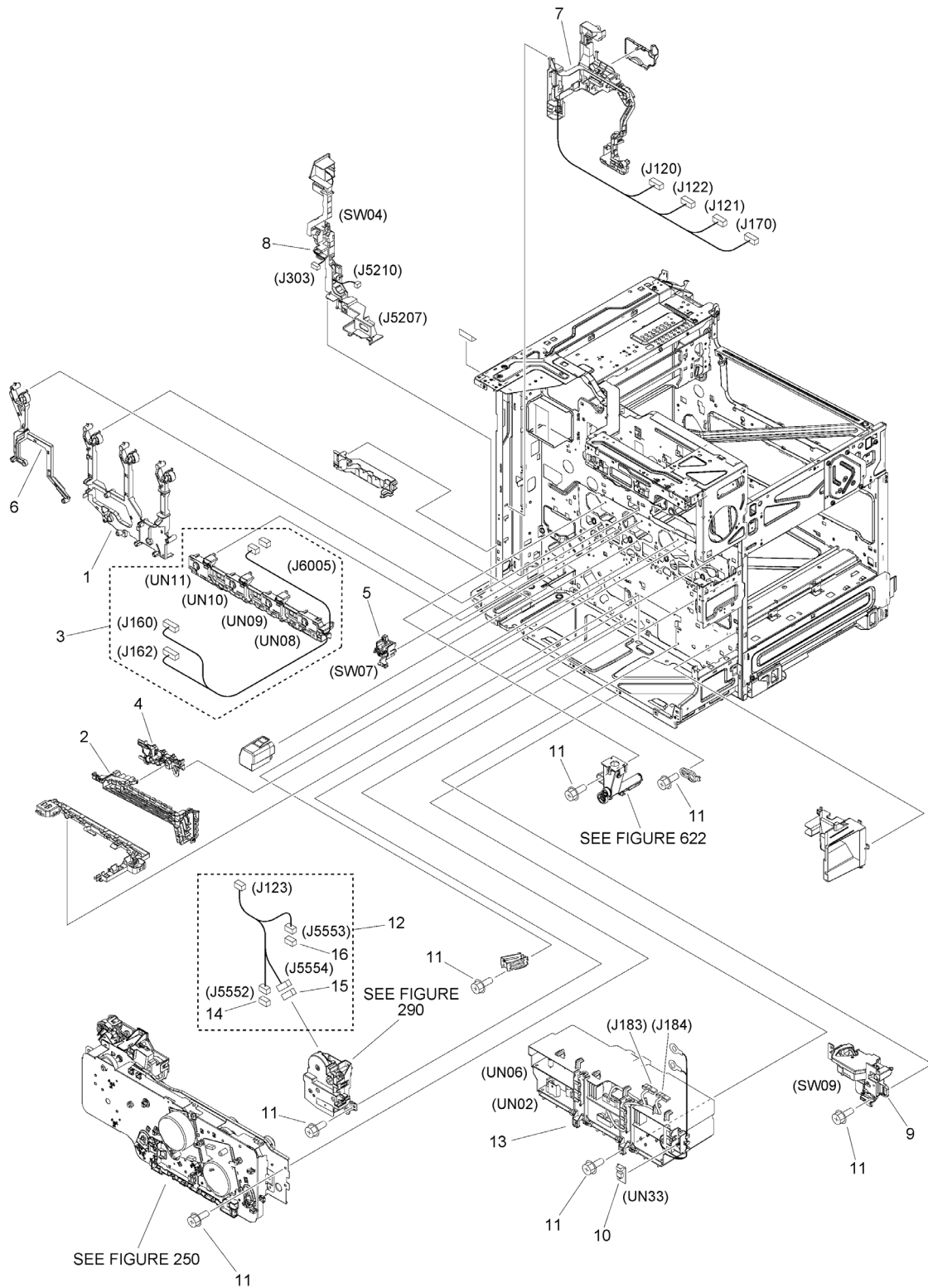


FIGURE & KEY NO.	PART NUMBER	RANK	QTY	DESCRIPTION	SERIAL NUMBER /REMARKS
108C	NPN		RF	MACHINE REAR PLATE 1	230V
1	FM0-0043-000		1	H.V. CONTACT ASSEMBLY, COLOR	
2	FM4-9961-000		1	1ST TRANS. H.V. CONTACT ASS'Y	
3	FM4-9908-020		1	PROCESS CONTROL PCB ASS'Y	UN08, UN09, UN10, UN11
4	FM0-0038-000		1	CONTACT, 1ST TRANSFER H.V., 1	
5	FM0-0039-010		1	I.T.B. RELEASE SWITCH ASSEMBLY	SW07
6	FM0-0042-010		1	H.V. CONTACT ASSEMBLY, BLACK	
7	FM0-0079-000		1	2ND TRANS. H.V. CONTACT ASS'Y	
8	FM0-0084-000		1	HEATER SWITCH ASSEMBLY	SW04
9	FM0-0017-030		1	CASSETTE AUTO CLOSE ASSEMBLY	SW09
10	WP2-5410-000		1	SENSOR, HUMIDITY	UN33
11	XA9-1386-000		15	SCREW,RS,M3X8	
12	FM1-A843-000		1	CABLE, CASSETTE ASS'Y	
13	FM1-R266-010		1	2ND TRANSFER H.V. PCB ASSEMBLY	UN02, UN06
14	VS1-7177-002		1	CONNECTOR, SNAP TIGHT, BK	
15	VS1-7177-003		1	CONNECTOR, SNAP TIGHT, BK	
16	VS1-7177-004		1	CONNECTOR, SNAP TIGHT, BK	

Figure 109B MACHINE REAR PLATE 2

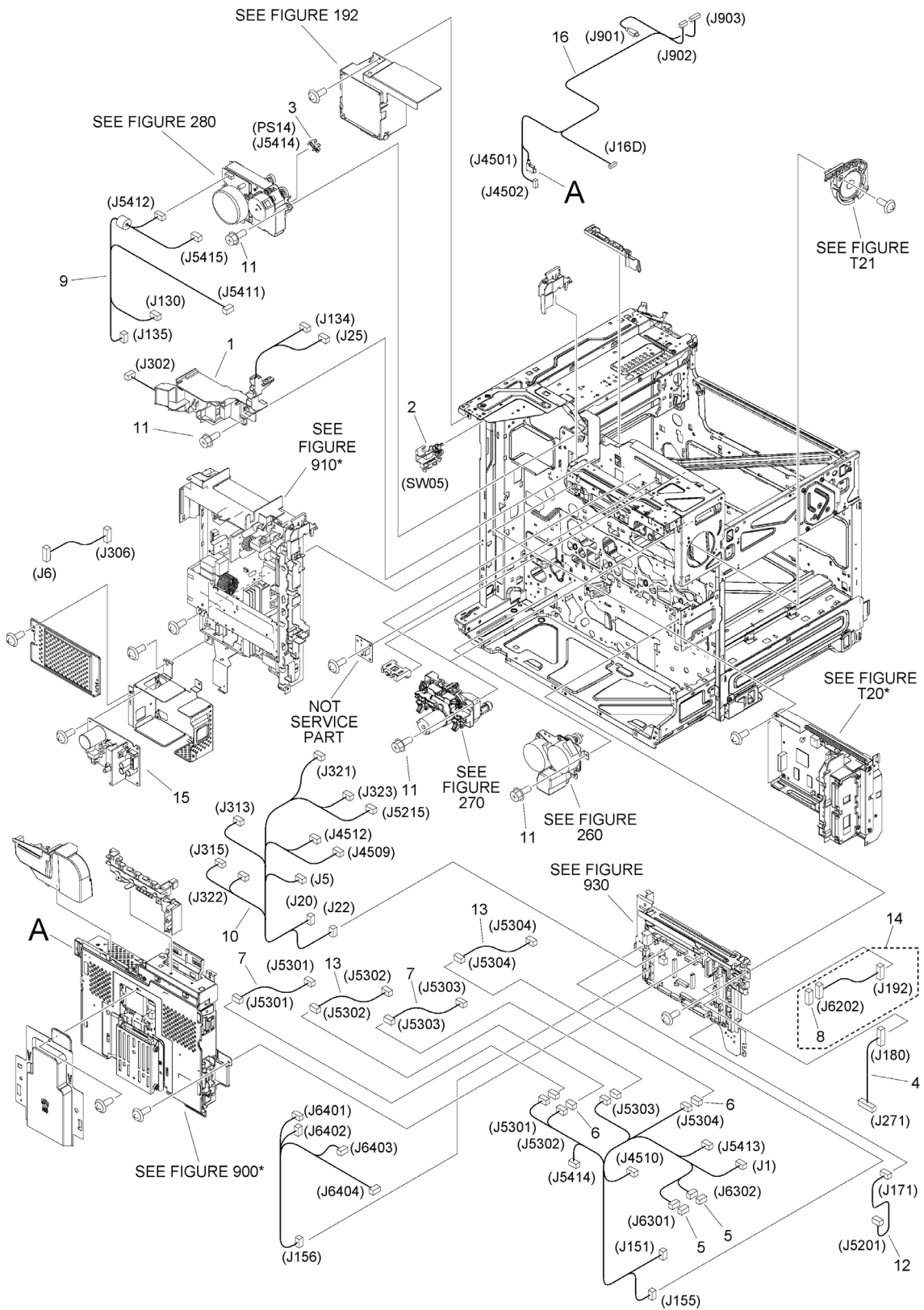


FIGURE & KEY NO.	PART NUMBER	RANK	QTY	DESCRIPTION	SERIAL NUMBER /REMARKS
109B	NPN		RF	MACHINE REAR PLATE 2	
1	FM0-0044-010		1	INTERLOCK ASSEMBLY	
2	FM0-0046-000		1	SWITCH ASSEMBLY, RIGHT	SW05
3	WG8-5935-000		1	IC, PHOTO INTERRUPTER	PS14
4	FM1-A832-010		1	CABLE, PRIMARY TRANSFER H.V.	
5	VS1-7177-002		2	CONNECTOR, SNAP TIGHT, BK	
6	VS1-7177-003		2	CONNECTOR, SNAP TIGHT, BK	
7	FM1-A855-000		2	CABLE, BOTTLE SENSOR, Y/C	
8	VS1-8412-017		1	CONNECTOR, SNAP TIGHT, BL	
9	FM1-A853-000		1	CABLE, FIXING DRIVE	
10	FM1-V954-010		1	CABLE, POWER SUPPLY	
11	XA9-1386-000		15	SCREW,RS,M3X8	
12	FM1-A820-000		1	CABLE, ENVIRONMENT SENSOR	
13	FM1-A854-000		2	CABLE, BOTTLE SENSOR, M/K	
14	FM1-A821-000		1	CABLE, FINISHER	
15	FK4-2679-000		1	ALL NIGHT PWR SUPPLY PCB ASS'Y	
16	FM2-L830-000		1	CABLE, CONTROL PANEL ASSEMBLY	

Figure 130 CONTROL PANEL ASSEMBLY

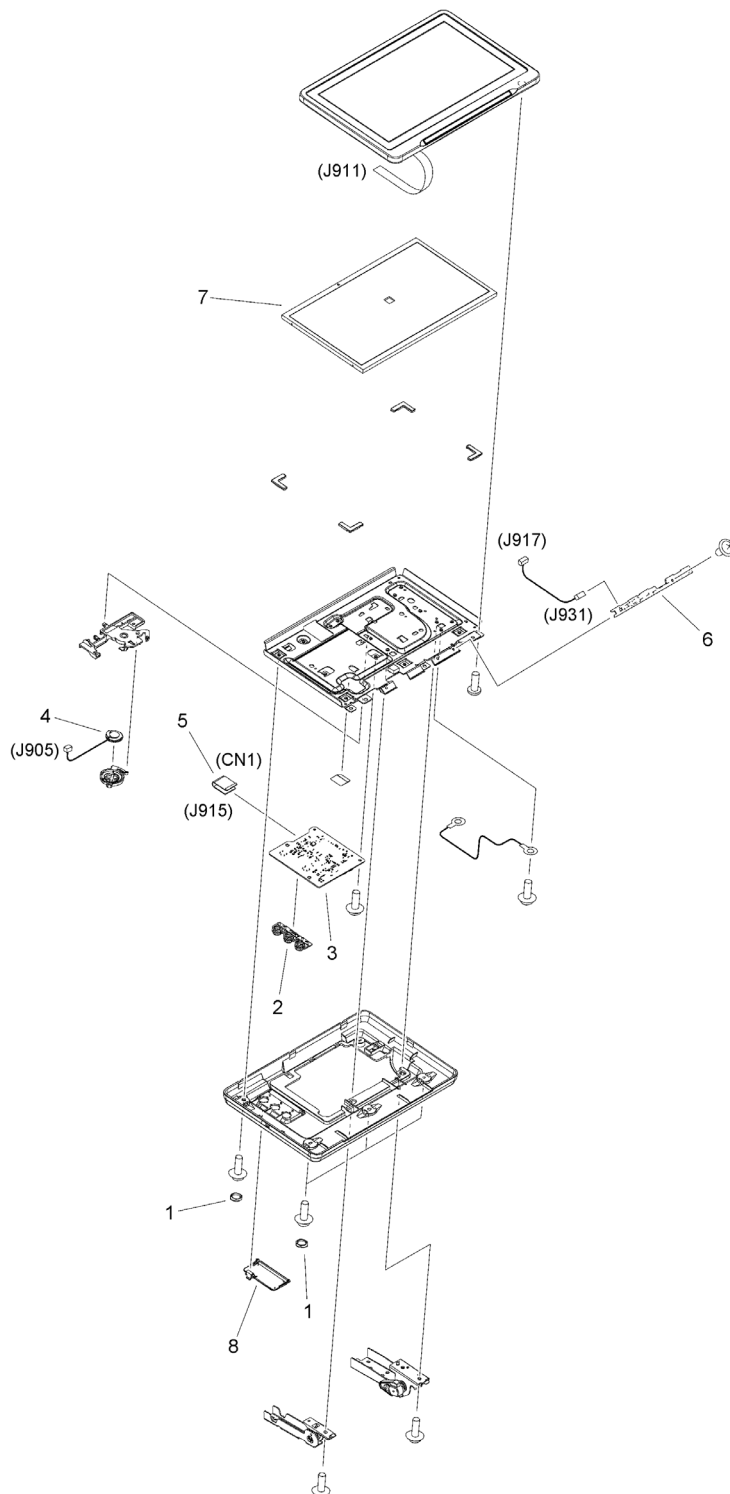


FIGURE & KEY NO.	PART NUMBER	RANK	QTY	DESCRIPTION	SERIAL NUMBER /REMARKS
130	FM1-X148-010		1	CONTROL PANEL ASSEMBLY	
1	FE3-9169-000		4	CAP	
2	FE8-7637-000		1	KEY TOP, SWITCH	
3	FM2-K897-000		1	CONTROL PANEL MAIN PCB ASS'Y	
4	FK4-2377-000		1	SPEAKER	
5	FK4-4895-000		1	CABLE, FLAT	
6	FM2-A912-000		1	CONTROL PANEL LED PCB ASSEMBLY	
7	FK4-6830-000		1	LCD UNIT	
8	FE8-7628-000		1	COVER, SWITCH	

Figure 190 CARTRIDGE AIR INTAKE FAN ASS'Y

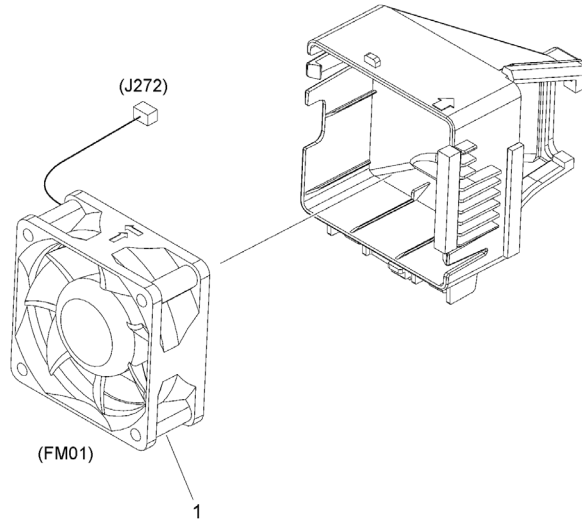


FIGURE & KEY NO.	PART NUMBER	R A N K	QTY	DESCRIPTION	SERIAL NUMBER /REMARKS
190	NPN		RF	CARTRIDGE AIR INTAKE FAN ASS'Y	
1	FK2-3679-000		1	FAN	FM01

Figure 191 DELIVERY COOLING FAN ASSEMBLY

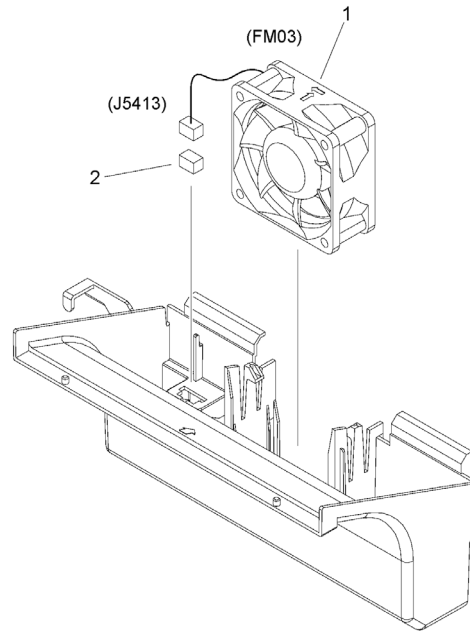


FIGURE & KEY NO.	PART NUMBER	R A N K	QTY	DESCRIPTION	SERIAL NUMBER /REMARKS
191	NPN		RF	DELIVERY COOLING FAN ASSEMBLY	
1	FK2-3679-000		1	FAN	FM03
2	VS1-7440-003		1	CONNECTOR, SNAP TIGHT	

Figure 192 POWER SUPPLY FAN ASSEMBLY

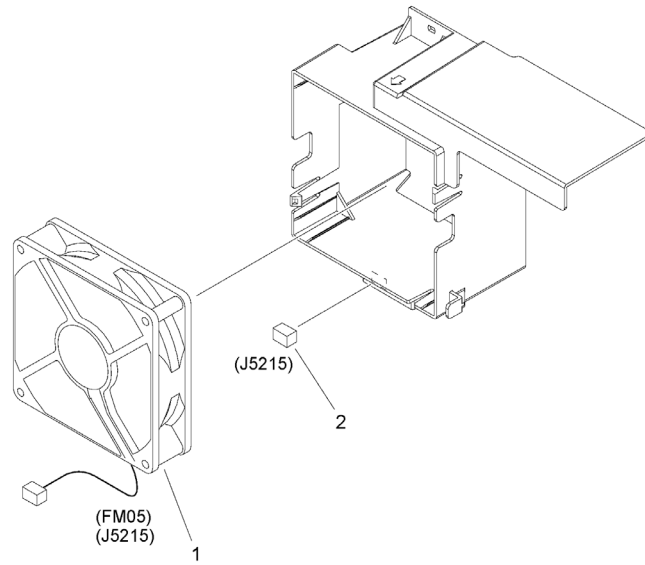


FIGURE & KEY NO.	PART NUMBER	RANK	QTY	DESCRIPTION	SERIAL NUMBER /REMARKS
192	NPN		RF	POWER SUPPLY FAN ASSEMBLY	
1	FK4-0815-000		1	FAN	FM05
2	VS1-7177-003		1	CONNECTOR, SNAP TIGHT, BK	

Figure 250 MAIN DRIVE ASSEMBLY

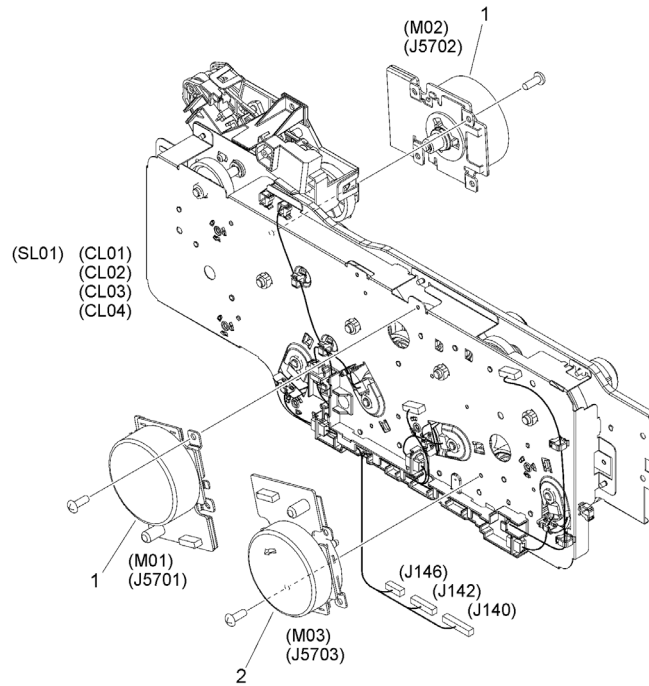


FIGURE & KEY NO.	PART NUMBER	RANK	QTY	DESCRIPTION	SERIAL NUMBER /REMARKS
250	FM0-0040-030		1	MAIN DRIVE ASSEMBLY	CL01, CL02, CL03, CL04, SL01
1	FL0-1543-000		2	MOTOR, DC	M01, M02
2	FL0-1544-000		1	MOTOR, DC	M03

Figure 260 PAPER PICK-UP DRIVE ASSEMBLY

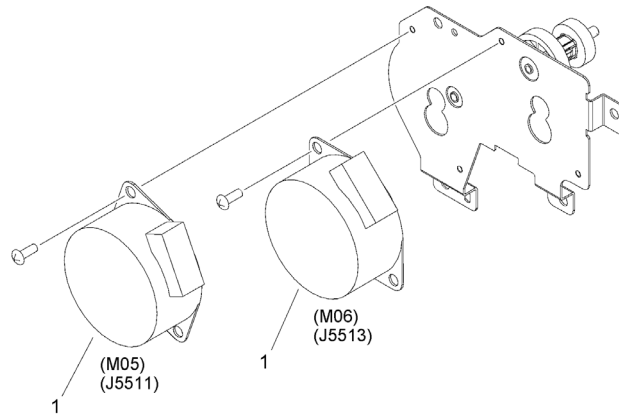


FIGURE & KEY NO.	PART NUMBER	R A N K	QTY	DESCRIPTION	SERIAL NUMBER /REMARKS
260	FM1-A226-010		1	PAPER PICK-UP DRIVE ASSEMBLY	
1	FK4-0640-000		2	MOTOR, STEPPING	M05,M06

Figure 270 BOTTLE DRIVE ASSEMBLY

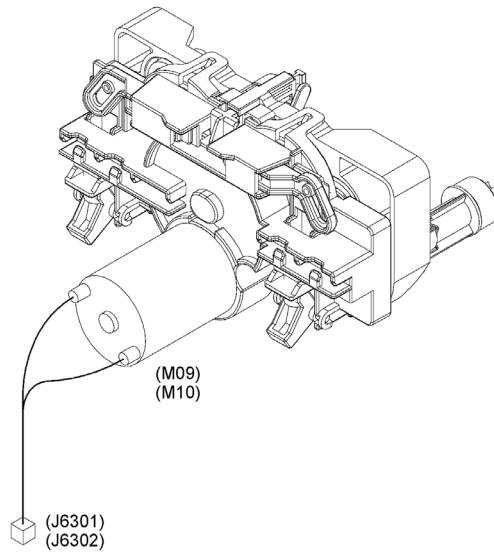


FIGURE & KEY NO.	PART NUMBER	R A N K	QTY	DESCRIPTION	SERIAL NUMBER /REMARKS
270	FM0-0007-010		1	BOTTLE DRIVE ASSEMBLY	M09, M10

Figure 280 FIXING DRIVE ASSEMBLY

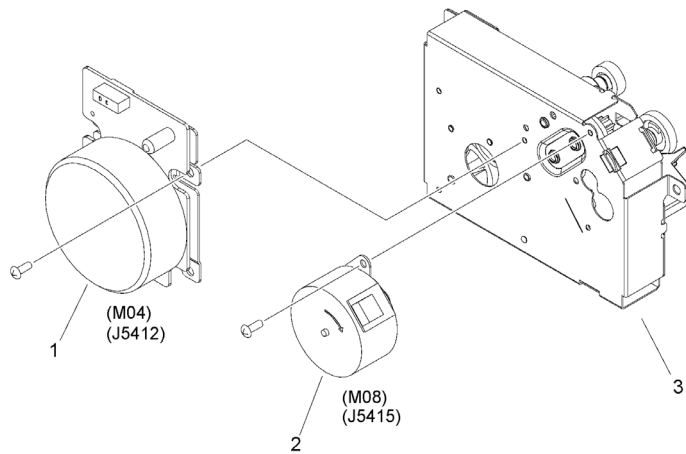


FIGURE & KEY NO.	PART NUMBER	RANK	QTY	DESCRIPTION	SERIAL NUMBER /REMARKS
280	NPN		RF	FIXING DRIVE ASSEMBLY	
1	FK4-0638-000		1	MOTOR, DC	M04
2	FK4-0641-000		1	MOTOR, STEPPING	M08
3	FM0-0071-000		1	FIXING DRIVE ASSEMBLY	

Figure 290 PICK-UP LIFTER DRIVE ASS'Y

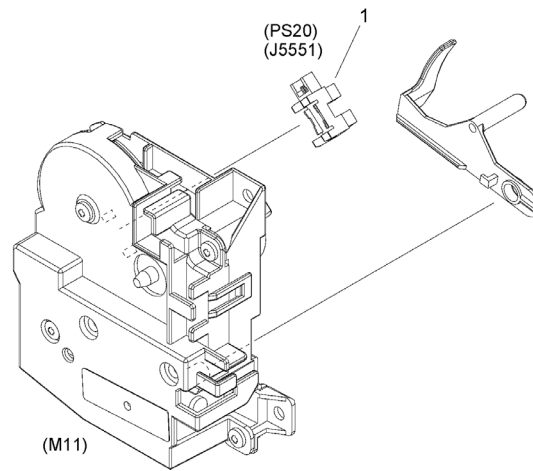


FIGURE & KEY NO.	PART NUMBER	R A N K	QTY	DESCRIPTION	SERIAL NUMBER /REMARKS
290	FM0-0018-010		1	PICK-UP LIFTER DRIVE ASS'Y	M11
1	WG8-5935-000		1	IC, PHOTO INTERRUPTER	PS20

Figure 300B CASSETTE

NOTE 1 : This assembly does not include the parts shown with key No. 3 and 4. NOTE 2 : Several kinds of labels are attached on the board for the parts of Key No. 3 and 4.

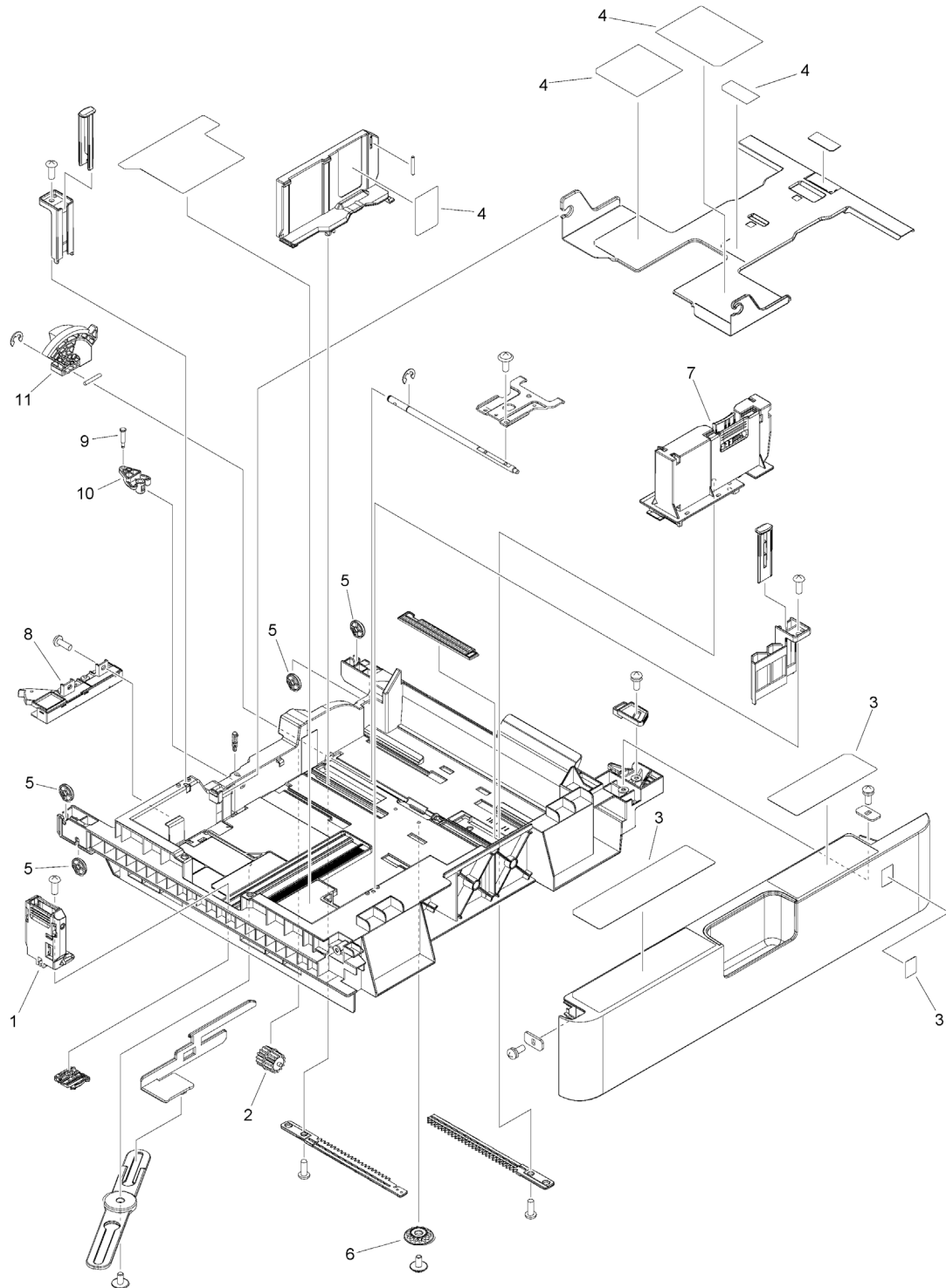


FIGURE & KEY NO.	PART NUMBER	RANK	QTY	DESCRIPTION	SERIAL NUMBER /REMARKS
300B	FM1-D694-020		1	CASSETTE	
1	FM1-B547-010		1	PLATE, BACK END LIMIT	
2	RC1-9396-000		1	GEAR, 14T	
3	FE4-1819-010		1	LABEL, CASSETTE	SEE NOTE 1 SEE NOTE 2
4	FE2-C815-000		1	LABEL, CASSETTE SIZE	SEE NOTE 1 SEE NOTE 2
5	FE3-1528-010		4	ROLLER, CASSETTE	
6	FC8-4990-000		1	GEAR, 14T	
7	FM1-B545-010		1	PLATE, PAPER SIDE END, FRONT	
8	FM1-M249-000		1	CASSETTTE DAMPER UNIT	
9	FE3-6143-000		1	PIN, GUIDE	
10	FC0-7832-000		1	ARM, GUIDE	
11	FE3-1527-020		1	GEAR, 68T/37T	

Figure 310 RESIST/PAPER PICK-UP ASS'Y

NOTE : This assembly does not include the part shown with key No. 6.

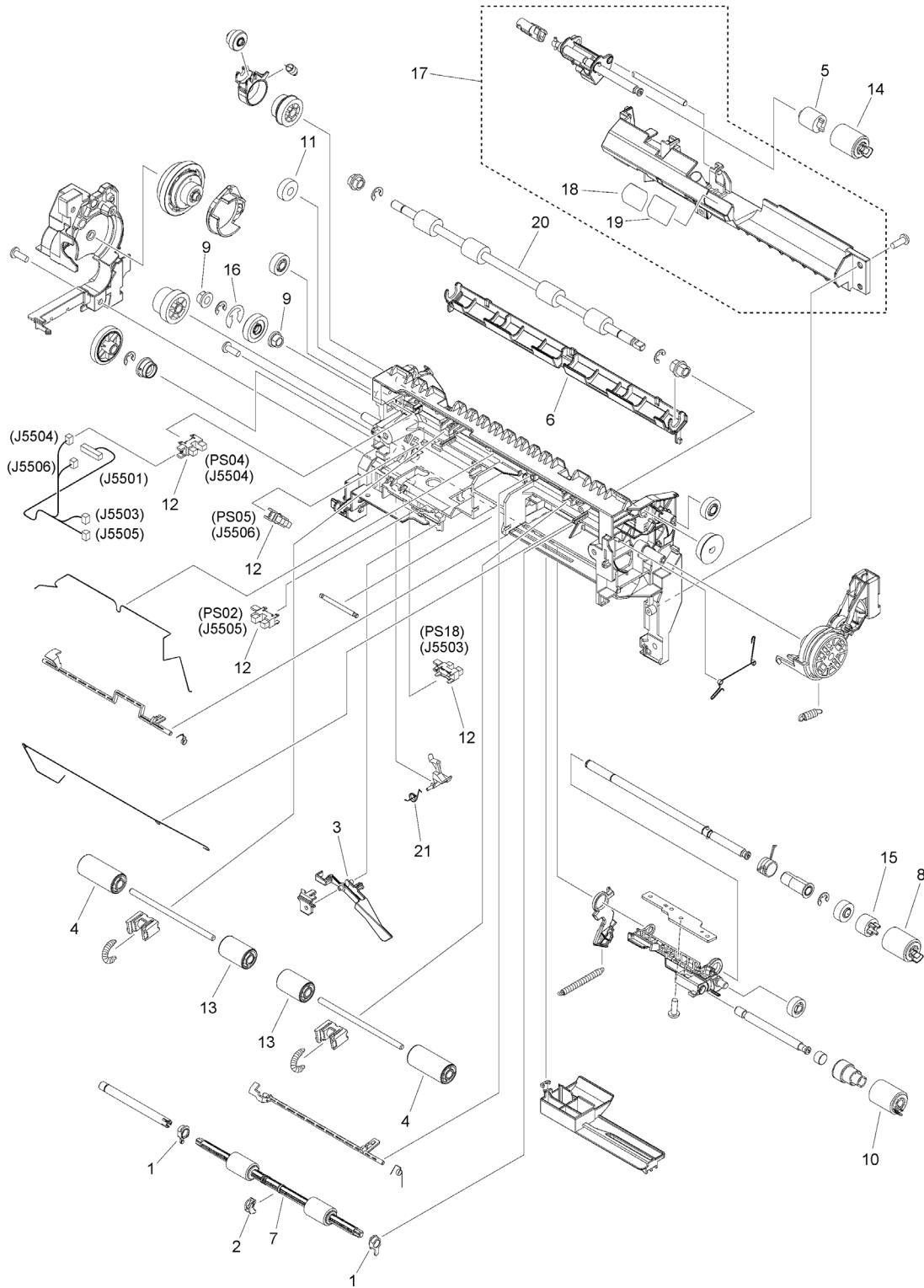


FIGURE & KEY NO.	PART NUMBER	RANK	QTY	DESCRIPTION	SERIAL NUMBER /REMARKS
310	FM0-0029-010		1	RESIST/PAPER PICK-UP ASS'Y	
1	FC0-5876-000		2	BUSHING	
2	FC0-5888-000		1	BUSHING	
3	FC0-7670-000		1	LEVER, PAPER DETECT	
4	FE3-9592-000		2	ROLLER, REGISTRATION DRIVEN	
5	FE3-4860-000		1	LIMITER, TORQUE	
6	FE3-6112-000		1	GUIDE, PRE-REGISTRATION	SEE NOTE
7	FL1-1869-000		1	ROLLER, EXTRACTION	
8	FL0-2885-000		1	ROLLER, PAPER FEED	
9	FS1-1205-000		2	BUSHING	
10	FL0-4002-000		1	ROLLER, PAPER PICK-UP	
11	FU8-0085-000		1	GEAR, 18T	
12	WG8-5935-000		4	IC, PHOTO INTERRUPTER	PS02, PS04, PS05, PS18
13	FE3-9593-000		2	ROLLER, REGISTRATION DRIVEN	
14	FL0-1674-000		1	ROLLER, SEPARATION	
15	FL0-1515-000		1	ONE-WAY CLUTCH ASSEMBLY	
16	FC6-3002-000		1	RING, RESIN, RETAINING	
17	FM1-B557-000		1	SEPARATION FRAME ASSEMBLY	
18	FL0-2588-000		1	SHEET, SEPARATION ROLLER GUIDE	
19	FL0-5214-000		1	SHEET, GAP	
20	FC0-6979-000		1	ROLLER, REGISTRATION	
21	FE3-3935-000		1	SPRING, TORSION	

Figure 330B MULTI FEED TRAY ASSEMBLY

NOTE 1 : This assembly is included in the assembly shown in Figure 102. NOTE 2 : This assembly does not include the part shown with key No. 2.

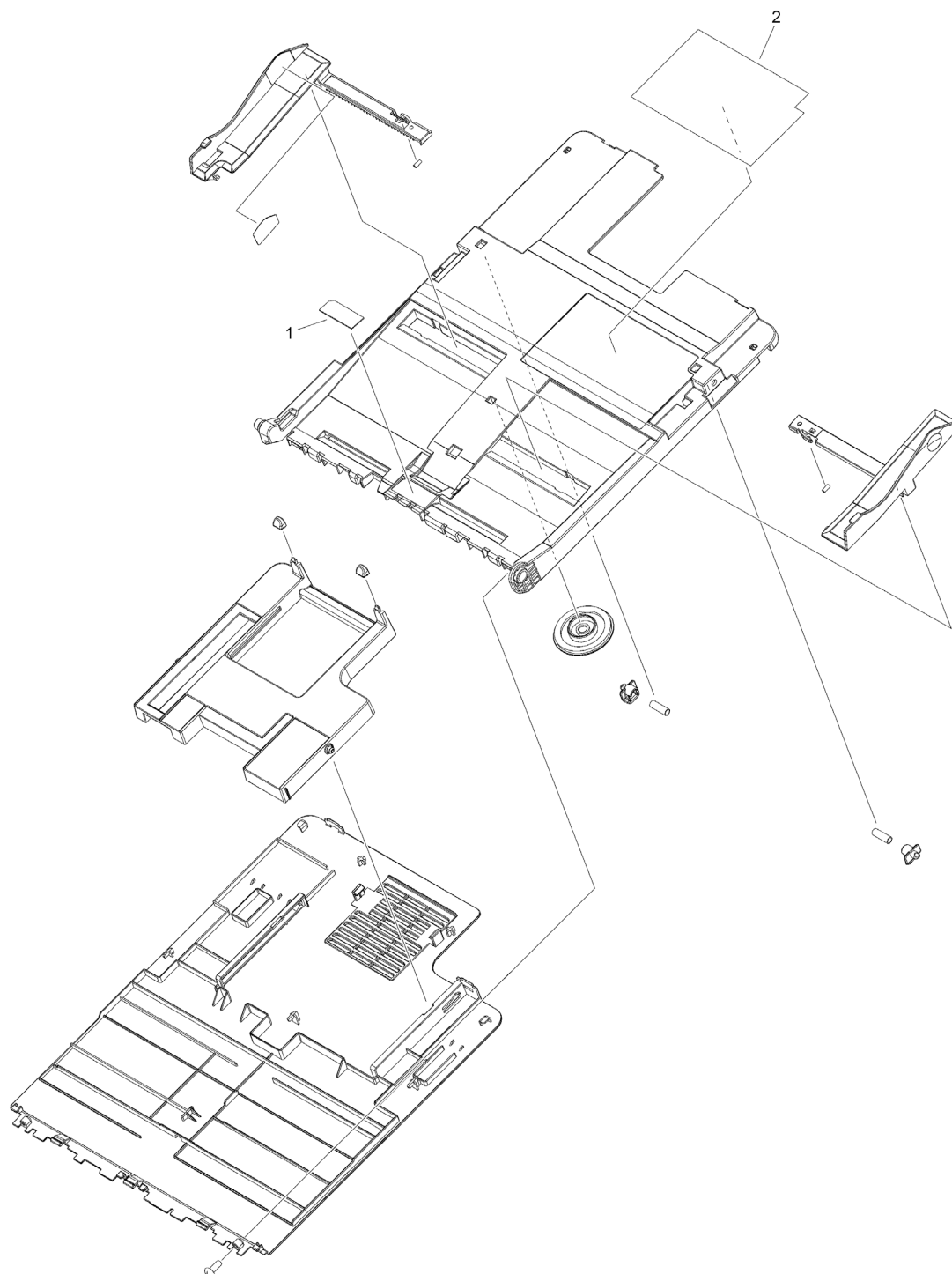


FIGURE & KEY NO.	PART NUMBER	R A N K	QTY	DESCRIPTION	SERIAL NUMBER /REMARKS
330B	FM1-D706-000		1	MULTI FEED TRAY ASSEMBLY	SEE NOTE 1
1	FL3-6526-000		1	SHEET, SEPARATION	
2	FE2-C774-000		1	LABEL, MULTI FEED SIZE	SEE NOTE 2

Figure 331 MULTI FEED PAPER PICK-UP ASS'Y

NOTE 1 : This assembly is included in the assembly shown in Figure 102. NOTE 2 : This assembly does not include the parts shown with key No. 2 and 3.

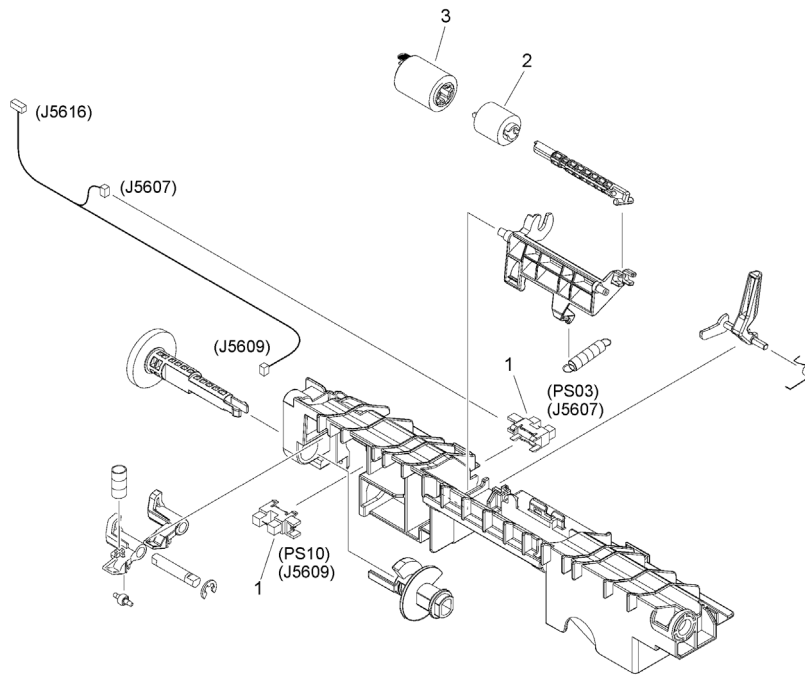


FIGURE & KEY NO.	PART NUMBER	RANK	QTY	DESCRIPTION	SERIAL NUMBER /REMARKS
331	FM1-B308-020		1	MULTI FEED PAPER PICK-UP ASS'Y	SEE NOTE 1
1	WG8-5935-000		2	IC, PHOTO INTERRUPTER	PS03, PS10
2	FE3-4860-000		1	LIMITER, TORQUE	SEE NOTE 2
3	FL0-1674-000		1	ROLLER, SEPARATION	SEE NOTE 2

Figure 332 DUPLEXING GUIDE ASSEMBLY

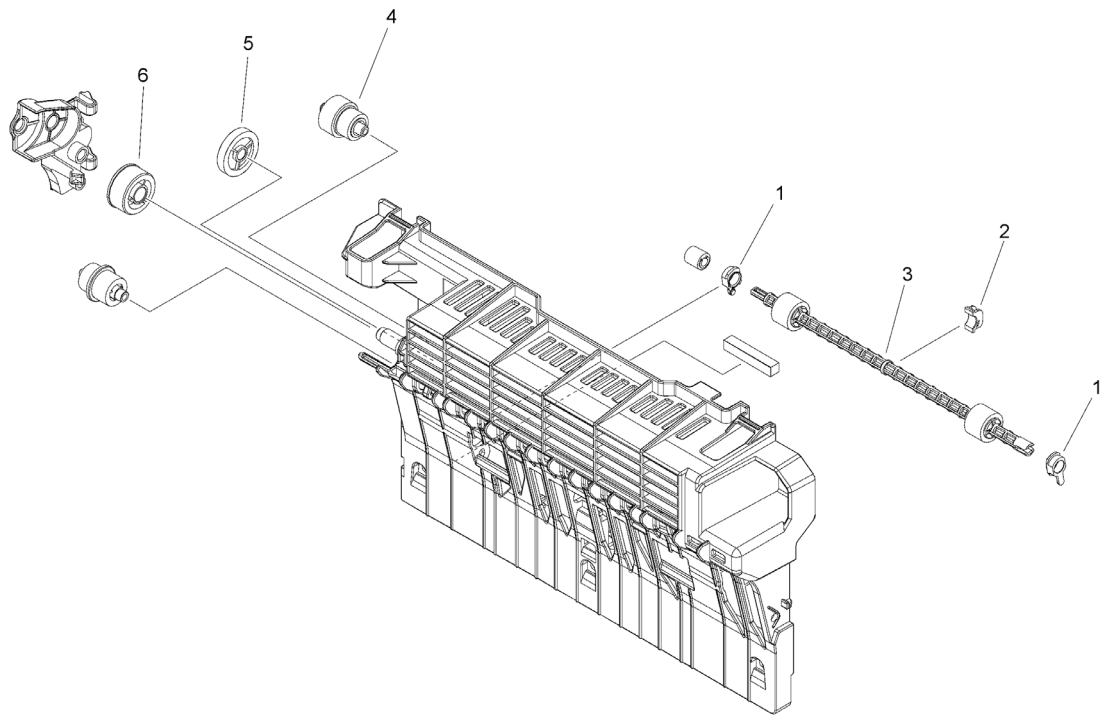


FIGURE & KEY NO.	PART NUMBER	RANK	QTY	DESCRIPTION	SERIAL NUMBER /REMARKS
332	NPN		RF	DUPLEXING GUIDE ASSEMBLY	
1	FC0-5876-000		2	BUSHING	
2	FC0-5888-000		1	BUSHING	
3	FL3-6443-000		1	ROLLER, DUPLEXING FEED	
4	FM1-B551-000		1	PLANETARY ONE-WAY GEAR ASS'Y	
5	FU9-0663-000		1	GEAR, 25T	
6	FU9-0666-000		1	GEAR, 23T	

Figure 350 PAPER DELIVERY/REVERSE ASS'Y

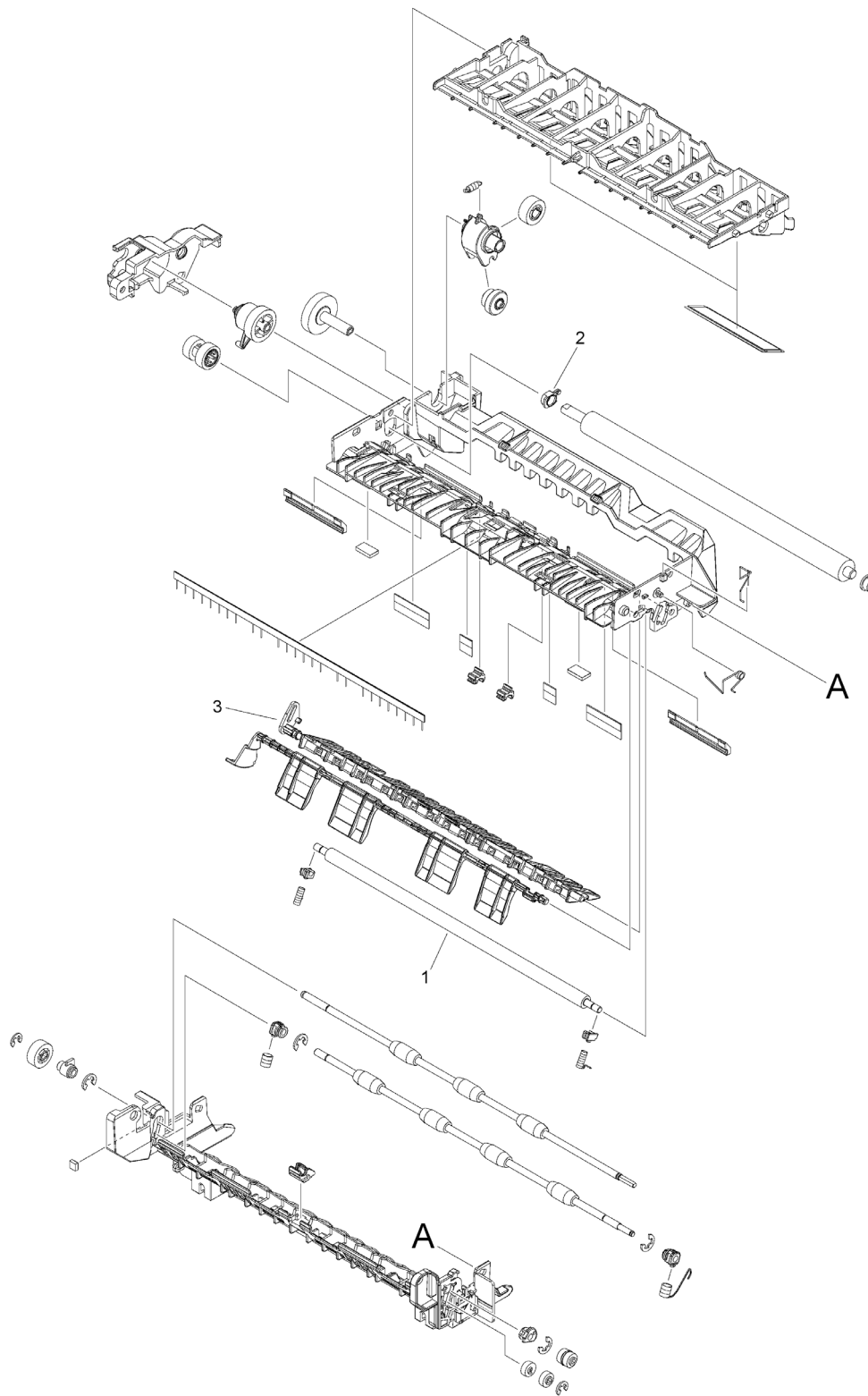


FIGURE & KEY NO.	PART NUMBER	RANK	QTY	DESCRIPTION	SERIAL NUMBER /REMARKS
350	FM0-0021-000		1	PAPER DELIVERY/REVERSE ASSY	
1	FC7-6108-000		1	ROLLER, H DRIVEN	
2	FC0-5876-000		1	BUSHING	
3	FC0-5880-000		1	FLAPPER, REVERSE	

Figure 460 LASER SCANNER ASSEMBLY

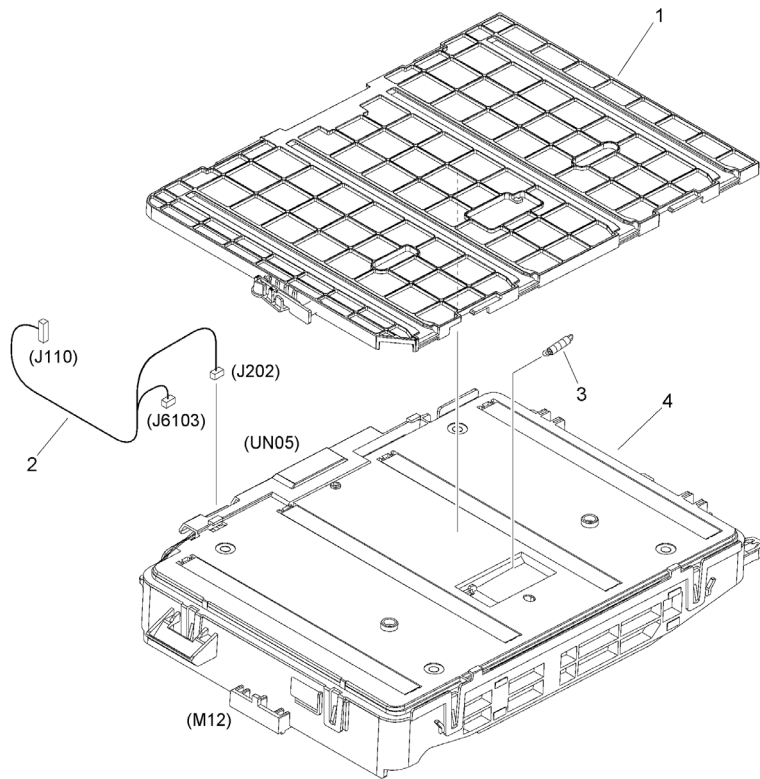


FIGURE & KEY NO.	PART NUMBER	RANK	QTY	DESCRIPTION	SERIAL NUMBER /REMARKS
460	NPN		RF	LASER SCANNER ASSEMBLY	
1	FM0-0031-000		1	DUST-PROOF SHUTTER ASSEMBLY	
2	FM1-A823-000		1	CABLE, LASER SCANNER	
3	FU9-2181-000		1	SPRING, TENSION	
4	FM0-0144-010		1	LASER SCANNER ASSEMBLY	UN05, M12

Figure 530 INTER. TRANSFER BELT ASS'Y

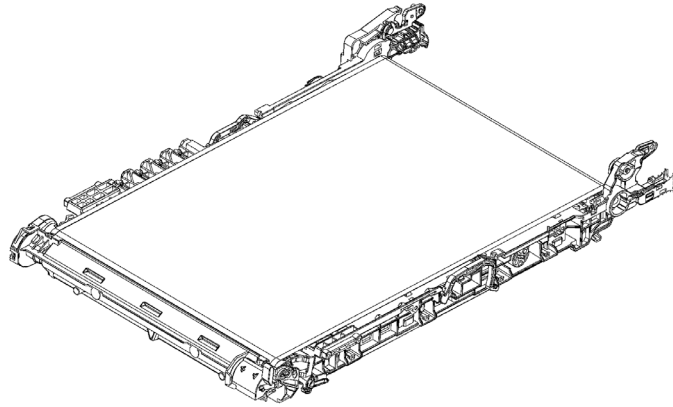


FIGURE & KEY NO.	PART NUMBER	R A N K	QTY	DESCRIPTION	SERIAL NUMBER /REMARKS
530	FM1-Z352-000		1	INTER. TRANSFER BELT ASS'Y	[DP]

Figure 621 BOTTLE MOUNT ASSEMBLY

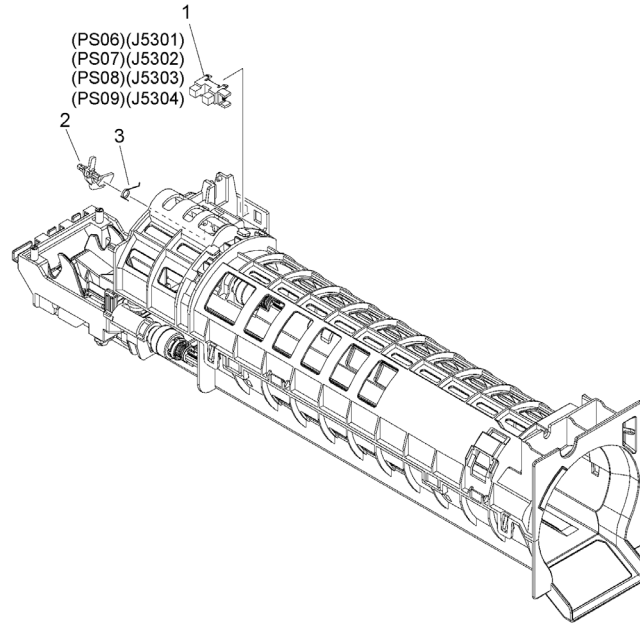


FIGURE & KEY NO.	PART NUMBER	RANK	QTY	DESCRIPTION	SERIAL NUMBER /REMARKS
621	FM2-D346-000		1	BOTTLE MOUNT ASSEMBLY	
1	WG8-5935-000		1	IC, PHOTO INTERRUPTER	PS06, PS07, PS08, PS09
2	FC0-5760-000		1	FLAG, BOTTLE SENSOR	
3	FU9-2035-000		1	SPRING, BOTTLE SENSOR FLAG	

Figure 622 HOPPER ASSEMBLY

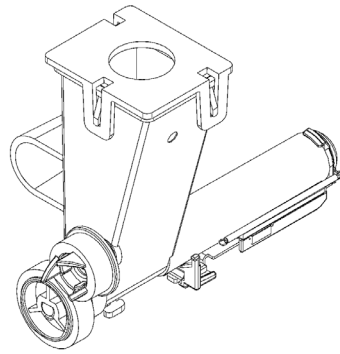


FIGURE & KEY NO.	PART NUMBER	R A N K	QTY	DESCRIPTION	SERIAL NUMBER /REMARKS
622	FM0-0006-010		1	HOPPER ASSEMBLY	

Figure 771 INTERNAL COVER ASSEMBLY

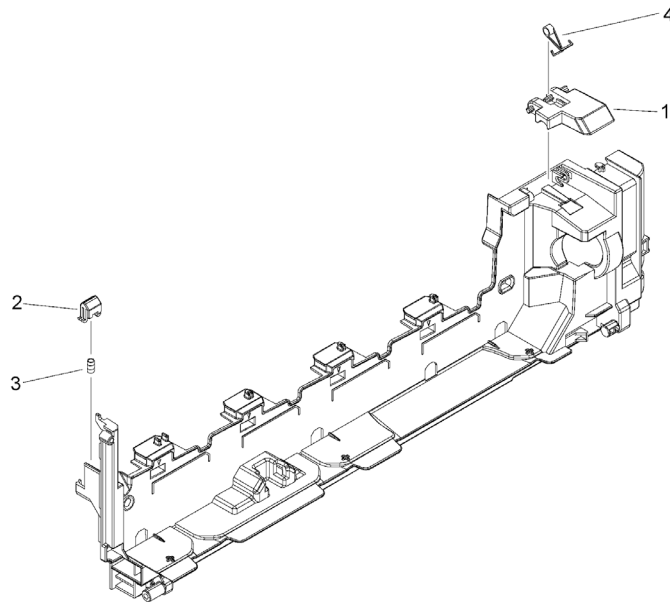


FIGURE & KEY NO.	PART NUMBER	R A N K	QTY	DESCRIPTION	SERIAL NUMBER /REMARKS
771	NPN		RF	INTERNAL COVER ASSEMBLY	
1	FC0-5972-000		1	ARM, SENSOR	
2	FC0-7589-000		1	BLOCK, WASTE TONER	
3	FU2-0574-000		1	SPRING, COMPRESSION	
4	FU9-2027-000		1	SPRING, TORSION	

Figure 772 CONTAINER, WASTE TONER, WT-201

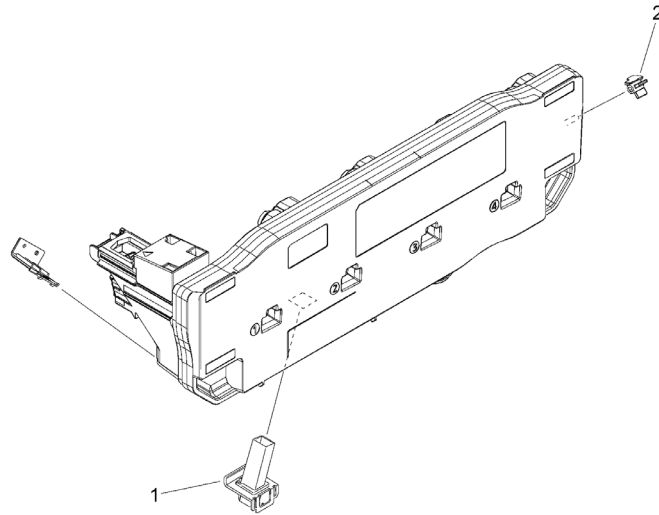


FIGURE & KEY NO.	PART NUMBER	RANK	QTY	DESCRIPTION	SERIAL NUMBER /REMARKS
772	FM0-0015-020		1	CONTAINER, WASTE TONER, WT-201	[DP]
1	FC0-6985-010		1	WASTE TONER FULL DETECT ASS'Y	
2	FC0-5969-000		1	FLAG, WASTE TONER SCREW	

Figure 810B FIXING ASSEMBLY, FX-201 (120V)

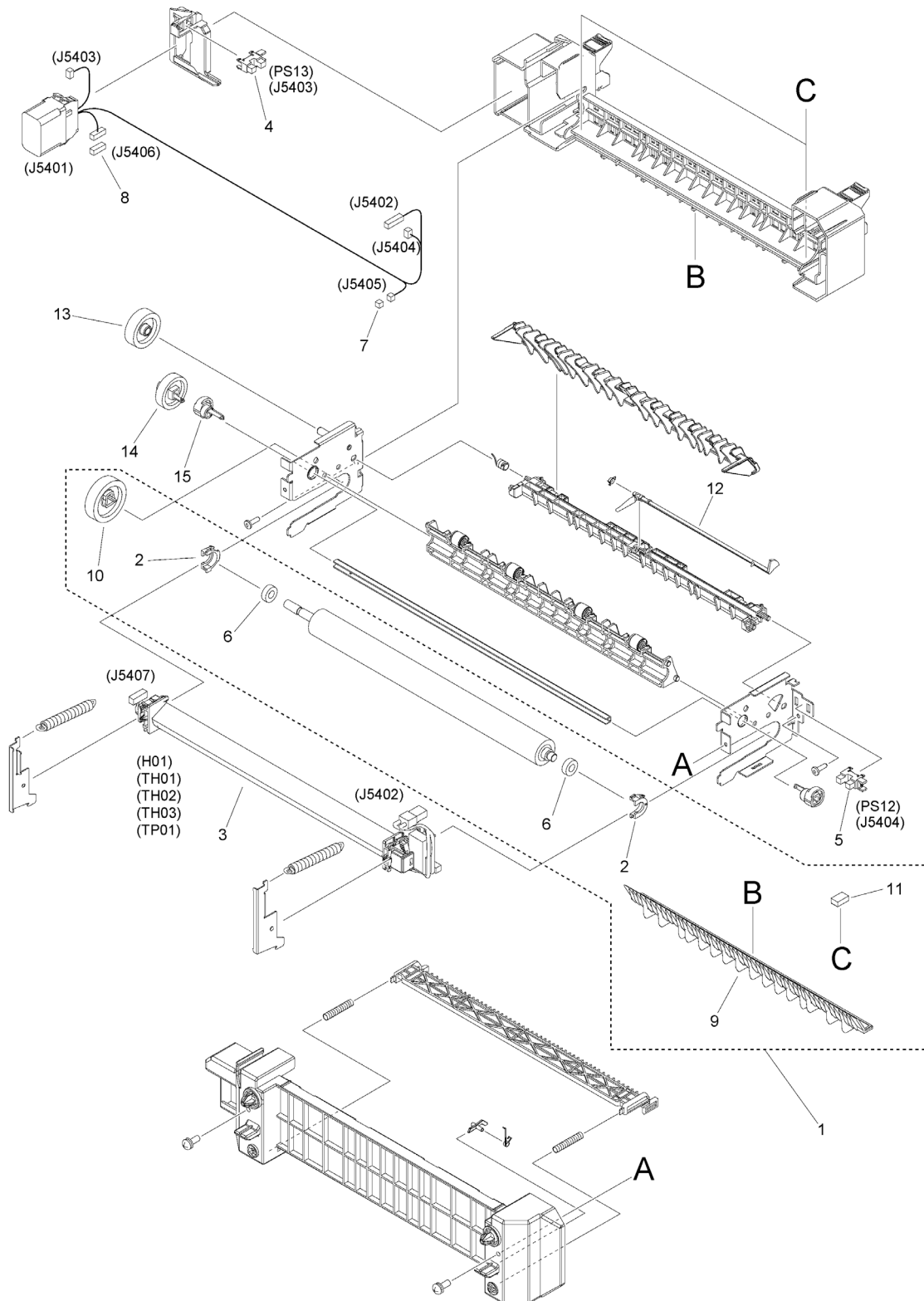


FIGURE & KEY NO.	PART NUMBER	RANK	QTY	DESCRIPTION	SERIAL NUMBER /REMARKS
810B	FM1-R726-030		1	FIXING ASSEMBLY, FX-201	120V [DP]
1	FM1-K198-010		1	PRESSURE ROLLER KIT	
2	FC0-6079-000		2	HOLDER, BEARING	
3	FM1-R729-020		1	FIXING FILM ASSEMBLY	H01, TH01, TH02, TH03, TP01
4	WG8-5935-000		1	IC, PHOTO INTERRUPTER	PS13
5	WG8-5783-000		1	IC,PHOTO-INTERRUPTER,LG248NL1A	PS12
6	XG9-0865-000		2	BEARING, BALL, L-1260ZZRP0P58L	
7	VS1-7177-002		1	CONNECTOR, SNAP TIGHT, BK	
8	VS1-7177-006		1	CONNECTOR, SNAP TIGHT, BK	
9	FC0-6089-010		1	GUIDE, FIXING ENTRANCE	
10	FU9-0610-000		1	GEAR, 29T	
11	FL0-6873-000		2	DAMPER	
12	FC0-6092-010		1	FLAG, PAPER DELIVERY SENSOR	
13	FU9-0611-000		1	GEAR, 24T	
14	FU9-0612-000		1	GEAR, 30T	
15	FC0-6086-000		2	CAM, PRESSURE RELEASE	

Figure 810C FIXING ASSEMBLY, FX-201 (230V)

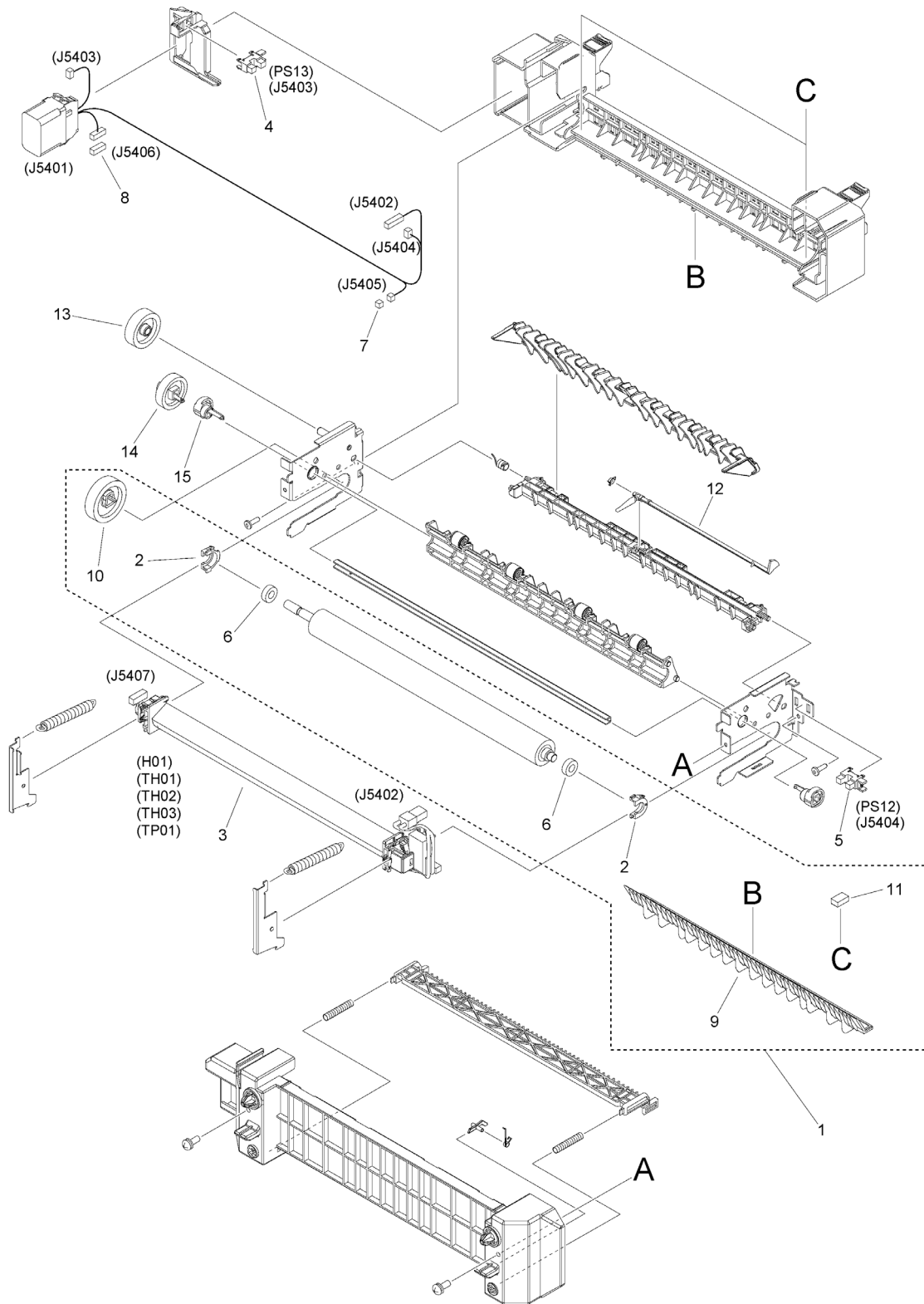


FIGURE & KEY NO.	PART NUMBER	RANK	QTY	DESCRIPTION	SERIAL NUMBER /REMARKS
810C	FM1-R727-030		1	FIXING ASSEMBLY, FX-201	230V [DP]
1	FM1-K198-010		1	PRESSURE ROLLER KIT	
2	FC0-6079-000		2	HOLDER, BEARING	
3	FM1-R730-020		1	FIXING FILM ASSEMBLY	H01, TH01, TH02, TH03, TP01
4	WG8-5935-000		1	IC, PHOTO INTERRUPTER	PS13
5	WG8-5783-000		1	IC,PHOTO-INTERRUPTER,LG248NL1A	PS12
6	XG9-0865-000		2	BEARING, BALL, L-1260ZZRP0P58L	
7	VS1-7177-002		1	CONNECTOR, SNAP TIGHT, BK	
8	VS1-7177-006		1	CONNECTOR, SNAP TIGHT, BK	
9	FC0-6089-010		1	GUIDE, FIXING ENTRANCE	
10	FU9-0610-000		1	GEAR, 29T	
11	FL0-6873-000		2	DAMPER	
12	FC0-6092-010		1	FLAG, PAPER DELIVERY SENSOR	
13	FU9-0611-000		1	GEAR, 24T	
14	FU9-0612-000		1	GEAR, 30T	
15	FC0-6086-000		2	CAM, PRESSURE RELEASE	

Figure 900B CONTROLLER BOX ASSEMBLY (C357iF)

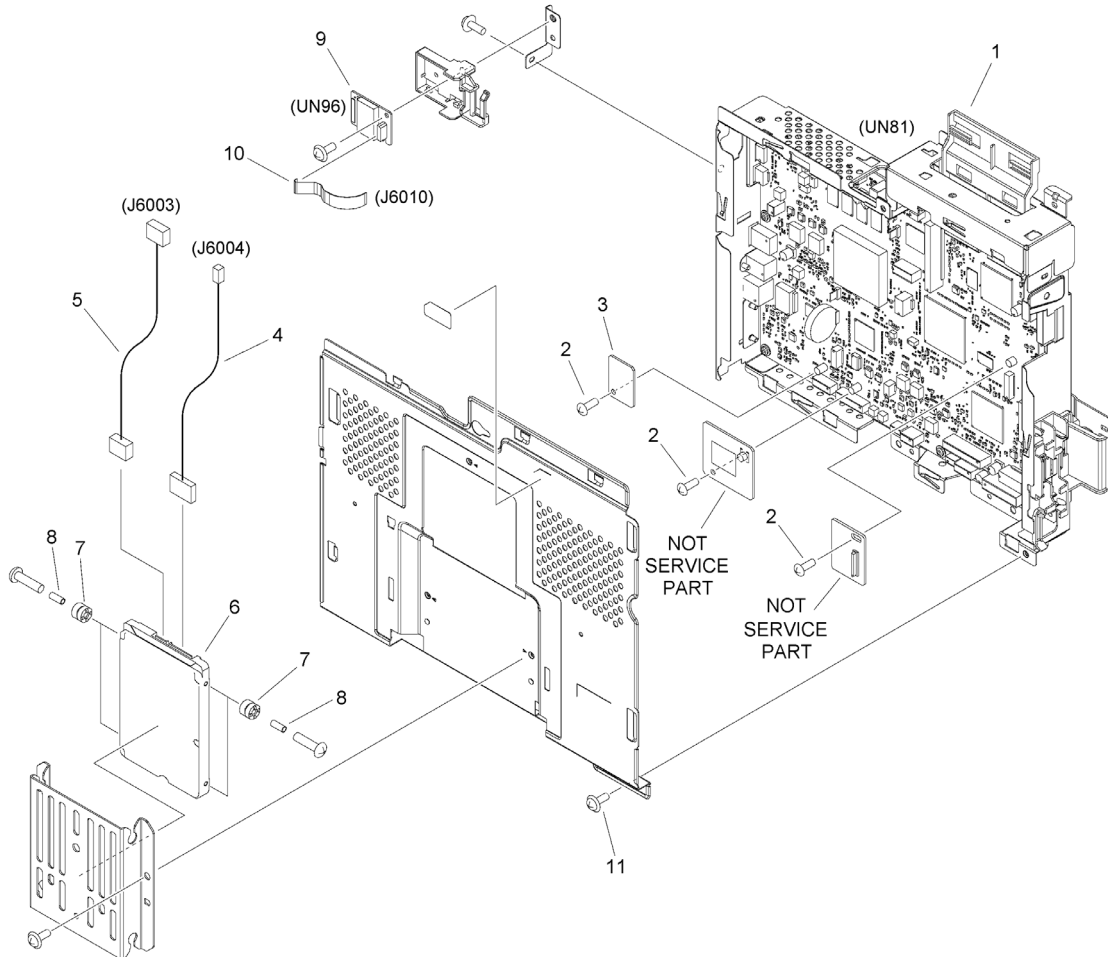


FIGURE & KEY NO.	PART NUMBER	RANK	QTY	DESCRIPTION	SERIAL NUMBER /REMARKS
900B	NPN		RF	CONTROLLER BOX ASSEMBLY	C357iF
1	FM2-B599-000		1	MAIN CONTROLLER PCB ASS'Y SET	UN81 OLD 2UK00906 and earlier 2UL06985 and earlier 2UM00539 and earlier
1	FM2-E737-000		1	MAIN CONTROLLER PCB ASS'Y SET	UN81 NEW 2UK00907 and later 2UL06986 and later 2UM00540 and later
2	XA9-1979-000		3	SCREW, MACH. PAN HEAD, M3X4	
3	FM1-M981-000		1	TPM PCB ASSEMBLY	
4	FK4-3811-000		1	CABLE, SATA POWER	
5	FK4-3810-000		1	CABLE, SATA SIGNAL	
6	FK4-1550-010		1	HARD DISK DRIVE, MQ01ABF032	
7	XH9-0149-000		4	DAMPER, CUSHION	
8	XZ1-1301-005		4	SPACER	
9	QM7-4472-000		1	WIRELESS LAN BOARD ASS'Y	UN96
10	FK4-6272-000		1	CABLE, FLEXIBLE FLAT, WIFI	
11	XA9-1435-000		3	SCREW, ROUND, M3X6	

Figure 900D CONTROLLER BOX ASSEMBLY (C257iF)

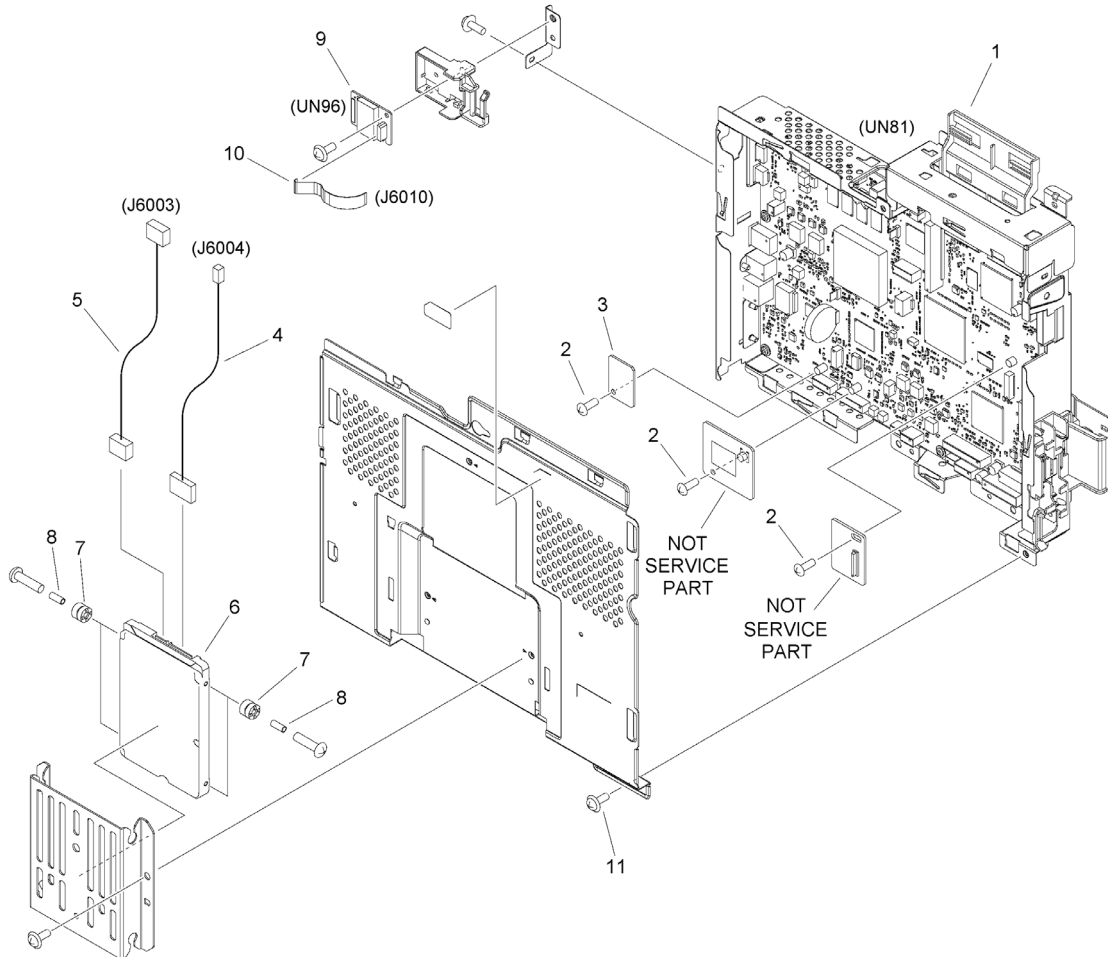


FIGURE & KEY NO.	PART NUMBER	RANK	QTY	DESCRIPTION	SERIAL NUMBER /REMARKS
900D	NPN		RF	CONTROLLER BOX ASSEMBLY	C257iF
1	FM2-B598-000		1	MAIN CONTROLLER PCB ASS'Y SET	UN81 OLD 3CE06498 and earlier 2CJ01348 and earlier 2VX00515 and earlier
1	FM2-E736-000		1	MAIN CONTROLLER PCB ASS'Y SET	UN81 NEW 3CE06499 and later 2CJ01349 and later 2VX00516 and later
2	XA9-1979-000		3	SCREW, MACH. PAN HEAD, M3X4	
3	FM1-M981-000		1	TPM PCB ASSEMBLY	
4	FK4-3811-000		1	CABLE, SATA POWER	
5	FK4-3810-000		1	CABLE, SATA SIGNAL	
6	FK4-1550-010		1	HARD DISK DRIVE, MQ01ABF032	
7	XH9-0149-000		4	DAMPER, CUSHION	
8	XZ1-1301-005		4	SPACER	
9	QM7-4472-000		1	WIRELESS LAN BOARD ASS'Y	UN96
10	FK4-6272-000		1	CABLE, FLEXIBLE FLAT, WIFI	
11	XA9-1435-000		3	SCREW, ROUND, M3X6	

Figure 910A POWER SUPPLY ASSEMBLY (100V, 120V)

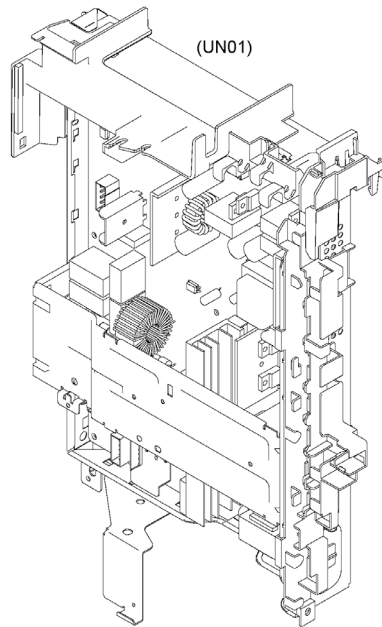


FIGURE & KEY NO.	PART NUMBER	R A N K	QTY	DESCRIPTION	SERIAL NUMBER /REMARKS
910A	FM1-L543-010		1	POWER SUPPLY ASSEMBLY	UN01 100V, 120V

Figure 910B POWER SUPPLY ASSEMBLY (230V)

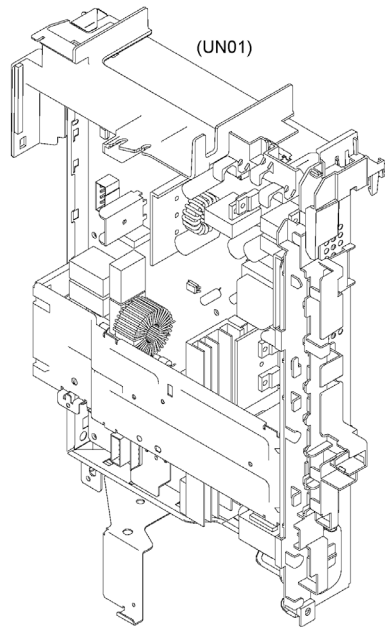


FIGURE & KEY NO.	PART NUMBER	R A N K	QTY	DESCRIPTION	SERIAL NUMBER /REMARKS
910B	FM1-P022-010		1	POWER SUPPLY ASSEMBLY	UN01 230V

Figure 930 DC CONTROLLER PCB ASSEMBLY

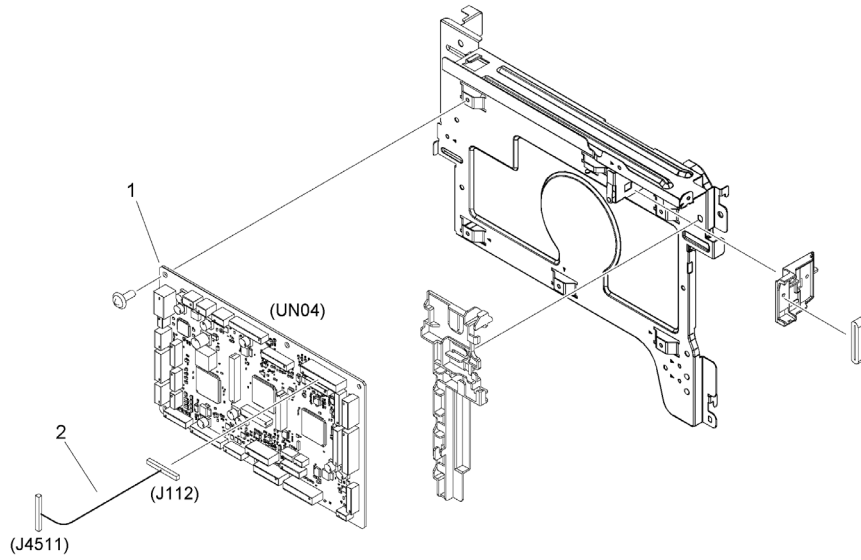


FIGURE & KEY NO.	PART NUMBER	RANK	QTY	DESCRIPTION	SERIAL NUMBER /REMARKS
930	NPN		RF	DC CONTROLLER PCB ASSEMBLY	
1	FM2-K902-000		1	DC CONTROLLER PCB ASSEMBLY	UN04
2	FM1-V958-010		1	CABLE, DDIP	

Figure B01 ADF MAINTENANCE KIT (ADF mode I)

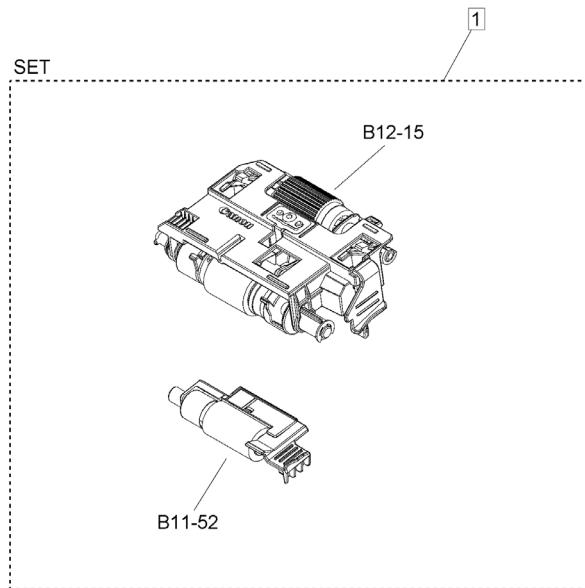


FIGURE & KEY NO.	PART NUMBER	RANK	QTY	DESCRIPTION	SERIAL NUMBER /REMARKS
B01	NPN		RF	ADF MAINTENANCE KIT	ADF model
1	FM2-B058-000		1	ADF MAINTENANCE KIT, DR-208	[DP]

Figure B10B READER/ADF ASSEMBLY (ADF mode I)

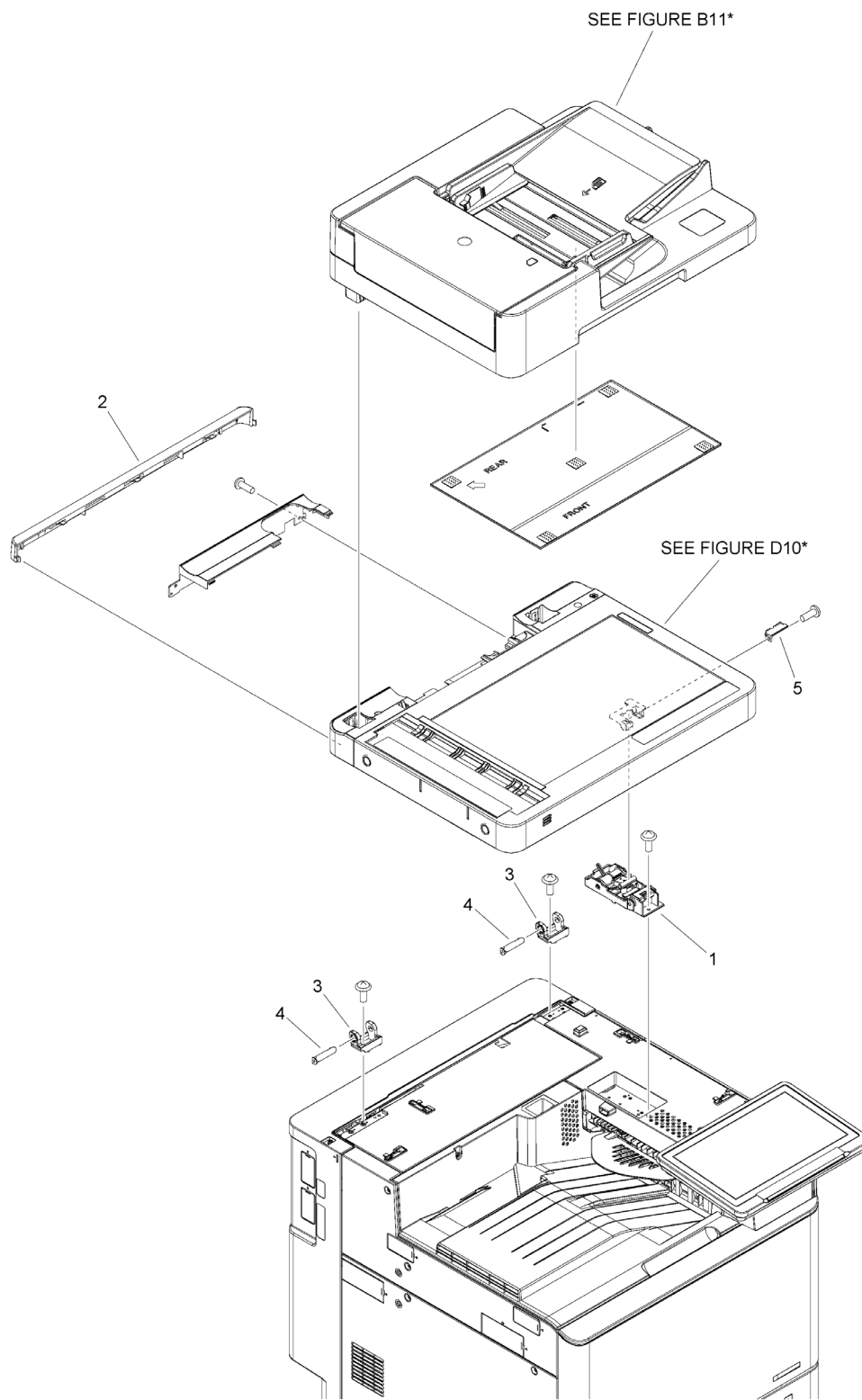


FIGURE & KEY NO.	PART NUMBER	RANK	QTY	DESCRIPTION	SERIAL NUMBER /REMARKS
B10B	NPN		RF	READER/ADF ASSEMBLY	ADF model
1	FM4-9850-000		1	READER LINK ASSEMBLY	
2	FE8-2109-010		1	COVER, READER REAR, 2	
3	FE8-2110-000		2	HINGE, READER	
4	FE8-2405-000		2	SHAFT, READER HINGE	
5	FE3-8375-000		1	CLAMP, READER SHAFT, RIGHT	

Figure B11C (1/3)AUTO DOCUMENT FEEDER ASS'Y SET (ADF model) (OLD)

NOTE : This assembly does not include the part shown with key No. 32.

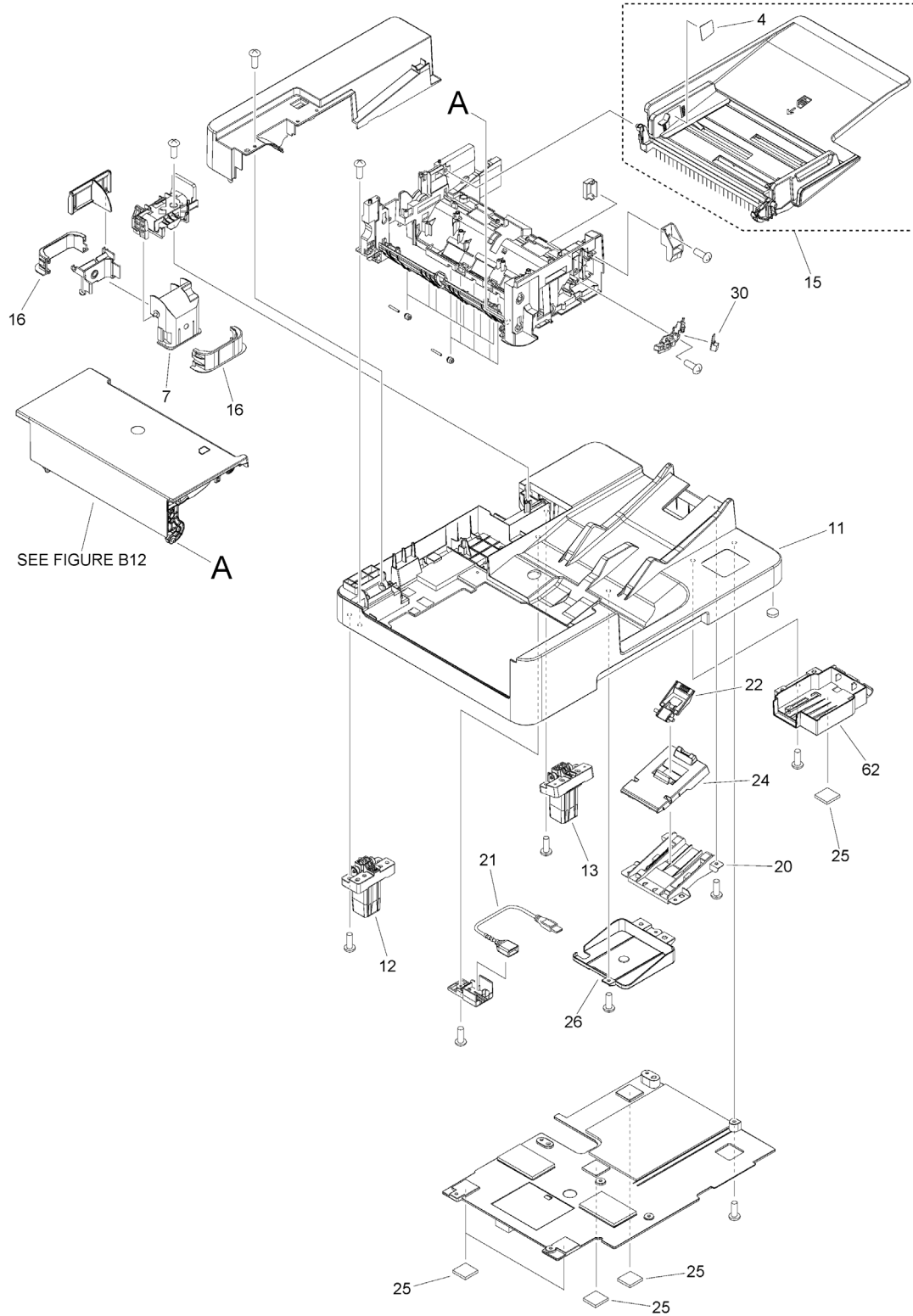


Figure B11C (2/3)AUTO DOCUMENT FEEDER ASS'Y SET (ADF model) (OLD)

NOTE : This assembly does not include the part shown with key No. 32.

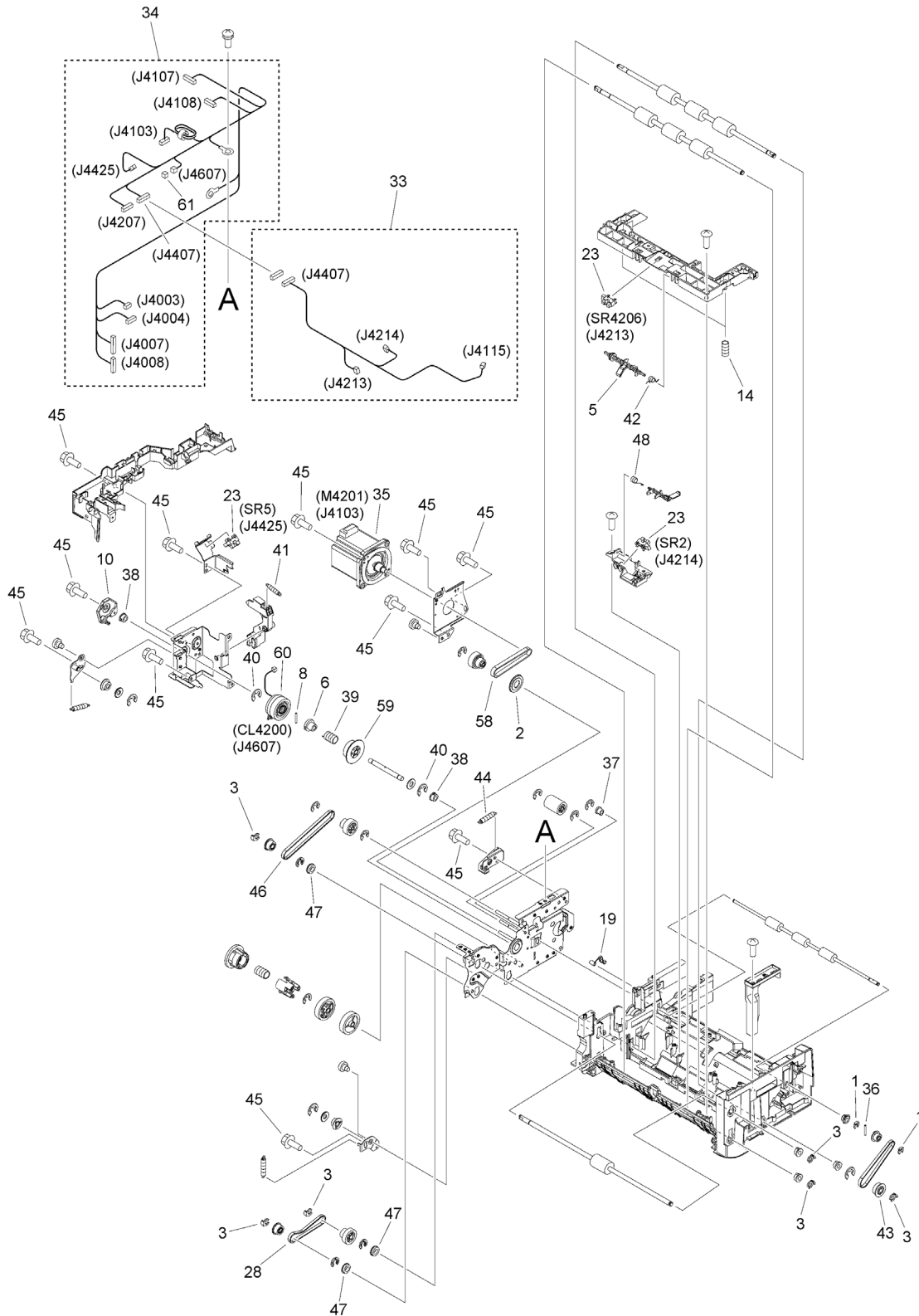


Figure B11C (3/3)AUTO DOCUMENT FEEDER ASS'Y SET (ADF model) (OLD)

NOTE : This assembly does not include the part shown with key No. 32.

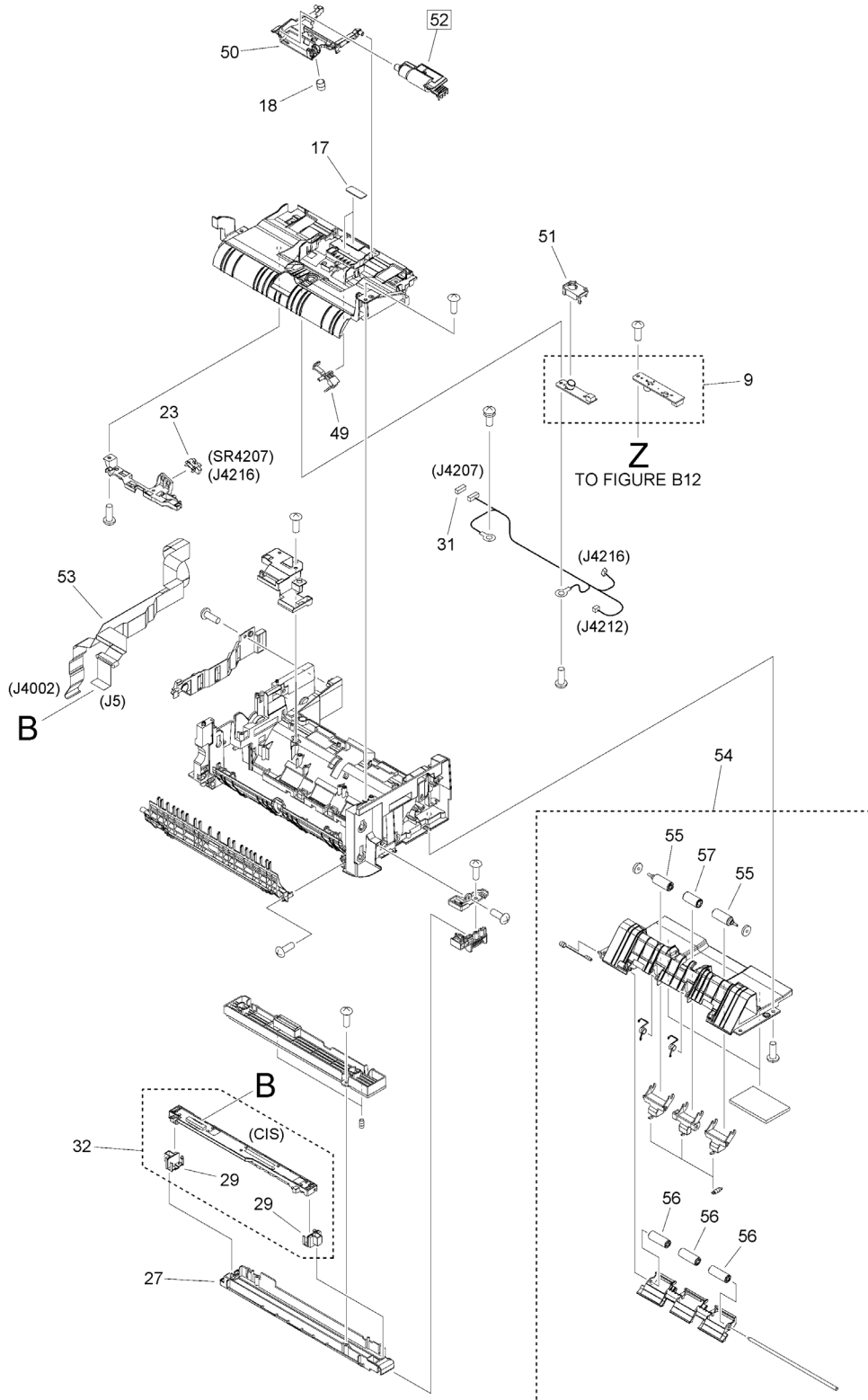


FIGURE & KEY NO.	PART NUMBER	RANK	QTY	DESCRIPTION	SERIAL NUMBER /REMARKS
B11C	FM2-B175-010		1	AUTO DOCUMENT FEEDER ASS'Y SET	ADF model OLD 2UK00906 and earlier 2UL06985 and earlier 2UM00539 and earlier 3CE06498 and earlier 2CJ01348 and earlier 2VX00515 and earlier
1	FC0-1271-000		2	CLIP	
2	FC8-5484-000		1	FLANGE, PULLEY	
3	FC5-4424-000		6	CLIP	
4	FE2-J168-000		1	LABEL, DOCUMENT MAXIMUM LOAD	
5	FE2-D778-000		1	LEVER, READ SENSOR	
6	FE2-D574-000		1	JOINT, PICK-UP	
7	FE4-5746-000		1	GUIDE, CABLE, FRONT	
8	XD9-0334-000		1	PIN, DOWEL	
9	FM1-K086-010		1	DOUBLE FEED DETECTION KIT	
10	FE2-D732-000		1	STOPPER, CLUTCH ROTATION	
11	FE2-D759-000		1	FRAME, BASE	
12	FE2-E037-000		1	HINGE, ADF, LEFT	
13	FE2-E038-000		1	HINGE, ADF, RIGHT	
14	FE2-D656-000		2	SPRING, COMPRESSION	
15	FM1-W651-000		1	DOCUMENT TRAY ASSEMBLY	
16	FE8-2334-000		2	GUIDE, CABLE, LOWER	
17	FE8-3713-000		2	PAD, PICK-UP	
18	FE2-D826-000		1	SPRING, COMPRESSION	
19	FE2-D545-000		1	SPRING, TORSION	
20	FE2-D750-000		1	HOLDER, EXTENSION TRAY	
21	FK4-3808-000		1	CABLE, USB	
22	FE2-D751-000		1	STOPPER	
23	WG8-5935-000		4	IC, PHOTO INTERRUPTER	SR2, SR5, SR4206, SR4207
24	FE2-D752-000		1	TRAY, EXTENSION	
25	FL0-5178-000		5	CUSHION	
26	FE2-D754-000		1	COVER, CABLE	
27	FL1-7786-000		1	HOLDER, CONTACT IMAGE SENSOR	
28	XF2-1611-040		1	BELT, TIMING	
29	FL1-6459-000		2	SPACER, CONTACT IMAGE SENSOR	RANK B
29	FL1-7791-000		2	SPACER, CONTACT IMAGE SENSOR	RANK C
29	FL1-7792-000		2	SPACER, CONTACT IMAGE SENSOR	RANK A
30	FM0-0294-000		1	EJECT LIGHT LED PCB ASS'Y	
31	VS1-7177-006		1	CONNECTOR, SNAP TIGHT, BK	
32	FM2-B174-000		1	CONTACT IMAGE SENSOR ASS'Y SET	CIS SEE NOTE
33	FM2-P907-000		1	CABLE, ADF PASS SENSOR	
34	FM2-P904-000		1	CABLE, ADF MAIN	

FIGURE & KEY NO.	PART NUMBER	RANK	QTY	DESCRIPTION	SERIAL NUMBER /REMARKS
35	FM1-W686-000		1	MOTOR ASS'Y	M4201
36	XD9-0352-000		1	PIN	
37	FS1-1528-000		1	BUSHING, PL	
38	FS5-1805-000		2	BUSHING	
39	FE2-D575-000		1	SPRING, CLUTCH	
40	XD9-0394-000		2	RING, E	
41	FE2-D726-000		1	SPRING, TENSION	
42	FE2-E057-000		1	SPRING, TORSION	
43	FE2-D698-000		1	PULLEY, 27T	
44	FE2-D737-000		1	SPRING, TENSION	
45	XA9-1386-000		15	SCREW,RS,M3X8	
46	XF2-1607-840		1	BELT, TIMING	
47	XG9-0520-000		3	BEARING, BALL, MF106ZZS	
48	FE2-D782-000		1	SPRING, TORSION	
49	FE2-D824-000		1	FLAG, REMNANT DETECT	
50	FE2-D827-000		1	HOLDER, ROLLER	
51	FE4-1947-000		1	COVER, SENSOR	
52	FM1-W655-000		1	SEPARATION ROLLER ASSEMBLY	[DP]
53	FK4-6663-000		1	CABLE, FLEXIBLE FLAT, LASER	
54	FM1-W659-000		1	LEAD 2 OUTER GUIDE ASSEMBLY	
55	FC8-6316-010		2	ROLLER, DELIVERY	
56	FE2-D649-000		3	ROLLER, READ	
57	FE2-D660-000		1	ROLLER, PAPER DELIVERY	
58	XF2-1608-260		1	BELT, TIMING	
59	FE2-D693-000		1	GEAR, 22	
60	FK4-6674-000		1	CLUTCH, ELECTROMAGNETIC	CL4200
61	VS1-7177-002		1	CONNECTOR, SNAP TIGHT, BK	
62	FE4-5735-010		1	COVER, CARD READER	

Figure B11D (1/3)AUTO DOCUMENT FEEDER ASS'Y SET (ADF model) (NEW)

NOTE : This assembly does not include the part shown with key No. 32.

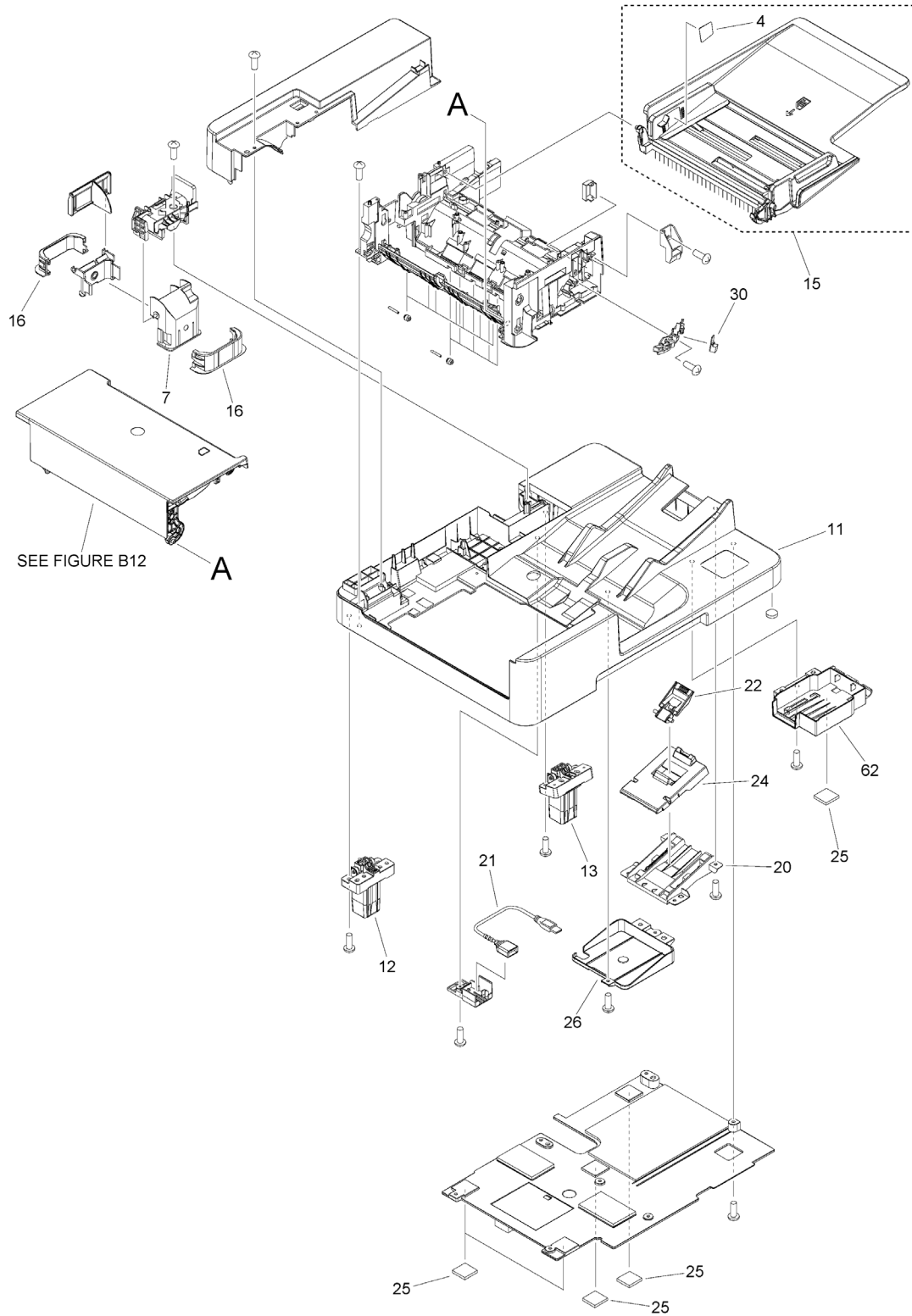


Figure B11D (3/3)AUTO DOCUMENT FEEDER ASS'Y SET (ADF model) (NEW)

NOTE : This assembly does not include the part shown with key No. 32.

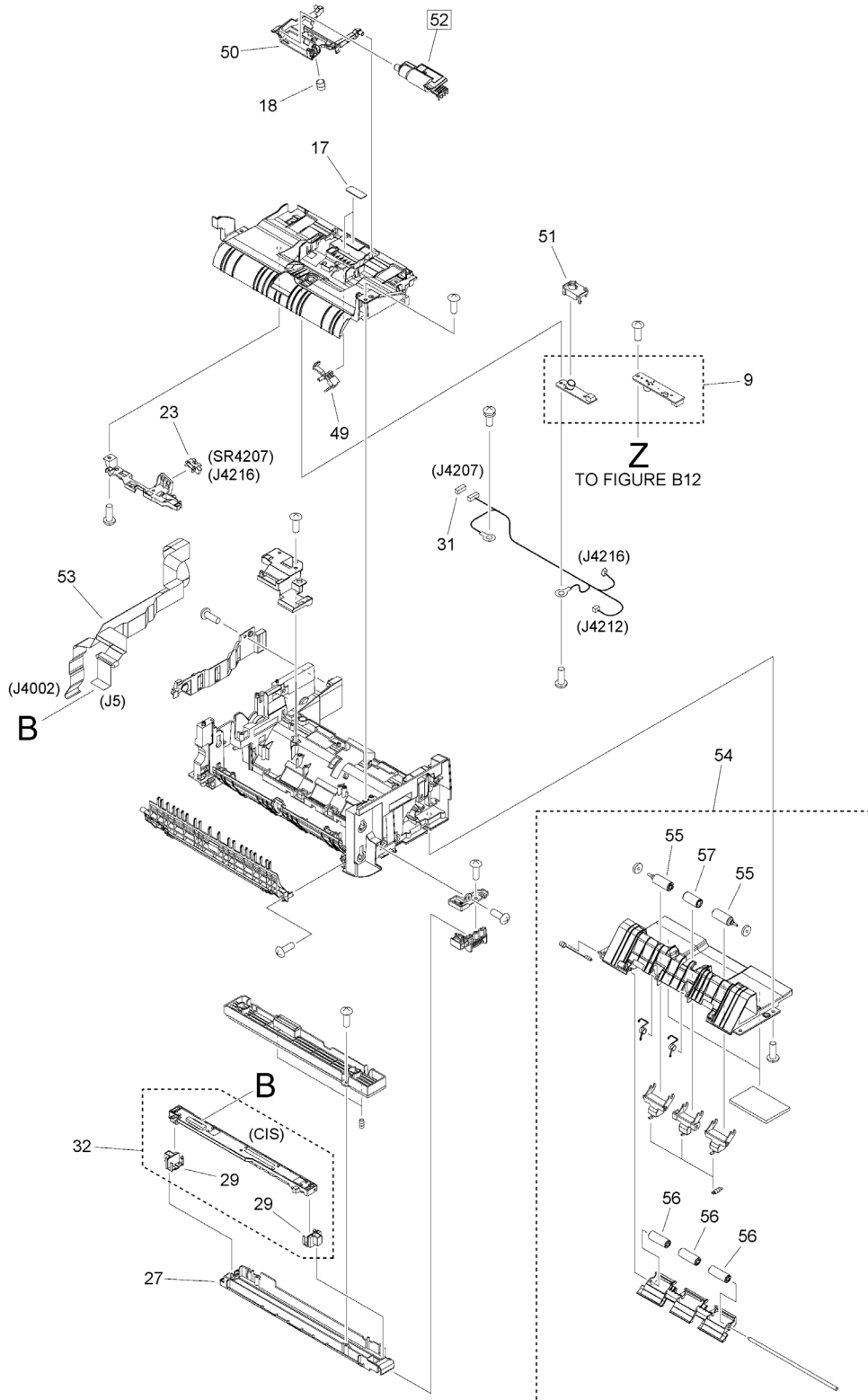


FIGURE & KEY NO.	PART NUMBER	RANK	QTY	DESCRIPTION	SERIAL NUMBER /REMARKS
B11D	FM2-E444-000		1	AUTO DOCUMENT FEEDER ASS'Y SET	ADF model NEW 2UK00907 and later 2UL06986 and later 2UM00540 and later 3CE06499 and later 2CJ01349 and later 2VX00516 and later
1	FC0-1271-000		2	CLIP	
2	FC8-5484-000		1	FLANGE, PULLEY	
3	FC5-4424-000		6	CLIP	
4	FE2-J168-000		1	LABEL, DOCUMENT MAXIMUM LOAD	
5	FE2-D778-000		1	LEVER, READ SENSOR	
6	FE2-D574-000		1	JOINT, PICK-UP	
7	FE4-5746-000		1	GUIDE, CABLE, FRONT	
8	XD9-0334-000		1	PIN, DOWEL	
9	FM1-K086-010		1	DOUBLE FEED DETECTION KIT	
10	FE2-D732-000		1	STOPPER, CLUTCH ROTATION	
11	FE2-D759-000		1	FRAME, BASE	
12	FE2-E037-000		1	HINGE, ADF, LEFT	
13	FE2-E038-000		1	HINGE, ADF, RIGHT	
14	FE2-D656-000		2	SPRING, COMPRESSION	
15	FM1-W651-000		1	DOCUMENT TRAY ASSEMBLY	
16	FE8-2334-000		2	GUIDE, CABLE, LOWER	
17	FE8-3713-000		2	PAD, PICK-UP	
18	FE2-D826-000		1	SPRING, COMPRESSION	
19	FE2-D545-000		1	SPRING, TORSION	
20	FE2-D750-000		1	HOLDER, EXTENSION TRAY	
21	FK4-3808-000		1	CABLE, USB	
22	FE2-D751-000		1	STOPPER	
23	WG8-5935-000		4	IC, PHOTO INTERRUPTER	SR2, SR5, SR4206, SR4207
24	FE2-D752-000		1	TRAY, EXTENSION	
25	FL0-5178-000		5	CUSHION	
26	FE2-D754-000		1	COVER, CABLE	
27	FL1-7786-000		1	HOLDER, CONTACT IMAGE SENSOR	
28	XF2-1611-040		1	BELT, TIMING	
29	FL1-6459-000		2	SPACER, CONTACT IMAGE SENSOR	RANK B
29	FL1-7791-000		2	SPACER, CONTACT IMAGE SENSOR	RANK C
29	FL1-7792-000		2	SPACER, CONTACT IMAGE SENSOR	RANK A
30	FM0-0294-000		1	EJECT LIGHT LED PCB ASS'Y	
31	VS1-7177-006		1	CONNECTOR, SNAP TIGHT, BK	
32	FM2-E454-000		1	CONTACT IMAGE SENSOR ASS'Y SET	CIS SEE NOTE
33	FM2-P907-000		1	CABLE, ADF PASS SENSOR	
34	FM2-P904-000		1	CABLE, ADF MAIN	

FIGURE & KEY NO.	PART NUMBER	RANK	QTY	DESCRIPTION	SERIAL NUMBER /REMARKS
35	FM1-W686-000		1	MOTOR ASS'Y	M4201
36	XD9-0352-000		1	PIN	
37	FS1-1528-000		1	BUSHING, PL	
38	FS5-1805-000		2	BUSHING	
39	FE2-D575-000		1	SPRING, CLUTCH	
40	XD9-0394-000		2	RING, E	
41	FE2-D726-000		1	SPRING, TENSION	
42	FE2-E057-000		1	SPRING, TORSION	
43	FE2-D698-000		1	PULLEY, 27T	
44	FE2-D737-000		1	SPRING, TENSION	
45	XA9-1386-000		15	SCREW,RS,M3X8	
46	XF2-1607-840		1	BELT, TIMING	
47	XG9-0520-000		3	BEARING, BALL, MF106ZZS	
48	FE2-D782-000		1	SPRING, TORSION	
49	FE2-D824-000		1	FLAG, REMNANT DETECT	
50	FE2-D827-000		1	HOLDER, ROLLER	
51	FE4-1947-000		1	COVER, SENSOR	
52	FM1-W655-000		1	SEPARATION ROLLER ASSEMBLY	[DP]
53	FK4-6663-000		1	CABLE, FLEXIBLE FLAT, LASER	
54	FM1-W659-000		1	LEAD 2 OUTER GUIDE ASSEMBLY	
55	FC8-6316-010		2	ROLLER, DELIVERY	
56	FE2-D649-000		3	ROLLER, READ	
57	FE2-D660-000		1	ROLLER, PAPER DELIVERY	
58	XF2-1608-260		1	BELT, TIMING	
59	FE2-D693-000		1	GEAR, 22	
60	FK4-6674-000		1	CLUTCH, ELECTROMAGNETIC	CL4200
61	VS1-7177-002		1	CONNECTOR, SNAP TIGHT, BK	
62	FE4-5735-010		1	COVER, CARD READER	

Figure B12 PAPER PICK-UP COVER ASS'Y (ADF model)

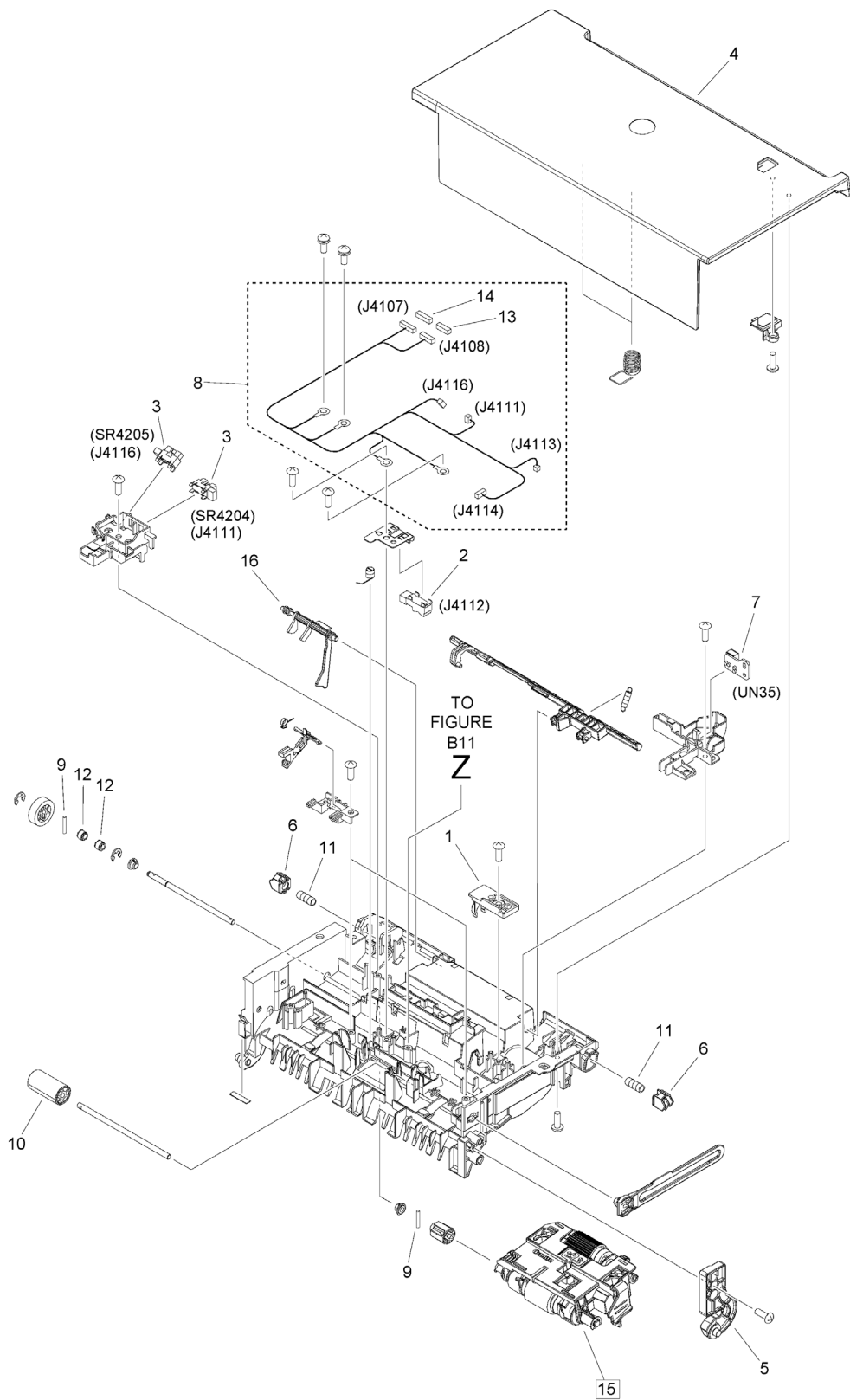


FIGURE & KEY NO.	PART NUMBER	RANK	QTY	DESCRIPTION	SERIAL NUMBER /REMARKS
B12	NPN		RF	PAPER PICK-UP COVER ASS'Y	ADF model
1	FE8-2386-000		1	HOLDER, PICK	
2	WG8-6233-000		1	PHOTO-INTERRUPTER	
3	WG8-5935-000		2	IC, PHOTO INTERRUPTER	SR4204, SR4205
4	FL4-5126-000		1	COVER, PAPER PICK-UP	
5	FE2-F453-000		1	LEVER, STOP	
6	FE2-D543-000		2	LATCH	
7	FM1-K827-000		1	LED PCB ASSEMBLY	UN35
8	FM2-P905-000		1	CABLE, ADF COVER	
9	XD9-0352-000		2	PIN	
10	FC5-4324-000		1	ROLLER, REGISTRATION, 2	
11	FU2-1808-000		2	SPRING, COMPRESSION	
12	FE2-E018-000		2	ROLLER, PRESSURE	
13	VS1-7177-007		1	CONNECTOR, 7P, FEMALE, BK	
14	VS1-7177-009		1	CONNECTOR, WIRE TO WIRE, 9P	
15	FM1-W677-000		1	ADF PAPER PICK-UP ASSEMBLY	[DP]
16	FE2-D557-010		1	FLAG, SENSOR	

Figure D10B READER ASSEMBLY

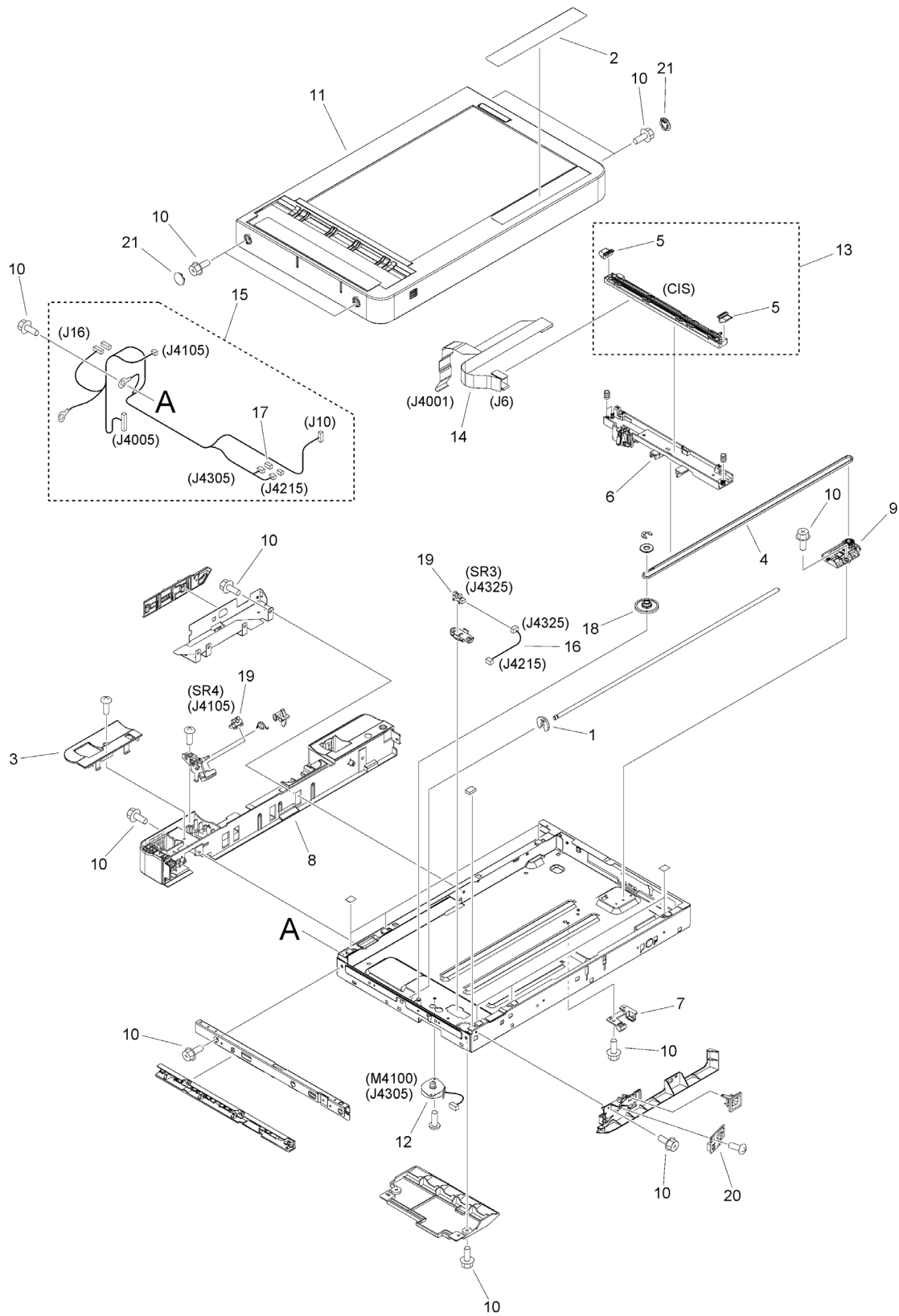


FIGURE & KEY NO.	PART NUMBER	RANK	QTY	DESCRIPTION	SERIAL NUMBER /REMARKS
D10B	NPN		RF	READER ASSEMBLY	
1	FE3-7699-000		1	RING, C,EXTERNAL	
2	FE2-E522-000		1	LABEL, COPY INHIBITED	US English
2	FE2-E523-000		1	LABEL, COPY INHIBITED	Canadian French, Portuguese, Spanish
3	FE8-2093-000		1	COVER, READER REAR, UP.	
4	FE8-2361-000		1	BELT, TIMING, COGGED	
5	FE2-D705-000		2	SPACER, CONTACT IMAGE SENSOR	RANK B
5	FE2-D706-000		2	SPACER, CONTACT IMAGE SENSOR	RANK C
5	FE2-D707-000		2	SPACER, CONTACT IMAGE SENSOR	RANK A
6	FM1-Y667-010		1	CIS HOLDER UNIT	
7	FC0-5557-000		1	BUSHING	
8	FE8-2098-010		1	COVER, READER REAR, 1	
9	FM1-Y190-000		1	IDLER PULLEY HOLDER ASSEMBLY	
10	XA9-1386-000		15	SCREW,RS,M3X8	
11	FM1-W504-000		1	READER COVER UNIT, TOP	
12	FK3-3035-000		1	MOTOR, STEPPING	M4100
13	FM2-B173-000		1	CONTACT IMAGE SENSOR ASSEMBLY	CIS OLD 2UK00906 and earlier 2UL06985 and earlier 2UM00539 and earlier 3CE06498 and earlier 2CJ01348 and earlier 2VX00515 and earlier
13	FM2-E453-000		1	CONTACT IMAGE SENSOR ASSEMBLY	CIS NEW 2UK00907 and later 2UL06986 and later 2UM00540 and later 3CE06499 and later 2CJ01349 and later 2VX00516 and later
14	FK4-6675-000		1	CABLE, FLAT	
15	FM1-W894-010		1	CABLE, READER	
16	FM1-C987-010		1	CABLE, HOME POSITION SENSOR	
17	VS1-7177-004		1	CONNECTOR, SNAP TIGHT, BK	
18	FU9-0581-000		1	GEAR, 85T/20T	
19	WG8-5935-000		2	IC, PHOTO INTERRUPTER	SR3, SR4
20	FM1-W896-000		1	INTERFACE SENSOR PCB ASSEMBLY	
21	FE2-K423-000		4	CAP	

Figure T20B FAX ASSEMBLY (FAX model)

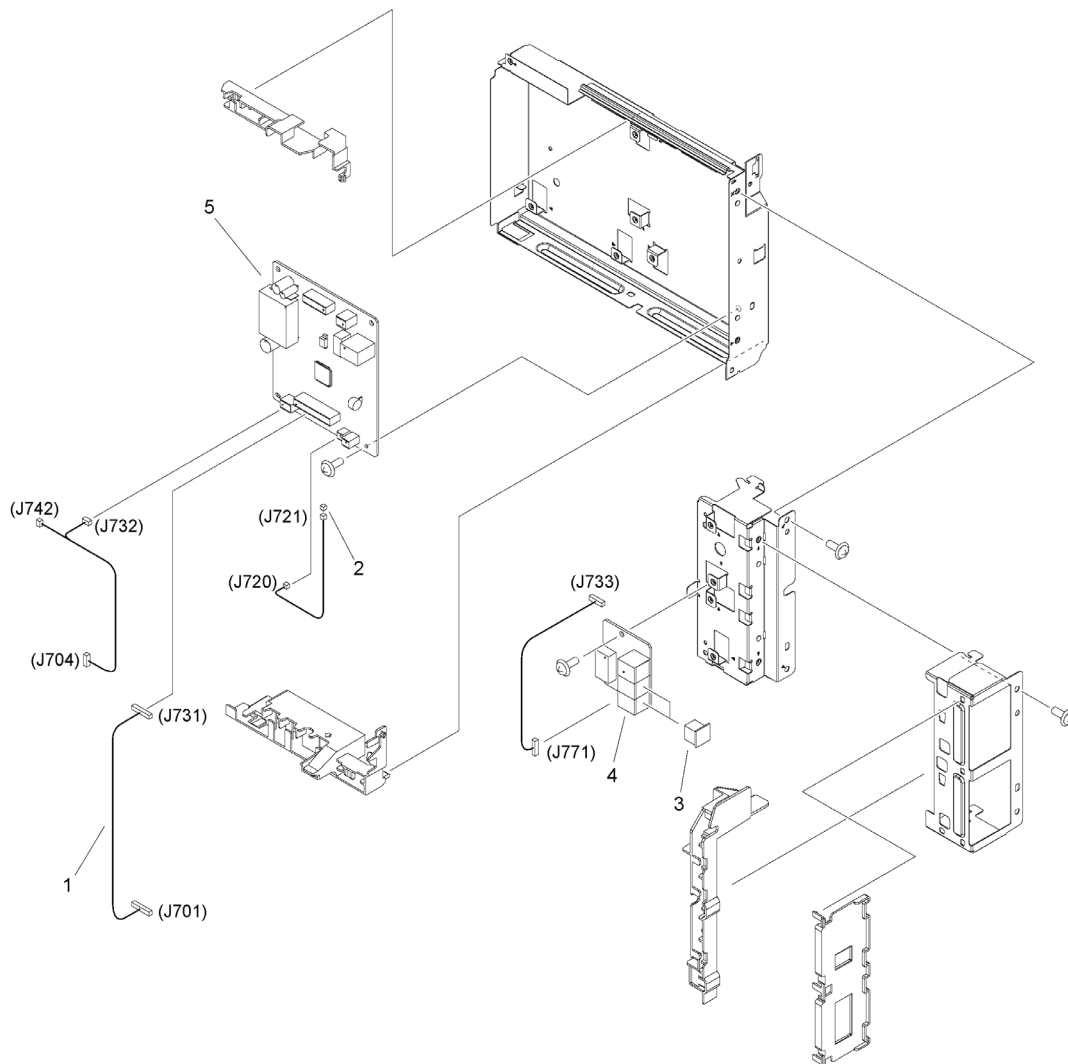


FIGURE & KEY NO.	PART NUMBER	RANK	QTY	DESCRIPTION	SERIAL NUMBER /REMARKS
T20B	NPN		RF	FAX ASSEMBLY	FAX model
1	FM1-W903-010		1	CABLE, FAX SIGNAL	
2	VS1-7177-002		1	CONNECTOR, SNAP TIGHT, BK	
3	WT8-5076-000		2	SPACER,MODULAR	
4	FM4-2476-000		1	MODULAR PCB ASSEMBLY	
5	FM1-W902-000		1	1 LINE PCB ASSEMBLY	

Figure T21 SPEAKER (FAX model)

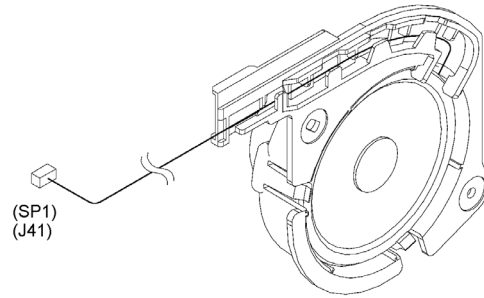


FIGURE & KEY NO.	PART NUMBER	R A N K	QTY	DESCRIPTION	SERIAL NUMBER /REMARKS
T21	FM0-0059-010		1	SPEAKER	SP1 FAX model

Figure ZZA MECHANICAL STANDARD PARTS (HOW TO USE)

Mechanical standard parts 機械標準部品

About a mechanical standard parts

A Mechanical standard parts is a mechanical part which not parts peculiar to a product.
They are parts which are common to a Canon product and are used, such as a screw and a washer.
The Fig No. and parts number of the mechanical standard parts are not listed in the product parts catalog.
Refer to the parts catalog of mechanical standard parts when checking the parts number for screw or washer etc. and identify them by part shape or size.

機械標準部品とは

機械標準部品とは、製品特有の部品ではなく、ねじやワッシャなどキヤノン製品共通で使用されている機械部品（メカ部品）のことです。
製品のパーツカタログには、機械標準部品のFig No.や部品番号は記載していません。
ねじや、ワッシャ等の部品番号を調べるときは、機械標準部品のパーツカタログを参照し、部品の形状や大きさから判断し、使用している部品を調べてください。

Material and surface treatment of a mechanical standard parts

Material and surface treatment of mechanical standard parts are assigned commonly for each part.
Refer to the Table 1 for the parts which material and surface treatment are assigned as numbers.

機械標準部品の材料および表面処理

機械標準部品の材料および表面処理については、各種部品共通で決められています。
材料および表面処理が番号で決められている部品については、表1を参照してください。

Table 1 Material and Surface treatment
表1 材料および表面処理

No. 番号	Material 材料	Surface treatment 表面処理	Color 色
1	Stainless steel ステンレス	Stainless steel black coloring (BC4) ステンレス黒着色(BC4)	Black 黒
2		not to be given なし	White 白
3	Brass 黄銅	Regular nickel plating (NL) 普通ニッケルメッキ(NL)	White 白
4		Black nickel plating (BN) 黒色ニッケルメッキ(BN)	Black 黒
5	Steel 鋼	White zinc trivalent chromate treating (ZC3) 白色亜鉛3価クロメート(ZC3)	White 白
6		Regular nickel chromium plating (NC) 普通ニッケルクロムメッキ(NC)	White 白
7		Regular nickel plating (NL) 普通ニッケルメッキ(NL)	White 白
8		Iron and steel phosphating (P1) 鉄鋼燐酸塩処理(P1)	Black 黒
9		Black zinc trivalent chromate treating (BZ3) 黒色亜鉛3価クロメート(BZ3)	Black 黒

Figure ZZB (1/7)MECHANICAL STANDARD PARTS (SCREWS)

1. Screws
ねじ

How to read Parts Numbers
部品番号の見方

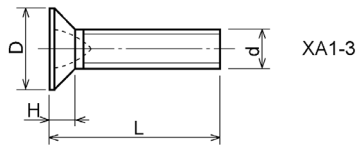
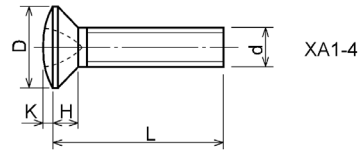
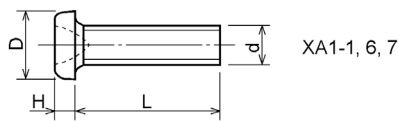
Screws
ねじ

XB1-2400-609

Type No.
類別番号
Normal designation (d)
ねじの呼び (d)
Length (L)
ねじの長さ (L)
Material and Surface treatment
材料および表面処理

XB1-2 expresses Binding head machine screw.
XB1-2は、バインドねじを表す
40 expresses M4.0.
40は、M4.0を表す
0-60 expresses a length of 6.0mm.
0-60は、6.0mmの長さを表す
9 expresses Steel (Black zinc trivalent chromate
treating) from Table 1.
9は、表1より鋼（黒色亜鉛3価クロメート）を表す

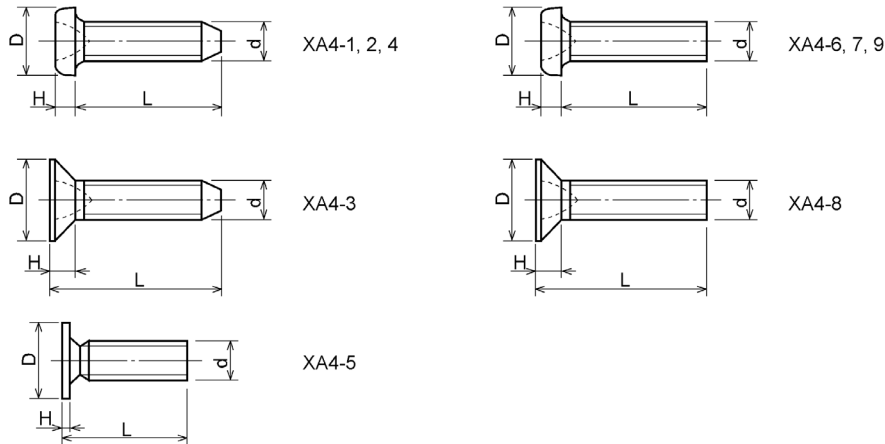
1-1. Cross Recessed Head Screws for Precision Equipments
精密機器用十字穴付き小ねじ



Type No. 類別番号	Type 類別	Head size (mm) 頭部寸法 (mm)						
		M1.4	M1.6	M1.7	M2	M2.5	M2.6	
XA1-1	Pan head Class 1 なべ1種	D	2	2.4	2.5	3	3.8	4
		H	0.5	0.55	0.5	0.6	0.9	0.8
XA1-3	Countersunk head Class 1 さら1種	D	2	2.4	2.5	3	3.8	4
		H	0.48	0.55	0.58	0.73	0.85	0.93
XA1-4	Oval countersunk head Class 1 丸さら1種	D	2	2.4	2.5	3	3.8	4
		H + K	0.68	0.8	0.88	1	1.25	1.3
XA1-6	Pan head Class 3 なべ3種	D	2.5	2.8	3	3.5	4.3	4.5
		H	0.8	0.85	0.9	1	1.3	1.2
XA1-7	Pan head Class 2 なべ2種	D	2.5	2.8	3	3.5	4.3	4.5
		H	0.5	0.55	0.5	0.6	0.9	0.8

Figure ZZB (2/7) MECHANICAL STANDARD PARTS (SCREWS)

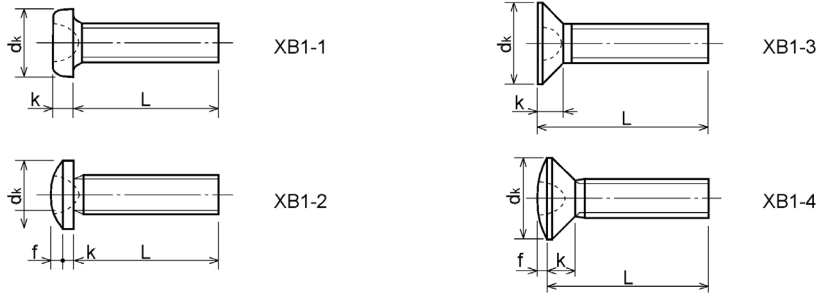
1-2. Precision Tapping Screws
精密用タッピンねじ



Type No. 類別番号	Type 類別	Head size (mm) 頭部寸法 (mm)						
		M1.4	M1.6	M1.7	M2	M2.5	M2.6	
XA4-1	With tapered end pan head Class 1 絞り-なべ1種	D XA4-1	2	2.4	2.5	3	3.8	4
		H XA4-1	0.5	0.55	0.5	0.6	0.9	0.8
XA4-2	With tapered end pan head Class 3 絞り-なべ3種	D XA4-2	2.5	2.8	3	3.5	4.3	4.5
		H XA4-2	0.8	0.85	0.9	1	1.3	1.2
XA4-3	With tapered end countersunk head 絞り-さら	D XA4-3	2	2.4	2.5	3	3.8	4
		H XA4-3	0.48	0.55	0.58	0.73	0.85	0.93
XA4-4	With tapered end pan head Class 2 絞り-なべ2種	D XA4-4	2.5	2.8	3	3.5	4.3	4.5
		H XA4-4	0.5	0.55	0.5	0.6	0.9	0.8
XA4-5	With parallel end ultra thin head ストレート-超薄頭	D XA4-5	2.5	2.8	3	-	-	-
		H XA4-5	0.2	0.2	0.2	-	-	-
XA4-6	With parallel end pan head Class 1 ストレート-なべ1種	D XA4-6	2	2.4	2.5	3	3.8	4
		H XA4-6	0.5	0.55	0.5	0.6	0.9	0.8
XA4-7	With parallel end pan head Class 3 ストレート-なべ3種	D XA4-7	2.5	2.8	3	3.5	4.3	4.5
		H XA4-7	0.8	0.85	0.9	1	1.3	1.2
XA4-8	With parallel end countersunk head ストレート-さら	D XA4-8	2	2.4	2.5	3	3.8	4
		H XA4-8	0.48	0.55	0.58	0.73	0.85	0.93
XA4-9	With parallel end pan head Class 2 ストレート-なべ2種	D XA4-9	2.5	2.8	3	3.5	4.3	4.5
		H XA4-9	0.5	0.55	0.5	0.6	0.9	0.8

Figure ZZB (3/7)MECHANICAL STANDARD PARTS (SCREWS)

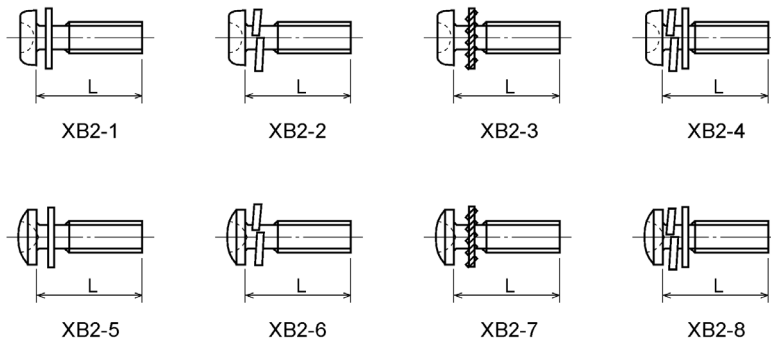
1-3. Cross Recessed Head Screws
一般用十字穴付き小ねじ



Type No. 類別番号	Type 類別	Head size (mm) 頭部寸法 (mm)					
		M2	M2.5	M2.6	M3	M4	M5
XB1-1	Pan head なべ	3.5	4.5	4.5	5.5	7	9
XB1-2	Binding head バインド	1.2	1.5	1.6	1.9	2.5	3.1
XB1-3	Countersunk head さら	4	5	-	6	8	10
XB1-4	Oval countersunk head 丸さら	1.6	2	-	2.45	3.2	4
	Screw part length ねじ部長さ b	8	12	12	12	16	20

Figure ZZB (4/7) MECHANICAL STANDARD PARTS (SCREWS)

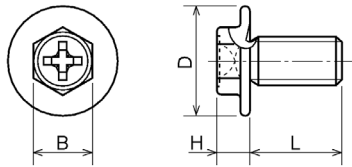
1-4. Cross Recessed Head Screws with Captive Washer
座金組込み十字穴付き小ねじ



Type No. 類別番号	Type 類別
XB2-1	Pan head + Plain washer (circular bright) なべねじ+平座金
XB2-2	Pan head + Spring washer なべねじ+ばね座金
XB2-3	Pan head + Toothed lock washer なべねじ+歯付座金
XB2-4	Pan head + Spring washer and plain washer (circular bright) なべねじ+(ばね+平)座金
XB2-5	Binding head + Plain washer (circular bright) バインドねじ+平座金
XB2-6	Binding head + Spring washer バインドねじ+ばね座金
XB2-7	Binding head + Toothed lock washer バインドねじ+歯付座金
XB2-8	Binding head + Spring washer and plain washer (circular bright) バインドねじ+(ばね+平)座金

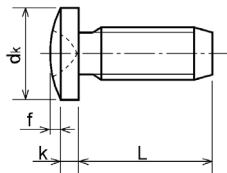
Figure ZZB (5/7) MECHANICAL STANDARD PARTS (SCREWS)

1-5. Hexagon Head Tapping Screws for Matallic Materials
 金属用六角タッピンねじ



Type No. 類別番号	Type 類別	Head size (mm) 頭部寸法 (mm)		
		M3	M4	
XB3-6	For metallic materials 金属用タッピン	D	8	10
		B	5.5	5.5
XB3-7	For metallic materials with clawed 金属用タッピン-つめ付き	H XB3-6	3.1	3.1
		H XB3-7	3.2	3.2

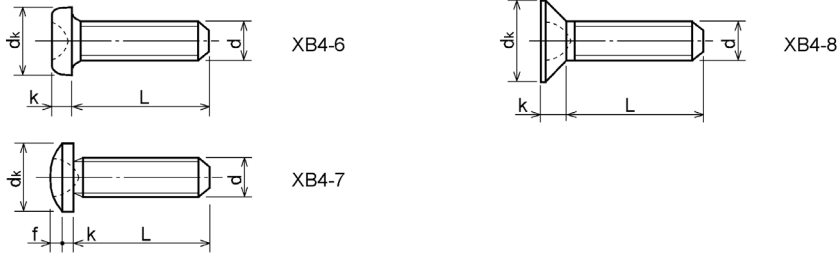
1-6. Special Tapping Screws
 特殊タッピンねじ



Type No. 類別番号	Type 類別	Head size (mm) 頭部寸法 (mm)		
		M3	M4	
XB4-5	Binding head バインド	dk	6.3	8.3
		k	1.3	1.7
		k+f	1.9	2.5

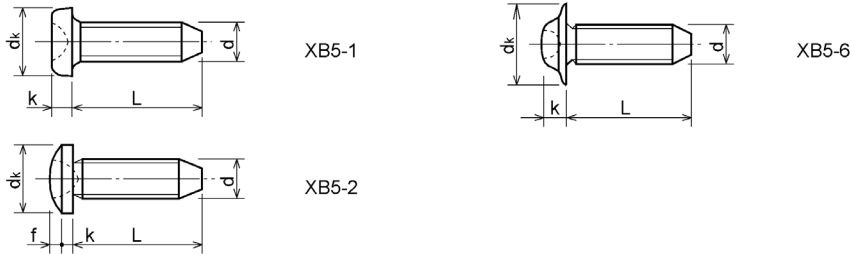
Figure ZZB (6/7) MECHANICAL STANDARD PARTS (SCREWS)

1-7. General Head Tapping Screws
一般用タッピンねじ



Type No. 類別番号	Type 類別	Head size (mm) 頭部寸法 (mm)						
		M2	M2.5	M2.6	M3	M4	M5	
XB4-6	Pan head なべ	dk XB4-6	3.5	4.5	4.5	5.5	7	9
		k XB4-6	1.3	1.7	1.7	2	2.6	3.3
XB4-7	Binding head バインド	dk XB4-7	4.3	5.3	5.5	6.3	8.3	10.3
		k+f XB4-7	1.2	1.5	1.6	1.9	2.5	3.1
XB4-8	Countersunk head さら	dk XB4-8	4	5	5.2	6	8	10
		k XB4-8	1.2	1.45	1.5	1.75	2.3	2.8

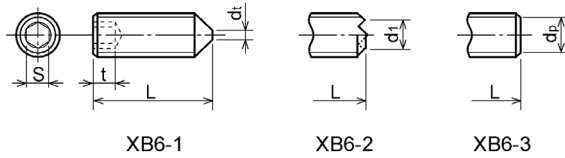
1-8. Tapping Screws for Metallic Materials
金属用タッピンねじ



Type No. 類別番号	Type 類別	Head size (mm) 頭部寸法 (mm)					
		M2.5	M2.6	M3	M4	M5	
XB5-1	Pan head なべ	dk XB5-1	4.5	4.5	5.5	7	9
		k XB5-1	1.7	1.7	2	2.6	3.3
XB5-2	Binding head バインド	dk XB5-2	5.5	5.5	6.3	8.3	10.3
		k+f XB5-2	1.6	1.6	1.9	2.5	3.1
XB5-6	Flanged pan head つば付きなべ	dk XB5-6	6.5	6.5	8	10	12
		k XB5-6	2.1	2.1	1.75	3.2	4

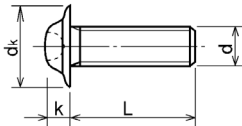
Figure ZZB (7/7) MECHANICAL STANDARD PARTS (SCREWS)

1-9. Hexagon Socket Set Screws
六角穴付き止めねじ



Type No. 類別番号	Type 類別	Head size (mm) 頭部寸法 (mm)						
		M1.6 M1.7	M2	M2.5 M2.6	M3	M5	M5	M6
	S	0.7	0.9	1.3	1.5	2	2.5	3
	t	1.5	1.7	2	2	2.5	3	3.5
	dt max XB6-1	0.4	0.5	0.65	0.75	1	1.25	1.5
	d1 max XB6-2	-	1.2	1.5	1.7	2.2	2.8	3.3
	d1 min XB6-2	-	1	1.2	1.4	1.9	2.4	2.9
	dp max XB6-3	0.8	1	1.5	2	2.5	3.5	4
	dp min XB6-3	0.55	0.75	1.25	1.75	2.25	3.2	3.7

1-10. Flanged Pan Head Machine Screws
つば付きなべ小ねじ



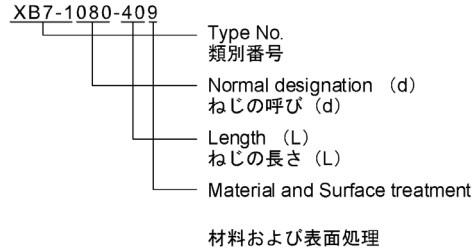
Type No. 類別番号	Type 類別	Head size (mm) 頭部寸法 (mm)				
		M2	M2.5 M2.6	M3	M5	M5
	dk	5	6.5	8	10	12
	k	1.7	2.1	2.5	3.2	4

Figure ZZC MECHANICAL STANDARD PARTS (BOLTS)

2. Bolts (Socket head cap screw)
ボルト

How to read Parts Numbers
部品番号の見方

Bolt (Socket head cap screw)
ボルト



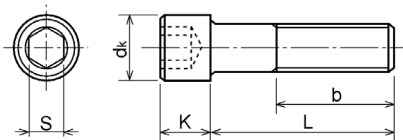
XB7-1 expresses Hexagon socket head cap screws.
XB7-1は、六角穴付きボルトを表す

080 expresses M8.0.
080は、M8.0を表す

40 expresses a length of 40mm.
40は、40mmの長さを表す

9 expresses Steel (Black zinc trivalent chromate treating) from Table 1.
9は、表1より鋼（黒色亜鉛3価クロメート）を表す

2-1. Hexagon socket head cap screws
六角穴付きボルト



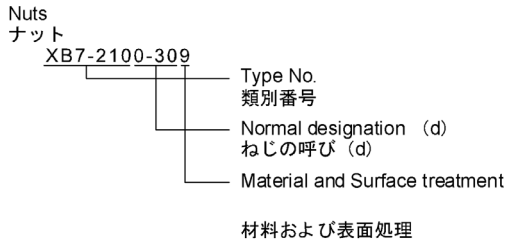
Type No. 類別番号	Type 類別
XB7-1	Hexagon socket head cap screws 六角穴付きボルト

	Head size (mm) 頭部寸法 (mm)						
	M3	M4	M5	M6	M8	M10	M12
S	2.5	3	4	5	6	8	10
dk	5.5	7	8.5	10	13	16	18
K	3	4	5	6	8	10	12
Screw part length ねじ部長さ b_{max}	18	20	22	24	28	32	36

Figure ZZD MECHANICAL STANDARD PARTS (NUTS)

3. Nuts
ナット

How to read Parts Numbers
部品番号の見方

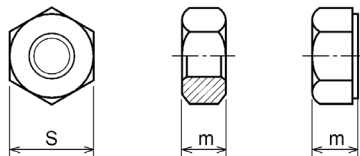


XB7-210 expresses Hexagon nut class 1.
XB7-210は、六角ナット1種を表す

0-30 expresses M3.0.
0-30は、M3.0を表す

9 expresses Steel (Black zinc trivalent chromate
treating) from Table 1.
9は、表1より鋼（黑色亜鉛3価クロメート）を表す

3-1. Hexagon Nuts and Hexagon Thin Nuts
六角ナット



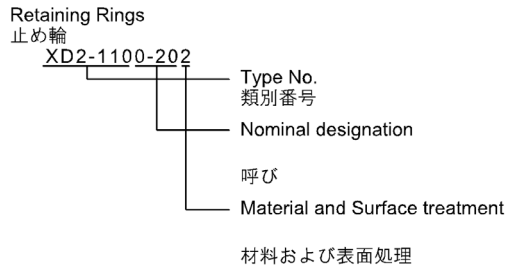
Type No. 類別番号	Type 類別
XB7-210	Hexagon nut Class 1 六角ナット-1種
XB7-220	Hexagon nut Class 3 六角ナット-3種
XB7-230	Hexagon nut Style 1 double chamfered 六角ナット-スタイル1-両面とり
XB7-231	Hexagon nut Style 1 washer faced 六角ナット-スタイル1-座付き
XB7-240	Hexagon nut Style 2 double chamfered 六角ナット-スタイル2-両面とり
XB7-241	Hexagon nut Style 2 washer faced 六角ナット-スタイル2-座付き
XB7-250	Hexagon nut 六角ナット
XB7-260	Hexagon thin nut double chamfered 六角低ナット-両面とり
XB7-270	Hexagon thin nut not chamfered 六角低ナット-面とり無し

	Head size (mm) 頭部寸法 (mm)						
	M2	M2.5	M3	M4	M5	M6	M8
S	4	5	5.5	7	8	10	13
m XB7-210	1.6	2	2.4	3.2	4	5	6.5
m XB7-220	1.2	1.6	1.8	2.4	3.2	3.6	5
m XB7-230, 231	1.6	2	2.4	3.2	4.7	5.2	6.8
m XB7-240, 241	-	-	-	-	5.1	5.7	7.5
m XB7-250	-	-	-	-	5.6	6.1	7.9
m XB7-260	1.2	1.6	1.8	2.2	2.7	3.2	4
m XB7-270	1.2	1.6	1.8	2.2	2.7	3.2	4

Figure ZZE (1/3)MECHANICAL STANDARD PARTS (RETAINING RINGS)

5. Retaining Rings
止め輪

How to read Parts Numbers
部品番号の見方

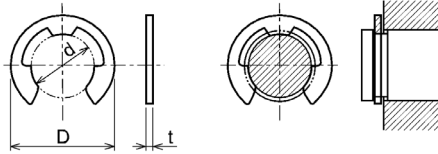


XD2-110 expresses retaining ring-E type (Type1).
XD2-110は、E形止め輪（1種）を表す

0-20 expresses a 020 of nominal designation.
(See Table 5)
0-20は、呼び020を表す（表5参照）

2 expresses Stainless steel (Surface treatment is not to be given) from Table 1.
2は、表1よりステンレス（表面処理なし）を表す

5-1. Retaining Rings - E type
E形止め輪



Type No. 類別番号	Type 類別
XD2-110	Retaining ring - E type (Type 1) E形止め輪（1種）
XD2-120	Retaining ring - E type (Type 2) E形止め輪（2種）

Table 5 表5

Type 種類	Nominal designation 呼び	d (mm)	D (mm)	t (mm)
Type 1 1種	007	0.65	2	0.2
	010	0.95	2.8	0.2
	013	1.25	3.3	0.3
	017	1.65	4.2	0.4
	020	1.95	4.6	0.5
	024	2.35	6	0.6
	028	2.74	6.5	0.6
	032	3.14	7.2	0.6
	037	3.64	8	0.7
	040	3.93	10	0.7
	042	4.13	10	0.7
	050	4.93	11	0.7
	058	5.73	12	0.7
Type 2 2種	060	5.93	12.7	0.9
	064	6.32	13.5	0.9
	074	7.31	15	0.9
	080	7.91	16.5	1
	008	0.8	2	0.2
	012	1.2	3	0.3
	015	1.5	4	0.4
	020	2	5	0.4
	025	2.5	6	0.4
	030	3	7	0.6
	040	4	9	0.6
	050	5	11	0.6
	060	6	12	0.8
070	7	14	0.8	
080	8	16	0.8	
090	9	18	0.8	
100	10	20	1	

Figure ZZE (2/3)MECHANICAL STANDARD PARTS (RETAINING RINGS)

5-2. Grip Rings
グリップ止め輪

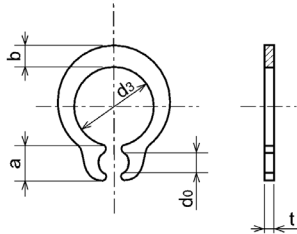


Table 5 表5

Nominal designation 呼び	d_3 (mm)	t (mm)	b (mm)	a (mm)	d_o (mm)
020	1.9	0.5	1	1.8	0.8
025	2.35	0.5	1.2	1.9	0.9
030	2.85	0.6	1.4	1.9	0.9
035	3.3	0.6	1.6	2	0.9
040	3.8	0.8	1.8	2.8	1.2
045	4.25	0.8	2	2.9	1.3
050	4.75	0.8	2.2	2.9	1.3
060	5.7	1	2.4	3.1	1.4
070	6.7	1	2.7	3.3	1.4
080	7.7	1	3	3.5	1.4
090	8.65	1.2	3.3	4.7	1.5
100	9.65	1.2	3.5	4.7	2

Type No. 類別番号	Type 類別
XD2-210	Grip ring グリップ止め輪

5-3. Toothed Retaining Rings
歯付き形止め輪

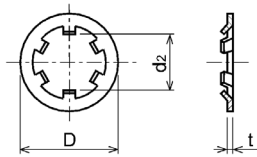


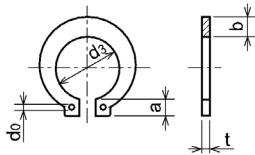
Table 5 表5

Nominal designation 呼び	d_z (mm)	D (mm)	t (mm)	No of teeth 歯数
015	1.4	5.2	0.25	3
020	1.9	6	0.25	3
024	2.3	6.4	0.25	3
030	2.8	8	0.25	4
040	3.8	9	0.25	4
050	4.8	10	0.25	5
060	5.8	11	0.25	5
080	7.8	13	0.25	5
100	9.8	15.4	0.25	6

Type No. 類別番号	Type 類別
XD2-230	Toothed retaining ring 歯付き形止め輪

Figure ZZE (3/3)MECHANICAL STANDARD PARTS (RETAINING RINGS)

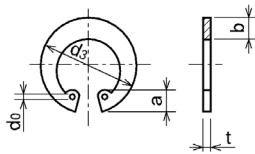
5-4. Retaining Rings - C Type
C形止め輪



Type No. 類別番号	Type 類別
XD2-310	Retaining ring - C type for shaft C形止め輪 軸用

Table 5 表5

Nominal designation 呼び	d ₃ (mm)	t (mm)	b (mm)	a (mm)	d ₀ (mm)
010	9.3	1	1.6	3	1.2
012	11.1	1	1.8	3.2	1.5
014	12.9	1	2	3.4	1.7
015	13.8	1	2.1	3.5	1.7
016	14.7	1	2.2	3.6	1.7
017	15.7	1	2.2	3.7	1.7
018	16.5	1.2	2.6	3.8	1.7
020	18.5	1.2	2.7	3.9	2
022	20.5	1.2	2.7	4.1	2
025	23.2	1.2	3.1	4.3	2
028	25.9	1.5	3.1	4.6	2
030	27.9	1.5	3.5	4.8	2
032	29.6	1.5	3.5	5	2.5
035	32.2	1.5	4	5.4	2.5



Type No. 類別番号	Type 類別
XD2-320	Retaining ring - C type for hole C形止め輪 穴用

Table 5 表5

Nominal designation 呼び	d ₃ (mm)	t (mm)	b (mm)	a (mm)	d ₀ (mm)
010	10.7	1	1.8	3.1	1.2
011	11.8	1	1.8	3.2	1.2
012	13	1	1.8	3.3	1.5
014	15.1	1	2	3.6	1.7
016	17.3	1	2	3.7	1.7
018	19.5	1	2.5	4	1.7
019	20.5	1	2.5	4	2
020	21.5	1	2.5	4	2
022	23.5	1	2.5	4.1	2
025	26.9	1.2	3	4.4	2
028	30.1	1.2	3	4.6	2
030	32.1	1.2	3	4.7	2
032	34.4	1.2	3.5	5.2	2.5
035	37.8	1.5	3.5	5.2	2.5
037	39.8	1.5	3.5	5.2	2.5
040	43.5	1.8	4	5.7	2.5
042	45.5	1.8	4	5.8	2.5
045	48.5	1.8	4.5	5.9	2.5
047	50.5	1.8	4.5	6.1	2.5
050	54.2	2	4.5	6.5	2.5
052	56.2	2	5.1	6.5	2.5
055	59.2	2	5.1	6.5	2.5
060	64.2	2	5.1	6.8	2.5
062	66.2	2	5.5	6.9	2.5
068	72.5	2.5	6	7.4	2.5
072	76.5	2.5	6.6	7.4	2.5
075	79.5	2.5	6.6	7.8	2.5
080	85.5	2.5	7	8	2.5
085	90.5	3	7	8	3
090	95.5	3	7.6	8.3	3
095	100.5	3	8	8.5	3