

imageRUNNER ADVANCE DX 6800 Series

PARTS CATALOG



Canon

April 2, 2021
Rev. 0

Index

PRE	PREFACE
SNL	Product Code No./Serial No.
A1B	ASSEMBLY LOCATION DIAGRAM
A2	OPTION PARTS CATALOG LIST
001B	ACCESSORIES
100B	EXTERNAL COVERS, PANELS, ETC. (120V)
100C	EXTERNAL COVERS, PANELS, ETC. (230V)
101	INTERNAL COMPONENTS 1
102A	INTERNAL COMPONENTS 2 (100V, 120V)
102B	INTERNAL COMPONENTS 2 (230V)
103	INTERNAL COMPONENTS 3
104B	INTERNAL COMPONENTS 4
105	INTERNAL COMPONENTS 5
106	INTERNAL COMPONENTS 6
107	MACHINE REAR PLATE 1
108	MACHINE REAR PLATE 2
111	RIGHT DOOR ASSEMBLY 1
112	RIGHT DOOR PAPER FEED ASSEMBLY
113	RIGHT DOOR ASSEMBLY 2
114	RIGHT DOOR ASSEMBLY, LOWER
130	CONTROL PANEL ASSEMBLY
140B	POWER CORD TERMINAL ASSEMBLY (120V US, CA, LTN)
140C	POWER CORD TERMINAL ASSEMBLY (230V LTN, EUR, AU, SG, HK, KR)
191	FRONT FAN ASSEMBLY
192	REAR FAN ASSEMBLY
193	IMAGE FORMING EXHAUST FAN ASSEMBLY
194	SIDE END COOLING FAN ASS'Y
250	MAIN DRIVE ASSEMBLY
261A	PAPER PICK-UP DRIVE ASSEMBLY (6870 SERIES)
261B	PAPER PICK-UP DRIVE ASSEMBLY (6860 SERIES)
262A	REG. DUPLEXING DRIVE ASSEMBLY (6870 SERIES)
262B	REG. DUPLEXING DRIVE ASSEMBLY (6860 SERIES)
270	BOTTLE DRIVE ASSEMBLY
280	FIXING DRIVE ASSEMBLY
290	LIFTER DRIVE ASS'Y
310	PAPER PICK-UP ASSEMBLY, 1
311	PAPER PICK-UP ASSEMBLY, 2
313	VERTICAL PATH LOWER GUIDE ASS'Y
315	MULTI PAPER PICK-UP TRAY ASS'Y
316	MULTI PAPER PICK-UP ASSEMBLY

Index

320	SECONDARY TRANSFER ASS'Y
321	REGISTRATION ASSEMBLY
332	DUPLEXING GUIDE ASSEMBLY
350	PAPER DELIVERY ASSEMBLY
351	FIRST PAPER DELIVERY ASSEMBLY
352	SECOND PAPER DELIVERY ASSEMBLY
460A	LASER SCANNER ASSEMBLY (6870 SERIES)
460B	LASER SCANNER ASSEMBLY (6860 SERIES)
530	INTER. TRANSFER BELT ASS'Y
627	BOTTLE BASE ASSEMBLY
640	DEVELOPING ASSEMBLY
650B	TRAY DRUM ASSEMBLY
770	CONTAINER, WASTE TONER, WT-202
771	WASTE TONER DRIVE ASS'Y, FRONT
772	WASTE TONER DRIVE ASS'Y, REAR
773	WASTE TONER FEED ASSEMBLY
774	INTERMEDIATE FEED DRIVE ASS'Y
775	INTERMEDIATE FEED ASS'Y
810B	FIXING ASSEMBLY, FX-501 (120V)
810C	FIXING ASSEMBLY, FX-501 (230V)
900	CONTROLLER BOX ASSEMBLY
910B	POWER SUPPLY ASSEMBLY (120V)
910C	POWER SUPPLY ASSEMBLY (230V)
930B	MAIN CONTROLLER PCB ASSEMBLY
962	PAPER FEED DRIVER PCB ASSEMBLY
980	H. V. PWR SPLY. / EXHAUST ASS'Y
981	TRANSFER H. V. PCB ASSEMBLY
B02	ADF MAINTENANCE KIT
B11B	INTERNAL COMPONENTS 1
B12B	INTERNAL COMPONENTS 2
B13	INTERNAL COMPONENTS 3
B14	INTERNAL COMPONENTS 4
B15	DOCUMENT TRAY ASSEMBLY
B16	OPEN/CLOSE COVER ASSEMBLY
B17	BASE FRAME ASSEMBLY
B40	PLATEN GUIDE ASS'Y
B90	DF DRIVER PCB ASSEMBLY
D11B	READER ASSEMBLY
H30B	CASSETTE ASSEMBLY (SMALL)
H31B	CASSETTE ASSEMBLY (LARGE)

Index

ZZA	MECHANICAL STANDARD PARTS (HOW TO USE)
ZZB	MECHANICAL STANDARD PARTS (SCREWS)
ZZC	MECHANICAL STANDARD PARTS (BOLTS)
ZZD	MECHANICAL STANDARD PARTS (NUTS)
ZZE	MECHANICAL STANDARD PARTS (RETAINING RINGS)

Figure PRE (1/5) PREFACE

■How to read the parts list

PART NUMBER column:

- NPN : No Part Number (no service part number is assigned)

QTY column:

- AR : As Required (appropriate quantity, e.g. screw)
- RF : Reference (not available as a service part)

REMARKS column:

- [DP] : Durable Parts (periodically replaced parts/consumable parts)

■パーツリストの見方

PART NUMBER 欄

- NPN : サービス部番設定なし

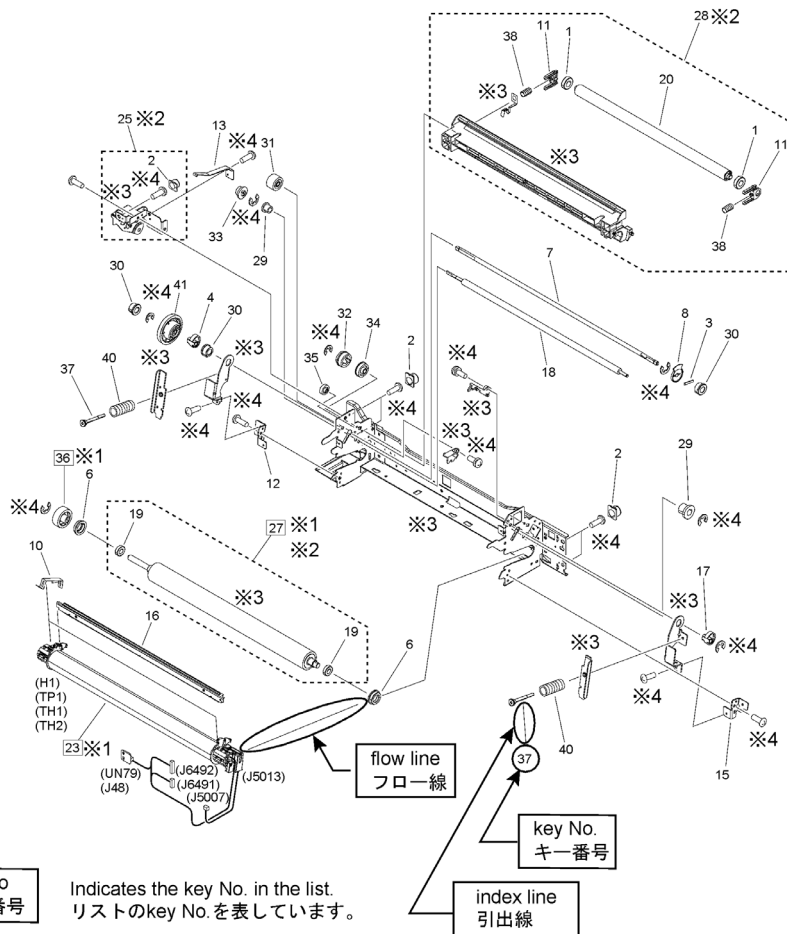
QTY 欄

- AR : As Required (必要数(ビスなど))
- RF : Reference (サービス設定なし)

REMARKS欄

- [DP] : Durable Parts (定期交換部品/消耗部品)

Figure PRE (2/5) PREFACE



key No
キー番号

Indicates the key No. in the list.
リストのkey No.を表しています。

flow line
フロー線

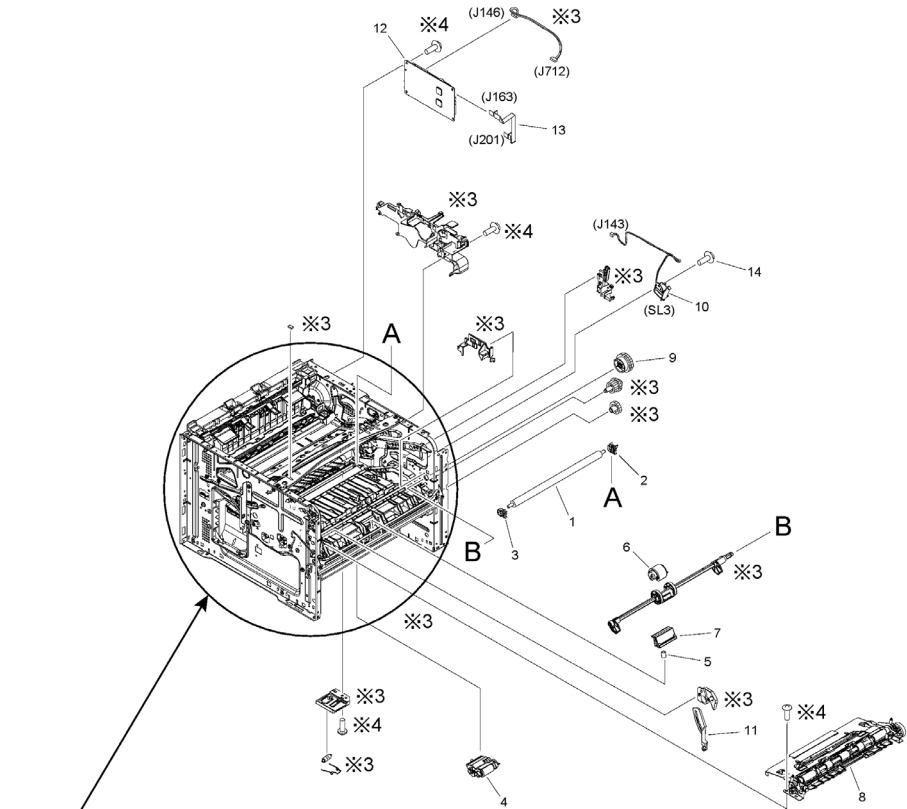
Indicates where the part is connected.
部品の接続先を表しています。

index line
引出線

Leader line of the key No.
key No.の引出線。

- ※1. The part which key No. is enclosed with the solid line represents the periodically replaced part or the consumable part [DP].
key No.が実線の枠で囲まれた部品は、定期交換部品/消耗部品[DP]を表しています。
- ※2. The parts enclosed with the dotted line are shipped as an unit.
In the case of KIT parts, the parts enclosed with the dotted line are shipped together.
点線の枠で囲まれた部品は、ユニットの状態出荷されます。
KIT部品の場合は、点線の枠で囲まれた部品が同梱状態出荷されます。
- ※3. Service part numbers are not assigned to the parts without key No.
key No.のない部品は、サービス部番が設定されていません。
- ※4. For screws/bolts/nuts/retaining rings without key No., check the part numbers in Figure ZZA to ZZE (Mechanical Standard Parts) at the end of the parts catalog.
key No.のないねじ/ボルト/ナット/止め輪については、巻末のFigure ZZA~ZZE (機械標準部品)を見て部番を調べてください。

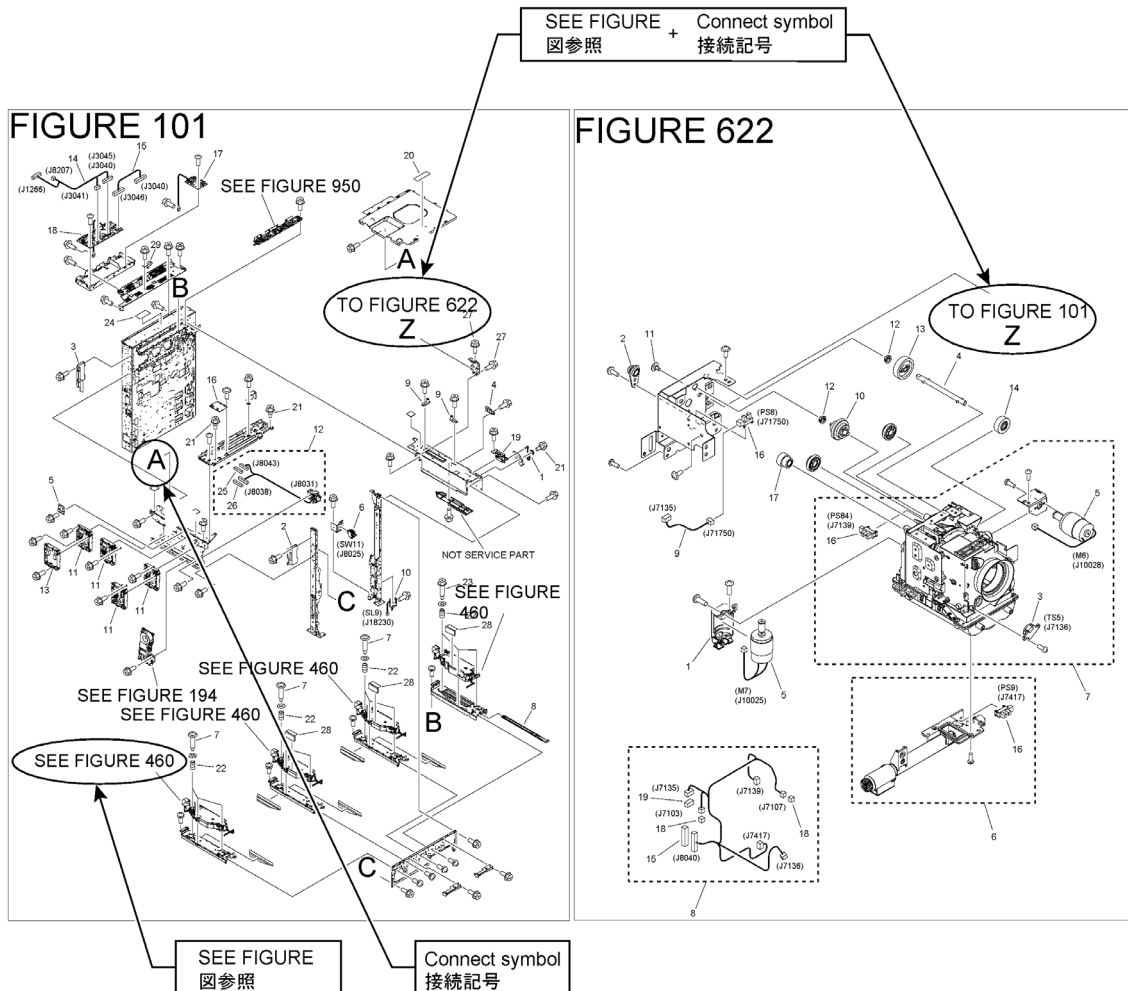
Figure PRE (3/5) PREFACE



Parts which are not disassembled in the illustration (for example, parts assembled to the main frame) cannot be supplied for reasons such as that parts replacement cannot be guaranteed.
 イラスト上で分解されていない部品(本体フレームに組付けた状態の部品など)は、部品交換を保証できない等の理由により供給できません。

- ※1. The part which key No. is enclosed with the solid line represents the periodically replaced part or the consumable part [DP].
 key No.が実線の枠で囲まれた部品は、定期交換部品/消耗部品[DP]を表しています。
- ※2. The parts enclosed with the dotted line are shipped as an unit.
 In the case of KIT parts, the parts enclosed with the dotted line are shipped together.
 点線の枠で囲まれた部品は、ユニットの状態出荷されます。
 KIT部品の場合は、点線の枠で囲まれた部品が同梱状態出荷されます。
- ※3. Service part numbers are not assigned to the parts without key No.
 key No.のない部品は、サービス部番が設定されていません。
- ※4. For screws/bolts/nuts/retaining rings without key No., check the part numbers in Figure ZZA to ZZE (Mechanical Standard Parts) at the end of the parts catalog.
 key No.のないねじ/ボルト/ナット/止め輪については、巻末のFigure ZZA～ZZE (機械標準部品)を見て部番を調べてください。

Figure PRE (4/5) PREFACE



SEE FIGURE
図参照

Figure to be referenced is shown.
参照するFigureを示しています。

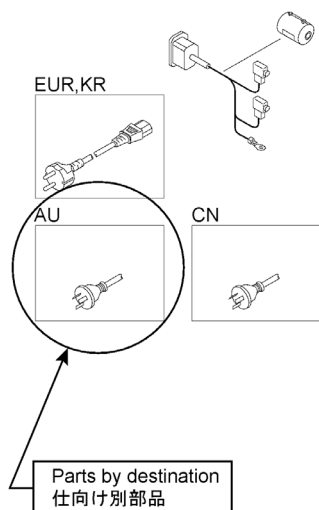
Connect symbol
接続記号

Indicates the figure to which it is connected.
接続先のFigureを示しています。

SEE FIGURE + Connect symbol
図参照 + 接続記号

Indicates the figure to which it is connected and where the part is connected
接続先のFigureと部品の接続先を示しています。

Figure PRE (5/5) PREFACE



Deferent parts by Country/Region/Voltage/Model/Language/Function/Type/Paper Size
国/地域/電圧/モデル/言語/機能/型式/用紙サイズで異なる部品。

Figure SNL Product Code No./Serial No.

	Product Code No.	Model Name	Remarks	Serial No.
1	F17-7231-000	imageRUNNER ADVANCE DX 6870i	120V	3ME
2	F17-7235-000	imageRUNNER ADVANCE DX 6870i	120V GOVERNMENT model	3MF
3	F17-7281-000	imageRUNNER ADVANCE DX 6870i	230V	3LY
4	F17-7232-000	imageRUNNER ADVANCE DX 6860i	120V	3MJ
5	F17-7236-000	imageRUNNER ADVANCE DX 6860i	120V GOVERNMENT model	3MK
6	F17-7282-000	imageRUNNER ADVANCE DX 6860i	230V	3ML

	中オーダー	製品名	備考	シリアル No.
1	F17-7231-000	imageRUNNER ADVANCE DX 6870i	120V	3ME
2	F17-7235-000	imageRUNNER ADVANCE DX 6870i	120V GOVERNMENT model	3MF
3	F17-7281-000	imageRUNNER ADVANCE DX 6870i	230V	3LY
4	F17-7232-000	imageRUNNER ADVANCE DX 6860i	120V	3MJ
5	F17-7236-000	imageRUNNER ADVANCE DX 6860i	120V GOVERNMENT model	3MK
6	F17-7282-000	imageRUNNER ADVANCE DX 6860i	230V	3ML

FIGURE & KEY NO.	PART NUMBER	RANK	QTY	DESCRIPTION	SERIAL NUMBER /REMARKS
SNL	NPN		RF	Product Code No./Serial No.	
1	F17-7231-000		1	imageRUNNER ADVANCE DX 6870i	120V 3ME
2	F17-7235-000		1	imageRUNNER ADVANCE DX 6870i	120V 3MF GOVERNMENT model
3	F17-7281-000		1	imageRUNNER ADVANCE DX 6870i	230V 3LY
4	F17-7232-000		1	imageRUNNER ADVANCE DX 6860i	120V 3MJ
5	F17-7236-000		1	imageRUNNER ADVANCE DX 6860i	120V 3MK GOVERNMENT model
6	F17-7282-000		1	imageRUNNER ADVANCE DX 6860i	230V 3ML

Figure A1B (1/6) ASSEMBLY LOCATION DIAGRAM

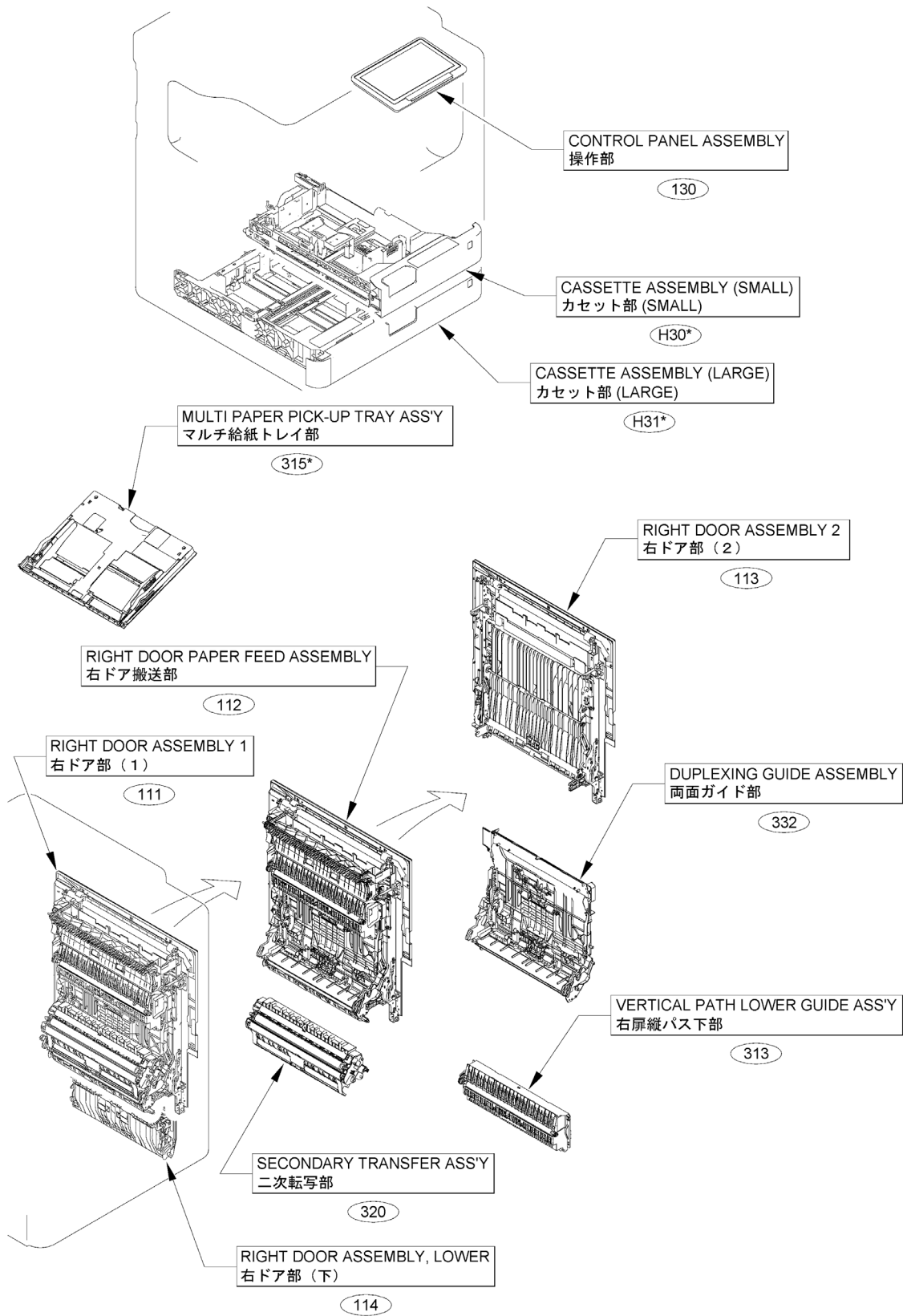


Figure A1B (2/6) ASSEMBLY LOCATION DIAGRAM

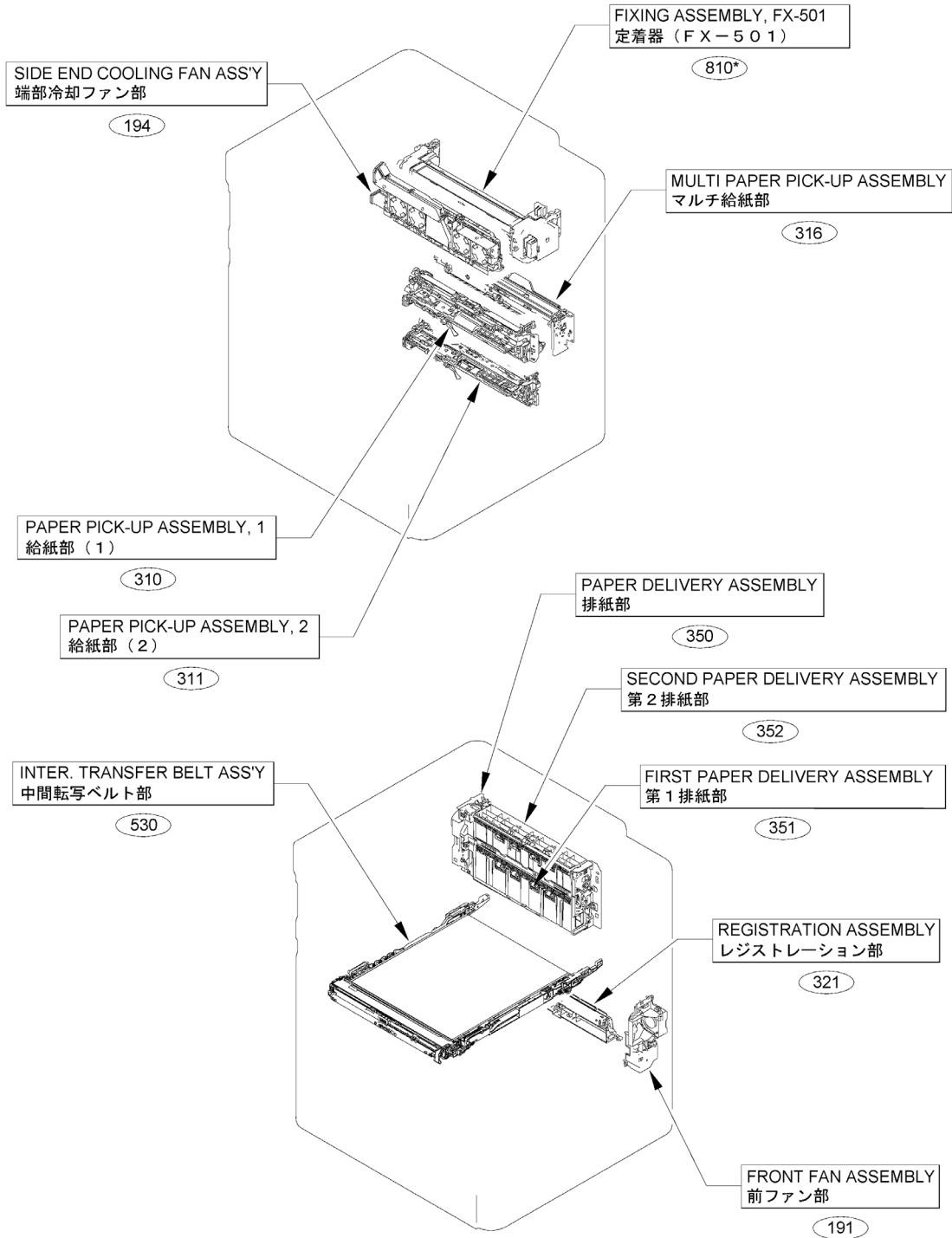


Figure A1B (3/6) ASSEMBLY LOCATION DIAGRAM

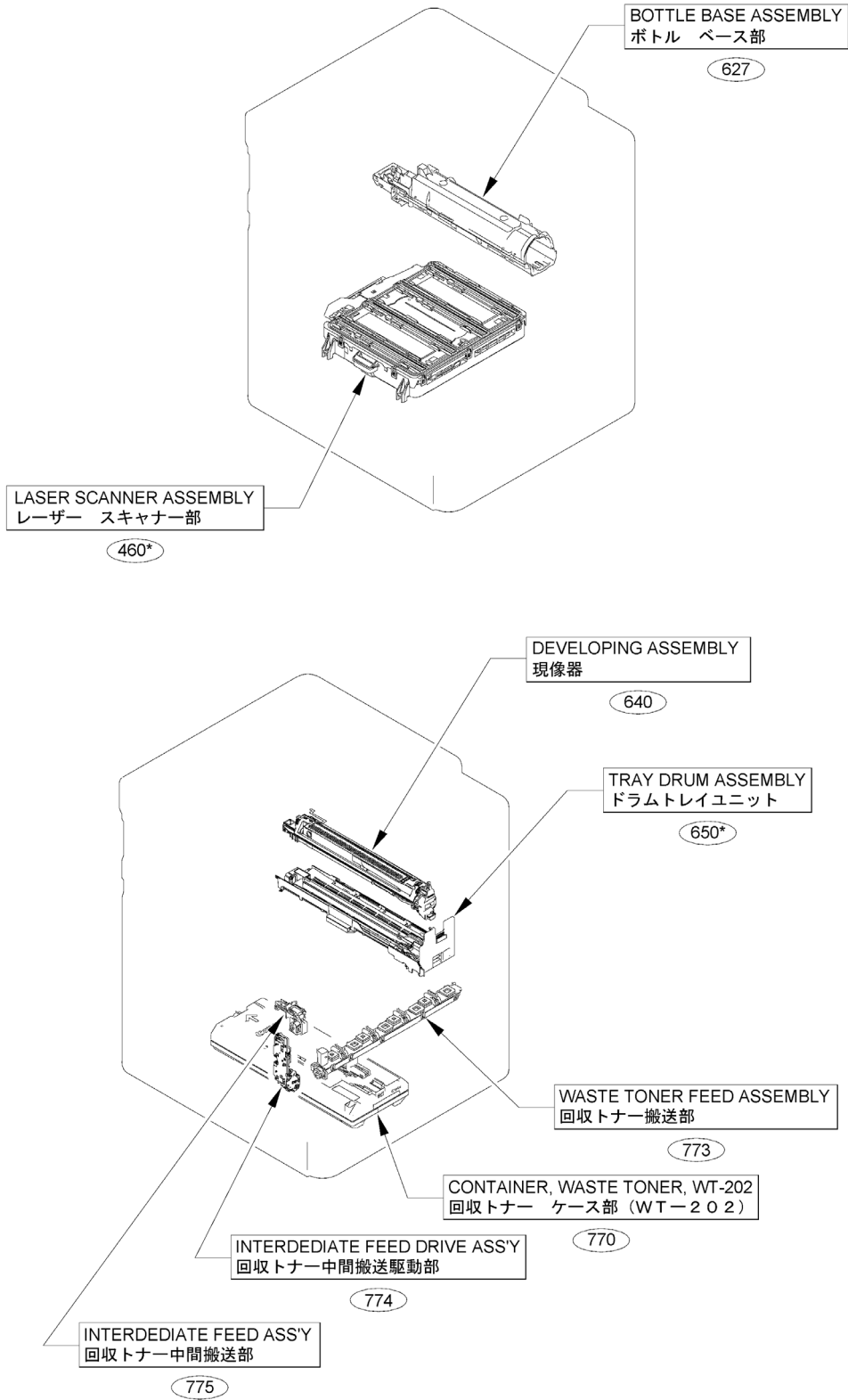


Figure A1B (4/6) ASSEMBLY LOCATION DIAGRAM

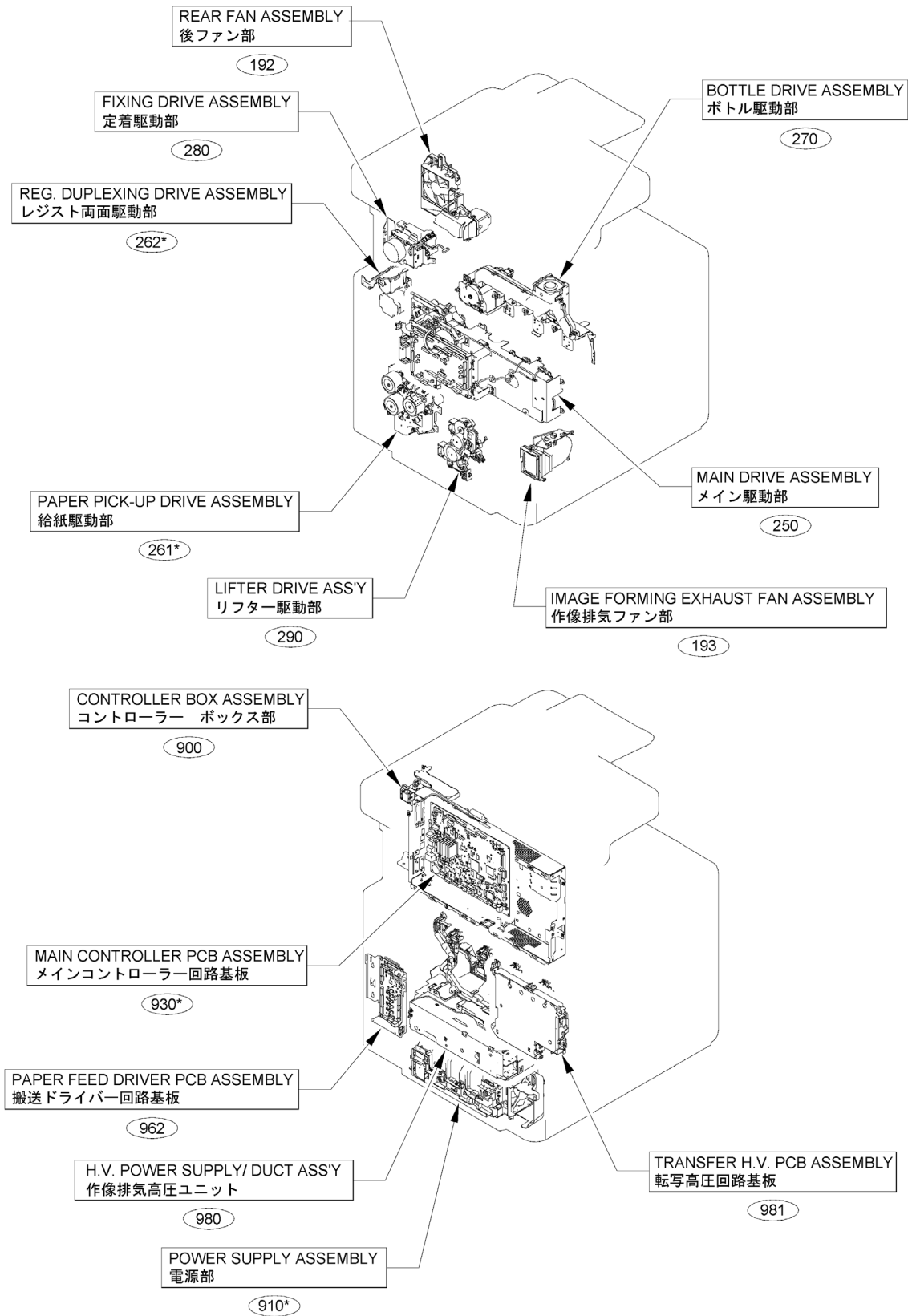


Figure A1B (5/6) ASSEMBLY LOCATION DIAGRAM

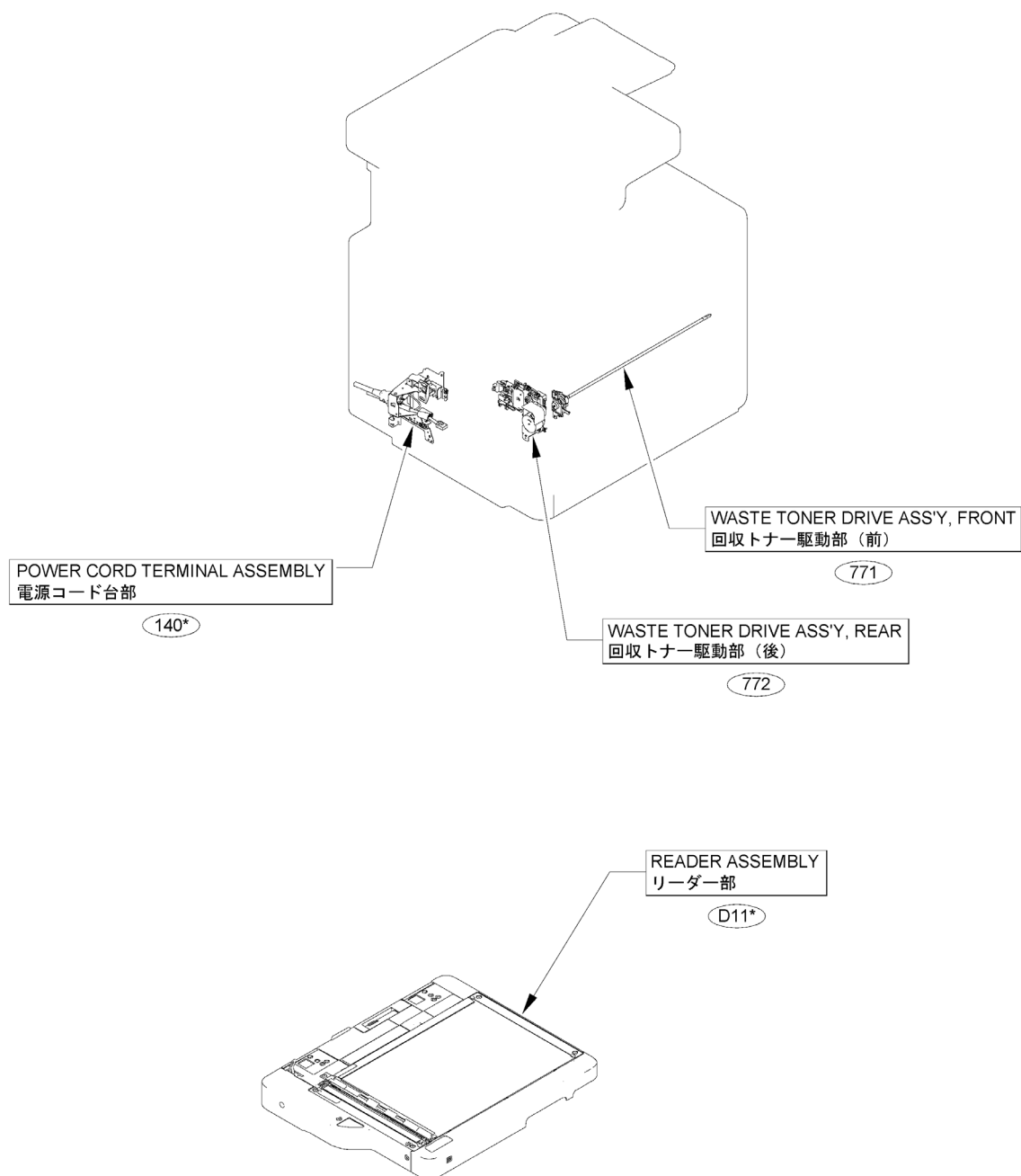


Figure A1B (6/6) ASSEMBLY LOCATION DIAGRAM

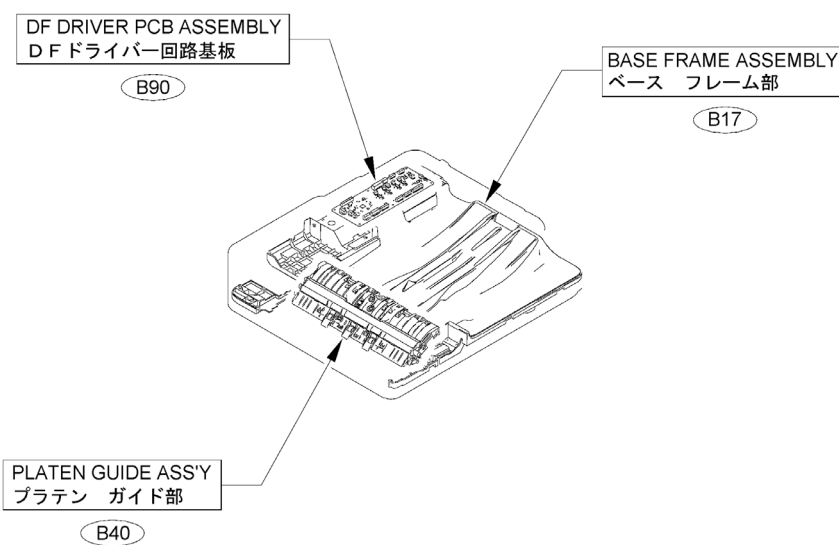
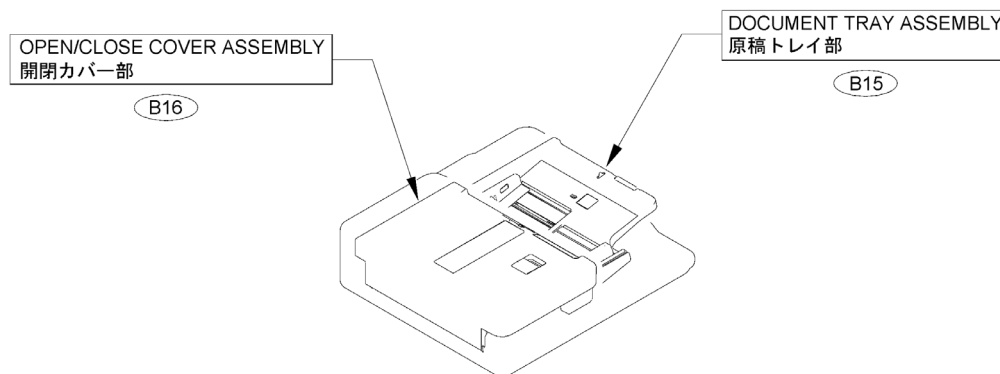
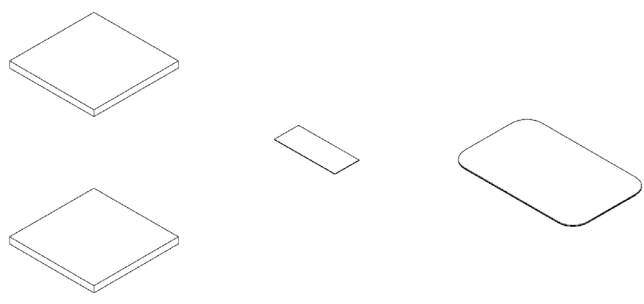
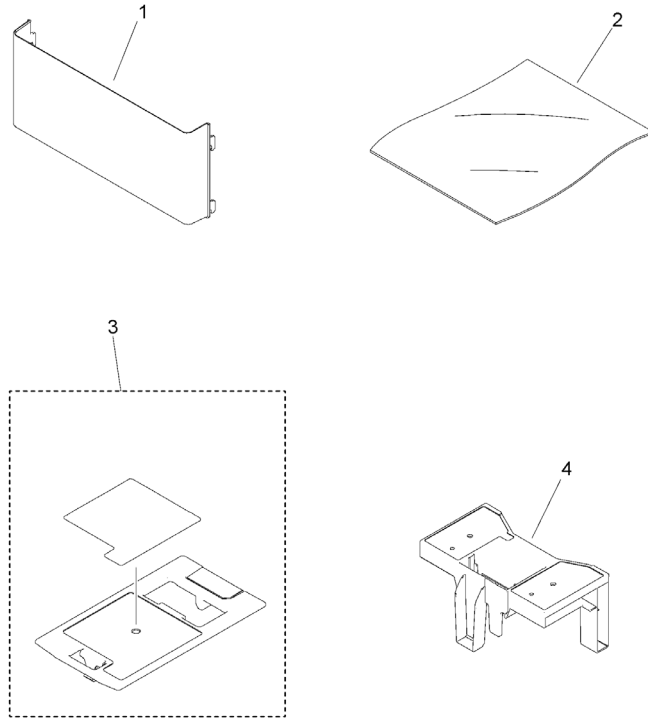


Figure A2 OPTION PARTS CATALOG LIST

This is the table of the machine's options whose parts catalog is issued.
 本機オプションで、パーツカタログが発行されている機種の一覧である。

No.	Model Name(English)	Model Name(Japanese)
1	Platen Cover-Y3	原稿台カバー・Y3
2	ADF Access Handle-A1	ADFアクセスハンドル・A1
3	Printer Cover-M2	プリンタカバー・M2
4	NFC Kit-E2	NFCキット・E2
5	Paper Deck Unit-F1	ペーパーデッキユニット・F1
6	Cassette Feeding Unit-AQ1	2段カセットペディスタル・AQ1
7	High Capacity Cassette Feeding Unit-C1	大容量カセットペディスタル・C1
8	Tab Feeding Attachment-F1	インデックス紙アタッチメント・F1
9	1st Copy Tray Kit-A1	第1コピートレイ キット・A1
10	3rd Copy Tray Kit-A1	第3コピートレイ キット・A1
11	Inner 2way Tray-M1	インナー2ウェイトレイ・M1
12	Staple Finisher-AB1	ステイプルフィニッシャー・AB1
13	Inner Finisher-L1	インナーフィニッシャー・L1
14	Booklet Finisher-AB1	中綴じフィニッシャー・AB1
15	2/3 Hole, 2/4 Hole, 4 Hole Puncher Unit-A1	2/3穴、2/4穴、4穴パンチャーユニット・A1
16	Inner 2/3 Hole, 2/4 Hole, 4 Hole Puncher Unit-D1	インナー2/3穴、2/4穴、4穴パンチャーユニット・D1
17	Buffer Pass Unit-P1	バッファパスユニット・P1
18	Reader Heater Unit-Q1	リーダーヒーターキット・Q1
19	Cassette Heater Unit-42	(日本仕向けなし)
20	Paper Deck Heater Unit-C1	ペーパーデッキヒーターユニット・C1
21	Utility Tray-B1	ユーティリティートレイ・B1
22	Copy Card Reader Attachment-B7	コピーカードリーダー取付けキット・B7
23	Numeric Keypad-A2	テンキー・A2
24	Super G3 FAX Board-AX1	スーパーG3FAXボード・AX1
25	Super G3 2nd Line Fax Board-AX1	G3回線増設キット(2回線)・AX1
26	Super G3 3rd/4th Line Fax Board-AX1	G3回線増設キット(3・4回線)・AX1
27	(JAPAN ONLY)	ハンドセット・G2
28	Voice Guidance Kit-G1	(日本仕向けなし)
29	Voice Operation Kit-D1	音声操作キット・D1
30	(JAPAN ONLY)	iR-ADV課金装置接続キット・A3
31	Serial Interface Kit-K3	シリアルインターフェースキット・K3
32	Copy Control Interface Kit-A1	コントロールインターフェースキット・A1
33	1TB SSD-A1/250GB SSD-A1	オプションSSD(1TB)・A1 / (250GB)・A1
34	Memory Mirroring Kit-A1	メモリーミラーリングキット・A1
35	IC Card Reader Box for Numeric Keypad-A1	テンキー用ICカードリーダーボックス・A1
36	Copy Card Reader-F1	コピーカードリーダー・F1
37	Connection Kit-A3 for Bluetooth LE	拡張キット・A3 for Bluetooth LE
38	Option Attachment kit for Reader-A2	リーダー用オプション取付けキット・A2

Figure 001B ACCESSORIES



A3	A4	A4
A4R	A4R	A5
A5R	13x19	12x18
LEGAL	11x17	11x17
LETTER	LETTER	
LETTER	LETTER	LETTER
Foolscap	Foolscap	Envelope
OFICIO	OFICIO	

FIGURE & KEY NO.	PART NUMBER	RANK	QTY	DESCRIPTION	SERIAL NUMBER /REMARKS
001B	NPN		RF	ACCESSORIES	
1	FE4-2809-000		1	HOLDER, SERVICE BOOK	
2	FE2-D452-000		1	CLOTH, CLEANING	
3	FL0-4625-000		1	ENVELOPE VERTICAL FEED ASS'Y	
4	FL0-2305-000		1	ENVELOPE HORIZONTAL FEED ASS'Y	

Figure 100B (1/2)EXTERNAL COVERS, PANELS, ETC. (120V)

NOTE 1 : Several kinds of labels are attached on the board for the parts of Key No. 22. NOTE 2 : The part shown with key No. 22 is same as Fig-Key No. 650-5. NOTE 3 : Several kinds of labels are attached on the board for the parts of Key No. 23.

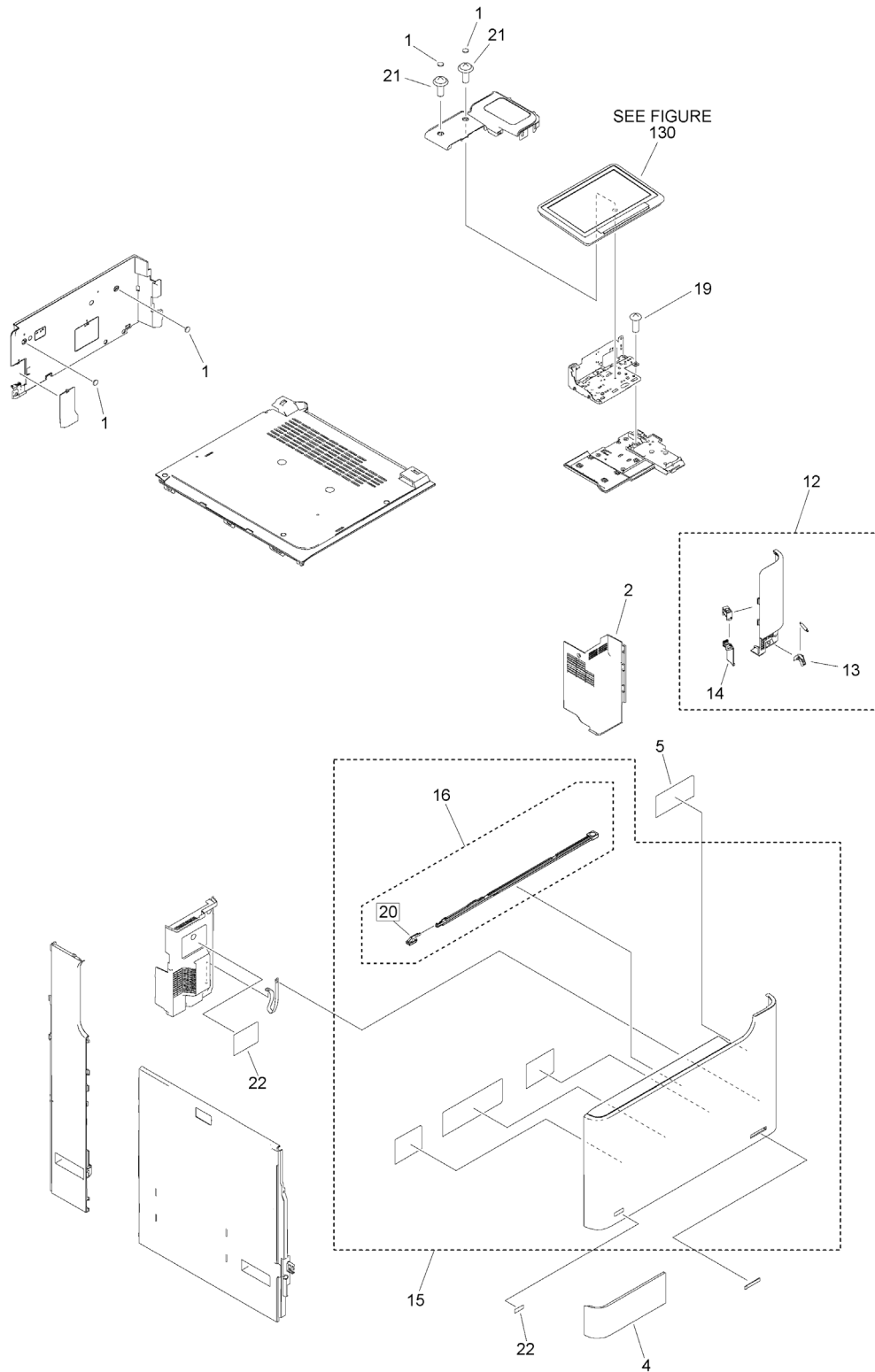


Figure 100B (2/2)EXTERNAL COVERS, PANELS, ETC. (120V)

NOTE 1 : Several kinds of labels are attached on the board for the parts of Key No. 22. NOTE 2 : The part shown with key No. 22 is same as Fig-Key No. 650-5. NOTE 3 : Several kinds of labels are attached on the board for the parts of Key No. 23.

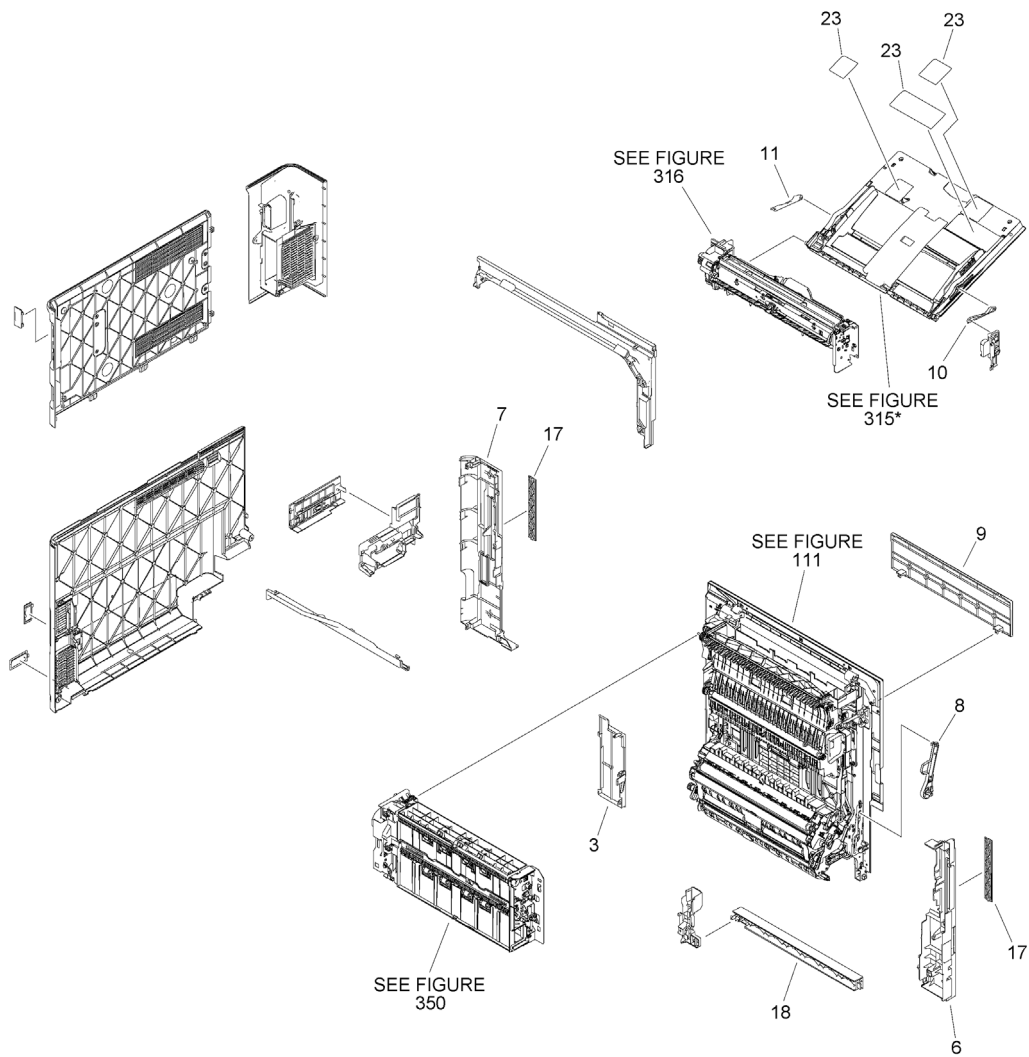


FIGURE & KEY NO.	PART NUMBER	RANK	QTY	DESCRIPTION	SERIAL NUMBER /REMARKS
100B	NPN		RF	EXTERNAL COVERS, PANELS, ETC.	120V
1	FE3-9169-000		4	CAP	
2	FE8-6963-000		1	COVER, RIGHT FRONT, UP. INNER	
3	FE8-6968-000		1	COVER, CONNECTOR, RIGHT, LOWER	
4	FL1-3948-000		1	COVER, FRONT LEFT, LOWER	
5	FL1-4391-000		1	LABEL, SERVICE	
6	FL1-5325-000		1	COVER, RIGHT LOWER, FRONT	
7	FL1-5326-000		1	COVER, RIGHT LOWER, REAR	
8	FM1-R797-000		1	DOOR STOPPER UNIT, FRONT	
9	FE8-4725-000		1	COVER, THIRD PAPER DELIVERY	
10	FE2-D770-000		1	LINK, MULTI PAPER PICK-UP, FR.	
11	FE8-7347-000		1	LINK, MULTI PAPER PICK-UP, RR.	
12	FM1-U186-000		1	RIGHT FRONT UP. COVER ASSEMBLY	
13	FE2-D596-000		1	LEVER, DOOR TOGGLE	
14	FE8-6982-000		1	COVER, MAIN SWITCH	
15	FM1-Y739-000		1	FRONT COVER ASSEMBLY	
16	FM1-U651-000		1	GLASS CLEANING ROD ASSEMBLY	
17	FE8-4710-000		2	COVER, HANDLE	
18	FE2-D595-000		1	COVER, RIGHT, LOWER	
19	XA9-0893-000		15	SCREW, M4X8	
20	FL1-6298-000		1	PAD, GLASS CLEANING	[DP]
21	XA9-2050-000		2	SCREW, SELF-TAPPING, M3	
22	FE2-H515-000		1	LABEL, TONER	SEE NOTE 1 SEE NOTE 2
23	FE8-7383-000		1	LABEL, FEED SIZE	SEE NOTE 3

Figure 100C (1/2)EXTERNAL COVERS, PANELS, ETC. (230V)

NOTE 1 : Several kinds of labels are attached on the board for the parts of Key No. 22. NOTE 2 : The part shown with key No. 22 is same as Fig-Key No. 650-5. NOTE 3 : Several kinds of labels are attached on the board for the parts of Key No. 23.

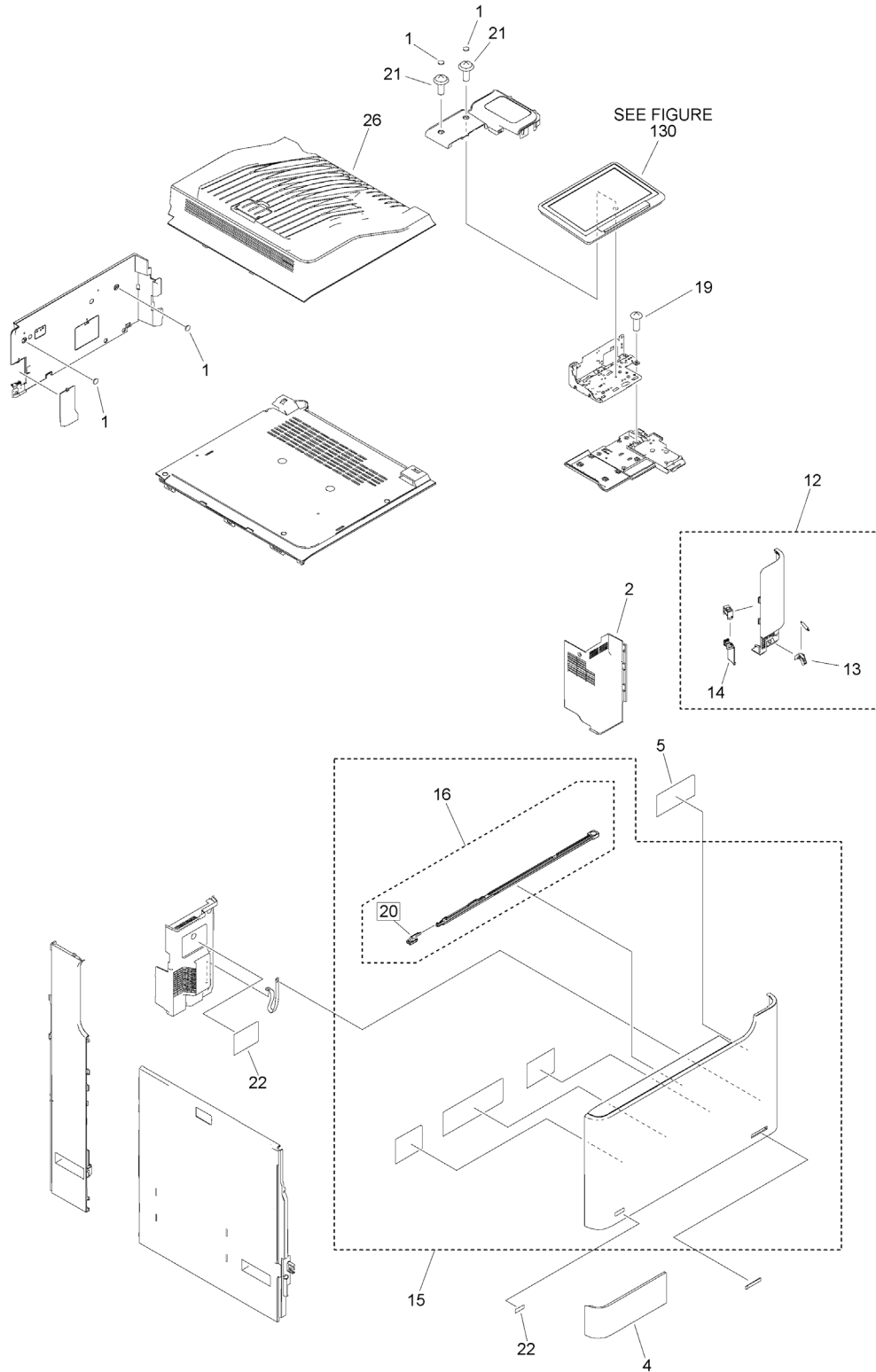


Figure 100C (2/2)EXTERNAL COVERS, PANELS, ETC. (230V)

NOTE 1 : Several kinds of labels are attached on the board for the parts of Key No. 22. NOTE 2 : The part shown with key No. 22 is same as Fig-Key No. 650-5. NOTE 3 : Several kinds of labels are attached on the board for the parts of Key No. 23.

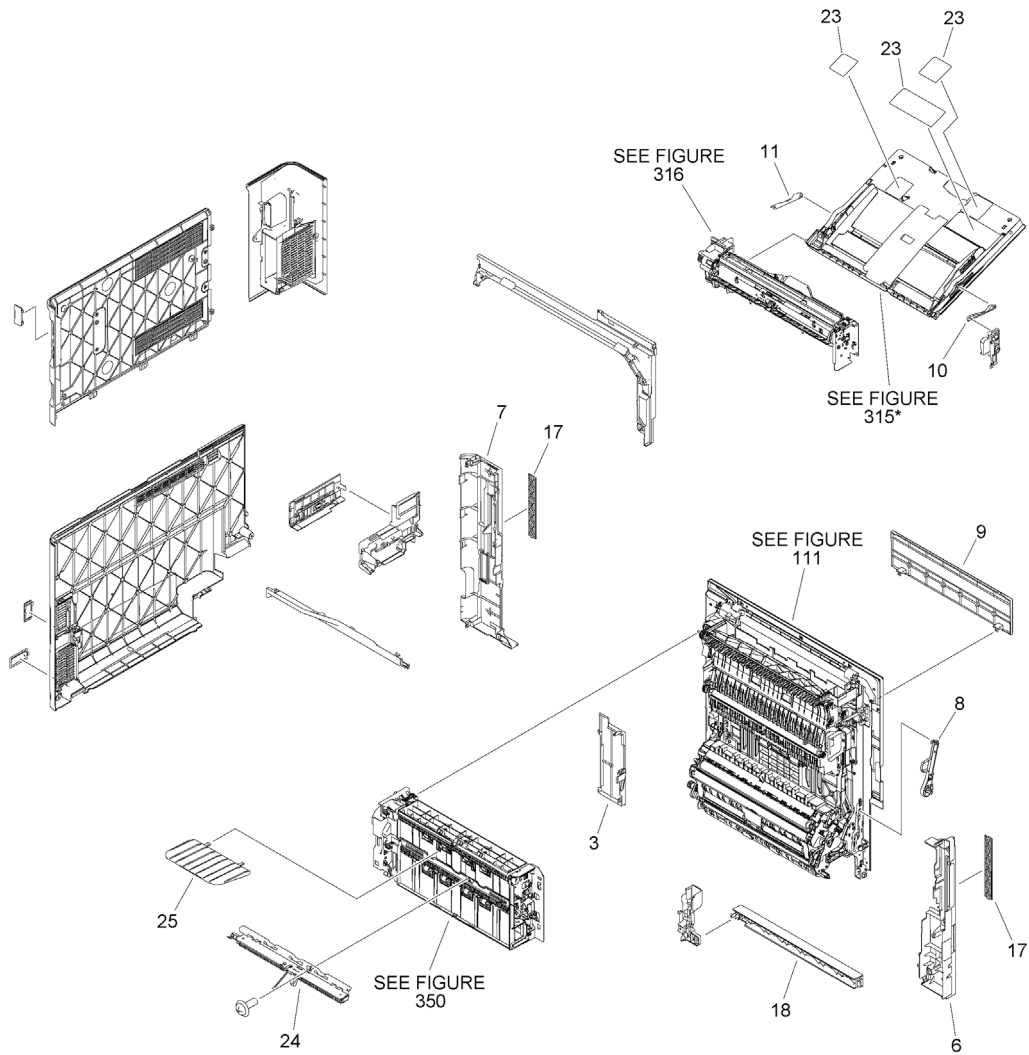


FIGURE & KEY NO.	PART NUMBER	RANK	QTY	DESCRIPTION	SERIAL NUMBER /REMARKS
100C	NPN		RF	EXTERNAL COVERS, PANELS, ETC.	230V
1	FE3-9169-000		4	CAP	
2	FE8-6963-000		1	COVER, RIGHT FRONT, UP. INNER	
3	FE8-6968-000		1	COVER, CONNECTOR, RIGHT, LOWER	
4	FL1-3948-000		1	COVER, FRONT LEFT, LOWER	
5	FL1-4391-000		1	LABEL, SERVICE	
6	FL1-5325-000		1	COVER, RIGHT LOWER, FRONT	
7	FL1-5326-000		1	COVER, RIGHT LOWER, REAR	
8	FM1-R797-000		1	DOOR STOPPER UNIT, FRONT	
9	FE8-4725-000		1	COVER, THIRD PAPER DELIVERY	
10	FE2-D770-000		1	LINK, MULTI PAPER PICK-UP, FR.	
11	FE8-7347-000		1	LINK, MULTI PAPER PICK-UP, RR.	
12	FM1-U186-000		1	RIGHT FRONT UP. COVER ASSEMBLY	
13	FE2-D596-000		1	LEVER, DOOR TOGGLE	
14	FE8-6982-000		1	COVER, MAIN SWITCH	
15	FM1-Y739-000		1	FRONT COVER ASSEMBLY	
16	FM1-U651-000		1	GLASS CLEANING ROD ASSEMBLY	
17	FE8-4710-000		2	COVER, HANDLE	
18	FE2-D595-000		1	COVER, RIGHT, LOWER	
19	XA9-0893-000		15	SCREW, M4X8	
20	FL1-6298-000		1	PAD, GLASS CLEANING	[DP]
21	XA9-2050-000		2	SCREW, SELF-TAPPING, M3	
22	FE2-H515-000		1	LABEL, TONER	SEE NOTE 1 SEE NOTE 2
23	FE8-7383-000		1	LABEL, FEED SIZE	SEE NOTE 3
24	FM1-U137-000		1	EXTENSION GUIDE ASS'Y	
25	FE3-9167-000		1	GUIDE, REVERSE BACK END	
26	FM1-U134-000		1	1ST PAPER DELIVERY TRAY ASS'Y	

Figure 101 INTERNAL COMPONENTS 1

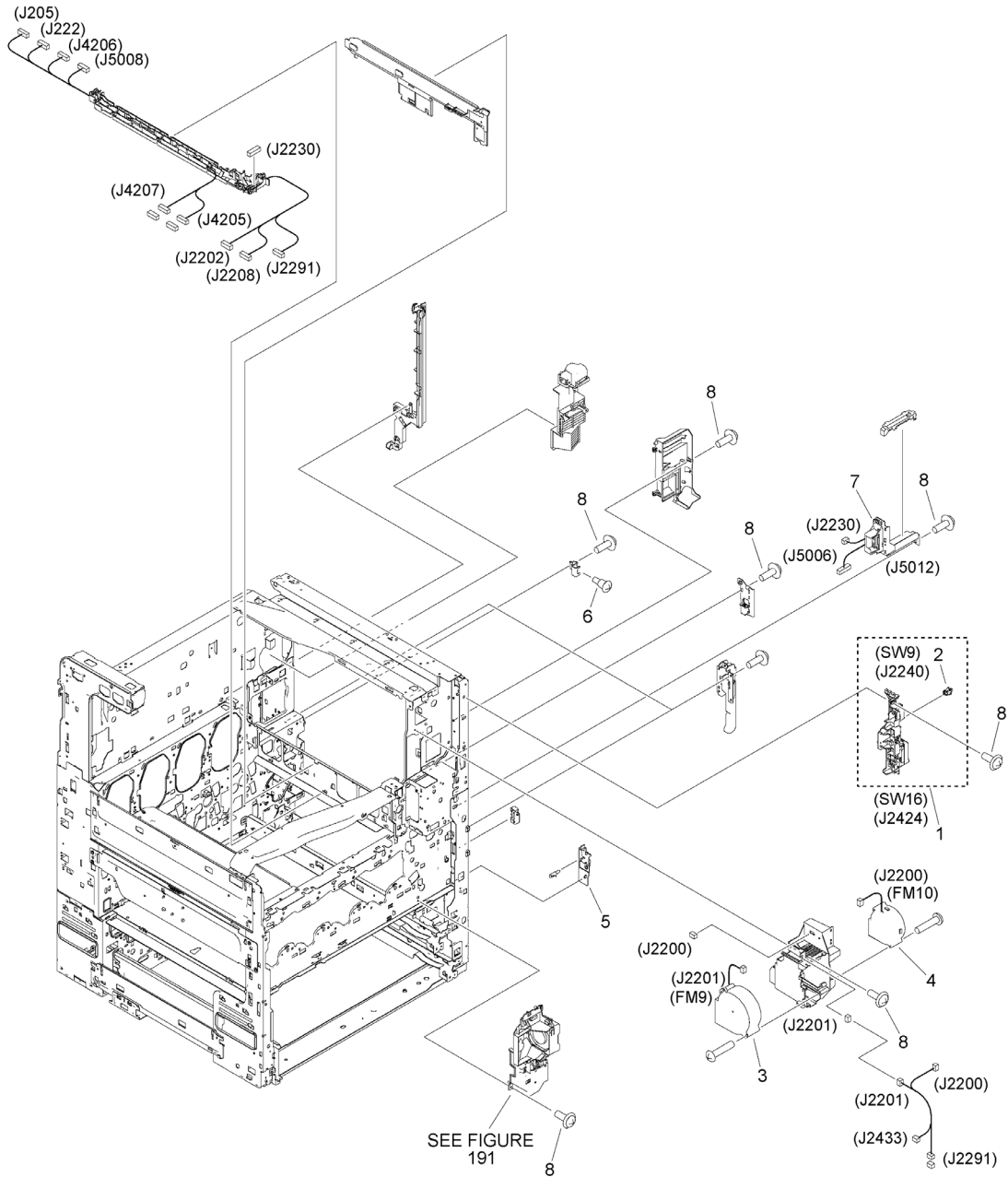


FIGURE & KEY NO.	PART NUMBER	RANK	QTY	DESCRIPTION	SERIAL NUMBER /REMARKS
101	NPN		RF	INTERNAL COMPONENTS 1	
1	FM1-T166-000		1	MAIN SWITCH UNIT	SW16, J2424
2	WC2-5806-000		1	SWITCH, PUSH	SW9, J2240
3	FK2-7291-000		1	FAN	FM9, J2201
4	FK4-4956-000		1	FAN	FM10, J2200
5	FE8-7972-000		1	HINGE, LOWER, FRONT	
6	FU2-2599-000		1	SCREW, STEPPED, M4	
7	FM1-U057-000		1	FIXING DRAWER ASSEMBLY	J2230, J5006, J5012
8	XA9-2050-000		15	SCREW, SELF-TAPPING, M3	

Figure 102A INTERNAL COMPONENTS 2 (100V, 120V)

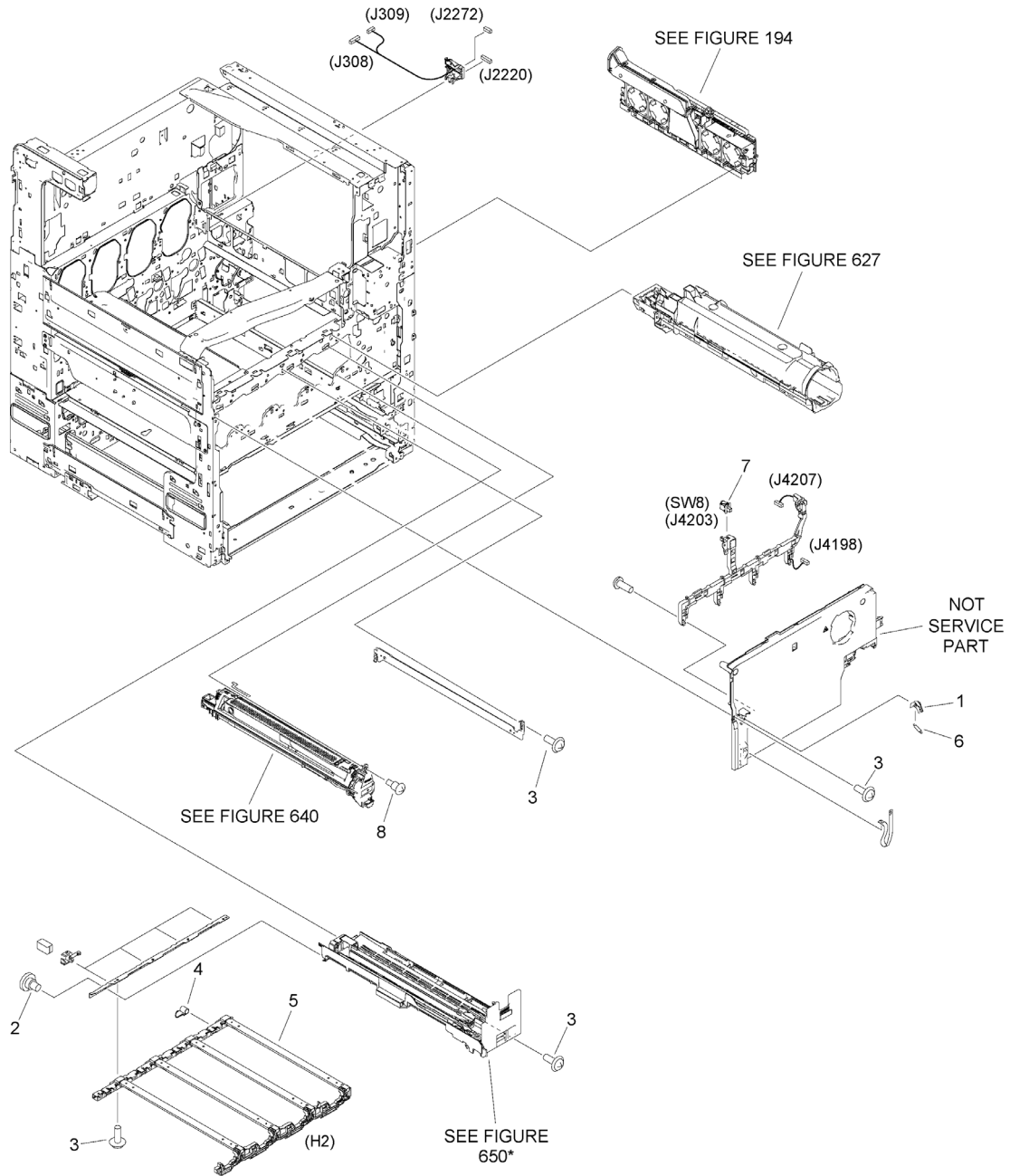


FIGURE & KEY NO.	PART NUMBER	RANK	QTY	DESCRIPTION	SERIAL NUMBER /REMARKS
102A	NPN		RF	INTERNAL COMPONENTS 2	100V, 120V
1	FE2-D596-000		1	LEVER, DOOR TOGGLE	
2	FU2-2390-000		8	SCREW, STEPPED, M4	
3	XA9-2050-000		15	SCREW, SELF-TAPPING, M3	
4	FU2-2321-000		1	SPRING, TORSION, GROUNDING	
5	FM1-T043-000		1	DRUM HEATER UNIT	H2
6	FU2-0957-000		1	SPRING, TENSION	
7	WC2-5806-000		1	SWITCH, PUSH	SW8, J4203
8	FU5-9353-000		4	SCREW, STEPPED, M3	

Figure 102B INTERNAL COMPONENTS 2 (230V)

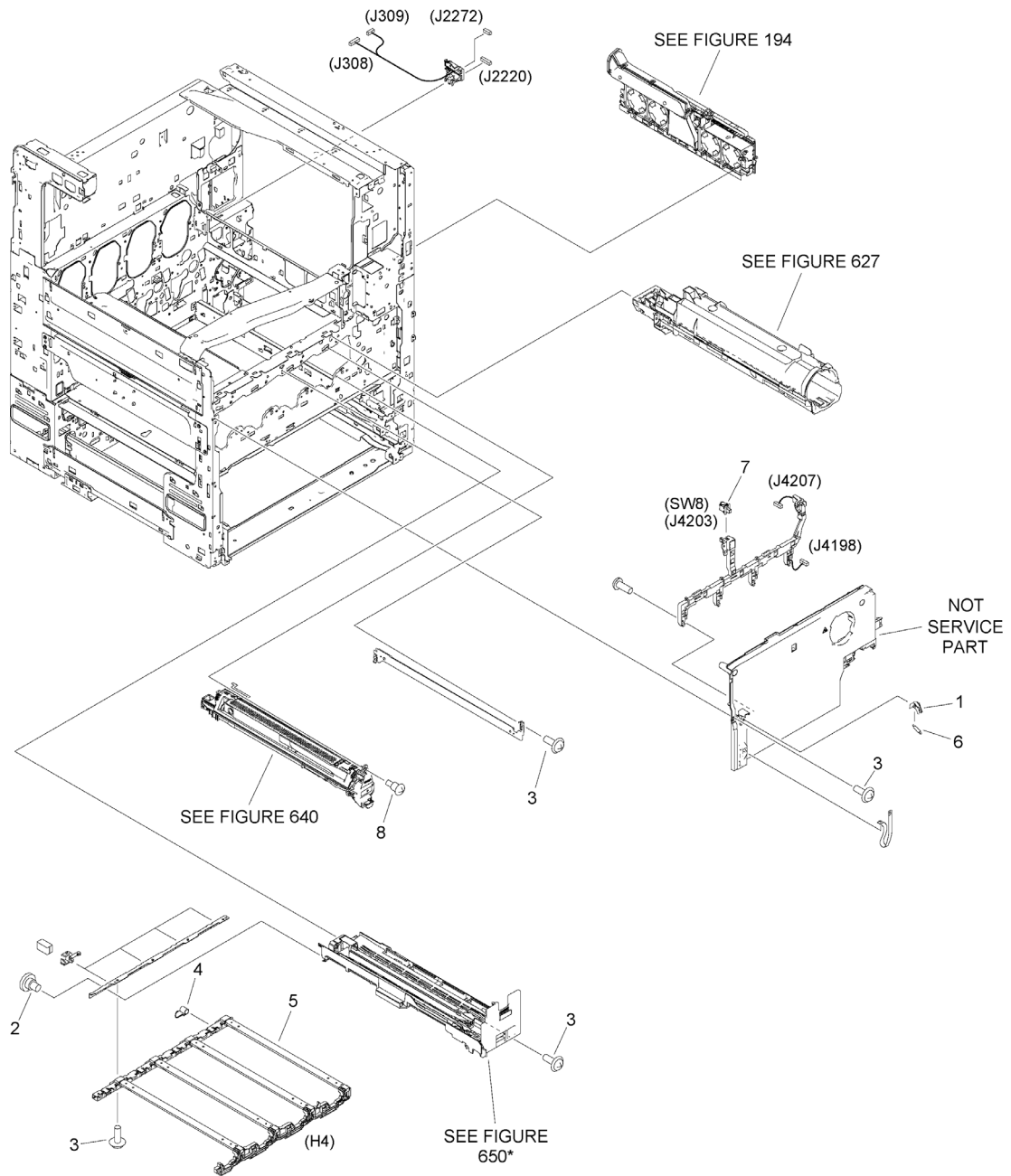


FIGURE & KEY NO.	PART NUMBER	RANK	QTY	DESCRIPTION	SERIAL NUMBER /REMARKS
102B	NPN		RF	INTERNAL COMPONENTS 2	230V
1	FE2-D596-000		1	LEVER, DOOR TOGGLE	
2	FU2-2390-000		8	SCREW, STEPPED, M4	
3	XA9-2050-000		15	SCREW, SELF-TAPPING, M3	
4	FU2-2321-000		1	SPRING, TORSION, GROUNDING	
5	FM1-W375-000		1	DRUM HEATER UNIT	H4
6	FU2-0957-000		1	SPRING, TENSION	
7	WC2-5806-000		1	SWITCH, PUSH	SW8, J4203
8	FU5-9353-000		4	SCREW, STEPPED, M3	

Figure 103 INTERNAL COMPONENTS 3

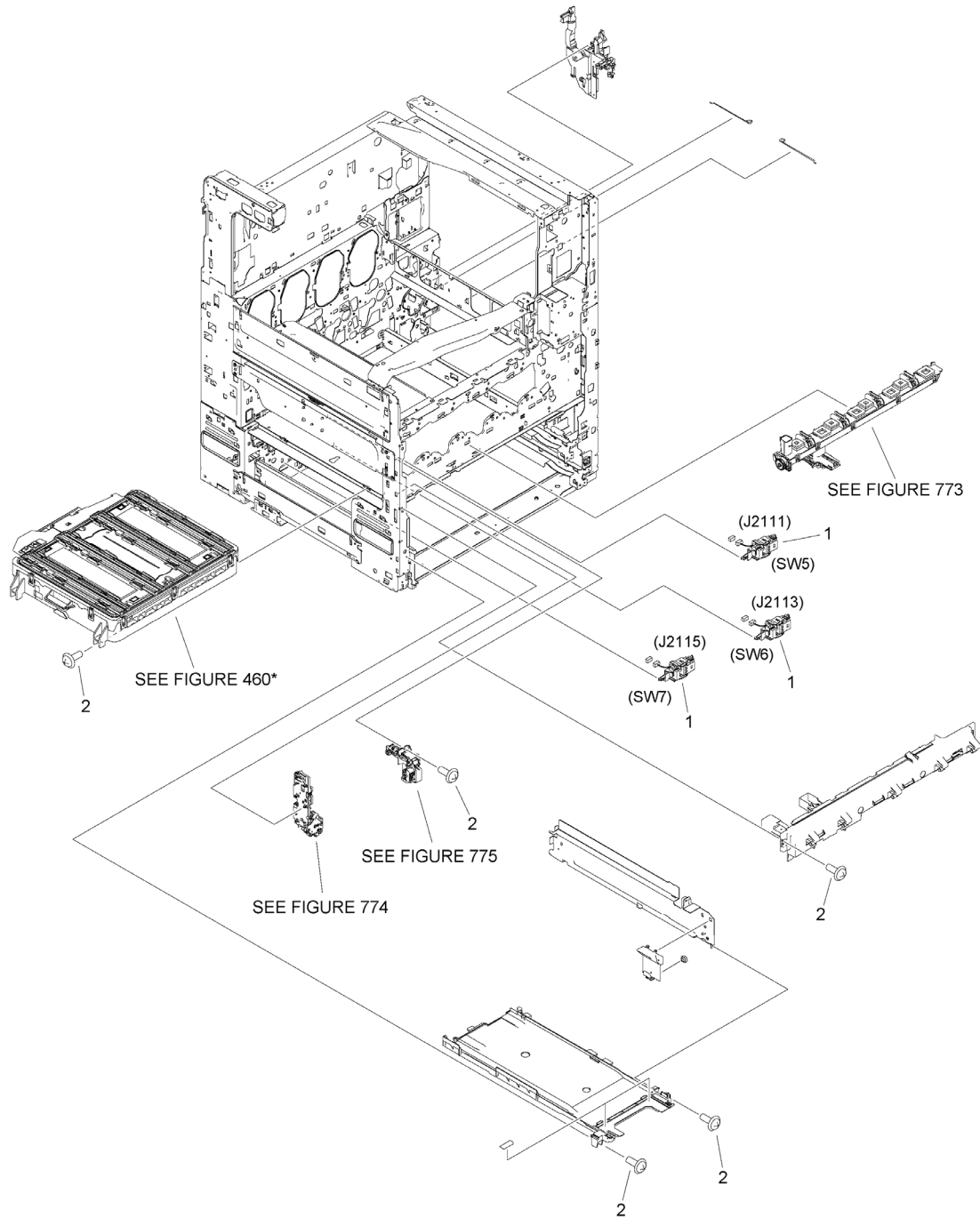


FIGURE & KEY NO.	PART NUMBER	RANK	QTY	DESCRIPTION	SERIAL NUMBER /REMARKS
103	NPN		RF	INTERNAL COMPONENTS 3	
1	FM1-B198-010		3	CASSETTE SIZE SENSING ASS'Y	SW5, SW6, SW7, J2111, J2113, J2115
2	XA9-2050-000		15	SCREW, SELF-TAPPING, M3	

Figure 104B INTERNAL COMPONENTS 4

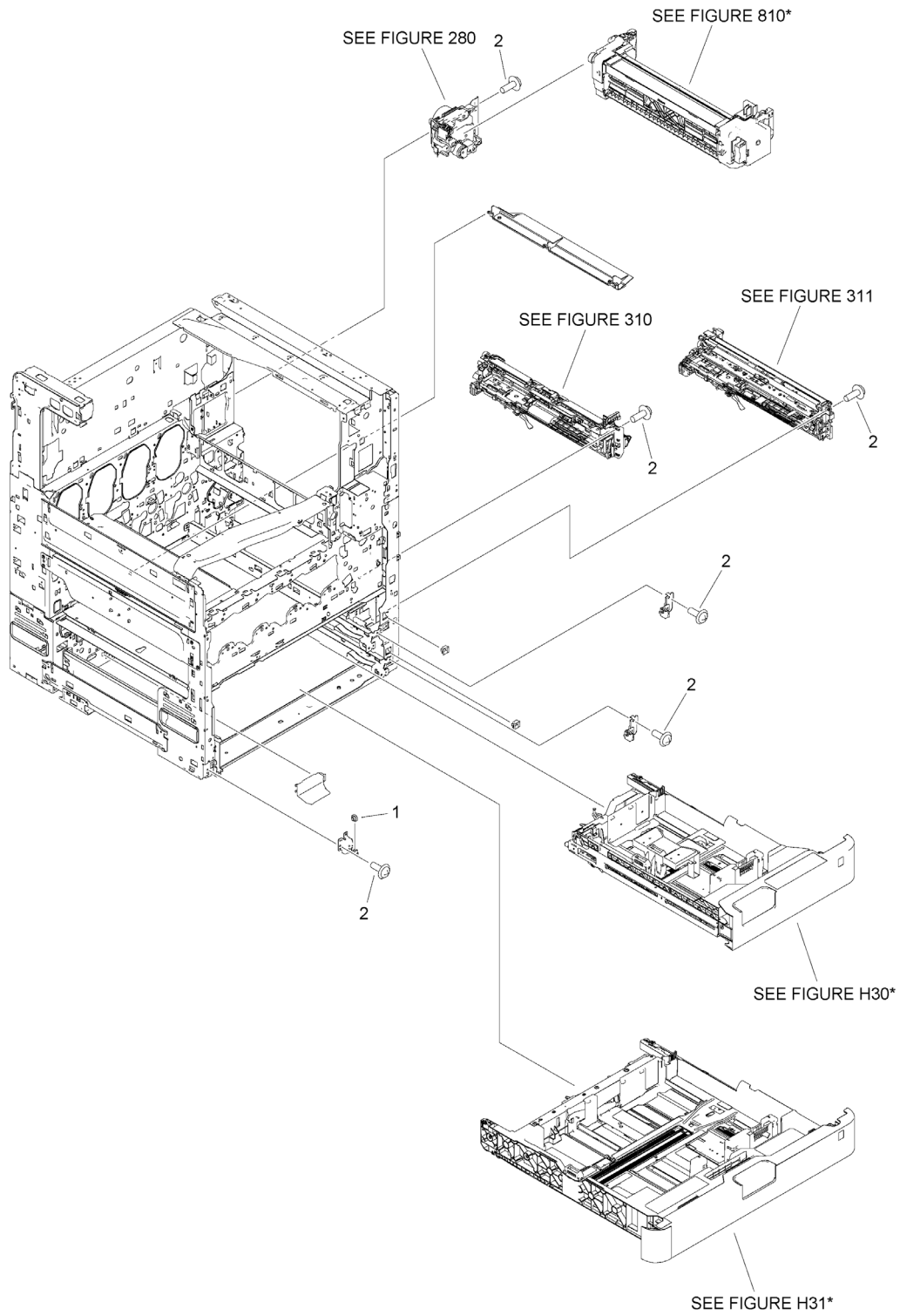


FIGURE & KEY NO.	PART NUMBER	R A N K	QTY	DESCRIPTION	SERIAL NUMBER /REMARKS
104B	NPN		RF	INTERNAL COMPONENTS 4	
1	FE4-8808-000		1	ROLLER, RAIL	
2	XA9-2050-000		15	SCREW, SELF-TAPPING, M3	

Figure 105 INTERNAL COMPONENTS 5

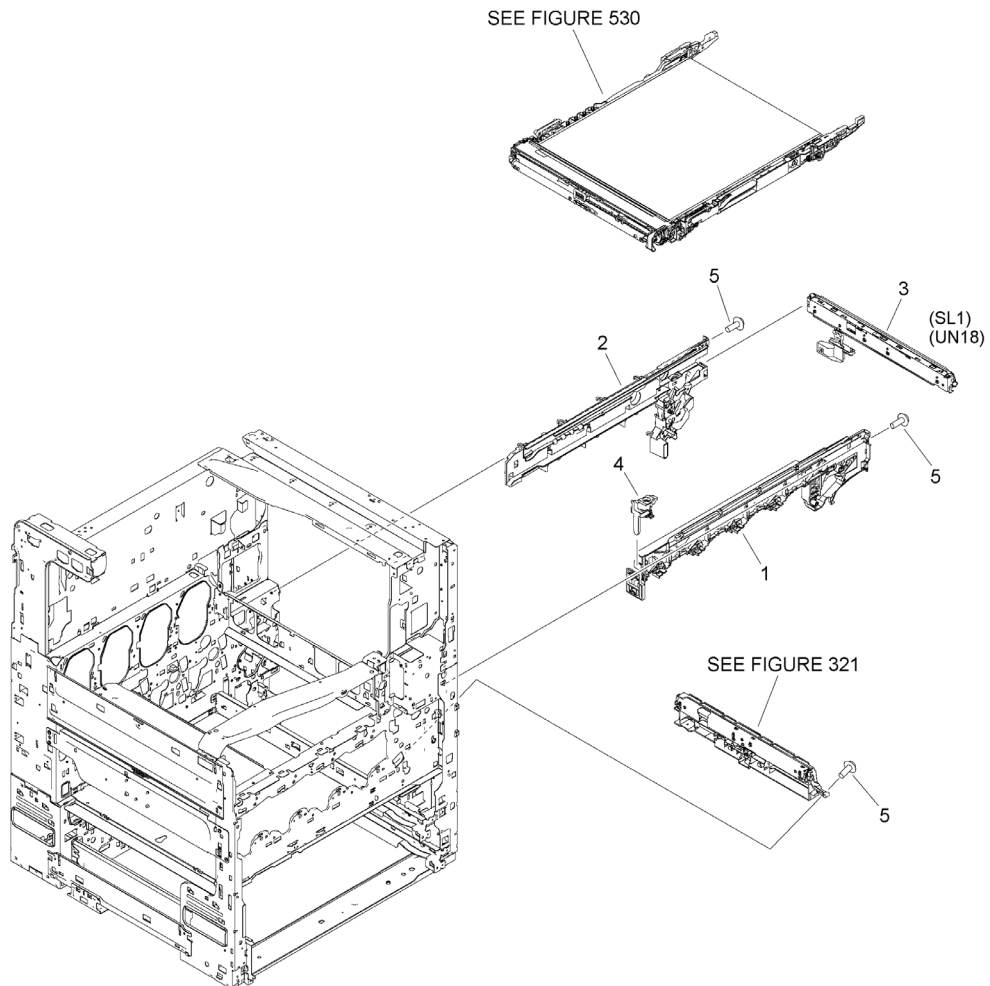


FIGURE & KEY NO.	PART NUMBER	RANK	QTY	DESCRIPTION	SERIAL NUMBER /REMARKS
105	NPN		RF	INTERNAL COMPONENTS 5	
1	FM1-R396-000		1	I.T.B. RAIL ASSEMBLY, FRONT	
2	FM1-R397-000		1	I.T.B. RAIL ASSEMBLY, REAR	
3	FM1-R399-000		1	PATCH DETECT SENSOR UNIT	SL1, UN18
4	FM1-U138-000		1	EXHAUST GUIDE UNIT	
5	XA9-2050-000		15	SCREW, SELF-TAPPING, M3	

Figure 106 INTERNAL COMPONENTS 6

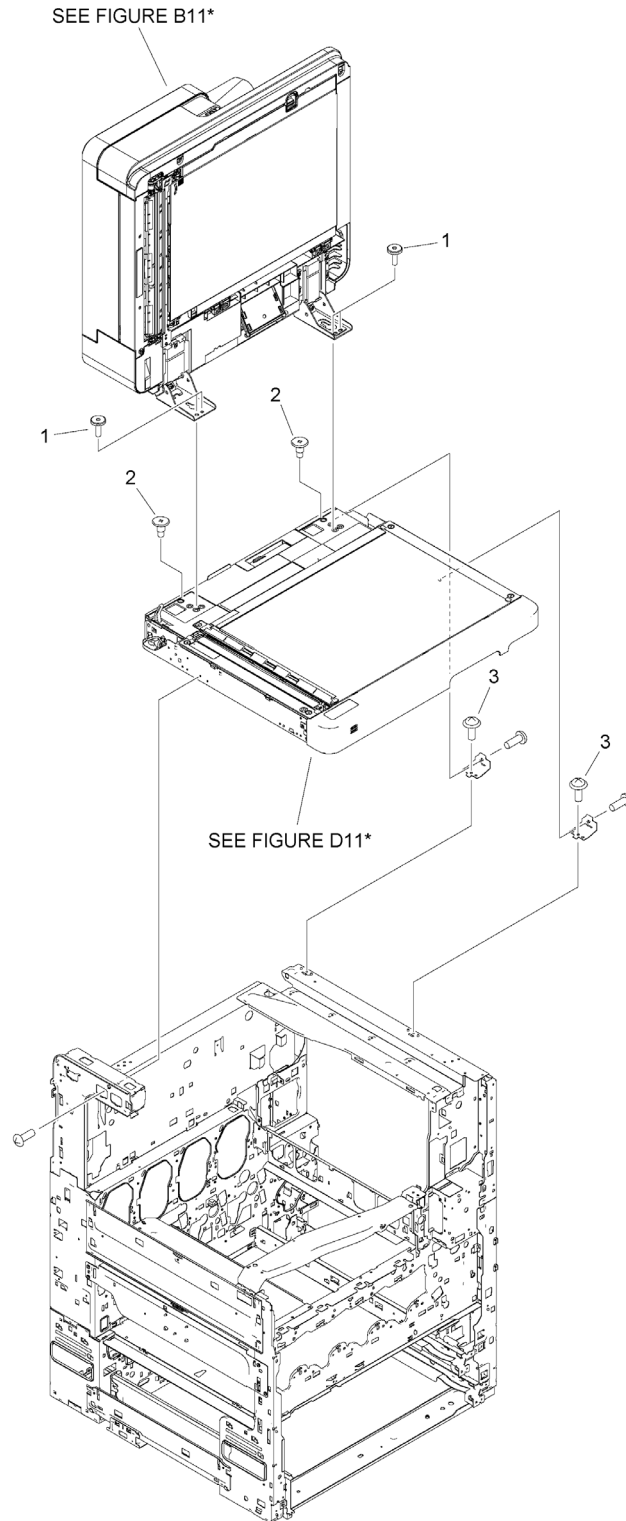


FIGURE & KEY NO.	PART NUMBER	RANK	QTY	DESCRIPTION	SERIAL NUMBER /REMARKS
106	NPN		RF	INTERNAL COMPONENTS 6	
1	FE2-F749-000		2	SCREW, STEPPED, M5X6	
2	FE2-F750-000		4	SCREW, FIXED, M4	
3	XA9-2050-000		2	SCREW, SELF-TAPPING, M3	

Figure 107 MACHINE REAR PLATE 1

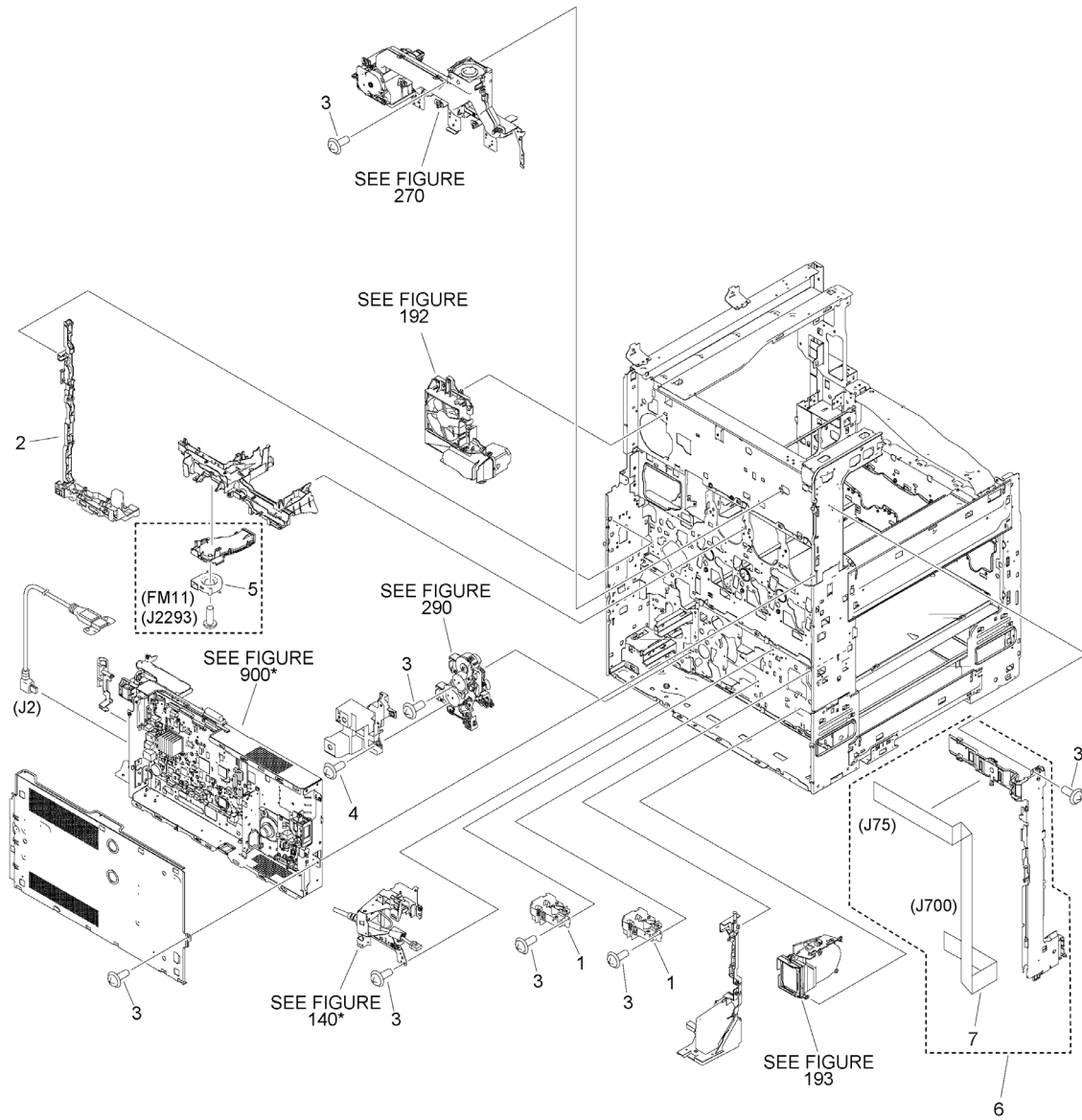


FIGURE & KEY NO.	PART NUMBER	RANK	QTY	DESCRIPTION	SERIAL NUMBER /REMARKS
107	NPN		RF	MACHINE REAR PLATE 1	
1	FM1-B670-000		2	CASSETTE AUTO CLOSE ASSEMBLY	
2	FM1-T174-000		1	AC CABLE UNIT	
3	XA9-2050-000		15	SCREW, SELF-TAPPING, M3	
4	XA9-2007-000		2	SCREW,B,M4,L8	
5	FK4-6850-000		1	FAN	FM11, J2293
6	FM1-V105-000		1	F.F.C. CABLE UNIT	
7	FK4-4466-000		1	CABLE, FLAT	J75, J700

Figure 108 MACHINE REAR PLATE 2

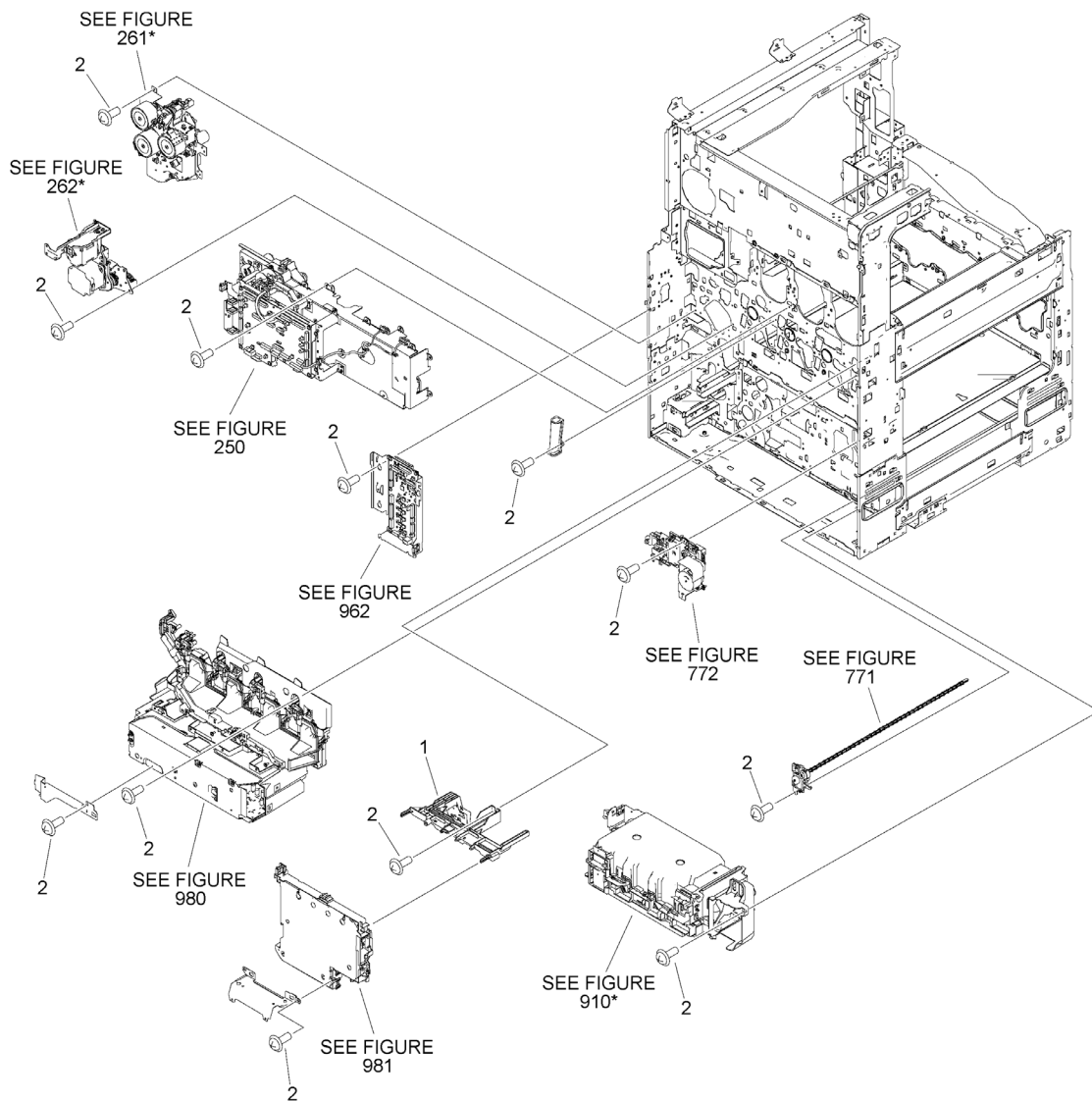


FIGURE & KEY NO.	PART NUMBER	R A N K	QTY	DESCRIPTION	SERIAL NUMBER /REMARKS
108	NPN		RF	MACHINE REAR PLATE 2	
1	FM1-Y743-000		1	1ST TRANSFER GUIDE UNIT	
2	XA9-2050-000		15	SCREW, SELF-TAPPING, M3	

Figure 111 RIGHT DOOR ASSEMBLY 1

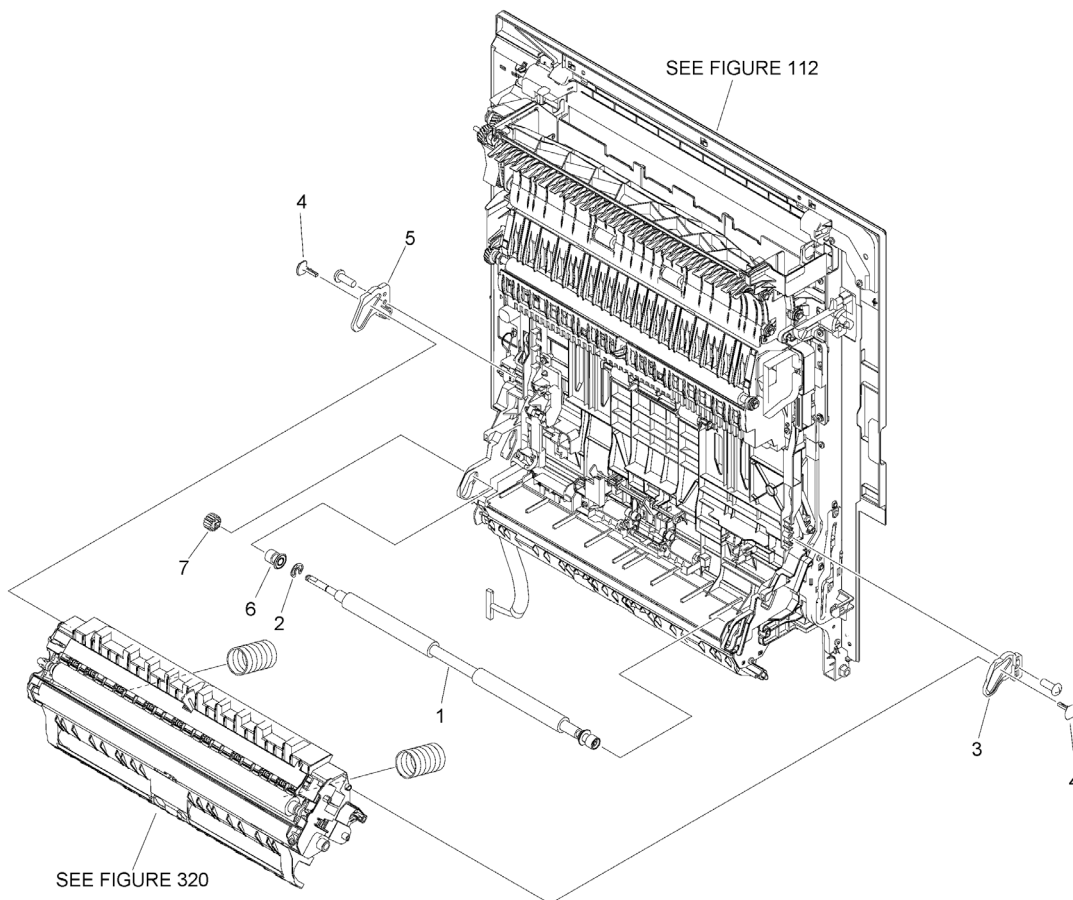


FIGURE & KEY NO.	PART NUMBER	RANK	QTY	DESCRIPTION	SERIAL NUMBER /REMARKS
111	NPN		RF	RIGHT DOOR ASSEMBLY 1	
1	FM2-C415-000		1	REGISTRATION ROLLER UNIT	
2	FB6-6088-000		1	RING, RETAINING	
3	FE2-D250-000		1	STOPPER, 2ND TR. GUIDE, FR.	
4	FE8-7938-000		2	PIN, RETAINER	
5	FE8-7996-000		1	STOPPER, 2ND TR. GUIDE, RR.	
6	FL1-7373-000		1	BUSHING, REAR	
7	FU2-2426-000		1	GEAR, 17T	

Figure 112 RIGHT DOOR PAPER FEED ASSEMBLY

NOTE : This assembly includes the assemblies shown in Figure 113, 313 and 332.

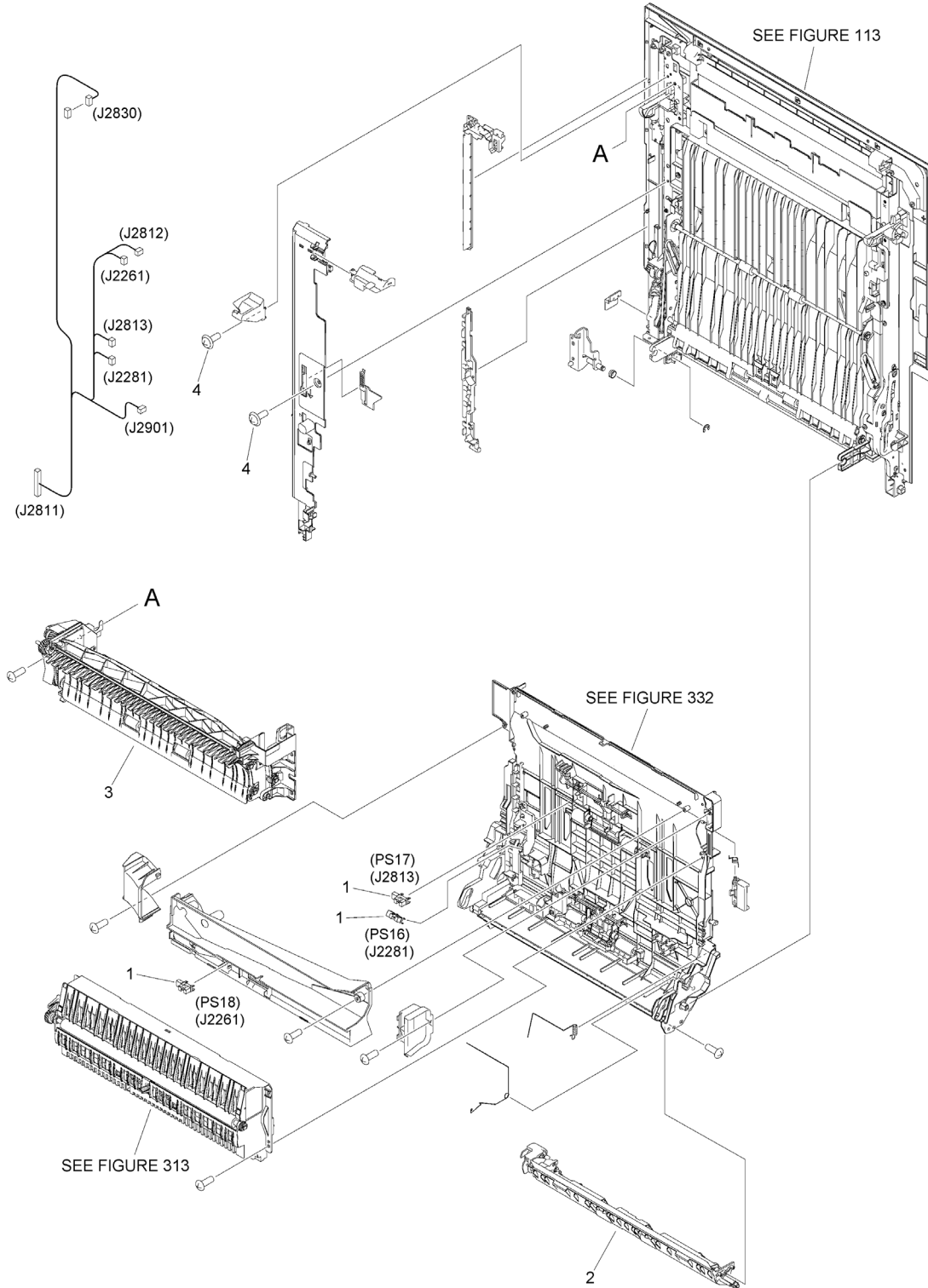


FIGURE & KEY NO.	PART NUMBER	RANK	QTY	DESCRIPTION	SERIAL NUMBER /REMARKS
112	FM1-T011-000		1	RIGHT DOOR PAPER FEED ASSEMBLY	SEE NOTE
1	WG8-5935-000		3	IC, PHOTO INTERRUPTER	PS16, PS17, PS18, J2261, J2281, J2813
2	FM1-T089-000		1	PRE-REGISTRATION GUIDE ASS'Y	
3	FM1-T134-000		1	REVERSE DUPLEXING ASS'Y	
4	XA9-2050-000		2	SCREW, SELF-TAPPING, M3	

Figure 113 RIGHT DOOR ASSEMBLY 2

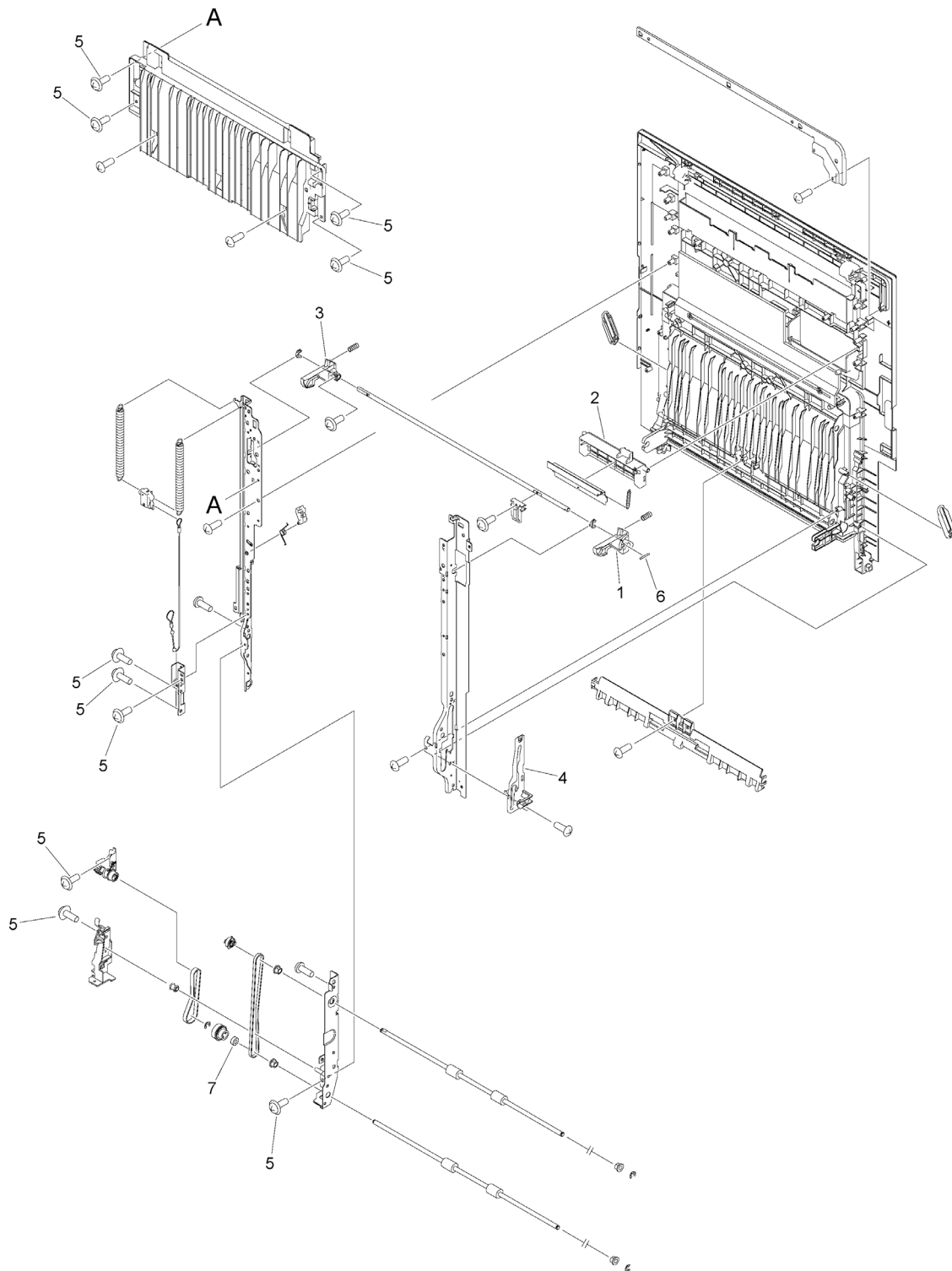


FIGURE & KEY NO.	PART NUMBER	RANK	QTY	DESCRIPTION	SERIAL NUMBER /REMARKS
113	NPN		RF	RIGHT DOOR ASSEMBLY 2	
1	FE2-E059-000		1	LATCH, FRONT	
2	FE8-7981-000		1	HANDLE, DOOR, RIGHT	
3	FE8-7983-000		1	LATCH, REAR	
4	FE8-7987-000		1	RAIL, STOPPER, FRONT	
5	XA9-2050-000		6	SCREW, SELF-TAPPING, M3	
6	XD9-0335-000		1	PIN, PARALLEL	
7	XG9-0795-000		1	BEARING, BALL, L-1060ZZHPOP25L	

Figure 114 RIGHT DOOR ASSEMBLY, LOWER

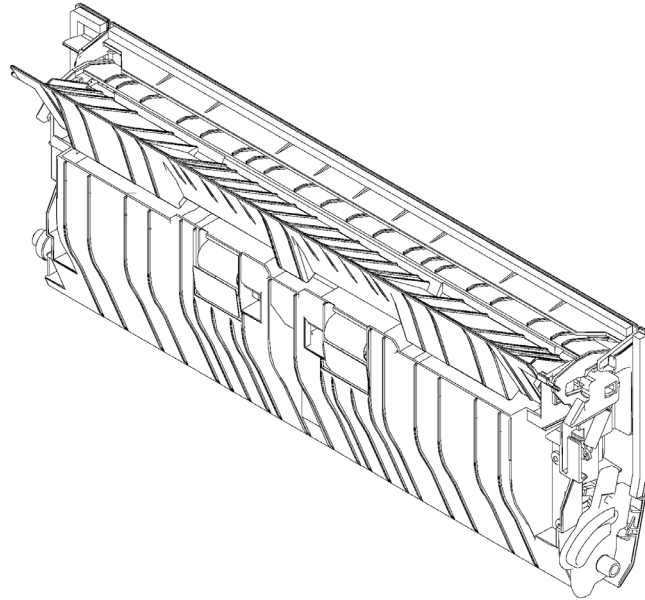


FIGURE & KEY NO.	PART NUMBER	R A N K	QTY	DESCRIPTION	SERIAL NUMBER /REMARKS
114	FM1-R483-000		1	RIGHT DOOR ASSEMBLY, LOWER	

FIGURE & KEY NO.	PART NUMBER	RANK	QTY	DESCRIPTION	SERIAL NUMBER /REMARKS
130	FM1-X013-000		1	CONTROL PANEL ASSEMBLY	
1	FE3-9169-000		4	CAP	
2	FE8-7637-000		1	KEY TOP, SWITCH	
3	FK4-6206-000		1	CABLE, CONTROL PANEL SIGNAL	J4, J901
4	FK4-2377-000		1	SPEAKER	
5	FK4-4895-000		1	CABLE, FLAT	CN1, J915
6	FK4-6830-000		1	LCD UNIT	
7	FM2-A912-000		1	CONTROL PANEL LED PCB ASSEMBLY	UN50
8	FM2-A911-000		1	CONTROL PANEL MAIN PCB ASS'Y	UN39

Figure 140B POWER CORD TERMINAL ASSEMBLY (120V US, CA, LTN)

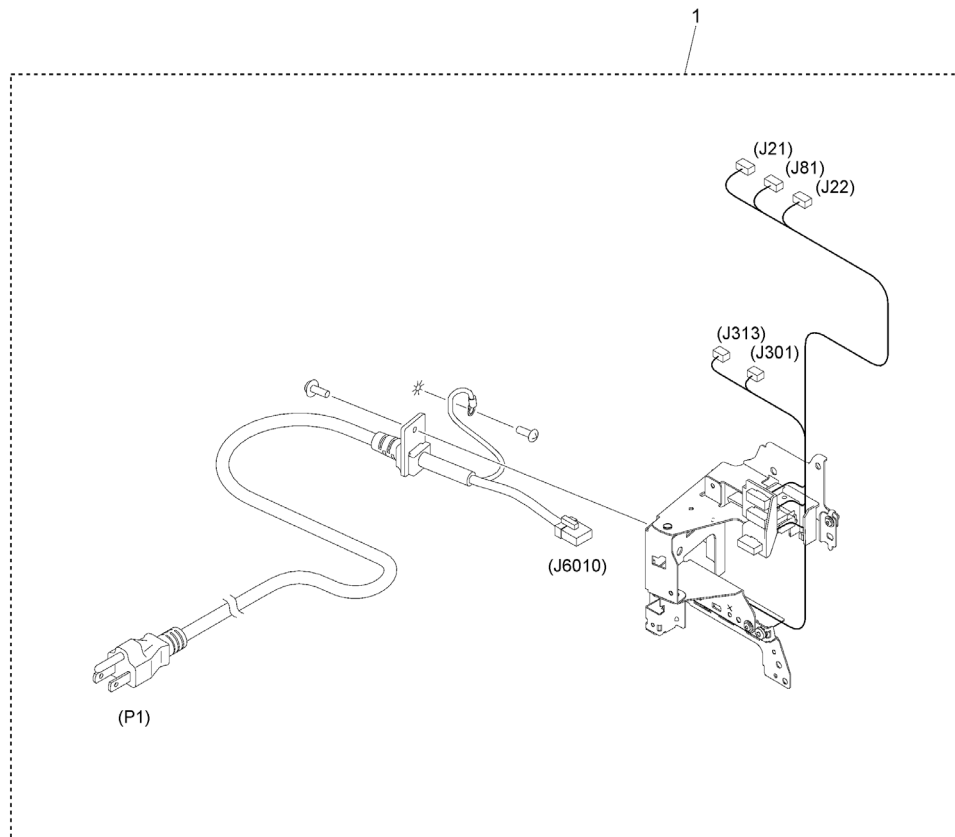


FIGURE & KEY NO.	PART NUMBER	RANK	QTY	DESCRIPTION	SERIAL NUMBER /REMARKS
140B	NPN		RF	POWER CORD TERMINAL ASSEMBLY	120V US, CA, LTN
1	FM1-T168-000		1	POWER CORD TERMINAL ASSEMBLY	P1, J21, J22, J81, J301, J313, J6010

Figure 140C POWER CORD TERMINAL ASSEMBLY (230V LTN, EUR, AU, SG, HK, KR)

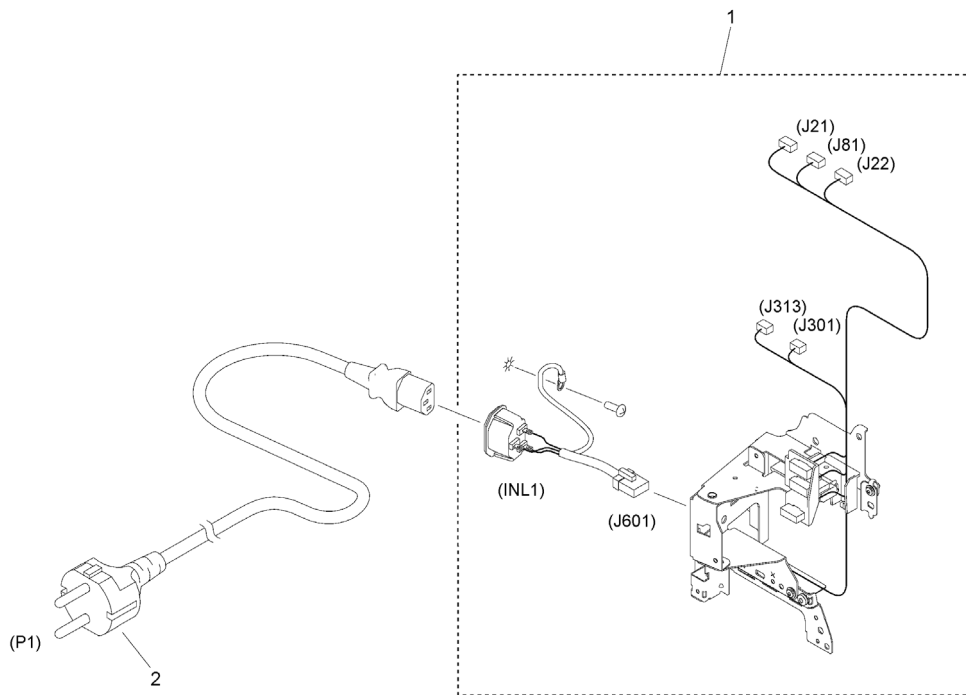


FIGURE & KEY NO.	PART NUMBER	RANK	QTY	DESCRIPTION	SERIAL NUMBER /REMARKS
140C	NPN		RF	POWER CORD TERMINAL ASSEMBLY	230V LTN, EUR, AU, SG, HK, KR
1	FM1-V101-000		1	POWER CORD TERMINAL ASSEMBLY	INL1, J21, J22, J81, J301, J313, J601
2	FK4-1390-000		1	CORD, POWER	P1

Figure 191 FRONT FAN ASSEMBLY

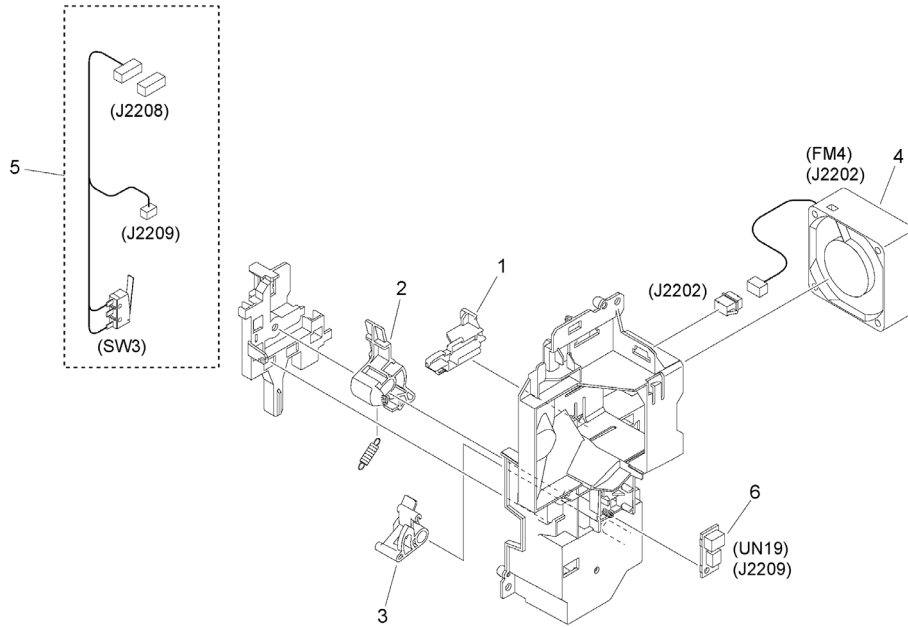


FIGURE & KEY NO.	PART NUMBER	RANK	QTY	DESCRIPTION	SERIAL NUMBER /REMARKS
191	NPN		RF	FRONT FAN ASSEMBLY	
1	FE2-B634-000		1	LEVER, LOCK	
2	FE3-0817-000		1	ARM, INTERLOCK, 1	
3	FE3-0849-000		1	ARM, INTERLOCK, 2	
4	FK4-3647-000		1	FAN	FM4, J2202
5	FM2-A974-000		1	CABLE, ENVIRONMENT SENSOR	SW3, J2208, J2209
6	WP2-5473-000		1	SENSOR, HUMIDITY,HSU-08FDB2A	UN19, J2209

Figure 192 REAR FAN ASSEMBLY

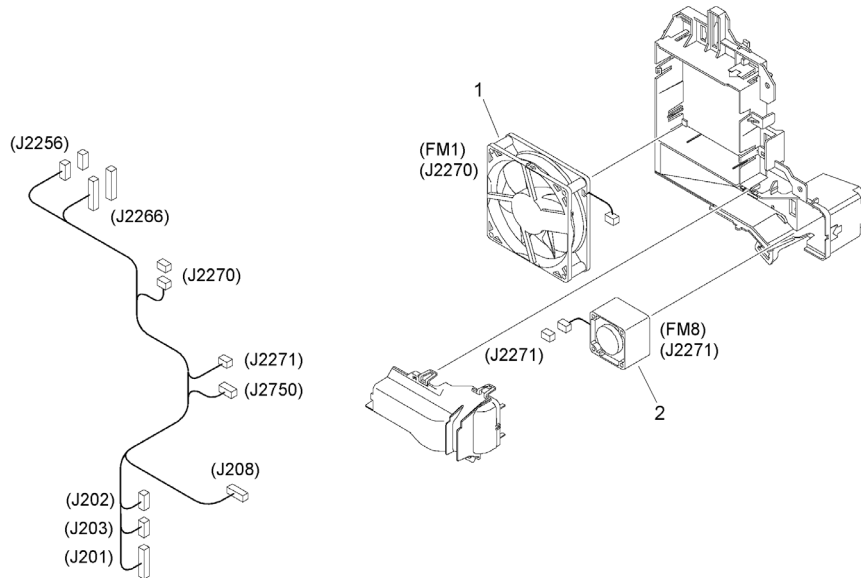


FIGURE & KEY NO.	PART NUMBER	RANK	QTY	DESCRIPTION	SERIAL NUMBER /REMARKS
192	NPN		RF	REAR FAN ASSEMBLY	
1	FK2-7286-000		1	FAN	FM1, J2270
2	FK4-3648-000		1	FAN	FM8, J2271

Figure 193 IMAGE FORMING EXHAUST FAN ASSEMBLY

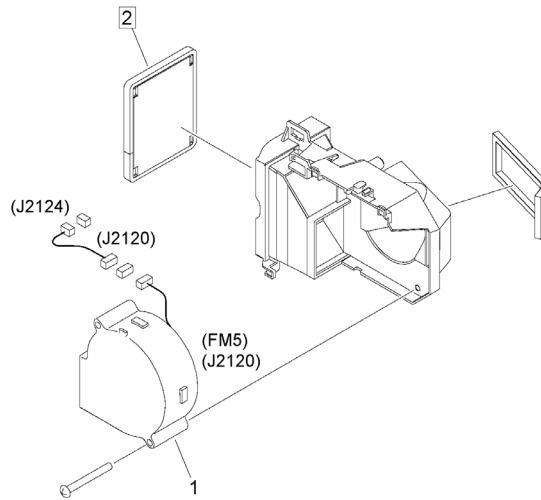


FIGURE & KEY NO.	PART NUMBER	R A N K	QTY	DESCRIPTION	SERIAL NUMBER /REMARKS
193	NPN		RF	IMAGE FORMING EXHAUST FAN ASSEMBLY	
1	FK4-4956-000		1	FAN	FM5, J2120
2	FM1-W736-000		1	TONER FILTER ASSEMBLY	[DP]

Figure 194 SIDE END COOLING FAN ASS'Y

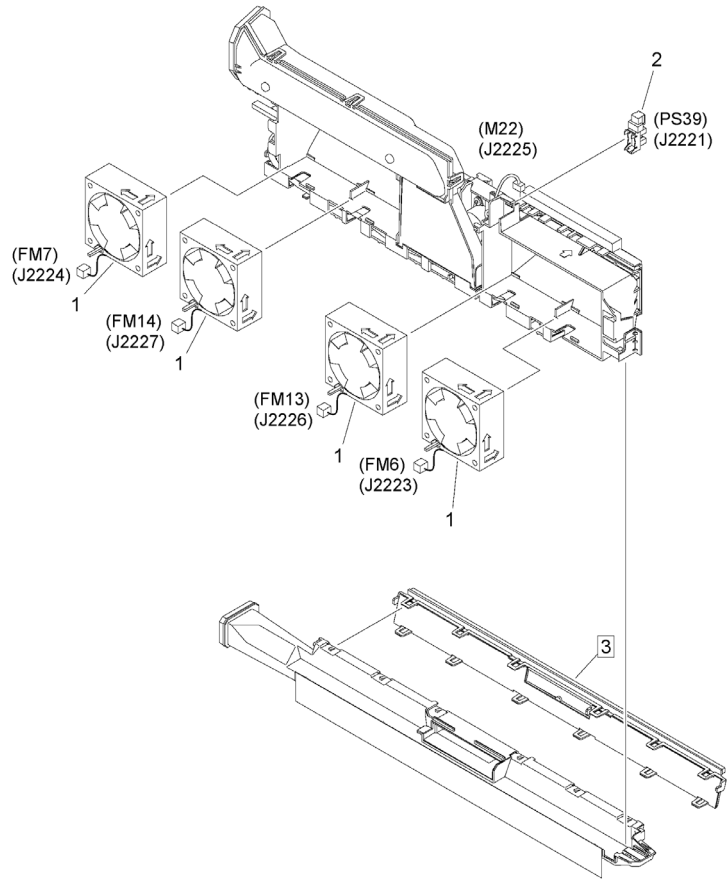


FIGURE & KEY NO.	PART NUMBER	RANK	QTY	DESCRIPTION	SERIAL NUMBER /REMARKS
194	FM1-V145-000		1	SIDE END COOLING FAN ASS'Y	
1	FK4-3647-000		4	FAN	FM6, FM7, FM13, FM14, J2223, J2224, J2226, J2227
2	WG8-5783-000		1	IC,PHOTO-INTERRUPTER,LG248NL1A	PS39, J2221
3	FL1-3966-000		1	FILTER, AIR	[DP]

Figure 250 MAIN DRIVE ASSEMBLY

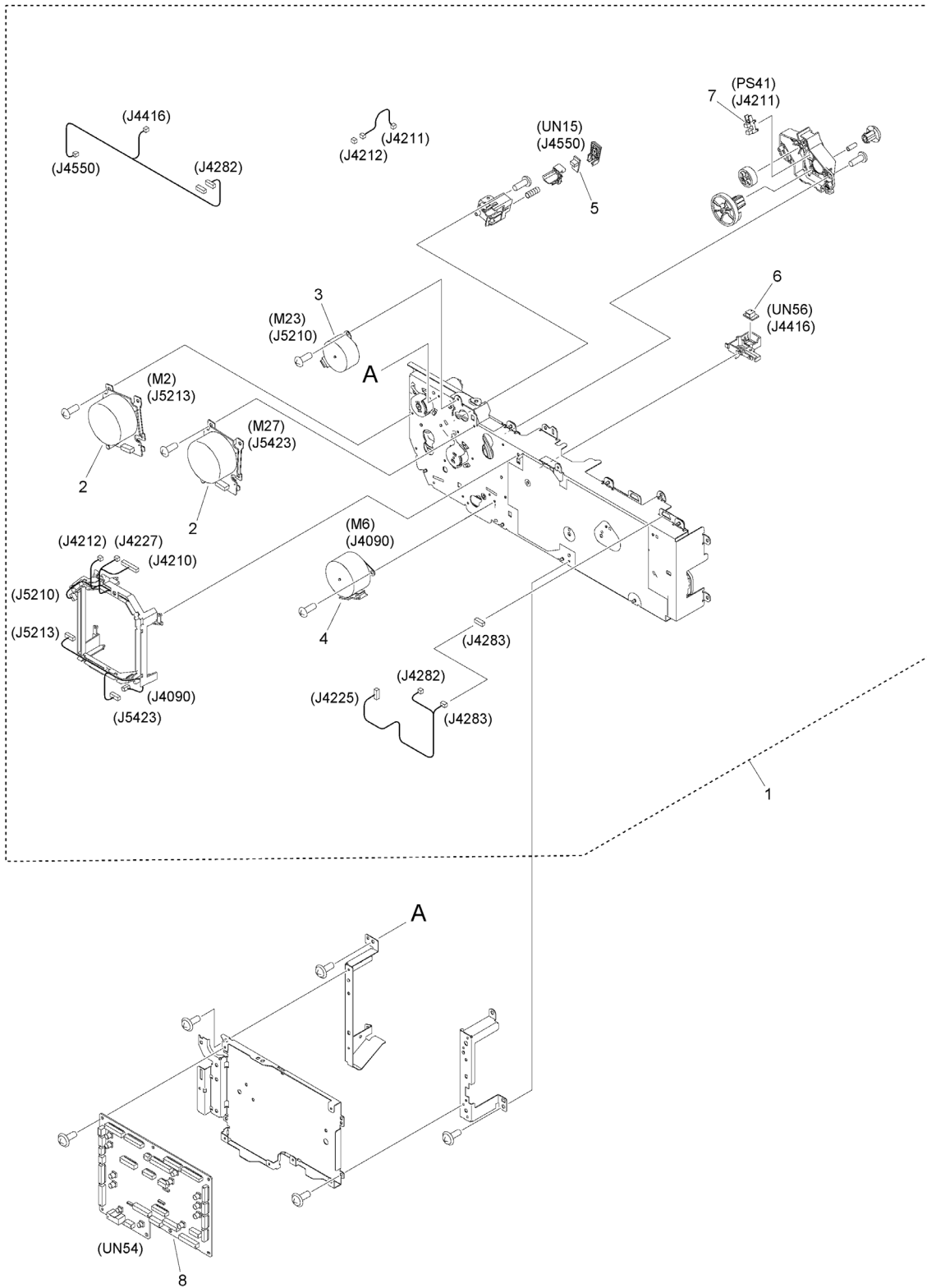


FIGURE & KEY NO.	PART NUMBER	RANK	QTY	DESCRIPTION	SERIAL NUMBER /REMARKS
250	NPN		RF	MAIN DRIVE ASSEMBLY	
1	FM1-X282-000		1	MAIN DRIVE GEAR BOX ASSEMBLY	
2	FK4-4725-000		2	MOTOR, STEPPING, DC	M2, M27, J5213, J5423
3	FM2-U944-000		1	MOTOR, STEPPING, DC	M23, J5210
4	FM2-U945-000		1	MOTOR, STEPPING, DC	M6, J4090
5	FM2-A915-000		1	PRE-EXPOSURE LED PCB ASS'Y	UN15, J4550
6	FM2-K997-000		1	SENSOR UNIT, TEMPERATURE	UN56, J4416
7	WG8-5935-000		1	IC, PHOTO INTERRUPTER	PS41, J4211
8	FM2-G909-000		1	DRUM DRIVER PCB ASS'Y	UN54

Figure 261A PAPER PICK-UP DRIVE ASSEMBLY (6870 SERIES)

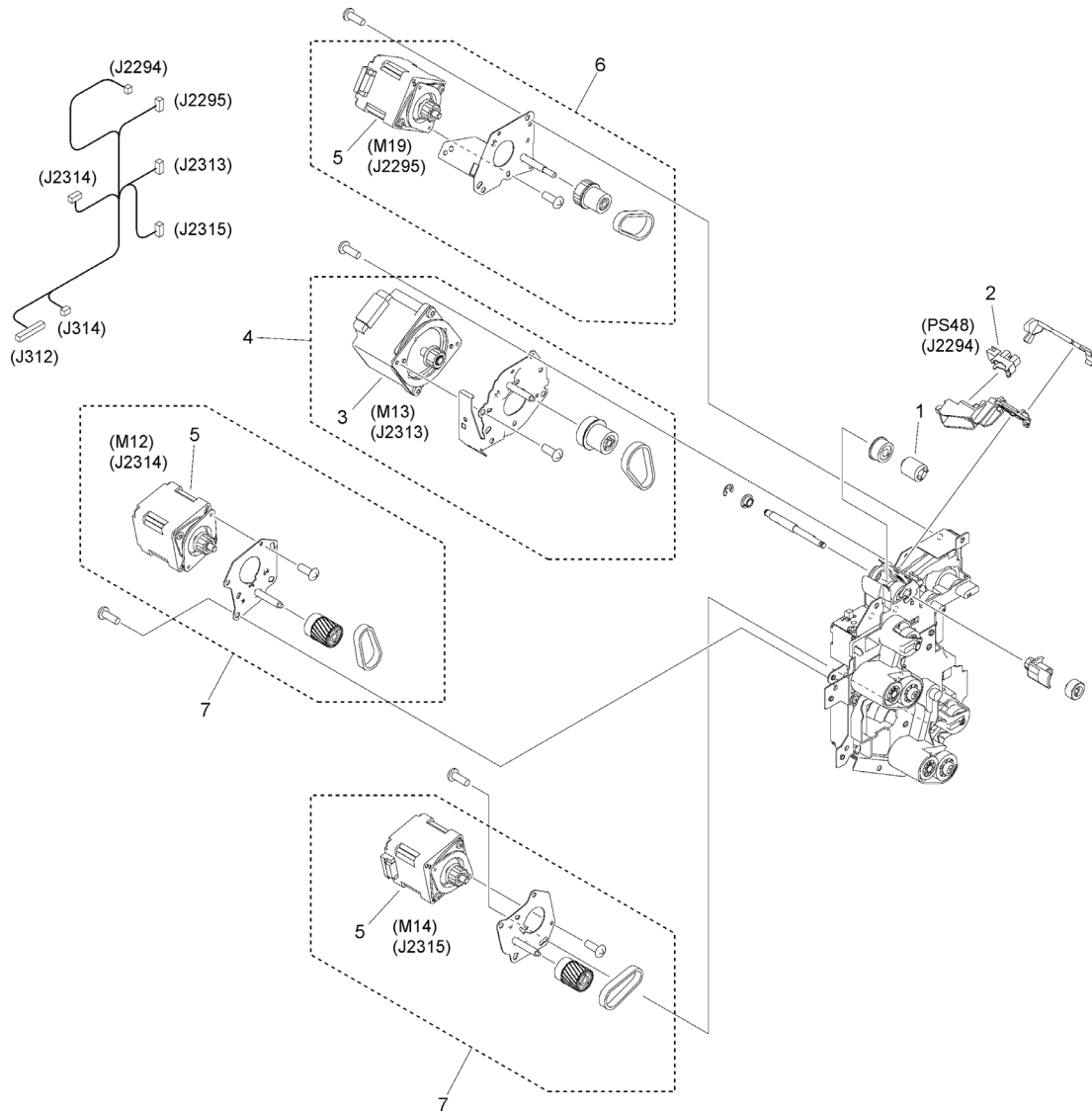


FIGURE & KEY NO.	PART NUMBER	RANK	QTY	DESCRIPTION	SERIAL NUMBER /REMARKS
261A	FM1-U659-000		1	PAPER PICK-UP DRIVE ASSEMBLY	6870 SERIES
1	FE4-5133-000		1	LIMITTER, TORQUE	
2	WG8-5783-000		1	IC,PHOTO-INTERRUPTER,LG248NL1A	PS48, J2294
3	FM1-V376-000		1	MOTOR UNIT	M13, J2313
4	FM1-V375-000		1	EXTRACTION DRIVE MOTOR ASS'Y	
5	FM1-R502-000		3	MOTOR UNIT	M12, M14, M19, J2295, J2314, J2315
6	FM1-T500-000		1	M.P. PICK UP DRIVE MOTOR ASS'Y	
7	FM1-T499-000		2	DRIVE MOTOR UNIT	

Figure 261B PAPER PICK-UP DRIVE ASSEMBLY (6860 SERIES)

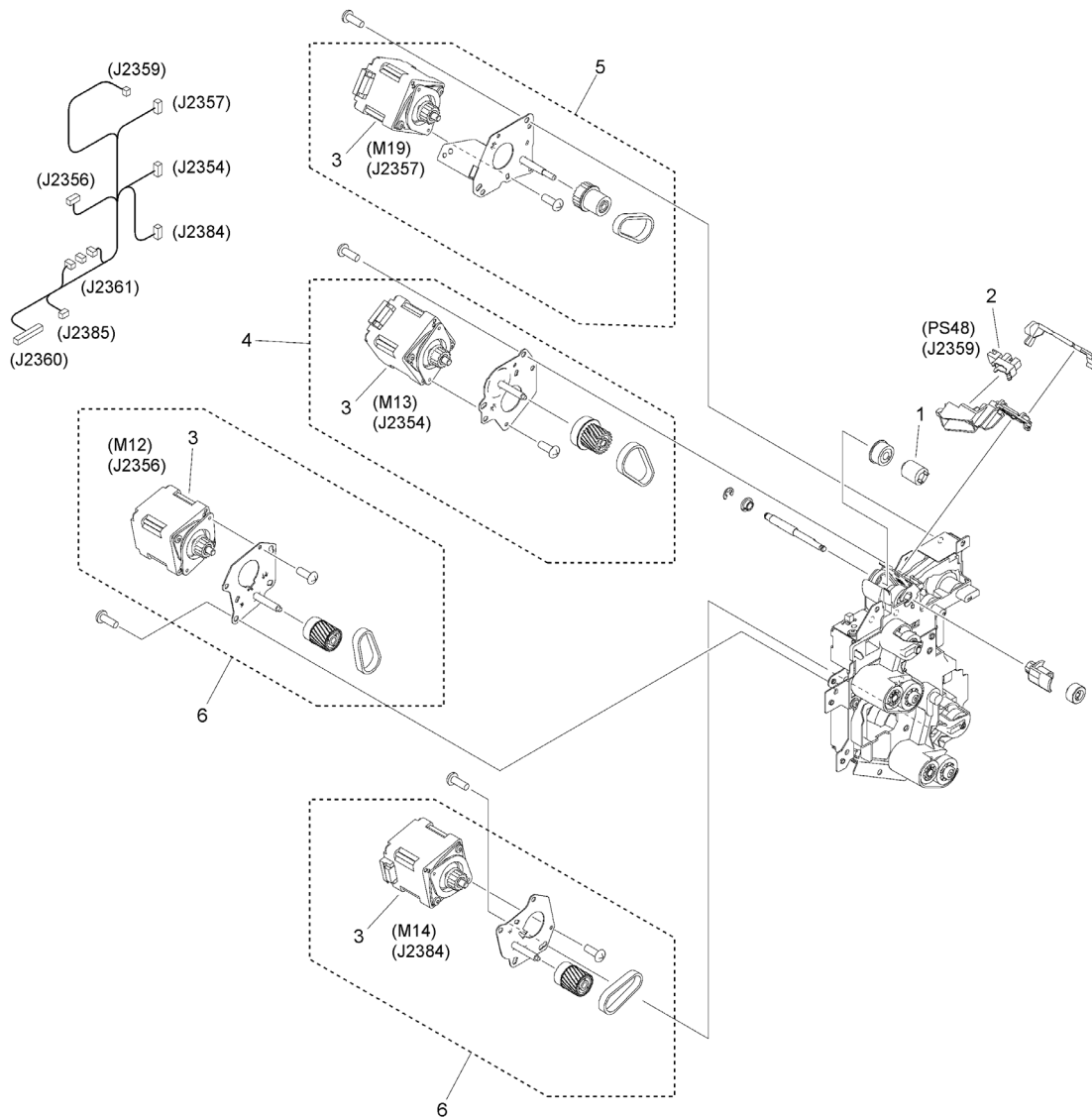


FIGURE & KEY NO.	PART NUMBER	RANK	QTY	DESCRIPTION	SERIAL NUMBER /REMARKS
261B	FM1-R486-000		1	PAPER PICK-UP DRIVE ASSEMBLY	6860 SERIES
1	FE4-5133-000		1	LIMITTER, TORQUE	
2	WG8-5783-000		1	IC,PHOTO-INTERRUPTER,LG248NL1A	PS48, J2359
3	FM1-R502-000		4	MOTOR UNIT	M12, M13, M14, M19, J2354, J2356, J2357, J2384
4	FM1-V374-000		1	EXTRACTION DRIVE MOTOR ASS'Y	
5	FM1-T500-000		1	M.P. PICK UP DRIVE MOTOR ASS'Y	
6	FM1-T499-000		2	DRIVE MOTOR UNIT	

Figure 262A REG. DUPLEXING DRIVE ASSEMBLY (6870 SERIES)

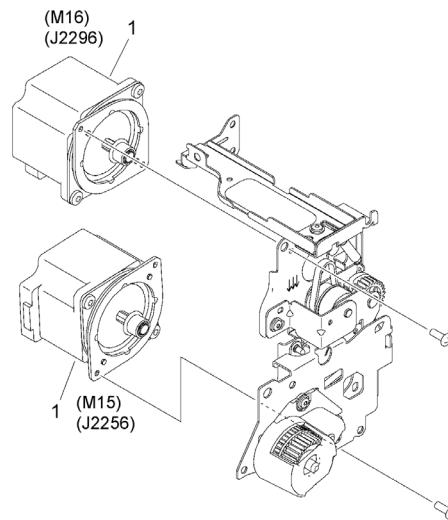


FIGURE & KEY NO.	PART NUMBER	R A N K	QTY	DESCRIPTION	SERIAL NUMBER /REMARKS
262A	FM1-V567-000		1	REG. DUPLEXING DRIVE ASSEMBLY	6870 SERIES
1	FM1-U676-000		2	MOTOR UNIT	M15, M16, J2256, J2296

Figure 262B REG. DUPLEXING DRIVE ASSEMBLY (6860 SERIES)

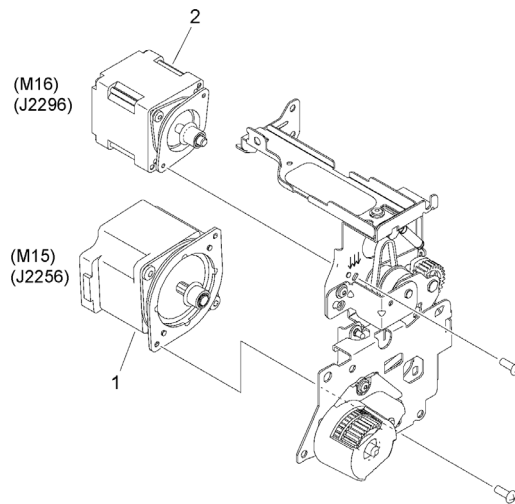


FIGURE & KEY NO.	PART NUMBER	RANK	QTY	DESCRIPTION	SERIAL NUMBER /REMARKS
262B	FM1-V566-000		1	REG. DUPLEXING DRIVE ASSEMBLY	6860 SERIES
1	FM1-U676-000		1	MOTOR UNIT	M15, J2256
2	FM1-X253-000		1	MOTOR UNIT	M16, J2296

Figure 270 BOTTLE DRIVE ASSEMBLY

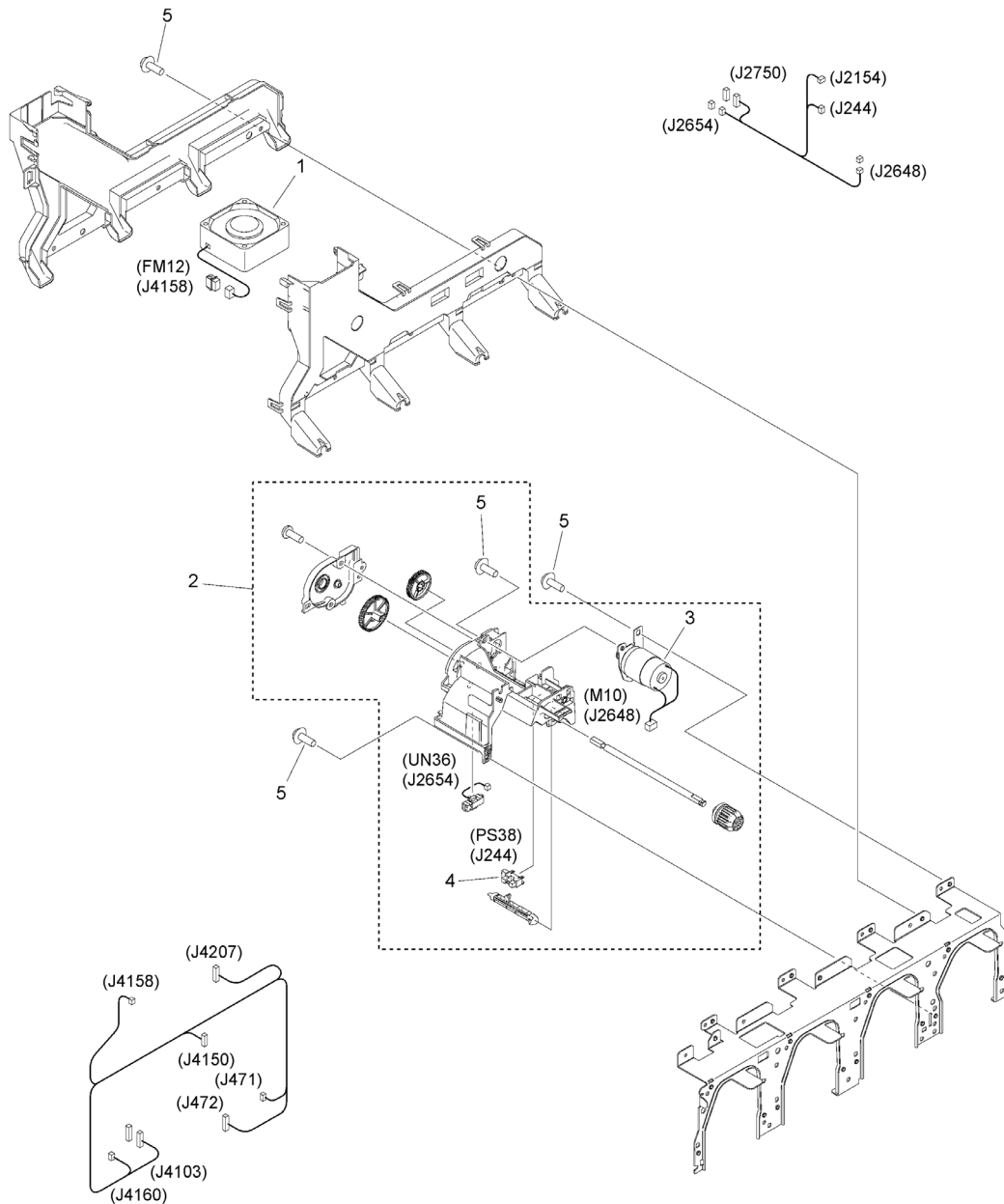


FIGURE & KEY NO.	PART NUMBER	RANK	QTY	DESCRIPTION	SERIAL NUMBER /REMARKS
270	NPN		RF	BOTTLE DRIVE ASSEMBLY	
1	FK4-3647-000		1	FAN	FM12, J4158
2	FM1-T077-000		1	SUPPLY DRIVE ASSEMBLY	
3	FM1-U142-000		1	BOTTLE MOTOR UNIT	M10, J2648
4	WG8-5935-000		1	IC, PHOTO INTERRUPTER	PS38, J244
5	XA9-2050-000		7	SCREW, SELF-TAPPING, M3	

Figure 280 FIXING DRIVE ASSEMBLY

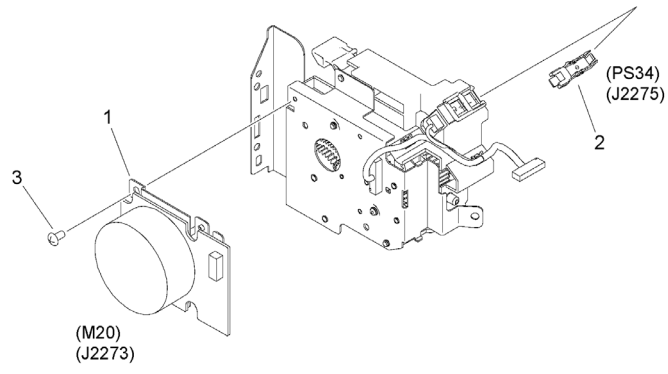


FIGURE & KEY NO.	PART NUMBER	RANK	QTY	DESCRIPTION	SERIAL NUMBER /REMARKS
280	FM1-R504-000		1	FIXING DRIVE ASSEMBLY	
1	FK4-4728-000		1	MOTOR, DC	M20, J2273
2	WG8-5783-000		1	IC,PHOTO-INTERRUPTER,LG248NL1A	PS34, J2275
3	XA9-2008-000		3	SCREW,M3X4	

Figure 290 LIFTER DRIVE ASS'Y

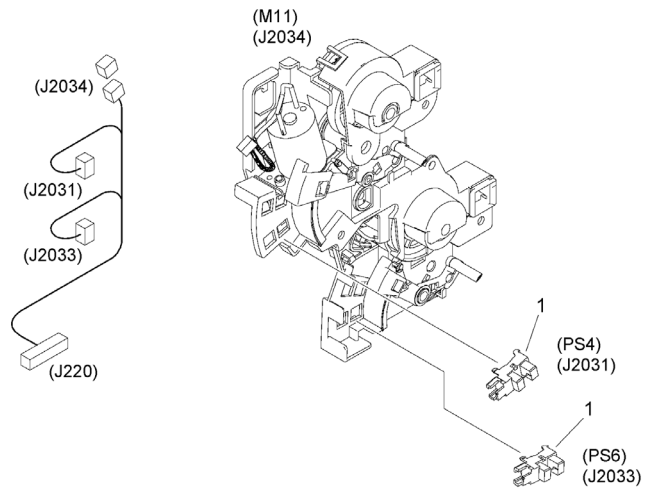


FIGURE & KEY NO.	PART NUMBER	R A N K	QTY	DESCRIPTION	SERIAL NUMBER /REMARKS
290	FM1-R500-000		1	LIFTER DRIVE ASS'Y	M11, J2034
1	WG8-5783-000		2	IC,PHOTO-INTERRUPTER,LG248NL1A	PS4, PS6, J2031, J2033

Figure 310 PAPER PICK-UP ASSEMBLY, 1

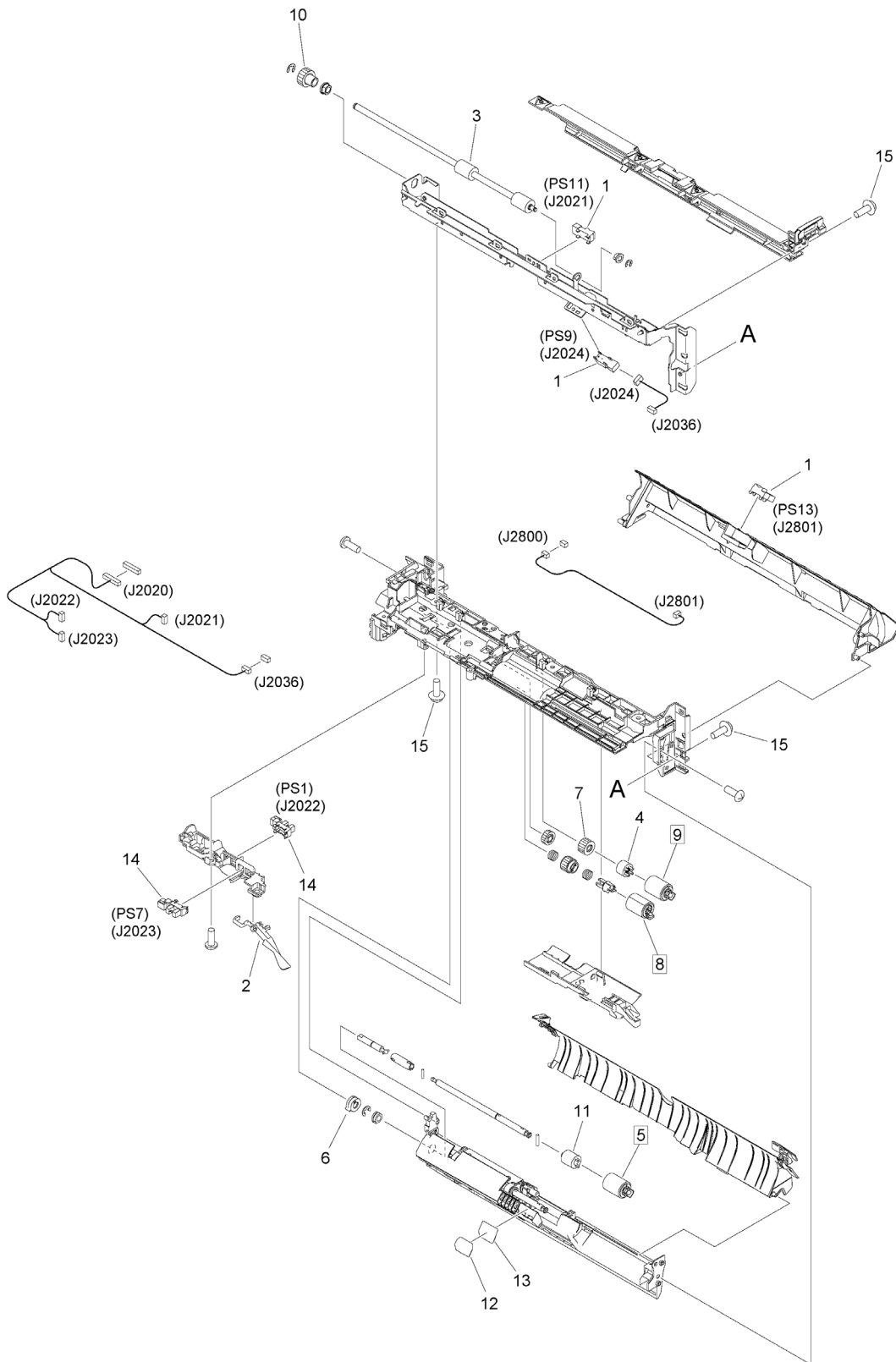


FIGURE & KEY NO.	PART NUMBER	RANK	QTY	DESCRIPTION	SERIAL NUMBER /REMARKS
310	FM1-R492-000		1	PAPER PICK-UP ASSEMBLY, 1	
1	WG8-6233-000		3	PHOTO-INTERRUPTER	PS9, PS11, PS13, J2021, J2024, J2801
2	FE2-D339-000		1	LEVER, PAPER YES/NO DETECT	
3	FE4-4426-000		1	ROLLER, EXTRACTION	
4	FL1-5821-000		1	ONE-WAY CLUTCH ASSEMBLY	
5	FL4-0150-000		1	ROLLER, SEPARATION	[DP]
6	FL4-0387-000		1	COUPLING, ONE-WAY, LARGE	
7	FL4-0388-000		1	GEAR, 23T	
8	FL4-0762-000		1	ROLLER, PAPER PICK-UP	[DP]
9	FL4-0763-000		1	ROLLER, PAPER FEED	[DP]
10	FL4-1087-000		1	GEAR, 19T	
11	FE4-9853-000		1	LIMITTER, TORQUE	
12	FL0-2465-000		1	SHEET, ROLLER GUIDE 1	
13	FL0-3585-000		1	SHEET, ROLLER GUIDE 2	
14	WG8-5783-000		2	IC,PHOTO-INTERRUPTER,LG248NL1A	PS1, PS7, J2022, J2023
15	XA9-2050-000		10	SCREW, SELF-TAPPING, M3	

Figure 311 PAPER PICK-UP ASSEMBLY, 2

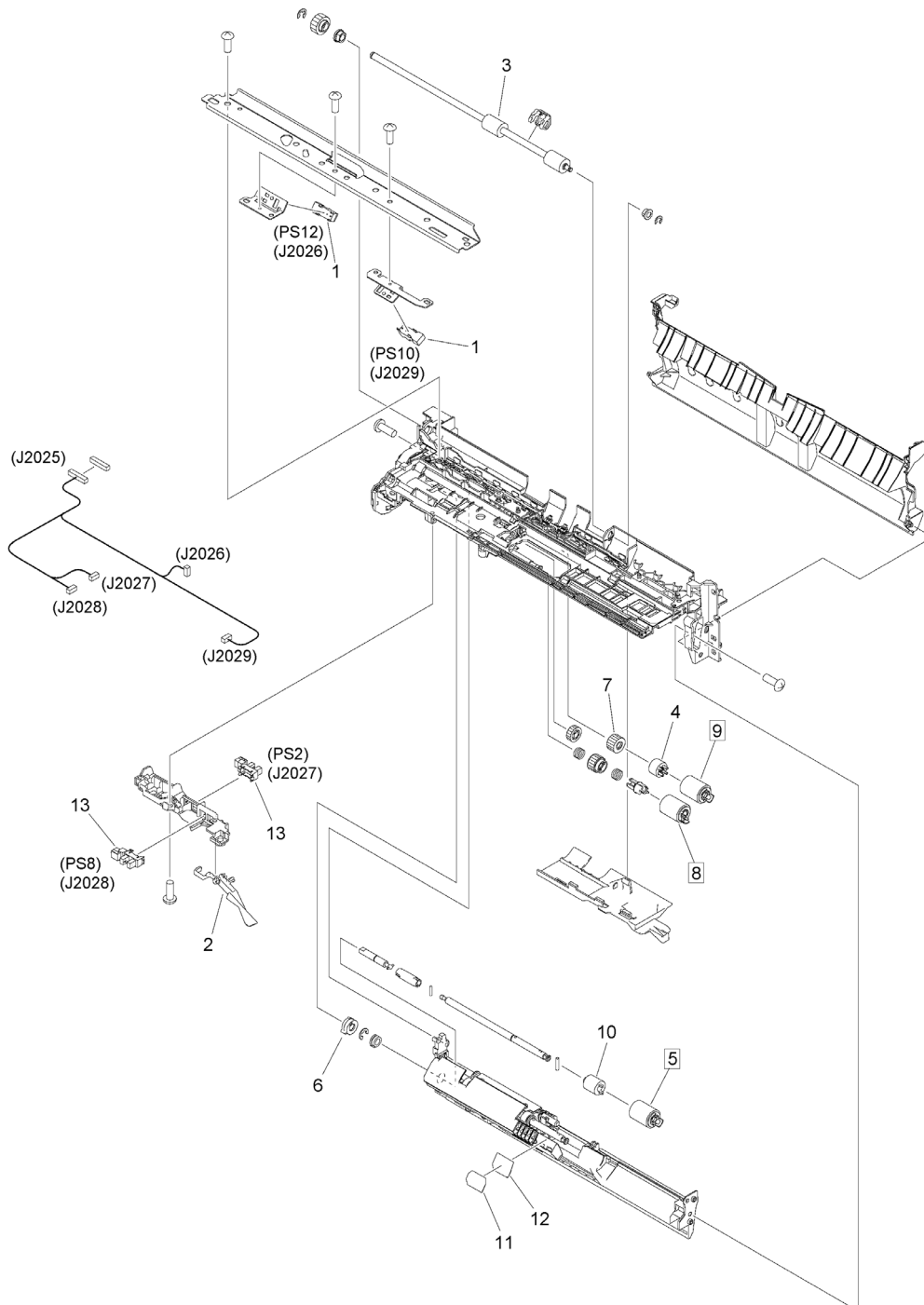


FIGURE & KEY NO.	PART NUMBER	RANK	QTY	DESCRIPTION	SERIAL NUMBER /REMARKS
311	FM1-R495-000		1	PAPER PICK-UP ASSEMBLY, 2	
1	WG8-6233-000		2	PHOTO-INTERRUPTER	PS10, PS12, J2026, J2029
2	FE2-D339-000		1	LEVER, PAPER YES/NO DETECT	
3	FE4-4426-000		1	ROLLER, EXTRACTION	
4	FL1-5821-000		1	ONE-WAY CLUTCH ASSEMBLY	
5	FL4-0150-000		1	ROLLER, SEPARATION	[DP]
6	FL4-0387-000		1	COUPLING, ONE-WAY, LARGE	
7	FL4-0388-000		1	GEAR, 23T	
8	FL4-0762-000		1	ROLLER, PAPER PICK-UP	[DP]
9	FL4-0763-000		1	ROLLER, PAPER FEED	[DP]
10	FE4-9853-000		1	LIMITTER, TORQUE	
11	FL0-2465-000		1	SHEET, ROLLER GUIDE 1	
12	FL0-3585-000		1	SHEET, ROLLER GUIDE 2	
13	WG8-5783-000		2	IC,PHOTO-INTERRUPTER,LG248NL1A	PS2, PS8, J2027, J2028

Figure 313 VERTICAL PATH LOWER GUIDE ASS'Y

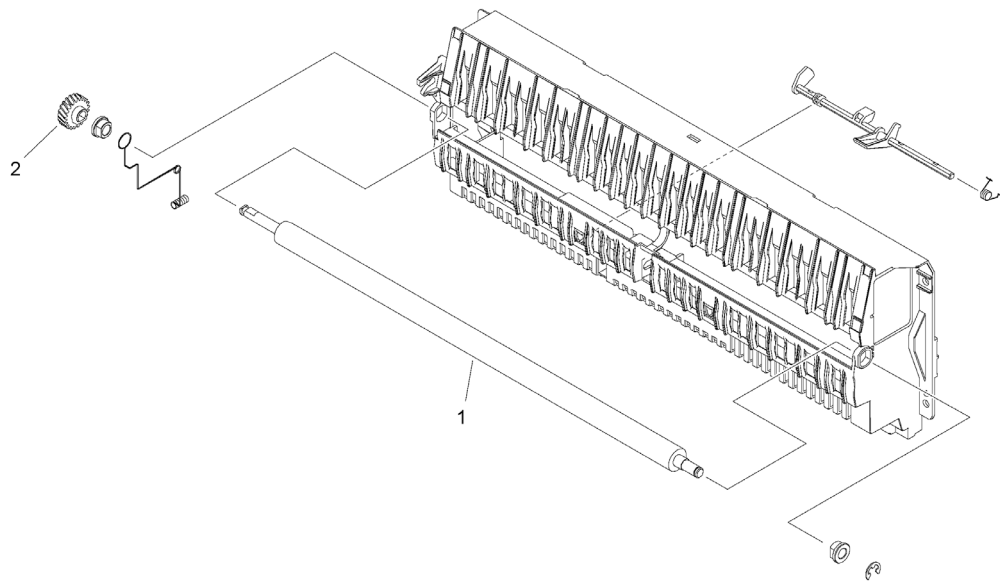


FIGURE & KEY NO.	PART NUMBER	RANK	QTY	DESCRIPTION	SERIAL NUMBER /REMARKS
313	NPN		RF	VERTICAL PATH LOWER GUIDE ASSY	
1	FL1-3979-000		1	ROLLER, DELIVERY ENT. DRIVE	
2	FU2-2397-000		1	GEAR, 21T	

Figure 315 MULTI PAPER PICK-UP TRAY ASS'Y

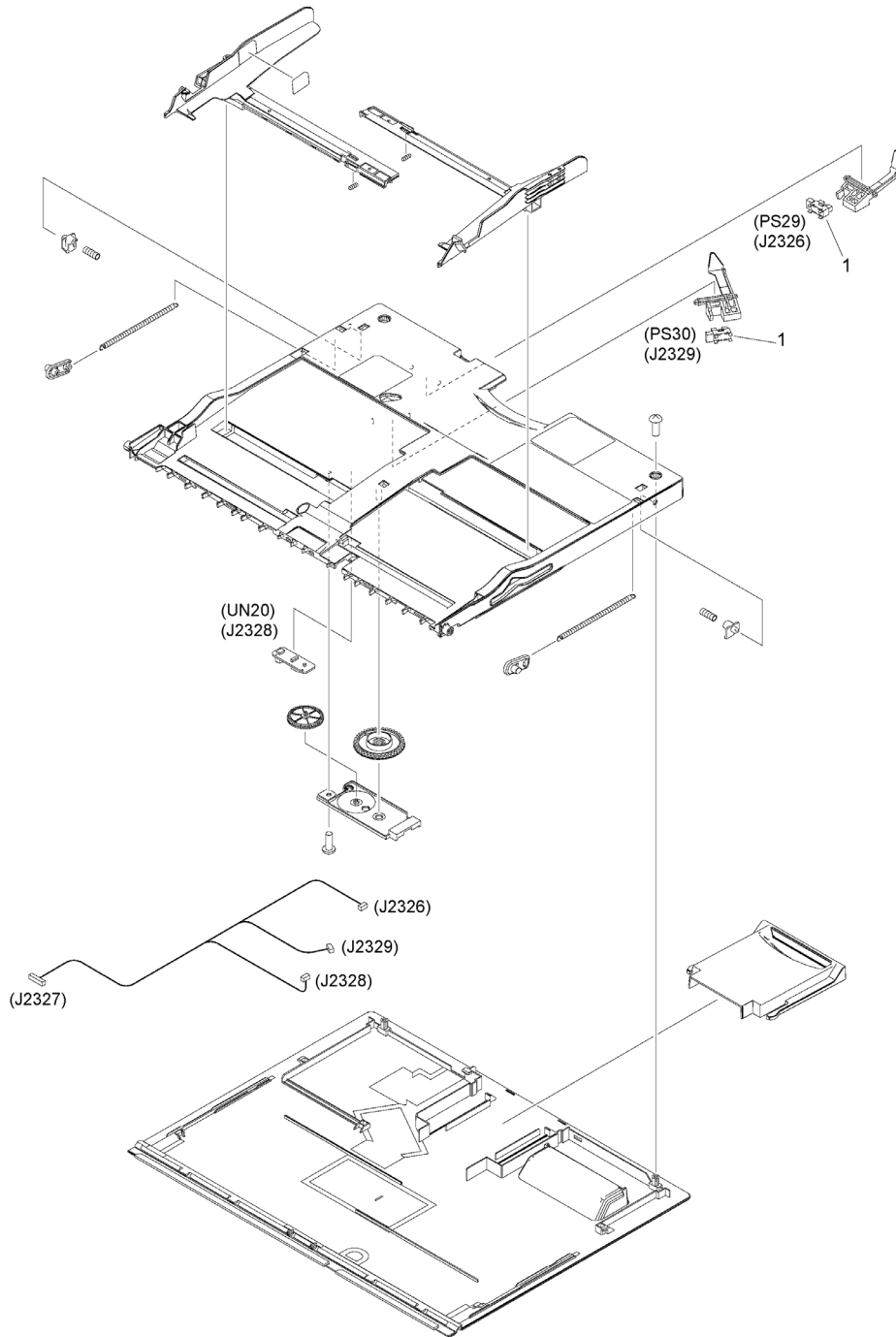


FIGURE & KEY NO.	PART NUMBER	R A N K	QTY	DESCRIPTION	SERIAL NUMBER /REMARKS
315	FM1-R497-000		1	MULTI PAPER PICK-UP TRAY ASS'Y	
1	WG8-5935-000		2	IC, PHOTO INTERRUPTER	PS29, PS30, J2326, J2329

Figure 316 MULTI PAPER PICK-UP ASSEMBLY

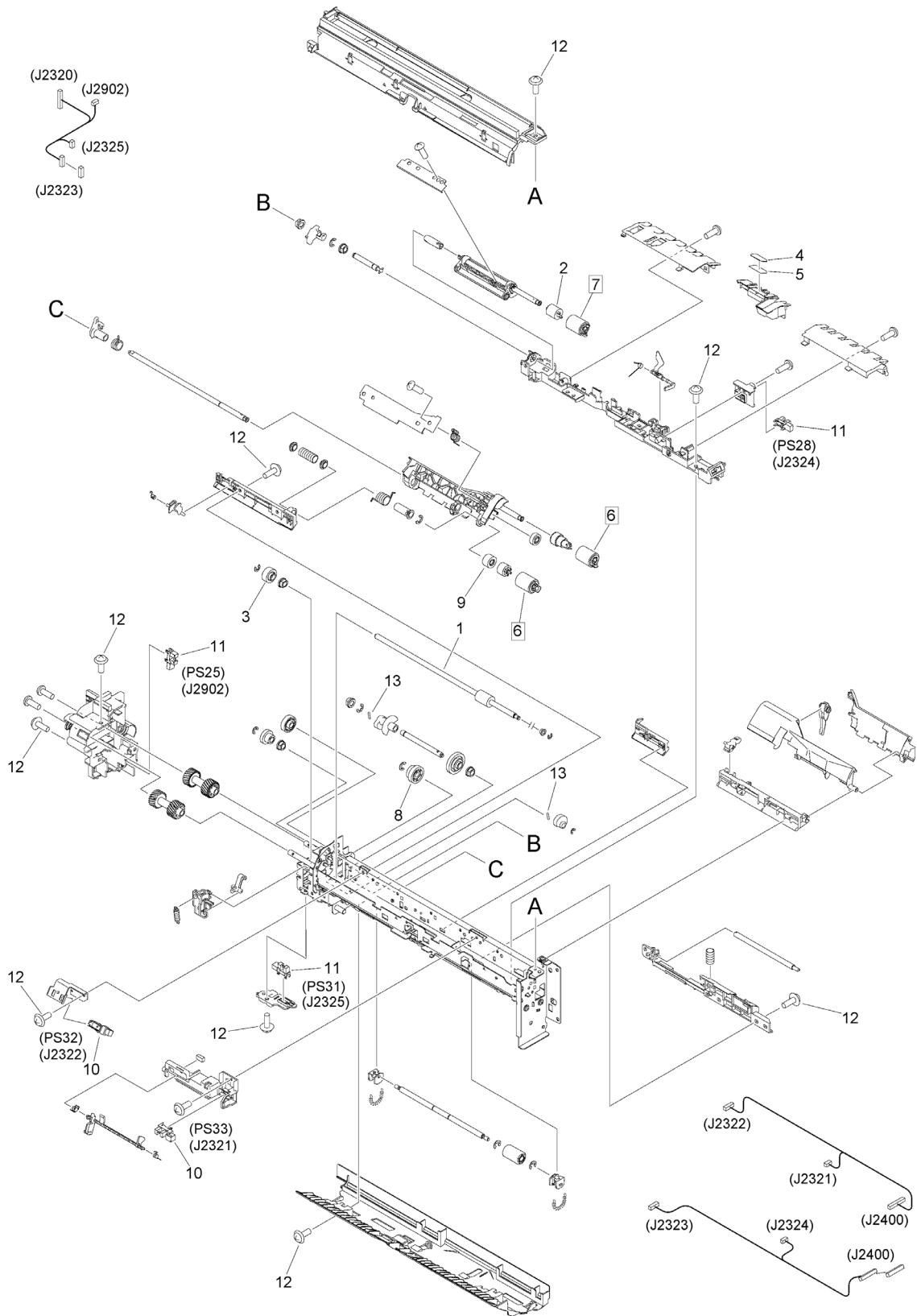


FIGURE & KEY NO.	PART NUMBER	RANK	QTY	DESCRIPTION	SERIAL NUMBER /REMARKS
316	FM1-R484-000		1	MULTI PAPER PICK-UP ASSEMBLY	
1	FE4-5020-000		1	ROLLER, MULTI EXTRACTION	
2	FE4-5133-000		1	LIMITTER, TORQUE	
3	FL1-3794-000		1	GEAR, 19T	
4	FL0-2465-000		1	SHEET, ROLLER GUIDE 1	
5	FL0-3585-000		1	SHEET, ROLLER GUIDE 2	
6	FL4-0762-000		2	ROLLER, PAPER PICK-UP	[DP]
7	FL1-3762-010		1	ROLLER, SEPARATION	[DP]
8	FL4-0370-000		1	GEAR, 34T/17T	
9	FL4-0404-000		1	GEAR, 23T	
10	WG8-5783-000		2	IC,PHOTO-INTERRUPTER,LG248NL1A	PS32, PS33, J2321, J2322
11	WG8-5935-000		3	IC, PHOTO INTERRUPTER	PS25, PS28, PS31, J2324, J2325, J2902
12	XA9-2050-000		15	SCREW, SELF-TAPPING, M3	
13	XD9-0333-000		2	PIN, PARALLEL	

Figure 320 SECONDARY TRANSFER ASS'Y

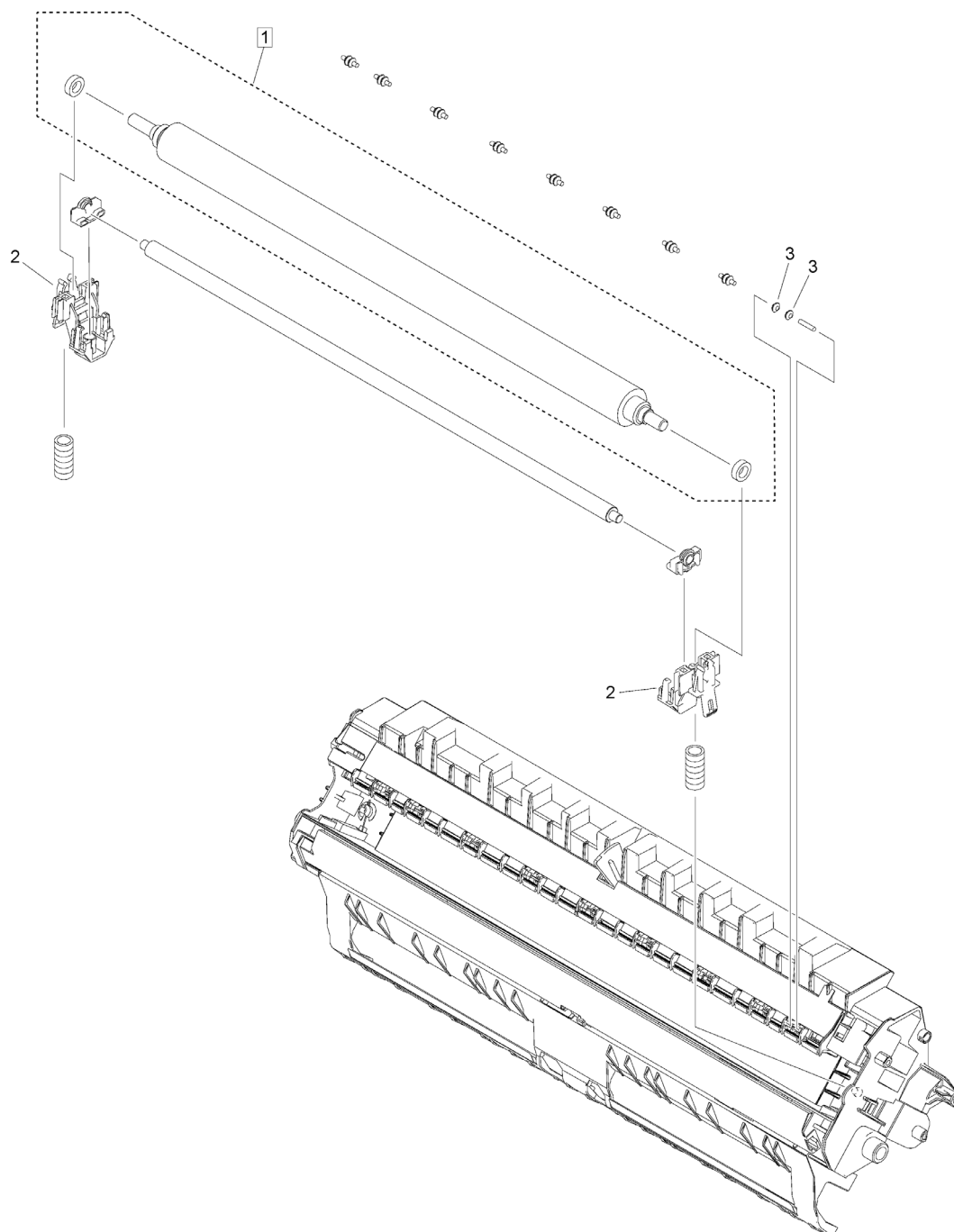


FIGURE & KEY NO.	PART NUMBER	RANK	QTY	DESCRIPTION	SERIAL NUMBER /REMARKS
320	FM1-T031-000		1	SECONDARY TRANSFER ASS'Y	SEE NOTE
1	FM2-D557-000		1	2ND TRNSFR. OUTER ROLLER SET	[DP]
2	FM1-T033-000		2	2ND TRNSFR. BUSHING ASS'Y	
3	FE2-B561-000		18	ROLLER	

Figure 321 REGISTRATION ASSEMBLY

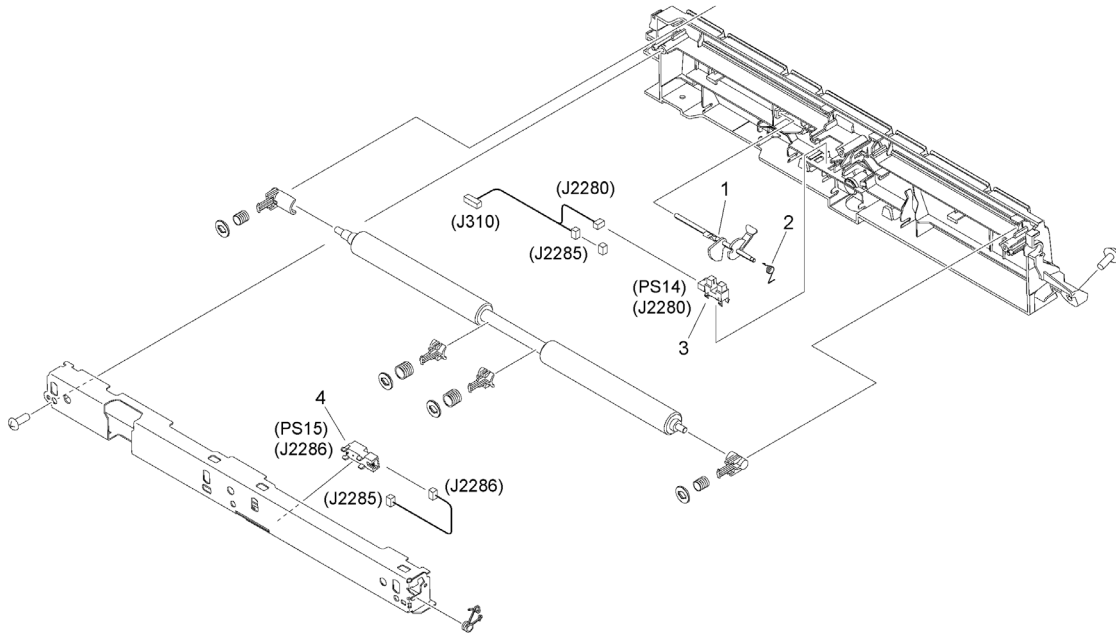


FIGURE & KEY NO.	PART NUMBER	RANK	QTY	DESCRIPTION	SERIAL NUMBER /REMARKS
321	FM1-T088-000		1	REGISTRATION ASSEMBLY	
1	FE8-8486-000		1	FLAG, SENSOR	
2	FU2-0088-000		1	SPRING, TORSION	
3	WG8-5935-000		1	IC, PHOTO INTERRUPTER	PS14, J2280
4	WG8-6233-000		1	PHOTO-INTERRUPTER	PS15, J2286

Figure 332 DUPLEXING GUIDE ASSEMBLY

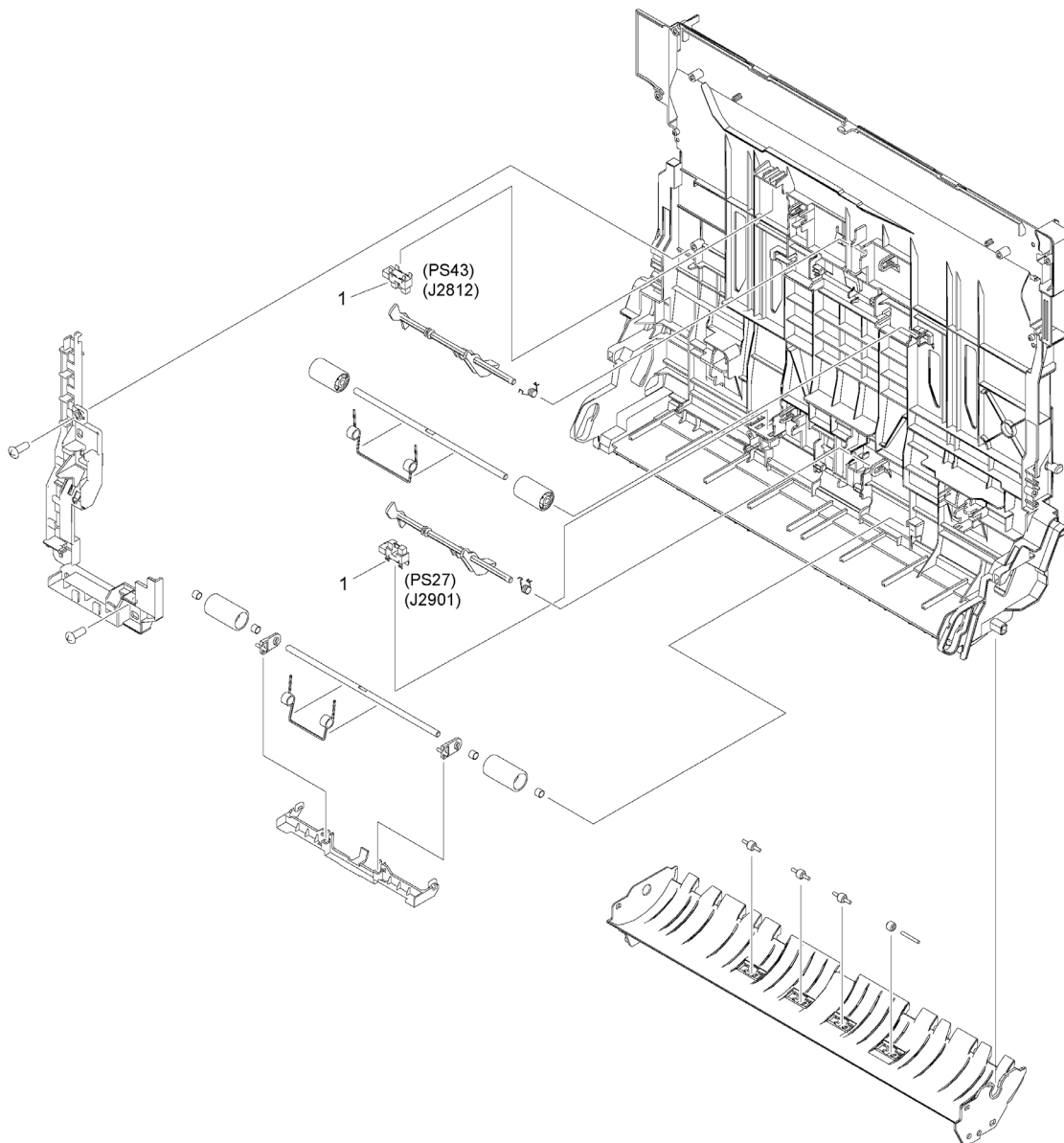


FIGURE & KEY NO.	PART NUMBER	R A N K	QTY	DESCRIPTION	SERIAL NUMBER /REMARKS
332	NPN		RF	DUPLEXING GUIDE ASSEMBLY	
1	WG8-5935-000		2	IC, PHOTO INTERRUPTER	PS27, PS43, J2812, J2901

Figure 350 PAPER DELIVERY ASSEMBLY

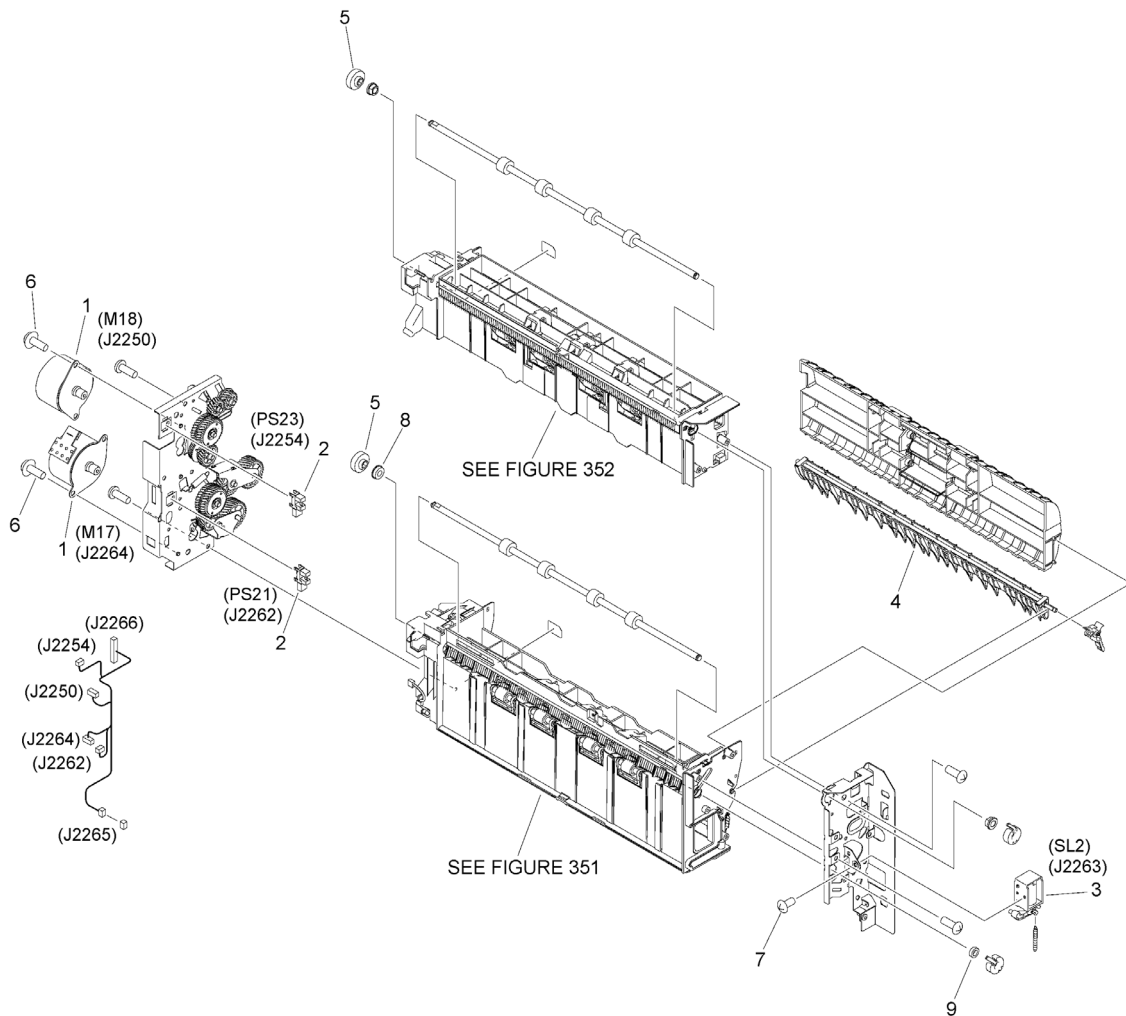


FIGURE & KEY NO.	PART NUMBER	RANK	QTY	DESCRIPTION	SERIAL NUMBER /REMARKS
350	FM1-T681-000		1	PAPER DELIVERY ASSEMBLY	
1	FM2-U945-000		2	MOTOR, STEPPING, DC	M17, M18, J2250, J2264
2	WG8-5935-000		2	IC, PHOTO INTERRUPTER	PS21, PS23, J2254, J2262
3	FM1-T125-000		1	SOLENOID ASSEMBLY	SL2, J2263
4	FM1-U133-000		1	PAPER DELIVERY FLAPPER ASS'Y	
5	FU2-2397-000		2	GEAR, 21T	
6	XA9-2050-000		4	SCREW, SELF-TAPPING, M3	
7	XA9-2008-000		1	SCREW,M3X4	
8	XG9-0783-000		1	BEARING, BALL, L-1060ZZ	
9	XG9-0797-000		1	BEARING, BALL, LF-1260ZZRPOP25	

Figure 351 FIRST PAPER DELIVERY ASSEMBLY

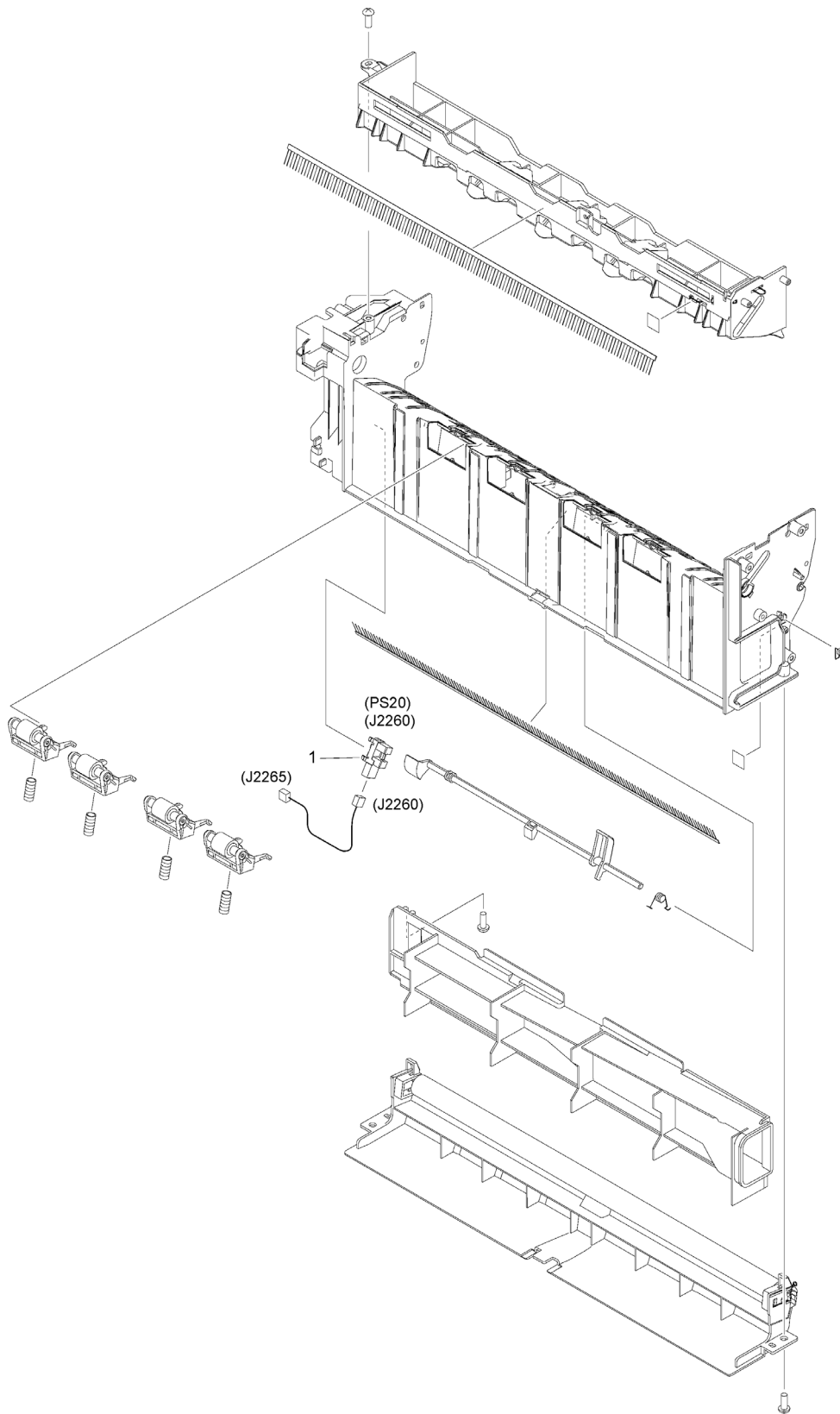


FIGURE & KEY NO.	PART NUMBER	R A N K	QTY	DESCRIPTION	SERIAL NUMBER /REMARKS
351	NPN		RF	FIRST PAPER DELIVERY ASSEMBLY	
1	WG8-5935-000		1	IC, PHOTO INTERRUPTER	PS20, J2260

Figure 352 SECOND PAPER DELIVERY ASSEMBLY

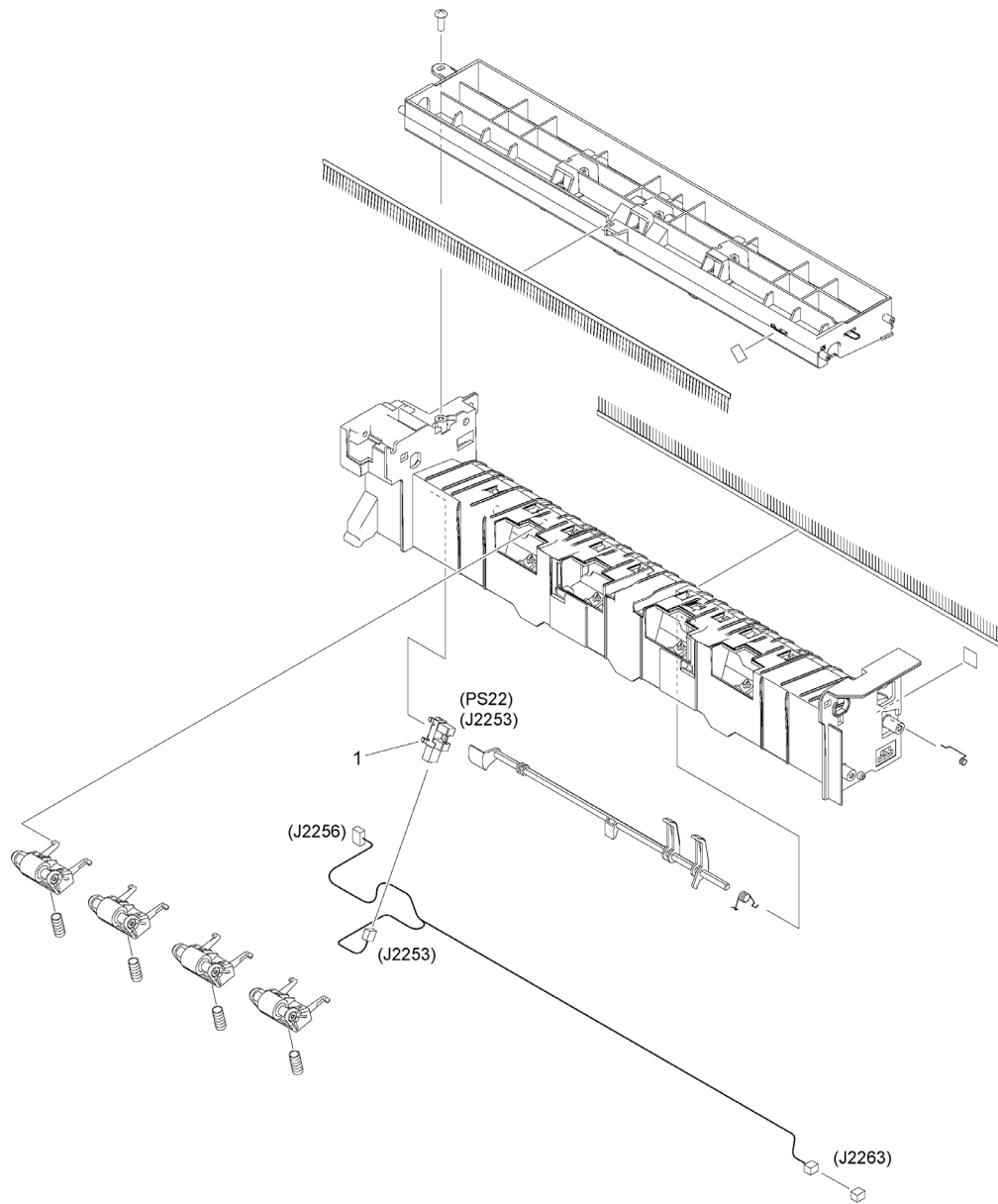


FIGURE & KEY NO.	PART NUMBER	R A N K	QTY	DESCRIPTION	SERIAL NUMBER /REMARKS
352	NPN		RF	SECOND PAPER DELIVERY ASSEMBLY	
1	WG8-5935-000		1	IC, PHOTO INTERRUPTER	PS22, J2253

Figure 460A LASER SCANNER ASSEMBLY (6870 SERIES)

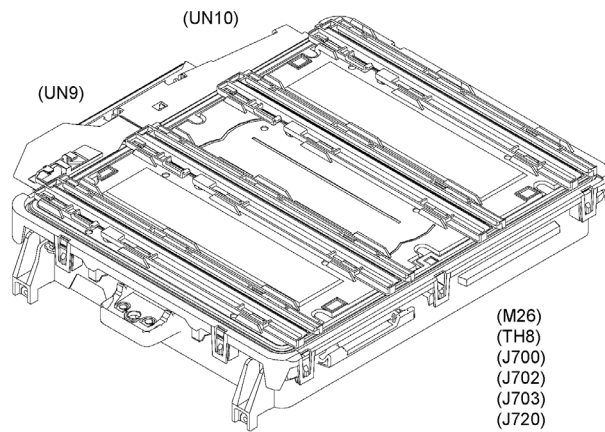


FIGURE & KEY NO.	PART NUMBER	R A N K	QTY	DESCRIPTION	SERIAL NUMBER /REMARKS
460A	FM1-U545-000		1	LASER SCANNER ASSEMBLY	M26, TH8, UN9, UN10, J700, J702, J703, J720 6870 SERIES

Figure 460B LASER SCANNER ASSEMBLY (6860 SERIES)

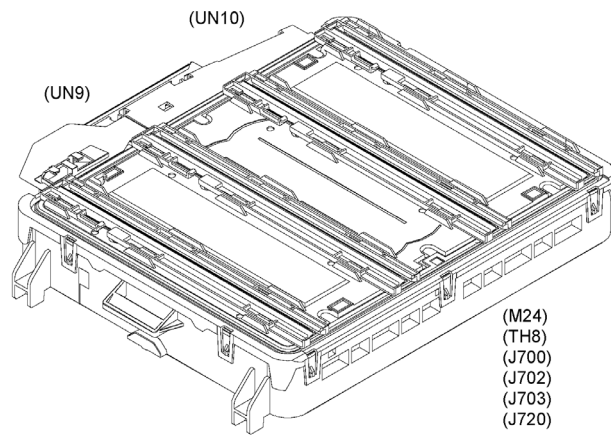


FIGURE & KEY NO.	PART NUMBER	R A N K	QTY	DESCRIPTION	SERIAL NUMBER /REMARKS
460B	FM1-U544-000		1	LASER SCANNER ASSEMBLY	M24, TH8, UN9, UN10, J700, J702, J703, J720 6860 SERIES

Figure 530 INTER. TRANSFER BELT ASS'Y

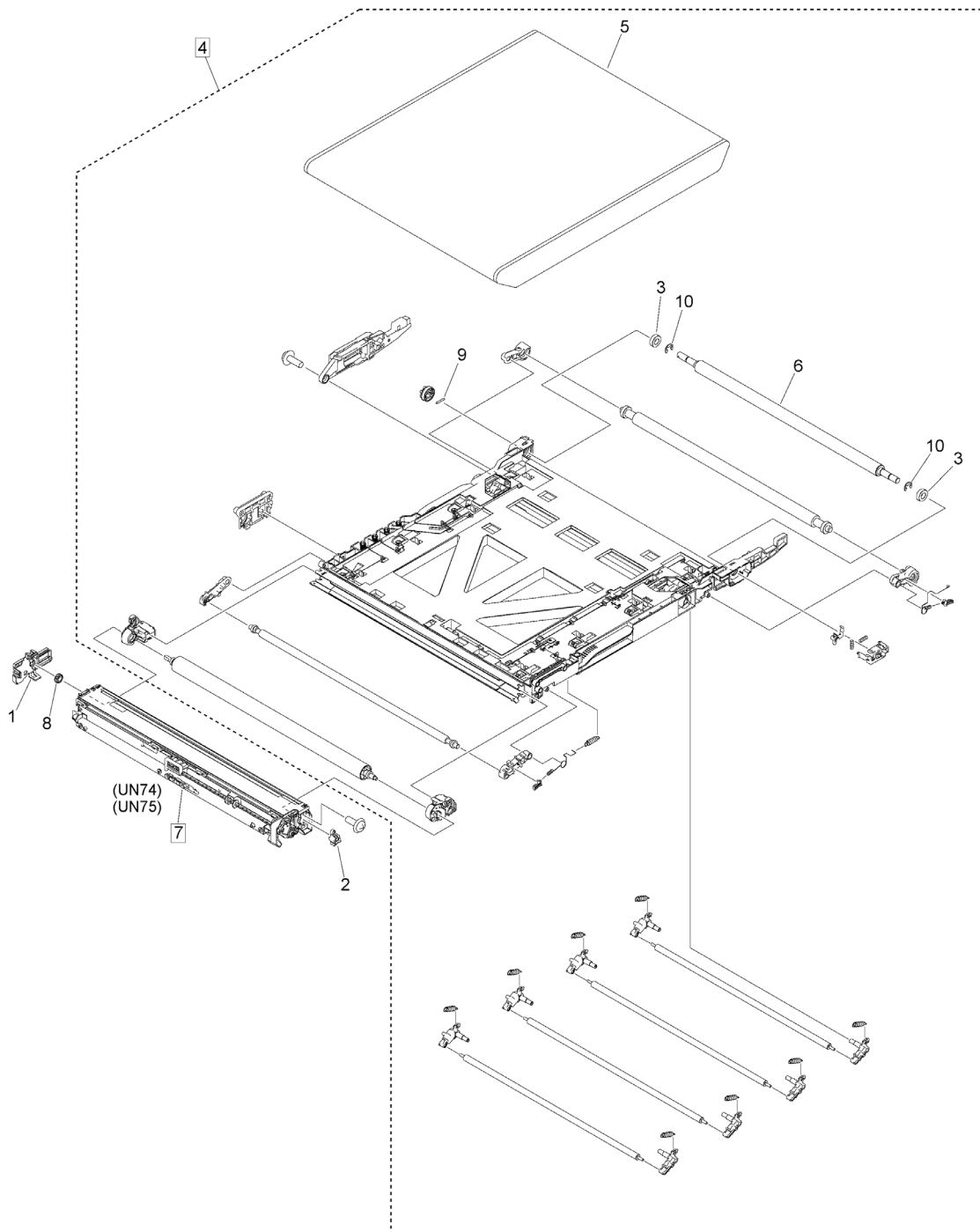


FIGURE & KEY NO.	PART NUMBER	RANK	QTY	DESCRIPTION	SERIAL NUMBER /REMARKS
530	NPN		RF	INTER. TRANSFER BELT ASS'Y	
1	FE8-7290-000		1	HOLDER, CLEANER GEAR	
2	FE8-7296-000		1	PLATE, CLEANER LINK	
3	XG9-0793-000		2	BEARING, BALL, L-1680KKRP0P25L	
4	FM1-U600-000		1	INTER. TRANSFER BELT ASS'Y	[DP]
5	FL1-3540-000		1	BELT, INTERMEDIATE TRANSFER	
6	FE8-6888-000		1	ROLLER, 2ND TRANSFER, INNER	
7	FM1-R475-000		1	TRANSFER CLEANER ASS'Y	UN74, UN75 [DP]
8	FU2-2360-000		1	GEAR, 17T	
9	XD9-0335-000		1	PIN, PARALLEL	
10	XD9-0396-000		2	RETAINING RING (E-TYPE)	

Figure 627 BOTTLE BASE ASSEMBLY

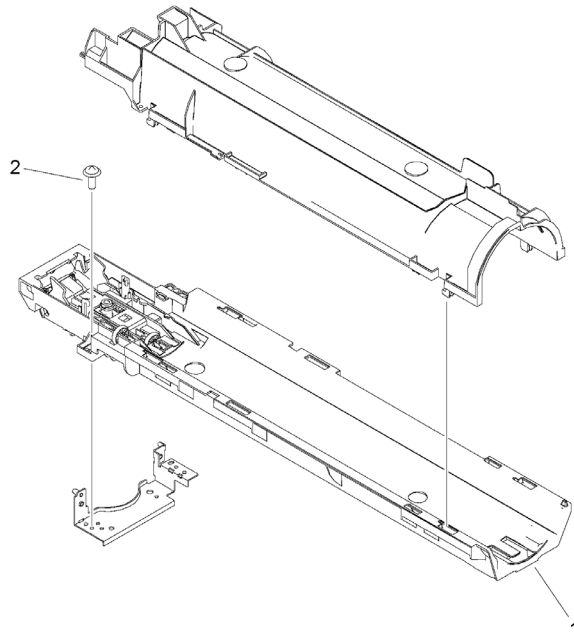


FIGURE & KEY NO.	PART NUMBER	R A N K	QTY	DESCRIPTION	SERIAL NUMBER /REMARKS
627	NPN		RF	BOTTLE BASE ASSEMBLY	
1	FM1-Y758-000		1	TONER BOTTLE MOUNT(BK) UNIT	
2	XA9-2050-000		2	SCREW, SELF-TAPPING, M3	

Figure 640 DEVELOPING ASSEMBLY

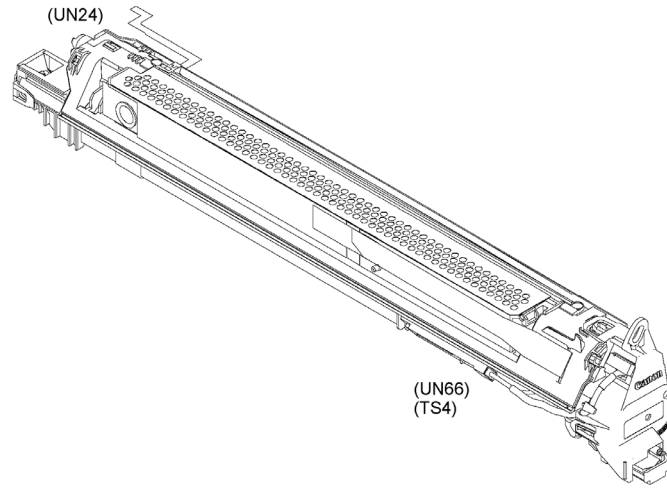


FIGURE & KEY NO.	PART NUMBER	R A N K	QTY	DESCRIPTION	SERIAL NUMBER /REMARKS
640	FM1-R550-000		1	DEVELOPING ASSEMBLY	UN66, TS4, UN24 [DP]

Figure 650B TRAY DRUM ASSEMBLY

NOTE 1 : Several kinds of labels are attached on the board for the parts of Key No. 4. NOTE 2 : Several kinds of labels are attached on the board for the parts of Key No. 5. NOTE 3 : The part shown with key No. 5 is same as Fig-Key No. 100-22.

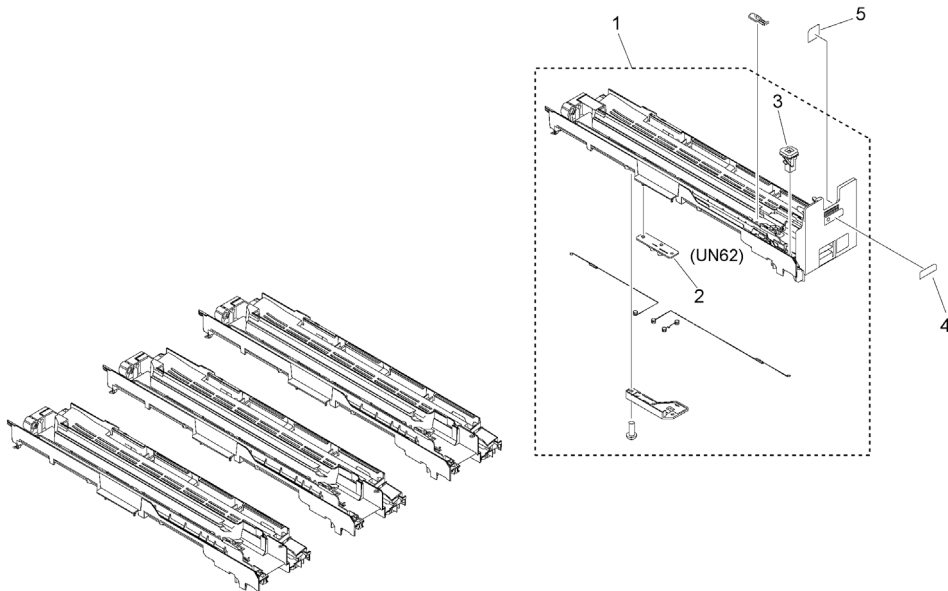


FIGURE & KEY NO.	PART NUMBER	RANK	QTY	DESCRIPTION	SERIAL NUMBER /REMARKS
650B	NPN		RF	TRAY DRUM ASSEMBLY	
1	FM1-R570-000		1	DRUM TRAY UNIT	
2	FM2-M958-000		1	RECTIFIER PCB ASSEMBLY	UN62
3	FL1-3930-000		1	SHUTTER	
4	FE2-H513-000		1	LABEL, DRUM NUMBER	SEE NOTE 1
5	FE2-H515-000		1	LABEL, TONER	SEE NOTE 2 SEE NOTE 3

Figure 770 CONTAINER, WASTE TONER, WT-202

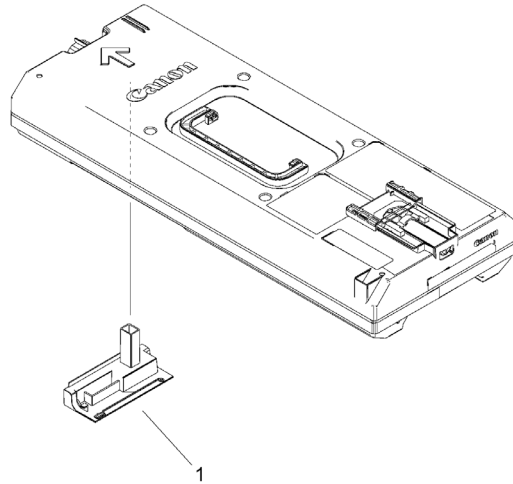


FIGURE & KEY NO.	PART NUMBER	R A N K	QTY	DESCRIPTION	SERIAL NUMBER /REMARKS
770	FM1-A606-050		1	CONTAINER, WASTE TONER, WT-202	[DP]
1	FLO-7007-000		1	WINDOW, WASTE TONER CASE	

Figure 771 WASTE TONER DRIVE ASS'Y, FRONT

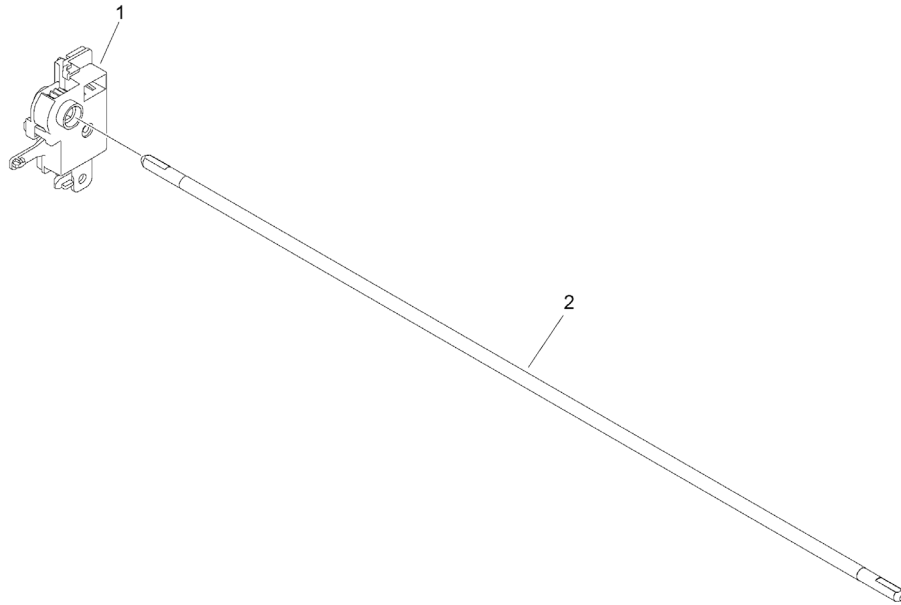


FIGURE & KEY NO.	PART NUMBER	RANK	QTY	DESCRIPTION	SERIAL NUMBER /REMARKS
771	NPN		RF	WASTE TONER DRIVE ASS'Y, FRONT	
1	FM1-R562-000		1	WASTE TONER DRIVE ASS'Y, FRONT	
2	FE2-R776-000		1	SHAFT, TRANSMISSION	

Figure 772 WASTE TONER DRIVE ASS'Y, REAR

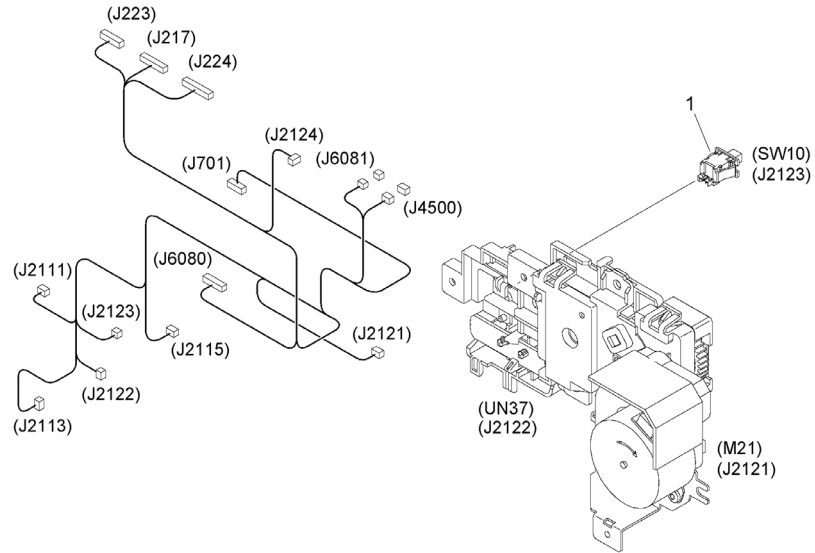


FIGURE & KEY NO.	PART NUMBER	R A N K	QTY	DESCRIPTION	SERIAL NUMBER /REMARKS
772	FM1-R560-000		1	WASTE TONER DRIVE ASS'Y, REAR	M21, UN37, J2121, J2122
1	WC2-5806-000		1	SWITCH, PUSH	SW10, J2123

Figure 773 WASTE TONER FEED ASSEMBLY

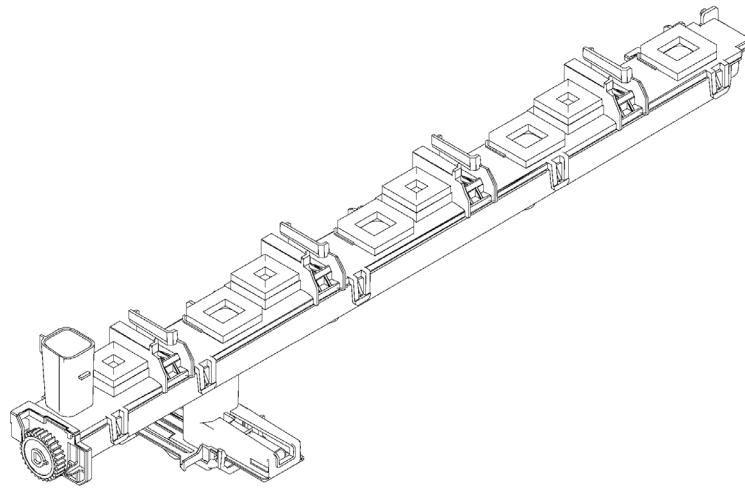


FIGURE & KEY NO.	PART NUMBER	R A N K	QTY	DESCRIPTION	SERIAL NUMBER /REMARKS
773	FM1-R563-000		1	WASTE TONER FEED ASSEMBLY	

Figure 774 INTERMEDIATE FEED DRIVE ASS'Y

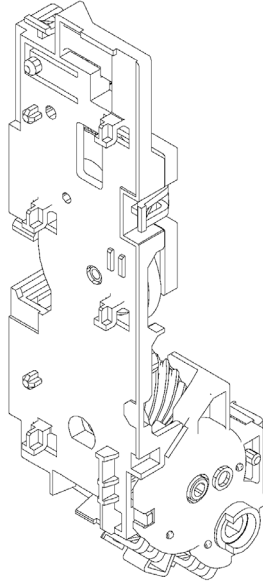


FIGURE & KEY NO.	PART NUMBER	R A N K	QTY	DESCRIPTION	SERIAL NUMBER /REMARKS
774	FM1-R564-000		1	INTERMEDIATE FEED DRIVE ASSY	

Figure 775 INTERMEDIATE FEED ASS'Y

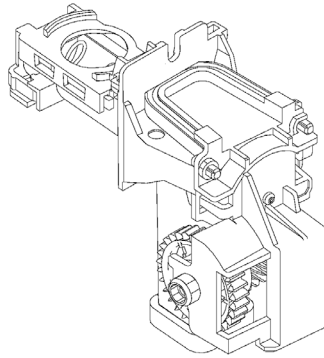


FIGURE & KEY NO.	PART NUMBER	R A N K	QTY	DESCRIPTION	SERIAL NUMBER /REMARKS
775	FM1-R565-000		1	INTERMEDIATE FEED ASS'Y	

Figure 810B FIXING ASSEMBLY, FX-501 (120V)

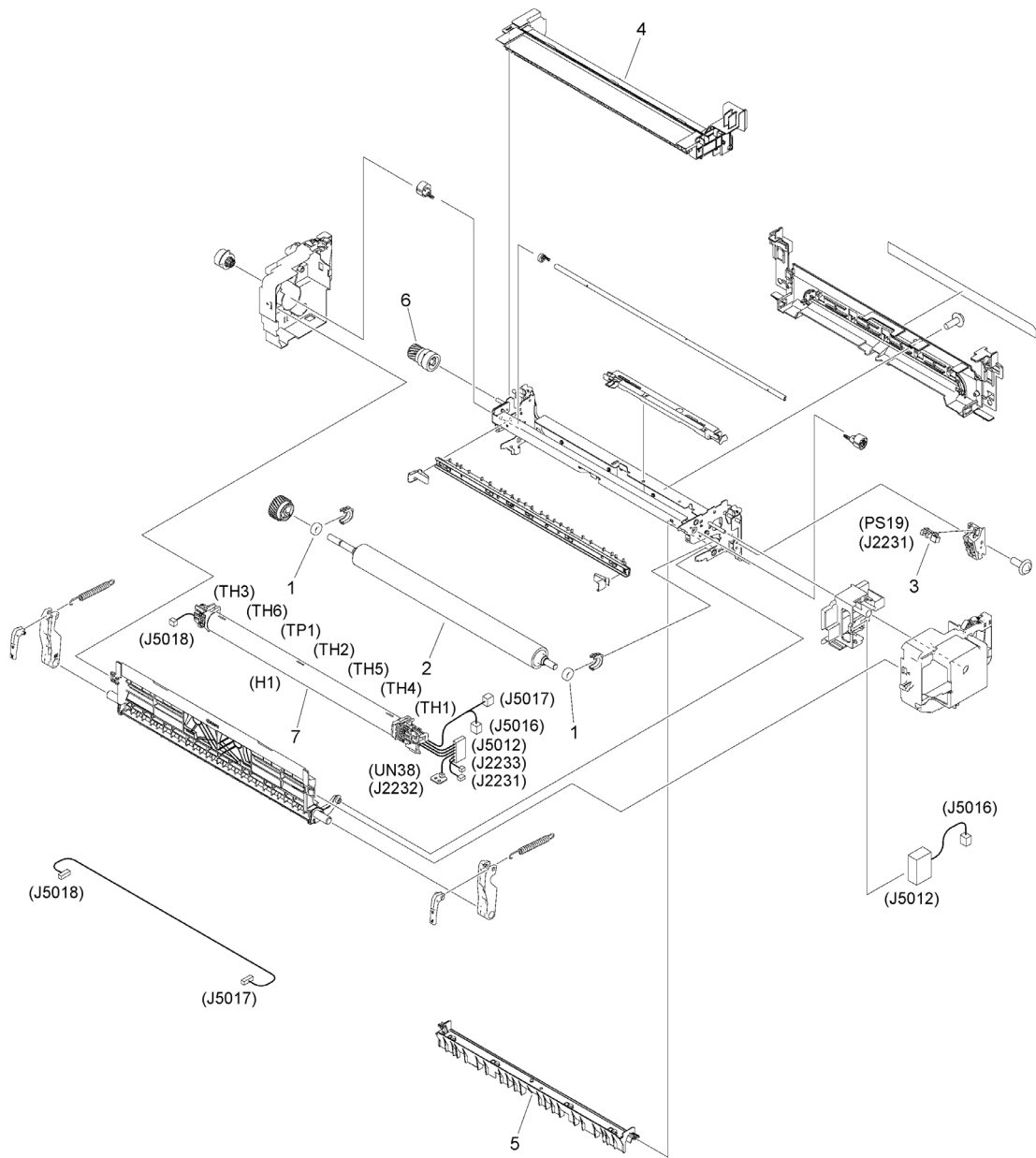


FIGURE & KEY NO.	PART NUMBER	RANK	QTY	DESCRIPTION	SERIAL NUMBER /REMARKS
810B	FM2-D446-000		1	FIXING ASSEMBLY, FX-501	120V [DP]
1	XG9-0875-000		2	BEARING, BALL, NS P0 16MM	
2	FE8-7461-000		1	ROLLER, PRESSURE	
3	WG8-5783-000		1	IC,PHOTO-INTERRUPTER,LG248NL1A	PS19, J2231
4	FM1-R510-000		1	INNER PAPER DELIVERY UNIT	
5	FM1-R511-000		1	ENTRANCE GUIDE UNIT	
6	FM1-R512-000		1	FUSER ONE-WAY GEAR UNIT	
7	FM2-D538-000		1	FIXING FILM ASSEMBLY	H1, TH1, TH2, TH3, TH4, TH5, TH6, TP1, UN38, J2231, J2232, J2233, J5012, J5016, J5017, J5018

Figure 810C FIXING ASSEMBLY, FX-501 (230V)

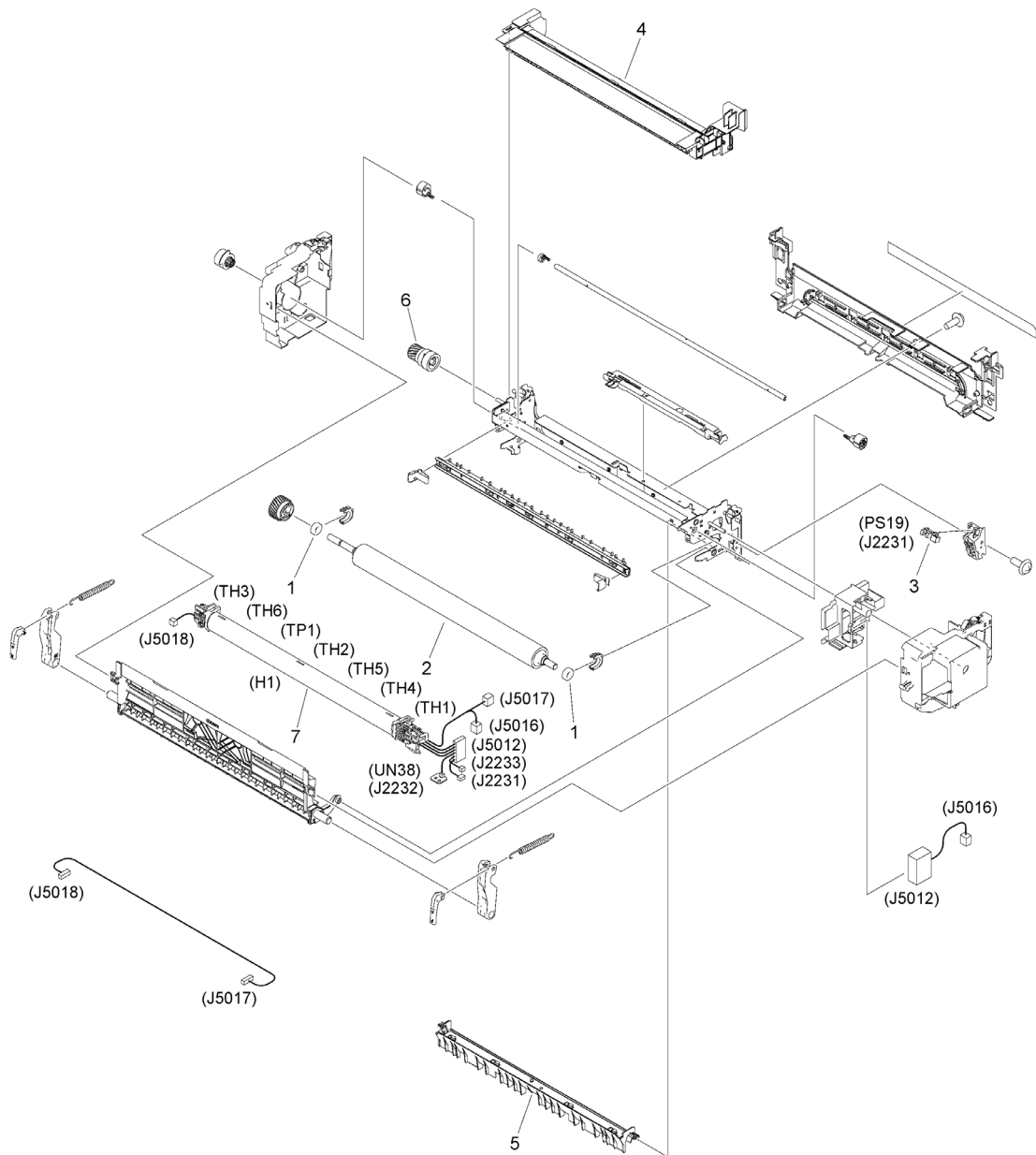


FIGURE & KEY NO.	PART NUMBER	RANK	QTY	DESCRIPTION	SERIAL NUMBER /REMARKS
810C	FM2-D447-000		1	FIXING ASSEMBLY, FX-501	230V [DP]
1	XG9-0875-000		2	BEARING, BALL, NS P0 16MM	
2	FE8-7461-000		1	ROLLER, PRESSURE	
3	WG8-5783-000		1	IC,PHOTO-INTERRUPTER,LG248NL1A	PS19, J2231
4	FM1-R510-000		1	INNER PAPER DELIVERY UNIT	
5	FM1-R511-000		1	ENTRANCE GUIDE UNIT	
6	FM1-R512-000		1	FUSER ONE-WAY GEAR UNIT	
7	FM2-D539-000		1	FIXING FILM ASSEMBLY	H1, TH1, TH2, TH3, TH4, TH5, TH6, TP1, UN38, J2231, J2232, J2233, J5012, J5016, J5017, J5018

Figure 900 CONTROLLER BOX ASSEMBLY

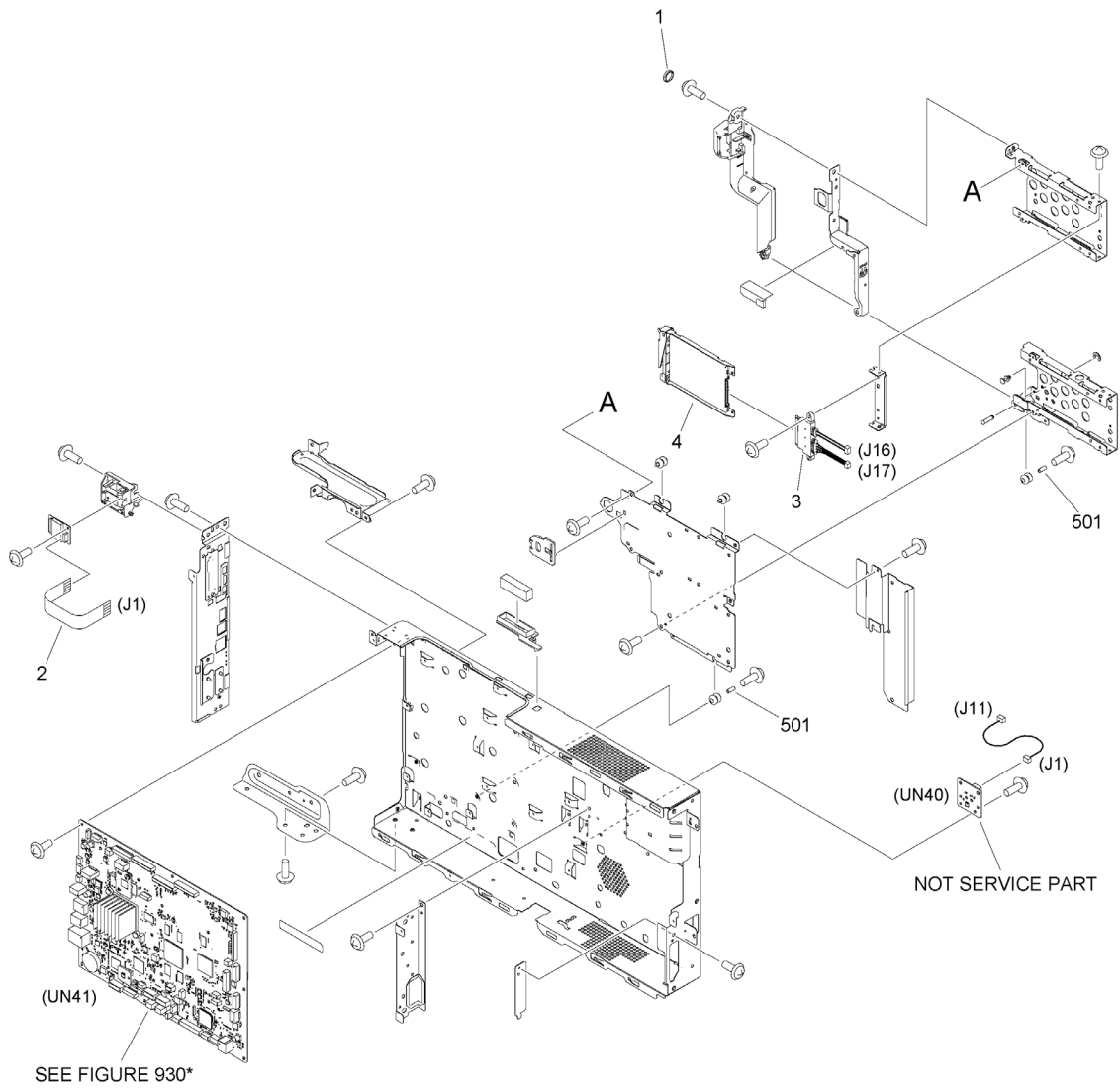


FIGURE & KEY NO.	PART NUMBER	RANK	QTY	DESCRIPTION	SERIAL NUMBER /REMARKS
900	NPN		RF	CONTROLLER BOX ASSEMBLY	
1	FE3-9178-000		1	CAP	
2	FK4-5700-000		1	CABLE, FLAT	J1
3	FK4-6208-000		1	CABLE, SSD	J16, J17
4	FM1-W520-000		1	SSD UNIT	
501	XZ1-1301-005		4	SPACER	

Figure 910B POWER SUPPLY ASSEMBLY (120V)

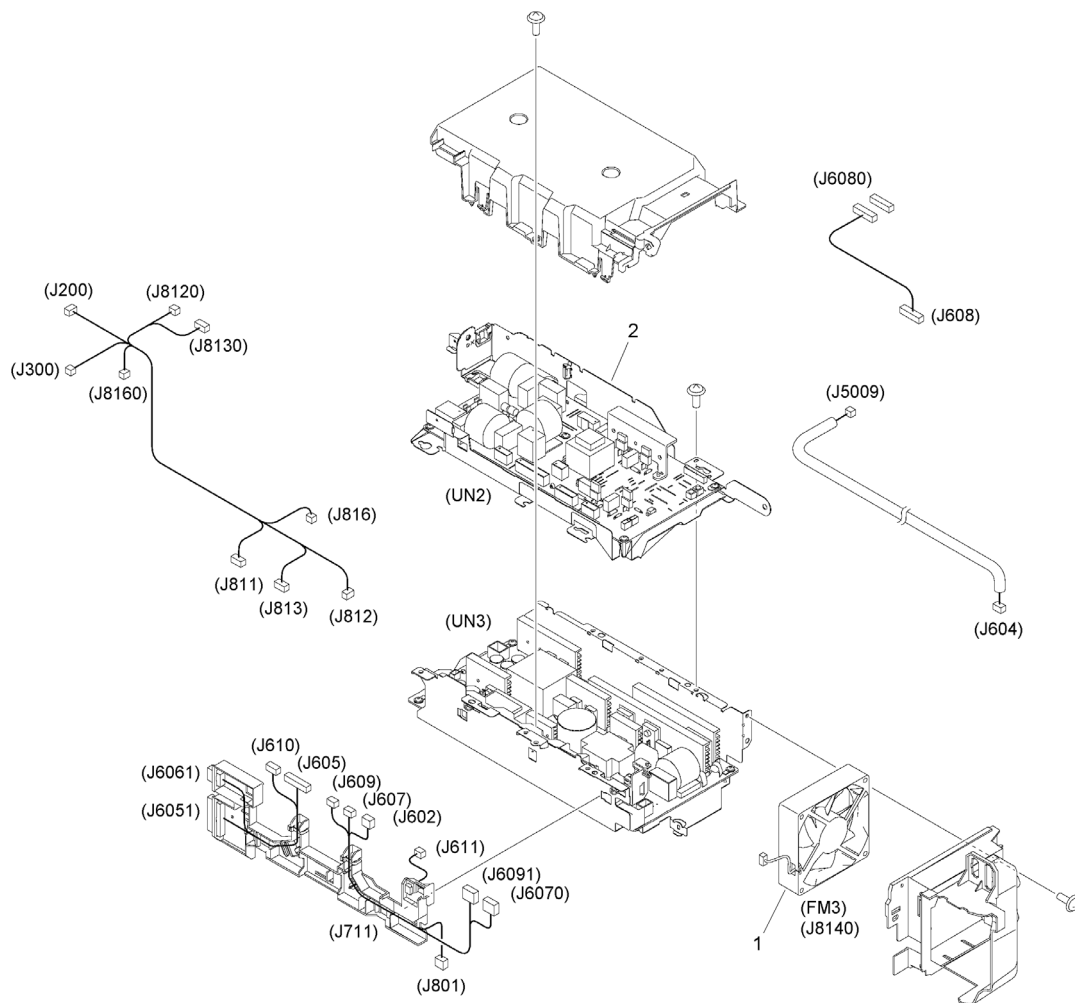


FIGURE & KEY NO.	PART NUMBER	RANK	QTY	DESCRIPTION	SERIAL NUMBER /REMARKS
910B	FM1-U685-000		1	POWER SUPPLY ASSEMBLY	UN3 120V
1	FK2-7286-000		1	FAN	FM3, J8140
2	FM1-T160-000		1	AC DRIVER PCB ASSEMBLY	UN2

Figure 910C POWER SUPPLY ASSEMBLY (230V)

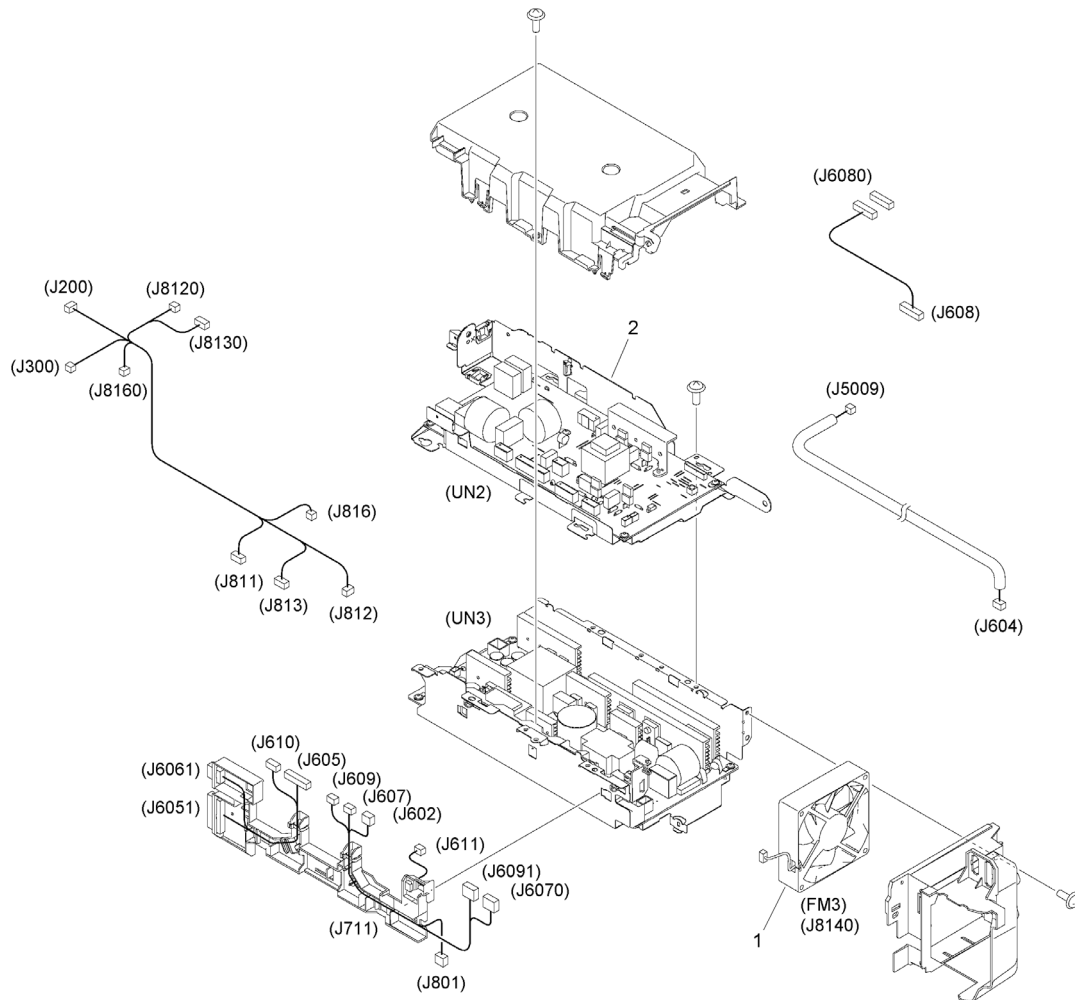


FIGURE & KEY NO.	PART NUMBER	RANK	QTY	DESCRIPTION	SERIAL NUMBER /REMARKS
910C	FM1-U686-000		1	POWER SUPPLY ASSEMBLY	UN3 230V
1	FK2-7286-000		1	FAN	FM3, J8140
2	FM1-U681-000		1	AC DRIVER PCB ASSEMBLY	UN2

Figure 930B MAIN CONTROLLER PCB ASSEMBLY

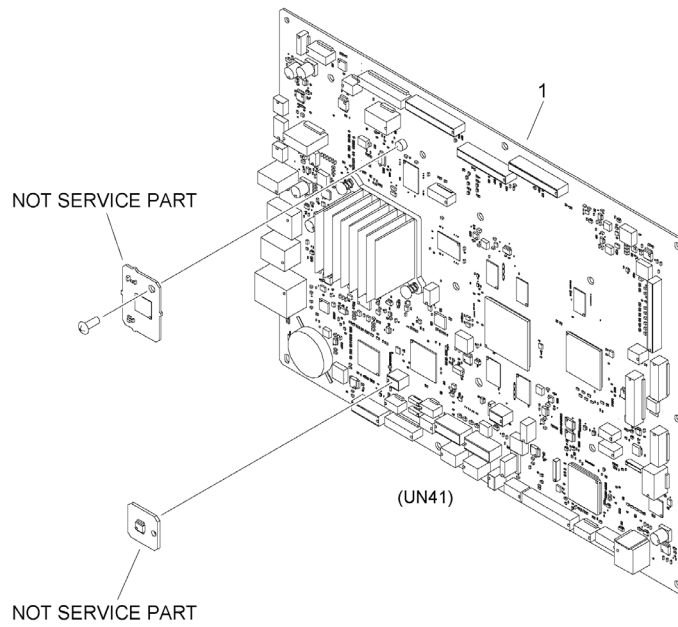


FIGURE & KEY NO.	PART NUMBER	RANK	QTY	DESCRIPTION	SERIAL NUMBER /REMARKS
930B	NPN		RF	MAIN CONTROLLER PCB ASSEMBLY	
1	FM2-V962-000		1	MAIN CONTROLLER PCB ASSEMBLY	UN41 6860 SERIES
1	FM2-V963-000		1	MAIN CONTROLLER PCB ASSEMBLY	UN41 120V 6870 SERIES
1	FM2-V964-000		1	MAIN CONTROLLER PCB ASSEMBLY	UN41 230V 6870 SERIES

Figure 962 PAPER FEED DRIVER PCB ASSEMBLY

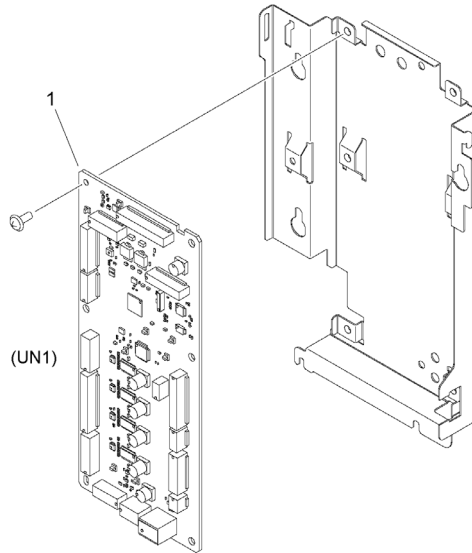


FIGURE & KEY NO.	PART NUMBER	RANK	QTY	DESCRIPTION	SERIAL NUMBER /REMARKS
962	NPN		RF	PAPER FEED DRIVER PCB ASSEMBLY	
1	FM2-X968-000		1	PAPER FEED DRIVER PCB ASSEMBLY	UN1

Figure 980 H. V. PWR SPLY. / EXHAUST ASS' Y

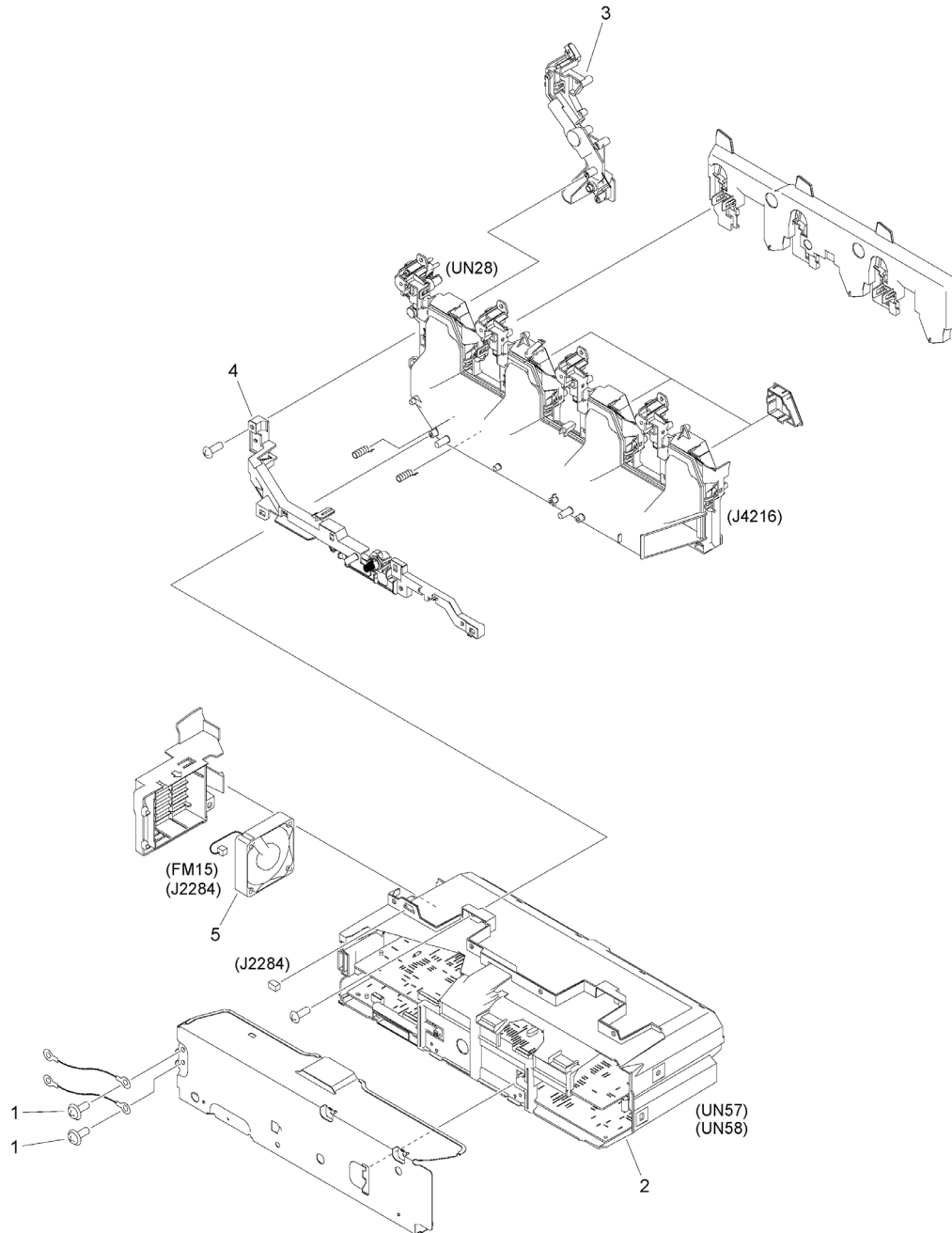


FIGURE & KEY NO.	PART NUMBER	RANK	QTY	DESCRIPTION	SERIAL NUMBER /REMARKS
980	FM1-Y741-000		1	H.V. POWER SUPPLY/ DUCT ASS'Y	
1	XA9-2050-000		2	SCREW, SELF-TAPPING, M3	
2	FM1-Y745-000		1	HIGH VOLTAGE POWER SUPPLY UNIT	UN57, UN58
3	FM1-T155-000		1	2ND TRANSFER GUIDE ASS'Y	
4	FM1-T176-000		1	2ND TRANSFER DUCT GUIDE ASS'Y	
5	FK2-0472-010		1	FAN	FM15, J2284

Figure 981 TRANSFER H. V. PCB ASSEMBLY

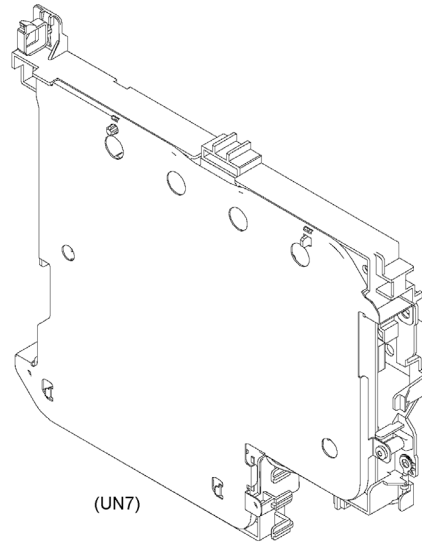


FIGURE & KEY NO.	PART NUMBER	R A N K	QTY	DESCRIPTION	SERIAL NUMBER /REMARKS
981	FM1-Y744-000		1	TRANSFER H.V. PCB ASSEMBLY	UN7

Figure B02 ADF MAINTENANCE KIT

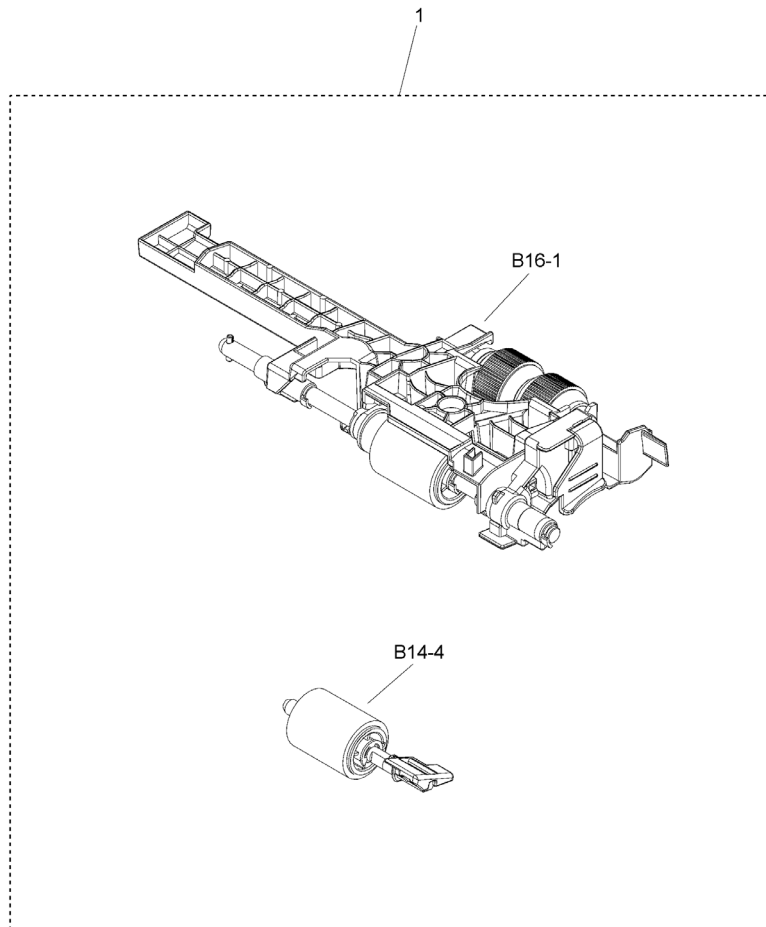


FIGURE & KEY NO.	PART NUMBER	R A N K	QTY	DESCRIPTION	SERIAL NUMBER /REMARKS
B02	NPN		RF	ADF MAINTENANCE KIT	
1	FM2-A273-000		1	ADF MAINTENANCE KIT, DR-205	

Figure B11B INTERNAL COMPONENTS 1

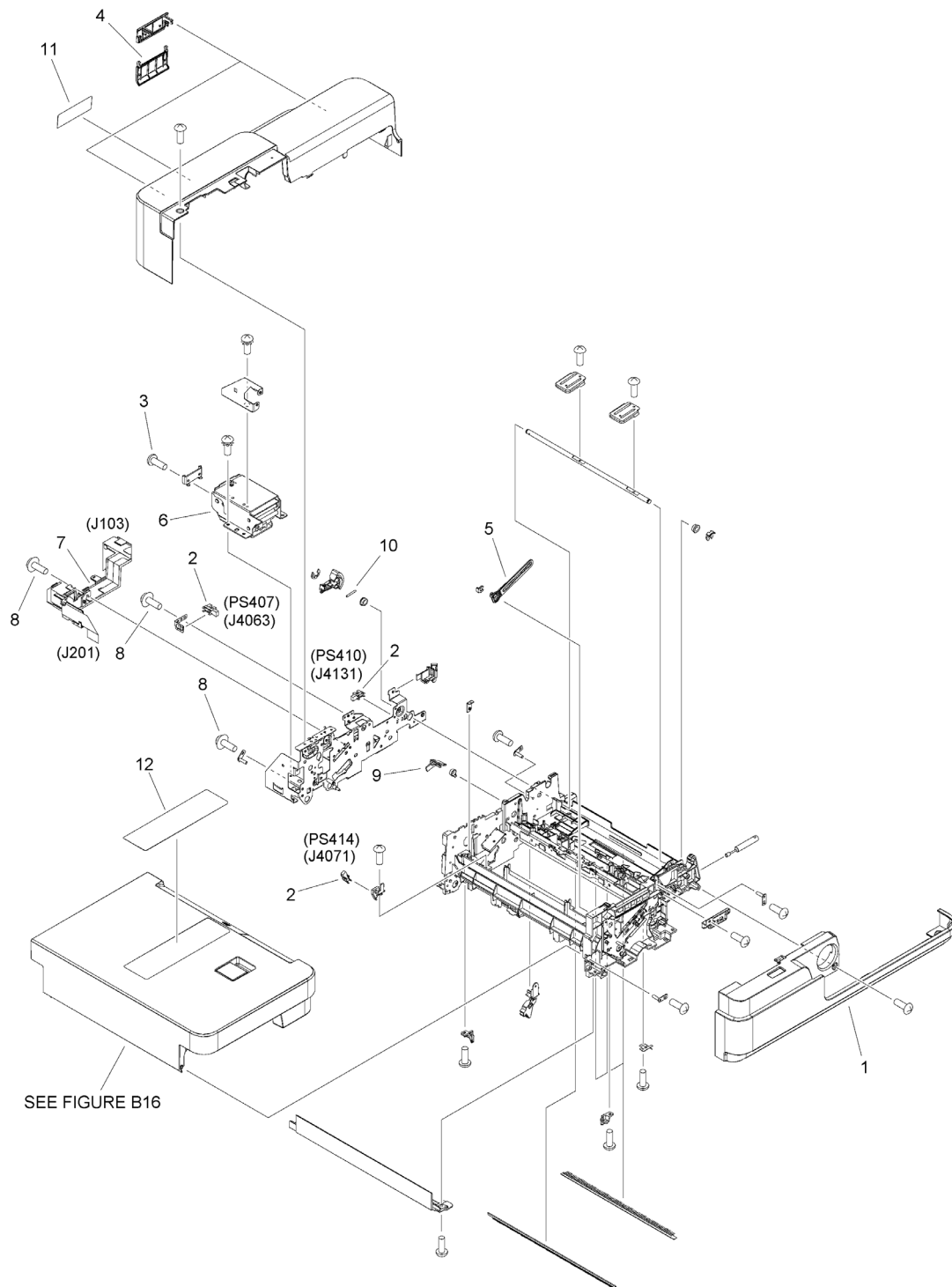


FIGURE & KEY NO.	PART NUMBER	RANK	QTY	DESCRIPTION	SERIAL NUMBER /REMARKS
B11B	NPN		RF	INTERNAL COMPONENTS 1	
1	FM1-U274-000		1	FRONT COVER ASSEMBLY	
2	WG8-5935-000		3	IC, PHOTO INTERRUPTER	PS407, PS410, PS414, J4063, J4071, J4131
3	XA9-2014-000		2	SCREW, MACH. TRUSS HEAD, M4X6	
4	FE2-A749-000		2	COVER, HINGE 2	
5	FE8-9253-000		1	STOPPER, OPEN/CLOSE	
6	FE8-9880-000		1	HINGE, LEFT	
7	FM2-A275-000		1	FLAT CABLE UNIT	J103, J201
8	XA9-2050-000		15	SCREW, SELF-TAPPING, M3	
9	FE8-9257-000		1	FLAG, OPEN/CLOSE SENSOR	
10	XD9-0359-000		1	PIN, PARALLEL	
11	FE2-C909-000		1	LABEL, CAUTION	
12	FE2-C419-000		1	LABEL, PROHIBITION DOCUMENT	

Figure B12B INTERNAL COMPONENTS 2

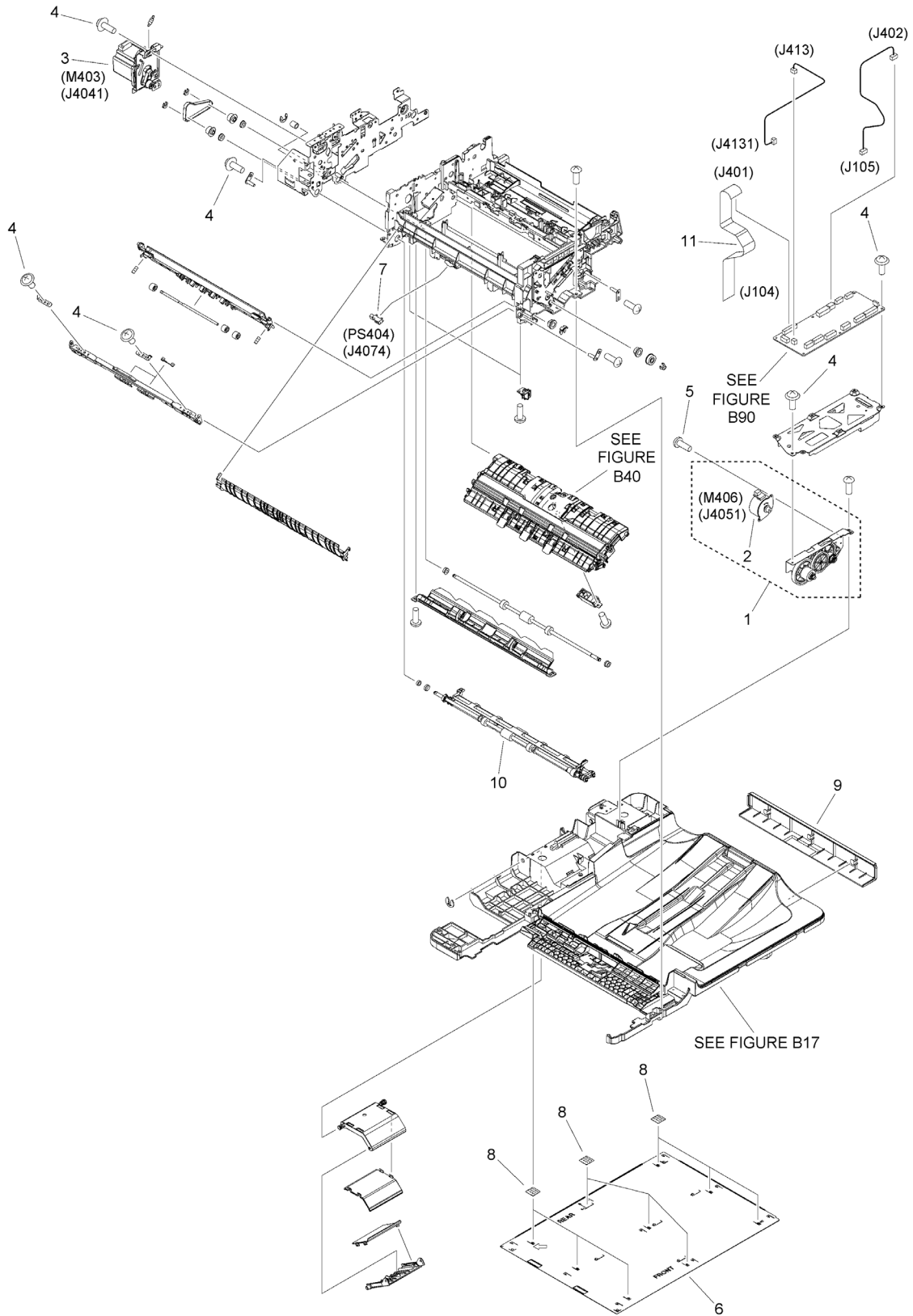


FIGURE & KEY NO.	PART NUMBER	RANK	QTY	DESCRIPTION	SERIAL NUMBER /REMARKS
B12B	NPN		RF	INTERNAL COMPONENTS 2	
1	FM1-U405-000		1	LIFTER DRIVE ASSEMBLY	
2	FK4-3336-000		1	MOTOR, STEPPING, DC	M406, J4051
3	FM1-U404-000		1	MOTOR ASS'Y	M403, J4041
4	XA9-2050-000		15	SCREW, SELF-TAPPING, M3	
5	XA9-1833-000		2	SCREW, D, M3X6	
6	FE3-5529-010		1	PANEL, COPYBOARD	
7	WG8-6233-000		1	PHOTO-INTERRUPTER	PS404, J4074
8	FE8-5725-010		9	TAPE	
9	FE8-9900-000		1	COVER, RIGHT	
10	FM1-U342-000		1	PLATEN ROLLER ASS'Y	
11	FK4-3333-000		1	CABLE, FLAT	J104, J401

Figure B13 INTERNAL COMPONENTS 3

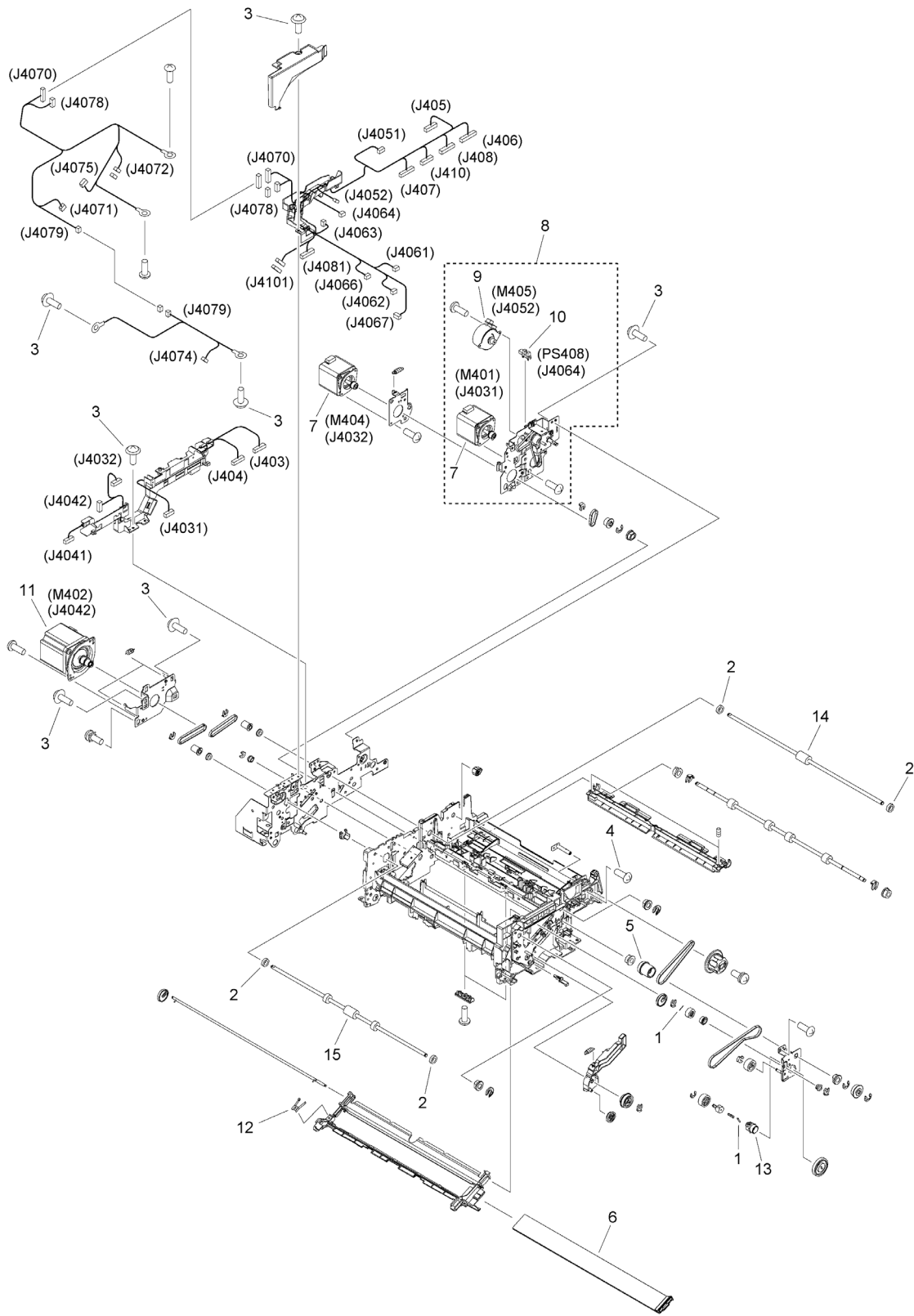
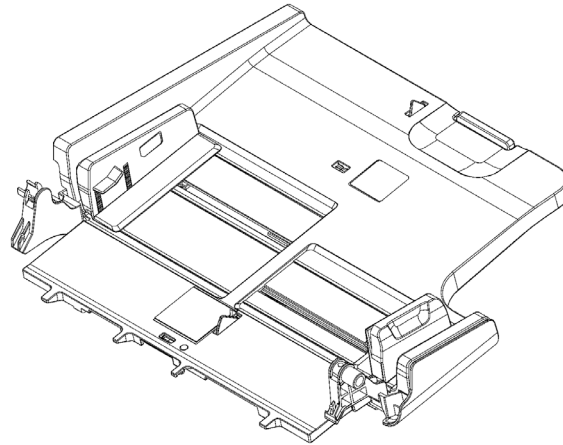


FIGURE & KEY NO.	PART NUMBER	RANK	QTY	DESCRIPTION	SERIAL NUMBER /REMARKS
B13	NPN		RF	INTERNAL COMPONENTS 3	
1	XD9-0328-000		2	PIN, PARALLEL	
2	XG9-0497-000		4	BEARING, BALL, MR106ZZ,	
3	XA9-2050-000		15	SCREW, SELF-TAPPING, M3	
4	XA9-2014-000		1	SCREW, MACH. TRUSS HEAD, M4X6	
5	FL1-5310-000		1	PULLEY, 34T	
6	FL1-5503-000		1	GLASS, READER	
7	FM1-T962-000		2	MOTOR ASS'Y	M401, M404, J4031, J4032
8	FM1-U403-000		1	PAPER PICK-UP MOTOR ASS'Y	
9	FK4-3336-000		1	MOTOR, STEPPING, DC	M405, J4052
10	WG8-5935-000		1	IC, PHOTO INTERRUPTER	PS408, J4064
11	FM1-W515-000		1	MOTOR ASS'Y	M402, J4042
12	FE8-5099-000		1	SPRING, SLIDE, GROUNDING	
13	FE2-A726-010		1	HOUSING, CLUTCH	
14	FL1-4620-000		1	ROLLER, EXTRACTION, 1	
15	FL1-4621-000		1	ROLLER, EXTRACTION, 2	

FIGURE & KEY NO.	PART NUMBER	RANK	QTY	DESCRIPTION	SERIAL NUMBER /REMARKS
B14	NPN		RF	INTERNAL COMPONENTS 4	
1	WG8-6233-000		7	PHOTO-INTERRUPTER	PS401, PS402, PS403, PS417, PS418, PS419, PS420 J4061, J4062, J4065, J4066, J4082, J4083, J4085
2	XA9-2050-000		15	SCREW, SELF-TAPPING, M3	
3	FM2-A693-000		1	SCANNER UNIT	
4	FM1-T423-000		1	SEPARATION ROLLER UNIT	[DP]
5	FM1-T424-000		1	LOWER EXTRACTION GUIDE ASS'Y	
6	FL1-4610-000		1	PAD, SEPARATION	
7	FL4-0117-000		1	GUIDE, SEPARATION	
8	FM1-K086-010		1	DOUBLE FEED DETECTION KIT	UN402, UN403
9	FM1-T790-000		1	CHART, 2-SIDED DIFFER. ADJUST	

Figure B15 DOCUMENT TRAY ASSEMBLY



(LED402)(VR401)(PS409)(PS411)(PS412)(PS413)(PS415)

FIGURE & KEY NO.	PART NUMBER	R A N K	QTY	DESCRIPTION	SERIAL NUMBER /REMARKS
B15	FM1-T421-000		1	DOCUMENT TRAY ASSEMBLY	LED402, VR401, PS409, PS411, PS412, PS413, PS415

Figure B16 OPEN/CLOSE COVER ASSEMBLY

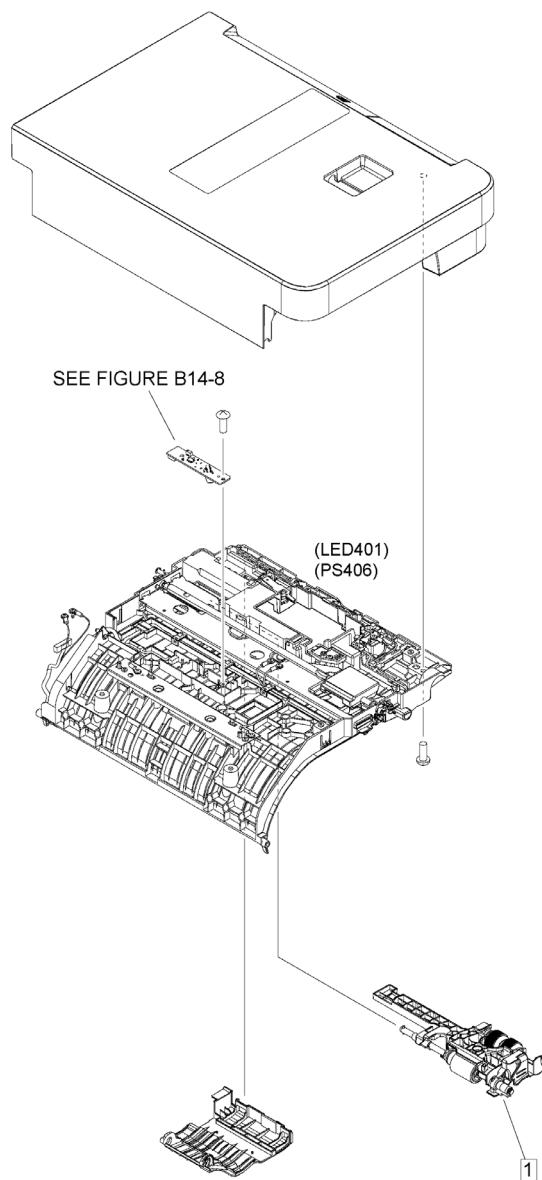


FIGURE & KEY NO.	PART NUMBER	R A N K	QTY	DESCRIPTION	SERIAL NUMBER /REMARKS
B16	FM1-T420-000		1	OPEN/CLOSE COVER ASSEMBLY	LED401, PS406
1	FM1-T417-000		1	PAPER PICK-UP ROLLER ASSEMBLY	[DP]

Figure B17 BASE FRAME ASSEMBLY

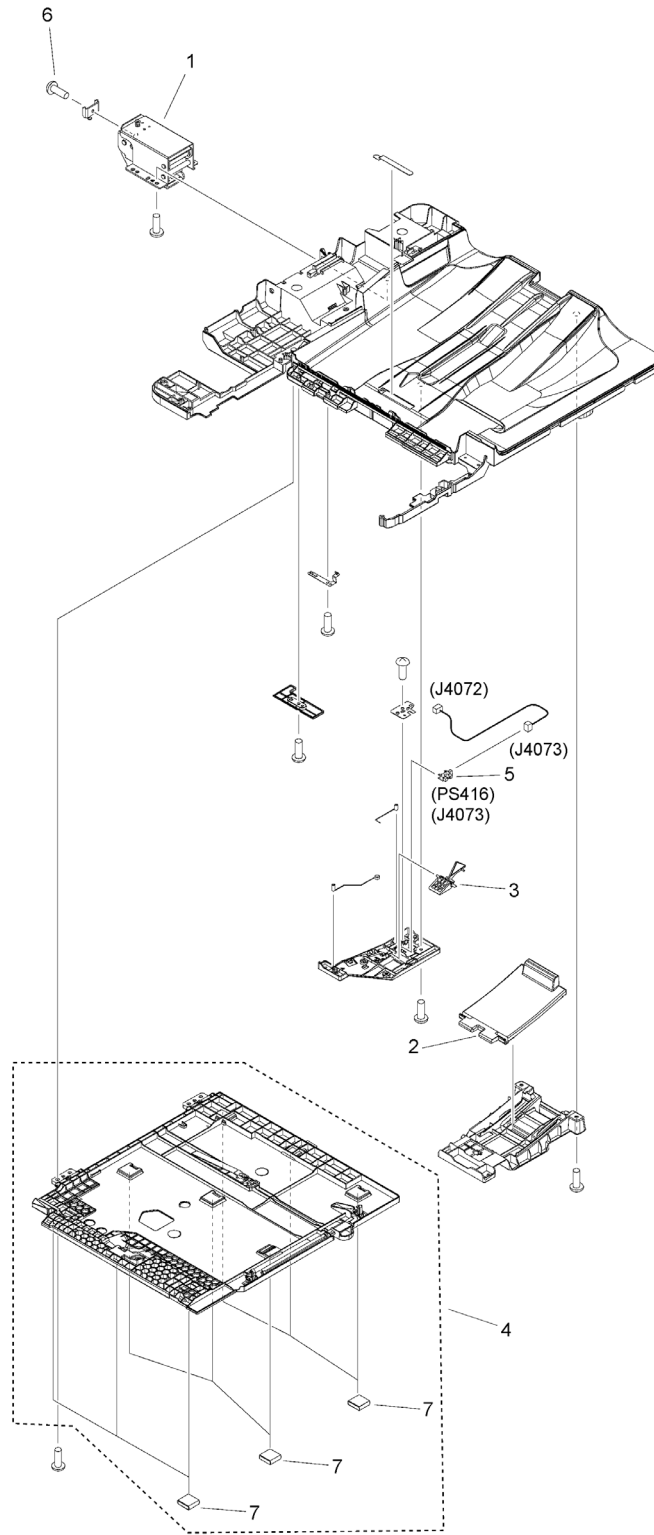


FIGURE & KEY NO.	PART NUMBER	RANK	QTY	DESCRIPTION	SERIAL NUMBER /REMARKS
B17	NPN		RF	BASE FRAME ASSEMBLY	
1	FE8-9881-000		1	HINGE, RIGHT	
2	FE2-A477-000		1	TRAY, PAPER DELIVERY EXTENSION	
3	FE8-9893-000		1	FLAG, PAPER DELIVERY SENSOR	
4	FM1-U273-010		1	WHITE PLATE SUPPORT ASSEMBLY	
5	WG8-5935-000		1	IC, PHOTO INTERRUPTER	PS416, J4073
6	XA9-2014-000		1	SCREW, MACH. TRUSS HEAD, M4X6	
7	FL1-2754-010		9	CUSHION	

Figure B40 PLATEN GUIDE ASS'Y

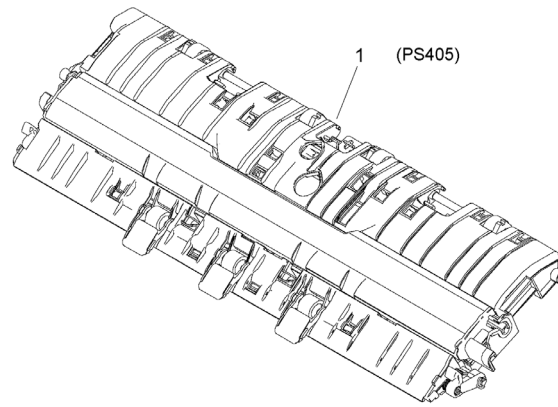


FIGURE & KEY NO.	PART NUMBER	R A N K	QTY	DESCRIPTION	SERIAL NUMBER /REMARKS
B40	NPN		RF	PLATEN GUIDE ASSY	
1	FM1-U343-000		1	PLATEN GUIDE ASSY	PS405

Figure B90 DF DRIVER PCB ASSEMBLY

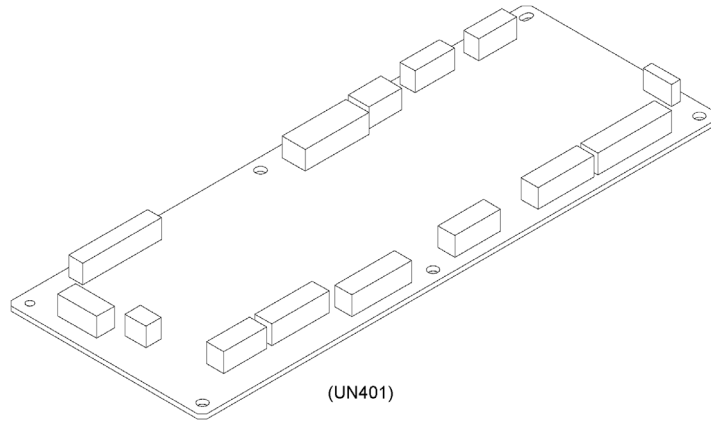


FIGURE & KEY NO.	PART NUMBER	R A N K	QTY	DESCRIPTION	SERIAL NUMBER /REMARKS
B90	FM1-T957-000		1	DF DRIVER PCB ASSEMBLY	UN401

Figure D11B READER ASSEMBLY

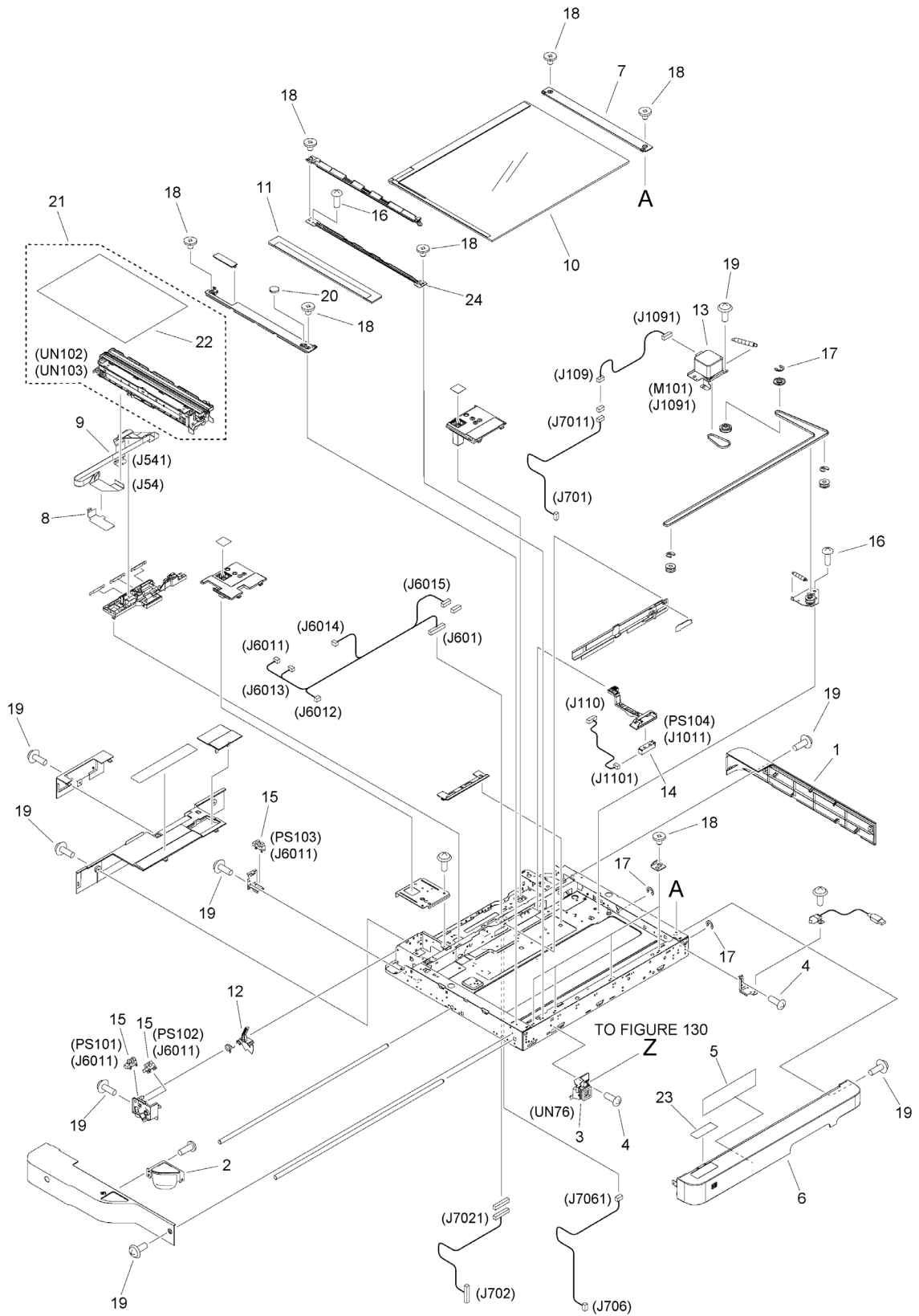


FIGURE & KEY NO.	PART NUMBER	RANK	QTY	DESCRIPTION	SERIAL NUMBER /REMARKS
D11B	NPN		RF	READER ASSEMBLY	
1	FE2-A109-000		1	COVER, READER, RIGHT	
2	FE2-A108-000		1	POCKET, READER COVER, LEFT	
3	FM1-U011-000		1	MOTION SENSOR UNIT	UN76
4	XA9-0893-000		1	SCREW, M4X8	
5	FL1-5098-000		1	LABEL, SERVICE, PRINT	
6	FE2-A105-000		1	COVER, READER, FRONT	
7	FE8-5747-000		1	COVER, GLASS RETAINING	
8	FE8-9943-000		1	SHEET, FFC CLAMP	
9	FK4-3318-000		1	CABLE, FLAT	J54, J541
10	FL1-5546-000		1	GLASS, COPYBOARD	
11	FL1-5083-000		1	GLASS, READER	
12	FE8-5215-000		1	FLAG, OPEN/CLOSE SENSOR	
13	FM1-T727-000		1	MOTOR ASS'Y	M101, J1091
14	FK4-4384-000		1	IC, PHOTO SENSOR,DOCUMENT SIZE	PS104, J1011
15	WG8-5935-000		3	IC, PHOTO INTERRUPTER	PS101, PS102, PS103, J6011
16	XA9-1116-030		2	SCREW,M3X5	
17	XD9-0395-000		3	RETAINING RING (E-TYPE)	
18	XA9-2017-000		10	SCREW, PANHEAD MACHINE M4X6	
19	XA9-2050-000		12	SCREW, SELF-TAPPING, M3	
20	FE3-9178-000		1	CAP	
21	FM2-A692-000		1	SCANNER UNIT	UN102, UN103
22	FM1-T790-000		1	CHART, 2-SIDED DIFFER. ADJUST	
23	FE2-A147-000		1	LABEL, CLEANING POSITION	
24	FL4-1300-000		1	FRAME, JUMP GUIDE	

Figure H30B CASSETTE ASSEMBLY (SMALL)

NOTE : This assembly does not include the parts shown inside the frame.

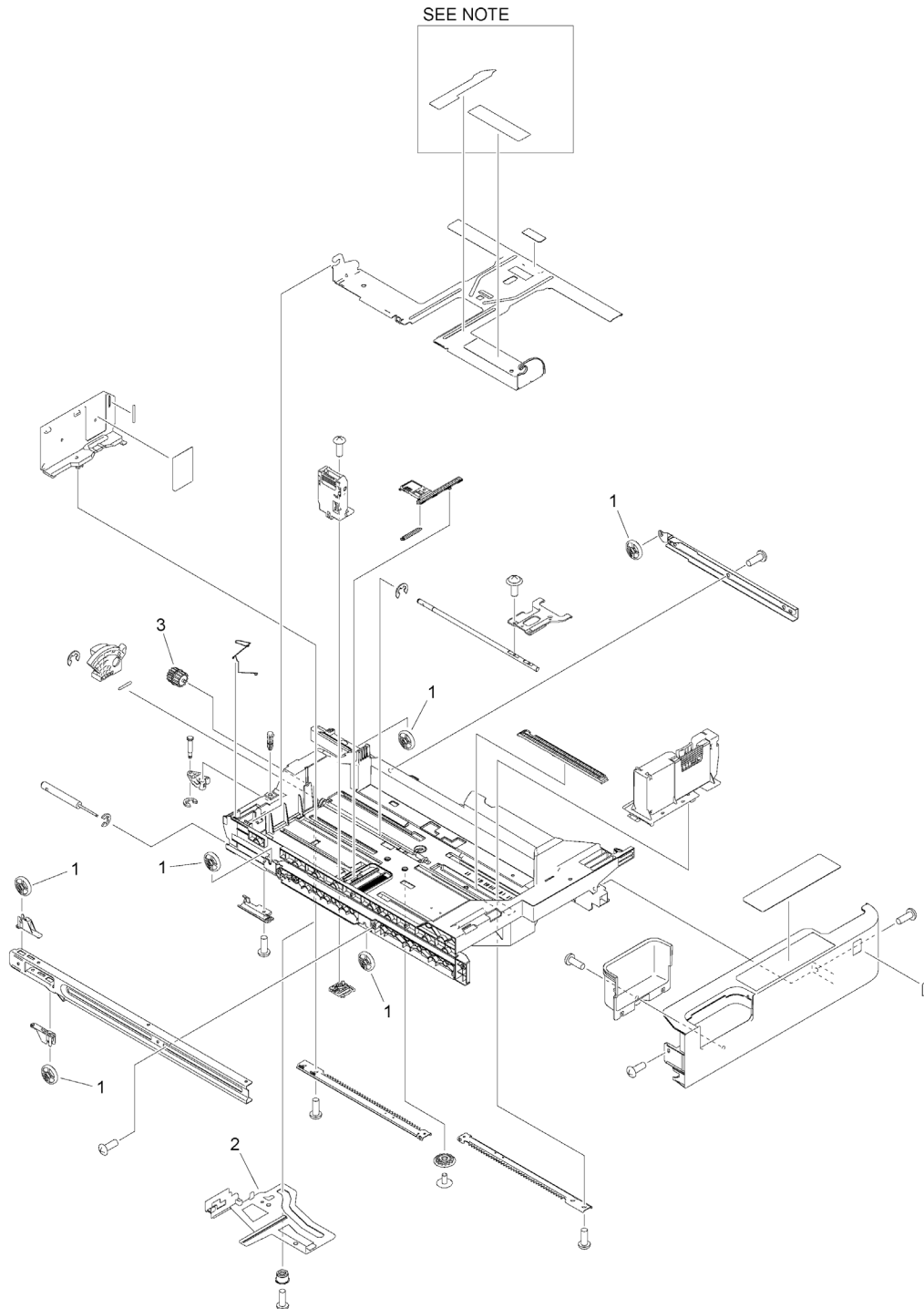


FIGURE & KEY NO.	PART NUMBER	RANK	QTY	DESCRIPTION	SERIAL NUMBER /REMARKS
H30B	FM1-R487-000		1	CASSETTE ASSEMBLY	SMALL SEE NOTE
1	FE2-B537-000		6	ROLLER, CASSETTE	
2	FE3-1613-010		1	LINK, SIZE DETECT	
3	RC1-9396-000		1	GEAR, 14T	

Figure H31B CASSETTE ASSEMBLY (LARGE)

NOTE : This assembly does not include the parts shown inside the frame. Several kinds of labels are attached on the board for the parts of Key No. 5.

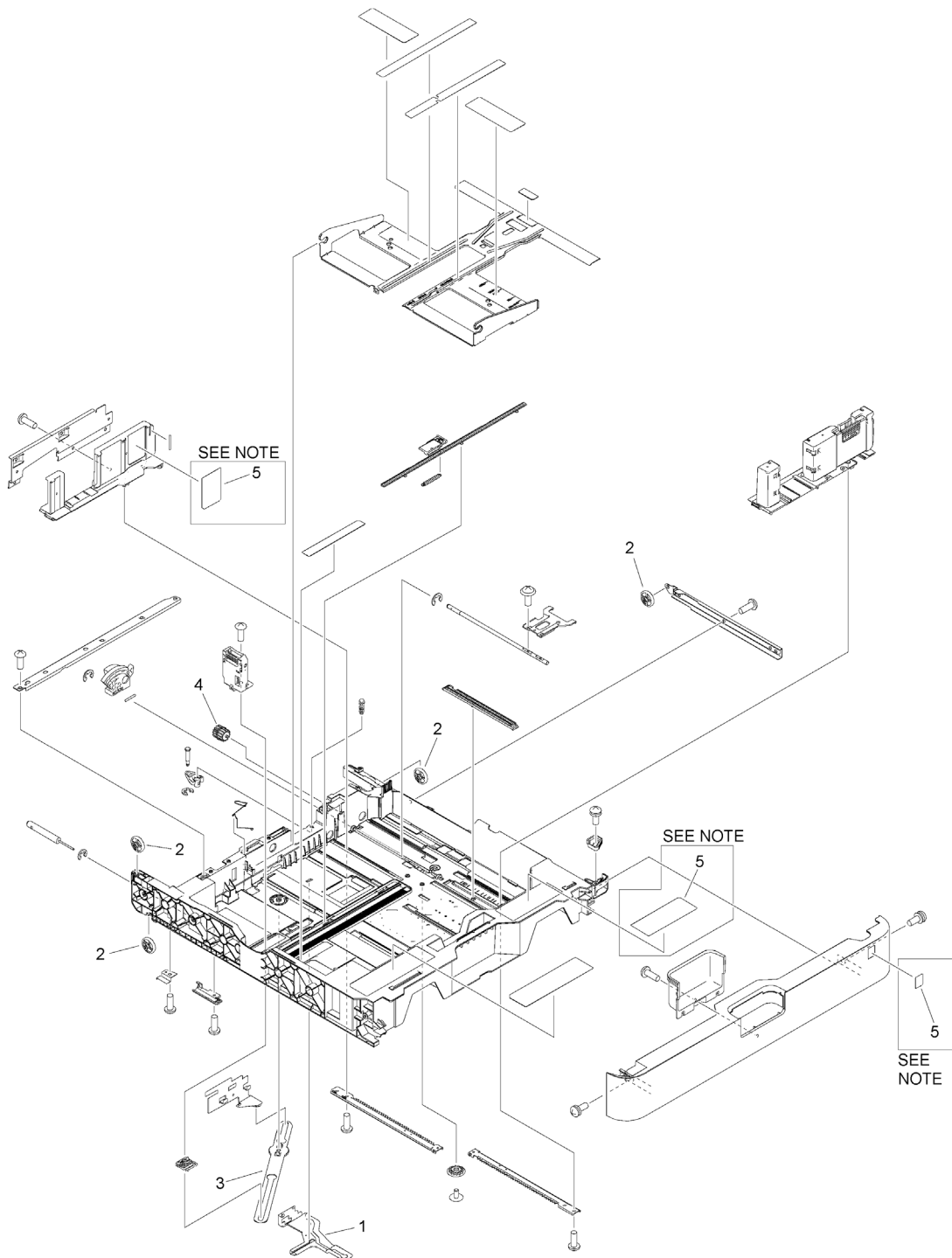


FIGURE & KEY NO.	PART NUMBER	RANK	QTY	DESCRIPTION	SERIAL NUMBER /REMARKS
H31B	FM1-R489-000		1	CASSETTE ASSEMBLY	LARGE SEE NOTE
1	FE3-1525-020		1	LINK, SIZE DETECT	
2	FE2-B537-000		4	ROLLER, CASSETTE	
3	FE3-1526-000		1	ARM, BACK END DETECT	
4	RC1-9396-000		1	GEAR, 14T	
5	FE8-4838-000		1	LABEL, CASSETTE	SEE NOTE

Figure ZZA MECHANICAL STANDARD PARTS (HOW TO USE)

Mechanical standard parts 機械標準部品

About a mechanical standard parts

A Mechanical standard parts is a mechanical part which not parts peculiar to a product.
They are parts which are common to a Canon product and are used, such as a screw and a washer.
The Fig No. and parts number of the mechanical standard parts are not listed in the product parts catalog.
Refer to the parts catalog of mechanical standard parts when checking the parts number for screw or washer etc. and identify them by part shape or size.

機械標準部品とは

機械標準部品とは、製品特有の部品ではなく、ねじやワッシャなどキヤノン製品共通で使用されている機械部品（メカ部品）のことです。
製品のパーツカタログには、機械標準部品のFig No.や部品番号は記載していません。
ねじや、ワッシャ等の部品番号を調べるときは、機械標準部品のパーツカタログを参照し、部品の形状や大きさから判断し、使用している部品を調べてください。

Material and surface treatment of a mechanical standard parts

Material and surface treatment of mechanical standard parts are assigned commonly for each part.
Refer to the Table 1 for the parts which material and surface treatment are assigned as numbers.

機械標準部品の材料および表面処理

機械標準部品の材料および表面処理については、各種部品共通で決められています。
材料および表面処理が番号で決められている部品については、表1を参照してください。

Table 1 Material and Surface treatment
表1 材料および表面処理

No. 番号	Material 材料	Surface treatment 表面処理	Color 色
1	Stainless steel ステンレス	Stainless steel black coloring (BC4) ステンレス黒着色(BC4)	Black 黒
2		not to be given なし	White 白
3	Brass 黄銅	Regular nickel plating (NL) 普通ニッケルメッキ(NL)	White 白
4		Black nickel plating (BN) 黒色ニッケルメッキ(BN)	Black 黒
5	Steel 鋼	White zinc trivalent chromate treating (ZC3) 白色亜鉛3価クロメート(ZC3)	White 白
6		Regular nickel chromium plating (NC) 普通ニッケルクロムメッキ(NC)	White 白
7		Regular nickel plating (NL) 普通ニッケルメッキ(NL)	White 白
8		Iron and steel phosphating (P1) 鉄鋼燐酸塩処理(P1)	Black 黒
9		Black zinc trivalent chromate treating (BZ3) 黒色亜鉛3価クロメート(BZ3)	Black 黒

Figure ZZB (1/7)MECHANICAL STANDARD PARTS (SCREWS)

1. Screws
ねじ

How to read Parts Numbers
部品番号の見方

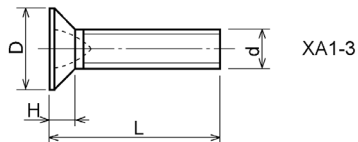
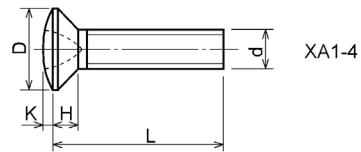
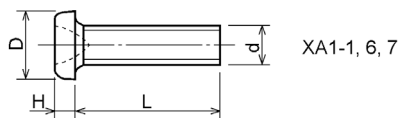
Screws
ねじ

XB1-2400-609

Type No.
類別番号
Normal designation (d)
ねじの呼び (d)
Length (L)
ねじの長さ (L)
Material and Surface treatment
材料および表面処理

XB1-2 expresses Binding head machine screw.
XB1-2は、バインドねじを表す
40 expresses M4.0.
40は、M4.0を表す
0-60 expresses a length of 6.0mm.
0-60は、6.0mmの長さを表す
9 expresses Steel (Black zinc trivalent chromate
treating) from Table 1.
9は、表1より鋼（黒色亜鉛3価クロメート）を表す

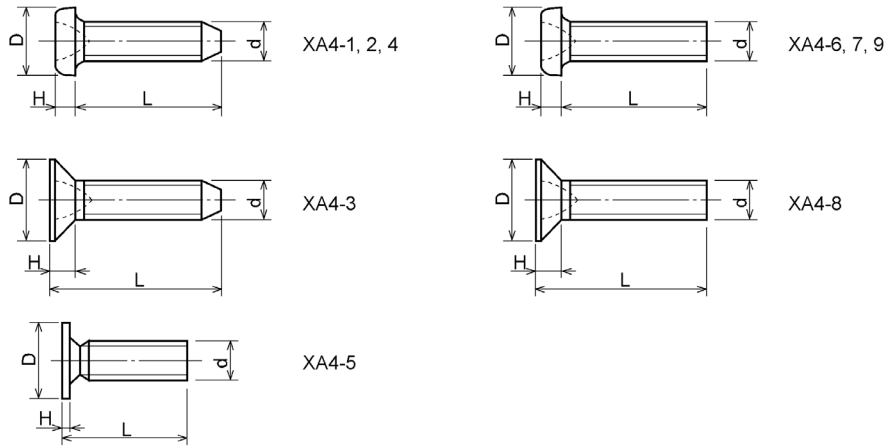
1-1. Cross Recessed Head Screws for Precision Equipments
精密機器用十字穴付き小ねじ



Type No. 類別番号	Type 類別	Head size (mm) 頭部寸法 (mm)						
		M1.4	M1.6	M1.7	M2	M2.5	M2.6	
XA1-1	Pan head Class 1 なべ1種	D	2	2.4	2.5	3	3.8	4
		H	0.5	0.55	0.5	0.6	0.9	0.8
XA1-3	Countersunk head Class 1 さら1種	D	2	2.4	2.5	3	3.8	4
		H	0.48	0.55	0.58	0.73	0.85	0.93
XA1-4	Oval countersunk head Class 1 丸さら1種	D	2	2.4	2.5	3	3.8	4
		H + K	0.68	0.8	0.88	1	1.25	1.3
XA1-6	Pan head Class 3 なべ3種	D	2.5	2.8	3	3.5	4.3	4.5
		H	0.8	0.85	0.9	1	1.3	1.2
XA1-7	Pan head Class 2 なべ2種	D	2.5	2.8	3	3.5	4.3	4.5
		H	0.5	0.55	0.5	0.6	0.9	0.8

Figure ZZB (2/7) MECHANICAL STANDARD PARTS (SCREWS)

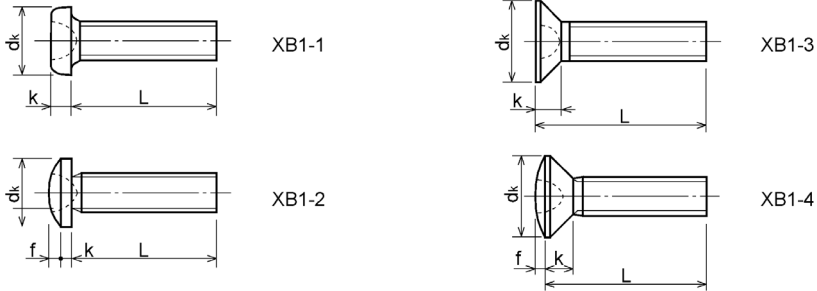
1-2. Precision Tapping Screws
精密用タッピンねじ



Type No. 類別番号	Type 類別	Head size (mm) 頭部寸法 (mm)						
		M1.4	M1.6	M1.7	M2	M2.5	M2.6	
XA4-1	With tapered end pan head Class 1 絞り-なべ1種	D XA4-1	2	2.4	2.5	3	3.8	4
		H XA4-1	0.5	0.55	0.5	0.6	0.9	0.8
XA4-2	With tapered end pan head Class 3 絞り-なべ3種	D XA4-2	2.5	2.8	3	3.5	4.3	4.5
		H XA4-2	0.8	0.85	0.9	1	1.3	1.2
XA4-3	With tapered end countersunk head 絞り-さら	D XA4-3	2	2.4	2.5	3	3.8	4
		H XA4-3	0.48	0.55	0.58	0.73	0.85	0.93
XA4-4	With tapered end pan head Class 2 絞り-なべ2種	D XA4-4	2.5	2.8	3	3.5	4.3	4.5
		H XA4-4	0.5	0.55	0.5	0.6	0.9	0.8
XA4-5	With parallel end ultra thin head ストレート-超薄頭	D XA4-5	2.5	2.8	3	-	-	-
		H XA4-5	0.2	0.2	0.2	-	-	-
XA4-6	With parallel end pan head Class 1 ストレート-なべ1種	D XA4-6	2	2.4	2.5	3	3.8	4
		H XA4-6	0.5	0.55	0.5	0.6	0.9	0.8
XA4-7	With parallel end pan head Class 3 ストレート-なべ3種	D XA4-7	2.5	2.8	3	3.5	4.3	4.5
		H XA4-7	0.8	0.85	0.9	1	1.3	1.2
XA4-8	With parallel end countersunk head ストレート-さら	D XA4-8	2	2.4	2.5	3	3.8	4
		H XA4-8	0.48	0.55	0.58	0.73	0.85	0.93
XA4-9	With parallel end pan head Class 2 ストレート-なべ2種	D XA4-9	2.5	2.8	3	3.5	4.3	4.5
		H XA4-9	0.5	0.55	0.5	0.6	0.9	0.8

Figure ZZB (3/7) MECHANICAL STANDARD PARTS (SCREWS)

1-3. Cross Recessed Head Screws
一般用十字穴付き小ねじ

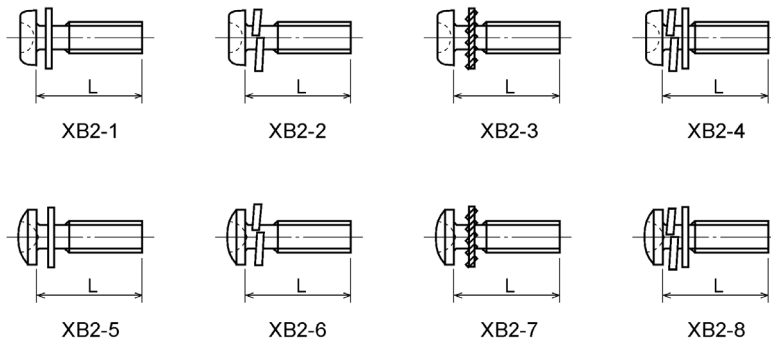


Type No. 類別番号	Type 類別
XB1-1	Pan head なべ
XB1-2	Binding head バインド
XB1-3	Countersunk head さら
XB1-4	Oval countersunk head 丸さら

		Head size (mm) 頭部寸法 (mm)					
		M2	M2.5	M2.6	M3	M4	M5
d_k	XB1-1	3.5	4.5	4.5	5.5	7	9
k	XB1-1	1.3	1.7	1.7	2	2.6	3.3
d_k	XB1-2	4.3	5.3	5.5	6.3	8.3	10.3
$k+f$	XB1-2	1.2	1.5	1.6	1.9	2.5	3.1
d_k	XB1-3	4	5	-	6	8	10
k	XB1-3	1.2	1.45	-	1.75	2.3	2.8
d_k	XB1-4	4	5	-	6	8	10
$k+f$	XB1-4	1.6	2	-	2.45	3.2	4
Screw part length ねじ部長さ b		8	12	12	12	16	20

Figure ZZB (4/7) MECHANICAL STANDARD PARTS (SCREWS)

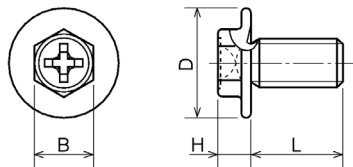
1-4. Cross Recessed Head Screws with Captive Washer
座金組込み十字穴付き小ねじ



Type No. 類別番号	Type 類別
XB2-1	Pan head + Plain washer (circular bright) なべねじ+平座金
XB2-2	Pan head + Spring washer なべねじ+ばね座金
XB2-3	Pan head + Toothed lock washer なべねじ+歯付座金
XB2-4	Pan head + Spring washer and plain washer (circular bright) なべねじ+(ばね+平)座金
XB2-5	Binding head + Plain washer (circular bright) バインドねじ+平座金
XB2-6	Binding head + Spring washer バインドねじ+ばね座金
XB2-7	Binding head + Toothed lock washer バインドねじ+歯付座金
XB2-8	Binding head + Spring washer and plain washer (circular bright) バインドねじ+(ばね+平)座金

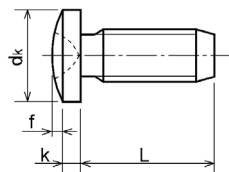
Figure ZZB (5/7) MECHANICAL STANDARD PARTS (SCREWS)

1-5. Hexagon Head Tapping Screws for Matallic Materials
 金属用六角タッピンねじ



Type No. 類別番号	Type 類別	Head size (mm) 頭部寸法 (mm)		
		M3	M4	
XB3-6	For metallic materials 金属用タッピン	D	8	10
		B	5.5	5.5
XB3-7	For metallic materials with clawed 金属用タッピン-つめ付き	H XB3-6	3.1	3.1
		H XB3-7	3.2	3.2

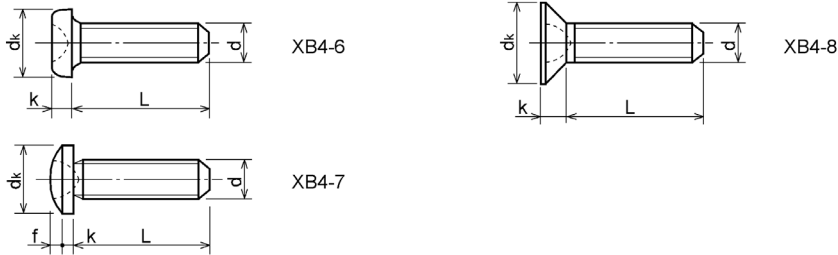
1-6. Special Tapping Screws
 特殊タッピンねじ



Type No. 類別番号	Type 類別	Head size (mm) 頭部寸法 (mm)		
		M3	M4	
XB4-5	Binding head バインド	dk	6.3	8.3
		k	1.3	1.7
		k+f	1.9	2.5

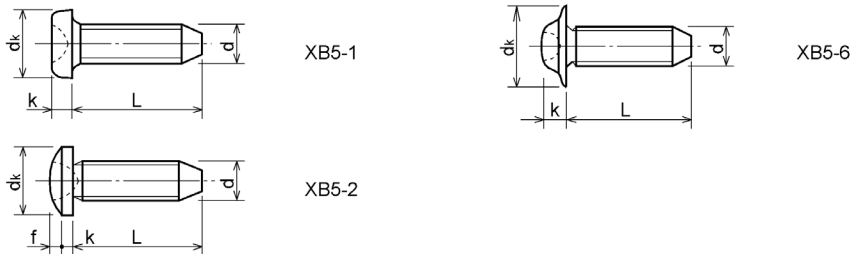
Figure ZZB (6/7) MECHANICAL STANDARD PARTS (SCREWS)

1-7. General Head Tapping Screws
一般用タッピンねじ



Type No. 類別番号	Type 類別	Head size (mm) 頭部寸法 (mm)						
		M2	M2.5	M2.6	M3	M4	M5	
XB4-6	Pan head なべ	dk XB4-6	3.5	4.5	4.5	5.5	7	9
		k XB4-6	1.3	1.7	1.7	2	2.6	3.3
XB4-7	Binding head バインド	dk XB4-7	4.3	5.3	5.5	6.3	8.3	10.3
		k+f XB4-7	1.2	1.5	1.6	1.9	2.5	3.1
XB4-8	Countersunk head さら	dk XB4-8	4	5	5.2	6	8	10
		k XB4-8	1.2	1.45	1.5	1.75	2.3	2.8

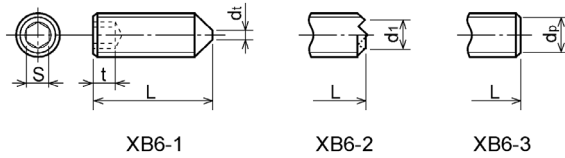
1-8. Tapping Screws for Metallic Materials
金属用タッピンねじ



Type No. 類別番号	Type 類別	Head size (mm) 頭部寸法 (mm)					
		M2.5	M2.6	M3	M4	M5	
XB5-1	Pan head なべ	dk XB5-1	4.5	4.5	5.5	7	9
		k XB5-1	1.7	1.7	2	2.6	3.3
XB5-2	Binding head バインド	dk XB5-2	5.5	5.5	6.3	8.3	10.3
		k+f XB5-2	1.6	1.6	1.9	2.5	3.1
XB5-6	Flanged pan head つば付きなべ	dk XB5-6	6.5	6.5	8	10	12
		k XB5-6	2.1	2.1	1.75	3.2	4

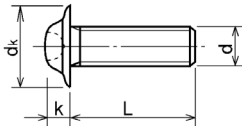
Figure ZZB (7/7) MECHANICAL STANDARD PARTS (SCREWS)

1-9. Hexagon Socket Set Screws
六角穴付き止めねじ



Type No. 類別番号	Type 類別	Head size (mm) 頭部寸法 (mm)						
		M1.6 M1.7	M2	M2.5 M2.6	M3	M5	M5	M6
	S	0.7	0.9	1.3	1.5	2	2.5	3
	t	1.5	1.7	2	2	2.5	3	3.5
	dt max XB6-1	0.4	0.5	0.65	0.75	1	1.25	1.5
	d1 max XB6-2	-	1.2	1.5	1.7	2.2	2.8	3.3
	d1 min XB6-2	-	1	1.2	1.4	1.9	2.4	2.9
	dp max XB6-3	0.8	1	1.5	2	2.5	3.5	4
	dp min XB6-3	0.55	0.75	1.25	1.75	2.25	3.2	3.7

1-10. Flanged Pan Head Machine Screws
つば付きなべ小ねじ

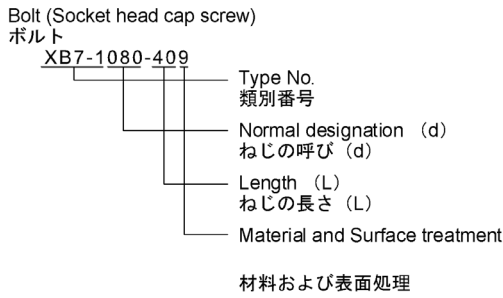


Type No. 類別番号	Type 類別	Head size (mm) 頭部寸法 (mm)				
		M2	M2.5 M2.6	M3	M5	M5
	dk	5	6.5	8	10	12
	k	1.7	2.1	2.5	3.2	4

Figure ZZC MECHANICAL STANDARD PARTS (BOLTS)

2. Bolts (Socket head cap screw)
ボルト

How to read Parts Numbers
部品番号の見方



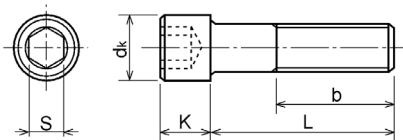
XB7-1 expresses Hexagon socket head cap screws.
XB7-1は、六角穴付きボルトを表す

080 expresses M8.0.
080は、M8.0を表す

40 expresses a length of 40mm.
40は、40mmの長さを表す

9 expresses Steel (Black zinc trivalent chromate treating) from Table 1.
9は、表1より鋼（黒色亜鉛3価クロメート）を表す

2-1. Hexagon socket head cap screws
六角穴付きボルト



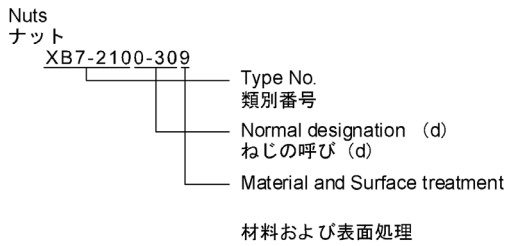
Type No. 類別番号	Type 類別
XB7-1	Hexagon socket head cap screws 六角穴付きボルト

	Head size (mm) 頭部寸法 (mm)						
	M3	M4	M5	M6	M8	M10	M12
S	2.5	3	4	5	6	8	10
dk	5.5	7	8.5	10	13	16	18
K	3	4	5	6	8	10	12
Screw part length ねじ部長さ b_{max}	18	20	22	24	28	32	36

Figure ZZD MECHANICAL STANDARD PARTS (NUTS)

3. Nuts
ナット

How to read Parts Numbers
部品番号の見方

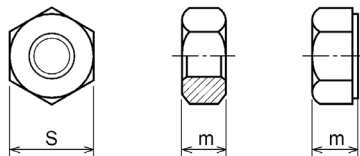


XB7-210 expresses Hexagon nut class 1.
XB7-210は、六角ナット1種を表す

0-30 expresses M3.0.
0-30は、M3.0を表す

9 expresses Steel (Black zinc trivalent chromate
treating) from Table 1.
9は、表1より鋼（黒色亜鉛3価クロメート）を表す

3-1. Hexagon Nuts and Hexagon Thin Nuts
六角ナット



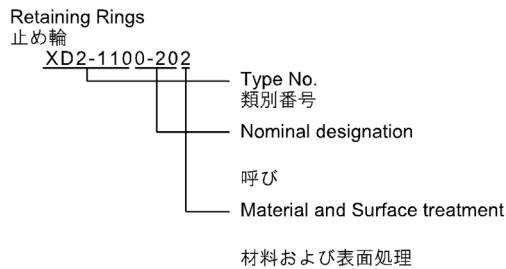
Type No. 類別番号	Type 類別
XB7-210	Hexagon nut Class 1 六角ナット-1種
XB7-220	Hexagon nut Class 3 六角ナット-3種
XB7-230	Hexagon nut Style 1 double chamfered 六角ナット-スタイル1-両面とり
XB7-231	Hexagon nut Style 1 washer faced 六角ナット-スタイル1-座付き
XB7-240	Hexagon nut Style 2 double chamfered 六角ナット-スタイル2-両面とり
XB7-241	Hexagon nut Style 2 washer faced 六角ナット-スタイル2-座付き
XB7-250	Hexagon nut 六角ナット
XB7-260	Hexagon thin nut double chamfered 六角低ナット-両面とり
XB7-270	Hexagon thin nut not chamfered 六角低ナット-面とり無し

	Head size (mm) 頭部寸法 (mm)						
	M2	M2.5	M3	M4	M5	M6	M8
S	4	5	5.5	7	8	10	13
m XB7-210	1.6	2	2.4	3.2	4	5	6.5
m XB7-220	1.2	1.6	1.8	2.4	3.2	3.6	5
m XB7-230, 231	1.6	2	2.4	3.2	4.7	5.2	6.8
m XB7-240, 241	-	-	-	-	5.1	5.7	7.5
m XB7-250	-	-	-	-	5.6	6.1	7.9
m XB7-260	1.2	1.6	1.8	2.2	2.7	3.2	4
m XB7-270	1.2	1.6	1.8	2.2	2.7	3.2	4

Figure ZZE (1/3)MECHANICAL STANDARD PARTS (RETAINING RINGS)

5. Retaining Rings
止め輪

How to read Parts Numbers
部品番号の見方

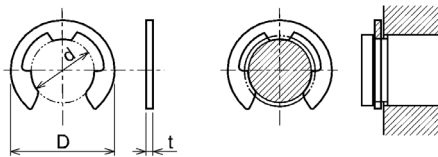


XD2-110 expresses retaining ring-E type (Type1).
XD2-110は、E形止め輪（1種）を表す

0-20 expresses a 020 of nominal designation.
(See Table 5)
0-20は、呼び020を表す（表5参照）

2 expresses Stainless steel (Surface treatment is not to be given) from Table 1.
2は、表1よりステンレス（表面処理なし）を表す

5-1. Retaining Rings - E type
E形止め輪



Type No. 類別番号	Type 類別
XD2-110	Retaining ring - E type (Type 1) E形止め輪（1種）
XD2-120	Retaining ring - E type (Type 2) E形止め輪（2種）

Table 5 表5

Type 種類	Nominal designation 呼び	d (mm)	D (mm)	t (mm)
Type 1 1種	007	0.65	2	0.2
	010	0.95	2.8	0.2
	013	1.25	3.3	0.3
	017	1.65	4.2	0.4
	020	1.95	4.6	0.5
	024	2.35	6	0.6
	028	2.74	6.5	0.6
	032	3.14	7.2	0.6
	037	3.64	8	0.7
	040	3.93	10	0.7
	042	4.13	10	0.7
	050	4.93	11	0.7
	058	5.73	12	0.7
	060	5.93	12.7	0.9
064	6.32	13.5	0.9	
074	7.31	15	0.9	
080	7.91	16.5	1	
Type 2 2種	008	0.8	2	0.2
	012	1.2	3	0.3
	015	1.5	4	0.4
	020	2	5	0.4
	025	2.5	6	0.4
	030	3	7	0.6
	040	4	9	0.6
	050	5	11	0.6
	060	6	12	0.8
	070	7	14	0.8
	080	8	16	0.8
	090	9	18	0.8
100	10	20	1	

Figure ZZE (2/3)MECHANICAL STANDARD PARTS (RETAINING RINGS)

5-2. Grip Rings
グリップ止め輪

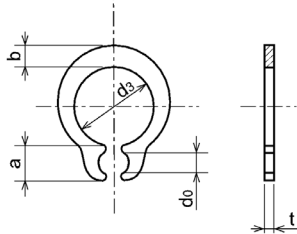


Table 5 表5

Nominal designation 呼び	d_3 (mm)	t (mm)	b (mm)	a (mm)	d_o (mm)
020	1.9	0.5	1	1.8	0.8
025	2.35	0.5	1.2	1.9	0.9
030	2.85	0.6	1.4	1.9	0.9
035	3.3	0.6	1.6	2	0.9
040	3.8	0.8	1.8	2.8	1.2
045	4.25	0.8	2	2.9	1.3
050	4.75	0.8	2.2	2.9	1.3
060	5.7	1	2.4	3.1	1.4
070	6.7	1	2.7	3.3	1.4
080	7.7	1	3	3.5	1.4
090	8.65	1.2	3.3	4.7	1.5
100	9.65	1.2	3.5	4.7	2

Type No. 類別番号	Type 類別
XD2-210	Grip ring グリップ止め輪

5-3. Toothed Retaining Rings
歯付き形止め輪

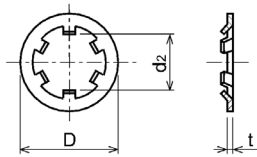


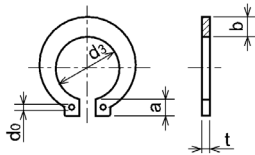
Table 5 表5

Nominal designation 呼び	d_z (mm)	D (mm)	t (mm)	No of teeth 歯数
015	1.4	5.2	0.25	3
020	1.9	6	0.25	3
024	2.3	6.4	0.25	3
030	2.8	8	0.25	4
040	3.8	9	0.25	4
050	4.8	10	0.25	5
060	5.8	11	0.25	5
080	7.8	13	0.25	5
100	9.8	15.4	0.25	6

Type No. 類別番号	Type 類別
XD2-230	Toothed retaining ring 歯付き形止め輪

Figure ZZE (3/3)MECHANICAL STANDARD PARTS (RETAINING RINGS)

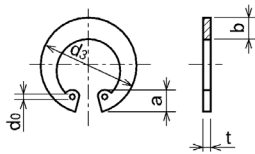
5-4. Retaining Rings - C Type
C形止め輪



Type No. 類別番号	Type 類別
XD2-310	Retaining ring - C type for shaft C形止め輪 軸用

Table 5 表5

Nominal designation 呼び	d ₃ (mm)	t (mm)	b (mm)	a (mm)	d ₀ (mm)
010	9.3	1	1.6	3	1.2
012	11.1	1	1.8	3.2	1.5
014	12.9	1	2	3.4	1.7
015	13.8	1	2.1	3.5	1.7
016	14.7	1	2.2	3.6	1.7
017	15.7	1	2.2	3.7	1.7
018	16.5	1.2	2.6	3.8	1.7
020	18.5	1.2	2.7	3.9	2
022	20.5	1.2	2.7	4.1	2
025	23.2	1.2	3.1	4.3	2
028	25.9	1.5	3.1	4.6	2
030	27.9	1.5	3.5	4.8	2
032	29.6	1.5	3.5	5	2.5
035	32.2	1.5	4	5.4	2.5



Type No. 類別番号	Type 類別
XD2-320	Retaining ring - C type for hole C形止め輪 穴用

Table 5 表5

Nominal designation 呼び	d ₃ (mm)	t (mm)	b (mm)	a (mm)	d ₀ (mm)
010	10.7	1	1.8	3.1	1.2
011	11.8	1	1.8	3.2	1.2
012	13	1	1.8	3.3	1.5
014	15.1	1	2	3.6	1.7
016	17.3	1	2	3.7	1.7
018	19.5	1	2.5	4	1.7
019	20.5	1	2.5	4	2
020	21.5	1	2.5	4	2
022	23.5	1	2.5	4.1	2
025	26.9	1.2	3	4.4	2
028	30.1	1.2	3	4.6	2
030	32.1	1.2	3	4.7	2
032	34.4	1.2	3.5	5.2	2.5
035	37.8	1.5	3.5	5.2	2.5
037	39.8	1.5	3.5	5.2	2.5
040	43.5	1.8	4	5.7	2.5
042	45.5	1.8	4	5.8	2.5
045	48.5	1.8	4.5	5.9	2.5
047	50.5	1.8	4.5	6.1	2.5
050	54.2	2	4.5	6.5	2.5
052	56.2	2	5.1	6.5	2.5
055	59.2	2	5.1	6.5	2.5
060	64.2	2	5.1	6.8	2.5
062	66.2	2	5.5	6.9	2.5
068	72.5	2.5	6	7.4	2.5
072	76.5	2.5	6.6	7.4	2.5
075	79.5	2.5	6.6	7.8	2.5
080	85.5	2.5	7	8	2.5
085	90.5	3	7	8	3
090	95.5	3	7.6	8.3	3
095	100.5	3	8	8.5	3