

imageRUNNER ADVANCE DX 6000i

INSTALLATION MANUAL



Canon

October 22, 2021
Rev. 2

Important Notices

Application

This manual has been issued by Canon Inc. for qualified persons to learn technical theory, installation, maintenance, and repair of products.

This manual covers all localities where the products are sold. For this reason, there may be information in this manual that does not apply to your locality.

Following "Trademarks" and "Copyright" are not applicable if they are not supported by laws and regulations in the country or region that this document and products are used in.

Corrections

This manual may contain technical inaccuracies or typographical errors due to improvements or changes in products.

When changes occur in applicable products or in the contents of this manual, Canon will release technical information as the need arises. In the event of major changes in the contents of this manual over a long or short period, Canon will issue a new edition of this manual.

Trademarks

The Bluetooth word mark and logos are registered trademarks owned by Bluetooth SIG, Inc. and any use of such marks by Canon is under license.

Mopria®, the Mopria® Logo and the Mopria® Alliance logo are registered trademarks and service marks of Mopria Alliance, Inc. in the United States and other countries. Unauthorized use is strictly prohibited.

Apple, AppleTalk, Bonjour, iPad, iPhone, iPod touch, Mac, OS X and Safari are trademarks of Apple Inc.

Microsoft, Windows, Windows Vista, Windows Server, Internet Explorer, Microsoft Edge, Excel and PowerPoint are either registered trademarks or trademarks of Microsoft Corporation in the United States and/or other countries.

Google Cloud Print, Google Chrome and Android are either registered trademarks or trademarks of Google Inc.

iHQC™ compression technology by I.R.I.S., copyright 2007-2015, All Rights Reserved.

PDF-iHQC™, XPS-iHQC™ technology by I.R.I.S., copyright 2007-2015, All rights Reserved.

Java is a registered trademark of Oracle and/or its affiliates.

Adobe is a registered trademark of Adobe Systems Incorporated.

Command WorkStation, EFI, Fiery, FreeForm, Spot-On, and WebTools are trademarks of Electronics For Imaging, Inc. and/or its wholly owned subsidiaries in the U.S. and/or certain other countries.

TORX® is a registered trademark of Acument Intellectual Properties, LLC in the United States.

Matrox is a registered trademark of Matrox Corporation in the Canada.

Other product names and other names in this document are generally registered trademarks or trademarks of the companies.

Copyright

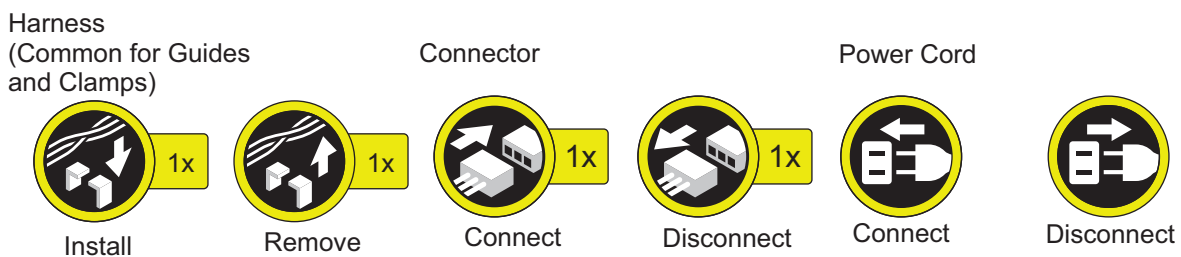
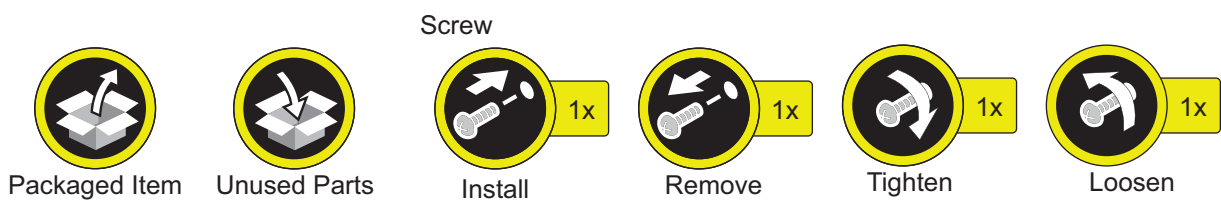
The copyright of this document belongs to Canon Inc. This document may not be copied, reproduced or translated into another language, in whole or in part, without the prior consent of Canon Inc.
 Copyright CANON INC. 2020

Caution

Use of this manual should be strictly supervised to avoid disclosure of confidential information.

Symbols

The frequently-performed operations are described with symbols in this procedure.



Contents

Safety Precautions	1
Toner Safety.....	2
About Toner.....	2
Handling Adhered Toner.....	2
Points to Note at Installation.....	2
Checking the Installation Environment.....	2
Points to Note Before Servicing.....	2
Essential Items to Be Performed Before Installation.....	3
Points to Note when turning ON/OFF the main power.....	3
Checking Installation Space	3
illustrations.....	4
1. Product Lineup	5
Image Reading System Options.....	6
Host Machine Options.....	7
Paper Feed / Paper Output Options.....	9
2. Host Machine	10
Checking before Installation	11
Checking Power Supply.....	11
Points to Note before Installation.....	11
Points to Note When Moving This Host Machine.....	11
Combination Table of Accessory Installation	11
Host Machine Installation Procedure	12
Installation Procedure.....	13
Unpacking	13
Checking the Contents.....	15
Removing the Packaging Materials.....	17
Installing the Scanner.....	25
Installing the Drum Unit.....	35
Setting the Environment Heater Switch.....	53
Setting the Cassette.....	55
Storing the Cleaning Cloth.....	57
Securing the Host Machine	57
Turning the Main Power ON / Setting the Toner Container	58
Host Machine Settings (Starting Setup Guide).....	60
Registration of Installation Date Information.....	61
Other Installations.....	62
Installing the Envelope Attachment A.....	64
Installing the Envelope Attachment B.....	67
Checking after the Installation.....	69
Auto Adjust Gradation (Full Adjustment).....	69
Execute the ITB Equilibrium Position Detection.....	70
Adjusting Image Position (Printer).....	74
Image Position Adjustment (Single Pass ADF).....	81

Checking Network Connection.....	91
Troubleshooting of Network.....	92
Installing the IC Card Reader.....	93
Operation when using uniFLOW Online.....	101
When Relocating the Machine	102

3. Image Reading System Options..... 112

Platen Cover Y2/Y3.....	113
Points to Note at Installation.....	113
Checking the Contents.....	113
Essential Items to Be Performed Before Installation.....	113
Points to Note when turning ON/OFF the main power.....	114
Installation Outline Drawing	114
Installation Procedure.....	114
Reader Heater J5.....	124
Points to Note at Installation.....	124
Essential Items to Be Performed Before Installation.....	124
Points to Note when turning ON/OFF the main power.....	124
Installation Outline Drawing.....	125
Checking the Contents.....	126
Installation Procedure.....	127

4. Host Machine Options..... 159

NFC Kit-E1/E2.....	160
Points to Note at Installation.....	160
Checking the Contents.....	160
Essential Items to Be Performed Before Installation.....	161
Points to Note when turning ON/OFF the main power.....	161
Installation Outline Drawing.....	162
Installation procedure.....	162
Setting after Installation.....	179
Utility Tray-B1.....	181
Points to Note at Installation.....	181
Installation Outline Drawing.....	181
Checking the Contents.....	181
Installation Procedure.....	182
Copy Card Reader-F1.....	192
Points to Note at Installation.....	192
Installation Outline Drawing.....	192
Checking the Contents.....	192
Installation Procedure.....	193
Checking after Installation.....	211
Numeric Keypad-A1/A2.....	212
Points to Note at Installation.....	212
Installation Outline Drawing.....	212
Checking the Contents.....	213
Installation Procedure.....	214
IC Card Reader Box for Numeric Keypad-A1.....	230
Points to Note at Installation.....	230

Installation Outline Drawing.....230

Checking the Contents..... 230

Installation Procedure..... 232

Connection Kit-A2/A3 for Bluetooth LE..... 251

Points to Note at Installation251

Essential Items to Be Performed Before Installation..... 251

Points to Note when turning ON/OFF the main power..... 251

Checking the Contents..... 252

Installation Outline Drawing253

Installation Procedure..... 254

Setting after Installation..... 259

HDD-related Option.....261

Pre-checks.....261

Removing the HDD (Preparation)..... 262

[TYPE-1] Option HDD (1TB).....266

[TYPE-2] Standard HDD + Option HDD (250GB) + HDD Mirroring Kit..... 271

[TYPE-3] 2 Option HDDs (1TB) + HDD Mirroring Kit..... 285

Super G3 FAX Board-AS1..... 301

Product Name..... 301

Points to Note at Installation.....301

Essential Items to Be Performed Before Installation..... 301

Installation Outline Drawing.....301

Checking the Contents302

Installation Procedure 303

Checking the Operation..... 311

Super G3 FAX Board-AS2..... 312

Product Name..... 312

Points to Note at Installation.....312

Essential Items to Be Performed Before Installation..... 312

Installation Outline Drawing.....312

Checking the Contents..... 313

Installation Procedure 313

Checking the Operation..... 320

Super G3 2nd Line Fax Board-AS1.....322

Product Name..... 322

Points to Note at Installation.....322

Essential Items to Be Performed Before Installation..... 322

Installation Outline Drawing.....322

Checking the Contents323

Installation Procedure..... 325

Checking the Operation..... 343

Super G3 2nd Line Fax Board-AS2..... 345

Product Name..... 345

Points to Note at Installation.....345

Essential Items to Be Performed Before Installation..... 345

Installation Outline Drawing.....345

Checking the Contents..... 346

Installation Procedure..... 347

Checking the Operation..... 364

Super G3 2nd Line Fax Board-AS2.....366

Product Name..... 366

Points to Note at Installation.....366

Essential Items to Be Performed Before Installation..... 366

Installation Outline Drawing.....366

Checking the Contents..... 367

Installation Procedure..... 368

Checking the Operation..... 385

Super G3 3rd4th Line Fax Board-AS1..... 387

 Product Name..... 387

 Points to Note at Installation.....387

 Essential Items to Be Performed Before Installation..... 387

 Installation Outline Drawing.....387

 Checking the Contents388

 Installation Procedure..... 389

 Checking the Operation..... 398

Super G3 3rd4th Line Fax Board-AS2..... 400

 Product Name.....400

 Points to Note at Installation.....400

 Essential Items to Be Performed Before Installation.....400

 Installation Outline Drawing.....400

 Checking the Contents..... 401

 Installation Procedure.....402

 Checking the Operation..... 411

Voice Operation Kit-D1.....413

 Points to Note at Installation.....413

 Installation Outline Drawing.....413

 Checking the Contents..... 413

 Installation Procedure.....415

 Checking after Installation.....430

 Operation Check.....431

Voice Guidance Kit-G1.....432

 Points to Note when Installing.....432

 Installation Outline Drawing.....432

 Checking the Contents.....432

 Installation Procedure.....433

Serial Interface Kit-K3 / Copy Control Interface Kit-A1450

 Checking the Contents.....450

 Installation Outline Drawing.....451

 Installation Procedure.....452

5. Paper Feed Options..... 459

Paper Deck Unit-F1.....460

 Checking before Installation.....460

 Unpacking.....460

 Checking the Contents.....461

 Installation Procedure463

 Checking after Installation.....481

 Paper Positioning Check/Adjustment Procedure.....482

Paper Deck Heater Unit-C1.....487

 Checking the Contents.....487

 Installation Procedure488

Checking after Installation..... 509

Cassette Feeding Unit-AM1..... 510

 Unpacking..... 510

 Checking before Installation..... 514

 Installation Procedure..... 515

 Setting the Cassette..... 524

 Adjustment..... 526

High Capacity Cassette Feeding Unit-A1..... 530

 Unpacking..... 530

 Checking before Installation..... 533

 Installation Procedure..... 534

 Setting the Cassette..... 542

 Adjustment..... 543

Cassette Heater Unit..... 547

 Points to Note at Installation..... 547

 Installation Outline Drawing..... 547

 Checking the Contents (Cassette Heater Unit-41)..... 547

 Checking the Parts to be Installed..... 547

 Installation Procedure..... 548

6. Paper Output Options..... 568

Inner 2-Way Tray-J1..... 569

 Points to Note at Installation..... 569

 Checking the Contents..... 569

 Installation Outline Drawing..... 569

 Essential Items to Be Performed Before Installation..... 569

 Installation Procedure..... 570

 Settings after Installation..... 572

Copy Tray J2..... 573

 Checking the Contents..... 573

 Installation Outline Drawing 573

 Essential Items to Be Performed Before Installation..... 573

 Preparation before Installation..... 573

 Installation Procedure..... 576

Buffer Pass Unit-L1..... 578

 Checking Before Installation..... 578

 Unpacking Procedure..... 578

 Checking the Contents..... 579

 Installation Procedure..... 580

 Checking after Installation..... 586

Staple Finisher-Y1/Booklet Finisher-Y1..... 587

 Checking Before Installation..... 587

 Unpacking..... 588

 Checking the Contents..... 592

 Installation Procedure..... 592

 Affixing the Labels..... 598

 Making Adjustments..... 600

 Making Checks After Completion of Installation Work..... 606

2/3 2/4 4 Hole Puncher Unit-A1..... 608

 Checking Before Installation..... 608

Unpacking Procedure.....	608
Checking the Contents.....	610
Installation Procedure.....	610
Disposal Parts Check.....	626
Operation Check.....	626
Adjusting the Output Level of the Punch Waste Full Sensor.....	627
Checking and Adjusting the Punch Hole Position.....	628
Inner Finisher-H1.....	633
Checking before Installation.....	633
Unpacking.....	633
Installation Procedure	636
Checking after Installation.....	650
Inner 2/3 2/4 4 Hole Puncher-B1.....	651
Checking before Installation.....	651
Unpacking.....	651
Checking the Contents.....	653
Installation Procedure	656
Checking after Installation.....	684
Adjustment.....	686
Revision.....	688

Safety Precautions

Toner Safety.....	2
Points to Note at Installation.....	2

Toner Safety

About Toner

Toner is a nontoxic matter composed of plastic, iron and a trace of pigments.

CAUTION:

Never throw toner in flames to avoid explosion.

Handling Adhered Toner

- Use dry tissue paper to wipe off toner adhered to skin or clothes and wash in water.
- Never use warm water for cleaning up toner to prevent toner particles from being gelated to soak into fibers permanently.
- Toner particles are reactive with vinyl polymers. Avoid contacting these materials.

Points to Note at Installation

Checking the Installation Environment

1. The environment of the installation site must be in the range as shown below. Avoid installation near the faucet, water boiler, humidifier or refrigerator.
Guaranteed range for operation/image Temperature: 10.0 to 30.0 deg C, Humidity: 20 to 80%
2. The machine must not be installed near a source of fire or in an area subject to dust or ammonium gas.
If the area is exposed to direct rays of the sun, provide curtains to the window.
3. Be sure to provide adequate ventilation of the room to keep the work environment comfortable. Room odor can be bothering when running the machine for a long time in a poorly-ventilated room although the ozone amount generated while running this equipment does not harm human health.

Points to Note Before Servicing

- At servicing, be sure to turn OFF the power source according to the specified steps and disconnect the power plug.
- Be sure to disconnect the power plug on a regular basis and remove dust and dirt accumulated around the outlet with dry cloth.

CAUTION:

Leaving the power plug connected for a long time in an environment having a lot of dust, moisture, or oily smoke will cause a fire. (Because dust accumulated in the surrounding area will absorb moisture and cause an insulation failure)

- Be careful not to be injured by burrs of edges, sharp corners or protrusions.

CAUTION:

Hazardous area such as corners, edges, springs and other sharp sections may be remaining on products. Always be aware of the presence of hazardous area to avoid injury caused by contacting and/or striking those area, by not over-concentrating on service work.

Essential Items to Be Performed Before Installation

- Turn OFF the main power of the host machine, and disconnect the power plug from the outlet.

WARNING:

- If performing work without disconnecting the power plug of the host machine, it may cause electrical shock.
- If disconnecting the power plug without turning OFF the main power, it may cause damage of the machine.

- When turning OFF the main power, follow the below procedure.
 1. Turn OFF the main power switch of the host machine.
 2. The display in the Control Panel and the lamp of the main power are turned off.

Points to Note when turning ON/OFF the main power

The following message is displayed.

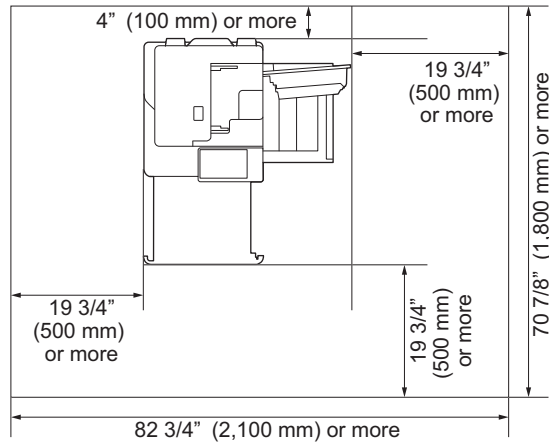
1. When a message prompting to turn OFF and then ON the main power appears, turn OFF and then ON the main power switch.
2. If a message prompting the user to update the version appears, press [Update] to automatically update the version of this equipment.
If [Skip] is selected, a message prompting the user to update the version will appear every time the host machine is started.
In the service mode (Lv.2) shown below, it is possible to set not to display the message.
COPIER > OPTION > FNC-SW > VER-CHNG

Checking Installation Space

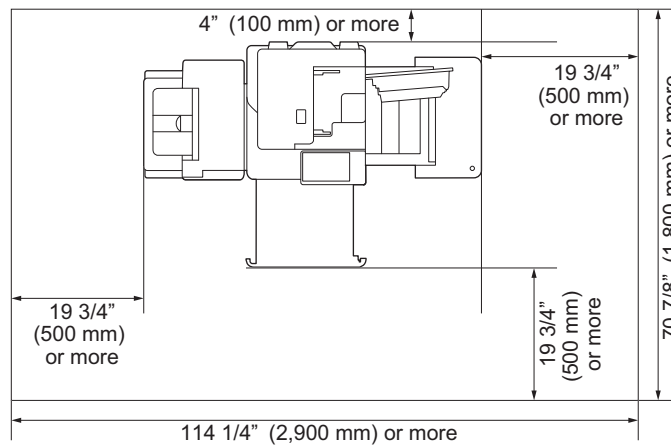
1. **Be sure that the feet of the machine are properly set. In addition, be sure to keep the machine horizontal.**

2. Be sure to keep 100 mm or more distance from the wall to make enough room for performing the operation.

- Be sure to keep 100 mm or more distance from the wall to make enough room for performing the operation.



- Booklet Finisher-Y1 + Paper Deck Unit-F1 is installed



3. To install the host machine, install it in a well-ventilated place. Especially when there are multiple host machine s, be sure to locate the machine where the machine is free from direct exhaust of other machines. Be sure to keep the machine away from the air-inlet duct which is used for ventilation of the room.

illustrations

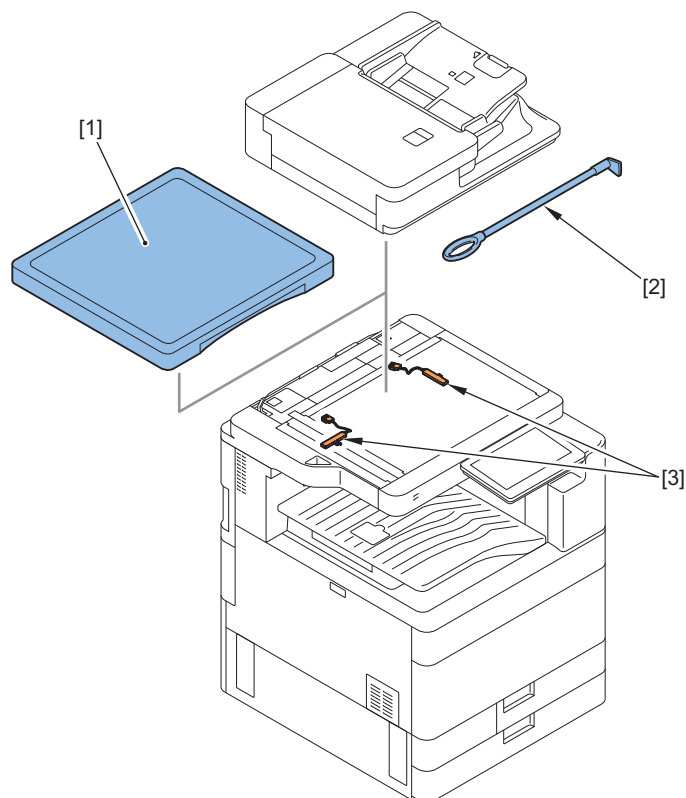
Although pictures or illustrations used for explanation may differ from the actual things, the procedure is the same.



Product Lineup

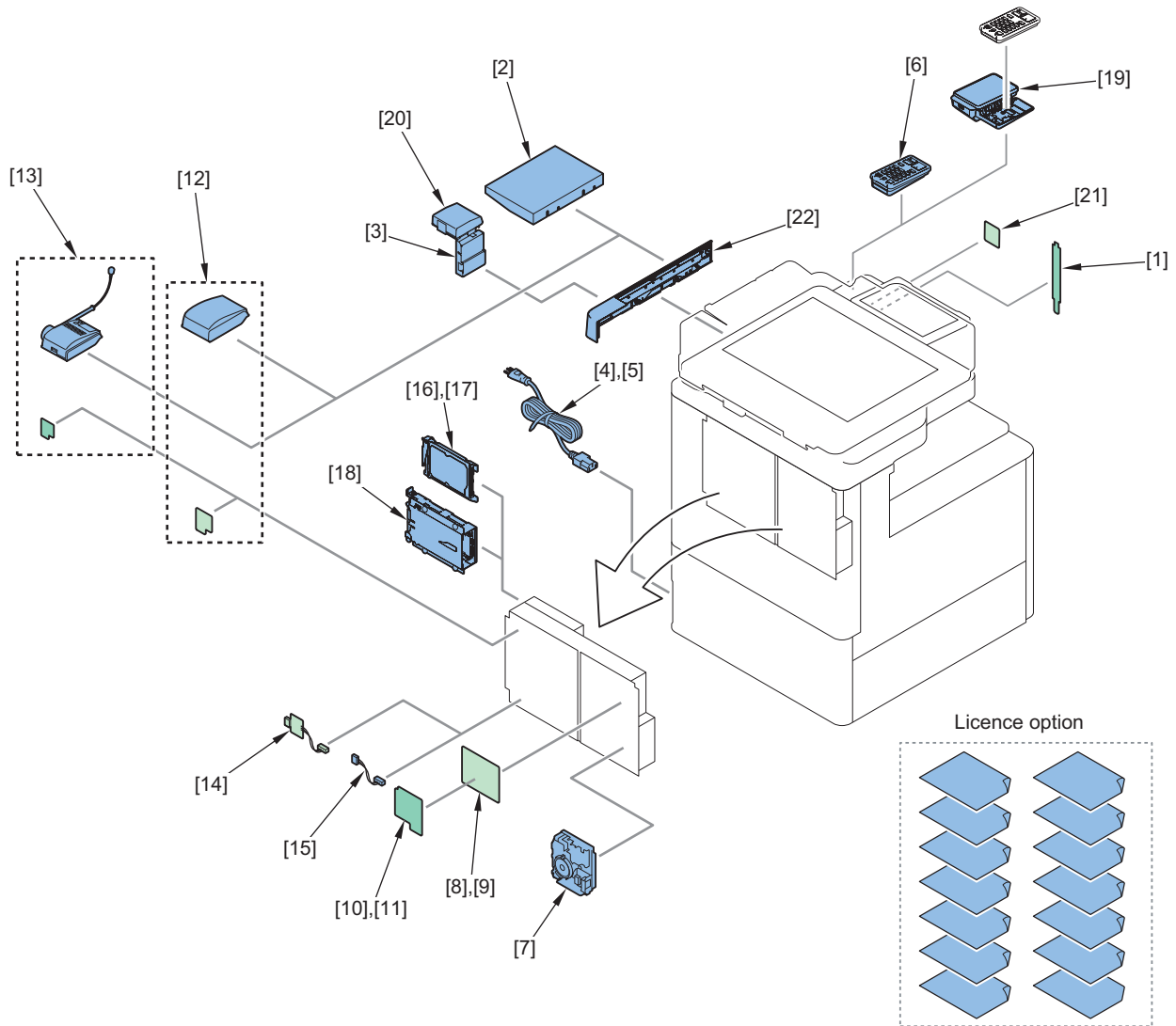
Image Reading System Options.....	6
Host Machine Options.....	7
Paper Feed / Paper Output Options.....	9

Image Reading System Options



No.	Product name	Condition
1	"Platen Cover Y2/Y3" on page 113	Cannot be installed with the DADF. Cannot be installed with Printer Cover-J1.
2	ADF Access Handle-A1	
3	"Reader Heater J5" on page 124	

Host Machine Options



Hardware Products

No.	Product name	Condition
1	"NFC Kit-E1/E2" on page 160	
2	"Utility Tray-B1" on page 181	Cannot be installed with Voice Guidance Kit-G1. Cannot be installed with Voice Operation Kit-D1.
3	"Copy Card Reader-F1" on page 192	It is required when installing Copy Card Reader-F1.
4	Power Supply Cable-U1	
5	Power Supply Cable-W1	
6	"Numeric Keypad-A1/A2" on page 212	
7	"Super G3 FAX Board-AS1" on page 301 "Super G3 FAX Board-AS2" on page 312	
8	"Super G3 2nd Line Fax Board-AS1" on page 322	Super G3 FAX Board-AS1 is required.
9	"Super G3 2nd Line Fax Board-AS2" on page 345	Super G3 FAX Board-AS2 is required.
10	"Super G3 3rd/4th Line Fax Board-AS1" on page 387	Super G3 FAX Board-AS1 is required. Super G3 2nd Line Fax Board-AS1 is required.
11	"Super G3 3rd/4th Line Fax Board-AS2" on page 400	Super G3 FAX Board-AS2 is required. Super G3 2nd Line Fax Board-AS2 is required.
12	"Voice Guidance Kit-G1" on page 432	Cannot be installed with Utility Tray-B1. Cannot be installed with Voice Operation Kit-D1.
13	"Voice Operation Kit-D1" on page 413	Cannot be installed with Utility Tray-B1. Cannot be installed with Voice Guidance Kit-G1.

No.	Product name	Condition
14	"Serial Interface Kit-K3 / Copy Control Interface Kit-A1" on page 450	Cannot be installed with Copy Card Reader-F1. Cannot be installed with Copy Control Interface Kit-A1.
15	"Serial Interface Kit-K3 / Copy Control Interface Kit-A1" on page 450	Cannot be installed with Copy Card Reader-F1. Cannot be installed with Serial Interface Kit-K3.
16	"HDD-related Option" on page 261	It is required when using the mirroring function with HDD Mirroring Kit-J1.
17	"HDD-related Option" on page 261	It is required when using the mirroring function with HDD Mirroring Kit-J1.
18	"HDD-related Option" on page 261	When executing the mirroring function, either 2.5inch/250GB HDD-N1 or 2.5inch/1TB HDD-P1 is required.
19	"IC Card Reader Box for Numeric Keypad-A1" on page 230	
20	"Copy Card Reader-F1" on page 192	Copy Card Reader Attachment-B5 is required. Cannot be installed with Serial Interface Kit-K3. Cannot be installed with Copy Control Interface Kit-A1.
21	"Connection Kit-A2/A3 for Bluetooth LE" on page 251	
22	Option Attachment kit for Reader-A2	

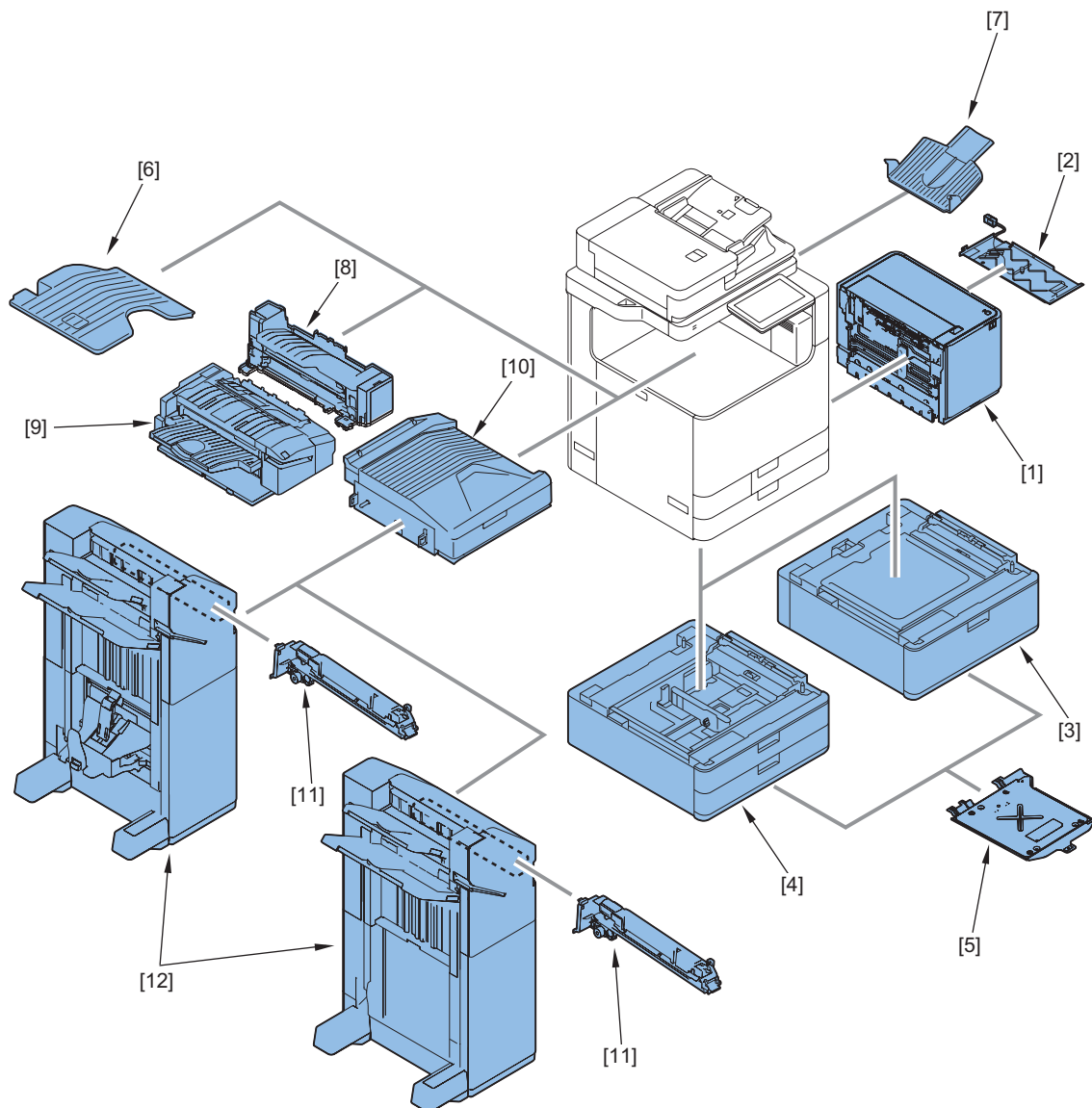
License Products

At the time of installation, obtain the license number according to the license certificate included. Then, enter the obtained license number from the Control Panel of the machine. The applicable functions are enabled.

There is no physically required installation.

No.	Product name	Condition
1	Remote Fax Kit-A1	
2	IP FAX Expansion Kit-B1	
3	PCL International Font Set-A1	
4	Barcode Printing Kit-D1	
5	iR-ADV Security Kit-AL1 for IEEE 2600 Common Criteria Certification	
6	Picture Login-A1	

Paper Feed / Paper Output Options



No.	Product name	Condition
1	"Paper Deck Unit-F1" on page 460	
2	"Paper Deck Heater Unit-C1" on page 487	
3	"High Capacity Cassette Feeding Unit-A1" on page 530	
4	"Cassette Feeding Unit-AM1" on page 510	
5	"2/3 2/4 4 Hole Puncher Unit-A1" on page 608	
6	"Inner 2-Way Tray-J1" on page 569	
7	"Copy Tray J2" on page 573	
8	"Inner 2/3 2/4 4 Hole Puncher-B1" on page 651	
9	"Inner Finisher-H1" on page 633	
10	"Buffer Pass Unit-L1" on page 578	
11	"2/3 2/4 4 Hole Puncher Unit-A1" on page 608	
12	"Staple Finisher-Y1/Booklet Finisher-Y1" on page 587	
-	Tab Feeding Attachment-F1	



Host Machine

Checking before Installation	11
Installation Procedure.....	13
When Relocating the Machine	102

Checking before Installation

Following shows requirements for the installation site.

Therefore, it is desirable to see the installation site in advance before bringing in the machine to the user's site.

Checking Power Supply

1. **Be sure to connect the power plug exclusively to an outlet that compiles with the following.**
 - USA: 120-127 V +/-10%, 60 Hz 11.5 A
 - EUR: 220-240V +/-10%, 50/60Hz, 6.0A
2. **Be sure to install this machine near an outlet so that the power plug can be disconnected right away in case of emergency, and do not put anything around the power plug.**

Points to Note before Installation

When installing the machine, be sure to note the following points.

1. **When the machine is moved from a cold location to a warm location, condensation may occur resulting in water drops on the metal surfaces. Use of the host machine when there is condensation may result in image failure. After moving the machine from a cold location to a warm location, leave it unpacked for at least 2 hours or more to let it warm up to room temperature before installation.**
2. **The host machine weighs maximum 125kg. It is recommended to lift it with 4 people or more. However, if there is a standard to handle a heavy load in each sales company, follow it for operation. Also, make sure to lift the machine with keeping it level at operation.**

Points to Note When Moving This Host Machine

- When moving this host machine after having unpacked it, be careful by placing a plate, etc. on areas with steps to prevent the casters from hitting those steps.
If the casters hit a step, the casters or the base plate may be deformed.
- Keep the fixation members and screws that were removed during unpacking or installation as they may be used to transport the machine for relocation or repair.

Combination Table of Accessory Installation

NOTE:

- The following table shows the combination of options installed of the host machine. Before installing the following options, refer to the table to check the combination of options.
- When using options and the Copy Card Reader together, install the Copy Card Reader first.

	Copy Card Reader	Voice Operation Kit	Voice Guidance Kit	Utility Tray	Serial Interface Kit	Copy Control Interface Kit
Copy Card Reader	-	Yes	Yes	Yes	No	No
Voice Operation Kit	Yes	-	No	No	Yes	Yes
Voice Guidance Kit	Yes	No	-	No	Yes	Yes
Utility Tray	Yes	No	No	-	Yes	Yes
Serial Interface Kit	No	Yes	Yes	No	-	No
Copy Control Interface Kit	No	Yes	Yes	No	No	-

Yes: installation is available No: installation is not available

Host Machine Installation Procedure

1. **Checking before Installation**
2. **Unpacking**
3. **Checking the Contents**
4. **Removing the Packaging Materials**
5. **Installing the Scanner**
6. **Installing the Drum Unit**
7. **Setting the Environment Heater Switch**
8. **Setting the Cassette**
- 9.
10. **Securing the Host Machine**
11. **Turning the Main Power ON / Setting the Toner Container**
12. **Host Machine Settings (Starting the Setup Guide)**
13. **Informing the System Administrator That Installation Is Complete**
14. **Registration of Installation Date Information**
15. **Other Installations**
16. **Installing the Envelope Attachment A**
17. **Installing the Envelope Attachment B**
18. **Checking after the Installation**
19. **Auto Adjust Gradation (Full Adjustment)**
20. **Execute the ITB Equilibrium Position Detection**
21. **Adjusting Image Position**
22. **Checking Network Connection**
23. **Troubleshooting of Network**
24. **Installing the IC Card Reader**
25. **Operation when using uniFLOW Online**

Installation Procedure

Unpacking

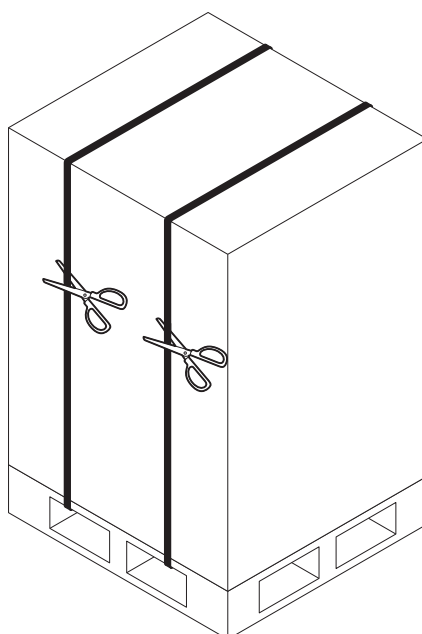
⚠ CAUTION:

Be careful not to perform the following work as it may cause operation failure.

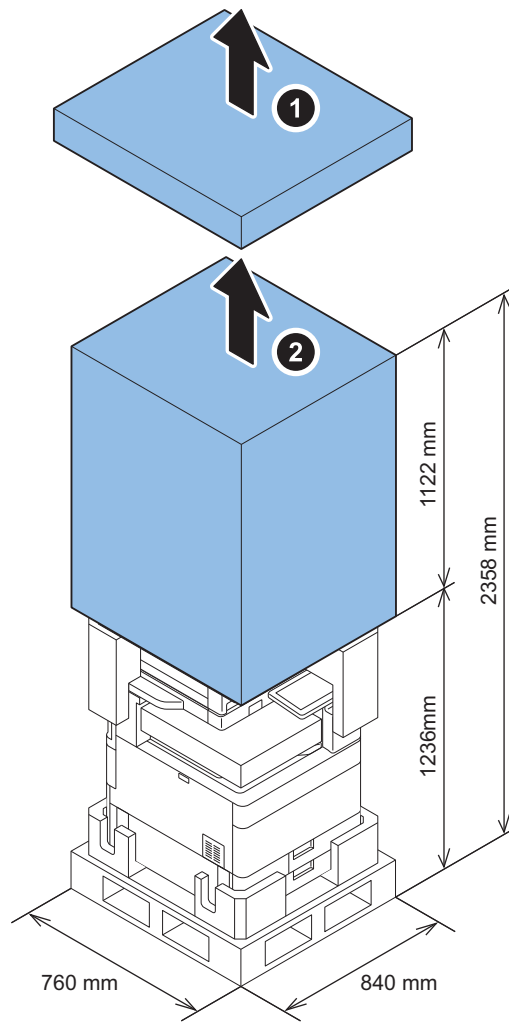
- Letting the bottom of the host machine interfere with packaging material when lifting the host machine down from the pallet.
- Placing the host machine on uneven surface.
- Dragging the host machine while its bottom is interfering with soft material on the floor such as carpet or cardboard.

□

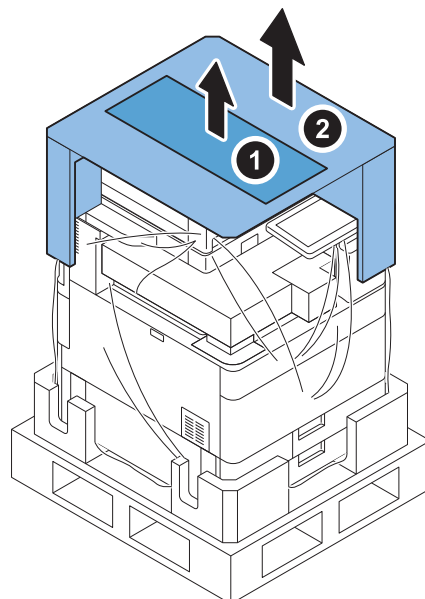
1.



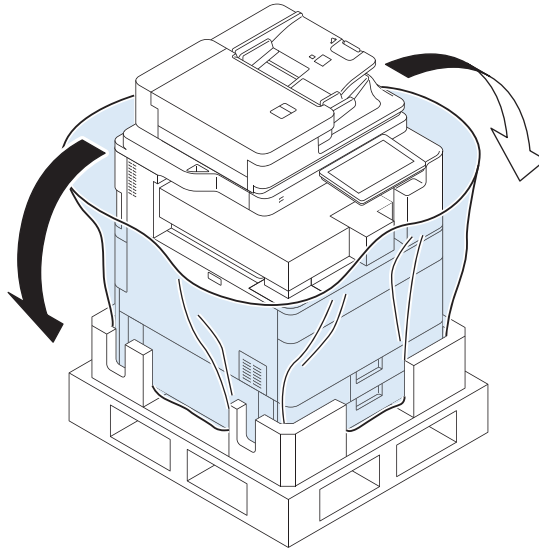
□
2.



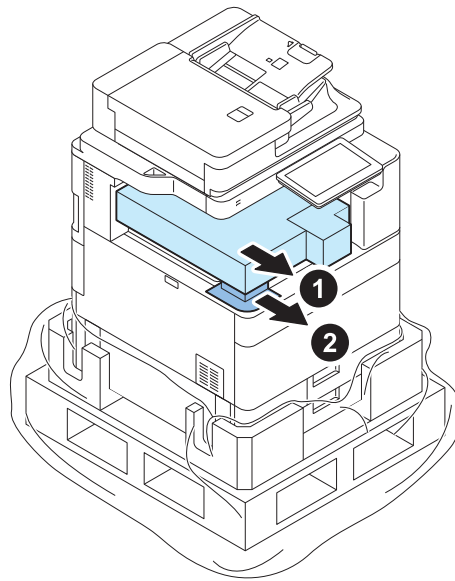
□
3.



□
4.



□
5.



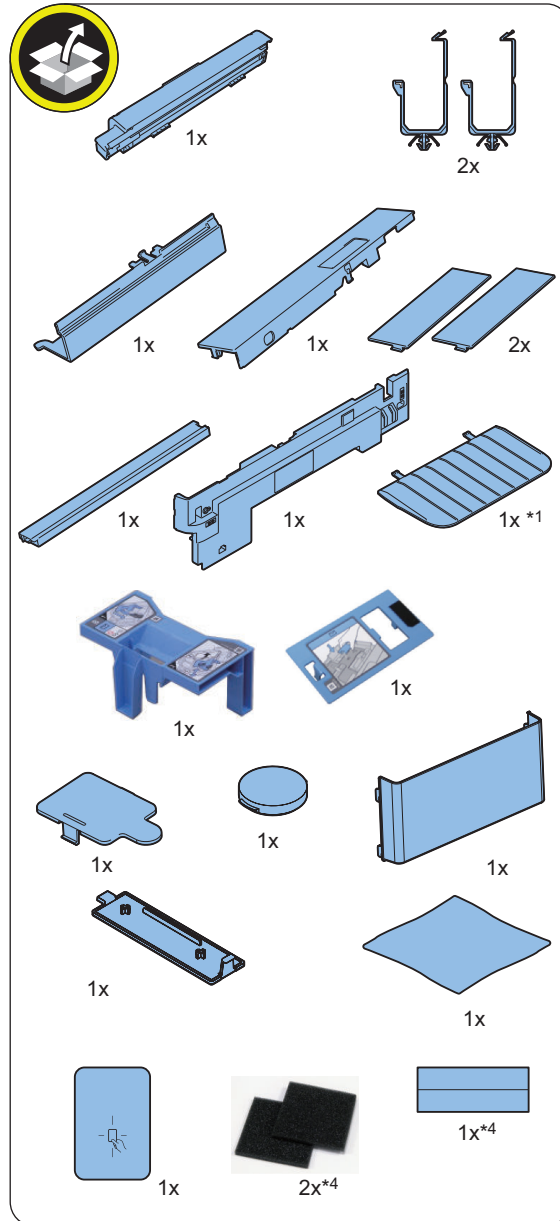
● Checking the Contents

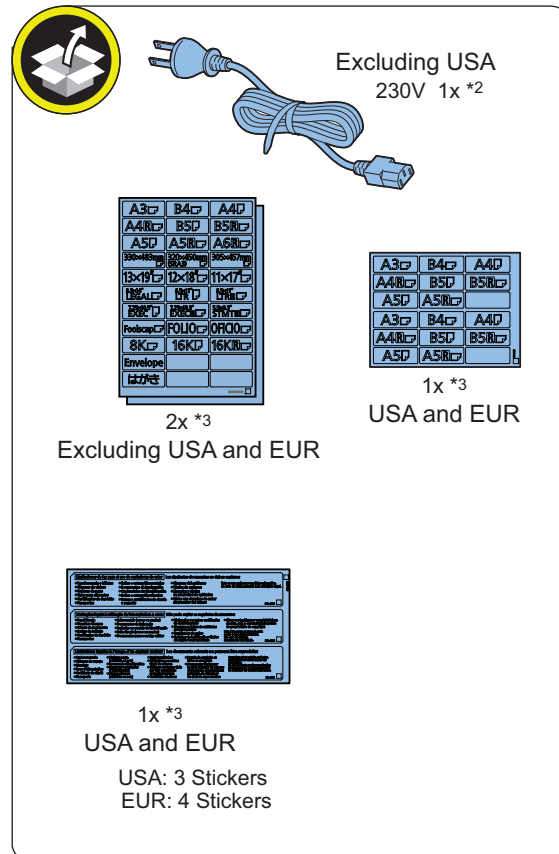
CAUTION:

The following parts contained in the package cannot be used in combination with these options.

*1: Reverse Trailing Edge Guide

- Inner 2way Tray
- Inner Finisher
- Staple Finisher
- Booklet Finisher



**NOTE:**

*2: The connector has a different shape depending on locations. Use the correct power cord to match the location/area of installation. Make sure not to leave unused power cord at the site.

*3: Number of labels attached to the sheet varies according to location/area.

*4: When installing the IC Card Reader, use it as necessary.

<Others>

- Including guides

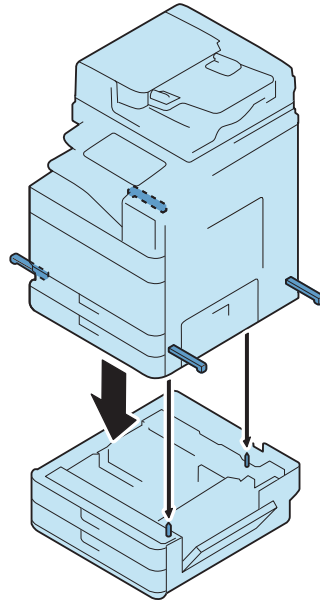
● Removing the Packaging Materials

NOTE:

- When installing the Cassette Pedestal, be sure to place the host machine on the Cassette Pedestal. (Refer to cassette pedestal Installation Procedure)
- In the following procedure, pictures of a host machine with the Cassette Feeding Unit are used, but the procedure is the same.
- Although pictures or illustrations used for explanation may differ from the actual things, the procedure is the same.

□
1.**⚠ CAUTION:**

- The host machine weighs maximum 125 kg. It is recommended to lift it with 4 people or more. However, if there is a standard to handle a heavy load in each sales company, follow it for operation. Also, make sure to lift the machine with keeping it level at operation.
- Be sure to keep the machine leveled when lifting it.

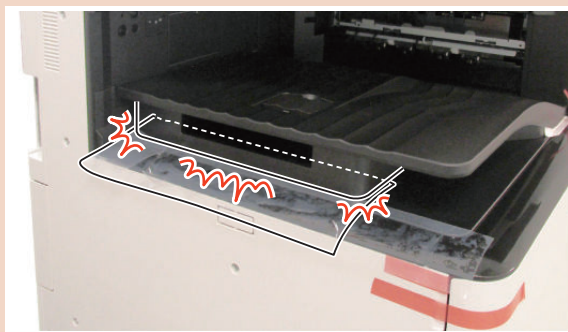


□
2.**NOTE:**

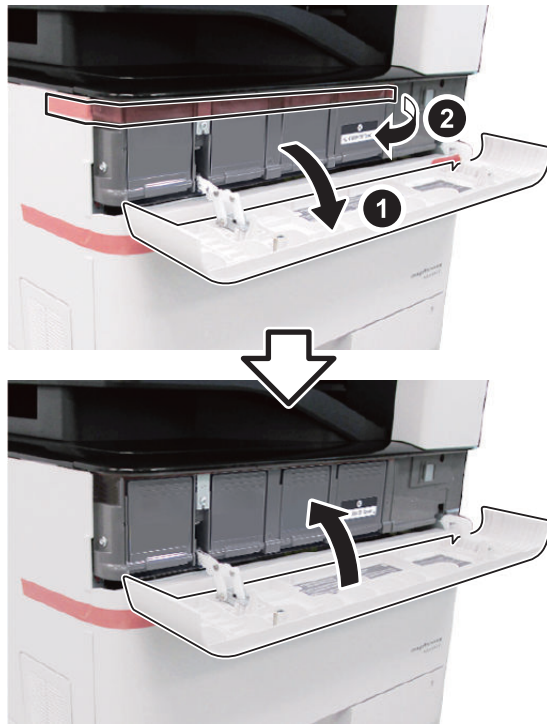
Remove the attached tapes and packaging materials.

CAUTION:

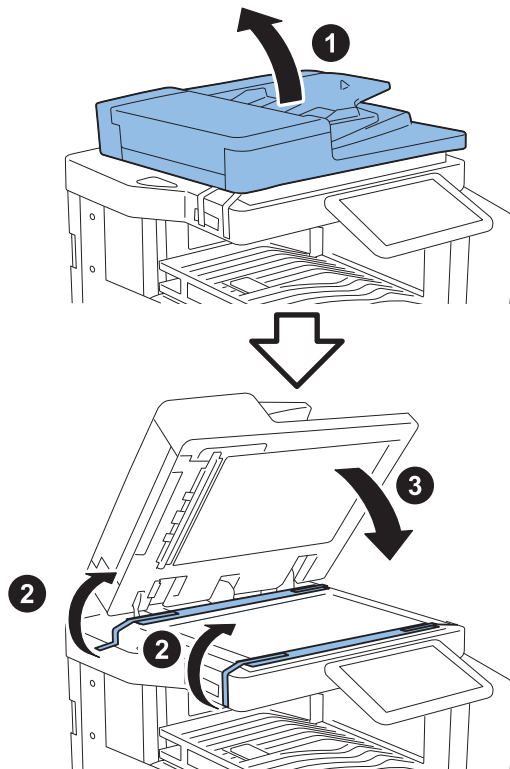
- Remove the tape of Front Cover in later step.
- Be sure not to remove the Scanner System Fixation Screw before installation of the scanner.
- Make sure not to break the Protection Sheet when removing it, as it stretches under the Delivery Tray.



□
3.

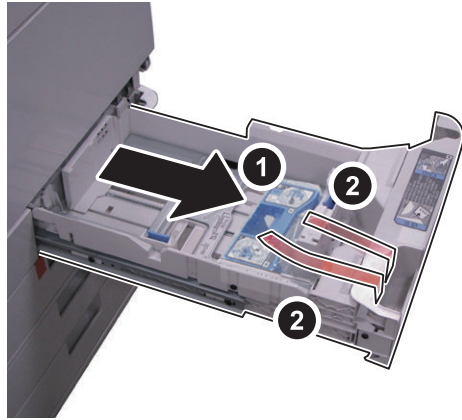


□
4.

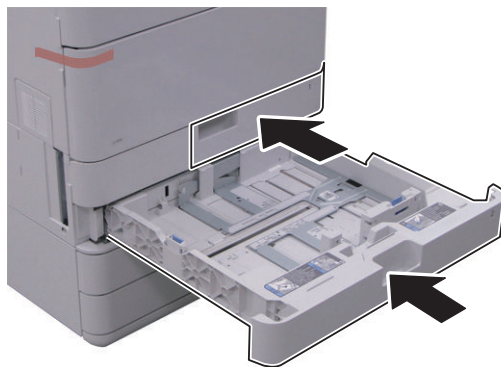


□
5.

NOTE:
Remove the attached tapes and packaging materials.



□
6.

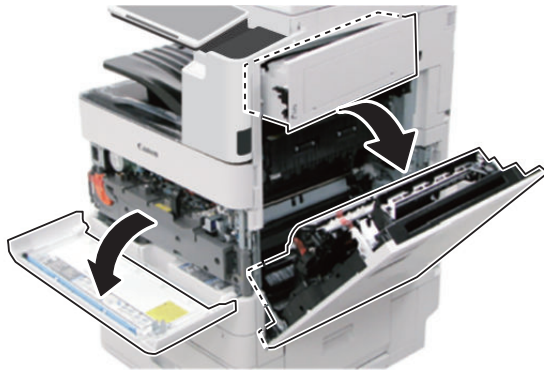


□
7.

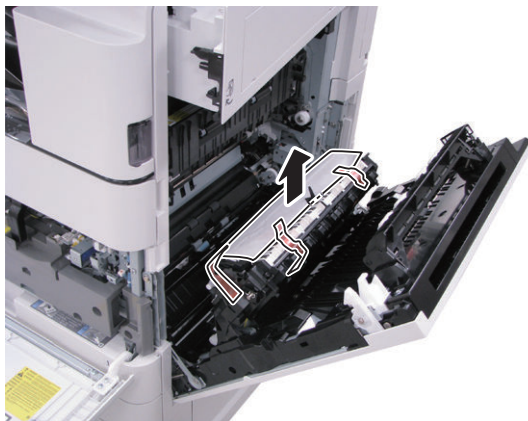
NOTE:
The Front Cover opens when the tape of Front Cover is removed.



□
8.

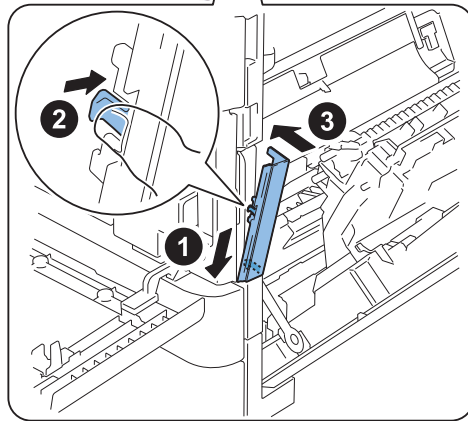
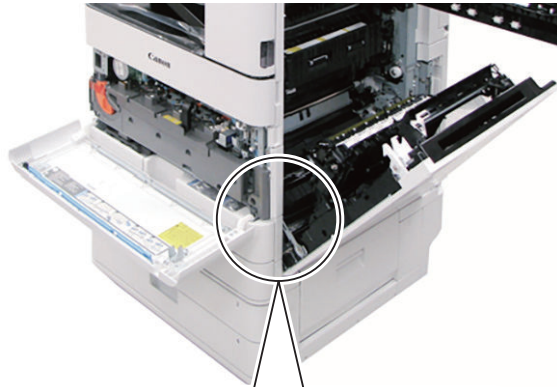
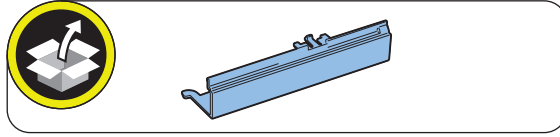


□
9.



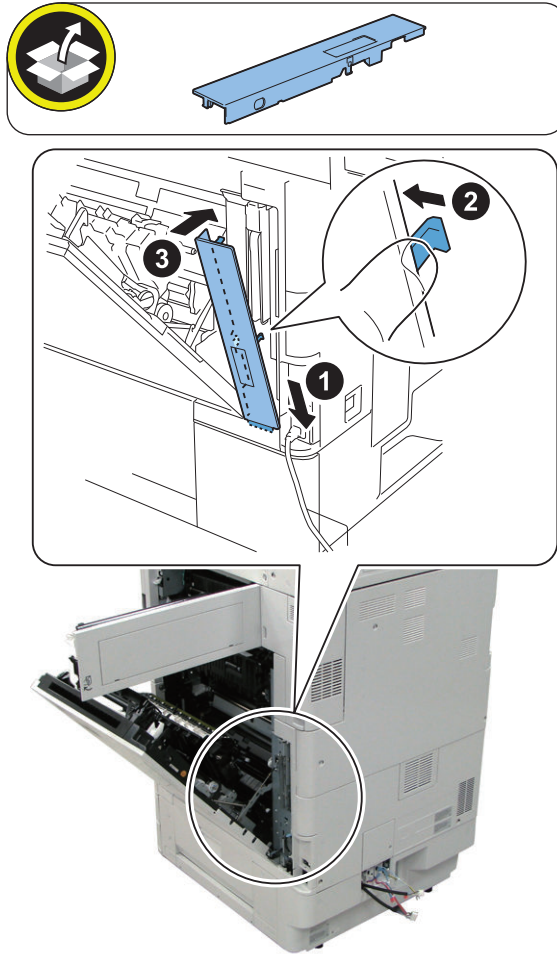
□
10.

NOTE:
Install while pressing the claw of Right Front Cover.

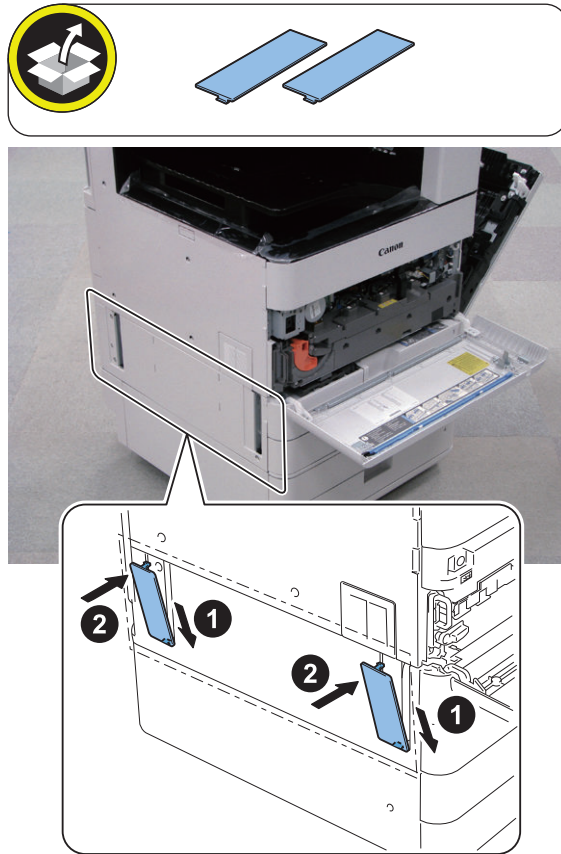


□
11.

NOTE:
Install while pressing the claw of Right Rear Cover.



□
12.

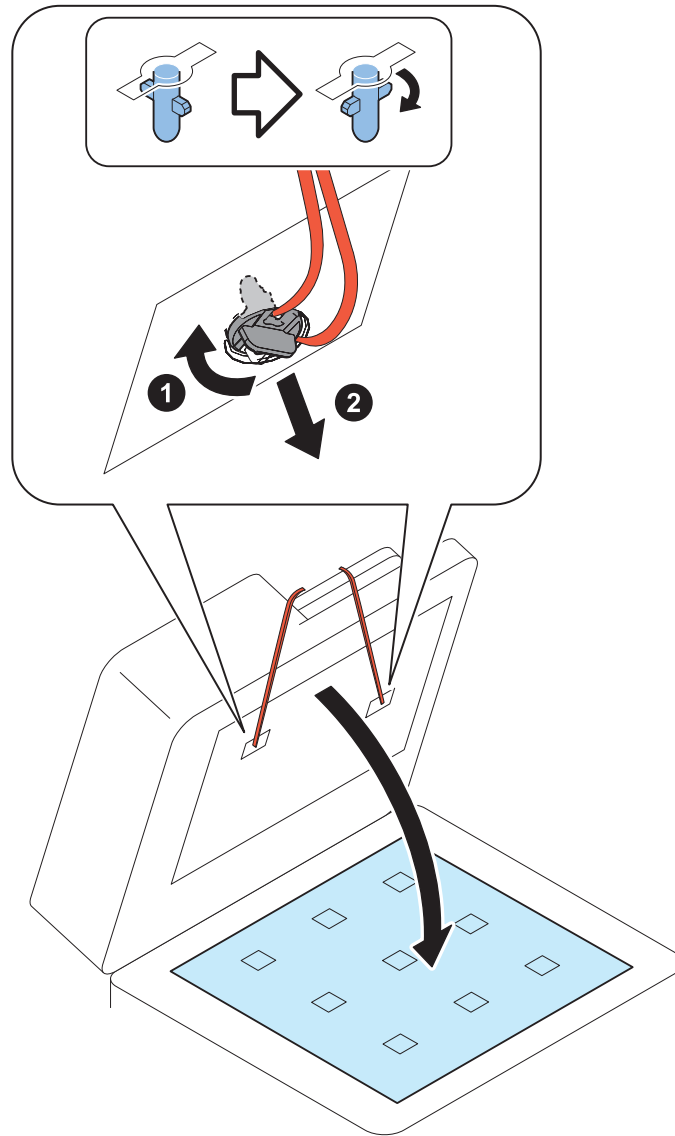


● **Installing the Scanner**

□
1.



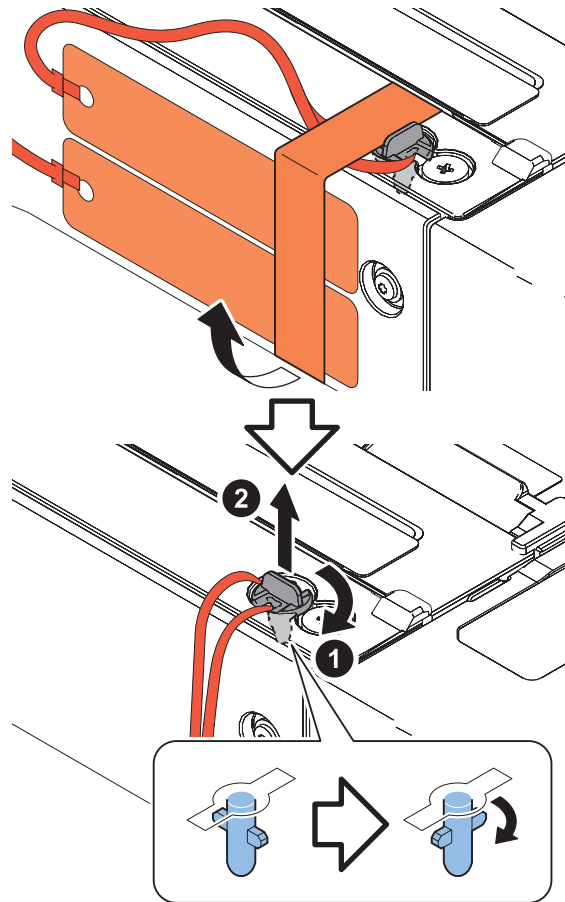
2.



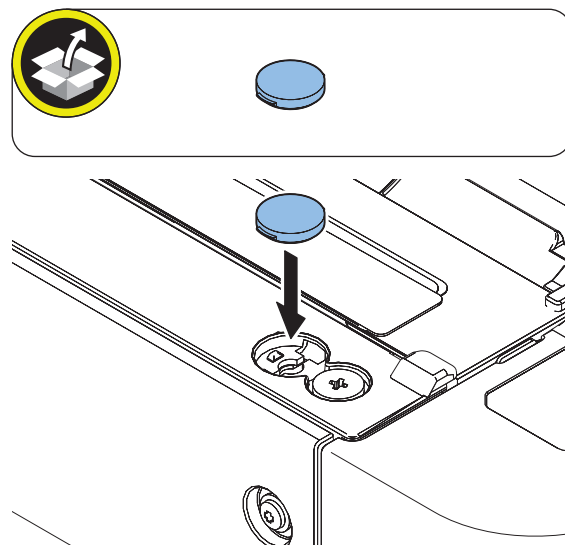
3.

NOTE:

Be sure to keep the Scanner System Fixation Member in a safe place for moving the machine.

**NOTE:**

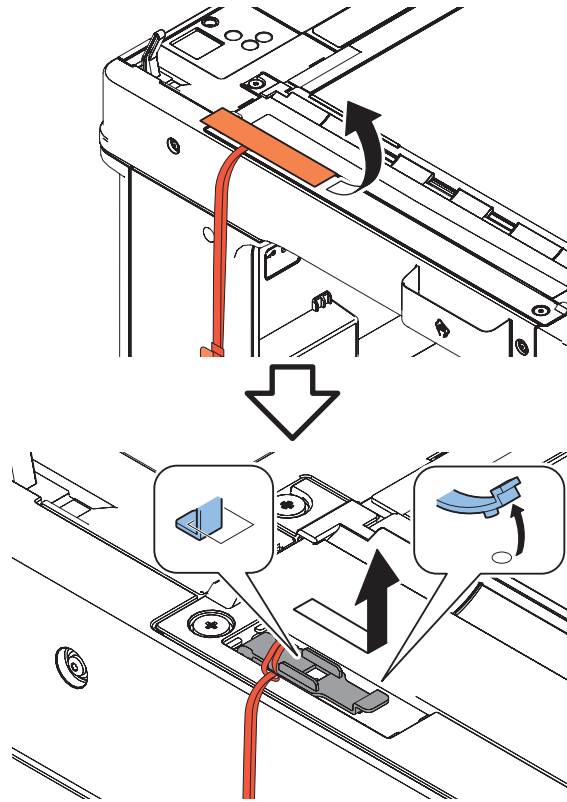
The removed Scanner System Fixation Member will be used in step 10.

 4.


□
5.

NOTE:

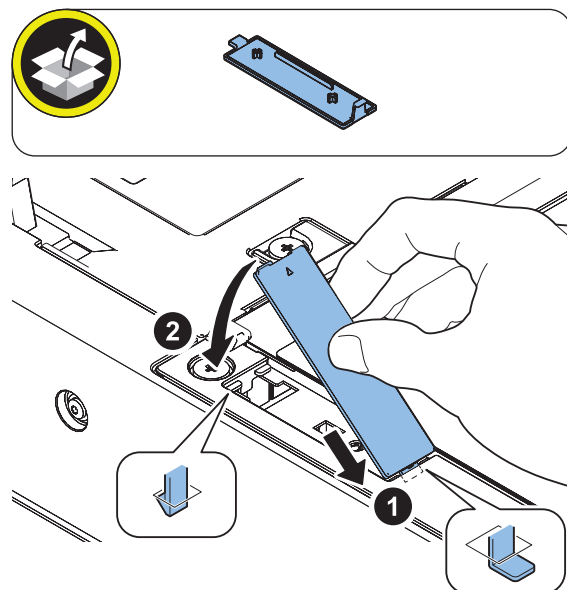
Be sure to keep the Scanner System Fixation Member in a safe place for moving the host machine.



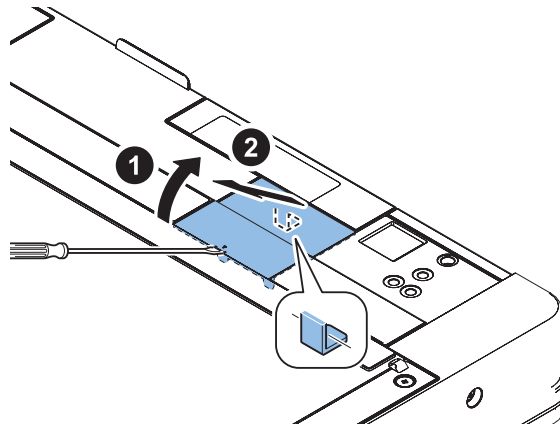
NOTE:

The removed Scanner System Fixation Member will be used in step 8.

□
6.

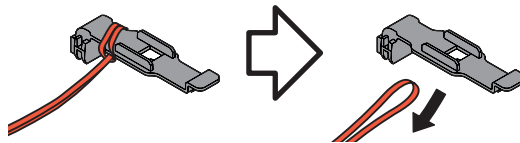


□
7.



NOTE:
The removed Cover will be used in step 9.

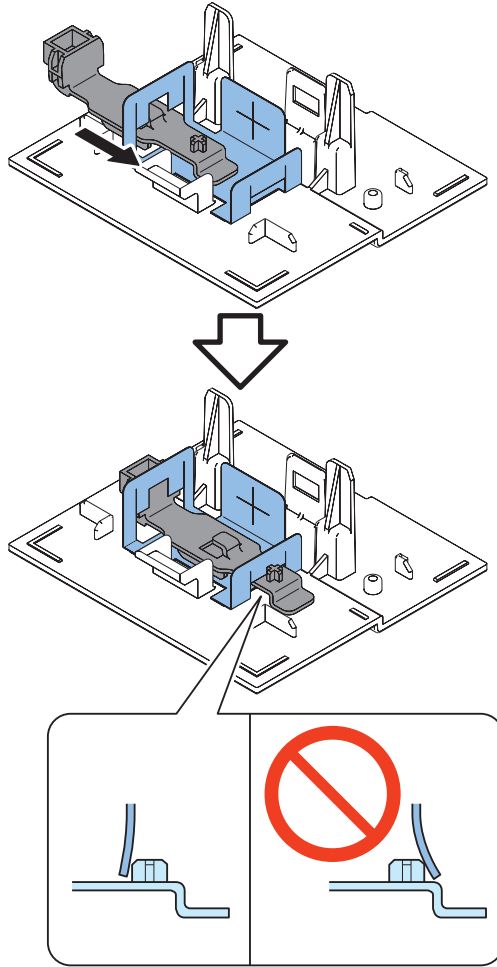
□
8.



□
9.

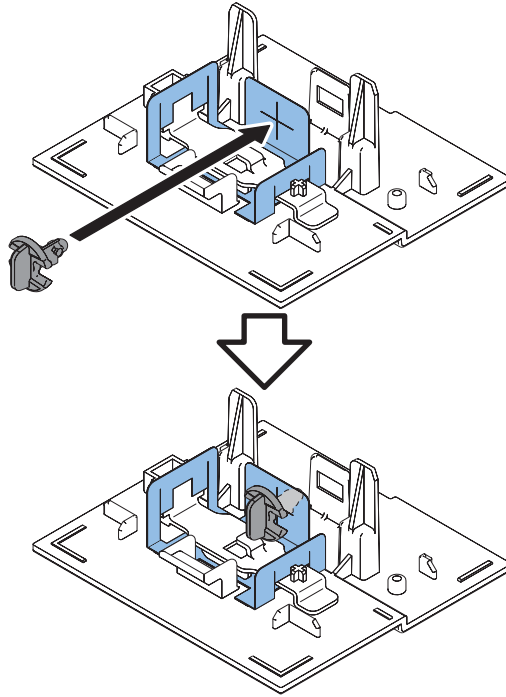
NOTE:

Store the Scanner System Fixation Member removed in step 8 in the Cover removed in the step7.

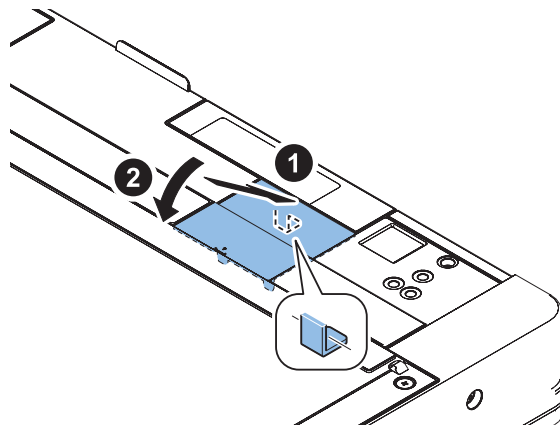


□
10.

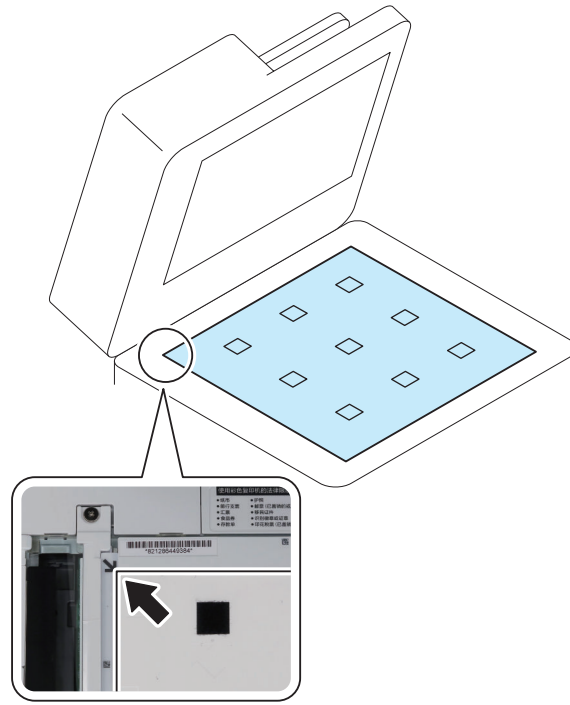
NOTE:
Store the Scanner System Fixation Member removed in step 3.



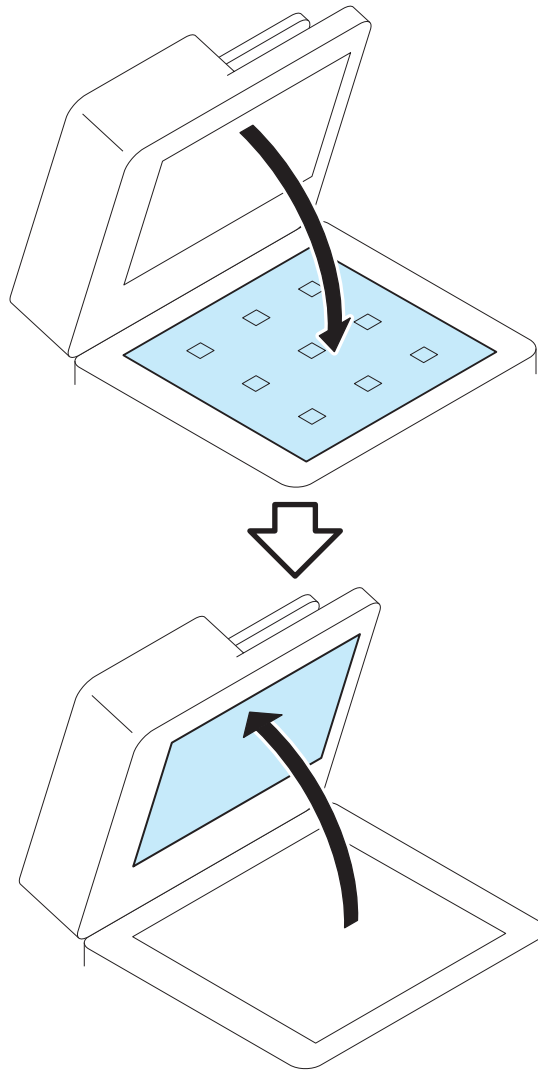
□
11.



□
12.



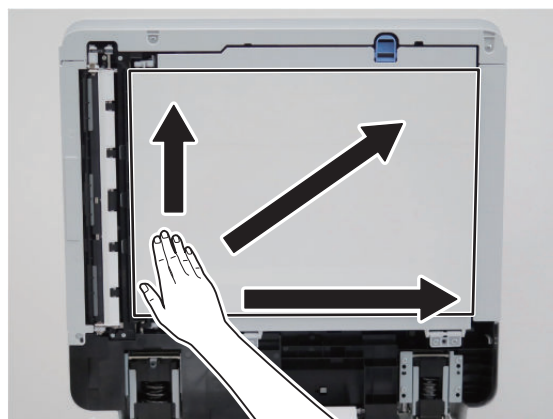
□
13.



□
14.

CAUTION:

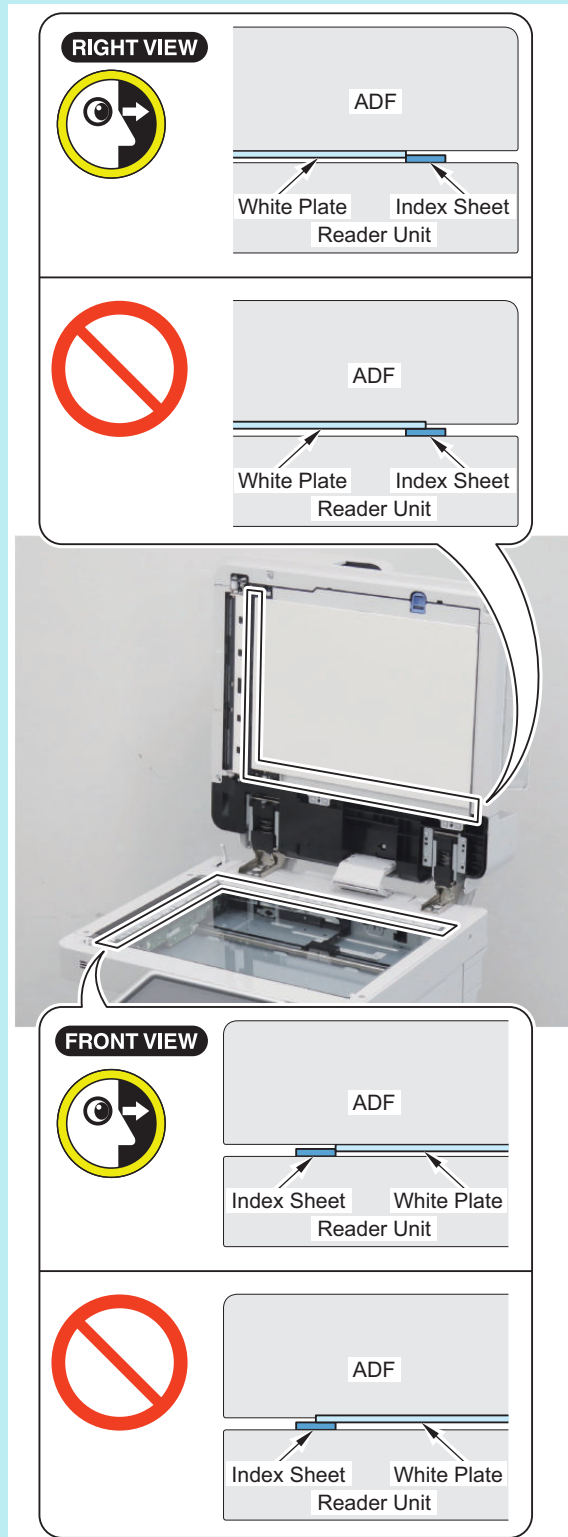
If the White Plate is pressed downward, it is placed on the Index Sheet, so be sure to press it upward.



□
15. Close the ADF.

NOTE:

- Be sure that there is no gap (for reference, 0.3 mm or less) between the White Plate and the Index Sheet.
- Check that the White Plate is not placed on the Index Sheet.



Installing the Drum Unit

CAUTION:

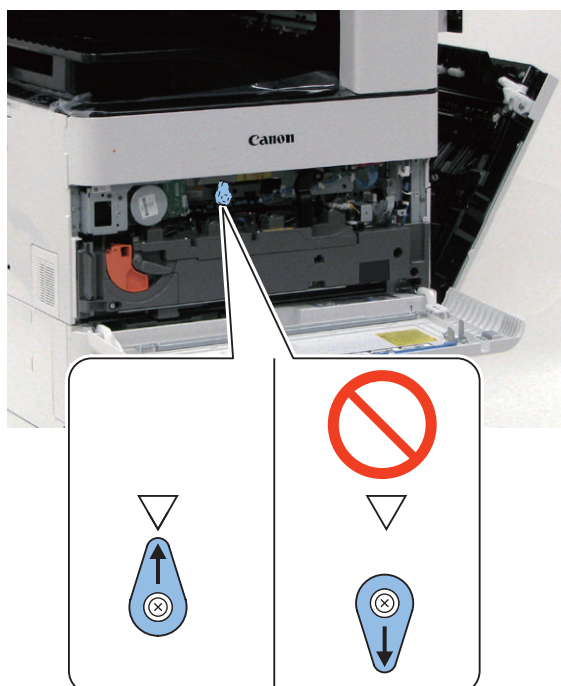
Make sure to use a new Drum Unit.

If not, this may cause the control of the machine to not operate properly.

□

1.**NOTE:**

- Check that the ITB Sub Pressure Release Lever is positioned in the direction of the arrow. If not, adjust its position by turning it clockwise.
- Although pictures or illustrations used for explanation may differ from the actual things, the procedure is the same.



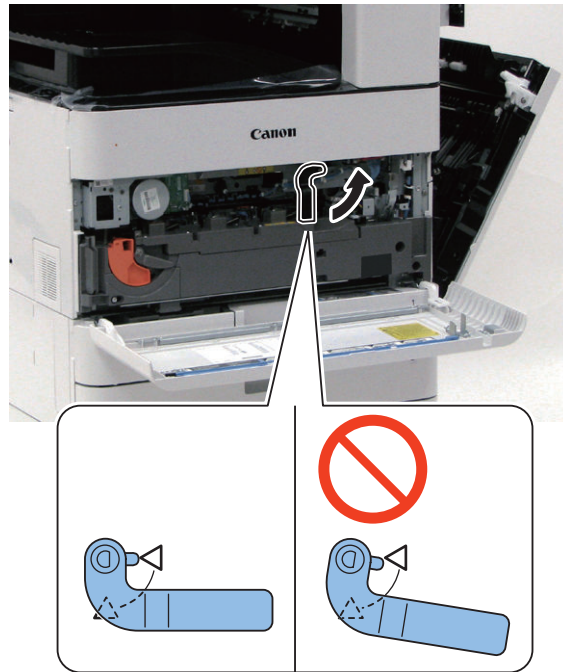
□
2.

CAUTION:

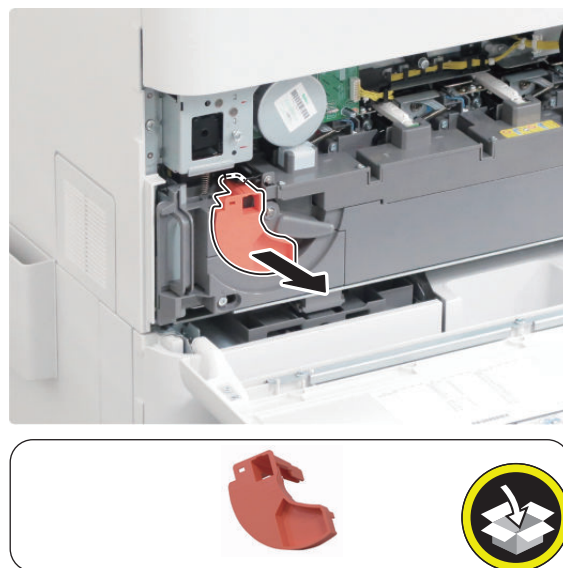
Make sure that the Right Lower Cover is open before releasing the pressure.

NOTE:

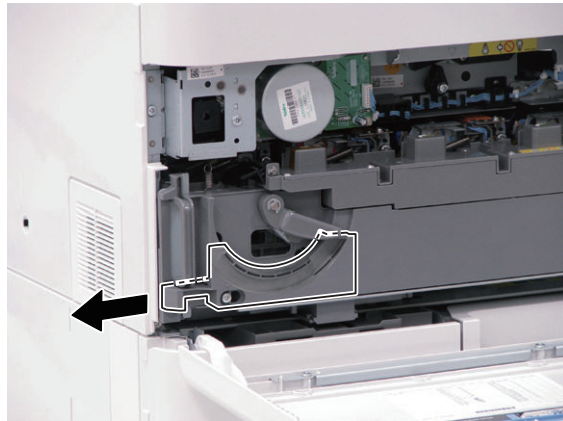
Turn the ITB Pressure Release Lever in the direction of the arrow until the protrusion is aligned with the triangle mark on the plate to release the pressure.



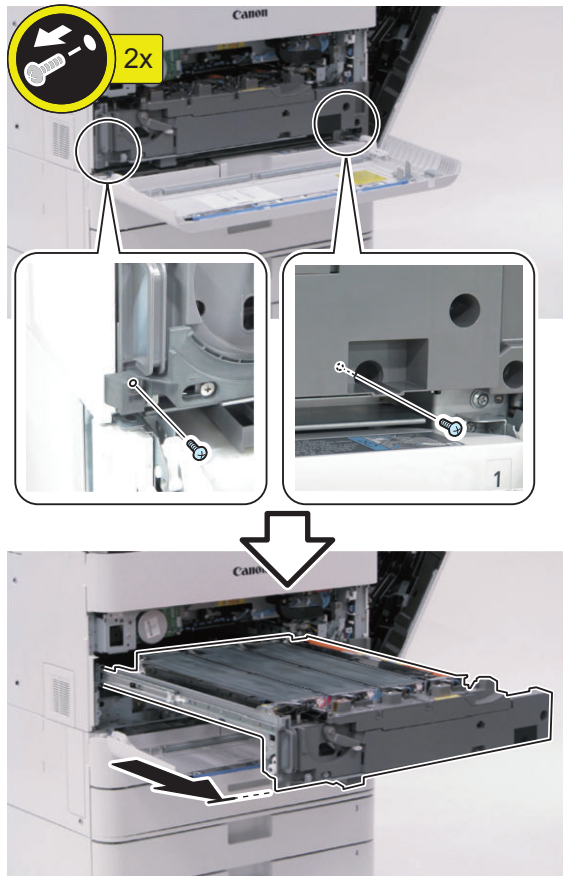
□
3.



□
4.



□
5.

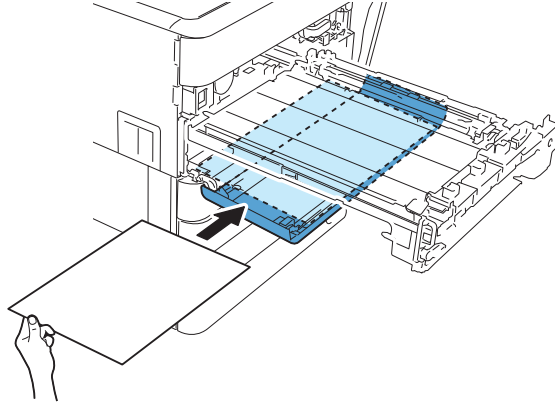


NOTE:
The removed screws will be used in step 16.



6. <For India only>

NOTE:
Place a sheet of paper on the Front Cocer.

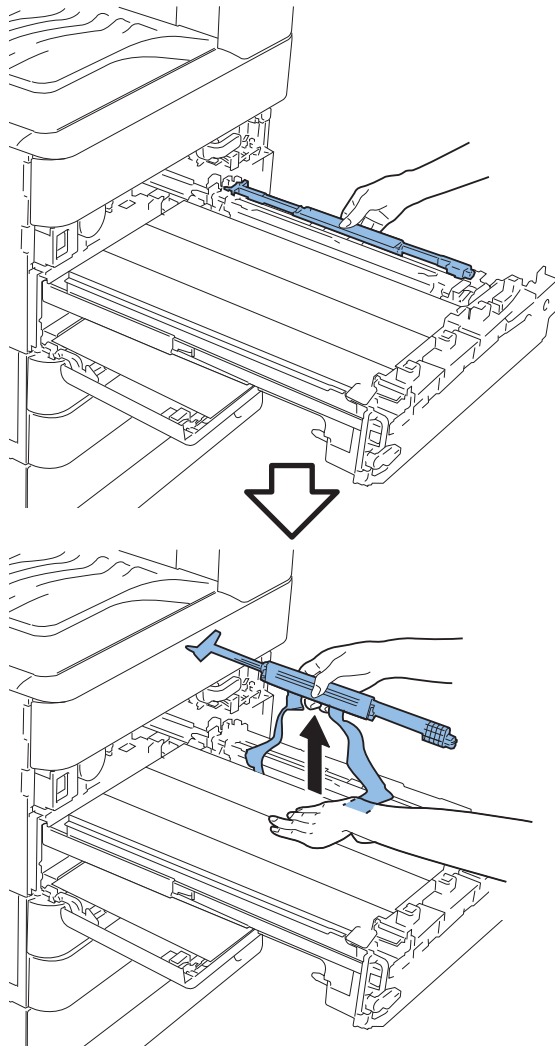
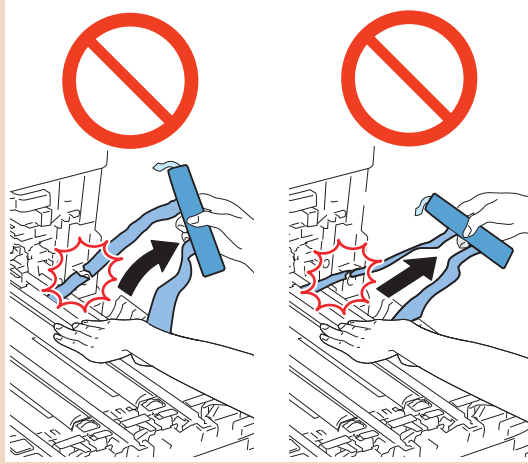


□
7.**CAUTION:**

Points to Note when Removing the Dummy Drum

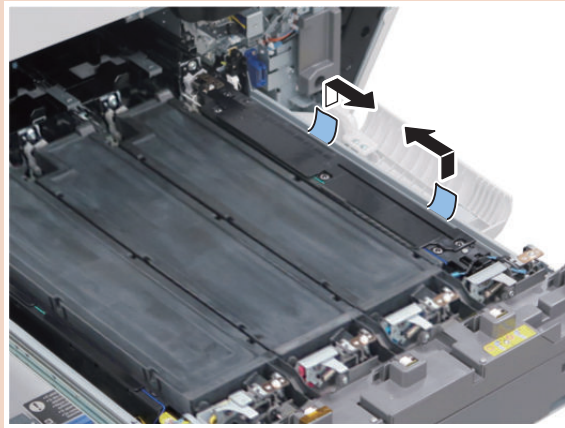
When removing the Dummy Drum, be sure to lift it slowly and vertically.

If lifting it in an oblique direction, the Seal on the Developing Assembly is stressed, and may cause tear of the seal. Perform the removal procedure for each color.

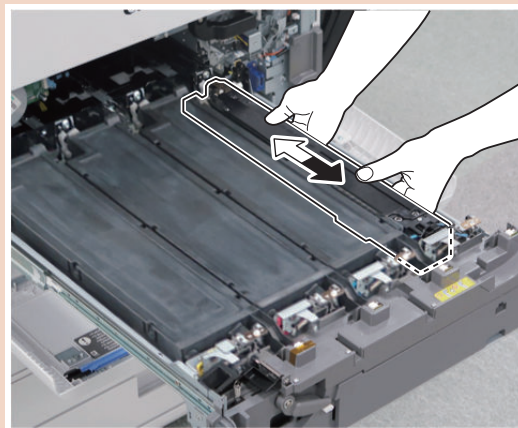


CAUTION:

If the Developing Seal is torn, remove the torn seal by pulling the end of it in the direction of the arrow. At that time, be careful not to leave the torn seal in the Developing Assembly.

**CAUTION:**

- To check that the Developing Assembly is properly installed, move the Developing Assembly toward the front and rear by hand. If it won't move at all, check again that the Developing Assembly is properly installed.
- Be sure not to touch the Developing Cylinder during the work.





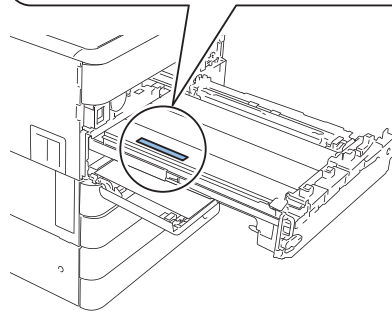
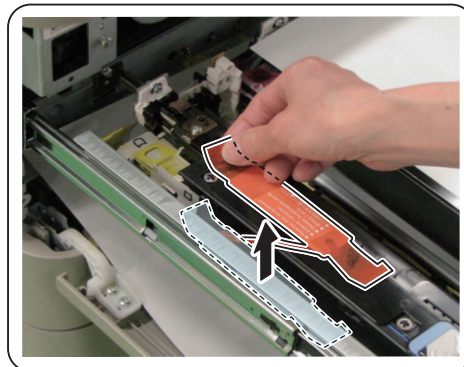
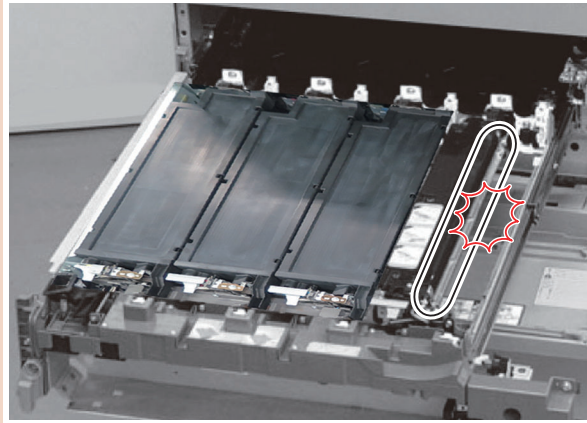
8. <For India only>

NOTE:

Remove the tape from the Developing Assembly.

CAUTION:

Do not touch the sleeve.

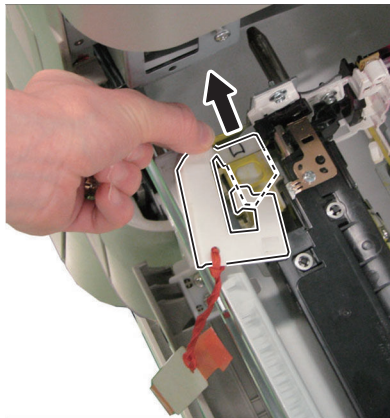
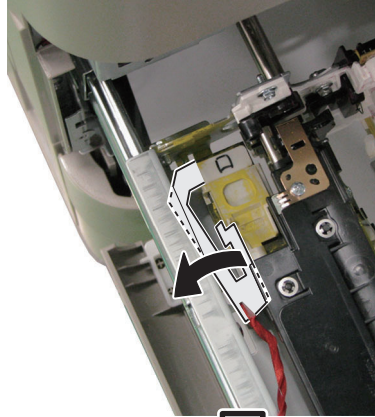




9. <For India only>

NOTE:

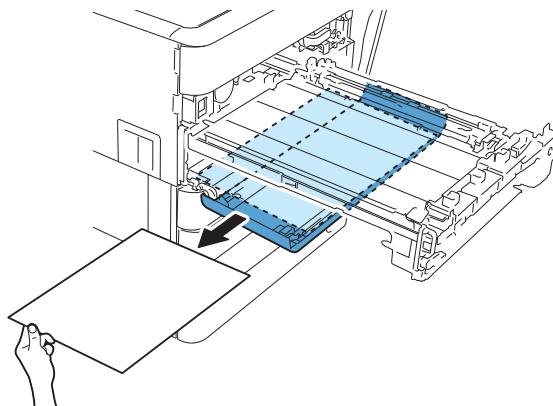
Remove the Plastic Film Sheet from the Developing Assembly.



10. <For India only>

NOTE:

Remove the paper you placed in step 6.

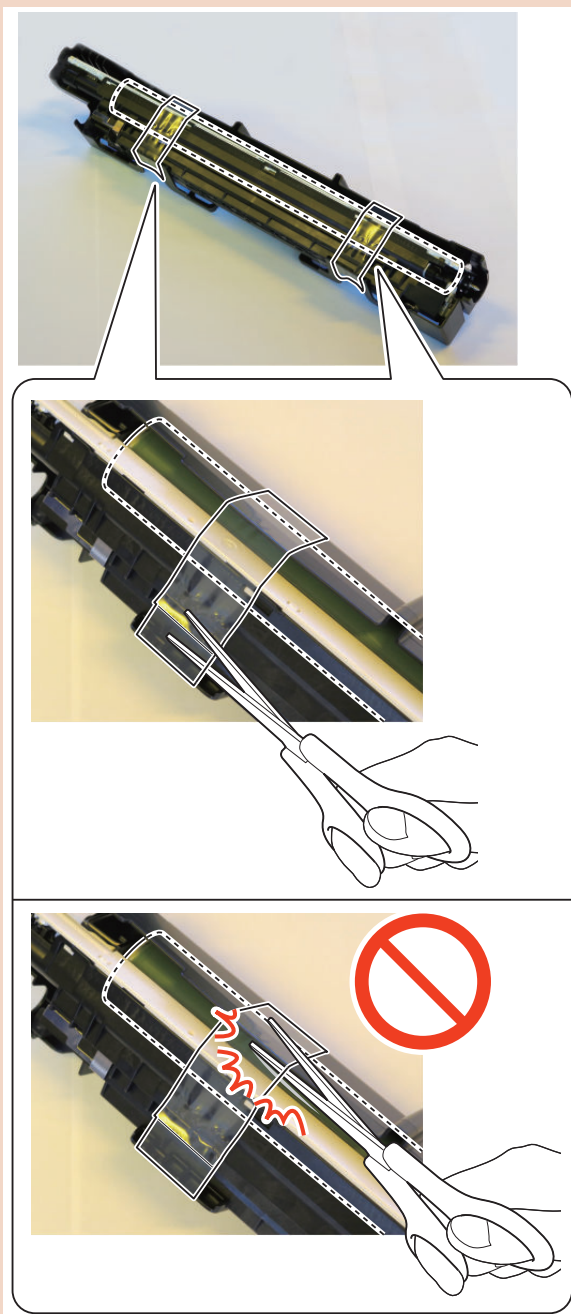


11. Unpack the Drum Unit, and remove the Packaging Film.

CAUTION:

Points to Note when Unpacking the Drum Unit

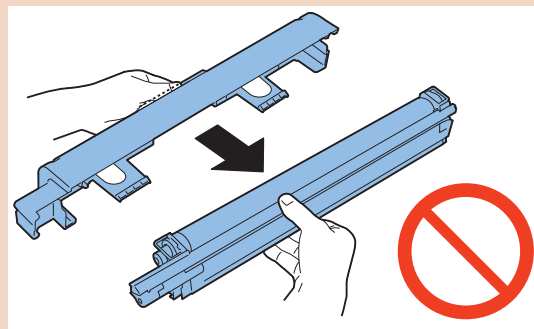
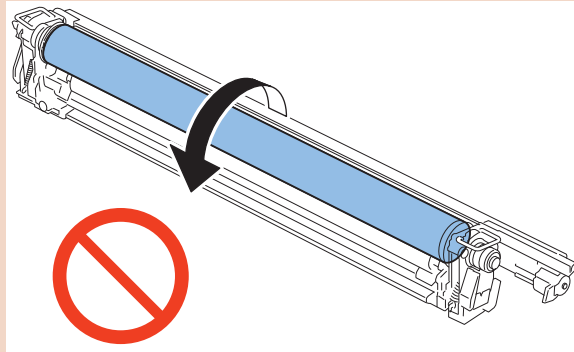
- When removing the Packaging Film using a tool, refer to the position shown in the figure below and be sure to prevent the tool from contacting the drum during the work.
- Be sure not to damage the drum and its surroundings.



CAUTION:

Points to Note at Drum Unit Installation

- Be sure not to rotate the Drum counterclockwise while taking it out from the Container Box, removing the Drum Cover and installing to the main body. The Scoop-up Sheet may be flipped, causing toner scattering.
- Be sure not to reinstall the removed Drum Cover; otherwise, the Scoop-up Sheet may be flipped, causing toner scattering.

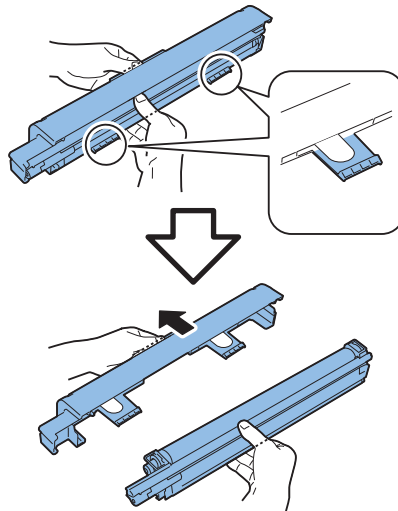
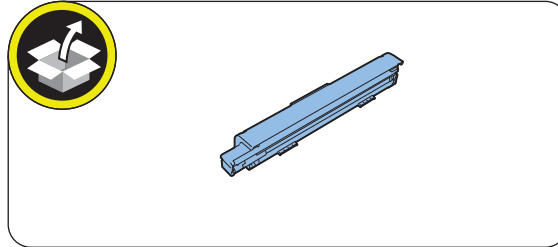


12.

CAUTION:

The joint between the Drum Unit and the cover might be stiff.

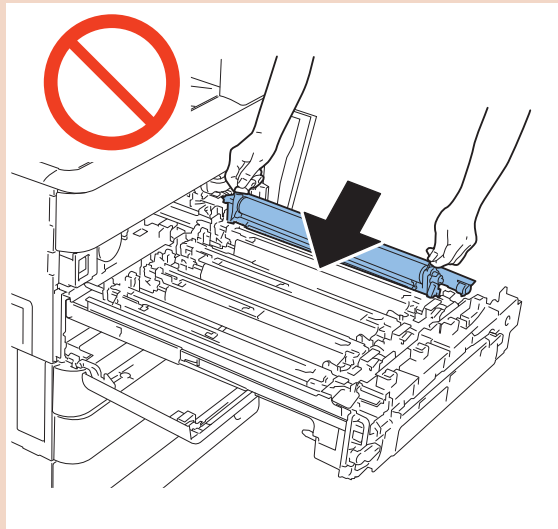
- Be careful not to hit the cover against the Drum area.
- Do not touch the Drum area.
- Be careful not to drop the Drum Unit.



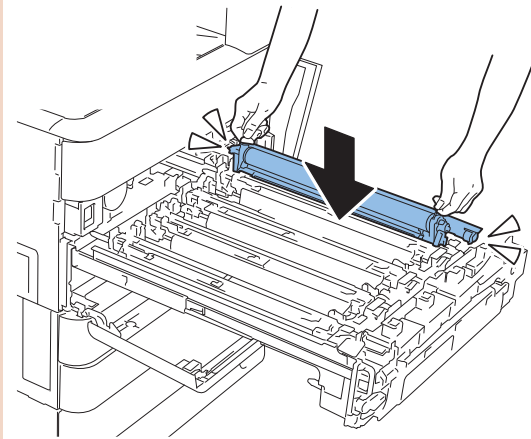
CAUTION:

Points to Note when Installing the Drum Unit

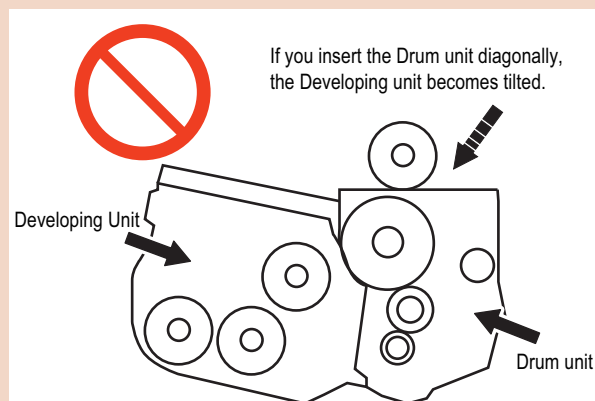
1. Thus make sure to install it from just above.



Make sure to install it from just above

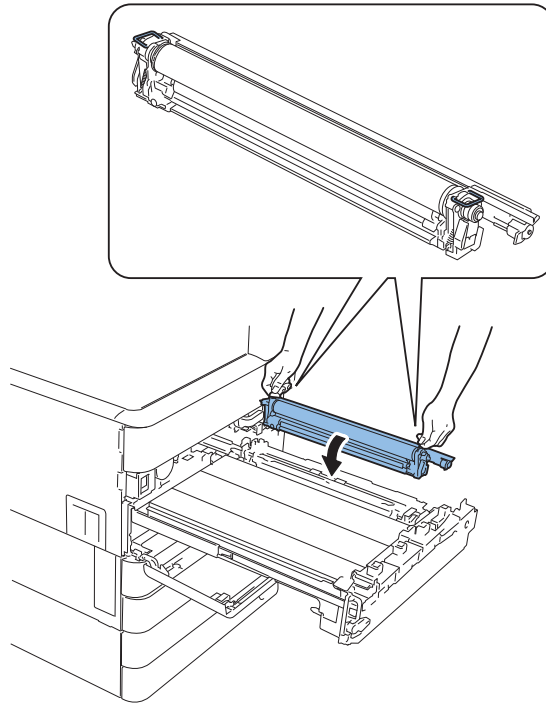


If it is pushed in from an oblique direction, the developing assembly and the guides of the drum are not properly installed, the developing assembly is pushed downward by the drum, and the side surface of the developing assembly interferes with the laser scanner, so that the shutter may be damaged when the process unit is closed.



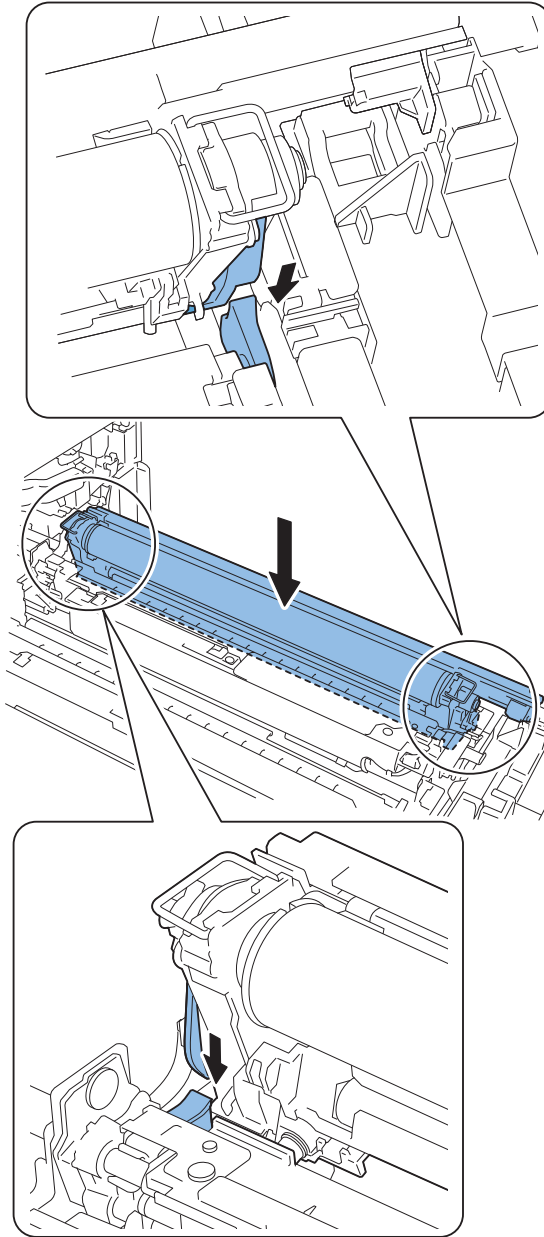
□
13.

NOTE:
Hold the handles at right and left of the Drum Unit.



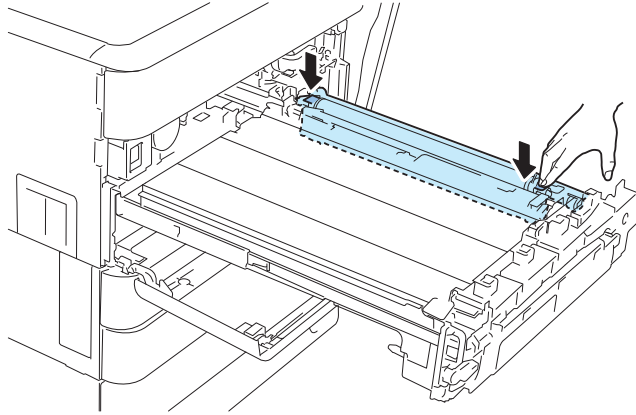
□
14.

NOTE:
Fit the guide of the Process Unit to the guide of the Drum Unit to install the Drum Unit.



□
15.**NOTE:**

Hold down each of the 2 grips lightly with a finger to check that the Drum Units are installed properly.

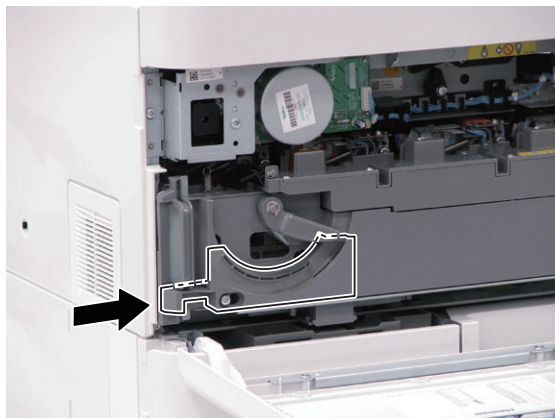
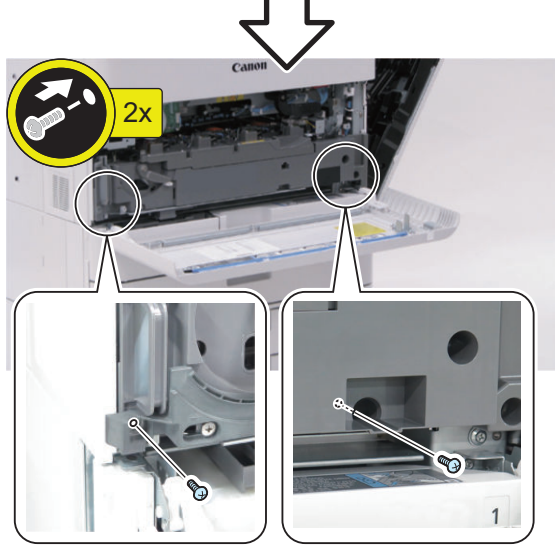
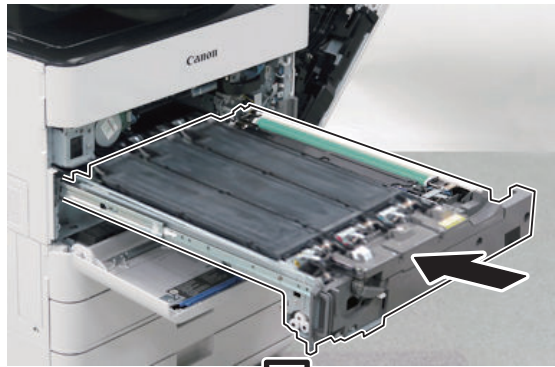
□
16.**CAUTION:**

Check that there is no gap between the host machine and the Process Unit, and then secure with the screw.



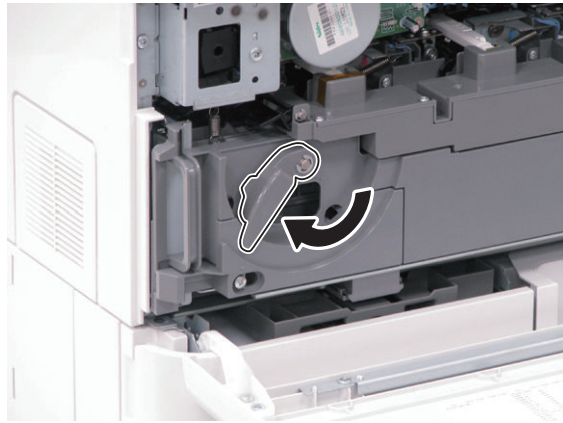
NOTE:

- Use the screw removed in step 5.



□
17.

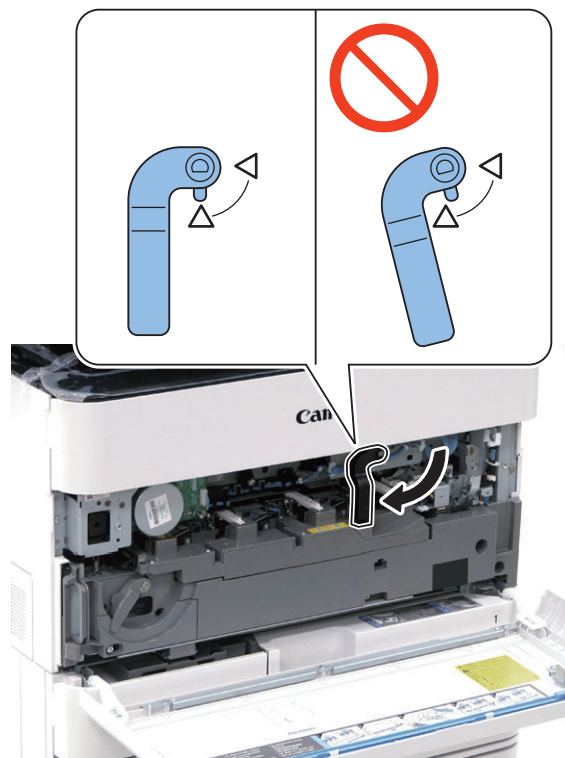
□
18.



□
19.

CAUTION:
Make sure that the Right Lower Cover is opened first before pressuring.

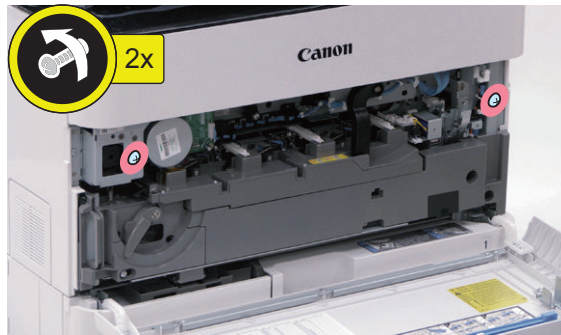
NOTE:
Turn the ITB Pressure Release Lever in the direction of the arrow, and then fit the projection to the triangle mark on the plate to apply pressure.



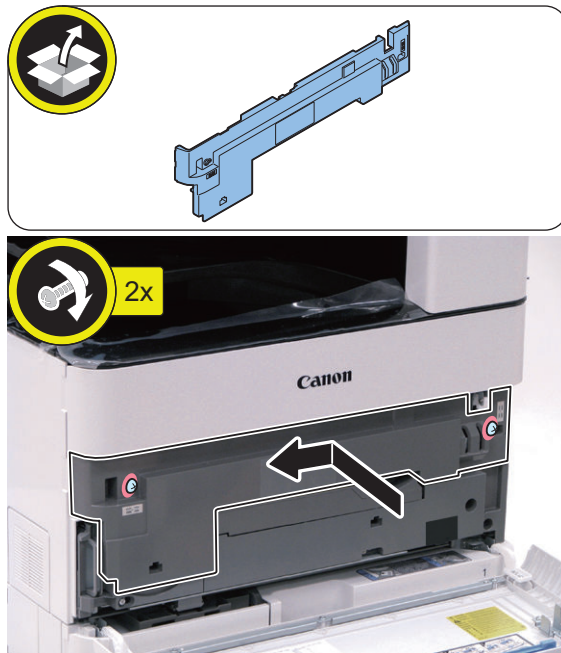
□
20.



□
21.



□
22.



□
23.

● Setting the Environment Heater Switch

CAUTION:

If the installation environment is a high humidity environment (*1) or low temperature environment (*2), be sure to turn ON the Environment Heater Switch.

Image smear is likely to occur in the high humidity environment and charging failure is likely to occur in the low temperature environment.

*1: This is the case that the value of the absolute water volume outside of the machine is about 12g or more.

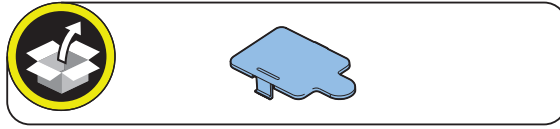
COPIER > DISPLAY > ANALOG > ABS-HUM

*2: The temperature inside the machine is below 15 deg C.

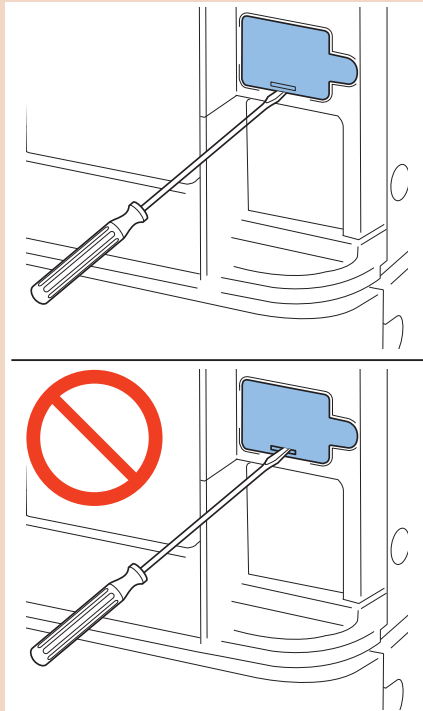
COPIER > DISPLAY > ANALOG > TEMP2

□
1.

□
2.



CAUTION:
When removing the cover, do not insert a screwdriver in the oval hole.

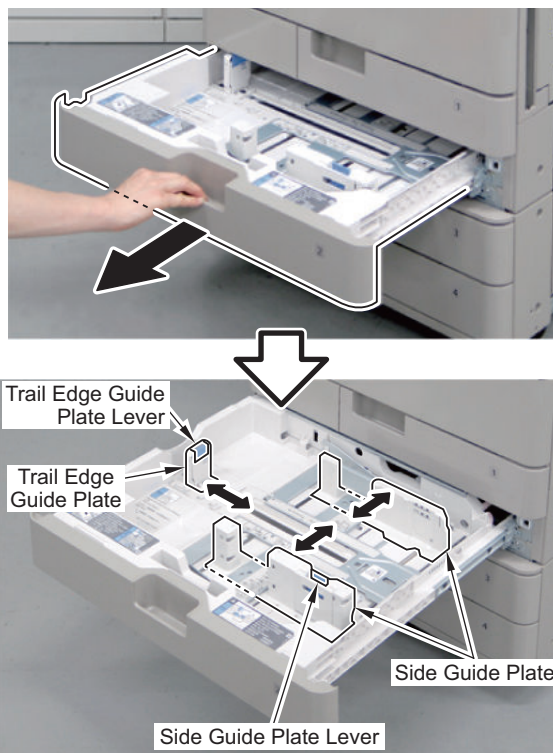


Setting the Cassette

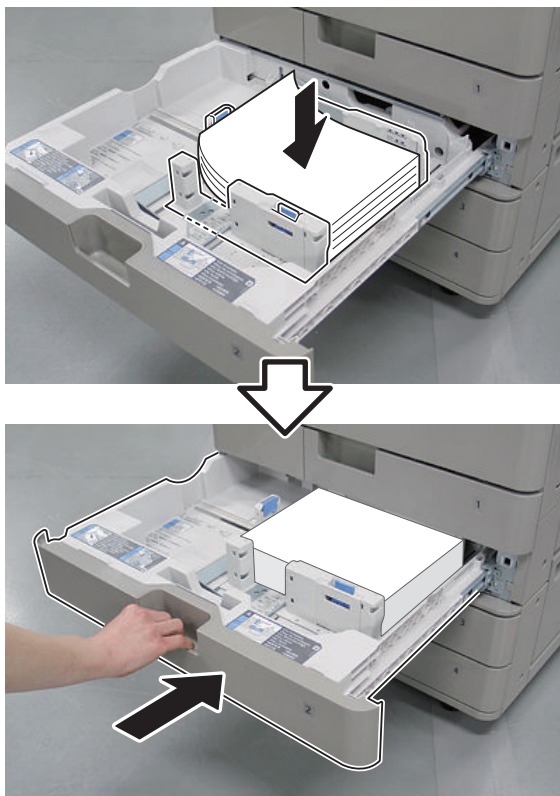
□
1.

NOTE:

- Follow the same steps to set the paper in the Cassette 1 and 2.
- Holding the Guide Plate Lever, adjust each Guide Plate to the specified size.
- Adjust the position of each Guide Plate according to the paper size.



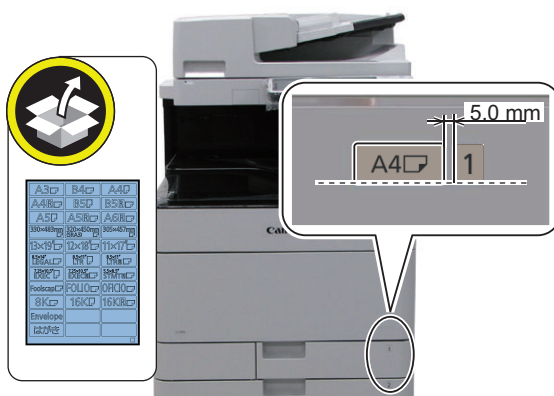
□
2.



□
3.

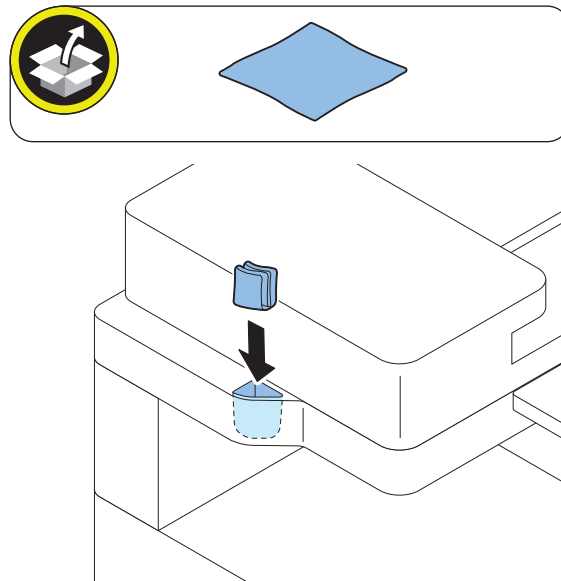
NOTE:

- Affix the Paper Size Label to each cassette according to the size of paper being set.
- Be sure to check with the user whether or not to affix the Paper Size Label, and then affix it at the recommended position.
- Keep the Paper Size Labels as they will be used when changing the paper size.
- Affix the label with its lower edge aligned with the lower edge of the number label, approx. 5.0 mm away from the number label.



● Storing the Cleaning Cloth

□
1.

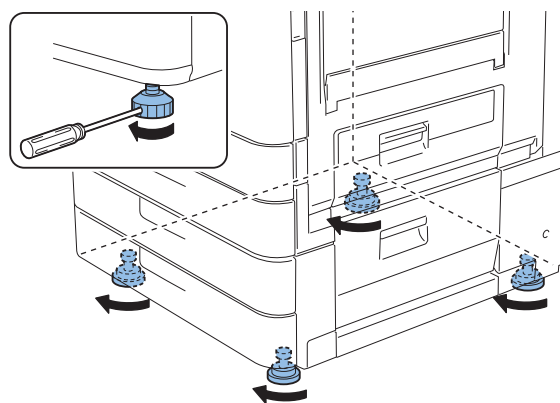


● Securing the Host Machine

□
1.

NOTE:

- Move the main body to the installation position, and secure it in place by turning the 4 adjusters of the Cassette Pedestal with a screwdriver.
- Be sure to secure it in place to prevent overturning.
- Securing with the adjusters is not an earthquake countermeasure.



Turning the Main Power ON / Setting the Toner Container

CAUTION:

Since the automatic adjustment of the ADF reading position will be executed when the main power is turned ON for the first time, remove all objects on the copyboard glass and close the ADF.



1. Connect the power plug of the host machine to the power outlet.



2. Remove the protection sheet on the control panel.



- 3.

NOTE:

- Toner fill and initialization of the Developing Assembly and the Drum are automatically performed.
- When toner fill is completed, the operation stops. (Approx. 3 to 4 minutes)
- Even turning OFF the main power during drum initialization, developing assembly initialization and toner fill, they will be re-executed when turning ON the power again.

CAUTION:

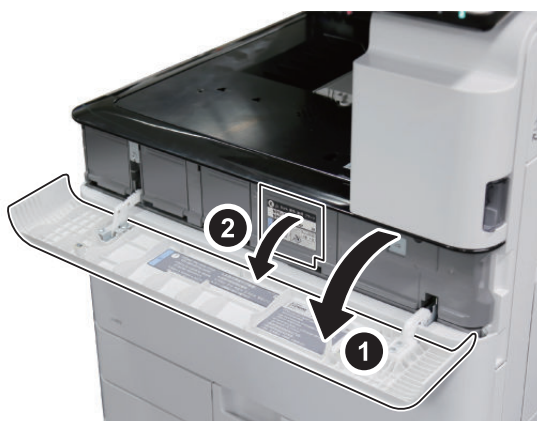
- In case of the host machine with the Toner Container, once the machine goes to standby state, drum initialization, developing assembly initialization and toner refill are completed.
- In case of the host machine without the Toner Container, execute the following procedures.



4. Open the Toner Replacement Cover, only after the toner container replacement screen has appeared on UI (then the Toner Bottle Exchange Doors open automatically).

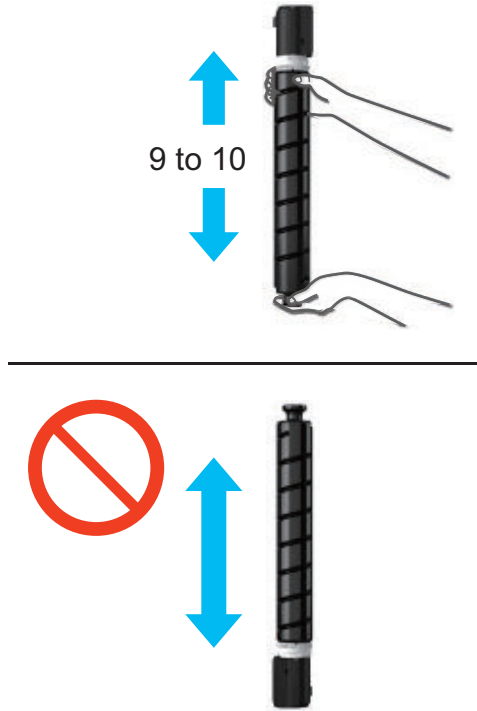
NOTE:

Disregard the screen that includes the message "Replace the toner cartridge.", as the Toner Containers are not yet loaded at the time of initial installation.





5. Hold the Toner Container as shown in the figure and shake it approx. 10 times.



6. Be sure to insert the Toner Container horizontally with your hand supporting its bottom until approx. half of it is inserted.



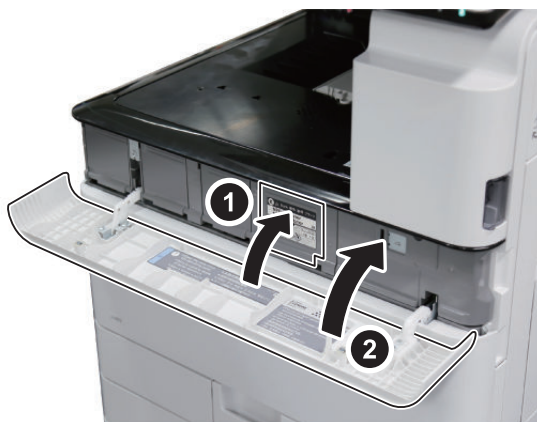
7. Perform steps 7 to 8.



8. Close the Toner Bottle Exchange Door and Toner Replacement Cover.

NOTE:

Toner supply starts automatically when the Toner Replacement Cover is closed. (Approx. 3 to 4 minutes)



Host Machine Settings (Starting Setup Guide)

After installation of the host machine, Setup Guide is started at the time of first startup. Follow the instructions displayed on the Touch Panel Display to configure the settings of the host machine.

NOTE:

For more detail, see following item on the user manual.

- Top > Setting Up > Setting up Using the Setup Guide

CAUTION:

- Excluding some of the setting items, it is possible to proceed to the next setting without entering the current setting. To configure skipped settings, configure the settings one by one after exiting Setup Guide.
- Setup Guide can be started again from [Settings/Registration] > [Management Settings] > [License/Other] > [Start Setup Guide].
- If the main power is turned OFF during registration using Setup Guide, Setup Guide is started by turning ON the main power again.
- If registration using Setup Guide has been completed, Setup Guide is not started by turning ON the main power again.

CAUTION:

Register the information of paper loaded during installation of the host machine.

Be sure to register the correct paper type. Especially in the case of special paper types such as heavy paper, registering a wrong paper type may result in image failure, and when the Fixing Assembly becomes soiled or paper wraparound occurs, repair by a service technician becomes necessary.

NOTE:

- Initialization of toner fill, initialization of the Developing Unit, initialization of the drum etc. are automatically performed while Setup Guide is running.
- When all of them have been initialized, Setup Guide stops (Approx. 3 to 4 minutes).

<Paper Settings>

- Select the paper source for which you want to specify the paper type, and press [Set].
- Select the paper type, and press [OK].
- If [Plain] is selected, the basis weight can be specify from [Plain Paper Weight Set].

- If a button corresponding to the paper that has been set is not displayed, press [Detailed Settings] and make a selection on the detailed settings screen.

NOTE:

If the corresponding paper type is not displayed on the simple settings screen, press [Detailed Settings] and make a selection on the detailed settings screen.

If the type of loaded paper is not displayed on the detailed settings screen, you can register it.

■ Informing the System Administrator That Installation Is Complete

When the installation is completed, ask the system administrator to change the password and keep the changed password in a safe place to prevent leakage.

● Registration of Installation Date Information

CAUTION:

Be sure that [Date/Time Settings] is completed. (There are items in Setup Guide.)



1. Enter the following service mode, and execute "Batch Set Installation Date Info".

COPIER > FUNCTION > INSTALL > INSTDTST

NOTE:

- Year, month, day, hour, and minute can be edited individually in the following service modes.

COPIER > OPTION > USER > INSTDT-Y

COPIER > OPTION > USER > INSTDT-M

COPIER > OPTION > USER > INSTDT-D

COPIER > OPTION > USER > INSTDT-H

COPIER > OPTION > USER > INSTDT-N

- The default value of each service mode is "0".
- When "0" is set for each service mode, "Device Installation Date" on the counter report will be blank.

2. Exit service mode.

3. Output the counter report, and check that the installation date information is registered.

- [Counter/Device Information] key > [Print List] > [Yes]

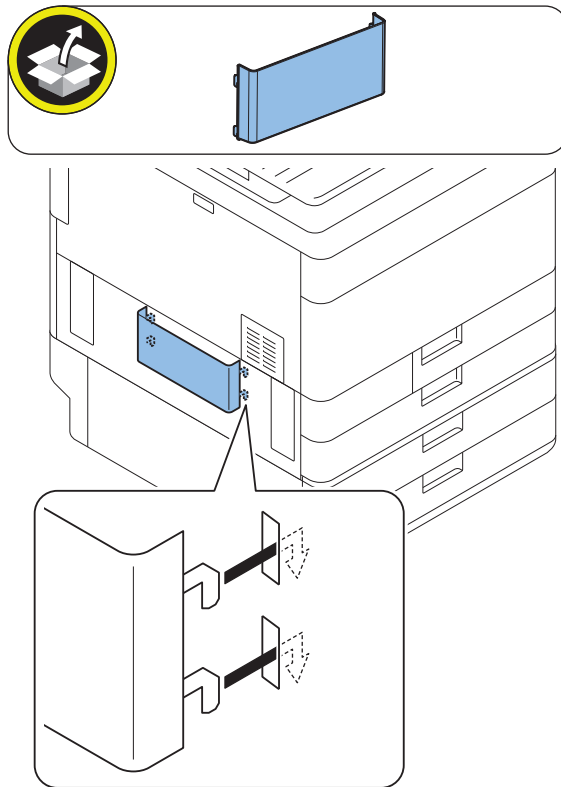
```

2017 08/30 WED 09:40 001
*****
*** Counter Report ***
*****
Device Installation Date 2017/08/09 07:56
Counter Check Date 2017/08/30 09:40
Model SR-ADV
Serial Number UXH00938

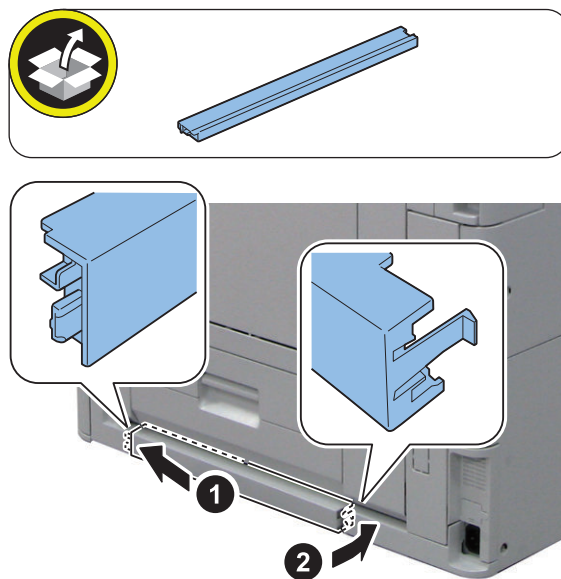
```

Other Installations

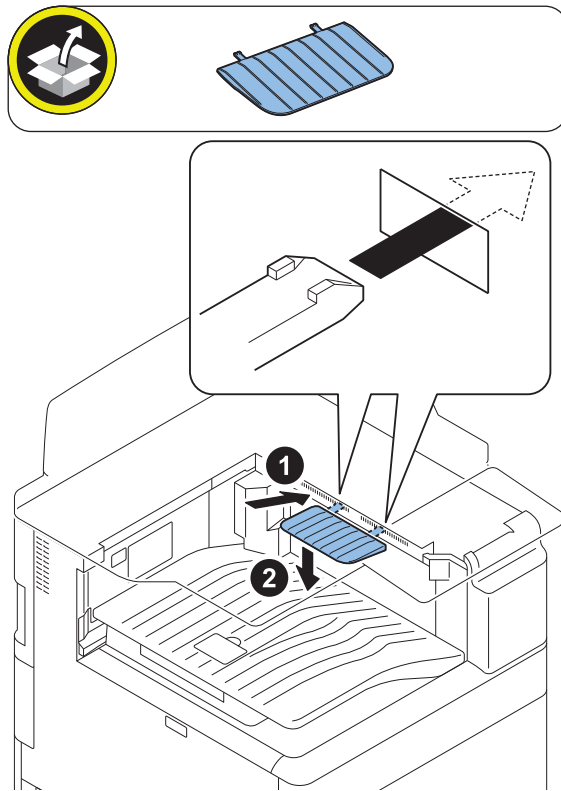
□
1.



□
2. <Only when the Cassette Pedestal is not installed>



□
3.



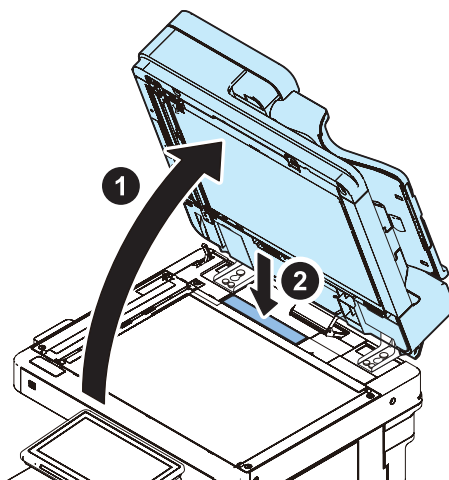
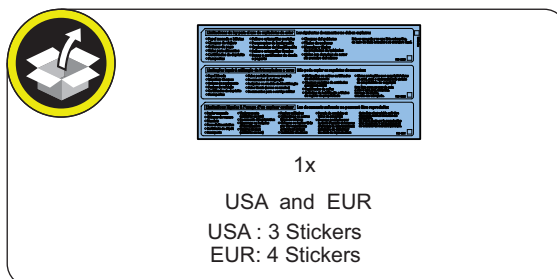
□
4.



□
5.

NOTE:

- Affix the label of the appropriate language as shown in the figure below.
- If a label is already affixed, affix over the existing label.



● Installing the Envelope Attachment A

■ Envelope Standards of the Envelope Attachment A

Cassette 1

Type	(Short side (X)×Long Side (Y))
No. 10 (COM10)	4 1/8" x 9 1/2"(inch)/ 104.7 x 241.3 mm
DL	110 x 220 mm
ISO-C5	162 x 229 mm

Cassette 2

Type	(Long Side (X)×Short side (Y))
Monarch	7 1/2" x 3 7/8"(inch)/ 190.5 x 98.4 mm
No. 10 (COM10)	9 1/2" x 4 1/8"(inch)/ 241.3 x 104.7 mm
DL	220 x 110 mm
ISO-C5	229 x 162 mm

■ Installing the Envelope Attachment A

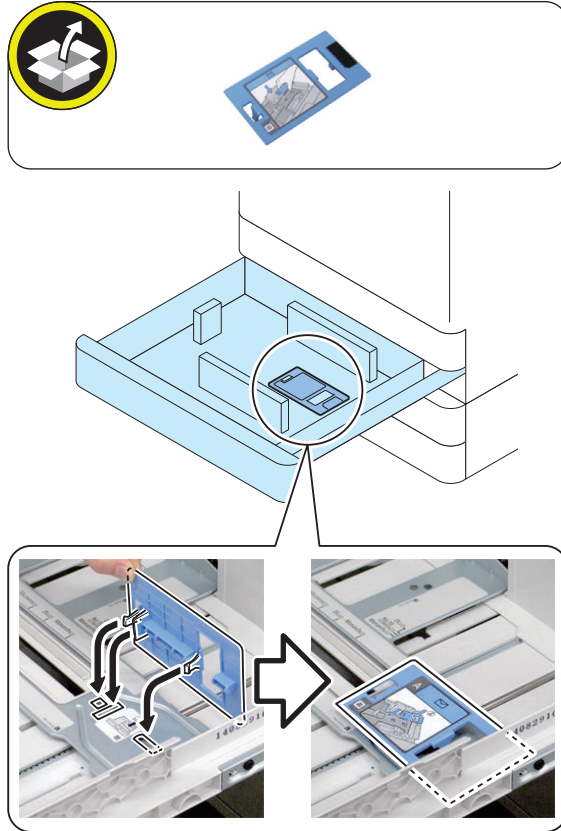
CAUTION:

- Use the Envelope Attachment A for the Cassette 1 or Cassette 2.
- Do not use the Cassette 3 or Cassette 4.

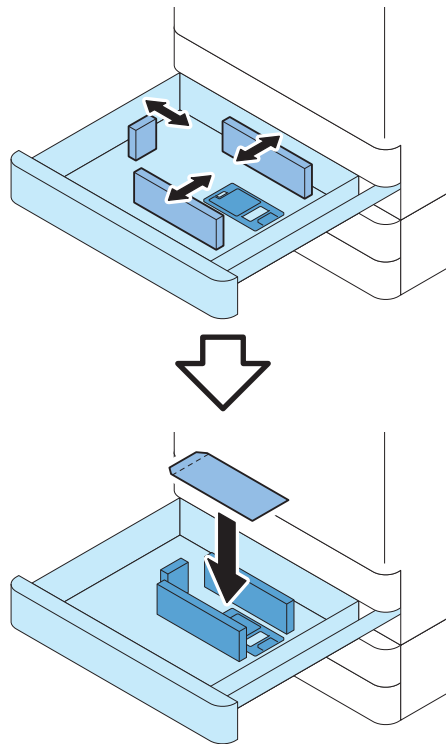
NOTE:

Install/remove the Envelope Attachment A only if requested by the customer.

□
1.

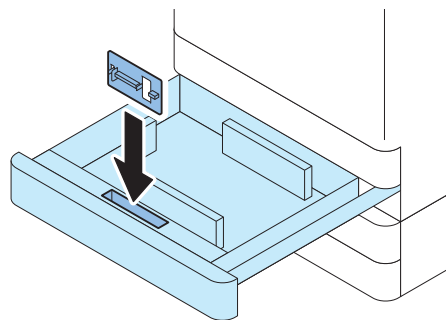


2.



■ When the Envelope Attachment A Is Not Used

1.



■ Settings after Installation

1. Select [Settings/Registration] > [Preferences] > [Paper Settings] > [Paper Settings] > [Cassette 1/Cassette 2] > [Envelope]

2. Select the type of envelope to be used and then press [OK] to register it.

■ Display/Operation Check

1. Check that "Envelope" is selected for Cassette 1 or Cassette 2 on the Control Panel's "Paper Settings" screen.



2. Check that the envelope is picked up.

Installing the Envelope Attachment B

■ Envelope Standards of the Envelope Attachment B

Type	(Short side (X)×Long Side (Y))
No. 10 (COM10)	4 1/8" x 9 1/2"(inch)/ 104.7 x 241.3 mm
DL	110 x 220 mm

■ Installing the Envelope Attachment B

CAUTION:

Use the Envelope Attachment B for the Cassette 1.

NOTE:

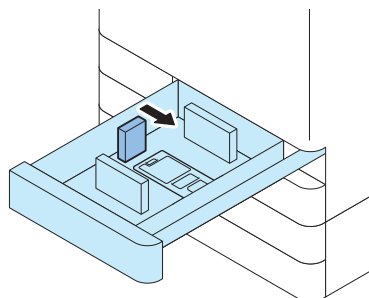
- Install or remove the Envelope Attachment B only if requested by the customer.
- If the Envelope Attachment B is not used, ask the customer to store it.



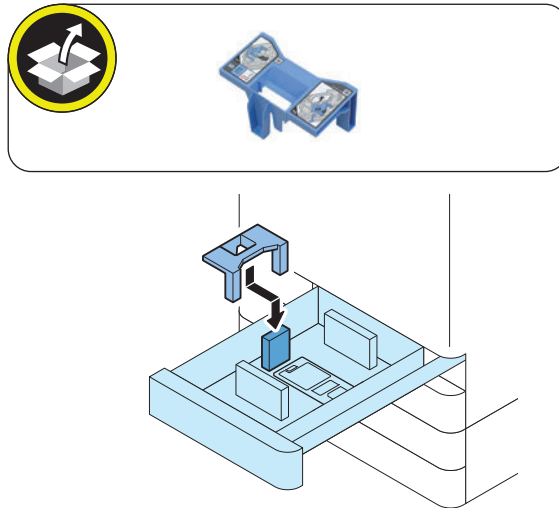
1.

CAUTION:

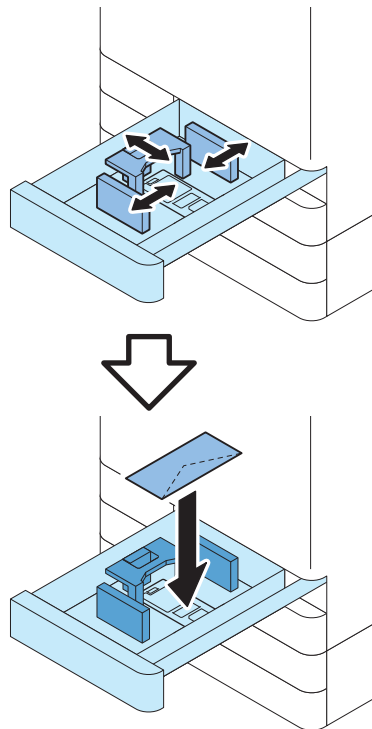
In order to prevent skew, use it together with the Envelope Attachment A.



□
2.



□
3.



■ Settings after Installation

-
1. Select [Settings/Registration] > [Preferences] > [Paper Settings] > [Paper Settings] > [Cassette 1] > [Envelope]
-
2. Select the type of envelope to be used and then press [OK] to register it.

■ Display/Operation Check



1. Check that "Envelope" is selected for Cassette 1 on the Control Panel's "Paper Settings" screen.



2. Check that the envelope is picked up.

● Checking after the Installation



1. In Service Mode, check the result of Drum Unit initialization.

Make sure that the value of the installed color is [0].

COPIER > COUNTER > LIFE > PT-DRM

NOTE:

If the value entered is not appropriate

1. Turn OFF the power, refit the Drum Unit and turn On the power again.
2. If the above work does not solve the problem, execute initialization of the Drum Unit for each color in Service Mode.
COPIER > FUNCTION > DPC > DRMRSETK



2. Check the result of initialization of developing toner ratio in Service Mode.

Check that each value is within the range of 200 to 450, and then write down the value on the service label at the rear side of the Front Cover.

COPIER > ADJUST > DENS > CONT-K



3. Check the Developing Patch initialization.

Check that each value is within the range of 200 to 680 (around 440), and then write down the value on the service label at the rear side of the Front Cover.

COPIER > ADJUST > DENS > SGNL-K

● Auto Adjust Gradation (Full Adjustment)

CAUTION:

If the gradation performance is wrong on outputting the image, set [Initialize When Using Full Adjust] and perform the Auto Adjust Gradation again.

Execute the Auto Adjust Gradation to the following 3 modes: [Plain], [Heavy 1], and [Heavy 2 - 7].

However, when using 2 or more types of paper, it is necessary to execute all the modes corresponding to the types of paper.

CAUTION:

When using paper type to which Auto Adjust Gradation is not executed, image failure or damage on the host machine may occur.



1. Place paper to be corrected in the paper source.

CAUTION:

Be sure to select the correct paper type/weight, as the toner and fixing conditions are adjusted according to the paper type.

2. Select [Settings/Registration] > [Adjustment/Maintenance] > [Adjust Image Quality] > [Auto Adjust Gradation] > [Initialize When Using Full Adjust].
3. Select [ON], and press [OK].
4. Select the paper type, and press [Full Adjust].
5. Select the paper source, and press [OK].
6. Select the paper source, and press [OK].
7. After that, follow the instructions on the screen to read the test page.

Execute the ITB Equilibrium Position Detection



1. Check that the main body is in standby state.
2. Execute the ITB Equilibrium Position Detection. Approx. 3 to 4minutes
COPIER > FUNCTION > MISC-P > ITB-INIT
3. Check that the value of the following service mode (Level 1) is "-350 to +350".
COPIER > DISPLAY > MISC > ITB-POS
COPIER > DISPLAY > MISC > ITB-POS2
4. If the value of service mode is out of range, perform the [ITB Alignment Adjustment].

NOTE:

Since this product is not affected by the tilt of floor, adjustment of the adjuster height is not valid. Therefore, if it is out of the range, perform "ITB alignment adjustment".

■ ITB Alignment Adjustment

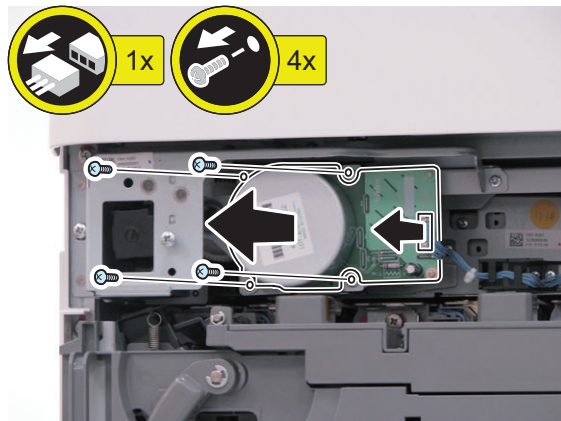
1. Turn OFF the main power switch of the host machine.
 2. Be sure that Control Panel Display and Main Power Lamp are both turned OFF, and then disconnect the power plug.
-
3. Open the Front Cover and remove the ITB Cover.
 - 2 Screws (Loosen)





4. Remove the ITB Motor.

- 1 Connector
- 4 Screws

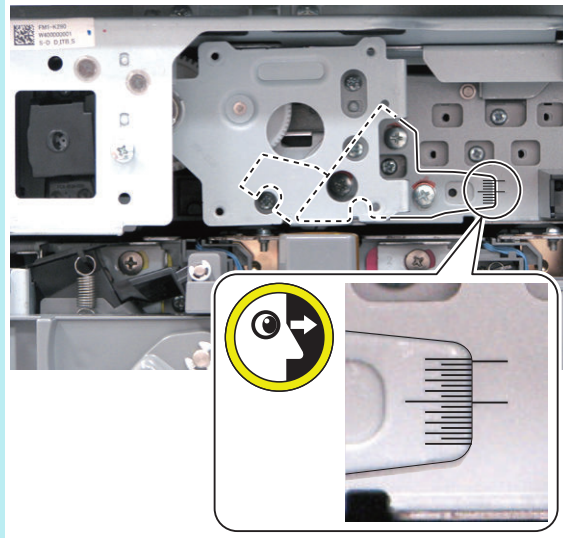




5. Loosen the 3 screws, and rotate the ITB Motor Support Plate clockwise or counterclockwise.

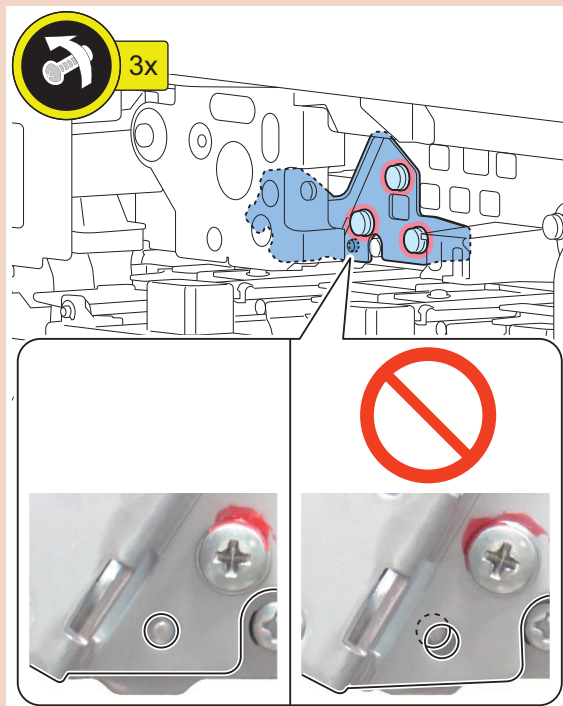
NOTE:

Be sure to check the initial position of the Adjustment Plate before loosening the screw because it moves when the screw is loosened.



CAUTION:

Be sure that the plate is not placed on the boss which serves as the axis of rotation.

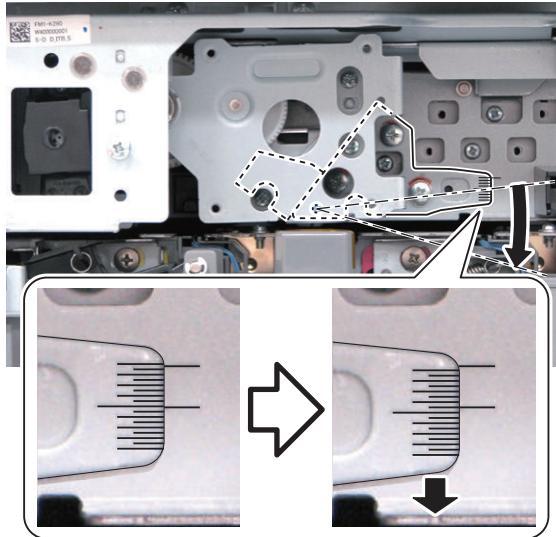


CAUTION:

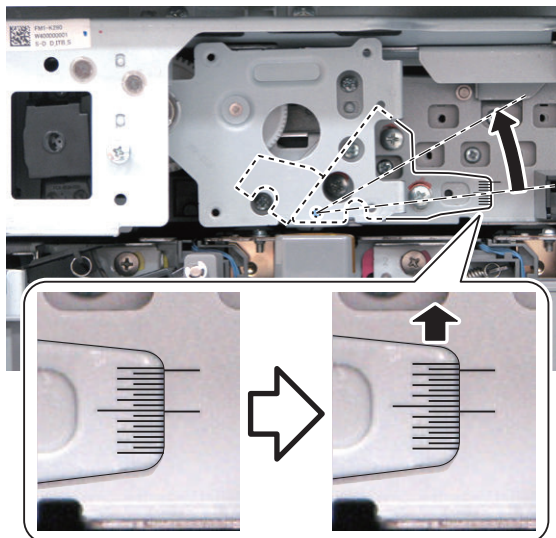
The appropriate range is from -350 to +350.

- Make an adjustment by 1 scale mark (0.5 mm) or less at a time.
- Moving it by 1 scale mark (0.5 mm) changes the values of ITB-POS and ITB-POS2 by approx. 250.
- When moving the scale to the full extent of the range, the value of POS may change significantly and E075 may light up.

- <When the values are above +350>
Rotate the ITB Motor Support Plate clockwise.



- <When the values are below -350>
Rotate the ITB Motor Support Plate counterclockwise.

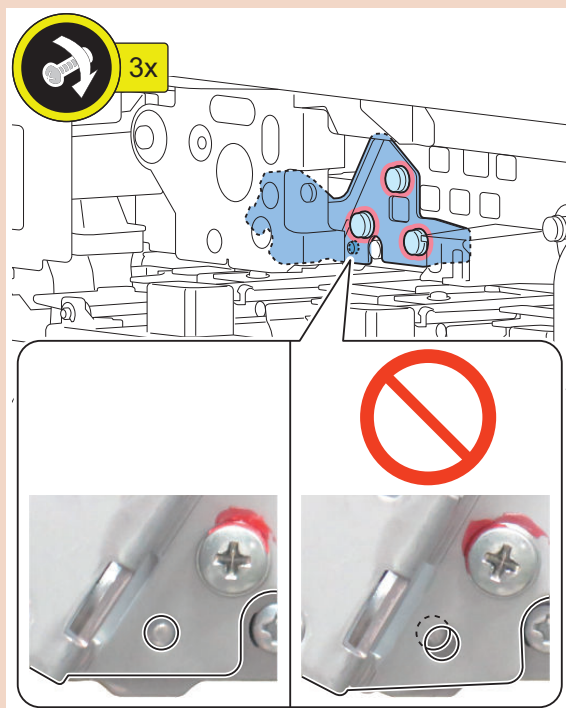




6. Tighten 3 screws loosened on the previous step.

CAUTION:

Be sure that the plate is not placed on the boss which serves as the axis of rotation.



7. Install the ITB Motor. (4 Screws, 1 Connector)



8. Install the ITB Cover (2 screws) and close the Front Cover.



9. Connect the power plug of the host machine to the power outlet.

10. Open the switch cover and turn ON the main power switch.



11. Perform steps 2 to 4 of "Detecting the ITB equilibrium position".

Adjusting Image Position (Printer)

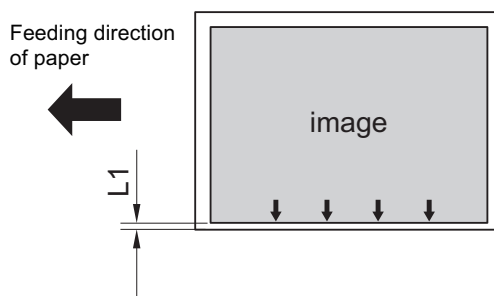
NOTE:

- In duplex printing, the first side is the front side and the second side is the back side.
- The Host Machine prints the first image on the back and the second on the front.

■ Cassette Left Edge Margin Adjustment (Software Adjustment)



1. Make 2-sided copies using the Cassette 1 and check that the left edge margin is 2.5 +/- 1.5 mm.



<In case the Cassette1 is Nonstandard>



2. If the left margin is out of the specification, change the adjustment value for the left margin on the 1st side in cassette 1.

If the value of service mode is increased by "1", the left edge margin becomes 0.1mm larger.

COPIER > ADJUST > FEED-ADJ > ADJ-C1



3. Make 2-sided copy from cassette 2, and check that the left margin is 2.5 +/- 1.5mm.

<In case the Cassette2 is Nonstandard>



4. If the margin is out of the specification, change the adjustment value for the left margin on the 2nd side in cassette 2.

If the value of service mode is increased by "1", the left edge margin becomes 0.1mm larger.

COPIER > ADJUST > FEED-ADJ > ADJ-C2



5. Write down the new adjustment value on the service label.

- ADJ-C1
- ADJ-C2



6. Exit from Service Mode.

■ Cassette Left Edge Margin Adjustment (Hardware Adjustment)

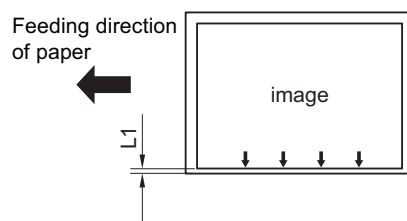
NOTE:

- Although pictures or illustrations used for explanation may differ from the actual things, the procedure is the same.
- The cassette left edge margin adjustment for 1st side is performed with the priority on software adjustment.
- Cassette 1 does not have the hardware adjustment mechanism.

□
1.

NOTE:

Make copies using the Cassette 2, and check that the left edge margin is 2.5 +/-1.5 mm.

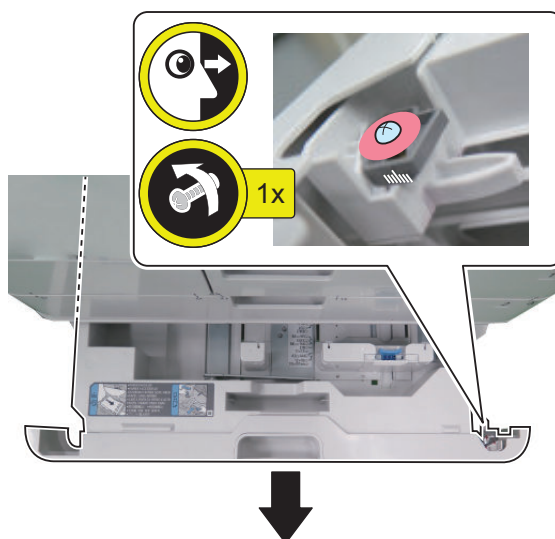


< In Case of Out of Range >

□
2.

NOTE:

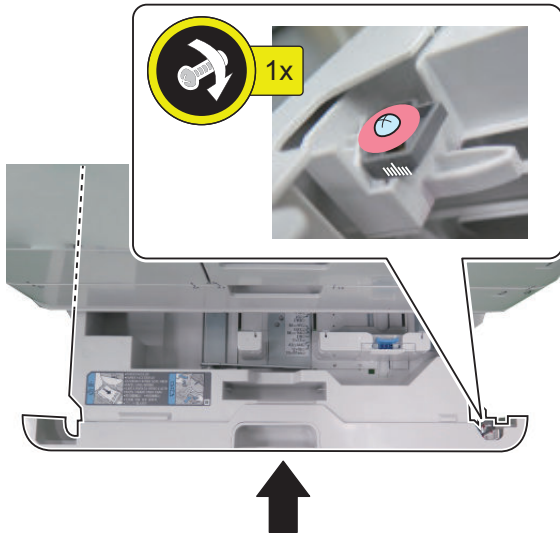
- Pull out the cassette.
- Check the scale positions on the Adjustment Plate.
- Loosen the fixing screw.
- As moving the adjusting plate toward the rear by 1 scale, the left edge margin becomes 1.0 mm smaller.



□
3.

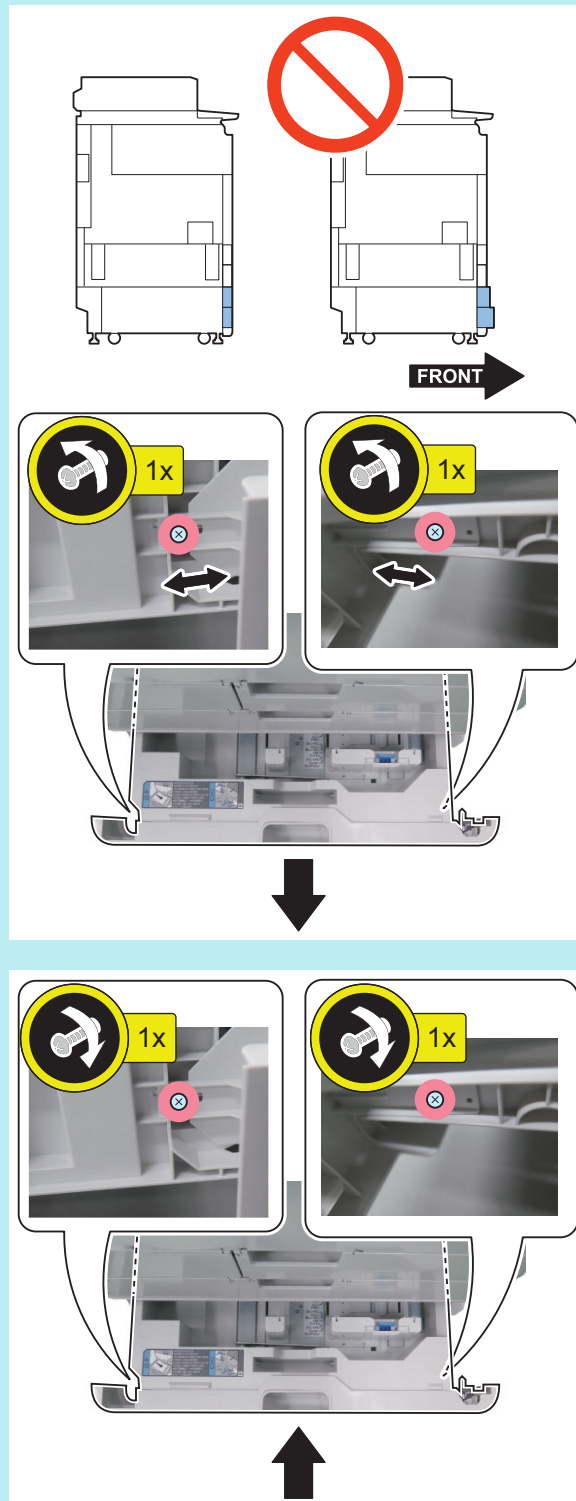
NOTE:

- Tighten the fixing screw.
- Return the cassette to its original position.
- Make copies using the Cassette 2, and check that the left edge margin is 2.5 +/-1.5 mm.



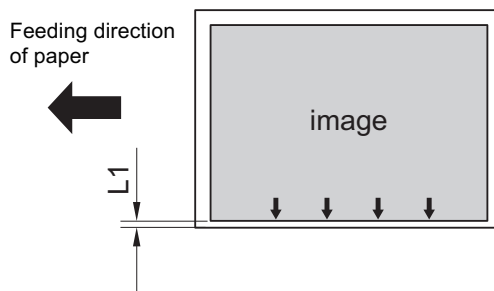
NOTE:

When the cassette positions are uneven due to the hardware adjustment, adjust them by loosening the screw on both left and right sides.



■ Multi-purpose Tray Left Edge Margin Adjustment (1st side)

-
1. Execute duplex printing from the Multi-purpose Tray, and check that the left edge margin for the 1st side is within 2.5 +/- 1.5mm.



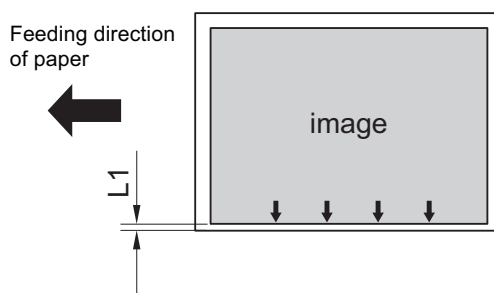
< In Case of Out of Range >

-
2. Change the left edge margin adjustment value for the 1st side of the Multi-purpose Tray.
If the value of service mode is increased by "1", the left edge margin becomes 0.1mm larger.
COPIER > ADJUST > FEED-ADJ > ADJ-MF
 3. Write the new adjustment value on the service label.
• ADJ-MF

-
4. Exit from Service Mode.

■ Cassette Left Edge Margin Adjustment (Second side)

-
1. Make 2-sided copies using the Cassette 1 and check that the left edge margin is 2.5 +/- 2.0 mm.



<In case the Cassette1 is Nonstandard>

-
2. As for nonstandard, change the left edge margin adjustment value for the second side of the 2-sided copy from the Cassette 1.
If the value of service mode is increased by "1", the left edge margin becomes 0.1mm larger.
COPIER > ADJUST > FEED-ADJ > ADJ-C1RE
-
3. As for the adjustment value for side registration on the second side in cassette 1, enter the same value as the adjustment value for the left margin on the 1st side in cassette 2.
COPIER > ADJUST > FEED-ADJ > ADJ-C2RE

-
4. Make 2-sided copies using the Cassette 2, and check that the left edge margin is 2.5 +/- 2.0 mm.
- <In case the Cassette2 is Nonstandard>
-
5. If the margin is out of the specification, change the adjustment value for the left margin on the 2nd side in cassette 2.
- If the value of service mode is increased by "1", the left edge margin becomes 0.1mm larger.
COPIER > ADJUST > FEED-ADJ > ADJ-C2RE

-
6. Write down the new adjustment value on the service label.
- ADJ-C1RE
 - ADJ-C2RE

-
7. Exit from Service Mode.

■ Multi Purpose Tray Left Edge Margin Adjustment (2nd side)

-
1. Make 2-sided copy from the manual feed tray, and check that the left margin on the 2nd side is 2.5 +/- 2.0mm.

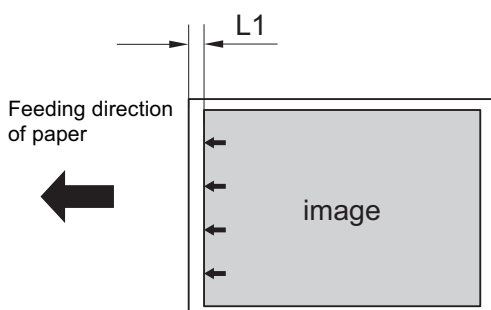
< In Case of Out of Range >

-
2. Change the adjustment value for the left margin on the 2nd side from the Multi Purpose Tray.
- If the value of service mode is increased by "1", the left edge margin becomes 0.1mm smaller.
COPIER > ADJUST > FEED-ADJ > ADJ-MFRE

-
3. To make the setting value effective, turn OFF/ON the main power of the Host Machine.
4. Write down the new adjustment value on the service label.
- ADJ-MFRE

■ Lead-edge Margin Adjustment (1st side)

-
1. Make copy from Cassette 1, and check that the lead-edge margin is $L1 = 4.0 + 1.5 / -1.0$ mm.



< In Case of Out of Range >

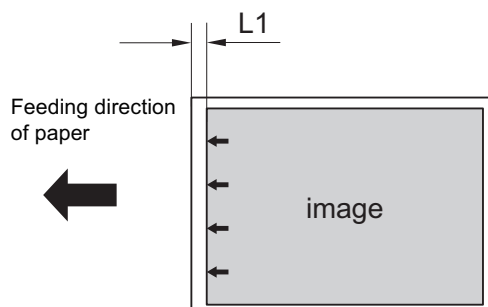
-
2. Change the left edge margin adjustment value for the 1st side of the Cassette 1.
- If the value of service mode is increased by "1", the left edge margin becomes 0.1mm smaller.
COPIER > ADJUST > FEED-ADJ > REGIST

3. To make the setting value effective, turn OFF/ON the main power of the Host Machine.
4. Write down the new adjustment value on the service label.
 - REGIST

■ Lead-edge Margin Adjustment (2nd side)



1. Make 2-sided copy from cassette 1, and check that the lead-edge margin on the 2nd side is $L1 = 4.0 +1.5 / -1.0$ mm.



< In Case of Out of Range >



2. Change the left edge margin adjustment value for the 2nd side of the Cassette 1.
If the value of service mode is increased by "1", the left edge margin becomes 0.1mm smaller.
COPIER > ADJUST > FEED-ADJ > REG-DUP1
3. To make the setting value effective, turn OFF/ON the main power of the Host Machine.
4. Write down the new adjustment value on the service label.
 - REG-DUP1

● Image Position Adjustment (Single Pass ADF)

■ Checking the Skew

Check the image at ADF stream reading with using the "Test Charts for Image Position Adjustment". If any adjustments have been made, perform all of the following "Adjustment Procedure". If it is confirmed that there is no problem, proceed to "Network Connectivity Check".

1. Adjustment of the White Plate
2. Height Adjustment
3. Light intensity adjustment
4. Automatic Adjustment of the Stream Reading Position (Automatic Adjustment of the Reading Position at ADF Reading)
5. White Level Adjustment
6. Front/Back Side Difference Correction Adjustment

NOTE:

Even if the above adjustment is performed, if a fixed skew or image shift occurs, the image is manually adjusted according to the state of the printed image

- Adjustment of leading edge margin of the scanned image for the corrected image Amount of Change per:0.1mm
FEEDER > ADJUST > ADJ-T1 (front side)
FEEDER > ADJUST > ADJ-T2 (back side)
- Adjustment of the left edge margin of the scanned image for the corrected image Amount of Change per:0.1mm
FEEDER > ADJUST > ADJ-L1 (front side)
FEEDER > ADJUST > ADJ-L2 (back side)
- Angle correction of the corrected image Amount of Change per:0.01 degree
FEEDER > ADJUST > ADJ-ROT1 (front side)
FEEDER > ADJUST > ADJ-ROT2 (back side)
- Parallelogram correction amount for corrected image Amount of Change per:0.01 degree
FEEDER > ADJUST > ADJ-PAR1 (front side)
FEEDER > ADJUST > ADJ-PAR2 (back side)

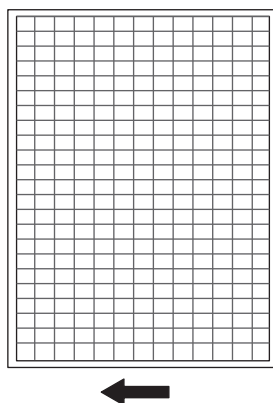
Refer to the following Service Manual

- Adjustment > Original Feed System (Single Pass ADF) > Skew Adjustment (at Stream Scanning of Originals)

• Creating the Test Charts for Image Position Adjustment

CAUTION:

Create the test charts for image position adjustment after completing adjustments on the printer side.

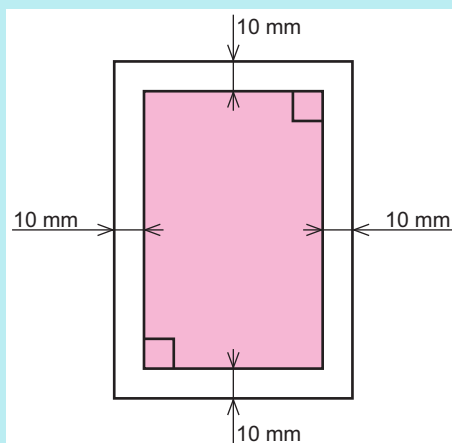


1. After setting the service modes as follows, press the Start key to output the test chart.

- COPIER > TEST > PG > TYPE = 6
- COPIER > TEST > PG > PG-PICK = To set the Pickup Cassette for test print output.

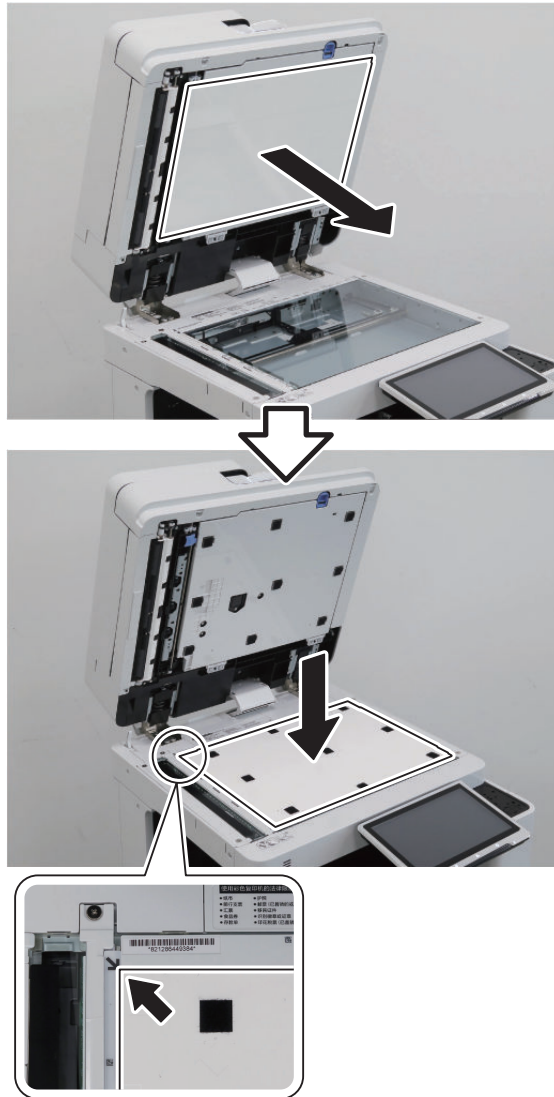
NOTE:

- If the specified test chart cannot be output, draw a test chart on A3 or LDR paper with a rectangle whose four corners are 10 mm smaller than the paper.
- To draw characters and marks so that you can see the direction of the copied image.

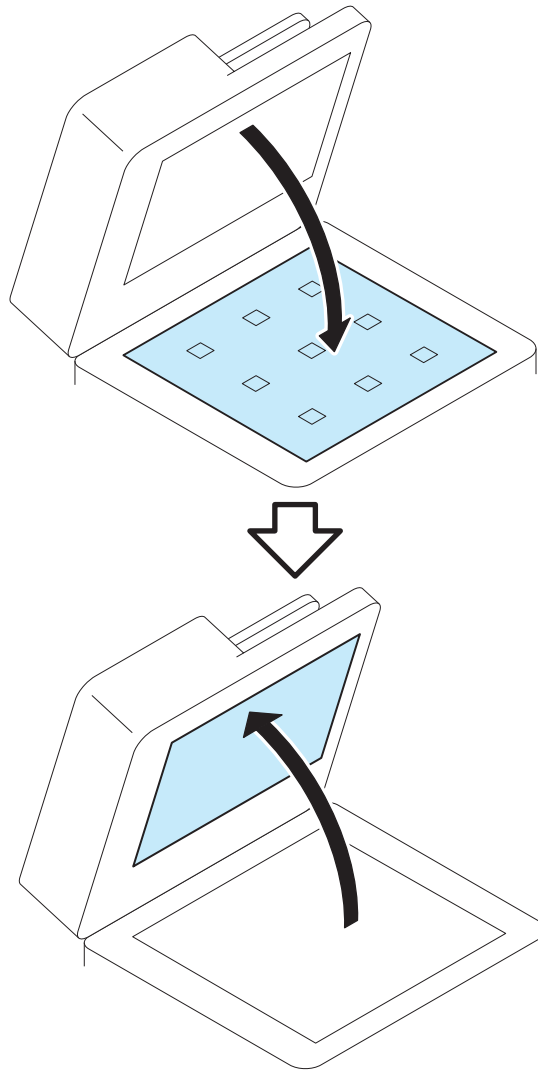


• Adjustment of the White Plate

□
1.



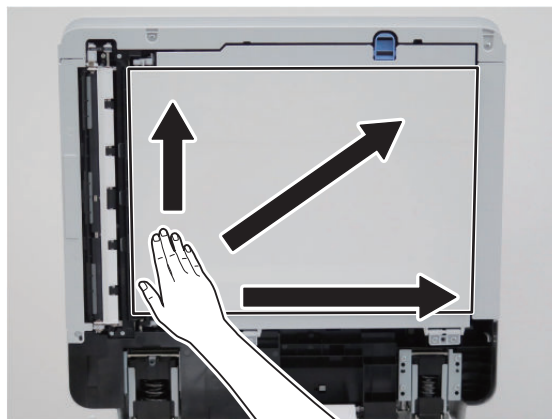
□
2.



□
3.

CAUTION:

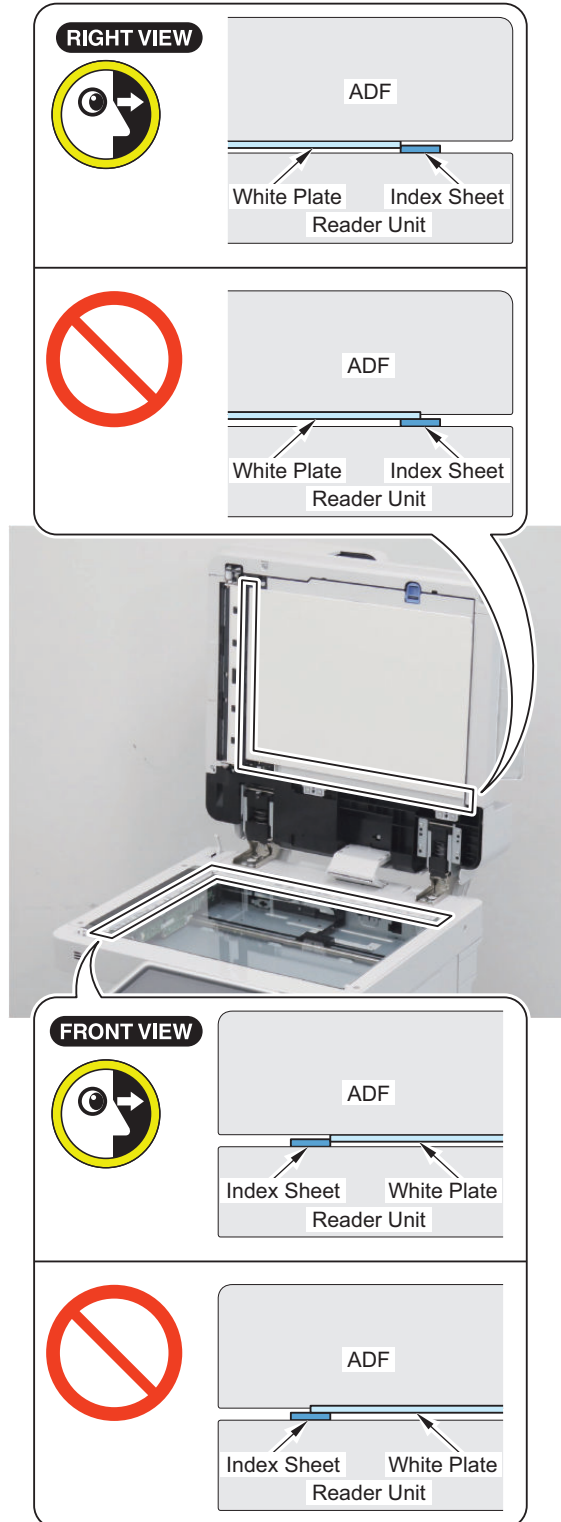
If the White Plate is pressed downward, it is placed on the Index Sheet, so be sure to press it upward.



□
4.

NOTE:


- Be sure that there is no gap (for reference, 0.3 mm or less) between the White Plate and the Index Sheet.
- Check that the White Plate is not placed on the Index Sheet.



• Checking the Height

Height Check Sheet Preparation or Creation

1. Prepare the check sheet used for height adjustment.

 Height check sheet

NOTE:

Points to Note when Creating the Check Sheet

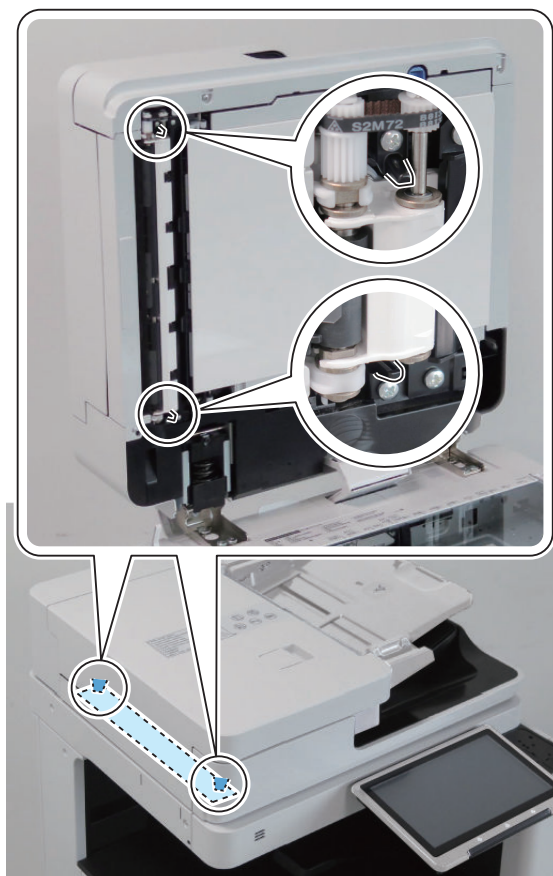
- Output with A4 (paper size) or LTR (paper size).
- Use plain paper 1 to 3 (64 to 105 g/m²) (Paper Type).

Height Adjustment

Checking the Height



1. Check that the 2 Height Adjustment Bosses at the left front side and the left rear side are in contact with the Stream Reading Glass.



2. If they are not in contact, perform the height adjustment.
If it cannot be visually checked, perform "Checking the Height of the Height Adjustment Boss".

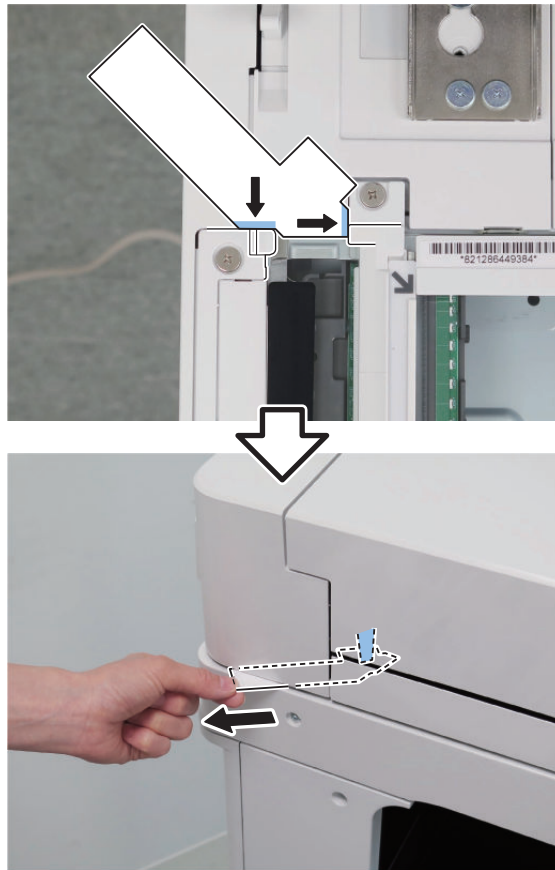
Checking the Height of the Height Adjustment Boss

- 1. Put a sheet of paper on the place where the protrusions touch the Stream Reading Glass, and check whether there is any resistance of the paper when closing the ADF.

<The Left Front Side>



<The Left Rear Side>



2. If there is no resistance, perform the height adjustment.

Height Adjustment Procedure

-
- Adjust by turning the Fixation Screw on the upper side of Hinge.
 - If both front and rear side (or only front side) are not installed properly: Turn the Right Hinge Fixation Screw clockwise (black arrow) to correctly locate it at the front.



- If the rear side is not installed properly: Turn the Left Hinge Fixation Screw counterclockwise (white arrow).



- Open th ADF fully and close the ADF and then, Check the height again and see if it is at an appropriate height.

• Light intensity adjustment

NOTE:

- This mode automatically performs adjustment.
- If "NG" is displayed after executing this mode, check that PCB and each connector are properly connected.

□

- Execute the following service mode with the ADF closed.
COPIER >FUNCTION >CCD > LMPADJ

• Automatic Adjustment of the Stream Reading Position (Automatic Adjustment of the Reading Position at ADF Reading)

NOTE:

- If the DADF is opened during adjustment, restart the adjustment.
- Enter the value after adjustment on the Service Label (on the back of the Reader Front Cover or Printer Front Cover). The adjustment result is reflected to COPIER > ADJUST > ADJ-XY > STRD-POS.



1. Execute the following service mode.

COPIER > FUNCTION > INSTALL > STRD-POS

NOTE:

If "NG" is displayed after executing this mode, execute "Right Angle Adjustment (Slant Adjustment)" on the service manual.

• White Level Adjustment



1. Place a sheet of blank A4 or LTR size paper on the Copyboard Glass and close the ADF.

CAUTION:

When executing the white level adjustment using paper with smaller width, adjustment may not be executed properly.

2. Execute the service mode item.

COPIER > FUNCTION > CCD > DF-WLVL1

3. Remove the blank paper from the Copyboard Glass, and place it on the Document Pickup Tray of ADF.

4. Execute the service mode item.

COPIER > FUNCTION > CCD > DF-WLVL2

5. Place the blank paper on the Copyboard Glass again and close the ADF.

6. Execute the service mode item.

COPIER > FUNCTION > CCD > DF-WLVL3

7. Remove the blank paper from the Copy Board Glass, and place it on the Document Pickup Tray of ADF.

8. Execute the service mode item.

COPIER > FUNCTION > CCD > DF-WLVL4

• Front/Back Side Difference Correction Adjustment

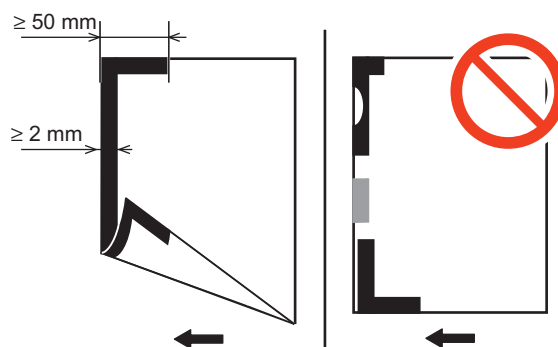
Automatic Front/Back Side Difference Correction Adjustment

NOTE:

If the chart in the following state is used, skew detection may not be possible and correction may not be possible.

- The painted part is not long enough.
- The painted part is chipped.
- The color is light.
- The edges are not painted.
- Broken/torn/chipped.
- Translucent, thin paper manuscript is used.
- The area painted black is not dry enough.

1. Use a chart of a service parts of a Automatic Front/Back Side Difference Correction Adjustment, or using A4 or LTR paper, the leading edge and the side edge of the front/back side in the feeding direction are painted black with magic, and a chart for Automatic Front/Back Side Difference Correction Adjustment is prepared.



2. Set the value of the service mode to "0" below.

- FEEDER > ADJUST > ADJ-T2/L2/ROT2 = 0

NOTE:

- The ADJ-T2/L2/ROT2 is an item for manually fine-adjusting the skew in the case that a deviation remains in the position of the back image to which the skew is automatically corrected after the Automatic Front/Back Side Difference Correction Adjustment.
- "0" is the value at the time of shipment from the factory. By resetting to the initial state, there is no unintended deviation due to manual correction with respect to the back surface image in which skew correction is automatically performed, so that a constant accuracy is guaranteed.

3. Set the document tray so that the black-painted portion becomes the leading edge in the feeding direction.

4. Automatic Front/Back Side Difference Correction Adjustment is performed in the following service mode.

- FEEDER > FUNCTION > ADJ-SKW

NOTE:

If "NG" is displayed after executing this mode, execute "Right Angle Adjustment (Slant Adjustment)" on the service manual.

5. Write the adjusted values below on the service label.

- FEEDER > ADJUST > ADJ-DT
- FEEDER > ADJUST > ADJ-DL
- FEEDER > ADJUST > ADJ-DROT

● Checking Network Connection

■ Overview

If the user network environment is TCP/IP, use Ping function to check that the network setting is properly executed. If the user network environment is IPX/SPX or Apple Talk, skip this procedure.

■ Network Setting

CAUTION:

Use the network cable of rank 5e or higher. In addition, use of shield type (STP cable) is recommended. When non-shield type (UTP cable) is used, the surrounding electronic equipments may be interfered via the network cable.

1. Turn OFF the main power switch.
2. Connect the network cable to the host machine and turn ON the main power switch.

3. Inform the system administrator at the installation site that the installation of the host machine is complete, and ask for network connection of the host machine.

NOTE:

Network setting cannot be executed unless logging in as an administrator.

Factory default password is as follows.

- System administration division ID: Administrator
- System administration password: 7654321

CAUTION:

Following setting needs to be ON to perform network setting:

- [Settings/Registration] > [Preferences] > [Network] > [Confirm Network Connection Set. Changes]
- [Settings/Registration] > [Preferences] > [Network] > [TCP/IP Settings] > [IPv4 Settings] > [Use IPv4]

4. Turn OFF the main power switch.
5. Turn ON the main power switch.

■ Ping Operation Procedure

1. Select [Settings/Registration] > [Preferences] > [Network] > [TCP/IP Settings] > [IPv4 Settings] > [PING Command].
2. Enter IP address with numeric keypad on the control panel and press "Start" key. "Response from the host" is displayed if Ping operation is successful. "No response from the host" is displayed if Ping operation fails.

■ Checking with Remote Host Address

You can check whether the network is connected or not by using remote host address to execute Ping.

Remote host address: IP address of PC terminal that is connected to/works with TCP/IP network environment, which connects to this host machine.

1. Inform the system administrator to execute checking of network connection using Ping.
2. Check the remote host address with the system administrator.
3. Enter the remote host address to PING.
 - "Response from the host": The machine is properly connected to the network.
 - "No response from the host": Execute the following troubleshooting because the machine is not connected to the network.

Troubleshooting of Network

■ Checking Connection of the Network Cable

To check whether the network cable is properly connected to the LAN Port.

■ Ping Operation Procedure

1. Ask the network administrator at the user's site to note the IP address of the PC that is connected to the network.
2. Select: [Settings/Registration] > [Preferences] > [Network] > [TCP/IP Settings] > [IPv4 Settings] > [PING Command], and enter the IP address of PC, and then press "Execute" key.
 - If the display shows "Response from the host", the network connection is properly functioning.
 - If the display shows "No response from the host", go to the next step for another checking.

■ Checking Network Setting of the Host Machine

Check if the IP address specified on the host machine is correct.

1. Select the following: [Settings/Registration] > [Preferences] > [Network] > [TCP/IP Settings] > [IPv4 Settings] > [IP Address Settings], and note the IP address in the IP Address field.

2. Select the following: [Settings/Registration] > [Preferences] > [Network] > [TCP/IP Settings] > [IPv4 Settings] > [PING Command], and enter the IP address.

- If the display shows "Response from the host", the IP address specified on the host machine is correct.
- If the display shows "No response from the host", go to the next step for another checking.

NOTE:

When entering an address by manual operation, set the Subnet Mask according to the instructions of the user administrator.

■ Checking Network Function on the Main Controller

Check with the loopback address:

1. Select: [Settings/Registration] > [Preferences] > [Network] > [TCP/IP Settings] > [IPv4 Settings] > [PING Command], and enter the IP address "127.0.0.1" with the numeric keypad and press the Execute key.

- If the display shows "Response from the host", the network of the main controller is properly functioning.
- If the display shows "No response from the host", the network function of the main controller is faulty.

2. Replace with a main controller that works properly, and the check connection.

● Installing the IC Card Reader

When installing this equipment, the Card Reader (sales company's option) is required.

■ Preparation



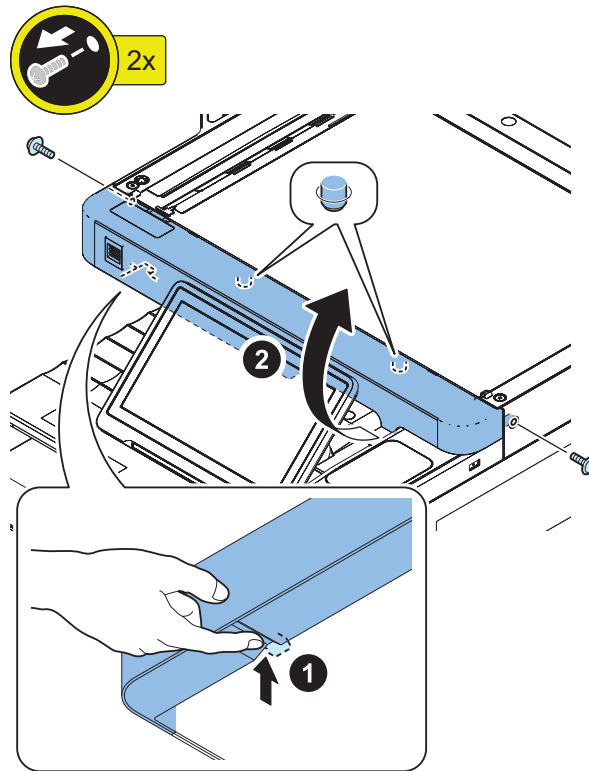
1. If the main power switch of the host machine is ON, turn it OFF.



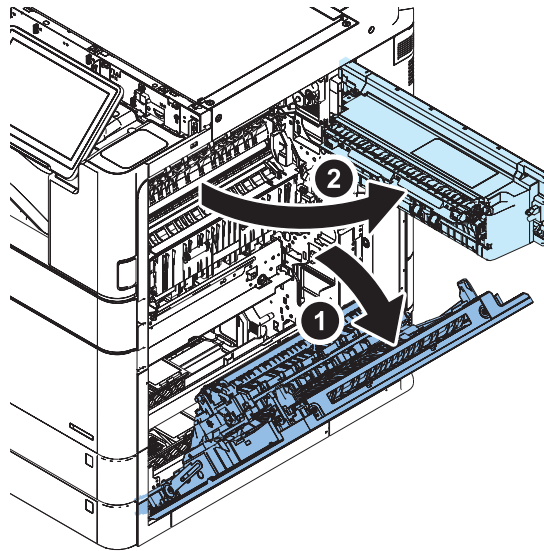
2.



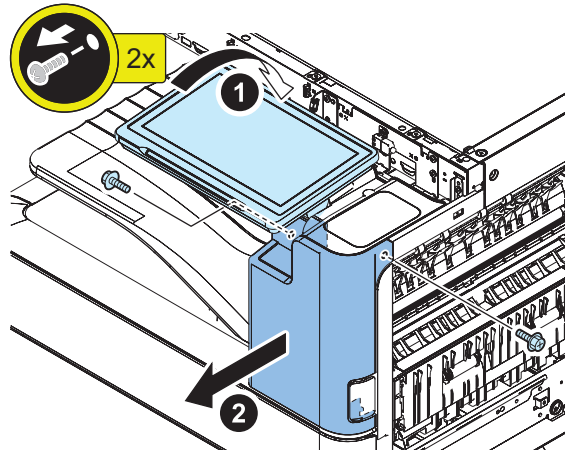
□
3.



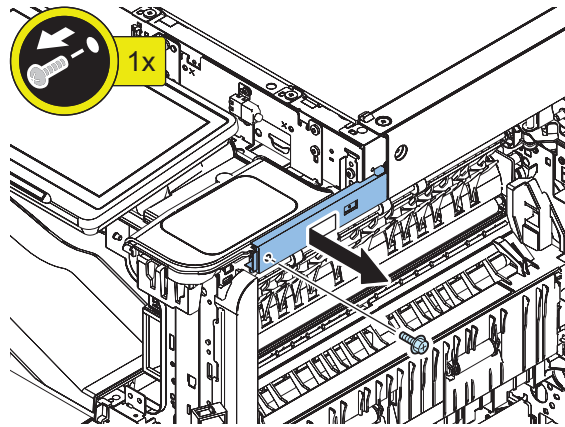
□
4.



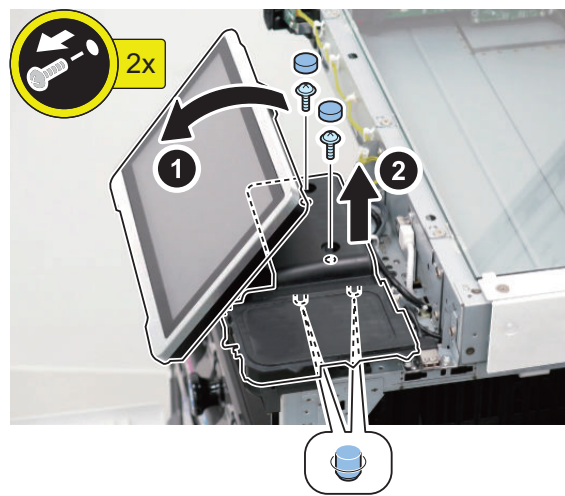
□
5.



□
6.

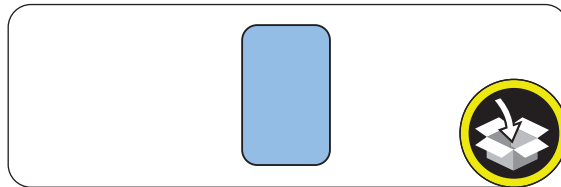
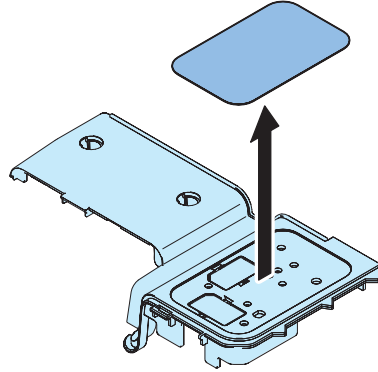
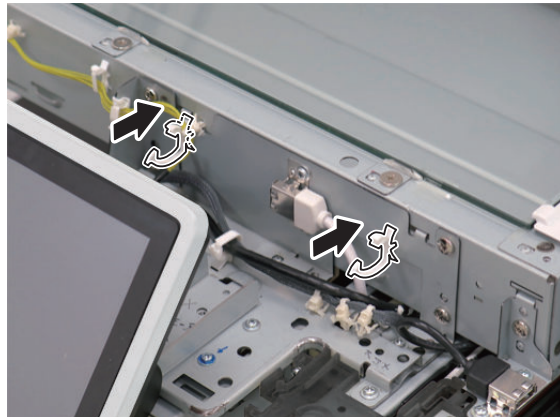
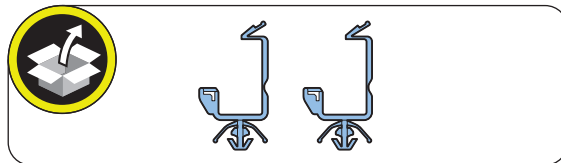


□
7.



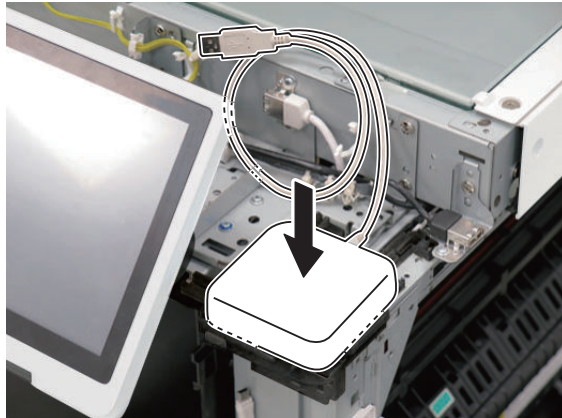
□
8.**CAUTION:**

- After removing the sheet, do not clean the removed surface with alcohol.
- If any glue is remaining on the removed surface, wipe with the removed sheet.

□
9.

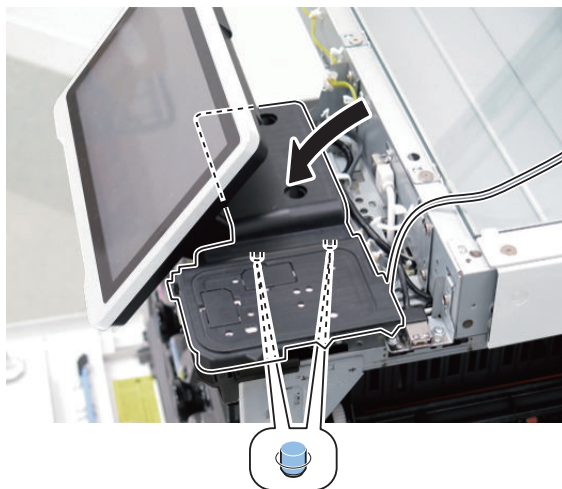
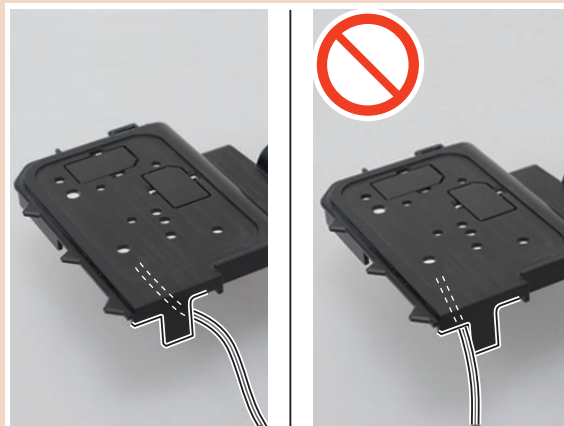
■ Installing the Equipment

□
1.

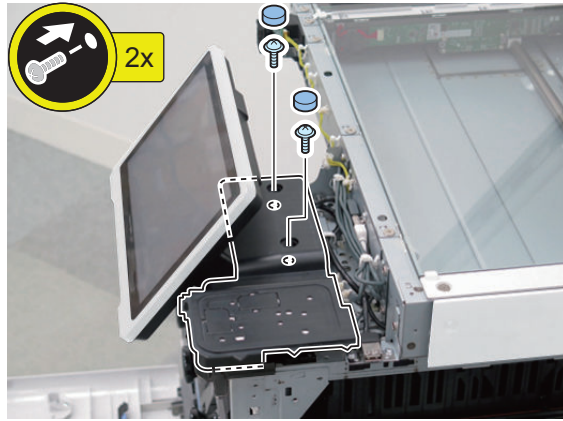


□
2.

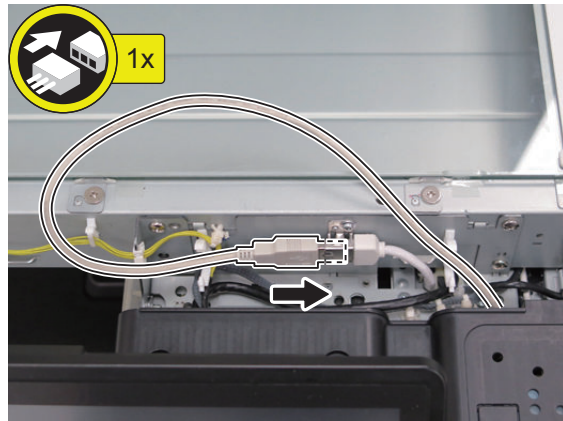
CAUTION:
Be careful not to pinch the cable when installing the Cover.



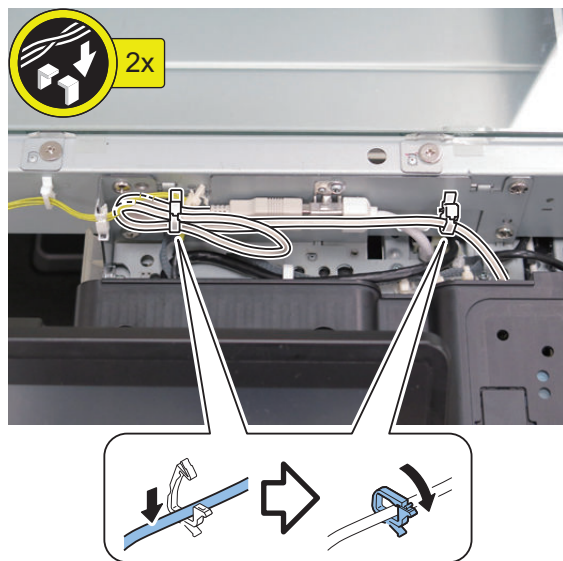
□
3.



□
4.

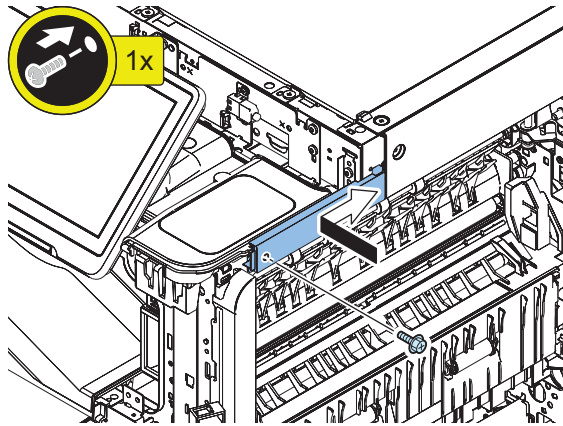


□
5.

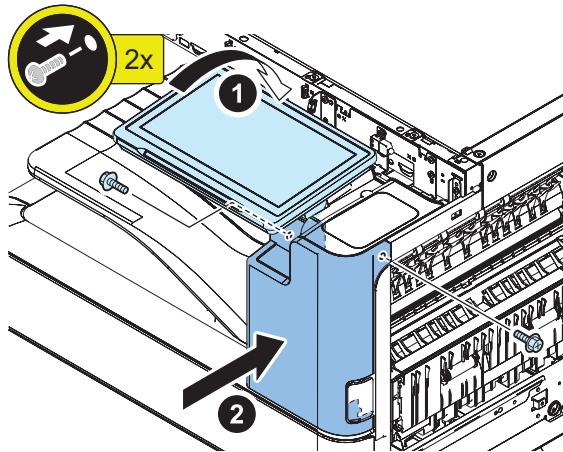


■ Procedure after Work

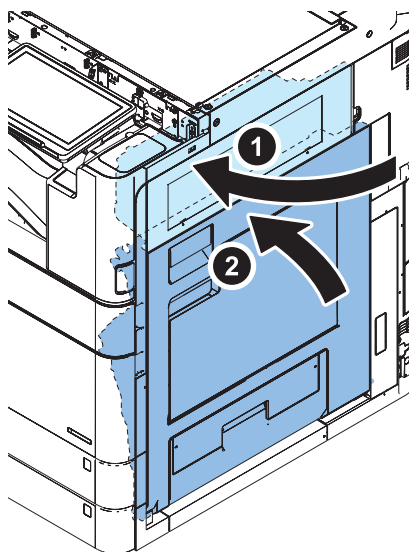
□
1.



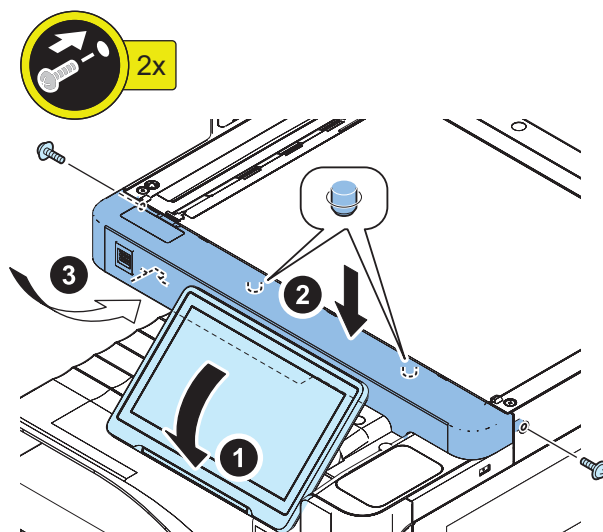
□
2.



□
3.



□
4.



□
5.



□
6.

NOTE:

Be sure to affix the sheet inside the specified areas.



□
7.

Connect the power plug to the outlet.
Turn ON the main power switch.

Operation when using uniFLOW Online

When using uniFLOW Online*, follow the setup procedures on the uniFLOW* Online First Steps Guide (http://www.nt-ware.com/uFO_FS).

* China version of "uniFLOW" is called "mdsFLOW".

When Relocating the Machine

When Relocating the Machine /When relocating this machine by truck or by other means for some reasons after installing the machine, perform the following procedure.

CAUTION:

In case of relocating the machine while it is mounted on the Cassette Pedestal, be sure to check that the coin screw has been tightened securely before holding the grips of the machine to lift when, for example, passing over a difference in level of the floor. Holding the grips of the machine when lifting will result in separation of the machine from the Cassette Pedestal.



1. From the following service mode (Level 2), move the Scanner Unit to the position to secure.
COPIER > FUNCTION > MISC-R > RD-SHPOS



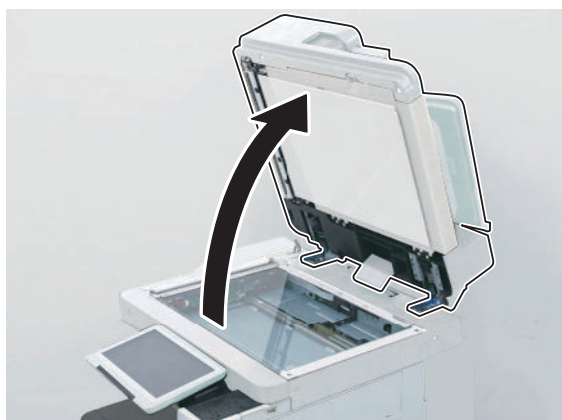
2. Turn OFF the main power.



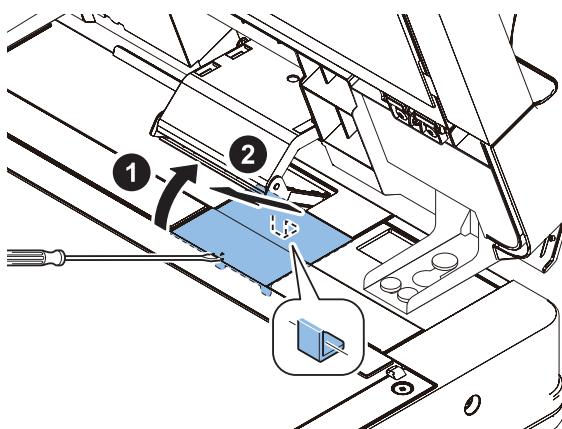
3. Disconnect the power plug of the host machine.



- 4.

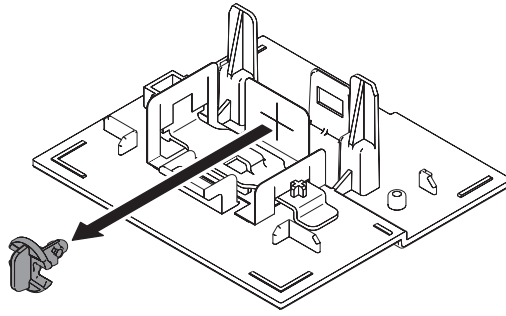


- 5.

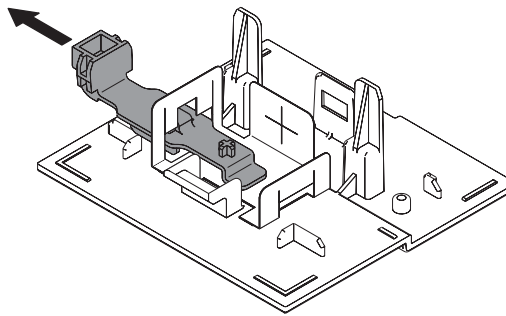




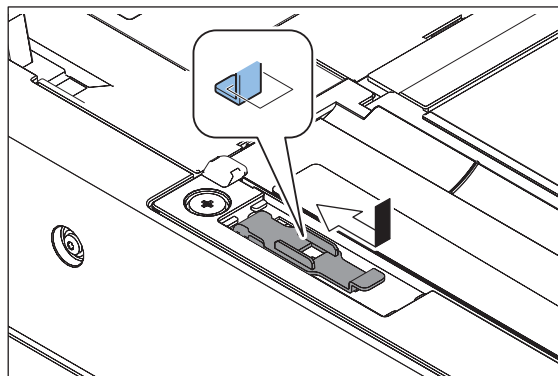
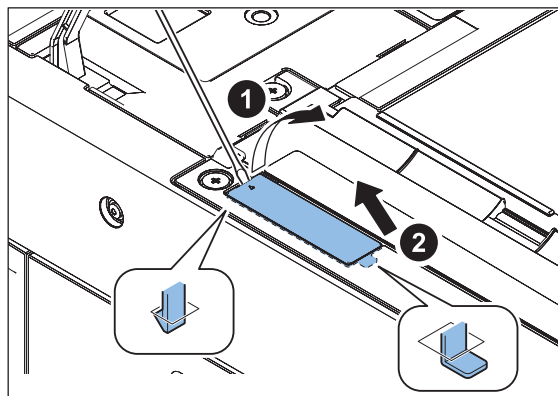
6.



7.



8. Secure the Scanner Unit with the Scanner System Fixation Member that have been kept in a safe place since installation.

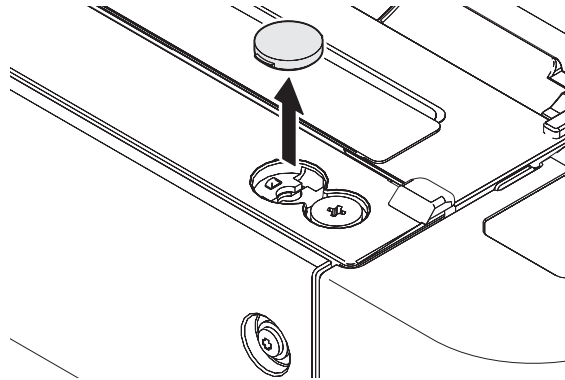




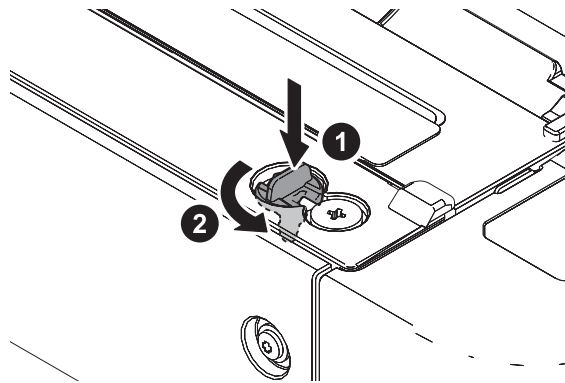
9.

NOTE:

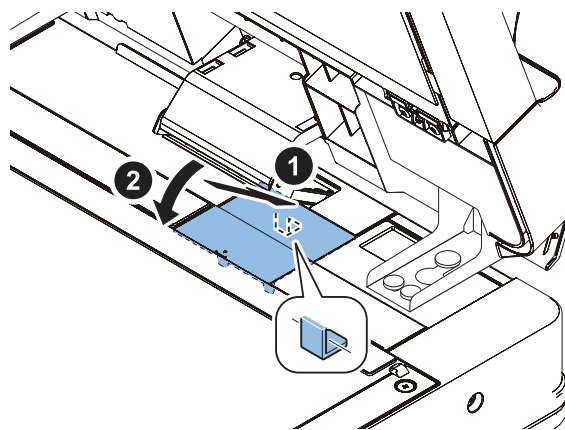
Keep the Rubber Cap to use it again.



10.



11.





12.



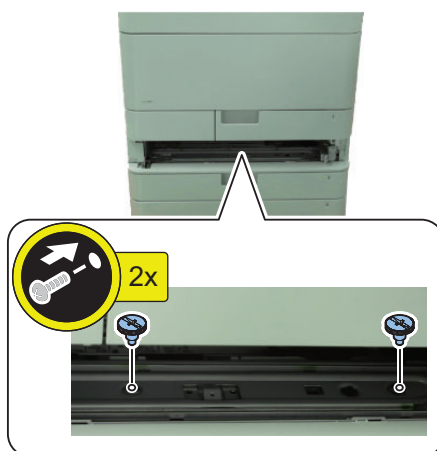
13. Put a sheet of paper on the Copyboard Glass.



14. Put a sheet of paper on the Copyboard Glass. Securely tighten the coin screws of the host machine and the 2-cassette Pedestal.

CAUTION:

- When tightening the coin screws, pay attention to plates and parts around the screws.
- When tightening a screw on the rear side, be careful not to drop it. Be sure to check that the coin screws have been tightened securely.



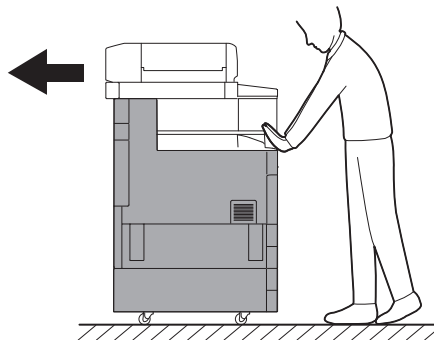
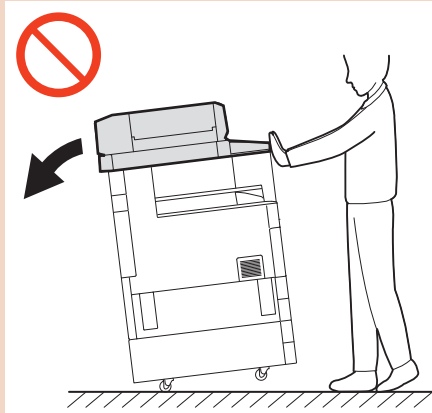
15. If the Cassette Pedestal is installed, turn the 4 adjusters of the Cassette Pedestal with a screwdriver, etc. to lift them from the floor.



16. When moving the machine, be sure to push the position indicated in the figure.

CAUTION:

Be sure not to push the upper side of the machine strongly from the front side, otherwise it can fall over. (Especially in the case of the carpet floor.)



**17. Perform the following work before turning ON the power.**

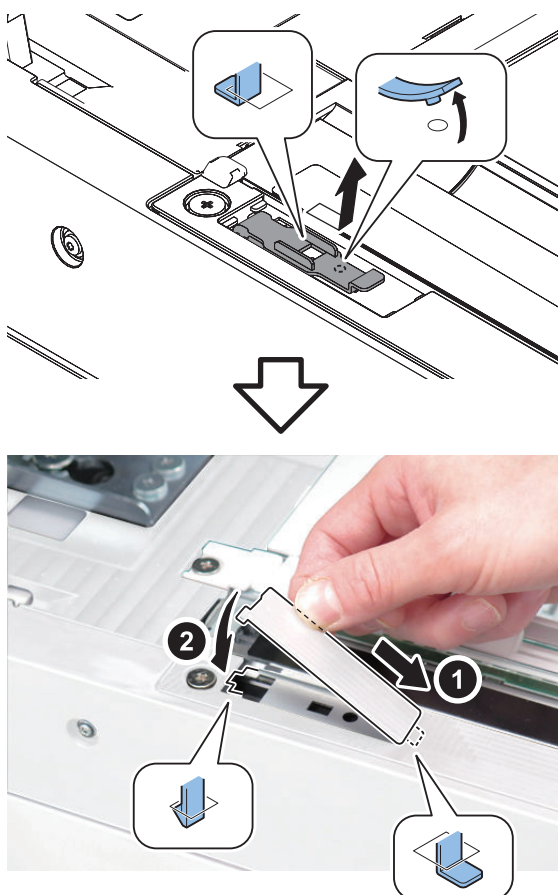
1. Remove the paper on the Copyboard Glass.



- 2.

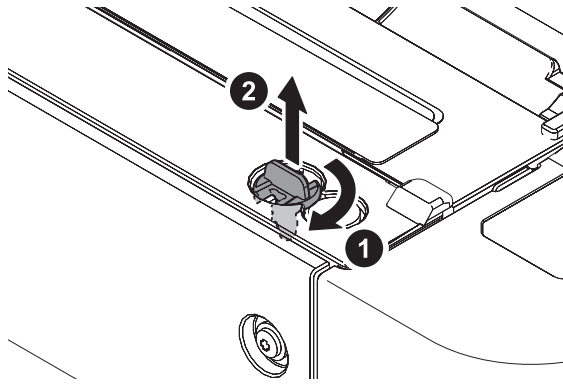
CAUTION:

Be sure to keep the Scanner System Fixation Member in a safe place for moving the machine.

**NOTE:**

The removed Scanner System Fixation Member will be stored in step 6.

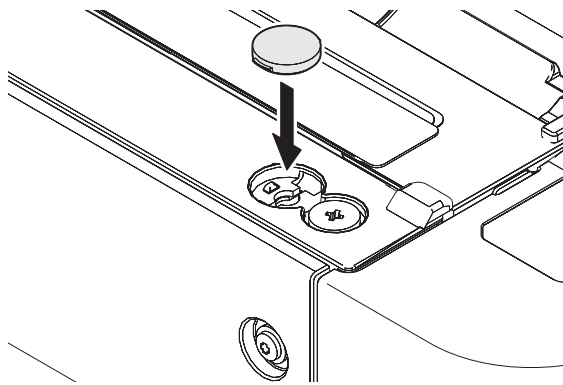
3.



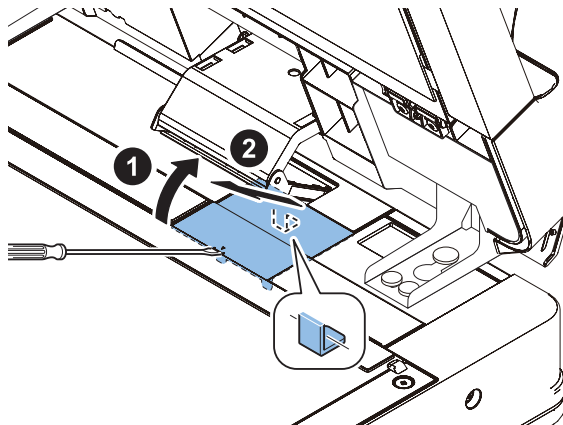
NOTE:

The removed Scanner System Fixation Member will be stored in step 7.

4.



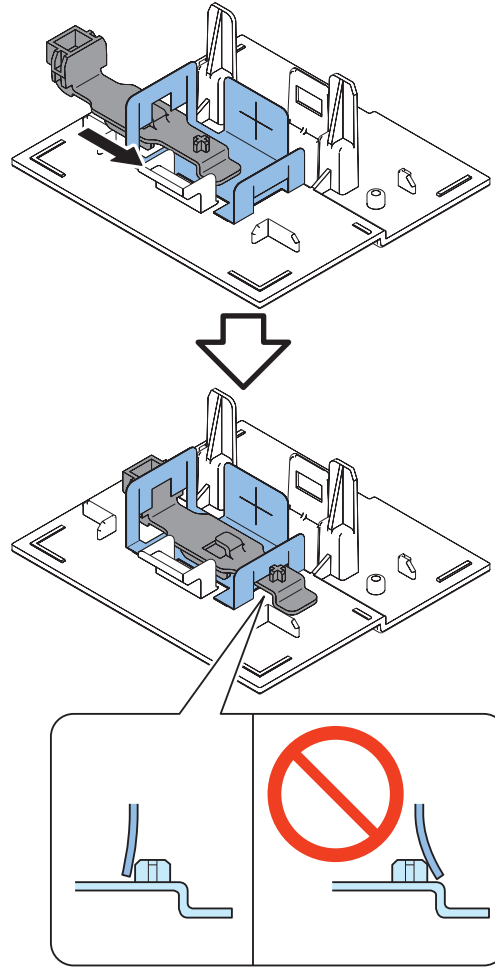
5.



6.

NOTE:

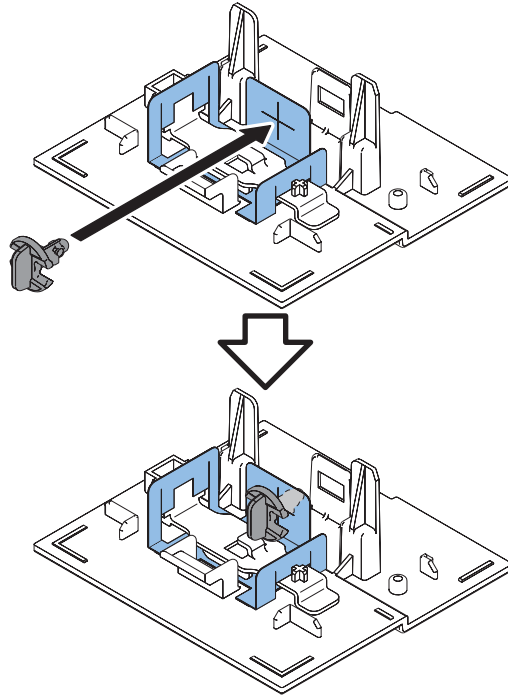
Store the Scanner System Fixation Member removed in step 2 in the Cover removed in the previous step.



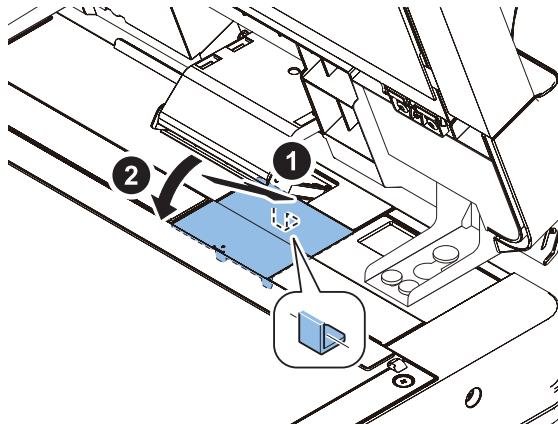
7.

NOTE:

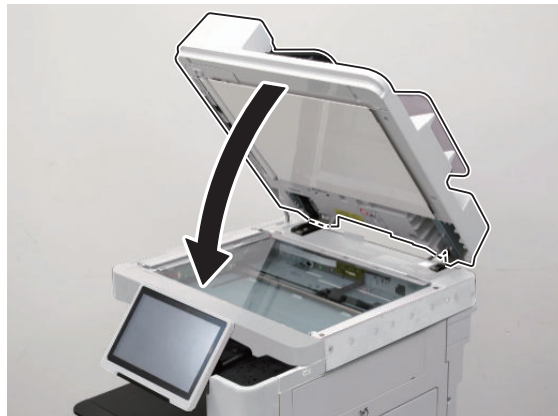
Store the Scanner System Fixation Member removed in step 3.



8.



9.



10.

11. If the Cassette Pedestal is installed, turn the 4 adjusters of the Cassette Pedestal to fix it in place.

12. If the Cassette Pedestal is installed, securely tighten the coin screws of the host machine and the 2-cassette Pedestal.

CAUTION:

- Be careful not to damage nearby plates and parts when tightening the coin screws.
- When tightening a screw on the rear side, be careful not to drop it.
- Be sure to check that the coin screws have been tightened securely when moving the machine.



18. Perform the following to check that there is no abnormality in images after turning ON the power.

- Copy
- Print
- Image Position Adjustmen



Image Reading System Options

Platen Cover Y2/Y3.....	113
Reader Heater J5.....	124

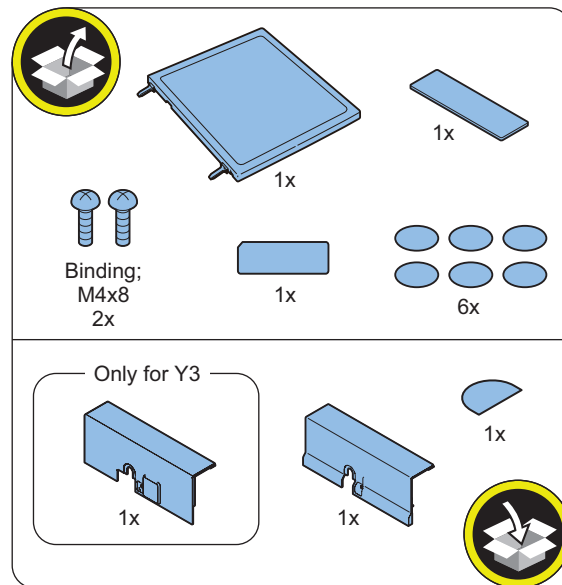
Platen Cover Y2/Y3

Points to Note at Installation

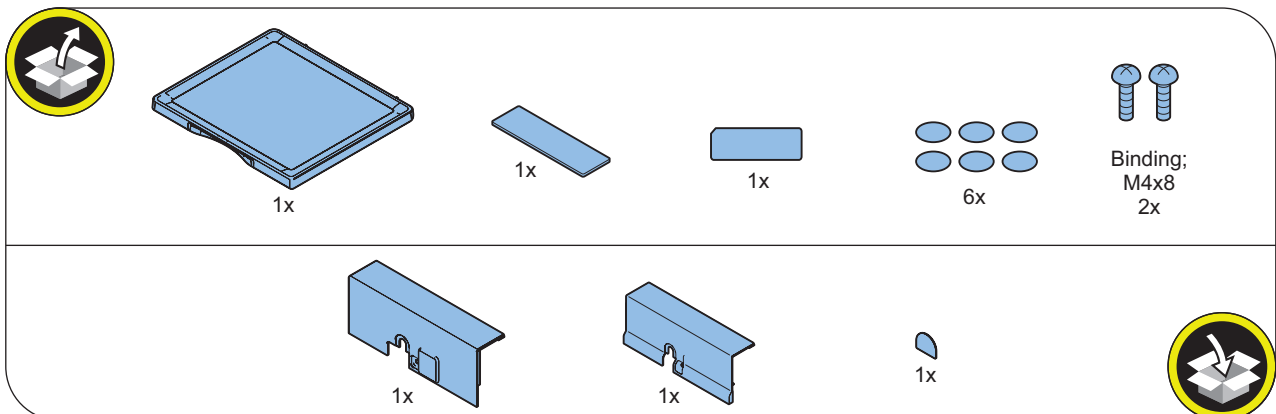
- When installing this equipment to a model without ADF, perform the work from "Installing the Equipment".
- The pictures and illustrations used may be different from the product in front of you, but the procedure is the same.

Checking the Contents

Platen Cover Y2



Platen Cover Y3



Essential Items to Be Performed Before Installation

- Turn OFF the main power of the host machine, and disconnect the power plug from the outlet.

⚠ WARNING:

- If performing work without disconnecting the power plug of the host machine, it may cause electrical shock.
- If disconnecting the power plug without turning OFF the main power, it may cause damage of the machine.

- When turning OFF the main power, follow the below procedure.
 1. Turn OFF the main power switch of the host machine.
 2. The display in the Control Panel and the lamp of the main power are turned off.

Points to Note when turning ON/OFF the main power

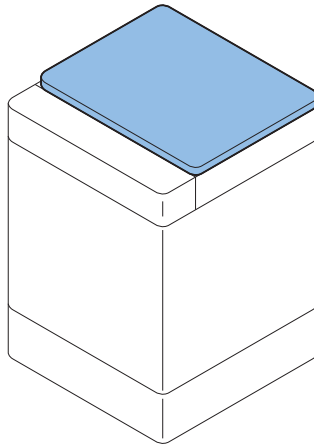
The following message is displayed.

1. When a message prompting to turn OFF and then ON the main power appears, turn OFF and then ON the main power switch.
2. If a message prompting the user to update the version appears, press [Update] to automatically update the version of this equipment.

If [Skip] is selected, a message prompting the user to update the version will appear every time the host machine is started. In the service mode (Lv.2) shown below, it is possible to set not to display the message.

COPIER > OPTION > FNC-SW > VER-CHNG

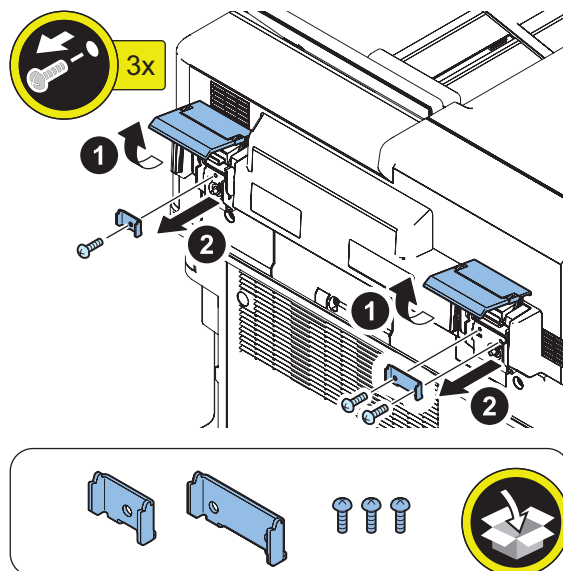
Installation Outline Drawing



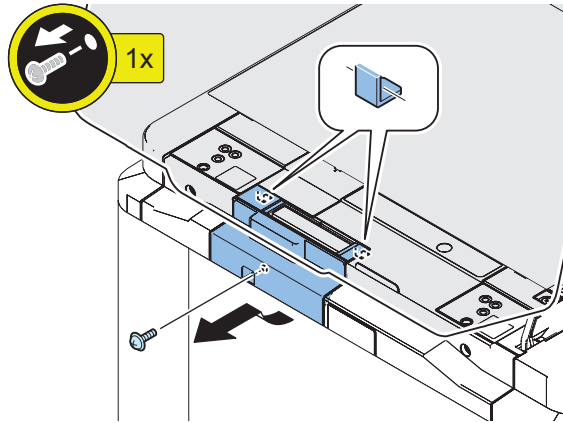
Installation Procedure

□

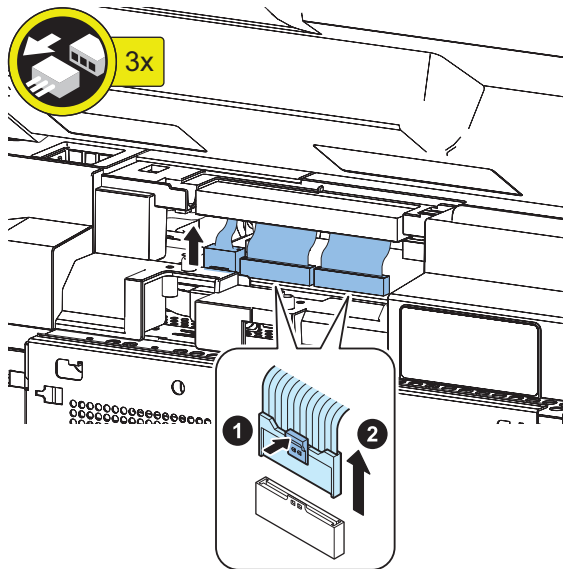
1.



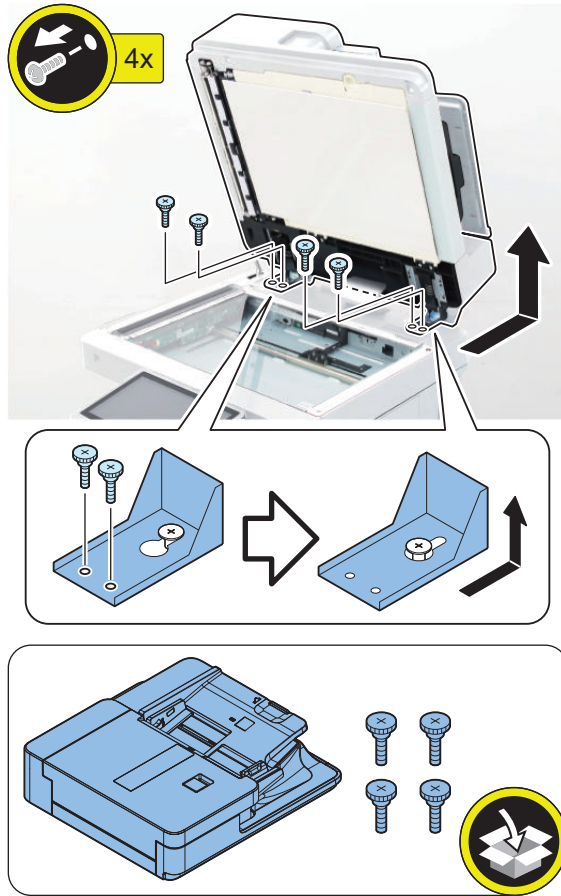
□
2.



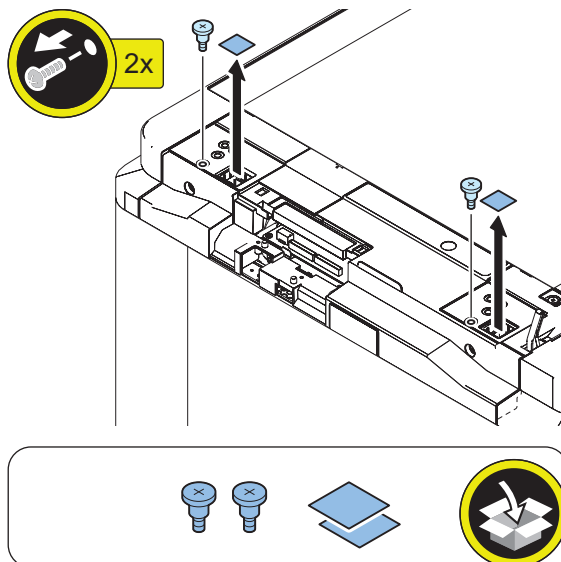
□
3.



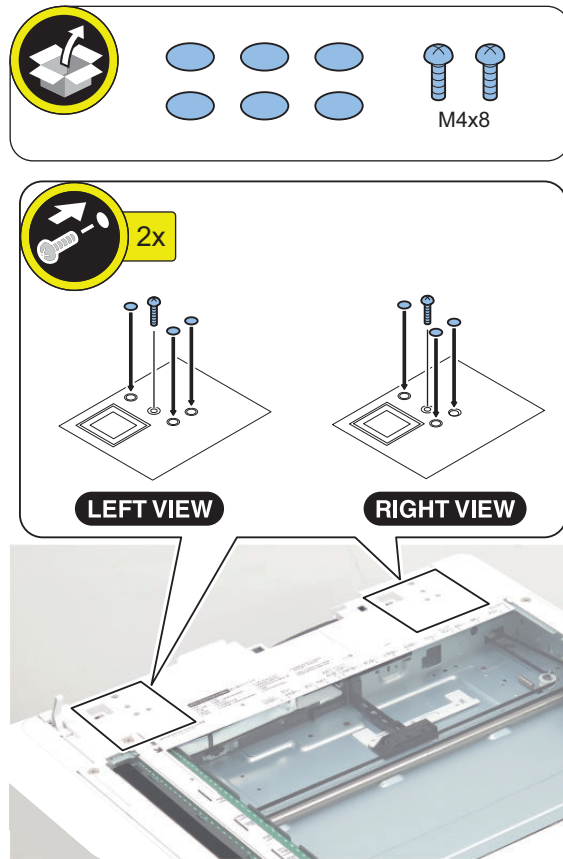
□
4.



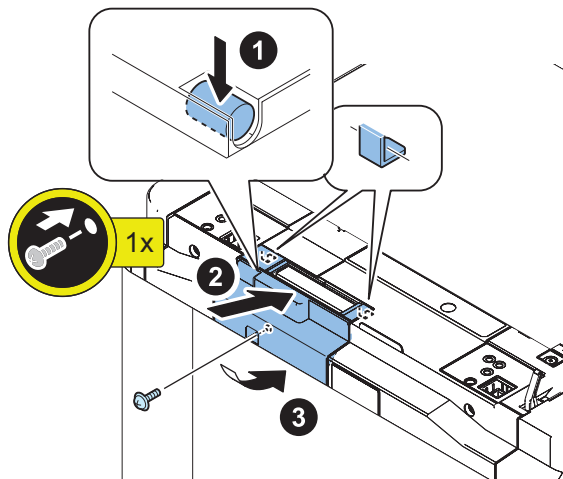
□
5.



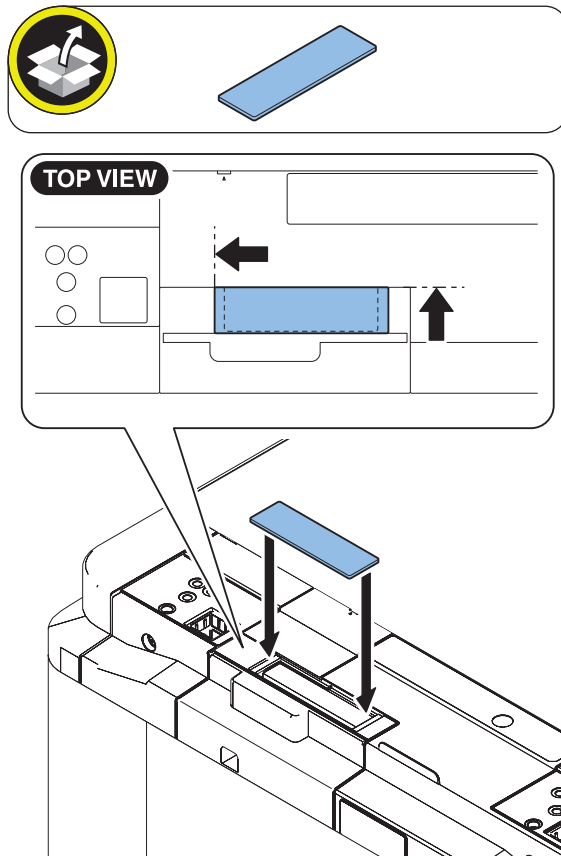
□
6.



□
7.



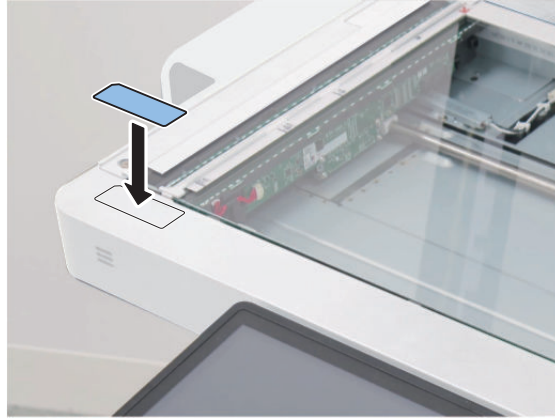
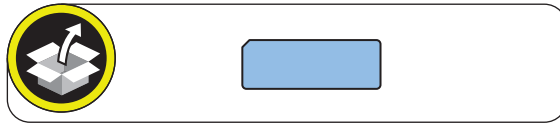
□
8.



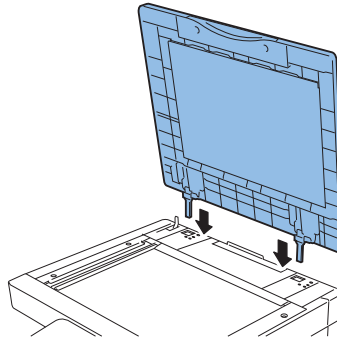
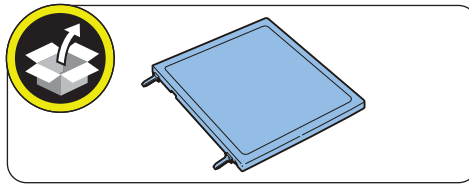
□
9.



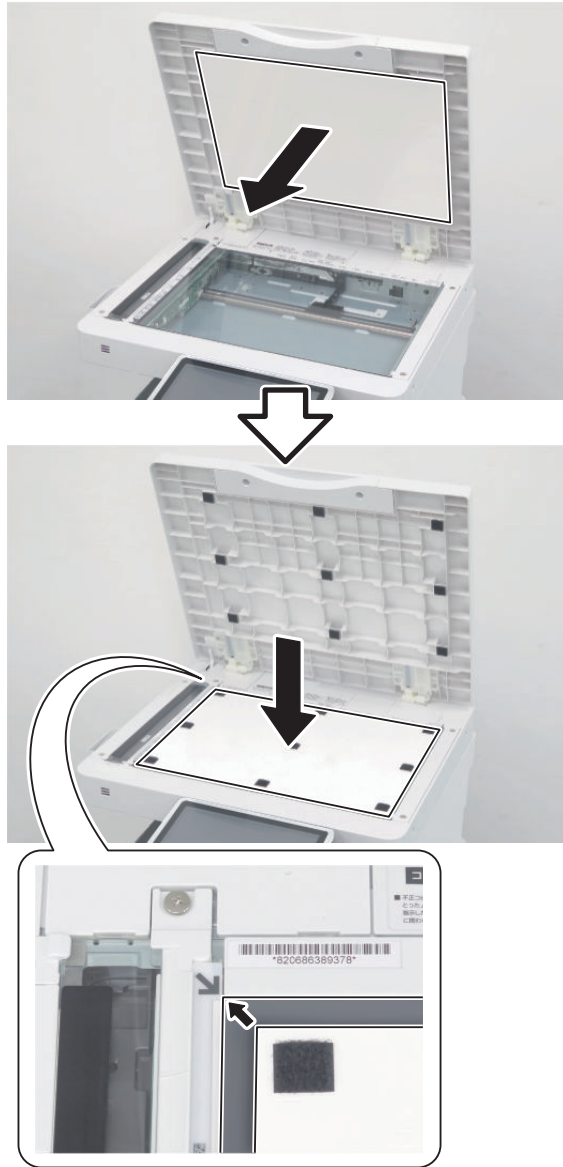
□
10.



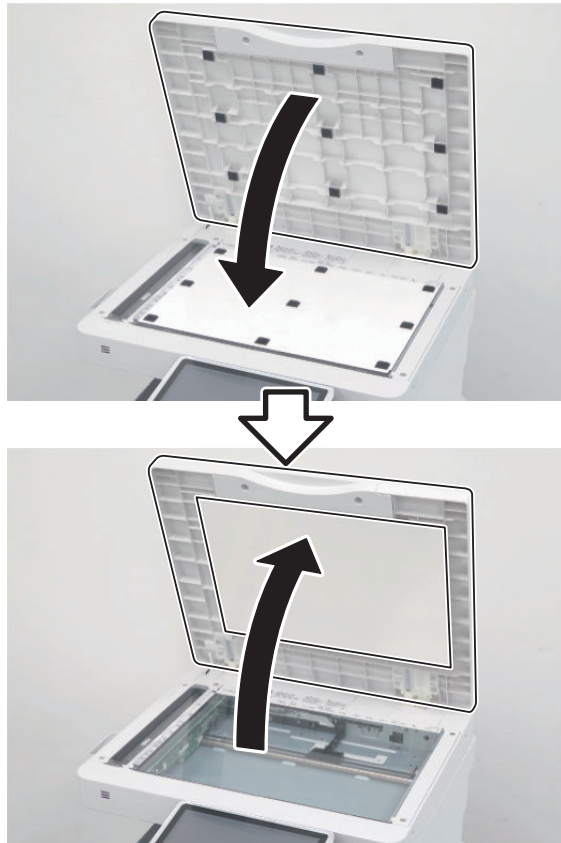
□
11.



□
12.



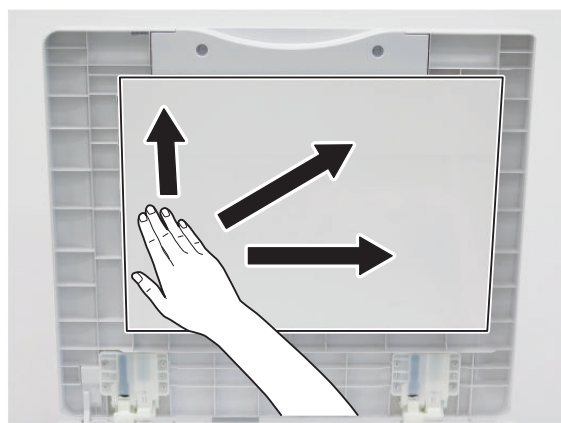
□
13.



□
14.

CAUTION:

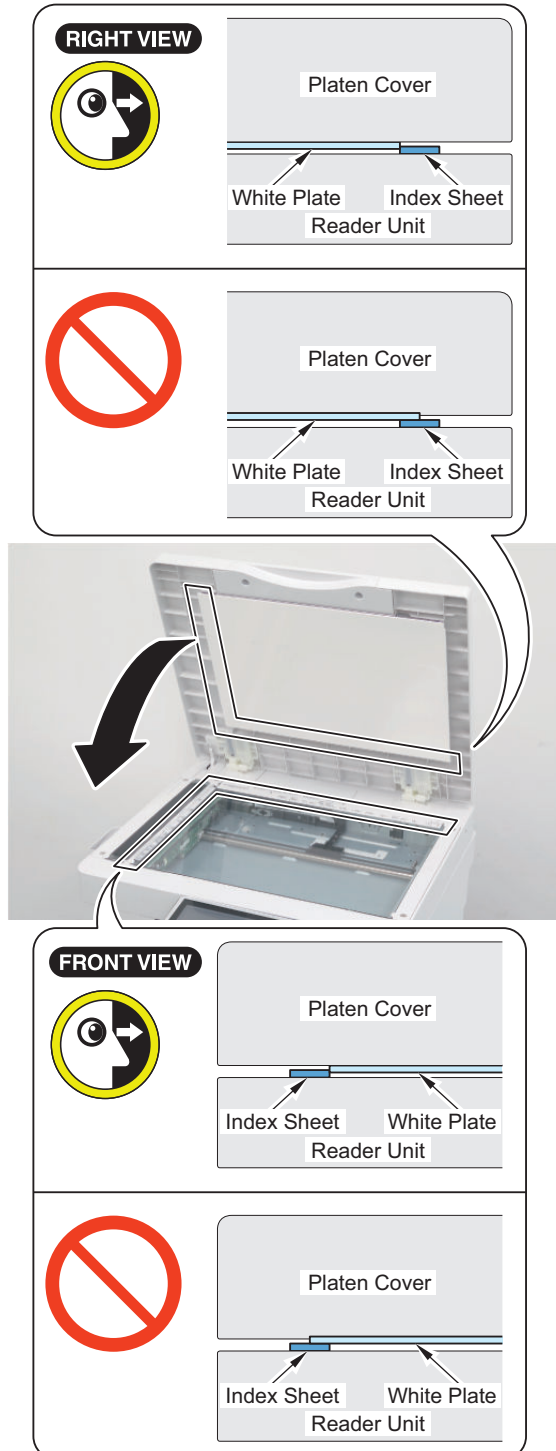
If the White Plate is pressed from top to bottom, it is placed over the Index Sheet, so be sure to press it from bottom to top.



□
15.

CAUTION:

- Be sure that there is no gap (0.3 mm or less as a guide) between the White Plate and the Index Sheet.
- Check that the White Plate is not placed over the Index Sheet.



□
16. Connect the power plug to the outlet.



17. Turn ON the main power switch.

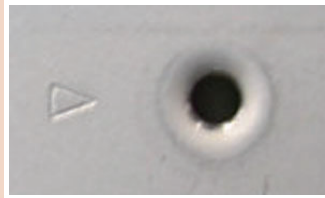
Reader Heater J5

Points to Note at Installation

CAUTION:

Marked portion

When tightening the screws, do not tighten them too tightly. Otherwise, there is a risk of damage and deformation of screw holes.



NOTE:

Although pictures or illustrations used for explanation may differ from the actual things, the procedure is the same.

Essential Items to Be Performed Before Installation

- Turn OFF the main power of the host machine, and disconnect the power plug from the outlet.

⚠ WARNING:

- If performing work without disconnecting the power plug of the host machine, it may cause electrical shock.
- If disconnecting the power plug without turning OFF the main power, it may cause damage of the machine.

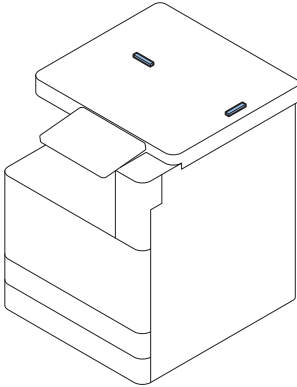
- When turning OFF the main power, follow the below procedure.
 1. Turn OFF the main power switch of the host machine.
 2. The display in the Control Panel and the lamp of the main power are turned off.

Points to Note when turning ON/OFF the main power


The following message is displayed.

1. When a message prompting to turn OFF and then ON the main power appears, turn OFF and then ON the main power switch.
2. If a message prompting the user to update the version appears, press [Update] to automatically update the version of this equipment.
If [Skip] is selected, a message prompting the user to update the version will appear every time the host machine is started.
In the service mode (Lv.2) shown below, it is possible to set not to display the message.
COPIER > OPTION > FNC-SW > VER-CHNG

Installation Outline Drawing



Checking the Contents



2x

1x

1x

1x

4x

1x

1x

1x

2x

1x

17.9 mm

33.9 mm

6x

15.8 mm

24.6 mm

1x

Binding; M4x4 2x

TP; M3x6 1x

1x

1x

17.9 mm

39.3 mm

3x

9.7 mm


22 mm

1x

17.9 mm

33.9 mm

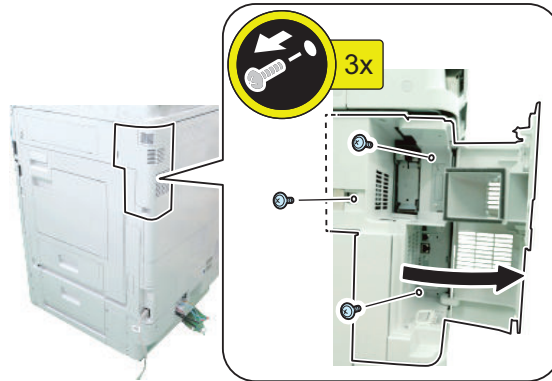
2x



Installation Procedure

■ Removing the Covers

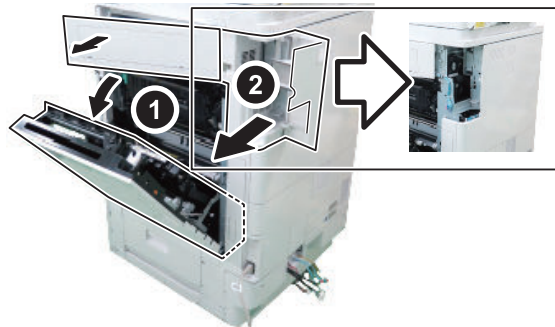
□
1.



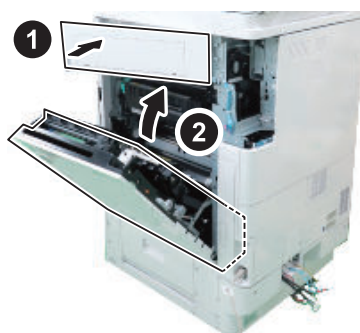
□
2.

NOTE:

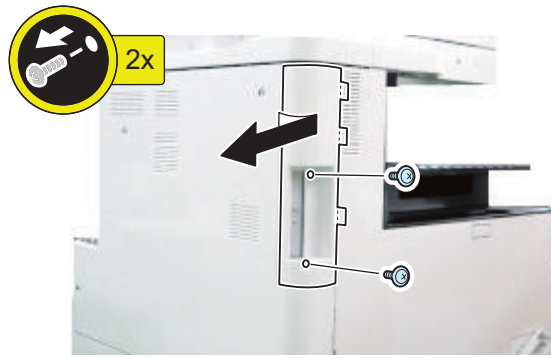
Open the Right Lower Cover (the Right Upper Cover will open at the same time), and remove the Right Rear Cover 1.



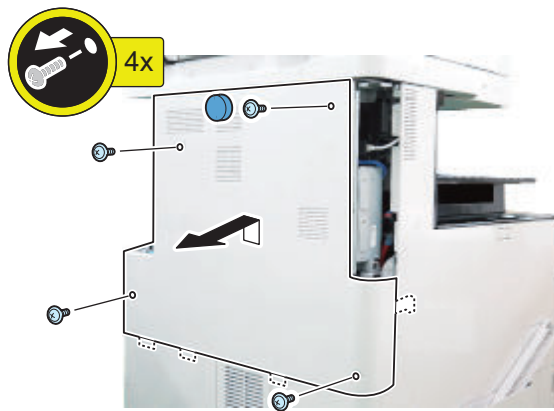
□
3.



□
4.

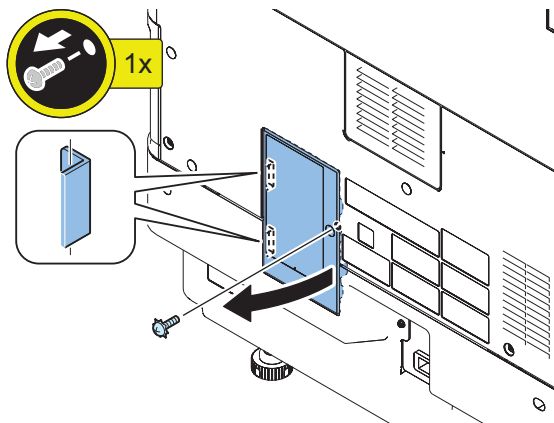


□
5.



□
6.

NOTE:
The procedure is the same even if the Cassette Pedestal is not installed.

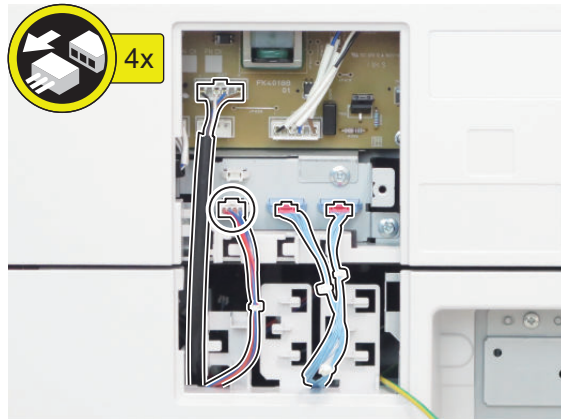
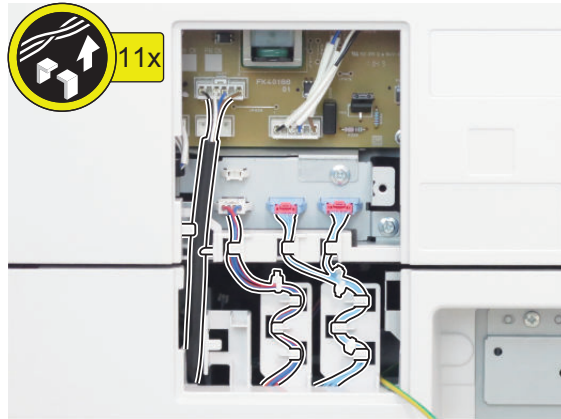


□

7. <Only when the Cassette Pedestal is installed>

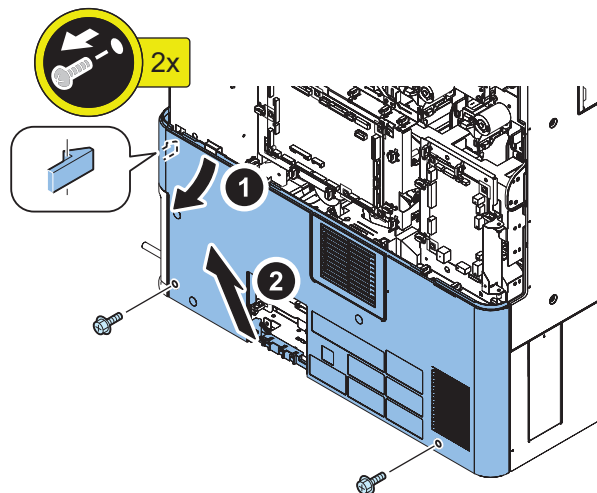
NOTE:

- If the Cassette Heater is not installed, disconnect the 3 connectors.
- The position of connectors is different with the 2-cassette Pedestal and High Capacity Cassette Pedestal.



□

8.

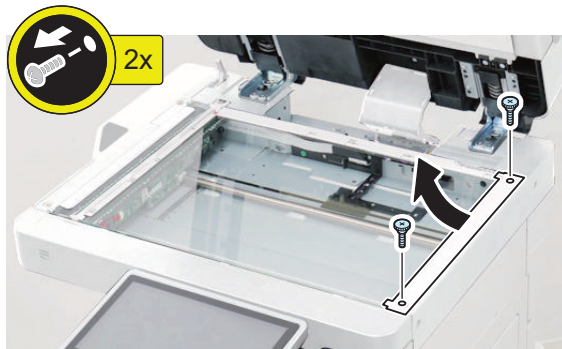


■ Installing the Reader Heater

□
1.



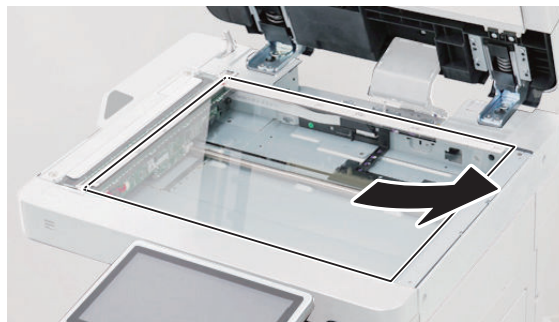
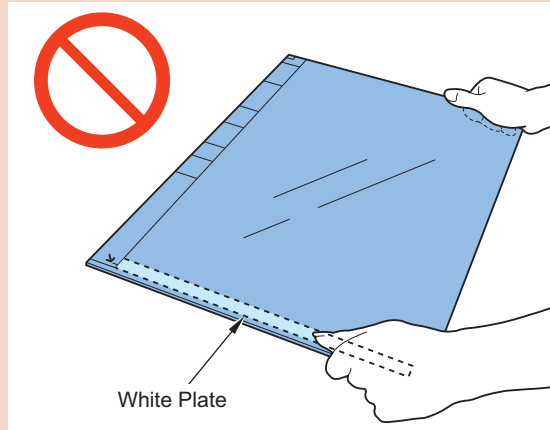
□
2.



□
3.

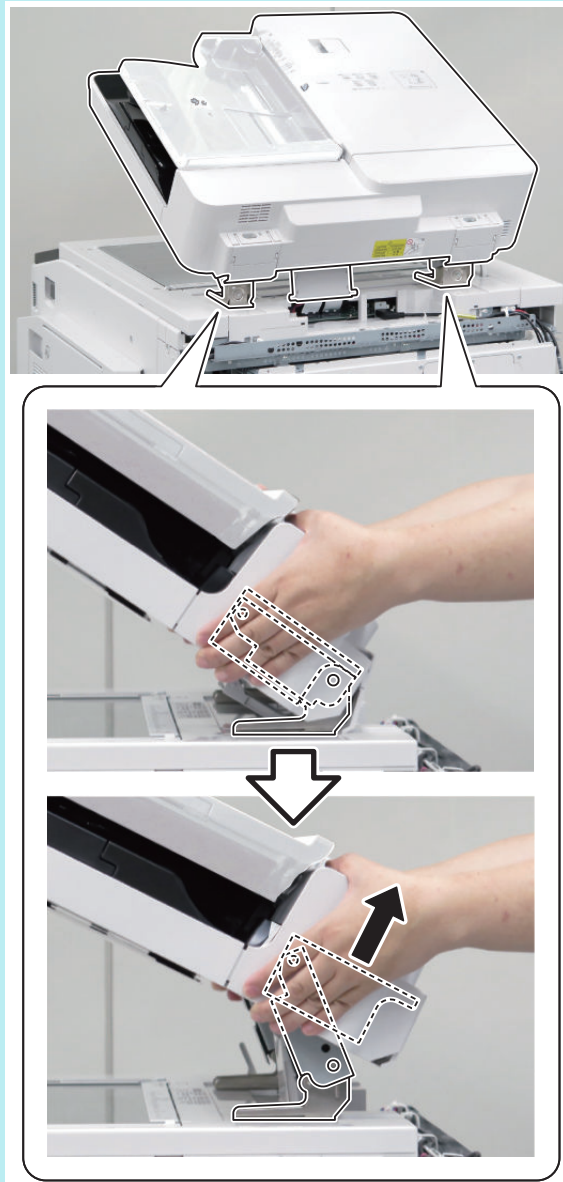
CAUTION:

- Soiling on the glass surface and the White Plate affects reading. When removing or installing the Copyboard Glass, be sure not to touch the glass surface and the White Plate.
- If soiling is attached, clean it with lint-free paper.

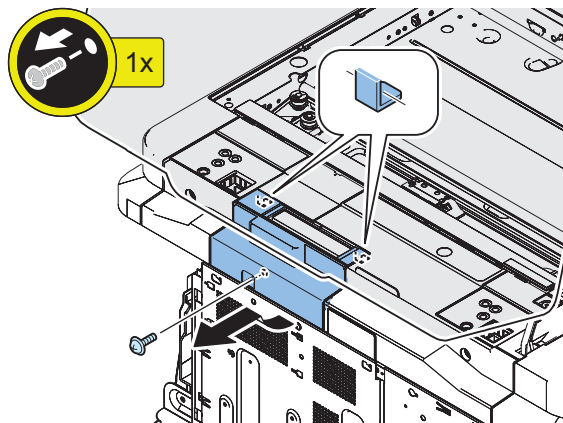


NOTE:

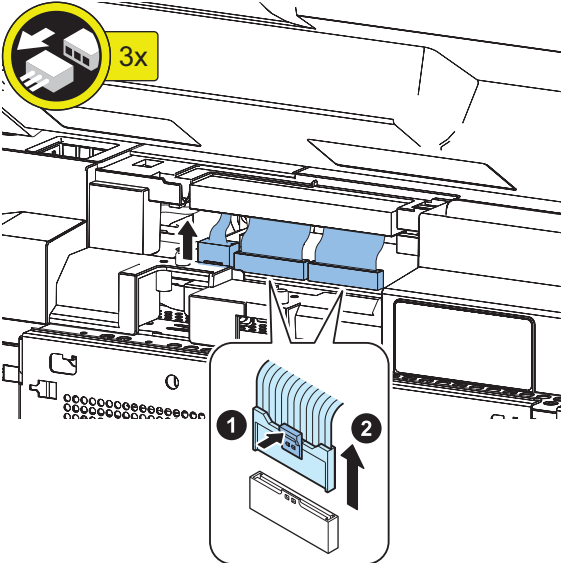
When performing following procedures, using ADF in the book mode as necessary makes the work easy.
The book mode is released by opening the ADF.



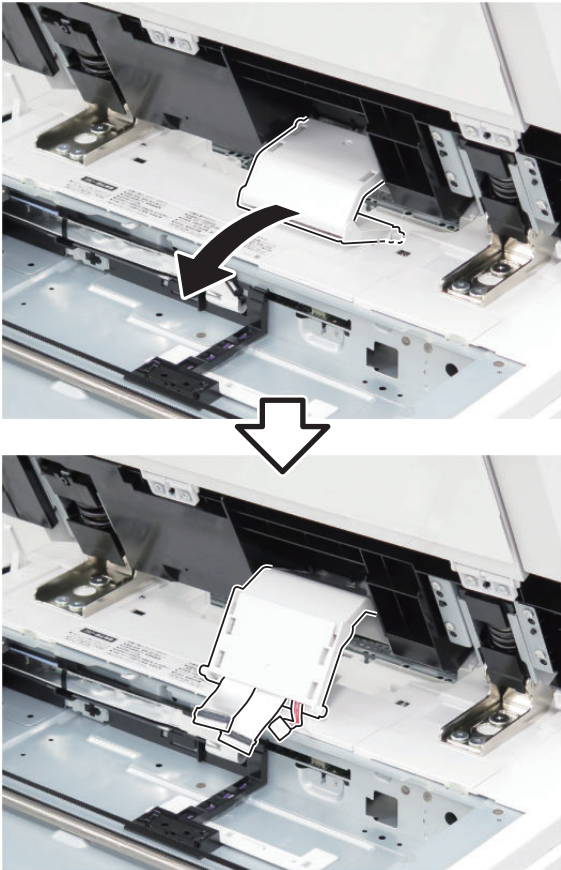
□
4.



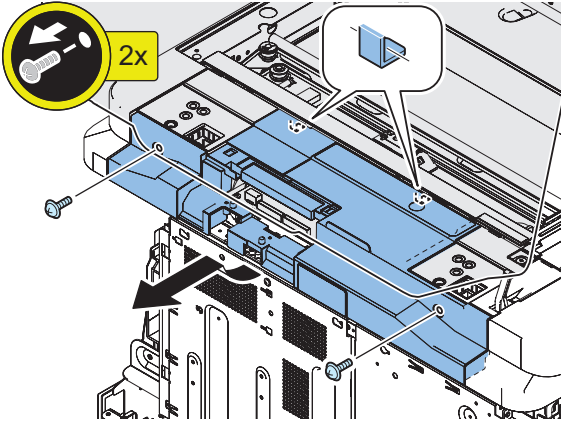
□
5.



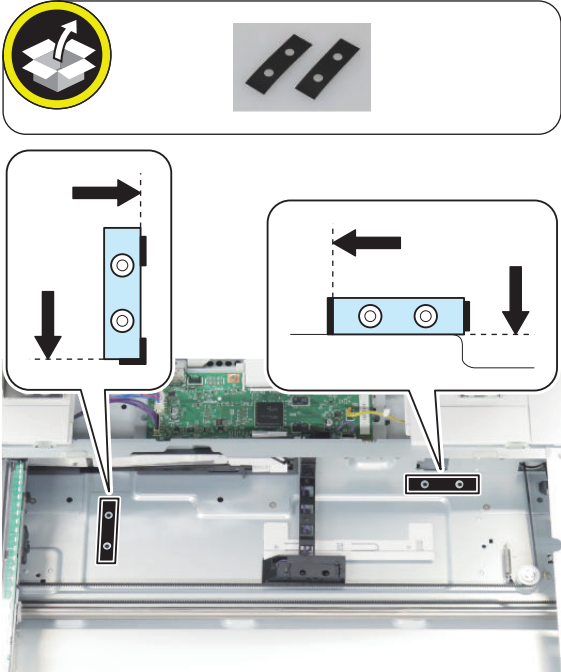
□
6.



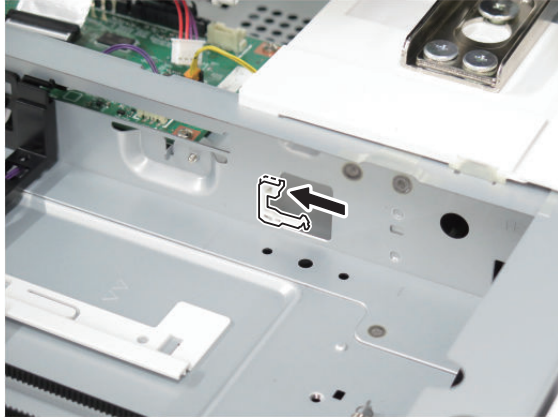
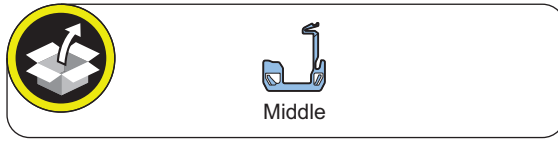
□
7.



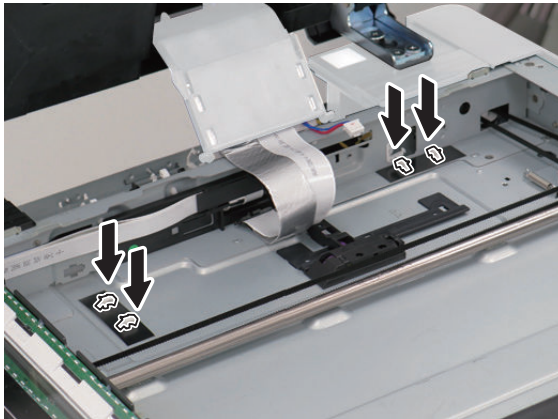
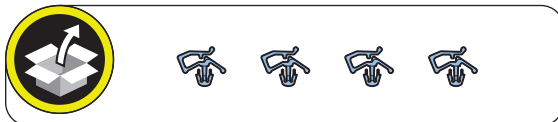
□
8.



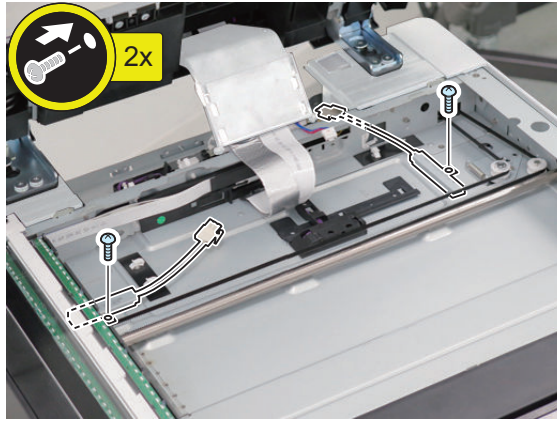
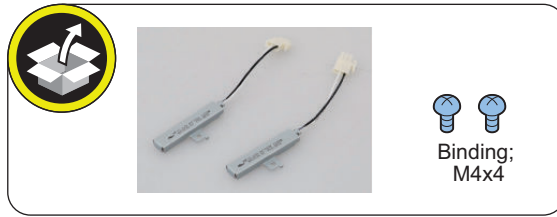
□
9.



□
10.

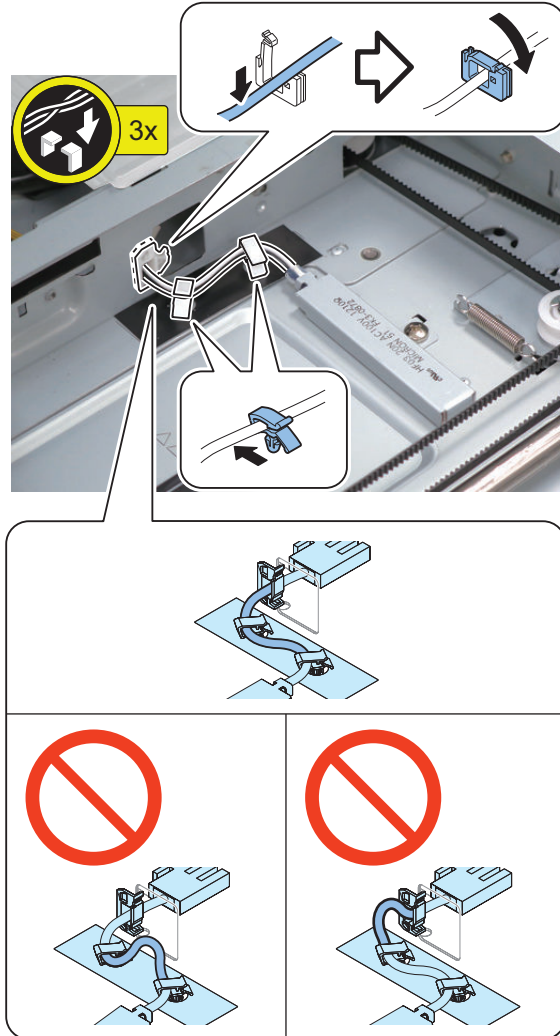


□
11.

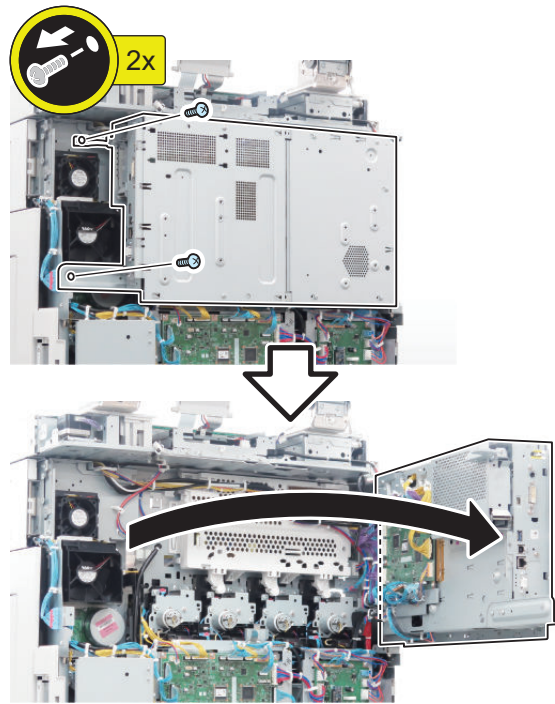


□
12.**CAUTION:**

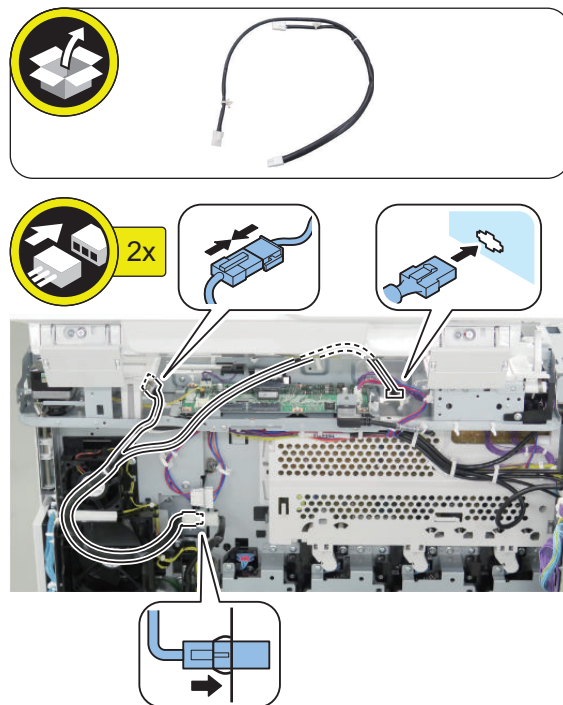
Be sure to hold down the Reader Heater Harness because it may interfere with moving of the Scanner Box if it is not connected properly.



□
13.

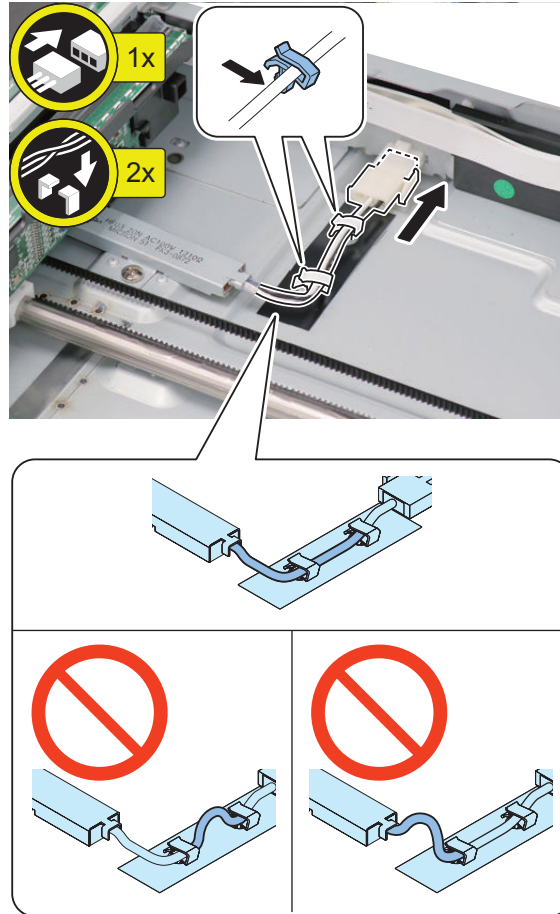
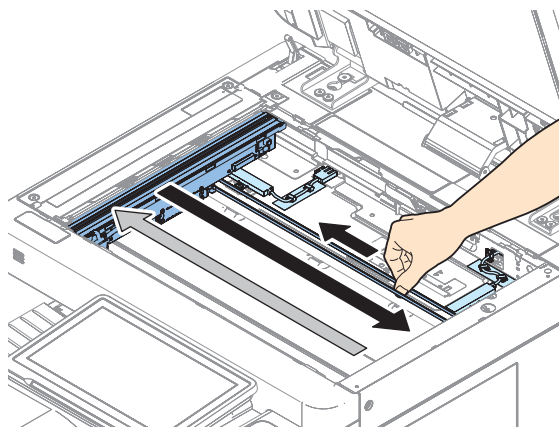


□
14.



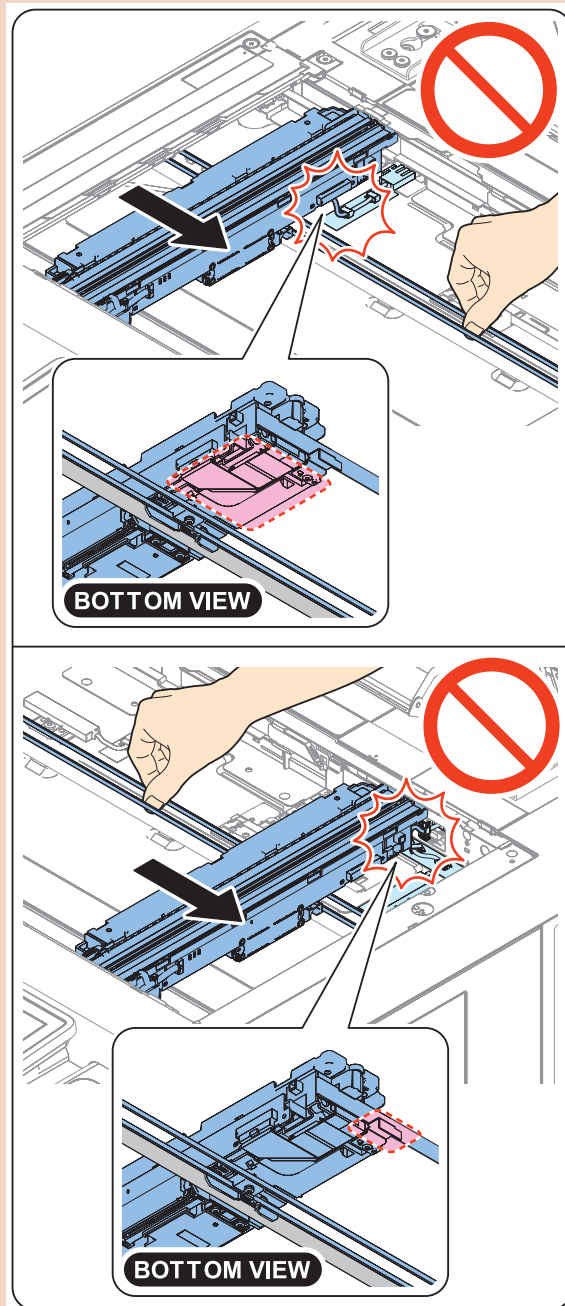
□
15.**CAUTION:**

Be sure to hold down the Reader Heater Harness because it may interfere with moving of the Scanner Box if it is not connected properly.

□
16.

CAUTION:

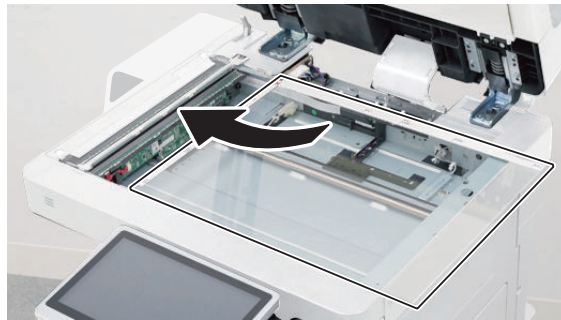
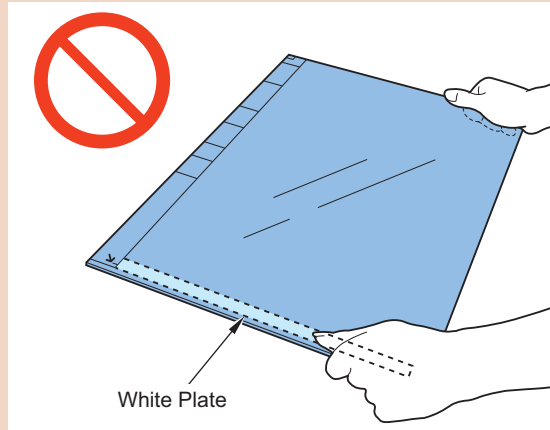
Move the Scanner Box to the right edge, and check if the underside of the Scanner Box and the HP Sensor Flag Plate do not interfere with the Reader Heater harness.



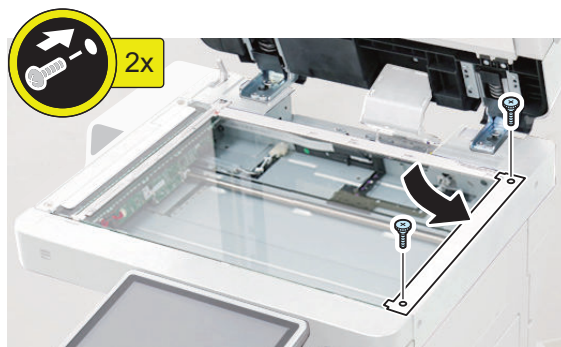
□
17.

CAUTION:

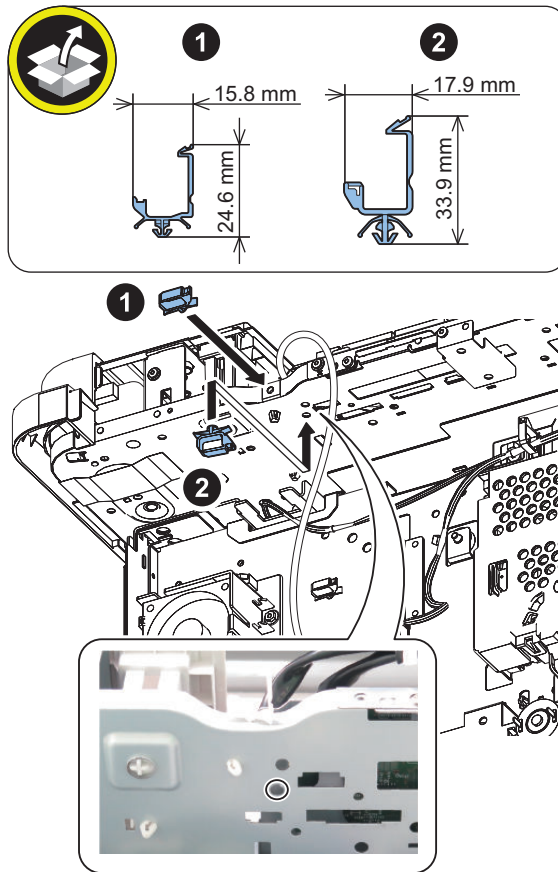
- Soiling on the glass surface and the White Plate affects reading. When removing or installing the Copyboard Glass, be sure not to touch the glass surface and the White Plate.
- If soiling is attached, clean it with lint-free paper.



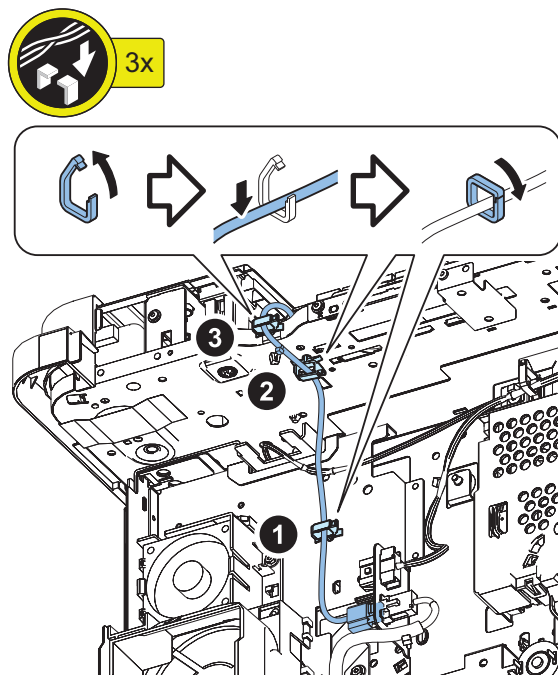
□
18.



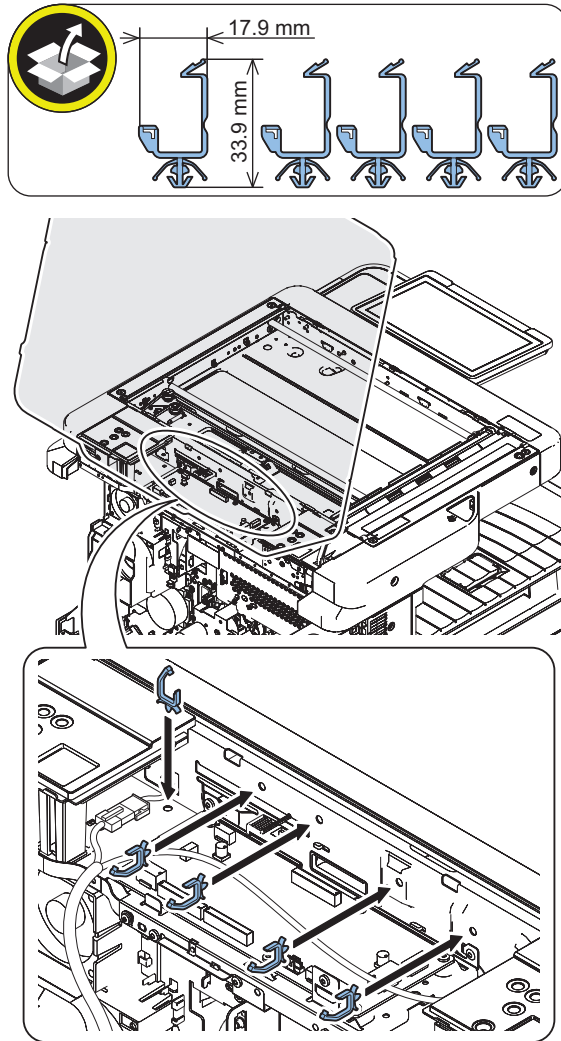
□
19.



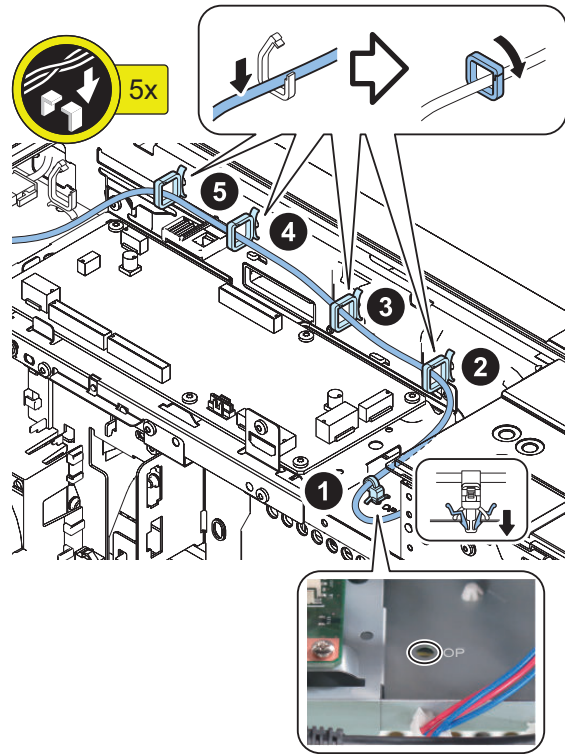
□
20.



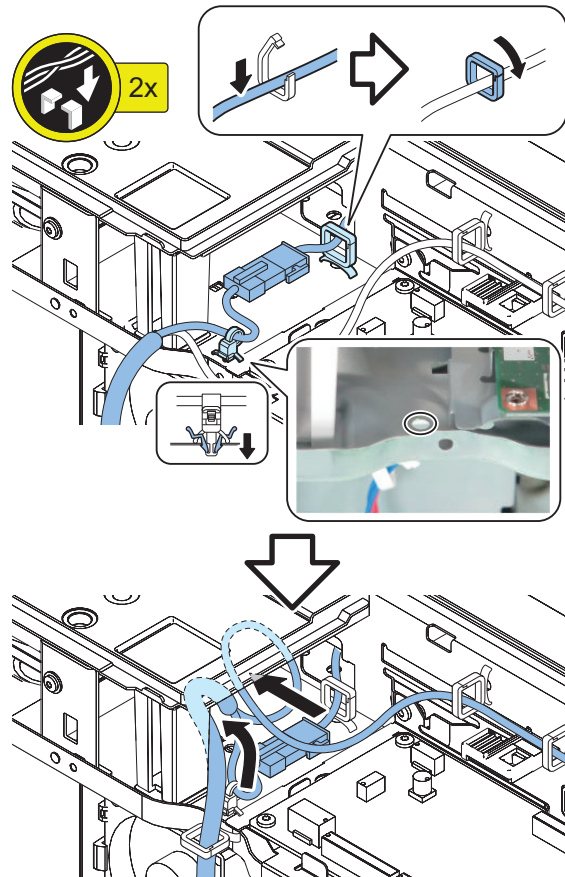
□
21.



□
22.

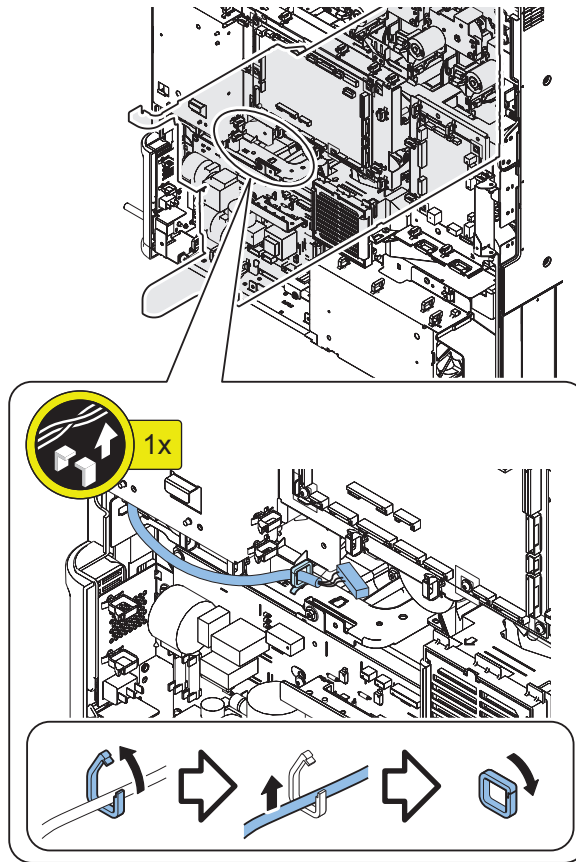


□
23.

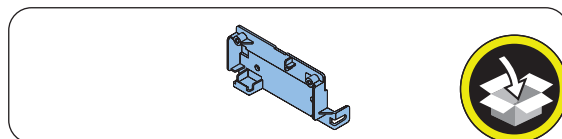
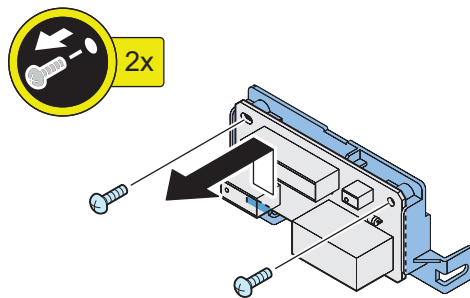


■ Installing the Relay PCB

□
1.



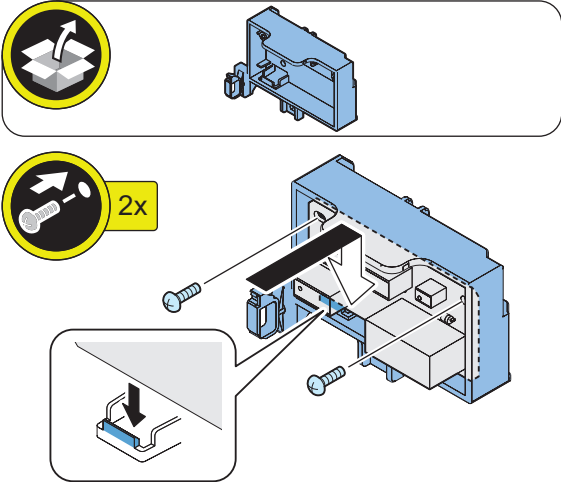
□
2.



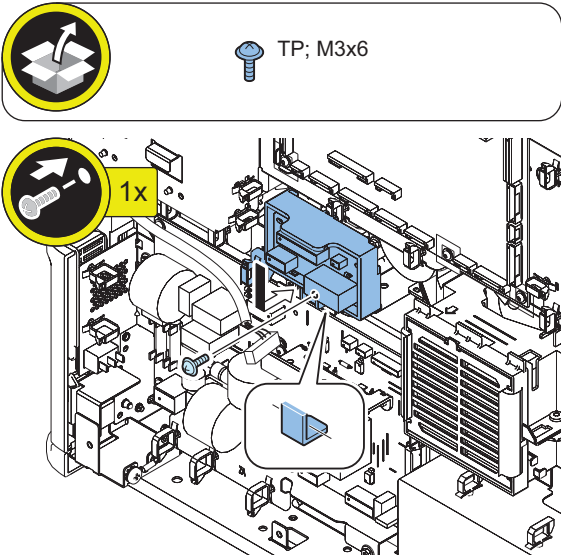
NOTE:
The removed screws will be used at later step.

□
3.

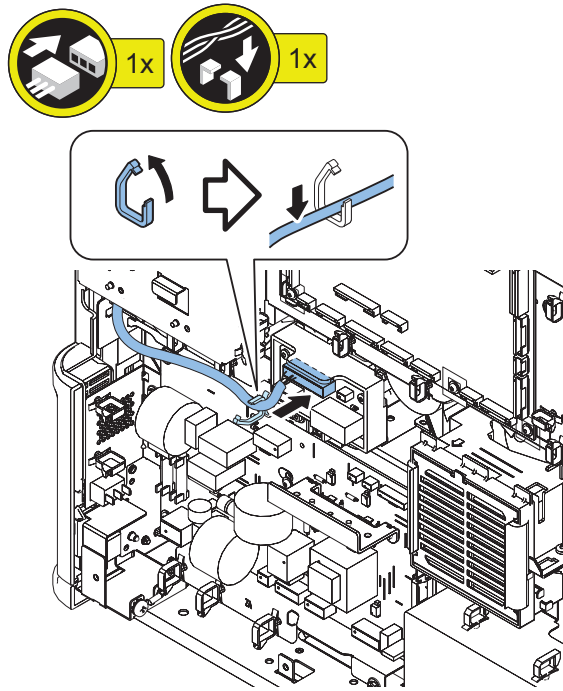
NOTE:
Use the screw removed at previous step.



□
4.



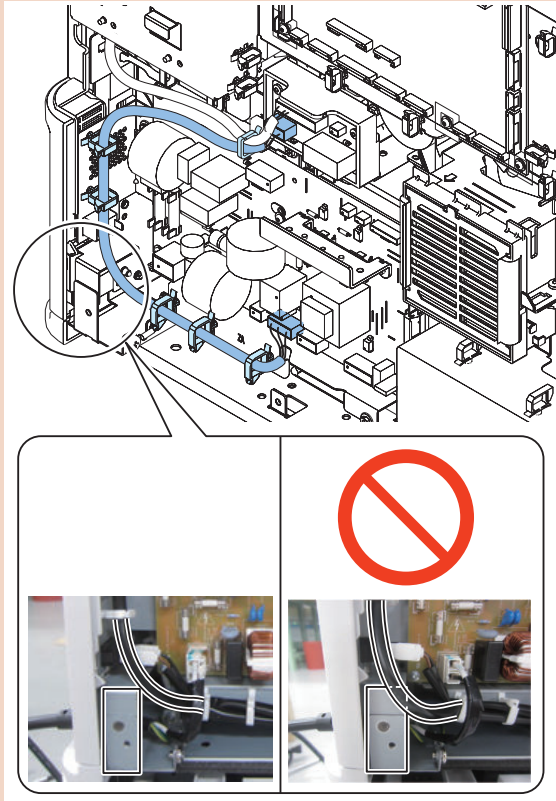
□
5.

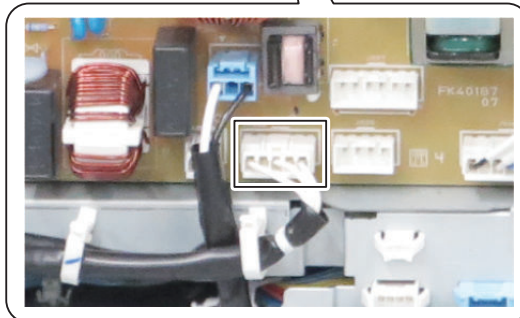
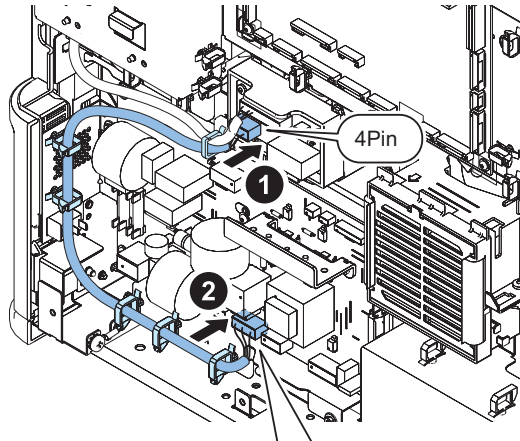
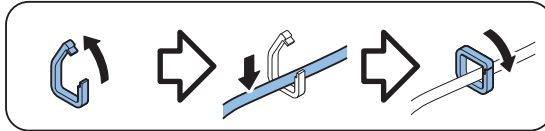


□
6.

CAUTION:

Be sure to avoid the harness from being placed on the plate to prevent the harness from being trapped.

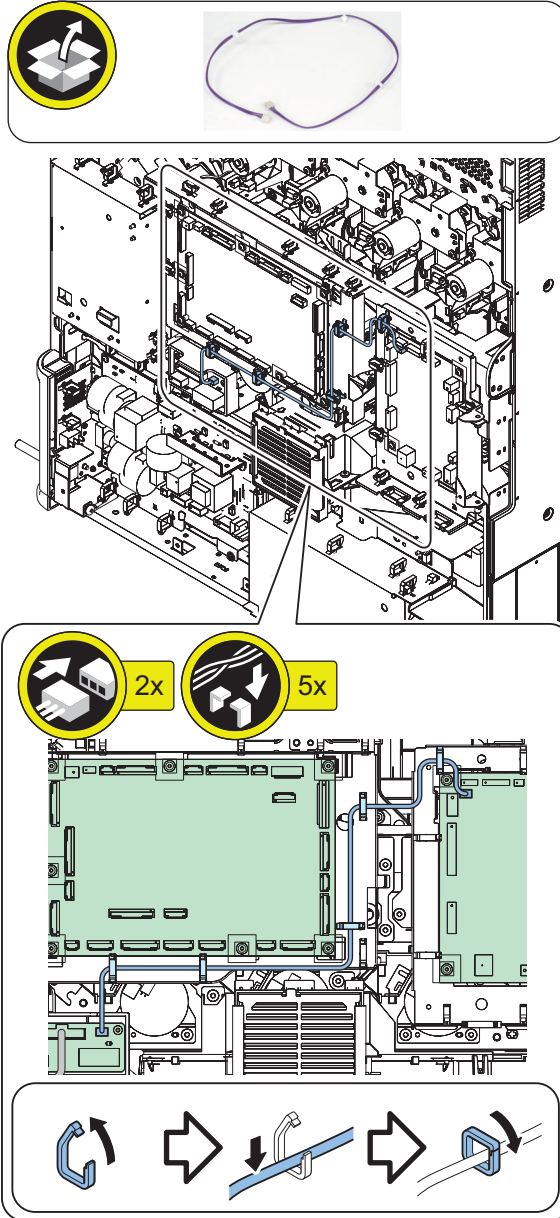




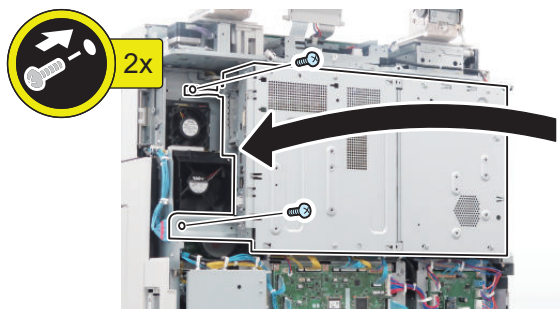
□
7.

CAUTION:

Check that the connector is connected properly. When the connector is not connected properly, the Heater cannot be turned off.

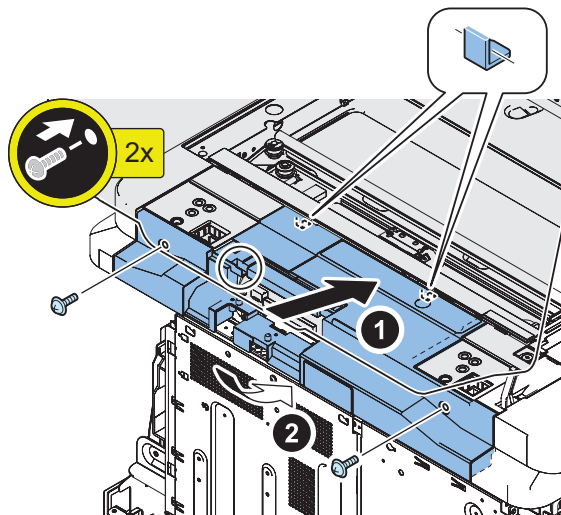
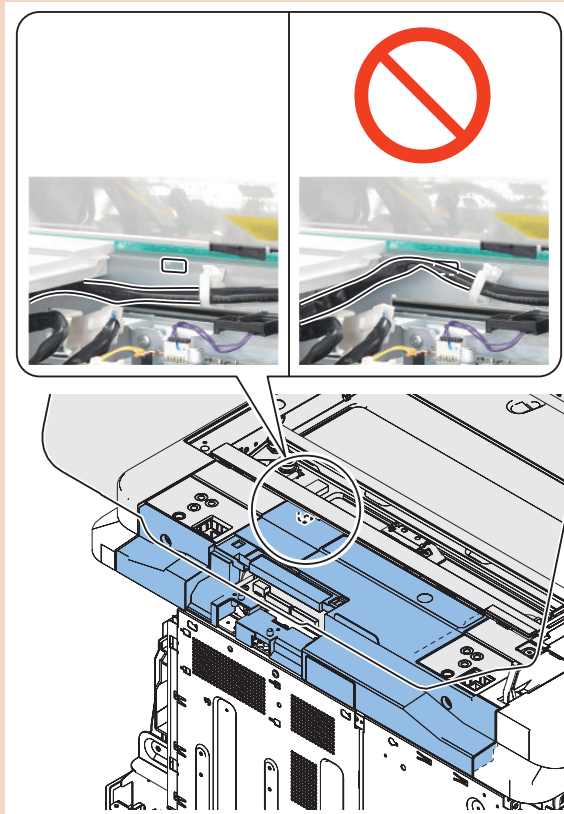


□
8.

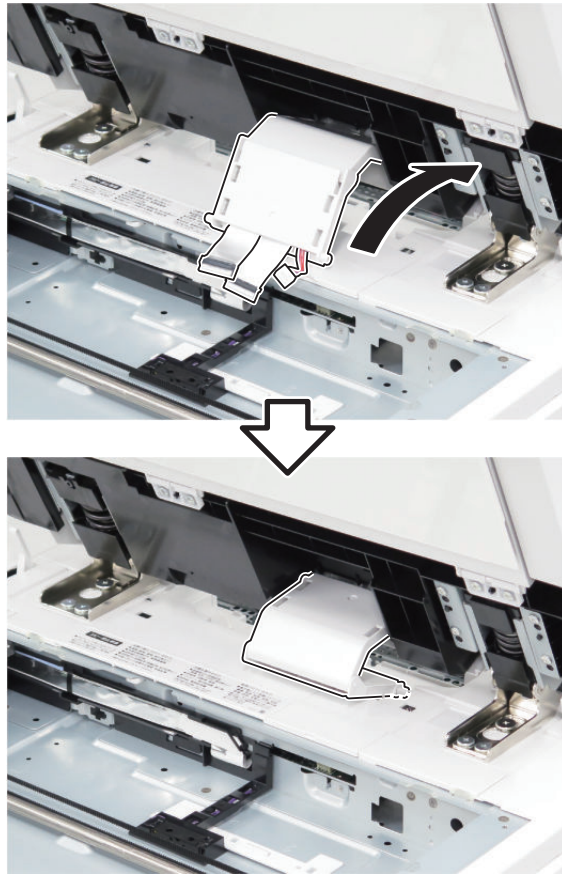


□
9.**CAUTION:**

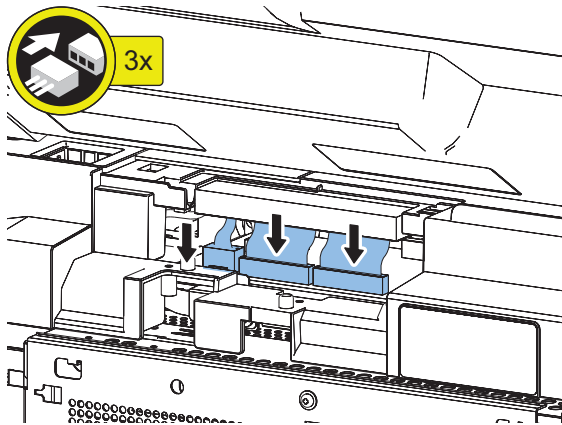
Be sure to avoid the harness from being placed on the plate to prevent the harness from being trapped.



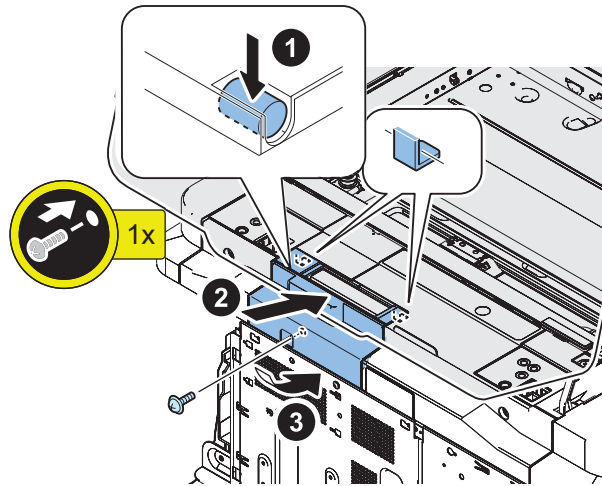
□
10.



□
11.

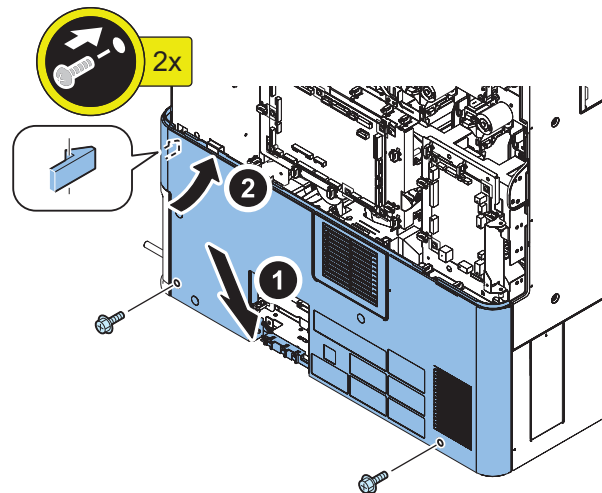


□
12.



■ Procedure after Work

□
1.

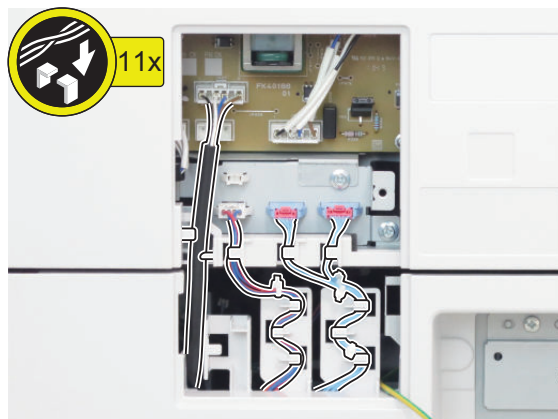
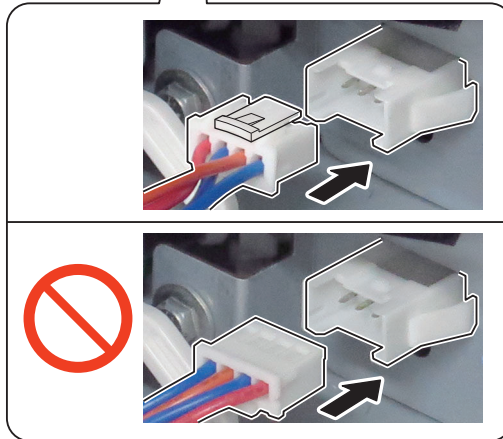
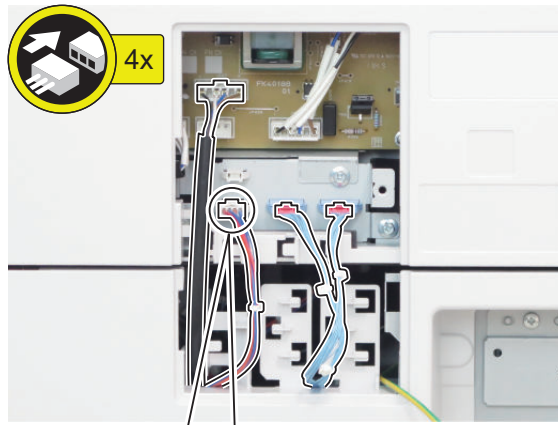


□

2. <Only when the Cassette Pedestal is installed>

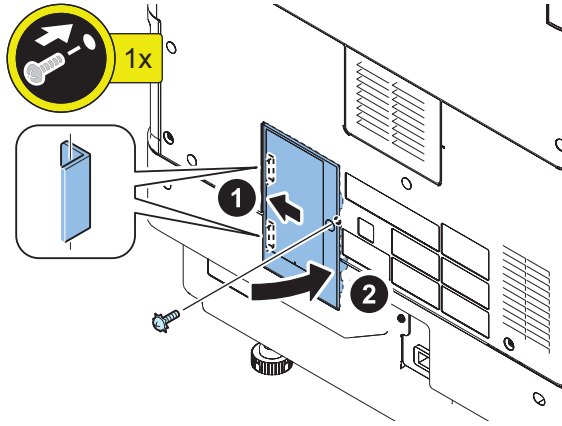
NOTE:

- If the Cassette Heater is not installed, install the 3 connectors.
- The positions of the connectors differ between the 2-cassette Pedestal and High Capacity Cassette Pedestal.

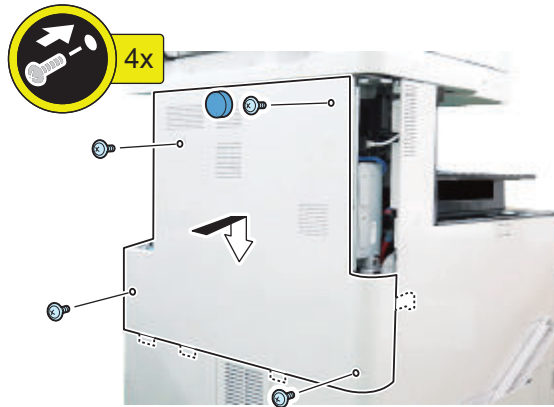


□
3.

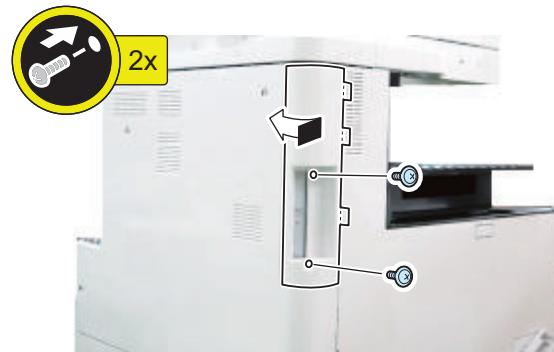
NOTE:
The procedure is the same even if the Cassette Pedestal is not installed.



□
4.



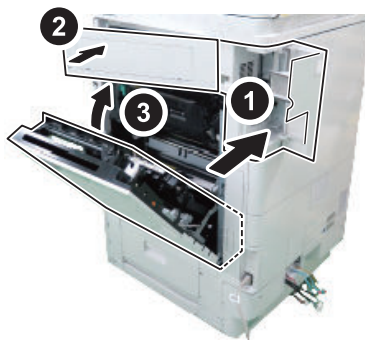
□
5.



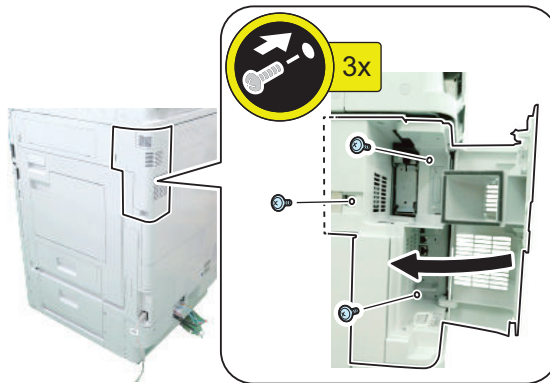
□
6.



□
7.



□
8.

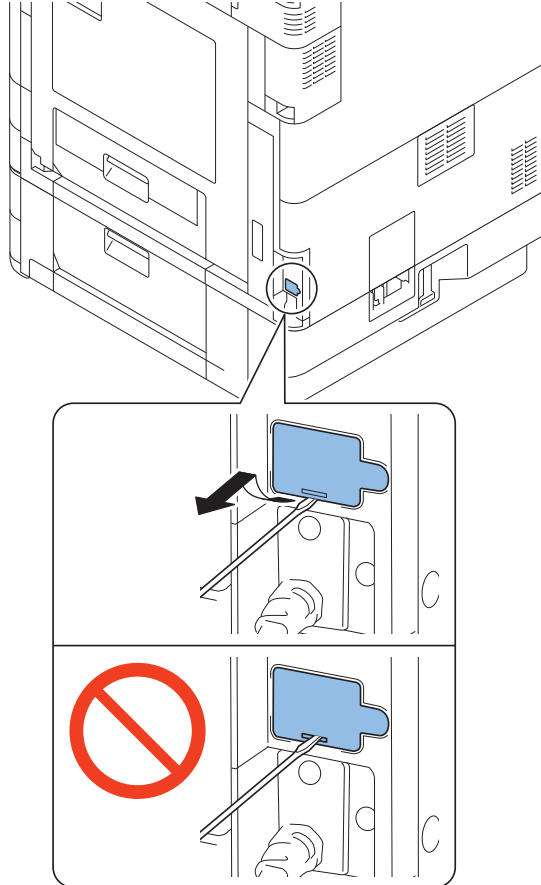


□
9.**NOTE:**

If the Environment Heater Switch Cover is installed, remove the cover.

CAUTION:

Do not insert the screwdriver into the hole when removing the cover.

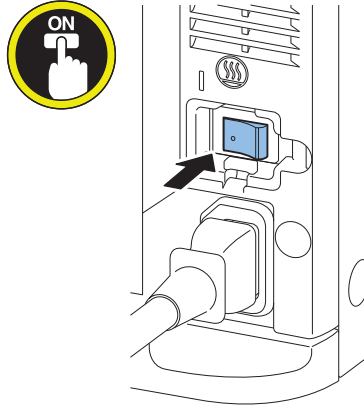
**NOTE:**

The removed Environment Heater Switch Cover will be used in step 11.

10.

NOTE:

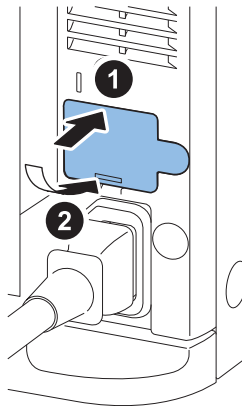
Check that the Environment Heater Switch is ON.



11.

NOTE:

Use the Dehumidification Switch Cover removed in step 9 or the Dehumidification Switch Cover included with the host machine.



12. Connect the power plug of the host machine to the outlet.

13. Turn ON the main power switch.

4

Host Machine Options

NFC Kit-E1/E2.....	160
Utility Tray-B1.....	181
Copy Card Reader-F1.....	192
Numeric Keypad-A1/A2.....	212
IC Card Reader Box for Numeric Keypad-A1.....	230
Connection Kit-A2/A3 for Bluetooth LE.....	251
HDD-related Option.....	261
Super G3 FAX Board-AS1.....	301
Super G3 FAX Board-AS2.....	312
Super G3 2nd Line Fax Board-AS1..	322
Super G3 2nd Line Fax Board-AS2..	345
Super G3 2nd Line Fax Board-AS2..	366
Super G3 3rd4th Line Fax Board-AS1	387
Super G3 3rd4th Line Fax Board-AS2	400
Voice Operation Kit-D1.....	413
Voice Guidance Kit-G1.....	432
Serial Interface Kit-K3 / Copy Control Interface Kit-A1	450

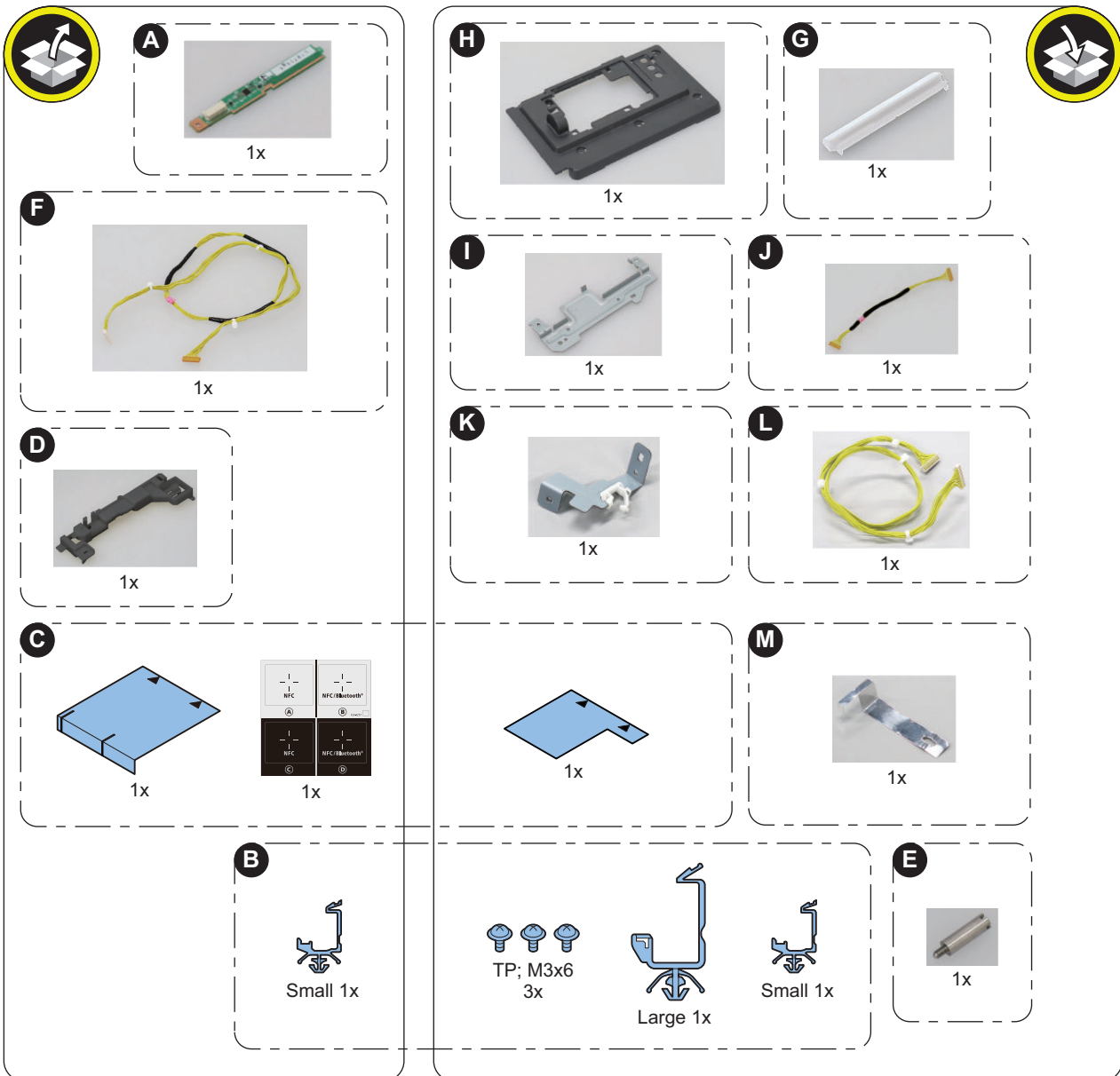
NFC Kit-E1/E2

Points to Note at Installation

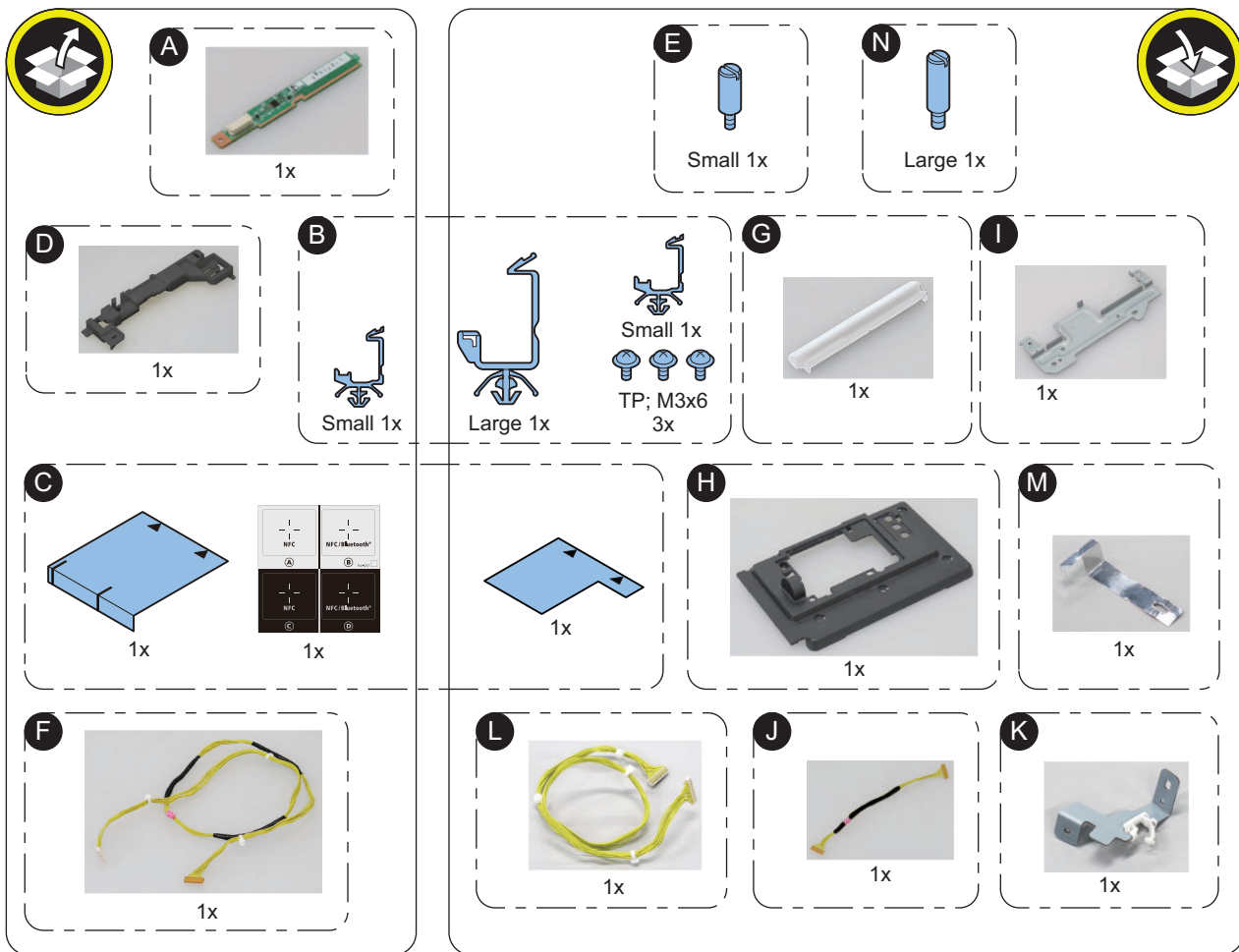
- Do not touch the sensor and PCB components of the Control Panel.
- When using options and the NFC Kit together, install the NFC Kit first.
- The pictures and illustrations used may be different from the product in front of you, but the procedure is the same.

Checking the Contents

NFC Kit-E1



NFC Kit-E2



<Others>

- Guides are included

Essential Items to Be Performed Before Installation

- Turn OFF the main power of the host machine, and disconnect the power plug from the outlet.

⚠ WARNING:

- If performing work without disconnecting the power plug of the host machine, it may cause electrical shock.
- If disconnecting the power plug without turning OFF the main power, it may cause damage of the machine.

- When turning OFF the main power, follow the below procedure.
 1. Turn OFF the main power switch of the host machine.
 2. The display in the Control Panel and the lamp of the main power are turned off.

Points to Note when turning ON/OFF the main power

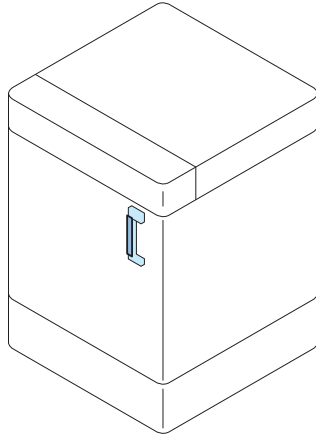
The following message is displayed.

1. When a message prompting to turn OFF and then ON the main power appears, turn OFF and then ON the main power switch.
2. If a message prompting the user to update the version appears, press [Update] to automatically update the version of this equipment.

If [Skip] is selected, a message prompting the user to update the version will appear every time the host machine is started. In the service mode (Lv.2) shown below, it is possible to set not to display the message.

COPIER > OPTION > FNC-SW > VER-CHNG

● Installation Outline Drawing

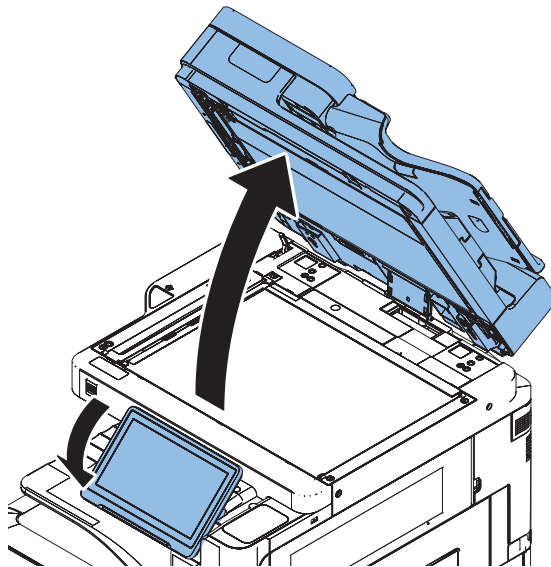


● Installation procedure

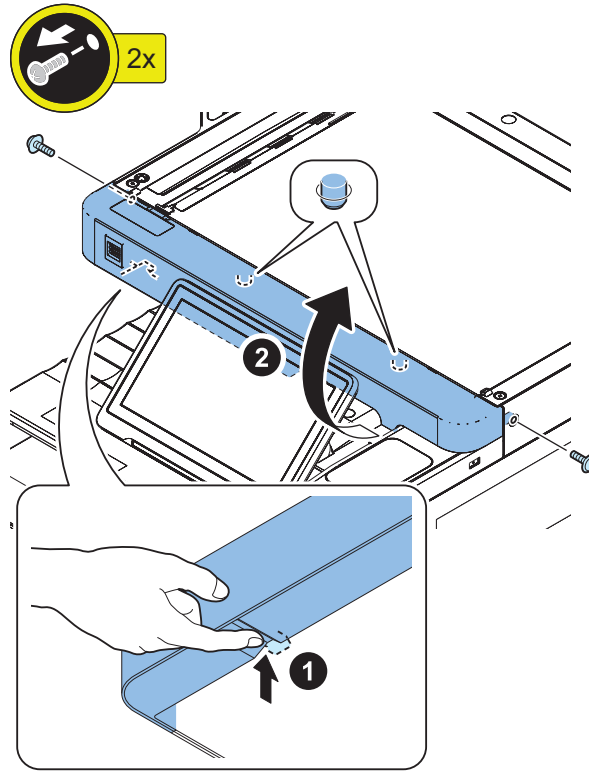
■ Removing the Covers

□

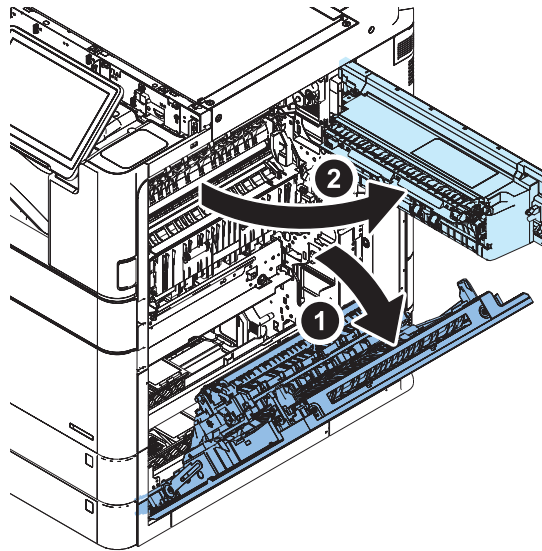
1.



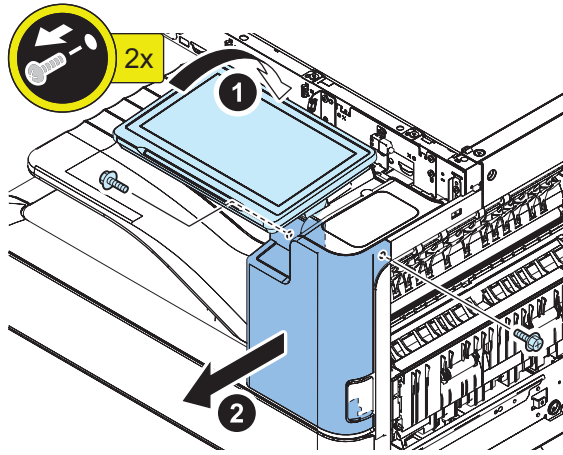
□
2.



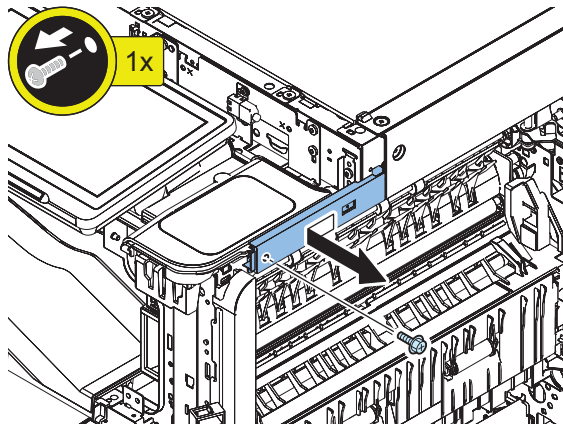
□
3.



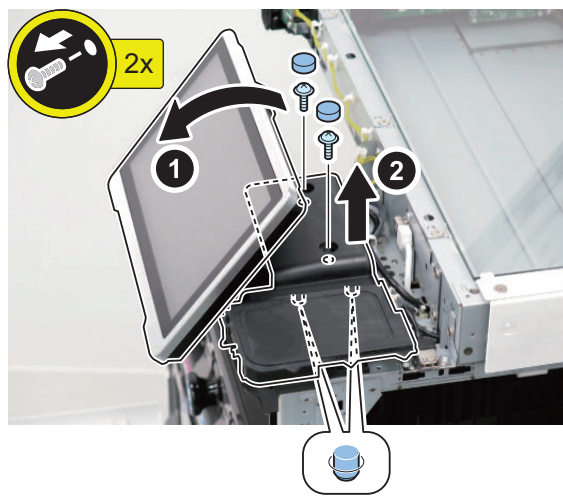
□
4.



□
5.

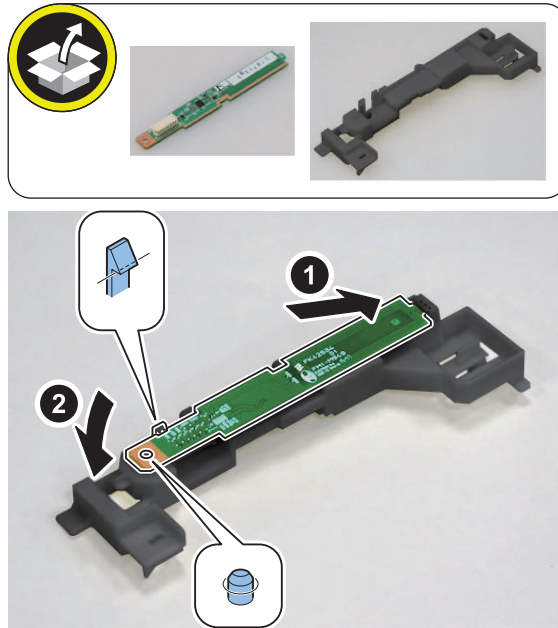


□
6.

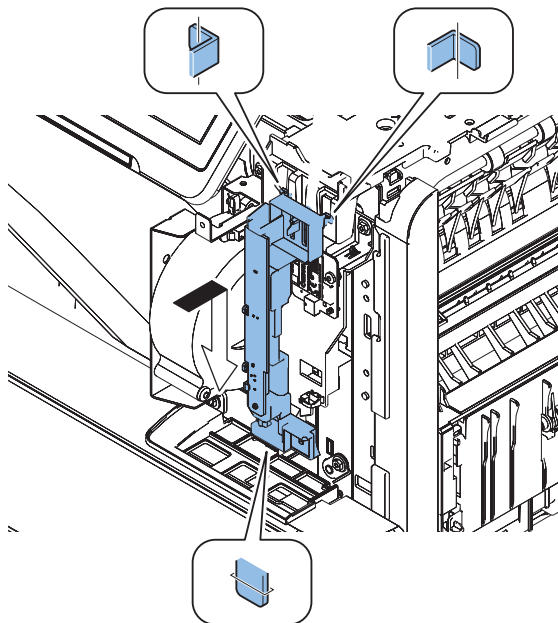


■ Installing the NFC Kit

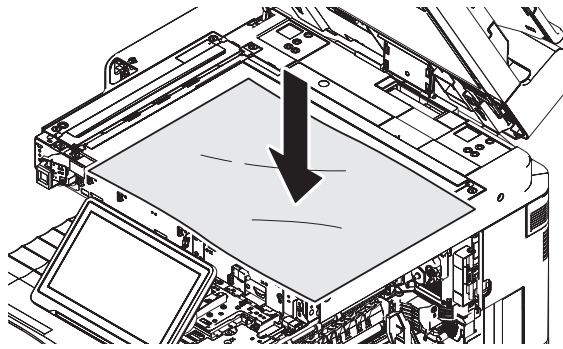
□
1.



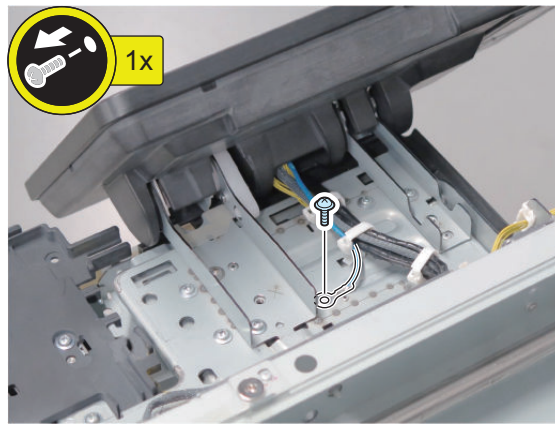
□
2.



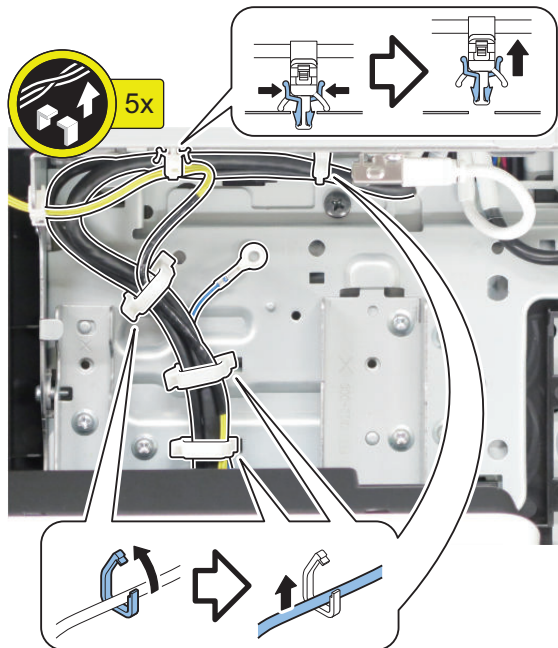
□
3.



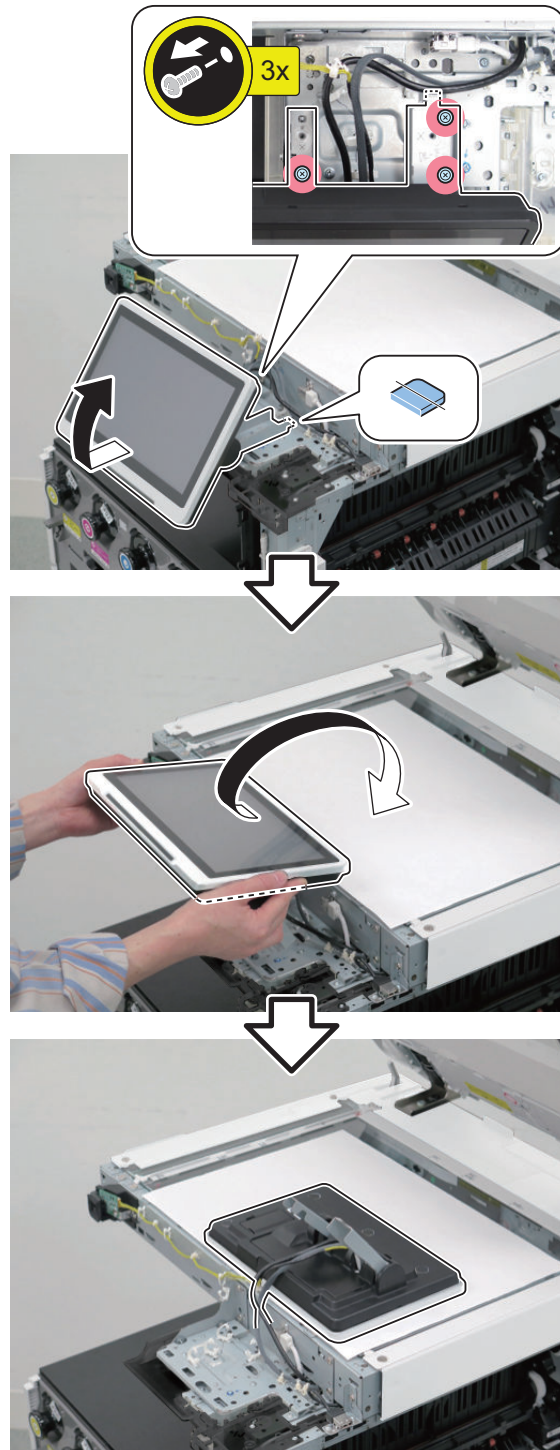
□
4.



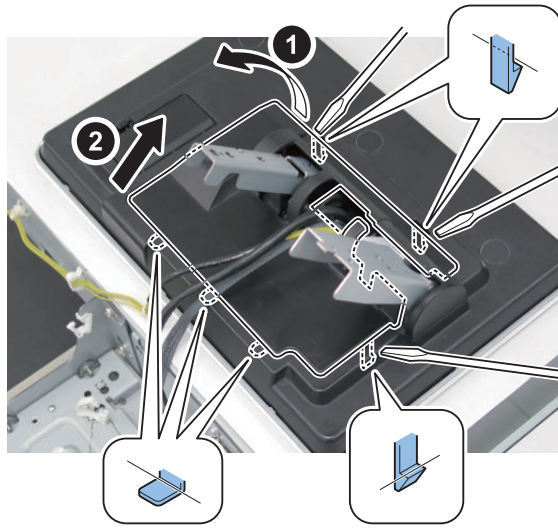
□
5.



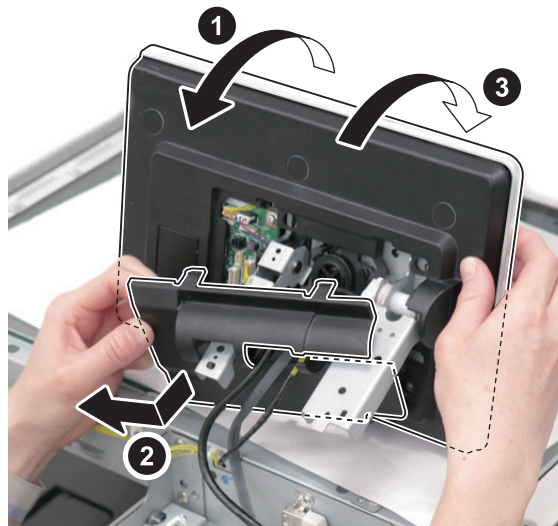
□
6.



□
7.



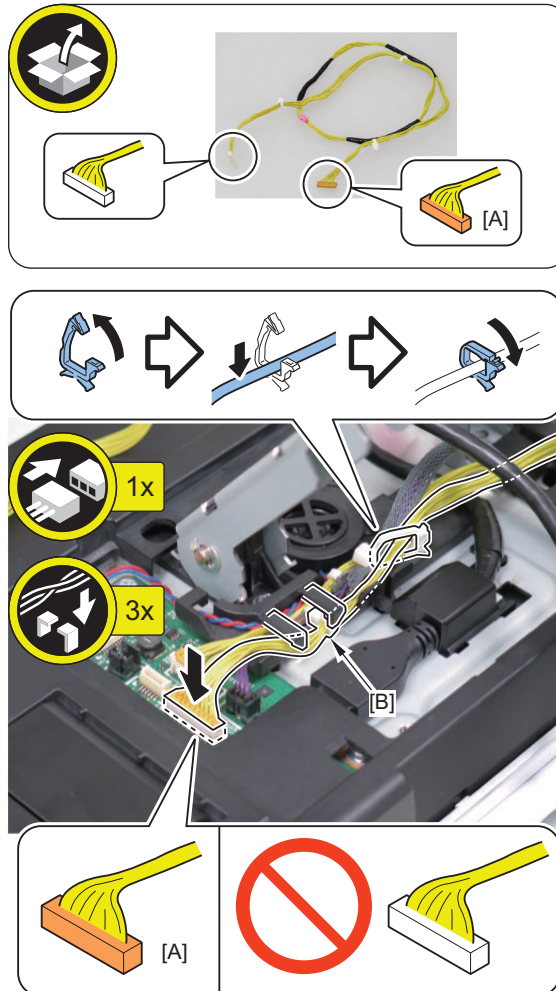
□
8.



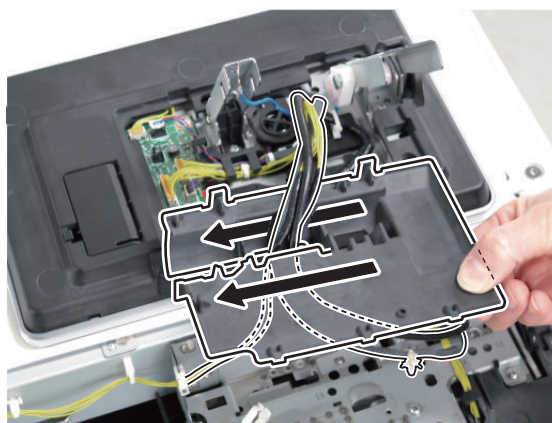
□
9.

NOTE:

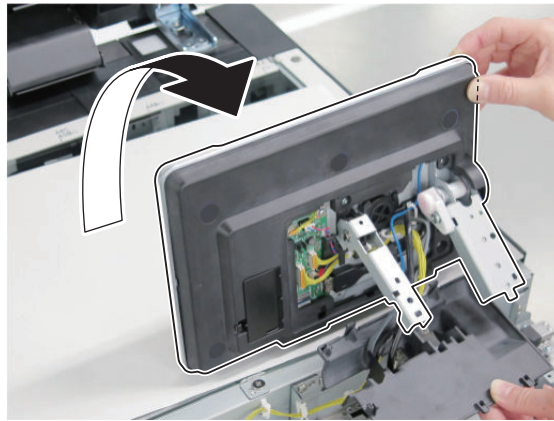
- Connect the orange colored connector [A].
- Secure the Harness Band [B] to the position in the figure below.



□
10.

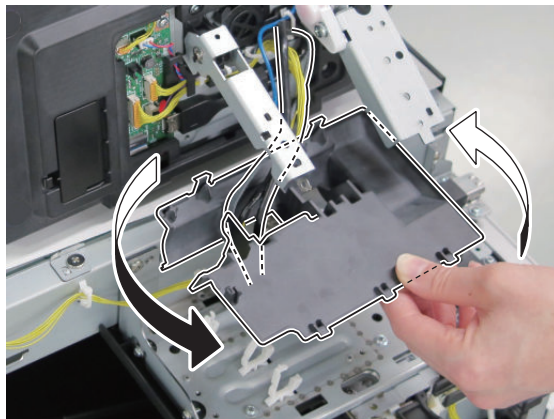


□
11.

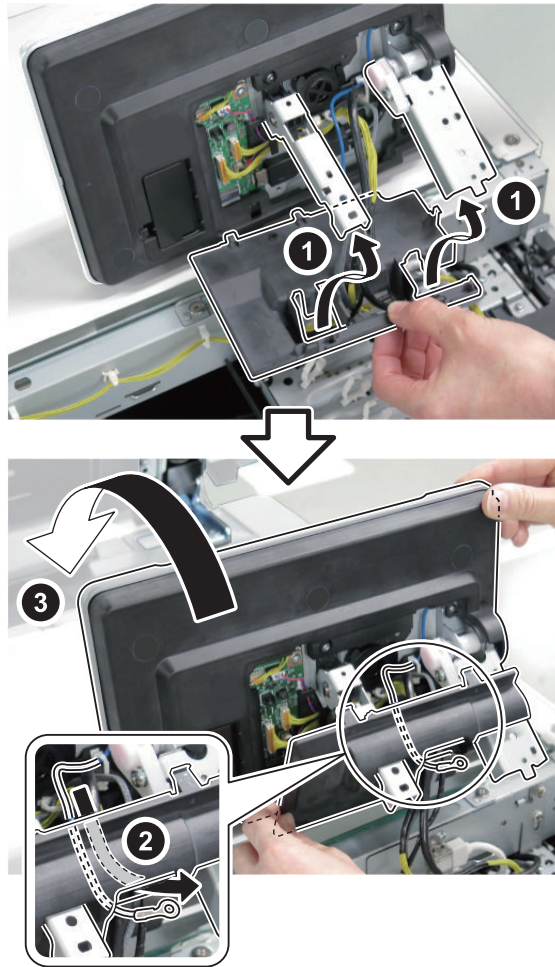


□
12.

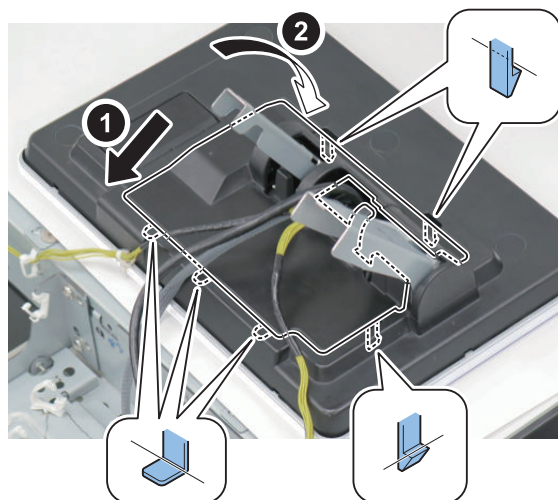
NOTE:
Be sure to turn the Cover in the direction of the arrow to install.



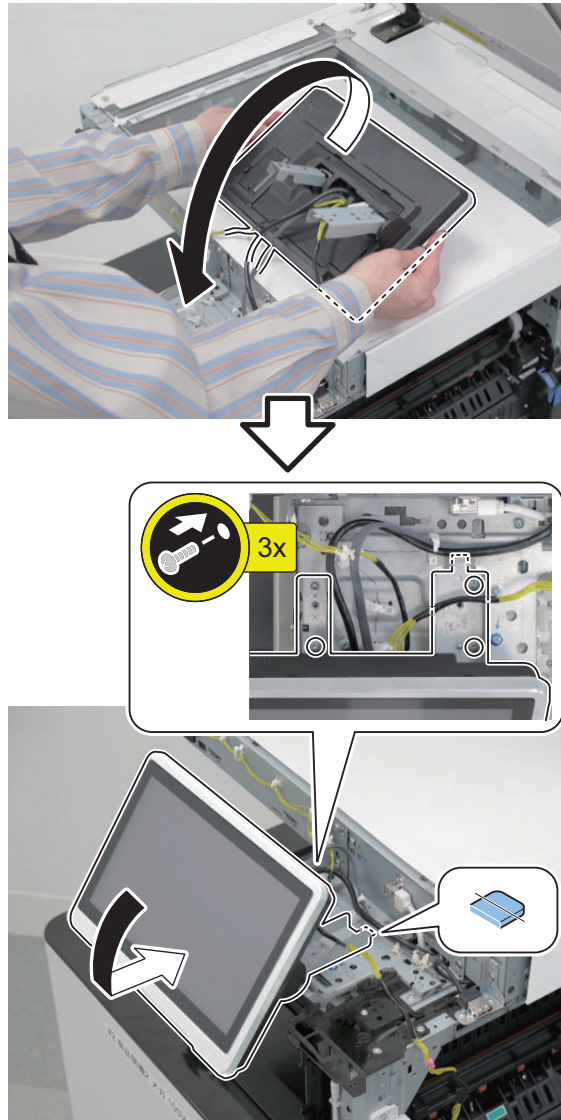
□
13.



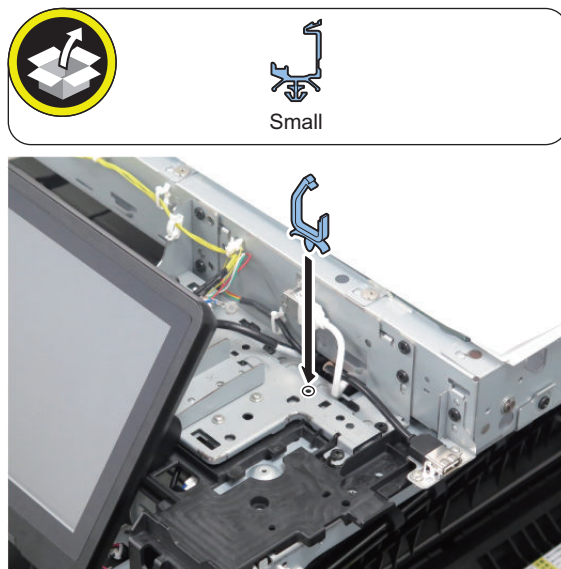
□
14.



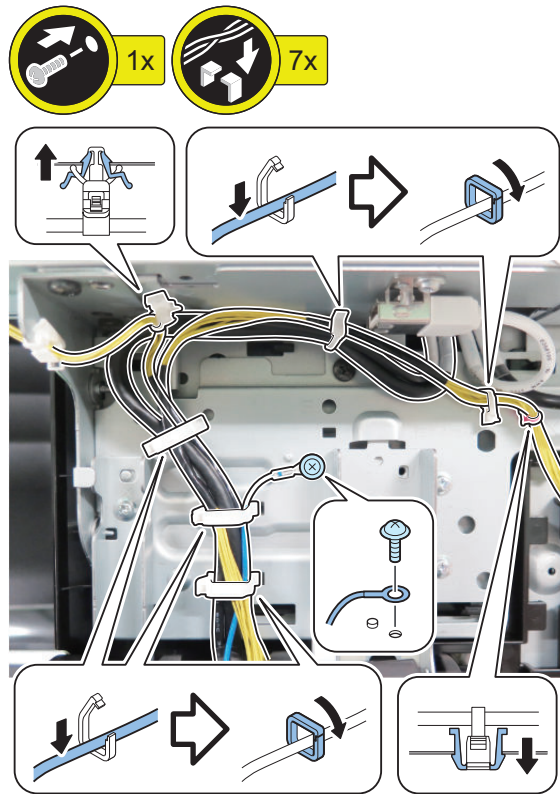
□
15.



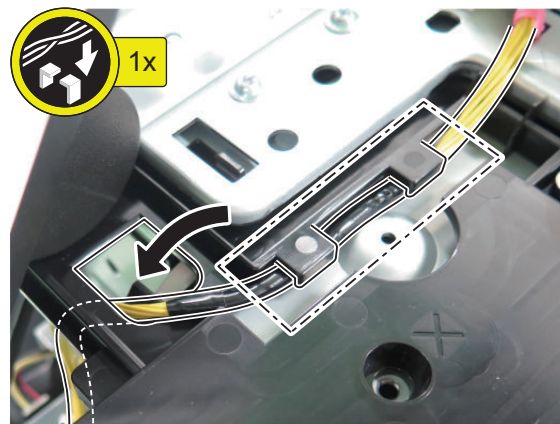
□
16.



□
17.



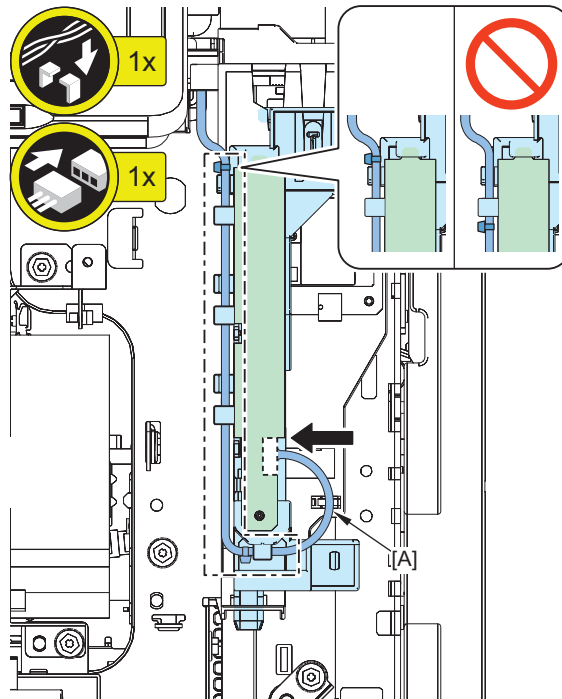
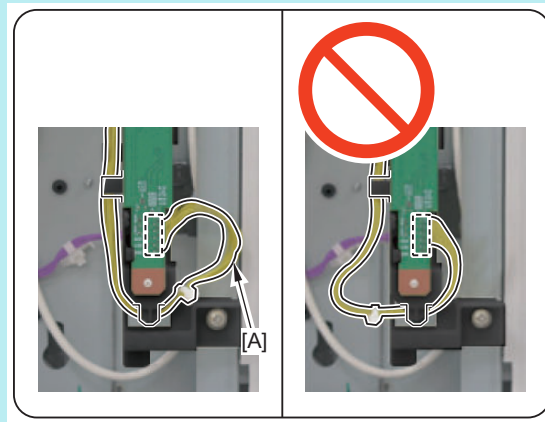
□
18.



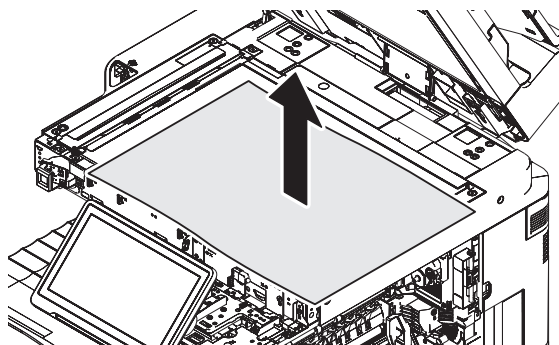
□
19.

NOTE:

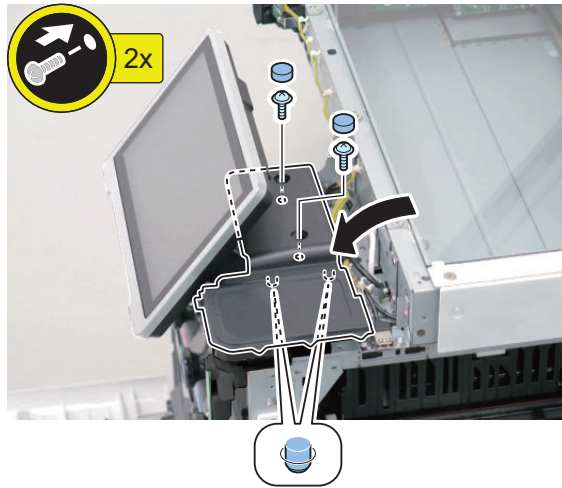
Adjust the excess length of the cable at [A].



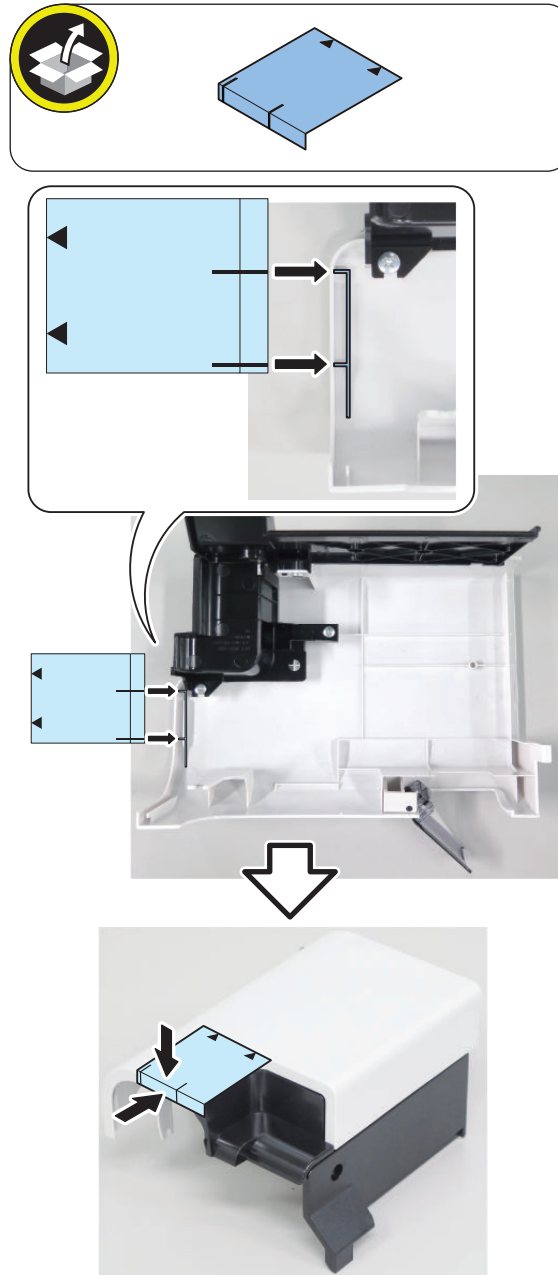
□
20.



□
21.

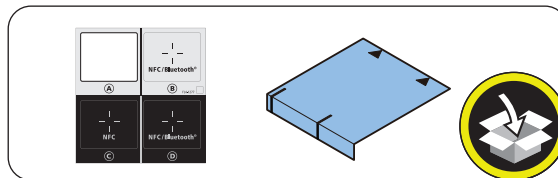
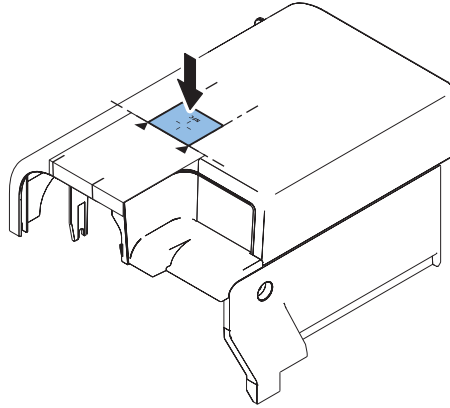
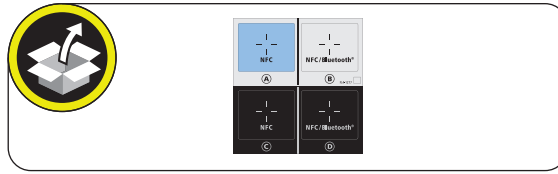


□
22.

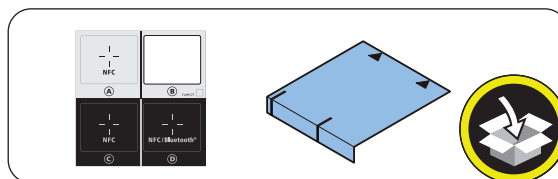
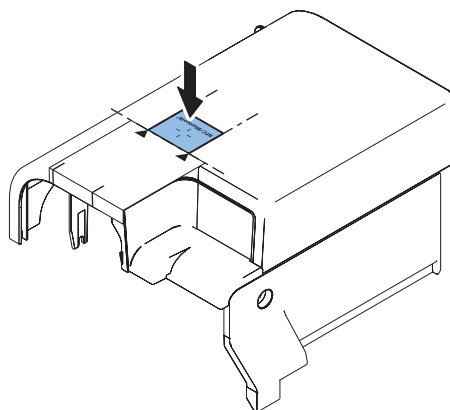
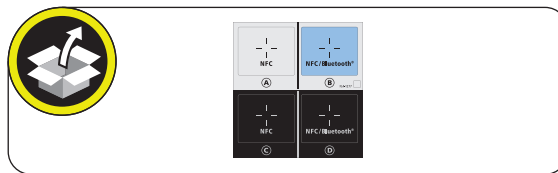


□
23.

<For NFC Kit>

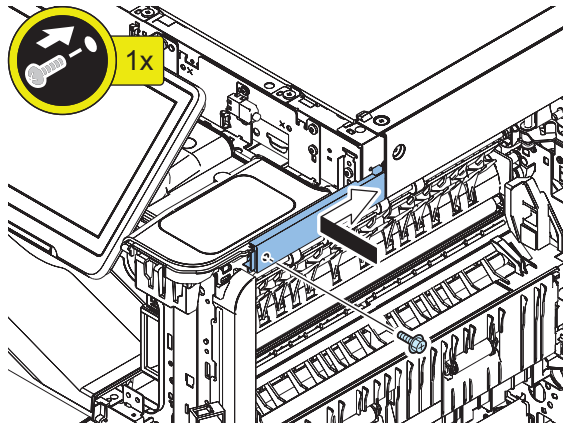


<When the Connection Kit for Bluetooth LE is installed>

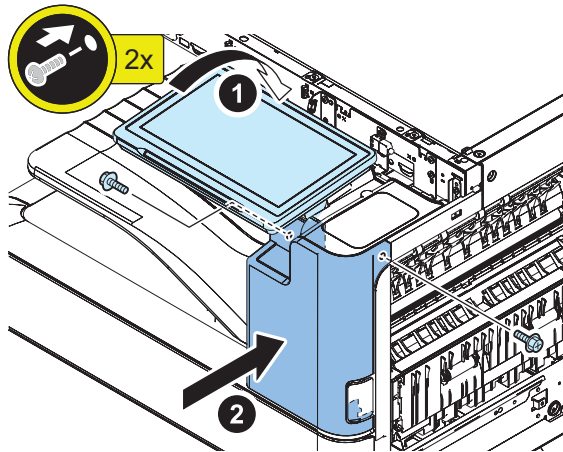


■ Installing the Covers

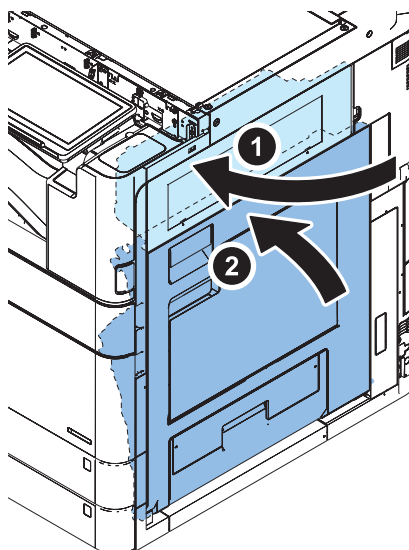
□
1.



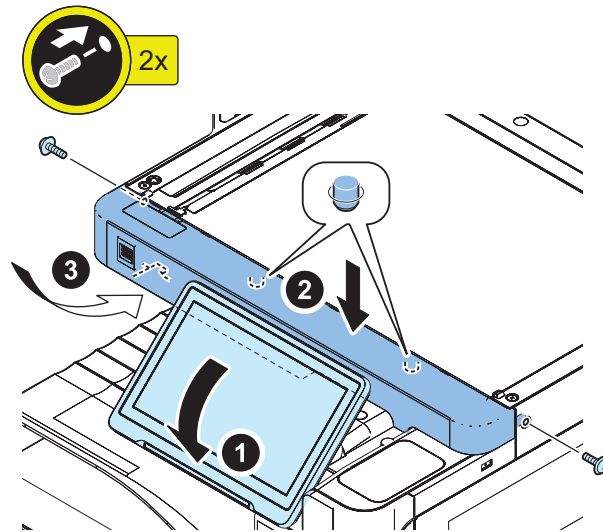
□
2.



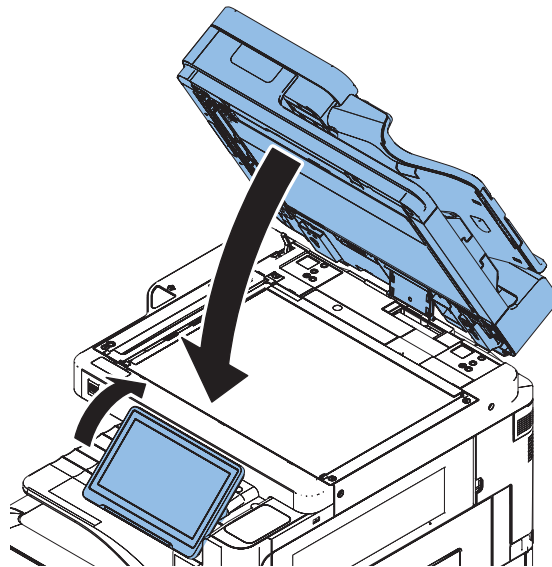
□
3.



□
4.



□
5.



● Setting after Installation

-
1. Connect the power plug of the host machine to the outlet.
 2. Turn ON the main power switch.
 3. Enter service mode and set the value to "1".
COPIER > FUNCTION > INSTALL > NFC-USE

NOTE:

When [System Manager Information Settings] is set, it is required to log in as a system manager in accordance with instructions of the user administrator.

4. Select [Settings/Registration] > [Management Settings] > [Device Management] > [Use NFC Card Emulation], and set the item to "ON".
5. Turn OFF and then ON the main power switch.
6. When a message prompting the version update is displayed, press [Update] and automatically update the version of this equipment.

CAUTION:

It may take time to display the update screen. (Approx. 1 to 2 min.) During this time, do not operate the screen.

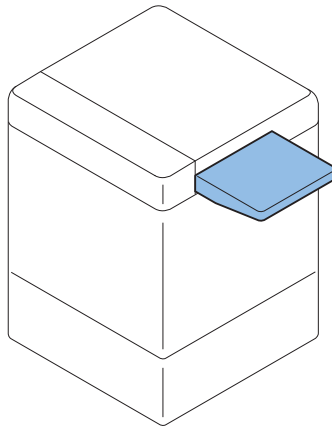
7. Check the end of the following service mode.
COPIER > DISPLAY > VERSION > PANEL
 - If the end is an even number (e.g. 01.26): NFC is not installed.
 - If the end is an odd number (e.g. 01.27): NFC is installed.

Utility Tray-B1

Points to Note at Installation

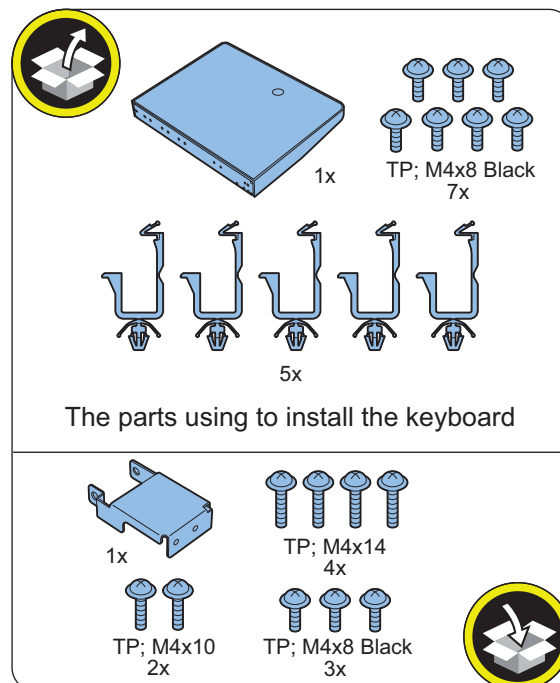
- The option "Option Attachment kit for Reader" is needed to install this equipment.
- When using this equipment together with the Copy Tray, install this equipment first.
- Refer to "Table of Options Combination" when installing this equipment before operation.

Installation Outline Drawing

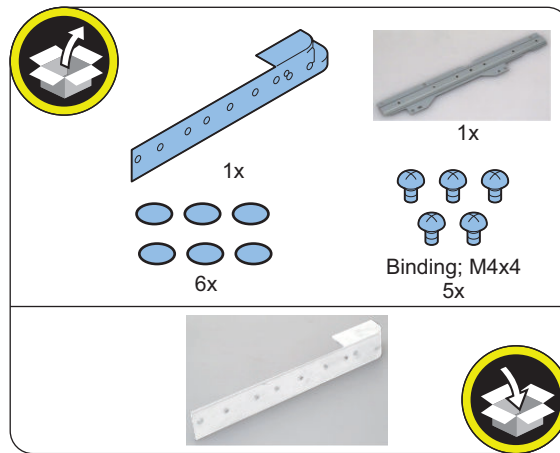


Checking the Contents

Utility Tray-B1



■ Option Attachment kit for Reader-A2

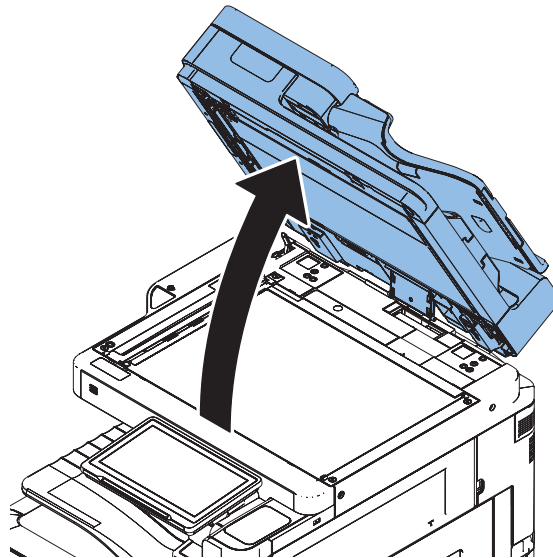


● Installation Procedure

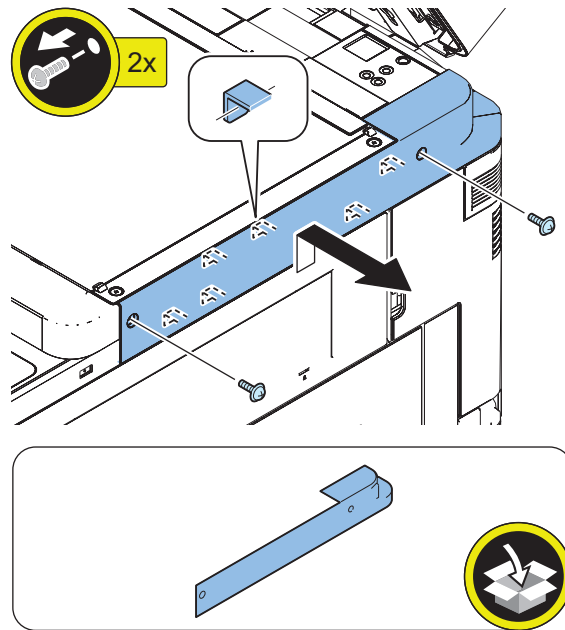
■ Installing the Option Attachment kit for Reader

□

1.



□
2.



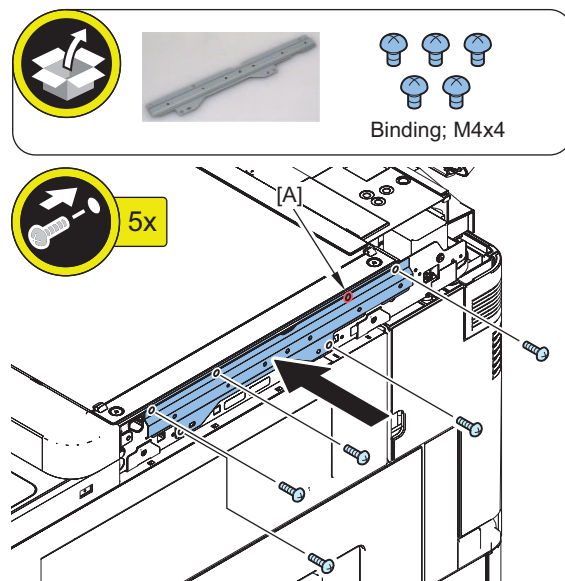
NOTE:

The removed screws will be used in step 4.

□
3.

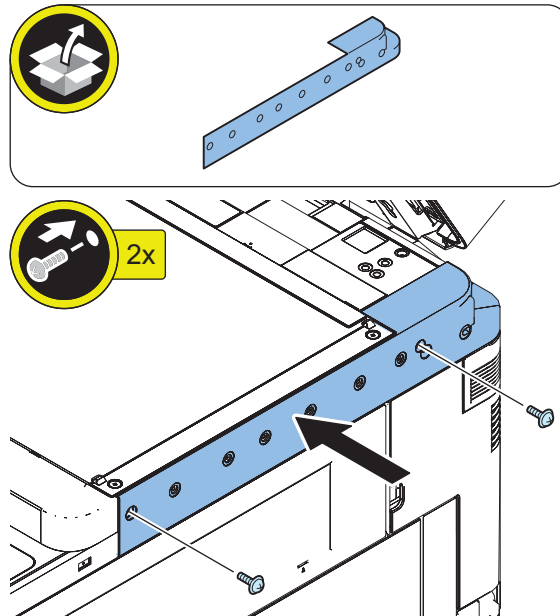
NOTE:

- Screw holes [A] may or may not be present.
- Do not use this screw hole [A].

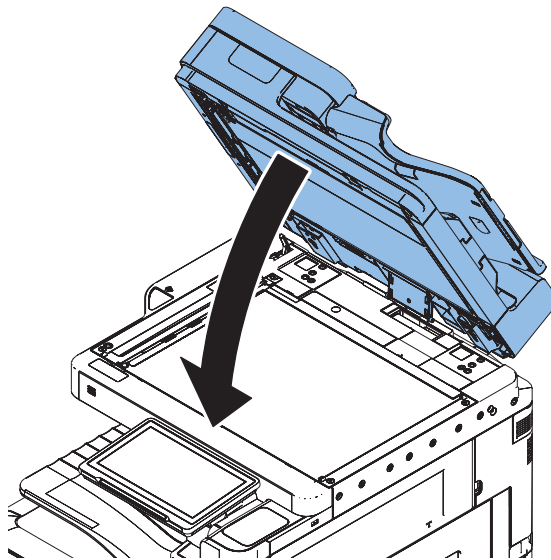


□
4.

NOTE:
Use the screws removed in step 2.



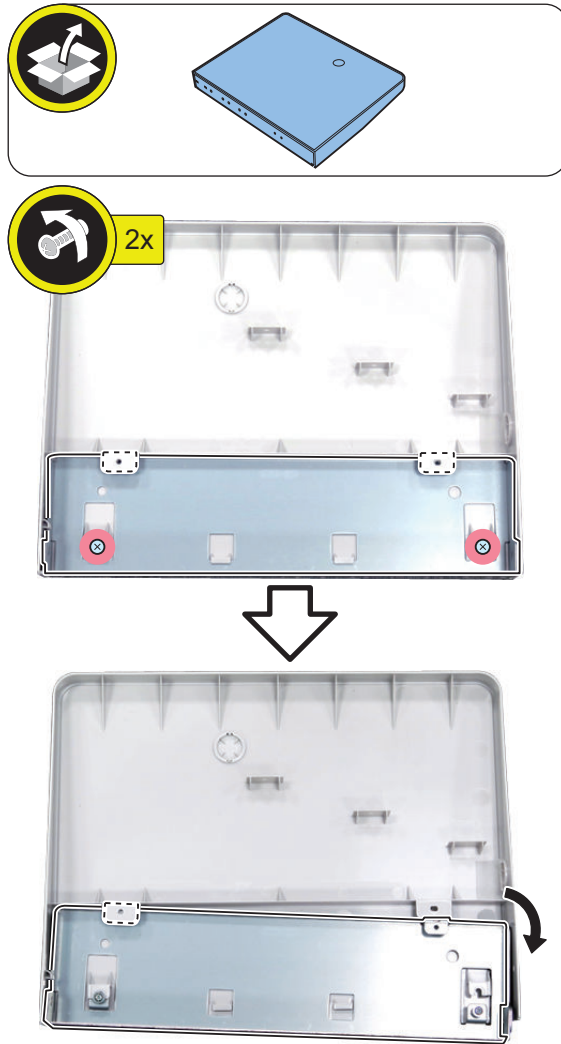
□
5.



■ Installing the Utility Tray

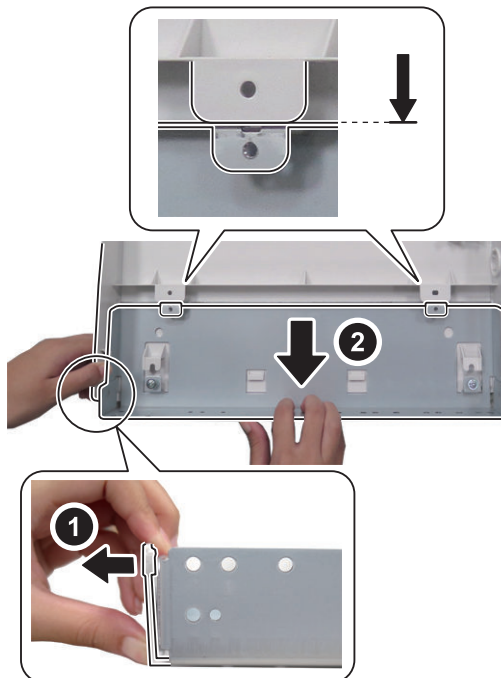
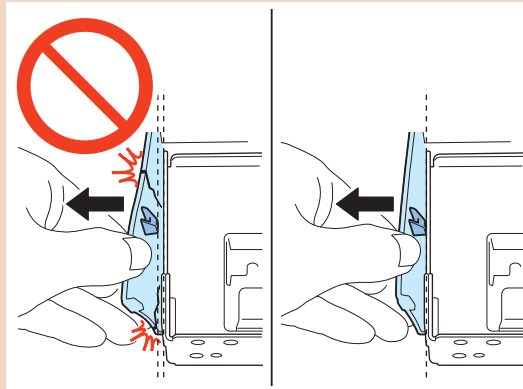
- **1.** ■ Remove the packing tapes from this equipment.

□
2.



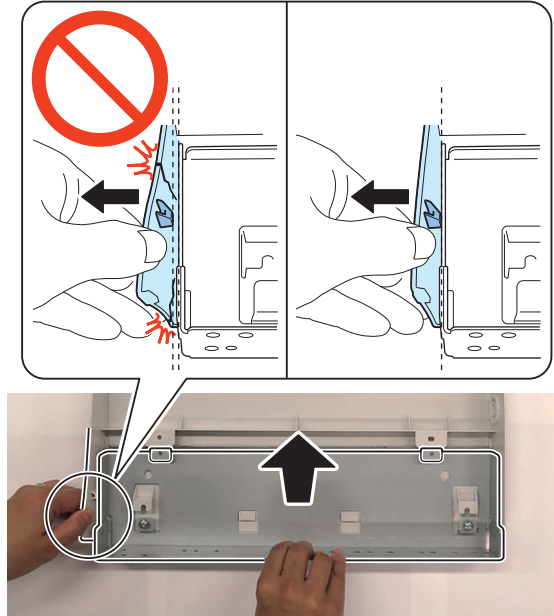
□
3.**CAUTION:**

To avoid damage, do not pull the Utility Tray too much.

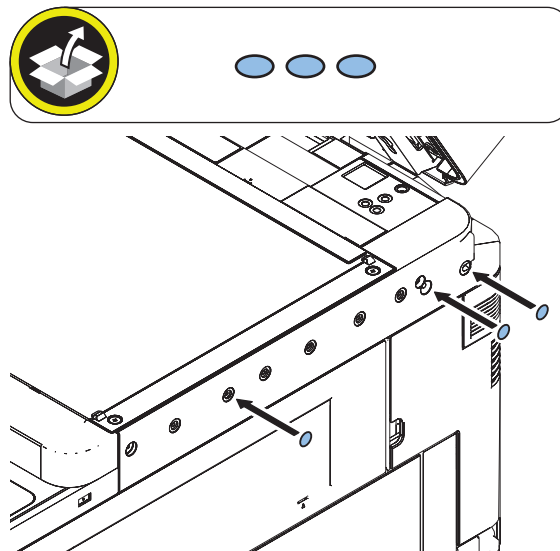


□
4.

CAUTION:
To avoid damage, do not pull the Utility Tray too much.



□
5.

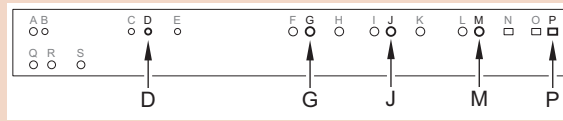


□
6.

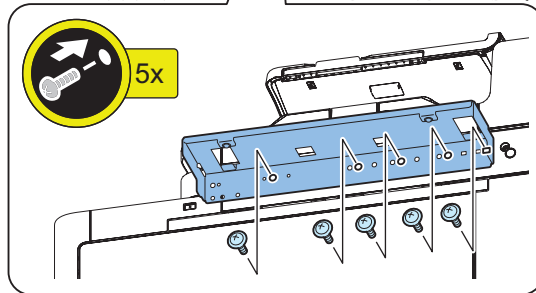
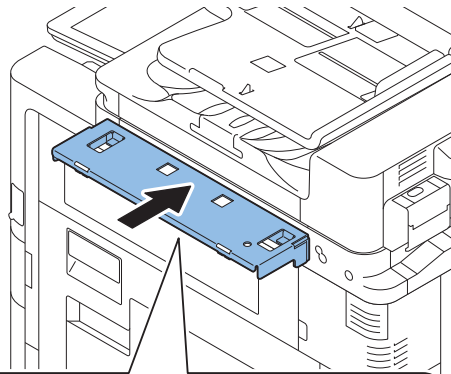
CAUTION:

Points to Note at Installation

Be sure to install it by using the holes with the marks D, G, J, M and P.

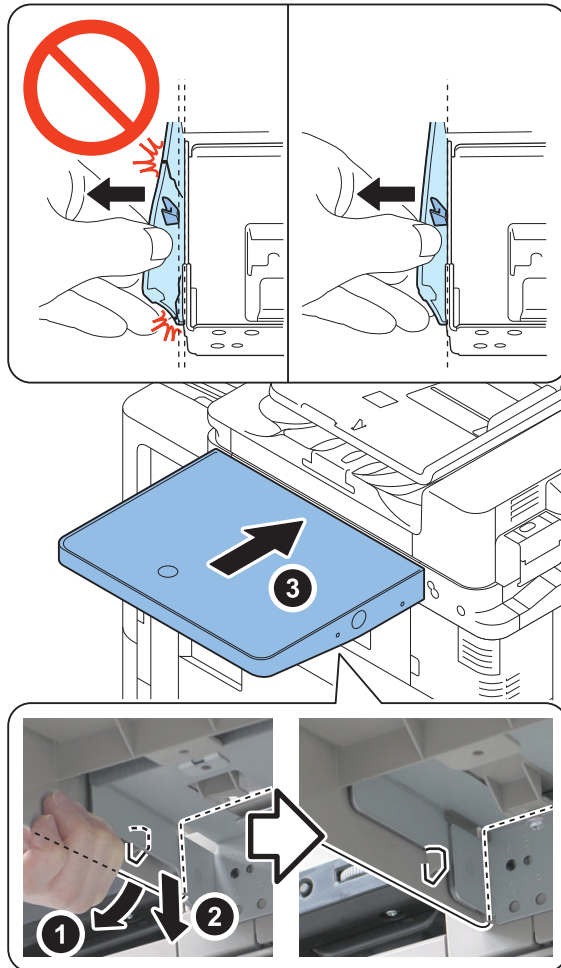


TP; M4x8 Black

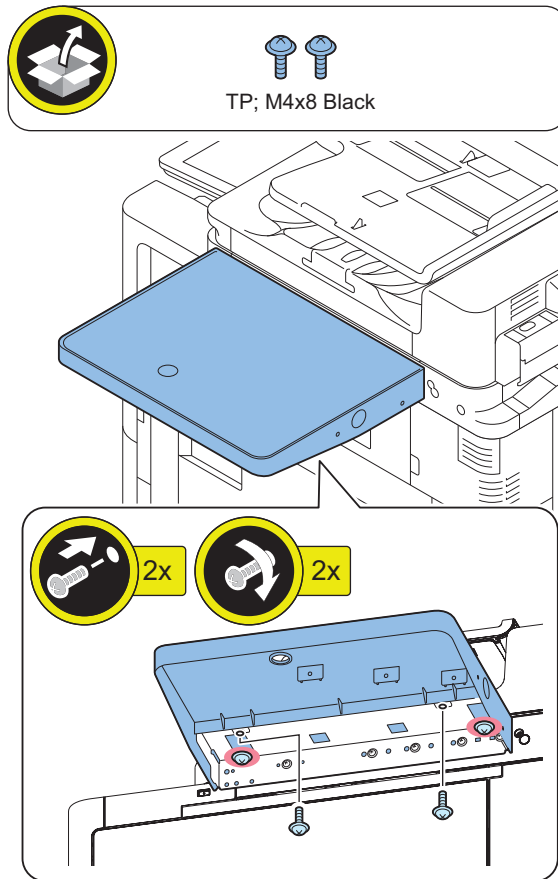


□
7.**CAUTION:**

To avoid damage, do not pull the Utility Tray too much.

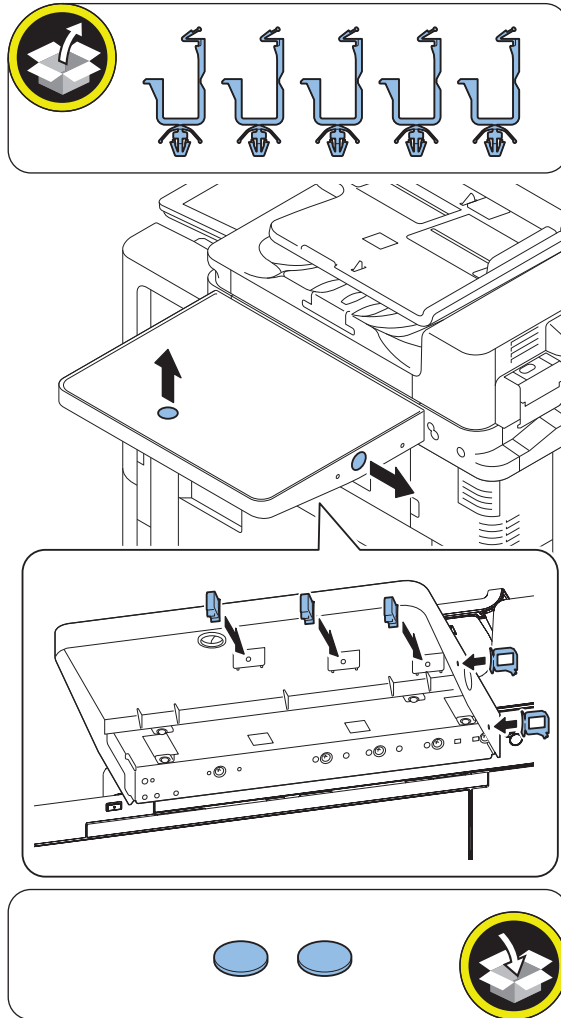


□
8.



■ When Installing the USB Keyboard

□
1.

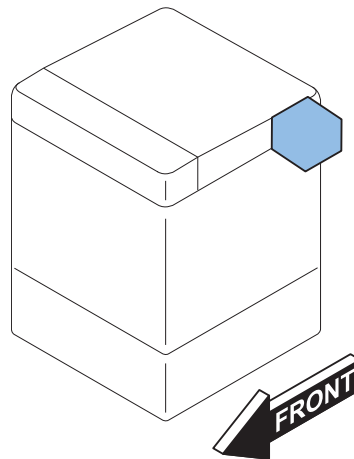


Copy Card Reader-F1

Points to Note at Installation

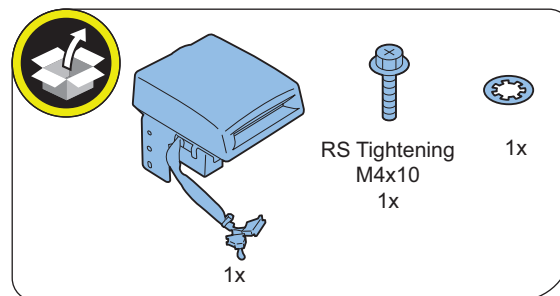
- To install this equipment, the Copy Card Reader Attachment Kit is required.
- Refer to "Table of Options Combination" when installing this equipment before operation.
- When using options and the Copy Card Reader together, install the Copy Card Reader first.

Installation Outline Drawing

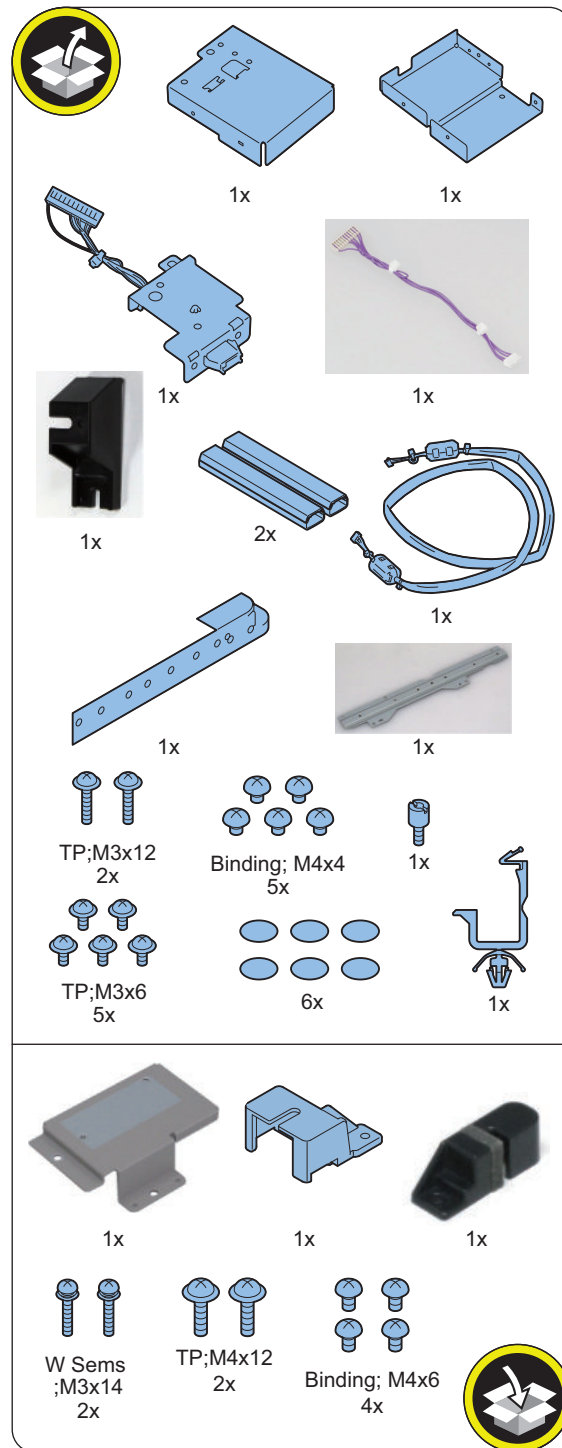


Checking the Contents

■ Copy Card Reader-F1



■ Copy Card Reader Attachment-B7



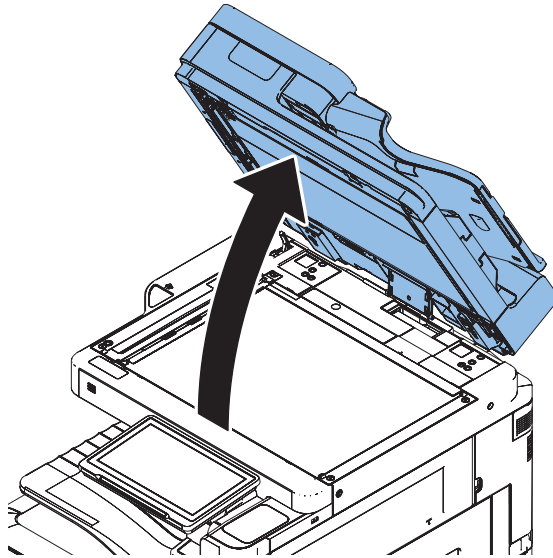
● Installation Procedure

CAUTION:

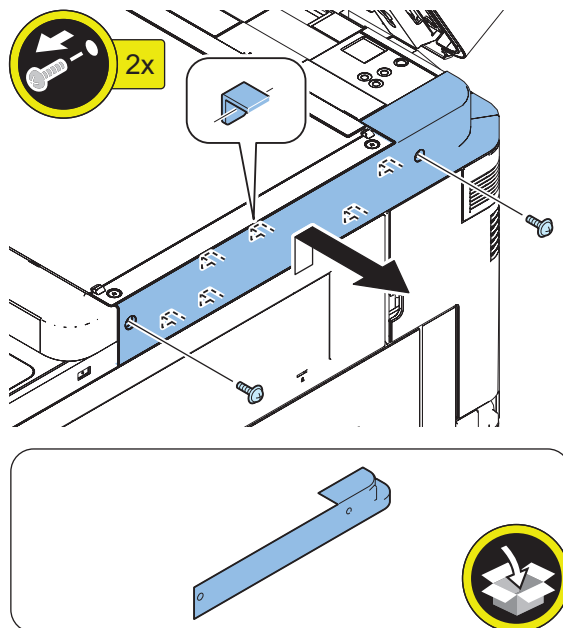
After installing the Copy Card Reader, enter the card number to be used in the following service mode: COPIER > FUNCTION > INSTALL > CARD. Otherwise, the card will not be recognized even if inserting it.

■ Installing the Option Attachment kit for Reader

□
1.



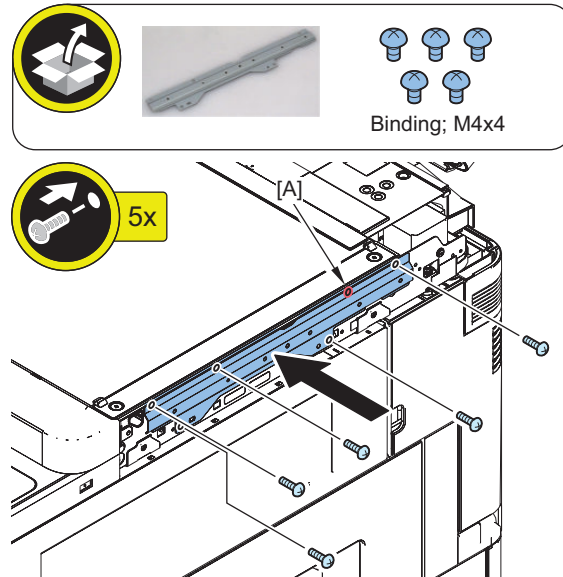
□
2.

**NOTE:**

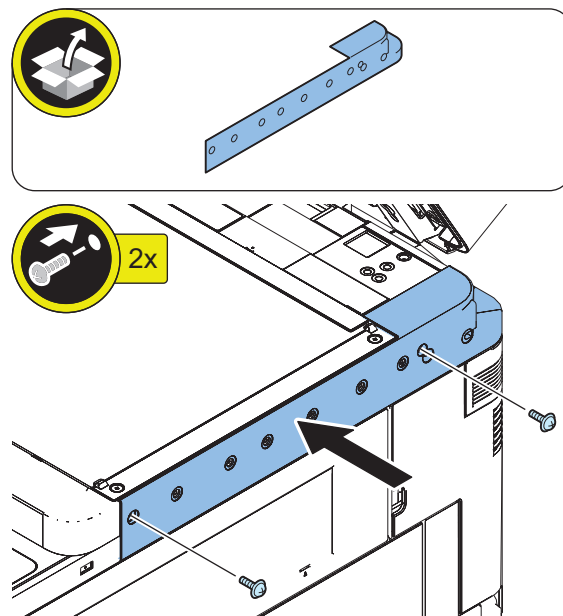
The removed screws will be used in step 4.

□
3.**NOTE:**

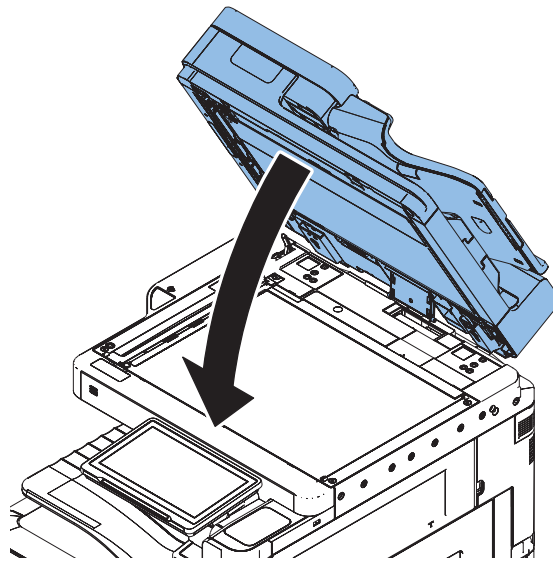
- Screw holes [A] may or may not be present.
- Do not use this screw hole [A].

□
4.**NOTE:**

Use the screws removed in step 2.

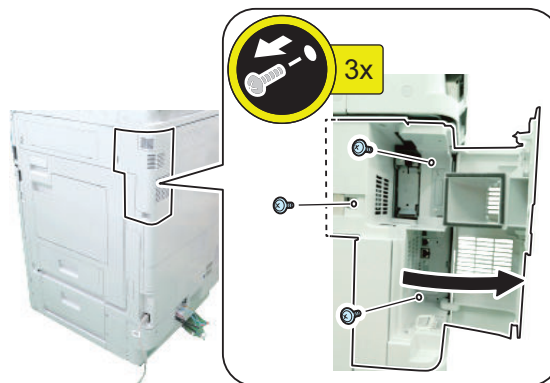


□
5.



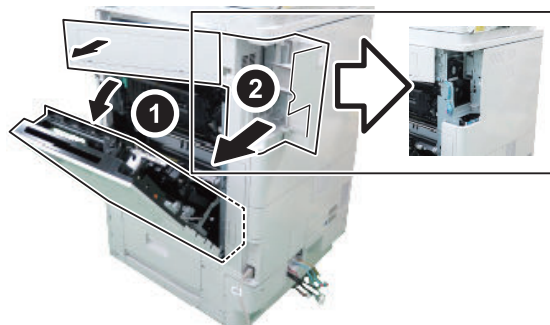
■ Installing the Copy Card Reader

□
1.

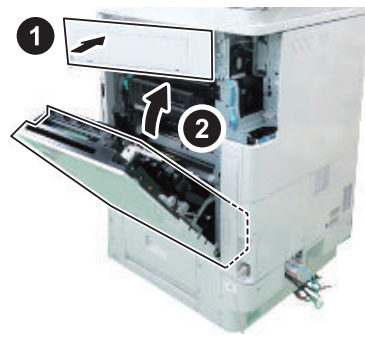


□
2.

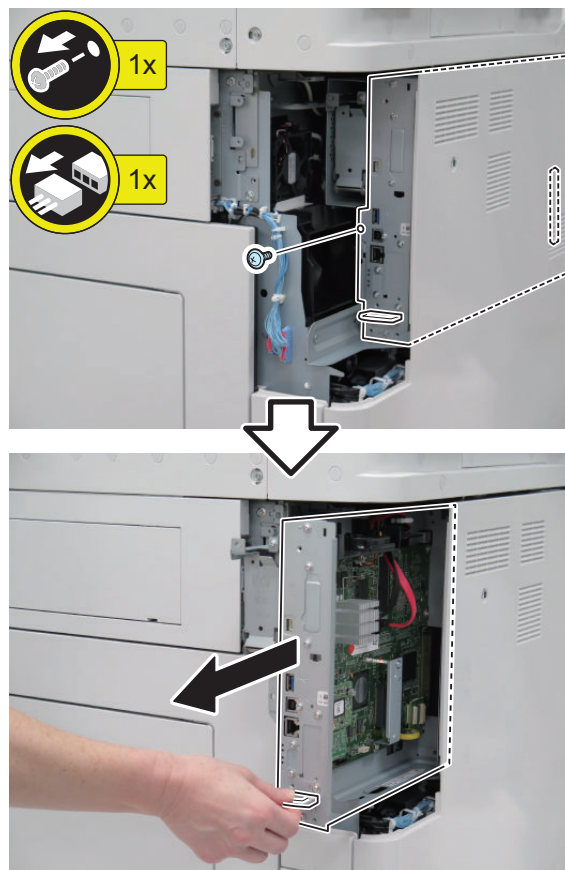
NOTE:
Open the Right Lower Cover (the Right Upper Cover will open at the same time), and remove the Right Rear Cover 1.

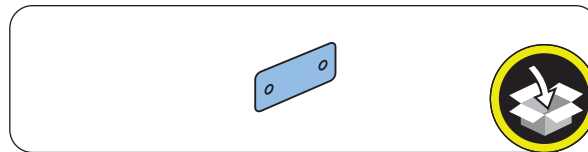
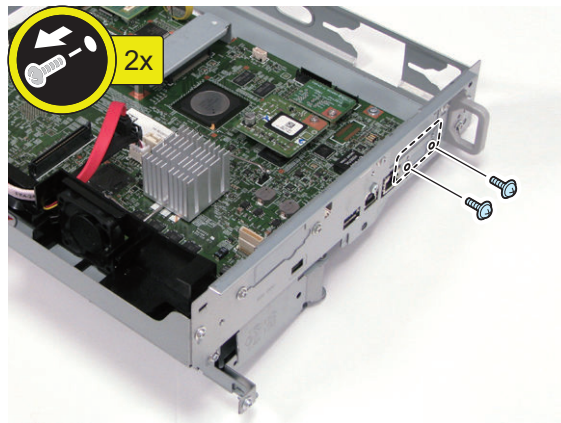


□
3.



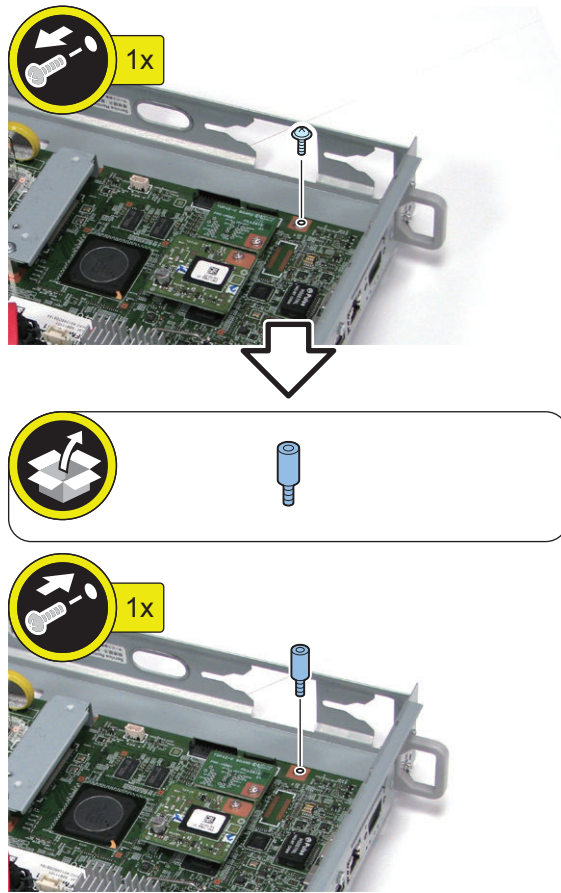
□
4.



□
5.**NOTE:**

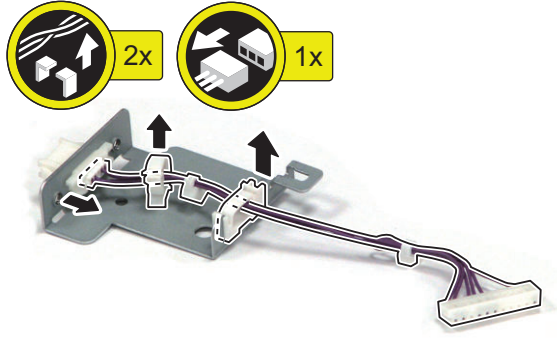
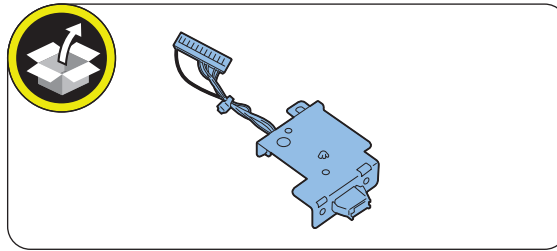
The removed screw will be used in step 9.

□
6.

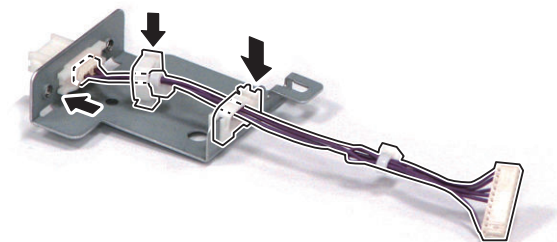


NOTE:
The removed screw will be used in step 9.

□
7.

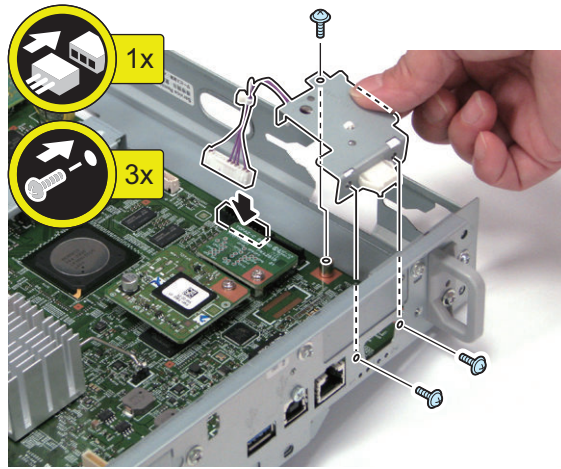


□
8.



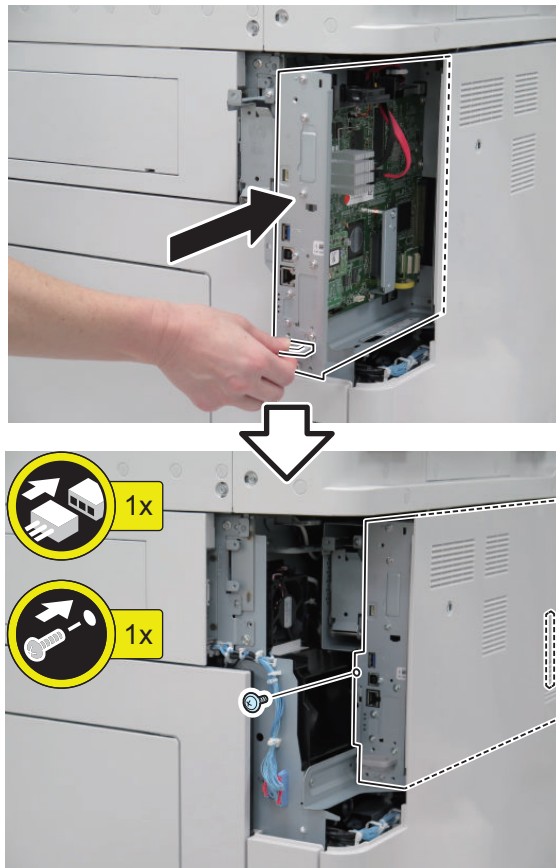
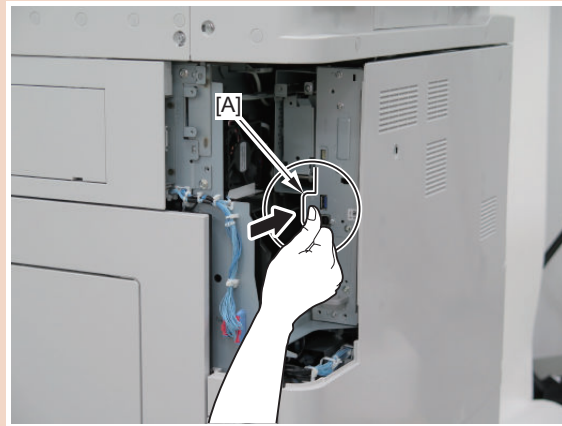
□
9.

NOTE:
Use the screws removed in step 5 and step 6.



□
10.**CAUTION:**

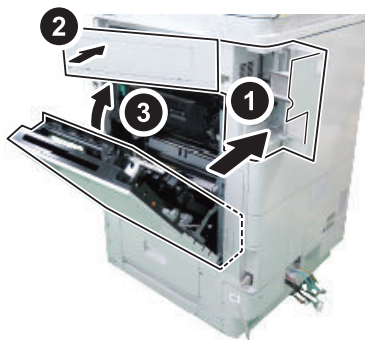
- Be sure to insert the Main Controller PCB 1 until it stops.
- Be sure to push [A] part hard to install it, otherwise the connector may not be connected properly.



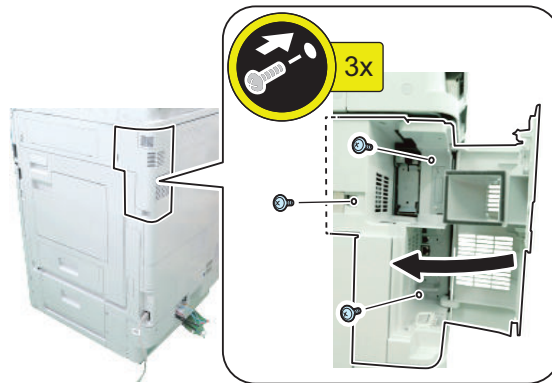
□
11.



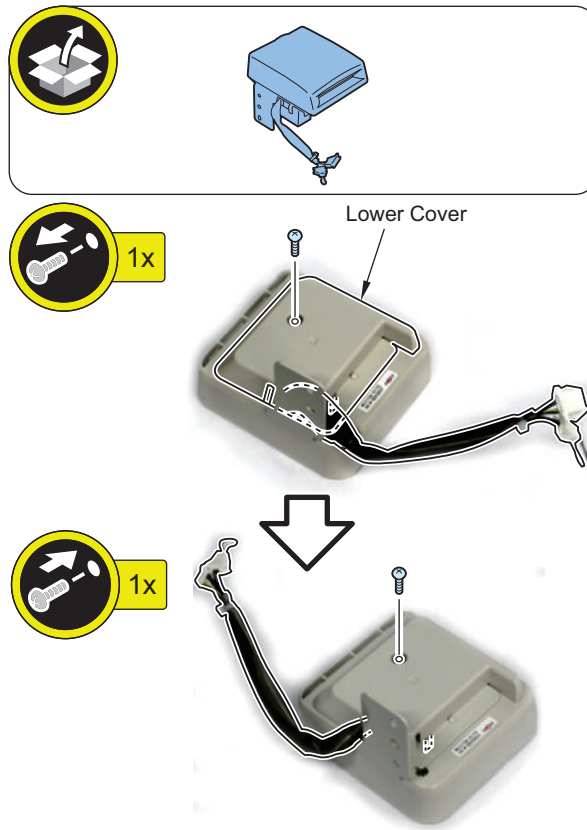
□
12.



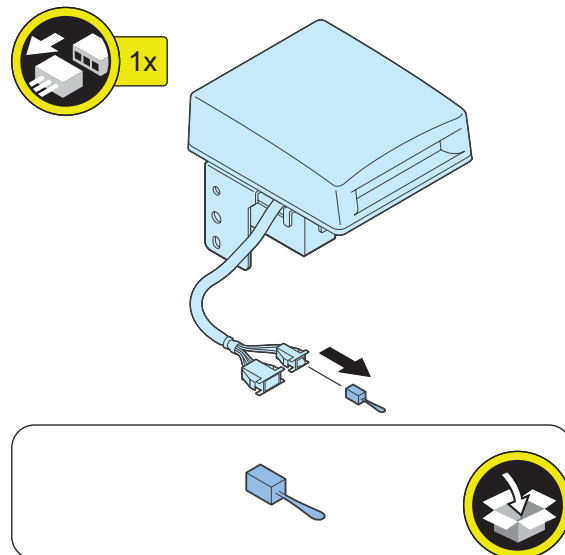
□
13.



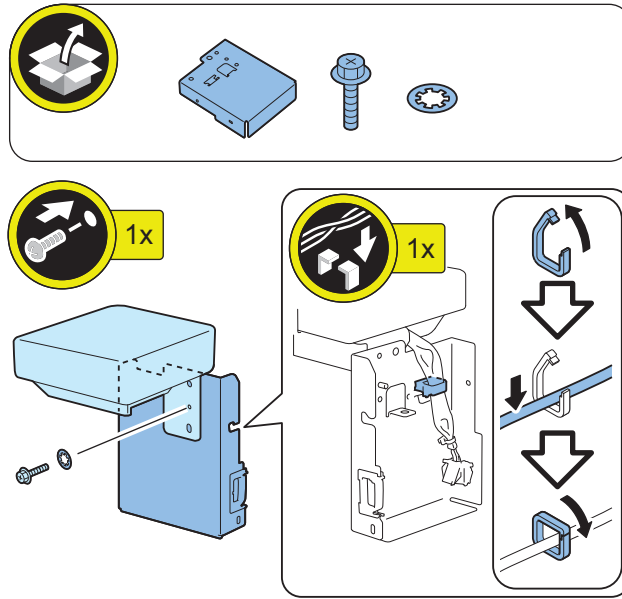
□
14.



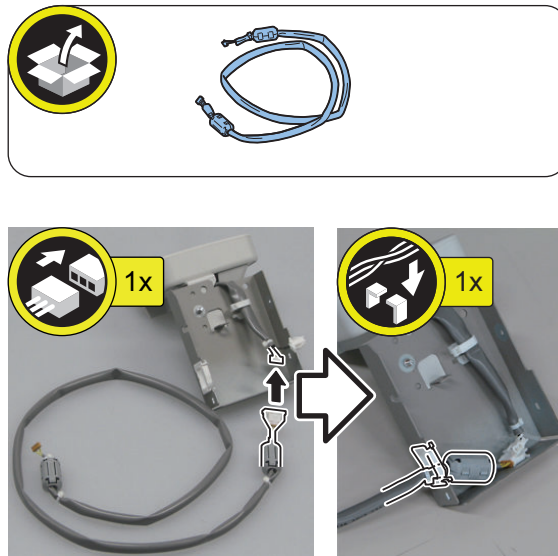
□
15.



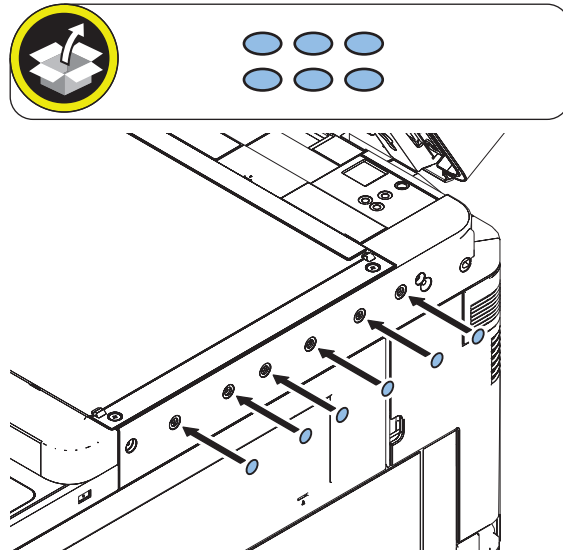
□
16.



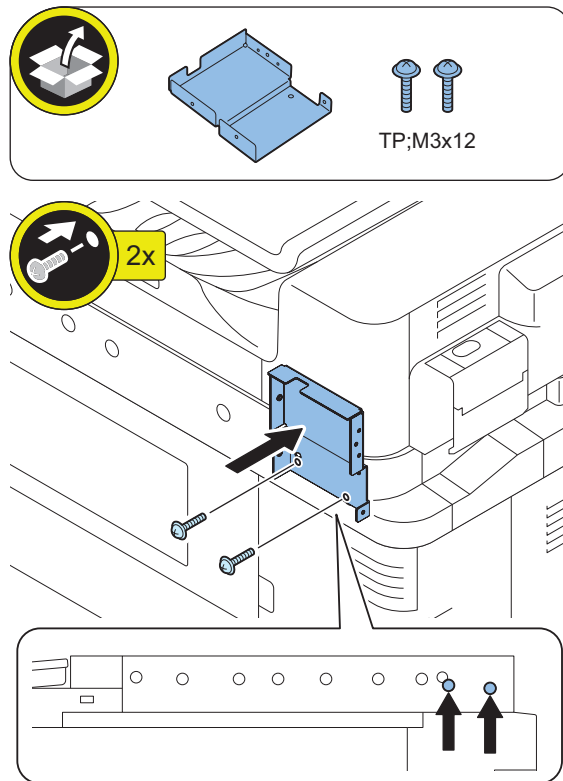
□
17.



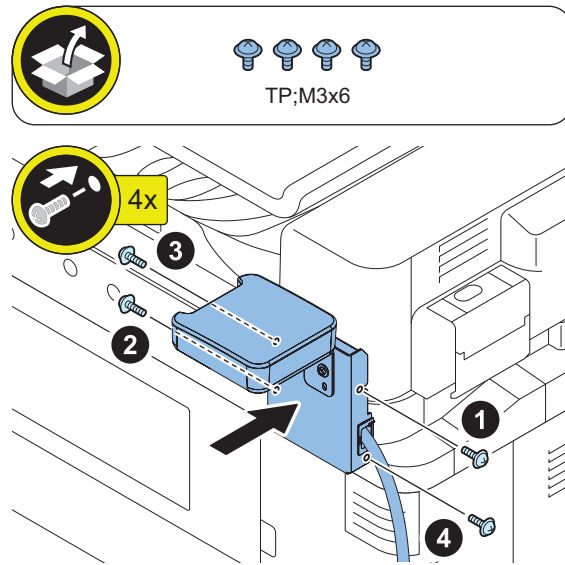
□
18.



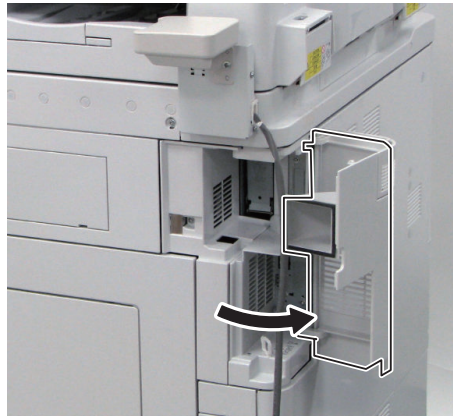
□
19.



□
20.

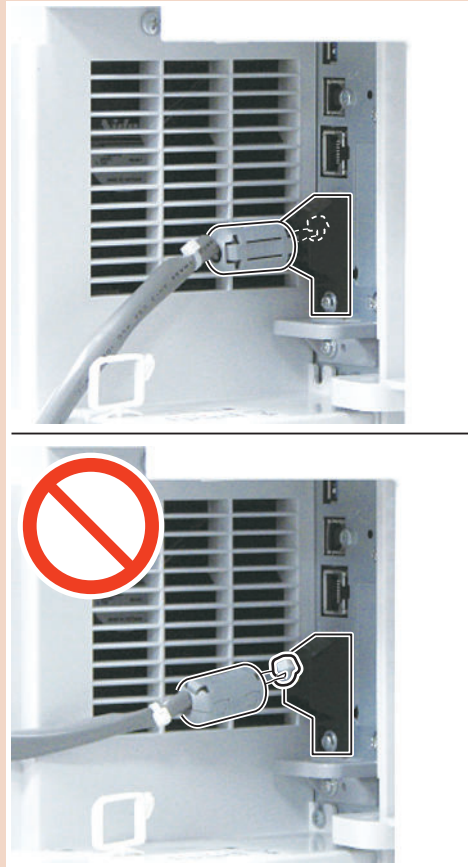


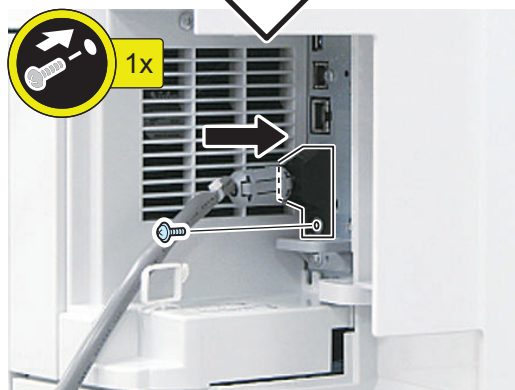
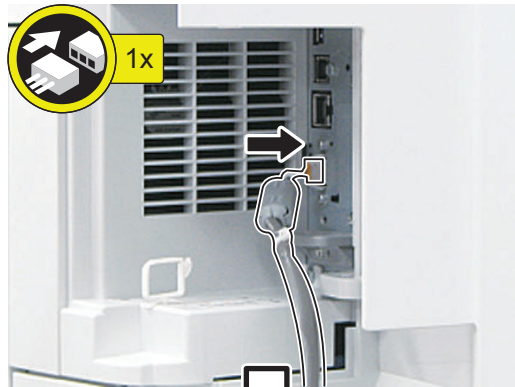
□
21.



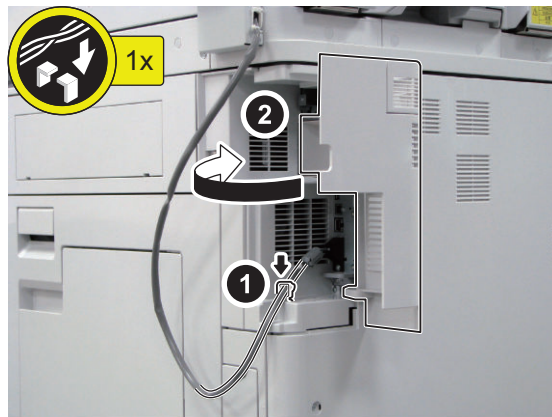
□
22.**CAUTION:**

To ensure that the connector does not become disconnected, be sure to place the cable band of the Card Reader External Relay Harness on the inside of the Connector Cover.

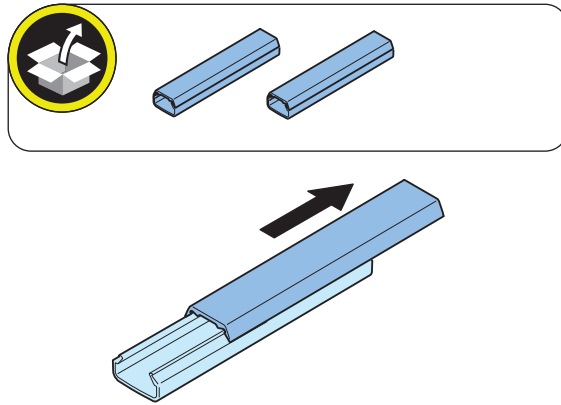




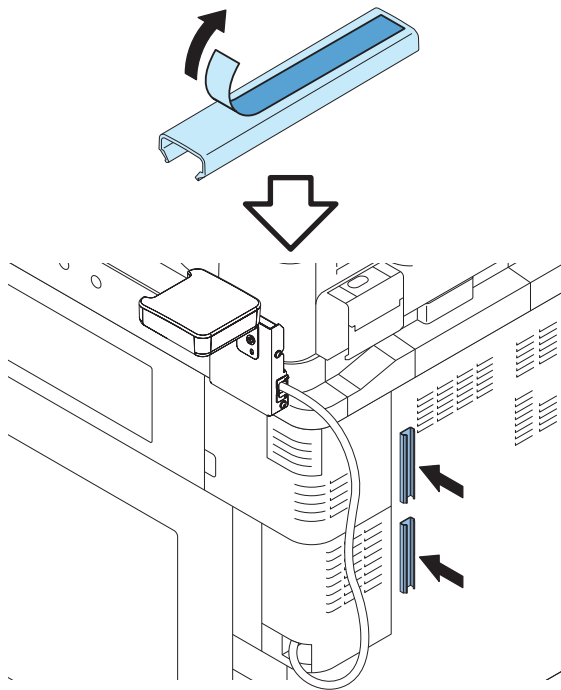
□
23.



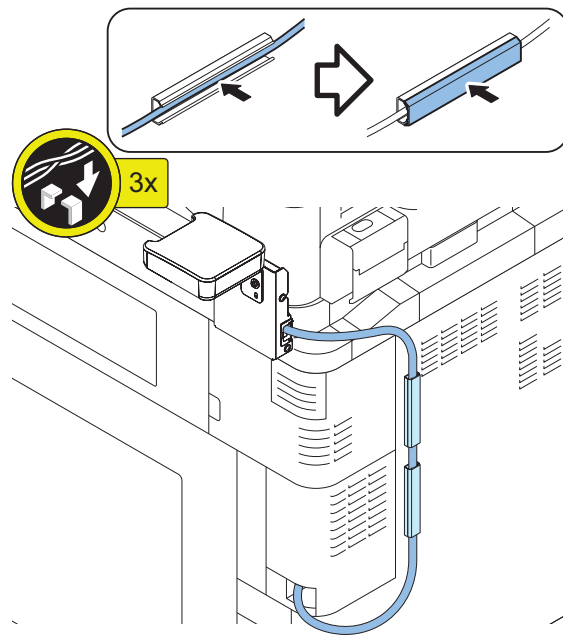
□
24.



□
25.



□
26.



● Checking after Installation

-
1. **Connect the power plug of the host machine to the power outlet.**
 2. **Turn the main power switch ON.**
 3. **Check the model of the Card Reader in service mode. (Default: 0 "Card Reader-F1")**
COPIER > OPTION > ACC > CR-TYPE
-
4. **Set the number of card (number of department ID) that can be used with the Card Reader in service mode.(Lv.2).**
COPIER > OPTION > FNC-SW > CARD-RNG
-
5. **Use Service Mode to enter the minimum card number to be used by a user (1 to 2001).**
COPIER > FUNCTION > INSTALL > CARD
Starting from the entered card number, the number of cards set in step 4 can be used.
-
6. **Turn OFF and then ON the main power switch to enable the setting values.**
 7. **Insert a card with a card number that has been registered, and check that the machine operates normally.**

NOTE:

Perform the following operations to change the number of cards (departments) after it has been set. In such a case, counter information for each department is reset.

COPIER > FUNCTION > CLEAR > CARD

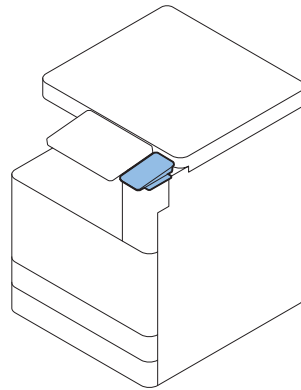
- Turn OFF and then ON the main power switch to enable the settings.
- After that, perform from step 3.

Numeric Keypad-A1/A2

● Points to Note at Installation

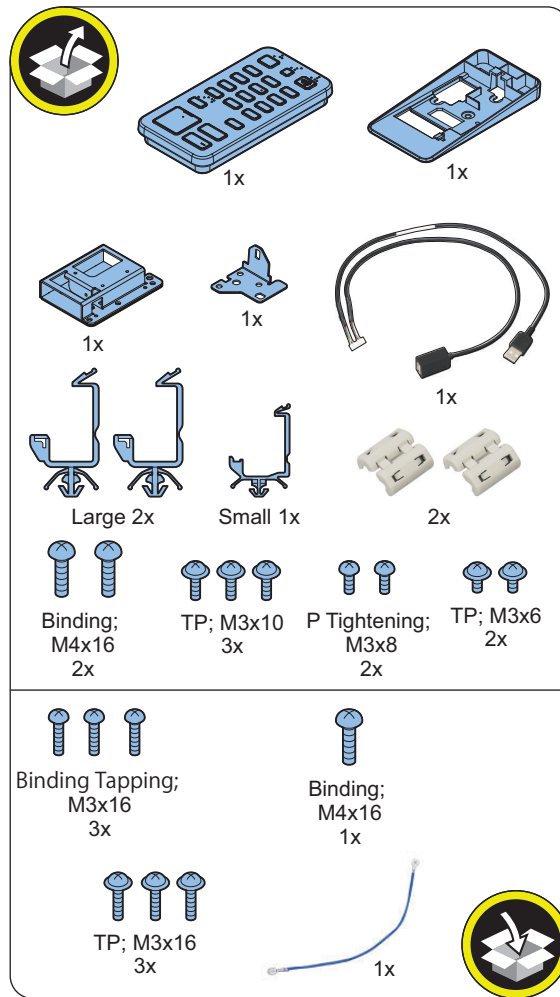
- When using options and the NFC Kit together, install the NFC Kit first.
- The pictures and illustrations used may be different from the product in front of you, but the procedure is the same.
- When installing this equipment, the Card Reader (sales company's option) is required.

● Installation Outline Drawing

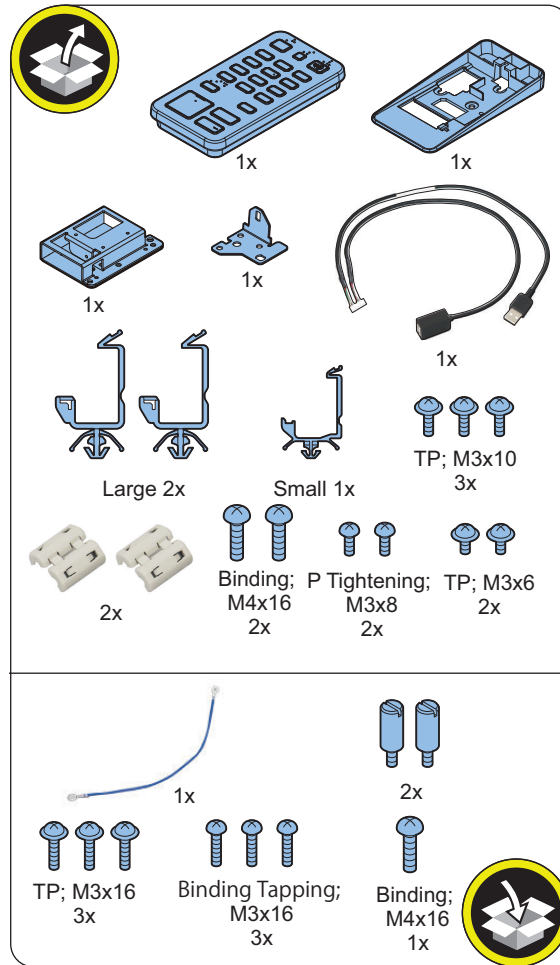


Checking the Contents

Numeric Keypad-A1

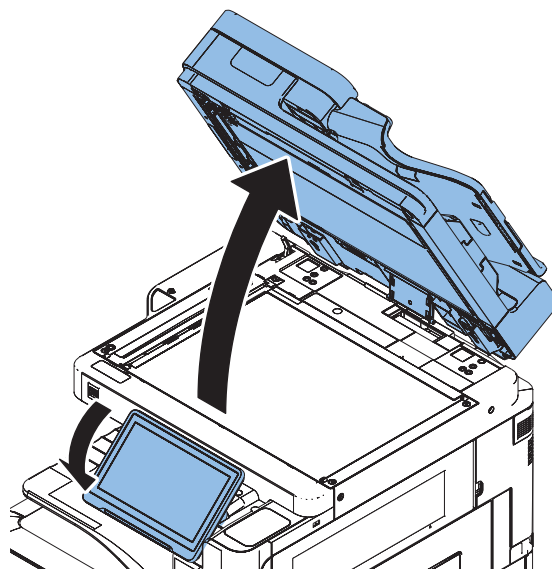


Numeric Keypad-A2

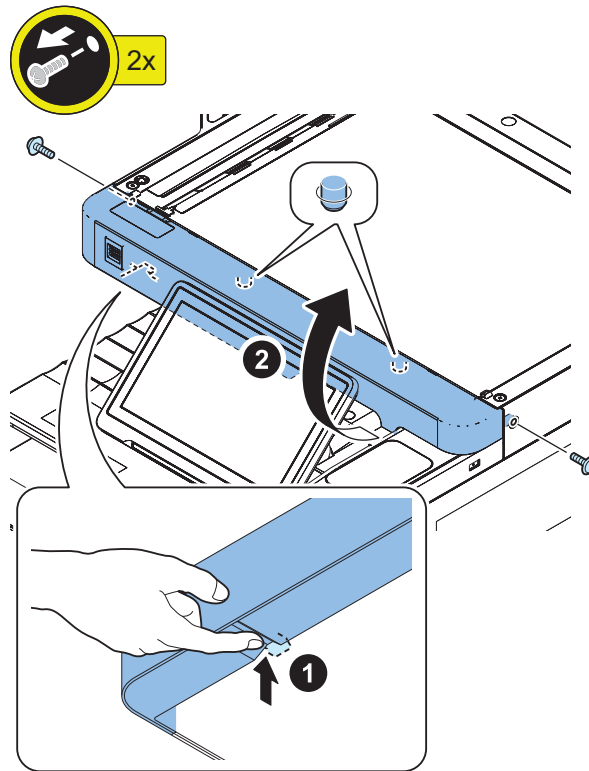


Installation Procedure

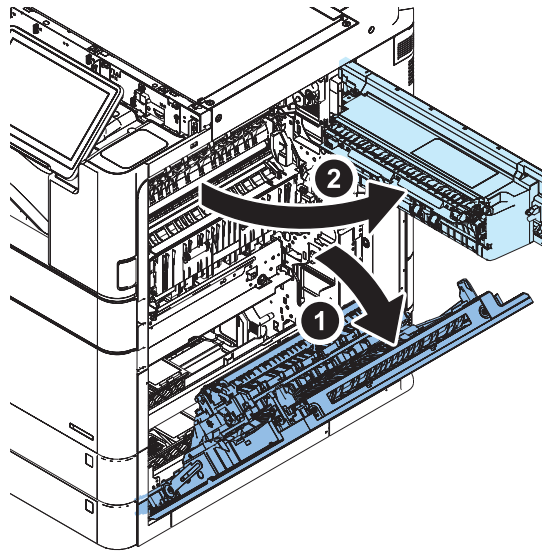
1.



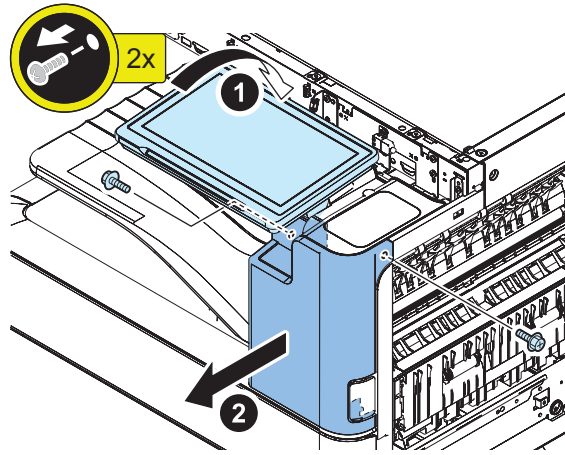
□
2.



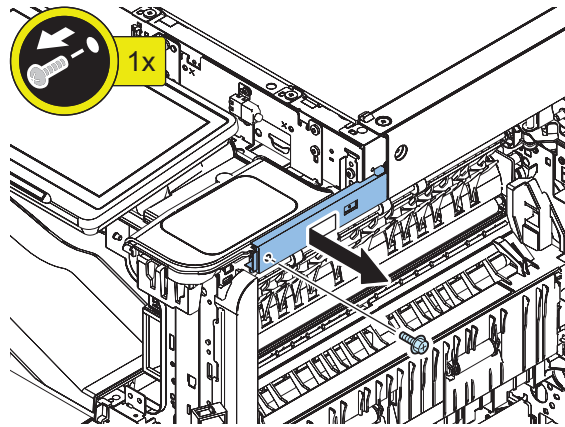
□
3.



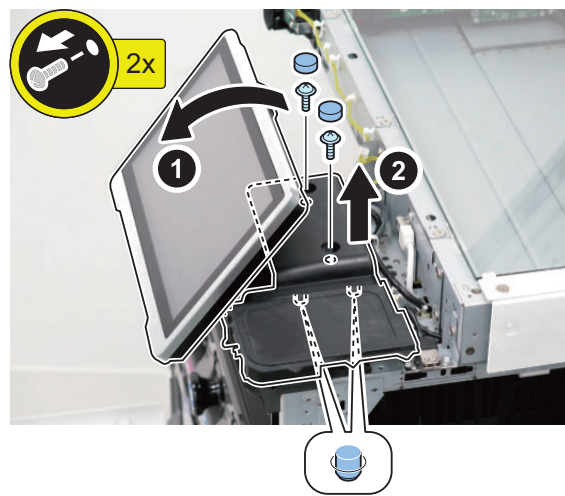
□
4.



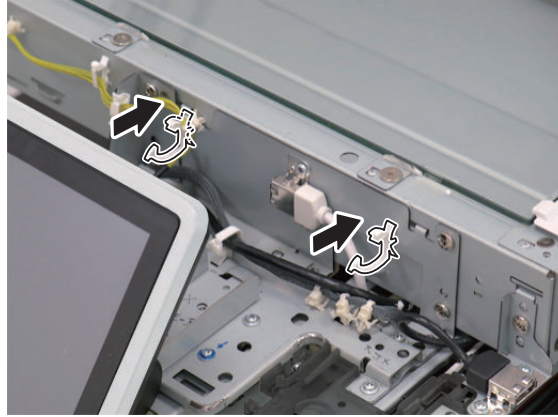
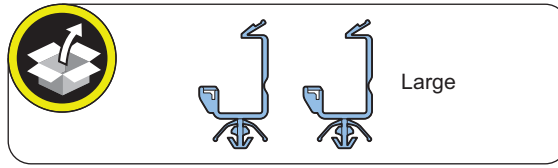
□
5.



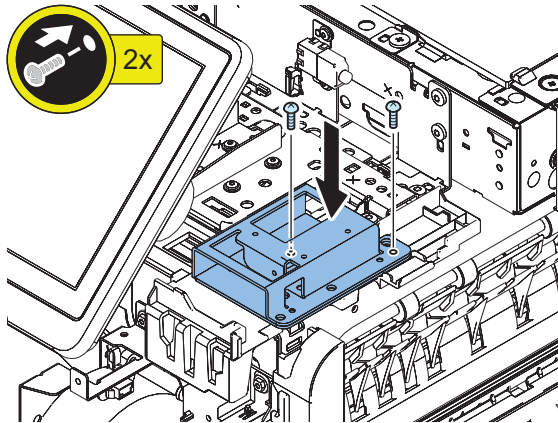
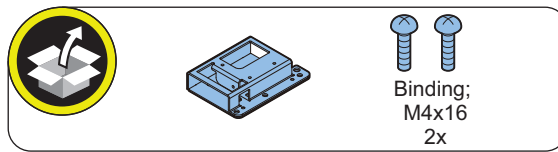
□
6.



□
7.

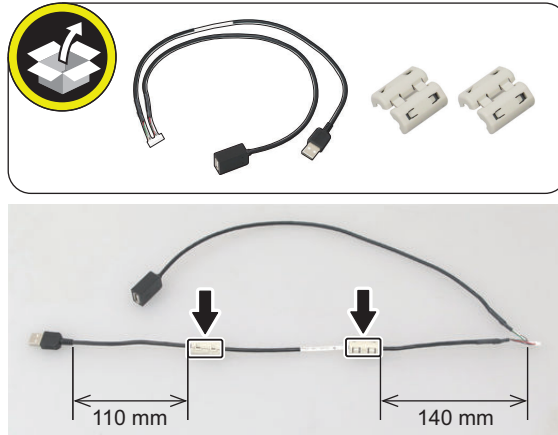
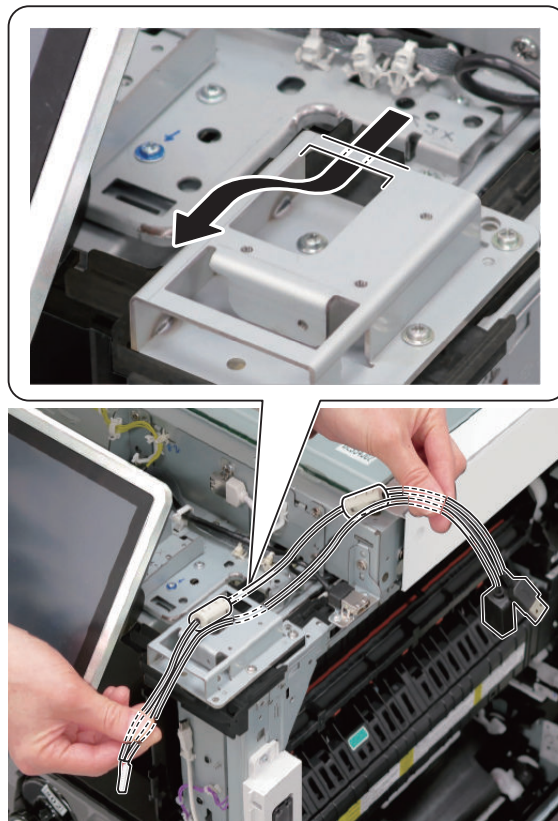


□
8.



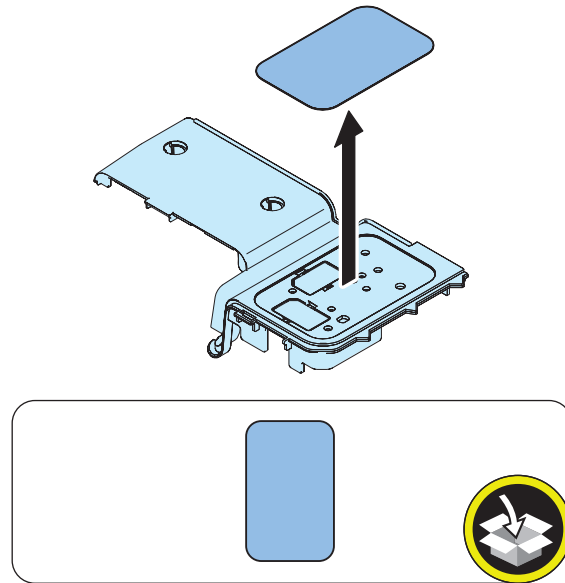
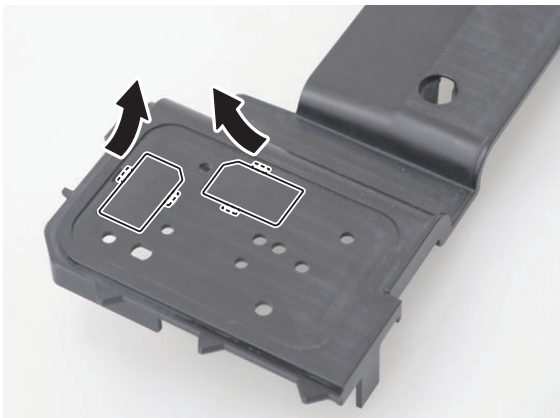
□
9.**NOTE:**

Be sure to install the cores in the position shown in the following figure.

□
10.

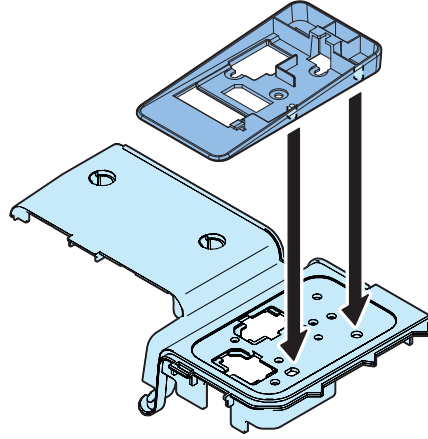
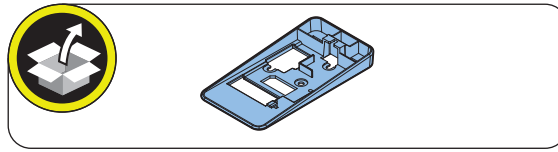
□
11.**CAUTION:**

- After removing the sheet, do not clean the removed surface with alcohol.
- If any glue is remaining on the removed surface, wipe with the removed sheet.

□
12.**NOTE:**

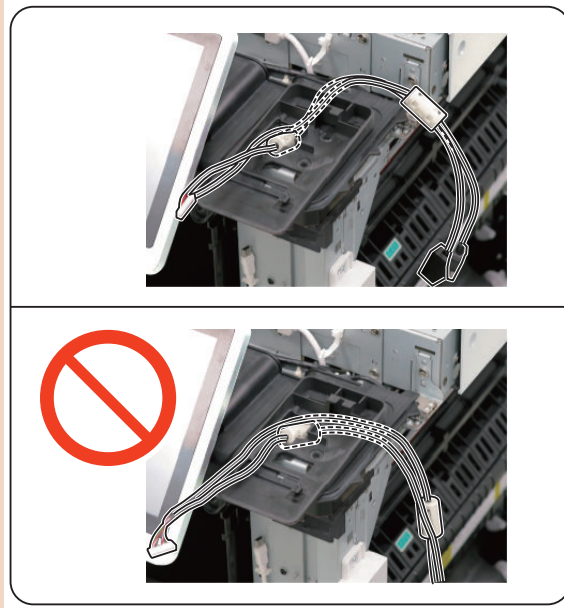
Store the removed Small Covers in step 17.

□
13.

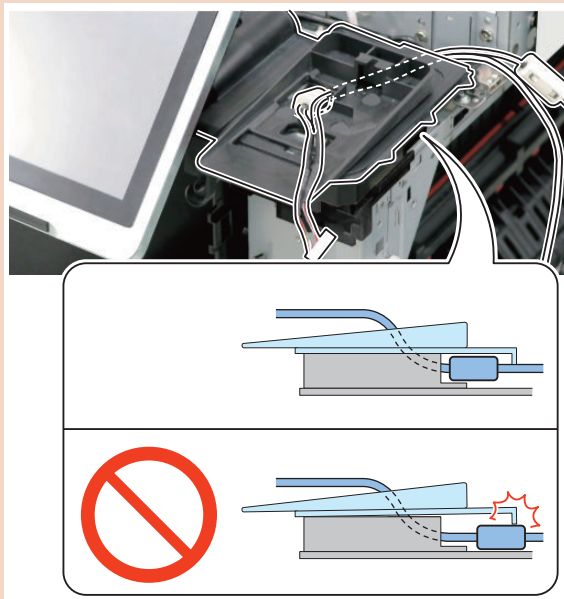


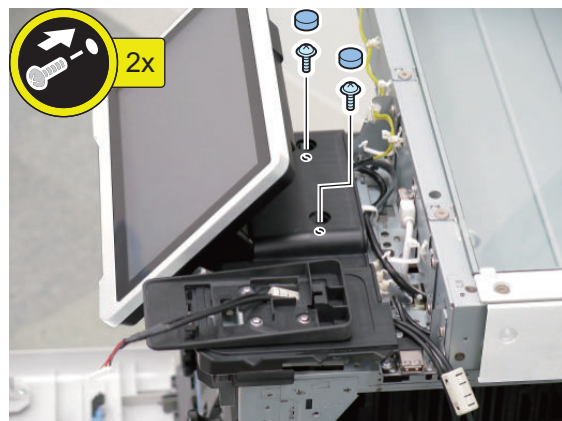
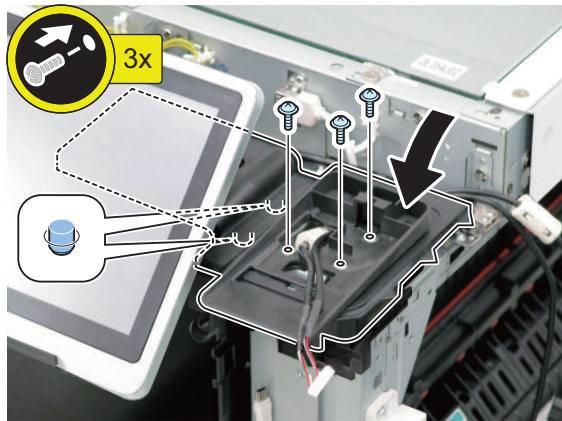
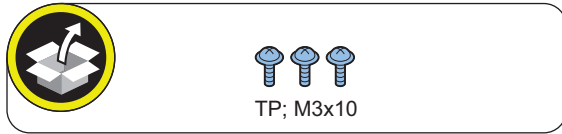
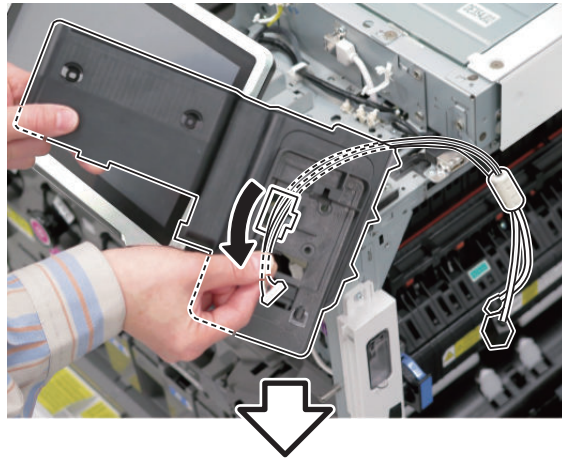
□
14.**CAUTION:**

When installing the Cover, be careful not to trap the cable.

**CAUTION:**

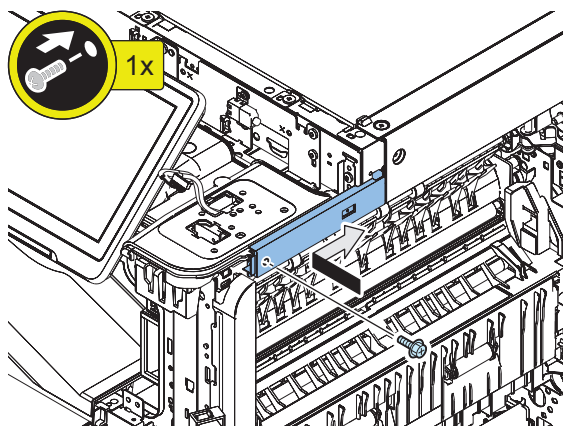
Place the core inside the Cover.





□
15.

□
16.

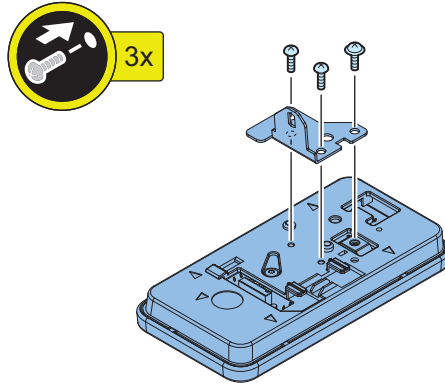
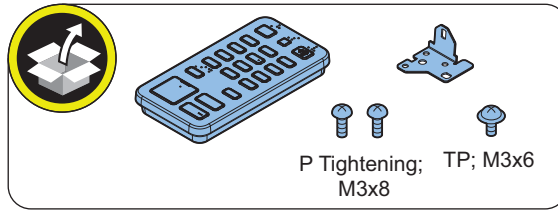


□
17.

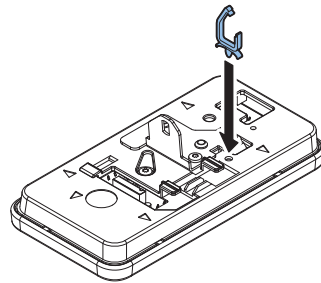
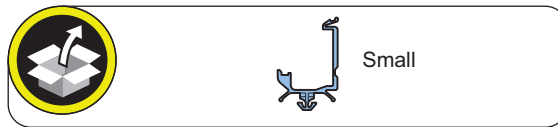
NOTE:
Store the Small Covers removed in step 12.



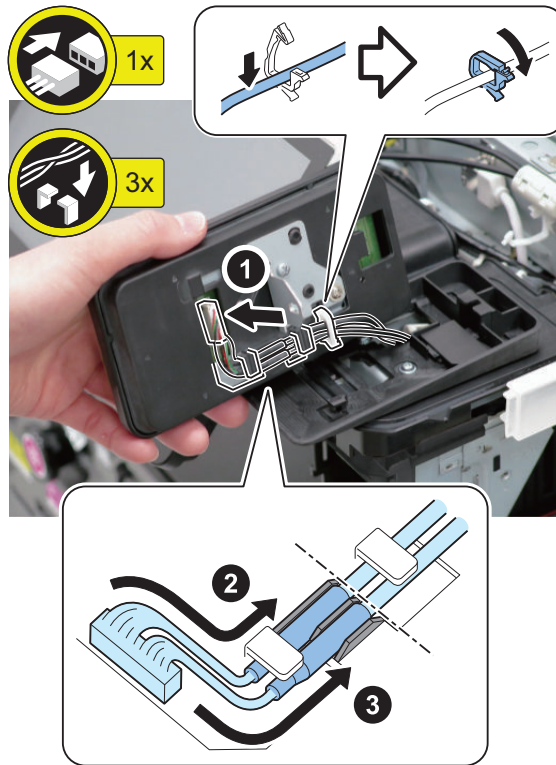
□
18.



□
19.



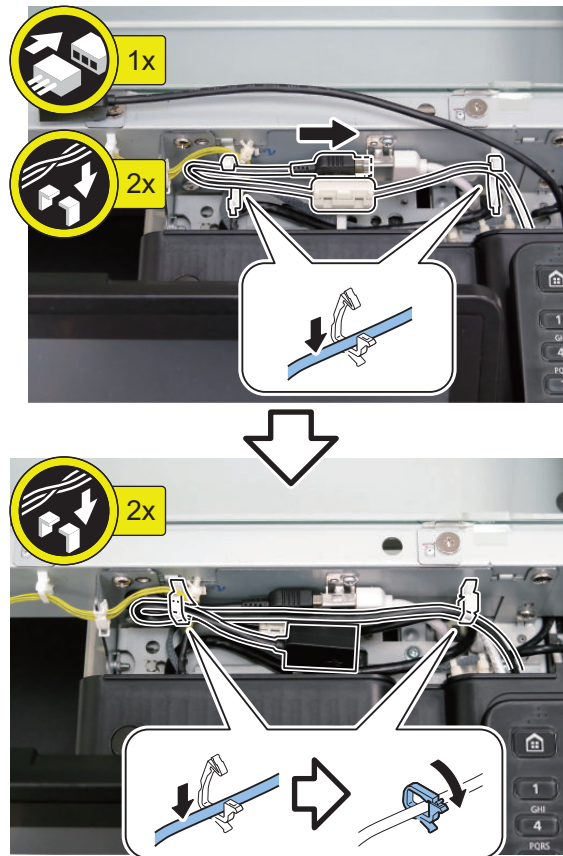
□
20.



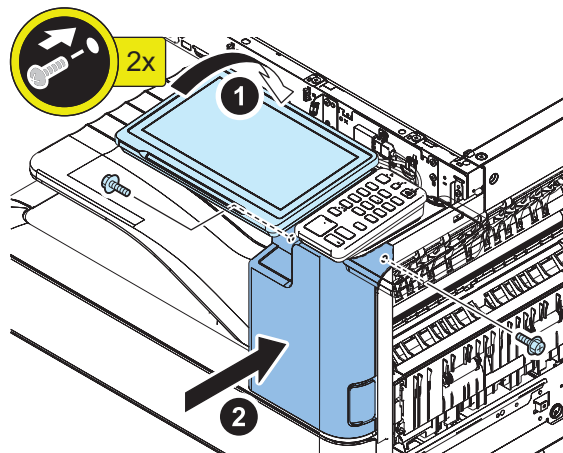
□
21.



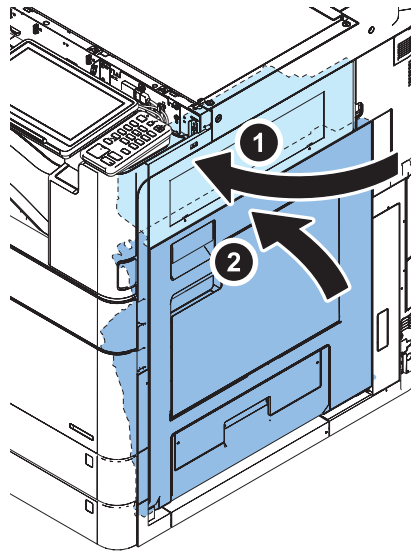
□
22.



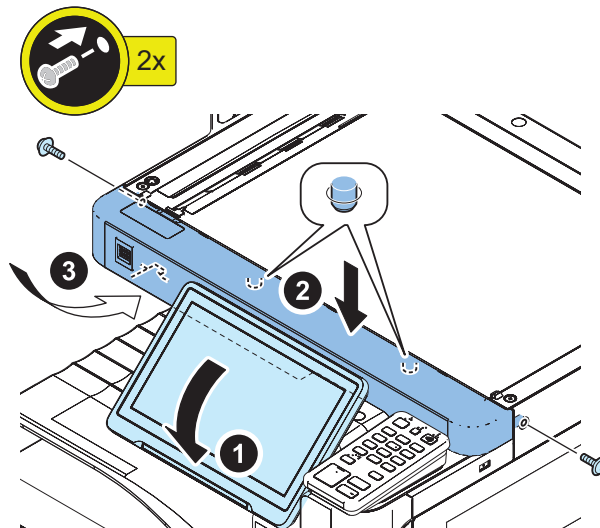
□
23.



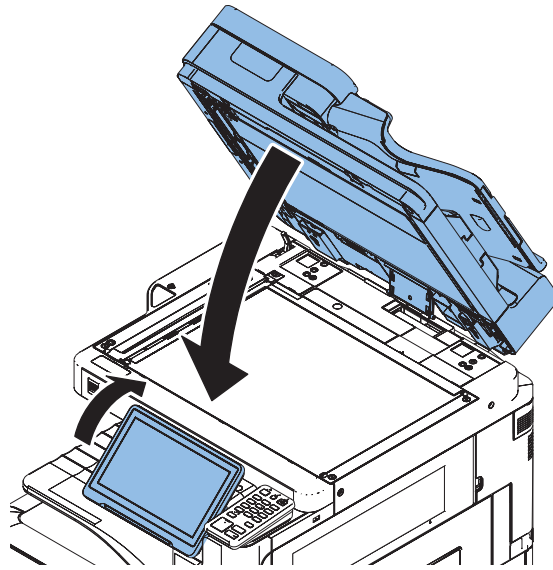
□
24.



□
25.



□
26.

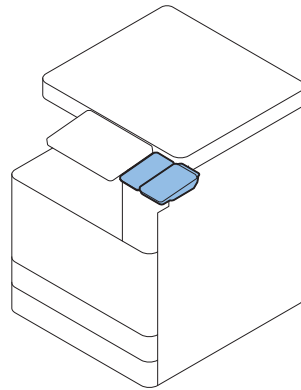


IC Card Reader Box for Numeric Keypad-A1

Points to Note at Installation

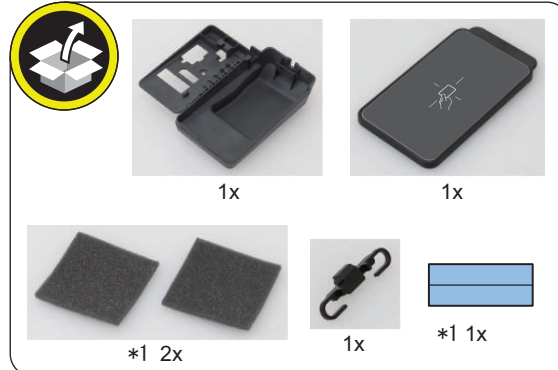
- When using options and the NFC Kit together, install the NFC Kit first.
- The pictures and illustrations used may be different from the product in front of you, but the procedure is the same.
- When installing this equipment, the Card Reader (sales company's option) is required.

Installation Outline Drawing



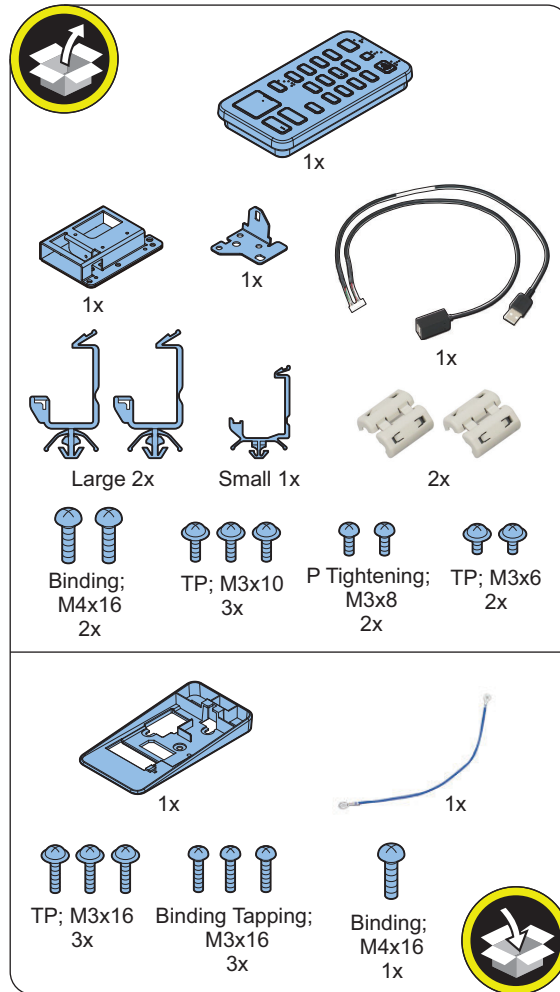
Checking the Contents

IC Card Reader Box for Numeric Keypad-A1

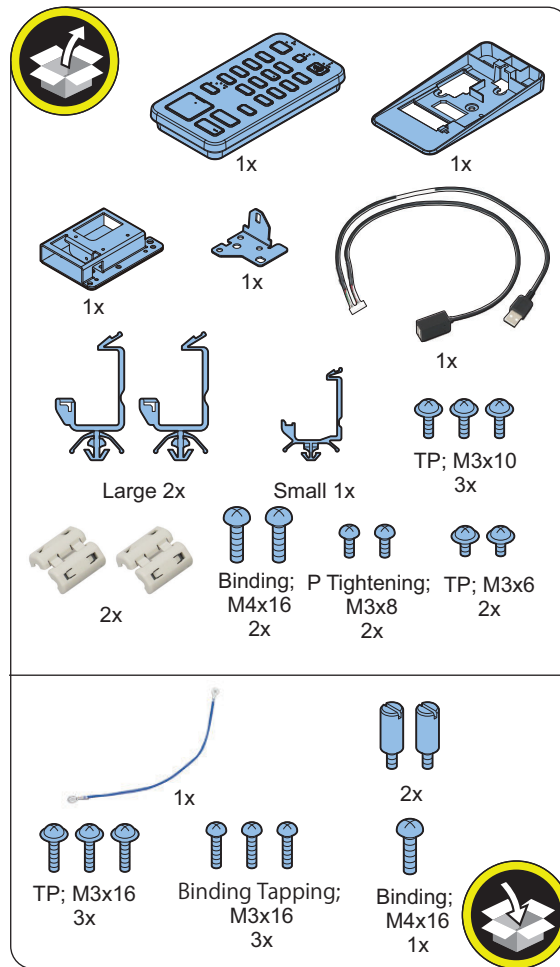


*1:When installing the IC Card Reader, use it as necessary.

Numeric Keypad-A1



Numeric Keypad-A2

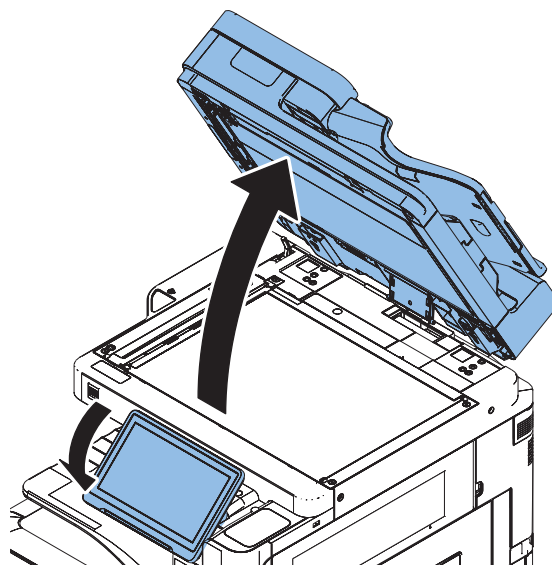


Installation Procedure

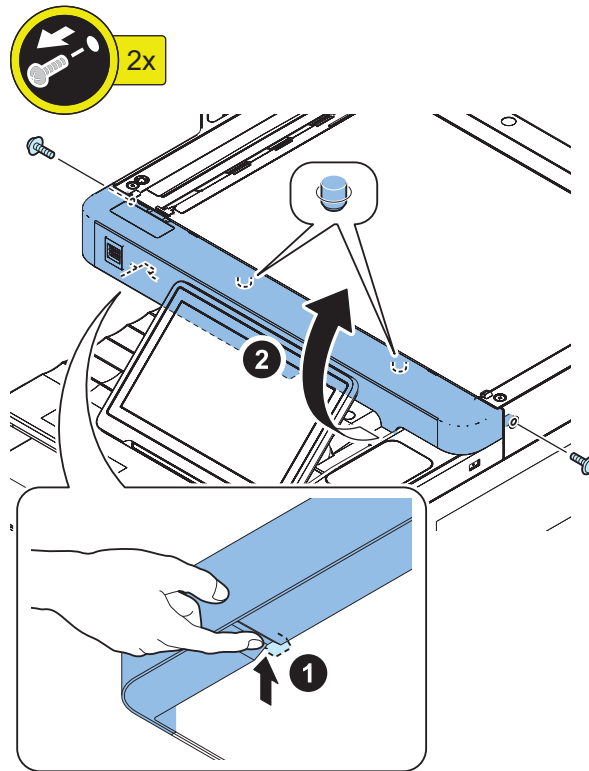
■ Installing the Numeric Keypad

□

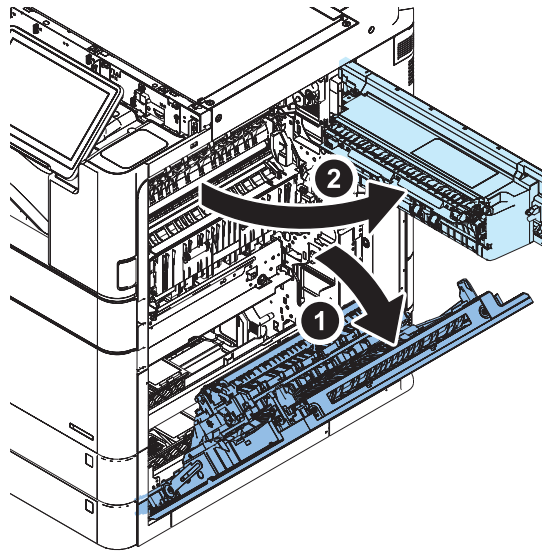
1.



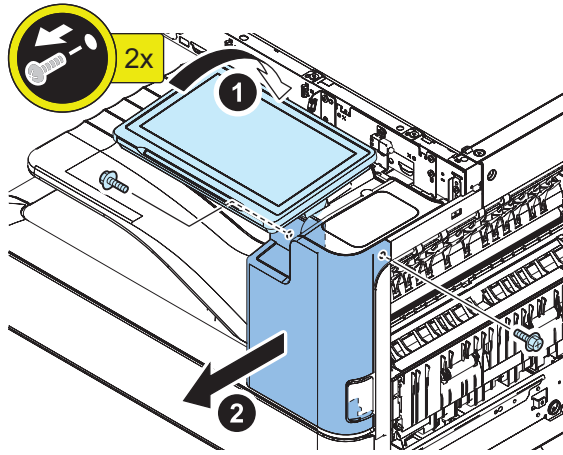
□
2.



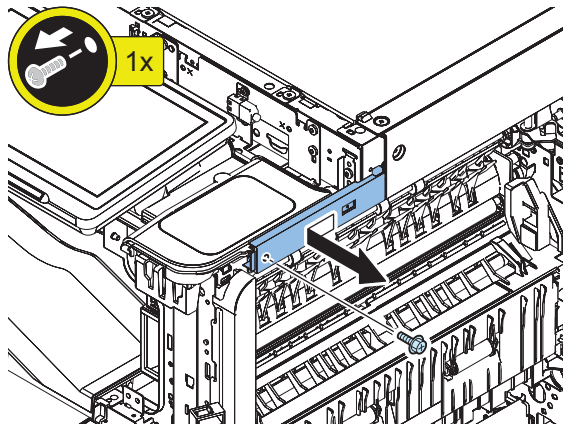
□
3.



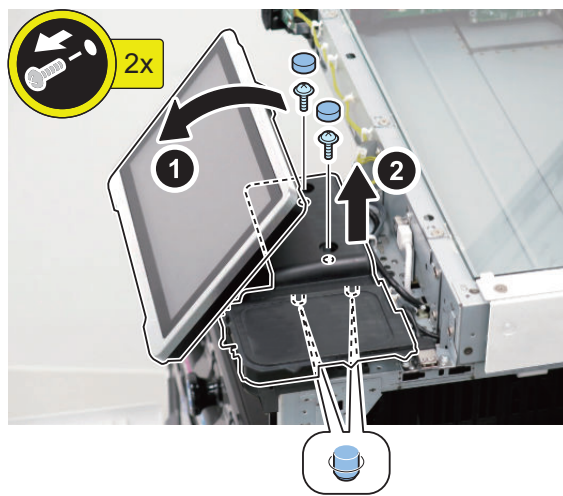
□
4.



□
5.

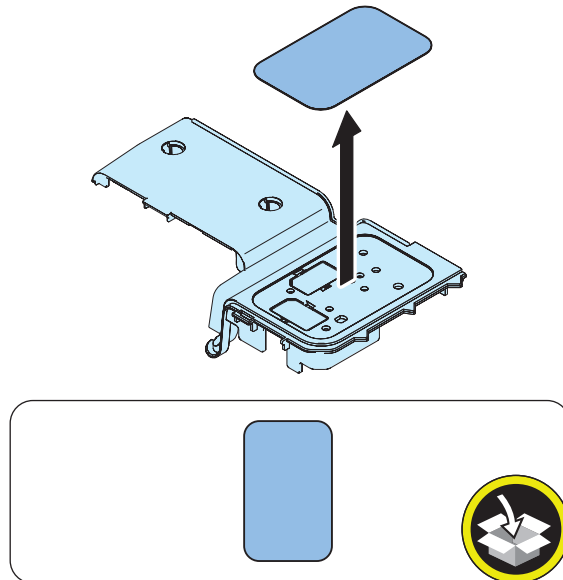
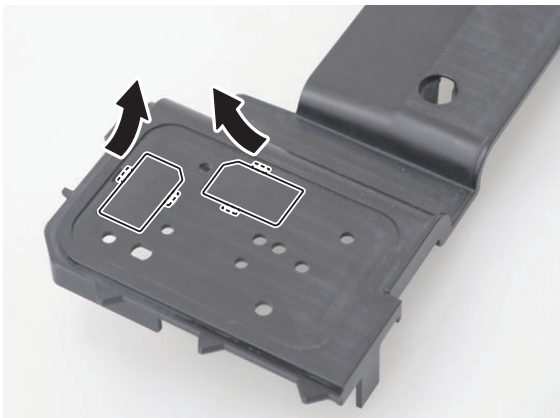


□
6.



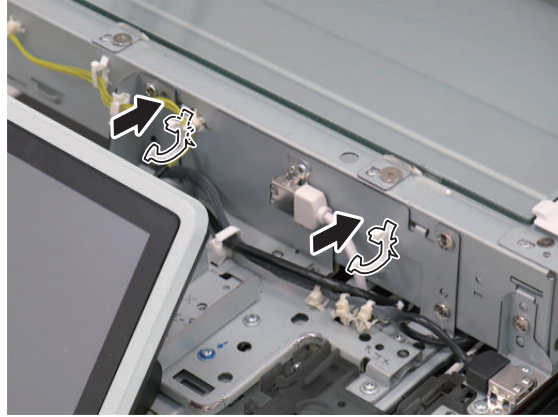
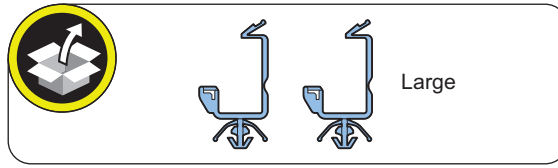
□
7.**CAUTION:**

- After removing the sheet, do not clean the removed surface with alcohol.
- If any glue is remaining on the removed surface, wipe with the removed sheet.

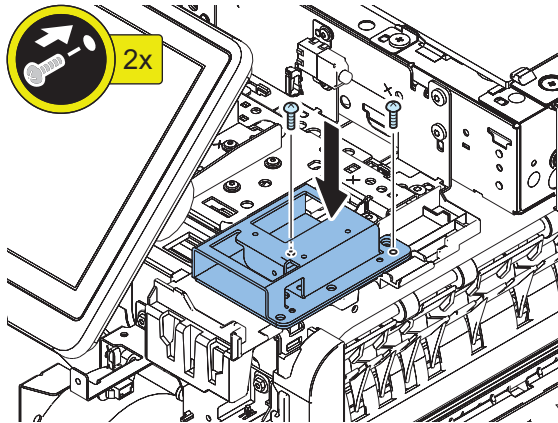
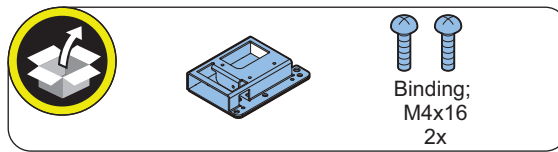
□
8.**NOTE:**

Store the removed Small Covers in step 26.

□
9.

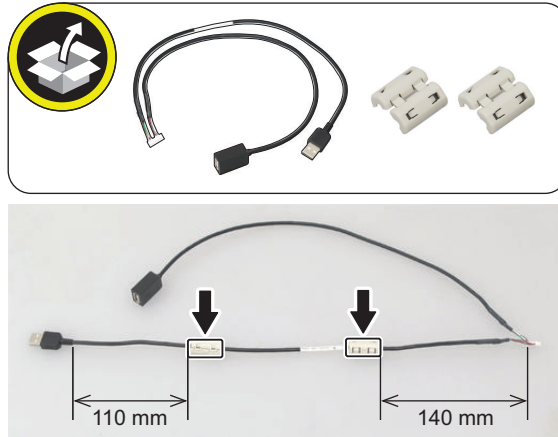


□
10.

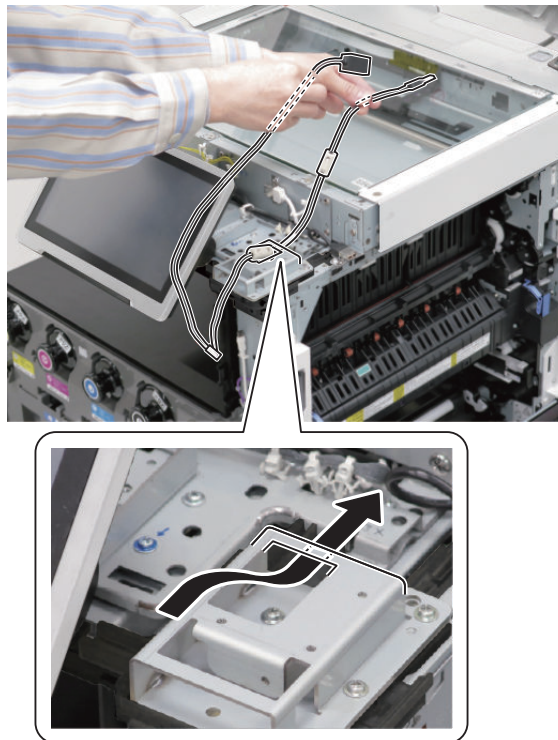


□
11.

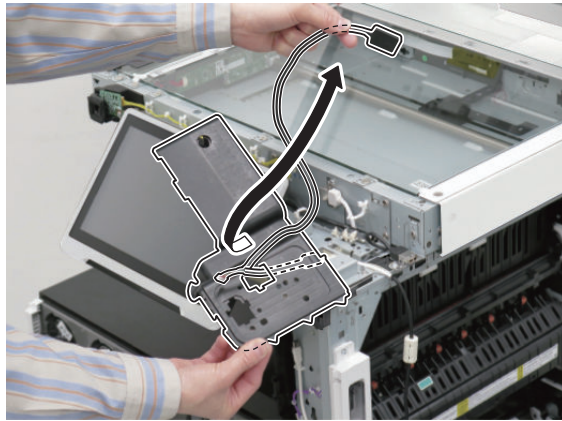
NOTE:
Be sure to install the cores in the position shown in the following figure.



□
12.

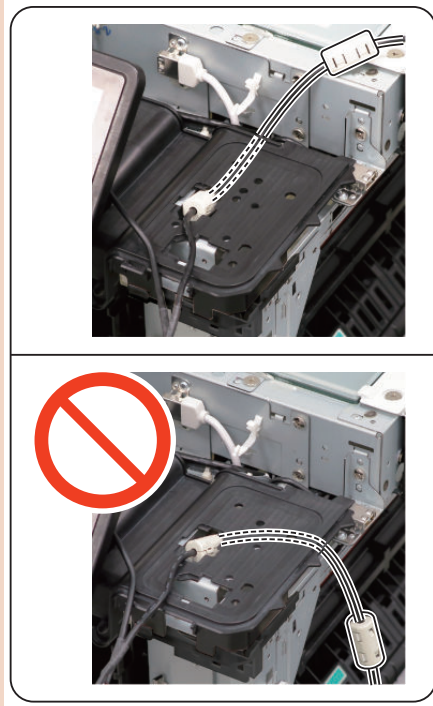


□
13.

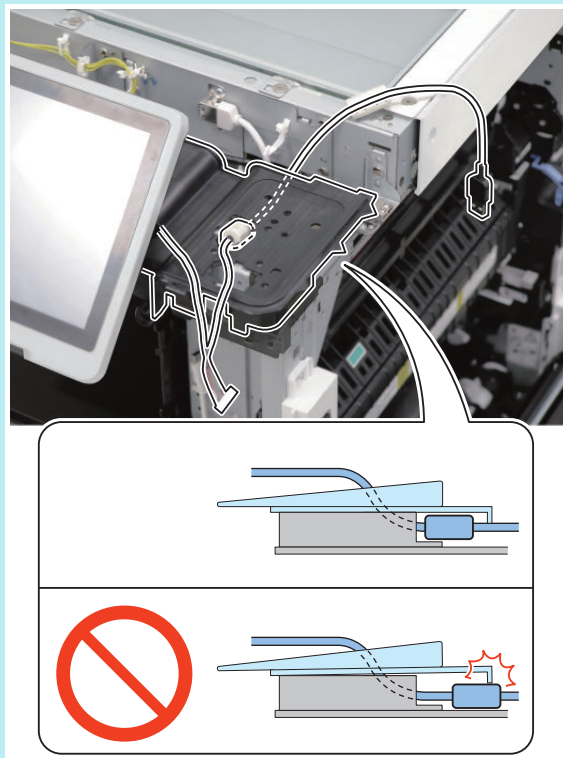


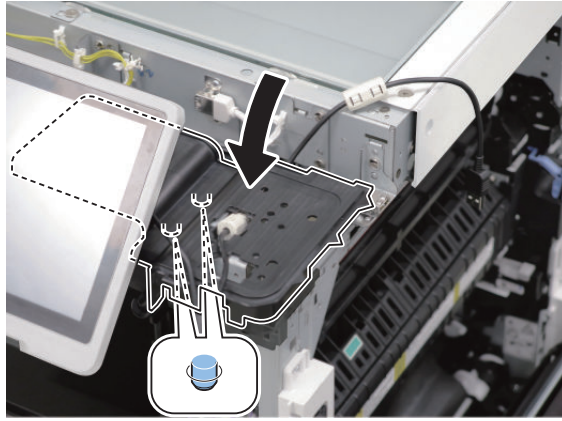
□
14.**CAUTION:**

When installing the Cover, be careful not to trap the cable.

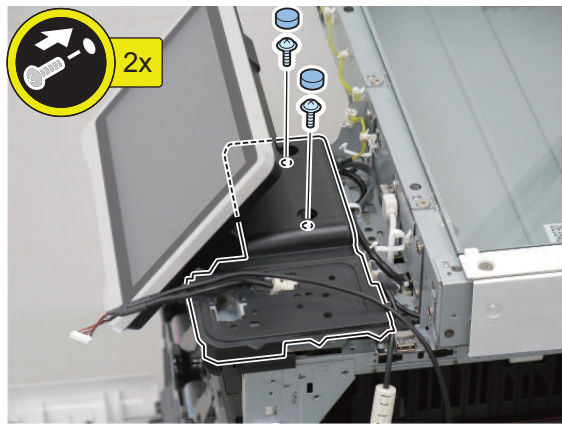
**NOTE:**

Place the core inside the Cover.

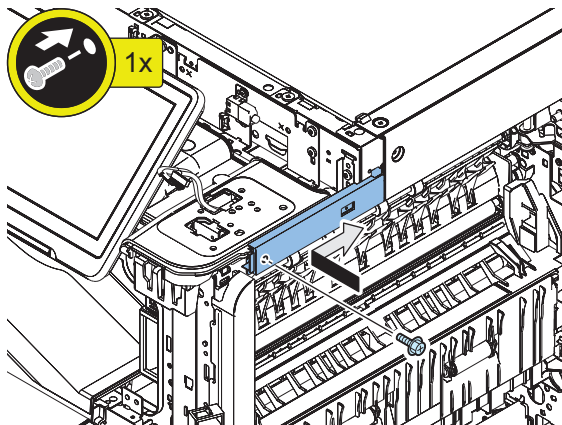




□
15.



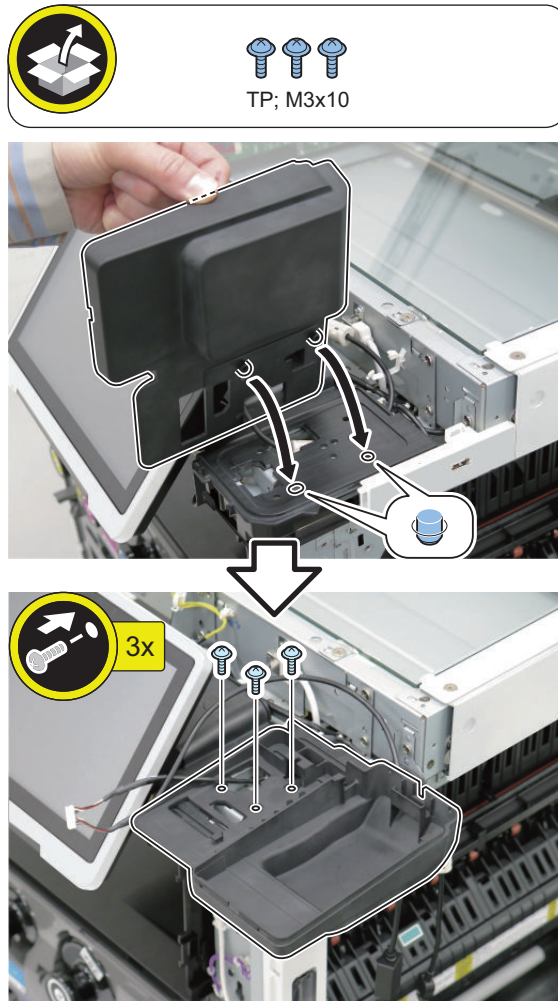
□
16.



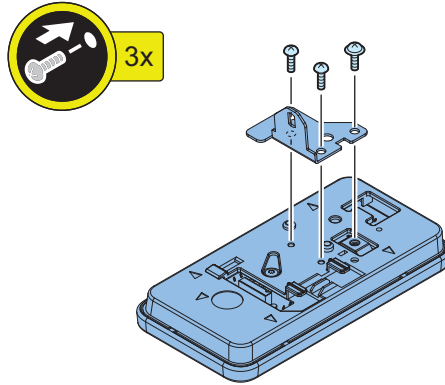
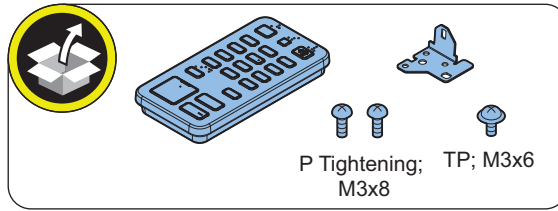
□
17.



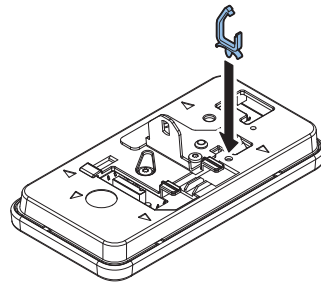
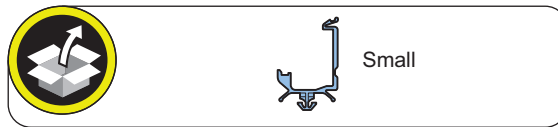
□
18.



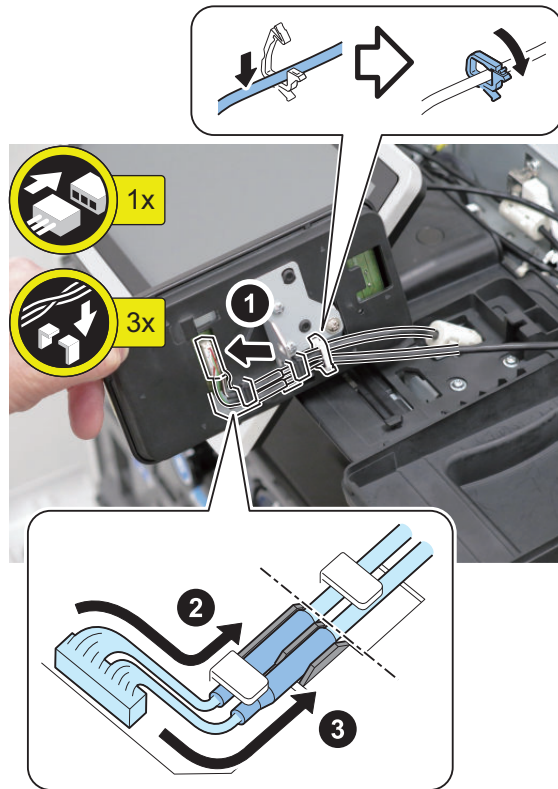
□
19.



□
20.



□
21.

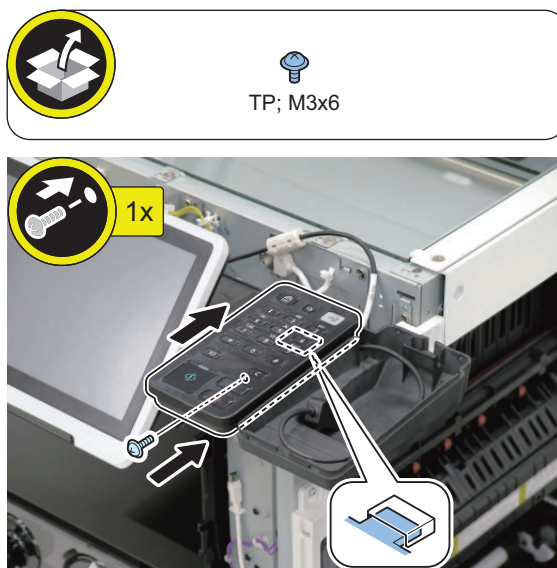


□
22.

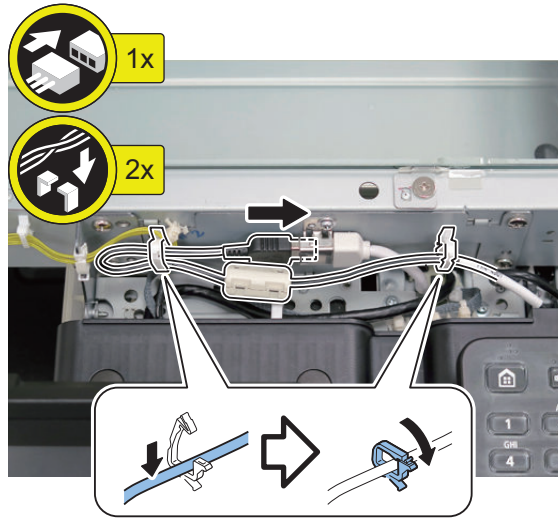
CAUTION:
When installing the Cover, be careful not to trap the cable.



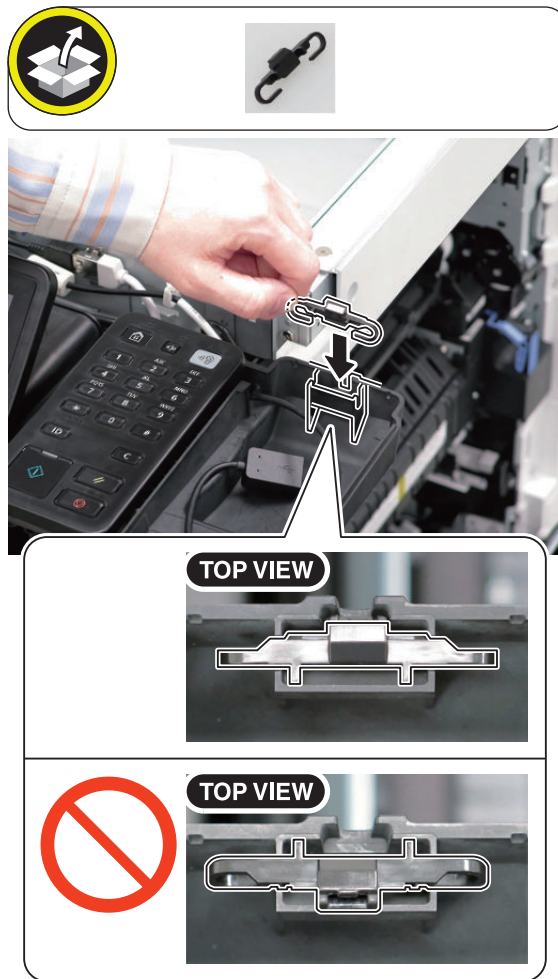
□
23.



□
24.



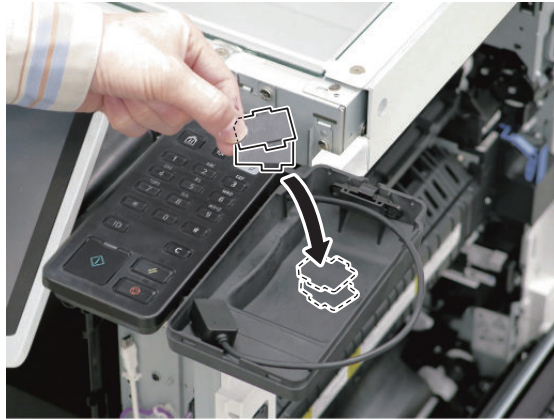
□
25.



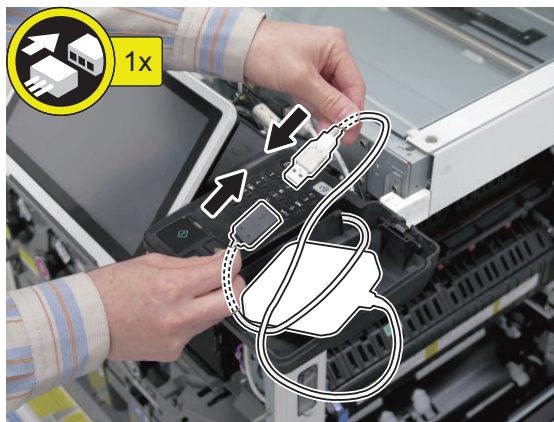
□
26.

NOTE:

Store the Small Cover removed in step 8.

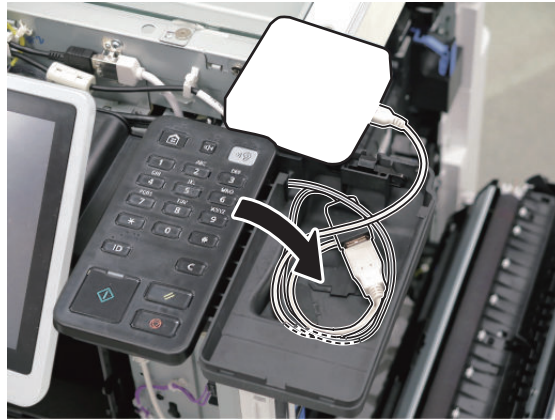
**■ Installing the Card Reader (IC Card Reader Box for Numeric Keypad-A1)****• IC Card Reader**

□
1.



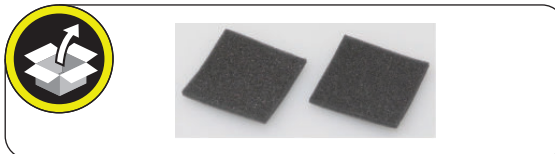
□
2.

NOTE:
Store the excess length of the cable in the position as shown in the figure.

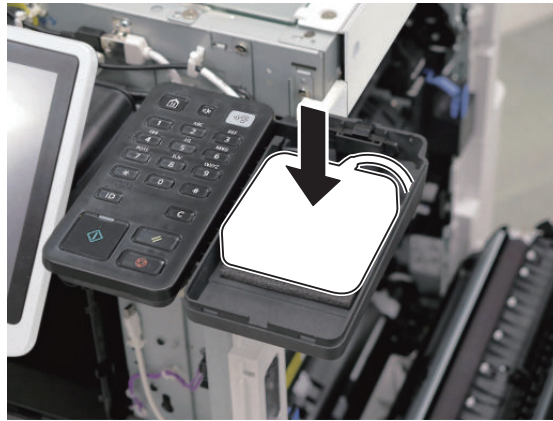


□
3.

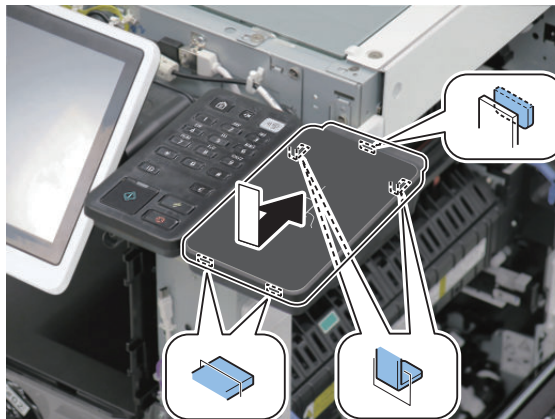
NOTE:
Be sure to adjust the number of cushions according to the thickness of the Card Reader.



4.



5.

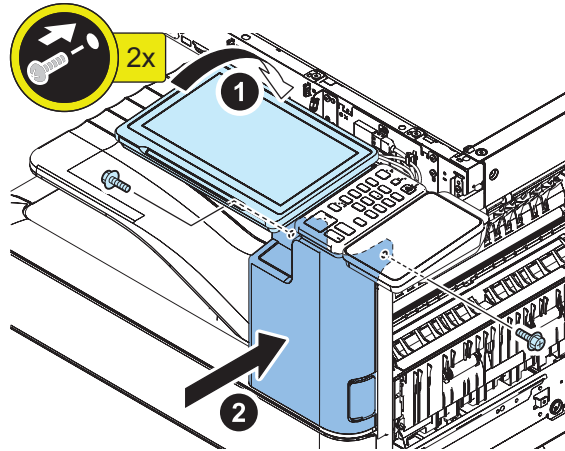


• **Procedure after Work**

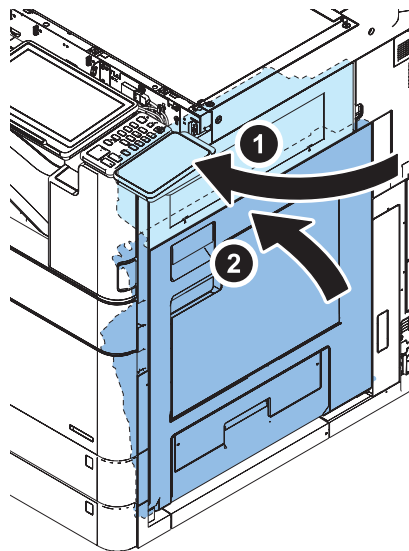
-
- 1.** Installing the covers removed in the previous step.
-
- 2.** Connect the power plug to the outlet.
-
- 3.** Turn ON the main power switch.

■ Procedure after Work

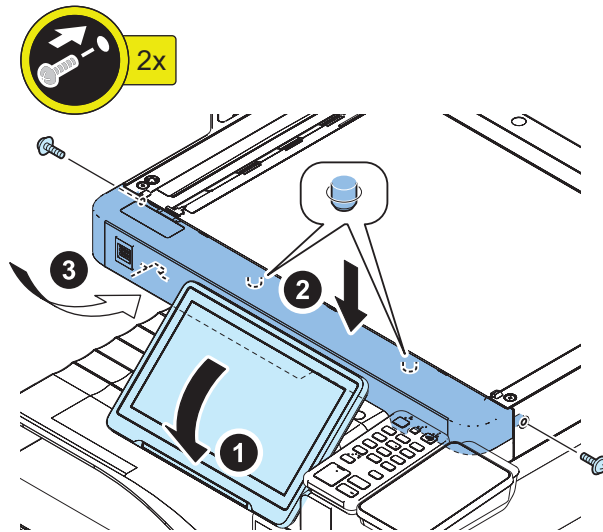
□
1.



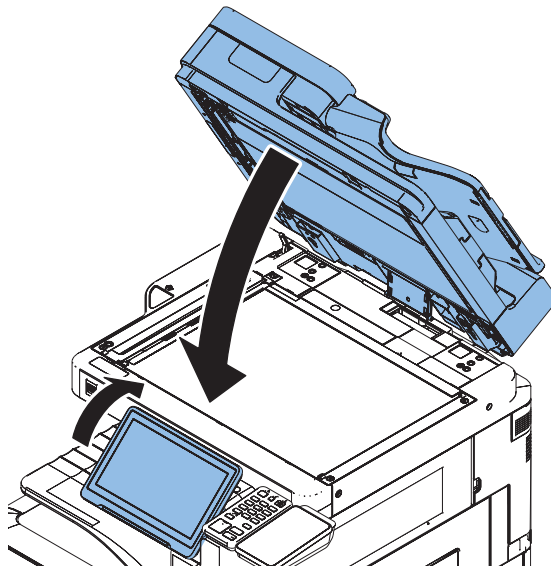
□
2.



□
3.



□
4.



□
5.

Connect the power plug to the outlet.
Turn ON the main power switch.

Connection Kit-A2/A3 for Bluetooth LE

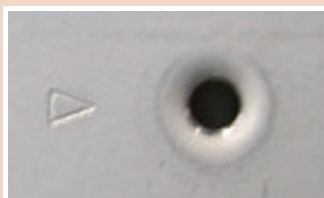
Points to Note at Installation

- When installing this equipment and the NFC Kit at the same time, be sure to install the NFC Kit first.

CAUTION:

Marked portion

When tightening the screws, do not tighten them too tightly. Otherwise, there is a risk of damage and deformation of screw holes.



NOTE:

Although pictures or illustrations used for explanation may differ from the actual things, the procedure is the same.

Essential Items to Be Performed Before Installation

- Turn OFF the main power of the host machine, and disconnect the power plug from the outlet.

⚠ WARNING:

- If performing work without disconnecting the power plug of the host machine, it may cause electrical shock.
- If disconnecting the power plug without turning OFF the main power, it may cause damage of the machine.

- When turning OFF the main power, follow the below procedure.
 1. Turn OFF the main power switch of the host machine.
 2. The display in the Control Panel and the lamp of the main power are turned off.

Points to Note when turning ON/OFF the main power

The following message is displayed.

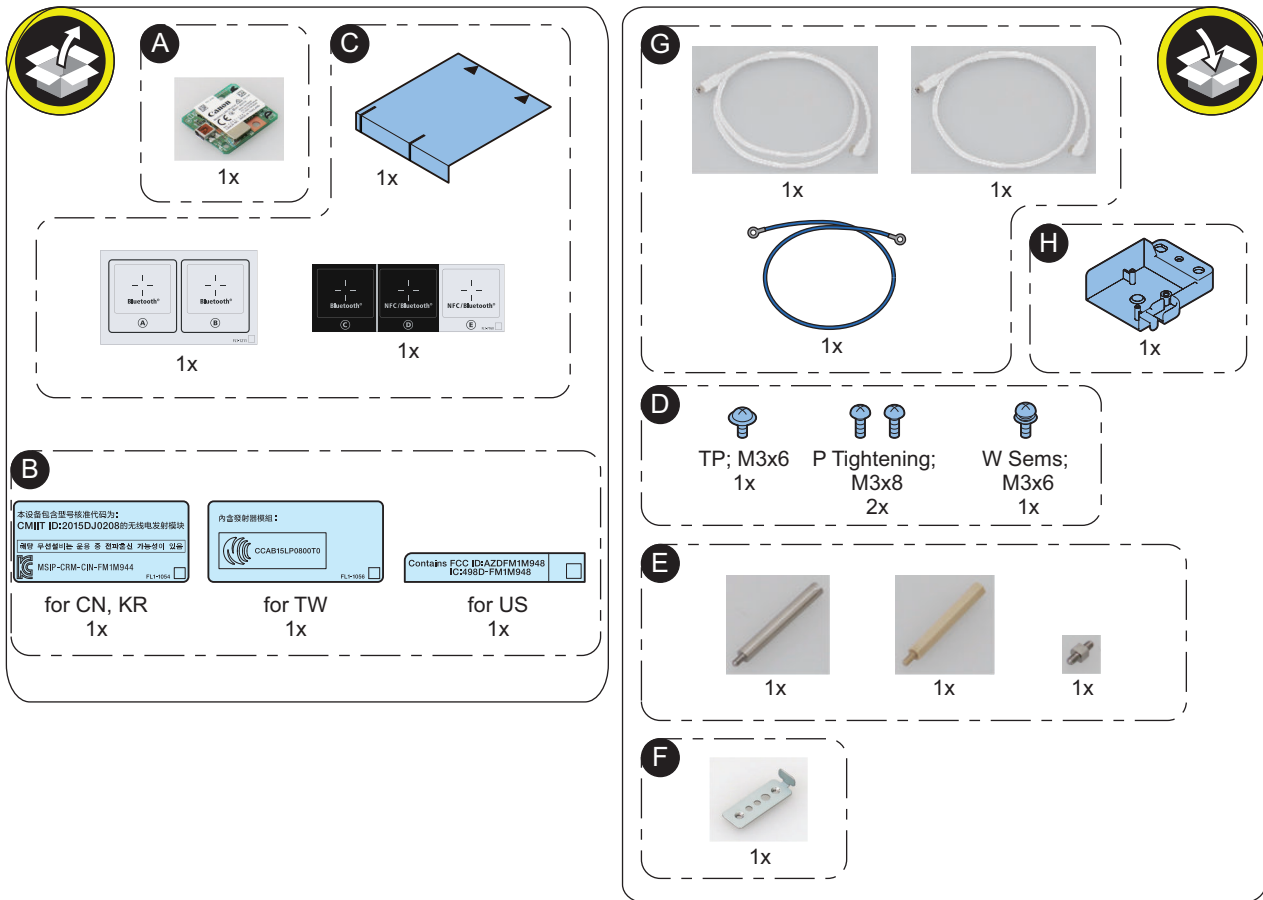
1. When a message prompting to turn OFF and then ON the main power appears, turn OFF and then ON the main power switch.
2. If a message prompting the user to update the version appears, press [Update] to automatically update the version of this equipment.

If [Skip] is selected, a message prompting the user to update the version will appear every time the host machine is started. In the service mode (Lv.2) shown below, it is possible to set not to display the message.

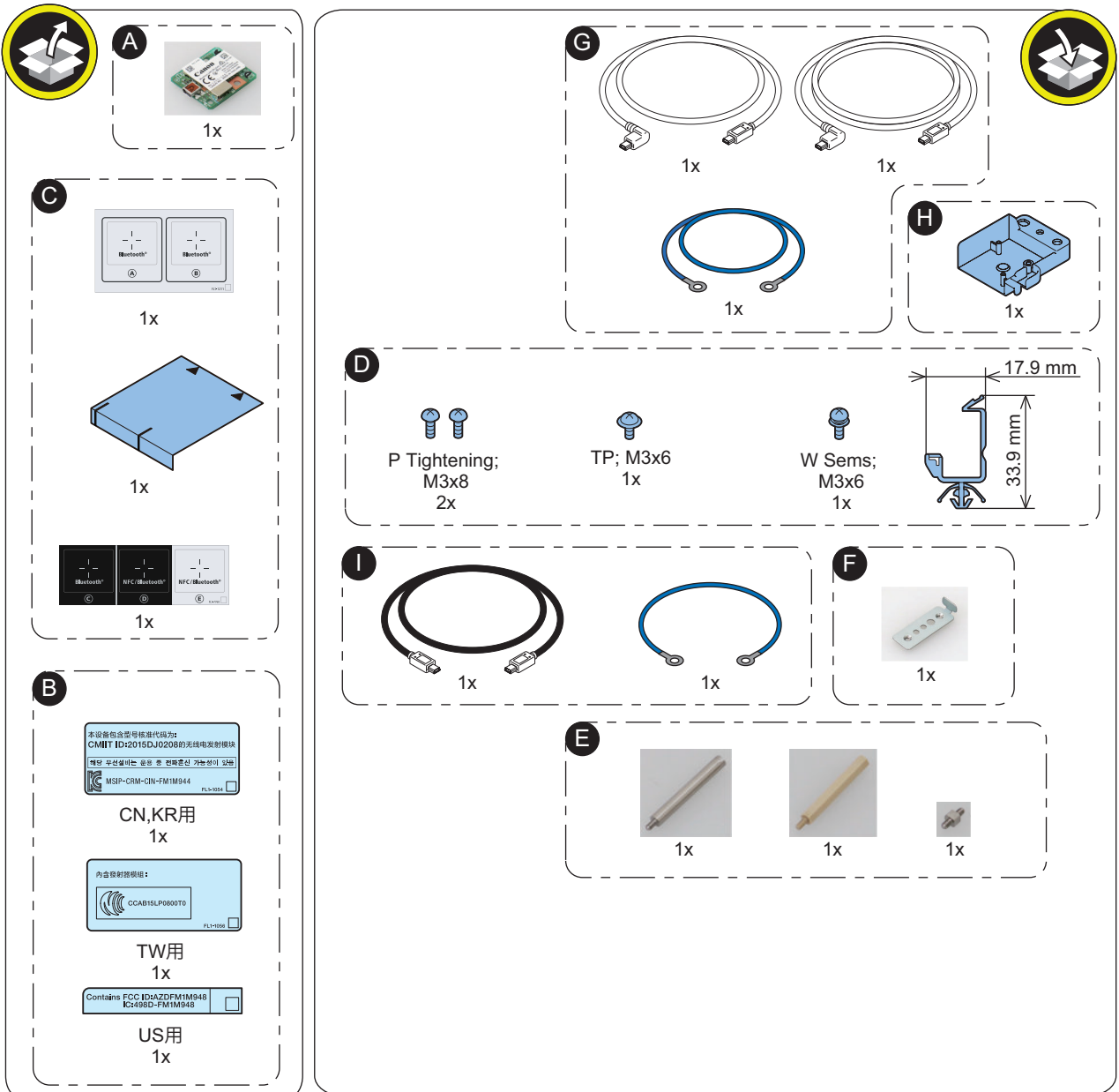
COPIER > OPTION > FNC-SW > VER-CHNG

Checking the Contents

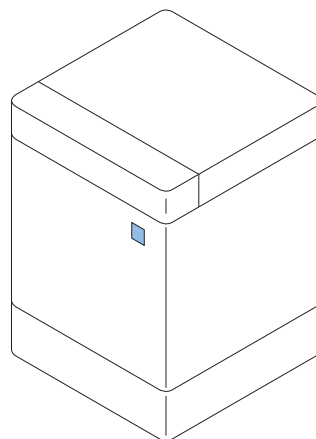
Connection Kit-A2 for Bluetooth LE



Connection Kit-A3 for Bluetooth LE

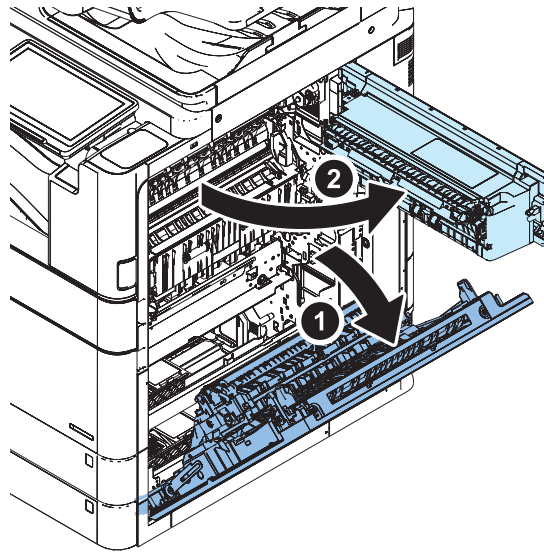


Installation Outline Drawing

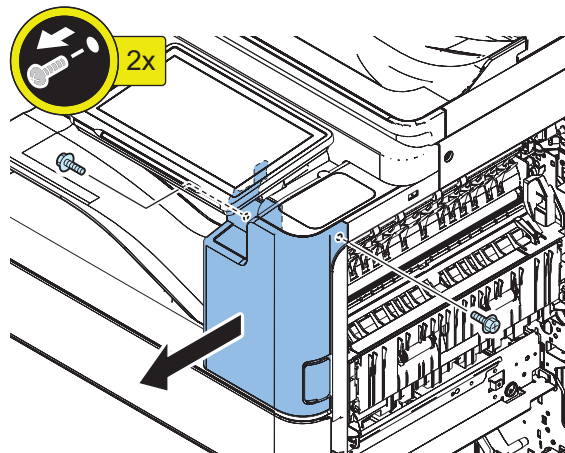


Installation Procedure

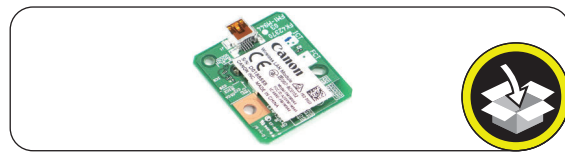
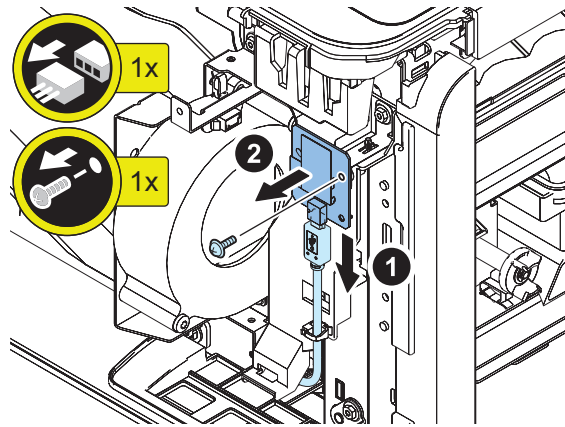
□
1.



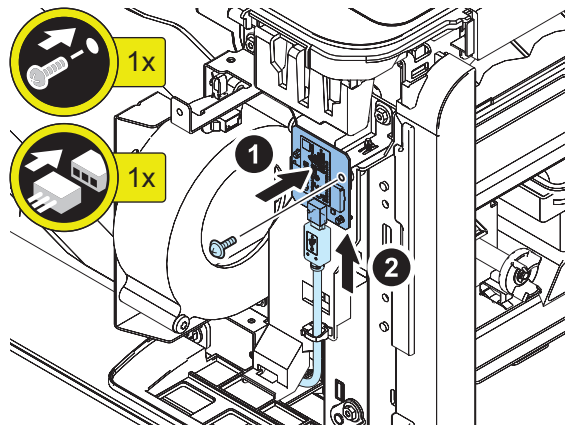
□
2.



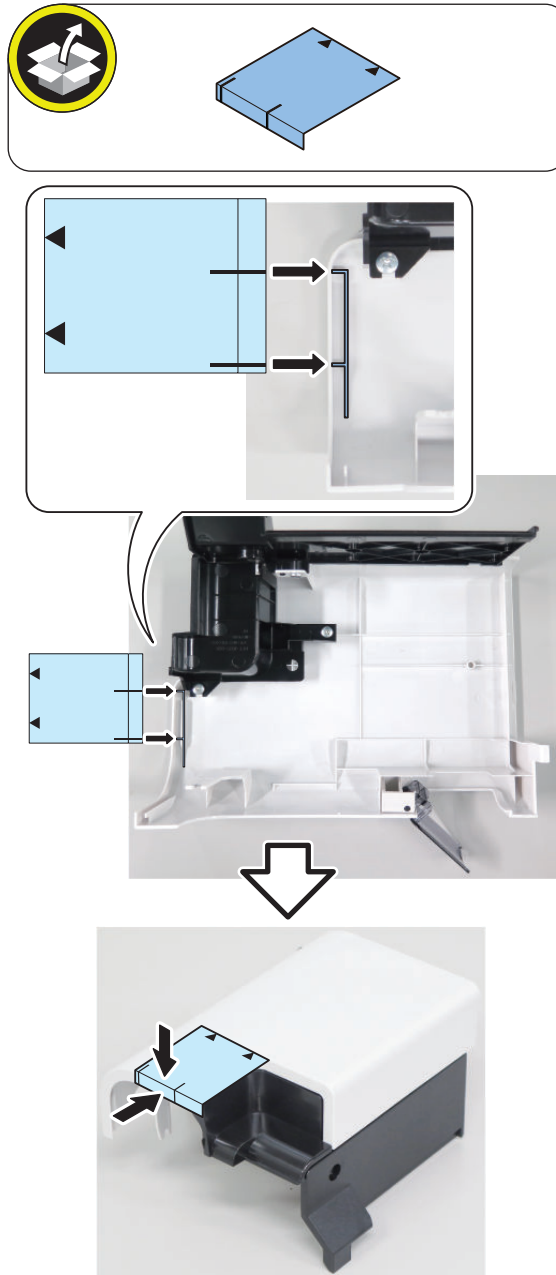
□
3.



□
4.

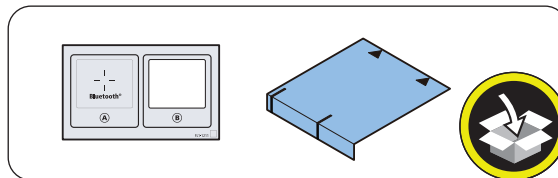
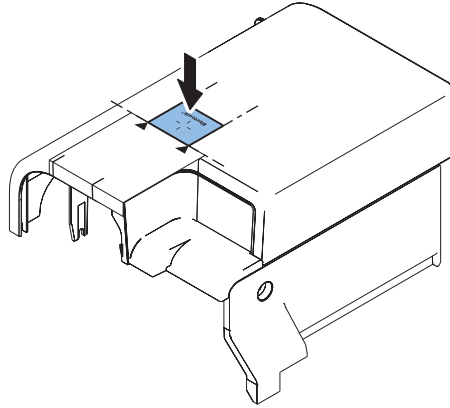
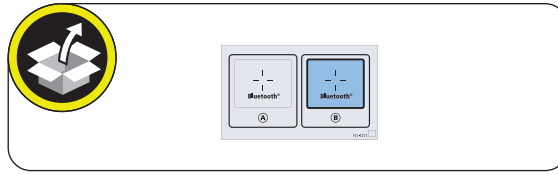


□
5.

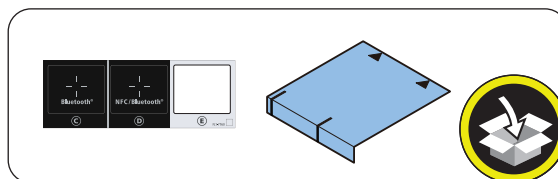
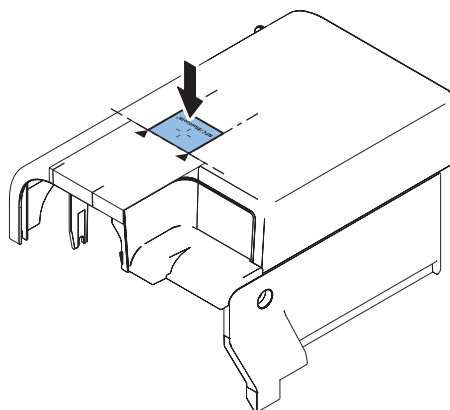
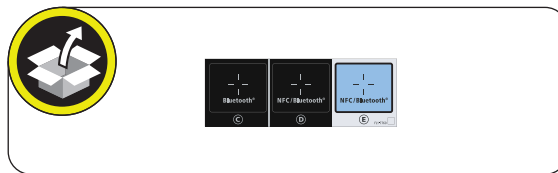


□
6.

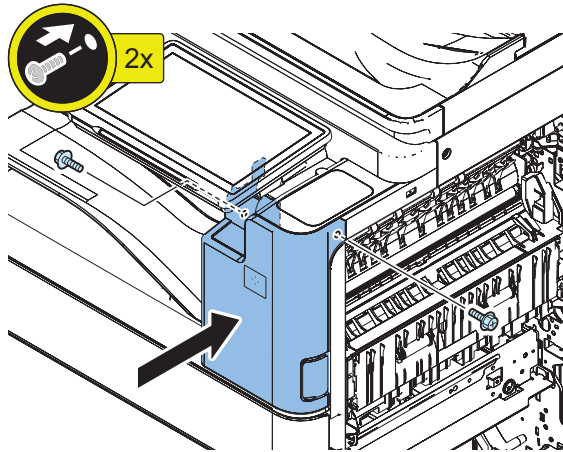
<For Connection Kit for Bluetooth LE>



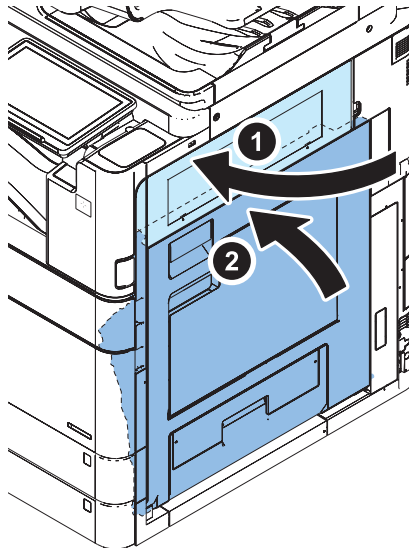
<When the NFC Kit is installed>



□
7.



□
8.

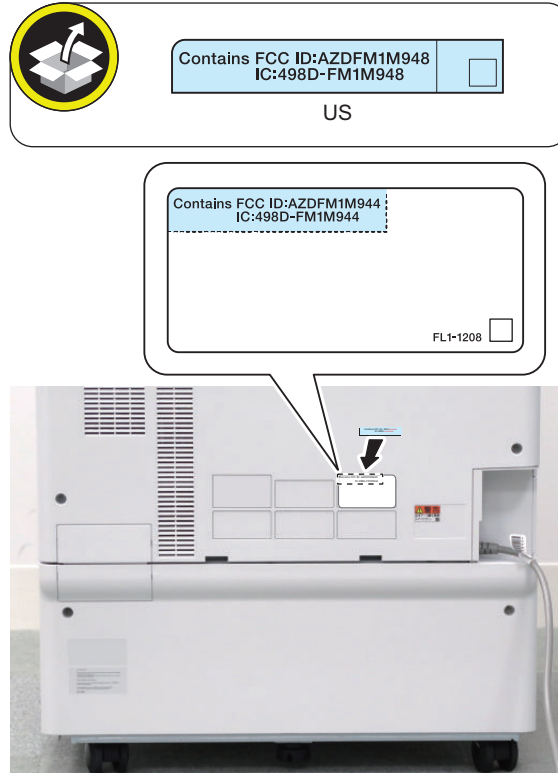


9.

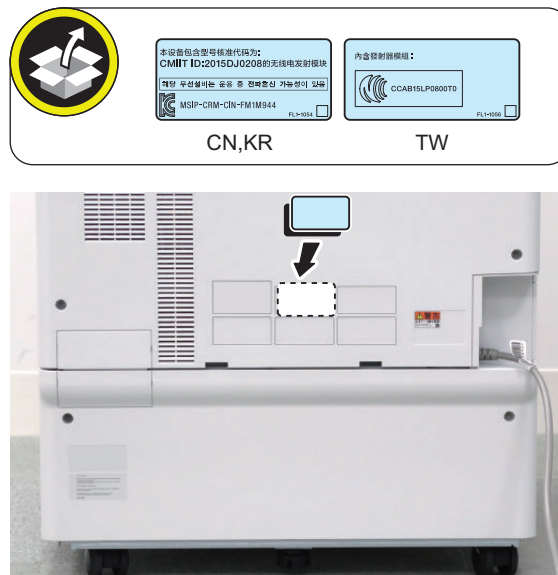
NOTE:

In countries other than the following countries, it is not necessary to affix the Approval Label.

< For US >



< For KR, and TW >



Setting after Installation

□

1. Connect the power plug of the host machine to the outlet.

2. Turn ON the main power switch.
3. Enter service mode, and set the value to "1".
COPIER >FUNCTION > INSTALL > BLE-USE

NOTE:

When [System Manager Information Settings] is set, it is required to log in as a system manager in accordance with instructions of the user administrator.

4. Select [Settings/Registration] > [Preferences] > [Network] > [Confirm Network Connection Setting Changes], and set the item [ON].
5. Select [Settings/Registration] > [Preferences] > [Network] > [Bluetooth Settings] > [Use Bluetooth] > [ON].
6. The message "Perform Apply Setting Changes from Settings/Registration" appears at the bottom of the Touch Panel Display.
7. Press [Settings/Registration] > [Apply Setting Changes] > [Yes].

HDD-related Option

Pre-checks

Points to Note at Installation

CAUTION:

- For TYPE 1 to TYPE 3, be sure to proceed to the procedure for each TYPE after performing [“Removing the HDD \(Preparation\)” on page 262](#)
- When using the mirroring function, be sure to install 2 HDDs of the same capacity.
- If the HDD is replaced with a high-capacity HDD, the HDD needs to be initialized.
- If an HDD containing user information is replaced with a high-capacity HDD (not initial installation), the HDD data needs to be backed up/exported. For details, refer to "Backup Data List" in the Service Manual.

When installing the HDD-related options (the following 4 products), be sure to refer to the pages described in the following table:

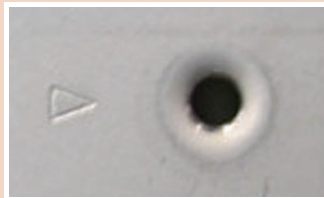
- 2.5inch/250GB HDD-N1
- 2.5inch/1TB HDD-P1
- HDD Mirroring Kit-J1

Title	Combination of products
TYPE-1	“[TYPE-1] Option HDD (1TB)” on page 266
TYPE-2	“Removing the HDD (Preparation)” on page 262 + “[TYPE-2] Standard HDD + Option HDD (250GB) + HDD Mirroring Kit” on page 271
TYPE-3	“Removing the HDD (Preparation)” on page 262 + “[TYPE-3] 2 Option HDDs (1TB) + HDD Mirroring Kit” on page 285

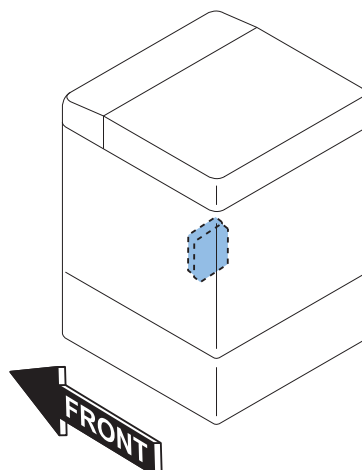
CAUTION:

Marked portion

When tightening the screws, do not tighten them too tightly. Otherwise, there is a risk of damage and deformation of screw holes.



Installation Outline Drawing



Removing the HDD (Preparation)

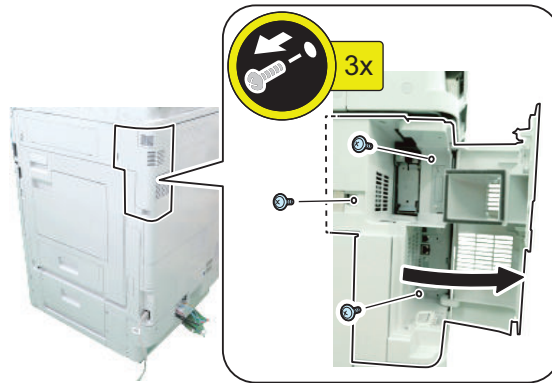
CAUTION:

[TYPE-1] For Option HDD (1TB), skip this procedure.

For other TYPEs, be sure to proceed to each installation procedure after performing this procedure.

Removed screws will be reused in the installation procedure of each TYPE.

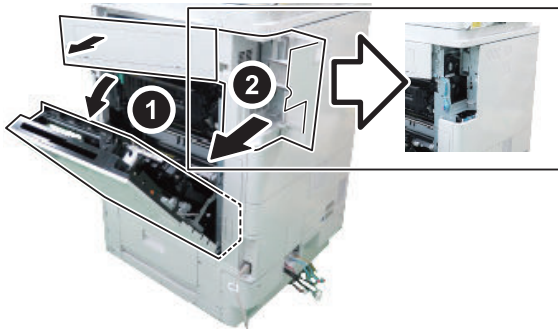
□
1.



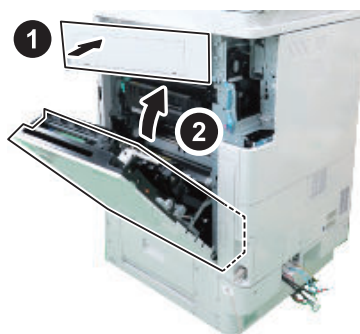
□
2.

NOTE:

The Right Upper Cover will open at the same time.

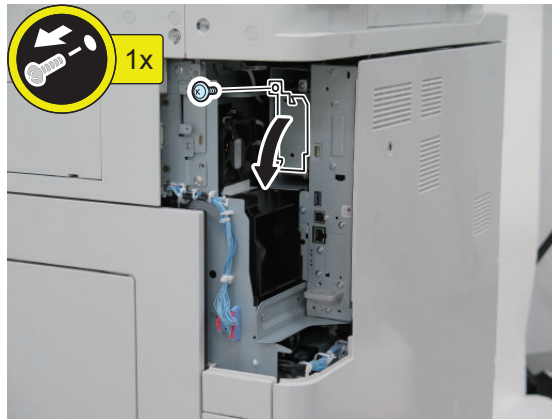


□
3.

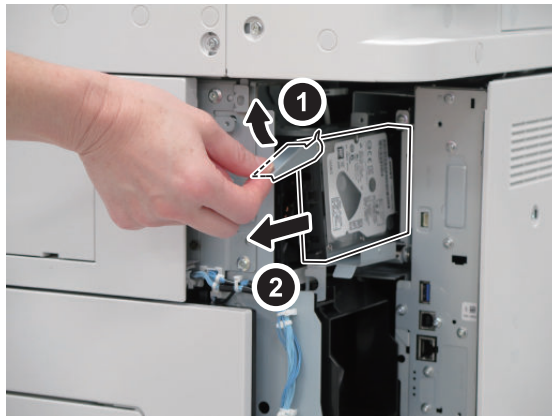


□
4.**NOTE:**

The removed screw will not be used to install the Removable HDD Kit.

□
5.**NOTE:**

When replacing the HDD with an Option HDD (1TB), the removed HDD will not be used.

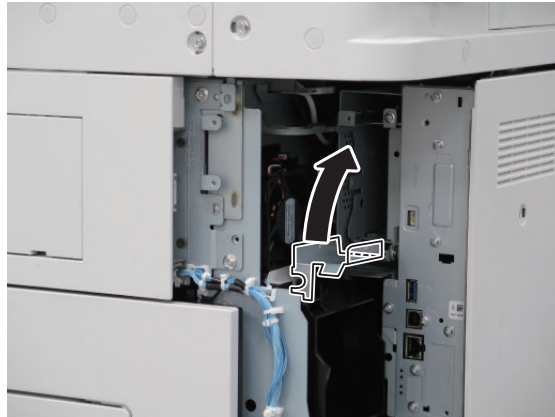


□

6.

NOTE:

Do not tighten the screw here.

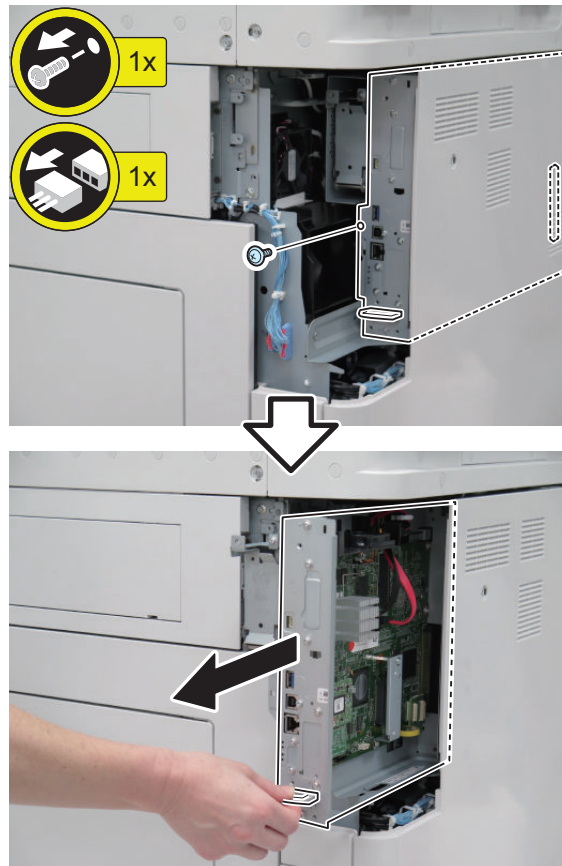


□

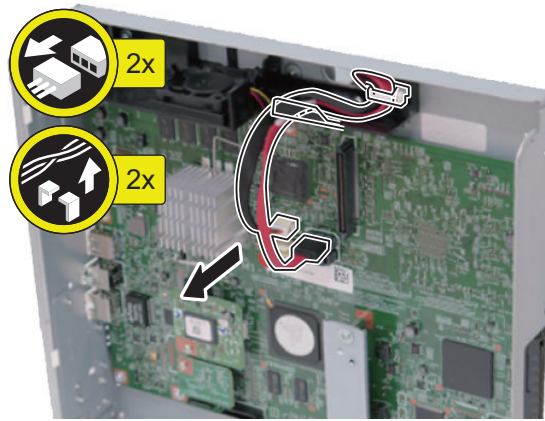
7.

NOTE:

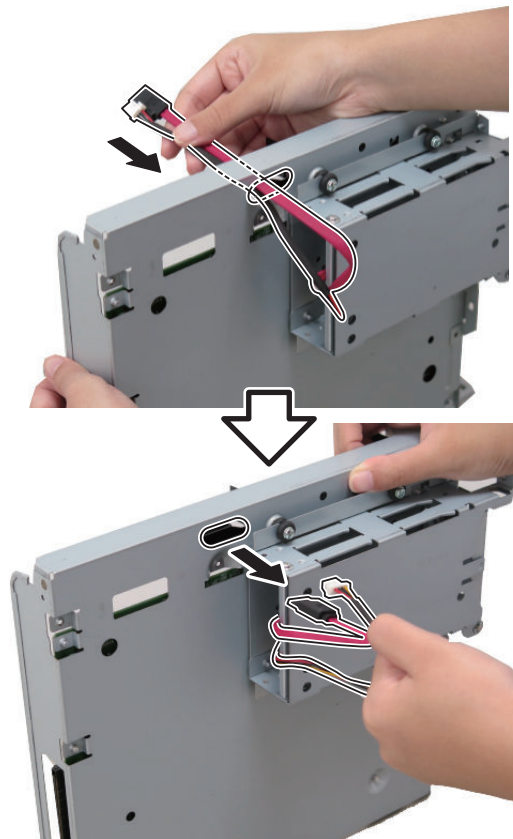
Hold the handle to remove the Main Controller PCB 1.



□
8.



□
9.



[TYPE-1] Option HDD (1TB)

■ Checking the Contents



■ Essential Items to Be Performed Before Installation

- Turn OFF the main power of the host machine, and disconnect the power plug from the outlet.

WARNING:

- If performing work without disconnecting the power plug of the host machine, it may cause electrical shock.
- If disconnecting the power plug without turning OFF the main power, it may cause damage of the machine.

- When turning OFF the main power, follow the below procedure.
 1. Turn OFF the main power switch of the host machine.
 2. The display in the Control Panel and the lamp of the main power are turned off.

■ Points to Note When Turning ON/OFF the Main Power

The following message is displayed.

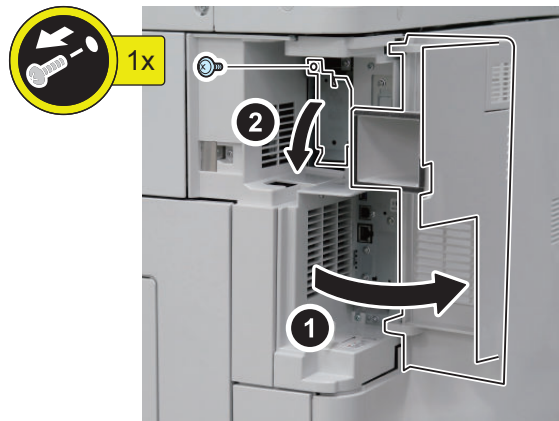
1. When a message prompting to turn OFF and then ON the main power appears, turn OFF and then ON the main power switch.
2. If a message prompting the user to update the version appears, press [Update] to automatically update the version of this equipment.

If [Skip] is selected, a message prompting the user to update the version will appear every time the host machine is started. In the service mode (Lv. 2) shown below, it is possible to set not to display the message.

COPIER > OPTION > FNC-SW > VER-CHNG

■ Installation Procedure

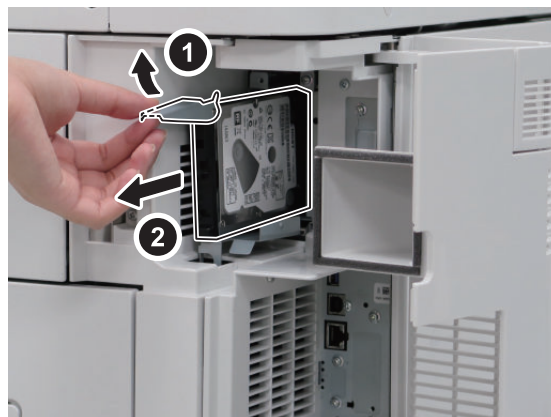
□
1.



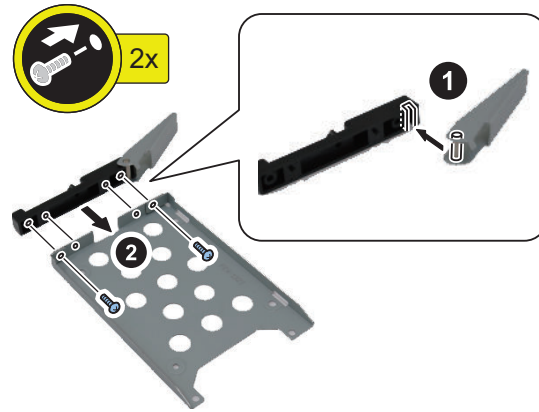
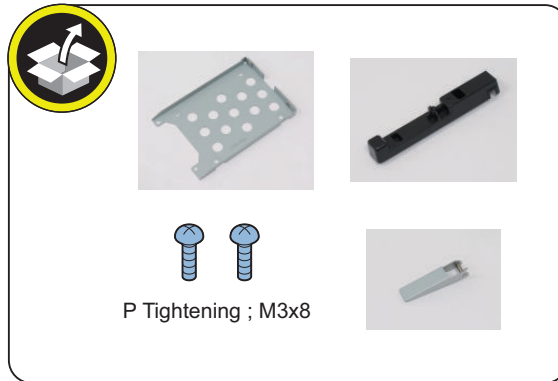
NOTE:

The removed screw will be used in step 6.

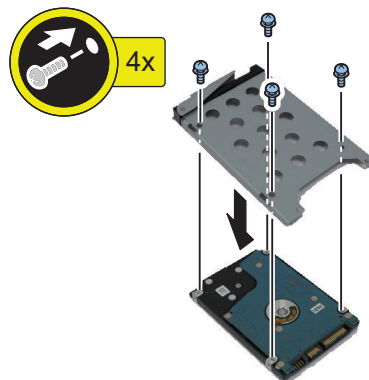
□
2.



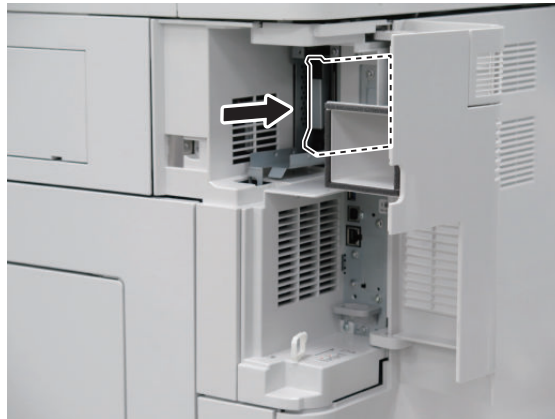
□
3.



□
4.

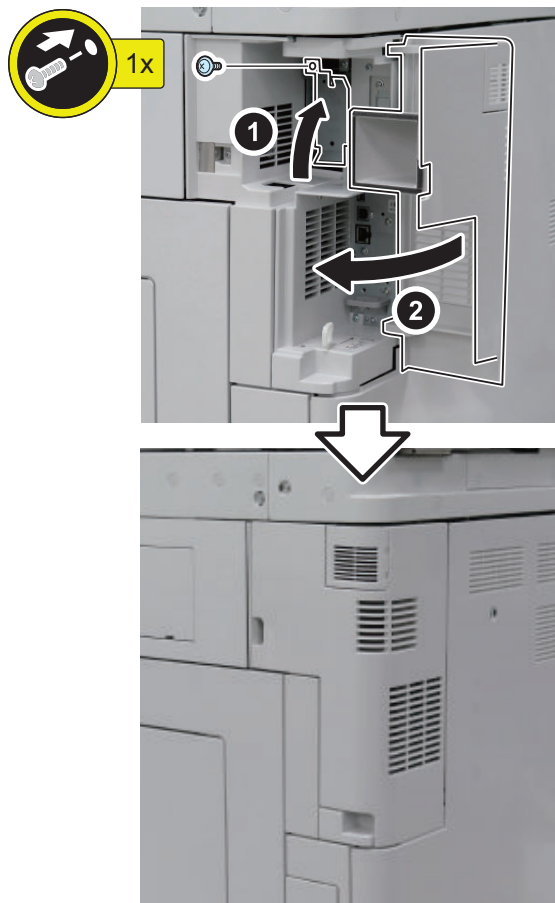


□
5.



□
6.

NOTE:
Use the screw removed in step 1.



■ HDD Initialization Procedure

1. Requirements

1. PC
Service Support Tool in the version that supports this host machine must be installed.
2. Cross Ethernet Cable (when SST is used)

2. Preparing for the Installation of the System Software of Host machine

1. If both PC and the machine are on, turn them off.
2. Connect the PC and the host machine using an Cross Ethernet cable. (when SST is used)
3. Turn on the PC.

3. Registering the system software

1. Insert the latest System Software into the PC using the SST.
2. Start the SST.
3. Click 'Register Firmware'.
4. Select the drive where the system software has been inserted, and click the [SEARCH] button.
5. Click the [REGISTER] button.
6. Click [OK].

4. Initializing HDD

<In case of SST>

1. Start the host machine with download mode in safe mode.
2. Start the SST.
3. Select the model. Then, select [Single] and click [Start].
4. Click [Format HDD].
5. Select [All], and click [Start].
6. Click [Execute Format].
7. The Format is executed.
8. Select [Shutdown/Restart], and click [Shutdown].
9. Click [OK]
10. The power of the host machine is turned OFF.
11. Terminate the SST.
12. Disconnect the Cross Ethernet Cable from the machine, and connect the user's network cable to the machine.

<In case of USB flash drive>

1. Connect the USB flash drive to the PC.
2. Start up SST, and click the USB icon displayed in the target selection screen.
3. Select the drive, the model series, and the version to be written to the USB flash drive, and click [Confirm].
4. Click [Start], and after the version has been written to the USB flash drive, click [OK] and then remove the USB flash drive.
5. Terminate the SST.
6. Connect the USB flash drive to the host machine, and start the host machine with download mode in safe mode.
7. When the USB menu is displayed, press keys on the Control Panel in the order shown below.
 - [4]: Clear/Format
 - [1]: Disk Format
 - [0]: OK
 - Press any keys.
 - [C]: Return to menu
 - [Reset] : Start shutdown sequence
 - [0]: OK (The power of the host machine is turned OFF automatically.)
8. Remove the USB flash drive.
9. Turn ON the main power switch.

■ Executing Auto Gradation Adjustment

When the high-capacity HDD is installed, the machine initializes its HDD, resetting the data used for auto gradation correction. Therefore, execute full adjustment of auto gradation adjustment after installing the high-capacity HDD to enable proper images to be output.

■ Execution of the Minimum Installation Work

Be sure to execute the minimum installation work in accordance with the Setup Guide because HDD is initialized when the high-capacity HDD is installed.

● [TYPE-2] Standard HDD + Option HDD (250GB) + HDD Mirroring Kit

■ Checking the Contents

<Option HDD (250 GB)>

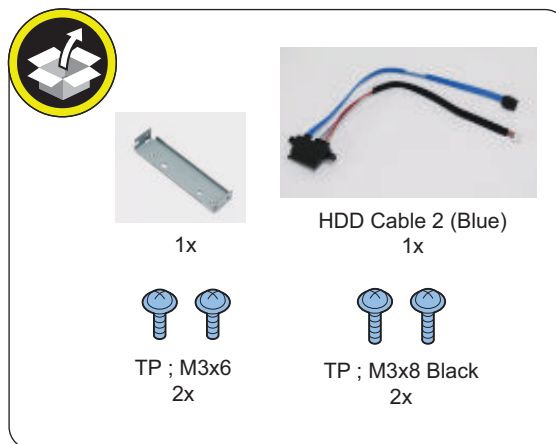
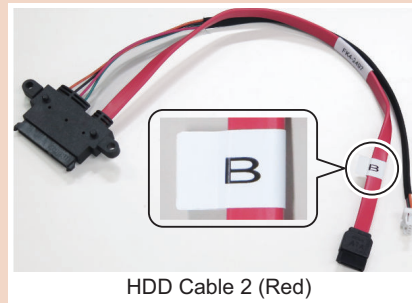


<HDD Mirroring Kit>

CAUTION:

Although the red cable shown below may sometimes be supplied in lieu of the HDD Cable 2 (Blue), the procedure for connecting the red cable is the same as that for the blue cable.

When connecting the cable to the Controller PCB, make sure to first confirm that the sticker [B] is attached to the cable and then connect the cable to the Controller PCB.



<Others>

- Guides are included

■ Essential Items to Be Performed Before Installation

- Turn OFF the main power of the host machine, and disconnect the power plug from the outlet.

⚠ WARNING:

- If performing work without disconnecting the power plug of the host machine, it may cause electrical shock.
- If disconnecting the power plug without turning OFF the main power, it may cause damage of the machine.

- When turning OFF the main power, follow the below procedure.
 1. Turn OFF the main power switch of the host machine.
 2. The display in the Control Panel and the lamp of the main power are turned off.

■ Points to Note When Turning ON/OFF the Main Power

The following message is displayed.

1. When a message prompting to turn OFF and then ON the main power appears, turn OFF and then ON the main power switch.
2. If a message prompting the user to update the version appears, press [Update] to automatically update the version of this equipment.

If [Skip] is selected, a message prompting the user to update the version will appear every time the host machine is started. In the service mode (Lv. 2) shown below, it is possible to set not to display the message.

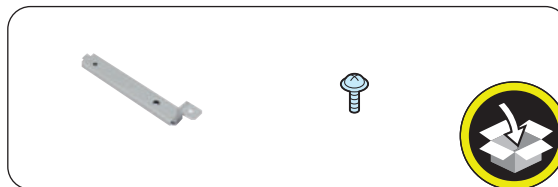
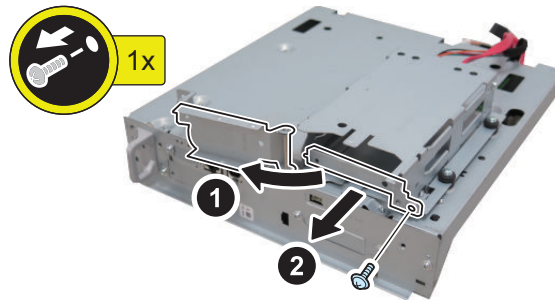
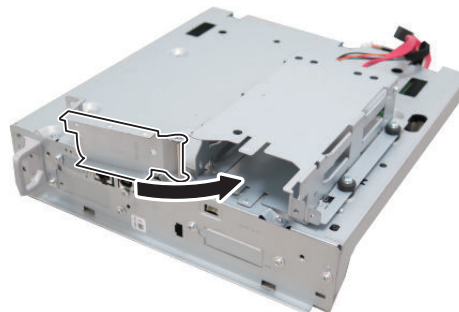
COPIER > OPTION > FNC-SW > VER-CHNG

■ Installation Procedure

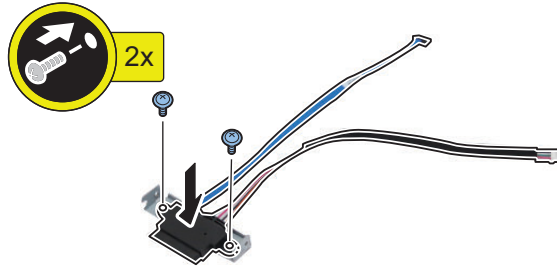
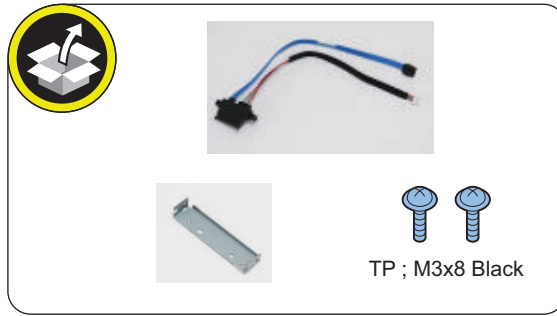
CAUTION:

Be sure to perform “Removing the HDD (Preparation)” on page 262 before performing the following work.

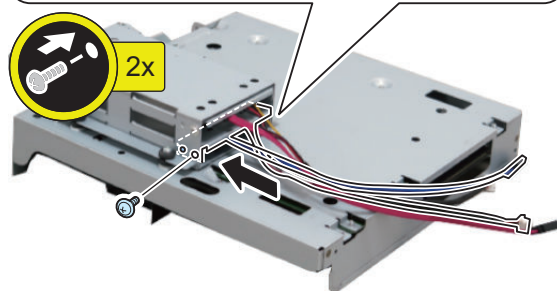
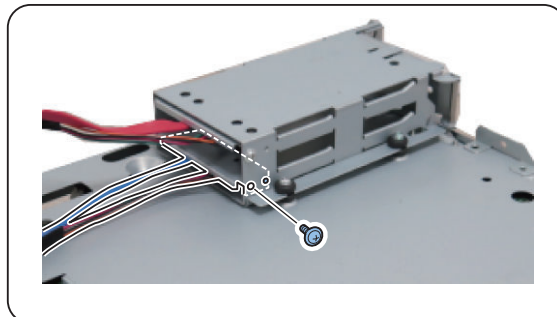
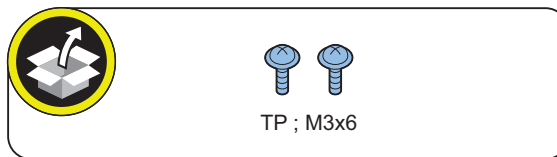
● Installing the HDD Mirroring Kit

1.**2.**

□
3.

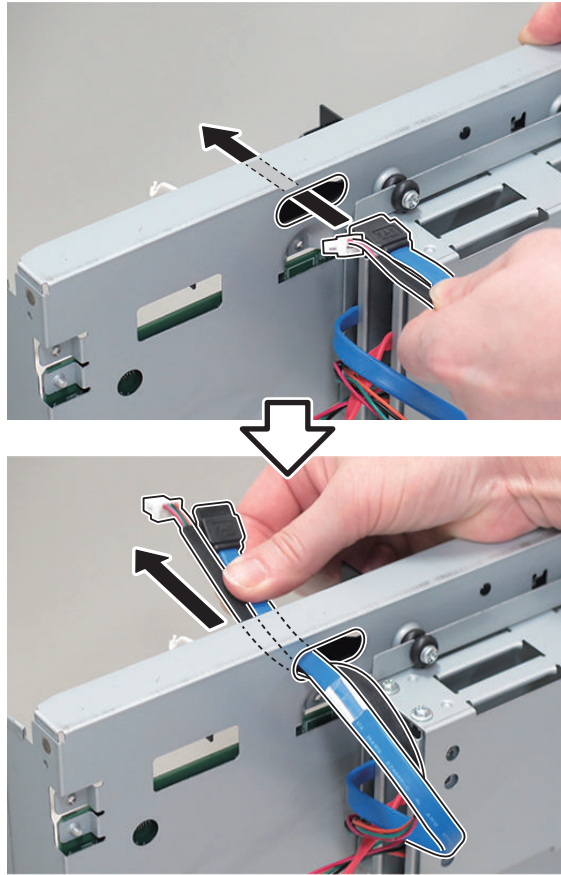


□
4.



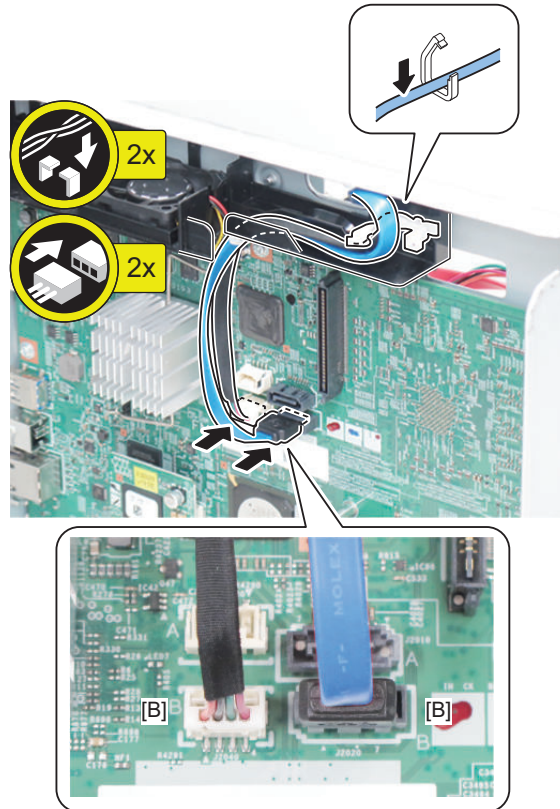
□
5.**NOTE:**

Pass the HDD Cable 2 (Blue) or the HDD Cable 2 (Red) with a sticker labeled [B] through the hole.

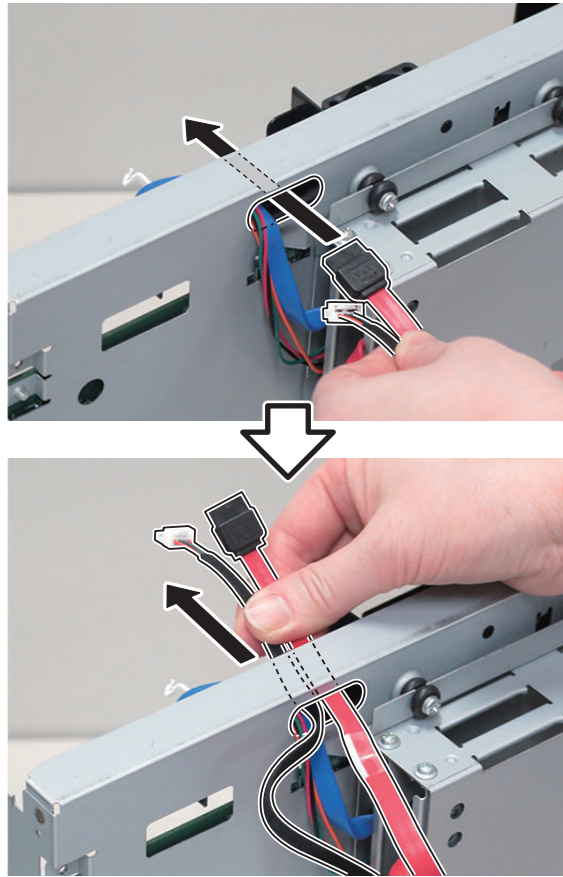


□
6.**CAUTION:**

- Be sure to connect the communication cable to the correct port.
- Connect the HDD Cable 2 (Blue) or the HDD Cable 2 (Red) with a sticker labeled [B] to [B] on the Controller PCB.



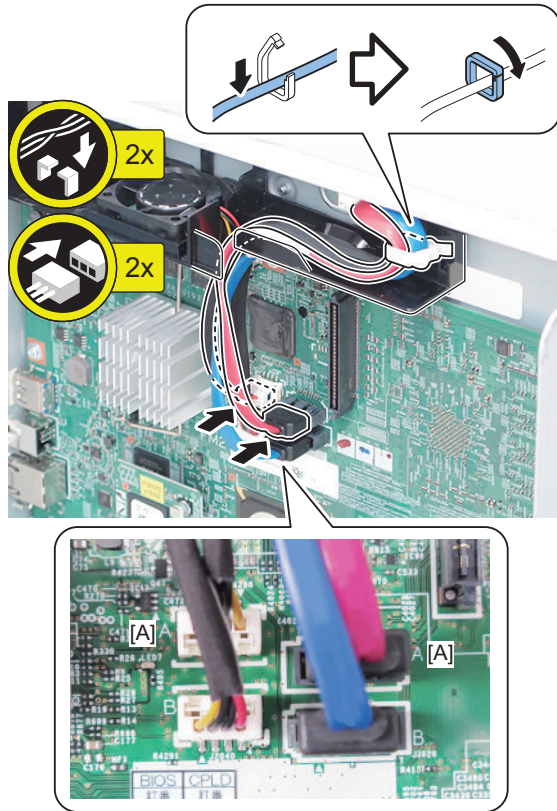
□
7.



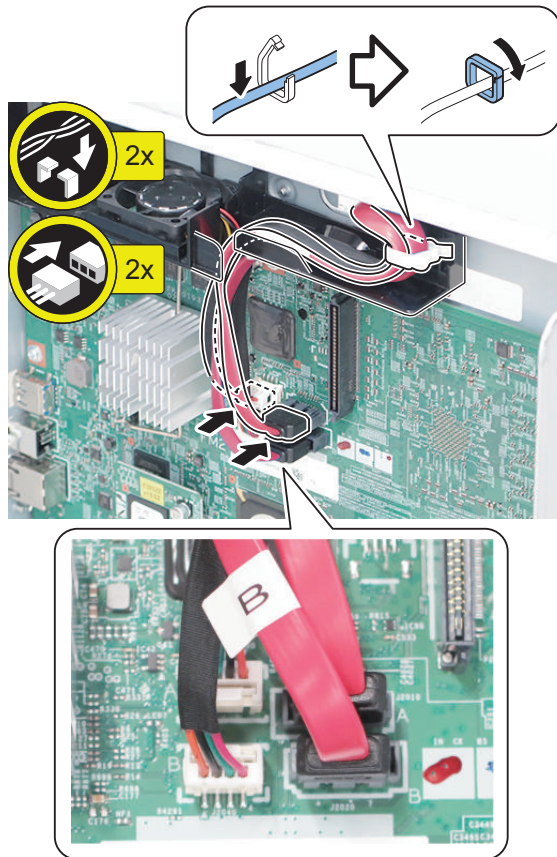
□
8.**CAUTION:**

Connect the HDD Cable 1 (Red) to [A] on the Controller PCB.

<When using the HDD Cable 2 (Blue)>

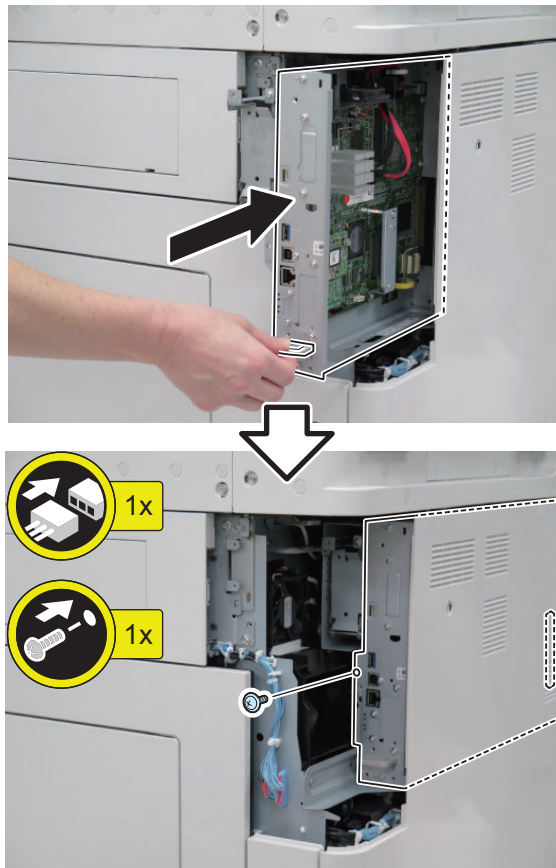
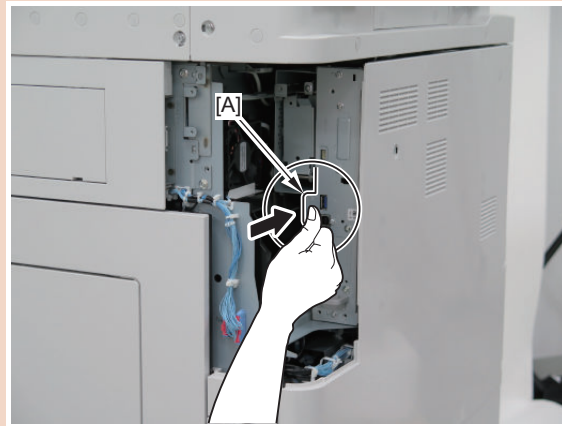


<When using the HDD Cable 2 (Red) >

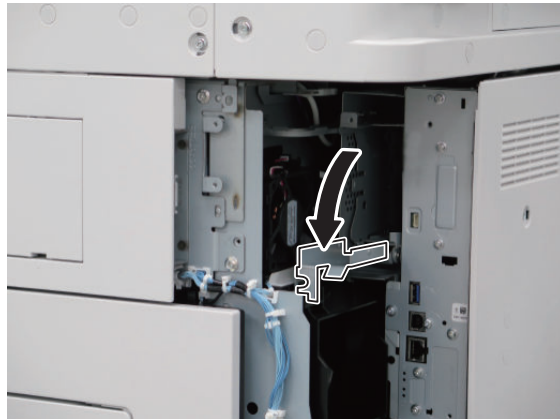


□
9.**CAUTION:**

- Be sure to insert the Main Controller PCB 1 until it stops.
- Be sure to push the [A] part hard to install it as it may otherwise result in poor contact of the connector.

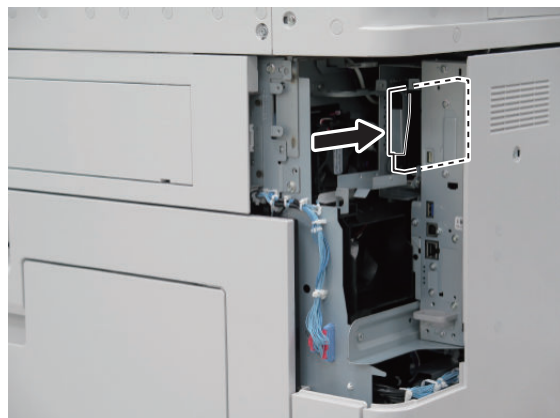


□
10.



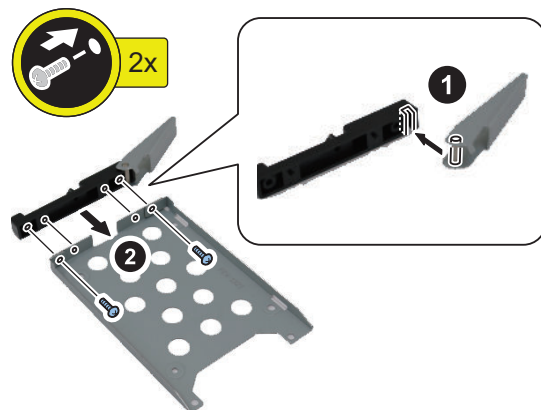
□
11.

NOTE:
Put the HDD removed from the host machine back in the Slot 1 (Left).

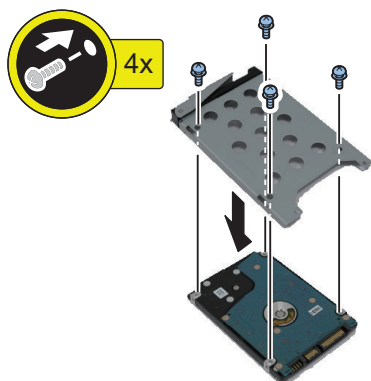


• Assembling and Installing the Option HDD

□
1.

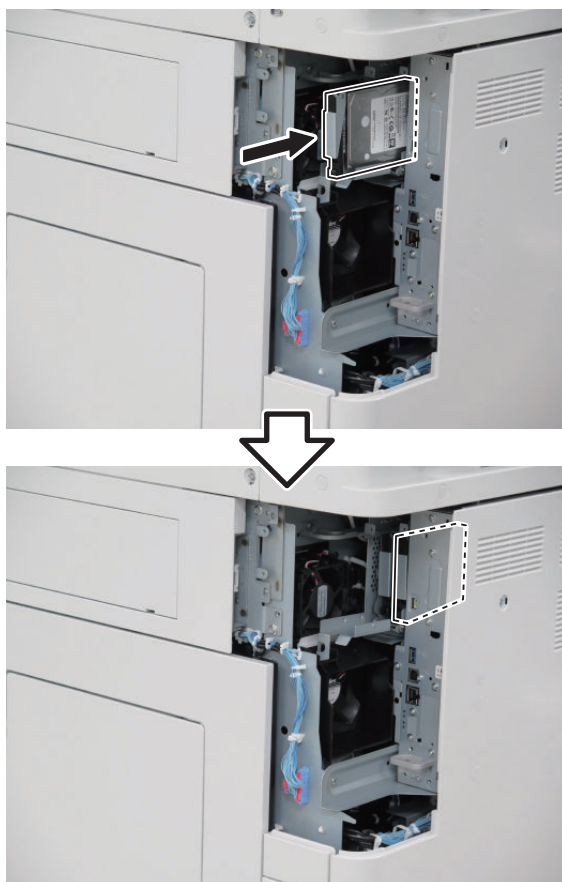


□
2.



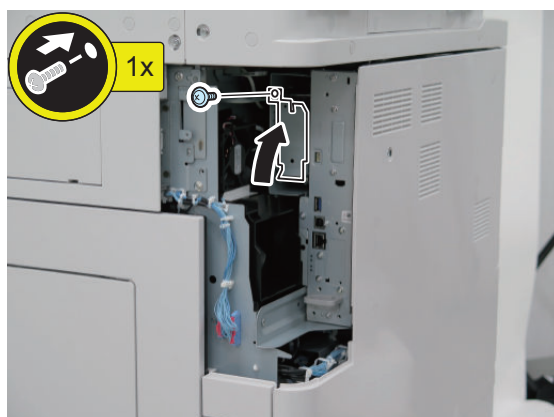
□
3.

NOTE:
Install the Option HDD to the Slot 2 (Right).



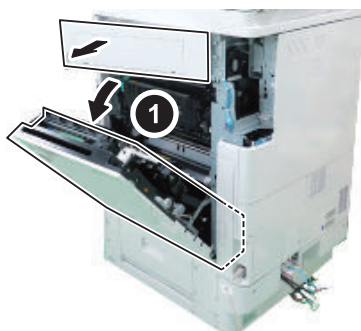
□
4.

NOTE:
Use the screw removed in step 4 of "Removing the HDD (Preparation)".

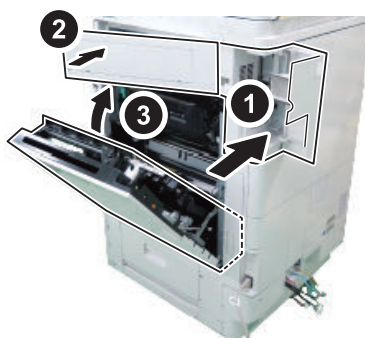


□
5.

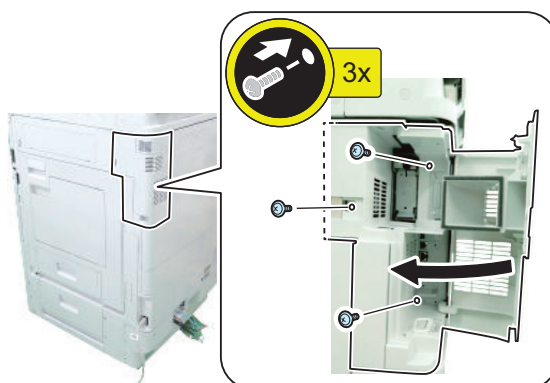
NOTE:
The Right Upper Cover will open at the same time.



□
6.



□
7.



■ Setting the Mirroring

□

1. Set the setting value for the mirroring to "1" in the following service mode.
COPIER > OPTION > FNC-SW > W/RAID
2. Turn OFF/ON the main power of the host machine to enable the setting value.
3. Make sure that the UI screen is activated correctly.

4. Open the Cover, and make sure that the LED blinks.

NOTE:

Rebuilding starts approximately after 3 minutes after turning OFF and then ON the power.

- HDD 1 (Slot 1): The green LED blinks.
- HDD 2 (Slot 2): The green and red LEDs blink.

CAUTION:

Rebuild process starts after setting "1" for W/RAID.

If an error occurs during the rebuild process at the initial installation the hard disk needs to be replaced. (Call service rep.), reexecute the process with the following procedure.

1. Check that the lighting red LED is HDD2.
2. Select "0" for the following service mode.
COPIER > OPTION > FNC-SW > W/RAID
3. To enable the setting value, turn OFF/ON the Main Power Supply Switch of the host machine.
4. Select "1" for the following service mode.
COPIER > OPTION > FNC-SW > W/RAID
5. To enable the setting value, turn OFF/ON the Main Power Supply Switch of the host machine.

The foregoing procedure is limited to the rebuild process at the initial installation.

An error during the rebuild process that is executed during operation is not included in the consideration.

[TYPE-3] 2 Option HDDs (1TB) + HDD Mirroring Kit

■ Checking the Contents

<Option HDD (1TB)>

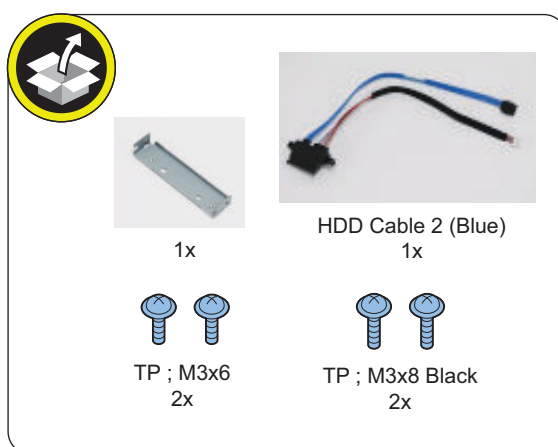
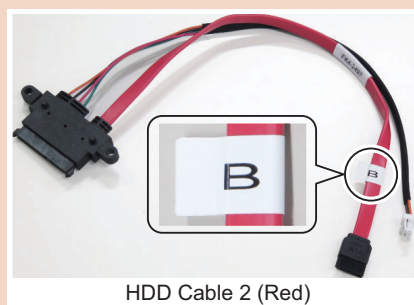


<HDD Mirroring Kit>

CAUTION:

Although the red cable shown below may sometimes be supplied in lieu of the HDD Cable 2 (Blue), the procedure for connecting the red cable is the same as that for the blue cable.

When connecting the cable to the Controller PCB, make sure to first confirm that the sticker [B] is attached to the cable and then connect the cable to the Controller PCB.



<Others>

- Guides are included

■ Essential Items to Be Performed Before Installation

- Turn OFF the main power of the host machine, and disconnect the power plug from the outlet.

⚠ WARNING:

- If performing work without disconnecting the power plug of the host machine, it may cause electrical shock.
- If disconnecting the power plug without turning OFF the main power, it may cause damage of the machine.

- When turning OFF the main power, follow the below procedure.
 1. Turn OFF the main power switch of the host machine.
 2. The display in the Control Panel and the lamp of the main power are turned off.

■ Points to Note When Turning ON/OFF the Main Power

The following message is displayed.

1. When a message prompting to turn OFF and then ON the main power appears, turn OFF and then ON the main power switch.
2. If a message prompting the user to update the version appears, press [Update] to automatically update the version of this equipment.

If [Skip] is selected, a message prompting the user to update the version will appear every time the host machine is started. In the service mode (Lv. 2) shown below, it is possible to set not to display the message.

COPIER > OPTION > FNC-SW > VER-CHNG

■ Installation Procedure

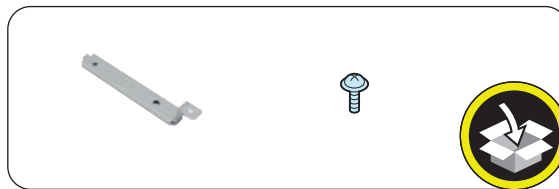
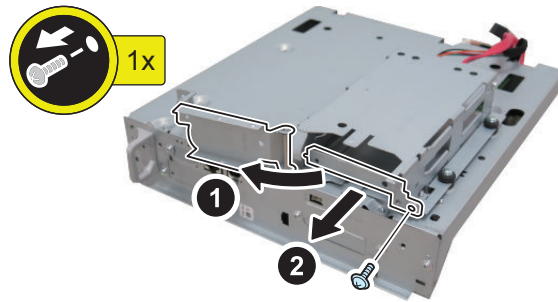
CAUTION:

Be sure to perform “Removing the HDD (Preparation)” on page 262 before performing the following work.

● Installing the HDD Mirroring Kit

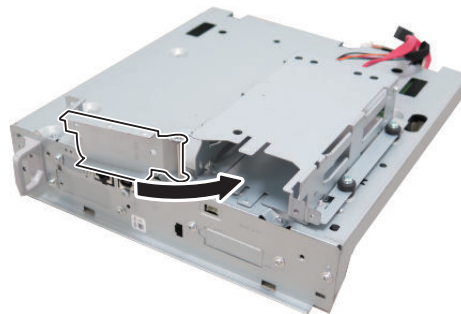
□

1.

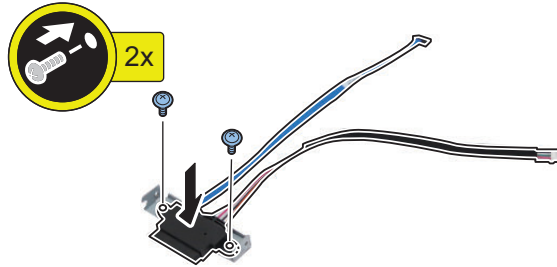
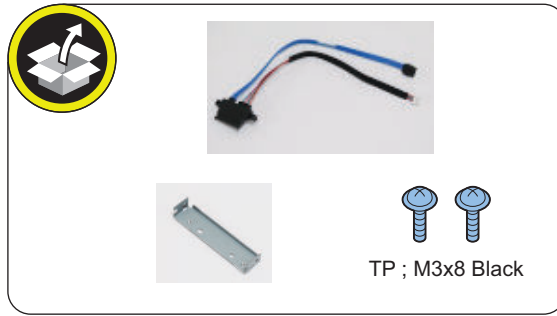


□

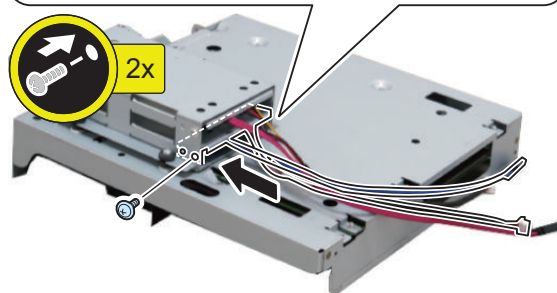
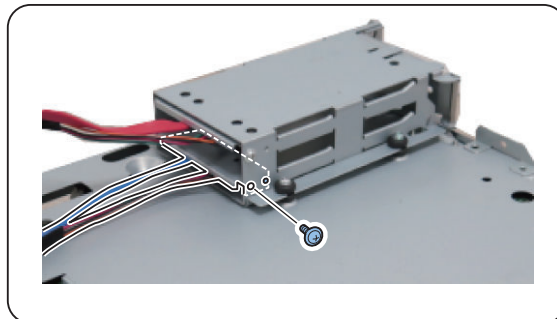
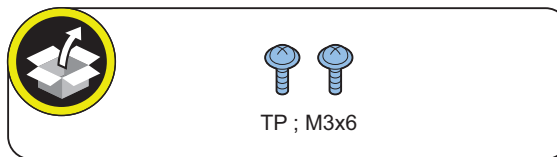
2.



□
3.

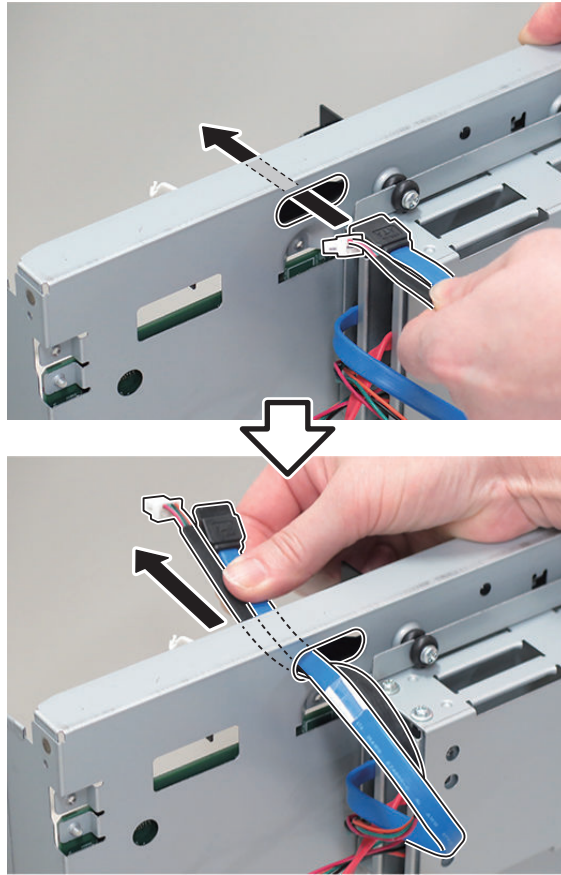


□
4.



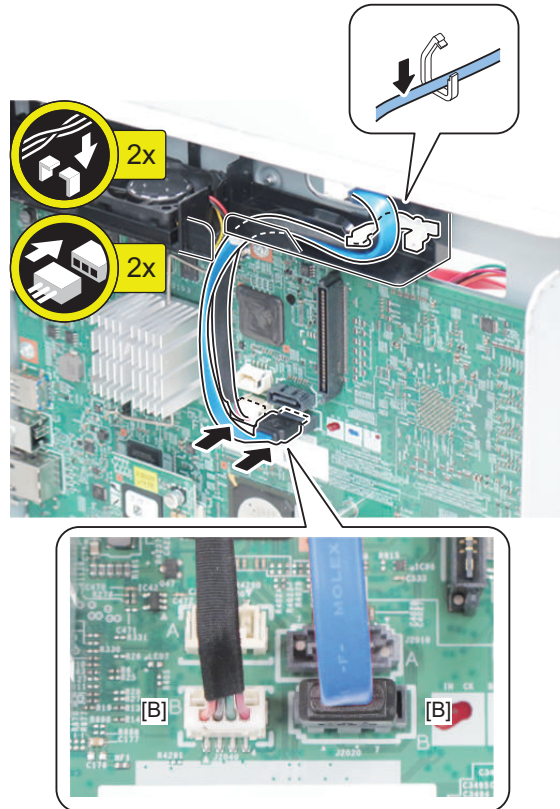
□
5.**NOTE:**

Pass the HDD Cable 2 (Blue) or the HDD Cable 2 (Red) with a sticker labeled [B] through the hole.

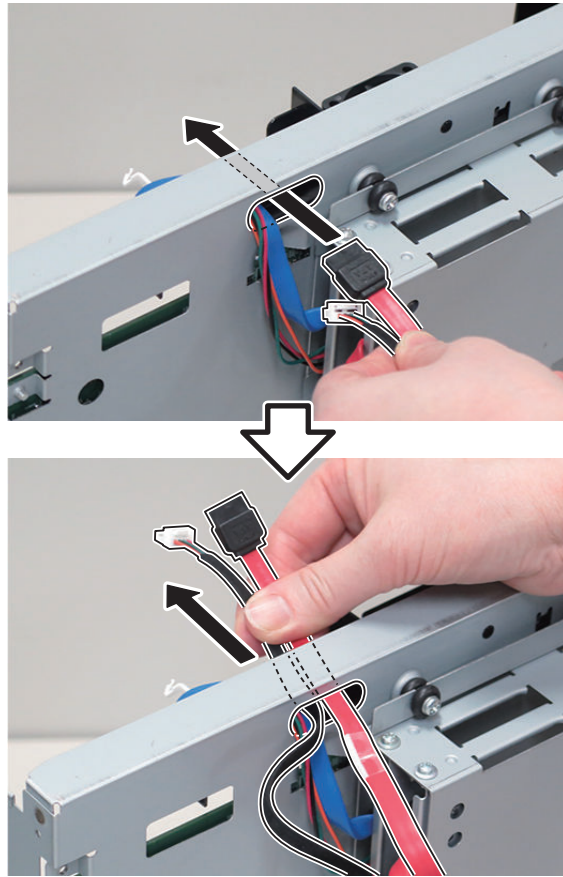


□
6.**CAUTION:**

- Be sure to connect the communication cable to the correct port.
- Connect the HDD Cable 2 (Blue) or the HDD Cable 2 (Red) with a sticker labeled [B] to [B] on the Controller PCB.



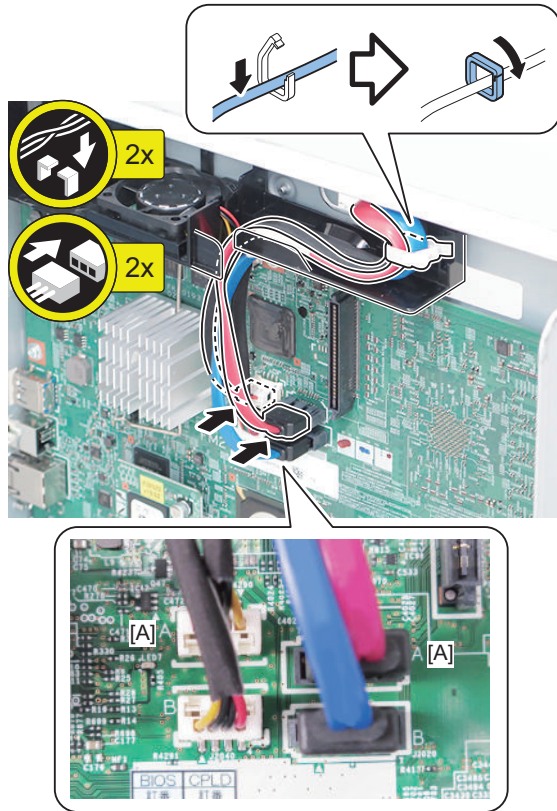
□
7.



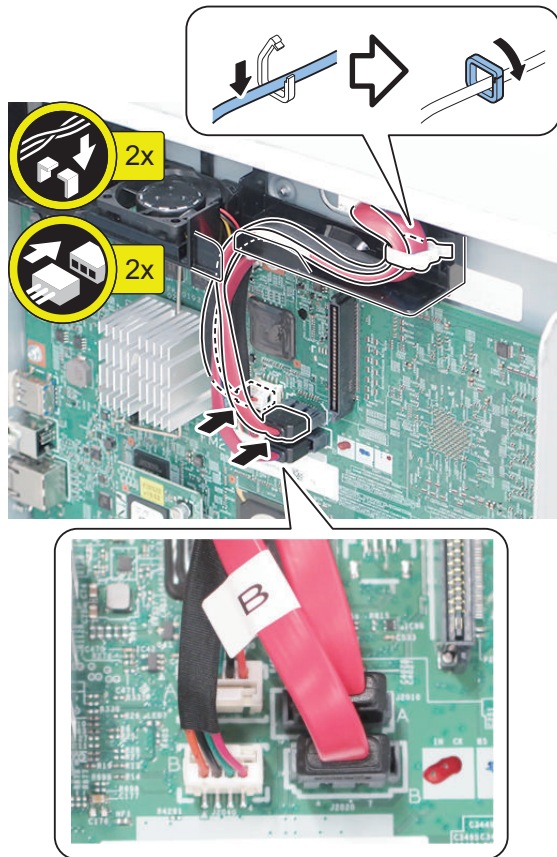
□
8.**CAUTION:**

Connect the HDD Cable 1 (Red) to [A] on the Controller PCB.

<When using the HDD Cable 2 (Blue)>

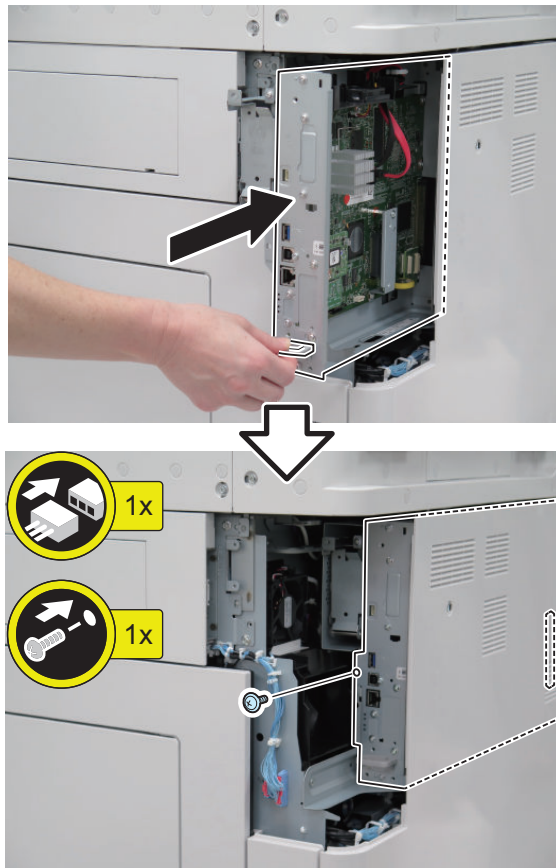
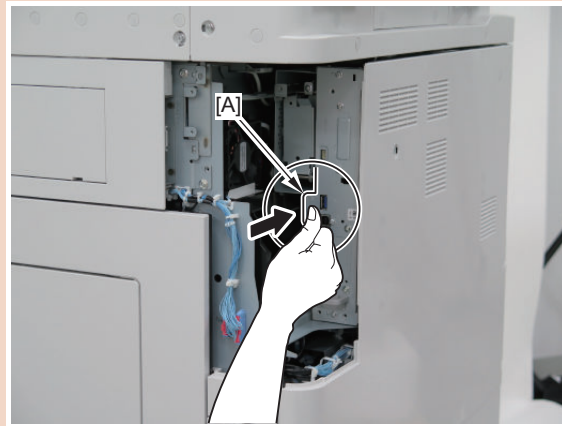


<When using the HDD Cable 2 (Red)>

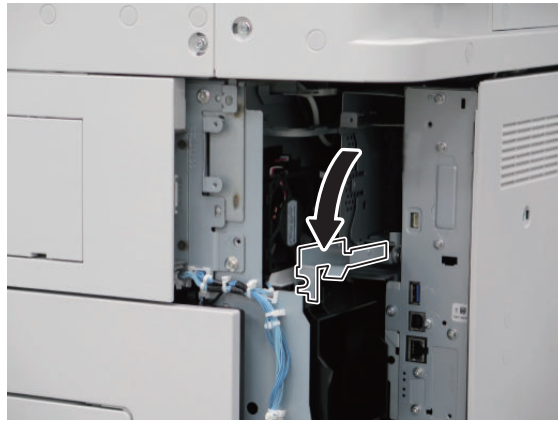


□
9.**CAUTION:**

- Be sure to insert the Main Controller PCB 1 until it stops.
- Be sure to push the [A] part hard to install it as it may otherwise result in poor contact of the connector.



□
10.

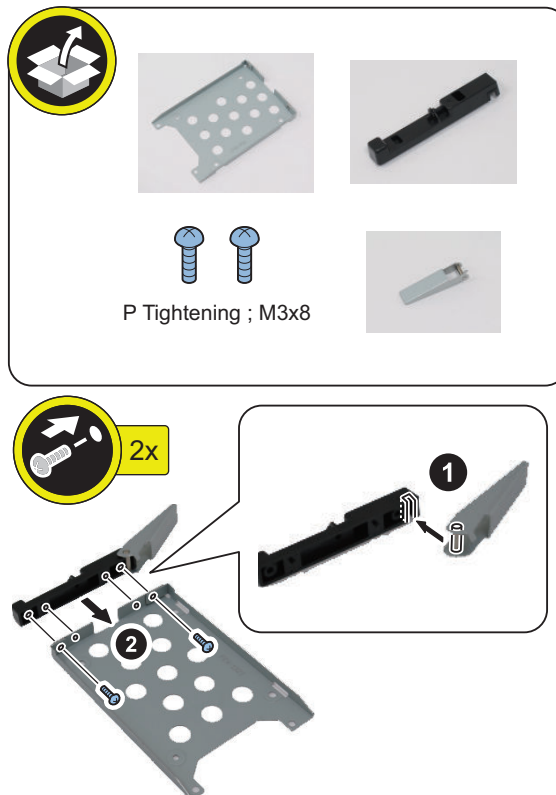


• Assembling and Installing the Option HDD

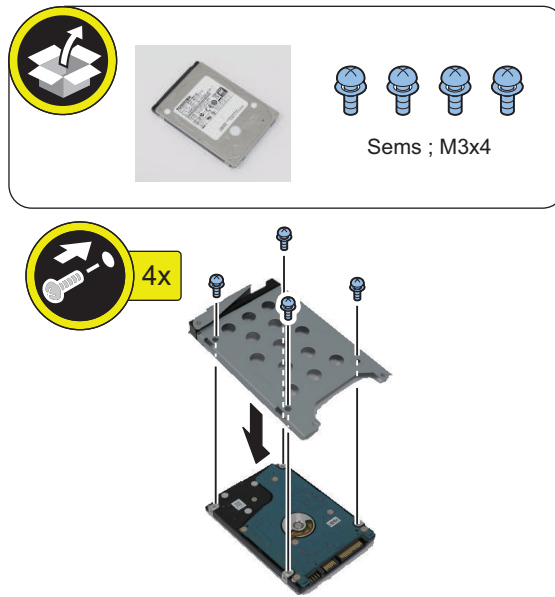
NOTE:

Install the 2 Option HDDs according to the steps 1 to 2.

□
1.

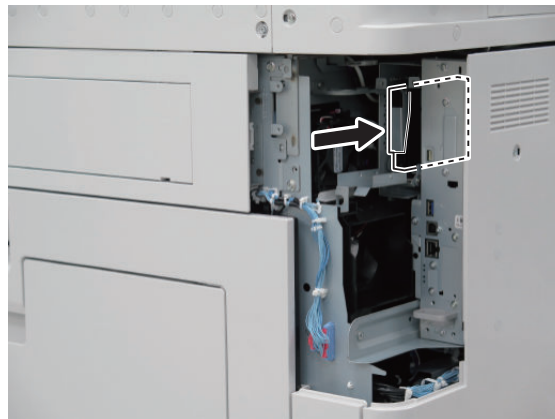


□
2.



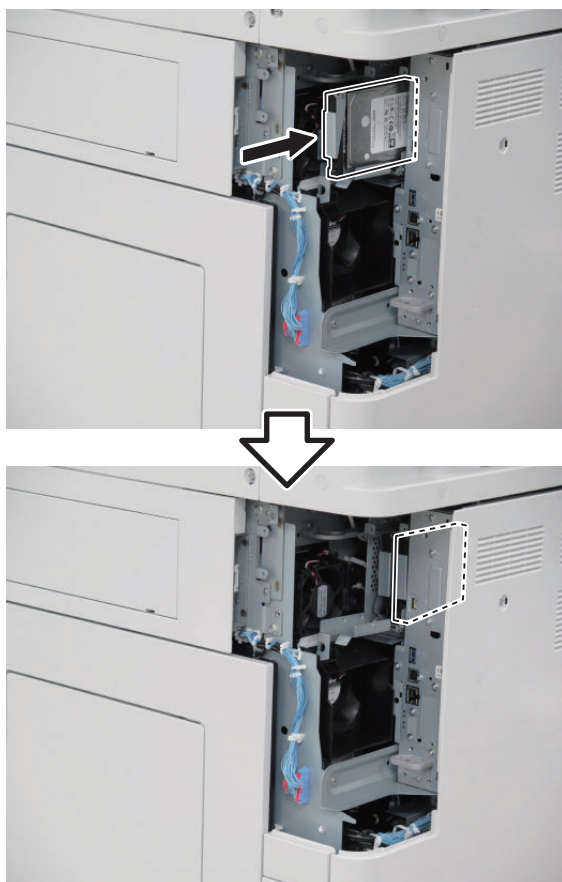
□
3.

NOTE:
Install the first Option HDD to the Slot 1 (Left).

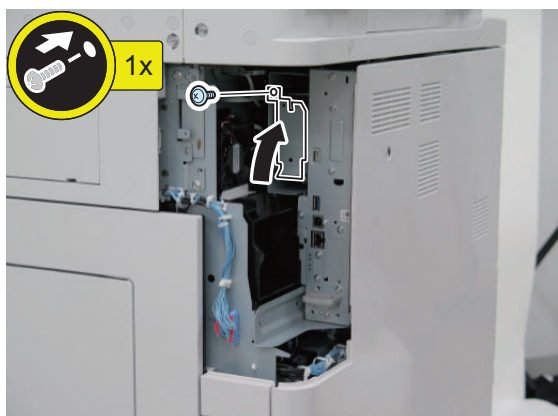


□
4.

NOTE:
Install the second Option HDD to the Slot 2 (Right).

□
5.

NOTE:
Use the screw removed in step 4 of "Removing the HDD (Preparation)".



□

6.

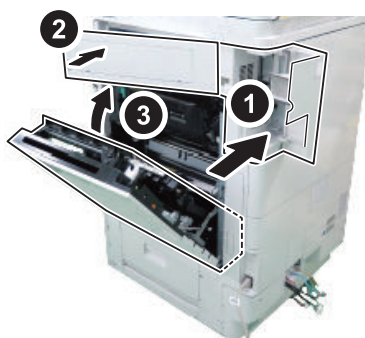
NOTE:

The Right Upper Cover will open at the same time.



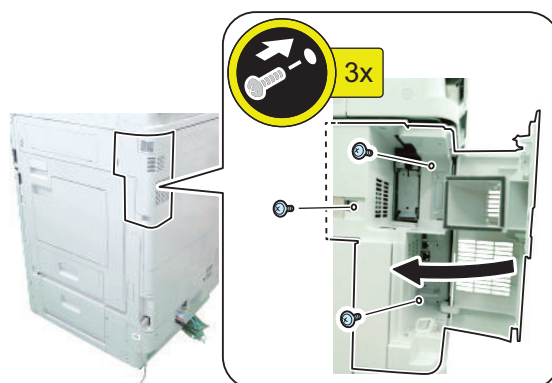
□

7.



□

8.



■ HDD Initialization Procedure

1. Requirements

1. PC
Service Support Tool in the version that supports this host machine must be installed.
2. Cross Ethernet Cable (when SST is used)

2. Preparing for the Installation of the System Software of Host machine

1. If both PC and the machine are on, turn them off.
2. Connect the PC and the host machine using an Cross Ethernet cable. (when SST is used)
3. Turn on the PC.

3. Registering the system software

1. Insert the latest System Software into the PC using the SST.
2. Start the SST.
3. Click 'Register Firmware'.
4. Select the drive where the system software has been inserted, and click the [SEARCH] button.
5. Click the [REGISTER] button.
6. Click [OK].

4. Initializing HDD

<In case of SST>

1. Start the host machine with download mode in safe mode.
2. Start the SST.
3. Select the model. Then, select [Single] and click [Start].
4. Click [Format HDD].
5. Select [All], and click [Start].
6. Click [Execute Format].
7. The Format is executed.
8. Select [Shutdown/Restart], and click [Shutdown].
9. Click [OK]
10. The power of the host machine is turned OFF.
11. Terminate the SST.
12. Disconnect the Cross Ethernet Cable from the machine, and connect the user's network cable to the machine.

<In case of USB flash drive>

1. Connect the USB flash drive to the PC.
2. Start up SST, and click the USB icon displayed in the target selection screen.
3. Select the drive, the model series, and the version to be written to the USB flash drive, and click [Confirm].
4. Click [Start], and after the version has been written to the USB flash drive, click [OK] and then remove the USB flash drive.
5. Terminate the SST.
6. Connect the USB flash drive to the host machine, and start the host machine with download mode in safe mode.
7. When the USB menu is displayed, press keys on the Control Panel in the order shown below.
 - [4]: Clear/Format
 - [1]: Disk Format
 - [0]: OK
 - Press any keys.
 - [C]: Return to menu
 - [Reset] : Start shutdown sequence
 - [0]: OK (The power of the host machine is turned OFF automatically.)
8. Remove the USB flash drive.
9. Turn ON the main power switch.

■ Setting the Mirroring**1. Set the setting value for the mirroring to "1" in the following service mode.**

COPIER > OPTION > FNC-SW > W/RAID

2. Turn OFF/ON the main power of the host machine to enable the setting value.**3. Make sure that the UI screen is activated correctly.**

4. Open the Cover, and make sure that the LED blinks.**NOTE:**

Rebuilding starts approximately after 3 minutes after turning OFF and then ON the power.

- HDD 1 (Slot 1): The green LED blinks.
- HDD 2 (Slot 2): The green and red LEDs blink.

CAUTION:

Rebuild process starts after setting "1" for W/RAID.

If an error occurs during the rebuild process at the initial installation the hard disk needs to be replaced. (Call service rep.), reexecute the process with the following procedure.

1. Check that the lighting red LED is HDD2.
2. Select "0" for the following service mode.
COPIER > OPTION > FNC-SW > W/RAID
3. To enable the setting value, turn OFF/ON the Main Power Supply Switch of the host machine.
4. Select "1" for the following service mode.
COPIER > OPTION > FNC-SW > W/RAID
5. To enable the setting value, turn OFF/ON the Main Power Supply Switch of the host machine.

The foregoing procedure is limited to the rebuild process at the initial installation.

An error during the rebuild process that is executed during operation is not included in the consideration.

■ Executing Auto Gradation Adjustment

When the high-capacity HDD is installed, the machine initializes its HDD, resetting the data used for auto gradation correction. Therefore, execute full adjustment of auto gradation adjustment after installing the high-capacity HDD to enable proper images to be output.

■ Execution of the Minimum Installation Work

Be sure to execute the minimum installation work in accordance with the Setup Guide because HDD is initialized when the high-capacity HDD is installed.

Super G3 FAX Board-AS1

Product Name

Safety regulations require the product's name to be registered. In some regions where this product is sold, the following name may be registered instead.

- F632501

Points to Note at Installation

- When installing the Super G3 2nd Line Fax Board and this equipment at the same time, after checking "Checking the Contents", and install them following the Installation Procedure for Super G3 2nd Line Fax Board.
- For "Checking the Operation", refer to this document.

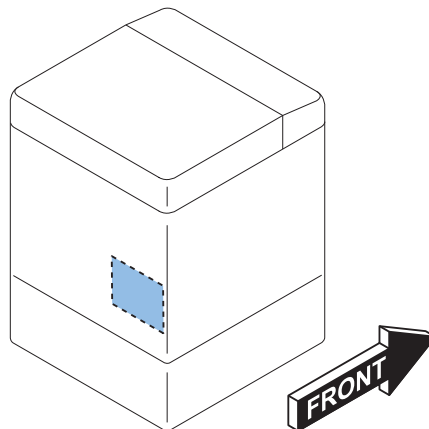
Essential Items to Be Performed Before Installation

- Turn OFF the main power of the host machine, and disconnect the power plug from the outlet.



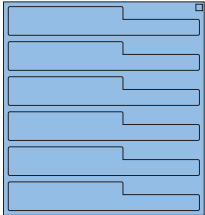

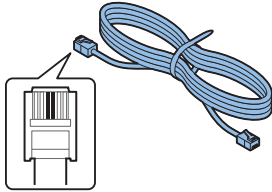
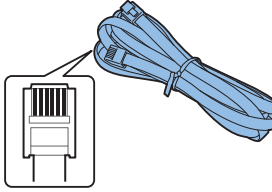
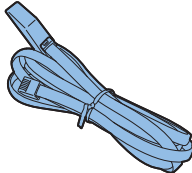
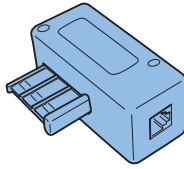
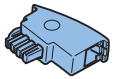
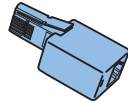

⚠ WARNING:

- If performing work without disconnecting the power plug of the host machine, it may cause electrical shock.
 - If disconnecting the power plug without turning OFF the main power, it may cause damage of the machine.
- When turning OFF the main power, follow the below procedure.
 1. Turn OFF the main power switch of the host machine.
 2. The display in the Control Panel and the lamp of the main power are turned off.

Installation Outline Drawing



Checking the Contents

<input type="checkbox"/> [1] FAX Unit X 1 	<input type="checkbox"/> [2] Screw (TP; M3x4 Black) X 1 
<input type="checkbox"/> [3] Modular Label X 1 	<input type="checkbox"/> [4] Fax Approval Label X 1 Included for USA 
<input type="checkbox"/> [5] Telephone Cord (2 Contact type) X 1 	<input type="checkbox"/> [6] Telephone Cord (6 Contact type) (only for Europe) X 1 
<input type="checkbox"/> [7] PTT Cable (only for Asia) X 1 	<input type="checkbox"/> [8] PTT Plug (Only for France) X 1 
<input type="checkbox"/> [9] PTT Plug (Only for Germany) X 1 	<input type="checkbox"/> [10] PTT Plug (Only for U.K.) X 1 
<input type="checkbox"/> [11] Modular Cover (only for Europe) X 1 	

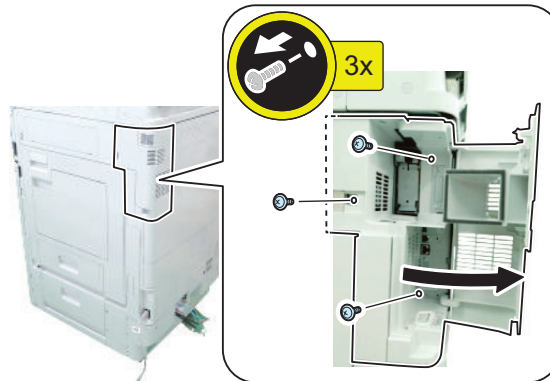
< Others >

- Including guides

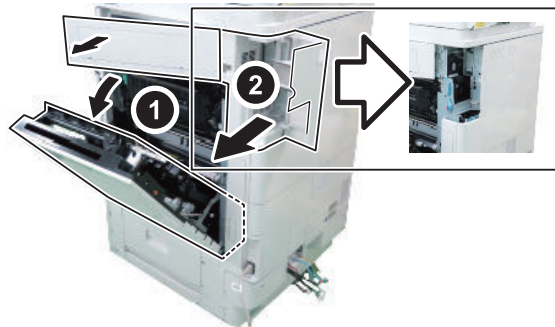
Installation Procedure



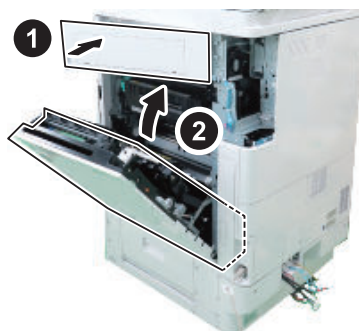
1. Open the Right Rear Cover 1 and remove the 3 screws.



2. Open the Right Lower Cover (the Right Upper Cover will open at the same time), and remove the Right Rear Cover 1.



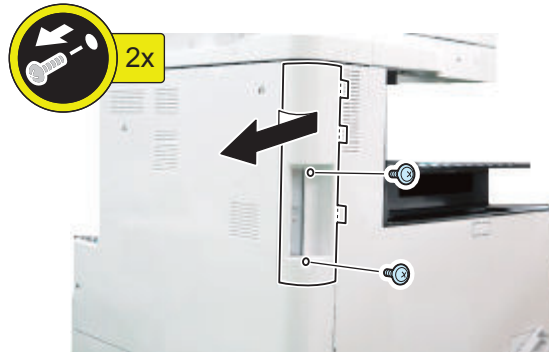
3. Close the Right Upper Cover and the Right Lower Cover.





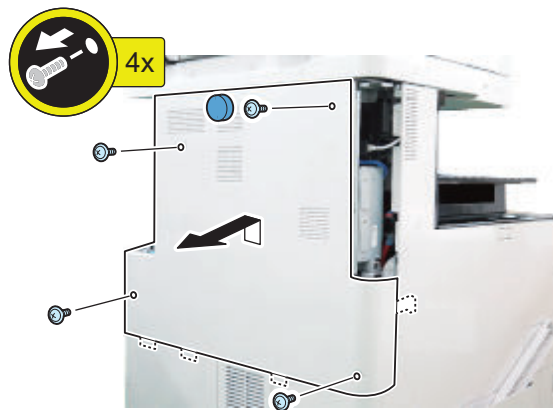
4. Remove the Rear Upper Left Cover.

- 2 Screws
- 3 Protrusions



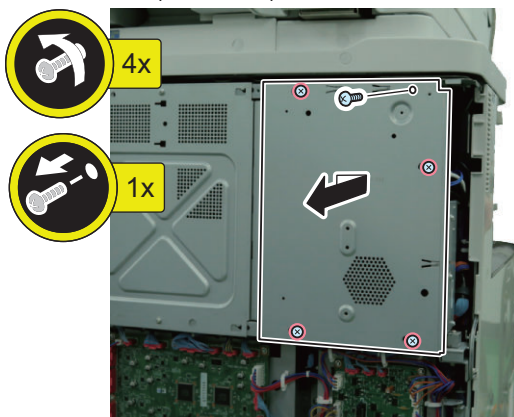
5. Remove the Rear Upper Cover.

- 1 Rubber Cap
- 4 Screws
- 1 Claw
- 3 Protrusions



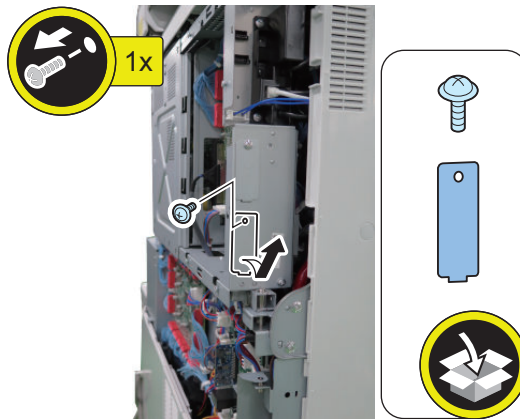
6. Remove the Controller Box Cover.

- 4 Screws (to loosen)
- 1 Screw (to remove)



**7. Remove the Face Cover. (The removed parts will not be used.)**

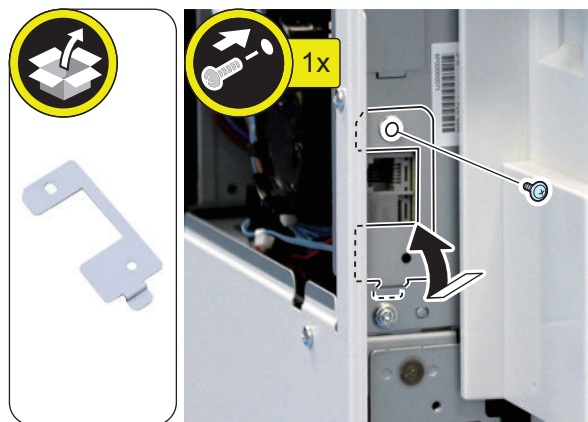
- 1 Screw (used in the next step only in EUR)
- 1 Protrusion

**NOTE:**

This step is only for Europe.

8. Install the Modular Cover.

- 1 Protrusion
- 1 Screw (use the screw removed in the previous step)



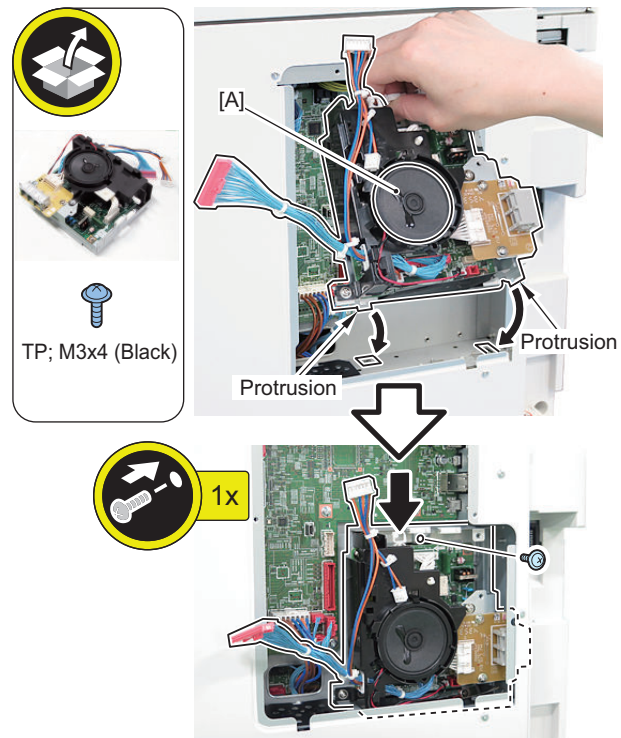


9. Remove the tape and, install the Fax Unit.

- 2 Protrusions
- 1 Screw (TP; M3x4: Black)

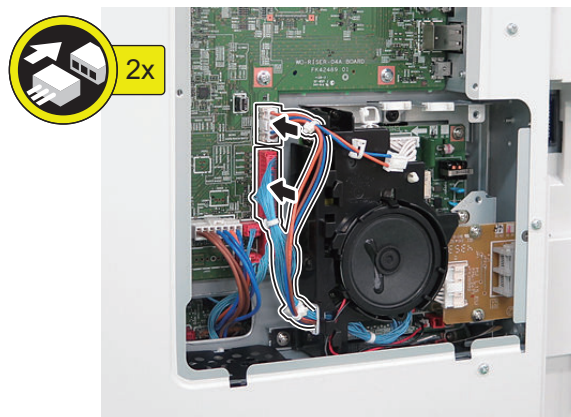
CAUTION:

- Be careful not to damage the [A] part of the speaker as the wiring may be broken.
- Be sure to tighten the screw while holding the FAX Unit.
- After tightening the screw of the FAX Unit, check for any backlash. If there is backlash, tighten the screw again with the protrusion precisely fitted.



10. Connect the 2 cables of the FAX Unit.

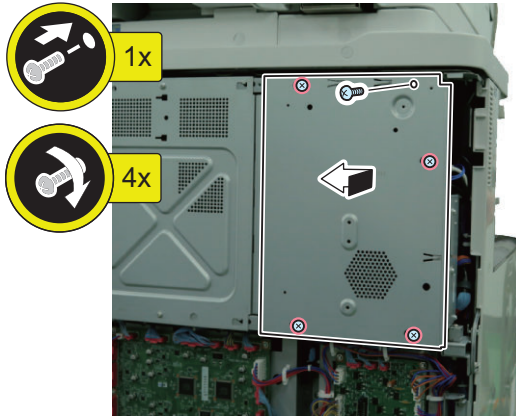
- 2 Connectors





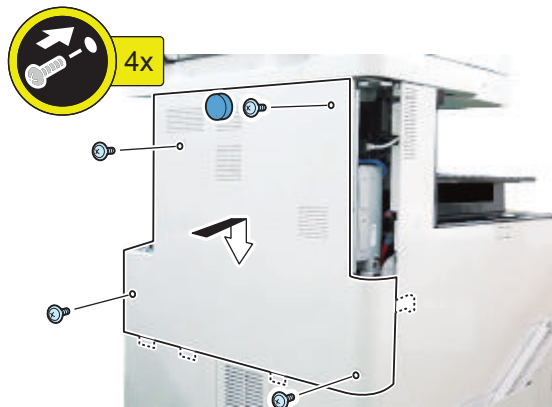
11. Install the Controller Box Cover.

- 1 Screw (to install)
- 4 Screws (to tighten)



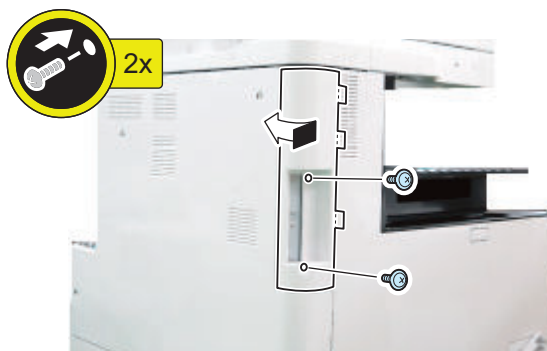
12. Install the Rear Upper Cover.

- 3 Protrusions
- 1 Claw
- 4 Screws
- 1 Rubber Cap



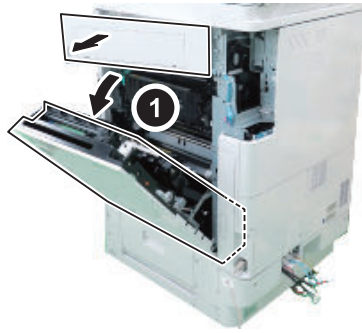
13. Install the Rear Upper Left Cover.

- 3 Protrusions
- 2 Screws

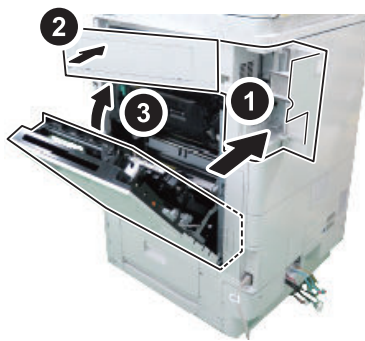




14. Open the Right Lower Cover (the Right Upper Cover will open at the same time).

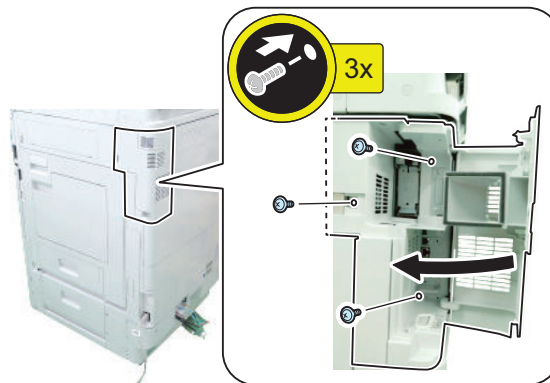


15. Install the Right Rear Cover 1, and close the Right Upper Cover and the Right Lower Cover.



16. Close the Right Rear Cover 1.

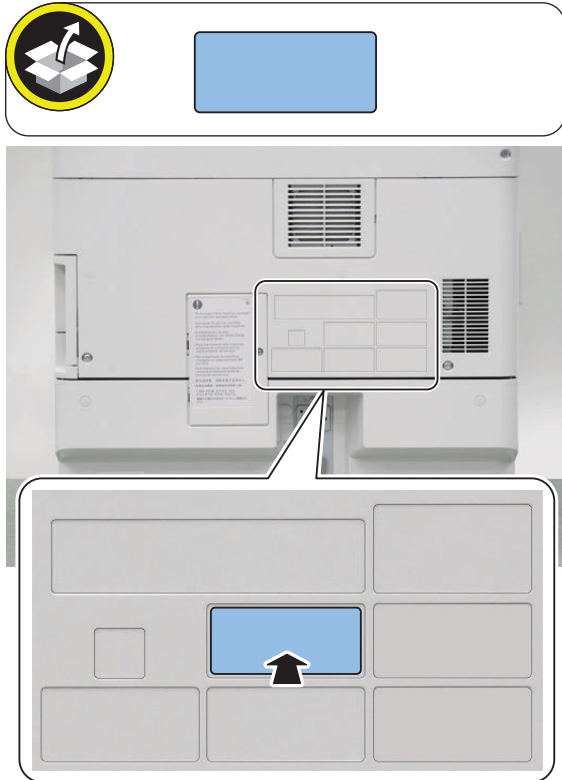
- 3 Screws



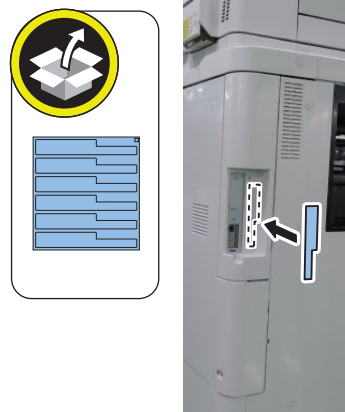


NOTE:
This step is only for USA

17. Affix the following FAX Approval Label.



18. Affix the following FAX Approval Label.

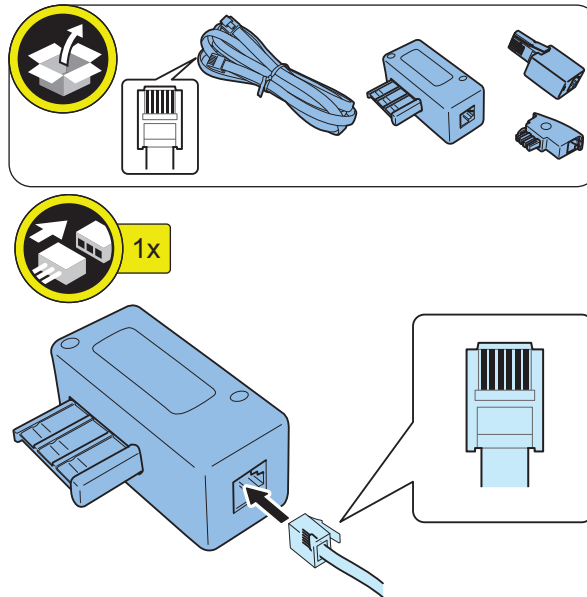


**NOTE:**

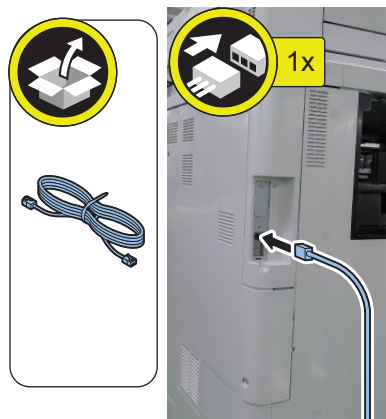
This step is only for Europe.

Do not connect the Telephone Cord (2 contact type) with the PTT Plug.

19. Connect the PTT Plug matched the field or area to the PTT Cable (6 contact type).



20. Connect the end of the PTT Cable or Telephone Cord to the modular jack on the Host machine, and connect the other end to the modular jack on the wall.



21. Connect the Power Plug to the outlet.
22. Turn ON the main power switch.

CAUTION:

If the machine does not recognize this equipment, unplug and then plug the power plug after turning OFF the main power switch, or turn OFF the main power switch and then turn it ON within 20 seconds.

To avoid this symptom, unplug the power plug or turn the breaker OFF when installing.

Checking the Operation

■ Type Setting

Select the country/region of the FAX Board in Service Mode: FAX > Type > TYPE

This setting performs the parameter settings to match the communication specification of the country/region.



1. **From the following service mode, set the TYPE of country/region to install this machine, and then press OK.**
FAX > TYPE > TYPE
2. **Confirm that service mode parameter below is "0". In the case, parameter is "1", change to "0".**
COPIER > OPTION > DSPLY-SW > SDTM-DSP

NOTE:

To change parameter to "0" makes no show below [Settings/Registration > Preferences > Time/Energy Settings > Auto Shutdown Time] and auto shut down is not available.

3. **Turn OFF/ON the main power switch to enable this setting.**

■ Basic Setting

NOTE:

- When "System Manager Information Settings" is set, be sure to follow the direction of user administrator in order to log in as an administrator.
- This setting can also be set from the Setup Guide ([Settings/Registration] > [Management Settings] > [License/Other] > [Start Setup Guide]).

In this section, make only minimum settings required for FAX communication.



1. **Set the user telephone number.**
[Settings/Registration] > [Function Settings] > [Send] > [Fax Settings] > [Set Line] > [Line 1] > [Register Unit Telephone Number] > Enter the fax number > [OK]
2. **Set Type of telephone line.**
[Settings/Registration] > [Function Settings] > [Send] > [Fax Settings] > [Set Line] > [Line 1] > [Select Line Type] > Select the line type to connect > [OK]
3. **Turn OFF/ON the main power switch after setting the user telephone numbers and the type of telephone line.**

■ FAX Communication Test

Perform communication test to check if FAX function works correctly.



1. **Switch the control panel display to Send/Fax display.**
2. **Send the test document from this machine to another machine that can handle the communication test to check that this machine can send the data correctly.**
3. **Send the test document from the target to this machine to check if the machine can receive the document properly.**

Super G3 FAX Board-AS2

Product Name

Safety regulations require the product's name to be registered. In some regions where this product is sold, the following name may be registered instead.

- F632501

Points to Note at Installation

- When installing the Super G3 2nd Line Fax Board and this equipment at the same time, after checking "Checking the Contents", and install them following the Installation Procedure for Super G3 2nd Line Fax Board.
- For "Checking the Operation", refer to this document.

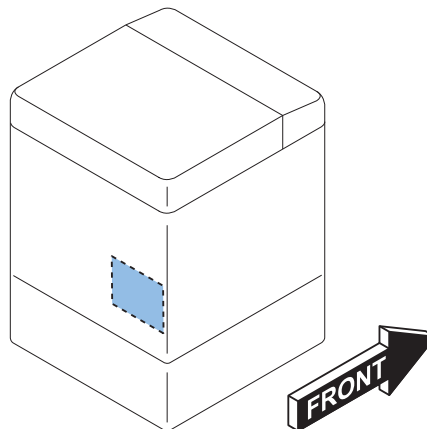
Essential Items to Be Performed Before Installation

- Turn OFF the main power of the host machine, and disconnect the power plug from the outlet.



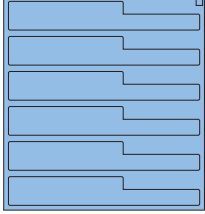

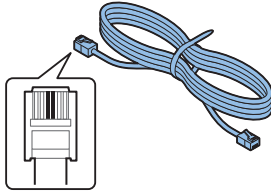
⚠ WARNING:

- If performing work without disconnecting the power plug of the host machine, it may cause electrical shock.
 - If disconnecting the power plug without turning OFF the main power, it may cause damage of the machine.
- When turning OFF the main power, follow the below procedure.
 1. Turn OFF the main power switch of the host machine.
 2. The display in the Control Panel and the lamp of the main power are turned off.

Installation Outline Drawing



● Checking the Contents

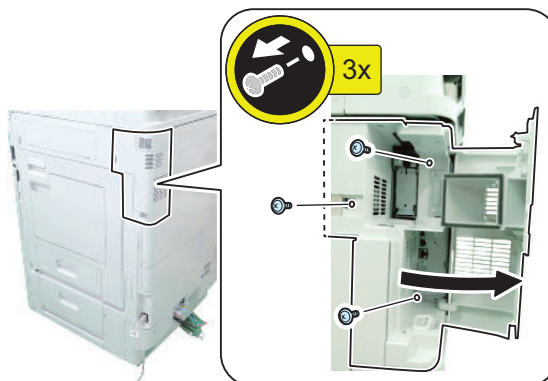
<input type="checkbox"/> [1] FAX Unit X 1 	<input type="checkbox"/> [2] Screw (TP; M3x4 Black) X 1 
<input type="checkbox"/> [3] Modular Label X 1 	<input type="checkbox"/> [4] Fax Approval Label X 1 
<input type="checkbox"/> [5] Telephone Cord (2 Contact type) X 1 	

< Others >

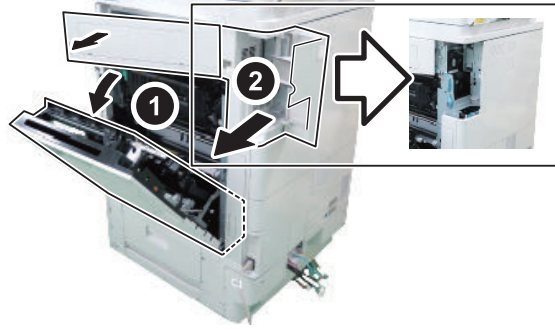
- Including guides

● Installation Procedure

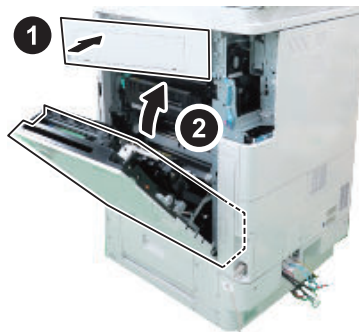
1. Open the Right Rear Cover 1 and remove the 3 screws.



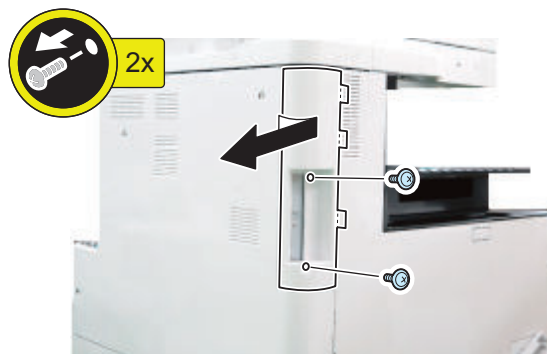
-
2. Open the Right Lower Cover (the Right Upper Cover will open at the same time), and remove the Right Rear Cover 1.



-
3. Close the Right Upper Cover and the Right Lower Cover.



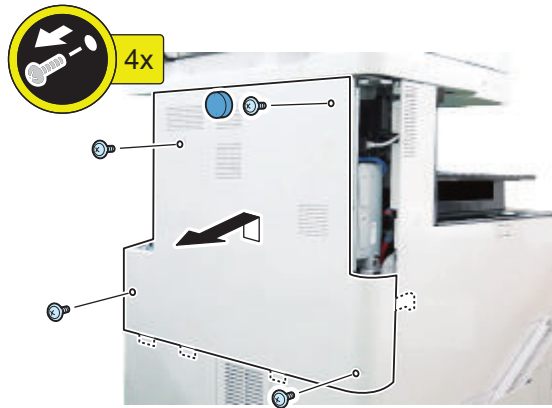
-
4. Remove the Rear Upper Left Cover.
- 2 Screws
 - 3 Protrusions





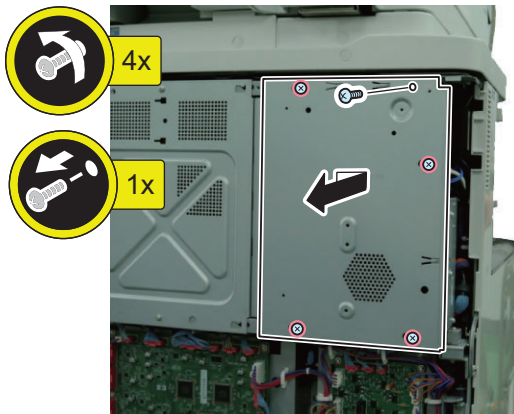
5. Remove the Rear Upper Cover.

- 1 Rubber Cap
- 4 Screws
- 1 Claw
- 3 Protrusions



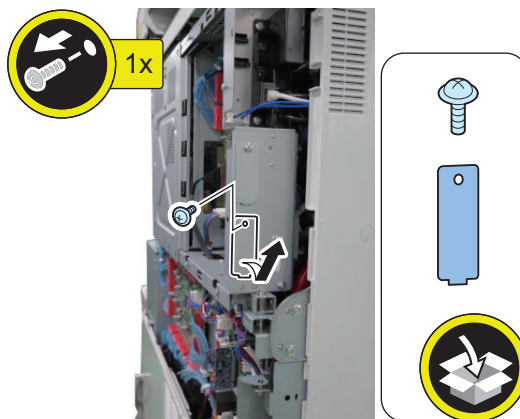
6. Remove the Controller Box Cover.

- 4 Screws (to loosen)
- 1 Screw (to remove)



7. Remove the Face Cover. (The removed parts will not be used.)

- 1 Screw
- 1 Protrusion



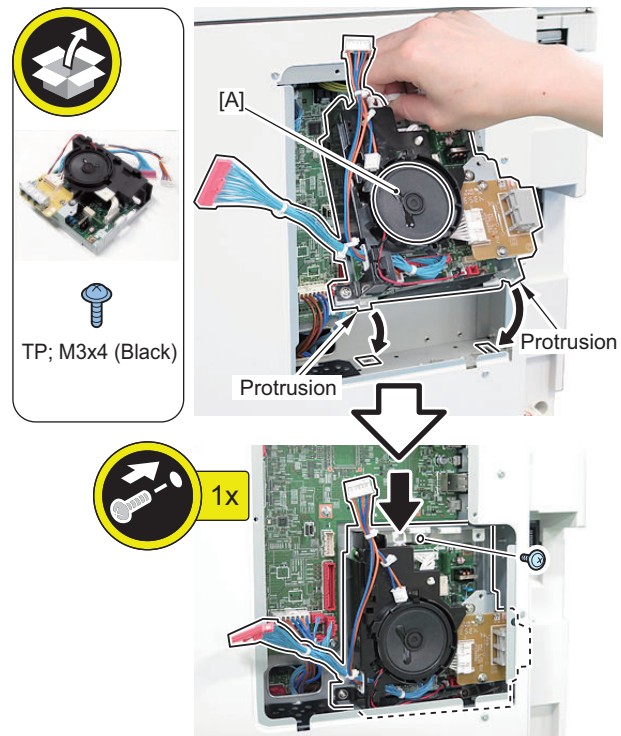


8. Remove the tape and, install the Fax Unit.

- 2 Protrusions
- 1 Screw (TP; M3x4: Black)

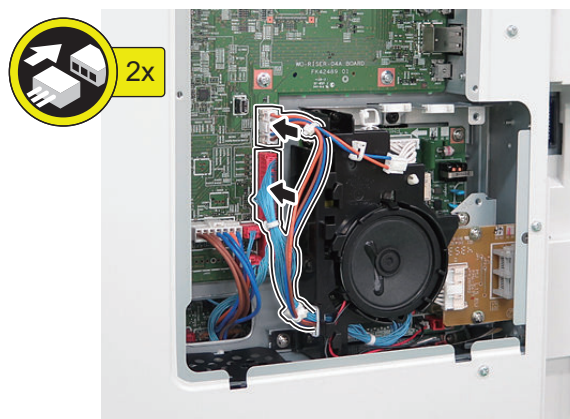
CAUTION:

- Be careful not to damage the [A] part of the speaker as the wiring may be broken.
- Be sure to tighten the screw while holding the FAX Unit.
- After tightening the screw of the FAX Unit, check for any backlash. If there is backlash, tighten the screw again with the protrusion precisely fitted.



9. Connect the 2 cables of the FAX Unit.

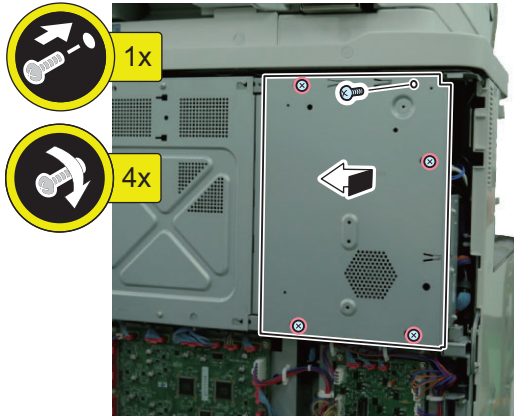
- 2 Connectors





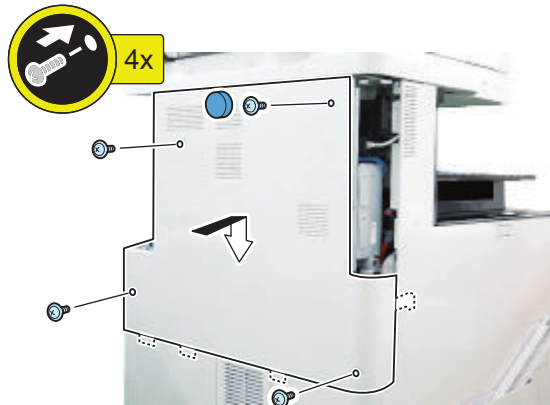
10. Install the Controller Box Cover.

- 1 Screw (to install)
- 4 Screws (to tighten)



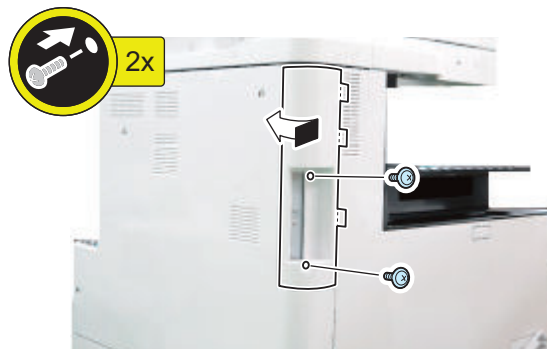
11. Install the Rear Upper Cover.

- 3 Protrusions
- 1 Claw
- 4 Screws
- 1 Rubber Cap



12. Install the Rear Upper Left Cover.

- 3 Protrusions
- 2 Screws

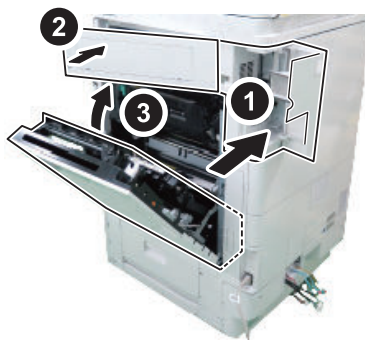




13. Open the Right Lower Cover (the Right Upper Cover will open at the same time).

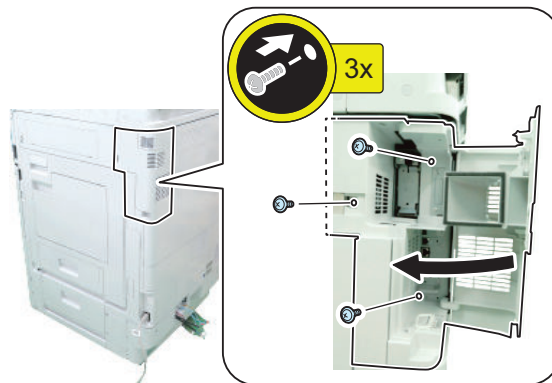


14. Install the Right Rear Cover 1, and close the Right Upper Cover and the Right Lower Cover.



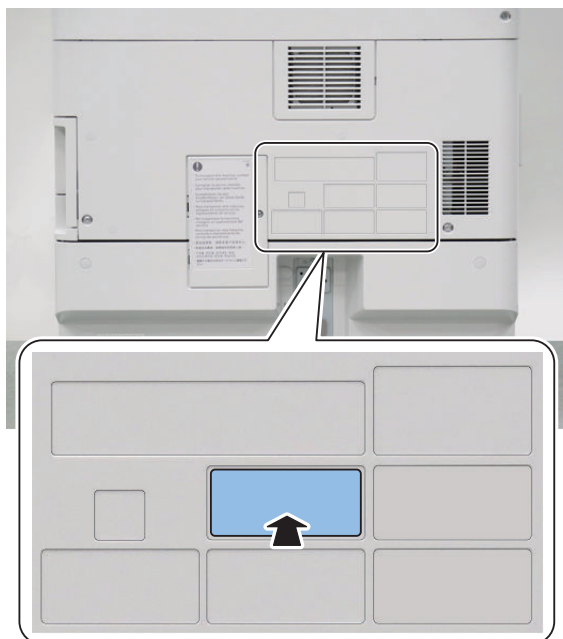
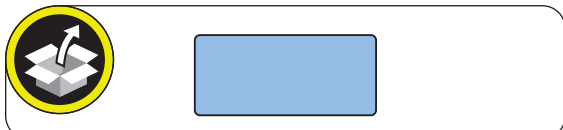
15. Close the Right Rear Cover 1.

- 3 Screws



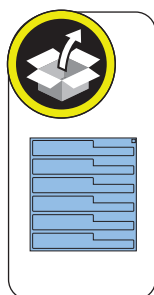
□

16. Affix the following FAX Approval Label.

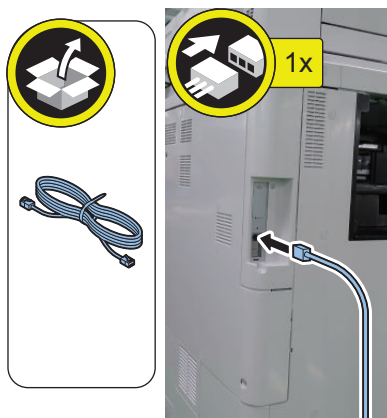


□

17. Affix the appropriate Modular Label to the place shown in the figure.



-
18. Connect the end of the Telephone Cord to the modular jack on the Host machine, and connect the other end to the modular jack on the wall.



-
19. Connect the Power Plug to the outlet.
20. Turn ON the main power switch.

CAUTION:

If the machine does not recognize this equipment, unplug and then plug the power plug after turning OFF the main power switch, or turn OFF the main power switch and then turn it ON within 20 seconds.
To avoid this symptom, unplug the power plug or turn the breaker OFF when installing.

Checking the Operation

■ Type Setting

Select the country/region of the FAX Board in Service Mode: FAX > Type > TYPE

This setting performs the parameter settings to match the communication specification of the country/region.

-
1. From the following service mode, set the TYPE of country/region to install this machine, and then press OK.
FAX > TYPE > TYPE
 2. Confirm that service mode parameter below is "0". In the case, parameter is "1", change to "0".
COPIER > OPTION > DSPLY-SW > SDTM-DSP

NOTE:

To change parameter to "0" makes no show below [Settings/Registration > Preferences > Time/Energy Settings > Auto Shutdown Time] and auto shut down is not available.

3. Turn OFF/ON the main power switch to enable this setting.

■ Basic Setting

NOTE:

- When "System Manager Information Settings" is set, be sure to follow the direction of user administrator in order to log in as an administrator.
- This setting can also be set from the Setup Guide ([Settings/Registration] > [Management Settings] > [License/Other] > [Start Setup Guide]).

In this section, make only minimum settings required for FAX communication.

**1. Set the user telephone number.**

[Settings/Registration] > [Function Settings] > [Send] > [Fax Settings] > [Set Line] > [Line 1] > [Register Unit Telephone Number] > Enter the fax number > [OK]

2. Set Type of telephone line.

[Settings/Registration] > [Function Settings] > [Send] > [Fax Settings] > [Set Line] > [Line 1] > [Select Line Type] > Select the line type to connect > [OK]

3. Turn OFF/ON the main power switch after setting the user telephone numbers and the type of telephone line.**■ FAX Communication Test**

Perform communication test to check if FAX function works correctly.

**1. Switch the control panel display to Send/Fax display.****2. Send the test document from this machine to another machine that can handle the communication test to check that this machine can send the data correctly.****3. Send the test document from the target to this machine to check if the machine can receive the document properly.**

Super G3 2nd Line Fax Board-AS1

Product Name

Safety regulations require the product's name to be registered. In some regions where this product is sold, the following name may be registered instead.

- F632502

Points to Note at Installation

When installing the Super G3 FAX Board and this equipment at the same time, be sure to install them by referring to this document after checking "Checking the Contents" of Super G3 FAX Board.

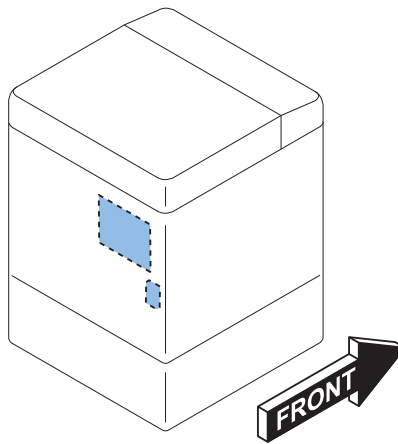
Essential Items to Be Performed Before Installation

- Turn OFF the main power of the host machine, and disconnect the power plug from the outlet.






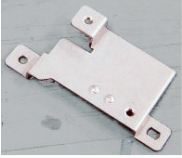



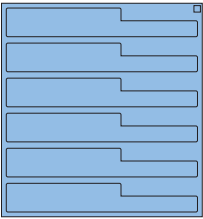
⚠ WARNING:


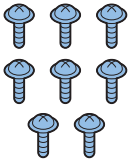


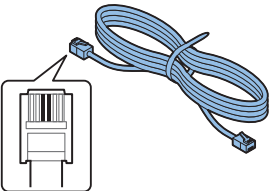
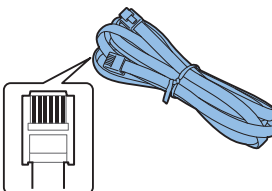
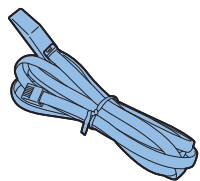
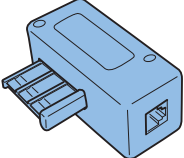
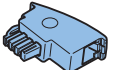
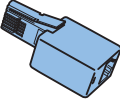
- If performing work without disconnecting the power plug of the host machine, it may cause electrical shock.
 - If disconnecting the power plug without turning OFF the main power, it may cause damage of the machine.
- When turning OFF the main power, follow the below procedure.
 1. Turn OFF the main power switch of the host machine.
 2. The display in the Control Panel and the lamp of the main power are turned off.

Installation Outline Drawing



Checking the Contents

<input type="checkbox"/> [1] G3FAX Expansion PCB X 1 	<input type="checkbox"/> [2] Modular PCB X 1 
<input type="checkbox"/> [3] USB Cable X 1 	<input type="checkbox"/> [4] Modular Cable X 1 
<input type="checkbox"/> [5] Signal Cable X 1 	<input type="checkbox"/> [6] FAX Shield Plate X 1 
<input type="checkbox"/> [7] FAX Board Fixed Plate X 1 	<input type="checkbox"/> [8] PCB Spacer (Long) X 3 
<input type="checkbox"/> [9] PCB Spacer (Short) X 1 	<input type="checkbox"/> [10] Modular Label X 1 

<input type="checkbox"/> [11] Dust Cover X 2 	<input type="checkbox"/> [12] Screw (TP; M3x4) X 8 
<input type="checkbox"/> [13] Screw (Binding; M4x4) X 1 	<input type="checkbox"/> [14] Fax Approval Label (only for Taiwan) X 1 
<input type="checkbox"/> [15] Telephone Cord (2 Contact type) X 1 	<input type="checkbox"/> [16] Telephone Cord (6 Contact type) (only for Europe) X 1 
<input type="checkbox"/> [17] PTT Cable (only for Asia) X 1 	<input type="checkbox"/> [18] PTT Plug (Only for France) X 1 
<input type="checkbox"/> [19] PTT Plug (Only for Germany) X 1 	<input type="checkbox"/> [20] PTT Plug (Only for U.K.) X 1 

(14):These are not used with this machine.

Installation Procedure

■ Preparation

NOTE:

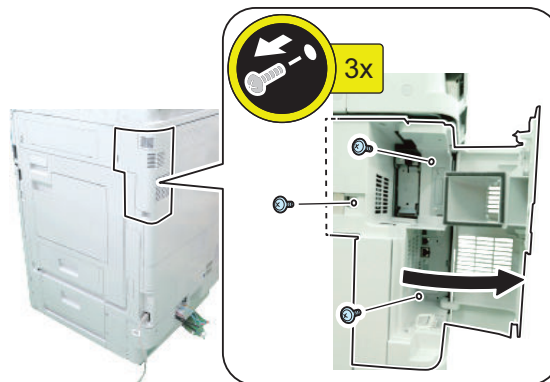
- When the Super G3 FAX Board is installed: Perform steps 1 to 8, and proceed to step 11.
- When installing the Super G3 FAX Board at the same time: Perform steps 2 to 7, and proceed to step 9.



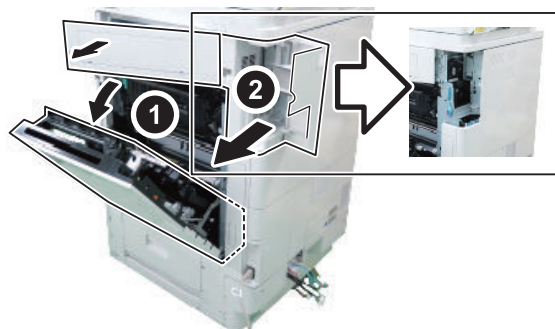
1. Disconnect the Telephone Cord of the FAX (1-Line).



2. Open the Right Rear Cover 1 and remove the 3 screws.

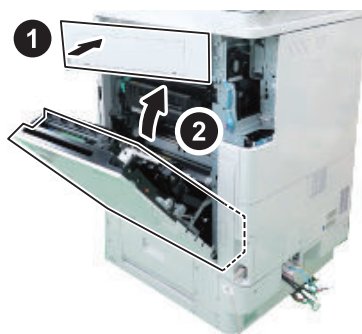


3. Open the Right Lower Cover (the Right Upper Cover will open at the same time), and remove the Right Rear Cover 1



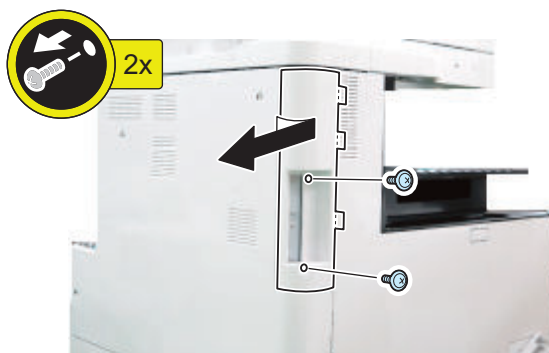


4. Close the Right Upper Cover and the Right Lower Cover.



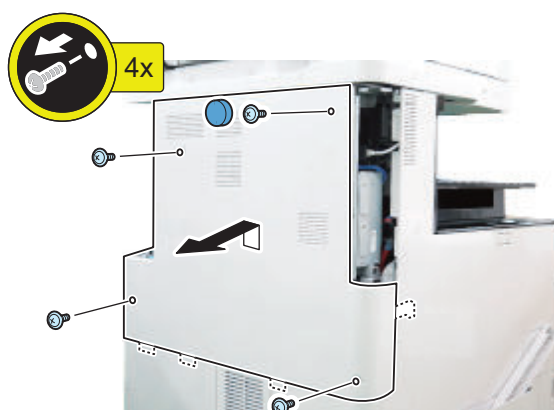
5. Remove the Rear Upper Left Cover.

- 2 Screws
- 3 Protrusions



6. Remove the Rear Upper Cover.

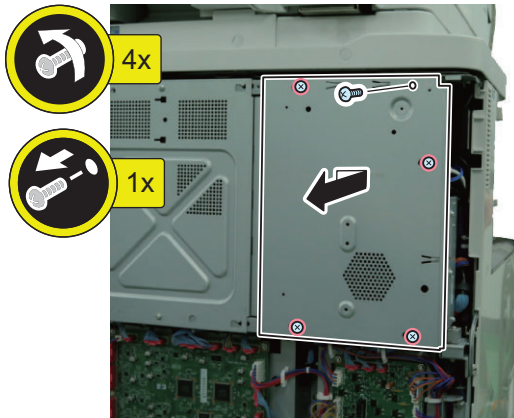
- 1 Rubber Cap
- 4 Screws
- 1 Claw
- 3 Protrusions





7. Remove the Controller Box Cover.

- 4 Screws (to loosen)
- 1 Screw (to remove)

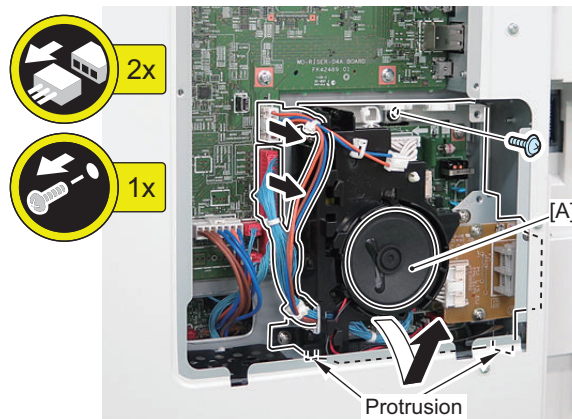


8. Remove the FAX Unit.

- 2 Connectors
- 1 Screw
- 2 Protrusions

CAUTION:

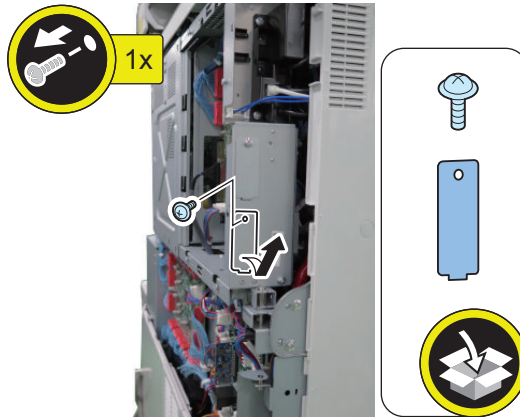
Be careful not to damage the [A] part of the speaker as the wiring may be open circuit.





9. Remove the Face Cover of the FAX (1-Line). (The removed parts will not be used.)

- 1 Screw (used in the next step only in EUR)
- 1 Protrusion

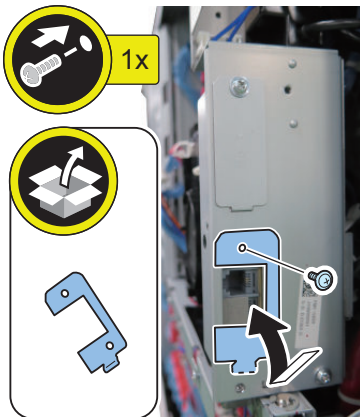


NOTE:

This step is only for Europe.

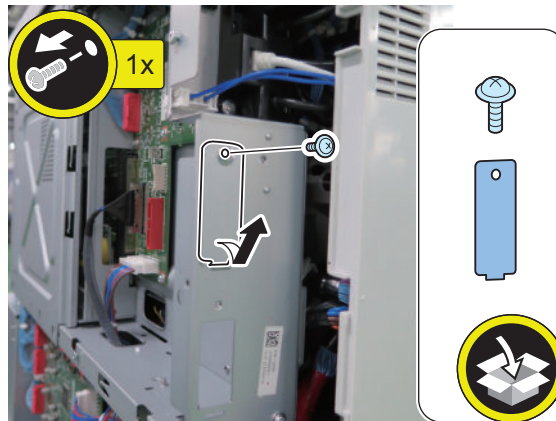
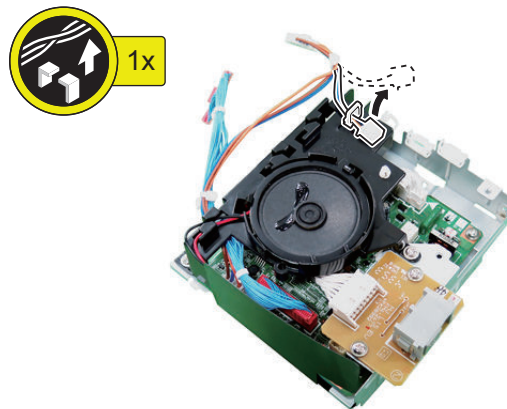
10. Install the Modular Cover.

- 1 Protrusion
- 1 Screw (use the screw removed in the previous step)



**11. Remove the Face Cover of the FAX (2-Line). (The removed parts will not be used.)**

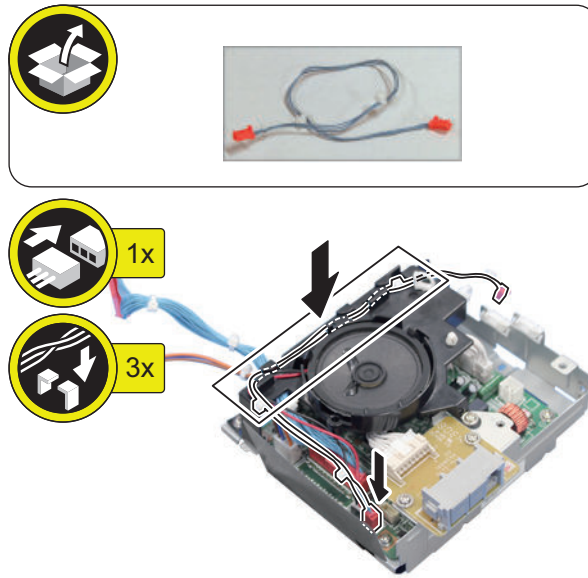
- 1 Screw
- 1 Protrusion

**■ Installing the Equipment****1. Free the Cable from the Wire Saddle.**

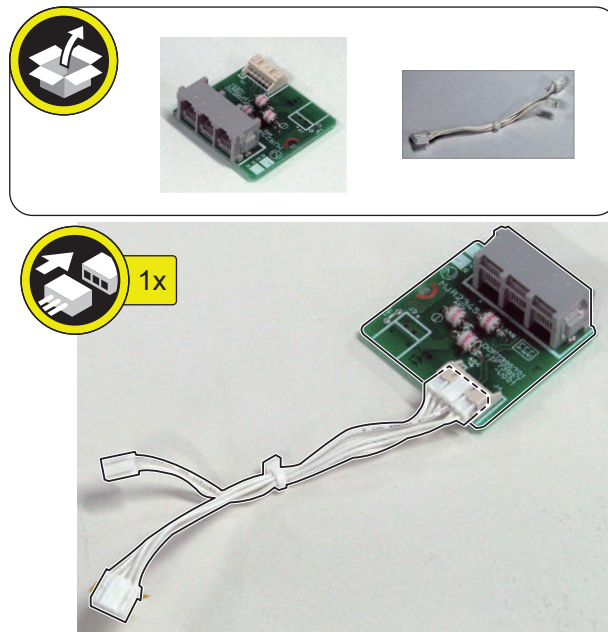


2. Install the Signal Cable to the FAX Unit.

- 3 Cable Guides



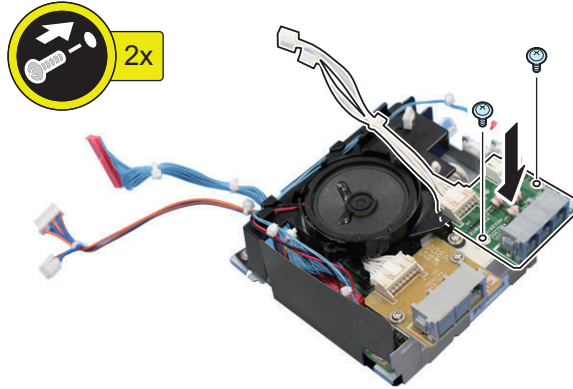
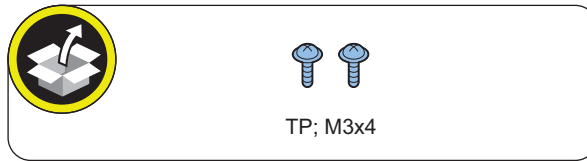
3. Install the Modular Cable to the Modular PCB.





4. Install the Modular PCB to the FAX Unit.

- 2 Screws (TP; M3x4)



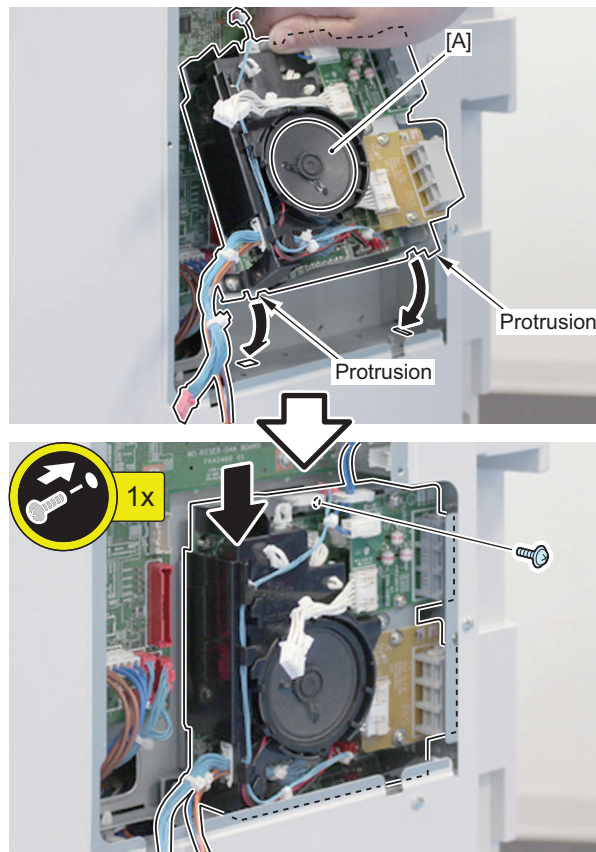


5. Install the FAX Unit to the Host Machine.

- 2 Protrusions
- 1 Screw (TP; M3x4 Black) (Use the removed screw or those included with the Super G3 FAX Board)

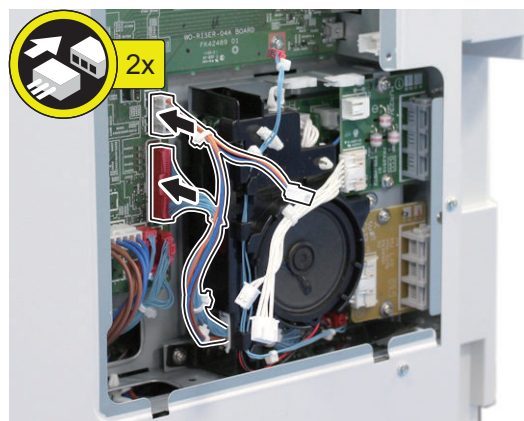
CAUTION:

- Be careful not to damage the [A] part of the speaker as the wiring may be broken.
- Be sure to tighten the screw while holding the FAX Unit.
- After tightening the screw of the FAX Unit, check for any backlash. If there is backlash, tighten the screw again with the protrusion precisely fitted.



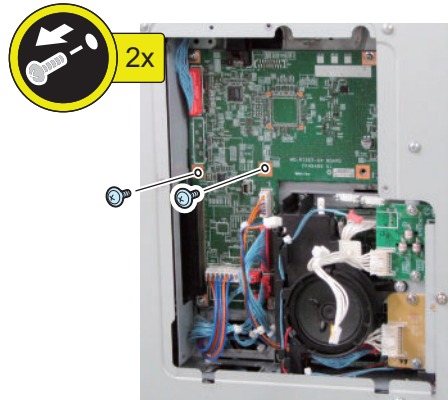
6. Install the 2 Cable of the FAX Unit.

- 2 Connectors



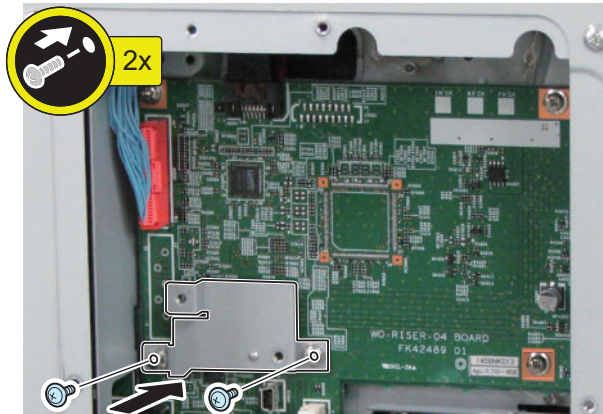
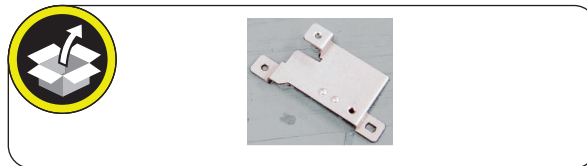


7. Remove the 2 Screws. (will be used in next step)



8. Install the FAX Shield Plate.

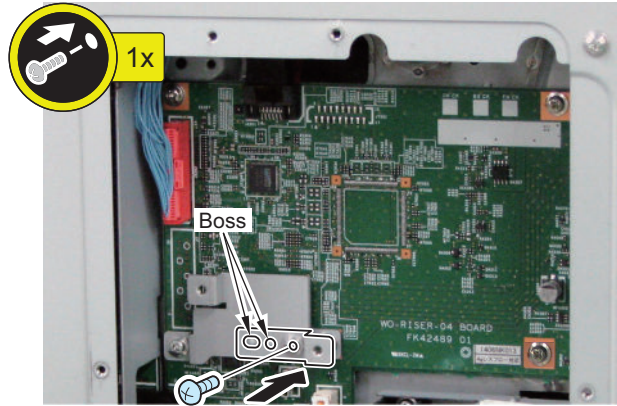
- 2 Screws (screws removed in the previous step)





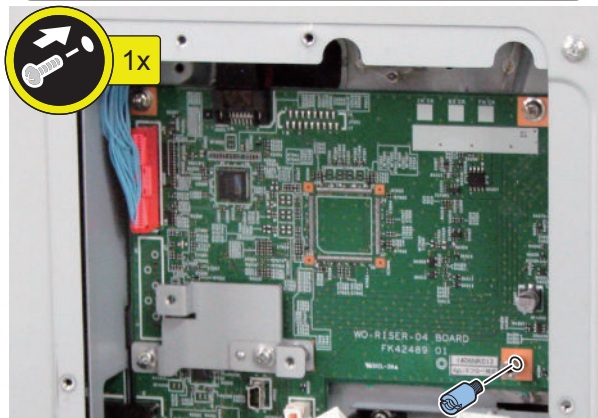
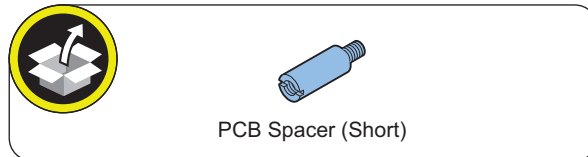
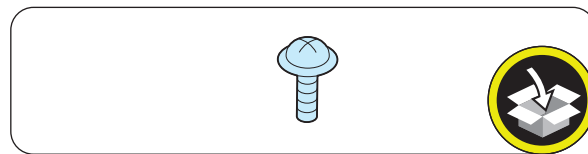
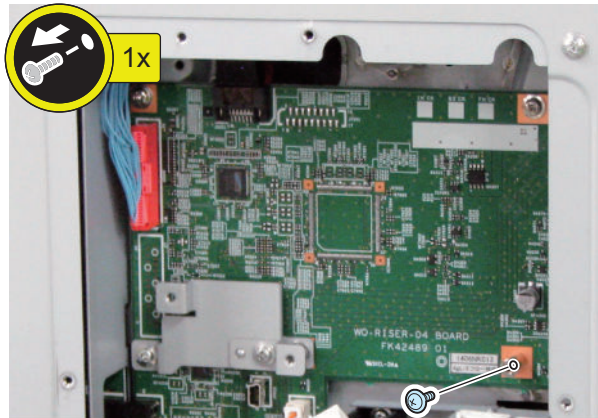
9. Install the FAX Board Fixed Plate.

- 2 Bosses
- 1 Screw (Binding; M4x4)



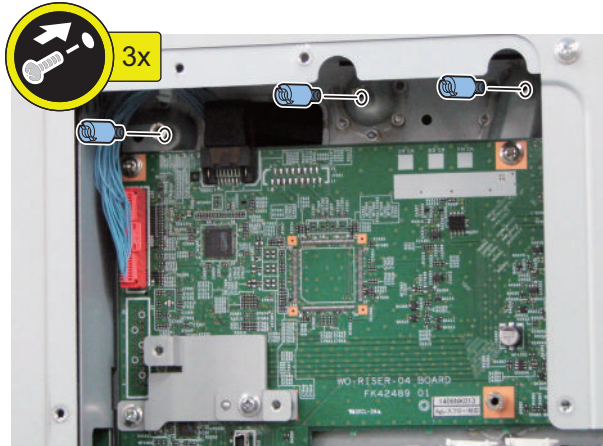
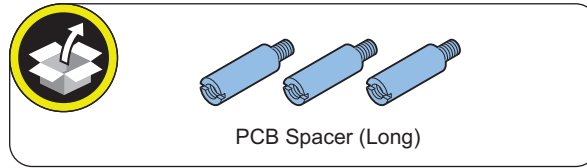


10. Remove the Screw and install the PCB Spacer (Short). (The removed screw will not be used.)





11. Install the 3 PCB Spacers (Long).

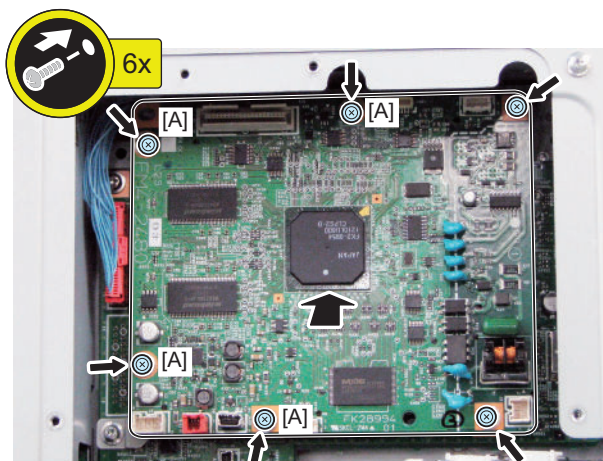
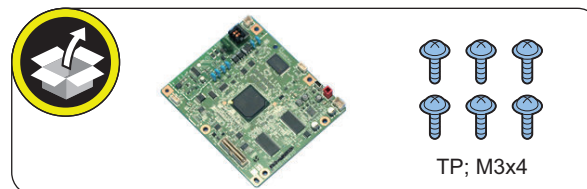


12. Install the G3FAX Expansion PCB.

- 6 Screws (TP; M3x4)

NOTE:

Because the 4 screws [A] need to be removed when installing the Super G3 3rd/4th Line Fax Board at the same time, it is efficient not to tighten them here.



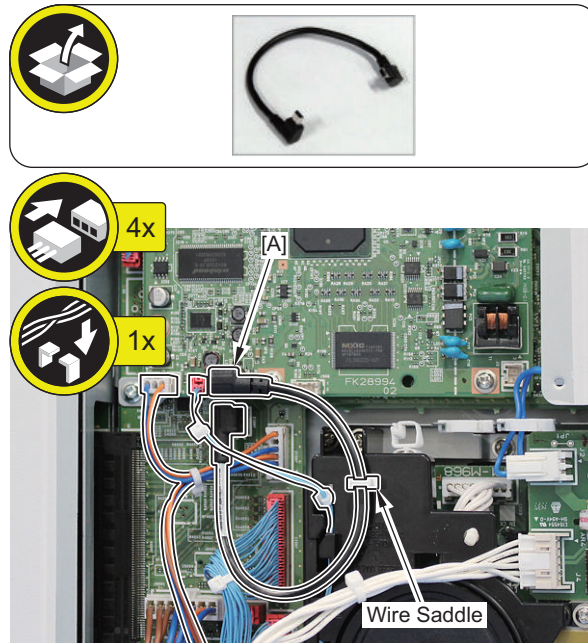


13. Install the Signal Cable, Power Supply Cable and USB Cable to the G3FAX Expansion PCB.

- 1 Wire Saddle

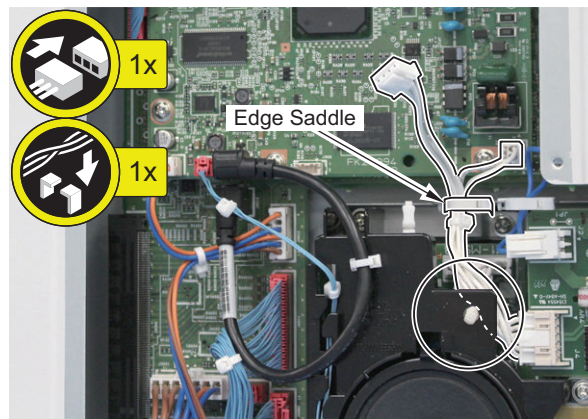
NOTE:

Because [A] of the USB Cable needs to be disconnected when installing the Super G3 3rd/4th Line Fax Board at the same time, it is efficient not to connect it here.



14. Pass the Modular Cable inside the Speaker Holder, and install the G3 FAX Control PCB.

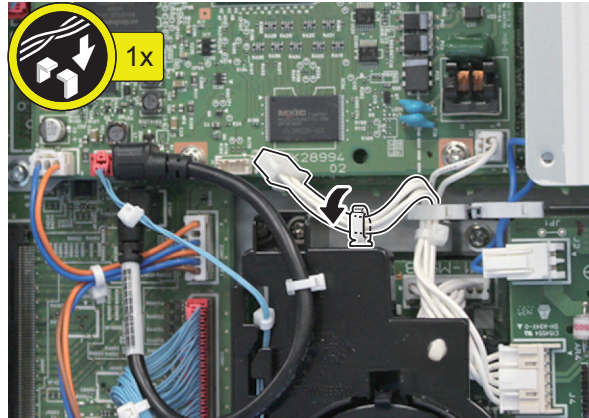
- 1 Edge Saddle



**NOTE:**

When installing the Super G3 3rd/4th Line Fax Board at the same time, the following step is not necessary.

15. Secure the cable with the Wire Saddle.



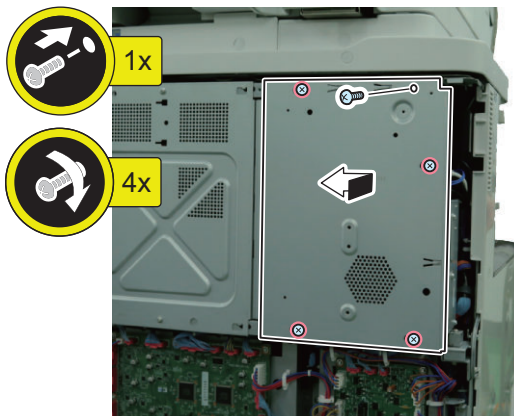
■ Subsequent Work

**NOTE:**

When performing the following steps, it is efficient to install the cover after installing the Super G3 3rd/4th Line Fax Board in case of installing the fax board at the same time.

1. Install the Controller Box Cover.

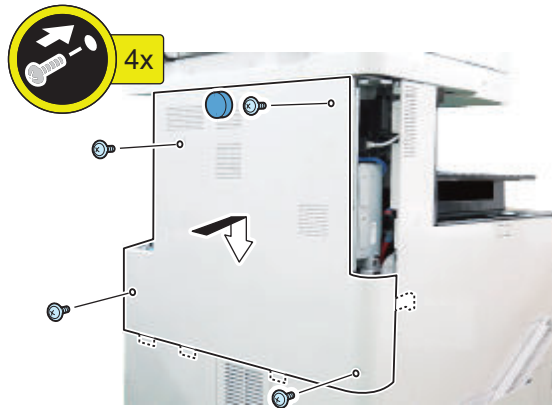
- 1 Screw (to install)
- 4 Screws (to tighten)





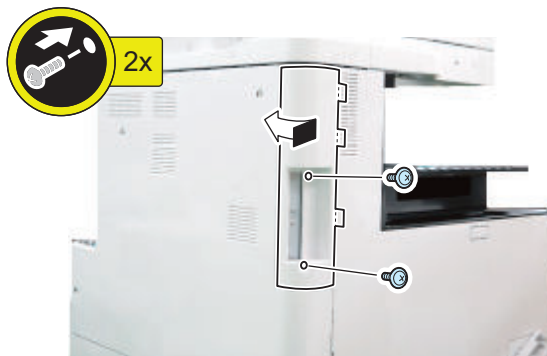
2. Install the Rear Upper Cover.

- 3 Protrusions
- 1 Claw
- 4 Screws
- 1 Rubber Cap

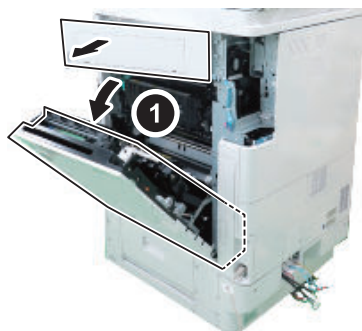


3. Install the Rear Upper Left Cover.

- 3 Protrusions
- 2 Screws

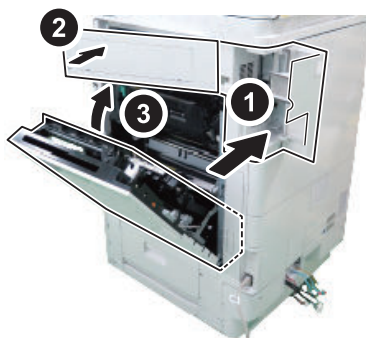


4. Open the Right Lower Cover (the Right Upper Cover will open at the same time).



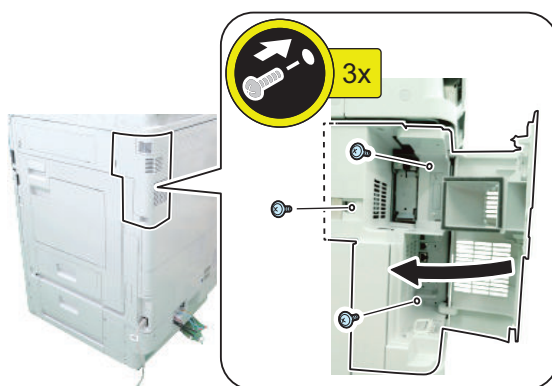


5. Install the Right Rear Cover 1, and close the Right Upper Cover and the Right Lower Cover.



6. Close the Right Rear Cover 1.

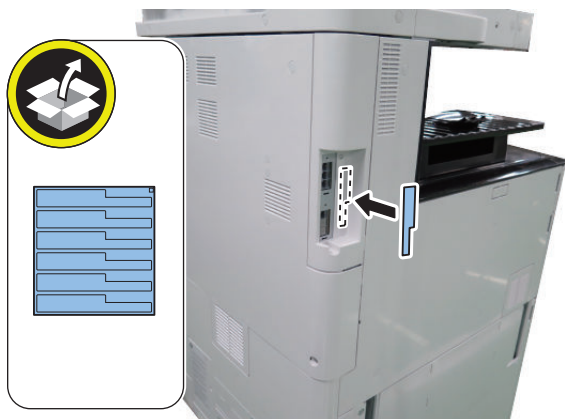
- 3 Screws



NOTE:

When installing the G3 3rd/4th Line Fax Board at the same time, this work is not necessary.

7. Affix the appropriate Modular Label to the place shown in the figure. If a label is already affixed, remove it and then



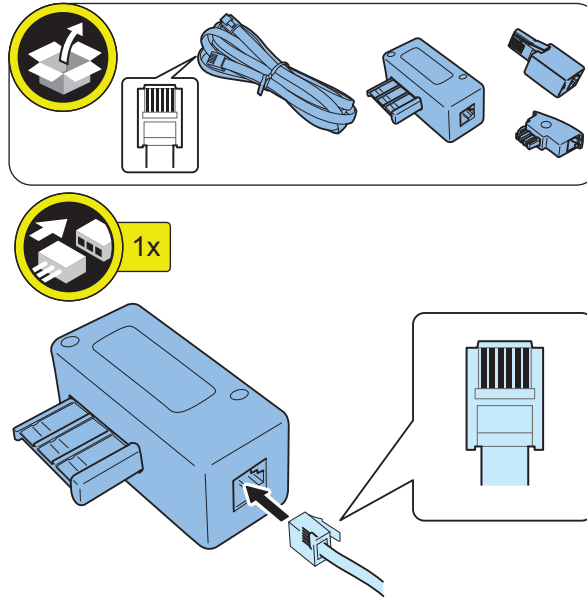
**NOTE:**

- This step is only for Europe.
- When installing the Super G3 FAX Board at the same time, assemble it by following the same procedure.

8. Connect the PTT Plug matched the field or area to the PTT Cable (6 contact type).

CAUTION:

Do not connect the Telephone Cord (2 contact type) with the PTT Plug.

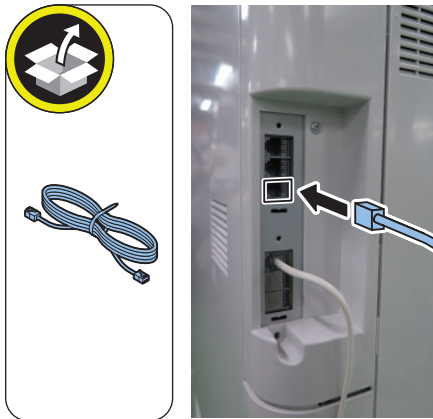


9. Connect the PTT Cable or Telephone Cord of the FAX (1-Line). When installing this equipment at the same time, connect the other end to the modular jack on the wall.





10. Connect the end of the PTT Cable or Telephone Cord to the modular jack on the Host machine, and connect the other end to the modular jack on the wall.

**NOTE:**

When installing the G3 3rd/4th Line Fax Board at the same time, this work is not necessary.

11. Install the Dust Cover.



12. Connect the power plug to the outlet.

13. Turn ON the main power switch.

CAUTION:

If the machine does not recognize this equipment, unplug and then plug the power plug after turning OFF the main power switch, or turn OFF the main power switch and then turn it ON within 20 seconds.

To avoid this symptom, unplug the power plug or turn the breaker OFF when installing.

14. If a message prompting the user to update the version appears, press [Update] to automatically update the version of this equipment.

NOTE:

If [Skip] is selected, a message prompting the user to update the version will appear every time the host machine is started. In the service mode (Lv. 2) shown below, it is possible to set not to display the message.

- COPIER > OPTION > FNC-SW > VER-CHNG

Checking the Operation

■ Type Settings

Select the country/region of the FAX Board in Service Mode: FAX > Type > TYPE

This setting performs the parameter settings to match the communication specification of the country/region.



1. **From the following service mode, set the TYPE of country/region to install this machine, and then press OK.**
FAX > TYPE > TYPE
2. **Confirm that service mode parameter below is "0". In the case, parameter is "1", change to "0".**
COPIER > OPTION > DSPLY-SW > SDTM-DSP

NOTE:

To change parameter to "0" makes no show below [Settings/Registration > Preferences > Time/Energy Settings > Auto Shutdown Time] and auto shut down is not available.

3. **Turn OFF/ON the main power switch to enable this setting.**

■ Basic Settings

NOTE:

When "System Manager Information Settings" is set, be sure to follow the direction of user administrator in order to log in as an administrator.

In this section, make only minimum settings required for FAX communication.



1. **Set the user telephone number.**
[Settings/Registration] > [Function Settings] > [Send] > [Fax Settings] > [Set Line] > [Line 2] > [Register Unit Telephone Number] > Enter FAX number > [OK]
2. **Set the type of telephone line.**
[Settings/Registration] > [Function Settings] > [Send] > [Fax Settings] > [Set Line] > [Line 2] > [Select Line Type] > Select the line type to connect > [OK]
3. **Turn OFF/ON the main power switch after setting the user telephone numbers and the type of telephone line.**

■ FAX Communication Test

Perform communication test to check if FAX function works correctly.



1. **Switch the control panel display to Fax display.**
2. **Select the sending line.**
Press [Fax] > [Options] > [Select Line], select the added line, then press [OK] button.
3. **Send and receive a test original between the equipment and a remote unit with which a communication test can be performed and check if it can be sent and receive correctly.**
 1. Press [Status Monitor/Cancel] > [Send] > [Job Log] and select [Fax] from pull down menu.
 2. Press [Fax Activity Report] > [OutPut Normally] > [Start Printing].
 3. The number printed following colon (:) in "COMM.MODE" field on FAX ACTIVITY REPORT TX/RX shows line type used for sending/receiving.
E.g. "ECM:2" => Line 2

NOTE:

If E744-5000 error code (Fax software version mismatch error) occurred while sending or receiving fax, upgrade the firmware of 2-line Fax to the latest version.

Super G3 2nd Line Fax Board-AS2

Product Name

Safety regulations require the product's name to be registered. In some regions where this product is sold, the following name may be registered instead.

- F632502

Points to Note at Installation

When installing the Super G3 FAX Board and this equipment at the same time, be sure to install them by referring to this document after checking "Checking the Contents" of Super G3 FAX Board.

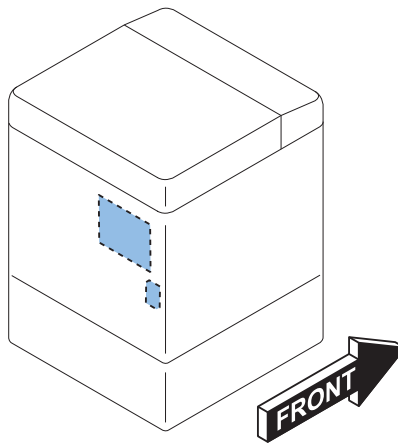
Essential Items to Be Performed Before Installation

- Turn OFF the main power of the host machine, and disconnect the power plug from the outlet.


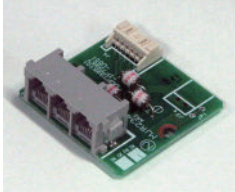



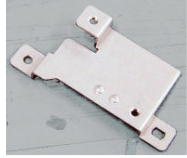



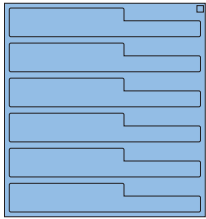
⚠ WARNING:

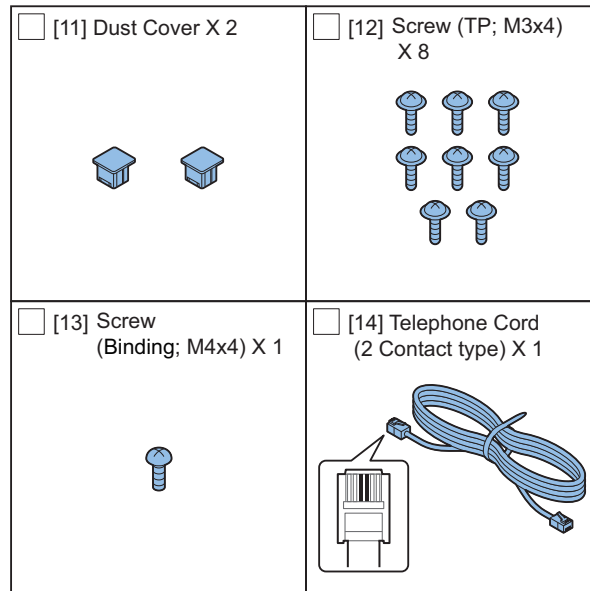
- If performing work without disconnecting the power plug of the host machine, it may cause electrical shock.
 - If disconnecting the power plug without turning OFF the main power, it may cause damage of the machine.
- When turning OFF the main power, follow the below procedure.
 1. Turn OFF the main power switch of the host machine.
 2. The display in the Control Panel and the lamp of the main power are turned off.

Installation Outline Drawing



Checking the Contents

<input type="checkbox"/> [1] G3FAX Expansion PCB X 1 	<input type="checkbox"/> [2] Modular PCB X 1 
<input type="checkbox"/> [3] USB Cable X 1 	<input type="checkbox"/> [4] Modular Cable X 1 
<input type="checkbox"/> [5] Signal Cable X 1 	<input type="checkbox"/> [6] FAX Shield Plate X 1 
<input type="checkbox"/> [7] FAX Board Fixed Plate X 1 	<input type="checkbox"/> [8] PCB Spacer (Long) X 3 
<input type="checkbox"/> [9] PCB Spacer (Short) X 1 	<input type="checkbox"/> [10] Modular Label X 1 



Installation Procedure

Preparation

NOTE:

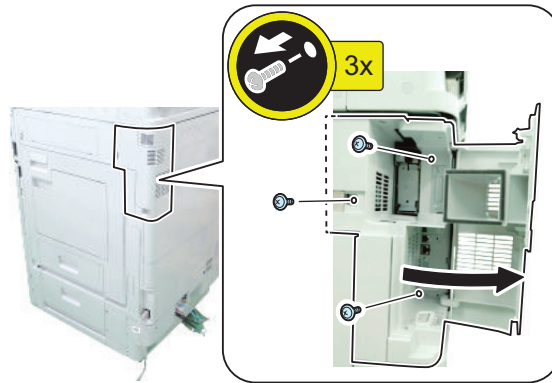
- When the Super G3 FAX Board is installed: Perform steps 1 to 8, and proceed to step 10.
- When installing the Super G3 FAX Board at the same time: Perform steps 2 to 7, and proceed to step 9.

1. Disconnect the Telephone Cord of the FAX (1-Line).

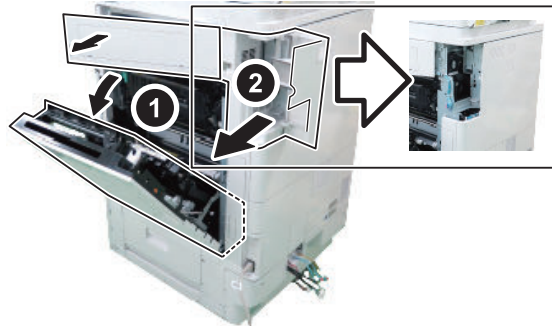




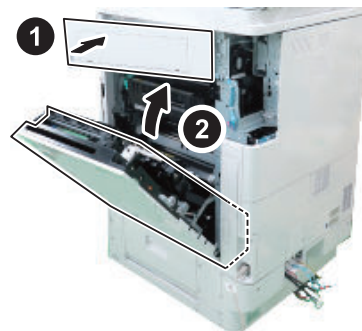
2. Open the Right Rear Cover 1 and remove the 3 screws.



3. Open the Right Lower Cover (the Right Upper Cover will open at the same time), and remove the Right Rear Cover 1.



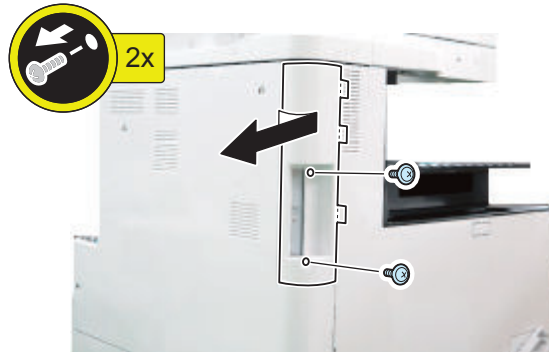
4. Close the Right Upper Cover and the Right Lower Cover.





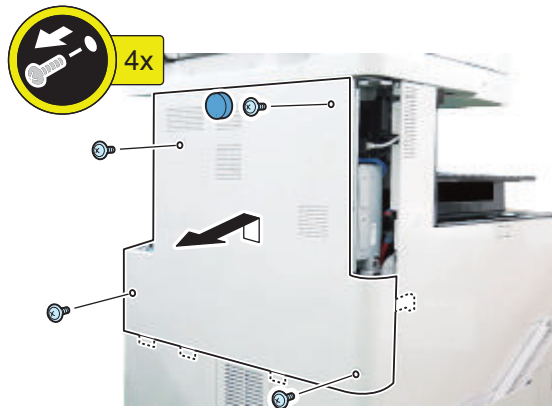
5. Remove the Rear Upper Left Cover.

- 2 Screws
- 3 Protrusions



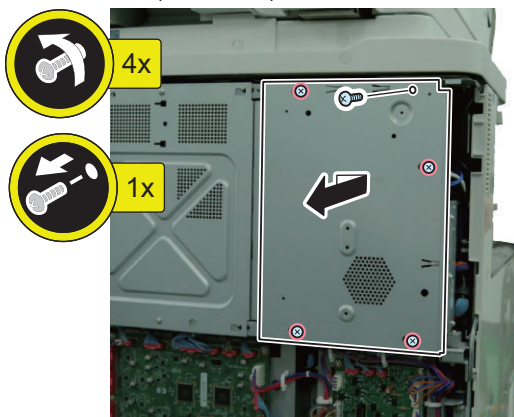
6. Remove the Rear Upper Cover.

- 1 Rubber Cap
- 4 Screws
- 1 Claw
- 3 Protrusions



7. Remove the Controller Box Cover.

- 4 Screws (to loosen)
- 1 Screw (to remove)



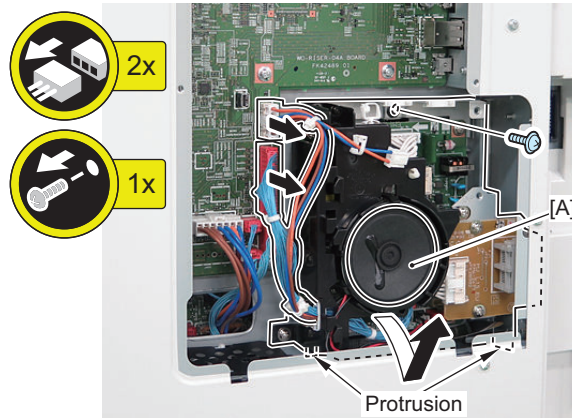


8. Remove the FAX Unit.

- 2 Connectors
- 1 Screw
- 2 Protrusions

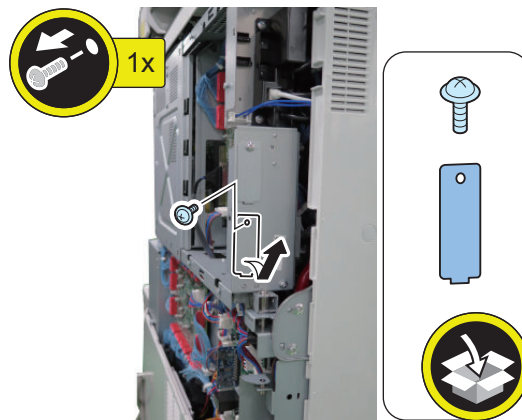
CAUTION:

Be careful not to damage the [A] part of the speaker as the wiring may be open circuit.



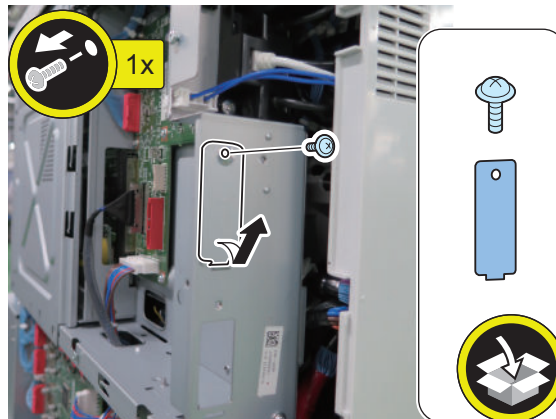
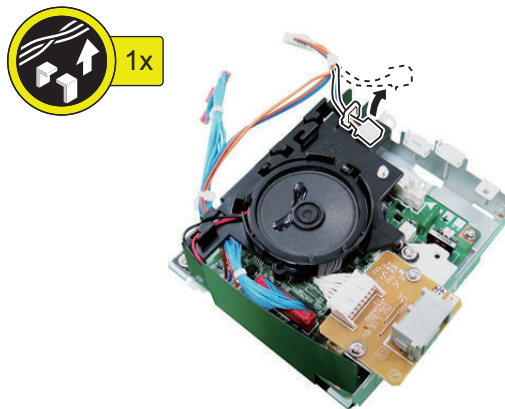
9. Remove the Face Cover of the FAX (1-Line). (The removed parts will not be used.)

- 1 Screw
- 1 Protrusion



**10. Remove the Face Cover of the FAX (2-Line). (The removed parts will not be used.)**

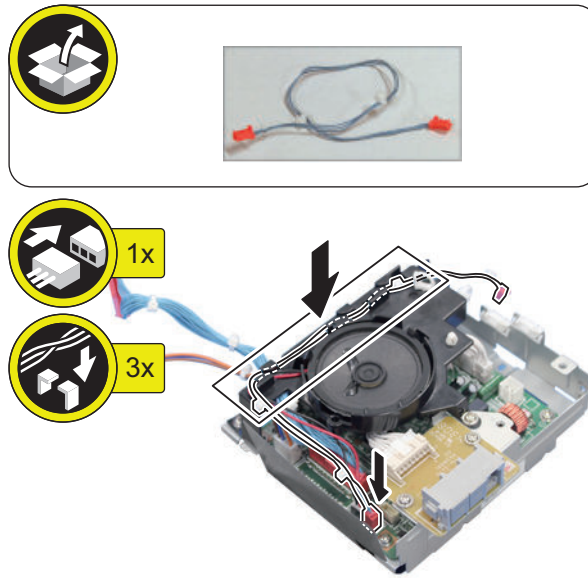
- 1 Screw
- 1 Protrusion

**■ Installing the Equipment****1. Free the Cable from the Wire Saddle.**

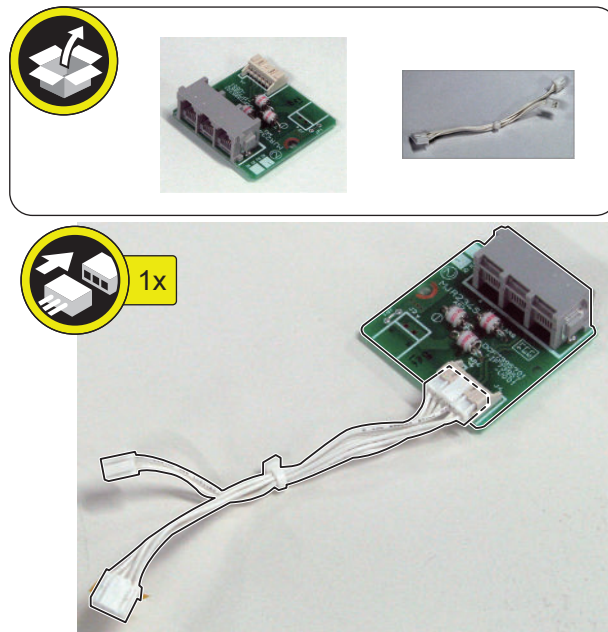


2. Install the Signal Cable to the FAX Unit.

- 3 Cable Guides



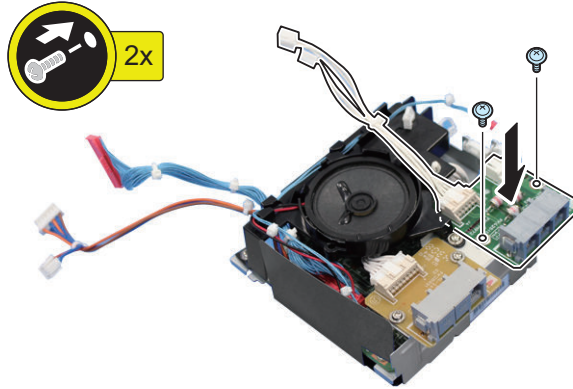
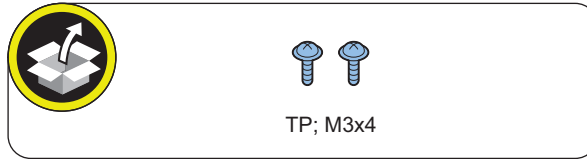
3. Install the Modular Cable to the Modular PCB.





4. Install the Modular PCB to the FAX Unit.

- 2 Screws (TP; M3x4)



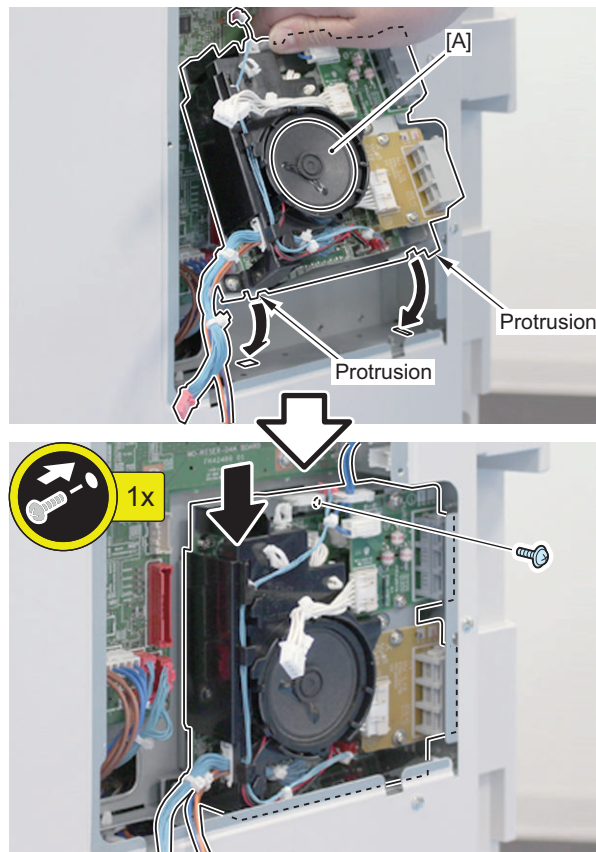


5. Install the FAX Unit to the Host Machine.

- 2 Protrusions
- 1 Screw (TP; M3x4 Black) (Use the removed screw or those included with the Super G3 FAX Board)

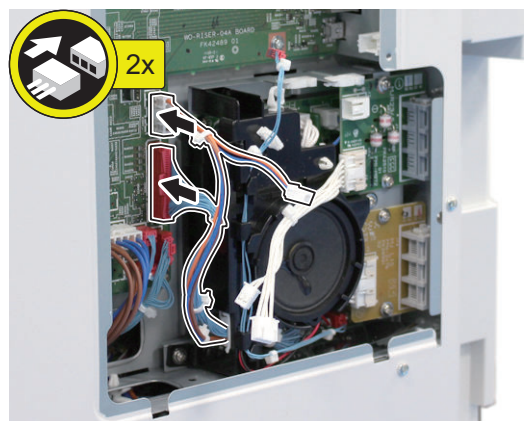
CAUTION:

- Be careful not to damage the [A] part of the speaker as the wiring may be broken.
- Be sure to tighten the screw while holding the FAX Unit.
- After tightening the screw of the FAX Unit, check for any backlash. If there is backlash, tighten the screw again with the protrusion precisely fitted.



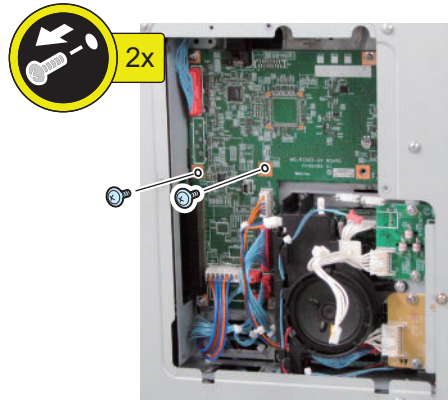
6. Install the 2 Cable of the FAX Unit.

- 2 Connectors



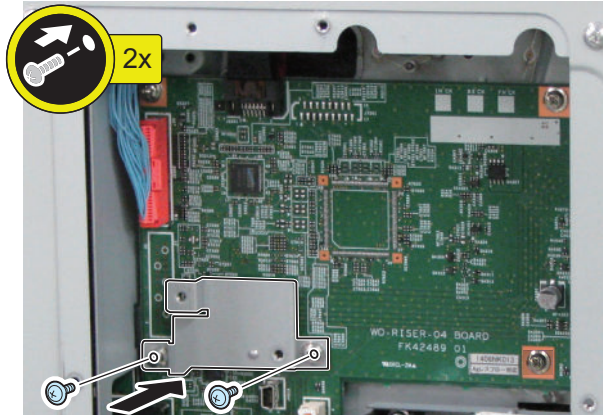
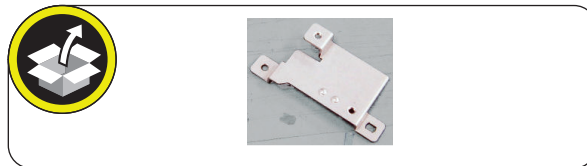


7. Remove the 2 Screws. (will be used in next step)



8. Install the FAX Shield Plate.

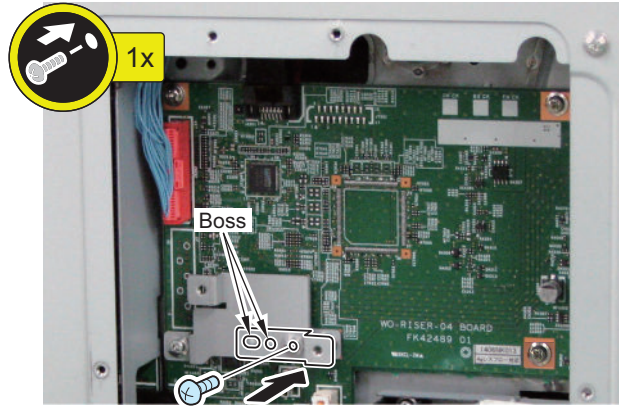
- 2 Screws (screws removed in the previous step)





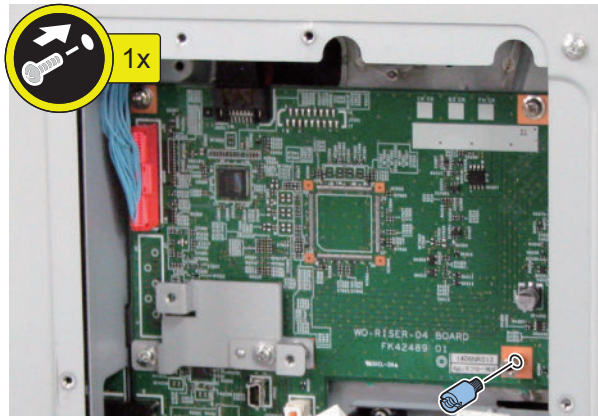
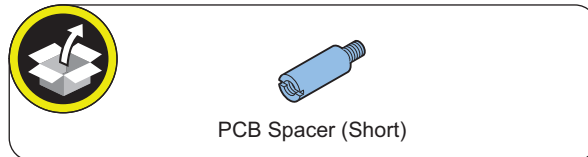
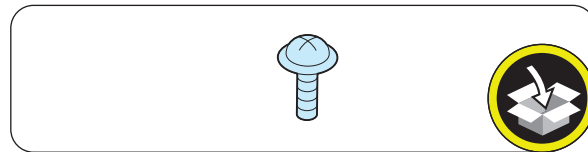
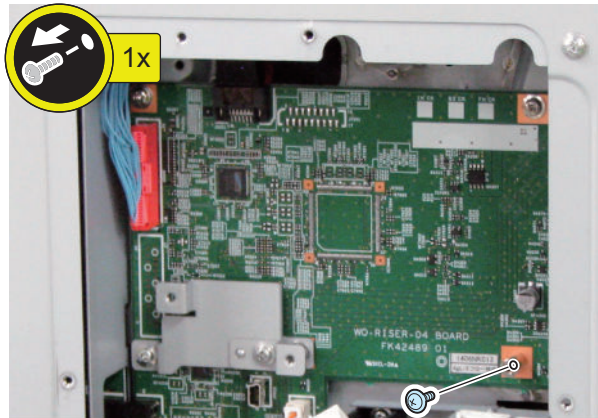
9. Install the FAX Board Fixed Plate.

- 2 Bosses
- 1 Screw (Binding; M4x4)



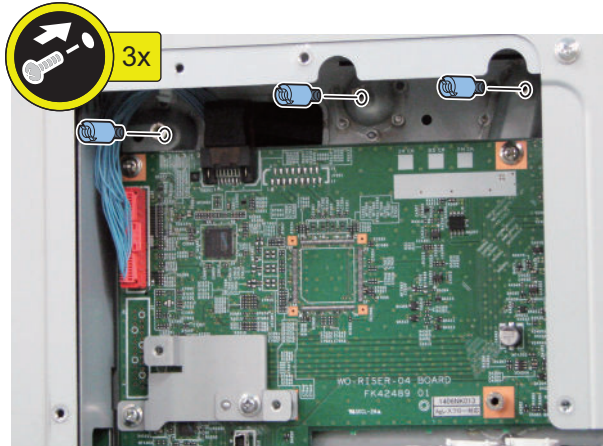
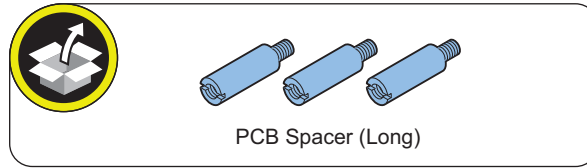


10. Remove the Screw and install the PCB Spacer (Short). (The removed screw will not be used.)





11. Install the 3 PCB Spacers (Long).

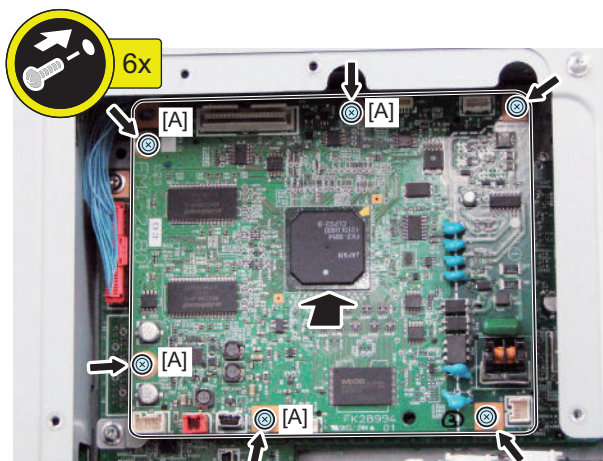
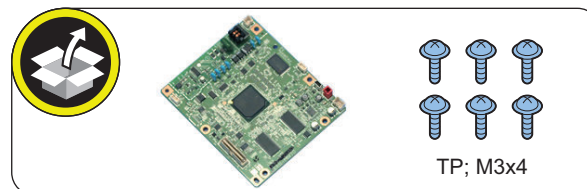


12. Install the G3FAX Expansion PCB.

- 6 Screws (TP; M3x4)

NOTE:

Because the 4 screws [A] need to be removed when installing the Super G3 3rd/4th Line Fax Board at the same time, it is efficient not to tighten them here.



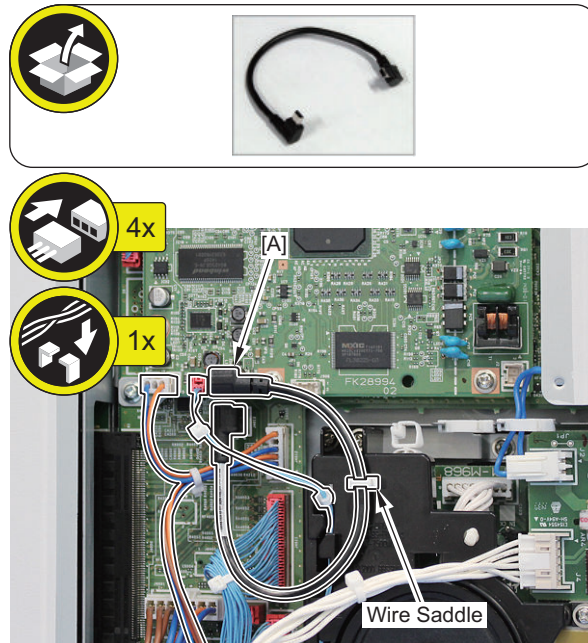


13. Install the Signal Cable, Power Supply Cable and USB Cable to the G3FAX Expansion PCB.

- 1 Wire Saddle

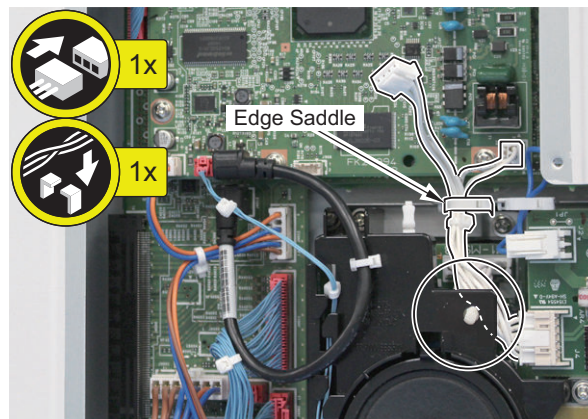
NOTE:

Because [A] of the USB Cable needs to be disconnected when installing the Super G3 3rd/4th Line Fax Board at the same time, it is efficient not to connect it here.



14. Pass the Modular Cable inside the Speaker Holder, and install the G3 FAX Control PCB.

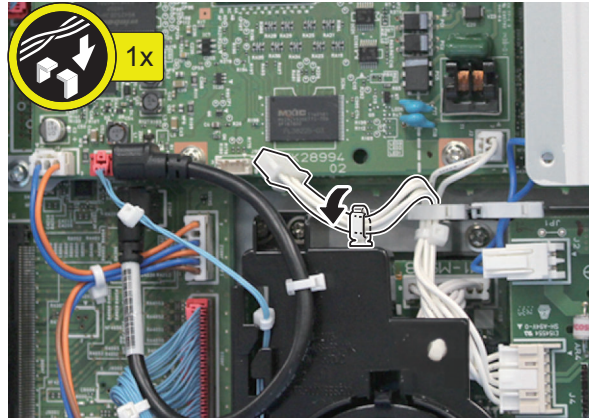
- 1 Edge Saddle



**NOTE:**

When installing the Super G3 3rd/4th Line Fax Board at the same time, the following step is not necessary.

15. Secure the cable with the Wire Saddle.



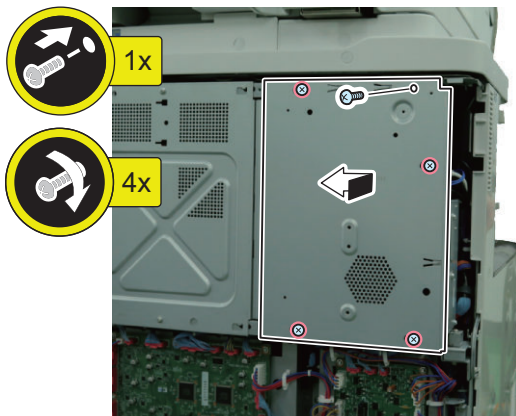
■ Subsequent Work

**NOTE:**

When performing the following steps, it is efficient to install the cover after installing the Super G3 3rd/4th Line Fax Board in case of installing the fax board at the same time.

1. Install the Controller Box Cover.

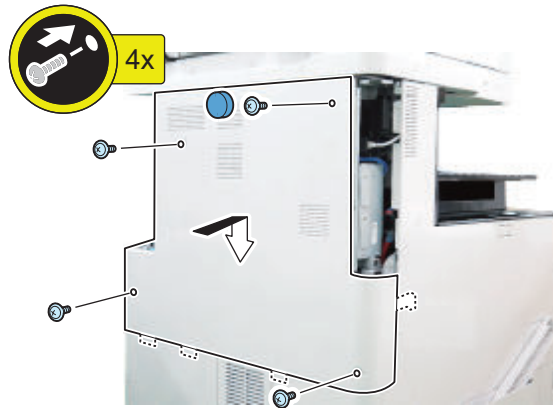
- 1 Screw (to install)
- 4 Screws (to tighten)





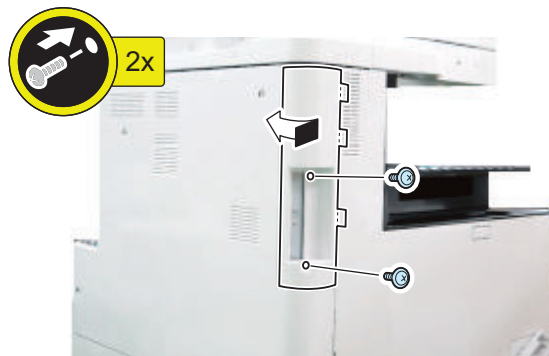
2. Install the Rear Upper Cover.

- 3 Protrusions
- 1 Claw
- 4 Screws
- 1 Rubber Cap

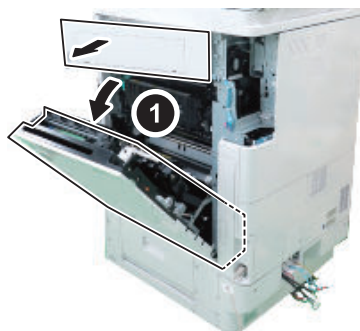


3. Install the Rear Upper Left Cover.

- 3 Protrusions
- 2 Screws

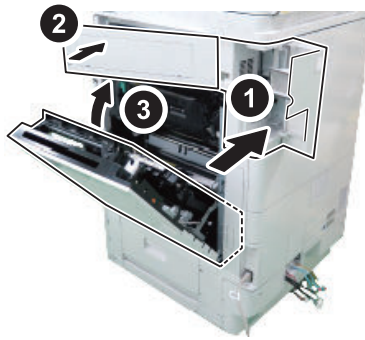


4. Open the Right Lower Cover (the Right Upper Cover will open at the same time).



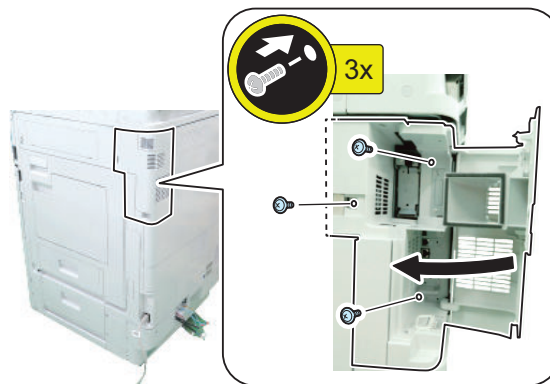


5. Install the Right Rear Cover 1, and close the Right Upper Cover and the Right Lower Cover.



6. Close the Right Rear Cover 1.

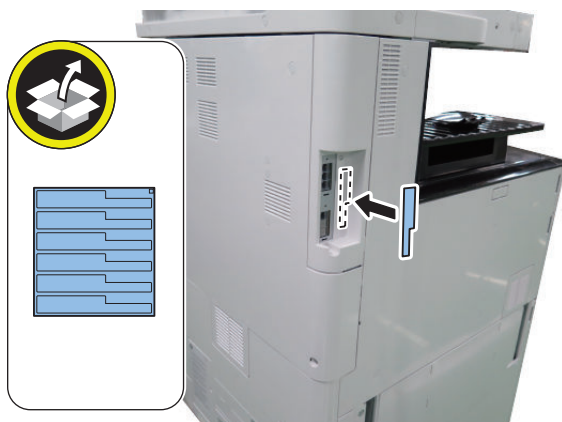
- 3 Screws



NOTE:

When installing the G3 3rd/4th Line Fax Board at the same time, this work is not necessary.

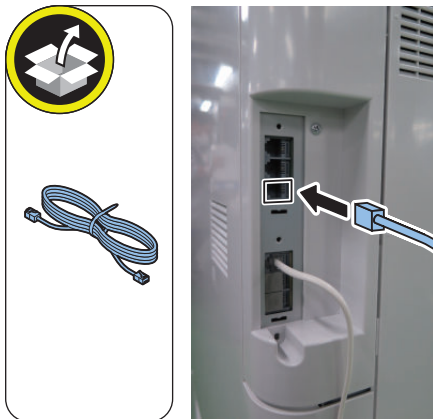
7. Affix the appropriate Modular Label to the place shown in the figure. If a label is already affixed, remove it and then affix the appropriate label.



8. Connect the Telephone Cord of the FAX (1-Line). When installing this equipment at the same time, connect the other end to the modular jack on the wall.



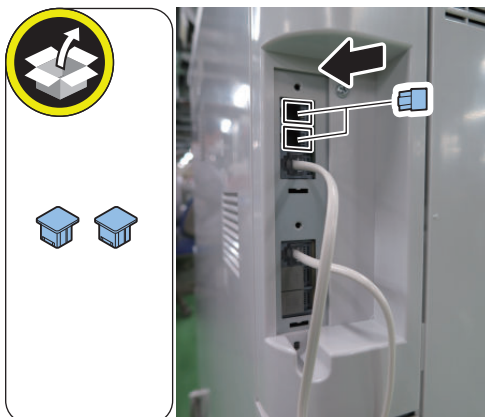
9. Connect the end of the Telephone Cord to the modular jack on the Host machine, and connect the other end to the modular jack on the wall.



NOTE:

When installing the G3 3rd/4th Line Fax Board at the same time, this work is not necessary.

10. Install the Dust Cover.



11. Connect the power plug to the outlet.

12. Turn ON the main power switch.**CAUTION:**

If the machine does not recognize this equipment, unplug and then plug the power plug after turning OFF the main power switch, or turn OFF the main power switch and then turn it ON within 20 seconds.
To avoid this symptom, unplug the power plug or turn the breaker OFF when installing.

13. If a message prompting the user to update the version appears, press [Update] to automatically update the version of this equipment.**NOTE:**

If [Skip] is selected, a message prompting the user to update the version will appear every time the host machine is started. In the service mode (Lv. 2) shown below, it is possible to set not to display the message.

- COPIER > OPTION > FNC-SW > VER-CHNG

Checking the Operation

■ Type Settings

Select the country/region of the FAX Board in Service Mode: FAX > Type > TYPE

This setting performs the parameter settings to match the communication specification of the country/region.



1. **From the following service mode, set the TYPE of country/region to install this machine, and then press OK.**

FAX > TYPE > TYPE

2. **Confirm that service mode parameter below is "0". In the case, parameter is "1", change to "0".**

COPIER > OPTION > DSPLY-SW > SDTM-DSP

NOTE:

To change parameter to "0" makes no show below [Settings/Registration > Preferences > Time/Energy Settings > Auto Shutdown Time] and auto shut down is not available.

3. **Turn OFF/ON the main power switch to enable this setting.**

■ Basic Settings

NOTE:

When "System Manager Information Settings" is set, be sure to follow the direction of user administrator in order to log in as an administrator.

In this section, make only minimum settings required for FAX communication.



1. **Set the user telephone number.**

[Settings/Registration] > [Function Settings] > [Send] > [Fax Settings] > [Set Line] > [Line 2] > [Register Unit Telephone Number] > Enter FAX number > [OK]

2. **Set the type of telephone line.**

[Settings/Registration] > [Function Settings] > [Send] > [Fax Settings] > [Set Line] > [Line 2] > [Select Line Type] > Select the line type to connect > [OK]

3. **Turn OFF/ON the main power switch after setting the user telephone numbers and the type of telephone line.**

■ FAX Communication Test

Perform communication test to check if FAX function works correctly.



1. Switch the control panel display to Fax display.

2. Select the sending line.

Press [Fax] > [Options] > [Select Line], select the added line, then press [OK] button.

3. Send and receive a test original between the equipment and a remote unit with which a communication test can be performed and check if it can be sent and receive correctly.

1. Press [Status Monitor/Cancel] > [Send] > [Job Log] and select [Fax] from pull down menu.

2. Press [Fax Activity Report] > [OutPut Normally] > [Start Printing].

3. The number printed following colon (:) in "COMM.MODE" field on FAX ACTIVITY REPORT TX/RX shows line type used for sending/receiving.

E.g. "ECM:2" => Line 2

NOTE:

If E744-5000 error code (Fax software version mismatch error) occurred while sending or receiving fax, upgrade the firmware of 2-line Fax to the latest version.

Super G3 2nd Line Fax Board-AS2

Product Name

Safety regulations require the product's name to be registered. In some regions where this product is sold, the following name may be registered instead.

- F632502

Points to Note at Installation

When installing the Super G3 FAX Board and this equipment at the same time, be sure to install them by referring to this document after checking "Checking the Contents" of Super G3 FAX Board.

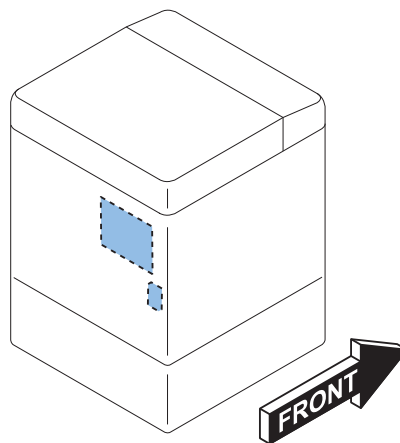
Essential Items to Be Performed Before Installation

- Turn OFF the main power of the host machine, and disconnect the power plug from the outlet.






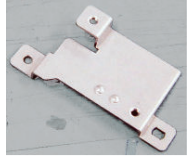



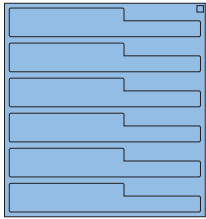
⚠ WARNING:

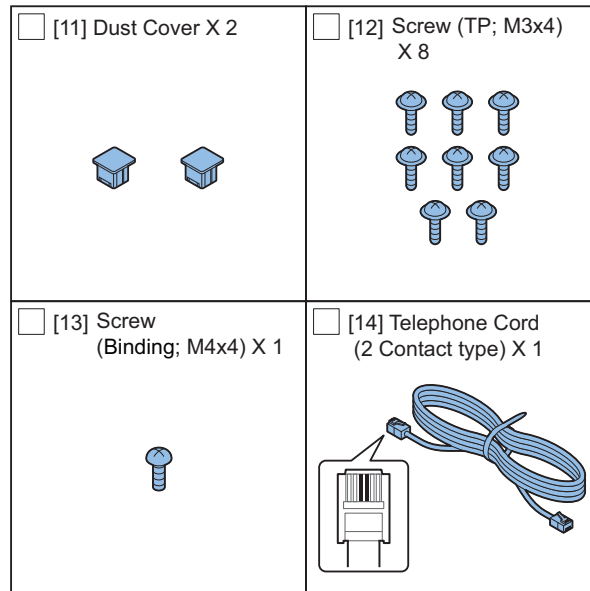
- If performing work without disconnecting the power plug of the host machine, it may cause electrical shock.
 - If disconnecting the power plug without turning OFF the main power, it may cause damage of the machine.
- When turning OFF the main power, follow the below procedure.
 1. Turn OFF the main power switch of the host machine.
 2. The display in the Control Panel and the lamp of the main power are turned off.

Installation Outline Drawing



Checking the Contents

<input type="checkbox"/> [1] G3FAX Expansion PCB X 1 	<input type="checkbox"/> [2] Modular PCB X 1 
<input type="checkbox"/> [3] USB Cable X 1 	<input type="checkbox"/> [4] Modular Cable X 1 
<input type="checkbox"/> [5] Signal Cable X 1 	<input type="checkbox"/> [6] FAX Shield Plate X 1 
<input type="checkbox"/> [7] FAX Board Fixed Plate X 1 	<input type="checkbox"/> [8] PCB Spacer (Long) X 3 
<input type="checkbox"/> [9] PCB Spacer (Short) X 1 	<input type="checkbox"/> [10] Modular Label X 1 



Installation Procedure

Preparation

NOTE:

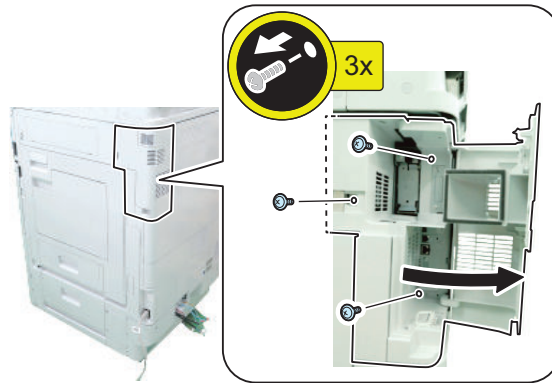
- When the Super G3 FAX Board is installed: Perform steps 1 to 8, and proceed to step 10.
- When installing the Super G3 FAX Board at the same time: Perform steps 2 to 7, and proceed to step 9.

1. Disconnect the Telephone Cord of the FAX (1-Line).

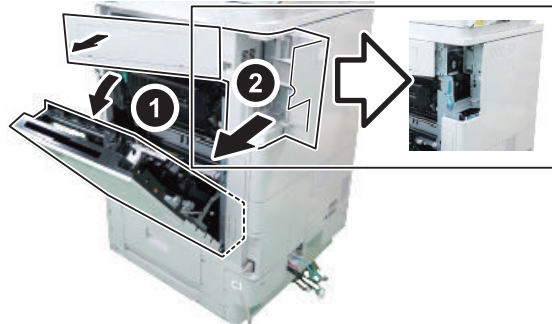




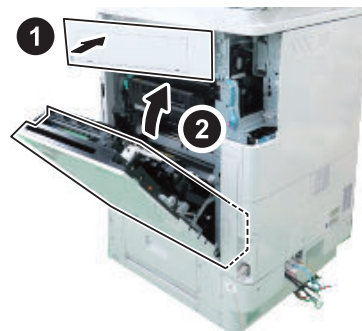
2. Open the Right Rear Cover 1 and remove the 3 screws.



3. Open the Right Lower Cover (the Right Upper Cover will open at the same time), and remove the Right Rear Cover 1.



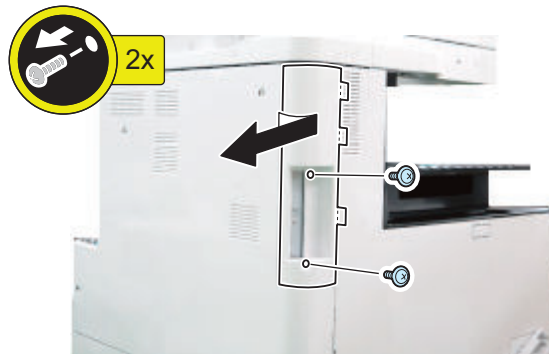
4. Close the Right Upper Cover and the Right Lower Cover.





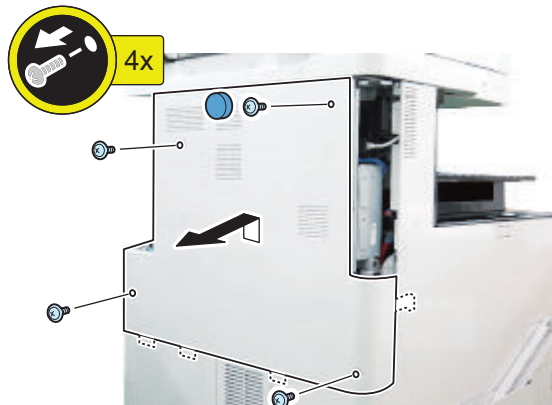
5. Remove the Rear Upper Left Cover.

- 2 Screws
- 3 Protrusions



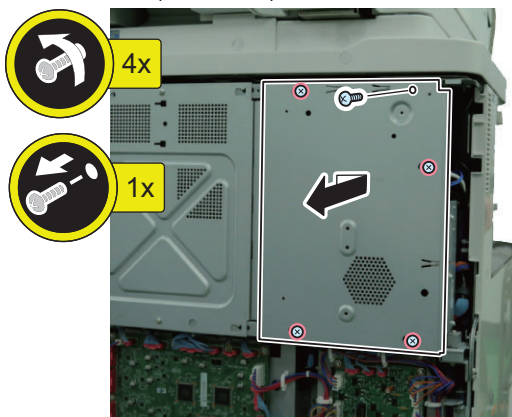
6. Remove the Rear Upper Cover.

- 1 Rubber Cap
- 4 Screws
- 1 Claw
- 3 Protrusions



7. Remove the Controller Box Cover.

- 4 Screws (to loosen)
- 1 Screw (to remove)



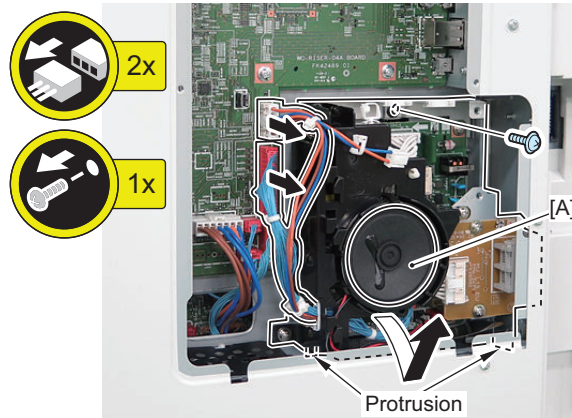


8. Remove the FAX Unit.

- 2 Connectors
- 1 Screw
- 2 Protrusions

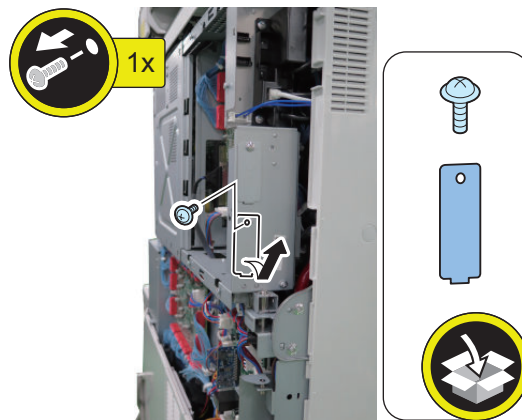
CAUTION:

Be careful not to damage the [A] part of the speaker as the wiring may be open circuit.



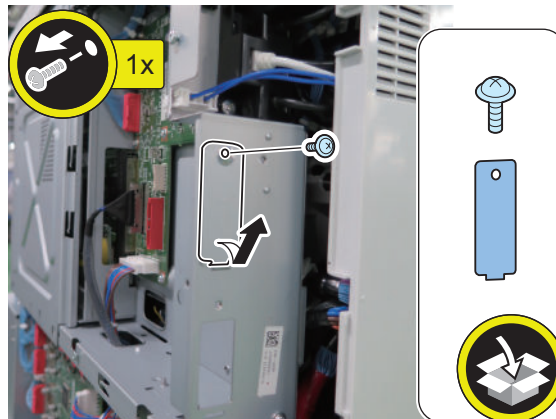
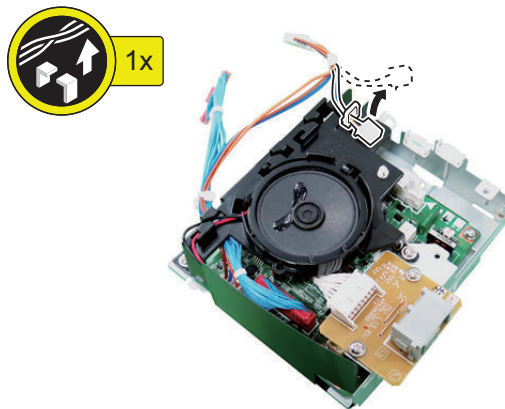
9. Remove the Face Cover of the FAX (1-Line). (The removed parts will not be used.)

- 1 Screw
- 1 Protrusion



**10. Remove the Face Cover of the FAX (2-Line). (The removed parts will not be used.)**

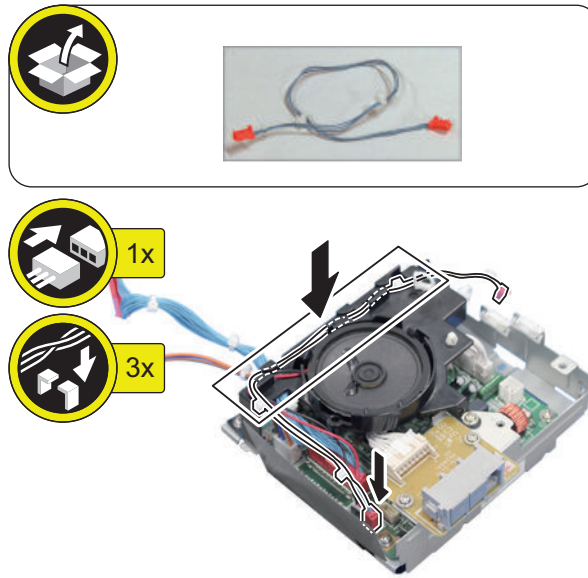
- 1 Screw
- 1 Protrusion

**■ Installing the Equipment****1. Free the Cable from the Wire Saddle.**

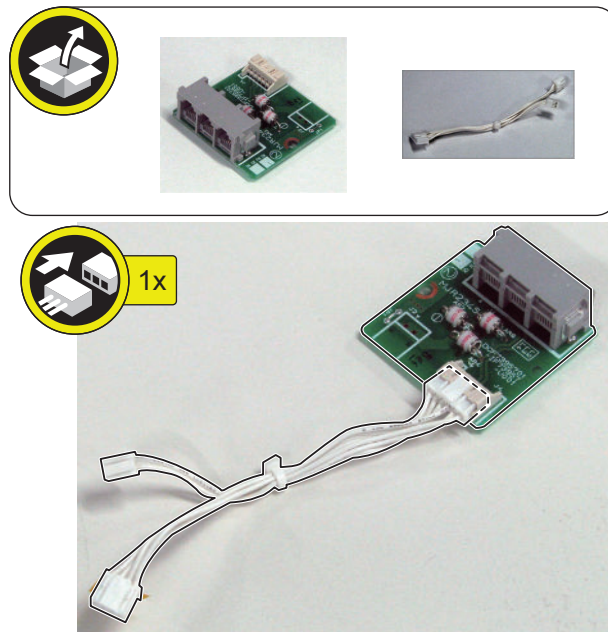


2. Install the Signal Cable to the FAX Unit.

- 3 Cable Guides



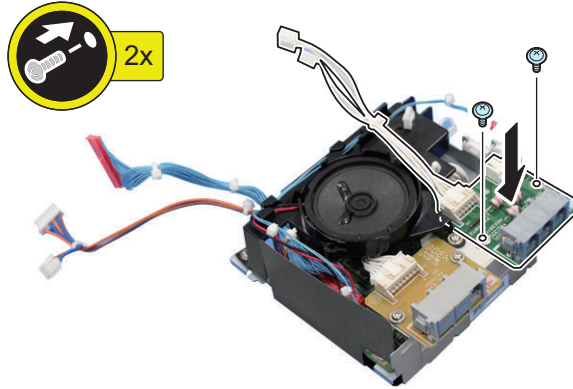
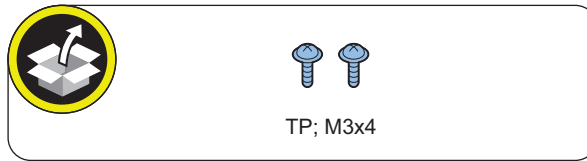
3. Install the Modular Cable to the Modular PCB.





4. Install the Modular PCB to the FAX Unit.

- 2 Screws (TP; M3x4)



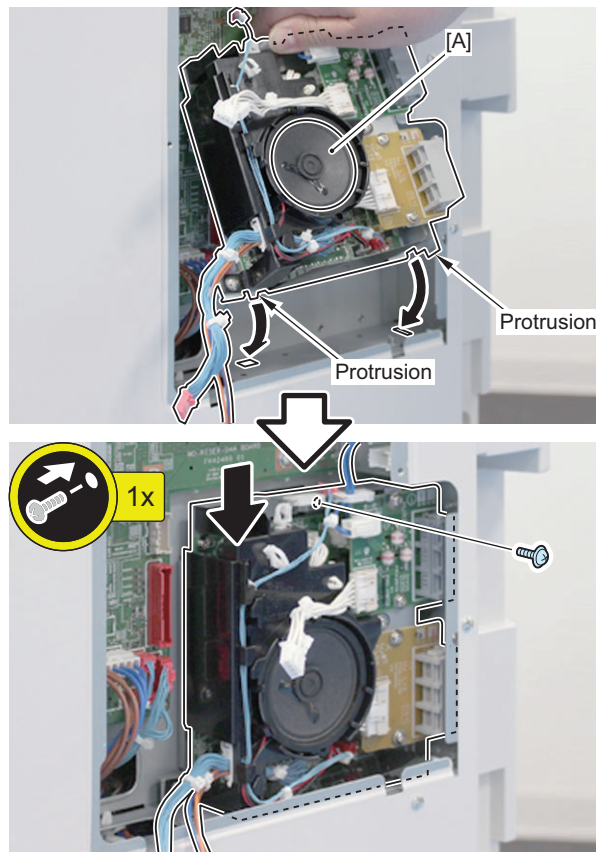


5. Install the FAX Unit to the Host Machine.

- 2 Protrusions
- 1 Screw (TP; M3x4 Black) (Use the removed screw or those included with the Super G3 FAX Board)

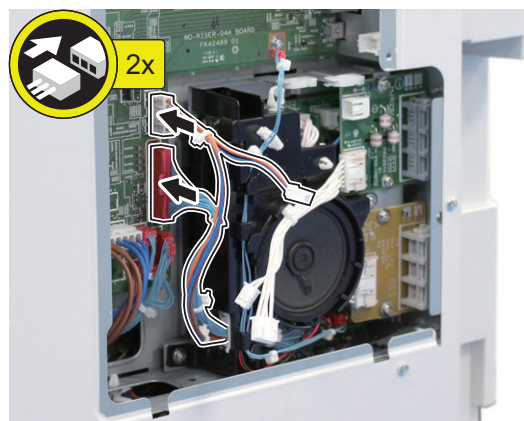
CAUTION:

- Be careful not to damage the [A] part of the speaker as the wiring may be broken.
- Be sure to tighten the screw while holding the FAX Unit.
- After tightening the screw of the FAX Unit, check for any backlash. If there is backlash, tighten the screw again with the protrusion precisely fitted.



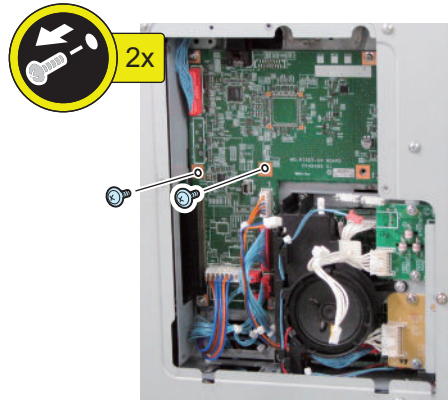
6. Install the 2 Cable of the FAX Unit.

- 2 Connectors



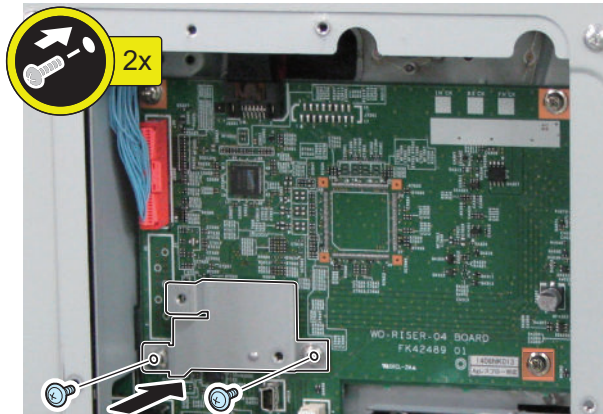
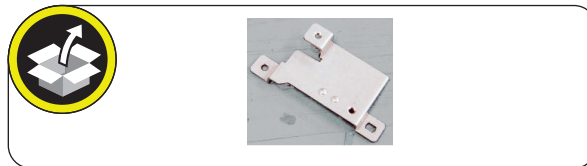


7. Remove the 2 Screws. (will be used in next step)



8. Install the FAX Shield Plate.

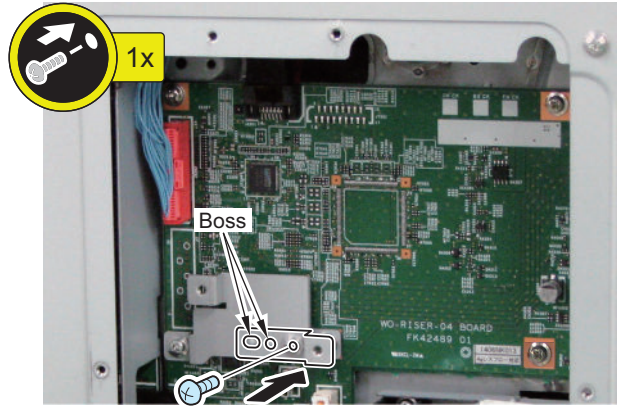
- 2 Screws (screws removed in the previous step)





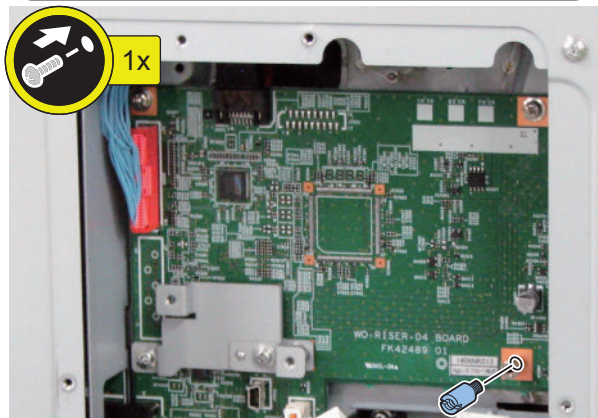
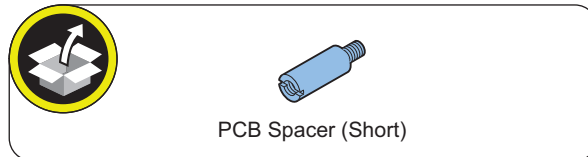
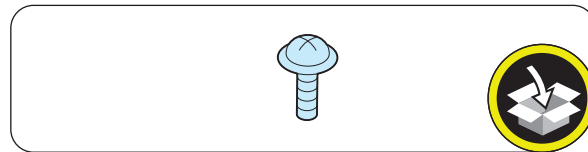
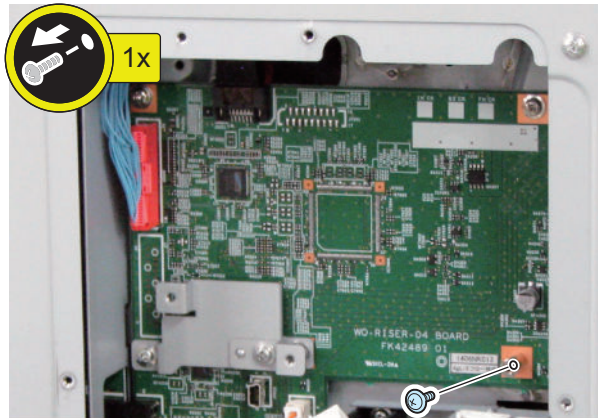
9. Install the FAX Board Fixed Plate.

- 2 Bosses
- 1 Screw (Binding; M4x4)



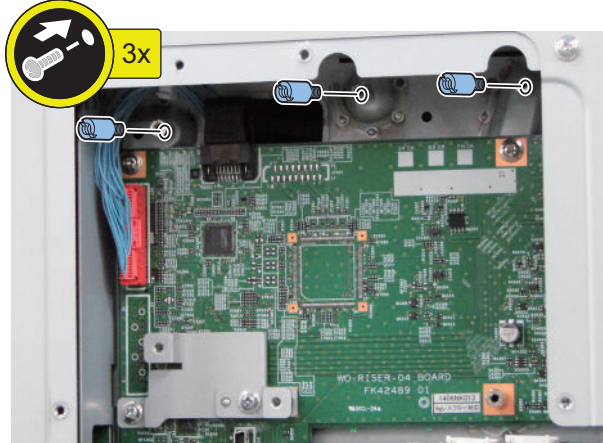
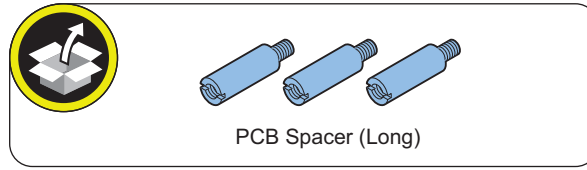


10. Remove the Screw and install the PCB Spacer (Short). (The removed screw will not be used.)





11. Install the 3 PCB Spacers (Long).

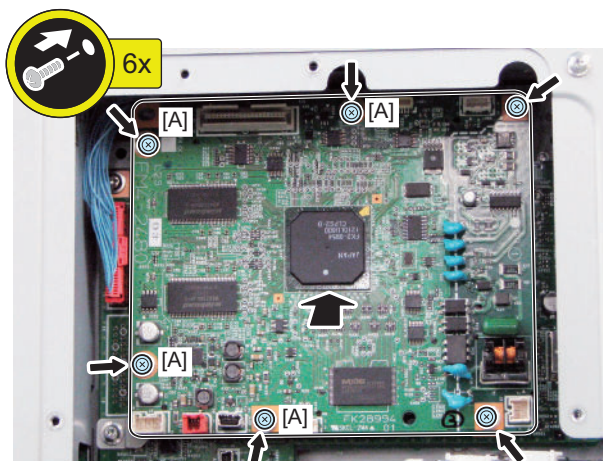
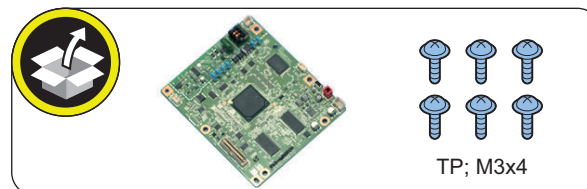


12. Install the G3FAX Expansion PCB.

- 6 Screws (TP; M3x4)

NOTE:

Because the 4 screws [A] need to be removed when installing the Super G3 3rd/4th Line Fax Board at the same time, it is efficient not to tighten them here.



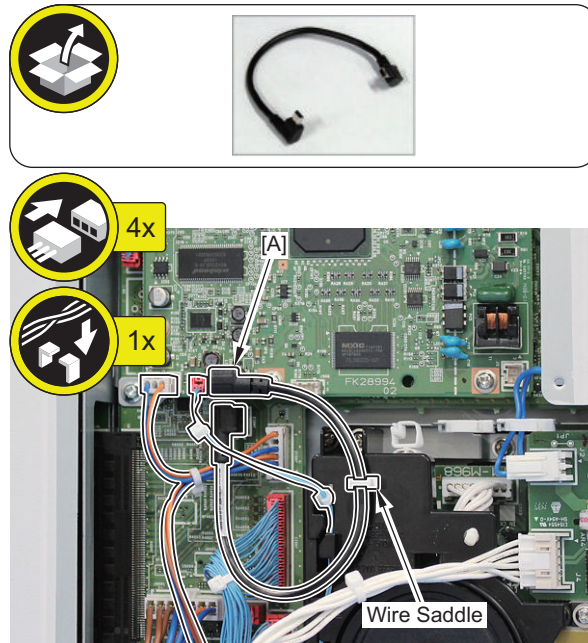


13. Install the Signal Cable, Power Supply Cable and USB Cable to the G3FAX Expansion PCB.

- 1 Wire Saddle

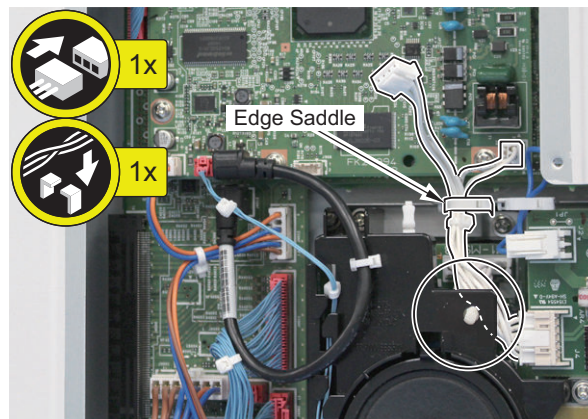
NOTE:

Because [A] of the USB Cable needs to be disconnected when installing the Super G3 3rd/4th Line Fax Board at the same time, it is efficient not to connect it here.



14. Pass the Modular Cable inside the Speaker Holder, and install the G3 FAX Control PCB.

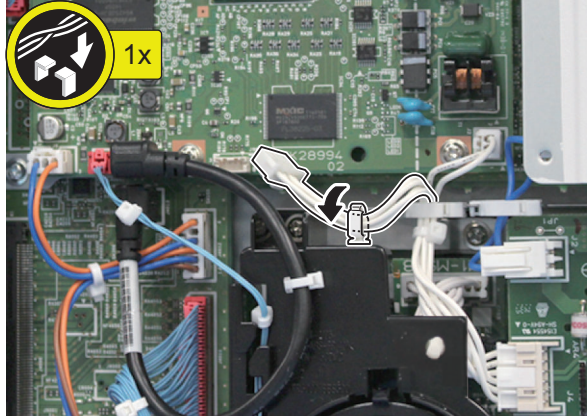
- 1 Edge Saddle



**NOTE:**

When installing the Super G3 3rd/4th Line Fax Board at the same time, the following step is not necessary.

15. Secure the cable with the Wire Saddle.



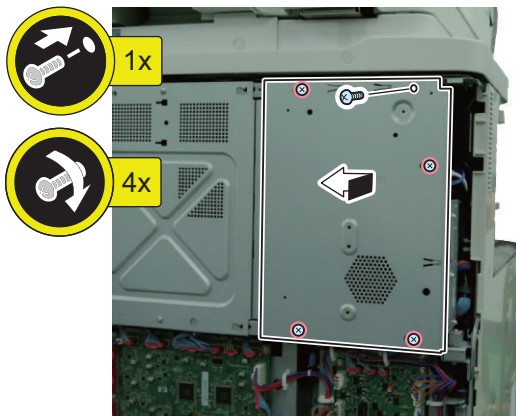
■ Subsequent Work

**NOTE:**

When performing the following steps, it is efficient to install the cover after installing the Super G3 3rd/4th Line Fax Board in case of installing the fax board at the same time.

1. Install the Controller Box Cover.

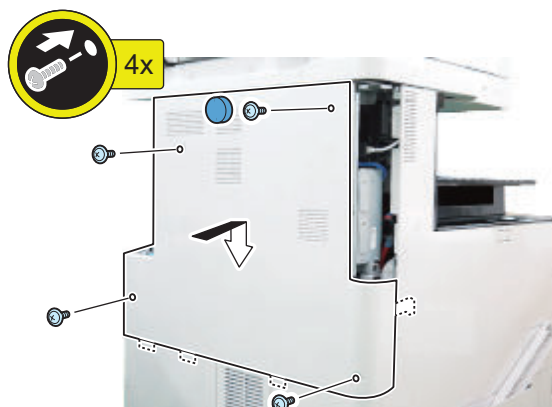
- 1 Screw (to install)
- 4 Screws (to tighten)





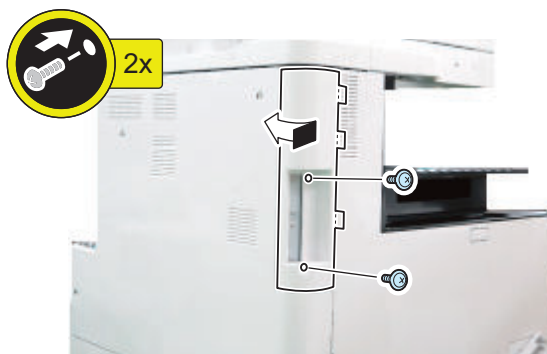
2. Install the Rear Upper Cover.

- 3 Protrusions
- 1 Claw
- 4 Screws
- 1 Rubber Cap

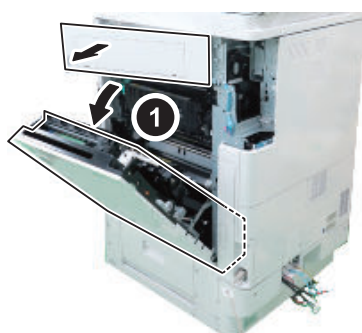


3. Install the Rear Upper Left Cover.

- 3 Protrusions
- 2 Screws

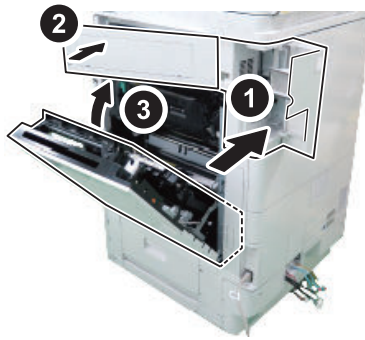


4. Open the Right Lower Cover (the Right Upper Cover will open at the same time).



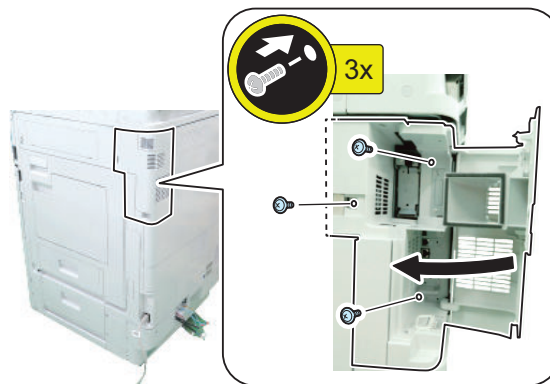


5. Install the Right Rear Cover 1, and close the Right Upper Cover and the Right Lower Cover.



6. Close the Right Rear Cover 1.

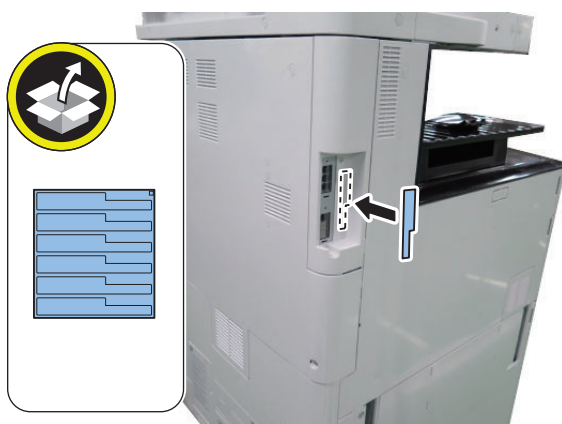
- 3 Screws



NOTE:

When installing the G3 3rd/4th Line Fax Board at the same time, this work is not necessary.

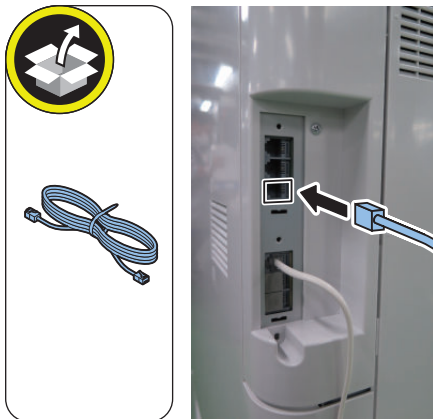
7. Affix the appropriate Modular Label to the place shown in the figure. If a label is already affixed, remove it and then affix the appropriate label.



8. Connect the Telephone Cord of the FAX (1-Line). When installing this equipment at the same time, connect the other end to the modular jack on the wall.



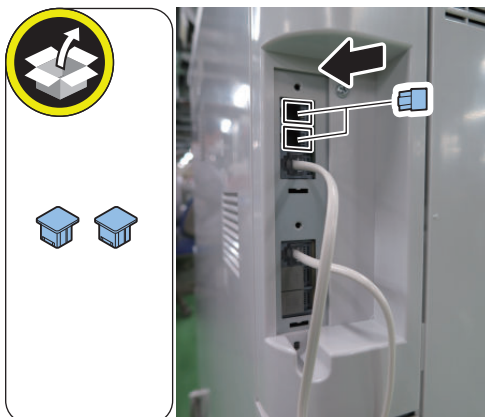
9. Connect the end of the Telephone Cord to the modular jack on the Host machine, and connect the other end to the modular jack on the wall.



NOTE:

When installing the G3 3rd/4th Line Fax Board at the same time, this work is not necessary.

10. Install the Dust Cover.



11. Connect the power plug to the outlet.

12. Turn ON the main power switch.**CAUTION:**

If the machine does not recognize this equipment, unplug and then plug the power plug after turning OFF the main power switch, or turn OFF the main power switch and then turn it ON within 20 seconds.
To avoid this symptom, unplug the power plug or turn the breaker OFF when installing.

13. If a message prompting the user to update the version appears, press [Update] to automatically update the version of this equipment.**NOTE:**

If [Skip] is selected, a message prompting the user to update the version will appear every time the host machine is started. In the service mode (Lv. 2) shown below, it is possible to set not to display the message.

- COPIER > OPTION > FNC-SW > VER-CHNG

Checking the Operation

■ Type Settings

Select the country/region of the FAX Board in Service Mode: FAX > Type > TYPE

This setting performs the parameter settings to match the communication specification of the country/region.



1. **From the following service mode, set the TYPE of country/region to install this machine, and then press OK.**

FAX > TYPE > TYPE

2. **Confirm that service mode parameter below is "0". In the case, parameter is "1", change to "0".**

COPIER > OPTION > DSPLY-SW > SDTM-DSP

NOTE:

To change parameter to "0" makes no show below [Settings/Registration > Preferences > Time/Energy Settings > Auto Shutdown Time] and auto shut down is not available.

3. **Turn OFF/ON the main power switch to enable this setting.**

■ Basic Settings

NOTE:

When "System Manager Information Settings" is set, be sure to follow the direction of user administrator in order to log in as an administrator.

In this section, make only minimum settings required for FAX communication.



1. **Set the user telephone number.**

[Settings/Registration] > [Function Settings] > [Send] > [Fax Settings] > [Set Line] > [Line 2] > [Register Unit Telephone Number] > Enter FAX number > [OK]

2. **Set the type of telephone line.**

[Settings/Registration] > [Function Settings] > [Send] > [Fax Settings] > [Set Line] > [Line 2] > [Select Line Type] > Select the line type to connect > [OK]

3. **Turn OFF/ON the main power switch after setting the user telephone numbers and the type of telephone line.**

■ FAX Communication Test

Perform communication test to check if FAX function works correctly.



1. **Switch the control panel display to Fax display.**

2. **Select the sending line.**

Press [Fax] > [Options] > [Select Line], select the added line, then press [OK] button.

3. **Send and receive a test original between the equipment and a remote unit with which a communication test can be performed and check if it can be sent and receive correctly.**

1. Press [Status Monitor/Cancel] > [Send] > [Job Log] and select [Fax] from pull down menu.

2. Press [Fax Activity Report] > [OutPut Normally] > [Start Printing].

3. The number printed following colon (:) in "COMM.MODE" field on FAX ACTIVITY REPORT TX/RX shows line type used for sending/receiving.

E.g. "ECM:2" => Line 2

NOTE:

If E744-5000 error code (Fax software version mismatch error) occurred while sending or receiving fax, upgrade the firmware of 2-line Fax to the latest version.

Super G3 3rd4th Line Fax Board-AS1

Product Name

Safety regulations require the product's name to be registered. In some regions where this product is sold, the following name may be registered instead.

- F632503

Points to Note at Installation

- Install this equipment after installing the Super G3 FAX Board and Super G3 2nd Line Fax Board.
- When installing Super G3 2nd Line Fax Board at the same time, start from "Installing the Equipment".
- When installing this equipment later, start from "Preparation".

Essential Items to Be Performed Before Installation

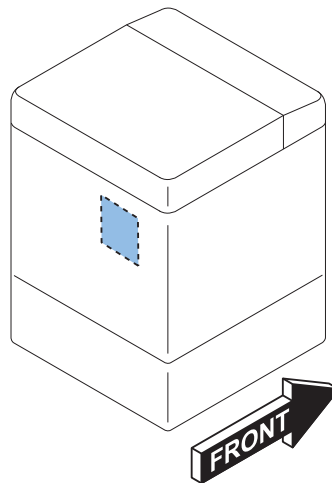
- Turn OFF the main power of the host machine, and disconnect the power plug from the outlet.

⚠ WARNING:




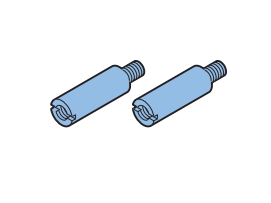
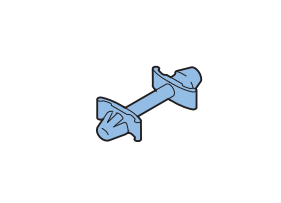
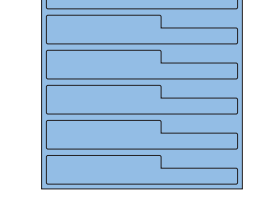
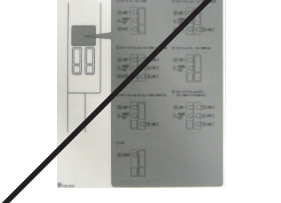
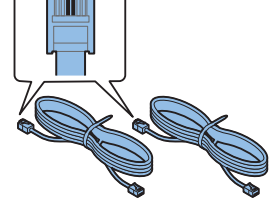
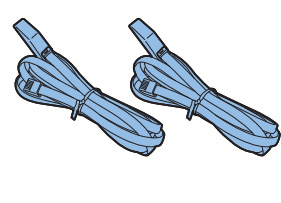
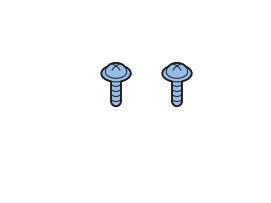
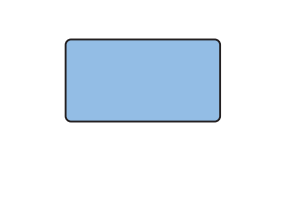
- If performing work without disconnecting the power plug of the host machine, it may cause electrical shock.
- If disconnecting the power plug without turning OFF the main power, it may cause damage of the machine.

- When turning OFF the main power, follow the below procedure.
 1. Turn OFF the main power switch of the host machine.
 2. The display in the Control Panel and the lamp of the main power are turned off.

Installation Outline Drawing



Checking the Contents

<input type="checkbox"/> [1] G3FAX Expansion PCB X 1 	<input type="checkbox"/> [2] FAX Shield Plate X 1 
<input type="checkbox"/> [3] FAX Board Fixed Plate X 1 	<input type="checkbox"/> [4] PCB Spacer X 2 
<input type="checkbox"/> [5] Resin Spacer X 1 	<input type="checkbox"/> [6] Modular Label X 1 
<input type="checkbox"/> [7] Modular Label X 1 	<input type="checkbox"/> [8] Telephone Cord X 2 
<input type="checkbox"/> [9] PTT Cable X 2 (only for Asia) 	<input type="checkbox"/> [10] Screw (TP; M3x4) X 2 
<input type="checkbox"/> [11] FAX Approval Label (only for Taiwan) X 1 	

(11): These are not used with this machine.

Installation Procedure

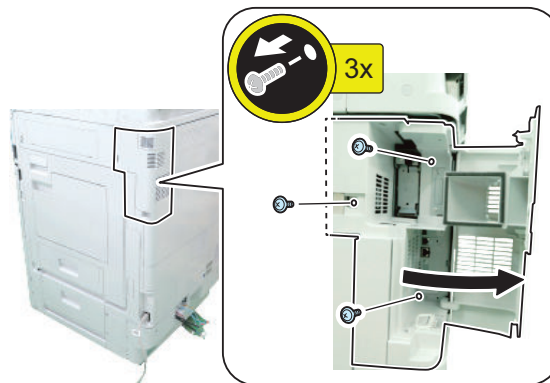
■ Preparation



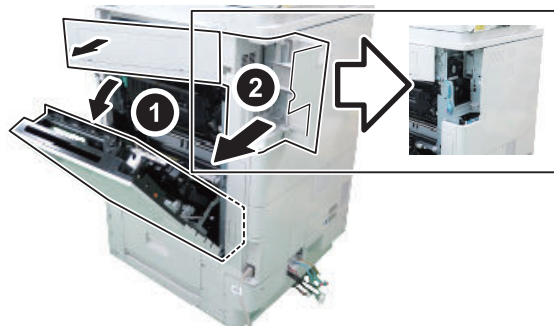
1. Disconnect the Telephone Cord of the FAX (1 / 2-Line).



2. Open the Right Rear Cover 1 and remove the 3 screws.

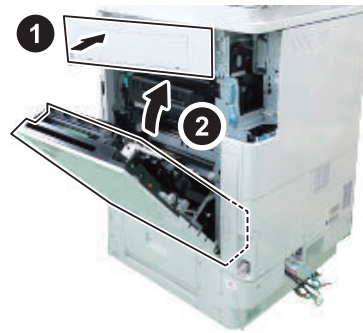


3. Open the Right Lower Cover (the Right Upper Cover will open at the same time), and remove the Right Rear Cover 1.



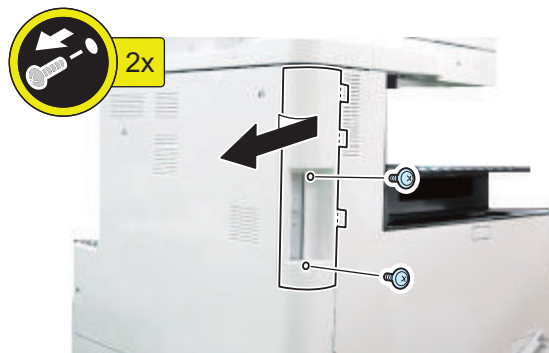


4. Close the Right Upper Cover and the Right Lower Cover.



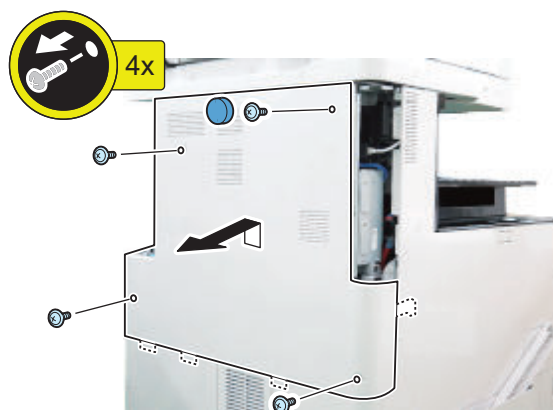
5. Remove the Rear Upper Left Cover.

- 2 Screws
- 3 Protrusions



6. Remove the Rear Upper Cover.

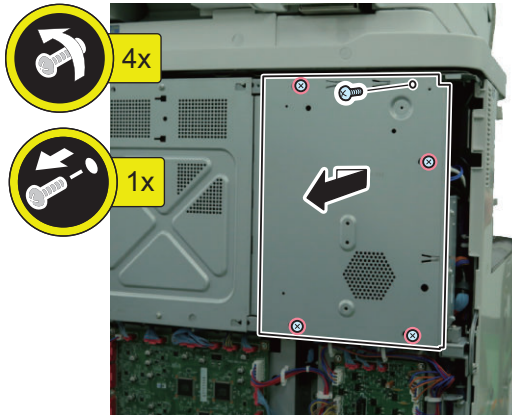
- 1 Rubber Cap
- 4 Screws
- 1 Claw
- 3 Protrusions



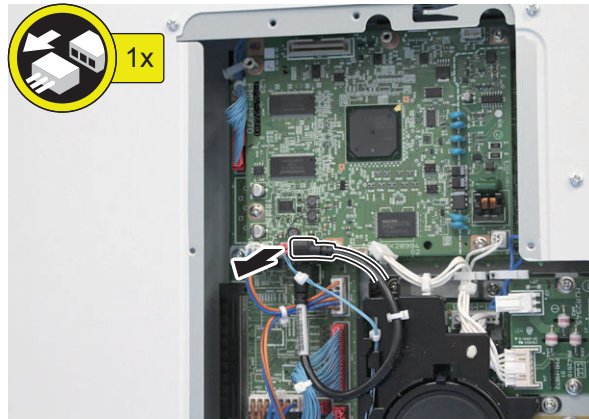


7. Remove the Controller Box Cover.

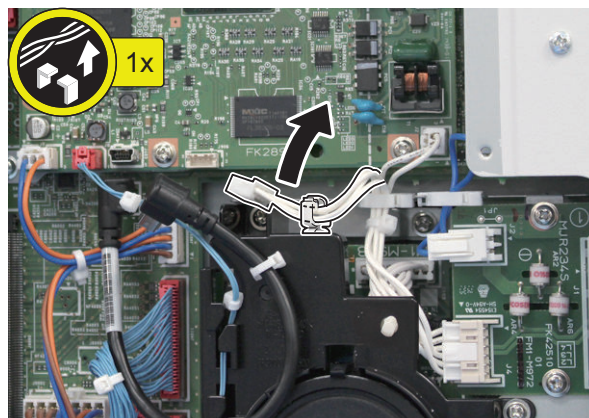
- 4 Screws (to loosen)
- 4 Screws (to loosen)
 - 1 Screw (to remove)



8. Disconnect the USB Cable of the G3FAX Expansion PCB side.

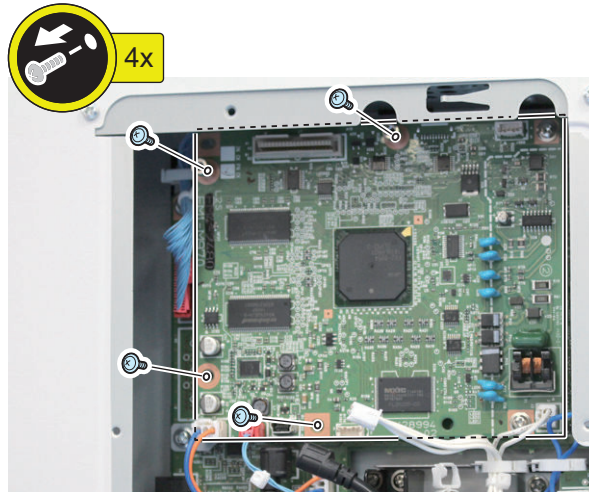


9. Free the Modular Cable from the Wire Saddle. (Close the Wire Saddle.)





10. Remove the 4 Screws. (will be used in Installing the Equipment)

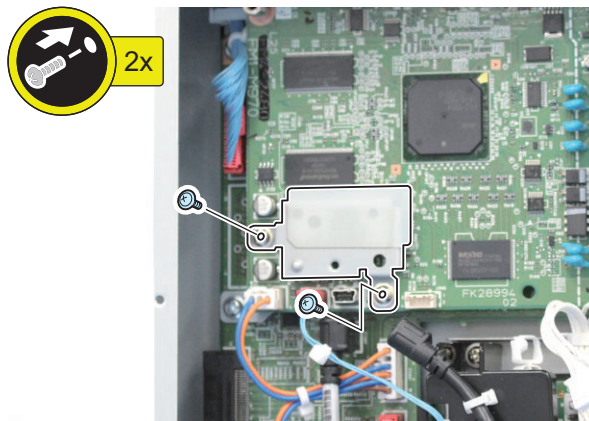
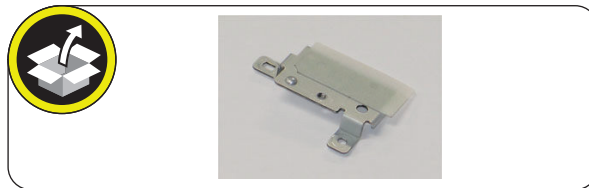


■ Installing the Equipment



1. Install the FAX Shield Plate.

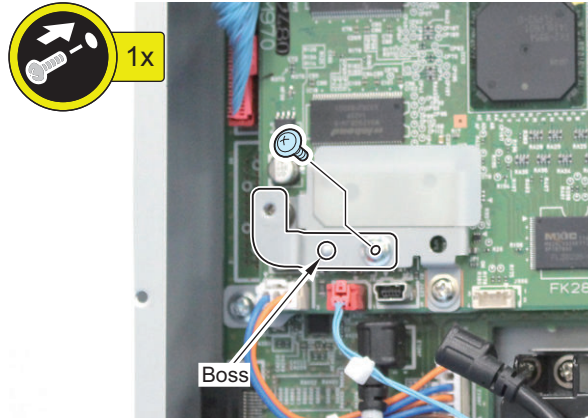
- 2 Screws (Use the removed screws or TP; M3x4 included with the FAX (2-Line))



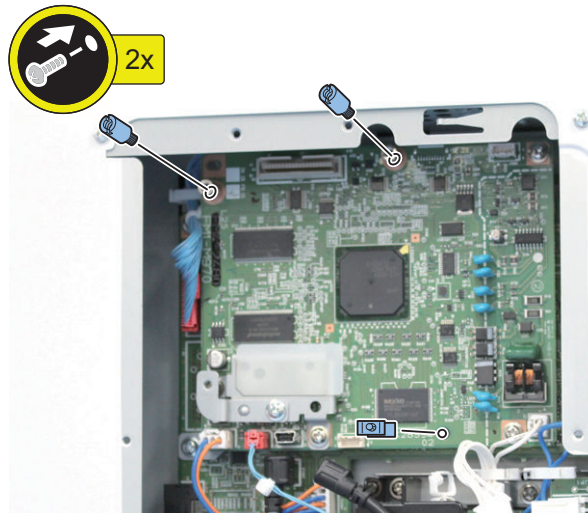
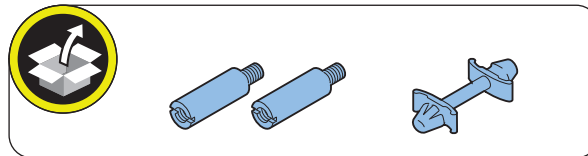


2. Install the FAX Board Fixed Plate.

- 1 Boss
- 1 Screw (TP; M3x4)



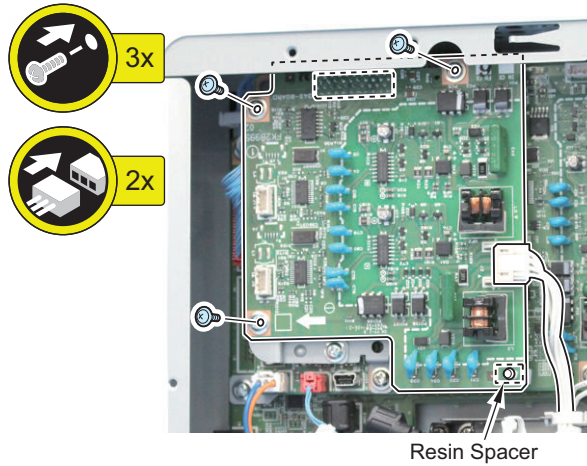
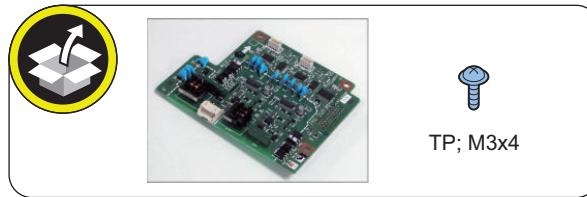
3. Install the 2 PCB Spacers and Resin Spacer.



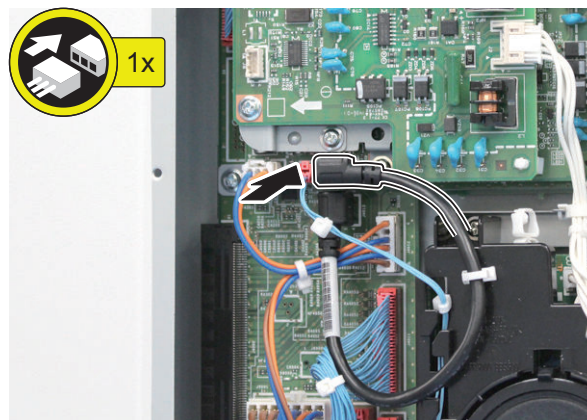


4. Install the G3FAX Expansion PCB.

- Upper Side: 2 Screws (Use the removed screws or TP; M3x4 included with the FAX (2-Line))
- Lower Side: 1 Screw (TP; M3x4)
- 1 Resin Spacer
- 2 Connectors



5. Connect the USB Cable.

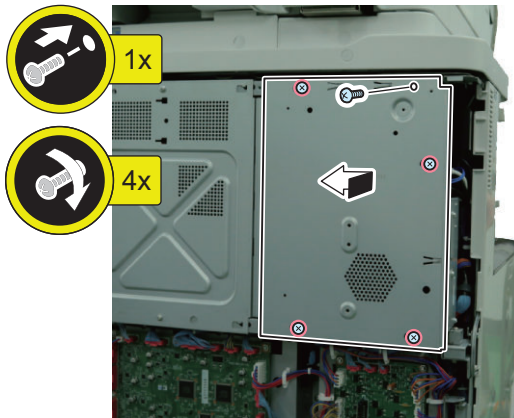


■ Subsequent Work



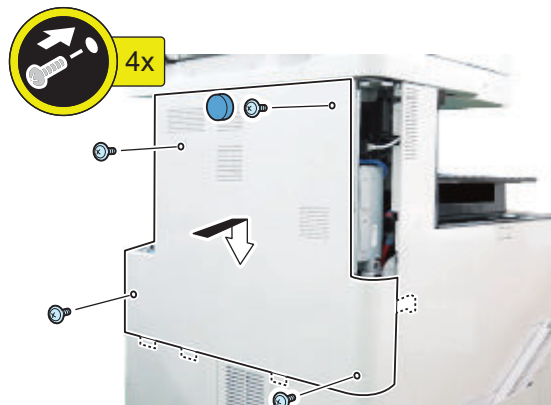
1. Install the Controller Box Cover.

- 1 Screw (to install)
- 4 Screws (to tighten)



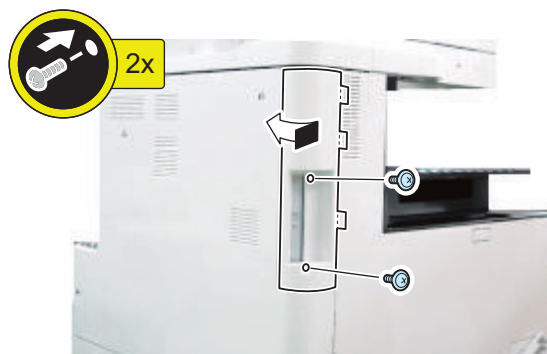
2. Install the Rear Upper Cover.

- 3 Protrusions
- 1 Claw
- 4 Screws
- 1 Rubber Cap



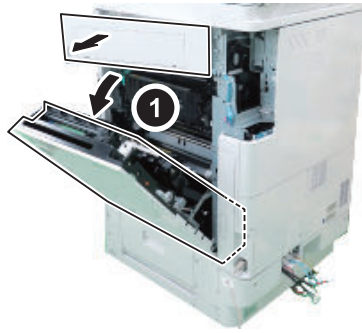
3. Install the Rear Upper Left Cover.

- 3 Protrusions
- 2 Screws

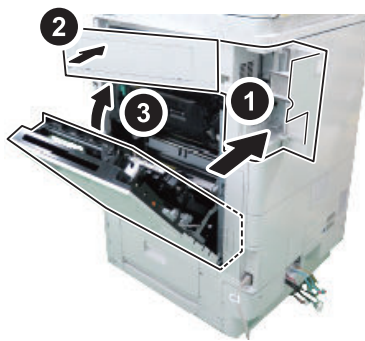




4. Open the Right Lower Cover (the Right Upper Cover will open at the same time).

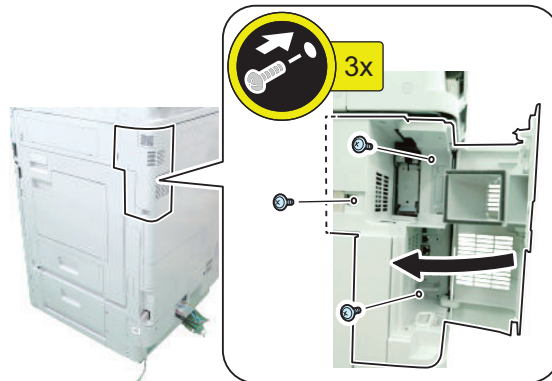


5. Install the Right Rear Cover 1, and close the Right Upper Cover and the Right Lower Cover.



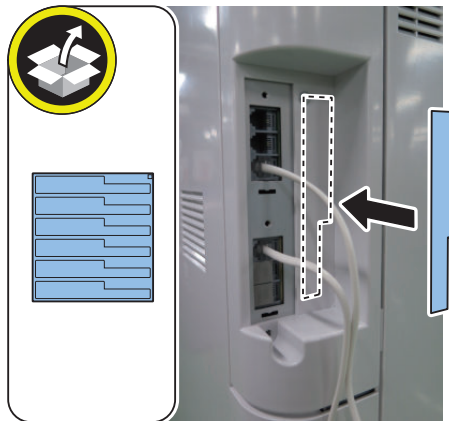
6. Close the Right Rear Cover 1.

- 3 Screws





7. Affix the appropriate Modular Label to the place shown in the figure. If a label is already affixed, remove it and then affix the appropriate label.



8. Remove the 2 Dust Covers if installed.

CAUTION:

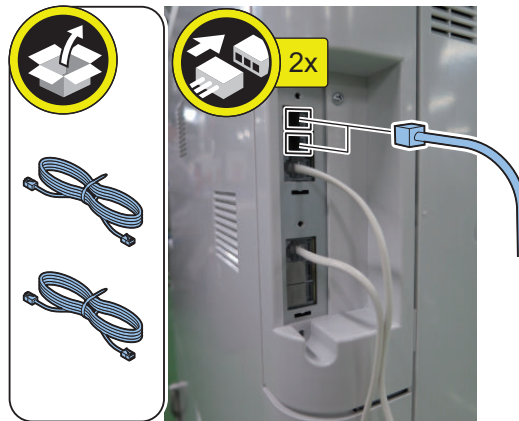
Do not insert a screwdriver, etc. into the modular terminal.

NOTE:

Keep the removed Dust Cover.



-
9. Connect one of the 2 Telephone Cords or the 2 PTT Cables to the modular jack on the host machine and the other cord to the modular jack on the wall.



-
10. Connect the power plug to the outlet.
11. Turn ON the main power switch.

CAUTION:

If the machine does not recognize this equipment, unplug and then plug the power plug after turning OFF the main power switch, or turn OFF the main power switch and then turn it ON within 20 seconds. To avoid this symptom, unplug the power plug or turn the breaker OFF when installing.

If the host machine still does not recognize this equipment after performing the foregoing remedy: In the case of installing the Super G3 Fax Board (1-Line) and the Super G3 2nd Line Fax Board at the same time, it is necessary to turn OFF and then ON the power three times in some cases (no message is displayed on the Control Panel).

Checking the Operation

■ Type Settings

Select the country/region of the FAX Board in Service Mode: FAX > Type > TYPE

This setting performs the parameter settings to match the communication specification of the country/region.

-
1. From the following service mode, set the TYPE of country/region to install this machine, and then press OK.
 - Service Mode > FAX > Type > TYPE
 2. Confirm that service mode parameter below is "0". In the case, parameter is "1", change to "0".
 - COPIER > OPTION > DSPLY-SW > SDTM-DSP

NOTE:

To change parameter to "0" makes no show below [Settings/Registration > Preferences > Time/Energy Settings > Auto Shutdown Time] and auto shut down is not available.

3. Turn OFF/ON the main power switch to enable this setting.

■ Basic Settings

NOTE:

When "System Manager Information Settings" is set, be sure to follow the direction of user administrator in order to log in as an administrator.

In this section, make only minimum settings required for FAX communication.



1. Set the user telephone number.

[Settings/Registration] > [Function Settings] > [Send] > [Fax Settings] > [Set Line] > [Line 3]/[Line 4] > [Register Unit Telephone Number] > Enter FAX number > [OK]

2. Set the type of telephone line.

[Settings/Registration] > [Function Settings] > [Send] > [Fax Settings] > [Set Line] > [Line 3]/[Line 4] > [Select Line Type] > Select the line type to connect > [OK]

3. Turn OFF/ON the main power switch after setting the user telephone numbers and the type of telephone line.

■ FAX Communication Test

Perform communication test to check if FAX function works correctly.



1. Switch the control panel display to Fax display.

2. Select the sending line.

Press [Fax] > [Options] > [Select Line], select the added line, then press [OK] button.

3. Send and receive a test original between the equipment and a remote unit with which a communication test can be performed and check if it can be sent and receive correctly.

1. Press [Status Monitor/Cancel] > [Send] > [Job Log] and select [Fax] from pull down menu.
2. Press [Fax Activity Report] > [OutPut Normally] > [Start Printing].
3. The number printed following colon (:) in "COMM.MODE" field on FAX ACTIVITY REPORT TX/RX shows line type used for sending/receiving.
E.g. "ECM:3" => Line 3

Super G3 3rd4th Line Fax Board-AS2

Product Name

Safety regulations require the product's name to be registered. In some regions where this product is sold, the following name may be registered instead.

- F632503

Points to Note at Installation

- Install this equipment after installing the Super G3 FAX Board and Super G3 2nd Line Fax Board.
- When installing Super G3 2nd Line Fax Board at the same time, start from "Installing the Equipment".
- When installing this equipment later, start from "Preparation".

Essential Items to Be Performed Before Installation

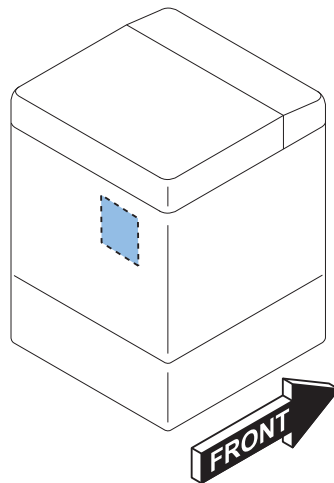
- Turn OFF the main power of the host machine, and disconnect the power plug from the outlet.

⚠ WARNING:


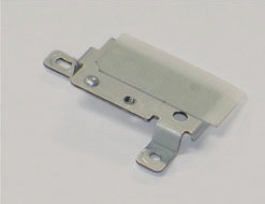

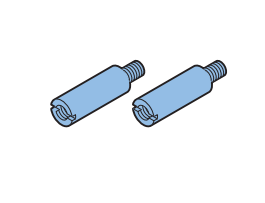
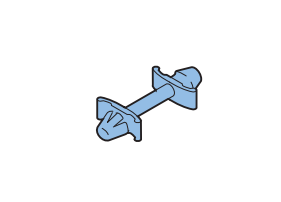
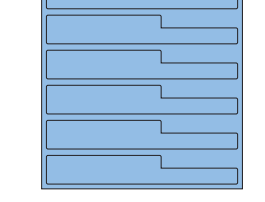
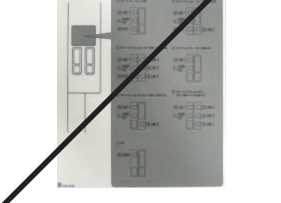
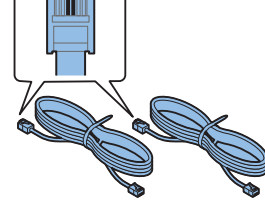
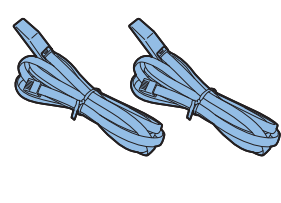
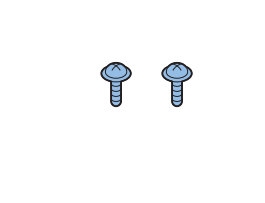
- If performing work without disconnecting the power plug of the host machine, it may cause electrical shock.
- If disconnecting the power plug without turning OFF the main power, it may cause damage of the machine.

- When turning OFF the main power, follow the below procedure.
 1. Turn OFF the main power switch of the host machine.
 2. The display in the Control Panel and the lamp of the main power are turned off.

Installation Outline Drawing



Checking the Contents

<input type="checkbox"/> [1] G3FAX Expansion PCB X 1 	<input type="checkbox"/> [2] FAX Shield Plate X 1 
<input type="checkbox"/> [3] FAX Board Fixed Plate X 1 	<input type="checkbox"/> [4] PCB Spacer X 2 
<input type="checkbox"/> [5] Resin Spacer X 1 	<input type="checkbox"/> [6] Modular Label X 1 
<input type="checkbox"/> [7] Modular Label X 1 	<input type="checkbox"/> [8] Telephone Cord X 2 
<input type="checkbox"/> [9] PTT Cable X 2 (only for Asia) 	<input type="checkbox"/> [10] Screw (TP; M3x4) X 2 

Installation Procedure

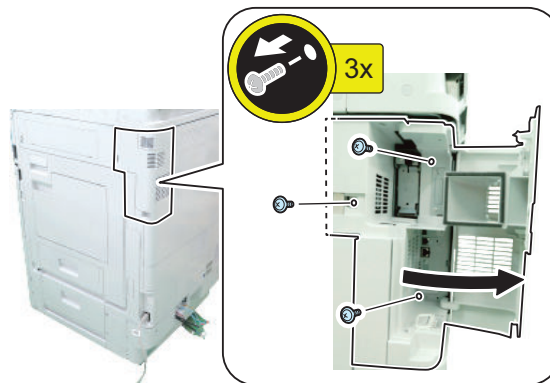
■ Preparation



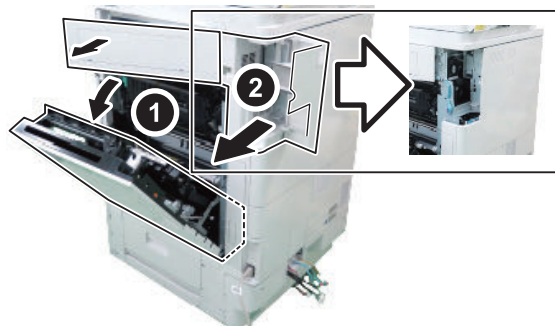
1. Disconnect the Telephone Cord of the FAX (1 / 2-Line).



2. Open the Right Rear Cover 1 and remove the 3 screws.

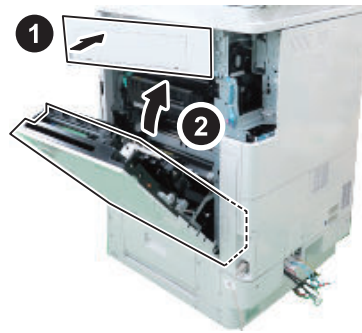


3. Open the Right Lower Cover (the Right Upper Cover will open at the same time), and remove the Right Rear Cover 1.



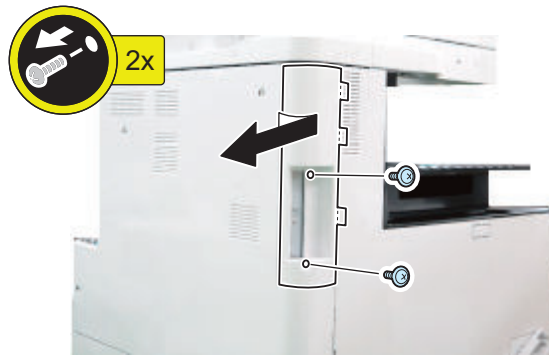


4. Close the Right Upper Cover and the Right Lower Cover.



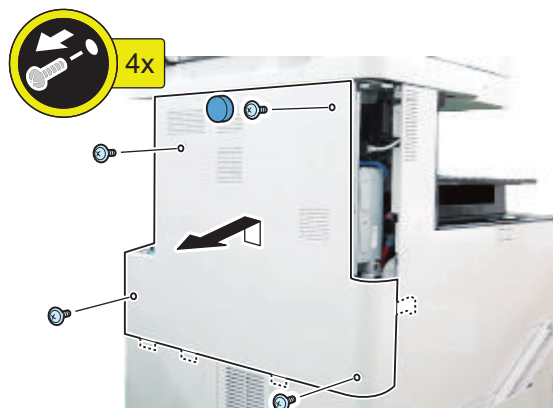
5. Remove the Rear Upper Left Cover.

- 2 Screws
- 3 Protrusions



6. Remove the Rear Upper Cover.

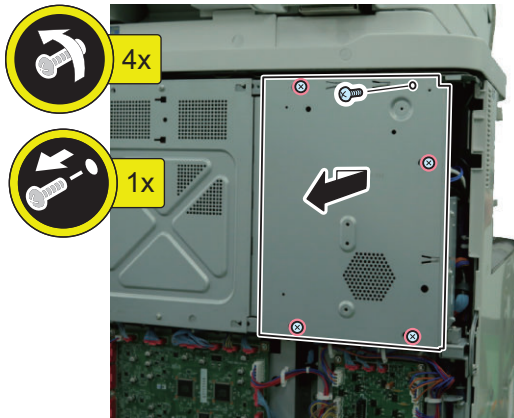
- 1 Rubber Cap
- 4 Screws
- 1 Claw
- 3 Protrusions



□

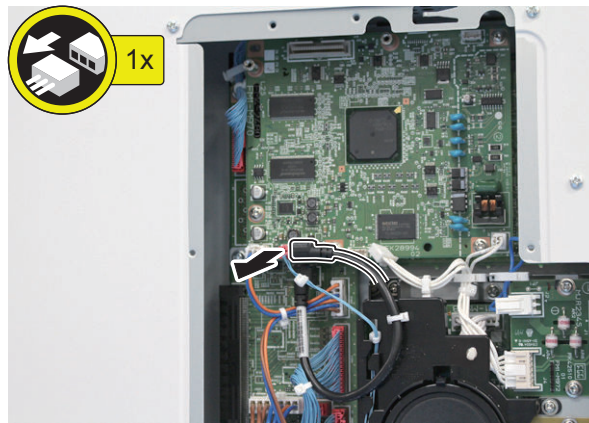
7. Remove the Controller Box Cover.

- 4 Screws (to loosen)
- 1 Screw (to remove)



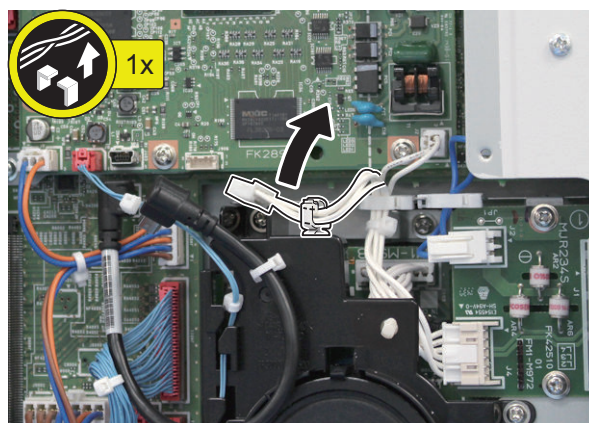
□

8. Disconnect the USB Cable of the G3FAX Expansion PCB side.



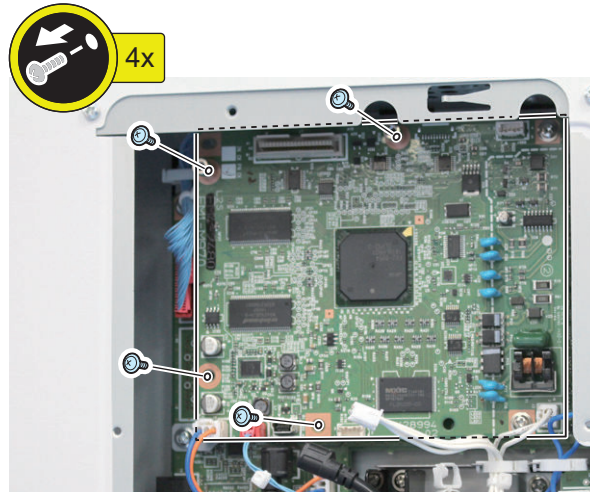
□

9. Free the Modular Cable from the Wire Saddle. (Close the Wire Saddle.)





10. Remove the 4 Screws. (will be used in Installing the Equipment)

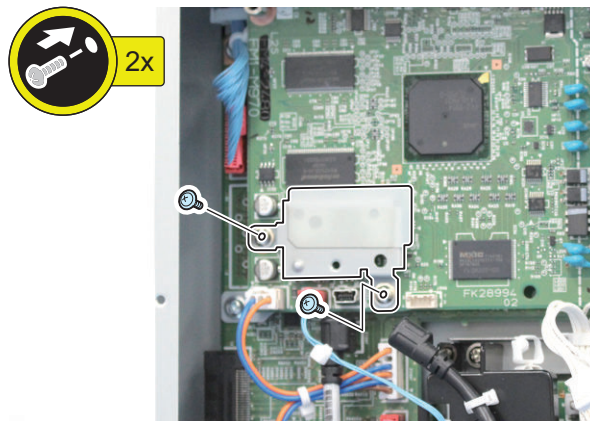
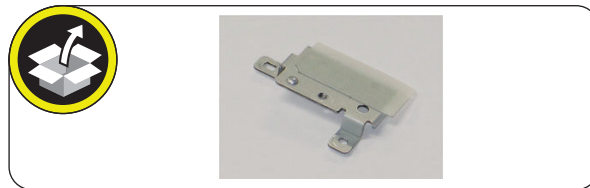


■ Installing the Equipment



1. Install the FAX Shield Plate.

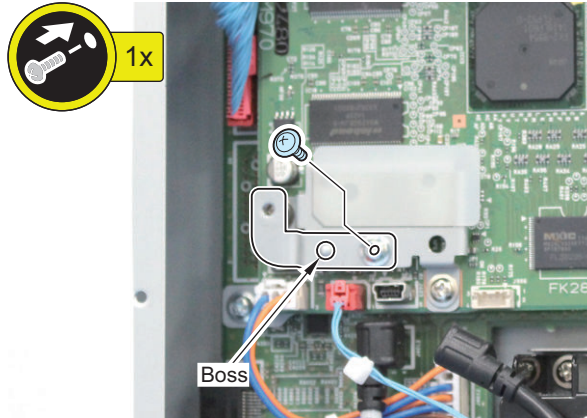
- 2 Screws (Use the removed screws or TP; M3x4 included with the FAX (2-Line))



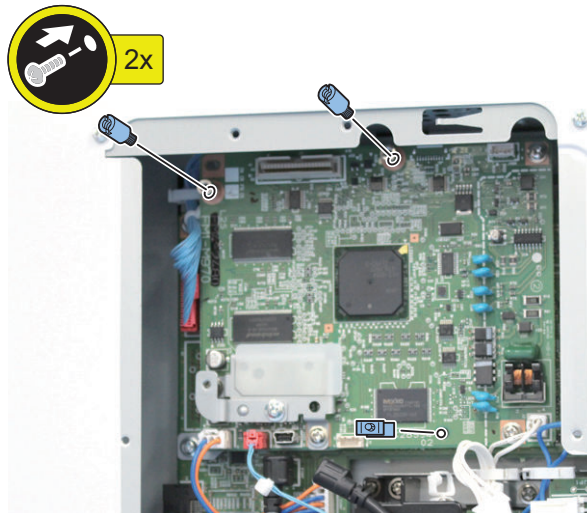
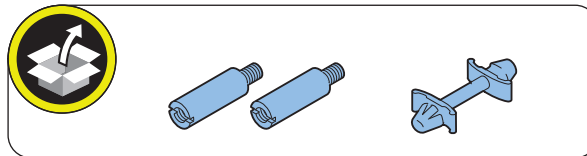


2. Install the FAX Board Fixed Plate.

- 1 Boss
- 1 Screw (TP; M3x4)

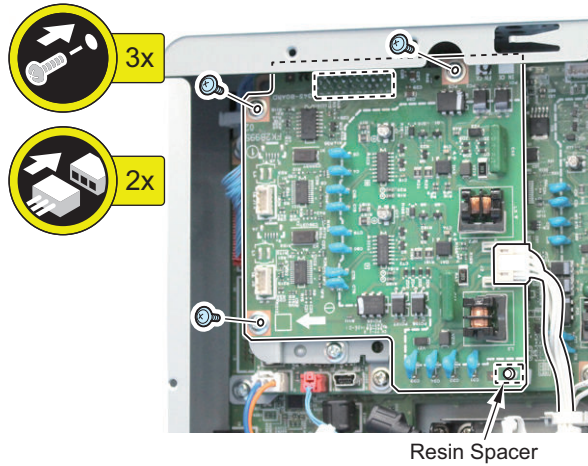
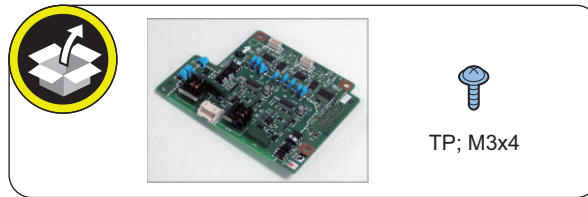
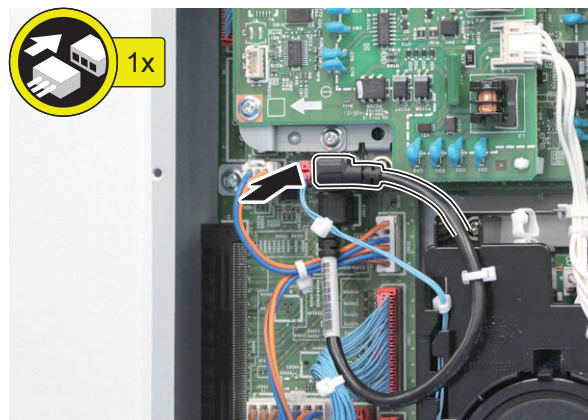


3. Install the 2 PCB Spacers and Resin Spacer.



**4. Install the G3FAX Expansion PCB.**

- Upper Side: 2 Screws (Use the removed screws or TP; M3x4 included with the FAX (2-Line))
- Lower Side: 1 Screw (TP; M3x4)
- 1 Resin Spacer
- 2 Connectors

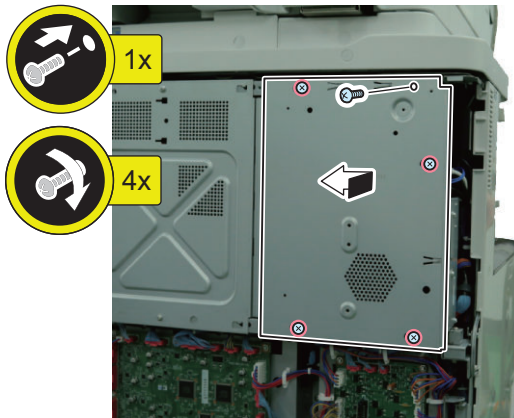
**5. Connect the USB Cable.**

■ Subsequent Work



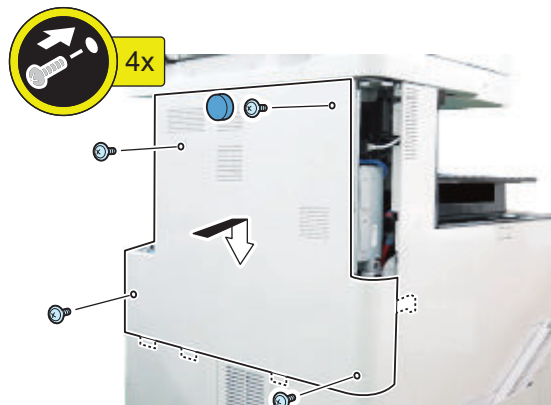
1. Install the Controller Box Cover.

- 1 Screw (to install)
- 4 Screws (to tighten)



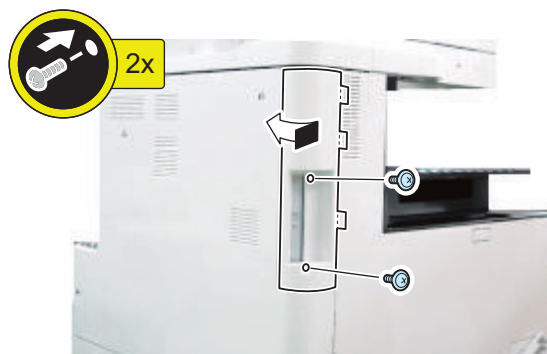
2. Install the Rear Upper Cover.

- 3 Protrusions
- 1 Claw
- 4 Screws
- 1 Rubber Cap



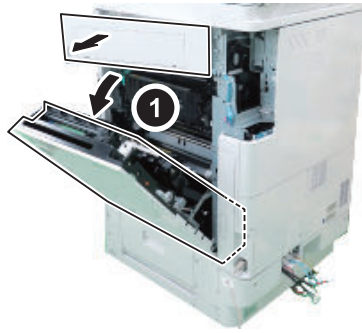
3. Install the Rear Upper Left Cover.

- 3 Protrusions
- 2 Screws

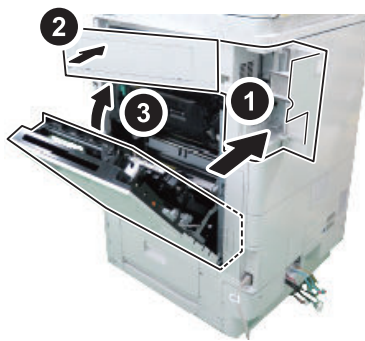




4. Open the Right Lower Cover (the Right Upper Cover will open at the same time).

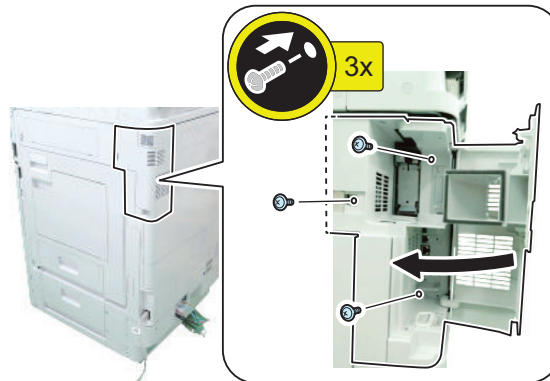


5. Install the Right Rear Cover 1, and close the Right Upper Cover and the Right Lower Cover.



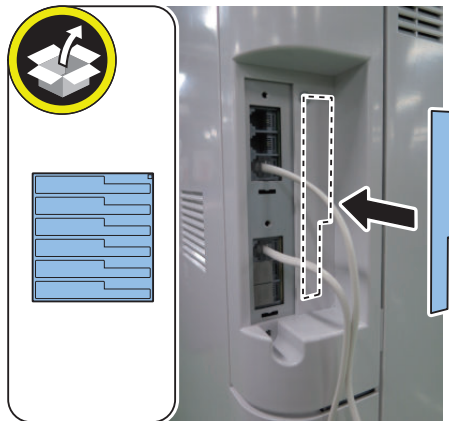
6. Close the Right Rear Cover 1.

- 3 Screws





7. Affix the appropriate Modular Label to the place shown in the figure. If a label is already affixed, remove it and then affix the appropriate label.



8. Remove the 2 Dust Covers if installed.

CAUTION:

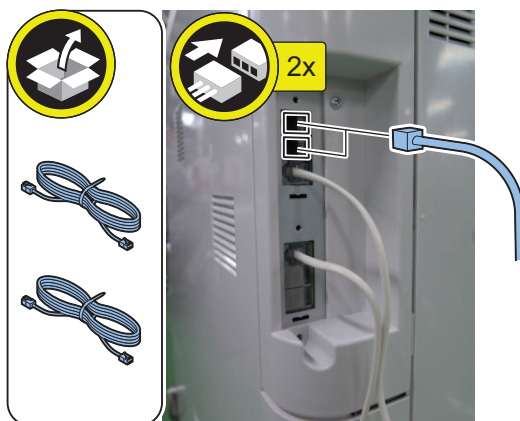
Do not insert a screwdriver, etc. into the modular terminal.

NOTE:

Keep the removed Dust Cover.



-
9. Connect one of the 2 Telephone Cords or the 2 PTT Cables to the modular jack on the host machine and the other cord to the modular jack on the wall.



-
10. Connect the power plug to the outlet.
11. Turn ON the main power switch.

CAUTION:

If the machine does not recognize this equipment, unplug and then plug the power plug after turning OFF the main power switch, or turn OFF the main power switch and then turn it ON within 20 seconds.

To avoid this symptom, unplug the power plug or turn the breaker OFF when installing.

If the host machine still does not recognize this equipment after performing the foregoing remedy: In the case of installing the Super G3 Fax Board (1-Line) and the Super G3 2nd Line Fax Board at the same time, it is necessary to turn OFF and then ON the power three times in some cases (no message is displayed on the Control Panel).

Checking the Operation

■ Type Settings

Select the country/region of the FAX Board in Service Mode: FAX > Type > TYPE

This setting performs the parameter settings to match the communication specification of the country/region.

-
1. From the following service mode, set the TYPE of country/region to install this machine, and then press OK.
 - Service Mode > FAX > Type > TYPE
 2. Confirm that service mode parameter below is "0". In the case, parameter is "1", change to "0".
 - COPIER > OPTION > DSPLY-SW > SDTM-DSP

NOTE:

To change parameter to "0" makes no show below [Settings/Registration > Preferences > Time/Energy Settings > Auto Shutdown Time] and auto shut down is not available.

3. Turn OFF/ON the main power switch to enable this setting.

■ Basic Settings

NOTE:

When "System Manager Information Settings" is set, be sure to follow the direction of user administrator in order to log in as an administrator.

In this section, make only minimum settings required for FAX communication.



1. Set the user telephone number.

[Settings/Registration] > [Function Settings] > [Send] > [Fax Settings] > [Set Line] > [Line 3]/[Line 4] > [Register Unit Telephone Number] > Enter FAX number > [OK]

2. Set the type of telephone line.

[Settings/Registration] > [Function Settings] > [Send] > [Fax Settings] > [Set Line] > [Line 3]/[Line 4] > [Select Line Type] > Select the line type to connect > [OK]

3. Turn OFF/ON the main power switch after setting the user telephone numbers and the type of telephone line.

■ FAX Communication Test

Perform communication test to check if FAX function works correctly.



1. Switch the control panel display to Fax display.

2. Select the sending line.

Press [Fax] > [Options] > [Select Line], select the added line, then press [OK] button.

3. Send and receive a test original between the equipment and a remote unit with which a communication test can be performed and check if it can be sent and receive correctly.

1. Press [Status Monitor/Cancel] > [Send] > [Job Log] and select [Fax] from pull down menu.
2. Press [Fax Activity Report] > [OutPut Normally] > [Start Printing].
3. The number printed following colon (:) in "COMM.MODE" field on FAX ACTIVITY REPORT TX/RX shows line type used for sending/receiving.
E.g. "ECM:3" => Line 3

Voice Operation Kit-D1

Points to Note at Installation

- The option "Option Attachment kit for Reader" is needed to install this equipment.
- This equipment requires the option, the "Numeric Keypad." To install the Numeric Keypad, refer to its Installation Procedure.
- Refer to "Table of Options Combination" when installing this equipment before operation.

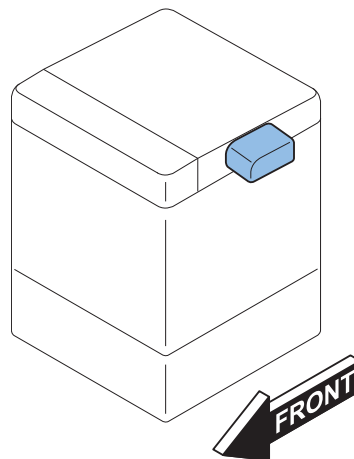
Table of Options Combination

	Utility Tray	Voice Guidance Kit	Serial Interface Kit	Copy Control Interface Kit	Copy Card Reader
Voice Operation Kit	No	No	Yes	Yes	Yes

Yes:Available

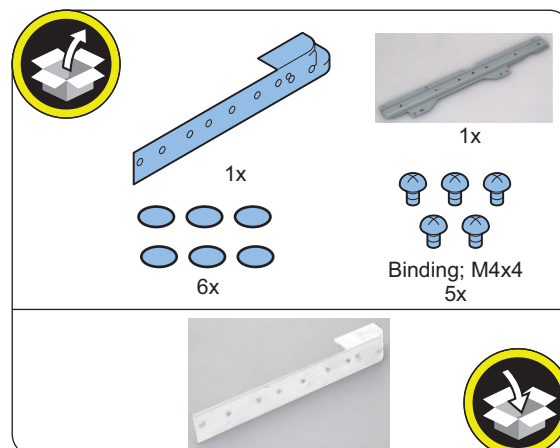
No:Unavailable

Installation Outline Drawing

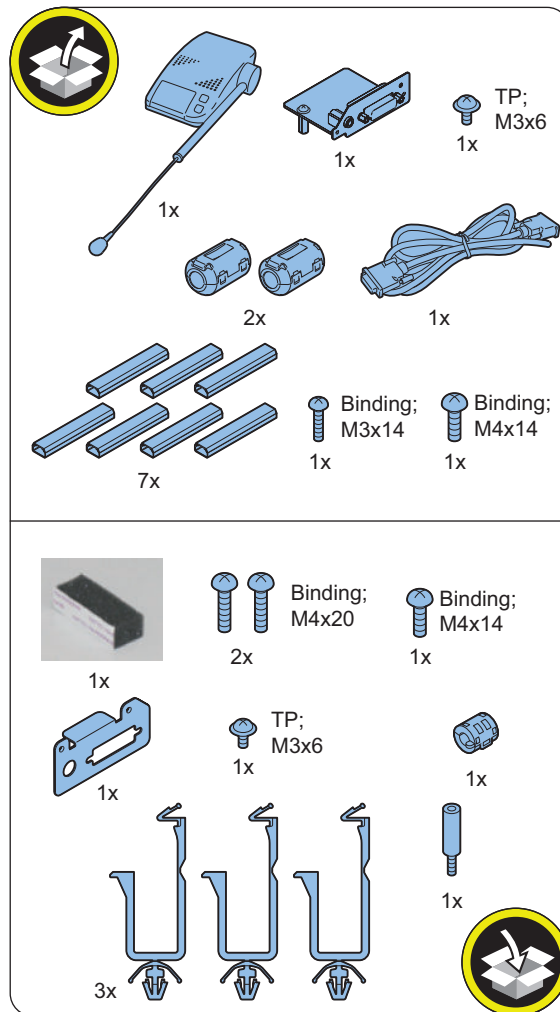


Checking the Contents

Option Attachment kit for Reader-A2



■ Voice Operation Kit-D1



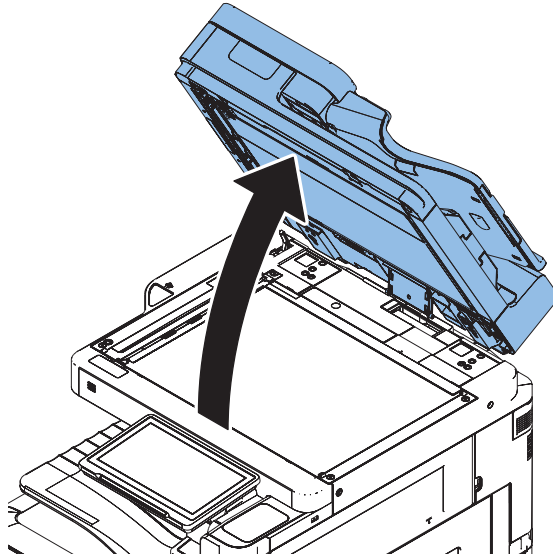
<Others>
Guides are included

● Installation Procedure

■ Installing the Option Attachment kit for Reader

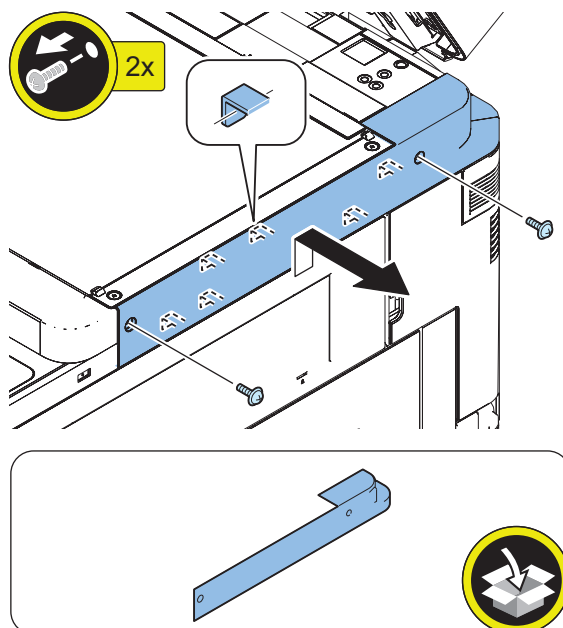
□

1.



□

2.



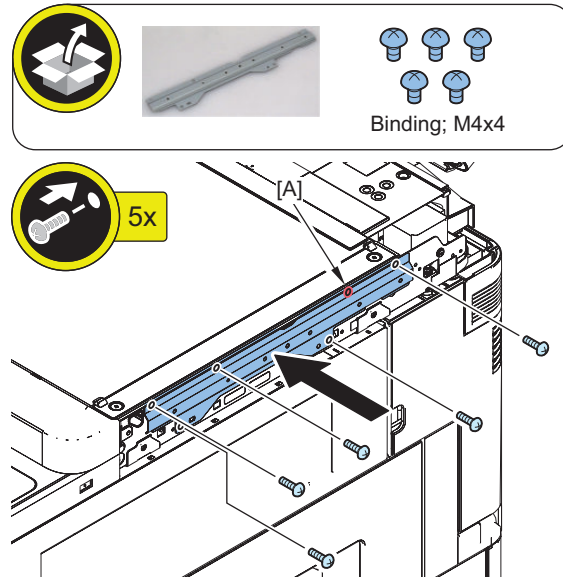
NOTE:

The removed screws will be used in step 4.

□
3.

NOTE:

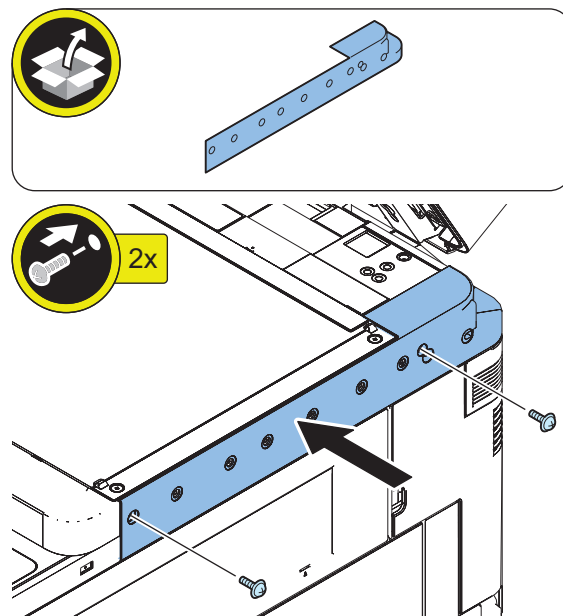
- Screw holes [A] may or may not be present.
- Do not use this screw hole [A].



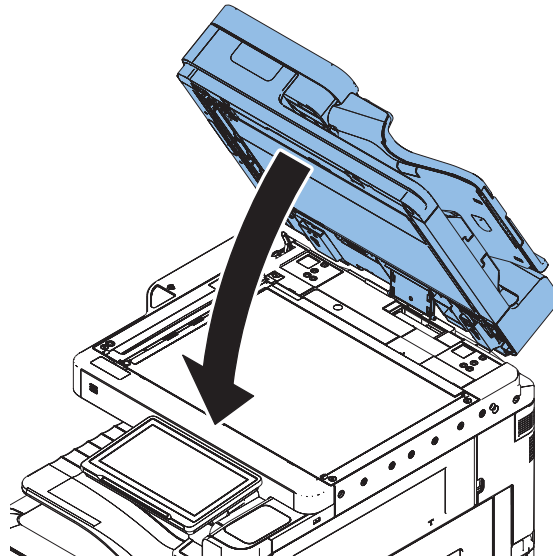
□
4.

NOTE:

Use the screws removed in step 2.

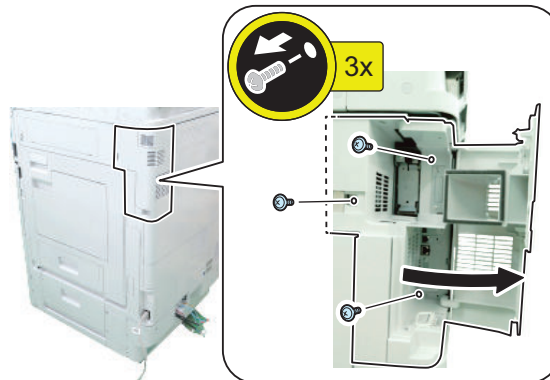


□
5.



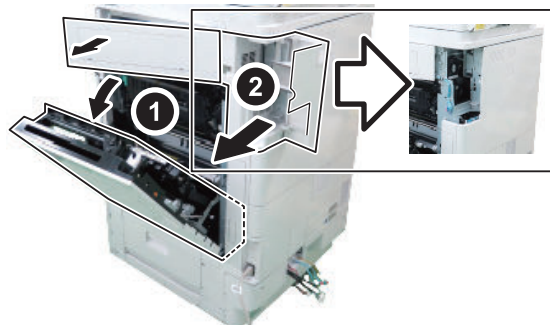
■ Installation Procedure

□
1.

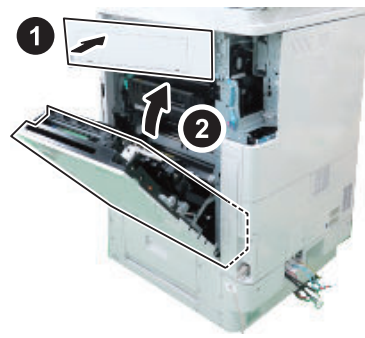


□
2.

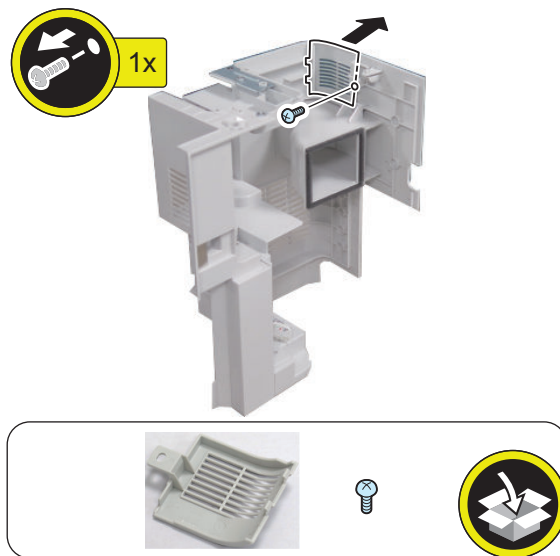
NOTE:
Open the Right Lower Cover (the Right Upper Cover will open at the same time), and remove the Right Rear Cover 1.



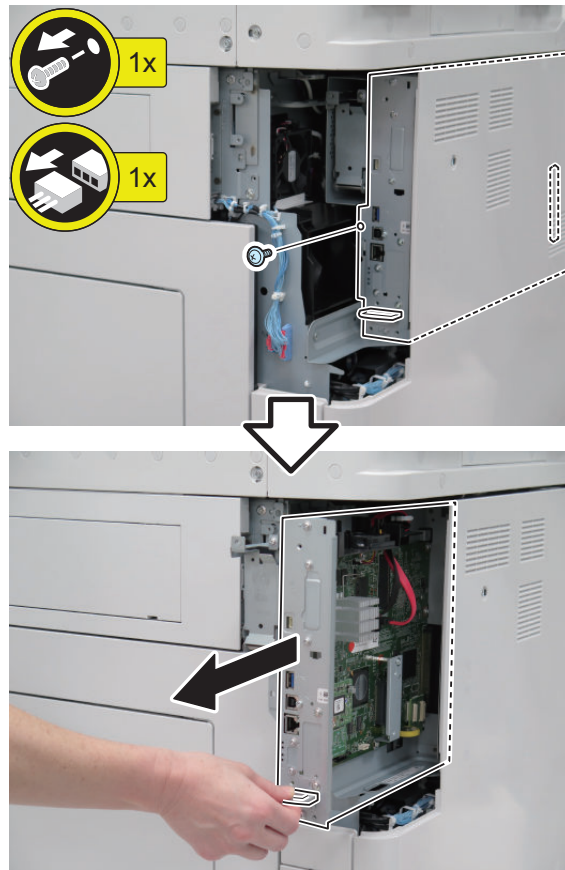
□
3.



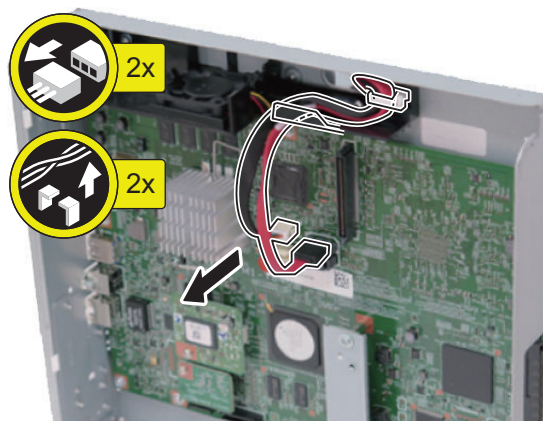
□
4.



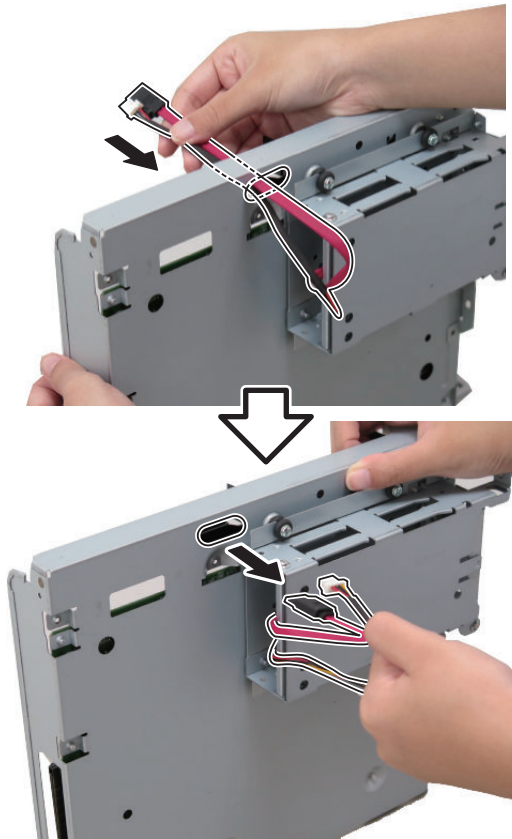
□
5.



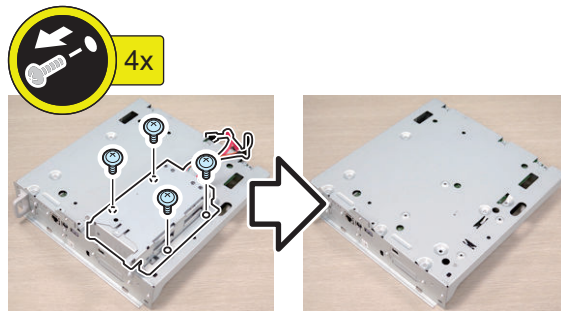
□
6.



□
7.



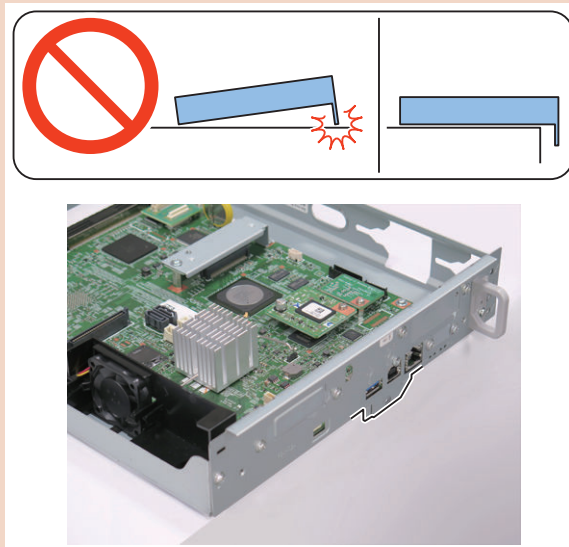
□
8.



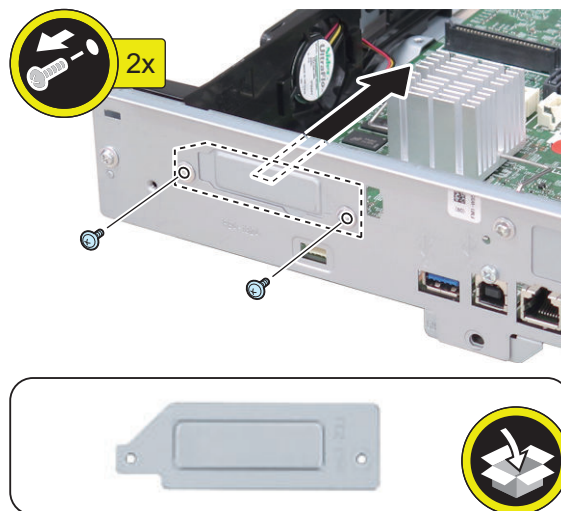
NOTE:
The removed screw will be used in step 11.

CAUTION:

Be sure to place the removed Main Controller PCB 1 flatly. Reason: Due to the protruded plate, the PCB may be deformed if work is performed while it is placed at an angle.



□
9.

**NOTE:**

The removed screws will be used at next step.

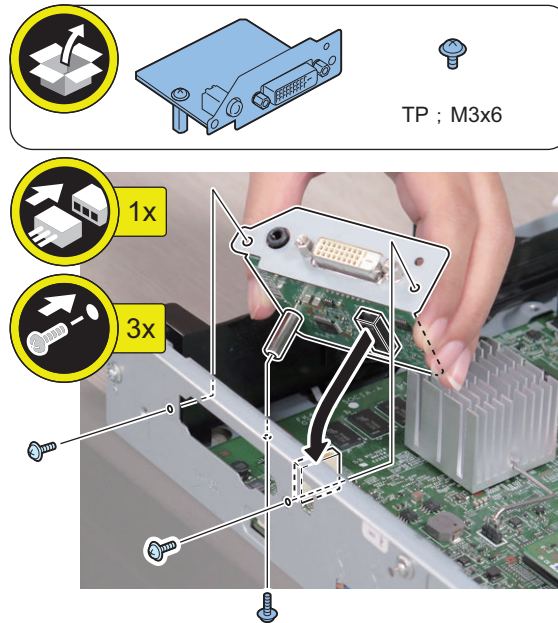
□
10.

CAUTION:

Check that the connector is connected properly.

NOTE:

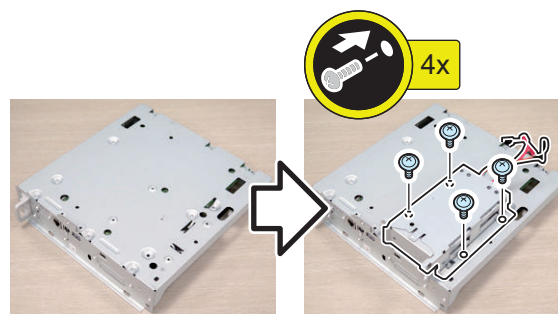
Use the screw removed at previous step.



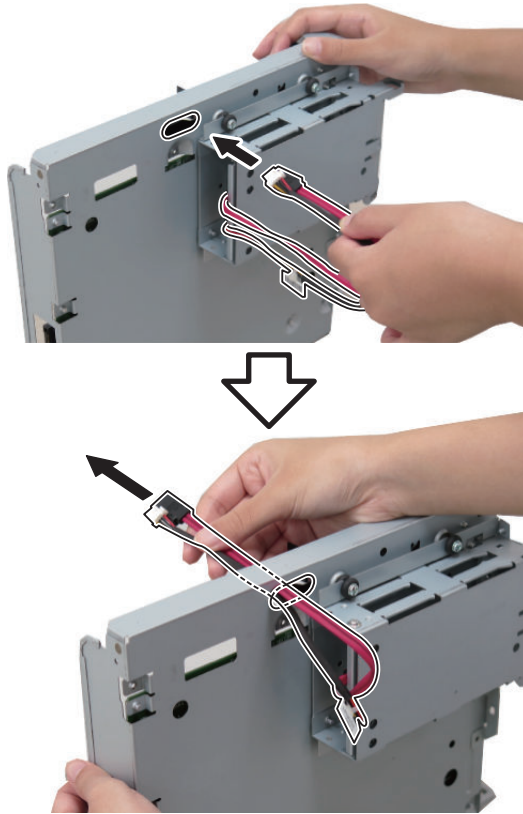
□
11.

NOTE:

Use the screw removed in step 8.



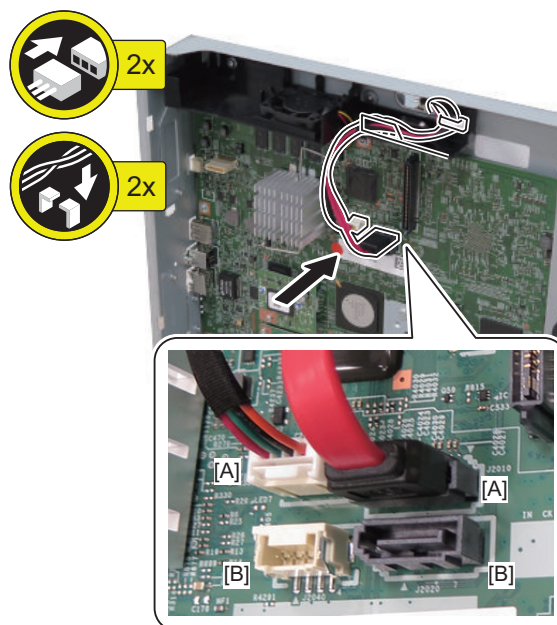
□
12.



□
13.

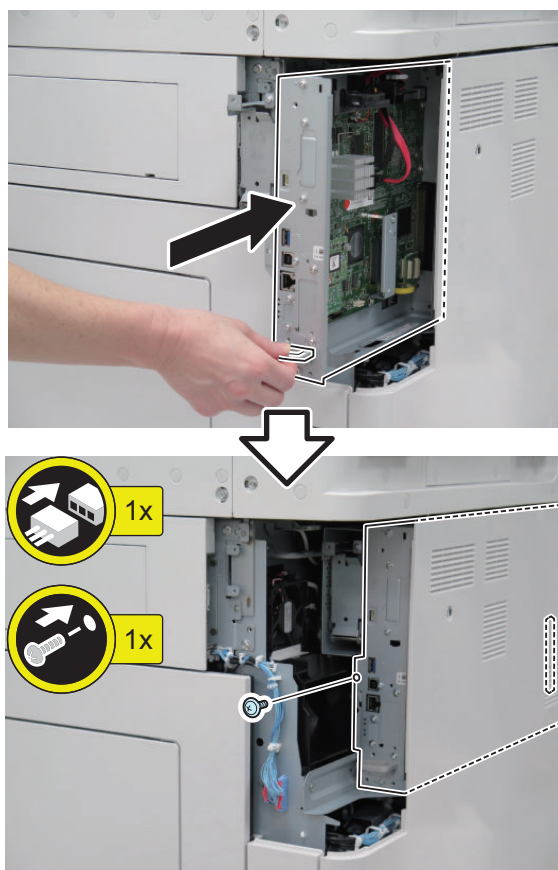
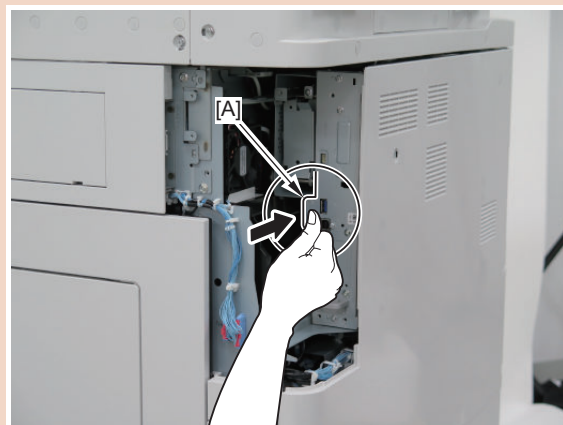
CAUTION:

Connect the Communication Cable (red) and Power Supply Cable to [A] on the Controller PCB.
When the Communication Cable (red) is connected to [B], the HDD error occurs.



□
14.**CAUTION:**

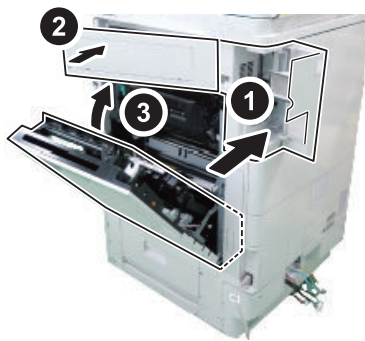
- Be sure to insert the Main Controller PCB 1 until it stops.
- Be sure to push [A] part hard to install it, otherwise the connector may not be connected properly.



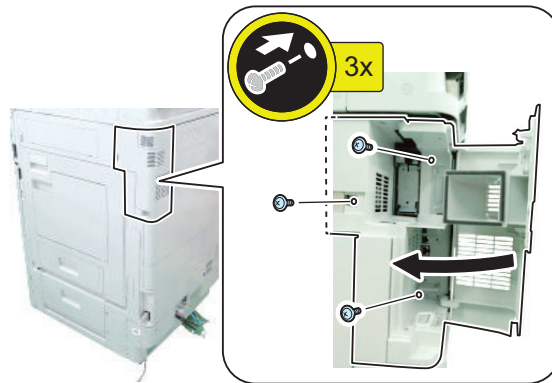
□
15.

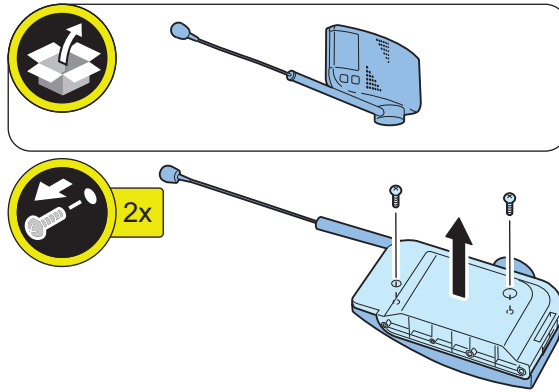


□
16.

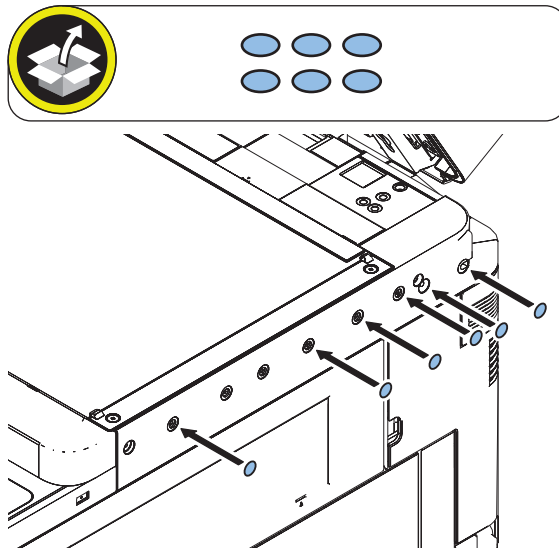


□
17.

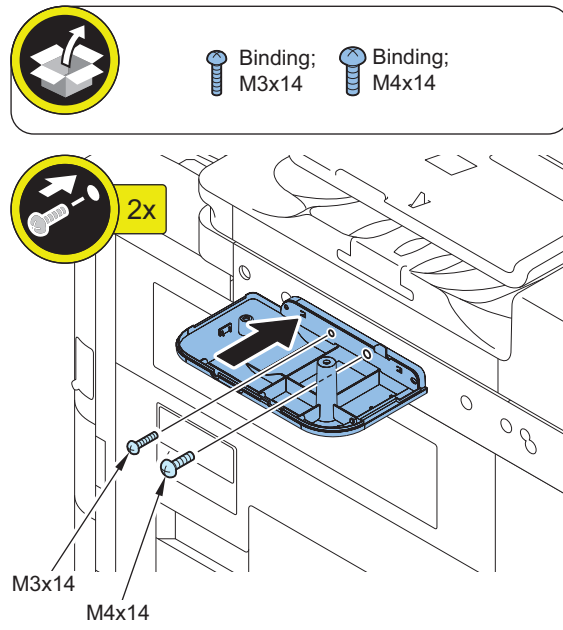


□
18.**NOTE:**

The removed screw will be used in step 21.

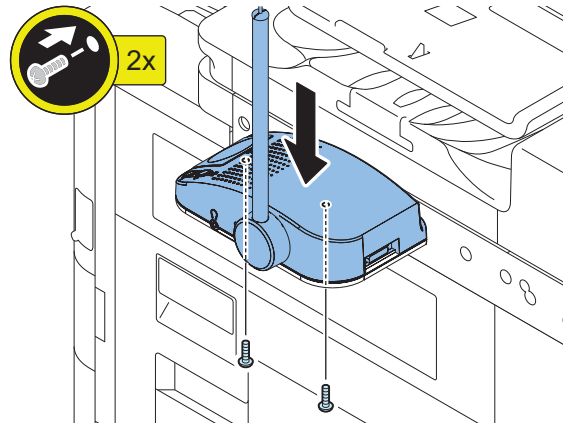
□
19.

□
20.

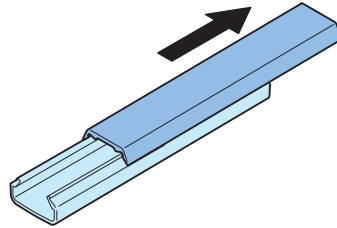
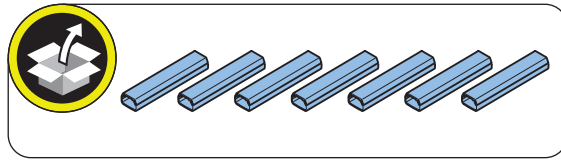


□
21.

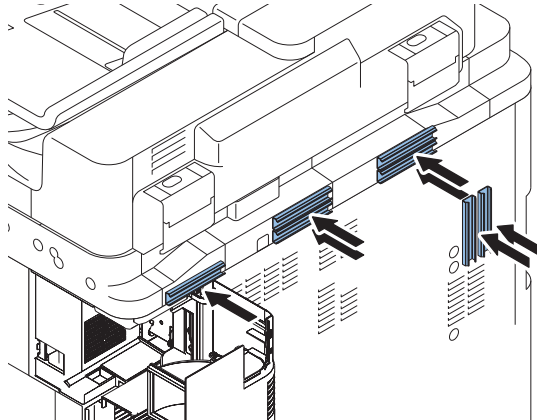
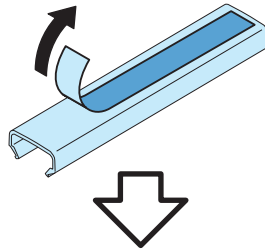
NOTE:
Use the screw removed in step 18.



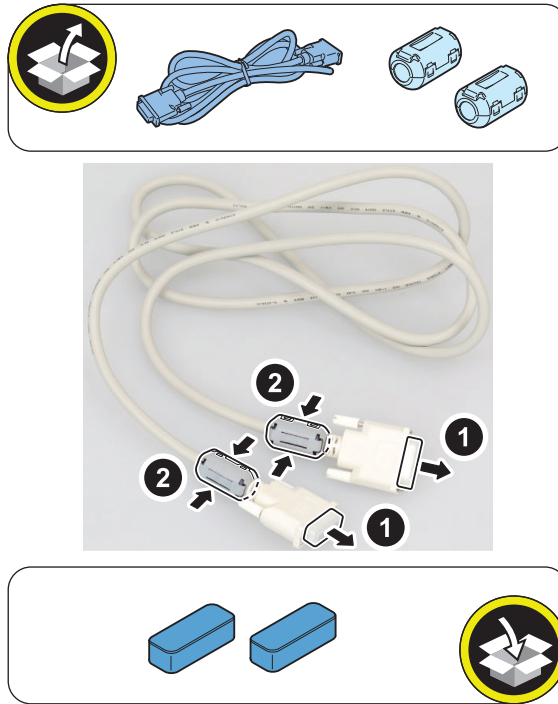
□
22.



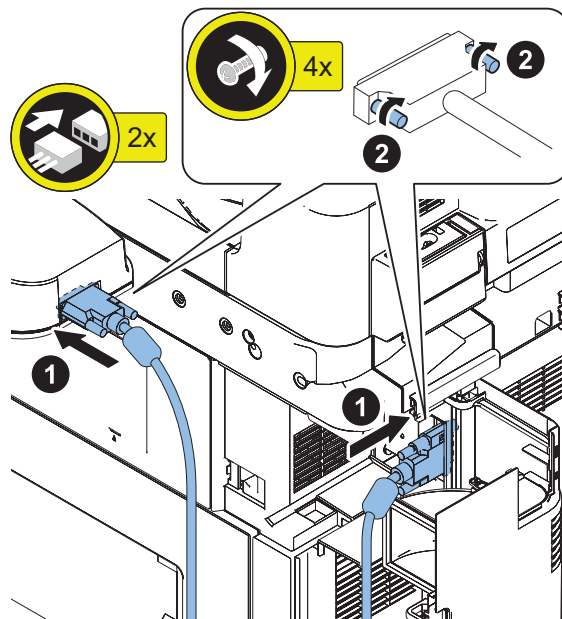
□
23.



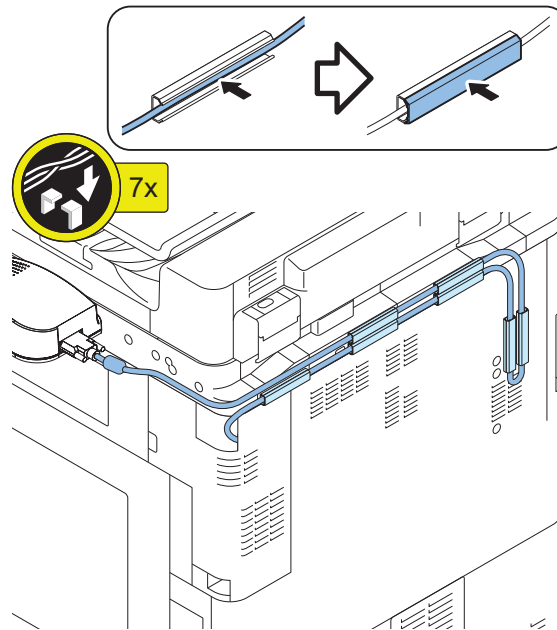
□
24.



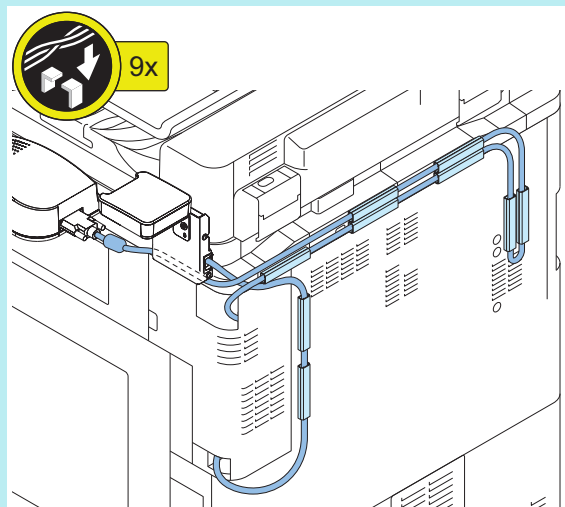
□
25.



□
26.

**NOTE:**

When using in combination with the Copy Card Reader.



● Checking after Installation

NOTE:

When changing the settings upon user's request, it is required to log in as a system manager in accordance with instructions from the user administrator.

-
1. Connect the power plug of the host machine to the outlet.
 2. Turn ON the main power switch.
 3. Select **Settings/Registration > Preferences > Accessibility > Voice Navigation Settings > Use Voice Navigation**, and check that the setting is ON.

4. Select **Settings/Registration > Preferences > Accessibility > Voice Navigation Settings > Voice Navigation at Startup**, and check that **"Select Mode at Startup"** is set.
5. Select **Settings/Registration > Preferences > Accessibility > Voice Navigation Settings**, and check that **"Tune Microphone"** is displayed.

Operation Check

■ When Starting to Use

-
1. Press the **Guidance Start** button or **Voice Recognition** button for 3 seconds or longer.
 2. In **"Select the Voice Navigation type."** on the **Control Panel** screen, select **"Manual + Vocal Mode"**, **"Vocal Mode"** or **"Manual Mode"**, and press **OK**.
 3. Once the indication on the screen is framed in red, the **"Voice Operation Kit"** becomes enabled.

NOTE:

When **"Manual Mode"** is selected in **"Select the Voice Navigation type."**, nothing happens by pressing the **Voice Recognition** button.

■ When Stopping to Use

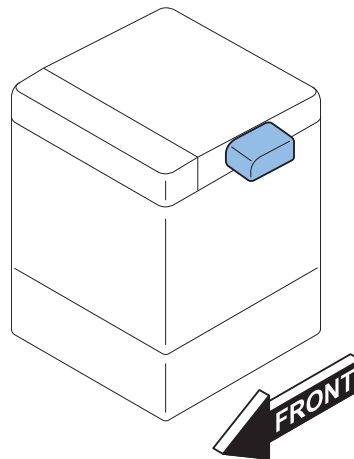
-
1. Press the **Guidance Start** button or **Voice Recognition** button for 3 seconds or longer.

Voice Guidance Kit-G1

Points to Note when Installing

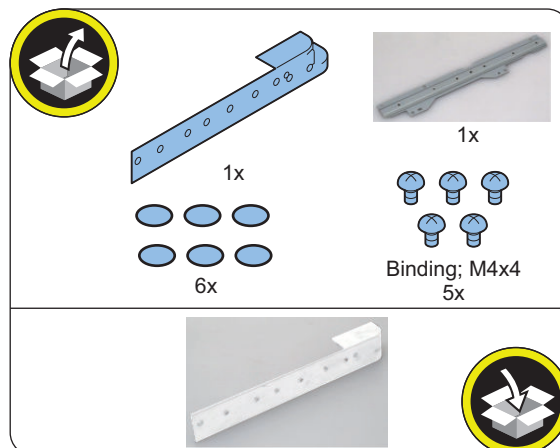
- The option "Option Attachment kit for Reader" is needed to install this equipment.
- This equipment requires the option, the "Numeric Keypad." To install the Numeric Keypad, refer to its Installation Procedure.
- Refer to "Table of Options Combination" when installing this equipment before operation.

Installation Outline Drawing

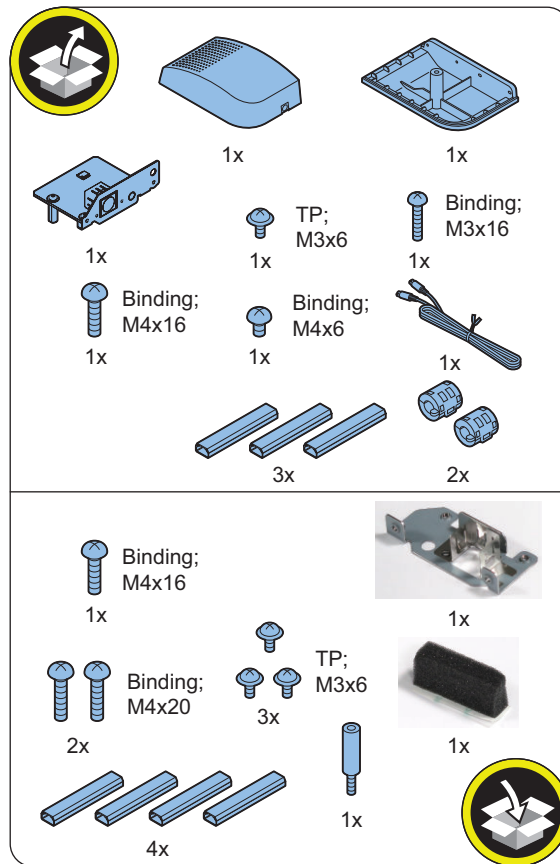


Checking the Contents

■ Option Attachment kit for Reader-A2



■ Voice Guidance Kit-G1



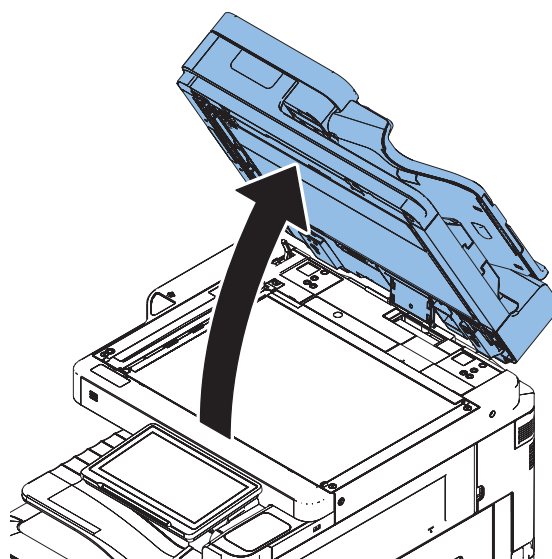
<Others>
Including guides

● Installation Procedure

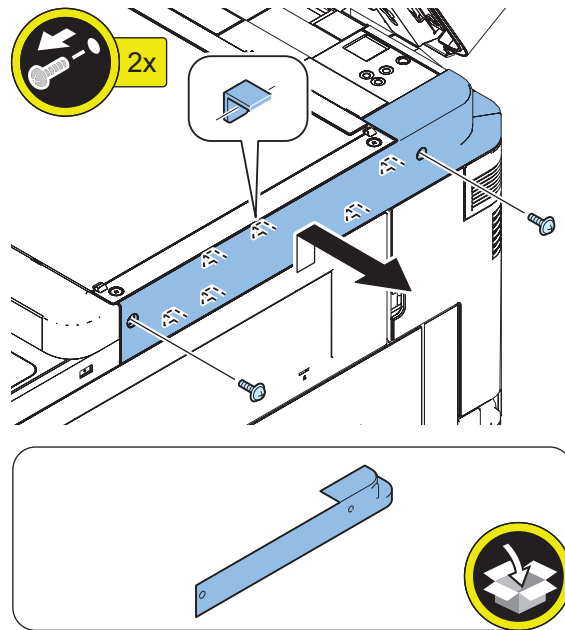
■ Installing the Option Attachment kit for Reader

□

1.



□
2.

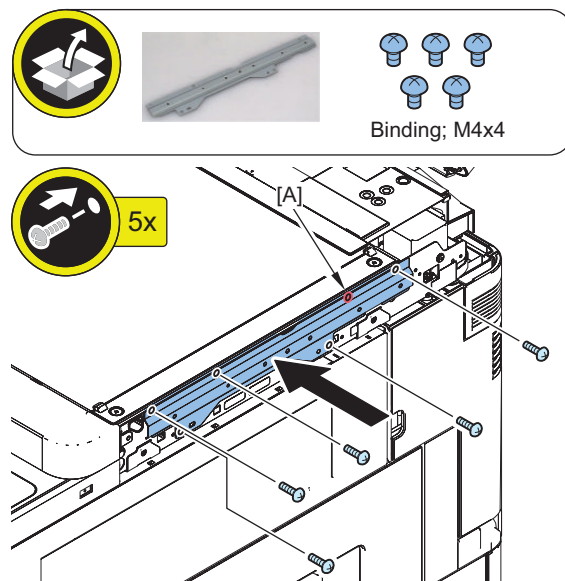
**NOTE:**

The removed screws will be used in step 4.

□
3.

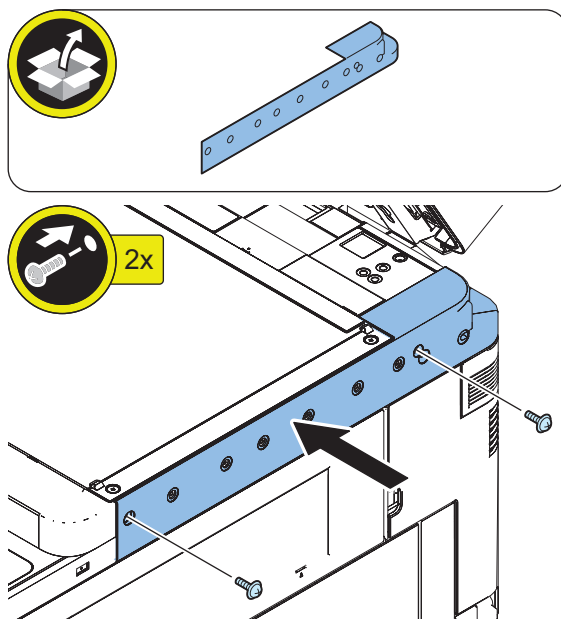
NOTE:

- Screw holes [A] may or may not be present.
- Do not use this screw hole [A].

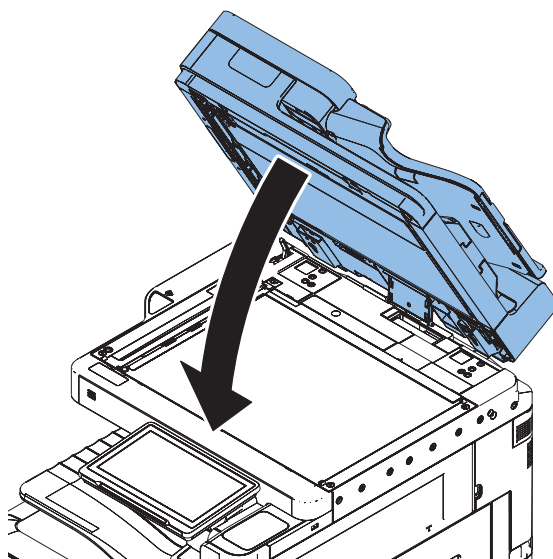


□
4.

NOTE:
Use the screws removed in step 2.

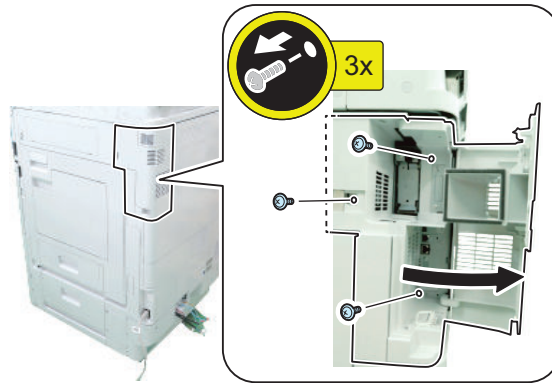


□
5.



■ Installation Procedure

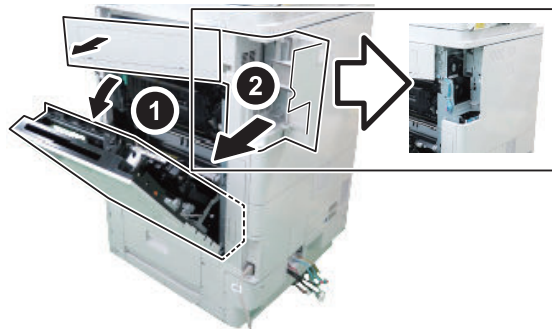
□
1.



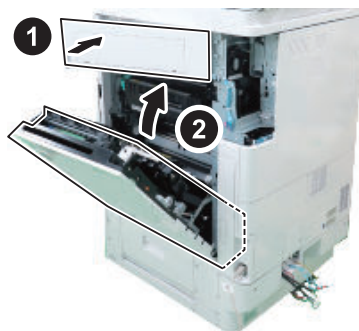
□
2.

NOTE:

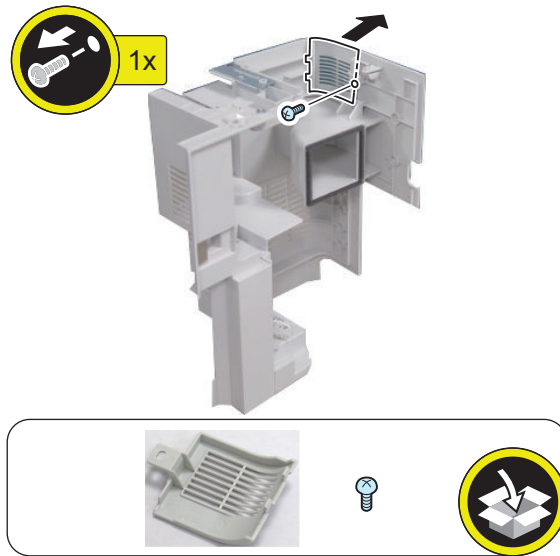
Open the Right Lower Cover (the Right Upper Cover will open at the same time), and remove the Right Rear Cover 1.



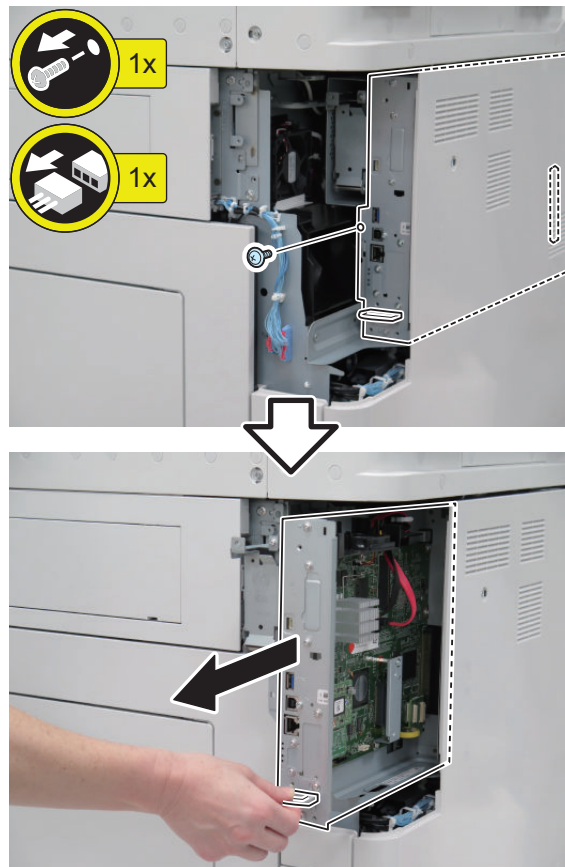
□
3.



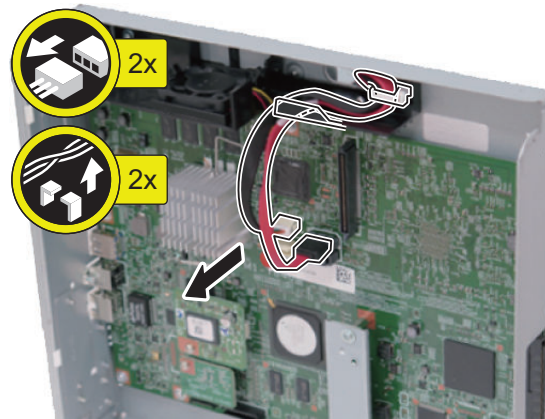
□
4.



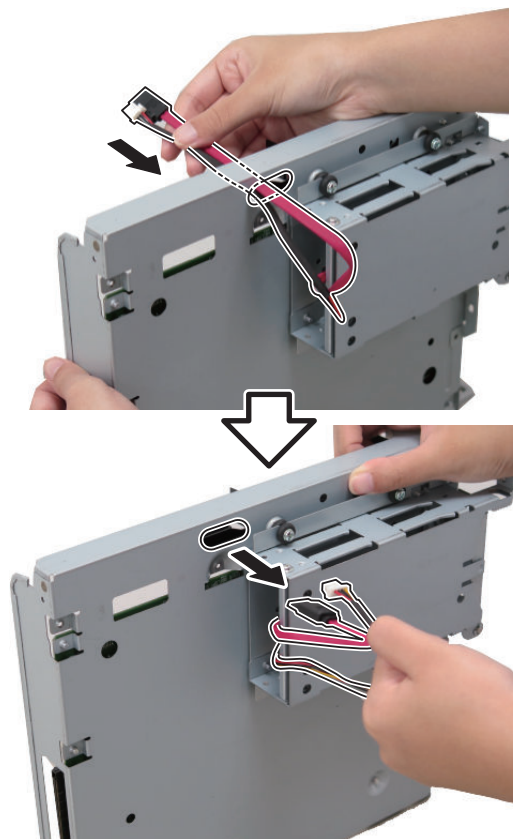
□
5.

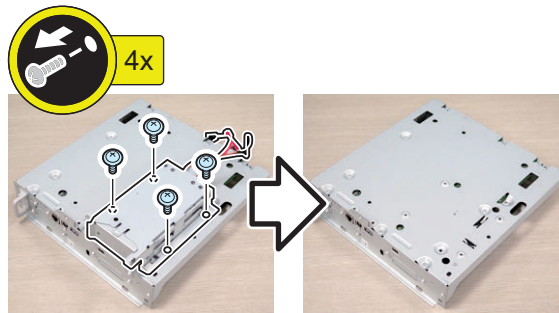


□
6.



□
7.

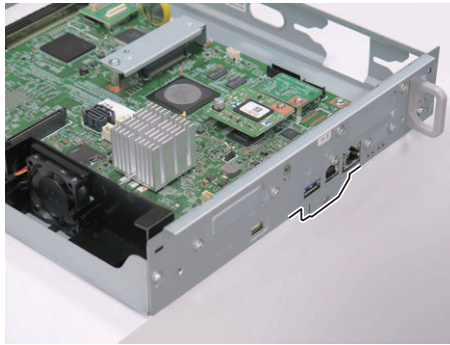
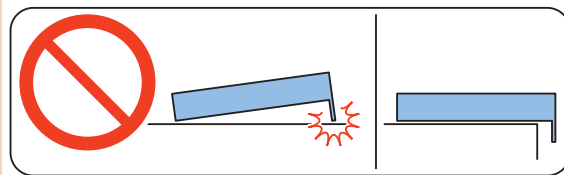


□
8.**NOTE:**

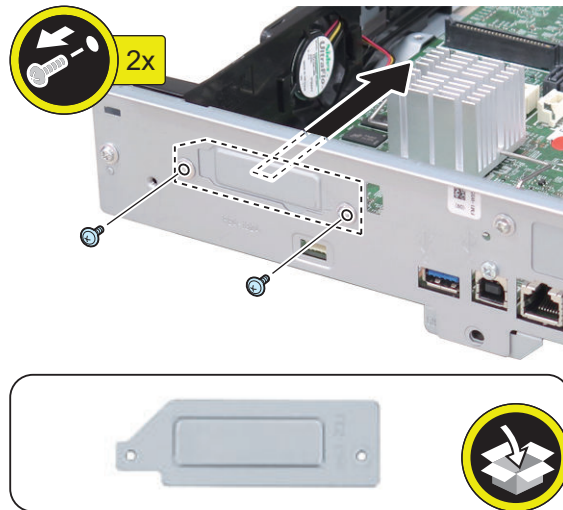
The removed screw will be used in step 11.

CAUTION:

Be sure to place the removed Main Controller PCB 1 flatly. Reason: Due to the protruded plate, the PCB may be deformed if work is performed while it is placed at an angle.



□
9.

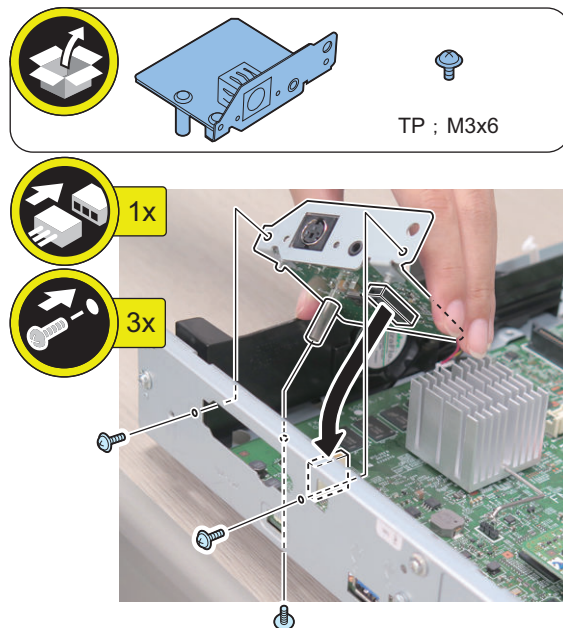


NOTE:
The removed screws will be used at next step.

□
10.

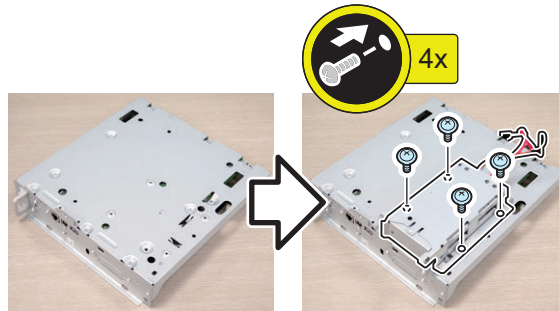
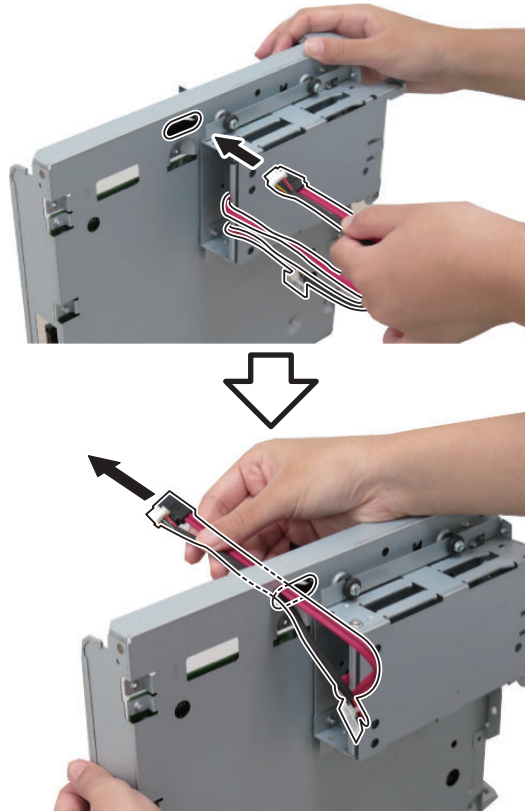
CAUTION:
Check that the connector is connected properly.

NOTE:
Use the screw removed at previous step.



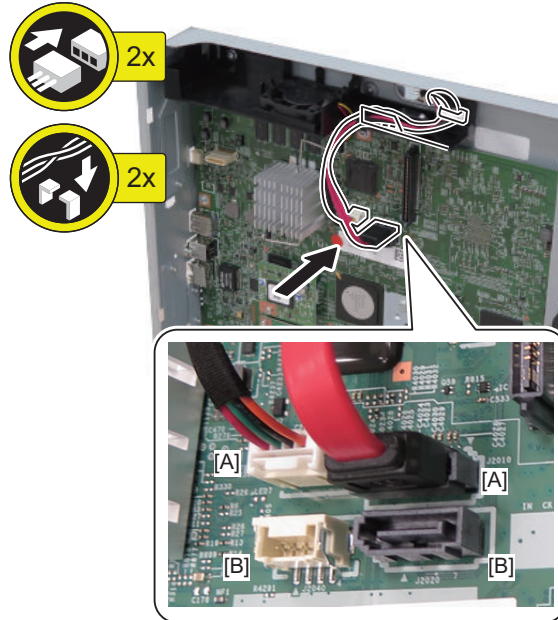
□
11.

NOTE:
Use the screw removed in step 8.

□
12.

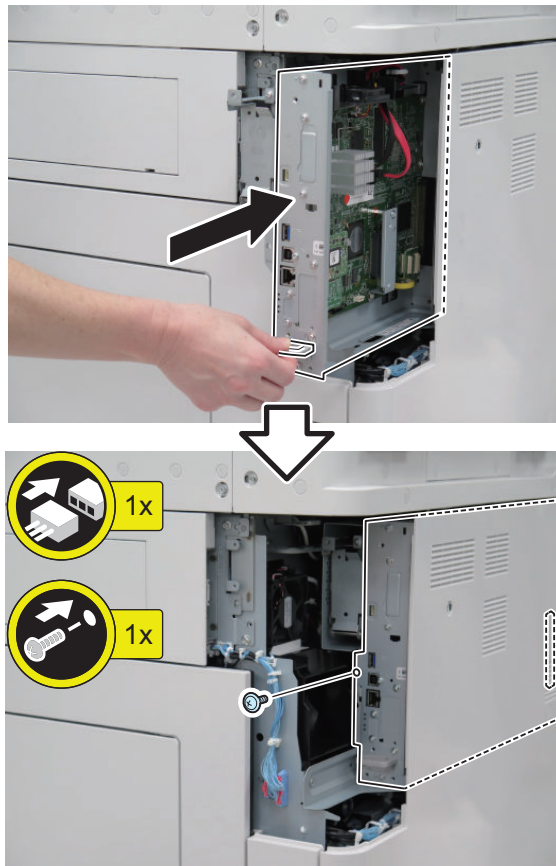
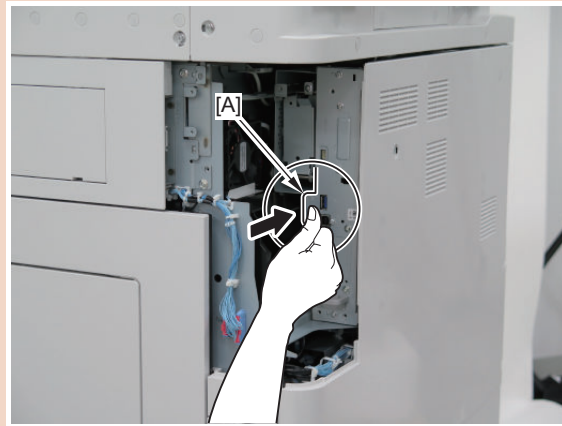
□
13.**CAUTION:**

Connect the Communication Cable (red) and Power Supply Cable to [A] on the Controller PCB.
When the Communication Cable (red) is connected to [B], the HDD error occurs.



□
14.**CAUTION:**

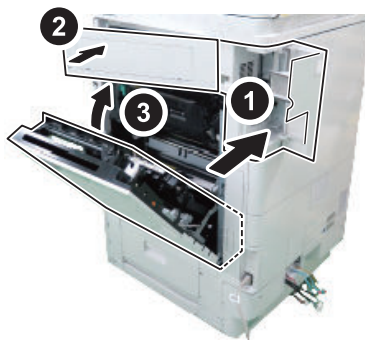
- Be sure to insert the Main Controller PCB until it stops.
- Be sure to push [A] part hard to install it, otherwise the connector may not be connected properly.



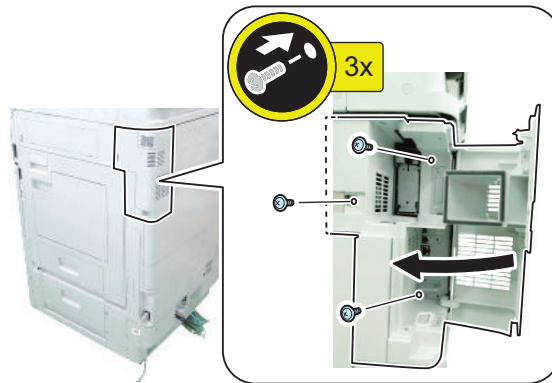
□
15.



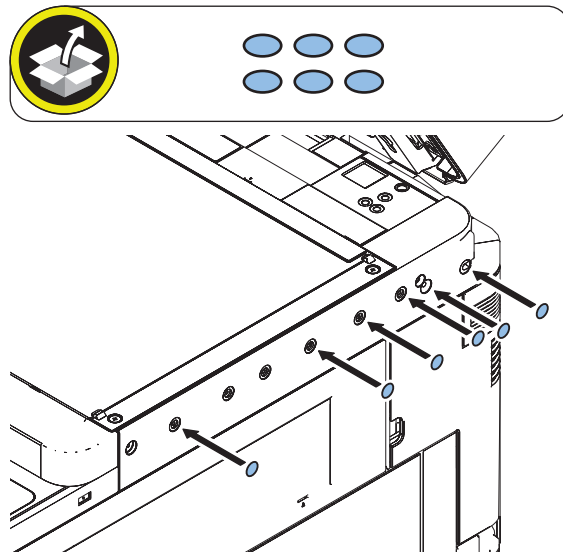
□
16.



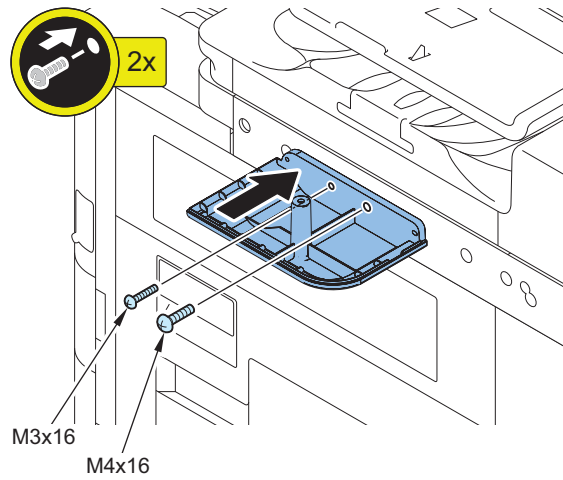
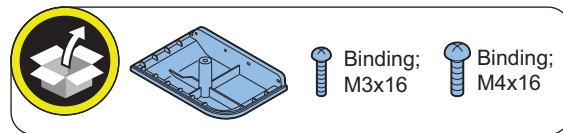
□
17.



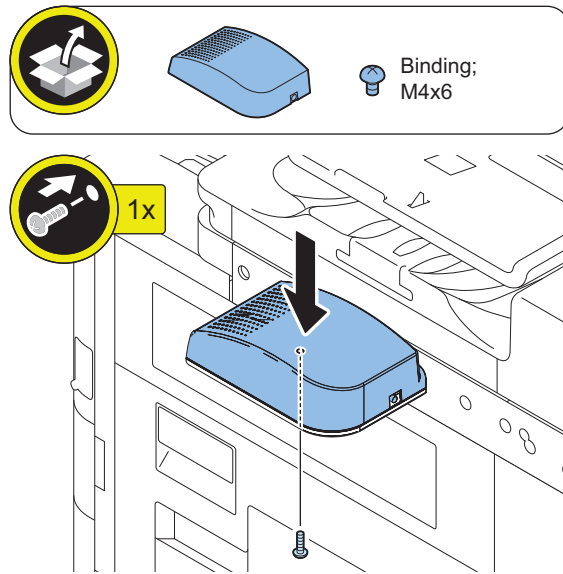
□
18.



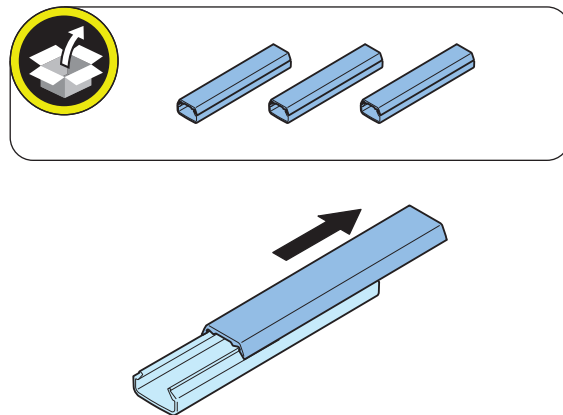
□
19.



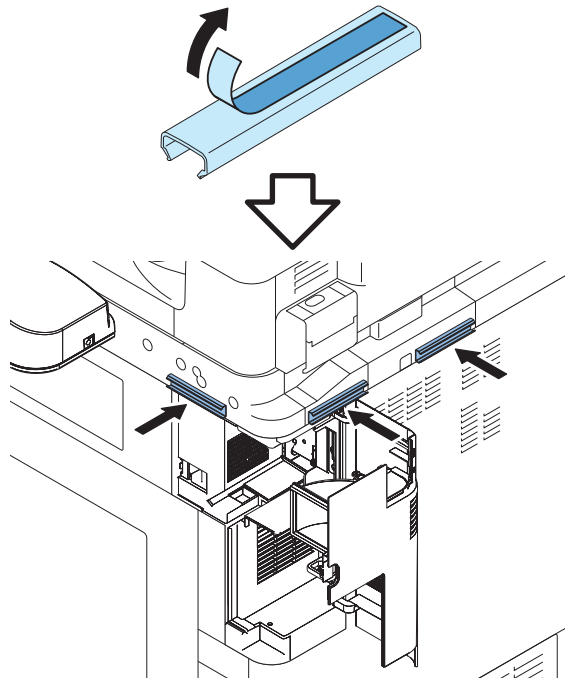
□
20.



□
21.



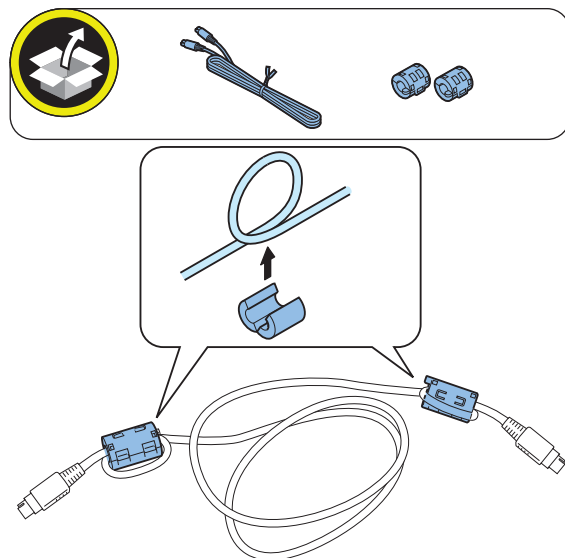
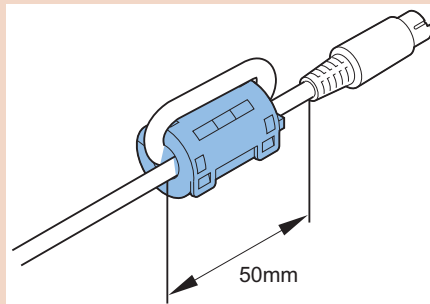
□
22.



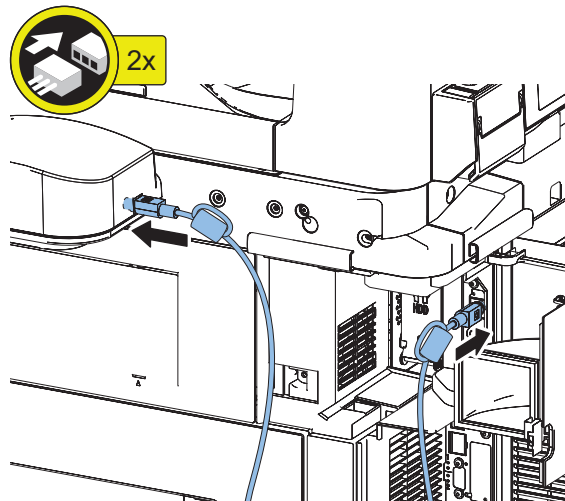
□
23.

CAUTION:

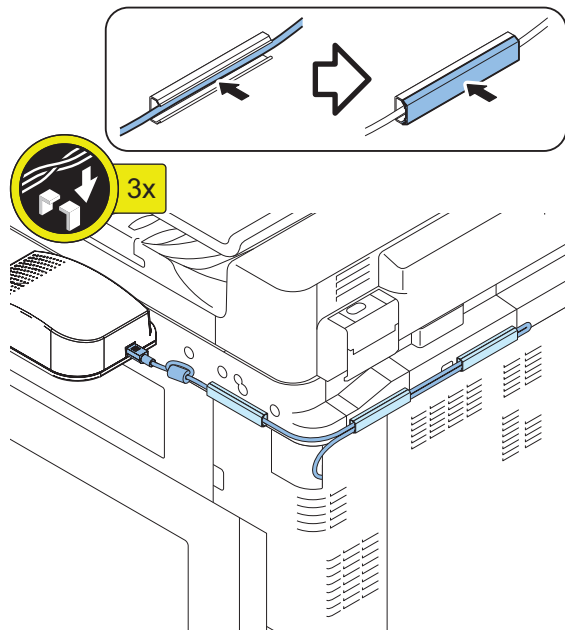
Be sure to attach the Ring Cores within 50 mm from the end of the Speaker Cable.



□
24.

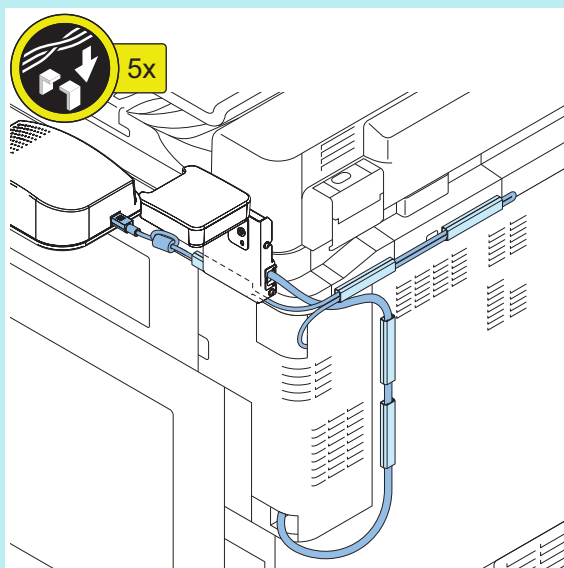


□
25.



NOTE:

When using in combination with the Copy Card Reader.



■ Checking the Settings

NOTE:

When changing the settings upon user's request, it is required to log in as a system manager in accordance with instructions from the user administrator.

-
1. Connect the power plug of the host machine to the outlet.
 2. Turn ON the main power switch.
 3. Select Settings/Registration > Preferences > Accessibility > Voice Navigation Settings > Use Voice Navigation, and check that the setting is ON.
 4. Select Settings/Registration > Preferences > Accessibility > Voice Navigation Settings > Voice Guide from Speakers, and check that the setting is ON.

■ Operation Check

NOTE:

Perform the following check from the Voice Recognition button on the numeric keypad.

● When Using

-
1. Press the Voice Guidance Start button.
 2. Once the indication on the screen is framed in red, the "Voice Guidance Kit" becomes enabled.

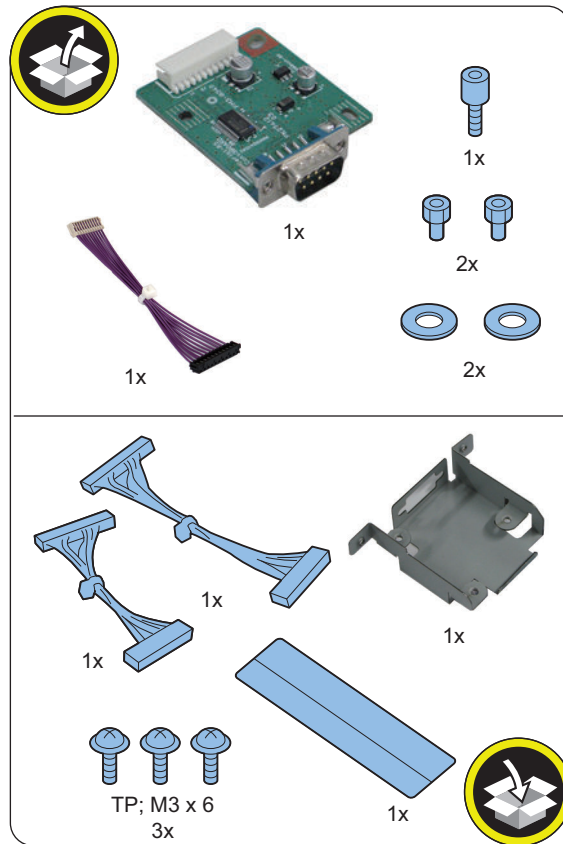
● When Stopping to Use

-
1. Press the Voice Guidance Start button.

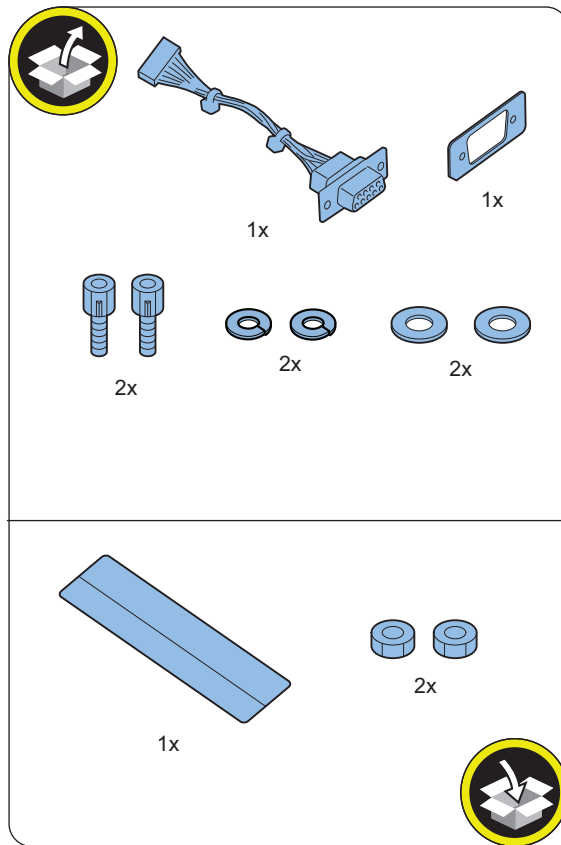
Serial Interface Kit-K3 / Copy Control Interface Kit-A1

● Checking the Contents

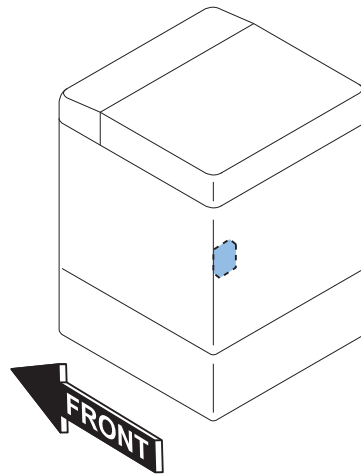
<Serial Interface Kit-K3>



<Copy Control Interface Kit-A1>



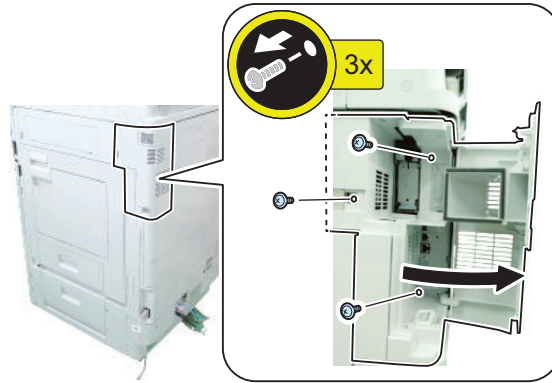
● Installation Outline Drawing



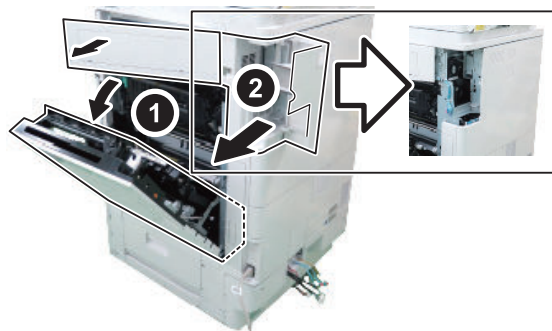
● Installation Procedure

■ Preparation

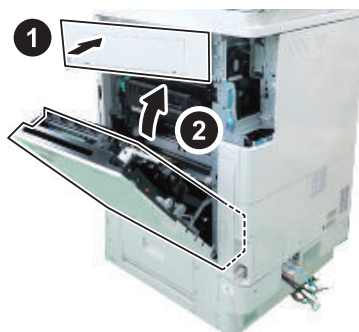
□
1.



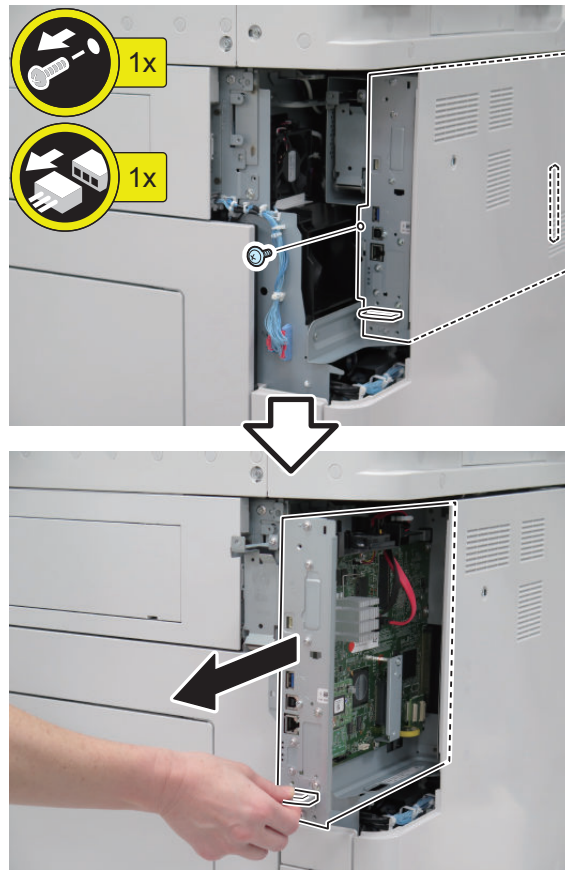
□
2.



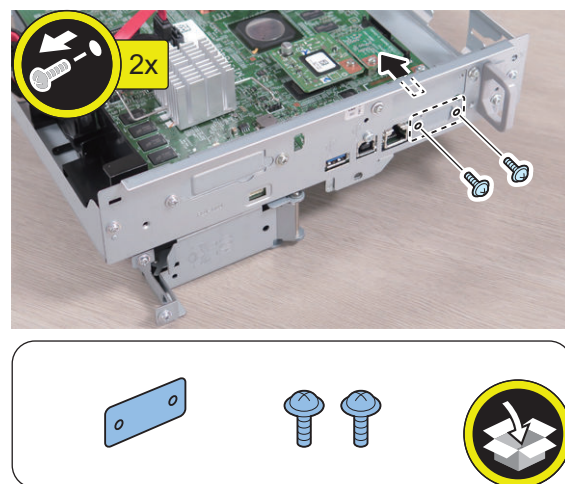
□
3.



□
4.

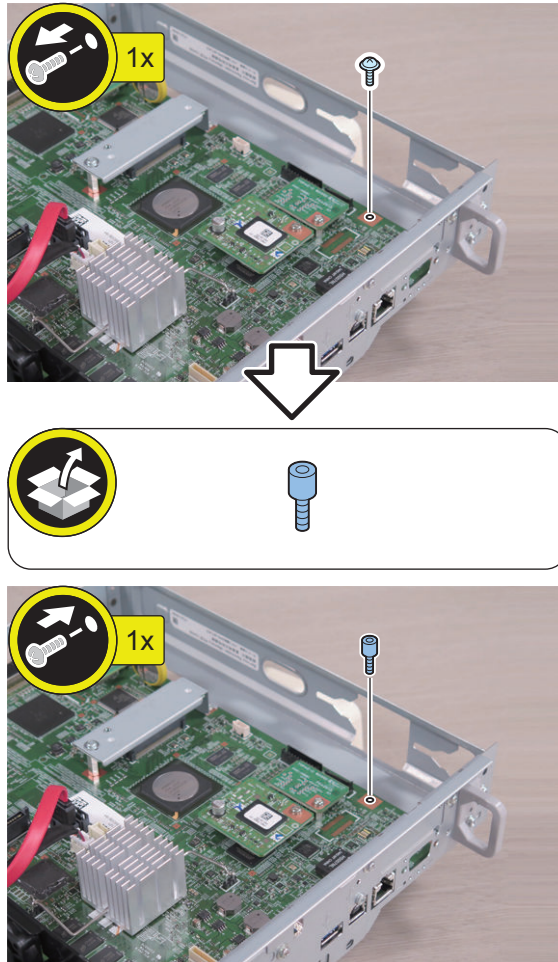


□
5.



■ Installing the Serial Interface Kit

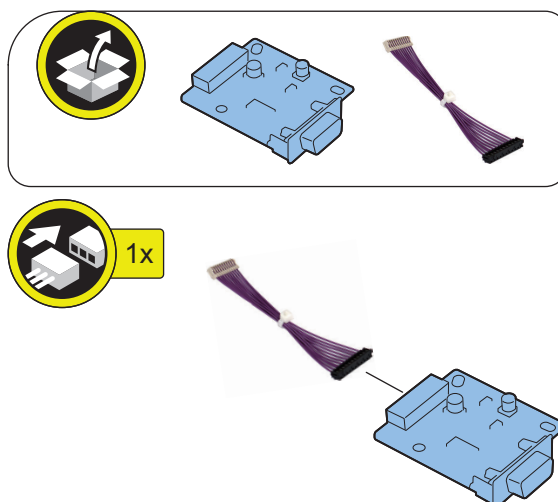
□
1.



NOTE:

The removed screw will be used in step 3.

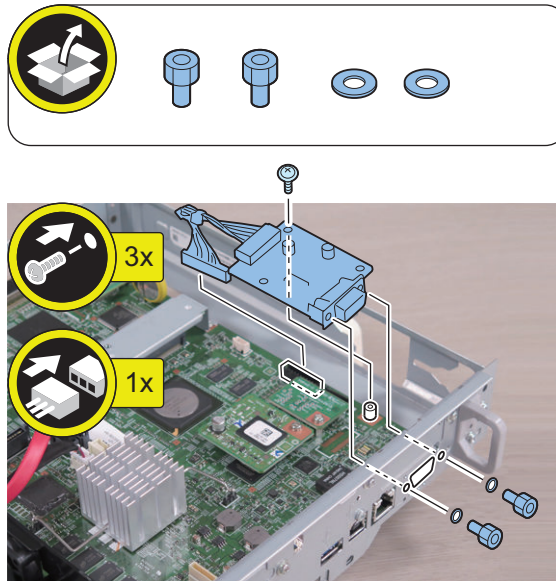
□
2.



□
3.

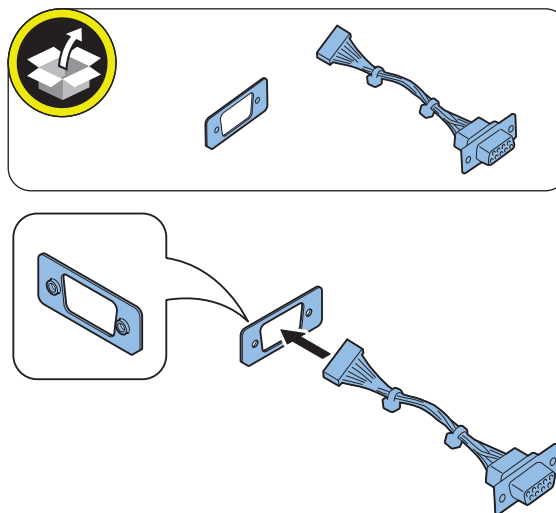
NOTE:

Use the screw removed in step 1.

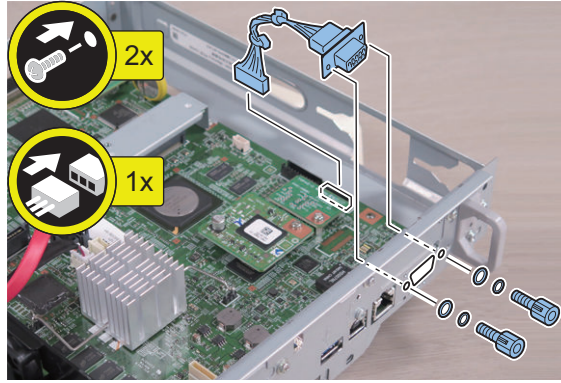
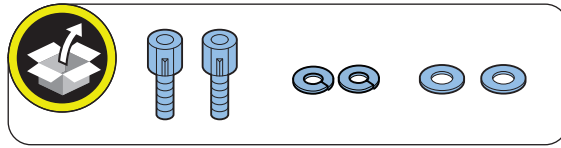


■ Installing the Copy Control interface Kit

□
1.



□
2.

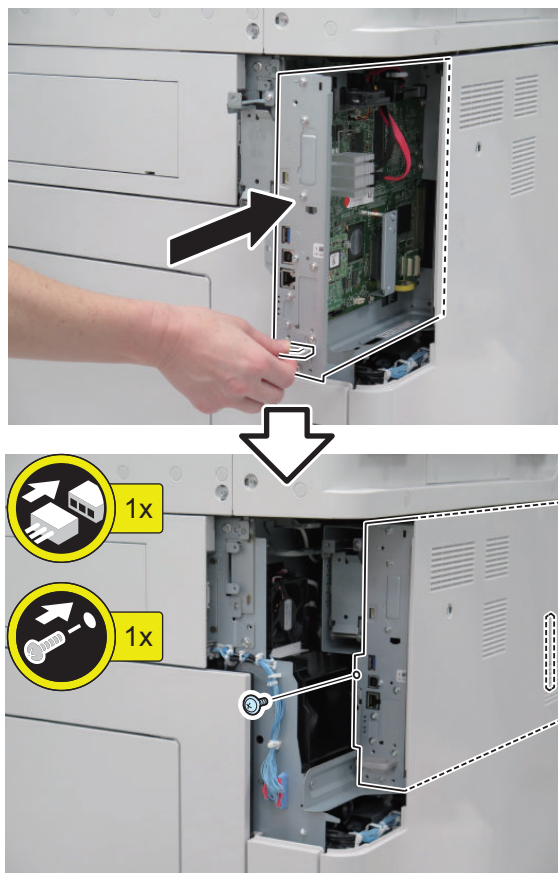
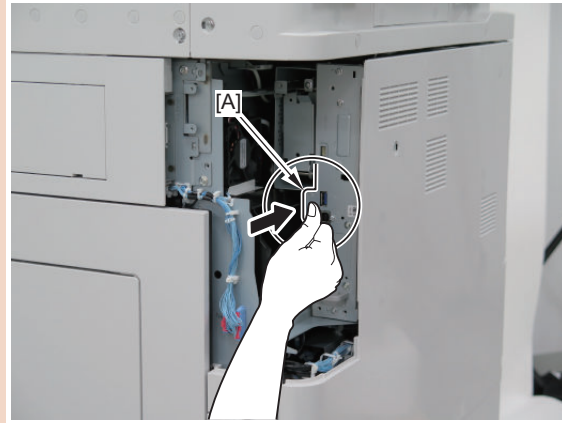


■ Subsequent Work

□
1.

CAUTION:

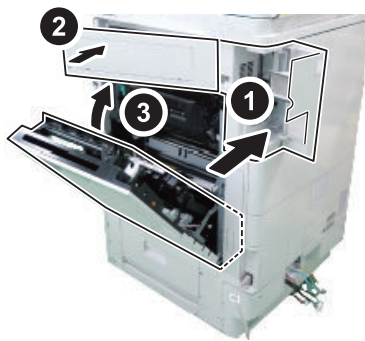
- Be sure to insert the Main Controller PCB 1 until it stops.
- Be sure to push [A] part hard to install it, otherwise the connector may not be connected properly.



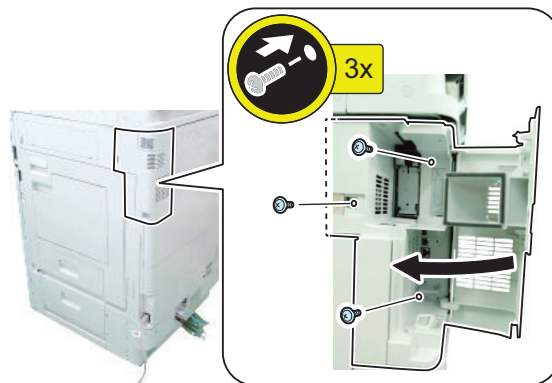
□
2.



□
3.



□
4.



□
5. Connect the power plug of the host machine to the power outlet.

6. Turn the main power switch ON.



Paper Feed Options

Paper Deck Unit-F1.....	460
Paper Deck Heater Unit-C1.....	487
Cassette Feeding Unit-AM1.....	510
High Capacity Cassette Feeding Unit- A1.....	530
Cassette Heater Unit.....	547

Paper Deck Unit-F1

Checking before Installation

Requirements for the installation place are given below. It is recommended to look over the place to be used for installation before delivering the equipment to the user.

CAUTION:

- Install the host machine first and then install the Paper Deck.
- Do not carry the Paper Deck with the host machine is installed for prevention of breakage.

■ Points to Note on Installation

Exercise following caution for installation.

1. Paper Deck weighs maximum 31 kg. When holding the Paper Deck at the installation, be sure to perform the work in accordance with the standard to handle a heavy load in each country. In addition, be sure to keep the machine leveled when lifting it.
2. When moving this equipment after having unpacked it, be careful by placing a plate, etc. on areas with steps to prevent the casters from hitting those steps. If the casters hit a step, the casters or the base plate may be deformed.

■ Product Name

Safety regulations require the product's name to be registered. In some regions where this product is sold, the following name may be registered instead.

- F281200

Unpacking

■ Unpacking Procedure

NOTE:

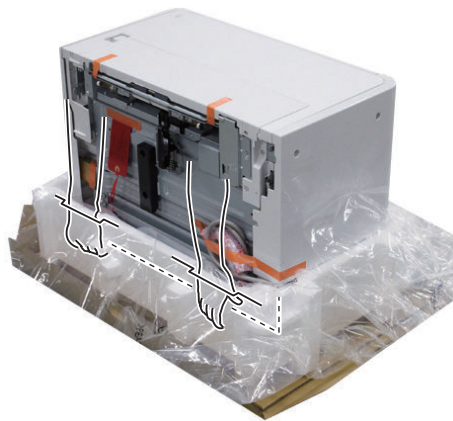
The equipment is secured by tapes, cushioning and other materials to protect it from vibration and impact during transit. Remove all such tapes and cushioning materials as instructed below before installing this equipment. Keep all fixings in a safe place for later reuse in reshipping the equipment, as for relocation and repairs.



1. Remove the cushioning materials from top of the equipment.



2. Open the plastic packing bag. Remove the Paper Deck from the pallet with holding the parts as shown in the figure.




3. Remove the all packaging tapes and cushioning materials other than the fixing plate on the fixing plate.


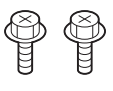
Checking the Contents

Check that none of the included parts is missing.

■ Contents of the Equipment

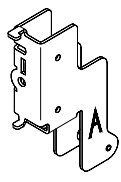
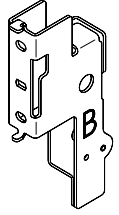


[1] Paper Deck Unit [2] Screw (RS tightening; M4x8)

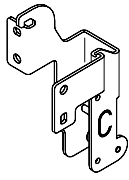
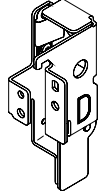
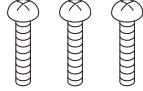
1x 2x

[3] Latch Plate A (Front) [4] Latch Plate B(Rear)

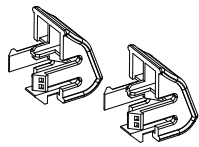
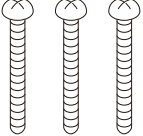
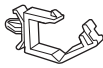
1x 1x

*1 [5] Latch Plate C (Front) [6] Latch Plate D (Rear) [7] Screw (Binding(Black); M4x25)

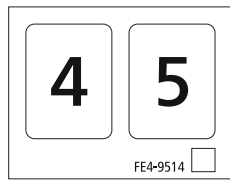
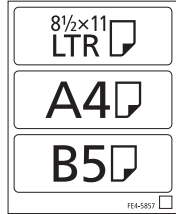
1x 1x 3x

[8] Feed Guide [9] Screw (Binding; M4x45) [10] Wire Saddle

2x 3x 1x

[11] Cassette No. Label [12] Paper Size Label

1x 1x

*1: The parts [5],[6],[7] are not used.

<Others>

Other bundled items such as Installation Procedure, leaflets, etc.

● Installation Procedure

■ Preparation of the Paper Deck



1. Remove the screw of the fixing plate.

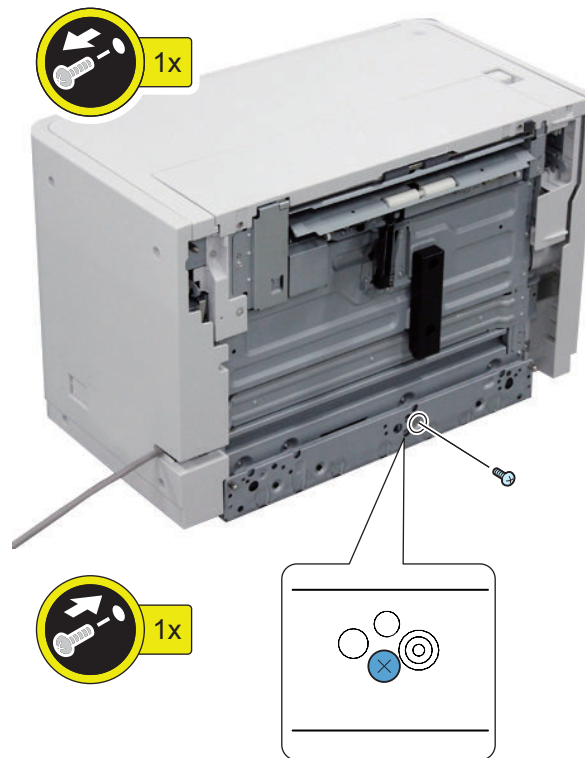
- 1 Screw





2. Remove the screw from the base stay unit and then attach it as shown in the following figure.

- 1 Screw

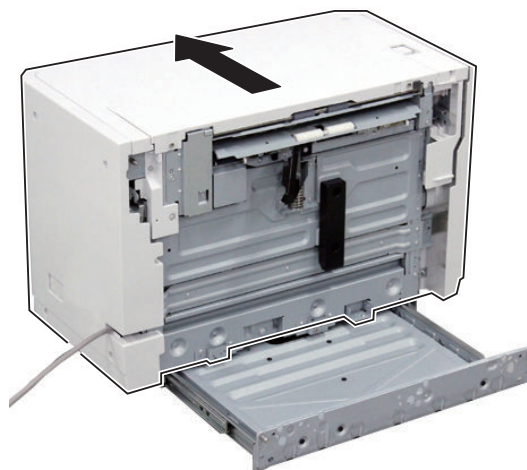


NOTE:

Return the screw to the original position to fix the base stay unit for relocation.



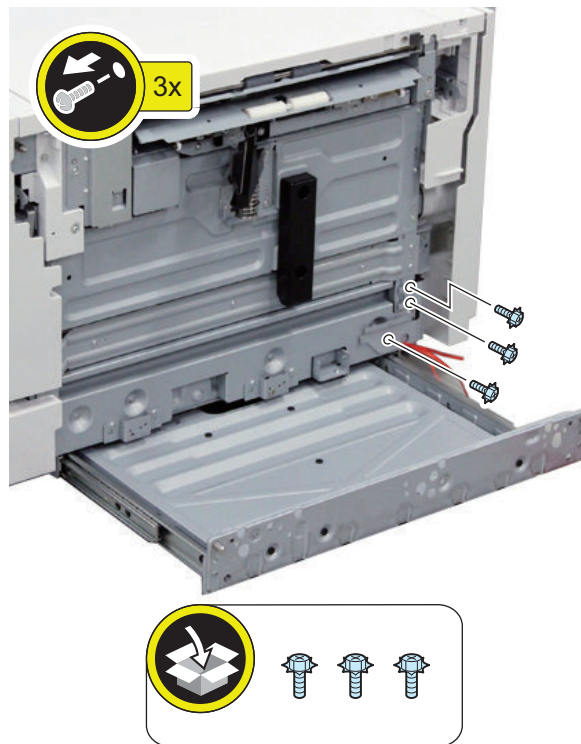
3. Hold the base stay and push the Paper Deck unit until it stops.



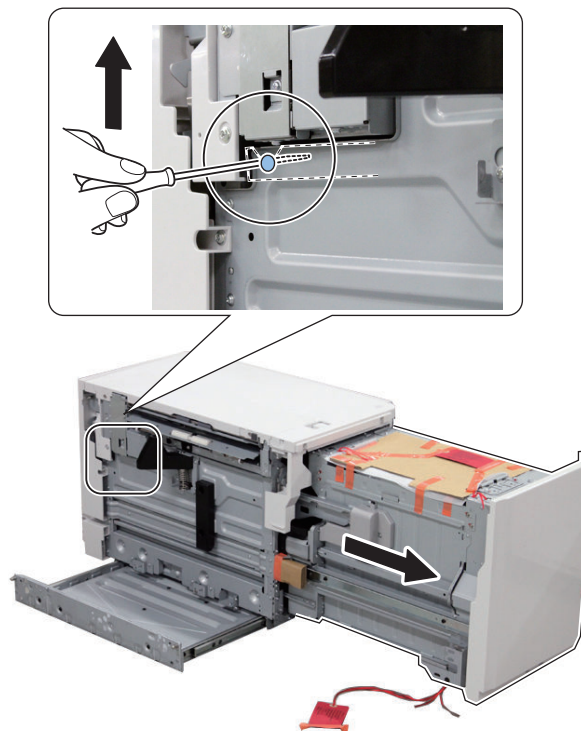


4. Remove the screw of the fixing plate.

- 3 Screws



5. Insert screwdrivers into the hole and push the release lever down to open the compartment.

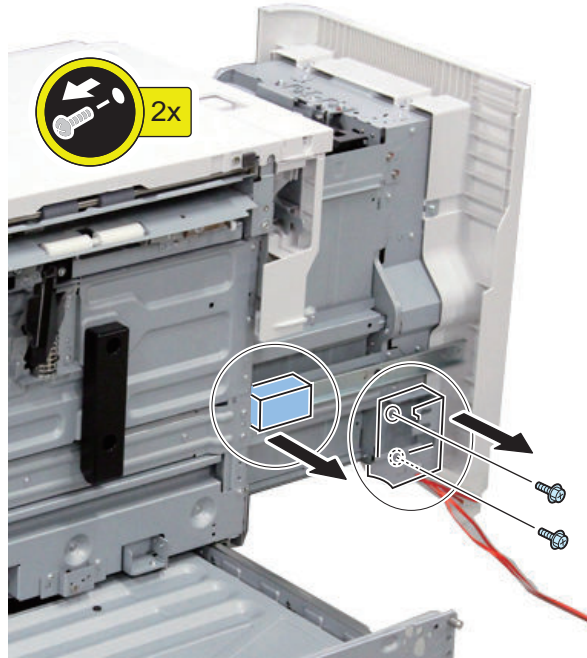


**6. Remove the fixing plate and the cushioning material.**

- 2 Screws

NOTE:

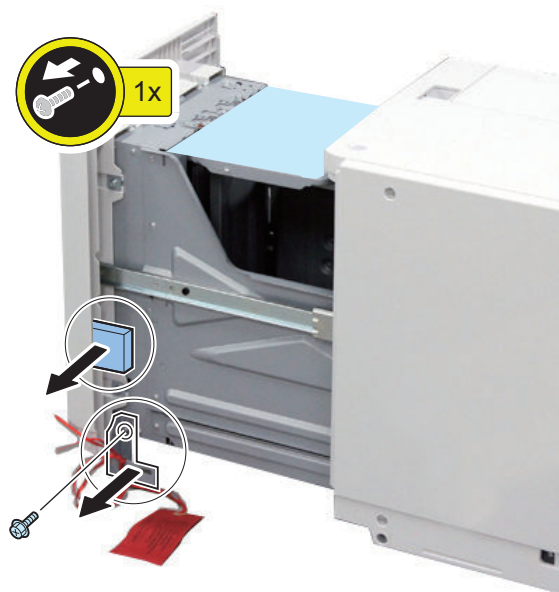
Check that the cushioning material is removed.

**7. Remove the fixing plate and the cushioning material.**

- 1 Screw

NOTE:

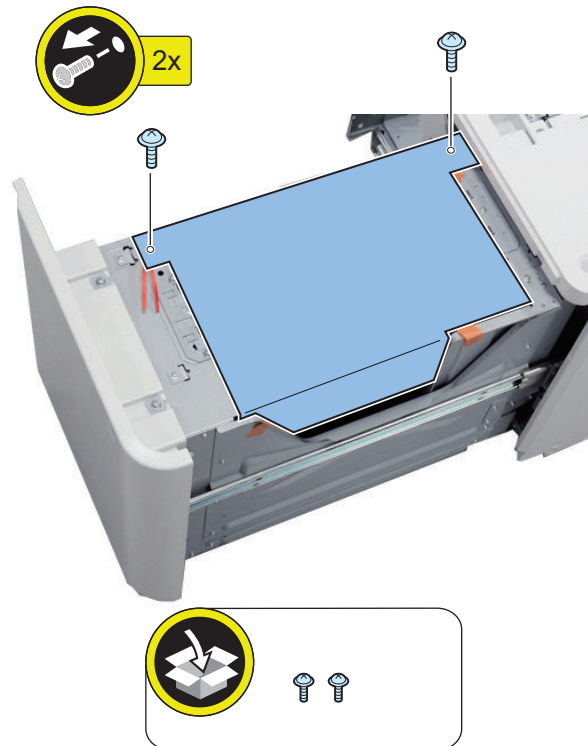
Check that the cushioning material is removed.





8. Remove the fixing part of lifter plate, cushioning material and tapes.

- 2 Screws



9. Close the compartment.

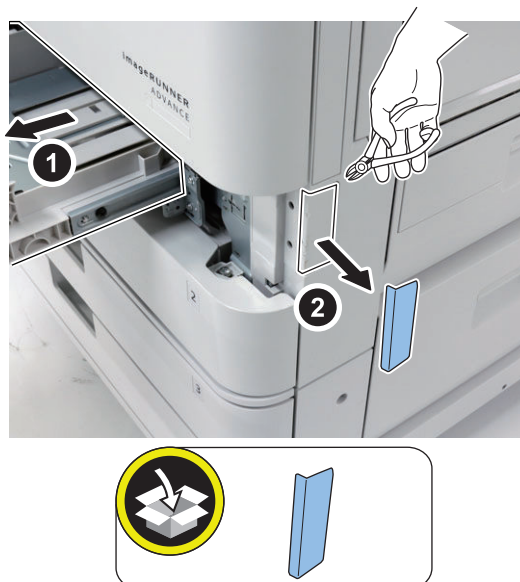
■ Preparation of the Host Machine



1. Open the cassette 1 and then cut the face part.

⚠ CAUTION:

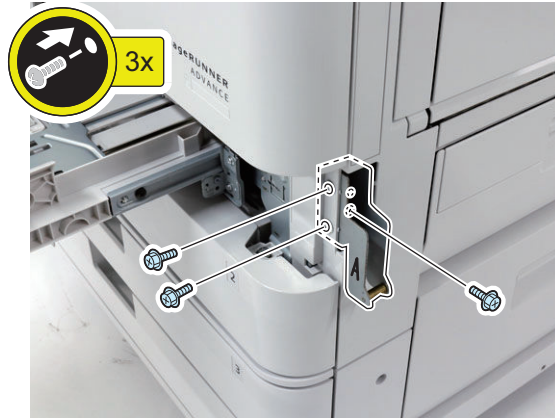
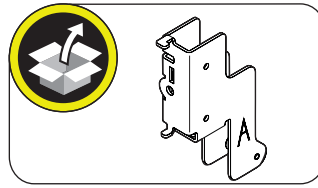
Be sure to remove the face part properly so that no bur is formed.





2. Attach the latch plate A (front) with 2 screws removed at procedure 6 and 7 in "Preparation of the Paper Deck".

- 1 Boss
- 3 Screws (RS tightening; M4x8)



3. Close the cassette 1.

□

4. Cut the face cover.

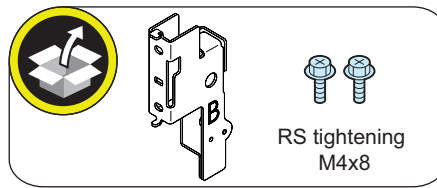
CAUTION:
Be sure to remove the face cover properly so that no bur is formed.





5. Attach the latch plate B (rear).

- 1 Boss
- 2 Screws (RS tightening; M4x8)

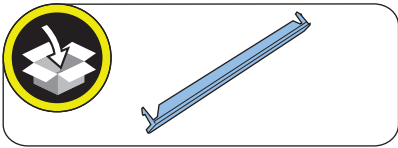


6. Open the right feed guide.



□

- 7. Remove the face cover.
 - 2 Claws

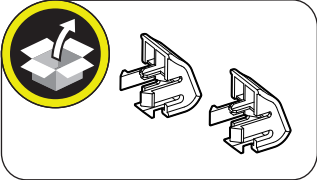


□

- 8. Close the right feed guide.

□

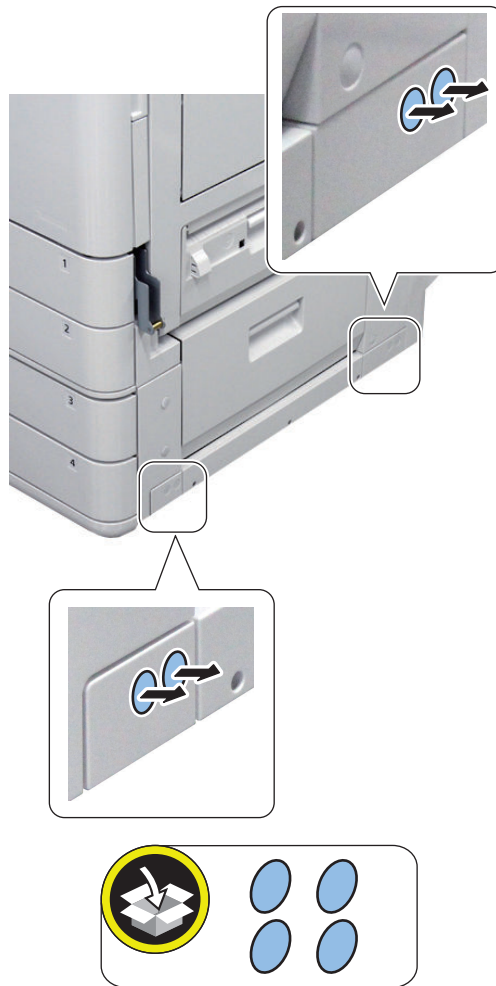
- 9. Attach the 2 feed guides.



■ Connection with the Host Machine



1. Remove the 2 face seals.





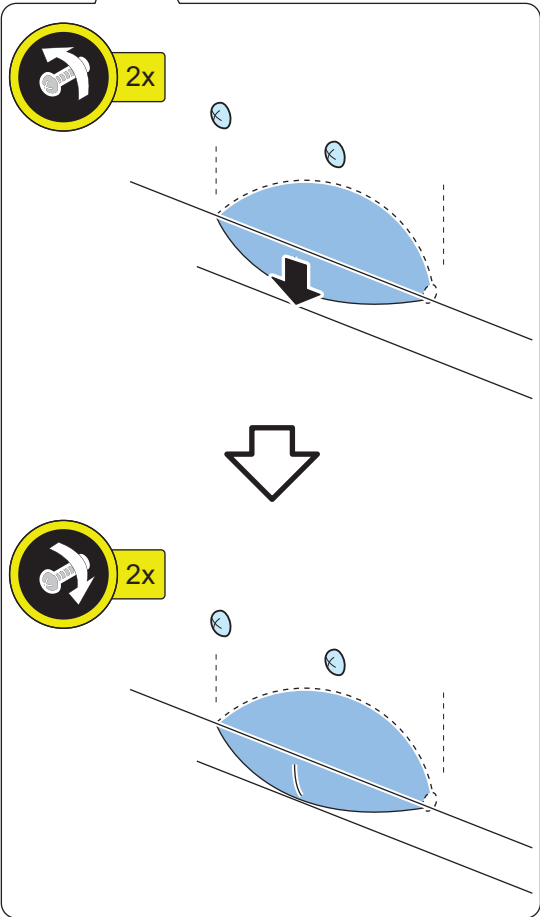
2. Insert the positioning pins to the holes on the host machine and then fix the base stay and then slide the Paper Deck to the host machine.

- 3 Screws (Binding; M4x45)





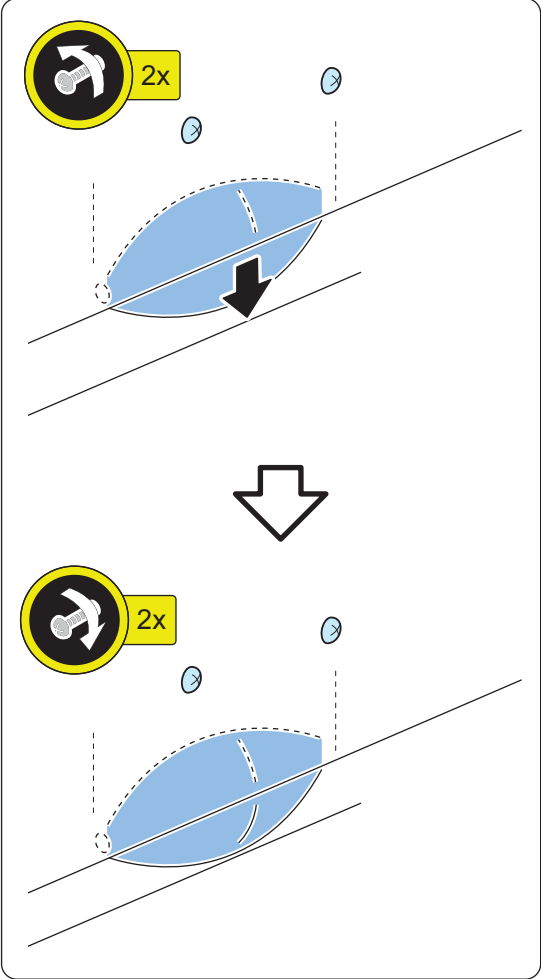
3. Loosen the screws to move the wheel to the floor and then fasten the screws.
• 2 Screws





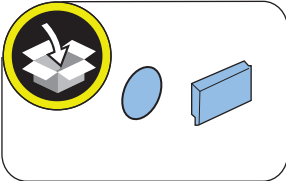
4. Loosen the screws to move the wheel to the floor and then fasten the screws.

- 2 Screws



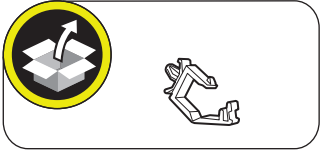
□

5. Remove the face seal and the connector cover.



□

6. Attach the wire saddle

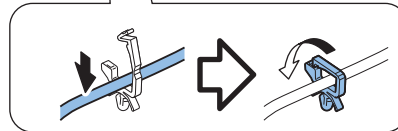


**7. Connect the lattice connector to the host machine and then fix the harness with the wire saddle.**

- 1 Connector
- 1 Wire Saddle

⚠ CAUTION:

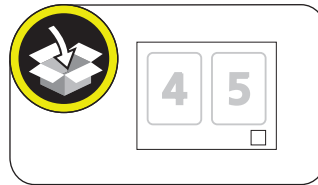
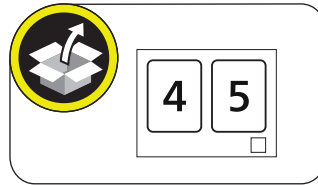
Check that the main power switch is OFF and the power plug is disconnected from the outlet.





8. Attach the Cassette No. Label "4" or "5".

- High Capacity Cassette Feeding Unit is installed:4
- Cassette Feeding Unit is installed:5

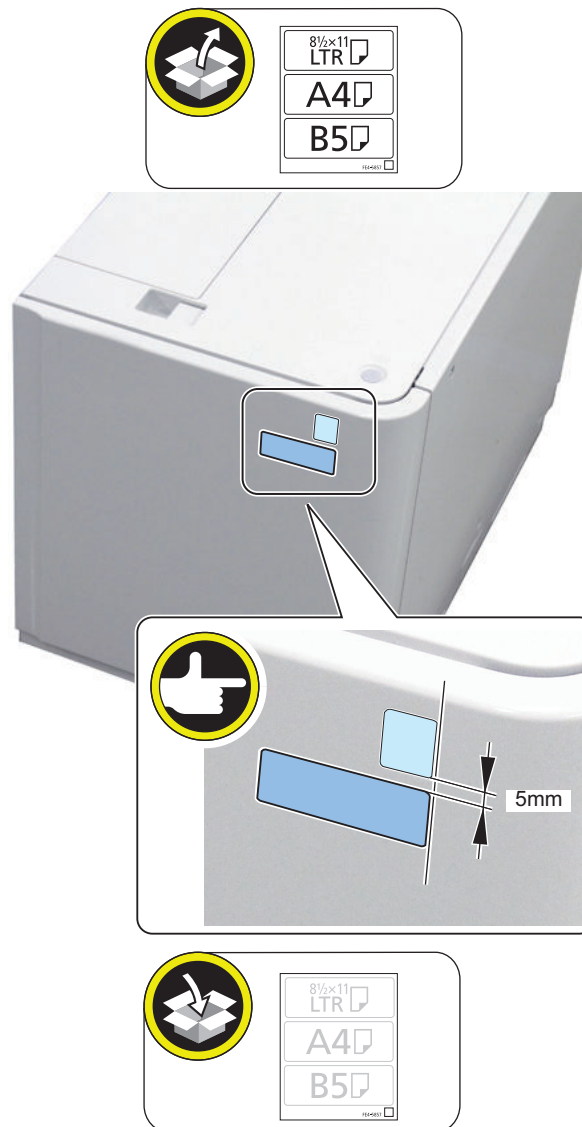




9. Attach the Paper Size Label with a gap in 5mm from the cassette No. Label while aligning right edge of the labels.

NOTE:

Keep the paper size label for use when paper size is changed.



10. Connect the power plug of the host machine to the external source.



11. Turn ON the host machine.

NOTE:

The compartment of the Paper Deck is opened automatically to check that the fixing part fixing the lifter plate, cushioning material and tapes are surely removed.

■ Switching the Paper Size



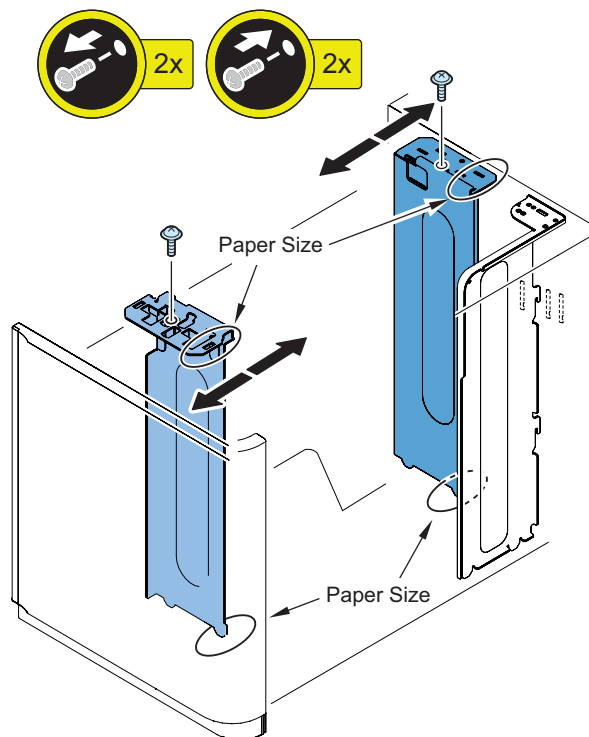
1. Press the open button to open the compartment.



2. Relocate the paper guide plate at the specified paper size.

Paper size is marked as shown in the figure.

- 2 Screws



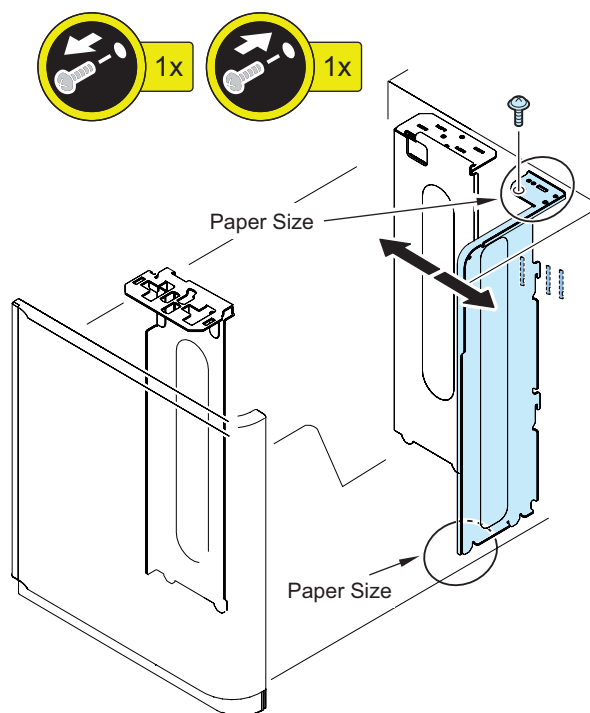
CAUTION:

The paper jam may occur when the paper size is different between top and bottom of the paper guide plate.

**3. Relocate the paper guide plate at the specified paper length.**

Paper size is marked as shown in the figure.

- 1 Screw

**CAUTION:**

The paper jam may occur when the paper size is different between top and bottom of the paper guide plate.

**4. Set paper in the compartment and close it.****5. Set the paper size on the service mode.**

(Lv.1) COPIER > OPTION > ACC > DK-P

- 0: A4
- 1: LTR
- 2: B5

Checking after Installation

■ Disposal Parts

Following disposal parts are remained after completion of the installation work.

<input type="checkbox"/>	[1]	Screw (Tooth Washer Sems; M4x8)	4pcs
<input type="checkbox"/>	[2]	Screw (TP; M3x6)	2pcs
<input type="checkbox"/>	[3]	Screw (Binding (Black); M4x25)	3pcs
<input type="checkbox"/>	[4]	Screw (RS tightening; M4x8)	1pc
<input type="checkbox"/>	[5]	Cassette No. Label	1pc
<input type="checkbox"/>	[6]	Paper Size Label	1pc
<input type="checkbox"/>	[7]	Face Cover (cut)	1pc
<input type="checkbox"/>	[8]	Face Cover	1pc

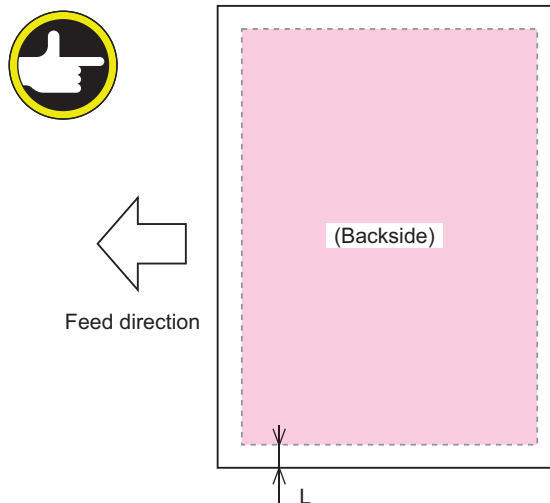
<input type="checkbox"/>	[9]	Face Seal	5pcs
<input type="checkbox"/>	[10]	Connector Cover	1pc
<input type="checkbox"/>	[11]	Upper part of Front Right Cover (cut)	1pc
<input type="checkbox"/>	[12]	Latch Plate C (Front)	1pc
<input type="checkbox"/>	[13]	Latch Plate D (Rear)	1pc

Paper Positioning Check/Adjustment Procedure

■ Adjusting Left Edge Margin(L) of Image



1. Feed paper from the Paper Deck. Check that L is 2.5+/-1.5mm. Adjust L on the following procedure when it is out of above range.



■ Service Mode Adjustment



1. Adjust the setting value on the following service mode.
 - COPIER > ADJUST > FEED-ADJ > ADJ-DK

NOTE:

Setting Range: -50 to 50 (1 unit= 0.1mm)

L is increased 0.1mm by setting value 1.

- +: L is increased
- -: L is decreased

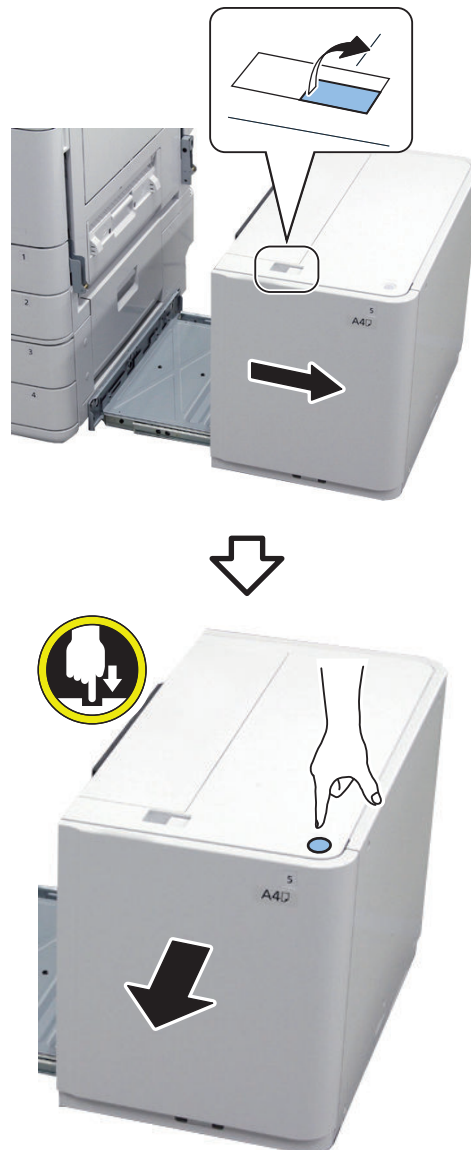


2. Feed paper from the Paper Deck. Check that L is 2.5+/-1.5mm. In the case, L is out of the range, set the adjustment value to 0 and then adjust L manually on the following procedure.

■ Manual Adjustment



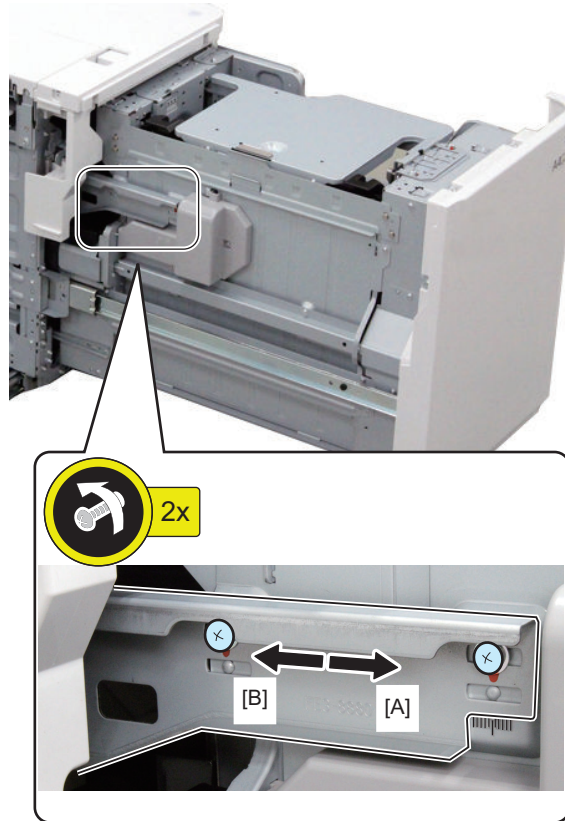
1. Release the Paper Deck from the host machine and press the open button of the Paper Deck to open the compartment.





2. Loosen the screws at the latch plate and then adjust the latch plate (1scale = 1mm).

- 2 Screws
- When L is large, move the latch plate to front [A].
- When L is small, move the latch plate to rear [B].



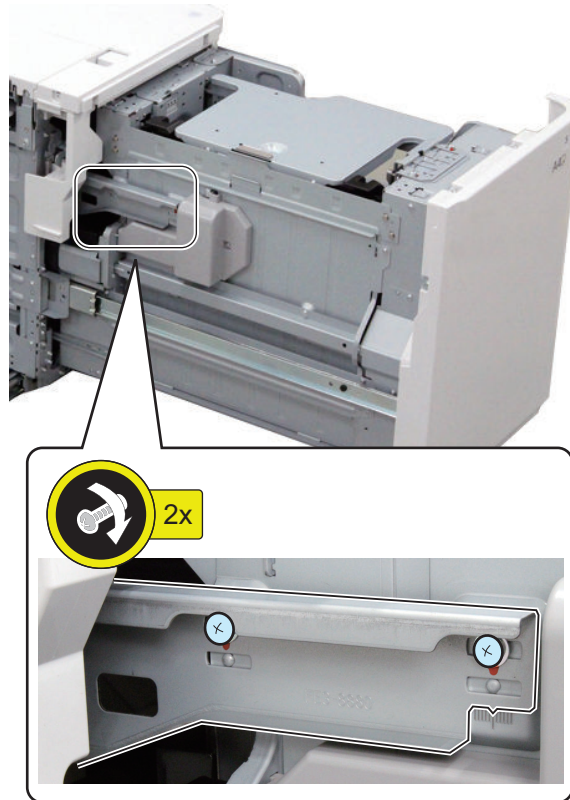
NOTE:

The screws retaining the latch plate are locked with the paint to avoid loosening during the transport. Loosen the paint-locked screws for the adjustment.



3. Fasten the screws.

- 2 Screws



4. Move the front cover fitting to the amount of the latch plate movement. Refer to the next item "Front Cover Positioning Adjustment" for detail.



5. Close the compartment and connect to the host machine.



6. Feed paper from the Paper Deck. Check that L is 2.5+/-1.5mm. Re-adjust L when it is out of the range.

■ Front Cover Positioning Adjustment



1. Check the gap on the front cover.

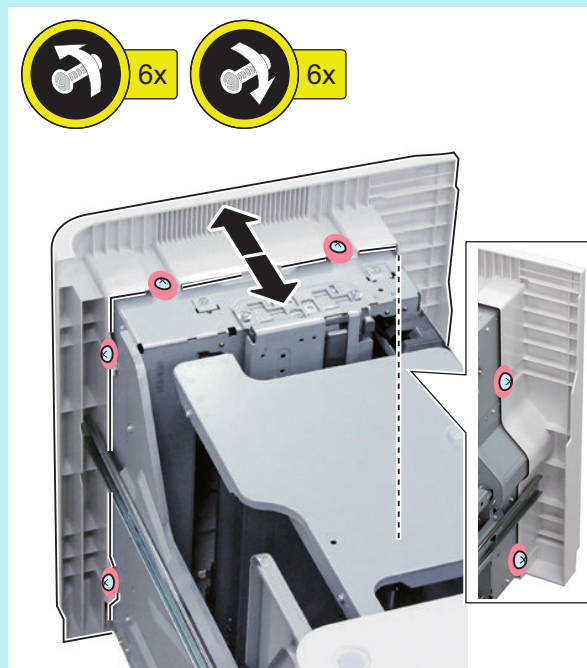
- Gap between the front cover and the right cover:
3+/-1mm
- Gap between the front cover and the upper cover:
4+/-1mm



NOTE:

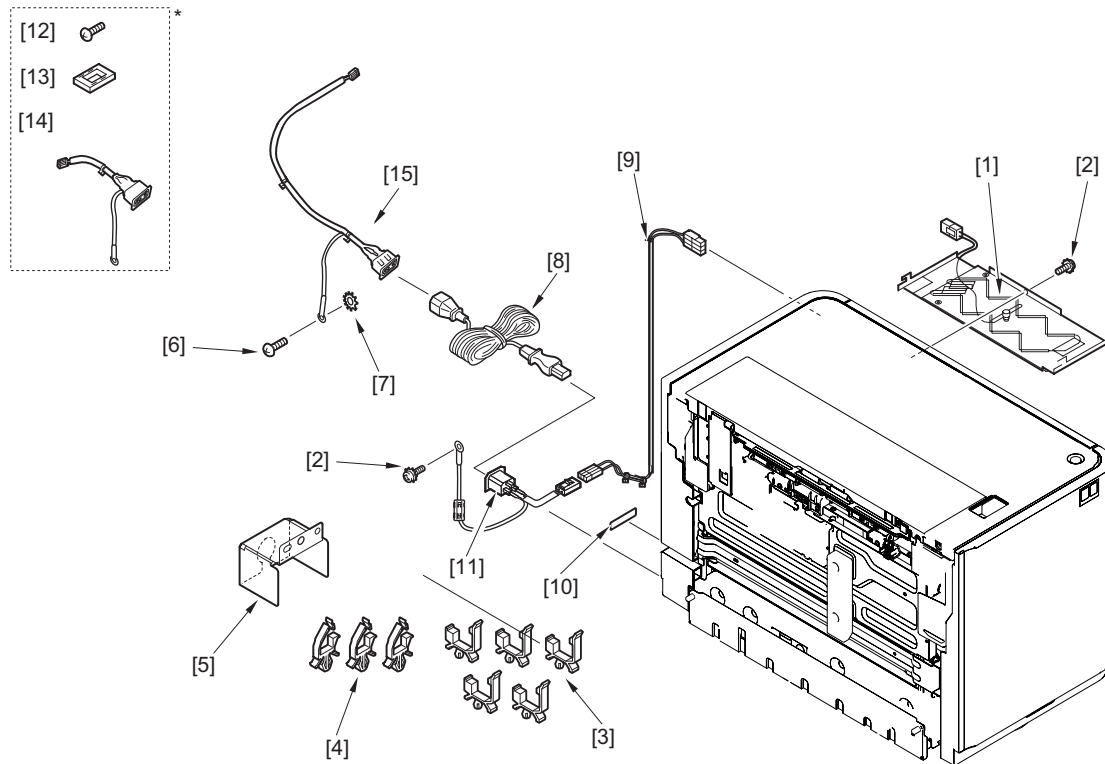
Loosen the screws on the front cover and then adjust the gap within the range.

- 6 Screws



Paper Deck Heater Unit-C1

Checking the Contents



- [1] Heater Unit 1pc
- [2] Screw (Toothed Washer Sems; M4x8) 2pcs
- [3] Wire Saddle (Black) 5pcs
- [4] Wire Saddle (White) 3pcs (1pc is not used)
- [5] Plug Cover 1pc
- [6] Screw (Binding ; M4x6) 1pc
- [7] Toothed Washer 1pc
- [8] AC Cable 1pc
- [9] Relay Harness Unit 1pc
- [10] Power Supply Label 2pcs (1pc is not used)
- [11] AC Input Connector 1pc
- [12] Screw (Binding ; M4x4) 1pc*
- [13] Cable Protection Bushing 1pc *
- [14] AC Output Connector (short) 1pc *
- [15] AC Output Connector (long) 1pc

*The parts [12][13][14] are not used for the installation of the Heater Unit.

<Others>

Including guides

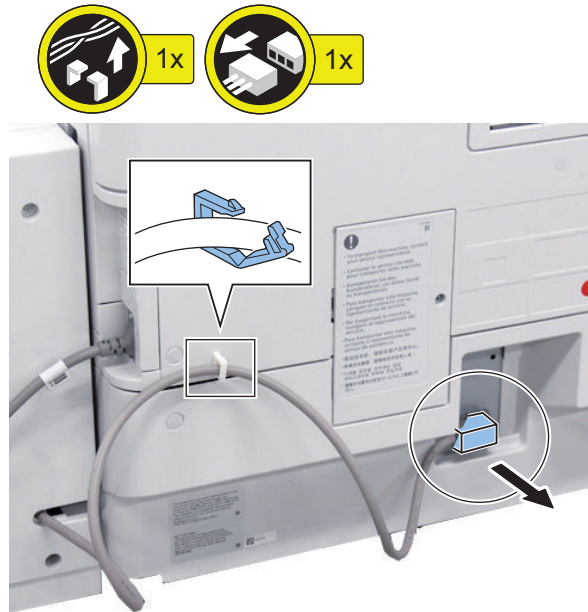
Installation Procedure

■ Preparation of the Paper Deck Unit



1. Disconnect the Lattice Connector from the host machine.

- 1 Wire Saddle
- 1 Connector



2. Pull the Release Lever and then with draw the Paper Deck Unit until it stops.

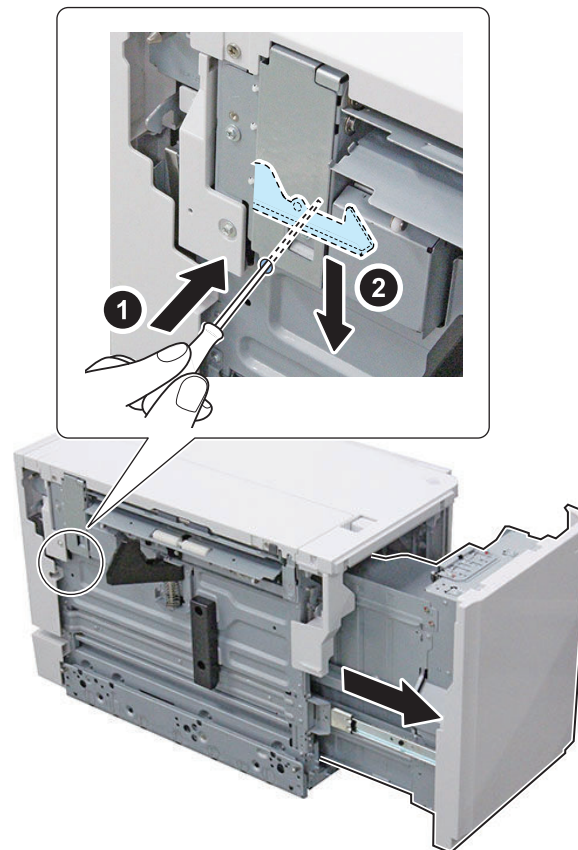




3. Insert screwdrivers into the hole at rear left side of the Compartment and then release the lever to open it.

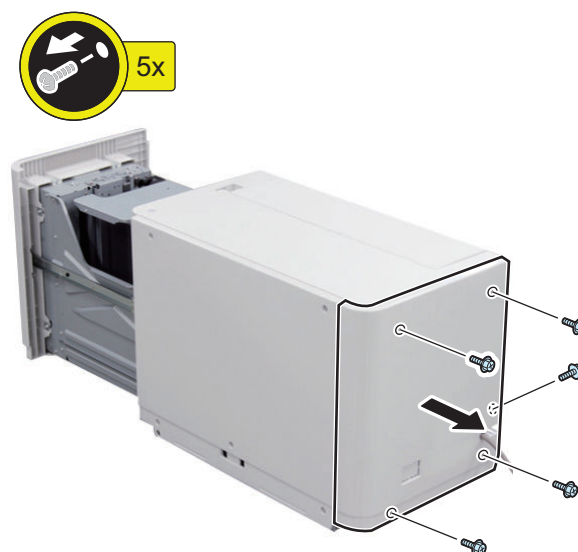
NOTE:

Insert screwdrivers into the hole indicated by the arrow.



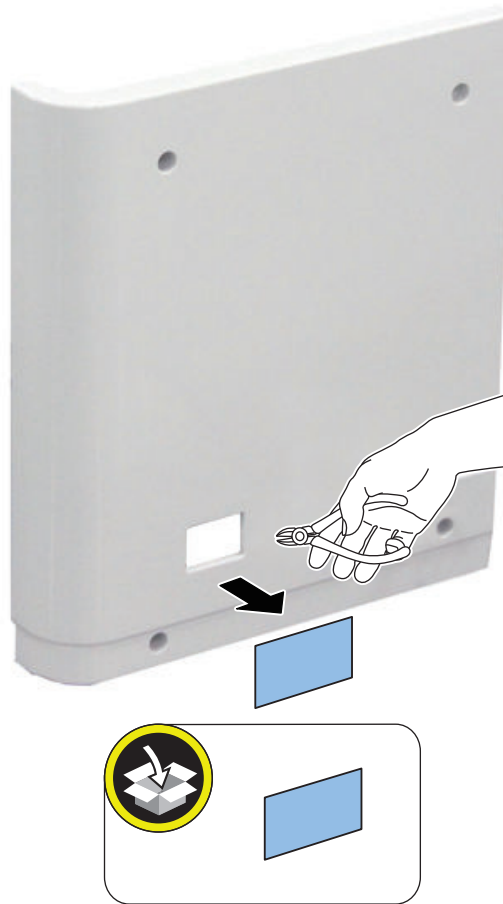
4. Remove the Rear Cover.

- 5 Screws





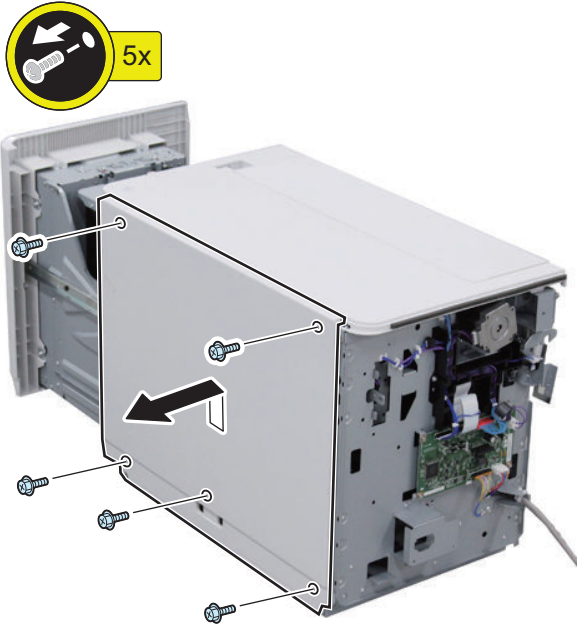
5. Cut the Face Cover from the Rear Cover.



CAUTION:
Be sure to remove the Face Cover properly so that no burr is formed.



6. Remove the Right Cover.
• 5 Screws



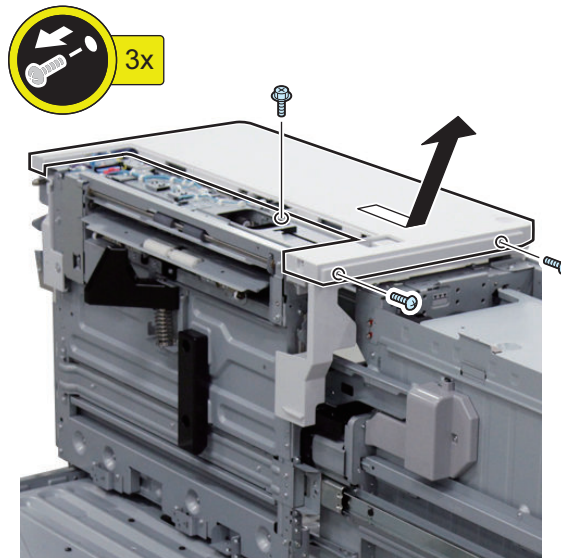
7. Loosen the 2 screws and then remove the Upper Left Cover.





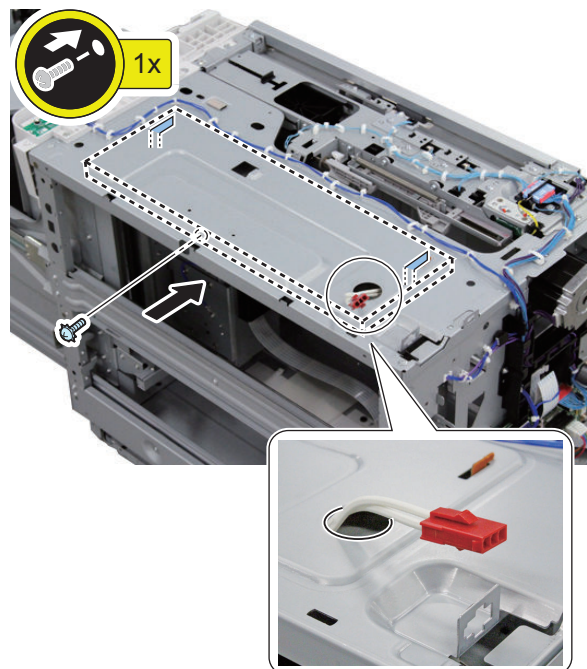
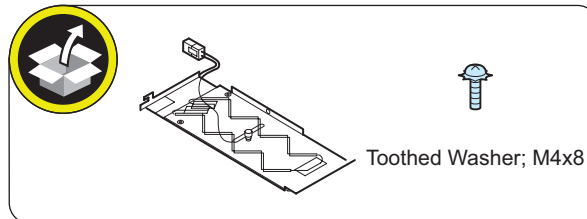
8. Remove the Upper Cover.

- 3 Screws



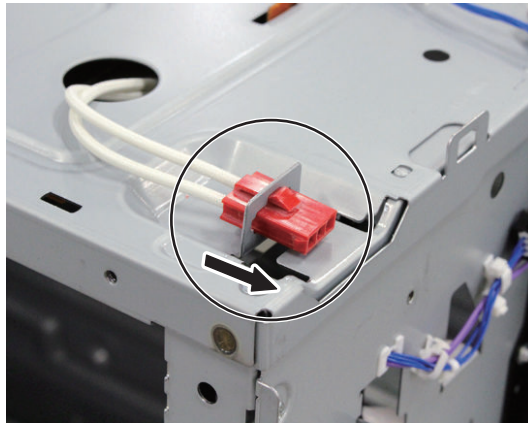
9. Put the connector through the hole in the top plate and then fix the Heater Unit.

- 2 Hooks
- 1 Screw (Toothed Washer Sems; M4x8)





10. Insert the connector of the Heater Unit to the panel mount part.

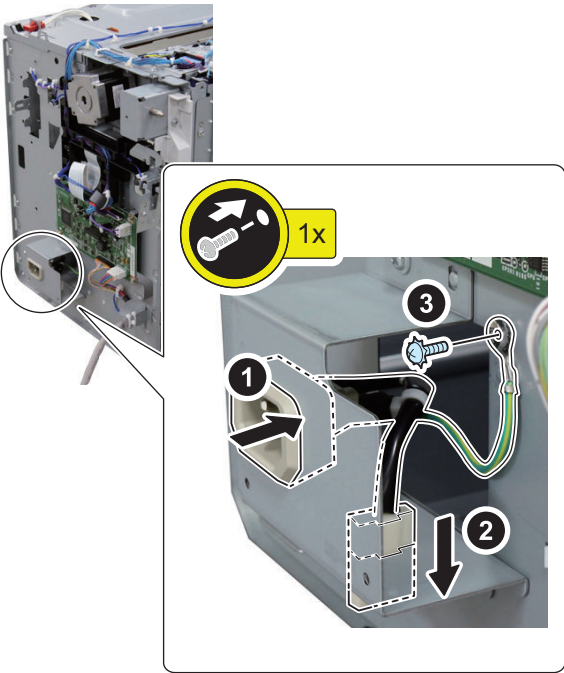
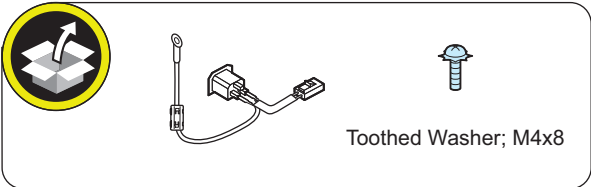
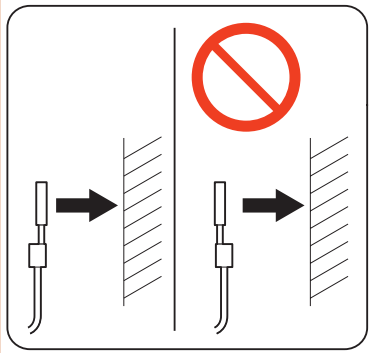




11. Install the AC Input Connector in the power cord mount.

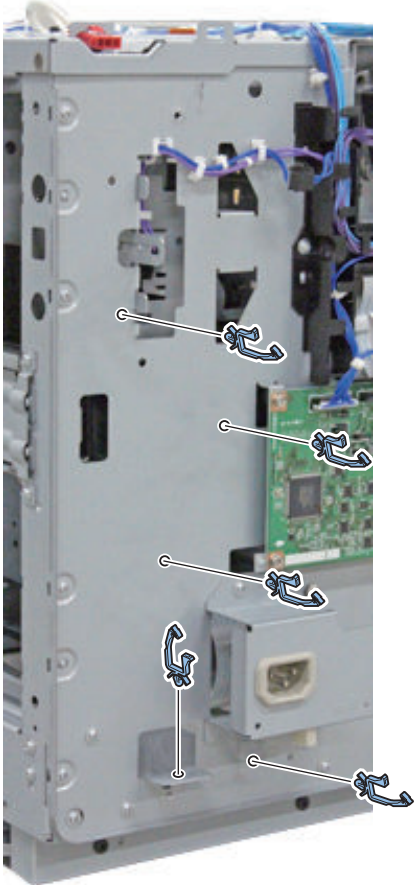
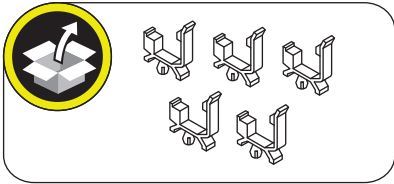
- 1 Screw (Toothed Washer Sems; M4x8)

CAUTION:
Fix the Grounding Cable in the correct direction.



□

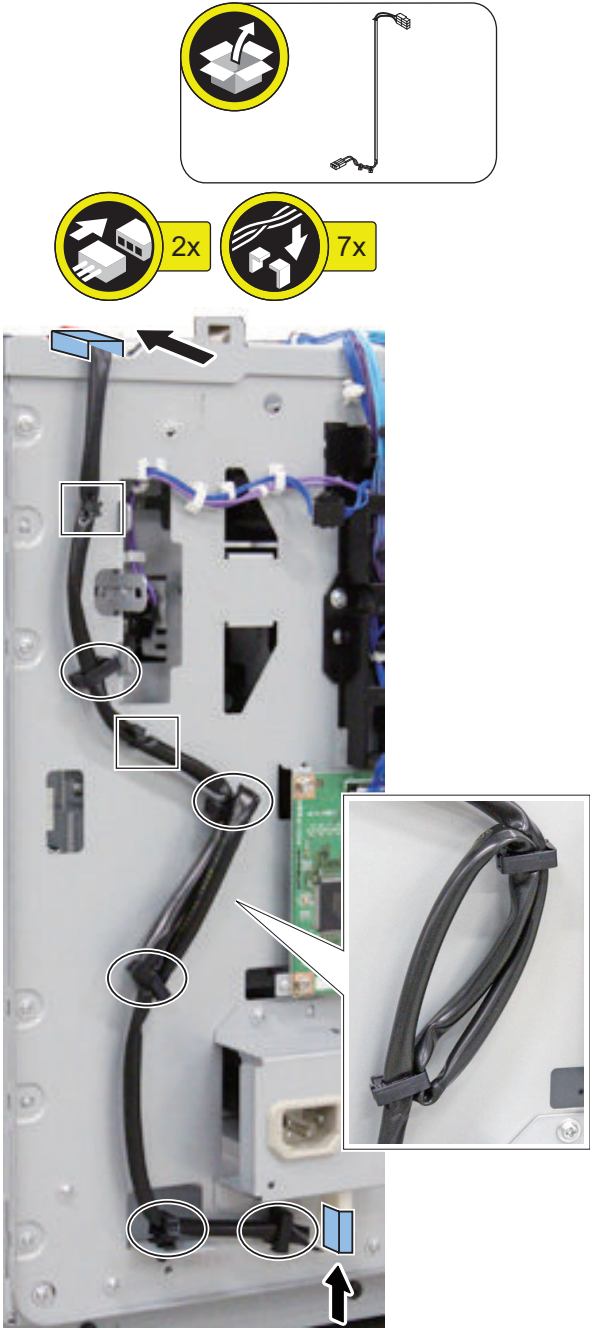
12. Install the Wire Saddles (black) as shown in the figure.



□

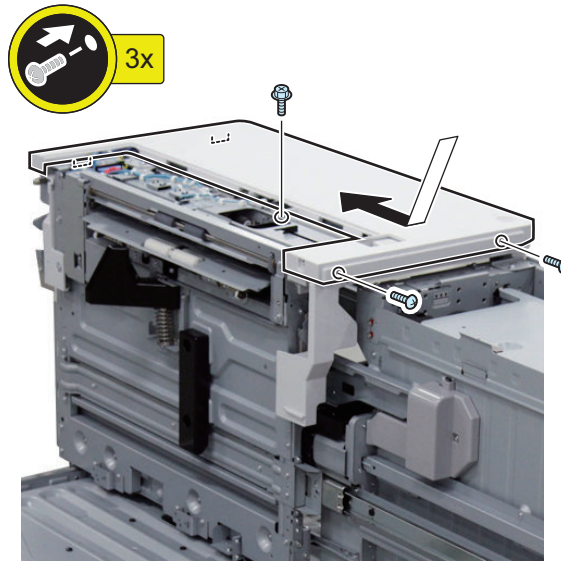
13. Connect the Relay Harness Unit and then fix it with the Wire Saddles (black) and Reuse Bands as shown in the figure.

- 2 Connectors
- 2 Reuse Bands
- 5 Wire Saddles



**14. Install the Upper Cover.**

- 2 Protrusions
- 2 Screws (P Tightening; M4x8)
- 1 Screw (RS tightening; M4x8)

**15. Fasten the 2 screws to install the Upper Left Cover.**



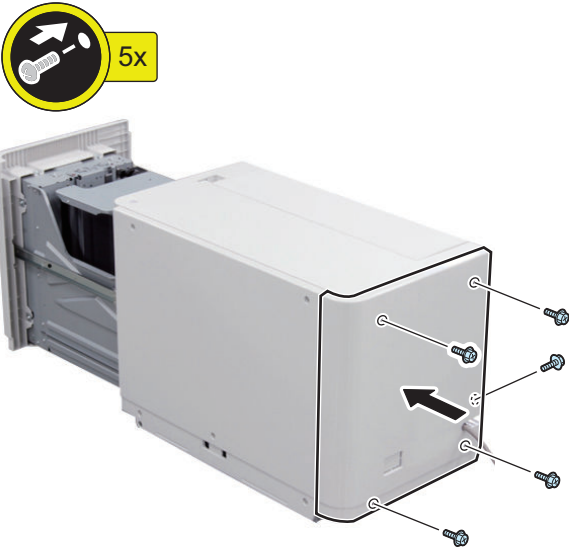
16. Install the Right Cover.

- 2 Hooks
- 5 Screws (RS Tightening; M4x8)



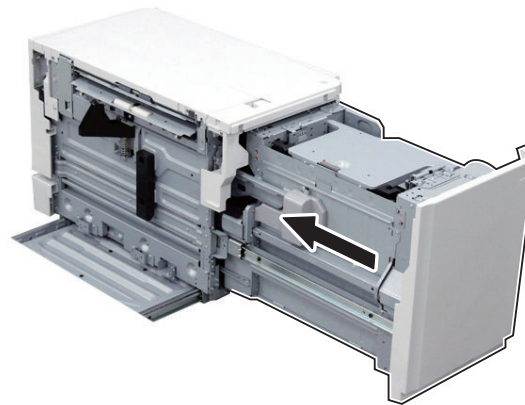
17. Install the Rear Cover.

- 5 Screws (RS Tightening; M4x8)





18. Close the Compartment and then connect the Paper Deck Unit with the host machine.

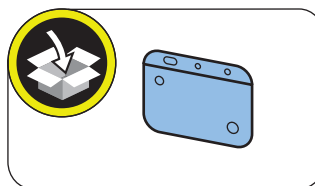
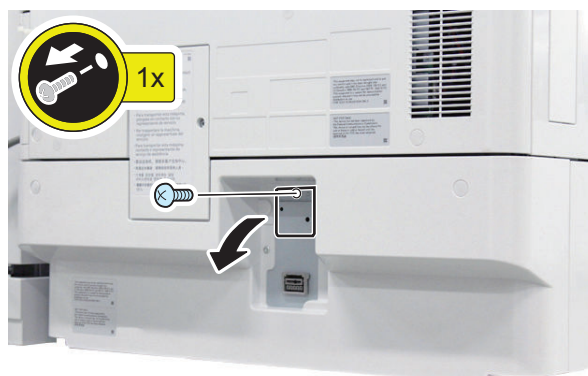


■ Preparation of the Host Machine



1. Remove the Deck Heater Plug Cover (The removed screw is used by a later procedure).

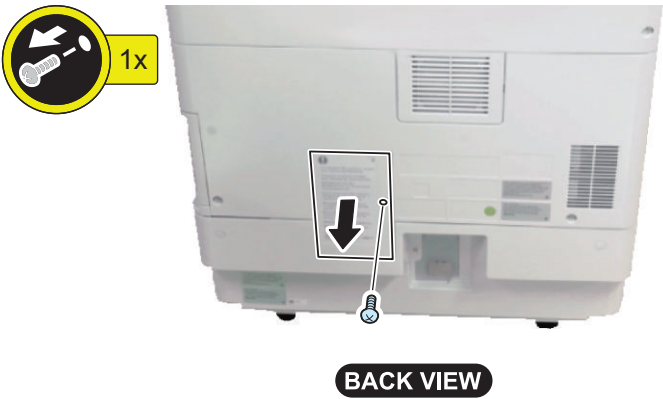
- 1 Screw



□

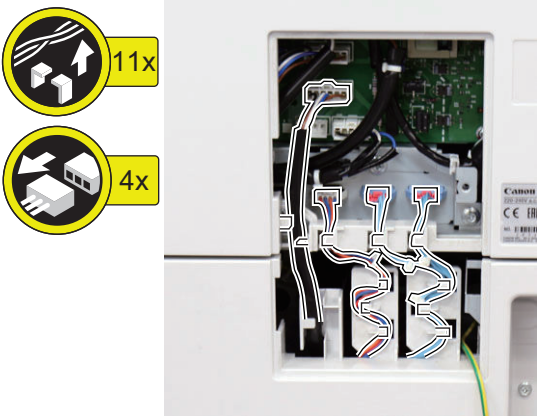
2. Remove the Connector Cover.

- 1 Screw



□

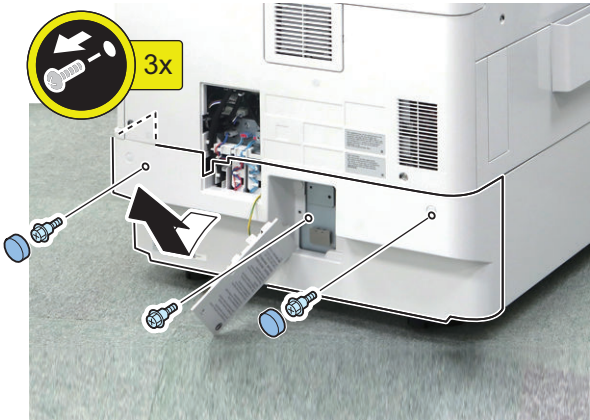
3. Disconnect the 4 connectors and remove the 11 Harness Guides.



□

4. Remove the Pedestal Rear Cover.

- 2 Rubber Caps
- 3 Screws

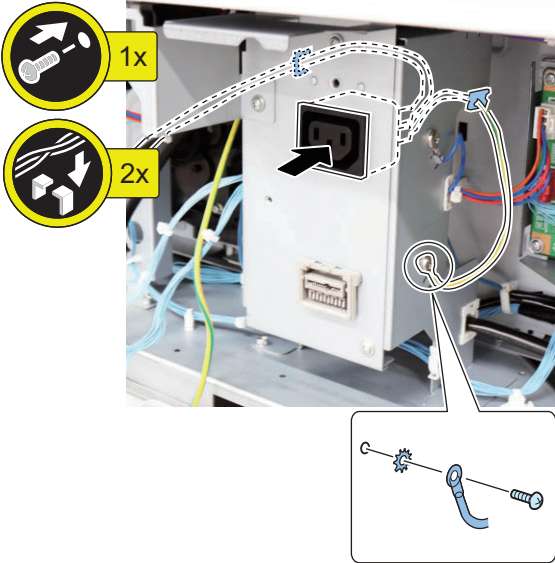
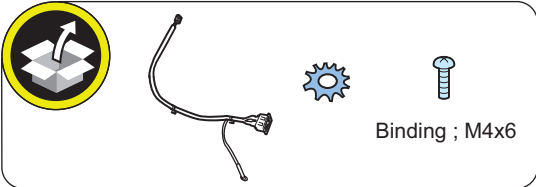
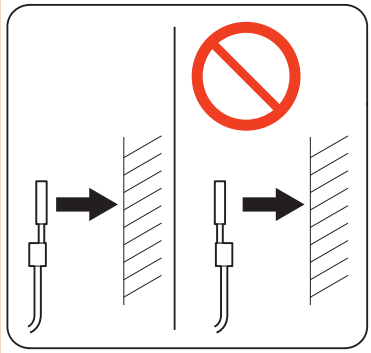




5. Install the AC Output Connector (long).

- 2 Wire Saddle
- 1 Screw (Binding ; M4x6)
- 1 Toothed Washer

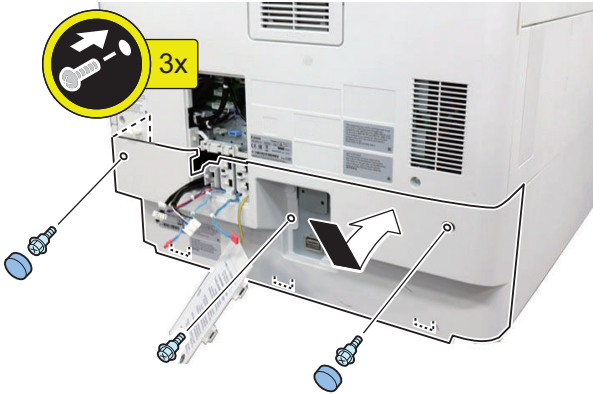
CAUTION:
Fix the Grounding Cable in the correct direction.



□

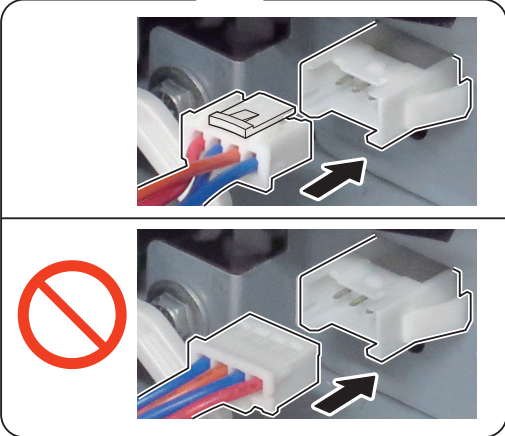
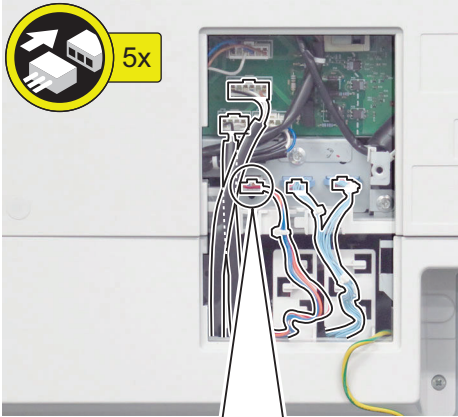
6. Install the Pedestal Rear Cover.

- 3 hook
- 3 Screws
- 2 Rubber Caps



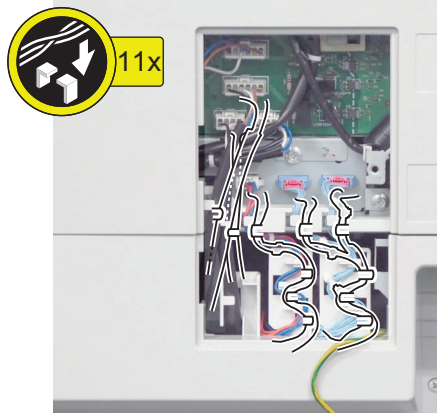
□

7. Connect the 5 Connector.



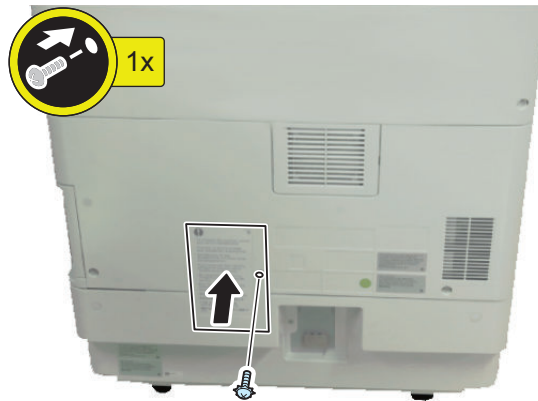
8. Route the 5 harnesses.

- 11 Harness Guides



9. Install the Connector Cover.

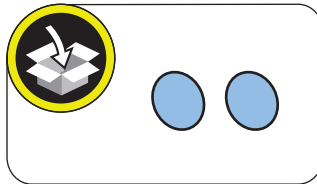
- 1 Screws



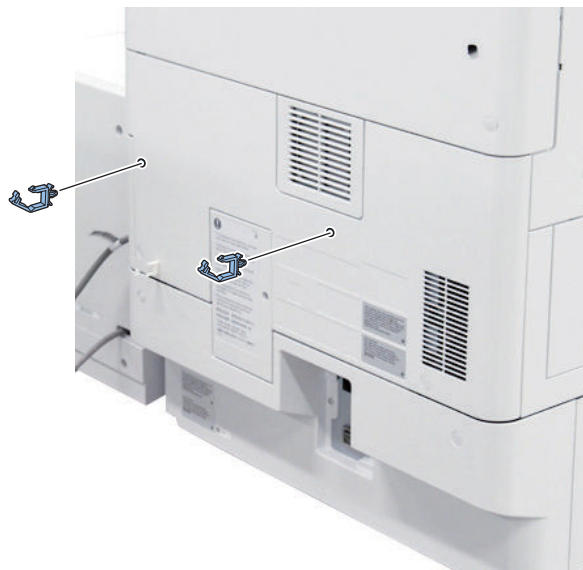
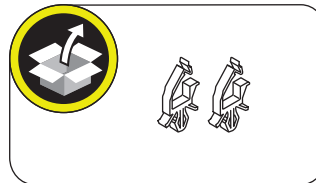
■ Connection with the Host Machine



1. Remove the Face seals.



2. Attach the Wire Saddles (white).

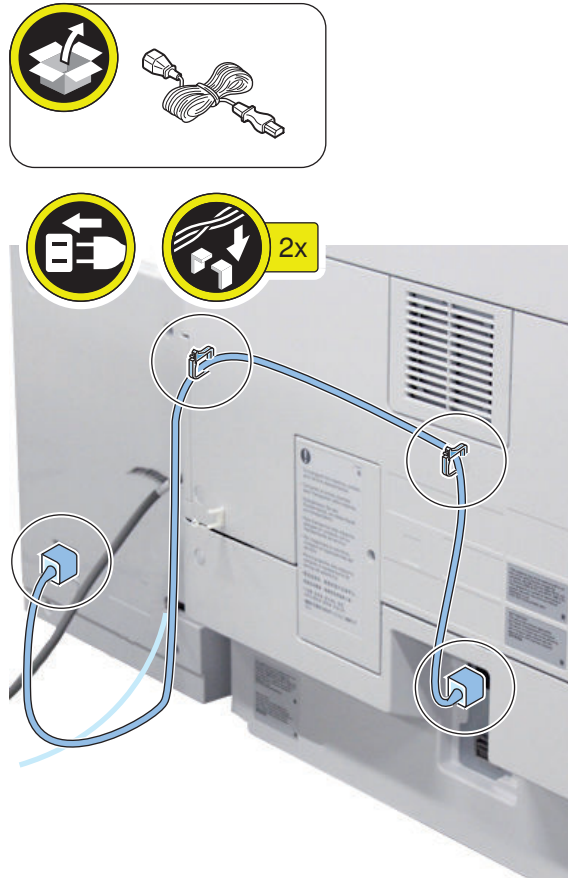


**3. Connect the host machine and the Paper Deck Unit with the AC Cable and then fix it with the wire saddles.**

- 2 Wire saddles

⚠ CAUTION:

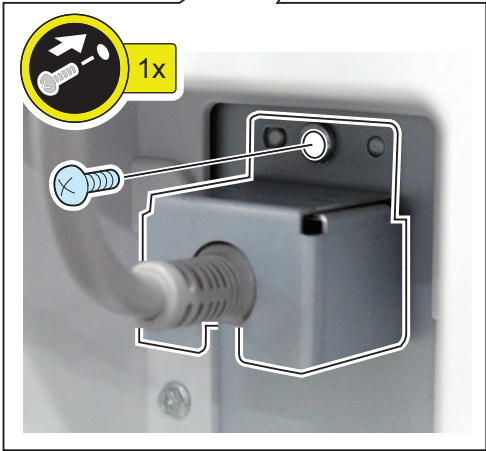
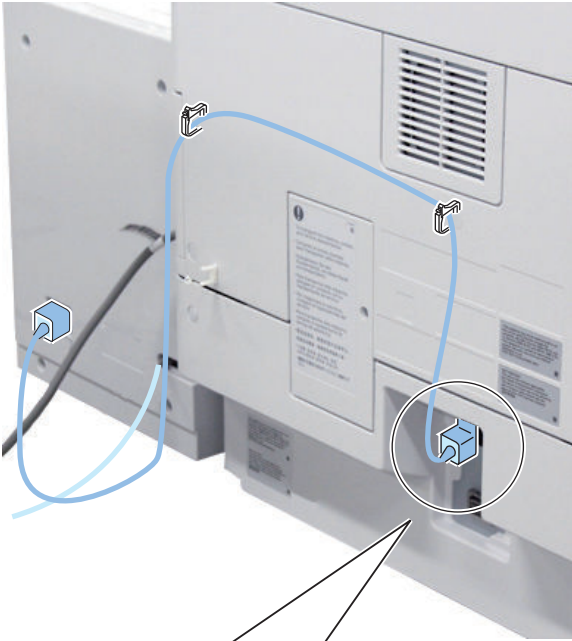
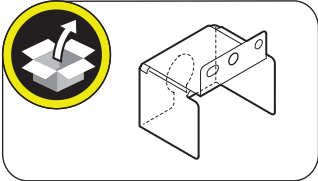
Make sure that the Intermediate Power Cable is fully connected to the outlet. Also, make sure to install the Plug Cover. If the connection is not right, an accident causing the smoke or fire may occur.



□

4. Attach the bundled Plug Cover.

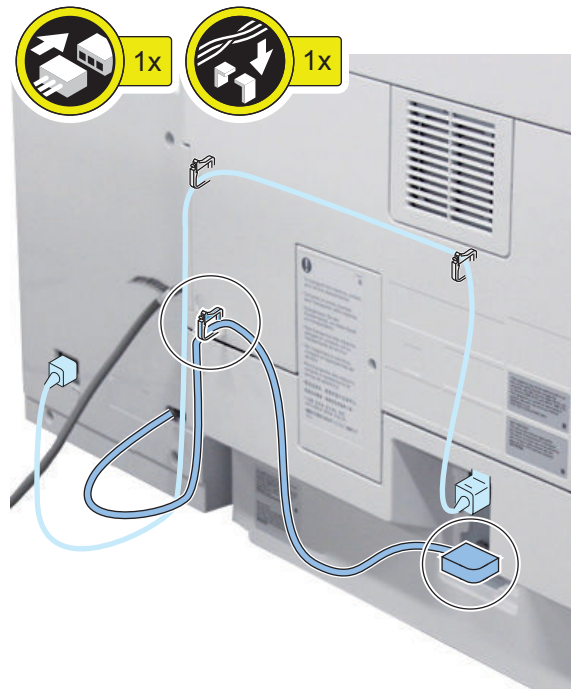
- 1 Screw (Binding; M4x4) (Use the screw removed at previous step.)



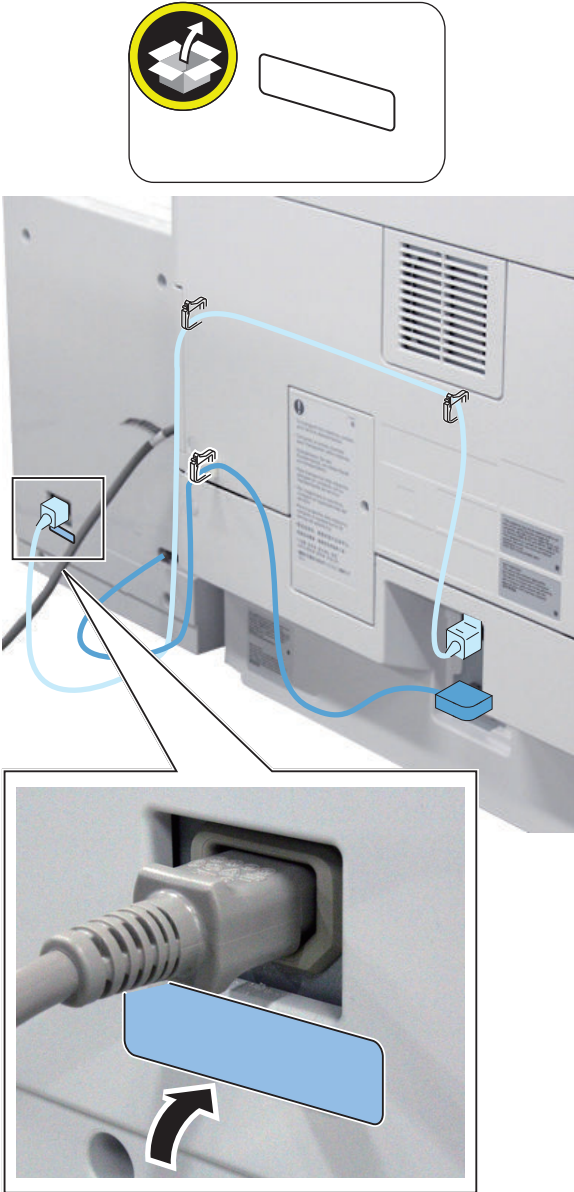


5. Connect the lattice connector of the Paper Deck to the host machine and then fix the cable with the wire saddle.

- 1 Connector
- 1 Wire saddle



6. Affix the Power Supply Label as shown in the figure.



7. Check that turn ON the environment switch.

8. Connect the power plug of the host machine to the power outlet.

9. Turn ON the main power switch.

Checking after Installation

■ Disposal Parts

1. Following disposal parts are remained after the installation procedure.

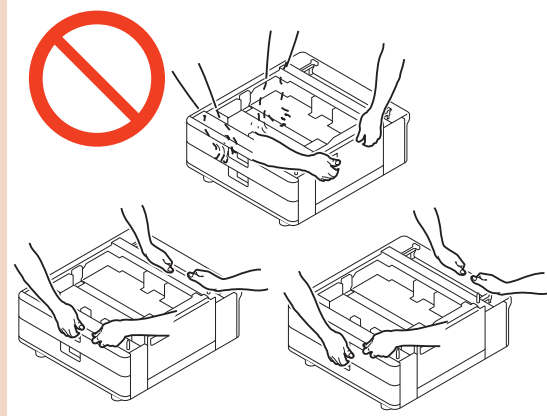
<input type="checkbox"/>	[1]	Screw (Binding; M4x4)	1pc
<input type="checkbox"/>	[2]	Cable Protection Bushing	1pc
<input type="checkbox"/>	[3]	AC Output Connector (short)	1pc
<input type="checkbox"/>	[4]	Power Supply Label	1pc
<input type="checkbox"/>	[5]	Wire Saddle (white)	1pc
<input type="checkbox"/>	[6]	Deck Heater Plug Cover	1pc
<input type="checkbox"/>	[7]	Face Cover	1pc
<input type="checkbox"/>	[8]	Face Seal	2pcs

Cassette Feeding Unit-AM1

Unpacking

⚠ CAUTION:

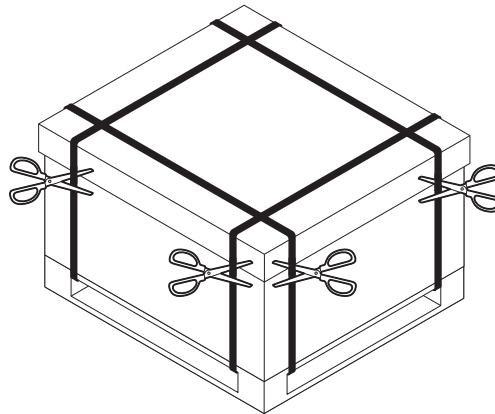
- Hold the left and right of the equipment when taking it out.
- Do not hold the front and rear because the cassette may be damaged.



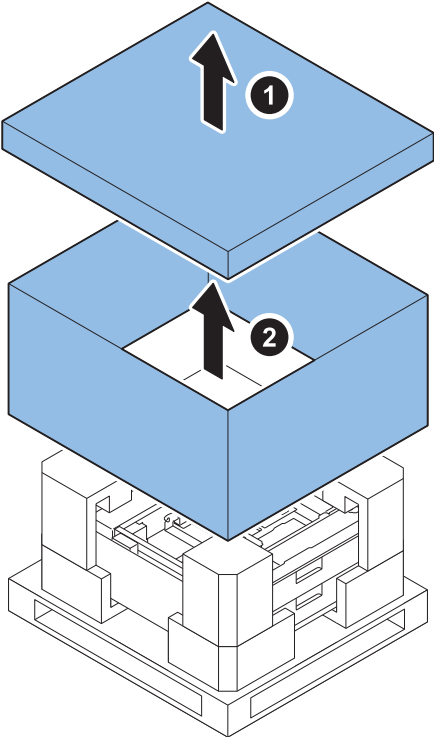
NOTE:

- Remove all the attached tapes and packaging materials.
- Although pictures or illustrations used for explanation may differ from the actual things, the procedure is the same.

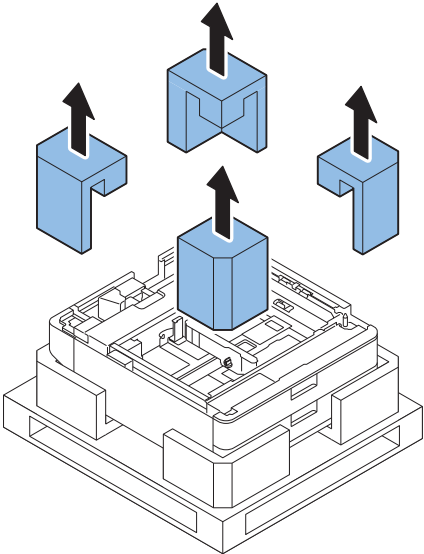
□ 1



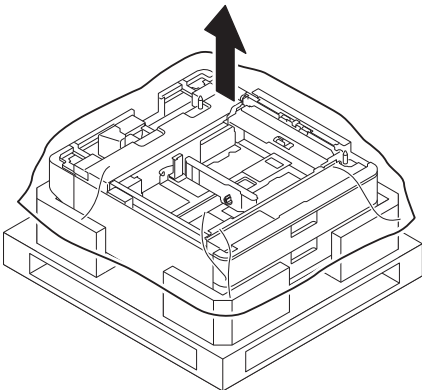
□ 2



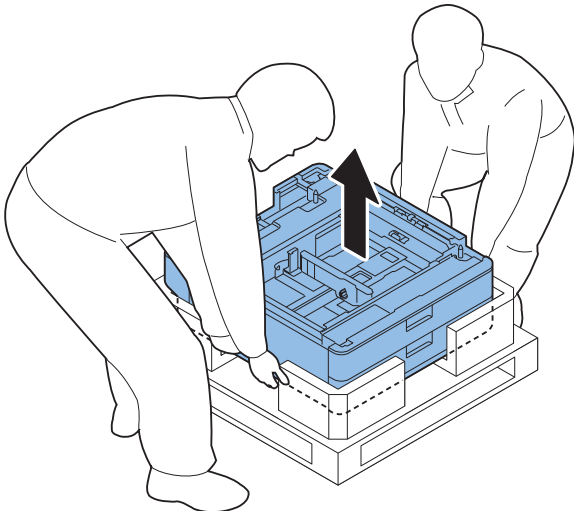
□ 3



□ 4



□ 5

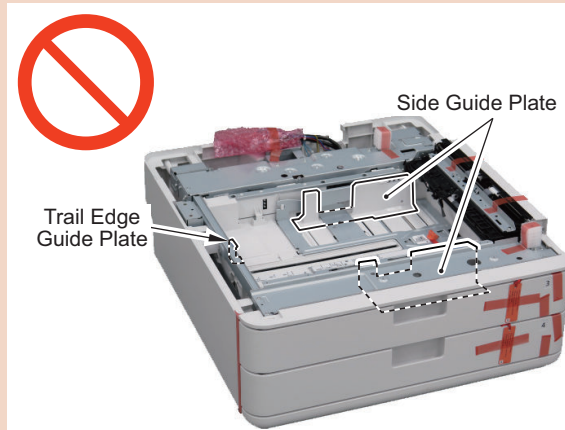


NOTE:

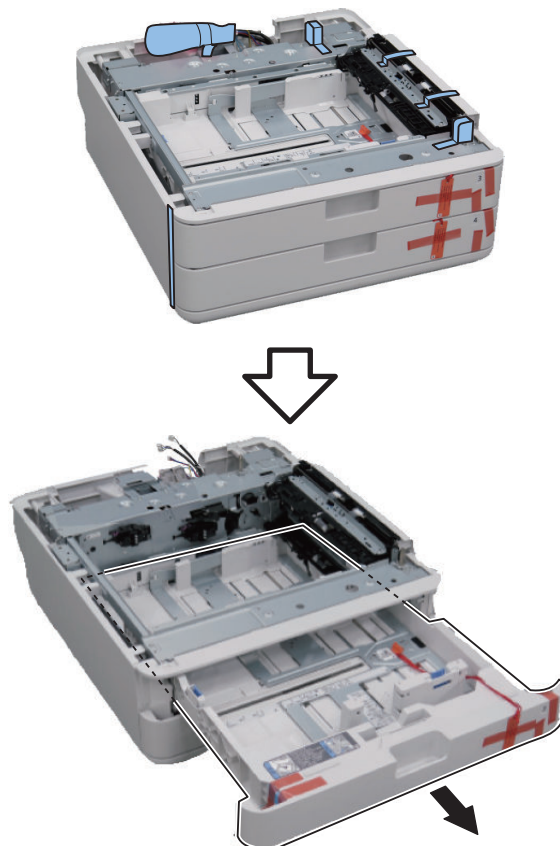
Perform steps 6 to 8 in each cassette.

□ **6****CAUTION:**

Do not operate the Trail Edge Guide Plate/Side Guide Plate without pulling out the cassette. Otherwise, it may be damaged.

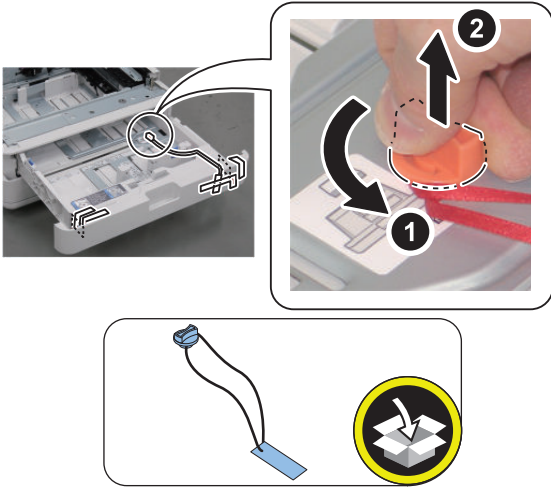
**NOTE:**

Remove the tapes from the exterior of this equipment, and remove the packaging materials.

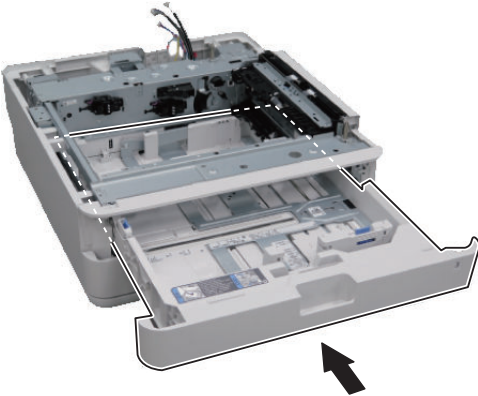


□ 7

NOTE:
Remove all the tapes and packaging materials from the cassette.

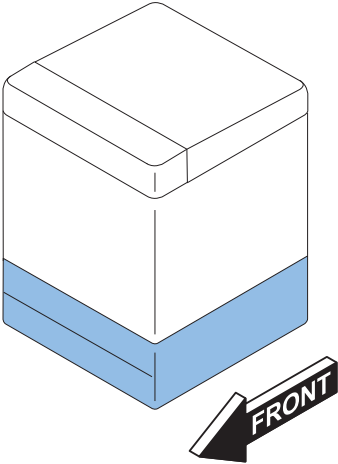


□ 8

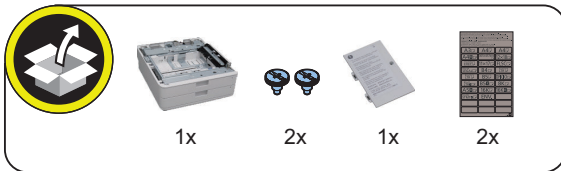


● Checking before Installation

■ Installation Outline Drawing



■ Checking the Contents



● Installation Procedure

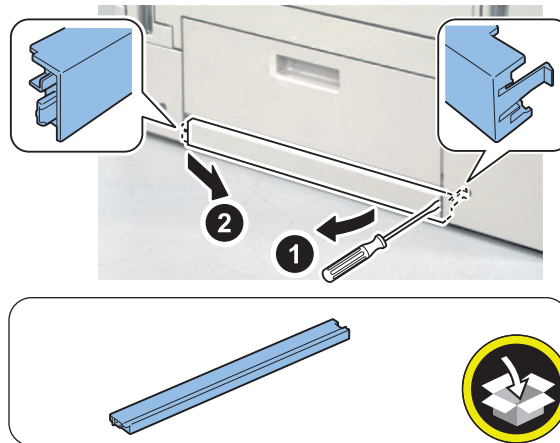
NOTE:

Although pictures or illustrations used for explanation may differ from the actual things, the procedure is the same.

□ 1

NOTE:

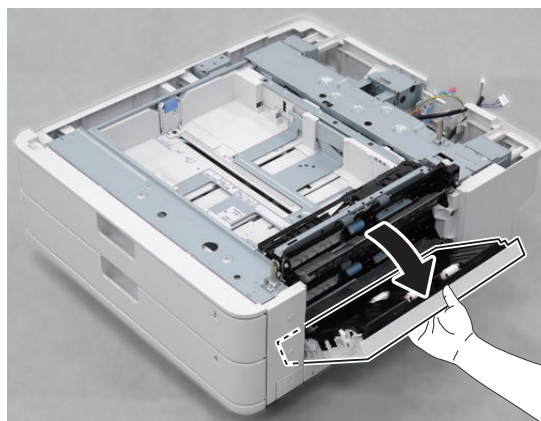
If there is a Right Lower Cover (Lower), remove it.



□ 2

CAUTION:

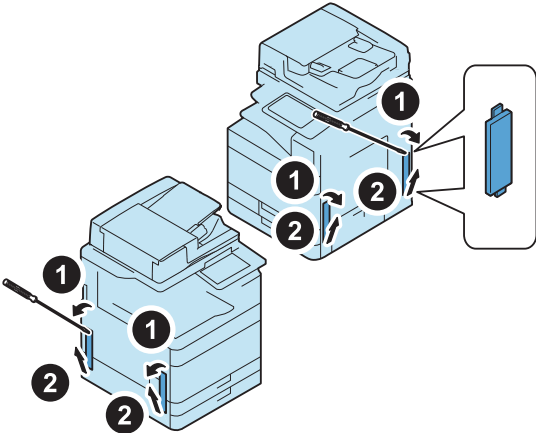
Be sure to open the Right Lower Cover when placing the Host Machine; otherwise, it may be damaged.



□ 3

NOTE:

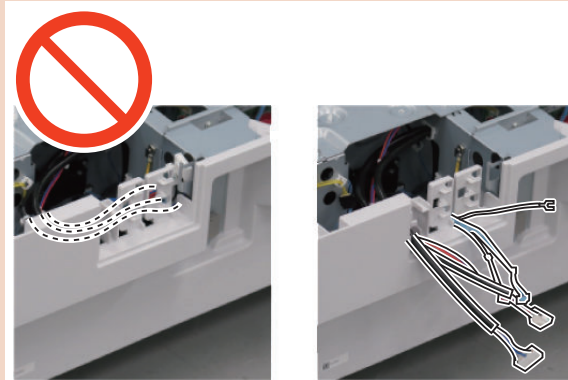
If there are any Handle Covers, remove them. The removed covers will be used in step 14.



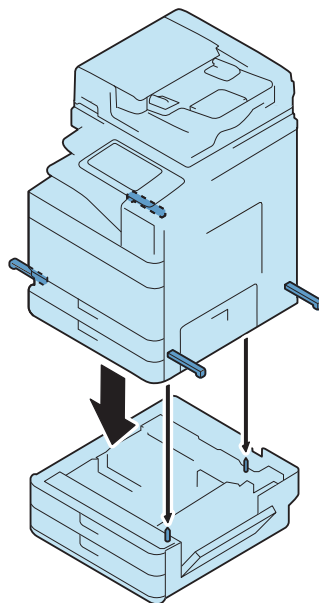
□ 4

CAUTION:

Connecting the host machine and this equipment do not mount the host machine with the cables of this equipment inside.

**⚠ CAUTION:**

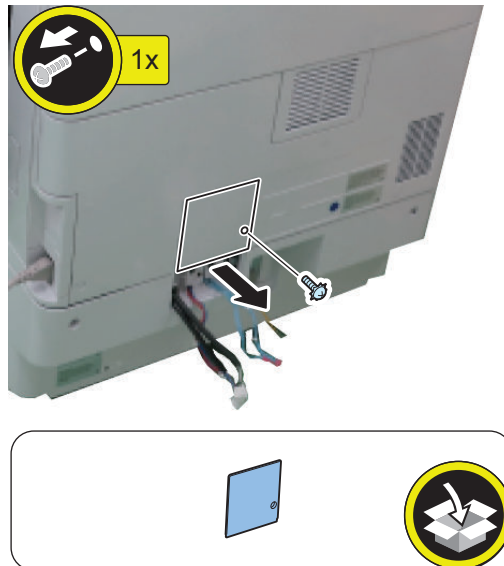
- When mounting the host machine to the equipment, be sure to move the host machine parallel and fit the 2 Positioning Pins on top of the equipment into the holes on the Base Plate of the host machine.
- If mounting the host machine without opening the Right Lower Cover, the cover may get damage.
- The host machine weighs maximum 146kg (Excluding toner cartridges) Be sure to perform the work in accordance with the standard to handle a heavy load in each country.
- Be sure to keep the machine leveled when lifting it.



□ 5



□ 6

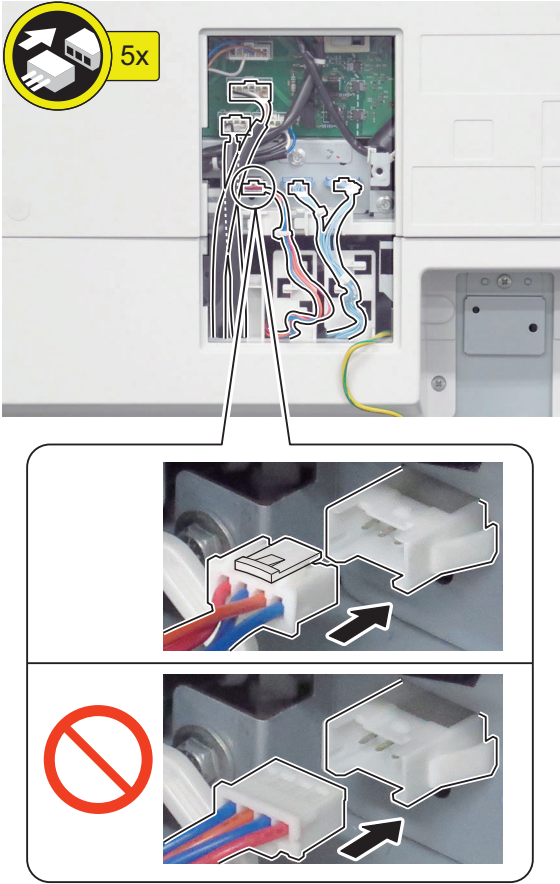


NOTE:

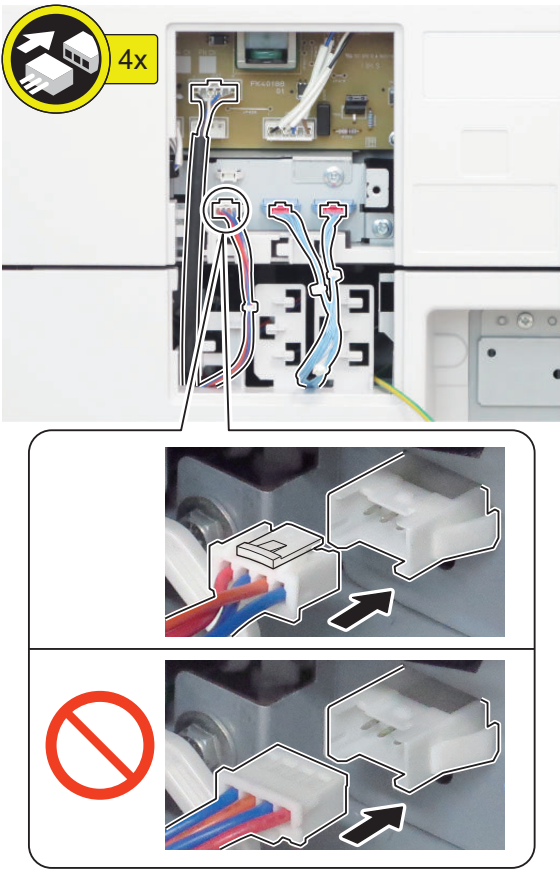
The removed screw will be used in step 10.

7

<Old Type (5 Cables) >

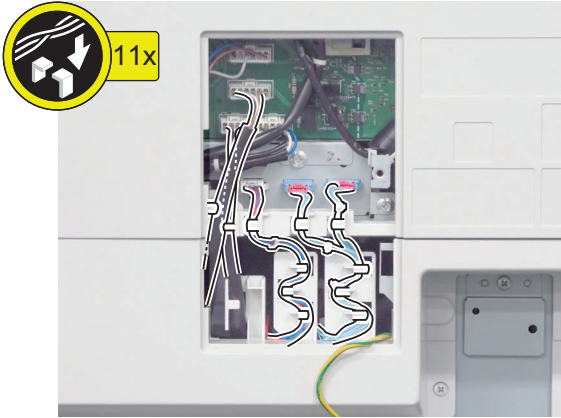


<New Type (4 Cables) >

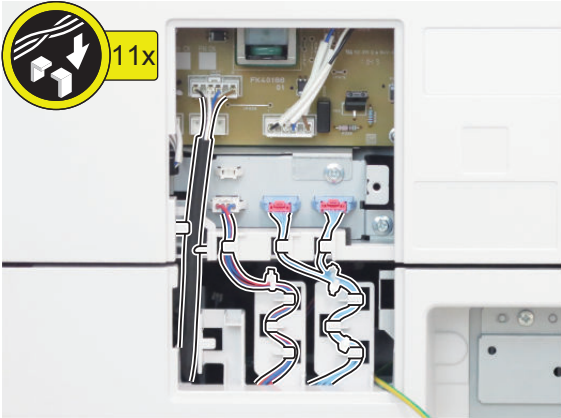


□ 8

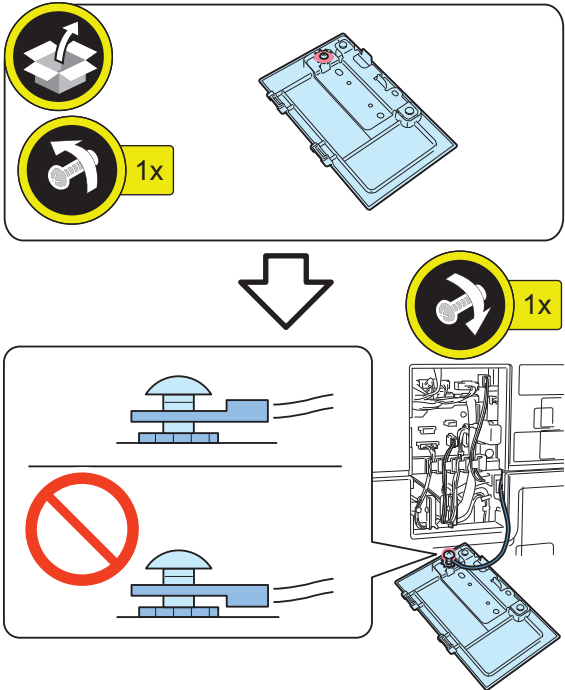
<Old Type (5 Cables) >



<New Type (4 Cables) >

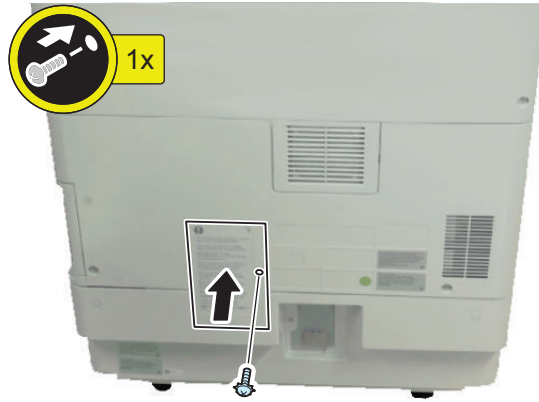


□ 9

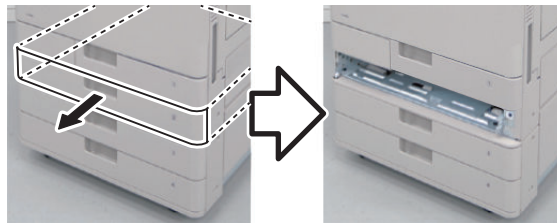


□ 10

NOTE:
Use the screws removed in step 6.



□ 11



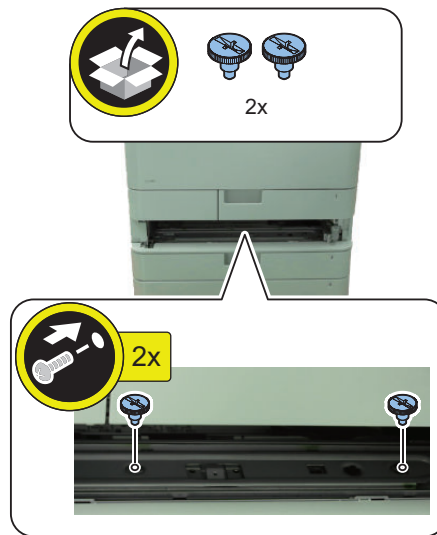
□ 12

NOTE:

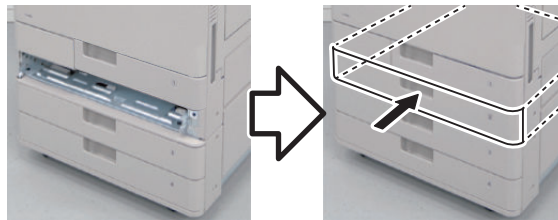
Securely tighten the coin screw with a stubby screwdriver or a coin.

CAUTION:

- When tightening the coin screws, pay attention to plates and parts around the screws.
- Be sure to check that the coin screw has been tightened securely.



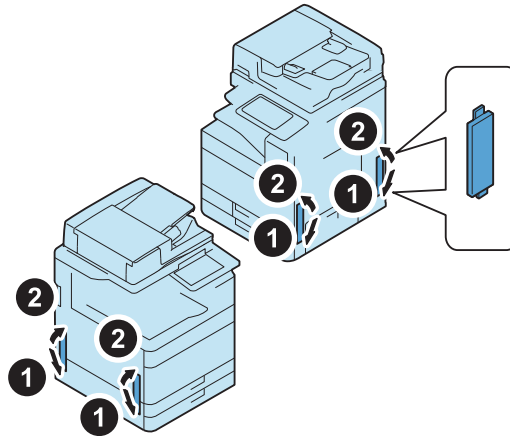
□ 13



□ 14

NOTE:

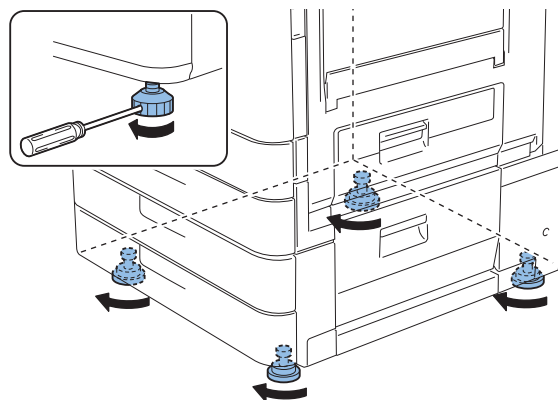
If you have removed the Handle Covers, use the covers removed in step 3. Or, use the parts included in the package of the host machine.



□ 15

NOTE:

- Move the host machine to the installation position, and rotate the 4 adjusters clockwise by hand to secure the host machine in place.
- Be sure to secure it in place to prevent overturning.
- Securing of the adjuster is not earthquake resistant.



□ 16

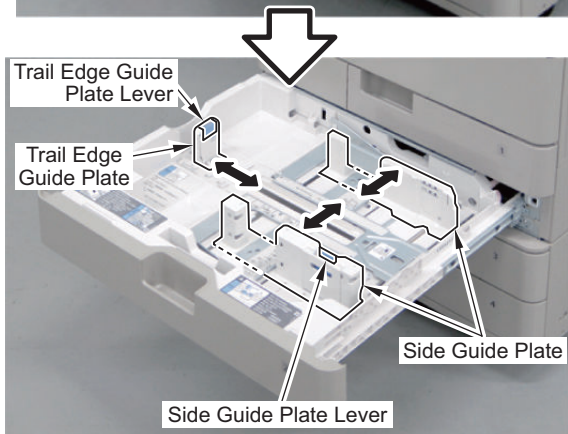
Insert the power plug into the power plug outlet, and turn ON the main power switch.

Setting the Cassette

1

NOTE:

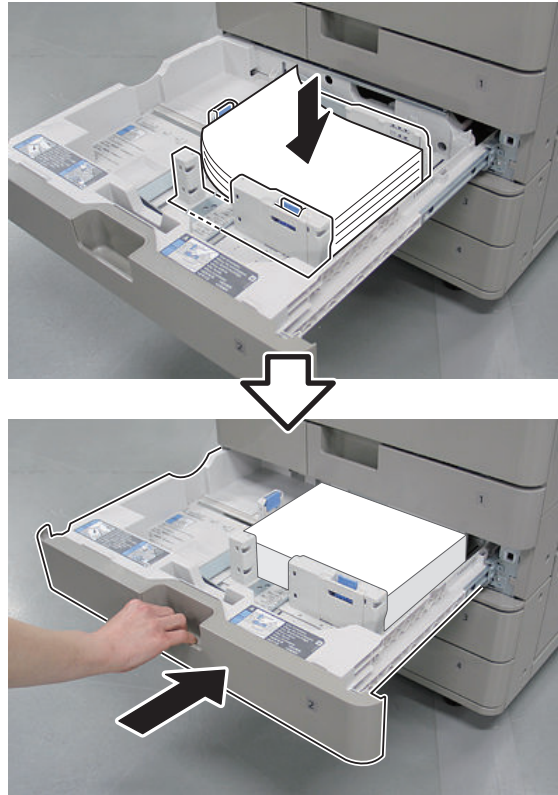
- Although pictures or illustrations used for explanation may differ from the actual things, the procedure is the same.
- Holding the Guide Plate Lever, adjust each Guide Plate to the specified size.
- Adjust the position of each Guide Plate according to the paper size.



□ 2

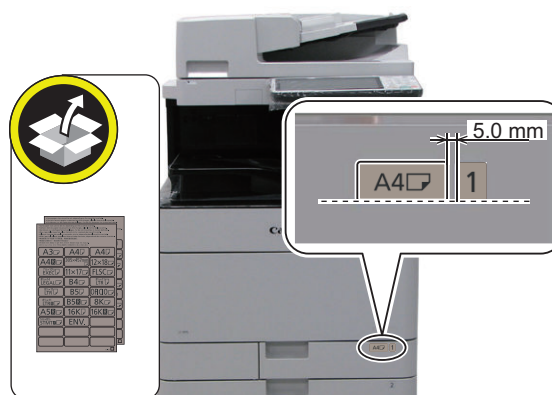
NOTE:

Although pictures or illustrations used for explanation may differ from the actual things, the procedure is the same.



□ 3

- Although pictures or illustrations used for explanation may differ from the actual things, the procedure is the same.
- Affix the Cassette Size Label matching to the loaded paper size.
- Keep the Paper Size Label for use when changing paper size.
- Affix the label with its lower edge aligned with the lower edge of the number label, approx. 5.0 mm away from the number label.



Adjustment

NOTE:

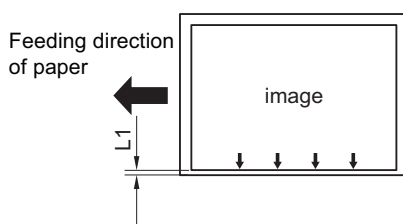
- The second side of the 2-sided copy mentioned later means the second side in the image formation order.
- With this equipment, the second side in the image formation order at the time of 2-sided copy/print is equivalent to the first side of the original.

■ Margin Adjustment (First side; Mechanical Adjustment)

□ 1

NOTE:

Make copies using the Cassette 3 and 4, and check that the left edge margin is 2.5 +/- 1.5 mm.

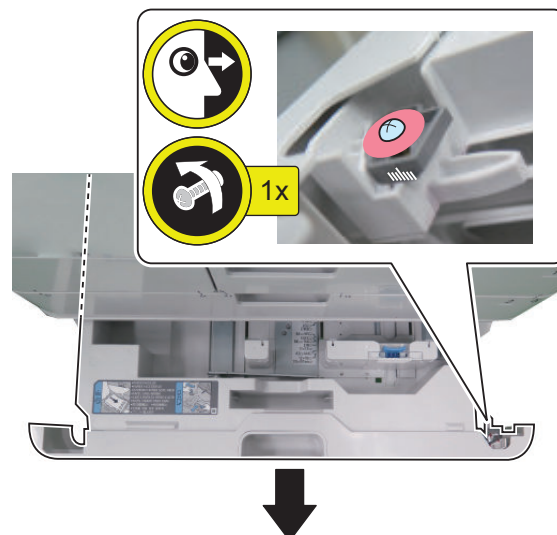


< In Case of Nonstandard >

□ 2

NOTE:

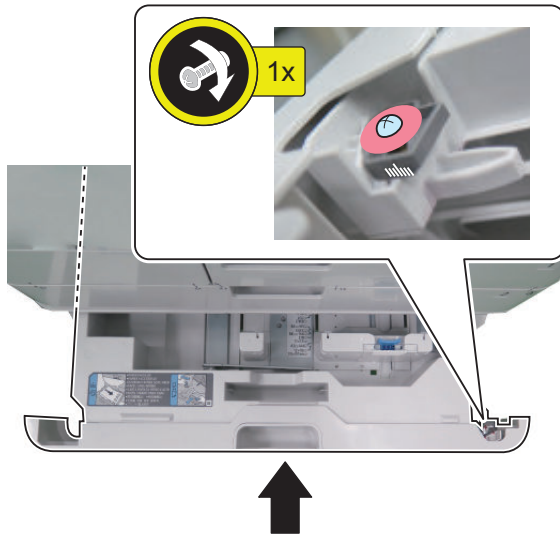
- Pull out the cassette.
- Check the scale positions on the spacer Adjustment Plate.
- Loosen the fixing screw.
- As moving the adjusting plate toward the rear by 1 scale, the left edge margin becomes 1.0 mm smaller.



□ 3

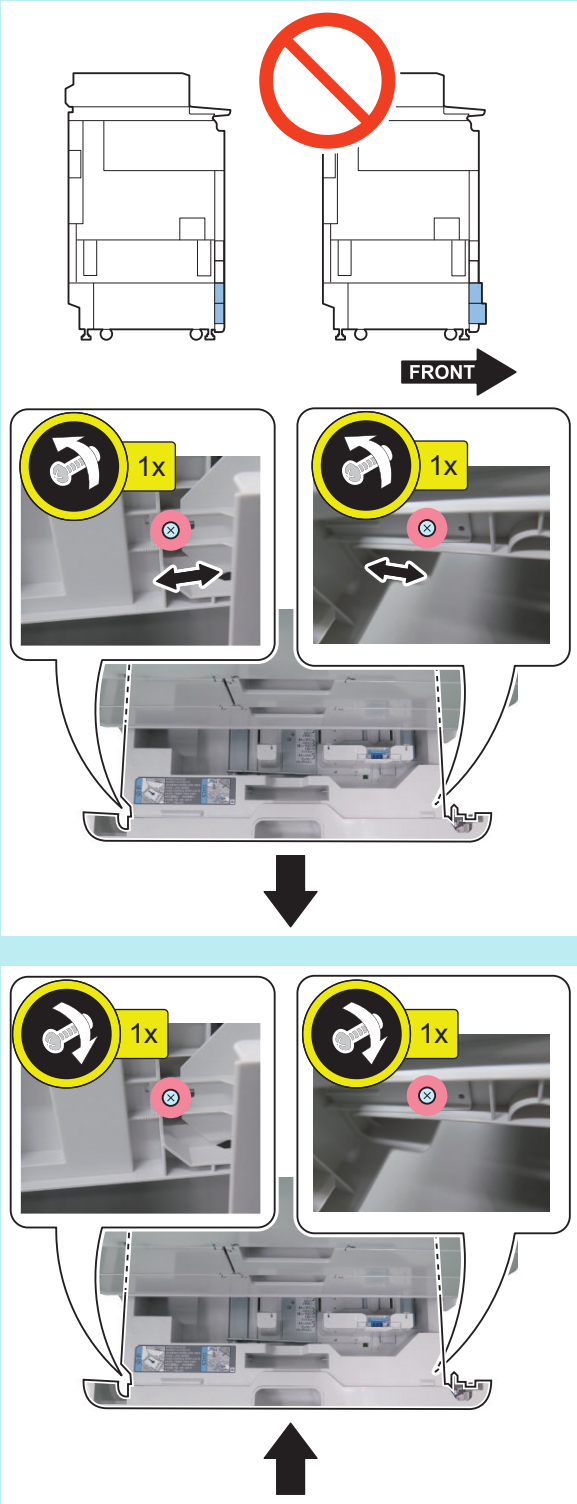
NOTE:

- Tighten the fixing screw.
- Return the cassette to its original position.
- Make copies using the Cassette 3 and 4, and check that the left edge margin is 2.5 +/- 1.5 mm.



NOTE:

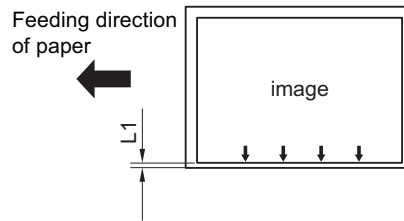
When the cassette positions are uneven due to the mechanical adjustment, adjust them by loosening the screw on both left and right sides.



■ Margin Adjustment (Second side)



1. Make 2-sided copies using the Cassette 3 and check that the left edge margin is 2.5 +/- 2.0 mm.



2. As for nonstandard, change the left edge margin adjustment value for the second side of the 2-sided copy from the Cassette 3.

Service Mode > COPIER > ADJUST > FEED-ADJ > ADJ-C3RE and set 1 value larger, the left edge margin becomes 0.1mm larger.



3. Enter the value set to the left edge margin adjustment value for the second side of the 2-sided copy from the Cassette 3 as the left edge margin adjustment value for the second side of the 2-sided copy from the Cassette 4.

Service Mode > COPIER > ADJUST > FEED-ADJ > ADJ-C4RE



4. Make 2-sided copies using the Cassette 4, and check that the left edge margin is 2.5 +/- 2.0 mm.



5. As for nonstandard, change the left edge margin adjustment value for the second side of the 2-sided copy from the Cassette 4.

As making the following selection: Service Mode > COPIER > ADJUST > FEED-ADJ > ADJ-C4RE and set 1 value larger, the left edge margin becomes 0.1mm larger.



6. Enter the new adjustment value on the Service Label.

- ADJ-C3RE
- ADJ-C4RE



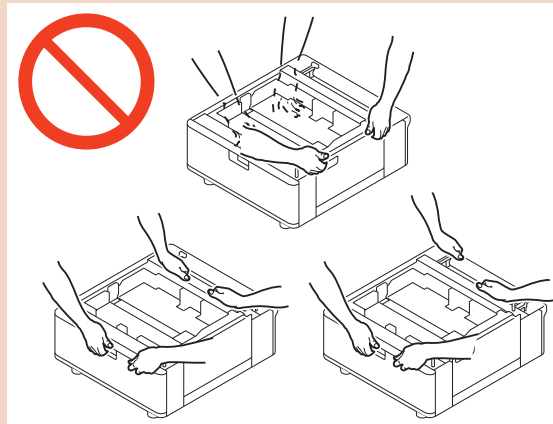
7. Get out from the service mode.

High Capacity Cassette Feeding Unit-A1

Unpacking

⚠ CAUTION:

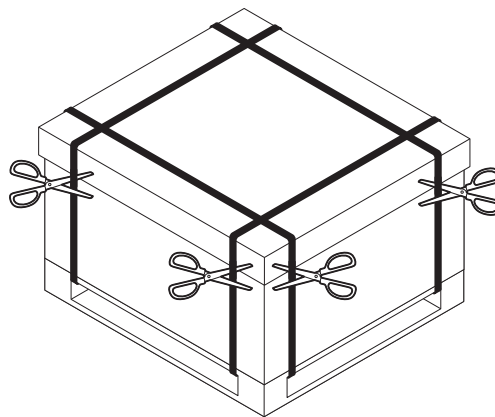
- Hold the left and right of the equipment when taking it out.
- Do not hold the front and rear because the cassette may be damaged.



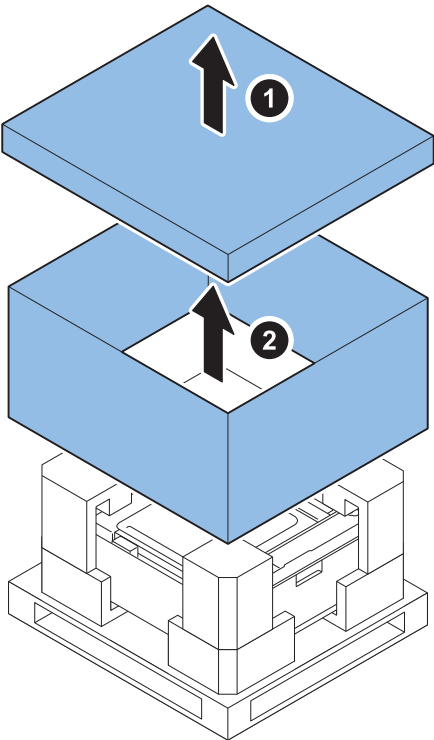
NOTE:

- Remove all the attached tapes and packaging materials.
- Although pictures or illustrations used for explanation may differ from the actual things, the procedure is the same.

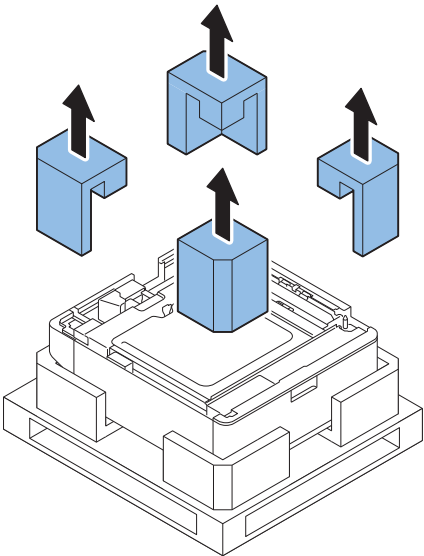
□ 1



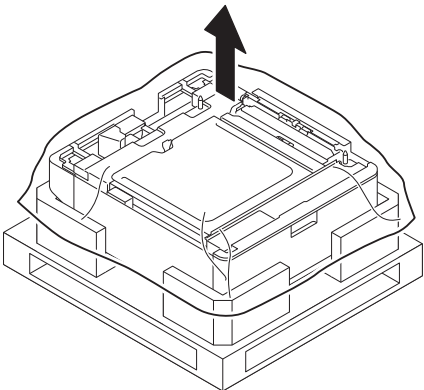
□ 2



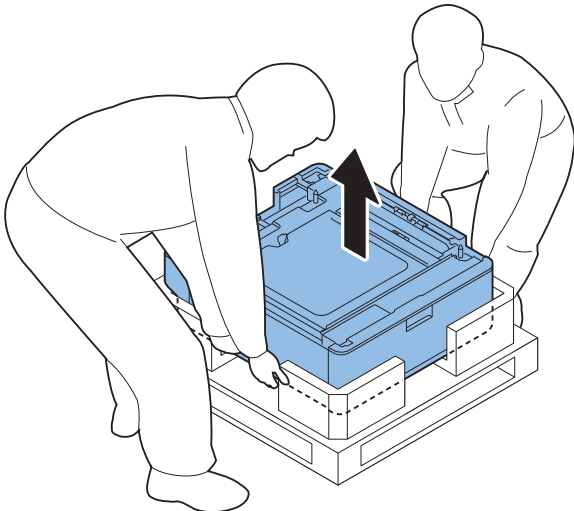
□ 3



□ 4

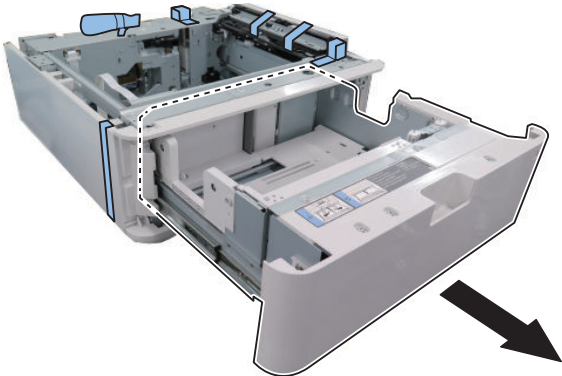


□ 5

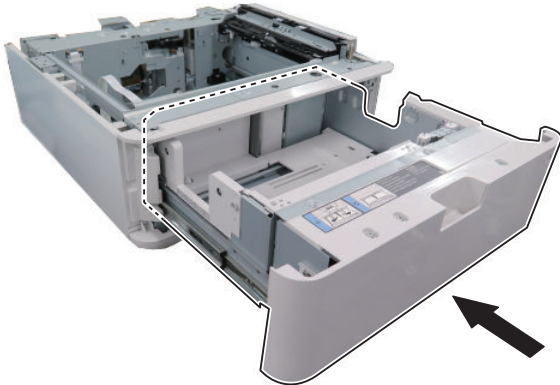


□ 6

NOTE:
Remove all the tapes and packaging materials from the cassette.

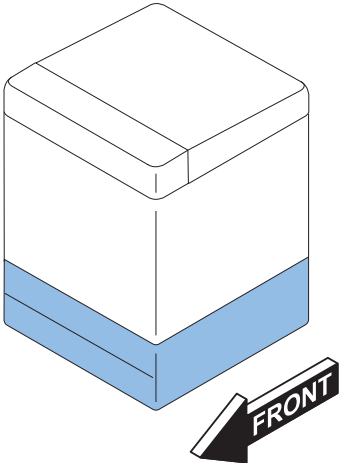


□ 7

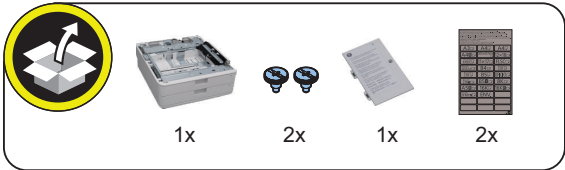


● Checking before Installation

■ Installation Outline Drawing



■ Checking the Contents



Installation Procedure

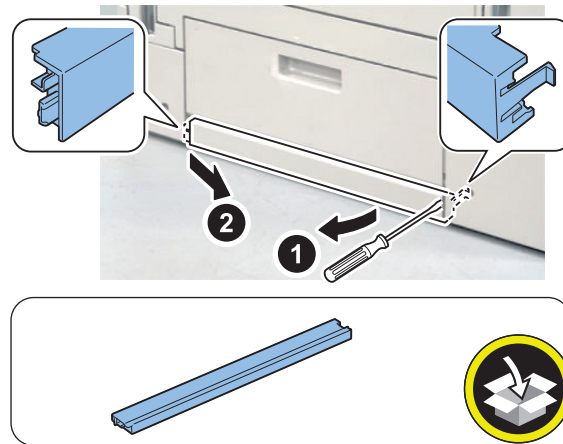
NOTE:

Although pictures or illustrations used for explanation may differ from the actual things, the procedure is the same.

1

NOTE:

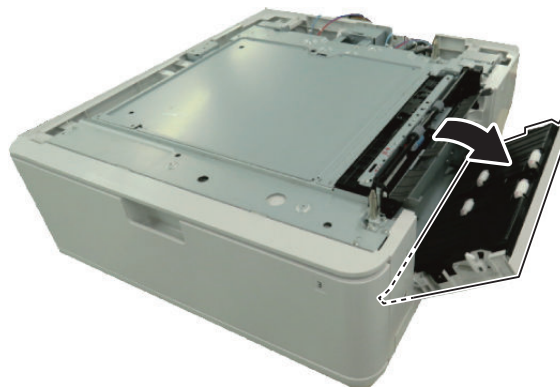
If there is a Right Lower Cover (Lower), remove it.



2

CAUTION:

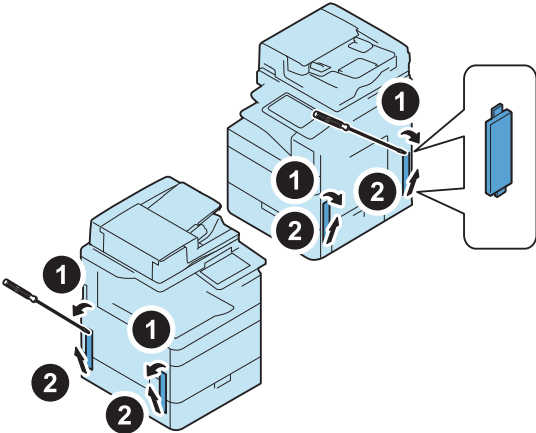
Be sure to open the Right Lower Cover when placing the Host Machine; otherwise, it may be damaged.



□ 3

NOTE:

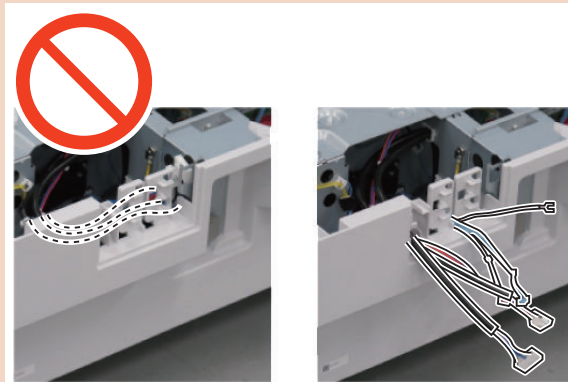
If there are any Handle Covers, remove them. The removed covers will be used in step 14.



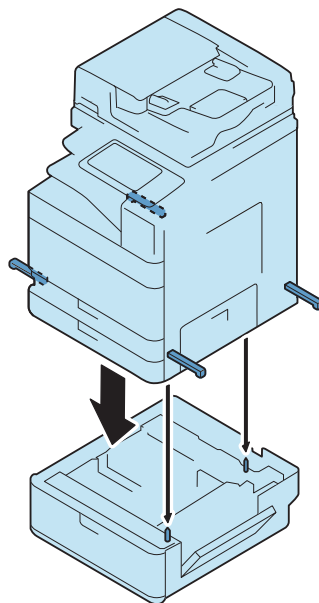
□ 4

CAUTION:

Connecting the host machine and this equipment do not mount the host machine with the cables of this equipment inside.

**⚠ CAUTION:**

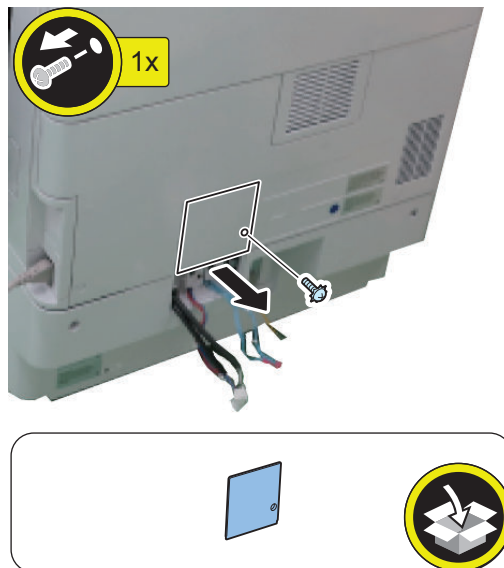
- When mounting the host machine to the equipment, be sure to move the host machine parallel and fit the 2 Positioning Pins on top of the equipment into the holes on the Base Plate of the host machine.
- If mounting the host machine without opening the Right Lower Cover, the cover may get damage.
- The host machine weighs maximum 146kg (Excluding toner cartridges) Be sure to perform the work in accordance with the standard to handle a heavy load in each country.
- Be sure to keep the machine leveled when lifting it.



□ 5



□ 6

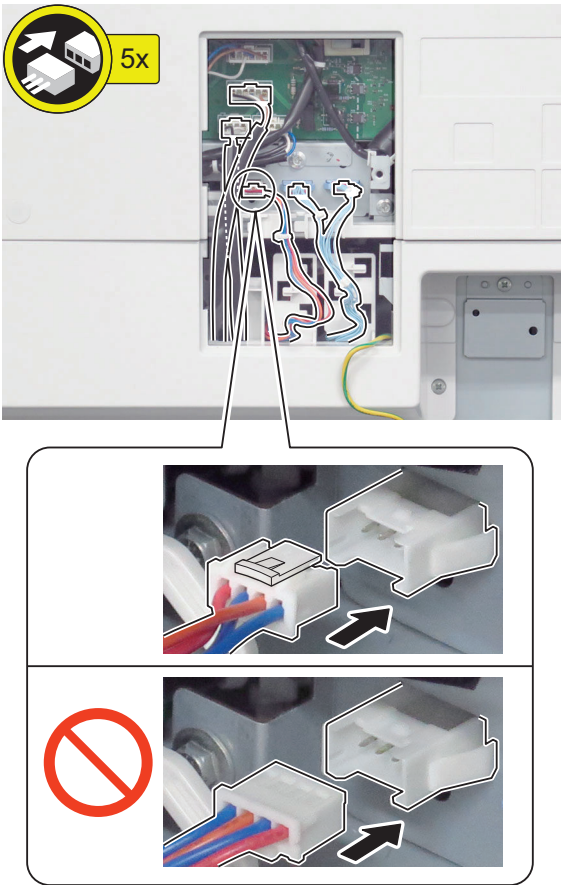


NOTE:

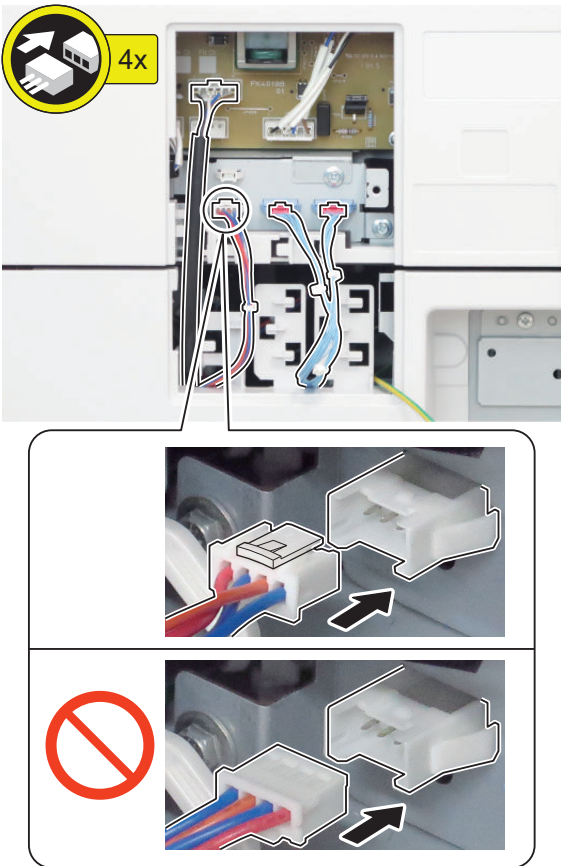
The removed screw will be used in step 10.

7

<Old Type (5 Cables) >

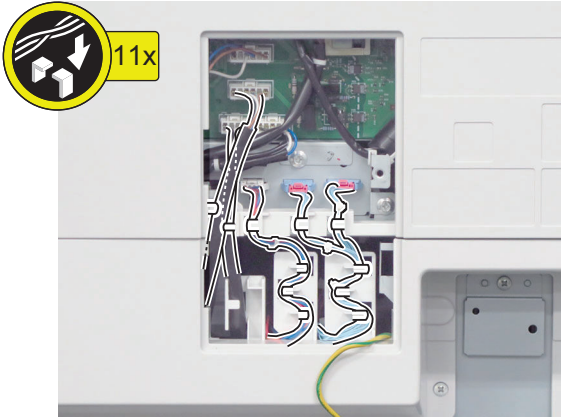


<New Type (4 Cables) >

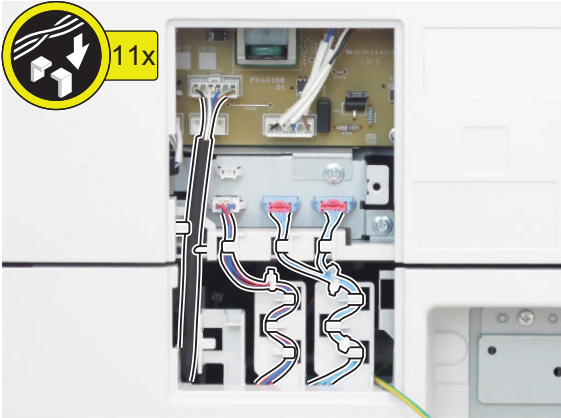


□ 8

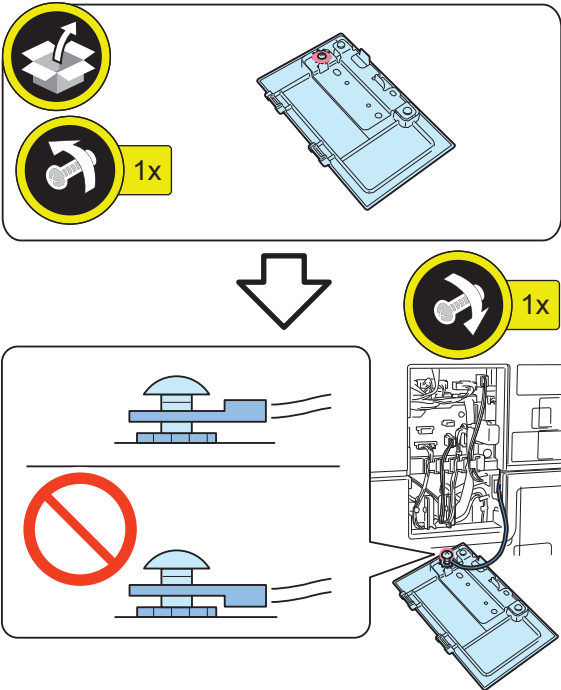
<Old Type (5 Cables) >



<New Type (4 Cables) >



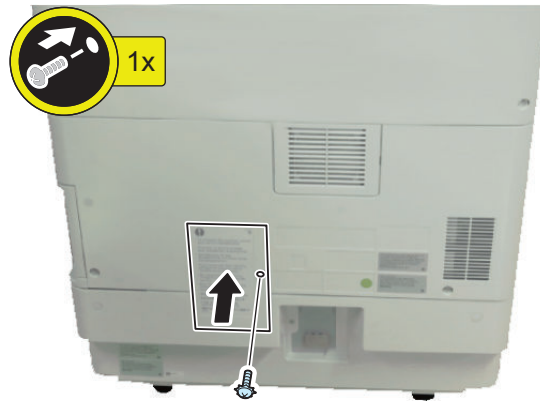
□ 9



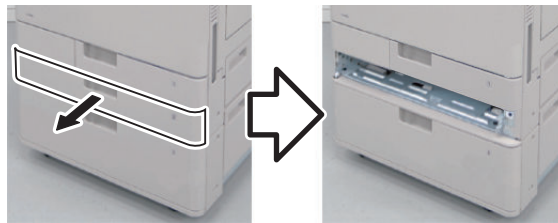
□ 10

NOTE:

Use the screws removed in step 6.



□ 11



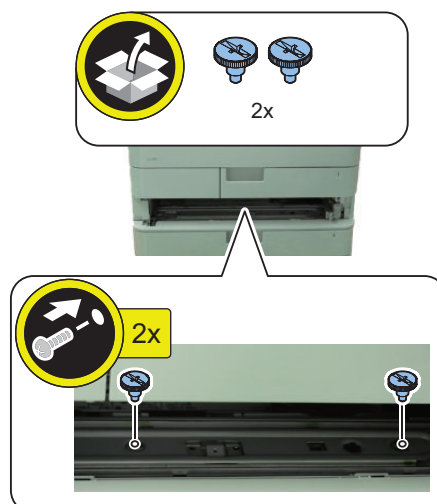
□ 12

NOTE:

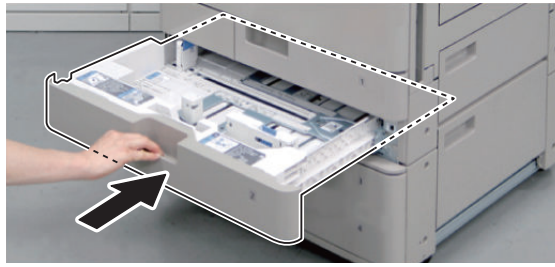
Securely tighten the coin screw with a stubby screwdriver or a coin.

CAUTION:

- When tightening the coin screws, pay attention to plates and parts around the screws.
- Be sure to check that the coin screw has been tightened securely.



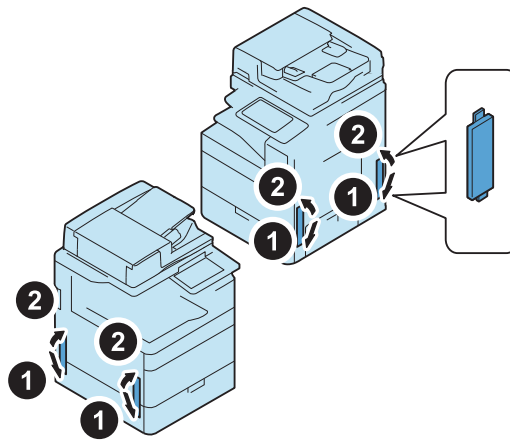
□ 13



□ 14

NOTE:

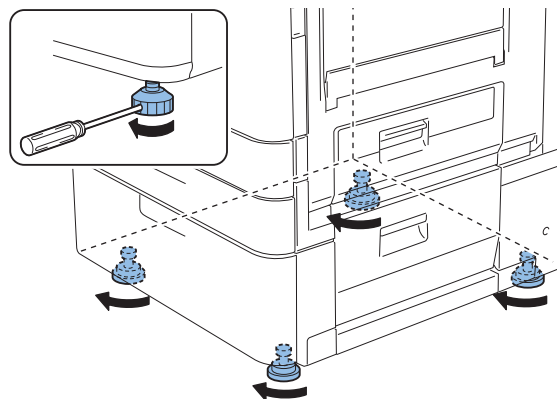
If you have removed the Handle Covers, use the covers removed in step 3. Or, use the parts included in the package of the host machine.



□ 15

NOTE:

- Move the host machine to the installation position, and rotate the 4 adjusters clockwise by hand to secure the host machine in place.
- Be sure to secure it in place to prevent overturning.
- Securing of the adjuster is not earthquake resistant.



□ 16

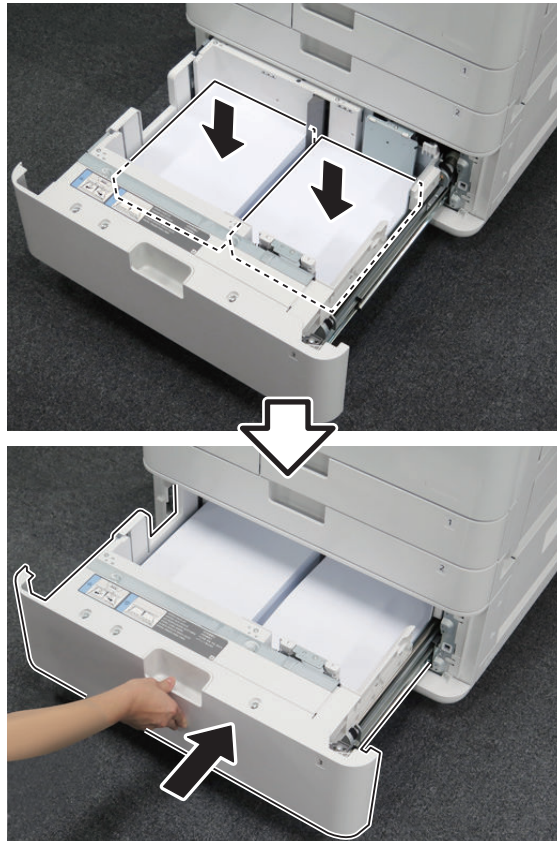
Insert the power plug into the power plug outlet, and turn ON the main power switch.

● Setting the Cassette

NOTE:

To change the paper size of this equipment, refer to the Service Manual Chapter 5: Adjustment.

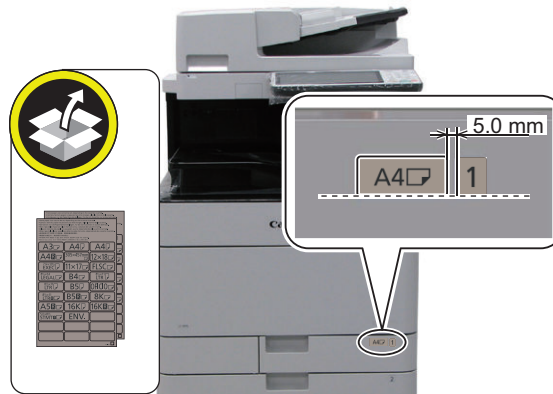
□ 1



□ 2

NOTE:

- Although pictures or illustrations used for explanation may differ from the actual things, the procedure is the same.
- Affix the Cassette Size Label matching to the loaded paper size.
- Keep the Paper Size Label for use when changing paper size.
- Affix the label with its lower edge aligned with the lower edge of the number label, approx. 5.0 mm away from the number label.



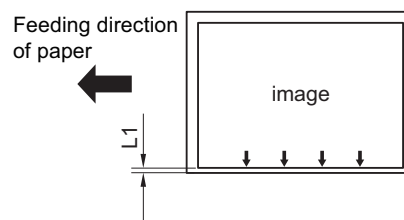
● Adjustment

■ Margin Adjustment (First side; Mechanical Adjustment)

□ 1

NOTE:

Make copies using the Cassette 3, and check that the left edge margin is 2.5 +/- 1.5 mm.

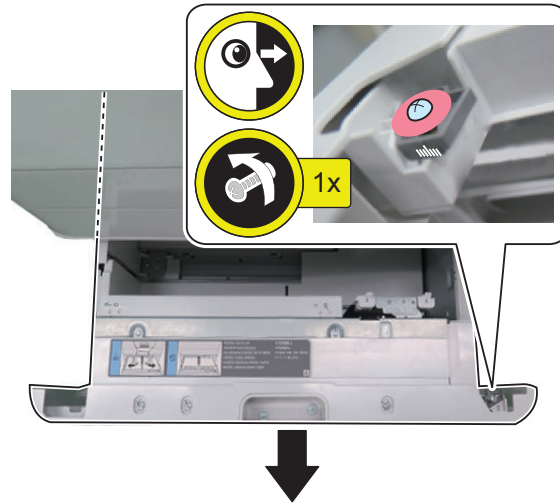


< In Case of Nonstandard >

□ 2

NOTE:

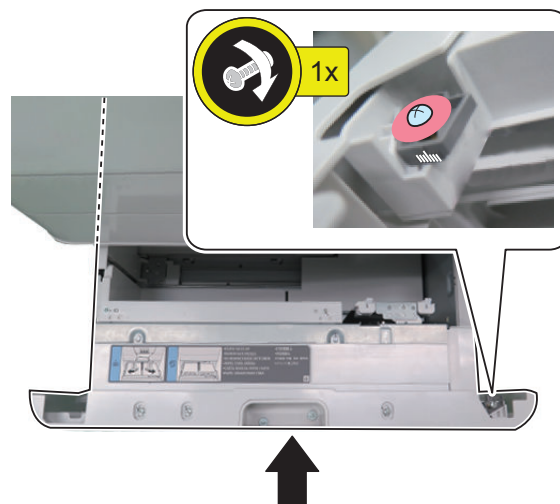
- Pull out the cassette.
- Check the scale positions on the spacer Adjustment Plate.
- Loosen the fixing screw.
- As moving the adjusting plate toward the rear by 1 scale, the left edge margin becomes 1.0 mm smaller.



□ 3

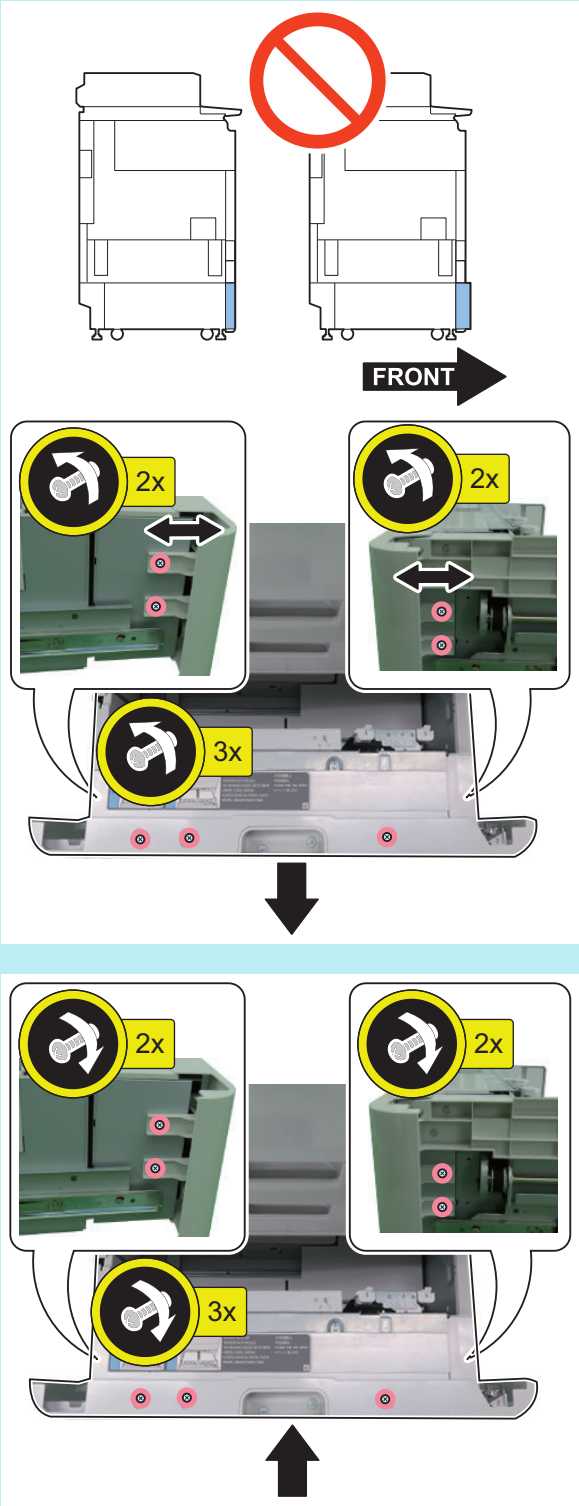
NOTE:

- Tighten the fixing screw.
- Return the cassette to its original position.
- Make copies using the Cassette 3, and check that the left edge margin is 2.5 +/- 1.5 mm.



NOTE:

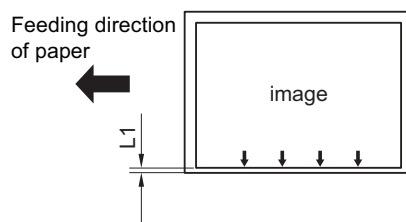
When the cassette positions are uneven due to the mechanical adjustment, adjust it by loosening the screws on the upper side, right side and left side.



■ Margin Adjustment (Second side)



1. Make 2-sided copies using the Cassette 3 and check that the left edge margin is 2.5 +/- 2.0 mm.



2. As for nonstandard, change the left edge margin adjustment value for the second side of the 2-sided copy from the Cassette 3.

Service Mode > COPIER > ADJUST > FEED-ADJ > ADJ-C3RE and set 1 value larger, the left edge margin becomes 0.1 mm larger.



3. Enter the new adjustment value on the Service Label.

- ADJ-C3RE



4. Get out from the service mode.

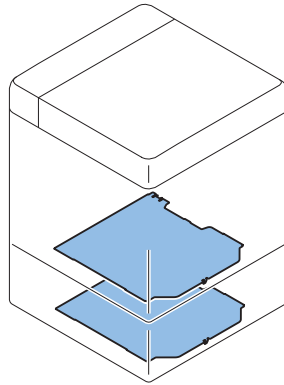
Cassette Heater Unit

Points to Note at Installation

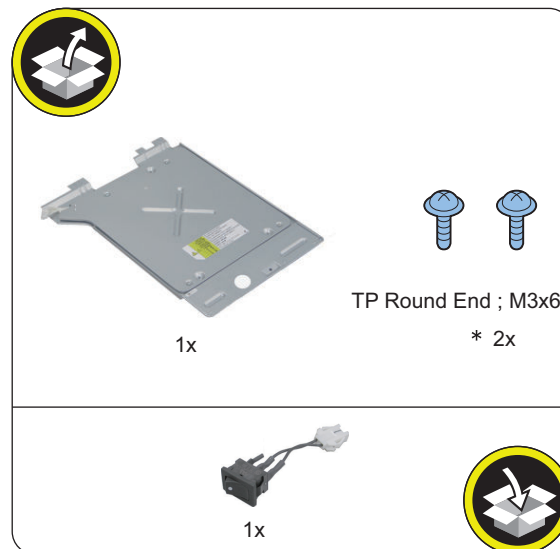
Points to Note When the Cassette Feeding Unit or High Capacity Cassette Feeding Unit Is Not Installed:

Since the machine will contain heat at its bottom if this equipment is installed, be sure to avoid installation at locations where heat resistance is low.

Installation Outline Drawing



Checking the Contents (Cassette Heater Unit-41)



NOTE:

*Host Machine : Use 1 of them. Cassette Feeding Unit or High Capacity Cassette Feeding Unit: Use 2 of them.

Checking the Parts to be Installed

Cassette Heater Unit

Prepare the following parts because each part of the Cassette Heater Unit is assigned as service part.

NO.	Parts name	Parts Number.	Q'ty
[1]	Cassette Heater Assembly	FM1-B278-000	1 pc.
[2]	Screw (TP Round End; M3x6)	XA9-2010-000	2 pcs.

Installation Procedure

■ Removing the Cassette

● In the Case of Host Machine/Cassette Feeding Unit

NOTE:

In the case of host machine, remove the Cassette 1 and 2. In the case of the Cassette Feeding Unit, remove the Cassette 3 and 4.

□

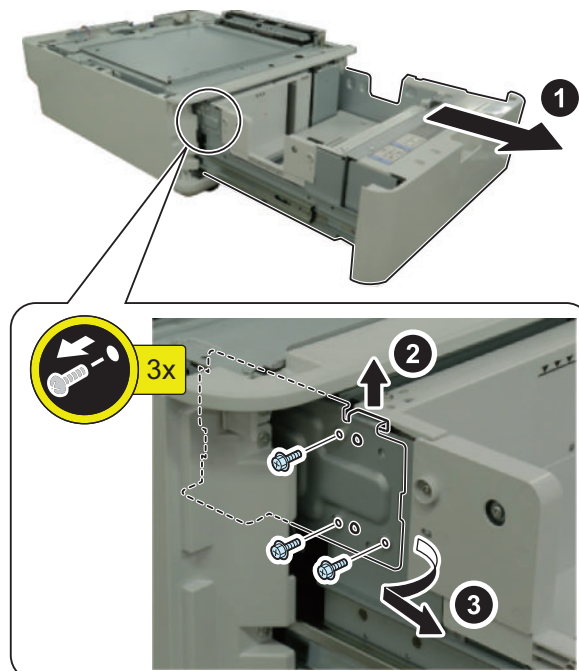
1.



● In the Case of High Capacity Cassette Feeding Unit

□

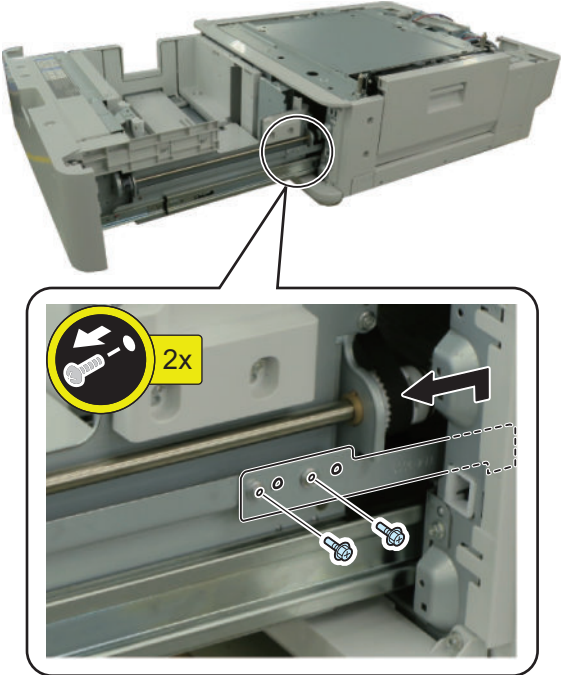
1.



NOTE:

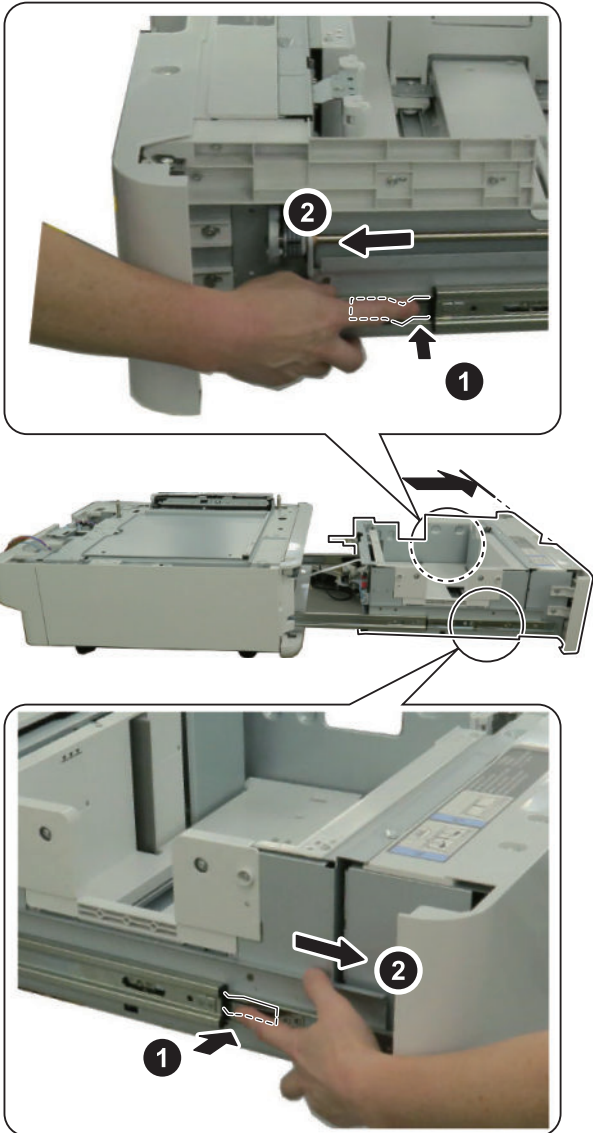
The removed parts will be used in "Installing the Cassette".

□
2.

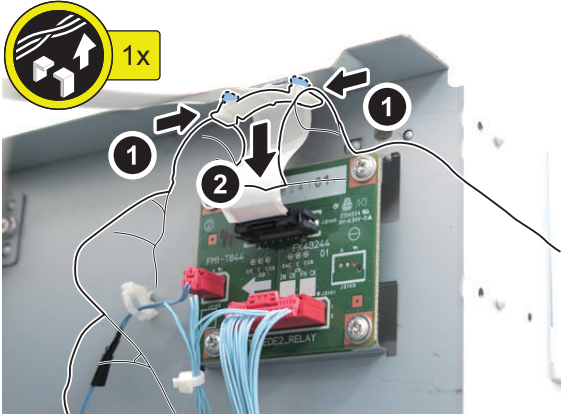


NOTE:
The removed parts will be used in "Installing the Cassette".

□
3.



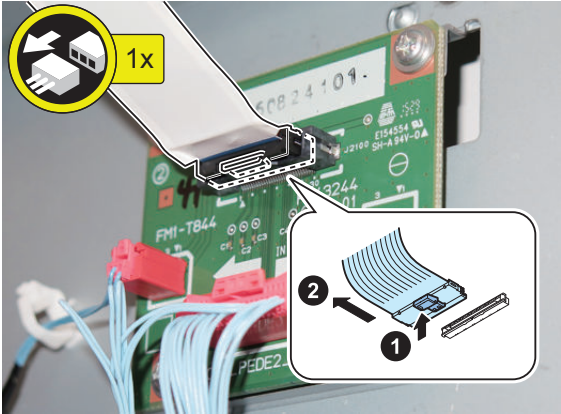
□
4.



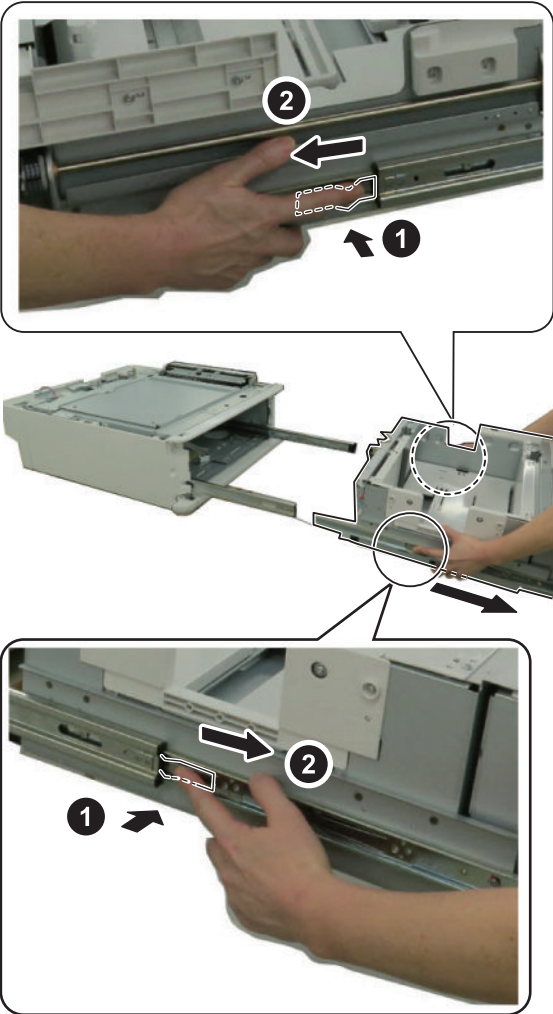
NOTE:
The removed parts will be used in "Installing the Cassette".

□
5.

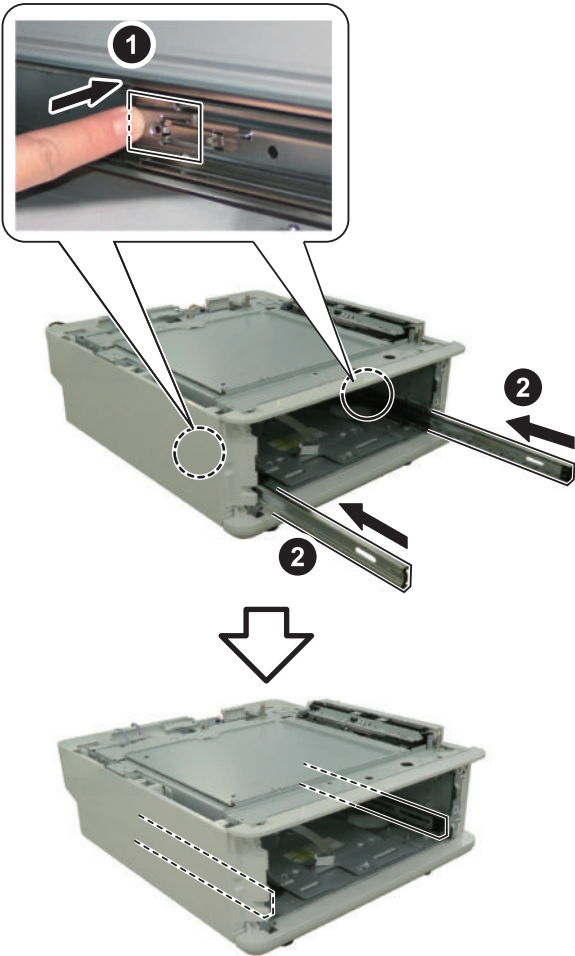
CAUTION:
Be sure to release the lock and then disconnect the FCC Connector.



□
6.



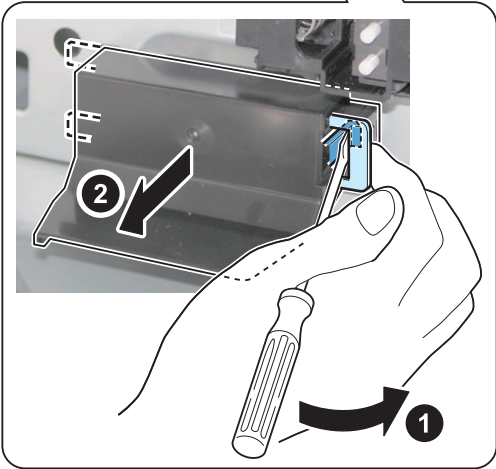
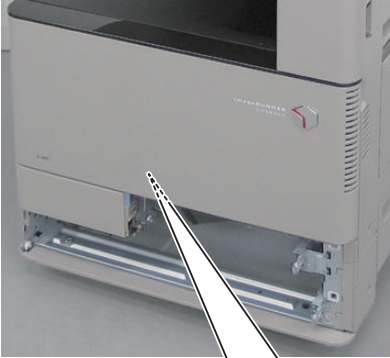
□
7.



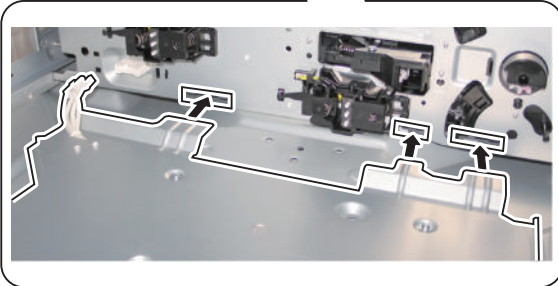
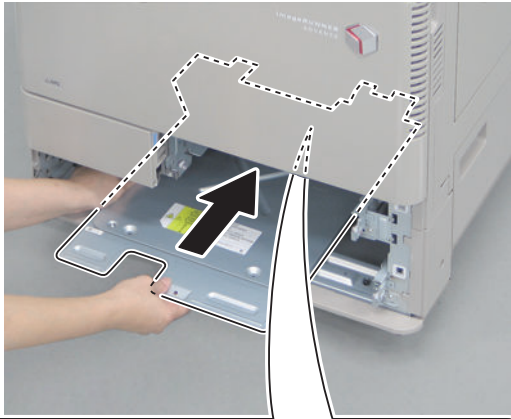
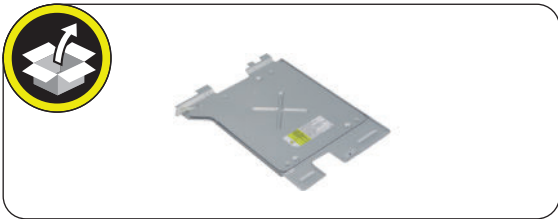
■ Installing the Cassette Heater

□

1.

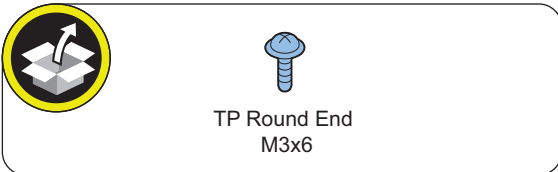


□
2.

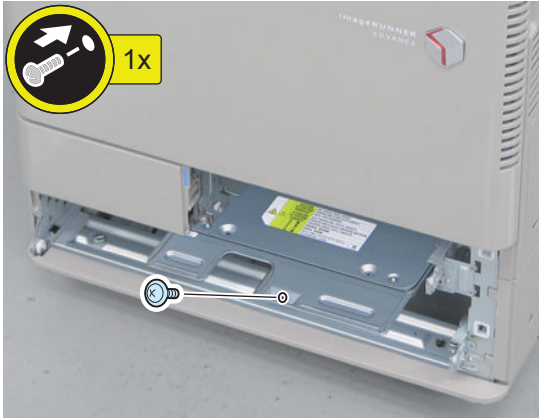


□
3.

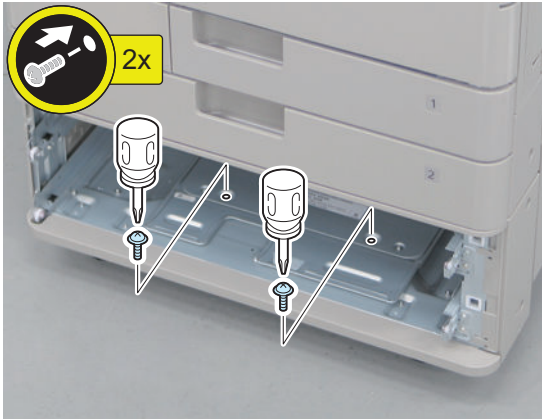
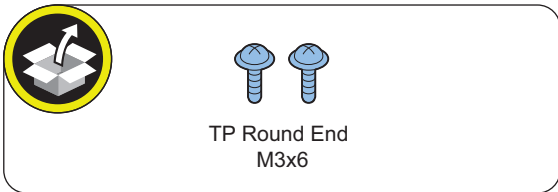
< In the case of Host machine >



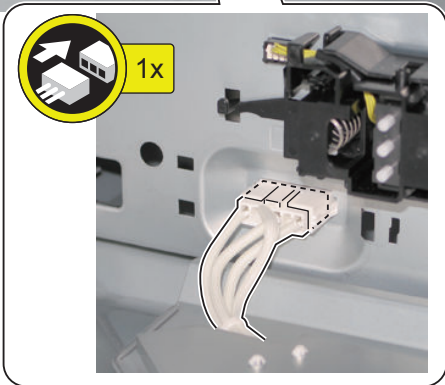
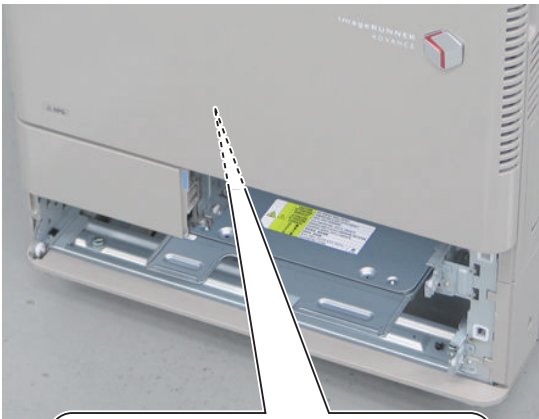
TP Round End
M3x6



< In the case of Cassette Feeding Unit or High Capacity Cassette Feeding Unit >



□
4.



□
5.

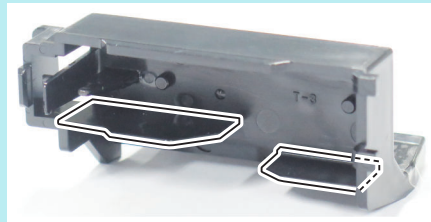
NOTE:

The Heater Connector Cover comes in different shapes.

Without ribs

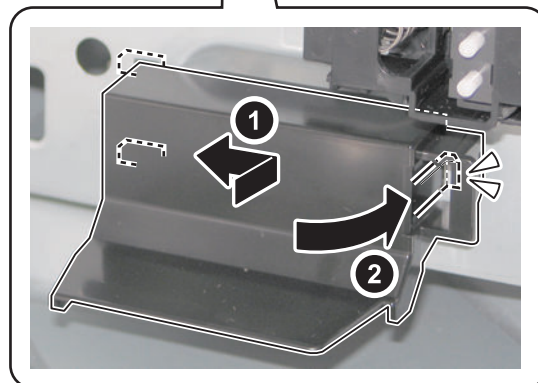
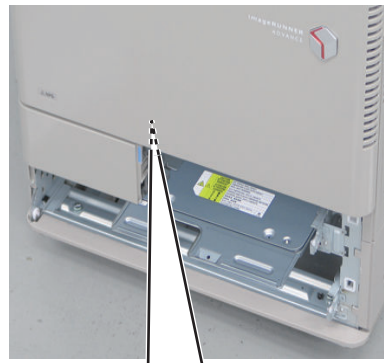
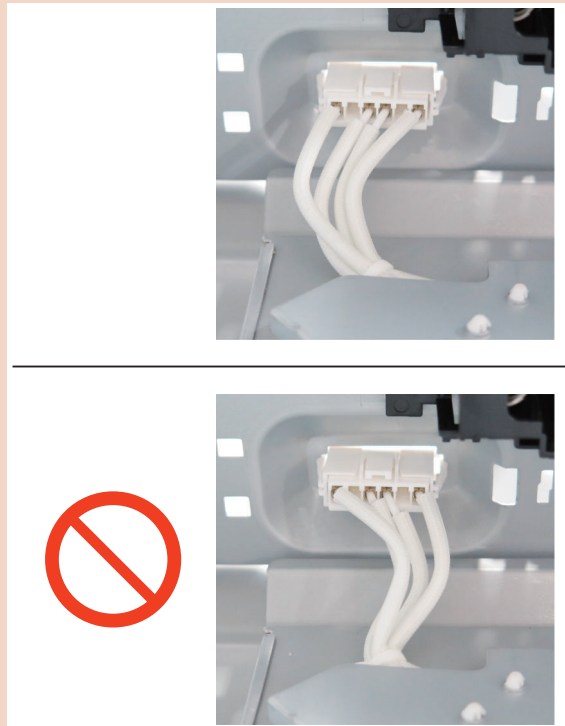


With ribs



CAUTION:

- When the Heater Connector Cover has ribs, those ribs may interfere with cables.
- Be sure to run the cables as shown in the figure below before installing the Connector Cover.

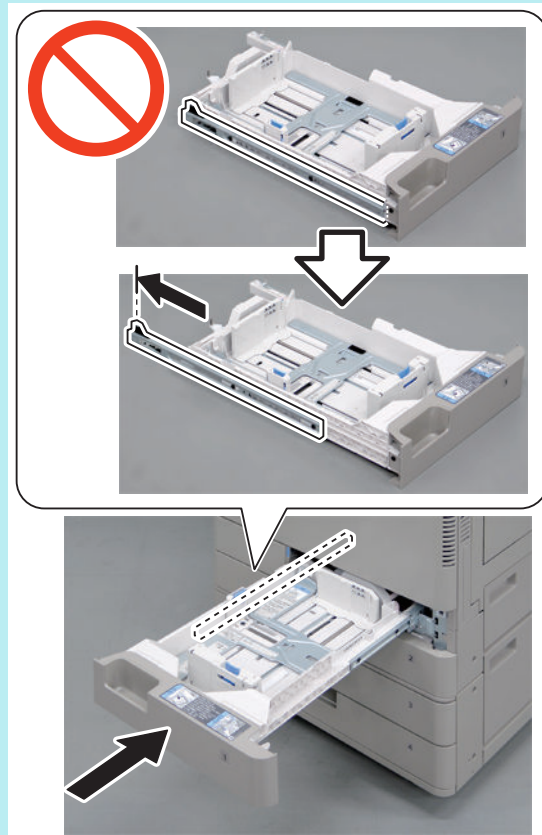


■ Installing the Cassette

● In the Case of Host Machine/Cassette Feeding Unit

NOTE:

In the case of the Cassette 1, pull out the rail and slide it into the host machine.



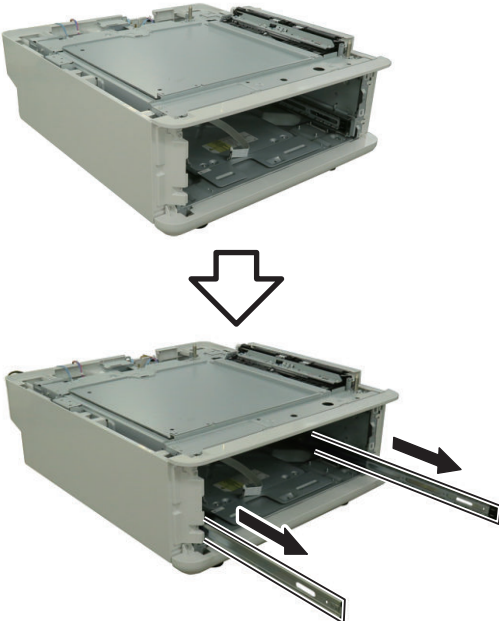
□
1.



• In the Case of High Capacity Cassette Feeding Unit

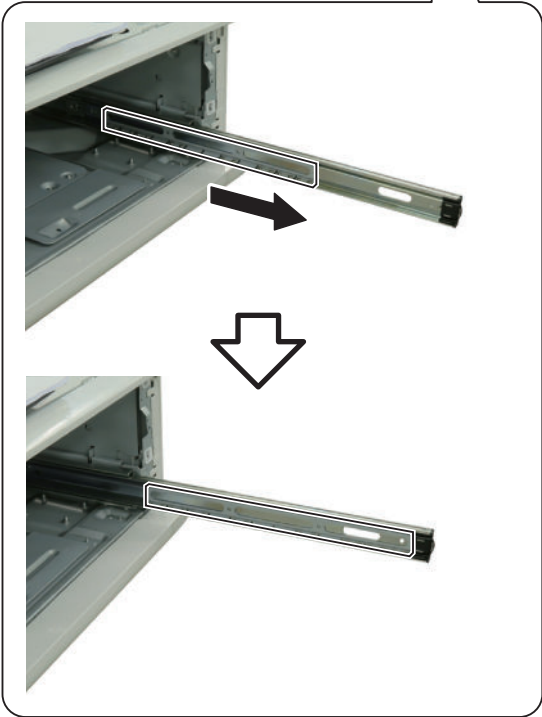
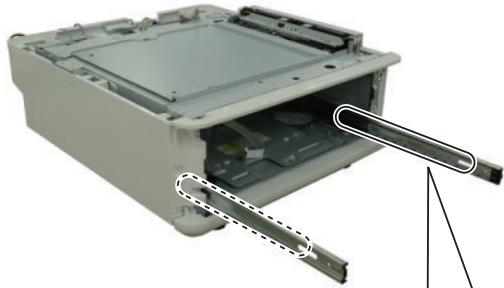
□

1.



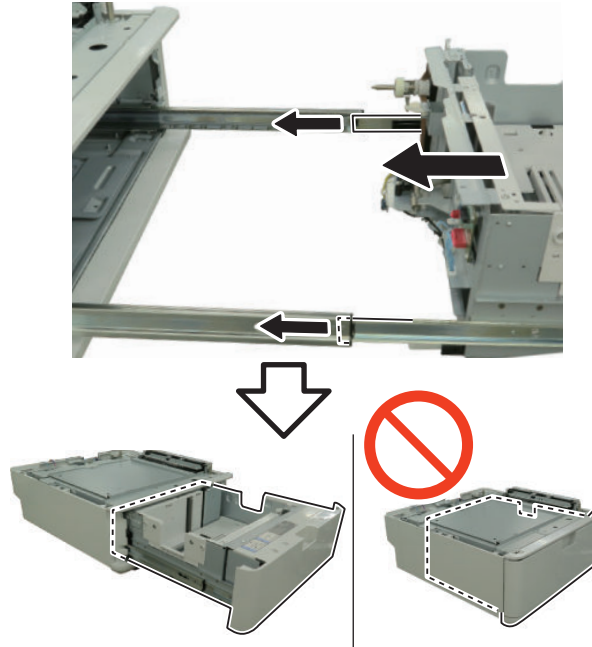
□
2.

NOTE:
Slide the inner rails of the rails you pulled out toward the front side to ease insertion of the cassette.

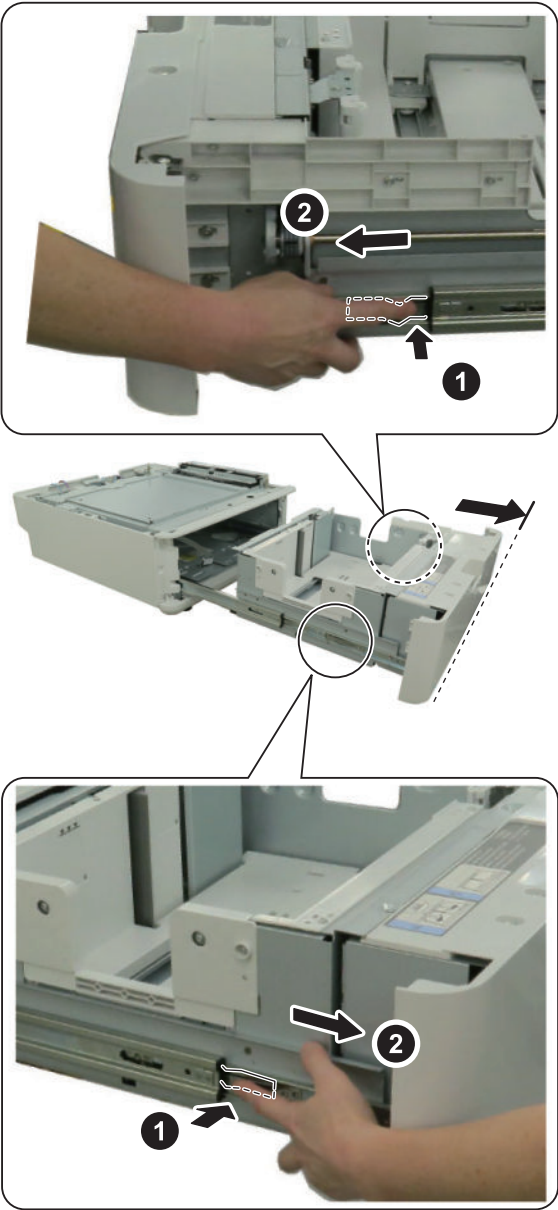


□
3.**CAUTION:**

- Align the rails and push in the cassette to the first lock position.
- Do not push in the cassette all the way because the Flat Cable is not connected.



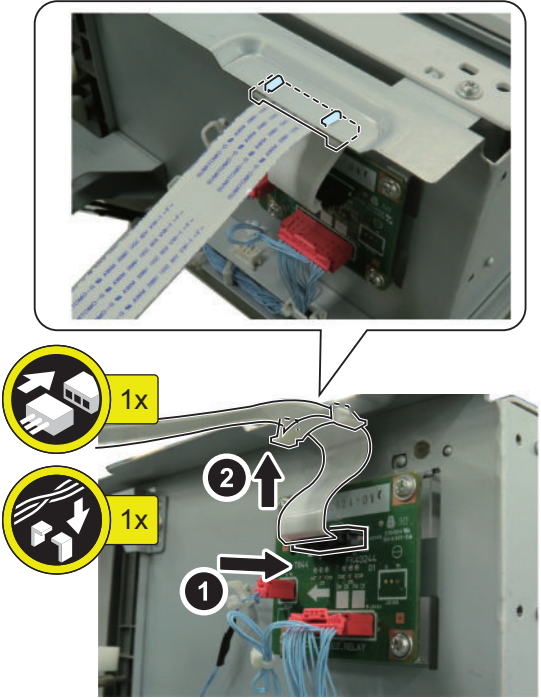
□
4.



□

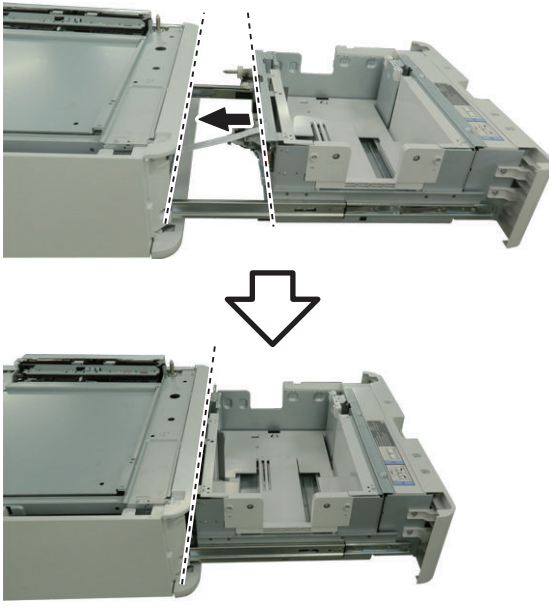
5.

NOTE:
Use the parts removed in "Removing the Cassette".



□

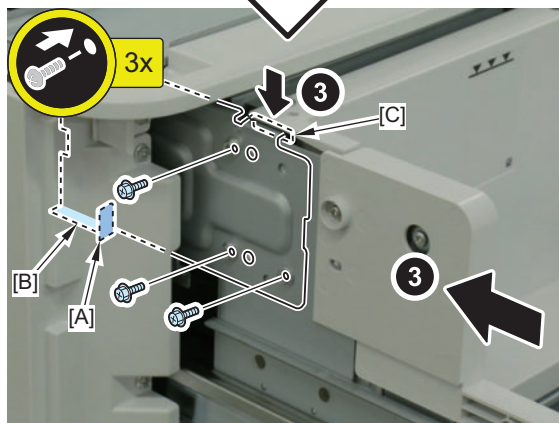
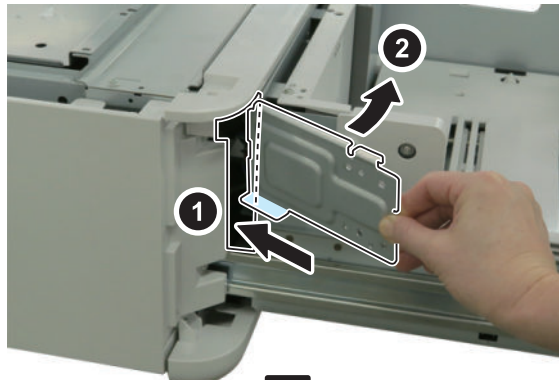
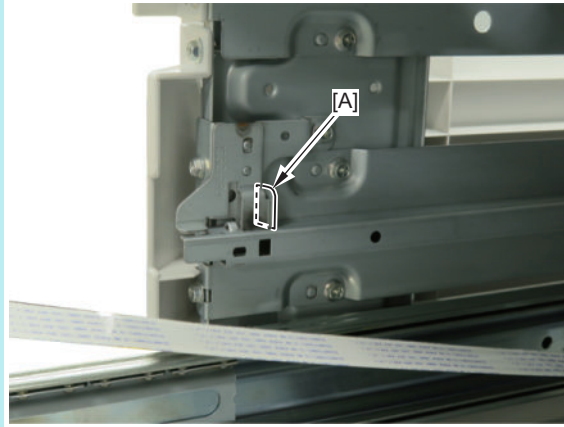
6.



□
7.

NOTE:

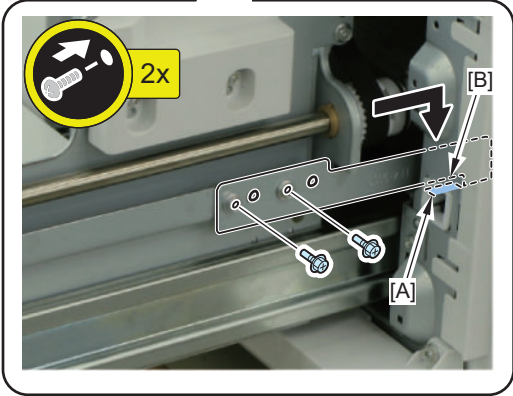
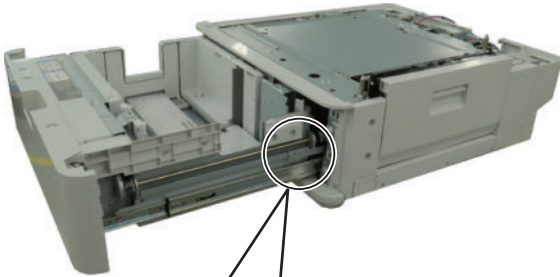
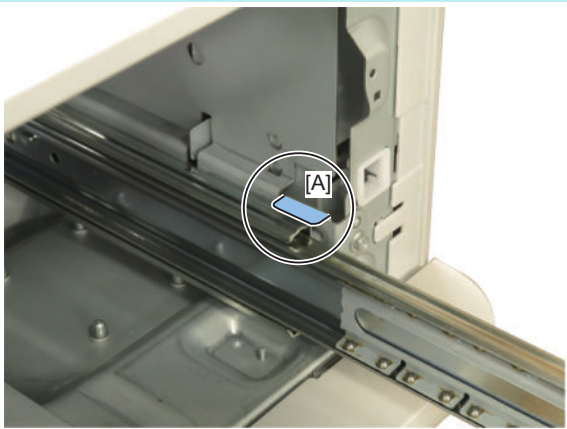
- Use the parts removed in "Removing the Cassette".
- Hook the [B] part of the plate on the left side on the [A] part of the plate.
- Push in the cassette and align the boss when hanging the hook [C].



□
8.

NOTE:

- Use the parts removed in "Removing the Cassette".
- Hook the [B] part of the plate on the right side on the [A] part of the plate.



□
9.



■ Checking the Environment Heater Switch



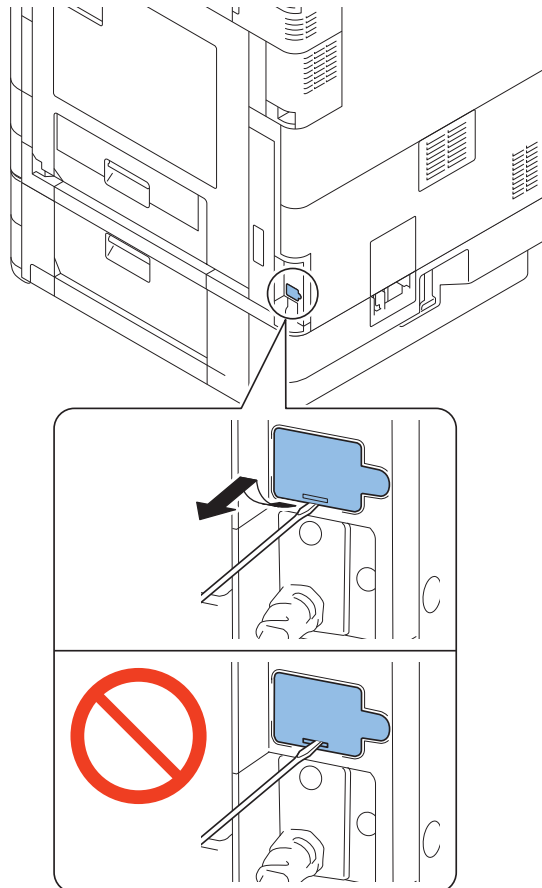
1.

NOTE:

If the Environment Heater Switch Cover is installed, remove the cover.

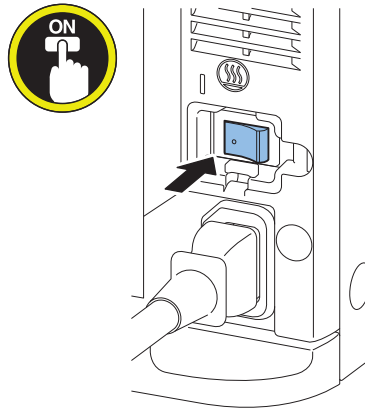
CAUTION:

Do not insert the screwdriver into the hole when removing the cover.

**NOTE:**

The removed Environment Heater Switch Cover will be used in step 3.

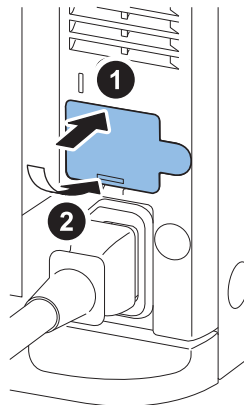
□
2.



□
3.

NOTE:

Use the Environment Heater Switch Cover removed in step 1 or the Environment Heater Switch Cover included with the host machine.



□
4.

Connect the power plug of the host machine to the outlet.

5.

Turn ON the main power switch.



Paper Output Options

Inner 2-Way Tray-J1.....	569
Copy Tray J2.....	573
Buffer Pass Unit-L1.....	578
Staple Finisher-Y1/Booklet Finisher-Y1.....	587
2/3 2/4 4 Hole Puncher Unit-A1.....	608
Inner Finisher-H1.....	633
Inner 2/3 2/4 4 Hole Puncher-B1.....	651

Inner 2-Way Tray-J1

Points to Note at Installation

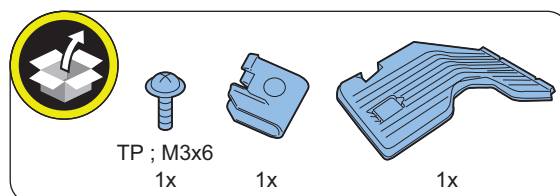
CAUTION:

Marked portion

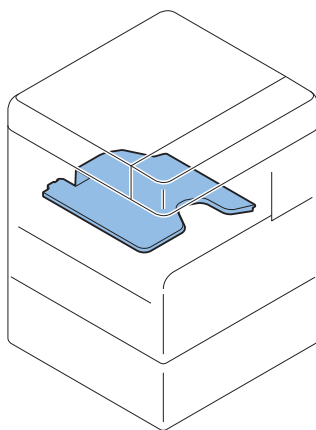
When tightening the screws, do not tighten them too tightly. Otherwise, there is a risk of damage and deformation of screw holes.



Checking the Contents



Installation Outline Drawing



Essential Items to Be Performed Before Installation

- Turn OFF the main power of the host machine, and disconnect the power plug from the outlet.

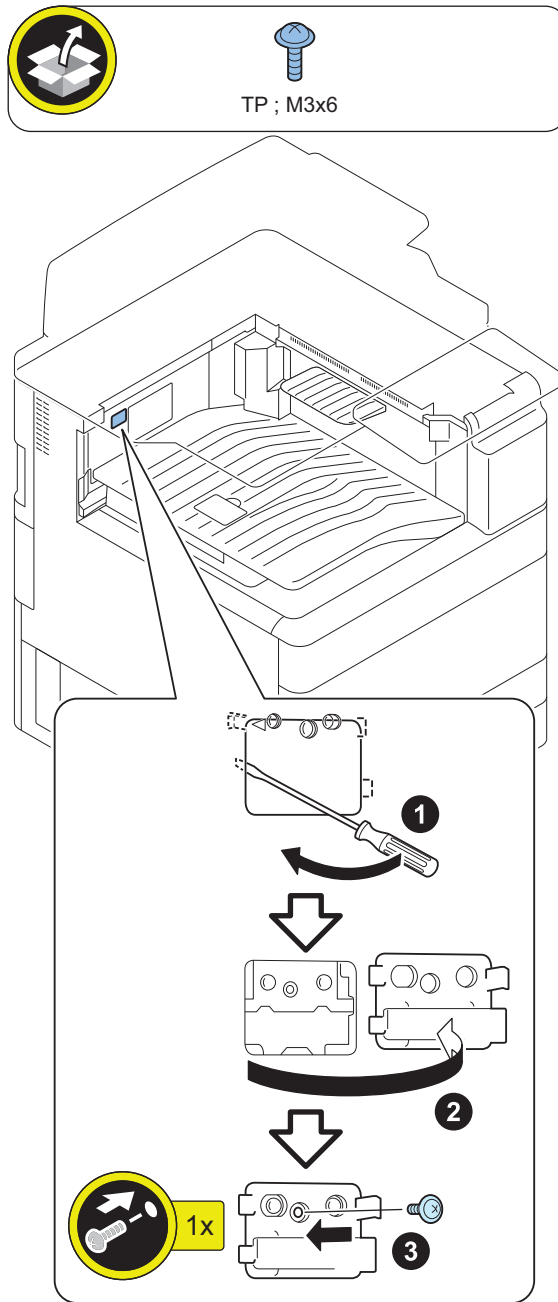
⚠ WARNING:

- If performing work without disconnecting the power plug of the host machine, it may cause electrical shock.
- If disconnecting the power plug without turning OFF the main power, it may cause damage of the machine.

- When turning OFF the main power, follow the below procedure.
 1. Turn OFF the main power switch of the host machine.
 2. The display in the Control Panel and the lamp of the main power are turned off.

Installation Procedure

□
1.

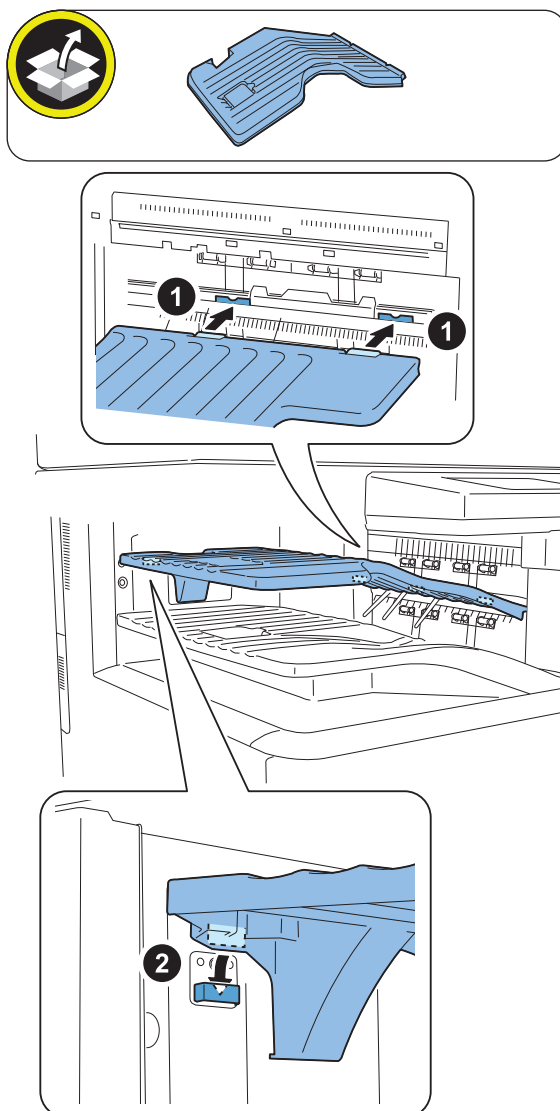


□
2.**NOTE:**

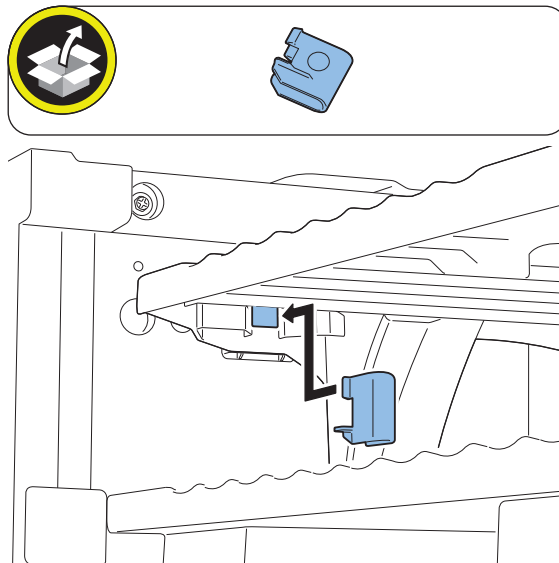
When the Inner 2-way Tray is inserted into the Inner 2-way Tray Support Member, the boss is inserted into the Inner Rear Cover 1.

CAUTION:

Be sure to check that the Inner 2-way Tray is inserted into the Inner 2-way Tray Support Member.



3.



4. Connect the power plug of the host machine to the outlet.

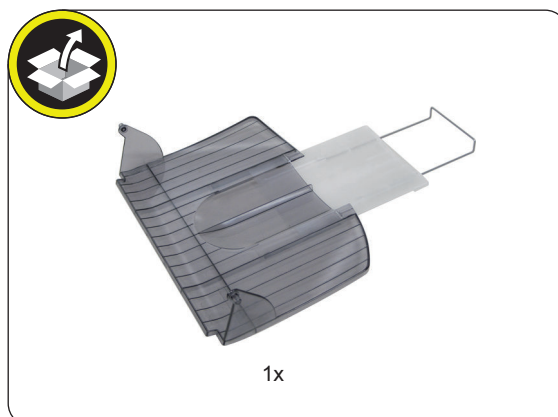
5. Turn ON the main power switch.

Settings after Installation

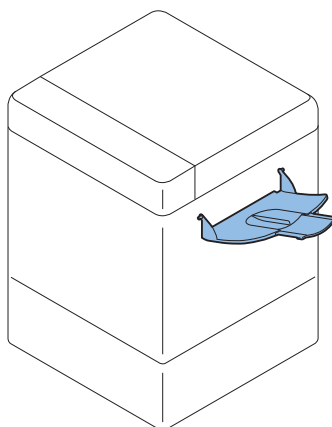
-
1. Set the value of the following service mode to "1".
COPIER > OPTION > ACC > IN-TRAY
 2. Turn OFF and then ON the main power.
 3. Check that the following menu has been added.
 - [Settings/Registration] > [Function Settings] > [Common] > [Paper Output Settings] > [Output Tray Settings]
 4. Press [Output Tray Settings].
 5. {Condition: language=en}According to the user's request, set the function of delivering paper to the Tray A/B/C and the priority order of the trays, and press [OK]. The priority order is displayed as "1", "2", and "3".
 6. Check that the behavior is in accordance with the settings.

Copy Tray J2

Checking the Contents



Installation Outline Drawing



Essential Items to Be Performed Before Installation

- Turn OFF the main power of the host machine, and disconnect the power plug from the outlet.

⚠ WARNING:

- If performing work without disconnecting the power plug of the host machine, it may cause electrical shock.
- If disconnecting the power plug without turning OFF the main power, it may cause damage of the machine.

- When turning OFF the main power, follow the below procedure.
 1. Turn OFF the main power switch of the host machine.
 2. The display in the Control Panel and the lamp of the main power are turned off.

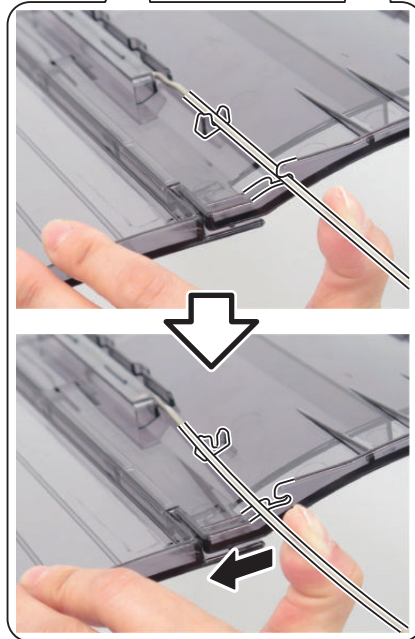
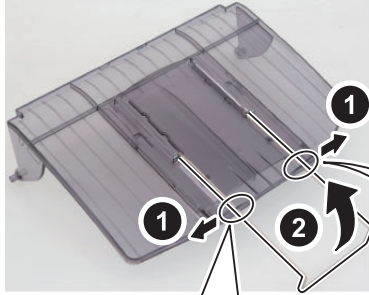
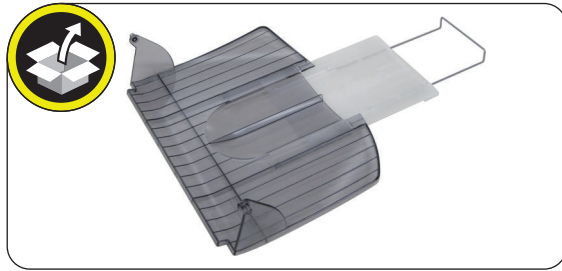
Preparation before Installation

CAUTION:

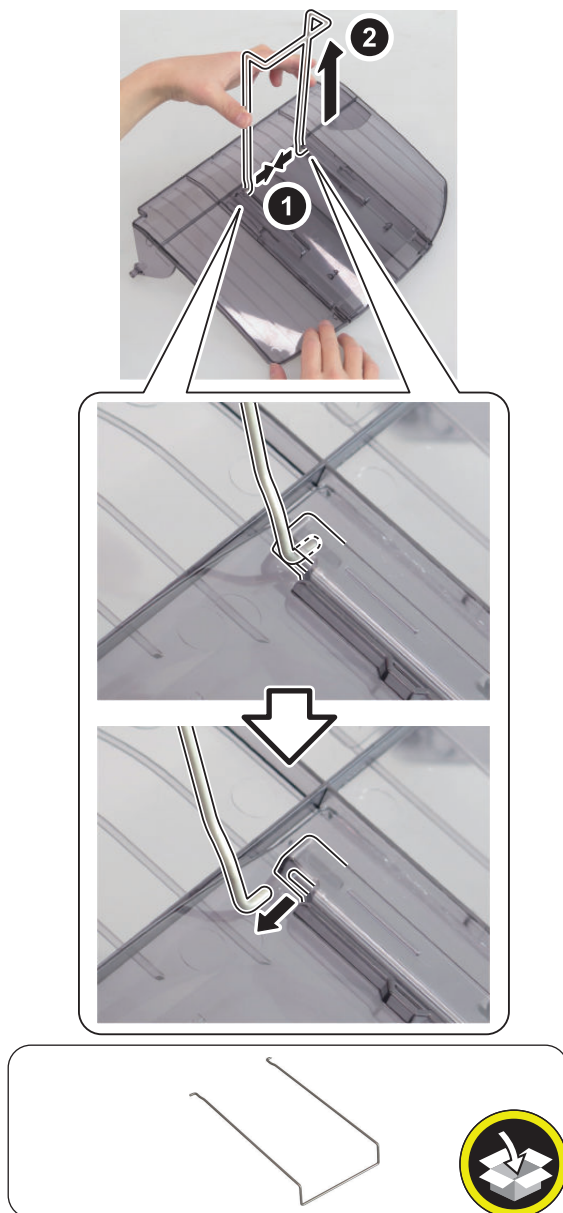
The Wire Tray attached to the Copy Tray is not necessary for this machine.

< How to remove the Wire Tray >

□ 1

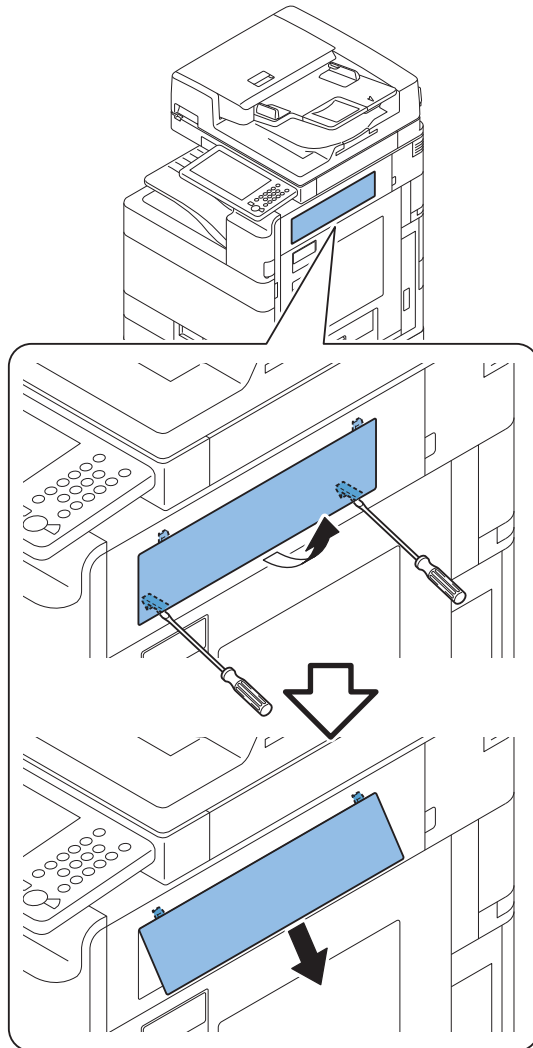


□ 2

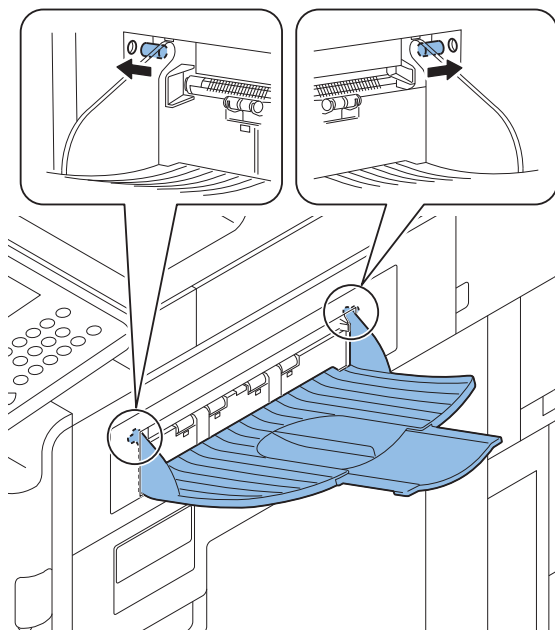


Installation Procedure

□
1.



□
2.



□
3. Connect the power plug of the host machine to the outlet.

□
4. Turn ON the main power switch.

■ Settings after installation

-
1. Set the value of the following service mode to "1".
COPIER > OPTION > ACC > OUT-TRAY
 2. Turn OFF and then ON the main power.
 3. Check that the following menu has been added.
 - [Settings/Registration] > [Function Settings] > [Common] > [Paper Output Settings] > [Output Tray Settings]
 4. Press [Output Tray Settings].
 5. According to the user's request, set the function of delivering paper to the Tray A/B/C and the priority order of the trays, and press [OK]. The priority order is displayed as "1", "2", and "3".
 6. Check that the behavior is in accordance with the settings.

Buffer Pass Unit-L1

● Checking Before Installation

■ Points to Note on Installation

Install this Equipment after installing the Host Machine.

■ Product Name

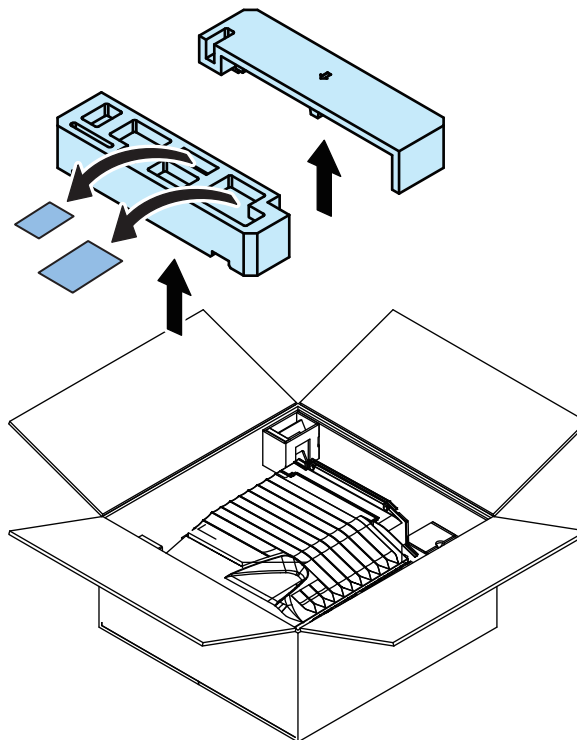
Safety regulations require the product's name to be registered. In some regions where this product is sold, the following names may be registered instead.

- F280402

● Unpacking Procedure

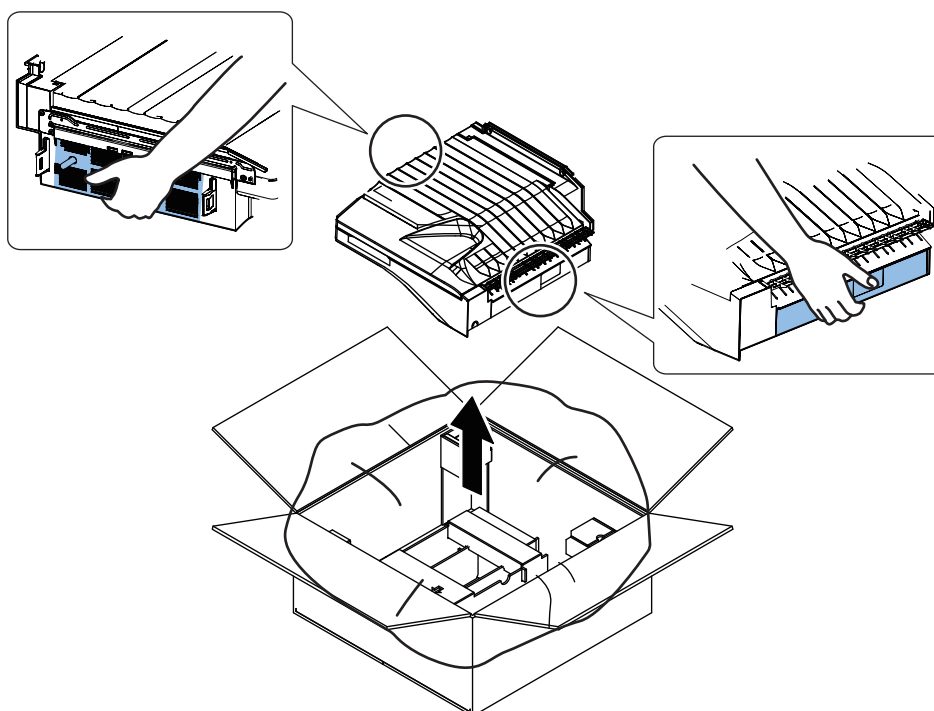


1. Open the container box, and then take out the included parts and cushioning materials.



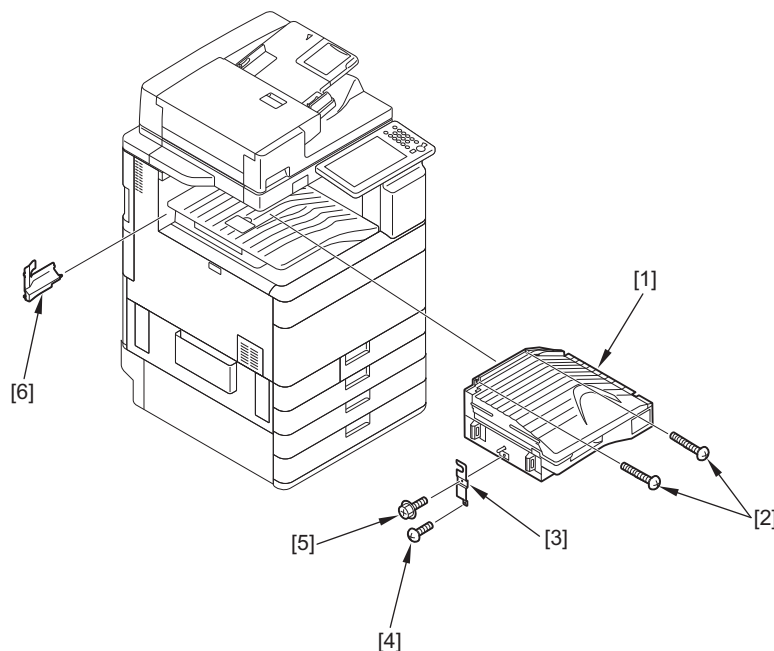


2. Open the plastic sheet. Take out the Buffer Pass Unit by holding its both sides as shown in the figure, and then remove all the tapes and the cushioning materials.



Checking the Contents

Check that none of the included parts is missing.



- [1] Buffer Pass Unit 1 pc.
- [2] Screw (P tightening; M4x16) 2 pcs.
- [3] Latch Plate 1 pc.
- [4] Screw (Binding; M4x8) 1 pc.
- [5] Screw (RS tightening; M3x8.5) 1 pc.
- [6] Inner Delivery Cover 1pc.

Installation Procedure

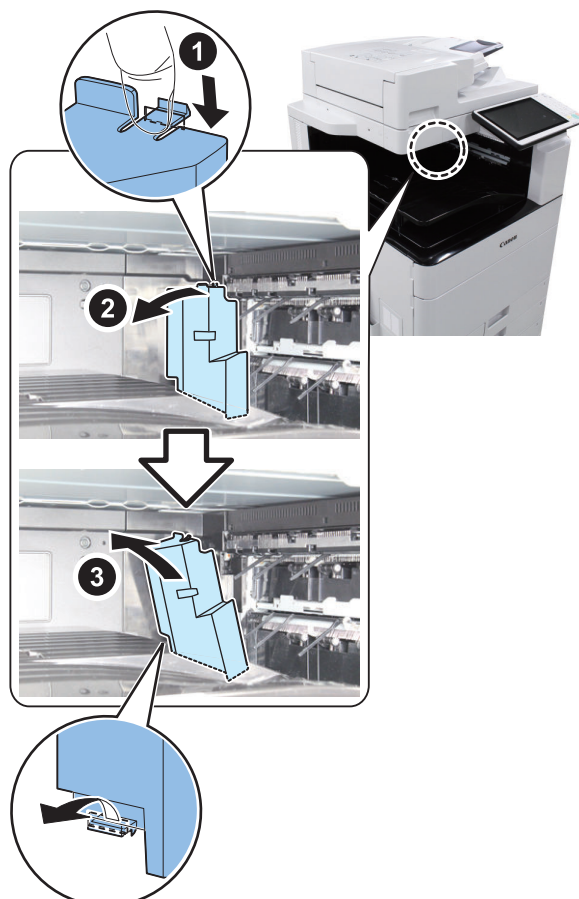
CAUTION:

Make sure that the Host Machine is turned off and the power plug is disconnected from the outlet.



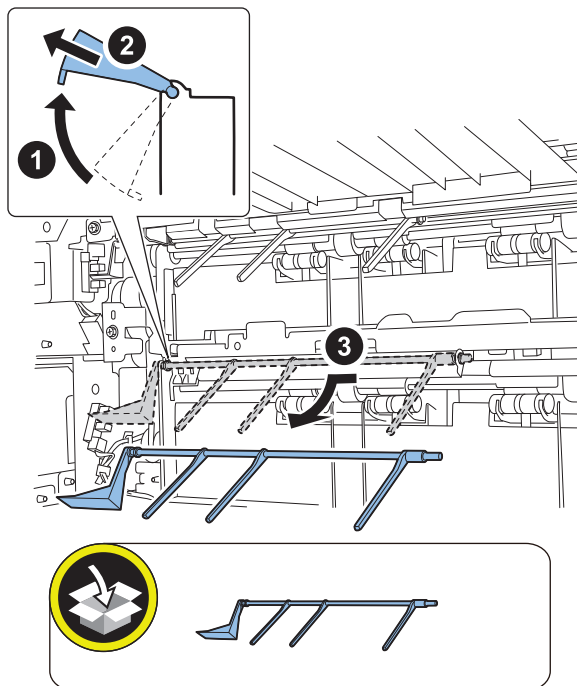
1. Remove the Inner Delivery Sensor Cover.

- 1 Claw



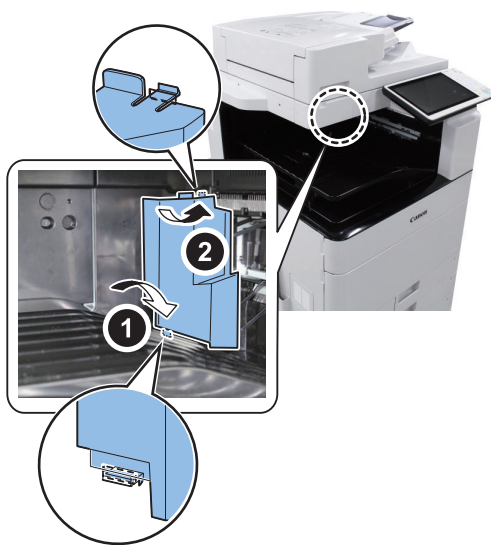


2. Remove the Sensor Flag of the Delivery Tray Full Detection Sensor 1 (the lower sensor flag in the figure).



3. Install the Inner Delivery Sensor Cover.

- 1 Claw



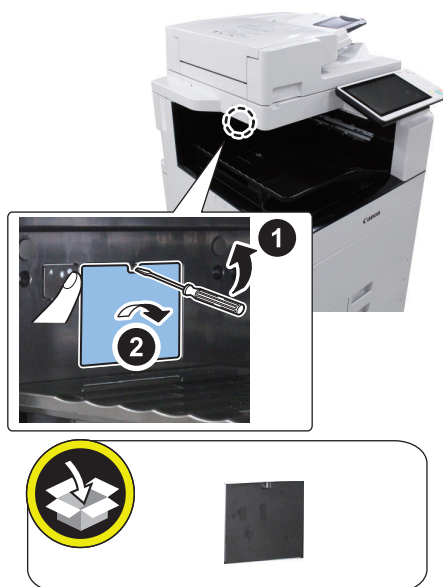


4. Remove the Bias PCB Cover.

- 1 Claw

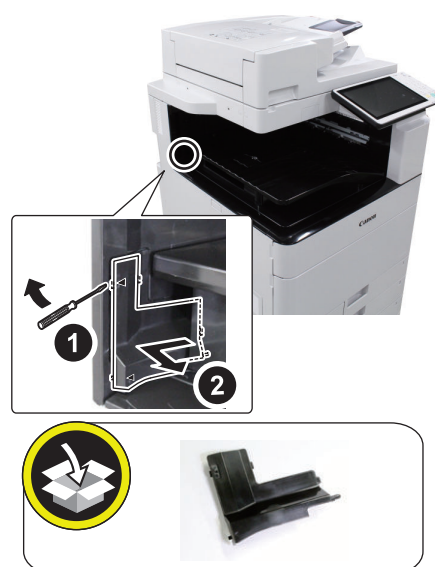
⚠ CAUTION:

Be careful not to forget to remove the Bias PCB Cover, if it is forgotten to remove the cover, the Buffer Pass is not grounded, so that the controller of the Host Machine may be damaged by an electro static noise.



5. Remove the Inner Delivery Cover (left rear).

- 2 Claws



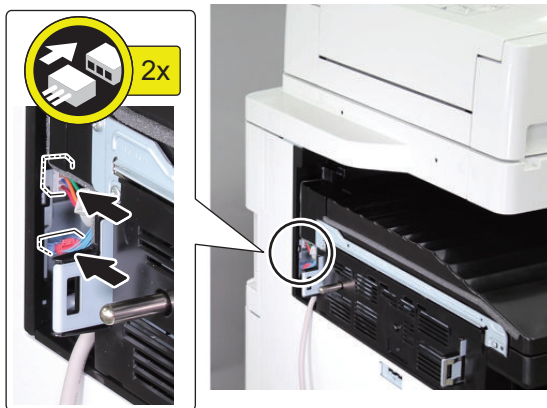
- 6. Hold this Equipment at the positions shown in the figure, and then put on the Inner Lower Cover Unit of the Host Machine temporarily.

NOTE:

Do not give a damage on delivery area of the Host Machine.



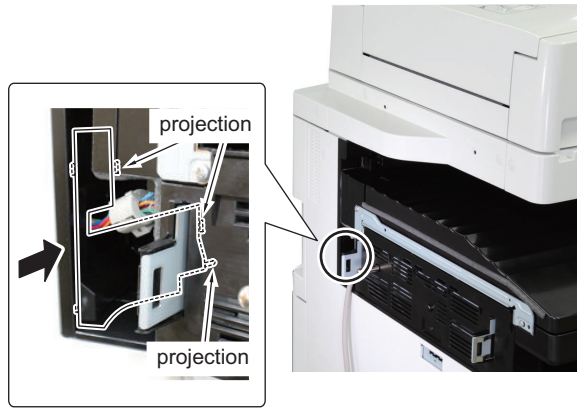
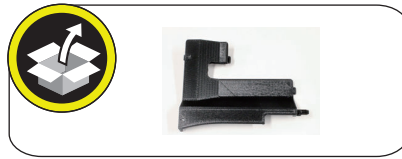
- 7. Connect the connector of the Equipment to the Host Machine.
 - 2 Connectors





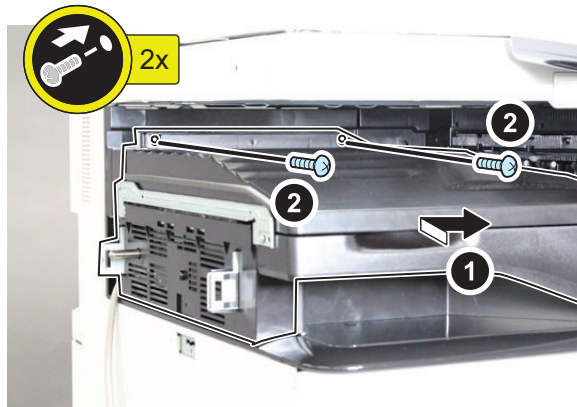
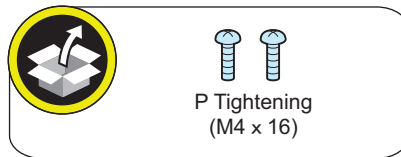
8. Install the Inner Delivery Connector Cover.

- 3 Protrusions
- 2 Claws



9. Set this Equipment, and then fix it to the Host Machine.

- 2 Screws (P Tightening; M4X16)

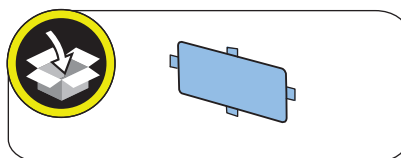
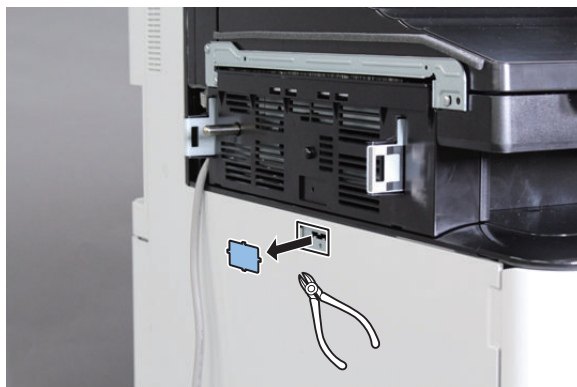




10. Remove the Face Cover of the Host Machine by using the side cutters.

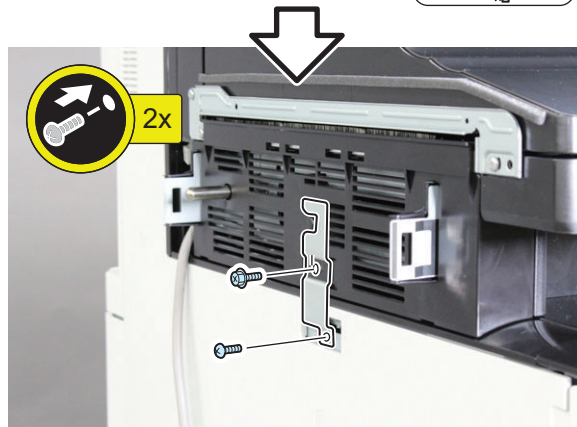
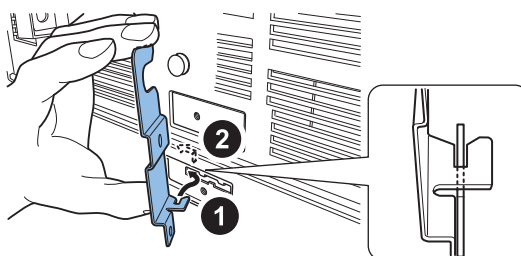
NOTE:

Be sure to remove the Face Cover properly so that no burr is formed.



11. Install the Latch Plate.

- 1 Screw (RS Tightening; M3X8.5)
- 1 Screw (Binding; M4X8)



Checking after Installation

■ Disposal Parts Check

1. Following disposal parts are remained after completion of the installation work.

- [1] Sensor Flag of the Delivery Tray Full Detection Sensor 1 1pc.
- [2] Inner Delivery Cover (left rear) 1pc.
- [3] Bias PCB Cover 1pc.
- [4] Face Cover of the Host Machine 1pc.

■ Operation Check

1. Turn ON the main power of the Host Machine after installing the Finisher.

2. Check the operation such as paper feed to make sure that problems such as a jam or malfunction do not occur.

Staple Finisher-Y1/Booklet Finisher-Y1

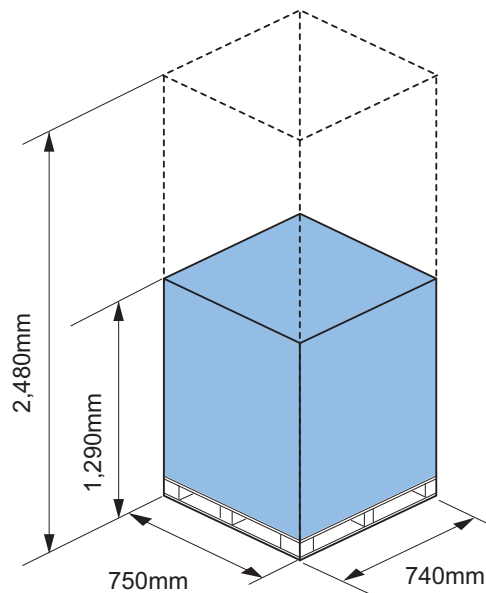
● Checking Before Installation

The installation site must satisfy the conditions given below.

Therefore, it is recommended that the installation site be looked over before delivering this Equipment to the customer.

■ Checking the Unpacking Space

Be sure to unpack this equipment according to the illustrations in a wide area where there is enough space around it.

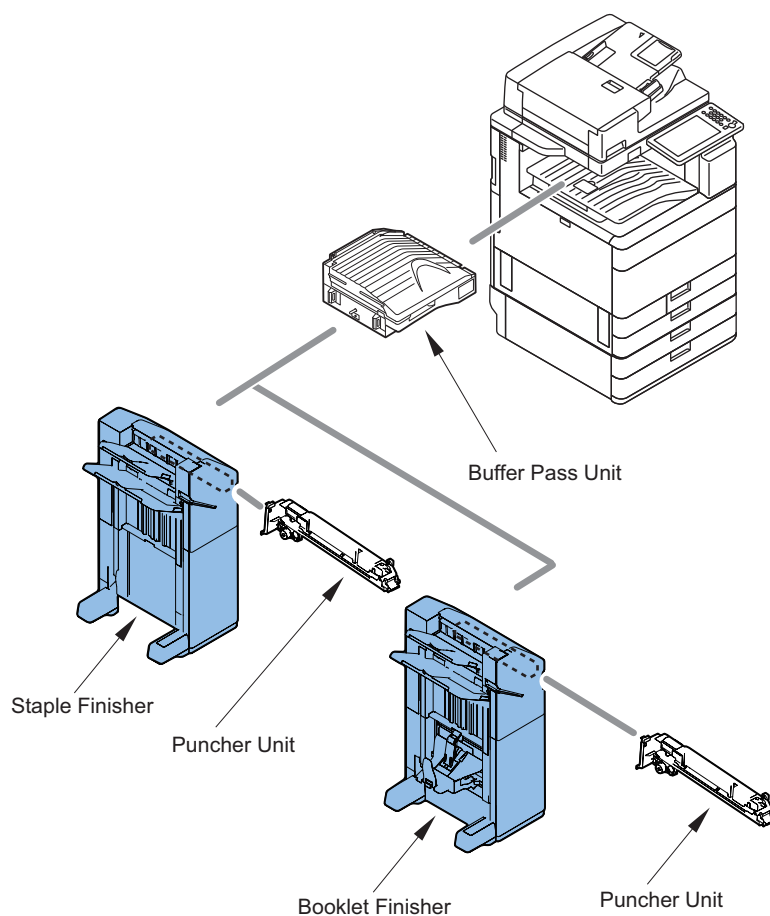


■ Points to Note on Installation

- Refer to "Order of Installation of options" when installing this Equipment.
- Since this machine is heavy (Staple Finisher: approx. 31kg, Booklet Finisher: approx. 57kg), 2 or more persons are required to install it. Be sure to perform the work in accordance with the standard to handle a heavy load in each country.
- When moving this Equipment after having unpacked it, be careful by placing a plate, etc. on areas with steps to prevent the casters from hitting those steps. If the casters hit a step, the casters or the base plate may be deformed.

■ Order for Installation of Options

When installing this Equipment together with other options, first install the Host Machine and then install options in the following order:



1. Buffer Pass Unit
2. Puncher Unit
3. Staple Finisher/ Booklet Finisher

■ Product Name

Safety regulations require the product's name to be registered. In some regions where this product is sold, the following names may be registered instead.

- F281181
- F281182

● Unpacking

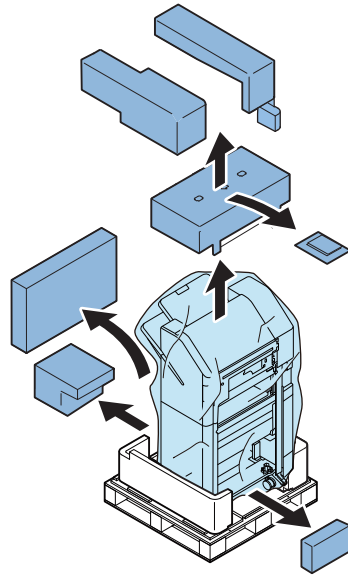
⚠ CAUTION:

This equipment is rather heavy. Be sure to work with a group of 2 or more people. Particularly when moving it over a step on the floor, be sure to take full care not to let it tumble over (Weight: Staple Finisher: approx. 31 kg, Booklet Finisher: approx. 57 kg).

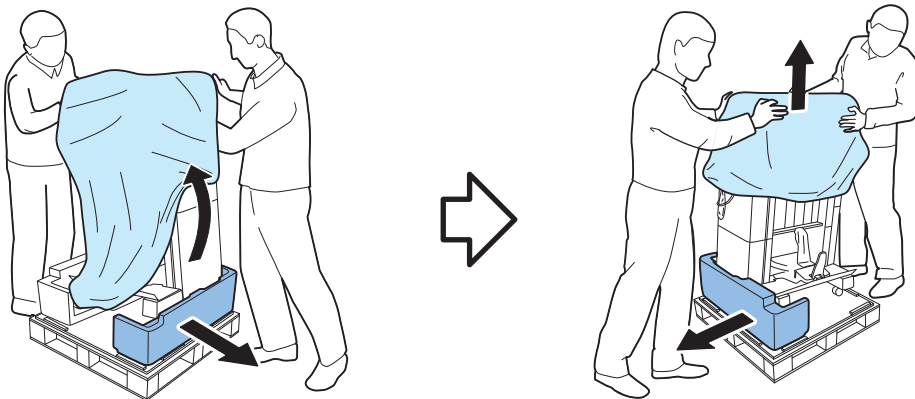
NOTE:

This equipment is packed using tapes, fixings and cushioning materials to be protected against vibration and shock during transportation. Be sure to remove them before starting to install this equipment. It is a good idea to store away the removed fixings and cushioning materials for possible relocation of this equipment, e.g., to a new site or for repairs.

□
1.

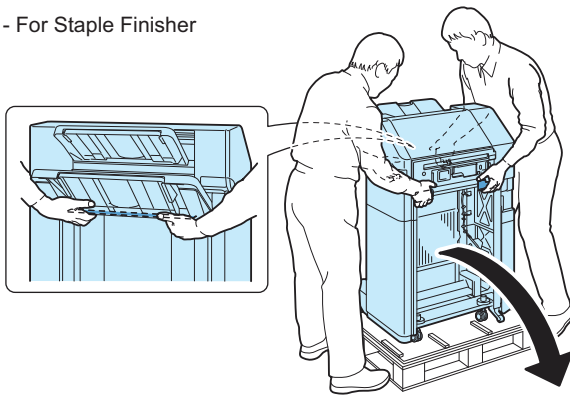


□
2.

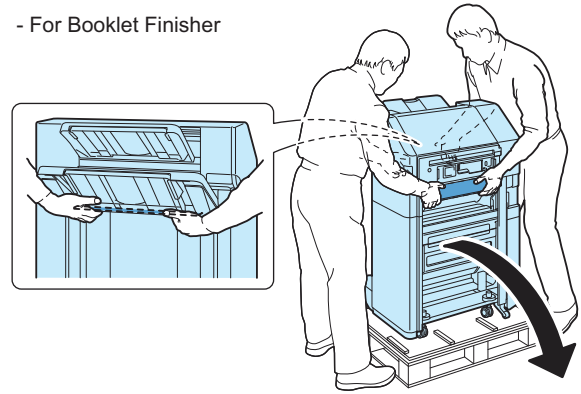


□
3. Hold the specified parts as shown and unload the finisher.

- For Staple Finisher



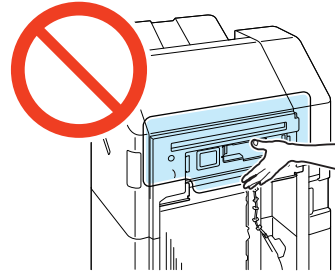
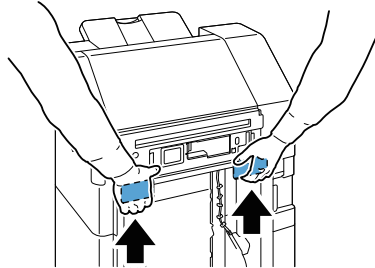
- For Booklet Finisher



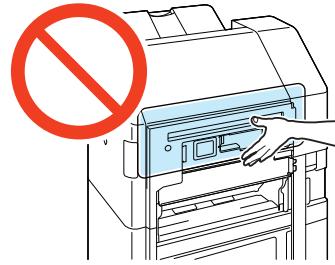
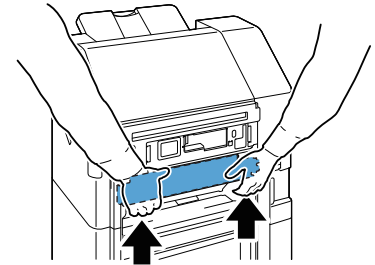
CAUTION:

Hold the specified parts as shown and do not hold the other parts to lift up the finisher.

- For Staple Finisher

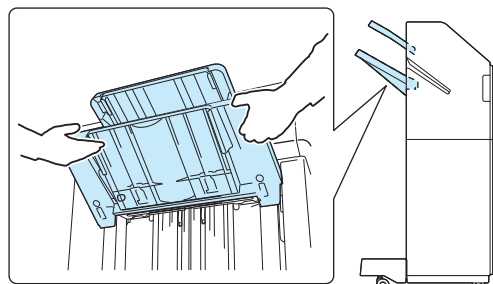
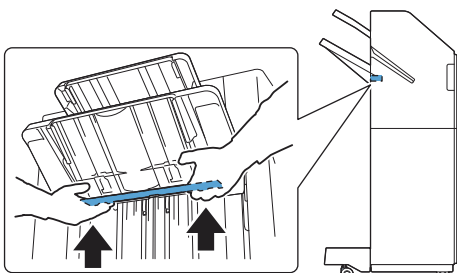


- For Booklet Finisher



CAUTION:

Hold the metal part as shown and do not hold the other tray parts.





4. Remove all the tapes and cushioning materials outside this equipment.

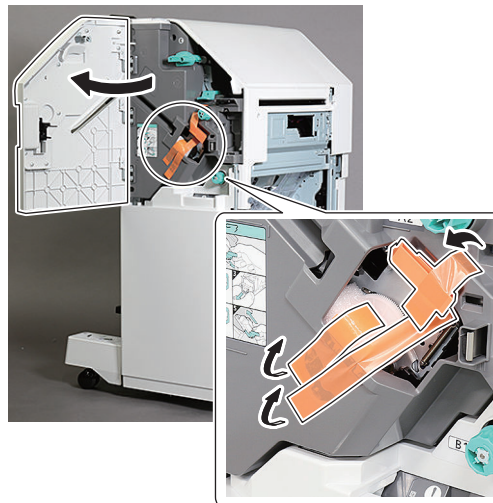


5. Remove two fixings. (Booklet Finisher only)

- 8 Screws



6.

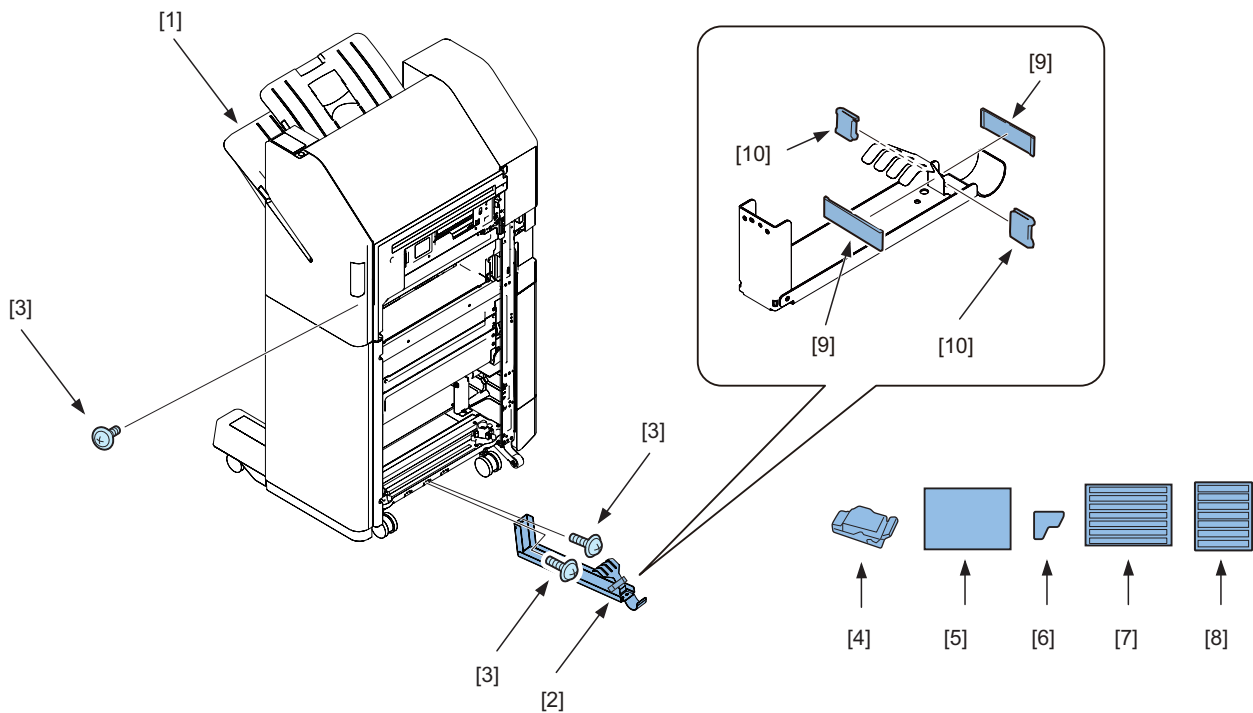


7.



Checking the Contents

Check that none of the included parts is missing.



- [1] Finisher 1x
- [2] Ground Rail 1x
- [3] Screw (TP ; M3x6) 3x
- [4] Stapler Unit Staple Case 1x
- [5] Tray Setting Label 1x
- [6] Jam Label 1x (Booklet Finisher only)
- [7] Jam Language Label 1x (Booklet Finisher only)
- [8] Saddle Caution Language Label 1x (Booklet Finisher only)
- [9] Ferrite Core 2x
- [10] Cap 2x

<Others>

Other bundled items such as Installation Procedure, leaflets, etc.

Installation Procedure

⚠ CAUTION:

Check that the main power switch is OFF and the power plug is disconnected from the outlet.

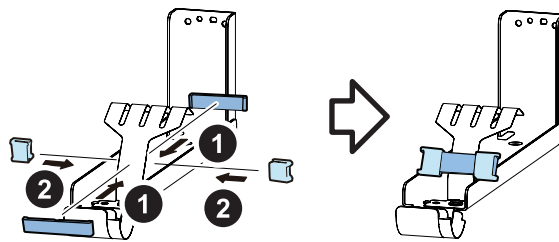
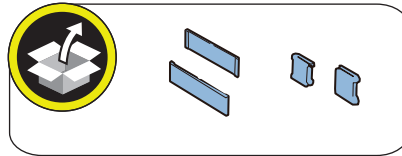
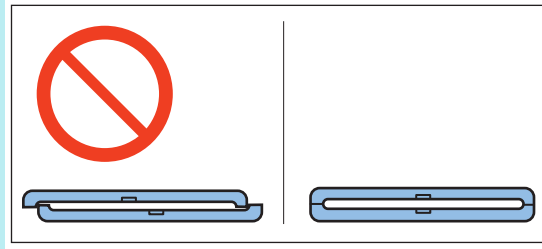
NOTE:

It is a good idea to store away the removed fixings for possible relocation of this Equipment, e.g., to a new site or for repairs.

■ Preparing The Finisher for Installation

1. Install the Ferrite Cores and Caps to the Ground Rail.

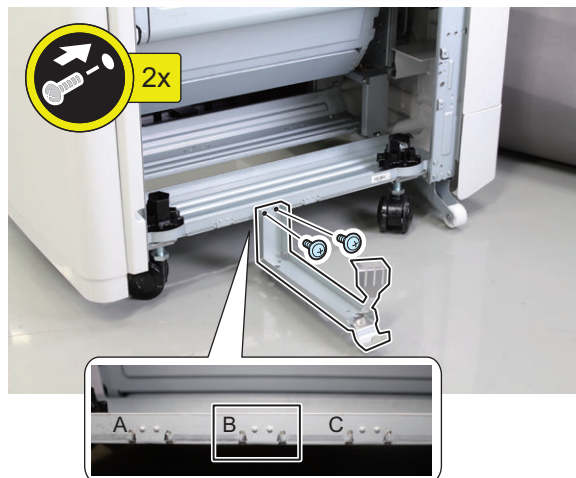
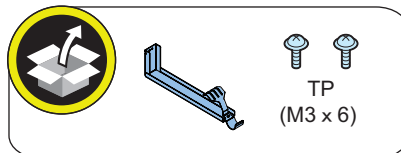
NOTE:
Make sure that the Ferrite Cores are installed correctly.



2. Install the Ground rail to the Finisher.

- 2 Screws (TP ; M3x6)

NOTE:
Install the Ground rail to the position [B].



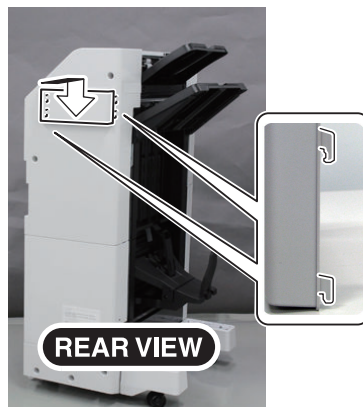


3. Install the Service Book Holder supplied with the host machine to the Finisher.

- 4 Hooks

NOTE:

When the Service Book Holder has already been installed in the host machine, relocate it to the Finisher.



■ Connecting to Host Machine

NOTE:

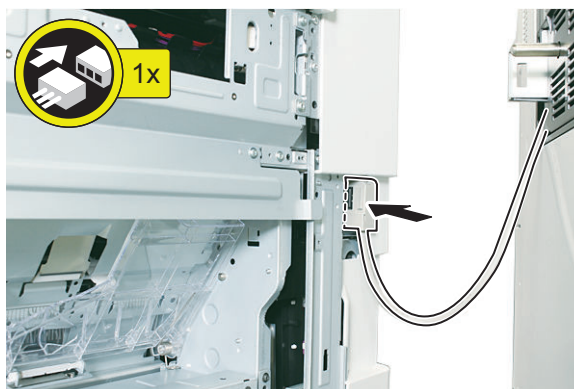
iR-ADV C5500 series are used in the illustrations below, but the work is the same.



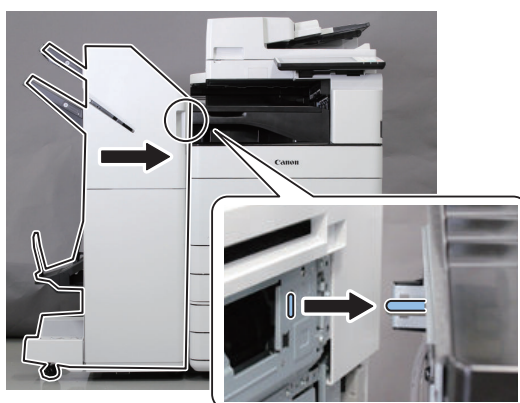
1. Connect the Interface Cable to the Buffer Pass Unit.

⚠ CAUTION:

When connecting the Interface Cable, be sure to turn off the Host Machine and disconnect its power cable from the outlet. If you do not do so, electric shock can result.

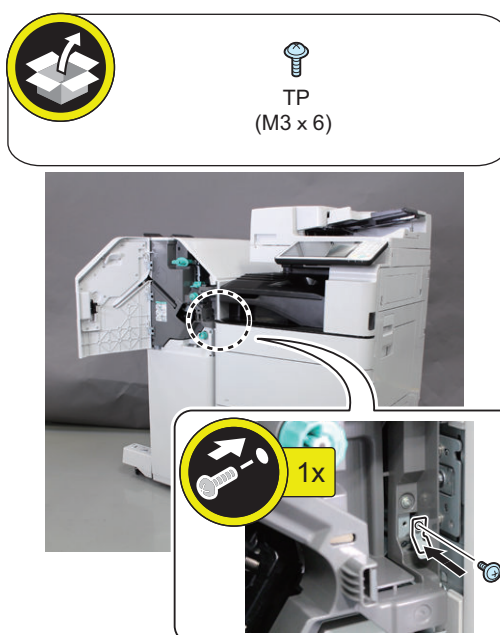


-
2. Fit the positioning pin of the Buffer Pass Unit in the positioning hole on the Finisher to connect the Finisher to the Host Machine fittingly.

**NOTE:**

If the positioning pin of the Buffer Pass Unit is not fitted the positioning hole on this Equipment, carry out the adjustment described in "Adjusting the Height".

-
3. Open the Front Cover of the Finisher. Fix the Finisher to the Host Machine.
- 1 Screw (TP ; M3x6)



-
4. For the Staple Finisher, Close the Front Cover of the Finisher. For the Booklet Finisher, proceed to the following instructions.

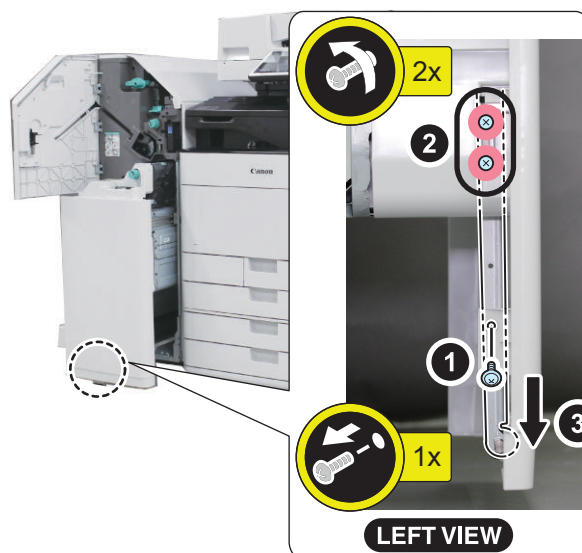


5. Pull out the Saddle Unit about 150mm.



6. Remove the screw. Loosen two screws, and then fix the Saddle Unit Auxiliary Caster so that its Caster can touch the floor.

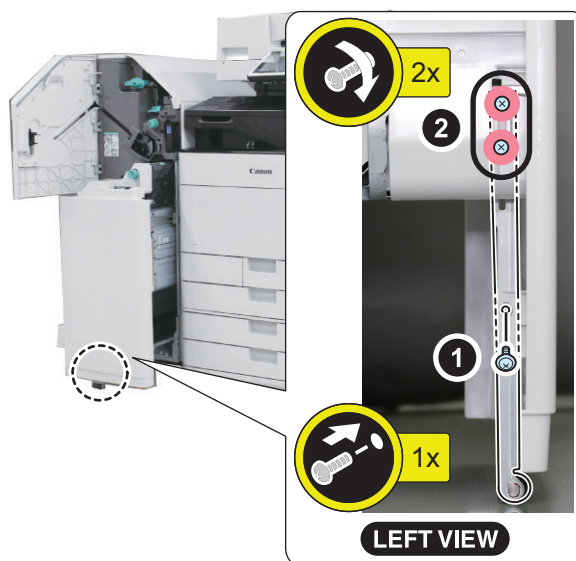
- 1 Screw





7. Install the screw removed in step 5, and then tighten two screws loosened.

- 1 Screw (TP ; M3x6)



8. Put the Saddle Unit back, and close the Front Cover.

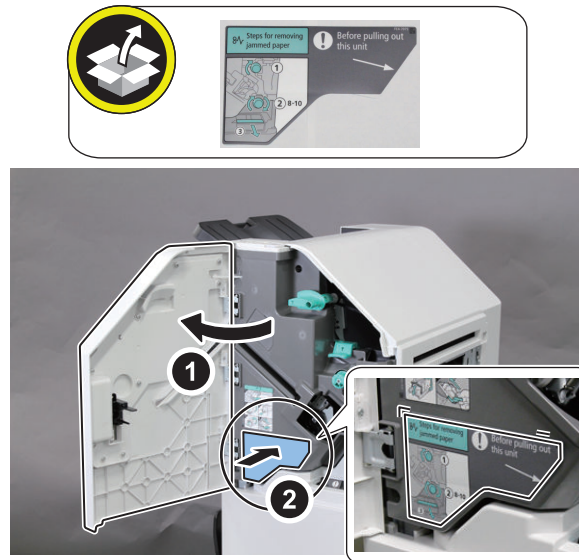


Affixing the Labels

■ Affixing the Jam Label / Saddle Caution Language Label (Booklet Finisher only)



1. Open the Front Cover of this Equipment. Affix the supplied Jam Label.

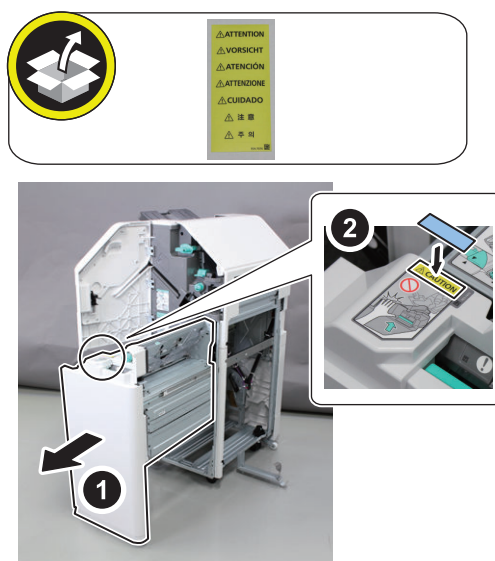


2. Affix the supplied Jam Language Label on the Jam Label in the appropriate language.

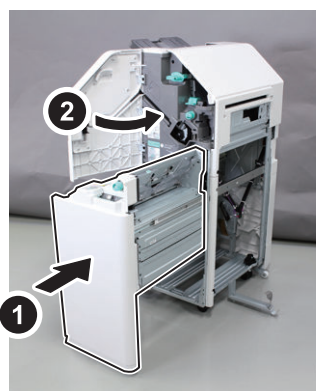




3. Pull out the Saddle Unit. Affix the Saddle Caution Language Label in the appropriate language on the Saddle Caution Label.



4. Put the Saddle Unit back, and close the Front Cover of this Equipment.



■ Affixing the Tray Setting Labels



1. Affix the supplied Tray Setting Labels which is specified by user in the frame line of Tray Labels.



● Making Adjustments

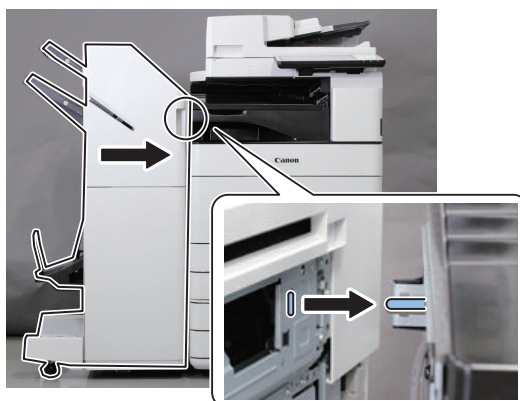
The difference in height between the Finisher and the Host Machine and the tilt of the Finisher and the host machine need to be adjusted depending on the installation site floor condition. If the height or tilt is not adjusted properly, problems can occur (for example, a paper jam can occur frequently at the paper supply section of the Finisher). Check the height and tilt and adjust it as required. Be sure to adjust as necessary.

■ Making Check and Adjustment of the Height

● Checking the Height



1. Check the difference in height between this Equipment and the Host Machine. Make sure that the pin of the Buffer Pass Unit inserts into the hole of the Finisher.



2. When the adjustment of height is necessary, make adjustment by referring the "Adjusting the Height".

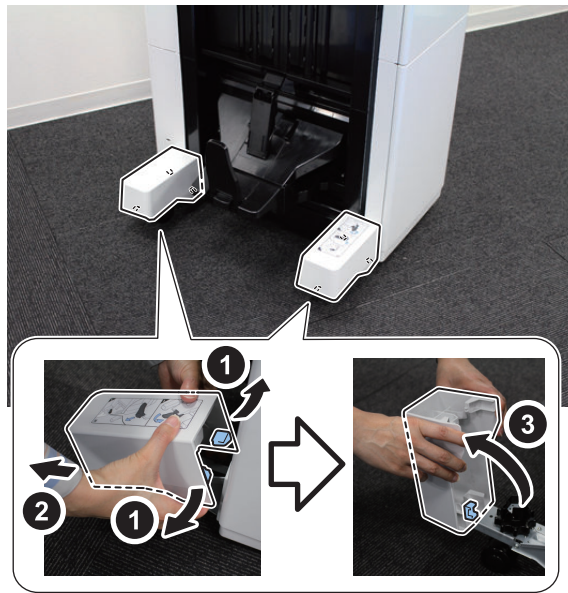
NOTE:

When the adjustment of height is not necessary, proceed to the "Making Check and Adjustment of the Tilt".

● **Preparing This Equipment for Making Adjustment of the Height**



1. **Remove the Caster Covers (front/ rear).**



● **Adjusting the Height**

NOTE:

Detach the Finisher from the Host Machine for adjusting the height.



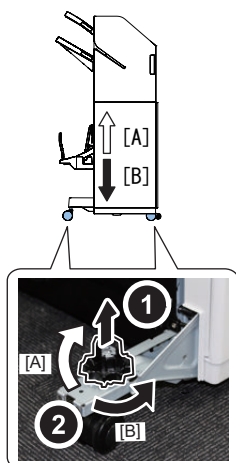
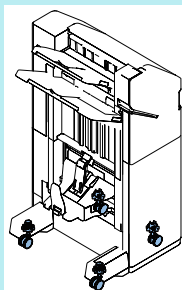
1. Turn the adjustment dial of the caster in the direction of the arrow by lifting the dial upward a little to adjust the height.

(A full turn of the adjustment dial changes the height of this Equipment by 2.0 mm.)

- To increase the height of the Finisher, turn the dial in the direction of arrow [A].
- To decrease the height of the Finisher, turn the dial in the direction of arrow [B].

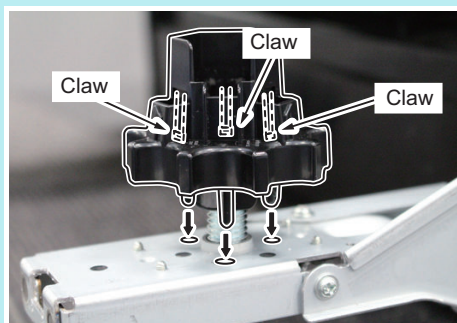
NOTE:

Adjust the height at four casters.



NOTE:

If the adjustment dial keeps lifting upward, lower the adjustment dial by releasing three claws. And be sure to insert the three pins of the adjustment dial to the hole of the caster support plate.

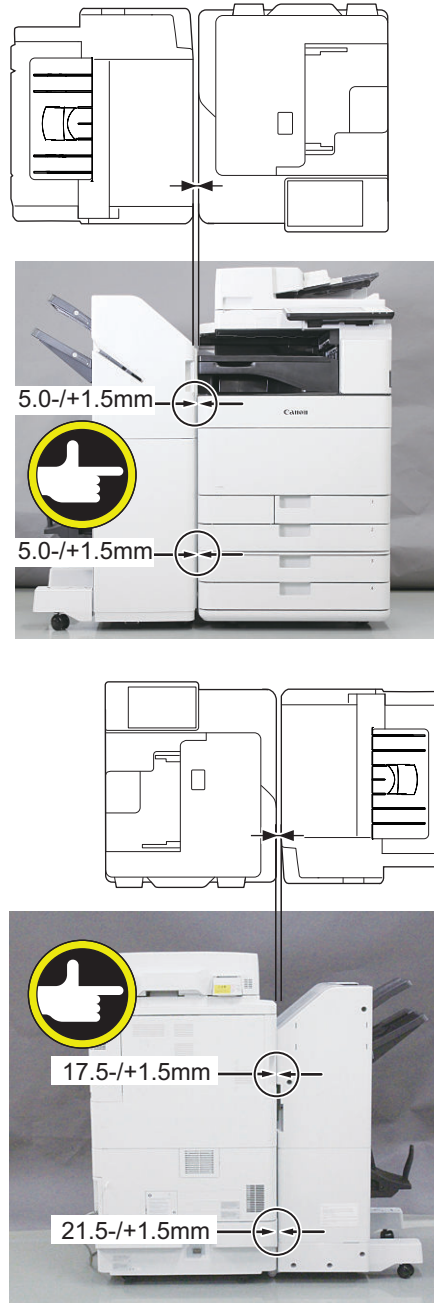


■ Making Check and Adjustment of the Tilt

● Checking the Difference in Tilt



1. Check the relational tilting amount of the Finisher and Host Machine. Make sure that the gap between the right side of the Finisher and the left side of the Host Machine is within the standard shown in the figure.



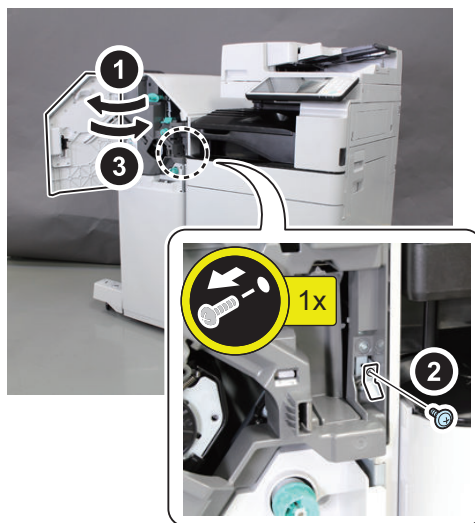
2. When the adjustment of tilt is necessary, make adjustment by referring the "Adjusting the Tilt".

• Preparing This Equipment for Making Adjustment of Tilt

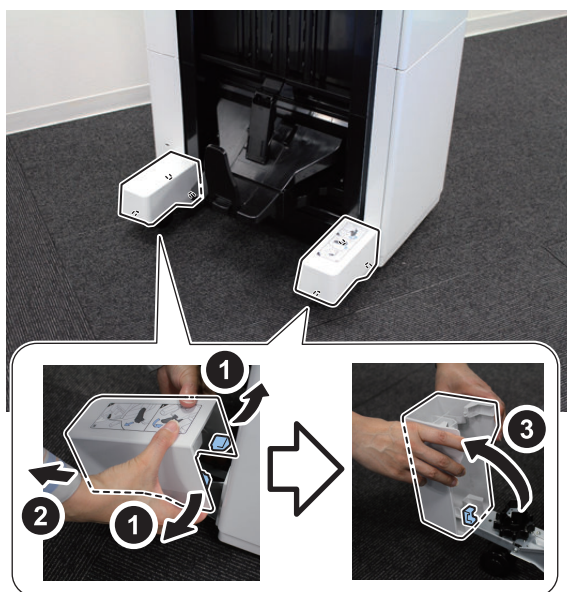


1. Remove the screw when the screw that fixed this Equipment to the Host Machine is installed.

- 1 Screw



2. Remove the Caster Covers (front/ rear).

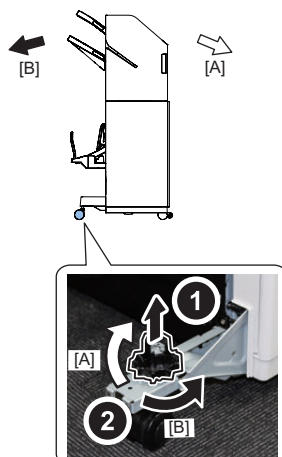
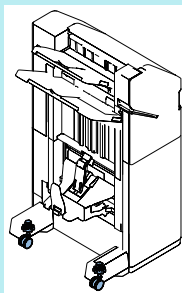


• Adjusting the Tilt

-
1. Turn the adjustment dial of the caster in the direction of the arrow by lifting the dial upward a little to adjust the tilt. (A full turn of the adjustment dial changes the height of this Equipment by 2.0 mm.)
 - To tilt this Equipment to the right, turn the dial in the direction of arrow [A].
 - To tilt this Equipment to the left, turn the dial in the direction of arrow [B].

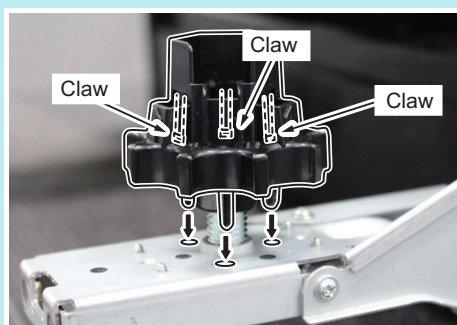
NOTE:

Adjust the tilt at two left casters.



NOTE:

If the adjustment dial keeps lifting upward, lower the adjustment dial by releasing three claws. And be sure to insert the three pins of the adjustment dial to the hole of the caster support plate.

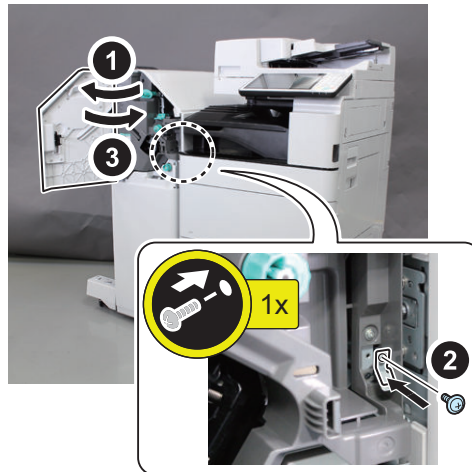
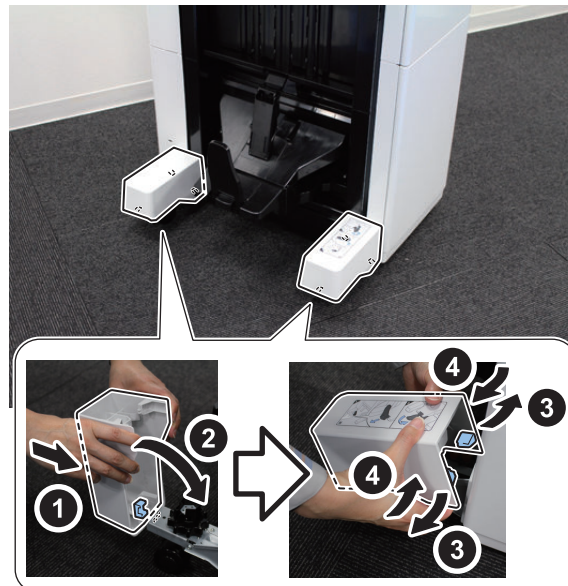


■ Making Checks After Completion of Adjustments

-
1. Check to see that the difference in height between the Finisher and the Host Machine and the tilt are within the specifications. If they are not within the specifications, make adjustments again.

**2. Install the Finisher to the Host Machine.**

- 1 Screw (TP ; M3x6)

**3. Install the Caster Covers (front / rear).**

Making Checks After Completion of Installation Work

■ Disposal Parts Check

1. Following disposal parts are remained after completion of the installation work.

- [1] 1x Remaining Language Jam label (Booklet Finisher only)
- [2] 1x Remaining Caution Language Label (Booklet Finisher only)

■ Operation Check



1. Turn ON the main power of the host machine.



2. Open the Front Cover, and then install the Stapler Unit Staple Case into the Stapler Unit.



3. Close the Front Cover.



4. If a message prompting the user to update the version appears, press [Update] to automatically update the version of this equipment.

NOTE:

If [Skip] is selected, a message prompting the user to update the version will appear every time the host machine is started. In the service mode (Level 2) shown below, it is possible to set not to display the message.

(Level2) COPIER > OPTION > FNC-SW > VER-CHNG



5. Check the operation such as paper feed and stapling to make sure that problems such as a jam or malfunction do not occur.

CAUTION:

Staple-free binding unit might be out of its correct position due to a mechanical shock during transportation. When the staple-free binding unit is out of the correct position, a paper stack is clinched at wrong position in the staple-free binding mode.

To avoid the above, make copies in the following condition after the installation of the finisher and correct the position of the staple-free binding unit:

- Staple mode: Stapling at rear corner
- Paper size: LTR or A4
- Number of sheet: 2
- Copy quantity: 1

NOTE:

Mechanical drive of the staple-free binding unit is engaged with the stapler unit.

Making copies in the above condition will have the stapler unit returned to its home position and the staple-free binding unit stops at the correct position.

2/3 2/4 4 Hole Puncher Unit-A1

● Checking Before Installation

■ Checking Before Installation

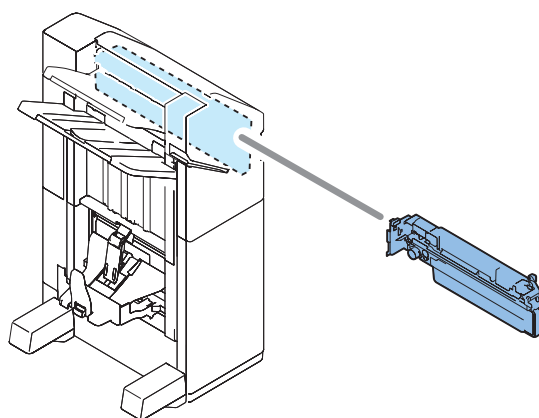
When installing this Equipment together with the Finisher, install this Equipment before installing the Finisher to the Upstream Connection Machine.

■ Product Name

Safety regulations require the product's name to be registered. In some regions where this product is sold, the following name may be registered instead.

- F281060

■ Installation Outline Drawing



● Unpacking Procedure



1. Open the container box, and then take out the Punch Unit and the contents.



2. Remove all cushioning materials and tapes from outside of the Punch Unit.

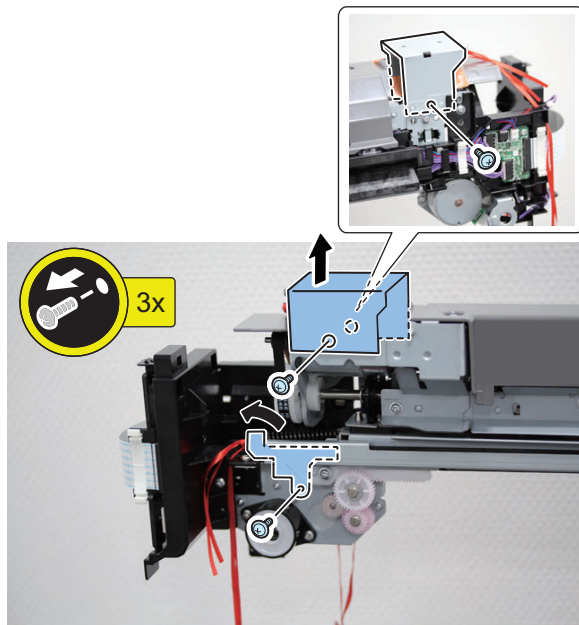


3. Remove the 2 fixtures.



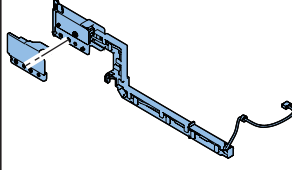


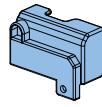

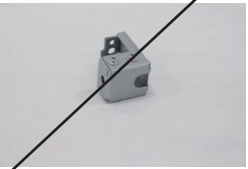
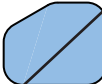



- 3 Screws

NOTE:

Removed screws are used in latter steps.



Checking the Contents

<input type="checkbox"/> [1] Punch Unit x1 	<input type="checkbox"/> [2] Punch Waste Tray x1 	<input type="checkbox"/> [3] Punch Waste Full Sensor Unit x1 
<input type="checkbox"/> [4] Punch Unit Positioning Guide x1 	<input type="checkbox"/> [5] Relay Harness x1 	<input type="checkbox"/> [6] Punch Front Cover x1 
<input type="checkbox"/> [7] Punch Unit Open/ Close Guide x1 	<input type="checkbox"/> [8] Punch Unit Fixing Pin Holder x1 	<input type="checkbox"/> [9] Face Seal x1 
<input type="checkbox"/> [10] Rear Inner Cover (small) x1 	<input type="checkbox"/> [11] Screw (W Sems ; M3x6) x1 	<input type="checkbox"/> [12] Punch Unit Fixing Pin x1 

- Parts [7] to [12] are not used for installation.

<Others>

Other bundled items such as Installation Procedure, leaflets, etc.

Installation Procedure

⚠ CAUTION:

Make sure that the main power switch of the host machine is turned off and the power plug is disconnected from the outlet.

■ Preparation of the Punch Unit

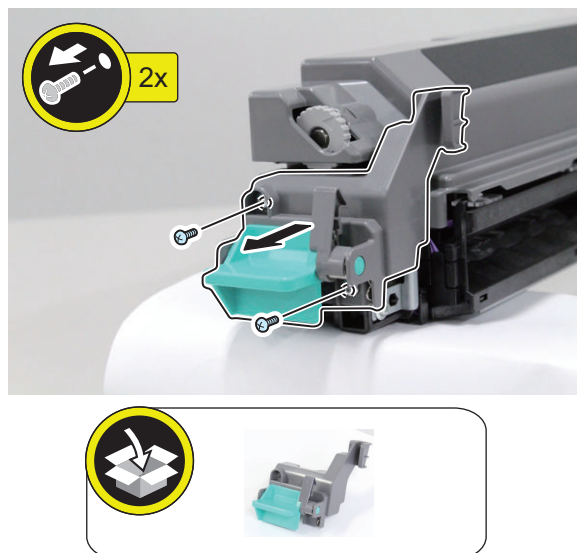


1. Remove the Punch Lever Unit of the Punch Unit.

- 2 Screws

NOTE:

Removed screws are used in the procedure later.

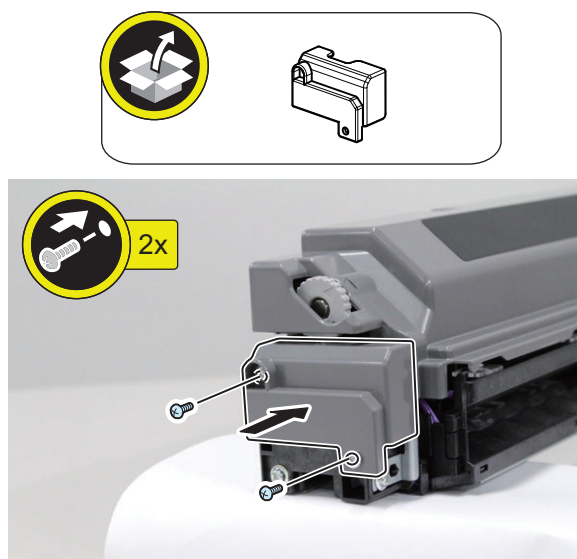


2. Install the Punch Front Cover.

- 2 Screws (P Tightening ; M3x6)

NOTE:

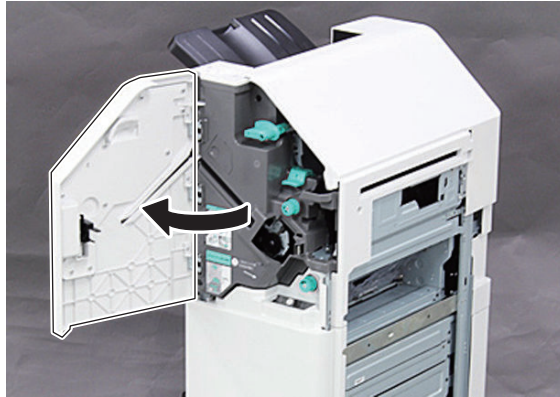
Use the screws removed in step 1.



■ Installing the Punch Unit



1. Open the Front Cover of the Finisher.



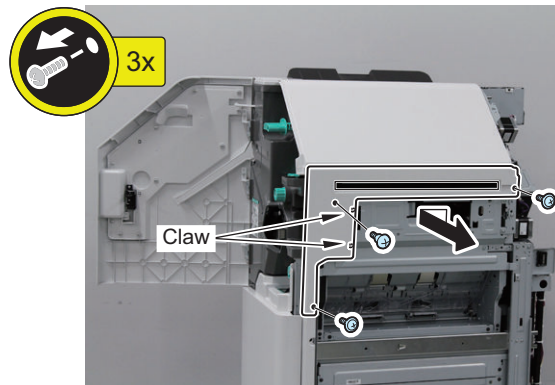
2. Remove the Rear Cover of the Finisher.

- 2 Screws
- 2 Claws



3. Remove the Right Cover of the Finisher.

- 3 Screws
- 2 Claws



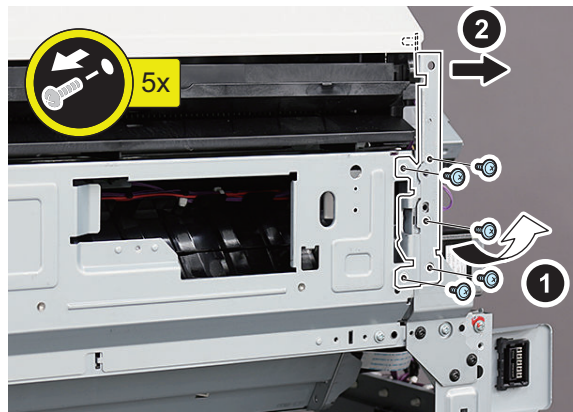
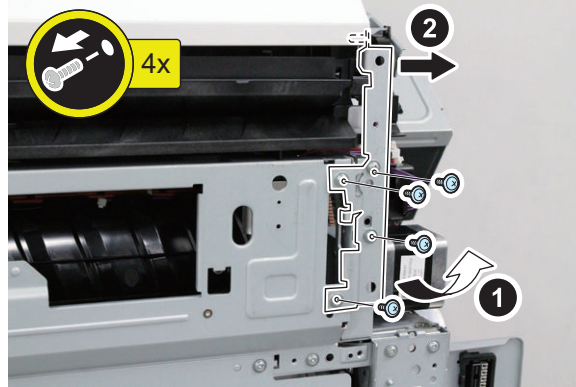


4. Remove the Hinge Unit (rear) from the Upper Cover.

NOTE:

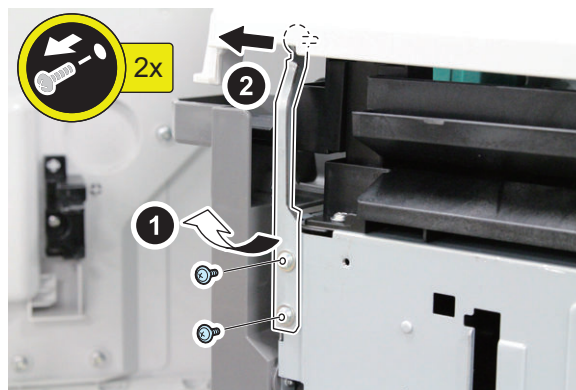
There is a case using 5 Screws for by a model.

- 4(5) Screws



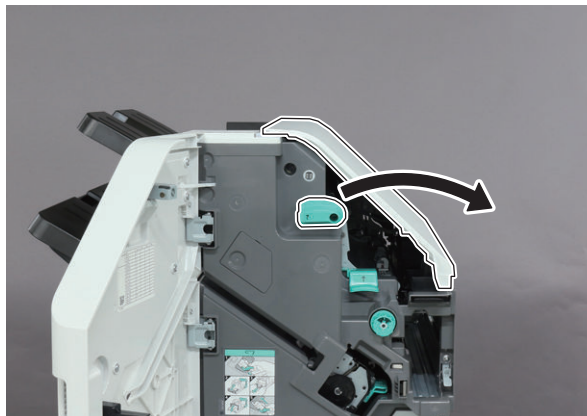
5. Remove the Hinge Unit (front) from the Upper Cover.

- 2 Screws





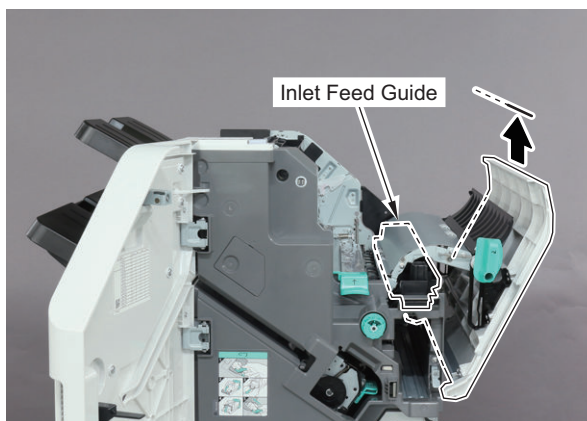
6. Open the Upper Cover.



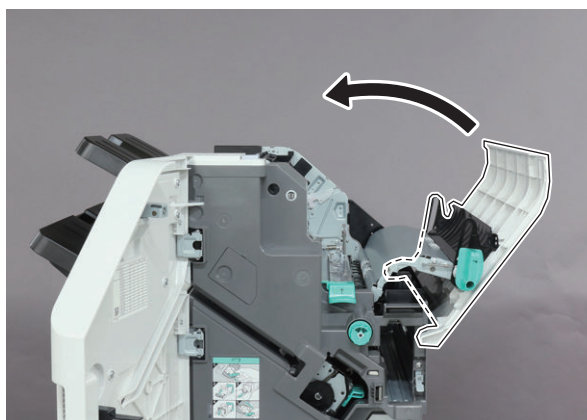
7. Holding the Central Part of the Upper Cover, lift the cover until it stops.

NOTE:

This work is carried out to secure space to remove the Inlet Feed Guide.

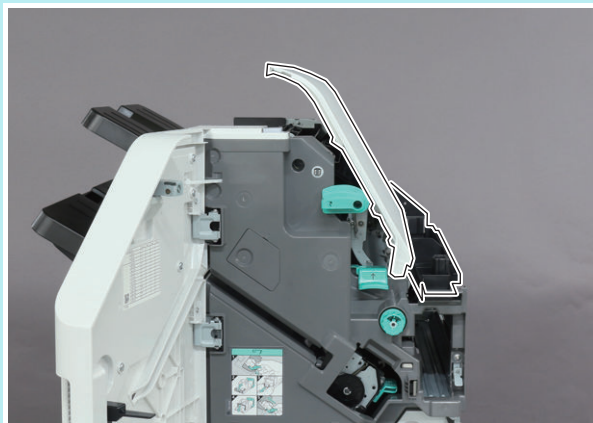


8. Close the Upper Cover.

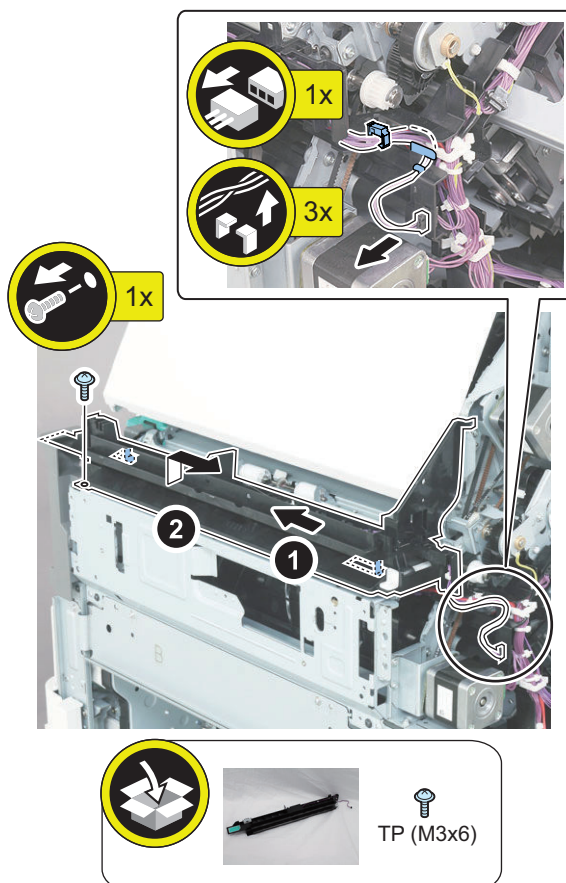


NOTE:

Confirm the Upper Cover and the Inlet Feed Guide are in condition as shown in the figure below.

**9. Remove the Inlet Feed Guide.**

- 1 Screw
- 1 Connector
- 1 Wire saddle
- 2 Harness guides
- 2 Hooks



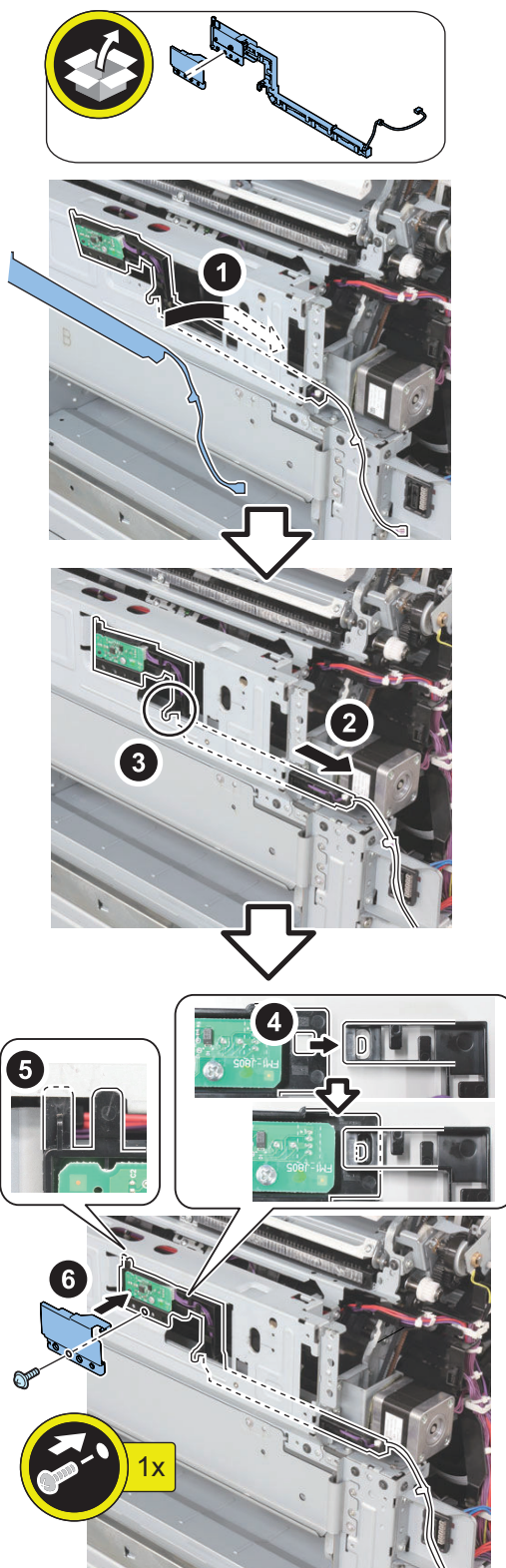


10. Install the Punch Waste Full Sensor Unit.

- 3 Hooks
- Sensor Cover
- 1 Screw (TP ; M3x6)

NOTE:

Use the screw removed in Unpacking Procedure.

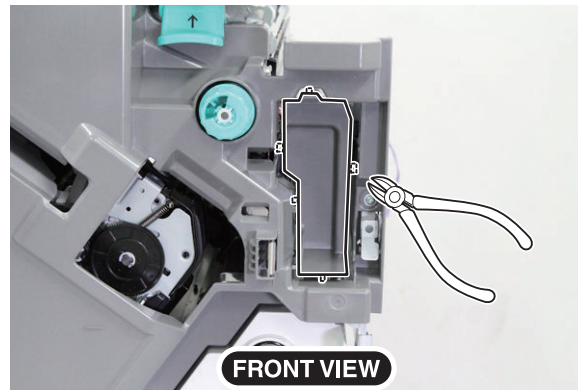




11. Cut out the Face Cover of the Inner Cover by using the side cutters.

CAUTION:

Be sure to remove the Face Cover properly so that no burr is formed.

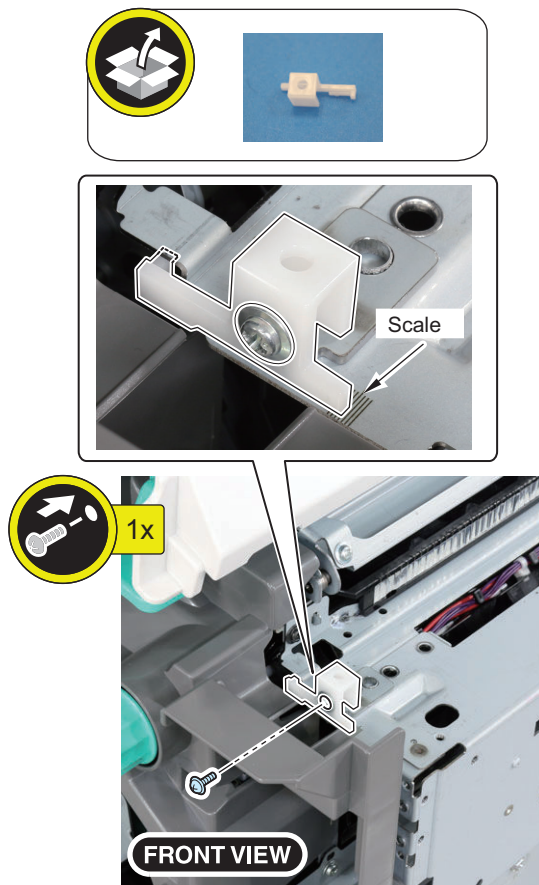


**12. Install the Punch Unit Positioning Guide so that the right edge of the guide can match the center of scale.**

- 1 Screw (TP ; M3x6)

NOTE:

Use the screw removed in Unpacking Procedure.

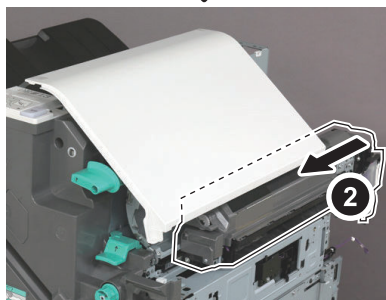
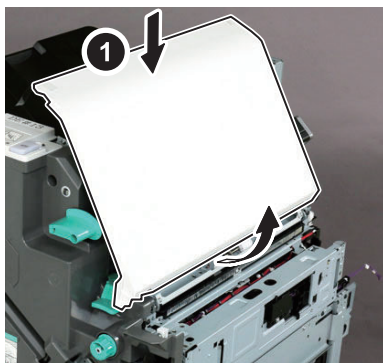




13. Put the Punch Unit while the Upper Cover is open.

CAUTION:

When having the Punch Unit, be careful not to have the PCB unit and its surrounding area.



**14. Install the Punch Unit.**

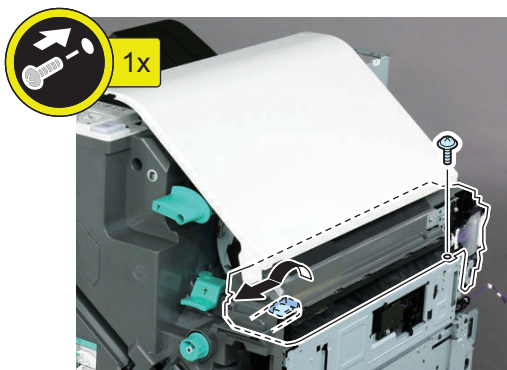
- 1 Screw (TP ; M3x6)

NOTE:

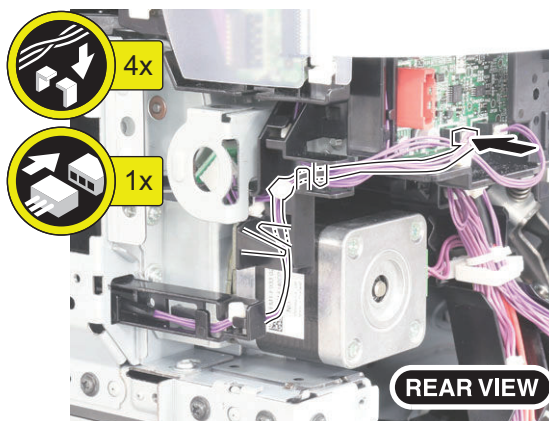
Use the screw removed in Unpacking Procedure.

CAUTION:

- When having the Punch Unit, be careful not to have the PCB unit and its surrounding area.
- Insert the Positioning Guide in the hole of the Punch Unit.

**15. Connect the connector of the Punch Waste Full Sensor Unit to the Punch Unit.**

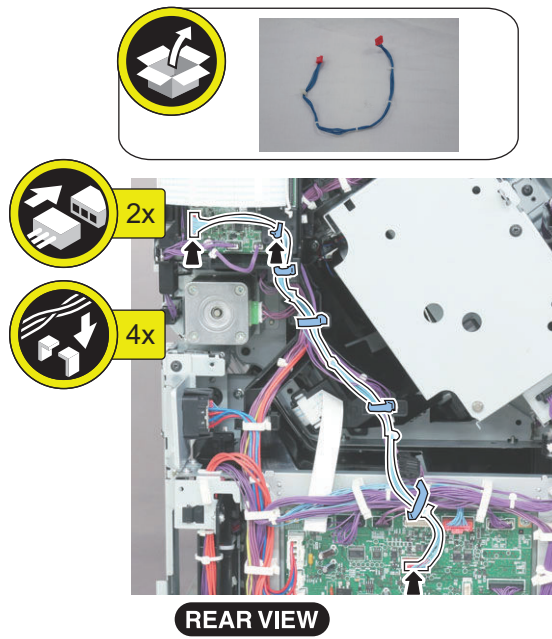
- 4 Cable guides
- 1 Connector



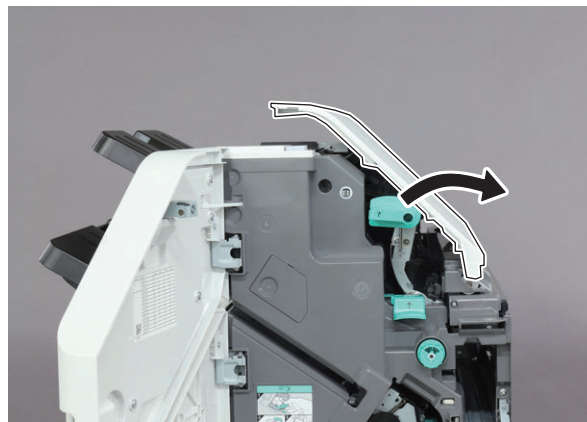


16. Connect the Relay Harness as shown in the figure.

- 2 Connectors
- 1 Reuse Band
- 4 Wire saddles

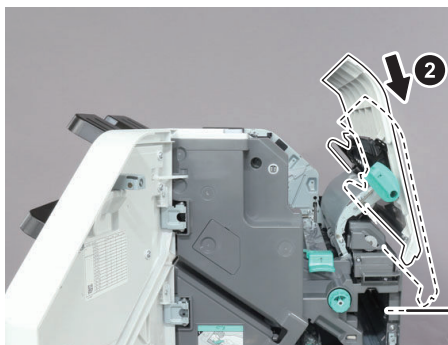
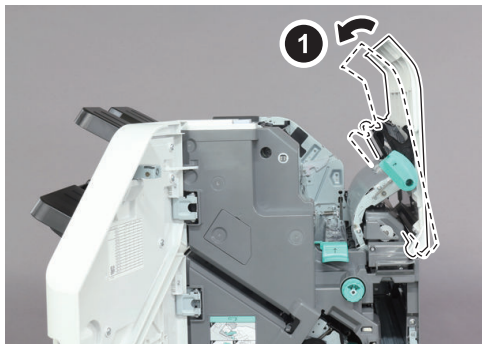


17. Open the Upper Cover.

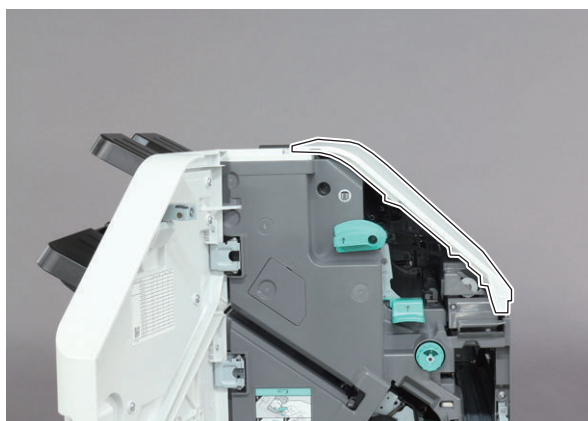
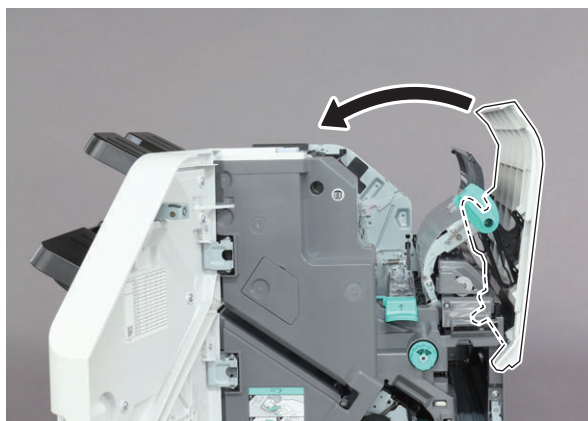




18. Holding the Central Part of the Upper Cover, lower the cover until it stops.



19. Close the Upper Cover.





20. Install the Hinge Unit (front) in the Upper Cover.

- 2 Screws (TP ; M3x6)



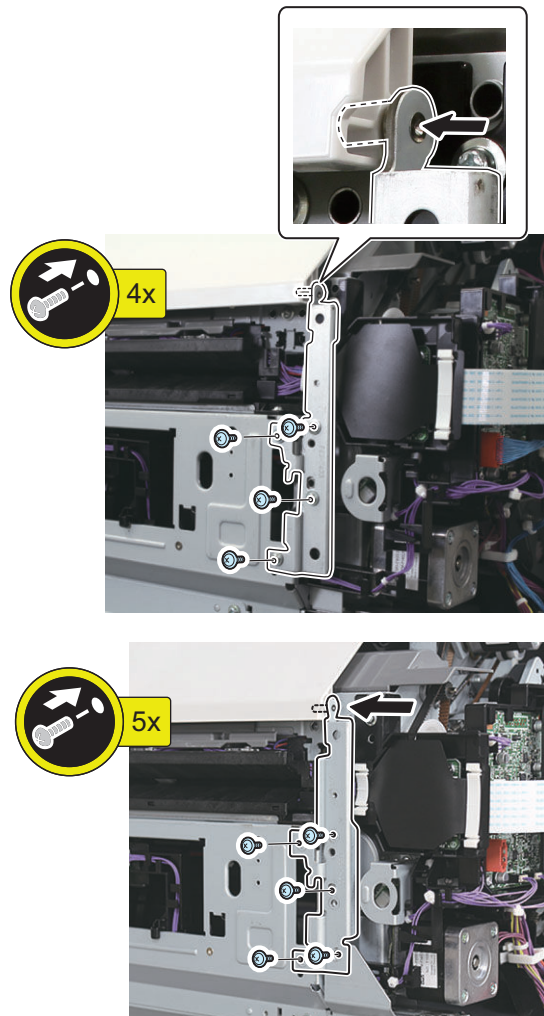
**21. Install the Hinge Unit (rear) in the Upper Cover.**

- 4 Screws (TP ; M3x6)

NOTE:

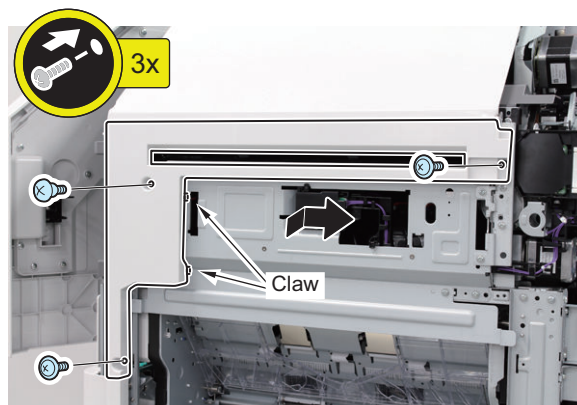
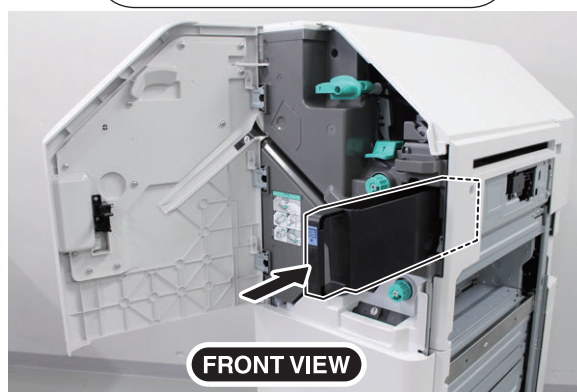
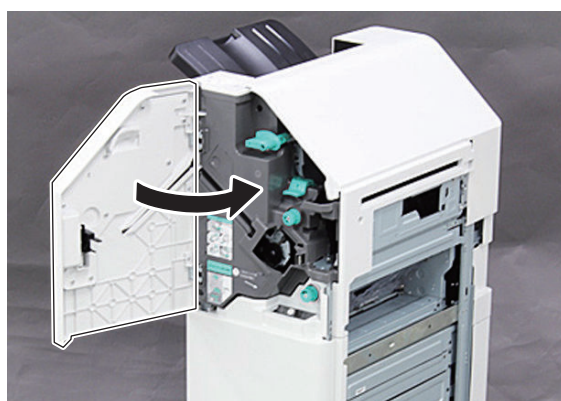
There is a case using 5 Screws for by a model.

- 4 Screws (TP ; M3x6)
- 1 Screw (TP(Black) ; M3x6)



**22. Install the Right Cover of the Finisher.**

- 2 Claws
- 1 Screw (Stepped Screw ; M3x5)
- 2 Screws (TP ; M3x6)

**23. Insert the Punch Waste Tray in the direction of the arrow from the front.****24. Close the Front Cover of the Finisher.**

**25. Install the Rear Cover of the Finisher.**

- 2 Claws
- 2 Screws (TP ; M3x6)

**26. Refer to the installation procedure of the Finisher to Install the Finisher in the Host Machine.**

Disposal Parts Check

1. Following disposal parts are remained after completion of the installation work.

- [1] Punch Lever Unit 1pc.
- [2] Inlet Feed Guide 1pc.
- [3] Punch Unit Open/ Close Guide 1pc.
- [4] Punch Unit Fixing Pin 1pc.
- [5] Face Seal 1pc.
- [6] Rear Inner Cover (small) 1pc.
- [7] Punch Unit Fixing Pin Holder 1pc.
- [8] Face Cover 1pc.
- [9] Screw (W Sems ; M3x6) 1pc.
- [10] Screw (TP ; M3x6) 1pc.

Operation Check

**1. Turn ON the main power of the Host Machine.****2. If a message prompting the user to update the version appears, press [Update] to automatically update the version of this Equipment.****NOTE:**

If [Skip] is selected, a message prompting the user to update the version will appear every time the Host Machine is started. In the service mode (Level 2) shown below, it is possible to set not to display the message.

(Level2) COPIER > OPTION > FNC-SW > VER-CHNG



3. Check the operation such as paper feed and punch operation to make sure that problems such as a jam or malfunction do not occur.

NOTE:

If the punch hole position of this Equipment needs to be adjusted, go to the "Checking and Adjusting the Punch Hole Position".

Adjusting the Output Level of the Punch Waste Full Sensor

After installing this Equipment, adjust the output level of the Punch Waste Full Sensor as follows.



1. Select the following item in the Service Mode and then press the OK button on the screen.

Service Mode (Level1) > SORTER > FUNCTION > FN-SENS2



2. When completing the output level adjustment successfully, the "OK" is indicated on the screen.

NOTE:

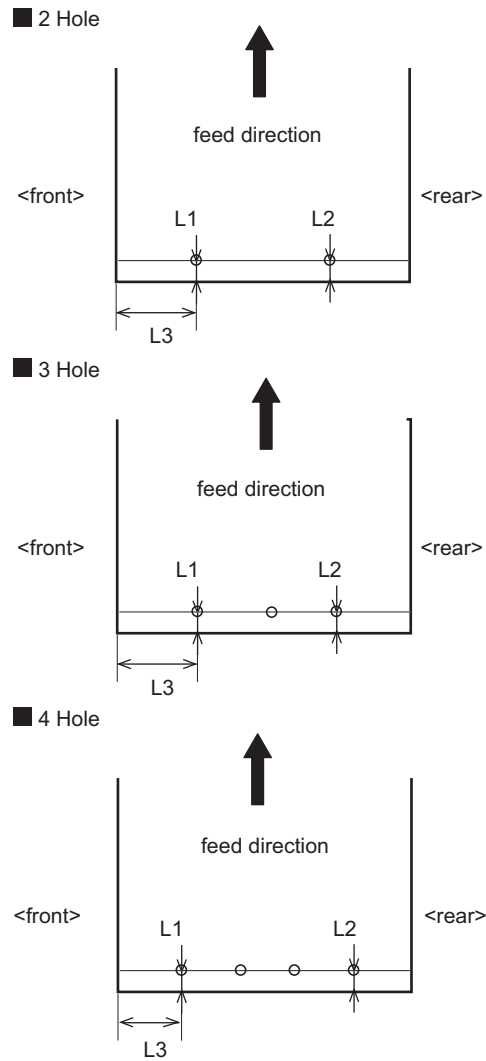
If the "NG" is indicated on the screen at the step 2, retry the adjustment by repeating the step 1. If the "NG" is indicated after retrying the adjustment, check whether there is not the malfunction in attachments and connections of the Punch Waste Full Sensor Unit and the surrounding area.

● Checking and Adjusting the Punch Hole Position

■ Checking the Punch Hole Position



1. Make a print with the punch mode and check whether the skew and side registration and the paper stop position are within the standard.



<Standard>

- 2/3 Hole Puncher Unit

L1 , L2	12 ± 1.5 mm
L3	2 holes : <ul style="list-style-type: none"> • 73 ± 1.5 mm (11"x17"/ LTRR) 3 holes : <ul style="list-style-type: none"> • 31.5 ± 1.5 mm (11"x17"/ LTR) • 40.5 ± 1.5 mm (A3/ A4)

- 2/4 Hole Puncher Unit

L1 , L2	12 ± 1.5 mm
L3	2 holes : <ul style="list-style-type: none"> • 108.5 ± 1.5 mm (A3/ A4) • 99.7 ± 1.5 mm (11"x17"/ LTR) 4 holes : <ul style="list-style-type: none"> • 28.5 ± 1.5 mm (A3/ A4) • 19.7 ± 1.5 mm (11"x17"/ LTR)

- 4 Hole Puncher Unit

L1 , L2	12 ± 1.5 mm
L3	<ul style="list-style-type: none"> • 92.5 ± 1.5 mm (A3/ A4) • 83.7 ± 1.5 mm (11"x17"/ LTR)

■ Skew Adjustment (Mechanical adjustment)

When the punch hole position is skew (when L1 is not equal to L2), make the adjustment according to the following procedure.

● Adjustment Procedure



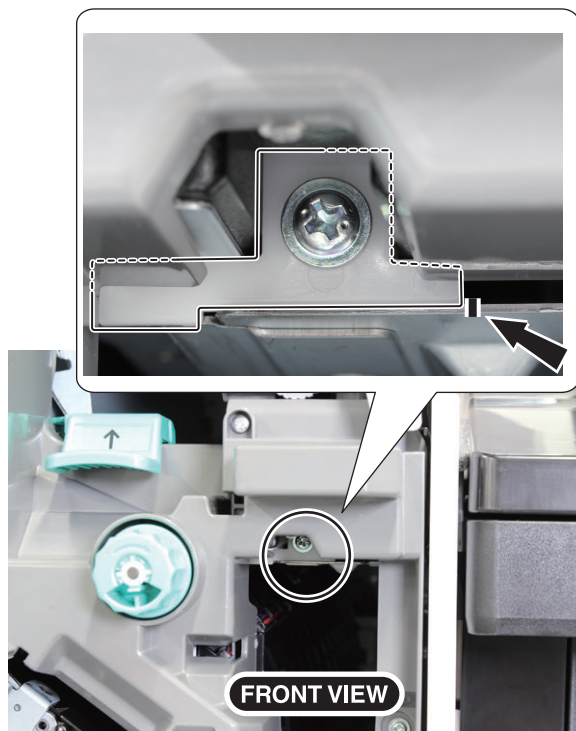
1. Open the Front Cover of the Finisher.



2. Remove the Punch Waste Tray.



3. Mark the installation position of the Punch Unit Positioning Guide.



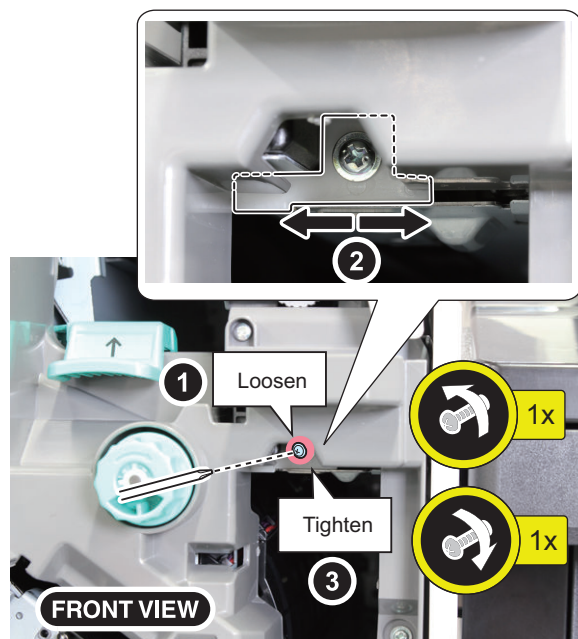
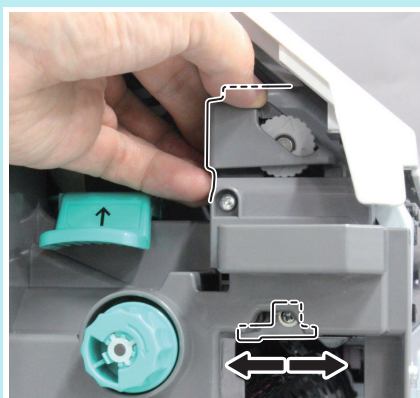
-
4. Loosen the screw fixing the Punch Unit positioning Guide, and then move the guide to adjust by referring the line marked in step 3. After adjusting, tighten the screw.

NOTE:

When $L1 > L2$: Move the guide to the right.
 When $L1 < L2$: Move the guide to the left.

NOTE:

When cannot moving the guide smoothly, move the Punch Unit to adjust as shown in the figure.



-
5. Install the Punch Waste Tray.
-
6. Close the Front Cover of the Finisher.

■ Side Registration Adjustment (Service mode adjustment)

When the side registration is not within the standard (when L3 is not within the standard), make the adjustment according to the following procedure.



1. Enter the following service mode to adjust the side registration.

Service Mode (Level 1) > SORTER > ADJUST > PNCH-Y

NOTE:

When the setting value is increased by 1, L3 increases by 0.1mm.

+ : L3 increases. (The punch holes shift to the rear.)

- : L3 decreases. (The punch holes shift to the front.)



2. Exit the service mode.

■ Paper Stop Position Adjustment (Service mode adjustment)



1. Enter the following service mode to adjust the paper stop position.

Service Mode (Level 1) > SORTER > ADJUST > PNCH-X

NOTE:

When the setting value is increased by 1, L1 and L2 increase by 0.1mm.

+ : L1 and L2 increase. (The punch holes shift to the delivery direction.)

- : L1 and L2 decrease. (The punch holes shift to the inlet direction.)

-Settings/ Registration menu> Adjustment/ Maintenance> Adjust Action> Switch Finisher Puncher Mode



2. Exit the service mode.

Inner Finisher-H1

● Checking before Installation

Following shows requirements for the installation site. Therefore, it is desirable to see the installation site in advance before bringing in this equipment to the user's site.

■ Points to Note at Installation

- This installation procedure is written only about the installation of the inner finisher. When installing the inner puncher together with the finisher, refer to the inner puncher installation procedure instead of referring this installation procedure.

CAUTION:

Marked portion:

- When tightening the screws, do not tighten them too tightly. Otherwise, there is a risk of damage and deformation of screw holes.



■ Product Name

Safety regulations require the product's name to be registered. In some regions where this product is sold, the following names may be registered instead.

F281122

● Unpacking

■ Unpacking Procedure

NOTE:

This equipment is packed using tapes, fixings and cushioning materials to be protected vibration and shock during transportation. Be sure to remove all the fixing materials and the tapes before starting to install this equipment. It is a good idea to store away the removed fixings and cushioning materials for possible relocation of this equipment, e.g., to new site or for repairs.



1. Take out the finisher from the carton.

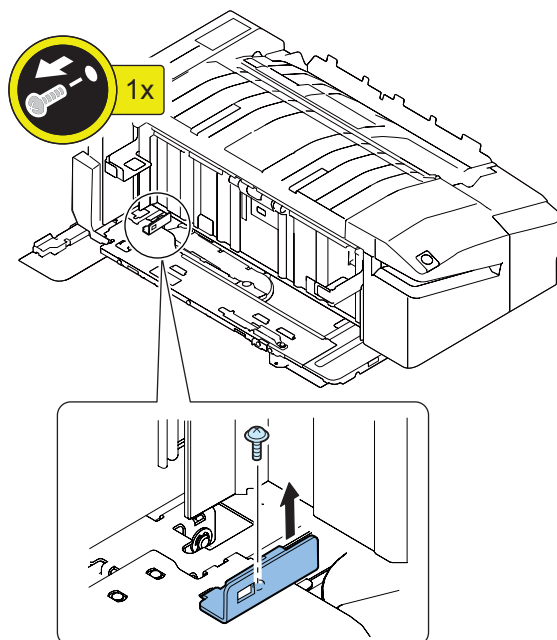


2. Remove all the tapes and the cushioning materials outside this equipment.

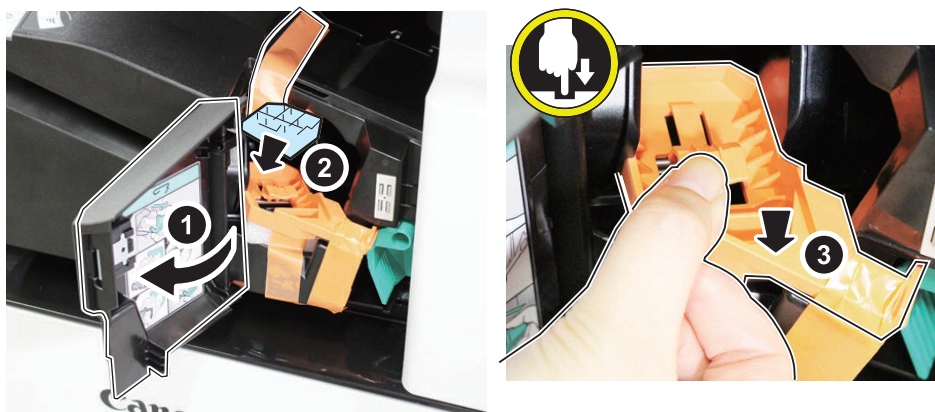


3. Remove the fixing bracket.

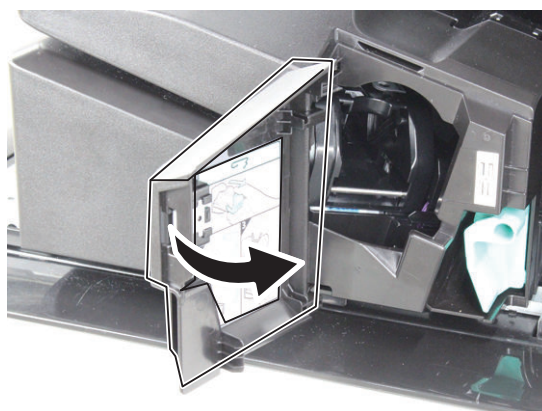
- 1 Screw



4. Open the Front Cover. Remove the two fixing materials and all the tapes of the stapler unit.

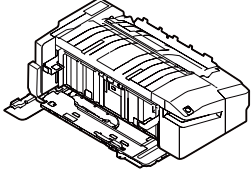
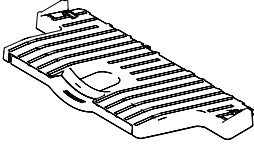
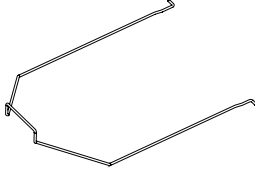
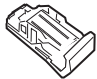
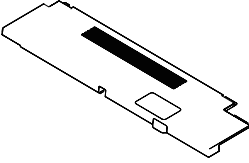
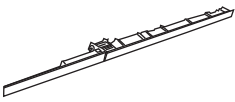
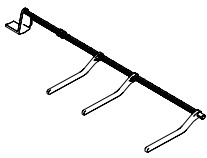


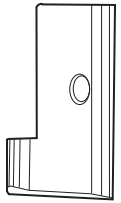



5. Close the Front Cover.



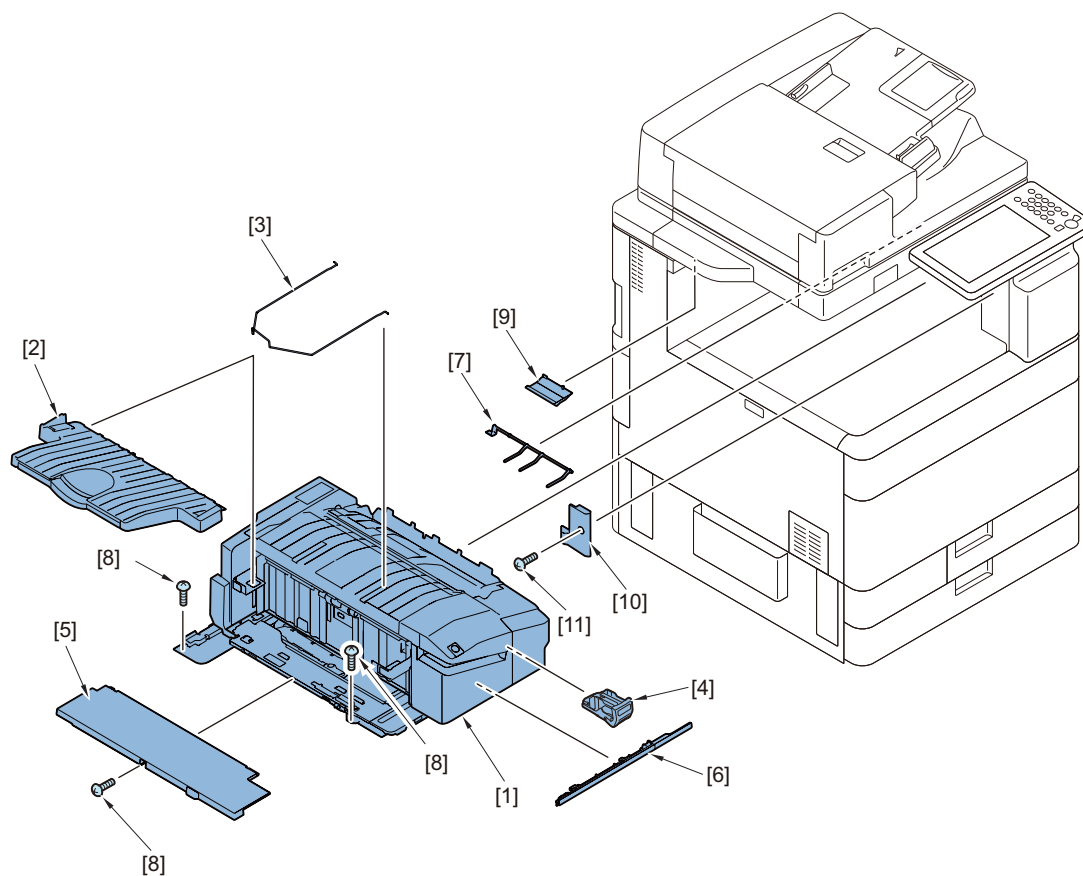
■ Checking the Contents

Check that none of the included parts is missing.

<input type="checkbox"/> [1] Inner Finisher x 1 	<input type="checkbox"/> [2] Stack Tray x 1 	<input type="checkbox"/> [3] Wire Sub Tray x 1 
<input type="checkbox"/> [4] Staple Cartridge x 1 	<input type="checkbox"/> [5] Rail Cover x 1 	<input type="checkbox"/> [6] Rail Front Cover x 1 
<input type="checkbox"/> [7] Second Delivery Sensor Flag (Gray) x 1 	<input type="checkbox"/> [8] Screw (Binding (Black) ; M3x8) x 3 	<input type="checkbox"/> [9] Delivery Guide x 1 
<input type="checkbox"/> [10] Support Guide x 1 	<input type="checkbox"/> [11] Screw (Binding ; M4x8) x 1 	

<Others>
Including guides

■ Installation Outline Drawing



● Installation Procedure

■ Preparation for Host Machine

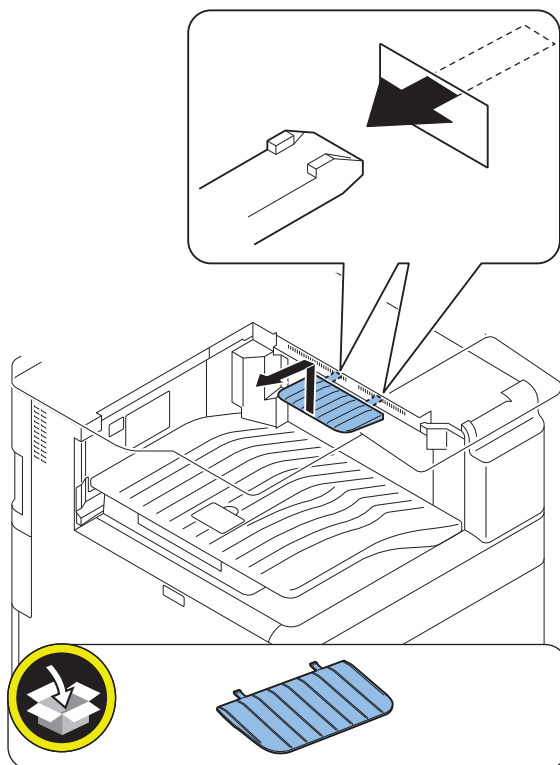
CAUTION:

When installing the inner puncher unit together with the finisher, refer to the installation procedure supplied with the inner puncher unit instead of referring this installation procedure.



1. When the Reversal Guide has been installed to the host machine, remove it.

- 2 Claws

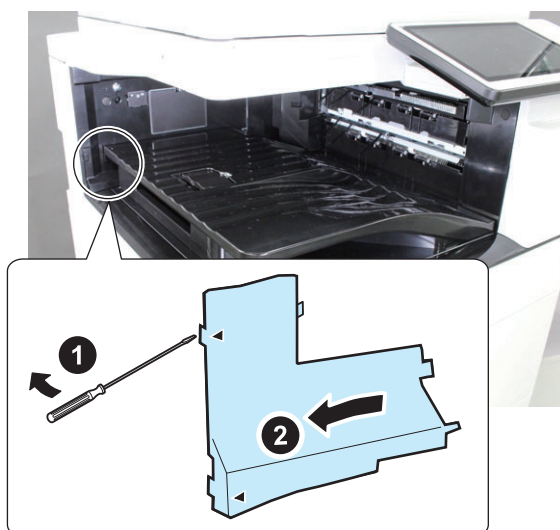


2. Remove the Interface Cover.

- 2 Claws

NOTE:

Removed cover is used in the procedure later.

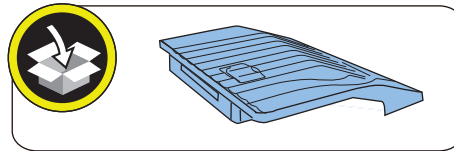




3. Remove the Delivery Tray.

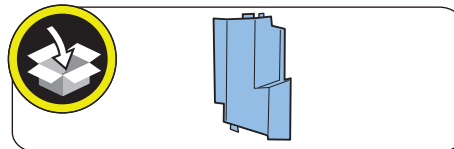
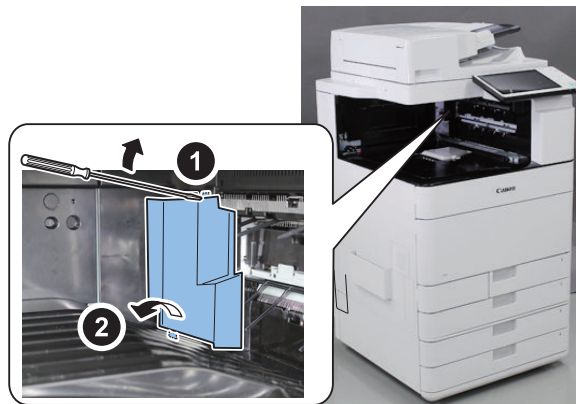
CAUTION:

Be careful so that the covers of the host machine may not be damaged.



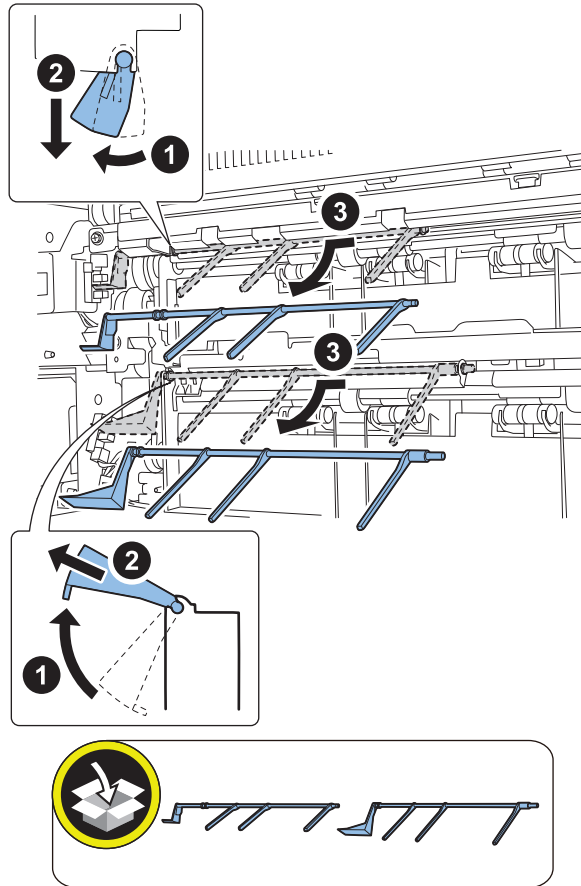
4. Remove the Inner Delivery Sensor Cover.

- 2 Claws

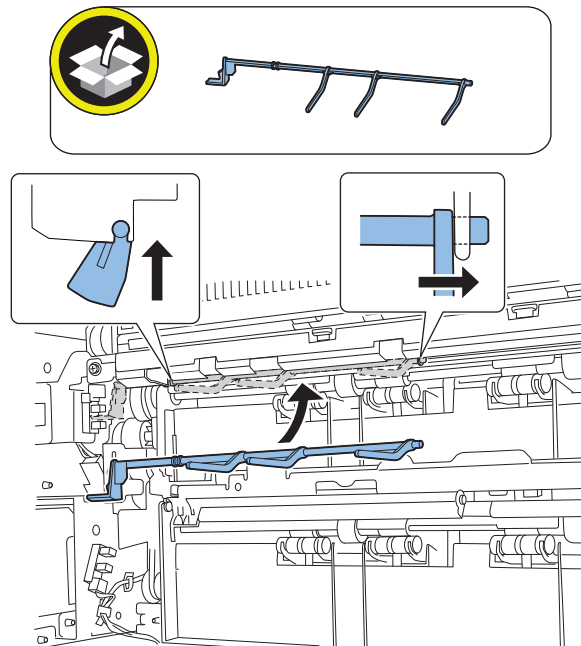




5. Remove the Sensor Flags. (upper / lower)



6. Install the Second Delivery Sensor Flag (upper, Gray)



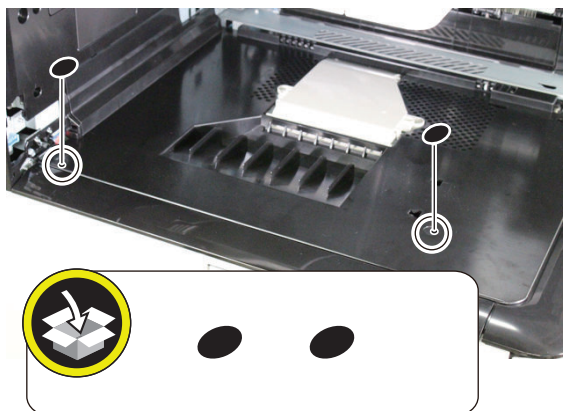
NOTE:
Check that the sensor flag operates smoothly.



7. Remove the 2 Face Seals.

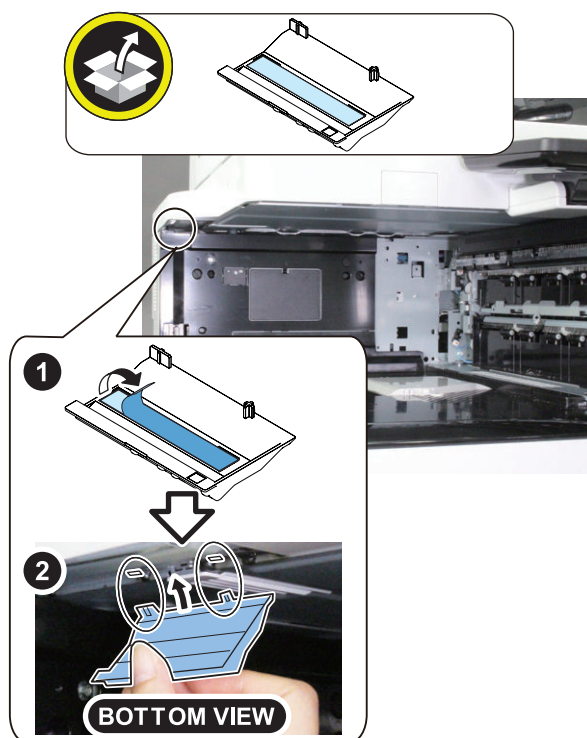
CAUTION:

Be careful so that the Delivery Assembly Cover of the Host Machine is not damaged.



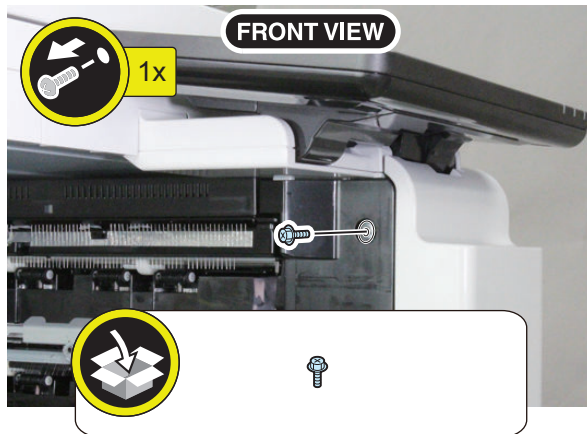
8. Peel off the release paper from the Delivery Guide, and then affix the Delivery Guide on the bottom of reader unit.

- 2 Projections





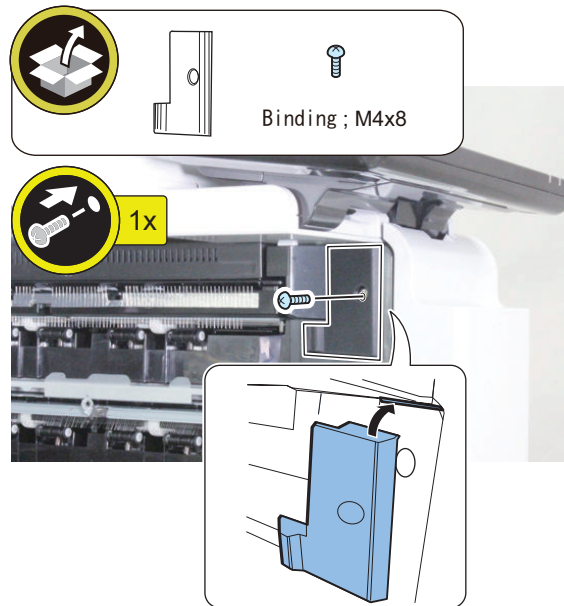
9. Remove a screw.





10. Remove a screw.

- 1 Projection
- 1 Screw (Binding ; M4x8)

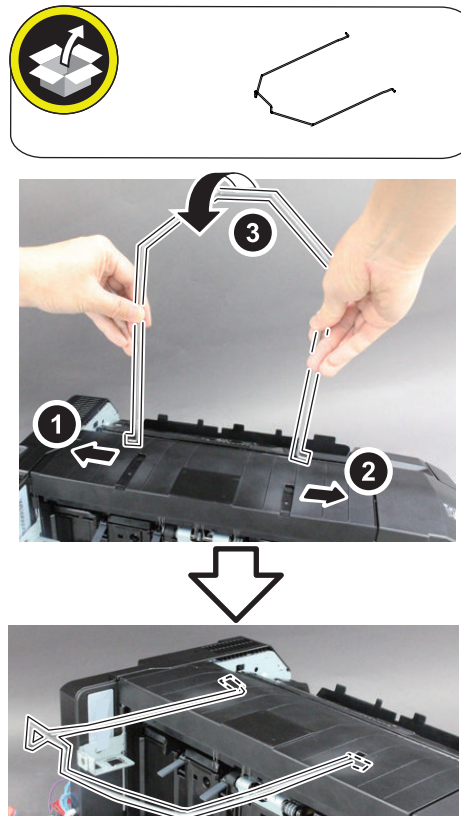


■ Installation of Inner finisher



1. Install the Wire Sub Tray.

- 2 Hooks

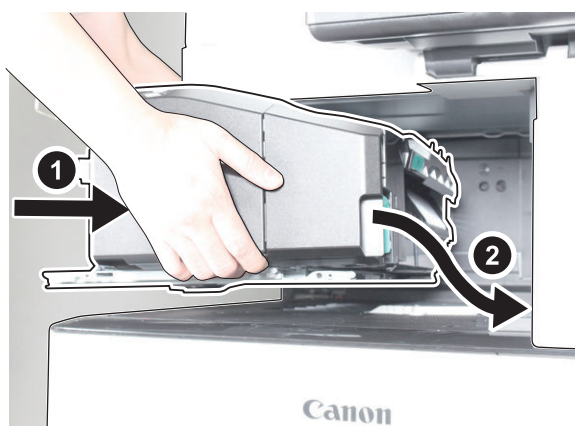
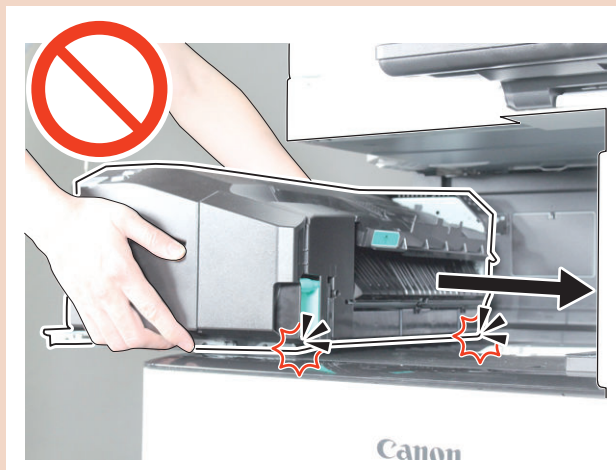


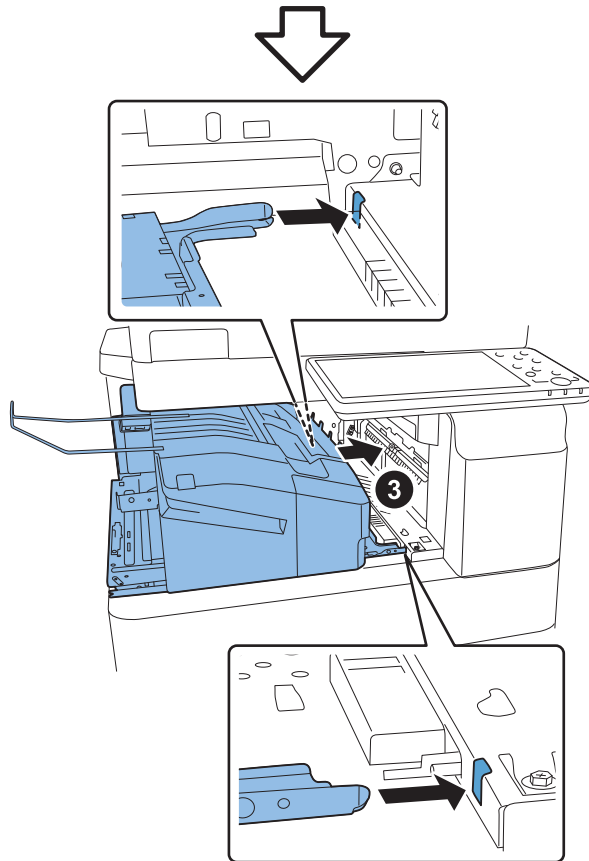


2. Install the Inner Finisher to the host machine as shown in the figure carefully so that the host machine can not be damaged.

CAUTION:

Do not slide the Inner Finisher as putting it on the host machine or bump the edge parts of the rail unit to the covers of the host machine. It may cause damage to the host machine.



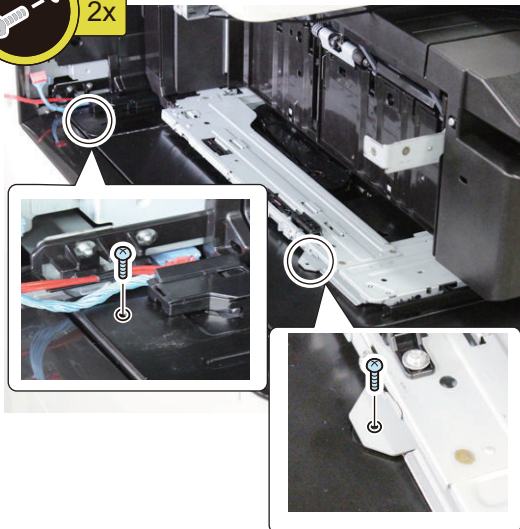


3. Fix the finisher to the host machine.

- 2 Screws(Binding(Black); M3x8)



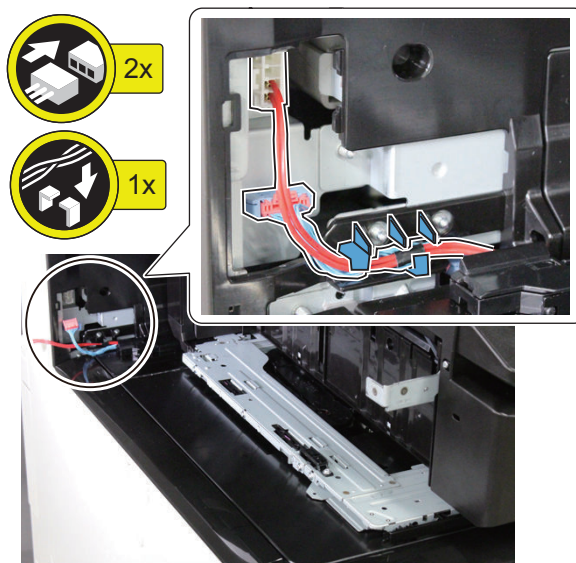
Binding (Black) ; M3x8





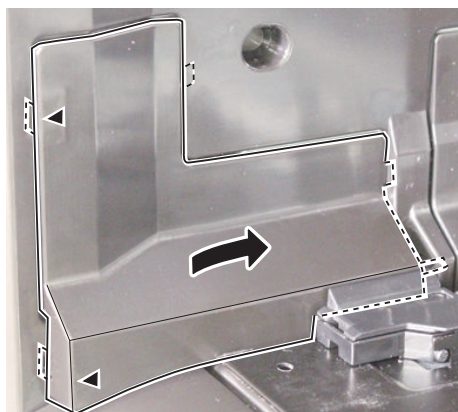
4. Connect the Connector of Inner Finisher to the host machine.

- 2 Connectors
- 1 Harness Guide



5. Install the Interface Cover removed in Preparation for Host Machine.

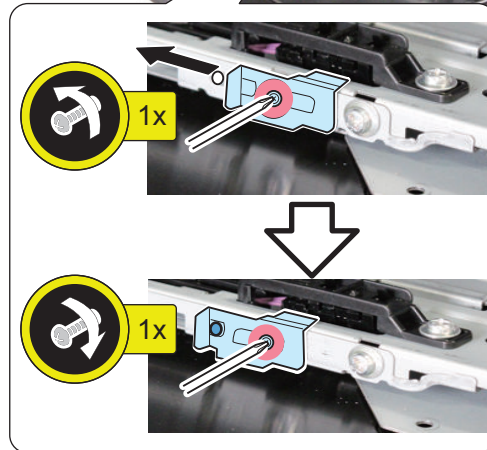
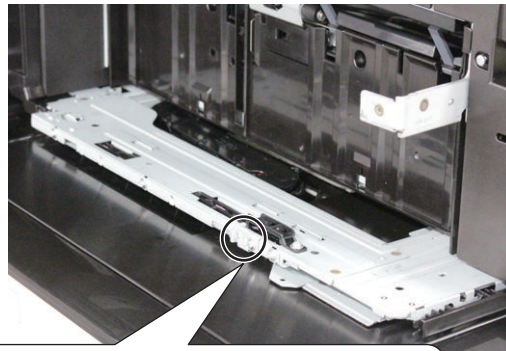
- 3 Projections
- 2 Claws



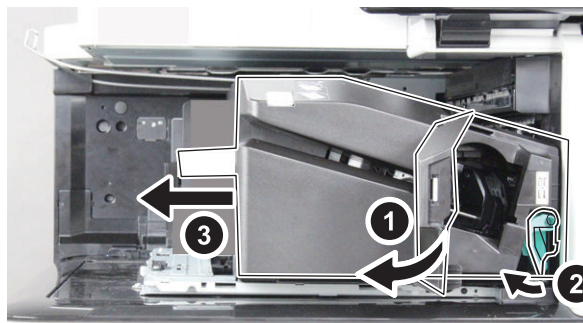


6. Release the Rail Fixing Plate.

- 1 Boss



7. Open the Front Cover. Release the lock lever to slide this machine toward the left until it stops.



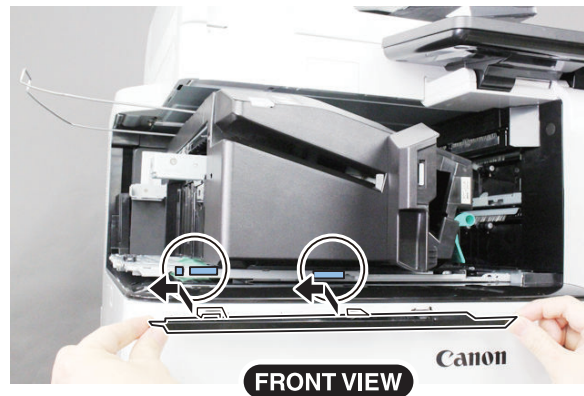
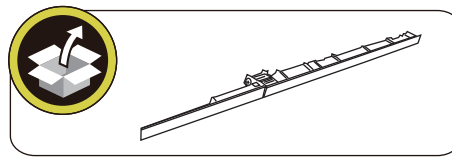
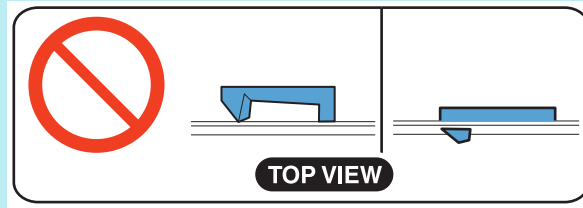
Canon

**8. Install the Rail Front Cover.**

- 2 Hooks

NOTE:

Confirm that the hook is inserted to the hole of the Rail Unit.



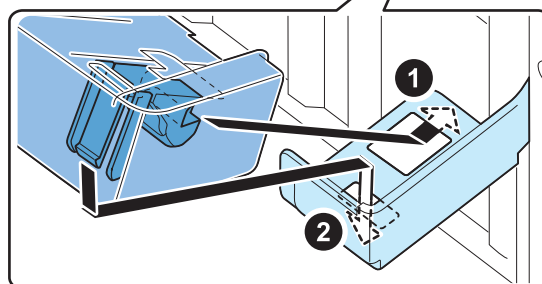
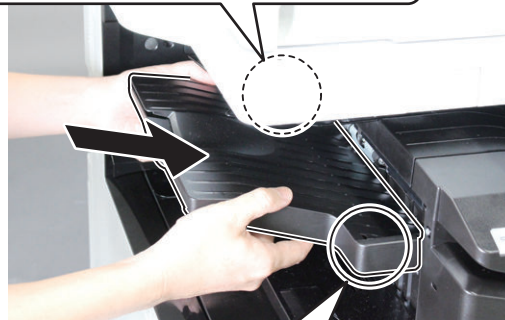
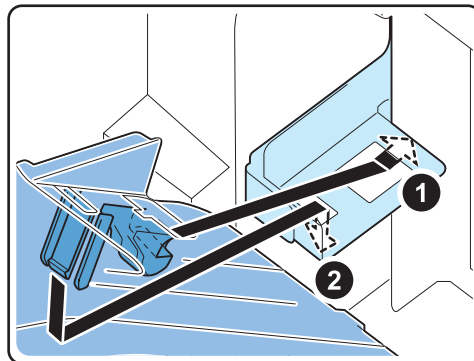
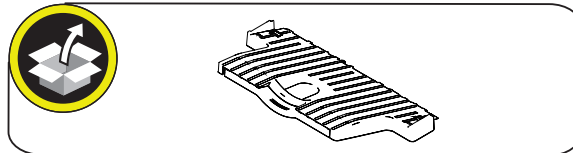
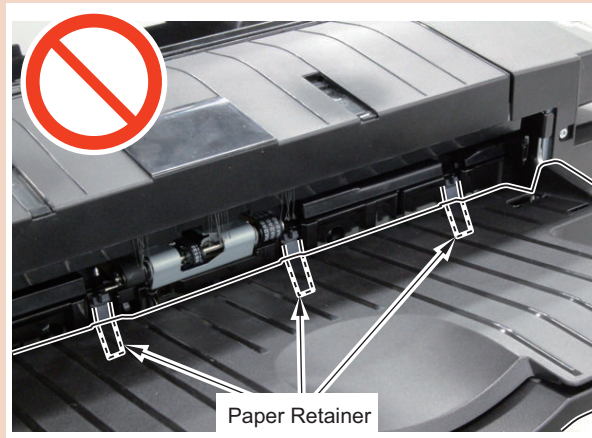


9. Install the Stack Tray to the finisher.

- 4 Hooks

CAUTION:

When installing the Stack Tray, be careful not to nip the Paper Retainer.

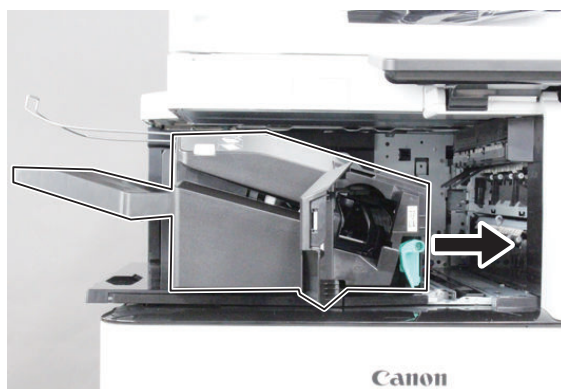


**10. Install the Rail Cover.**

- 1 Screw (Binding(Black) ; M3x8)

NOTE:

Confirm that the Rail Fixing Plate is released .

**11. Slide this equipment toward the right to set it.**



12. Set the Staple Cartridge into the stapler unit, and then close the Front Cover.



● Checking after Installation

■ Disposal Parts Check

1. Following disposal parts are remained after installation procedure.

<input type="checkbox"/>	[1]	Reversal Guide	1pc.
<input type="checkbox"/>	[2]	Inner Delivery Sensor Cover	1pc.
<input type="checkbox"/>	[3]	Sensor Flags. (upper/ lower)	each 1pc.
<input type="checkbox"/>	[4]	Face Seal	2sheets
<input type="checkbox"/>	[5]	Delivery Tray	1pc.
<input type="checkbox"/>	[6]	Screw (RS Tightening ; M4x6)	1pc.

■ Operation Check



1. Turn ON the main power of the host machine.



2. If a message prompting the user to update the version appears, press [Update] to automatically update the version of this equipment.

NOTE:

If [Skip] is selected, a message prompting the user to update the version will appear every time the host machine is started.

In the service mode (Level 2) shown below, it is possible to set not to display the message.

• (Lv.2) COPIER > OPTION > FNC-SW > VER-CHNG



3. Check the paper feed and stapling operation and others.

Inner 2/3 2/4 4 Hole Puncher-B1

● Checking before Installation

Following shows requirements for the installation site. Therefore, it is desirable to see the installation site in advance before bringing in this equipment to the user's site.

■ Points to Note at Installation

- This installation procedure is described about the installation both of this equipment and the Inner Finisher. When installing the Inner Finisher, refer to this installation procedure instead of the Inner Finisher-only installation procedure.

CAUTION:

Marked portion:

- When tightening the screws, do not tighten them too tightly. Otherwise, there is a risk of damage and deformation of screw holes.



■ Product Name

Safety regulations require the product's name to be registered. In some regions where this product is sold, the following names may be registered instead.

-F281190

● Unpacking

■ Unpacking Procedure

NOTE:

This equipment is packed using tapes, fixings and cushioning materials to be protected vibration and shock during transportation. Be sure to remove all the fixing materials and the tapes before starting to install this equipment. It is a good idea to store away the removed fixings and cushioning materials for possible relocation of this equipment, e.g., to new site or for repairs.



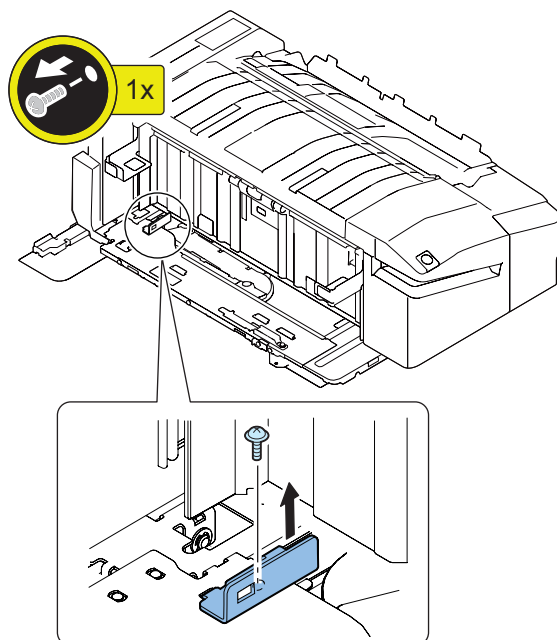
1. Take out this equipment and the finisher from the carton.



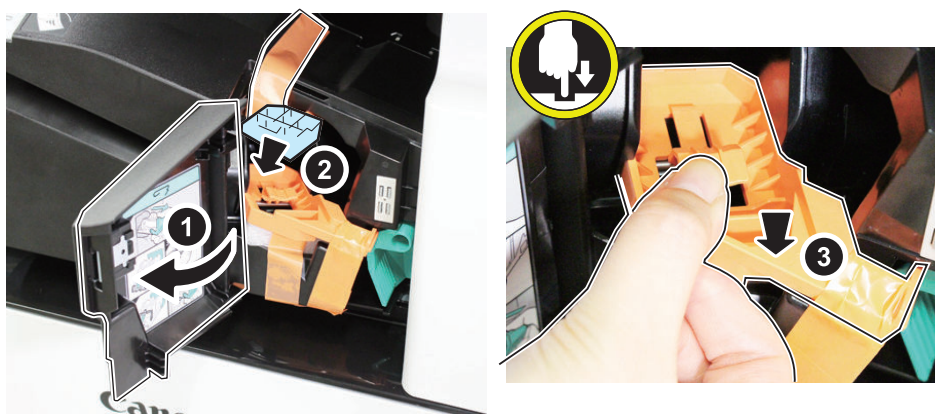
2. Remove all the tapes and the cushioning materials outside this equipment and the finisher.

3. Remove the fixing bracket of the finisher.

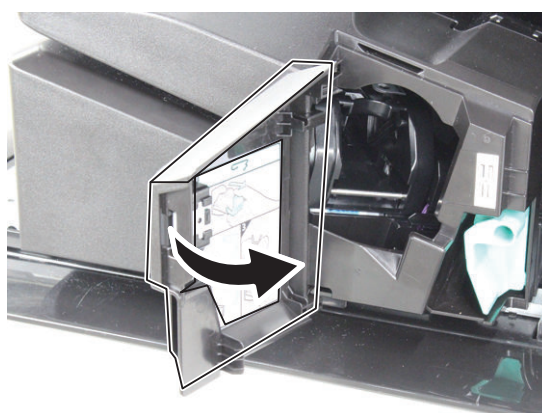
- 1 Screw



4. Open the Front Cover. Remove the two fixing materials and all the tapes of the stapler unit.



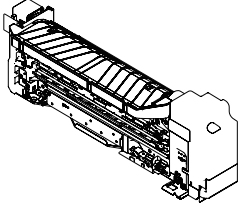
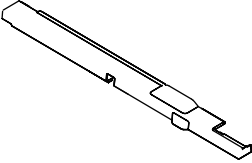

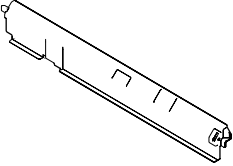
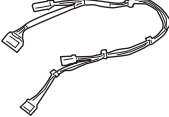
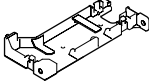
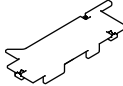
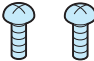
5. Close the Front Cover.



● Checking the Contents

■ The Contents of this equipment

Check that none of the included parts is missing.

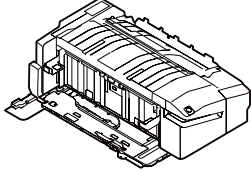
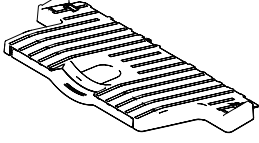
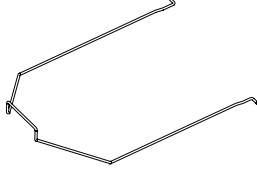
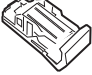
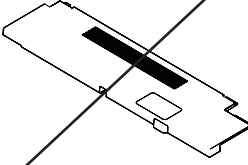
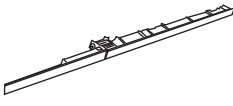
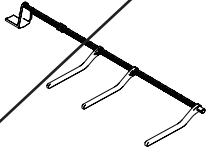
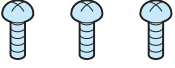

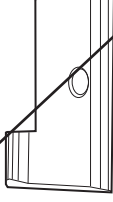

<input type="checkbox"/> [1] Inner Puncher x 1 	<input type="checkbox"/> [2] Rail Cover for inner puncher x 1 	<input type="checkbox"/> [3] Guide Stopper Holder x 1 
<input type="checkbox"/> [4] Interface Connector Cover x 1 	<input type="checkbox"/> [5] Punch Relay Harness for Punch x 1 	<input type="checkbox"/> [6] Rail Harness Guide x 1 
<input type="checkbox"/> [7] Rail Harness Guide Cover x 1 	<input type="checkbox"/> [8] Screw (Binding ; M3x6) x 2 	

<Others>

Including guides

■ The Contents of Inner Finisher

Check that none of the included parts is missing.

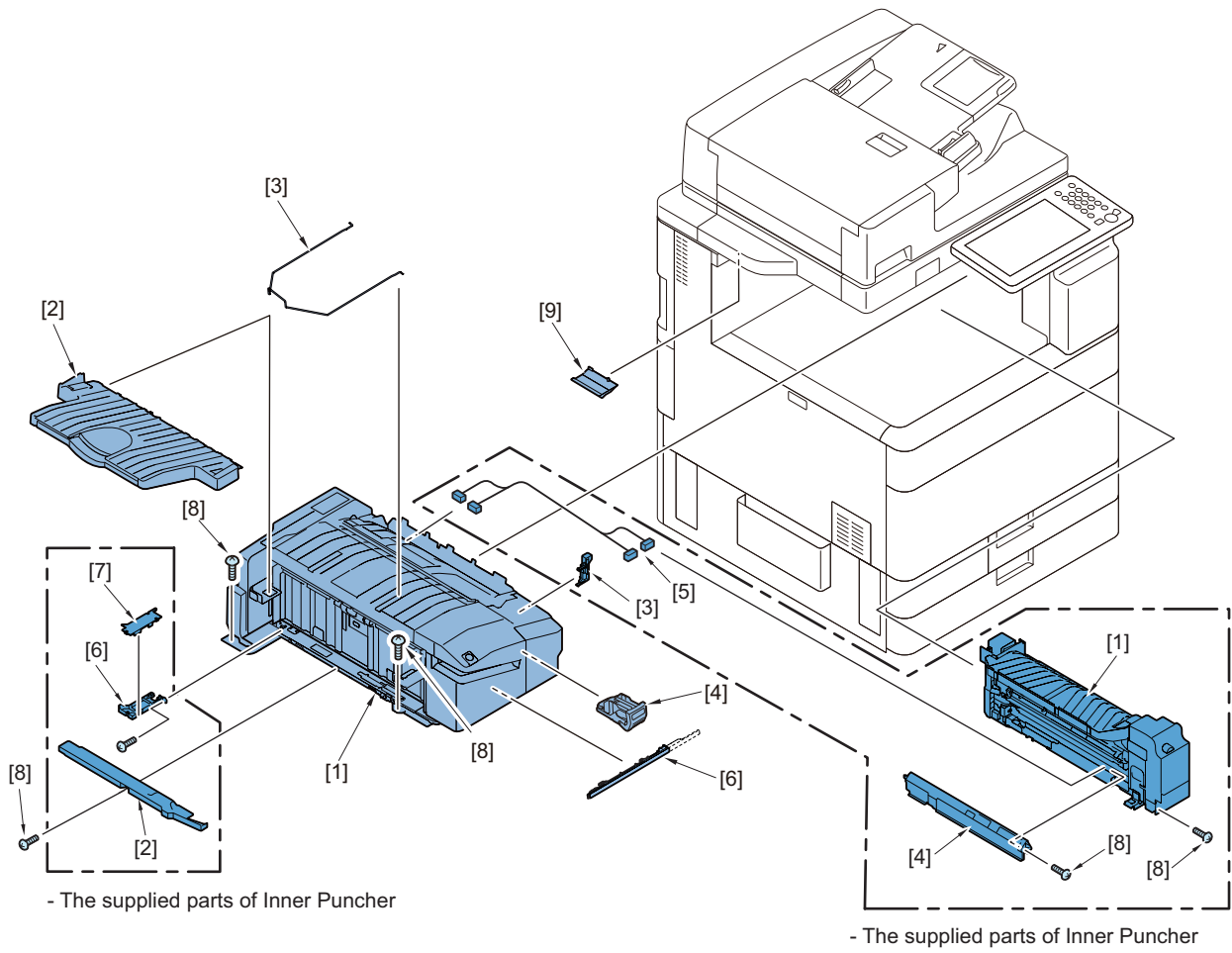
<input type="checkbox"/> [1] Inner Finisher x 1 	<input type="checkbox"/> [2] Stack Tray x 1 	<input type="checkbox"/> [3] Wire Sub Tray x 1 
<input type="checkbox"/> [4] Staple Cartridge x 1 	<input type="checkbox"/> [5] Rail Cover x 1 (*1) 	<input type="checkbox"/> [6] Rail Front Cover x 1 (*2) 
<input type="checkbox"/> [7] Second Delivery Sensor Flag (Gray) x 1 (*1) 	<input type="checkbox"/> [8] Screw (Binding (Black) ; M3x8) x 3 	<input type="checkbox"/> [9] Delivery Guide x 1 
<input type="checkbox"/> [10] Support Guide x 1 (*1) 	<input type="checkbox"/> [11] Screw (Binding ; M4x6) x 1 (*1) 	

*1: When this equipment is installed, [5], [7], [10] and [11] parts are not used.

*2: When this equipment is installed, divide into the two parts and use only longer one.

<Others> Including guides

■ Installation Outline Drawing



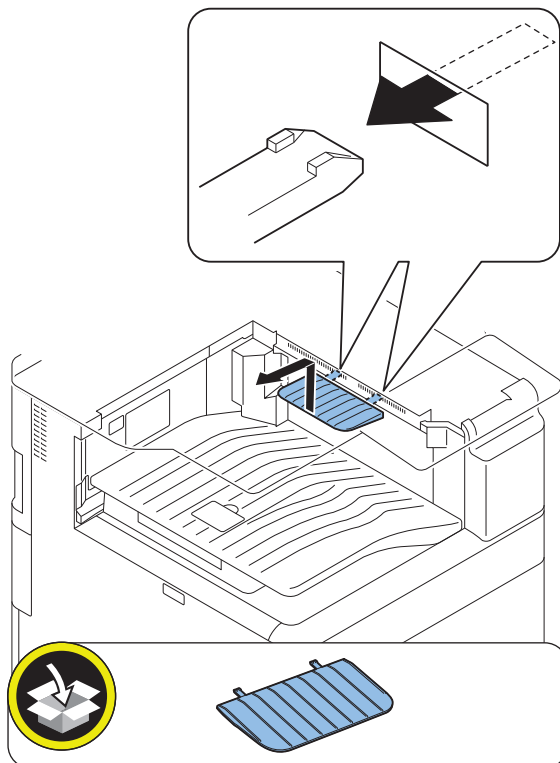
Installation Procedure

■ Preparation for Host Machine



1. When the Reverse Backend Guide is installed, remove it.

- 2 Claws

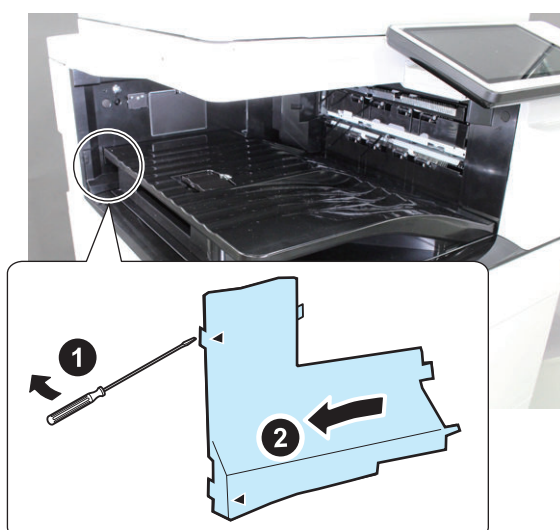


2. Remove the Interface Cover.

- 2 Claws

NOTE:

Removed cover is used in the procedure later.

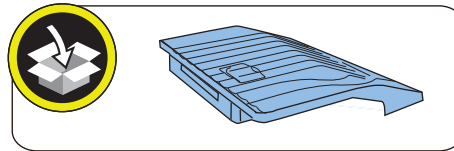
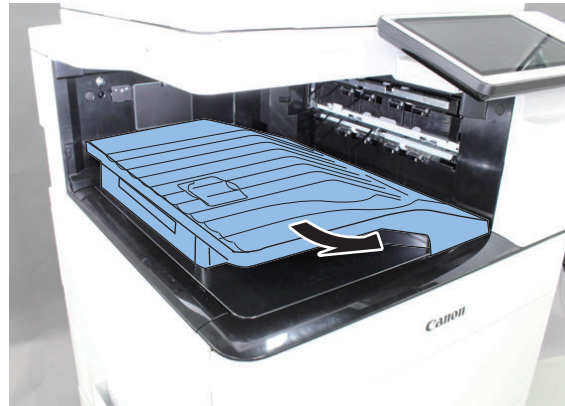




3. Remove the Delivery Tray.

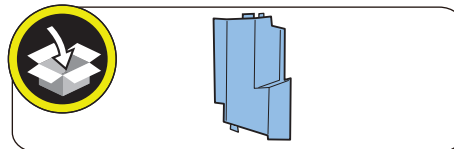
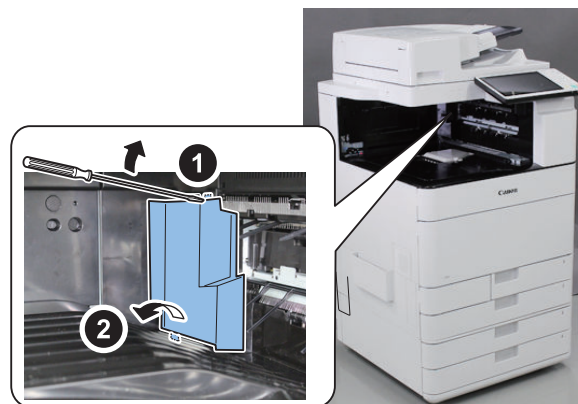
CAUTION:

Be careful so that the Delivery Assembly Cover of the Host Machine is not damaged.



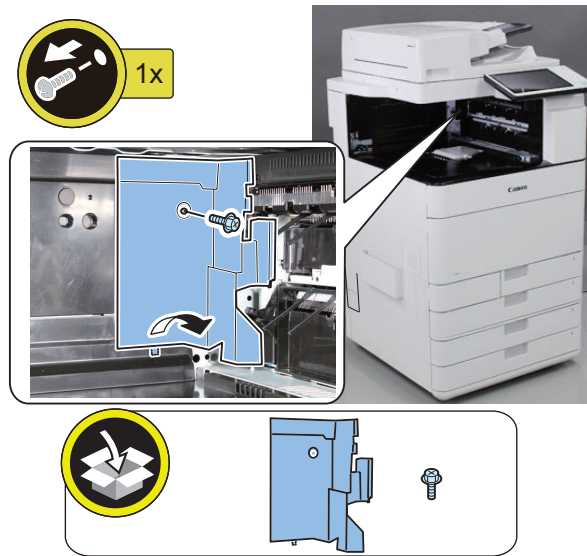
4. Remove the Inner Delivery Sensor Cover.

- 2 Claws

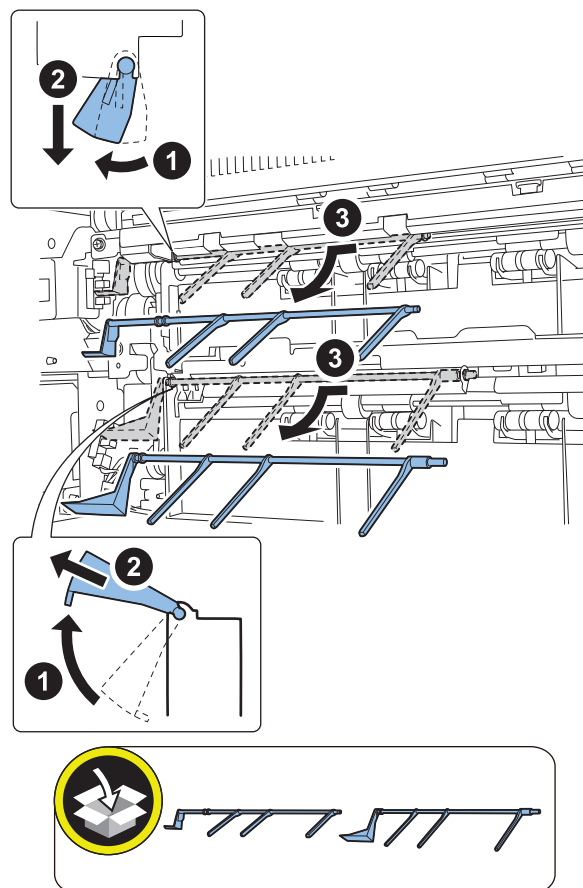




5. Remove the Inner Delivery Cover (right rear).



6. Remove the 2 Sensor Flags. (upper/ lower)

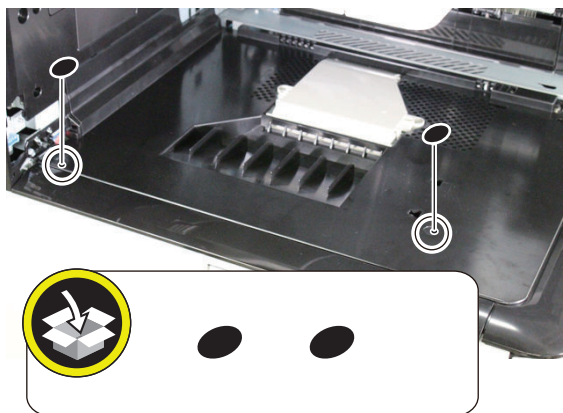




7. Remove the 2 Face Seals.

CAUTION:

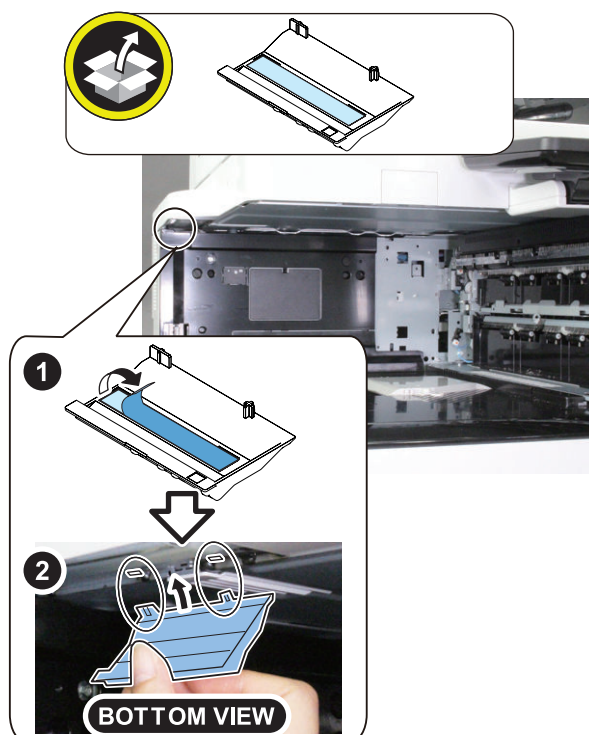
Be careful that the Delivery Assembly Cover of the Host Machine is not damaged.





8. Peel off the release paper from the Delivery Guide, and then affix the Delivery Guide on the bottom of reader unit.

- 2 Projections

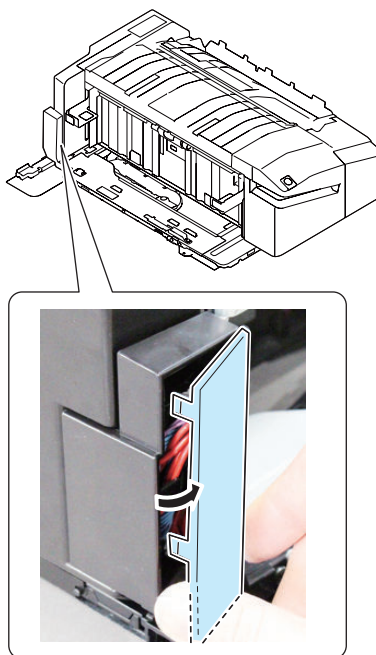


■ Installation of the Inner Finisher



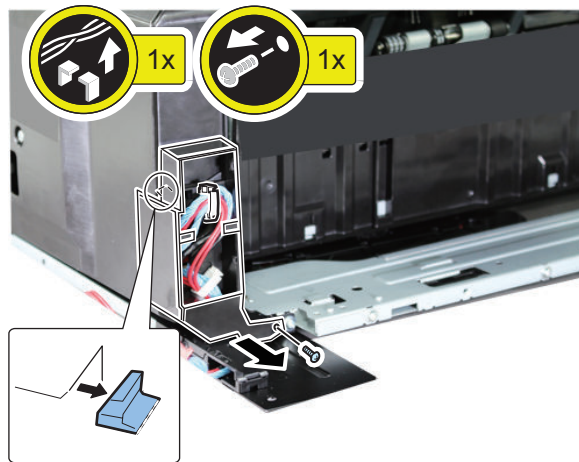
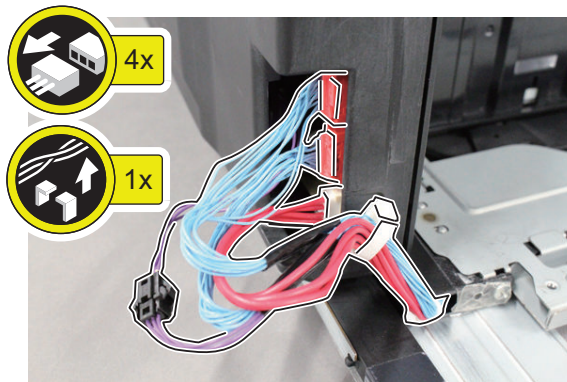
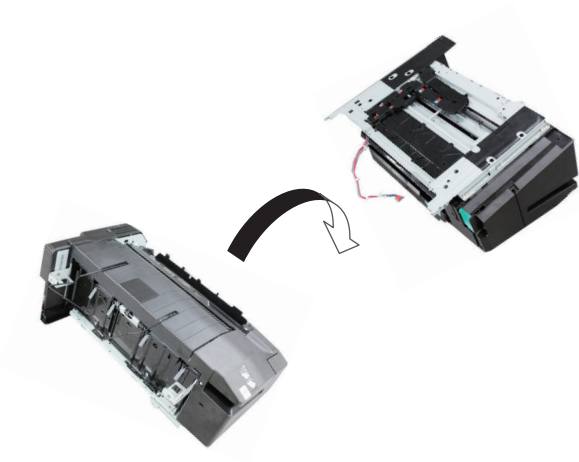
1. Remove the Harness Guide Cover.

- 2 Claws



**2. Remove the Harness Guide.**

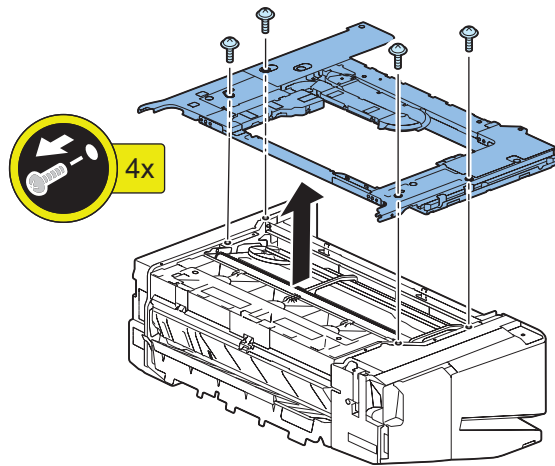
- 1 Wire Saddle
- 1 Screw (P Tightening(Black) ; M3X8)
- 1 Claw

**3. Disconnect the 4 connectors, and free the harness from the Wire Saddle.****4. Return the Inner Finisher.**



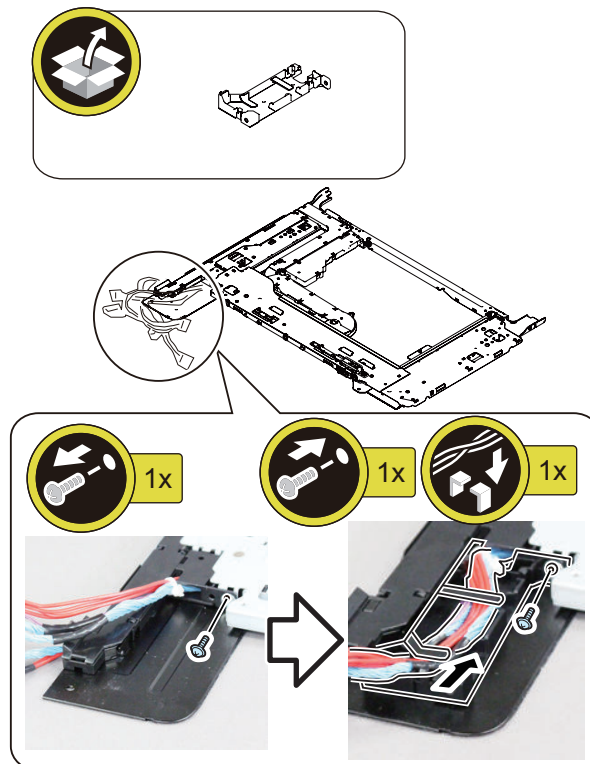
5. Remove the Rail Unit.

- 4 Screws (TP ; M3x6)



6. Install the Rail Harness Guide (supplied with Inner Puncher) to the Rail Unit (supplied with Inner Finisher).

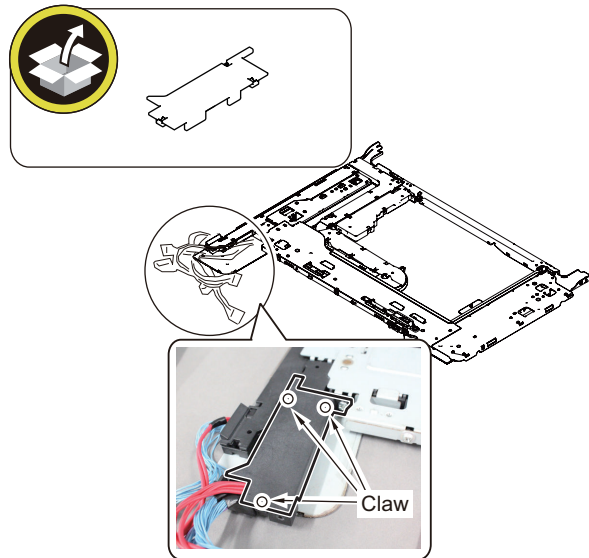
- 1 Screw (Use the screw fixed originally.)
- 1 Harness Guide





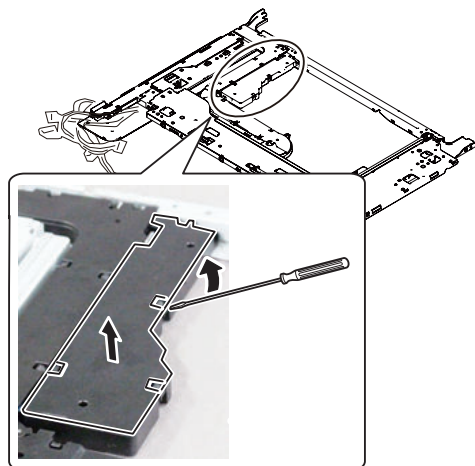
7. Attach the Rail Harness Guide Cover (supplied with Inner Puncher) to the Rail Unit.

- 3 Claws



8. Remove the Harness Guide Cover.

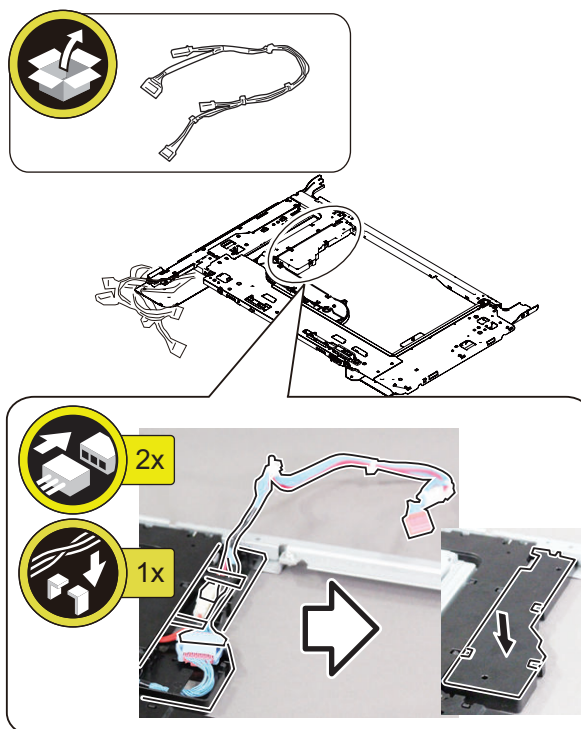
- 3 Claws





9. Connect the Punch Relay Harness (supplied with Inner Puncher), and then attach the Harness Guide Cover to the Rail Unit.

- 2 Connectors
- 1 Harness Guide
- 3 Claws



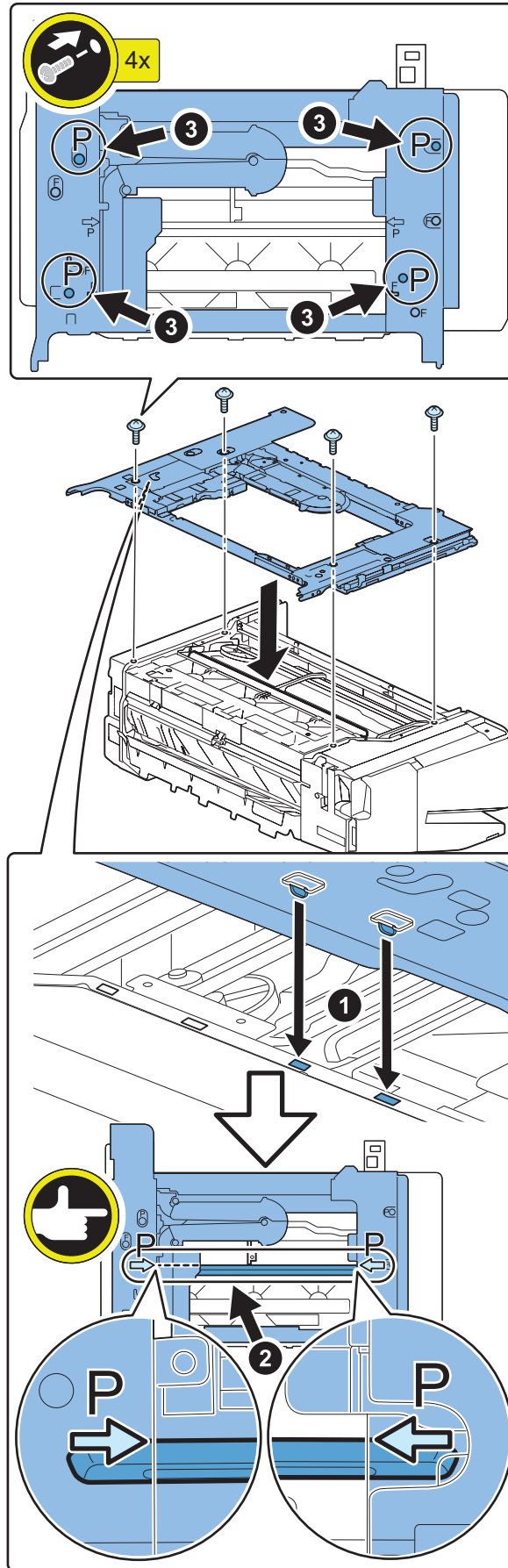


10. Install the Rail Unit.

- 4 Screws (TP ; M3x6)

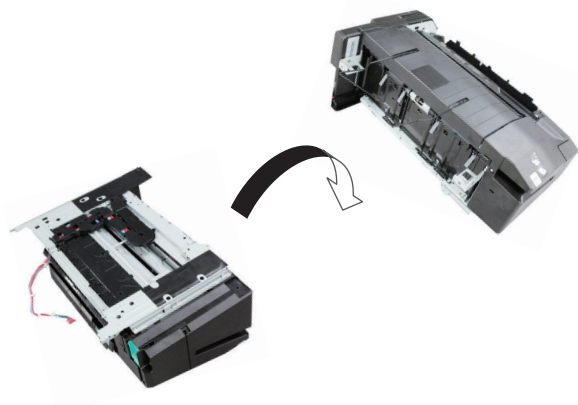
CAUTION:

Take care not to pinch the harness of the Inner Finisher.



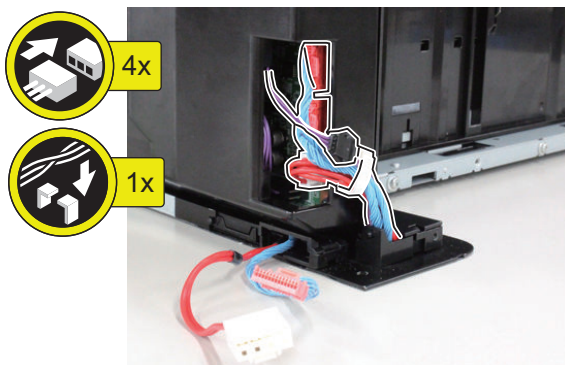


11. Return the Inner Finisher.



12. Connect the connectors of the Rail Unit to the Inner Finisher.

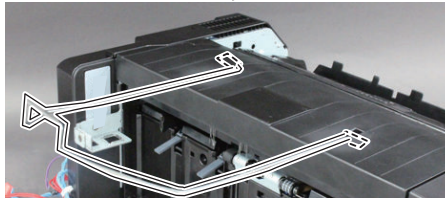
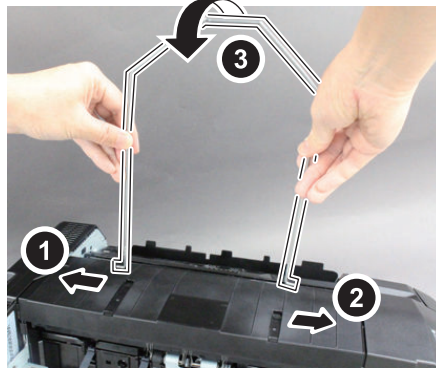
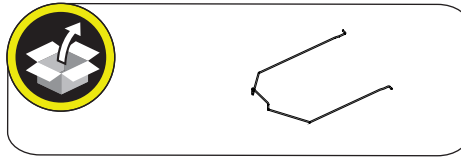
- 4 Connectors
- 1 Wire Saddle





13. Install the Wire Sub Tray (supplied with Inner Finisher).

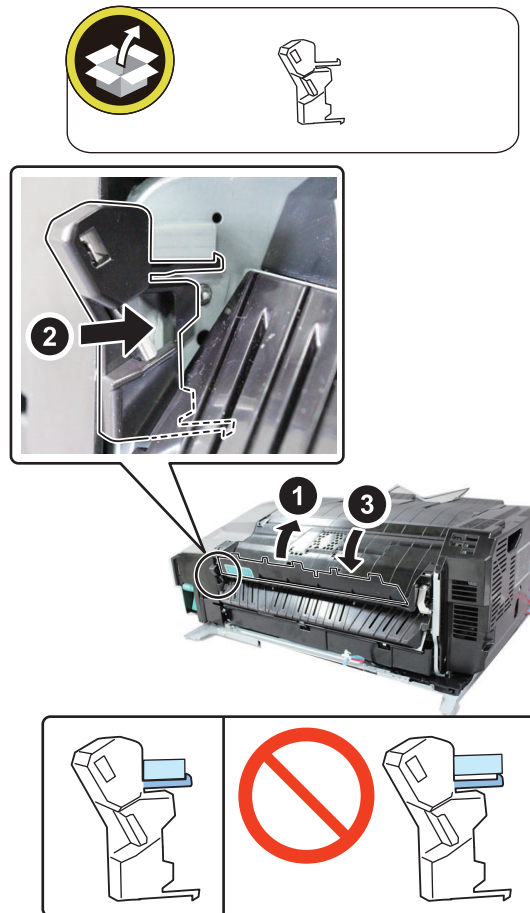
- 2 Hooks





14. While opening the Upper Inlet Guide, install the Guide Stopper Holder (supplied with Inner Puncher) to the Inner Finisher. Make sure that the claw is engaging surely, and then close the Upper Inlet Guide.

- 2 Claws

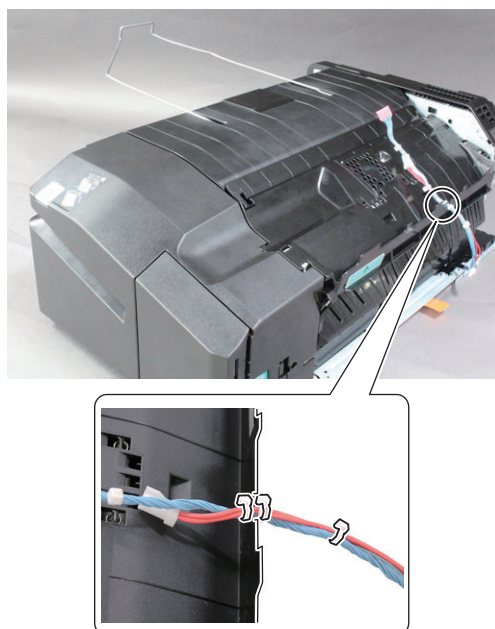
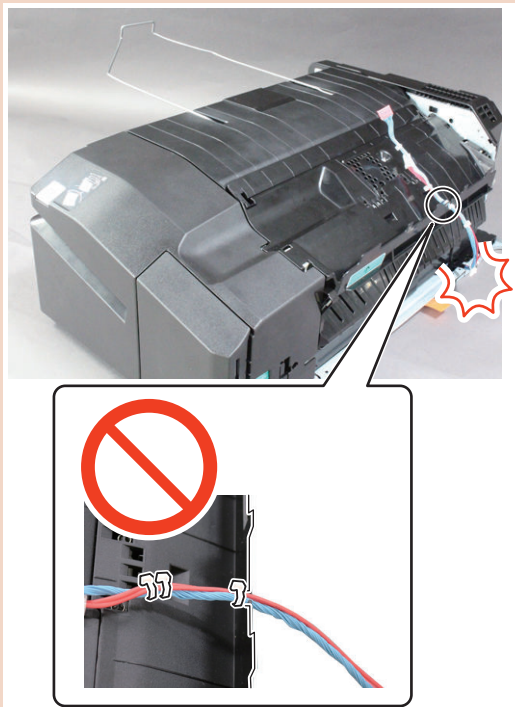




15. Set the Punch Relay Harness into the groove of the Inner Finisher as shown in the figure to prevent the harness from being pinched.

CAUTION:

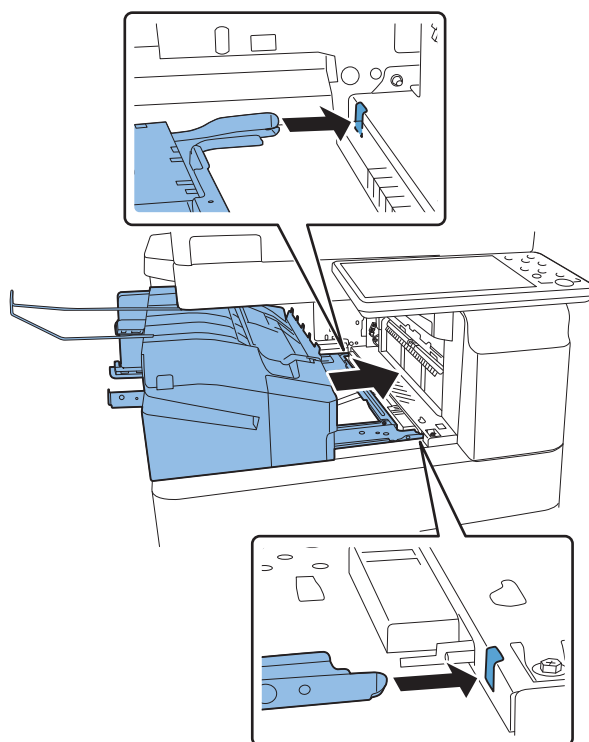
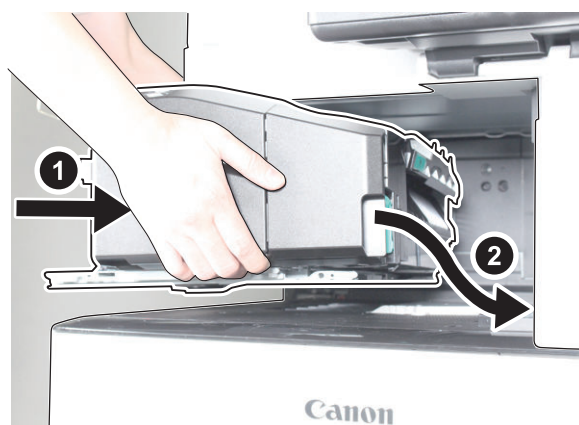
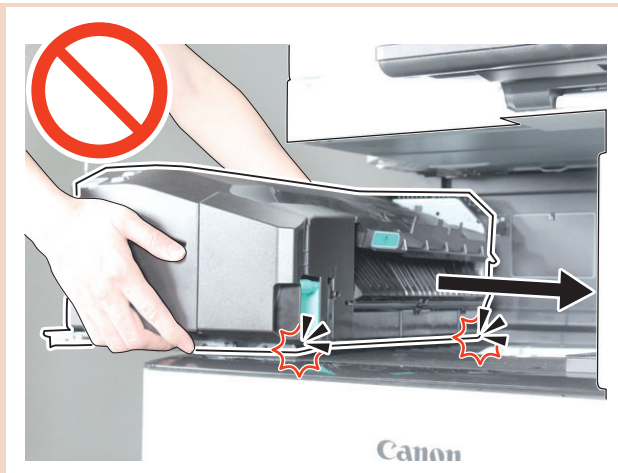
Do not set the Punch Relay Harness as shown in the figure. It may result in disconnection of the harness to set the harness as shown in the figure.



16. Install the Inner Finisher to the host machine as shown in the figure carefully so that the host machine can not be damaged.

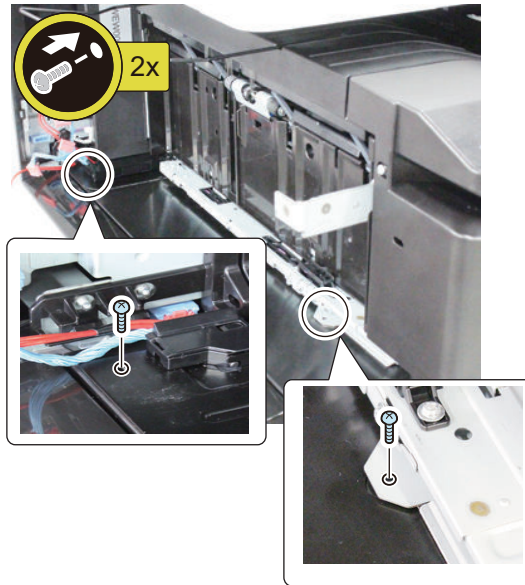
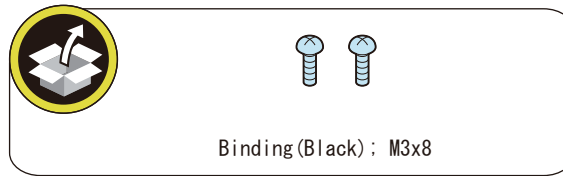
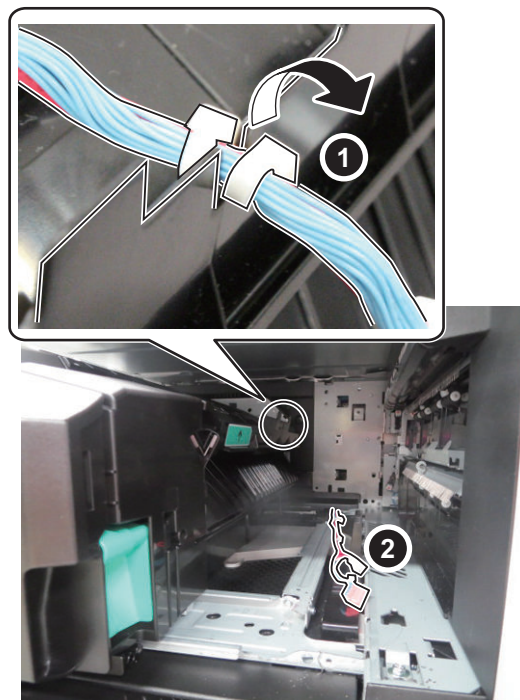
CAUTION:

Do not slide the Inner Finisher as putting it on the host machine or bump the edge parts of the rail unit to the covers of the host machine. It may cause damage to the host machine.



**17. Fix the Inner Finisher to the host machine.**

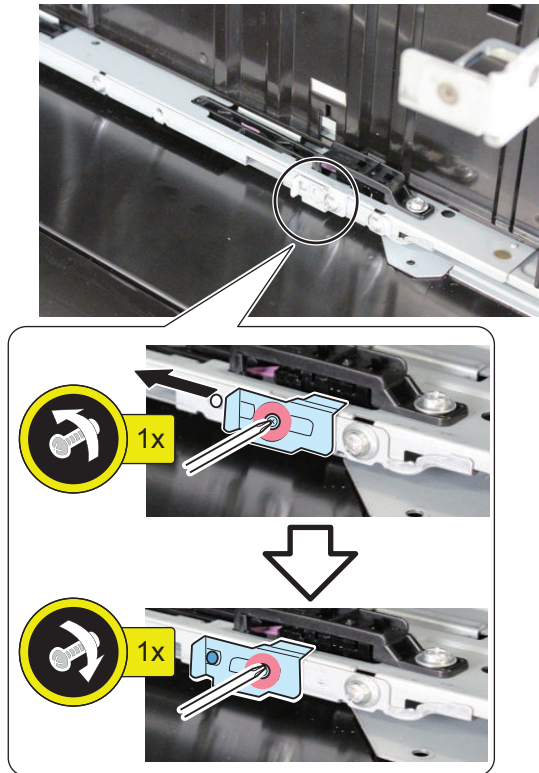
- 2 Screws (Binding(Black) ; M3x8) (supplied with Inner Finisher)

**18. Remove the Punch Relay Harness from the groove of the Inner Finisher.**



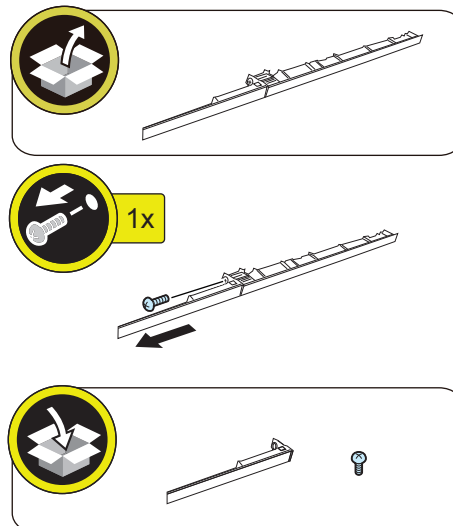
19. Release the Rail Fixing Plate.

- 1 Boss



20. Divide the Rail Front Cover into the two parts and use only longer one.

- 1 Screw

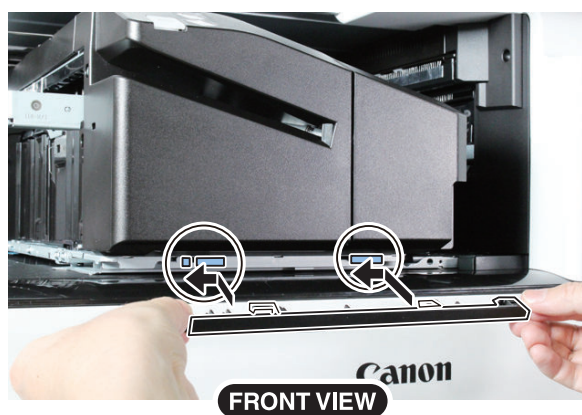
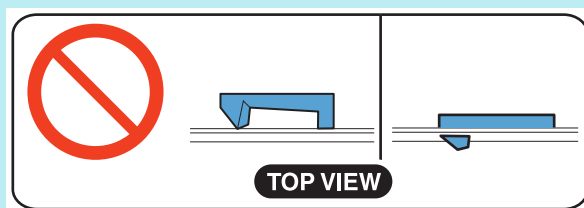


**21. Install the Rail Front Cover.**

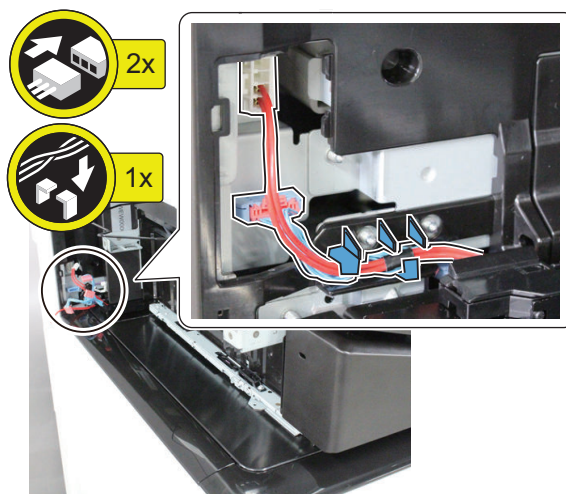
- 2 Hooks

NOTE:

Confirm that the hook is inserted to the hole of the Rail Unit.

**22. Connect the Connector of Inner Finisher to the host machine.**

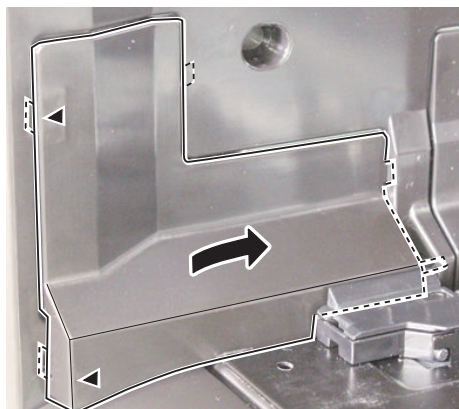
- 2 Connectors
- 1 Harness Guide



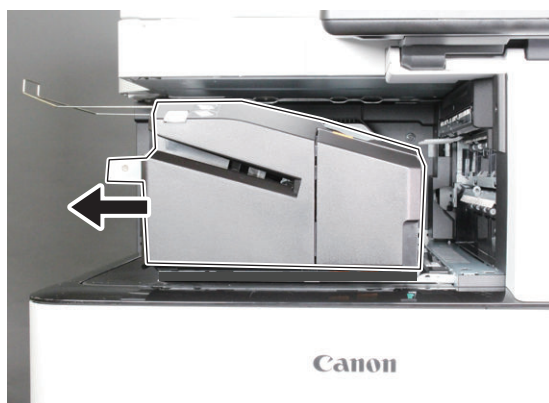


23. Install the Interface Cover removed in Preparation for Host Machine.

- 3 Projections
- 2 Claws

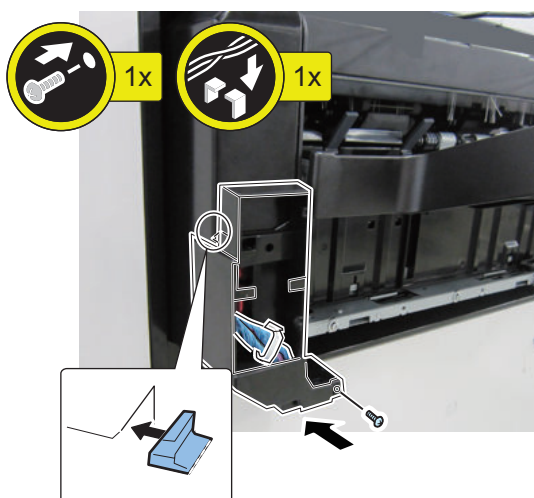


24. Pull out the Inner Finisher unit until it stops.



25. Install the Harness Guide.

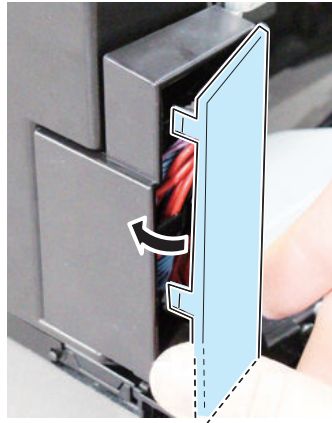
- 1 Claw
- 1 Screw (P Tightening(Black) ; M3X8)





26. Install the Harness Guide Cover.

- 2 Claws



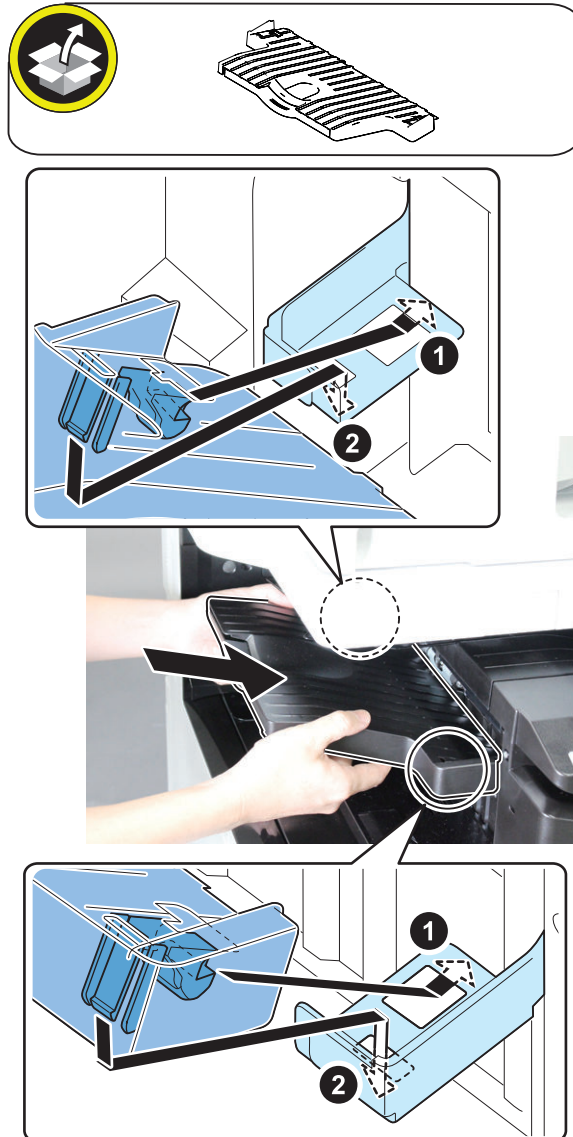
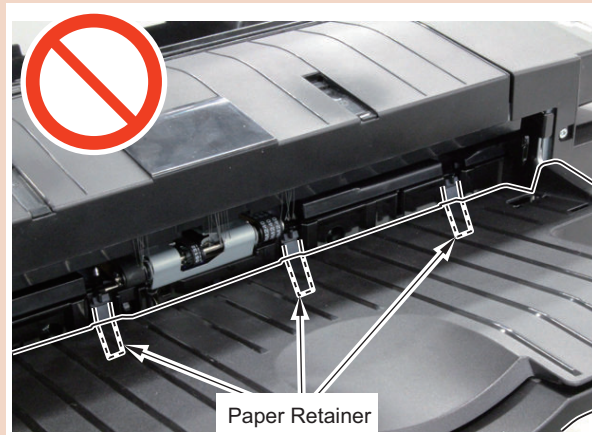


27. Install the Stack Tray to the Inner Finisher.

- 4 Hooks

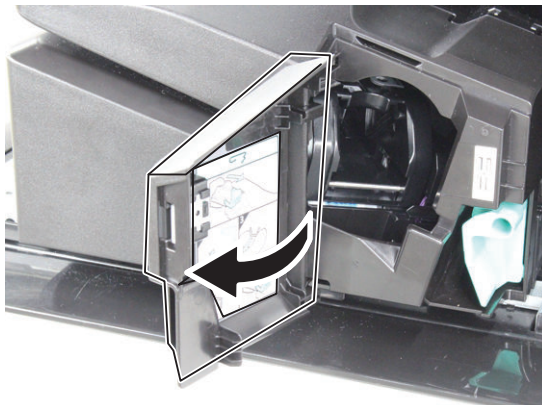
CAUTION:

When installing the Stack Tray, be careful not to nip the Paper Retainer.

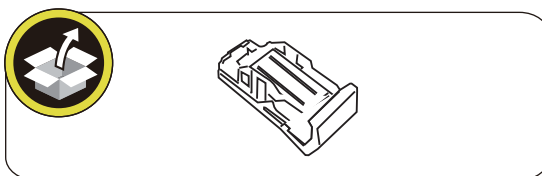




28. Open the Front Cover of the Inner Finisher.



29. Set the Staple Cartridge into the stapler unit, and then close the Front Cover.

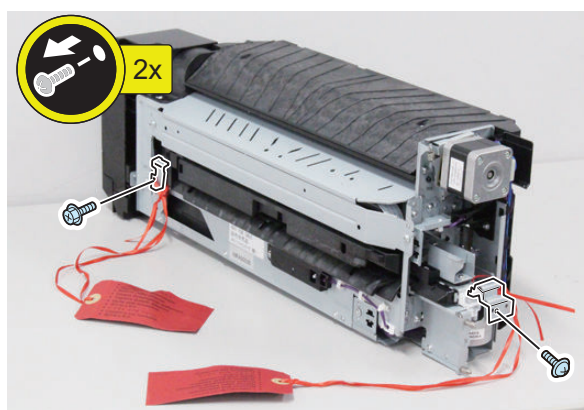


■ Installation of Inner Puncher



1. Remove the 2 Fixing Plates from the Inner Puncher.

- 2 Screws

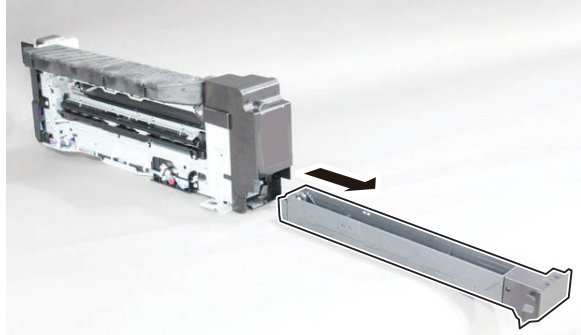




2. Pull out the Punch Waste Tray.

NOTE:

The Punch Waste Tray is used in the procedure later.

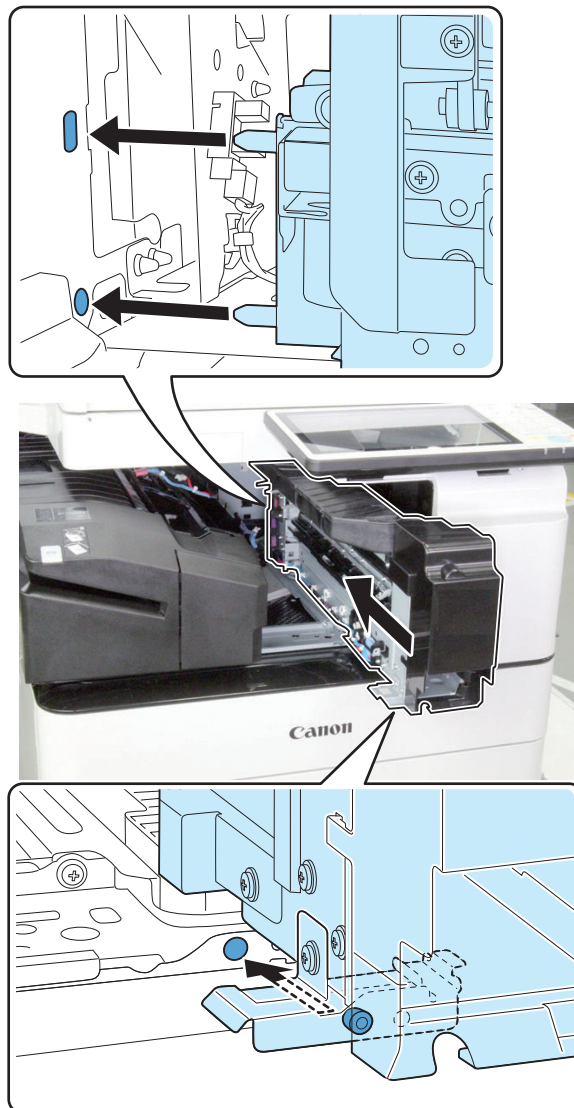




3. Raise the Control Panel, and then insert the 3 pins of the Inner Puncher to the hole of the host machine to set the Inner Finisher into the host machine.

CAUTION:

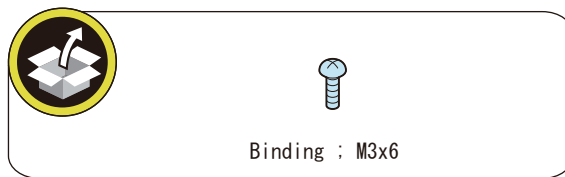
Take care not to pinch the harness of the Inner Finisher while installing the Inner Puncher.



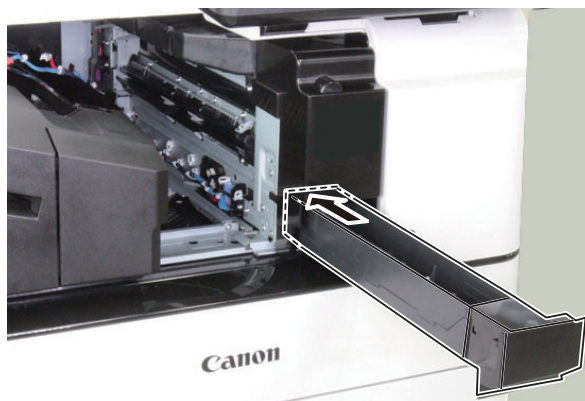


4. Fix the Inner Puncher to the host machine.

- 1 Screw (Binding; M3x6) (supplied with Inner Puncher)

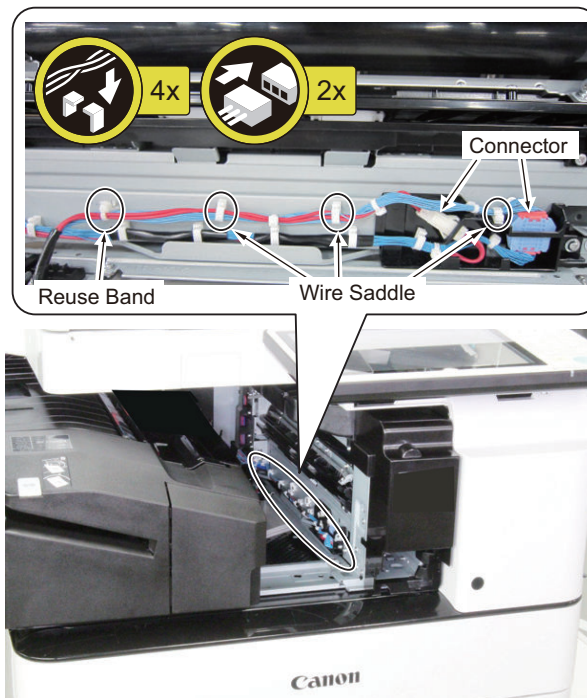


5. Set the Punch Waste Tray to the Inner Puncher unit.



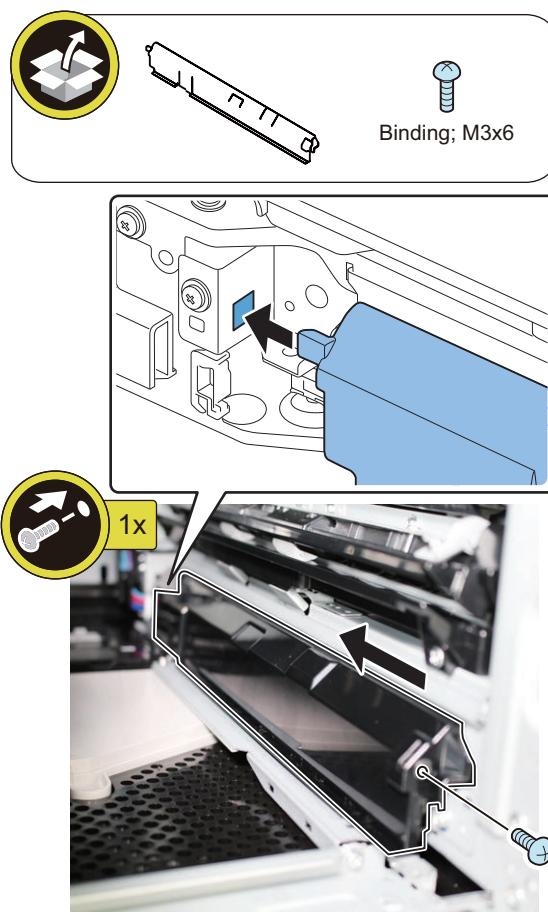
**6. Connect the connectors of Punch Relay Harness to the Inner Puncher as shown in the figure.**

- 1 Reuse Band
- 3 Wire Saddles
- 2 Connectors



**7. Install the Interface Connector Cover (supplied with Inner Puncher).**

- 1 Projection
- 1 Screw (Binding; M3x6) (supplied with Inner Puncher)

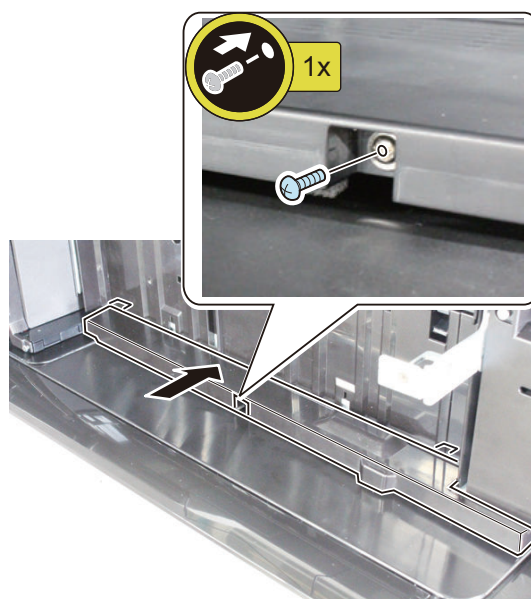
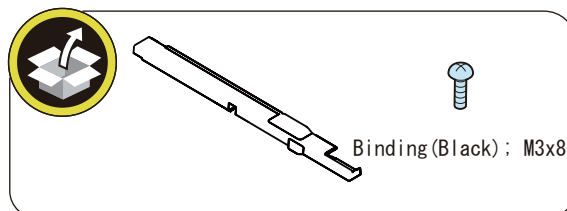
**8. Slide the Inner Finisher toward the right to set it.**

**9. Install the Rail Cover (supplied with Inner Puncher).**

- 1 Screw (Binding(Black) ; M3x8) (supplied with Inner Finisher)

NOTE:

Confirm that the Rail Fixing Plate is released.



Checking after Installation

■ Disposal Parts Check

1. Following disposal parts are remained after installation procedure.

<input type="checkbox"/>	[1]	Reverse Backend Guide	1pc.
<input type="checkbox"/>	[2]	Inner Delivery Sensor Cover	1pc.
<input type="checkbox"/>	[3]	Inner Delivery Cover (right rear)	1pc.
<input type="checkbox"/>	[4]	Delivery Tray	1pc.
<input type="checkbox"/>	[5]	Sensor Flags (upper/ lower)	each 1pc.
<input type="checkbox"/>	[6]	Rail Cover	1pc.
<input type="checkbox"/>	[7]	Rail Front Cover (shorter one)	1pc.
<input type="checkbox"/>	[8]	Second Delivery Sensor Flag (Gray)	1pc.
<input type="checkbox"/>	[9]	Face Seal	2 sheets
<input type="checkbox"/>	[10]	Support Guide	1pc.
<input type="checkbox"/>	[11]	Screw (RS Tightening ; M4x6)	1pc.
<input type="checkbox"/>	[12]	Screw(Binding ; M4X8)	1pc.
<input type="checkbox"/>	[13]	Screw (P Tightening ; M3x8)	1pc.

■ Operation Check



1. Turn ON the main power of the host machine.



2. If a message prompting the user to update the version appears, press [Update] to automatically update the version of this equipment.

NOTE:

If [Skip] is selected, a message prompting the user to update the version will appear every time the host machine is started. In the service mode (Level 2) shown below, it is possible to set not to display the message.

- (Lv.2) COPIER > OPTION > FNC-SW > VER-CHNG



3. Check the paper feed and punch operation and others.

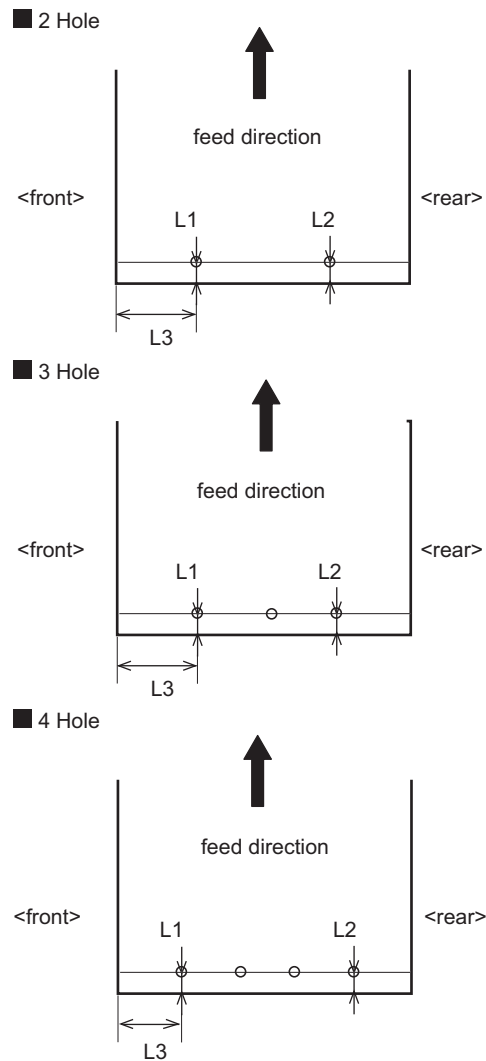
Adjustment

■ Checking and Adjusting the Punch Hole Position

● Checking the Punch Hole Position



1. Make a print with the punch mode and check whether the side registration and the paper stop position are within the standard.



<Standard>

- 2/3 Hole Puncher Unit

L1,L2	12±1.5mm
L3	2 holes: 73±1.5mm (LGL/ LTRR) 3 holes: 31.5±1.5mm (11"x17"/ LTR) 40.5±1.5mm (A3/ A4)

- 2/4 Hole Puncher Unit

L1,L2	12±1.5mm
L3	2 holes: 108.5±1.5mm (A3/ A4) 99.7±1.5mm (11"x17"/ LTR) 4 holes: 28.5±1.5mm (A3/ A4) 19.7±1.5mm (11"x17"/ LTR)

- 4 Hole Puncher Unit

L1,L2	12mm±1.5mm
L3	92.5±1.5mm (A3/ A4) 83.7±1.5mm (11"x17"/ LTR)

• Side Registration Adjustment (Service mode adjustment)

When the side registration is not within the standard (when L3 is not within the standard), make the adjustment according to the following procedure.



1. Enter the following service mode to adjust the side registration.

- SORTER > ADJUST > PNCH-Y

NOTE:

- When the setting value is increased by 1, L3 increases by 0.1mm.
+: L3 increases. (The punch holes shift to the rear.)
-: L3 decreases. (The punch holes shift to the front.)
- This adjustment is available without depending on the setting (Speed Priority / Precision Priority) of the Switch Finisher Puncher Mode in the Settings / Registration menu.



2. Exit the service mode.

• Paper Stop Position Adjustment (Service mode adjustment)

When the paper stop position is not within the standard (when L1/L2 is not within the standard), make the adjustment according to the following procedure.



1. Enter the following service mode to adjust the paper stop position.

- SORTER > ADJUST > PNCH-X

NOTE:

- When the setting value is increased by 1, L1 and L2 increase by 0.1mm.
+: L1 and L2 increase. (The punch holes shift to the delivery direction.)
-: L1 and L2 decrease. (The punch holes shift to the inlet direction.)
- This adjustment is available without depending on the setting (Speed Priority / Precision Priority) of the Switch Finisher Puncher Mode in the Settings / Registration menu.



2. Exit the service mode.

Revision

Rev	Chapter		Category	Product Name	Reference	Remarks
1.0	-	-	First Edition	Installation manual	-	-
2.0	2	Host Machine	Add Con- tents	Installing the Scanner	"Installing the Scanner" on page 25	