

SERVICE MANUAL

imageRUNNER
ADVANCE DX
717iFZ/717iF
617iFZ/617iF
527iFZ/527iF



Canon

March 24, 2021
Rev. 6

Important Notices

Application

This manual has been issued by Canon Inc. for qualified persons to learn technical theory, installation, maintenance, and repair of products.

This manual covers all localities where the products are sold. For this reason, there may be information in this manual that does not apply to your locality.

Following "Trademarks" and "Copyright" are not applicable if they are not supported by laws and regulations in the country or region that this document and products are used in.

Corrections

This manual may contain technical inaccuracies or typographical errors due to improvements or changes in products.

When changes occur in applicable products or in the contents of this manual, Canon will release technical information as the need arises. In the event of major changes in the contents of this manual over a long or short period, Canon will issue a new edition of this manual.

Trademarks

The Bluetooth word mark and logos are registered trademarks owned by Bluetooth SIG, Inc. and any use of such marks by Canon is under license.

Mopria®, the Mopria® Logo and the Mopria® Alliance logo are registered trademarks and service marks of Mopria Alliance, Inc. in the United States and other countries. Unauthorized use is strictly prohibited.

Apple, AppleTalk, Bonjour, iPad, iPhone, iPod touch, Mac, OS X and Safari are trademarks of Apple Inc.

Microsoft, Windows, Windows Vista, Windows Server, Internet Explorer, Microsoft Edge, Excel and PowerPoint are either registered trademarks or trademarks of Microsoft Corporation in the United States and/or other countries.

Google Cloud Print, Google Chrome and Android are either registered trademarks or trademarks of Google Inc.

OCR Technology by I.R.I.S., copyright 1987-2015, All Rights Reserved.

iHQC™ compression technology by I.R.I.S., copyright 2007-2015, All Rights Reserved.

PDF-iHQC™, XPS-iHQC™ technology by I.R.I.S., copyright 2007-2015, All rights Reserved.

Java is a registered trademark of Oracle and/or its affiliates.

Adobe is a registered trademark of Adobe Systems Incorporated.

Command WorkStation, EFI, Fiery, FreeForm, Spot-On, and WebTools are trademarks of Electronics For Imaging, Inc. and/or its wholly owned subsidiaries in the U.S. and/or certain other countries.

TORX® is a registered trademark of Acument Intellectual Properties, LLC in the United States.

Other product names and other names in this document are generally registered trademarks or trademarks of the companies.

Copyright



















The copyright of this document belongs to Canon Inc. This document may not be copied, reproduced or translated into another language, in whole or in part, without the prior consent of Canon Inc.
Copyright CANON INC. 2020



Caution

Use of this manual should be strictly supervised to avoid disclosure of confidential information.



Explanation of Symbols

The following symbols are used throughout this Service Manual.

Symbols	Explanation	Symbols	Explanation
	Check.		Remove the claw.
	Check visually.		Insert the claw.
	Check a sound.		Push the part.
	Disconnect the connector.		Connect the power cable.
	Connect the connector.		Disconnect the power cable.
	Remove the cable/wire from the cable guide or wire saddle.		Turn on the power.
	Install the cable/wire to the cable guide or wire saddle.		Turn off the power.
	Remove the screw.		Loosen the screw.
	Install the screw.		Tighten the screw.

Symbols	Explanation	Symbols	Explanation
	Cleaning is needed.		Measurement is needed.

The following rules apply throughout this Service Manual:

- Each chapter contains sections explaining the purpose of specific functions and the relationship between electrical and mechanical systems with reference to the timing of operation.
In the diagrams,  represents the path of mechanical drive; where a signal name accompanies the symbol, the arrow  indicates the direction of the electric signal.
The expression "turn on the power" means flipping on the power switch, closing the front door, and closing the delivery unit door, which results in supplying the machine with power.
- In the digital circuits, '1' is used to indicate that the voltage level of a given signal is "High", while '0' is used to indicate "Low". (The voltage value, however, differs from circuit to circuit.) In addition, the asterisk (*) as in "DRMD*" indicates that the DRMD signal goes on when '0'.
In practically all cases, the internal mechanisms of a microprocessor cannot be checked in the field. Therefore, the operations of the microprocessors used in the machines are not discussed: they are explained in terms of from sensors to the input of the DC controller PCB and from the output of the DC controller PCB to the loads.

The descriptions in this Service Manual are subject to change without notice for product improvement or other purposes, and major changes will be communicated in the form of Service Information bulletins.

All service persons are expected to have a good understanding of the contents of this Service Manual and all relevant Service Information bulletins and be able to identify and isolate faults in the machine.

Contents

Safety Precautions	1
Laser.....	2
Laser Safety.....	2
How to Handle the Laser Scanner Unit.....	2
Power Supply / Lithium Battery.....	3
Power Supply.....	3
Notes When Handling a Lithium Battery.....	3
Turn power switch ON.....	3
Toner Safety.....	4
About Toner.....	4
Handling Adhered Toner.....	4
Notes on works.....	4
Points to Note Before Servicing.....	4
Points to Note at Cleaning.....	5
Notes on Assembly/Disassembly.....	5
1. Product Overview	6
Product Lineup.....	7
Host machine.....	7
Model Type.....	8
Pickup/Delivery/Image Reading System Options.....	9
Function expansion system options.....	11
Specifications.....	12
Host machine.....	12
Fax Specifications.....	13
Weight and Size.....	13
Productivity.....	14
Paper Type.....	17
Pickup Specifications.....	17
Parts Name.....	21
Cross Section View.....	21
Control Panel.....	22
Main Menu.....	23
Service Buttons.....	23
2. Technical Explanation (Device)	25
Functional Configuration.....	26
Original Exposure System.....	27
Features.....	27
Specifications.....	27
Basic Configuration.....	28
Dust Detection Control.....	31
Image processing.....	33
Outline of Electric Circuits.....	38
ADF scan operation sequence (common to both 2-sided/1-sided).....	39

Scanner Unit.....	42
Pickup Feed System.....	43
Controller System.....	49
Overview.....	49
Startup Sequence.....	51
Shutdown Sequence.....	52
Motion Sensor.....	52
Laser Exposure System.....	54
Overview.....	54
Laser ON/OFF Control.....	54
Scanner Motor Control.....	55
APC (Auto Power Control).....	55
BD Detection Correction Control.....	56
Image Formation System.....	57
Overview.....	57
Cartridge.....	58
Transfer.....	60
Image Stabilization Control.....	62
Fixing System.....	63
Features.....	63
Fixing temperature control.....	65
Standby Temperature Control.....	66
Print Temperature Control.....	66
Down Sequence Control.....	67
Pre-fixing Arch Control.....	67
Fixing Film Unit engagement/disengagement control.....	68
Fixing Assembly detection.....	69
Protection Function.....	70
Pickup Feed System.....	71
Overview.....	71
Cassette Pickup Assembly.....	77
Multi-purpose Tray Pickup Assembly.....	80
Registration Assembly.....	81
Process Tray Assembly (Model with Built-in Finisher Only).....	81
Stack Tray Assembly (Model with Built-in Finisher Only).....	84
Delivery Assembly.....	86
Reverse/Duplex Assembly.....	86
Jam Detection.....	87
External Auxiliary System.....	89
Software Counter Control.....	89
Location of Fans.....	91
Power supply.....	92
Power-saving Function.....	92
Quick Startup.....	94
3. Technical Explanation (System).....	96
Overview.....	97

4. Periodical Service.....	98
Periodically Replaced Parts.....	99
Consumable Parts List.....	100
Host Machine.....	100
Cassette Module-AG.....	100
Envelope Cassette Module-A1.....	100
High Capacity Cassette Feeding Unit-D1.....	101
Cassette Feeding Unit-AR1.....	101
5. Parts Replacement and Cleaning.....	102
Preface.....	103
Outline.....	103
Parts List.....	104
External / Internal Cover.....	104
List of Main Unit.....	109
Electrical Components.....	111
External Cover/Interior System.....	123
Removing the Rear Cover.....	123
Removing the Left Rear Cover.....	124
Removing the Front Cover.....	125
Removing the Inlet Cover.....	125
Removing the Right Lower Cover.....	126
Removing the Cartridge Door Unit.....	127
Removing the Inner Delivery Rear Cover.....	129
Removing the Control Panel Upper Cover.....	130
Removing the Delivery Tray.....	131
External / Internal Cover System (Finisher).....	132
Removing the Finisher Rear Cover.....	132
Removing the Finisher Right Upper Cover.....	132
Removing the Finisher Left Rear Cover.....	133
Removing the Finisher Right Rear Cover.....	134
Removing the Finisher Right Lower Cover.....	134
Removing the Staple Cover.....	135
Removing the Staple Inner Cover.....	135
Removing the Finisher Inner Rear Cover.....	136
Original Exposure/Feed System.....	138
Removing the ADF.....	138
Removing the ADF Pickup Unit.....	144
Removing the ADF Separation Unit.....	145
Removing the Scanner Unit (Back).....	146
Removing the ADF Feed Frame.....	153
Removing the Copyboard Glass Unit.....	170
Removing the Scanner Unit (Front).....	171
Removing the Reader Motor.....	175
Removing the CIS Holder.....	175
Controller System.....	177
Removing the Wi-Fi PCB.....	177
Removing the Main Controller Sub Cover /Main Controller Cover.....	177
Removing the HDD.....	178

Removing the Main Controller PCB.....	179
Removing the Low-Voltage Power Supply PCB.....	182
Removing the DC Controller PCB.....	183
Removing the High-Voltage Power Supply PCB.....	184
Removing the FAX Unit.....	184
Removing the Control Panel Unit.....	188
Removing the Control Panel CPU PCB Unit/LCD Unit.....	192
Removing the Inlet Unit.....	197
Controller System (Finisher).....	199
Removing the Finisher Controller PCB.....	199
Laser Exposure System.....	200
Removing the Laser Scanner Unit.....	200
Image Formation System.....	201
Removing the Transfer Unit.....	201
Removing the Developing Drive Unit.....	202
Removing the Lifter Drive Unit.....	205
Removing the Drum Motor Unit.....	206
Fixing System.....	208
Removing the Fixing Assembly.....	208
Removing the Fixing Drive Unit.....	208
Pickup Feed System.....	211
Removing the Paper Delivery Unit.....	211
Removing the Main Drive Unit.....	212
Removing the Paper Pickup Unit.....	216
Removing the Multi-purpose Tray Feed Roller.....	219
Removing the Multi-purpose Tray Separation Roller.....	220
Pickup Feed System (Finisher).....	222
Removing the Jogger Unit.....	222
Removing the Staple Unit.....	222
Removing the Finisher Fan.....	223
Removing the Finisher Motor.....	224
Upper Paper Feed Unit.....	224
Lower Paper Feed Unit.....	225

6. Adjustment..... 228

Pickup Feed System.....	229
Image Position Adjustment	229
Original Feed System.....	231
Skew Adjustment (at Stream Scanning of Originals).....	231
Right Angle Adjustment (Slant Adjustment).....	236
Light intensity adjustment.....	237
Automatic Adjustment of the Stream Reading Position (Automatic Adjustment of the Reading Position at ADF Reading).....	238
White Level Adjustment.....	238
Front/Back Side Difference Correction Adjustment.....	238
Parallelogram Correction.....	238
Angle Correction (Front / Back).....	239
Image Position Adjustment (at Stream Scanning of Originals).....	239
Original Exposure System.....	245
Adjustment of the White Plate.....	245

Actions at Parts Replacement.....	248
Main Controller PCB.....	248
DC Controller PCB.....	250
Hard Disk.....	251
After Replacing the Copyboard Glass.....	254
After Replacing the Scanner Unit (Front).....	254
After Replacing the Scanner Unit (Back).....	255
Control Panel Unit.....	257
7. Troubleshooting.....	259
Initial Check.....	260
Initial check items list.....	260
Troubleshooting Items.....	261
Parts and Drum Pitch Related to Periodical Image Failure.....	261
Images are missing or appear faint.....	261
Ghost images appear in the interval of 75.4 mm.....	263
Remedies to be performed when E602-xxxx or E614-xxxx error is displayed.....	265
Test Print.....	270
Overview.....	270
How to use the test print.....	271
Startup System Failure Diagnosis.....	275
Overview.....	275
Basic Flow.....	276
Control Panel LED Check Flow.....	278
Controller Self Diagnosis.....	281
Boot Method.....	281
Diagnosis Result.....	282
Limitations.....	284
Debug Log.....	285
Function Overview.....	285
Saving and Collecting Debug Logs.....	288
Service Mode Relating to Debug Logs.....	301
8. Error/Jam/Alarm.....	303
Outline.....	304
Error code notation.....	305
Pickup Position Code.....	306
Pickup size.....	307
Points to Note When Clearing MN-CON	309
Points to Note When Clearing HDD.....	310
Error Code.....	311
Error Code Details.....	311
Jam Code.....	366
Jam Type.....	366
Jam screen display specification.....	367
Main Unit.....	367
ADF / Reader.....	368
UniFlow (Advanced Scanning).....	369
Option Cassette.....	370

Inner Finisher.....	372
Alarm Code.....	373
Alarm Code Details.....	373
9. Service Mode.....	409
Overview.....	410
Basic Operations.....	410
SITUATION Mode.....	413
Security Support.....	418
Service Mode Backup.....	422
Output of Service Print Data.....	422
COPIER (Service mode for printer).....	427
DISPLAY (State display mode).....	427
I/O.....	443
ADJUST (Adjustment mode).....	443
FUNCTION (Operation / inspection mode).....	491
OPTION (Specification setting mode).....	509
TEST (Print test mode).....	598
COUNTER (Counter mode).....	603
FEEDER (ADF service mode).....	622
DISPLAY (State display mode).....	622
ADJUST (Adjustment mode).....	622
FUNCTION (Operation / inspection mode).....	626
OPTION (Specification setting mode).....	628
BOARD (Option board setting mode).....	629
OPTION (Specification setting mode).....	629
FAX (Service Mode for FAX).....	630
Overview.....	630
Setting of Bit Switch (SSSW).....	633
Setting of Menu Switch (MENU).....	644
Setting of Numeric Parameter (NUMERIC Param.).....	645
Setting of Destination (TYPE).....	647
Setting of Printer Functions (PRINTER).....	648
IPFAX Setting.....	650
Initialization of Set Value (CLEAR).....	651
Test Mode (TEST).....	651
Service Report (REPORT).....	655
10. Installation.....	659
How to Utilize This Installation Procedure.....	660
Symbols.....	660
Installation of Host Machine.....	661
Setting the Dehumidification Switch.....	661
Operation when using uniFLOW Online.....	661
Installing the IC Card Reader.....	661
NFC KIT-E1/E2.....	668
Points to Note at Installation.....	668
Essential Items to Be Performed Before Installation.....	668
Points to Note When Turning ON/OFF the Main Power.....	668

Installation Outline Drawing.....668

Checking the Contents669

Installation procedure..... 671

Setting after Installation..... 690

Copy Card Reader-F1/Copy Card Reader Attachment-B5..... 691

 Points to Note at Installation..... 691

 Checking the Contents..... 691

 Installation Outline Drawing..... 692

 Essential Items to Be Performed Before Installation..... 692

 Installation Procedure..... 692

 Checking after Installation..... 703

Copy Control Interface Kit-A1.....704

 Checking the Contents..... 704

 Installation Outline Drawing.....704

 Essential Items to Be Performed Before Installation.....704

 Installation Procedure..... 704

Connection Kit-A2/A3 for Bluetooth LE..... 710

 Points to Note at Installation.....710

 Essential Items to Be Performed Before Installation.....710

 Points to Note When Turning ON/OFF the Main Power.....710

 Installation Outline Drawing.....710

 Checking the Contents..... 711

 Installation Procedure..... 712

 Setting after Installation..... 736

Super G3 FAX Board-AY1..... 737

 Checking before Installation..... 737

APPENDICES.....744

Service Tools.....745

 Special Tools..... 745

 Solvents and Oils..... 745

General Circuit Diagram746

 Host machine..... 747

 Control Panel..... 750

 ADF.....751

Software Counter Specifications..... 752

Removal..... 756

 Overview..... 756

 Work Procedure..... 756

List of Service Modes That Can Be Restored..... 759

Safety Precautions

Laser.....	2
Power Supply / Lithium Battery.....	3
Toner Safety.....	4
Notes on works.....	4

Laser

Laser Safety

Since radiation emitted inside this machine is completely confined with protective housings and external covers, the laser beam cannot escape from the machine during any phase of normal use by users.

Therefore, this machine is classified as a Class 1 laser product under the international standard IEC60825-1 that is regarded as safe during normal use.

How to Handle the Laser Scanner Unit

This machine is classified as a Class 1 laser product.

However, the laser scanner unit contains source of Class 3B laser beam and exposure to the beam may cause eye injuries.

Therefore, be sure not to disassemble the laser scanner unit. No adjustment can be made to the laser scanner unit in the machine in the field.

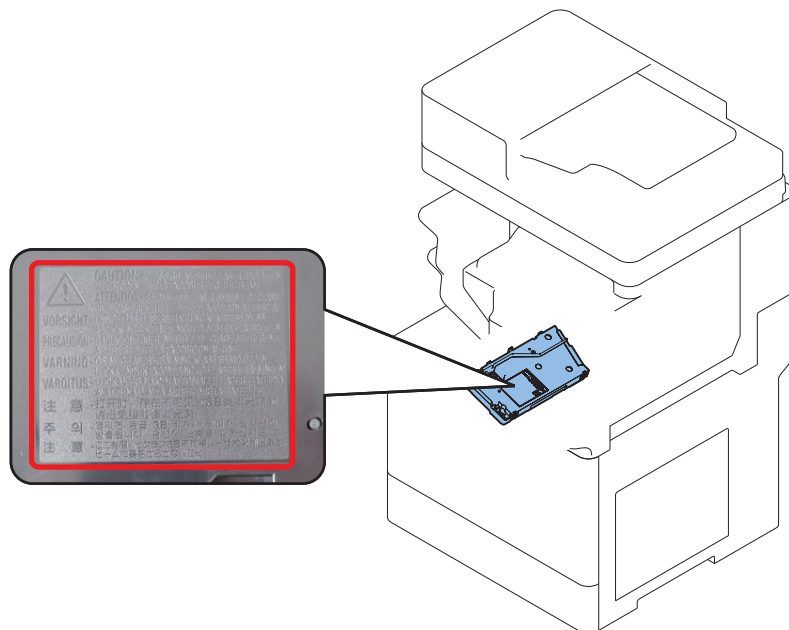
The mark or the warning label shown in the following figure is affixed on the laser scanner unit.

Dieses Gerät ist der Klasse 1 der Laserprodukte zugeordnet.

Allerdings enthält die Laserscannereinheit eine Laserstrahlquelle der Klasse 3B, die Augenschäden verursachen kann, wenn man in diesen Strahl blickt.

Deshalb darf die Laserscannereinheit nicht zerlegt werden. An der Laserscannereinheit kann keine Justage vor Ort vorgenommen werden.

Das in dem folgenden Bild dargestellte Kennzeichen bzw. der Warnaufkleber ist auf der Laserscannereinheit angebracht.



Power Supply / Lithium Battery

Power Supply

- As a general rule, do not use extension cords.
If an extension cord must be used, however, use one for local rated voltage and over, untie the cord binding, and insert the power plug completely into the extension cord outlet to ensure a firm connection between the power cord and the extension cord.

⚠ CAUTION:

Do not plug multiple cords together to an extension cord. It may cause a fire or electrical shock.

- The socket-outlet shall be installed near the equipment and shall be easily accessible.

Notes When Handling a Lithium Battery

Dispose of used batteries according to the instructions.

⚠ CAUTION:

Risk of explosion if battery is replaced by an incorrect type.

The following warnings are given to comply with Safety Principles (EN60950-1).

⚠ CAUTION:

Wenn mit dem falschen Typ ausgewechselt, besteht Explosionsgefahr.
Gebrauchte Batterien gemäß der Anleitung beseitigen.

警告

如果更換不正確之電池型式會有爆炸的風險
請依製造商說明書處理用過之電池

Turn power switch ON

The machine is equipped with 2 power switches: main power switch and control energy saver key.
The machine goes on when the main power switch is turned on (i.e., other than in low power mode, sleep mode).

CAUTION:

Do not turn off the main power switch while the progress bar is indicated, during which access is made to the HDD. If deprived of power, the HDD can suffer a fault (E602).



Toner Safety

About Toner

Toner is a nontoxic matter composed of plastic, iron and a trace of pigments.

CAUTION:

Never throw toner in flames to avoid explosion.

Handling Adhered Toner

- Use dry tissue paper to wipe off toner adhered to skin or clothes and wash in water.
- Never use warm water for cleaning up toner to prevent toner particles from being gelated to soak into fibers permanently.
- Toner particles are reactive with vinyl polymers. Avoid contacting these materials.

Notes on works

Points to Note Before Servicing

- At servicing, be sure to turn OFF the power source according to the specified steps and disconnect the power plug.
- Be sure to disconnect the power plug on a regular basis and remove dust and dirt accumulated around the outlet with dry cloth.

CAUTION:

Leaving the power plug connected for a long time in an environment having a lot of dust, moisture, or oily smoke will cause a fire. (Because dust accumulated in the surrounding area will absorb moisture and cause an insulation failure)

- Be careful not to be injured by burrs of edges, sharp corners or protrusions.

CAUTION:

Hazardous area such as corners, edges, springs and other sharp sections may be remaining on products. Always be aware of the presence of hazardous area to avoid injury caused by contacting and/or striking those area, by not over-concentrating on service work.

Points to Note at Cleaning

When performing cleaning using organic solvent such as alcohol, be sure to check that the component of solvent is vaporized completely before assembling.

Notes on Assembly/Disassembly

Follow the items below to assemble/disassemble the device.

1. Disconnect the power plug to avoid any potential dangers during assembling/disassembling works.
2. If not specially instructed, reverse the order of disassembly to reinstall.
3. Ensure to use the right screw type (length, diameter, etc.) at the right position when assembling.
4. To keep electric conduction, binding screws with washers are used to attach the grounding wire and the varistor. Ensure to use the right screw type when assembling.
5. Unless it is specially needed, do not operate the device with some parts removed.
6. Never remove the paint-locked screws when disassembling.

CAUTION:

English

CAUTION

The fuse may be in the neutral, and that the mains shall be disconnected to de-energize the phase conductors.

German

VORSICHT

Die Sicherung kann sich im Nulleiter befinden und das Hauptnetz muss abgetrennt werden, um die Phasenleiter stromlos zu machen.

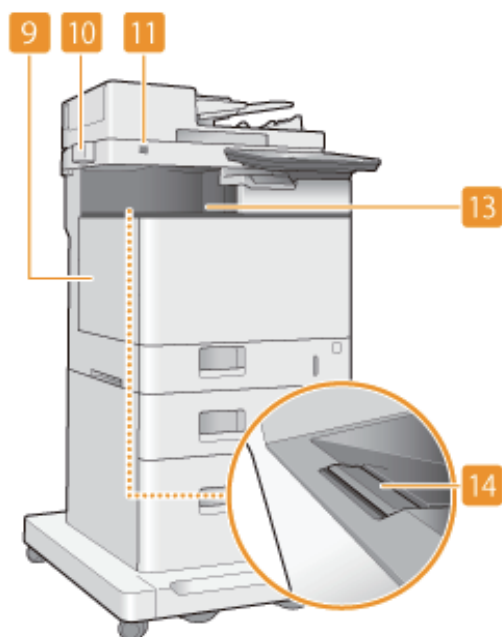
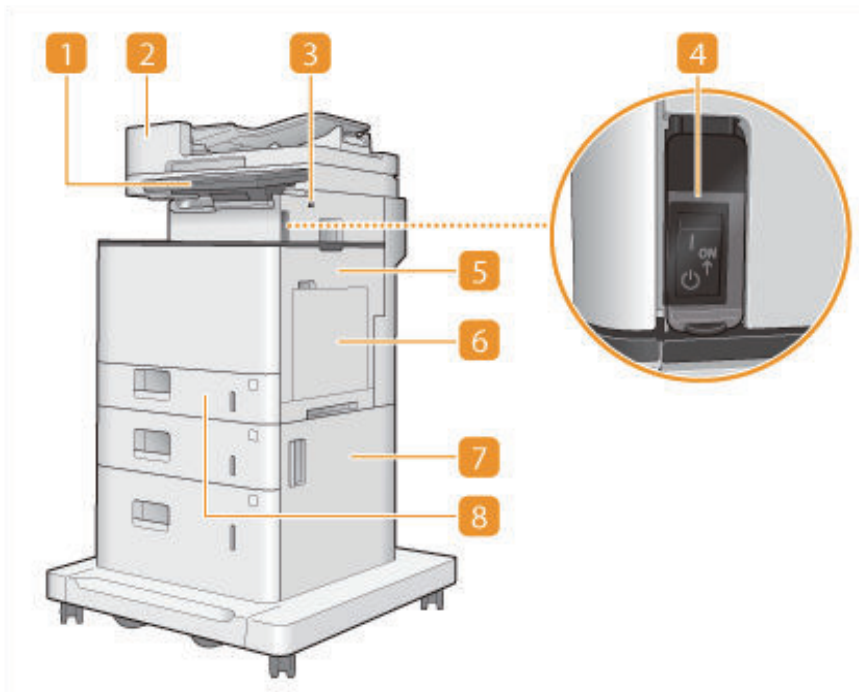


Product Overview

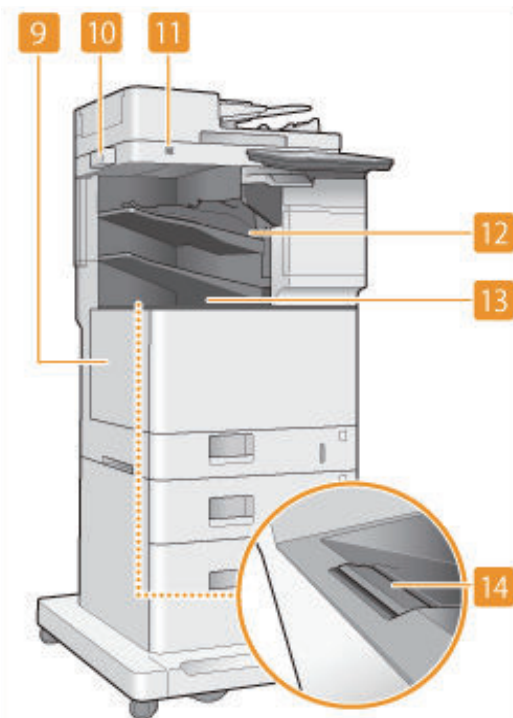
Product Lineup.....	7
Specifications.....	12
Parts Name.....	21

Product Lineup

Host machine



without Finisher model



with Finisher model

No	Name
1	Control panel
2	Feeder
3	USB port (Front-right side of the machine)
4	Power switch

No	Name
5	Right cover of the main unit
6	Multi-purpose tray
7	Right cover of the paper drawer
8	Paper drawer 1
9	Left cover of the main unit
10	Glass cleaning sheet storage box
11	Motion sensor
12	Finisher
13	Output tray (Tray A)
14	Output tray paper supporter

Model Type

Product name

imageRUNNER ADVANCE DX 717 / DX 617 / DX 527

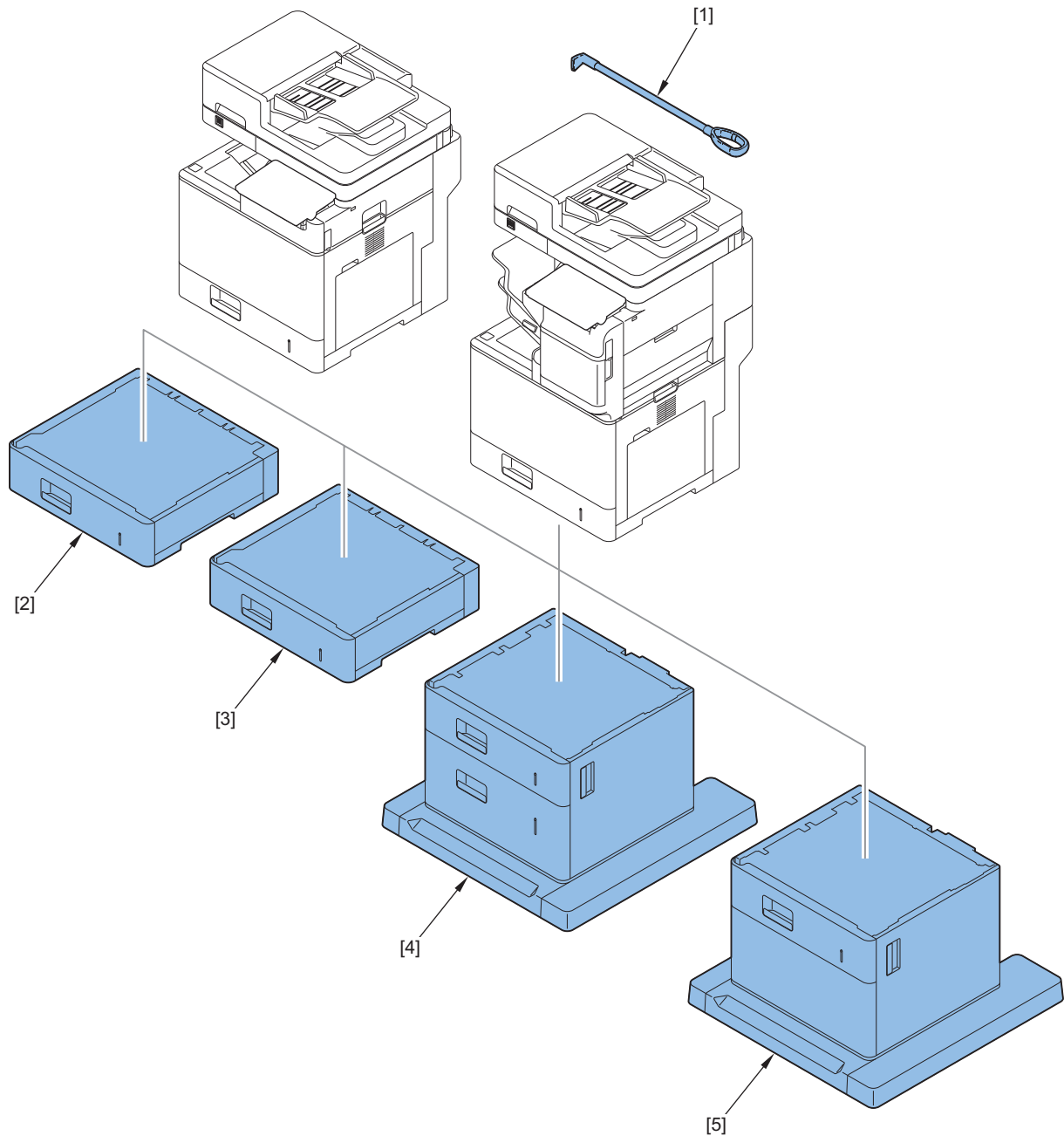
The underlined numerical value indicates the print speed (ppm: page per minute).

Model	DX527	DX717i / DX617i / DX527i	DX717iF / DX617iF / DX527iF	DX717iFZ / DX617iFZ / DX527iFZ	DX717iZ / DX617iZ / DX527iZ
Print speed	A4_71 ppm , 61 ppm , 52 ppm (LTR_75 ppm , 65 ppm , 55 ppm)				
Reader	Equipped as standard				
ADF	Equipped as standard				
Inner Finisher	-			Equipped as standard	
Cassette	Equipped as standard (Cassette 1), Optional (Cassette 2/3)				
HDD	Equipped as standard				
1-line FAX	-		Equipped as standard		-

F : with FAXmodel

Z : with Inner Finisher model

Pickup/Delivery/Image Reading System Options



No.	Product name
[1]	ADF Access Handle-A1
[2]	Cassette Module-AG1
[3]	Envelope Cassette Module-A1
[4]	High Capacity Cassette Feeding Unit-D1
[5]	Cassette Feeding Unit-AR1

Combination of installable pickup options

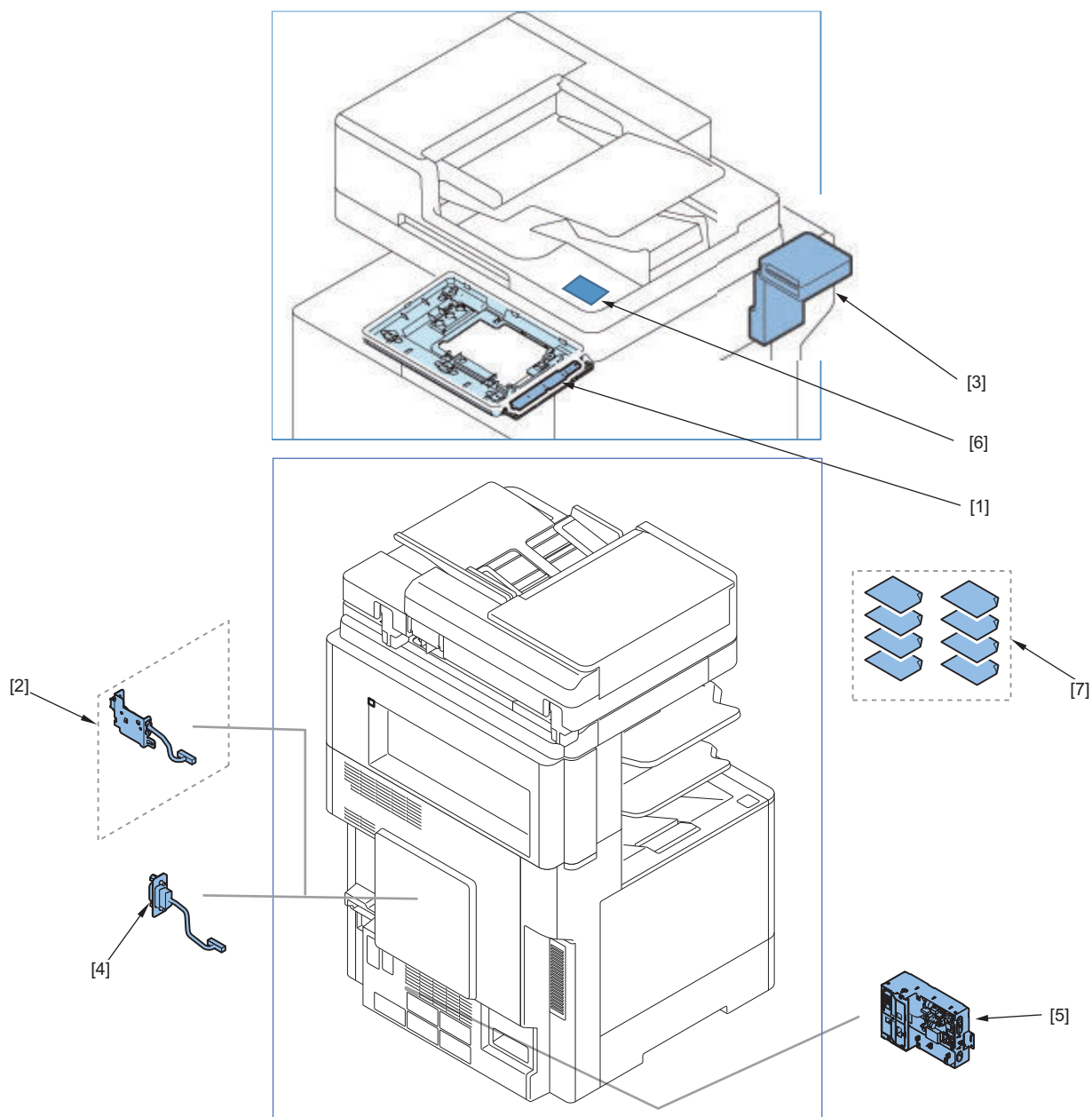
Host machine model	Combination of installable pickup options	Console installation	Desktop installation
DX717i / DX617i / DX527i / DX717iF / DX615iF / DX527iF / DX527	No pickup options	yes	yes
	Install 1 Cassette Module-AG1 [2] only	yes	yes
	Install 1 Envelope Cassette Module-A1 [3] only	yes	yes

Host machine model	Combination of installable pickup options	Console installation	Desktop installation
DX717i / DX617i / DX527i / DX717iF / DX615iF / DX527iF / DX527	Install 2 Cassette Module-AG1s [2]	yes if a Pedestal* is installed	yes
	Install 2 Envelope Cassette Module-A1s [3]	yes if a Pedestal* is installed	yes
	Install 1 Cassette Module-AG1 [2] and 1 Envelope Cassette Module-A1 [3]	yes if a Pedestal* is installed	yes
	Install 1 Envelope Cassette Module-A1 [3] and 1 Cassette Module-AG1 [2]	yes if a Pedestal* is installed	yes
	Install 3 Cassette Module-AG1s [2]	yes if a Pedestal* is installed	no
	Install 1 Envelope Cassette Module-A1 [3] and 2 Cassette Module-AG1s [2]	yes if a Pedestal* is installed	no
	Install 1 Cassette Module-AG1 [2], 1 Envelope Cassette Module-A1 [3], and 1 Cassette Module-AG1 [2]	yes if a Pedestal* is installed	no
	Install 2 Envelope Cassette Module-A1 [3] and 1 Cassette Module-AG1 [2]	yes if a Pedestal* is installed	no
	Install 1 High Capacity Cassette Feeding Unit-D1 [4] only	yes	-
	Install 1 Cassette Feeding Unit-AR1 [5] only	yes	-
DX717iFZ / DX617iFZ / DX527iFZ / DX717iZ / DX617iZ / DX527iZ (Inner Finisher-equipped model)	No pickup options	yes	yes
	Install 1 Cassette Module-AG1 [2] only	yes if a Pedestal* is installed	yes
	Install 1 Envelope Cassette Module-A1 [3] only	yes if a Pedestal* is installed	yes
	Install 2 Cassette Module-AG1s [2]	yes if a Pedestal* is installed	no
	Install 2 Envelope Cassette Module-A1s [3]	yes if a Pedestal* is installed	no
	Install 1 Cassette Module-AG1 [2] and 1 Envelope Cassette Module-A1 [3]	yes if a Pedestal* is installed	no
	Install 1 Envelope Cassette Module-A1 [3] and 1 Cassette Module-AG1 [2]	yes if a Pedestal* is installed	no
	Install 3 Cassette Module-AG1s [2]	yes if a Pedestal* is installed	no
	Install 1 Envelope Cassette Module-A1 [3] and 2 Cassette Module-AG1s [2]	yes if a Pedestal* is installed	no
	Install 1 Cassette Module-AG1 [2], 1 Envelope Cassette Module-A1 [3], and 1 Cassette Module-AG1 [2]	yes if a Pedestal* is installed	no
	Install 2 Envelope Cassette Module-A1 [3] and 1 Cassette Module-AG1 [2]	yes if a Pedestal* is installed	no
	Install 1 High Capacity Cassette Feeding Unit-D1 [4] only	yes	-
	Install 1 Cassette Feeding Unit-AR1 [5] only	yes	-

CAUTION:

*Pedestal provided by Canon sales companies

Function expansion system options



No.	Product name
1	NFC Kit-E1 / NFC Kit-E2
2	Copy Card Reader Attachment-B5
3	Copy Card Reader-F1
4	Copy Control Interface Kit-A1
5	Super G3 FAX Board-AY1
6	Connection Kit-A2 for Bluetooth LE
7	Remote Fax Kit-A1
	IP FAX Expansion Kit-B1
	PCL International Font Set-A1
	Picture Login-A1
	Barcode Printing Kit-D1
	PCL Asian Font Set-A1
	PCL Printer Kit-CL1
	PS Printer Kit-CL1
	iR-ADV Security Kit-AR1 for IEEE 2600 Common Criteria Certification

Specifications

Host machine

Item	Specifications
Machine installation method	Desk-top
Photosensitive medium	φ30mm, OPC
Exposure method	Semiconductor 4Beam Laser
Charging method	DC Roller Charging
Developing method	Dry, 1-component toner projection development
Transfer method	Roller Transfer
Separation method	Retard separation method without driving source
Pickup method	Stack bypass : Retard separation method Cassette : Retard separation method
Fixing method	On demand fixing
Drum cleaning method	Cleaning Blade
Toner type	1-component
Toner supplying method	ALL in one Cartridge
Toner level detection function	Yes
Leading edge image margin	5.0mm
Left image margin	2.5mm (duplex : 2.5mm)
Leading edge Registration	3.0mm(Double sided:3.0)
Left & right side Registration	2.7mm(Double sided:3.0)*Only in the left
Image gradations	256 Gradation Levels
Laser resolution	600 x 600dpi
Data processing resolution	<ul style="list-style-type: none"> Data processing resolution(RIP) 600dpix600dpi(default setting) , 1200x1200dpi Data resolution at output With smoothing processing 2400dpi(equivalent)x600dpi(default setting) , 1200dpix1200dpi(equivalent) Data resolution at output Without smoothing processing 1200dpix600dpi , 600dpix600dpi
COPY	Data resolution at output , 600dpix600dpi
Maximum image guarantee area Regular (non-long size paper)	205.9 x 345.6 mm
Maximum printable area Regular (non-long size paper)	209.4 × 348.1 mm
Warm-up time	<p>Quick startup mode:ON</p> <ul style="list-style-type: none"> 4sec (*2) , 10sec (*4) <p>Quick startup mode:OFF</p> <ul style="list-style-type: none"> 24sec (*1), 30sec (*4) <p>*1: Time between power-on and appearance of the copy icon on the main menu *2: Time from device power on to when copy icon appears and is enabled to operate on the touch panel display. *3: Time between device power-on and when the start key is enabled(print reservation) *4: Time from device power on, until copy ready (not print reservation)</p> <p>*Other conditions</p> <ul style="list-style-type: none"> Room temperature at 20 deg C HDD as factory setting Device not connected to any network No accessories or optional parts attached to device Device power discontinuity with shut-down mode No error or operator call occurred
First copy time	5.0 sec (20 deg C to 30 deg C Environment)
Paper type / Paper Size	Refer to Available Paper Types
Pickup capacity	<ul style="list-style-type: none"> Multi-purpose 100 sheets (75gsm) , 100 sheets (80gsm) , 10 sheets (Envelope) Cassette1(Main unit) 550 sheets (75gsm) , 550 sheets (80gsm)

Item	Specifications
Memory capacity	<ul style="list-style-type: none"> RAM : 3GB Main CPU Side : 2GB , Image Processing CPU Side : 1GB
Hard disk capacity	<ul style="list-style-type: none"> HDD : 320GB Available disk space : 250GB
Rated power supply	<ul style="list-style-type: none"> Rated value - USA : 110-127V 60Hz 9.7A - Taiwan : 110-120V 60Hz 9.7A - EUR/Asia/Oce : 220-240V 50/60Hz 4.8A
Power consumption & power supply	<ul style="list-style-type: none"> Max. power consumption 1,500W or less * Including all options supplied from main unit with power Power consumption at sleep mode 120V:1.0W , 230V:1.0W * Factory default settings * Reference value: measured one unit
Power consumption at plug-in off mode	<ul style="list-style-type: none"> Power consumption at plug-in off mode:0.4W Power OFF(quick startup mode:ON):0.4W
Dimensions / Weight	Refer to Weight and Size

Fax Specifications

Item	Contents
Telephone Line Used ^{*1}	Public Switched Telephone Network (PSTN)
Scan Line Density	Normal G3: 8 pels ^{*2} /mm x 3.85 line/mm Fine G3: 8 pels ^{*2} /mm x 7.7 line/mm Super-Fine G3: 8 pels ^{*2} /mm x 15.4 line/mm Ultra-Fine G3: 16 pels ^{*2} /mm x 15.4 line/mm
Transmission Speed	Super G3 : 33.6 kbps, G3 : 14.4 kbps
Compression Method	MH, MR, MMR, JBIG
Transmission Type	SuperG3, G3
Sending Original Sizes	<ul style="list-style-type: none"> AB configuration: A4, B5^{*3}, A5^{*3}, A6^{*3} Inch configuration: LGL, LTR, LTRR, STMTR
Receiving Paper Sizes	<ul style="list-style-type: none"> A4, B5, A5, LGL, LTR, STMTR, 16K
No. of Memory RX Jobs	Up to 320 jobs
Transmission Times	Approximately 2.6 seconds (When sending LTR Canon original paper, Normal 8 pels x 3.85 line/mm, ECM (JBIG))

*1 When using an IP telephone service, facsimile communication may not be performed normally via an IP telephone line. It is recommended to use facsimile communication via a general telephone (Public Switched Telephone Network) line.

*2 Pels stands for picture elements (pixels).

*3 Sent as A4.

Weight and Size

Product name	Width (mm)	Depth (mm)	Height (mm)	Weight: Approx. (kg)
imageRUNNER ADVANCE DX 717i / 617i / 527i / 527	500	598	617	37.0 *1
imageRUNNER ADVANCE DX 717iF / 617iF / 527iF		(with Control Panel)		
imageRUNNER ADVANCE DX 717iFZ / 617iFZ / 527iFZ	502		814	46.0 *1
imageRUNNER ADVANCE DX 717iZ / 617iZ / 527iZ	(with Finisher)			
Cassette Feeding Unit-AR1	642	657	479	approx. 19
High Capacity Cassette Feeding Unit-D1	642	657	479	approx. 25
Cassette Module-AG1	484	450	150	approx. 7
Envelope Cassette Module-A1	484	450	150	approx. 7

*1 : Including Toner Cartridge



■ imageRUNNER ADVANCE DX 717

Unit: images/min

Paper Type	Paper Size	1-side		2-side	
		CST/Optional CST	MP	CST/Optional CST	MP
Thin (60 to 60 g/m ²) Plain1 (61 to 74 g/m ²) Plain2 (75 to 89 g/m ²) Color (75 to 89 g/m ²) Recycled (75 to 89 g/m ²) Pre-punched (75 to 80 g/m ²)	A4R	71	49	58	30
	B5R	6 to 40	6 to 27	6 to 33	6 to 18
	A5	113	71	-	-
	A5R	6 to 40	6 to 31	6 to 33	6 to 19
	A6R	6 to 40	6 to 35	-	-
	LGL	59	44	34	31
	LTRR	75	52	62	35
	STMTR	3 to 27	3 to 22	-	-
	EXER	6 to 39	6 to 26	6 to 32	6 to 18
	K16R	6 to 39	6 to 26	6 to 32	6 to 18
	Plain3 (90 to 105 g/m ²) Thick paper1 (106 to 120 g/m ²) Label (130 to 130 g/m ²)	A4R	61	49	51
B5R		6 to 40	6 to 27	6 to 33	6 to 18
A5		93	71	-	-
A5R		6 to 40	6 to 31	6 to 33	6 to 19
A6R		6 to 40	6 to 35	-	-
LGL		53	44	33	27
LTRR		65	52	53	30
STMTR		3 to 27	3 to 22	-	-
EXER		6 to 39	6 to 26	6 to 32	6 to 18
K16R		6 to 39	6 to 26	6 to 32	6 to 18
BOND (75 to 90 g/m ²)		LTRR	55	52	45
	EXER	6 to 20	6 to 20	6 to 20	6 to 16
Thick paper2 (121 to 135 g/m ²) Thick paper3 (136 to 163 g/m ²) *1 Thick paper4 (164 to 199 g/m ²) *1	A4R	35	25	-	-
	B5R	6 to 40	6 to 27	-	-
	A5	57	35	-	-
	A5R	6 to 40	6 to 31	-	-
	A6R	6 to 40	6 to 35	-	-
	LGL	29	22	-	-
	LTRR	37	26	-	-
	STMTR	3 to 27	3 to 22	-	-
	EXER	6 to 39	6 to 26	-	-
	K16R	6 to 39	6 to 26	-	-
OHP (100 to 179 g/m ²)	A4R	-	24	-	-
	LTRR	-	25	-	-
Envelope (80 to 100 g/m ²) *2	COM10	6 to 34	6 to 27	-	-
	DL	6 to 34	6 to 27	-	-
	Monarch	6 to 34	6 to 27	-	-
	C5	6 to 34	6 to 27	-	-

*1: Can be fed from multi purpose tray.

*2: Can be fed from the Envelope Cassette Module-A1 and multi purpose tray.

CAUTION:

- Print speed can vary based on environment, temperature of fixing unit and paper size.
- Cleaning of transfer Roller will be happen by 100 pages
- Productivity during staple mode or offset mode is lower than that listed above.
- **Print(Shift setting is On and ejects paper to a Shift tray)**
 - 1-Sided_A4R : 54ipm , LTRR : 56ipm(Reference value)
 - 2-Sided_A4R : 54ipm , LTRR : 56ipm(Reference value)

■ imageRUNNER ADVANCE DX 617

Unit: images/min

Paper Type	Paper Size	1-side		2-side	
		CST/Optional CST	MP	CST/Optional CST	MP
Thin (60 to 60 g/m ²) Plain1 (61 to 74 g/m ²) Plain2 (75 to 89 g/m ²) Color (75 to 89 g/m ²) Recycled (75 to 89 g/m ²) Pre-punched (75 to 80 g/m ²)	A4R	61	43	50	29
	B5R	6 to 35	6 to 24	6 to 29	6 to 15
	A5	99	61	-	-
	A5R	6 to 35	6 to 26	6 to 29	6 to 17
	A6R	6 to 35	6 to 30	-	-
	LGL	51	38	29	27
	LTRR	65	45	53	30
	STMTR	3 to 23	3 to 19	-	-
	EXER	6 to 33	6 to 23	6 to 27	6 to 15
	K16R	6 to 33	6 to 23	6 to 27	6 to 15
Plain3 (90 to 105 g/m ²) Thick paper1 (106 to 120 g/m ²) Label (130 to 130 g/m ²)	A4R	53	43	44	29
	B5R	6 to 35	6 to 24	6 to 29	6 to 15
	A5	83	61	-	-
	A5R	6 to 35	6 to 26	6 to 29	6 to 17
	A6R	6 to 35	6 to 30	-	-
	LGL	46	38	29	27
	LTRR	56	45	53	30
	STMTR	3 to 23	3 to 19	-	-
	EXER	6 to 33	6 to 23	6 to 27	6 to 15
	K16R	6 to 33	6 to 23	6 to 27	6 to 15
BOND (75 to 90 g/m ²)	LTRR	47	45	39	30
	EXER	6 to 20	6 to 20	6 to 20	6 to 14
Thick paper2 (121 to 135 g/m ²) Thick paper3 (136 to 163 g/m ²) *1 Thick paper4 (164 to 199 g/m ²) *1	A4R	30	21	-	-
	B5R	6 to 35	6 to 24	-	-
	A5	50	30	-	-
	A5R	6 to 35	6 to 26	-	-
	A6R	6 to 35	6 to 30	-	-
	LGL	25	19	-	-
	LTRR	32	22	-	-
	STMTR	3 to 23	3 to 19	-	-
	EXER	6 to 33	6 to 23	-	-
	K16R	6 to 33	6 to 23	-	-
OHP (100 to 179 g/m ²)	A4R	-	21	-	-
	LTRR	-	22	-	-
Envelope (80 to 100 g/m ²) *2	COM10	6 to 29	6 to 23	-	-
	DL	6 to 29	6 to 23	-	-
	Monarch	6 to 29	6 to 23	-	-
	C5	6 to 29	6 to 23	-	-

*1: Can be fed from multi purpose tray.

*2: Can be fed from the Envelope Cassette Module-A1 and multi purpose tray.

CAUTION:

- Print speed can vary based on environment, temperature of fixing unit and paper size.
- Cleaning of transfer Roller will be happen by 100 pages
- Productivity during staple mode or offset mode is lower than that listed above.
- **Print(Shift setting is On and ejects paper to a Shift tray)**
 - 1-Sided_A4R : 49ipm , LTRR : 52ipm(Reference value)
 - 2-Sided_A4R : 50ipm , LTRR : 53ipm(Reference value)

■ imageRUNNER ADVANCE DX 527

Unit: images/min

Paper Type	Paper Size	1-side		2-side	
		CST/Optional CST	MP	CST/Optional CST	MP
Thin (60 to 60 g/m ²) Plain1 (61 to 74 g/m ²) Plain2 (75 to 89 g/m ²) Color (75 to 89 g/m ²) Recycled (75 to 89 g/m ²) Pre-punched (75 to 80 g/m ²)	A4R	52	43	50	30
	B5R	6 to 35	6 to 24	6 to 29	6 to 15
	A5	80	61	-	-
	A5R	6 to 35	6 to 26	6 to 29	6 to 17
	A6R	6 to 35	6 to 30	-	-
	LGL	45	38	29	27
	LTRR	55	45	53	30
	STMTR	3 to 22	3 to 19	-	-
	EXER	6 to 33	6 to 23	6 to 27	6 to 15
	K16R	6 to 33	6 to 23	6 to 27	6 to 15
Plain3 (90 to 105 g/m ²) Thick paper1 (106 to 120 g/m ²) Label (130 to 130 g/m ²)	A4R	47	43	39	29
	B5R	6 to 35	6 to 24	6 to 29	6 to 15
	A5	69	61	-	-
	A5R	6 to 35	6 to 26	6 to 29	6 to 17
	A6R	6 to 35	6 to 30	-	-
	LGL	41	38	28	27
	LTRR	50	45	41	30
	STMTR	3 to 22	3 to 19	-	-
	EXER	6 to 33	6 to 23	6 to 27	6 to 15
	K16R	6 to 33	6 to 23	6 to 27	6 to 15
BOND (75 to 90 g/m ²)	LTRR	47	45	39	30
	EXER	6 to 20	6 to 20	6 to 20	6 to 14
Thick paper2 (121 to 135 g/m ²) Thick paper3 (136 to 163 g/m ²) *1 Thick paper4 (164 to 199 g/m ²) *1	A4R	26	21	-	-
	B5R	6 to 35	6 to 24	-	-
	A5	40	30	-	-
	A5R	6 to 35	6 to 26	-	-
	A6R	6 to 35	6 to 30	-	-
	LGL	22	19	-	-
	LTRR	27	22	-	-
	STMTR	3 to 22	3 to 19	-	-
	EXER	6 to 33	6 to 23	-	-
	K16R	6 to 33	6 to 23	-	-
OHP (100 to 179 g/m ²)	A4R	-	21	-	-
	LTRR	-	22	-	-
Envelope (80 to 100 g/m ²) *2	COM10	6 to 29	6 to 23	-	-
	DL	6 to 29	6 to 23	-	-
	Monarch	6 to 29	6 to 23	-	-
	C5	6 to 29	6 to 23	-	-

*1: Can be fed from multi purpose tray.

*2: Can be fed from the Envelope Cassette Module-A1 and multi purpose tray.

CAUTION:

- Print speed can vary based on environment, temperature of fixing unit and paper size.
- Cleaning of transfer Roller will be happen by 100 pages
- Productivity during staple mode or offset mode is lower than that listed above.
- **Print(Shift setting is On and ejects paper to a Shift tray)**
 - 1-Sided_A4R : 48ipm , LTRR : 51ipm(Reference value)
 - 2-Sided_A4R : 50ipm , LTRR : 53ipm(Reference value)

Paper Type

Available paper types are shown below.

See the table below for the custom paper size.

Product name	Feeding direction (mm)	Width direction (mm)
Custom paper size 1	127.0 to 148.0	76.2 to 216.0
Custom paper size 2	148.0 to 355.6	76.2 to 99.0
Custom paper size 3	148.0 to 210.0	99.0 to 216.0
Custom paper size 4	210.0 to 297.0	99.0 to 148.0
Custom paper size 5	297.0 to 355.6	99.0 to 148.0
Custom paper size 6	210.0 to 297.0	148.0 to 210.0
Custom paper size 7	297.0 to 355.6	148.0 to 210.0
Custom paper size 8	210.0 to 279.4	210.0 to 216.0
Custom paper size 9	279.4 to 297.0	210.0 to 216.0
Custom paper size 10	297.0 to 355.6	210.0 to 216.0

Pickup Specifications

Type (paper weight: g/m2)	Size	Pickup position					
		MP Tray	CST 1	CST-AG1 / AR1	High Capacity D1		Envelope A1
					CST 1	CST 2	
Thin Paper (60 g/m2)	A4R	Yes	Yes	Yes	Yes	Yes	-
Plain Paper 1 (61 to 74 g/m2)	B5R	Yes	Yes	Yes	Yes	-	-
Plain Paper 2 (75 to 89 g/m2)	A5	Yes	Yes	Yes	Yes	-	-
	A5R	Yes	Yes	Yes	Yes	-	-
Plain Paper 3 (90 to 105 g/m2)	A6R	Yes	Yes	Yes	Yes	-	-
	LGL	Yes	-	Yes	Yes	Yes	-
Heavy Paper 1 (106 to 120 g/m2)	LTRR	Yes	Yes	Yes	Yes	Yes	-
Color Paper (75 to 89 g/m2)	STMTR	Yes	Yes	Yes	Yes	-	-
	EXEC-R	Yes	Yes	Yes	Yes	-	-
Recycled Paper (75 to 89 g/m2)	OFICIO	Yes	-	Yes	Yes	-	-
	OFICIO (Brazil)	Yes	-	Yes	Yes	-	-
Bond Paper (75 to 90 g/m2)	OFICIO (Mexico)	Yes	-	Yes	Yes	-	-
	GLTR-R	Yes	Yes	Yes	Yes	-	-
	GLGL	Yes	-	Yes	Yes	-	-
	AFLS	Yes	-	Yes	Yes	-	-
	FLS	Yes	-	Yes	Yes	-	-
	K16R	Yes	Yes	Yes	Yes	-	-
	F4A	Yes	-	Yes	Yes	-	-
	I-LGL	Yes	-	Yes	Yes	-	-
	Custom paper size 1	Yes	-	-	-	-	-
	Custom paper size 2	Yes	-	-	-	-	-
	Custom paper size 3	Yes	Yes	Yes	Yes	-	-
	Custom paper size 4	Yes	Yes	Yes	Yes	-	-

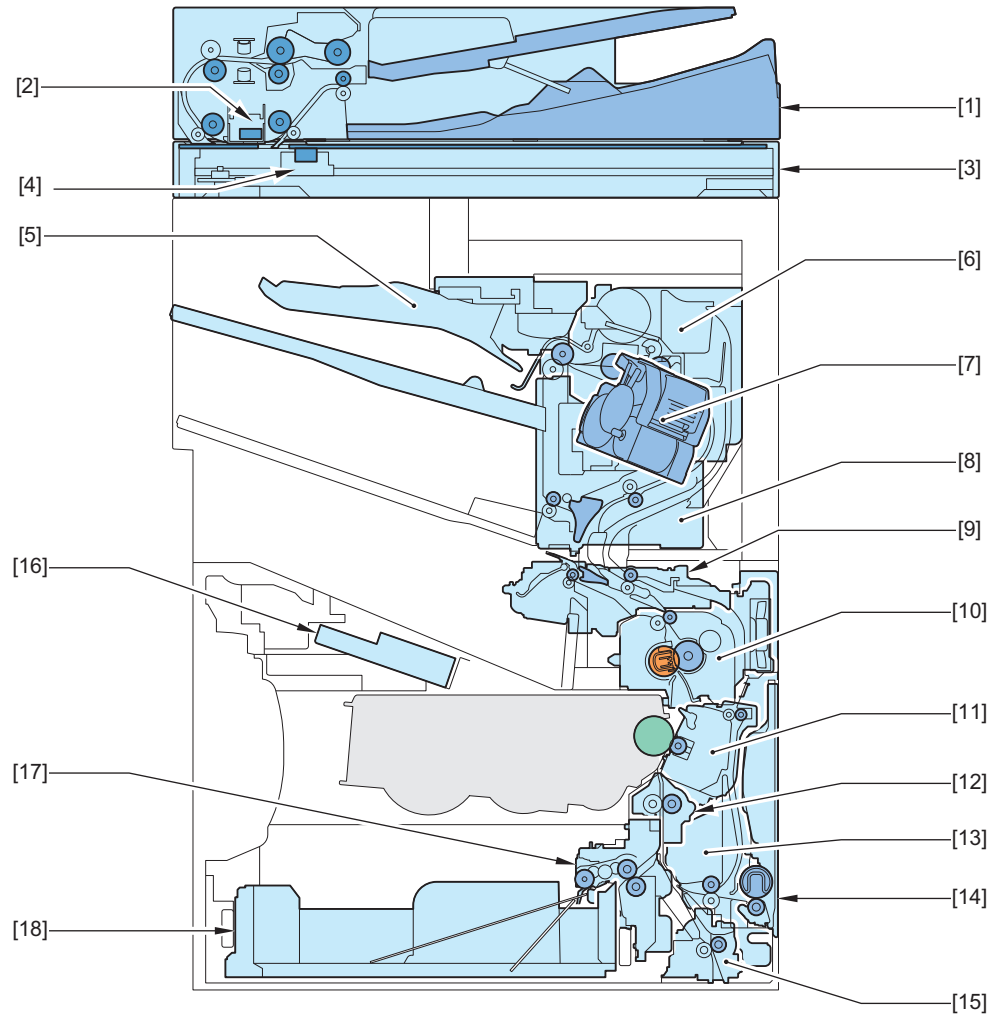
Type (paper weight: g/m ²)	Size	Pickup position					
		MP Tray	CST 1	CST-AG1 / AR1	High Capacity D1		Envelope A1
					CST 1	CST 2	
Thin Paper (60 g/m ²)	Custom paper size 5	Yes	-	Yes	Yes	-	-
Plain Paper 1 (61 to 74 g/m ²)	Custom paper size 6	Yes	Yes	Yes	Yes	-	-
Plain Paper 2 (75 to 89 g/m ²)	Custom paper size 7	Yes	-	Yes	Yes	-	-
Plain Paper 3 (90 to 105 g/m ²)	Custom paper size 8	Yes	Yes	Yes	Yes	-	-
Heavy Paper 1 (106 to 120 g/m ²)	Custom paper size 9	Yes	Yes	Yes	Yes	-	-
Color Paper (75 to 89 g/m ²)	Custom paper size 10	Yes	-	Yes	Yes	-	-
Recycled Paper (75 to 89 g/m ²)							
Bond Paper (75 to 90 g/m ²)							
Heavy Paper 2 (121 to 135 g/m ²)	A4R	Yes	Yes	Yes	Yes	Yes	-
	B5R	Yes	Yes	Yes	Yes	-	-
	A5	Yes	Yes	Yes	Yes	-	-
	A5R	Yes	Yes	Yes	Yes	-	-
	A6R	Yes	Yes	Yes	Yes	-	-
	LGL	Yes	-	Yes	Yes	Yes	-
	LTRR	Yes	Yes	Yes	Yes	Yes	-
	STMTR	Yes	Yes	Yes	Yes	-	-
	EXEC-R	Yes	Yes	Yes	Yes	-	-
	OFICIO	Yes	-	Yes	Yes	-	-
	OFICIO (Brazil)	Yes	-	Yes	Yes	-	-
	OFICIO (Mexico)	Yes	-	Yes	Yes	-	-
	GLTR-R	Yes	Yes	Yes	Yes	-	-
	GLGL	Yes	-	Yes	Yes	-	-
	AFLS	Yes	-	Yes	Yes	-	-
	FLS	Yes	-	Yes	Yes	-	-
	K16R	Yes	Yes	Yes	Yes	-	-
	F4A	Yes	-	Yes	Yes	-	-
	I-LGL	Yes	-	Yes	Yes	-	-
	Custom paper size 1	Yes	-	-	-	-	-
	Custom paper size 2	Yes	-	-	-	-	-
	Custom paper size 3	Yes	Yes	Yes	Yes	-	-
	Custom paper size 4	Yes	Yes	Yes	Yes	-	-
	Custom paper size 5	Yes	-	Yes	Yes	-	-
	Custom paper size 6	Yes	Yes	Yes	Yes	-	-
	Custom paper size 7	Yes	-	Yes	Yes	-	-
Custom paper size 8	Yes	Yes	Yes	Yes	-	-	
Custom paper size 9	Yes	Yes	Yes	Yes	-	-	
Custom paper size 10	Yes	-	Yes	Yes	-	-	
Heavy Paper 3 (136 to 163 g/m ²)	A4R	Yes	-	-	-	-	-
	B5R	Yes	-	-	-	-	-
	A5	Yes	-	-	-	-	-
	A5R	Yes	-	-	-	-	-
	A6R	Yes	-	-	-	-	-
	LGL	Yes	-	-	-	-	-
	LTRR	Yes	-	-	-	-	-
	STMTR	Yes	-	-	-	-	-
	EXEC-R	Yes	-	-	-	-	-
	OFICIO	Yes	-	-	-	-	-
	OFICIO (Brazil)	Yes	-	-	-	-	-

Type (paper weight: g/m2)	Size	Pickup position					
		MP Tray	CST 1	CST-AG1 / AR1	High Capacity D1		Envelope A1
					CST 1	CST 2	
Heavy Paper 3 (136 to 163 g/m2)	OFICIO (Mexico)	Yes	-	-	-	-	-
	GLTR-R	Yes	-	-	-	-	-
	GLGL	Yes	-	-	-	-	-
	AFLS	Yes	-	-	-	-	-
	FLS	Yes	-	-	-	-	-
	K16R	Yes	-	-	-	-	-
	F4A	Yes	-	-	-	-	-
	I-LGL	Yes	-	-	-	-	-
	Custom paper size 1	Yes	-	-	-	-	-
	Custom paper size 2	Yes	-	-	-	-	-
	Custom paper size 3	Yes	-	-	-	-	-
	Custom paper size 4	Yes	-	-	-	-	-
	Custom paper size 5	Yes	-	-	-	-	-
	Custom paper size 6	Yes	-	-	-	-	-
	Custom paper size 7	Yes	-	-	-	-	-
	Custom paper size 8	Yes	-	-	-	-	-
	Custom paper size 9	Yes	-	-	-	-	-
	Custom paper size 10	Yes	-	-	-	-	-
Heavy Paper 4 (164 to 199 g/m2)	A4R	Yes	-	-	-	-	-
	B5R	Yes	-	-	-	-	-
	A5	Yes	-	-	-	-	-
	A5R	Yes	-	-	-	-	-
	A6R	Yes	-	-	-	-	-
	LGL	Yes	-	-	-	-	-
	LTRR	Yes	-	-	-	-	-
	STMTR	Yes	-	-	-	-	-
	EXEC-R	Yes	-	-	-	-	-
	OFICIO	Yes	-	-	-	-	-
	OFICIO (Brazil)	Yes	-	-	-	-	-
	OFICIO (Mexico)	Yes	-	-	-	-	-
	GLTR-R	Yes	-	-	-	-	-
	GLGL	Yes	-	-	-	-	-
	AFLS	Yes	-	-	-	-	-
	FLS	Yes	-	-	-	-	-
	K16R	Yes	-	-	-	-	-
	F4A	Yes	-	-	-	-	-
	I-LGL	Yes	-	-	-	-	-
	Custom paper size 1	Yes	-	-	-	-	-
	Custom paper size 2	Yes	-	-	-	-	-
	Custom paper size 3	Yes	-	-	-	-	-
	Custom paper size 4	Yes	-	-	-	-	-
	Custom paper size 5	Yes	-	-	-	-	-
	Custom paper size 6	Yes	-	-	-	-	-
	Custom paper size 7	Yes	-	-	-	-	-
Custom paper size 8	Yes	-	-	-	-	-	
Custom paper size 9	Yes	-	-	-	-	-	
Custom paper size 10	Yes	-	-	-	-	-	
Transparency (100 to 179 g/m2)	A4R	Yes	-	-	-	-	-
	LTRR	Yes	-	-	-	-	-
Labels (130 g/m2)	A4R	-	Yes	Yes	Yes	-	-
	LTRR	-	Yes	Yes	Yes	-	-

Type (paper weight: g/m ²)	Size	Pickup position					
		MP Tray	CST 1	CST-AG1 / AR1	High Capacity D1		Envelope A1
					CST 1	CST 2	
Pre-Punched Paper (75 to 80 g/m ²)	A4R	-	Yes	Yes	Yes	Yes	-
	LTRR	-	Yes	Yes	Yes	Yes	-
Envelope (80 to 100 g/m ²)	COM10_R	Yes	-	-	-	-	Yes
	Monarch_R	Yes	-	-	-	-	Yes
	ISO-C5_R	Yes	-	-	-	-	Yes
	DL_R	Yes	-	-	-	-	Yes

Parts Name

Cross Section View



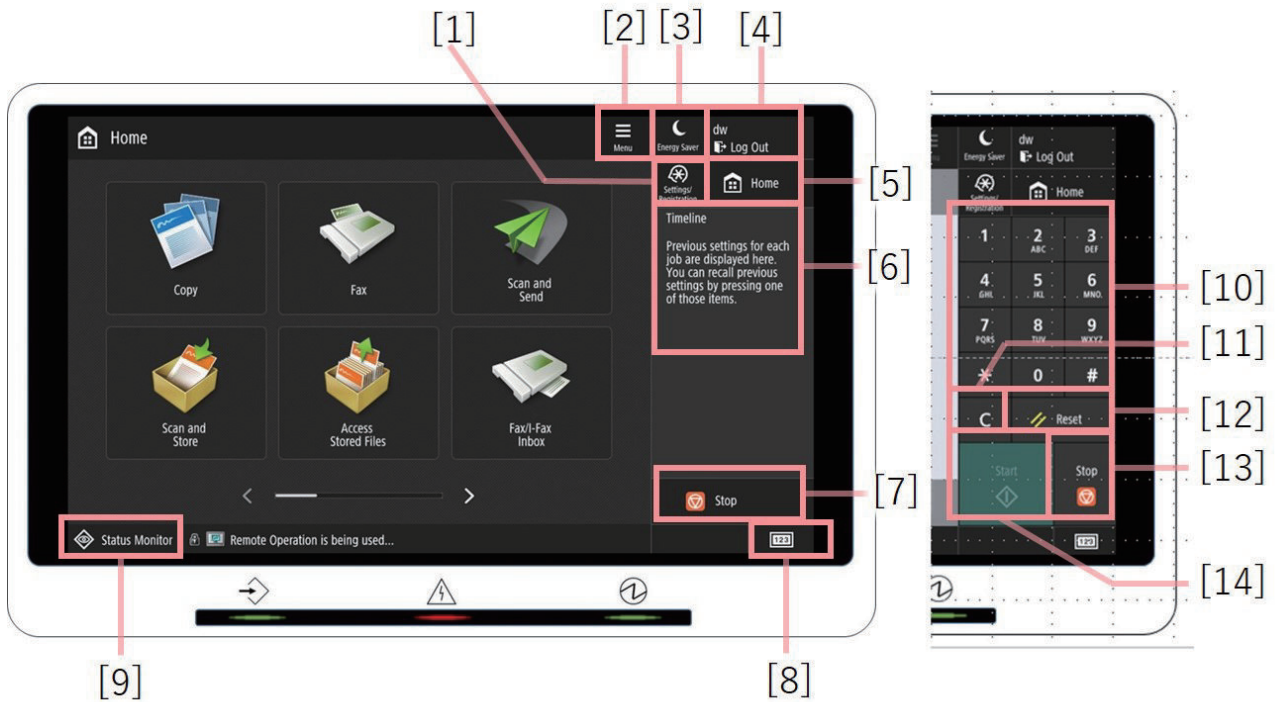
No.	Name
1	ADF Unit
2	Scanner Unit (Back Side)
3	Reader Unit
4	Scanner Unit (Front Side)
5	Jogger Unit
6	Upper Paper Feed Unit
7	Staple Unit
8	Lower Paper Feed Unit
9	Duplex Paper Delivery Unit
10	Fixing Unit
11	Transfer Unit
12	Registration Unit
13	Right Door Unit
14	Multi-purpose Tray Pickup Unit
15	Feeding Unit
16	Laser Scanner Unit
17	Cassette 1 Pickup Unit
18	Cassette 1

Control Panel



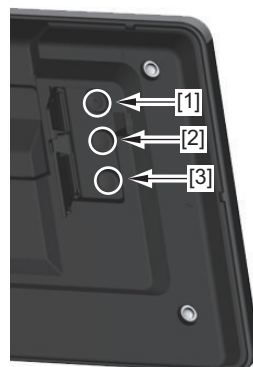
No.	Name
[1]	Touch panel display
[2]	Main Power indicator
[3]	Error indicator
[4]	Processing/Data indicator

Main Menu



No.	Name
[1]	Settings/Registration
[2]	Menu
[3]	Energy Saver
[4]	Log In, Log Out
[5]	Home
[6]	Timeline
[7]	Stop
[8]	Counter/Device Information
[9]	Status Check
[10]	Numeric keys ([0] to [9], [*], [#])
[11]	C (Clear)
[12]	Reset
[13]	Stop
[14]	Start

Service Buttons



Reference figure (Rear side of Control Panel)

No.	Name
[1]	Service Button 1
[2]	Service Button 2
[3]	Service Button 3

NOTE:

Service Buttons are operated by opening the cover.

CAUTION:

Service Buttons are buttons for service technicians and information is not released to users.

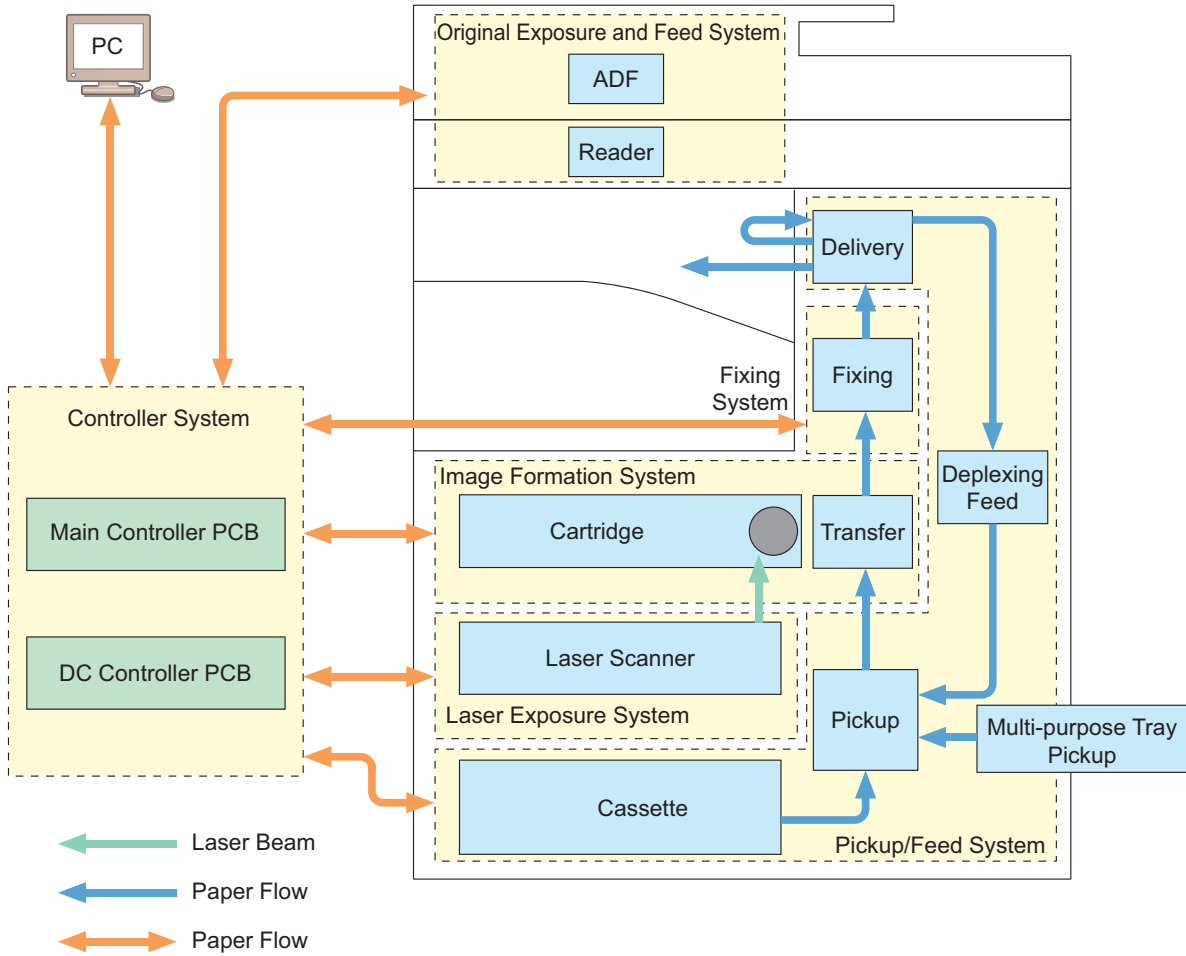


Technical Explanation (Device)

Functional Configuration.....	26
Original Exposure System.....	27
Controller System.....	49
Laser Exposure System.....	54
Image Formation System.....	57
Fixing System.....	63
Pickup Feed System.....	71
External Auxiliary System.....	89

Functional Configuration

This machine consists of 6 major blocks: Original Exposure and Feed System, Controller System, Laser Exposure System, Image Formation System, Fixing System, and Pickup Feed System.



Original Exposure System

Features

Reader Assembly

- Color reproducibility has been improved by adopting a scanner unit with 3-line CIS installed, as compared with the conventional models.

Specifications

Reader Assembly

Item	Specification/Function
Type	Built in with Printer model, No stream by Platen/Stream feed by ADF
Image sensor	CIS
Acceptable Originals	Sheet/Book
Document size	<ul style="list-style-type: none"> Crosstrack : Up to. 216.0mm Intrack : Up to. 355.6mm Automatic Size sensor : No Size detected by manual operation from panel A4R , A5R , A6R , B5R , LGLR , LTRR , STMTR , 16KR
Light source	LED
Scan Resolution	600dpi x 600dpi 300dpi x 600dpi
# of Gradations	256 Gradation Levels, 8bit x 3 Color
Reader Heater	No.

ADF

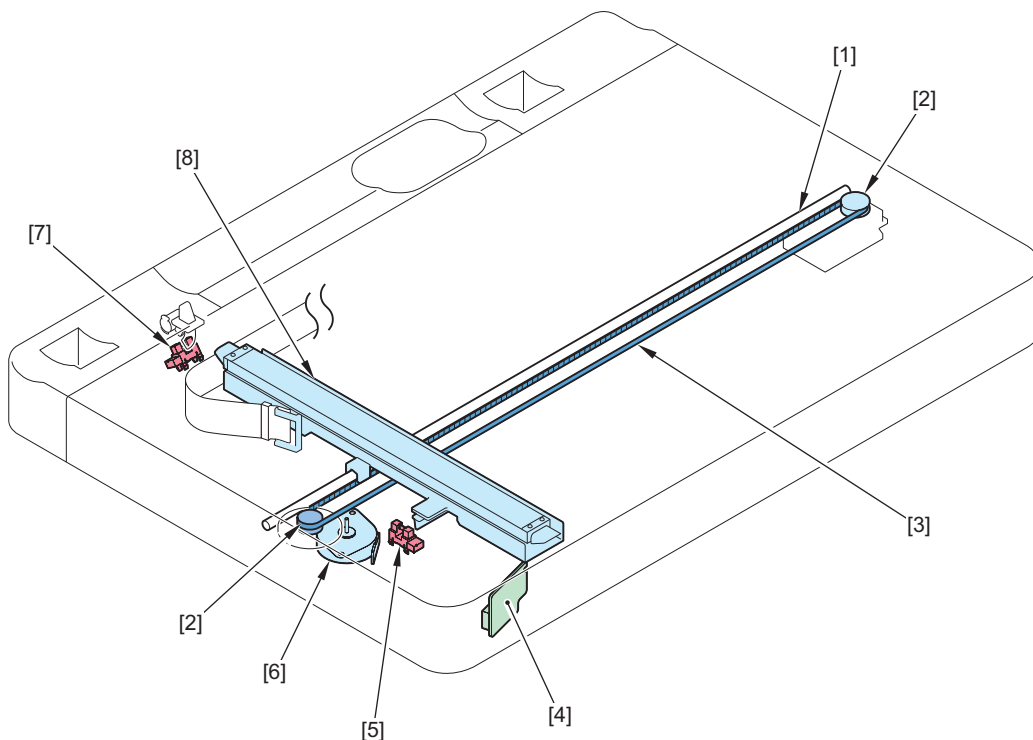
Item	Specification	CAUTION
Original separation method	Separation Roller Method	
ADF original scanning method	Stream feed by ADF	
ADF original basis weight	<ul style="list-style-type: none"> Single sided Black&White Original:42-128gsm (A/B), 50-128gsm (inch) Color Original:64-128gsm (A/B), 64-128gsm (inch) Business card:80-220gsm(Thickness: 0.1-0.23mm degree) Double sided Black&White Original: 50-128gsm Color Original: 64-128gsm Business card:80-220gsm(Thickness: 0.1-0.23mm degree) 	Original of width narrows less than A6S except the business card: 50-128gsm LGL/52gsm: supported only feeding, Long Original(over than 355.6mm): 60-90gsm
ADF original size	A4R, A5R, A6R, B5R, 16KR, LGLR, LTRR, STMTR Crosstrack : 48.0-216.0mm (Business card:48.0-55.0mm) Intrack : 128.0-355.6mm , 355.6-630.0mm (Long Original*), 85.0-91.0mm(Business card)	*Long Original mode supports single sided reading
ADF original Tray stacking capacity	100 sheets(64gsm) 100 sheets(75/80gsm) Less than 50gsm : 10 sheets Over than 80gsm : Height = 10 mm or less Business card : 25 sheets Long-size Original : 1 sheet	
ADF original sizedetection function	no	
ADF mixed paper functions	Mixed width of the same configuration: yes Mixed width of different configurations: no	
Stamp	no	

Item	Specification	CAUTION
Maximum original size	At copyboard reading: 216.0 mm x 355.6 mm At ADF reading: 216.0 mm x 355.6 mm	
Original processing speed	<ul style="list-style-type: none"> • ADF 1-sided (ipm) Send (300dpi) Auto Color Select=OFF -BW : A4:95ipm/ LTR:100ipm -CL : A4:95ipm/ LTR:100ipm Auto Color Select=ON -BW : A4:50ipm/ LTR:50ipm -CL : A4:50ipm/ LTR:50ipm Copy(600dpi) BW_A4:95ipm/ LTR:100ipm • ADF 2-sided (ipm) Send(300dpi) Auto Color Select=OFF -BW : A4:190ipm/ LTR:200ipm -CL : A4:190ipm/ LTR:200ipm Auto Color Select=ON -BW : A4:100ipm/ LTR:100ipm -CL : A4:100ipm/ LTR:100ipm Copy(600dpi) BW_A4:140ipm/ LTR:155ipm 	Auto Color Select=OFF (default:USA, EUR) Auto Color Select=ON (default:Except (USA, EUR))

Basic Configuration

Reader Unit

Parts Configuration



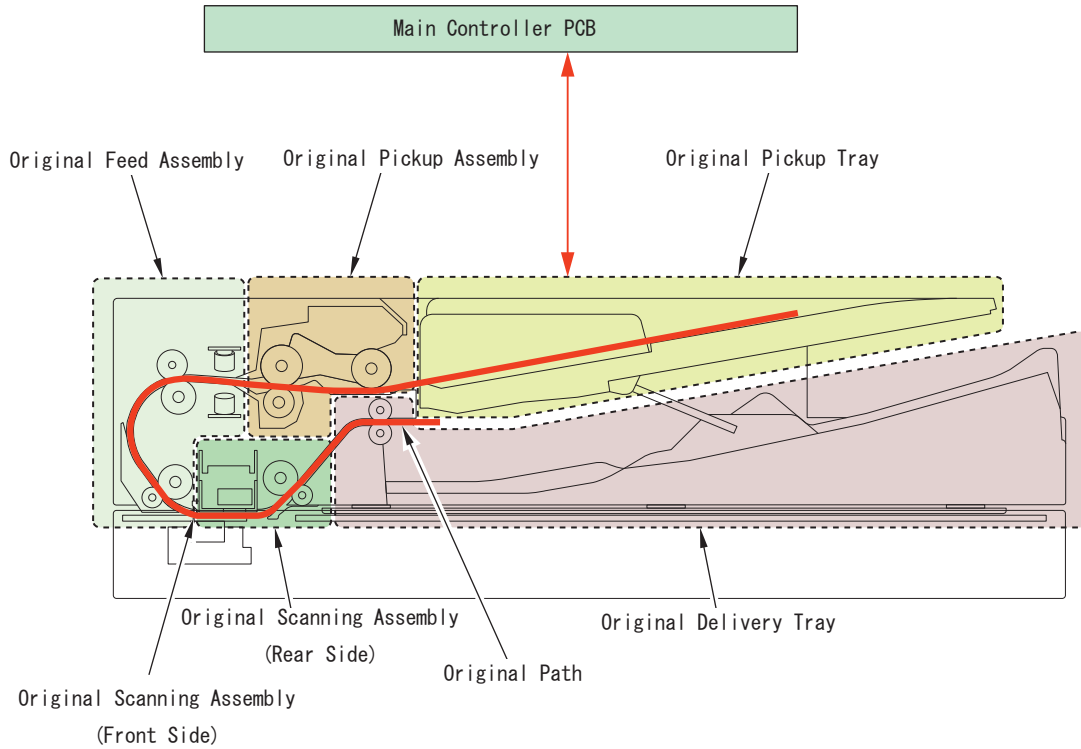
No.	Name
[1]	Guide Shaft
[2]	Drive Pulley
[3]	Drive Belt
[4]	Motion Sensor
[5]	CIS HP Sensor
[6]	Reader Motor

No.	Name
[7]	ADF Open/Closed Sensor
[8]	Scanner Unit (Front)

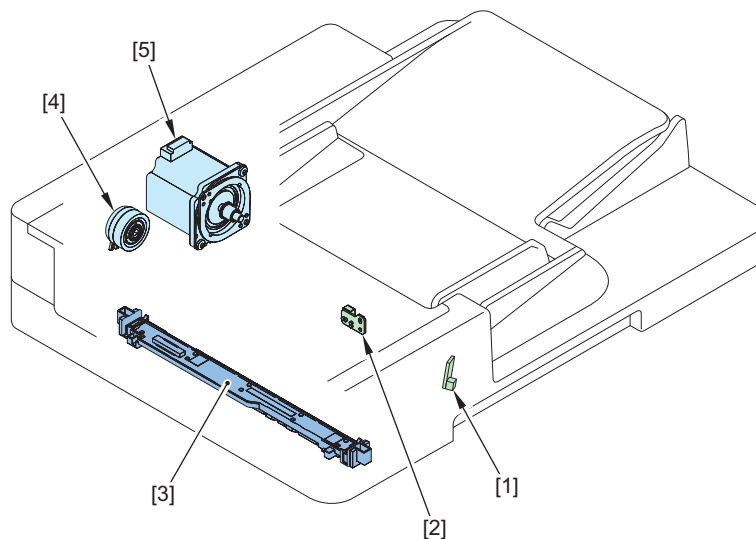
■ ADF Unit

● Functional Configuration

Functional configuration of the ADF in this equipment is shown below.



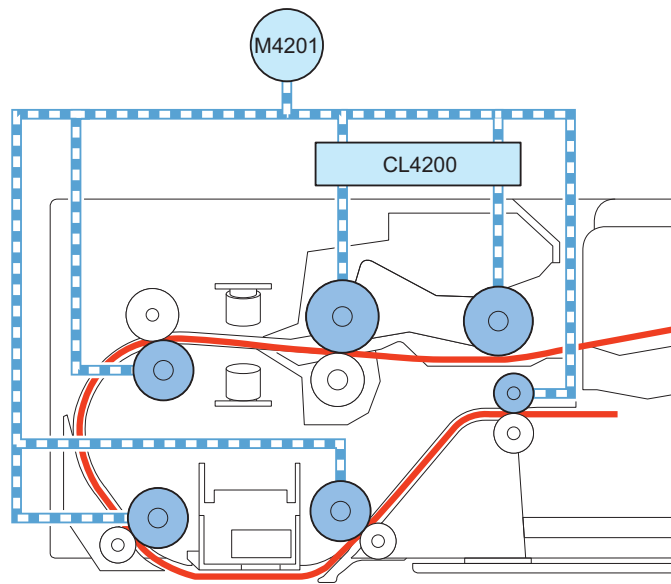
● Parts Configuration



No.	Symbol	Name
1	LED_EXIT	Delivery Display LED
2	LED_DS	Original Display LED
3	-	Scanner Unit (Rear Side)
4	CL4200	ADF Pickup Clutch
5	M4201	ADF Motor

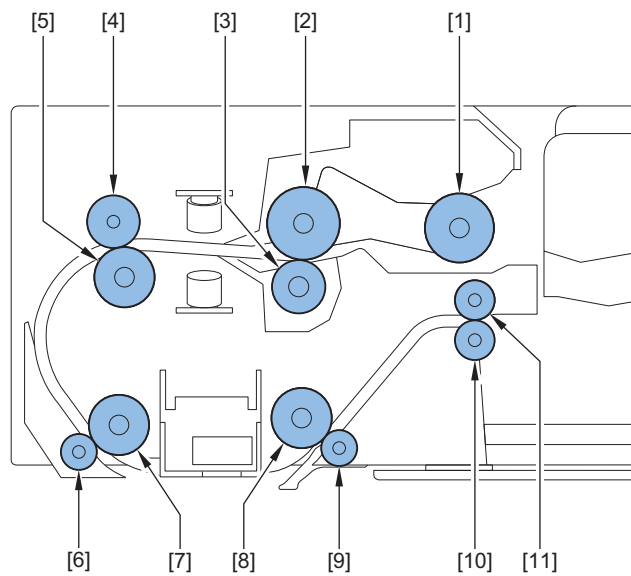
• **Drive Configuration List**

The drive assembly of the ADF consists of a ADF Motor, and a Separation Clutch.
The drive configuration is indicated below.



Code	Name	Role
M4201	ADF Motor	Operate the rollers in the ADF
CL4200	Separation Clutch	ON/OFF operation of the Pickup Roller and the Feed Roller

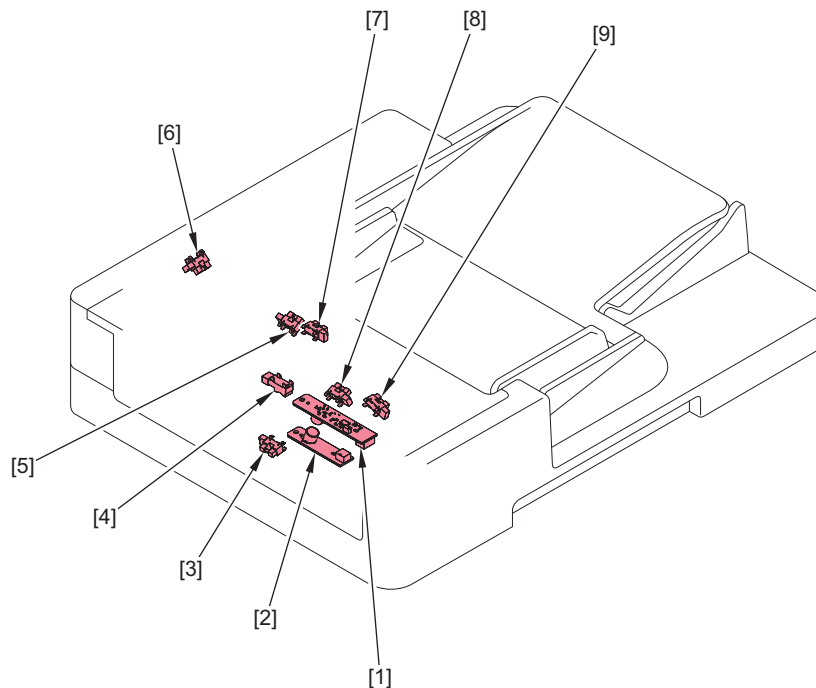
• **List of Rollers**



No.	Name
1	Pickup Roller
2	Feed Roller
3	Separation Roller
4	After separation feed roller
5	After separation feed roller
6	Lead Roller 1
7	Lead Roller 1
8	Lead Roller 2
9	Lead Roller 2
10	Delivery Roller

No.	Name
11	Delivery Roller

• List of Sensors



No	Symbol	Name
1	JUSO(R)	Double Feed Detection PCB (Reception)
2	JUSO(T)	Double Feed Detection PCB (Transmission)
3	SR4206	Lead Sensor
4	REG	Post-Separation Sensor
5	SR4204	Original Sensor
6	SR5	ADF Cover Sensor
7	SR4205	Pre-Separation Sensor
8	SR2	Delivery Sensor
9	SR4207	Original Sensor (small size paper)

Dust Detection Control

When reading an original, the original reading position is changed according to the presence/absence of dust on the Stream Reading Glass or the Guide Plate of the ADF, or image correction is performed to prevent the dust from being printed on the image.

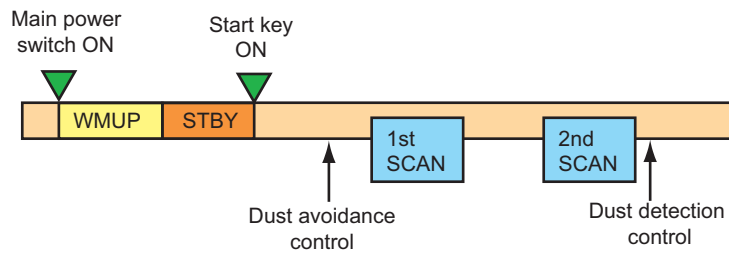
Control timing

Dust detection

- At job completion

Dust evasion

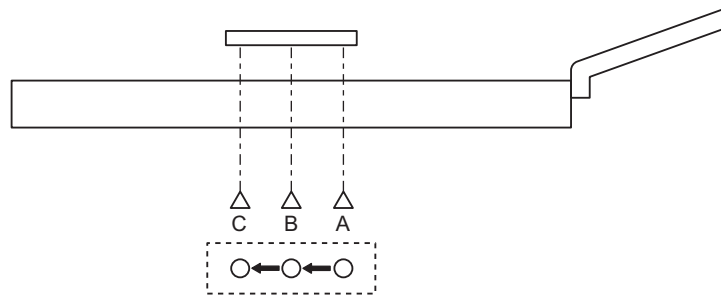
- When a job starts



Control description

At job completion (dust detection)

The Reading Sensor performs dust detection at a reading position. When it detects any dust, the sensor is moved to the position B if the sensor position is A, or to the position C if the position is B. This position will be the reading position for the next job.



At the start of a job and paper interval (dust evasion)

The Scanner Unit does not move.

Reading is performed at the position determined by the control performed at job completion or at the start of a job, and image correction is performed if dust is detected at that position.

Related service mode

- Adj dust detect level: ppr intvl, DADF:
Service mode > COPIER > OPTION > IMG-RDR > DFDST-L1
- Adj dust dtct level:strem, ppr int, back:
Service mode > COPIER > OPTION > IMG-RDR > DF2DSTL1

■ Guide Plate dust detection/correction control

Overview

The Guide Plate facing the Stream Reading Glass is static for the ADF on this machine. Because of this, a false detection may occur with the conventional detection method for stream reading as it is not possible with that method to discriminate the dust adherent to the Guide Plate from the dust adherent to the glass when the Stream Reading Glass is read without paper.

As measures against this issue, the ADF on this machine performs dust detection both before and during the feed and determines whether the dust is adherent to the Guide Plate or not based on the following criteria.

- The dust detected both before and during the feed: dust adherent to the glass (the dust that should be evaded)
- The dust detected before the feed but not during the feed: dust adherent to the Guide Plate (the dust that do not need to be evaded)

Timing of control

Guide Plate dust detection control is performed starting when an original passes through the specified location at the following timing.

- At the start-up of a stream reading job
- At paper interval

Control Description

Guide Plate dust detection/correction is performed with the following steps.

1. A dust detection is performed with a scan before the feed.
2. A dust detection is performed with a scan during the feed.
3. Dust detection correction is performed for the dust that are determined to be adherent to the glass

■ Non-continuous Dust Detection/Correction Control

Overview

This detects and corrects non-continuous streaks when stream reading is performed.

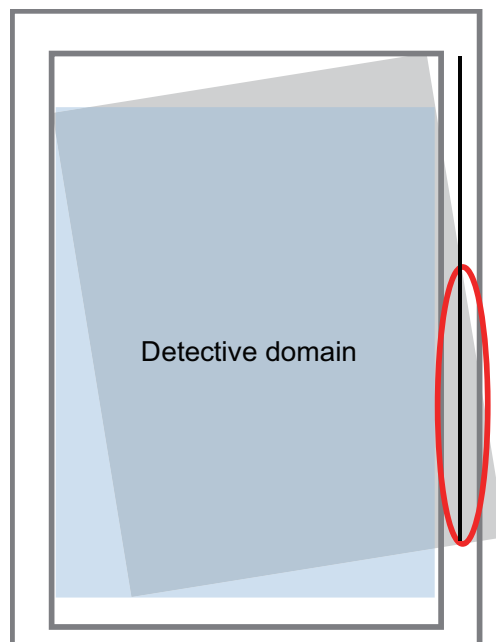
This function can be set to enable/disable by turning ON/OFF of "Streak Prevention".

Settings/Registration > Function Settings > Common > Scan Settings > Streak Prevention

Control Description

The horizontal scanning range for the original is detected for the skew detection/correction.

When soiling outside of the original range is detected, image failure may be caused by correction outside the original range entering inside the image after correcting skew. To prevent this, the correction processing application range is set from the image leading edge based on the skew detection result and the process is only executed within the range.



■ Dust evasion at stream reading

Overview

When dust is detected with the aforementioned Guide Plate dust detection, the scanning position is shifted to prevent the dust from being scanned next time and thereafter.

Timing of control

The shift in scanning position for dust evasion is performed at the end of a stream reading job.

Control Description

When dust is detected during a stream reading job, the scanning position is shifted or shifted back for approximately 0.5 mm.

If dust is detected consecutively for a specified number of times, an alarm is generated to prompt the user to clean the glass.

When the cover is opened, the count of the consecutive detections is reset.

● Image processing

The functions of the PCBs used for image processing are shown below.

- Main Controller PCB
 - Shading correction (executed per job)
 - Color displacement correction in vertical scanning direction

- Scanner Unit PCB

Driving the Scanner Unit, analog image processing, A/D conversion

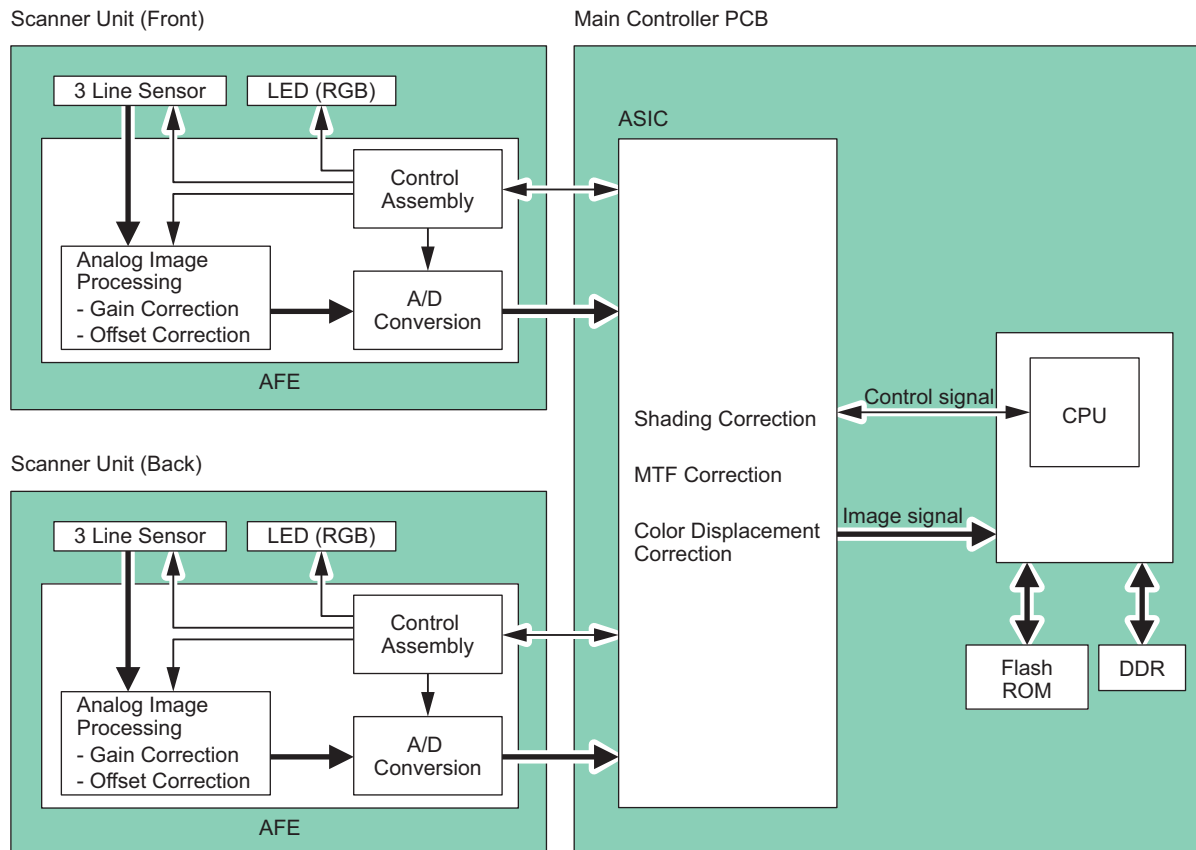
Image processing is performed line by line for each image with the Main Controller PCB. The main functions are shown below.

Main Controller PCB

- Shading correction
- Color displacement correction in vertical scanning direction
- Skew detection/correction

Scanner Unit PCB (in the Scanner Unit)

- Driving the Scanner Unit
- Gain correction of the Reading Sensor output, Offset correction



■ Skew Detection/Correction

Overview

With this equipment, images are rotated on the output (skew correction) based on the amount of skew measured (skew detection) during feed at stream reading.

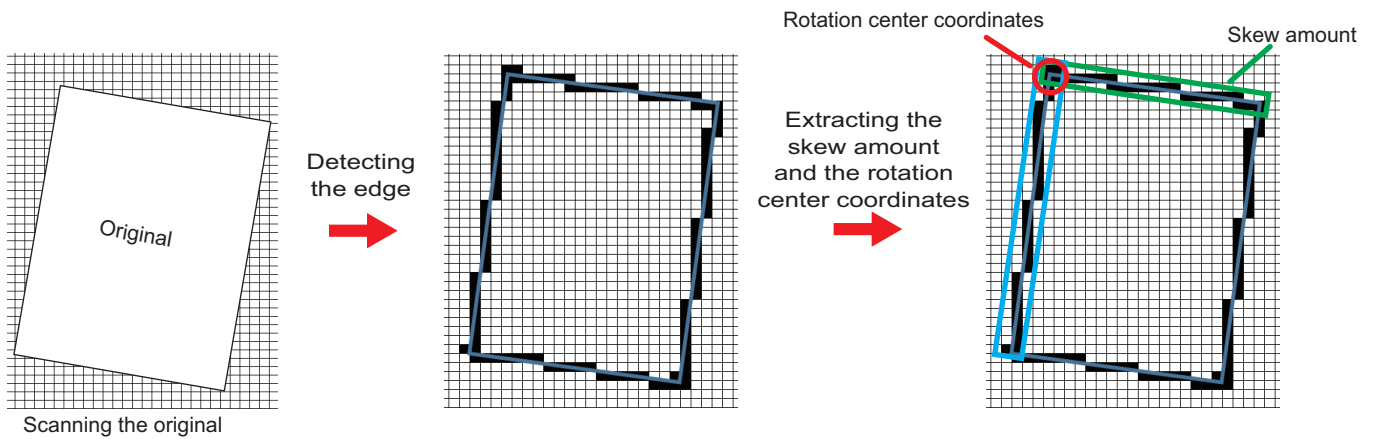
This function makes it possible to achieve both increased productivity and noise reduction at the same time as a result of the configuration without a mechanism that makes the skew between the leading edge of the original and the horizontal scanning direction line for image reading (registration mechanism) closer to parallel by pressing the original against the roller.

Skew Detection Control

The Skew Detection Control system determines skew from a scanned image for detection instead of using sensors.

The flow of skew detection is shown below.

1. Extracting the edge
The Skew Detection Control system binarizes the image and detects the shadow of the original on the opposed plate as the edge of the original.
2. Extracting the skew amount and the rotation center coordinates
Extract the skew amount and the rotation center coordinates that will be the reference for the correction from the data of the detected edge of the original.



Adjustment of the leading edge margin

Adjusts the leading edge of the scanned image after skew correction if the leading edge position of the image is not appropriate.

Adjustment of the left edge margin

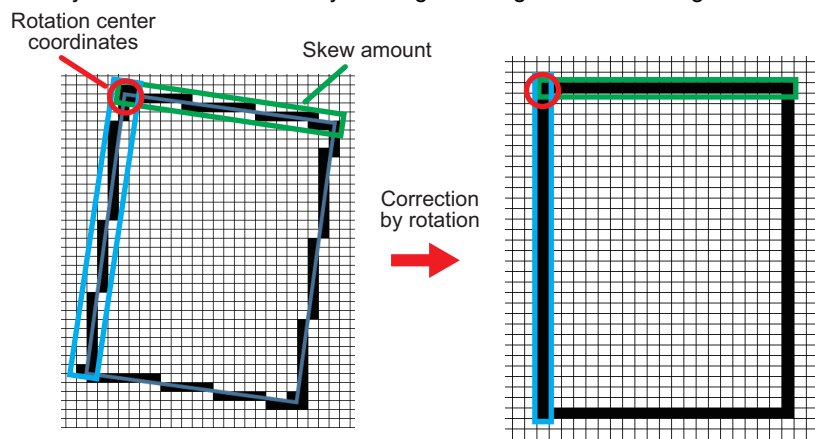
Adjusts the left edge of the scanned image after skew correction if the left edge position of the image is not appropriate.

Angle correction

Corrects rotation angle on the scanned image after skew correction if the trailing edge of the image is missing.

Skew Correction Control

The Skew Correction Control system corrects a skew by rotating the image data according to the detected skew angle.



Parallelogram correction

Corrects the angle of the image to be 90 degrees by outputting the image while shifting it towards the horizontal scanning direction.

Front and Back Difference Correction Adjustment

Corrects a skew by estimating skew amount on the back side from the skew detection result on the front side.

Related Service Mode

ON/OFF of the skew correction function

- Switching between ON and OFF of the skew correction function at ADF stream reading
FEEDER > OPTION > SKW-SW

Adjustment of the leading edge margin of the image at DADF reading

- Adjustment of the leading edge margin of the image at DADF reading [front side]
FEEDER > ADJUST > ADJ-T1
- Adjustment of the leading edge margin of the image at DADF reading [back side]
FEEDER > ADJUST > ADJ-T2
- Adjustment of the leading edge margin of the image at DADF reading [front side]
FEEDER > ADJUST > DOCST
- Adjustment of the leading edge margin of the image at DADF reading [back side]
FEEDER > ADJUST > DOCST2

Adjustment of the left edge margin of the image at DADF reading

- Adjustment of the left edge margin of the image at DADF reading [front side]
FEEDER > ADJUST > ADJ-L1
- Adjustment of the left edge margin of the image at DADF reading [back side]
FEEDER > ADJUST > ADJ-L2
- Adjustment of start position at stream reading (horizontal scanning direction) [back side]
COPIER > ADJUST > ADJ-XY > ADJY-DF2

Angle correction at DADF reading

- Angle correction at DADF reading [front side]
FEEDER > ADJUST > ADJ-ROT1
- Angle correction at DADF reading [back side]
FEEDER > ADJUST > ADJ-ROT2

Parallelogram correction amount

- Parallelogram correction amount (temporary)
FEEDER > ADJUST > ADJ-PAR1
- Parallelogram correction amount (temporary)
FEEDER > Adjust > ADJ-PAR2

Adjustment of the leading edge margin and the left edge margin of the image at DADF reading when the skew correction is OFF

- Adjustment of the leading edge margin of the image at DADF reading [front side]
FEEDER > ADJUST > DOCST
- Adjustment of the leading edge margin of the image at DADF reading [back side]
FEEDER > ADJUST > DOCST2
- Adjustment of the reading start position (DADF, front side, horizontal scanning direction)
COPIER > ADJUST > ADJ-XY > ADJ-Y-DF
- Adjustment of the start position at stream reading (horizontal scanning direction) [back side]
COPIER > ADJUST > ADJ-XY > ADJY-DF2

Front and Back Difference Correction Adjustment

- Skew adjustment (front and back difference correction adjustment)
FEEDER > FUNCTION > ADJ-SKW
- Skew adjustment value of the back side (leading edge registration difference)
FEEDER > ADJUST > ADJ-DT
- Skew adjustment value of the back side (left edge registration difference)
FEEDER > ADJUST > ADJ-DL
- Skew adjustment value of the back side (angle difference)
FEEDER > ADJUST > ADJ-DROT

■ Shading Correction**● Overview**

Even if the original density is even, output of the CIS Reading Sensor in the Scanner Unit may not become even. A control that corrects variations in the output is shading correction.

Main causes of uneven output of the Reading Sensor are shown below.

- Variation in sensitivity of pixel of the Reading Sensor
- Uneven light intensity of the lens
- Uneven light intensity of the LED and light guide plate
- Deterioration of the LED
- Variations in luminance between at the position of the Standard White Plate and at the reading position

To correct unevenness of the Reading Sensor output, shading correction is performed.

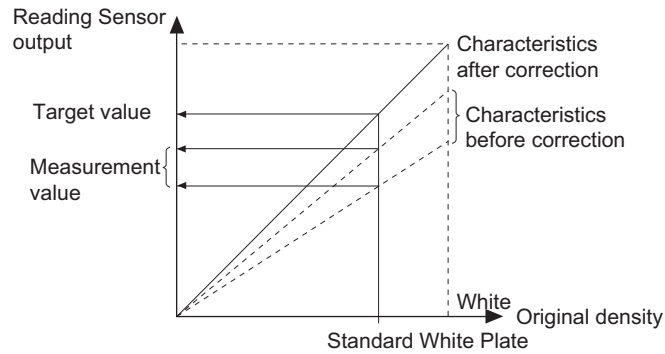
In shading correction, there is a type of shading correction that is executed per job.

● Shading Correction (Common to Reader and ADF)

Shading correction is performed for each scanning of original.

With this operation, light of LED Lamp is emitted to the Standard White Plate, and the reflected light is converted into digital data at the analog image processing part of the Scanner Unit PCB. The amount of digitized reflected light is input to the shading correction circuit in the Main Controller PCB as the shading coefficient. In the shading correction circuit, the stored target value and the shading coefficient are compared, and the difference is determined as the shading correction value.

With this shading correction value, variation of pixel of the Reading Sensor of each scan is corrected to make the image density level even.



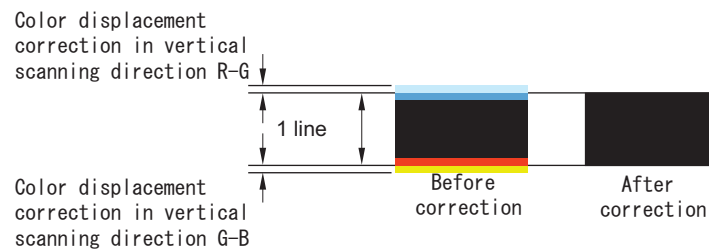
Shading correction (ADF side)

Positional relationship between the CIS Reading Sensor and the Standard White Plate differs between at the Reader side and at the ADF side. Therefore, when performing shading correction to the Reading Sensor at ADF side, the correction value stored in advance needs to be taken into consideration. This corrects difference in image density caused by positional relationship.

■ Color Displacement Correction Processing in Vertical Scanning Direction

Color displacement correction control in the vertical scanning direction is used to correct displacement of R, G, and B by shifting the pixels in the vertical scanning direction (by less than 1 pixel) to align the red (R) and blue (B) images with green (G) when the scanned R, G, and B images are not accurately overlapped at color scanning.

Example: A scanned image of a black line where red (R) is displaced upward and blue (B) is displaced downward with respect to green (G)



As for the color displacement correction value in the vertical scanning direction, there are two types of reader scans as shown below. These correction values have been adjusted at the time of shipment, and stored as service mode values. (In COPIER > ADJUST > CCD)

100-RG, 100-BG, 100DF-RG, 100DF-GB, 100DF2GB, 100DF2RG

When a job is started, color displacement correction processing is performed based on the saved color displacement correction values.

Service Mode

- RG clr displc correct: front, vert scan :
COPIER > ADJUST > CCD > 100-RG
- GB clr displc correct: front, vert scan :
COPIER > ADJUST > CCD > 100-BG
- RG clr displc crct:DADF,front,vert scan :
COPIER > ADJUST > CCD > 100DF-RG
- GB clr displc crct:DADF,front,vert scan :
COPIER > ADJUST > CCD > 100DF-GB
- GB clr displc correct: back, vert scan (Lv.2) :
COPIER > ADJUST > CCD > 100DF2GB
- RG clr displc correct: back, vert scan (Lv.2) :
COPIER > ADJUST > CCD > 100DF2RG

■ Gain Correction of the Reading Sensor Output, Offset Correction

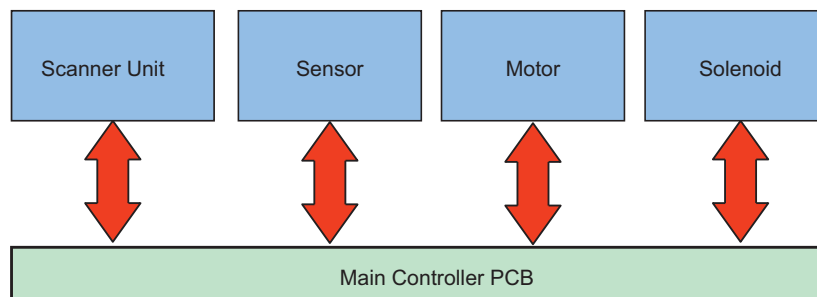
The analog video signal output from the Reading Sensor has its amplification ratio aligned with a fixed value (gain correction) and has its output voltage when there is no incident light aligned with a fixed value (offset correction).

Related service mode

- Adj CIS gain level:front,clr mode,300dpi:
COPIER > ADJUST > CCD > GAIN-CL0
- Adj CIS gain level:front,clr mode,600dpi:
COPIER > ADJUST > CCD > GAIN2CL0
- Adj CIS gain level: back,clr mode,300dpi:
COPIER > ADJUST > CCD > GAIN3CL0
- Adj CIS gain level: back,clr mode,600dpi:
COPIER > ADJUST > CCD > GAIN4CL0
- Adj CIS-ch offset:front,clr mode,600dpi:
COPIER > ADJUST > CCD > OFST2CL0: Channel 0
COPIER > ADJUST > CCD > OFST2CL1: Channel 1
COPIER > ADJUST > CCD > OFST2CL2: Channel 2
COPIER > ADJUST > CCD > OFST2CL3: Channel 3
COPIER > ADJUST > CCD > OFST2CL4: Channel 4
COPIER > ADJUST > CCD > OFST2CL5: Channel 5
- Adj CIS-ch offset: back,clr mode,300dpi:
COPIER > ADJUST > CCD > OFST3CL0: Channel 0
COPIER > ADJUST > CCD > OFST3CL1: Channel 1
COPIER > ADJUST > CCD > OFST3CL2: Channel 2
COPIER > ADJUST > CCD > OFST3CL3: Channel 3
COPIER > ADJUST > CCD > OFST3CL4: Channel 4
COPIER > ADJUST > CCD > OFST3CL5: Channel 5
- Adj CIS-ch offset: back,clr mode,60dpi:
COPIER > ADJUST > CCD > OFST4CL0: Channel 0
COPIER > ADJUST > CCD > OFST4CL1: Channel 1
COPIER > ADJUST > CCD > OFST4CL2: Channel 2
COPIER > ADJUST > CCD > OFST4CL3: Channel 3
COPIER > ADJUST > CCD > OFST4CL4: Channel 4
COPIER > ADJUST > CCD > OFST4CL5: Channel 5
- Adj CIS-ch offset:front,clr mode,30dpi:
COPIER > ADJUST > CCD > OFST-CL0: Channel 0
COPIER > ADJUST > CCD > OFST-CL1: Channel 1
COPIER > ADJUST > CCD > OFST-CL2: Channel 2
COPIER > ADJUST > CCD > OFST-CL3: Channel 3
COPIER > ADJUST > CCD > OFST-CL4: Channel 4
COPIER > ADJUST > CCD > OFST-CL5: Channel 5

Outline of Electric Circuits

The relations of the electrical components are shown below.



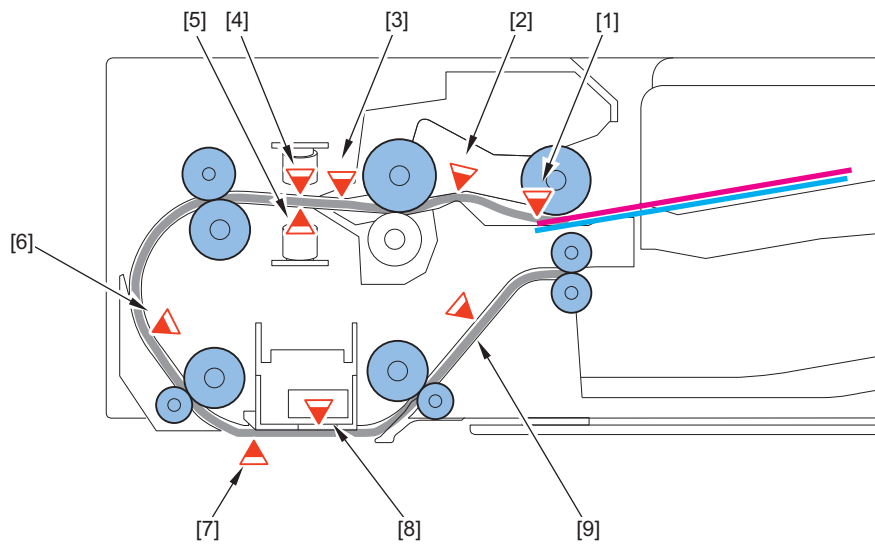
Related error code

Scanner Unit communication error

- E280 - 0001
- E280 - 0002
- E280 - 0101
- E280 - 0102

ADF scan operation sequence (common to both 2-sided/1-sided)

The operation sequence for original scan with the ADF is shown below.

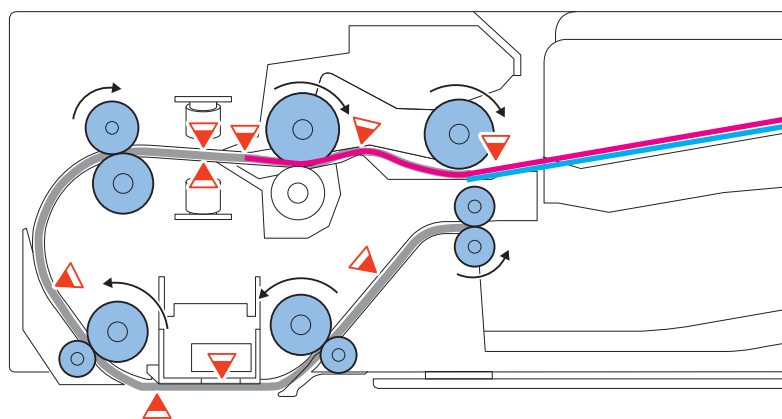


Loading original (2 sheets of original)

As an example, 2 sheets of original are loaded.

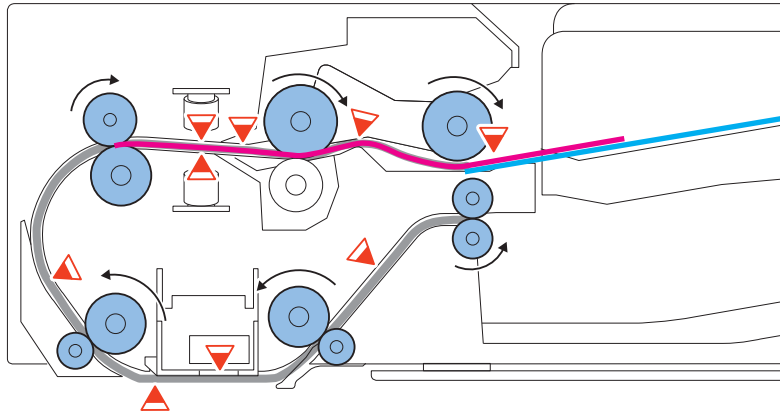
No.	Code	Name
[1]	SR4204	Original Sensor
[2]	SR4205	Pre-separation Sensor
[3]	REG	Post-separation Sensor
[4]	JUSO (T)	Double Feed Detection PCB (Reception)
[5]	JUSO (R)	Double Feed Detection PCB (Transmission)
[6]	SR4206	Lead Sensor
[7]	-	Reading position for the front side
[8]	-	Reading position for the back side
[9]	SR2	Delivery Sensor

Separation sequence (first sheet)



For the first sheet, from the start of separation to the Post-separation Sensor

A sheet of original is picked up from the top of the stack by driving the Pickup Roller and the Separation Roller.



For the first sheet, from the Post-separation Sensor to the Pullout Roller

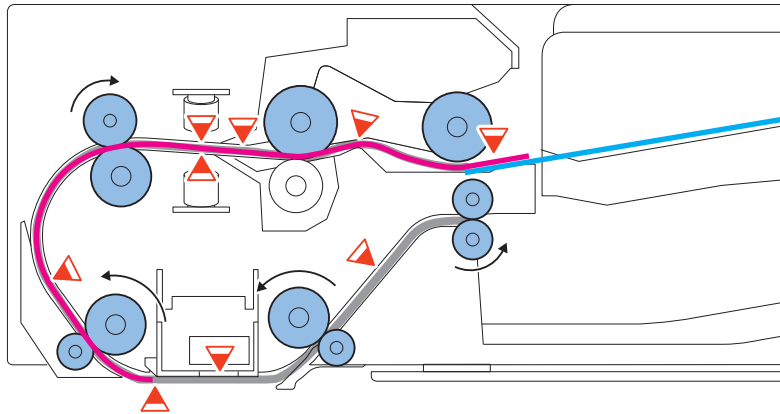
The picked-up original is fed from the Separation Roller to the Pullout Roller.

The Double Feed Sensor located between the Separation Roller and the Pullout Roller detects double feed of original.

When conditions are met, the feed is suspended before the original reaches the Pullout Roller.

Note that the ADF on this machine does not perform registration processing as corrections are made on originals with rotation using the skew detection/correction functions.

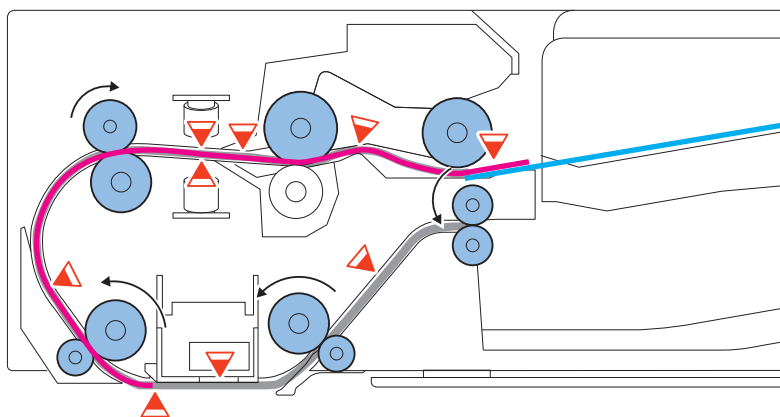
Reading sequence



For the first sheet, from the Pullout Roller to the reading point

The original that enters the Lead Roller is fed to the Lead Sensor at the reading speed, and the image is read.

Separation sequence (next sheet)

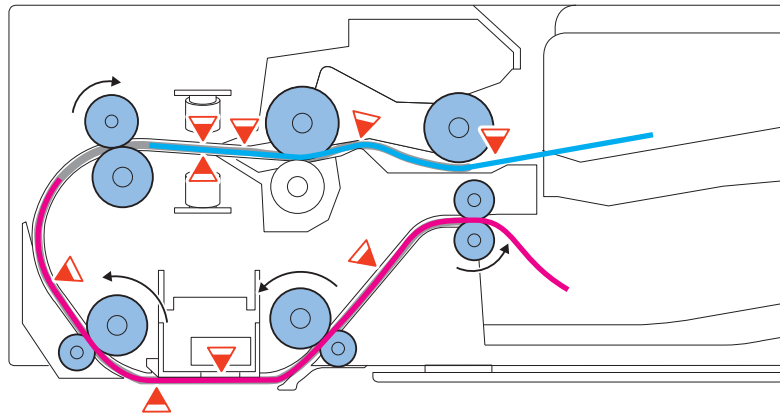


For the second sheet, from the start of separation (when the Pre-separation or the Post-separation Sensor is turned off after the first sheet passes through)

Once the trailing edge of the first sheet is detected, separation control for the second sheet is started.

The trailing edge of the first sheet is detected with the Pre- and Post-Separation Sensors.

Delivery sequence

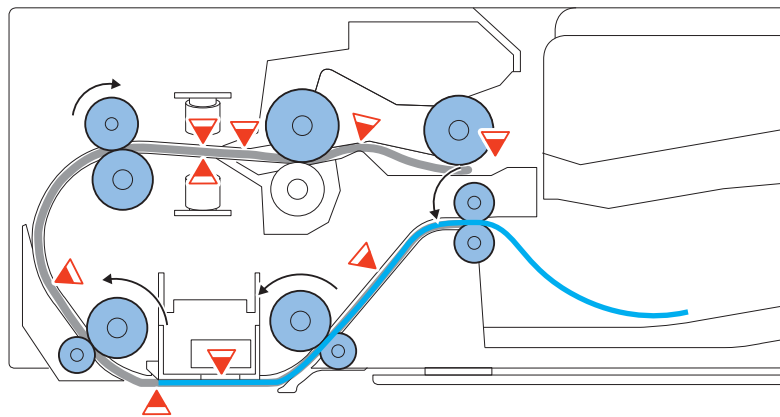


The second sheet reaches to the temporary stop position and the first sheet is delivered

If the paper interval detected with the Post-separation Sensor is less than the specified distance, the second paper is temporarily stopped at the temporary stop position until the paper interval reaches the specified distance.

The first sheet that passed through both the front side and back side reading position is delivered to the Delivery Tray at the process speed.

The delivery is determined to be completed when it is detected that the trailing edge of the original passed through the Delivery Roller after the completion of reading.



The delivery of the second sheet

The delivery of the second sheet is controlled in the same manner as that for the first sheet after the reading of the second sheet is completed.

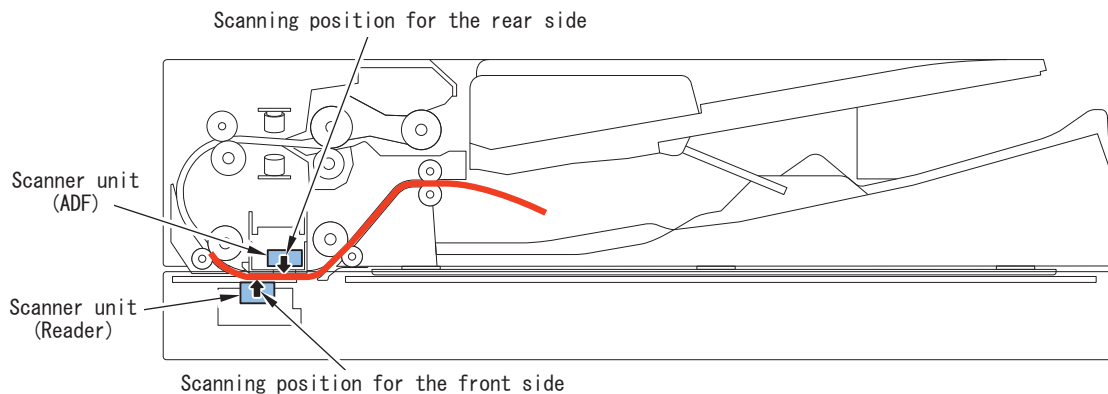
The Feed Motor stops when the trailing edge of the second sheet passes through the Delivery Sensor.

After the job is completed, the Delivery LED blinks and prompts the user to remove the original.

Scanner Unit

Scanner Unit Configurations

The Contact Image Sensor (CIS) is used to expose and read the original, and image reading is performed line by line.



Related error codes

E280-000x: Scanner Unit communication error

- E280-0001: Scanner Unit communication error
- E280-0002: Scanner Unit communication error
- E280-0003: Scanner Unit (Reader) communication error

E280-010x: Scanner Unit communication error

- E280-0101: Scanner Unit communication error
- E280-0102: Scanner Unit communication error
- E280-0103: Scanner Unit (DADF) communication error

E302-000x: Error in paper front shading

- E302-0001: Error in paper front white shading
- E302-0002: Error in paper front black shading

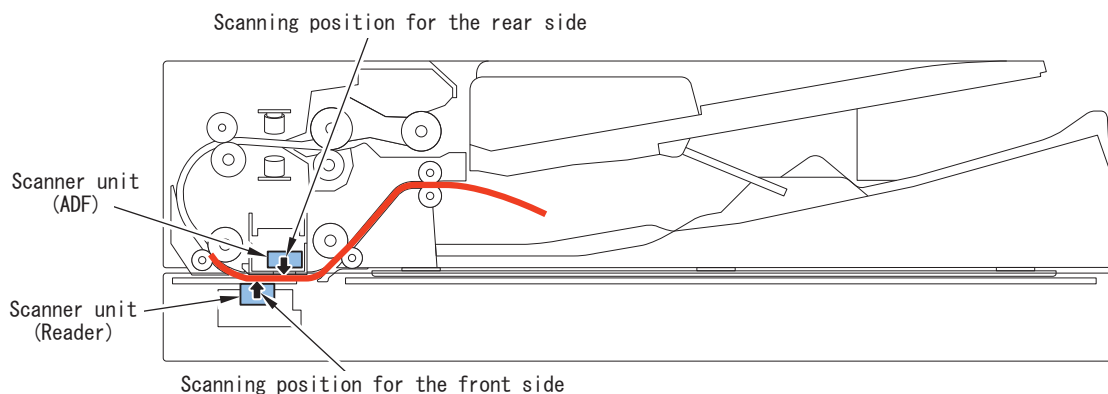
E302-010x: Error in paper back shading

- E302-0101: Error in paper back white shading
- E302-0102: Error in paper back black shading

Duplex Reading Control

2-sided originals are read using simultaneous duplex reading.

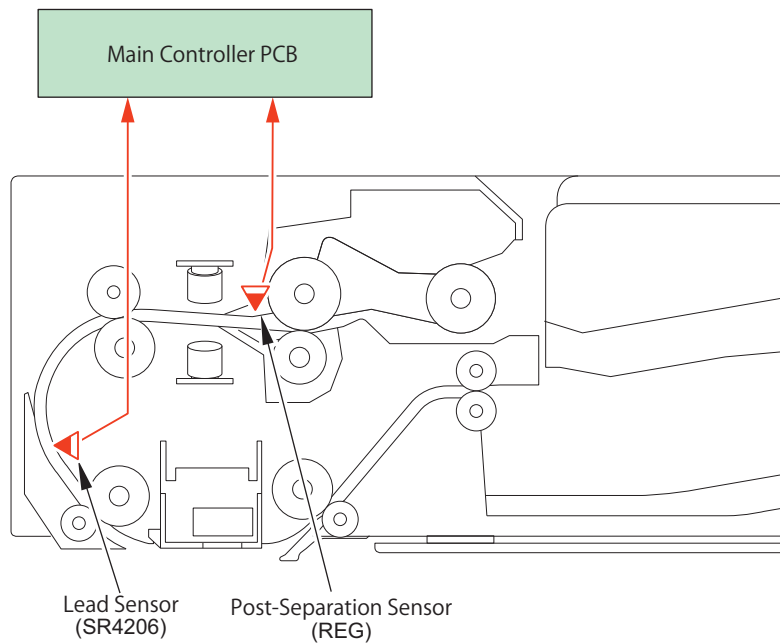
With one feed, the Scanner Unit of the Reader Unit reads the front side and the Scanner Unit of the ADF reads the back side so that both sides can be read without reversing the paper.



Pickup Feed System

Original size detection

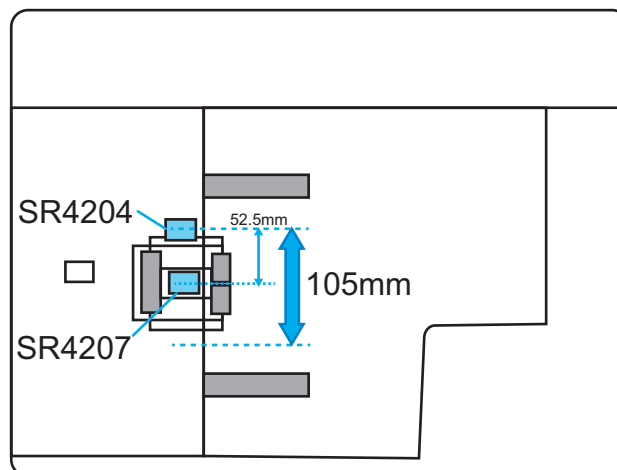
As this machine does not have a function to detect the length of original, the size of original is calculated based on the time difference between the timings of detection of original by the Post-separation Sensor (REG) and by the Read Sensor (SR4206).



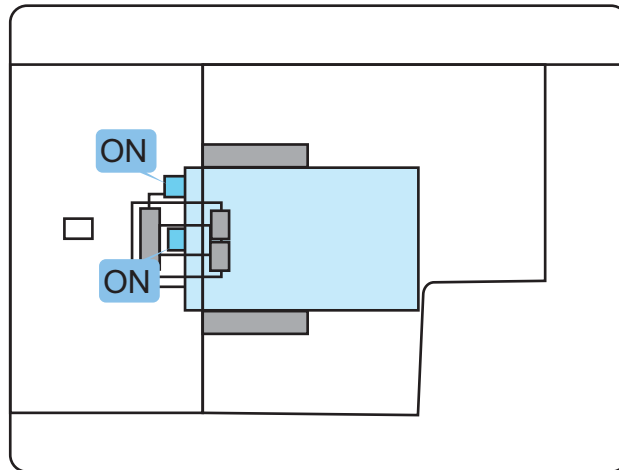
Original Detection

Overview

- The ADF on this machine has the 2 Original Sensors located near the Pickup Roller to detect the presence/absence of originals. (See the figures shown below)
Originals with a width of 105 mm or larger and with a width of less than 105 mm are both detected by using both the Original Sensor (small size paper) (SR4207) and the Original Sensor (large size paper) (SR4204).

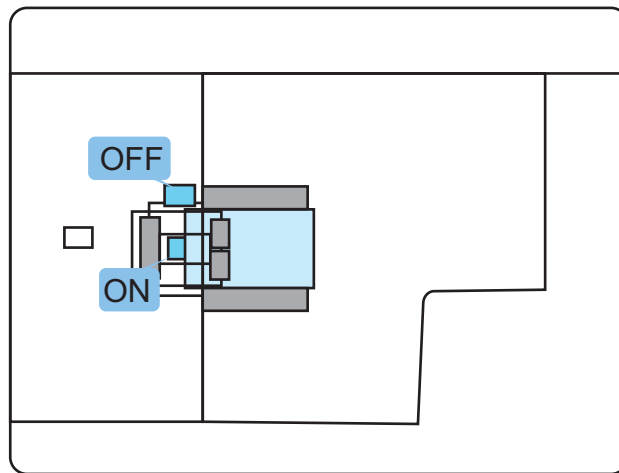


- When an original with a width of 105 mm or larger is placed



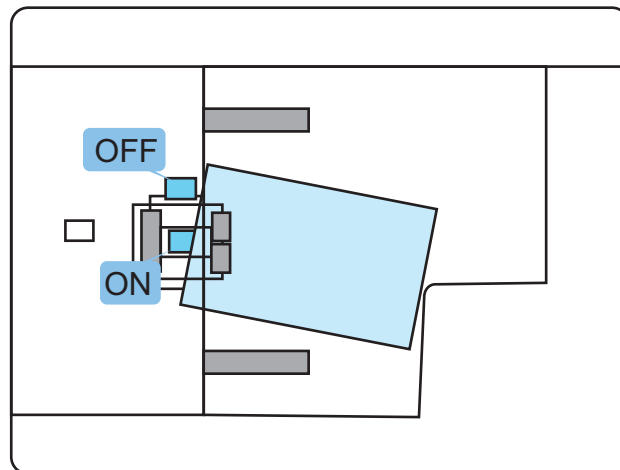
Both the Original Sensor (small size paper) (SR4207) and the Original Sensor (SR4204) detect the original (ON).

- When an original with a width of less than 105 mm is placed

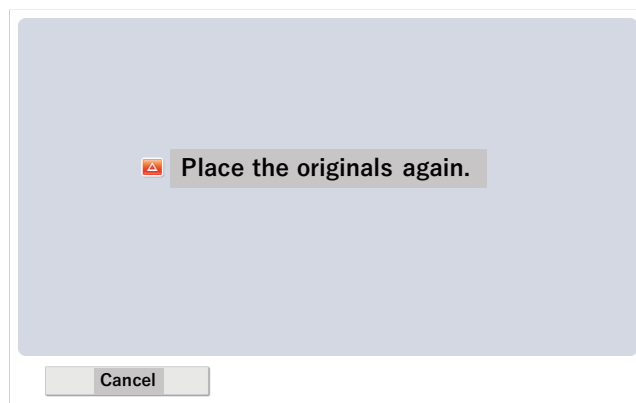


The Original Sensor (small size paper) (SR4207) detects the original (ON) while the Original Sensor (SR4204) does not detect it (OFF).

- When an original is not placed properly



If the Original Sensor (small size paper) (SR4207) detects the original (ON) and the Original Sensor (SR4204) detects it (ON) after a short time lag, it is determined that the original was not placed properly. Then, the feed is stopped, and a message that prompts the user to replace the original is displayed.



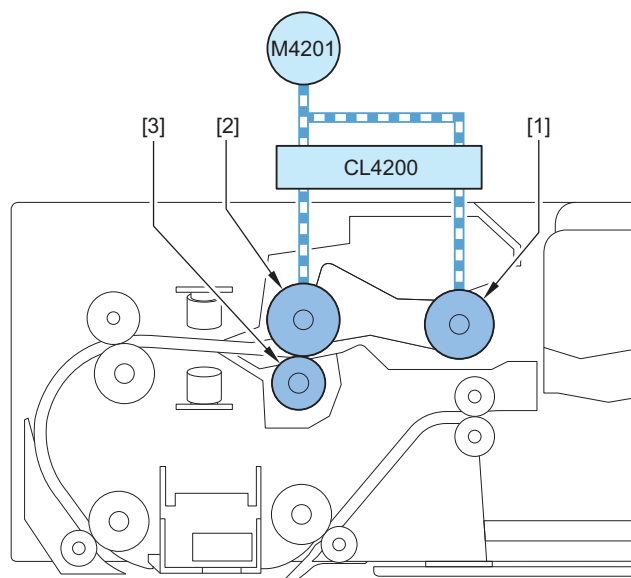
■ Pickup Operation

The pickup operation is performed by the Pickup Roller, Separation Roller, and the Feed Roller.

The Pickup Roller and the Feed Roller are driven by the ADF Motor (M4201).

The ADF Separation Clutch is connected when starting pickup, thereby transmitting the drive of the ADF Motor to each roller to perform pickup.

After pickup is finished, the ADF Separation Clutch is disconnected or the Feed Motor is stopped.



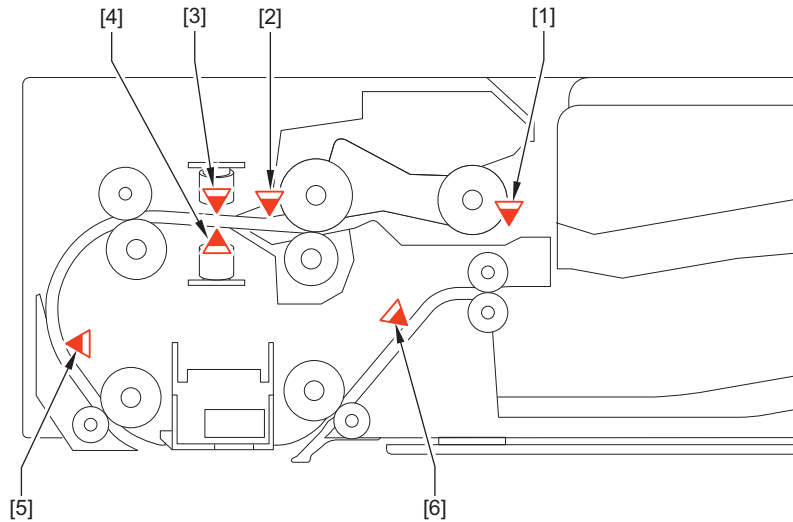
No.	Name
[1]	Pickup Roller
[2]	Feed Roller
[3]	Separation Roller
M4201	ADF Motor
CL4200	ADF Separation Clutch

■ Jam detection

This machine detects original jams using the sensors shown in the figure below.

When a jam occurs, the machine records the information as a code.

This machine's jam code can be checked in service mode of the host machine or by outputting a jam/error log report from service mode.



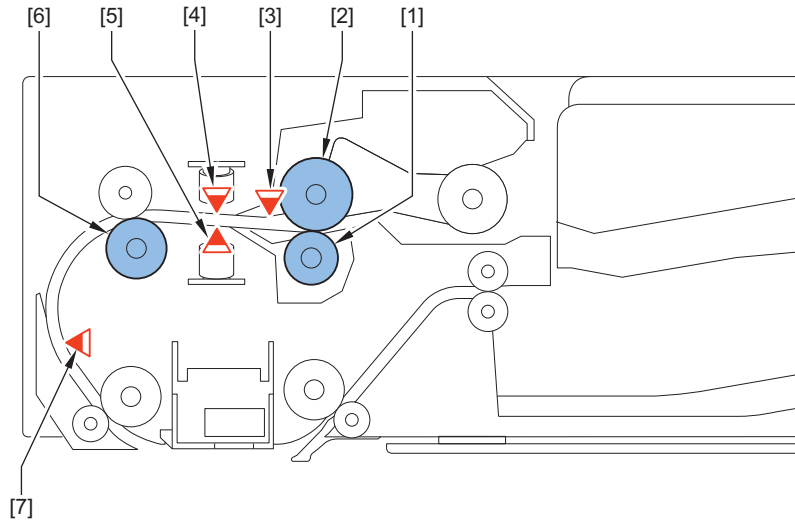
No.	Code	Name
[1]	SR4205	Pre-separation Sensor
[2]	REG	Post-separation Sensor
[3]	JUSO (R)	Double Feed Detection PCB (Transmission)
[4]	JUSO (T)	Double Feed Detection PCB (Reception)
[5]	SR4206	Lead Sensor
[6]	SR2	Delivery Sensor

■ Double feed detection control

This machine has the Double Feed Detection PCBs to detect double feed of paper.

The Double Feed Detection PCBs located between the Feed Roller and the After Separation Feed Roller detect double feed.

1. The Double Feed Detection PCBs calculate the threshold value for double feed detection by checking the sensor level at job start-up with no original.
2. During a job, the PCBs cooperate with the Post-separation Sensor (REG) to detect originals.
3. The detected data is compared with the threshold calculated at job start-up to determine if a double feed has occurred.
4. Once it is determined that a double feed has occurred, the machine stops the feed operation recognizing it as a jam.



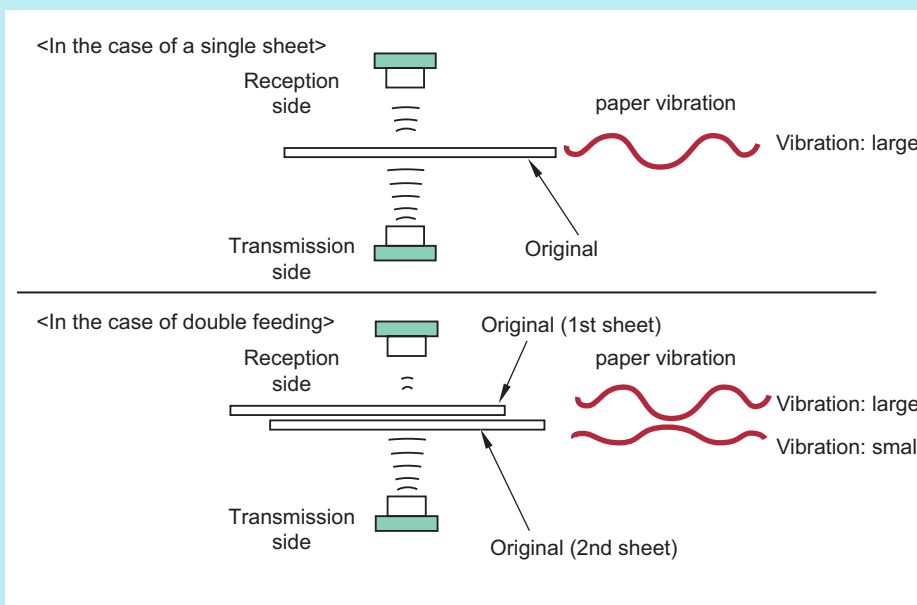
No.	Code	Name
[1]	-	Separation Roller
[2]	-	Feed Roller
[3]	REG	Post-Separation Sensor
[4]	JUSO (R)	Double Feed Detection PCB (Reception)
[5]	JUSO (T)	Double Feed Detection PCB (Transmission)
[6]	-	After Separation Feed Roller
[7]	SR4206	Lead Sensor

NOTE:

The Double Feed Detection PCBs use an ultrasonic sensor.

With the ultrasonic method, the oscillation portion emits ultrasonic wave and applies it to paper surface. New ultrasonic wave is generated as the paper surface vibrates, and the reception side reads the ultrasonic wave.

Double feed is detected taking advantage of the fact that oscillation becomes smaller when a 2nd sheet of paper is present.



■ Types of jam

● Feed System

Location	Jam code	Jam type	Sensor name	Sensor number
01	0001	Delay	Post-Separation Sensor	REG
	0002	Stationary		

Location	Jam code	Jam type	Sensor name	Sensor number
01	0042	Stationary	Post-Separation Sensor	REG
	0009	Delay	Lead Sensor	SR2
	0049	Delay		
	0010	Stationary		
	0050	Stationary		
	0013	Delay	Delivery Sensor	SR4206
	0014	Stationary		
	0016	Early timing		
	0053	Delay		
	0054	Stationary		

• Double Feed Detection

Location	Jam code	Jam type	Sensor name	Sensor number
01	0020	Double feed jam (during a job)	Double Feeding Detection PCB (Transmission) Double Feeding Detection PCB (Reception)	JUSO (T) JUSO (R)
	0021	Sensor communication error (during a job)		
	0060	Double feed jam (during a job, first sheet)		
	0061	Sensor communication error (during a job, first sheet)		
	0062	Sensor adjustment reception level error (at the start of a job)		
	0063	Sensor adjustment communication error (at the start of a job)		

• Others

Location	Jam code	Jam type	Sensor name	Sensor number
01	0071	Software timing error*1	-	-
	0090	DADF open	ADF Open/Closed Sensor	SR4
	0091	DADF opened by user		
	0092	Cover open	ADF Cover Sensor	SR5
	0093	Cover opened by user		
	0094	Initial stationary jam	-	-
	0095	Pickup error	Document Sensor	SR4204
	0096	Limited functions jam*2	-	-

*1:It occurs when a software sequence error has occurred for some reasons. The machine is recovered by opening and then closing the cover to remove jammed paper.

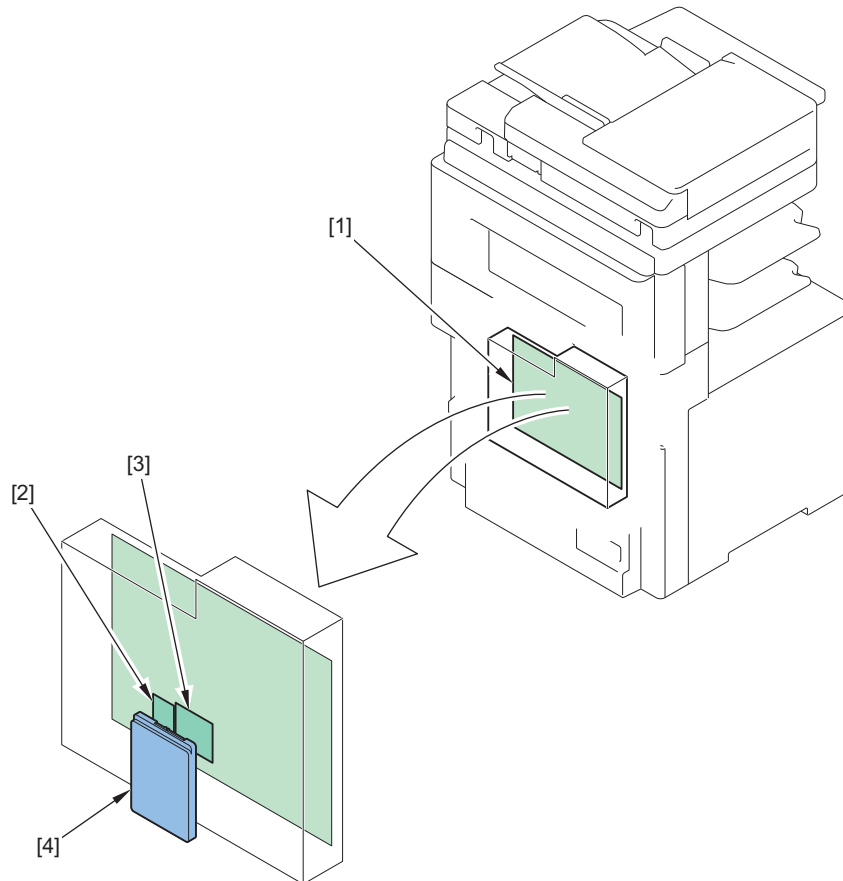
*2: Limited functions jam is a jam for preventing an original to be left inside the machine when a problem which requires the machine moves to limited functions mode occurs. If an error occurs for some reasons, a jam message is displayed to prompt the user to perform jam removal. After that, an error is displayed, and the device enters limited functions mode. The machine recovers when the cause of the error is solved.

If this jam occurs, refer to the error log, and perform the remedy for the error code which has occurred at the same time.

Controller System

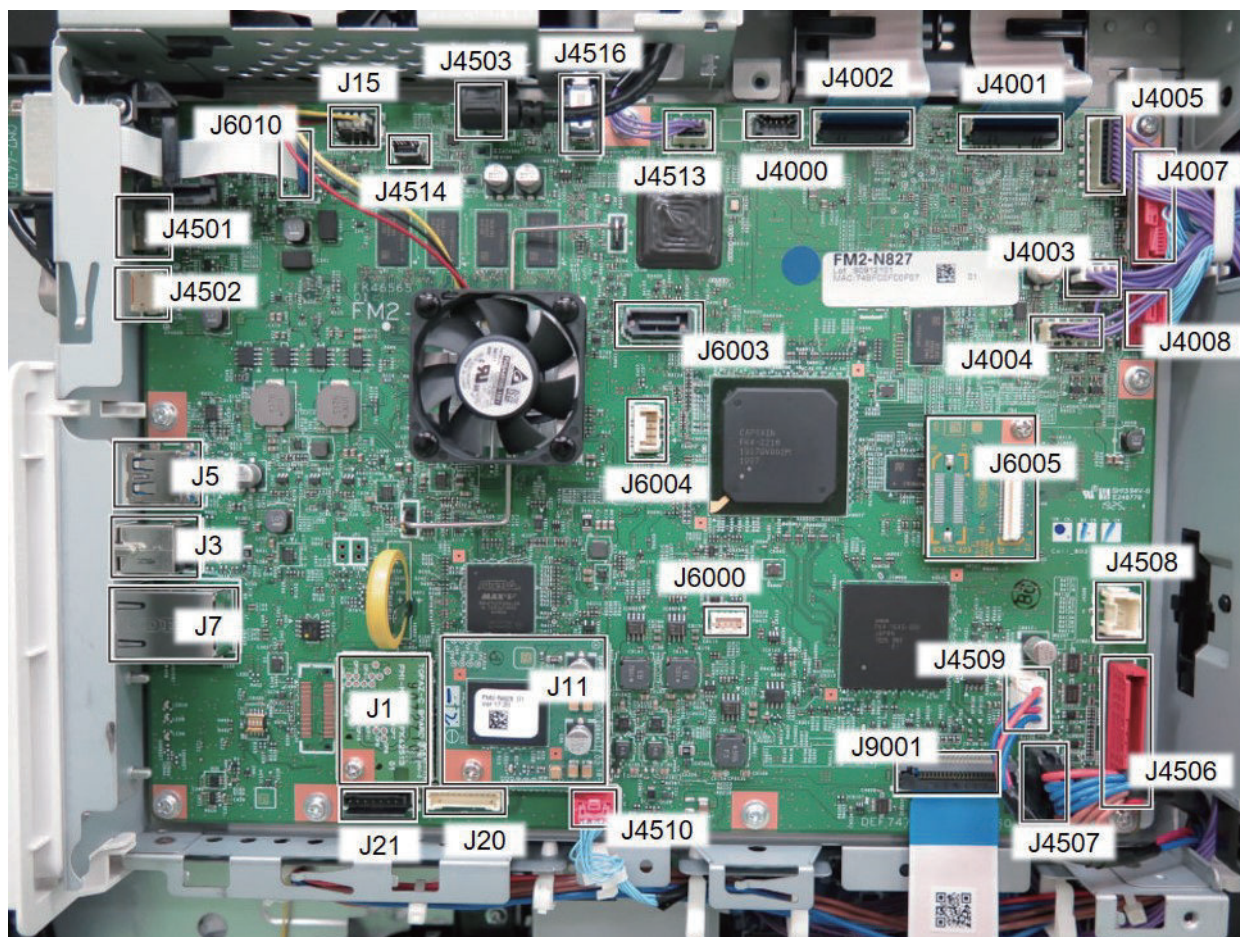
Overview

■ Configuration/Function



No.	Item	Function
[1]	Main Controller PCB	System Control/Memory Control/Printer Output Image Processing Control, Reader Image Input Processing, Card Reader Connection I/F, Fax Image Processing, USB Extension HUB , Voice Option Connection I/F, Voice Option Connection I/F, Coin Vender Connection I/F , Voice Option Connection I/F <ul style="list-style-type: none"> • RAM 3GB Main CPU Side : 2GB , Image Processing CPU Side : 1GB • USB port USB2.0 Device I/F, USB2.0 Host I/F, USB3.0 Host I/F
[2]	TPM PCB	This PCB generates and stores encryption keys. Only when Management Settings > Data Management > TPM Settings is "On". * Not to be installed for China
[3]	Flash PCB	Storage of system software
[4]	HDD	2.5 inch SATA I/F Standard : 320GB (Available disk space 200GB) Storing address book, security information (passwords, certificates), image data, environment settings

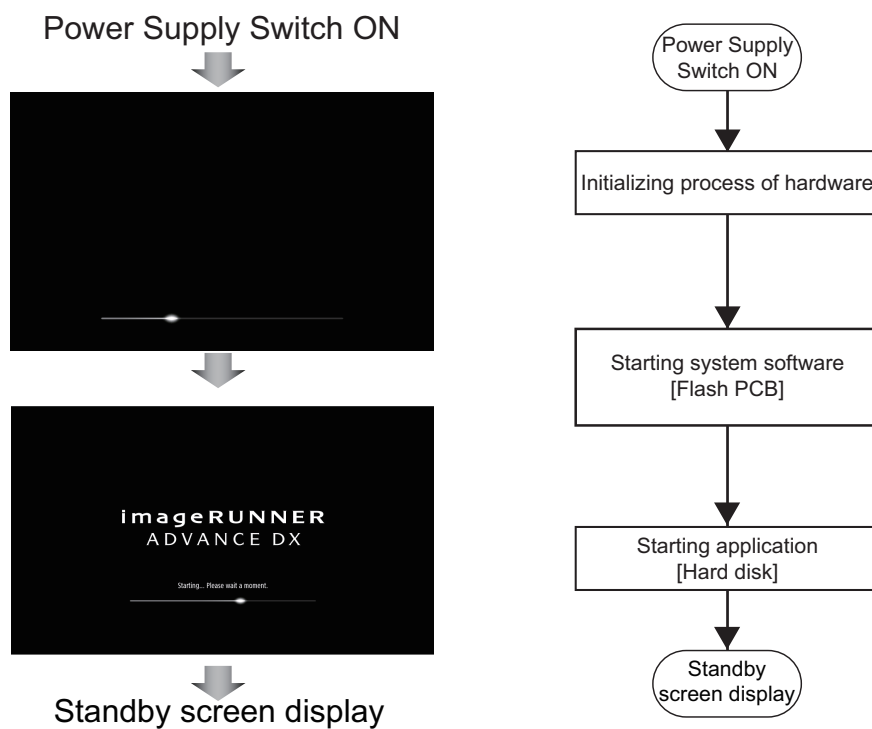
■ Main Controller PCB



No.	Roles and Specifications
J1	TPM PCB
J3	USB TypeB
J5	USB3.0
J7	LAN I/F
J11	Flash PCB
J15	Fan
J20	Connector for options (Serial Interface Kit, etc.)
J21	CC-VI: Control Interface Kit I/F
J4000	Not used
J4001	Reader CIS
J4002	ADF CIS
J4003	ADF Motor
J4004	ADF Cover Sensor (SR5)
J4005	Reader Motor, CIS Unit HP Sensor (SR3), ADF Open/Close Sensor (SR4)
J4007	ADF control
J4008	ADF Separation Clutch (CL4200), LED, Delivery Sensor (SR2), Lead Sensor (SR4206)
J4501	For the HDMI typeC Control Panel
J4502	For the miniUSB Control Panel Power Supply
J4503	For the USB Port on the front of the miniUSB
J4506	Signal Power Connector for the FAX (1-Line)
J4507	Power Supply Cable
J4508	FAX Power Supply Cable
J4509	DC Controller PCB (Power Supply Cable)
J4510	Memory PCB
J4513	Main Switch

No.	Roles and Specifications
J4514	For miniUSB Wireless LAN
J4516	For USB Connector
J6000	Not used
J6003	HDD I/F (Serial)
J6004	For HDD power supply
J6005	FRAM PCB
J6010	IJ WIFI
J9001	DC Controller PCB (CONT-DCC-IF-CABLE)
J6003	HDD I/F (Serial)
J6004	For HDD power supply
J6005	FRAM PCB
J6010	IJ WIFI
J9000	DC Controller PCB (VIF-FFC-OIP)
J9001	DC Controller PCB (CONT-DCC-IF-CABLE)

Startup Sequence



Screen sequence and internal processing sequence

NOTE:

To achieve faster startup, the progress bar and the active PCB are not synchronized. For this reason, the progress bar cannot be utilized for troubleshooting. For information about troubleshooting, refer to "Related error codes (major error codes)" shown below.

NOTE:

When system verification* at startup is ON, startup of system software takes more time than when OFF.

*: Settings/Registration (login as an administrator) > [Management Settings] > [Security Settings] > [System verification at startup]
Note that when the machine is recovering from sleep mode or at Quick Startup, system verification is not performed even it is set to ON.

Related error codes (major error codes):

- E602-0001: HDD detection error

- E614-0001: Flash PCB detection error
- E614-0002: Error in file system on the Flash PCB
- E614-4001: Error in file system on the Flash PCB
- E614-4002: Error in file system on the Flash PCB
- E748-2010: Flash PCB error / HDD error

NOTE:

When the following errors occur, the system of the host machine has not been started normally. Therefore the error code is not recorded in the log.

E602-XX01, E614-XX01, E748-2010

Shutdown Sequence

Before shutting down the power supply, it is necessary to perform the HDD completion process (Purpose: to prevent damage on the HDD) and execute the fixing disengagement operation. This sequential process is called "shutdown sequence". The shutdown sequence has been manually executed with the legacy (existing) models (by holding down the power supply switch on the Control Panel for a specific duration).

With this machine, the Main Controller PCB detects turning OFF the Main Power Supply Switch, and the shutdown sequence is started and executed automatically.

Note that the maximum shutdown time with this equipment is 110 seconds.

NOTE:

When the power supply is stopped without advance shutdown of the equipment, or the complete deletion process of the HDD (deletion of the primary file) failed to be completed within the shutdown time (max. 110 sec.), data matching is checked at startup. The progress bar is displayed during the data checking.

Motion Sensor

Function

Automatic recovery from sleep mode

- The machine automatically recovers from sleep mode by staying in the designated area for more than a certain period of time. The time spent in the area varies based on the setting of sensitivity (4 levels).
- The sensor determines whether a person approaches the above mentioned area is a user. If a person approaches the machine from the front side, it starts the operation to recover from sleep mode early. If a person approaches the machine from the side, the sensor judges whether he/she is just a passer to prevent recovery by mistake.

CAUTION:

Recovery time depends on the time for recovery from sleep mode of the host machine. The Motion Sensor outputs the trigger for recovery from sleep mode. Operation of the Motion Sensor is the same for recovery from Deep Sleep and from Sleep 1, but time for recovery differs depending on the recovery process of the host machine.

The machine is not recovered by a passer.

- Reduce unnecessary power consumption
- The machine may recover from sleep mode if walking speed is slow. However, if no operation is performed for a certain period of time, it moves to sleep mode again.

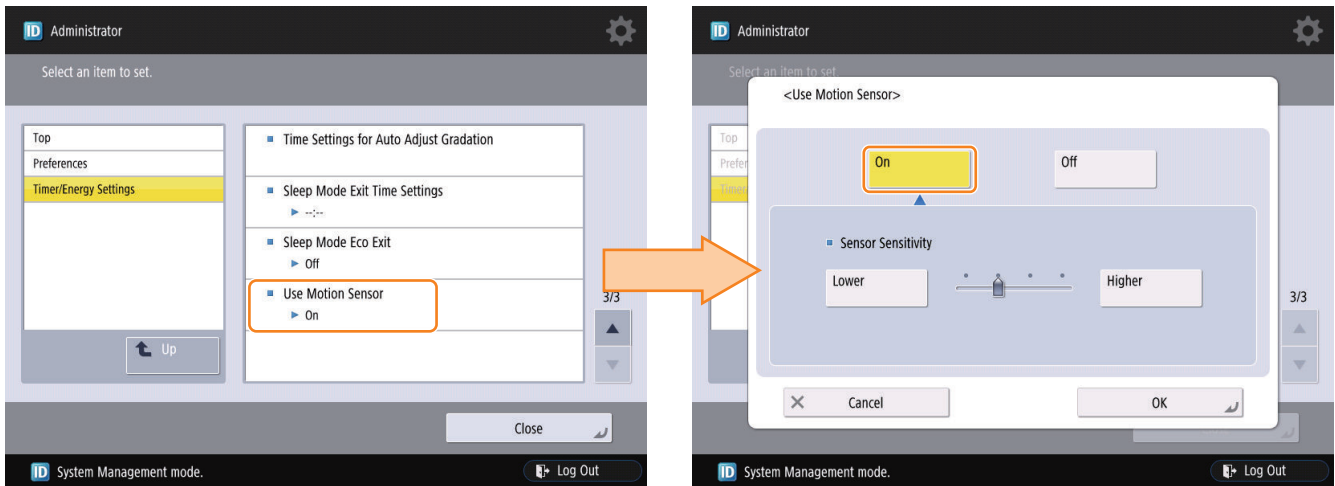
CAUTION:

Since the detection is performed by outputting a certain frequency from the output part and receiving the reflection wave by the reception part; thus, do not block the sensor area.

Settings / Registration

Preferences > Timer / Energy Settings > Use Motion Sensor

In Settings / Registration, you can disable the sensor and select the sensor sensitivity.

**CAUTION:**

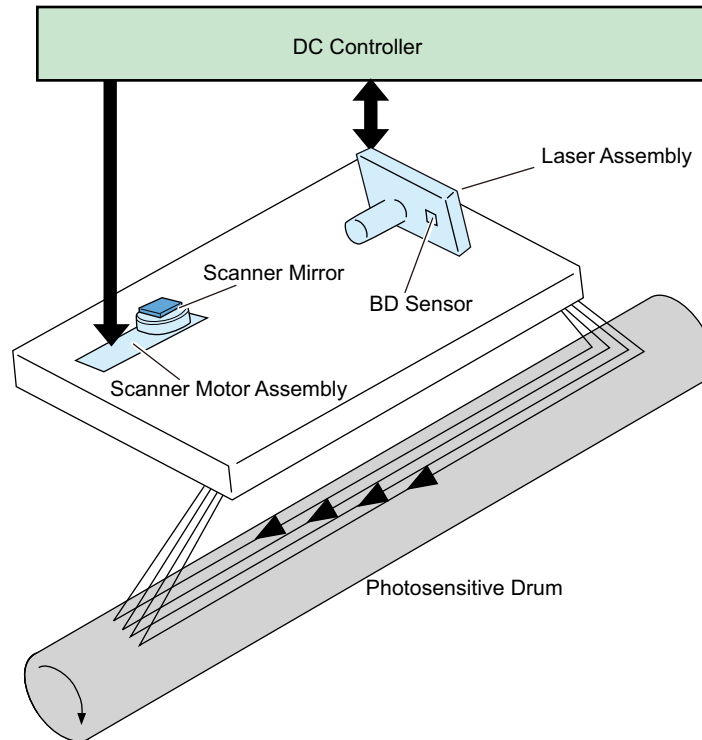
- The motion sensor detects people or objects that approach the sensor on the front side of the machine. Operation may become unstable if objects are left near the sensor or the machine is placed in a location where there is heavy human traffic.
- The motion sensor uses ultrasonic waves, and thus may encounter problems due to other sources of ultrasonic waves in its environment.
- If you feel that something is wrong with the motion sensor, change the sensitivity setting or turn the motion sensor off in [Settings / Registration] > [Preferences] > [Timer/Energy Settings] > [Use Motion Sensor] > [Sensor Sensitivity].

Laser Exposure System

Overview

The laser exposure system forms a static latent image on the Photosensitive Drum by laser exposure.

The Laser Scanner Unit consists of the Laser Assembly and the Scanner Motor, and is controlled by the signal input from the DC Controller PCB.



Laser ON/OFF Control

Purpose

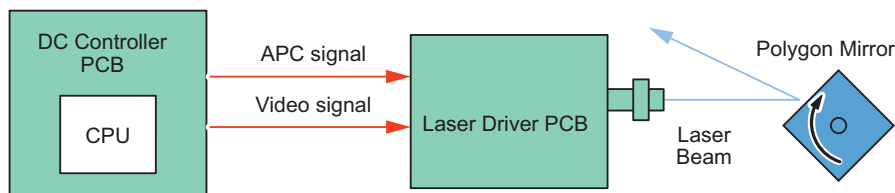
Turns the laser beam ON and OFF according to the combination of laser control signals.

Execution timing

After turning ON the power

Control description

The DC Controller performs the register setting of the Laser Polygon Control ASIC on the Laser Driver PCB. This Laser Polygon Control ASIC switches between four modes (Forced OFF mode, APC mode, Print mode, and Standby mode).



Mode	Laser status	Remarks
Forced OFF mode	OFF	Clears the light intensity setting determined by the APC.
APC mode	ON	Adjusts laser light intensity
Print mode	ON/OFF	Emits the laser according to the video signal
Stanby mode	OFF	The machine is in standby mode

Scanner Motor Control

Purpose

Rotates the Scanner Motor at a specific speed.

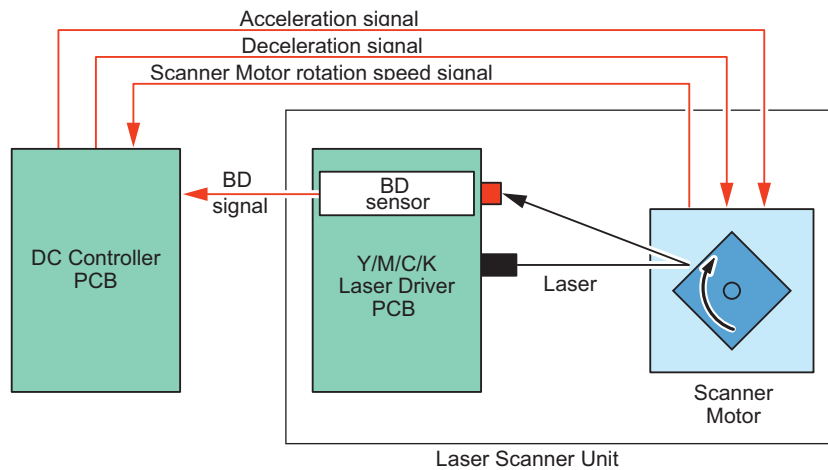
Execution timing

At power-on, and at printing

Control description

The Scanner Motor rotation speed is controlled by the DC Controller PCB.

1. The DC Controller PCB outputs Scanner Motor control signals (acceleration signals and deceleration signals) to the Scanner Motor to rotate the Polygon Mirror.
2. The DC Controller PCB stabilizes the Scanner Motor rotation speed, referring to the motor's rotation speed signals. (From when the Scanner Motor starts rotation until it reaches the target revolutions and the machine starts image formation process)
3. When laser beams are emitted at image formation, the DC Controller PCB detects the BD signal.
4. The DC Controller PCB controls the Scanner Motor control signals (acceleration signals and deceleration signals) based on the input timing of the BD signal to control the Scanner Motor rotation speed.



Related error codes

- E110-0001
Laser Scanner Motor startup error
- E110-0002
Laser Scanner Motor rotation error

APC (Auto Power Control)

Purpose

Ensures constant laser beam light intensity for each line.

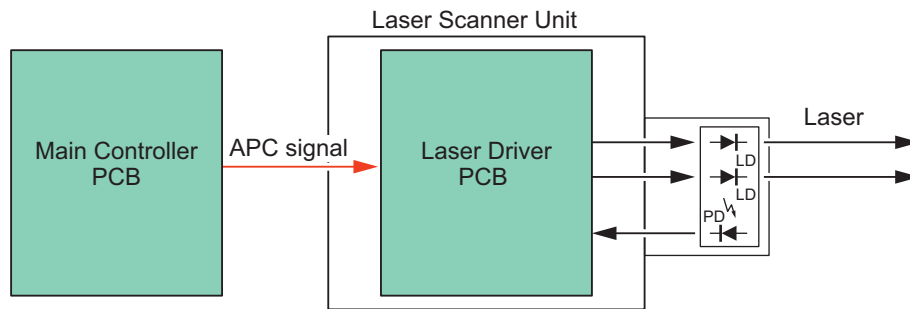
Execution timing

For each line (before writing the image)

Control description

1. The Main Controller PCB outputs the APC signal to the Laser Driver IC in the Laser Driver PCB.

- The APC mode is set for the Laser Driver PCB's IC, and the laser diode of each color is forcibly activated. The photo diode (PD) monitors the laser diode (LD), and the Laser Driver IC adjusts the output of laser diode until the laser light intensity reaches a specified level.



Related error codes

- E100-0004:Laser Scanner error

BD Detection Correction Control

Purpose

Corrects the displacement of each color's laser write start position due to Polygon Mirror accuracy and Polygon Motor rotation accuracy.

Execution timing

At power-on, and at printing

Control description

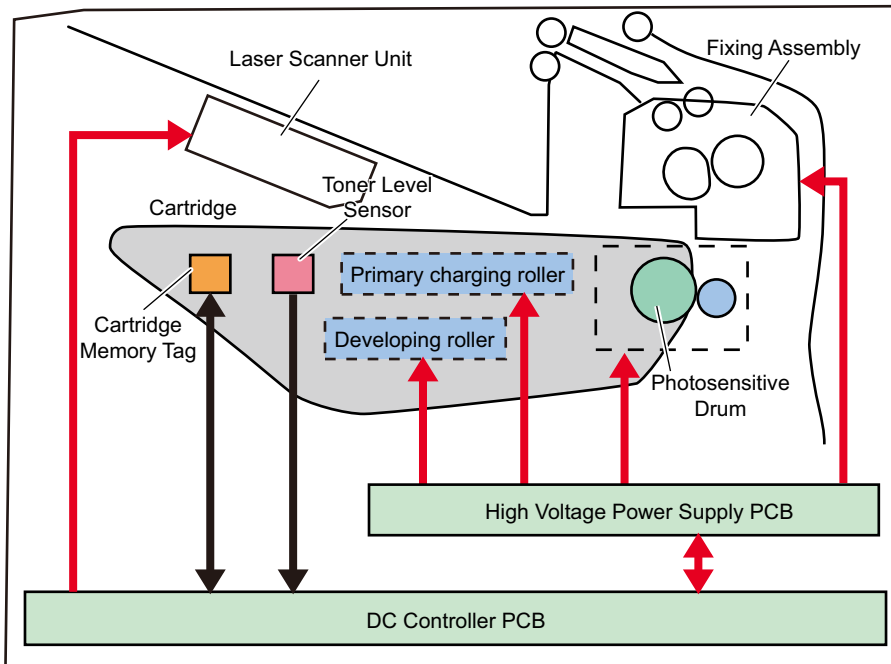
- The DC Controller PCB measures the BD interval after the completion of constant speed rotation control of the Scanner Motor.
- The DC Controller PCB calculates the correction value from the displacement of the BD interval.
- The write start position is corrected by adjusting the write start timing based on the above correction value.

Image Formation System

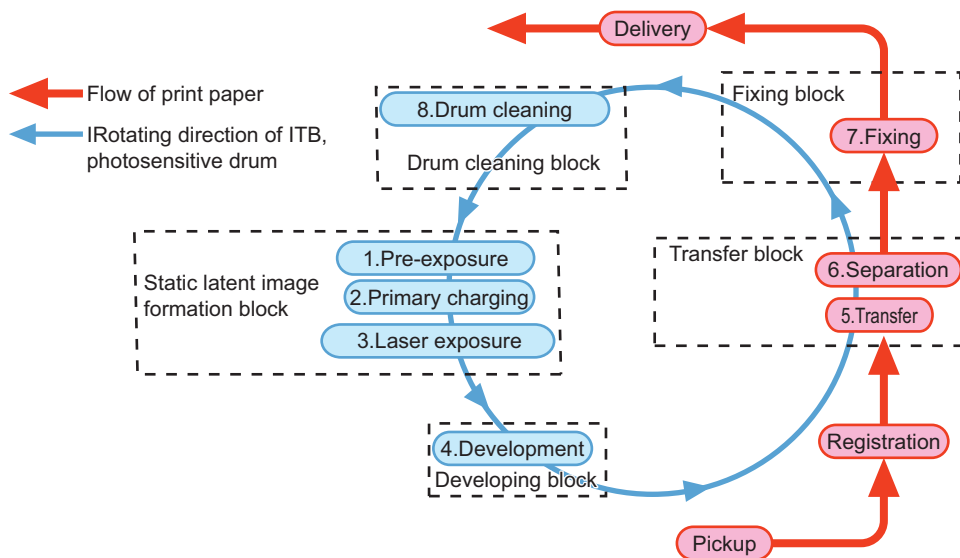
Overview

The image formation system forms a toner image on the paper.

The DC Controller controls the Laser Scanner Unit and High-Voltage Power Supply to form the toner image on the Photosensitive Drum, and transfers and fixes this to the paper.



Print Process



No.	Block name	Process name	Description
1	Static latent image formation block	Pre-exposure	To prevent uneven density with the print image, residual charge on the Photosensitive Drum is removed before the primary charging.
2		Primary charging	The surface of the Photosensitive Drum is uniformly charged with negative potential.

No.	Block name	Process name	Description
3	Static latent image formation block	Laser beam exposure	With irradiation of laser beam, a static latent image is formed on the surface of the Photosensitive Drum. (Image exposure: Area exposed by laser is the image area)
4	Developing block	Development	With the dry, 2-component AC developing method, toner that has been negatively charged by the Developing Cylinder is attached to the Photosensitive Drum.
5	Transfer block	Transfer	Toner on the Photosensitive Drum is transferred to a paper.
6		Separation	With the curvature separation method, the paper is separated from the ITB. Thin paper's elastic force is small, so the electric charge of the paper surface at the back is weakened with the Static Eliminator to be separated easier.
7	Fixing block	Fixing	Toner on the paper is fixed on the paper using heat and pressure.
8	Drum cleaning block	Drum cleaning	The Cleaning Blade removes the residual toner attached on the Photosensitive Drum.

Cartridge

Configuration

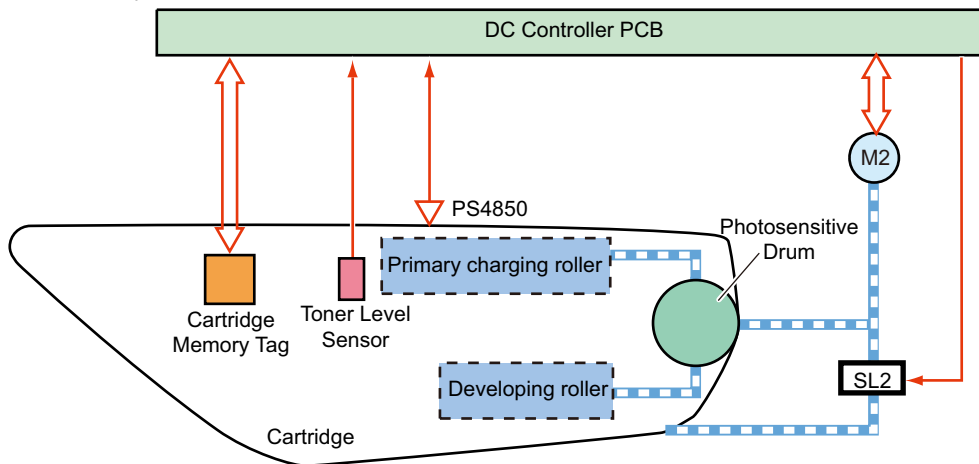
Parts Configuration

The cartridge of this machine is drum integrated type and forms a visible image on the Photosensitive Drum with toner.

- Photosensitive Drum
- Developing Assembly
- Primary Charging Roller
- Memory tag
- Toner level sensor

Drive Configuration

DC Controller drives the Drum Motor (M2) to rotate the Photosensitive Drum and the Developing Roller. The Primary Charging Roller is driven and rotated by the Photosensitive Drum.



Cartridge State Detection

Purpose

DC Controller detects and memorizes the state of the cartridge by reading/writing the data saved in the Cartridge Memory. When the Cartridge Memory cannot be detected or non-genuine/incorrect cartridge is detected, the DC Controller notifies the Main Controller and displays a warning message.

Overview

The cartridge of this machine is equipped with the Cartridge Memory, and the status of a cartridge can be detected by reading the information on it.

Execution Condition/Timing

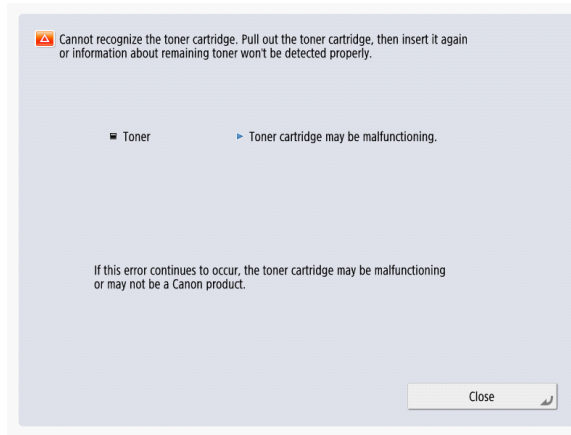
- When the door is closed after replacement of the cartridge.
- At power-on (excluding high-speed start mode)

Description

This machine reads information on the Cartridge Memory and obtains the following status.

- Toner color in the cartridge
- Cartridge model
- Cartridge malfunctions
- Detection of incorrect cartridge

The description is displayed on the control panel.



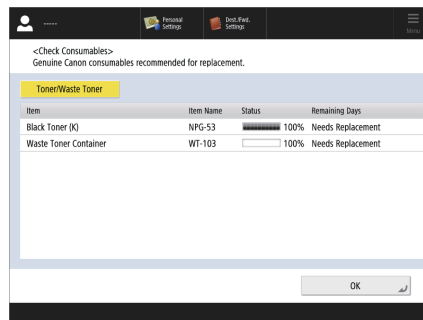
■ Cartridge Life Detection

Overview

To notify the replacement timing of the cartridge, the life/remaining days are displayed. The life and remaining days can be checked from following menu and service mode.

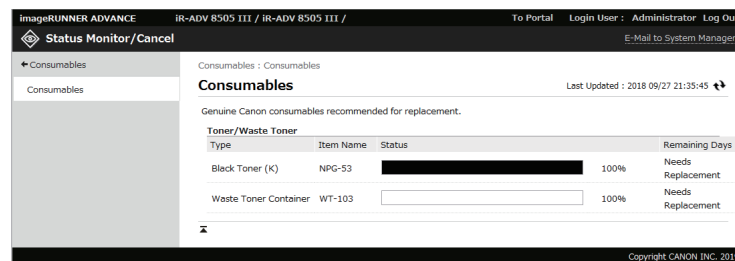
Consumption confirmation

Control Panel : Status Monitor > Consumables / Others > Check Consumables



Control Panel display example

Remote UI : Status Monitor / Cancel > Consumables




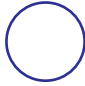

Remote UI display example

Service Mode :

COPIER > COUNTER > LIFE > TONER-K

Execution Condition/Timing

When the toner level reaches the specified value, the DC Controller notifies the Main Controller. Upon receipt of the notification, the Main Controller displays codes and messages.

Condition	Toner Low		Output Stop	Replacement completion
Toner level				
	Toner : Remaining Low		Toner : 0%	
Detected to (location)	Cartridge memory			
Name of Alarm Code	Toner Advance Notice Alarm *1	-	Toner Container Empty Alarm	Replacement Completion Alarm
Alarm Code	10-0020	-	10-0404	10-0100 (0071)
Message	-	Black toner is low. Replacement is not yet needed. *2	Replace the toner cartridge. (Black)	-
Host machine operation after the message is displayed	Available		Stop	Available
Detection timing	Depends on the service mode setting *1	Depends on the service mode setting *3	When the output signal from the Toner Level Sensor does not fall to the same or below the designated value	-
Alarm log save to	ALARM-2 *4	-	ALARM-2	

*1 : The detection timing can be changed in the following service modes (setting of the Toner advance notice alarm notification timing). The alarm can also be set to be disabled.

- COPIER > OPTION > PM-DLV-D > TONER-K

*2 : Whether to display this message can be changed in the following service mode (setting of the ON/OFF of toner preparation message).

- COPIER > OPTION > PM-PRE-M > TONER-K

*3 : The detection timing can be changed in the following service modes (setting of the days left before the Toner Preparation Warning).

- COPIER > OPTION > PM-MSG-D > TONER-K

*4 : After an advance notice alarm is sent, the next advance notice alarm will not be sent until the replacement completion alarm is sent.

Alarm codes

Toner (each color) advance notice alarm

- 10-0020

Toner Bottle empty alarm (each color)

- 10-0404

New Toner Bottle replacement detection

- 10-0100-0071

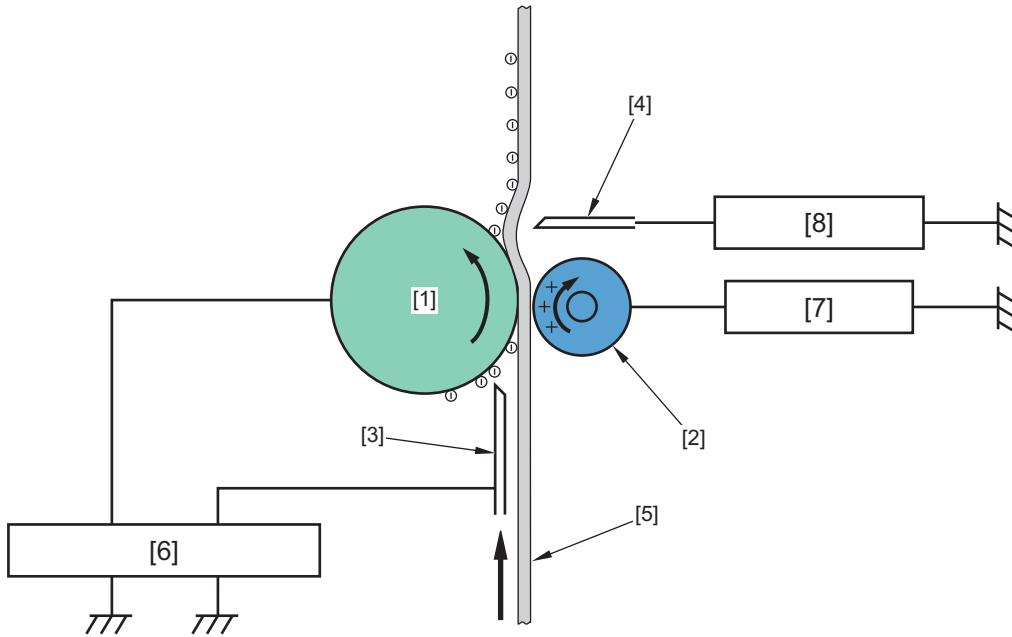
Unidentified Toner Bottle detection

- 10-0100-0181



■ Overview

The transfer block consists of 2 steps, and transfers the toner image on the Photosensitive Drum surface to the paper.

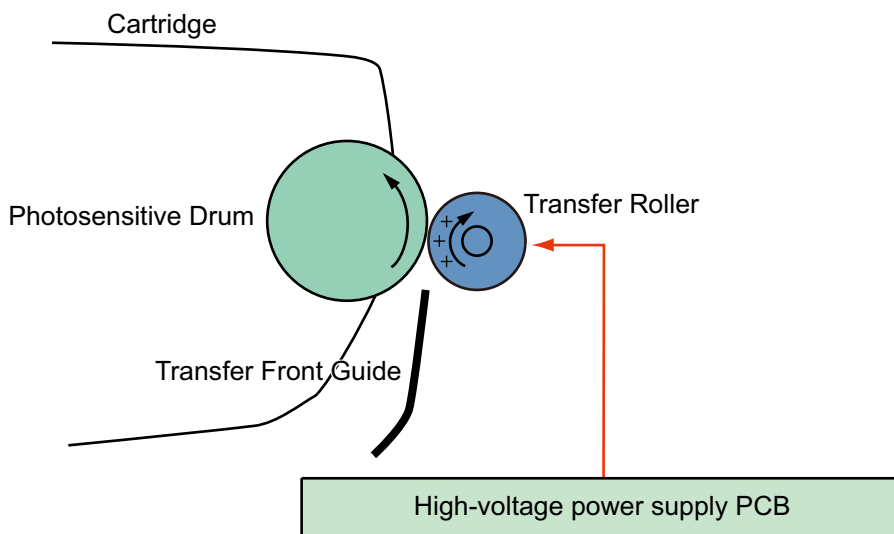


No.	Name
1	Photosensitive Drum
2	Transfer Roller
3	Pre-transfer Guide
4	Static Eliminator
5	Preprinting Paper
6	Pre-transfer Guide Bias
7	Transfer Bias
8	Static Eliminator Bias

■ Transfer Bias Control

To transfer toner on the Photosensitive Drum to paper, the transfer bias generated by the High-Voltage Power Supply PCB (HVT_PCA) is applied to the Transfer Roller.

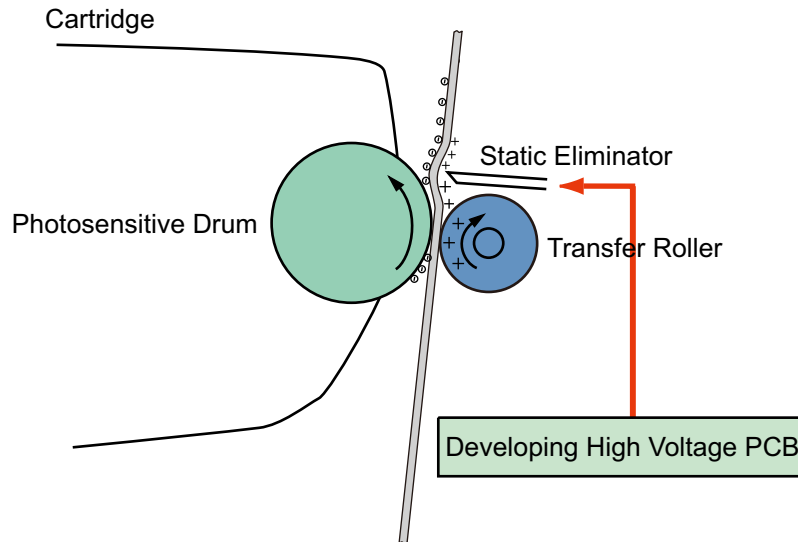
The bias value is determined by the environment, paper type and other factors.



■ Separation

On this machine, the paper is separated from the Photosensitive Drum by the elasticity of the paper and the curvature of the drum.

Furthermore, the Static Eliminator reduces potential on the back side of paper for stability of paper feed and image quality.



Service Mode

- Invalidate setting of the static elimination control
COPIER > OPTION > FEED-SW > SP-SW

Image Stabilization Control

Overview

Image failure due to change of the environment or deterioration of the Photosensitive Drum is prevented to ensure stabilized print.

PASCAL control

To stabilize the gradation density characteristics of the image.

This control is executed at auto adjust gradation. Gradation density of the patch pattern on the test print is scanned by the Reader to create an image density correction table.

Based on the table, image gradation density characteristics that vary due to environmental change or deterioration of the Photosensitive Drum are corrected.

Control timing

Execution of auto adjust gradation ([Settings/Registration]) > [Auto Adjust Gradation]

Control description

1. When the specified conditions are satisfied, the Main Controller PCB prints memorized patch patterns.
2. Set the test print on the reader.
3. The reader scans the gradation density of the patch patterns from the test prints.
4. The Main Controller creates an image density correction table from the data of gradation density of the patch pattern scanned by the Reader.

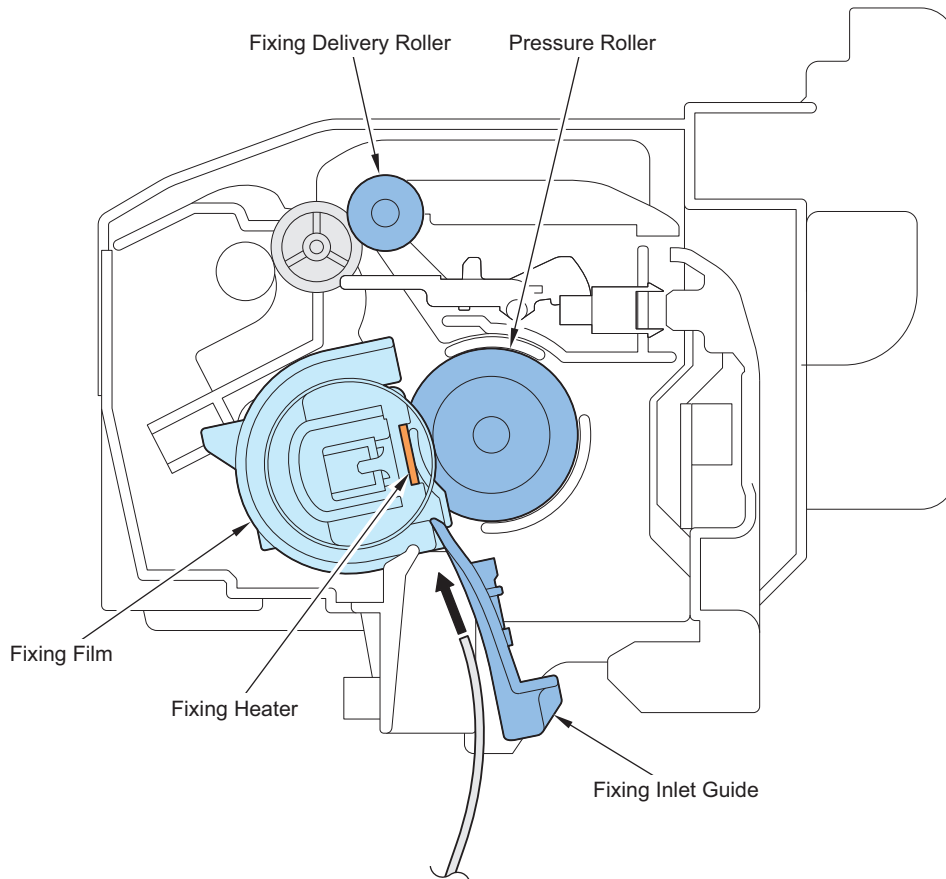
Related service mode

- Default display setting of auto adjust gradation
COPIER > OPTION > USER > DFLT-ADJ
- Setting of gradation adjustment data:
COPIER > OPTION > IMG-MCON > PASCAL
- Setting of the paper type to be used for auto adjust gradation:
COPIER > OPTION > IMG-MCON > PASCL-TY

Fixing System

Features

This machine uses the on-demand fixing method for fixing.



Replaceability of the Fixing Assembly

- Easy replacement without screws or tools and can be replaced by users.
- Replace the whole Fixing Assembly since the Fixing Film Unit or Pressure Roller etc. are not set as sub parts.

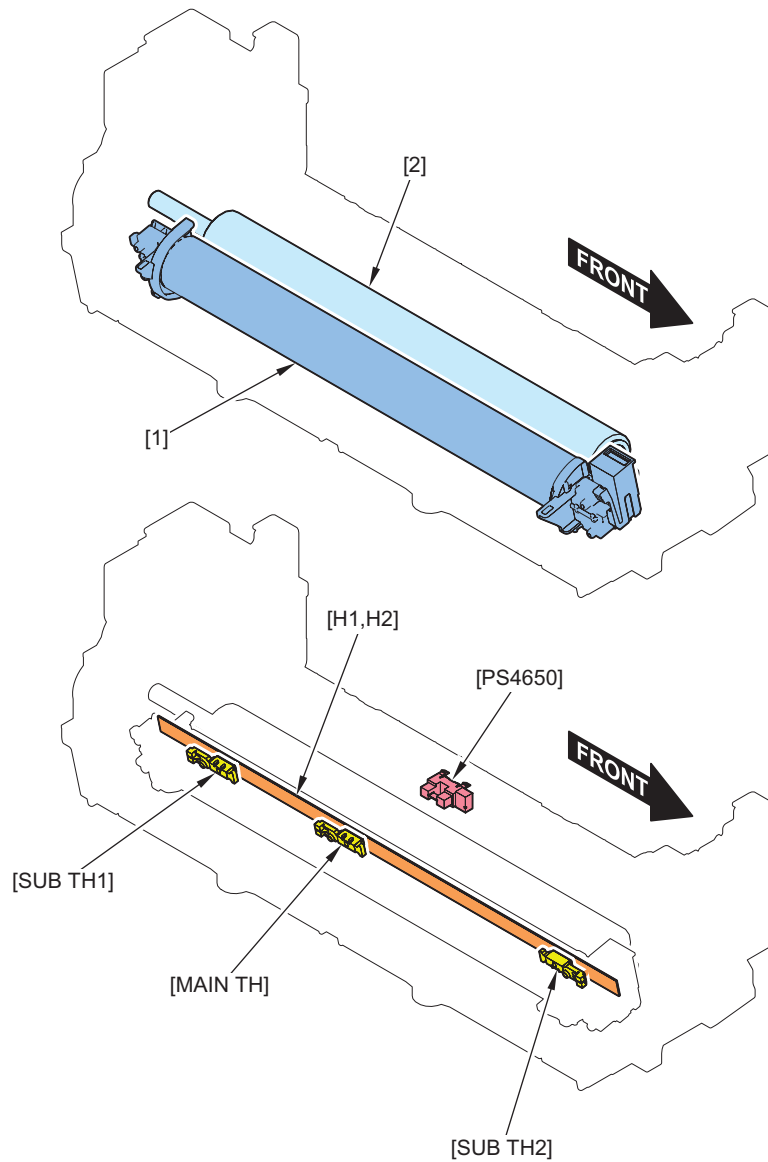
Detection of whether the Fixing Assembly is new

- Whether the Fixing Assembly is new can be detected.
- The parts counter of the Fixing Assembly is automatically initialized when the Fixing Assembly is replaced.

Intervals of failed images

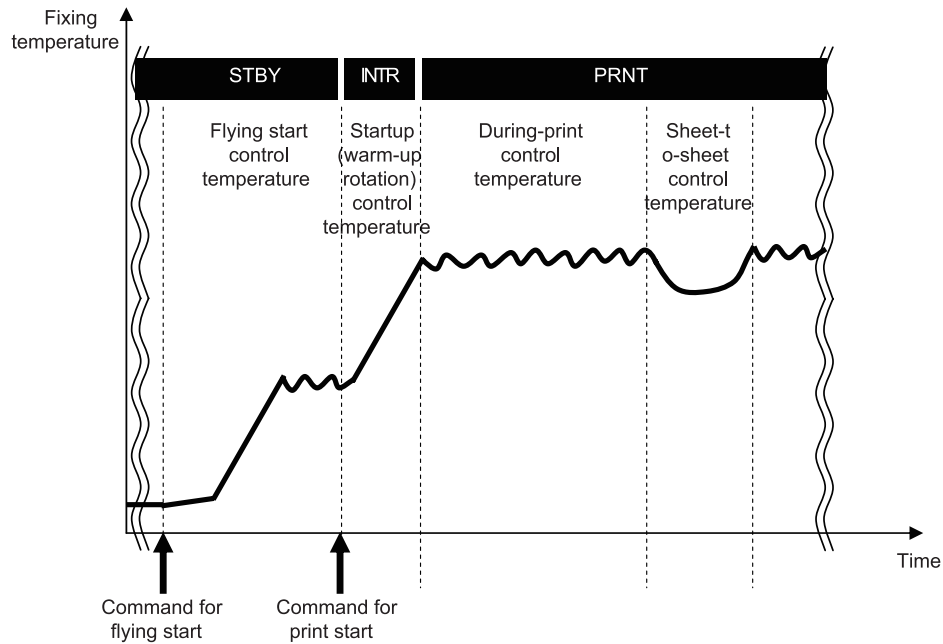
- Fixing Film: Approximately 77mm
- Fixing Pressure Roller: Approximately 79mm

■ Major Components



Symbol	Part name	Function/Method
[1]	Fixing Film Unit	A toner image on paper is fixed by applying heat and pressure.
[2]	Pressure Roller	
H1/H7	Fixing Heater	Ceramic Heater
MAIN TH	Main Thermistor	This is engaged with Heater. Temperature control and abnormal temperature rise detection
SUB TH2	Sub Thermistor (Front)	This is engaged with Heater. Temperature control, abnormal temperature rising detection, edge temperature-rising/cooling control
SYB TH1	Sub Thermistor (Rear)	This is engaged with Heater. Temperature control, abnormal temperature rising detection, edge temperature-rising/cooling control
PS4650	Fixing Delivery Sensor	Jam Detection

Fixing temperature control



Standby Temperature Control

This is a control to pre-heat the Fixing Assembly to reduce time to start printing.

- Flying Start

Print Temperature Control

This is a control to increase fixing temperature to the target level and keep it during printing.

- Startup (initial rotation) temperature control
- Print temperature control
- Paper interval temperature control

Down Sequence Control

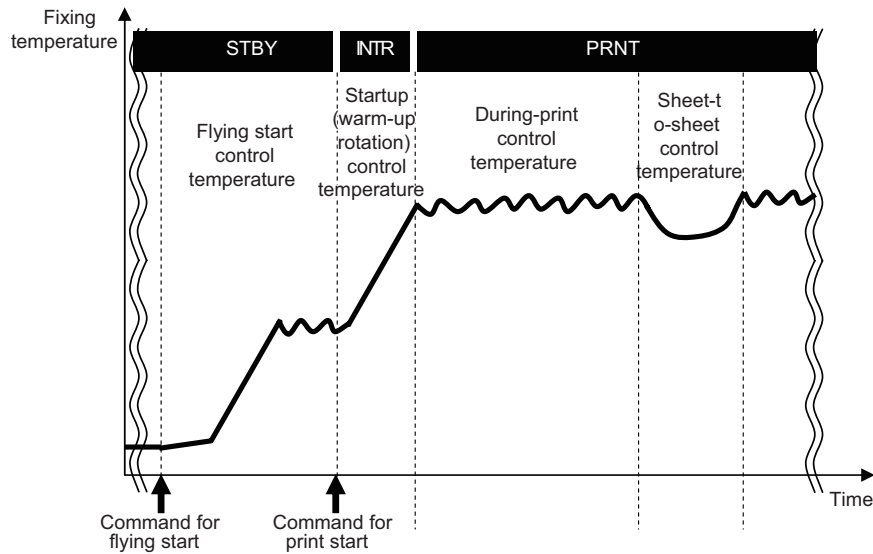
This is a control to prevent fixing failure due to temperature increase at the edge or temperature decrease. Productivity (throughput) decreases.

- Down Sequence due to Cartridge Temperature Rise

Related error codes

- E000-0001
Error in temperature rising of Fixing Assembly
- E001-0001
Fixing Assembly: Abnormally high temperature 1
- E001-0002
Fixing Assembly: Abnormally high temperature 2
- E001-0004
Fixing Assembly: Abnormally high temperature 3
- E003-0001
Fixing Assembly: Abnormally low temperature 1

Standby Temperature Control



Flying Start

Purpose

To reduce time to print the first sheet.

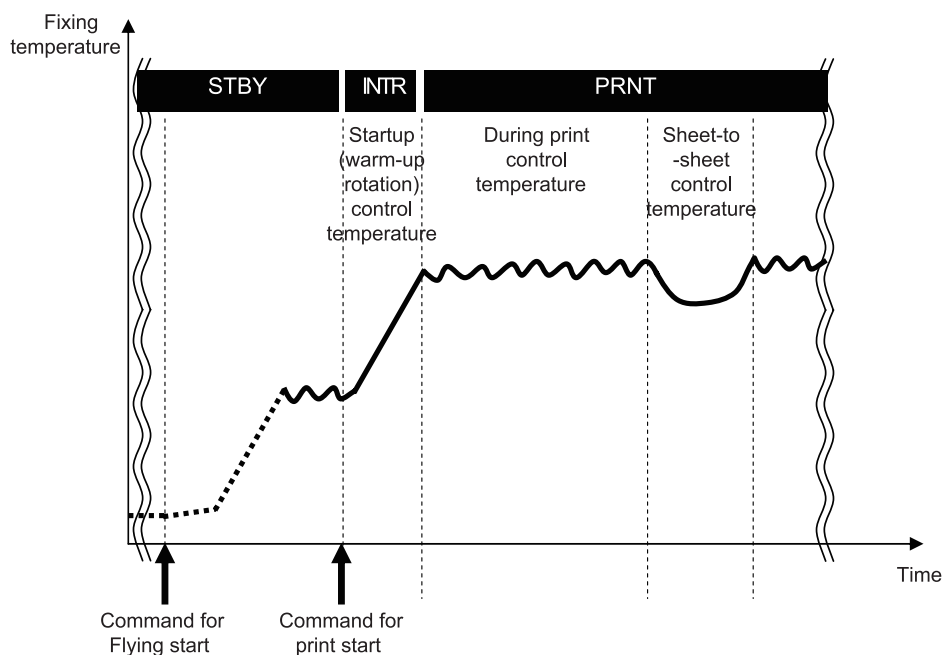
Execution condition/timing

- When using the Numeric Keypad on the Control Panel/Touch Panel
- At power-on of the Main Power
- When recovering to standby mode
- At completion of jam removal

Control description

The temperature control target is set, and start the Fixing Heater.

Print Temperature Control



Startup (initial rotation) temperature control

A fixing temperature is increased to a printable temperature after receiving a command to start printing.

Print Temperature Control

This is a control to set an optimal target temperature to prevent fixing error or high temperature offset. Temperature is controlled to keep the specified target temperature during printing.

Setting the target temperature

A target temperature is determined according to the paper type/size, time which elapsed from when the last job finished, and fixing temperature when startup control started.

Down Sequence Control

■ Down Sequence due to the Cartridge Temperature Rise

Purpose

To prevent the Drum Cleaning Blade from flipping when cartridge temperature rises during continuous paper feed by estimating the temperature of the cartridge and enter down sequence.

Startup conditions

Enter down sequence stepwise according to the environment temperature and number of continuously printed sheets.

At 1-sided printing

Environment temperature*1	1/2 speed
32.5 deg C or more	601 images or more
28 to 32.5 deg C	2251 images or more
Lower than 8.5 deg C	-

At 2-sided printing

Environment temperature*1	1/2 speed	(1/2 speed)
32.5 deg C or more	251 to 500 images	501 images or more
28 to 32.5 deg C	501 to 1060 images	1061 images or more
Lower than 28 deg C	-	1001 images or more

*1: It can be checked in the following service mode.

COPIER > DISPLAY > ANALOG > TEMP

*2: Not entering down sequence

*3: Inactive time is approximately 2 minutes

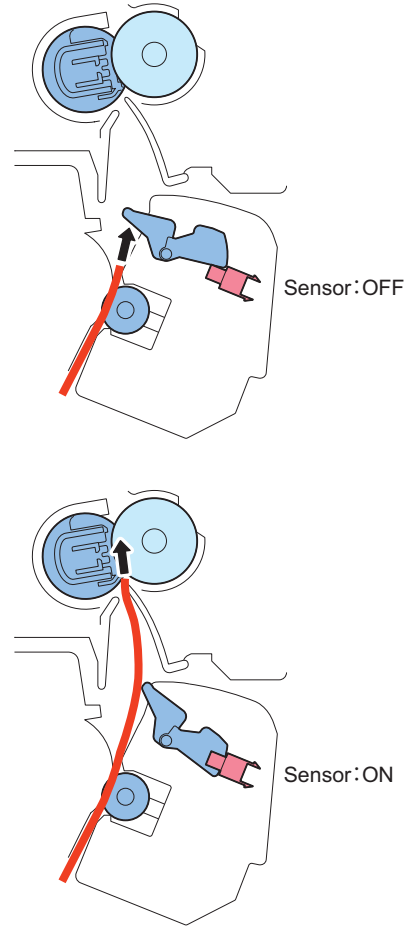
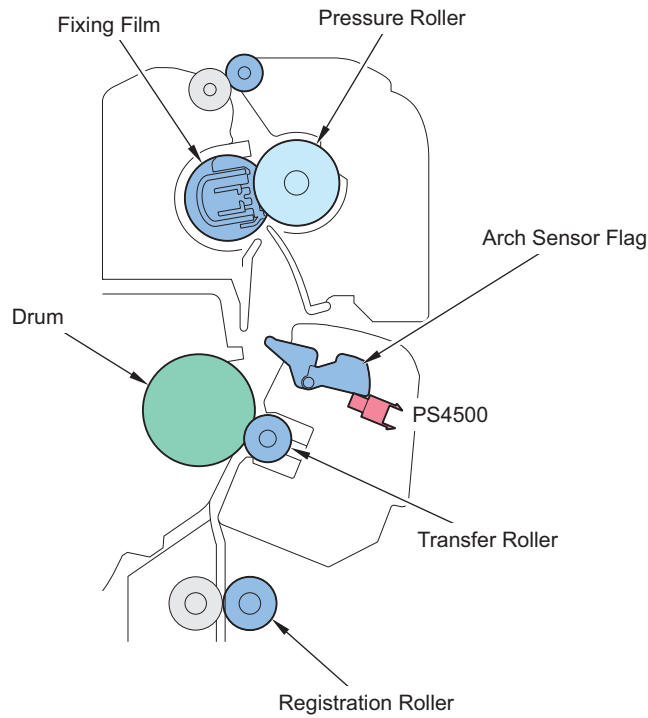
Operation

Prevent temperature rise of cartridge by reducing the speed to 1/2 speed or inactive+1/2 speed

Pre-fixing Arch Control

Purpose

To prevent the image on the drum to be affected from a shock which occurs when the trailing edge of the paper pulled by the Fixing Drive passes through the Registration Roller by constantly creating an optimal arch between the transfer and fixing areas.



Startup conditions

This control is performed every time the paper is fed.

Operation

The Arch Sensor detects a paper arch between the transfer nip and fixing nip, and changes the drive speed of the Fixing Motor.

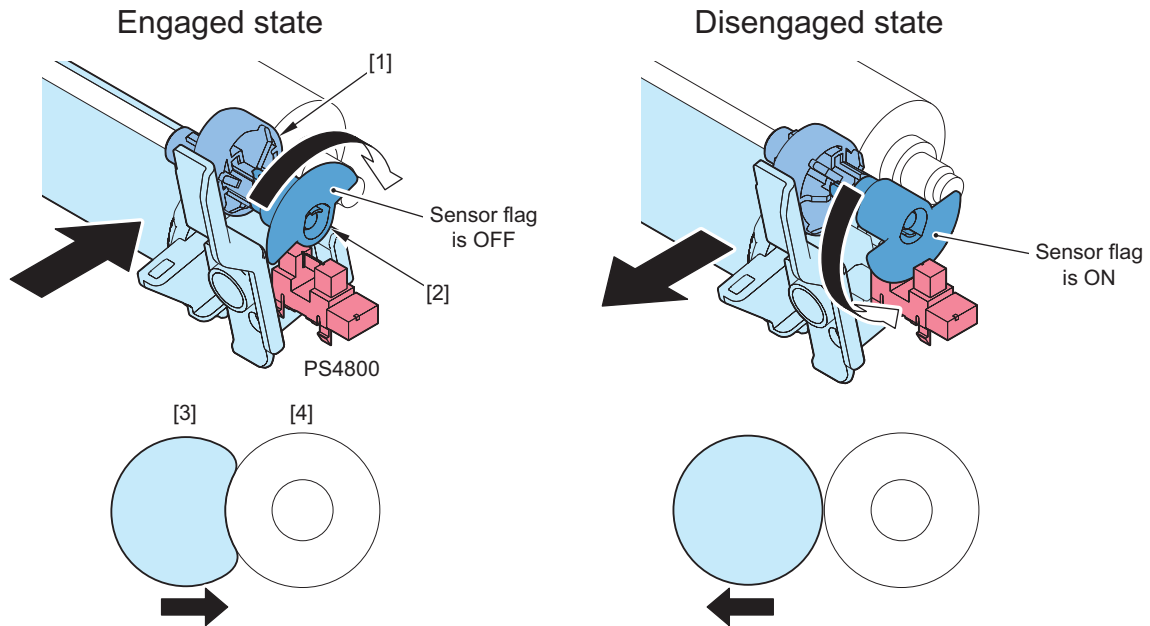
Related service mode

- Setting of the fixing speed when feeding envelopes
COPIER > OPTION > FEED-SW > EVLP-FS

● Fixing Film Unit engagement/disengagement control

Control description

The Fixing Film Unit is disengaged from the Fixing Pressure Roller under a specific condition in order to prevent deformation of the Fixing Film/Fixing Pressure Roller due to heat and pressure that arise when the drive of the Fixing Pressure Roller stops, and to improve jam removability.



No.	Name
[1]	Pressure Release Gear
[2]	Cam Gear
[3]	Fixing Film
[4]	Fixing Pressure Roller
PS4800	Fixing Pressure Release Sensor

Execution condition/timing

Engagement operation

- When the Fixing Pressure Roller is in a disengaged position at the start of a job

Disengagement operation

- When the Power Switch is OFF
- At occurrence of a jam
- At occurrence of an error
- When the specified period of time has passed since printing is finished.

Related error codes

- E840-0001: Pressure release mechanism error

Fixing Assembly detection

Presence of the Fixing Assembly is judged by a Fixing Assembly detection signal, which is input to the DC Controller at warm-up rotation (at power-on/recovery from sleep mode/closing of the cover).

When it is judged that the Fixing Assembly is absent, the machine displays the message "Set the Fixing Assembly." on the Control Panel and stops operation.



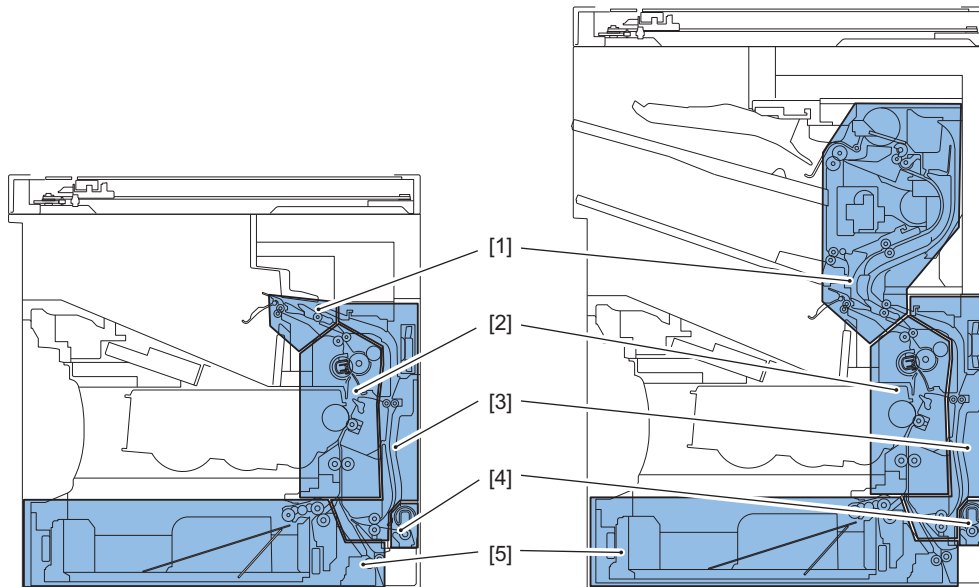
Protection Function

This machine is equipped with protection functions that result in error occurrences when activated. The following errors do not need to be cleared.

Code	De-tails	Title	Description
E000	0001	Fixing temperature rising error	Fixing temperature did not become a certain temperature although the specified time had passed after cold start.
E001	0001	Fixing Assembly: Abnormally high temperature	Temperature of the Main Thermistor reached or exceeded specified value.
	0002		Temperature of the Sub Thermistor 1 reached or exceeded specified value.
	0004		Temperature of the Sub Thermistor 2 reached or exceeded specified value.
E003	0001	Abnormal low temperature of the Fixing Assembly	Temperature of the Main Thermistor reached or fallen below the specified value.
E004	0004	Mismatch of Fixing Assembly type	- Absent of the Fixing Assembly was detected according to the Fixing Assembly connection judged result - Temperature of the Main Thermistor and Sub Thermistor reached or fallen below the specified value.
E014	0001	Fixing Motor rotation error	Startup has not been completed after a specified period of time has passed from the start of the Fixing Motor.
	0002		Number of rotation of the Fixing Motor has become the same or less than the specified value

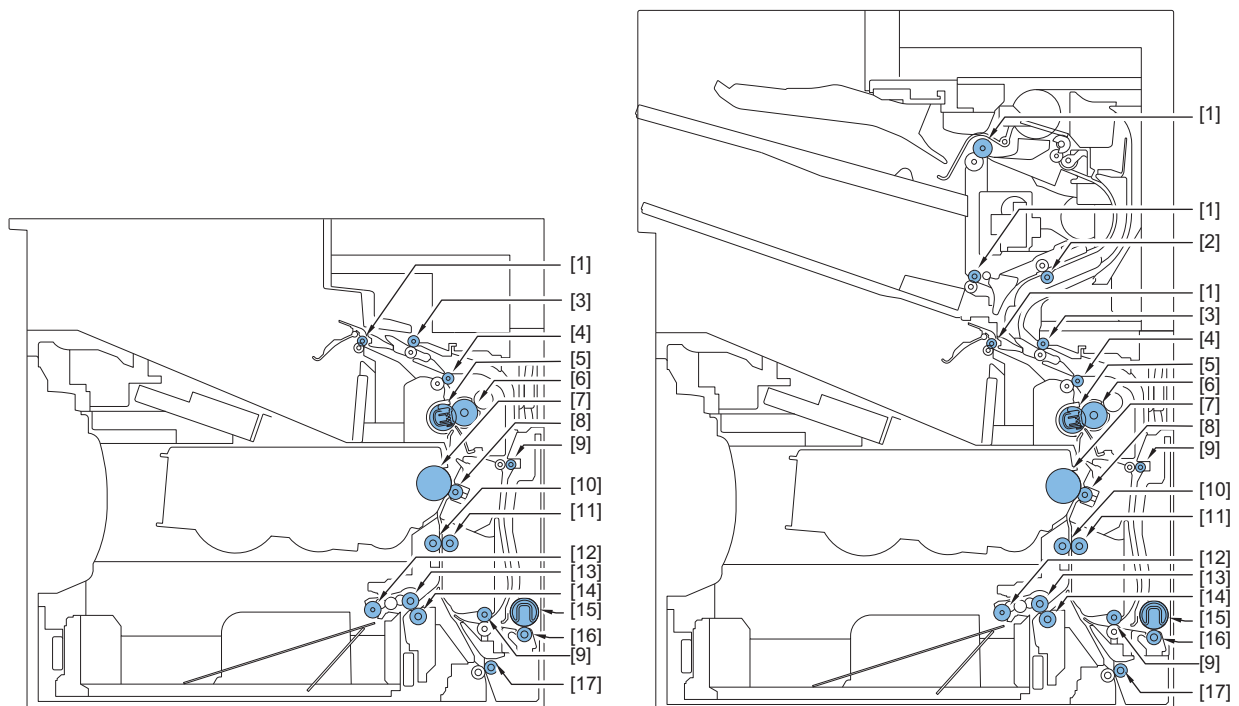
Pickup Feed System

Overview



Parts Configuration

Layout Drawing of Rollers

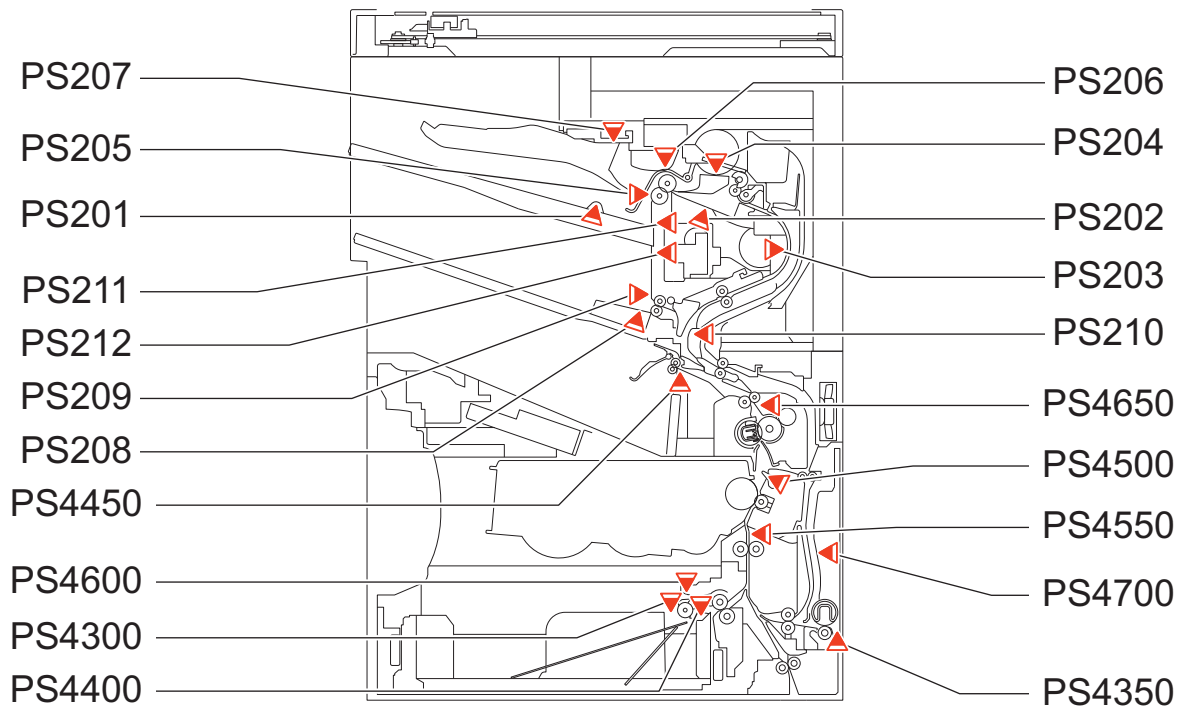


Symbol	Parts name
1	Delivery Roller
2	Inlet Feed Roller
3	Duplex Reverse Roller
4	Fixing Delivery Roller
5	Fixing Film
6	Pressure Roller
7	Photosensitive Drum

Symbol	Parts name
8	Pressure Roller
9	Duplex Feed Roller
10	Registration Shutter
11	Registration Roller
12	Cassette 1 Pickup Roller
13	Cassette 1 Feed Roller
14	Cassette 1 Retard Roller
15	Multi-purpose Tray Pickup Roller
16	Multi-purpose Tray Separation Roller
17	Feed Roller

• Sensors Layout Drawing

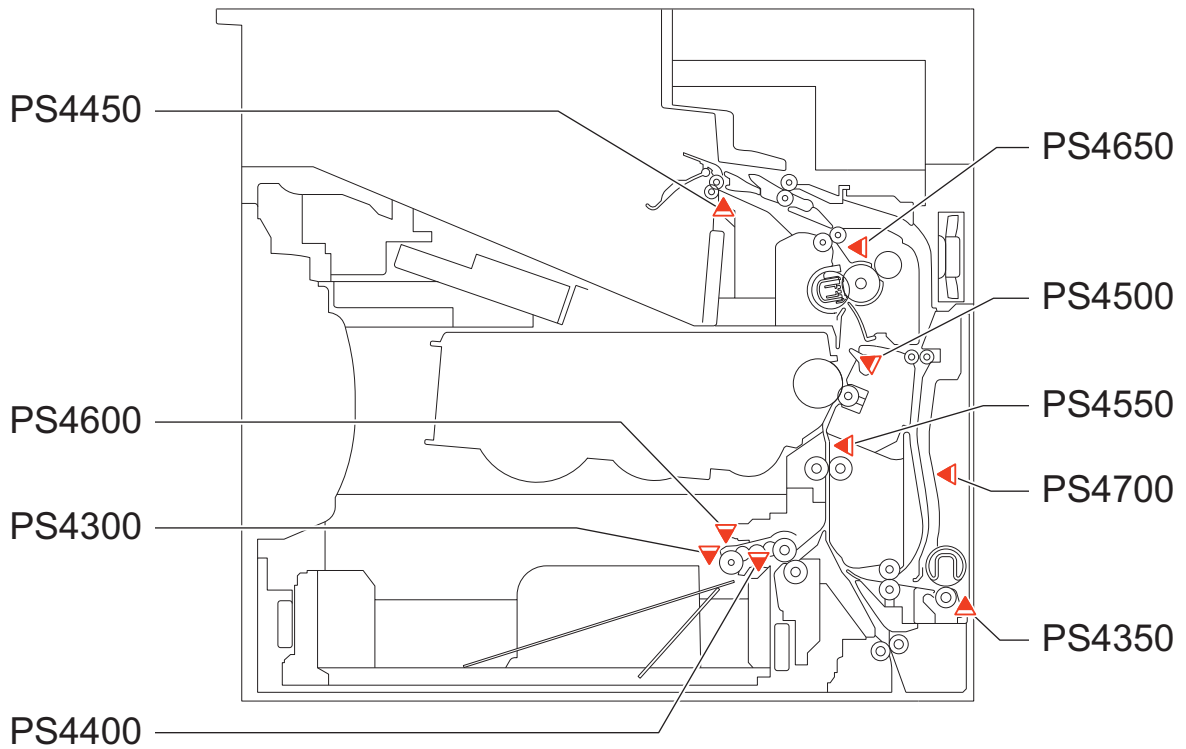
Model with Built-in Finisher



Symbol	Parts name
PS201	Delivery Bin 1 Paper Sensor
PS202	SS Outlet Sensor
PS203	Staple Inlet Sensor
PS204	Y Alignment Home Position Sensor
PS205	Delivery Bin 1 Full Sensor
PS206	Alienation Home Position Sensor
PS207	Jogger Home Position Sensor
PS208	Delivery Bin 2 Paper Sensor
PS209	Delivery Bin 2 Full Sensor
PS210	SS Inlet Sensor
PS211	Delivery Bin 1 Upper Limit Sensor
PS212	Delivery Bin 1 Lower Limit Sensor
PS4300	Cassette 1 Paper Sensor

Symbol	Parts name
PS4350	Multi-purpose Tray Paper Sensor
PS4400	Cassette 1 Lifter Sensor
PS4450	Delivery Paper Full Sensor
PS4500	Fixing Arch Sensor
PS4550	Registration Sensor
PS4600	Retard Roller Rotation Detection Sensor
PS4650	Fixing Delivery Sensor
PS4700	Duplex Feed Sensor

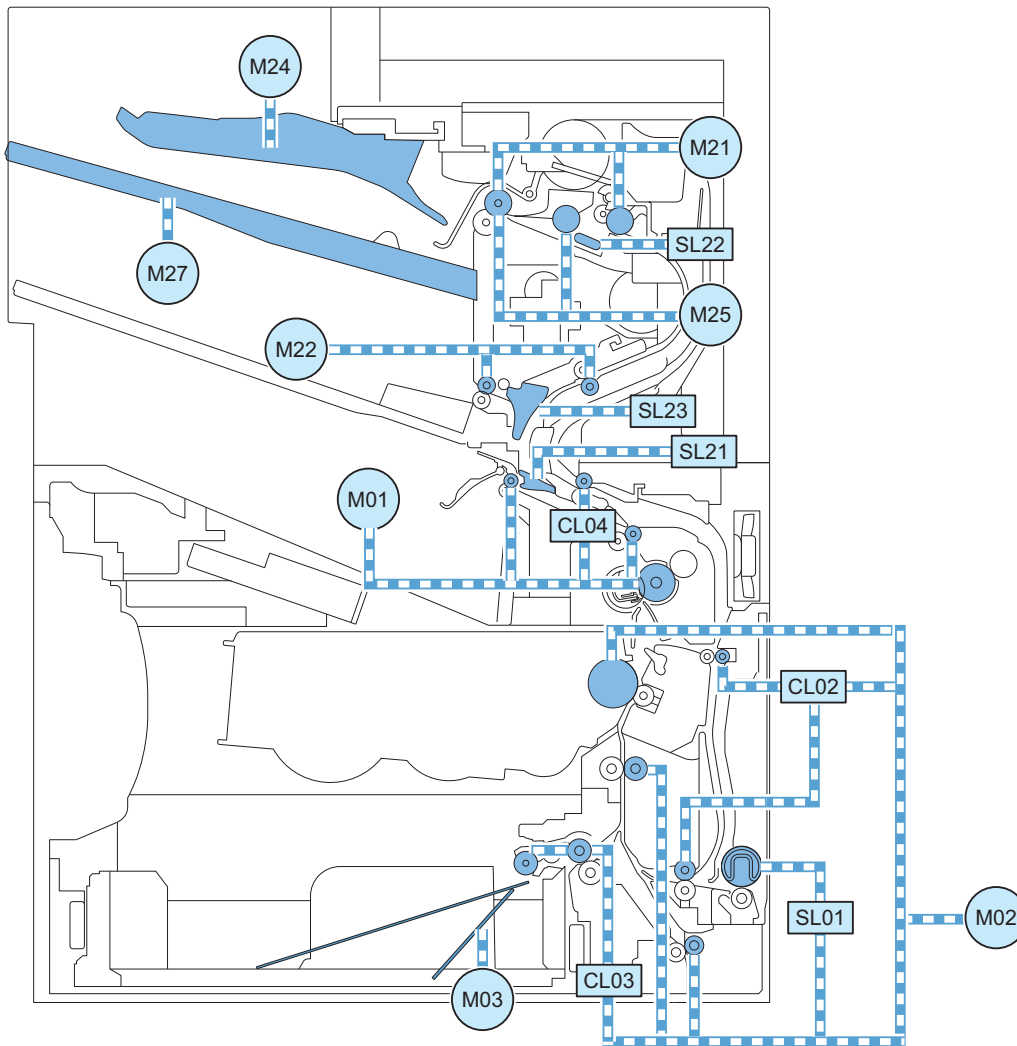
Model without Built-in Finisher



Symbol	Parts name
PS4300	Cassette 1 Paper Sensor
PS4350	Multi-purpose Tray Paper Sensor
PS4400	Cassette 1 Lifter Sensor
PS4450	Delivery Paper Full Sensor
PS4500	Fixing Arch Sensor
PS4550	Registration Sensor
PS4600	Retard Roller Rotation Detection Sensor
PS4650	Fixing Delivery Sensor
PS4700	Duplex Feed Sensor

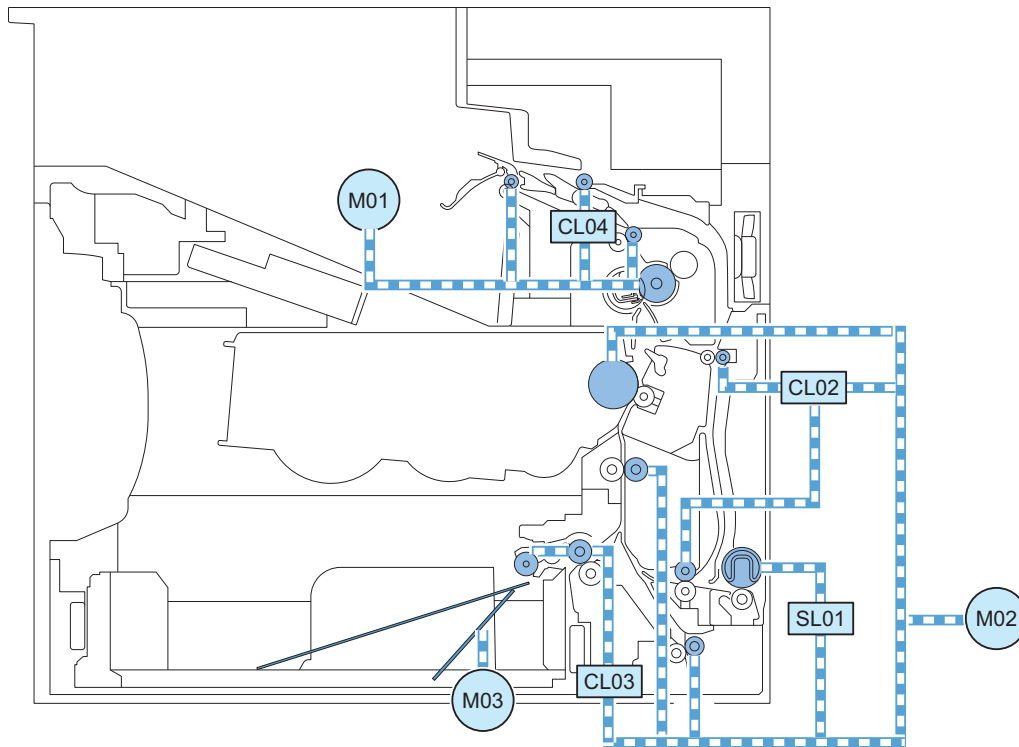
• Route of Drive

Model with Built-in Finisher



Route of Drive for Model with Built-in Finisher

Symbol	Parts name
M01	Fixing Motor
M02	Drum Motor
M03	Lifter Motor
M21	Staple Stacker Delivery Motor
M22	Staple Stacker Feed Motor
M24	Jogger Motor
M25	Y Alignment Motor
CL01	Cassette 1 Feed Clutch
CL02	Duplex Feed Clutch
CL03	Cassette 1 Pickup Clutch
CL04	Duplex Reverse Clutch
SL01	Multi-purpose Pickup Solenoid
SL21	Inlet Flapper Solenoid
SL22	Stamp Solenoid
SL23	Delivery Bin 2 Flapper Solenoid

Model without Built-in Finisher**Route of Drive for Model without Built-in Finisher**

Symbol	Parts name
M01	Fixing Motor
M02	Drum Motor
M03	Lifter Motor
CL01	Cassette 1 Feed Clutch
CL02	Duplex Feed Clutch
CL03	Cassette 1 Pickup Clutch
CL04	Duplex Reverse Clutch
SL01	Multi-purpose Pickup Solenoid

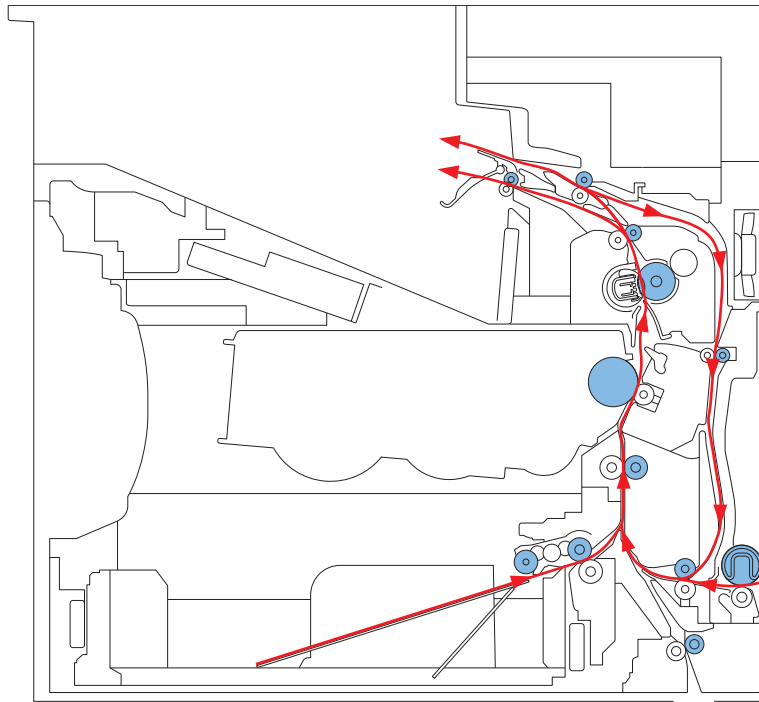
■ Paper Path

Model with Built-in Finisher



Paper Path (Model with Built-in Finisher)

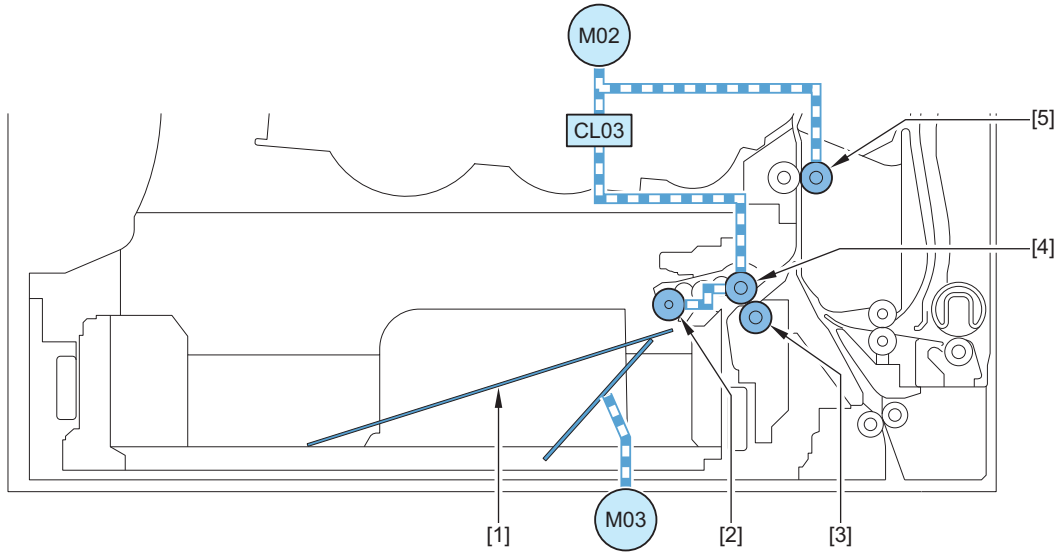
Model without Built-in Finisher



Paper Path (Model without Built-in Finisher)

Cassette Pickup Assembly

■ **Parts / Drive Configuration**

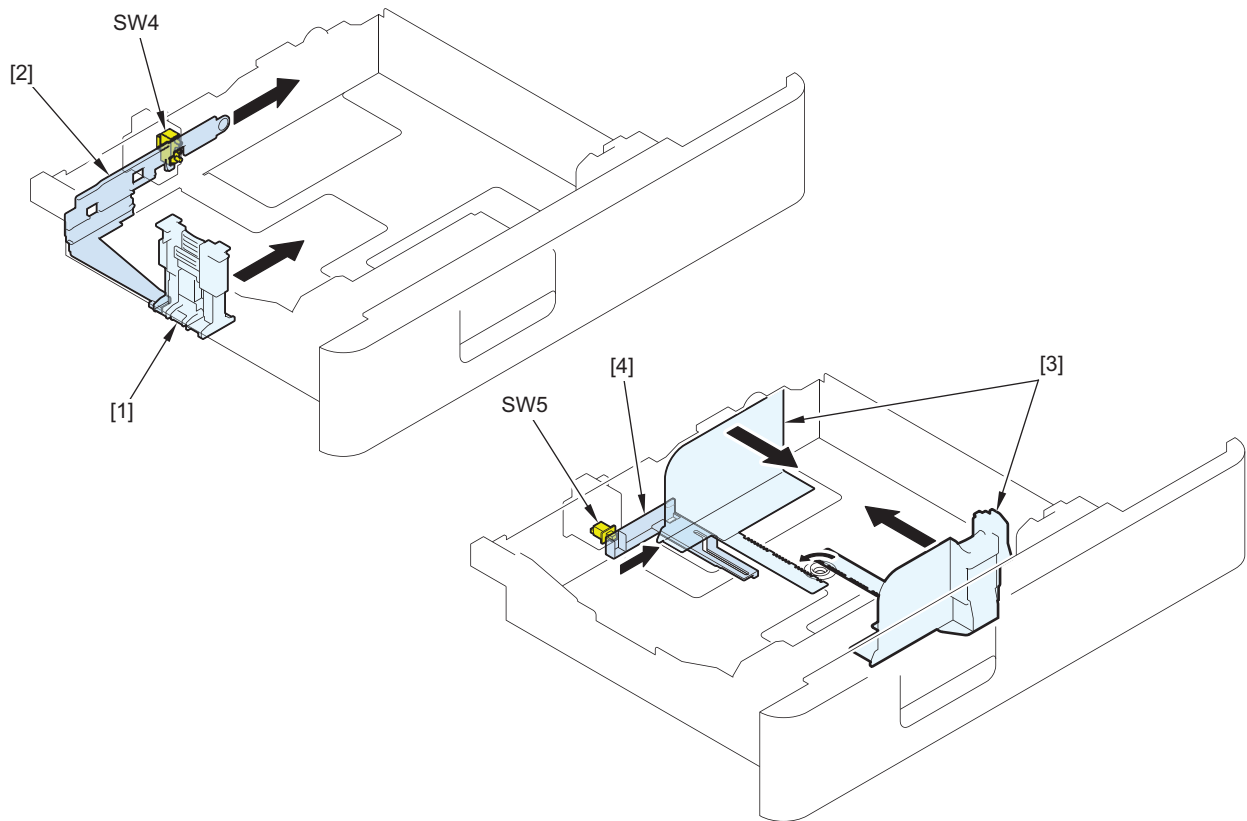


Symbol	Parts name
1	Lifter Plate
2	Cassette 1 Pickup Roller
3	Cassette 1 Separation Roller
4	Cassette 1 Feed Roller
5	Registration Roller
M02	Drum Motor
M03	Lifter Motor
CL03	Cassette 1 Pickup Clutch

■ Paper Size Detection Control

With the sliding of the Guide Plate, the Cassette Size Dial shifts between its peaks and valleys in accordance with the cassette's paper size.

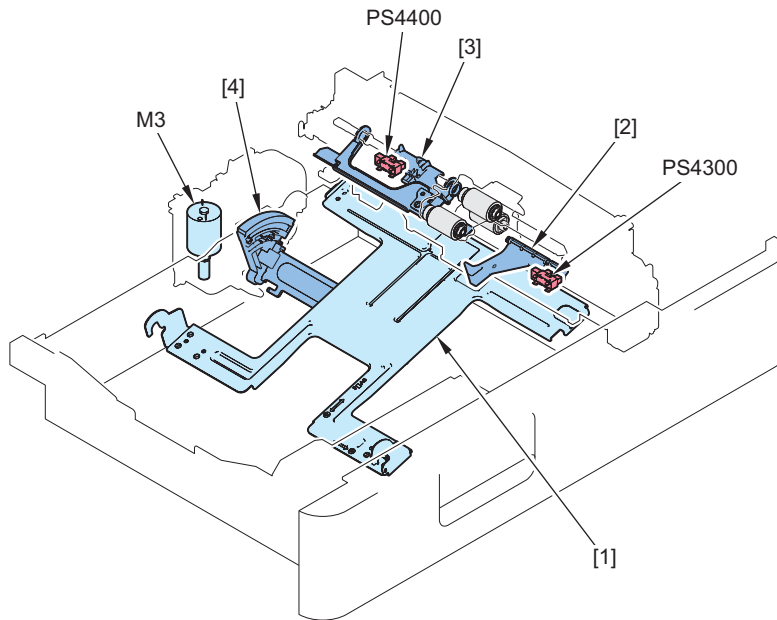
Paper size is detected according to the combination of ONs and OFFs of the Cassette 1 Paper Size Switch-A and -B (SW04/SW05).



Symbol	Parts name
1	Side Guide Plate
2	Link Arm
3	Trailing Edge Guide Plate
4	Link Arm
SW4	Cassette 1 Size Switch A
SW5	Cassette 1 Size Switch B

■ Paper Level/ Presence Detection Control

The Cassette 1 Paper Sensor (PS4300) detects whether there is paper.



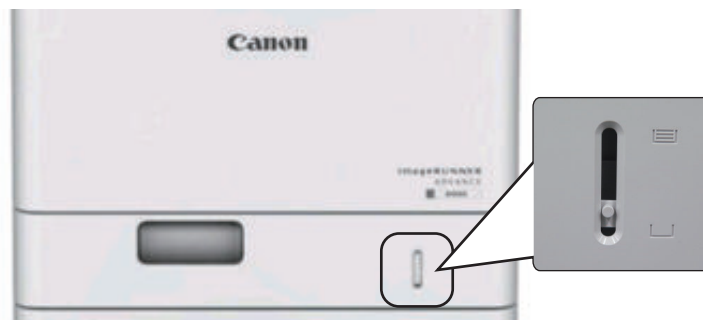
Symbol	Parts name
1	Lifter Plate
2	Paper Detection Flag
3	Paper Surface Detection Flag
4	Lifter Gear
M3	Lifter Motor
PS4300	Cassette 1 Paper Sensor
PS4400	Cassette 1 Lifter Sensor

Because paper level is not detected by a software, it is shown in 2 levels on UI.

Level Display	Level	Paper Sensor
	100 - 1 %	ON
	0 %	OFF

In addition, paper level is mechanically indicated.

The position of the lever, as shown in the figure below, indicates paper level.



■ Lifter Control

With the rotation of the Lifter Motor (M3), the Lifter Plate is raised until the Cassette 1 Lifter Sensor (PS4400) detects the paper surface.

Related Error Codes

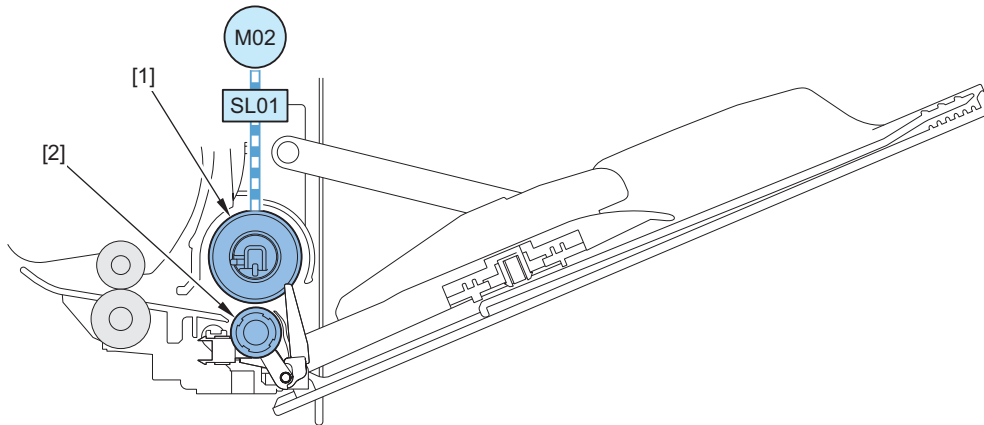
- E015-0001: Cassette 1 Lifter Motor error
- E015-0002: Cassette 2 Lifter Motor error
- E015-0003: Cassette 3 Lifter Motor error

- E015-0004: Cassette 4 Lifter Motor error

Multi-purpose Tray Pickup Assembly

Parts / Drive Configuration

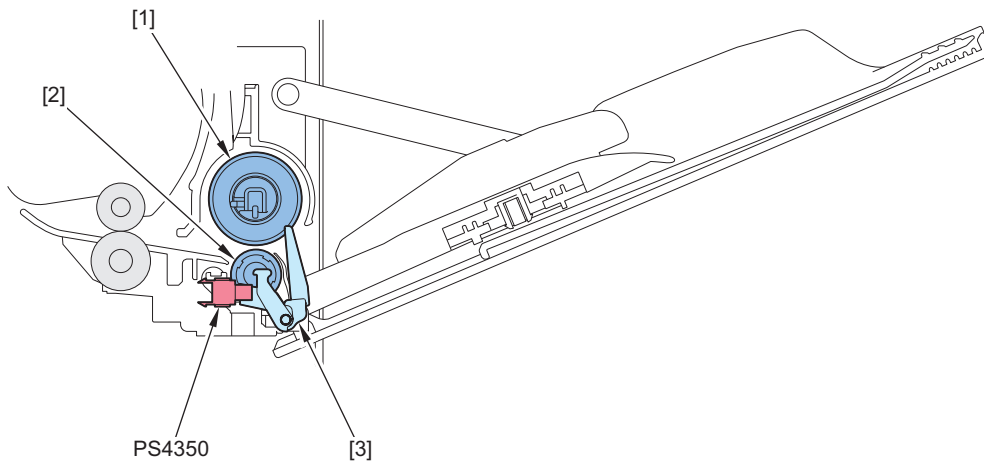
With the rotation of the Multi-Purpose Tray Pickup Solenoid (SL1) and the Drum Motor (M02), paper is picked up from the Multi-Purpose Tray of the Multi-Purpose Tray Pickup Unit.



Symbol	Parts name
1	Multi-purpose Tray Pickup Roller
2	Multi-purpose Tray Separation Roller
SL1	Multi-purpose Tray Pickup Solenoid
M02	Drum Motor

Paper Detection

The Multi-purpose Tray Paper Sensor (PS4350) detects whether there is paper.



Symbol	Parts name
1	Multi-purpose Tray Pickup Roller
2	Multi-purpose Tray Separation Roller
3	Multi-purpose Tray Paper Detection Flag
PS4350	Multi-purpose Tray Paper Detection Sensor

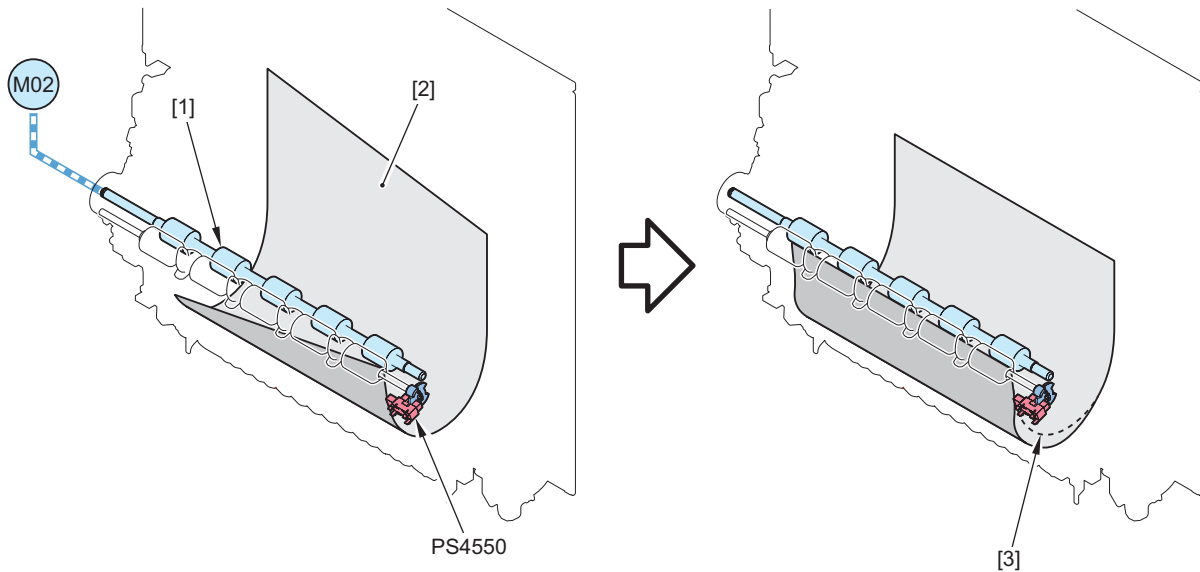
Paper Size Detection

This machine does not have a function for detecting paper size. The user has to specify the paper size in the Multi-purpose Tray using the Control Panel. Or, the user has to register the fixed size in the Settings/Registration menu.

Registration Assembly

Registration Control

This control corrects paper skew and aligns the leading edge of the paper with that of the image.



Symbol	Parts name
1	Registration Roller
2	Paper
3	Slack
PS4550	Registration Sensor
M02	Drum Motor

Skew Correction Control

The paper leading edge runs into the stopped Registration Roller, thereby forming a slack (arch) in order to correct the skew.

Registration Control

This control stops paper at the registration position, aligns the image on the Drum with the paper at a specified timing, and then performs paper feed.

Related Service Mode

- Adjustment of registration start timing (Plain paper)
COPIER > ADJUST > FEED-ADJ > REGIST
- Adjustment of registration start timing (Heavy paper)
COPIER > ADJUST > FEED-ADJ > RG-HF-SP
- Adjustment of registration start timing (Plain paper 2nd side)
COPIER > ADJUST > FEED-ADJ > REG-DUP1
- Adjustment of registration start timing (MP Tray, plain paper)
COPIER > ADJUST > FEED-ADJ > REG-MF

Process Tray Assembly (Model with Built-in Finisher Only)

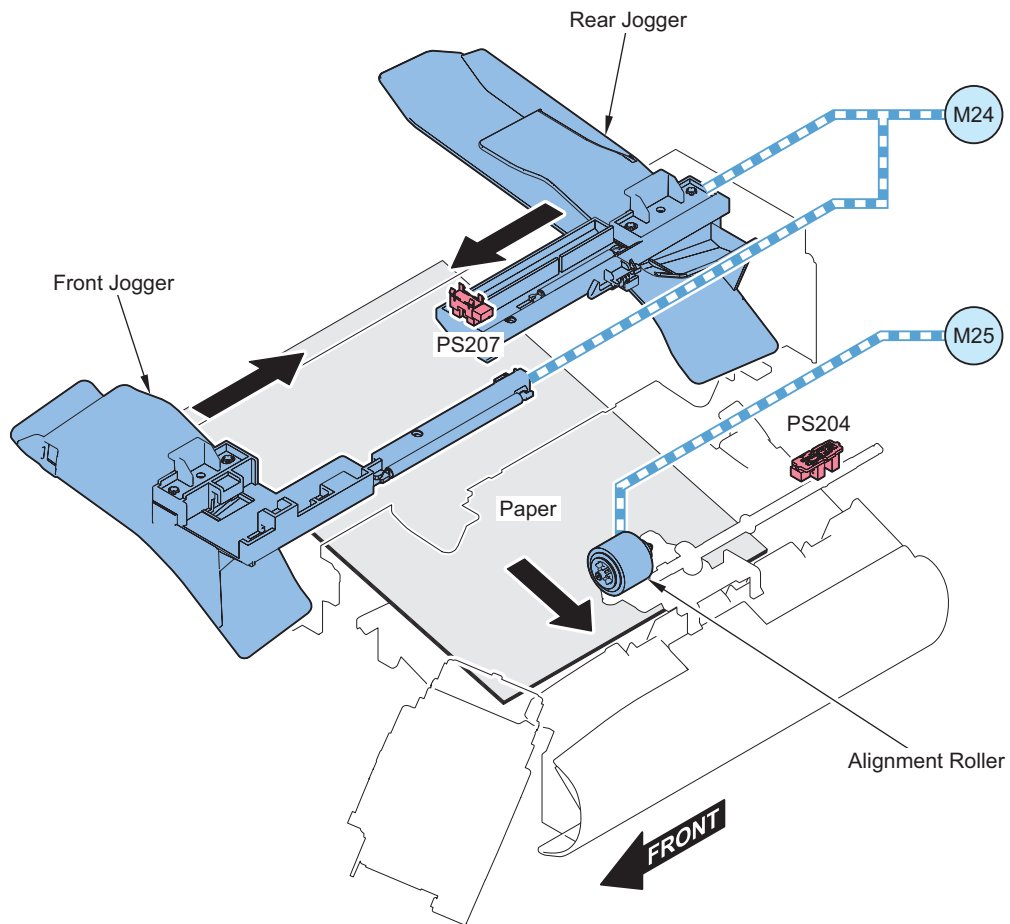
After aligning, shifting and stapling fed paper, the Process Tray Assembly ejects the paper onto the Output Tray. The name and role of each of the Process Tray Assembly parts are as follows.

Name	Role
Jogger Unit	Performs alignment along the leading edge of paper.
Top Feed Feed Unit	Performs alignment along the left edge of paper.
Staple Unit	Performs stapling.

■ Alignment Operation

With a paper stack on the Holding Tray, the Y Alignment Motor (M25) performs alignment along the leading edge while the Jogger Motor (M24) performs one along the left edge.

The Y Alignment Home Position Sensor (PS204) and the Jogger Home Position Sensor (PS207) detect the home position of the alignment member.



When Offset and Collate is enabled, paper stacked on the Process Tray is sorted into bundles, aligned along the near or the far side to the host machine.

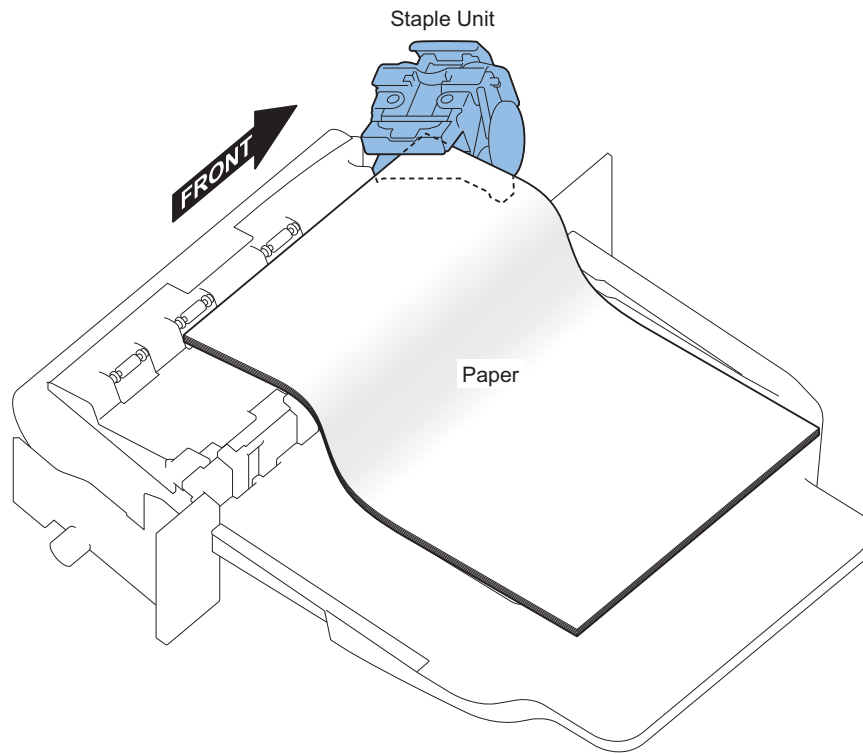
Related Error Codes

- E530-8001: Jogger error
- E577-8001: Y Alignment Motor error

■ Stapling

Overview

Stapling is to staple the specified number of sheets of paper together.



Staple Unit

The Staple Motor drives the cam to perform stapling.

The Staple Home Position Sensor detects the cam's home position.

The Staple Alert Sensor detects whether a Staple Cartridge is placed inside the Staple Unit.

The Staple Ready Sensor detects whether there are staples inside the Staple Cartridge and whether the Staple Unit is operational.

Paper sizes available for stapling

A4; LTR; LGL; user-specified size (210 × 279.4mm - 215.9 × 355.6mm)

Weight/ maximum number of sheets available for stapling

60 to 90 g/m2: 30 sheets

91 to 120 g/m2: 20 sheets

Related Error Codes

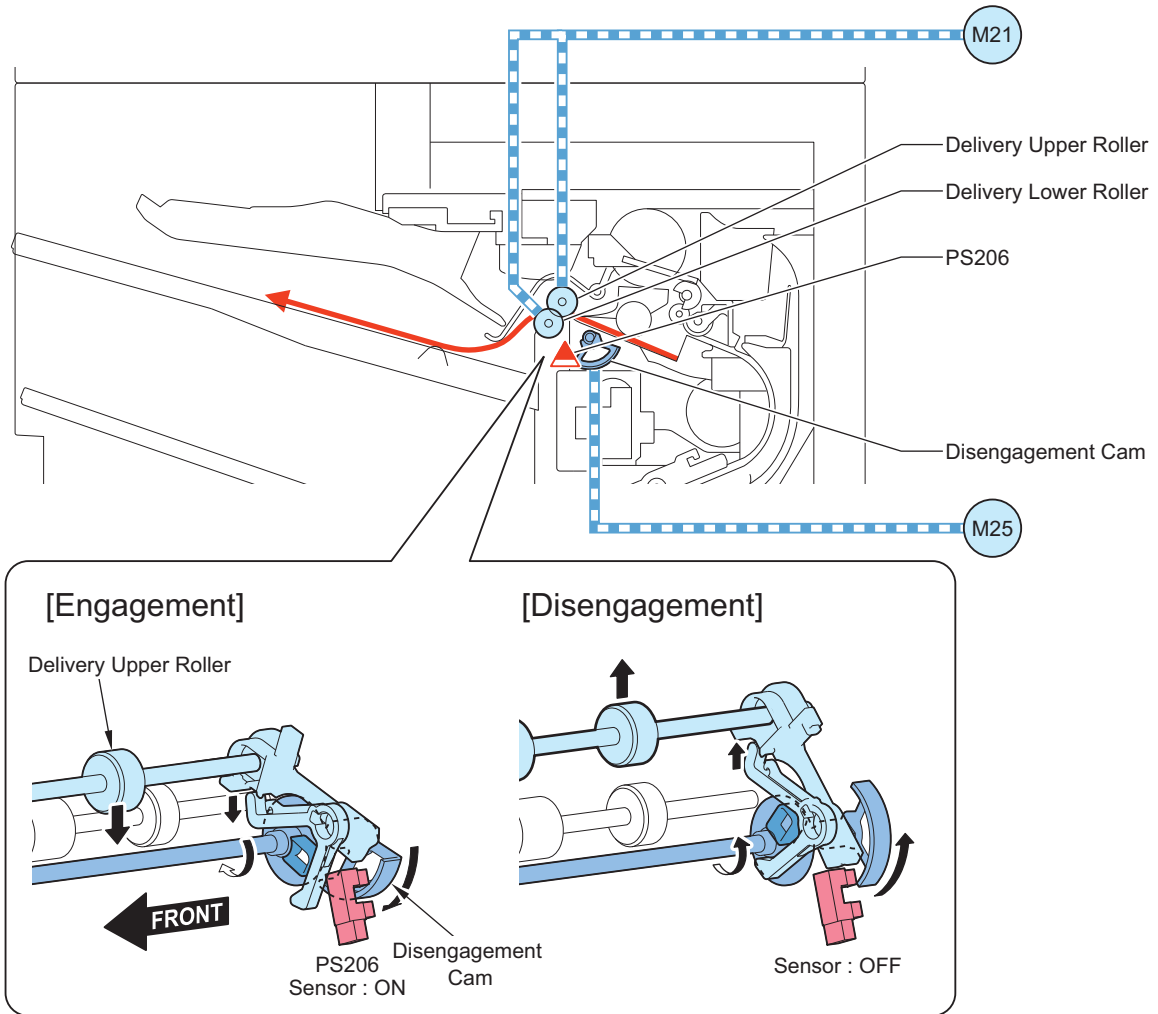
- E531-8001: Staple Repositioning error
- E531-8002: Stapler error

■ Stack Delivery

After aligned, a paper stack is ejected from the Holding Tray to the Output Tray.

The Alignment Motor (M25) performs disengagement/engagement of the Stack Delivery Roller, while the Alienation Home Position Sensor (PS206) detects its status.

The Delivery Motor (M21) ejects paper onto the Output Tray.



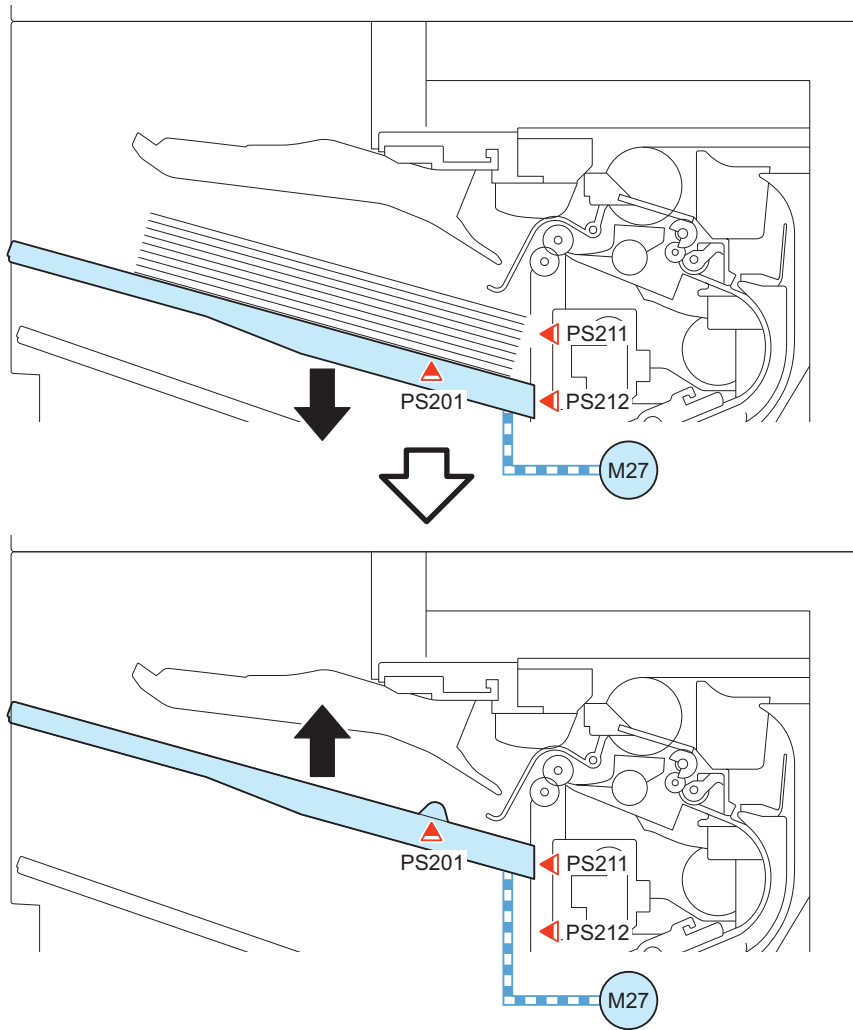
Related Error Code

- E568-8001: Stack Delivery Roller disengagement error

Stack Tray Assembly (Model with Built-in Finisher Only)

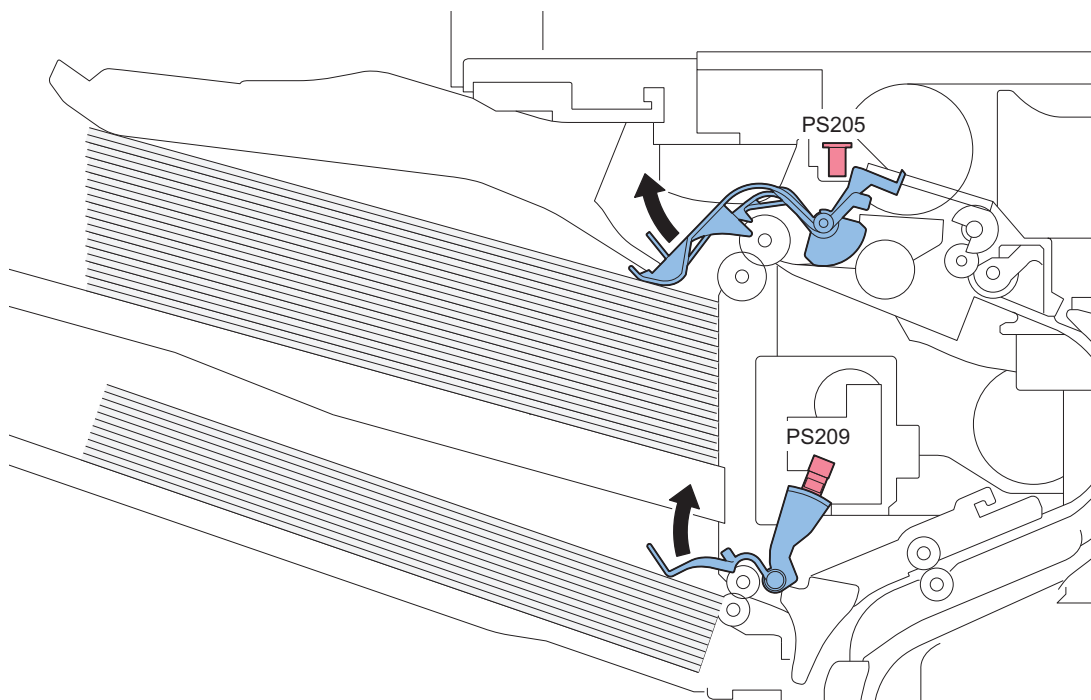
Tray Lifting

The Tray Lifting Motor (M27) operates the lifting/lowering of Tray 1. After paper is delivered, Tray 1 descends by defined range. Then, Tray 1 ascends until the Output Tray 1 Upper Limit Detection Sensor (PS211) detects the surface of stacked paper. The Output Tray 1 Lower Limit Sensor (PS212) detects the tray's lower limit.



■ Paper in Tray Full Detection

The Delivery Tray Full Sensors (PS205/PS209) detect a paper stack in the Output Tray as full.

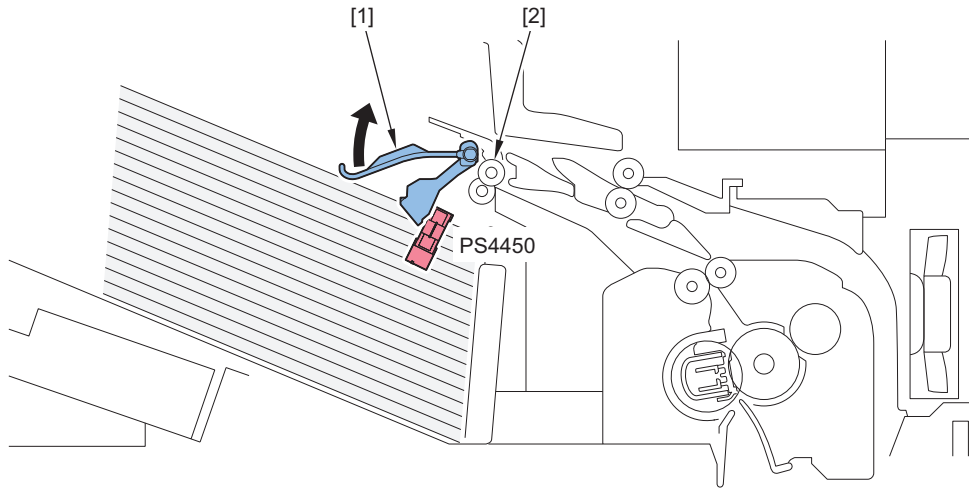


Delivery Assembly

Delivery Paper Full Detection

The Delivery Paper Full Sensor (PS4450) detects delivered paper as full after detecting paper delivery for a certain period of time.

Printing stops once detected as full.



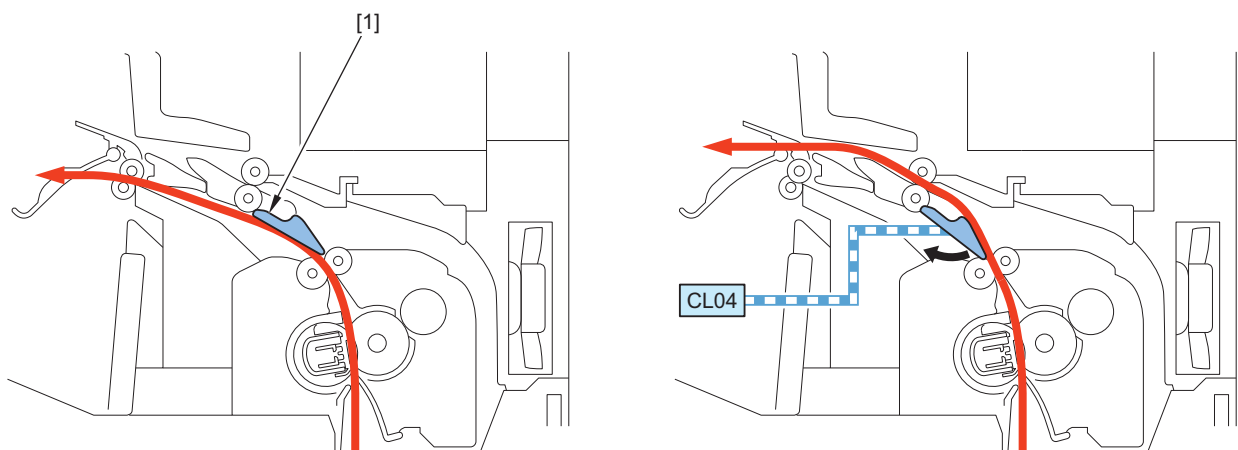
Symbol	Parts name
1	Delivery Full Flag
2	Delivery Roller
PS4450	Delivery Paper Full Sensor

Reverse/Duplex Assembly

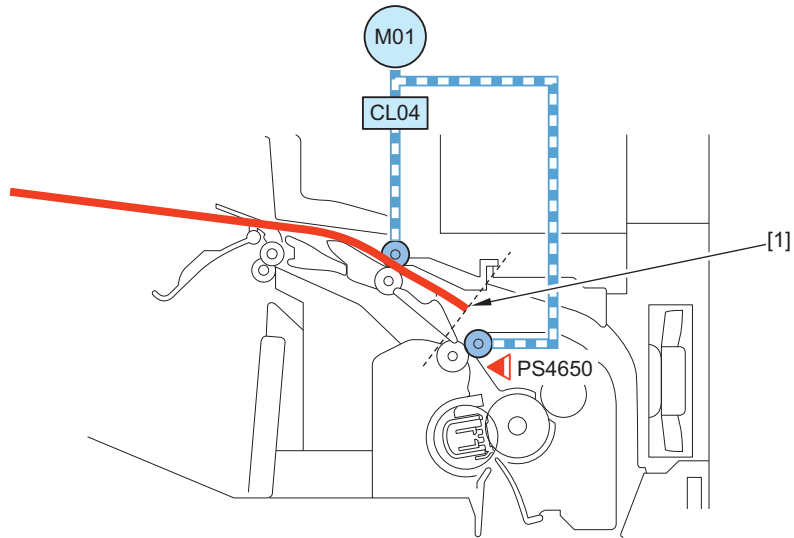
Duplex Reverse Control

With the Reverse Flapper, the feed path is switched from the Delivery Mouth to the Reverse Mouth to perform the reverse operation.

The Reverse Flapper [1] is operated by the Duplex Reverse Clutch (CL4).



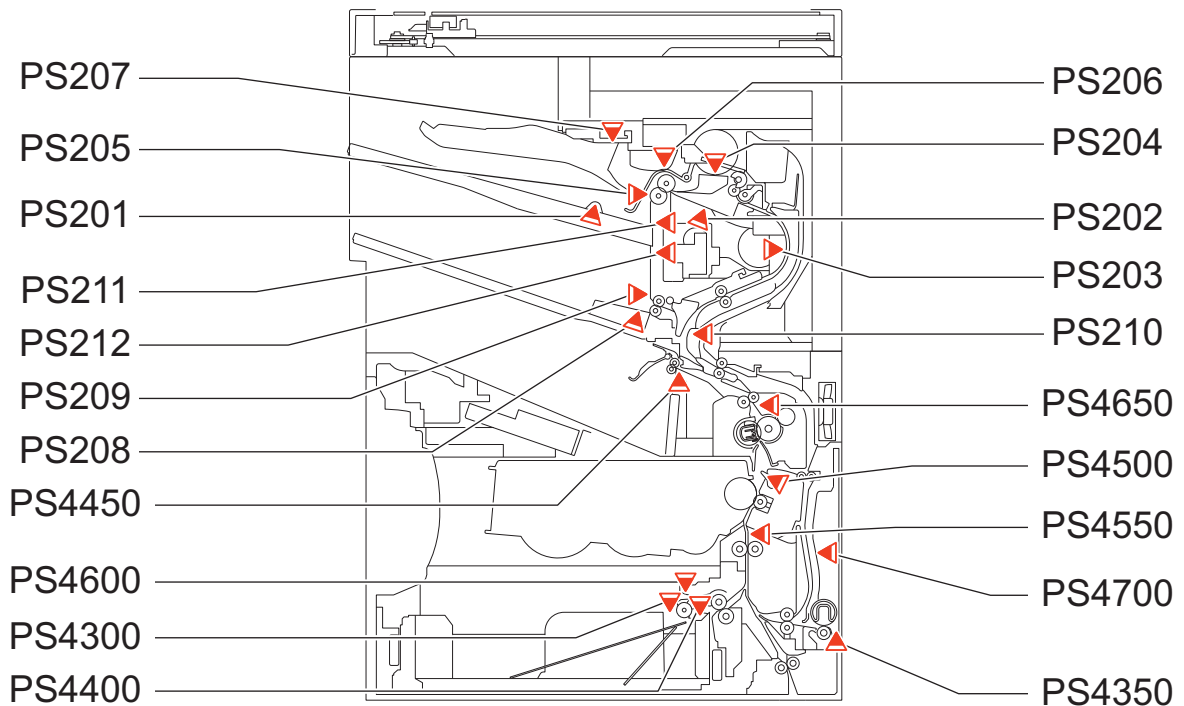
Paper stops at the Duplex Reverse Stop Position and receives the reverse operation.



Symbol	Parts name
1	Duplex Reverse Stop Position
M01	Fixing Motor
CL04	Duplex Reverse Clutch
PS4650	Fixing Delivery Sensor

Jam Detection

This equipment performs jam detection with the use of the sensors listed in the figure.



Sensors Used to Detect Jams

Symbol	Parts name
PS202	Staple Stacker Exit Sensor

Symbol	Parts name
PS203	Staple Inlet Sensor
PS210	Staple Stacker Inlet Sensor
-	Stapler HP Sensor
PS4400	Cassette 1 Lifter Sensor
PS4450	Delivery Paper Full Sensor
PS4500	Fixing Arch Sensor
PS4550	Registration Sensor
PS4650	Fixing Delivery Sensor
PS4700	Duplex Feed Sensor

External Auxiliary System

Software Counter Control

This machine has software counters that count the number of prints/copies per job type. Various counters are displayed by pressing the Check Counter key on the Control Panel. The default counters for each country (model) are listed below.

Target	Display number of each counter (in service mode) / item				Region Code
	Counter 1	Counter 2	Counter 3	Counter 4 to 8	
Japan model Type 1	Total 1	*1	*1	*1	JP
	101	000	000	000	
Japan model Type 2	Total 2	Copy (Total 2)	Total A2	*1	JP
	102	231	148	000	
Taiwan model	Total 1	Copy (Total 1)	*1	*1	TW
	101	201	000	000	
UL model Type 1	Total 1	Copy (Total 1)	*1	*1	US
	101	201	000	000	
UL model Type 2	Total 2	Copy (Total 2)	*1	*1	US
	102	202	000	000	
General model	Total 1	Copy (Total 1)	*1	*1	SG/KR/TH/VN/AR/IN
	101	201	000	000	
UK model Type 1	Total (Black/ Small)	Scan (Total 1)	Print (Total 1)	*1	GB
	112	501	301	000	
240V UK model Type 2	Total 1	*1	*1	*1	GB
	101	000	000	000	
CA model	Total 1	Copy (Total 1)	*1	*1	AU
	101	108	000	000	
FRN model Type 1	Total (Black/ Small)	Scan (Total 1)	Print (Total 1)	*1	FR
	113	501	301	000	
FRN model Type 2	Total 1	*1	*1	*1	FR
	101	000	000	000	
GER model Type 1	Total (Black/ Small)	Scan (Total 1)	Print (Total 1)	*1	DE
	113	501	301	000	
GER model Type 2	Total 1	*1	*1	*1	DE
	101	000	000	000	
AMS model Type 1	Total (Black/ Small)	Scan (Total 1)	Print (Total 1)	*1	ES/SE/PT/NO/DK/FI/PL/HU/C Z/SI/GR/EE/RU/NL/SK/RO/H R/BG/TR
	113	501	301	000	
AMS model Type 2	Total 1	*1	*1	*1	ES/SE/PT/NO/DK/FI/PL/HU/C Z/SI/GR/EE/RU/NL/SK/RO/H R/BG/TR
	101	000	000	000	
ITA model Type 1	Total (Black/ Small)	Scan (Total 1)	Print (Total 1)	*1	IT
	113	501	301	000	
ITA model Type 2	Total 1	*1	*1	*1	IT
	101	000	000	000	
China	Total 1	Total (Black/Small)	*1	*1	CN
	101	113	000	000	

*1: Hidden by default. Changeable in Service Mode

<Explanation of the list>

- Large: Large size paper (when paper length exceeds 364 mm in paper feed direction)
- Small: Small size paper (when paper length is 364 mm or less in paper feed direction)

- Total: When a sheet of paper is delivered, the counter is advanced by 1
- 2-Sided: The counter is advanced by 1 for paper delivered in 2-sided mode
- To change the CONFIG country code: COPIER > Option > FNC-SW > CONFIG
- Three-digit number in the counter column shows the setting value of the following service mode items (COUNTER1 TO COUNTER8).
COPIER > OPTION > USER > COUNTER 1 to 8
- COUNTER 2 to 8 can be changed from the service mode (COPIER>OPTION>USER).
- The type of counter display can be switched between the former and new methods in service mode (CNT-SW).
COPIER > OPTION > USER > CNT-SW

Country code	Country	Country code	Country	Country code	Country
JP	Japan	ES	Spain	RU	Russia
US	United States	SE	Sweden	SK	Slovakia
GB	United Kingdom	PT	Portugal	RO	Romania
FR	France	NO	Norway	HR	Croatia
DE	Germany	DK	Denmark	BG	Bulgaria
IT	Italy	FI	Finland	TR	Turkey
AU	Australia	PL	Poland	TH	Thailand
SG	Singapore	HU	Hungary	VN	Vietnam
NL	Netherlands	CZ	Czech Republic	AR	Argentina
KR	Korea	SI	Slovenia	IN	India
CN	China	GR	Greece		
TW	Taiwan	EE	Estonia		

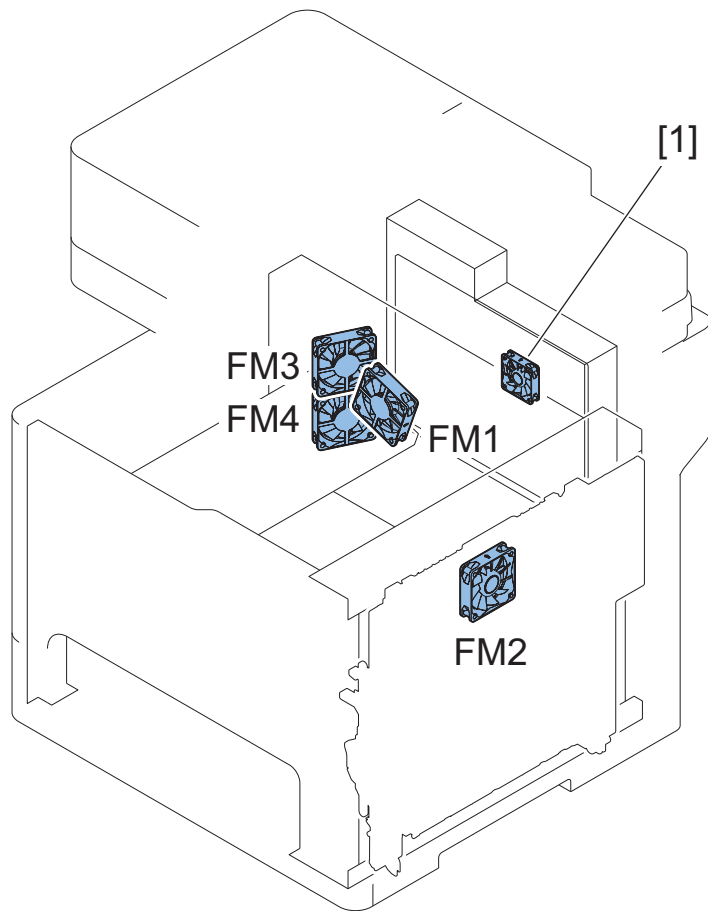
■ Count-up timing

Count-up timing differs according to the following:

- Print mode (1-sided print/2nd side of 2-sided print, 1st side of 2-sided print)
- Delivery position

No.	Delivery position		Print mode	
			1-sided print/2nd side of 2-sided print	1st side of 2-sided print
			Count-up timing	
1	Host	First Delivery Tray	Fixing Delivery Sensor (PS4650)	Duplex Left Sensor (PS4700)
2	ma- chine	Inner Finisher Tray	Finisher: Staple Stacker Outlet Sensor (PS202)	

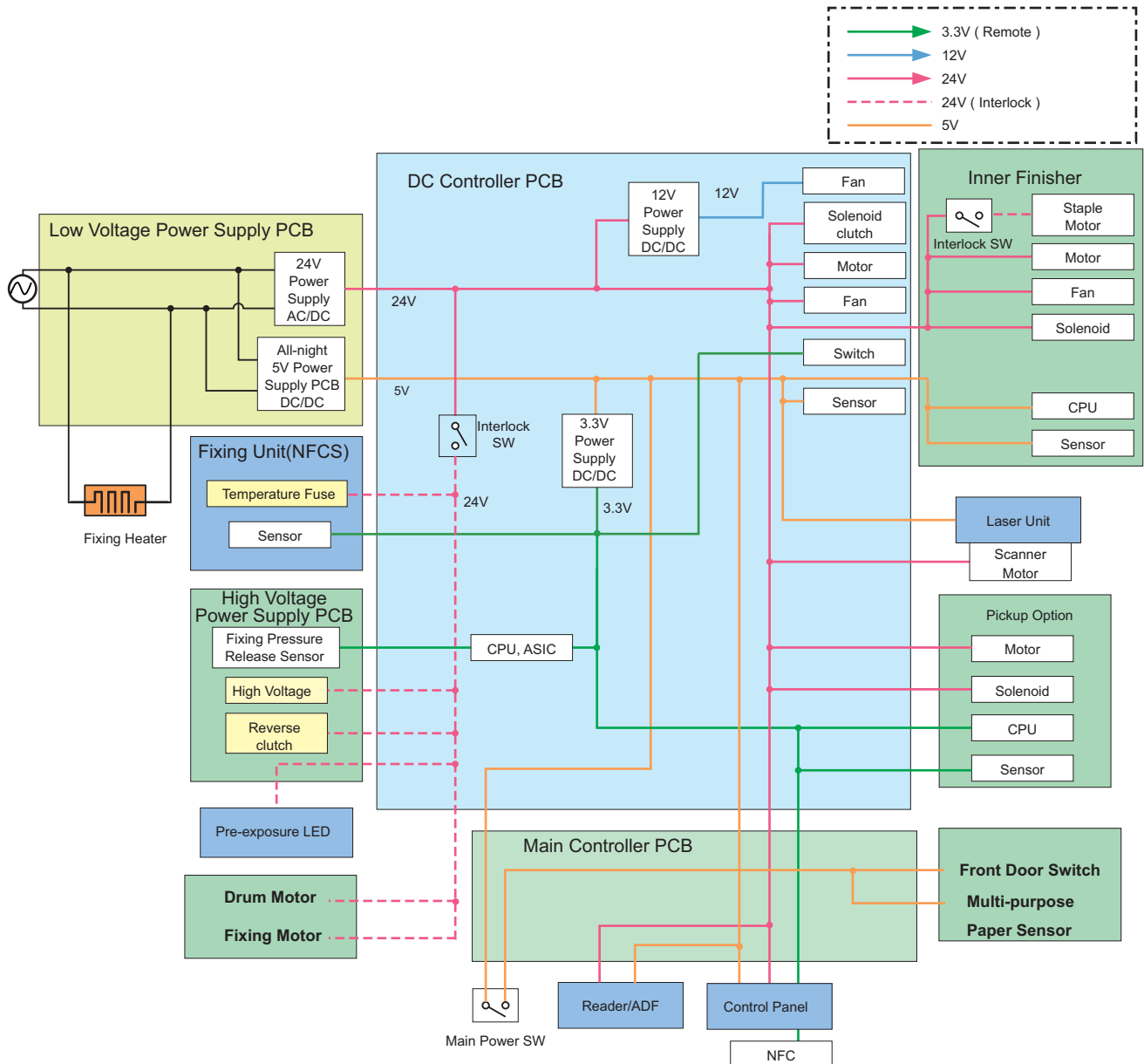
Location of Fans



No.	Name
FM1	Laser Scanner Fan
FM2	Duplex Fan
FM3	Cartridge Upper Fan
FM4	Cartridge Lower Fan
[1]	Controller Fan

Power supply

Internal power supply

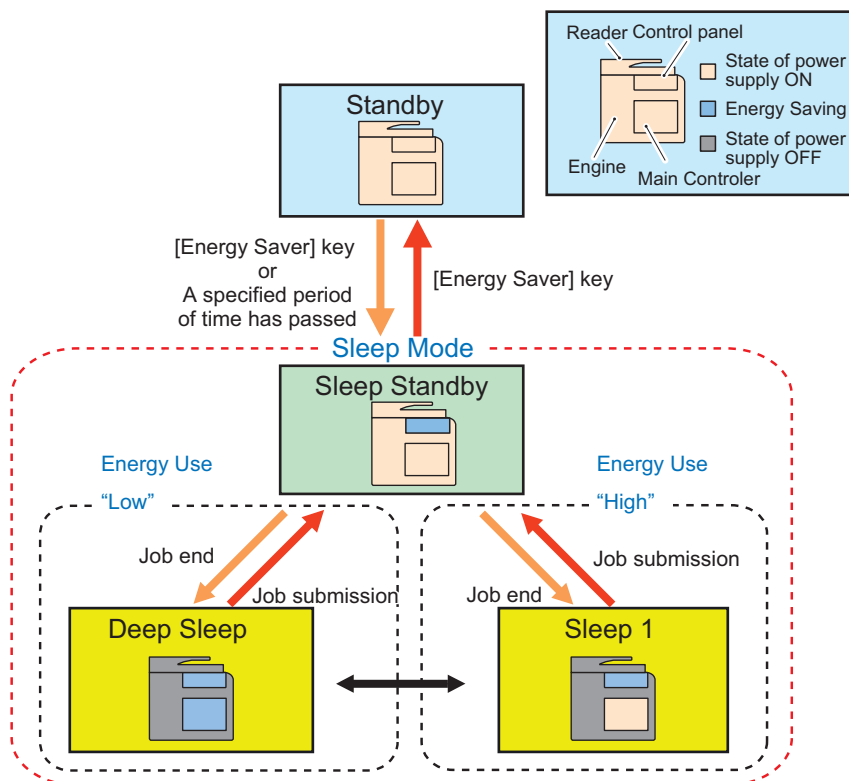


Power-saving Function

Overview

This machine has the following power supply mode: "Standby" and "Sleep".

"Sleep" is further divided into the following 5 modes: "Sleep Standby", "Sleep 1", "Sleep 1 (when [Consider Network Connection] is enabled)", "Sleep Exit", and "Deep Sleep".



*The time specified in Settings/Registration> Preferences> Timer/Energy Settings> Auto Sleep Time

Standby

The state where the machine is operating or can start operation immediately and all the power is supplied.

The machine enters Sleep mode when the [Energy Saver] key on the Control Panel is pressed or the specified period of time has passed.

The machine enters this mode when the Touch Panel Display on the Control Panel is tapped during Sleep Standby.

Sleep Standby

The state where only the Control Panel is turned OFF and power is supplied to all the other parts.

The machine enters Deep Sleep/Sleep 1 if there is no job after checking whether there is a job.

The machine enters this mode when a job is submitted during Sleep (Deep Sleep/Sleep 1).

Sleep 1

The state where the Control Panel is turned OFF and power is supplied only to the processing circuitry for the printer and scanner.

The All-night/Non-all-night Power Supply is supplied to the controller.

The machine enters this mode from Sleep Standby during Sleep if Sleep Mode Energy Use is set "High" in Settings/Registration > Preferences > Timer/Energy Settings > Sleep Mode Energy Use.

The machine enters Sleep Standby when a job is submitted during this mode.

The machine enters Standby when the Touch Panel Display on the Control Panel is tapped during this mode.

Sleep 1 (when [Consider Network Connection] is enabled)

The state where the Control Panel is turned OFF and only the All-night Power (5 V) is supplied to the printer/scanner/controller. This mode should be selected in advance in order to allow the machine to respond to requests for exiting Sleep from external sources such as faxes or the network.

The machine enters Sleep Standby when a job is submitted during this mode.

The machine enters Standby when the Touch Panel Display on the Control Panel is tapped during this mode.

CAUTION:

The machine can enter this mode if Settings/Registration > Preferences > Timer/Energy Settings > Sleep Mode Energy Use > Low > Consider Network Connection has been turned ON.

The machine does not enter this mode if a 2-, 3-, or 4-line Fax or a coin vendor is connected.

The machine does not enter Deep Sleep when this mode is activated.

Sleep Exit

The machine first enters this mode when returning to Standby from Sleep. The state where power supply is maintained to return from Sleep.

Deep Sleep

The state where the Control Panel is turned OFF and only the All-night Power (5 V) is supplied.

The machine enters this mode from Sleep Standby during Sleep.

The machine enters Sleep Standby when a job is submitted during this mode.

The machine enters Sleep Exit first, and then Standby when the Touch Panel Display on the Control Panel is tapped during this mode.

The machine does not enter this mode when any of the following "Conditions for Not Entering Deep Sleep" applies.

■ Conditions for Not Entering Deep Sleep Mode (Check Items)

Settings of Settings/Registration

When the following settings are enabled in the [Settings/Registration] menu, the machine does not enter Deep Sleep mode. The corresponding items are shown below.

Preferences > Timer/Energy Settings

- Sleep Mode Energy Use > High
- Sleep Mode Energy Use > Low > Compensate for Network Comm.
- Within the time specified in Auto Sleep Time

Preferences > Network

- NetWare Settings > Use NetWare > ON
- AppleTalk Settings > Use AppleTalk > ON
- TCP/IP Settings > BMLinkS Settings > Use BMLinkS > ON (*1)
- IEEE 802.1X Settings > Use IEEE 802.1X > ON
- TCP/IP Settings > IPv4 Settings > IP Address Settings > Auto IP > ON
- TCP/IP Settings > DNS Settings > mDNS Settings > Use mDNS > ON
- Google Cloud Print Settings > Use Google Cloud Print > ON (*2)
- TCP/IP Settings > SIP Settings > NGN Settings > Use NGN > ON (*1)
- Direct Connection Settings > Use Direct Connection > ON

Function Settings > Receive/Forward

- Fax Settings > Select RX Mode > Fax/Tel (Auto Switch) (*1)
- Fax Settings > Remote RX > ON (*1)
- Fax Settings > Set Number Display > ON (*1)

Function Settings > Send

- Fax Settings > Modem Dial-in Settings > ON (*1)

Other Settings

- Volume Settings key > Fax Volume Settings > Incoming Fax Ring > ON (*1)

*1: This may not be displayed depending on the country/region, model, and configuration of the options.

*2: This must be already registered on Google Cloud Print in advance.

Hardware status

- It is connected to the coin vendor.

System Performance Status

- The system is running/communicating.

CAUTION:

The system is in a running/communicating state for approx. 10 minutes after startup in many cases.

Quick Startup

To realize faster startup, power configuration has been changed to always supply power to the Low Voltage Power Supply PCB and Main Controller PCB. Consequently, the Touch Panel can be operated 4 seconds after turning ON the Main Power Switch.

Even when the Main Power Supply Switch is OFF, power is supplied to the following PCBs:

	Quick startup setting ON	Quick startup setting OFF
Low-Voltage Power Supply PCB	Power is supplied	Power is supplied
Main Controller PCB	Power is supplied	OFF

NOTE:

The quick startup function can be set from "Settings/Registration".

- Settings/Registration > Preferences > Timer/Energy Settings > Quick Startup Settings for Main Power
[On]: Quick startup is executed (default)
[Off]: Quick startup is not executed

Disconnect the power plug when performing work with the possibility to come in contact with the PCBs above. If a conductive material comes in contact with the PCB, short circuit may occur in the PCB, and may cause damage on it. The following label is used at the place where attention is required.

**Conditions for not executing quick startup**

This machine does not execute quick startup if the following conditions are met at first startup after the power plug is connected to the outlet.

Connection status of the hardware

- The coin vendor is connected.

Either of the following network settings is set to "ON":

Settings/Registration > Preferences > Network

- AppleTalk Settings > Use AppleTalk > ON
- Select Wired/Wireless LAN > Wireless LAN
- Bluetooth Settings > ON

When the machine starts up right after it is shut down under any of the following conditions

- During operation/communication of the system

Others

- 110 hours or more have elapsed after quick startup.
- The power of this product is turned ON again within 20 seconds after turning it OFF
- Startup after 8 hours or more have passed since the power of this product was turned OFF
- The next time the power is turned ON after turning OFF the power of this product from remote UI
- The next time the power is turned ON after occurrence of the error code
- The next time the power is turned ON after shifting to the service mode screen



Technical Explanation (System)

Overview..... 97

Overview

For following items, refer to the "imageRUNNER ADVANCE V3.x System Service Manual".

- System Management
- Authentication
- Security Function
- Firmware Management
- Management of System Options
- MEAP Application Management
- Backup/Restoration
- Monitoring (e-Maintenance/imageWARE Remote) Function



Periodical Service

Periodically Replaced Parts.....	99
Consumable Parts List.....	100

Periodically Replaced Parts

Periodic replacement parts are not required in this machine.

Consumable Parts List

Host Machine

Name	Parts number *1	Quantity	Estimated life *2	Work description	service mode		Alarm code (Replacement completion alarm)	Remarks
					Parts counter COUNTER>DR BL1/2	Life Value COUNTER>LIFE		
Fixing Assembly	120V : FM1-U027 200V : FM1-U028	1	225,000 pages	Replacement	FX-UNIT		43-0076	
Transfer Roller	FM1-U032	1	225,000 pages	Replacement	TR-ROLL		43-0013	
Roller Kit	FM1-U030	1	225,000 sheets	Replacement	C1-FD-RL	43-0080	Transfer roller and separation roller kit (CR-102)	
					C1-SP-RL	43-0081		
Multi-purpose Tray Pickup Roller	RL2-1566	1	200,000 sheets	Replacement	M-FD-RL		43-0077	
Multi-purpose Tray Separation Roller	RL2-0079	1	200,000 sheets	Replacement	M-SP-RL		43-0078	
ADF PickUp Roller unit	FM1-W677	1	50,000 sheets	Replacement	DF-PU-RL		43-0125	ADF Maintenance Kit (DR-208) FM2-B058
ADF Separation Roller unit	FM1-W655	1	50,000 sheets	Replacement	DF-SP-RL		43-0092	

*1: The parts number may be changed due to engineering change.

*2: All the values described in this column are estimated replacement timing in A4 size. The replacement timing is a reference value in the case of usage in general offices, and the actual value differs depending on the customer environment, operation conditions in the field, etc.

Cassette Module-AG

No.	Name	Parts number *1	Quantity	Estimated life *2	Work description	Parts counter (service mode)		Alarm code at counter clear
						Intermediate item	Sub item	
1	Roller Kit	FM1-U030	1	225,000 sheets	Replacement	DRBL-2	C2-FD-RL	43-0083
							C3-FD-RL	43-0086
							C4-FD-RL	43-0089

*1: The parts number may be changed due to engineering change.

*2: All the values described in this column are estimated replacement timing in A4 size. The replacement timing is a reference value in the case of usage in general offices, and the actual value differs depending on the customer environment, operation conditions in the field, etc.

Envelope Cassette Module-A1

Periodic replacement parts are not required in this machine.

High Capacity Cassette Feeding Unit-D1

No	Name	Parts number *1	Quantity	Estimated life *2	Work description	Parts counter (service mode)		Alarm code at counter clear
						Intermediate item	Sub item	
1	Roller Kit	FM1-U030	1	225,000 sheets	Replacement	DRBL-2	C2-FD-RL	43-0083
							C3-FD-RL	43-0086

*1: The parts number may be changed due to engineering change.

*2: All the values described in this column are estimated replacement timing in A4 size. The replacement timing is a reference value in the case of usage in general offices, and the actual value differs depending on the customer environment, operation conditions in the field, etc.

Cassette Feeding Unit-AR1

No	Name	Parts number *1	Quantity	Estimated life *2	Work description	Parts counter (service mode)		Alarm code at counter clear
						Intermediate item	Sub item	
1	Roller Kit	FM1-U030	1	225,000 sheets	Replacement	DRBL-2	C2-FD-RL	43-0083

*1: The parts number may be changed due to engineering change.

*2: All the values described in this column are estimated replacement timing in A4 size. The replacement timing is a reference value in the case of usage in general offices, and the actual value differs depending on the customer environment, operation conditions in the field, etc.



5

Parts Replacement and Cleaning

Preface.....	103
Parts List.....	104
External Cover/Interior System.....	123
External / Internal Cover System (Finisher).....	132
Original Exposure/Feed System.....	138
Controller System.....	177
Controller System (Finisher).....	199
Laser Exposure System.....	200
Image Formation System.....	201
Fixing System.....	208
Pickup Feed System.....	211
Pickup Feed System (Finisher).....	222

Preface

Outline

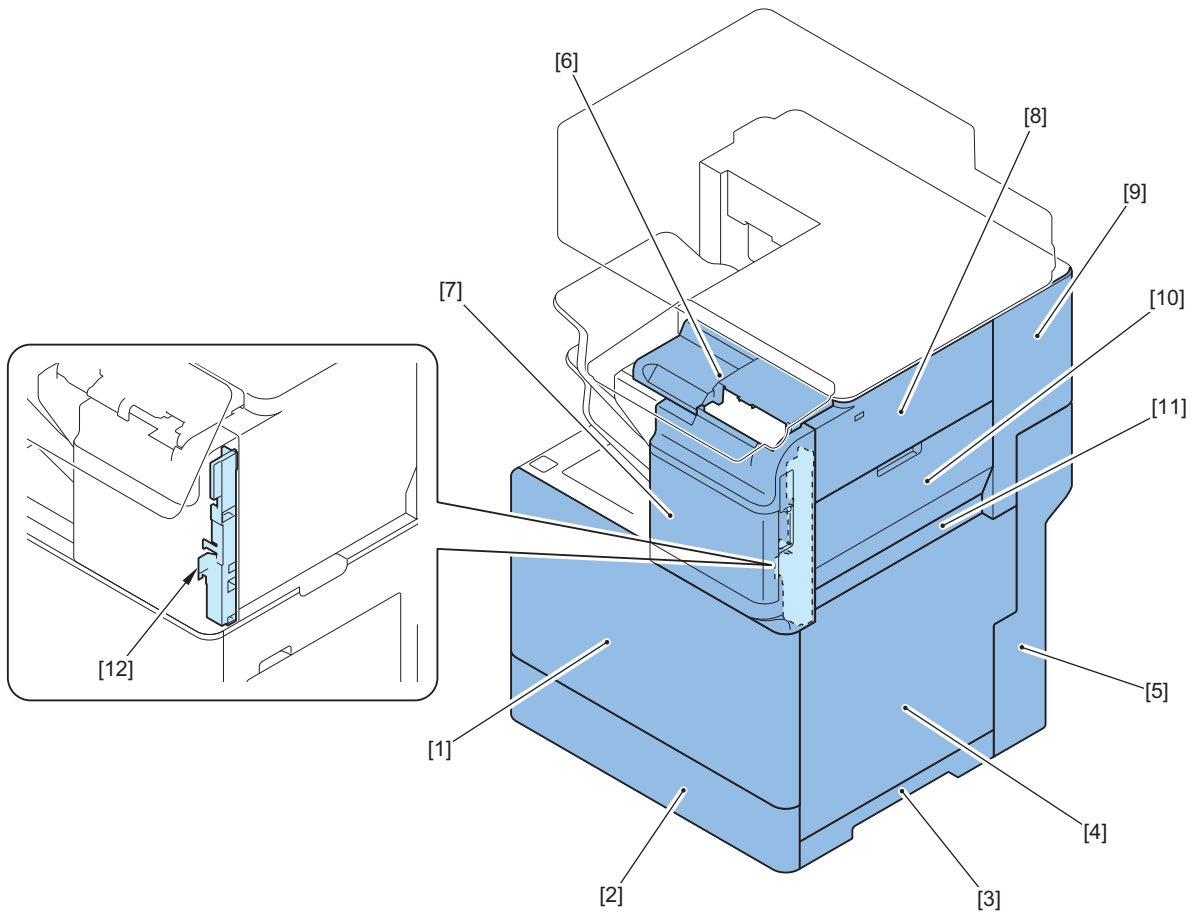
This chapter describes disassembly and assembly procedures of the host machine. The service technician is to identify the cause of host machine failures according to follow the disassembly procedures of each part to replace the defective parts or the consumable parts.

- Before disassembling or assembling the host machine, be sure to disconnect the power cord from the outlet.
- When the Drum Cartridge is removed from the host machine before disassembling and assembling, be sure to put the Photosensitive Drum in a protective bag even in a short period to prevent the adverse effect of light.
- Assembling procedures are followed by the reverse of disassembly unless any specification.
- Note the length, diameters and positions of screws when assembling the host machine. Be sure to use the screws in the original position.
- Do not run the host machine with any parts removed as a general rule.
- Ground yourself by touching the metal part of the host machine before handling the PCB to reduce the possibility of damage caused by static electricity.
- When replacing the part that the rating plate or the product code label is attached, be sure to remove the rating plate or the product code label and attach it to the replacing part.

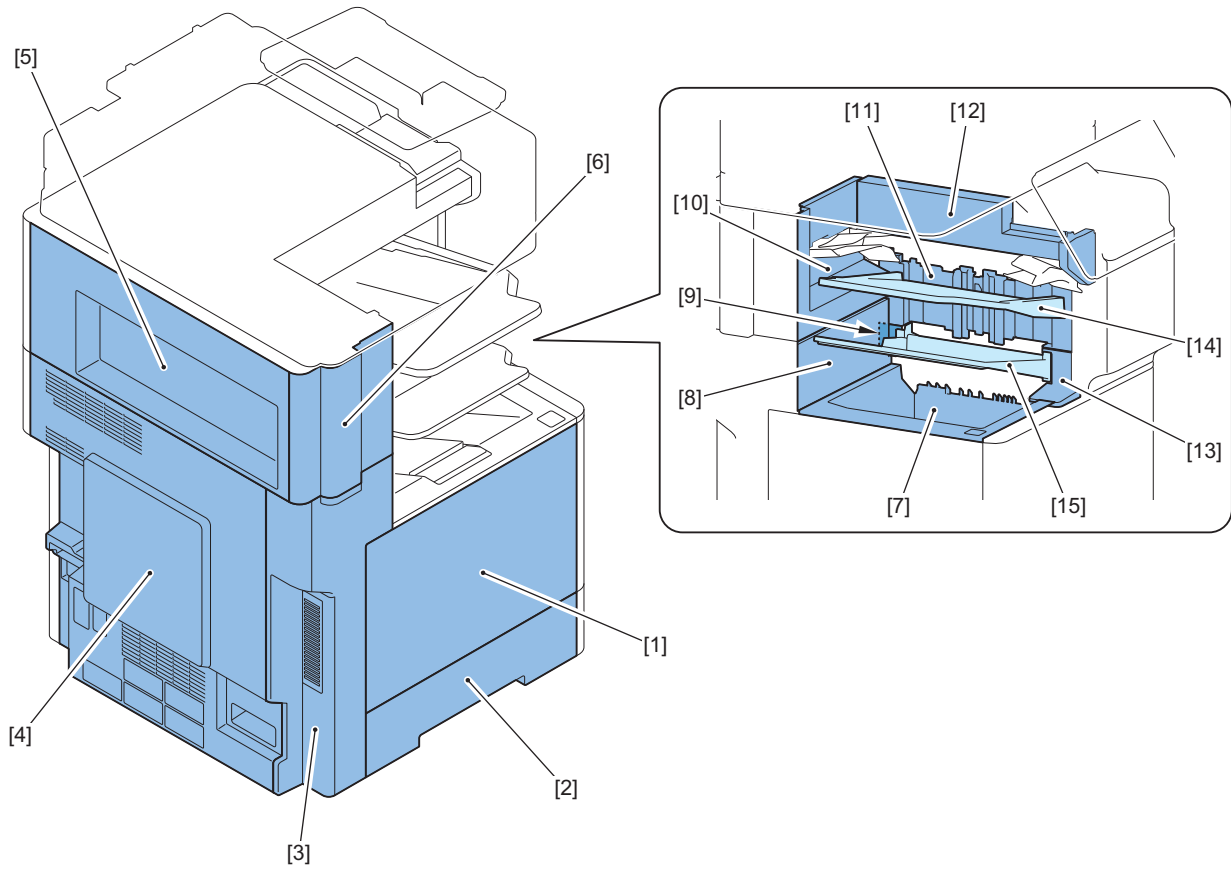
Parts List

External / Internal Cover

List of Cover (with Finisher)

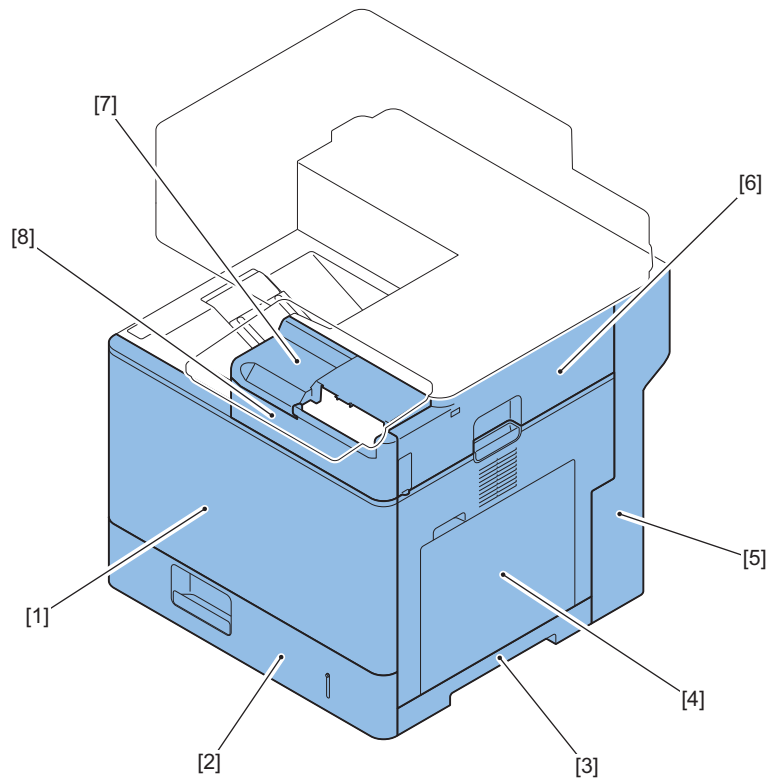


No.	Name
[1]	Front Cover
[2]	Cassette1
[3]	Right Lower Cover
[4]	Right Door Unit
[5]	Inlet Cover
[6]	Control Panel Upper Cover
[7]	Staple Cover
[8]	Finisher Right Upper Cover
[9]	Finisher Right Rear Cover
[10]	Finisher Right Door
[11]	Finisher Right Lower Cover
[12]	Staple Inner Cover

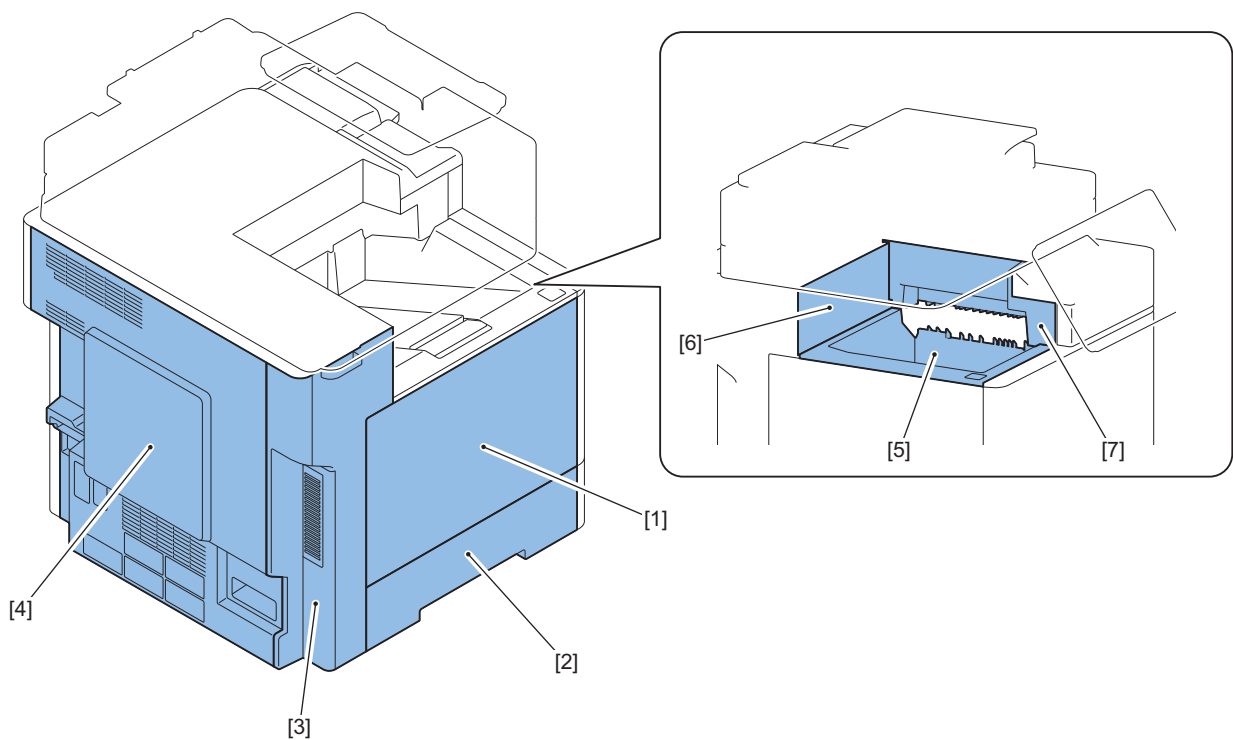


No.	Name
[1]	Cartridge Door Unit
[2]	Left Lower Cover
[3]	Left Rear Cover
[4]	Rear Cover
[5]	Finisher Rear Cover
[6]	Finisher Left Rear Cover
[7]	Delivery Tray
[8]	Inner Delivery Rear Cover
[9]	2 Bin Rear Cover
[10]	Finisher Inner Rear Cover
[11]	StackingWall Unit
[12]	Jogger Cover Unit
[13]	2 Bin Front Cover
[14]	Finisher Tray
[15]	Finisher Bin Tray

■ List of Cover (without Finisher)

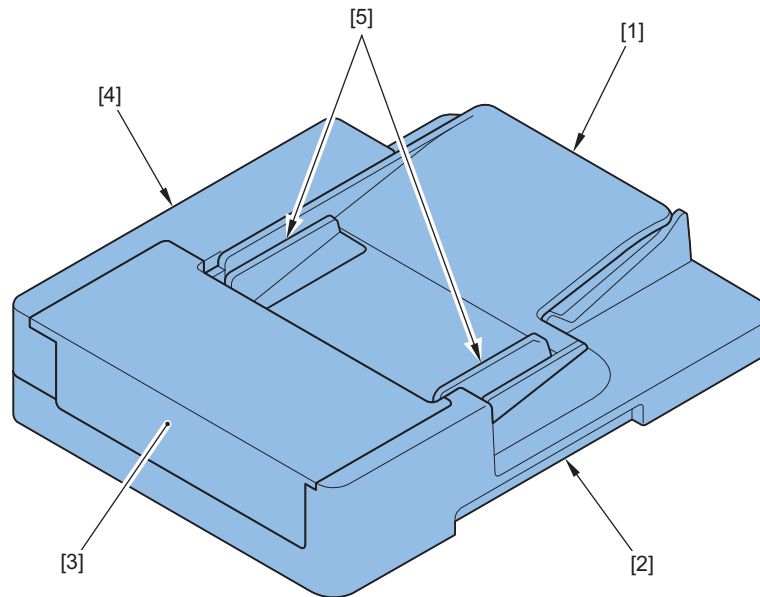


No.	Name
[1]	Front Cover
[2]	Cassette 1
[3]	Right Lower Cover
[4]	Right Door Unit
[5]	Inlet Cover
[6]	Right Upper Cover
[7]	Control Panel Upper Cover
[8]	Control Panel Lower Cover



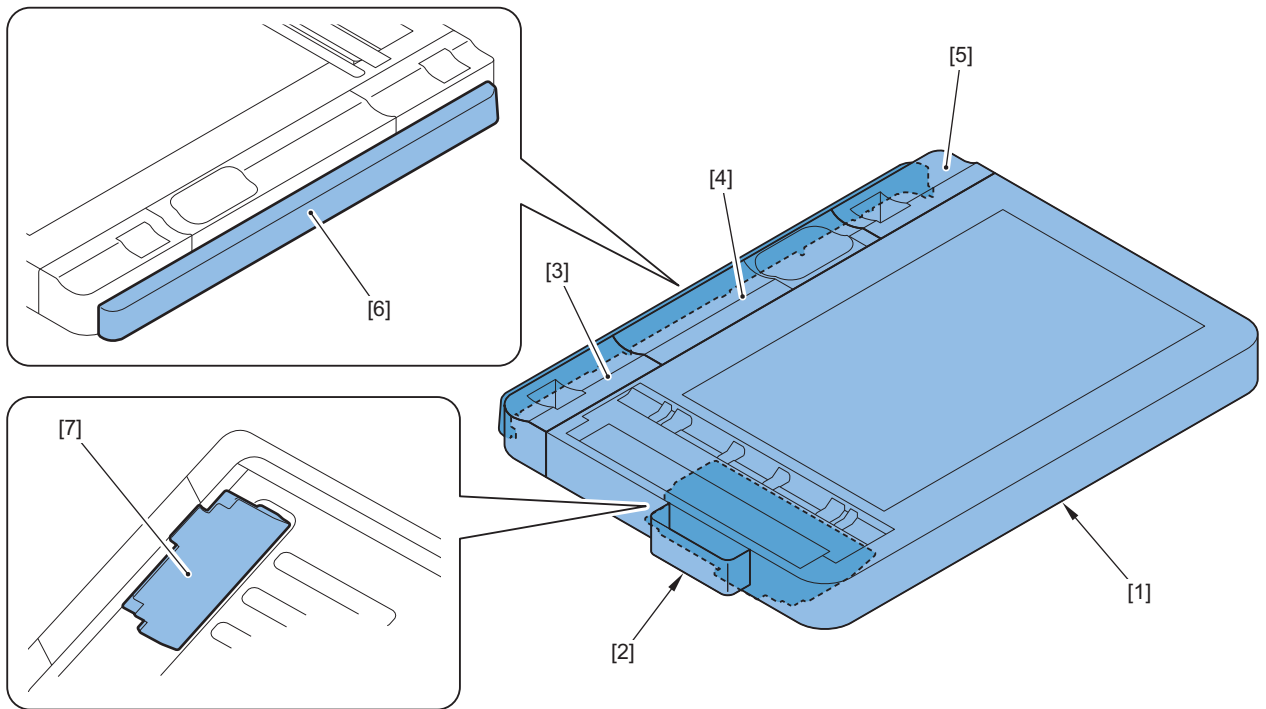
No.	Name
[1]	Cartridge Door Unit
[2]	Left Lower Cover
[3]	Left Rear Cover
[4]	Rear Cover
[5]	Delivery Tray
[6]	Inner Delivery Rear Cover
[7]	Inner Delivery Right Cover

■ ADF



No.	Name
[1]	Original Tray
[2]	ADF Base
[3]	Feeder Cover
[4]	ADF Rear Cover
[5]	ADF Side Guide Plate

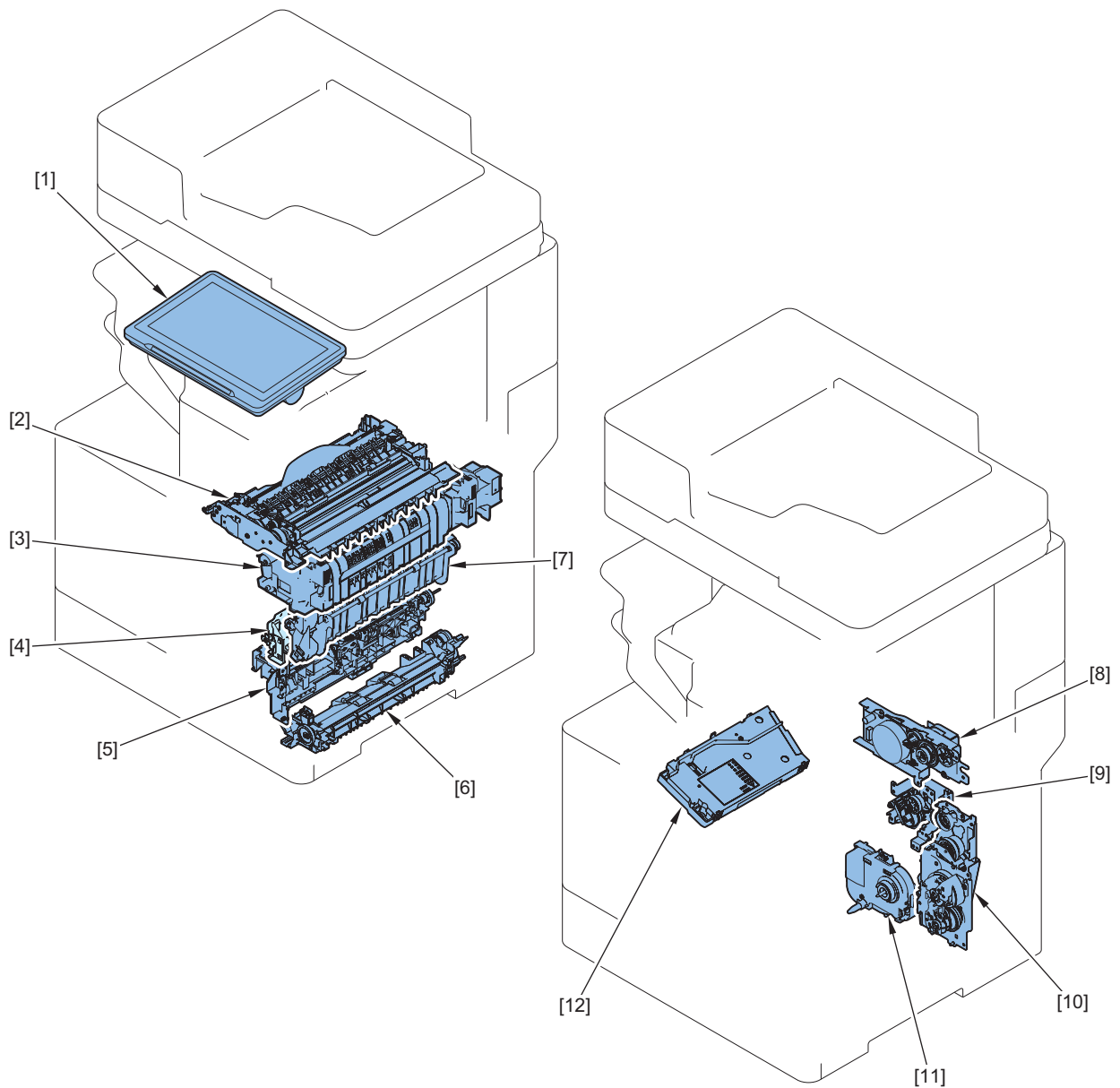
■ Reader



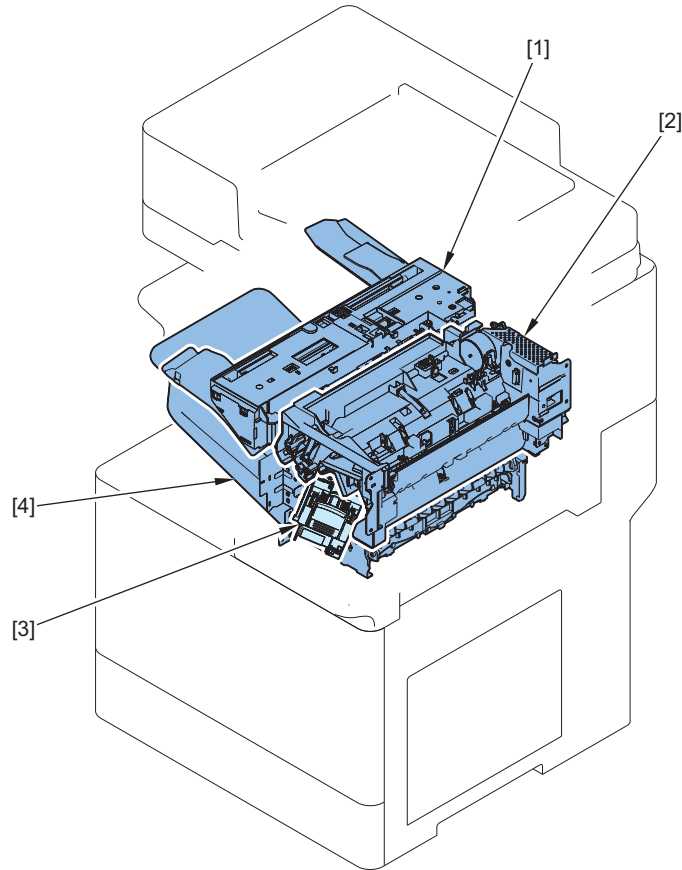
No.	Name
[1]	Copyboard Glass Unit
[2]	Glass Cleaning Sheet Storage Box
[3]	Reader Rear Upper Cover
[4]	Reader Cable Cover
[5]	Reader Rear Cover 1
[6]	Reader Rear Cover 2
[7]	Reader Motor Cover

List of Main Unit

■ Main Unit

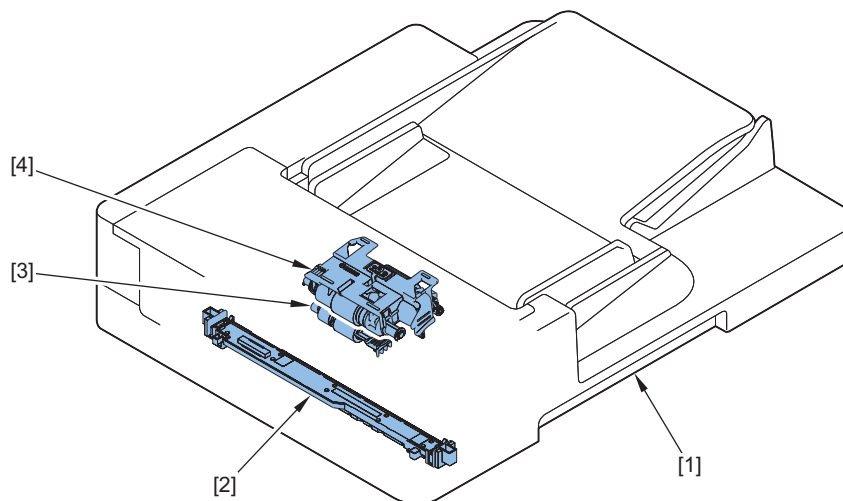


No.	Name
[1]	Control Panel unit
[2]	Duplex Delivery Unit
[3]	Fixing Assembly
[4]	Registration Unit
[5]	Cassette1 Pickup Unit
[6]	Feed Unit
[7]	Transfer Unit
[8]	Fixing Drive Unit
[9]	Developing Drive Unit
[10]	Main Drive Unit
[11]	Lifter Drive Unit
[12]	Laser Scanner Unit



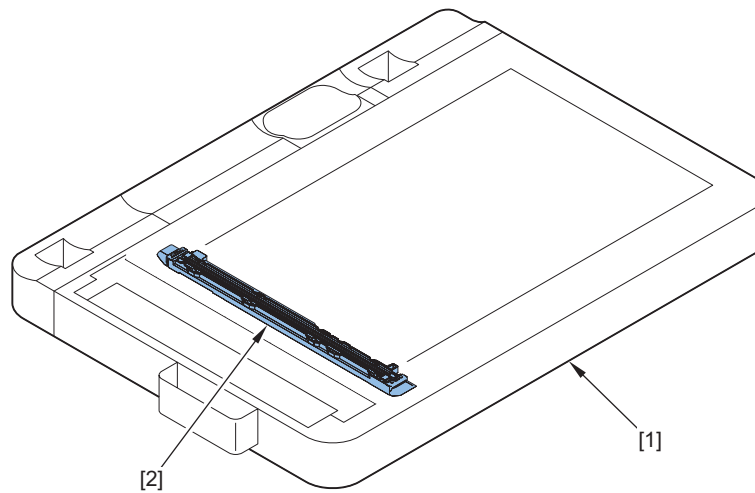
No.	Name
[1]	Jogger Unit
[2]	Upper Paper Feed Unit
[3]	Staple Unit
[4]	Lower Paper Feed Unit

■ ADF



No.	Name
[1]	ADF Unit
[2]	Scanner Unit (Back)
[3]	Separation Unit
[4]	Pickup Unit

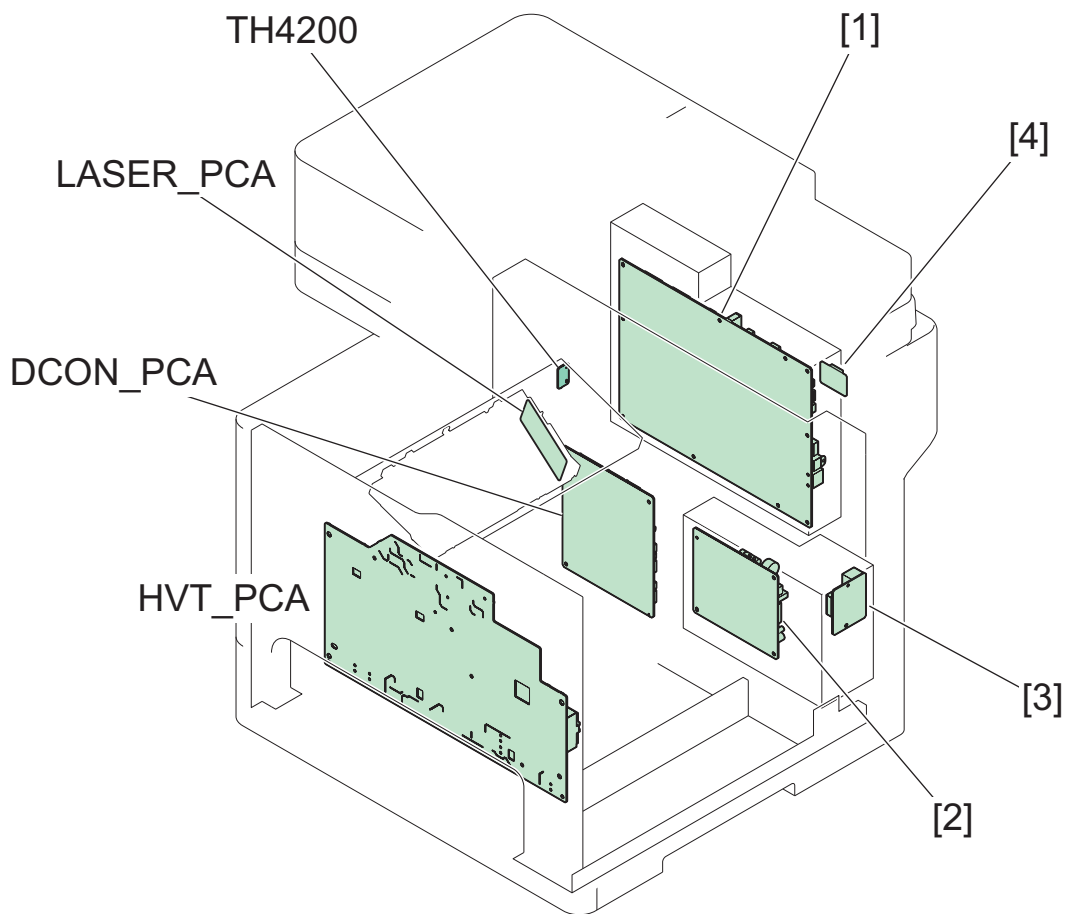
■ Reader



No.	Name
[1]	Reader Unit
[2]	Scanner Unit (Front)

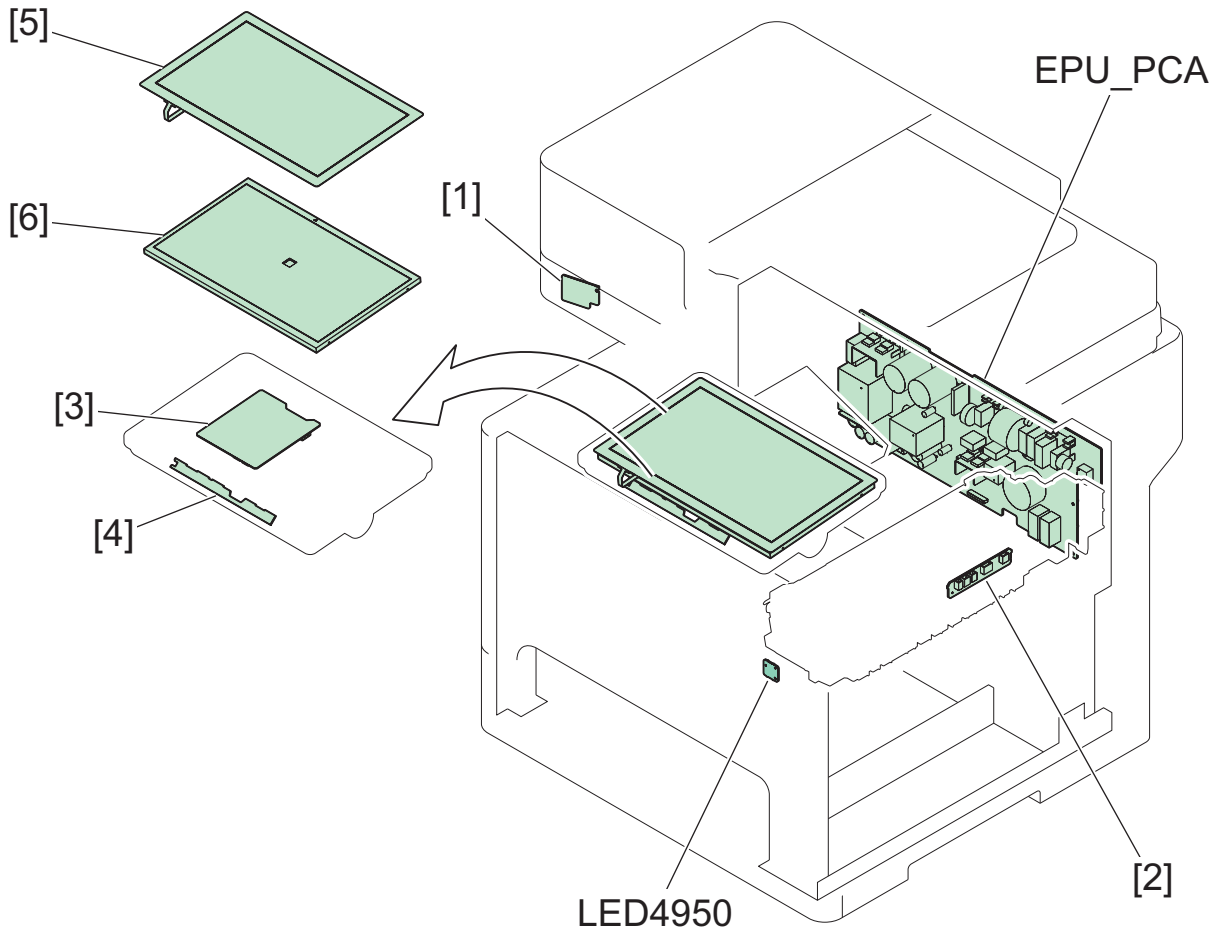
● Electrical Components

■ PCB



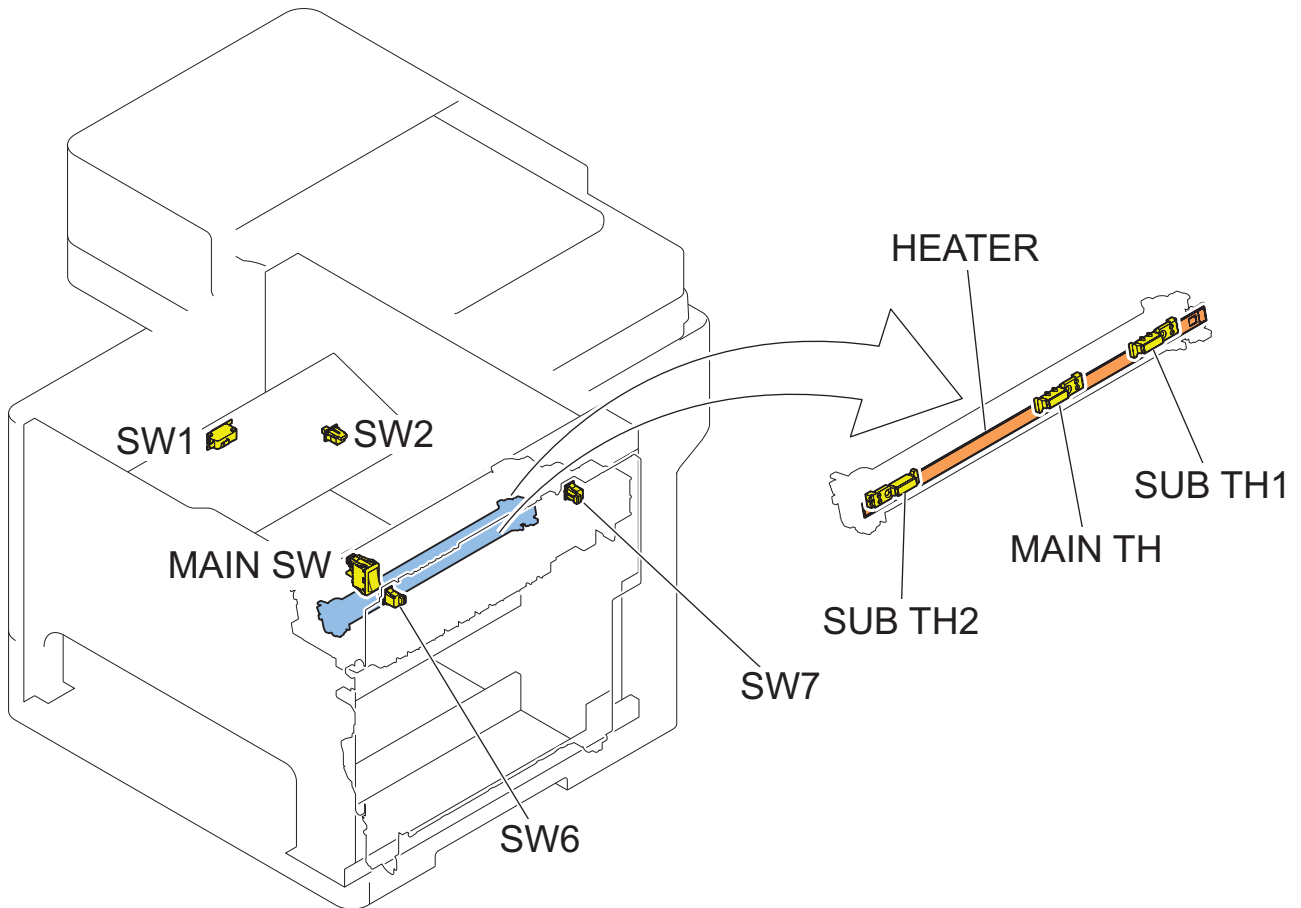
No.	Name
TH4200	Enviroment Sensor

No.	Name
LASER_PCA	BD PCB
DCON_PCA	DC Controller PCB
HVT_PCA	High-Voltage Power Supply PCB
[1]	Main Controller PCB
[2]	Fax PCB
[3]	Modular PCB
[4]	Wireless LAN PCB

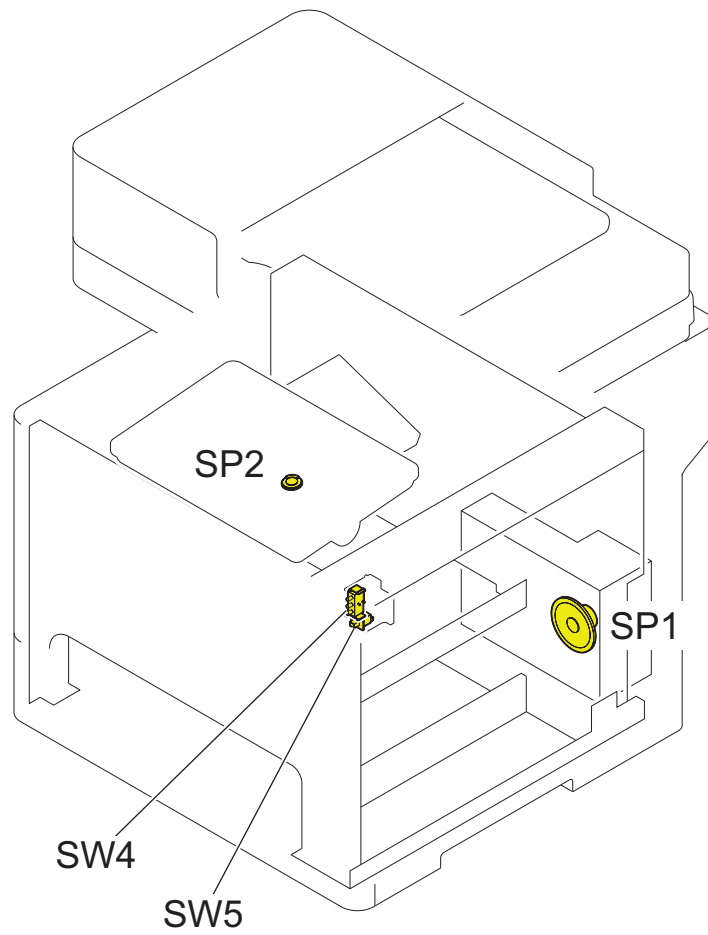


No.	Name
EPU_PCA	Low-Voltage Power Supply PCB
LED4950	Pre-exposure LED
[1]	Motion Sensor
[2]	Detection of new Fixing Unit PCB
[3]	Control Panel Main PCB
[4]	Control Panel LED PCB
[5]	Touch Panel
[6]	LCD

■ Switch

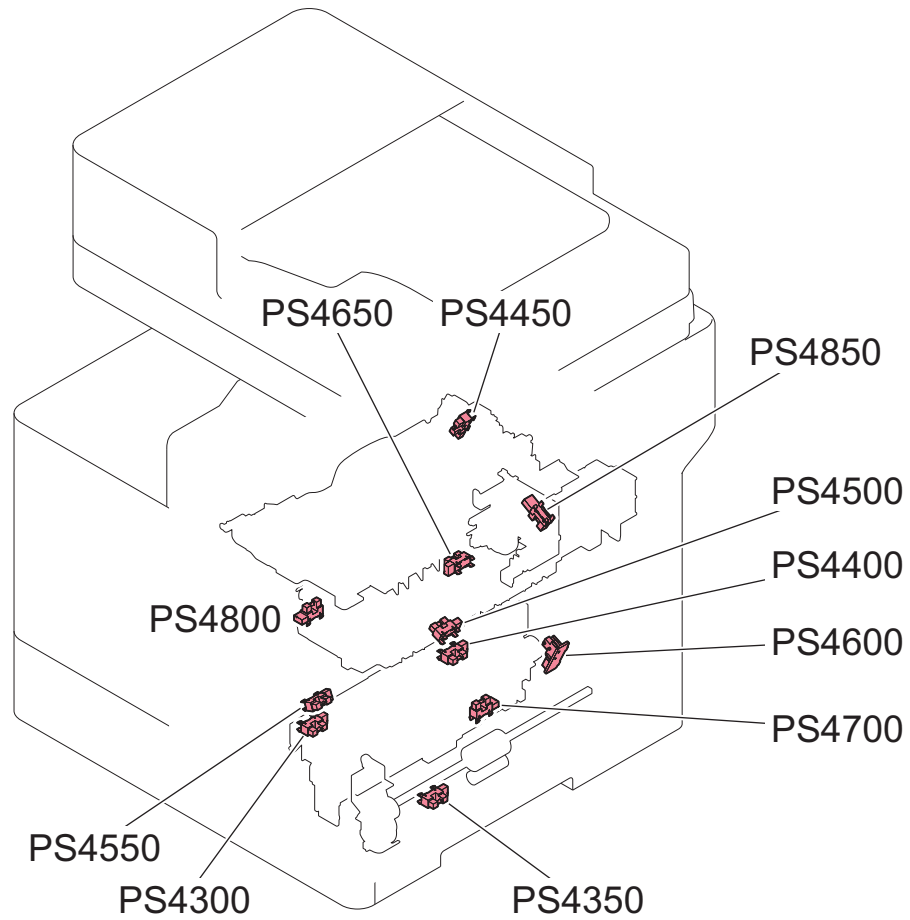


No.	Name
MAIN SW	Main Power Switch
SW1	24V Interlock Switch
SW2	Front Door Switch
SW6	Right Door Switch (Front)
SW7	Right Door Switch (Rear)
HEATER	Fixing Heater
MAIN TH	Main Thermistor
SUB TH1	Sub Thermistor 1
SUB TH2	Sub Thermistor 2



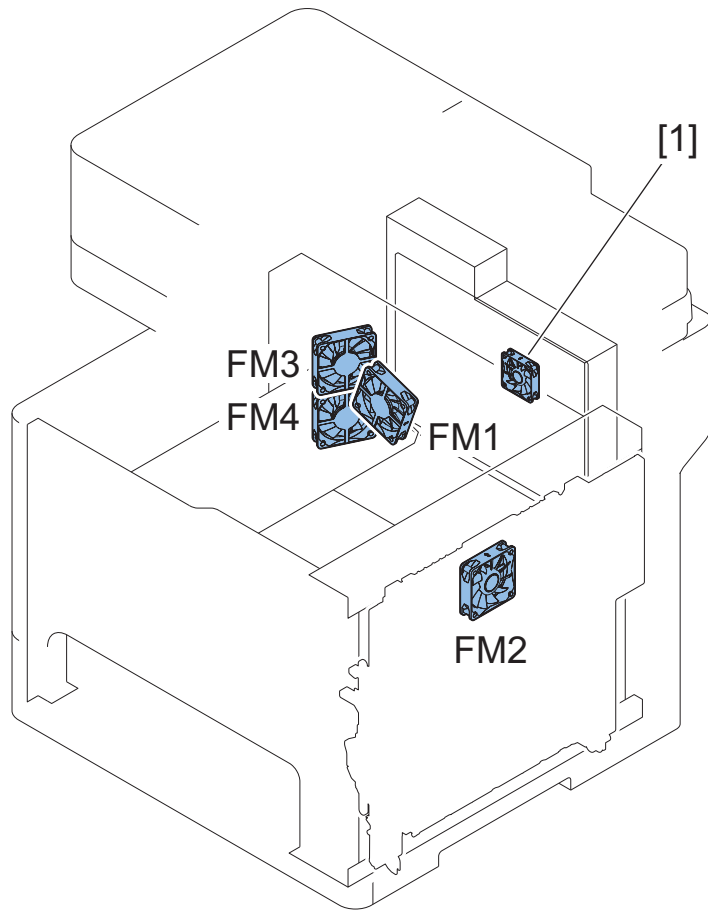
No.	Name
SW4	Cassette 1 Paper Size Switch-A
SW5	Cassette 1 Paper Size Switch-B
SP1	Fax Speaker
SP2	Control Panel Speaker

■ Sensor



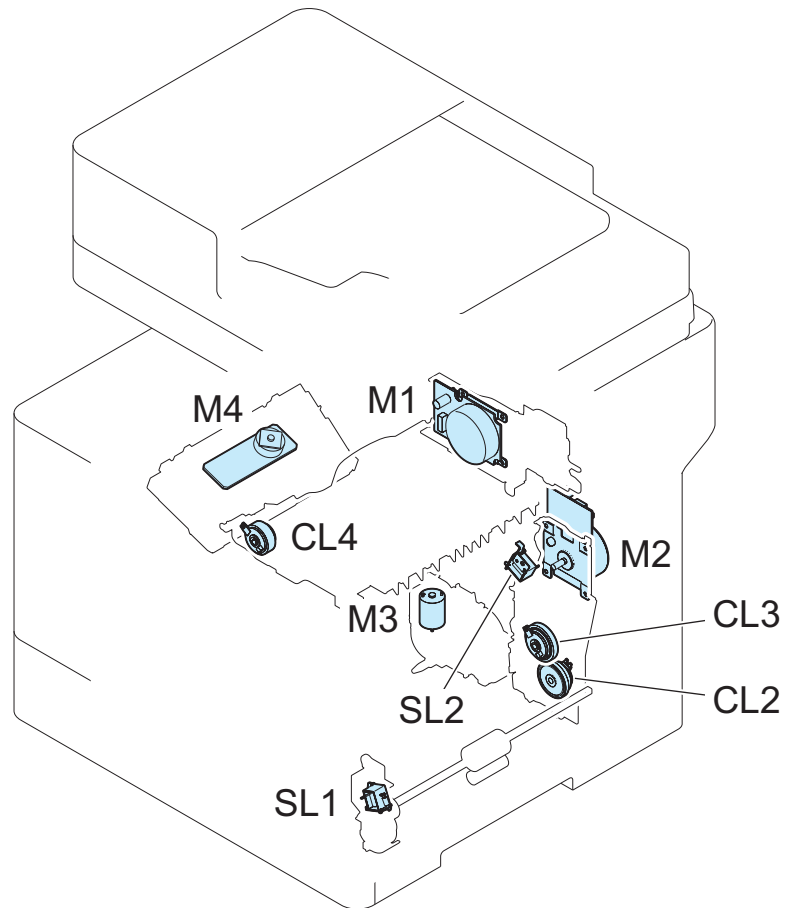
No.	Name
PS4300	Cassette 1 Paper Sensor
PS4350	Multi-purpose Paper Sensor
PS4400	Cassette 1 Lifter Sensor
PS4450	Delivery Paper Full Sensor
PS4500	Fixing Loop Sensor
PS4550	Registration Sensor
PS4600	Retard Roller Rotation Sensor
PS4650	Fixing Output Sensor
PS4700	Duplex Feed Sensor
PS4800	Fixing Pressure Release Sensor
PS4850	Developer Alienation Sensor

■ Fan



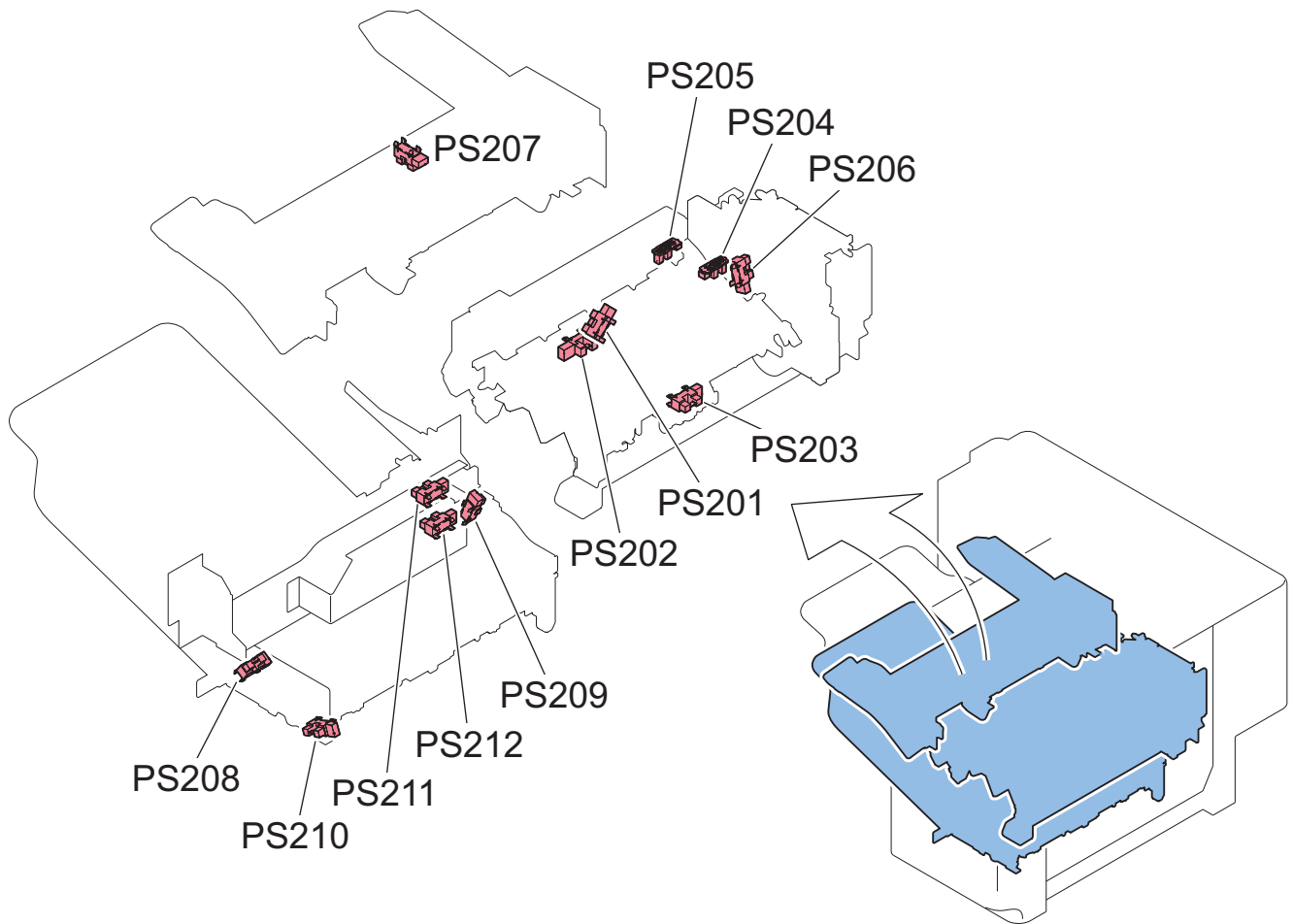
No.	Name
FM1	Laser Scanner Fan
FM2	Duplex Fan
FM3	Cartridge Upper Fan
FM4	Cartridge Lower Fan
[1]	Controller Fan

■ Motor



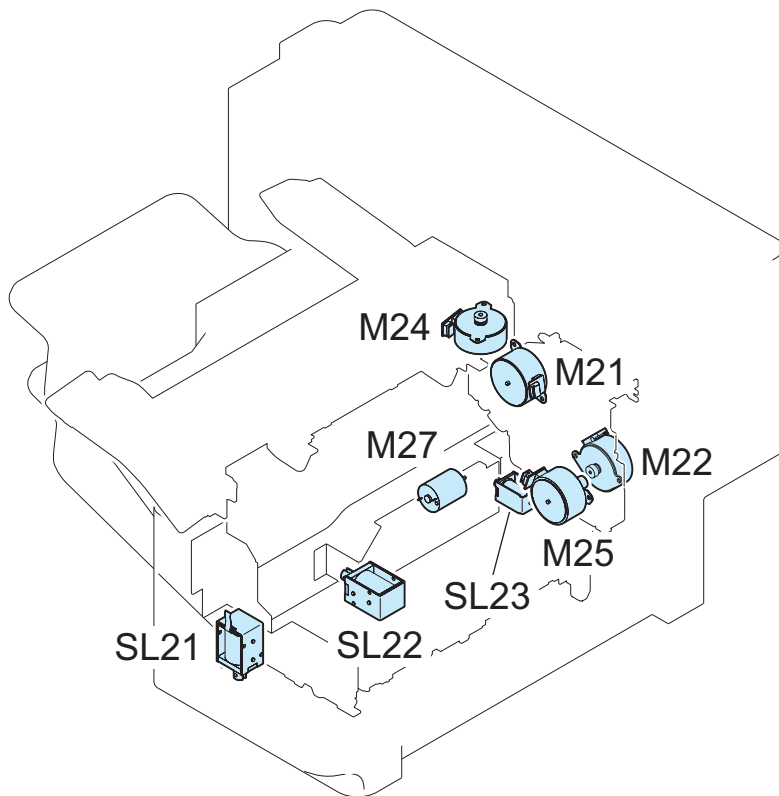
No.	Name
M1	Fixing Motor
M2	Drum Motor
M3	Lifter Motor
M4	Laser Scanner Motor
CL2	Duplex Feed Clutch
CL3	Cassette 1 Pickup Clutch
CL4	Duplex Switchback Clutch
SL1	Multi-purpose Pickup Solenoid
SL2	Multi-purpose Pickup Solenoid

■ Sensor (Finisher)



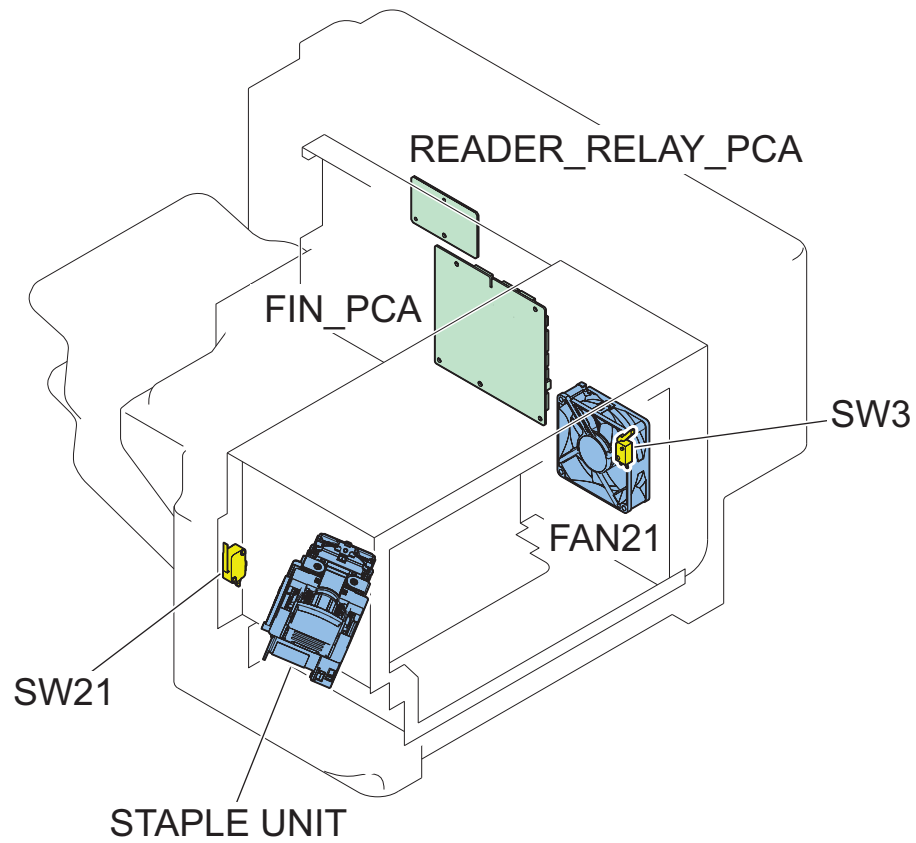
No.	Name
PS201	Finisher Tray Paper Sensor
PS202	Staple Stacker Outlet Sensor
PS203	Staple Inlet Sensor
PS204	Y Alignment HP Sensor
PS205	Finisher Tray Paper Full Sensor
PS206	Alienation HP Sensor
PS207	Jogger HP Sensor
PS208	Finisher 2 Bin Tray Paper Sensor
PS209	Finisher 2 Bin Tray Paper Full Sensor
PS210	Staple Stacker Inlet Sensor
PS211	Finisher Tray Upper Limit Sensor
PS212	Finisher Tray Lower Limit Sensor

■ Motor (with Finisher)



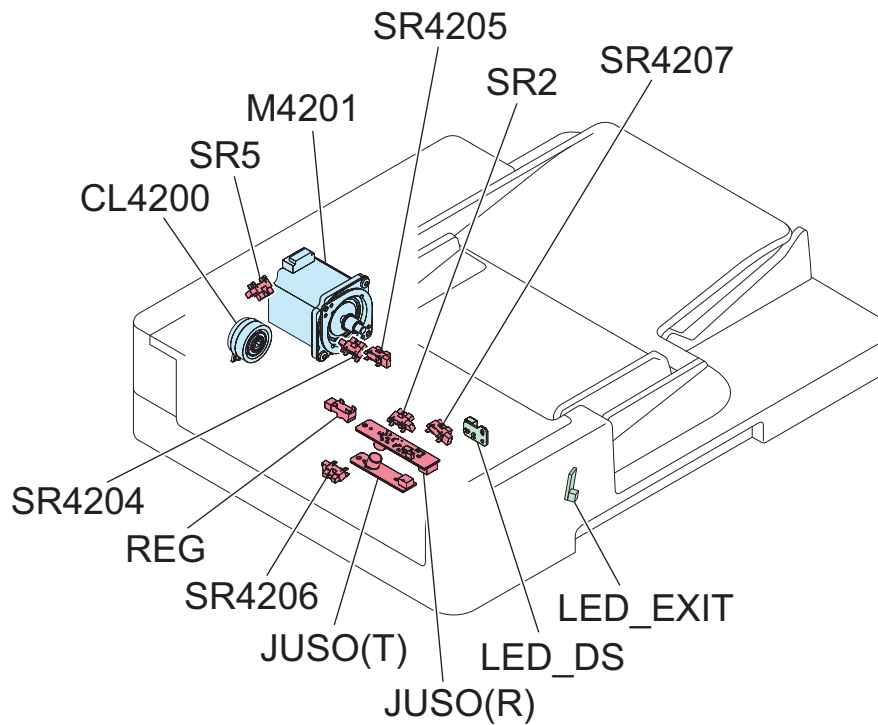
No.	Name
M21	SS Output Motor
M22	SS Feed Motor
M24	Jogger Motor
M25	Y Alignment Motor
M27	Lifter Motor
SL21	Output Solenoid
SL22	Stamp Solenoid
SL23	2Bin Output Solenoid

■ Others (Finisher)



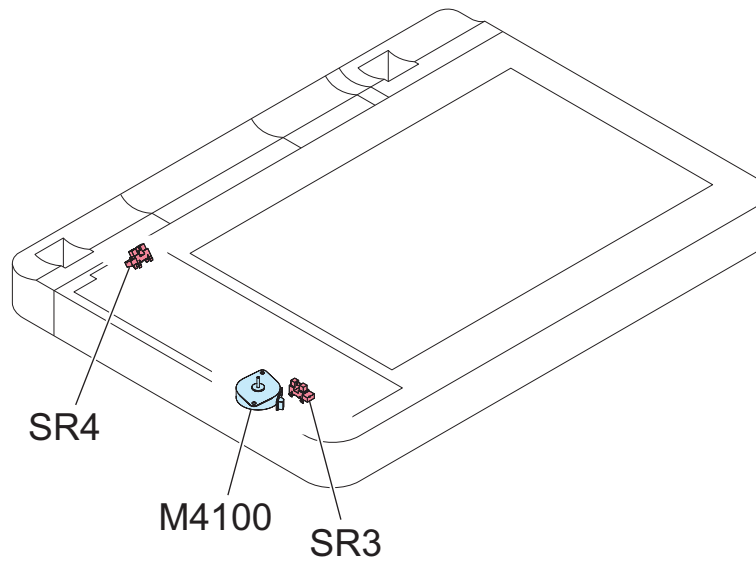
No.	Name
FAN21	Finisher Fan
SW3	Finisher Door Switch
SW21	Finisher Interlock Switch
FIN_PCA	Finisher Controller PCB
READER_RELAY_PCA	Reader Relay PCB
STAPLE UNIT	Staple Unit

■ ADF



No.	Name
SR2	Delivery Sensor
SR5	ADF Cover Sensor
SR4204	Original Sensor
SR4205	Pre-Separation Sensor
SR4206	Read Sensor
SR4207	Original Sensor (small size paper)
REG	Post-Separation Sensor
JUSO(R)	Double Feed Detection PCB (Reception)
JUSO(T)	Double Feed Detection PCB (Transmission)
M4201	ADF Motor
CL4200	ADF Separation Clutch
LED_DS	Original Display LED
LED_EXIT	Delivery Display LED

■ Reader



No.	Name
SR3	CIS HP Sensor
SR4	ADF Open/Closed Sensor
M4100	Reader Motor

External Cover/Interior System

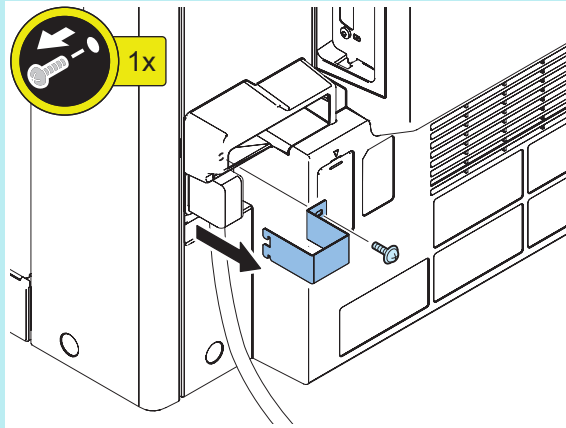
● Removing the Rear Cover

■ Procedure

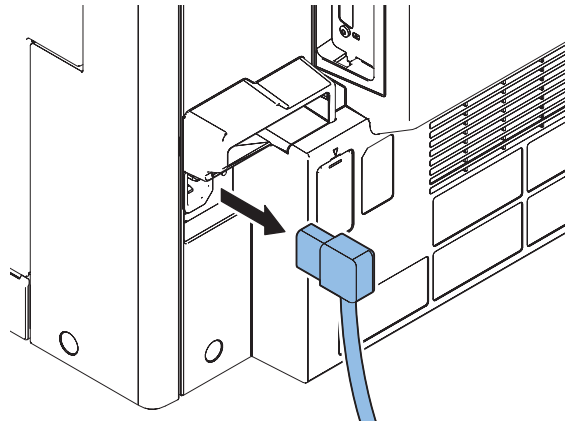
1.

NOTE:

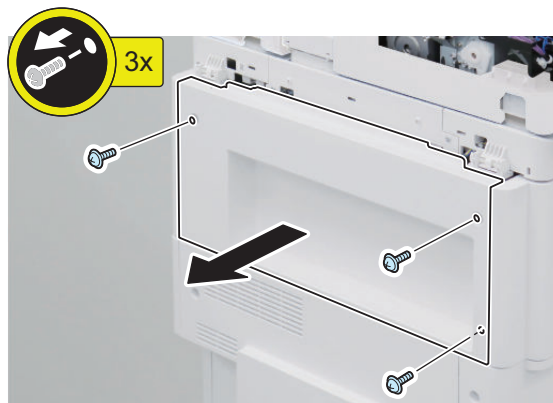
Remove the cord cover for the 120V host machine when removing the Rear Cover.



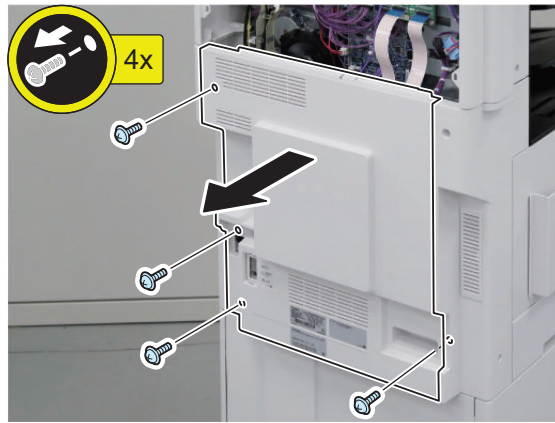
2.



3. <When the Finisher is installed>



4.



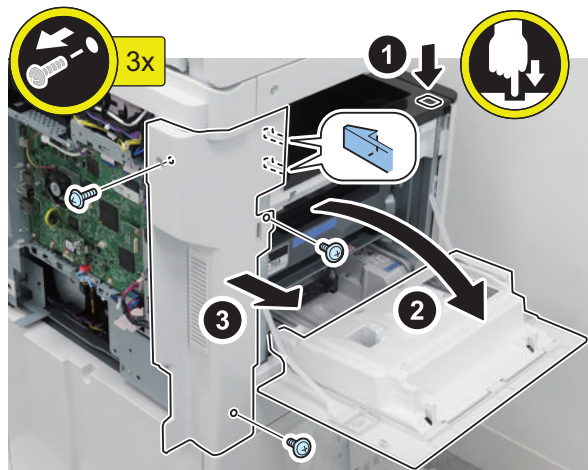
● Removing the Left Rear Cover

■ Preparation

1. "Removing the Rear Cover" on page 123

■ Procedure

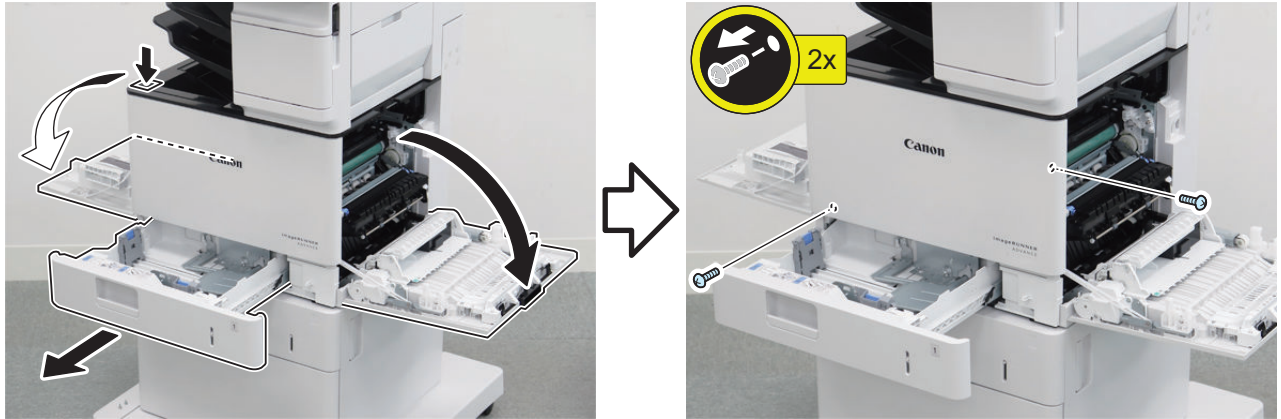
1.



● Removing the Front Cover

■ Procedure

1.



2.



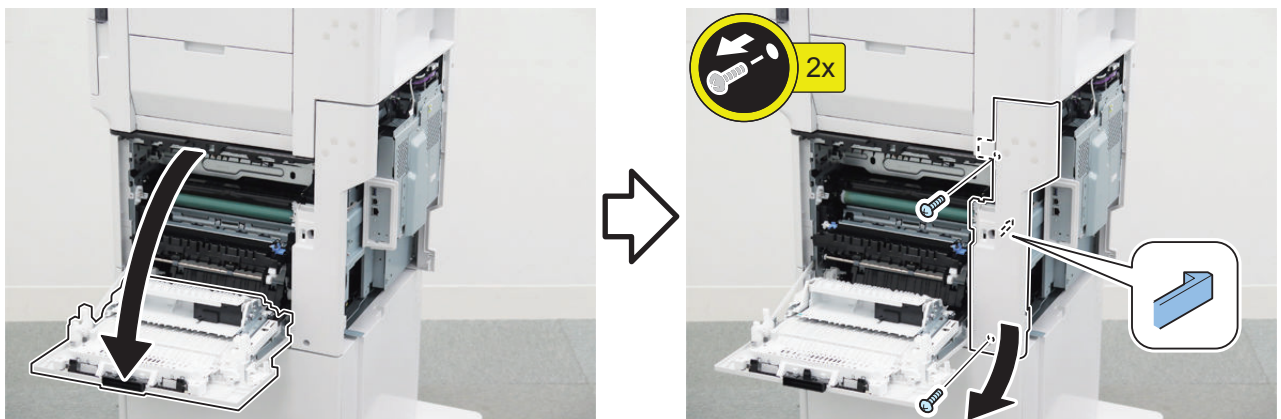
● Removing the Inlet Cover

■ Preparation

1. "Removing the Rear Cover" on page 123

■ Procedure

1.



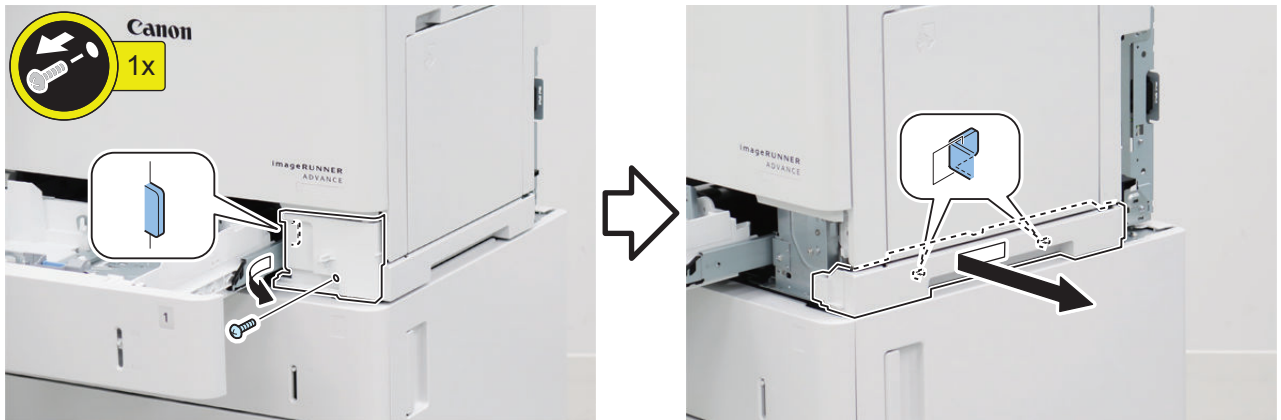
● Removing the Right Lower Cover

■ Preparation

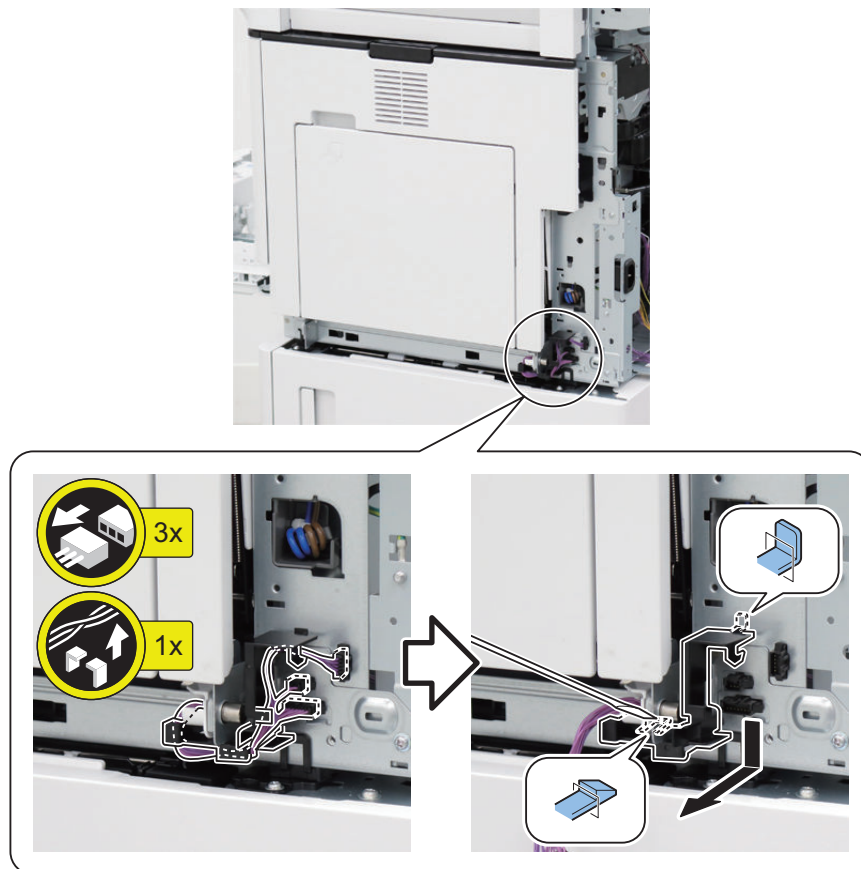
1. Pull out the Cassette1.
2. “Removing the Rear Cover” on page 123
3. “Removing the Inlet Cover” on page 125

■ Procedure

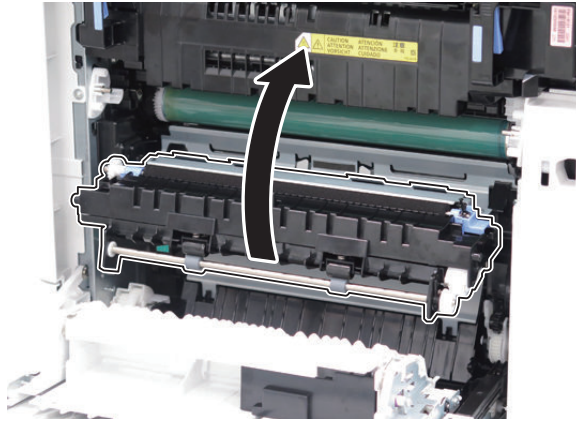
1.



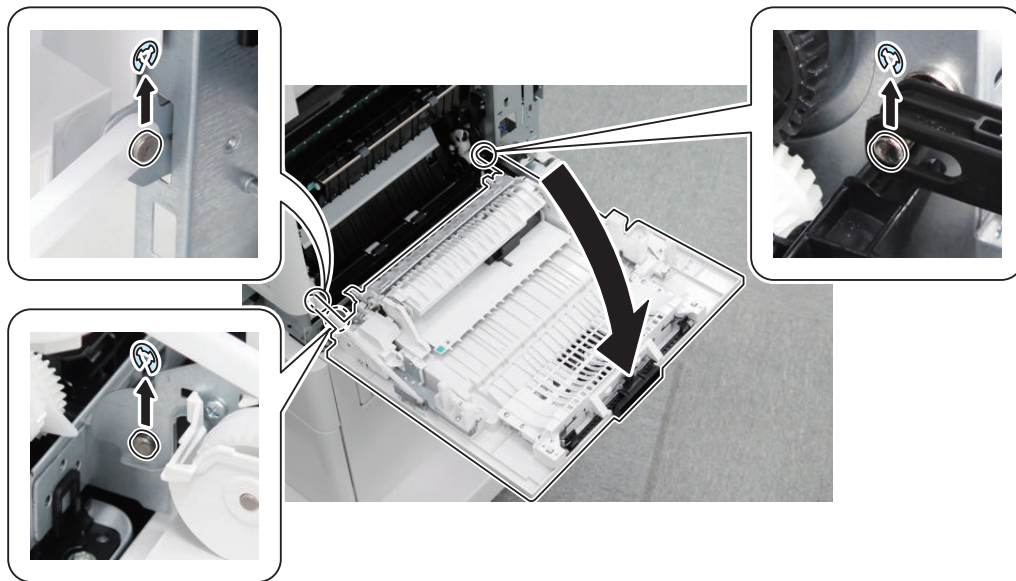
2.



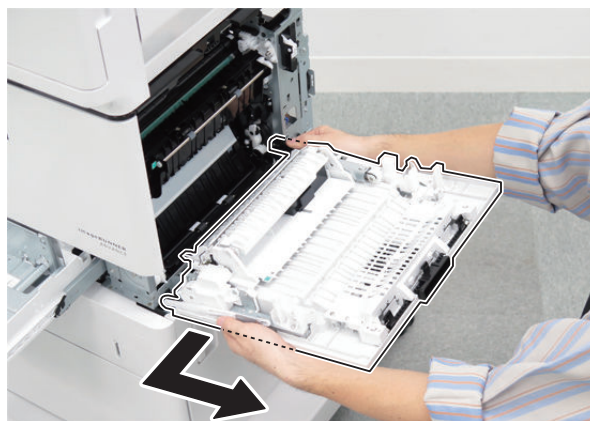
3.



4.



5.



● Removing the Cartridge Door Unit

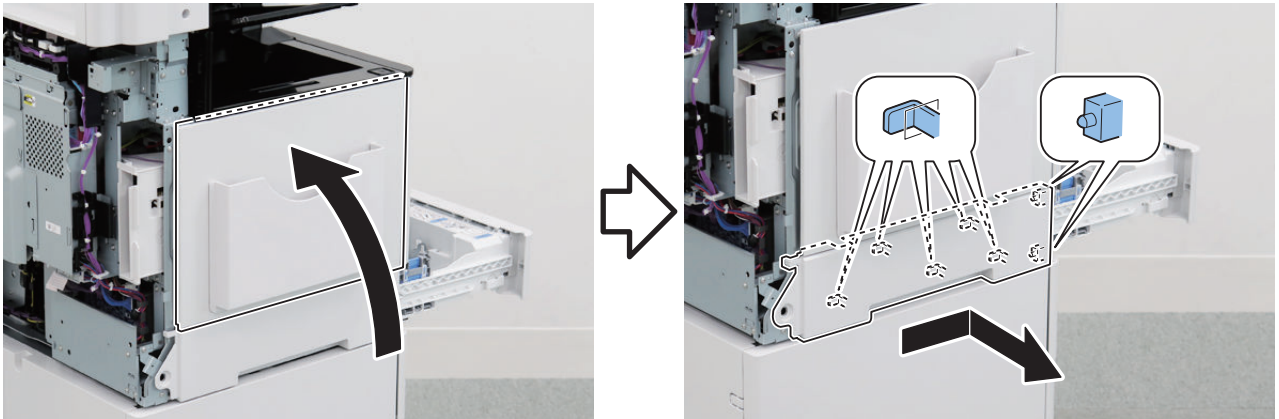
■ Preparation

1. Pull out the Cassette1.
2. "Removing the Rear Cover" on page 123

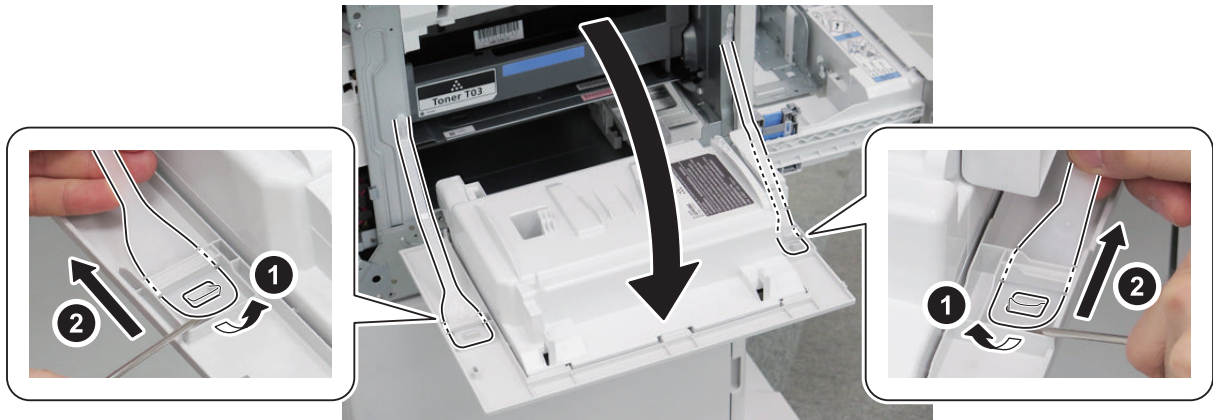
3. "Removing the Left Rear Cover" on page 124

■ Procedure

1.



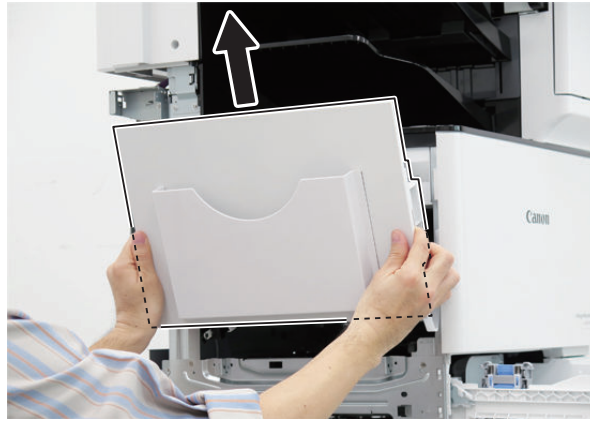
2.



3.



4.



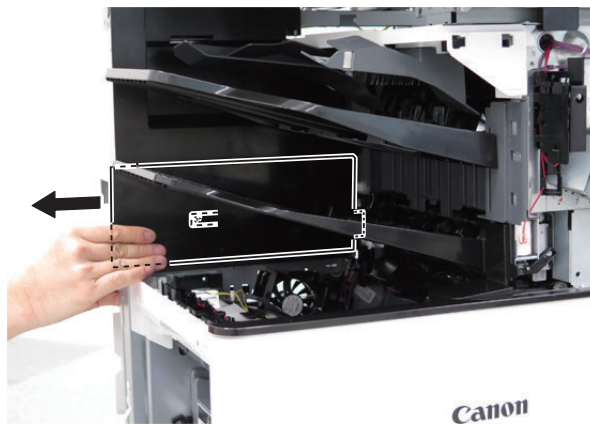
● Removing the Inner Delivery Rear Cover

■ Preparation

1. “ Removing the Rear Cover” on page 123
2. “ Removing the Left Rear Cover” on page 124
3. “ Removing the Finisher Rear Cover” on page 132
4. “ Removing the Finisher Left Rear Cover” on page 133
5. “ Removing the Delivery Tray” on page 131

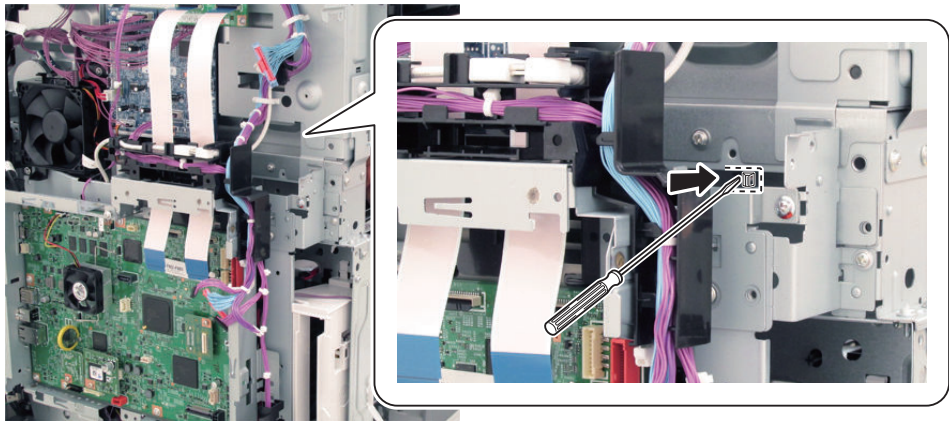
■ Procedure

1.



NOTE:

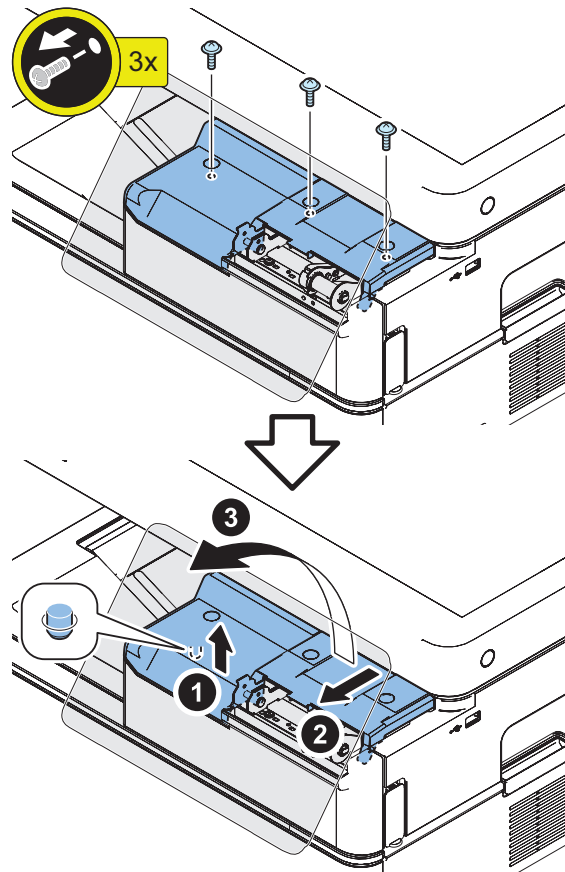
Check the position of the claw in the figure



● Removing the Control Panel Upper Cover

■ Procedure

1.



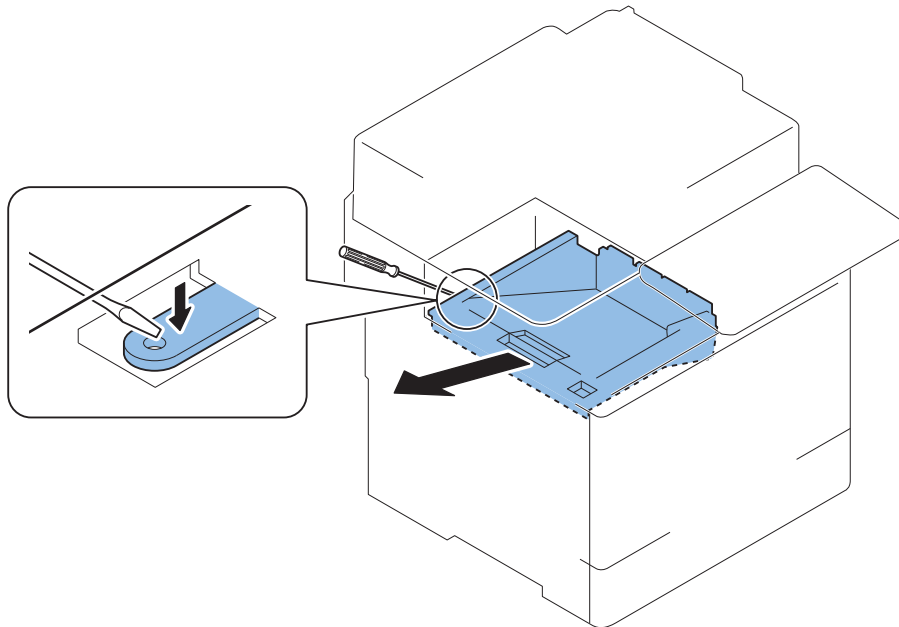
● Removing the Delivery Tray

■ Procedure

1.



2.

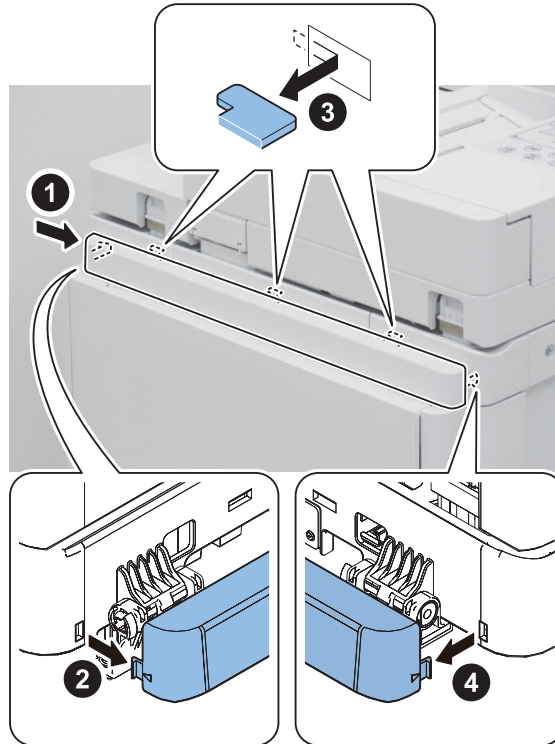


External / Internal Cover System (Finisher)

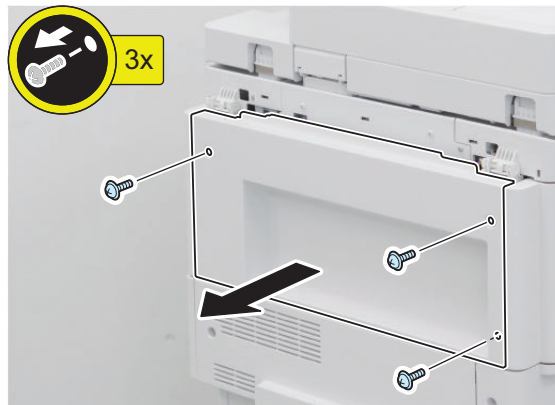
● Removing the Finisher Rear Cover

■ Procedure

1.



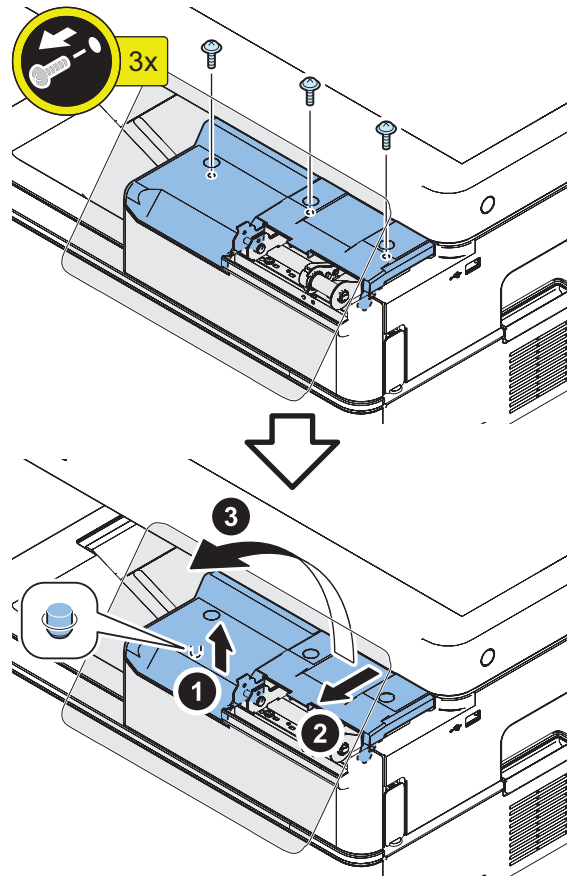
2.



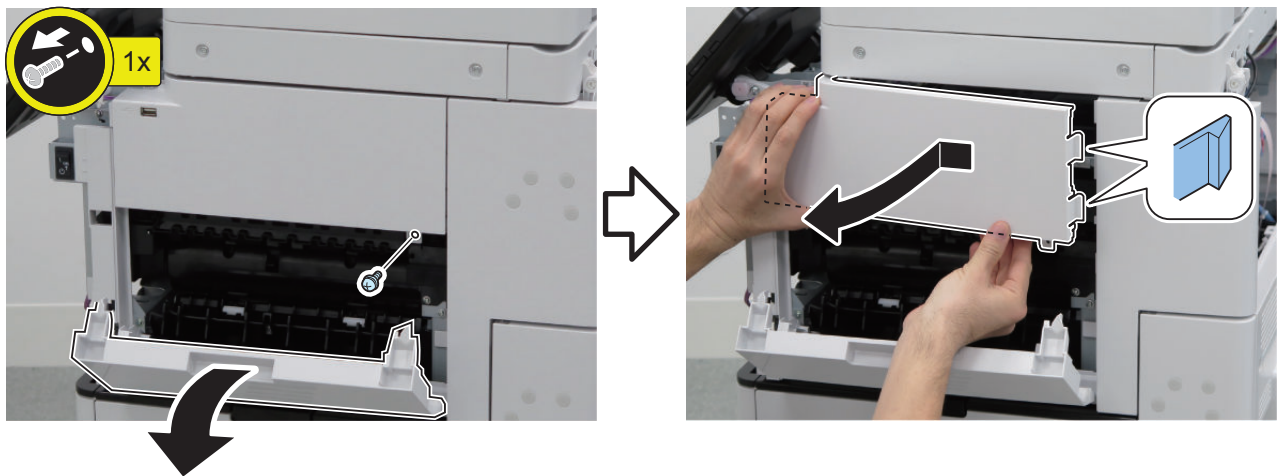
● Removing the Finisher Right Upper Cover

■ Procedure

1.



2.



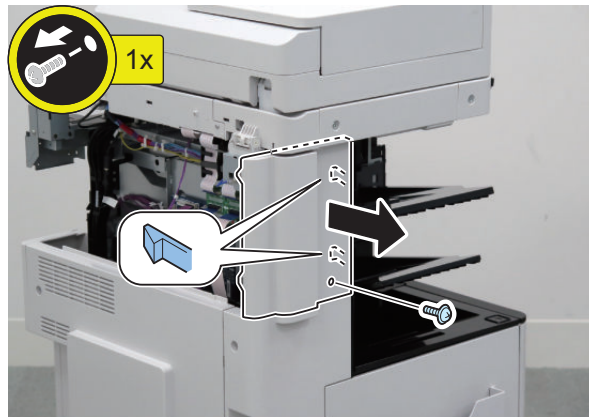
● Removing the Finisher Left Rear Cover

■ Preparation

1. "Removing the Finisher Rear Cover" on page 132

■ Procedure

1.



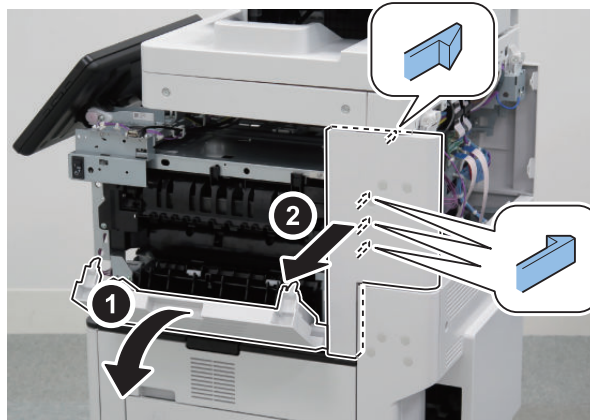
● Removing the Finisher Right Rear Cover

■ Preparation

1. “ Removing the Finisher Rear Cover” on page 132
2. “ Removing the Finisher Right Upper Cover” on page 132

■ Procedure

1.



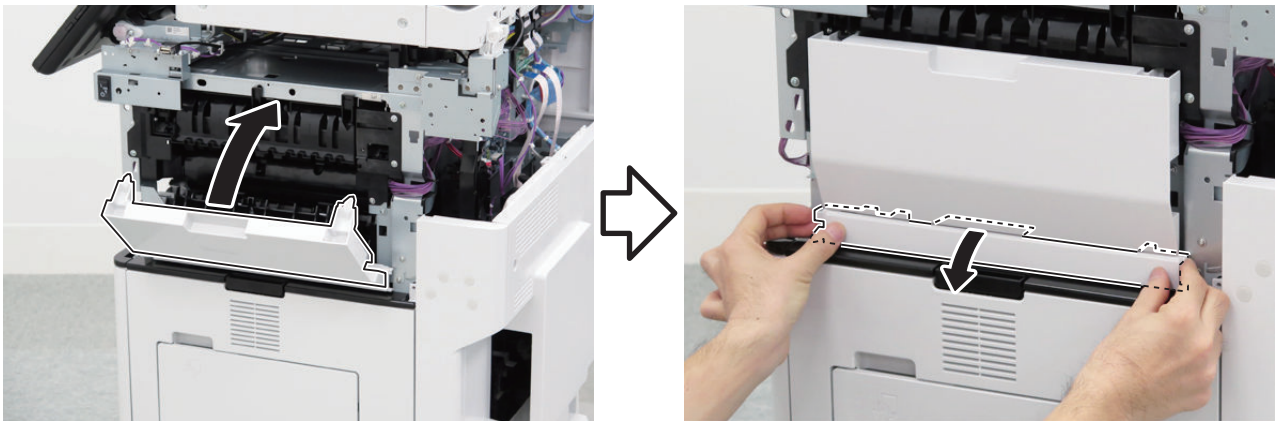
● Removing the Finisher Right Lower Cover

■ Preparation

1. “ Removing the Staple Cover” on page 135
2. “ Removing the Finisher Rear Cover” on page 132
3. “ Removing the Finisher Right Upper Cover” on page 132
4. “ Removing the Staple Inner Cover” on page 135
5. “ Removing the Finisher Right Rear Cover” on page 134

■ Procedure

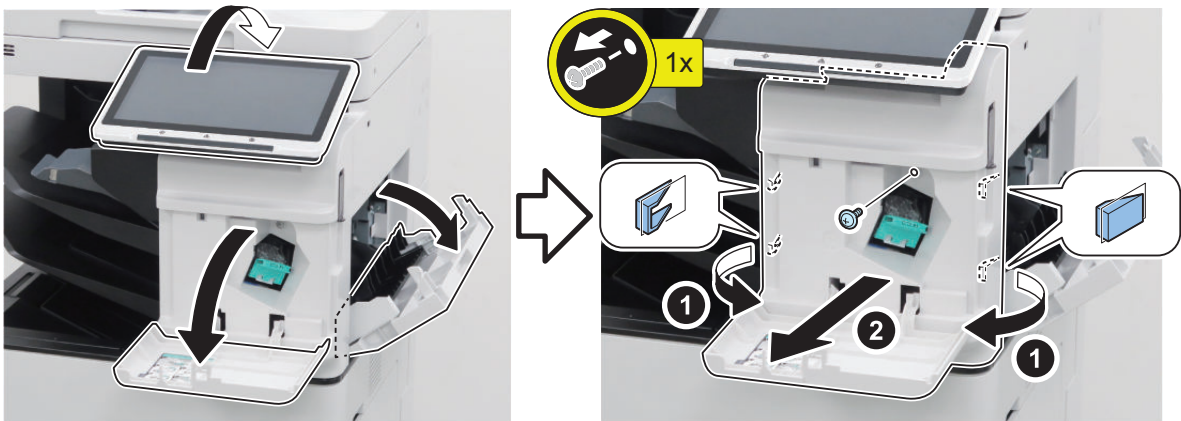
1.



● Removing the Staple Cover

■ Procedure

1.



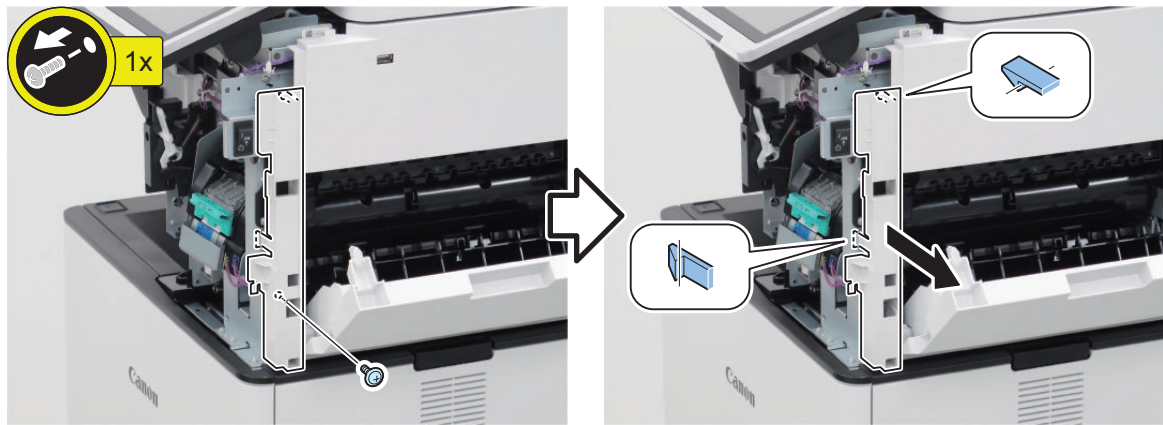
● Removing the Staple Inner Cover

■ Preparation

1. "Removing the Staple Cover" on page 135

■ Procedure

1.



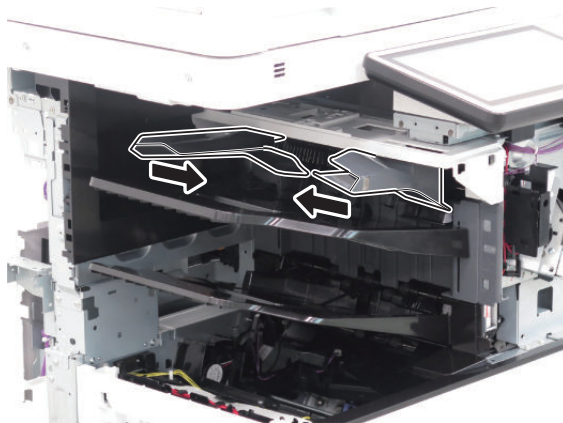
● Removing the Finisher Inner Rear Cover

■ Preparation

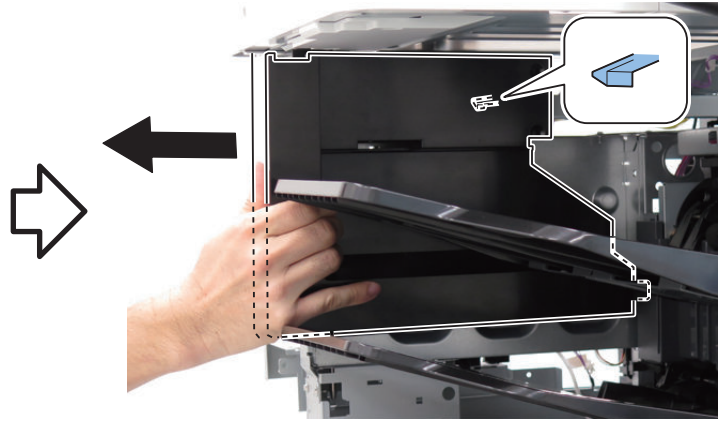
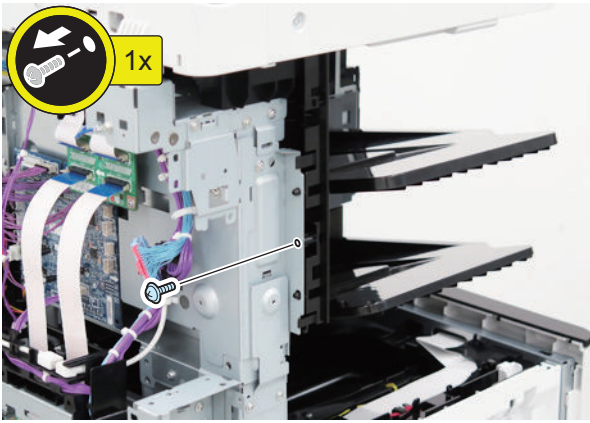
1. "Removing the Rear Cover" on page 123
2. "Removing the Left Rear Cover" on page 124
3. "Removing the Finisher Rear Cover" on page 132
4. "Removing the Finisher Left Rear Cover" on page 133
5. "Removing the Delivery Tray" on page 131
6. "Removing the Inner Delivery Rear Cover" on page 129

■ Procedure

1.

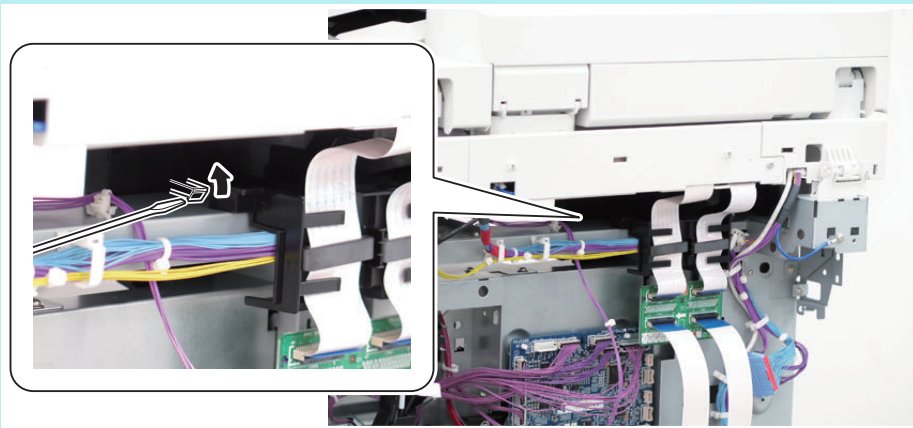


2.



NOTE:

Check the position of the claw in the figure.



Original Exposure/Feed System

● Removing the ADF

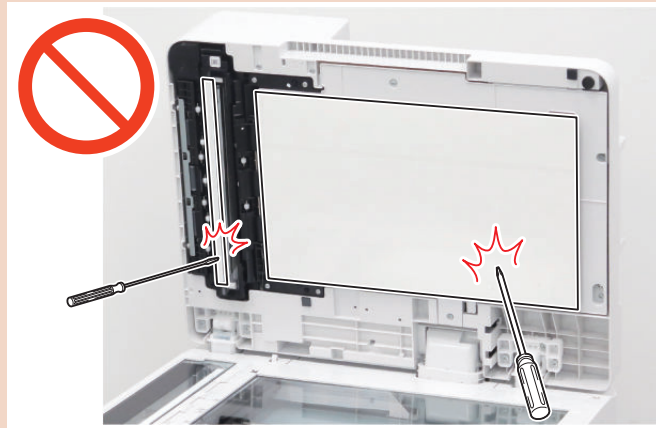
■ Preparation (Without Finisher Model)

1. "Removing the Rear Cover" on page 123

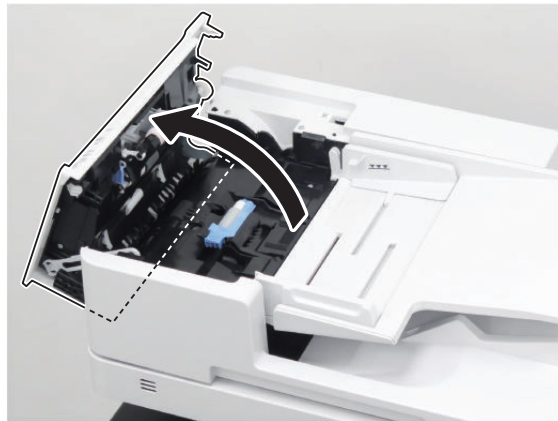
■ Procedure (For Models without the Finisher)

CAUTION:

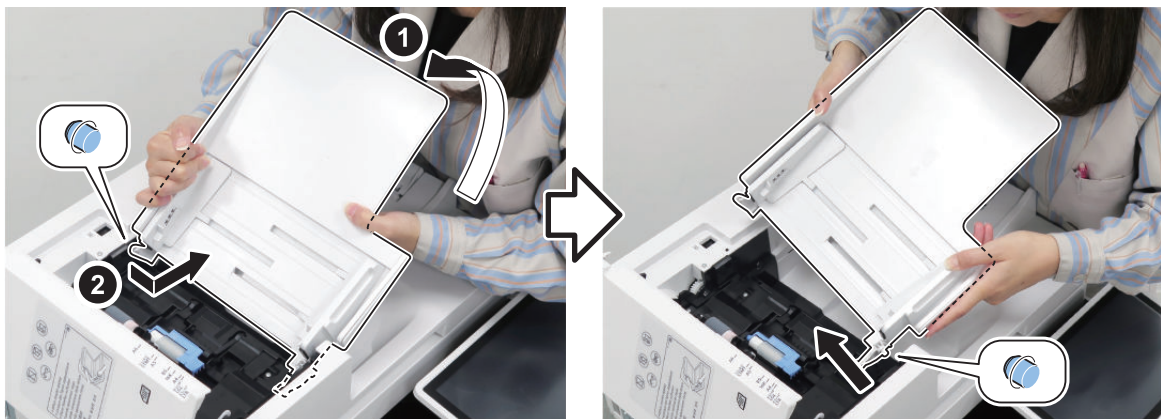
Be careful not to damage the white sheets and the White Plate of the ADF Unit when disassembling/assembling.



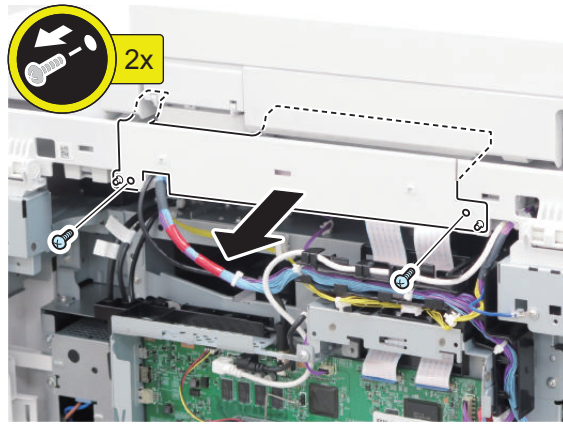
1.



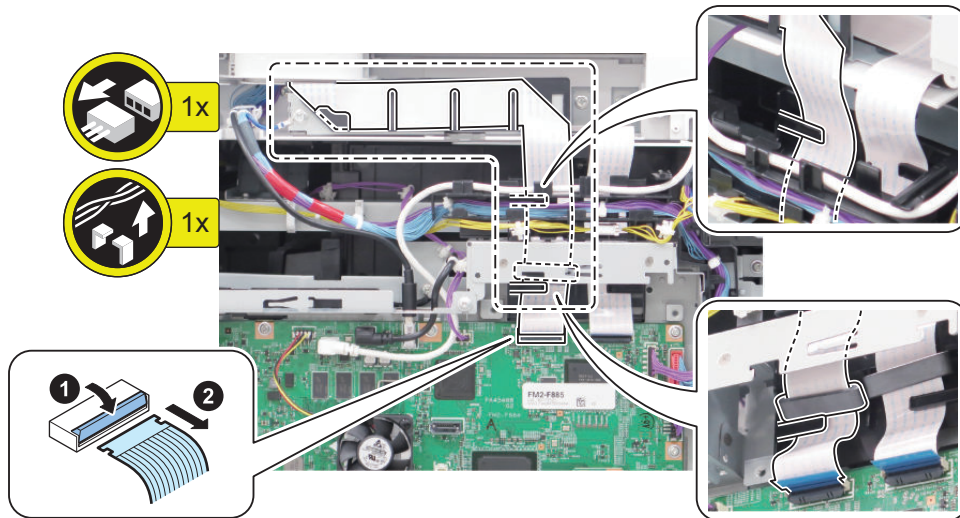
2.



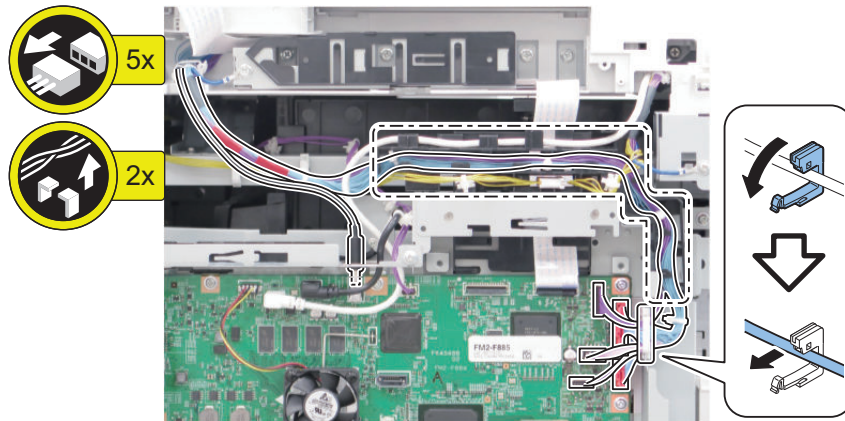
3.



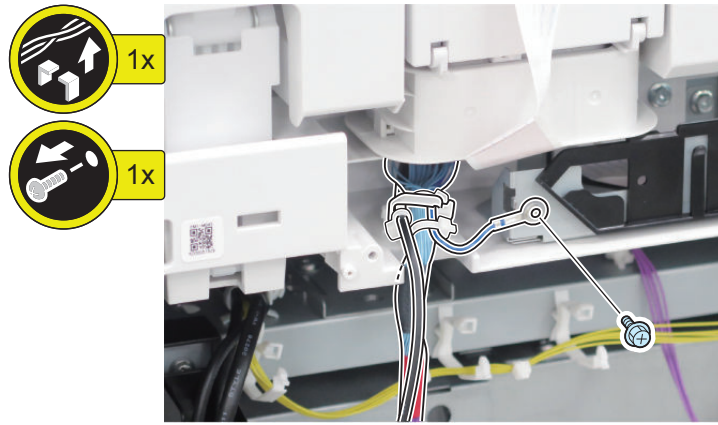
4.



5.

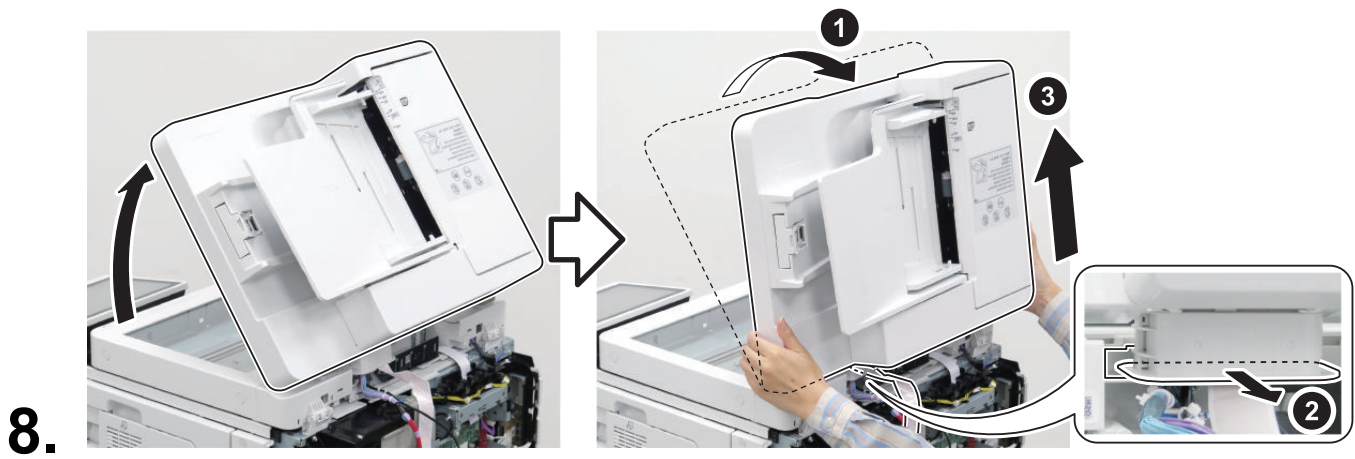


6.



7.



**CAUTION:**

When installing the ADF Unit, be sure to insert the rib of the Harness Cover into the guide of the Reader Unit.



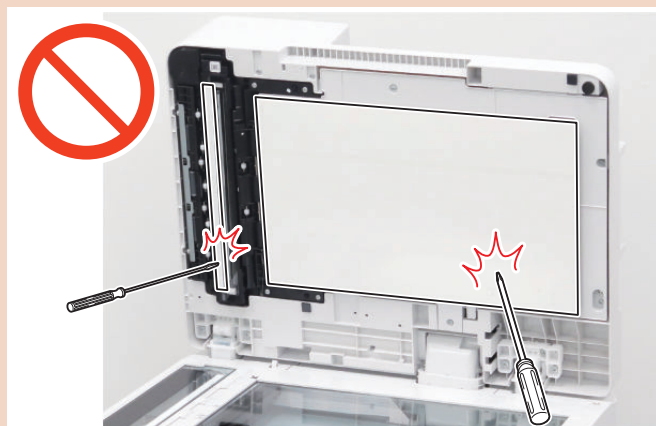
■ Preparation (With Finisher Model)

1. "Removing the Finisher Rear Cover" on page 132
2. "Removing the Rear Cover" on page 123
3. "Removing the Main Controller Sub Cover /Main Controller Cover" on page 177

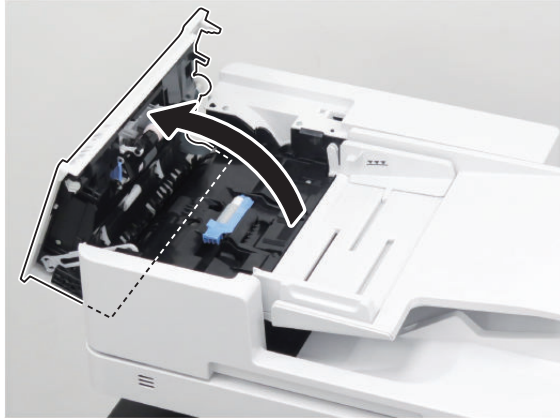
■ Procedure (For Models with the Finisher)

CAUTION:

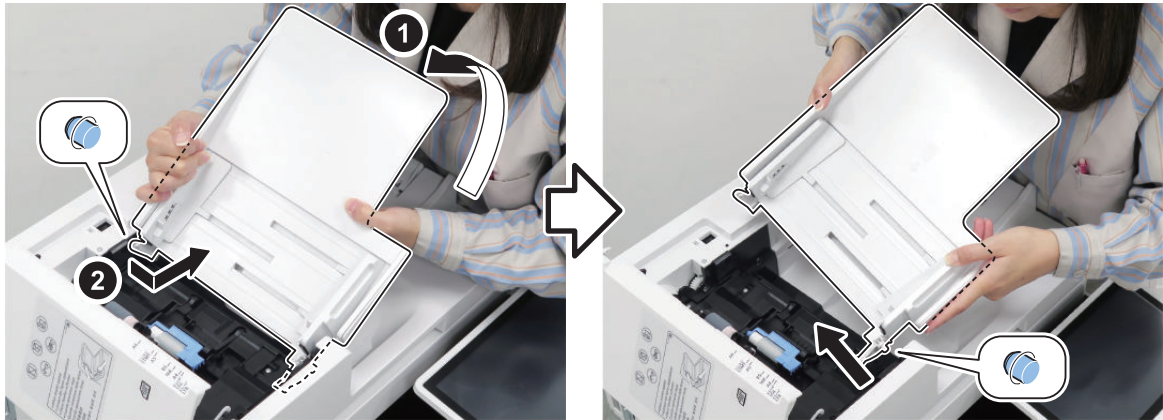
Be careful not to damage the white sheets and the White Plate of the ADF Unit when disassembling/assembling.



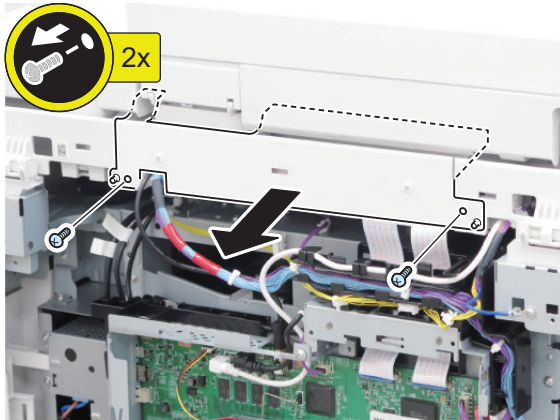
1.



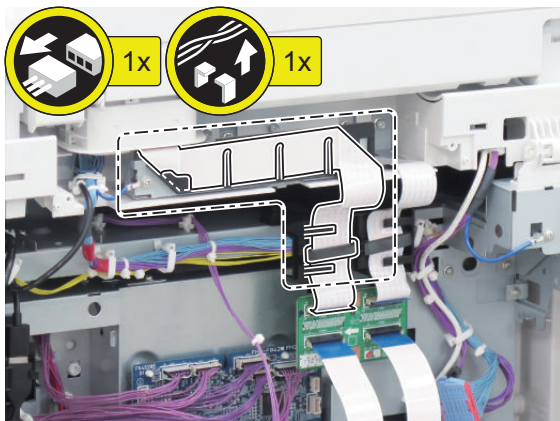
2.



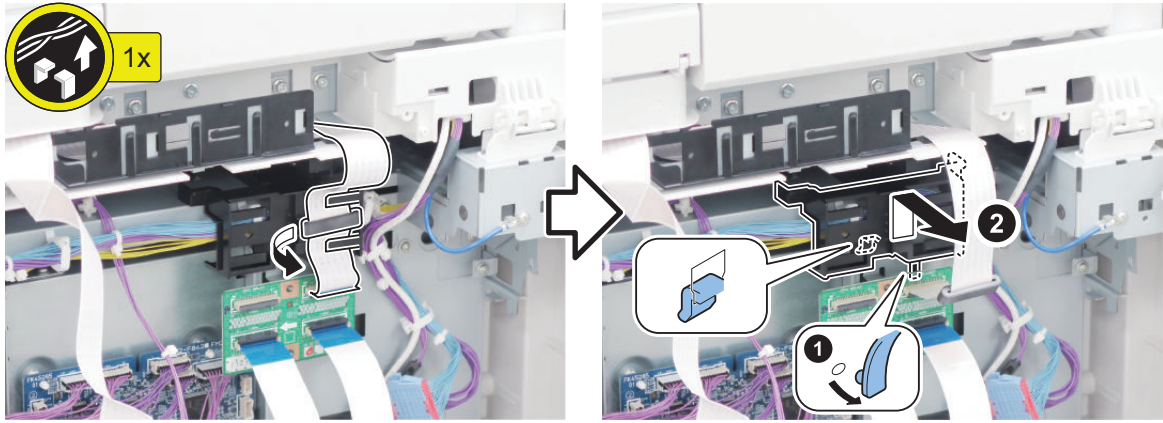
3.



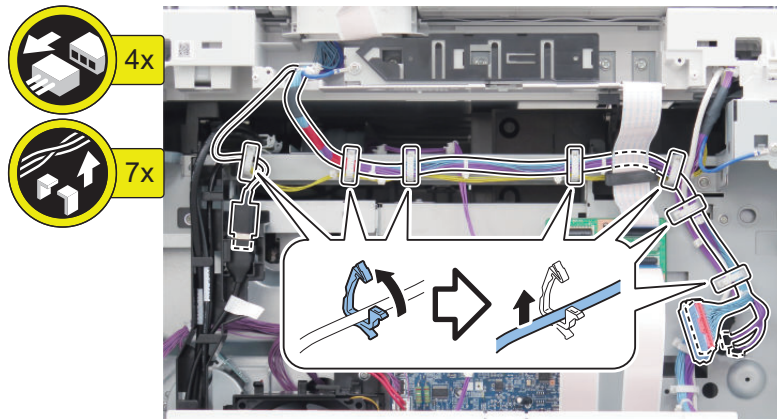
4.



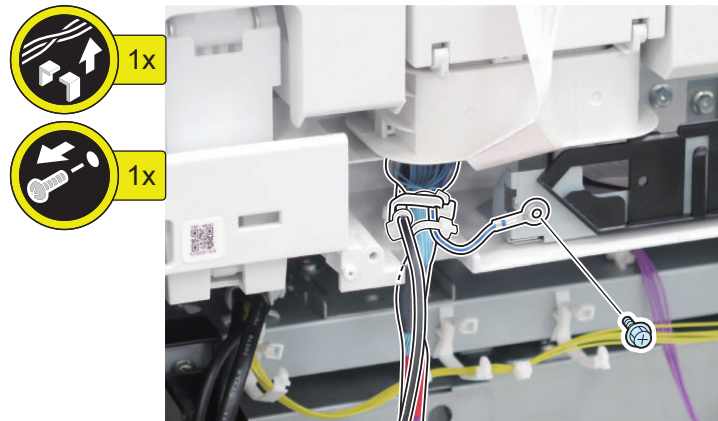
5.



6.

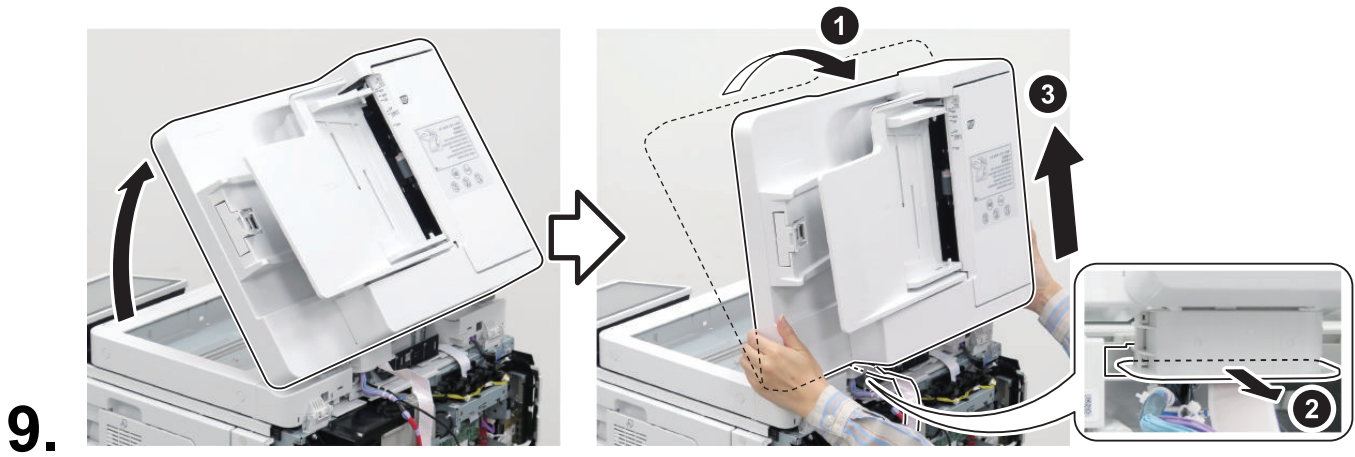


7.



8.



**CAUTION:**

When installing the ADF Unit, be sure to insert the rib of the Harness Cover into the guide of the Reader Unit.



● Removing the ADF Pickup Unit

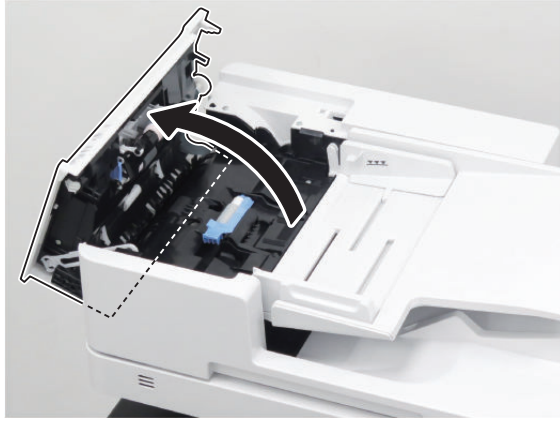
■ Procedure

CAUTION:

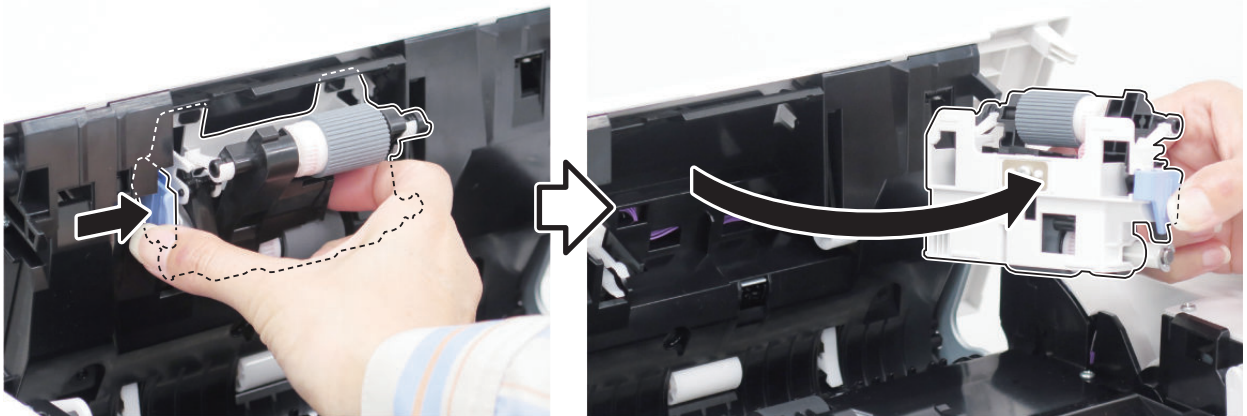
Do not touch the surface of the roller when disassembling/assembling.



1.



2.

**NOTE:**

When the consumable parts have been replaced, be sure to clear the parts counter shown below in service mode.

- COPIER > COUNTER > DRBL-2 > DF-PU-RL

● Removing the ADF Separation Unit

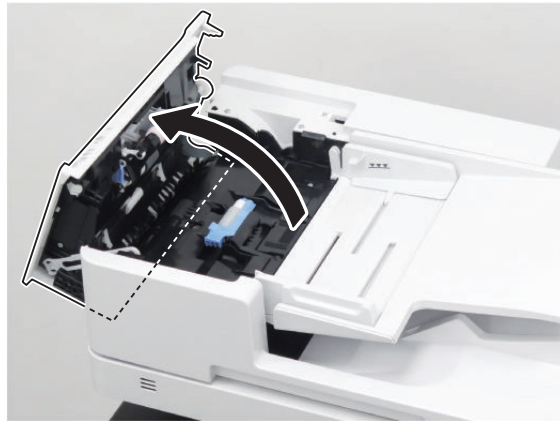
■ Procedure

CAUTION:

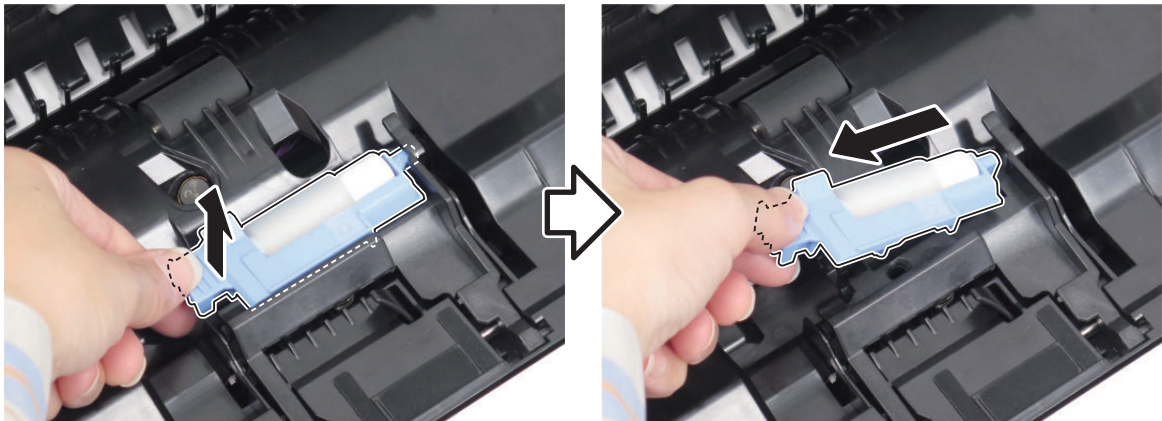
Do not touch the surface of the roller when disassembling/assembling.



1.



2.

**NOTE:**

When the consumable parts have been replaced, be sure to clear the parts counter shown below in service mode.

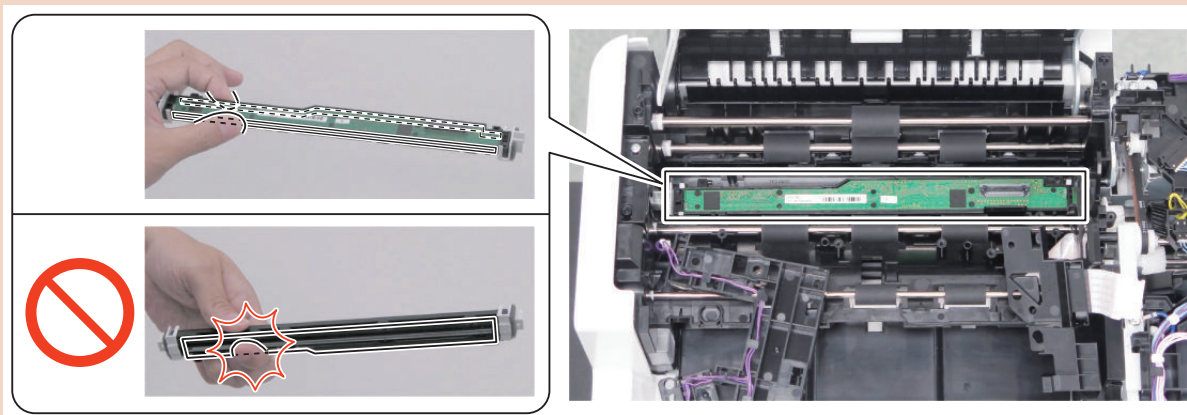
- COPIER > COUNTER > DRBL-2 > DF-SP-RL

● Removing the Scanner Unit (Back)

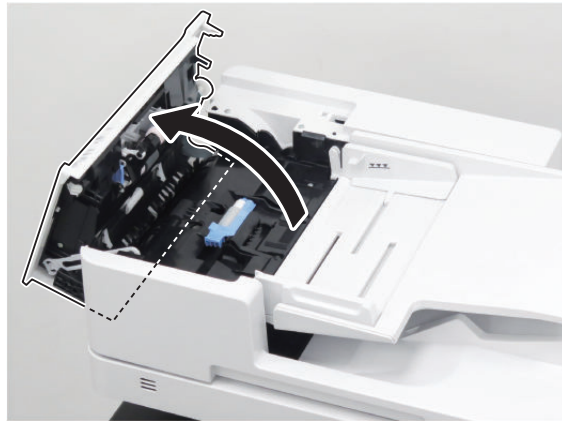
■ Procedure

CAUTION:

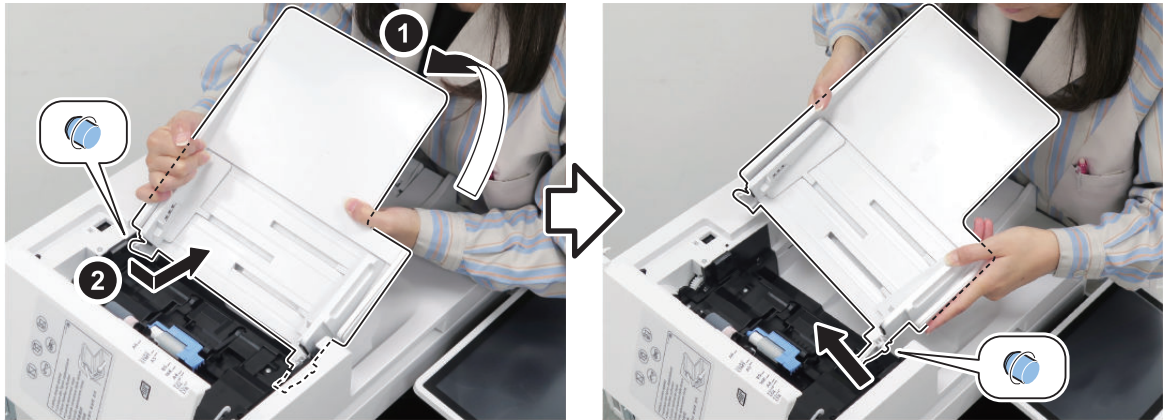
Be careful not to touch the sensor part of the Scanner Unit (Back) when disassembling/assembling. Be sure to hold the side surfaces.



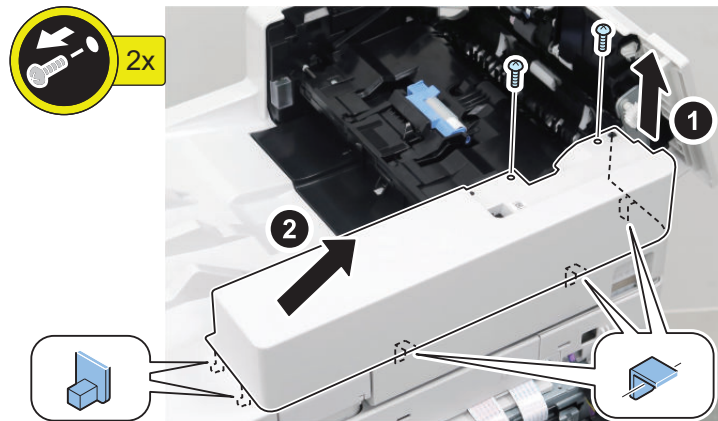
1.



2.

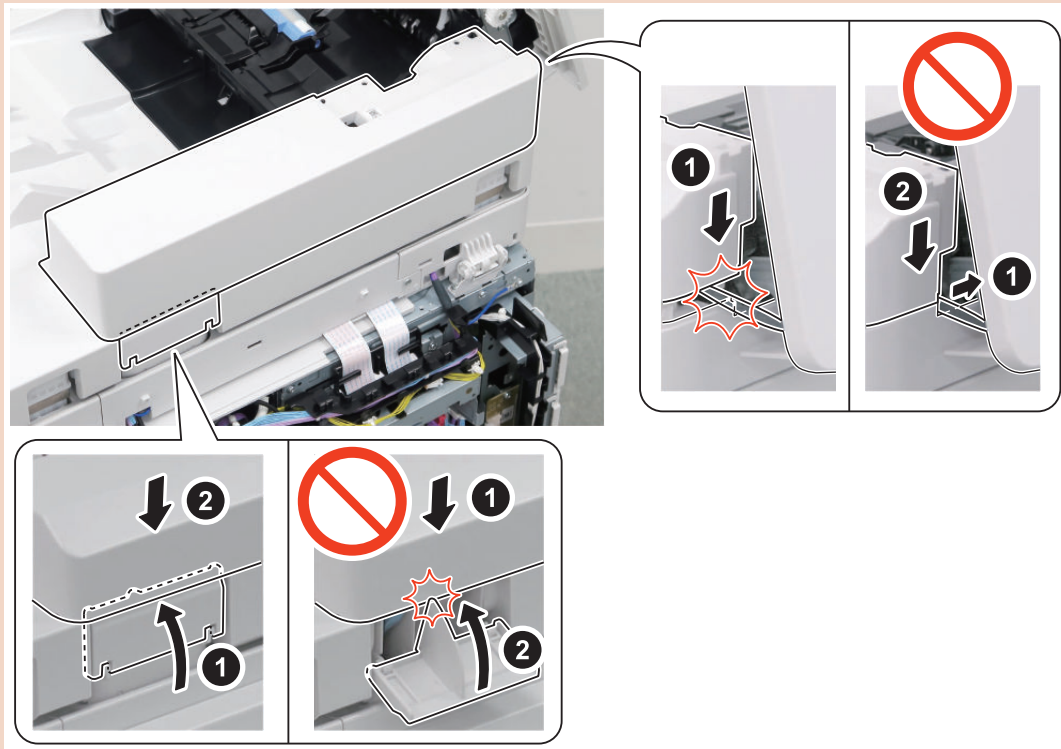


3.

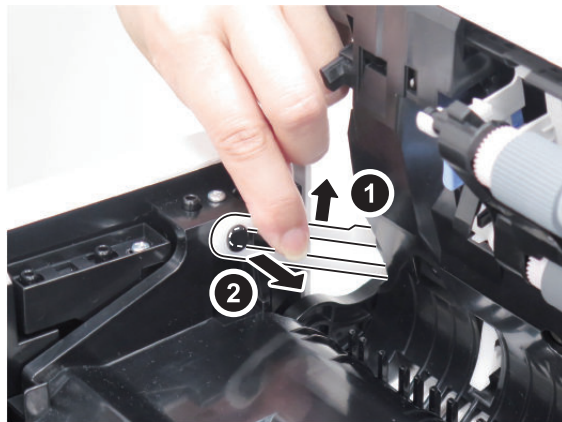


CAUTION:

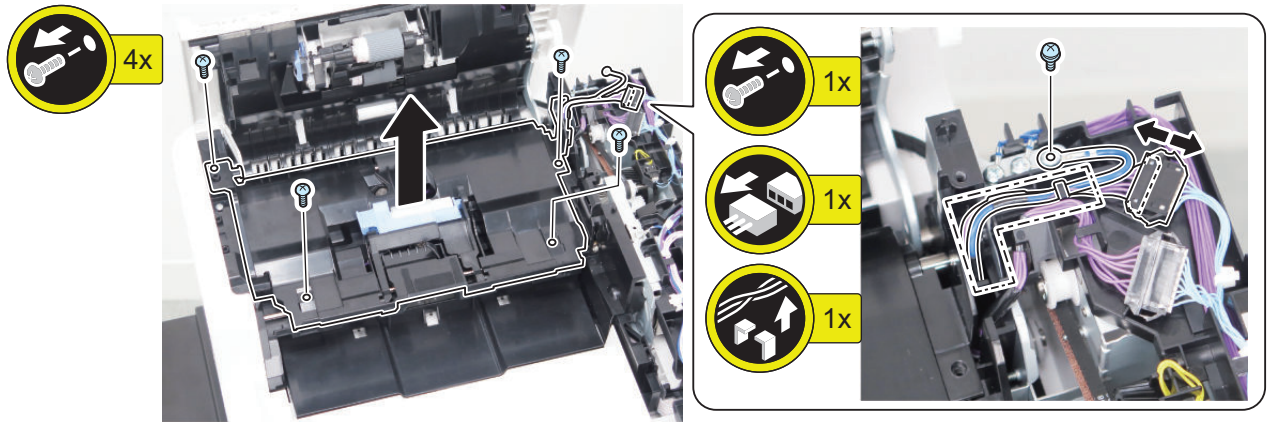
- Be careful not to trap the harness with the ADF Rear Cover.
- Close the Harness Connection Cover first, and then install the ADF Rear Cover.



4.



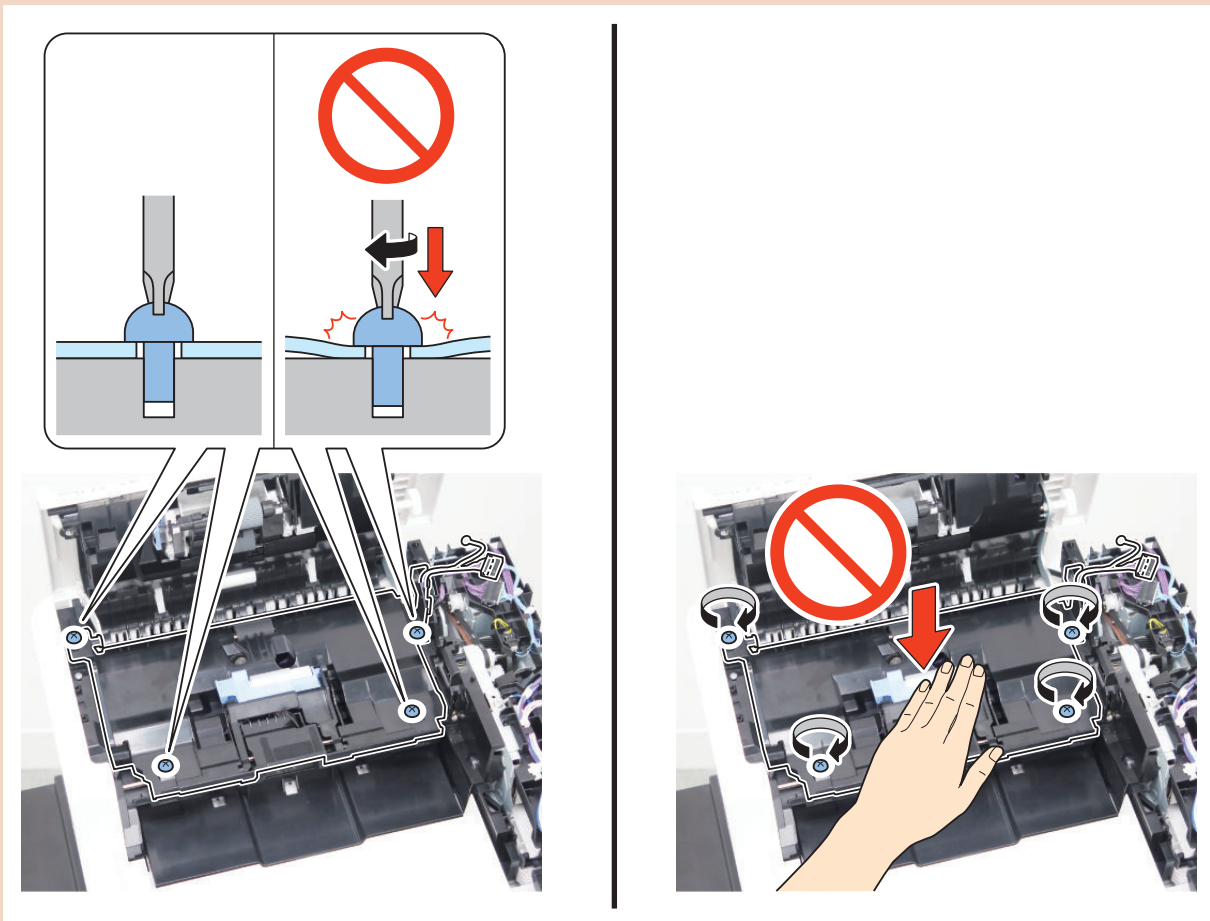
5.

**CAUTION:**

Points to note when tightening screws to install the Separation Guide

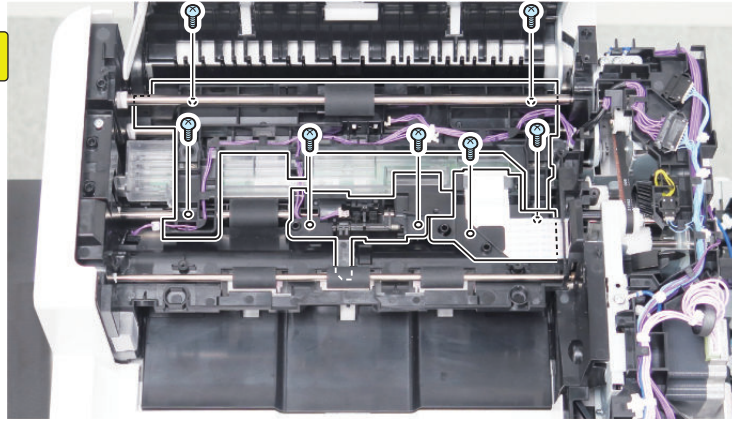
Tightening the screws in the following manner deforms the Separation Guide and may cause feed failure when feeding heavy paper.

- Pressing the screwdriver hard while tightening the screws
- Pressing down the Separation Guide with a hand while tightening the screws



In the case that feed failure occurs, loosen the screws and tighten them again carefully so as not to apply too much force. Take the same caution also when installing the Separation Guide at the time of replacement of the Delivery Sensor, Double Feeding Detection PCB (Transmission) or Lead Sensor.

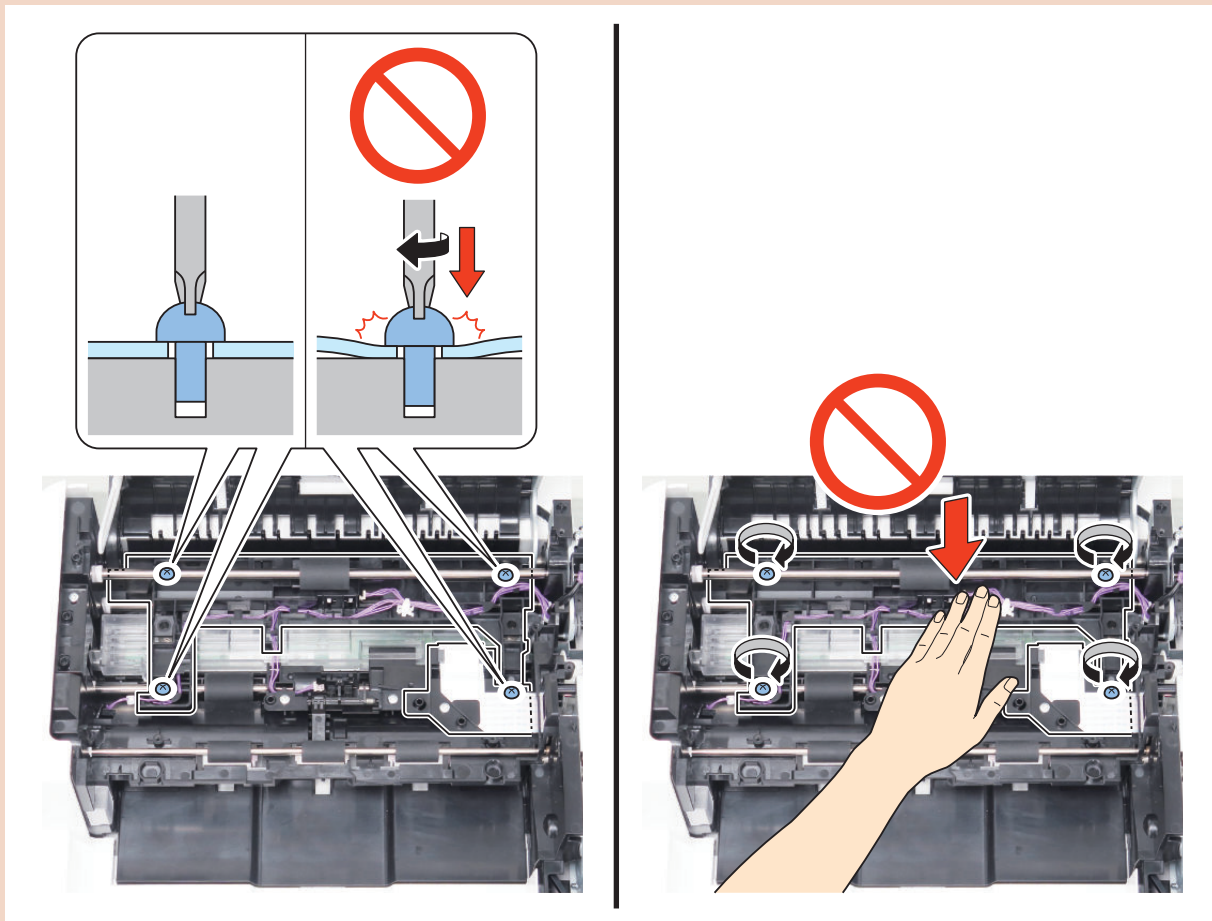
6.

**CAUTION:**

Points to note when tightening screws to install the Sensor Holder

Tightening the screws in the following manner deforms the Sensor Holder and may cause image failure (right angle accuracy, parallelism and/or skew) when feeding paper.

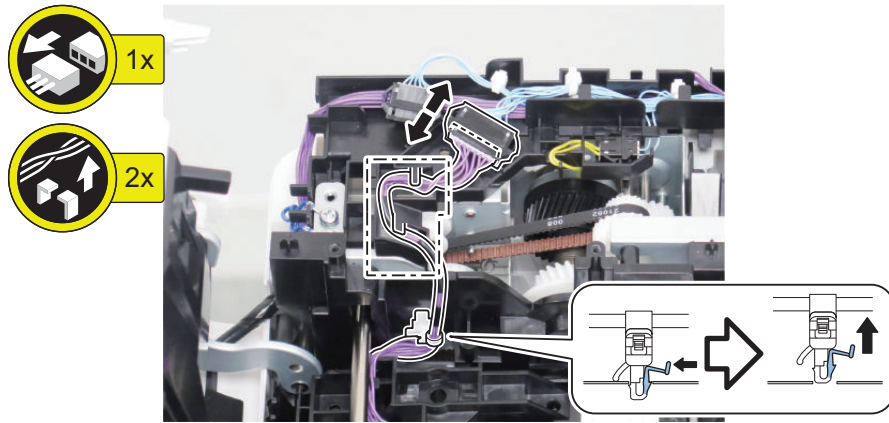
- Pressing the screwdriver hard while tightening the screws
- Pressing down the Sensor Holder with a hand while tightening the screws



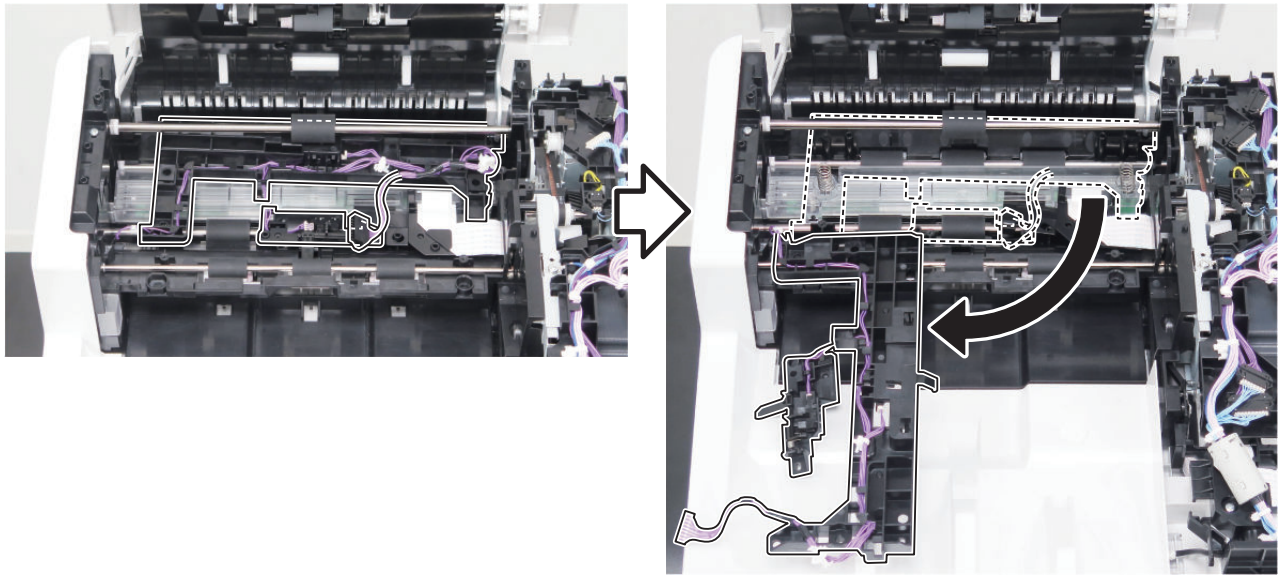
In the case that image failure (right angle accuracy, parallelism, skew) occurs, loosen the screws and tighten them again carefully so as not to apply too much force.

Take the same caution also when installing the Sensor Holder at the time of replacement of the Lead Sensor.

7.

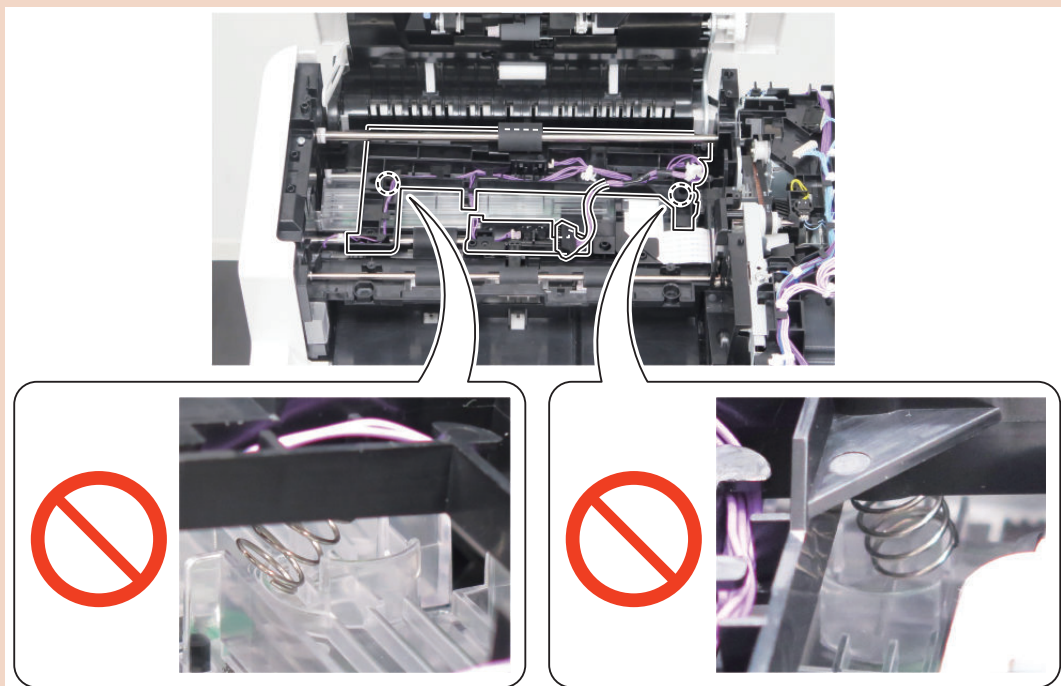


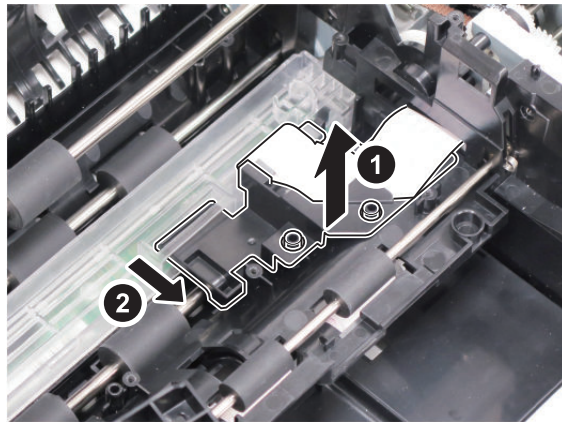
8.



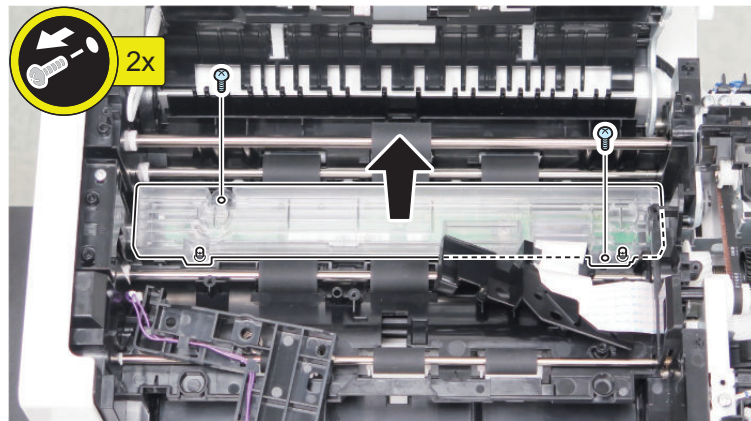
9.

CAUTION:
Make sure that the springs in the following figure are not deformed when installing the CIS Cover.

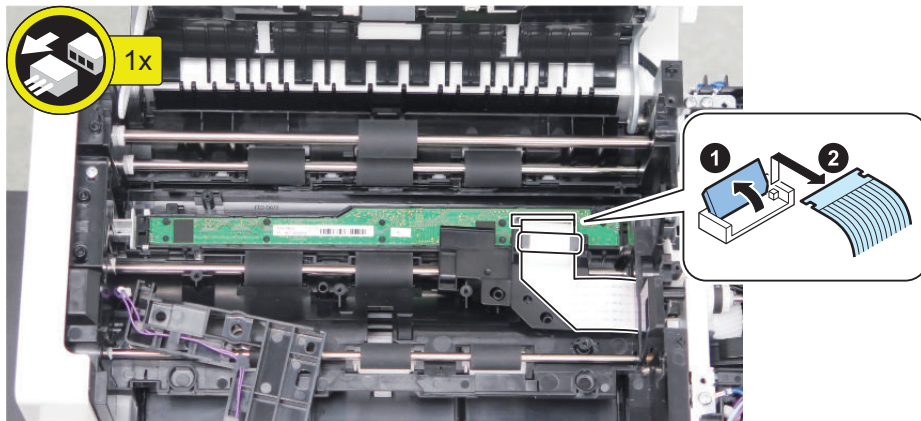




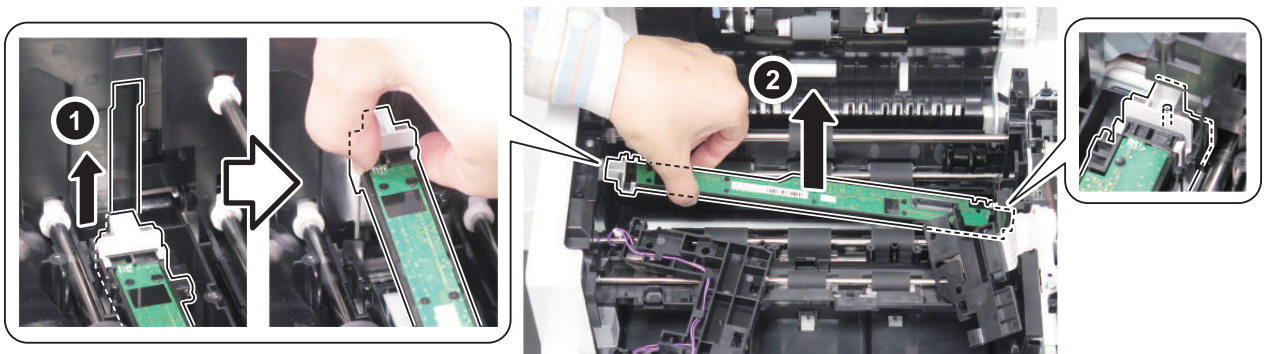
10.



11.

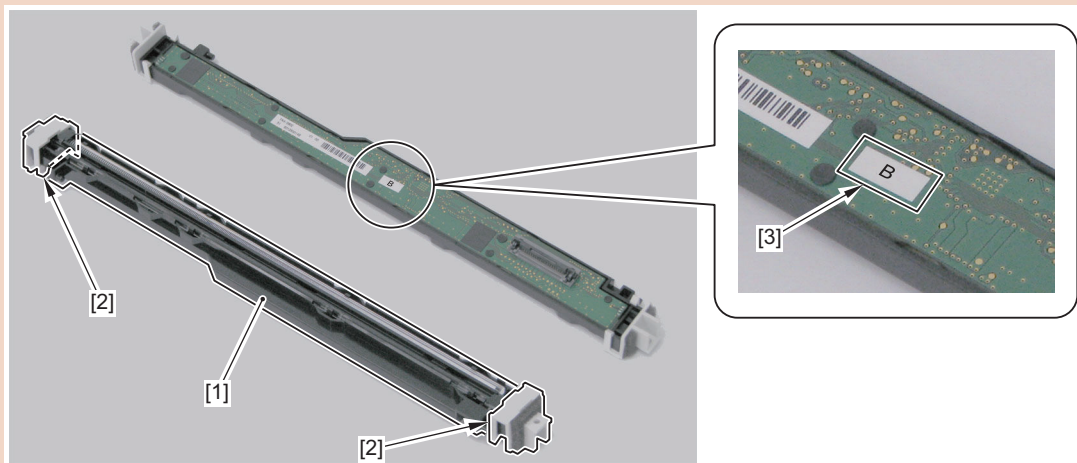


12.



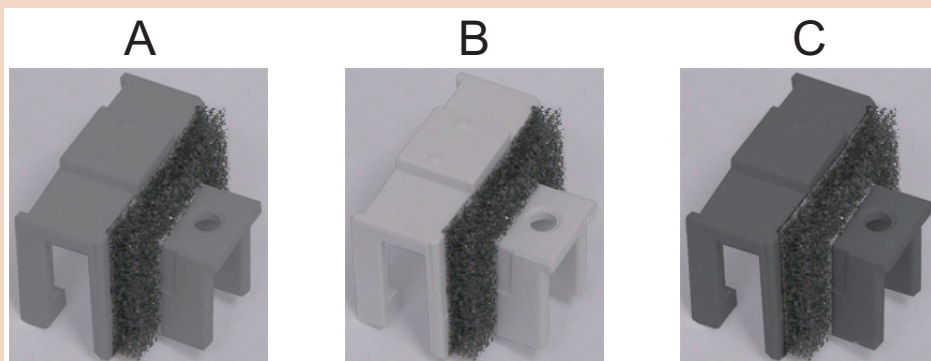
CAUTION:

When replacing the Scanner Unit (Back) [1], be sure to replace the Scanner Unit (Back) [1] and the Spacers [2], which are included in the package of the service part, at the same time. If different spacers are used, image reading error may occur.



- If the Spacers are mixed or lost, be sure to check the Scanner Unit Rank Label [3] being used and use the Spacers appropriate for the rank of the Scanner Unit (Back).
- There are three ranks available for the Scanner Unit (Back), and there are spacers suitable for each rank.

Rank	Color of the Spacer
A	Gray
B	Titanium white
C	Standard black



13. Adjustment after Replacement

[“After Replacing the Scanner Unit \(Back\)” on page 255](#)

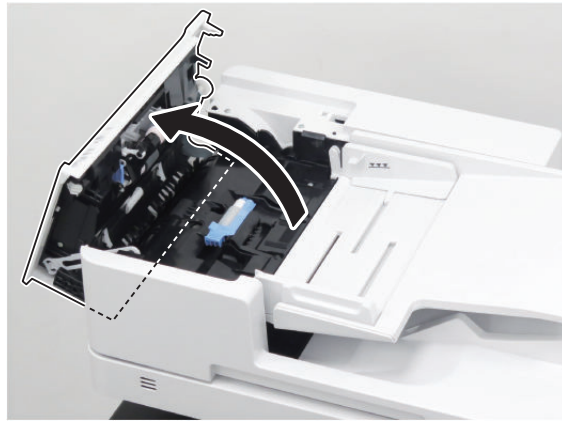
● Removing the ADF Feed Frame

■ Preparation (Without Finisher Model)

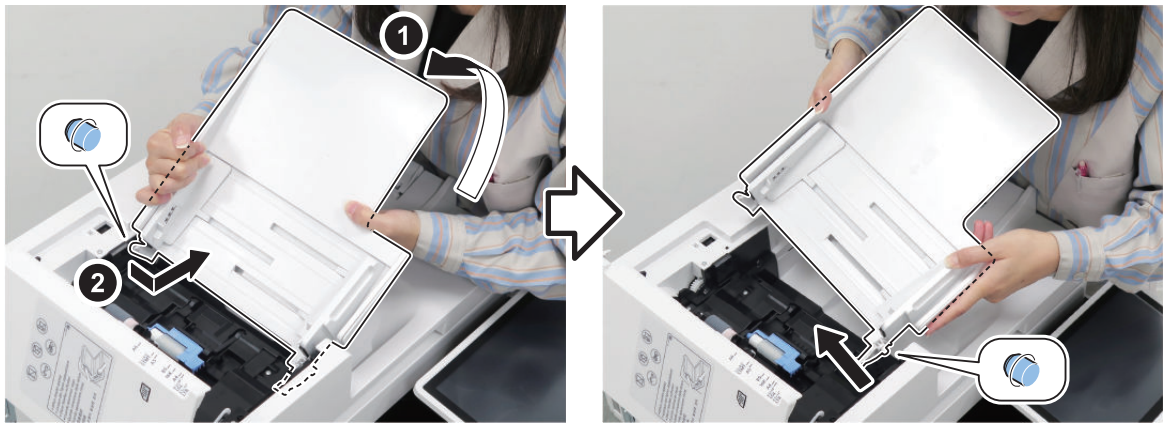
1. [“Removing the Rear Cover” on page 123](#)

■ Procedure (For Models without the Finisher)

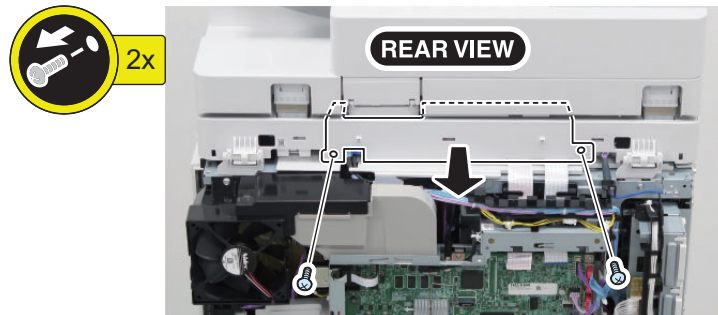
1.



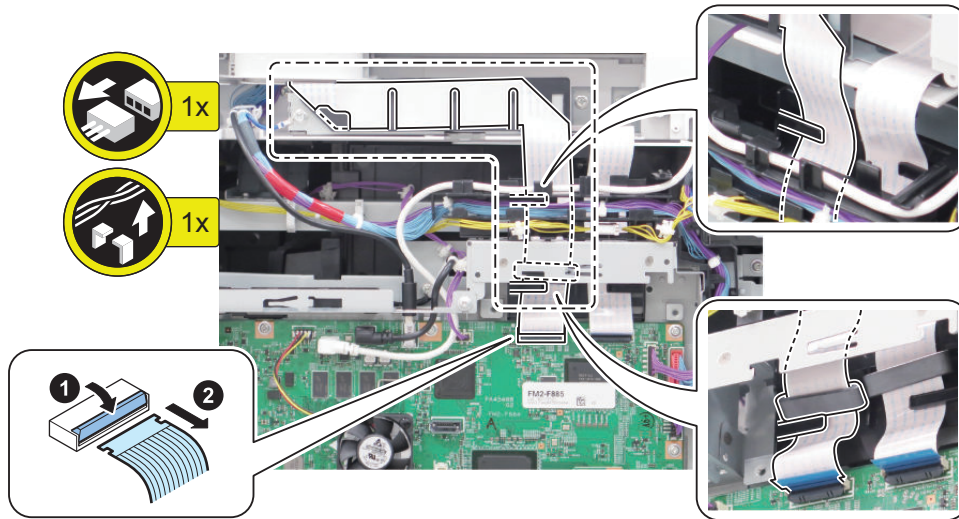
2.



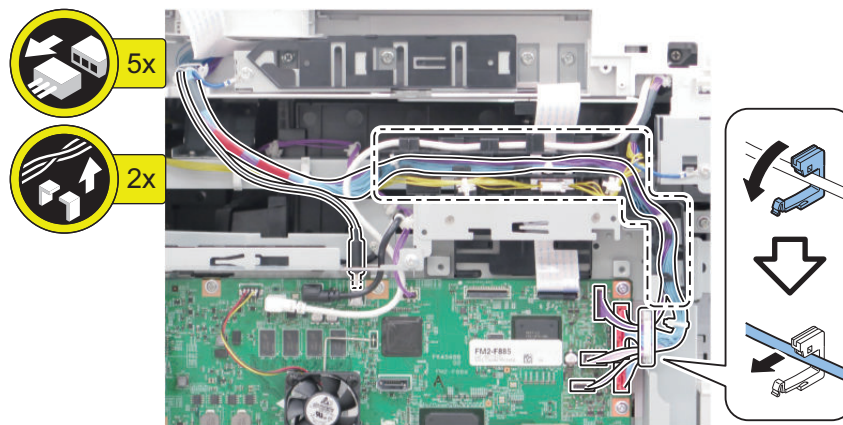
3.



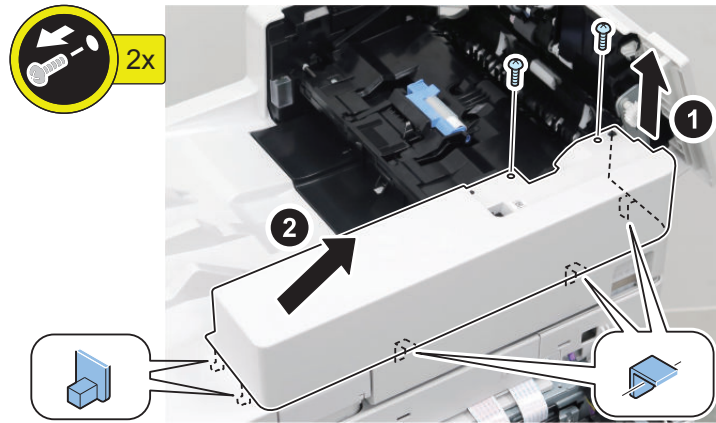
4.



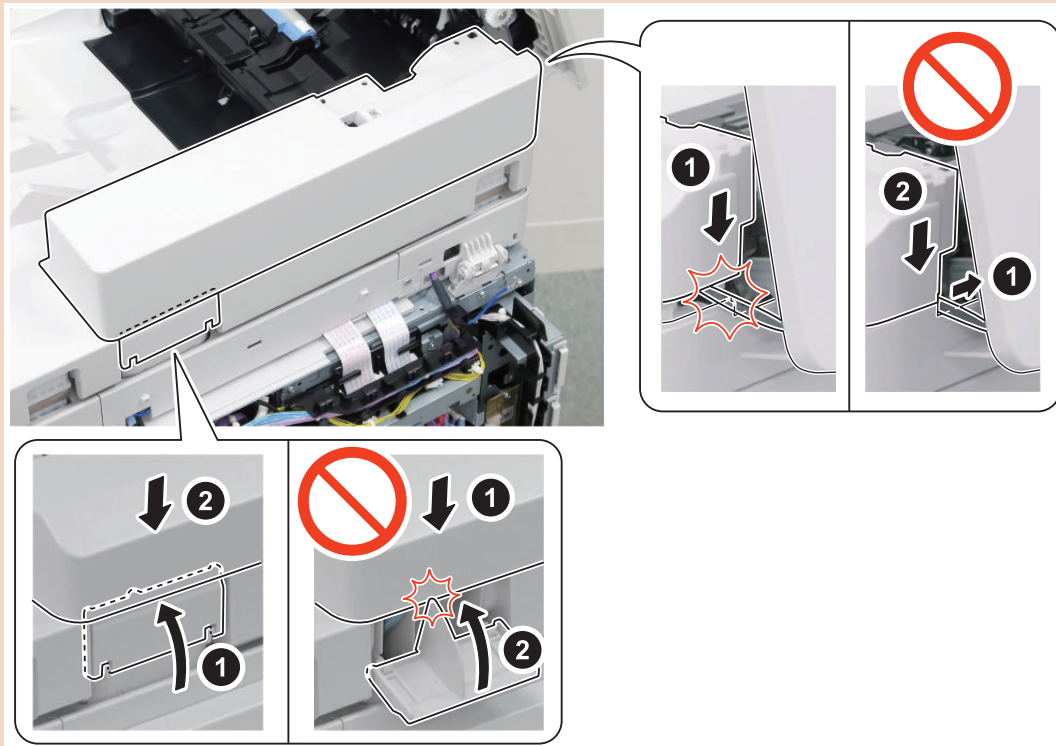
5.



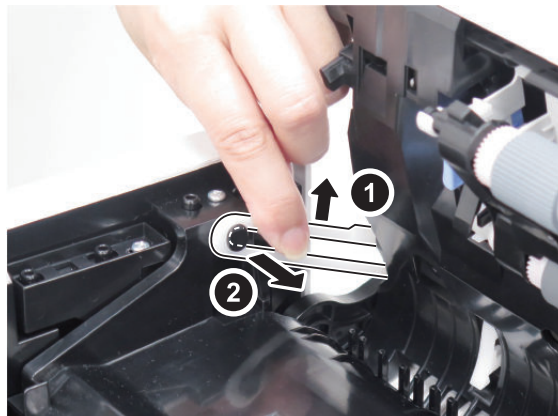
6.

**CAUTION:**

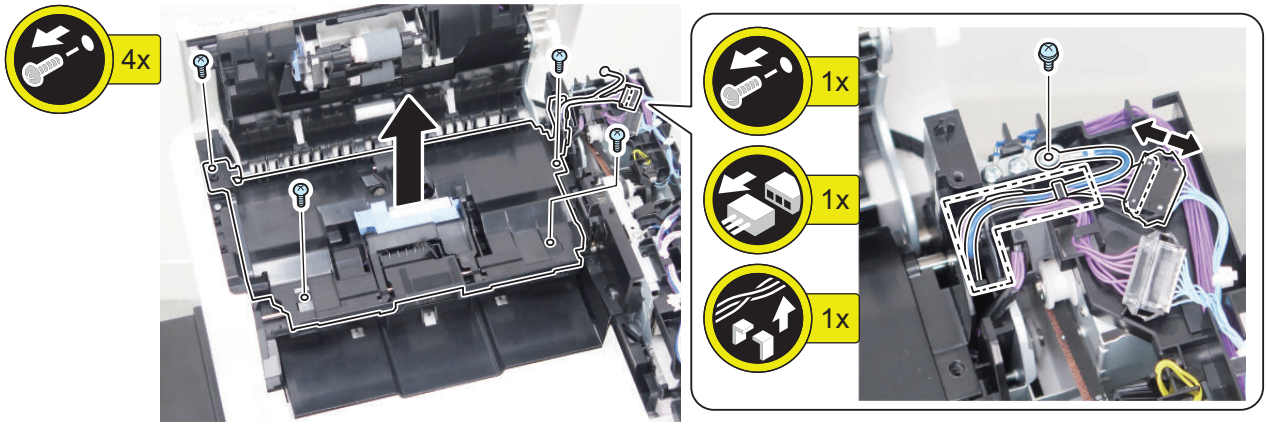
- Be careful not to trap the harness with the ADF Rear Cover.
- Close the Harness Connection Cover first, and then install the ADF Rear Cover.



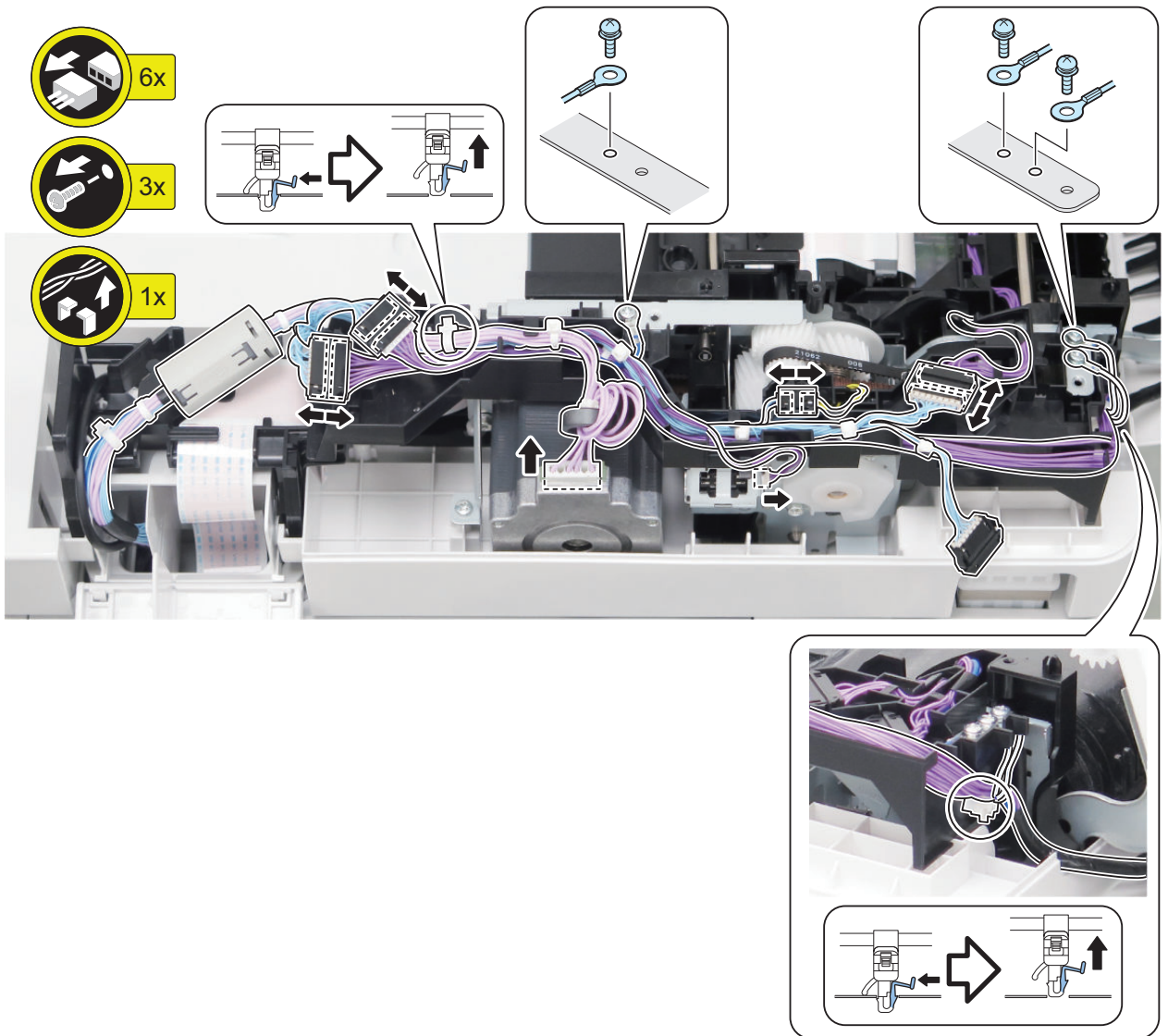
7.



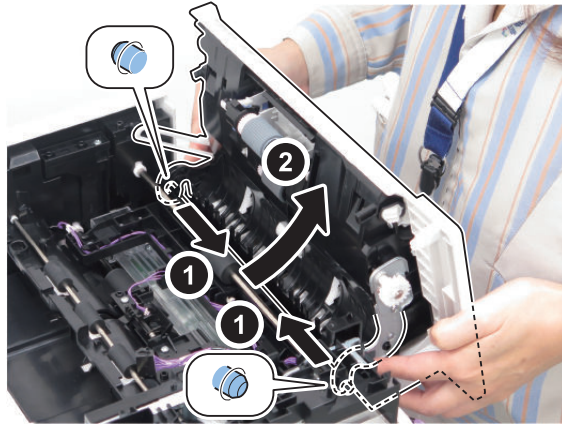
8.



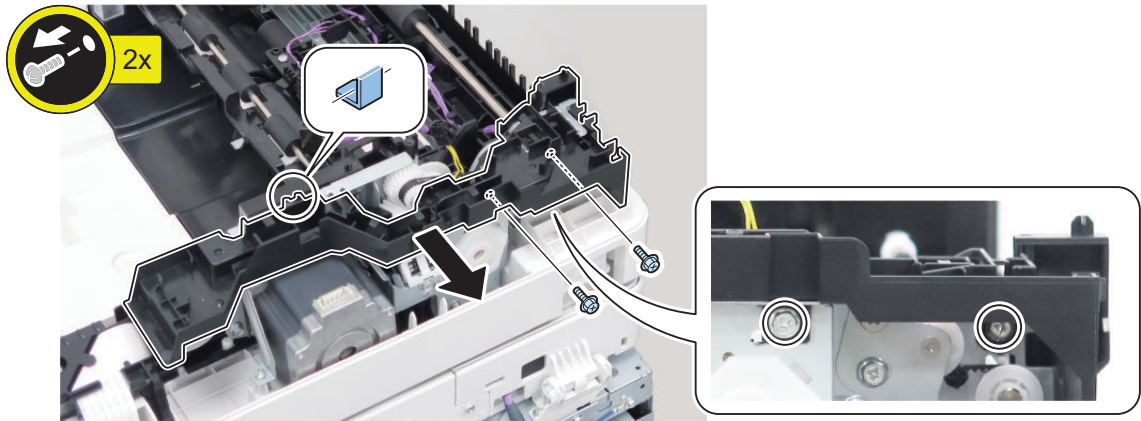
9.



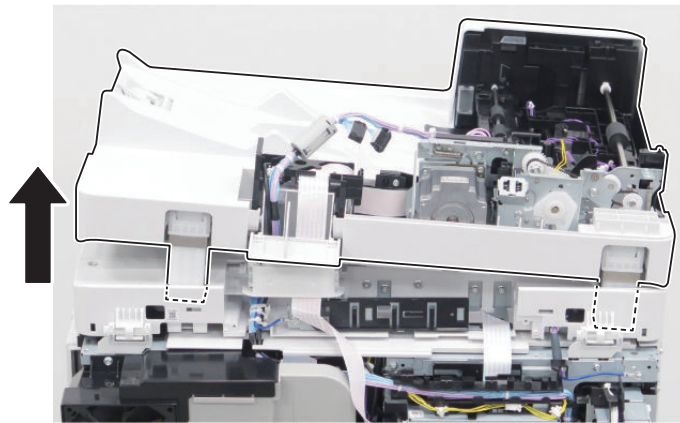
10.



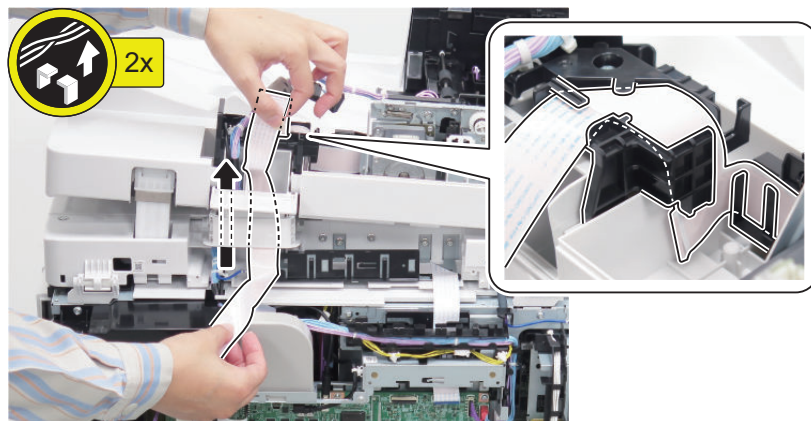
11.



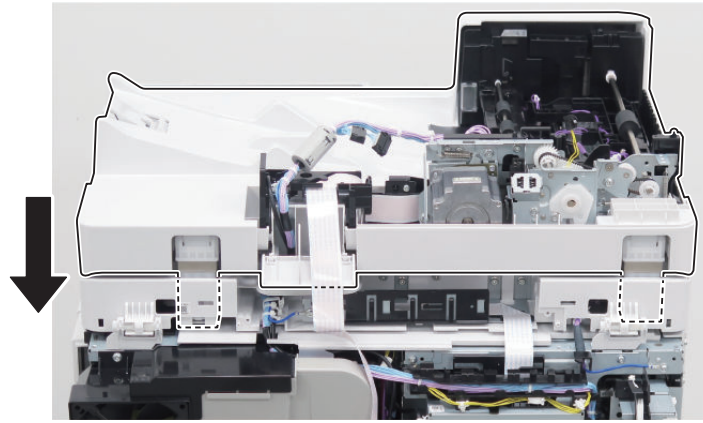
12.



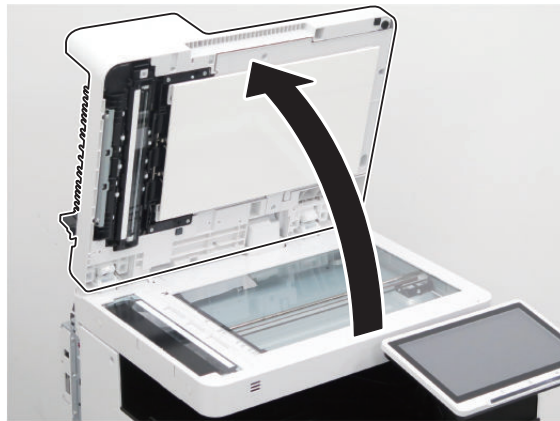
13.



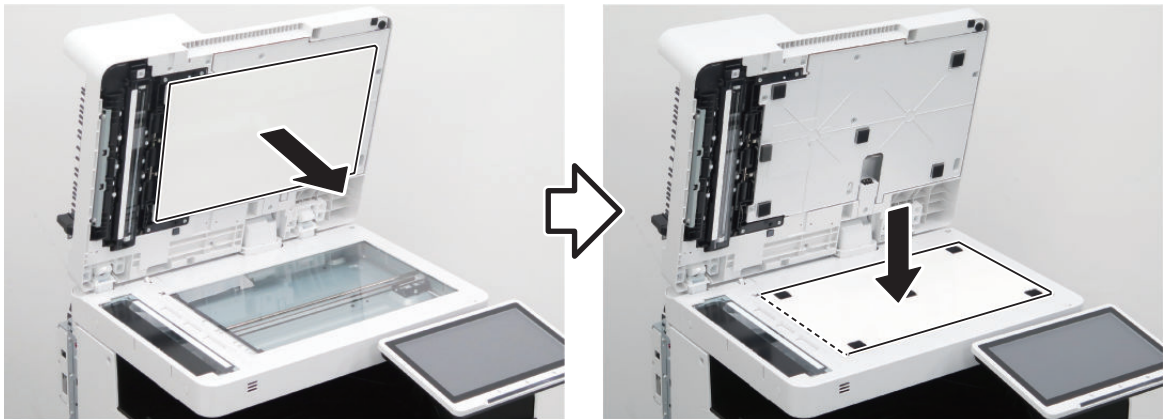
14.



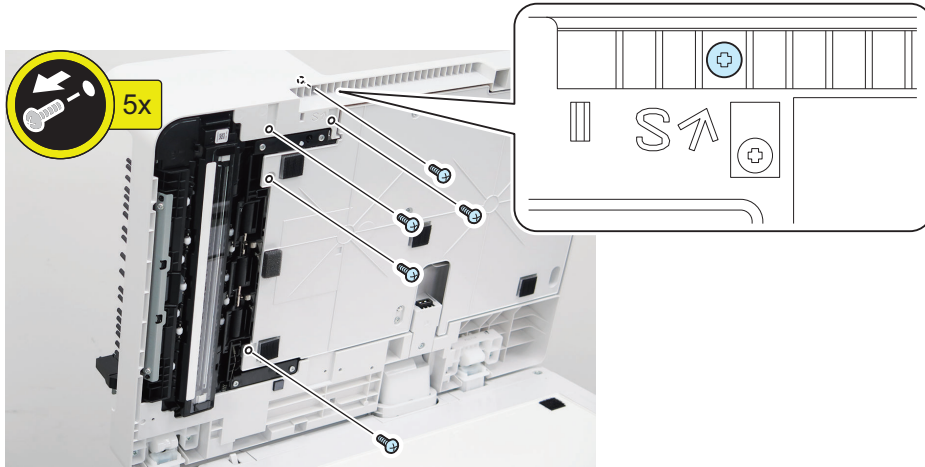
15.



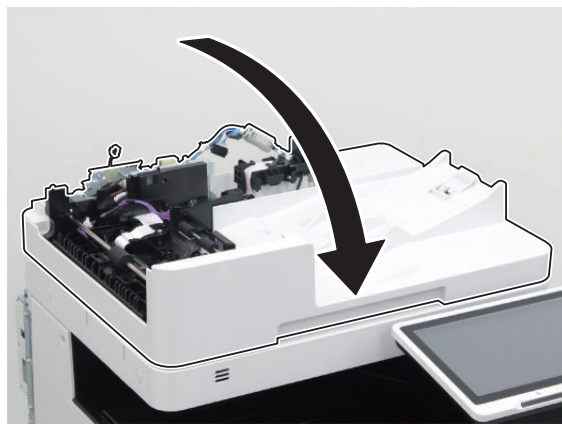
16.



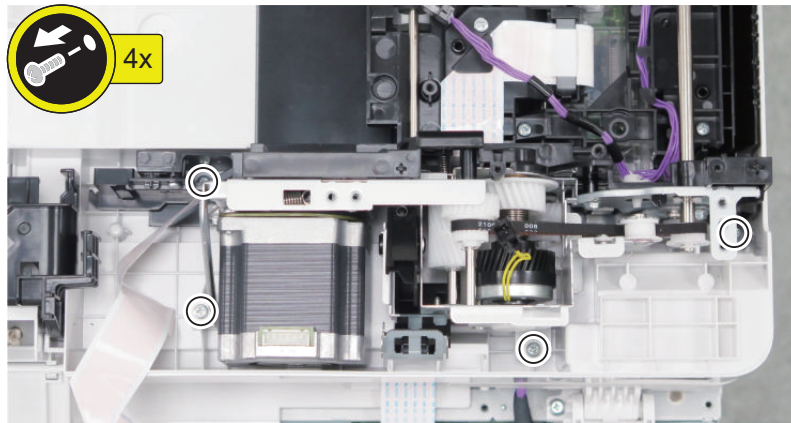
17.



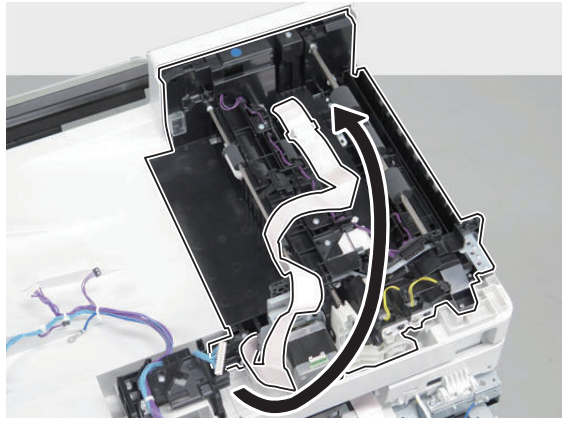
18.



19.



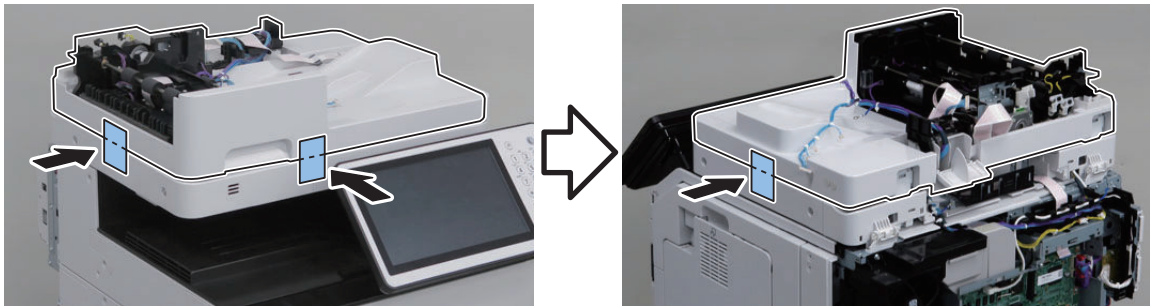
20.



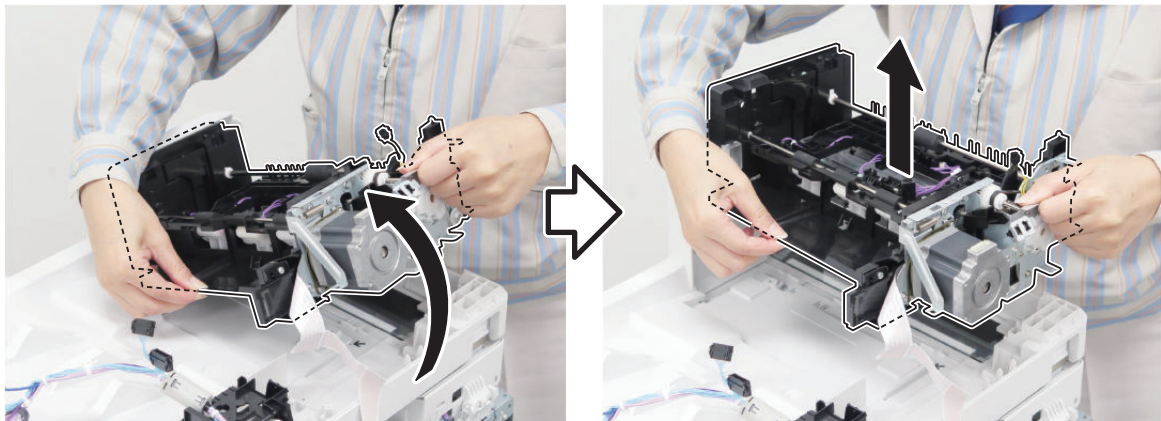
21.

CAUTION:

Be careful of the ADF as it opens abruptly when the Feed Frame Unit is removed.



22.

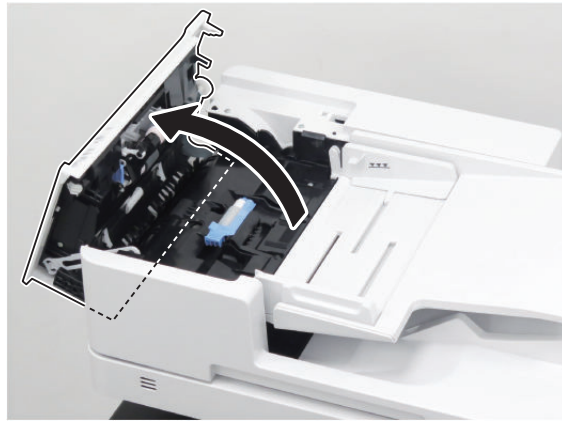


■ Preparation (With Finisher Model)

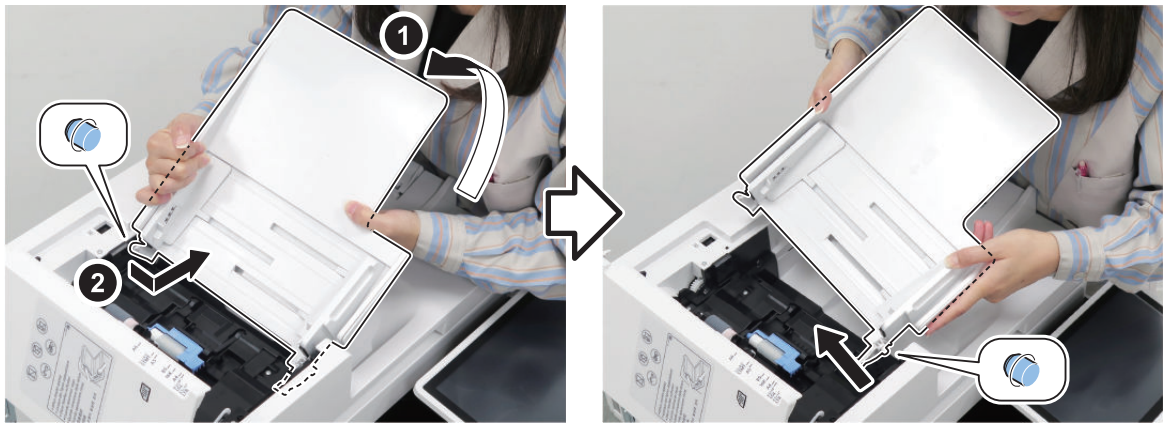
1. "Removing the Finisher Rear Cover" on page 132
2. "Removing the Rear Cover" on page 123
3. "Removing the Main Controller Sub Cover /Main Controller Cover" on page 177

■ Procedure (For Models with the Finisher)

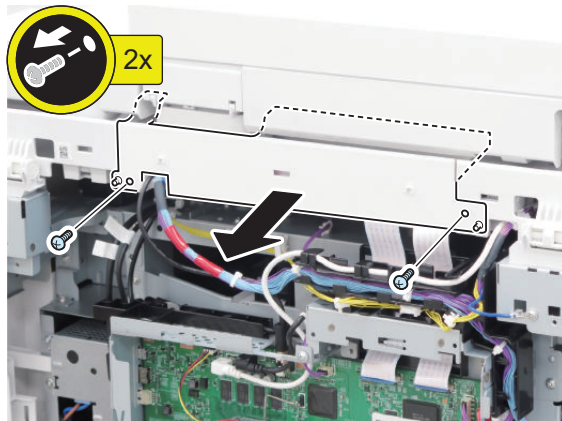
1.



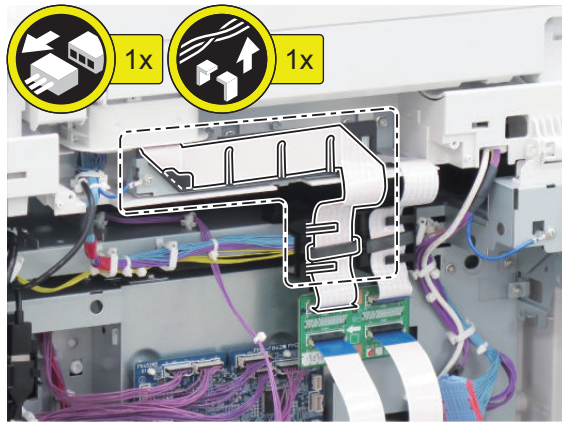
2.



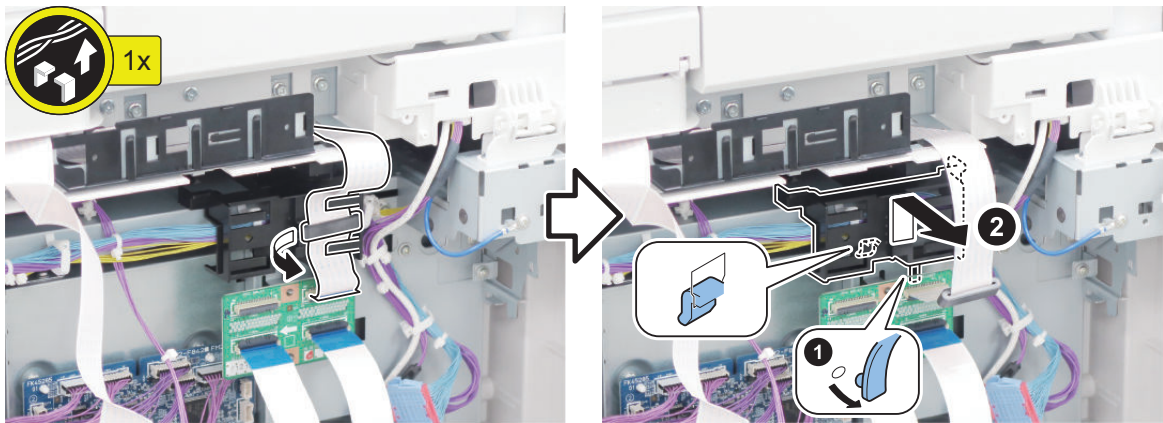
3.



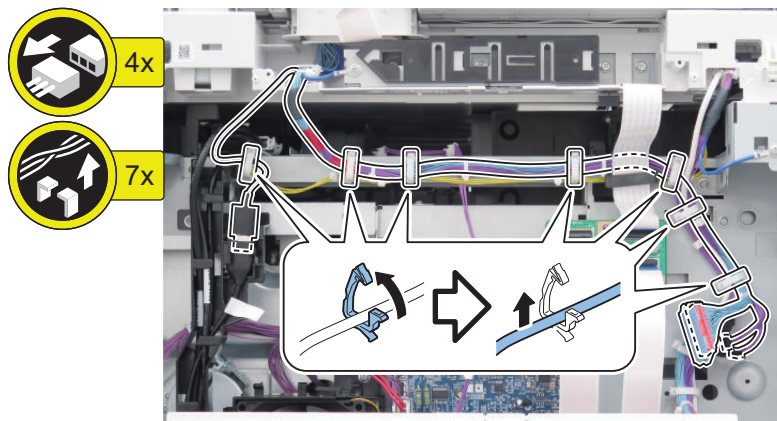
4.



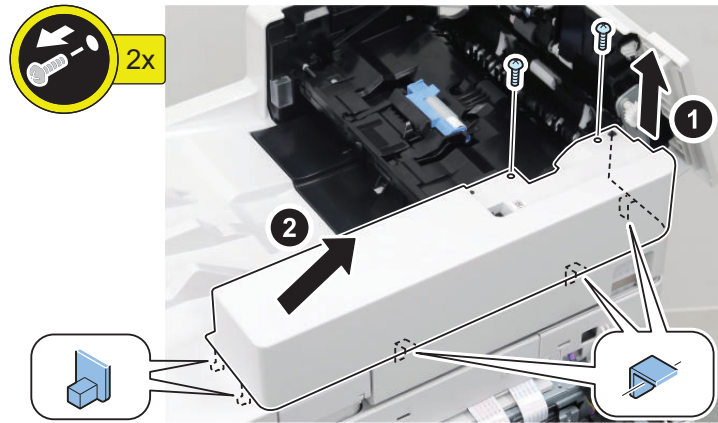
5.



6.

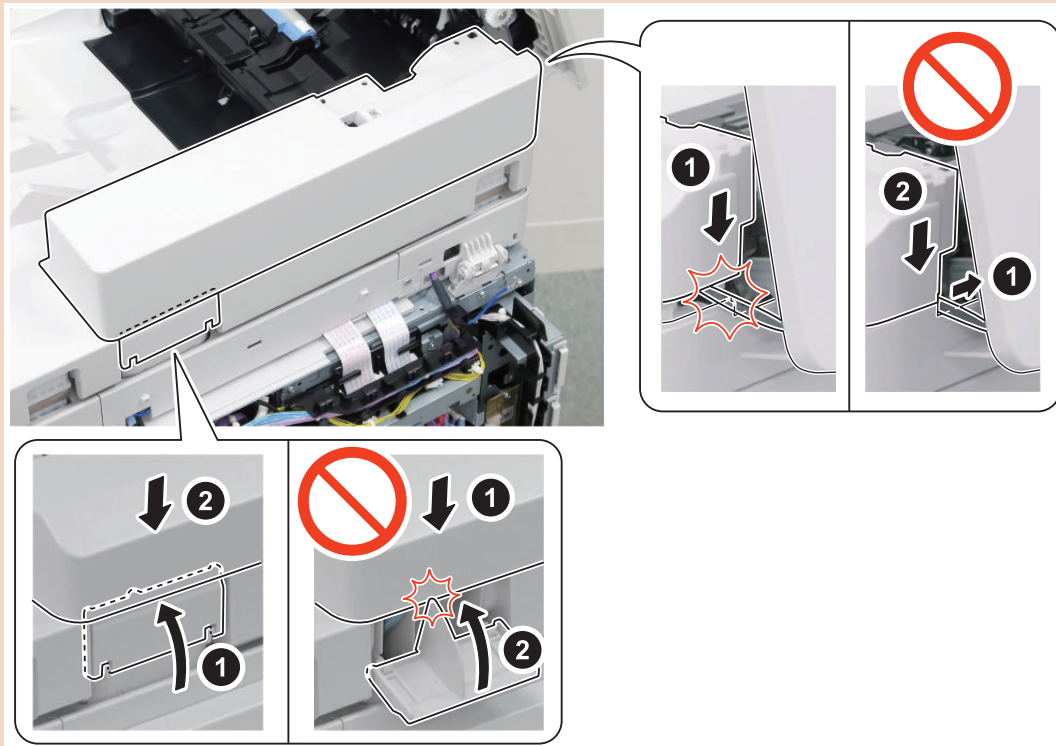


7.

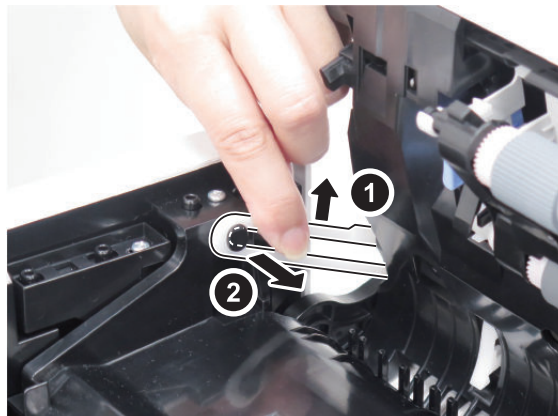


CAUTION:

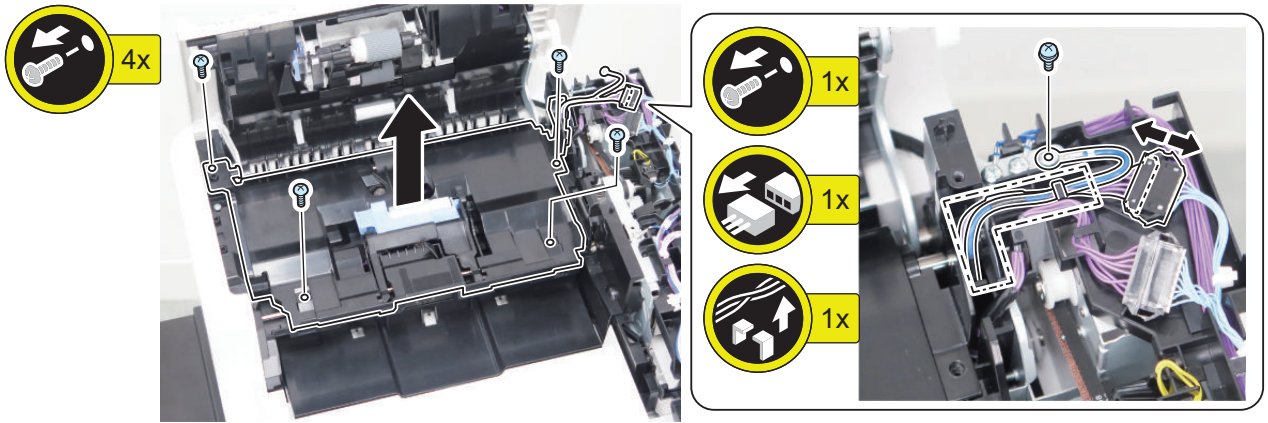
- Be careful not to trap the harness with the ADF Rear Cover.
- Close the Harness Connection Cover first, and then install the ADF Rear Cover.



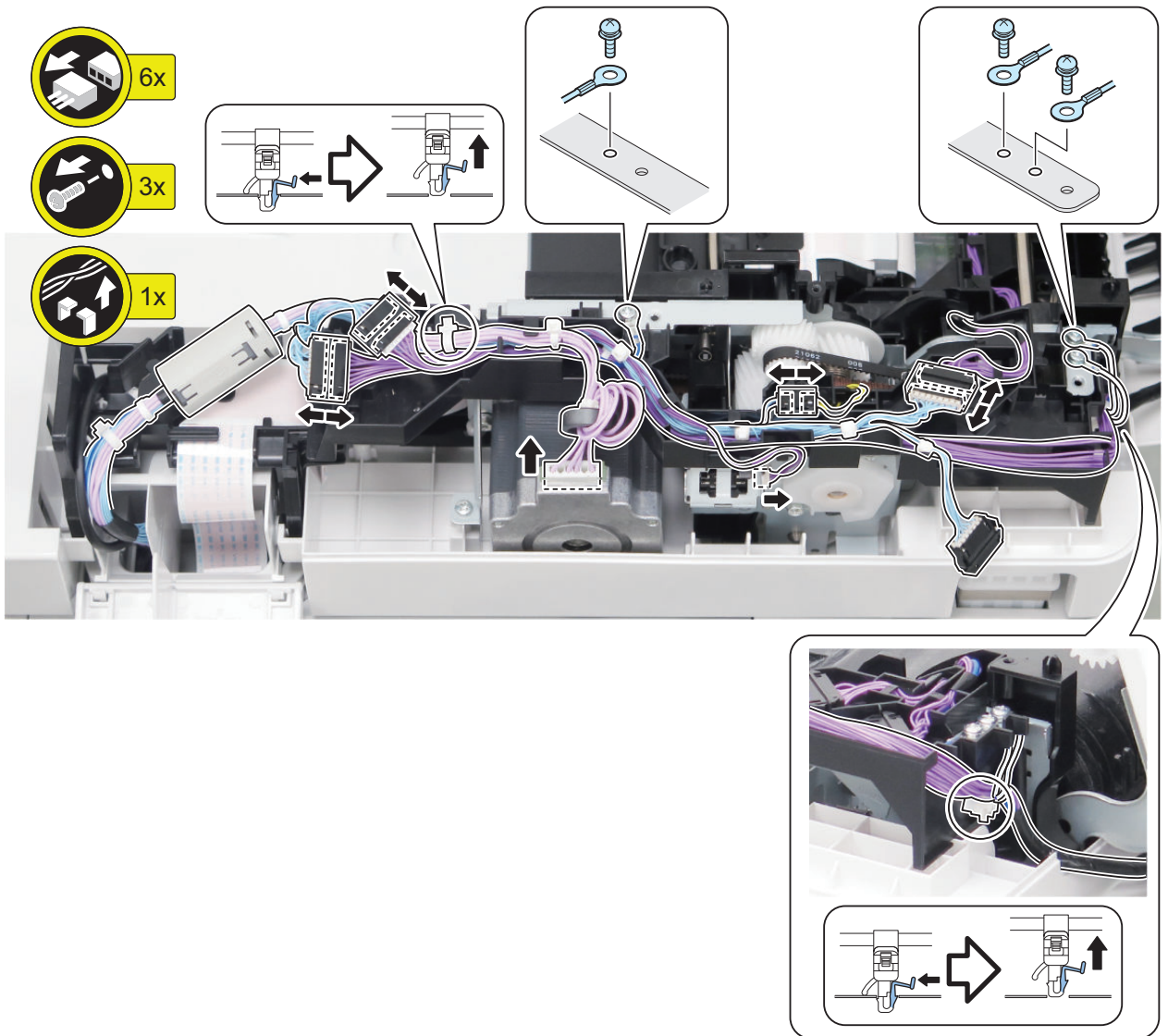
8.



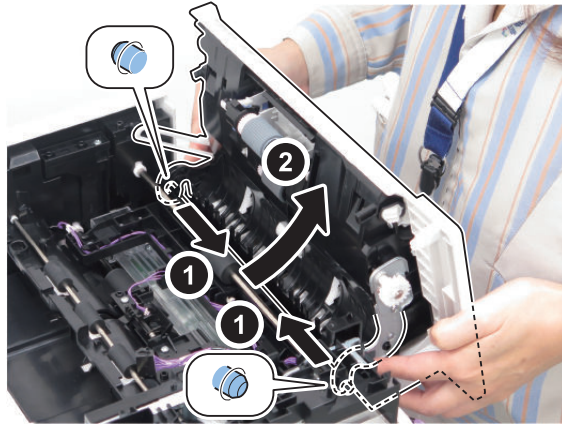
9.



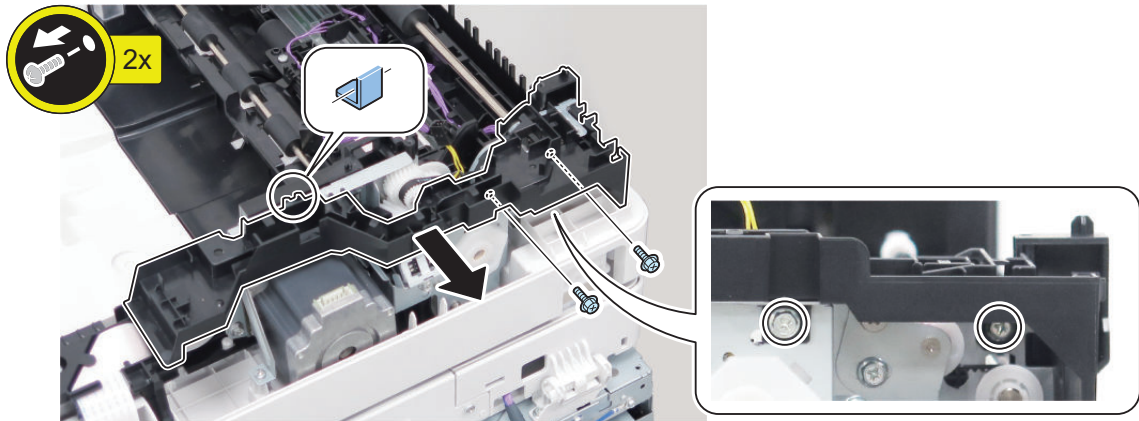
10.



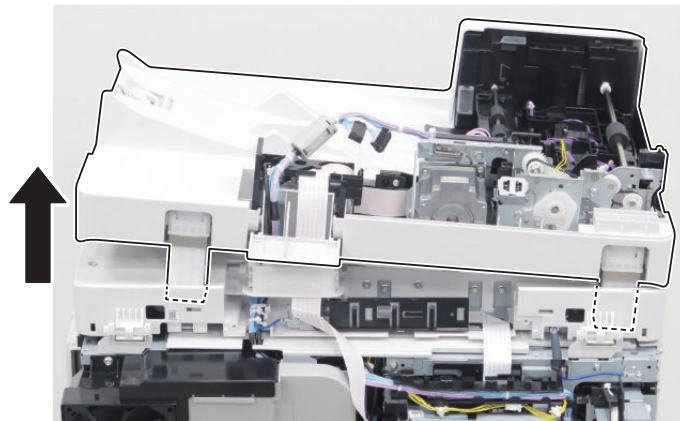
11.



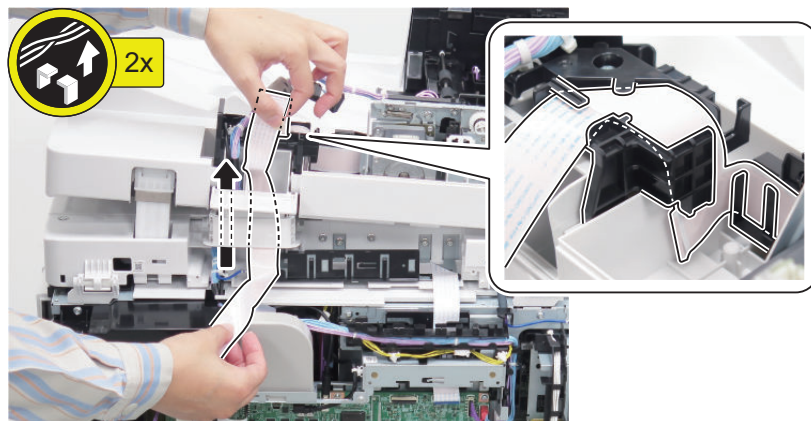
12.



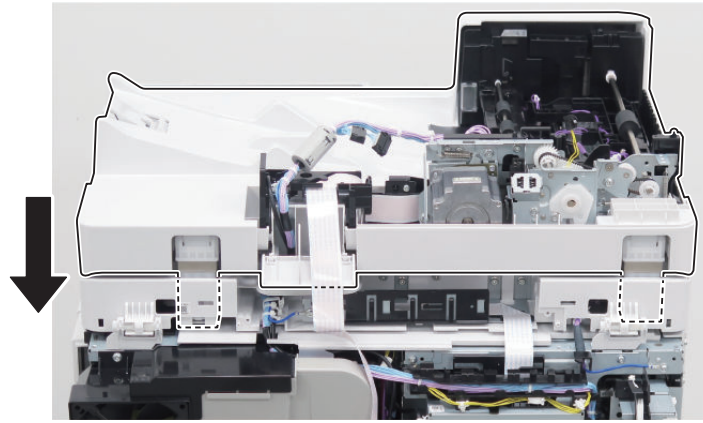
13.



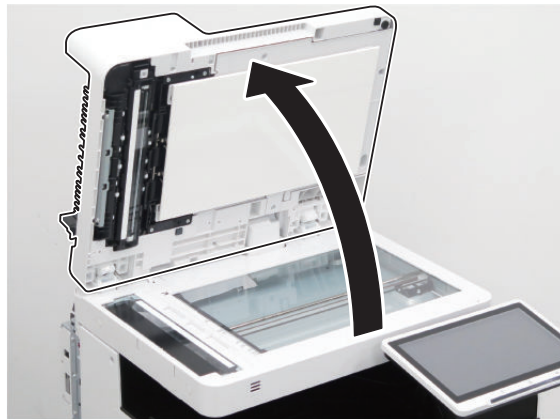
14.



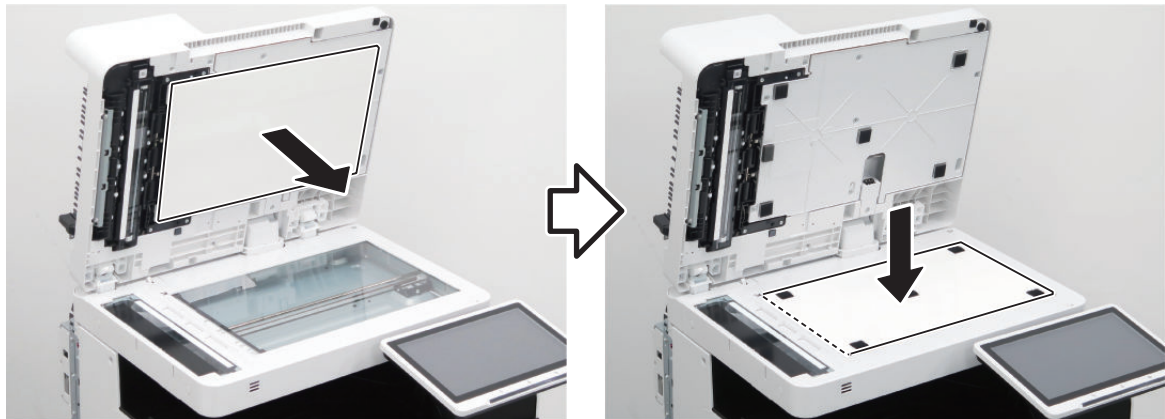
15.



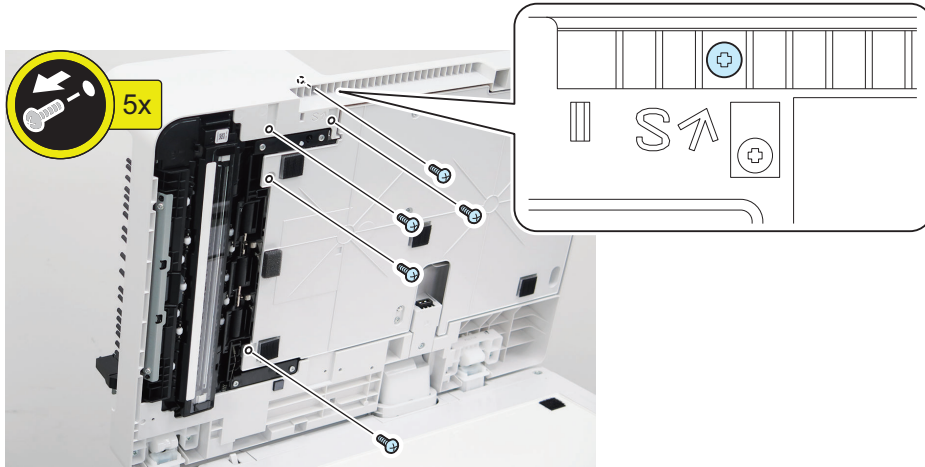
16.



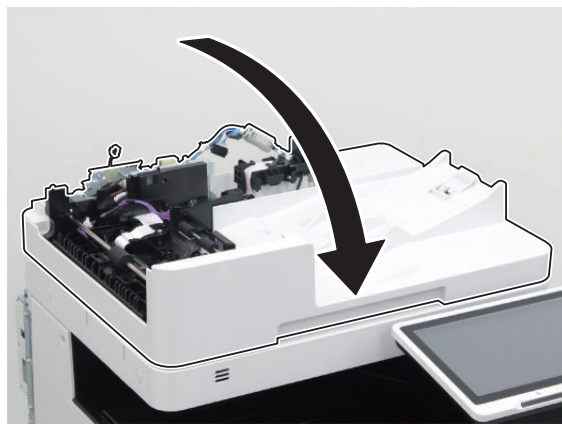
17.



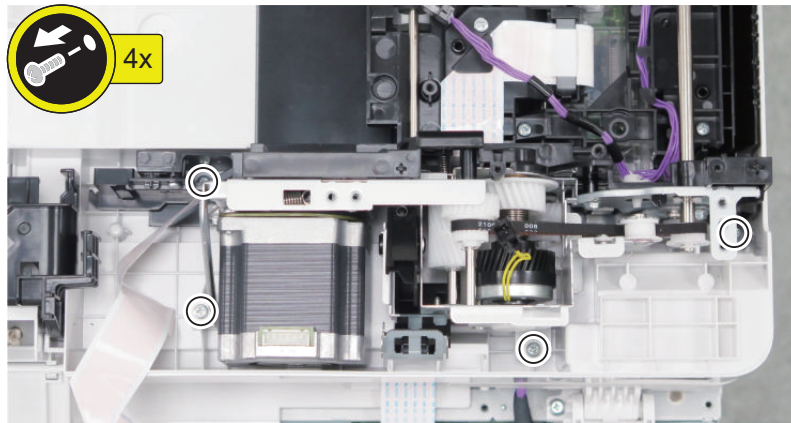
18.



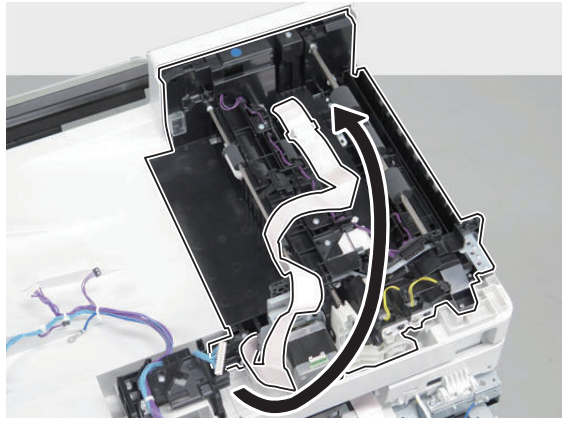
19.



20.

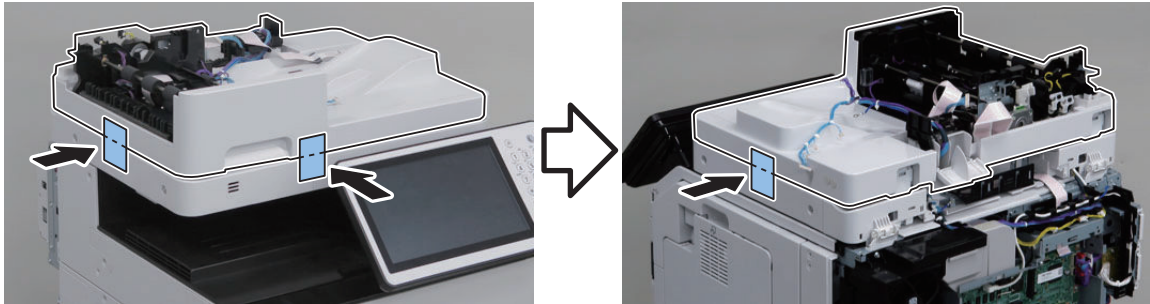


21.

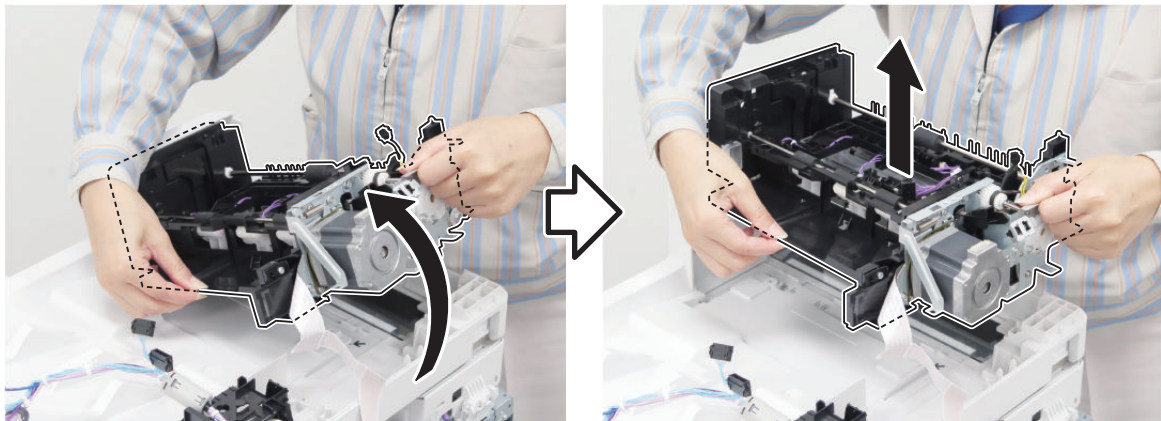


22.

CAUTION:
Be careful of the ADF as it opens abruptly when the Feed Frame Unit is removed.



23.



● Removing the Copyboard Glass Unit

■ Procedure

CAUTION:

- When removing the Copyboard Glass, be careful not to touch the 2 glass surfaces.
- If the surfaces become dirty, clean it with the Glass Cleaning Sheet.



1.



2.



3. Actions after Parts Replacement

“After Replacing the Copyboard Glass” on page 254

● Removing the Scanner Unit (Front)

■ Preparation

1. "Removing the Copyboard Glass Unit" on page 170

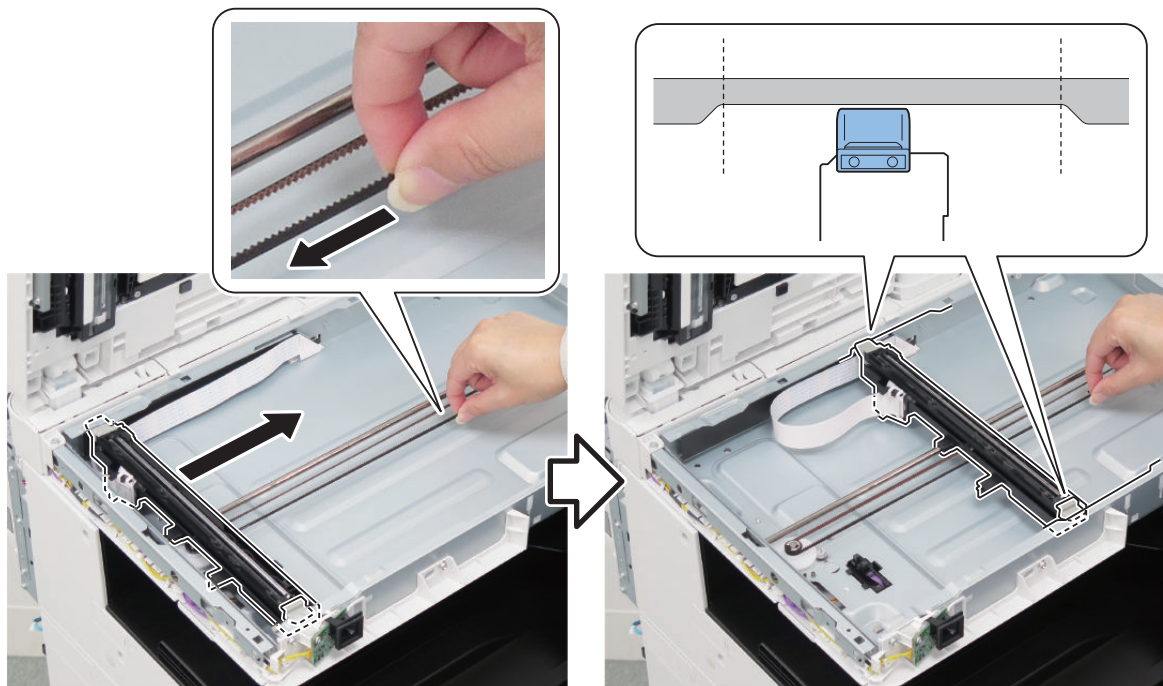
■ Procedure

CAUTION:

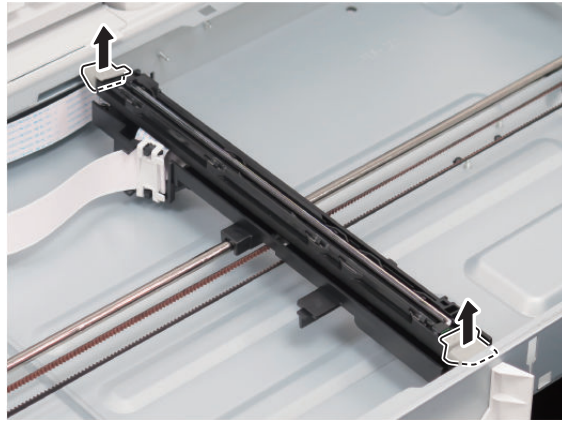
Be careful not to touch the sensor part of the Scanner Unit (Front) when disassembling/assembling.



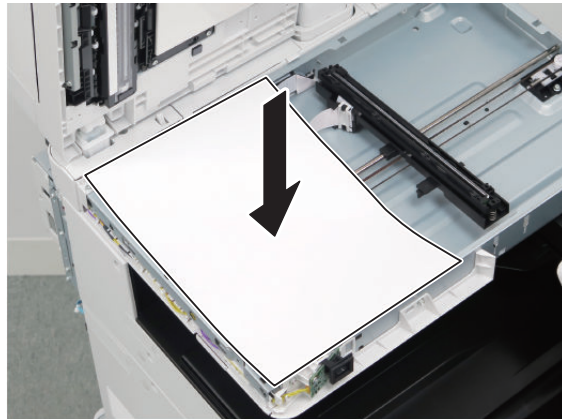
1.



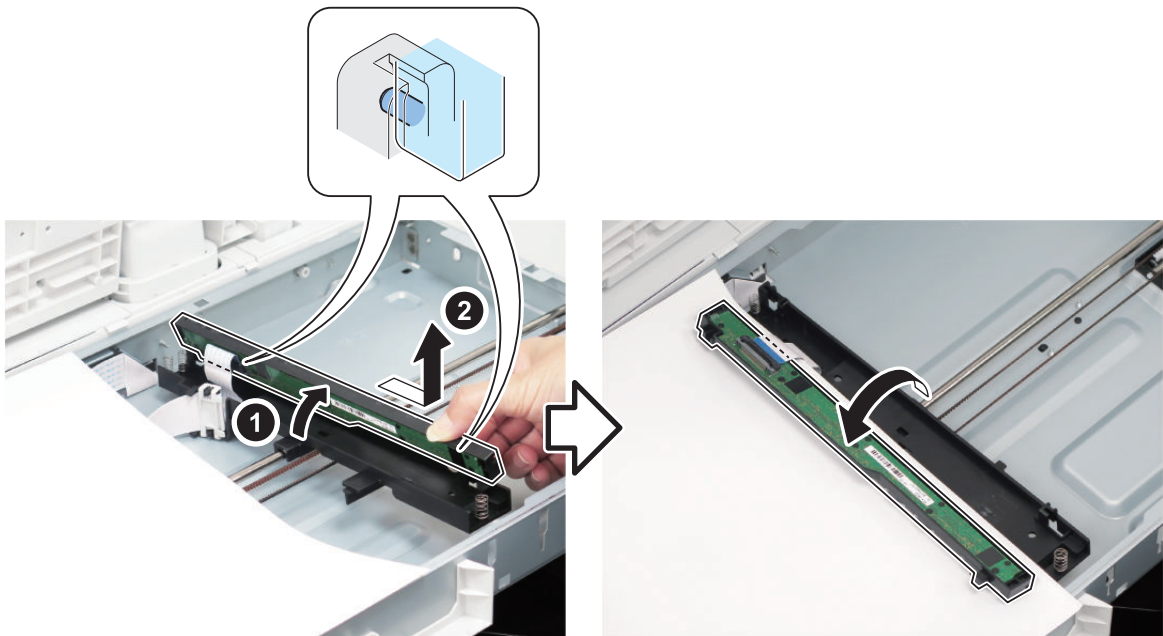
2.



3.



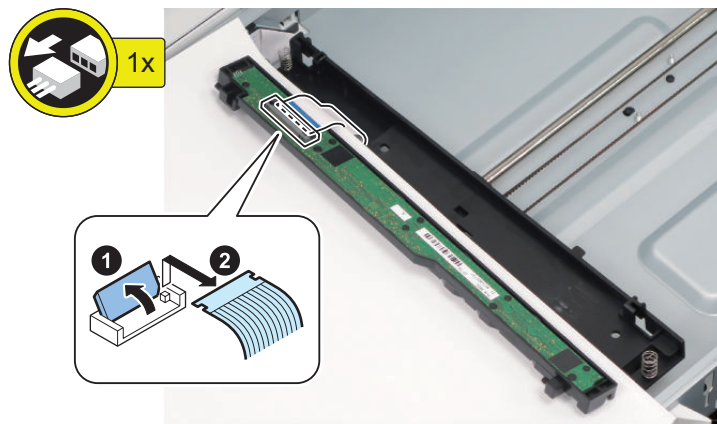
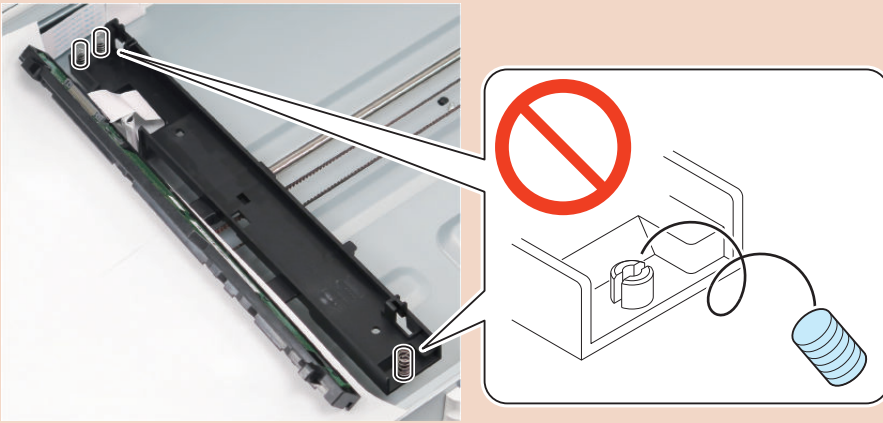
4.



5.

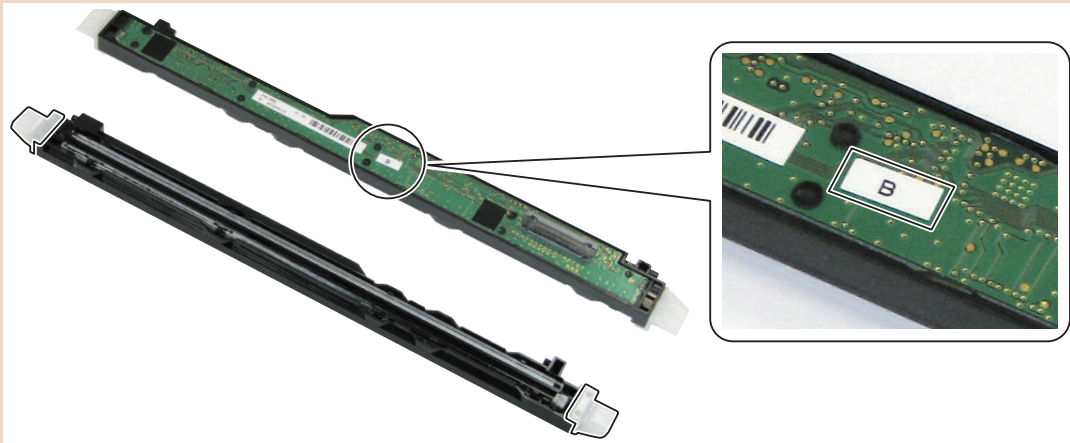
CAUTION:

Be careful not to drop the spring(s) when replacing the part.



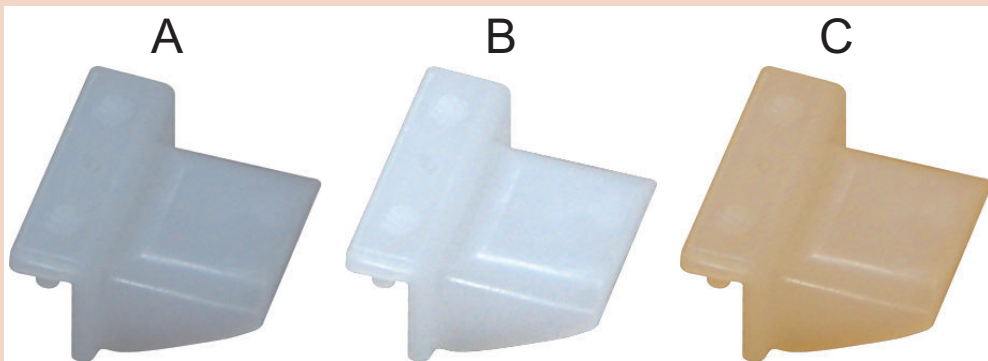
CAUTION:

When replacing the Scanner Unit (Front), be sure to replace the Scanner Unit (Front) and the Spacers, which are included in the package of the service part, at the same time. If different spacers are used, image reading error may occur.



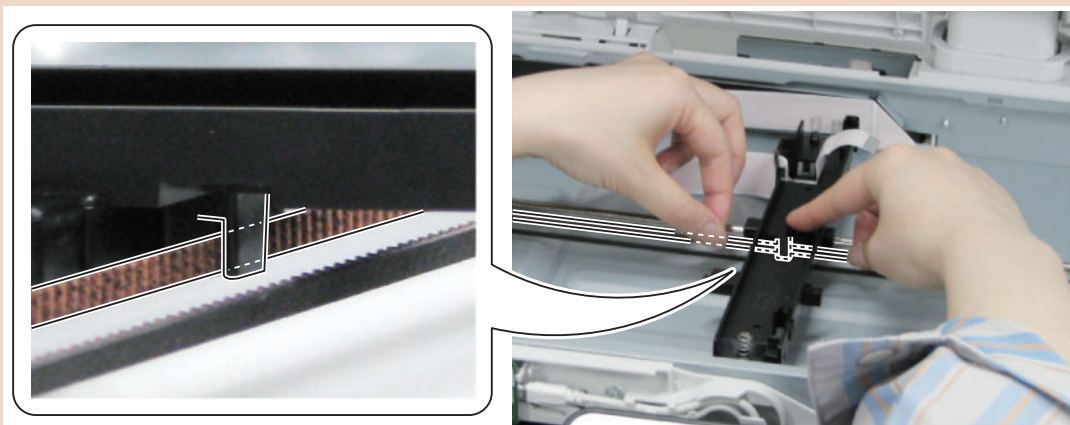
- If the Spacers are mixed or lost, be sure to check the Scanner Unit Rank Label being used and use the Spacers appropriate for the rank of the Scanner Unit (Front).
- There are three ranks available for the Scanner Unit (Front), and there are spacers suitable for each rank.

Rank	Color of the Spacer
A	Gray
B	White
C	Brown



CAUTION:

Be sure that the groove of the Scanner Unit Holder is hooked on the belt when assembling.



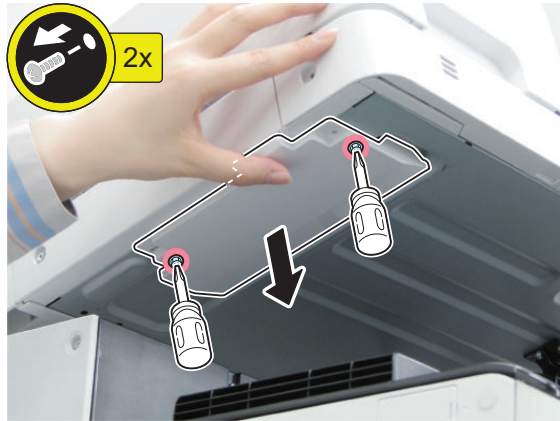
6. Adjustment after Replacement

“After Replacing the Scanner Unit (Front)” on page 254

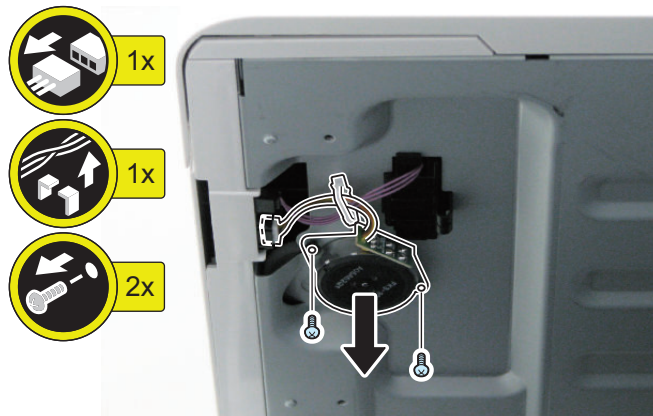
● Removing the Reader Motor

■ Procedure

1.



2.



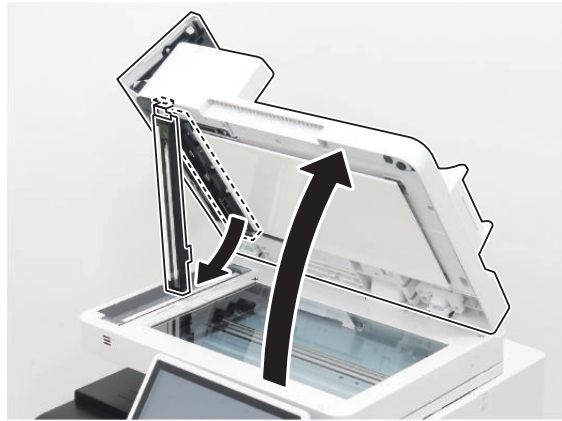
● Removing the CIS Holder

■ Preparation

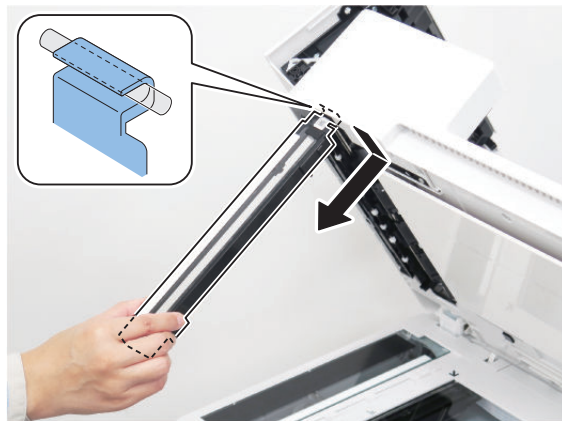
1. “Removing the Scanner Unit (Back)” on page 146

■ Procedure

1.



2.



Controller System

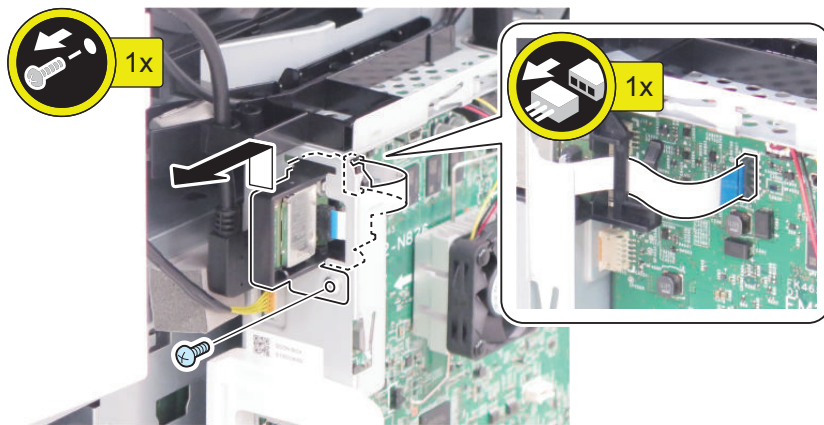
● Removing the Wi-Fi PCB

■ Preparation

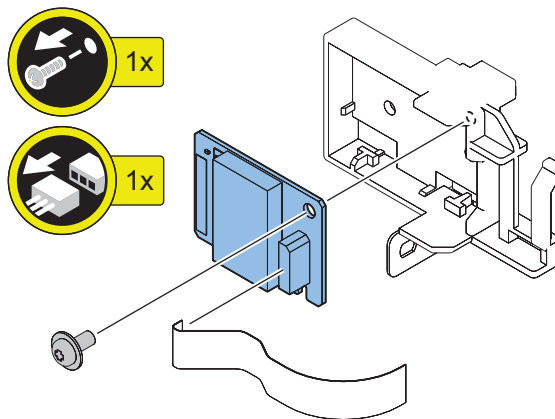
1. “Removing the Rear Cover” on page 123
2. “Removing the Left Rear Cover” on page 124

■ Procedure

1.



2.



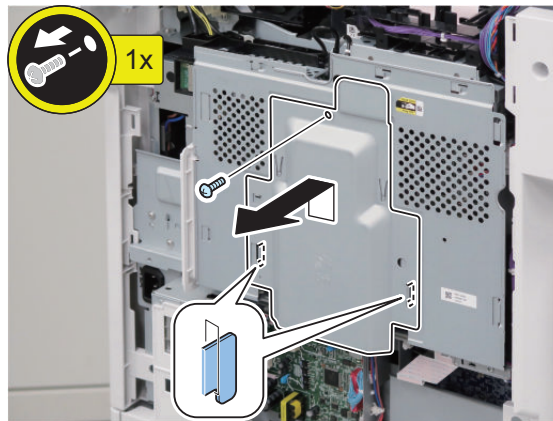
● Removing the Main Controller Sub Cover /Main Controller Cover

■ Preparation

1. “Removing the Rear Cover” on page 123

■ Procedure

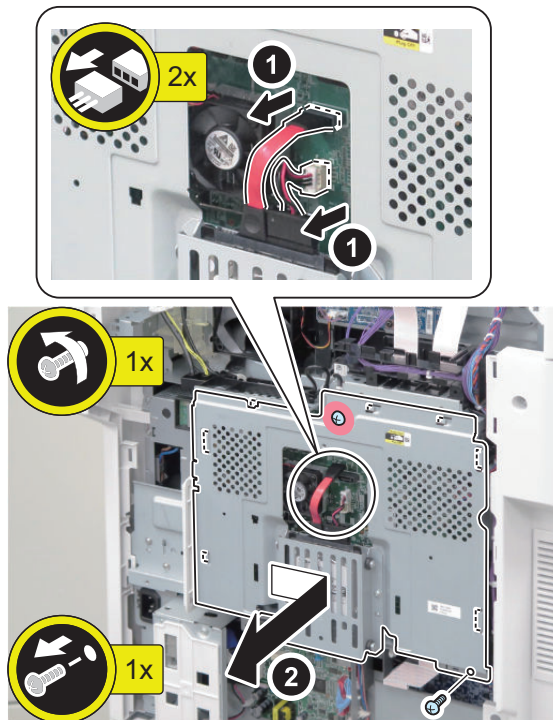
1.



2.

CAUTION:

When handling the HDD, be careful not to vibrate or drop it.



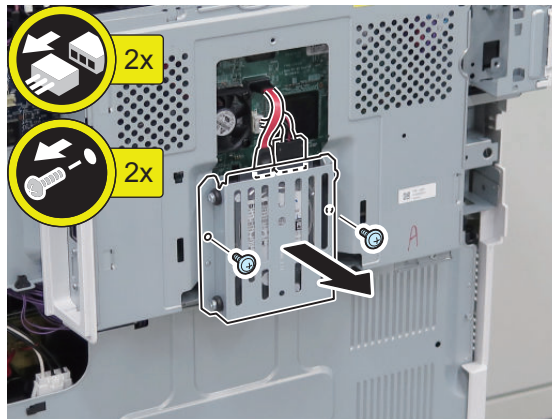
● Removing the HDD

■ Preparation

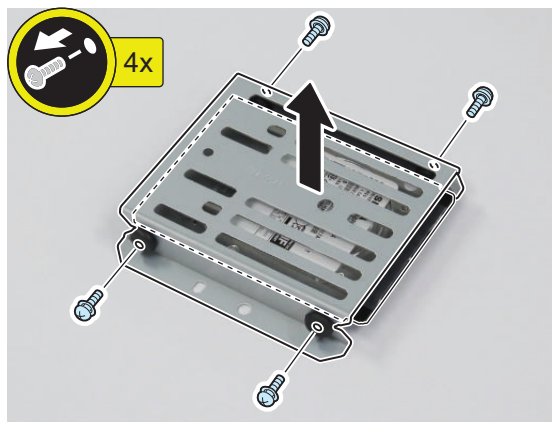
1. “Removing the Rear Cover” on page 123
2. “Removing the Main Controller Sub Cover /Main Controller Cover” on page 177

■ Procedure

1.



2.



3.

Actions at Parts Replacement [“Actions after Parts Replacement ” on page 253](#)

● Removing the Main Controller PCB

■ Preparation

1. [“ Removing the Rear Cover” on page 123](#)
2. [“ Removing the Left Rear Cover” on page 124](#)
3. [“Removing the Main Controller Sub Cover /Main Controller Cover” on page 177](#)
4. [“Removing the FAX Unit” on page 184](#)

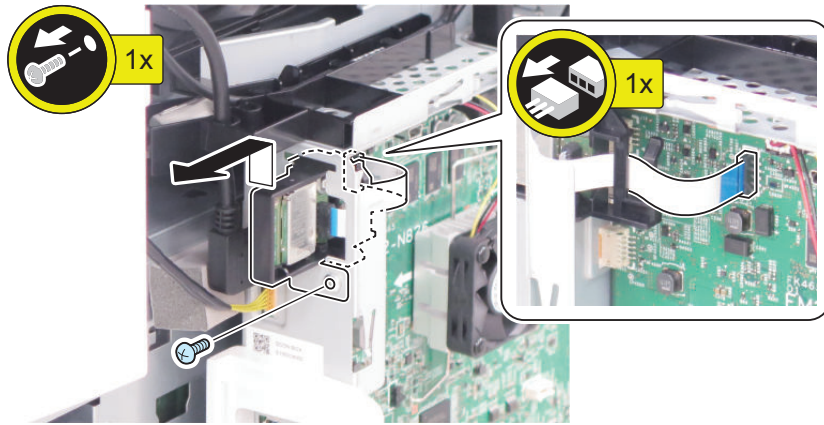
■ Procedure

CAUTION:

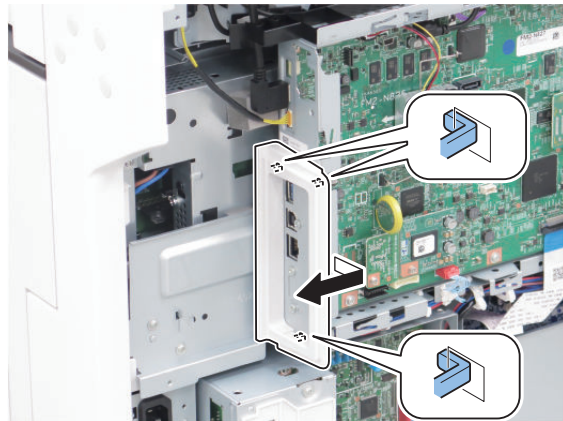
Do not transfer the following parts to another machine with a different serial number.

- Main Controller PCB
- Memory PCB
- TPM PCB

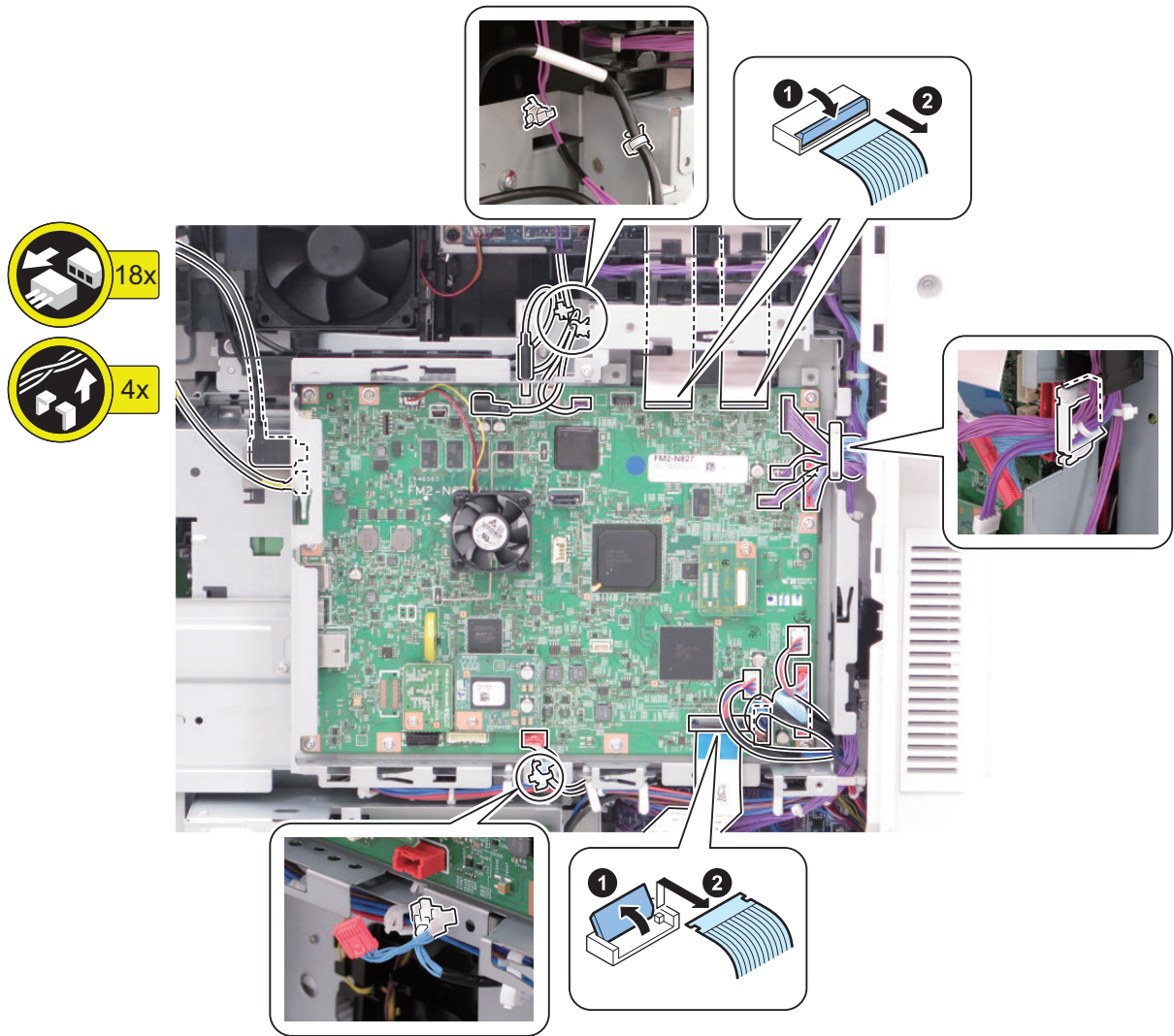
1.



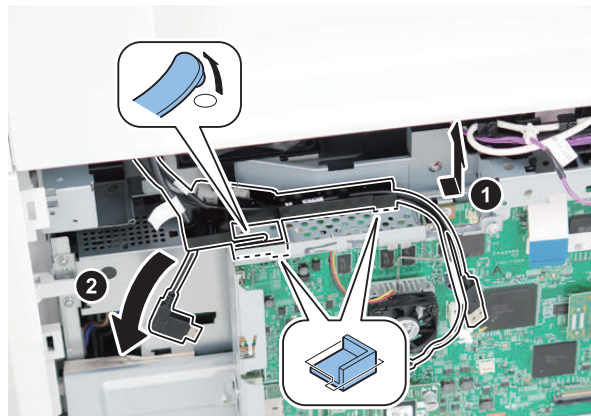
2.



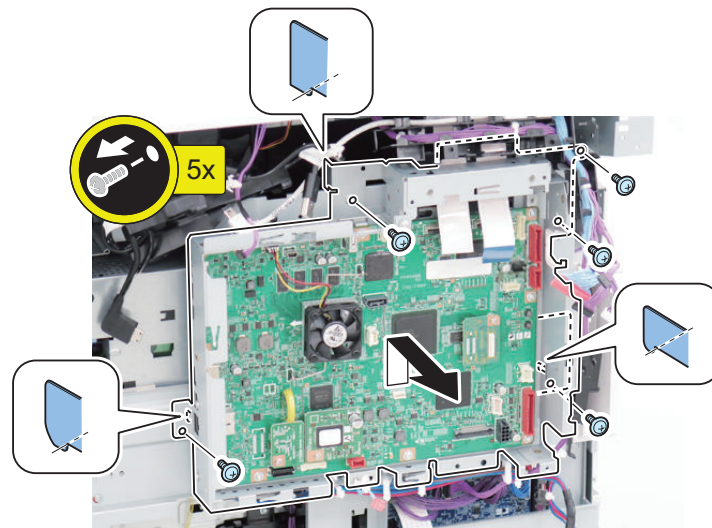
3.



4.



5.



6. Remove the parts from the old PCB and install them to the new PCB.

- TPM PCB
- Memory PCB

7. Actions after parts replacement : [“Main Controller PCB” on page 248](#)

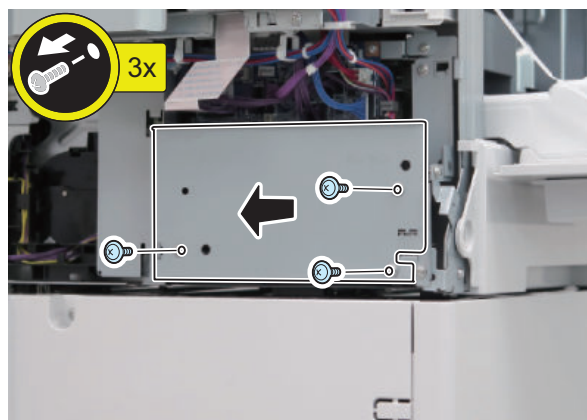
● Removing the Low-Voltage Power Supply PCB

■ Preparation

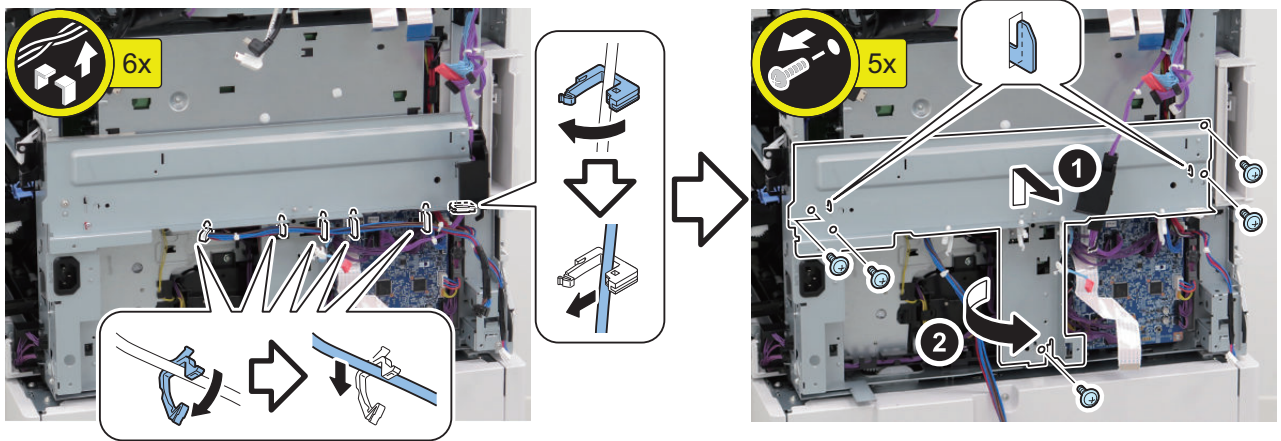
1. [“ Removing the Fixing Assembly” on page 208](#)
2. [“ Removing the Rear Cover” on page 123](#)
3. [“ Removing the Left Rear Cover” on page 124](#)
4. [“Removing the Inlet Cover” on page 125](#)
5. [“ Removing the Main Controller PCB” on page 179](#)

■ Procedure

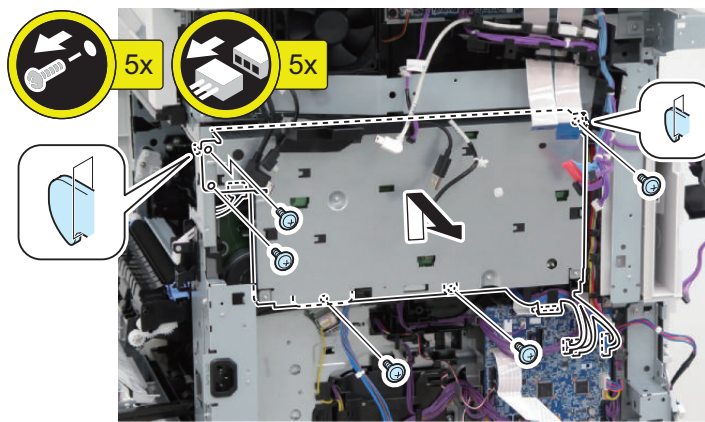
1.



2.



3.



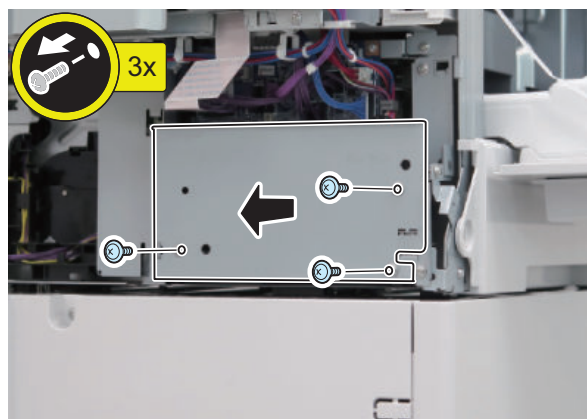
● Removing the DC Controller PCB

■ Preparation

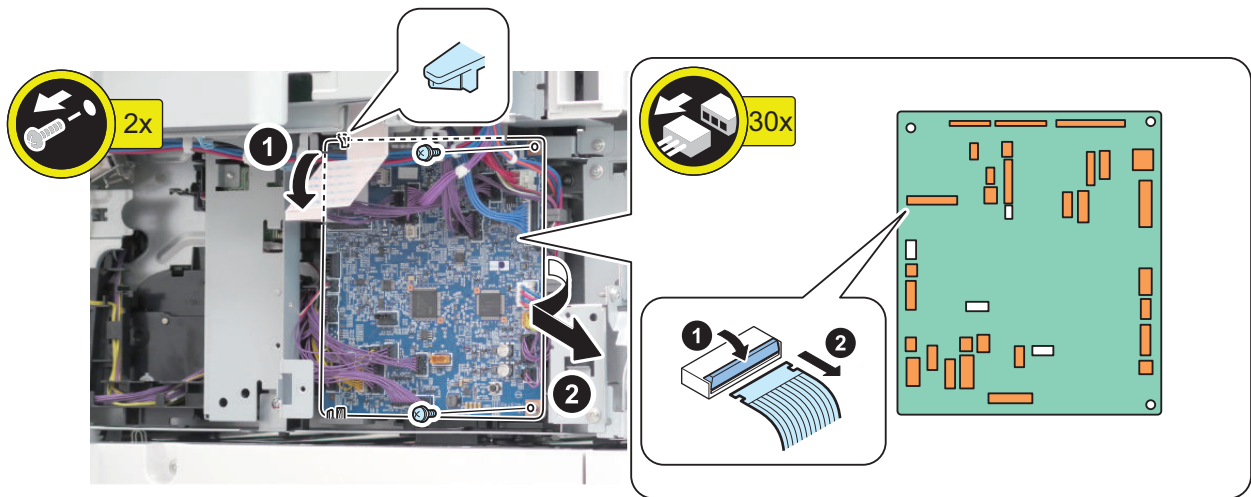
1. Actions before parts replacement : “DC Controller PCB” on page 250
2. “ Removing the Rear Cover” on page 123
3. “ Removing the Left Rear Cover” on page 124

■ Procedure

1.



2.



3. Actions after parts replacement : “DC Controller PCB” on page 250

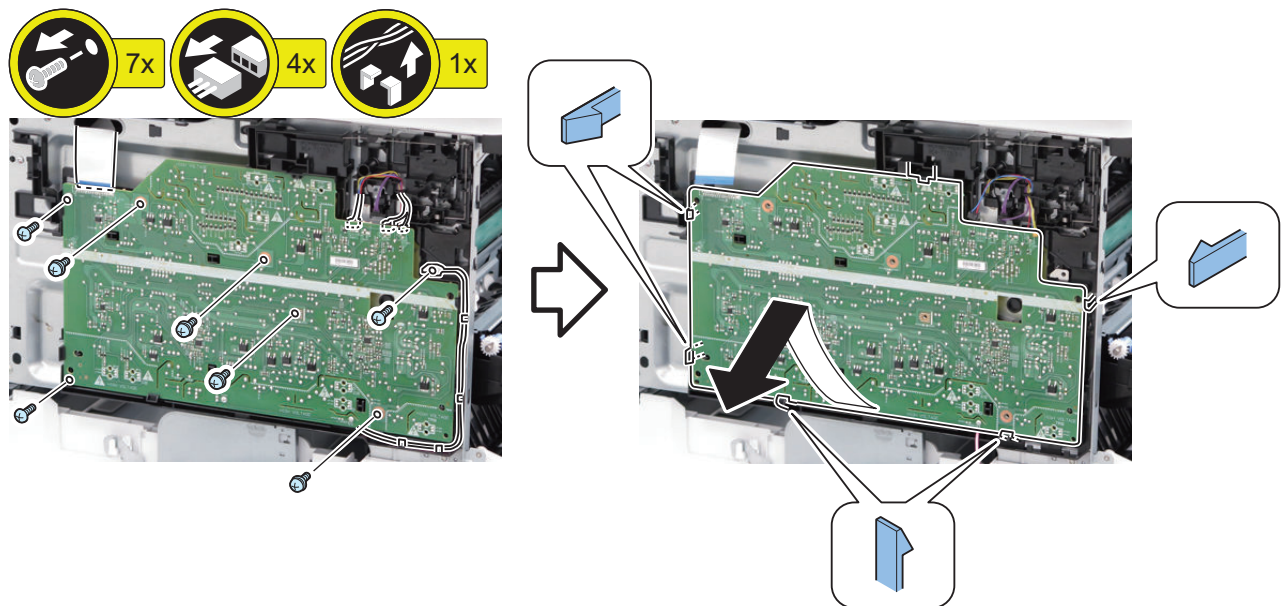
● Removing the High-Voltage Power Supply PCB

■ Preparation

1. Pull out the Cassette1.
2. “ Removing the Front Cover” on page 125

■ Procedure

1.



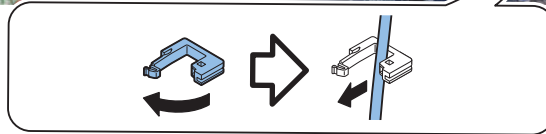
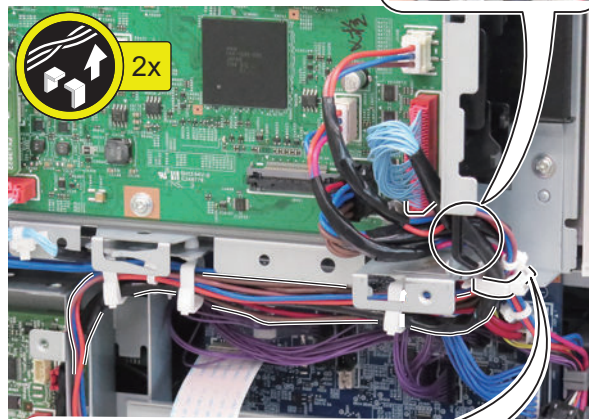
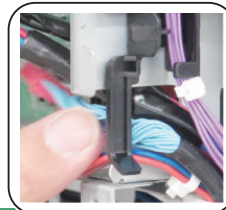
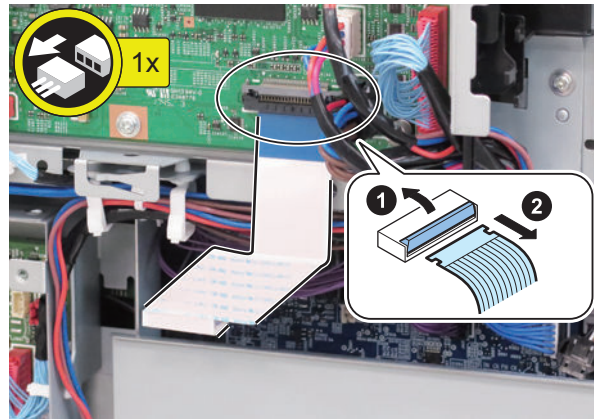
● Removing the FAX Unit

■ Preparation

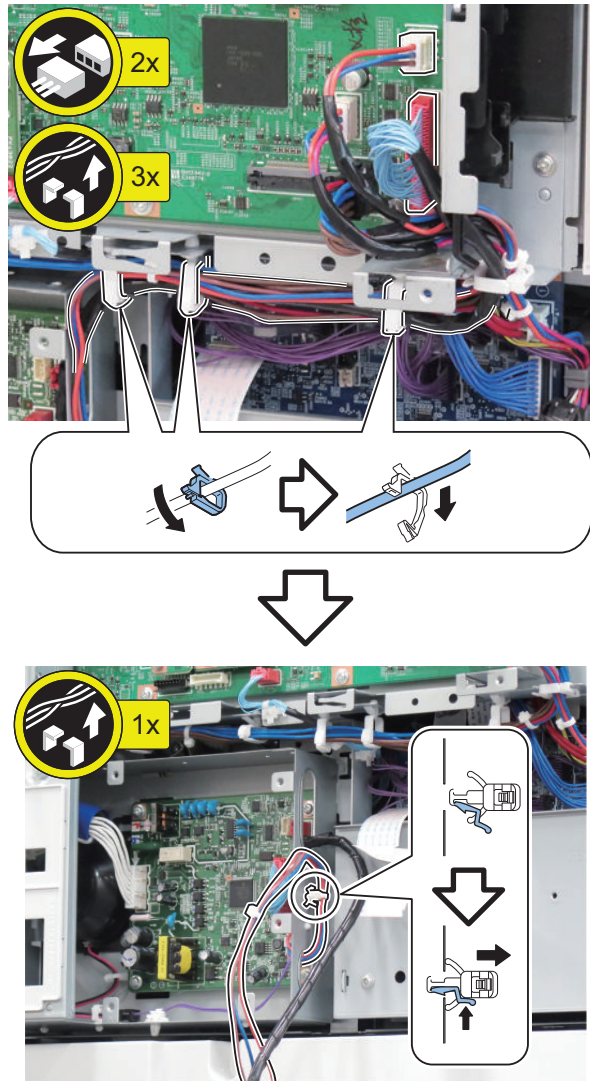
1. “ Removing the Rear Cover” on page 123
2. “ Removing the Left Rear Cover” on page 124

3. "Removing the Main Controller Sub Cover /Main Controller Cover" on page 177

■ Procedure
1.



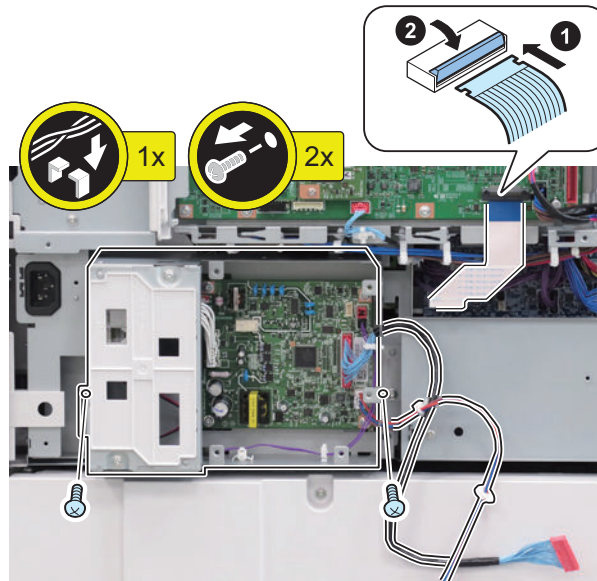
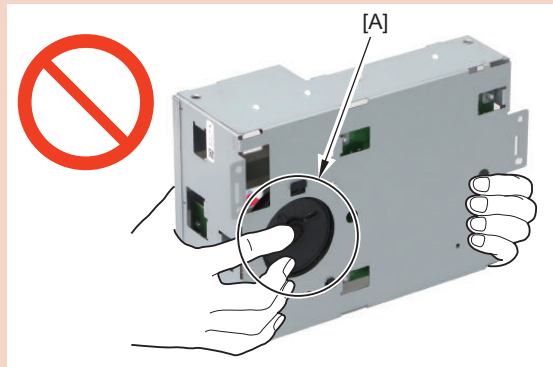
2.



3.

CAUTION:

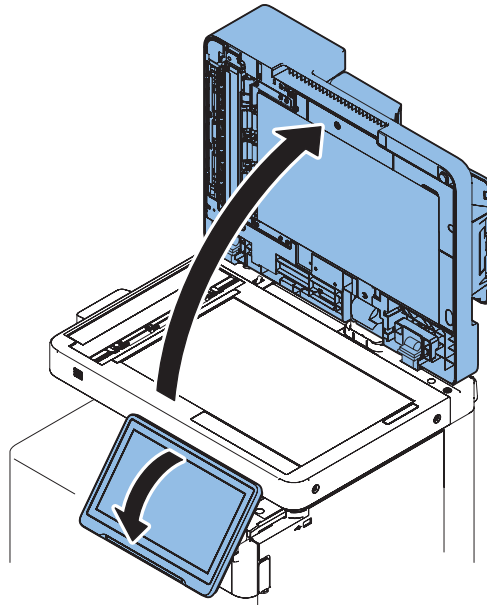
Do not touch the speaker part[A] of the Fax unit.



● Removing the Control Panel Unit

■ Procedure

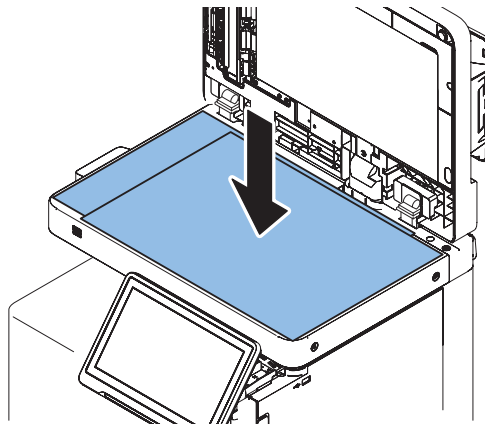
1.



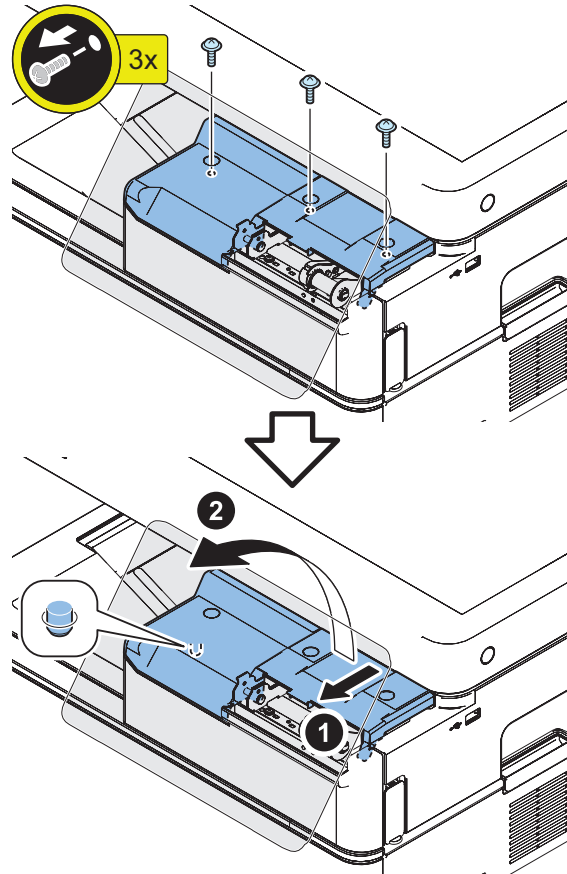
2.

CAUTION:

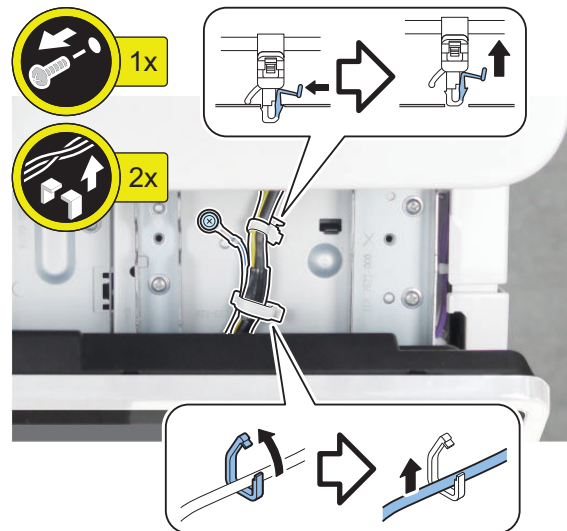
Be sure to place 5 or more sheets of paper to prevent damage.



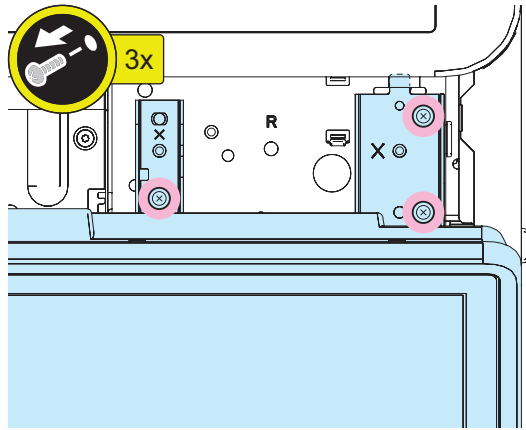
3.



4.



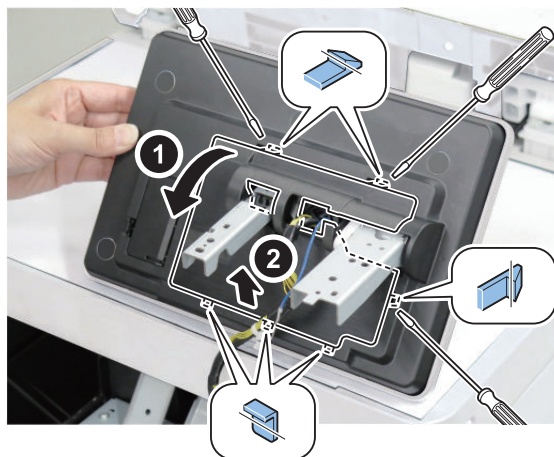
5.



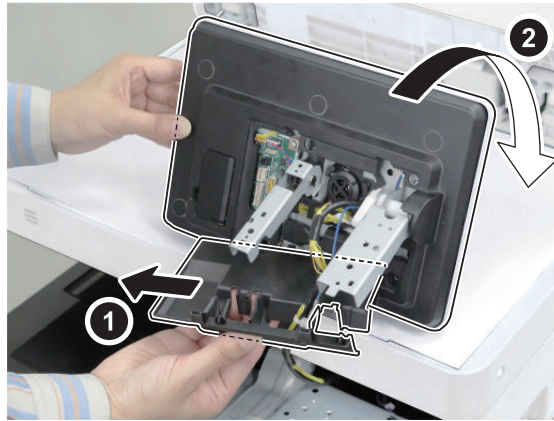
6.



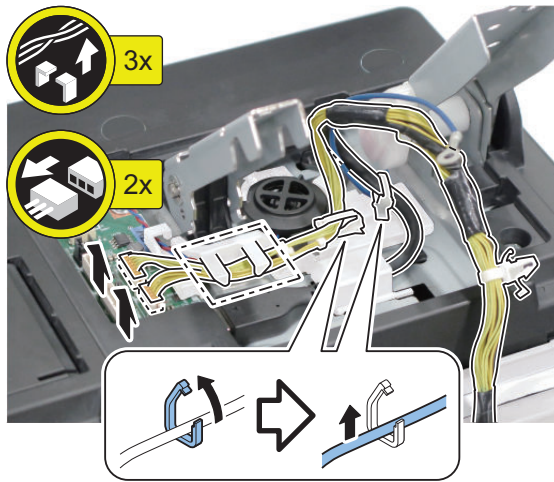
7.



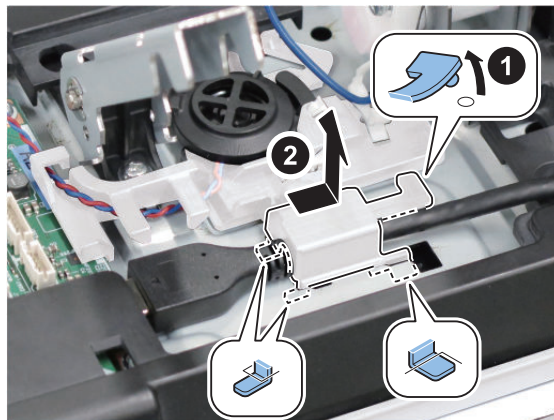
8.



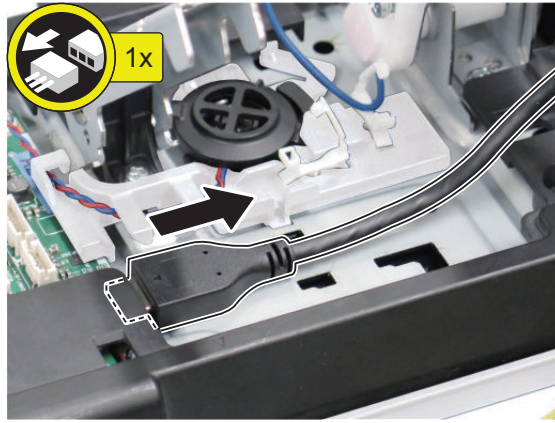
9.



10.



11.



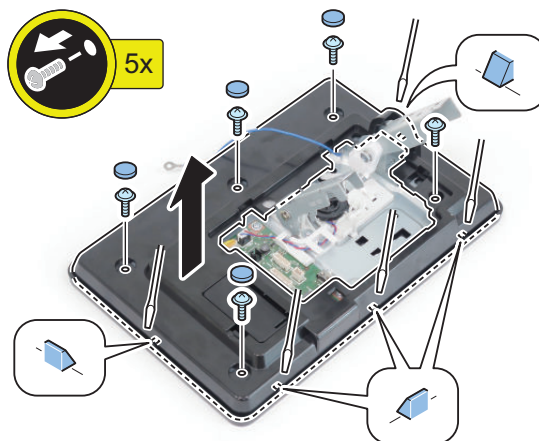
● Removing the Control Panel CPU PCB Unit/LCD Unit

■ Pre-Procedures

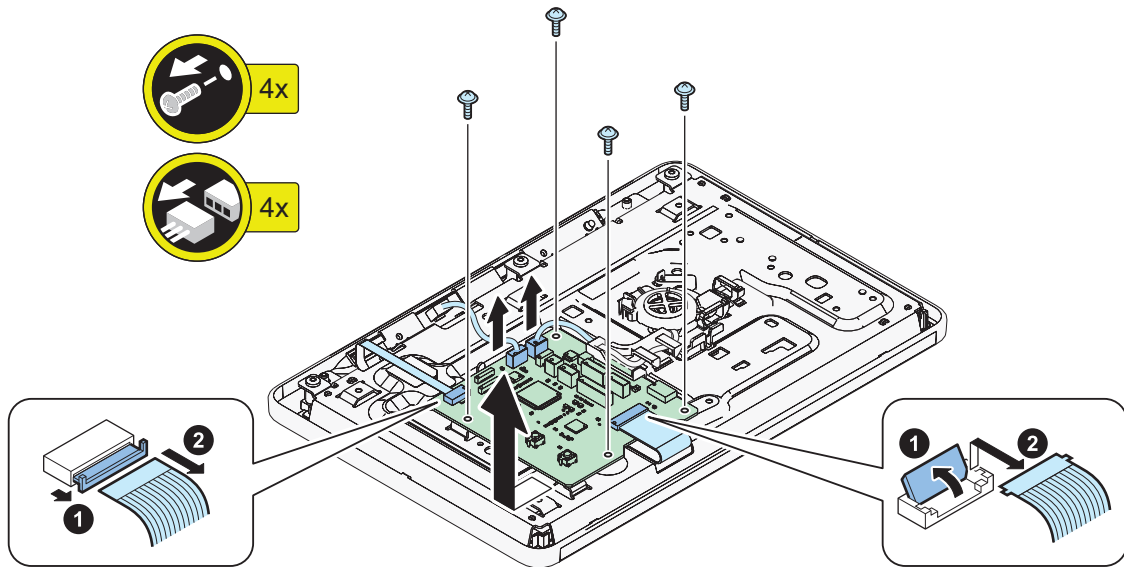
1. "Removing the Control Panel Upper Cover" on page 130
2. "Removing the Control Panel Unit" on page 188

■ Procedure

1.

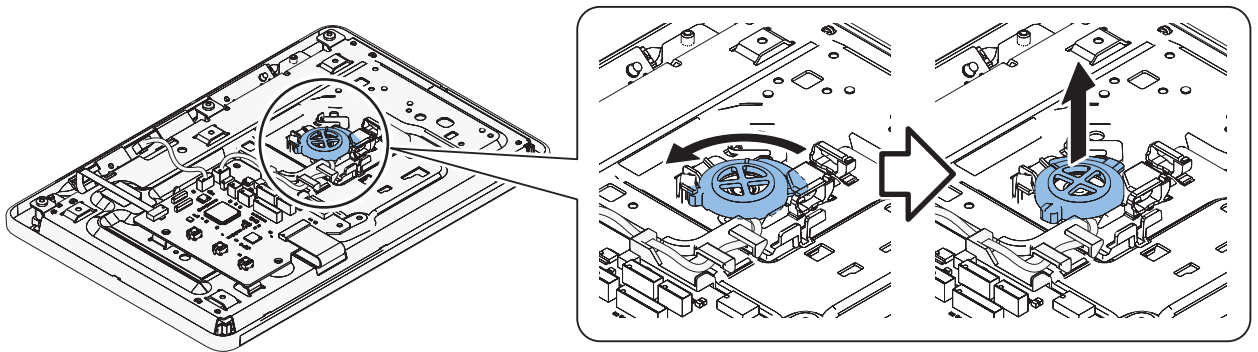


2. Removing the Control Panel CPU PCB



3. Removing the Speaker

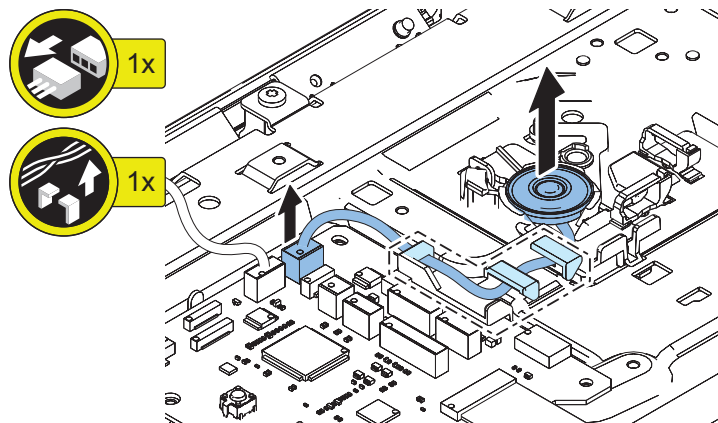
1.



2.

CAUTION:

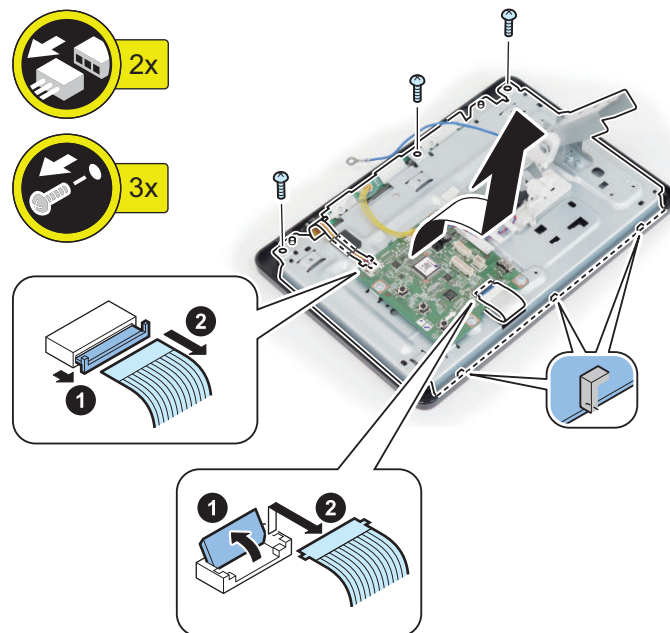
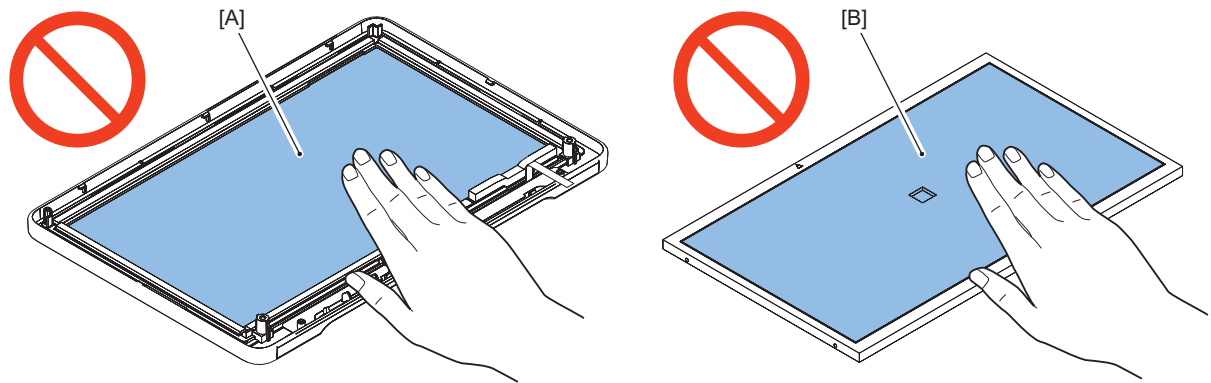
- Do not directly touch the speaker.
- Do not damage the speaker.



4. Removing the LCD Unit

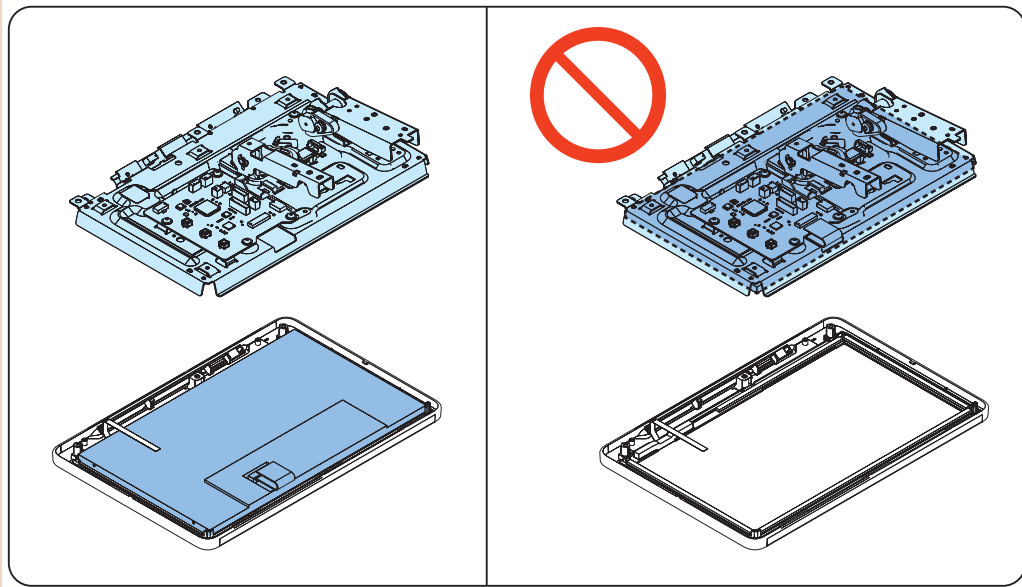
CAUTION:

Do not touch the surface of the Touch Panel [A] and LCD Unit [B] when assembling/disassembling.



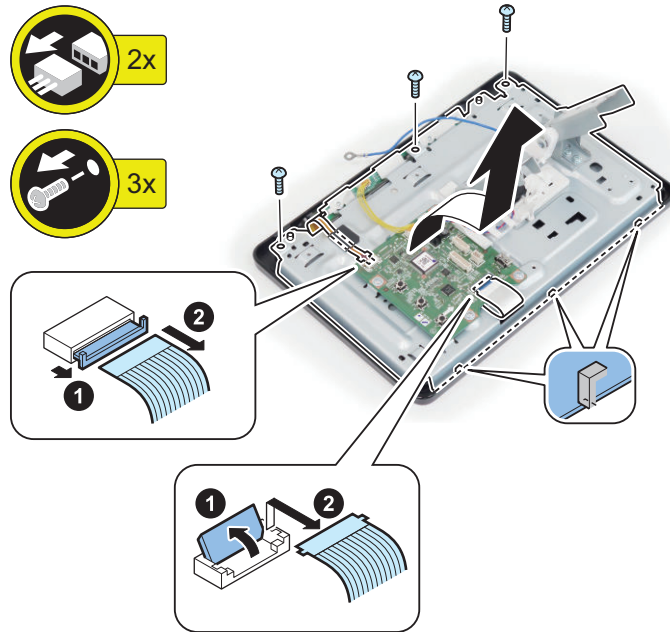
CAUTION:

Remove the Touch Panel and the LCD Unit in one set.

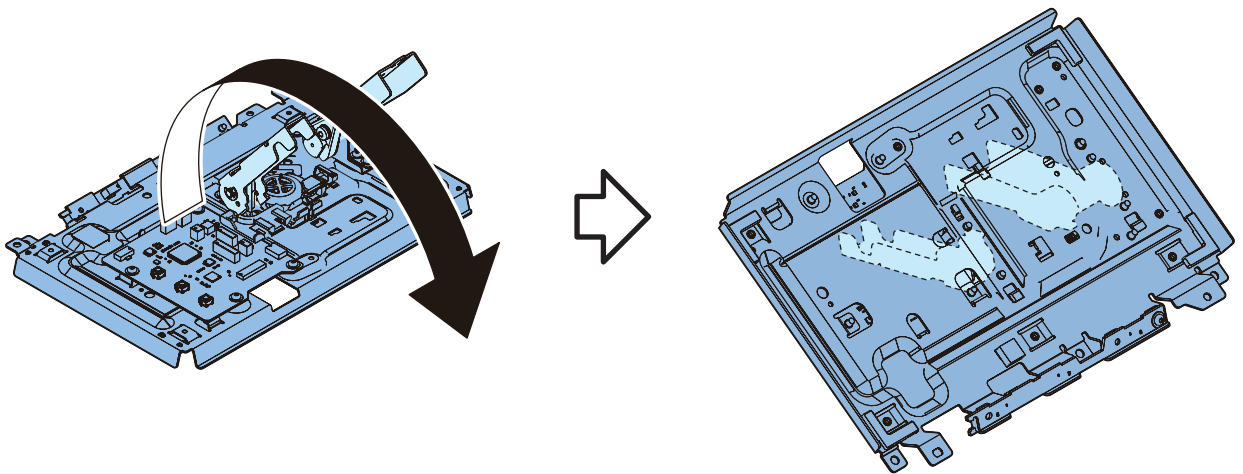


5. Removing the LED PCB

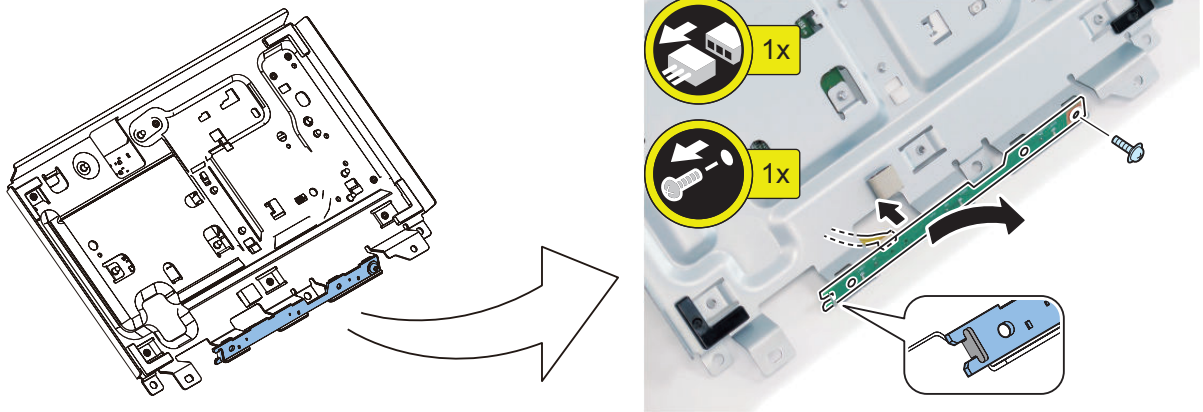
1.



2.



3.



6. Actions after Replacement: “Control Panel Unit” on page 257

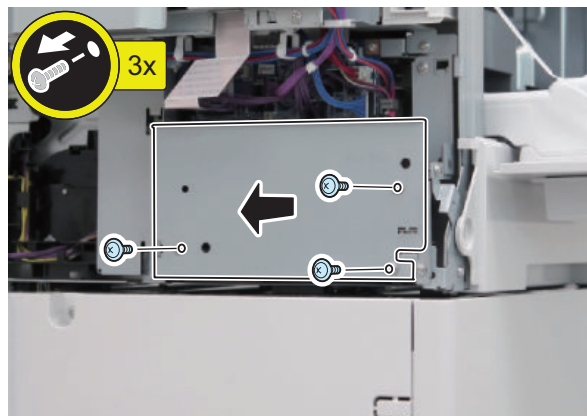
● Removing the Inlet Unit

■ Preparation

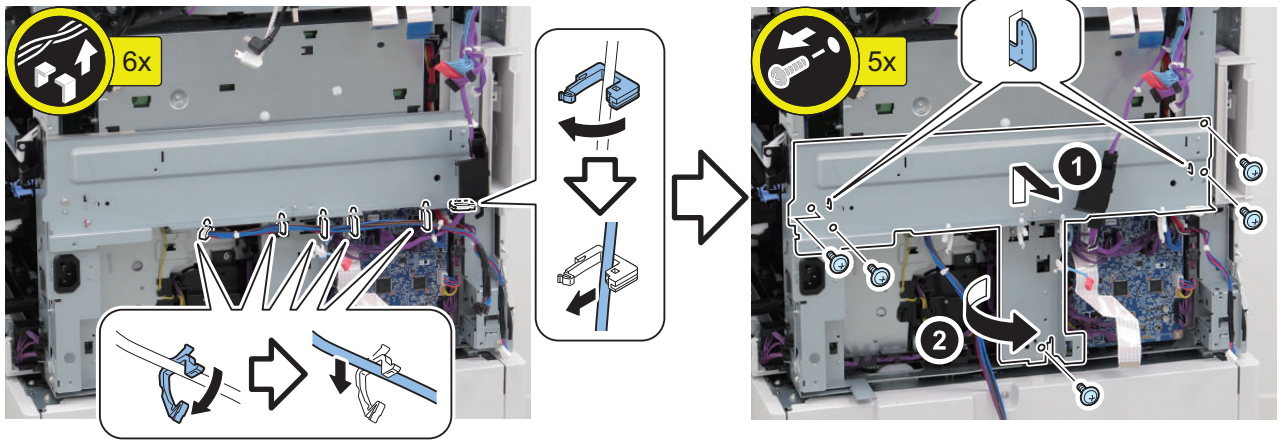
1. “Removing the Rear Cover” on page 123
2. “Removing the Left Rear Cover” on page 124
3. “Removing the Main Controller PCB” on page 179
4. “Removing the Inlet Cover” on page 125
5. “Removing the FAX Unit” on page 184

■ Procedure

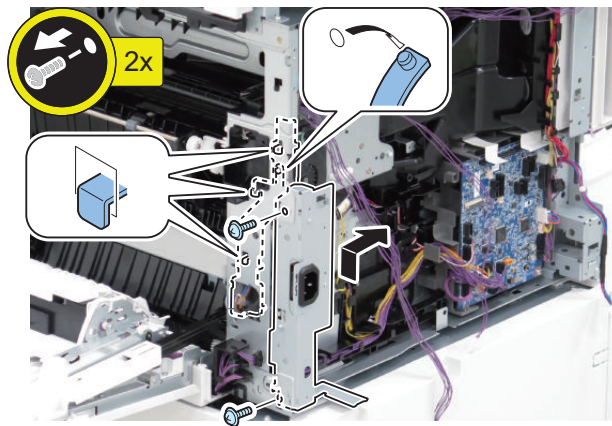
1.



2.



3.



Controller System (Finisher)

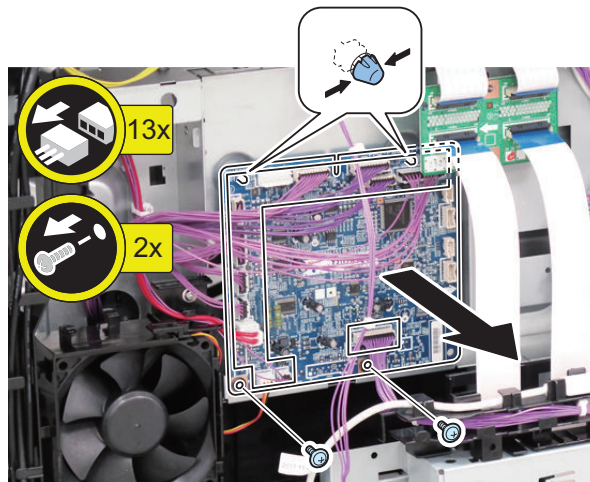
● Removing the Finisher Controller PCB

■ Preparation

1. “Removing the Rear Cover” on page 123
2. “Removing the Finisher Rear Cover” on page 132

■ Procedure

1.



Laser Exposure System

● Removing the Laser Scanner Unit

■ Preparation

1. "Removing the Delivery Tray" on page 131

■ Procedure

1.

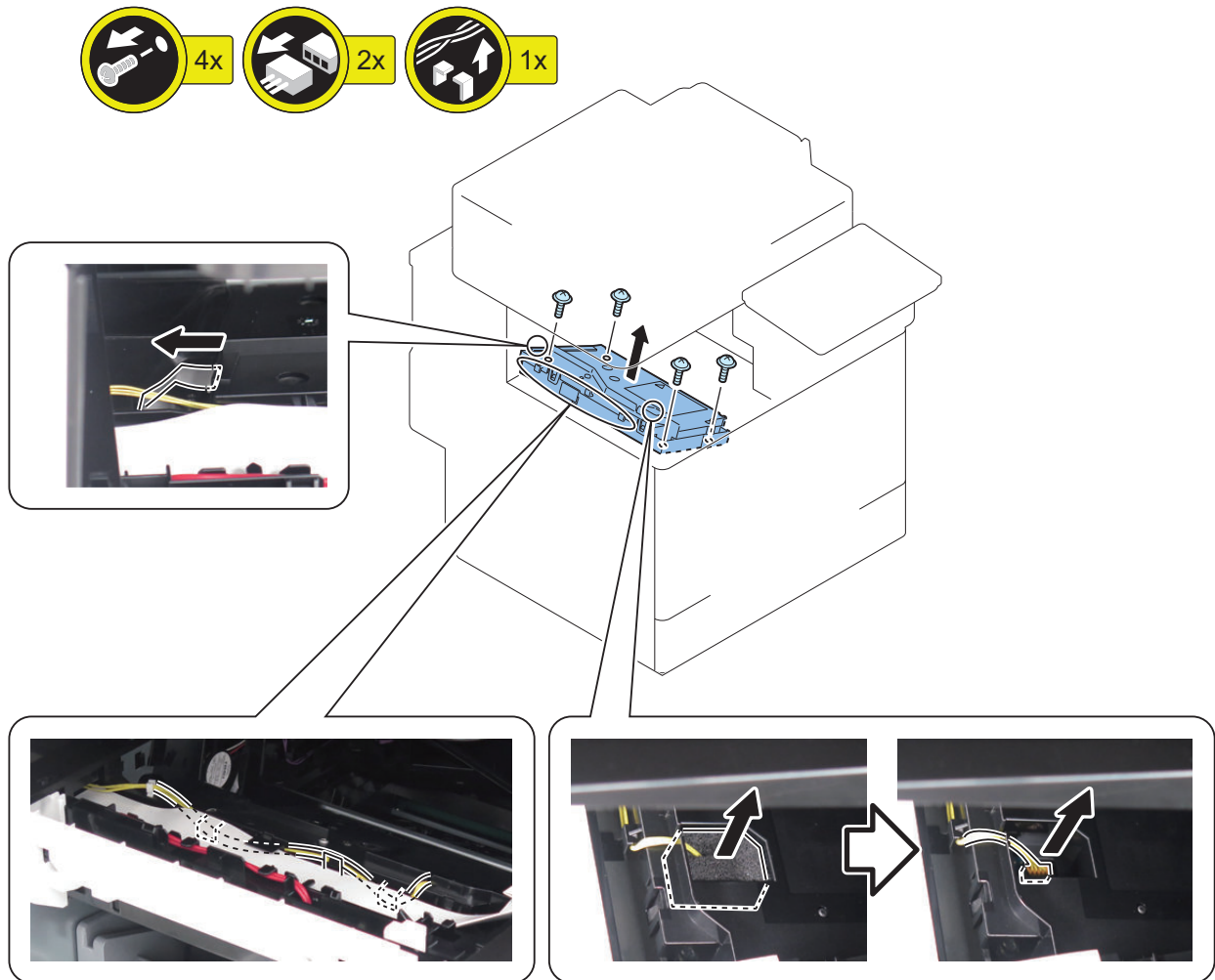


Image Formation System

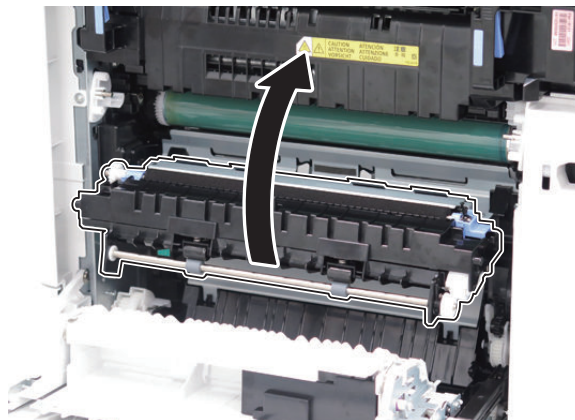
● Removing the Transfer Unit

■ Procedure

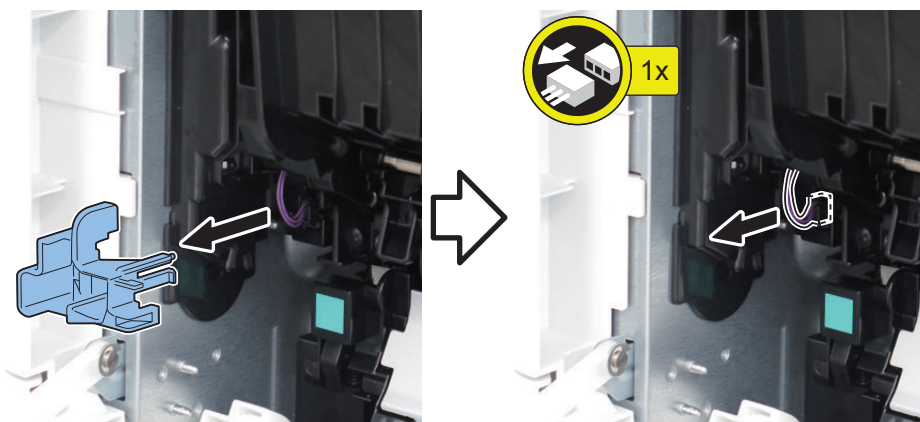
1.



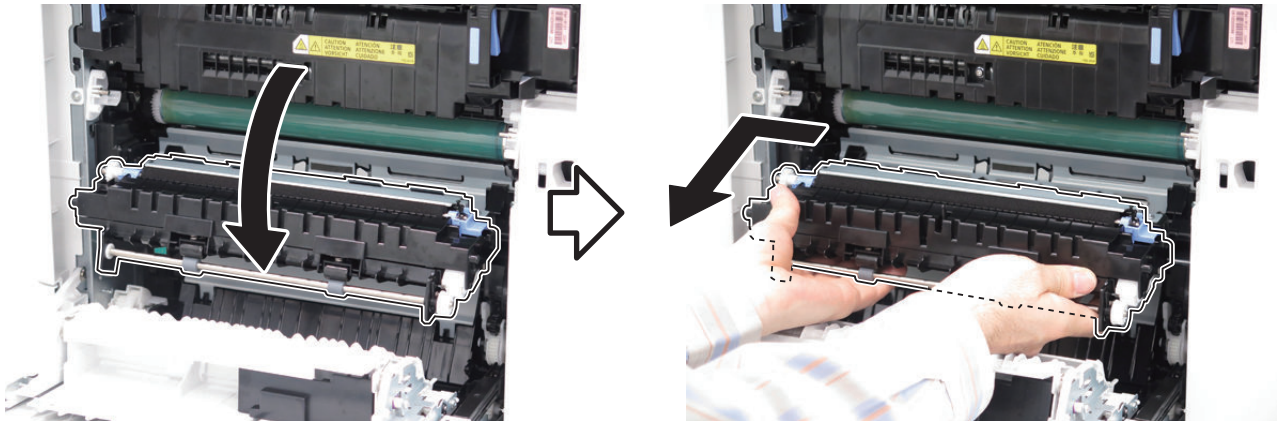
2.



3.



4.



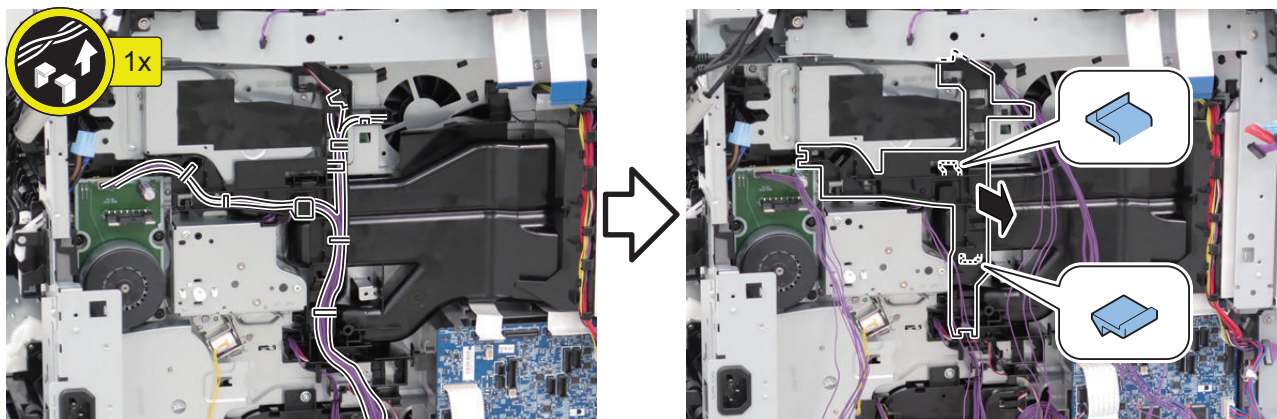
● Removing the Developing Drive Unit

■ Preparation

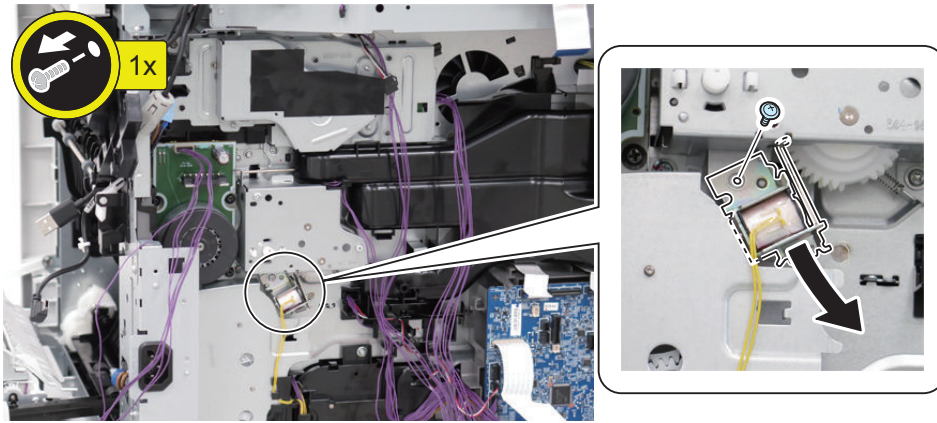
1. “ Removing the Rear Cover” on page 123
2. “ Removing the Left Rear Cover” on page 124
3. “ Removing the Main Controller PCB” on page 179
4. “ Removing the Fixing Assembly” on page 208
5. “Removing the Inlet Cover” on page 125
6. “ Removing the Low-Voltage Power Supply PCB” on page 182

■ Procedure

1.



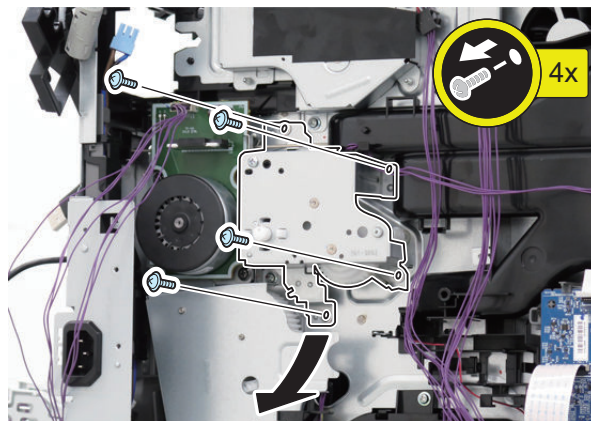
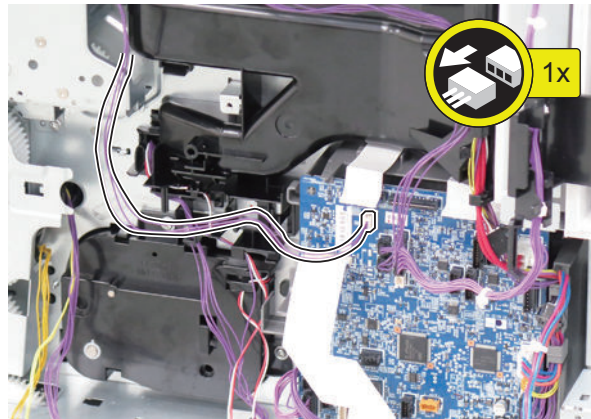
2.



3.

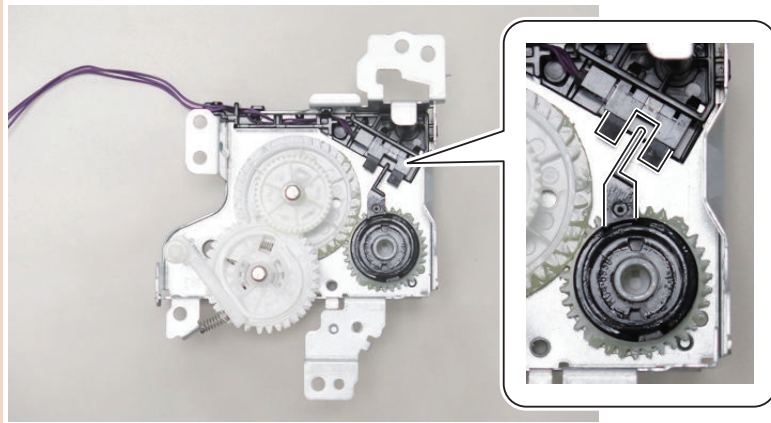
CAUTION:

When removing this unit, do not hold it flat as such parts as the gear may fall off.



CAUTION:

Install the sensor part onto the position as shown in the figure.



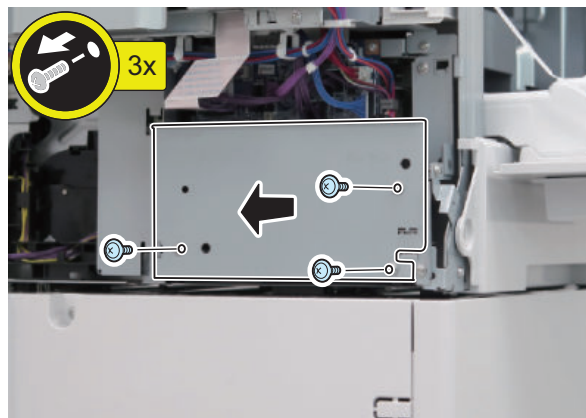
● Removing the Lifter Drive Unit

■ Preparation

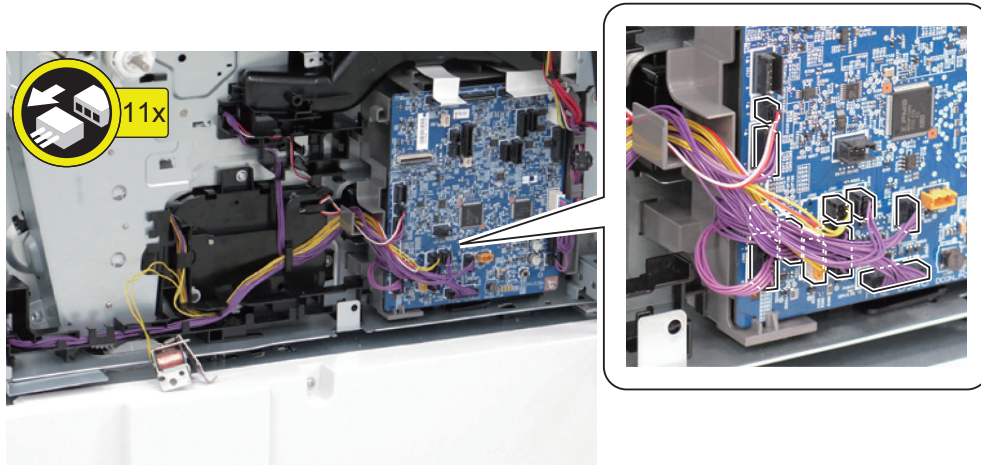
1. Pull out the Cassette1.
2. “ Removing the Rear Cover” on page 123
3. “ Removing the Left Rear Cover” on page 124
4. “ Removing the Main Controller PCB” on page 179
5. “Removing the Inlet Cover” on page 125
6. “ Removing the Low-Voltage Power Supply PCB” on page 182

■ Procedure

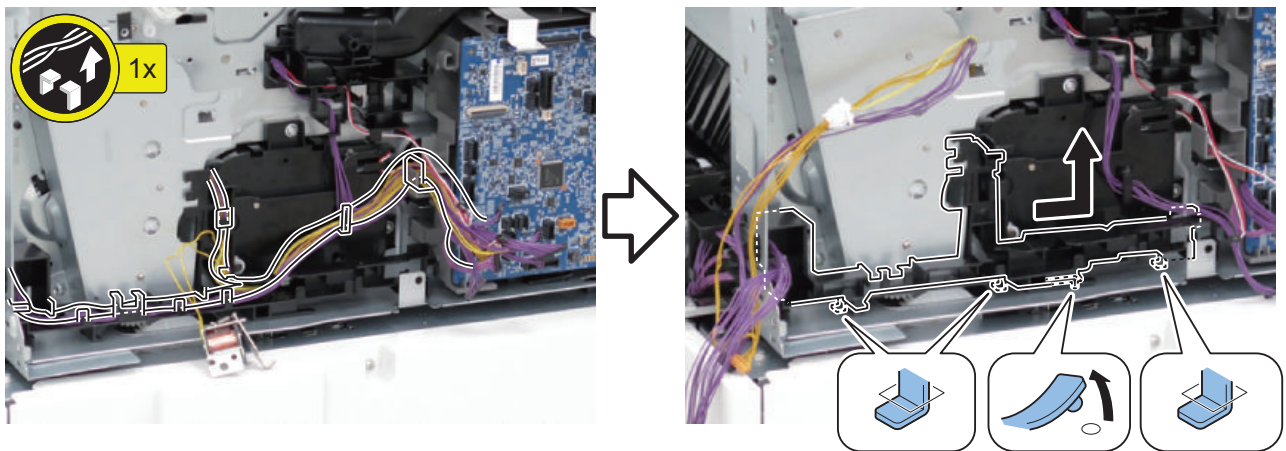
1.



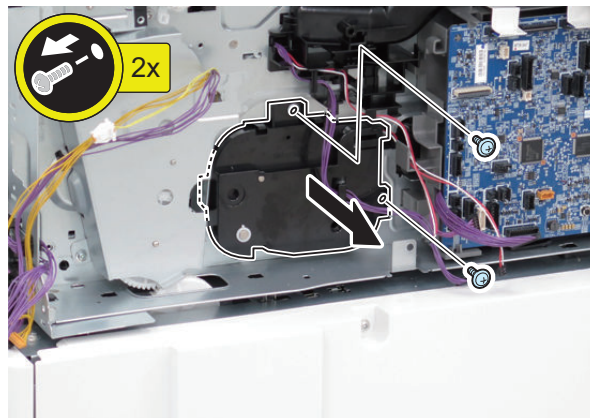
2.



3.



4.



● Removing the Drum Motor Unit

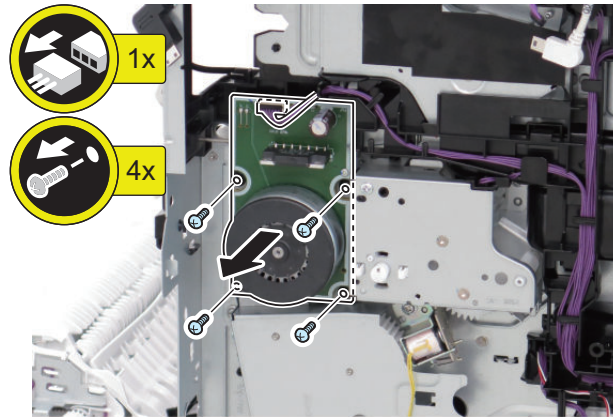
■ Preparation

1. "Removing the Rear Cover" on page 123
2. "Removing the Left Rear Cover" on page 124
3. "Removing the Main Controller PCB" on page 179
4. "Removing the Inlet Cover" on page 125

5. "Removing the Low-Voltage Power Supply PCB" on page 182

■ Procedure

1.

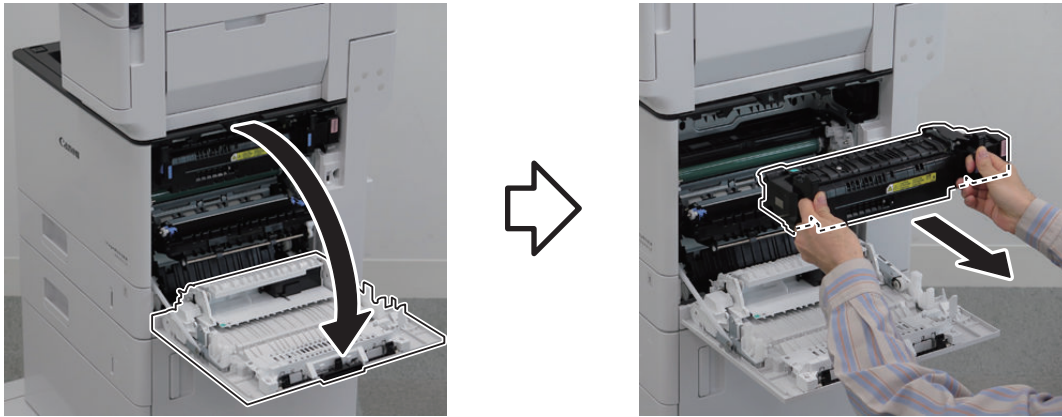


Fixing System

● Removing the Fixing Assembly

■ Procedure

1.



NOTE:

When the consumable part is replaced, clear the parts counter shown below in the service mode.

- COPIER > COUNTER > DRBL-1 > FX-UNIT

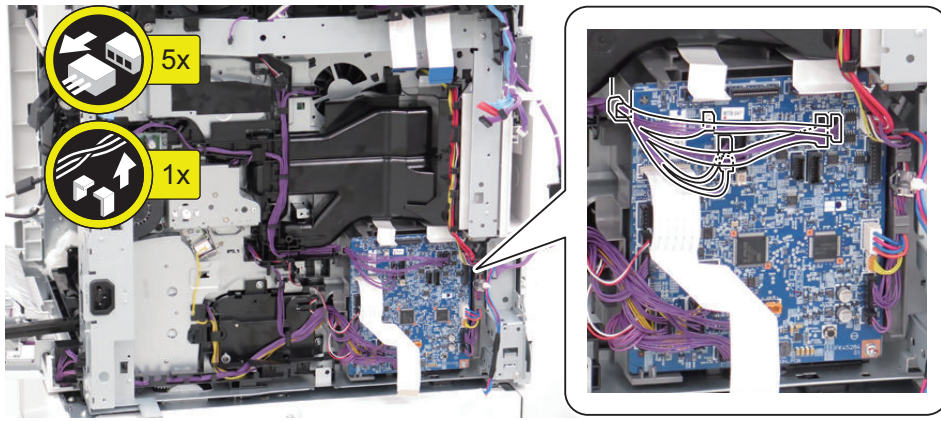
● Removing the Fixing Drive Unit

■ Preparation

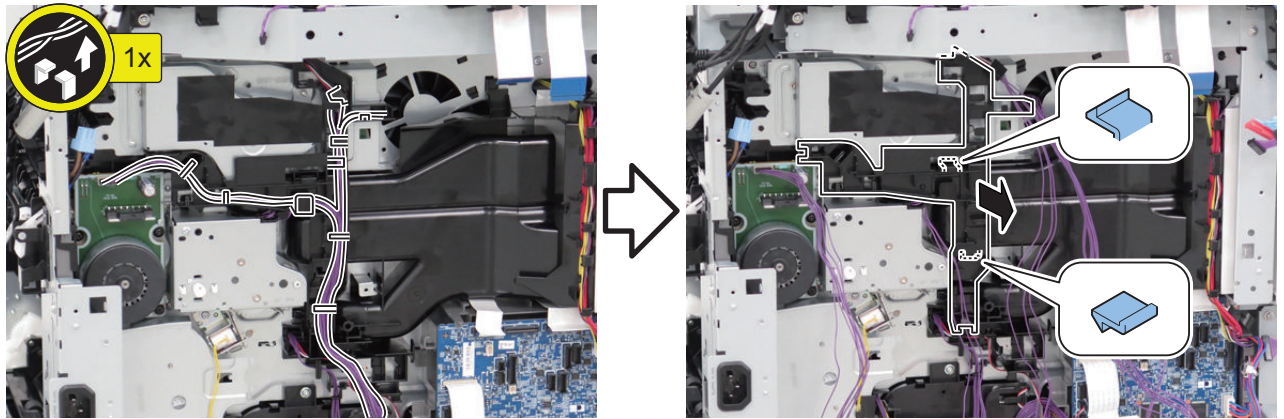
1. “ Removing the Fixing Assembly” on page 208
2. “ Removing the Rear Cover” on page 123
3. “ Removing the Left Rear Cover” on page 124
4. “Removing the Inlet Cover” on page 125
5. “ Removing the Main Controller PCB” on page 179
6. “ Removing the Low-Voltage Power Supply PCB” on page 182

■ Procedure

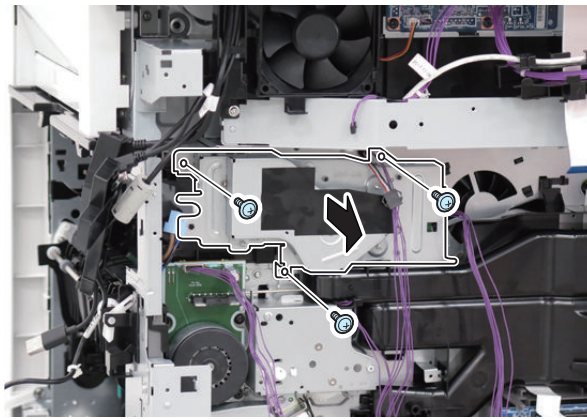
1.



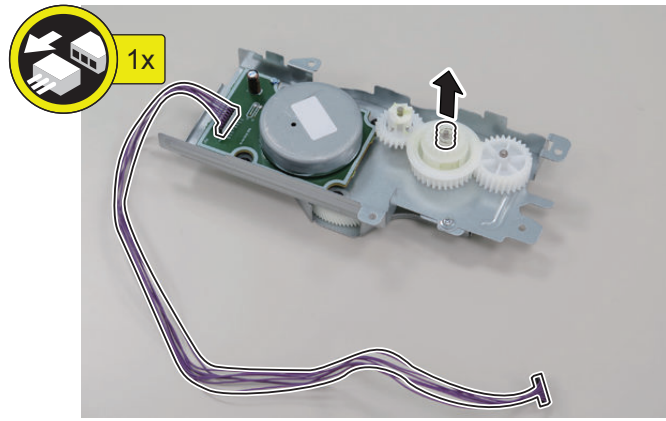
2.



3.



4.



Pickup Feed System

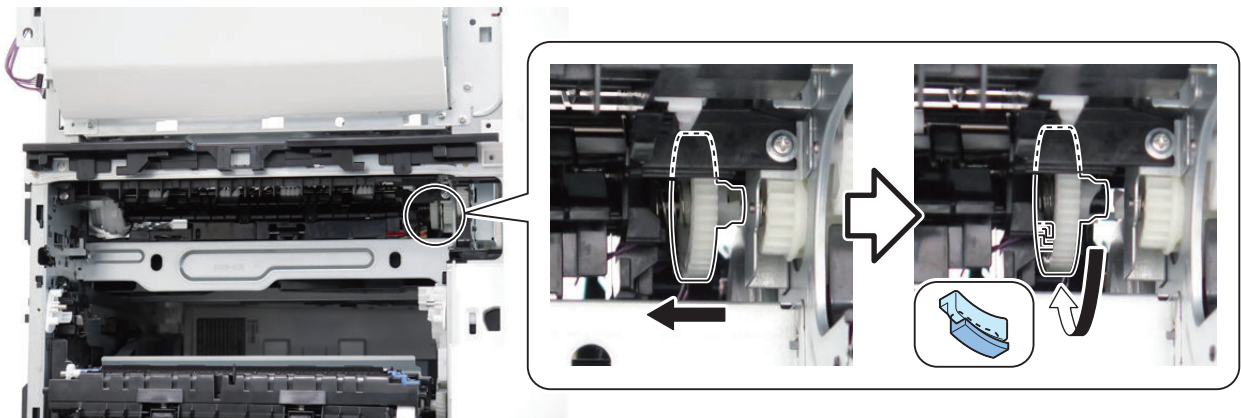
● Removing the Paper Delivery Unit

■ Preparation

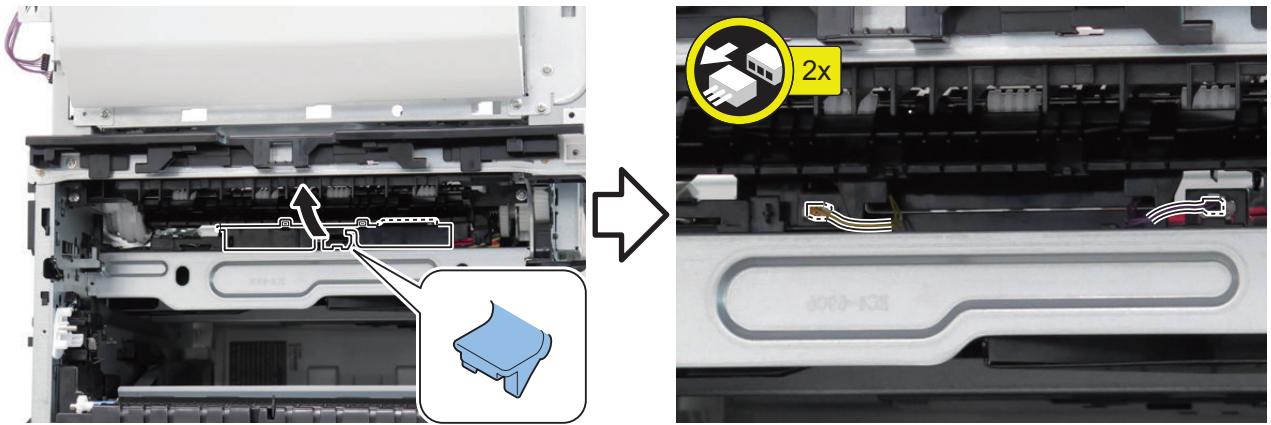
1. “ Removing the Finisher Rear Cover” on page 132
2. “ Removing the Finisher Left Rear Cover” on page 133
3. “ Removing the Staple Cover” on page 135
4. “ Removing the Staple Unit” on page 222
5. “Removing the Jogger Unit” on page 222
6. “ Removing the Finisher Right Upper Cover” on page 132
7. “ Removing the Staple Inner Cover” on page 135
8. “ Removing the Finisher Right Rear Cover” on page 134
9. “ Removing the Finisher Right Lower Cover” on page 134
10. “Upper Paper Feed Unit” on page 224
11. “ Removing the Rear Cover” on page 123
12. “ Removing the Left Rear Cover” on page 124
13. “Removing the Finisher Fan” on page 223
14. “ Removing the Fixing Assembly” on page 208
15. “ Removing the Front Cover” on page 125
16. “ Removing the Delivery Tray” on page 131
17. “ Removing the Inner Delivery Rear Cover” on page 129
18. “ Removing the Finisher Inner Rear Cover” on page 136
19. “Lower Paper Feed Unit” on page 225

■ Procedure

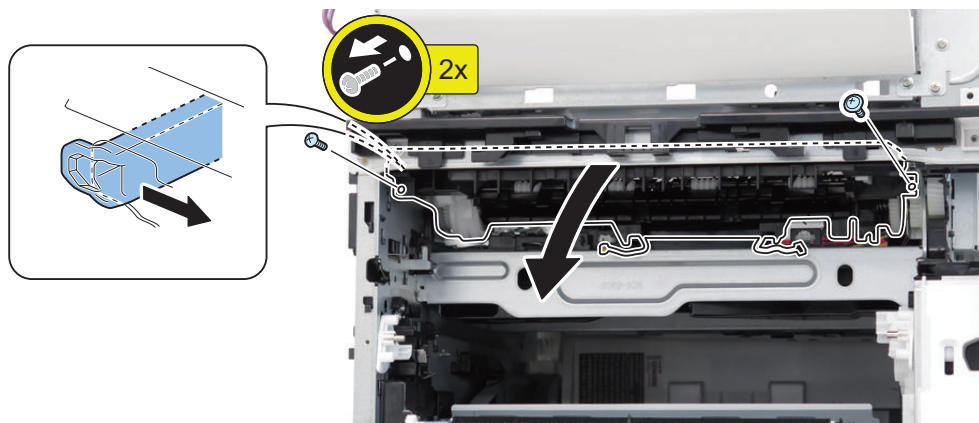
1.



2.



3.



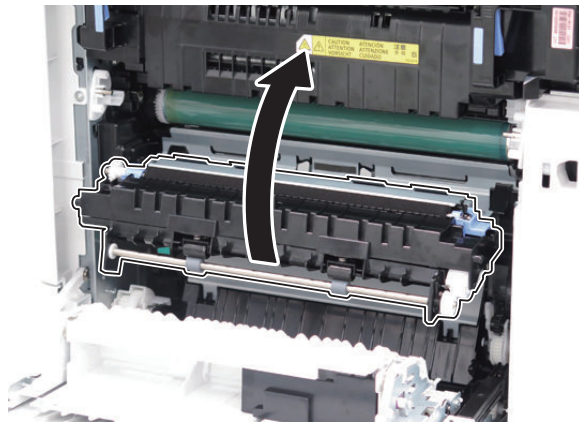
● Removing the Main Drive Unit

■ Preparation

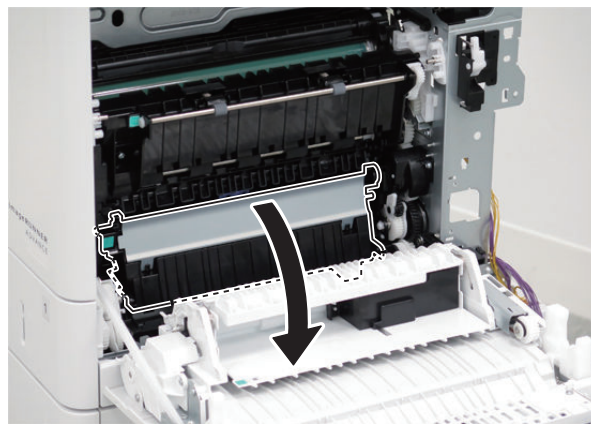
1. "Removing the Rear Cover" on page 123
2. "Removing the Left Rear Cover" on page 124
3. "Removing the Main Controller PCB" on page 179
4. "Removing the Inlet Cover" on page 125
5. "Removing the Low-Voltage Power Supply PCB" on page 182
6. "Removing the Fixing Drive Unit" on page 208
7. "Removing the Inlet Unit" on page 197
8. "Removing the Drum Motor Unit" on page 206

■ Procedure

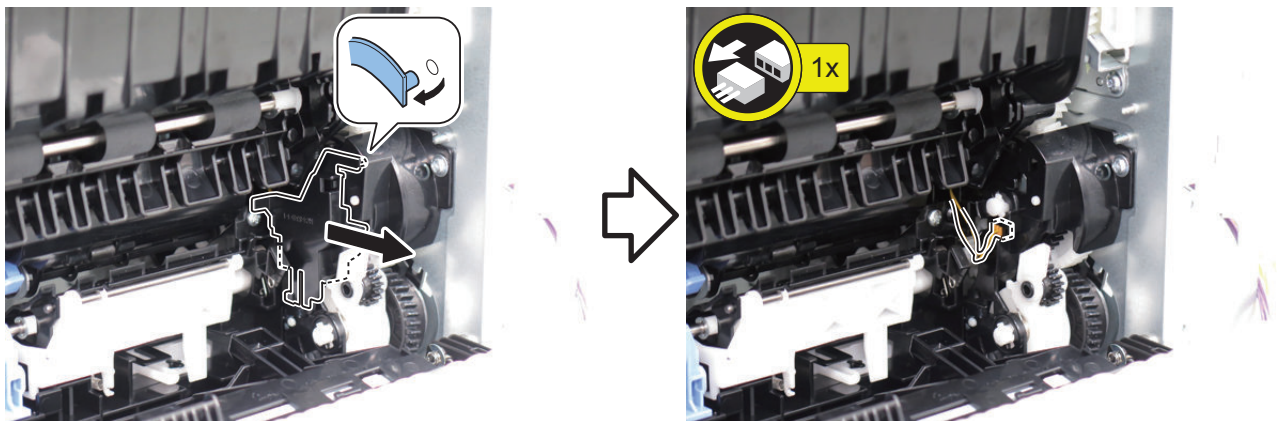
1.



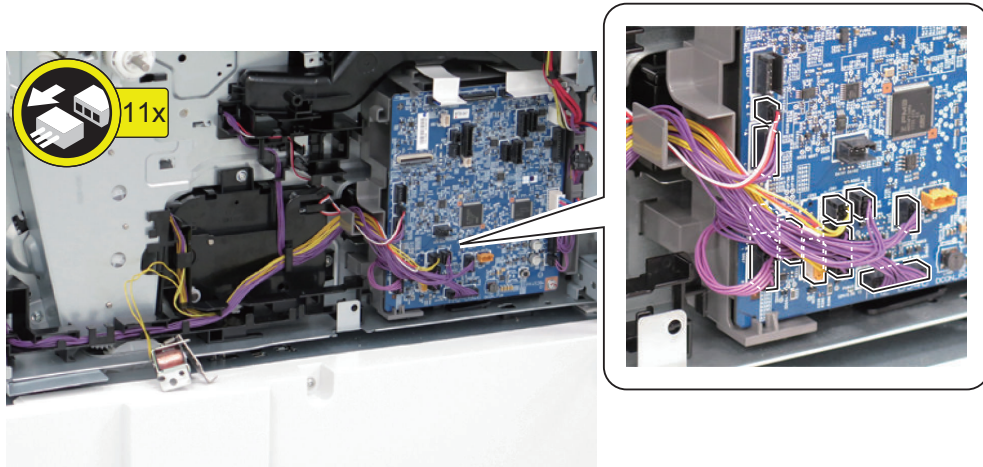
2.



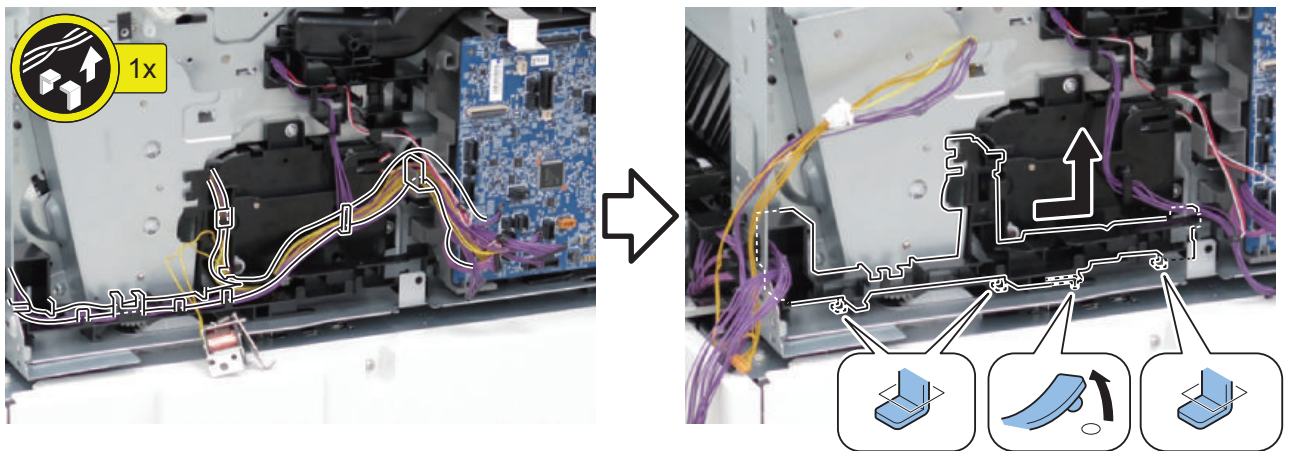
3.



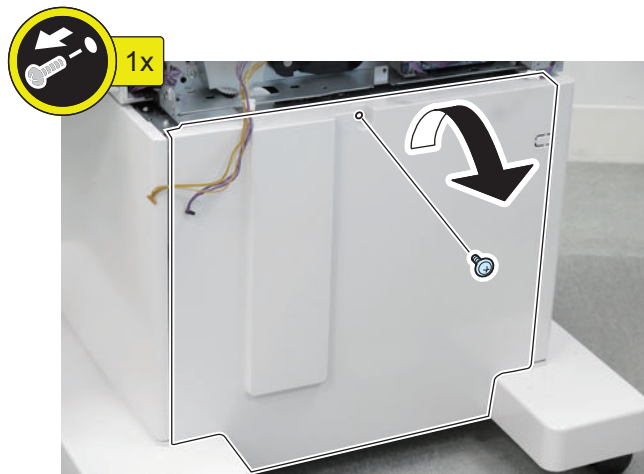
4.



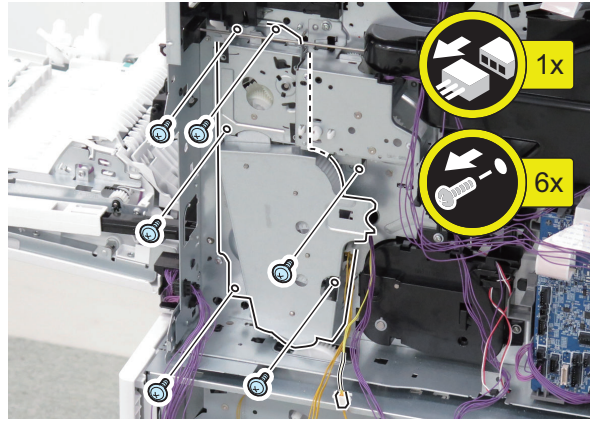
5.



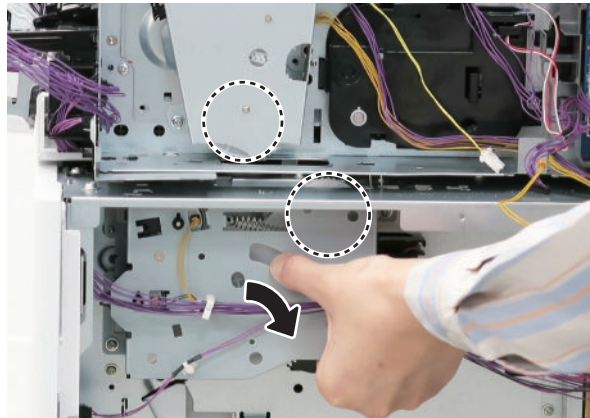
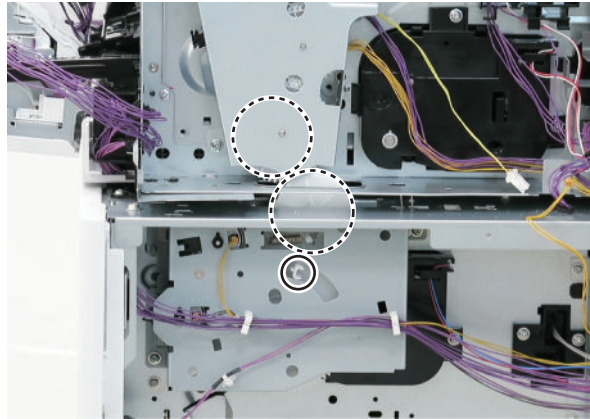
6.



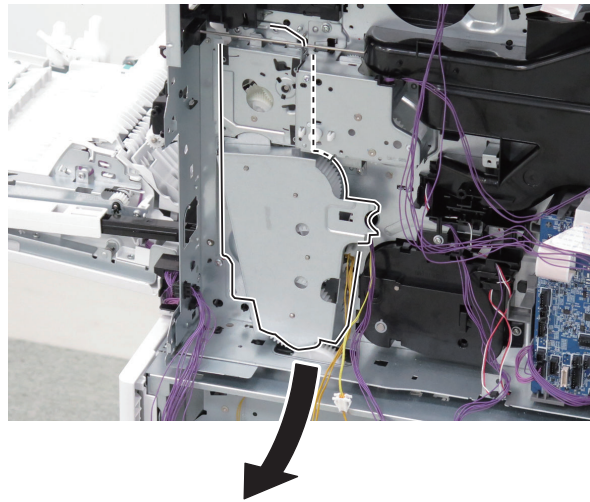
7.



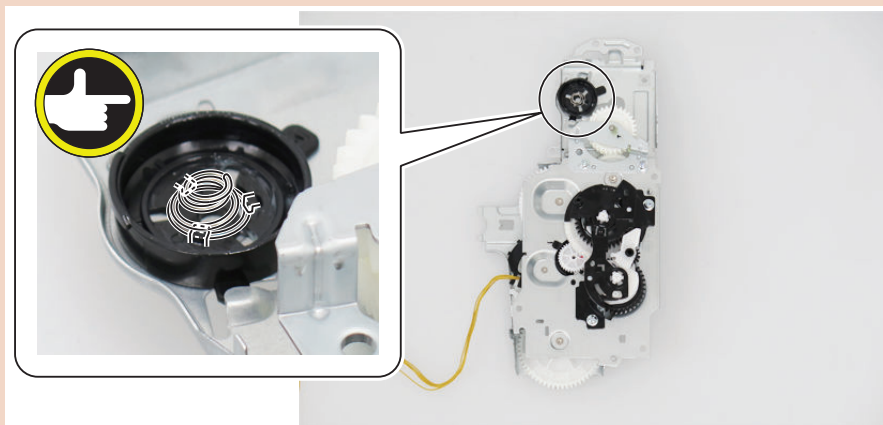
8.



9.

**CAUTION:**

- Do not hit the gear on bottom of the Main Drive Unit to the host machine.
- Check that the spring is installed at the position as shown in the figure.



● Removing the Paper Pickup Unit

■ Preparation

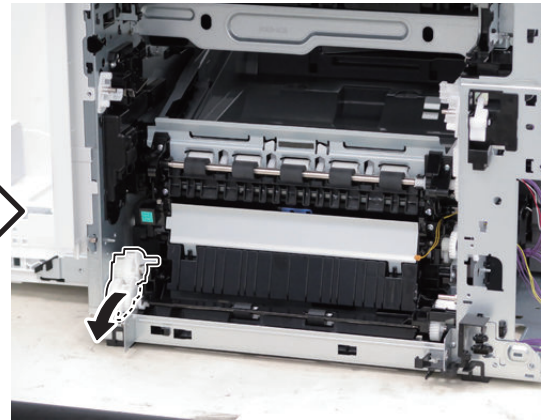
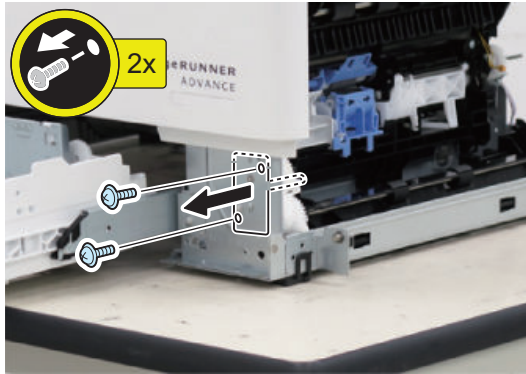
1. “ Removing the Rear Cover” on page 123
2. Remove the Drum Unit.
3. Pull out the Cassette1.
4. “ Removing the Fixing Assembly” on page 208
5. “ Removing the Left Rear Cover” on page 124
6. “ Removing the Main Controller PCB” on page 179
7. “Removing the Inlet Cover” on page 125
8. “ Removing the Low-Voltage Power Supply PCB” on page 182
9. “ Removing the Fixing Drive Unit” on page 208
10. “Removing the Inlet Unit” on page 197
11. “Removing the Drum Motor Unit” on page 206
12. “Removing the Main Drive Unit” on page 212

13. "Removing the Transfer Unit" on page 201

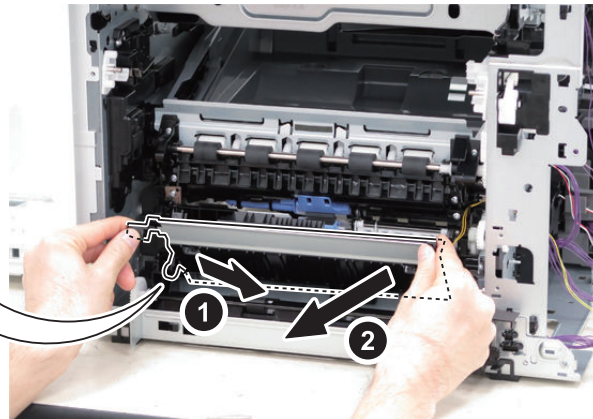
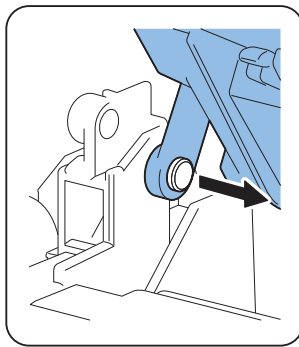
14. "Removing the Right Lower Cover" on page 126

■ Procedure

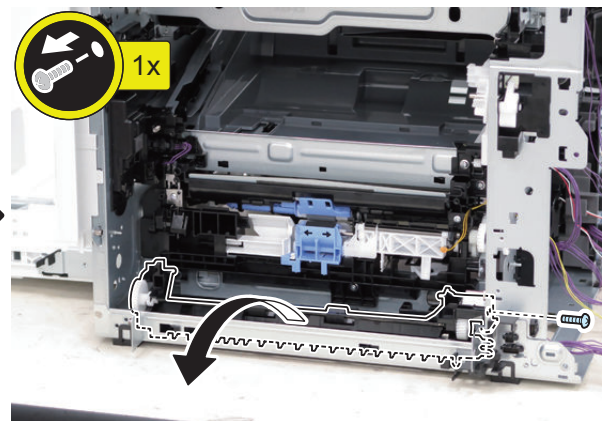
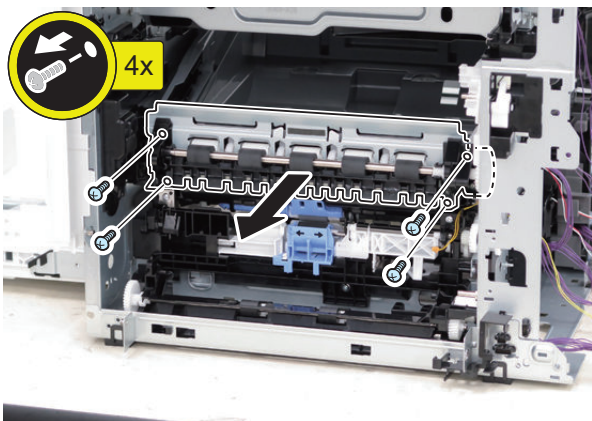
1.



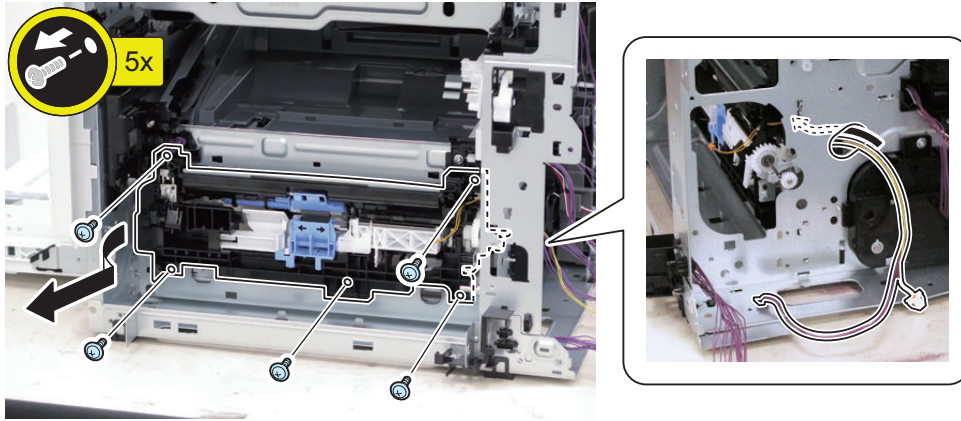
2.



3.



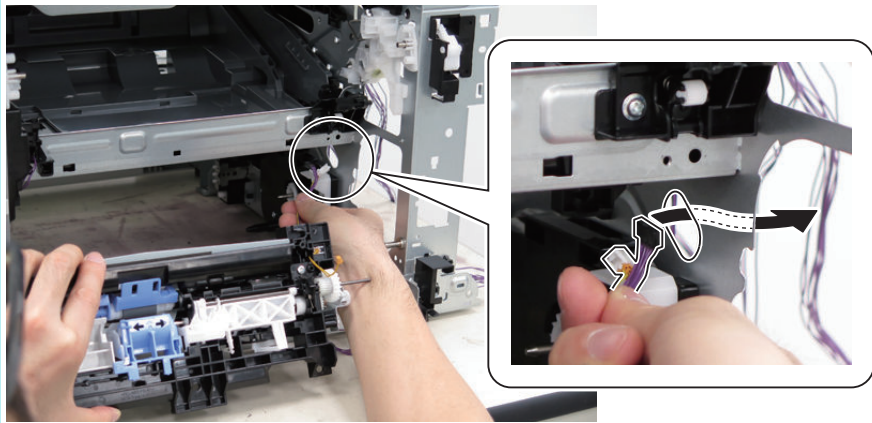
4.



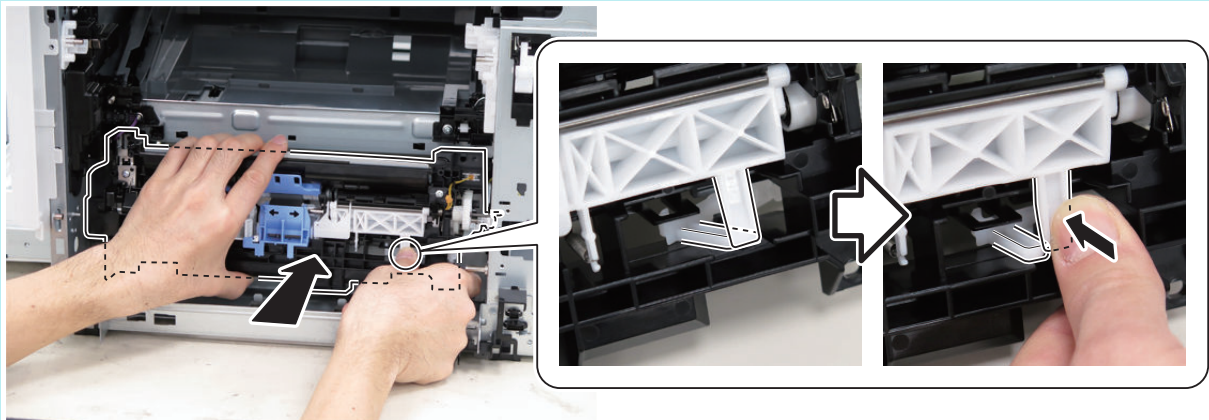
NOTE:

Installation Procedure

1. Put the cable through the hole as shown in the figure.



2. Install the lever while pushing it in.



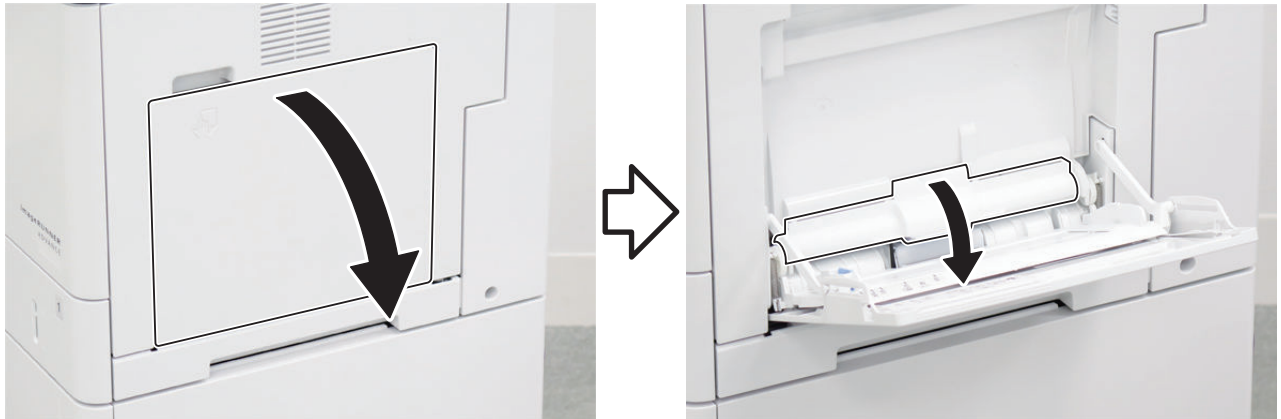
● Removing the Multi-purpose Tray Feed Roller

■ Procedure

NOTE:

Do not touch the surface of the roller with dirty hands when replacing parts, as doing so degrades feeding performance.

1.



2.



NOTE:

When the consumable parts have been replaced, be sure to initialize the parts counter of the replaced parts in the following service mode.

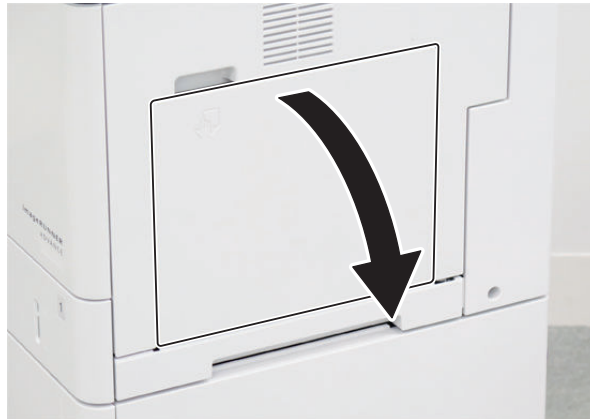
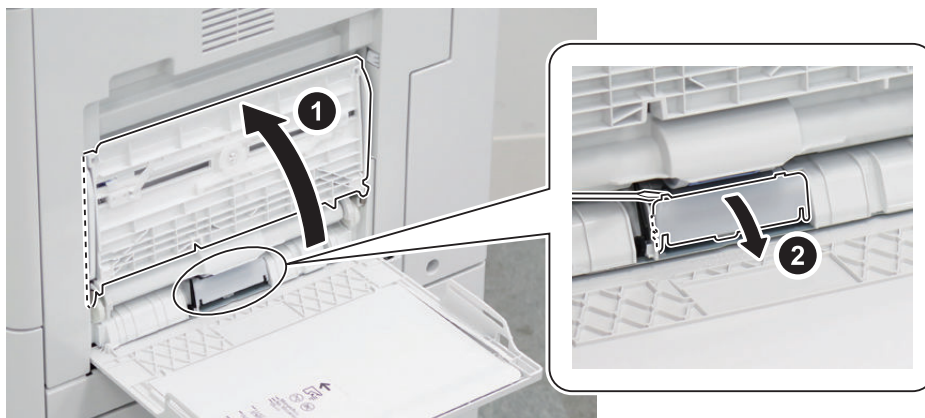
- COPIER > COUNTER > DRBL-1 > M-FD-RL

● Removing the Multi-purpose Tray Separation Roller

■ Procedure

NOTE:

Do not touch the surface of the roller with dirty hands when replacing parts, as doing so degrades feeding performance.

1.**2.****3.**

4.

**NOTE:**

When the consumable parts have been replaced, be sure to initialize the parts counter of the replaced parts in the following service mode.

- COPIER > COUNTER > DRBL-1 > M-SP-RL

Pickup Feed System (Finisher)

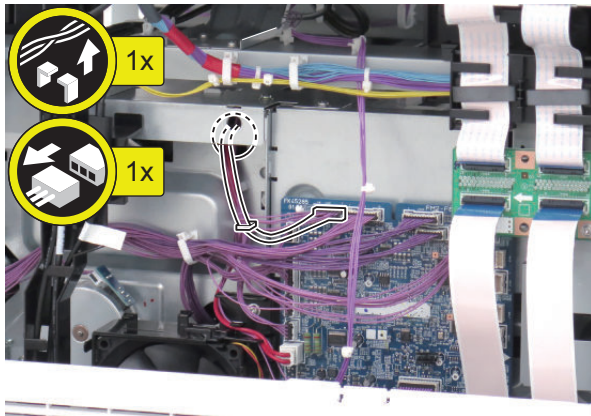
● Removing the Jogger Unit

■ Preparation

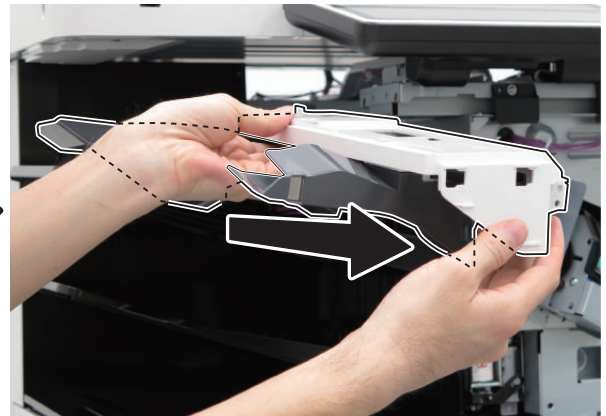
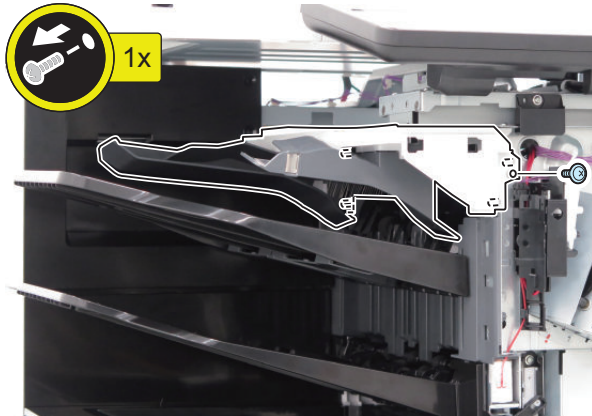
1. “Removing the Staple Cover” on page 135
2. “Removing the Finisher Rear Cover” on page 132

■ Procedure

1.



2.



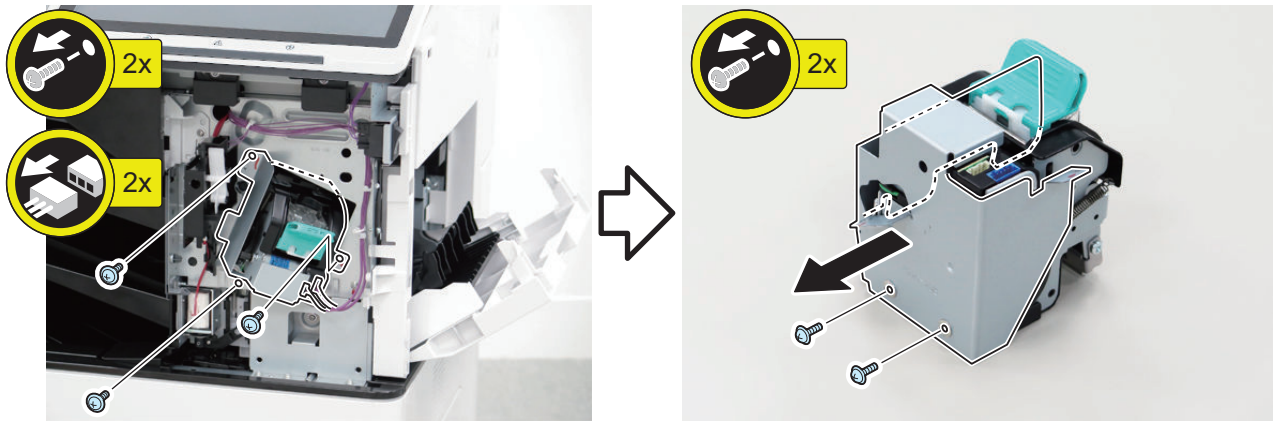
● Removing the Staple Unit

■ Preparation

1. “Removing the Staple Cover” on page 135

■ Procedure

1.



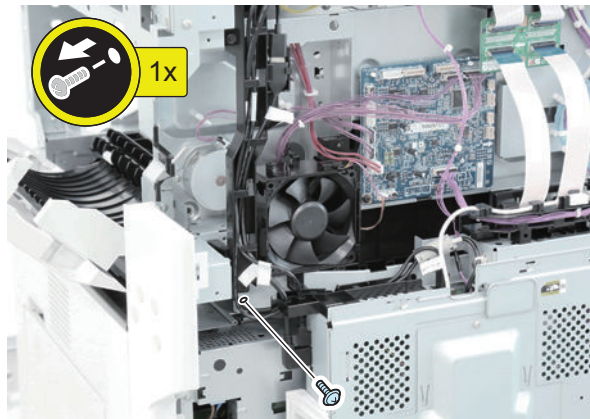
● Removing the Finisher Fan

■ Preparation

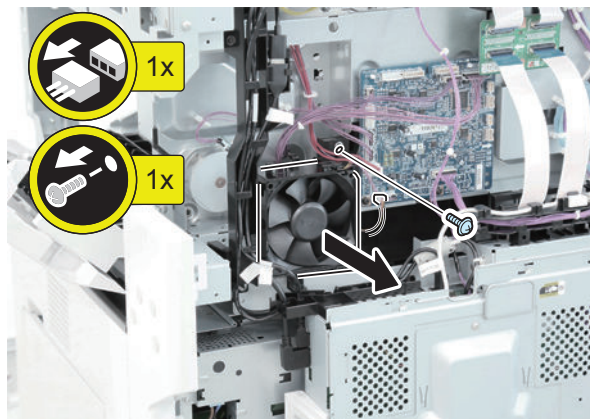
1. “ Removing the Rear Cover” on page 123
2. “ Removing the Finisher Rear Cover” on page 132

■ Procedure

1.



2.



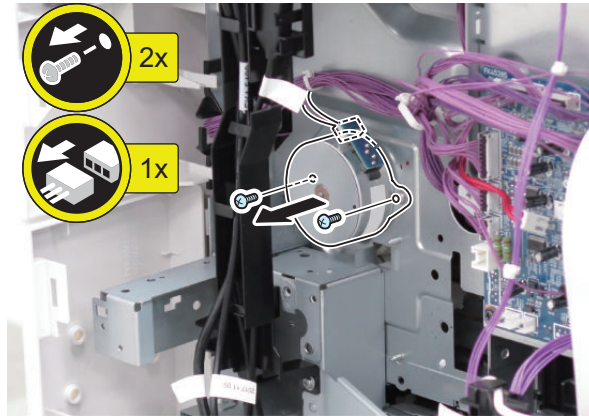
Removing the Finisher Motor

Preparation

1. “ Removing the Rear Cover” on page 123
2. “ Removing the Finisher Rear Cover” on page 132
3. “Removing the Finisher Fan” on page 223

Procedure

1.



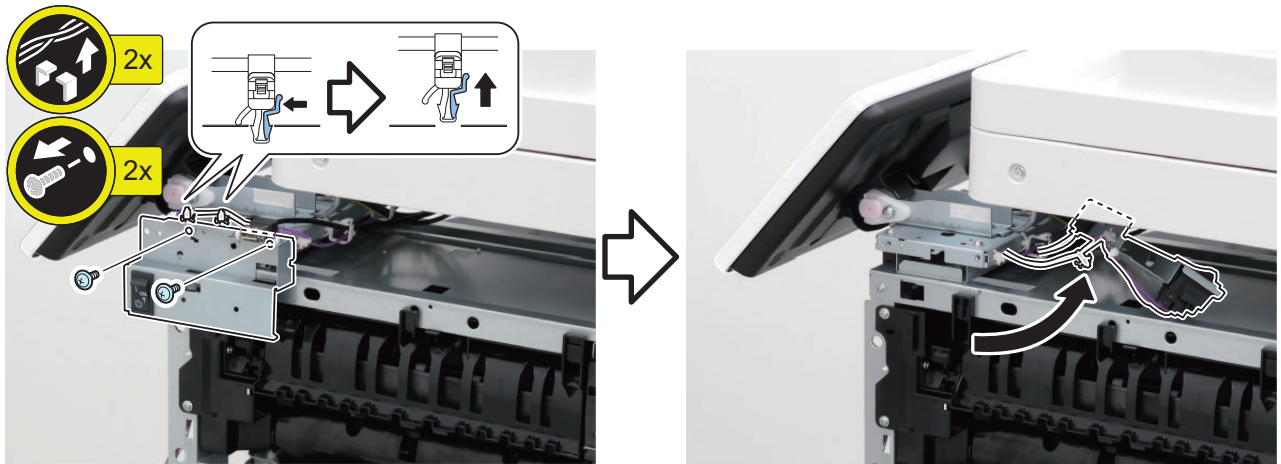
Upper Paper Feed Unit

Preparation

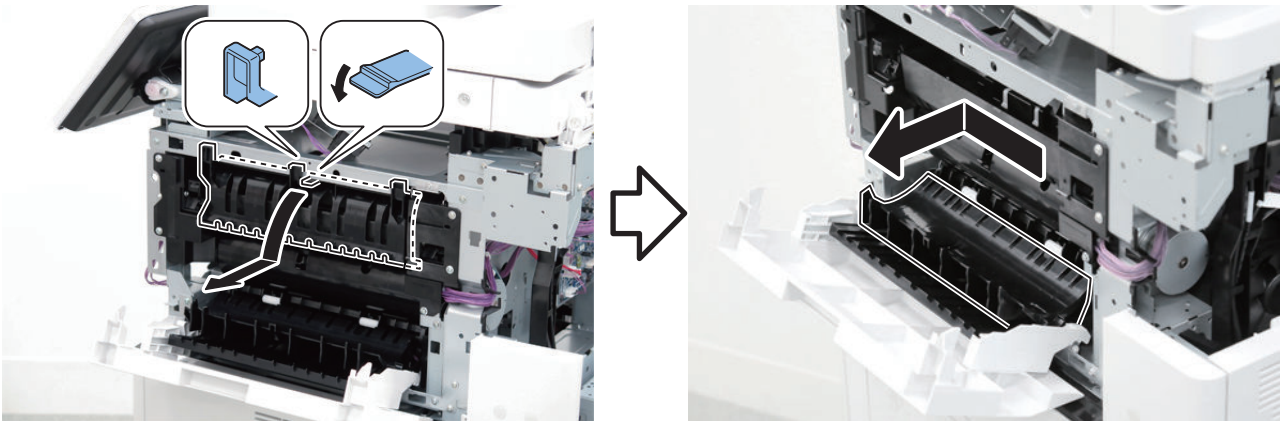
1. “ Removing the Finisher Rear Cover” on page 132
2. “ Removing the Finisher Left Rear Cover” on page 133
3. “ Removing the Staple Cover” on page 135
4. “ Removing the Staple Unit” on page 222
5. “Removing the Jogger Unit” on page 222
6. “ Removing the Finisher Right Upper Cover” on page 132
7. “ Removing the Staple Inner Cover” on page 135
8. “ Removing the Finisher Right Rear Cover” on page 134
9. “ Removing the Finisher Right Lower Cover” on page 134

■ Procedure

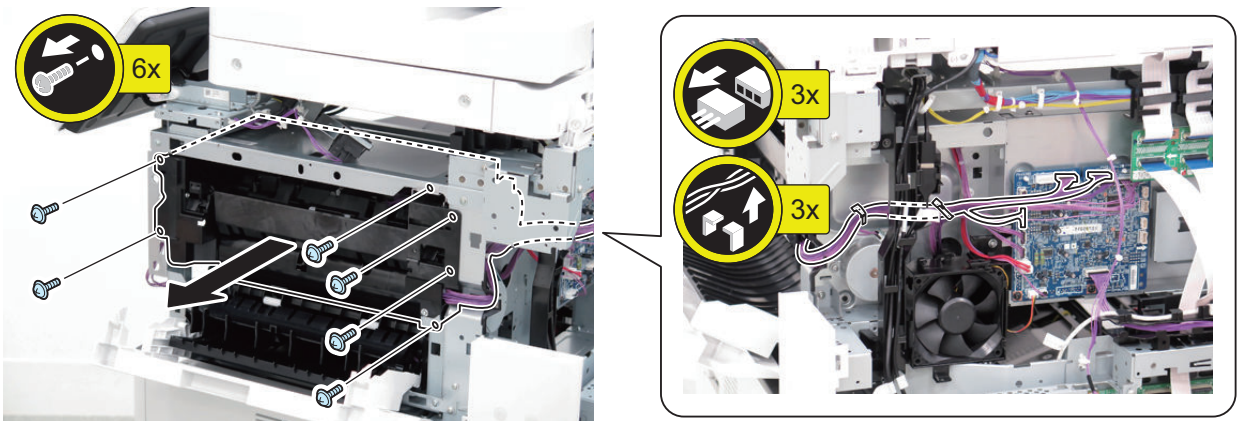
1.



2.



3.



● Lower Paper Feed Unit

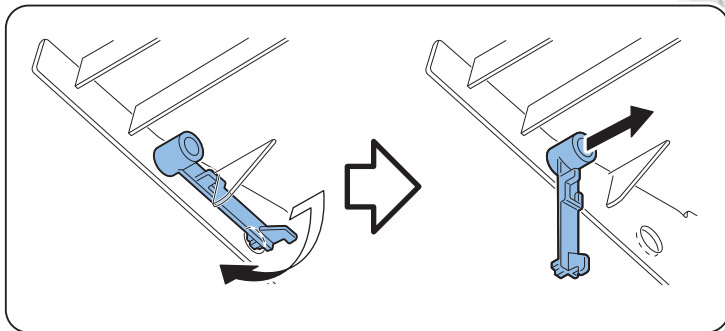
■ Preparation

1. "Removing the Finisher Rear Cover" on page 132
2. "Removing the Finisher Left Rear Cover" on page 133
3. "Removing the Staple Cover" on page 135
4. "Removing the Staple Unit" on page 222

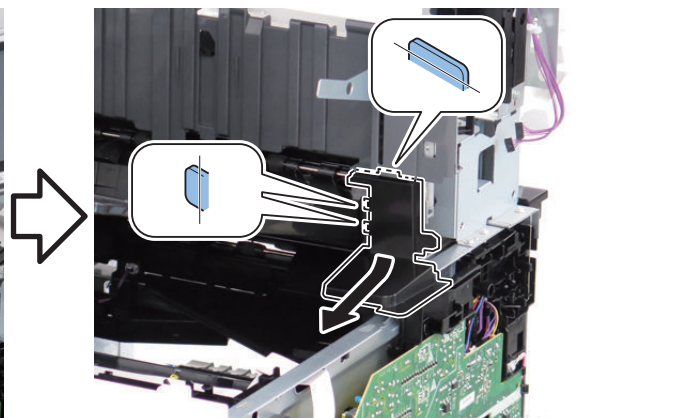
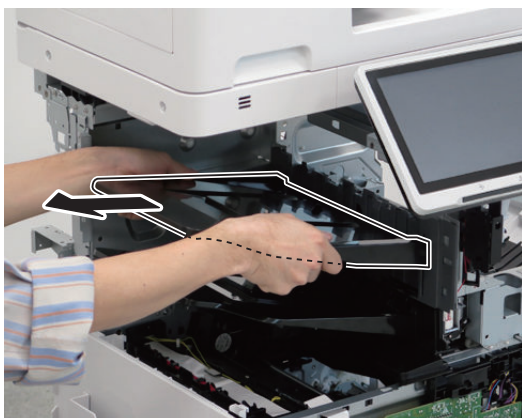
5. "Removing the Jogger Unit" on page 222
6. " Removing the Finisher Right Upper Cover" on page 132
7. " Removing the Staple Inner Cover" on page 135
8. " Removing the Finisher Right Rear Cover" on page 134
9. " Removing the Finisher Right Lower Cover" on page 134
10. "Upper Paper Feed Unit" on page 224
11. " Removing the Rear Cover" on page 123
12. "Removing the Finisher Fan" on page 223
13. " Removing the Front Cover" on page 125
14. " Removing the Left Rear Cover" on page 124
15. " Removing the Delivery Tray" on page 131
16. " Removing the Inner Delivery Rear Cover" on page 129
17. " Removing the Finisher Inner Rear Cover" on page 136

■ Procedure

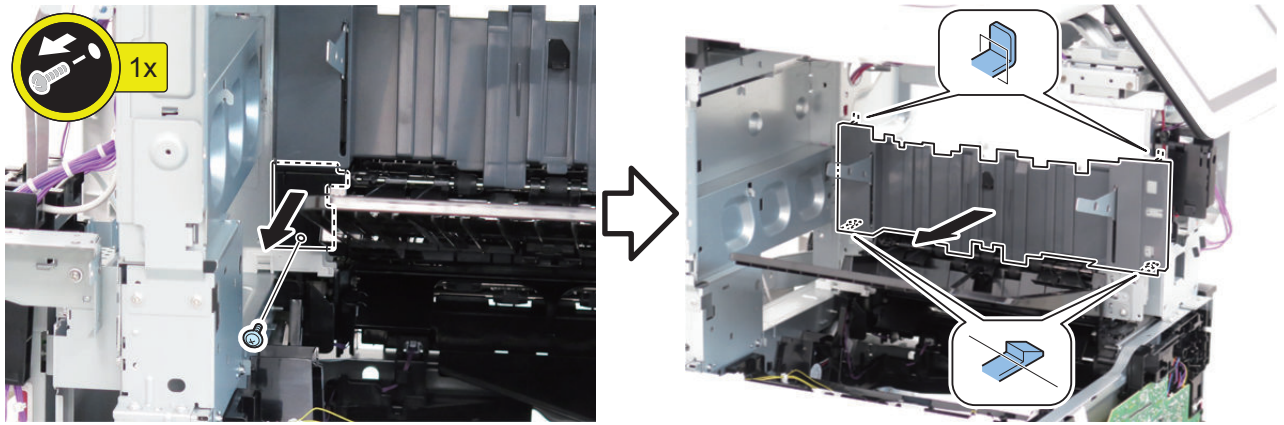
1.



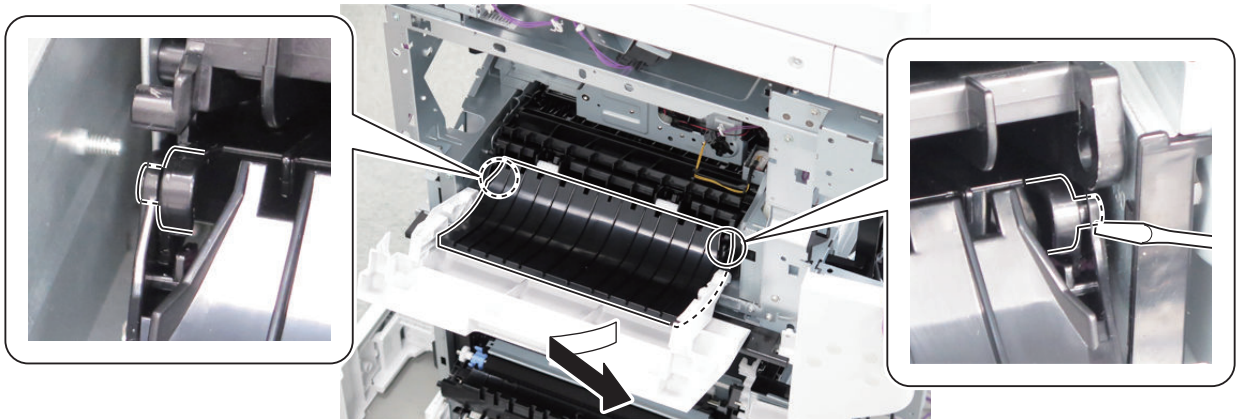
2.



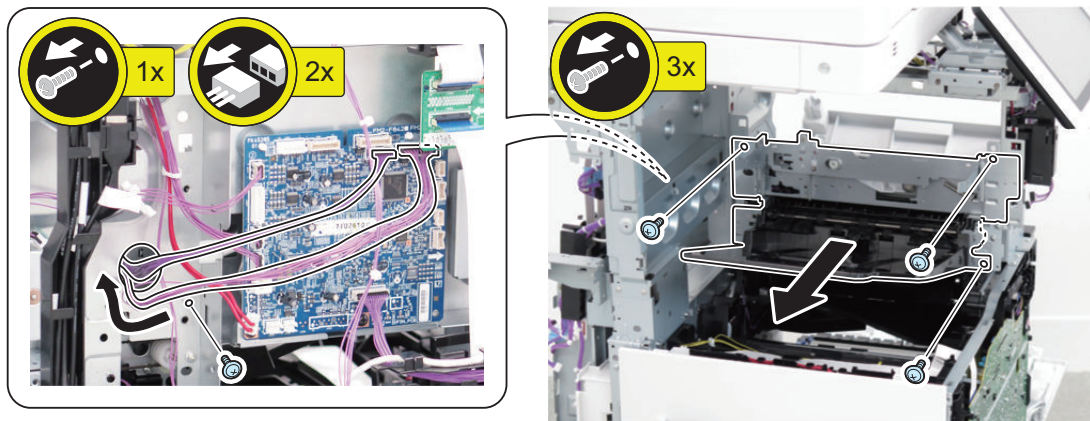
3.



4.



5.





Adjustment

Pickup Feed System.....	229
Original Feed System.....	231
Original Exposure System.....	245
Actions at Parts Replacement.....	248

Pickup Feed System

Image Position Adjustment

NOTE:

By making an adjustment on the 1st side, the margin on the 2nd side is also changed. If the difference between the 1st and the 2nd sides is +/- 0.5 mm or less, do not adjust the 2nd side.

Reference: Standard value (front side, back side)

Leading edge: 5.0 mm +/- 2.0 mm

Left edge: [A4] 2.5 mm +/- 2.0 mm, [LTR] 4.2 +/- 2.0 mm

1. Set the following values for the service modes.

COPIER > TEST > PG > TYPE = 5

COPIER > TEST > PG > COLOR-K = 1

COPIER > TEST > PG > COLOR-Y/M/C = 0

COPIER > TEST > PG > 2-SIDE = 1

COPIER > TEST > PG > PG-PICK = each paper source

2. Press the Start key.

A test print (2-sided print) is output from each paper source.

3. Check the output test print.

NOTE:

At 2-sided printing, paper is output with the 1st side up and 2nd side down. When checking the leading edge margin on the 1st side, check the up side of paper, and check the trailing margin with respect to the feed direction.

4. If outside of standard, perform software adjustment.

■ Software Adjustment

Software adjustment is an adjustment method to adjust the image position by changing the service mode setting value. Follow the procedure shown below to adjust the positions of the leading edge and left edge of paper.

1. Execute the following service modes to adjust the image position on the leading edge.

COPIER > ADJUST > FEED-ADJ > REGIST : Adjustment of the registration start timing

COPIER > ADJUST > FEED-ADJ > REG-DUP1 : Adjustment of the margin on the leading edge of paper (2nd side of plain paper)

As the input value is changed by 1, the margin on the leading edge of paper is changed by 0.1 mm.

To perform adjustment for one paper type at a time, use the following service mode.

COPIER > ADJUST > FEED-ADJ > REG-DUP1 : Adjustment of the margin on the leading edge of paper (2nd side of plain paper)

COPIER > ADJUST > FEED-ADJ > REG-MF : Adjustment of the margin on the leading edge of paper (plain/recycled/thin paper, Multi-purpose Tray)

2. Execute the following service modes to adjust the image position on the left edge.

Front side: Adjustment of the image write start position in the horizontal scanning direction at pickup from the Cassette 1 to 4 and the Multi-purpose Tray

COPIER > ADJUST > FEED-ADJ > ADJ-C1
 COPIER > ADJUST > FEED-ADJ > ADJ-C2
 COPIER > ADJUST > FEED-ADJ > ADJ-C3
 COPIER > ADJUST > FEED-ADJ > ADJ-C4
 COPIER > ADJUST > FEED-ADJ > ADJ-MF

Back side: Adjustment of the image write start position in the horizontal scanning direction for the 2nd side of paper picked up from the Cassette 1 to 4 and the Multi-purpose Tray

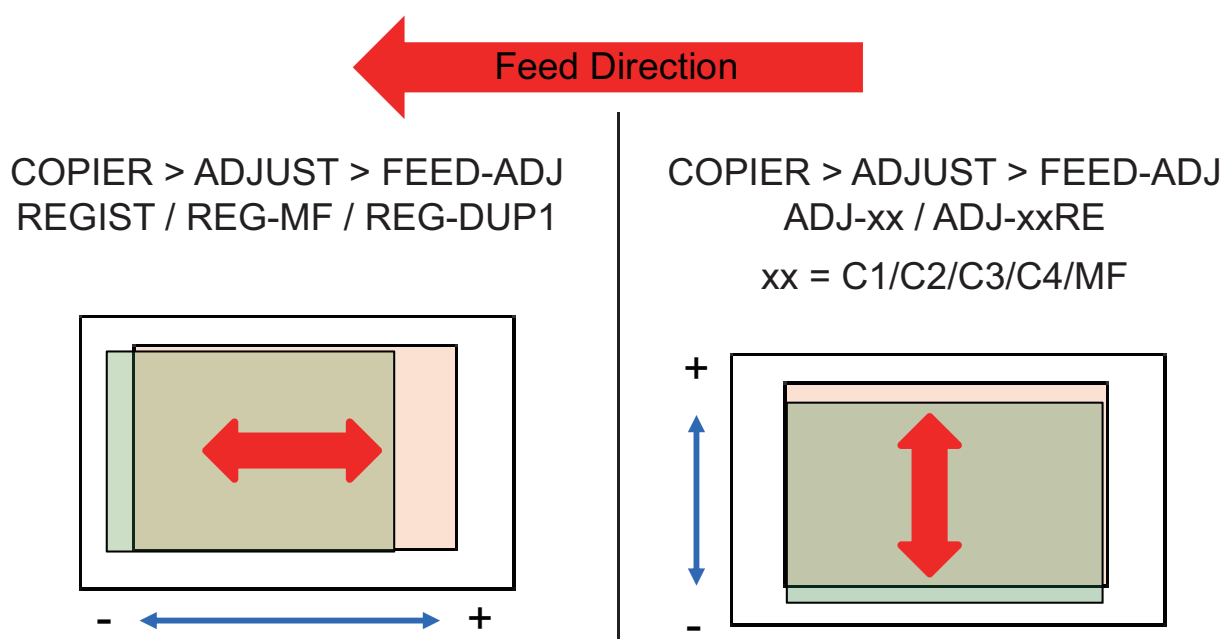
COPIER > ADJUST > FEED-ADJ > ADJ-C1RE
 COPIER > ADJUST > FEED-ADJ > ADJ-C2RE
 COPIER > ADJUST > FEED-ADJ > ADJ-C3RE
 COPIER > ADJUST > FEED-ADJ > ADJ-C4RE
 COPIER > ADJUST > FEED-ADJ > ADJ-MFRE

As the input value is changed by 1, the margin on the left edge of paper is changed by 0.1 mm.

Reference: Standard value (front side, back side)

Leading edge: 5.0 mm +/- 2.0 mm

Left edge: [A4] 2.5 mm +/- 2.0 mm, [LTR] 4.2 +/- 2.0 mm



3. If the service mode setting value has been changed, write down the new adjustment value on the service label.

Original Feed System

Skew Adjustment (at Stream Scanning of Originals)

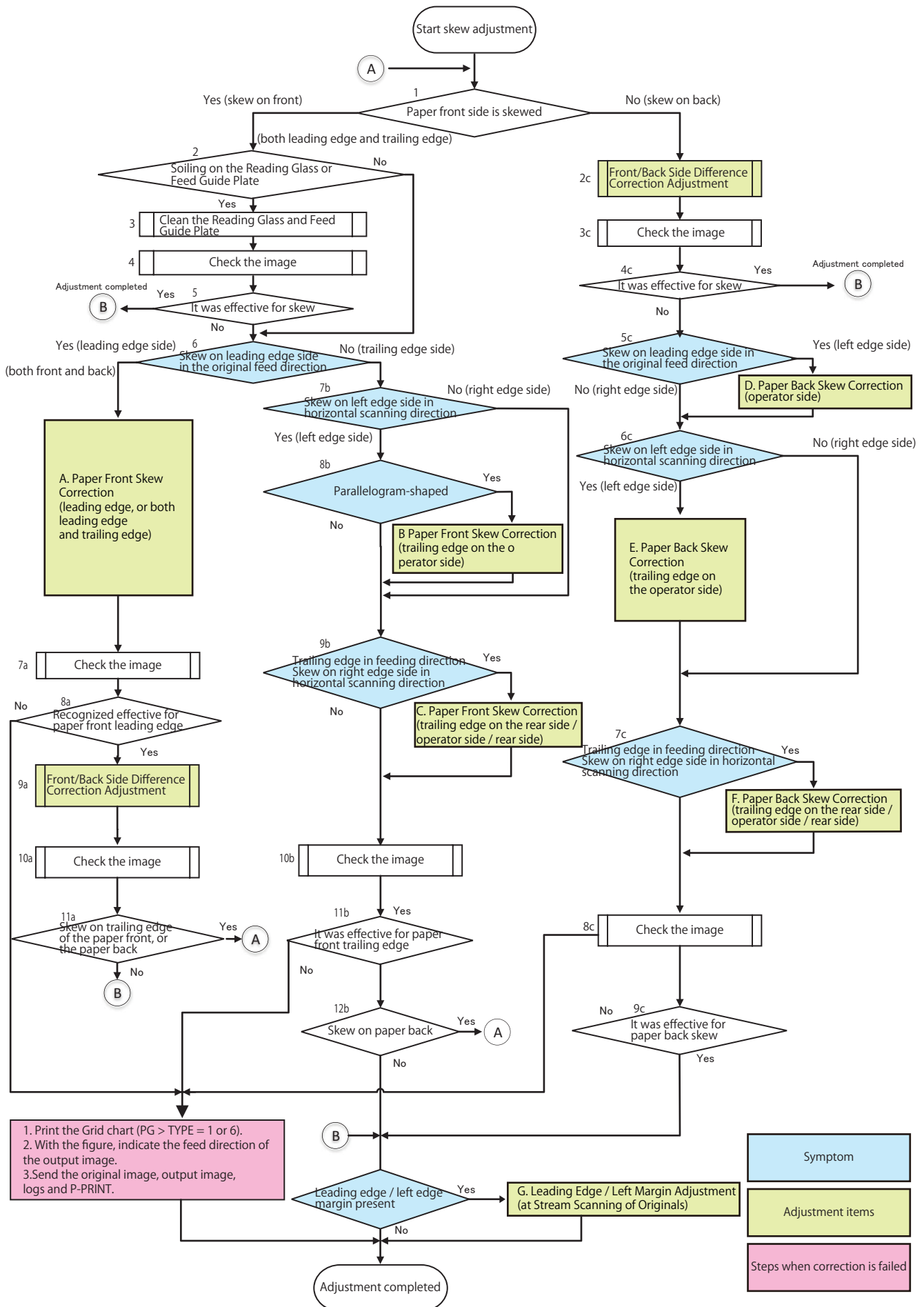
If the images from stream scanned originals are skewed after the adjustments of the printer side is complete, perform skew adjustment according to the workflow.

CAUTION:

The correction may not be performed under the following usage conditions because the skew cannot be detected.

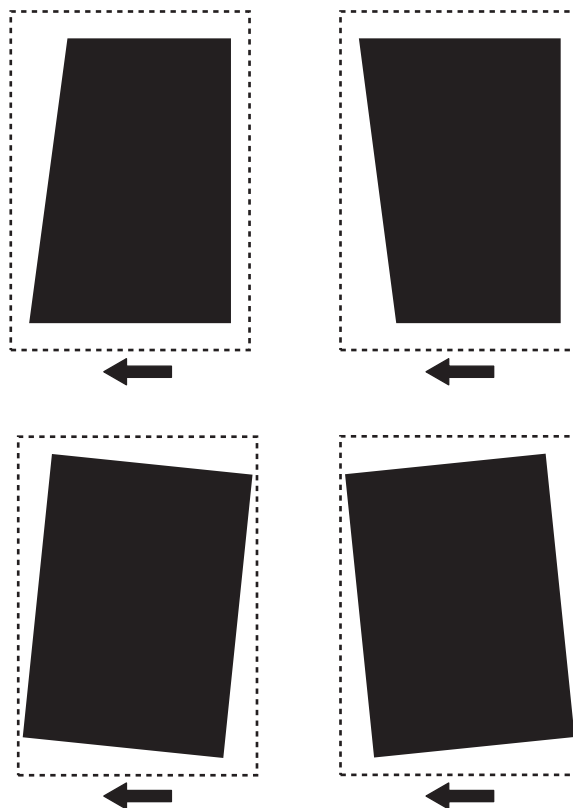
- The Reading Glass or Feed Guide is soiled.
- The edge of original is bent / torn / missing.
- Translucent or thin originals are used.
- E202-0010 or E202-0002 is in the error log and not remedied, which occurs system degraded.

■ Workflow2



■ A. Paper Front Skew Correction (Leading Edge, or Both Leading Edge and Trailing Edge)

Correct skew with the following procedure if a skew occurs on leading edge, or both leading edge and trailing edge (on the front side of paper).



1. ["Right Angle Adjustment \(Slant Adjustment\)" on page 236](#)
2. ["Light intensity adjustment" on page 237](#)
3. ["Automatic Adjustment of the Stream Reading Position \(Automatic Adjustment of the Reading Position at ADF Reading\)" on page 238](#)
4. ["White Level Adjustment" on page 238](#)
5. Check the image again. If the leading edge on the front side of the paper is corrected, perform "Difference correction adjustment of front and back sides". If a skew is occurring on the trailing edge of the front side of the paper, or back side of the paper, perform the appropriate skew correction item. If the skew on the front side is not corrected, contact the support department of the sales company.
["Front/Back Side Difference Correction Adjustment" on page 238](#)

■ B. Paper Front Skew Correction (Trailing Edge on the Operator Side)

Correct skew with the following procedure if a skew occurs on trailing edge on the operator side (on the front side of paper).

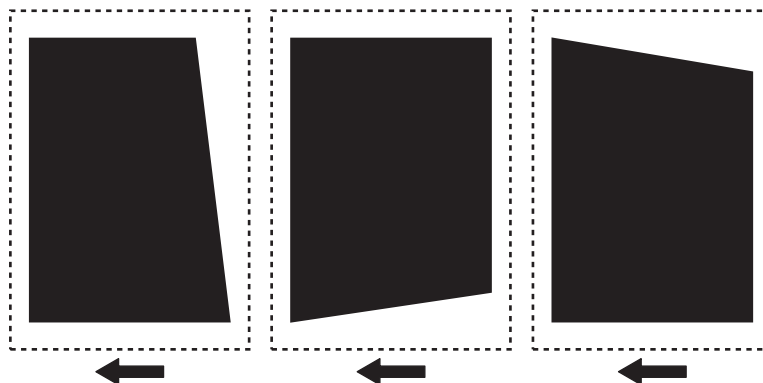


1. ["Parallelogram Correction" on page 238](#)

2. Check the image again. If a skew is occurring on the back side of the paper, perform the appropriate skew correction item. If the skew on the front side is not corrected, contact the support department of the sales company.

■ C. Paper Front Skew Correction (Trailing Edge on the Rear Side / Operator Side / Rear Side)

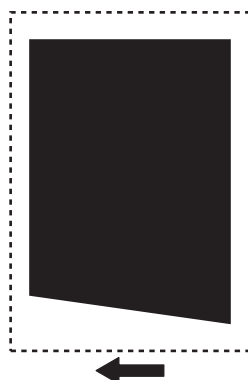
Correct skew with the following procedure if a skew occurs on trailing edge on the rear side / operator side / rear side (on the front side of paper).



1. "Angle Correction (Front / Back)" on page 239
2. Check the image again. If a skew is occurring on the back side of the paper, perform the appropriate skew correction item. Check the image again. If a skew has not been corrected on the front side of the paper, contact the support department of the sales company.

■ D. Paper Pack Skew Correction (Operator Side)

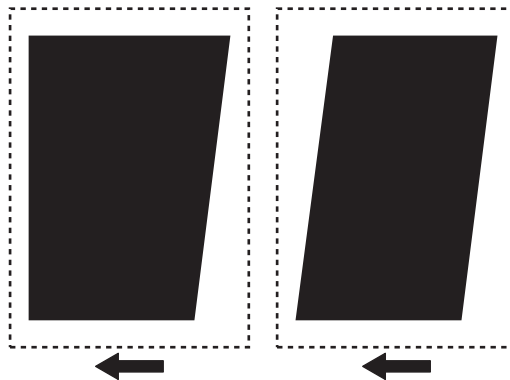
Correct skew with the following procedure if a skew occurs on the operator side (on the back side of paper).



1. "Front/Back Side Difference Correction Adjustment" on page 238
2. Check the image again. If a skew is occurring on the back side of the paper, contact the support department of the sales company.

■ E. Paper Back Skew Correction (Trailing Edge on the Operator Side)

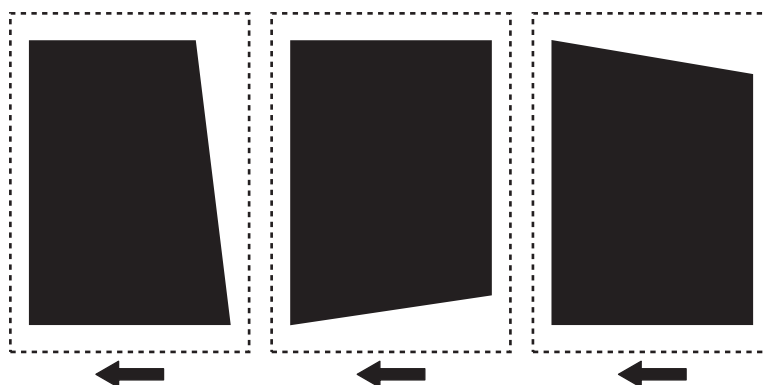
Correct skew with the following procedure if a skew occurs on trailing edge on the operator side (on the back side of paper).



1. [“Right Angle Adjustment \(Slant Adjustment\)” on page 236](#)
2. [“Light intensity adjustment” on page 237](#)
3. [“White Level Adjustment” on page 238](#)
4. Check the image again. If a skew is occurring on the back side of the paper, contact the support department of the sales company.

■ F. Paper Back Skew Correction (Trailing Edge on the Rear Side / Operator Side / Rear Side)

Correct skew with the following procedure if a skew occurs on trailing edge on the rear side / operator side / rear side (on the back side of paper).



1. [“Angle Correction \(Front / Back\)” on page 239](#)
2. Check the image again. If a skew is occurring on the back side of the paper, contact the support department of the sales company.

■ G. Edge Margin Adjustment after the Skew Adjustment (at Stream Scanning of the Originals)

When the leading edge / left edge margin of the image is out of the standard range after skew correction, adjust the leading edge / left edge margin using a test chart.

Reference: Standard value

- Leading edge: 4.0+1.5/-1.0 mm (front side, back side)
- Left edge: 2.5+/-1.5 mm (front side) / 2.5 + / -2.0 mm (back side)

1. [“Creating the Test Charts for Image Position Adjustment” on page 239](#)
2. Adjust the leading edge margin of the image after skew correction in the following service modes.
 - FEEDER > ADJUST > ADJ-T1 (Front)
 - FEEDER > ADJUST > ADJ-T2 (Back)

NOTE:

- Amount of change per 1 setting value 0.1 mm
- Adjustment range -15 to 15

3. Adjust the left edge margin of the image after skew correction in the following service modes.

- FEEDER > ADJUST > ADJ-L1 (Front)
- FEEDER > ADJUST > ADJ-L2 (Back)

NOTE:

- Amount of change per 1 setting value 0.1 mm
- Adjustment range -30 to 30

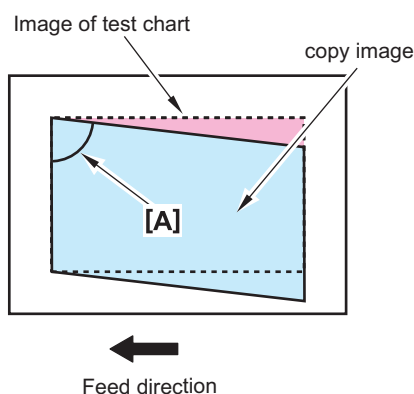
Right Angle Adjustment (Slant Adjustment)

NOTE:

There are two adjustment methods: One for reading the front side (Scanner Unit on the Reader side) and another for reading the back side (Scanner Unit on the ADF side).

Adjustment of the Paper Front Reading

1. Prepare the test chart according to the link.
["Creating the Test Charts for Image Position Adjustment" on page 239](#)
2. Set the following service mode to "1".
 FEEDER > OPTION > SKW-SW
3. Place the test chart on the ADF and make a 1-sided copy.
4. Check whether the angle [A] of the copied paper is a right angle. If it is not right-angled, adjust it as follows.



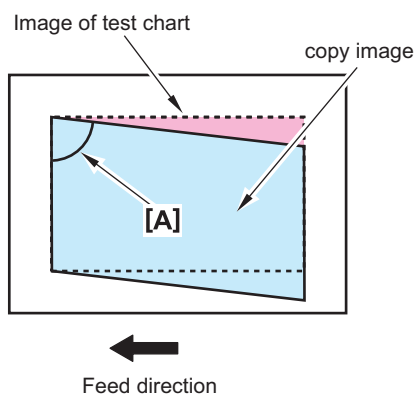
5. Loosen the 4 Right Hinge Fixation Screws, make adjustment by moving the hinge installation position back and forth, and then temporarily fix the screws.



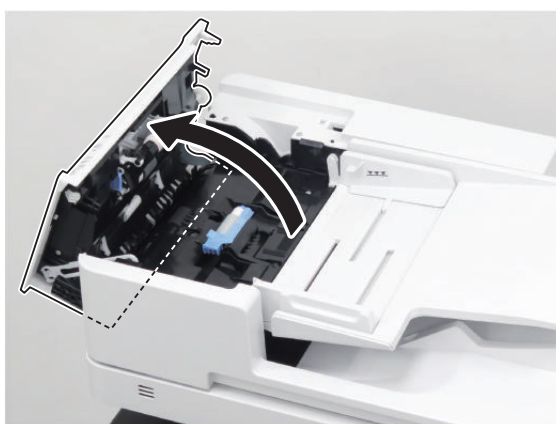
6. Place the test chart on the ADF to make a 1-sided copy again.
7. Repeat steps 4 and 5 until the skew amount falls within the specified range.
8. When the skew amount is within the range, tighten the Fixation Screws you loosened.

Adjustment of the Paper Back Reading

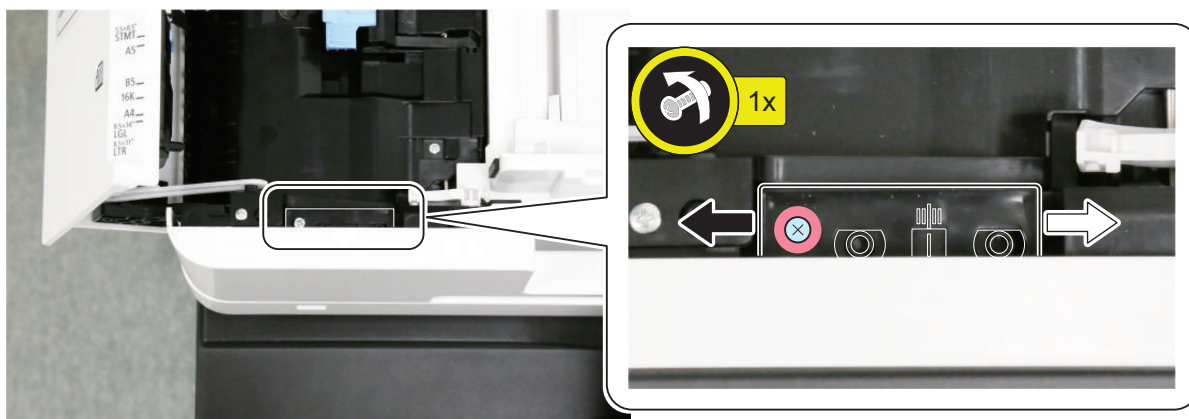
1. Place the test chart facing down on the ADF and make a 2-sided copy.
2. Check whether the angle [A] of the copied paper is a right angle. If it is not right-angled, adjust it as follows.



3. Open the Feeder Cover.



4. Loosen the screw and adjust the position of the guide for the CIS Adjustment Holder.
 - [A] = Less than 90 degrees: Move the guide to the right (direction of the white arrow).
 - [A] = 90 degrees or more: Move the Guide to the left (direction of the black arrow).



5. Tighten the screw after adjustment.
6. Make a 2-sided copy of the test chart again, and check that the [A] is a right angle.
7. Close the Feeder Cover.
8. Set the following service mode to "0".
FEEDER > OPTION > SKW-SW

Light intensity adjustment

NOTE:

- This mode automatically performs adjustment.
- If "NG" is displayed after executing this mode, check that PCB and each connector are properly connected.

1. Execute the following service mode with the ADF closed.

COPIER > FUNCTION > CCD > CL-AGC

Automatic Adjustment of the Stream Reading Position (Automatic Adjustment of the Reading Position at ADF Reading)

NOTE:

- If the DADF is opened during adjustment, restart the adjustment.
- Enter the value after adjustment on the Service Label (on the back of the Reader Front Cover or Printer Front Cover). (The adjustment result is reflected to COPIER > ADJUST > ADJ-XY > STRD-POS.)
COPIER > ADJUST > ADJ-XY > STRD-POS



1. Execute the following service mode item.

COPIER > FUNCTION > INSTALL > STRD-POS

NOTE:

If "NG" is displayed after executing this mode, execute "Right Angle Adjustment (Slant Adjustment)" on the service manual.

2. Turn OFF/ON the main power of the Host Machine.

White Level Adjustment

1. Place a sheet of blank A4 or LTR size paper on the Copyboard Glass and close the ADF.

CAUTION:

When executing the white level adjustment using paper with smaller width, adjustment may not be executed properly.

2. Execute the service mode item.

COPIER > FUNCTION > CCD > DF-WLVL1

3. Remove the blank paper from the Copyboard Glass, and place it on the Document Pickup Tray of ADF.

4. Execute the service mode item.

COPIER > FUNCTION > CCD > DF-WLVL2

Front/Back Side Difference Correction Adjustment

NOTE:

This mode automatically feed the original and performs adjustment.

1. Place the white color chart (included in the package) or plain paper on the ADF, and then execute the following service mode.

- FEEDER > FUNCTION > ADJ-SKW

Parallelogram Correction

Perform parallelogram correction if a scanned image is parallelogram-shaped.

1. Correct the parallelogram in the following service modes.

- FEEDER > ADJUST > ADJ-PAR1 (Front)
- FEEDER > ADJUST > ADJ-PAR2 (Back)

NOTE:

- As the value is increased by 1, the image is corrected clockwise by 0.01 degree.
- As the value is decreased by 1, the image is corrected counterclockwise by 0.01 degree.

Angle Correction (Front / Back)

If the trailing edge of the scanned image is missing, perform angle correction.

1. Correct the amount of rotation in the following service modes.

- FEEDER > ADJUST > ADJ-ROT1 (Front)
- FEEDER > ADJUST > ADJ-ROT2 (Back)

NOTE:

- As the value is increased by 1, the image is corrected clockwise by 0.01 degree.
- As the value is decreased by 1, the image is corrected counterclockwise by 0.01 degree.

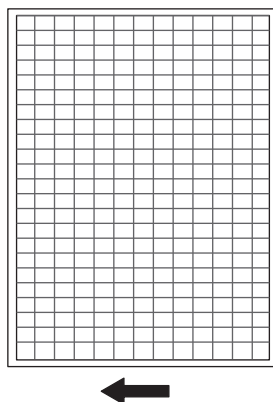
Image Position Adjustment (at Stream Scanning of Originals)

Adjust the image position of the side / leading edge using a test chart.

■ Creating the Test Charts for Image Position Adjustment

CAUTION:

Create the test charts for image position adjustment after completing adjustments on the printer side.



1. After setting the service modes as follows, press the Start key to output the test chart.

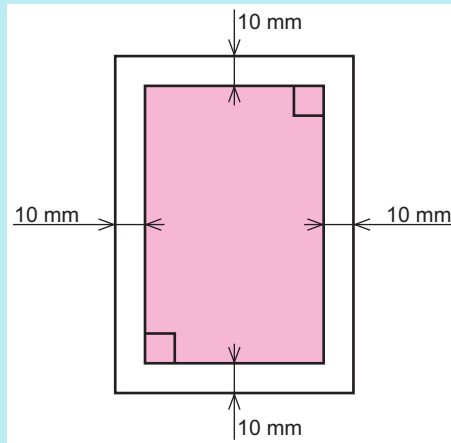
- COPIER > TEST > PG > TYPE = 1 or 6
- COPIER > TEST > PG > PG-PICK = To set the Pickup Cassette for test print output.

NOTE:

Pressing "i" (Information Button) displays the TYPE number.

NOTE:

- If the specified test chart cannot be output, draw a test chart on A3 or LDR paper with a rectangle whose four corners are 10 mm smaller than the paper.
- To draw characters and marks so that you can see the direction of the copied image.



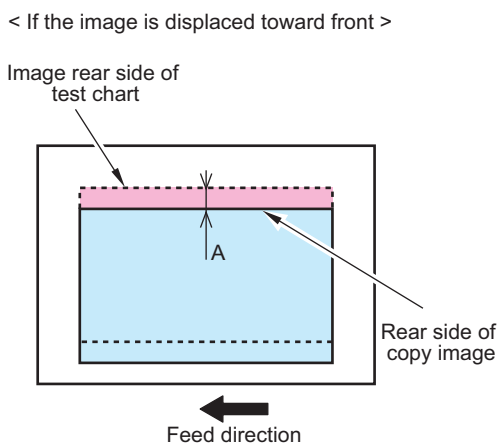
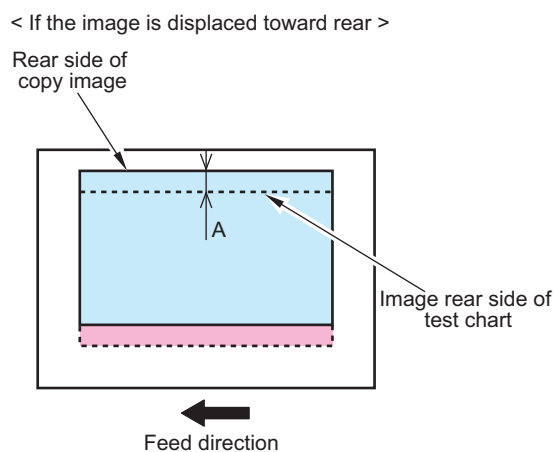
■ Side Registration Adjustment

NOTE:

There are two adjustment methods: One for reading the front side (Scanner Unit on the Reader side) and another for reading the back side (Scanner Unit on the ADF side).

Adjustment of the Paper Front / Back Reading

1. Set the following service mode to "1".
FEEDER > OPTION > SKW-SW
2. Place the test chart on the ADF and make a 1-sided copy.
3. Overlay the copied paper onto the test chart.
4. Check whether the rear side of the copied image is within the standard.
 - Standard: $A \leq 1 \text{ mm}$



5. If it is not within the standard range, make an adjustment with the following service modes.
COPIER > ADJUST > ADJ-XY > ADJ-Y-DF
COPIER > ADJUST > ADJ-XY > ADJ-Y-DF2
 - If the copied image is displaced toward the front side: Increase the value (the image moves toward the rear side)
 - If the copied image is displaced toward the rear side: Decrease the value (the image moves toward the front side)

Amount of change per 1 setting value 0.1 mm
Adjustment range -15 to 15
6. Copy the test chart again, and check that the image is within the ranges of the standard.
7. Write down the adjusted value in the service label (on the back of the Reader Front Cover).
8. Set the following service mode to "0".
FEEDER > OPTION > SKW-SW

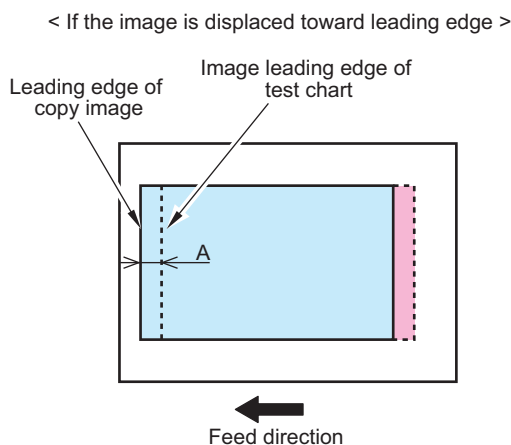
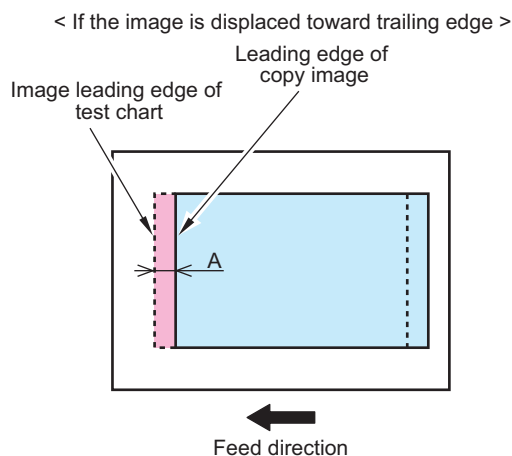
■ Leading Edge Margin Adjustment

NOTE:

There are two adjustment methods: One for reading the front side (Scanner Unit on the Reader side) and another for reading the back side (Scanner Unit on the ADF side).

Adjustment of the Paper Front / Back Reading

1. Set the following service mode to "1".
FEEDER > OPTION > SKW-SW
2. Place the test chart on the ADF and make a 1-sided copy.
3. Overlay the copied paper onto the test chart.
4. Check that the leading edge of the copied image is within the standard range.
 - Standard: $A \leq 1 \text{ mm}$



5. If it is not within the standard range, make an adjustment with the following service modes.
FEEDER > ADJUST > DOCST
FEEDER > ADJUST > DOCST2
 - If the copied image is displaced toward the trailing edge: Increase the value (move the image toward the leading edge)
 - If the copied image is displaced toward the leading edge: Decrease the value (move the image toward the trailing edge)

Amount of change per 1 setting value 0.1 mm
Adjustment range -30 to 30
6. Copy the test chart again, and check that the image is within the ranges of the standard.
7. Write down the adjusted value in the service label (on the back of the Reader Front Cover).
8. Set the following service mode to "0".
FEEDER > OPTION > SKW-SW

■ Magnification Ratio Adjustment

NOTE:

- There are two adjustment methods: One for Paper Front Reading (Scanner Unit on the Reader side), and the other for Paper Back Reading (Scanner Unit on the DADF side).
- This adjustment is performed by comparing the images printed with the stream reading and the copyboard reading.

● Adjustment of the Paper Front Reading

1. Prepare the test chart according to the link.

[“Creating the Test Charts for Image Position Adjustment” on page 239](#)

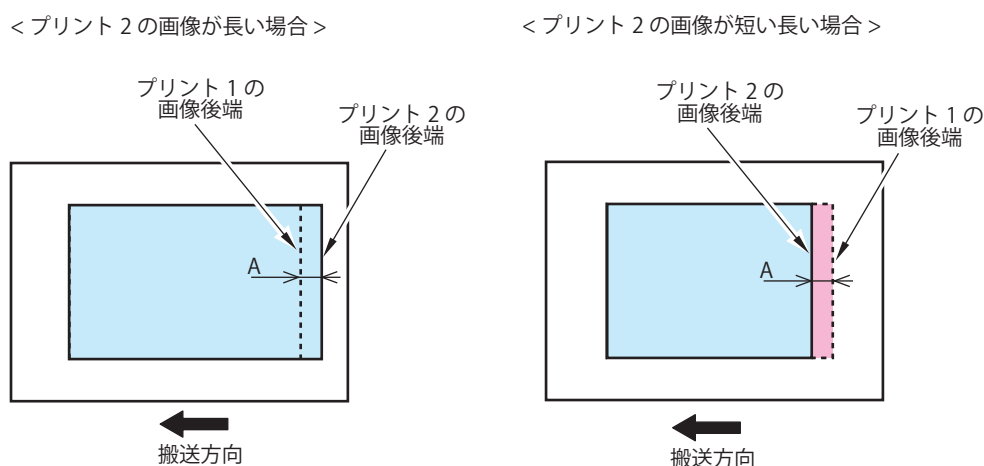
2. Place a test chart on the Copyboard Glass of the connected device, and make a print. This is called Print 1.

3. Place a test chart on the Document Pickup Tray, and make a 1-sided print. This is called Print 2.

4. Overlay the Print 2 onto the Print 1.

5. Check if the trailing edge of the image on the Print 2 is within the standard range.

Standard: $A \leq 1 \text{ mm}$



6. If it is not within the standard range, make adjustments with the following service modes.

FEEDER > ADJUST > LA-SPEED

- If the image on the Print 2 is longer: Increase the numeric value (i.e., make the stream reading speed "faster")
- If the image on the Print 2 is shorter: Decrease the numeric value (i.e., make the stream reading speed "slower")
- Amount of change per unit: 0.01%
- Adjustment range: -200 to +200

7. Make a print with the test chart again, and check that the image is within the standard range.

● Adjustment of the Paper Back Reading

1. Prepare the test chart according to the link.

[“Creating the Test Charts for Image Position Adjustment” on page 239](#)

2. Place a test chart on the Copyboard Glass of the connected device, and make a print. This is called Print 1.

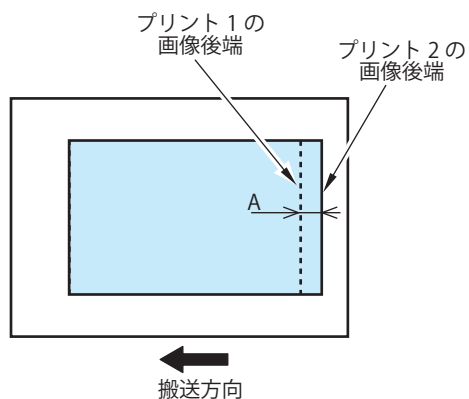
3. Place a test chart facing down on the Document Pickup Tray, and make a 2-sided print. This is called Print 2.

4. Overlay the Print 2 onto the Print 1.

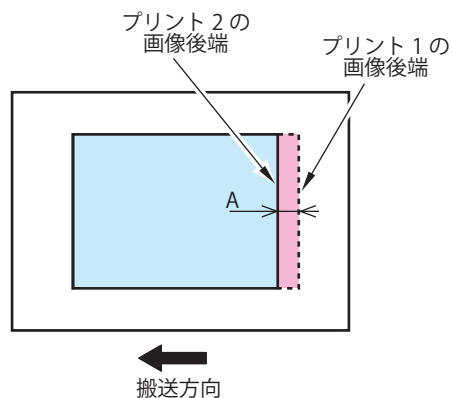
5. Check if the trailing edge of the image on the Print 2 is within the standard range.

Standard: $A \leq 1 \text{ mm}$

<プリント2の画像が長い場合>



<プリント2の画像が短い場合>



6. If it is not within the standard range, make adjustments with the following service modes.

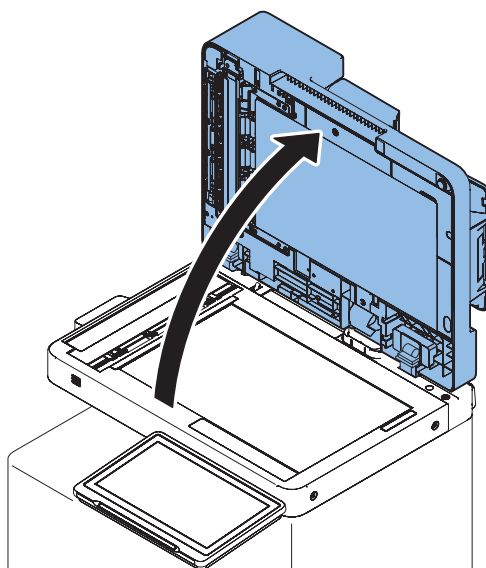
- If the image on the Print 2 is longer: Increase the numeric value (i.e., make the length of the image in the vertical scanning direction shorter).
- If the image on the Print 2 is shorter: Decrease the numeric value (i.e., make the length of the image in the vertical scanning direction longer).
- Amount of change per unit: 0.01%
- Adjustment range: -200 to +200

FEEDER > ADJUST > LA-SPD2

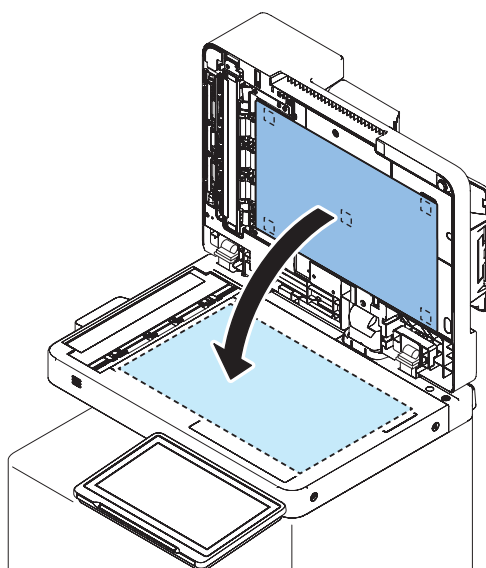
7. Make a print with the test chart again, and check that the image is within the standard range.

Original Exposure System

1. Adjustment of the White Plate



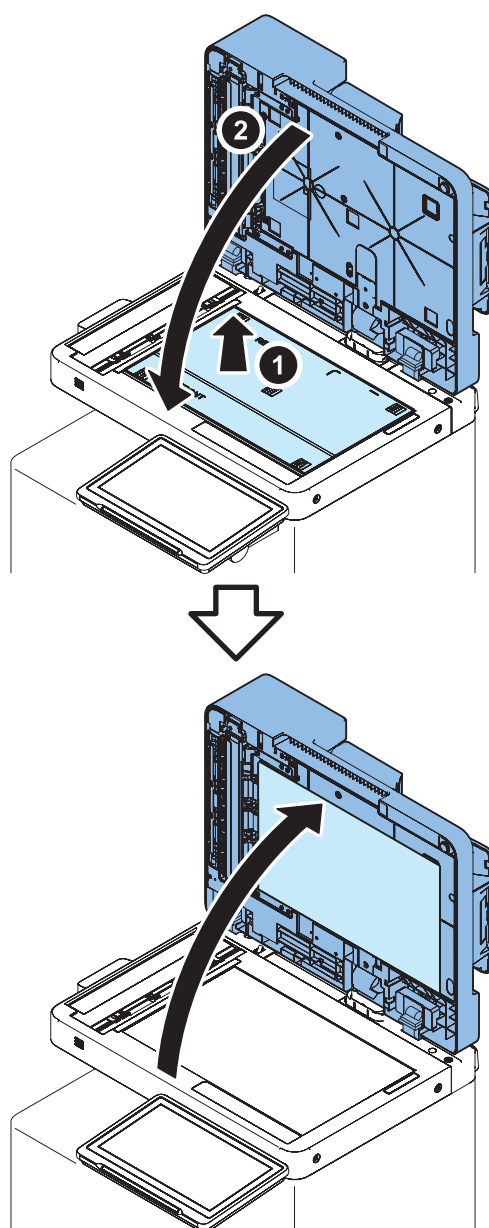
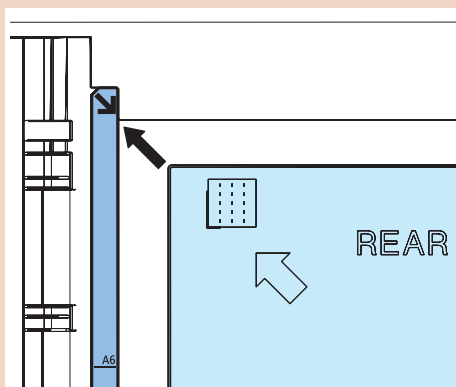
2.



3.

CAUTION:

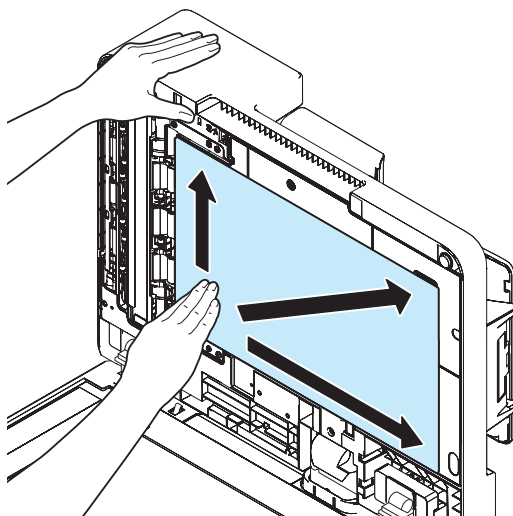
Align the White Plate with the Index.



4.

CAUTION:

If the White Plate is pressed from top to bottom, it is placed on the Index Sheet, so be sure to press it from bottom to top.

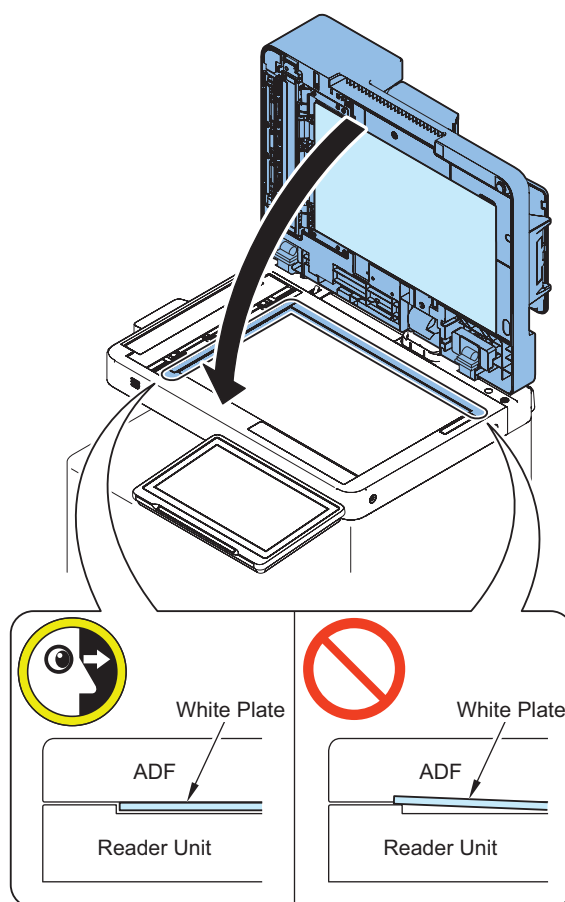


5.

CAUTION:

Check that the White Plate is not placed on the Index Sheet with this equipment closed.

- Be sure that there is no gap between the White Plate and the Index Sheet.
- The gap between the White Plate and the Index Sheet must be 0.3 mm or less as a reference.



Actions at Parts Replacement

Main Controller PCB

Actions before Parts Replacement

1. **Output the latest service mode setting values.**
 - COPIER > FUNCTION > MISC-P > P-PRINT
2. **Perform backup in the following service mode (Lv.2).**
COPIER > FUNCTION > SYSTEM > DSRAMBUP

Actions after Parts Replacement

1. **Upgrade the firmware for correcting its combination to ensure that the machine operates properly.**

NOTE:

It is recommended to use the automatic update function.

2. **Perform either of the followings according to the backup status.**

When backup completed successfully

Execute the following service mode (Lv.2) to restore the backup data.

- COPIER > FUNCTION > SYSTEM > DSRAMRES

When backup does not complete successfully

Enter the values written on the service label (on the Front Door of the host machine) in the following service modes.

- COPIER > ADJUST > ADJ-XY >
- COPIER > ADJUST > CCD >
- COPIER > ADJUST > PASCAL >
- FEEDER > ADJUST >

List of Service Mode Items to Enter Values

Service mode path	Service mode items to enter values
COPIER > ADJUST > ADJ-XY >	ADJ-X, ADJ-Y, ADJ-S, STRD-POS, ADJ-X-MG, ADJ-Y-DF, ADJY-DF2
COPIER > ADJUST > CCD >	100-GB, 100-RG, 100DF-GB, 100DF-RG, 100DF2GB, 100DF2RG, DFCH2B10, DFCH2B2, DFCH2G10, DFCH2G2, DFCH2R10, DFCH2R2, DFCH-B10, DFCH-B2, DFCH-G10, DFCH-G2, DFCH-R10, DFCH-R2, MTF2-M1, MTF2-M2, MTF2-M3, MTF2-M4, MTF2-M5, MTF2-M6, MTF2-M7, MTF2-M8, MTF2-M9, MTF2-S1, MTF2-S2, MTF2-S3, MTF2-S4, MTF2-S5, MTF2-S6, MTF2-S7, MTF2-S8, MTF2-S9, MTF3-M1, MTF3-M2, MTF3-M3, MTF3-M4, MTF3-M5, MTF3-M6, MTF3-M7, MTF3-M8, MTF3-M9, MTF3-S1, MTF3-S2, MTF3-S3, MTF3-S4, MTF3-S5, MTF3-S6, MTF3-S7, MTF3-S8, MTF3-S9, MTF-M1, MTF-M2, MTF-M3, MTF-M4, MTF-M5, MTF-M6, MTF-M7, MTF-M8, MTF-M9, MTF-S1, MTF-S2, MTF-S3, MTF-S4, MTF-S5, MTF-S6, MTF-S7, MTF-S8, MTF-S9, W-PLT-X, W-PLT-Y, W-PLT-Z, DFTAR2-B, DFTAR2-G, DFTAR2-R, DFTAR3-B, DFTAR3-G, DFTAR3-R, DFTAR-B, DFTAR-G, DFTAR-R, DFTBK-B, DFTBK-G, DFTBK-R
COPIER > ADJUST > PASCAL >	OFST-P-K
FEEDER > ADJUST >	LA-SPEED, LA-SPD2, DOCST, DOCST2, ADJ-DL, ADJ-DROT, ADJ-DT

3. **Execute the following service mode to adjust the Scanner Unit white level.**

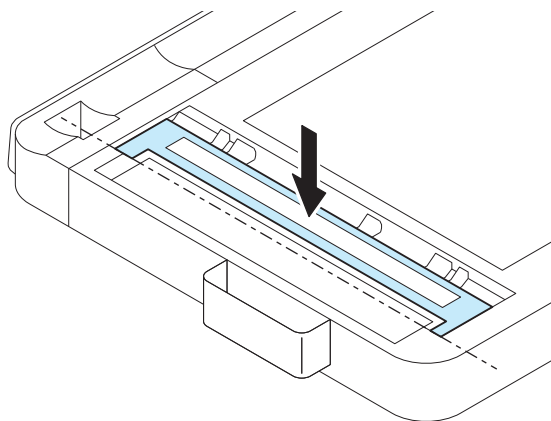
COPIER > FUNCTION > CCD > CL-AGC

4. **Follow the steps shown below to adjust the ADF white level.**

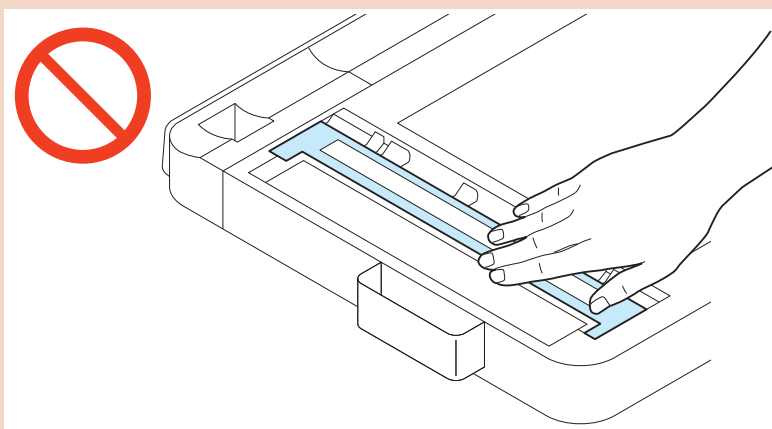
1. Place an A4 or LTR size paper on the Copyboard Glass and execute the following service mode.
COPIER > FUNCTION > CCD > DF-WLVL1
2. Place an A4 or LTR size paper on the ADF and execute the following service mode.
COPIER > FUNCTION > CCD > DF-WLVL2

5. Follow the steps shown below to perform the paper back shading correction.

1. Cleaning the reading side 1
Locations for cleaning: Stream Reading Glass for front side, Stream Reading Glass for back side
Cleaning method: Clean with the cloth stored in the Reader Assembly.
2. Paper back shading correction 1
Close the ADF, and execute the following service mode.
COPIER > FUNCTION > CCD > BK-SHD1
3. Paper back shading correction 2
Set the white sheet included in the package at the position shown in the figure below.

**CAUTION:**

Do not touch the upper surface of the white sheet.



Close the ADF, and execute the following service mode.

COPIER > FUNCTION > CCD > BK-SHD2

4. Cleaning the reading side 2
Remove the White Plate and perform the cleaning again.
 - Locations for cleaning: Stream Reading Glass for front side and Stream Reading Glass for back side
 - Cleaning method: Clean with the cloth stored in the Reader Assembly.
5. Paper back shading correction 3
Close the ADF, and execute the following service mode.
COPIER > FUNCTION > CCD > BK-SHD3

6. Execute the following service mode to calculate the MTF filter coefficient.

COPIER > FUNCTION > CCD > MTF-CLC

7. Derive the ADF front and back linearity characteristics.

COPIER > FUNCTION > CCD > DF-LNR

8. In the following menu, execute the auto gradation adjustment.

Settings/Registration > Adjustment > Adjustment/Maintenance > Adjust Image Quality > Auto Adjust Gradation

DC Controller PCB

■ Before Parts Replacement

CAUTION:

When replacing the DC Controller PCB, be sure to use a new one. Do not use the DC Controller PCB which was used with another machine.

1. **Execute the following service mode to output setting values for just in case of restoration failure of backup data.**
COPIER > FUNCTION > MISC-P > P-PRINT
2. **Execute the following service mode to back up the service mode setting values.**
(Lv.2) COPIER > FUNCTION > SYSTEM > DSRAMBUP
During execution, "ACTIVE" flashes in the status column of the service mode.
It takes approx. 2 minutes. Upon success, [OK!] is displayed in the status column.
3. **After confirming that [OK!] is displayed in the status column of the service mode, turn OFF the power of the machine.**

■ During Parts Replacement

CAUTION:

Once the DC Controller PCB was replaced with a brand-new one, make sure to perform a version update. Otherwise, the functionalities available with the latest version will not perform properly.

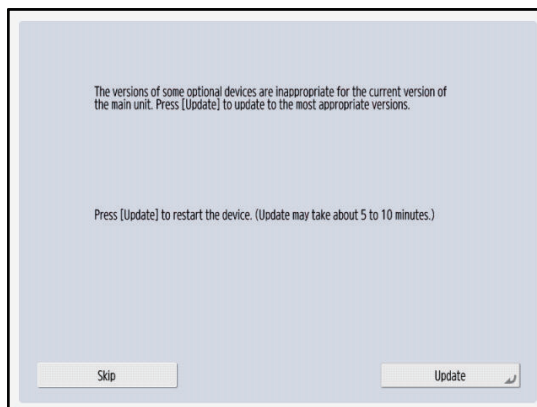
CAUTION:

Auto-update is available only when the following service mode (Lv. 2) is set to 1 or 2.
COPIER > OPTION > FNC-SW > VER-CHNG

1. Update the DCON version in accordance with one of the following screen messages.

<When the update button is displayed>

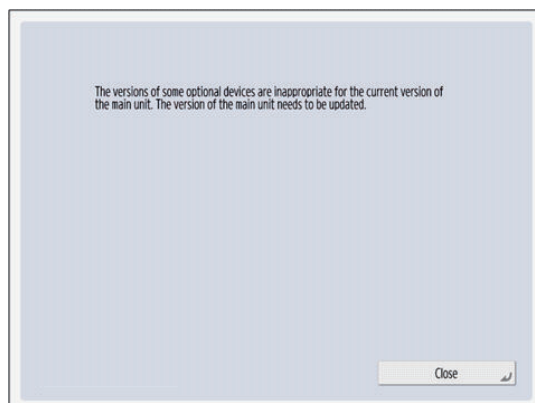
1. If the following message is displayed on the screen, press [Update] to auto-update the DCON version.



Screen sample

<When the update button is not displayed>

1. If the following message is displayed on the screen, press [Close].



Screen sample

2. Enter the following service mode (Lv. 2) and set the value to "2."
 COPIER > OPTION > FNC-SW > VER-CHNG
3. Turn OFF and then ON the main power.
4. Once the update button is displayed, press [Update] to auto-update the DCON version.

2. If setting value data was backed up before the parts replacement, execute the following service mode (Lv. 2) to restore the backed-up setting value data.

COPIER > FUNCTION > SYSTEM > DSRAMRES

During the execution, "ACTIVE" flashes in the status column of the service mode.

The execution takes approx. 2 minutes. Upon success, [OK!] is displayed in the status column.

3. If setting values were not backed up before the replacement due to e.g. damaged DC Controller PCB, or if the backed-up data could not be restored in the previous step, enter the value of each service mode item on the service label or P-PRINT as listed before the parts replacement.

Hard Disk

■ Overview

The following describes the tasks when replacing the HDD.

Note that procedures to backup/restore the data in the HDD is required when replacing the HDD.

Perform backup/restoration based on the following.

Backup List

Backup target data	Backup Method			
	User	Service	DCM	Power OFF
	(excluding DCM)			
Address List	Yes*1	-	Yes*9	-
Forwarding Settings	Yes*1	-	Yes*9	-
Settings / Registration				
Preferences (Except for Paper Type Management Settings)	-	-	Yes*9	Yes*10
Adjustment/Maintenance	-	-	Yes*9	Yes*10
Function Settings (Except for Printer Custom Settings, Forwarding Settings)	-	-	Yes*9	Yes*10
Set Destination (Except for Address List)	-	-	Yes*9	Yes*10
Management Settings (Except for Address List)	-	-	Yes*9	Yes*10
User authentication information used for local device authentication of UA (User Authentication)	Yes*2	-	Yes*9	-
Printer Settings	Yes*1	-	Yes*9	Yes*10
Set Paper Information	Yes*1	-	Yes*9	-
Setting items for each menu in Main Menu (Copy, Scan and Send, Fax, Scan and Store, Access Stored Files, Fax/I-Fax Inbox)				
Favorite Settings	Yes*1	Yes*8	Yes*9	-
Default Settings	-	Yes*8	Yes*9	-
Shortcut settings for "Options"	-	Yes*8	Yes*9	-
Previous Settings	-	Yes*8	-	-
Setting items for Quick Menu				
Button Size information	-	-	Yes*9	-
Wallpaper Setting	-	-	Yes*9	-
Button information in Quick Menu	-	-	Yes*9	-
Restrict Quick Menu	-	-	Yes*9	-
Setting items for Main Menu				
Button settings in Main Menu	-	-	Yes*9	-
Button settings on the top of the screen	-	-	Yes*9	-
Wallpaper Setting for Main Menu	-	-	Yes*9	-
Other settings for Main Menu	-	-	Yes*9	-
Function Settings > Store/Access Files				
Mail Box Settings (Register Box Name, PIN, Time Until File Auto Delete, Printer upon Storing from Printer Driver)	Yes*4	-	Yes*9	-
Image data in Mail Box, Fax Inbox, and Memory RX Inbox	Yes*4	-	-	-
Network Place Settings	-	-	Yes*9	Yes*10
Web browser settings				
Web Access setting information	-	Yes*8	Yes*9	-
MEAP settings				
MEAP application	-	Yes*8	-	-
License files for MEAP applications	Yes*5	-	-	-
Data saved using MEAP applications	Yes*5	△*8	Yes*9	-
SMS (Service Management Service) password	-	Yes*8	-	-
Universal data settings				
Unsent documents (documents waiting to be sent with the Delayed Send mode)	-	-	-	-
Job logs	-	-	-	-
Audit Log	Yes*6	-	-	-
Key Pair and Server Certificate in Certificate Settings in TCP/IP Settings in Network Settings in System Settings (from the Additional Functions screen)	-	-	Yes*9	-
Auto Adjust Gradation setting values	-	-	-	-
PS font	-	-	-	-

Backup target data	Backup Method			
	User	Service	DCM	Power OFF
	(excluding DCM)			
Key information to be used for encryption when TPM is OFF	-	-	-	-
Key and settings information to be used for encryption when TPM is ON	Yes*7	-	-	-
Personal Settings				
Display Language	-	-	Yes *9	-
Accessibility Settings	-	-	Yes *9	-
Default Screen	-	-	Yes *9	-
Default Job Settings	-	-	Yes *9	-
Quick Menu (Personal, layout of the Personal tab, and background of the Personal tab)	-	-	Yes *9	-
Address Book (Personal/Group)	Yes *1	-	Yes *9	-
Key ring (for host machine functions)	-	-	Yes *9	-
Personal settings of MEAP	Yes *11	Yes *8	Yes *9	-
Service Mode				
Service Mode setting values (MN-CON)	-	-	△*9	Yes*10

*1: Remote UI > Settings/Registration > Management Settings > Data Management > Import or Export

*2: Remote UI > Settings/Registration > Management Settings > User Management > Authentication Management > User Management

*3: Remote UI > Quick Menu > Export

*4: Remote UI > Settings/Registration > Management Settings > Data Management > Back Up or Restore

*5: Remote UI > Service Management Service

*6: Remote UI > Settings/Registration > Management Settings > Device Management > Save Audit Log
Audit log that was exported cannot be put back to the device from which the log was exported.

*7: Settings/Registration > Management Settings > Data Management > TPM Settings

*8: Download mode > [5]: Backup/Restore > [3] : MEAP Backup > Meapback.bin

Backup is possible using SST or USB memory

The data saved using a MEAP application can be backed up only when the MEAP application has a backup function.

*9: Backup Method using DCM When You set it in COPIER> OPTION> USER> SMD-EXPT> ON, a backup/restore is possible in Service Mode Settings from the Remote UI.

There is a backup button on the TOP page of the service mode.

- Remote UI > Settings/Registration > Management Settings > Data Management > Import/Export All
- Remote UI > Settings/Registration > Management Settings > Data Management > Import/Export
- Service mode top screen > BACKUP
- Web Service

*10: The setting value that was set when the main power was turned OFF the last time is automatically backed up to the Flash PCB. When a HDD is replaced with a new one, the setting value is automatically inherited from the Flash PCB at the time of HDD formatting.

*11: iWEMC DAM plug-in

■ Actions before Parts Replacement

1. Backup the required data based on the “Table: Backup List” on page 252.
2. Execute the following service mode and printout the setting data to be ready in case of failing to restore the data.
COPIER > FUNCTION > MISC-P > USER-PRT
COPIER > FUNCTION > MISC-P > P-PRINT

■ Actions after Parts Replacement

1. HDD format
Start the machine in safe mode, and format all partitions using SST or a USB memory.
2. Turning OFF and ON the main power switch.
3. Restoring the backup data
4. Resetting/registering the data
While referring to the list which was printed before replacement, reset/register the data.

5. When the user generates and adds the encryption key, certificate and/or CA certificate, request the user to generate them again.
6. Execute auto gradation adjustment.
 - Execute auto gradation adjustment.Settings/Registration > Adjustment/Maintenance > Adjust Image Quality > Auto Adjust Gradation > Full Adjust

After Replacing the Copyboard Glass

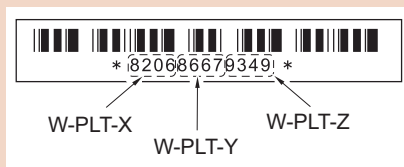
Adjustment after Replacement

1. Enter the value (XXXXXXXXZZZZ) shown on the Barcode Label affixed at the upper right of the Copyboard Glass

COPIER > ADJUST > CCD > W-PLT-X
 COPIER > ADJUST > CCD > W-PLT-Y
 COPIER > ADJUST > CCD > W-PLT-Z

CAUTION:

Be sure to execute the White Plate data adjustment before the Scanner Unit white level adjustment and ADF white level adjustment.



2. Scanner Unit white level adjustment

COPIER > FUNCTION > CCD > CL-AGC

3. ADF white level adjustment

1. Place an A4 or LTR size paper on the Copyboard Glass and execute the following service mode.
COPIER > FUNCTION > CCD > DF-WLVL1
2. Place an A4 or LTR size paper on the ADF and execute the following service mode.
COPIER > FUNCTION > CCD > DF-WLVL2

4. Write down the values on the service label for the Reader (on the Front Door of the host machine).

COPIER > ADJUST > CCD > W-PLT-X
 COPIER > ADJUST > CCD > W-PLT-Y
 COPIER > ADJUST > CCD > W-PLT-Z

After Replacing the Scanner Unit (Front)

Adjustment after Replacement

1. Execute the following service mode to perform automatic adjustment of the reader shading position.
COPIER > FUNCTION > INSTALL > RDSHDPOS
2. Execute the following service mode to perform the black and white reference level adjustment for the Scanner Unit.
COPIER > FUNCTION > CCD > CL-AGC
3. Execute the following service mode to perform automatic adjustment of the reading position during DADF reading.
COPIER > FUNCTION > INSTALL > STRD-POS
4. Follow the steps shown below to adjust the ADF white level.
 1. Place an A4 or LTR size paper on the Copyboard Glass and execute the following service mode.
COPIER > FUNCTION > CCD > DF-WLVL1
 2. Place an A4 or LTR size paper on the ADF and execute the following service mode.
COPIER > FUNCTION > CCD > DF-WLVL2

5. In the following service modes, enter the values shown on the label included with the Scanner Unit.
 COPIER > ADJUST > CCD > MTF-xxx
 COPIER > ADJUST > CCD > MTF2-xxx
6. In the following service mode, calculate the MTF filter coefficient.
 COPIER > FUNCTION > CCD > MTF-CLC
7. From the following menu, execute the auto gradation adjustment.
 Settings/Registration > Adjustment > Adjustment/Maintenance > Adjust Image Quality > Auto Adjust Gradation
8. Set the white color chart on the ADF Feeder Tray.
9. Execute skew adjustment (front and back difference correction adjustment).
 FEEDER > FUNCTION > ADJ-SKW
10. Write down the values on the service label for the Reader (on the Front Door of the host machine).
 - COPIER > ADJUST > CCD > MTF-xxx
 - COPIER > ADJUST > CCD > MTF2-xxx
 - FEEDER > ADJUST > ADJ-DT
 - FEEDER > ADJUST > ADJ-DL
 - FEEDER > ADJUST > ADJ-DROT

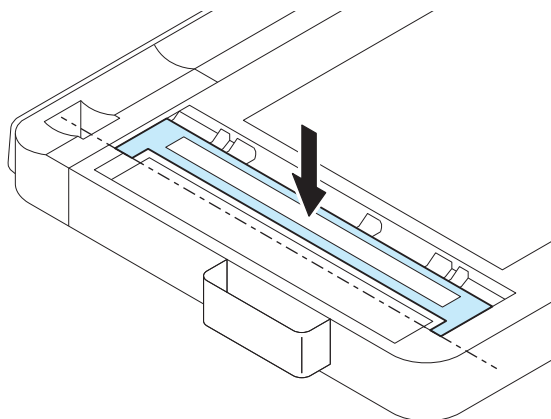
After Replacing the Scanner Unit (Back)

■ Adjustment after Replacement

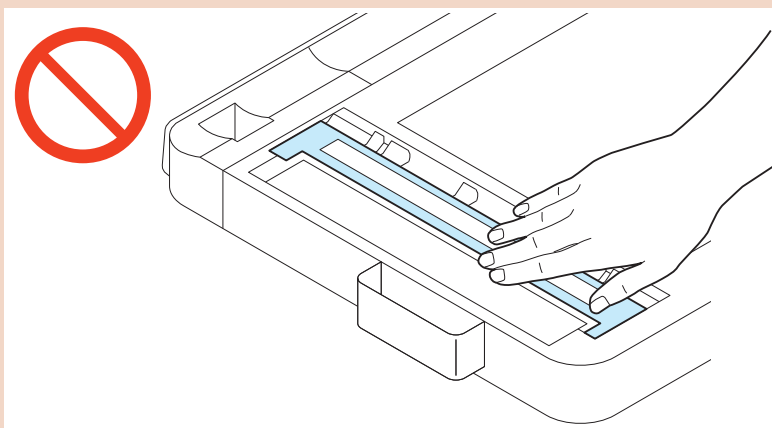
1. Execute the following service mode to adjust the Scanner Unit white level.
 COPIER > FUNCTION > CCD > CL-AGC
2. Follow the steps shown below to adjust the ADF white level.
 1. Place an A4 or LTR size paper on the Copyboard Glass and execute the following service mode.
 COPIER > FUNCTION > CCD > DF-WLVL1
 2. Place an A4 or LTR size paper on the ADF and execute the following service mode.
 COPIER > FUNCTION > CCD > DF-WLVL2
3. Follow the steps shown below to perform the paper back shading correction.
 1. Cleaning the reading side 1
 Locations for cleaning: Stream Reading Glass for front side and Stream Reading Glass for back side
 Cleaning method: Clean with the cloth stored in the Reader Assembly.
 2. Paper back shading correction 1
 Close the ADF, and execute the following service mode.
 COPIER > FUNCTION > CCD > BK-SHD1

3. Paper back shading correction 2

Set the white sheet included in the package at the position shown in the figure below.

**CAUTION:**

Do not touch the upper surface of the white sheet.



Close the ADF, and execute the following service mode.

COPIER > FUNCTION > CCD > BK-SHD2

4. Cleaning the reading side 2

Remove the White Plate and perform the cleaning.

- Locations for cleaning: Stream Reading Glass for front side and Stream Reading Glass for back side
- Cleaning method: Clean with the cloth stored in the Reader Assembly.

5. Paper back shading correction 3

Close the ADF, and execute the following service mode.

COPIER > FUNCTION > CCD > BK-SHD3

4. In the following service modes, enter the values shown on the label included with the Scanner Unit.

COPIER > ADJUST > CCD > MTF3-xxx

5. Execute the following service mode to calculate the MTF filter coefficient.

COPIER > FUNCTION > CCD > MTF-CLC

6. In the following menu, execute the auto gradation adjustment.

Settings/Registration > Adjustment > Adjustment/Maintenance > Adjust Image Quality > Auto Adjust Gradation

7. Set the white color chart included in the package on the ADF Feeder Tray.

8. Execute skew adjustment (difference correction adjustment of front and back sides).

FEEDER > FUNCTION > ADJ-SKW

9. Write down the values on the service label for the Reader (on the Front Door of the host machine).

- COPIER > ADJUST > CCD > MTF3-xxx
- FEEDER > ADJUST > ADJ-DT
- FEEDER > ADJUST > ADJ-DL
- FEEDER > ADJUST > ADJ-DROT

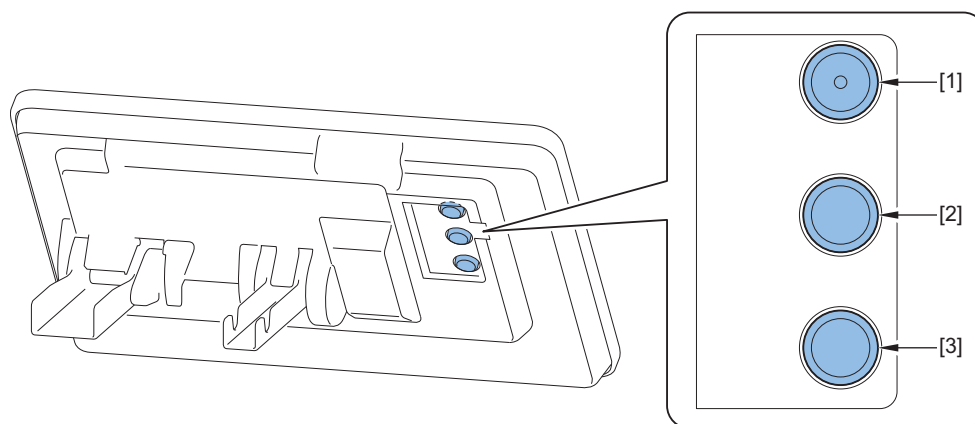
Control Panel Unit

When replacing the Touch Panel Unit, LCD Unit or the Control Panel CPU PCB, perform the following work.

■ Actions at Parts Replacement

● Control Panel Adjustment

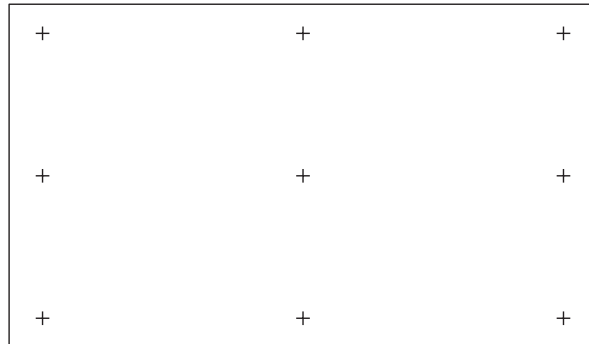
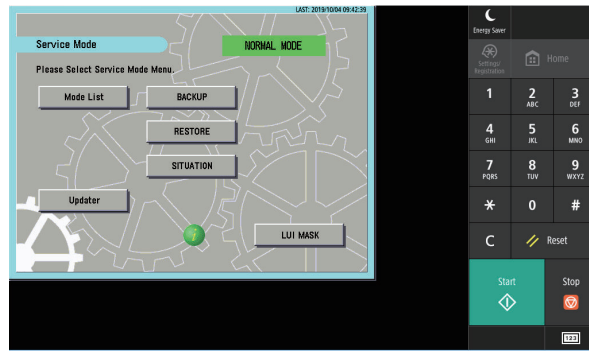
1. Open the Hard Key Cover in rear side of the Control Panel.
2. Enter the Service Mode.
3. Press the Hard Key [1] 3 times to enter the coordinate adjustment mode.



4. Press "+" indicated on the Control Panel in order. The coordinate adjustment mode is automatically closed when all 9 "+" is pressed.

NOTE:

When the adjustment is not operated adequately, Re-adjust from procedure 3 after pressing all 9 "+" is pressed.





Troubleshooting

Initial Check.....	260
Troubleshooting Items.....	261
Test Print.....	270
Startup System Failure Diagnosis.....	275
Controller Self Diagnosis.....	281
Debug Log.....	285

Initial Check

Initial check items list

Item	No.	Detail	Check
Site Environment	1	The voltage of the power supply is as rated ($\pm 10\%$).	
	2	The site is not a high temperature / humidity environment (near a water faucet, water boiler, humidifier), and it is not in a cold place. The machine is not near a source of fire or dust.	
	3	The site is not subject to ammonium gas.	
	4	The site is not exposed to direct rays of the sun. (Otherwise, provide curtains.)	
	5	The site is well ventilated, and the floor keeps the machine level.	
	6	The machine's power plug remains connected to the power outlet.	
Checking the Paper	7	The paper is of a recommended type.	
	8	The paper is not moist. Try paper fresh out of package.	
Checking the Placement of Paper	9	Check the cassette and the manual feed tray to see if the paper is not in excess of a specific level.	
	10	If a transparency is used, check to make sure that it is placed in the correct orientation in the manual feed tray.	
Checking the Durables	11	Check the table of durables to see if any has reached the end of its life.	
Checking the Periodically Replaced Parts	12	Check the scheduled servicing table and the periodically replaced parts table, and replace any part that has reached the time of replacement.	

Troubleshooting Items

Parts and Drum Pitch Related to Periodical Image Failure

Name	Outer Circumference (mm)
Registration Roller	Approx.48
Photosensitive Drum	Approx.94
Primary Charging Roller	Approx.38
Transfer Roller	Approx.45
Developing Cylinder	Approx.63
Fixing Film	Approx.77
Pressure Roller	Approx.79

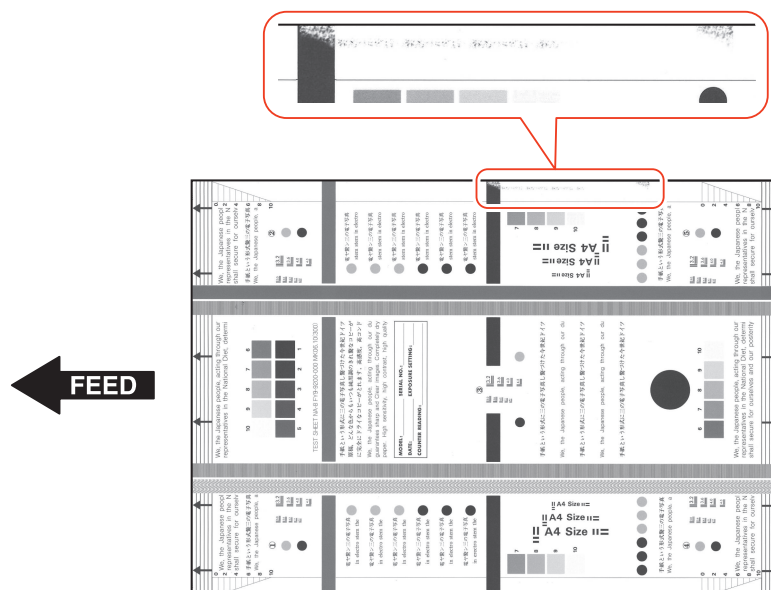
CAUTION:

The outer circumference may be different from the width of the image failure depending on the factors including processing speed and/or amount of image shrink/expansion.

Images are missing or appear faint

Symptom

Images are missing or appear faint.



Cause

Fixing error.

Fixing temperature is too low to melt toner, failing to fix toner onto paper properly and causing missing or faint images.

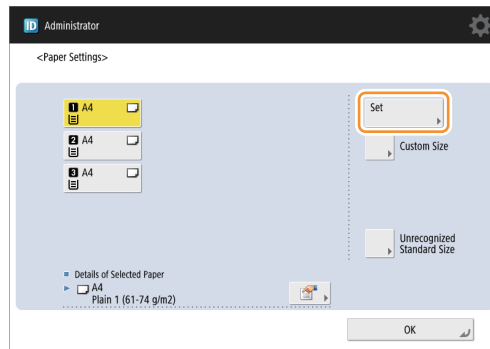
Condition

- Fixing temperature is too low relative to the temperature required to fix toner onto paper.
- Likely to occur toward an edge of A4, LTR or LGL.

Field remedy

1. Select the items in Settings/Registration menu.
[Settings/Registration > [Preferences] > [Paper Settings] > [Paper Settings]

2. Select a paper source and press the [Set] button



3. For existing paper types, select alternative paper types as indicated in the table below.

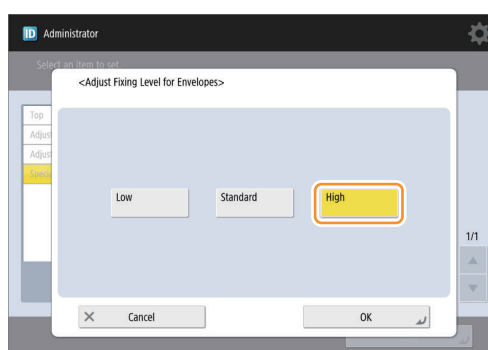
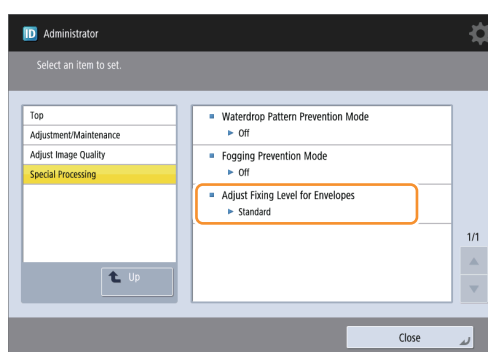
Current paper type	Weight (g/m ²)	Paper type to select
Thin paper	60	Plain 1
Plain 1	61 to 74	Plain 2
Plain 2	75 to 89	Plain 3
Plain 3	90 to 105	*1
Heavy paper 1	106 to 120	*1
Heavy paper 2	121 to 135	*1
Heavy paper 3* ²	136 to 163	*1
Heavy paper 4* ²	164 to 199	*1
Color paper	75 to 89	Plain 3
Recycled	75 to 89	Plain 3
Bond paper	75 to 90	*1
Transparency* ²	100 to 179	Heavy paper 4
Labels	130	Bond paper
Pre-punched	75 to 80	Plain 3
Envelope* ²	80 to 100	*3

*1: Faulty fixing is inevitable; explain this to the customer.

*2: Selectable with multi-purpose tray pickup only

*3: Select [High] for envelope fixing level in user mode (Administrator).

[Settings/Registration] > [Adjustment/Maintenance] > [Adjust Image Quality] > [Special Processing] > [Adjust Fixing Level for Envelopes] > [High]



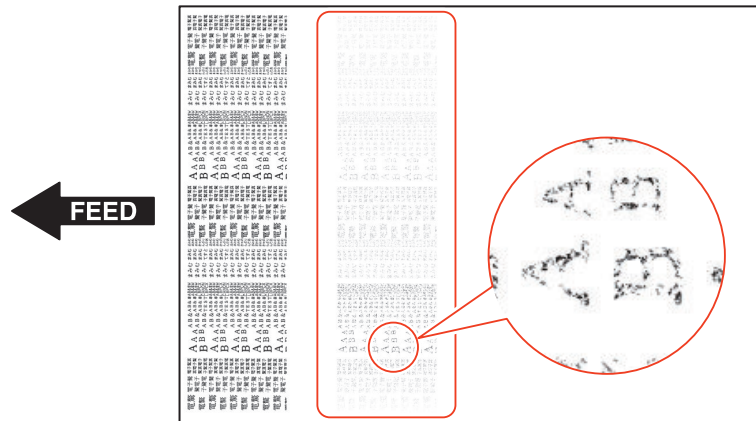
Ghost images appear in the interval of 75.4 mm

Symptom

Ghost images appear in the interval of 75.4 mm.

NOTE:

The fixing film has the pitch of 75.4 mm.



Cause

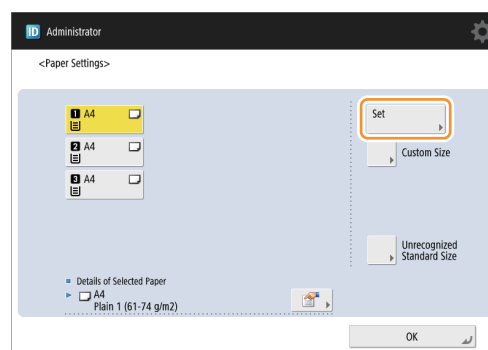
Fixing temperature is so high that some toner remains on the fixing film after fixing takes place. This residue is fixed on paper as the fixing film makes another rotation.

Condition

Fixing temperature is too high relative to the temperature required to fix toner onto paper.

Field remedy

1. Select the items in Settings/Registration menu.
[Settings/Registration] > [Preferences] > [Paper Settings] > [Paper Settings]
2. Select a paper source and press the [Set] button



3. For existing paper types, select alternative paper types as indicated in the table below.

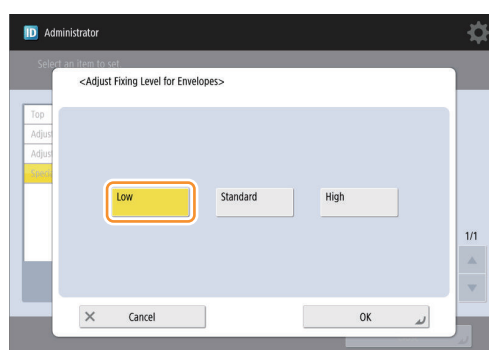
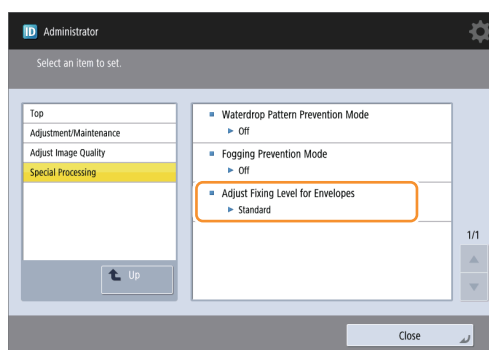
Current paper type	Weight (g/m ²)	Paper type to select
Thin paper	60	*1
Plain 1	61 to 74	Thin paper
Plain 2	75 to 89	Plain 1
Plain 3	90 to 105	Plain 2
Heavy paper 1	106 to 120	Plain 2
Heavy paper 2	121 to 135	Plain 2
Heavy paper 3 *2	136 to 163	Plain 2
Heavy paper 4 *2	164 to 199	Plain 2
Color paper	75 to 89	Plain 1
Recycled	75 to 89	Plain 1
Bond paper	75 to 90	Plain 1
Transparency *2	100 to 179	Plain 2
Labels	130	Plain 2
Pre-punched	75 to 80	Plain 1
Envelope *2	80 to 100	*3

*1: Faulty fixing is inevitable; explain this to the customer.

*2: Selectable with multi-purpose tray pickup only

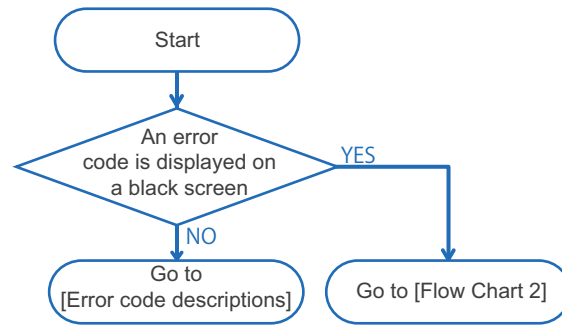
*3: Select [Low] for envelope fixing level in user mode (Administrator).

[Settings/Registration] > [Adjustment/Maintenance] > [Adjust Image Quality] > [Special Processing] > [Adjust Fixing Level for Envelopes] > [Low]

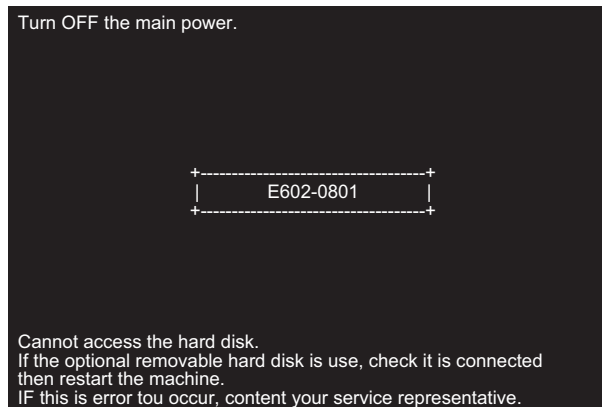


Remedies to be performed when E602-xxxx or E614-xxxx error is displayed

Remedy procedure for E602 or E614 differs according to the status of the screen where error is displayed. Check the remedy procedure by referring to the following flow chart.



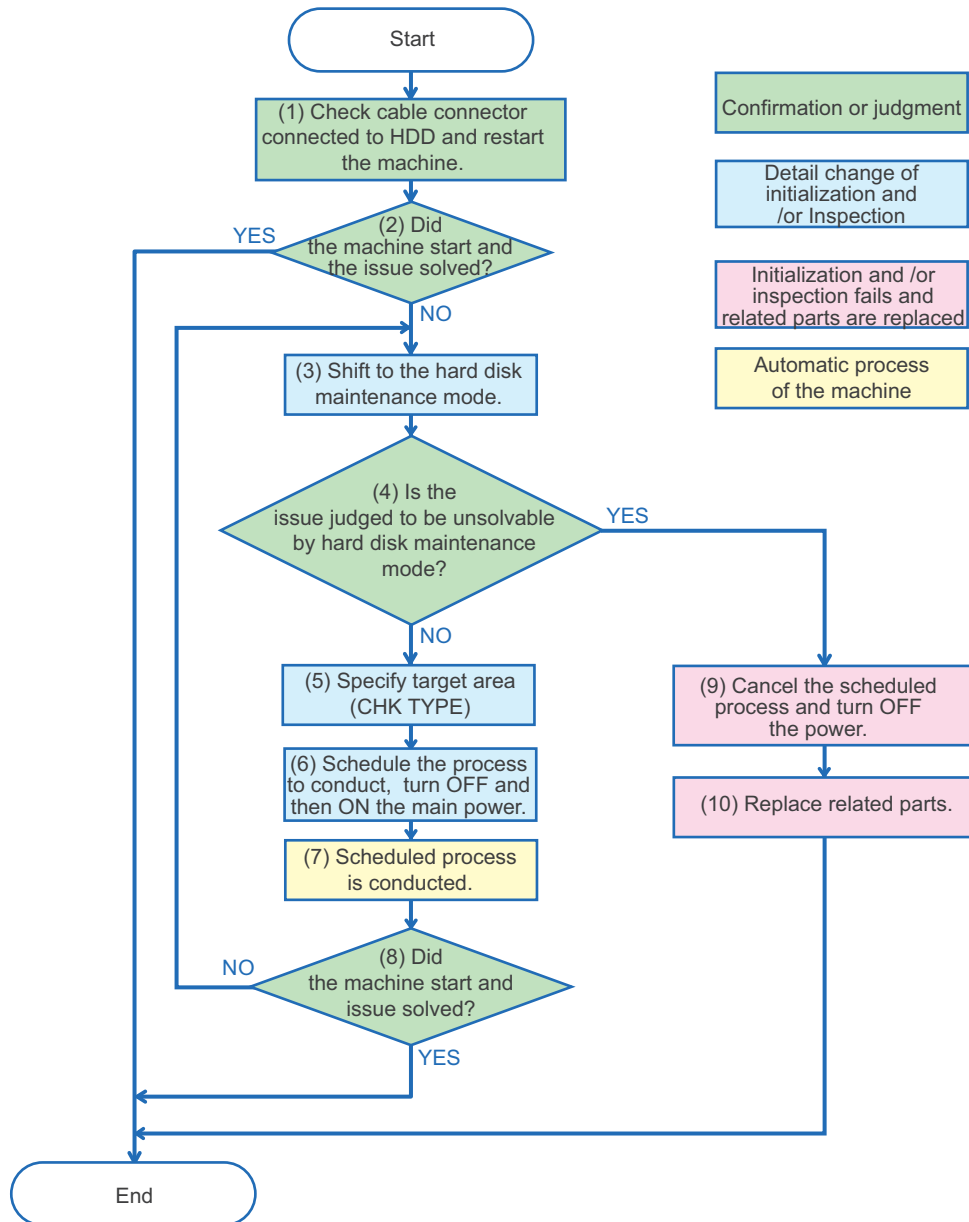
Flow Chart 1



Display Sample : If an error code is displayed on a black screen

Execute a remedy described in service mode by referring to [Error / Jam / Alarm](#) in the Service Manual.

If an error code and a message is displayed on a black screen (as above), shift to the hard disk maintenance mode referring to the Flow Chart 2 and execute the remedy described in [Error / Jam / Alarm](#) in the Service Manual.



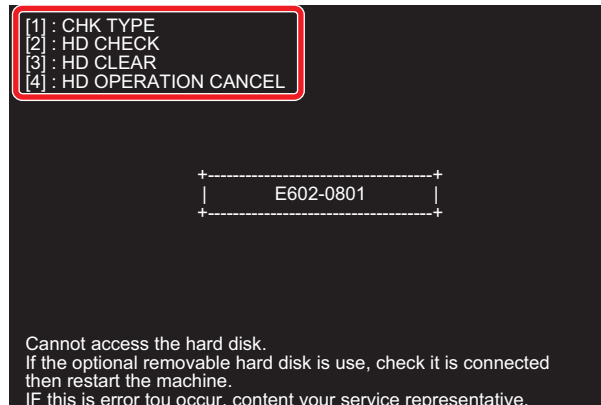
Flow Chart 2

CAUTION:

Numbers in the Flow Chart 2 are corresponding to the procedure numbers. Check the remedy procedure by referring to the flow chart.

1. Check cable connector connected to the hard disk and restart the machine.
2. Check if the machine is started normally. If the machine is started normally, the analysis is complete.

3. If the machine is not started normally, execute key operation to shift to the service mode for shifting to hard disk maintenance mode.

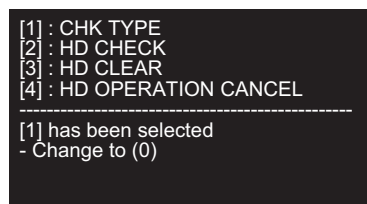


Example of hard disk maintenance mode screen

4. Determine if the issue is solved in the hard disk maintenance mode.

- Proceed to 5 for diagnosis for the first time or trying to restore with the hard disk maintenance mode.
- If the issue cannot be solved by hard disk maintenance (HD-CHECK/HD-CLEAR is not executed or issue unsolved even executed), proceed to 9.

5. Press "1" of Numeric Keypad, then two digits number to specify the target area (CHK TYPE).



CAUTION:

The CHK - TYPE to be specified needs to be entered in two digits even the number to be specified is one digit. Enter "01" to specify "1" and enter "04" to specify "4".

For example, in the case of the display (E602-0801), specify No. 8 because Partition No. 8 is in error. (Enter the number as "08")

If you made a mistake, press "1" again then enter two digits number.

6. Specify and schedule the process stated as a remedy for error code by referring to the Flow chart No.6, "Error / Jam / Alarm" in the Service Manual. Then turn OFF and then ON the main power of the machine.

- To schedule disk check (COPIER > FUNCTION > SYSTEM >HD-CHECK), select [2]:HD-CHECK.
- To schedule formatting (COPIER / FUNCTION / SYSTEM /HD-CLEAR), select [3]:HD CLEAR.

NOTE:

When the menu [2] to [4] is selected, key cannot be re-entered. If you made a wrong selection, Turn OFF and then ON the main power of the machine, shift to hard disk maintenance mode and specify again.

7. Scheduled process is automatically executed.

8. If the process is complete and the machine is restarted normally, analysis is complete.

The same black screen and the error code is displayed, shift back to the hard disk maintenance mode and conduct other maintenance.

9. Consider the HDD cannot be restored, select [4] and cancel the schedule. Switch OFF the main power of the machine.

```
[1] : CHK TYPE  
[2] : HD CHECK  
[3] : HD CLEAR  
[4] : HD OPERATION CANCEL
```

```
-----  
[4] has been selected  
Turn OFF the main power.
```

CAUTION:

Replacing HDD without canceling the schedule causes the scheduled process is executed to replaced HDD at the next normal startup.

When replacing parts, specify [4] to cancel the schedule.

10. Refer to the Service Manual to replace the related parts.

NOTE:

Related parts for E602

- Harness between main controller PCB and the HDD
- HDD
- Main Controller PCB

Related parts for E614

- Flash PCB
- Main Controller PCB

Test Print

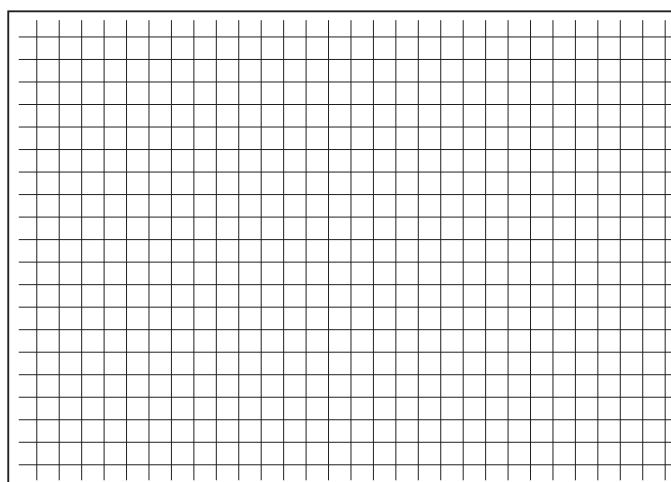
Overview

PG TYPE	Pattern	Image check item										
		Grada- tion	Fog- ging	Trans- fer fail- ure	Black line	White line	Uneven pitch	Uneven density (rear/ front)	Right angle accura- cy Straigh t line accura- cy	Side regis- tration	Shock	Magnifi- cation ratio
0	Normal copy/print											
1	Grid								Yes	Yes		Yes
2	17 grada- tions Tbic rank 2	Yes			Yes	Yes						
3	17 grada- tions 600dpi (134-line screen or 141-line screen)	Yes			Yes	Yes						
4	Solid white		Yes									
5	Halftone (density: 80H, Tbic rank 2, without im- age correc- tion)			Yes	Yes	Yes	Yes	Yes			Yes	
6	Halftone (density: 80H, 134- line screen or 141-line screen, without im- age correc- tion)			Yes	Yes	Yes	Yes	Yes			Yes	
7	Solid black			Yes		Yes	Yes	Yes				
8	Horizontal line (4 dots, 27 spaces)				Yes	Yes	Yes	Yes				
9	Horizontal line (6 dots, 50 spaces)				Yes	Yes	Yes	Yes				
10	Horizontal line (2 dots, 3 spaces)				Yes	Yes	Yes	Yes				
11	Halftone (density: 60H, Tbic rank 2, without im- age correc- tion)			Yes	Yes	Yes	Yes	Yes		Yes	Yes	

PG TYPE	Pattern	Image check item										
		Grada- tion	Fog- ging	Trans- fer fail- ure	Black line	White line	Uneven pitch	Uneven density (rear/ front)	Right angle accura- cy Straigh t line accura- cy	Side regis- tration	Shock	Magnifi- cation ratio
12	Halftone (density: 60H, 134- line screen or 141-line screen, without im- age correc- tion)			Yes	Yes	Yes	Yes	Yes			Yes	
13	Halftone (density: 30H, Tbic rank 2, without im- age correc- tion)			Yes	Yes	Yes	Yes	Yes			Yes	
14	Halftone (density: 30H, 134- line screen or 141-line screen, without im- age correc- tion)			Yes	Yes	Yes	Yes	Yes			Yes	
15	15 to 50: For devel- opment											

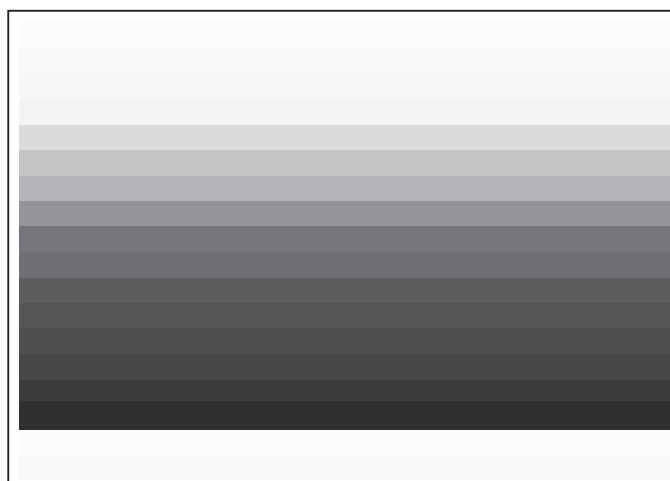
How to use the test print

■ Grid (TYPE=1)



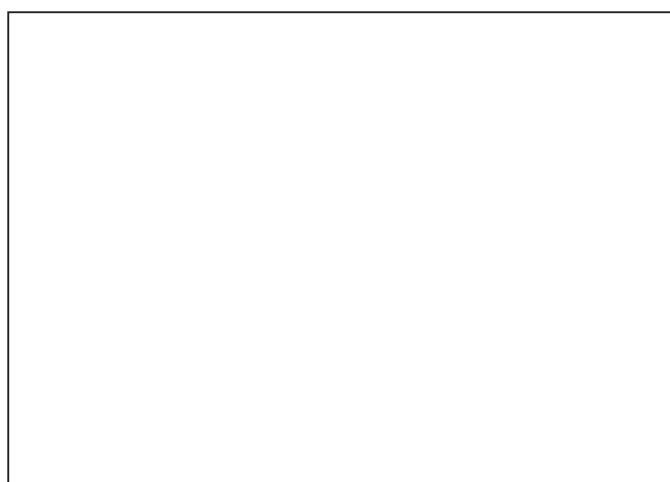
Check item	Check method	Assumed cause
Right angle accuracy/Straight line accuracy	Check whether lines in the horizontal/vertical scanning directions are paralleled to the paper and these lines are at right angles to one another.	Feed system failure or Laser Scanner Unit failure is considered.
Side registration	Check the left margin.	Floor at the installation site is extremely distorted, or the feed system failure is considered.
Magnification ratio	Check whether the grid is printed at 9.99mm intervals. (Check the image on the second side at duplex printing.)	Rollers' feed system failure or laser exposure system failure (drum, Laser Scanner) is considered.

■ 17 gradations (TYPE=2/3)



Check item	Check method	Assumed cause
Gradation	Check whether gradation in density is made appropriately.	Drum failure, laser exposure system failure or developing system failure is considered.
Black line	Check whether black lines appear on the image.	Laser light path failure, developing system failure, cleaning (drum) failure or transfer roller failure is considered.
White line	Check whether white lines appear on the image.	Developing system failure is considered.

■ Solid white (TYPE=4)



Check item	Check method	Assumed cause
Fogging	Check whether foggy image appears in the blank area.	Drum failure, laser exposure system failure or developing system failure is considered.

■ Halftone (TYPE=5/6/11/12/13/14)



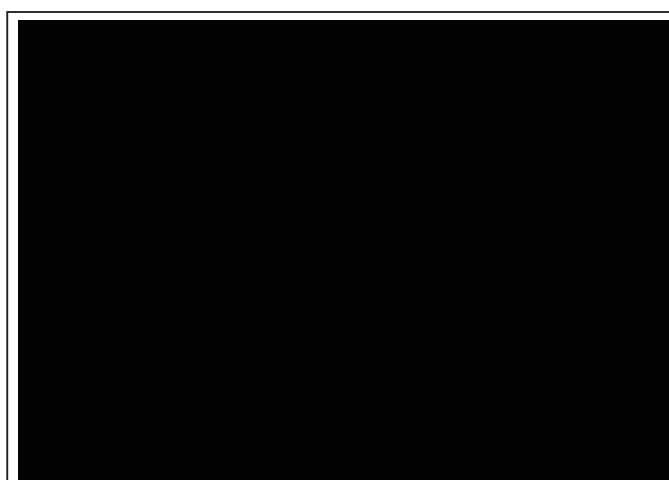
NOTE:

When outputting a halftone test print, be sure to use PG TYPE:6 except in the following cases.

1. When checking the image of side registration adjustment, use PG TYPE:11.

Check item	Check method	Assumed cause
Transfer failure	Check the evenness of halftone density. Check whether uneven image or foggy image appears.	Transfer system failure or transfer roller failure is considered.
Black line	Check whether black lines appear on the image.	Laser light path failure, grid failure, developing system failure, cleaning (drum) failure or transfer roller failure is considered.
White line	Check whether white lines appear on the image.	Developing system failure is considered.
Uneven pitch	Check whether lines appear on the image in the horizontal scanning direction.	Drum failure, developing system failure, laser exposure system failure or drive-related failure is considered.
Uneven density(rear/front)	Check the density difference between the front and rear sides.	Drum failure or developing system failure is considered.
Side registration	Check the left margin.	Floor at the installation site is extremely distorted, or the feed system failure is considered.
Shock	Check whether horizontal lines appear on the image.	Rollers' feed system failure or laser exposure system failure (drum, Laser Scanner) is considered.

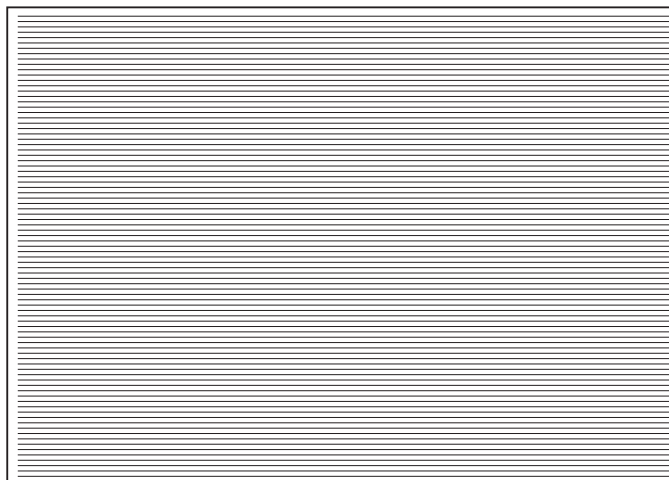
■ Solid black (TYPE=7)



Check item	Check method	Assumed cause
Transfer failure	Check the evenness of halftone density. Check whether uneven image or foggy image appears.	Transfer system failure is considered.

Check item	Check method	Assumed cause
Uneven pitch	Check whether lines appear on the image in the horizontal scanning direction.	Drum failure, developing system failure, laser exposure system failure or drive-related failure is considered.
Uneven density(rear/front)	Check the density difference between the front and rear sides.	Drum failure or developing system failure is considered.

■ Horizontal line (TYPE=8/9/10)



Check item	Check method	Assumed cause
Black line	Check whether black lines appear on the image.	Laser light path failure, developing system failure, cleaning (drum) failure or transfer roller failure is considered.
White line	Check whether white lines appear on the image.	Developing system failure is considered.
Uneven pitch	Check whether lines appear on the image in the horizontal scanning direction.	Drum failure, developing system failure, laser exposure system failure or drive-related failure is considered.
Uneven density(rear/front)	Check the density difference between the front and rear sides.	Drum failure or developing system failure is considered.

Startup System Failure Diagnosis

Overview

The purpose of this diagnosis is to identify the cause when the host machine would not start up.

A combination of the following three identification methods is used to identify the cause.

- A method for identifying the failure on the basis of the LED/LCD display status
- A method for identifying the failure on the basis of the power supply/signal route
- Identification of the location of the controller-related failure with the controller self-diagnosis function

The diagnosis is made according to the startup system failure diagnosis flow in order to perform basic identification of the cause and perform the remedy.

If it turned out that the failure was caused by the controller or the Power Supply Assembly, perform a controller self-diagnosis or check the Power Supply Assembly, and perform the remedy.

If the diagnosis result shows that replacement of parts is required, perform the works in the order shown below.

1. Check if the connectors (of a cable, etc.) are connected properly.
2. Replace the cable.
3. Replace the parts.

After performing the works shown above, be sure to restart the host machine and check if the symptom occurs again.

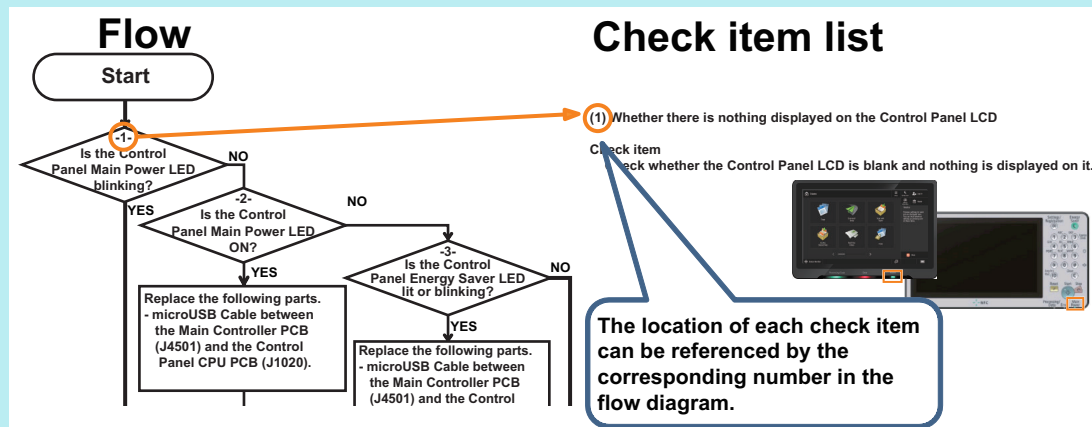
WARNING:

When a tester is used to perform a power check, the AC voltage may be measured. There is a possibility of electrical shock, so caution is required during the work.

NOTE:

The numbers such as (1) and (2) shown in the flow diagram indicate that there is a check item table showing the items to be checked in the flow chart, location, and procedure.

Each number in the flow diagram is linked with the item number of the corresponding check item table to be referenced.



CAUTION:

Before using a tester to perform a check, be sure to turn OFF the Environment Heater Switch.

If a check is performed with the Environment Heater Switch ON, the diagnosis may not be performed correctly.

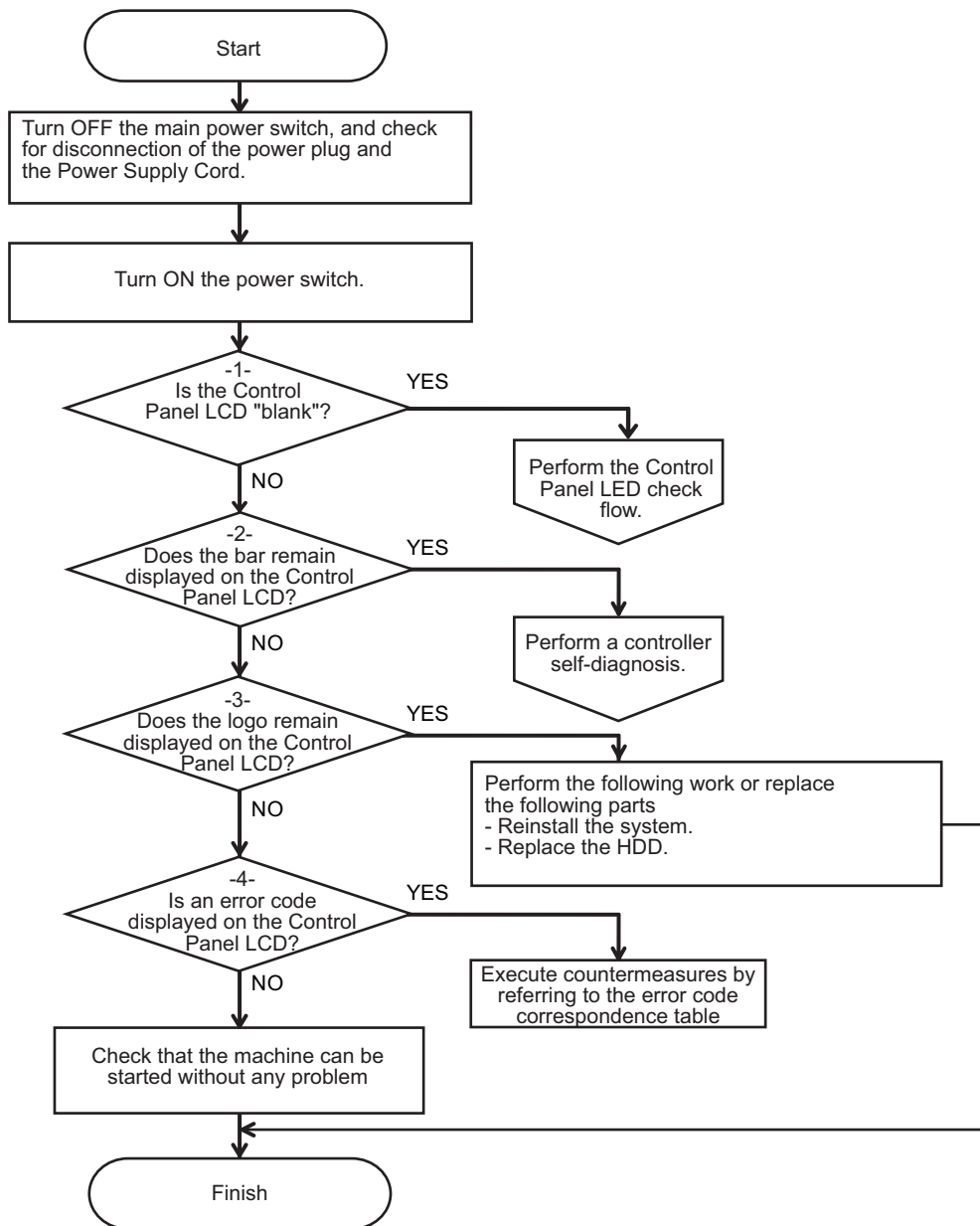
NOTE:

When replacing the cable, disconnect the cable from the connector and check the continuity.

Basic Flow

If the host machine would not start up, follow the flow shown below to identify the location of the trouble.

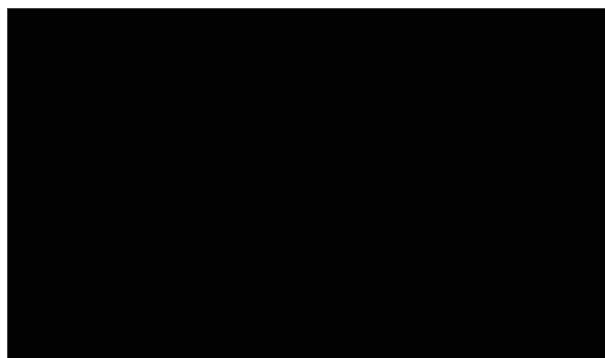
If a number (1) or (2) is shown in a flow chart box, be sure to make a judgement according to the check item table.



(1) Whether there is nothing displayed on the Control Panel LCD

Check item

Check whether the Control Panel LCD is blank and nothing is displayed on it.

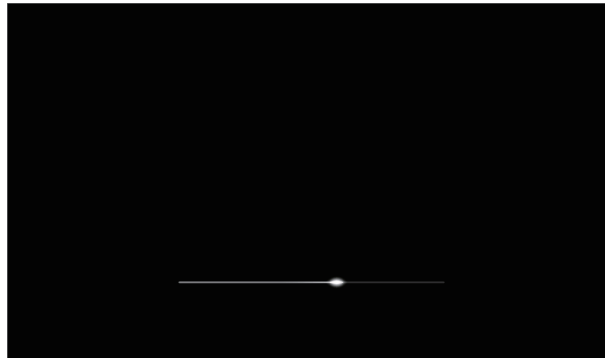


If it is blank, see [“Control Panel LED Check Flow” on page 278](#) to perform the remedy.

(2) Whether the bar remains displayed on the Control Panel LCD

Check item

Check whether the bar remains displayed on the Control Panel LCD.



If the bar remains displayed, see [“Controller Self Diagnosis” on page 281](#) to perform the remedy.

(3) Whether the logo remains displayed on the Control Panel LCD

Check item

Check whether the logo remains displayed on the Control Panel LCD.



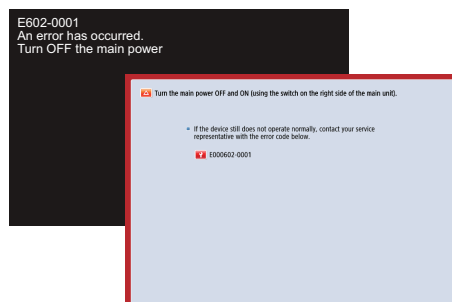
If the logo remains displayed, re-install the system software or replace the HDD.

- See the Chapter 4, "Firmware Management" of the "imageRUNNER ADVANCE System Service Manual" to re-install the system software.
- See [“Removing the HDD” on page 178](#) to replace the HDD.

(4) Whether an E code is displayed on the Control Panel LCD

Check item

Check whether an E-code is displayed on the Control Panel LCD.



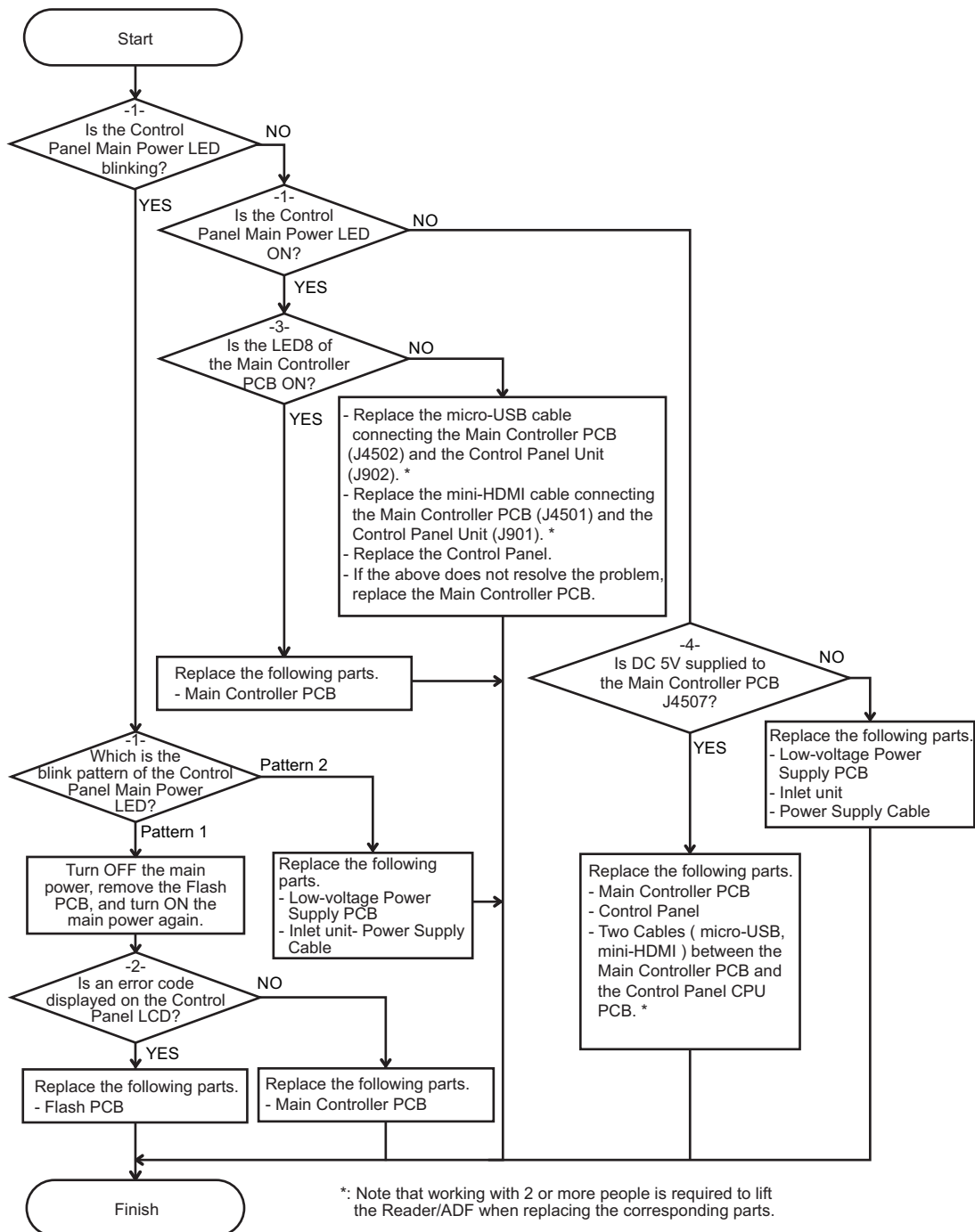
Display sample of an E-code

If an displayed error code starts with E602 or E614, see [“Remedies to be performed when E602-xxxx or E614-xxxx error is displayed” on page 265](#) to perform the remedy.

If the error codes other than above is displayed, see [“Error Code” on page 311](#) to perform the remedy.

Control Panel LED Check Flow

Follow the flow shown below to identify the location of failure according to the Control Panel LED status and take measurements. If a number (1) or (2) is shown in a flow chart box, be sure to refer to the check item table and make a judgment.



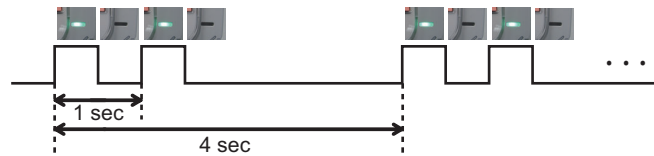
(1) Control Panel Main Power LED is blinking / ON

Check item

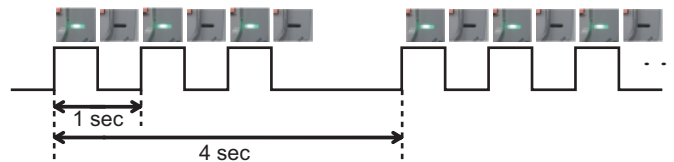
Blink pattern of the Control Panel Main Power LED



Pattern 1 (The Main Power LED blinks 2 times in 4 seconds: Controller error)



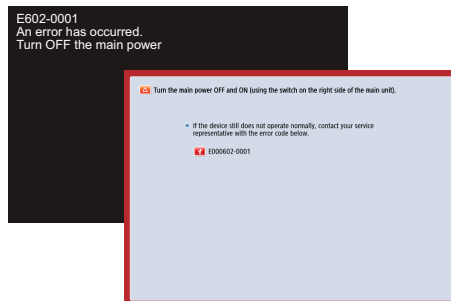
Pattern 2 (The Main Power LED blinks 3 times in 4 seconds: Power Supply error)



(2) E-code is displayed on the Control Panel LCD

Check item

Check whether E-code is displayed on the Control Panel.

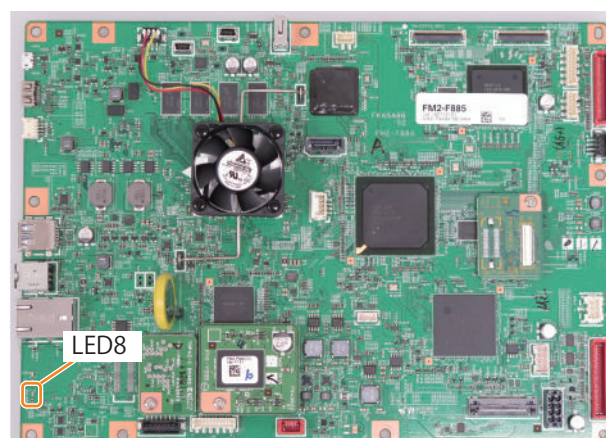


E-code display example

(3) Is the LED8 of the Main Controller PCB ON?

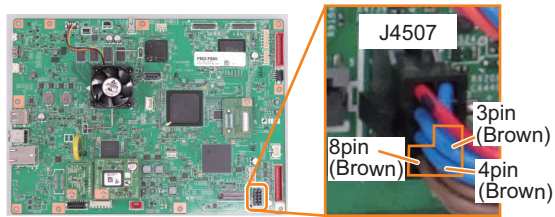
Check item

Check whether the LED8 of the Main Controller PCB is ON.



(4) Is power supplied to the Main Controller PCB?**Check item**

Check whether DC 5V supplied to the Main Controller PCB J4507 pin3, pin4 and pin8.



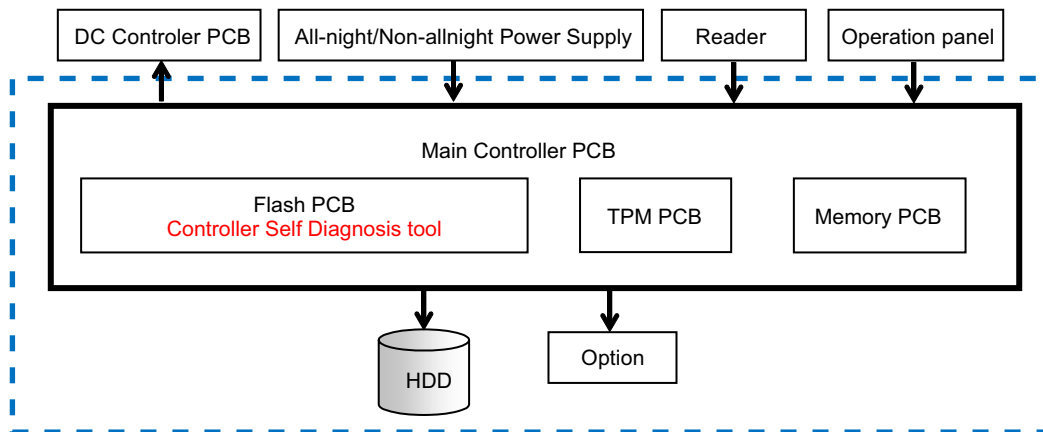
Controller Self Diagnosis

In order to reduce the time for identifying the cause of error occurred in the field and improve the accuracy of identifying the error locations, operation of the controller system error diagnosis tool added to the host machine and the remedies for errors are described.

This manual can be used when the host machine is in the following conditions.

- When a failure of the Main Controller PCB and the related PCBs (child PCBs such as TPM installed on the Main Controller PCB) is suspected

PCBs and units diagnosed by the tool are as follow:



The area framed in blue (dotted line) in the figure shows the components to be checked by the controller system error diagnosis tool.

The Main Controller PCB, child PCBs installed on the Main Controller PCB and HDD are automatically checked, and the result is displayed on the Control Panel.

Boot Method

1. Turn ON the Main Power Supply Switch while pressing the service button '3'.



Reference example

2. Keep pressing the service button (for approx. 20 seconds) until the following screen appears on the Control Panel.

```

=====
BOX Checker Ver 0. 58
SCENARIO-1 Processing BoxMode check start. . .

=====

SN-1 IA-DDR2 SDRAM check start. . .

```

NOTE:

When this tool is not installed correctly, the regular Startup screen is displayed.



In this case, perform the following remedy.

Turn OFF the Main Power Switch again, and execute steps 1 and 2 shown above.

If this tool still does not boot, it means that BCT (Box Checker Test) is deleted, so install BCT.

If BCT is not installed correctly, "- - -" is displayed in Service Mode (BCT) in the host machine.

- COPIER > DISPLAY > VERSION > BCT

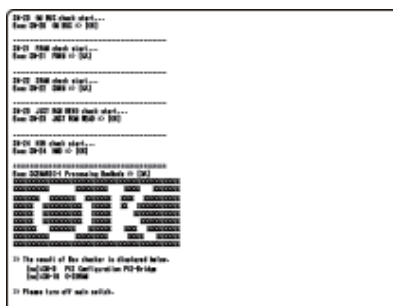
Diagnosis Result

Diagnosis Time

Diagnosis is completed in approx. 3 minutes.

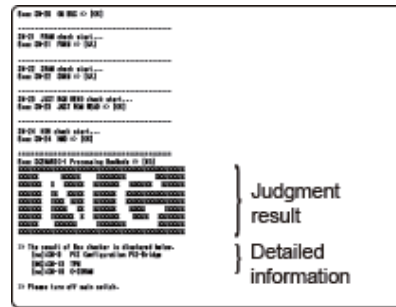
The result is displayed on the Control Panel.

When the diagnosis result is normal



When an error is detected by diagnosis

Detailed information is displayed under the judgment result. In detailed information, the name of the test where the error was detected is displayed.



How to view the error result

The following screen is an enlarged view of the detailed information indicated above.
Explanation of the detailed error information is described.

```
>> The result of Box checker is displayed below.
[no] : SN-9 PCI Configuration PCI-Bridge
[NG] : SN-13 TPM
[no] : SN-19 O-SDRAM

>> Please Turn off main switch.
```

[NO] means that optional PCBs are not mounted.

A fault has occurred when [NO] is displayed irrespective of whether the Option PCB is attached.

[NG] means that an error occurred to PCBs mounted as standard.

■ Controller Self Diagnosis Table

The error locations are identified according to the following table.

Test name	Detailed test name	Presumed failure location	Remedy	Relevant Error Code
SN-1 MN-DDR3 SDRAM	Check the SDRAM of the Main Controller PCB	• Main Controller PCB	Replacement of the Main Controller PCB	-
SN-2 SM BUS MN DDR3 On Board	Check the circuit in the Main Controller PCB	• Main Controller PCB	Replacement of the Main Controller PCB	-
SN-5 PCI Configuration Cai-man	Check the circuit in the Main Controller PCB	• Main Controller PCB	Replacement of the Main Controller PCB	-
SN-8 CPLD	Check the circuit in the Main Controller PCB	• Main Controller PCB	Replacement of the Main Controller PCB	-
SN-9 LANC FLASH	Check the circuit in the Main Controller PCB	• Main Controller PCB	Replacement of the Main Controller PCB	-
SN-10 RTC CHECK	Check RTC setting time	• Main Controller PCB	Replacement of the Main Controller PCB	-
SN-11 TPM	Check TPM PCB device Remarks: It is always [NG] in machines for China because the TPM PCB is not installed.	• Main Controller PCB • TPM PCB	1. Replacement of the TPM PCB 2. Replacement of the Main Controller PCB	E746
SN-12 SOC DDR3 SDRAM	Check the circuit in the Main Controller PCB	• Main Controller PCB	Replacement of the Main Controller PCB	-
SN-13 FRAM	Check the Memory PCB lead	• Memory PCB	1. Check the Memory PCB installation 2. Replace the Memory PCB	E355
SN-16 HDD	Check the HDD lead	• HDD	1. Check the connection of the HDD 2. Replace the HDD Cable 3. Replace the HDD	E602
SN-17 SRI	SRI BUS device Connection check	• Main Controller PCB	Replacement of the Main Controller PCB	-

Test name	Detailed test name	Presumed failure location	Remedy	Relevant Error Code
SN-25 FAN1	Check the rotation of the Controller Fan	<ul style="list-style-type: none"> Main Controller PCB 	Check the connection of the Controller Fan	E880
SN-100 HDD HEALTH CHECK	Check the S.M.A.R.T. acquisition and lead performance (see the example displayed in the figure below)	<ul style="list-style-type: none"> HDD 	<ul style="list-style-type: none"> If the S.M.A.R.T. Check displays a numeric value apart from [0], a backup of customer data is recommended. If the CheckResult is judged as CAUTION, a backup of customer data is recommended. If the Performance is displayed as [20 MB/s] or less, replacement of the HDD is recommended. If Exec SN-100 HDD HEALTH CHECK is judged as NG, replace the HDD. 	-

SN-100 HDD HEALTH CHECK

The screenshot shows the terminal output for the SN-100 HDD HEALTH CHECK. Key results are highlighted with callouts:

- S.M.A.R.T Check**: Shows 05: Reallocated Sectors Count, C5: Current Pending Sector Count, and C6: Uncorrectable Sector Count, all with values of [000000000000]. Callout: "Refer to <S.M.A.R.T Check>. See below."
- Read Performance Check**: Shows a performance of [90.8MB/s]. Callout: "If 'Performance' is [20 MB/s] or less, recommend to replace the HDD."
- CheckResult**: Shows [NORMAL]. Callout: "If the result is CAUTION, recommend the backup of user data."
- Exec SN-100 HDD HEALTH CHECK**: Shows [OK]. Callout: "If the result is NG, replace the HDD."

• HDD S.M.A.R.T Information

S.M.A.R.T Check

S.M.A.R.T Check	Description	Remedy
05: Reallocated Sectors Count: [000000000000]	Number of alternative processed defective sectors	If a numeric value besides [000000000000] is displayed, backup is recommended to avoid losing customer data.
c5: Current Pending Sector Count: [000000000000]	Number of pending sectors (sectors that may have defective sectors)	If a numeric value apart from [000000000000] is displayed, backup is recommended to avoid losing customer data.
c6: Uncorrectable Sector Count: [000000000000]	Number of defective sectors (uncorrectable sectors) which do not allow alternative processing	If a numeric value apart from [000000000000] is displayed, <ul style="list-style-type: none"> backup is recommended to avoid losing customer data. Replace the HDD * Alarm 31-0008 may have occurred in the Host Machine.

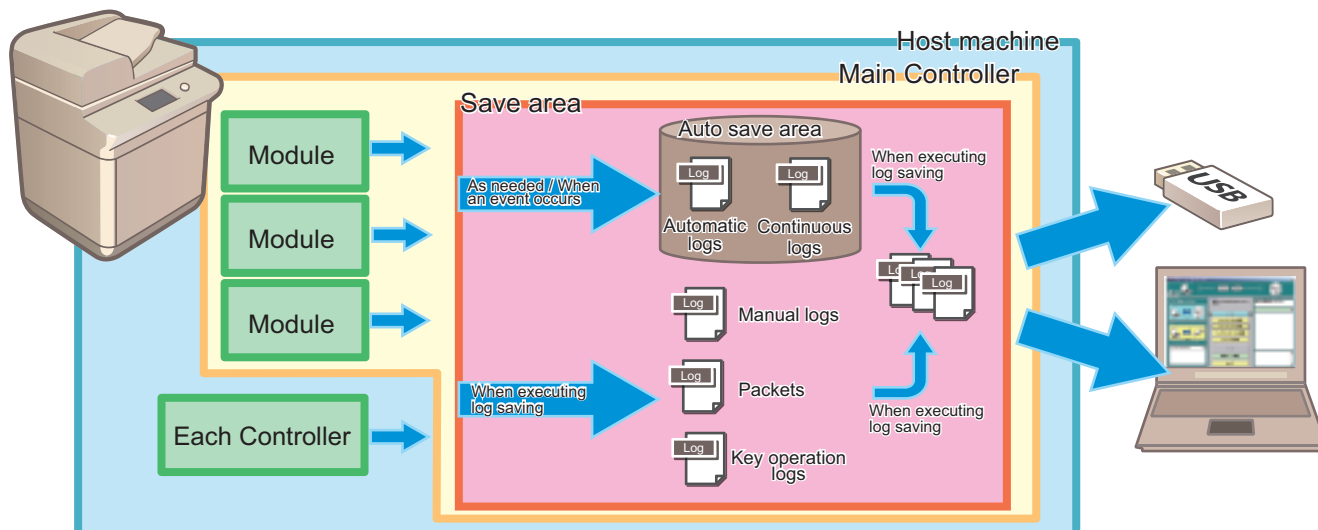
Limitations

- If there is a problem with the test name (SN-1, 2, 8, 12), this diagnosis tool itself will not startup.
- When no PCBs are installed on the Main Controller PCB, the following judgment results are displayed.
Standard PCB: [NG]
Optional PCB: [OK]
However, [NO] is displayed in detailed error information for optional PCBs.

Debug Log

Function Overview

As for debug log, following logs are available: continuous log that saves the operation log, automatic log that is saved when an event occurs, manual log which is collected and saved each time at log saving, packet log, and key operation log.



NOTE:

Debug logs are used for analysis of program operations of the machine and identification of the problem by the developer. This machine has a function for compiling operation history of each software module as debug logs and outputting them as unified logs for analyzing problems. Since the frequency of outputting debug logs and the type of logs can be changed by the settings, the settings need to be changed according to the trouble that occurs and the situation.

Types of Debug Logs

Types of Debug Logs	Description
Sublogs	<p>Manual logs Logs collected in each module and controller are archived and can be collected when log saving is executed. Logs of the Main Controller, RCON, and DCON are saved together with automatic logs as up to 10 logs in total.</p> <p>Automatic logs Logs that are automatically saved to the machine when an event (exceptional behavior, error code, or reboot) occurs. Logs of the Main Controller, RCON, and DCON are saved together with manual logs as up to 10 logs in total.</p> <p>Continuous logs Logs that are continuously saved while the machine is running. Up to 100 logs of only the Main Controller can be stored.</p>
Key operation logs	History of key operations. Log collection starts by enabling the setting and starting the function. Logs that are archived and can be collected when log saving is executed.
Network packet logs	Logs of network packet data sent from or received by the host machine. Log collection starts by enabling the setting and starting the function. Logs that are archived and can be collected when log saving is executed.

Storage location and types of Sublogs

The locations where Sublogs are stored and the types of logs are shown below. Logs may be stored in controllers and parts other than those shown below.

Type	Automatic logs	Manual logs	Continuous logs
Main Controller	Yes (more detailed than continuous logs)	Yes (more detailed than continuous logs)	Yes
DCON	Yes	Yes	No
RCON	Yes	Yes	No

Cases Where Debug Logs Need to Be Collected

- When the result of identification of the cause shows that the trouble was caused by host machine (firmware, hardware-related controller)
- When the failure occurs only at the customer's site and cannot be reproduced by the department in charge of quality management or Canon Inc.

■ Sublogs

Sublog is the general term for the unified logs for analyzing problem in which operation histories of software modules are compiled as debug logs.

When a problem relating to the host machine occurs in the field and it is difficult to identify the cause of it at the user site, collecting Sublogs and sending them to Design Dept./R&D can improve the efficiency of analyzing the problem and reduce the time it takes to deal with the problem.

CAUTION:

- Sublogs are basically stored in volatile memory. Therefore, almost all information will be erased by turning OFF and ON the power before saving the log data. When obtaining the log data, make sure to implement the operation to save the log data (manually saving log) before turning OFF and ON the power.
- In order to prevent failure of collecting necessary information because the log is overwritten with the succeeding process, be sure to collect the Sublog while the symptom has occurred or immediately after the occurrence.
- Once the Sublog files are collected, they are deleted from the machine. In the case of collecting Sublogs consecutively, the number of continuous log files may be fewer than usual.

■ Key operation logs

This function collects the history of key operations in order to distinguish between a failure of the Main machine and an operation error of the user in the case of trouble of erroneous fax transmission.

If it cannot be denied the possibility that the user operation caused the error, collect the key operation logs.

The key operation log are stored/recovered in a form included in the Sublog files.

The following confidential information in the stored key operation log is masked.

- Personal identification number, PIN code, password, etc., to be entered
- Information that is hidden by turned letters on the UI screen

CAUTION:

To obtain permission from a user in advance for recording key operations for failure analysis.

■ Network packet logs

This function collects the transmitted and received network packet data as a debug log in the storage (capture).

When it is expected that the trouble was caused by network, collect network packet logs.

NOTE:

To use this function, you need to register a license, so you need to ask the Support Dept. of the sales company to issue a license.

CAUTION:

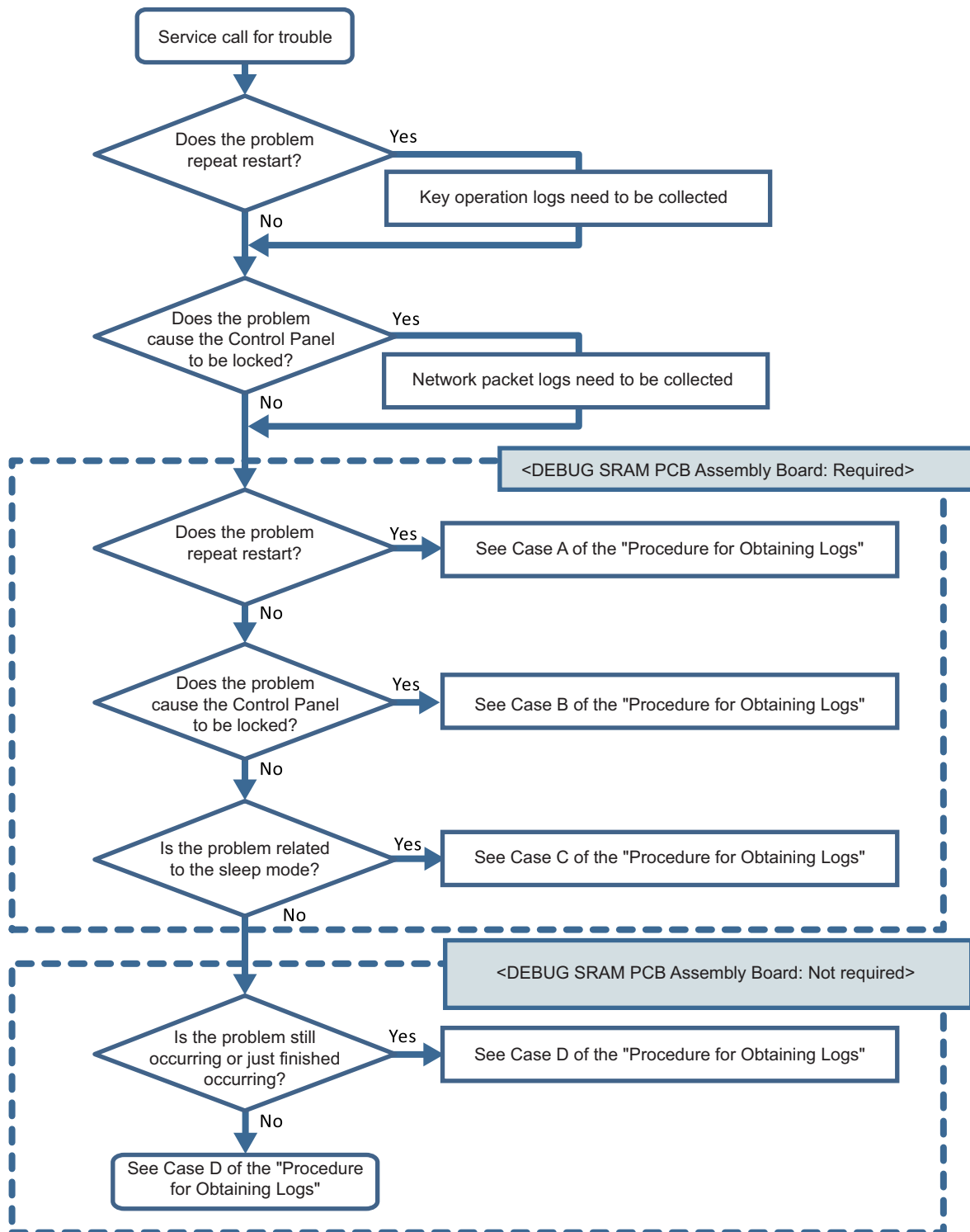
When obtaining the network packet log, explain to the user and obtain permission before proceeding.

CAUTION:

Under heavy network load environment, packets can be dropped.

■ Flow of Determining the Procedure for Collecting Logs

Check the following flow to determine the procedure for collecting logs according to the type of problem.



When the user's operation such as wrong fax transmission may be the cause of the problem, enable [Store Key Operation Log].

Procedure for Collecting Logs

Log Collection Procedure List

Problem Case	Details of Problem	DEBUG SRAM PCB ASS'Y Board	Procedure for Obtaining Logs
Case A	Problem that repeats re-start	Necessary	<ol style="list-style-type: none"> 1. Refer to "Preparation" on page 290 and make the preparations such as installing the DEBUG SRAM PCB ASS'Y Board or change the settings. 2. Execute log saving by referring to "Saving of Manual Logs, Network Packet Logs and Key Operation Logs" on page 293 immediately after restart. 3. Save and collect reports by referring to "Saving and Collecting Report Files" on page 295. 4. Collect debug logs by referring to "Collection of Log" on page 295.
Case B	Problem causing the Control Panel to be locked	Necessary	<ol style="list-style-type: none"> 1. Refer to "Preparation" on page 290 and make the preparations such as installing the DEBUG SRAM PCB ASS'Y Board or change the settings. 2. Turn OFF and then ON the power immediately after the Control Panel is locked. 3. Execute log saving by referring to "Saving of Manual Logs, Network Packet Logs and Key Operation Logs" on page 293 after startup. 4. Save and collect reports by referring to "Saving and Collecting Report Files" on page 295. 5. Collect debug logs by referring to "Collection of Log" on page 295.
Case C	Problem related to the sleep mode	Necessary	<ol style="list-style-type: none"> 1. Refer to "Preparation" on page 290 and make the preparations such as installing the DEBUG SRAM PCB ASS'Y Board or change the settings. 2. After the problem occurs, turn OFF and then ON the power if necessary, and execute log saving by referring to "Saving of Manual Logs, Network Packet Logs and Key Operation Logs" on page 293. 3. Save and collect reports by referring to "Saving and Collecting Report Files" on page 295. 4. Collect debug logs by referring to "Collection of Log" on page 295.
Case D	Problem when executing a job (Example: Printing is not performed, etc.)	Not necessary	<ol style="list-style-type: none"> 1. Execute log saving while the problem is occurring by referring to "Saving of Manual Logs, Network Packet Logs and Key Operation Logs" on page 293. 2. Saving of Manual Logs_ Network Packet Logs and Key Operation LogsExecute log saving by referring to "Saving of Manual Logs, Network Packet Logs and Key Operation Logs" on page 293. 3. Collect debug logs by referring to "Collection of Log" on page 295.
	When an E code error has occurred	Not necessary	Execute log saving by referring to "Saving of Manual Logs, Network Packet Logs and Key Operation Logs" on page 293 . However, if the background of the Control Panel is blank and an error code is displayed in text, logs cannot be obtained.
Case E	Problems other than above	Not necessary	Execute log saving by referring to "Saving of Manual Logs, Network Packet Logs and Key Operation Logs" on page 293 . Check with the user on the date and time when the problem occurred and the procedure.

Saving and Collecting Debug Logs

■ Tools Required

The following tools are necessary to save/collect debug logs of the machine.

Exporting to a USB Device

- USB device

When exporting debug logs to a USB device, use a USB device in which the system software for the machine is registered using SST.

Since the size and number of log files to collect varies according to the device status and the logs that have been saved, the size of the collected files may be several hundred MB. Therefore, it is recommended to use a USB device with 1 GB or more of free space.

The USB device must be formatted with the FAT file system.

CAUTION:

Be sure to check that the USB device has 1 GB or more of free space before collecting a log.

If capacity of the USB device is insufficient, logs that failed to be saved will be deleted so that analysis of the symptom cannot be performed.

Exporting to a PC

- PC with SST installed
- Network connection cable

When exporting debug logs to a PC, a PC with SST installed and a network connection cable are required.

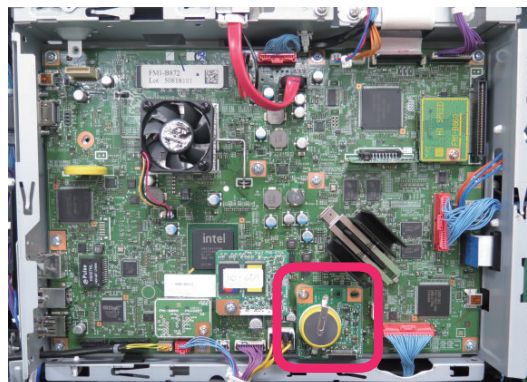
Common (When Exporting to a USB Device, or When Exporting to a PC)

- DEBUG SRAM PCB Assembly Board

In the following conditions, debug logs cannot be saved, therefore the DEBUG SRAM PCB Assembly Board is required.

- When restart is repeated
- When all the operations of the device are frozen and manual logs cannot be collected.
- When the machine would not recover from sleep mode

Refer to the following regarding installation on to the Controller PCB.



Reference example of installation

■ Work Flow

The flow of saving/collecting Sublogs is shown below.

1. Preparation

Refer to “[Flow of Determining the Procedure for Collecting Logs](#)” on page 287, and make the preparation as needed according to a situation where an event has occurred.

2. Reproduction of the symptom

Reproduce the symptom.

3. Saving Manual Logs

Save manual logs that require manual operation.

4. Output of reports

Output reports necessary for escalation.

5. Collecting log files

Start the machine in download mode, and save (collect) the log files to a USB device or a PC.

CAUTION:

In the case of analysis using Sublog, the following information needs to be obtained together with the Sublog.

- Symptom that has occurred (from service technician's viewpoint as far as possible)
- Date and time of the event (from an hour before the event to an hour after the event)
- Reports (P-Print, HIST-PRT, job logs, communication management report, etc.)
- Printed data and original at the time of reproduction (depends on the trouble that has occurred)

Besides Sublog, the above-mentioned information is required due to the following reasons:

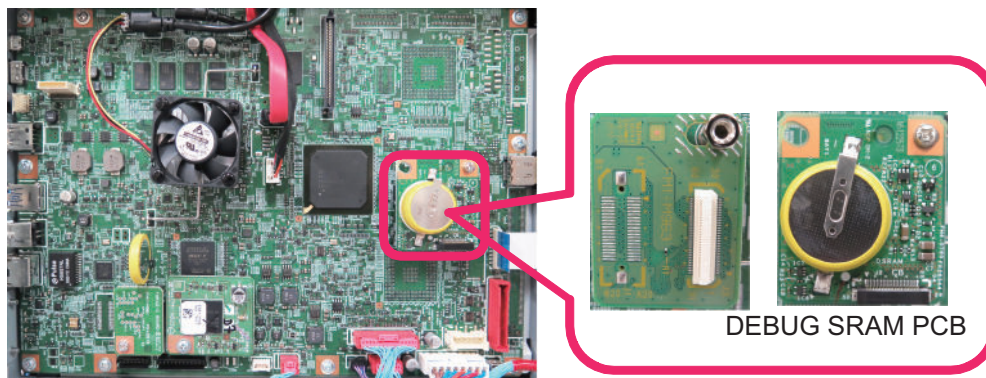
- Failures such as a process being stopped due to an error or an unintended behavior are easy to find, but failures such as "the behavior is slow" are difficult to analyze based on operation logs only.
- Since the number and size of the files are huge, the information helps to find the operation log where the problem occurred.
- When R&D reproduces the failure, it is necessary to use information such as the procedure used by the customer, frequency of use, and job data at the time of occurrence of the failure.

6. Remove the board installed in step 1 and return the settings back to the original values.

■ Preparation

Follow the procedure shown below to make preparations for collecting debug logs.

1. Refer to **"Flow of Determining the Procedure for Collecting Logs"** on page 287 and when it is judged that **DEBUG SRAM PCB ASS'Y Board** is required, install the board.



2. Refer to **"Flow of Determining the Procedure for Collecting Logs"** on page 287 and when it is judged that collection of the key operation logs is required, enable **[Store Key Operation Log]** by following the procedure shown below.

1. Select [Settings/Registration] > [Management Settings] > [Device Management] > [Store Key Operation Log].
2. Select [ON] and press [OK] to start saving key operation logs.

CAUTION:

When collecting the key operation logs, be sure to obtain user's permission in advance.

3. Refer to **“Flow of Determining the Procedure for Collecting Logs”** on page 287 and when it is judged that collection of the network packet logs is required, enable the network packet log collection function by following the procedure shown below and start the function.

1. Enter a license in the following menu to enable network packet capture.
[Settings/Registration] > [Management Settings] > [License/Other] > [Register License]

NOTE:

Use the license issued by the Support Dept. of the sales company to activate it.

2. Enable the setting (ON) in the following menu.
[Settings/Registration] > [Preferences] > [Network] > [Store Network Packet Log]
3. Set "1" in the following service mode (Lv.2).
Service mode > COPIER > TEST > NET-CAP > CAPOFFON
4. Refer to **“Initial setting of the network packet log collection function”** on page 292, and configure the required option settings.
5. Set "0" or "1" in the following service mode (Lv.2) to start capture of network packets.
Service mode > COPIER > TEST > NET-CAP > STT-STP
 - 0: Not automatically collect at startup (factory default setting)
 - 1: Automatically collects at startup
6. Execute the following service mode (Lv.2) to check the status of the capture.
Service mode > COPIER > TEST > NET-CAP > CAPSTATE
The following types of status are displayed.
 - RUNNING: Packets are being captured.
 - STOP: Packet capturing is stopped.
 - HDDFULL: The maximum amount of 1 GB of packets has been captured.

4. When an instruction to change the automatic log settings is given by the Support Dept. of the sales company, change the settings by referring to **“Automatic Log Settings”** on page 291.

• Automatic Log Settings

Automatic log is collected triggered by "occurrence of an unexpected error", "occurrence of an error code" or "restart of the machine".

If you want to change the triggers, change the setting in the following service mode.

COPIER > Function > DBG-LOG > LOG-TRIG

However, there is no need to change the setting unless otherwise instructed by the Support Dept. of the sales company. The events that trigger collection of automatic logs and their setting values are shown below.

List of conditions for automatic saving of logs and setting values

Setting value	Event condition for saving automatic log
101 (Default setting)	When an unexpected error occurs, an error code occurs, or the machine is restarted
111	Only when an unexpected error occurs
121	Only when an error code occurs
131	Only when the machine is restarted
201	When an unexpected error occurs, an error code occurs, the machine is restarted, or an alarm occurs
211	When an unexpected error occurs or an alarm occurs
221	When an error code occurs or an alarm occurs
231	When the machine is restarted or an alarm occurs
291	Only when an alarm occurs
301	When an unexpected error occurs, an error code occurs, the machine is restarted, or a jam occurs
311	When an unexpected error occurs or a jam occurs
321	When an error code occurs or a jam occurs
331	When the machine is restarted or a jam occurs
391	Only when a jam occurs

The procedure for changing the log auto save conditions with LOG-TRIG is indicated below.

1. Press [LOG-TRIG], enter the value for the conditions you want to set, and press [OK].
"ACTIVE!" flashes in the display column, and the log settings in the machine are changed.
2. When [OK!] is displayed in the display column, the work is complete.
If the processing fails, "NG" is displayed. It is not necessary to restart the device.

NOTE:

- A value between 0 and 99999 can be set, but make sure to set the value instructed by the Support Dept. of your sales company. Operations are not guaranteed when value other than the above is set.
- The displayed setting is not changed simply by changing the setting or pressing [DEFAULT]. It is necessary to exit the DBG-LOG screen once by pressing the [Reset] key, etc. and then display it again, after performing these operations.

Executing Auto Saving (Reference Example)

An example of executing auto saving using LOG-TRIG is shown below so that you can experience the log collection work. It is an example of log collection in the event of jam in the Delivery Assembly during copy operation.

1. Connect a USB device to the machine while the machine is ready for operation.
2. Set "301" in the following service mode (Lv.2).
 - COPIER > Function > DBG-LOG > LOG-TRIG
3. Make a copy. Open the Delivery Feed Assembly before paper is delivered from the Delivery Assembly to generate a jam.
4. When a jam occurs, confirm "Storing System Information..." is displayed at the bottom of the Control Panel.

• Initial setting of the network packet log collection function

When collecting the network packet logs, configure the initial settings as needed.

Setting the overwrite function

1. To enable this function, set "1" in the following service mode (Lv.2).

Service mode > COPIER > TEST > NET-CAP > OVERWRIT

NOTE:

When this setting is enabled, old logs will be overwritten. If the symptom cannot be reproduced, disable this setting (setting value: 0) and secure logs (save them using SST or USB). After securing the logs, enable the setting (setting value: 1) again.

Behavior when HDD reaches the limit

When this setting is enabled (setting value: 1), the following behaviors will occur when the HDD reaches the limit.

- When overwrite setting is ON
 - The oldest packet file is deleted. This "oldest file" is judged not by the date and time allocated to the file but by the last update time of the file.
 - If the HDD reaches the maximum size while retrieving packets, the oldest file will be deleted, and CAPSTATE of the capture, which continues the retrieval process for the file which is being saved, remains "RUNNING".
- When overwrite setting is OFF
 - The capture is stopped.
 - The CAPSTATE of the capture will be "HDDFULL". However, STT-STP will remain as Start (1) status. By changing STT-STP (0) to STTSTP (1), the capture resumes.
 - When the capture resumes, the capture starts if HDDFULL has been solved.
 - The CAPSTATE of the capture will be "RUNNING".
 - If HDDFULL has not been solved, an error is generated as the result of resuming the capture.
 - The CAPSTATE of the capture remains "HDDFULL".
 - If the capture is stopped while the CAPSTATE is "HDDFULL", the CAPSTATE of the capture remains "STOP".

Setting the encryption function

1. To enable this function, set "2" in the following service mode (Lv.2).

COPIER > TEST > NET-CAP > ENCDATA

- 0: Encrypted when data is extracted (factory default setting).
- 1: Not encrypted when data is extracted.
- 2: When data is extracted, a ciphertext file and a plaintext file are extracted.

The extension of extracted packet data will be "XXX.can" when encryption settings are enabled.

The extension of extracted packet data will be "XXX.cap" when encryption settings are disabled.

This setting only applies when extracting data by the USB flash drive.

NOTE:

When SST is used to collect data, both plaintext data and ciphertext data are extracted, and this setting is ignored.

Setting the payload drop function

- To enable this setting, set "1" in the following service mode (Lv.2).

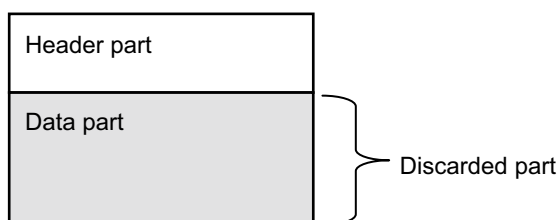
COPIER > TEST > NET-CAP > PAYLOAD

- 0: Not drop the payload (factory default settings)
- 1: Drop the payload

The obtained packet data includes a header part and data part. The header part includes data such as the TCP header and IP header. The data part includes the actual data.

Enabling this function discards the actual payload data and extracts only the data from the header part, which has the following effects.

- Can be used when customer data is not allowed to be extracted
- Can be used in an environment where traffic is highly overloaded



Packet data structure image

Setting the filter function

- To enable this function, set "1" in the following service mode (Lv.2).

COPIER > TEST > NET-CAP > SIMPFILT

- 0: All data is collected without being filtered (factory default setting).
- 1: Data is filtered.

If this function is enabled, only packet data that includes the machine's MAC address in the packet header is captured.

Setting the startup collection function

- To enable this function, set "1" in the following service mode (Lv.2).

COPIER > TEST > NET-CAP > PONSTART

- 0: Not automatically collect at startup (factory default setting)
- 1: Data is filtered.

If this function is enabled, only packet data that includes the machine's MAC address in the packet header is captured.

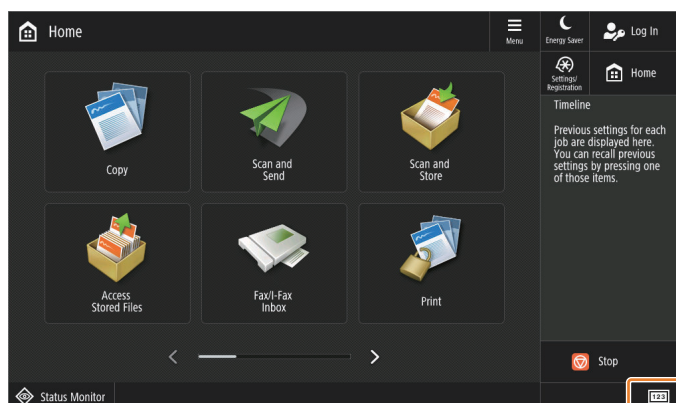
■ Saving of Manual Logs, Network Packet Logs and Key Operation Logs

Follow the procedure shown below to save debug logs (manual logs, network packet logs, and key operation logs) that require manual operation to the save area of the host machine.

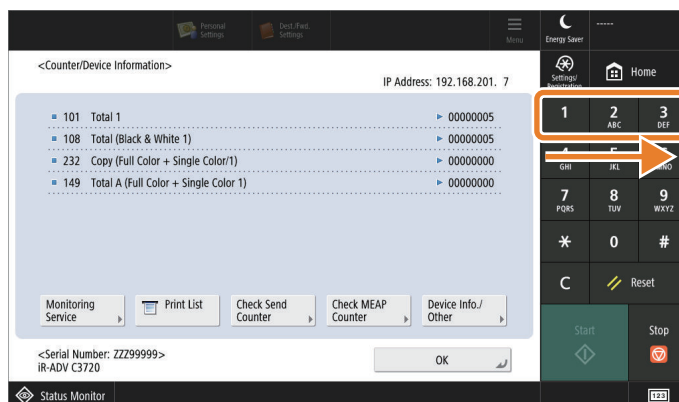
- After the symptom has reproduced, hold down the Counter key on the Control Panel for 10 seconds.

CAUTION:

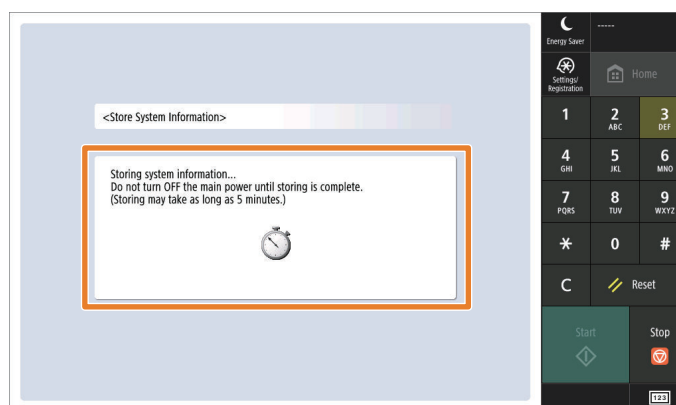
If power is turned OFF during the period from when the symptom occurs to when this procedure is completed, necessary log data will be deleted so that analysis cannot be performed.



2. When the software numeric keypad is displayed, press the numeric keys 1, 2, and 3, in that order.



3. Check that "Storing System Information..." is displayed on the Control Panel.



CAUTION:

- While logs are being saved, other operations cannot be performed.
- If the above screen or message is not displayed, press the Reset button and then try again from step 2.

NOTE:

When network packet logs have been collected and necessary network packets have been captured, stop the capture from the following menu.

[Settings/Registration] > [Preferences] > [Network] > [Store Network Packet Log]

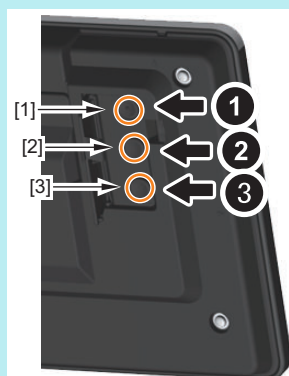
When this setting is disabled, all the service mode settings configured in step 3 are initialized.

Note that after completion of analysis of the network trouble, be sure to disable the network capture function. It is therefore necessary to disable and then transfer the license, but it is not necessary to transfer the LMS license after that.

NOTE:

When the Control Panel cannot be operated, store the log by the following button operation.

Service Button 1 > Service Button 2 > Service Button 3 (hold down only this button)

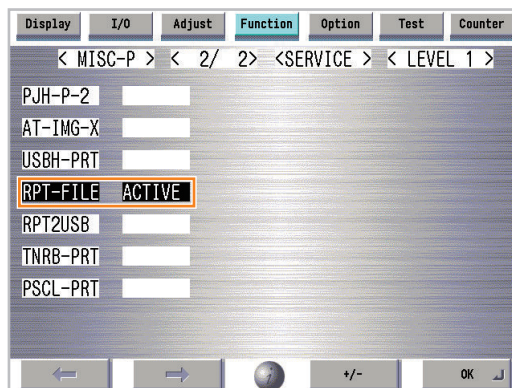


■ Saving and Collecting Report Files

Follow the procedure shown below to save report files to the Main Unit internal storage and collect them using a USB device.

1. Execute the following service mode to save report files.

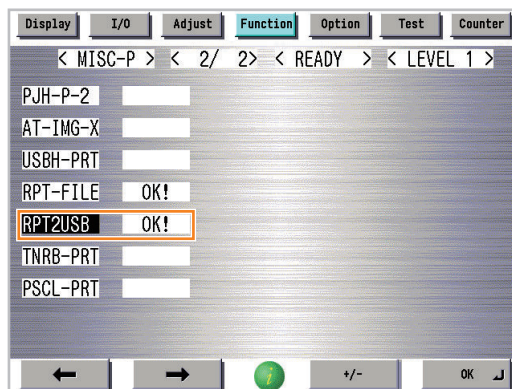
COPIER > Function > MISC-P > RPT-FILE



2. Connect the USB and verify that Main machine recognizes the USB.

3. Execute the following service mode and retrieve the report file to USB.

COPIER > Function > MISC-P > RPT2USB



■ Collection of Log

Save the Sublogs stored in the host machine to a USB device or a PC with SST installed.

The procedure for storing Sublogs to a USB device differs from that for storing Sublogs to a PC

● Collecting into a USB Device

To save (collect) Sublogs to a USB device, perform the procedure shown below to collect the logs.

If SST is used to save (collect) Sublogs to a PC, this work is not necessary.

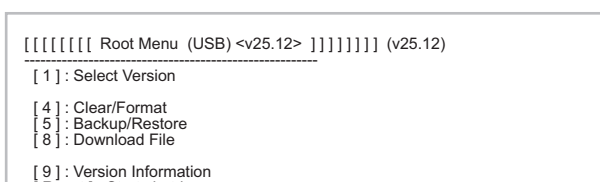
1. Connect the USB flash drive to the machine.

2. Execute the following service mode.

COPIER > Function > SYSTEM > DOWNLOAD



3. The host machine will enter download mode. Press [8] on the Numeric Keypad.



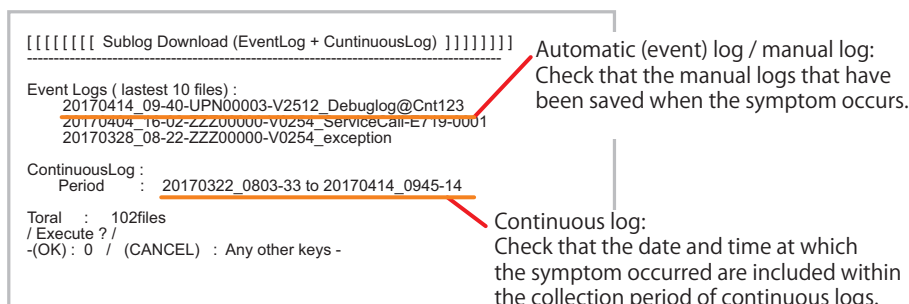
4. [Download File Menu] will appear. Press a numeric key for the file to download.



- Press [1] key to download Sublog.
- Press [4] to download Service Print.
- Press [5] to download network packet log.

5. The files to be downloaded and the number of files are displayed. Check the following items and press [0] on the Numeric Keypad.

- Whether the manual log that was saved at the time of reproduction of the symptom is displayed under Event Logs
- Whether the date and time at which the symptom was reproduced is within the period of Continuous Log
Example: When the symptom was reproduced at 9:40 on April 14, 2017 and a manual log was saved
Check that the manual log that was generated at 9:40 on April 14, 2017 is displayed under Event Logs.
Check whether 9:40 on April 14, 2017 is included in the logged period(from 8:03:33 on March 22, 2017 to 9:45:14 April 14, 2017) of the ContinuousLog.



6. When downloading the log files is complete, the following message will appear. Press any key.

--- Please press any keys ---

```
[68/102]20170405_0949-57-ZZZ00000-2512-clog.bin
[69/102]20170405_0908-19-ZZZ00000-2512-clog.bin
[70/102]20170404_1822-52-ZZZ00000-2512-clog.bin
[71/102]20170404_1702-57-ZZZ00000-2512-clog.bin

[97/102]20170322_1324-37-ZZZ00000-2512-clog.bin
[98/102]20170322_1204-56-ZZZ00000-2512-clog.bin
[99/102]20170322_1102-52-ZZZ00000-2512-clog.bin
[100/102]20170322_0954-48-ZZZ00000-2512-clog.bin
[101/102]20170322_0848-16-ZZZ00000-2512-clog.bin
[102/102]20170322_0803-33-ZZZ00000-2512-clog.bin
Sub log full Download OK.
---Please press any keys---
```

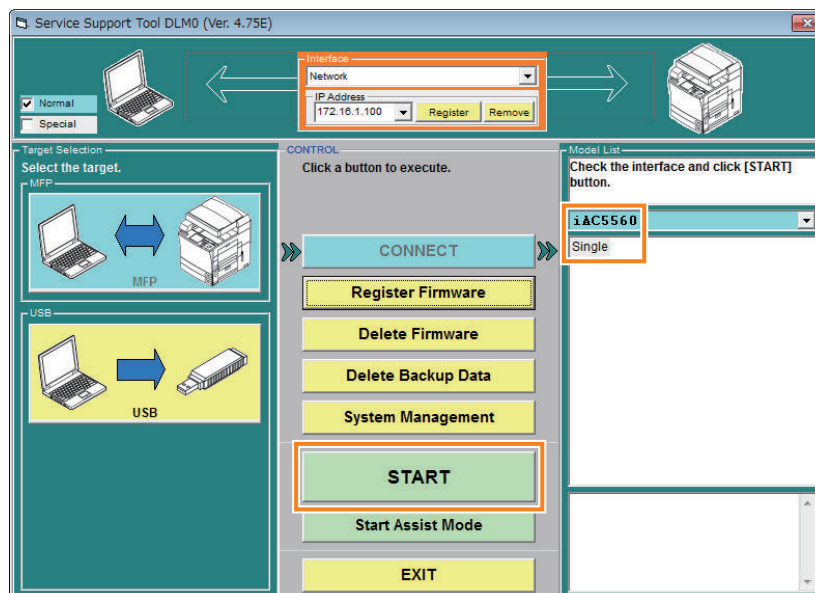
Do not turn OFF the power without.....

• Saving to a PC with SST installed

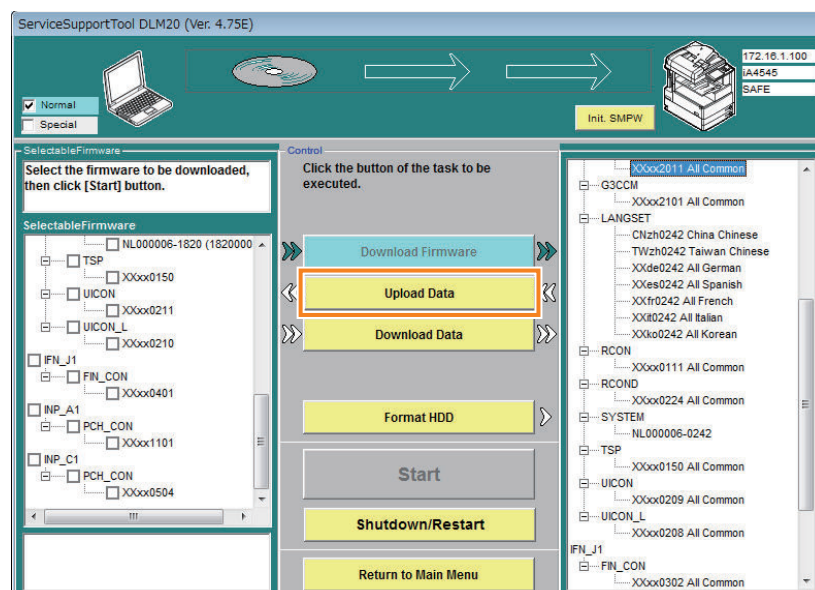
Follow the procedure shown below to save (collect) Sublogs to a PC using SST.

If a USB device is used to save (collect) Sublogs, this work is not necessary.

1. Connect a PC with SST installed to the network where the host machine is connected.
2. Start SST, and select the model name of the machine from Model List. Press the Start button.



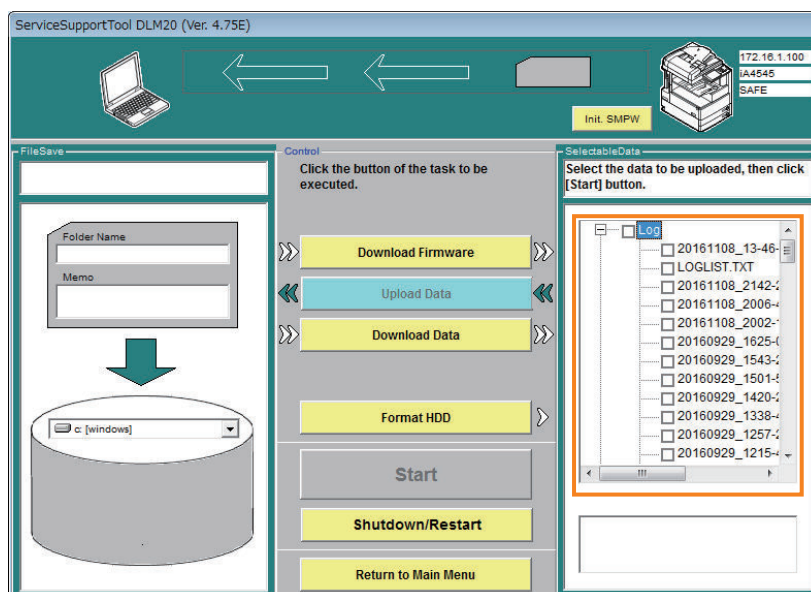
3. Click [Upload Data].



4. Check that continuous logs are stored in the device.

When connection with the device is completed, the screen shown below will appear. Select [Upload Data].

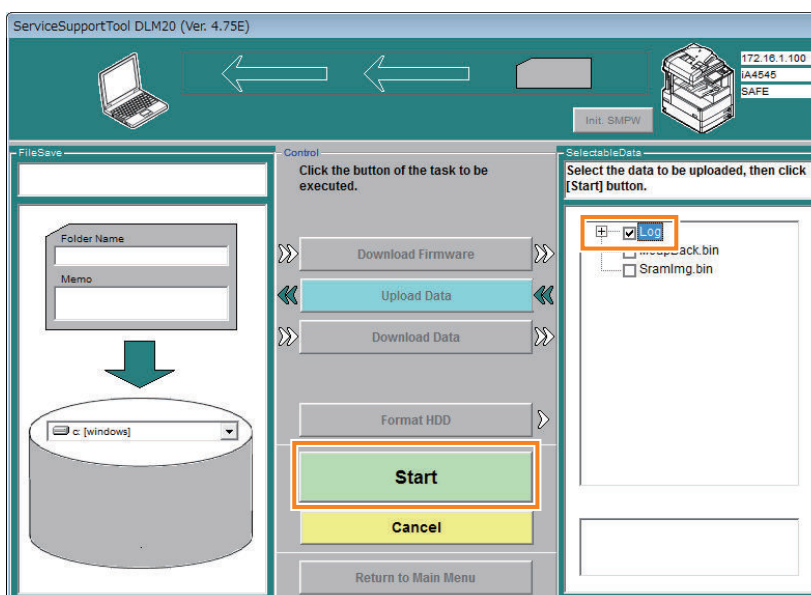
The set of data stored in the device is shown on the right. Click "+" at "Log" to expand the tree, and check that there are continuous logs (date_model number_clog.bin).



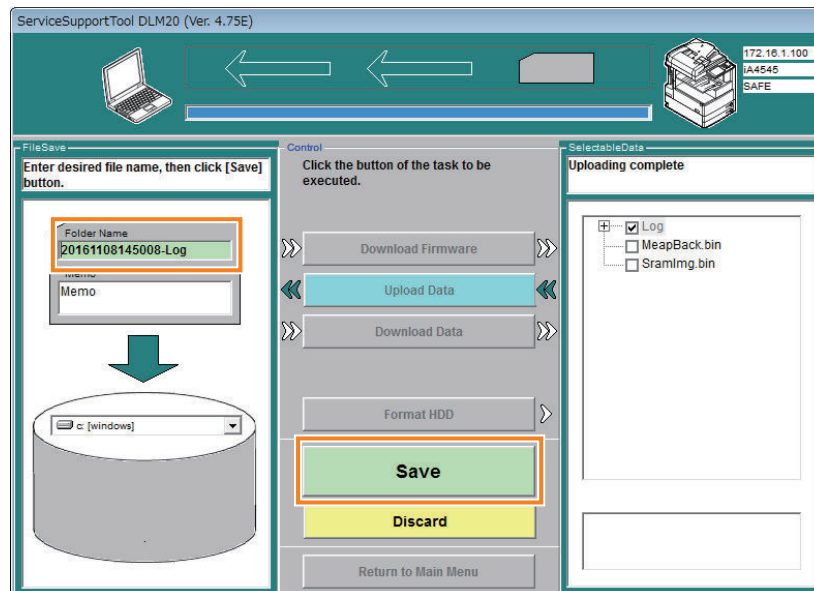
5. Select the data to upload, and click [Start].

Select the check box on the left of "Log", and click the "Start" button.

It is not necessary to select MeapBack.bin and SramImg.bin because they are not necessary for analysis.



6. Enter a file name (arbitrary), and click the SAVE button to save the file to the PC.



• Checking the Saved Files

NOTE:

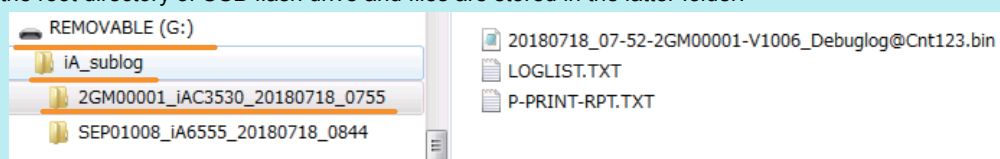
If log files are stored in the USB flash drive, the path to the storage destination is different by the platform version.

Platform version prior to 3.7

They are stored in the root directory of USB flash drive.

Platform version 3.7 or later

Folders of "iA_sublog" and "model name + serial number + date (year, month, day + hour, minute, second)" are automatically created in the root directory of USB flash drive and files are stored in the latter folder.



Sublog files

Check the saved log files whether the necessary log has been collected.

- Whether it is a log file of the target model (It contains the serial number of the target machine.)
- Whether the time and date the symptom occurred is included in the logged period. (Date and time in the log file name represent those of when the log collection is started. There are files with dates before the symptom occurs.)

Storage locations of log files

Storage locations of log files are shown below.

When using USB device: Root folder of the USB device

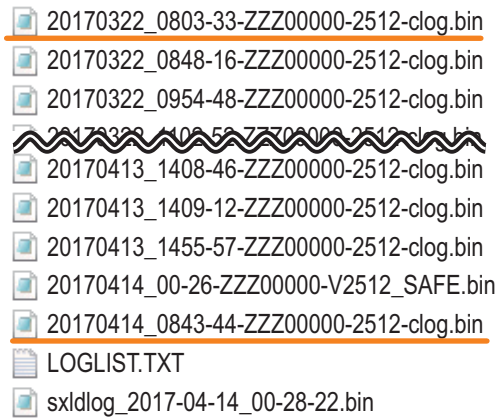
When using SST: PC's C:\ServData\\serial number folder

How to check the continuous log files

The continuous log files are stored in the log file storage location.

Check the names (date and time) of the files that end with "clog.bin" to see whether the date and time the symptom was reproduced is included.

In the case of the following figure, the oldest continuous log is 08:03:33 on March 22, 2017 and the latest file is 08:43:44 on April 14, 2017. The date and time the symptom was reproduced should be included within the period.



20161013_1733-36_ZZZ99999_1406_clog.bin

Data and time when a file was archived (year, month, day, hour, minute, second). Serial Number Firmware Version Identification indicating that it is a continuous log

File name of continuous log

How to check the manual log files and automatic (event) log files

The manual log files and automatic (event) log files are stored in the log file storage location.

At the time of collection, these logs will be archived as a one binary file (the name of the file ends with "_SAFE.bin").

20161013_19-34-ZZZ99999-V1406_SAFE.bin

YYYYMMDD_HH-MM Serial Number Firmware Version

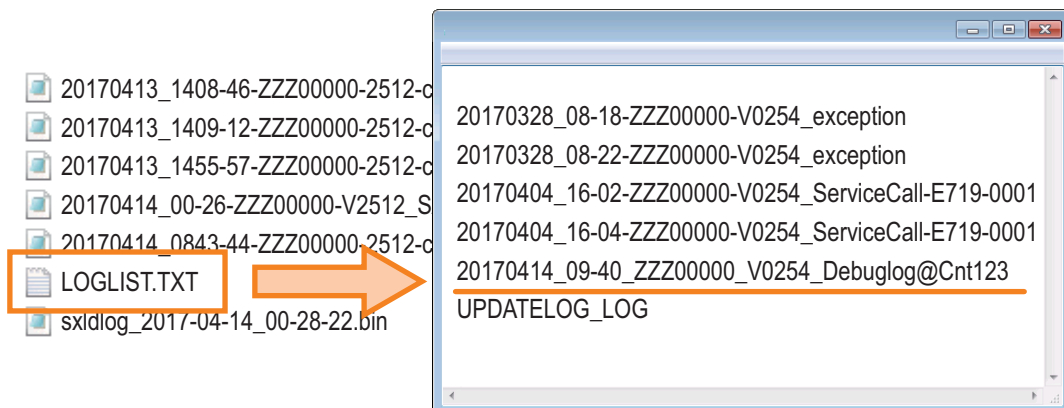
Which logs have been stored in this binary file is described in LOGLIST.TXT stored in the log file storage location.

Open this file to check the manual logs and automatic (event) logs.

CAUTION:

If a manual log was saved when the symptom was reproduced, check that a log with the date and time immediately after the reproduction is included.

If there is no log file collected immediately after the symptom was reproduced, the file may have been overwritten and lost.



20161013_10-10_ZZZ99999_V 1308_Debuglog@Cnt123

Data and time when key operation was performed (year, month, day, hour, minute, second). Serial Number Firmware Version Identification indicating that a key operation was performed

File name of manual log

20161012_14-48_ZZZ99999_V1406_Fatal00-exception

Data and time when an even occurred (year, month, day, hour, minute, second) Serial Number Firmware Version Cause of occurrence

20161012_14-48_ZZZ99999_V1406_ServiceCall-E719-0031

Data and time when an even occurred (year, month, day, hour, minute, second) Serial Number Firmware Version Cause of occurrence

File name of automatic log

How to check the network packet log files

The network packet log file is stored in the "NC + date" folder created in the log file storage location.

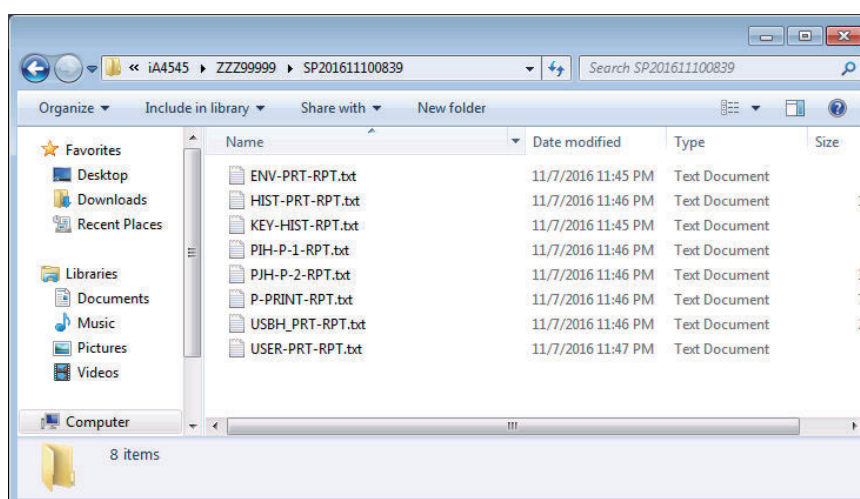
Open the folder and check that two types of files have been saved: a plaintext file which file name starts with "NC" and ends with ".cap", and a ciphertext file which file name starts with "NC" and ends with ".can".

Name	Date modified	Type
NC0110041155.can	1/22/2015 11:34 AM	CAN File
NC0110041155.cap	1/22/2015 11:34 AM	CAP File
NC0110044539.can	1/22/2015 11:34 AM	CAN File
NC0110044539.cap	1/22/2015 11:34 AM	CAP File
NC0110051028.can	1/22/2015 11:34 AM	CAN File
NC0110051028.cap	1/22/2015 11:34 AM	CAP File
NC0110051243.can	1/22/2015 11:34 AM	CAN File
NC0110051243.cap	1/22/2015 11:34 AM	CAP File
NC0110053134.can	1/22/2015 11:34 AM	CAN File
NC0110053134.cap	1/22/2015 11:34 AM	CAP File
NC1222190910.can	1/22/2015 11:34 AM	CAN File
NC1222190910.cap	1/22/2015 11:34 AM	CAP File
NC1226153347.can	1/22/2015 11:34 AM	CAN File
NC1226153347.cap	1/22/2015 11:34 AM	CAP File

Report files

Report files saved to the USB device are stored in the folder under the name shown below where the firmware is stored.

- [Serial No.] > SP [Date (year, month, day, hour, minute (12 digits))] L



Service Mode Relating to Debug Logs

Although the procedure for collecting debug logs of this equipment is as indicated above, there are other service modes related to debug logs.

Use the following service modes (Lv.2) as needed.

- COPIER > Function > DBG-LOG > HIT-STS
- COPIER > Function > DBG-LOG > DEFAULT
- COPIER > Function > DBG-LOG > LOG-DEL

NOTE:

If log collection is continued or setting change is repeated when an abnormality is found in operation of the function related to debug logs, temporary files or log files may be remained in the machine. In that case, execute "DEFAULT" in service mode to clear the settings related to debug logs and repeat the operation again.

Confirming the Existence of Debug Logs (HIT-STS)

This service mode confirms whether debug logs exist in the auto save area.

"OK!" is displayed if logs exist in the auto save area.

NOTE:

"OK!" is displayed even after pressing the Counter key + numeric keys 1, 2, and 3.

Initializing the Debug Log Settings (DEFAULT)

This service mode changes all the settings related to debug logs back to the default (settings at the time of shipment).

- Be sure to perform when returning the device to the customer after completion of trouble investigation. (Operations required)
- Execute this service mode when resetting the settings related to debug logs during investigation of log collection and perform the operation again.

However, note that the log files automatically saved to the debug log save area in the controller are kept within the range not exceeding the upper limit.

If you want to delete the saved logs (want to use HIT-STS), use "LOG-DEL" indicated later.

Deleting the Automatically Saved Log Files (LOG-DEL)

This service mode deletes the automatically saved and stored log files. The settings of log operation such as trigger for saving log are not cleared.

Although it is not used normally (the upper limit of the number of saved logs is automatically controlled by firmware), it is necessary to delete logs with LOG-DEL once when judging whether logs are collected using HIT-STS after changing the trigger for saving log.

(It is because OK is displayed in HIT-STS as long as the saved logs exist.)



Error/Jam/Alarm

Outline.....	304
Error code notation.....	305
Pickup Position Code.....	306
Pickup size.....	307
Points to Note When Clearing MN- CON	309
Points to Note When Clearing HDD..	310
Error Code.....	311
Jam Code.....	366
Alarm Code.....	373

Outline

This chapter describes various codes which are displayed when a failure occurs on the product. These are classified into 3 codes as follows.

Code type	Explanation
Error code	This code is displayed when an error occurs on the machine.
Jam code	This code is displayed when a jam occurs inside the machine.
Alarm code	This code is displayed when a function of the machine is malfunctioned.

Error code notation

An error code is shown in 7-digit [E000XXX] on the display on the operation panel. However, [000] in 2 to 4 digit is not used. Thus, an error code is described as [EXXX] using 5 to 7 digit in the service manual. (e.g.: E012 = E000012)

Pickup Position Code

When a jam occurs, the pickup location is indicated with the following pickup position code. (On the jam display screen, the pickup position code is shown in the "P" column.)

Display	I/O	Adjust	Function	Option	Test	Counter		
< JAM > < 1/ 7 > < READY > < LEVEL 1 >								
No.	DATE	TIME1	TIME2	L	CODE	P	CNTR	SIZE
01	0401	1618	1620	02	1400	00	473634	-----
02	0401	1422	1423	00	0205	F0	503838	A4
03	0325	1056	1057	00	0205	F0	251303	A4
04	0324	1057	1059	00	0093	F0	502120	-----
05	0316	1721	1721	00	0205	F0	500558	A4
06	0313	1557	1558	00	0113	01	469400	A4
07	0311	0939	0941	00	0205	01	499686	A4
08	0311	0930	0930	00	0113	02	499603	A4

Display example of pickup position code

Pickup position code	Pickup position
00	At Finisher jam/At error avoidance jam/At ADF jam without pickup operation (at SEND, Inbox, etc.)
01	Cassette 1
02	Cassette 2
03	Cassette 3
04	Cassette 4
05	Multi-purpose Tray Pickup Assembly
F0	2-sided

Pickup size

When a jam occurs, a paper size is displayed. (The row displaying "SIZE" on the jam screen refers to the paper size.)

No.	DATE	TIME1	TIME2	L	CODE	P	CNTR	SIZE
01	0401	1618	1620	02	1400	00	473634	-----
02	0401	1422	1423	00	0205	F0	503838	A4
03	0325	1056	1057	00	0205	F0	251300	A4
04	0324	1057	1059	00	0093	F0	502120	-----
05	0316	1721	1721	00	0205	F0	500558	A4
06	0313	1557	1558	00	0113	01	469400	A4
07	0311	0939	0941	00	0205	01	499680	A4
08	0311	0930	0930	00	0113	02	499600	A4

Due to the limitation of displayable number of characters, some paper size names are omitted. The following is the list of displayed row of texts and corresponding paper sizes.

* The following is based on the display specification and not all paper sizes can actually be used.

Display	Paper Size	Display	Paper Size
A0	A0	LDR	LEDGER
A1	A1	LDRFB	LEDGERFULLBLEED
A2	A2	LGL	LEGAL
A3	A3	LTR	LETTER
A3FB	A3FULLBLEED	EXE	EXECUTIVE
A4	A4	STMT	STATEMENT
A5	A5	10x8	10x8
A6	A6	12x18	12x18
A7	A7	13x19	13x19
I-B0	ISOB0	15x11	15x11
I-B1	ISOB1	17x22	17x22
I-B2	ISOB2	18x24	18x24
I-B3	ISOB3	A-FLS	Australian-FOOLSCAP
I-B4	ISOB4	ALGL	Argentina-LEGAL
I-B5	ISOB5	ALTR	Argentina-LETTER
I-B6	ISOB6	OFI	OFICIO
I-B7	ISOB7	A-OFI	Argentina-OFICIO
I-C0	ISOC0	B-OFI	Bolivia-OFICIO
I-C1	ISOC1	E-OFI	Ecuador-OFICIO
I-C2	ISOC2	M-OFI	Mexico-OFICIO
I-C3	ISOC3	KLGL	Korea-LEGAL
I-C4	ISOC4	GLGL	Government-LEGAL
I-C5	ISOC5	GLTR	Government-LETTER
I-C6	ISOC6	IND-LGL	India-LEGAL
I-C7	ISOC7	COM10	COM10
I-SRA3	SRA3	DL	DL
J-B0	JISB0	E_C2	Nagagata 2
J-B1	JISB1	E_C3	Nagagata 3
J-B2	JISB2	E_C4	Nagagata 4
J-B3	JISB3	E_C5	Nagagata 5
J-B4	JISB4	E-K2	Kakugata 2

Display	Paper Size	Display	Paper Size
J-B5	JISB5	E_K3	Kakugata 3
J-B6	JISB6	E_K4	Kakugata 4
J-B7	JISB7	E_K5	Kakugata 5
K16	K16	E_K6	Kakugata 6
K8	K8	E_K7	Kakugata 7
ND-PCD	Newdry Postcard	E_K8	Kakugata 8
OTHER	OTHER	E_Y1	Yougata 1
PCARD	Postcard	E-Y2	Yougata 2
PCARD4	4 on 1 Postcard	E_Y3	Yougata 3
F4A	F4A	E-Y4	Yougata 4
F4B	F4B	E_Y5	Yougata 5
FLSC	FOOLCAP	E_Y6	Yougata 6
FOLIO	FLIO	E_Y7	Yougata 7
FREE	FREE SIZE	EVLP_YN3	Yougatanaga 3
ICARD	INDEXCARD	E-B5	B5 Envelope
USER	Custom	E-C5	C5 Envelope
		MONA	MONARCH
		EVLP	Unknown size envelope

Points to Note When Clearing MN-CON

- Execution of clearing MN-COM deletes all data in Address Book, Forwarding Settings, Settings/Registration (Adjustment/Maintenance, Function Settings, Set Destination, Management Settings, TPM Settings), etc. Before execution of this operation, ask user to back up the data and get approval for this operation.
- Clearing MN-CON will clear the service mode setting values. Be sure to enter the service mode setting values again in accordance with the configuration of the options of the host machine and requests from the user.
- When clearing MN-CON while any login application other than User Authentication is, error such as not displayed login screen occurred. In this case, access SMS once and switch login application to User Authentication to recover to the normal status.

Points to Note When Clearing HDD

As a remedy for error codes (E602-XXXX), HDD partition is selected and the target partition may be cleared. When clearing partition, be sure to check which data will be deleted by referring Detail of HDD partition and explain to the user before starting work.

Error Code

Error Code Details

E000-0001-05	Fixing Assembly: Temperature rise failure
Detection Description	The Fixing Assembly does not reach the specified temperature within the specified time after cold starting.
Remedy	<p>[Related parts]</p> <ul style="list-style-type: none"> - Fixing Assembly - Harness between the DC Controller PCB and the Drawer Connector - DC Controller PCB <p>[Remedy] Check/replace the related harness/cable, connector and parts. [Reference] This symptom may occur also when the device is used in an environment where room temperature is too low.</p>
E001-0001-05	Fixing Assembly: Abnormally high temperature 1
Detection Description	The Main Thermistor temperature raise to more than the specified level.
Remedy	<p>[Related parts]</p> <ul style="list-style-type: none"> - Fixing Assembly - Harness between the DC Controller PCB and the Drawer Connector - DC Controller PCB <p>[Remedy] Check/replace the related harness/cable, connector and parts.</p>
E001-0002-05	Fixing Assembly: Abnormally high temperature 2
Detection Description	The Sub Thermistor 1 temperature raise to more than the specified level.
Remedy	<p>[Related parts]</p> <ul style="list-style-type: none"> - Fixing Assembly - Harness between the DC Controller PCB and the Drawer Connector - DC Controller PCB <p>[Remedy] Check/replace the related harness/cable, connector and parts.</p>
E001-0004-05	Fixing Assembly: Abnormally high temperature 3
Detection Description	The Sub Thermistor 2 temperature raise to more than the specified level.
Remedy	<p>[Related parts]</p> <ul style="list-style-type: none"> - Fixing Assembly - Harness between the DC Controller PCB and the Drawer Connector - DC Controller PCB <p>[Remedy] Check/replace the related harness/cable, connector and parts.</p>
E003-0001-05	Fixing Assembly: Abnormally low temperature
Detection Description	The Main Thermistor temperature remained lower than the specified level.
Remedy	<p>[Related parts]</p> <ul style="list-style-type: none"> - Fixing Assembly - Harness between the DC Controller PCB and the Drawer Connector - DC Controller PCB <p>[Remedy] Check/replace the related harness/cable, connector and parts.</p>
E004-0001-05	Drive Circuit Unit error
Detection Description	Drive Circuit Unit error
Remedy	<p>[Related parts]</p> <ul style="list-style-type: none"> - Fixing Assembly - Harness between the DC Controller PCB and the Drawer Connector - DC Controller PCB <p>[Remedy] Check/replace the related harness/cable, connector and parts.</p>

E004-0004-05	Mismatching Fixing Type
Detection Description	- "Fixing Assembly Absence" was detected as a result of the Fixing Assembly Connection Determination - The temperature of the Main Thermistor and the Sub Thermistor was lower than the specified level.
Remedy	[Related parts] - Fixing Assembly - Harness between the DC Controller PCB and the Drawer Connector - DC Controller PCB [Remedy] Check/replace the related harness/cable, connector and parts.
E004-0005-05	Low Voltage Power Supply Unit
Detection Description	When an error occurred in the communication with the effective value detection IC.
Remedy	[Related parts] - Low Voltage Power Supply PCB [Remedy] Check/replace the related harness/cable, connector and parts.
E012-0001-05	Drum Motor startup error
Detection Description	The startup of Drum Motor does not complete within the specified period of time after start.
Remedy	[Related parts] - Drum Motor (M2) - Harness between the Drum Motor and the DC Controller PCB - DC Controller PCB - Main Drive Unit [Remedy] Check/replace the related harness/cable, connector and parts.
E012-0002-05	Drum Motor Rotation error
Detection Description	The number of rotations of the Drum Motor decreased to less than the specified value during operation.
Remedy	[Related parts] - Drum Motor (M2) - Harness between the Drum Motor and the DC Controller PCB - DC Controller PCB - Main Drive Unit [Remedy] Check/replace the related harness/cable, connector and parts.
E014-0001-05	Fixing Motor startup error
Detection Description	The startup of the Fixing Motor does not complete within the specified period of time after start.
Remedy	[Related parts] - Fixing Motor (M1) - Harness between the Fixing Motor and the DC Controller PCB - DC Controller PCB [Remedy] Check/replace the related harness/cable, connector and parts.
E014-0002-05	Fixing Motor rotation error
Detection Description	The number of rotations of the Fixing Motor decreased to less than the specified value during operation.
Remedy	[Related parts] - Fixing Motor (M1) - Harness between the Fixing Motor and the DC Controller PCB - DC Controller PCB [Remedy] Check/replace the related harness/cable, connector and parts.

E015-0001-05	Cassette 1 Lifter Motor error
Detection Description	The paper surface could not be detected by the Paper Surface Sensor after the Lifter Motor was driven.
Remedy	<p data-bbox="443 237 603 264">[Related parts]</p> <ul style="list-style-type: none"> <li data-bbox="443 271 762 297">- Cassette 1 Lifter Motor (M3) <li data-bbox="443 304 667 331">- DC Controller PCB <p data-bbox="443 338 1222 365">[Remedy] Check/replace the related harness/cable, connector and parts.</p> <ol style="list-style-type: none"> <li data-bbox="443 371 1145 398">1. Remove the paper in the cassette and open/close the cassette. <li data-bbox="443 405 1477 432">2. Check the operation of the Lifter Motor in light of whether the Paper Level Lever can be lowered. <ol style="list-style-type: none"> <li data-bbox="443 439 778 465">a. When the motor is operated: <ol style="list-style-type: none"> <li data-bbox="443 472 1350 499">1. Check the installation condition of the Cassette 1 Paper Surface Sensor (PS4400) <li data-bbox="443 506 1477 555">2. Check the harness/connector between the DC Controller PCB (J14) and the Cassette 1 Paper Surface Sensor (PS4400/J4400) <li data-bbox="443 562 1054 589">3. Check the Cassette 1 Paper Surface Sensor (PS4400) <li data-bbox="443 595 810 622">4. Replace the DC Controller PCB <li data-bbox="443 629 1082 656">b. When the motor is not operated, take the following steps: <ol style="list-style-type: none"> <li data-bbox="443 663 1477 712">1. Check the harness/connector between the DC Controller PCB (J301) and the Cassette 1 Lifter Motor (M3) <li data-bbox="443 719 1477 745">2. Check the condition of the gear on the side of the host machine (if there is any cut or if it swings) <li data-bbox="443 752 906 779">3. Replace the Cassette 1 Lifter Motor (M3) <li data-bbox="443 786 810 813">4. Replace the DC Controller PCB
E015-0002-05	Cassette 2 Lifter Motor error
Detection Description	The paper surface could not be detected by the Paper Surface Sensor after the Lifter Motor was driven.
Remedy	<p data-bbox="443 947 603 974">[Related parts]</p> <ul style="list-style-type: none"> <li data-bbox="443 981 707 1008">- Cassette 2 Lifter Motor <li data-bbox="443 1014 667 1041">- DC Controller PCB <p data-bbox="443 1048 1222 1075">[Remedy] Check/replace the related harness/cable, connector and parts.</p> <ol style="list-style-type: none"> <li data-bbox="443 1081 1145 1108">1. Remove the paper in the cassette and open/close the cassette. <li data-bbox="443 1115 1477 1142">2. Check the operation of the Lifter Motor in light of whether the Paper Level Lever can be lowered. <ol style="list-style-type: none"> <li data-bbox="443 1149 778 1176">a. When the motor is operated: <ol style="list-style-type: none"> <li data-bbox="443 1182 1238 1209">1. Check the installation condition of the Cassette 2 Paper Surface Sensor <li data-bbox="443 1216 1477 1265">2. Check the harness/connector between the DC Controller PCB and the Cassette 2 Paper Surface Sensor <li data-bbox="443 1272 951 1299">3. Check the Cassette 2 Paper Surface Sensor <li data-bbox="443 1305 810 1332">4. Replace the DC Controller PCB <li data-bbox="443 1339 1082 1366">b. When the motor is not operated, take the following steps: <ol style="list-style-type: none"> <li data-bbox="443 1373 1477 1422">1. Check the harness/connector between the DC Controller PCB (J301) and the Cassette 2 Lifter Motor <li data-bbox="443 1429 1477 1456">2. Check the condition of the gear on the side of the host machine (if there is any cut or if it swings) <li data-bbox="443 1462 855 1489">3. Replace the Cassette 2 Lifter Motor <li data-bbox="443 1496 810 1523">4. Replace the DC Controller PCB

E015-0003-05	Cassette 3 Lifter Motor error
Detection Description	The paper surface could not be detected by the Paper Surface Sensor after the Lifter Motor was driven.
Remedy	<p>[Related parts]</p> <ul style="list-style-type: none"> - Cassette 3 Lifter Motor - DC Controller PCB <p>[Remedy] Check/replace the related harness/cable, connector and parts.</p> <ol style="list-style-type: none"> 1. Remove the paper in the cassette and open/close the cassette. 2. Check the operation of the Lifter Motor in light of whether the Paper Level Lever can be lowered. <ol style="list-style-type: none"> a. When the motor is operated: <ol style="list-style-type: none"> 1. Check the installation condition of the Cassette 3 Paper Surface Sensor 2. Check the harness/connector between the DC Controller PCB and the Cassette 3 Paper Surface Sensor 3. Check the Cassette 3 Paper Surface Sensor 4. Replace the DC Controller PCB b. When the motor is not operated, take the following steps: <ol style="list-style-type: none"> 1. Check the harness/connector between the DC Controller PCB (J301) and the Cassette 3 Lifter Motor 2. Check the condition of the gear on the side of the host machine (if there is any cut or if it swings) 3. Replace the Cassette 3 Lifter Motor 4. Replace the DC Controller PCB
E015-0004-05	Cassette 4 Lifter Motor error
Detection Description	The paper surface could not be detected by the Paper Surface Sensor after the Lifter Motor was driven.
Remedy	<p>[Related parts]</p> <ul style="list-style-type: none"> - Cassette 4 Lifter Motor - DC Controller PCB <p>[Remedy] Check/replace the related harness/cable, connector and parts.</p> <ol style="list-style-type: none"> 1. Remove the paper in the cassette and open/close the cassette. 2. Check the operation of the Lifter Motor in light of whether the Paper Level Lever can be lowered. <ol style="list-style-type: none"> a. When the motor is operated: <ol style="list-style-type: none"> 1. Check the installation condition of the Cassette 4 Paper Surface Sensor 2. Check the harness/connector between the DC Controller PCB and the Cassette 4 Paper Surface Sensor 3. Check the Cassette 4 Paper Surface Sensor 4. Replace the DC Controller PCB b. When the motor is not operated, take the following steps: <ol style="list-style-type: none"> 1. Check the harness/connector between the DC Controller PCB (J301) and the Cassette 4 Lifter Motor 2. Check the condition of the gear on the side of the host machine (if there is any cut or if it swings) 3. Replace the Cassette 4 Lifter Motor 4. Replace the DC Controller PCB
E020-04C0-05	Detection of Cartridge Shipping Lock
Detection Description	A shipping lock was detected during the detection of presence/absence of cartridge.
Remedy	<p>[Related parts]</p> <ul style="list-style-type: none"> - Toner cartridge <p>[Remedy] Check/replace the related harness/cable, connector and parts.</p> <ol style="list-style-type: none"> 1. Remove the shipping lock of the toner cartridge. 2. Replace the toner cartridge.
E021-0001-05	Drum Motor error
Detection Description	No changes are made in the Developing Disengagement Sensor within the specified period of time after the operation of the Developing Disengagement Solenoid.
Remedy	<p>[Related parts]</p> <ul style="list-style-type: none"> - Drum Motor (M2) - Developing Disengagement Solenoid (SL2) - Toner cartridge <p>[Remedy] Check/replace the related harness/cable, connector and parts.</p>

E066-0001-05	Environment Sensor Abnormal Warning
Detection Description	When the Environment Sensor detects an AD value of 0 to 60 or 220 to 225
Remedy	[Related parts] - Environment Sensor (TH4200)
E100-0004-05	Laser Scanner error
Detection Description	The light intensity settings to the Laser Driver failed.
Remedy	[Related parts] - Laser Scanner Unit - Harness between the Laser Scanner Unit and the DC Controller PCB - DC Controller PCB [Remedy] Check/replace the related harness/cable, connector and parts.
E110-0001-05	Laser Scanner Motor startup error
Detection Description	The startup of the Laser Scanner Motor does not complete.
Remedy	[Related parts] - Laser Scanner Unit - Harness between the Laser Scanner Unit and the DC Controller PCB - DC Controller PCB [Remedy] Check/replace the related harness/cable, connector and parts.
E110-0002-05	Laser Scanner Motor rotation error
Detection Description	A BD Detection error occurs during the operation of the Laser Scanner Motor.
Remedy	[Related parts] - Laser Scanner Unit - Harness between the Laser Scanner Unit and the DC Controller PCB - DC Controller PCB [Remedy] Check/replace the related harness/cable, connector and parts.
E196-0001-05	ROM Write/Read error
Detection Description	ROM Write/Read error occurs at startup.
Remedy	[Related parts] - DC Controller PCB - Finisher Controller PCB - Option Cassette Controller PCB [Remedy] 1. Install firmware 2. Check/replace the related harness/cable, connector and parts.
E196-0002-05	Option ROM Write/Read error
Detection Description	An Option ROM Write/Read error occurs at startup.
Remedy	[Related parts] - Harness between the DC Controller PCB and the Finisher Controller PCB - Harness between the DC Controller PCB and the OP Cassette Controller PCB - Finisher Controller PCB - OP Cassette Controller PCB - DC Controller PCB [Remedy] 1. Install firmware 2. Check/replace the related harness/cable, connector and parts.
E197-0001-05	Internal communication error
Detection Description	A communication error occurred between CPU and ASIC.
Remedy	[Related parts] - Laser Scanner Unit - Harness between the Laser Scanner Unit and the DC Controller PCB - DC Controller PCB [Remedy] Check/replace the related harness/cable, connector and parts.

E202-0001-04	Scanner Unit HP error
Detection Description	The HP of the Scanner Unit could not be detected when starting scanning operation.
Remedy	<p>[Related parts] R1.00</p> <ul style="list-style-type: none"> - Harness between the CIS HP Sensor (J4205) and the Main Controller PCB (UN81/J4005) - Harness between the Reader Motor (J4305) and the Main Controller PCB (UN81/J4005) - Harness between the Main Controller PCB (J4507) and the Low-voltage Power Supply PCB - CIS HP Sensor - Reader Motor - Low-voltage Power Supply PCB (UN01) - Reader Assembly - Main Controller PCB <p>[Remedy] Perform the following in the order while checking whether the error is cleared.</p> <ol style="list-style-type: none"> 1. At initial operation of the Reader startup after the main power is turned ON, check if the Reader Motor operates (whether the Scanner Unit moves or operation sound is heard). If it operates, check whether load on the Timing Belt for moving CIS is appropriate. <ol style="list-style-type: none"> a. If it is appropriate, replace the CIS HP Sensor. b. If it is not appropriate (overloaded), check/replace the Timing Belt, Drive Gear and pulley. 2. Check/replace the CIS Holder (soiling or damage on the surface). 3. Check/replace the related harness/cable, connector and parts.
E202-0002-04	Scanner Unit HP error
Detection Description	The HP of the Scanner Unit could not be detected when completing scanning operation.
Remedy	<p>[Related parts] R1.00</p> <ul style="list-style-type: none"> - Harness between the CIS HP Sensor (J4205) and the Main Controller PCB (UN81/J4005) - Harness between the Reader Motor (J4305) and the Main Controller PCB (UN81/J4005) - Harness between the Main Controller PCB (J4507) and the Low-voltage Power Supply PCB - CIS HP Sensor - Reader Motor - Low-voltage Power Supply PCB (UN01) - Reader Assembly - Main Controller PCB <p>[Remedy] Perform the following in the order while checking whether the error is cleared.</p> <ol style="list-style-type: none"> 1. At initial operation of the Reader startup after the main power is turned ON, check if the Reader Motor operates (whether the Scanner Unit moves or operation sound is heard). If it operates, check whether load on the Timing Belt for moving CIS is appropriate. <ol style="list-style-type: none"> a. If it is appropriate, replace the CIS HP Sensor. b. If it is not appropriate (overloaded), check/replace the Timing Belt, Drive Gear and pulley. 2. Check/replace the CIS Holder (soiling or damage on the surface). 3. Check/replace the related harness/cable, connector and parts.
E202-0003-04	Reader Scanner Unit HP error
Detection Description	An error in the Reader Scanner Unit position was detected when reading of a job was started.
Remedy	<p>[Related parts]</p> <ul style="list-style-type: none"> - Harness between the Main Controller PCB and the Scanner Unit HP Sensor (PS_A1/J5002) - Harness between the Main Controller PCB and the Scanner Motor (STM1/J5015) - Scanner Unit HP Sensor (PS_A1) - Scanner Motor (STM1) - Main Controller PCB <p>[Remedy] Check/replace the related harness/cable, connector and parts.</p>
E227-0001-04	Power supply error
Detection Description	The Main Controller PCB did not detect 24 V when the main power was turned ON.
Remedy	<p>[Related parts]</p> <ul style="list-style-type: none"> - Harness between the Main Controller PCB (J4507) and the Low-voltage Power Supply PCB - Low-voltage Power Supply PCB (UN01) - Main Controller PCB <p>[Remedy] Check/replace the related harness/cable, connector and parts.</p>
E246-0001-00	System error
Detection Description	System error
Remedy	Contact the service company office

E246-0002-00	System error
Detection Description	System error
Remedy	Contact to the sales company.
E246-0003-00	System error
Detection Description	System error
Remedy	Contact to the sales company.
E246-0004-00	System error
Detection Description	System error
Remedy	Contact the service company office
E246-0005-00	System error
Detection Description	System error
Remedy	Contact to the sales company.
E247-0001-00	System error
Detection Description	System error
Remedy	Contact the service company office
E247-0002-00	System error
Detection Description	System error
Remedy	Contact to the sales company.
E247-0003-00	System error
Detection Description	System error
Remedy	Contact to the sales company.
E247-0004-00	System error
Detection Description	System error
Remedy	Contact to the sales company.
E248-0001-04	Reader backup error
Detection Description	Reading error was detected when the Controller IC of the Main Controller PCB read the Reader backup value in the Flash PCB.
Remedy	[Related parts] R1.00 - Flash PCB (UN91) - Main Controller PCB [Remedy] Perform the following in the order while checking whether the error is cleared. After performing the remedy, enter the value of the service label again. 1. After executing "COPIER> FUNCTION> CLEAR> R-CON", turn OFF and then ON the main power, and check whether the error is cleared. 2. After replacing the Flash PCB, reinstall the system software using SST or a USB flash drive. 3. Replace the Main Controller PCB.
E248-0002-04	Reader backup error
Detection Description	The Controller IC of the Main Controller PCB failed to rewrite the Reader backup value in the Flash PCB.
Remedy	[Related parts] R1.00 - Flash PCB (UN91) - Main Controller PCB [Remedy] Perform the following in the order while checking whether the error is cleared. After performing the remedy, enter the value of the service label again. 1. After executing "COPIER> FUNCTION> CLEAR> R-CON", turn OFF and then ON the main power, and check whether the error is cleared. 2. After replacing the Flash PCB, reinstall the system software using SST or a USB flash drive. 3. Replace the Main Controller PCB.

E270-0001-04	Scanner Unit (Reader) communication error
Detection Description	The vertical scanning synchronous signal (VSYNC) was not transmitted appropriately at the Scanner Unit (Reader) side communicating with the R-CON.
Remedy	[Related parts] - Flat Cable between the Main Controller PCB and Scanner Unit (Reader) (Unit of replacement: Flat Cable) - Scanner Unit (Unit of replacement: Scanner Unit) - Main Controller PCB (Unit of replacement: Main Controller PCB) [Remedy] Check/replace the related harness/cable, connector and parts.
E270-0101-04	Scanner Unit (DADF) communication error
Detection Description	The vertical scanning synchronous signal (VSYNC) was not transmitted appropriately at the Scanner Unit (DADF) side communicating with the R-CON.
Remedy	[Related parts] - Flat Cable between the Main Controller PCB and Scanner Unit (DADF) (Unit of replacement: Flat Cable) - Scanner Unit (Unit of replacement: Scanner Unit) - Main Controller PCB (Unit of replacement: Main Controller PCB) [Remedy] Check/replace the related harness/cable, connector and parts.
E280-0001-04	Scanner Unit communication error
Detection Description	Communication between the Main Controller and the Scanner Unit (front) was not started within the specified period of time.
Remedy	[Related parts] R1.00 - Harness between the Scanner Unit (front) and the Main Controller PCB - Scanner Unit (front) - Main Controller PCB [Remedy] Check/replace the related parts. After performing the remedy, check that the copy image is output normally.
E280-0002-04	Scanner Unit communication error
Detection Description	Disconnection of FFC between the Main Controller and the Scanner Unit (front) was detected.
Remedy	[Related parts] R1.00 - Harness between the Scanner Unit (front) and the Main Controller PCB - Scanner Unit (front) - Main Controller PCB [Remedy] Check/replace the related parts. After performing the remedy, check that the copy image is output normally.
E280-0003-04	Scanner Unit (Reader) communication error
Detection Description	Reading or writing error was detected between the Main Controller PCB and the Scanner Unit (Reader).
Remedy	[Related parts] - Flat Cable between the Main Controller PCB and Scanner Unit (Reader) (Unit of replacement: Flat Cable) - Scanner Unit (Unit of replacement: Scanner Unit) - Main Controller PCB (Unit of replacement: Main Controller PCB) [Remedy] Check/replace the related harness/cable, connector and parts.
E280-0005-04	Scanner Unit (Paper Front) communication error
Detection Description	CIS Unit of a different model was installed.
Remedy	[Remedy] Replace the Scanner Unit (CIS) with the one for the model. (Unit of replacement: CONTACT IMAGE SENSOR ASSEMBLY) [Caution] The parts numbers of the Scanner Unit differs depending on the model. Be sure to use the correct one.

E280-0101-04	Scanner Unit communication error
Detection Description	Communication between the Main Controller and the Scanner Unit (back) was not started within the specified period of time.
Remedy	[Related parts] R1.00 - Harness between the Scanner Unit (back) and the Main Controller PCB - Scanner Unit (back) - ADF UNIT - Main Controller PCB [Remedy] Check/replace the related parts. After performing the remedy, check that the copy image is output normally.
E280-0102-04	Scanner Unit communication error
Detection Description	Disconnection of FFC between the Main Controller and the Scanner Unit (back) was detected.
Remedy	[Related parts] R1.00 - Harness between the Scanner Unit (back) and the Main Controller PCB - Scanner Unit (back) - ADF UNIT - Main Controller PCB [Remedy] Check/replace the related parts. After performing the remedy, check that the copy image is output normally.
E280-0103-04	Scanner Unit (DADF) communication error
Detection Description	Disconnection of FFC between the Main Controller PCB and the DADF Scanner Unit was detected.
Remedy	[Related parts] - Harness between the DADF Scanner Unit (J1102) and the Main Controller PCB(UN1/J105) [Remedy]Check/replace the harness between the DADF Scanner Unit and the Main Controller PCB .
E280-0105-04	Scanner Unit (Paper Back) communication error
Detection Description	CIS Unit of a different model was installed.
Remedy	[Remedy] Replace the Scanner Unit (CIS) with the one for the model. (Unit of replacement: CONTACT IMAGE SENSOR ASS'Y SET) [Caution] The parts numbers of the Scanner Unit differs depending on the model. Be sure to use the correct one.
E302-0001-04	Error in paper front white shading
Detection Description	An error in the shading value was detected at white shading.
Remedy	[Related parts] R1.00 - Harness between the Scanner Unit (front) and the Main Controller PCB - Scanner Unit (front) - Main Controller PCB [Remedy] Check/replace the related parts. After performing the remedy, check that the copy image is output normally.
E302-0002-04	Error in paper front black shading
Detection Description	An error in the shading value was detected at black shading.
Remedy	[Related parts] R1.00 - Harness between the Scanner Unit (front) and the Main Controller PCB - Scanner Unit (front) - Main Controller PCB [Remedy] Check/replace the related parts. After performing the remedy, check that the copy image is output normally.

E302-0101-04	Error in paper back white shading
Detection Description	An error in the shading value was detected at white shading.
Remedy	[Related parts] R1.00 - Harness between the Scanner Unit (back) and the Main Controller PCB - Scanner Unit (back) - ADF UNIT - Main Controller PCB [Remedy] Check/replace the related parts. After performing the remedy, check that the copy image is output normally.
E302-0102-04	Error in paper back black shading
Detection Description	An error in the shading value was detected at black shading.
Remedy	[Related parts] R1.00 - Harness between the Scanner Unit (back) and the Main Controller PCB - Scanner Unit (back) - ADF UNIT - Main Controller PCB [Remedy] Check/replace the related parts. After performing the remedy, check that the copy image is output normally.
E315-0007-00	Image process device timeout error
Detection Description	Image compression process was not completed within the specified period of time (120 sec) at scanning.
Remedy	[Related parts] - Harness between the CIS Unit and Main Controller PCB - Main Controller PCB [Remedy] Perform the following in the order while checking whether the error is cleared. 1. Reinstall the latest system software using SST or a USB flash drive. 2. Check/replace the related harness/cable, connector and parts.
E315-000D-00	Image process device timeout error
Detection Description	Processing of a JBIG-compressed data was not completed within the specified period of time (120 sec) at printing or SEND.
Remedy	Perform the following in the order while checking whether the error is cleared. 1. Reinstall the latest system software using SST or a USB flash drive. 2. Check/replace the Main Controller PCB.
E315-000F-00	Image process device timeout error
Detection Description	Duplication of image data in the memory was not completed within the specified period of time (120 sec).
Remedy	Perform the following in the order while checking whether the error is cleared. 1. Reinstall the latest system software using SST or a USB flash drive. 2. Check/replace the Main Controller PCB.
E315-0027-00	Image process device timeout error
Detection Description	Image processing (change in magnification ratio, rotating, and shifting) was not completed normally within the specified period of time (120 sec).
Remedy	Perform the following in the order while checking whether the error is cleared. 1. Reinstall the latest system software using SST or a USB flash drive. 2. Check/replace the Main Controller PCB.
E315-0033-00	Image process device timeout error
Detection Description	Processing to clear image data in the memory was not completed normally within the specified period of time (120 sec).
Remedy	Perform the following in the order while checking whether the error is cleared. 1. Reinstall the latest system software using SST or a USB flash drive. 2. Check/replace the Main Controller PCB.

E315-0035-00	Image process device timeout error
Detection Description	Processing to clear image data in the memory was not completed normally within the specified period of time (120 sec).
Remedy	Perform the following in the order while checking whether the error is cleared. 1. Reinstall the latest system software using SST or a USB flash drive. 2. Check/replace the Main Controller PCB.
E315-0500-00	Image process device timeout error
Detection Description	Transfer of image signal was not completed within the specified period of time (120 sec) at scanning.
Remedy	[Related parts] - Harness between the CIS Unit and Main Controller PCB - Main Controller PCB [Remedy] Perform the following in the order while checking whether the error is cleared. 1. Reinstall the latest system software using SST or a USB flash drive. 2. Check/replace the related harness/cable, connector and parts.
E315-0510-00	Image process device timeout error
Detection Description	Image processing was not completed within the specified period of time (30 sec) at scanning.
Remedy	[Related parts] - Harness between the CIS Unit and Main Controller PCB - Main Controller PCB [Remedy] Perform the following in the order while checking whether the error is cleared. 1. Reinstall the latest system software using SST or a USB flash drive. 2. Check/replace the related harness/cable, connector and parts.
E315-0520-00	Image process device timeout error
Detection Description	Image processing was not completed within the specified period of time (120 sec) at scanning.
Remedy	Perform the following in the order while checking whether the error is cleared. 1. Reinstall the latest system software using SST or a USB flash drive. 2. Check/replace the Main Controller PCB.
E315-0530-00	Image process device error
Detection Description	Compression processing of the scanned image into JPEG was terminated abnormally.
Remedy	Perform the following in the order while checking whether the error is cleared. 1. Reinstall the latest system software using SST or a USB flash drive. 2. Check/replace the Main Controller PCB.
E315-0531-00	Image process device timeout error
Detection Description	Compression processing of the scanned image into JPEG was not completed within the specified period of time (120 sec).
Remedy	[Related parts] - Harness between the Reader Controller PCB and Main Controller PCB - Main Controller PCB - Reader Controller PCB [Remedy] Perform the following in the order while checking whether the error is cleared. 1. Reinstall the latest system software using SST or a USB flash drive. 2. Check/replace the related harness/cable, connector and parts.
E315-0540-00	Image process device error
Detection Description	An error occurred during decompression of JPEG.
Remedy	Perform the following in the order while checking whether the error is cleared. 1. Reinstall the latest system software using SST or a USB flash drive. 2. Check/replace the Main Controller PCB.
E315-0541-00	Image process device timeout error
Detection Description	Decompression of JPEG was not completed within the specified period of time (120 sec).
Remedy	Perform the following in the order while checking whether the error is cleared. 1. Reinstall the latest system software using SST or a USB flash drive. 2. Check/replace the Main Controller PCB.

E315-0561-00	Image process device timeout error
Detection Description	Image transfer was not completed within the specified period of time (60 sec) after the start of printing.
Remedy	[Related parts] - Harness between the Reader Controller PCB and Main Controller PCB - Main Controller PCB - Reader Controller PCB [Remedy] Perform the following in the order while checking whether the error is cleared. 1. Reinstall the latest system software using SST or a USB flash drive. 2. Check/replace the related harness/cable, connector and parts.
E350-0001-00	System error
Detection Description	System error
Remedy	Contact to the sales company.
E350-0002-00	System error
Detection Description	System error
Remedy	Contact to the sales company.
E350-0003-00	System error
Detection Description	System error
Remedy	Contact to the sales company.
E350-3000-00	System error
Detection Description	System error
Remedy	Contact to the sales company.
E351-0000-00	System error
Detection Description	Main Controller PCB communication error.
Remedy	Check/replace the Main Controller PCB
E354-0001-00	System error
Detection Description	System error
Remedy	Contact the service company office
E354-0002-00	System error
Detection Description	System error
Remedy	Contact to the sales company.
E355-0001-00	System error
Detection Description	System error
Remedy	Contact the service company office
E355-0002-00	System error
Detection Description	System error
Remedy	Contact to the sales company.
E355-0003-00	System error
Detection Description	System error
Remedy	Contact to the sales company.
E355-0004-00	System error
Detection Description	System error
Remedy	Contact to the sales company.
E423-0001-04	ADF error
Detection Description	An access error to SDRAM for controlling ADF that is installed on the Main Controller PCB was detected.
Remedy	Check/replace the Main Controller PCB

E503-0062-02	Internal communication error
Detection Description	CAN-CPU detected an internal communication error.
Remedy	[Related parts] - Finisher Controller PCB - Harness between the DC Controller PCB and the Finisher Controller PCB - DC Controller PCB [Remedy] Check/replace the related harness/cable, connector and parts.
E530-8001-02	Jogger failure
Detection Description	A change of the Jogger HP Sensor cannot be detected after the start of jogger control.
Remedy	[Related parts] - Jogger Unit - Finisher Controller PCB - Harness between the Finisher Controller PCB and the DC Controller PCB - DC Controller PCB [Remedy] Check/replace the related harness/cable, connector and parts.
E531-8001-02	Staple Ready error
Detection Description	The Staple Unit does not turn to the "Ready" state.
Remedy	[Related parts] - Jogger Unit - Finisher Controller PCB - Harness between the Finisher Controller PCB and the DC Controller PCB - DC Controller PCB [Remedy] Check/replace the related harness/cable, connector and parts.
E531-8002-02	Staple failure
Detection Description	The Staple Unit does not return to the HP within the specified period of time from the operation start of the Staple Motor.
Remedy	[Related parts] - Jogger Unit - Finisher Controller PCB - Harness between the Finisher Controller PCB and the DC Controller PCB - DC Controller PCB [Remedy] Check/replace the related harness/cable, connector and parts.
E540-8001-02	Bin 1 Upper Limit Detection error
Detection Description	The Bin 1 Upper Limit Sensor does not react within the specified period of time after start of lift-up.
Remedy	[Related parts] - Delivery Lifter Unit - Finisher Controller PCB - Harness between the Finisher Controller PCB and the DC Controller PCB - DC Controller PCB [Remedy] Check/replace the related harness/cable, connector and parts.
E540-8002-02	Bin 1 Lower Limit Detection error
Detection Description	The Bin 1 Lower Limit Sensor does not react even after the specified period of time after start of lift-up.
Remedy	[Related parts] - Delivery Lifter Unit - Finisher Controller PCB - Harness between the Finisher Controller PCB and the DC Controller PCB - DC Controller PCB [Remedy] Check/replace the related harness/cable, connector and parts.

E540-8003-02	Bin 1 Lifter Sensor failure
Detection Description	Both the Bin 1 Upper Limit Sensor and the Bin 1 Lower Limit Sensor detected ON during tray initialization.
Remedy	[Related parts] - Delivery Lifter Unit - Finisher Controller PCB - Harness between the Finisher Controller PCB and the DC Controller PCB - DC Controller PCB [Remedy] Check/replace the related harness/cable, connector and parts.
E551-8001-02	Finisher Fan failure
Detection Description	Finisher Fan Lock is detected.
Remedy	[Related parts] - Jogger Unit - Finisher Controller PCB - Harness between the Finisher Controller PCB and the DC Controller PCB - DC Controller PCB [Remedy] Check/replace the related harness/cable, connector and parts.
E568-8001-02	Stack Delivery Roller disengagement failure
Detection Description	When Y Alignment Motor is operated, the Stack Delivery Roller HP Sensor does not change.
Remedy	[Related parts] - Upper Feed Unit - Finisher Controller PCB - Harness between the Finisher Controller PCB and the DC Controller PCB - DC Controller PCB [Remedy] Check/replace the related harness/cable, connector and parts.
E577-8001-02	Y Alignment Motor failure
Detection Description	When Y Alignment Motor is operated, the Y Alignment Motor HP Sensor does not change.
Remedy	[Related parts] - Upper Feed Unit - Finisher Controller PCB - Harness between the Finisher Controller PCB and the DC Controller PCB - DC Controller PCB [Remedy] Check/replace the related harness/cable, connector and parts.
E602-0001-00	HDD error
Detection Description	HDD failed to be Ready, or HDD was not formatted. When this error occurs, the system has not been started normally. Therefore, it may not be recorded in the error log.
Remedy	[Related parts] R2.00 - Harness between the Main Controller PCB and the HDD - HDD - Main Controller PCB [Remedy] Perform the following in the order while checking whether the error is cleared. 1. Check the related harness/cable and connector. 2. If the above-mentioned service mode cannot be executed due to an error, etc., enter safe mode. Then format the HDD using SST or a USB flash drive. 3. Reinstall the system software using SST or a USB flash drive. 4. Check/replace the related parts.
E602-0020-00	HDD error
Detection Description	Corruption of database managing user mode/service mode data was detected.
Remedy	While this error occurs, backup of the setting values is disabled. In addition, it may not be recorded in the error log. Perform the following in the order while checking whether the error is cleared. 1. Turn OFF and then ON the main power. 2. enter safe mode, and format the HDD using a USB flash drive. 3. Replace the HDD.

E602-0101-00	HDD error
Detection Description	<p>An error was detected in the PDL-related file storage area. (Initialization failed at startup or I/O error at startup)</p> <p>When this error occurs, the system has not been started normally. Therefore, it may not be recorded in the error log.</p>
Remedy	<p>[Related parts] R2.00</p> <ul style="list-style-type: none"> - Harness between the Main Controller PCB and the HDD - HDD - Main Controller PCB <p>[Remedy] Perform the following in the order while checking whether the error is cleared. When prioritizing clearing of the error, skip Remedies 2 and 3.</p> <p>Although the error is cleared by "HD-CHECK", it may occur again. Thus, perform Remedies 1 to 4.</p> <ol style="list-style-type: none"> 1. Check the related harness/cable and connector. 2. Select COPIER> FUNCTION> SYSTEM> CHK-TYPE> "1", and execute "HD-CHECK". Then, turn OFF and then ON the main power. 3. Obtain the necessary backup data by referring to "Appendix> Backup Data List" in the System Service Manual. 4. Select COPIER> FUNCTION> SYSTEM> CHK-TYPE> "1", and execute "HD-CLEAR". Then, turn OFF and then ON the main power to delete the data in the corresponding partition. 5. If the above-mentioned service mode cannot be executed due to an error, etc., enter safe mode. Then format the HDD using SST or a USB flash drive. 6. Check/replace the related parts. <p>[Reference] When replacing the HDD, back up the setting values by referring to "Chapter 5. Adjustment> Actions when Replacing the Parts> HDD" in the Service Manual.</p>
E602-0111-00	HDD error
Detection Description	<p>An error was detected in the PDL-related file storage area. (File could not be written in the HDD after startup or I/O error after startup)</p>
Remedy	<p>[Related parts] R2.00</p> <ul style="list-style-type: none"> - Harness between the Main Controller PCB and the HDD - HDD - Main Controller PCB <p>[Remedy] Perform the following in the order while checking whether the error is cleared. When prioritizing clearing of the error, skip Remedies 2 and 3.</p> <p>Although the error is cleared by "HD-CHECK", it may occur again. Thus, perform Remedies 1 to 4.</p> <ol style="list-style-type: none"> 1. Check the related harness/cable and connector. 2. Select COPIER> FUNCTION> SYSTEM> CHK-TYPE> "1", and execute "HD-CHECK". Then, turn OFF and then ON the main power. 3. Obtain the necessary backup data by referring to "Appendix> Backup Data List" in the System Service Manual. 4. Select COPIER> FUNCTION> SYSTEM> CHK-TYPE> "1", and execute "HD-CLEAR". Then, turn OFF and then ON the main power to delete the data in the corresponding partition. 5. If the above-mentioned service mode cannot be executed due to an error, etc., enter safe mode. Then format the HDD using SST or a USB flash drive. 6. Check/replace the related parts. <p>[Reference] When replacing the HDD, back up the setting values by referring to "Chapter 5. Adjustment> Actions when Replacing the Parts> HDD" in the Service Manual.</p>

E602-0201-00	HDD error
Detection Description	<p>An error was detected in the storage area of image data after startup. (Initialization failed at startup or I/O error at startup)</p> <p>When this error occurs, the system has not been started normally. Therefore, it may not be recorded in the error log.</p>
Remedy	<p>[Related parts] R2.00</p> <ul style="list-style-type: none"> - Harness between the Main Controller PCB and the HDD - HDD - Main Controller PCB <p>[Remedy] Perform the following in the order while checking whether the error is cleared. When prioritizing clearing of the error, skip Remedies 2 and 3.</p> <p>Although the error is cleared by "HD-CHECK", it may occur again. Thus, perform Remedies 1 to 4.</p> <ol style="list-style-type: none"> 1. Check the related harness/cable and connector. 2. Select COPIER> FUNCTION> SYSTEM> CHK-TYPE> "2", and execute "HD-CHECK". Then, turn OFF and then ON the main power. 3. Obtain the necessary backup data by referring to "Appendix> Backup Data List" in the System Service Manual. 4. Select COPIER> FUNCTION> SYSTEM> CHK-TYPE> "2", and execute "HD-CLEAR". Then, turn OFF and then ON the main power to delete the data in the corresponding partition. 5. If the above-mentioned service mode cannot be executed due to an error, etc., enter safe mode. Then format the HDD using SST or a USB flash drive. 6. Check/replace the related parts. <p>[Reference] When replacing the HDD, back up the setting values by referring to "Chapter 5. Adjustment> Actions when Replacing the Parts> HDD" in the Service Manual.</p>
E602-0211-00	HDD error
Detection Description	<p>An error was detected in the storage area of image data after startup. (File could not be written in the HDD after startup or I/O error after startup)</p>
Remedy	<p>[Related parts] R2.00</p> <ul style="list-style-type: none"> - Harness between the Main Controller PCB and the HDD - HDD - Main Controller PCB <p>[Remedy] Perform the following in the order while checking whether the error is cleared. When prioritizing clearing of the error, skip Remedies 2 and 3.</p> <p>Although the error is cleared by "HD-CHECK", it may occur again. Thus, perform Remedies 1 to 4.</p> <ol style="list-style-type: none"> 1. Check the related harness/cable and connector. 2. Select COPIER> FUNCTION> SYSTEM> CHK-TYPE> "2", and execute "HD-CHECK". Then, turn OFF and then ON the main power. 3. Obtain the necessary backup data by referring to "Appendix> Backup Data List" in the System Service Manual. 4. Select COPIER> FUNCTION> SYSTEM> CHK-TYPE> "2", and execute "HD-CLEAR". Then, turn OFF and then ON the main power to delete the data in the corresponding partition. 5. If the above-mentioned service mode cannot be executed due to an error, etc., enter safe mode. Then format the HDD using SST or a USB flash drive. 6. Check/replace the related parts. <p>[Reference] When replacing the HDD, back up the setting values by referring to "Chapter 5. Adjustment> Actions when Replacing the Parts> HDD" in the Service Manual.</p>

E602-0301-00	HDD error
Detection Description	<p>An error was detected in the MEAP-related area. (Initialization failed at startup or I/O error at startup)</p> <p>When this error occurs, the system has not been started normally. Therefore, it may not be recorded in the error log.</p>
Remedy	<p>[Related parts] R2.00</p> <ul style="list-style-type: none"> - Harness between the Main Controller PCB and the HDD - HDD - Main Controller PCB <p>[Remedy] Perform the following in the order while checking whether the error is cleared. When prioritizing clearing of the error, skip Remedies 2 and 3.</p> <p>Although the error is cleared by "HD-CHECK", it may occur again. Thus, perform Remedies 1 to 4.</p> <ol style="list-style-type: none"> 1. Check the related harness/cable and connector. 2. Select COPIER> FUNCTION> SYSTEM> CHK-TYPE> "3", and execute "HD-CHECK". Then, turn OFF and then ON the main power. 3. Obtain the necessary backup data by referring to "Appendix> Backup Data List" in the System Service Manual. 4. Select COPIER> FUNCTION> SYSTEM> CHK-TYPE> "3", and execute "HD-CLEAR". Then, turn OFF and then ON the main power to delete the data in the corresponding partition. 5. If the above-mentioned service mode cannot be executed due to an error, etc., enter safe mode. Then format the HDD using SST or a USB flash drive. 6. Check/replace the related parts. <p>[Reference] When replacing the HDD, back up the setting values by referring to "Chapter 5. Adjustment> Actions when Replacing the Parts> HDD" in the Service Manual.</p>
E602-0311-00	HDD error
Detection Description	<p>An error was detected in the MEAP-related area. (File could not be written in the HDD after startup or I/O error after startup)</p>
Remedy	<p>[Related parts] R2.00</p> <ul style="list-style-type: none"> - Harness between the Main Controller PCB and the HDD - HDD - Main Controller PCB <p>[Remedy] Perform the following in the order while checking whether the error is cleared. When prioritizing clearing of the error, skip Remedies 2 and 3.</p> <p>Although the error is cleared by "HD-CHECK", it may occur again. Thus, perform Remedies 1 to 4.</p> <ol style="list-style-type: none"> 1. Check the related harness/cable and connector. 2. Select COPIER> FUNCTION> SYSTEM> CHK-TYPE> "3", and execute "HD-CHECK". Then, turn OFF and then ON the main power. 3. Obtain the necessary backup data by referring to "Appendix> Backup Data List" in the System Service Manual. 4. Select COPIER> FUNCTION> SYSTEM> CHK-TYPE> "3", and execute "HD-CLEAR". Then, turn OFF and then ON the main power to delete the data in the corresponding partition. 5. If the above-mentioned service mode cannot be executed due to an error, etc., enter safe mode. Then format the HDD using SST or a USB flash drive. 6. Check/replace the related parts. <p>[Reference] When replacing the HDD, back up the setting values by referring to "Chapter 5. Adjustment> Actions when Replacing the Parts> HDD" in the Service Manual.</p>

E602-0401-00	HDD error
Detection Description	Logical partition error was detected. (Initialization failed at startup or I/O error at startup) When this error occurs, the system has not been started normally. Therefore, it may not be recorded in the error log.
Remedy	<p>[Related parts] R2.00</p> <ul style="list-style-type: none"> - Harness between the Main Controller PCB and the HDD - HDD - Main Controller PCB <p>[Remedy] Perform the following in the order while checking whether the error is cleared. When prioritizing clearing of the error, skip Remedies 2 and 3. Although the error is cleared by "HD-CHECK", it may occur again. Thus, perform Remedies 1 to 4.</p> <ol style="list-style-type: none"> 1. Check the related harness/cable and connector. 2. Select COPIER> FUNCTION> SYSTEM> CHK-TYPE> "4", and execute "HD-CHECK". Then, turn OFF and then ON the main power. 3. Obtain the necessary backup data by referring to "Appendix> Backup Data List" in the System Service Manual. 4. Select COPIER> FUNCTION> SYSTEM> CHK-TYPE> "4", and execute "HD-CLEAR". Then, turn OFF and then ON the main power to delete the data in the corresponding partition. 5. If the above-mentioned service mode cannot be executed due to the error, enter safe mode. Then format the HDD using SST or a USB flash drive. 6. Check/replace the related parts. <p>[Reference] When replacing the HDD, back up the setting values by referring to "Chapter 5. Adjustment> Actions when Replacing the Parts> HDD" in the Service Manual.</p>
E602-0411-00	HDD error
Detection Description	Logical partition error was detected. (File could not be written in the HDD after startup or I/O error after startup)
Remedy	<p>[Related parts] R2.00</p> <ul style="list-style-type: none"> - Harness between the Main Controller PCB and the HDD - HDD - Main Controller PCB <p>[Remedy] Perform the following in the order while checking whether the error is cleared. When prioritizing clearing of the error, skip Remedies 2 and 3. Although the error is cleared by "HD-CHECK", it may occur again. Thus, perform Remedies 1 to 4.</p> <ol style="list-style-type: none"> 1. Check the related harness/cable and connector. 2. Select COPIER> FUNCTION> SYSTEM> CHK-TYPE> "4", and execute "HD-CHECK". Then, turn OFF and then ON the main power. 3. Obtain the necessary backup data by referring to "Appendix> Backup Data List" in the System Service Manual. 4. Select COPIER> FUNCTION> SYSTEM> CHK-TYPE> "4", and execute "HD-CLEAR". Then, turn OFF and then ON the main power to delete the data in the corresponding partition. 5. If the above-mentioned service mode cannot be executed due to the error, enter safe mode. Then format the HDD using SST or a USB flash drive. 6. Check/replace the related parts. <p>[Reference] When replacing the HDD, back up the setting values by referring to "Chapter 5. Adjustment> Actions when Replacing the Parts> HDD" in the Service Manual.</p>

E602-0501-00	HDD error
Detection Description	An error was detected in the storage area of image data after startup. (Initialization failed at startup or I/O error at startup) When this error occurs, the system has not been started normally. Therefore, it may not be recorded in the error log.
Remedy	<p>[Related parts] R2.00</p> <ul style="list-style-type: none"> - Harness between the Main Controller PCB and the HDD - HDD - Main Controller PCB <p>[Remedy] Perform the following in the order while checking whether the error is cleared. When prioritizing clearing of the error, skip Remedies 2 and 3. Although the error is cleared by "HD-CHECK", it may occur again. Thus, perform Remedies 1 to 4.</p> <ol style="list-style-type: none"> 1. Check the related harness/cable and connector. 2. Select COPIER> FUNCTION> SYSTEM> CHK-TYPE> "5", and execute "HD-CHECK". Then, turn OFF and then ON the main power. 3. Obtain the necessary backup data by referring to "Appendix> Backup Data List" in the System Service Manual. 4. Select COPIER> FUNCTION> SYSTEM> CHK-TYPE> "5", and execute "HD-CLEAR". Then, turn OFF and then ON the main power to delete the data in the corresponding partition. 5. If the above-mentioned service mode cannot be executed due to an error, etc., enter safe mode. Then format the HDD using SST or a USB flash drive. 6. Check/replace the related parts. <p>[Reference] When replacing the HDD, back up the setting values by referring to "Chapter 5. Adjustment> Actions when Replacing the Parts> HDD" in the Service Manual.</p>
E602-0511-00	HDD error
Detection Description	An error was detected in the storage area of image data after startup. (File could not be written in the HDD after startup or I/O error after startup)
Remedy	<p>[Related parts] R2.00</p> <ul style="list-style-type: none"> - Harness between the Main Controller PCB and the HDD - HDD - Main Controller PCB <p>[Remedy] Perform the following in the order while checking whether the error is cleared. When prioritizing clearing of the error, skip Remedies 2 and 3. Although the error is cleared by "HD-CHECK", it may occur again. Thus, perform Remedies 1 to 4.</p> <ol style="list-style-type: none"> 1. Check the related harness/cable and connector. 2. Select COPIER> FUNCTION> SYSTEM> CHK-TYPE> "5", and execute "HD-CHECK". Then, turn OFF and then ON the main power. 3. Obtain the necessary backup data by referring to "Appendix> Backup Data List" in the System Service Manual. 4. Select COPIER> FUNCTION> SYSTEM> CHK-TYPE> "5", and execute "HD-CLEAR". Then, turn OFF and then ON the main power to delete the data in the corresponding partition. 5. If the above-mentioned service mode cannot be executed due to an error, etc., enter safe mode. Then format the HDD using SST or a USB flash drive. 6. Check/replace the related parts. <p>[Reference] When replacing the HDD, back up the setting values by referring to "Chapter 5. Adjustment> Actions when Replacing the Parts> HDD" in the Service Manual.</p>

E602-0601-00	HDD error
Detection Description	<p>An error was detected in the storage area of image data after startup. (Initialization failed at startup or I/O error at startup)</p> <p>When this error occurs, the system has not been started normally. Therefore, it may not be recorded in the error log.</p>
Remedy	<p>[Related parts] R2.00</p> <ul style="list-style-type: none"> - Harness between the Main Controller PCB and the HDD - HDD - Main Controller PCB <p>[Remedy] Perform the following in the order while checking whether the error is cleared. When prioritizing clearing of the error, skip Remedies 2 and 3.</p> <p>Although the error is cleared by "HD-CHECK", it may occur again. Thus, perform Remedies 1 to 4.</p> <ol style="list-style-type: none"> 1. Check the related harness/cable and connector. 2. Select COPIER> FUNCTION> SYSTEM> CHK-TYPE> "6", and execute "HD-CHECK". Then, turn OFF and then ON the main power. 3. Obtain the necessary backup data by referring to "Appendix> Backup Data List" in the System Service Manual. 4. Select COPIER> FUNCTION> SYSTEM> CHK-TYPE> "6", and execute "HD-CLEAR". Then, turn OFF and then ON the main power to delete the data in the corresponding partition. 5. If the above-mentioned service mode cannot be executed due to an error, etc., enter safe mode. Then format the HDD using SST or a USB flash drive. 6. Check/replace the related parts. <p>[Reference] When replacing the HDD, back up the setting values by referring to "Chapter 5. Adjustment> Actions when Replacing the Parts> HDD" in the Service Manual.</p>
E602-0611-00	HDD error
Detection Description	<p>An error was detected in the storage area of image data after startup. (File could not be written in the HDD after startup or I/O error after startup)</p>
Remedy	<p>[Related parts] R2.00</p> <ul style="list-style-type: none"> - Harness between the Main Controller PCB and the HDD - HDD - Main Controller PCB <p>[Remedy] Perform the following in the order while checking whether the error is cleared. When prioritizing clearing of the error, skip Remedies 2 and 3.</p> <p>Although the error is cleared by "HD-CHECK", it may occur again. Thus, perform Remedies 1 to 4.</p> <ol style="list-style-type: none"> 1. Check the related harness/cable and connector. 2. Select COPIER> FUNCTION> SYSTEM> CHK-TYPE> "6", and execute "HD-CHECK". Then, turn OFF and then ON the main power. 3. Obtain the necessary backup data by referring to "Appendix> Backup Data List" in the System Service Manual. 4. Select COPIER> FUNCTION> SYSTEM> CHK-TYPE> "6", and execute "HD-CLEAR". Then, turn OFF and then ON the main power to delete the data in the corresponding partition. 5. If the above-mentioned service mode cannot be executed due to an error, etc., enter safe mode. Then format the HDD using SST or a USB flash drive. 6. Check/replace the related parts. <p>[Reference] When replacing the HDD, back up the setting values by referring to "Chapter 5. Adjustment> Actions when Replacing the Parts> HDD" in the Service Manual.</p>

E602-0701-00	HDD error
Detection Description	<p>An error was detected in general application temporary area (temporary file). (Initialization failed at startup or I/O error at startup)</p> <p>When this error occurs, the system has not been started normally. Therefore, it may not be recorded in the error log.</p>
Remedy	<p>[Related parts] R2.00</p> <ul style="list-style-type: none"> - Harness between the Main Controller PCB and the HDD - HDD - Main Controller PCB <p>[Remedy] Perform the following in the order while checking whether the error is cleared. When prioritizing clearing of the error, skip Remedies 2 and 3.</p> <p>Although the error is cleared by "HD-CHECK", it may occur again. Thus, perform Remedies 1 to 4.</p> <ol style="list-style-type: none"> 1. Check the related harness/cable and connector. 2. Select COPIER> FUNCTION> SYSTEM> CHK-TYPE> "7", and execute "HD-CHECK". Then, turn OFF and then ON the main power. 3. Obtain the necessary backup data by referring to "Appendix> Backup Data List" in the System Service Manual. 4. Select COPIER> FUNCTION> SYSTEM> CHK-TYPE> "7", and execute "HD-CLEAR". Then, turn OFF and then ON the main power to delete the data in the corresponding partition. 5. If the above-mentioned service mode cannot be executed due to an error, etc., enter safe mode. Then format the HDD using SST or a USB flash drive. 6. Check/replace the related parts. <p>[Reference] When replacing the HDD, back up the setting values by referring to "Chapter 5. Adjustment> Actions when Replacing the Parts> HDD" in the Service Manual.</p>
E602-0711-00	HDD error
Detection Description	<p>An error was detected in general application temporary area (temporary file). (File could not be written in the HDD after startup or I/O error after startup)</p>
Remedy	<p>[Related parts] R2.00</p> <ul style="list-style-type: none"> - Harness between the Main Controller PCB and the HDD - HDD - Main Controller PCB <p>[Remedy] Perform the following in the order while checking whether the error is cleared. When prioritizing clearing of the error, skip Remedies 2 and 3.</p> <p>Although the error is cleared by "HD-CHECK", it may occur again. Thus, perform Remedies 1 to 4.</p> <ol style="list-style-type: none"> 1. Check the related harness/cable and connector. 2. Select COPIER> FUNCTION> SYSTEM> CHK-TYPE> "7", and execute "HD-CHECK". Then, turn OFF and then ON the main power. 3. Obtain the necessary backup data by referring to "Appendix> Backup Data List" in the System Service Manual. 4. Select COPIER> FUNCTION> SYSTEM> CHK-TYPE> "7", and execute "HD-CLEAR". Then, turn OFF and then ON the main power to delete the data in the corresponding partition. 5. If the above-mentioned service mode cannot be executed due to an error, etc., enter safe mode. Then format the HDD using SST or a USB flash drive. 6. Check/replace the related parts. <p>[Reference] When replacing the HDD, back up the setting values by referring to "Chapter 5. Adjustment> Actions when Replacing the Parts> HDD" in the Service Manual.</p>

E602-0801-00	HDD error
Detection Description	<p>An error was detected in the general application-related area. (Initialization failed at startup or I/O error at startup)</p> <p>When this error occurs, the system has not been started normally. Therefore, it may not be recorded in the error log.</p>
Remedy	<p>[Related parts] R2.00</p> <ul style="list-style-type: none"> - Harness between the Main Controller PCB and the HDD - HDD - Main Controller PCB <p>[Remedy] Perform the following in the order while checking whether the error is cleared. When prioritizing clearing of the error, skip Remedies 2 and 3.</p> <p>Although the error is cleared by "HD-CHECK", it may occur again. Thus, perform Remedies 1 to 4.</p> <ol style="list-style-type: none"> 1. Check the related harness/cable and connector. 2. Select COPIER> FUNCTION> SYSTEM> CHK-TYPE> "8", and execute "HD-CHECK". Then, turn OFF and then ON the main power. 3. Obtain the necessary backup data by referring to "Appendix> Backup Data List" in the System Service Manual. 4. Select COPIER> FUNCTION> SYSTEM> CHK-TYPE> "8", and execute "HD-CLEAR". Then, turn OFF and then ON the main power to delete the data in the corresponding partition. 5. If the above-mentioned service mode cannot be executed due to an error, etc., enter safe mode. Then format the HDD using SST or a USB flash drive. 6. Check/replace the related parts. <p>[Reference] When replacing the HDD, back up the setting values by referring to "Chapter 5. Adjustment> Actions when Replacing the Parts> HDD" in the Service Manual.</p>
E602-0811-00	HDD error
Detection Description	<p>An error was detected in the general application-related area. (File could not be written in the HDD after startup or I/O error after startup)</p>
Remedy	<p>[Related parts] R2.00</p> <ul style="list-style-type: none"> - Harness between the Main Controller PCB and the HDD - HDD - Main Controller PCB <p>[Remedy] Perform the following in the order while checking whether the error is cleared. When prioritizing clearing of the error, skip Remedies 2 and 3.</p> <p>Although the error is cleared by "HD-CHECK", it may occur again. Thus, perform Remedies 1 to 4.</p> <ol style="list-style-type: none"> 1. Check the related harness/cable and connector. 2. Select COPIER> FUNCTION> SYSTEM> CHK-TYPE> "8", and execute "HD-CHECK". Then, turn OFF and then ON the main power. 3. Obtain the necessary backup data by referring to "Appendix> Backup Data List" in the System Service Manual. 4. Select COPIER> FUNCTION> SYSTEM> CHK-TYPE> "8", and execute "HD-CLEAR". Then, turn OFF and then ON the main power to delete the data in the corresponding partition. 5. If the above-mentioned service mode cannot be executed due to an error, etc., enter safe mode. Then format the HDD using SST or a USB flash drive. 6. Check/replace the related parts. <p>[Reference] When replacing the HDD, back up the setting values by referring to "Chapter 5. Adjustment> Actions when Replacing the Parts> HDD" in the Service Manual.</p>

E602-0901-00	HDD error
Detection Description	<p>An error was detected in PDL spool data (temporary file). (Initialization failed at startup or I/O error at startup)</p> <p>When this error occurs, the system has not been started normally. Therefore, it may not be recorded in the error log.</p>
Remedy	<p>[Related parts] R2.00</p> <ul style="list-style-type: none"> - Harness between the Main Controller PCB and the HDD - HDD - Main Controller PCB <p>[Remedy] Perform the following in the order while checking whether the error is cleared. When prioritizing clearing of the error, skip Remedies 2 and 3.</p> <p>Although the error is cleared by "HD-CHECK", it may occur again. Thus, perform Remedies 1 to 4.</p> <ol style="list-style-type: none"> 1. Check the related harness/cable and connector. 2. Select COPIER> FUNCTION> SYSTEM> CHK-TYPE> "9", and execute "HD-CHECK". Then, turn OFF and then ON the main power. 3. Obtain the necessary backup data by referring to "Appendix> Backup Data List" in the System Service Manual. 4. Select COPIER> FUNCTION> SYSTEM> CHK-TYPE> "9", and execute "HD-CLEAR". Then, turn OFF and then ON the main power to delete the data in the corresponding partition. 5. If the above-mentioned service mode cannot be executed due to an error, etc., enter safe mode. Then format the HDD using SST or a USB flash drive. 6. Check/replace the related parts. <p>[Reference] When replacing the HDD, back up the setting values by referring to "Chapter 5. Adjustment> Actions when Replacing the Parts> HDD" in the Service Manual.</p>
E602-0911-00	HDD error
Detection Description	<p>An error was detected in PDL spool data (temporary file). (File could not be written in the HDD after startup or I/O error after startup)</p>
Remedy	<p>[Related parts] R2.00</p> <ul style="list-style-type: none"> - Harness between the Main Controller PCB and the HDD - HDD - Main Controller PCB <p>[Remedy] Perform the following in the order while checking whether the error is cleared. When prioritizing clearing of the error, skip Remedies 2 and 3.</p> <p>Although the error is cleared by "HD-CHECK", it may occur again. Thus, perform Remedies 1 to 4.</p> <ol style="list-style-type: none"> 1. Check the related harness/cable and connector. 2. Select COPIER> FUNCTION> SYSTEM> CHK-TYPE> "9", and execute "HD-CHECK". Then, turn OFF and then ON the main power. 3. Obtain the necessary backup data by referring to "Appendix> Backup Data List" in the System Service Manual. 4. Select COPIER> FUNCTION> SYSTEM> CHK-TYPE> "9", and execute "HD-CLEAR". Then, turn OFF and then ON the main power to delete the data in the corresponding partition. 5. If the above-mentioned service mode cannot be executed due to an error, etc., enter safe mode. Then format the HDD using SST or a USB flash drive. 6. Check/replace the related parts. <p>[Reference] When replacing the HDD, back up the setting values by referring to "Chapter 5. Adjustment> Actions when Replacing the Parts> HDD" in the Service Manual.</p>

E602-1001-00	HDD error
Detection Description	<p>An error was detected in the SEND-related area. (Initialization failed at startup or I/O error at startup)</p> <p>When this error occurs, the system has not been started normally. Therefore, it may not be recorded in the error log.</p>
Remedy	<p>[Related parts] R2.00</p> <ul style="list-style-type: none"> - Harness between the Main Controller PCB and the HDD - HDD - Main Controller PCB <p>[Remedy] Perform the following in the order while checking whether the error is cleared. When prioritizing clearing of the error, skip Remedies 2 and 3.</p> <p>Although the error is cleared by "HD-CHECK", it may occur again. Thus, perform Remedies 1 to 4.</p> <ol style="list-style-type: none"> 1. Check the related harness/cable and connector. 2. Select COPIER> FUNCTION> SYSTEM> CHK-TYPE> "10", and execute "HD-CHECK". Then, turn OFF and then ON the main power. 3. Obtain the necessary backup data by referring to "Appendix> Backup Data List" in the System Service Manual. 4. Select COPIER> FUNCTION> SYSTEM> CHK-TYPE> "10", and execute "HD-CLEAR". Then, turn OFF and then ON the main power to delete the data in the corresponding partition. 5. If the above-mentioned service mode cannot be executed due to an error, etc., enter safe mode. Then format the HDD using SST or a USB flash drive. 6. Check/replace the related parts. <p>[Reference] When replacing the HDD, back up the setting values by referring to "Chapter 5. Adjustment> Actions when Replacing the Parts> HDD" in the Service Manual.</p>
E602-1011-00	HDD error
Detection Description	<p>An error was detected in the SEND-related area. (File could not be written in the HDD after startup or I/O error after startup)</p>
Remedy	<p>[Related parts] R2.00</p> <ul style="list-style-type: none"> - Harness between the Main Controller PCB and the HDD - HDD - Main Controller PCB <p>[Remedy] Perform the following in the order while checking whether the error is cleared. When prioritizing clearing of the error, skip Remedies 2 and 3.</p> <p>Although the error is cleared by "HD-CHECK", it may occur again. Thus, perform Remedies 1 to 4.</p> <ol style="list-style-type: none"> 1. Check the related harness/cable and connector. 2. Select COPIER> FUNCTION> SYSTEM> CHK-TYPE> "10", and execute "HD-CHECK". Then, turn OFF and then ON the main power. 3. Obtain the necessary backup data by referring to "Appendix> Backup Data List" in the System Service Manual. 4. Select COPIER> FUNCTION> SYSTEM> CHK-TYPE> "10", and execute "HD-CLEAR". Then, turn OFF and then ON the main power to delete the data in the corresponding partition. 5. If the above-mentioned service mode cannot be executed due to an error, etc., enter safe mode. Then format the HDD using SST or a USB flash drive. 6. Check/replace the related parts. <p>[Reference] When replacing the HDD, back up the setting values by referring to "Chapter 5. Adjustment> Actions when Replacing the Parts> HDD" in the Service Manual.</p>

E602-1101-00	HDD error
Detection Description	<p>An error was detected in the update-related area. (Initialization failed at startup or I/O error at startup)</p> <p>When this error occurs, the system has not been started normally. Therefore, it may not be recorded in the error log.</p>
Remedy	<p>[Related parts] R2.00</p> <ul style="list-style-type: none"> - Harness between the Main Controller PCB and the HDD - HDD - Main Controller PCB <p>[Remedy] Perform the following in the order while checking whether the error is cleared. When prioritizing clearing of the error, skip Remedies 2 and 3.</p> <p>Although the error is cleared by "HD-CHECK", it may occur again. Thus, perform Remedies 1 to 4.</p> <ol style="list-style-type: none"> 1. Check the related harness/cable and connector. 2. Select COPIER> FUNCTION> SYSTEM> CHK-TYPE> "11", and execute "HD-CHECK". Then, turn OFF and then ON the main power. 3. Obtain the necessary backup data by referring to "Appendix> Backup Data List" in the System Service Manual. 4. Select COPIER> FUNCTION> SYSTEM> CHK-TYPE> "11", and execute "HD-CLEAR". Then, turn OFF and then ON the main power to delete the data in the corresponding partition. 5. If the above-mentioned service mode cannot be executed due to an error, etc., enter safe mode. Then format the HDD using SST or a USB flash drive. 6. Check/replace the related parts. <p>[Reference] When replacing the HDD, back up the setting values by referring to "Chapter 5. Adjustment> Actions when Replacing the Parts> HDD" in the Service Manual.</p>
E602-1111-00	HDD error
Detection Description	<p>An error was detected in the update-related area. (File could not be written in the HDD after startup or I/O error after startup)</p>
Remedy	<p>[Related parts] R2.00</p> <ul style="list-style-type: none"> - Harness between the Main Controller PCB and the HDD - HDD - Main Controller PCB <p>[Remedy] Perform the following in the order while checking whether the error is cleared. When prioritizing clearing of the error, skip Remedies 2 and 3.</p> <p>Although the error is cleared by "HD-CHECK", it may occur again. Thus, perform Remedies 1 to 4.</p> <ol style="list-style-type: none"> 1. Check the related harness/cable and connector. 2. Select COPIER> FUNCTION> SYSTEM> CHK-TYPE> "11", and execute "HD-CHECK". Then, turn OFF and then ON the main power. 3. Obtain the necessary backup data by referring to "Appendix> Backup Data List" in the System Service Manual. 4. Select COPIER> FUNCTION> SYSTEM> CHK-TYPE> "11", and execute "HD-CLEAR". Then, turn OFF and then ON the main power to delete the data in the corresponding partition. 5. If the above-mentioned service mode cannot be executed due to an error, etc., enter safe mode. Then format the HDD using SST or a USB flash drive. 6. Check/replace the related parts. <p>[Reference] When replacing the HDD, back up the setting values by referring to "Chapter 5. Adjustment> Actions when Replacing the Parts> HDD" in the Service Manual.</p>

E602-1201-00	HDD error
Detection Description	<p>An error was detected in the license-related area. (Initialization failed at startup or I/O error at startup)</p> <p>When this error occurs, the system has not been started normally. Therefore, it may not be recorded in the error log.</p>
Remedy	<p>[Related parts] R2.00</p> <ul style="list-style-type: none"> - Harness between the Main Controller PCB and the HDD - HDD - Main Controller PCB <p>[Remedy] Perform the following in the order while checking whether the error is cleared. Although the error is cleared by "HD-CHECK", it may occur again. Thus, perform Remedies 1 to 5.</p> <ol style="list-style-type: none"> 1. Check the related harness/cable and connector. 2. Turn OFF and then ON the main power, and check whether the error is cleared. 3. Select COPIER> FUNCTION> SYSTEM> CHK-TYPE> "12", and execute "HD-CHECK". Then, turn OFF and then ON the main power. 4. Obtain the necessary backup data by referring to "Appendix> Backup Data List" in the System Service Manual. 5. enter safe mode, and format the HDD using SST or a USB flash drive. 6. Check/replace the related parts. <p>[Reference] When replacing the HDD, back up the setting values by referring to "Chapter 5. Adjustment> Actions when Replacing the Parts> HDD" in the Service Manual.</p>
E602-1211-00	HDD error
Detection Description	<p>An error was detected in the license-related area. (File could not be written in the HDD after startup or I/O error after startup)</p>
Remedy	<p>[Related parts] R2.00</p> <ul style="list-style-type: none"> - Harness between the Main Controller PCB and the HDD - HDD - Main Controller PCB <p>[Remedy] Perform the following in the order while checking whether the error is cleared. Although the error is cleared by "HD-CHECK", it may occur again. Thus, perform Remedies 1 to 5.</p> <ol style="list-style-type: none"> 1. Check the related harness/cable and connector. 2. Turn OFF and then ON the main power, and check whether the error is cleared. 3. Select COPIER> FUNCTION> SYSTEM> CHK-TYPE> "12", and execute "HD-CHECK". Then, turn OFF and then ON the main power. 4. Obtain the necessary backup data by referring to "Appendix> Backup Data List" in the System Service Manual. 5. enter safe mode, and format the HDD using SST or a USB flash drive. 6. Check/replace the related parts. <p>[Reference] When replacing the HDD, back up the setting values by referring to "Chapter 5. Adjustment> Actions when Replacing the Parts> HDD" in the Service Manual.</p>

E602-1301-00	HDD error
Detection Description	An error was detected in the system area. (Initialization failed at startup or I/O error at startup) When this error occurs, the system has not been started normally. Therefore, it may not be recorded in the error log.
Remedy	<p>[Related parts] R2.00</p> <ul style="list-style-type: none"> - Harness between the Main Controller PCB and the HDD - HDD - Main Controller PCB <p>[Remedy] Perform the following in the order while checking whether the error is cleared. Although the error is cleared by "HD-CHECK", it may occur again. Thus, perform Remedies 1 to 5.</p> <ol style="list-style-type: none"> 1. Check the related harness/cable and connector. 2. Turn OFF and then ON the main power, and check whether the error is cleared. 3. Select COPIER> FUNCTION> SYSTEM> CHK-TYPE> "13", and execute "HD-CHECK". Then, turn OFF and then ON the main power. 4. Obtain the necessary backup data by referring to "Appendix> Backup Data List" in the System Service Manual. 5. enter safe mode, and format the HDD using SST or a USB flash drive. 6. Check/replace the related parts. <p>[Reference] When replacing the HDD, back up the setting values by referring to "Chapter 5. Adjustment> Actions when Replacing the Parts> HDD" in the Service Manual.</p>
E602-1311-00	HDD error
Detection Description	An error was detected in the system area. (File could not be written in the HDD after startup or I/O error after startup)
Remedy	<p>[Related parts] R2.00</p> <ul style="list-style-type: none"> - Harness between the Main Controller PCB and the HDD - HDD - Main Controller PCB <p>[Remedy] Perform the following in the order while checking whether the error is cleared. Although the error is cleared by "HD-CHECK", it may occur again. Thus, perform Remedies 1 to 5.</p> <ol style="list-style-type: none"> 1. Check the related harness/cable and connector. 2. Turn OFF and then ON the main power, and check whether the error is cleared. 3. Select COPIER> FUNCTION> SYSTEM> CHK-TYPE> "13", and execute "HD-CHECK". Then, turn OFF and then ON the main power. 4. Obtain the necessary backup data by referring to "Appendix> Backup Data List" in the System Service Manual. 5. enter safe mode, and format the HDD using SST or a USB flash drive. 6. Check/replace the related parts. <p>[Reference] When replacing the HDD, back up the setting values by referring to "Chapter 5. Adjustment> Actions when Replacing the Parts> HDD" in the Service Manual.</p>
E602-1371-00	System verification error
Detection Description	At startup, a verification error occurred due to invalid data of a MEAP login application.
Remedy	<p>[Remedy]</p> <ol style="list-style-type: none"> 1. Set the following service mode setting value to 1: COPIIER > OPTION > USER > MEAPSAFE 2. Turn OFF and then ON the main power. 3. Reinstall the corresponding MEAP application from RUI. <p>[Caution]</p> <p>After performing the remedy work, return the MEAPSAFE value to 0 and turn OFF and then ON the main power.</p>

E602-1372-00	Verification error by "Falsification detection at startup" function
Detection Description	At startup, a verification error occurred due to invalid data in the MEAP area.
Remedy	<p>[Remedy] Perform the following in the order while checking whether the error is cleared.</p> <ol style="list-style-type: none"> 1. Turn OFF and then ON the main power, and check whether the error is cleared. 2. Select COPIER> FUNCTION> SYSTEM> CHK-TYPE> "13", and execute "HD-CHECK". Then, turn OFF and then ON the main power. 3. Obtain necessary backup data referring to "Appendix > Backup Data List" in System Service Manual. 4. Select COPIER> FUNCTION> SYSTEM> CHK-TYPE> "13", and execute "HD-CLEAR". Then, turn OFF and then ON the main power to delete the data in the corresponding partition. 5. Re-install MEAP application(s) via RUI and restore the backup data. <p>[Reference] Restore the backup data if the data has been deleted.</p>
E602-1401-00	HDD error
Detection Description	<p>An error was detected in SWAP (temporary file/alternative memory area). (Initialization failed at startup or I/O error at startup)</p> <p>When this error occurs, the system has not been started normally. Therefore, it may not be recorded in the error log.</p>
Remedy	<p>[Related parts] R2.00</p> <ul style="list-style-type: none"> - Harness between the Main Controller PCB and the HDD - HDD - Main Controller PCB <p>[Remedy] Perform the following in the order while checking whether the error is cleared. When prioritizing clearing of the error, skip Remedies 2 and 3.</p> <p>Although the error is cleared by "HD-CHECK", it may occur again. Thus, perform Remedies 1 to 4.</p> <ol style="list-style-type: none"> 1. Check the related harness/cable and connector. 2. Select COPIER> FUNCTION> SYSTEM> CHK-TYPE> "14", and execute "HD-CHECK". Then, turn OFF and then ON the main power. 3. Obtain the necessary backup data by referring to "Appendix> Backup Data List" in the System Service Manual. 4. Select COPIER> FUNCTION> SYSTEM> CHK-TYPE> "14", and execute "HD-CLEAR". Then, turn OFF and then ON the main power to delete the data in the corresponding partition. 5. If the above-mentioned service mode cannot be executed due to an error, etc., enter safe mode. Then format the HDD using SST or a USB flash drive. 6. Check/replace the related parts. <p>[Reference] When replacing the HDD, back up the setting values by referring to "Chapter 5. Adjustment> Actions when Replacing the Parts> HDD" in the Service Manual.</p>

E602-1411-00	HDD error
Detection Description	An error was detected in SWAP (temporary file/alternative memory area). (File could not be written in the HDD after startup or I/O error after startup)
Remedy	<p data-bbox="443 237 675 268">[Related parts] R2.00</p> <ul data-bbox="443 271 1062 360" style="list-style-type: none"> - Harness between the Main Controller PCB and the HDD - HDD - Main Controller PCB <p data-bbox="443 362 1477 430">[Remedy] Perform the following in the order while checking whether the error is cleared. When prioritizing clearing of the error, skip Remedies 2 and 3.</p> <p data-bbox="443 432 1477 488">Although the error is cleared by "HD-CHECK", it may occur again. Thus, perform Remedies 1 to 4.</p> <ol data-bbox="443 490 1477 779" style="list-style-type: none"> 1. Check the related harness/cable and connector. 2. Select COPIER> FUNCTION> SYSTEM> CHK-TYPE> "14", and execute "HD-CHECK". Then, turn OFF and then ON the main power. 3. Obtain the necessary backup data by referring to "Appendix> Backup Data List" in the System Service Manual. 4. Select COPIER> FUNCTION> SYSTEM> CHK-TYPE> "14", and execute "HD-CLEAR". Then, turn OFF and then ON the main power to delete the data in the corresponding partition. 5. If the above-mentioned service mode cannot be executed due to an error, etc., enter safe mode. Then format the HDD using SST or a USB flash drive. 6. Check/replace the related parts. <p data-bbox="443 808 1477 875">[Reference] When replacing the HDD, back up the setting values by referring to "Chapter 5. Adjustment> Actions when Replacing the Parts> HDD" in the Service Manual.</p>
E602-1701-00	HDD error
Detection Description	An error was detected in the debug log area. (Initialization failed at startup or I/O error at startup) When this error occurs, the system has not been started normally. Therefore, it may not be recorded in the error log.
Remedy	<p data-bbox="443 1037 675 1068">[Related parts] R2.00</p> <ul data-bbox="443 1070 1062 1160" style="list-style-type: none"> - Harness between the Main Controller PCB and the HDD - HDD - Main Controller PCB <p data-bbox="443 1162 1477 1229">[Remedy] Perform the following in the order while checking whether the error is cleared. When prioritizing clearing of the error, skip Remedies 2 and 3.</p> <p data-bbox="443 1232 1477 1288">Although the error is cleared by "HD-CHECK", it may occur again. Thus, perform Remedies 1 to 4.</p> <ol data-bbox="443 1290 1477 1579" style="list-style-type: none"> 1. Check the related harness/cable and connector. 2. Select COPIER> FUNCTION> SYSTEM> CHK-TYPE> "17", and execute "HD-CHECK". Then, turn OFF and then ON the main power. 3. Obtain the necessary backup data by referring to "Appendix> Backup Data List" in the System Service Manual. 4. Select COPIER> FUNCTION> SYSTEM> CHK-TYPE> "17", and execute "HD-CLEAR". Then, turn OFF and then ON the main power to delete the data in the corresponding partition. 5. enter safe mode, and format the HDD using SST or a USB flash drive. 6. Check/replace the related parts. <p data-bbox="443 1581 1477 1648">[Reference] When replacing the HDD, back up the setting values by referring to "Chapter 5. Adjustment> Actions when Replacing the Parts> HDD" in the Service Manual.</p>

E602-1711-00	HDD error
Detection Description	An error was detected in the debug log area. (File could not be written in the HDD after startup or I/O error after startup)
Remedy	<p>[Related parts] R2.00</p> <ul style="list-style-type: none"> - Harness between the Main Controller PCB and the HDD - HDD - Main Controller PCB <p>[Remedy] Perform the following in the order while checking whether the error is cleared. When prioritizing clearing of the error, skip Remedies 2 and 3.</p> <p>Although the error is cleared by "HD-CHECK", it may occur again. Thus, perform Remedies 1 to 4.</p> <ol style="list-style-type: none"> 1. Check the related harness/cable and connector. 2. Select COPIER> FUNCTION> SYSTEM> CHK-TYPE> "17", and execute "HD-CHECK". Then, turn OFF and then ON the main power. 3. Obtain the necessary backup data by referring to "Appendix> Backup Data List" in the System Service Manual. 4. Select COPIER> FUNCTION> SYSTEM> CHK-TYPE> "17", and execute "HD-CLEAR". Then, turn OFF and then ON the main power to delete the data in the corresponding partition. 5. If the above-mentioned service mode cannot be executed due to an error, etc., enter safe mode. Then format the HDD using SST or a USB flash drive. 6. Check/replace the related parts. <p>[Reference] When replacing the HDD, back up the setting values by referring to "Chapter 5. Adjustment> Actions when Replacing the Parts> HDD" in the Service Manual.</p>
E602-1801-00	HDD error
Detection Description	<p>An error was detected in the image data storage area in Advanced Box. (Initialization failed at startup or I/O error at startup)</p> <p>When this error occurs, the system has not been started normally. Therefore, it may not be recorded in the error log.</p>
Remedy	<p>[Related parts] R2.00</p> <ul style="list-style-type: none"> - Harness between the Main Controller PCB and the HDD - HDD - Main Controller PCB <p>[Remedy] Perform the following in the order while checking whether the error is cleared. When prioritizing clearing of the error, skip Remedies 2 and 3.</p> <p>Although the error is cleared by "HD-CHECK", it may occur again. Thus, perform Remedies 1 to 4.</p> <ol style="list-style-type: none"> 1. Check the related harness/cable and connector. 2. Select COPIER> FUNCTION> SYSTEM> CHK-TYPE> "18", and execute "HD-CHECK". Then, turn OFF and then ON the main power. 3. Obtain the necessary backup data by referring to "Appendix> Backup Data List" in the System Service Manual. 4. Select COPIER> FUNCTION> SYSTEM> CHK-TYPE> "18", and execute "HD-CLEAR". Then, turn OFF and then ON the main power to delete the data in the corresponding partition. 5. enter safe mode, and format the HDD using SST or a USB flash drive. 6. Check/replace the related parts. <p>[Reference] When replacing the HDD, back up the setting values by referring to "Chapter 5. Adjustment> Actions when Replacing the Parts> HDD" in the Service Manual.</p>

E602-1811-00	HDD error
Detection Description	An error was detected in the image data storage area in Advanced Box. (File could not be written in the HDD after startup or I/O error after startup)
Remedy	<p>[Related parts] R2.00</p> <ul style="list-style-type: none"> - Harness between the Main Controller PCB and the HDD - HDD - Main Controller PCB <p>[Remedy] Perform the following in the order while checking whether the error is cleared. When prioritizing clearing of the error, skip Remedies 2 and 3. Although the error is cleared by "HD-CHECK", it may occur again. Thus, perform Remedies 1 to 4.</p> <ol style="list-style-type: none"> 1. Check the related harness/cable and connector. 2. Select COPIER> FUNCTION> SYSTEM> CHK-TYPE> "18", and execute "HD-CHECK". Then, turn OFF and then ON the main power. 3. Obtain the necessary backup data by referring to "Appendix> Backup Data List" in the System Service Manual. 4. Select COPIER> FUNCTION> SYSTEM> CHK-TYPE> "18", and execute "HD-CLEAR". Then, turn OFF and then ON the main power to delete the data in the corresponding partition. 5. enter safe mode, and format the HDD using SST or a USB flash drive. 6. Check/replace the related parts. <p>[Reference] When replacing the HDD, back up the setting values by referring to "Chapter 5. Adjustment> Actions when Replacing the Parts> HDD" in the Service Manual.</p>
E602-1901-00	HDD error
Detection Description	<p>An error was detected in the storage area of data for printing. (Initialization failed at startup or I/O error at startup)</p> <p>When this error occurs, the system has not been started normally. Therefore, it may not be recorded in the error log.</p>
Remedy	<p>[Related parts] R2.00</p> <ul style="list-style-type: none"> - Harness between the Main Controller PCB and the HDD - HDD - Main Controller PCB <p>[Remedy] Perform the following in the order while checking whether the error is cleared. When prioritizing clearing of the error, skip Remedies 2 and 3. Although the error is cleared by "HD-CHECK", it may occur again. Thus, perform Remedies 1 to 4.</p> <ol style="list-style-type: none"> 1. Check the related harness/cable and connector. 2. Select COPIER> FUNCTION> SYSTEM> CHK-TYPE> "19", and execute "HD-CHECK". Then, turn OFF and then ON the main power. 3. Obtain the necessary backup data by referring to "Appendix> Backup Data List" in the System Service Manual. 4. Select COPIER> FUNCTION> SYSTEM> CHK-TYPE> "19", and execute "HD-CLEAR". Then, turn OFF and then ON the main power to delete the data in the corresponding partition. 5. enter safe mode, and format the HDD using SST or a USB flash drive. 6. Check/replace the related parts. <p>[Reference] When replacing the HDD, back up the setting values by referring to "Chapter 5. Adjustment> Actions when Replacing the Parts> HDD" in the Service Manual.</p>

E602-1911-00	HDD error
Detection Description	An error was detected in the storage area of data for printing. (File could not be written in the HDD after startup or I/O error after startup)
Remedy	<p>[Related parts] R2.00</p> <ul style="list-style-type: none"> - Harness between the Main Controller PCB and the HDD - HDD - Main Controller PCB <p>[Remedy] Perform the following in the order while checking whether the error is cleared. When prioritizing clearing of the error, skip Remedies 2 and 3.</p> <p>Although the error is cleared by "HD-CHECK", it may occur again. Thus, perform Remedies 1 to 4.</p> <ol style="list-style-type: none"> 1. Check the related harness/cable and connector. 2. Select COPIER> FUNCTION> SYSTEM> CHK-TYPE> "19", and execute "HD-CHECK". Then, turn OFF and then ON the main power. 3. Obtain the necessary backup data by referring to "Appendix> Backup Data List" in the System Service Manual. 4. Select COPIER> FUNCTION> SYSTEM> CHK-TYPE> "19", and execute "HD-CLEAR". Then, turn OFF and then ON the main power to delete the data in the corresponding partition. 5. If the above-mentioned service mode cannot be executed due to an error, etc., enter safe mode. Then format the HDD using SST or a USB flash drive. 6. Check/replace the related parts. <p>[Reference] When replacing the HDD, back up the setting values by referring to "Chapter 5. Adjustment> Actions when Replacing the Parts> HDD" in the Service Manual.</p>
E602-2000-00	HDD error
Detection Description	I/O error was detected in the file system after startup.
Remedy	<p>Perform the following in the order while checking whether the error is cleared.</p> <ol style="list-style-type: none"> 1. Check that the HDD optional board is properly installed. 2. Turn ON the main power, and check whether the error is cleared. 3. Execute the key clear using SST (to make an unformatted disk). <p>[CAUTION] E602-0001 will be indicated if activating the machine with the unformatted disk. Therefore, be sure to format the HDD.</p> <ol style="list-style-type: none"> 4. enter safe mode, and format the HDD using SST or a USB flash drive.
E602-2001-00	HDD error
Detection Description	Mismatch on encryption operation
Remedy	<p>Perform the following in the order while checking whether the error is cleared.</p> <ol style="list-style-type: none"> 1. Check that the Main Controller PCB is installed properly. 2. Turn ON the main power, and check whether the error is cleared. 3. Execute the key clear using SST (to make an unformatted disk). <p>[CAUTION] E602-0001 will be indicated if activating the machine with the unformatted disk. Therefore, be sure to format the HDD.</p> <ol style="list-style-type: none"> 4. enter safe mode, and format the HDD using SST or a USB flash drive.
E602-2002-00	HDD error
Detection Description	Failure of encryption board and others
Remedy	<p>Perform the following in the order while checking whether the error is cleared.</p> <ol style="list-style-type: none"> 1. Turn ON the main power, and check whether the error is cleared. 2. Execute the key clear using SST (to make an unformatted disk). <p>[CAUTION] E602-0001 will be indicated if activating the machine with the unformatted disk. Therefore, be sure to format the HDD.</p> <ol style="list-style-type: none"> 3. enter safe mode, and format the HDD using SST or a USB flash drive. 4. Replace the Main Controller PCB.
E602-5001-00	Encryption Chip error
Detection Description	Error of the encryption chip on the Main Controller
Remedy	<p>[Related parts] Main Controller PCB</p> <p>[Remedy] Replace the Main Controller PCB</p>

E602-5002-00	HDD error
Detection Description	A non-genuine HDD was detected.
Remedy	<ol style="list-style-type: none"> 1. Replace the HDD with a genuine one. <p>[Reference] When replacing the HDD, back up the setting values by referring to "Chapter 5. Adjustment> Actions when Replacing the Parts> HDD" in the Service Manual.</p> <ol style="list-style-type: none"> 2. Format the HDD using SST or a USB flash drive.
E602-FF01-00	HDD error
Detection Description	An unidentified HDD error was detected at startup. When this error occurs, the system has not been started normally. Therefore, it may not be recorded in the error log.
Remedy	<p>[Related parts] R2.00 - Main Controller PCB - HDD</p> <p>[Reference] For backup and restoration, refer to "Appendix> Backup Data List" in the System Service Manual.</p> <p>[Remedy] Perform the following in the order while checking whether the error is cleared.</p> <ol style="list-style-type: none"> 1. Check the related harness/cable and connector. 2. Format the HDD using SST or a USB flash drive. 3. Check/replace the related parts. <p>[Reference] When replacing the HDD, back up the setting values by referring to "Chapter 5. Adjustment> Actions when Replacing the Parts> HDD" in the Service Manual.</p>
E602-FF11-00	HDD error
Detection Description	An unidentified HDD error was detected after startup.
Remedy	<p>[Related parts] R2.00 - Main Controller PCB - HDD</p> <p>[Reference] For backup and restoration, refer to "Appendix> Backup Data List" in the System Service Manual.</p> <p>[Remedy] Perform the following in the order while checking whether the error is cleared.</p> <ol style="list-style-type: none"> 1. Check the related harness/cable and connector. 2. Format the HDD using SST or a USB flash drive. 3. Check/replace the related parts. <p>[Reference] When replacing the HDD, back up the setting values by referring to "Chapter 5. Adjustment> Actions when Replacing the Parts> HDD" in the Service Manual.</p>
E604-0512-00	Faulty/insufficient image memory (Main Controller PCB1)
Detection Description	No necessary memory at Main Controller PCB 1
Remedy	Make the Memory capacity at Main Controller PCB 1 as indicated by 0512.
E604-1024-00	Faulty/insufficient image memory (Main Controller PCB1)
Detection Description	No necessary memory at Main Controller PCB 1
Remedy	Make the Memory capacity at Main Controller PCB 1 as indicated by 1024.
E604-1536-00	Faulty/insufficient image memory (Main Controller PCB1)
Detection Description	No necessary memory at Main Controller PCB 1
Remedy	Make the Memory capacity at Main Controller PCB 1 as indicated by 1536.
E613-0512-00	Faulty/insufficient image memory
Detection Description	No necessary memory at Main Controller PCB
Remedy	Make the Memory capacity at Main Controller PC as indicated by 0512.
E613-1024-00	Faulty/insufficient image memory
Detection Description	No necessary memory at Main Controller PCB
Remedy	Make the Memory capacity at Main Controller PCB as indicated by 1024.
E613-1536-00	Faulty/insufficient image memory
Detection Description	No necessary memory at Main Controller PCB
Remedy	Make the Memory capacity at Main Controller PCB as indicated by 1536.

E613-2048-00	Memory error
Detection Description	Memory of the Main Controller PCB is faulty.
Remedy	Make the Memory capacity at Main Controller PCB as indicated by 2048.
E614-0001-00	Flash PCB error
Detection Description	The Flash PCB could not be recognized, or the Flash PCB was not formatted.
Remedy	<p>[Related parts] R2.00</p> <ul style="list-style-type: none"> - Flash PCB - Main Controller PCB <p>[Remedy] Perform the following in the order while checking whether the error is cleared.</p> <ul style="list-style-type: none"> - Reinstall the necessary application software once the error is cleared. <ol style="list-style-type: none"> 1. After turning OFF the main power, remove and then install the Flash PCB again to check that it is installed properly. 2. After replacing the Flash PCB, reinstall the system software using SST or a USB flash drive. 3. Replace the Main Controller PCB.
E614-0002-00	Error in system on the Flash PCB
Detection Description	<p>The file system could not be initialized normally at startup.</p> <p>When this error occurs, the system has not been started normally. Therefore, it may not be recorded in the error log.</p>
Remedy	<p>[Related parts] R2.00</p> <ul style="list-style-type: none"> - Flash PCB - Main Controller PCB <p>[Reference] For backup and restoration, refer to "Appendix> Backup Data List" in the System Service Manual.</p> <p>[Remedy] Perform the following in the order while checking whether the error is cleared.</p> <ul style="list-style-type: none"> - Reinstall the necessary application software once the error is cleared. <ol style="list-style-type: none"> 1. After turning OFF the main power, remove and then install the Flash PCB to check that it is installed properly. 2. After replacing the Flash PCB, reinstall the system software using SST or a USB flash drive. 3. Replace the Main Controller PCB.
E614-0006-00	Error in system on the Flash PCB
Detection Description	Bootable was not found on the Flash PCB.
Remedy	<p>[Related parts] R2.00</p> <ul style="list-style-type: none"> - Flash PCB - Main Controller PCB <p>[Remedy] Perform the following in the order while checking whether the error is cleared.</p> <ul style="list-style-type: none"> - Reinstall the necessary application software once the error is cleared. <ol style="list-style-type: none"> 1. After turning OFF the main power, remove and then install the Flash PCB again to check that it is installed properly. 2. After replacing the Flash PCB, reinstall the system software using SST or a USB flash drive. 3. Replace the Main Controller PCB.
E614-0071-00	System verification error
Detection Description	<p>At normal startup, an error may occur due to invalid data of the firmware for startup.</p> <p>When this error occurs, the system has not been started normally. Therefore, it is not recorded in the error log.</p>
Remedy	<p>[Related parts]</p> <ul style="list-style-type: none"> - Flash PCB <p>[Remedy]</p> <p>Perform the following in the order while checking whether the error is cleared.</p> <ol style="list-style-type: none"> 1. Start the machine in safe mode, and reinstall the system using SST or a USB flash drive. <p>* [2]: Select Update (Overwrite all) to update the system.</p> <ol style="list-style-type: none"> 2. Replace the FLASH PCB, and reinstall the system software using SST or a USB flash drive.

E614-0072-00	System verification error
Detection Description	At normal startup, an error may occur due to invalid data of the firmware for safe mode startup. When this error occurs, the system has not been started normally. Therefore, it is not recorded in the error log.
Remedy	[Related parts] - Flash PCB [Remedy] 1. Replace the Flash PCB and reinstall the system using SST or a USB flash drive.
E614-0073-00	System verification error
Detection Description	At startup in safe mode, an error may occur due to invalid data of the startup firmware. When this error occurs, the system has not been started normally. Therefore, it is not recorded in the error log.
Remedy	[Related parts] - Flash PCB [Remedy] 1. Replace the Flash PCB and reinstall the system using SST or a USB flash drive.
E614-0074-00	Start system verification function error
Detection Description	At startup in safe mode, an error may occur due to invalid data of the firmware for safe mode startup. When this error occurs, the system has not been started normally. Therefore, it is not recorded in the error log.
Remedy	[Related parts] - Flash PCB [Remedy] 1. Replace the Flash PCB and reinstall the system using SST or a USB flash drive.
E614-0101-00	Error in system on the Flash PCB
Detection Description	An error was detected in the system area. (Initialization failed at startup or I/O error at startup) When this error occurs, the system has not been started normally. Therefore, it may not be recorded in the error log.
Remedy	[Related parts] R2.00 - Flash PCB - Main Controller PCB [Remedy] Perform the following in the order while checking whether the error is cleared. Although the error is cleared by "HD-CHECK", it may occur again. Thus, perform Remedies 1 to 4. 1. Check the related harness/cable and connector. 2. Select COPIER> FUNCTION> SYSTEM> CHK-TYPE> "0", and execute "HD-CHECK". Then, turn OFF and then ON the main power. 3. Obtain the necessary backup data by referring to "Appendix> Backup Data List" in the System Service Manual. 4. After replacing the Flash PCB, reinstall the system software using SST or a USB flash drive. 5. Replace the Main Controller PCB.
E614-0111-00	Error in system on the Flash PCB
Detection Description	An error was detected in the system area. (File could not be written in the Flash PCB after startup or I/O error after startup)
Remedy	[Related parts] R2.00 - Flash PCB - Main Controller PCB [Remedy] Perform the following in the order while checking whether the error is cleared. Although the error is cleared by "HD-CHECK", it may occur again. Thus, perform Remedies 1 to 4. 1. Check the related harness/cable and connector. 2. Select COPIER> FUNCTION> SYSTEM> CHK-TYPE> "0", and execute "HD-CHECK". Then, turn OFF and then ON the main power. 3. Obtain the necessary backup data by referring to "Appendix> Backup Data List" in the System Service Manual. 4. After replacing the Flash PCB, reinstall the system software using SST or a USB flash drive. 5. Replace the Main Controller PCB.

E614-0201-00	Error in system on the Flash PCB
Detection Description	An error was detected in the system area. (Initialization failed at startup or I/O error at startup) When this error occurs, the system has not been started normally. Therefore, it may not be recorded in the error log.
Remedy	<p>[Related parts] R2.00</p> <ul style="list-style-type: none"> - Flash PCB - Main Controller PCB <p>[Remedy] Perform the following in the order while checking whether the error is cleared. Although the error is cleared by "HD-CHECK", it may occur again. Thus, perform Remedies 1 to 4.</p> <ol style="list-style-type: none"> 1. Check the related harness/cable and connector. 2. Select COPIER> FUNCTION> SYSTEM> CHK-TYPE> "0", and execute "HD-CHECK". Then, turn OFF and then ON the main power. 3. Obtain the necessary backup data by referring to "Appendix> Backup Data List" in the System Service Manual. 4. After replacing the Flash PCB, reinstall the system software using SST or a USB flash drive. 5. Replace the Main Controller PCB.
E614-0211-00	Error in system on the Flash PCB
Detection Description	An error was detected in the system area. (File could not be written in the Flash PCB after startup or I/O error after startup)
Remedy	<p>[Related parts] R2.00</p> <ul style="list-style-type: none"> - Flash PCB - Main Controller PCB <p>[Remedy] Perform the following in the order while checking whether the error is cleared. Although the error is cleared by "HD-CHECK", it may occur again. Thus, perform Remedies 1 to 4.</p> <ol style="list-style-type: none"> 1. Check the related harness/cable and connector. 2. Select COPIER> FUNCTION> SYSTEM> CHK-TYPE> "0", and execute "HD-CHECK". Then, turn OFF and then ON the main power. 3. Obtain the necessary backup data by referring to "Appendix> Backup Data List" in the System Service Manual. 4. After replacing the Flash PCB, reinstall the system software using SST or a USB flash drive. 5. Replace the Main Controller PCB.
E614-0301-00	Error in system on the Flash PCB
Detection Description	An error was detected in the system area. (Initialization failed at startup or I/O error at startup) When this error occurs, the system has not been started normally. Therefore, it may not be recorded in the error log.
Remedy	<p>[Related parts] R2.00</p> <ul style="list-style-type: none"> - Flash PCB - Main Controller PCB <p>[Remedy] Perform the following in the order while checking whether the error is cleared. Although the error is cleared by "HD-CHECK", it may occur again. Thus, perform Remedies 1 to 4.</p> <ol style="list-style-type: none"> 1. Check the related harness/cable and connector. 2. Select COPIER> FUNCTION> SYSTEM> CHK-TYPE> "0", and execute "HD-CHECK". Then, turn OFF and then ON the main power. 3. Obtain the necessary backup data by referring to "Appendix> Backup Data List" in the System Service Manual. 4. After replacing the Flash PCB, reinstall the system software using SST or a USB flash drive. 5. Replace the Main Controller PCB.

E614-0311-00	Error in system on the Flash PCB
Detection Description	An error was detected in the system area. (File could not be written in the Flash PCB after startup or I/O error after startup)
Remedy	<p>[Related parts] R2.00</p> <ul style="list-style-type: none"> - Flash PCB - Main Controller PCB <p>[Remedy] Perform the following in the order while checking whether the error is cleared. Although the error is cleared by "HD-CHECK", it may occur again. Thus, perform Remedies 1 to 4.</p> <ol style="list-style-type: none"> 1. Check the related harness/cable and connector. 2. Select COPIER> FUNCTION> SYSTEM> CHK-TYPE> "0", and execute "HD-CHECK". Then, turn OFF and then ON the main power. 3. Obtain the necessary backup data by referring to "Appendix> Backup Data List" in the System Service Manual. 4. After replacing the Flash PCB, reinstall the system software using SST or a USB flash drive. 5. Replace the Main Controller PCB.
E614-0401-00	Error in system on the Flash PCB
Detection Description	<p>Logical partition error was detected. (Initialization failed at startup or I/O error at startup)</p> <p>When this error occurs, the system has not been started normally. Therefore, it may not be recorded in the error log.</p>
Remedy	<p>[Related parts] R2.00</p> <ul style="list-style-type: none"> - Flash PCB - Main Controller PCB <p>[Remedy] Perform the following in the order while checking whether the error is cleared.</p> <ol style="list-style-type: none"> 1. Obtain the necessary backup data by referring to "Appendix> Backup Data List" in the System Service Manual. 2. After replacing the Flash PCB, reinstall the system software using SST or a USB flash drive. 3. Replace the Main Controller PCB.
E614-0411-00	Error in system on the Flash PCB
Detection Description	Logical partition error was detected. (File could not be written in the Flash PCB after startup or I/O error after startup)
Remedy	<p>[Related parts] R2.00</p> <ul style="list-style-type: none"> - Flash PCB - Main Controller PCB <p>[Remedy] Perform the following in the order while checking whether the error is cleared.</p> <ol style="list-style-type: none"> 1. Obtain the necessary backup data by referring to "Appendix> Backup Data List" in the System Service Manual. 2. After replacing the Flash PCB, reinstall the system software using SST or a USB flash drive. 3. Replace the Main Controller PCB.

E614-0501-00	Error in file system on the Flash PCB
Detection Description	<p>An error was detected in the general application-related area. (Initialization failed at startup or I/O error at startup)</p> <p>When this error occurs, the system has not been started normally. Therefore, it may not be recorded in the error log.</p>
Remedy	<p>[Related parts] R2.00</p> <ul style="list-style-type: none"> - Flash PCB - Main Controller PCB <p>[Remedy] Perform the following in the order while checking whether the error is cleared. When prioritizing clearing of the error, skip Remedies 2 and 3.</p> <p>Although the error is cleared by "HD-CHECK", it may occur again. Thus, perform Remedies 1 to 4.</p> <ol style="list-style-type: none"> 1. Check the related harness/cable and connector. 2. Select COPIER> FUNCTION> SYSTEM> CHK-TYPE> "8", and execute "HD-CHECK". Then, turn OFF and then ON the main power. 3. Obtain the necessary backup data by referring to "Appendix> Backup Data List" in the System Service Manual. 4. Select COPIER> FUNCTION> SYSTEM> CHK-TYPE> "8", and execute "HD-CLEAR". Then, turn OFF and then ON the main power to delete the data in the corresponding partition. 5. enter safe mode, and reinstall the system software using SST or a USB flash drive. 6. Check/replace the related parts.
E614-0511-00	Error in file system on the Flash PCB
Detection Description	<p>An error was detected in the general application-related area. (File could not be written in the Flash PCB after startup or I/O error after startup)</p>
Remedy	<p>[Related parts] R2.00</p> <ul style="list-style-type: none"> - Flash PCB - Main Controller PCB <p>[Remedy] Perform the following in the order while checking whether the error is cleared. When prioritizing clearing of the error, skip Remedies 2 and 3.</p> <p>Although the error is cleared by "HD-CHECK", it may occur again. Thus, perform Remedies 1 to 4.</p> <ol style="list-style-type: none"> 1. Check the related harness/cable and connector. 2. Select COPIER> FUNCTION> SYSTEM> CHK-TYPE> "8", and execute "HD-CHECK". Then, turn OFF and then ON the main power. 3. Obtain the necessary backup data by referring to "Appendix> Backup Data List" in the System Service Manual. 4. Select COPIER> FUNCTION> SYSTEM> CHK-TYPE> "8", and execute "HD-CLEAR". Then, turn OFF and then ON the main power to delete the data in the corresponding partition. 5. enter safe mode, and reinstall the system software using SST or a USB flash drive. 6. Check/replace the related parts.
E614-0601-00	Error in system on the Flash PCB
Detection Description	<p>An error was detected in the license-related area. (Initialization failed at startup or I/O error at startup)</p> <p>When this error occurs, the system has not been started normally. Therefore, it may not be recorded in the error log.</p>
Remedy	<p>[Related parts] R2.00</p> <ul style="list-style-type: none"> - Flash PCB - Main Controller PCB <p>[Remedy] Perform the following in the order while checking whether the error is cleared.</p> <ol style="list-style-type: none"> 1. Obtain the necessary backup data by referring to "Appendix> Backup Data List" in the System Service Manual. 2. After replacing the Flash PCB, reinstall the system software using SST or a USB flash drive. 3. Replace the Main Controller PCB.

E614-0611-00	Error in system on the Flash PCB
Detection Description	An error was detected in the license-related area. (File could not be written in the Flash PCB after startup or I/O error after startup)
Remedy	<p>[Related parts] R2.00</p> <ul style="list-style-type: none"> - Flash PCB - Main Controller PCB <p>[Remedy] Perform the following in the order while checking whether the error is cleared.</p> <ol style="list-style-type: none"> 1. Obtain the necessary backup data by referring to "Appendix> Backup Data List" in the System Service Manual. 2. After replacing the Flash PCB, reinstall the system software using SST or a USB flash drive. 3. Replace the Main Controller PCB.
E614-0701-00	Error in file system on the Flash PCB
Detection Description	<p>An error was detected in system setting value (service mode, etc.) storage area. (Initialization failed at startup or I/O error at startup)</p> <p>When this error occurs, the system has not been started normally. Therefore, it may not be recorded in the error log.</p>
Remedy	<p>[Related parts] R2.00</p> <ul style="list-style-type: none"> - Flash PCB - Main Controller PCB <p>[Remedy] Perform the following in the order while checking whether the error is cleared. When prioritizing clearing of the error, skip Remedies 2 and 3.</p> <p>Although the error is cleared by "HD-CHECK", it may occur again. Thus, perform Remedies 1 to 4.</p> <ol style="list-style-type: none"> 1. Check the related harness/cable and connector. 2. Select COPIER> FUNCTION> SYSTEM> CHK-TYPE> "8", and execute "HD-CHECK". Then, turn OFF and then ON the main power. 3. Obtain the necessary backup data by referring to "Appendix> Backup Data List" in the System Service Manual. 4. Select COPIER> FUNCTION> SYSTEM> CHK-TYPE> "8", and execute "HD-CLEAR". Then, turn OFF and then ON the main power to delete the data in the corresponding partition. 5. Check/replace the related parts.
E614-0711-00	Error in file system on the Flash PCB
Detection Description	An error was detected in system setting value (service mode, etc.) storage area. (File could not be written in the Flash PCB after startup or I/O error after startup)
Remedy	<p>[Related parts] R2.00</p> <ul style="list-style-type: none"> - Flash PCB - Main Controller PCB <p>[Remedy] Perform the following in the order while checking whether the error is cleared. When prioritizing clearing of the error, skip Remedies 2 and 3.</p> <p>Although the error is cleared by "HD-CHECK", it may occur again. Thus, perform Remedies 1 to 4.</p> <ol style="list-style-type: none"> 1. Check the related harness/cable and connector. 2. Select COPIER> FUNCTION> SYSTEM> CHK-TYPE> "8", and execute "HD-CHECK". Then, turn OFF and then ON the main power. 3. Obtain the necessary backup data by referring to "Appendix> Backup Data List" in the System Service Manual. 4. Select COPIER> FUNCTION> SYSTEM> CHK-TYPE> "8", and execute "HD-CLEAR". Then, turn OFF and then ON the main power to delete the data in the corresponding partition. 5. Check/replace the related parts.

E614-4000-00	Error in system on the Flash PCB
Detection Description	The OS could not be recognized. When this error occurs, the system has not been started normally. Therefore, it may not be recorded in the error log.
Remedy	Perform the following in the order while checking whether the error is cleared. 1. After turning OFF the main power, remove and then install the Flash PCB again to check that it is installed properly. 2. After replacing the Flash PCB, reinstall the system software using SST or a USB flash drive. 3. Check that the HDD and the cables are properly installed. 4. enter safe mode, and format the HDD using SST or a USB flash drive. 5. If another error occurs, clear the error by performing the remedy for it. 6. Replace the Main Controller PCB.
E614-4001-00	Error in system on the Flash PCB
Detection Description	The OS boot file was not found. When this error occurs, the system has not been started normally. Therefore, it may not be recorded in the error log.
Remedy	Perform the following in the order while checking whether the error is cleared. 1. After turning OFF the main power, remove and then install the Flash PCB again to check that it is installed properly. 2. After replacing the Flash PCB, reinstall the system software using SST or a USB flash drive. 3. Check that the HDD and the cables are properly installed. 4. enter safe mode, and format the HDD using SST or a USB flash drive. 5. If another error occurs, clear the error by performing the remedy for it. 6. Replace the Main Controller PCB.
E614-4002-00	Error in system on the Flash PCB
Detection Description	The OS kernel was not found. When this error occurs, the system has not been started normally. Therefore, it may not be recorded in the error log.
Remedy	Perform the following in the order while checking whether the error is cleared. 1. After turning OFF the main power, remove and then install the Flash PCB again to check that it is installed properly. 2. After replacing the Flash PCB, reinstall the system software using SST or a USB flash drive. 3. Check that the HDD and the cables are properly installed. 4. enter safe mode, and format the HDD using SST or a USB flash drive. 5. If another error occurs, clear the error by performing the remedy for it. 6. Replace the Main Controller PCB.
E614-4003-00	Error in system on the Flash PCB
Detection Description	The OS boot loader was not found. When this error occurs, the system has not been started normally. Therefore, it may not be recorded in the error log.
Remedy	Perform the following in the order while checking whether the error is cleared. 1. After turning OFF the main power, remove and then install the Flash PCB again to check that it is installed properly. 2. After replacing the Flash PCB, reinstall the system software using SST or a USB flash drive. 3. Check that the HDD and the cables are properly installed. 4. enter safe mode, and format the HDD using SST or a USB flash drive. 5. If another error occurs, clear the error by performing the remedy for it. 6. Replace the Main Controller PCB.
E614-4010-00	Error in system on the Flash PCB
Detection Description	The OS in safe mode could not be recognized. When this error occurs, the system has not been started normally. Therefore, it may not be recorded in the error log.
Remedy	Perform the following in the order while checking whether the error is cleared. 1. After turning OFF the main power, remove and then install the Flash PCB again to check that it is installed properly. 2. After replacing the Flash PCB, reinstall the system software using SST or a USB flash drive.

E614-4011-00	Error in system on the Flash PCB
Detection Description	The file for booting the OS in safe mode was not found. When this error occurs, the system has not been started normally. Therefore, it may not be recorded in the error log.
Remedy	Perform the following in the order while checking whether the error is cleared. 1. After turning OFF the main power, remove and then install the Flash PCB again to check that it is installed properly. 2. After replacing the Flash PCB, reinstall the system software using SST or a USB flash drive.
E614-4012-00	Error in system on the Flash PCB
Detection Description	The kernel in safe mode was not found. When this error occurs, the system has not been started normally. Therefore, it may not be recorded in the error log.
Remedy	Perform the following in the order while checking whether the error is cleared. 1. After turning OFF the main power, remove and then install the Flash PCB again to check that it is installed properly. 2. After replacing the Flash PCB, reinstall the system software using SST or a USB flash drive.
E614-9000-00	Error in system on the Flash PCB
Detection Description	SRAM device access-related error (at startup) When this error occurs, the system has not been started normally. Therefore, it may not be recorded in the error log.
Remedy	Perform the following in the order while checking whether the error is cleared. 1. After turning OFF the main power, remove and then install the Flash PCB again to check that it is installed properly. 2. After replacing the Flash PCB, reinstall the system software using SST or a USB flash drive.
E614-9001-00	Error in system on the Flash PCB
Detection Description	Error in memory allocation/invalid memory (at startup) When this error occurs, the system has not been started normally. Therefore, it may not be recorded in the error log.
Remedy	Perform the following in the order while checking whether the error is cleared. 1. After turning OFF the main power, remove and then install the Flash PCB again to check that it is installed properly. 2. After replacing the Flash PCB, reinstall the system software using SST or a USB flash drive.
E614-9002-00	Error in system on the Flash PCB
Detection Description	Setting file error was detected at startup. When this error occurs, the system has not been started normally. Therefore, it may not be recorded in the error log.
Remedy	Perform the following in the order while checking whether the error is cleared. 1. After turning OFF the main power, remove and then install the Flash PCB again to check that it is installed properly. 2. After replacing the Flash PCB, reinstall the system software using SST or a USB flash drive.
E614-9003-00	Error in system on the Flash PCB
Detection Description	Parameter error was detected at startup. When this error occurs, the system has not been started normally. Therefore, it may not be recorded in the error log.
Remedy	Perform the following in the order while checking whether the error is cleared. 1. After turning OFF the main power, remove and then install the Flash PCB again to check that it is installed properly. 2. After replacing the Flash PCB, reinstall the system software using SST or a USB flash drive.

E614-9004-00	Error in system on the Flash PCB
Detection Description	Startup error was detected. When this error occurs, the system has not been started normally. Therefore, it may not be recorded in the error log.
Remedy	Perform the following in the order while checking whether the error is cleared. 1. After turning OFF the main power, remove and then install the Flash PCB again to check that it is installed properly. 2. After replacing the Flash PCB, reinstall the system software using SST or a USB flash drive.
E614-FF01-00	Error in system on the Flash PCB
Detection Description	An unidentified Flash error was detected at startup. (Initialization failed at startup or I/O error at startup) When this error occurs, the system has not been started normally. Therefore, it may not be recorded in the error log.
Remedy	[Related parts] R2.00 - Flash PCB - Main Controller PCB [Remedy] Perform the following in the order while checking whether the error is cleared. Although the error is cleared by "HD-CHECK", it may occur again. Thus, perform Remedies 1 to 5. 1. Check the related harness/cable and connector. 2. Select COPIER> FUNCTION> SYSTEM> CHK-TYPE> "0", and execute "HD-CHECK". Then, turn OFF and then ON the main power. 3. Obtain the necessary backup data by referring to "Appendix> Backup Data List" in the System Service Manual. 4. After replacing the Flash PCB, reinstall the system software using SST or a USB flash drive. 5. Replace the Main Controller PCB.
E614-FF11-00	Error in system on the Flash PCB
Detection Description	An unidentified Flash error was detected at startup. (File could not be written in the Flash PCB after startup or I/O error after startup)
Remedy	[Related parts] R2.00 - Flash PCB - Main Controller PCB [Remedy] Perform the following in the order while checking whether the error is cleared. Although the error is cleared by "HD-CHECK", it may occur again. Thus, perform Remedies 1 to 5. 1. Check the related harness/cable and connector. 2. Select COPIER> FUNCTION> SYSTEM> CHK-TYPE> "0", and execute "HD-CHECK". Then, turn OFF and then ON the main power. 3. Obtain the necessary backup data by referring to "Appendix> Backup Data List" in the System Service Manual. 4. After replacing the Flash PCB, reinstall the system software using SST or a USB flash drive. 5. Replace the Main Controller PCB.
E615-0001-00	Error in self-diagnosis of the encryption module
Detection Description	An error was detected in self-diagnosis of the encryption library.
Remedy	[Remedy] Perform the following in the order while checking whether the error is cleared. - Reinstall the necessary application software and restore the backup data once the error is cleared. 1. After reinstalling the system software using SST or a USB memory, turn OFF and then ON the main power. 2. Obtain the necessary backup data by referring to the backup data list. 3. enter safe mode, and execute [4] Clear/Format> [2] Flash Format (Flash format) using a USB memory. 4. After replacing the Flash PCB, reinstall the system software using SST or a USB memory. [Reference] For backup and restoration, refer to "Adjustment> Main Controller System" and "Appendix> Backup Data List" in the Service Manual.

E674-0001-07	Fax Board communication error
Detection Description	An error was detected for the specified number of times in communication with the Fax Board.
Remedy	[Related parts] R1.00 - Harness between the Fax Board and the Main Controller PCB - Fax Board - Main Controller PCB [Remedy] Check/replace the related harness/cable, connector and parts.
E674-0002-07	Fax Board communication error
Detection Description	An error was detected for the specified number of times in communication with the Fax Board.
Remedy	[Related parts] R1.00 - Harness between the Fax Board and the Main Controller PCB - Fax Board - Main Controller PCB [Remedy] Check/replace the related harness/cable, connector and parts.
E674-0004-07	Fax Board communication error
Detection Description	A communication error occurred when accessing the modem IC used for fax.
Remedy	[Related parts] R1.00 - Harness between the Fax Board and the Main Controller PCB - Fax Board - Main Controller PCB [Remedy] Check/replace the related harness/cable, connector and parts.
E674-0008-07	Fax Board communication error
Detection Description	A communication error occurred when accessing the port IC used for fax.
Remedy	[Related parts] R1.00 - Harness between the Fax Board and the Main Controller PCB - Fax Board - Main Controller PCB [Remedy] Check/replace the related harness/cable, connector and parts.
E674-0010-07	Fax Board communication error
Detection Description	A communication error occurred when opening the Timer Device used for fax.
Remedy	Check/replace the Main Controller PCB
E674-0011-07	Fax Board communication error
Detection Description	A communication error occurred when starting the Timer Device used for fax.
Remedy	Check/replace the Main Controller PCB
E674-0020-07	Fax Board communication error
Detection Description	An error occurred in the modem IC used for fax.
Remedy	[Related parts] R1.00 - Harness between the Fax Board and the Main Controller PCB - Fax Board - Main Controller PCB [Remedy] Check/replace the related harness/cable, connector and parts.
E674-0021-07	Fax Board communication error
Detection Description	A Fax Board for non-supported modem has been connected.
Remedy	Replace it with a genuine Fax Board.
E674-0030-07	Fax Board communication error
Detection Description	Check sum error
Remedy	System software download for 2 line FAX

E674-0100-07	Fax Board communication error
Detection Description	After completion of fax communication, writing of the communication information (log) failed, and the log could not be read.
Remedy	Turn OFF and then ON the main power. If it occurs when the power is turned OFF and then ON after executing FAX > Clear > ALL, execute FAX > Clear > ALL and turn OFF and then ON the power again. [CAUTION] The previous communication information (log) will be cleared by turning OFF and then ON the main power.
E674-0300-07	Fax configuration error
Detection Description	It was detected that there was a Fax Board for multiple lines installed while the IP Fax license was enabled.
Remedy	1. Remove the Fax Board for multiple lines to use the machine as an IP Fax model. 2. Uninstall the IP Fax license to use the machine as a G3 Fax model.
E674-0301-07	Fax configuration error
Detection Description	It was detected that there was no 1-line Fax Board installed while the IP Fax license was enabled.
Remedy	1. Install the Fax Board (1-line) to use the machine as an IP Fax model. 2. Uninstall the IP Fax license and install the G3 Fax Board to use the machine as a G3 Fax model.S15
E677-0001-00	Print server error
Detection Description	Abnormality detected on the exhaust fan operation of printer server
Remedy	1. Check supplying power to the exhaust fan 2. Exhaust fan replacement
E677-0003-00	Print server error
Detection Description	An error in the fan of the Print Server was detected.
Remedy	[Related parts] R1.00 - Print Server Fan - Main Controller PCB [Remedy] Check/replace the related harness/cable, connector and parts.
E677-0004-00	Print server error
Detection Description	Abnormality detected on the CPU fan operation of printer server
Remedy	1. Check supplying power to the CPU fan 2. CPU fan replacement
E677-0010-00	Print server error
Detection Description	Failure was detected in operation of the CPU fan on the print server.
Remedy	1. Replace the board of the print server. 2. Reinstall the Print Server (For details, refer to "Service Manual image PASS P2.")
E677-0080-00	Print server error
Detection Description	Error is detected at the Mother Board check when print server is started.
Remedy	1. Check the cable connection and turn OFF and then ON the power. 2. Reinstall the print server (For details, refer to "Service Manual image PASS P2.")
E713-0000-02	UFDI communication error.
Detection Description	Communication error with the Finisher.
Remedy	[Related parts] - Finisher Controller PCB - Harness between the Finisher Controller PCB and the DC Controller PCB - DC Controller PCB [Remedy] Check/replace the related harness/cable, connector and parts.
E719-0021-00	Coin vendor error
Detection Description	Communication with the coin vendor could not be established at startup of the host machine.
Remedy	1. Check/replace the cable between the charging management equipment and the host machine. 2. Check the power of the charging.

E719-0022-00	Coin vendor error
Detection Description	Communication with the coin vendor could not be established at startup of the host machine.
Remedy	1. Check/replace the cable between the charging management equipment and the host machine. 2. Check the power of the charging.
E719-0031-00	Error in serial communication at the start of the New Card Reader
Detection Description	Failure in communication with the serial New Card Reader at start-up.
Remedy	- Check if the cable of the serial New Card Reader is disconnected. - Take out the serial New Card Reader. - COPIER > Function > CLEAR > CARD - COPIER > Function > CLEAR > ERR
E719-0032-00	Error in serial communication at the start of the New Card Reader
Detection Description	Communication failed in the middle of the operation although communication with the serial New Card Reader was successful at start-up.
Remedy	- Check if the cable of the serial New Card Reader is disconnected.
E720-0001-00	Error due to non-compatible Finisher
Detection Description	Non-compatible Finisher was connected.
Remedy	Connect either the Staple Finisher-Y1 or Saddle Stitch Finisher-Y1.
E730-C001-00	Error in HDD access
Detection Description	An error occurred when accessing the HDD.
Remedy	[Related parts] R1.00 - Harness between the Main Controller PCB and the HDD - HDD - Main Controller PCB [Remedy] Perform the following in the order while checking whether the error is cleared. 1. Format the HDD and reinstall the system software using SST or a USB flash drive. 2. Check/replace the related harness/cable, connector and parts.
E731-3000-00	Main Controller PCB error
Detection Description	Unable to recognize the SURF Board.
Remedy	Check/replace the Main Controller PCB
E731-3001-00	Main Controller PCB error
Detection Description	Failure of SURF initialization.
Remedy	Check/replace the Main Controller PCB
E731-3002-00	Main Controller PCB error
Detection Description	Failure of SURF initialization.
Remedy	Check/replace the Main Controller PCB
E731-3015-00	Main Controller PCB error
Detection Description	Video data is not transmitted to CL1-G even though there is no problem in the software.
Remedy	Check/replace the Main Controller PCB
E732-0001-04	Communication error
Detection Description	DDI-S communication error.
Remedy	[Related parts] R1.00 - Harness between the READER ADF UNIT (J6, J5) and the Main Controller PCB (J4001, 4002) - READER ADF UNIT - Main Controller PCB [Remedy] Check/replace the related parts. After performing the remedy, check that the copy image is output normally.

E732-0010-00	Communication error
Detection Description	A signal to start image transfer could not be detected at scanning although the specified period of time (120 sec) has passed.
Remedy	[Related parts] R1.00 - Harness between the READER ADF UNIT (J6, J5) and the Main Controller PCB (J4001, 4002) - READER ADF UNIT - Main Controller PCB [Remedy] Check/replace the related parts. After performing the remedy, check that the copy image is output normally.
E732-0020-00	Communication error
Detection Description	A communication error of the Main Controller PCB was detected.
Remedy	[Related parts] R1.00 - Harness between the READER ADF UNIT (J6, J5) and the Main Controller PCB (J4001, 4002) - READER ADF UNIT - Main Controller PCB [Remedy] Check/replace the related parts. After performing the remedy, check that the copy image is output normally.
E732-0021-00	Communication error
Detection Description	A communication error between the Reader Controller PCB and the Main Controller PCB was detected.
Remedy	[Related parts] R1.00 - Harness between the READER ADF UNIT (J6, J5) and the Main Controller PCB (J4001, 4002) - READER ADF UNIT - Main Controller PCB [Remedy] Check/replace the related parts. After performing the remedy, check that the copy image is output normally.
E732-0022-00	Communication error
Detection Description	A communication error between the Reader Controller PCB and the Main Controller PCB was detected.
Remedy	[Related parts] R1.00 - Harness between the READER ADF UNIT (J6, J5) and the Main Controller PCB (J4001, 4002) - READER ADF UNIT - Main Controller PCB [Remedy] Check/replace the related parts. After performing the remedy, check that the copy image is output normally.
E732-0023-04	Communication error
Detection Description	DDI-S communication error (SPRDY-S detection error)
Remedy	[Related parts] R1.00 - Harness between the READER ADF UNIT (J6, J5) and the Main Controller PCB (J4001, 4002) - READER ADF UNIT - Main Controller PCB [Remedy] Check/replace the related parts. After performing the remedy, check that the copy image is output normally.
E732-0F01-04	Communication error
Detection Description	Communication error that can be recovered by reboot If it is detected again immediately after reboot, E732-0001 is generated.
Remedy	It is not necessary to perform a remedy because the machine is automatically rebooted after log collection.
E732-0F20-00	Communication error
Detection Description	Communication error that can be recovered by reboot If it is detected again immediately after reboot, E732-0020 is generated.
Remedy	It is not necessary to perform a remedy because the machine is automatically rebooted after log collection.

E732-0F21-00	Communication error
Detection Description	Communication error that can be recovered by reboot If it is detected again immediately after reboot, E732-0021 is generated.
Remedy	It is not necessary to perform a remedy because the machine is automatically rebooted after log collection.
E732-0F22-00	Communication error
Detection Description	Communication error that can be recovered by reboot If it is detected again immediately after reboot, E732-0022 is generated.
Remedy	It is not necessary to perform a remedy because the machine is automatically rebooted after log collection.
E732-0F23-04	Communication error
Detection Description	Communication error that can be recovered by reboot If it is detected again immediately after reboot, E732-0023 is generated.
Remedy	It is not necessary to perform a remedy because the machine is automatically rebooted after log collection.
E732-8888-00	Communication error
Detection Description	Scanner for a different model was detected at communication with the Reader.
Remedy	Replace the Reader Unit with the one for this model.
E732-9999-00	Reader detection error
Detection Description	The Reader was detected with a printer model for the first time. Only the message "Turn OFF and then ON the power" is displayed on the screen instead of displaying an error code. The error log is recorded in "COPIER> DISPLAY> ERR".
Remedy	[Remedy] Turn OFF and then ON the main power.
E733-0000-05	Printer communication error
Detection Description	A communication error between the DC Controller PCB and the Main Controller PCB was detected at startup.
Remedy	[Related parts] R1.00 - Harnesses between the DC Controller PCB and the Main Controller PCB - DC Controller PCB - Main Controller PCB [Remedy] Check/replace the related harness/cable, connector and parts. [Reference] Before replacing the DC Controller PCB, back up the service mode data (approx. 2 min) and restore the backup data after the replacement so the data may be able to be protected. - Backup: COPIER (LEVEL2)> FUNCTION> SYSTEM> DSRAMBUP - Restoration: COPIER (LEVEL2)> FUNCTION> SYSTEM> DSRAMRES
E733-0001-05	Printer communication error
Detection Description	A communication error between the DC Controller PCB and the Main Controller PCB was detected.
Remedy	[Related parts] R1.00 - Harnesses between the DC Controller PCB and the Main Controller PCB - DC Controller PCB - Main Controller PCB [Remedy] Check/replace the related harness/cable, connector and parts. [Reference] Before replacing the DC Controller PCB, back up the service mode data (approx. 2 min) and restore the backup data after the replacement so the data may be able to be protected. - Backup: COPIER (LEVEL2)> FUNCTION> SYSTEM> DSRAMBUP - Restoration: COPIER (LEVEL2)> FUNCTION> SYSTEM> DSRAMRES

E733-0002-05	Printer communication error
Detection Description	Signal error was detected after establishment of communication between the DC Controller PCB and the Main Controller PCB.
Remedy	<p>[Related parts] R1.00</p> <ul style="list-style-type: none"> - Harnesses between the DC Controller PCB and the Main Controller PCB - DC Controller PCB - Main Controller PCB <p>[Remedy] Check/replace the related harness/cable, connector and parts. [Reference] Before replacing the DC Controller PCB, back up the service mode data (approx. 2 min) and restore the backup data after the replacement so the data may be able to be protected.</p> <ul style="list-style-type: none"> - Backup: COPIER (LEVEL2)> FUNCTION> SYSTEM> DSRAMBUP - Restoration: COPIER (LEVEL2)> FUNCTION> SYSTEM> DSRAMRES
E733-0004-05	Printer communication error
Detection Description	Signal error was detected after establishment of communication between the DC Controller PCB and the Main Controller PCB.
Remedy	<p>[Related parts] R1.00</p> <ul style="list-style-type: none"> - Harnesses between the DC Controller PCB and the Main Controller PCB - DC Controller PCB - Main Controller PCB <p>[Remedy] Check/replace the related harness/cable, connector and parts. [Reference] Before replacing the DC Controller PCB, back up the service mode data (approx. 2 min) and restore the backup data after the replacement so the data may be able to be protected.</p> <ul style="list-style-type: none"> - Backup: COPIER (LEVEL2)> FUNCTION> SYSTEM> DSRAMBUP - Restoration: COPIER (LEVEL2)> FUNCTION> SYSTEM> DSRAMRES
E733-0005-05	Printer communication error
Detection Description	Signal error was detected after establishment of communication between the DC Controller PCB and the Main Controller PCB.
Remedy	<p>[Related parts] R1.00</p> <ul style="list-style-type: none"> - Harnesses between the DC Controller PCB and the Main Controller PCB - DC Controller PCB - Main Controller PCB <p>[Remedy] Check/replace the related harness/cable, connector and parts. [Reference] Before replacing the DC Controller PCB, back up the service mode data (approx. 2 min) and restore the backup data after the replacement so the data may be able to be protected.</p> <ul style="list-style-type: none"> - Backup: COPIER (LEVEL2)> FUNCTION> SYSTEM> DSRAMBUP - Restoration: COPIER (LEVEL2)> FUNCTION> SYSTEM> DSRAMRES
E733-0006-05	Communication error between the Main Controller PCB and the DC Controller PCB
Detection Description	Communication error between the Main Controller PCB and the DC Controller PCB
Remedy	<ol style="list-style-type: none"> 1. Reinstall the system software using SST or a USB flash drive. 2. Replace the Main Controller PCB. 3. Replace the DC Controller PCB.
E733-0010-05	Printer communication error
Detection Description	A communication error between the DC Controller PCB and the Main Controller PCB was detected.
Remedy	<p>[Related parts] R1.00</p> <ul style="list-style-type: none"> - Harnesses between the DC Controller PCB and the Main Controller PCB - DC Controller PCB - Main Controller PCB <p>[Remedy] Check/replace the related harness/cable, connector and parts. [Reference] Before replacing the DC Controller PCB, back up the service mode data (approx. 2 min) and restore the backup data after the replacement so the data may be able to be protected.</p> <ul style="list-style-type: none"> - Backup: COPIER (LEVEL2)> FUNCTION> SYSTEM> DSRAMBUP - Restoration: COPIER (LEVEL2)> FUNCTION> SYSTEM> DSRAMRES

E733-0F00-05	Printer communication error
Detection Description	Communication error that can be recovered by reboot If it is detected again immediately after reboot, E733-0000 is generated.
Remedy	It is not necessary to perform a remedy because the machine is automatically rebooted after log collection.
E733-0F01-05	Printer communication error
Detection Description	Communication error that can be recovered by reboot If it is detected again immediately after reboot, E733-0001 is generated.
Remedy	It is not necessary to perform a remedy because the machine is automatically rebooted after log collection.
E733-0F02-05	Printer communication error
Detection Description	Communication error that can be recovered by reboot If it is detected again immediately after reboot, E733-0002 is generated.
Remedy	It is not necessary to perform a remedy because the machine is automatically rebooted after log collection.
E733-0F04-05	Printer communication error
Detection Description	Communication error that can be recovered by reboot If it is detected again immediately after reboot, E733-0002 is generated.
Remedy	It is not necessary to perform a remedy because the machine is automatically rebooted after log collection.
E733-0F05-05	Printer communication error
Detection Description	Communication error that can be recovered by reboot If it is detected again immediately after reboot, E733-0002 is generated.
Remedy	It is not necessary to perform a remedy because the machine is automatically rebooted after log collection.
E733-0F06-05	Printer communication error
Detection Description	Communication error that can be recovered by reboot If it is detected again immediately after reboot, E733-0006 is generated.
Remedy	It is not necessary to perform a remedy because the machine is automatically rebooted.
E733-9999-05	Printer communication error
Detection Description	The Finisher connection information error was detected between the DC Controller PCB and the Main Controller PCB.
Remedy	Turn OFF and then ON the power
E733-F000-05	Printer communication error
Detection Description	Disconnection of a cable between the Main Controller PCB and the DC Controller PCB was detected.
Remedy	[Remedy] Check/replace the harness between the DC Controller PCB and the Main Controller PCB.
E733-F001-05	Printer communication error
Detection Description	Disconnection of a cable between the Main Controller PCB and the DC Controller PCB was detected.
Remedy	[Remedy] Check/replace the harness between the DC Controller PCB and the Main Controller PCB.
E733-F002-05	Printer communication error
Detection Description	Disconnection of a cable between the Main Controller PCB and the DC Controller PCB was detected.
Remedy	[Remedy] Check/replace the harness between the DC Controller PCB and the Main Controller PCB.

E743-0000-04	DDI communication error
Detection Description	Software sequence error
Remedy	[Remedy] Collect debug log and contact to the sales company.
E744-0001-00	Language file error
Detection Description	The language file in HDD was not supported by the version of Bootable.
Remedy	Reinstall the correct language file using SST or USB memory reinstall the entire software.
E744-0003-00	Language file error
Detection Description	The language file to be switched to that was described in the Config.txt in HDD was not found.
Remedy	Reinstall the correct language file using SST or USB memory reinstall the entire software.
E744-0004-00	Language file error
Detection Description	Switching to the language file in the HDD failed.
Remedy	Reinstall the correct language file using SST or USB memory reinstall the entire software.
E744-2000-00	Controller firmware mismatch
Detection Description	Invalid controller firmware was detected.
Remedy	Replace the ECO-ID PCB with the one for this model.
E744-5000-07	Mismatch of software version for fax
Detection Description	After the Fax Board (option) has been installed, mismatch of version of software in the Fax Board was detected at transmission and reception.
Remedy	Upgrade the system software version to the latest one.
E746-0011-00	Voice Board error
Detection Description	Because both the voice composition board and the composition recognition board are inserted.
Remedy	Insert only 1 board of the appropriate voice board.
E746-0021-00	Image Analysis Board error
Detection Description	Self-check NG of Image Analysis Board
Remedy	Perform the following in the order while checking whether the error is cleared. 1. Remove and then install the Image Analysis Board. 2. If the error is not cleared, replace the Image Analysis Board. 3. After replacing the Image Analysis Board, reinstall the firmware of the Image Analysis Board or the system software which version is supported by this model using SST or a USB flash drive.
E746-0022-00	Image Analysis Board error
Detection Description	Different version of Image Analysis Board (PCB used for PCAM)
Remedy	Reinstall the firmware of the Image Analysis Board or the system software which version is supported by this model using SST or a USB flash drive.
E746-0023-00	Image Analysis Board error
Detection Description	No response from Image Analysis Board (PCB used for PCAM)
Remedy	Perform the following in the order while checking whether the error is cleared. 1. Remove and then install the Image Analysis Board. 2. If the error is not cleared, replace the Image Analysis Board. 3. After replacing the Image Analysis Board, reinstall the firmware of the Image Analysis Board or the system software which version is supported by this model using SST or a USB flash drive.
E746-0024-00	Image Analysis Board error
Detection Description	Failure in behavior of Image Analysis Board (PCB used for PCAM)
Remedy	Perform the following in the order while checking whether the error is cleared. 1. Remove and then install the Image Analysis Board. 2. If the error is not cleared, replace the Image Analysis Board. 3. After replacing the Image Analysis Board, reinstall the firmware of the Image Analysis Board or the system software which version is supported by this model using SST or a USB flash drive.

E746-0031-00	TPM error
Detection Description	A communication error has occurred between the Main Controller PCB and the TPM PCB at startup.
Remedy	<p>Check/replace the TPM PCB.</p> <p>[Reference] After replacing the TPM PCB, if the TPM key was backed up, restore the key.</p> <ol style="list-style-type: none"> 1. Connect the USB memory which stores the TPM key. 2. Execute "Settings/Registration> Log In> Management Settings> Data Management> TPM Settings> Restore TPM Key". <p>[CAUTION] Ask the customer to enter "System Manager ID" and "System Manager PIN" when logging in.</p> <ol style="list-style-type: none"> 3. Enter the password set at backup operation. 4. When the restoration completion screen is displayed, click "OK". Remove the USB memory, and turn OFF and then ON the main power.
E746-0032-00	TPM error
Detection Description	Mismatch of the TPM key was detected.
Remedy	<p>Perform the following in the order while checking whether the error is cleared.</p> <ol style="list-style-type: none"> 1. Format the HDD and reinstall the system software using SST or a USB flash drive. 2. Replace the TPM PCB. <p>[Reference] After replacing the TPM PCB, if the TPM key was backed up, restore the key.</p> <ol style="list-style-type: none"> 1. Connect the USB memory which stores the TPM key. 2. Execute "Settings/Registration> Log In> Management Settings> Data Management> TPM Settings> Restore TPM Key". <p>[CAUTION] Ask the customer to enter "System Manager ID" and "System Manager PIN" when logging in.</p> <ol style="list-style-type: none"> 3. Enter the password set at backup operation. 4. When the restoration completion screen is displayed, click "OK". Remove the USB memory, and turn OFF and then ON the main power.
E746-0033-00	TPM error
Detection Description	It was detected that data in TPM was inconsistent.
Remedy	<p>If the TPM key was backed up,</p> <ul style="list-style-type: none"> - Restore the TPM key. <ol style="list-style-type: none"> 1. Connect the USB memory which stores the TPM key. 2. Execute "Settings/Registration> Log In> Management Settings> Data Management> TPM Settings> Restore TPM Key". <p>[CAUTION] Ask the customer to enter "System Manager ID" and "System Manager PIN" when logging in.</p> <ol style="list-style-type: none"> 3. Enter the password set at backup operation. 4. When the restoration completion screen is displayed, click "OK". Remove the USB memory, and turn OFF and then ON the main power. <p>If the TPM key was not backed up,</p> <ul style="list-style-type: none"> - Format the HDD and reinstall the system software using SST or a USB flash drive.
E746-0034-00	TPM auto recovery error
Detection Description	The error occurred when clearing HDD while TPM setting was ON.
Remedy	<p>It is recovered by turning OFF and then ON the power.</p> <p>If the error is not cleared, format the HDD and reinstall the system software using SST or a USB flash drive.</p>
E746-0035-00	TPM version error
Detection Description	TPM PCB which cannot be used in this machine was installed.
Remedy	Install the TPM PCB for this model.
E748-2000-00	Main Controller PCB access error
Detection Description	Main Controller PCB Chip access error.
Remedy	Check/replace the Main Controller PCB

E748-2001-00	Main Controller PCB access error
Detection Description	Main Controller PCB memory access error.
Remedy	Check/replace the Main Controller PCB
E748-2010-00	Flash PCB error / HDD error
Detection Description	IPL (startup program) was not found, or the HDD could not be recognized.
Remedy	[Related parts] R2.00 - Harnesses between the Main Controller PCB and the HDD - HDD - Flash PCB - Main Controller PCB [Remedy] Perform the following in the order while checking whether the error is cleared. 1. Disconnect the cable between the Main Controller PCB and the HDD, and turn ON the main power. a. When the error code has not been changed: 1. Obtain the necessary backup data by referring to the backup data list. 2. After replacing the Flash PCB, reinstall the system software using SST or a USB flash drive. 3. Restore the backup data. b. When the error code has been changed to another one, see the remedy for the corresponding code. [Reference] For backup and restoration, refer to "Adjustment> Main Controller System" and "Appendix> Backup Data List" in the Service Manual.
E748-2011-00	Flash PCB error
Detection Description	OS was not found at startup.
Remedy	After replacing the Flash PCB, reinstall the system software using SST or a USB flash drive.
E748-2012-00	Flash PCB error
Detection Description	Cannot mount the OS in safe mode startup or No OS startup script
Remedy	After replacing the Flash PCB, reinstall the system software using SST or a USB flash drive.
E748-2021-00	Main Controller PCB access error
Detection Description	Main controller board access errors
Remedy	Check/replace the Main Controller PCB
E748-2022-00	Main controller startup error
Detection Description	An fatal error was detected in the Main Controller at startup
Remedy	Replace the Main Controller PCB
E748-2023-00	Main Controller PCB access error
Detection Description	Main controller board access errors
Remedy	Check/replace the Main Controller PCB
E748-2024-00	Main Controller PCB access error
Detection Description	Main controller board access errors
Remedy	Check/replace the Main Controller PCB
E748-2025-00	Main Controller PCB access error
Detection Description	Main controller board access errors
Remedy	[Related parts] R1.00 - Main Controller PCB [Remedy] Check/replace the related connector and parts.
E748-2026-00	Main Controller PCB access error
Detection Description	Main controller board access errors
Remedy	Check/replace the Main Controller PCB

E748-4910-00	Main Controller PCB access error
Detection Description	Main controller board access errors
Remedy	Check/replace the Main Controller PCB
E748-7011-00	Start system verification function error
Detection Description	At startup, an error may occur due to invalid data of the OS boot loader on the flash PCB. When this error occurs, the system has not been started normally. Therefore, it is not recorded in the error log.
Remedy	[Related parts] - Flash PCB [Remedy] 1. Replace the Flash PCB and reinstall the system using SST or a USB flash drive.
E748-7021-00	Start system verification function error
Detection Description	At startup, an error may occur due to invalid data of the OS kernel on the flash PCB. When this error occurs, the system has not been started normally. Therefore, it is not recorded in the error log.
Remedy	[Related parts] - Flash PCB [Remedy] 1. Replace the Flash PCB and reinstall the system using SST or a USB flash drive.
E748-7022-00	Start system verification function error
Detection Description	At startup, an error may occur due to invalid data of the OS kernel on the flash PCB. When this error occurs, the system has not been started normally. Therefore, it is not recorded in the error log.
Remedy	[Related parts] - Flash PCB [Remedy] 1. Replace the Flash PCB and reinstall the system using SST or a USB flash drive.
E748-9000-00	System error
Detection Description	System error
Remedy	Contact to the sales company.
E753-0001-00	Download Error
Detection Description	Update of the system software failed.
Remedy	Perform the following in the order while checking whether the error is cleared. 1. Turn OFF and then ON the main power. 2. Reinstall the system software using SST or a USB flash drive. 3. Replace the FLASH PCB, and reinstall the system software. 4. Collect debug log and contact the sales company.
E760-0001-00	Main Controller PCB internal error
Detection Description	An error was detected in the Main Controller PCB.
Remedy	Check/replace the Main Controller PCB

E804-0000-00	Cartridge Fan error
Detection Description	A lock for the Cartridge Upper Fan (FM3) or the Cartridge Lower Fan (FM4) is detected during the sleep mode.
Remedy	<p>[Related parts]</p> <ul style="list-style-type: none"> - DC Controller PCB - Main Controller PCB - Harness between the Main Controller PCB (J9001) - the DC Controller (J801) - the Relay Connector (J6404) - the Cartridge Upper Fan (FM3) - Harness between the Main Controller PCB (J9001) - the DC Controller (J801) - the Relay Connector (J6405) - the Cartridge Lower Fan (FM4) - Cartridge Upper Fan (FM3) - Cartridge Lower Fan (FM4) <p>[Remedy] Check/replace the related harness/cable/connector/parts.</p> <p>[Reference] If a lock for the Cartridge Upper Fan (FM3) is detected during operation, display E 805-0001. If a lock for the Cartridge Lower Fan (FM4) is detected during operation, display E 805-0002.</p>
E805-0001-05	Cartridge Upper Fan error.
Detection Description	It was detected that the Cartridge Upper Fan was locked.
Remedy	Replacement of Cartridge Upper Fan.
E805-0002-05	Cartridge Lower Fan error.
Detection Description	It was detected that the Cartridge lower Fan was locked.
Remedy	Replacement of the Cartridge Lower Fan.
E805-0008-05	Duplex Fan error.
Detection Description	It was detected that the Finisher Fan was locked.
Remedy	Replacement of the Duplex Fan.
E805-0009-05	Laser Scanner Fan error.
Detection Description	It was detected that the Laser Scanner Fan was locked.
Remedy	Replacement of the Laser Scanner Fan.
E808-0001-05	Low Voltage Power Supply Failure
Detection Description	- 24V Power Supply error
Remedy	<p>[Related parts]</p> <ul style="list-style-type: none"> - Low Voltage Power Supply Unit <p>[Remedy] Check/replace the related harness/cable, connector and parts.</p>
E840-0001-05	Pressure Release Mechanism error
Detection Description	An error was detected at the pressure/separation operation.
Remedy	<p>[Related parts]</p> <ul style="list-style-type: none"> - Fixing Assembly - DC Controller PCB <p>[Remedy] Check/replace the related harness/cable, connector and parts.</p>
E880-0001-00	Controller Fan error
Detection Description	It was detected that the Controller Fan was locked.
Remedy	<p>[Related parts] R1.00</p> <ul style="list-style-type: none"> - Cable between the Main Controller PCB (UN25/J15) and the Controller Fan (FM12) - Controller Fan (FM12) - Main Controller PCB (UN25) <p>[Remedy] Perform the following in the order while checking whether the error is cleared.</p> <ul style="list-style-type: none"> - Check the connectors of the Controller Fan. - Visually check rotation of the Controller Fan. <ul style="list-style-type: none"> a. If it is not rotated, replace the Controller Fan. b. If it is rotated, replace the Main Controller PCB.

E880-0003-00	Controller Fan error
Detection Description	It was detected that the Controller Fan was locked.
Remedy	<p>[Related parts] R1.00</p> <ul style="list-style-type: none"> - Cable between the Main Controller PCB and the Controller Fan - Controller Fan - Main Controller PCB <p>[Remedy] Perform the following in the order while checking whether the error is cleared.</p> <ul style="list-style-type: none"> - Check the connectors of the Controller Fan. - Visually check rotation of the Controller Fan. <ul style="list-style-type: none"> a. If it is not rotated, replace the Controller Fan. b. If it is rotated, replace the Main Controller PCB.
E880-0005-00	Error in Controller Fan
Detection Description	Fan lock of the HDD Cooling Fan was detected
Remedy	<p>Check if the connector is connected.</p> <p>If the connection is OK, replace the HDD Cooling Fan.</p>
E881-0001-00	Board over heat error
Detection Description	Abnormal temperature of the Main Controller CPU was detected.
Remedy	<p>[Remedy] Perform the following in the order while checking whether the error is cleared.</p> <ul style="list-style-type: none"> a. If the error occurred during a service visit and then occurred again, replace the Main Controller PCB. b. If the error does not occur during a service visit but is found in the log: <ol style="list-style-type: none"> 1. Clean the inlet on the side where the fan is installed and remove dust. 2. Remove dust from the Controller fan. 3. If the space on the side where the fan is installed is less than 10 cm, ask the customer to secure enough space.
E996-0001-05	Error for collecting sequence jam log (Printer)
Detection Description	Error for collecting jam log (Printer)
Remedy	<p>[Remedy] Collect debug log and contact to the sales company.</p> <p>[Reference] By setting "COPIER (LEVEL2)> OPTION> FNC-SW> JM-ERR-R" to "1", it is handled as an error instead of a jam from the first occurrence.</p>
E996-007F-04	Error for collecting sequence jam log (Printer)
Detection Description	Error for collecting jam log (Printer)
Remedy	<p>[Remedy] Collect debug log and contact to the sales company.</p> <p>[Reference] By setting "COPIER (LEVEL2)> OPTION> FNC-SW> JM-ERR-D" to "1", it is handled as an error instead of a jam from the first occurrence.</p>
E996-0CE0-05	Error for collecting sequence jam log (Printer)
Detection Description	Error for collecting jam log (Printer)
Remedy	<p>[Remedy] Collect debug log and contact to the sales company.</p> <p>[Reference] By setting "COPIER (LEVEL2)> OPTION> FNC-SW> JM-ERR-D" to "1", it is handled as an error instead of a jam from the first occurrence.</p>

Jam Code

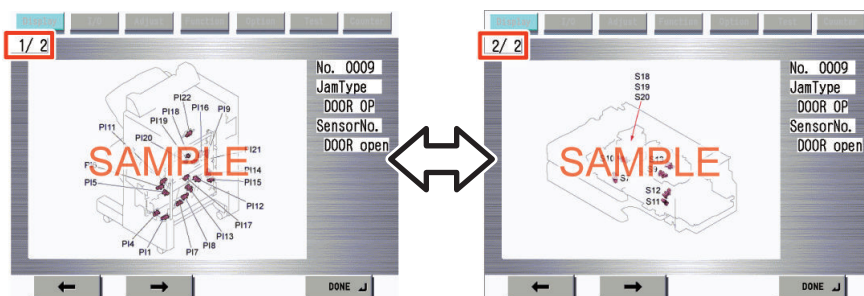
Jam Type

Type	Overview of detection	Check items (in arbitrary order)
DELAY	A delay jam occurs when a sensor was not turned ON although a specified period of time had passed after the start of detection by the sensor.	<ul style="list-style-type: none"> • Remaining paper at the upstream of the target sensor • Soiling on the target sensor • Displacement of the target sensor position • Failure of the target sensor • Soiling (grease)/deterioration/failure of a drive motor located upstream of the target sensor • Soiling (paper dust)/deterioration/failure of a drive roller located upstream of the target sensor
STNRY	A stationary jam occurs when a sensor was not turned OFF although a specified period of time had passed after the sensor was turned ON.	<ul style="list-style-type: none"> • Remaining paper near the target sensor • Soiling on the target sensor • Displacement of the target sensor position • Failure of the target sensor • Soiling (grease)/deterioration/failure of a drive motor located upstream of the target sensor • Soiling (paper dust)/deterioration/failure of a drive roller located upstream of the target sensor
DOOR OP	A door open jam occurs when a sensor detected door open during printing operation.	<ul style="list-style-type: none"> • Door open during printing
COVER OP	A door open jam occurs when a sensor detected cover open during printing operation.	<ul style="list-style-type: none"> • Cover open during printing
ADF OPEN	A door open jam occurs when a sensor detected ADF open during printing operation.	<ul style="list-style-type: none"> • ADF open during printing
SEQUENCE	<p>A sequence jam occurs when there was an error in sensor detection signal at printing operation sequence.</p> <p>Since the jam may occur due to sporadic noise with software of each equipment or communication line (interruption of communication), failure of the part is not the cause of the jam. After the jam is removed, the machine works.</p>	<ul style="list-style-type: none"> • Opening/closing of the door • Turning OFF and then ON the power • Error near the target sensor (soiling/displacement/failure of the sensor, error in harness/open circuit of harness, soiling (grease)/deterioration/failure of a drive motor, or soiling (paper dust)/deterioration/failure of a drive roller)
POWER ON	A power-on jam occurs when a sensor detected ON state at power-on.	<ul style="list-style-type: none"> • Remaining paper in the machine • Soiling on the target sensor • Failure of the target sensor • Foreign matter on the target sensor (paper dust, paper lint)
ERROR	<p>An error avoidance jam occurs when an error in the machine (excluding parts failure) was detected. Printing operation is suspended to avoid error occurrence by error code; therefore, parts failure is not the cause of the jam.</p> <p>After the jam is removed, the machine works.</p> <p>If it is due to parts failure, an error code instead of the error avoidance jam is displayed on UI and printing operation is suspended. In such case, service technician should perform remedial work for the error code.</p>	<ul style="list-style-type: none"> • Opening/closing of the door after jam removal • Turning OFF and then ON the power after jam removal
SIZE ERR	A size error jam occurs when the difference between the paper length detected by the Cassette Guide Plate/specified on the Control Panel and the length measured by the Registration Sensor is out of the specified range.	<ul style="list-style-type: none"> • Difference in paper size • Wrong paper size setting • Error in the Document Size Sensor (soiling/displacement/failure of the sensor) • Error in the Paper Size Detection Unit (failure of mechanical structure for size detection, failure of the Guide Plate, or failure of the Cassette Size Switch)
P-STOP	<p>Forcible stop of paper feed</p> <p>It occurs when a sheet of paper stops at the position specified in service mode.</p>	<ul style="list-style-type: none"> • Using at problem analysis.

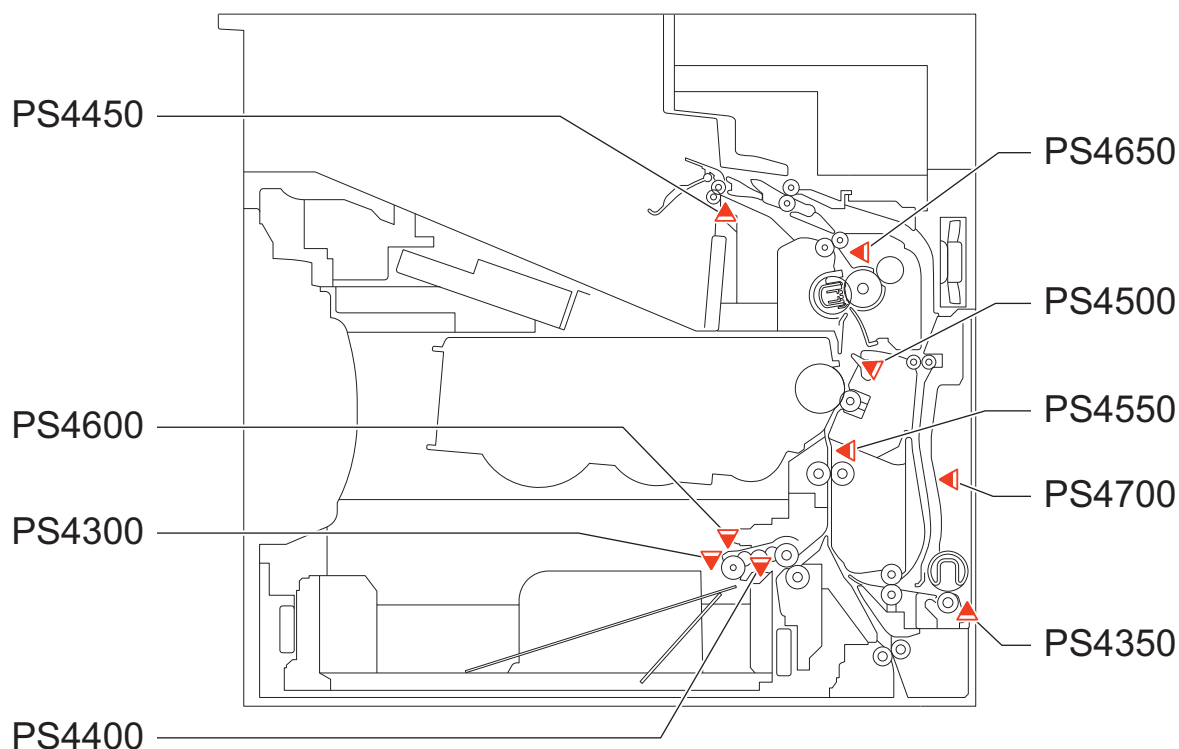
Type	Overview of detection	Check items (in arbitrary order)
Wrapping jam	When the first sensor after the fixing roller is turned ON is turned OFF immediately detection after the detection. Alternatively, when the second sensor after fixing roller is turned ON and immediately after detection, the first sensor is detection turned OFF.	<ul style="list-style-type: none"> Fixing Assembly remaining in Paper Failure of the target sensor Fixing Assembly failure Paper Type Confirmation (Check if paper type cannot be used.)

Jam screen display specification

Due to one jam code being used for multiple options, the illustration for the different option may be displayed on the jam screen. In this case, "1/2" or similar information is displayed on top left side of the screen and this area can be pushed. This operation can be used to switch information on the screen.



Main Unit

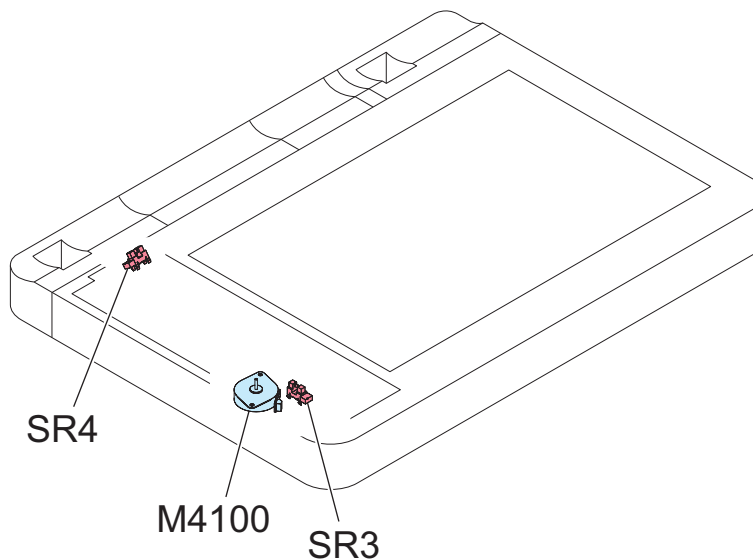
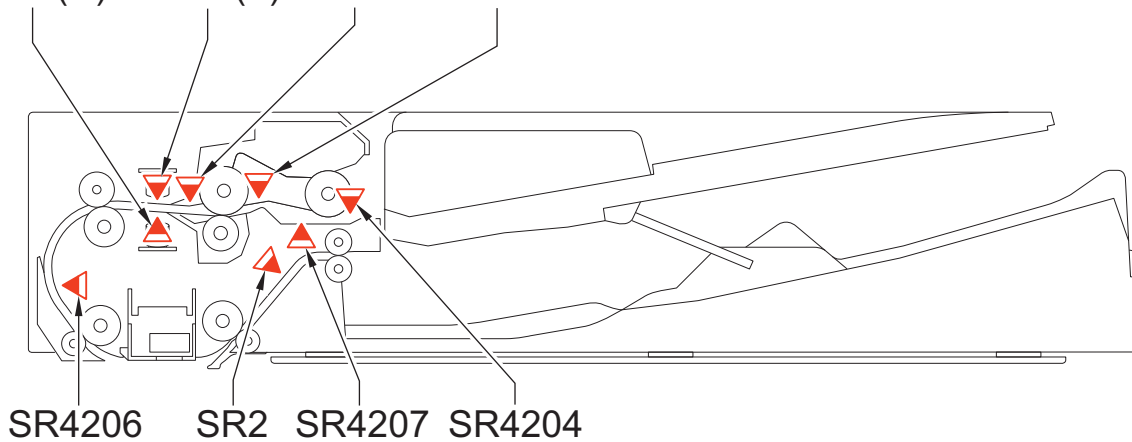


ACC ID	Jam Code	Type	Sensor Name / Description	Sensor ID
00	0101	DELAY	Registration Sensor	PS4550
00	0106	DELAY	Fixing Output Sensor	PS4650
00	0107	DELAY	Delivery Paper Full Sensor	PS4450
00	0108	DELAY	Duplex Feed Sensor	PS4700
00	0109	DELAY	Registration Sensor	PS4550
00	0201	STNRY	Registration Sensor	PS4550
00	0206	STNRY	Fixing Output Sensor	PS4650

ACC ID	Jam Code	Type	Sensor Name / Description	Sensor ID
00	0706	WRAP	Fixing Output Sensor	PS4650
00	0A01	POWER ON	Registration Sensor	PS4550
00	0A05	POWER ON	Fixing Arch Sensor	PS4500
00	0A06	POWER ON	Fixing Output Sensor	PS4650
00	0A07	POWER ON	Delivery Paper Full Sensor	PS4450
00	0A08	POWER ON	Duplex Feed Sensor	PS4700
00	0A09	POWER ON	Registration Sensor	PS4550
00	0B00	DOOR OP	Door Open	-
00	0C00	SEQUENCE	-	-
00	0CF1	ERROR	Error Avoidance Jam	-
00	0D00	OTHER	Size Error	-

ADF / Reader

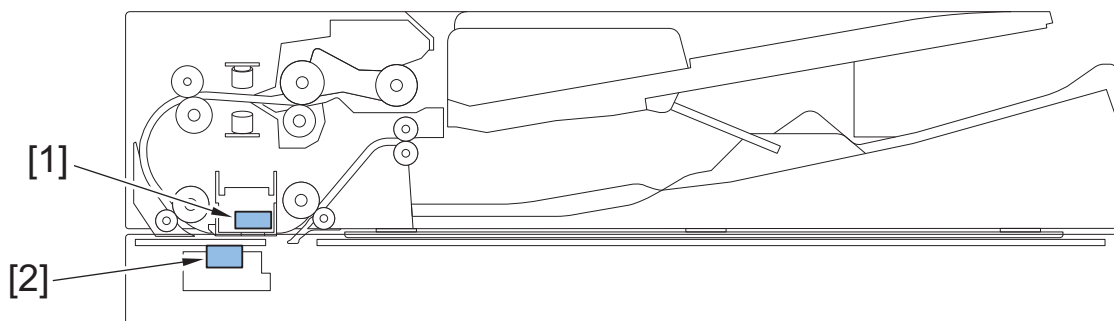
JUSO(R) JUSO(T) REG SR4205



ACC ID	Jam Code	Type	Sensor Name / Description	Sensor ID
01	0001	DELAY	Post-Separation Sensor	REG
01	0002	STNRY	Post-Separation Sensor	REG
01	0009	DELAY	Lead Sensor	SR4206
01	0010	STNRY	Lead Sensor	SR4206
01	0013	DELAY	Delivery Sensor	SR2
01	0014	STNRY	Delivery Sensor	SR2
01	0016	OTHER	-	-

ACC ID	Jam Code	Type	Sensor Name / Description	Sensor ID
01	0020	OTHER	-	-
01	0021	OTHER	-	-
01	0042	DELAY	Post-Separation Sensor	REG
01	0049	DELAY	Lead Sensor	SR4206
01	0050	STNRY	Lead Sensor	SR4206
01	0053	DELAY	Delivery Sensor	SR2
01	0054	STNRY	Delivery Sensor	SR2
01	0060	OTHER	-	-
01	0061	OTHER	-	-
01	0062	OTHER	-	-
01	0063	OTHER	-	-
01	0071	OTHER	-	-
01	0090	DOOR OP	ADF Open/Closed Sensor	SR4
01	0091	DOOR OP	ADF Open/Closed Sensor	SR4
01	0092	DOOR OP	ADF Cover Sensor	SR5
01	0093	DOOR OP	ADF Cover Sensor	SR5
01	0094	OTHER	-	-
01	0095	OTHER	-	-
01	0096	OTHER	-	-
01	007F	SEQUENCE	-	-
01	00A1	POWER ON	Post-Separation Sensor	REG
01	00A4	POWER ON	Lead Sensor	SR4206
01	00A6	POWER ON	Delivery Sensor	SR2

UniFlow (Advanced Scanning)



ACC ID	Jam Code	TYPE	Sensor Name/Description	Sensor ID
01	0025	OTHER	Detected skew greater than the maximum correctable amount	[1],[2]
01	0026	OTHER	Unable to detect skew due to unexpected originals	[1],[2]

■ 010025: Jam Code (UniFlow) 0025

Detection Description

Jam Type: Other Jams

Detected skew greater than the maximum correctable skew amount when performing Advanced Scan.

Remedy

1. Set the original again by following the displayed instruction.
 - When setting originals with mixed Free sizes, set each sheet of original to align with the center.

CAUTION:

Be aware that an image loss or a paper jam may be caused if the center of the original is off by 10 mm or more from the center of the Tray.

- When setting originals with mixed standard size paper, set by aligning the edge of originals to the rear of feeder.

NOTE:

Adjust by aligning the Side Guide Plate (Paper Guide) to the large paper.

2. Perform skew adjustment referring to chapter 6 "Adjustment".

■ 010026: Jam Code (UniFlow) 0026

Detection Description

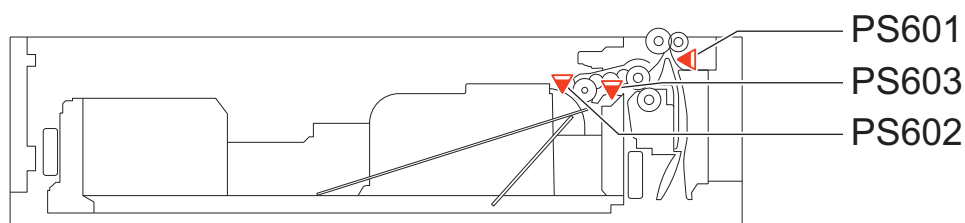
Jam Type: Other Jams

Detected skew greater than the maximum correctable skew amount when performing Advanced Scan.

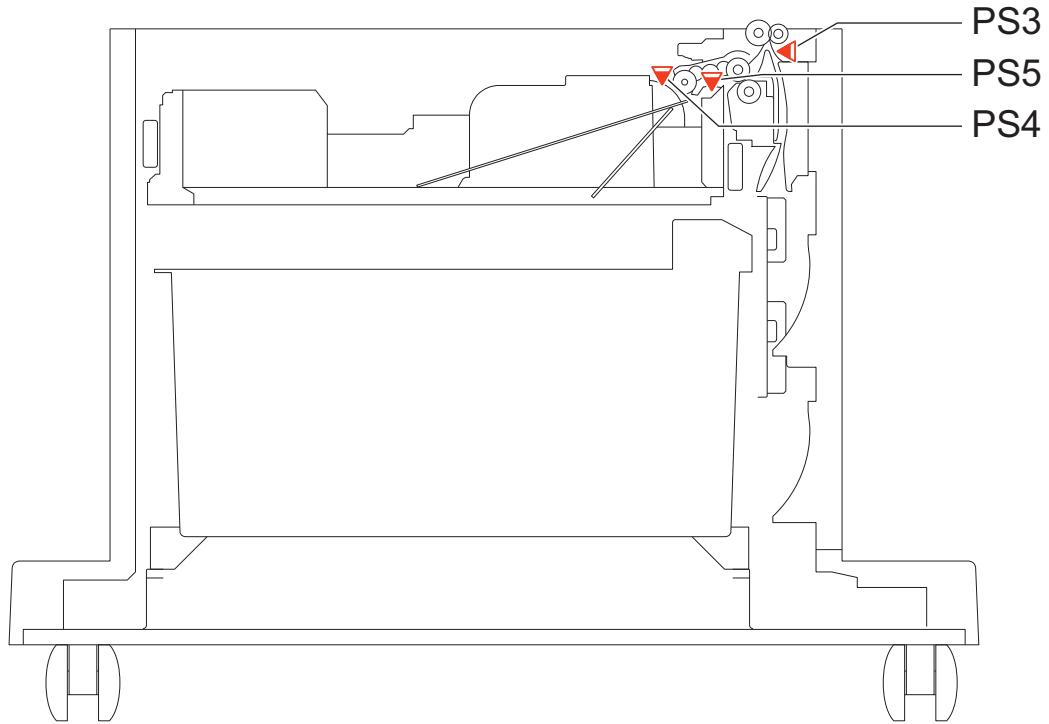
Remedy

1. Check if the original size is out of specification.
2. If the original is bent, modify it.
3. Change the original stacking direction (with the less damaged end of the original as its leading edge).
4. Change the document reading method.
 - Settings/Registration > Function Settings > Common > Scan Settings > Original Thickness Defaults for Scan from Feeder

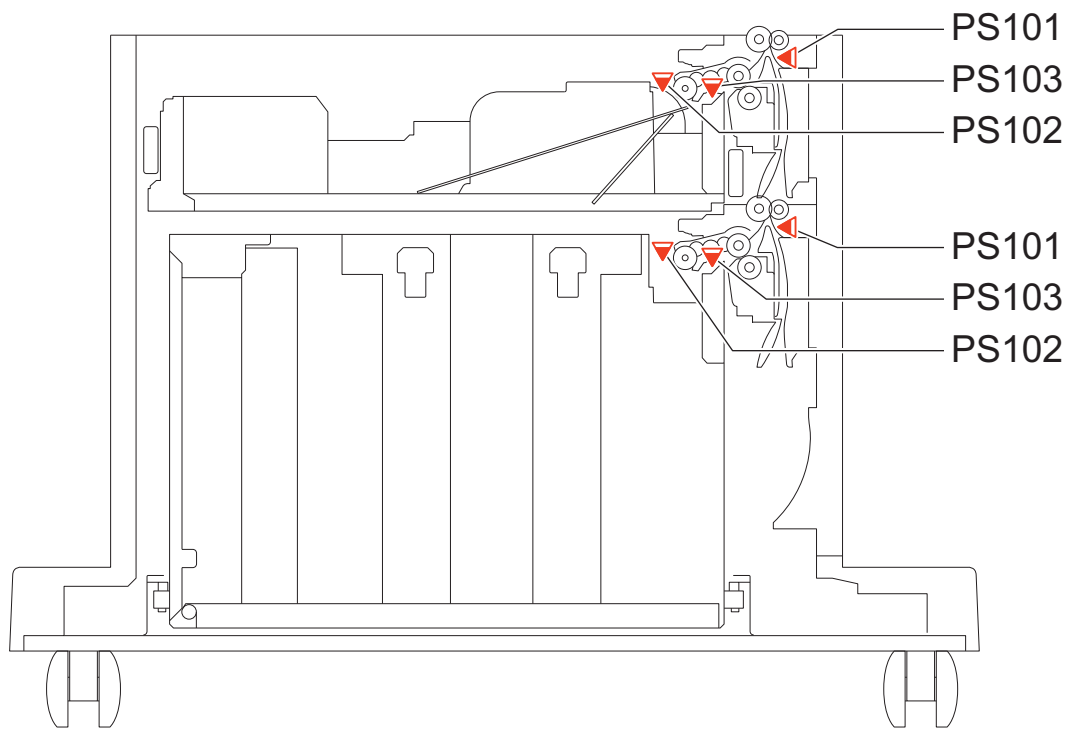
● Option Cassette



Cassette Module-AG/Envelope Cassette Module-A1



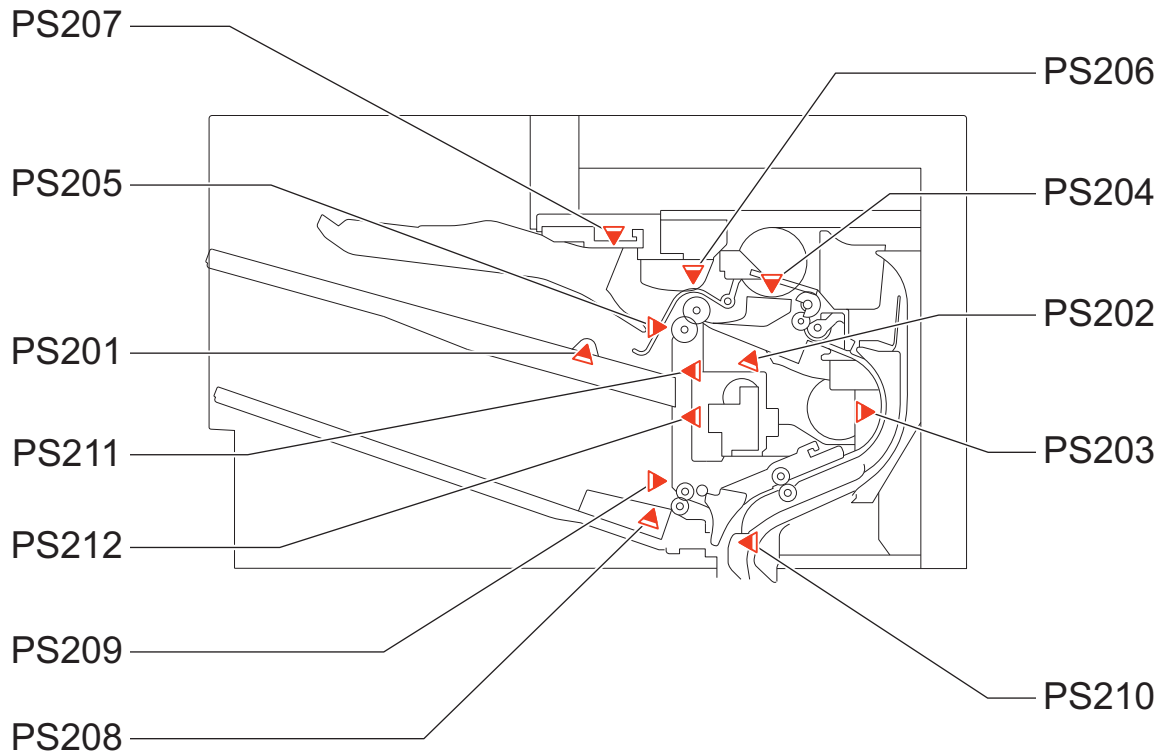
Cassette Feeding Unit-AR1



High Capacity Cassette Feeding Unit-D1

ACC ID	Jam Code	Type	Sensor Name / Description	Sensor ID
00	0102	DELAY	CST 2 Vertical Path Sensor	PS602/PS3/PS101
00	0103	DELAY	CST 3 Vertical Path Sensor	PS602/PS101
00	0104	DELAY	CST 4 Vertical Path Sensor	PS602
00	0A02	POWER ON	CST 2 Vertical Path Sensor	PS602/PS3/PS101
00	0A03	POWER ON	CST 3 Vertical Path Sensor	PS602/PS101
00	0A04	POWER ON	CST 4 Vertical Path Sensor	PS602

Inner Finisher



ACC ID	Jam Code	Type	Sensor Name / Description	Sensor ID
02	0A0A	POWER ON	Staple Stacker Inlet Sensor	PS210
02	0A0B	POWER ON	Staple Inlet Sensor	PS203
02	0A0C	POWER ON	Staple Stacker Exit Sensor	PS202
02	100A	DELAY	Staple Stacker Inlet Sensor	PS210
02	100B	DELAY	Staple Inlet Sensor	PS203
02	100C	DELAY	Staple Stacker Exit Sensor	PS202
02	110A	STNRY	Staple Stacker Inlet Sensor	PS210
02	110B	STNRY	Staple Inlet Sensor	PS203
02	110C	STNRY	Staple Stacker Exit Sensor	PS202
02	1200	OTHER	-	-
02	130A	POWER ON	Staple Stacker Inlet Sensor	PS210
02	130B	POWER ON	Staple Inlet Sensor	PS203
02	130C	POWER ON	Staple Stacker Exit Sensor	PS202
02	1400	DOOR OP	Door Open	-
02	1500	STAPLE	Stapler	PS215
02	1F00	OTHER	-	-

Alarm Code

Alarm Code Details

00-0085	A notice of state
A. Operation / B. Cause / C. Remedy	-
00-0246	Error code display (4-digit)
A. Operation / B. Cause / C. Remedy	Soft counter PCB cannot write normally
00-0247	Error code display (4-digit)
A. Operation / B. Cause / C. Remedy	Soft counter PCB cannot restore data
01-0002	No change in device status after specified period of time has passed (RDS server creates)
A. Operation / B. Cause / C. Remedy	-
01-0005	Restricted operation notification
A. Operation / B. Cause / C. Remedy	The device entered limited function mode for some reason. * Not displayed on service mode history due to the alarm being generated by UGW
04-0076	OP Cassette 2 Memory Error
A. Operation / B. Cause / C. Remedy	Cause: Communications cannot be made with the Control PCB of OP Cassette 2 or data error occurs. Remedy: 1. Check on the connection of OP Cassette 2 2. Check on the connector of the Control PCB of OP Cassette 2 3. Replacement of the Control PCB of OP Cassette 2 4. Replacement of the DC Controller PCB
04-0077	OP Cassette 3 Memory Error
A. Operation / B. Cause / C. Remedy	Cause: Communications cannot be made with the Control PCB of OP Cassette 3 or data error occurs. Remedy: 1. Check on the connection of OP Cassette 3 2. Check on the connector of the Control PCB of OP Cassette 3 3. Replacement of the Control PCB of OP Cassette 3 4. Replacement of the DC Controller PCB
04-0078	OP Cassette 4 Memory Error
A. Operation / B. Cause / C. Remedy	Cause: Communications cannot be made with the Control PCB of OP Cassette 4 or data error occurs. Remedy: 1. Check on the connection of OP Cassette 4 2. Check on the connector of the Control PCB of OP Cassette 4 3. Replacement of the Control PCB of OP Cassette 4 4. Replacement of DC Controller PCB
10-0020	Toner (Bk) prior notification alarm
A. Operation / B. Cause / C. Remedy	The life value of a target part reached the number of days left as set in COPIER > OPTION > PM-DLV-D > TONER-K.

10-0094	Toner memory detection error (Bk):
A. Operation / B. Cause / C. Remedy	<p>Communication error with the memory of toner (Bk) was detected.</p> <p>Cause: Memory of toner (Bk) could not be detected.</p> <ol style="list-style-type: none"> 1. Remove and then install the Toner Cartridge. 2. Check for any scar or soiling on the memory area of the Toner Cartridge. 3. Check the connector between the memory detection area and the DC Controller PCB. 4. Check for any soiling or damage on the memory detection area. 5. Replace the Toner Cartridge (Bk)
10-0098	Cartridge memory detection alarm
A. Operation / B. Cause / C. Remedy	<p>Cause: Memory of cartridge could not be detected.</p> <p>Measures:</p> <ol style="list-style-type: none"> 1. Remove and then install the Cartridge. 2. Check for any scar or soiling on the memory area of the Cartridge. 3. Replace the Cartridge.
10-0100	Toner Bottle replacement completion alarm
A. Operation / B. Cause / C. Remedy	<p>Replacement of Toner Bottle was detected.</p> <p>10-0100-0071: New Toner Bottle replacement detection (Bk) 10-0100-0072: New Toner Bottle replacement detection (Y) 10-0100-0073: New Toner Bottle replacement detection (M) 10-0100-0074: New Toner Bottle replacement detection (C) 10-0100-0081: Toner Bottle premature removal detection (Bk) 10-0100-0082: Toner Bottle premature removal detection (Y) 10-0100-0083: Toner Bottle premature removal detection (M) 10-0100-0084: Toner Bottle premature removal detection (C) 10-0100-0181: Unidentified Toner Bottle detection (Bk) 10-0100-0182: Unidentified Toner Bottle detection (Y) 10-0100-0183: Unidentified Toner Bottle detection (M) 10-0100-0184: Unidentified Toner Bottle detection (C)</p> <p>Some alarm codes may not be generated depending on models.</p>
10-0404	Toner Bottle empty alarm (Bk)
A. Operation / B. Cause / C. Remedy	Toner Bottle empty was detected.
10-F020	Toner (Bk) high consumption alarm
A. Operation / B. Cause / C. Remedy	It was detected that the target part was at a high level of daily consumption.
13-0027	For R&D
A. Operation / B. Cause / C. Remedy	
13-002B	For R&D
A. Operation / B. Cause / C. Remedy	
13-0FFC	For R&D
A. Operation / B. Cause / C. Remedy	
13-0FFD	For R&D
A. Operation / B. Cause / C. Remedy	
13-0FFF	For R&D
A. Operation / B. Cause / C. Remedy	

14-0002	For R&D
A. Operation / B. Cause / C. Remedy	
31-0006	HDD failure when equipped with the mirroring function
A. Operation / B. Cause / C. Remedy	HDD failure when equipped with the mirroring function
31-0008	HDD failure prediction alarm
A. Operation / B. Cause / C. Remedy	<p>Movement: HDD failure is expected to occur in a short time due to occurrence of physical error in HDD. It does not occur in the HDD of mirroring configuration.</p> <p>Cause: Error in the S.M.A.R.T. value of HDD</p> <p>Measures:</p> <ol style="list-style-type: none"> 1. Back up the data stored in HDD. 2. Replace the HDD. 3. Restore the data. <p>S.M.A.R.T. (Self-Monitoring Analysis and Reporting Technology): Self-diagnosis function built in the HDD. The occurrence rate of reading error, reading and writing speed, the total number of Motor start-up and stop times, the total length of power-on time, etc. are monitored.</p>
31-0009	FLASH failure prediction alarm
A. Operation / B. Cause / C. Remedy	<p>Cause: Error in the S.M.A.R.T. value of FLASH memory It indicates a physical error of the FLASH memory, which is expected to soon lead to a failure.</p> <p>*: S.M.A.R.T. (Self-Monitoring Analysis and Reporting Technology) = It is a self-diagnosis function built in the FLASH memory, and monitors the occurrence rate of reading errors, reading/writing speed, total number of times of motor start-up/stop, total length of power-on time, etc.</p> <p>Continuously using the machine without taking any measures may lead to E614.</p> <p>Measures: Back up the data stored in the FLASH memory, and restore the data after replacing the FLASH memory.</p>
31-0060	Warning in accessing the NVRAM
A. Operation / B. Cause / C. Remedy	<p>Communication with EEPROM in the DCON PCB was not available.</p> <p>Remedy: Replace the DCON PCB.</p>
31-0061	Warning in accessing the NVRAM
A. Operation / B. Cause / C. Remedy	<p>Communication with EEPROM in the DCON PCB was not available.</p> <p>Remedy: Replace the DCON PCB.</p>
31-0106	For R&D
A. Operation / B. Cause / C. Remedy	-
31-0116	For R&D
A. Operation / B. Cause / C. Remedy	-
31-0126	For R&D
A. Operation / B. Cause / C. Remedy	-
31-0136	For R&D
A. Operation / B. Cause / C. Remedy	-
31-01F1	For R&D
A. Operation / B. Cause / C. Remedy	-

31-01F2	For R&D
A. Operation / B. Cause / C. Remedy	-
31-01F3	For R&D
A. Operation / B. Cause / C. Remedy	-
31-01F4	For R&D
A. Operation / B. Cause / C. Remedy	-
31-01F5	For R&D
A. Operation / B. Cause / C. Remedy	-
31-01F6	For R&D
A. Operation / B. Cause / C. Remedy	-
34-0050	Laser Scanner EEPROM checksum alarm
A. Operation / B. Cause / C. Remedy	An error in data in the EEPROM installed in the Laser Scanner PCB was detected. Detection condition/timing: When the DCON is started, data in the EEPROM of the Laser Scanner is retrieved. [Related parts] - Laser Driver PCB - Harness between the DC Controller PCB and the Laser Driver PCB Remedy: [Remedy] Check/replace the related parts.
37-0001	For R&D
A. Operation / B. Cause / C. Remedy	-
37-0002	For R&D
A. Operation / B. Cause / C. Remedy	-
37-0003	For R&D
A. Operation / B. Cause / C. Remedy	-
37-0004	For R&D
A. Operation / B. Cause / C. Remedy	-
37-0005	For R&D
A. Operation / B. Cause / C. Remedy	-
37-0006	For R&D
A. Operation / B. Cause / C. Remedy	-
37-0007	For R&D
A. Operation / B. Cause / C. Remedy	-
37-1000	For R&D
A. Operation / B. Cause / C. Remedy	-

37-2000	For R&D
A. Operation / B. Cause / C. Remedy	-
38-0001	For R&D
A. Operation / B. Cause / C. Remedy	-
38-0002	For R&D
A. Operation / B. Cause / C. Remedy	-
39-0111	Application-generated alarm
A. Operation / B. Cause / C. Remedy	Service call application Error message (E-code) * This alarm is not displayed on LUI due to the alarm being generated by the application.
39-0210	Application-generated alarm
A. Operation / B. Cause / C. Remedy	Service call application Paper jam_Inside the machine_Not specified * This alarm is not displayed on LUI due to the alarm being generated by the application.
39-0211	Application-generated alarm
A. Operation / B. Cause / C. Remedy	Service call application Paper jam_Inside the machine_Frequently * This alarm is not displayed on LUI due to the alarm being generated by the application.
39-0212	Application-generated alarm
A. Operation / B. Cause / C. Remedy	Service call application Paper jam_Inside the machine_Occasionally * This alarm is not displayed on LUI due to the alarm being generated by the application.
39-0213	Application-generated alarm
A. Operation / B. Cause / C. Remedy	Service call application Paper jam_Inside the machine_First time in the day * This alarm is not displayed on LUI due to the alarm being generated by the application.
39-0220	Application-generated alarm
A. Operation / B. Cause / C. Remedy	Service call application Paper jam_Document Feeder_Not specified * This alarm is not displayed on LUI due to the alarm being generated by the application.
39-0221	Application-generated alarm
A. Operation / B. Cause / C. Remedy	Service call application Paper jam_Document Feeder_Frequently * This alarm is not displayed on LUI due to the alarm being generated by the application.
39-0222	Application-generated alarm
A. Operation / B. Cause / C. Remedy	Service call application Paper jam_Document Feeder_Occasionally * This alarm is not displayed on LUI due to the alarm being generated by the application.
39-0223	Application-generated alarm
A. Operation / B. Cause / C. Remedy	Service call application Paper jam_Document Feeder_First time in the day * This alarm is not displayed on LUI due to the alarm being generated by the application.
39-0230	Application-generated alarm
A. Operation / B. Cause / C. Remedy	Service call application Paper jam_Cassette_Not specified * This alarm is not displayed on LUI due to the alarm being generated by the application.

39-0231	Application-generated alarm
A. Operation / B. Cause / C. Remedy	Service call application Paper jam_Cassette_Cassette 1 * This alarm is not displayed on LUI due to the alarm being generated by the application.
39-0232	Application-generated alarm
A. Operation / B. Cause / C. Remedy	Service call application Paper jam_Cassette_Cassette 2 * This alarm is not displayed on LUI due to the alarm being generated by the application.
39-0233	Application-generated alarm
A. Operation / B. Cause / C. Remedy	Service call application Paper jam_Cassette_Cassette 3 * This alarm is not displayed on LUI due to the alarm being generated by the application.
39-0234	Application-generated alarm
A. Operation / B. Cause / C. Remedy	Service call application Paper jam_Cassette_Cassette 4 * This alarm is not displayed on LUI due to the alarm being generated by the application.
39-0235	Application-generated alarm
A. Operation / B. Cause / C. Remedy	Service call application Spare (Not selectable) * This alarm is not displayed on LUI due to the alarm being generated by the application.
39-0240	Application-generated alarm
A. Operation / B. Cause / C. Remedy	Service call application Paper jam_Multi-purpose Tray_Not specified * This alarm is not displayed on LUI due to the alarm being generated by the application.
39-0241	Application-generated alarm
A. Operation / B. Cause / C. Remedy	Service call application Paper jam_Multi-purpose Tray_Envelope * This alarm is not displayed on LUI due to the alarm being generated by the application.
39-0242	Application-generated alarm
A. Operation / B. Cause / C. Remedy	Service call application Paper jam_Multi-purpose Tray_Postcard * This alarm is not displayed on LUI due to the alarm being generated by the application.
39-0243	Application-generated alarm
A. Operation / B. Cause / C. Remedy	Service call application Paper jam_Multi-purpose Tray_Plain paper * This alarm is not displayed on LUI due to the alarm being generated by the application.
39-0244	Application-generated alarm
A. Operation / B. Cause / C. Remedy	Service call application Paper jam_Multi-purpose Tray_Label paper * This alarm is not displayed on LUI due to the alarm being generated by the application.
39-0245	Application-generated alarm
A. Operation / B. Cause / C. Remedy	Service call application Paper jam_Multi-purpose Tray_Heavy paper * This alarm is not displayed on LUI due to the alarm being generated by the application.
39-0250	Application-generated alarm
A. Operation / B. Cause / C. Remedy	Service call application Paper jam_Outlet_Not specified * This alarm is not displayed on LUI due to the alarm being generated by the application.

39-0251	Application-generated alarm
A. Operation / B. Cause / C. Remedy	Service call application Paper jam_Outlet_Frequently * This alarm is not displayed on LUI due to the alarm being generated by the application.
39-0252	Application-generated alarm
A. Operation / B. Cause / C. Remedy	Service call application Paper jam_Outlet_Occasionally * This alarm is not displayed on LUI due to the alarm being generated by the application.
39-0253	Application-generated alarm
A. Operation / B. Cause / C. Remedy	Service call application Paper jam_Outlet_First time in the day * This alarm is not displayed on LUI due to the alarm being generated by the application.
39-0260	Application-generated alarm
A. Operation / B. Cause / C. Remedy	Service call application Paper jam_At 2-sided printing_Not specified * This alarm is not displayed on LUI due to the alarm being generated by the application.
39-0261	Application-generated alarm
A. Operation / B. Cause / C. Remedy	Service call application Paper jam_At 2-sided printing_Frequently * This alarm is not displayed on LUI due to the alarm being generated by the application.
39-0262	Application-generated alarm
A. Operation / B. Cause / C. Remedy	Service call application Paper jam_At 2-sided printing_Occasionally * This alarm is not displayed on LUI due to the alarm being generated by the application.
39-0263	Application-generated alarm
A. Operation / B. Cause / C. Remedy	Service call application Paper jam_At 2-sided printing_First time in the day * This alarm is not displayed on LUI due to the alarm being generated by the application.
39-0290	Application-generated alarm
A. Operation / B. Cause / C. Remedy	Service call application Paper jam_Others * This alarm is not displayed on LUI due to the alarm being generated by the application.
39-0310	Application-generated alarm
A. Operation / B. Cause / C. Remedy	Service call application Image failure_Displacement_Color not specified * This alarm is not displayed on LUI due to the alarm being generated by the application.
39-0311	Application-generated alarm
A. Operation / B. Cause / C. Remedy	Service call application Image failure_Displacement_Black * This alarm is not displayed on LUI due to the alarm being generated by the application.
39-0312	Application-generated alarm
A. Operation / B. Cause / C. Remedy	Service call application Image failure_Displacement_Yellow * This alarm is not displayed on LUI due to the alarm being generated by the application.
39-0313	Application-generated alarm
A. Operation / B. Cause / C. Remedy	Service call application Image failure_Displacement_Magenta * This alarm is not displayed on LUI due to the alarm being generated by the application.

39-0314	Application-generated alarm
A. Operation / B. Cause / C. Remedy	Service call application Image failure_Displacement_Cyan * This alarm is not displayed on LUI due to the alarm being generated by the application.
39-0320	Application-generated alarm
A. Operation / B. Cause / C. Remedy	Service call application Image failure_Blank image_Color not specified * This alarm is not displayed on LUI due to the alarm being generated by the application.
39-0321	Application-generated alarm
A. Operation / B. Cause / C. Remedy	Service call application Image failure_Blank image_Black * This alarm is not displayed on LUI due to the alarm being generated by the application.
39-0322	Application-generated alarm
A. Operation / B. Cause / C. Remedy	Service call application Image failure_Blank image_Yellow * This alarm is not displayed on LUI due to the alarm being generated by the application.
39-0323	Application-generated alarm
A. Operation / B. Cause / C. Remedy	Service call application Image failure_Blank image_Magenta * This alarm is not displayed on LUI due to the alarm being generated by the application.
39-0324	Application-generated alarm
A. Operation / B. Cause / C. Remedy	Service call application Image failure_Blank image_Cyan * This alarm is not displayed on LUI due to the alarm being generated by the application.
39-0330	Application-generated alarm
A. Operation / B. Cause / C. Remedy	Service call application Image failure_Soiling_Color not specified * This alarm is not displayed on LUI due to the alarm being generated by the application.
39-0331	Application-generated alarm
A. Operation / B. Cause / C. Remedy	Service call application Image failure_Soiling_Black * This alarm is not displayed on LUI due to the alarm being generated by the application.
39-0332	Application-generated alarm
A. Operation / B. Cause / C. Remedy	Service call application Image failure_Soiling_Yellow * This alarm is not displayed on LUI due to the alarm being generated by the application.
39-0333	Application-generated alarm
A. Operation / B. Cause / C. Remedy	Service call application Image failure_Soiling_Magenta * This alarm is not displayed on LUI due to the alarm being generated by the application.
39-0334	Application-generated alarm
A. Operation / B. Cause / C. Remedy	Service call application Image failure_Soiling_Cyan * This alarm is not displayed on LUI due to the alarm being generated by the application.
39-0340	Application-generated alarm
A. Operation / B. Cause / C. Remedy	Service call application Image failure_Lines_Color not specified * This alarm is not displayed on LUI due to the alarm being generated by the application.

39-0341	Application-generated alarm
A. Operation / B. Cause / C. Remedy	Service call application Image failure_Lines_Black * This alarm is not displayed on LUI due to the alarm being generated by the application.
39-0342	Application-generated alarm
A. Operation / B. Cause / C. Remedy	Service call application Image failure_Lines_Yellow * This alarm is not displayed on LUI due to the alarm being generated by the application.
39-0343	Application-generated alarm
A. Operation / B. Cause / C. Remedy	Service call application Image failure_Lines_Magenta * This alarm is not displayed on LUI due to the alarm being generated by the application.
39-0344	Application-generated alarm
A. Operation / B. Cause / C. Remedy	Service call application Image failure_Lines_Cyan * This alarm is not displayed on LUI due to the alarm being generated by the application.
39-0350	Application-generated alarm
A. Operation / B. Cause / C. Remedy	Service call application Image failure_Light_Color not specified * This alarm is not displayed on LUI due to the alarm being generated by the application.
39-0351	Application-generated alarm
A. Operation / B. Cause / C. Remedy	Service call application Image failure_Light_Black * This alarm is not displayed on LUI due to the alarm being generated by the application.
39-0352	Application-generated alarm
A. Operation / B. Cause / C. Remedy	Service call application Image failure_Light_Yellow * This alarm is not displayed on LUI due to the alarm being generated by the application.
39-0353	Application-generated alarm
A. Operation / B. Cause / C. Remedy	Service call application Image failure_Light_Magenta * This alarm is not displayed on LUI due to the alarm being generated by the application.
39-0354	Application-generated alarm
A. Operation / B. Cause / C. Remedy	Service call application Image failure_Light_Cyan * This alarm is not displayed on LUI due to the alarm being generated by the application.
39-0360	Application-generated alarm
A. Operation / B. Cause / C. Remedy	Service call application Image failure_Hue_Color not specified * This alarm is not displayed on LUI due to the alarm being generated by the application.
39-0361	Application-generated alarm
A. Operation / B. Cause / C. Remedy	Service call application Image failure_Hue_Black * This alarm is not displayed on LUI due to the alarm being generated by the application.
39-0362	Application-generated alarm
A. Operation / B. Cause / C. Remedy	Service call application Image failure_Hue_Yellow * This alarm is not displayed on LUI due to the alarm being generated by the application.

39-0363	Application-generated alarm
A. Operation / B. Cause / C. Remedy	Service call application Image failure_Hue_Magenta * This alarm is not displayed on LUI due to the alarm being generated by the application.
39-0364	Application-generated alarm
A. Operation / B. Cause / C. Remedy	Service call application Image failure_Hue_Cyan * This alarm is not displayed on LUI due to the alarm being generated by the application.
39-0370	Application-generated alarm
A. Operation / B. Cause / C. Remedy	Service call application Image failure_Dark_Color not specified * This alarm is not displayed on LUI due to the alarm being generated by the application.
39-0371	Application-generated alarm
A. Operation / B. Cause / C. Remedy	Service call application Image failure_Dark_Black * This alarm is not displayed on LUI due to the alarm being generated by the application.
39-0372	Application-generated alarm
A. Operation / B. Cause / C. Remedy	Service call application Image failure_Dark_Yellow * This alarm is not displayed on LUI due to the alarm being generated by the application.
39-0373	Application-generated alarm
A. Operation / B. Cause / C. Remedy	Service call application Image failure_Dark_Magenta * This alarm is not displayed on LUI due to the alarm being generated by the application.
39-0374	Application-generated alarm
A. Operation / B. Cause / C. Remedy	Service call application Image failure_Dark_Cyan * This alarm is not displayed on LUI due to the alarm being generated by the application.
39-0380	Application-generated alarm
A. Operation / B. Cause / C. Remedy	Service call application Image failure_Color displacement_Color not specified * This alarm is not displayed on LUI due to the alarm being generated by the application.
39-0381	Application-generated alarm
A. Operation / B. Cause / C. Remedy	Service call application Image failure_Color displacement_Black * This alarm is not displayed on LUI due to the alarm being generated by the application.
39-0382	Application-generated alarm
A. Operation / B. Cause / C. Remedy	Service call application Image failure_Color displacement_Yellow * This alarm is not displayed on LUI due to the alarm being generated by the application.
39-0383	Application-generated alarm
A. Operation / B. Cause / C. Remedy	Service call application Image failure_Color displacement_Magenta * This alarm is not displayed on LUI due to the alarm being generated by the application.
39-0384	Application-generated alarm
A. Operation / B. Cause / C. Remedy	Service call application Image failure_Color displacement_Cyan * This alarm is not displayed on LUI due to the alarm being generated by the application.

39-0390	Application-generated alarm
A. Operation / B. Cause / C. Remedy	Service call application Image failure_Others * This alarm is not displayed on LUI due to the alarm being generated by the application.
39-0511	Application-generated alarm
A. Operation / B. Cause / C. Remedy	Service call application Operation failure_Print * This alarm is not displayed on LUI due to the alarm being generated by the application.
39-0520	Application-generated alarm
A. Operation / B. Cause / C. Remedy	Service call application Operation failure_Fax_Not specified * This alarm is not displayed on LUI due to the alarm being generated by the application.
39-0521	Application-generated alarm
A. Operation / B. Cause / C. Remedy	Service call application Operation failure_Fax_Transmission and reception * This alarm is not displayed on LUI due to the alarm being generated by the application.
39-0522	Application-generated alarm
A. Operation / B. Cause / C. Remedy	Service call application Operation failure_Fax_Reception * This alarm is not displayed on LUI due to the alarm being generated by the application.
39-0523	Application-generated alarm
A. Operation / B. Cause / C. Remedy	Service call application Operation failure_Fax_Transmission * This alarm is not displayed on LUI due to the alarm being generated by the application.
39-0524	Application-generated alarm
A. Operation / B. Cause / C. Remedy	Service call application Operation failure_Fax_Forwarding * This alarm is not displayed on LUI due to the alarm being generated by the application.
39-0530	Application-generated alarm
A. Operation / B. Cause / C. Remedy	Service call application Operation failure_Control Panel_Not specified * This alarm is not displayed on LUI due to the alarm being generated by the application.
39-0531	Application-generated alarm
A. Operation / B. Cause / C. Remedy	Service call application Operation failure_Control Panel_Slow response * This alarm is not displayed on LUI due to the alarm being generated by the application.
39-0532	Application-generated alarm
A. Operation / B. Cause / C. Remedy	Service call application Operation failure_Control Panel_Occasional freeze-up (Not work) * This alarm is not displayed on LUI due to the alarm being generated by the application.
39-0541	Application-generated alarm
A. Operation / B. Cause / C. Remedy	Service call application Operation failure_Scan (SEND) * This alarm is not displayed on LUI due to the alarm being generated by the application.
39-0551	Application-generated alarm
A. Operation / B. Cause / C. Remedy	Service call application Operation failure_Abnormal noise_Main * This alarm is not displayed on LUI due to the alarm being generated by the application.

39-0552	Application-generated alarm
A. Operation / B. Cause / C. Remedy	Service call application Operation failure_Abnormal noise_Options * This alarm is not displayed on LUI due to the alarm being generated by the application.
39-0590	Application-generated alarm
A. Operation / B. Cause / C. Remedy	Service call application Operation failure_Others * This alarm is not displayed on LUI due to the alarm being generated by the application.
39-0611	Application-generated alarm
A. Operation / B. Cause / C. Remedy	Service call application Settings_Training * This alarm is not displayed on LUI due to the alarm being generated by the application.
39-0612	Application-generated alarm
A. Operation / B. Cause / C. Remedy	Service call application Settings_Addition * This alarm is not displayed on LUI due to the alarm being generated by the application.
39-0621	Application-generated alarm
A. Operation / B. Cause / C. Remedy	Service call application Settings_Forwarding_Fax * This alarm is not displayed on LUI due to the alarm being generated by the application.
39-0622	Application-generated alarm
A. Operation / B. Cause / C. Remedy	Service call application Settings_Forwarding_SEND * This alarm is not displayed on LUI due to the alarm being generated by the application.
39-0631	Application-generated alarm
A. Operation / B. Cause / C. Remedy	Service call application Settings_Printer driver installation * This alarm is not displayed on LUI due to the alarm being generated by the application.
39-0641	Application-generated alarm
A. Operation / B. Cause / C. Remedy	Service call application Settings_Address book * This alarm is not displayed on LUI due to the alarm being generated by the application.
39-0651	Application-generated alarm
A. Operation / B. Cause / C. Remedy	Service call application Settings_Network * This alarm is not displayed on LUI due to the alarm being generated by the application.
39-0690	Application-generated alarm
A. Operation / B. Cause / C. Remedy	Service call application Settings_Others * This alarm is not displayed on LUI due to the alarm being generated by the application.
39-0811	Application-generated alarm
A. Operation / B. Cause / C. Remedy	Service call application Order_Toner_Black * This alarm is not displayed on LUI due to the alarm being generated by the application.
39-0812	Application-generated alarm
A. Operation / B. Cause / C. Remedy	Service call application Order_Toner_Yellow * This alarm is not displayed on LUI due to the alarm being generated by the application.

39-0813	Application-generated alarm
A. Operation / B. Cause / C. Remedy	Service call application Order_Toner_Magenta * This alarm is not displayed on LUI due to the alarm being generated by the application.
39-0814	Application-generated alarm
A. Operation / B. Cause / C. Remedy	Service call application Order_Toner_Cyan * This alarm is not displayed on LUI due to the alarm being generated by the application.
39-0821	Application-generated alarm
A. Operation / B. Cause / C. Remedy	Service call application Order_Waste Toner Container * This alarm is not displayed on LUI due to the alarm being generated by the application.
39-1111	Application-generated alarm
A. Operation / B. Cause / C. Remedy	Service call application Error message (E-code)_(Cancel) * This alarm is not displayed on LUI due to the alarm being generated by the application.
39-1210	Application-generated alarm
A. Operation / B. Cause / C. Remedy	Service call application Paper jam_Inside the machine_Not specified_(Cancel) * This alarm is not displayed on LUI due to the alarm being generated by the application.
39-1211	Application-generated alarm
A. Operation / B. Cause / C. Remedy	Service call application Paper jam_Inside the machine_Frequently_(Cancel) * This alarm is not displayed on LUI due to the alarm being generated by the application.
39-1212	Application-generated alarm
A. Operation / B. Cause / C. Remedy	Service call application Paper jam_Inside the machine_Occasionally_(Cancel) * This alarm is not displayed on LUI due to the alarm being generated by the application.
39-1213	Application-generated alarm
A. Operation / B. Cause / C. Remedy	Service call application Paper jam_Inside the machine_First time in the day_(Cancel) * This alarm is not displayed on LUI due to the alarm being generated by the application.
39-1220	Application-generated alarm
A. Operation / B. Cause / C. Remedy	Service call application Paper jam_Document Feeder_Not specified_(Cancel) * This alarm is not displayed on LUI due to the alarm being generated by the application.
39-1221	Application-generated alarm
A. Operation / B. Cause / C. Remedy	Service call application Paper jam_Document Feeder_Frequently_(Cancel) * This alarm is not displayed on LUI due to the alarm being generated by the application.
39-1222	Application-generated alarm
A. Operation / B. Cause / C. Remedy	Service call application Paper jam_Document Feeder_Occasionally_(Cancel) * This alarm is not displayed on LUI due to the alarm being generated by the application.
39-1223	Application-generated alarm
A. Operation / B. Cause / C. Remedy	Service call application Paper jam_Document Feeder_First time in the day_(Cancel) * This alarm is not displayed on LUI due to the alarm being generated by the application.

39-1230	Application-generated alarm
A. Operation / B. Cause / C. Remedy	Service call application Paper jam_Cassette_Not specified_(Cancel) * This alarm is not displayed on LUI due to the alarm being generated by the application.
39-1231	Application-generated alarm
A. Operation / B. Cause / C. Remedy	Service call application Paper jam_Cassette_Cassette 1_(Cancel) * This alarm is not displayed on LUI due to the alarm being generated by the application.
39-1232	Application-generated alarm
A. Operation / B. Cause / C. Remedy	Service call application Paper jam_Cassette_Cassette 2_(Cancel) * This alarm is not displayed on LUI due to the alarm being generated by the application.
39-1233	Application-generated alarm
A. Operation / B. Cause / C. Remedy	Service call application Paper jam_Cassette_Cassette 3_(Cancel) * This alarm is not displayed on LUI due to the alarm being generated by the application.
39-1234	Application-generated alarm
A. Operation / B. Cause / C. Remedy	Service call application Paper jam_Cassette_Cassette 4_(Cancel) * This alarm is not displayed on LUI due to the alarm being generated by the application.
39-1235	Application-generated alarm
A. Operation / B. Cause / C. Remedy	Service call application Spare (Cancel) * This alarm is not displayed on LUI due to the alarm being generated by the application.
39-1240	Application-generated alarm
A. Operation / B. Cause / C. Remedy	Service call application Paper jam_Multi-purpose Tray_Not specified_(Cancel) * This alarm is not displayed on LUI due to the alarm being generated by the application.
39-1241	Application-generated alarm
A. Operation / B. Cause / C. Remedy	Service call application Paper jam_Multi-purpose Tray_Envelope_(Cancel) * This alarm is not displayed on LUI due to the alarm being generated by the application.
39-1242	Application-generated alarm
A. Operation / B. Cause / C. Remedy	Service call application Paper jam_Multi-purpose Tray_Postcard_(Cancel) * This alarm is not displayed on LUI due to the alarm being generated by the application.
39-1243	Application-generated alarm
A. Operation / B. Cause / C. Remedy	Service call application Paper jam_Multi-purpose Tray_Plain paper_(Cancel) * This alarm is not displayed on LUI due to the alarm being generated by the application.
39-1244	Application-generated alarm
A. Operation / B. Cause / C. Remedy	Service call application Paper jam_Multi-purpose Tray_Label paper_(Cancel) * This alarm is not displayed on LUI due to the alarm being generated by the application.
39-1245	Application-generated alarm
A. Operation / B. Cause / C. Remedy	Service call application Paper jam_Multi-purpose Tray_Heavy paper_(Cancel) * This alarm is not displayed on LUI due to the alarm being generated by the application.

39-1250	Application-generated alarm
A. Operation / B. Cause / C. Remedy	Service call application Paper jam_Outlet_Not specified_(Cancel) * This alarm is not displayed on LUI due to the alarm being generated by the application.
39-1251	Application-generated alarm
A. Operation / B. Cause / C. Remedy	Service call application Paper jam_Outlet_Frequently_(Cancel) * This alarm is not displayed on LUI due to the alarm being generated by the application.
39-1252	Application-generated alarm
A. Operation / B. Cause / C. Remedy	Service call application Paper jam_Outlet_Occasionally_(Cancel) * This alarm is not displayed on LUI due to the alarm being generated by the application.
39-1253	Application-generated alarm
A. Operation / B. Cause / C. Remedy	Service call application Paper jam_Outlet_First time in the day_(Cancel) * This alarm is not displayed on LUI due to the alarm being generated by the application.
39-1260	Application-generated alarm
A. Operation / B. Cause / C. Remedy	Service call application Paper jam_At 2-sided printing_Not specified_(Cancel) * This alarm is not displayed on LUI due to the alarm being generated by the application.
39-1261	Application-generated alarm
A. Operation / B. Cause / C. Remedy	Service call application Paper jam_At 2-sided printing_Frequently_(Cancel) * This alarm is not displayed on LUI due to the alarm being generated by the application.
39-1262	Application-generated alarm
A. Operation / B. Cause / C. Remedy	Service call application Paper jam_At 2-sided printing_Occasionally_(Cancel) * This alarm is not displayed on LUI due to the alarm being generated by the application.
39-1263	Application-generated alarm
A. Operation / B. Cause / C. Remedy	Service call application Paper jam_At 2-sided printing_First time in the day_(Cancel) * This alarm is not displayed on LUI due to the alarm being generated by the application.
39-1290	Application-generated alarm
A. Operation / B. Cause / C. Remedy	Service call application Paper jam_Others_(Cancel) * This alarm is not displayed on LUI due to the alarm being generated by the application.
39-1310	Application-generated alarm
A. Operation / B. Cause / C. Remedy	Service call application Image failure_Displacement_Color not specified_(Cancel) * This alarm is not displayed on LUI due to the alarm being generated by the application.
39-1311	Application-generated alarm
A. Operation / B. Cause / C. Remedy	Service call application Image failure_Displacement_Black_(Cancel) * This alarm is not displayed on LUI due to the alarm being generated by the application.
39-1312	Application-generated alarm
A. Operation / B. Cause / C. Remedy	Service call application Image failure_Displacement_Yellow_(Cancel) * This alarm is not displayed on LUI due to the alarm being generated by the application.

39-1313	Application-generated alarm
A. Operation / B. Cause / C. Remedy	Service call application Image failure_Displacement_Magenta_(Cancel) * This alarm is not displayed on LUI due to the alarm being generated by the application.
39-1314	Application-generated alarm
A. Operation / B. Cause / C. Remedy	Service call application Image failure_Displacement_Cyan_(Cancel) * This alarm is not displayed on LUI due to the alarm being generated by the application.
39-1320	Application-generated alarm
A. Operation / B. Cause / C. Remedy	Service call application Image failure_Blank image_Color not specified_(Cancel) * This alarm is not displayed on LUI due to the alarm being generated by the application.
39-1321	Application-generated alarm
A. Operation / B. Cause / C. Remedy	Service call application Image failure_Blank image_Black_(Cancel) * This alarm is not displayed on LUI due to the alarm being generated by the application.
39-1322	Application-generated alarm
A. Operation / B. Cause / C. Remedy	Service call application Image failure_Blank image_Yellow_(Cancel) * This alarm is not displayed on LUI due to the alarm being generated by the application.
39-1323	Application-generated alarm
A. Operation / B. Cause / C. Remedy	Service call application Image failure_Blank image_Magenta_(Cancel) * This alarm is not displayed on LUI due to the alarm being generated by the application.
39-1324	Application-generated alarm
A. Operation / B. Cause / C. Remedy	Service call application Image failure_Blank image_Cyan_(Cancel) * This alarm is not displayed on LUI due to the alarm being generated by the application.
39-1330	Application-generated alarm
A. Operation / B. Cause / C. Remedy	Service call application Image failure_Soiling_Color not specified_(Cancel) * This alarm is not displayed on LUI due to the alarm being generated by the application.
39-1331	Application-generated alarm
A. Operation / B. Cause / C. Remedy	Service call application Image failure_Soiling_Black_(Cancel) * This alarm is not displayed on LUI due to the alarm being generated by the application.
39-1332	Application-generated alarm
A. Operation / B. Cause / C. Remedy	Service call application Image failure_Soiling_Yellow_(Cancel) * This alarm is not displayed on LUI due to the alarm being generated by the application.
39-1333	Application-generated alarm
A. Operation / B. Cause / C. Remedy	Service call application Image failure_Soiling_Magenta_(Cancel) * This alarm is not displayed on LUI due to the alarm being generated by the application.
39-1334	Application-generated alarm
A. Operation / B. Cause / C. Remedy	Service call application Image failure_Soiling_Cyan_(Cancel) * This alarm is not displayed on LUI due to the alarm being generated by the application.

39-1340	Application-generated alarm
A. Operation / B. Cause / C. Remedy	Service call application Image failure_Lines_Color not specified_(Cancel) * This alarm is not displayed on LUI due to the alarm being generated by the application.
39-1341	Application-generated alarm
A. Operation / B. Cause / C. Remedy	Service call application Image failure_Lines_Black_(Cancel) * This alarm is not displayed on LUI due to the alarm being generated by the application.
39-1342	Application-generated alarm
A. Operation / B. Cause / C. Remedy	Service call application Image failure_Lines_Yellow_(Cancel) * This alarm is not displayed on LUI due to the alarm being generated by the application.
39-1343	Application-generated alarm
A. Operation / B. Cause / C. Remedy	Service call application Image failure_Lines_Magenta_(Cancel) * This alarm is not displayed on LUI due to the alarm being generated by the application.
39-1344	Application-generated alarm
A. Operation / B. Cause / C. Remedy	Service call application Image failure_Lines_Cyan_(Cancel) * This alarm is not displayed on LUI due to the alarm being generated by the application.
39-1350	Application-generated alarm
A. Operation / B. Cause / C. Remedy	Service call application Image failure_Light_Color not specified_(Cancel) * This alarm is not displayed on LUI due to the alarm being generated by the application.
39-1351	Application-generated alarm
A. Operation / B. Cause / C. Remedy	Service call application Image failure_Light_Black_(Cancel) * This alarm is not displayed on LUI due to the alarm being generated by the application.
39-1352	Application-generated alarm
A. Operation / B. Cause / C. Remedy	Service call application Image failure_Light_Yellow_(Cancel) * This alarm is not displayed on LUI due to the alarm being generated by the application.
39-1353	Application-generated alarm
A. Operation / B. Cause / C. Remedy	Service call application Image failure_Light_Magenta_(Cancel) * This alarm is not displayed on LUI due to the alarm being generated by the application.
39-1354	Application-generated alarm
A. Operation / B. Cause / C. Remedy	Service call application Image failure_Light_Cyan_(Cancel) * This alarm is not displayed on LUI due to the alarm being generated by the application.
39-1360	Application-generated alarm
A. Operation / B. Cause / C. Remedy	Service call application Image failure_Hue_Color not specified_(Cancel) * This alarm is not displayed on LUI due to the alarm being generated by the application.
39-1361	Application-generated alarm
A. Operation / B. Cause / C. Remedy	Service call application Image failure_Hue_Black_(Cancel) * This alarm is not displayed on LUI due to the alarm being generated by the application.

39-1362	Application-generated alarm
A. Operation / B. Cause / C. Remedy	Service call application Image failure_Hue_Yellow_(Cancel) * This alarm is not displayed on LUI due to the alarm being generated by the application.
39-1363	Application-generated alarm
A. Operation / B. Cause / C. Remedy	Service call application Image failure_Hue_Magenta_(Cancel) * This alarm is not displayed on LUI due to the alarm being generated by the application.
39-1364	Application-generated alarm
A. Operation / B. Cause / C. Remedy	Service call application Image failure_Hue_Cyan_(Cancel) * This alarm is not displayed on LUI due to the alarm being generated by the application.
39-1370	Application-generated alarm
A. Operation / B. Cause / C. Remedy	Service call application Image failure_Dark_Color not specified_(Cancel) * This alarm is not displayed on LUI due to the alarm being generated by the application.
39-1371	Application-generated alarm
A. Operation / B. Cause / C. Remedy	Service call application Image failure_Dark_Black_(Cancel) * This alarm is not displayed on LUI due to the alarm being generated by the application.
39-1372	Application-generated alarm
A. Operation / B. Cause / C. Remedy	Service call application Image failure_Dark_Yellow_(Cancel) * This alarm is not displayed on LUI due to the alarm being generated by the application.
39-1373	Application-generated alarm
A. Operation / B. Cause / C. Remedy	Service call application Image failure_Dark_Magenta_(Cancel) * This alarm is not displayed on LUI due to the alarm being generated by the application.
39-1374	Application-generated alarm
A. Operation / B. Cause / C. Remedy	Service call application Image failure_Dark_Cyan_(Cancel) * This alarm is not displayed on LUI due to the alarm being generated by the application.
39-1380	Application-generated alarm
A. Operation / B. Cause / C. Remedy	Service call application Image failure_Color displacement_Color not specified_(Cancel) * This alarm is not displayed on LUI due to the alarm being generated by the application.
39-1381	Application-generated alarm
A. Operation / B. Cause / C. Remedy	Service call application Image failure_Color displacement_Black_(Cancel) * This alarm is not displayed on LUI due to the alarm being generated by the application.
39-1382	Application-generated alarm
A. Operation / B. Cause / C. Remedy	Service call application Image failure_Color displacement_Yellow_(Cancel) * This alarm is not displayed on LUI due to the alarm being generated by the application.
39-1383	Application-generated alarm
A. Operation / B. Cause / C. Remedy	Service call application Image failure_Color displacement_Magenta_(Cancel) * This alarm is not displayed on LUI due to the alarm being generated by the application.

39-1384	Application-generated alarm
A. Operation / B. Cause / C. Remedy	Service call application Image failure_Color displacement_Cyan_(Cancel) * This alarm is not displayed on LUI due to the alarm being generated by the application.
39-1390	Application-generated alarm
A. Operation / B. Cause / C. Remedy	Service call application Image failure_Others_(Cancel) * This alarm is not displayed on LUI due to the alarm being generated by the application.
39-1511	Application-generated alarm
A. Operation / B. Cause / C. Remedy	Service call application Image failure_Print_(Cancel) * This alarm is not displayed on LUI due to the alarm being generated by the application.
39-1520	Application-generated alarm
A. Operation / B. Cause / C. Remedy	Service call application Operation failure_Fax_Not specified_(Cancel) * This alarm is not displayed on LUI due to the alarm being generated by the application.
39-1521	Application-generated alarm
A. Operation / B. Cause / C. Remedy	Service call application Operation failure_Fax_Transmission and reception_(Cancel) * This alarm is not displayed on LUI due to the alarm being generated by the application.
39-1522	Application-generated alarm
A. Operation / B. Cause / C. Remedy	Service call application Operation failure_Fax_Reception_(Cancel) * This alarm is not displayed on LUI due to the alarm being generated by the application.
39-1523	Application-generated alarm
A. Operation / B. Cause / C. Remedy	Service call application Operation failure_Fax_Transmission_(Cancel) * This alarm is not displayed on LUI due to the alarm being generated by the application.
39-1524	Application-generated alarm
A. Operation / B. Cause / C. Remedy	Service call application Operation failure_Fax_Forwarding_(Cancel) * This alarm is not displayed on LUI due to the alarm being generated by the application.
39-1530	Application-generated alarm
A. Operation / B. Cause / C. Remedy	Service call application Operation failure_Control Panel_Not specified_(Cancel) * This alarm is not displayed on LUI due to the alarm being generated by the application.
39-1531	Application-generated alarm
A. Operation / B. Cause / C. Remedy	Service call application Operation failure_Control Panel_Slow response_(Cancel) * This alarm is not displayed on LUI due to the alarm being generated by the application.
39-1532	Application-generated alarm
A. Operation / B. Cause / C. Remedy	Service call application Operation failure_Control Panel_Occasional freeze-up (Not work)_(Cancel) * This alarm is not displayed on LUI due to the alarm being generated by the application.
39-1541	Application-generated alarm
A. Operation / B. Cause / C. Remedy	Service call application Operation failure_Scan (SEND)_(Cancel) * This alarm is not displayed on LUI due to the alarm being generated by the application.

39-1551	Application-generated alarm
A. Operation / B. Cause / C. Remedy	Service call application Operation failure_Abnormal noise_Main_(Cancel) * This alarm is not displayed on LUI due to the alarm being generated by the application.
39-1552	Application-generated alarm
A. Operation / B. Cause / C. Remedy	Service call application Operation failure_Abnormal noise_Options_(Cancel) * This alarm is not displayed on LUI due to the alarm being generated by the application.
39-1590	Application-generated alarm
A. Operation / B. Cause / C. Remedy	Service call application Operation failure_Others_(Cancel) * This alarm is not displayed on LUI due to the alarm being generated by the application.
39-1611	Application-generated alarm
A. Operation / B. Cause / C. Remedy	Service call application Settings_Training_(Cancel) * This alarm is not displayed on LUI due to the alarm being generated by the application.
39-1612	Application-generated alarm
A. Operation / B. Cause / C. Remedy	Service call application Settings_Addition_(Cancel) * This alarm is not displayed on LUI due to the alarm being generated by the application.
39-1621	Application-generated alarm
A. Operation / B. Cause / C. Remedy	Service call application Settings_Forwarding_Fax_(Cancel) * This alarm is not displayed on LUI due to the alarm being generated by the application.
39-1622	Application-generated alarm
A. Operation / B. Cause / C. Remedy	Service call application Settings_Forwarding_SEND_(Cancel) * This alarm is not displayed on LUI due to the alarm being generated by the application.
39-1631	Application-generated alarm
A. Operation / B. Cause / C. Remedy	Service call application Settings_Printer driver installation_(Cancel) * This alarm is not displayed on LUI due to the alarm being generated by the application.
39-1641	Application-generated alarm
A. Operation / B. Cause / C. Remedy	Service call application Settings_Address book_(Cancel) * This alarm is not displayed on LUI due to the alarm being generated by the application.
39-1651	Application-generated alarm
A. Operation / B. Cause / C. Remedy	Service call application Settings_Network_(Cancel) * This alarm is not displayed on LUI due to the alarm being generated by the application.
39-1690	Application-generated alarm
A. Operation / B. Cause / C. Remedy	Service call application Settings_Others_(Cancel) * This alarm is not displayed on LUI due to the alarm being generated by the application.
39-1811	Application-generated alarm
A. Operation / B. Cause / C. Remedy	Service call application Order_Toner_Black_(Cancel) * This alarm is not displayed on LUI due to the alarm being generated by the application.

39-1812	Application-generated alarm
A. Operation / B. Cause / C. Remedy	Service call application Order_Toner_Yellow_(Cancel) * This alarm is not displayed on LUI due to the alarm being generated by the application.
39-1813	Application-generated alarm
A. Operation / B. Cause / C. Remedy	Service call application Order_Toner_Magenta_(Cancel) * This alarm is not displayed on LUI due to the alarm being generated by the application.
39-1814	Application-generated alarm
A. Operation / B. Cause / C. Remedy	Service call application Order_Toner_Cyan_(Cancel) * This alarm is not displayed on LUI due to the alarm being generated by the application.
39-1821	Application-generated alarm
A. Operation / B. Cause / C. Remedy	Service call application Order_Waste Toner Container_(Cancel) * This alarm is not displayed on LUI due to the alarm being generated by the application.
39-19EE	Application-generated alarm
A. Operation / B. Cause / C. Remedy	Service call application Test signal * This alarm is not displayed on LUI due to the alarm being generated by the application.
39-19FF	Application-generated alarm
A. Operation / B. Cause / C. Remedy	Service call application Remedy completed * This alarm is not displayed on LUI due to the alarm being generated by the application.
39-2111	Application-generated alarm
A. Operation / B. Cause / C. Remedy	Service call application Error message (E-code)_(Customer information change) * This alarm is not displayed on LUI due to the alarm being generated by the application.
39-2210	Application-generated alarm
A. Operation / B. Cause / C. Remedy	Service call application Paper jam_Inside the machine_Not specified_(Customer information change) * This alarm is not displayed on LUI due to the alarm being generated by the application.
39-2211	Application-generated alarm
A. Operation / B. Cause / C. Remedy	Service call application Paper jam_Inside the machine_Frequently_(Customer information change) * This alarm is not displayed on LUI due to the alarm being generated by the application.
39-2212	Application-generated alarm
A. Operation / B. Cause / C. Remedy	Service call application Paper jam_Inside the machine_Occasionally_(Customer information change) * This alarm is not displayed on LUI due to the alarm being generated by the application.
39-2213	Application-generated alarm
A. Operation / B. Cause / C. Remedy	Service call application Paper jam_Inside the machine_First time in the day_(Customer information change) * This alarm is not displayed on LUI due to the alarm being generated by the application.
39-2220	Application-generated alarm
A. Operation / B. Cause / C. Remedy	Service call application Paper jam_Document Feeder_Not specified_(Customer information change) * This alarm is not displayed on LUI due to the alarm being generated by the application.

39-2221	Application-generated alarm
A. Operation / B. Cause / C. Remedy	Service call application Paper jam_Document Feeder_Frequently_(Customer information change) * This alarm is not displayed on LUI due to the alarm being generated by the application.
39-2222	Application-generated alarm
A. Operation / B. Cause / C. Remedy	Service call application Paper jam_Document Feeder_Occasionally_(Customer information change) * This alarm is not displayed on LUI due to the alarm being generated by the application.
39-2223	Application-generated alarm
A. Operation / B. Cause / C. Remedy	Service call application Paper jam_Document Feeder_First time in the day_(Customer information change) * This alarm is not displayed on LUI due to the alarm being generated by the application.
39-2230	Application-generated alarm
A. Operation / B. Cause / C. Remedy	Service call application Paper jam_Cassette_Not specified_(Customer information change) * This alarm is not displayed on LUI due to the alarm being generated by the application.
39-2231	Application-generated alarm
A. Operation / B. Cause / C. Remedy	Service call application Paper jam_Cassette_Cassette 1_(Customer information change) * This alarm is not displayed on LUI due to the alarm being generated by the application.
39-2232	Application-generated alarm
A. Operation / B. Cause / C. Remedy	Service call application Paper jam_Cassette_Cassette 2_(Customer information change) * This alarm is not displayed on LUI due to the alarm being generated by the application.
39-2233	Application-generated alarm
A. Operation / B. Cause / C. Remedy	Service call application Paper jam_Cassette_Cassette 3_(Customer information change) * This alarm is not displayed on LUI due to the alarm being generated by the application.
39-2234	Application-generated alarm
A. Operation / B. Cause / C. Remedy	Service call application Paper jam_Cassette_Cassette 4_(Customer information change) * This alarm is not displayed on LUI due to the alarm being generated by the application.
39-2240	Application-generated alarm
A. Operation / B. Cause / C. Remedy	Service call application Paper jam_Multi-purpose Tray_Not specified_(Customer information change) * This alarm is not displayed on LUI due to the alarm being generated by the application.
39-2241	Application-generated alarm
A. Operation / B. Cause / C. Remedy	Service call application Paper jam_Multi-purpose Tray_Envelope_(Customer information change) * This alarm is not displayed on LUI due to the alarm being generated by the application.
39-2242	Application-generated alarm
A. Operation / B. Cause / C. Remedy	Service call application Paper jam_Multi-purpose Tray_Postcard_(Customer information change) * This alarm is not displayed on LUI due to the alarm being generated by the application.
39-2243	Application-generated alarm
A. Operation / B. Cause / C. Remedy	Service call application Paper jam_Multi-purpose Tray_Plain paper_(Customer information change) * This alarm is not displayed on LUI due to the alarm being generated by the application.

39-2244	Application-generated alarm
A. Operation / B. Cause / C. Remedy	Service call application Paper jam_Multi-purpose Tray_Label paper_(Customer information change) * This alarm is not displayed on LUI due to the alarm being generated by the application.
39-2245	Application-generated alarm
A. Operation / B. Cause / C. Remedy	Service call application Paper jam_Multi-purpose Tray_Heavy paper_(Customer information change) * This alarm is not displayed on LUI due to the alarm being generated by the application.
39-2250	Application-generated alarm
A. Operation / B. Cause / C. Remedy	Service call application Paper jam_Outlet_Not specified_(Customer information change) * This alarm is not displayed on LUI due to the alarm being generated by the application.
39-2251	Application-generated alarm
A. Operation / B. Cause / C. Remedy	Service call application Paper jam_Outlet_Frequently_(Customer information change) * This alarm is not displayed on LUI due to the alarm being generated by the application.
39-2252	Application-generated alarm
A. Operation / B. Cause / C. Remedy	Service call application Paper jam_Outlet_Occasionally_(Customer information change) * This alarm is not displayed on LUI due to the alarm being generated by the application.
39-2253	Application-generated alarm
A. Operation / B. Cause / C. Remedy	Service call application Paper jam_Outlet_First time in the day_(Customer information change) * This alarm is not displayed on LUI due to the alarm being generated by the application.
39-2260	Application-generated alarm
A. Operation / B. Cause / C. Remedy	Service call application Paper jam_At 2-sided printing_Not specified_(Customer information change) * This alarm is not displayed on LUI due to the alarm being generated by the application.
39-2261	Application-generated alarm
A. Operation / B. Cause / C. Remedy	Service call application Paper jam_At 2-sided printing_Frequently_(Customer information change) * This alarm is not displayed on LUI due to the alarm being generated by the application.
39-2262	Application-generated alarm
A. Operation / B. Cause / C. Remedy	Service call application Paper jam_At 2-sided printing_Occasionally_(Customer information change) * This alarm is not displayed on LUI due to the alarm being generated by the application.
39-2263	Application-generated alarm
A. Operation / B. Cause / C. Remedy	Service call application Paper jam_At 2-sided printing_First time in the day_(Customer information change) * This alarm is not displayed on LUI due to the alarm being generated by the application.
39-2290	Application-generated alarm
A. Operation / B. Cause / C. Remedy	Service call application Paper jam_Others_(Customer information change) * This alarm is not displayed on LUI due to the alarm being generated by the application.
39-2310	Application-generated alarm
A. Operation / B. Cause / C. Remedy	Service call application Image failure_Displacement_Color not specified_(Customer information change) * This alarm is not displayed on LUI due to the alarm being generated by the application.

39-2311	Application-generated alarm
A. Operation / B. Cause / C. Remedy	Service call application Image failure_Displacement_Black_(Customer information change) * This alarm is not displayed on LUI due to the alarm being generated by the application.
39-2312	Application-generated alarm
A. Operation / B. Cause / C. Remedy	Service call application Image failure_Displacement_Yellow_(Customer information change) * This alarm is not displayed on LUI due to the alarm being generated by the application.
39-2313	Application-generated alarm
A. Operation / B. Cause / C. Remedy	Service call application Image failure_Displacement_Magenta_(Customer information change) * This alarm is not displayed on LUI due to the alarm being generated by the application.
39-2314	Application-generated alarm
A. Operation / B. Cause / C. Remedy	Service call application Image failure_Displacement_Cyan_(Customer information change) * This alarm is not displayed on LUI due to the alarm being generated by the application.
39-2320	Application-generated alarm
A. Operation / B. Cause / C. Remedy	Service call application Image failure_Blank image_Color not specified_(Customer information change) * This alarm is not displayed on LUI due to the alarm being generated by the application.
39-2321	Application-generated alarm
A. Operation / B. Cause / C. Remedy	Service call application Image failure_Blank image_Black_(Customer information change) * This alarm is not displayed on LUI due to the alarm being generated by the application.
39-2322	Application-generated alarm
A. Operation / B. Cause / C. Remedy	Service call application Image failure_Blank image_Yellow_(Customer information change) * This alarm is not displayed on LUI due to the alarm being generated by the application.
39-2323	Application-generated alarm
A. Operation / B. Cause / C. Remedy	Service call application Image failure_Blank image_Magenta_(Customer information change) * This alarm is not displayed on LUI due to the alarm being generated by the application.
39-2324	Application-generated alarm
A. Operation / B. Cause / C. Remedy	Service call application Image failure_Blank image_Cyan_(Customer information change) * This alarm is not displayed on LUI due to the alarm being generated by the application.
39-2330	Application-generated alarm
A. Operation / B. Cause / C. Remedy	Service call application Image failure_Soiling_Color not specified_(Customer information change) * This alarm is not displayed on LUI due to the alarm being generated by the application.
39-2331	Application-generated alarm
A. Operation / B. Cause / C. Remedy	Service call application Image failure_Soiling_Black_(Customer information change) * This alarm is not displayed on LUI due to the alarm being generated by the application.
39-2332	Application-generated alarm
A. Operation / B. Cause / C. Remedy	Service call application Image failure_Soiling_Yellow_(Customer information change) * This alarm is not displayed on LUI due to the alarm being generated by the application.

39-2333	Application-generated alarm
A. Operation / B. Cause / C. Remedy	Service call application Image failure_Soiling_Magenta_(Customer information change) * This alarm is not displayed on LUI due to the alarm being generated by the application.
39-2334	Application-generated alarm
A. Operation / B. Cause / C. Remedy	Service call application Image failure_Soiling_Cyan_(Customer information change) * This alarm is not displayed on LUI due to the alarm being generated by the application.
39-2340	Application-generated alarm
A. Operation / B. Cause / C. Remedy	Service call application Image failure_Lines_Color not specified_(Customer information change) * This alarm is not displayed on LUI due to the alarm being generated by the application.
39-2341	Application-generated alarm
A. Operation / B. Cause / C. Remedy	Service call application Image failure_Lines_Black_(Customer information change) * This alarm is not displayed on LUI due to the alarm being generated by the application.
39-2342	Application-generated alarm
A. Operation / B. Cause / C. Remedy	Service call application Image failure_Lines_Yellow_(Customer information change) * This alarm is not displayed on LUI due to the alarm being generated by the application.
39-2343	Application-generated alarm
A. Operation / B. Cause / C. Remedy	Service call application Image failure_Lines_Magenta_(Customer information change) * This alarm is not displayed on LUI due to the alarm being generated by the application.
39-2344	Application-generated alarm
A. Operation / B. Cause / C. Remedy	Service call application Image failure_Lines_Cyan_(Customer information change) * This alarm is not displayed on LUI due to the alarm being generated by the application.
39-2350	Application-generated alarm
A. Operation / B. Cause / C. Remedy	Service call application Image failure_Light_Color not specified_(Customer information change) * This alarm is not displayed on LUI due to the alarm being generated by the application.
39-2351	Application-generated alarm
A. Operation / B. Cause / C. Remedy	Service call application Image failure_Light_Black_(Customer information change) * This alarm is not displayed on LUI due to the alarm being generated by the application.
39-2352	Application-generated alarm
A. Operation / B. Cause / C. Remedy	Service call application Image failure_Light_Yellow_(Customer information change) * This alarm is not displayed on LUI due to the alarm being generated by the application.
39-2353	Application-generated alarm
A. Operation / B. Cause / C. Remedy	Service call application Image failure_Light_Magenta_(Customer information change) * This alarm is not displayed on LUI due to the alarm being generated by the application.
39-2354	Application-generated alarm
A. Operation / B. Cause / C. Remedy	Service call application Image failure_Light_Cyan_(Customer information change) * This alarm is not displayed on LUI due to the alarm being generated by the application.

39-2360	Application-generated alarm
A. Operation / B. Cause / C. Remedy	Service call application Image failure_Hue_Color not specified_(Customer information change) * This alarm is not displayed on LUI due to the alarm being generated by the application.
39-2361	Application-generated alarm
A. Operation / B. Cause / C. Remedy	Service call application Image failure_Hue_Black_(Customer information change) * This alarm is not displayed on LUI due to the alarm being generated by the application.
39-2362	Application-generated alarm
A. Operation / B. Cause / C. Remedy	Service call application Image failure_Hue_Yellow_(Customer information change) * This alarm is not displayed on LUI due to the alarm being generated by the application.
39-2363	Application-generated alarm
A. Operation / B. Cause / C. Remedy	Service call application Image failure_Hue_Magenta_(Customer information change) * This alarm is not displayed on LUI due to the alarm being generated by the application.
39-2364	Application-generated alarm
A. Operation / B. Cause / C. Remedy	Service call application Image failure_Hue_Cyan_(Customer information change) * This alarm is not displayed on LUI due to the alarm being generated by the application.
39-2370	Application-generated alarm
A. Operation / B. Cause / C. Remedy	Service call application Image failure_Dark_Color not specified_(Customer information change) * This alarm is not displayed on LUI due to the alarm being generated by the application.
39-2371	Application-generated alarm
A. Operation / B. Cause / C. Remedy	Service call application Image failure_Dark_Black_(Customer information change) * This alarm is not displayed on LUI due to the alarm being generated by the application.
39-2372	Application-generated alarm
A. Operation / B. Cause / C. Remedy	Service call application Image failure_Dark_Yellow_(Customer information change) * This alarm is not displayed on LUI due to the alarm being generated by the application.
39-2373	Application-generated alarm
A. Operation / B. Cause / C. Remedy	Service call application Image failure_Dark_Magenta_(Customer information change) * This alarm is not displayed on LUI due to the alarm being generated by the application.
39-2374	Application-generated alarm
A. Operation / B. Cause / C. Remedy	Service call application Image failure_Dark_Cyan_(Customer information change) * This alarm is not displayed on LUI due to the alarm being generated by the application.
39-2380	Application-generated alarm
A. Operation / B. Cause / C. Remedy	Service call application Image failure_Color displacement_Color not specified_(Customer information change) * This alarm is not displayed on LUI due to the alarm being generated by the application.
39-2381	Application-generated alarm
A. Operation / B. Cause / C. Remedy	Service call application Image failure_Color displacement_Black_(Customer information change) * This alarm is not displayed on LUI due to the alarm being generated by the application.

39-2382	Application-generated alarm
A. Operation / B. Cause / C. Remedy	Service call application Image failure_Color displacement_Yellow_(Customer information change) * This alarm is not displayed on LUI due to the alarm being generated by the application.
39-2383	Application-generated alarm
A. Operation / B. Cause / C. Remedy	Service call application Image failure_Color displacement_Magenta_(Customer information change) * This alarm is not displayed on LUI due to the alarm being generated by the application.
39-2384	Application-generated alarm
A. Operation / B. Cause / C. Remedy	Service call application Image failure_Color displacement_Cyan_(Customer information change) * This alarm is not displayed on LUI due to the alarm being generated by the application.
39-2390	Application-generated alarm
A. Operation / B. Cause / C. Remedy	Service call application Image failure_Others_(Customer information change) * This alarm is not displayed on LUI due to the alarm being generated by the application.
39-2511	Application-generated alarm
A. Operation / B. Cause / C. Remedy	Service call application Operation failure_Print_(Customer information change) * This alarm is not displayed on LUI due to the alarm being generated by the application.
39-2520	Application-generated alarm
A. Operation / B. Cause / C. Remedy	Service call application Operation failure_Fax_Not specified_(Customer information change) * This alarm is not displayed on LUI due to the alarm being generated by the application.
39-2521	Application-generated alarm
A. Operation / B. Cause / C. Remedy	Service call application Operation failure_Fax_Transmission and reception_(Customer information change) * This alarm is not displayed on LUI due to the alarm being generated by the application.
39-2522	Application-generated alarm
A. Operation / B. Cause / C. Remedy	Service call application Operation failure_Fax_Reception_(Customer information change) * This alarm is not displayed on LUI due to the alarm being generated by the application.
39-2523	Application-generated alarm
A. Operation / B. Cause / C. Remedy	Service call application Operation failure_Fax_Transmission_(Customer information change) * This alarm is not displayed on LUI due to the alarm being generated by the application.
39-2524	Application-generated alarm
A. Operation / B. Cause / C. Remedy	Service call application Operation failure_Fax_Forwarding_(Customer information change) * This alarm is not displayed on LUI due to the alarm being generated by the application.
39-2530	Application-generated alarm
A. Operation / B. Cause / C. Remedy	Service call application Operation failure_Control Panel_Not specified_(Customer information change) * This alarm is not displayed on LUI due to the alarm being generated by the application.
39-2531	Application-generated alarm
A. Operation / B. Cause / C. Remedy	Service call application Operation failure_Control Panel_Slow response_(Customer information change) * This alarm is not displayed on LUI due to the alarm being generated by the application.

39-2532	Application-generated alarm
A. Operation / B. Cause / C. Remedy	Service call application Operation failure_Control Panel_Occasional freeze-up (Not work)_(Customer information change) * This alarm is not displayed on LUI due to the alarm being generated by the application.
39-2541	Application-generated alarm
A. Operation / B. Cause / C. Remedy	Service call application Operation failure_Scan (SEND)_(Customer information change) * This alarm is not displayed on LUI due to the alarm being generated by the application.
39-2551	Application-generated alarm
A. Operation / B. Cause / C. Remedy	Service call application Operation failure_Abnormal noise_Main_(Customer information change) * This alarm is not displayed on LUI due to the alarm being generated by the application.
39-2552	Application-generated alarm
A. Operation / B. Cause / C. Remedy	Service call application Operation failure_Abnormal noise_Options_(Customer information change) * This alarm is not displayed on LUI due to the alarm being generated by the application.
39-2590	Application-generated alarm
A. Operation / B. Cause / C. Remedy	Service call application Operation failure_Others_(Customer information change) * This alarm is not displayed on LUI due to the alarm being generated by the application.
39-2611	Application-generated alarm
A. Operation / B. Cause / C. Remedy	Service call application Settings_Training_(Customer information change) * This alarm is not displayed on LUI due to the alarm being generated by the application.
39-2612	Application-generated alarm
A. Operation / B. Cause / C. Remedy	Service call application Settings_Addition_(Customer information change) * This alarm is not displayed on LUI due to the alarm being generated by the application.
39-2621	Application-generated alarm
A. Operation / B. Cause / C. Remedy	Service call application Settings_Forwarding_Fax_(Customer information change) * This alarm is not displayed on LUI due to the alarm being generated by the application.
39-2622	Application-generated alarm
A. Operation / B. Cause / C. Remedy	Service call application Settings_Forwarding_SEND_(Customer information change) * This alarm is not displayed on LUI due to the alarm being generated by the application.
39-2631	Application-generated alarm
A. Operation / B. Cause / C. Remedy	Service call application Settings_Printer driver installation_(Customer information change) * This alarm is not displayed on LUI due to the alarm being generated by the application.
39-2641	Application-generated alarm
A. Operation / B. Cause / C. Remedy	Service call application Settings_Address book_(Customer information change) * This alarm is not displayed on LUI due to the alarm being generated by the application.
39-2651	Application-generated alarm
A. Operation / B. Cause / C. Remedy	Service call application Settings_Network_(Customer information change) * This alarm is not displayed on LUI due to the alarm being generated by the application.

39-2690	Application-generated alarm
A. Operation / B. Cause / C. Remedy	Service call application Settings_Others_(Customer information change) * This alarm is not displayed on LUI due to the alarm being generated by the application.
39-2811	Application-generated alarm
A. Operation / B. Cause / C. Remedy	Service call application Order_Toner_Black_(Customer information change) * This alarm is not displayed on LUI due to the alarm being generated by the application.
39-2812	Application-generated alarm
A. Operation / B. Cause / C. Remedy	Service call application Order_Toner_Yellow_(Customer information change) * This alarm is not displayed on LUI due to the alarm being generated by the application.
39-2813	Application-generated alarm
A. Operation / B. Cause / C. Remedy	Service call application Order_Toner_Magenta_(Customer information change) * This alarm is not displayed on LUI due to the alarm being generated by the application.
39-2814	Application-generated alarm
A. Operation / B. Cause / C. Remedy	Service call application Order_Toner_Cyan_(Customer information change) * This alarm is not displayed on LUI due to the alarm being generated by the application.
39-2821	Application-generated alarm
A. Operation / B. Cause / C. Remedy	Service call application Order_Waste Toner Container_(Customer information change) * This alarm is not displayed on LUI due to the alarm being generated by the application.
40-0013	Transfer Roller life value reaching alarm
A. Operation / B. Cause / C. Remedy	The life value of a target part reached the number of days left as set in COPIER > OPTION > PM-DLV-D > TR-ROLL.
40-0076	Fixing Assembly prior notification alarm
A. Operation / B. Cause / C. Remedy	The life value of a target part reached the number of days left as set in COPIER > OPTION > PM-DLV-D > FX-UNIT.
40-0080	Cassette 1 Feed Roller prior notification alarm
A. Operation / B. Cause / C. Remedy	The life value of a target part reached the number of days left as set in COPIER > OPTION > PM-DLV-D > C1-FD-RL.
40-0081	Cassette 1 Separation Roller prior notification alarm
A. Operation / B. Cause / C. Remedy	The life value of a target part reached the number of days left as set in COPIER > OPTION > PM-DLV-D > C1-SP-RL.
40-0083	Cassette 2 Feed Roller prior notification alarm
A. Operation / B. Cause / C. Remedy	The life value of a target part reached the number of days left as set in COPIER > OPTION > PM-DLV-D > C2-FD-RL.
40-0084	Cassette 2 Separation Roller prior notification alarm
A. Operation / B. Cause / C. Remedy	The life value of a target part reached the number of days left as set in COPIER > OPTION > PM-DLV-D > C2-SP-RL.
40-0086	Cassette 3 Feed Roller prior notification alarm
A. Operation / B. Cause / C. Remedy	The life value of a target part reached the number of days left as set in COPIER > OPTION > PM-DLV-D > C3-FD-RL.
40-0087	Cassette 3 Separation Roller prior notification alarm
A. Operation / B. Cause / C. Remedy	The life value of a target part reached the number of days left as set in COPIER > OPTION > PM-DLV-D > C3-SP-RL.

40-0089	Cassette 4 Feed Roller prior notification alarm
A. Operation / B. Cause / C. Remedy	The life value of a target part reached the number of days left as set in COPIER > OPTION > PM-DLV-D > C4-FD-RL.
40-0090	Cassette 4 Separation Roller prior notification alarm
A. Operation / B. Cause / C. Remedy	The life value of a target part reached the number of days left as set in COPIER > OPTION > PM-DLV-D > C4-SP-RL.
40-0092	Separation Roller (DADF) prior notification alarm
A. Operation / B. Cause / C. Remedy	The life value of a target part reached the number of days left as set in COPIER > OPTION > PM-DLV-D > DF-SP-RL.
40-0125	Pickup Roller (DADF) prior notification alarm
A. Operation / B. Cause / C. Remedy	The life value of a target part reached the number of days left as set in COPIER > OPTION > PM-DLV-D > DF-PU-RL.
43-0013	Transfer Roller replacement completion alarm
A. Operation / B. Cause / C. Remedy	The counter of the Transfer Roller was cleared.
43-0076	Fixing Assembly replacement completion alarm
A. Operation / B. Cause / C. Remedy	Completion of Fixing Assembly replacement was detected.
43-0077	Multi-purpose Tray Feed Roller replacement completion alarm
A. Operation / B. Cause / C. Remedy	Multi-purpose Tray Feed Roller counter was cleared.
43-0078	Multi-purpose Tray Separation Roller replacement completion alarm
A. Operation / B. Cause / C. Remedy	Multi-purpose Tray Separation Roller counter was cleared.
43-0080	Cassette 1 Feed Roller replacement completion alarm
A. Operation / B. Cause / C. Remedy	Cassette 1 Feed Roller counter was cleared.
43-0081	Cassette 1 Separation Roller replacement completion alarm
A. Operation / B. Cause / C. Remedy	Cassette 1 Separation Roller counter was cleared.
43-0083	Cassette 2 Feed Roller replacement completion alarm
A. Operation / B. Cause / C. Remedy	Cassette 2 Feed Roller counter was cleared.
43-0084	Cassette 2 Separation Roller replacement completion alarm
A. Operation / B. Cause / C. Remedy	Cassette 2 Separation Roller counter was cleared.
43-0086	Cassette 3 Feed Roller replacement completion alarm
A. Operation / B. Cause / C. Remedy	Cassette 3 Feed Roller counter was cleared.
43-0087	Cassette 3 Separation Roller replacement completion alarm
A. Operation / B. Cause / C. Remedy	Cassette 3 Separation Roller counter was cleared.
43-0089	Cassette 4 Feed Roller replacement completion alarm
A. Operation / B. Cause / C. Remedy	Cassette 4 Feed Roller counter was cleared.
43-0090	Cassette 4 Separation Roller replacement completion alarm
A. Operation / B. Cause / C. Remedy	Cassette 4 Separation Roller counter was cleared.

43-0092	Separation Roller (DADF) replacement completion alarm
A. Operation / B. Cause / C. Remedy	Separation Roller (DADF) counter was cleared.
43-0125	Pickup Roller (DADF) replacement completion alarm
A. Operation / B. Cause / C. Remedy	Pickup Roller (DADF) counter was cleared.
50-0010	Alarm due to original separation failure
A. Operation / B. Cause / C. Remedy	Movement: Nothing in particular. Cause: Condition unable to separate 1st sheet of original from the ADF occurs 3 times. Measures: Check the rotation of the Delivery Reversal Motor (M12) -> Check the operation of the Pickup Solenoid (SL5) -> Check the life of the Pickup and Feed Rollers and Separation Pad -> Check if the paper lint is at the pickup slot.
50-0015	Failure of the ADF Double Feed Sensor
A. Operation / B. Cause / C. Remedy	Cause: Failure of the Double Feed Sensor installed in the ADF Detection condition/timing: - When a paper feed error of the Double Feed Sensor was detected at power-on - When an error of the output value of the Double Feed Sensor was detected during ADF job (While an ADF job is being executed, it is handled as a jam once and retry is performed.) Clearing condition: - When communication and the sensor output value are normal at power-on Movement/symptom: "Check area where multi. sheet feed was detected. (Call serv. rep.)" is displayed in the status line. Although reading from the ADF is possible, double feed cannot be detected when it occurs. Measures: Check for any foreign matter, clean paper lint, disconnect and then connect the connectors, replace the Double Feed Detection PCB, replace the Main Controller PCB, replace the harnesses
60-0001	Shift Tray alarm
A. Operation / B. Cause / C. Remedy	Movement: Shift Tray operation is stopped. Cause: Home position at startup of the host machine cannot be detected. Measure: Check connector disconnection of the HP Sensor (Front) (PS101) and the HP Sensor (Rear) (PS102) -> Replace the HP Sensor (Front) (PS101) and the HP Sensor (Rear) (PS102).
70-0071	Verification error by Falsification detection at startup function
A. Operation / B. Cause / C. Remedy	Cause: At normal startup, verification error occurred due to invalid data of the firmware (for startup in safe mode). Measures: 1. Replace the Flash PCB, and reinstall the system software using SST or a USB flash drive. 2. Settings/Registration > Management Settings > Security Settings > System verification at startup > OFF
70-0086	For R&D
A. Operation / B. Cause / C. Remedy	
70-0087	Firmware combination mismatch
A. Operation / B. Cause / C. Remedy	Cause: An option with the firmware which version is newer than that of the firmware installed in the host machine was detected. It is an alarm when the automatic update cancellation message is displayed on the Control Panel. Detection condition: When the following two conditions are satisfied: 1. "1" is set in COPIER>Option>FNC-SW>VER-CHNG. 2. The version of the firmware installed in the option that has been installed to the host machine is newer than that of the firmware in the host machine. Timing: At startup Movement/symptom: Cancel the automatic update. Measures: Update the firmware of the host machine.

73-0006	LIPS
A. Operation / B. Cause / C. Remedy	Error in configuration acquisition/management
73-0007	For R&D
A. Operation / B. Cause / C. Remedy	-
73-0008	For R&D
A. Operation / B. Cause / C. Remedy	-
73-0009	For R&D
A. Operation / B. Cause / C. Remedy	-
73-0011	For R&D
A. Operation / B. Cause / C. Remedy	-
73-0014	For R&D
A. Operation / B. Cause / C. Remedy	-
73-0015	For R&D
A. Operation / B. Cause / C. Remedy	-
73-0017	For R&D
A. Operation / B. Cause / C. Remedy	-
73-0021	For R&D
A. Operation / B. Cause / C. Remedy	-
73-0024	For R&D
A. Operation / B. Cause / C. Remedy	-
73-0026	For R&D
A. Operation / B. Cause / C. Remedy	-
75-0001	For R&D
A. Operation / B. Cause / C. Remedy	-
75-0002	For R&D
A. Operation / B. Cause / C. Remedy	-
76-0001	For R&D
A. Operation / B. Cause / C. Remedy	-
76-0002	Font
A. Operation / B. Cause / C. Remedy	Fails to secure the work area to analyze the font that is downloaded at "Resource Download".
76-0003	For R&D
A. Operation / B. Cause / C. Remedy	-

76-0004	For R&D
A. Operation / B. Cause / C. Remedy	-
76-0005	For R&D
A. Operation / B. Cause / C. Remedy	-
76-0006	For R&D
A. Operation / B. Cause / C. Remedy	-
76-0007	For R&D
A. Operation / B. Cause / C. Remedy	-
76-0008	For R&D
A. Operation / B. Cause / C. Remedy	-
78-0003	For R&D
A. Operation / B. Cause / C. Remedy	-
78-0005	For R&D
A. Operation / B. Cause / C. Remedy	-
79-0001	For R&D
A. Operation / B. Cause / C. Remedy	-
79-0002	For R&D
A. Operation / B. Cause / C. Remedy	-
79-0003	Canon-made PCL
A. Operation / B. Cause / C. Remedy	Overflow of work memory for translator
79-0004	Canon-made PCL
A. Operation / B. Cause / C. Remedy	Download overflow
80-0001	For R&D
A. Operation / B. Cause / C. Remedy	-
80-0003	For R&D
A. Operation / B. Cause / C. Remedy	-
80-0004	For R&D
A. Operation / B. Cause / C. Remedy	-
80-0007	For R&D
A. Operation / B. Cause / C. Remedy	-
80-0008	For R&D
A. Operation / B. Cause / C. Remedy	-

80-0009	For R&D
A. Operation / B. Cause / C. Remedy	-
80-0010	For R&D
A. Operation / B. Cause / C. Remedy	-
80-0011	For R&D
A. Operation / B. Cause / C. Remedy	-
80-0012	For R&D
A. Operation / B. Cause / C. Remedy	-
80-0013	For R&D
A. Operation / B. Cause / C. Remedy	-
80-0015	BDL
A. Operation / B. Cause / C. Remedy	Print data cannot process this version.
80-0016	For R&D
A. Operation / B. Cause / C. Remedy	-
80-0019	For R&D
A. Operation / B. Cause / C. Remedy	-
81-0001	Imaging
A. Operation / B. Cause / C. Remedy	Fails to allocate the memory.
81-0002	Imaging
A. Operation / B. Cause / C. Remedy	Rendering error
81-0003	For R&D
A. Operation / B. Cause / C. Remedy	-
81-0004	For R&D
A. Operation / B. Cause / C. Remedy	-
81-0005	For R&D
A. Operation / B. Cause / C. Remedy	-
81-0006	For R&D
A. Operation / B. Cause / C. Remedy	-
81-0007	For R&D
A. Operation / B. Cause / C. Remedy	-
83-0005	PDF
A. Operation / B. Cause / C. Remedy	PDF memory full

83-0015	PDF
A. Operation / B. Cause / C. Remedy	PDF data decoding error
83-0016	PDF
A. Operation / B. Cause / C. Remedy	Page range error
83-0017	For R&D
A. Operation / B. Cause / C. Remedy	-
83-0020	Reception of ESCP unanalyzable data
A. Operation / B. Cause / C. Remedy	Since PDL automatic judgment may be wrong, select the appropriate PDL in Settings/Registration > Function Settings > Printer > Printer Settings > Settings > Printer Operation Mode, and send the data.
83-0021	Reception of I5577 unanalyzable data
A. Operation / B. Cause / C. Remedy	Since PDL automatic judgment may be wrong, select the appropriate PDL in Settings/Registration > Function Settings > Printer > Printer Settings > Settings > Printer Operation Mode, and send the data.
83-0022	Reception of HPGL unanalyzable data
A. Operation / B. Cause / C. Remedy	Since PDL automatic judgment may be wrong, select the appropriate PDL in Settings/Registration > Function Settings > Printer > Printer Settings > Settings > Printer Operation Mode, and send the data.
83-0023	Reception of N201 unanalyzable data
A. Operation / B. Cause / C. Remedy	Since PDL automatic judgment may be wrong, select the appropriate PDL in Settings/Registration > Function Settings > Printer > Printer Settings > Settings > Printer Operation Mode, and send the data.
84-0001	For R&D
A. Operation / B. Cause / C. Remedy	-
84-0002	For R&D
A. Operation / B. Cause / C. Remedy	-
84-0003	XPS print range error
A. Operation / B. Cause / C. Remedy	-
84-0004	For R&D
A. Operation / B. Cause / C. Remedy	-
84-0005	For R&D
A. Operation / B. Cause / C. Remedy	-
84-0006	For R&D
A. Operation / B. Cause / C. Remedy	-
84-0007	For R&D
A. Operation / B. Cause / C. Remedy	-
84-0008	XPS non-support image error
A. Operation / B. Cause / C. Remedy	-

84-0009

For R&D

A. Operation / B. Cause / -
C. Remedy



Service Mode

Overview.....	410
COPIER (Service mode for printer)...	427
FEEDER (ADF service mode).....	622
BOARD (Option board setting mode)	629
FAX (Service Mode for FAX).....	630

Overview

It is possible to see each item of service mode so that those who access to service mode can understand how to use them. The main types of this machine's service mode are shown below.

Basic Operations

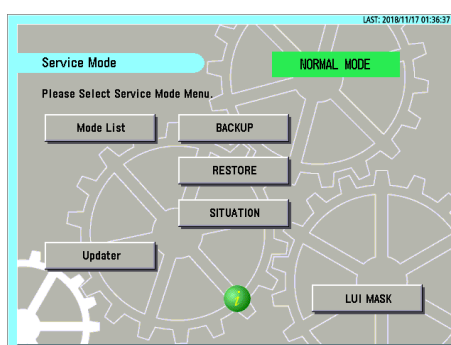
This section describes the basic operation of service mode.

■ Entering Service Mode

For information on how to enter service mode, contact the Support Dept. of the sales company.

■ Service Mode Menu

Press the button in the service mode menu to display the initial screen of each mode. The differences between these modes are described below.



Top Screen

MODELIST

In this mode, functions for referring to each item in service mode, etc. are available.

Updater

This button is used to access the CDS and UGW servers and update system software.

BACKUP

This button is used to back up the service mode setting values.

RESTORE

This button is used to restore the service mode setting values backed up by [BACKUP].

SITUATION

This function displays service mode items according to the situation.

LUI MASK

This button is used to display a mask screen to prevent operations from being performed from the Control Panel while the service mode is being accessed from a remote PC.

NOTE:

For the detailed information on how to use Updater, BACKUP, and RESTORE, refer to the imageRUNNER ADVANCE System Service Manual.

■ Description of Service Mode Items

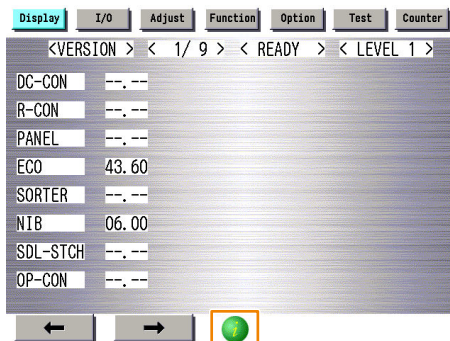
The description of the initial screen, the main items, the intermediate items and the sub items can be displayed. After selecting any item of the initial screen, main item, the intermediate item or the sub item, pressing "i" (Information Button) displays the description of the selected item (hereinafter referred to as the service mode contents).

CAUTION:

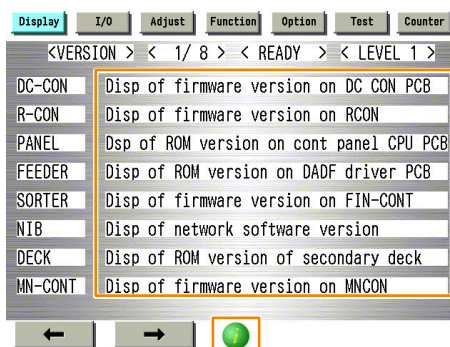
- Displayed language of the service mode contents can be selected from J/E/F/I/G/S/C/K/T.
- The service mode contents can be upgraded using SST or a USB flash drive just like other system software.

Example: COPIER > DISPLAY > VERSION screen

1. Press the [i] button.

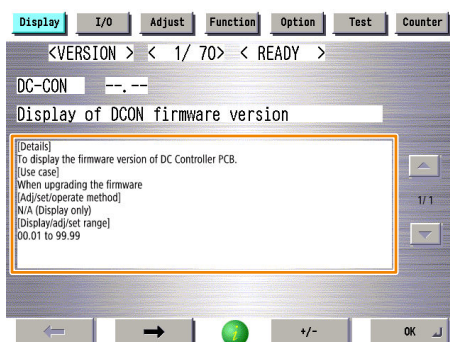


2. The title of each sub item is displayed.



To check the details of each item, select the relevant item and press the [i] button.

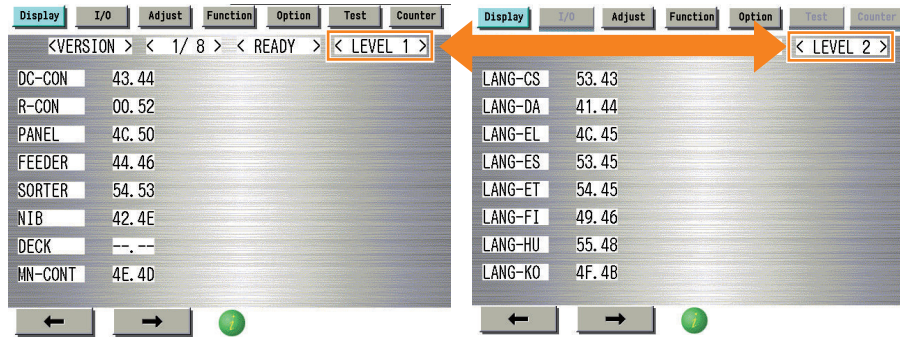
3. A detailed description of the sub item (specifications and use methods, setting screen, etc.) is displayed.



■ Switching the Screen Display (Level 1 <->2)

Switching of screens between Level 1 and Level 2 becomes easier.

By pressing <LEVEL 1> at the upper right of the screen while Level 1 screen is displayed, the screen is switched to Level 2 screen.



Examples of Screen Display

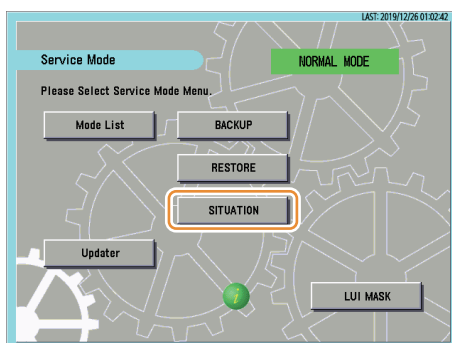
NOTE:

This key combination can be used to enter the Level 2 screen.

- Mode List screen > [Settings/Registration] > [2]

SITUATION Mode

Situation mode has been implemented in this machine to improve workability and searchability at the site. This mode makes it possible to easily use the service mode appropriate for the scene at the site.

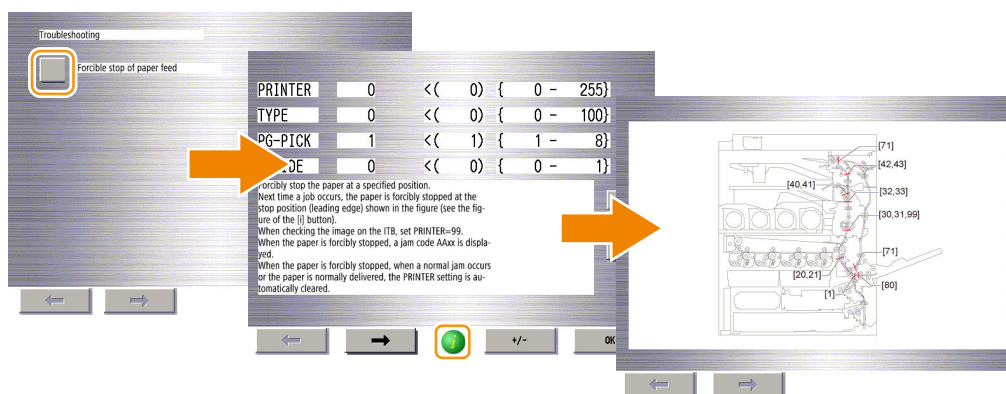


The following items are available in situation mode.

- Install :
To be referred at installation of the machine.
- Troubleshooting :
To be referred at problem solving.
- Parts Replacement :
To be referred at parts replacement.
- Major Adjustment :
To be referred at installation of the machine.
- Sensor Check :
To be referred at checking of the sensor.
- Part Check :
To be referred at operation check of the part.

The following three points are made available depending on each situation:

- Display of related service mode that requires adjustment
- Display of causes and remedies
- Display of related images

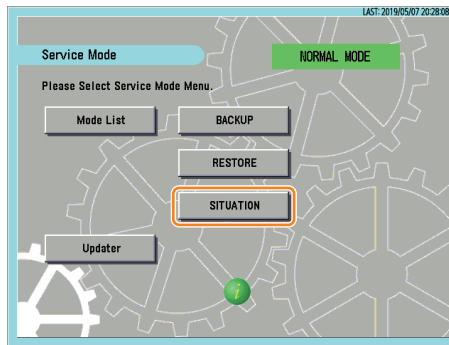


■ How to Use Sensor Check

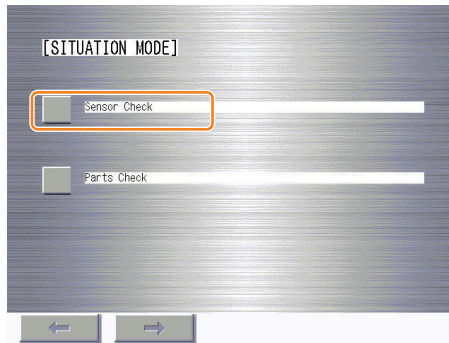
You can find a desired electrical component in Sensor Check of situation mode to review its I/O info. To do this, follow the procedure below.

1. **Start service mode.**

2. Select "SITUATION".

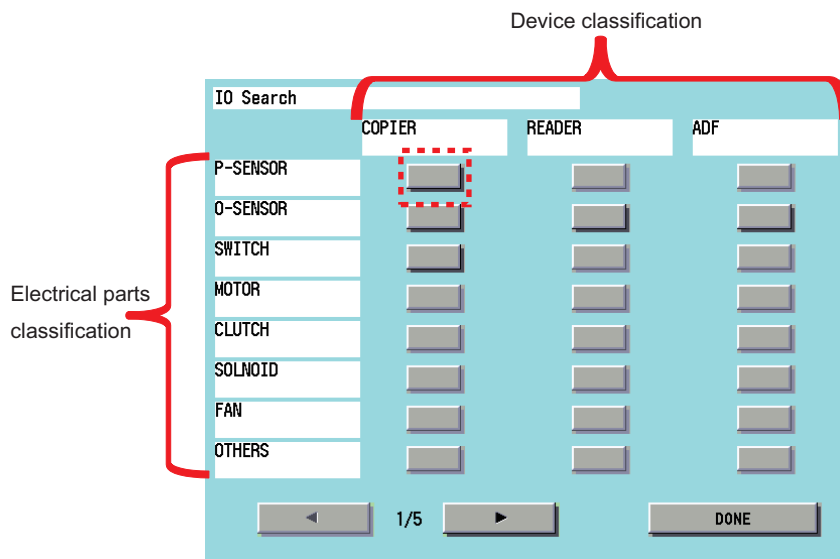


3. On the "SITUATION MODE" screen, select "Sensor Check".

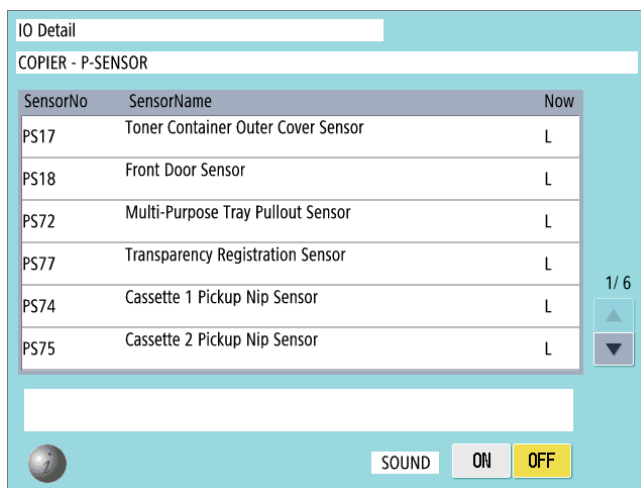


4. Press a button according to the type of electrical component and the corresponding device type.

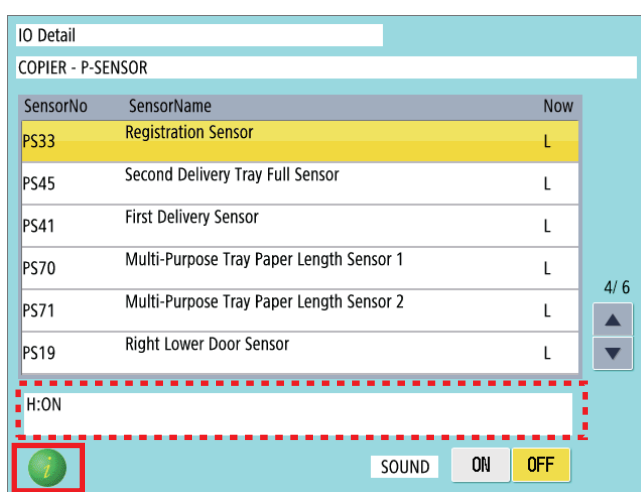
Example: In the case of the Registration Sensor of the host machine, press the button (red dotted frame) at "COPIER"/"P-SENSOR".



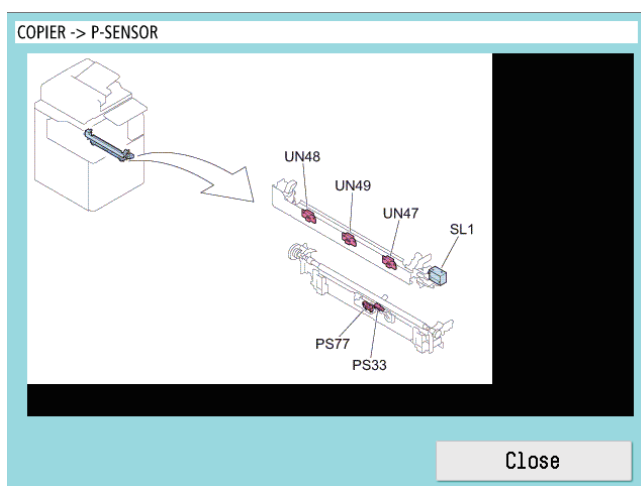
5. A list of electrical component types for the selected device is displayed.



6. Select an electrical component to display the details in the frame (red dotted frame) at the bottom of the screen.



7. Press the [i] button to display the screen showing the locations of electrical components.



■ How to Use Parts Check

In the Parts Check of situation mode, among electrical components used (motors, fans, solenoids, and clutches), those that can operate alone can be operated from the screen and the operations can be checked. The operation procedure is shown below.

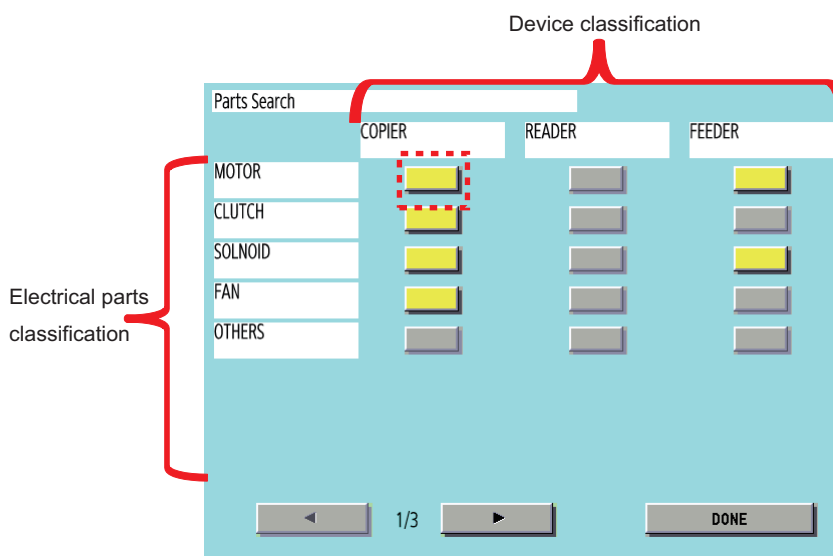
NOTE:

The service mode used below utilizes the system where electrical components used are operated by control signals sent from the DC Controller. If a control signal is sent but the electrical component does not operate, a failure of the electrical component, open circuit of the cable for transmitting control signals, or poor contact of the connector is suspected.

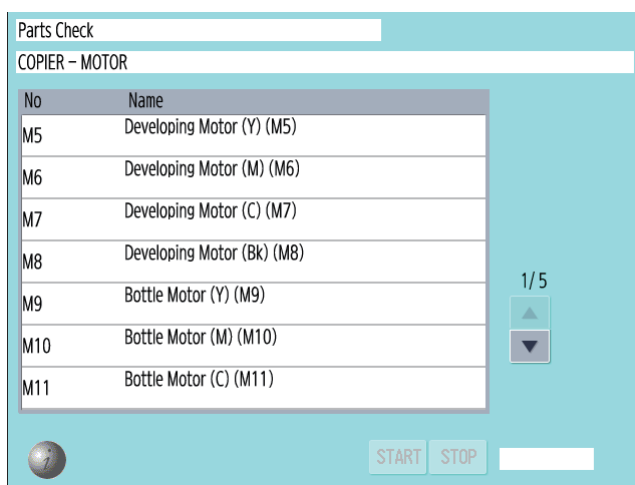
1. Select **SERVICE MODE > SITUATION > Parts Check**.

2. Press a button according to the type of electrical component and the corresponding device type.

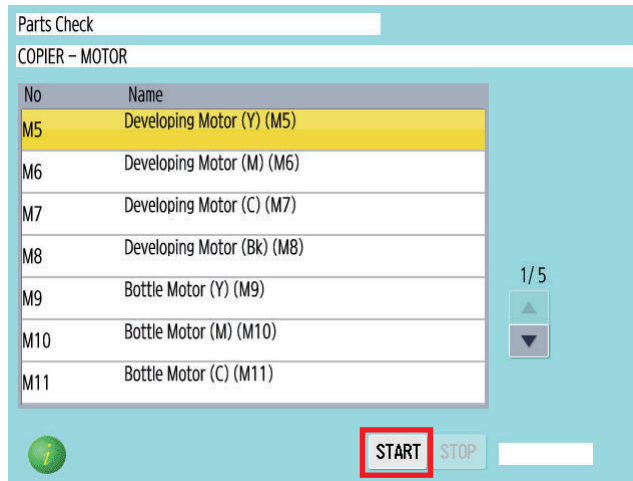
Example: In the case of a motor of the host machine, press the button (red dotted frame) at "COPIER"/"MOTOR".



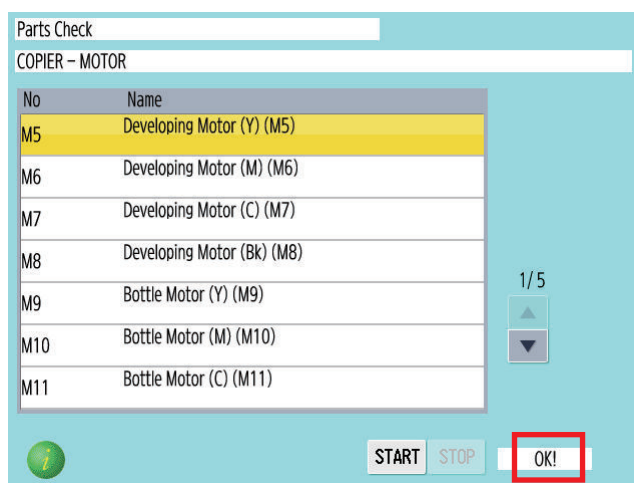
3. A list of electrical component types for the selected device whose operation can be checked is displayed.



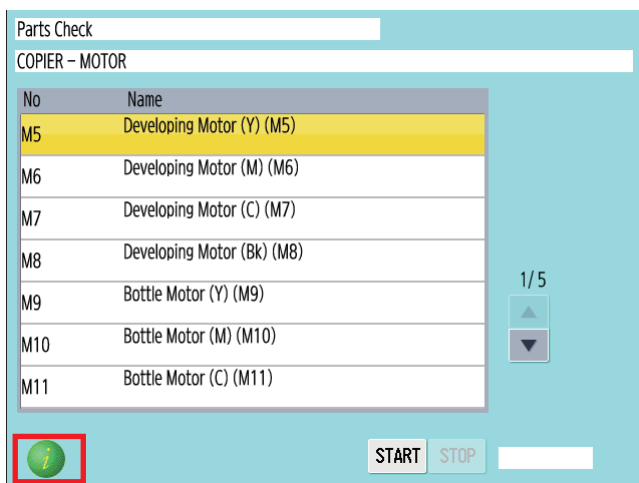
4. Select the electrical component you want to operate and then press the Start button to send a signal for driving the selected electrical component for a specified period of time from the DC Controller.



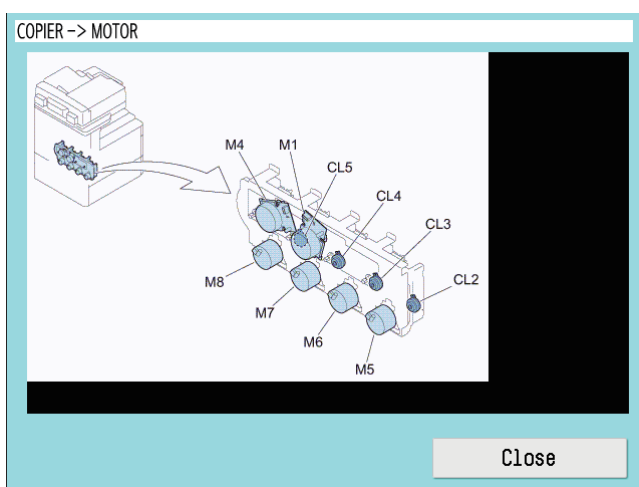
5. "ACTIVE" is displayed while the electrical component is driven. After the electrical component has been driven for a specified period of time, "OK!" is displayed if transmission of the drive signal succeeded, or "NG !" is displayed if failed.



Press the [i] button to display the screen showing the locations of electrical components.



6. The screen showing the locations of electrical components is displayed.



Security Support

A password can be specified to prevent unauthorized access to the service mode.

Related Service Mode:

Setting password type when the screen is switched to the service mode

- COPIER > OPTION > FNC-SW > PSWD-SW (Level 1)

The password for service engineer when the screen is switched to the service mode

- (Level 2) COPIER > OPTION > FNC-SW > SM-PSWD

■ Procedure for Setting Password

1. Set "1" or "2" in the following service mode.

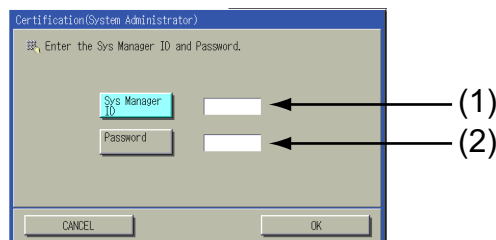
- COPIER > OPTION > FNC-SW > PSWD-SW
<Setting range>
0: No password [Default]
1: Service technician
2: System administrator + Service technician

CAUTION:

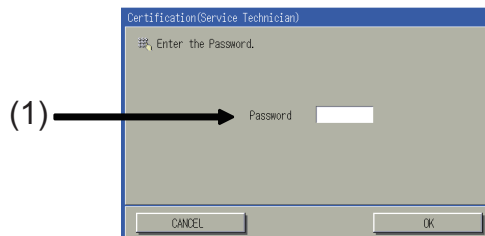
- This setting is enabled without restarting the host machine.
- After setting the password, the following screen will be displayed by accessing service mode.
- Therefore, when the PSWD-SW is set to "2" (system administrator + service technician), enter the system administrator password ([System Manager ID] and [System Manager PIN] in [Settings/Registrations] > [Management Settings] > [User Management] > [System Manager Information Settings]), and then press the [OK] button.

2. Follow the following procedure to check that you can login to service mode.

1. When setting PSWD-SW to "1" (system administrator) or "2" (ServiceMode_070Backup) in step 1, the system administrator password entry screen will be displayed, so enter the system administrator ID in [Sys Manager ID] (1) and system administrator password in [Password] (2), and then press the [OK] button.



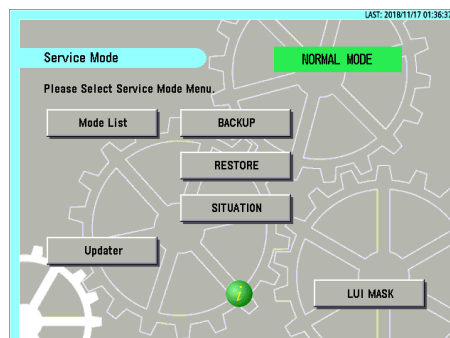
2. When setting PSWD-SW to "2" (system administrator + service technician) in step 1, the service technician password entry screen will be displayed after step 2. Enter the service technician password in [Password] (1), and then press the [OK] button.



CAUTION:

- The service technician password is the password set in COPIER > OPTION > FNC-SW > SM-PSWD.
- If you forget the password for service technician, disable the password function using the Service Support Tool (SST).

Check that you can access service mode and finish the work.



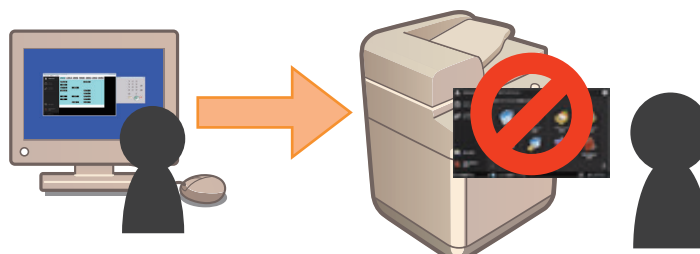
■ Function to Mask the Screen during Remote Access

This function ensures security during servicing work using remote connection.

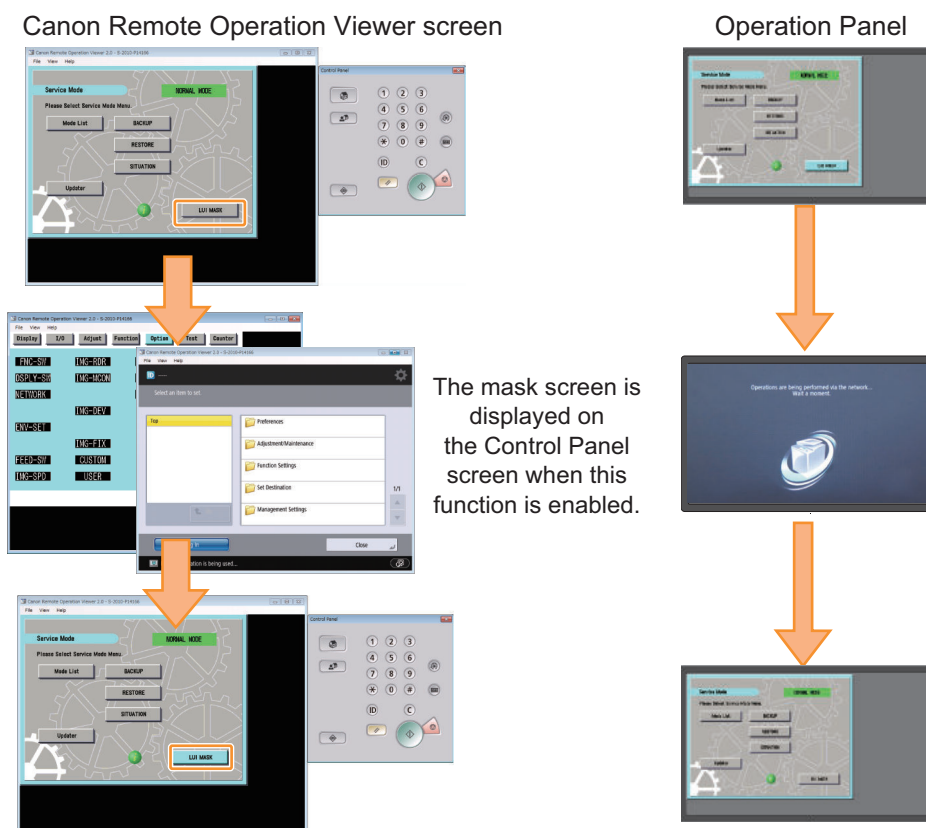
The machine has an option called Remote Operation Viewer for remote control via a network. This option enables a service technician to perform maintenance on the machine from a remote location.

However, the same screen is displayed on the Remote Operation Viewer screen and the Control Panel during the work, which carries the following risks.

- The screen being operated can be seen by the user.
- During remote operation, the user may perform an operation on the Control Panel and an unexpected processing may be executed.



To solve these security problems, a function has been added to display a message on the Control Panel screen when the machine is being operated remotely using Remote Operation Viewer in order to prevent the user from performing unexpected operations. As shown in the figure below, the mask screen is displayed when this function is enabled.

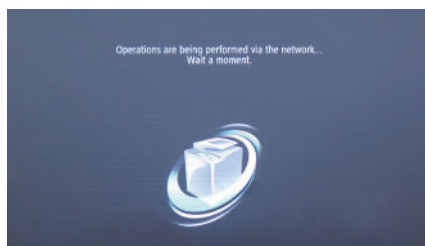


Examples of Screen Display

Functional Specification

The specifications of this function are shown below.

- When this function is enabled, a mask screen is displayed on the Control Panel. When the function is disabled, the original screen is displayed again.



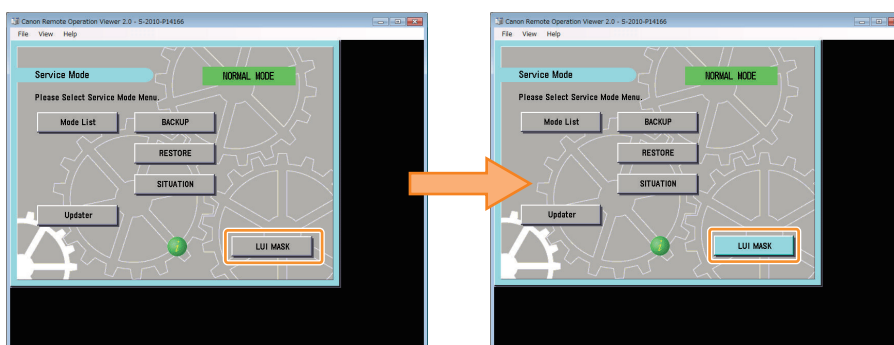
Example of the displayed mask screen

- This function is disabled when the following operations are performed.
 - Press [LUI MASK] on the service mode top screen.
 - Exit Remote Operation Viewer.
 - The remote access is disconnected due to a network failure, etc.
 - The machine is shut down (power down) or restarted.
- If this function is disabled while the service mode is being operated, the service mode is forcibly exited, and the previous screen is displayed. (However, the service mode is not forcibly terminated if the Updater screen has been accessed from service mode.)
- When this function is enabled, all operations (operations from the Touch Panel or hardware keys) other than screen brightness adjustment and operation on the Energy Saver key are disabled.

● Procedure for Enabling This Function

The procedure for enabling this function is shown below.

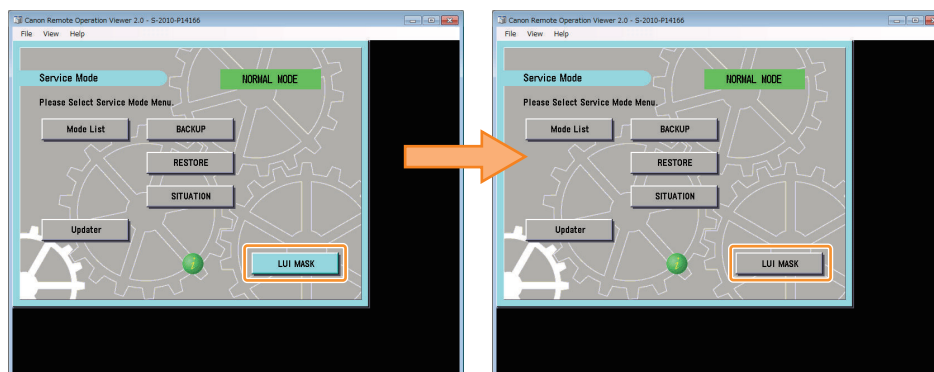
- Use the Remote Operation Viewer to access the machine, and start service mode.
- Press [LUI MASK], and check that the button is enabled (has turned light blue).



● Procedure for Disabling This Function

The procedure for disabling this function is shown below.

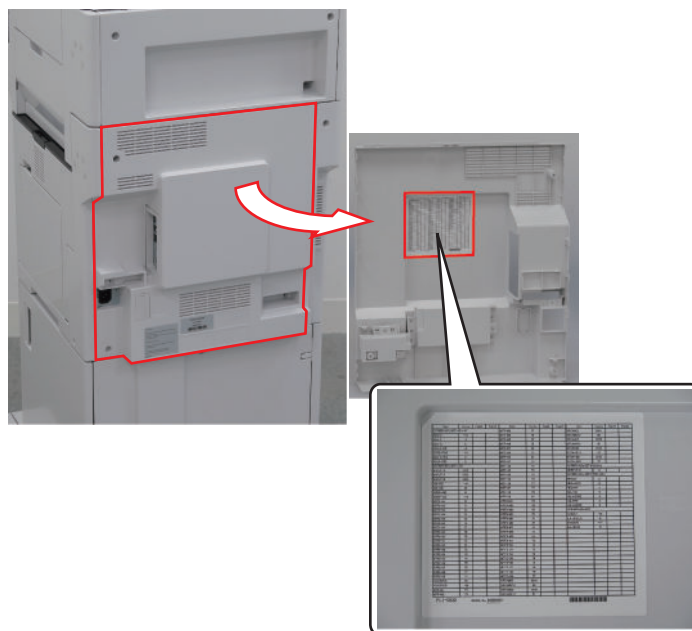
- Perform one of the following operations.
 - Access the service mode, press [LUI MASK], and check that the button is disabled (has turned gray).



- Exit the Remote Operation Viewer.
- Disconnect the network (disconnect the network cable, disable the network function, etc.).
- Shut down or restart the machine.

Service Mode Backup

Adjustment is made to every machine at the time of shipment to write the adjustment value in the service label. When replacing the DC Controller PCB or clearing RAM, the adjusted values of ADJUST and OPTION return to the default; therefore, be sure to adjust the value in the field, and in the case of changing the service mode value, be sure to write down the changed value in the service label. When the corresponding item is not found on the service label, write the value in blank field. The service label of this machine is affixed to the position shown below.



Output of Service Print Data

- The service print data such as P-PRINT can be output as a file.
- By executing the following service mode, data at the time can be saved in the Storage
Service Mode Level 1 > Copier > Function > MISC-P > RPT-FILE
- The saved data will be deleted from the Storage when it is exported to SST or a USB flash drive.
- When multiple service data such as P-PRINT and HIST-PRINT is saved in the host machine, it is collectively exported to SST or a USB flash drive.

NOTE:

- Service print data cannot be output when an error has occurred.
- When connecting a USB flash drive that runs on external power, start the machine with the power is turned ON in advance. A USB flash drive connected after the machine has been started cannot be recognized.

How to obtain the report data	Location
"Moving the file in service mode" on page 423	USB flash drive
"Moving the file in download mode" on page 424	USB flash drive
"How to Export Service Print File to a PC Using SST " on page 425	PC

Service Print and Data File Name Supported for File Output

Service Mode	Content
COPIER > Function> MISC-P > P-PRINT	Output of service mode setting values
COPIER > Function > MISC-P > HIST-PRT	Output of jam and error history
COPIER > Function > MISC-P > USER-PRT	Output of Settings/Registration menu setting values list
COPIER > Function > MISC-P > D-PRINT	Output of service mode (DISPLAY)
COPIER > Function > MISC-P > ENV-PRT	Output of the temperature and humidity inside the machine/surface temperature of the Fixing Roller as a log
COPIER > Function > MISC-P > PJH-P-1	Output of details on print job history (100 jobs)

Service Mode	Content
COPIER > Function > MISC-P > PJH-P-2	Output of details on print job history (all jobs)
COPIER > Function > MISC-P > USBH-PRT	Output of USB device information report
COPIER > Function > MISC-P > TNRB-RPT	Output of the Toner Container ID report

NOTE:

When each service mode is individually executed, the report corresponding to the service mode as of the time of execution is output.

■ Moving the file in service mode

Preparation

The following item needs to be prepared to export the service print file to a USB flash drive.

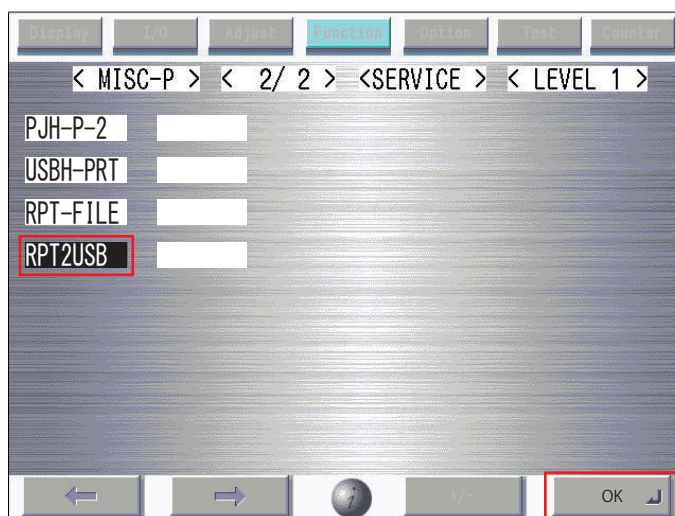
- USB flash drive (FAT32 format file system that is not locked with a password. To display the USB menu, the said model's firmware must already be registered.)

Overall flow

1. Selecting RPT-FILE
Select service mode > Copier > Function > MISC-P > RPT-FILE; and then press OK.
2. Generating report file
After the "ACTIVE" blinks for 3 to 4 minutes, generation of a report file is complete as "OK!" is displayed.



3. Connect the USB flash drive storage device to the USB port.
4. Select service mode > Copier > Function > MISC-P > RPT2USB; and then press OK.



NOTE:

- If the downloaded file is opened as plain text, the paragraphs are misaligned, which makes it difficult to read the data.
- When the file is dragged to WordPad, an image similar to the image output on paper may be displayed in some cases.

■ Moving the file in download mode

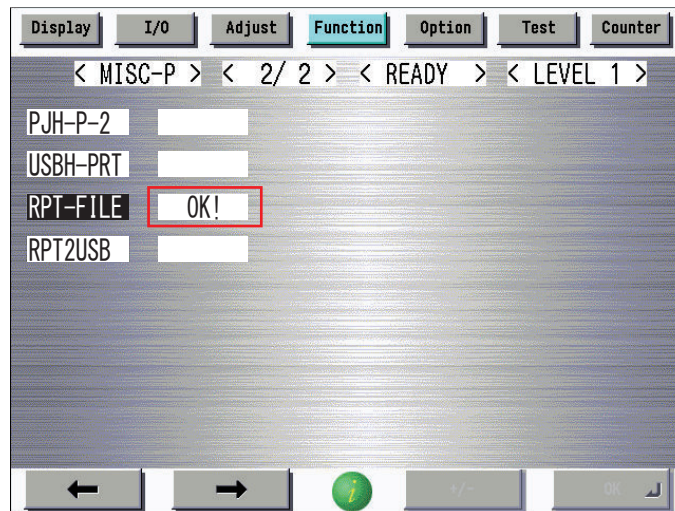
Preparation

The following item needs to be prepared to export the service print file to a USB flash drive.

- USB flash drive (FAT32 format file system that is not locked with a password. To display the USB menu, the said model's firmware must already be registered.)

Overall flow

1. Selecting RPT-FILE
Select service mode > Copier > Function > MISC-P > RPT-FILE; and then press OK.
2. Generating report file
After the "ACTIVE" blinks for 3 to 4 minutes, generation of a report file is complete as "OK!" is displayed.



3. Execute Download mode > [5]: Download File > [4]: ServicePrint Download.

```

[[[[[[[ Download File Menu (USB) ]]]]]]]
-----
[1]: SUBLOG Download
[4]: ServicePrint Download
[C]: Return to Main Menu

[Reset]: Start shutdown sequence

/[4] has been selected. Execute?/
- (OK):0 / (CANCEL):Any other keys -

```

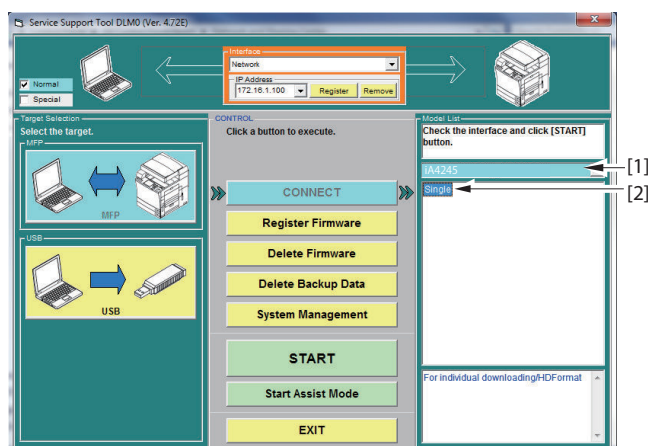


リムーバブルディスク (F:) > iAC3330 > QUC00005 > SP201505211916L				
ルーター				
	名前	更新日時	種類	サイズ
	D-PRINT-RPT.TXT	2015/05/21 19:16	テキスト ドキュ...	12 KB
	ENV-PRT-RPT.TXT	2015/05/21 19:16	テキスト ドキュ...	3 KB
	HIST-PRT-RPT.TXT	2015/05/21 19:16	テキスト ドキュ...	13 KB
	KEY-HIST-RPT.TXT	2015/05/21 19:16	テキスト ドキュ...	1 KB
	PJH-P-1-RPT.TXT	2015/05/21 19:16	テキスト ドキュ...	1 KB
	PJH-P-2-RPT.TXT	2015/05/21 19:16	テキスト ドキュ...	1 KB
	P-PRINT-RPT.TXT	2015/05/21 19:16	テキスト ドキュ...	85 KB
	TNRB-RPT.TXT	2015/05/21 19:16	テキスト ドキュ...	1 KB
	USBH_PRT-RPT.TXT	2015/05/21 19:16	テキスト ドキュ...	1 KB
	USER-PRT-RPT.TXT	2015/05/21 19:16	テキスト ドキュ...	7 KB

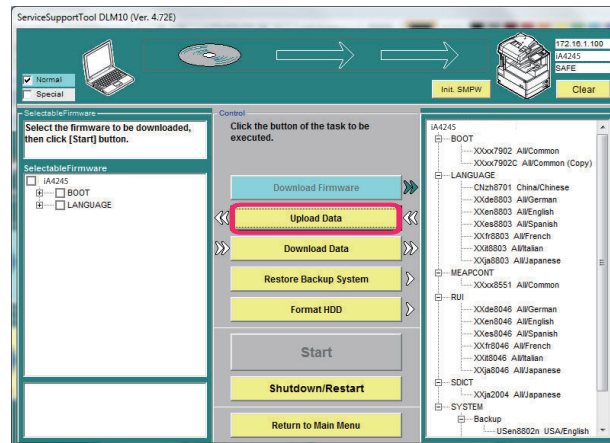
■ How to Export Service Print File to a PC Using SST

The procedure for exporting the service print file to a PC using SST will now be described. (SST described in the procedure is Ver 4.72.)

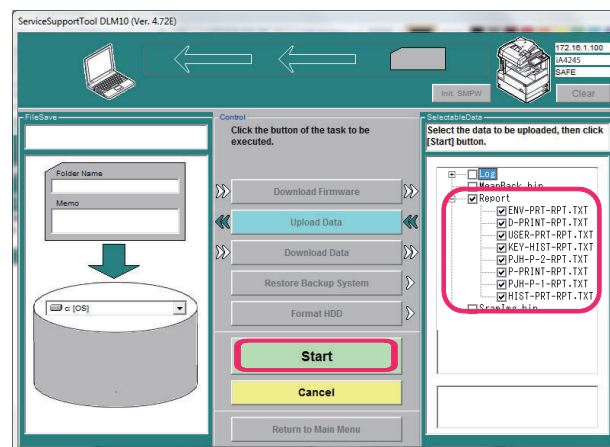
1. Start the SST.
2. Select the model [1] to be connected and the information file for separate download [2] ([Single]). Then, check the network settings and click the "Start" button.



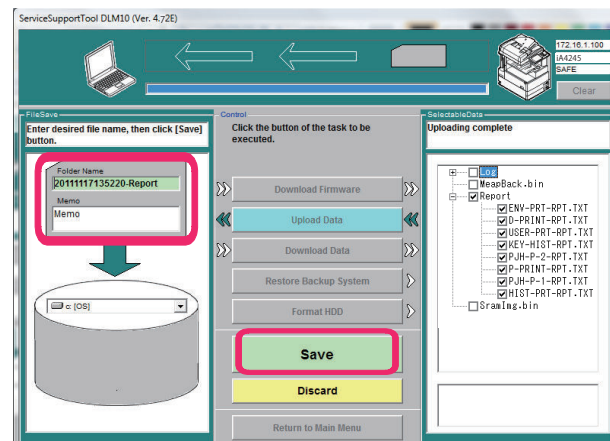
3. Click the [Upload Data] button.



4. Select [Report] and click the [Start] button.



5. Specify the folder name to be saved and enter comments if necessary. Then click the [Store] button.



6. Click the [OK] button.

COPIER (Service mode for printer)

DISPLAY (State display mode)

■ VERSION

COPIER (Service mode for printer) > DISPLAY (State display mode) > VERSION

DC-CON	1	Display of DCON firmware version
Detail		To display the firmware version of DC Controller PCB.
Use Case		When upgrading the firmware
Adj/Set/Operate Method		N/A (Display only)
Display/Adj/Set Range		00.01 to 99.99
R-CON	1	Display of RCON firmware version
Detail		To display the firmware version of RCON.
Use Case		When upgrading the firmware
Adj/Set/Operate Method		N/A (Display only)
Display/Adj/Set Range		00.01 to 99.99
PANEL	1	Dspl of Control Panel CPU PCB ROM ver
Detail		To display the ROM version of Control Panel CPU PCB.
Use Case		When upgrading the firmware
Adj/Set/Operate Method		N/A (Display only)
Display/Adj/Set Range		00.01 to 99.99
SORTER	1	Dspl of FIN-CONT (Main) firmware version
Detail		To display the firmware version of Finisher Controller PCB (Main).
Use Case		When upgrading the firmware
Adj/Set/Operate Method		N/A (Display only)
Display/Adj/Set Range		00.01 to 99.99
NIB	1	Display of network software version
Detail		To display the version of the network software.
Use Case		When upgrading the firmware
Adj/Set/Operate Method		N/A (Display only)
Display/Adj/Set Range		00.01 to 99.99
MN-CONT	1	Display of MNCON firmware version
Detail		To display the firmware version of Main Controller PCB.
Use Case		When upgrading the firmware
Adj/Set/Operate Method		N/A (Display only)
Display/Adj/Set Range		00.01 to 99.99
LANG-FR	1	Display of French language file version
Detail		To display the version of French language file.
Use Case		When upgrading the firmware
Adj/Set/Operate Method		N/A (Display only)
Display/Adj/Set Range		00.01 to 99.99

COPIER (Service mode for printer) > DISPLAY (State display mode) > VERSION

LANG-DE	1	Display of German language file version
Detail		To display the version of German language file.
Use Case		When upgrading the firmware
Adj/Set/Operate Method		N/A (Display only)
Display/Adj/Set Range		00.01 to 99.99
LANG-IT	1	Display of Italian language file version
Detail		To display the version of Italian language file.
Use Case		When upgrading the firmware
Adj/Set/Operate Method		N/A (Display only)
Display/Adj/Set Range		00.01 to 99.99
LANG-CS	2	Display of Czech language file version
Detail		To display the version of Czech language file.
Use Case		When upgrading the firmware
Adj/Set/Operate Method		N/A (Display only)
Display/Adj/Set Range		00.01 to 99.99
LANG-DA	2	Display of Danish language file version
Detail		To display the version of Danish language file.
Use Case		When upgrading the firmware
Adj/Set/Operate Method		N/A (Display only)
Display/Adj/Set Range		00.01 to 99.99
LANG-EL	2	Display of Greek language file version
Detail		To display the version of Greek language file.
Use Case		When upgrading the firmware
Adj/Set/Operate Method		N/A (Display only)
Display/Adj/Set Range		00.01 to 99.99
LANG-ES	1	Display of Spanish language file version
Detail		To display the version of Spanish language file.
Use Case		When upgrading the firmware
Adj/Set/Operate Method		N/A (Display only)
Display/Adj/Set Range		00.01 to 99.99
LANG-ET	2	Display of Estonian language file ver
Detail		To display the version of Estonian language file.
Use Case		When upgrading the firmware
Adj/Set/Operate Method		N/A (Display only)
Display/Adj/Set Range		00.01 to 99.99
LANG-FI	2	Display of Finnish language file version
Detail		To display the version of Finnish language file.
Use Case		When upgrading the firmware
Adj/Set/Operate Method		N/A (Display only)
Display/Adj/Set Range		00.01 to 99.99
LANG-HU	2	Display of Hungarian language file ver
Detail		To display the version of Hungarian language file.
Use Case		When upgrading the firmware
Adj/Set/Operate Method		N/A (Display only)
Display/Adj/Set Range		00.01 to 99.99

COPIER (Service mode for printer) > DISPLAY (State display mode) > VERSION

LANG-KO	2	Display of Korean language file version
Detail	To display the version of Korean language file.	
Use Case	When upgrading the firmware	
Adj/Set/Operate Method	N/A (Display only)	
Display/Adj/Set Range	00.01 to 99.99	
LANG-NL	2	Display of Dutch language file version
Detail	To display the version of Dutch language file.	
Use Case	When upgrading the firmware	
Adj/Set/Operate Method	N/A (Display only)	
Display/Adj/Set Range	00.01 to 99.99	
LANG-NO	2	Display of Norwegian language file ver
Detail	To display the version of Norwegian language file.	
Use Case	When upgrading the firmware	
Adj/Set/Operate Method	N/A (Display only)	
Display/Adj/Set Range	00.01 to 99.99	
LANG-PL	2	Display of Polish language file version
Detail	To display the version of Polish language file.	
Use Case	When upgrading the firmware	
Adj/Set/Operate Method	N/A (Display only)	
Display/Adj/Set Range	00.01 to 99.99	
LANG-PT	2	Display of Portuguese language file ver
Detail	To display the version of Portuguese language file.	
Use Case	When upgrading the firmware	
Adj/Set/Operate Method	N/A (Display only)	
Display/Adj/Set Range	00.01 to 99.99	
LANG-RU	2	Display of Russian language file version
Detail	To display the version of Russian language file.	
Use Case	When upgrading the firmware	
Adj/Set/Operate Method	N/A (Display only)	
Display/Adj/Set Range	00.01 to 99.99	
LANG-SL	2	Display of Slovenian language file ver
Detail	To display the version of Slovenian language file.	
Use Case	When upgrading the firmware	
Adj/Set/Operate Method	N/A (Display only)	
Display/Adj/Set Range	00.01 to 99.99	
LANG-SV	2	Display of Swedish language file version
Detail	To display the version of Swedish language file.	
Use Case	When upgrading the firmware	
Adj/Set/Operate Method	N/A (Display only)	
Display/Adj/Set Range	00.01 to 99.99	
LANG-TW	2	Display of Chinese language file ver: trad
Detail	To display the version of Chinese language file (traditional).	
Use Case	When upgrading the firmware	
Adj/Set/Operate Method	N/A (Display only)	
Display/Adj/Set Range	00.01 to 99.99	

COPIER (Service mode for printer) > DISPLAY (State display mode) > VERSION

LANG-ZH	2	Dspl of Chinese language file ver: simpl
Detail		To display the version of Chinese language file (simplified).
Use Case		When upgrading the firmware
Adj/Set/Operate Method		N/A (Display only)
Display/Adj/Set Range		00.01 to 99.99
LANG-BU	2	Display of Bulgarian language file ver
Detail		To display the version of Bulgarian language file.
Use Case		When upgrading the firmware
Adj/Set/Operate Method		N/A (Display only)
Display/Adj/Set Range		00.01 to 99.99
LANG-CR	2	Display of Croatian language file ver
Detail		To display the version of Croatian language file.
Use Case		When upgrading the firmware
Adj/Set/Operate Method		N/A (Display only)
Display/Adj/Set Range		00.01 to 99.99
LANG-RM	2	Display of Romanian language file ver
Detail		To display the version of Romanian language file.
Use Case		When upgrading the firmware
Adj/Set/Operate Method		N/A (Display only)
Display/Adj/Set Range		00.01 to 99.99
LANG-SK	2	Display of Slovak language file version
Detail		To display the version of Slovak language file.
Use Case		When upgrading the firmware
Adj/Set/Operate Method		N/A (Display only)
Display/Adj/Set Range		00.01 to 99.99
LANG-TK	2	Display of Turkish language file version
Detail		To display the version of Turkish language file.
Use Case		When upgrading the firmware
Adj/Set/Operate Method		N/A (Display only)
Display/Adj/Set Range		00.01 to 99.99
LANG-CA	2	Display of Catalan language file version
Detail		To display the version of Catalan language file.
Use Case		When upgrading the firmware
Adj/Set/Operate Method		N/A (Display only)
Display/Adj/Set Range		00.01 to 99.99
MEDIA-JA	2	Dspl of Japanese media information ver
Detail		To display the version of Japanese media information.
Use Case		When upgrading the firmware
Adj/Set/Operate Method		N/A (Display only)
Display/Adj/Set Range		00.01 to 99.99
MEDIA-EN	2	Dspl of English media information ver
Detail		To display the version of English media information.
Use Case		When upgrading the firmware
Adj/Set/Operate Method		N/A (Display only)
Display/Adj/Set Range		00.01 to 99.99

COPIER (Service mode for printer) > DISPLAY (State display mode) > VERSION

MEDIA-DE	2	Dspl of German media information version
Detail		To display the version of German media information.
Use Case		When upgrading the firmware
Adj/Set/Operate Method		N/A (Display only)
Display/Adj/Set Range		00.01 to 99.99
MEDIA-IT	2	Dspl of Italian media information ver
Detail		To display the version of Italian media information.
Use Case		When upgrading the firmware
Adj/Set/Operate Method		N/A (Display only)
Display/Adj/Set Range		00.01 to 99.99
MEDIA-FR	2	Dspl of French media information version
Detail		To display the version of French media information.
Use Case		When upgrading the firmware
Adj/Set/Operate Method		N/A (Display only)
Display/Adj/Set Range		00.01 to 99.99
MEDIA-ZH	2	Dspl of Chinese media info ver: simpl
Detail		To display the version of Chinese media information (simplified).
Use Case		When upgrading the firmware
Adj/Set/Operate Method		N/A (Display only)
Display/Adj/Set Range		00.01 to 99.99
MEDIA-SK	2	Dspl of Slovak media information version
Detail		To display the version of Slovak media information.
Use Case		When upgrading the firmware
Adj/Set/Operate Method		N/A (Display only)
Display/Adj/Set Range		00.01 to 99.99
MEDIA-TK	2	Dspl of Turkish media information ver
Detail		To display the version of Turkish media information.
Use Case		When upgrading the firmware
Adj/Set/Operate Method		N/A (Display only)
Display/Adj/Set Range		00.01 to 99.99
MEDIA-CS	2	Dspl of Czech media information version
Detail		To display the version of Czech media information.
Use Case		When upgrading the firmware
Adj/Set/Operate Method		N/A (Display only)
Display/Adj/Set Range		00.01 to 99.99
MEDIA-EL	2	Dspl of Greek media information version
Detail		To display the version of Greek media information.
Use Case		When upgrading the firmware
Adj/Set/Operate Method		N/A (Display only)
Display/Adj/Set Range		00.01 to 99.99
MEDIA-ES	2	Dspl of Spanish media information ver
Detail		To display the version of Spanish media information.
Use Case		When upgrading the firmware
Adj/Set/Operate Method		N/A (Display only)
Display/Adj/Set Range		00.01 to 99.99

COPIER (Service mode for printer) > DISPLAY (State display mode) > VERSION

MEDIA-ET	2	Dspl of Estonian media information ver
Detail		To display the version of Estonian media information.
Use Case		When upgrading the firmware
Adj/Set/Operate Method		N/A (Display only)
Display/Adj/Set Range		00.01 to 99.99
MEDIA-FI	2	Dspl of Finnish media information ver
Detail		To display the version of Finnish media information.
Use Case		When upgrading the firmware
Adj/Set/Operate Method		N/A (Display only)
Display/Adj/Set Range		00.01 to 99.99
MEDIA-HU	2	Dspl of Hungarian media information ver
Detail		To display the version of Hungarian media information.
Use Case		When upgrading the firmware
Adj/Set/Operate Method		N/A (Display only)
Display/Adj/Set Range		00.01 to 99.99
MEDIA-KO	2	Dspl of Korean media information version
Detail		To display the version of Korean media information.
Use Case		When upgrading the firmware
Adj/Set/Operate Method		N/A (Display only)
Display/Adj/Set Range		00.01 to 99.99
MEDIA-NL	2	Dspl of Dutch media information version
Detail		To display the version of Dutch media information.
Use Case		When upgrading the firmware
Adj/Set/Operate Method		N/A (Display only)
Display/Adj/Set Range		00.01 to 99.99
MEDIA-NO	2	Dspl of Norwegian media information ver
Detail		To display the version of Norwegian media information.
Use Case		When upgrading the firmware
Adj/Set/Operate Method		N/A (Display only)
Display/Adj/Set Range		00.01 to 99.99
MEDIA-PL	2	Dspl of Polish media information version
Detail		To display the version of Polish media information.
Use Case		When upgrading the firmware
Adj/Set/Operate Method		N/A (Display only)
Display/Adj/Set Range		00.01 to 99.99
MEDIA-PT	2	Dspl of Portuguese media information ver
Detail		To display the version of Portuguese media information.
Use Case		When upgrading the firmware
Adj/Set/Operate Method		N/A (Display only)
Display/Adj/Set Range		00.01 to 99.99
MEDIA-RU	2	Dspl of Russian media information ver
Detail		To display the version of Russian media information.
Use Case		When upgrading the firmware
Adj/Set/Operate Method		N/A (Display only)
Display/Adj/Set Range		00.01 to 99.99

COPIER (Service mode for printer) > DISPLAY (State display mode) > VERSION

MEDIA-SL	2	Dspl of Slovenian media information ver
Detail		To display the version of Slovenian media information.
Use Case		When upgrading the firmware
Adj/Set/Operate Method		N/A (Display only)
Display/Adj/Set Range		00.01 to 99.99
MEDIA-SV	2	Dspl of Swedish media information ver
Detail		To display the version of Swedish media information.
Use Case		When upgrading the firmware
Adj/Set/Operate Method		N/A (Display only)
Display/Adj/Set Range		00.01 to 99.99
MEDIA-TW	2	Dspl of Chinese media info version:trad
Detail		To display the version of Chinese media information (traditional).
Use Case		When upgrading the firmware
Adj/Set/Operate Method		N/A (Display only)
Display/Adj/Set Range		00.01 to 99.99
MEDIA-BU	2	Dspl of Bulgarian media information ver
Detail		To display the version of Bulgarian media information.
Use Case		When upgrading the firmware
Adj/Set/Operate Method		N/A (Display only)
Display/Adj/Set Range		00.01 to 99.99
MEDIA-CR	2	Dspl of Croatian media information ver
Detail		To display the version of Croatian media information.
Use Case		When upgrading the firmware
Adj/Set/Operate Method		N/A (Display only)
Display/Adj/Set Range		00.01 to 99.99
MEDIA-RM	2	Dspl of Romanian media information ver
Detail		To display the version of Romanian media information.
Use Case		When upgrading the firmware
Adj/Set/Operate Method		N/A (Display only)
Display/Adj/Set Range		00.01 to 99.99
MEDIA-CA	2	Dspl of Catalan media information ver
Detail		To display the version of Catalan media information.
Use Case		When upgrading the firmware
Adj/Set/Operate Method		N/A (Display only)
Display/Adj/Set Range		00.01 to 99.99
FAX1	1	Display of 1-line FAX PCB ROM version
Detail		To display the ROM version of 1-line FAX PCB. Nothing is displayed if the PCB is not connected.
Use Case		When upgrading the firmware
Adj/Set/Operate Method		N/A (Display only)
Display/Adj/Set Range		ASCII character string (21 digits)

COPIER (Service mode for printer) > DISPLAY (State display mode) > VERSION

FAX2/3/4	1	Dspl of 2/3/4-line FAX PCB ROM version
	Detail	To display the ROM version of 2/3/4-line FAX PCB. Nothing is displayed if the PCB is not connected.
	Use Case	When checking the version
	Adj/Set/Operate Method	N/A (Display only)
	Display/Adj/Set Range	ASCII character string (21 digits)
IOCS	1	Display of IOCS version
	Detail	To display the IOCS version.
	Use Case	When upgrading the firmware
	Adj/Set/Operate Method	N/A (Display only)
	Display/Adj/Set Range	00.01 to 99.99
S-LNG-JP	1	Dspl of service mode Japanese file ver
	Detail	To display the version of Japanese language file in service mode.
	Use Case	When upgrading the firmware
	Adj/Set/Operate Method	N/A (Display only)
	Display/Adj/Set Range	00.01 to 99.99
S-LNG-EN	1	Dspl of service mode English file ver
	Detail	To display the version of English language file in service mode.
	Use Case	When upgrading the firmware
	Adj/Set/Operate Method	N/A (Display only)
	Display/Adj/Set Range	00.01 to 99.99
S-LNG-FR	1	Dspl of service mode French file version
	Detail	To display the version of French language file in service mode.
	Use Case	When upgrading the firmware
	Adj/Set/Operate Method	N/A (Display only)
	Display/Adj/Set Range	00.01 to 99.99
S-LNG-IT	1	Dspl of service mode Italian file ver
	Detail	To display the version of Italian language file in service mode.
	Use Case	When upgrading the firmware
	Adj/Set/Operate Method	N/A (Display only)
	Display/Adj/Set Range	00.01 to 99.99
S-LNG-GR	1	Dspl of service mode German file version
	Detail	To display the version of German language file in service mode.
	Use Case	When upgrading the firmware
	Adj/Set/Operate Method	N/A (Display only)
	Display/Adj/Set Range	00.01 to 99.99
S-LNG-SP	1	Dspl of service mode Spanish file ver
	Detail	To display the version of Spanish language file in service mode.
	Use Case	When upgrading the firmware
	Adj/Set/Operate Method	N/A (Display only)
	Display/Adj/Set Range	00.01 to 99.99
BCT	1	Display of self diagnosis tool version
	Detail	To display the version of self diagnosis tool.
	Use Case	When upgrading the firmware
	Adj/Set/Operate Method	N/A (Display only)
	Display/Adj/Set Range	00.01 to 99.99

COPIER (Service mode for printer) > DISPLAY (State display mode) > VERSION

LANG-TH	2	Display of Thai language file version
Detail	To display the version of Thai language file.	
Use Case	When upgrading the firmware	
Adj/Set/Operate Method	N/A (Display only)	
Display/Adj/Set Range	00.01 to 99.99	
LANG-VN	2	Display of Vietnamese language file ver
Detail	To display the version of Vietnamese language file.	
Use Case	When upgrading the firmware	
Adj/Set/Operate Method	N/A (Display only)	
Display/Adj/Set Range	00.01 to 99.99	
LANG-AR	2	Dsplt of Arabic language file ver
Detail	To display the version of Arabic language file.	
Use Case	When upgrading the firmware	
Adj/Set/Operate Method	N/A (Display only)	
Display/Adj/Set Range	00.01 to 99.99	
LANG-MS	2	Dsplt of Malay language file ver
Detail	To display the version of Malay language file.	
Use Case	When upgrading the firmware	
Adj/Set/Operate Method	N/A (Display only)	
Display/Adj/Set Range	00.01 to 99.99	
LANG-HI	2	Dsplt of Hindi language file ver
Detail	To display the version of Hindi language file.	
Use Case	When upgrading the firmware	
Adj/Set/Operate Method	N/A (Display only)	
Display/Adj/Set Range	00.01 to 99.99	
LANG-EU	2	Dsplt of Euskera language file ver
Detail	To display the version of Euskera language file.	
Use Case	When upgrading the firmware	
Adj/Set/Operate Method	N/A (Display only)	
Display/Adj/Set Range	00.01 to 99.99	
OPT-CAS1	1	Dsplt option Cassette 1 firmware version
Detail	To display the firmware version of option Cassette 1.	
Use Case	When checking the firmware version	
Adj/Set/Operate Method	N/A (Display only)	
Display/Adj/Set Range	00.00 to 99.99	
Default Value	0	
OPT-CAS2	1	Dsplt option Cassette 2 firmware version
Detail	To display the firmware version of option Cassette 2.	
Use Case	When checking the firmware version	
Adj/Set/Operate Method	N/A (Display only)	
Display/Adj/Set Range	00.00 to 99.99	
Default Value	0	

COPIER (Service mode for printer) > DISPLAY (State display mode) > VERSION

OPT-CAS3	1	Dspl option Cassette 3 firmware version
Detail		To display the firmware version of option Cassette 3.
Use Case		When checking the firmware version
Adj/Set/Operate Method		N/A (Display only)
Display/Adj/Set Range		00.00 to 99.99
Default Value		0
RPTL-CS	2	Dspl RUI Portal Czech file version
Detail		To display the version of Czech language file for "Remote UI: Portal".
Use Case		When upgrading the firmware
Adj/Set/Operate Method		N/A (Display only)
Display/Adj/Set Range		00.01 to 99.99
RPTL-DA	2	Dspl RUI Portal Danish file version
Detail		To display the version of Danish language file for "Remote UI: Portal".
Use Case		When upgrading the firmware
Adj/Set/Operate Method		N/A (Display only)
Display/Adj/Set Range		00.01 to 99.99
RPTL-EL	2	Dspl RUI Portal Greek file version
Detail		To display the version of Greek language file for "Remote UI: Portal".
Use Case		When upgrading the firmware
Adj/Set/Operate Method		N/A (Display only)
Display/Adj/Set Range		00.01 to 99.99
RPTL-ET	2	Dspl RUI Portal Estonian file version
Detail		To display the version of Estonian language file for "Remote UI: Portal".
Use Case		When upgrading the firmware
Adj/Set/Operate Method		N/A (Display only)
Display/Adj/Set Range		00.01 to 99.99
RPTL-FI	2	Dspl RUI Portal Finnish file version
Detail		To display the version of Finnish language file for "Remote UI: Portal".
Use Case		When upgrading the firmware
Adj/Set/Operate Method		N/A (Display only)
Display/Adj/Set Range		00.01 to 99.99
RPTL-HU	2	Dspl RUI Portal Hungarian file version
Detail		To display the version of Hungarian language file for "Remote UI: Portal".
Use Case		When upgrading the firmware
Adj/Set/Operate Method		N/A (Display only)
Display/Adj/Set Range		00.01 to 99.99
RPTL-NL	2	Dspl RUI Portal Dutch file version
Detail		To display the version of Dutch language file for "Remote UI: Portal".
Use Case		When upgrading the firmware
Adj/Set/Operate Method		N/A (Display only)
Display/Adj/Set Range		00.01 to 99.99

COPIER (Service mode for printer) > DISPLAY (State display mode) > VERSION

RPTL-NO	2	Dspl RUI Portal Norwegian file version
Detail	To display the version of Norwegian language file for "Remote UI: Portal".	
Use Case	When upgrading the firmware	
Adj/Set/Operate Method	N/A (Display only)	
Display/Adj/Set Range	00.01 to 99.99	
RPTL-PL	2	Dspl RUI Portal Polish file version
Detail	To display the version of Polish language file for "Remote UI: Portal".	
Use Case	When upgrading the firmware	
Adj/Set/Operate Method	N/A (Display only)	
Display/Adj/Set Range	00.01 to 99.99	
RPTL-PT	2	Dspl RUI Portal Portuguese file version
Detail	To display the version of Portuguese language file for "Remote UI: Portal".	
Use Case	When upgrading the firmware	
Adj/Set/Operate Method	N/A (Display only)	
Display/Adj/Set Range	00.01 to 99.99	
RPTL-RU	2	Dspl RUI Portal Russian file version
Detail	To display the version of Russian language file for "Remote UI: Portal".	
Use Case	When upgrading the firmware	
Adj/Set/Operate Method	N/A (Display only)	
Display/Adj/Set Range	00.01 to 99.99	
RPTL-SL	2	Dspl RUI Portal Slovenian file version
Detail	To display the version of Slovenian language file for "Remote UI: Portal".	
Use Case	When upgrading the firmware	
Adj/Set/Operate Method	N/A (Display only)	
Display/Adj/Set Range	00.01 to 99.99	
RPTL-SV	2	Dspl RUI Portal Swedish file version
Detail	To display the version of Swedish language file for "Remote UI: Portal".	
Use Case	When upgrading the firmware	
Adj/Set/Operate Method	N/A (Display only)	
Display/Adj/Set Range	00.01 to 99.99	
RPTL-ID	2	Dspl RUI Portal Indonesian file version
Detail	To display the version of Indonesian language file for "Remote UI: Portal".	
Use Case	When upgrading the firmware	
Adj/Set/Operate Method	N/A (Display only)	
Display/Adj/Set Range	00.01 to 99.99	
RPTL-BU	2	Dspl RUI Portal Bulgarian file version
Detail	To display the version of Bulgarian language file for "Remote UI: Portal".	
Use Case	When upgrading the firmware	
Adj/Set/Operate Method	N/A (Display only)	
Display/Adj/Set Range	00.01 to 99.99	
RPTL-CR	2	Dspl RUI Portal Croatian file version
Detail	To display the version of Croatian language file for "Remote UI: Portal".	
Use Case	When upgrading the firmware	
Adj/Set/Operate Method	N/A (Display only)	
Display/Adj/Set Range	00.01 to 99.99	

COPIER (Service mode for printer) > DISPLAY (State display mode) > VERSION

RPTL-RM	2	Dspl RUI Portal Romanian file version
Detail	To display the version of Romanian language file for "Remote UI: Portal".	
Use Case	When upgrading the firmware	
Adj/Set/Operate Method	N/A (Display only)	
Display/Adj/Set Range	00.01 to 99.99	
RPTL-SK	2	Dspl RUI Portal Slovak file version
Detail	To display the version of Slovak language file for "Remote UI: Portal".	
Use Case	When upgrading the firmware	
Adj/Set/Operate Method	N/A (Display only)	
Display/Adj/Set Range	00.01 to 99.99	
RPTL-TK	2	Dspl RUI Portal Turkish file version
Detail	To display the version of Turkish language file for "Remote UI: Portal".	
Use Case	When upgrading the firmware	
Adj/Set/Operate Method	N/A (Display only)	
Display/Adj/Set Range	00.01 to 99.99	
RPTL-CA	2	Dspl RUI Portal Catalan file version
Detail	To display the version of Catalan language file for "Remote UI: Portal".	
Use Case	When upgrading the firmware	
Adj/Set/Operate Method	N/A (Display only)	
Display/Adj/Set Range	00.01 to 99.99	
RPTL-TH	2	Dspl RUI Portal Thai file version
Detail	To display the version of Thai language file for "Remote UI: Portal".	
Use Case	When upgrading the firmware	
Adj/Set/Operate Method	N/A (Display only)	
Display/Adj/Set Range	00.01 to 99.99	
RPTL-VN	2	Dspl RUI Portal Vietnamese file version
Detail	To display the version of Vietnamese language file for "Remote UI: Portal".	
Use Case	When upgrading the firmware	
Adj/Set/Operate Method	N/A (Display only)	
Display/Adj/Set Range	00.01 to 99.99	
SORT-SLV	1	Dspl of FIN-CONT (Sub) firmware version
Detail	To display the firmware version of Finisher Controller PCB (Sub).	
Use Case	When upgrading the firmware	
Adj/Set/Operate Method	N/A (Display only)	
Display/Adj/Set Range	00.01 to 99.99	
CONT-PF	1	Display of Controller firmware version
Detail	To display the platform version of the controller.	
Use Case	When checking the platform version at upgrade/problem occurrence	
Adj/Set/Operate Method	N/A (Display only)	
Display/Adj/Set Range	00.01 to 99.99	
LANG-HE	2	Display of Hebrew language file version
Detail	To display the version of Hebrew language file.	
Use Case	When upgrading the firmware	
Adj/Set/Operate Method	N/A (Display only)	
Display/Adj/Set Range	00.01 to 99.99	

COPIER (Service mode for printer) > DISPLAY (State display mode) > VERSION

LANG-LT	2	Dspl of Lithuanian language file version
Detail	To display the version of Lithuanian language file.	
Use Case	When upgrading the firmware	
Adj/Set/Operate Method	N/A (Display only)	
Display/Adj/Set Range	00.01 to 99.99	
LANG-LV	2	Display of Latvian language file version
Detail	To display the version of Latvian language file.	
Use Case	When upgrading the firmware	
Adj/Set/Operate Method	N/A (Display only)	
Display/Adj/Set Range	00.01 to 99.99	
OPT-ENV1	1	Dspl Env. Cassette 2 firmware version
Detail	To display the firmware version of option Cassette 2 (envelope option) .	
Use Case	When checking the firmware version	
Adj/Set/Operate Method	N/A (Display only)	
Display/Adj/Set Range	00.00 to 99.99	
Default Value	0	
OPT-ENV2	1	Dspl Env. Cassette 3 firmware version
Detail	To display the firmware version of option Cassette 3 (envelope option) .	
Use Case	When checking the firmware version	
Adj/Set/Operate Method	N/A (Display only)	
Display/Adj/Set Range	00.00 to 99.99	
Default Value	0	
LANG-UK	2	Dspl of Ukrainian language file ver
Detail	To display the Ukrainian language file version	
Use Case	When the firmware is upgraded	
Adj/Set/Operate Method	None (display only)	
Display/Adj/Set Range	00.00 to 99.99	
LANG-MI	2	Dspl of Maori language file ver
Detail	To display the Maori language file version	
Use Case	When the firmware is upgraded	
Adj/Set/Operate Method	None (display only)	
Display/Adj/Set Range	00.00 to 99.99	

■ USER

COPIER (Service mode for printer) > DISPLAY (State display mode) > USER

SPDTYPE	1	Display of engine speed type
Detail	To display the engine speed type of this machine.	
Use Case	When checking the engine speed type	
Adj/Set/Operate Method	N/A (Display only)	

COPIER (Service mode for printer) > DISPLAY (State display mode) > USER

ADFTYPE	1	Display of DADF type
Detail		To display the type of the DADF currently installed.
Use Case		When replacing the DADF
Adj/Set/Operate Method		N/A (Display only)
Display/Adj/Set Range		0 to 2 0: Reverse type, 1: 1-path type, 2: Not installed (Copyboard model)
Related Service Mode		COPIER> OPTION> CUSTOM> SCANTYPE
SER-NAME	1	Dspl firmware registration series name
Detail		Display firmware registration series name
Use Case		To check the folder name for firmware registration in USB flash drive
Adj/Set/Operate Method		N/A (Display only)

■ ACC-ST5

COPIER (Service mode for printer) > DISPLAY (State display mode) > ACC-ST5

FEEDER	1	Display of DADF connection state
Detail		To display the connecting state of DADF.
Use Case		When checking the connection between the machine and DADF
Adj/Set/Operate Method		N/A (Display only)
Display/Adj/Set Range		0 to 1 0: Not connected, 1: Connected
SORTER	1	Connect state of Finisher-related option
Detail		To display the connection state of Finisher-related options.
Use Case		When checking the connection of Finisher-related options
Adj/Set/Operate Method		N/A (Display only)
Display/Adj/Set Range		Left column (connection state of Finisher-related options): 1 to 5 1: Without Saddle 2: With Saddle, without Folding Unit 3: With Saddle and Inserter, without Folding Unit 4: With Saddle and Folding Unit, without Inserter 5: With Saddle, Inserter and Folding Unit Right column (connection state of Finisher-belonged Puncher): 0 to 4 0: No hole, 1: 2-hole, 2/4-hole switching, 2: 3-hole, 2/3-hole, 2/3-hole switching, 3: 4-hole, 4: 4-hole (SW)
DECK	1	Display of Paper Deck connection state
Detail		To display the connecting state of the Paper Deck.
Use Case		When checking the connection between the machine and the Paper Decks
Adj/Set/Operate Method		N/A (Display only)
Display/Adj/Set Range		0 to 5 0: Not connected, 1: Connected, 2 to 4: Not used, 5: Multi-purpose Tray only
CARD	1	Dspl of connection state of Card Reader
Detail		To display the connecting state of Card Reader.
Use Case		When checking the connection between the machine and the Card Reader
Adj/Set/Operate Method		N/A (Display only)
Display/Adj/Set Range		0 to 1 0: No card is inserted while the Card Reader is connected. (Copy is not available.) 1: Card Reader is not connected, or card is inserted while the Card Reader is connected. (Copy is available.)

COPIER (Service mode for printer) > DISPLAY (State display mode) > ACC-ST5

RAM	1	Display of MNCON PCB memory capacity
Detail		To display the memory capacity of the Main Controller PCB.
Use Case		When checking the memory capacity of the machine
Adj/Set/Operate Method		N/A (Display only)
Unit		MB
Amount of Change per Unit		1
COINROBO	1	Dspl of Coin Manager connection state
Detail		To display the connecting state of the Coin Manager.
Use Case		When checking the connection between the machine and the Coin Manager
Adj/Set/Operate Method		N/A (Display only)
Display/Adj/Set Range		0 to 1 0: Not connected, 1: Connected
HDD	1	Display of HDD model name
Detail		To display the model name of HDD.
Use Case		When checking the model name of HDD used on the machine
Adj/Set/Operate Method		N/A (Display only)
IA-RAM	1	Display of MNCON PCB memory capacity
Detail		To display the memory capacity of the Main Controller PCB.
Use Case		When checking the memory capacity of the Main Controller PCB
Adj/Set/Operate Method		N/A (Display only)
Unit		MB
Amount of Change per Unit		1

■ ANALOG

COPIER (Service mode for printer) > DISPLAY (State display mode) > ANALOG

TEMP	1	Display of inside temperature
Detail		To display the temperature inside the machine detected by Environment Sensor.
Use Case		When checking the temperature inside the machine
Display/Adj/Set Range		0 to 60
Default Value		0
HUM	1	Display of inside humidity
Detail		To display the humidity inside the machine detected by Environment Sensor.
Use Case		When checking the humidity inside the machine
Display/Adj/Set Range		0 to 100
Default Value		0
FIX-C	1	Dspl of Fixing Roller center temperature
Detail		To display the center temperature of the Fixing Roller detected by the Fixing Main Thermistor.
Use Case		When checking the temperature at the center of Fixing Roller
Display/Adj/Set Range		0 to 300
Default Value		0

COPIER (Service mode for printer) > DISPLAY (State display mode) > ANALOG

FIX-E	1	Dspl of Fixing Roller edge temperature
Detail		To display the edge temperature of the Fixing Roller detected by the Fixing Sub Thermistor 1. Fixing Sub Thermistor 1 is located in the drive side of Fixing Roller.
Use Case		When checking the edge temperature of the Fixing Roller
Display/Adj/Set Range		0 to 300
Default Value		0

FIX-E2	1	Dspl of Fixing Roller edge temperature
Detail		To display the edge temperature of the Fixing Roller detected by the Fixing Sub Thermistor 2. Fixing Sub Thermistor 2 is located in the non-drive side of Fixing Roller.
Use Case		When checking the edge temperature of the Fixing Roller
Display/Adj/Set Range		0 to 300
Default Value		0

■ CST-STS

COPIER (Service mode for printer) > DISPLAY (State display mode) > CST-STS

WIDTH-MF	2	Display of MP Tray paper width size
Detail		To display the paper width size set on the Multi-purpose Tray.
Use Case		When checking the paper width side set on the Multi-purpose Tray
Adj/Set/Operate Method		N/A (Display only)
Unit		mm
Amount of Change per Unit		1

■ CCD

COPIER (Service mode for printer) > DISPLAY (State display mode) > CCD

TARGET-B	2	Shading target value (B)
Detail		To display the shading target value of Blue.
Use Case		- When clearing the Reader-related RAM data/replacing the SATA Flash PCB - At scanned image failure
Adj/Set/Operate Method		N/A (Display only)
Display/Adj/Set Range		0 to 2047
Appropriate Target Value		512 - 2047

TARGET-G	2	Shading target value (G)
Detail		To display the target value of Green.
Use Case		- When clearing the Reader-related RAM data/replacing the SATA Flash PCB - At scanned image failure
Adj/Set/Operate Method		N/A (Display only)
Display/Adj/Set Range		0 to 2047
Appropriate Target Value		512 - 2047

TARGET-R	2	Shading target value (R)
Detail		To display the shading target value of Red.
Use Case		- When clearing the Reader-related RAM data/replacing the SATA Flash PCB - At scanned image failure
Adj/Set/Operate Method		N/A (Display only)
Display/Adj/Set Range		0 to 2047
Appropriate Target Value		512 - 2047

■ MISC

COPIER (Service mode for printer) > DISPLAY (State display mode) > MISC

TNRB-IDK	1	Display of Bk-color Toner Container ID
Detail		To display the ID of Bk-color Toner Container that is installed to the machine
Use Case		When checking whether the barcode ID on the Toner Container is read correctly
Adj/Set/Operate Method		N/A (Display only)
Display/Adj/Set Range		28-digit decimal number
SD-INFO	2	For R&D
STC-REC	1	Check High Consumption Alarm Send Status
Detail		To express whether High Consumption Alarm is sent or not with 0 and 1.
Use Case		- When checking whether High Consumption Alarm is sent or not
Adj/Set/Operate Method		Display only
Caution		The value returns to 0 only in the following cases: - When performing COPIER > FUNCTION > CLEAR > CNT-DCON - When performing "Initialize All Data/Settings" - When the DC Controller is replaced
Display/Adj/Set Range		0 to 1 0: Transmission disabled, 1: Transmission enabled 1st column: Toner (Y) 2nd column: Toner (M) 3rd column: Toner (C) 4th column: Toner (K) 5th column: Waste Toner Container 6th column: Fixing Web 7th to 8th column: Spare
Default Value		0

I/O

This item is not used because it is intended for R&D.

The I/O information can be found in service mode > SITUATION > Sensor Check.

ADJUST (Adjustment mode)

■ AE

COPIER (Service mode for printer) > ADJUST (Adjustment mode) > AE

AE-TBL	1	Adj of text density at image density adj
Detail		To adjust text density according to the adjusted image density. As the greater value is set, text gets darker.
Use Case		When clearing the RAM data of the Reader
Adj/Set/Operate Method		1) Enter the setting value, and then press OK key. 2) Turn OFF/ON the main power switch.
Caution		When clearing the RAM data of the Reader, enter the value of service label.
Display/Adj/Set Range		1 to 9
Default Value		5

■ ADJ-XY

COPIER (Service mode for printer) > ADJUST (Adjustment mode) > ADJ-XY

ADJ-X	1	Adj read start pstn: Copyboard,vert scan
Detail	<p>To adjust the image reading start position (image leading edge position) in the vertical scanning direction at copyboard reading.</p> <p>As the value is incremented by 1, the image position is moved to the trailing edge side by 0.1 mm. Decrease the value when the non-image width is larger than the standard value. Increase the value when out of original area is copied.</p> <p>When clearing the Reader-related RAM data/replacing the SATA Flash PCB, enter the value of the service label on the reader.</p>	
Use Case	When clearing the Reader-related RAM data/replacing the SATA Flash PCB	
Adj/Set/Operate Method	<p>1) Enter the setting value (switch negative/positive by +/- key) and press OK key.</p> <p>2) Turn OFF/ON the main power switch.</p>	
Display/Adj/Set Range	-30 to 30	
Unit	mm	
Default Value	0	
Amount of Change per Unit	0.1	
ADJ-Y	1	Adj read start pstn: Copyboard,horz scan
Detail	<p>To adjust the image reading start position in the horizontal scanning direction at copyboard reading.</p> <p>As the value is incremented by 1, the image position is moved to the rear side by 0.1 mm. Decrease the value when the non-image width is larger than the standard value. Increase the value when out of original area is copied.</p> <p>When clearing the Reader-related RAM data/replacing the SATA Flash PCB, enter the value of the service label on the reader.</p>	
Use Case	When clearing the Reader-related RAM data/replacing the SATA Flash PCB	
Adj/Set/Operate Method	<p>1) Enter the setting value (switch negative/positive by +/- key) and press OK key.</p> <p>2) Turn OFF/ON the main power switch.</p>	
Caution	After the setting value is changed, write the changed value in the service label.	
Display/Adj/Set Range	-15 to 15	
Unit	mm	
Default Value	0	
Amount of Change per Unit	0.1	
ADJ-S	1	Adjustment of Reader shading position
Detail	<p>To adjust the Scanner Unit (Front) position in feed direction when reading the White Plate on the left edge of the Copyboard Glass.</p> <p>When replacing the Scanner Unit, execute RDSHDPOS and write the value of this item in the service label.</p> <p>When clearing the Reader-related RAM data, enter the value of service label.</p> <p>As the value is incremented by 1, the reading position moves to the trailing edge side by 0.1 mm.</p>	
Use Case	<ul style="list-style-type: none"> - When black lines/white lines appear - When replacing the Scanner Unit (Front) - When clearing the Reader-related RAM data 	
Adj/Set/Operate Method	<p>1) Enter the setting value (switch negative/positive by +/- key) and press OK key.</p> <p>2) Turn OFF/ON the main power switch.</p>	
Caution	After the setting value is changed, write the changed value in the service label.	
Display/Adj/Set Range	-20 to 20	
Unit	mm	
Default Value	0	
Related Service Mode	COPIER> FUNCTION> INSTALL> RDSHDPOS	
Amount of Change per Unit	0.1	

COPIER (Service mode for printer) > ADJUST (Adjustment mode) > ADJ-XY

ADJ-Y-DF	1	Adj read start pstn:DADF,front,horz scan
Detail	<p>To adjust the front side image reading start position in horizontal scanning direction at DADF reading.</p> <p>This function is executed when an image that has been imaged in a state where skew correction is not performed/has failed is out of alignment.</p> <p>(In the service mode, when skew correction is turned off or when the inclination of the document is large or the document is chipped.)</p> <p>When replacing the Controller PCB/clearing RAM data, enter the value of service label.</p> <p>As the value is incremented by 1, the image position is moved to the rear side by 0.1 mm.</p>	
Use Case	When clearing the Reader-related RAM data/replacing the Controller PCB	
Adj/Set/Operate Method	<p>1) Enter the setting value (switch negative/positive by +/- key) and press OK key.</p> <p>2) Turn OFF/ON the main power switch.</p>	
Caution	After the setting value is changed, write the changed value in the service label.	
Display/Adj/Set Range	-15 to 15	
Unit	mm	
Default Value	0	
Amount of Change per Unit	0.1	
STRD-POS	1	Adj frt side read pstn: DADF stream read
Detail	<p>To adjust the Scanner Unit (Front) position in feed direction at DADF stream reading.</p> <p>As the value is changed by 1, the position moves by 0.1 mm.</p> <p>When clearing the Reader-related RAM data/replacing the SATA Flash PCB, enter the value of the service label on the reader.</p>	
Use Case	When clearing the Reader-related RAM data/replacing the SATA Flash PCB	
Adj/Set/Operate Method	<p>1) Enter the setting value (switch negative/positive by +/- key) and press OK key.</p> <p>2) Turn OFF/ON the main power switch.</p>	
Caution	After the setting value is changed, write the changed value in the service label.	
Display/Adj/Set Range	-40 to 20	
Unit	mm	
Default Value	0	
Related Service Mode	COPIER> FUNCTION> INSTALL> STRD-POS	
Amount of Change per Unit	0.1	
ADJ-X-MG	1	Fine adj img ratio: book mode, vert scan
Detail	<p>To make a fine adjustment of image magnification ratio in vertical scanning direction at copyboard reading.</p> <p>As the value is changed by 1, the image magnification ratio is changed by 0.01%.</p> <p>+: Reduce</p> <p>-: Enlarge</p> <p>When clearing the Reader-related RAM data/replacing the SATA Flash PCB, enter the value of the service label on the reader.</p>	
Use Case	When clearing the Reader-related RAM data/replacing the SATA Flash PCB	
Adj/Set/Operate Method	<p>1) Enter the setting value (switch negative/positive by +/- key) and press OK key.</p> <p>2) Turn OFF/ON the main power switch.</p>	
Caution	After the setting value is changed, write the changed value in the service label.	
Display/Adj/Set Range	-200 to 200	
Unit	%	
Default Value	0	
Amount of Change per Unit	0.01	

COPIER (Service mode for printer) > ADJUST (Adjustment mode) > ADJ-XY

ADJY-DF2	1	Adj read start pstn:DADF,back,horz scan
Detail		To adjust the back side image reading start position in horizontal scanning direction at DADF reading. This function is executed when an image that has been imaged in a state where skew correction is not performed/has failed is out of alignment. (In the service mode, when skew correction is turned off or when the inclination of the document is large or the document is chipped.) When replacing the Controller PCB/clearing RAM data, enter the value of service label. As the value is incremented by 1, the image position is moved to the rear side by 0.1 mm.
Use Case		When clearing the Reader-related RAM data/replacing the Controller PCB
Adj/Set/Operate Method		1) Enter the setting value (switch negative/positive by +/- key) and press OK key. 2) Turn OFF/ON the main power switch.
Caution		After the setting value is changed, write the changed value in the service label.
Display/Adj/Set Range		-15 to 15
Unit		mm
Default Value		0
Amount of Change per Unit		0.1

■ CCD

COPIER (Service mode for printer) > ADJUST (Adjustment mode) > CCD

W-PLT-X	1	Stdrd White Plt white lvl data (X) entry
Detail		To enter the white level data (X) for the Standard White Plate. When clearing the Reader-related RAM data/replacing the SATA Flash PCB/replacing the Copyboard Glass, enter the value of barcode label which is affixed on the glass.
Use Case		- When clearing the Reader-related RAM data/replacing the SATA Flash PCB - When replacing the Copyboard Glass
Adj/Set/Operate Method		1) Enter the setting value, and then press OK key. 2) Turn OFF/ON the main power switch.
Display/Adj/Set Range		7000 to 9999
Default Value		8273
Related Service Mode		COPIER> ADJUST> CCD> W-PLT-Y/Z
Amount of Change per Unit		1

W-PLT-Y	1	Stdrd White Plt white lvl data (Y) entry
Detail		To enter the white level data (Y) for the Standard White Plate. When clearing the Reader-related RAM data/replacing the SATA Flash PCB/replacing the Copyboard Glass, enter the value of barcode label which is affixed on the glass.
Use Case		- When clearing the Reader-related RAM data/replacing the SATA Flash PCB - When replacing the Copyboard Glass
Adj/Set/Operate Method		1) Enter the setting value, and then press OK key. 2) Turn OFF/ON the main power switch.
Display/Adj/Set Range		7000 to 9999
Default Value		8737
Related Service Mode		COPIER> ADJUST> CCD> W-PLT-X/Z
Amount of Change per Unit		1

COPIER (Service mode for printer) > ADJUST (Adjustment mode) > CCD

W-PLT-Z	1	Stdrd White Plt white lvl data (Z) entry
Detail	To enter the white level data (Z) for the Standard White Plate. When clearing the Reader-related RAM data/replacing the SATA Flash PCB/replacing the Copyboard Glass, enter the value of barcode label which is affixed on the glass.	
Use Case	- When clearing the Reader-related RAM data/replacing the SATA Flash PCB - When replacing the Copyboard Glass	
Adj/Set/Operate Method	1) Enter the setting value, and then press OK key. 2) Turn OFF/ON the main power switch.	
Display/Adj/Set Range	7000 to 9999	
Default Value	9427	
Related Service Mode	COPIER> ADJUST> CCD> W-PLT-X/Y	
Amount of Change per Unit	1	
100-RG	1	RG clr displc correct: front, vert scan
Detail	To correct the color displacement between R and G lines in vertical scanning direction due to the Scanner Unit (Front). When clearing the Reader-related RAM data/replacing the SATA Flash PCB, enter the value of the service label on the reader. When replacing the Scanner Unit (Front), enter the value of service label on a new unit.	
Use Case	- When clearing the Reader-related RAM data/replacing the SATA Flash PCB - When replacing the Scanner Unit (Front)	
Adj/Set/Operate Method	1) Enter the setting value (switch negative/positive by +/- key) and press OK key. 2) Turn OFF/ON the main power switch.	
Caution	After the setting value is changed, write the changed value in the service label.	
Display/Adj/Set Range	-256 to 256	
Unit	line	
Default Value	0	
Amount of Change per Unit	0.001	
100-GB	1	GB clr displc correct: front, vert scan
Detail	To correct the color displacement between G and B lines in vertical scanning direction due to the Scanner Unit (Front). When clearing the Reader-related RAM data/replacing the SATA Flash PCB, enter the value of the service label on the reader. When replacing the Scanner Unit (Front), enter the value of service label on a new unit.	
Use Case	- When clearing the Reader-related RAM data/replacing the SATA Flash PCB - When replacing the Scanner Unit (Front)	
Adj/Set/Operate Method	1) Enter the setting value (switch negative/positive by +/- key) and press OK key. 2) Turn OFF/ON the main power switch.	
Caution	After the setting value is changed, write the changed value in the service label.	
Display/Adj/Set Range	-256 to 256	
Unit	line	
Default Value	0	
Amount of Change per Unit	0.001	

COPIER (Service mode for printer) > ADJUST (Adjustment mode) > CCD

100DF-RG	1	RG clr displc crct:DADF,front,vert scan
Detail	To correct the color displacement between R and G lines in vertical scanning direction due to the Scanner Unit (Front) that occurs at DADF reading with 600 dpi. When clearing the Reader-related RAM data/replacing the SATA Flash PCB, enter the value of the service label on the reader. When replacing the Scanner Unit (Front), enter the value of service label on a new unit.	
Use Case	- When clearing the Reader-related RAM data/replacing the SATA Flash PCB - When replacing the Scanner Unit (Front)	
Adj/Set/Operate Method	1) Enter the setting value (switch negative/positive by +/- key) and press OK key. 2) Turn OFF/ON the main power switch.	
Caution	After the setting value is changed, write the changed value in the service label.	
Display/Adj/Set Range	-256 to 256	
Unit	line	
Default Value	0	
Amount of Change per Unit	0.001	
100DF-GB	1	GB clr displc crct:DADF,front,vert scan
Detail	To correct the color displacement between G and B lines in vertical scanning direction due to the Scanner Unit (Front) that occurs at DADF reading with 600 dpi. When clearing the Reader-related RAM data/replacing the SATA Flash PCB, enter the value of the service label on the reader. When replacing the Scanner Unit (Front), enter the value of service label on a new unit.	
Use Case	- When clearing the Reader-related RAM data/replacing the SATA Flash PCB - When replacing the Scanner Unit (Front)	
Adj/Set/Operate Method	1) Enter the setting value (switch negative/positive by +/- key) and press OK key. 2) Turn OFF/ON the main power switch.	
Caution	After the setting value is changed, write the changed value in the service label.	
Display/Adj/Set Range	-256 to 256	
Unit	line	
Default Value	0	
Amount of Change per Unit	0.001	
DFTAR-R	1	Enter shading target VL (R): front, 1st
Detail	To enter the shading target value of Red on the front side at the first reading position at DADF stream reading. When clearing the Reader-related RAM data/replacing the SATA Flash PCB, enter the value of the service label on the reader. When replacing the Copyboard Glass/Scanner Unit (Front), execute DF-WLVL1 and DF-WLVL2 and write the value which is automatically set in the service label.	
Use Case	- When clearing the Reader-related RAM data/replacing the SATA Flash PCB - When replacing the Copyboard Glass/Scanner Unit (Front)	
Adj/Set/Operate Method	1) Enter the setting value, and then press OK key. 2) Turn OFF/ON the main power switch.	
Display/Adj/Set Range	0 to 2047	
Default Value	1103	
Related Service Mode	COPIER> FUNCTION> CCD> DF-WLVL1/WLVL2	
Amount of Change per Unit	1	

COPIER (Service mode for printer) > ADJUST (Adjustment mode) > CCD

DFTAR-G	1	Enter shading target VL (G): front, 1st
Detail	<p>To enter the shading target value of Green on the front side at the first reading position at DADF stream reading.</p> <p>When clearing the Reader-related RAM data/replacing the SATA Flash PCB, enter the value of the service label on the reader.</p> <p>When replacing the Copyboard Glass/Scanner Unit (Front), execute DF-WLVL1 and DF-WLVL2 and write the value which is automatically set in the service label.</p>	
Use Case	<ul style="list-style-type: none"> - When clearing the Reader-related RAM data/replacing the SATA Flash PCB - When replacing the Copyboard Glass/Scanner Unit (Front) 	
Adj/Set/Operate Method	<ol style="list-style-type: none"> 1) Enter the setting value, and then press OK key. 2) Turn OFF/ON the main power switch. 	
Display/Adj/Set Range	0 to 2047	
Default Value	1111	
Related Service Mode	COPIER> FUNCTION> CCD> DF-WLVL1/WLVL2	
Amount of Change per Unit	1	
DFTAR-B	1	Enter shading target VL (B): front, 1st
Detail	<p>To enter the shading target value of Blue on the front side at the first reading position at DADF stream reading.</p> <p>When clearing the Reader-related RAM data/replacing the SATA Flash PCB, enter the value of the service label on the reader.</p> <p>When replacing the Copyboard Glass/Scanner Unit (Front), execute DF-WLVL1 and DF-WLVL2 and write the value which is automatically set in the service label.</p>	
Use Case	<ul style="list-style-type: none"> - When clearing the Reader-related RAM data/replacing the SATA Flash PCB - When replacing the Copyboard Glass/Scanner Unit (Front) 	
Adj/Set/Operate Method	<ol style="list-style-type: none"> 1) Enter the setting value, and then press OK key. 2) Turn OFF/ON the main power switch. 	
Display/Adj/Set Range	0 to 2047	
Default Value	1164	
Related Service Mode	COPIER> FUNCTION> CCD> DF-WLVL1/WLVL2	
Amount of Change per Unit	1	
DFTAR2-R	1	Enter shading target VL (R): front, 2nd
Detail	<p>To enter the shading target value of Red on the front side at the second reading position at DADF stream reading.</p> <p>When clearing the Reader-related RAM data/replacing the SATA Flash PCB, enter the value of the service label on the reader.</p> <p>When replacing the Copyboard Glass/Scanner Unit (Front), execute DF-WLVL1 and DF-WLVL2 and write the value which is automatically set in the service label.</p>	
Use Case	<ul style="list-style-type: none"> - When clearing the Reader-related RAM data/replacing the SATA Flash PCB - When replacing the Copyboard Glass/Scanner Unit (Front) 	
Adj/Set/Operate Method	<ol style="list-style-type: none"> 1) Enter the setting value and press OK key. 2) Turn OFF/ON the main power switch. 	
Display/Adj/Set Range	0 to 2047	
Default Value	1103	
Related Service Mode	COPIER> FUNCTION> CCD> DF-WLVL1/WLVL2	

COPIER (Service mode for printer) > ADJUST (Adjustment mode) > CCD

DFTAR2-G	1	Enter shading target VL (G): front, 2nd
Detail	<p>To enter the shading target value of Green on the front side at the second reading position at DADF stream reading.</p> <p>When clearing the Reader-related RAM data/replacing the SATA Flash PCB, enter the value of the service label on the reader.</p> <p>When replacing the Copyboard Glass/Scanner Unit (Front), execute DF-WLVL1 and DF-WLVL2 and write the value which is automatically set in the service label.</p>	
Use Case	<p>- When clearing the Reader-related RAM data/replacing the SATA Flash PCB</p> <p>- When replacing the Copyboard Glass/Scanner Unit (Front)</p>	
Adj/Set/Operate Method	<p>1) Enter the setting value and press OK key.</p> <p>2) Turn OFF/ON the main power switch.</p>	
Display/Adj/Set Range	0 to 2047	
Default Value	1111	
Related Service Mode	COPIER> FUNCTION> CCD> DF-WLVL1/WLVL2	
DFTAR2-B	1	Enter shading target VL (B): front, 2nd
Detail	<p>To enter the shading target value of Blue on the front side at the second reading position at DADF stream reading.</p> <p>When clearing the Reader-related RAM data/replacing the SATA Flash PCB, enter the value of the service label on the reader.</p> <p>When replacing the Copyboard Glass/Scanner Unit (Front), execute DF-WLVL1 and DF-WLVL2 and write the value which is automatically set in the service label.</p>	
Use Case	<p>- When clearing the Reader-related RAM data/replacing the SATA Flash PCB</p> <p>- When replacing the Copyboard Glass/Scanner Unit (Front)</p>	
Adj/Set/Operate Method	<p>1) Enter the setting value and press OK key.</p> <p>2) Turn OFF/ON the main power switch.</p>	
Display/Adj/Set Range	0 to 2047	
Default Value	1164	
Related Service Mode	COPIER> FUNCTION> CCD> DF-WLVL1/WLVL2	
MTF2-M1	1	MTF value 1 entry:DADF, front, horz scan
Detail	<p>To enter the setting value 1 for calculating MTF filter coefficient in horizontal scanning direction on the front side at DADF stream reading.</p> <p>When clearing the Reader-related RAM data/replacing the SATA Flash PCB, enter the value of the service label on the reader.</p> <p>When replacing the Scanner Unit (Front), enter the value of service label on a new unit.</p>	
Use Case	<p>- When clearing the Reader-related RAM data/replacing the SATA Flash PCB</p> <p>- When replacing the Scanner Unit (Front)</p>	
Adj/Set/Operate Method	<p>1) Enter the setting value, and then press OK key.</p> <p>2) Turn OFF/ON the main power switch.</p>	
Display/Adj/Set Range	20 to 100	
Default Value	50	
Related Service Mode	COPIER> FUNCTION> CCD> MTF-CLC	

COPIER (Service mode for printer) > ADJUST (Adjustment mode) > CCD

MTF2-M2	1	MTF value 2 entry:DADF, front, horz scan
Detail	To enter the setting value 2 for calculating MTF filter coefficient in horizontal scanning direction on the front side at DADF stream reading. When clearing the Reader-related RAM data/replacing the SATA Flash PCB, enter the value of the service label on the reader. When replacing the Scanner Unit (Front), enter the value of service label on a new unit.	
Use Case	- When clearing the Reader-related RAM data/replacing the SATA Flash PCB - When replacing the Scanner Unit (Front)	
Adj/Set/Operate Method	1) Enter the setting value, and then press OK key. 2) Turn OFF/ON the main power switch.	
Display/Adj/Set Range	20 to 100	
Default Value	50	
Related Service Mode	COPIER> FUNCTION> CCD> MTF-CLC	
MTF2-M3	1	MTF value 3 entry:DADF, front, horz scan
Detail	To enter the setting value 3 for calculating MTF filter coefficient in horizontal scanning direction on the front side at DADF stream reading. When clearing the Reader-related RAM data/replacing the SATA Flash PCB, enter the value of the service label on the reader. When replacing the Scanner Unit (Front), enter the value of service label on a new unit.	
Use Case	- When clearing the Reader-related RAM data/replacing the SATA Flash PCB - When replacing the Scanner Unit (Front)	
Adj/Set/Operate Method	1) Enter the setting value, and then press OK key. 2) Turn OFF/ON the main power switch.	
Display/Adj/Set Range	20 to 100	
Default Value	50	
Related Service Mode	COPIER> FUNCTION> CCD> MTF-CLC	
MTF2-M4	1	MTF value 4 entry:DADF, front, horz scan
Detail	To enter the setting value 4 for calculating MTF filter coefficient in horizontal scanning direction on the front side at DADF stream reading. When clearing the Reader-related RAM data/replacing the SATA Flash PCB, enter the value of the service label on the reader. When replacing the Scanner Unit (Front), enter the value of service label on a new unit.	
Use Case	- When clearing the Reader-related RAM data/replacing the SATA Flash PCB - When replacing the Scanner Unit (Front)	
Adj/Set/Operate Method	1) Enter the setting value, and then press OK key. 2) Turn OFF/ON the main power switch.	
Display/Adj/Set Range	20 to 100	
Default Value	50	
Related Service Mode	COPIER> FUNCTION> CCD> MTF-CLC	
MTF2-M5	1	MTF value 5 entry:DADF, front, horz scan
Detail	To enter the setting value 5 for calculating MTF filter coefficient in horizontal scanning direction on the front side at DADF stream reading. When clearing the Reader-related RAM data/replacing the SATA Flash PCB, enter the value of the service label on the reader. When replacing the Scanner Unit (Front), enter the value of service label on a new unit.	
Use Case	- When clearing the Reader-related RAM data/replacing the SATA Flash PCB - When replacing the Scanner Unit (Front)	
Adj/Set/Operate Method	1) Enter the setting value, and then press OK key. 2) Turn OFF/ON the main power switch.	
Display/Adj/Set Range	20 to 100	
Default Value	50	
Related Service Mode	COPIER> FUNCTION> CCD> MTF-CLC	

COPIER (Service mode for printer) > ADJUST (Adjustment mode) > CCD

MTF2-M6	1	MTF value 6 entry:DADF, front, horz scan
Detail	To enter the setting value 6 for calculating MTF filter coefficient in horizontal scanning direction on the front side at DADF stream reading. When clearing the Reader-related RAM data/replacing the SATA Flash PCB, enter the value of the service label on the reader. When replacing the Scanner Unit (Front), enter the value of service label on a new unit.	
Use Case	- When clearing the Reader-related RAM data/replacing the SATA Flash PCB - When replacing the Scanner Unit (Front)	
Adj/Set/Operate Method	1) Enter the setting value, and then press OK key. 2) Turn OFF/ON the main power switch.	
Display/Adj/Set Range	20 to 100	
Default Value	50	
Related Service Mode	COPIER> FUNCTION> CCD> MTF-CLC	
MTF2-M7	1	MTF value 7 entry:DADF, front, horz scan
Detail	To enter the setting value 7 for calculating MTF filter coefficient in horizontal scanning direction on the front side at DADF stream reading. When clearing the Reader-related RAM data/replacing the SATA Flash PCB, enter the value of the service label on the reader. When replacing the Scanner Unit (Front), enter the value of service label on a new unit.	
Use Case	- When clearing the Reader-related RAM data/replacing the SATA Flash PCB - When replacing the Scanner Unit (Front)	
Adj/Set/Operate Method	1) Enter the setting value, and then press OK key. 2) Turn OFF/ON the main power switch.	
Display/Adj/Set Range	20 to 100	
Default Value	50	
Related Service Mode	COPIER> FUNCTION> CCD> MTF-CLC	
MTF2-M8	1	MTF value 8 entry:DADF, front, horz scan
Detail	To enter the setting value 8 for calculating MTF filter coefficient in horizontal scanning direction on the front side at DADF stream reading. When clearing the Reader-related RAM data/replacing the SATA Flash PCB, enter the value of the service label on the reader. When replacing the Scanner Unit (Front), enter the value of service label on a new unit.	
Use Case	- When clearing the Reader-related RAM data/replacing the SATA Flash PCB - When replacing the Scanner Unit (Front)	
Adj/Set/Operate Method	1) Enter the setting value, and then press OK key. 2) Turn OFF/ON the main power switch.	
Display/Adj/Set Range	20 to 100	
Default Value	50	
Related Service Mode	COPIER> FUNCTION> CCD> MTF-CLC	
MTF2-M9	1	MTF value 9 entry:DADF, front, horz scan
Detail	To enter the setting value 9 for calculating MTF filter coefficient in horizontal scanning direction on the front side at DADF stream reading. When clearing the Reader-related RAM data/replacing the SATA Flash PCB, enter the value of the service label on the reader. When replacing the Scanner Unit (Front), enter the value of service label on a new unit.	
Use Case	- When clearing the Reader-related RAM data/replacing the SATA Flash PCB - When replacing the Scanner Unit (Front)	
Adj/Set/Operate Method	1) Enter the setting value, and then press OK key. 2) Turn OFF/ON the main power switch.	
Display/Adj/Set Range	20 to 100	
Default Value	50	
Related Service Mode	COPIER> FUNCTION> CCD> MTF-CLC	

COPIER (Service mode for printer) > ADJUST (Adjustment mode) > CCD

MTF2-S1	1	MTF value 1 entry:DADF, front, vert scan
Detail	To enter the setting value 1 for calculating MTF filter coefficient in vertical scanning direction on the front side at DADF stream reading. When clearing the Reader-related RAM data/replacing the SATA Flash PCB, enter the value of the service label on the reader. When replacing the Scanner Unit (Front), enter the value of service label on a new unit.	
Use Case	- When clearing the Reader-related RAM data/replacing the SATA Flash PCB - When replacing the Scanner Unit (Front)	
Adj/Set/Operate Method	1) Enter the setting value, and then press OK key. 2) Turn OFF/ON the main power switch.	
Display/Adj/Set Range	20 to 100	
Default Value	50	
Related Service Mode	COPIER> FUNCTION> CCD> MTF-CLC	
MTF2-S2	1	MTF value 2 entry:DADF, front, vert scan
Detail	To enter the setting value 2 for calculating MTF filter coefficient in vertical scanning direction on the front side at DADF stream reading. When clearing the Reader-related RAM data/replacing the SATA Flash PCB, enter the value of the service label on the reader. When replacing the Scanner Unit (Front), enter the value of service label on a new unit.	
Use Case	- When clearing the Reader-related RAM data/replacing the SATA Flash PCB - When replacing the Scanner Unit (Front)	
Adj/Set/Operate Method	1) Enter the setting value, and then press OK key. 2) Turn OFF/ON the main power switch.	
Display/Adj/Set Range	20 to 100	
Default Value	50	
Related Service Mode	COPIER> FUNCTION> CCD> MTF-CLC	
MTF2-S3	1	MTF value 3 entry:DADF, front, vert scan
Detail	To enter the setting value 3 for calculating MTF filter coefficient in vertical scanning direction on the front side at DADF stream reading. When clearing the Reader-related RAM data/replacing the SATA Flash PCB, enter the value of the service label on the reader. When replacing the Scanner Unit (Front), enter the value of service label on a new unit.	
Use Case	- When clearing the Reader-related RAM data/replacing the SATA Flash PCB - When replacing the Scanner Unit (Front)	
Adj/Set/Operate Method	1) Enter the setting value, and then press OK key. 2) Turn OFF/ON the main power switch.	
Display/Adj/Set Range	20 to 100	
Default Value	50	
Related Service Mode	COPIER> FUNCTION> CCD> MTF-CLC	
MTF2-S4	1	MTF value 4 entry:DADF, front, vert scan
Detail	To enter the setting value 4 for calculating MTF filter coefficient in vertical scanning direction on the front side at DADF stream reading. When clearing the Reader-related RAM data/replacing the SATA Flash PCB, enter the value of the service label on the reader. When replacing the Scanner Unit (Front), enter the value of service label on a new unit.	
Use Case	- When clearing the Reader-related RAM data/replacing the SATA Flash PCB - When replacing the Scanner Unit (Front)	
Adj/Set/Operate Method	1) Enter the setting value, and then press OK key. 2) Turn OFF/ON the main power switch.	
Display/Adj/Set Range	20 to 100	
Default Value	50	
Related Service Mode	COPIER> FUNCTION> CCD> MTF-CLC	

COPIER (Service mode for printer) > ADJUST (Adjustment mode) > CCD

MTF2-S5	1	MTF value 5 entry:DADF, front, vert scan
Detail	To enter the setting value 5 for calculating MTF filter coefficient in vertical scanning direction on the front side at DADF stream reading. When clearing the Reader-related RAM data/replacing the SATA Flash PCB, enter the value of the service label on the reader. When replacing the Scanner Unit (Front), enter the value of service label on a new unit.	
Use Case	- When clearing the Reader-related RAM data/replacing the SATA Flash PCB - When replacing the Scanner Unit (Front)	
Adj/Set/Operate Method	1) Enter the setting value, and then press OK key. 2) Turn OFF/ON the main power switch.	
Display/Adj/Set Range	20 to 100	
Default Value	50	
Related Service Mode	COPIER> FUNCTION> CCD> MTF-CLC	
MTF2-S6	1	MTF value 6 entry:DADF, front, vert scan
Detail	To enter the setting value 6 for calculating MTF filter coefficient in vertical scanning direction on the front side at DADF stream reading. When clearing the Reader-related RAM data/replacing the SATA Flash PCB, enter the value of the service label on the reader. When replacing the Scanner Unit (Front), enter the value of service label on a new unit.	
Use Case	- When clearing the Reader-related RAM data/replacing the SATA Flash PCB - When replacing the Scanner Unit (Front)	
Adj/Set/Operate Method	1) Enter the setting value, and then press OK key. 2) Turn OFF/ON the main power switch.	
Display/Adj/Set Range	20 to 100	
Default Value	50	
Related Service Mode	COPIER> FUNCTION> CCD> MTF-CLC	
MTF2-S7	1	MTF value 7 entry:DADF, front, vert scan
Detail	To enter the setting value 7 for calculating MTF filter coefficient in vertical scanning direction on the front side at DADF stream reading. When clearing the Reader-related RAM data/replacing the SATA Flash PCB, enter the value of the service label on the reader. When replacing the Scanner Unit (Front), enter the value of service label on a new unit.	
Use Case	- When clearing the Reader-related RAM data/replacing the SATA Flash PCB - When replacing the Scanner Unit (Front)	
Adj/Set/Operate Method	1) Enter the setting value, and then press OK key. 2) Turn OFF/ON the main power switch.	
Display/Adj/Set Range	20 to 100	
Default Value	50	
Related Service Mode	COPIER> FUNCTION> CCD> MTF-CLC	
MTF2-S8	1	MTF value 8 entry:DADF, front, vert scan
Detail	To enter the setting value 8 for calculating MTF filter coefficient in vertical scanning direction on the front side at DADF stream reading. When clearing the Reader-related RAM data/replacing the SATA Flash PCB, enter the value of the service label on the reader. When replacing the Scanner Unit (Front), enter the value of service label on a new unit.	
Use Case	- When clearing the Reader-related RAM data/replacing the SATA Flash PCB - When replacing the Scanner Unit (Front)	
Adj/Set/Operate Method	1) Enter the setting value, and then press OK key. 2) Turn OFF/ON the main power switch.	
Display/Adj/Set Range	20 to 100	
Default Value	50	
Related Service Mode	COPIER> FUNCTION> CCD> MTF-CLC	

COPIER (Service mode for printer) > ADJUST (Adjustment mode) > CCD

MTF2-S9	1	MTF value 9 entry:DADF, front, vert scan
Detail	To enter the setting value 9 for calculating MTF filter coefficient in vertical scanning direction on the front side at DADF stream reading. When clearing the Reader-related RAM data/replacing the SATA Flash PCB, enter the value of the service label on the reader. When replacing the Scanner Unit (Front), enter the value of service label on a new unit.	
Use Case	- When clearing the Reader-related RAM data/replacing the SATA Flash PCB - When replacing the Scanner Unit (Front)	
Adj/Set/Operate Method	1) Enter the setting value, and then press OK key. 2) Turn OFF/ON the main power switch.	
Display/Adj/Set Range	20 to 100	
Default Value	50	
Related Service Mode	COPIER> FUNCTION> CCD> MTF-CLC	
100DF2GB	2	GB clr displc correct: back, vert scan
Detail	To correct the color displacement between G and B lines in vertical scanning direction due to the Scanner Unit (Back). When clearing the Reader-related RAM data/replacing the SATA Flash PCB, enter the value of the service label on the reader. When replacing the Scanner Unit (Back), enter the value of service label on a new unit.	
Use Case	- When clearing the Reader-related RAM data/replacing the SATA Flash PCB - When replacing the Scanner Unit (Back)	
Adj/Set/Operate Method	1) Enter the setting value (switch negative/positive by +/- key) and press OK key. 2) Turn OFF/ON the main power switch.	
Display/Adj/Set Range	-256 to 256	
Unit	line	
Default Value	0	
Amount of Change per Unit	0.001	
100DF2RG	2	RG clr displc correct: back, vert scan
Detail	To correct the color displacement between R and G lines in vertical scanning direction due to the Scanner Unit (Back). When clearing the Reader-related RAM data/replacing the SATA Flash PCB, enter the value of the service label on the reader. When replacing the Scanner Unit (Back), enter the value of service label on a new unit.	
Use Case	- When clearing the Reader-related RAM data/replacing the SATA Flash PCB - When replacing the Scanner Unit (Back)	
Adj/Set/Operate Method	1) Enter the setting value (switch negative/positive by +/- key) and press OK key. 2) Turn OFF/ON the main power switch.	
Display/Adj/Set Range	-256 to 256	
Unit	line	
Default Value	0	
Amount of Change per Unit	0.001	

COPIER (Service mode for printer) > ADJUST (Adjustment mode) > CCD

DFCH2R2	1	Complex chart No.2 data (R) entry: front
Detail	To derive the front/back side linearity, enter the Red data on the front side of No.2 image in DADF complex chart. Enter the value of service label on the Reader.	
Use Case	When clearing the Reader-related RAM data/replacing the SATA Flash PCB	
Adj/Set/Operate Method	1) Enter the setting value, and then press OK key. 2) Turn OFF/ON the main power switch.	
Display/Adj/Set Range	1 to 2550	
Default Value	2000	
Related Service Mode	COPIER> ADJUST> CCD> DFCH2R10, DFCH2B2/10, DFCH2G2/10	
Amount of Change per Unit	1	
DFCH2R10	1	Complex chart No.10 data (R) entry:front
Detail	To derive the front/back side linearity, enter the Red data on the front side of No.10 image in DADF complex chart. Enter the value of service label on the Reader.	
Use Case	When clearing the Reader-related RAM data/replacing the SATA Flash PCB	
Adj/Set/Operate Method	1) Enter the setting value, and then press OK key. 2) Turn OFF/ON the main power switch.	
Display/Adj/Set Range	0 to 2550	
Default Value	0	
Related Service Mode	COPIER> ADJUST> CCD> DFCH2R2, DFCH2B2/10, DFCH2G2/10	
Amount of Change per Unit	1	
DFCH2B2	1	Complex chart No.2 data (B) entry: front
Detail	To derive the front/back side linearity, enter the Blue data on the front side of No.2 image in DADF complex chart. Enter the value of service label on the Reader.	
Use Case	When clearing the Reader-related RAM data/replacing the SATA Flash PCB	
Adj/Set/Operate Method	1) Enter the setting value, and then press OK key. 2) Turn OFF/ON the main power switch.	
Display/Adj/Set Range	1 to 2550	
Default Value	2000	
Related Service Mode	COPIER> ADJUST> CCD> DFCH2R2/10, DFCH2B10, DFCH2G2/10	
Amount of Change per Unit	1	
DFCH2B10	1	Complex chart No.10 data (B) entry:front
Detail	To derive the front/back side linearity, enter the Blue data on the front side of No.10 image in DADF complex chart. Enter the value of service label on the Reader.	
Use Case	When clearing the Reader-related RAM data/replacing the SATA Flash PCB	
Adj/Set/Operate Method	1) Enter the setting value, and then press OK key. 2) Turn OFF/ON the main power switch.	
Display/Adj/Set Range	0 to 2550	
Default Value	0	
Related Service Mode	COPIER> ADJUST> CCD> DFCH2R2/10, DFCH2B2, DFCH2G2/10	
Amount of Change per Unit	1	

COPIER (Service mode for printer) > ADJUST (Adjustment mode) > CCD

DFCH2G2	1	Complex chart No.2 data (G) entry: front
Detail	To derive the front/back side linearity, enter the Green data on the front side of No.2 image in DADF complex chart. Enter the value of service label on the Reader.	
Use Case	When clearing the Reader-related RAM data/replacing the SATA Flash PCB	
Adj/Set/Operate Method	1) Enter the setting value, and then press OK key. 2) Turn OFF/ON the main power switch.	
Display/Adj/Set Range	1 to 2550	
Default Value	2000	
Related Service Mode	COPIER> ADJUST> CCD> DFCH2R2/10, DFCH2B2/10, DFCH2G10	
Amount of Change per Unit	1	
DFCH2G10	1	Complex chart No.10 data (G) entry:front
Detail	To derive the front/back side linearity, enter the Green data on the front side of No.10 image in DADF complex chart. Enter the value of service label on the Reader.	
Use Case	When clearing the Reader-related RAM data/replacing the SATA Flash PCB	
Adj/Set/Operate Method	1) Enter the setting value, and then press OK key. 2) Turn OFF/ON the main power switch.	
Display/Adj/Set Range	0 to 2550	
Default Value	0	
Related Service Mode	COPIER> ADJUST> CCD> DFCH2R2/10, DFCH2B2/10, DFCH2G2	
Amount of Change per Unit	1	
MTF-M1	1	MTF value 1 entry: Copyboard, horz scan
Detail	To enter the setting value 1 for calculating MTF filter coefficient in horizontal scanning direction at copyboard reading. When clearing the Reader-related RAM data/replacing the SATA Flash PCB, enter the value of the service label on the reader. When replacing the Scanner Unit (Front), enter the value of service label on a new unit.	
Use Case	- When clearing the Reader-related RAM data/replacing the SATA Flash PCB - When replacing the Scanner Unit (Front)	
Adj/Set/Operate Method	1) Enter the setting value, and then press OK key. 2) Turn OFF/ON the main power switch.	
Display/Adj/Set Range	20 to 100	
Default Value	50	
Related Service Mode	COPIER> FUNCTION> CCD> MTF-CLC	
MTF-M2	1	MTF value 2 entry: Copyboard, horz scan
Detail	To enter the setting value 2 for calculating MTF filter coefficient in horizontal scanning direction at copyboard reading. When clearing the Reader-related RAM data/replacing the SATA Flash PCB, enter the value of the service label on the reader. When replacing the Scanner Unit (Front), enter the value of service label on a new unit.	
Use Case	- When clearing the Reader-related RAM data/replacing the SATA Flash PCB - When replacing the Scanner Unit (Front)	
Adj/Set/Operate Method	1) Enter the setting value, and then press OK key. 2) Turn OFF/ON the main power switch.	
Display/Adj/Set Range	20 to 100	
Default Value	50	
Related Service Mode	COPIER> FUNCTION> CCD> MTF-CLC	

COPIER (Service mode for printer) > ADJUST (Adjustment mode) > CCD

MTF-M3	1	MTF value 3 entry: Copyboard, horz scan
Detail	To enter the setting value 3 for calculating MTF filter coefficient in horizontal scanning direction at copyboard reading. When clearing the Reader-related RAM data/replacing the SATA Flash PCB, enter the value of the service label on the reader. When replacing the Scanner Unit (Front), enter the value of service label on a new unit.	
Use Case	- When clearing the Reader-related RAM data/replacing the SATA Flash PCB - When replacing the Scanner Unit (Front)	
Adj/Set/Operate Method	1) Enter the setting value, and then press OK key. 2) Turn OFF/ON the main power switch.	
Display/Adj/Set Range	20 to 100	
Default Value	50	
Related Service Mode	COPIER> FUNCTION> CCD> MTF-CLC	
MTF-M4	1	MTF value 4 entry: Copyboard, horz scan
Detail	To enter the setting value 4 for calculating MTF filter coefficient in horizontal scanning direction at copyboard reading. When clearing the Reader-related RAM data/replacing the SATA Flash PCB, enter the value of the service label on the reader. When replacing the Scanner Unit (Front), enter the value of service label on a new unit.	
Use Case	- When clearing the Reader-related RAM data/replacing the SATA Flash PCB - When replacing the Scanner Unit (Front)	
Adj/Set/Operate Method	1) Enter the setting value, and then press OK key. 2) Turn OFF/ON the main power switch.	
Display/Adj/Set Range	20 to 100	
Default Value	50	
Related Service Mode	COPIER> FUNCTION> CCD> MTF-CLC	
MTF-M5	1	MTF value 5 entry: Copyboard, horz scan
Detail	To enter the setting value 5 for calculating MTF filter coefficient in horizontal scanning direction at copyboard reading. When clearing the Reader-related RAM data/replacing the SATA Flash PCB, enter the value of the service label on the reader. When replacing the Scanner Unit (Front), enter the value of service label on a new unit.	
Use Case	- When clearing the Reader-related RAM data/replacing the SATA Flash PCB - When replacing the Scanner Unit (Front)	
Adj/Set/Operate Method	1) Enter the setting value, and then press OK key. 2) Turn OFF/ON the main power switch.	
Display/Adj/Set Range	20 to 100	
Default Value	50	
Related Service Mode	COPIER> FUNCTION> CCD> MTF-CLC	
MTF-M6	1	MTF value 6 entry: Copyboard, horz scan
Detail	To enter the setting value 6 for calculating MTF filter coefficient in horizontal scanning direction at copyboard reading. When clearing the Reader-related RAM data/replacing the SATA Flash PCB, enter the value of the service label on the reader. When replacing the Scanner Unit (Front), enter the value of service label on a new unit.	
Use Case	- When clearing the Reader-related RAM data/replacing the SATA Flash PCB - When replacing the Scanner Unit (Front)	
Adj/Set/Operate Method	1) Enter the setting value, and then press OK key. 2) Turn OFF/ON the main power switch.	
Display/Adj/Set Range	20 to 100	
Default Value	50	
Related Service Mode	COPIER> FUNCTION> CCD> MTF-CLC	

COPIER (Service mode for printer) > ADJUST (Adjustment mode) > CCD

MTF-M7	1	MTF value 7 entry: Copyboard, horz scan
Detail	To enter the setting value 7 for calculating MTF filter coefficient in horizontal scanning direction at copyboard reading. When clearing the Reader-related RAM data/replacing the SATA Flash PCB, enter the value of the service label on the reader. When replacing the Scanner Unit (Front), enter the value of service label on a new unit.	
Use Case	- When clearing the Reader-related RAM data/replacing the SATA Flash PCB - When replacing the Scanner Unit (Front)	
Adj/Set/Operate Method	1) Enter the setting value, and then press OK key. 2) Turn OFF/ON the main power switch.	
Display/Adj/Set Range	20 to 100	
Default Value	50	
Related Service Mode	COPIER> FUNCTION> CCD> MTF-CLC	
MTF-M8	1	MTF value 8 entry: Copyboard, horz scan
Detail	To enter the setting value 8 for calculating MTF filter coefficient in horizontal scanning direction at copyboard reading. When clearing the Reader-related RAM data/replacing the SATA Flash PCB, enter the value of the service label on the reader. When replacing the Scanner Unit (Front), enter the value of service label on a new unit.	
Use Case	- When clearing the Reader-related RAM data/replacing the SATA Flash PCB - When replacing the Scanner Unit (Front)	
Adj/Set/Operate Method	1) Enter the setting value, and then press OK key. 2) Turn OFF/ON the main power switch.	
Display/Adj/Set Range	20 to 100	
Default Value	50	
Related Service Mode	COPIER> FUNCTION> CCD> MTF-CLC	
MTF-M9	1	MTF value 9 entry: Copyboard, horz scan
Detail	To enter the setting value 9 for calculating MTF filter coefficient in horizontal scanning direction at copyboard reading. When clearing the Reader-related RAM data/replacing the SATA Flash PCB, enter the value of the service label on the reader. When replacing the Scanner Unit (Front), enter the value of service label on a new unit.	
Use Case	- When clearing the Reader-related RAM data/replacing the SATA Flash PCB - When replacing the Scanner Unit (Front)	
Adj/Set/Operate Method	1) Enter the setting value, and then press OK key. 2) Turn OFF/ON the main power switch.	
Display/Adj/Set Range	20 to 100	
Default Value	50	
Related Service Mode	COPIER> FUNCTION> CCD> MTF-CLC	
MTF-S1	1	MTF value 1 entry: Copyboard, vert scan
Detail	To enter the setting value 1 for calculating MTF filter coefficient in vertical scanning direction at copyboard reading. When clearing the Reader-related RAM data/replacing the SATA Flash PCB, enter the value of the service label on the reader. When replacing the Scanner Unit (Front), enter the value of service label on a new unit.	
Use Case	- When clearing the Reader-related RAM data/replacing the SATA Flash PCB - When replacing the Scanner Unit (Front)	
Adj/Set/Operate Method	1) Enter the setting value, and then press OK key. 2) Turn OFF/ON the main power switch.	
Display/Adj/Set Range	20 to 100	
Default Value	50	
Related Service Mode	COPIER> FUNCTION> CCD> MTF-CLC	

COPIER (Service mode for printer) > ADJUST (Adjustment mode) > CCD

MTF-S2	1	MTF value 2 entry: Copyboard, vert scan
Detail		To enter the setting value 2 for calculating MTF filter coefficient in vertical scanning direction at copyboard reading. When clearing the Reader-related RAM data/replacing the SATA Flash PCB, enter the value of the service label on the reader. When replacing the Scanner Unit (Front), enter the value of service label on a new unit.
Use Case		- When clearing the Reader-related RAM data/replacing the SATA Flash PCB - When replacing the Scanner Unit (Front)
Adj/Set/Operate Method		1) Enter the setting value, and then press OK key. 2) Turn OFF/ON the main power switch.
Display/Adj/Set Range		20 to 100
Default Value		50
Related Service Mode		COPIER> FUNCTION> CCD> MTF-CLC
MTF-S3	1	MTF value 3 entry: Copyboard, vert scan
Detail		To enter the setting value 3 for calculating MTF filter coefficient in vertical scanning direction at copyboard reading. When clearing the Reader-related RAM data/replacing the SATA Flash PCB, enter the value of the service label on the reader. When replacing the Scanner Unit (Front), enter the value of service label on a new unit.
Use Case		- When clearing the Reader-related RAM data/replacing the SATA Flash PCB - When replacing the Scanner Unit (Front)
Adj/Set/Operate Method		1) Enter the setting value, and then press OK key. 2) Turn OFF/ON the main power switch.
Display/Adj/Set Range		20 to 100
Default Value		50
Related Service Mode		COPIER> FUNCTION> CCD> MTF-CLC
MTF-S4	1	MTF value 4 entry: Copyboard, vert scan
Detail		To enter the setting value 4 for calculating MTF filter coefficient in vertical scanning direction at copyboard reading. When clearing the Reader-related RAM data/replacing the SATA Flash PCB, enter the value of the service label on the reader. When replacing the Scanner Unit (Front), enter the value of service label on a new unit.
Use Case		- When clearing the Reader-related RAM data/replacing the SATA Flash PCB - When replacing the Scanner Unit (Front)
Adj/Set/Operate Method		1) Enter the setting value, and then press OK key. 2) Turn OFF/ON the main power switch.
Display/Adj/Set Range		20 to 100
Default Value		50
Related Service Mode		COPIER> FUNCTION> CCD> MTF-CLC
MTF-S5	1	MTF value 5 entry: Copyboard, vert scan
Detail		To enter the setting value 5 for calculating MTF filter coefficient in vertical scanning direction at copyboard reading. When clearing the Reader-related RAM data/replacing the SATA Flash PCB, enter the value of the service label on the reader. When replacing the Scanner Unit (Front), enter the value of service label on a new unit.
Use Case		- When clearing the Reader-related RAM data/replacing the SATA Flash PCB - When replacing the Scanner Unit (Front)
Adj/Set/Operate Method		1) Enter the setting value, and then press OK key. 2) Turn OFF/ON the main power switch.
Display/Adj/Set Range		20 to 100
Default Value		50
Related Service Mode		COPIER> FUNCTION> CCD> MTF-CLC

COPIER (Service mode for printer) > ADJUST (Adjustment mode) > CCD

MTF-S6	1	MTF value 6 entry: Copyboard, vert scan
Detail	To enter the setting value 6 for calculating MTF filter coefficient in vertical scanning direction at copyboard reading. When clearing the Reader-related RAM data/replacing the SATA Flash PCB, enter the value of the service label on the reader. When replacing the Scanner Unit (Front), enter the value of service label on a new unit.	
Use Case	- When clearing the Reader-related RAM data/replacing the SATA Flash PCB - When replacing the Scanner Unit (Front)	
Adj/Set/Operate Method	1) Enter the setting value, and then press OK key. 2) Turn OFF/ON the main power switch.	
Display/Adj/Set Range	20 to 100	
Default Value	50	
Related Service Mode	COPIER> FUNCTION> CCD> MTF-CLC	
MTF-S7	1	MTF value 7 entry: Copyboard, vert scan
Detail	To enter the setting value 7 for calculating MTF filter coefficient in vertical scanning direction at copyboard reading. When clearing the Reader-related RAM data/replacing the SATA Flash PCB, enter the value of the service label on the reader. When replacing the Scanner Unit (Front), enter the value of service label on a new unit.	
Use Case	- When clearing the Reader-related RAM data/replacing the SATA Flash PCB - When replacing the Scanner Unit (Front)	
Adj/Set/Operate Method	1) Enter the setting value, and then press OK key. 2) Turn OFF/ON the main power switch.	
Display/Adj/Set Range	20 to 100	
Default Value	50	
Related Service Mode	COPIER> FUNCTION> CCD> MTF-CLC	
MTF-S8	1	MTF value 8 entry: Copyboard, vert scan
Detail	To enter the setting value 8 for calculating MTF filter coefficient in vertical scanning direction at copyboard reading. When clearing the Reader-related RAM data/replacing the SATA Flash PCB, enter the value of the service label on the reader. When replacing the Scanner Unit (Front), enter the value of service label on a new unit.	
Use Case	- When clearing the Reader-related RAM data/replacing the SATA Flash PCB - When replacing the Scanner Unit (Front)	
Adj/Set/Operate Method	1) Enter the setting value, and then press OK key. 2) Turn OFF/ON the main power switch.	
Display/Adj/Set Range	20 to 100	
Default Value	50	
Related Service Mode	COPIER> FUNCTION> CCD> MTF-CLC	
MTF-S9	1	MTF value 9 entry: Copyboard, vert scan
Detail	To enter the setting value 9 for calculating MTF filter coefficient in vertical scanning direction at copyboard reading. When clearing the Reader-related RAM data/replacing the SATA Flash PCB, enter the value of the service label on the reader. When replacing the Scanner Unit (Front), enter the value of service label on a new unit.	
Use Case	- When clearing the Reader-related RAM data/replacing the SATA Flash PCB - When replacing the Scanner Unit (Front)	
Adj/Set/Operate Method	1) Enter the setting value, and then press OK key. 2) Turn OFF/ON the main power switch.	
Display/Adj/Set Range	20 to 100	
Default Value	50	
Related Service Mode	COPIER> FUNCTION> CCD> MTF-CLC	

COPIER (Service mode for printer) > ADJUST (Adjustment mode) > CCD

DFCH-R2	1	Complex chart No.2 data (R) entry: back
Detail	To derive the front/back side linearity, enter the Red data on the back side of No.2 image in DADF complex chart. Enter the value of service label on the Reader.	
Use Case	When clearing the Reader-related RAM data/replacing the SATA Flash PCB	
Adj/Set/Operate Method	1) Enter the setting value, and then press OK key. 2) Turn OFF/ON the main power switch.	
Display/Adj/Set Range	1 to 2550	
Default Value	2000	
Related Service Mode	COPIER> ADJUST> CCD> DFCH-R10, DFCH-B2/10, DFCH-G2/10	
Amount of Change per Unit	1	
DFCH-R10	1	Complex chart No.10 data (R) entry: back
Detail	To derive the front/back side linearity, enter the Red data on the back side of No.10 image in DADF complex chart. Enter the value of service label on the Reader.	
Use Case	When clearing the Reader-related RAM data/replacing the SATA Flash PCB	
Adj/Set/Operate Method	1) Enter the setting value, and then press OK key. 2) Turn OFF/ON the main power switch.	
Display/Adj/Set Range	0 to 2550	
Default Value	0	
Related Service Mode	COPIER> ADJUST> CCD> DFCH-R2, DFCH-B2/10, DFCH-G2/10	
Amount of Change per Unit	1	
DFCH-B2	1	Complex chart No.2 data (B) entry: back
Detail	To derive the front/back side linearity, enter the Blue data on the back side of No.2 image in DADF complex chart. Enter the value of service label on the Reader.	
Use Case	When clearing the Reader-related RAM data/replacing the SATA Flash PCB	
Adj/Set/Operate Method	1) Enter the setting value, and then press OK key. 2) Turn OFF/ON the main power switch.	
Display/Adj/Set Range	1 to 2550	
Default Value	2000	
Related Service Mode	COPIER> ADJUST> CCD> DFCH-R2/10, DFCH-B10, DFCH-G/10	
Amount of Change per Unit	1	
DFCH-B10	1	Complex chart No.10 data (B) entry: back
Detail	To derive the front/back side linearity, enter the Blue data on the back side of No.10 image in DADF complex chart. Enter the value of service label on the Reader.	
Use Case	When clearing the Reader-related RAM data/replacing the SATA Flash PCB	
Adj/Set/Operate Method	1) Enter the setting value, and then press OK key. 2) Turn OFF/ON the main power switch.	
Display/Adj/Set Range	0 to 2550	
Default Value	0	
Related Service Mode	COPIER> ADJUST> CCD> DFCH-R2/10, DFCH-B2, DFCH-G2/10	
Amount of Change per Unit	1	

COPIER (Service mode for printer) > ADJUST (Adjustment mode) > CCD

DFCH-G2	1	Complex chart No.2 data (G) entry: back
Detail	To derive the front/back side linearity, enter the Green data on the back side of No.2 image in DADF complex chart. Enter the value of service label on the Reader.	
Use Case	When clearing the Reader-related RAM data/replacing the SATA Flash PCB	
Adj/Set/Operate Method	1) Enter the setting value, and then press OK key. 2) Turn OFF/ON the main power switch.	
Display/Adj/Set Range	1 to 2550	
Default Value	2000	
Related Service Mode	COPIER> ADJUST> CCD> DFCH-R2/10, DFCH-B2/10, DFCH-G10	
Amount of Change per Unit	1	
DFCH-G10	1	Complex chart No.10 data (G) entry: back
Detail	To derive the front/back side linearity, enter the Green data on the back side of No.10 image in DADF complex chart. Enter the value of service label on the Reader.	
Use Case	When clearing the Reader-related RAM data/replacing the SATA Flash PCB	
Adj/Set/Operate Method	1) Enter the setting value, and then press OK key. 2) Turn OFF/ON the main power switch.	
Display/Adj/Set Range	0 to 2550	
Default Value	0	
Related Service Mode	COPIER> ADJUST> CCD> DFCH-R2/10, DFCH-B2/10, DFCH-G2	
Amount of Change per Unit	1	
MTF3-M1	1	MTF value 1 entry: DADF, back, horz scan
Detail	To enter the setting value 1 for calculating MTF filter coefficient in horizontal scanning direction on the back side at DADF stream reading. When clearing the Reader-related RAM data/replacing the SATA Flash PCB, enter the value of the service label on the reader. When replacing the Scanner Unit (Back), enter the value of service label on a new unit.	
Use Case	- When clearing the Reader-related RAM data/replacing the SATA Flash PCB - When replacing the Scanner Unit (Back)	
Adj/Set/Operate Method	1) Enter the setting value, and then press OK key. 2) Turn OFF/ON the main power switch.	
Display/Adj/Set Range	20 to 100	
Default Value	50	
Related Service Mode	COPIER> FUNCTION> CCD> MTF-CLC	
MTF3-M2	1	MTF value 2 entry: DADF, back, horz scan
Detail	To enter the setting value 2 for calculating MTF filter coefficient in horizontal scanning direction on the back side at DADF stream reading. When clearing the Reader-related RAM data/replacing the SATA Flash PCB, enter the value of the service label on the reader. When replacing the Scanner Unit (Back), enter the value of service label on a new unit.	
Use Case	- When clearing the Reader-related RAM data/replacing the SATA Flash PCB - When replacing the Scanner Unit (Back)	
Adj/Set/Operate Method	1) Enter the setting value, and then press OK key. 2) Turn OFF/ON the main power switch.	
Display/Adj/Set Range	20 to 100	
Default Value	50	
Related Service Mode	COPIER> FUNCTION> CCD> MTF-CLC	

COPIER (Service mode for printer) > ADJUST (Adjustment mode) > CCD

MTF3-M3	1	MTF value 3 entry: DADF, back, horz scan
Detail	To enter the setting value 3 for calculating MTF filter coefficient in horizontal scanning direction on the back side at DADF stream reading. When clearing the Reader-related RAM data/replacing the SATA Flash PCB, enter the value of the service label on the reader. When replacing the Scanner Unit (Back), enter the value of service label on a new unit.	
Use Case	- When clearing the Reader-related RAM data/replacing the SATA Flash PCB - When replacing the Scanner Unit (Back)	
Adj/Set/Operate Method	1) Enter the setting value, and then press OK key. 2) Turn OFF/ON the main power switch.	
Display/Adj/Set Range	20 to 100	
Default Value	50	
Related Service Mode	COPIER> FUNCTION> CCD> MTF-CLC	
MTF3-M4	1	MTF value 4 entry: DADF, back, horz scan
Detail	To enter the setting value 4 for calculating MTF filter coefficient in horizontal scanning direction on the back side at DADF stream reading. When clearing the Reader-related RAM data/replacing the SATA Flash PCB, enter the value of the service label on the reader. When replacing the Scanner Unit (Back), enter the value of service label on a new unit.	
Use Case	- When clearing the Reader-related RAM data/replacing the SATA Flash PCB - When replacing the Scanner Unit (Back)	
Adj/Set/Operate Method	1) Enter the setting value, and then press OK key. 2) Turn OFF/ON the main power switch.	
Display/Adj/Set Range	20 to 100	
Default Value	50	
Related Service Mode	COPIER> FUNCTION> CCD> MTF-CLC	
MTF3-M5	1	MTF value 5 entry: DADF, back, horz scan
Detail	To enter the setting value 5 for calculating MTF filter coefficient in horizontal scanning direction on the back side at DADF stream reading. When clearing the Reader-related RAM data/replacing the SATA Flash PCB, enter the value of the service label on the reader. When replacing the Scanner Unit (Back), enter the value of service label on a new unit.	
Use Case	- When clearing the Reader-related RAM data/replacing the SATA Flash PCB - When replacing the Scanner Unit (Back)	
Adj/Set/Operate Method	1) Enter the setting value, and then press OK key. 2) Turn OFF/ON the main power switch.	
Display/Adj/Set Range	20 to 100	
Default Value	50	
Related Service Mode	COPIER> FUNCTION> CCD> MTF-CLC	
MTF3-M6	1	MTF value 6 entry: DADF, back, horz scan
Detail	To enter the setting value 6 for calculating MTF filter coefficient in horizontal scanning direction on the back side at DADF stream reading. When clearing the Reader-related RAM data/replacing the SATA Flash PCB, enter the value of the service label on the reader. When replacing the Scanner Unit (Back), enter the value of service label on a new unit.	
Use Case	- When clearing the Reader-related RAM data/replacing the SATA Flash PCB - When replacing the Scanner Unit (Back)	
Adj/Set/Operate Method	1) Enter the setting value, and then press OK key. 2) Turn OFF/ON the main power switch.	
Display/Adj/Set Range	20 to 100	
Default Value	50	
Related Service Mode	COPIER> FUNCTION> CCD> MTF-CLC	

COPIER (Service mode for printer) > ADJUST (Adjustment mode) > CCD

MTF3-M7	1	MTF value 7 entry: DADF, back, horz scan
Detail	To enter the setting value 7 for calculating MTF filter coefficient in horizontal scanning direction on the back side at DADF stream reading. When clearing the Reader-related RAM data/replacing the SATA Flash PCB, enter the value of the service label on the reader. When replacing the Scanner Unit (Back), enter the value of service label on a new unit.	
Use Case	- When clearing the Reader-related RAM data/replacing the SATA Flash PCB - When replacing the Scanner Unit (Back)	
Adj/Set/Operate Method	1) Enter the setting value, and then press OK key. 2) Turn OFF/ON the main power switch.	
Display/Adj/Set Range	20 to 100	
Default Value	50	
Related Service Mode	COPIER> FUNCTION> CCD> MTF-CLC	
MTF3-M8	1	MTF value 8 entry: DADF, back, horz scan
Detail	To enter the setting value 8 for calculating MTF filter coefficient in horizontal scanning direction on the back side at DADF stream reading. When clearing the Reader-related RAM data/replacing the SATA Flash PCB, enter the value of the service label on the reader. When replacing the Scanner Unit (Back), enter the value of service label on a new unit.	
Use Case	- When clearing the Reader-related RAM data/replacing the SATA Flash PCB - When replacing the Scanner Unit (Back)	
Adj/Set/Operate Method	1) Enter the setting value, and then press OK key. 2) Turn OFF/ON the main power switch.	
Display/Adj/Set Range	20 to 100	
Default Value	50	
Related Service Mode	COPIER> FUNCTION> CCD> MTF-CLC	
MTF3-M9	1	MTF value 9 entry: DADF, back, horz scan
Detail	To enter the setting value 9 for calculating MTF filter coefficient in horizontal scanning direction on the back side at DADF stream reading. When clearing the Reader-related RAM data/replacing the SATA Flash PCB, enter the value of the service label on the reader. When replacing the Scanner Unit (Back), enter the value of service label on a new unit.	
Use Case	- When clearing the Reader-related RAM data/replacing the SATA Flash PCB - When replacing the Scanner Unit (Back)	
Adj/Set/Operate Method	1) Enter the setting value, and then press OK key. 2) Turn OFF/ON the main power switch.	
Display/Adj/Set Range	20 to 100	
Default Value	50	
Related Service Mode	COPIER> FUNCTION> CCD> MTF-CLC	
MTF3-S1	1	MTF value 1 entry: DADF, back, vert scan
Detail	To enter the setting value 1 for calculating MTF filter coefficient in vertical scanning direction on the back side at DADF stream reading. When clearing the Reader-related RAM data/replacing the SATA Flash PCB, enter the value of the service label on the reader. When replacing the Scanner Unit (Back), enter the value of service label on a new unit.	
Use Case	- When clearing the Reader-related RAM data/replacing the SATA Flash PCB - When replacing the Scanner Unit (Back)	
Adj/Set/Operate Method	1) Enter the setting value, and then press OK key. 2) Turn OFF/ON the main power switch.	
Display/Adj/Set Range	20 to 100	
Default Value	50	
Related Service Mode	COPIER> FUNCTION> CCD> MTF-CLC	

COPIER (Service mode for printer) > ADJUST (Adjustment mode) > CCD

MTF3-S2	1	MTF value 2 entry: DADF, back, vert scan
Detail	To enter the setting value 2 for calculating MTF filter coefficient in vertical scanning direction on the back side at DADF stream reading. When clearing the Reader-related RAM data/replacing the SATA Flash PCB, enter the value of the service label on the reader. When replacing the Scanner Unit (Back), enter the value of service label on a new unit.	
Use Case	- When clearing the Reader-related RAM data/replacing the SATA Flash PCB - When replacing the Scanner Unit (Back)	
Adj/Set/Operate Method	1) Enter the setting value, and then press OK key. 2) Turn OFF/ON the main power switch.	
Display/Adj/Set Range	20 to 100	
Default Value	50	
Related Service Mode	COPIER> FUNCTION> CCD> MTF-CLC	
MTF3-S3	1	MTF value 3 entry: DADF, back, vert scan
Detail	To enter the setting value 3 for calculating MTF filter coefficient in vertical scanning direction on the back side at DADF stream reading. When clearing the Reader-related RAM data/replacing the SATA Flash PCB, enter the value of the service label on the reader. When replacing the Scanner Unit (Back), enter the value of service label on a new unit.	
Use Case	- When clearing the Reader-related RAM data/replacing the SATA Flash PCB - When replacing the Scanner Unit (Back)	
Adj/Set/Operate Method	1) Enter the setting value, and then press OK key. 2) Turn OFF/ON the main power switch.	
Display/Adj/Set Range	20 to 100	
Default Value	50	
Related Service Mode	COPIER> FUNCTION> CCD> MTF-CLC	
MTF3-S4	1	MTF value 4 entry: DADF, back, vert scan
Detail	To enter the setting value 4 for calculating MTF filter coefficient in vertical scanning direction on the back side at DADF stream reading. When clearing the Reader-related RAM data/replacing the SATA Flash PCB, enter the value of the service label on the reader. When replacing the Scanner Unit (Back), enter the value of service label on a new unit.	
Use Case	- When clearing the Reader-related RAM data/replacing the SATA Flash PCB - When replacing the Scanner Unit (Back)	
Adj/Set/Operate Method	1) Enter the setting value, and then press OK key. 2) Turn OFF/ON the main power switch.	
Display/Adj/Set Range	20 to 100	
Default Value	50	
Related Service Mode	COPIER> FUNCTION> CCD> MTF-CLC	
MTF3-S5	1	MTF value 5 entry: DADF, back, vert scan
Detail	To enter the setting value 5 for calculating MTF filter coefficient in vertical scanning direction on the back side at DADF stream reading. When clearing the Reader-related RAM data/replacing the SATA Flash PCB, enter the value of the service label on the reader. When replacing the Scanner Unit (Back), enter the value of service label on a new unit.	
Use Case	- When clearing the Reader-related RAM data/replacing the SATA Flash PCB - When replacing the Scanner Unit (Back)	
Adj/Set/Operate Method	1) Enter the setting value, and then press OK key. 2) Turn OFF/ON the main power switch.	
Display/Adj/Set Range	20 to 100	
Default Value	50	
Related Service Mode	COPIER> FUNCTION> CCD> MTF-CLC	

COPIER (Service mode for printer) > ADJUST (Adjustment mode) > CCD

MTF3-S6	1	MTF value 6 entry: DADF, back, vert scan
Detail	To enter the setting value 6 for calculating MTF filter coefficient in vertical scanning direction on the back side at DADF stream reading. When clearing the Reader-related RAM data/replacing the SATA Flash PCB, enter the value of the service label on the reader. When replacing the Scanner Unit (Back), enter the value of service label on a new unit.	
Use Case	- When clearing the Reader-related RAM data/replacing the SATA Flash PCB - When replacing the Scanner Unit (Back)	
Adj/Set/Operate Method	1) Enter the setting value, and then press OK key. 2) Turn OFF/ON the main power switch.	
Display/Adj/Set Range	20 to 100	
Default Value	50	
Related Service Mode	COPIER> FUNCTION> CCD> MTF-CLC	
MTF3-S7	1	MTF value 7 entry: DADF, back, vert scan
Detail	To enter the setting value 7 for calculating MTF filter coefficient in vertical scanning direction on the back side at DADF stream reading. When clearing the Reader-related RAM data/replacing the SATA Flash PCB, enter the value of the service label on the reader. When replacing the Scanner Unit (Back), enter the value of service label on a new unit.	
Use Case	- When clearing the Reader-related RAM data/replacing the SATA Flash PCB - When replacing the Scanner Unit (Back)	
Adj/Set/Operate Method	1) Enter the setting value, and then press OK key. 2) Turn OFF/ON the main power switch.	
Display/Adj/Set Range	20 to 100	
Default Value	50	
Related Service Mode	COPIER> FUNCTION> CCD> MTF-CLC	
MTF3-S8	1	MTF value 8 entry: DADF, back, vert scan
Detail	To enter the setting value 8 for calculating MTF filter coefficient in vertical scanning direction on the back side at DADF stream reading. When clearing the Reader-related RAM data/replacing the SATA Flash PCB, enter the value of the service label on the reader. When replacing the Scanner Unit (Back), enter the value of service label on a new unit.	
Use Case	- When clearing the Reader-related RAM data/replacing the SATA Flash PCB - When replacing the Scanner Unit (Back)	
Adj/Set/Operate Method	1) Enter the setting value, and then press OK key. 2) Turn OFF/ON the main power switch.	
Display/Adj/Set Range	20 to 100	
Default Value	50	
Related Service Mode	COPIER> FUNCTION> CCD> MTF-CLC	
MTF3-S9	1	MTF value 9 entry: DADF, back, vert scan
Detail	To enter the setting value 9 for calculating MTF filter coefficient in vertical scanning direction on the back side at DADF stream reading. When clearing the Reader-related RAM data/replacing the SATA Flash PCB, enter the value of the service label on the reader. When replacing the Scanner Unit (Back), enter the value of service label on a new unit.	
Use Case	- When clearing the Reader-related RAM data/replacing the SATA Flash PCB - When replacing the Scanner Unit (Back)	
Adj/Set/Operate Method	1) Enter the setting value, and then press OK key. 2) Turn OFF/ON the main power switch.	
Display/Adj/Set Range	20 to 100	
Default Value	50	
Related Service Mode	COPIER> FUNCTION> CCD> MTF-CLC	

COPIER (Service mode for printer) > ADJUST (Adjustment mode) > CCD

DFTBK-G	1	Enter shading target VL (G): back side
Detail	To enter the shading target value of Green on the back side at DADF stream reading. When clearing the Reader-related RAM data/replacing the SATA Flash PCB, enter the value of the service label on the reader. When replacing the Scanner Unit (Back), execute DF-WLVL1 and DF-WLVL2 and write the value which is automatically set in the service label.	
Use Case	- When clearing the Reader-related RAM data/replacing the SATA Flash PCB - When replacing the Scanner Unit (Back)	
Adj/Set/Operate Method	1) Enter the setting value, and then press OK key. 2) Turn OFF/ON the main power switch.	
Caution	When the Copyboard or DADF (reverse model) is installed, the setting of this item is disabled.	
Display/Adj/Set Range	0 to 2047	
Default Value	1111	
Related Service Mode	COPIER> FUNCTION> CCD> DF-WLVL1/WLVL2	
Amount of Change per Unit	1	
DFTBK-B	1	Enter shading target VL (B): back side
Detail	To enter the shading target value of Blue on the back side at DADF stream reading. When clearing the Reader-related RAM data/replacing the SATA Flash PCB, enter the value of the service label on the reader. When replacing the Scanner Unit (Back), execute DF-WLVL1 and DF-WLVL2 and write the value which is automatically set in the service label.	
Use Case	- When clearing the Reader-related RAM data/replacing the SATA Flash PCB - When replacing the Scanner Unit (Back)	
Adj/Set/Operate Method	1) Enter the setting value, and then press OK key. 2) Turn OFF/ON the main power switch.	
Caution	When the Copyboard or DADF (reverse model) is installed, the setting of this item is disabled.	
Display/Adj/Set Range	0 to 2047	
Default Value	1164	
Related Service Mode	COPIER> FUNCTION> CCD> DF-WLVL1/WLVL2	
Amount of Change per Unit	1	
DFTBK-R	1	Enter shading target VL (R): back side
Detail	To enter the shading target value of Red on the back side at DADF stream reading. When clearing the Reader-related RAM data/replacing the SATA Flash PCB, enter the value of the service label on the reader. When replacing the Scanner Unit (Back), execute DF-WLVL1 and DF-WLVL2 and write the value which is automatically set in the service label.	
Use Case	- When clearing the Reader-related RAM data/replacing the SATA Flash PCB - When replacing the Scanner Unit (Back)	
Adj/Set/Operate Method	1) Enter the setting value, and then press OK key. 2) Turn OFF/ON the main power switch.	
Caution	When the Copyboard or DADF (reverse model) is installed, the setting of this item is disabled.	
Display/Adj/Set Range	0 to 2047	
Default Value	1103	
Related Service Mode	COPIER> FUNCTION> CCD> DF-WLVL1/WLVL2	
Amount of Change per Unit	1	

COPIER (Service mode for printer) > ADJUST (Adjustment mode) > CCD

DFTAR3-R	1	Enter shading target VL (R): front, 3rd
Detail		To enter the shading target value of Red on the front side at the third reading position at DADF stream reading. When clearing the Reader-related RAM data/replacing the SATA Flash PCB, enter the value of the service label on the reader. When replacing the Copyboard Glass/Scanner Unit (Front), execute DF-WLVL1 and DF-WLVL2 and write the value which is automatically set in the service label.
Use Case		- When clearing the Reader-related RAM data/replacing the SATA Flash PCB - When replacing the Copyboard Glass/Scanner Unit (Front)
Adj/Set/Operate Method		1) Enter the setting value and press OK key. 2) Turn OFF/ON the main power switch.
Display/Adj/Set Range		0 to 2047
Default Value		1103
Related Service Mode		COPIER> FUNCTION> CCD> DF-WLVL1/WLVL2
DFTAR3-G	1	Enter shading target VL (G): front, 3rd
Detail		To enter the shading target value of Green on the front side at the third reading position at DADF stream reading. When clearing the Reader-related RAM data/replacing the SATA Flash PCB, enter the value of the service label on the reader. When replacing the Copyboard Glass/Scanner Unit (Front), execute DF-WLVL1 and DF-WLVL2 and write the value which is automatically set in the service label.
Use Case		- When clearing the Reader-related RAM data/replacing the SATA Flash PCB - When replacing the Copyboard Glass/Scanner Unit (Front)
Adj/Set/Operate Method		1) Enter the setting value and press OK key. 2) Turn OFF/ON the main power switch.
Display/Adj/Set Range		0 to 2047
Default Value		1111
Related Service Mode		COPIER> FUNCTION> CCD> DF-WLVL1/WLVL2
DFTAR3-B	1	Enter shading target VL (B): front, 3rd
Detail		To enter the shading target value of Blue on the front side at the third reading position at DADF stream reading. When clearing the Reader-related RAM data/replacing the SATA Flash PCB, enter the value of the service label on the reader. When replacing the Copyboard Glass/Scanner Unit (Front), execute DF-WLVL1 and DF-WLVL2 and write the value which is automatically set in the service label.
Use Case		- When clearing the Reader-related RAM data/replacing the SATA Flash PCB - When replacing the Copyboard Glass/Scanner Unit (Front)
Adj/Set/Operate Method		1) Enter the setting value and press OK key. 2) Turn OFF/ON the main power switch.
Display/Adj/Set Range		0 to 2047
Default Value		1164
Related Service Mode		COPIER> FUNCTION> CCD> DF-WLVL1/WLVL2

COPIER (Service mode for printer) > ADJUST (Adjustment mode) > CCD

OFST-BW0	1	Adj CIS-ch0 offset:front,B&W mode,600dpi
Detail	To adjust the offset value (black level) of the Scanner Unit (for front side) on channel 0 in Black & White mode with 600 dpi. The value is updated by executing CL-AGC.	
Use Case	- When clearing the Reader-related RAM data/replacing the SATA Flash PCB - When replacing the Scanner Unit (for front side)	
Adj/Set/Operate Method	Enter the setting value, and then press OK key.	
Caution	When replacing the CIS, rewrite the value on the label by displaying this item after executing COPIER>FUNCTION>CCD>CL-AGC.	
Display/Adj/Set Range	0 to 255	
Default Value	216	
Related Service Mode	COPIER> FUNCTION> CCD> CL-AGC	
OFST-BW1	1	Adj CIS-ch1 offset:front,B&W mode,600dpi
Detail	To adjust the offset value (black level) of the Scanner Unit (for front side) on channel 1 in Black & White mode with 600 dpi. The value is updated by executing CL-AGC.	
Use Case	- When clearing the Reader-related RAM data/replacing the SATA Flash PCB - When replacing the Scanner Unit (for front side)	
Adj/Set/Operate Method	Enter the setting value, and then press OK key.	
Caution	When replacing the CIS, rewrite the value on the label by displaying this item after executing COPIER>FUNCTION>CCD>CL-AGC.	
Display/Adj/Set Range	0 to 255	
Default Value	216	
Related Service Mode	COPIER> FUNCTION> CCD> CL-AGC	
OFST-BW2	1	Adj CIS-ch2 offset:front,B&W mode,600dpi
Detail	To adjust the offset value (black level) of the Scanner Unit (for front side) on channel 2 in Black & White mode with 600 dpi. The value is updated by executing CL-AGC.	
Use Case	- When clearing the Reader-related RAM data/replacing the SATA Flash PCB - When replacing the Scanner Unit (for front side)	
Adj/Set/Operate Method	Enter the setting value, and then press OK key.	
Caution	When replacing the CIS, rewrite the value on the label by displaying this item after executing COPIER>FUNCTION>CCD>CL-AGC.	
Display/Adj/Set Range	0 to 255	
Default Value	216	
Related Service Mode	COPIER> FUNCTION> CCD> CL-AGC	

COPIER (Service mode for printer) > ADJUST (Adjustment mode) > CCD

OFST-BW3	1	Adj CIS-ch3 offset:front,B&W mode,600dpi
Detail	To adjust the offset value (black level) of the Scanner Unit (for front side) on channel 3 in Black & White mode with 600 dpi. The value is updated by executing CL-AGC.	
Use Case	- When clearing the Reader-related RAM data/replacing the SATA Flash PCB - When replacing the Scanner Unit (for front side)	
Adj/Set/Operate Method	Enter the setting value, and then press OK key.	
Caution	When replacing the CIS, rewrite the value on the label by displaying this item after executing COPIER>FUNCTION>CCD>CL-AGC.	
Display/Adj/Set Range	0 to 255	
Default Value	216	
Related Service Mode	COPIER> FUNCTION> CCD> CL-AGC	
OFST-BW4	1	Adj CIS-ch4 offset:front,B&W mode,600dpi
Detail	To adjust the offset value (black level) of the Scanner Unit (for front side) on channel 4 in Black & White mode with 600 dpi. The value is updated by executing CL-AGC.	
Use Case	- When clearing the Reader-related RAM data/replacing the SATA Flash PCB - When replacing the Scanner Unit (for front side)	
Adj/Set/Operate Method	Enter the setting value, and then press OK key.	
Caution	When replacing the CIS, rewrite the value on the label by displaying this item after executing COPIER>FUNCTION>CCD>CL-AGC.	
Display/Adj/Set Range	0 to 255	
Default Value	216	
Related Service Mode	COPIER> FUNCTION> CCD> CL-AGC	
OFST-BW5	1	Adj CIS-ch5 offset:front,B&W mode,600dpi
Detail	To adjust the offset value (black level) of the Scanner Unit (for front side) on channel 5 in Black & White mode with 600 dpi. The value is updated by executing CL-AGC.	
Use Case	- When clearing the Reader-related RAM data/replacing the SATA Flash PCB - When replacing the Scanner Unit (for front side)	
Adj/Set/Operate Method	Enter the setting value, and then press OK key.	
Caution	When replacing the CIS, rewrite the value on the label by displaying this item after executing COPIER>FUNCTION>CCD>CL-AGC.	
Display/Adj/Set Range	0 to 255	
Default Value	216	
Related Service Mode	COPIER> FUNCTION> CCD> CL-AGC	
OFST-CL0	1	Adj CIS-ch0 offset:front,clr mode,300dpi
Detail	To adjust the offset value (black level) of the Scanner Unit (Front) on channel 0 in color mode with 300 dpi. The value is updated by executing CL-AGC.	
Use Case	- When clearing the Reader-related RAM data/replacing the SATA Flash PCB - When replacing the Scanner Unit (Front)	
Adj/Set/Operate Method	Enter the setting value, and then press OK key.	
Display/Adj/Set Range	0 to 255	
Default Value	216	
Related Service Mode	COPIER> FUNCTION> CCD> CL-AGC	

COPIER (Service mode for printer) > ADJUST (Adjustment mode) > CCD

OFST-CL1	1	Adj CIS-ch1 offset:front,clr mode,300dpi
Detail	To adjust the offset value (black level) of the Scanner Unit (Front) on channel 1 in color mode with 300 dpi. The value is updated by executing CL-AGC.	
Use Case	- When clearing the Reader-related RAM data/replacing the SATA Flash PCB - When replacing the Scanner Unit (Front)	
Adj/Set/Operate Method	Enter the setting value, and then press OK key.	
Display/Adj/Set Range	0 to 255	
Default Value	216	
Related Service Mode	COPIER> FUNCTION> CCD> CL-AGC	
OFST-CL2	1	Adj CIS-ch2 offset:front,clr mode,300dpi
Detail	To adjust the offset value (black level) of the Scanner Unit (Front) on channel 2 in color mode with 300 dpi. The value is updated by executing CL-AGC.	
Use Case	- When clearing the Reader-related RAM data/replacing the SATA Flash PCB - When replacing the Scanner Unit (Front)	
Adj/Set/Operate Method	Enter the setting value, and then press OK key.	
Display/Adj/Set Range	0 to 255	
Default Value	216	
Related Service Mode	COPIER> FUNCTION> CCD> CL-AGC	
OFST-CL3	1	Adj CIS-ch3 offset:front,clr mode,300dpi
Detail	To adjust the offset value (black level) of the Scanner Unit (Front) on channel 3 in color mode with 300 dpi. The value is updated by executing CL-AGC.	
Use Case	- When clearing the Reader-related RAM data/replacing the SATA Flash PCB - When replacing the Scanner Unit (Front)	
Adj/Set/Operate Method	Enter the setting value, and then press OK key.	
Display/Adj/Set Range	0 to 255	
Default Value	216	
Related Service Mode	COPIER> FUNCTION> CCD> CL-AGC	
OFST-CL4	1	Adj CIS-ch4 offset:front,clr mode,300dpi
Detail	To adjust the offset value (black level) of the Scanner Unit (Front) on channel 4 in color mode with 300 dpi. The value is updated by executing CL-AGC.	
Use Case	- When clearing the Reader-related RAM data/replacing the SATA Flash PCB - When replacing the Scanner Unit (Front)	
Adj/Set/Operate Method	Enter the setting value, and then press OK key.	
Display/Adj/Set Range	0 to 255	
Default Value	216	
Related Service Mode	COPIER> FUNCTION> CCD> CL-AGC	
OFST-CL5	1	Adj CIS-ch5 offset:front,clr mode,300dpi
Detail	To adjust the offset value (black level) of the Scanner Unit (Front) on channel 5 in color mode with 300 dpi. The value is updated by executing CL-AGC.	
Use Case	- When clearing the Reader-related RAM data/replacing the SATA Flash PCB - When replacing the Scanner Unit (Front)	
Adj/Set/Operate Method	Enter the setting value, and then press OK key.	
Display/Adj/Set Range	0 to 255	
Default Value	216	
Related Service Mode	COPIER> FUNCTION> CCD> CL-AGC	

COPIER (Service mode for printer) > ADJUST (Adjustment mode) > CCD

OFST2CL0	1	Adj CIS-ch0 offset:front,clr mode,600dpi
Detail	To adjust the offset value (black level) of the Scanner Unit (Front) on channel 0 in color mode with 600 dpi. The value is updated by executing CL-AGC.	
Use Case	- When clearing the Reader-related RAM data/replacing the SATA Flash PCB - When replacing the Scanner Unit (Front)	
Adj/Set/Operate Method	Enter the setting value, and then press OK key.	
Display/Adj/Set Range	0 to 255	
Default Value	216	
Related Service Mode	COPIER> FUNCTION> CCD> CL-AGC	
OFST2CL1	1	Adj CIS-ch1 offset:front,clr mode,600dpi
Detail	To adjust the offset value (black level) of the Scanner Unit (Front) on channel 1 in color mode with 600 dpi. The value is updated by executing CL-AGC.	
Use Case	- When clearing the Reader-related RAM data/replacing the SATA Flash PCB - When replacing the Scanner Unit (Front)	
Adj/Set/Operate Method	Enter the setting value, and then press OK key.	
Display/Adj/Set Range	0 to 255	
Default Value	216	
Related Service Mode	COPIER> FUNCTION> CCD> CL-AGC	
OFST2CL2	1	Adj CIS-ch2 offset:front,clr mode,600dpi
Detail	To adjust the offset value (black level) of the Scanner Unit (Front) on channel 2 in color mode with 600 dpi. The value is updated by executing CL-AGC.	
Use Case	- When clearing the Reader-related RAM data/replacing the SATA Flash PCB - When replacing the Scanner Unit (Front)	
Adj/Set/Operate Method	Enter the setting value, and then press OK key.	
Display/Adj/Set Range	0 to 255	
Default Value	216	
Related Service Mode	COPIER> FUNCTION> CCD> CL-AGC	
OFST2CL3	1	Adj CIS-ch3 offset:front,clr mode,600dpi
Detail	To adjust the offset value (black level) of the Scanner Unit (Front) on channel 3 in color mode with 600 dpi. The value is updated by executing CL-AGC.	
Use Case	- When clearing the Reader-related RAM data/replacing the SATA Flash PCB - When replacing the Scanner Unit (Front)	
Adj/Set/Operate Method	Enter the setting value, and then press OK key.	
Display/Adj/Set Range	0 to 255	
Default Value	216	
Related Service Mode	COPIER> FUNCTION> CCD> CL-AGC	
OFST2CL4	1	Adj CIS-ch4 offset:front,clr mode,600dpi
Detail	To adjust the offset value (black level) of the Scanner Unit (Front) on channel 4 in color mode with 600 dpi. The value is updated by executing CL-AGC.	
Use Case	- When clearing the Reader-related RAM data/replacing the SATA Flash PCB - When replacing the Scanner Unit (Front)	
Adj/Set/Operate Method	Enter the setting value, and then press OK key.	
Display/Adj/Set Range	0 to 255	
Default Value	216	
Related Service Mode	COPIER> FUNCTION> CCD> CL-AGC	

COPIER (Service mode for printer) > ADJUST (Adjustment mode) > CCD

OFST2CL5	1	Adj CIS-ch5 offset:front,clr mode,600dpi
Detail	To adjust the offset value (black level) of the Scanner Unit (Front) on channel 5 in color mode with 600 dpi. The value is updated by executing CL-AGC.	
Use Case	- When clearing the Reader-related RAM data/replacing the SATA Flash PCB - When replacing the Scanner Unit (Front)	
Adj/Set/Operate Method	Enter the setting value, and then press OK key.	
Display/Adj/Set Range	0 to 255	
Default Value	216	
Related Service Mode	COPIER> FUNCTION> CCD> CL-AGC	
GAIN-CL0	1	Adj CIS gain level:front,clr mode,300dpi
Detail	To adjust the detection level (gain level) of the Scanner Unit (Front) in color mode with 300 dpi. The value is updated by executing CL-AGC.	
Use Case	- When clearing the Reader-related RAM data/replacing the SATA Flash PCB - When replacing the Scanner Unit (Front)	
Adj/Set/Operate Method	Enter the setting value, and then press OK key.	
Display/Adj/Set Range	0 to 255	
Default Value	0	
Related Service Mode	COPIER> FUNCTION> CCD> CL-AGC	
GAIN2CL0	1	Adj CIS gain level:front,clr mode,600dpi
Detail	To adjust the detection level (gain level) of the Scanner Unit (Front) in color mode with 600 dpi. The value is updated by executing CL-AGC.	
Use Case	- When clearing the Reader-related RAM data/replacing the SATA Flash PCB - When replacing the Scanner Unit (Front)	
Adj/Set/Operate Method	Enter the setting value, and then press OK key.	
Display/Adj/Set Range	0 to 255	
Default Value	0	
Related Service Mode	COPIER> FUNCTION> CCD> CL-AGC	
LED-CL-R	1	Adj pry lgt src lgt time: frt,clr,300dpi
Detail	To adjust the lighting time of the LED which is the primary light source of the Scanner Unit (Front) in color mode with 300 dpi. The value is updated by executing CL-AGC.	
Use Case	- When clearing the Reader-related RAM data/replacing the SATA Flash PCB - When replacing the Scanner Unit (Front)	
Adj/Set/Operate Method	Enter the setting value, and then press OK key.	
Display/Adj/Set Range	0 to 2928	
Default Value	1648	
Related Service Mode	COPIER> FUNCTION> CCD> CL-AGC	
LED2CL-R	1	Adj pry lgt src lgt time: frt,clr,600dpi
Detail	To adjust the lighting time of the LED which is the primary light source of the Scanner Unit (Front) in color mode with 600 dpi. The value is updated by executing CL-AGC.	
Use Case	- When clearing the Reader-related RAM data/replacing the SATA Flash PCB - When replacing the Scanner Unit (Front)	
Adj/Set/Operate Method	Enter the setting value, and then press OK key.	
Display/Adj/Set Range	0 to 2928	
Default Value	2816	
Related Service Mode	COPIER> FUNCTION> CCD> CL-AGC	

COPIER (Service mode for printer) > ADJUST (Adjustment mode) > CCD

LED-CLR2	1	Adj sec lgt src lgt time: frt,clr,300dpi
Detail	To adjust the lighting time of the LED which is the secondary light source of the Scanner Unit (Front) in color mode with 300 dpi. The value is updated by executing CL-AGC.	
Use Case	- When clearing the Reader-related RAM data/replacing the SATA Flash PCB - When replacing the Scanner Unit (Front)	
Adj/Set/Operate Method	Enter the setting value, and then press OK key.	
Display/Adj/Set Range	0 to 2928	
Default Value	1648	
Related Service Mode	COPIER> FUNCTION> CCD> CL-AGC	
LED2CLR2	1	Adj sec lgt src lgt time: frt,clr,600dpi
Detail	To adjust the lighting time of the LED which is the secondary light source of the Scanner Unit (Front) in color mode with 600 dpi. The value is updated by executing CL-AGC.	
Use Case	- When clearing the Reader-related RAM data/replacing the SATA Flash PCB - When replacing the Scanner Unit (Front)	
Adj/Set/Operate Method	Enter the setting value, and then press OK key.	
Display/Adj/Set Range	0 to 2928	
Default Value	2816	
Related Service Mode	COPIER> FUNCTION> CCD> CL-AGC	
OFST3CL0	1	Adj CIS-ch0 offset: back,clr mode,300dpi
Detail	To adjust the offset value (black level) of the Scanner Unit (Back) on channel 0 in color mode with 300 dpi. The value is updated by executing CL-AGC.	
Use Case	- When replacing the SATA Flash PCB - When replacing the Scanner Unit (Back)	
Adj/Set/Operate Method	Enter the setting value, and then press OK key.	
Display/Adj/Set Range	0 to 255	
Default Value	216	
Related Service Mode	COPIER> FUNCTION> CCD> CL-AGC	
OFST3CL1	1	Adj CIS-ch1 offset: back,clr mode,300dpi
Detail	To adjust the offset value (black level) of the Scanner Unit (Back) on channel 1 in color mode with 300 dpi. The value is updated by executing CL-AGC.	
Use Case	- When replacing the SATA Flash PCB - When replacing the Scanner Unit (Back)	
Adj/Set/Operate Method	Enter the setting value, and then press OK key.	
Display/Adj/Set Range	0 to 255	
Default Value	216	
Related Service Mode	COPIER> FUNCTION> CCD> CL-AGC	
OFST3CL2	1	Adj CIS-ch2 offset: back,clr mode,300dpi
Detail	To adjust the offset value (black level) of the Scanner Unit (Back) on channel 2 in color mode with 300 dpi. The value is updated by executing CL-AGC.	
Use Case	- When replacing the SATA Flash PCB - When replacing the Scanner Unit (Back)	
Adj/Set/Operate Method	Enter the setting value, and then press OK key.	
Display/Adj/Set Range	0 to 255	
Default Value	216	
Related Service Mode	COPIER> FUNCTION> CCD> CL-AGC	

COPIER (Service mode for printer) > ADJUST (Adjustment mode) > CCD

OFST3CL3	1	Adj CIS-ch3 offset: back,clr mode,300dpi
Detail	To adjust the offset value (black level) of the Scanner Unit (Back) on channel 3 in color mode with 300 dpi. The value is updated by executing CL-AGC.	
Use Case	- When replacing the SATA Flash PCB - When replacing the Scanner Unit (Back)	
Adj/Set/Operate Method	Enter the setting value, and then press OK key.	
Display/Adj/Set Range	0 to 255	
Default Value	216	
Related Service Mode	COPIER> FUNCTION> CCD> CL-AGC	
OFST3CL4	1	Adj CIS-ch4 offset: back,clr mode,300dpi
Detail	To adjust the offset value (black level) of the Scanner Unit (Back) on channel 4 in color mode with 300 dpi. The value is updated by executing CL-AGC.	
Use Case	- When replacing the SATA Flash PCB - When replacing the Scanner Unit (Back)	
Adj/Set/Operate Method	Enter the setting value, and then press OK key.	
Display/Adj/Set Range	0 to 255	
Default Value	216	
Related Service Mode	COPIER> FUNCTION> CCD> CL-AGC	
OFST3CL5	1	Adj CIS-ch5 offset: back,clr mode,300dpi
Detail	To adjust the offset value (black level) of the Scanner Unit (Back) on channel 5 in color mode with 300 dpi. The value is updated by executing CL-AGC.	
Use Case	- When replacing the SATA Flash PCB - When replacing the Scanner Unit (Back)	
Adj/Set/Operate Method	Enter the setting value, and then press OK key.	
Display/Adj/Set Range	0 to 255	
Default Value	216	
Related Service Mode	COPIER> FUNCTION> CCD> CL-AGC	
OFST4CL0	1	Adj CIS-ch0 offset: back,clr mode,600dpi
Detail	To adjust the offset value (black level) of the Scanner Unit (Back) on channel 0 in color mode with 600 dpi. The value is updated by executing CL-AGC.	
Use Case	- When replacing the SATA Flash PCB - When replacing the Scanner Unit (Back)	
Adj/Set/Operate Method	Enter the setting value, and then press OK key.	
Display/Adj/Set Range	0 to 255	
Default Value	216	
Related Service Mode	COPIER> FUNCTION> CCD> CL-AGC	
OFST4CL1	1	Adj CIS-ch1 offset: back,clr mode,600dpi
Detail	To adjust the offset value (black level) of the Scanner Unit (Back) on channel 1 in color mode with 600 dpi. The value is updated by executing CL-AGC.	
Use Case	- When replacing the SATA Flash PCB - When replacing the Scanner Unit (Back)	
Adj/Set/Operate Method	Enter the setting value, and then press OK key.	
Display/Adj/Set Range	0 to 255	
Default Value	216	
Related Service Mode	COPIER> FUNCTION> CCD> CL-AGC	

COPIER (Service mode for printer) > ADJUST (Adjustment mode) > CCD

OFST4CL2	1	Adj CIS-ch2 offset: back,clr mode,600dpi
Detail	To adjust the offset value (black level) of the Scanner Unit (Back) on channel 2 in color mode with 600 dpi. The value is updated by executing CL-AGC.	
Use Case	- When replacing the SATA Flash PCB - When replacing the Scanner Unit (Back)	
Adj/Set/Operate Method	Enter the setting value, and then press OK key.	
Display/Adj/Set Range	0 to 255	
Default Value	216	
Related Service Mode	COPIER> FUNCTION> CCD> CL-AGC	
OFST4CL3	1	Adj CIS-ch3 offset: back,clr mode,600dpi
Detail	To adjust the offset value (black level) of the Scanner Unit (Back) on channel 3 in color mode with 600 dpi. The value is updated by executing CL-AGC.	
Use Case	- When replacing the SATA Flash PCB - When replacing the Scanner Unit (Back)	
Adj/Set/Operate Method	Enter the setting value, and then press OK key.	
Display/Adj/Set Range	0 to 255	
Default Value	216	
Related Service Mode	COPIER> FUNCTION> CCD> CL-AGC	
OFST4CL4	1	Adj CIS-ch4 offset: back,clr mode,600dpi
Detail	To adjust the offset value (black level) of the Scanner Unit (Back) on channel 4 in color mode with 600 dpi. The value is updated by executing CL-AGC.	
Use Case	- When replacing the SATA Flash PCB - When replacing the Scanner Unit (Back)	
Adj/Set/Operate Method	Enter the setting value, and then press OK key.	
Display/Adj/Set Range	0 to 255	
Default Value	216	
Related Service Mode	COPIER> FUNCTION> CCD> CL-AGC	
OFST4CL5	1	Adj CIS-ch5 offset: back,clr mode,600dpi
Detail	To adjust the offset value (black level) of the Scanner Unit (Back) on channel 5 in color mode with 600 dpi. The value is updated by executing CL-AGC.	
Use Case	- When replacing the SATA Flash PCB - When replacing the Scanner Unit (Back)	
Adj/Set/Operate Method	Enter the setting value, and then press OK key.	
Display/Adj/Set Range	0 to 255	
Default Value	216	
Related Service Mode	COPIER> FUNCTION> CCD> CL-AGC	
GAIN3CL0	1	Adj CIS gain level: back,clr mode,300dpi
Detail	To adjust the detection level (gain level) of the Scanner Unit (Back) in color mode with 300 dpi. The value is updated by executing CL-AGC.	
Use Case	- When replacing the SATA Flash PCB - When replacing the Scanner Unit (Back)	
Adj/Set/Operate Method	Enter the setting value, and then press OK key.	
Display/Adj/Set Range	0 to 255	
Default Value	0	
Related Service Mode	COPIER> FUNCTION> CCD> CL-AGC	

COPIER (Service mode for printer) > ADJUST (Adjustment mode) > CCD

GAIN4CL0	1	Adj CIS gain level: back,clr mode,600dpi
Detail		To adjust the detection level (gain level) of the Scanner Unit (Back) in color mode with 600 dpi. The value is updated by executing CL-AGC.
Use Case		- When replacing the SATA Flash PCB - When replacing the Scanner Unit (Back)
Adj/Set/Operate Method		Enter the setting value, and then press OK key.
Display/Adj/Set Range		0 to 255
Default Value		0
Related Service Mode		COPIER> FUNCTION> CCD> CL-AGC
LED3CL	1	Adj pry lgt src lgt time:back,clr,300dpi
Detail		To adjust the lighting time of the LED which is the primary light source of the Scanner Unit (Back) in color mode with 300 dpi. The value is updated by executing CL-AGC.
Use Case		- When replacing the SATA Flash PCB - When replacing the Scanner Unit (Back)
Adj/Set/Operate Method		Enter the setting value, and then press OK key.
Display/Adj/Set Range		0 to 2928
Default Value		1648
Related Service Mode		COPIER> FUNCTION> CCD> CL-AGC
LED3CL2	1	Adj sec lgt src lgt time:back,clr,300dpi
Detail		To adjust the lighting time of the LED which is the secondary light source of the Scanner Unit (Back) in color mode with 300 dpi. The value is updated by executing CL-AGC.
Use Case		- When replacing the SATA Flash PCB - When replacing the Scanner Unit (Back)
Adj/Set/Operate Method		Enter the setting value, and then press OK key.
Display/Adj/Set Range		0 to 2928
Default Value		1648
Related Service Mode		COPIER> FUNCTION> CCD> CL-AGC
LED4CL	1	Adj pry lgt src lgt time:back,clr,600dpi
Detail		To adjust the lighting time of the LED which is the primary light source of the Scanner Unit (Back) in color mode with 600 dpi. The value is updated by executing CL-AGC.
Use Case		- When replacing the SATA Flash PCB - When replacing the Scanner Unit (Back)
Adj/Set/Operate Method		Enter the setting value, and then press OK key.
Display/Adj/Set Range		0 to 2928
Default Value		2816
Related Service Mode		COPIER> FUNCTION> CCD> CL-AGC
LED4CL2	1	Adj sec lgt src lgt time:back,clr,600dpi
Detail		To adjust the lighting time of the LED which is the secondary light source of the Scanner Unit (Back) in color mode with 600 dpi. The value is updated by executing CL-AGC.
Use Case		- When replacing the SATA Flash PCB - When replacing the Scanner Unit (Back)
Adj/Set/Operate Method		Enter the setting value, and then press OK key.
Display/Adj/Set Range		0 to 2928
Default Value		2816
Related Service Mode		COPIER> FUNCTION> CCD> CL-AGC

COPIER (Service mode for printer) > ADJUST (Adjustment mode) > CCD

LED-BW-1	1	Adj pry lgt src lgt time: frt,B&W,600dpi
Detail	To adjust the lighting time of the LED which is the primary light source of the Scanner Unit (for front side) in B&W mode with 600 dpi. The value is updated by executing CL-AGC.	
Use Case	- When clearing the Reader-related RAM data/replacing the SATA Flash PCB - When replacing the Scanner Unit (for front side)	
Adj/Set/Operate Method	Enter the setting value, and then press OK key.	
Caution	When replacing the CIS, rewrite the value on the label by displaying this item after executing COPIER>FUNCTION>CCD>CL-AGC.	
Display/Adj/Set Range	0 to 2928	
Default Value	910	
Related Service Mode	COPIER> FUNCTION> CCD> CL-AGC	
LED-BW-2	1	Adj pry lgt src lgt time2 frt,B&W,600dpi
Detail	To adjust the lighting time of the LED which is the secondary light source of the Scanner Unit (for front side) in B&W mode with 600 dpi. The value is updated by executing CL-AGC.	
Use Case	- When clearing the Reader-related RAM data/replacing the SATA Flash PCB - When replacing the Scanner Unit (for front side)	
Adj/Set/Operate Method	Enter the setting value, and then press OK key.	
Caution	When replacing the CIS, rewrite the value on the label by displaying this item after executing COPIER>FUNCTION>CCD>CL-AGC.	
Display/Adj/Set Range	0 to 2928	
Default Value	910	
Related Service Mode	COPIER> FUNCTION> CCD> CL-AGC	
LED2BW-1	1	Adj pry lgt src lgt time: bck,B&W,600dpi
Detail	To adjust the lighting time of the LED which is the primary light source of the Scanner Unit (for back side) in B&W mode with 600 dpi. The value is updated by executing CL-AGC.	
Use Case	- When clearing the Reader-related RAM data/replacing the SATA Flash PCB - When replacing the Scanner Unit (for back side)	
Adj/Set/Operate Method	Enter the setting value, and then press OK key.	
Caution	When replacing the CIS, rewrite the value on the label by displaying this item after executing COPIER>FUNCTION>CCD>CL-AGC.	
Display/Adj/Set Range	0 to 2928	
Default Value	910	
Related Service Mode	COPIER> FUNCTION> CCD> CL-AGC	

COPIER (Service mode for printer) > ADJUST (Adjustment mode) > CCD

LED2BW-2	1	Adj sec lgt src lgt time: bck,B&W,600dpi
Detail	To adjust the lighting time of the LED which is the secondary light source of the Scanner Unit (for back side) in B&W mode with 600 dpi. The value is updated by executing CL-AGC.	
Use Case	- When clearing the Reader-related RAM data/replacing the SATA Flash PCB - When replacing the Scanner Unit (for back side)	
Adj/Set/Operate Method	Enter the setting value, and then press OK key.	
Caution	When replacing the CIS, rewrite the value on the label by displaying this item after executing COPIER>FUNCTION>CCD>CL-AGC.	
Display/Adj/Set Range	0 to 2928	
Default Value	910	
Related Service Mode	COPIER> FUNCTION> CCD> CL-AGC	
GAIN-BW1	1	Adj CIS gain level:front,B&W mode,600dpi
Detail	To adjust the detection level (gain level) of the Scanner Unit (for front side) in Black & White mode with 600 dpi. The value is updated by executing CL-AGC.	
Use Case	- When clearing the Reader-related RAM data/replacing the SATA Flash PCB - When replacing the Scanner Unit (for front side)	
Adj/Set/Operate Method	Enter the setting value, and then press OK key.	
Caution	When replacing the CIS, rewrite the value on the label by displaying this item after executing COPIER>FUNCTION>CCD>CL-AGC.	
Display/Adj/Set Range	0 to 255	
Default Value	0	
Related Service Mode	COPIER> FUNCTION> CCD> CL-AGC	
GAIN-BW2	1	Adj CIS gain level:bck,B&W mode,600dpi
Detail	To adjust the detection level (gain level) of the Scanner Unit (for back side) in Black & White mode with 600 dpi. The value is updated by executing CL-AGC.	
Use Case	- When clearing the Reader-related RAM data/replacing the SATA Flash PCB - When replacing the Scanner Unit (for back side)	
Adj/Set/Operate Method	Enter the setting value, and then press OK key.	
Caution	When replacing the CIS, rewrite the value on the label by displaying this item after executing COPIER>FUNCTION>CCD>CL-AGC.	
Display/Adj/Set Range	0 to 255	
Default Value	0	
Related Service Mode	COPIER> FUNCTION> CCD> CL-AGC	

COPIER (Service mode for printer) > ADJUST (Adjustment mode) > CCD

OFST2BW0	1	Adj CIS-ch0 offset:back,B&W mode,600dpi
Detail	To adjust the offset value (black level) of the Scanner Unit (for back side) on channel 0 in Black & White mode with 600 dpi. The value is updated by executing CL-AGC.	
Use Case	- When clearing the Reader-related RAM data/replacing the SATA Flash PCB - When replacing the Scanner Unit (for back side)	
Adj/Set/Operate Method	Enter the setting value, and then press OK key.	
Caution	When replacing the CIS, rewrite the value on the label by displaying this item after executing COPIER>FUNCTION>CCD>CL-AGC.	
Display/Adj/Set Range	0 to 255	
Default Value	216	
Related Service Mode	COPIER> FUNCTION> CCD> CL-AGC	
OFST2BW1	1	Adj CIS-ch1 offset:back,B&W mode,600dpi
Detail	To adjust the offset value (black level) of the Scanner Unit (for back side) on channel 1 in Black & White mode with 600 dpi. The value is updated by executing CL-AGC.	
Use Case	- When clearing the Reader-related RAM data/replacing the SATA Flash PCB - When replacing the Scanner Unit (for back side)	
Adj/Set/Operate Method	Enter the setting value, and then press OK key.	
Caution	When replacing the CIS, rewrite the value on the label by displaying this item after executing COPIER>FUNCTION>CCD>CL-AGC.	
Display/Adj/Set Range	0 to 255	
Default Value	216	
Related Service Mode	COPIER> FUNCTION> CCD> CL-AGC	
OFST2BW2	1	Adj CIS-ch2 offset:back,B&W mode,600dpi
Detail	To adjust the offset value (black level) of the Scanner Unit (for back side) on channel 2 in Black & White mode with 600 dpi. The value is updated by executing CL-AGC.	
Use Case	- When clearing the Reader-related RAM data/replacing the SATA Flash PCB - When replacing the Scanner Unit (for back side)	
Adj/Set/Operate Method	Enter the setting value, and then press OK key.	
Caution	When replacing the CIS, rewrite the value on the label by displaying this item after executing COPIER>FUNCTION>CCD>CL-AGC.	
Display/Adj/Set Range	0 to 255	
Default Value	216	
Related Service Mode	COPIER> FUNCTION> CCD> CL-AGC	

COPIER (Service mode for printer) > ADJUST (Adjustment mode) > CCD

OFST2BW3	1	Adj CIS-ch3 offset:back,B&W mode,600dpi
Detail	To adjust the offset value (black level) of the Scanner Unit (for back side) on channel 3 in Black & White mode with 600 dpi. The value is updated by executing CL-AGC.	
Use Case	- When clearing the Reader-related RAM data/replacing the SATA Flash PCB - When replacing the Scanner Unit (for back side)	
Adj/Set/Operate Method	Enter the setting value, and then press OK key.	
Caution	When replacing the CIS, rewrite the value on the label by displaying this item after executing COPIER>FUNCTION>CCD>CL-AGC.	
Display/Adj/Set Range	0 to 255	
Default Value	216	
Related Service Mode	COPIER> FUNCTION> CCD> CL-AGC	
OFST2BW4	1	Adj CIS-ch4 offset:back,B&W mode,600dpi
Detail	To adjust the offset value (black level) of the Scanner Unit (for back side) on channel 4 in Black & White mode with 600 dpi. The value is updated by executing CL-AGC.	
Use Case	- When clearing the Reader-related RAM data/replacing the SATA Flash PCB - When replacing the Scanner Unit (for back side)	
Adj/Set/Operate Method	Enter the setting value, and then press OK key.	
Caution	When replacing the CIS, rewrite the value on the label by displaying this item after executing COPIER>FUNCTION>CCD>CL-AGC.	
Display/Adj/Set Range	0 to 255	
Default Value	216	
Related Service Mode	COPIER> FUNCTION> CCD> CL-AGC	
OFST2BW5	1	Adj CIS-ch5 offset:back,B&W mode,600dpi
Detail	To adjust the offset value (black level) of the Scanner Unit (for back side) on channel 5 in Black & White mode with 600 dpi. The value is updated by executing CL-AGC.	
Use Case	- When clearing the Reader-related RAM data/replacing the SATA Flash PCB - When replacing the Scanner Unit (for back side)	
Adj/Set/Operate Method	Enter the setting value, and then press OK key.	
Caution	When replacing the CIS, rewrite the value on the label by displaying this item after executing COPIER>FUNCTION>CCD>CL-AGC.	
Display/Adj/Set Range	0 to 255	
Default Value	216	
Related Service Mode	COPIER> FUNCTION> CCD> CL-AGC	

■ DENS

COPIER (Service mode for printer) > ADJUST (Adjustment mode) > DENS

DENS-ADJ	1	Density correction of copy image
Detail		To correct the density of copy image by changing the F-value table. When replacing the DC Controller PCB/clearing RAM data, enter the value of service label. Blurring is alleviated when the value is increased, and fogging is alleviated when the value is decreased.
Use Case		When fogging or blurring at high density area occurs with a copy image
Adj/Set/Operate Method		Enter the setting value, and then press OK key.
Caution		Density of printer output image cannot be corrected.
Display/Adj/Set Range		1 to 9
Default Value		5
Supplement/Memo		F-value table: shows the relationship between original density and image density.

■ BLANK

COPIER (Service mode for printer) > ADJUST (Adjustment mode) > BLANK

BLANK-T	1	Adjustment of leading edge margin
Detail		To adjust the margin on the leading edge of paper. As the value is increased by 1, the margin is increased toward the center of the paper by 1 pixel (0.0212 mm).
Use Case		- When reducing the margin upon user's request - When enlarging the margin for transfer separation/fixing separation
Adj/Set/Operate Method		Enter the setting value, and then press OK key.
Caution		After the setting value is changed, write the changed value in the service label.
Display/Adj/Set Range		0 to 1000
Unit		pixel
Default Value		118
Amount of Change per Unit		0.0212

BLANK-L	1	Adjustment of left edge margin
Detail		To adjust the margin on the left edge of paper. As the value is increased by 1, the margin is increased toward the center of the paper by 1 pixel (0.0212 mm).
Use Case		When reducing the margin upon user's request
Adj/Set/Operate Method		Enter the setting value, and then press OK key.
Display/Adj/Set Range		0 to 1000
Unit		pixel
Default Value		59
Amount of Change per Unit		0.0212

COPIER (Service mode for printer) > ADJUST (Adjustment mode) > BLANK

BLANK-R	1	Adjustment of right edge margin
Detail		To adjust the margin on the right edge of paper. As the value is increased by 1, the margin is increased toward the center of the paper by 1 pixel (0.0212 mm).
Use Case		When reducing the margin upon user's request
Adj/Set/Operate Method		Enter the setting value, and then press OK key.
Display/Adj/Set Range		0 to 1000
Unit		pixel
Default Value		59
Amount of Change per Unit		0.0212

BLANK-B	1	Adjustment of trailing edge margin
Detail		To adjust the margin on the trailing edge of paper. As the value is increased by 1, the margin is increased toward the center of the paper by 1 pixel (0.0212 mm).
Use Case		- When reducing the margin upon user's request - When enlarging the margin for transfer separation/fixing separation
Adj/Set/Operate Method		Enter the setting value, and then press OK key.
Caution		After the setting value is changed, write the changed value in the service label.
Display/Adj/Set Range		0 to 1000
Unit		pixel
Default Value		94
Amount of Change per Unit		0.0212

■ PASCAL

COPIER (Service mode for printer) > ADJUST (Adjustment mode) > PASCAL

OFST-P-K	1	Bk density adj at test print reading
Detail		To adjust the offset of Bk-color test print reading signal at auto gradation adjustment (full adjustment). When clearing the Reader-related RAM data/replacing the SATA Flash PCB, enter the value of the service label on the reader. As the value is larger, the image after adjustment gets darker.
Use Case		When clearing the Reader-related RAM data/replacing the SATA Flash PCB
Adj/Set/Operate Method		1) Enter the setting value (switch negative/positive by +/- key) and press OK key. 2) Turn OFF/ON the main power switch.
Caution		After the setting value is changed, write the changed value in the service label.
Display/Adj/Set Range		-128 to 128
Default Value		According to the adjustment value of the Reader at factory shipment

■ FEED-ADJ

COPIER (Service mode for printer) > ADJUST (Adjustment mode) > FEED-ADJ

REGIST	1	Adj of registration start timing: Plain
Detail	To adjust the timing to turn ON the Registration Roller in the case of plain paper. As the value is incremented by 1, the margin on the leading edge of paper is increased by 0.1 mm. +: Leading edge margin becomes larger. -: Leading edge margin becomes smaller. When replacing the DC Controller PCB/clearing RAM data, enter the value of service label.	
Use Case	When changing the edge margin When replacing the DC Controller PCB/clearing RAM data	
Adj/Set/Operate Method	Enter the setting value (switch positive/negative by +/- key) and press OK key.	
Caution	Be sure to enter the adjustment value on the service label after adjustment.	
Display/Adj/Set Range	-50 to 50	
Default Value	9	
ADJ-C1	1	Cassette1 write start pstn in horz scan
Detail	To adjust the image write start position in the horizontal scanning direction when feeding paper from the Cassette 1. As the value is changed by 1, the margin on the left edge of paper is changed by 0.1 mm. +: Left margin becomes larger. (An image moves to the right.) -: Left margin becomes smaller. (An image moves to the left.) When clearing RAM data, enter the value of service label.	
Use Case	When clearing the Main Controller RAM data	
Adj/Set/Operate Method	Enter the setting value (switch negative/positive by -/+ key) and press OK key.	
Display/Adj/Set Range	-25 to 50	
Unit	mm	
Default Value	0	
ADJ-C2	1	Cassette2 write start pstn in horz scan
Detail	To adjust the image write start position in the horizontal scanning direction when feeding paper from the Cassette 2. As the value is changed by 1, the margin on the left edge of paper is changed by 0.1 mm. +: Left margin becomes larger. (An image moves to the right.) -: Left margin becomes smaller. (An image moves to the left.) When clearing RAM data, enter the value of service label.	
Use Case	When clearing the Main Controller RAM data	
Adj/Set/Operate Method	Enter the setting value (switch negative/positive by -/+ key) and press OK key.	
Display/Adj/Set Range	-25 to 50	
Unit	mm	
Default Value	0	
ADJ-C3	1	Cassette 3 write start pstn in horz scan
Detail	To adjust the image write start position in the horizontal scanning direction when feeding paper from the Cassette 3. As the value is changed by 1, the margin on the left edge of paper is changed by 0.1 mm. +: Left margin becomes larger. (An image moves to the right.) -: Left margin becomes smaller. (An image moves to the left.) When clearing RAM data, enter the value of service label.	
Use Case	When clearing the Main Controller RAM data	
Adj/Set/Operate Method	Enter the setting value (switch negative/positive by -/+ key) and press OK key.	
Display/Adj/Set Range	-25 to 50	
Unit	mm	
Default Value	0	

COPIER (Service mode for printer) > ADJUST (Adjustment mode) > FEED-ADJ

ADJ-C4	1	Cassette 4 write start pstn in horz scan
Detail	To adjust the image write start position in the horizontal scanning direction when feeding paper from the Cassette 4. As the value is changed by 1, the margin on the left edge of paper is changed by 0.1 mm. +: Left margin becomes larger. (An image moves to the right.) -: Left margin becomes smaller. (An image moves to the left.) When clearing RAM data, enter the value of service label.	
Use Case	When clearing the Main Controller RAM data	
Adj/Set/Operate Method	Enter the setting value (switch negative/positive by -/+ key) and press OK key.	
Display/Adj/Set Range	-25 to 50	
Unit	mm	
Default Value	0	
ADJ-MF	1	Write start pstn in horz scan: MP Tray
Detail	To adjust the image write start position in the horizontal scanning direction when feeding paper from the Multi-purpose Tray. As the value is incremented by 1, the margin on the left edge of paper is increased by 0.1 mm. +: Left margin becomes larger. (An image moves to the right.) -: Left margin becomes smaller. (An image moves to the left.) When clearing RAM data, enter the value of service label.	
Use Case	When clearing the Main Controller RAM data	
Adj/Set/Operate Method	Enter the setting value (switch negative/positive by -/+ key) and press OK key.	
Display/Adj/Set Range	-25 to 50	
Unit	mm	
Default Value	0	
ADJ-C1RE	1	Write start pstn in horz scan:Cst1 2nd
Detail	To adjust the image write start position on the second side in the horizontal scanning direction when feeding paper from the Cassette 1. As the value is changed by 1, the left margin is changed by 0.1 mm. +: Left margin becomes larger. (An image moves to the right.) -: Left margin becomes smaller. (An image moves to the left.) When replacing the DC Controller PCB/clearing RAM data, enter the value of service label.	
Use Case	When clearing the Main Controller RAM data	
Adj/Set/Operate Method	Enter the setting value (switch negative/positive by -/+ key) and press OK key.	
Display/Adj/Set Range	-25 to 50	
Unit	mm	
Default Value	0	
ADJ-C2RE	1	Write start pstn in horz scan:Cst2 2nd
Detail	To adjust the image write start position on the second side in the horizontal scanning direction when feeding paper from the Cassette 2. As the value is changed by 1, the left margin is changed by 0.1 mm. +: Left margin becomes larger. (An image moves to the right.) -: Left margin becomes smaller. (An image moves to the left.) When clearing RAM data, enter the value of service label.	
Use Case	When clearing the Main Controller RAM data	
Adj/Set/Operate Method	Enter the setting value (switch negative/positive by -/+ key) and press OK key.	
Display/Adj/Set Range	-25 to 50	
Unit	mm	
Default Value	0	

COPIER (Service mode for printer) > ADJUST (Adjustment mode) > FEED-ADJ

ADJ-C3RE	1	Write start pstn in horz scan:Cst3 2nd
Detail	To adjust the image write start position on the second side in the horizontal scanning direction when feeding paper from the Cassette 3. As the value is changed by 1, the left margin is changed by 0.1 mm. +: Left margin becomes larger. (An image moves to the right.) -: Left margin becomes smaller. (An image moves to the left.) When clearing RAM data, enter the value of service label.	
Use Case	When clearing the Main Controller RAM data	
Adj/Set/Operate Method	Enter the setting value (switch negative/positive by -/+ key) and press OK key.	
Display/Adj/Set Range	-25 to 50	
Unit	mm	
Default Value	0	
ADJ-C4RE	1	Write start pstn in horz scan:Cst4 2nd
Detail	To adjust the image write start position on the second side in the horizontal scanning direction when feeding paper from the Cassette 4. As the value is changed by 1, the left margin is changed by 0.1 mm. +: Left margin becomes larger. (An image moves to the right.) -: Left margin becomes smaller. (An image moves to the left.) When clearing RAM data, enter the value of service label.	
Use Case	When clearing the Main Controller RAM data	
Adj/Set/Operate Method	Enter the setting value (switch negative/positive by -/+ key) and press OK key.	
Display/Adj/Set Range	-25 to 50	
Unit	mm	
Default Value	0	
ADJ-MFRE	1	Write start pstn in horz scan:MPTray 2nd
Detail	To adjust the image write start position on the second side in the horizontal scanning direction when feeding paper from the Multi-purpose Tray. As the value is changed by 1, the left margin is changed by 0.1 mm. +: Left margin becomes larger. (An image moves to the right.) -: Left margin becomes smaller. (An image moves to the left.) When replacing the DC Controller PCB/clearing RAM data, enter the value of service label.	
Use Case	When clearing the Main Controller RAM data	
Adj/Set/Operate Method	Enter the setting value (switch negative/positive by -/+ key) and press OK key.	
Display/Adj/Set Range	-25 to 50	
Unit	mm	
Default Value	0	
RG-HF-SP	1	Adj of registration start timing: Heavy
Detail	To adjust the timing to turn ON the Registration Roller in the case of heavy paper. As the value is incremented by 1, the margin on the leading edge of paper is increased by 0.1 mm. +: Leading edge margin becomes larger. -: Leading edge margin becomes smaller. When replacing the DC Controller PCB/clearing RAM data, enter the value of service label.	
Use Case	When changing the edge margin When replacing the DC Controller PCB/clearing RAM data	
Adj/Set/Operate Method	Enter the setting value (switch positive/negative by +/- key) and press OK key.	
Caution	Be sure to enter the adjustment value on the service label after adjustment.	
Display/Adj/Set Range	-50 to 50	
Default Value	9	

COPIER (Service mode for printer) > ADJUST (Adjustment mode) > FEED-ADJ

REG-DUP1	1	Rgst start timing adj: Plain, 2nd side
Detail	To adjust the leading edge margin by changing the timing to form image when feeding the second side of plain paper. As the value is changed by 1, the leading edge margin is changed by 0.1 mm. +: Leading edge margin becomes larger. (An image moves downward.) -: Leading edge margin becomes smaller. (An image moves upward.)	
Use Case	When adjusting the leading edge margin When replacing the DC Controller PCB/clearing RAM data	
Adj/Set/Operate Method	Enter the setting value (switch positive/negative by +/- key) and press OK key.	
Caution	When replacing the DC Controller PCB/clearing RAM data, restore the backup data if data is backed up or enter the value of service label if data is not backed up.	
Display/Adj/Set Range	-50 to 50	
Default Value	9	
REG-MF	1	Rgst start timing adj: MP Tray, Plain
Detail	To adjust the leading edge margin by changing the timing to form image when feeding the, of plain paper 1/2, recycled paper, and thin paper. As the value is changed by 1, the leading edge margin is changed by 0.1 mm. +: Leading edge margin becomes larger. (An image moves downward.) -: Leading edge margin becomes smaller. (An image moves upward.)	
Use Case	- When replacing the DC Controller PCB/clearing RAM data - When replacing the DC Controller PCB/clearing RAM data	
Adj/Set/Operate Method	Enter the setting value (switch positive/negative by +/- key) and press OK key.	
Caution	When replacing the DC Controller PCB/clearing RAM data, restore the backup data if data is backed up or enter the value of service label if data is not backed up.	
Display/Adj/Set Range	-50 to 50	
Default Value	5	

■ MISC

COPIER (Service mode for printer) > ADJUST (Adjustment mode) > MISC

SEG-ADJ	1	Set criteria for text/photo: front side
Detail	To set the judgment level of text/photo original in Text/Photo/Map mode. As the value is increased, the original tends to be detected as a photo document, and as the value is decreased, the original tends to be detected as a text document.	
Use Case	When adjusting the classification level of text and photo in Text/Photo/Map mode	
Adj/Set/Operate Method	1) Enter the setting value (switch negative/positive by -/+ key) and press OK key. 2) Turn OFF/ON the main power switch.	
Display/Adj/Set Range	-4 to 4	
Default Value	0	
K-ADJ	1	Set criteria for black text: front side
Detail	To set the judgment level of black characters at text processing. As the value is increased, the text tends to be detected as black.	
Use Case	When preferring the text to be judged as black	
Adj/Set/Operate Method	1) Enter the setting value (switch negative/positive by -/+ key) and press OK key. 2) Turn OFF/ON the main power switch.	
Display/Adj/Set Range	-3 to 3	
Default Value	0	

COPIER (Service mode for printer) > ADJUST (Adjustment mode) > MISC

ACS-ADJ	1	Set criteria for B&W/color in ACS:front
Detail		To set the judgment level of B&W/color original in ACS mode. As the value is increased, the original tends to be detected as a B&W document, and as the value is decreased, the original tends to be detected as a color document.
Use Case		When adjusting the color detection level in ACS mode
Adj/Set/Operate Method		1) Enter the setting value (switch negative/positive by +/- key) and press OK key. 2) Turn OFF/ON the main power switch.
Display/Adj/Set Range		-3 to 3
Default Value		0
ACS-EN	2	Set judgment area in ACS mode:front side
Detail		To set the judgment area in ACS mode. As the greater value is set, the judgment area is widened.
Use Case		When adjusting the judgment area in ACS mode
Adj/Set/Operate Method		1) Enter the setting value (switch negative/positive by +/- key) and press OK key. 2) Turn OFF/ON the main power switch.
Display/Adj/Set Range		-2 to 2
Default Value		1
ACS-CNT	2	Set jdgmt pixel count area in ACS:front
Detail		To set the area which counts the pixel to judge the color presence in ACS mode. As the greater value is set, the judgment area is widened.
Use Case		When adjusting the area which counts the pixel to judge the color presence in ACS mode
Adj/Set/Operate Method		1) Enter the setting value (switch negative/positive by +/- key) and press OK key. 2) Turn OFF/ON the main power switch.
Display/Adj/Set Range		-2 to 2
Default Value		0
ACS-EN2	2	Set ACS mode jdgmt area in DADF mode
Detail		To set the judgment area in ACS mode at DADF reading. As the greater value is set, the judgment area is widened.
Use Case		When adjusting the judgment area in ACS mode at DADF reading
Adj/Set/Operate Method		1) Enter the setting value (switch negative/positive by +/- key) and press OK key. 2) Turn OFF/ON the main power switch.
Display/Adj/Set Range		-2 to 2
Default Value		1
ACS-CNT2	2	Set ACS jdgmt pixel count area in DADF
Detail		To set the area which counts the pixel to judge the color presence in ACS mode at DADF reading. As the greater value is set, the judgment area is widened.
Use Case		When adjusting the area which counts the pixel to judge the color presence in ACS mode at DADF reading
Adj/Set/Operate Method		1) Enter the setting value (switch negative/positive by +/- key) and press OK key. 2) Turn OFF/ON the main power switch.
Display/Adj/Set Range		-2 to 2
Default Value		0

COPIER (Service mode for printer) > ADJUST (Adjustment mode) > MISC

SEG-ADJ3	1	Set criteria for text/photo: back side
Detail	To set the judgment level of text/photo original in Text/Photo/Map mode (back side at duplex reading with 1 path). As the value is increased, the original tends to be detected as a photo document, and as the value is decreased, the original tends to be detected as a text document.	
Use Case	When adjusting the classification level of text and photo in Text/Photo/Map mode (back side at duplex reading with 1 path)	
Adj/Set/Operate Method	1) Enter the setting value (switch negative/positive by +/- key) and press OK key. 2) Turn OFF/ON the main power switch.	
Display/Adj/Set Range	-4 to 4	
Default Value	0	
K-ADJ3	1	Set criteria for black text: back side
Detail	To set the judgment level of black characters at text processing (back side at duplex reading with 1 path). As the value is increased, the text tends to be detected as black.	
Use Case	When preferring the text to be judged as black (back side at duplex reading with 1 path)	
Adj/Set/Operate Method	1) Enter the setting value (switch negative/positive by +/- key) and press OK key. 2) Turn OFF/ON the main power switch.	
Display/Adj/Set Range	-3 to 3	
Default Value	0	
ACS-ADJ3	1	Set ACS B&W/color jdgmt stdrd:back side
Detail	To set the judgment level of B&W/color original in ACS mode (back side at duplex reading with 1 path). As the value is increased, the original tends to be detected as a B&W document, and as the value is decreased, the original tends to be detected as a color document.	
Use Case	When adjusting the color detection level in ACS mode (back side at duplex reading with 1 path)	
Adj/Set/Operate Method	1) Enter the setting value (switch negative/positive by +/- key) and press OK key. 2) Turn OFF/ON the main power switch.	
Display/Adj/Set Range	-3 to 3	
Default Value	0	
ACS-EN3	2	Set of ACS mode jdgmt area: back side
Detail	To set the judgment area in ACS mode (back side at duplex reading with 1 path). As the greater value is set, the judgment area is widened.	
Use Case	When adjusting the judgment area in ACS mode (back side at duplex reading with 1 path)	
Adj/Set/Operate Method	1) Enter the setting value (switch negative/positive by +/- key) and press OK key. 2) Turn OFF/ON the main power switch.	
Display/Adj/Set Range	-2 to 2	
Default Value	1	
ACS-CNT3	2	ACS mode jdgmt pixel count area: back
Detail	To set the area which counts the pixel to judge the color presence in ACS mode (back side at duplex reading with 1 path). As the greater value is set, the judgment area is widen.	
Use Case	When adjusting the area which counts the pixel to judge the color presence in ACS mode (back side at duplex reading with 1 path)	
Adj/Set/Operate Method	1) Enter the setting value (switch negative/positive by +/- key) and press OK key. 2) Turn OFF/ON the main power switch.	
Display/Adj/Set Range	-2 to 2	
Default Value	0	

FUNCTION (Operation / inspection mode)

■ INSTALL

COPIER (Service mode for printer) > FUNCTION (Operation / inspection mode) > INSTALL

STRD-POS	1	Scan position auto adj in DADF mode
Detail		To adjust the DADF scanning position automatically.
Use Case		At DADF installation/uninstallation
Adj/Set/Operate Method		1) Close the DADF. 2) Select the item, and then press OK key. The operation automatically stops after the adjustment. 3) Write the value displayed by COPIER> ADJUST> ADJ-XY> STRD-POS in the service label.
Caution		Write the adjusted value in the service label.
Display/Adj/Set Range		At normal termination: OK, At abnormal termination: NG
Related Service Mode		COPIER> ADJUST> ADJ-XY> STRD-POS
CARD	1	Card number setting
Detail		To set the card number to be used for Card Reader. A series of numbers from the entered number to the number of cards specified by CARD-RNG can be used.
Use Case		- At installation of the Card Reader - After replacement of the HDD
Adj/Set/Operate Method		1) Enter the number, and then press OK key. 2) Turn OFF/ON the main power switch.
Caution		The card management information (department ID and password) is initialized.
Display/Adj/Set Range		1 to 2001
Default Value		1
Related Service Mode		COPIER> OPTION> FNC-SW> CARD-RNG
E-RDS	1	ON/OFF of Embedded-RDS
Detail		To set whether to use the E-RDS.
Use Case		When using Embedded-RDS
Adj/Set/Operate Method		1) Enter the setting value, and then press OK key. 2) Turn OFF/ON the main power switch.
Caution		Be sure to use E-RDS, RGW-PORT, COM-TEST, COM-LOG and RGW-ADR as a set.
Display/Adj/Set Range		0 to 1 0: Not used, 1: Used (All the counter information is sent.)
Default Value		It differs according to the location.
Related Service Mode		COPIER> FUNCTION> INSTALL> RGW-PORT, COM-TEST, COM-LOG, RGW-ADR COPIER> FUNCTION> CLEAR> ERDS-DAT
Supplement/Memo		Embedded-RDS: Function to send device information such as the device counter, failure, and consumables to the sales company's server via SOAP protocol
RGW-PORT	1	Set port number of Sales Co's server
Detail		To set the port number of the sales company's server to be used for Embedded-RDS.
Use Case		When using Embedded-RDS
Adj/Set/Operate Method		1) Enter the setting value, and then press OK key. 2) Turn OFF/ON the main power switch.
Caution		Be sure to use E-RDS, RGW-PORT, COM-TEST, COM-LOG and RGW-ADR as a set.
Display/Adj/Set Range		1 to 65535
Default Value		443
Related Service Mode		COPIER> FUNCTION> INSTALL> E-RDS, COM-TEST, COM-LOG, RGW-ADR
Supplement/Memo		Embedded-RDS: Function to send device information such as the device counter, failure, and consumables to the sales company's server via SOAP protocol

COPIER (Service mode for printer) > FUNCTION (Operation / inspection mode) > INSTALL

COM-TEST	1	Dspl connect result w/ Sales Co's server
Detail		To display the result of the connection test with the sales company's server.
Use Case		When using Embedded-RDS
Adj/Set/Operate Method		Select the item, and then press OK key.
Caution		Be sure to use E-RDS, RGW-PORT, COM-TEST, COM-LOG and RGW-ADR as a set.
Display/Adj/Set Range		During operation: ACTIVE, When connection is completed: OK, When connection is failed: NG
Related Service Mode		COPIER> FUNCTION> INSTALL> E-RDS, RGW-PORT, COM-LOG, RGW-ADR
Supplement/Memo		Embedded-RDS: Function to send device information such as the device counter, failure, and consumables to the sales company's server via SOAP protocol
COM-LOG	1	Dspl connect error w/ Sales Co's server
Detail		To display error information when the connection with the sales company's server failed.
Use Case		When using Embedded-RDS
Adj/Set/Operate Method		N/A (Display only)
Caution		Be sure to use E-RDS, RGW-PORT, COM-TEST, COM-LOG and RGW-ADR as a set.
Display/Adj/Set Range		Year, date, time, error code, error detail information (maximum 128 characters)
Related Service Mode		COPIER> FUNCTION> INSTALL> E-RDS, RGW-PORT, COM-TEST, RGW-ADR
Supplement/Memo		Embedded-RDS: Function to send device information such as the device counter, failure, and consumables to the sales company's server via SOAP protocol
RGW-ADR	1	URL setting of Sales Company's server
Detail		To set the URL of the sales company's server to be used for Embedded-RDS.
Use Case		When using Embedded-RDS
Adj/Set/Operate Method		1) Select the URL. 2) Enter the URL, and then press OK key. 3) Turn OFF/ON the main power switch.
Caution		- Do not use Shift-JIS character strings. - Be sure to use E-RDS, RGW-PORT, COM-TEST, COM-LOG and RGW-ADR as a set.
Display/Adj/Set Range		URL
Default Value		https://b01.ugwdevice.net/ugw/agentif010
Related Service Mode		COPIER> FUNCTION> INSTALL> E-RDS, RGW-PORT, COM-TEST, COM-LOG
Supplement/Memo		Embedded-RDS: Function to send device information such as the device counter, failure, and consumables to the sales company's server via SOAP protocol
CNT-DATE	1	Set counter send start date to SC server
Detail		To set the year, month, date, hour and minute to send counter information to the sales company's server. This is displayed only when the Embedded-RDS third-party extended function is available.
Use Case		When the non-Canon-made extension function of the Embedded-RDS is available
Adj/Set/Operate Method		1) Enter the setting value, and then press OK key. 2) Turn OFF/ON the main power switch.
Display/Adj/Set Range		YYYYMMDDHHMM (12 digits) YYYY: Year, MM: Month, DD: Date, HH: Hour, MM: Minute
Default Value		000000000000
Supplement/Memo		Embedded-RDS: Function to send device information such as the device counter, failure, and consumables to the sales company's server via SOAP protocol

COPIER (Service mode for printer) > FUNCTION (Operation / inspection mode) > INSTALL

CNT-INTV	1	Set counter send interval to SC server
Detail	To set the interval of sending counter information to the sales company's server in a unit of one hour. This is displayed only when the Embedded-RDS third-party extended function is available.	
Use Case	When using the Embedded-RDS third-party extended function	
Adj/Set/Operate Method	1) Enter the setting value, and then press OK key. 2) Turn OFF/ON the main power switch.	
Display/Adj/Set Range	1 to 168 (=1 week)	
Unit	hour	
Default Value	24	
Supplement/Memo	Embedded-RDS: Function to send device information such as the device counter, failure, and consumables to the sales company's server via SOAP protocol	
Amount of Change per Unit	1	
CDS-CTL	1	Set country/area when using CDS
Detail	To set country/region to enable CDS. In principle, the default value is the same as that of CONFIG. If the value differs from the country/region of the vice-company of sales, change the setting.	
Use Case	When enabling CDS	
Adj/Set/Operate Method	1) Select the item, and then press OK key. 2) Turn OFF/ON the main power switch.	
Caution	If the setting value is not configured to be the same as the country/region of the vice-company of sales, the necessary firmware may not be able to be downloaded.	
Display/Adj/Set Range	JP: Japan, US: USA, GB: Great Britain, FR: France, DE: Germany, IT: Italy, AU: Australia, SG: Singapore, NL: Netherlands, KR: Korea, CN: China, TW: Taiwan, ES: Spain, SE: Sweden, PT: Portugal, NO: Norway, DK: Denmark, FI: Finland, PL: Poland, HU: Hungary, CZ: Czech Republic, SI: Slovenia, GR: Greece, EE: Estonia, RU: Russia, SK: Slovakia, RO: Romania, HR: Croatia, BG: Bulgaria, TR: Turkey, TH: Thailand, VN: Vietnam, AR: Argentina, IN: India, CA: Canada, LA: Latin America, HK: Hong Kong	
Default Value	It differs according to the location.	
Related Service Mode	COPIER> OPTION> FNC-SW> CONFIG	
Supplement/Memo	CDS: Contents Delivery System	
RDSHDPOS	1	Auto adj of Reader shading position
Detail	To automatically adjust the Scanner Unit (Front) position in feed direction when reading the White Plate on the left edge of the Copyboard Glass. The adjustment result is reflected to ADJ-S.	
Use Case	When replacing the Scanner Unit (Front)	
Adj/Set/Operate Method	Select the item, and then press OK key.	
Display/Adj/Set Range	At start of operation: START, During operation: ACTIVE, When operation finished normally: OK!	
Required Time	10 sec	
Related Service Mode	COPIER> ADJUST> ADJ-XY> ADJ-S	
Supplement/Memo	Shading: It determines the white color reference by reading the White Plate.	

COPIER (Service mode for printer) > FUNCTION (Operation / inspection mode) > INSTALL

BIT-SVC	1	OFF/ON of Web service of E-RDS
Detail	*Operation on this item is restricted by the setting of [Restrict Service Representation Access]. To set ON/OFF of Web service function of E-RDS. When OFF is selected, authentication information cannot be obtained from E-RDS.	
Use Case	Upon user's request	
Adj/Set/Operate Method	1) Enter the setting value, and then press OK key. 2) Turn OFF/ON the main power switch.	
Display/Adj/Set Range	0 to 1 0: OFF, 1: ON	
Default Value	1	
NFC-USE	1	ON/OFF of NFC option
Detail	To set whether to enable the installed NFC option. Set 1 when using the NFC option. [Use NFC Card Emulation] is displayed in [Settings/Registration].	
Use Case	When installing the NFC option	
Adj/Set/Operate Method	1) Enter the setting value, and then press OK key. 2) Turn OFF/ON the main power switch.	
Display/Adj/Set Range	0 to 1 0: OFF, 1: ON	
Default Value	0	
Additional Functions Mode	Management Settings> Device Management> Use NFC Card Emulation	
BLE-USE	1	ON/OFF of BLE module option
Detail	To set whether to enable the installed BLE module option. Set 1 when using the BLE module option. The BLE setting screen is displayed in [Settings/Registration].	
Use Case	When installing the BLE module option	
Adj/Set/Operate Method	1) Enter the setting value, and then press OK key. 2) Turn OFF/ON the main power switch.	
Caution	Do not set 1 when the BLE module option is not installed.	
Display/Adj/Set Range	0 to 1 0: OFF, 1: ON	
Default Value	0	
INSTDTST	1	Batch set installation date info: YMDHN
Detail	Information on the current date and time is entered collectively in YMDHN of INSTDT by pressing INSTDTST.	
Use Case	At installation	
Adj/Set/Operate Method	Select the item, and then press OK key.	
Related Service Mode	COPIER>OPTION>USER>INSTDT-Y COPIER>OPTION>USER>INSTDT-M COPIER>OPTION>USER>INSTDT-D COPIER>OPTION>USER>INSTDT-H COPIER>OPTION>USER>INSTDT-N	
FAX-USE	1	Enable/disable FAX function
Detail	*Operation on this item is restricted by the setting of [Restrict Service Representation Access]. To switch enable/disable of the FAX function of a device mounted with a FAX Board.	
Use Case	When disabling the FAX function of a device mounted with a FAX Board	
Adj/Set/Operate Method	1) Enter the setting value, and then press OK key. 2) Turn ON/OFF the Main Power.	
Display/Adj/Set Range	0 to 1 0: OFF, 1: ON	
Default Value	1	

COPIER (Service mode for printer) > FUNCTION (Operation / inspection mode) > INSTALL

SUB-IF	1	Set for line connecting to cloud service
Detail		To select the network line connecting to the Canon cloud service
Use Case		When the Canon cloud service is used with a sub line
Adj/Set/Operate Method		1) Select either [Wired LAN+Wireless LAN] or [Wired LAN+Wired LAN] when selecting interface 2) Configure the network setting for the sub line 3) Select 1 for this setting 4) Turn the main power OFF, and then ON
Display/Adj/Set Range		0 to 1 0: Main line, 1: Sub line
Default Value		0

■ CCD

COPIER (Service mode for printer) > FUNCTION (Operation / inspection mode) > CCD

DF-WLVL1	1	White level adj in book mode: color
Detail		To adjust the white level for copyboard scanning automatically by setting the paper which is usually used by the user on the Copyboard Glass.
Use Case		- When replacing the Copyboard Glass - When replacing the Scanner Unit (Front) - When replacing the SATA Flash PCB - When clearing the Reader-related RAM data
Adj/Set/Operate Method		1) Set a paper on the Copyboard Glass. 2) Select the item, and then press OK key.
Caution		Be sure to execute DF-WLVL2 in a row.
Display/Adj/Set Range		During operation: ACTIVE, When operation finished normally: OK!
Related Service Mode		COPIER> FUNCTION> CCD> DF-WLVL2
DF-WLVL2	1	White level adj in DADF mode: color
Detail		To adjust the white level for DADF scanning automatically by setting the paper which is usually used by the user on the DADF.
Use Case		- When replacing the Copyboard Glass - When replacing the Scanner Unit (Front) - When replacing the SATA Flash PCB - When clearing the Reader-related RAM data
Adj/Set/Operate Method		1) Set paper on the DADF. 2) Select the item, and then press OK key.
Caution		Be sure to execute this item after DF-WLVL1.
Display/Adj/Set Range		During operation: ACTIVE, When operation finished normally: OK!
Related Service Mode		COPIER> FUNCTION> CCD> DF-WLVL1
DF-LNR	1	Deriving of DADF front/back linearity
Detail		To derive the front/back side linearity in DADF mode based on the scanning data which has been backed up at factory.
Use Case		When clearing the Reader-related RAM data/replacing the SATA Flash PCB
Adj/Set/Operate Method		1) Enter the value of the reader's service label. COPIER> ADJUST> CCD> DFCH-R2, DFCH-G2, DFCH-B2, DFCH-K2, DFCH-R10, DFCH-G10, DFCH-B10, DFCH-K10, DFCH2R2, DFCH2G2, DFCH2B2, DFCH2K2, DFCH2R10, DFCH2G10, DFCH2B10, DFCH2K10 2) Select the item, and then press OK key.
Display/Adj/Set Range		During operation: ACTIVE, When operation finished normally: OK!
Related Service Mode		COPIER> ADJUST> CCD> DFCH-R2/G2/B2/K2/R10/G10/B10/K10, DFCH2R2, DFCH2G2, DFCH2B2, DFCH2K2, DFCH2R10, DFCH2G10, DFCH2B10, DFCH2K10

COPIER (Service mode for printer) > FUNCTION (Operation / inspection mode) > CCD

MTF-CLC	1	Deriving of MTF filter coefficient
Detail		To derive the MTF filter coefficient to be set for ASIC based on the MTF value which has been backed up.
Use Case		When clearing the Reader-related RAM data/replacing the SATA Flash PCB
Adj/Set/Operate Method		Select the item, and then press OK key.
Caution		Be sure to enter the MTF values for the Scanner Unit (Front/Back) in MTF-M1 to 9/S1 to 9 and MTF2-M1 to 9/S1 to 9 in advance.
Display/Adj/Set Range		During operation: ACTIVE, When operation finished normally: OK!
Related Service Mode		COPIER> ADJUST> CCD> MTF-M1 - M9, MTF-S1 - S9, MTF2-M1 - M9, MTF2-S1 - S9
Supplement/Memo		MTF values are written on the label of the Scanner Unit (Front/Back).
CL-AGC	1	Adj Scan Unit white/black ref level: AGC
Detail		To adjust the black/white reference level of the Scanner Unit automatically (automatic gain control). To make the adjustment with both resolutions 300 dpi and 600 dpi.
Use Case		- When replacing the Copyboard Glass - When replacing the Scanner Unit
Adj/Set/Operate Method		1) Select the item, and then press OK key. 2) After "OK!" is displayed, turn OFF/ON the main power switch.
Display/Adj/Set Range		During operation: ACTIVE, When operation finished normally: OK!
Related Service Mode		COPIER> ADJUST> CCD> OFST-CL0 - OFST-CL5, OFST2CL0 - OFST2CL5, GAIN-CL0, GAIN2CL0, LED-CL-R/G/B, LED2CL-R/G/B, LED-CLR2, LED-CLG2, LED-CLB2, LED2CLR2, LED2CLG2, LED2CLB2
BK-SHD1	1	Paper back shading correction 1
Detail		To generate the paper back shading correction data by scanning the Standard White Plate of the Paper Back Reading Glass with the Scanner Unit (Back).
Use Case		- When replacing the SATA Flash PCB - When replacing the Scanner Unit (Back)
Adj/Set/Operate Method		1) Clean the glass of the Scanner Unit (Back) and the Reading Glass. 2) Close the DADF. 3) Select the item, and then press OK key.
Caution		Execute the correction in the following order: BK-SHD1, BK-SHD2 and then BK-SHD3.
Display/Adj/Set Range		During operation: ACTIVE, At normal termination: OK, At abnormal termination: NG
Related Service Mode		COPIER> FUNCTION> CCD> BK-SHD2/3
BK-SHD2	1	Paper back shading correction 2
Detail		To generate the paper back shading correction data by scanning the white sheet with the Scanner Unit (Paper Back) after affixing the sheet to the Paper Back Reading Glass.
Use Case		- When replacing the SATA Flash PCB - When replacing the Scanner Unit (Back)
Adj/Set/Operate Method		1) Affix the white sheet to the Reading Glass. 2) Select the item, and then press OK key.
Caution		- Remove the white sheet after execution. - Execute the correction in the following order: BK-SHD1, BK-SHD2 and then BK-SHD3.
Display/Adj/Set Range		During operation: ACTIVE, At normal termination: OK, At abnormal termination: NG
Related Service Mode		COPIER> FUNCTION> CCD> BK-SHD1/3

COPIER (Service mode for printer) > FUNCTION (Operation / inspection mode) > CCD

BK-SHD3	1	Paper back shading correction 3
Detail	To generate the paper back shading correction data by scanning the Standard White Plate of the Paper Back Reading Glass with the Scanner Unit (Back).	
Use Case	- When replacing the SATA Flash PCB - When replacing the Scanner Unit (Back)	
Adj/Set/Operate Method	1) Clean the glass of the Scanner Unit (Back) and the Reading Glass. 2) Close the DADF. 3) Select the item, and then press OK key.	
Caution	Execute the correction in the following order: BK-SHD1, BK-SHD2 and then BK-SHD3.	
Display/Adj/Set Range	During operation: ACTIVE, At normal termination: OK, At abnormal termination: NG	
Related Service Mode	COPIER> FUNCTION> CCD> BK-SHD1/2	

■ PANEL

COPIER (Service mode for printer) > FUNCTION (Operation / inspection mode) > PANEL

LCD-CHK	1	Check of LCD Panel dot missing
Detail	To check whether there is a missing dot on the LCD Panel of the Control Panel.	
Use Case	When replacing the LCD Panel	
Adj/Set/Operate Method	1) Select the item, and then press OK key. 2) Check that the LCD Panel lights up in the order of white, black, red, green and blue. 3) Press STOP key or touch the screen to terminate checking.	
LED-CHK	1	Check of Control Panel LED
Detail	To check whether the LED on the Control Panel lights up.	
Use Case	When replacing the LCD Panel	
Adj/Set/Operate Method	1) Select the item, and then press OK key. 2) Check that the LED lights up in the order. 3) Use LED-OFF to terminate checking.	
Related Service Mode	COPIER> FUNCTION> PANEL> LED-OFF	
LED-OFF	1	End check of Control Panel LED
Detail	To terminate the check of LED on the Control Panel.	
Use Case	During execution of LED-CHK	
Adj/Set/Operate Method	Select the item, and then press OK key.	
Related Service Mode	COPIER> FUNCTION> PANEL> LED-CHK	
KEY-CHK	1	Check of key entry
Detail	To check the key input on the Control Panel.	
Use Case	When replacing the LCD Panel	
Adj/Set/Operate Method	1) Select the item and press the key on the Control Panel. 2) Check that the input value is displayed. 3) Cancel the selection to terminate checking.	
TOUCHCHK	1	Adj of coordinate pstn of Touch Panel
Detail	To adjust the coordinate position on the Touch Panel of the Control Panel.	
Use Case	When replacing the LCD Panel	
Adj/Set/Operate Method	1) Select the item, and then press OK key. 2) Press the nine "+" keys in sequence.	

■ PART-CHK

COPIER (Service mode for printer) > FUNCTION (Operation / inspection mode) > PART-CHK

CL	1	Specification of operation clutch
Detail		To specify the clutch to operate.
Use Case		When replacing the clutch/checking the operation
Adj/Set/Operate Method		Enter the value, and then press OK key.
Display/Adj/Set Range		6 to 9 6: Not used 7: Cassette 2 Feed Clutch (CL602) 8: Duplex Feed Clutch (CL2) 9: Duplex Reverse Clutch (CL4)
Default Value		6
Related Service Mode		COPIER> FUNCTION> PART-CHK> CL-ON
CL-ON	1	Operation check of Clutch
Detail		To start operation check of the clutch specified by CL. The operation automatically stops after operation of 10 seconds.
Use Case		When replacing the Clutch/checking the operation
Adj/Set/Operate Method		Select the item, and then press OK key.
Display/Adj/Set Range		During operation: ACTIVE, When operation finished normally: OK!
Related Service Mode		COPIER> FUNCTION> PART-CHK> CL
MTR	1	Specification of operation motor
Detail		To specify the motor to operate.
Use Case		When replacing the motor/checking the operation
Adj/Set/Operate Method		Enter the setting value, and then press OK key.
Display/Adj/Set Range		0 to 4 0: Scanner Motor (M4) 1: Drum Motor (M2) 2: Developing Drive Unit (M2+SL2) 3: Fixing Motor (M1) 4: Fixing pressure release drive test (M1)
Default Value		0
Related Service Mode		COPIER> FUNCTION> PART-CHK> MTR-ON
MTR-ON	1	Operation check of Motor
Detail		To start operation check of the Motor specified by MTR. The operation automatically stops after operation of 10 seconds.
Use Case		When replacing the Motor/checking the operation
Adj/Set/Operate Method		Select the item, and then press OK key.
Display/Adj/Set Range		During operation: ACTIVE, When operation finished normally: OK!
Related Service Mode		COPIER> FUNCTION> PART-CHK> MTR

COPIER (Service mode for printer) > FUNCTION (Operation / inspection mode) > PART-CHK

SL	1	Specification of operation solenoid
Detail		To specify the solenoid to operate.
Use Case		When replacing the solenoid/checking the operation
Adj/Set/Operate Method		Enter the value, and then press OK key.
Display/Adj/Set Range		0 to 5 0: Multi-purpose Tray Pickup Solenoid (SL1) 1: Cassette 1 Pickup Clutch (CL3) 2: Option Cassette 2 Pickup Clutch (CL601/CL15/CL5) 3: Option Cassette 3 Pickup Clutch (CL601/CL7) 4: Option Cassette 4 Pickup Clutch (CL601) 5: Not used
Default Value		0
Related Service Mode		COPIER> FUNCTION> PART-CHK> SL-ON
SL-ON	1	Operation check of Solenoid
Detail		To start operation check for the Solenoid specified by SL. The operation automatically stops after operation of 10 seconds.
Use Case		When replacing the Solenoid/checking the operation
Adj/Set/Operate Method		Select the item, and then press OK key.
Display/Adj/Set Range		During operation: ACTIVE, When operation finished normally: OK!
Related Service Mode		COPIER> FUNCTION> PART-CHK> SL

■ CLEAR

COPIER (Service mode for printer) > FUNCTION (Operation / inspection mode) > CLEAR

ERR	1	Clear of error code
Detail		To clear the specific error code.
Use Case		At error occurrence
Adj/Set/Operate Method		1) Select the item, and then press OK key. 2) Turn OFF/ON the main power switch.
R-CON	1	Clearing of Reader-related setting data
Detail		To clear the Reader-related setting data.
Use Case		When clearing the Reader-related setting data
Adj/Set/Operate Method		1) Select the item, and then press OK key. 2) Turn OFF/ON the main power switch.
Caution		- Output the service mode setting values by P-PRINT before execution. After execution, enter necessary setting values. - The RAM data is cleared after the main power switch is turned OFF/ON.
Related Service Mode		COPIER> FUNCTION> MISC-P> P-PRINT
JAM-HIST	1	Clear of jam history
Detail		To clear the jam history.
Use Case		When clearing the jam history
Adj/Set/Operate Method		Select the item, and then press OK key.
Related Service Mode		COPIER> DISPLAY> JAM
ERR-HIST	1	Clear of error code history
Detail		To clear the error code history.
Use Case		When clearing the error code history
Adj/Set/Operate Method		Select the item, and then press OK key.
Related Service Mode		COPIER> DISPLAY> ERR

COPIER (Service mode for printer) > FUNCTION (Operation / inspection mode) > CLEAR

PWD-CLR	1	Clear of system administrator password
Detail		* Operation on this item is restricted by the setting of [Restrict Service Representation Access]. To clear the password of the system administrator set in [Settings/Registration].
Use Case		When clearing the password of the system administrator
Adj/Set/Operate Method		Select the item, and then press OK key.
ADRS-BK	1	Clear of address book
Detail		*Operation on this item is restricted by the setting of [Restrict Service Representation Access]. To clear the address book data.
Use Case		When clearing the address book data
Adj/Set/Operate Method		1) Select the item, and then press OK key. 2) Turn OFF/ON the main power switch.
Caution		The address book data is cleared after the main power switch is turned OFF/ON.
CNT-MCON	1	Clear of Main Controller service counter
Detail		To clear the service counter counted by the Main Controller PCB.
Use Case		When clearing the service counter counted by the Main Controller PCB
Adj/Set/Operate Method		Select the item, and then press OK key.
Related Service Mode		COPIER> COUNTER
Supplement/Memo		See COUNTER for the target counter.
CNT-DCON	1	For R&D
MMI	1	Clear Settings/Registration setting VL
Detail		*Operation on this item is restricted by the setting of [Restrict Service Representation Access]. To clear the Settings/Registration setting values. - Preferences (excluding values for Paper Type Management Settings) - Adjustment/Maintenance - Function Settings - Set Destination (excluding Address Lists) - Management Settings (excluding Department ID Management)
Use Case		When clearing various setting values of [Settings/Registration]
Adj/Set/Operate Method		1) Select the item, and then press OK key. 2) Turn OFF/ON the main power switch.
Caution		- The setting value is cleared after the main power switch is turned OFF/ON. - If this item is executed while a login application other than User Authentication is running, it switched to User Authentication after reboot. Set the login application using SMS as needed.
Supplement/Memo		SMS (Service Management Service): An application for management which can be used on remote UI.
MN-CON	1	Deletion of setting values
Detail		*Operation on this item is restricted by the setting of [Restrict Service Representation Access]. To delete the setting values of address lists, forwarding settings, Settings/Registration and service mode. For details, refer to "Backup Data List" in the Service Manual.
Use Case		When initializing the setting values
Adj/Set/Operate Method		1) Select the item, and then press OK key. The machine is automatically rebooted. 2) Turn OFF/ON the main power switch.
Caution		- Output the service mode setting values by P-PRINT before execution. After execution, enter necessary setting value. - RAM data is cleared after the main power switch is turned OFF/ON.
Related Service Mode		COPIER> FUNCTION> MISC-P> P-PRINT

COPIER (Service mode for printer) > FUNCTION (Operation / inspection mode) > CLEAR

CARD	1	Clear of card ID-related data
Detail		*Operation on this item is restricted by the setting of [Restrict Service Representation Access]. To clear the data related to the card ID (department).
Use Case		When clearing the data related to the card ID
Adj/Set/Operate Method		1) Select the item, and then press OK key. 2) Turn OFF/ON the main power switch.
Caution		The value is cleared after the main power switch is turned OFF/ON.
ALARM	1	Clear of alarm log
Detail		To clear alarm log.
Use Case		When clearing alarm log
Adj/Set/Operate Method		1) Select the item, and then press OK key. 2) Turn OFF/ON the main power switch.
Caution		The alarm log is cleared after the main power switch is turned OFF/ON.
Related Service Mode		COPIER> DISPLAY> ALARM-2
CA-KEY	2	Deletion of CA certificate and key pair
Detail		*Operation on this item is restricted by the setting of [Restrict Service Representation Access]. To simultaneously delete the CA certificate and key pair which are additionally registered by the user.
Use Case		When a service person replaces/discards the device
Adj/Set/Operate Method		1) Select the item, and then press OK key. 2) Check that OK is displayed. 3) Turn OFF/ON the main power switch.
Caution		- Unless this item is executed at the time of replacement/discard of the device, the CA certificate and key pair which are additionally registered by the user remain in the HDD, which is a problem in terms of security. - Do not execute this item carelessly because the CA certificate and key pair which are additionally registered are deleted when it is executed. If they are deleted mistakenly, they need to be again registered by the user. If no CA certificate and key pair are additionally registered, the machine condition becomes the same as the one at the time of factory shipment. - When NG is displayed in 2), there is a possibility that deletion was not executed. In this case, surely execute the deletion by initializing the HDD, etc.
Display/Adj/Set Range		At normal termination: OK!, At abnormal termination: NG!
Supplement/Memo		- The CA certificate is used in the MEAP application with E-RDS and SSL client connection, and the key pair is used in the SSL function of IPP, RUI and MEAP. - When the main power switch is turned OFF/ON, the CA certificate and key pair which were registered at the time of factory shipment are decompressed from the archive, and become available in the E-RDS/SSL function.
ERDS-DAT	1	Initialization of E-RDS SRAM data
Detail		To initialize the "internal setting values" of the Embedded-RDS stored in the SRAM. "Internal setting values" are ON/OFF of E-RDS, server's port number, server's SOAP URL, and communication schedule with the server (how often the data is acquired), etc. The value set by COPIER> FUNCTION> INSTALL> E-RDS, RGW-PORT, RGW-ADR, COM-LOG is cleared.
Use Case		When clear the SRAM of the "internal setting values".
Adj/Set/Operate Method		Select the item, and then press OK key.
Display/Adj/Set Range		At normal termination: OK!, At abnormal termination: NG!
Related Service Mode		COPIER> FUNCTION> INSTALL> E-RDS, RGW-PORT, RGW-ADR, COM-LOG
USBM-CLR	1	Initialize USB MEAP priority rgst info
Detail		To initialize the registered ID data retained in the OS field by calling the API provided by the OS.
Use Case		When a failure occurs in USB MEAP priority registration
Adj/Set/Operate Method		Select the item, and then press OK key.

COPIER (Service mode for printer) > FUNCTION (Operation / inspection mode) > CLEAR

JV-CACHE	1	Cache clear of JAVA application
Detail	*Operation on this item is restricted by the setting of [Restrict Service Representation Access]. To clear the cache information used by JAVA application.	
Use Case	When initializing the JAVA application	
Adj/Set/Operate Method	Select the item, and then press OK key.	
LANG-CLR	2	Uninstallation of language files
Detail	To uninstall the language files other than Japanese and English files installed in HDD. When installing a new language file while the maximum number of language files (11 files) have been already installed, an existing language file needs to be uninstalled.	
Use Case	When deleting/switching language files	
Adj/Set/Operate Method	1) Select the item, and then press OK key. 2) Download the firmware in which the necessary language files are included using SST or a USB flash drive.	
Caution	A language file is not uninstalled unless the downloaded language files are installed by SST or a USB flash drive after the execution of this item. If installation is not executed, uninstallation will be canceled. (Status of the machine remains the same as it was before execution.)	
Supplement/Memo	- After the execution, language displayed on the screen becomes English. Switch the language as needed. - There are 9 language files (JEFIGSCKT) installed at the time of shipment.	
FIN-MCON	1	Clearing Finisher delvry destination set
Detail	To clear the setting of Delivery Tray of the Finisher specified in [Settings/Registration] (Function Settings> Common> Paper Output Settings> Output Tray Settings). Since the delivery destination settings are stored in the DC Controller PCB in the machine, malfunction occurs when replacing the Finisher with another type of it without clearing the settings. If the type of Finishers is the same, there is no need to clear the settings.	
Use Case	When the Finisher is replaced with a different model in the field	
Adj/Set/Operate Method	1) Select the item, and then press OK key. 2) Turn OFF/ON the main power switch.	
Additional Functions Mode	Function Settings> Common> Paper Output Settings> Output Tray Settings	
PLPW-CLR	2	Clear security policy setting password
Detail	*Operation on this item is restricted by the setting of [Restrict Service Representation Access]. To clear the password of the security administrator set in the security policy settings.	
Use Case	When clearing the password of the security administrator	
Adj/Set/Operate Method	Select the item, and then press OK key.	

COPIER (Service mode for printer) > FUNCTION (Operation / inspection mode) > CLEAR

JV-TYPE	1	Specification of MEAP cache clear target
Detail		*Operation on this item is restricted by the setting of [Restrict Service Representation Access]. To specify the MEAP cache area to be cleared. The target area is divided into the 4 parts: - A jar file of MEAP application bundled as standard - Data of the application mentioned above - A jar file of MEAP application installed additionally - Data of the application mentioned above When JV-CACHE is executed, the area specified with this item is cleared. For details, refer to the Service Manual.
Use Case		When analyzing the cause of a problem due to MEAP application
Adj/Set/Operate Method		Enter the setting value, and then press OK key.
Display/Adj/Set Range		0 to 4 0: Entire MEAP cache area 1: A jar file of MEAP application bundled as standard 2: A jar file and data of MEAP application bundled as standard 3: Data of MEAP application which has been installed additionally 4: A jar file and data of MEAP application which has been installed additionally
Related Service Mode		COPIER> FUNCTION> CLEAR> JV-CACHE
Supplement/Memo		MEAP applications bundled as standard: system application, built-in login application MEAP applications installed additionally: non-Canon-made login application, general application, etc.
CUSTOM2	2	[For customization]
CNT-RCON	1	For R&D
KEY-HCD	2	For R&D
TPM-DA	2	For R&D

■ MISC-R

COPIER (Service mode for printer) > FUNCTION (Operation / inspection mode) > MISC-R

SCANLAMP	1	Lighting check of Scanner Unit (Frt) LED
Detail		To light up the Scanning Lamp for 3 seconds under the White Plate and the Copyboard Glass respectively.
Use Case		When replacing the LED of the Scanner Unit
Adj/Set/Operate Method		Select the item, and then press OK key.
Display/Adj/Set Range		During operation: ACTIVE, When operation finished normally: OK!
SCANLMP2	1	Lighting check of Scanner Unit (Bck) LED
Detail		To light up the LED of the Scanner Unit (Back) for 3 sec. Check whether there is a missing block or no lighting in LED.
Use Case		When replacing the LED of the Scanner Unit
Adj/Set/Operate Method		Select the item, and then press OK key.
Display/Adj/Set Range		During operation: ACTIVE, When operation finished normally: OK!
RD-SHPOS	2	Moving to Reader Scanner Unit fix pstn
Detail		To move the Reader Scanner Unit to the position where it is secured in when moving. When moving the Reader after installation, the Reader Scanner Unit may move and get damage. By moving the Scanner Unit to the specified position and securing it in place with a screw before moving, damage can be prevented.
Use Case		When moving the Reader after installation
Adj/Set/Operate Method		Select the item, and then press OK key.
Caution		Be sure to move the Scanner Unit to the fixing position and secure it in place with a screw when moving the Reader after installation. Otherwise, the Scanner Unit may get damage.
Display/Adj/Set Range		During operation: ACTIVE, When operation finished normally: OK!

COPIER (Service mode for printer) > FUNCTION (Operation / inspection mode) > MISC-R

SCAN-ON	1	Execution of copyboard reading operation
Detail		To execute the reading operation with the Copyboard.
Use Case		When checking the operation of the motor of the Reader
Adj/Set/Operate Method		Select the item, and then press OK key.
Display/Adj/Set Range		During operation: ACTIVE, When operation finished normally: OK!

■ MISC-P

COPIER (Service mode for printer) > FUNCTION (Operation / inspection mode) > MISC-P

P-PRINT	1	Output of service mode setting values
Detail		To output the service mode setting values. Text data is saved in HDD as a file (P-PRINT-RPT.TXT).
Use Case		Before executing the CLEAR service mode, etc.
Adj/Set/Operate Method		Select the item, and then press OK key.
Caution		Be sure to use A4/LTR size plain paper/recycled paper.
Display/Adj/Set Range		During operation: ACTIVE, When operation finished normally: OK!
Related Service Mode		COPIER> FUNCTION> MISC-P> RPT-FILE

HIST-PRT	1	Output of jam and error logs
Detail		To output the jam log and error log. Text data is saved in HDD as a file (HIST-PRT-RPT.TXT).
Use Case		When outputting the jam/error log
Adj/Set/Operate Method		Select the item, and then press OK key.
Caution		Be sure to use A4/LTR size plain paper/recycled paper.
Display/Adj/Set Range		During operation: ACTIVE, When operation finished normally: OK!
Related Service Mode		COPIER> FUNCTION> MISC-P> RPT-FILE

TRS-DATA	2	Moving memory reception data to Inbox
Detail		*Operation on this item is restricted by the setting of [Restrict Service Representation Access]. To move the data received in memory to Inbox.
Use Case		When moving the data received in memory to Inbox
Adj/Set/Operate Method		1) Select the item, and then press OK key. 2) Turn OFF/ON the main power switch.
Additional Functions Mode		Fax/I-Fax Inbox> Memory RX Inbox

USER-PRT	1	Settings/Registration menu list output
Detail		To output Settings/Registration menu list. Text data is saved in HDD as a file (USER-PRT-RPT.TXT).
Use Case		When outputting Settings/Registration menu list.
Adj/Set/Operate Method		Select the item, and then press OK key.
Display/Adj/Set Range		During operation: ACTIVE, When operation finished normally: OK!
Related Service Mode		COPIER> FUNCTION> MISC-P> RPT-FILE
Supplement/Memo		It takes approximately 3 seconds before output starts.

LBL-PRNT	1	Output of service label
Detail		To print the service label.
Use Case		When printing the service label
Adj/Set/Operate Method		1) Place A4/LTR paper in Cassette 1. 2) Select the item, and then press OK key.
Caution		Be sure to use A4/LTR size plain paper/recycled paper.

COPIER (Service mode for printer) > FUNCTION (Operation / inspection mode) > MISC-P

ENV-PRT	1	Outpt inside temp&hmdy/Fix Rol temp log
Detail		To output data of the temperature and humidity inside the machine/surface temperature of the Fixing Roller as a log. Text data is saved in HDD as a file (ENV-PRT-RPT.TXT).
Use Case		When figuring out the past temperature inside the machine/fixing temperature information at problem analysis
Adj/Set/Operate Method		Select the item, and then press OK key.
Display/Adj/Set Range		During operation: ACTIVE, When operation finished normally: OK!
Related Service Mode		COPIER> FUNCTION> MISC-P> RPT-FILE
PJH-P-1	1	Outpt print job log detail info:100 jobs
Detail		*Operation on this item is restricted by the setting of [Restrict Service Representation Access]. To output the print job logs of the latest 100 jobs with detailed information. In the case of less than 100 jobs, the logs of all print jobs are output. Text data is saved in HDD as a file (PJH-P-1-RPT.TXT).
Use Case		When outputting the print job logs with detailed information
Adj/Set/Operate Method		Select the item, and then press OK key.
Caution		Be sure to use A4/LTR size plain paper/recycled paper.
Display/Adj/Set Range		During operation: ACTIVE, When operation finished normally: OK!
Related Service Mode		COPIER> FUNCTION> MISC-P> RPT-FILE
Supplement/Memo		Output the print job logs with detailed information which are not displayed/output in the job log screen under "System Monitor>Print>Log>Printer" and in the report of the print job log.
PJH-P-2	1	Outpt print job log detail info:all jobs
Detail		*Operation on this item is restricted by the setting of [Restrict Service Representation Access]. To output all print job logs stored in the machine with detailed information (for maximum 5000 jobs). The difference between PJH-P-1 and this item is only the number of jobs output. Text data is saved in HDD as a file (PJH-P-2-RPT.TXT).
Use Case		When printing the print job history with detailed information
Adj/Set/Operate Method		Select the item, and then press OK key.
Caution		Be sure to use A4/LTR size plain paper/recycled paper.
Display/Adj/Set Range		During operation: ACTIVE, When operation finished normally: OK!
Related Service Mode		COPIER> FUNCTION> MISC-P> RPT-FILE
Supplement/Memo		Output the print job logs with detailed information which are not displayed/output in the job log screen under "System Monitor>Print>Log>Printer" and in the report of the print job log.
USBH-PRT	1	Output of USB device information report
Detail		To output information of the connected USB device in the form of a report. Text data is saved in HDD as a file (USBH-PRT-RPT.TXT).
Use Case		When outputting information of the USB device in the form of a report
Adj/Set/Operate Method		Select the item, and then press OK key.
Caution		Be sure to use A4/LTR size plain paper/recycled paper.
Display/Adj/Set Range		During operation: ACTIVE, When operation finished normally: OK!
Related Service Mode		COPIER> FUNCTION> MISC-P> RPT-FILE
RPT-FILE	1	Output of report print file
Detail		To save various service reports in HDD as a file. The files can be obtained using PC to which SST has been installed or USB flash drive after starting the machine in download mode.
Use Case		When obtaining the service report as a file instead of printing the report out
Adj/Set/Operate Method		Select the item, and then press OK key.
Supplement/Memo		File size: Approx. 1 MB at a maximum

COPIER (Service mode for printer) > FUNCTION (Operation / inspection mode) > MISC-P

RPT2USB	1	Write serv rpt file to USB flash drive
Detail		To store the report file of service mode saved in HDD by RPT-FILE to a USB flash drive.
Use Case		When storing the report file of service mode to a USB flash drive
Adj/Set/Operate Method		Select the item, and then press OK key.
Related Service Mode		COPIER> FUNCTION> MISC-P> RPT-FILE
TNRB-PRT	1	Output of Toner Container ID report
Detail		To output the ID of the Toner Container in the form of a report. Text data is saved in HDD as a file (TNRB-PRT-RPT.TXT).
Use Case		When checking the ID of the Toner Container
Adj/Set/Operate Method		Select the item, and then press OK key.
Related Service Mode		COPIER> FUNCTION> MISC-P> RPT-FILE

■ SYSTEM

COPIER (Service mode for printer) > FUNCTION (Operation / inspection mode) > SYSTEM

DOWNLOAD	1	Shift to download mode
Detail		To make the machine enter the download mode and wait for a command. Perform downloading by SST or a USB flash drive.
Use Case		At upgrade
Adj/Set/Operate Method		1) Select the item, and then press OK key. 2) Perform downloading by SST or a USB flash drive.
Caution		Do not turn OFF/ON the power during downloading.
Supplement/Memo		SST: Service Support Tool
CHK-TYPE	1	Spec HD-CLEAR/HD-CHECK exe partition No.
Detail		To specify the partition number of the HDD to execute HD-CLEAR/HD-CHECK.
Use Case		When executing HD-CLEAR/HD-CHECK
Adj/Set/Operate Method		Enter the setting value, and then press OK key.
Display/Adj/Set Range		0 to 65535 0: All partitions (only the areas where the operation can be executed) 1: PDL-related file storage area 2: Image data storage area 3: MEAP-related area 4: Not used 5 and 6: Image data storage area 7: General application temporary area (temporary file) 8: General application-related area 9: PDL spool data (temporary file) 10: SEND-related area 11: Update-related area 12: License-related area 13: System area 14: SWAP (temporary file/memory alternative area) 15 to 16: Not used 17: Debug log area 18: Advanced Box image data storage area 19: Print data storage area 20 to 65535: Not used * When 4, 12, 13, 15 or 16 is set, nothing is cleared even if HD-CLEAR is executed. * For 2, 5 and 6, HD-CLEAR/HD-CHECK is executed to all of the areas by selecting one of them. * By selecting 8, HD-CLEAR/HD-CHECK is also executed to 7, 9, 11 and 17.
Default Value		0
Related Service Mode		COPIER> FUNCTION> SYSTEM> HD-CLEAR, HD-CHECK

COPIER (Service mode for printer) > FUNCTION (Operation / inspection mode) > SYSTEM

HD-CHECK	1	File system check of specified partition
Detail		To execute system check of the partition specified by CHK-TYPE at the next startup.
Use Case		When E602/E614 error (file corruption, etc.) occurs
Adj/Set/Operate Method		Enter 1, and then press OK key.
Caution		Be sure to execute this item after CHK-TYPE.
Display/Adj/Set Range		0 to 1 0: Not executed, 1: Executed at next startup
Default Value		0
Related Service Mode		COPIER> FUNCTION> SYSTEM> CHK-TYPE
HD-CLEAR	1	Initialization of specified partition
Detail		*Operation on this item is restricted by the setting of [Restrict Service Representation Access]. To initialize the partition specified by CHK-TYPE at next startup.
Use Case		When E602/E614 error (file corruption, etc.) occurs
Adj/Set/Operate Method		Enter 1, and then press OK key.
Caution		Be sure to execute this item after CHK-TYPE.
Display/Adj/Set Range		0 to 1 0: Not executed, 1: Executed at next startup
Default Value		0
Related Service Mode		COPIER> FUNCTION> SYSTEM> CHK-TYPE
DSRAMBUP	2	Backup of DC Controller PCB SRAM
Detail		To back up the setting data in SRAM of the DC Controller PCB.
Use Case		When replacing the DC Controller PCB for troubleshooting at the time of trouble occurrence
Adj/Set/Operate Method		Select the item, and then press OK key.
Caution		During operation, the setting data changes by manual or automatic adjustment. When backup data which has been left for a long period of time is restored, it is overwritten with new setting data and the old data is deleted.
Related Service Mode		COPIER> FUNCTION> SYSTEM> DSRAMRES
DSRAMRES	2	Restore of DC Controller PCB SRAM
Detail		To restore the setting data which has been backed up in SRAM of the DC Controller PCB.
Use Case		When replacing the DC Controller PCB for troubleshooting at the time of trouble occurrence
Adj/Set/Operate Method		Select the item, and then press OK key.
Caution		During operation, the setting data changes by manual or automatic adjustment. When backup data which has been left for a long period of time is restored, it is overwritten with new setting data and the old data is deleted.
Related Service Mode		COPIER> FUNCTION> SYSTEM> DSRAMBUP
RSRAMBUP	2	Backup of Reader-related setting data
Detail		To back up the Reader-related setting data retained in the SATA Flash PCB on the Main Controller PCB.
Use Case		When replacing the Main Controller PCB/clearing the Reader-related RAM data/replacing the SATA Flash PCB
Adj/Set/Operate Method		Select the item, and then press OK key.
Caution		During operation, the setting data changes by manual or automatic adjustment. When backup data which has been left for a long period of time is restored, it is overwritten with new setting data and the old data is deleted.
Related Service Mode		COPIER> FUNCTION> SYSTEM> RSRAMRES

COPIER (Service mode for printer) > FUNCTION (Operation / inspection mode) > SYSTEM

RSRAMRES	2	Restoration of Reader-related set data
Detail	To restore the Reader-related setting data which has been backed up to the SATA Flash PCB on the Main Controller PCB.	
Use Case	When replacing the Main Controller PCB/clearing the Reader-related RAM data/replacing the SATA Flash PCB	
Adj/Set/Operate Method	1) Select the item, and then press OK key. 2) Turn OFF/ON the main power switch.	
Caution	During operation, the setting data changes by manual or automatic adjustment. When backup data which has been left for a long period of time is restored, it is overwritten with new setting data and the old data is deleted.	
Related Service Mode	COPIER> FUNCTION> SYSTEM> RSRAMBUP	

R-REBOOT	1	Reboot of host machine (Remote)
Detail	To reboot the host machine.	
Use Case	When the reboot is carried out with the remote control by VNC	
Adj/Set/Operate Method	Select the item, and then press OK key.	

FIXIP	1	Start of fixed IP mode
Detail	IP address is set to "172.16.1.100". In an environment where wired LAN (main) and wireless LAN (sub) are used, the IP address of wired LAN becomes the fixed IP. During the fixed IP mode, "FIXIP" is displayed on the upper left of the screen.	
Use Case	When preferring to use the network settings with the fixed IP address "172.16.1.100"	
Adj/Set/Operate Method	Select the item, and then press OK key.	
Caution	- It is necessary to turn OFF/ON the power to recover from the fixed IP mode. - Whether to use RUI or not when the fixed IP mode is enabled follows the setting of "Management Settings> License/Other> Remote UI.	

■ DBG-LOG

COPIER (Service mode for printer) > FUNCTION (Operation / inspection mode) > DBG-LOG

LOG2USB	2	Storage of debug log to USB memory
Detail	To store a set of debug logs to the USB flash drive at the error occurrence. A type of log to be collected is set in LOG-TRIG. If there is a debug log which has been automatically saved, it is archived at this time. Required time differs according to the device conditions and volume of log data.	
Use Case	When analyzing the cause of a problem	
Adj/Set/Operate Method	1) Install the USB flash drive. 2) Select the item, and then press OK key.	
Caution	- Wait until the machine recognizes the USB memory (approx. 10 sec.). - During the data transfer ("ACTIVE" display), do not turn OFF the power/remove the USB memory/ use the screen for operations.	
Display/Adj/Set Range	During operation: ACTIVE, At normal termination: OK, At abnormal termination: NG	
Related Service Mode	COPIER> FUNCTION> DBG-LOG> LOG-TRIG	

LOG2SRVR	2	For R&D
-----------------	----------	--------------------

COPIER (Service mode for printer) > FUNCTION (Operation / inspection mode) > DBG-LOG

LOG-TRIG	2	Set of debug log storage condition
Detail		To set the conditions (timing, types, etc.) to automatically store the debug logs (stored as an archive file). By reading the operation setting file of the setting value from the Main Controller, the conditions written in the file are set. When setting a new condition is necessary, read the operation setting file provided by R&D from the USB memory.
Use Case		- When changing the conditions of debug log to automatically store - When setting a new condition
Adj/Set/Operate Method		Enter the setting value, and then press OK key.
Display/Adj/Set Range		0 to 99999
Related Service Mode		COPIER> FUNCTION> DBG-LOG> LOG2USB, LOG2SRVR
HIT-STS	2	Display of debug log state
Detail		To display whether archive file of the debug log which is matched with the conditions set in LOG-TRIG exists or not.
Use Case		When checking the debug log automatically saved
Adj/Set/Operate Method		N/A (Display only)
Display/Adj/Set Range		0 to 1 0: No log is available, 1: Log is available
Related Service Mode		COPIER> FUNCTION> DBG-LOG> LOG-TRIG
SYSLOG	2	For R&D
DEFAULT	2	Reset of debug log setting
Detail		To clear all debug log settings and return to the state before debug log collection operation.
Use Case		- When returning the device in which analyzing the cause of a problem was completed - When resetting the debug log settings
Adj/Set/Operate Method		Select the item, and then press OK key.
LOG-DEL	2	Clearing of debug logs
Detail		To delete the debug log file. The debug log setting is not reset.
Use Case		When clearing the debug log
Adj/Set/Operate Method		Select the item, and then press OK key.
HIT-STS2	2	For R&D

OPTION (Specification setting mode)

■ FNC-SW

COPIER (Service mode for printer) > OPTION (Specification setting mode) > FNC-SW

MODEL-SZ	1	Fixed magnifictn & DADF orgnl dtct size
Detail		To set the fixed magnification ratio display and the original detection size with DADF. It is set automatically at the time of installation of the Reader according to the location.
Use Case		Upon user's request
Adj/Set/Operate Method		1) Enter the setting value, and then press OK key. 2) Turn OFF/ON the main power switch.
Display/Adj/Set Range		0 to 3 0: AB configuration (6R5E) for Japan, 1: Inch configuration (5R4E) for North/Middle/South America, 2: A configuration (3R3E) for Europe, 3: AB/Inch configuration (6R5E) for Asia, Oceania, South America
Default Value		It differs according to the location.

COPIER (Service mode for printer) > OPTION (Specification setting mode) > FNC-SW

SCANSLCT	2	ON/OFF of scan area calculate function
Detail	To set ON/OFF of the function to calculate scanning area from the specified paper size. When the paper size is larger than the original size, selecting ON reduces productivity because the scanning area gets larger.	
Use Case	When matching the scanning area with the paper size	
Adj/Set/Operate Method	1) Enter the setting value, and then press OK key. 2) Turn OFF/ON the main power switch.	
Display/Adj/Set Range	0 to 1 0: OFF (calculated from the detected original size) 1: ON (calculated from the specified paper size)	
Default Value	0	
CONFIG	1	Set country/area/lang/location/ppr size
Detail	To set the country/region, language, location, paper size configuration for multiple system software in HDD.	
Use Case	Upon user's request	
Adj/Set/Operate Method	1) Select the setting item. 2) Switch with +/- key, and then press OK key. 3) Turn OFF/ON the main power switch.	
Display/Adj/Set Range	XX YY.ZZ.AA XX: Country/region JP: Japan, US: USA, GB: Great Britain, FR: France, DE: Germany, IT: Italy, AU: Australia, SG: Singapore, NL: Netherlands, KR: Korea, CN: China, TW: Taiwan, ES: Spain, SE: Sweden, PT: Portugal, NO: Norway, DK: Denmark, FI: Finland, PL: Poland, HU: Hungary, CZ: Czech Republic, SI: Slovenia, GR: Greece, EE: Estonia, RU: Russia, SK: Slovakia, RO: Romania, HR: Croatia, BG: Bulgaria, TR: Turkey, TH: Thailand, VN: Vietnam, AR: Argentina, IN: India YY: Language (Fixed; e.g. ja: Japanese) ZZ: Location (Fixed; e.g. 00: CANON) AA: Paper size configuration (00: AB configuration, 01: Inch configuration, 02: A configuration, 03: Inch/AB configuration)	
Default Value	It differs according to the location.	
Related Service Mode	COPIER> OPTION> FNC-SW> MODEL-SZ	
W/SCNR	1	Setting of Reader Unit installation
Detail	To set installation of the Reader Unit. When the Reader Unit is detected at startup of the machine, "1: Installed" is set automatically.	
Use Case	When installing/removing the Reader Unit	
Adj/Set/Operate Method	1) Enter the setting value, and then press OK key. 2) Turn OFF/ON the main power switch.	
Display/Adj/Set Range	0 to 1 0: Not installed, 1: Installed	
Default Value	0 (Printer model)/1 (Copier model)	
SVMD-ENT	2	Setting of entry method to service mode
Detail	To set the way to get in service mode to prevent information leak.	
Use Case	As needed	
Adj/Set/Operate Method	1) Enter the setting value, and then press OK key. 2) Turn OFF/ON the main power switch.	
Display/Adj/Set Range	0 to 1 0: Factory default 1: [Settings/Registration] - Pressing [4] and [9] at the same time - [Settings/Registration]	
Default Value	0	

COPIER (Service mode for printer) > OPTION (Specification setting mode) > FNC-SW

KSIZE-SW	2	Setting of K-size paper support
Detail		To set detection/display of K-size paper (for China). When MODEL-SZ is 0, this setting is enabled.
Use Case		When using K size paper
Adj/Set/Operate Method		1) Enter the setting value, and then press OK key. 2) Turn OFF/ON the main power switch.
Display/Adj/Set Range		0 to 1 0: Not supported, 1: Supported
Default Value		It differs according to the location.
Related Service Mode		COPIER> OPTION> FNC-SW> MODEL-SZ
Supplement/Memo		8K paper: 270 x 390 mm, 16K paper: 270 x 195 mm
PDF-RDCT	2	PDF reduction set at forwarding
Detail		To set whether to reduce the image for transmission when converting the image received by I-Fax into PDF for e-mail/file transmission.
Use Case		Upon user's request
Adj/Set/Operate Method		1) Enter the setting value, and then press OK key. 2) Turn OFF/ON the main power switch.
Display/Adj/Set Range		0 to 1 0: Following the current setting, 1: Image reduction
Default Value		0
SJB-UNW	2	Reserve upper limit of secured print job
Detail		*Operation on this item is restricted by the setting of [Restrict Service Representation Access]. To set the upper limit for the number of reserved jobs in secured print job.
Use Case		Upon user's request
Adj/Set/Operate Method		1) Enter the setting value, and then press OK key. 2) Turn OFF/ON the main power switch.
Display/Adj/Set Range		0 to 2 0: 50 jobs, 1: 90 jobs, 2: No limit
Default Value		1
CARD-RNG	2	Card number setting (department number)
Detail		To set the number of cards (departments) that can be used with the Card Reader.
Use Case		When setting the number of cards (departments)
Adj/Set/Operate Method		1) Enter the setting value, and then press OK key. 2) Turn OFF/ON the main power switch.
Display/Adj/Set Range		1 to 1000
Default Value		1000
SJOB-CL	1	Set of scan job canceling by logout
Detail		*Operation on this item is restricted by the setting of [Restrict Service Representation Access]. To set whether to cancel the scan job in operation by logout of the user.
Use Case		Upon user's request
Adj/Set/Operate Method		1) Enter the setting value, and then press OK key. 2) Turn OFF/ON the main power switch.
Caution		The job with scanning completed cannot be canceled.
Display/Adj/Set Range		0 to 2 0: Cancel only scan job in waiting state, 1: Cancel all scan jobs, 2: Not canceled
Default Value		0
Supplement/Memo		Scan job: A job after the scanning operation is completed.

COPIER (Service mode for printer) > OPTION (Specification setting mode) > FNC-SW

MIBCOUNT	2	Scope range set of Charge Counter MIB
Detail	To set the range of counter information that can be obtained as MIB (Management Information Base).	
Adj/Set/Operate Method	1) Enter the setting value, and then press OK key. 2) Turn OFF/ON the main power switch.	
Display/Adj/Set Range	0 to 2 0: All charge counters are obtained, 1: Only displayed counter* is obtained, 2: All charge counters are not obtained * : Counter specified by the following: COPIER> OPTION> USER> COUNTER 1 to 6	
Default Value	0	
Related Service Mode	COPIER> OPTION> USER> COUNTER1 - COUNTER6	
CNTR-SW	1	Init of parts counter replacement timing
Detail	To return the estimated life of parts counter to the initial value. If either "00000000" or a value before the specification change is displayed in the estimated life value of the parts counter, set 0 after upgrading of the firmware.	
Use Case	- When either "00000000" or a value before the specification change is displayed in the estimated life value of the parts counter - When changing the state back to the initial state after entering the estimated life value manually	
Adj/Set/Operate Method	1) Enter 0, and then press OK key. 2) Turn OFF/ON the main power switch.	
Display/Adj/Set Range	0: Returned to the initial value	
Default Value	0	
PSWD-SW	1	Password type set to enter service mode
Detail	To set the type of password that is required to enter when getting into service mode. 2 types are available: one for "service technician" and the other for "system administrator + service technician". When selecting the type for "system administrator + service technician", enter the password for service technician after the password entry by the user's system administrator.	
Use Case	Upon request from the user who concerns security	
Adj/Set/Operate Method	1) Enter the setting value, and then press OK key. 2) Turn OFF/ON the main power switch.	
Display/Adj/Set Range	0 to 2 0: No password, 1: Service technician, 2: System administrator + service technician	
Default Value	0	
SM-PSWD	2	Password setting for service technician
Detail	To set password for service technician that is used when getting into service mode.	
Use Case	When password is required to get into service mode	
Adj/Set/Operate Method	1) Enter the setting value, and then press OK key. 2) Turn OFF/ON the main power switch.	
Caution	Be sure to select 1 or 2 with PSWD-SW in advance.	
Display/Adj/Set Range	1 to 99999999	
Default Value	11111111	
Related Service Mode	COPIER> OPTION> FNC-SW> PSWD-SW	

COPIER (Service mode for printer) > OPTION (Specification setting mode) > FNC-SW

RPT2SIDE	1	Set of report 1-sided/2-sided output
Detail		To set whether to use 1-sided or 2-sided for report output of service mode.
Use Case		When making 1-sided report output
Adj/Set/Operate Method		1) Enter the setting value, and then press OK key. 2) Turn OFF/ON the main power switch.
Display/Adj/Set Range		0 to 1 0: 1-sided, 1: 2-sided
Default Value		1
Related Service Mode		COPIER> FUNCTION> MISC-P> P-PRINT
INVALPDL	1	Disable of PDL license
Detail		*Operation on this item is restricted by the setting of [Restrict Service Representation Access]. To disable the registered PDL license. When "1: Disabled" is set, PDL is disabled even if a PDL license is registered. This is set to the machines installed at convenience stores, which do not allow PDL to be used.
Use Case		When prohibiting the use of PDL
Adj/Set/Operate Method		1) Enter the setting value, and then press OK key. 2) Turn OFF/ON the main power switch.
Display/Adj/Set Range		0 to 1 0: Registered PDL license is enabled, 1: Disabled
Default Value		0
CDS-FIRM	1	Set to allow firmware update by admin
Detail		* Operation on this item is restricted by the setting of [Restrict Service Representation Access]. To set whether to allow the user (administrator) to perform firmware update linked with CDS and collection of log files. When 1 is set, [Distribution Update] is added to remote UI, and [Firmware Update] is added to [Register/Update Software] of local UI. Log files can be collected from remote UI.
Use Case		When allowing the administrator to update the firmware
Adj/Set/Operate Method		1) Enter the setting value, and then press OK key. 2) Turn OFF/ON the main power switch.
Caution		Do not use it for purposes other than collecting log files. Be sure to return the value to 0 after use.
Display/Adj/Set Range		0 to 1 0: Disabled, 1: Enabled
Default Value		It differs according to the location.
Related Service Mode		COPIER> OPTION> FNC-SW> LCDSFLG
Additional Functions Mode		Management Settings> License/Other> Register/Update Software
Supplement/Memo		CDS: Contents Delivery System
CDS-MEAP	1	Set to allow MEAP installation by admin
Detail		* Operation on this item is restricted by the setting of [Restrict Service Representation Access]. To set whether to allow the user (administrator) to install MEAP applications from CDS and enable iR options. When 1 is set, Updater can be activated from [Settings/Registration].
Use Case		When allowing the administrator to install MEAP applications and enable iR options from CDS
Adj/Set/Operate Method		1) Enter the setting value, and then press OK key. 2) Turn OFF/ON the main power switch.
Display/Adj/Set Range		0 to 1 0: Disabled, 1: Enabled
Default Value		1
Supplement/Memo		CDS: Contents Delivery System

COPIER (Service mode for printer) > OPTION (Specification setting mode) > FNC-SW

CDS-UGW	1	Set to allow firmware update from UGW
Detail	*Operation on this item is restricted by the setting of [Restrict Service Representation Access]. To set whether to permit update of the firmware from the UGW server. When "1: Enabled" is set, Updater accepts the operation from the UGW server in cooperation with CDS.	
Use Case	When allowing update of the firmware from the UGW server	
Adj/Set/Operate Method	1) Enter the setting value, and then press OK key. 2) Turn OFF/ON the main power switch.	
Display/Adj/Set Range	0 to 1 0: Disabled, 1: Enabled	
Default Value	It differs according to the location.	
Supplement/Memo	CDS: Contents Delivery System	
LOCLFIRM	1	Set to allow firmware update by file
Detail	*Operation on this item is restricted by the setting of [Restrict Service Representation Access]. To set whether to permit the user (administrator) to update the firmware from the remote UI using a local file. This update is executed as a measure for vulnerability in emergency situations.	
Use Case	When allowing the administrator to update the firmware using a file	
Adj/Set/Operate Method	1) Enter the setting value, and then press OK key. 2) Turn OFF/ON the main power switch.	
Display/Adj/Set Range	0 to 1 0: Disabled, 1: Enabled	
Default Value	1	
SDLMTWRN	1	[For customization]
FAX-INT	2	Set FAX RX print interruption oprtn mode
Detail	To set the mode performing interruption operation of FAX reception print automatically.	
Use Case	Upon user's request	
Adj/Set/Operate Method	1) Enter the setting value, and then press OK key. 2) Turn OFF/ON the main power switch.	
Caution	- Do not set this item while charge management (charging by Coin Manager, a device alone, etc.) is used. - During an ongoing job for which delivery setting (offset, stapling, etc.) is made, interruption operation is performed between sets.	
Display/Adj/Set Range	0 to 1 0: Normal, 1: Interruption operation mode	
Default Value	0	

COPIER (Service mode for printer) > OPTION (Specification setting mode) > FNC-SW

CDS-LVUP	1	Set to allow CDS periodical update
Detail	<p>*Operation on this item is restricted by the setting of [Restrict Service Representation Access]. To set whether to allow the user (administrator) to perform periodical update linked with CDS. When 1 is set, setting of periodical update can be made in Settings/Registration menu/via remote UI.</p> <p>When 2 is set, setting of periodical update can be made on the Updater screen in service mode.</p>	
Use Case	When allowing the user/service technician to perform periodical update	
Adj/Set/Operate Method	<p>1) Enter the setting value, and then press OK key.</p> <p>2) Turn OFF/ON the main power switch.</p>	
Display/Adj/Set Range	<p>0 to 2</p> <p>0: Prohibited periodical update</p> <p>1: Display the periodical update setting screen in Settings/Registration menu/on remote UI</p> <p>2: Display the periodical update setting screen on the Updater in service mode</p>	
Default Value	It differs according to the location.	
Related Service Mode	Updater	
Additional Functions Mode	Management Settings> License/Other> Register/Update Software> Periodical Update	
Supplement/Memo	CDS: Contents Delivery System	
AMSOFFSW	1	Enabling of AMS mode
Detail	<p>*Operation on this item is restricted by the setting of [Restrict Service Representation Access]. To enable the AMS mode.</p> <p>When 0 is set, the AMS mode is enabled. The AMS mode is automatically enabled when the following 2 conditions are satisfied.</p> <ul style="list-style-type: none"> - AMS license for an iR option is installed. - AMS-supported Login application (User Authentication, etc.) is activated. 	
Use Case	When enabling AMS mode	
Adj/Set/Operate Method	<p>1) Check that AMS-supported Login application is activated.</p> <p>2) Enter 0, and then press OK key.</p> <p>3) Turn OFF/ON the main power switch.</p> <p>4) Check that [Role Management] is displayed on remote UI.</p>	
Display/Adj/Set Range	<p>0 to 1</p> <p>0: AMS mode enabled, 1: AMS mode disabled</p>	
Default Value	1	
Related Service Mode	COPIER> OPTION> LCNS-TR> ST-AMS	
Additional Functions Mode	(Remote UI) User Management> Authentication Management> Role Management	
Supplement/Memo	<p>AMS: Access Management System</p> <p>In AMS mode, [Role Management] is displayed on remote UI.</p>	
UA-OFFSW	1	ON/OFF of unified auth function
Detail	<p>*Operation on this item is restricted by the setting of [Restrict Service Representation Access]. To set ON/OFF of the Unified Authentication function.</p> <p>Set 0 when not preferring to use the Unified Authentication function because of security concern.</p>	
Use Case	Upon user's request (not to use the Unified Authentication function)	
Adj/Set/Operate Method	<p>1) Enter the setting value, and then press OK key.</p> <p>2) Turn OFF/ON the main power switch.</p>	
Display/Adj/Set Range	<p>0 to 1</p> <p>0: ON, 1: OFF</p>	
Default Value	0	
Supplement/Memo	Unified Authentication: A function with which it is considered that login authentication under it is performed by logging in it using SSO-H.	

COPIER (Service mode for printer) > OPTION (Specification setting mode) > FNC-SW

MIB-NVTA	1	RFC-compatible character stringMIB write
Detail	As default, MIB object which NVT-ASCII can be written exists in order to link with local UI entry value. This violates RFC order, so a problem like garbled 2-byte characters may occur in the SNMP monitoring system, such as other vendor's MPS. Whether to allow writing of non-RFC-compatible character strings in MIB can be set using this item. When 1 is set, only the character strings which are strictly compatible with RFC are written. (Writing operation is executed from the SNMP manager.) It is not linked with local UI.	
Use Case	Upon user's request (operation with RFC-compatible system)	
Adj/Set/Operate Method	1) Enter the setting value, and then press OK key. 2) Turn OFF/ON the main power switch.	
Display/Adj/Set Range	0 to 3 0: Compatible in a conventional manner, 1: RFC-compatible, 2 to 3: Not used	
Default Value	0	
Supplement/Memo	RFC: Document of internet-related technical standards NVT-ASCII: Network Virtual Terminal-ASCII	
MIB-EXT	1	For R&D
SVC-RUI	1	Enabling of remote UI func for servicing
Detail	To set whether to enable the remote UI function for servicing (not provided to end users). When 0 is set, the remote UI function is disabled. When setting a value other than 0, the remote UI function is enabled and its value will be used as the password to use the function.	
Use Case	When preferring to use the import function of background image file of main menu/custom menu	
Adj/Set/Operate Method	Enter the setting value (other than 0), and then press OK key.	
Display/Adj/Set Range	0 to 65535	
Default Value	0	
LCDSFLG	1	Enabling of local CDS server
Detail	To set whether to use the local CDS server. When CDS-FIRM is 1, this setting is enabled.	
Use Case	When using the local CDS server	
Adj/Set/Operate Method	Enter the setting value, and then press OK key.	
Display/Adj/Set Range	0 to 1 0: Disabled, 1: Enabled	
Default Value	0	
Related Service Mode	COPIER> OPTION> FNC-SW> CDS-FIRM	
Additional Functions Mode	Management Settings> License/Other> Register/Update Software> Software Management Settings> Connection Server Settings	
Supplement/Memo	When local CDS is used, iW EMC/MC device firmware update plug-in is required.	

COPIER (Service mode for printer) > OPTION (Specification setting mode) > FNC-SW

BXSHIFT	1	Setting of binding at 0mm binding margin
Detail	To set whether to judge the job as a job "without binding" when storing a PDL job in Inbox while the binding margin is set to "0". By setting the binding margin to 0 mm while "0" is set, the job is processed as "without binding". "Booklet" in "Options" on the Inbox screen can be also used. When "1" is set, it is judged as "with binding" even the binding margin is 0 mm so "Booklet", which has an exclusive relationship with "binding", cannot be used.	
Use Case	Upon user's request	
Adj/Set/Operate Method	1) Enter the setting value, and then press OK key. 2) Turn OFF/ON the main power switch.	
Caution	When storing a PDL job in Mail Box while 1 is set, "Booklet" in "Options" on the Mail Box screen cannot be used.	
Display/Adj/Set Range	0 to 1 0: Without binding, 1: With binding	
Default Value	0	
HOME-SW	1	Set screen displayed with Main Menu key
Detail	To set whether to display the main menu screen or the screen registered as the startup screen when pressing Main Menu key.	
Use Case	Upon user's request (to change the startup screen)	
Adj/Set/Operate Method	1) Enter the setting value, and then press OK key. 2) Turn OFF/ON the main power switch.	
Display/Adj/Set Range	0 to 1 0: Main Menu screen, 1: Screen registered as the startup screen	
Default Value	0	
NO-LGOUT	1	Display/hide of logout button
Detail	*Operation on this item is restricted by the setting of [Restrict Service Representation Access]. To set whether to display or hide [Logout] button. When 0 is set, [Logout] button is displayed on the screen, and logout with the ID key is enabled. (Normal) When 1 is set, [Logout] button is not displayed, and logout with the ID key is disabled.	
Use Case	Upon user's request (for customization, etc.)	
Adj/Set/Operate Method	1) Enter the setting value, and then press OK key. 2) Turn OFF/ON the main power switch.	
Display/Adj/Set Range	0 to 1 0: Display, 1: Hide	
Default Value	0	
JM-ERR-R	2	0071 Logging Settings for Jams
Detail	0071 Decide whether to log when a jam occurs. 0071 If you want to log a jam, you can set it to 1 to get a log as an event log.	
Use Case	0071 Obtaining a Log When a Jam Occurs	
Adj/Set/Operate Method	Enter the set value and press the OK key.	
Display/Adj/Set Range	0 to 1 0: Do not get log data, 1: get log data	
Default Value	0	
Related Service Mode	COPIER> OPTION> FNC-SW> JM-ERR-D	

COPIER (Service mode for printer) > OPTION (Specification setting mode) > FNC-SW

ASLPMAX	1	Set auto sleep shift time maximum value
Detail		Set auto sleep shift time maximum value.
Use Case		Upon user's request
Adj/Set/Operate Method		Enter the setting value, and then press OK key.
Display/Adj/Set Range		0 to 1 0: 240minutes, 1: 120 minutes
Default Value		It differs according to the location.
SEND-SPD	2	ON/OFF of SEND operation speed-up
Detail		To set whether to speed up the SEND operation. Usually, speed of SEND/XBOX is increased by performing image conversion during SEND and Scan. Reading speed may decrease when scanning large size color original at high resolution or when competing operation occurs with another job during scanning. Set 1 to keep the speed. When failure with MEAP application occurs, set 1.
Use Case		- When reading speed is decreased during SEND and Scan - When failure with MEAP application occurs
Adj/Set/Operate Method		1) Enter the setting value, and then press OK key. 2) Turn OFF/ON the main power switch.
Display/Adj/Set Range		0 to 1 0: ON, 1: OFF
Default Value		0
VER-CHNG	2	Setting of firmware update operation
Detail		To set how to update firmware of PCB/option which has been installed/replaced by comparing the version of it with the version stored in the Flash PCB of the Main Controller. If combination of firmware versions of PCB/option stored in the Main Controller and the version in PCB/option after installation/replacement is not appropriate (operation with the combination of firmware versions has not yet been checked), failure where analysis is difficult may occur. It is possible to check the firmware versions at the start of the machine, and automatically write the firmware stored in the Main Controller in PCB/option collectively as needed. When 0 is set, versions are not checked and firmware update is not performed. Therefore, it is necessary to manually update the versions using a USB memory/SST. When 1 is set, firmware is updated if the version in PCB/option is old. However, it is not updated if the version is new or old and new versions are mixed. When 2 is set, a compatible firmware (the version where operation has been checked) is written from the Main Controller regardless of whether the version in PCB/option is old or new.
Use Case		When installing/replacing PCB/option having firmware
Adj/Set/Operate Method		1) Enter the setting value, and then press OK key. 2) Turn OFF/ON the main power switch.
Display/Adj/Set Range		0 to 2 0: Keep the current firmware version. 1: Update the firmware if the version in PCB/option is older than that stored in the Main controller. If the version is new or old and new versions are mixed, firmware is not updated. 2: Update the firmware regardless of whether the version is old or new if the version in PCB/option differs from that stored in the Main Controller.
Default Value		1
Supplement/Memo		When updating the firmware, the main menu is displayed on the Control Panel at startup and then a message prompting to update firmware is displayed. By pressing [Update], the machine reboots immediately and firmware is updated. By pressing [Skip], it returns to the main menu. The message is displayed again at next startup.
CE-SW	1	[Reserve]

COPIER (Service mode for printer) > OPTION (Specification setting mode) > FNC-SW

PICLOGIN	1	ON/OFF of Picture Login display
Detail		To set whether to display [Picture Login] in [Settings/Registration].
Use Case		When switching the Picture Login function
Adj/Set/Operate Method		1) Enter the setting value, and then press OK key. 2) Turn OFF/ON the main power switch.
Display/Adj/Set Range		0 to 1 0: OFF, 1: ON
Default Value		1
Additional Functions Mode		Management Settings> User Management> Authentication Management> Use User Authentication> Picture Login
DCONRTRY	2	Set of retry at DCON comctn error occur
Detail		To set whether to perform retry processing when communication error occurs between the Main Controller and the DC Controller. Set 1 to 3 when E733 occurs. Communication error may be avoided by retry. (It is effective especially when E733-0001/0002/0005 occurs.) If communication error occurs during finishing job while 3 is set, duplicated pages may be output due to retry. In such case, set 0 to 2. Since retry is not performed during finishing job, duplication of pages does not occur, but E733 occurs.
Use Case		When E733 occurs
Adj/Set/Operate Method		1) Enter the setting value, and then press OK key. 2) Turn OFF/ON the main power switch.
Caution		When 3 is set, duplication of pages may occur during finishing job.
Display/Adj/Set Range		0 to 3 0: OFF 1: OFF during job, ON in other states 2: OFF during finishing job, ON in other states 3: ON
Default Value		1
Supplement/Memo		Finishing job: Job that 2-sided print, binding and/or collate set in "Finishing" of the printer driver.
FL-START	2	[For customization]
RCONRTRY	2	Set process at RCON communication error
Detail		To set the processing to be executed at occurrence of RCON communication error. Normally, recovery is performed without displaying an error. A log is not collected. Set 1 when recovery processing is performed frequently. An error is displayed and a log for analysis can be collected.
Use Case		When recovery processing due to RCON communication error is performed frequently
Adj/Set/Operate Method		1) Enter the setting value, and then press OK key. 2) Turn OFF/ON the main power switch.
Display/Adj/Set Range		0 to 1 0: Perform recovery without collecting a log, 1: Collect a log and display an error
Default Value		0

COPIER (Service mode for printer) > OPTION (Specification setting mode) > FNC-SW

3RDP-MSG	2	ON/OFF pop-up screen dspl after upgrade
Detail	To set whether to display the screen to prompt the user to "Third-Party Software" at the first startup after upgrading due to change in the platform version.	
Use Case	There will be no occasion to use this item intentionally.	
Adj/Set/Operate Method	1) Enter the setting value, and then press OK key. 2) Turn OFF/ON the main power switch.	
Caution	Even if 0 is set, the screen is displayed if CDS-LVUP is set to 0.	
Display/Adj/Set Range	0 to 1 0: Hide, 1: Display	
Default Value	0	
Related Service Mode	COPIER> OPTION> FNC-SW> CDS-LVUP	

TNR-SAVE	2	[For customization]
-----------------	----------	----------------------------

■ DSPLY-SW

COPIER (Service mode for printer) > OPTION (Specification setting mode) > DSPLY-SW

UI-COPY	2	ON/OFF of copy screen display
Detail	To set whether to display or hide the copy function.	
Use Case	Upon user's request	
Adj/Set/Operate Method	1) Enter the setting value, and then press OK key. 2) Turn OFF/ON the main power switch.	
Display/Adj/Set Range	0 to 1 0: Hide, 1: Display	
Default Value	1	

UI-BOX	2	ON/OFF of Inbox screen display
Detail	*Operation on this item is restricted by the setting of [Restrict Service Representation Access]. To set whether to display the Inbox function. The setting values "1" and "2" of this item are linked with the values "ON" and "OFF" of [Mail Box] in [Settings/Registration] respectively. The setting is reflected after turning OFF/ON the power.	
Use Case	Upon user's request	
Adj/Set/Operate Method	1) Enter the setting value, and then press OK key. 2) Turn OFF/ON the main power switch.	
Display/Adj/Set Range	1 to 2 1: Inbox function is active 2: Inbox function is active (with limitation; Storing is available with PDL to Inbox despite no display on the Control Panel/remote UI)	
Default Value	1	
Additional Functions Mode	Preferences> Display Settings> Store Location Display Settings> Mail Box	

UI-SEND	2	ON/OFF of Send screen display
Detail	To set whether to display or hide the SEND function.	
Use Case	Upon user's request	
Adj/Set/Operate Method	1) Enter the setting value, and then press OK key. 2) Turn OFF/ON the main power switch.	
Display/Adj/Set Range	0 to 1 0: Hide, 1: Display	
Default Value	1	

COPIER (Service mode for printer) > OPTION (Specification setting mode) > DSPLY-SW

UI-FAX	2	ON/OFF of fax screen display
Detail	To set whether to display or hide the FAX function.	
Use Case	Upon user's request	
Adj/Set/Operate Method	1) Enter the setting value, and then press OK key. 2) Turn OFF/ON the main power switch.	
Display/Adj/Set Range	0 to 1 0: Hide, 1: Display	
Default Value	1	
NWERR-SW	2	OFF/ON of network-related error display
Detail	To set OFF/ON of network-related error message display. When setting "0: OFF" while the machine is not connected to network, the error message "Check the network connection." is not displayed.	
Use Case	When using the machine as a copy machine	
Adj/Set/Operate Method	1) Enter the setting value, and then press OK key. 2) Turn OFF/ON the main power switch.	
Display/Adj/Set Range	0 to 1 0: OFF, 1: ON	
Default Value	1	
UI-PRINT	2	Set of secured print-related UI display
Detail	To set whether to display UI related to secured print.	
Use Case	Upon user's request	
Adj/Set/Operate Method	1) Enter the setting value, and then press OK key. 2) Turn OFF/ON the main power switch.	
Display/Adj/Set Range	0 to 2 0: Hide all UIs related to secured print 1: Display all UIs related to secured print 2: Hide Secured Print button in the main menu and the simple authentication settings in [Settings/Registration]	
Default Value	0	
IMGC-ADJ	1	ON/OFF of img adj item dspl in [Set/Reg]
Detail	To set whether to display the item relating to image adjustment in [Settings/Registration]. When 1 is set, detailed image adjustment procedure will be displayed only for the paper duplicated in Preferences> Paper Settings> Paper Type Management Settings.	
Use Case	As needed	
Adj/Set/Operate Method	1) Enter the setting value, and then press OK key. 2) Turn OFF/ON the main power switch.	
Display/Adj/Set Range	0 to 1 0: Hide, 1: Display	
Default Value	0	
Additional Functions Mode	Preferences> Paper Settings> Set Paper Type Management	
UI-RSCAN	2	ON/OFF of remote scan screen display
Detail	To set whether to display the remote scan screen on the Control Panel.	
Use Case	Upon user's request	
Adj/Set/Operate Method	1) Enter the setting value, and then press OK key. 2) Turn OFF/ON the main power switch.	
Display/Adj/Set Range	0 to 1 0: OFF, 1: ON	
Default Value	1	

COPIER (Service mode for printer) > OPTION (Specification setting mode) > DSPLY-SW

UI-WEB	2	ON/OFF of Web browser screen display
Detail	To set whether to display or hide the Web browser screen.	
Use Case	Upon user's request	
Adj/Set/Operate Method	1) Enter the setting value, and then press OK key. 2) Turn OFF/ON the main power switch.	
Display/Adj/Set Range	0 to 1 0: Hide, 1: Display	
Default Value	1	
RMT-CNSL	1	Allow console application connection
Detail	To set whether to allow connection from a console application (RemoteConsole). When 1 is set, logs of MEAP application can be collected via the console application activated on a PC.	
Use Case	When collecting logs of MEAP application	
Adj/Set/Operate Method	1) Enter the setting value, and then press OK key. 2) Turn OFF/ON the main power switch.	
Display/Adj/Set Range	0 to 1 0: OFF, 1: ON	
Default Value	0	
UI-SBOX	2	ON/OFF of Advanced Box screen display
Detail	*Operation on this item is restricted by the setting of [Restrict Service Representation Access]. To set ON/OFF of the Advanced Box screen on the Control Panel. The setting values 0 (OFF) and 1 (ON) are linked with OFF and ON of [Advanced Box/Network] in [Settings/Registration] respectively. The setting is reflected after turning OFF/ON the power.	
Use Case	When not displaying the Advanced Box screen on the Control Panel	
Adj/Set/Operate Method	1) Enter the setting value, and then press OK key. 2) Turn OFF/ON the main power switch.	
Display/Adj/Set Range	0 to 1 0: OFF, 1: ON	
Default Value	It differs according to the location.	
Additional Functions Mode	Preferences> Display Settings> Store Location Display Settings> Advanced Box/Network	
UI-MEM	2	ON/OFF of memory media screen display
Detail	*Operation on this item is restricted by the setting of [Restrict Service Representation Access]. To set ON/OFF of the memory media screen display on the Control Panel. The setting values 0 (OFF) and 1 (ON) are linked with OFF and ON of [Memory Media] in [Settings/Registration] respectively. The setting is reflected after turning OFF/ON the power.	
Use Case	When not displaying the memory media screen on the Control Panel	
Adj/Set/Operate Method	1) Enter the setting value, and then press OK key. 2) Turn OFF/ON the main power switch.	
Display/Adj/Set Range	0 to 1 0: OFF, 1: ON	
Default Value	1	
Additional Functions Mode	Preferences> Display Settings> Store Location Display Settings> Memory Media	

COPIER (Service mode for printer) > OPTION (Specification setting mode) > DSPLY-SW

UI-NAVI	2	ON/OFF of Tutorial display
Detail		To set whether to display or hide "Introduction to Useful Features" in the main menu.
Use Case		Upon user's request
Adj/Set/Operate Method		1) Enter the setting value, and then press OK key. 2) Turn OFF/ON the main power switch.
Display/Adj/Set Range		0 to 1 0: Hide, 1: Display
Default Value		1
SDTM-DSP	1	ON/OFF of auto shutdown shift time dsp
Detail		To set whether to display [Auto Shutdown Time] in [Settings/Registration].
Use Case		Upon user's request
Adj/Set/Operate Method		Enter the setting value, and then press OK key.
Caution		When 0 is set, automatic shutdown is not executed.
Display/Adj/Set Range		0 to 1 0: OFF, 1: ON
Default Value		It differs according to the location.
Additional Functions Mode		Preferences> Timer/Energy Settings> Auto Shutdown Time
PRCLNSW	2	Fixing Pressure Roll clean mssg dsp
Detail		To set whether to display the message prompting to clean the Fixing Pressure Roller. The timing to display the message can be adjusted in PR-CLN.
Use Case		When a soiled image occurs because toner adheres to the Fixing Pressure Roller
Adj/Set/Operate Method		Enter the setting value, and then press OK key.
Display/Adj/Set Range		0 to 1 0: Hide, 1: Display
Default Value		0
Related Service Mode		COPIER> OPTION> CLEANING> PR-CLN
UI-PPA	2	ON/OFF of PPA screen display
Detail		To set whether to display PPA-related information on the Control Panel or remote UI. The setting is linked with LGCY-SCP. When LGCY-SCP is set to 0, the setting of this item becomes 1. When LGCY-SCP is set to 1, the setting of this item becomes 0.
Use Case		When not displaying PPA-related information on the screen
Adj/Set/Operate Method		1) Enter the setting value, and then press OK key. 2) Turn OFF/ON the main power switch.
Display/Adj/Set Range		0 to 1 0: OFF, 1: ON
Default Value		0 (non PPA-installed machine)/1 (PPA-installed machine)
Related Service Mode		COPIER> OPTION> USER> LGCY-SCP
Supplement/Memo		PPA (Personal Print Application): A function to hold print job. It contains the secured print function.
CE-DSP	2	[Reserve]

COPIER (Service mode for printer) > OPTION (Specification setting mode) > DSPLY-SW

LOCAL-SZ	1	ON/OFF area-spec stdrd size ppr set scrn
Detail	To set whether to display the area-specific standard size paper on the paper settings screen in [Settings/Registration]. When 1 is set, paper type (FOOLSCAP, OFICIO, etc.) can be set on the paper settings screen for each paper source.	
Use Case	Upon user's request	
Adj/Set/Operate Method	Enter the setting value, and then press OK key.	
Display/Adj/Set Range	0 to 1 0: OFF, 1: ON	
Default Value	It differs according to the location.	
Additional Functions Mode	Preferences> Paper Settings> Paper Settings	
SND-NAME	1	Setting of [Scan and Send] button name
Detail	To set the name of [Scan and Send] button displayed in the main menu.	
Use Case	Upon user's request	
Adj/Set/Operate Method	1) Enter the setting value, and then press OK key. 2) Turn OFF/ON the main power switch.	
Display/Adj/Set Range	0 to 2 0: [Scan and Send], 1: [Scan], 2: [Scan]	
Default Value	0	
PCMP-DSP	1	Set copy cmpl scrn dspl:chg w/devc alone
Detail	To set whether to display the screen indicating completion of copying at the time of charging with a device alone. When 0 is set, a message "Copying is complete. Do you want to start the job again with the same settings?" is not displayed in a pop-up screen. When COIN is 4, this setting is enabled.	
Use Case	Upon user's request	
Adj/Set/Operate Method	Enter the setting value, and then press OK key.	
Display/Adj/Set Range	0 to 1 0: OFF, 1: ON	
Default Value	1	
Related Service Mode	COPIER> OPTION> ACC> COIN	
ERR-DISP	2	[For customization]
SVC-ACA	1	Display of ACA installation button
Detail	To set whether to display the [Install Auto Configuration Agent] button on the CDS Updater screen (user mode/service mode).	
Use Case	When switching to install/not to install the ACA via network	
Adj/Set/Operate Method	Enter the setting value, and then press OK key.	
Display/Adj/Set Range	0 to 2 0: Hide (Hide user mode/service mode) 1: Display only service mode (Hide user mode) 2: Display all (Display user mode/service mode)	
Default Value	It differs according to the location.	
Related Service Mode	Service Mode > Updater	
Additional Functions Mode	Management Settings> License/Other> Register/Update Software	
Supplement/Memo	ACA : Auto Configuration Agent	

COPIER (Service mode for printer) > OPTION (Specification setting mode) > DSPLY-SW

SVC-SRA	1	Display/hide of DBS installation button
Detail		To set whether to display the [Install Data Backup Service] button on the CDS Updater screen (user mode/service mode).
Use Case		When switching to install/not to install the Data Backup Service via network
Adj/Set/Operate Method		1) Enter the setting value, and then press OK key. 2) Turn OFF/ON the main power switch.
Caution		Depending on the setting value, display when entering from Settings/Registration and that from service mode differ.
Display/Adj/Set Range		0 to 2 0: Hide (Hide user mode/service mode) 1: Display only service mode (Hide user mode) 2: Display all (Display user mode/service mode)
Default Value		It differs according to the location.
Related Service Mode		Service Mode> Updater> Install Data Backup Service
Additional Functions Mode		Management Settings> License/Other> Register/Update Software> Install Data Backup Service
LF-DSP-S	2	Set Display/Hide Life VL in Service Mode
Detail		To set whether to display Life Value and Replacement Life Value on the service mode counter screen. If this option is set to 1, Life Value is displayed in the third column and Replacement Life Value in the fourth column of all items under COPIER > COUNTER > LIFE.
Use Case		When displaying Live Value and Replacement Life Value
Adj/Set/Operate Method		Enter the setting value, and then press OK key.
Caution		Change the setting in accordance with the instruction of the sales company HQ.
Display/Adj/Set Range		0 to 1 0: Hide, 1: Display
Default Value		The value differs according to the location.
Related Service Mode		COPIER > COUNTER > LIFE
LF-DSP-U	2	Dspy/hide Chk Consumable State/Days Left
Detail		To set whether to display the "Status" and "Number of Days Left" in Status Monitor/Cancel > Consmbls./Others > Check Consumables.
Use Case		When switching display/hide the Status and Number of Days Left.
Adj/Set/Operate Method		Enter the setting value, and then press OK key.
Caution		Change the setting in accordance with the instruction of the sales company HQ.
Display/Adj/Set Range		0 to 1 0: Hide, 1: Display
Default Value		The value differs according to the location.
Additional Functions Mode		Status Monitor/Cancel > Consmbls./Others > Consumables
ERRL-DSP	1	For R&D
JLG-UD-D	1	[For customization]

COPIER (Service mode for printer) > OPTION (Specification setting mode) > DSPLY-SW

UFOS-DSP	1	Display/hide of uniFLOW Setup
Detail		Service mode to switch to display or hide [uniFLOW Setup].
Use Case		When to switch to display or hide [uniFLOW Setup]
Adj/Set/Operate Method		1) Enter the setting value, and then press OK key. 2) Turn OFF/ON the main power switch.
Display/Adj/Set Range		0 to 1 0: Hide, 1: Display
Default Value		It differs according to the location.
Additional Functions Mode		Main Menu > uniFLOW Setup
Supplement/Memo		uniFLOW : The name of the product destined for China is "mdsFLOW".
SVC-DAT	1	For R&D

■ NETWORK

COPIER (Service mode for printer) > OPTION (Specification setting mode) > NETWORK

RAW-DATA	2	Setting of received data print mode
Detail		To set print mode for the received image data. This item is used to identify the cause whether it's due to image data or image processing in the case of problem with received image.
Use Case		When a problem with received image occurs
Adj/Set/Operate Method		1) Enter the setting value, and then press OK key. 2) Turn OFF/ON the main power switch.
Caution		Be sure to set the value back to 0 after recovering from the problem.
Display/Adj/Set Range		0 to 1 0: Normal print operation, 1: Print with original data without image processing
Default Value		0
IFAX-LIM	2	No. of max print lines at IFAX reception
Detail		To set the maximum number of lines for e-mail text to be printed when receiving IFAX. Setting of this item can prevent endless printing of the attached file data in the case of receiving an error e-mail or failure in interpretation of the context. Selecting 0 prints the header/footer in 1 sheet when receiving e-mail text without attached file.
Use Case		When preventing endless print in the case of failure in reception
Adj/Set/Operate Method		1) Enter the setting value, and then press OK key. 2) Turn OFF/ON the main power switch.
Display/Adj/Set Range		0 to 999 0: E-mail text not printed, 999: Unlimited
Default Value		500
SMTPTXPN	2	Setting of SMTP TX port number
Detail		*Operation on this item is restricted by the setting of [Restrict Service Representation Access]. To set SMTP transmission port number.
Use Case		Upon user's request
Adj/Set/Operate Method		1) Enter the setting value, and then press OK key. 2) Turn OFF/ON the main power switch.
Display/Adj/Set Range		0 to 65535
Default Value		25

COPIER (Service mode for printer) > OPTION (Specification setting mode) > NETWORK

SMTPRXPN	2	Setting of SMTP reception port number
Detail		*Operation on this item is restricted by the setting of [Restrict Service Representation Access]. To set SMTP reception port number.
Use Case		Upon user's request
Adj/Set/Operate Method		1) Enter the setting value, and then press OK key. 2) Turn OFF/ON the main power switch.
Display/Adj/Set Range		0 to 65535
Default Value		25
POP3PN	2	Setting of POP3 reception port number
Detail		*Operation on this item is restricted by the setting of [Restrict Service Representation Access]. To set POP3 reception port number.
Use Case		Upon user's request
Adj/Set/Operate Method		1) Enter the setting value, and then press OK key. 2) Turn OFF/ON the main power switch.
Display/Adj/Set Range		0 to 65535
Default Value		110
FTPTXPN	1	Specification of SEND port (FTP) number
Detail		*Operation on this item is restricted by the setting of [Restrict Service Representation Access]. To specify address port (FTP) number for SEND.
Use Case		Upon user's request
Adj/Set/Operate Method		1) Enter the setting value, and then press OK key. 2) Turn OFF/ON the main power switch.
Display/Adj/Set Range		0 to 65535
Default Value		21
NS-CMD5	2	Limit CRAM-MD5 auth method at SMTP auth
Detail		*Operation on this item is restricted by the setting of [Restrict Service Representation Access]. To restrict use of CRAM-MD5 authentication method at the time of SMTP authentication.
Use Case		Upon user's request
Adj/Set/Operate Method		1) Enter the setting value, and then press OK key. 2) Turn OFF/ON the main power switch.
Display/Adj/Set Range		0 to 1 0: SMTP server-dependent, 1: Not used
Default Value		0
Supplement/Memo		SMTP authentication: Protocol in which user authentication function is added to SMTP, which is the protocol to be used for e-mail transmission. At the time of e-mail transmission, this protocol executes authentication of the user account and the password between the SMTP server and the user to approve e-mail transmission only when it's authenticated.
NS-GSAPI	2	Limit GSSAPI auth method at SMTP auth
Detail		*Operation on this item is restricted by the setting of [Restrict Service Representation Access]. To restrict use of GSSAPI authentication method at the time of SMTP authentication.
Use Case		Upon user's request
Adj/Set/Operate Method		1) Enter the setting value, and then press OK key. 2) Turn OFF/ON the main power switch.
Display/Adj/Set Range		0 to 1 0: SMTP server-dependent, 1: Not used
Default Value		0
Supplement/Memo		SMTP authentication: Protocol in which user authentication function is added to SMTP, which is the protocol to be used for e-mail transmission. At the time of e-mail transmission, this protocol executes authentication of the user account and the password between the SMTP server and the user to approve e-mail transmission only when it's authenticated.

COPIER (Service mode for printer) > OPTION (Specification setting mode) > NETWORK

NS-NTLM	2	Limit NTLM auth method at SMTP auth
Detail	*Operation on this item is restricted by the setting of [Restrict Service Representation Access]. To restrict use of NTLM authentication method at the time of SMTP authentication.	
Use Case	Upon user's request	
Adj/Set/Operate Method	1) Enter the setting value, and then press OK key. 2) Turn OFF/ON the main power switch.	
Display/Adj/Set Range	0 to 1 0: SMTP server-dependent, 1: Not used	
Default Value	0	
Supplement/Memo	SMTP authentication: Protocol in which user authentication function is added to SMTP, which is the protocol to be used for e-mail transmission. At the time of e-mail transmission, this protocol executes authentication of the user account and the password between the SMTP server and the user to approve e-mail transmission only when it's authenticated.	
NS-PLNWS	2	Limit plaintext auth at SMTP auth encry
Detail	*Operation on this item is restricted by the setting of [Restrict Service Representation Access]. To restrict use of PLAIN/LOGIN authentication, which is plaintext, at the time of SMTP authentication under the environment where the communication packet is encrypted.	
Use Case	Upon user's request	
Adj/Set/Operate Method	1) Enter the setting value, and then press OK key. 2) Turn OFF/ON the main power switch.	
Display/Adj/Set Range	0 to 1 0: SMTP server-dependent, 1: Not used	
Default Value	0	
Supplement/Memo	SMTP authentication: Protocol in which user authentication function is added to SMTP, which is the protocol to be used for e-mail transmission. At the time of e-mail transmission, this protocol executes authentication of the user account and the password between the SMTP server and the user to approve e-mail transmission only when it's authenticated.	
NS-PLN	2	Limit plaintext auth at SMTPauth noency
Detail	*Operation on this item is restricted by the setting of [Restrict Service Representation Access]. To restrict use of PLAIN/LOGIN authentication, which is plaintext, at the time of SMTP authentication under the environment where the communication packet is not encrypted.	
Use Case	Upon user's request	
Adj/Set/Operate Method	1) Enter the setting value, and then press OK key. 2) Turn OFF/ON the main power switch.	
Display/Adj/Set Range	0 to 1 0: SMTP server-dependent, 1: Not used	
Default Value	0	
Supplement/Memo	SMTP authentication: Protocol in which user authentication function is added to SMTP, which is the protocol to be used for e-mail transmission. At the time of e-mail transmission, this protocol executes authentication of the user account and the password between the SMTP server and the user to approve e-mail transmission only when it's authenticated.	

COPIER (Service mode for printer) > OPTION (Specification setting mode) > NETWORK

NS-LGN	2	Limit LOGIN authentication at SMTP auth
Detail	*Operation on this item is restricted by the setting of [Restrict Service Representation Access]. To restrict use of LOGIN authentication at the time of SMTP authentication.	
Use Case	Upon user's request	
Adj/Set/Operate Method	1) Enter the setting value, and then press OK key. 2) Turn OFF/ON the main power switch.	
Display/Adj/Set Range	0 to 1 0: SMTP server-dependent, 1: Not used	
Default Value	0	
Supplement/Memo	SMTP authentication: Protocol in which user authentication function is added to SMTP, which is the protocol to be used for e-mail transmission. At the time of e-mail transmission, this protocol executes authentication of the user account and the password between the SMTP server and the user to approve e-mail transmission only when it's authenticated.	
MEAP-PN	2	HTTP port No.setting of MEAP application
Detail	*Operation on this item is restricted by the setting of [Restrict Service Representation Access]. To set HTTP port number of MEAP application.	
Use Case	Upon user's request	
Adj/Set/Operate Method	1) Enter the setting value, and then press OK key. 2) Turn OFF/ON the main power switch.	
Caution	Do not specify port 8080 when the Print Server is connected. Otherwise, you cannot browse the device RUI in which MEAP authentication application is running (Port 8080 is reserved for redirection of EFI Controller to the iR side.)	
Display/Adj/Set Range	1 to 65535	
Default Value	8000	
RMT-LGIN	2	For R&D
MEAP-SSL	2	HTTPS port setting of MEAP
Detail	*Operation on this item is restricted by the setting of [Restrict Service Representation Access]. To set the port of HTTPS server in the case of using SSL with HTTP of MEAP.	
Use Case	When specifying the setting of HTTPS port for MEAP	
Adj/Set/Operate Method	1) Enter the setting value, and then press OK key. 2) Turn OFF/ON the main power switch.	
Display/Adj/Set Range	0 to 65535	
Default Value	8443	
LPD-PORT	2	Setting of LPD port number
Detail	*Operation on this item is restricted by the setting of [Restrict Service Representation Access]. To set the LPD port number.	
Use Case	Upon user's request	
Adj/Set/Operate Method	1) Enter the setting value, and then press OK key. 2) Turn OFF/ON the main power switch.	
Display/Adj/Set Range	1 to 65535	
Default Value	515	
Supplement/Memo	LPD port: Network port for TCP/IP communication when making prints through network.	

COPIER (Service mode for printer) > OPTION (Specification setting mode) > NETWORK

WUEN-LIV	2	Recovery time setting after sleep notice
Detail	To set the time from the sleep start from network without job assignment until the mode is shifted to the sleep mode.	
Use Case	When setting the startup time after sleep notification	
Adj/Set/Operate Method	1) Enter the setting value, and then press OK key. 2) Turn OFF/ON the main power switch.	
Display/Adj/Set Range	10 to 600	
Unit	sec	
Default Value	15	
IFX-CHIG	1	Set operation by IFAX recv mail content
Detail	To set the number of characters for the IFAX received mail content, so that the mail is not printed/forwarded when the characters in the text is less than the number of specified characters. This machine can output blank paper because some senders send e-mail text consists of linefeed codes only. In such case, specify 2 (number of characters) so that there will be no output of blank paper. In the case of specifying any number other than 0, header/footer is printed/forwarded in 1 sheet only if the e-mail (body) text is less than the specified value while no TIFF file is attached. As the value is incremented by 1, the number of target characters in e-mail body text is increased by 1 character.	
Use Case	When reducing print of blank paper due to e-mail received by IFAX	
Adj/Set/Operate Method	1) Enter the setting value, and then press OK key. 2) Turn OFF/ON the main power switch.	
Caution	Be sure to get approval from the user by telling that there will be no print of e-mail (body) text if the number of characters is less than the specified value.	
Display/Adj/Set Range	0 to 999 0: E-mail (body) text is not ignored.	
Unit	char	
Default Value	0	
Supplement/Memo	1 Japanese Kanji character is calculated as 2 bytes, and the control codes (such as linefeed code, etc) are included in the number of characters.	
DNSTRANS	1	Setting of DNS query priority protocol
Detail	*Operation on this item is restricted by the setting of [Restrict Service Representation Access]. To set priority of the protocol (IPv4/IPv6) for DNS query. In the case of using both IPv6 and IPv4 while the DNS server supports IPv4, it takes time because of timeout when executing DNS query with priority on IPv6. Giving priority on query by IPv4 can shorten the time.	
Use Case	When it takes time to execute DNS query with priority on IPv6 because the DNS server supports IPv4	
Adj/Set/Operate Method	1) Enter the setting value, and then press OK key. 2) Turn OFF/ON the main power switch.	
Display/Adj/Set Range	0 to 1 0: IPv4, 1: IPv6	
Default Value	1	

COPIER (Service mode for printer) > OPTION (Specification setting mode) > NETWORK

PROXYRES	2	Setting of proxy response to Windows
Detail	*Operation on this item is restricted by the setting of [Restrict Service Representation Access]. To set whether to provide proxy response or return the device status when an inquiry is received via Windows while the device is in sleep mode.	
Use Case	When executing status response for query from Windows correctly	
Adj/Set/Operate Method	1) Enter the setting value, and then press OK key. 2) Turn OFF/ON the main power switch.	
Display/Adj/Set Range	0 to 1 0: No proxy response, 1: Proxy response	
Default Value	1	
WOLTRANS	1	ON/OFF sleep recover by packet reception
Detail	*Operation on this item is restricted by the setting of [Restrict Service Representation Access]. To set whether to recover from deep sleep when receiving unicast packets to the machine (excluding proxy response).	
Adj/Set/Operate Method	1) Enter the setting value, and then press OK key. 2) Turn OFF/ON the main power switch.	
Display/Adj/Set Range	1 to 2 1: ON, 2: OFF	
Default Value	1	
802XTOUT	1	Set of IEEE802.1X authentication timeout
Detail	*Operation on this item is restricted by the setting of [Restrict Service Representation Access]. To set timeout value for IEEE802.1X authentication. If the device executes 802.1X authentication, change the wait time for response from the authentication server.	
Use Case	When response from the authentication server is slow/fast	
Adj/Set/Operate Method	1) Enter the setting value, and then press OK key. 2) Turn OFF/ON the main power switch.	
Display/Adj/Set Range	10 to 120	
Unit	sec	
Default Value	30	
SPDALDEL	2	Initialization of SPD value
Detail	*Operation on this item is restricted by the setting of [Restrict Service Representation Access]. To initialize all the SPD values that are under management. SPD values can be initialized without clearing SRAM.	
Adj/Set/Operate Method	1) Enter the setting value, and then press OK key. 2) Turn OFF/ON the main power switch.	
Display/Adj/Set Range	0 to 1 0: OFF, 1: ON	
Default Value	0	
Supplement/Memo	SPD: Database that manages SA (Security Association). SPD value is managed when IPSec Board is used. Normally, SRAM needs to be cleared in the case of mismatch in SPD value.	

COPIER (Service mode for printer) > OPTION (Specification setting mode) > NETWORK

NCONF-SW	1	ON/OFF of Network Configurator function
Detail	*Operation on this item is restricted by the setting of [Restrict Service Representation Access]. To set ON/OFF of Network Configurator function. If the user does not use the function, select OFF to prevent remote attack through network.	
Use Case	Upon user's request	
Adj/Set/Operate Method	1) Enter the setting value, and then press OK key. 2) Turn OFF/ON the main power switch.	
Display/Adj/Set Range	0 to 1 0: OFF, 1: ON	
Default Value	1	
Supplement/Memo	Network Configurator function is a function to be used for communication with NetSpot Device Installer, etc., and the network setting can be changed from the remote.	
AFS-JOB	1	Set of FAX server job reception port
Detail	*Operation on this item is restricted by the setting of [Restrict Service Representation Access]. To set the reception port of the fax server to which a fax client sends jobs.	
Use Case	When changing the job reception port of the fax server	
Adj/Set/Operate Method	1) Enter the setting value, and then press OK key. 2) Turn OFF/ON the main power switch.	
Display/Adj/Set Range	0 to 65535	
Default Value	20317	
Related Service Mode	COPIER> OPTION> NETWORK> AFC-EVNT	
AFC-EVNT	1	Set of FAX client event reception port
Detail	*Operation on this item is restricted by the setting of [Restrict Service Representation Access]. To set the event notification reception port of a fax client.	
Use Case	When changing the event notification reception port of a fax client	
Adj/Set/Operate Method	1) Enter the setting value, and then press OK key. 2) Turn OFF/ON the main power switch.	
Display/Adj/Set Range	0 to 65535	
Default Value	29400	
Related Service Mode	COPIER> OPTION> NETWORK> AFS-JOB	
ILOGMODE	1	Setting of filter log target packet
Detail	*Operation on this item is restricted by the setting of [Restrict Service Representation Access]. To set the target packet to be recorded in the filter log. Usually, only the unicast packets to the machine are recorded in the filter log by PFW (personal firewall). When 1 is set, address filter is enabled for all protocols so all packets are recorded in the filter log. However, logs of multicast/broadcast packets sent from a harmless device or an address that are subject to rejection and have no direct relation to the machine are also recorded, and consequently the number of logs is increased.	
Use Case	Upon user's request (to collect all filter logs)	
Adj/Set/Operate Method	1) Enter the setting value, and then press OK key. 2) Turn OFF/ON the main power switch.	
Caution	When 1 is set, the number of logs is increased because logs of packets which have no direct relation to the machine are recorded.	
Display/Adj/Set Range	0 to 1 0: Unicast packets to the machine only, 1: All packets	
Default Value	0	

COPIER (Service mode for printer) > OPTION (Specification setting mode) > NETWORK

ILOGKEEP	1	Set of IP address block log hold time
Detail	<p>*Operation on this item is restricted by the setting of [Restrict Service Representation Access]. To set the retention time from the log time of IP block. When access is made again from a same IP address which was blocked before, if it is within the retention time of the previous log, its log is not recorded. If access is frequently made from a same IP address, the log record of the UI might be filled with its logs. If the user considers that a single log for a same IP address is enough, set the longer retention time.</p>	
Use Case	Upon user's request	
Adj/Set/Operate Method	1) Enter the setting value, and then press OK key. 2) Turn OFF/ON the main power switch.	
Display/Adj/Set Range	0 to 48 0: 1 minute (special mode) 1 to 48: 1 hour to 48 hours	
Default Value	1	
IPTBROAD	1	Set to allow broad/multicast TX
Detail	<p>*Operation on this item is restricted by the setting of [Restrict Service Representation Access]. To set whether to permit transmission of broadcast packets and multicast packets. Transmission of broadcast packets and multicast packets is permitted without specifying an exception address. It is permitted within the device even if it is rejected in the default setting of the IPv4/v6 transmission filter. Set "1: Disabled" when the user does not want to send them.</p>	
Use Case	Upon user's request	
Adj/Set/Operate Method	Enter the setting value, and then press OK key.	
Display/Adj/Set Range	0 to 5 0: Enabled, 1: Disabled, 2 to 5: Not used	
Default Value	0	
PFWFTPRT	1	Set of RST reply at IP filter FTP SEND
Detail	<p>*Operation on this item is restricted by the setting of [Restrict Service Representation Access]. When FTP SEND is executed using an IP filter by which packets from a specific remote PC are rejected, SYN is returned to the port 113 if the PC supports authentication of the FTP port 113. However, since the IP filter blocks the packets, the block logs are increased and the performance is lowered. When 1 is set, RST is returned to the port 113 without blocking packets.</p>	
Use Case	When executing FTP SEND against the OS which supports authentication of the FTP port 113 while the IP filter is enabled	
Adj/Set/Operate Method	Enter the setting value, and then press OK key.	
Display/Adj/Set Range	0 to 1 0: OFF, 1: ON	
Default Value	0	
DDNSINTV	1	Set of DDNS periodical update interval
Detail	<p>DNS registration is executed only once at start-up with the current iR, so the registered contents are deleted in an environment where the DNS server settings are deleted at intervals. To set the interval of DDNS periodical update for not deleting the registered contents.</p>	
Use Case	When the DNS server settings are deleted at intervals	
Adj/Set/Operate Method	Enter the setting value, and then press OK key.	
Display/Adj/Set Range	0 to 48 0: No periodical update, 1: 1-hour interval, 2: 2-hour interval, ..., 47: 47-hour interval, 48: 48-hour interval	
Unit	hour	
Default Value	24	

COPIER (Service mode for printer) > OPTION (Specification setting mode) > NETWORK

SIPAUDIO	2	Set of SIP session establishment order
Detail	To set whether to establish audio session or T.38 session first with SIP. Usually, audio session followed by T.38 session is established when using IPFAX in an intranet environment. However, this order is not specified by the standard. Set 1 when connecting the SIP server or terminal where the session starts with T.38 session.	
Use Case	When connecting the SIP server or terminal where the session starts with T.38 session	
Adj/Set/Operate Method	Enter the setting value, and then press OK key.	
Caution	When 1 is set, IPFAX fails with the destination where the session starts with audio session.	
Display/Adj/Set Range	0 to 1 0: audio, 1: T.38	
Default Value	0	
Supplement/Memo	SIP: Session Initiation Protocol	
SIPINOUT	2	Set of internal/external number to URI
Detail	To set whether to store the external number or the internal number in From URI when using NGN.	
Use Case	When a call cannot be made with external number while using NGN	
Adj/Set/Operate Method	1) Enter the setting value, and then press OK key. 2) Turn OFF/ON the main power switch.	
Display/Adj/Set Range	0 to 1 0: External number, 1: Internal number	
Default Value	0	
Supplement/Memo	NGN: Next Generation Network URI: Uniform Resource Identifier	
SIPREGPR	2	Setting of registrar server use protocol
Detail	To set the protocol used for communication with registrar server. Although the protocol that is the same as the one for proxy server is usually used, another protocol can be used in accordance with user and environment.	
Use Case	Upon user's request (to use a protocol different from the one for proxy server)	
Adj/Set/Operate Method	Enter the setting value, and then press OK key.	
Display/Adj/Set Range	0 to 3 0: Protocol set in Settings/Registration menu, 1: UDP, 2: TCP, 3: SSL	
Default Value	0	
Additional Functions Mode	Preferences> Network> TCP/IP Settings> SIP Settings> Intranet Settings	
VLAN-SW	2	ON/OFF VLAN participation packets send
Detail	To set whether to send packets for participating in dynamic VLAN at link-up.	
Use Case	When participating in dynamic VLAN	
Adj/Set/Operate Method	Enter the setting value, and then press OK key.	
Display/Adj/Set Range	0 to 1 0: OFF, 1: ON	
Default Value	0	
Supplement/Memo	- VLAN (Virtual LAN): A method for realizing grouping of terminals depending on the hub, switch connection port, MAC address, protocol, etc. - At link-up: At startup, when LAN cable is connected, when recovering from deep sleep, when pressing the button to reflect the setting (dynamic update) - If IP address of the machine has not been set, an IP address is assigned after participating in VLAN.	

COPIER (Service mode for printer) > OPTION (Specification setting mode) > NETWORK

FTPMODE	1	Set of FTP print default operation mode
Detail		To set the default operation mode of FTP print. Switch the default operation mode between ASCII mode and BIN mode in accordance with user's environment.
Use Case		At installation
Adj/Set/Operate Method		1) Enter the setting value, and then press OK key. 2) Turn OFF/ON the main power switch.
Display/Adj/Set Range		0 to 1 0: ASCII mode, 1: BIN mode
Default Value		0
SSLMODE	2	Setting of HTTP/HTTPS port open/close
Detail		*Operation on this item is restricted by the setting of [Restrict Service Representation Access]. To set whether to open or close HTTP/HTTPS port. When 1 is set while [Use HTTP] is ON and [Use TLS] is OFF in Settings/Registration menu, HTTP port is opened whereas HTTPS port is closed. When 2 is set while both [Use HTTP] and [Use TLS] are ON in Settings/Registration menu, HTTP port is closed whereas HTTPS port is opened.
Use Case		When limiting the port to open because of security concern
Adj/Set/Operate Method		1) Enter the setting value, and then press OK key. 2) Turn OFF/ON the main power switch.
Display/Adj/Set Range		0 to 2 0: Normal, 1: Open HTTP port (80/8000) only, 2: Open HTTPS port (443/8443) only
Default Value		0
Additional Functions Mode		Preferences> Network> TCP/IP Settings> Use HTTP Management Settings> License/Other> MEAP Settings> Use TLS
SSLSTRNG	2	Allow weak encryption algorithm for SSL
Detail		To set whether to allow using weak encryption algorithm for SSL. When 1 is set, weak encryption algorithm cannot be used.
Use Case		When prohibiting weak encryption algorithm because of security concern
Adj/Set/Operate Method		1) Enter the setting value, and then press OK key. 2) Turn OFF/ON the main power switch.
Display/Adj/Set Range		0 to 1 0: Normal mode, 1: Secure mode (Not used TLS_RSA_WITH_RC4_128_SHA, TLS_RSA_WITH_RC4_128_MD5)
Default Value		1
NW-WAIT	2	Set connect wait at deep sleep recovery
Detail		To set whether to send wakeup notice after the time set in Settings/Registration menu has elapsed when recovering from deep sleep. When 0 is set, wakeup notice is sent after "Waiting Time for Connection at Startup" has elapsed. When 1 is set, wakeup notice is sent when the machine becomes ready for communication.
Use Case		When a failure of the device management tool occurs
Adj/Set/Operate Method		1) Enter the setting value, and then press OK key. 2) Turn OFF/ON the main power switch.
Display/Adj/Set Range		0 to 1 0: Wait, 1: Not wait
Default Value		0
Additional Functions Mode		Preferences> Network> Waiting Time for Connection at Startup

COPIER (Service mode for printer) > OPTION (Specification setting mode) > NETWORK

WLAN-USE	2	Setting of wireless LAN invalidation
Detail	To set whether to disable the wireless LAN. Bringing in and installation of the wireless LAN equipment may be prohibited depending on user. In such case, set 0 to prevent the wireless LAN to be used. When 0 is set, [Wireless Connection Settings] is not displayed in [Settings/Registration].	
Use Case	When bringing in and installation of the wireless LAN equipment is prohibited	
Adj/Set/Operate Method	1) Enter the setting value, and then press OK key. 2) Turn OFF/ON the main power switch.	
Display/Adj/Set Range	0 to 1 0: Disabled, 1: Enabled	
Default Value	1	
Additional Functions Mode	Preferences> Network> Wireless Connection Settings	
WLANPORT	2	Set of port filter at wireless LAN side
Detail	*Operation on this item is restricted by the setting of [Restrict Service Representation Access]. To set whether to open all ports at the wireless LAN side. When 0 is set, only the specific port is opened (filter is enabled). Set 1 when using an application which uses a port other than the specific port. All ports are opened (filter is disabled).	
Use Case	Upon user's request	
Adj/Set/Operate Method	1) Enter the setting value, and then press OK key. 2) Turn OFF/ON the main power switch.	
Display/Adj/Set Range	0 to 1 0: Open the specific port, 1: Open all ports	
Default Value	0	
RAW-PORT	2	[For customization]
LINKWAKE	2	Set of deep sleep recovery at link-up
Detail	To set whether to recover from deep sleep when link-up (disconnection and then connection of LAN cable) is detected. Set 0 if the closest hub or switch chatters at link-up. It can prevent recovery from deep sleep triggered by chattering.	
Use Case	When the machine recovers from deep sleep due to chattering of the closest hub or switch	
Adj/Set/Operate Method	1) Enter the setting value, and then press OK key. 2) Turn OFF/ON the main power switch.	
Display/Adj/Set Range	0 to 1 0: Not recovered, 1: Recovered	
Default Value	1	
WIFIRFCH	2	For R&D
BLEPOWER	2	Set of Bluetooth radio field strength
Detail	To set the radio field strength for transmission over BLE (Bluetooth Low Energy). As the value is changed by 1, the radio field strength is changed by 1 dBm.	
Use Case	When radio field strength of BLE is not appropriate	
Adj/Set/Operate Method	1) Enter the setting value (switch negative/positive by +/- key) and press OK key. 2) Turn OFF/ON the main power switch.	
Caution	Do not change the setting in Singapore. It is prohibited by law.	
Display/Adj/Set Range	-10 to -1 (-10 to -1 dBm)	
Default Value	-5	
WSMC-USE	2	[Not used]
WSMC-RST	2	[Not used]
INTENT	2	For R&D

■ ENV-SET

COPIER (Service mode for printer) > OPTION (Specification setting mode) > ENV-SET

ENVP-INT	1	Temp, humid/Fix Roll temp log get cycle
Detail		To set the cycle to obtain log of the temperature and humidity inside the machine or the surface temperature of the Fixing Roller. As the value is incremented by 1, the cycle is increased by 1 minute. Obtained log can be displayed by selecting the following: COPIER> DISPLAY> ENVRNT
Use Case		At trouble analysis
Adj/Set/Operate Method		1) Enter the setting value, and then press OK key. 2) Turn OFF/ON the main power switch.
Caution		Be sure to set "High" for [Sleep Mode Energy Use] in [Settings/Registration] before collecting logs, and change the value back to its original setting after log collection.
Display/Adj/Set Range		0 to 480
Unit		min
Default Value		60
Related Service Mode		COPIER> DISPLAY> ENVRNT
Additional Functions Mode		Preferences> Timer/Energy Settings> Sleep Mode Energy Use
Amount of Change per Unit		1

■ CLEANING

COPIER (Service mode for printer) > OPTION (Specification setting mode) > CLEANING

PR-CLN	2	Set Fix Pressure Roll clean dspl condtn
Detail		To set the conditions to display the message prompting to clean the Fixing Pressure Roller. When the number of continuous 1-sided prints exceeds the setting value while PRCLNSW is set to 1, the message is displayed. By executing a 2-sided job or cleaning, the Counter for this mode is reset.
Use Case		When a soiled image occurs because toner adheres to the Fixing Pressure Roller
Adj/Set/Operate Method		Enter the setting value, and then press OK key.
Caution		If the value is too large, image soiling may occur.
Display/Adj/Set Range		1 to 50 1: 1000 sheets 2: 2000 sheets 3: 3000 sheets ... 50: 50000 sheets
Default Value		2
Related Service Mode		COPIER> OPTION> DSPLY-SW> PRCLNSW

■ FEED-SW

COPIER (Service mode for printer) > OPTION (Specification setting mode) > FEED-SW

EVLP-FS	1	Set of fix speed when feeding envlp
Detail		To set the stop and the fixing speed of arch control when feeding envelope. The fixing speed can be set by 0.5% increments. Decrease the value when fine line displacement occurs on trailing edge of envelope, and increase the value when wrinkles occur.
Use Case		When fine line displacement or wrinkles occur on trailing edge while feeding envelope
Adj/Set/Operate Method		Enter the setting value, and then press OK key.
Caution		Be sure to set the value a little at a time. Otherwise, fixing offset/fixing failure occurs when setting an extreme value.
Display/Adj/Set Range		-4 to 3 -4: No arch control/fixing speed-2.0% -3: No arch control/fixing speed-1.5% -2: No arch control/fixing speed-1.0% -1: No arch control/fixing speed-0.5% 0: OFF (Default) 1: No arch control/fixing speed+0.0% 2: No arch control/fixing speed+0.5% 3: No arch control/fixing speed+1.0%
Default Value		0
TFL-RTC	1	Set delvry dest at rcvry after tray full
Detail		To select the delivery destination for a job with multiple pages after recovering the Delivery Tray that reaches the full level. When 0 is set, a job is output from the delivery destination again from which the last job was delivered. When 1 is set, a job is output from the delivery destination which priority is set as high at "Output Tray Settings" in [Settings/Registration].
Use Case		When changing the delivery tray
Adj/Set/Operate Method		1) Enter the setting value, and then press OK key. 2) Turn OFF/ON the main power switch.
Display/Adj/Set Range		0 to 1 0: Output from the tray from which the last job was output, 1: Output from the delivery destination which priority is high among the delivery trays
Default Value		0
Additional Functions Mode		Function Settings> Common> Paper Output Settings> Output Tray Settings
SP-SW	1	Disable static elimination control
Detail		To set the value to 1 to change the static eliminator bias value to 0V.
Use Case		When white spots are generated on thin/moist paper in high humidity environment due to excessive static elimination bias
Adj/Set/Operate Method		Enter the setting value, and then press OK key.
Display/Adj/Set Range		0 to 1 0: Static elimination bias ON, 1: static elimination bias OFF
Default Value		0

■ IMG-RDR

COPIER (Service mode for printer) > OPTION (Specification setting mode) > IMG-RDR

DFDST-L1	1	Adj dust detect level: ppr intvl, DADF
Detail	To adjust dust detection level with dust detection correction control that is executed at paper interval in DADF mode. Reduce the value in the case of frequent display of cleaning instruction at the time of dust detection. As the value is smaller, the dust is less detected. Increase the value when black lines appear. As the value is larger, the small dust is more likely detected.	
Use Case	- When black line occurs due to dust - Upon user's request	
Adj/Set/Operate Method	1) Enter the setting value, and then press OK key. 2) Turn OFF/ON the main power switch.	
Caution	When increasing the value too much, the cleaning instruction screen may appear too often since even small dust that will not be appeared on the image can be detected. When decreasing the value too much, black lines may appear.	
Display/Adj/Set Range	1 to 255	
Default Value	200	
Related Service Mode	COPIER> OPTION> IMG-RDR> DFDST-L2	
Supplement/Memo	Black lines may appear on the image if there is dust. With dust detection correction control, the image is corrected to prevent black lines once dust is detected.	
DF2DSTL1	1	Adj dust dtct level:strem, ppr int, back
Detail	To adjust dust detection level that is executed in the Scanner Unit (Paper Back) at paper interval at the stream reading with DADF (1-path model). Reduce the value in the case of frequent display of cleaning instruction at the time of dust detection. As the value is smaller, dust is less likely to be detected. Increase the value when black lines appear. As the value is larger, the small dust is more likely to be detected.	
Use Case	Upon user's request	
Adj/Set/Operate Method	1) Enter the setting value, and then press OK key. 2) Turn OFF/ON the main power switch.	
Caution	If the value is too large, the cleaning instruction screen may appear too often since even small dust that will not appear on the image can be detected. If the value is too small, black lines may appear.	
Display/Adj/Set Range	1 to 255 1 to 84: Weakest, 85 to 169: Weak, 170 to 254: Moderate, 255: Strong	
Default Value	200	
Supplement/Memo	Black lines may appear on the image if there is dust. With dust detection correction control, the image is corrected to prevent black lines once dust is detected.	

■ IMG-MCON

COPIER (Service mode for printer) > OPTION (Specification setting mode) > IMG-MCON

SHARP	2	Setting of sharpness level of image
Detail	To set the setting level (center value) of sharpness of image. As the value is increased, the image tends to be sharp, and as the value is decreased, image tends to be soft.	
Use Case	Upon user's request	
Adj/Set/Operate Method	1) Enter the setting value, and then press OK key. 2) Turn OFF/ON the main power switch.	
Display/Adj/Set Range	1 to 5	
Default Value	3	

COPIER (Service mode for printer) > OPTION (Specification setting mode) > IMG-MCON

VP-ART	2	Setting of line art processing
Detail	To set outline processing for line art on scalable PDF. In the outline processing, a binary image outline is extracted in the field which is recognized as line art, and is converted into vector data. Specify whether to convert the binary image outline into vector data or to recognize it as one line (as a thin line). For the thin line, the line width can be specified. Change this value when you want to obtain an output of a wide-width line as one line rather than as an outline (when you want to prioritize edit operation as a line rather than image quality).	
Use Case	Upon user's request	
Adj/Set/Operate Method	1) Enter the setting value, and then press OK key. 2) Turn OFF/ON the main power switch.	
Display/Adj/Set Range	0 to 99	
Default Value	1	
VP-TXT	2	Setting of character vectorization
Detail	To set vector conversion processing for text on scalable PDF. In the vector conversion processing, a binary image outline is extracted in the field which is recognized as text, and is converted into vector data. In regular vector conversion, function approximation is not used for small text because the image quality is not changed. When the value is changed, function approximation processing is executed for small text, which realizes smooth text although the image quality is changed. Change this value when you want to prioritize smoothness in small text.	
Use Case	Upon user's request	
Adj/Set/Operate Method	1) Enter the setting value, and then press OK key. 2) Turn OFF/ON the main power switch.	
Display/Adj/Set Range	0 to 99	
Default Value	1	
C-PDL-T	2	Setting of PDL gradation reference
Detail	To set whether gradation or density to be prioritized as the gradation reference for PDL. With priority on gradation (% of halftone dots), gradation is matched with original on the shadow area although the maximum density decreases. With priority on density, density is always matched with original.	
Use Case	Upon user's request	
Adj/Set/Operate Method	Enter the setting value, and then press OK key.	
Display/Adj/Set Range	0 to 1 0: Priority on gradation (% of halftone dots), 1: Priority on density	
Default Value	0	
Supplement/Memo	Abbreviation of CAL_PDL_Target	
C-S-C-D	2	High density end edge crrect ON/OFF: copy
Detail	To set ON/OFF of high density trailing edge correction function at copy. With CAL of COPY, high density trailing edge correction function is ON in normal operation; however, set OFF as needed.	
Use Case	ON: When reducing jagged line and jagged outline of text OFF: When matching density with original on high density area, or when prioritizing density and gradation	
Adj/Set/Operate Method	Enter the setting value, and then press OK key.	
Display/Adj/Set Range	0 to 1 0: OFF, 1: ON	
Default Value	1	
Supplement/Memo	Abbreviation of CAL_Shadow_COPY_Density. When adjusting the input signal 255 to low in the case that the density of solid area is too high, jaggy (jagged effect of halftone) may occur to text, etc. By entering the input signal 255 as solid, occurrence of jaggy can be prevented.	

COPIER (Service mode for printer) > OPTION (Specification setting mode) > IMG-MCON

DOTSCT	2	Set high dens area white dot reduct mode
Detail	To set the mode to reduce white dots occur in the high density area with 600 dpi. Set 1 when white dots occur at regular intervals in the high density area. If it is not alleviated, set 2. Set 0 when degree of gradation in the high density area is decreased due to parts life or environment.	
Use Case	- When white dots occur at regular intervals in the high density area - When the degree of gradation is decreased because colors in the high density area become darker	
Adj/Set/Operate Method	Enter the setting value, and then press OK key.	
Caution	- It is enabled only for PDL job. - When 0 is set, white dots may be significant. - When 2 is set, gradation in the high density area may become not noticeable.	
Display/Adj/Set Range	0 to 2 0: OFF, 1: ON (Weak), 2: ON (Strong)	
Default Value	0	
SP-GRAD	2	ON/OFF of special gradation processing
Detail	To set whether to make the density gradation characteristics of halftone the same as that of conventional machines.	
Use Case	When making the density gradation characteristic the same as that of conventional machines	
Adj/Set/Operate Method	Enter the setting value, and then press OK key.	
Display/Adj/Set Range	0 to 1 0: ON, 1: OFF	
Default Value	1	
BIN-SEL	2	For R&D

■ IMG-FIX

COPIER (Service mode for printer) > OPTION (Specification setting mode) > IMG-FIX

RAG-CONT	1	Set fix smeared image ctrl mode level
Detail	To set level of the mode (skipping) to control smeared image caused by fixing area.	
Use Case	When a smeared image occurs	
Adj/Set/Operate Method	1) Enter the setting value, and then press OK key. 2) Turn OFF/ON the main power switch.	
Caution	Set RAG-SW to 1 to 3 to enable skipping.	
Display/Adj/Set Range	0 to 3 0: No skipping, 1: Small skipping, 2: Medium skipping, 3: Large skipping	
Default Value	1	
Supplement/Memo	When this mode is ineffective, use COPIER> ADJUST> DEVELOP> DE-OFS together.	

■ CUSTOM

COPIER (Service mode for printer) > OPTION (Specification setting mode) > CUSTOM

SCANTYPE	1	[Not used]
-----------------	----------	-------------------

COPIER (Service mode for printer) > OPTION (Specification setting mode) > CUSTOM

PDLEVCT1	2	Set event skipping at continuous PDL job
Detail	To set event skipping at continuous PDL job. During continuous operation, processing performance may be decreased due to other events generated by the event in operation. In this case, decrease of processing performance can be prevented by skipping the amount of event. Processing performance: No event skipping < Subject of skipping 1	
Use Case	Upon user's request	
Adj/Set/Operate Method	1) Enter the setting value, and then press OK key. 2) Turn OFF/ON the main power switch.	
Display/Adj/Set Range	0 to 1 0: No event skipping, 1: Subject of skipping 1	
Default Value	1	
ABK-TOOL	1	Allow access from address book mntc tool
Detail	*Operation on this item is restricted by the setting of [Restrict Service Representation Access]. To set whether to accept import from the address book maintenance tool.	
Use Case	When executing import from the address book maintenance tool	
Adj/Set/Operate Method	1) Enter the setting value, and then press OK key. 2) Turn OFF/ON the main power switch.	
Display/Adj/Set Range	0 to 1 0: Disabled, 1: Enabled	
Default Value	0	
Supplement/Memo	Address book maintenance tool: Tool provided from CMJ.	
DFEJCLED	1	ON/OFF of DADF Delivery Display LED
Detail	To set whether to light up the Delivery Display LED of DADF.	
Use Case	Upon user's request (The Delivery Display LED is too bright)	
Adj/Set/Operate Method	Enter the setting value, and then press OK key.	
Display/Adj/Set Range	0 to 1 0: ON, 1: OFF	
Default Value	0	
RDEV-SP1	2	RCON device special settings 1
Detail	To execute the device special setting.	
Use Case	For customization	
Adj/Set/Operate Method	1) Enter the setting value, and then press OK key. 2) Turn OFF/ON the main power switch.	
Caution	Use this mode only when specific instructions are given.	
Display/Adj/Set Range	00000000 to 11111111	
Default Value	0	
RDEV-SP2	2	RCON device special settings 2
Detail	To execute the device special setting.	
Use Case	For customization	
Adj/Set/Operate Method	1) Enter the setting value, and then press OK key. 2) Turn OFF/ON the main power switch.	
Caution	Use this mode only when specific instructions are given.	
Display/Adj/Set Range	00000000 to 11111111	
Default Value	0	

COPIER (Service mode for printer) > OPTION (Specification setting mode) > CUSTOM

RDEV-SP3	2	RCON device special settings 3
Detail		To execute the device special setting.
Use Case		For customization
Adj/Set/Operate Method		1) Enter the setting value, and then press OK key. 2) Turn OFF/ON the main power switch.
Caution		Use this mode only when specific instructions are given.
Display/Adj/Set Range		00000000 to 11111111
Default Value		0
RDEV-SP4	2	RCON device special settings 4
Detail		To execute the device special setting.
Use Case		For customization
Adj/Set/Operate Method		1) Enter the setting value, and then press OK key. 2) Turn OFF/ON the main power switch.
Caution		Use this mode only when specific instructions are given.
Display/Adj/Set Range		00000000 to 11111111
Default Value		0
RDEV-SP5	2	RCON device special settings 5
Detail		To execute the device special setting.
Use Case		For customization
Adj/Set/Operate Method		1) Enter the setting value, and then press OK key. 2) Turn OFF/ON the main power switch.
Caution		Use this mode only when specific instructions are given.
Display/Adj/Set Range		00000000 to 11111111
Default Value		0
RDEV-SP6	2	RCON device special settings 6
Detail		To execute the device special setting.
Use Case		For customization
Adj/Set/Operate Method		1) Enter the setting value, and then press OK key. 2) Turn OFF/ON the main power switch.
Caution		Use this mode only when specific instructions are given.
Display/Adj/Set Range		00000000 to 11111111
Default Value		0
RDEV-SP7	2	RCON device special settings 7
Detail		To execute the device special setting.
Use Case		For customization
Adj/Set/Operate Method		1) Enter the setting value, and then press OK key. 2) Turn OFF/ON the main power switch.
Caution		Use this mode only when specific instructions are given.
Display/Adj/Set Range		00000000 to 11111111
Default Value		0

COPIER (Service mode for printer) > OPTION (Specification setting mode) > CUSTOM

RDEV-SP8	2	RCON device special settings 8
Detail		To execute the device special setting.
Use Case		For customization
Adj/Set/Operate Method		1) Enter the setting value, and then press OK key. 2) Turn OFF/ON the main power switch.
Caution		Use this mode only when specific instructions are given.
Display/Adj/Set Range		00000000 to 11111111
Default Value		0
TIFFJPEG	2	[For customization]
DCM-EXCL	1	[For customization]
FPOt-MD	2	[For customization]

■ USER

COPIER (Service mode for printer) > OPTION (Specification setting mode) > USER

COPY-LIM	1	Setting of upper limit for copy
Detail		To set the upper limit value for copy.
Use Case		Upon user's request
Adj/Set/Operate Method		1) Enter the setting value, and then press OK key. 2) Turn OFF/ON the main power switch.
Display/Adj/Set Range		1 to 9999
Default Value		9999
SLEEP	1	Setting of auto sleep function
Detail		To set ON/OFF of auto sleep function.
Use Case		Upon user's request
Adj/Set/Operate Method		1) Enter the setting value, and then press OK key. 2) Turn OFF/ON the main power switch.
Display/Adj/Set Range		0 to 1 0: OFF, 1: ON
Default Value		1
Additional Functions Mode		Preferences> Timer/Energy Settings> Auto Sleep Time
Supplement/Memo		The time to shift to the sleep mode can be set in Settings/Registration> Preferences> Timer/Energy Settings> Auto Sleep Time.
COUNTER1	1	Display of software counter 1
Detail		To display counter type for software counter 1 on the Counter Check screen.
Use Case		Upon user/dealer's request
Adj/Set/Operate Method		N/A (Display only)
Caution		Display only. No change is available.
Default Value		It differs according to the location.
COUNTER2	1	Setting of software counter 2
Detail		To set counter type for software counter 2 on the Counter Check screen.
Use Case		Upon user/dealer's request
Adj/Set/Operate Method		1) Enter the setting value, and then press OK key. 2) Turn OFF/ON the main power switch.
Display/Adj/Set Range		0 to 999 0: No registration
Default Value		It differs according to the location.

COPIER (Service mode for printer) > OPTION (Specification setting mode) > USER

COUNTER3	1	Setting of software counter 3
Detail		To set counter type for software counter 3 on the Counter Check screen.
Use Case		Upon user/dealer's request
Adj/Set/Operate Method		1) Enter the setting value, and then press OK key. 2) Turn OFF/ON the main power switch.
Display/Adj/Set Range		0 to 999 0: No registration
Default Value		It differs according to the location.
COUNTER4	1	Setting of software counter 4
Detail		To set counter type for software counter 4 on the Counter Check screen.
Use Case		Upon user/dealer's request
Adj/Set/Operate Method		1) Enter the setting value, and then press OK key. 2) Turn OFF/ON the main power switch.
Display/Adj/Set Range		0 to 999 0: No registration
Default Value		It differs according to the location.
COUNTER5	1	Setting of software counter 5
Detail		To set counter type for software counter 5 on the Counter Check screen.
Use Case		Upon user/dealer's request
Adj/Set/Operate Method		1) Enter the setting value, and then press OK key. 2) Turn OFF/ON the main power switch.
Display/Adj/Set Range		0 to 999 0: No registration
Default Value		It differs according to the location.
COUNTER6	1	Setting of software counter 6
Detail		To set counter type for software counter 6 on the Counter Check screen.
Use Case		Upon user/dealer's request
Adj/Set/Operate Method		1) Enter the setting value, and then press OK key. 2) Turn OFF/ON the main power switch.
Display/Adj/Set Range		0 to 999 0: No registration
Default Value		0
DATE-DSP	2	Setting of data/time display format
Detail		*Operation on this item is restricted by the setting of [Restrict Service Representation Access]. To set date/time display format according to the country or region. After the display format is set with this mode, the order of date is reflected to the followings: Preferences> Timer/Energy Settings> Date/Time Settings, and report output.
Use Case		Upon user's request
Adj/Set/Operate Method		1) Enter the setting value, and then press OK key. 2) Turn OFF/ON the main power switch.
Display/Adj/Set Range		0 to 2 0: YYMM/DD, 1: DD/MMYY, 2: MM/DD/YY
Default Value		It differs according to the location.
Additional Functions Mode		Preferences> Timer/Energy Settings> Date/Time Settings

COPIER (Service mode for printer) > OPTION (Specification setting mode) > USER

MB-CCV	2	Control card usage limit for Mail Box
Detail	*Operation on this item is restricted by the setting of [Restrict Service Representation Access]. To restrict use of control card for Mail Box.	
Use Case	Upon user's request	
Adj/Set/Operate Method	1) Enter the setting value, and then press OK key. 2) Turn OFF/ON the main power switch.	
Display/Adj/Set Range	0 to 1 0: Unlimited, 1: Limited	
Default Value	1	
CONTROL	1	Charge setting of PDL job
Detail	*Operation on this item is restricted by the setting of [Restrict Service Representation Access]. To set charge count transmission of PDL job to the connecting charging management device (Coin Manager or non-Canon-made control card).	
Use Case	Upon user's request	
Adj/Set/Operate Method	1) Enter the setting value, and then press OK key. 2) Turn OFF/ON the main power switch.	
Display/Adj/Set Range	0 to 1 0: No charge, 1: Charge	
Default Value	0	
Related Service Mode	COPIER> OPTION> ACC> COIN	
CNT-DISP	2	Display/hide of serial No.
Detail	To set whether to display or hide the serial No. on the Counter Check screen.	
Use Case	When setting to display/hide serial No. on the Counter Check screen.	
Adj/Set/Operate Method	1) Enter the setting value, and then press OK key. 2) Turn OFF/ON the main power switch.	
Display/Adj/Set Range	0 to 1 0: OFF, 1: ON	
Default Value	0	
PH-D-SEL	2	Set dither matrix at screen processing
Detail	To set the screen dither matrix to be used for halftoning processing at the time of copy output, B&W Inbox scan output and B&W SEND output. When moire occurs frequently, set to 1. When the setting is changed, the number of PG lines to be output at PASCAL control is also changed.	
Use Case	When moire frequently occurs at the time of copy output, B&W Inbox scan output and B&W SEND output. Especially when moire frequently occurs in the halftone density area of photo and image gradation areas	
Adj/Set/Operate Method	1) Enter the setting value, and then press OK key. 2) Turn OFF/ON the main power switch.	
Display/Adj/Set Range	0 to 1 0: 134 lines, 1: 141 lines	
Default Value	0	
Related Service Mode	COPIER> OPTION> USER> PH-D-SL2	
COPY-JOB	1	Setting of copy job reservation
Detail	To set to enable/disable copy job reservation when the Card Reader/Coin Manager is used.	
Use Case	Upon user's request	
Adj/Set/Operate Method	1) Enter the setting value, and then press OK key. 2) Turn OFF/ON the main power switch.	
Display/Adj/Set Range	0 to 1 0: Enabled, 1: Disabled	
Default Value	0	

COPIER (Service mode for printer) > OPTION (Specification setting mode) > USER

JOB-INVL	2	Job intvl setting at interruption copy
Detail	To set output interval between jobs at the time of interruption copy. Sorting is difficult after interruption copy because of the continuous output of the next job. Paper interval becomes longer when starting pickup for the next job after the last sheet of the previous job is delivered.	
Use Case	Upon user's request	
Adj/Set/Operate Method	1) Enter the setting value, and then press OK key. 2) Turn OFF/ON the main power switch.	
Display/Adj/Set Range	0 to 2 0: Continuous output of the interruption copy and the next job 1: Starting pickup for the next job after the interruption copy is delivered all. 2: Starting pickup for the next job after the previous job is delivered all. (For all jobs)	
Default Value	0	
TAB-ROT	1	Set of landscape img rotn at PDL:tab ppr
Detail	To set whether to rotate landscape image by 180 degrees when PDL print is made on tab paper. When 1 is set, image is rotated.	
Use Case	Upon user's request	
Adj/Set/Operate Method	1) Enter the setting value, and then press OK key. 2) Turn OFF/ON the main power switch.	
Display/Adj/Set Range	0 to 1 0: Not rotated, 1: Rotated	
Default Value	0	
PR-PSESW	1	ON/OFF Pause All Print Jobs button dsp
Detail	To set whether to display [Pause All Print Jobs] button on the Status Monitor/Cancel screen.	
Use Case	- Upon user's request - When preferring to promptly stop the print job in operation or under reservation	
Adj/Set/Operate Method	1) Enter the setting value, and then press OK key. 2) Turn OFF/ON the main power switch.	
Display/Adj/Set Range	0 to 1 0: OFF, 1: ON	
Default Value	0	
IDPRN-SW	1	Charge target job set of dept mngm cntr
Detail	*Operation on this item is restricted by the setting of [Restrict Service Representation Access]. To set the job type that advances the department management counter.	
Use Case	Upon user's request	
Adj/Set/Operate Method	1) Enter the setting value, and then press OK key. 2) Turn OFF/ON the main power switch.	
Display/Adj/Set Range	0 to 1 0: PRINT category: Inbox Print, Report Print, PDL Print COPY category: COPY 1: PRINT category: Report Print, PDL Print COPY category: COPY, Inbox Print	
Default Value	0	

COPIER (Service mode for printer) > OPTION (Specification setting mode) > USER

PCL-COPY	2	Set of PCL COPIES command control method
Detail		To set the binder control method of COPIES command with PCL. Select whether to use the control method of Canon-made PCL or use the same control method of non-Canon-made PCL.
Use Case		Upon user's request
Adj/Set/Operate Method		1) Enter the setting value, and then press OK key. 2) Turn OFF/ON the main power switch.
Display/Adj/Set Range		0 to 65535 0: Control method of Canon-made PCL (following the value of COPIES command that is specified for each page to control on a page basis) 1: Control method of non-Canon-made PCL (handling the value of COPIES command, which is specified for page 1 at the time of Collate mode, as bind figure while the value of COPIES command for the next page or later is invalid. Same control applies as Canon-made PCL at the time of non-sorted mode) 2 to 65535: For future use
Default Value		0
CNT-SW	1	Set default dspl items on charge counter
Detail		To set default display items of the charge counter on the Counter Check screen. For details of each type, refer to the Service Manual.
Use Case		Upon user's request
Adj/Set/Operate Method		1) Enter the setting value, and then press OK key. 2) Turn OFF/ON the main power switch.
Display/Adj/Set Range		0 to 1 0: Type1, 1: Type2
Default Value		0
BCNT-AST	1	Set of box print charge target job
Detail		*Operation on this item is restricted by the setting of [Restrict Service Representation Access]. To set the job type that advances the count in box print with NE Controller (ASSIST).
Use Case		When switching the job type that is subject to counting of the box print with NE Controller
Adj/Set/Operate Method		1) Enter the setting value, and then press OK key. 2) Turn OFF/ON the main power switch.
Display/Adj/Set Range		0 to 1 0: PDL job, 1: Copy job
Default Value		0
PRJOB-CP	2	Set count TX at RX/report print
Detail		To set to enable/disable a page-basis count pulse transmission to the charging management device at the time of reception print or report print.
Use Case		Upon user's request
Adj/Set/Operate Method		1) Enter the setting value, and then press OK key. 2) Turn OFF/ON the main power switch.
Display/Adj/Set Range		0 to 1 0: No transmission, 1: Transmission
Default Value		0
Supplement/Memo		Charging management device: Coin Manager, Non-Canon-made control card

COPIER (Service mode for printer) > OPTION (Specification setting mode) > USER

DPT-ID-7	2	Password entry set at dept ID reg/auth
Detail	*Operation on this item is restricted by the setting of [Restrict Service Representation Access]. To set whether to require a password entry at the time of registration/authentication of department ID. With the setting to require entry, entry of 7-digit password is required as well as entry of department ID.	
Use Case	Upon user's request	
Adj/Set/Operate Method	1) Enter the setting value, and then press OK key. 2) Turn OFF/ON the main power switch.	
Display/Adj/Set Range	0 to 1 0: Department ID only, 1: 7-digit (password) entry	
Default Value	0	
RUI-RJT	2	Connct set at invalid auth from remoteUI
Detail	*Operation on this item is restricted by the setting of [Restrict Service Representation Access]. To set to disconnect HTTP port when the machine receives invalid authentication from remote UI 3 times.	
Use Case	Upon user's request	
Adj/Set/Operate Method	1) Enter the setting value, and then press OK key. 2) Turn OFF/ON the main power switch.	
Display/Adj/Set Range	0 to 1 0: Continued connection, 1: Disconnected	
Default Value	0	
SND-RATE	2	Set compress ratio at SEND high compress
Detail	To set the compression ratio when the data compression ratio for SEND (transmission) is set to "High Rati". As the value is larger, the compression ratio is higher (the file size becomes small).	
Use Case	When making the transmission file size smaller	
Adj/Set/Operate Method	1) Enter the setting value, and then press OK key. 2) Turn OFF/ON the main power switch.	
Caution	As the value is larger, image quality is decreased.	
Display/Adj/Set Range	0 to 2 0: Compression ratio 1/16, 1: Compression ratio 1/20, 2: Compression ratio 1/24	
Default Value	0	
Additional Functions Mode	Function Settings> Send> Common Settings> Data Compression Ratio	
FREG-SW	2	For R&D
IFAX-SZL	2	Set of I-Fax transmission size limit
Detail	To set for restricting data size at the time of I-Fax transmission that does not go through the server. With the setting to restrict the data size, it is to be #830 error in the case of sending data that exceeds the upper limit value. In the case that the data goes through the server, the size of transmission data is always restricted.	
Use Case	Upon user's request	
Adj/Set/Operate Method	1) Enter the setting value, and then press OK key. 2) Turn OFF/ON the main power switch.	
Display/Adj/Set Range	0 to 1 0: Limited, 1: Not limited (Restriction applies when data goes through the server.)	
Default Value	1	
Additional Functions Mode	Function Settings> Send> E-Mail/I-Fax Settings> Maximum Data Size for Sending	
Supplement/Memo	Set the upper limit value for transmission data size in Settings/Registration menu.	

COPIER (Service mode for printer) > OPTION (Specification setting mode) > USER

IFAX-PGD	2	Set page split TX at IFax Simple mode TX
Detail		To set whether to perform split-data transmission on a page basis in the case that the transmission size in I-Fax Simple mode exceeds the upper limit value.
Use Case		Upon user's request
Adj/Set/Operate Method		1) Enter the setting value, and then press OK key. 2) Turn OFF/ON the main power switch.
Caution		In the case to enable split-data transmission, be sure to get approval from the user by explaining the following: - No guarantee for page order on the reception side - There is a possibility of interruption of other received jobs between pages.
Display/Adj/Set Range		0 to 1 0: Disabled, 1: Enabled
Default Value		0
Additional Functions Mode		Function Settings> Send> E-Mail/I-Fax Settings> Maximum Data Size for Sending
Supplement/Memo		Set the upper limit value for transmission data size in Settings/Registration menu.
MEAPSAFE	2	Setting of MEAP safe mode
Detail		*Operation on this item is restricted by the setting of [Restrict Service Representation Access]. To set safe mode for MEAP platform. MPSF is displayed on the Control Panel in safe mode. In safe mode, MEAP application is stopped while just the system application, which starts with initial state, is activated. Logs for cause analysis of MEAP failure can be obtained.
Use Case		Perform system recovery processing when MEAP platform fails to be activated due to resource confliction between MEAP applications, service registration or use order.
Adj/Set/Operate Method		1) Enter the setting value, and then press OK key. 2) Turn OFF/ON the main power switch.
Display/Adj/Set Range		0 to 1 0: Normal mode, 1: Safe mode
Default Value		0
PRNT-POS	2	ON/OFF of all pauses at error job cancel
Detail		*Operation on this item is restricted by the setting of [Restrict Service Representation Access]. To set whether to pause the print operation of following jobs when a job is canceled due to an error inside the machine (#037, etc.) except service calls during PDL print.
Use Case		Upon user's request
Adj/Set/Operate Method		1) Enter the setting value, and then press OK key. 2) Turn OFF/ON the main power switch.
Display/Adj/Set Range		0 to 1 0: OFF, 1: ON
Default Value		0
AFN-PSWD	2	Setting of Set/Reg menu access limit
Detail		*Operation on this item is restricted by the setting of [Restrict Service Representation Access]. To set restriction on accessing Settings/Registration menu by entering password. With the setting to enable this mode, password entry of system administrator is required after pressing Settings/Registration key.
Use Case		Upon user's request
Adj/Set/Operate Method		1) Enter the setting value, and then press OK key. 2) Turn OFF/ON the main power switch.
Display/Adj/Set Range		0 to 1 0: Password is not required, 1: Password is required
Default Value		0

COPIER (Service mode for printer) > OPTION (Specification setting mode) > USER

PTJAM-RC	2	Auto reprint setting at PDL print jam
Detail	To set to automatically restart printing after jam recovery that occurs with PDL print.	
Use Case	Upon user's request	
Adj/Set/Operate Method	1) Enter the setting value, and then press OK key. 2) Turn OFF/ON the main power switch.	
Display/Adj/Set Range	0 to 1 0: Not automatically reprinted, 1: Automatically reprinted	
Default Value	1	
PDL-NCSW	2	Card mngm setting for PDL print job
Detail	*Operation on this item is restricted by the setting of [Restrict Service Representation Access]. To set to make PDL print job to be subject to card management by the Card Reader. With the setting to enable this mode, PDL print is available only when the card ID of the card inserted to the Card Reader matches the department ID.	
Use Case	Upon user's request	
Adj/Set/Operate Method	1) Enter the setting value, and then press OK key. 2) Turn OFF/ON the main power switch.	
Display/Adj/Set Range	0 to 1 0: PDL print is available with no card inserted. 1: PDL print is available only when the card ID matches the department ID in the case that the card is inserted.	
Default Value	0	
PS-MODE	2	Setting of PS print line drawing
Detail	To set the image processing at PS print. Set 8 when line width differs depending on the drawing position although the same line width is set.	
Use Case	Use case When right and left ruled lines are different in width	
Adj/Set/Operate Method	1) Enter the setting value, and then press OK key. 2) Turn OFF/ON the main power switch.	
Display/Adj/Set Range	0 to 65535 0 to 7: Spare 8: Strokeadjustment is enabled. 9 to 65535: Spare	
Default Value	0	
CNCT-RLZ	2	Setting of connection serialize function
Detail	Connection serialize is a function to assure job grouping function of imageWARE Output Manager Select Edition V1.0. The setting to enable this mode can avoid job rearrangement because the machine does not receive job data from other connection until it completes job data reception from the current connection.	
Use Case	Upon user's request	
Adj/Set/Operate Method	1) Enter the setting value, and then press OK key. 2) Turn OFF/ON the main power switch.	
Display/Adj/Set Range	0 to 1 0: OFF, 1: ON	
Default Value	0	
Supplement/Memo	Connection: Connection to be established through network between multiple hosts (PC, etc). Job grouping function: A function of imageWARE Output Manager Select Edition V1.0. This is to prevent job interruption from other PC by group job (sending multiple jobs in 1 session at job transmission).	

COPIER (Service mode for printer) > OPTION (Specification setting mode) > USER

COUNTER7	1	Setting of software counter 7
Detail		To set counter type for software counter 7 on the Counter Check screen.
Use Case		Upon user/dealer's request
Adj/Set/Operate Method		1) Enter the setting value, and then press OK key. 2) Turn OFF/ON the main power switch.
Display/Adj/Set Range		0 to 999 0: No registration
Default Value		0
COUNTER8	1	Setting of software counter 8
Detail		To set counter type for software counter 8 on the Counter Check screen.
Use Case		Upon user/dealer's request
Adj/Set/Operate Method		1) Enter the setting value, and then press OK key. 2) Turn OFF/ON the main power switch.
Display/Adj/Set Range		0 to 999 0: No registration
Default Value		0
2C-CT-SW	2	Set of color counter at 2-color mode
Detail		To set whether to use the single color counter or full color counter for count-up in 2-color mode.
Use Case		When supporting 2-color mode
Adj/Set/Operate Method		1) Enter the setting value, and then press OK key. 2) Turn OFF/ON the main power switch.
Display/Adj/Set Range		0 to 1 0: Single color counter, 1: Full color counter
Default Value		It differs according to the location.
JA-FUNC	2	Display of job archive function ON/OFF
Detail		To display ON/OFF of job archive function. Make the setting with the MEAP program which supports job archiving.
Use Case		When using the job archive function
Adj/Set/Operate Method		N/A (Display only)
Caution		Setting cannot be made with this item.
Display/Adj/Set Range		0 to 1 0: OFF, 1: ON
Default Value		0
JA-JOB	2	Display of job archive target job
Detail		To display the job type subject to job archive. When the job archive function is ON, archive operation is executed when executing the target job. Make the setting with the MEAP program which supports job archiving.
Use Case		When using the job archive function
Adj/Set/Operate Method		N/A (Display only)
Caution		Setting cannot be made with this item.
Display/Adj/Set Range		0: N/A, 3: Limited to FAX/IFAX, 0xFFFFFFFF: All jobs
Default Value		0
Related Service Mode		COPIER> OPTION> USER> JA-FUNC

COPIER (Service mode for printer) > OPTION (Specification setting mode) > USER

LDAP-SW	1	Retrieval condition set for LDAP server
Detail	To set the condition to search e-mail address, etc. from LDAP server.	
Use Case	When specifying condition to search e-mail address, etc. from LDAP server	
Adj/Set/Operate Method	1) Enter the setting value, and then press OK key. 2) Turn OFF/ON the main power switch.	
Display/Adj/Set Range	0 to 5 0: Includes the next, 1: Not include the next, 2: Equivalent to the next, 3: Not equivalent to the next, 4: Starts with the next, 5: Finishes with the next	
Default Value	4	
Supplement/Memo	LDAP (Lightweight Directory Access Protocol): Registering LDAP server enables to search e-mail address, etc. from LDAP server and the result can be registered in the Address Book, etc. Registration is available by the following: Set Destination > Register LDAP Server	
FROM-OF	1	Deletion of mail sender's address
Detail	*Operation on this item is restricted by the setting of [Restrict Service Representation Access]. To set whether to delete the sender's address (From) at the time of e-mail transmission.	
Use Case	Upon user's request	
Adj/Set/Operate Method	1) Enter the setting value, and then press OK key. 2) Turn OFF/ON the main power switch.	
Display/Adj/Set Range	0 to 1 0: Retained, 1: Deleted	
Default Value	0	
FILE-OF	1	Set file transmission to entered address
Detail	*Operation on this item is restricted by the setting of [Restrict Service Representation Access]. To set whether to allow file transmission to a newly entered address. When 1 is set, file transmission is not available by entering the address because "File" is not displayed on the transmission screen. The addresses already registered in the Address Book can be used.	
Use Case	Upon user's request	
Adj/Set/Operate Method	1) Enter the setting value, and then press OK key. 2) Turn OFF/ON the main power switch.	
Caution	To restrict addresses for transmission, be sure to manually delete them because the addresses registered in the Address Book can be used.	
Display/Adj/Set Range	0 to 1 0: Enabled, 1: Disabled	
Default Value	0	
MAIL-OF	1	Setting of e-mail TX to entered address
Detail	*Operation on this item is restricted by the setting of [Restrict Service Representation Access]. To set whether to allow e-mail transmission to a newly entered address. When 1 is set, e-mail transmission is not available by entering the address because "E-mail" is not displayed on the transmission screen. The addresses already registered in the Address Book can be used.	
Use Case	Upon user's request	
Adj/Set/Operate Method	1) Enter the setting value, and then press OK key. 2) Turn OFF/ON the main power switch.	
Caution	To restrict addresses for transmission, be sure to manually delete them because the addresses registered in the Address Book can be used.	
Display/Adj/Set Range	0 to 1 0: Allowed, 1: Prohibited	
Default Value	0	

COPIER (Service mode for printer) > OPTION (Specification setting mode) > USER

IFAX-OF	1	Setting of I-Fax TX to entered address
Detail		* Operation on this item is restricted by the setting of [Restrict Service Representation Access]. To set whether to allow I-Fax transmission to a newly entered address. When 1 is set, I-Fax transmission is not available by entering the address because "I-Fax" is not displayed on the transmission screen. The addresses already registered in the Address Book can be used.
Use Case		Upon user's request
Adj/Set/Operate Method		1) Enter the setting value, and then press OK key. 2) Turn OFF/ON the main power switch.
Caution		To restrict addresses for transmission, be sure to manually delete them because the addresses registered in the Address Book can be used.
Display/Adj/Set Range		0 to 1 0: Allowed, 1: Prohibited
Default Value		0
LDAP-DEF	1	Initial condtn set of LDAP server search
Detail		To set initial condition for search target attribute that is specified at the time of LDAP server Details search.
Use Case		Upon user's request
Adj/Set/Operate Method		1) Enter the setting value, and then press OK key. 2) Turn OFF/ON the main power switch.
Display/Adj/Set Range		0 to 6 0: Name, 1: E-mail, 2: FAX, 3: Organization, 4: Organization unit, 5: No registration 1 (any setting), 6: No registration 2 (any setting)
Default Value		0
Related Service Mode		COPIER> OPTION> USER> LDAP-SW
FREE-DSP	2	ON/OFF of charge disable screen
Detail		To set whether to display or hide the "Use Charge Management" screen for switching between charge and no charge. The hardware switch for switching charge/no charge in the Coin Manager enables the mode in which all the services are available for free (store manager mode) by temporarily canceling the charging system. Even without the hardware switch, the mode can be switched with the software switch when it is set to display the "Use Charge Management" screen in [Settings/Registration].
Use Case		When enabling all the services to be provided for free by temporarily canceling the charging system
Adj/Set/Operate Method		1) Enter the setting value, and then press OK key. 2) Turn OFF/ON the main power switch.
Display/Adj/Set Range		0 to 1 0: Hide, 1: Display
Default Value		0
Additional Functions Mode		Management Settings> Charge Management> Use Charge Management

COPIER (Service mode for printer) > OPTION (Specification setting mode) > USER

TNRB-SW	2	Display/hide of Toner Container counter
Detail	To set whether to display the Toner Container counter on the Counter Check screen.	
Use Case	When showing the Toner Container counter to the user	
Adj/Set/Operate Method	1) Enter the setting value, and then press OK key. 2) Turn OFF/ON the main power switch.	
Display/Adj/Set Range	0 to 4 0: Hide, 1: Display (70s only), 2: Not used, 3: Display (70s/180s), 4: Display (60s/70s/180s)	
Default Value	It differs according to the location.	
Supplement/Memo	60s: The number of premature replacements of the Toner Container 70s: The number of installations of a new Toner Container 80s: The number of installations of a new Toner Container + the number of premature replacements 180s: The number of installations of unidentified Toner Container	
USBH-DSP	2	ON/OFF of USB host use display
Detail	To set whether to display "Preferences> External Interface> USB Settings> Use USB Host". By selecting "1: Display", whether to use USB host on USB Settings screen can be selected.	
Use Case	When switching to display or hide "Use USB Host" on USB Settings screen	
Adj/Set/Operate Method	1) Enter the setting value, and then press OK key. 2) Turn OFF/ON the main power switch.	
Display/Adj/Set Range	0 to 1 0: Hide, 1: Display	
Default Value	0	
Additional Functions Mode	Preferences> External Interface> USB Settings> Use USB Host	
USBM-DSP	2	ON/OFF USB ex-mem device MEAP driver use
Detail	To set whether to display [Use MEAP Driver for USB Storage Device] in [Settings/Registration]. When 0 is set, the item is not displayed so that the user administrator cannot change the setting.	
Use Case	When not allowing the user administrator to select whether to use the MEAP driver	
Adj/Set/Operate Method	1) Enter the setting value, and then press OK key. 2) Turn OFF/ON the main power switch.	
Caution	When setting 0, be sure to make the setting after the specified setting is completed.	
Display/Adj/Set Range	0 to 1 0: OFF, 1: ON	
Default Value	1	
Additional Functions Mode	Preferences> External Interface> USB Settings> Use MEAP Driver for USB External Device	
USBI-DSP	2	ON/OFF USB input device MEAP driver use
Detail	To set whether to display [Use MEAP Driver for USB Input Device] in [Settings/Registration]. When 0 is set, the item is not displayed so that the user administrator cannot change the setting.	
Use Case	When not allowing the user administrator to select whether to use the MEAP driver	
Adj/Set/Operate Method	1) Enter the setting value, and then press OK key. 2) Turn OFF/ON the main power switch.	
Caution	When setting 0, be sure to make the setting after the specified setting is completed.	
Display/Adj/Set Range	0 to 1 0: OFF, 1: ON	
Default Value	1	
Additional Functions Mode	Preferences> External Interface> USB Settings> Use MEAP Driver for USB Input Device	

COPIER (Service mode for printer) > OPTION (Specification setting mode) > USER

CTCHKDSP	1	Display/hide of counter print
Detail	To set whether to display or hide "Print List" on the Counter Check screen. Model name, model number information, counter check date and counter information can be output as a total count management report.	
Use Case	Upon user's request	
Adj/Set/Operate Method	1) Enter the setting value, and then press OK key. 2) Turn OFF/ON the main power switch.	
Display/Adj/Set Range	0 to 1 0: Hide, 1: Display	
Default Value	1	
DFLT-ADJ	1	Tgt Auto Adj Gradation initial dspl set
Detail	To set the initial display of the target full adjustment/quick adjustment items on [Auto Adjust Gradation] in [Settings/Registration]. This setting is enabled when EFI Controller is connected or only on the copy model which Adobe PS/PDF is available. When 0 is set, the target adjustment item is not displayed. When 1 to 3 is set, the target adjustment items (Copy/Printer/Both) are displayed and one of them is selected.	
Use Case	When switching the initial display at the time of Auto Adjust Gradation	
Adj/Set/Operate Method	1) Enter the setting value, and then press OK key. 2) Turn OFF/ON the main power switch.	
Display/Adj/Set Range	0 to 3 0: Adjustment item is not displayed. 1 to 3: Adjustment item is displayed.	
Default Value	0	
Additional Functions Mode	Adjustment/Maintenance> Adjust Image Quality> Auto Adjust Gradation	
USBR-DSP	2	ON/OFF USB infrared devc MEAP driver use
Detail	To set whether to display "Use MEAP Driver for USB Infrared Device" in [Settings/Registration]. When 1 is set, whether to use MEAP driver can be selected on USB Settings screen.	
Use Case	When allowing the user administrator to select whether to use the MEAP driver	
Adj/Set/Operate Method	1) Enter the setting value, and then press OK key. 2) Turn OFF/ON the main power switch.	
Display/Adj/Set Range	0 to 1 0: OFF, 1: ON	
Default Value	0	
Additional Functions Mode	Preferences> External Interface> USB Settings> Use MEAP Driver for USB Infrared Device	
POL-SCAN	1	ON/OFF Rights Management Server set dspl
Detail	When "1: Display" is set, the Rights Management Server function screen is displayed. While the Rights Management Server function is a standard feature, it is possible to hide if not necessary.	
Use Case	Upon user's request	
Adj/Set/Operate Method	1) Enter the setting value, and then press OK key. 2) Turn OFF/ON the main power switch.	
Display/Adj/Set Range	0 to 1 0: Hide, 1: Display	
Default Value	It differs according to the location.	

COPIER (Service mode for printer) > OPTION (Specification setting mode) > USER

PH-D-SL2	2	Set halftone process in text/photo mode
Detail	<p>When copying or B&W scanning to Inbox in text/photo mode, halftone processing of the image which reproduces gradation of text and photo judgment areas can be specified with this setting. Set to 1 when jaggy occurs or request to use the same halftoning method (text area) as conventional one is raised.</p> <p>Set to 2 when moire occurs frequently or request to use the same halftoning method as conventional B&W MFP method is raised.</p> <p>Even 0 is set, TBIC is used for text judgment area and low screen ruling for photo judgment area at the time of B&W Inbox scan.</p> <p>The setting is disabled when the B&W Inbox scanning density is set to auto.</p>	
Use Case	<p>- When jaggy occurs on the edge of text or thin lines at copy output. Especially when jaggy occurs in the text or thin lines (text in halftone dots) of the area where gradation in the halftone density is expressed like photo, graphics, etc.</p> <p>- When moire occurs frequently at the time of copy or B&W Inbox scan Especially when moire frequently occurs in the area where gradation in the halftone density is expressed like photo, graphics, etc. and this symptom is not alleviated with PH-D-SEL or sharpness adjustment</p> <p>- When receiving a request to use the same halftoning method (text area) as the conventional one (model with image area separation method) at copy output</p> <p>- When receiving a request to use the same halftoning method (both text and photo areas) as the conventional B&W MFP method at the time of copy or B&W Inbox output</p>	
Adj/Set/Operate Method	<p>1) Enter the setting value, and then press OK key.</p> <p>2) Turn OFF/ON the main power switch.</p>	
Display/Adj/Set Range	<p>0 to 2</p> <p>0: Low screen ruling (134 lines) is used for photo judgment area and high screen ruling (141 lines) for text judgment area.</p> <p>1: Low screen ruling is used for photo judgment area and TBIC for text judgment area.</p> <p>2: TBIC is used for both photo and text judgment areas.</p>	
Default Value	0	
Related Service Mode	COPIER> OPTION> USER> PH-D-SEL	
JA-SBOX	2	Setting of linking with Advanced Box: SAM
Detail	<p>*Operation on this item is restricted by the setting of [Restrict Service Representation Access]. To set the link with Advanced Box when iW SAM is enabled.</p> <p>When 1 is set, linking with Advanced Box is enabled.</p>	
Use Case	When the operation restriction is cleared at the time of iW SAM	
Adj/Set/Operate Method	<p>1) Enter the setting value, and then press OK key.</p> <p>2) Turn OFF/ON the main power switch.</p>	
Display/Adj/Set Range	<p>0 to 1</p> <p>0: Disabled, 1: Enabled</p>	
Default Value	0	
JA-DFAX	2	Setting of direct fax transmission: SAM
Detail	<p>*Operation on this item is restricted by the setting of [Restrict Service Representation Access]. To set the direct fax transmission when iW SAM is enabled.</p> <p>When 1 is set, the direct fax transmission is enabled.</p>	
Use Case	When the operation restriction is cleared at the time of iW SAM	
Adj/Set/Operate Method	<p>1) Enter the setting value, and then press OK key.</p> <p>2) Turn OFF/ON the main power switch.</p>	
Display/Adj/Set Range	<p>0 to 1</p> <p>0: Disabled, 1: Enabled</p>	
Default Value	0	

COPIER (Service mode for printer) > OPTION (Specification setting mode) > USER

JA-REP	2	Setting of TX Report with image: SAM
Detail	*Operation on this item is restricted by the setting of [Restrict Service Representation Access]. To set the TX Report with image when iW SAM is enabled. When 1 is set, the TX Report with image is enabled.	
Use Case	When the operation restriction is cleared at the time of iW SAM	
Adj/Set/Operate Method	1) Enter the setting value, and then press OK key. 2) Turn OFF/ON the main power switch.	
Display/Adj/Set Range	0 to 1 0: Disabled, 1: Enabled	
Default Value	0	
JA-FREP	2	Setting of Fax TX Report with image: SAM
Detail	*Operation on this item is restricted by the setting of [Restrict Service Representation Access]. To set the Fax TX Report with image when iW SAM is enabled. When 1 is set, the Fax TX Report with image is enabled.	
Use Case	When the operation restriction is cleared at the time of iW SAM	
Adj/Set/Operate Method	1) Enter the setting value, and then press OK key. 2) Turn OFF/ON the main power switch.	
Display/Adj/Set Range	0 to 1 0: Disabled, 1: Enabled	
Default Value	0	
JA-BOX	2	Setting of Inbox document operation: SAM
Detail	*Operation on this item is restricted by the setting of [Restrict Service Representation Access]. To set the operation for Inbox document at the time of iW SAM. When 1 is set, the Inbox document can be operated.	
Use Case	When the operation restriction is cleared at the time of iW SAM	
Adj/Set/Operate Method	1) Enter the setting value, and then press OK key. 2) Turn OFF/ON the main power switch.	
Display/Adj/Set Range	0 to 1 0: Disabled, 1: Enabled	
Default Value	0	
JA-FORM	2	Setting of image composition: SAM
Detail	*Operation on this item is restricted by the setting of [Restrict Service Representation Access]. To set the image composition when iW SAM is enabled. When 1 is set, the image composition is enabled.	
Use Case	When the operation restriction is cleared at the time of iW SAM	
Adj/Set/Operate Method	1) Enter the setting value, and then press OK key. 2) Turn OFF/ON the main power switch.	
Display/Adj/Set Range	0 to 1 0: Disabled, 1: Enabled	
Default Value	0	
JA-PREV	2	Setting of preview page deletion: SAM
Detail	*Operation on this item is restricted by the setting of [Restrict Service Representation Access]. To set whether a page is deleted from the scan preview screen at the time of iW SAM. When 1 is set, a page is deleted from the scan preview screen.	
Use Case	When the operation restriction is cleared at the time of iW SAM	
Adj/Set/Operate Method	1) Enter the setting value, and then press OK key. 2) Turn OFF/ON the main power switch.	
Display/Adj/Set Range	0 to 1 0: Disabled, 1: Enabled	
Default Value	0	

COPIER (Service mode for printer) > OPTION (Specification setting mode) > USER

JA-PULL	2	Setting of network scan: SAM
Detail	*Operation on this item is restricted by the setting of [Restrict Service Representation Access]. To set the network scan when iW SAM is enabled. When 1 is set, the network scan is enabled.	
Use Case	When the operation restriction is cleared at the time of iW SAM	
Adj/Set/Operate Method	1) Enter the setting value, and then press OK key. 2) Turn OFF/ON the main power switch.	
Display/Adj/Set Range	0 to 1 0: Disabled, 1: Enabled	
Default Value	0	
JA-PDLB	2	Set of printer driver multi box save: SAM
Detail	*Operation on this item is restricted by the setting of [Restrict Service Representation Access]. To set whether a document can be simultaneously saved to multiple Inboxes from the printer driver at the time of iW SAM. When 1 is set, a document can be saved to multiple Inboxes from the printer driver.	
Use Case	When the operation restriction is cleared at the time of iW SAM	
Adj/Set/Operate Method	1) Enter the setting value, and then press OK key. 2) Turn OFF/ON the main power switch.	
Display/Adj/Set Range	0 to 1 0: Disabled, 1: Enabled	
Default Value	0	
JA-JOBK	2	Setting of job merge allowance: SAM
Detail	*Operation on this item is restricted by the setting of [Restrict Service Representation Access]. To set whether merging jobs is allowed when iW SAM is enabled. When 1 is set, jobs can be merged.	
Use Case	When the operation restriction is cleared at the time of iW SAM	
Adj/Set/Operate Method	1) Enter the setting value, and then press OK key. 2) Turn OFF/ON the main power switch.	
Display/Adj/Set Range	0 to 1 0: Disabled, 1: Enabled	
Default Value	0	
JA-JDF	2	Setting of JDF: SAM
Detail	*Operation on this item is restricted by the setting of [Restrict Service Representation Access]. To set the use of JDF when iW SAM is enabled. When 1 is set, JDF can be used.	
Use Case	When the operation restriction is cleared at the time of iW SAM	
Adj/Set/Operate Method	1) Enter the setting value, and then press OK key. 2) Turn OFF/ON the main power switch.	
Display/Adj/Set Range	0 to 1 0: Disabled, 1: Enabled	
Default Value	0	
JA-RUI	2	Setting of Inbox document access: SAM
Detail	*Operation on this item is restricted by the setting of [Restrict Service Representation Access]. To set the Inbox document access from remote UI at the time of iW SAM When 1 is set, accessing to the Inbox document from remote UI is enabled.	
Use Case	When the operation restriction is cleared at the time of iW SAM	
Adj/Set/Operate Method	1) Enter the setting value, and then press OK key. 2) Turn OFF/ON the main power switch.	
Display/Adj/Set Range	0 to 1 0: Disabled, 1: Enabled	
Default Value	0	

COPIER (Service mode for printer) > OPTION (Specification setting mode) > USER

JA-WEB	2	Setting of Inbox document upload: SAM
Detail	*Operation on this item is restricted by the setting of [Restrict Service Representation Access]. To set the Inbox document upload with the Web browser at the time of iW SAM. When 1 is set uploading to the Inbox document with the Web Browser is enabled.	
Use Case	When the operation restriction is cleared at the time of iW SAM	
Adj/Set/Operate Method	1) Enter the setting value, and then press OK key. 2) Turn OFF/ON the main power switch.	
Display/Adj/Set Range	0 to 1 0: Disabled, 1: Enabled	
Default Value	0	
EXP-CRYP	1	Confdnial encrypt ON/OFF:add book expprt
Detail	* Operation on this item is restricted by the setting of [Restrict Service Representation Access]. To set whether to encrypt the confidential part (password part) in the Address Book when exporting the address book and device settings via remote UI. When 0 is set, the confidential part in the address book is exported without encryption.	
Use Case	When there is a need to export password without encryption because of operation and tool	
Adj/Set/Operate Method	1) Enter the setting value, and then press OK key. 2) Turn OFF/ON the main power switch.	
Caution	Be sure not to allow the user to execute export without encryption because of security concern.	
Display/Adj/Set Range	0 to 1 0: OFF, 1: ON	
Default Value	1	
SMD-EXPT	1	Setting of export target data: remote UI
Detail	To set whether to export "service mode data" from remote UI. When 1 is set, "service mode data" is displayed as the target data of export on remote UI. When installing more than 1 machine at the same time, the same service mode data can be registered.	
Use Case	When installing more than 1 machine at the same time	
Adj/Set/Operate Method	1) Enter the setting value, and then press OK key. 2) Turn OFF/ON the main power switch.	
Display/Adj/Set Range	0 to 1 0: Hide, 1: Display	
Default Value	0	
Supplement/Memo	If selecting "service mode data" as the target data of export on remote UI after setting SMD-EXPT to 1, service mode data can be exported.	
SNDSTREN	1	Set of setting delete aftr scan and send
Detail	To set whether to delete the transmission settings except for the address after transmission from the "Scan and Send" screen.	
Use Case	Upon user's request	
Adj/Set/Operate Method	1) Enter the setting value, and then press OK key. 2) Turn OFF/ON the main power switch.	
Display/Adj/Set Range	0 to 5 0: Deleted 1: Retained only the transmission setting 2: Retained the transmission setting and address * 3: Retained only address * 4: Retained the transmission setting and address 5: Retained only address * The setting for Options > Job Done Notice > Attach TX Image is not retained.	
Default Value	It differs according to the location.	

COPIER (Service mode for printer) > OPTION (Specification setting mode) > USER

FAXSTREN	1	Set of setting delete aftr fax transmit
Detail		To set whether to delete the transmission settings except for the address after transmission from the "Fax" screen.
Use Case		Upon user's request
Adj/Set/Operate Method		1) Enter the setting value, and then press OK key. 2) Turn OFF/ON the main power switch.
Display/Adj/Set Range		0 to 2 0: Delete 1: Retain * 2: Retain * The setting for Options > Job Done Notice > Attach TX Image is not retained.
Default Value		It differs according to the location.
SJ-UNMSK	2	ON/OFF secured job masking cancellation
Detail		*Operation on this item is restricted by the setting of [Restrict Service Representation Access]. To set whether to mask other people's secured jobs. When 0 is set, operation of other people's secured jobs is not possible because they are masked. When COIN is set to 6 or 7 (charge mode: Type-C), set 1. Masking is canceled and other people's secured jobs can be operated. It is enabled at MEAP authentication.
Use Case		When operating secured jobs in charge mode Type-C
Adj/Set/Operate Method		1) Enter the setting value, and then press OK key. 2) Turn OFF/ON the main power switch.
Display/Adj/Set Range		0 to 1 0: OFF (Masking enabled), 1: ON (Masking canceled)
Default Value		0
Related Service Mode		COPIER> OPTION> ACC> COIN
SJ-CLMSK	2	ON/OFF secured job stop button display
Detail		*Operation on this item is restricted by the setting of [Restrict Service Representation Access]. To set whether to display the button to stop a secured job. When 0 is set, the stop button is displayed. When COIN is set to 6 or 7 (charge mode: Type-C), set 1. Since the stop button is not displayed, the secured job cannot be stopped.
Use Case		When prohibiting to stop the secured job in charge mode Type-C
Adj/Set/Operate Method		1) Enter the setting value, and then press OK key. 2) Turn OFF/ON the main power switch.
Display/Adj/Set Range		0 to 1 0: OFF (Display), 1: ON (Hide)
Default Value		0
Related Service Mode		COPIER> OPTION> ACC> COIN
PDFD-MSW	2	Set output paper size: direct print PDF
Detail		To set output paper size at direct print PDF. Usually, the region defined by MediaBox is output. However, in some cases, the region defined (trimmed) by CropBox is judged as output paper size depending on PDF file. Set 1 when output result differs from what is defined at direct print PDF.
Use Case		When preferring to output a PDF file with paper which size is defined by CropBox while the sizes of MediaBox and CropBox are different
Adj/Set/Operate Method		Enter the setting value, and then press OK key.
Display/Adj/Set Range		0 to 1 0: MediaBox (Normal), 1: CropBox
Default Value		0

COPIER (Service mode for printer) > OPTION (Specification setting mode) > USER

SFT-OUT	2	Setting of offset priority delivery
Detail	To set whether to deliver a job where offset and collate/offset group is set to the delivery destination with offset function. When 0 is set, a job is delivered to the delivery destination set in [Settings/Registration] even though the offset function is not available. When 1 is set, a job is delivered to the delivery destination with offset function even though a delivery destination without offset function is set in [Settings/Registration].	
Use Case	When preferring to deliver a job to the delivery destination with offset function	
Adj/Set/Operate Method	1) Enter the setting value, and then press OK key. 2) Turn OFF/ON the main power switch.	
Display/Adj/Set Range	0 to 1 0: Based on Output Tray Settings, 1: Priority on job settings (deliver to a delivery destination where offset is possible)	
Default Value	1	
Additional Functions Mode	Function Settings> Common> Paper Output Settings> Output Tray Settings	
LGCY-SCP	2	Setting of PPA/secured print switch
Detail	*Operation on this item is restricted by the setting of [Restrict Service Representation Access]. To set whether to use the PPA function or the conventional secured print function. Set 0 when using the PPA function. The conventional secured print function is disabled. Set 1 when using the conventional secured print function (when the EFI Controller is connected, etc.). The PPA function is disabled. When this item is set to 0, the setting of UI-PPA becomes 1. When this item is set to 1, the setting of UI-PPA becomes 0.	
Use Case	When using the conventional secured print function (when the EFI Controller is connected, etc.)	
Adj/Set/Operate Method	1) Enter the setting value, and then press OK key. 2) Turn OFF/ON the main power switch.	
Caution	The PPA function cannot be used when the EFI Controller is connected.	
Display/Adj/Set Range	0 to 1 0: Use the PPA function, 1: Use the conventional secured print function	
Default Value	0	
Related Service Mode	COPIER> OPTION> DSPLY-SW> UI-PPA	
Supplement/Memo	PPA (Personal Print Application): A function to hold print job. It contains the function of secured print.	
CNT-PRT	2	ON/OFF of parts counter report output
Detail	To set whether to print parts counter values on the counter report.	
Use Case	When grasping the estimated life of parts while the monitoring service function is not used	
Adj/Set/Operate Method	1) Enter the setting value, and then press OK key. 2) Turn OFF/ON the main power switch.	
Display/Adj/Set Range	0 to 1 0: OFF (Not print), 1: ON (Print)	
Default Value	It differs according to the location.	
Additional Functions Mode	Check Counter> Print List	

COPIER (Service mode for printer) > OPTION (Specification setting mode) > USER

JA-WIFI	2	Setting of SAM Wi-Fi direct print
Detail	*Operation on this item is restricted by the setting of [Restrict Service Representation Access]. To set whether to allow Wi-Fi direct print when iW SAM is enabled. Wi-Fi direct print cannot be used when iW SAM is enabled. However, when 1 is set, it can be used.	
Use Case	When the operation restriction is cleared at the time of iW SAM	
Adj/Set/Operate Method	1) Enter the setting value, and then press OK key. 2) Turn OFF/ON the main power switch.	
Display/Adj/Set Range	0 to 1 0: Disabled, 1: Enabled	
Default Value	0	
C-P-SIZE	2	[For customization]
MF-FEED	1	Manual restart w/OK key: no ppr on MP Tr
Detail	If the following three conditions are satisfied, pickup is not restarted automatically when placing paper on the Multi-purpose Tray. 1. The setting of "Preferences> Paper Settings> Multi-Purpose Tray Defaults" is "Fixed". 2. The job type is PDL. 3. The setting value of this service mode is 1. 4. Paper is placed at occurrence of no paper on the Multi-Purpose Tray.	
Use Case	Upon user's request. Use this item for customization for Aeon during application of service mode.	
Adj/Set/Operate Method	Enter the setting value, and then press OK key.	
Display/Adj/Set Range	0 to 1 0: OFF, 1: ON	
Default Value	0	
Additional Functions Mode	Preferences> Paper Settings> Multi-Purpose Tray Defaults	
TNRBEXGR	2	ON/OFF oprtn hold: Tonn Cont early rplce
Detail	To set whether to hold the operation when the Toner Container is prematurely replaced although it can still be used. When a new Toner Container is inserted while 1 is set, a message is displayed and the operation is held. The message disappears by changing the Toner Container back to the one before replacement or by changing the setting value of this item to 0 and then restarting the machine.	
Use Case	When preventing from replacing the Toner Container prematurely	
Adj/Set/Operate Method	1) Enter the setting value, and then press OK key. 2) Turn OFF/ON the main power switch.	
Caution	The message does not disappear unless the Toner Container is changed back to the one before the replacement. Be sure to get approval from the user by telling the above specifications before making the setting.	
Display/Adj/Set Range	0 to 1 0: OFF, 1: ON	
Default Value	0	
INSTDT-Y	1	Register installation date info: year
Detail	To set the information on the installation date (year).	
Use Case	- At installation - When replacing the HDD	
Adj/Set/Operate Method	Enter the setting value, and then press OK key.	
Display/Adj/Set Range	0 to 2038	
Default Value	0	
Related Service Mode	COPIER>FUNCTION>INSTALL>INSTDTST	

COPIER (Service mode for printer) > OPTION (Specification setting mode) > USER

INSTDT-M	1	Register installation date info: month
Detail		To set the information on the installation date (month).
Use Case		- At installation - When replacing the HDD
Adj/Set/Operate Method		Enter the setting value, and then press OK key.
Display/Adj/Set Range		0 to 12
Default Value		0
Related Service Mode		COPIER>FUNCTION>INSTALL>INSTDTST
INSTDT-D	1	Register installation date info: day
Detail		To set the information on the installation date (day).
Use Case		- At installation - When replacing the HDD
Adj/Set/Operate Method		Enter the setting value, and then press OK key.
Display/Adj/Set Range		0 to 31
Default Value		0
Related Service Mode		COPIER>FUNCTION>INSTALL>INSTDTST
INSTDT-H	1	Register installation date info: hour
Detail		To set the information on the installation date (hour).
Use Case		- At installation - When replacing the HDD
Adj/Set/Operate Method		Enter the setting value, and then press OK key.
Display/Adj/Set Range		0 to 23
Default Value		0
Related Service Mode		COPIER>FUNCTION>INSTALL>INSTDTST
INSTDT-N	1	Register installation date info: minute
Detail		To set the information on the installation date (minute).
Use Case		- At installation - When replacing the HDD
Adj/Set/Operate Method		Enter the setting value, and then press OK key.
Display/Adj/Set Range		0 to 59
Default Value		0
Related Service Mode		COPIER>FUNCTION>INSTALL>INSTDTST
STOP-USE	1	ON/OFF of Stop key function
Detail		To switch ON and OFF of the Stop key function. When Stop key is pressed, all print jobs are paused.
Use Case		When switching to use/not use Stop key according to the customer
Adj/Set/Operate Method		1) Enter the setting value, and then press OK key. 2) Turn OFF/ON the main power switch.
Caution		Be sure to explain to the customer in advance that all print jobs are paused when Stop key is pressed.
Display/Adj/Set Range		0 to 1 0: OFF, 1: ON
Default Value		1

COPIER (Service mode for printer) > OPTION (Specification setting mode) > USER

LASTREST	1	Set remaining consumables display specs
Detail		To switch the percentage of increments in which the remaining level of consumables is shown at their near end.
Use Case		When the remaining level of toner or waste toner is suddenly displayed as 0%
Adj/Set/Operate Method		1) Enter the setting value, and then press OK key. 2) Turn ON/OFF the Main Power.
Caution		The default value is properly set according to the country and the model, and thus should not be changed unless requested in general.
Display/Adj/Set Range		0 to 1 0: 5%, 1: 1%
Default Value		The value differs according to the location.
Additional Functions Mode		Status Monitor/Cancel > Consmbls./Others > Consumables

■ ACC

COPIER (Service mode for printer) > OPTION (Specification setting mode) > ACC

COIN	1	Setting of charge management
Detail		*Operation on this item is restricted by the setting of [Restrict Service Representation Access]. To set charging management method.
Use Case		At installation of Coin Manager
Adj/Set/Operate Method		1) Enter the setting value, and then press OK key. 2) Turn OFF/ON the main power switch.
Caution		Following items are automatically specified when changing the value to 3 (from 0 to 2). The change will not be returned even if changing back the value to 0 to 2 (from 3) once the mode has been changed. - COPIER> OPTION> USER> CONTROL=1 - COPIER> OPTION> NETWORK> DA-CNCT=1 - COPIER> OPTION> DSPLY-SW> UI-BOX, UI-SEND, UI-FAX=0 - Function Settings> Send> E-Mail/I-Fax Settings> Communication Settings> SMTP Receive, POP=OFF - Preferences> Network> TCP/IP Settings> DNS Settings> FTP Print Settings> Use FTP Printing=OFF - Preferences> Network> TCP/IP Settings> DNS Settings> IPP Print Settings> Use IPP Printing=ON
Display/Adj/Set Range		0 to 7 0: No charge 1: Charge with Coin Manager 2: Charge with remote counter 3: Charge with DA (only in Japan) 4: Charge with this machine itself 5: Not used 6: External charge mode 6 7: External charge mode 7
Default Value		0
Related Service Mode		COPIER> OPTION> USER> CONTROL COPIER> OPTION> FNC-SW> DA-CNCT COPIER> OPTION> DSPLY-SW> UI-BOX, UI-SEND, UI-FAX COPIER> OPTION> ACC> PDL-THR
Additional Functions Mode		Function Settings> Send> E-Mail/I-Fax Settings> Communication Settings Preferences> Network> TCP/IP Settings> DNS Settings> FTP Print Settings, IPP Print Settings
Supplement/Memo		Control card can be used with "No charge". DA: Digital Accessory

COPIER (Service mode for printer) > OPTION (Specification setting mode) > ACC

CARD-SW	1	Screen set when Coin Manager connected
Detail		To set coin or card that the user is urged to insert on the Control Panel when the Coin Manager is connected.
Use Case		Upon user's request
Adj/Set/Operate Method		Enter the setting value, and then press OK key.
Display/Adj/Set Range		0 to 3 0: Card, 1: certification by external device, 2: Coin and card, 3: Card
CC-SPSW	2	Support setting of control card I/F
Detail		To set support level for control card (CCIV/CCV) interface.
Use Case		Upon user's request (when connecting to the external counter management system using the control card interface)
Adj/Set/Operate Method		1) Enter the setting value, and then press OK key. 2) Turn OFF/ON the main power switch.
Display/Adj/Set Range		0 to 1 0: No support, 1: Support
Default Value		0
UNIT-PRC	2	Setting of Coin Manager currency unit
Detail		To set currency unit to be handled with Coin Manager
Use Case		At installation of Coin Manager
Adj/Set/Operate Method		1) Enter the setting value, and then press OK key. 2) Turn OFF/ON the main power switch.
Display/Adj/Set Range		0 to 6 0: Japanese yen, 1: Euro, 2: Pound, 3: Swiss Franc, 4: Dollar, 5: No currency unit (no fractional unit), 6: No currency unit (with fractional unit)
Default Value		0
MIN-PRC	1	Set of Coin Manager minimum price
Detail		To set the minimum amount to be handled with Coin Manager. Enter 10 when specifying 10 Japanese yen as the minimum amount to be handled with the Coin Manager that supports Japanese yen. In the case to specify 1 to 4 (Euro/Pound/Swiss Franc/Dollar) by going through the following: COPIER> OPTION> ACC> UNIT-PRC, entry is in fractional unit. Entry of 50 indicates 50 cents (\$ 0.50).
Use Case		At installation of Coin Manager
Adj/Set/Operate Method		1) Enter the setting value, and then press OK key. 2) Turn OFF/ON the main power switch.
Caution		This mode is enabled when selecting 4 for the following: COPIER> OPTION> ACC> COIN.
Display/Adj/Set Range		0 to 9999
Default Value		10
Related Service Mode		COPIER> OPTION> ACC> COIN, UNIT-PRC
Supplement/Memo		When a value smaller than the minimum amount is entered in Settings/Registration menu as the charging amount, it causes an error.

COPIER (Service mode for printer) > OPTION (Specification setting mode) > ACC

MAX-PRC	1	Set of Coin Manager maximum price
Detail		To set the maximum amount to be handled with Coin Manager. Enter 8800 when specifying 8800 Japanese yen as the maximum amount to be handled with the Coin Manager that supports Japanese yen.
Use Case		At installation of Coin Manager
Adj/Set/Operate Method		1) Enter the setting value, and then press OK key. 2) Turn OFF/ON the main power switch.
Caution		This mode is enabled when selecting 4 for the following: COPIER> OPTION> ACC> COIN.
Display/Adj/Set Range		0 to 9999
Default Value		8800
Related Service Mode		COPIER> OPTION> ACC> COIN, UNIT-PRC
Supplement/Memo		When a value larger than the maximum amount is entered in Settings/Registration menu as the charging amount, it causes an error.
SRL-SPSW	1	Setting of Serial I/F Kit support
Detail		To set the support level of the Serial Interface Kit. To keep processing performance of printer engine, select "1: Priority on speed". To correctly stop the output by the upper limit number of sheets, select "2: Priority on upper limit number of sheets".
Use Case		At installation of Serial Interface Kit
Adj/Set/Operate Method		1) Enter the setting value, and then press OK key. 2) Turn OFF/ON the main power switch.
Caution		With priority on speed, output cannot be correctly stopped by the upper limit number of sheets. With priority on the upper limit number of sheets, processing performance of the printer engine is decreased depending on pickup location.
Display/Adj/Set Range		0 to 2 0: No support, 1: Priority on speed, 2: Priority on upper limit number of sheets
Default Value		0
CR-TYPE	1	Setting of Card Reader
Detail		To set the model of the Card Reader. Set 1 in the case of connecting the Card Reader-C1. It operates even 0 is set, but recognition rate decreases.
Use Case		When connecting the Card Reader-C1
Adj/Set/Operate Method		1) Enter the setting value, and then press OK key. 2) Turn OFF/ON the main power switch.
Display/Adj/Set Range		0 to 1 0: Card Reader-F1, 1: Card Reader-C1
Default Value		0
MEAP-SRL	1	Set to allow serial comctn from MEAP app
Detail		*Operation on this item is restricted by the setting of [Restrict Service Representation Access]. To set whether to allow serial communication of MEAP application. When 1 is set, serial communication of the machine is stopped and only the serial communication with MEAP application is available.
Use Case		When performing serial communication from MEAP application
Adj/Set/Operate Method		1) Enter the setting value, and then press OK key. 2) Turn OFF/ON the main power switch.
Display/Adj/Set Range		0 to 1 0: Prohibited, 1: Allowed
Default Value		0
CV-CSZ	1	[For customization]

COPIER (Service mode for printer) > OPTION (Specification setting mode) > ACC

COIN-AUT	1	ON/OFF of charge/no charge mixed setting
Detail	* Operation on this item is restricted by the setting of [Restrict Service Representation Access]. To set whether to switch charge/no charge according to the authentication setting in an environment where both charged and no charged users exist. When this item is set to 1 while the setting value of COIN is 4, the initial screen where the user can select charge/no charge can be set. Selecting "Charge" on the initial screen displays the copy screen, and selecting "No Charge" displays the main menu after authentication.	
Use Case	At installation of Coin Manager	
Adj/Set/Operate Method	1) Enter the setting value, and then press OK key. 2) Turn OFF/ON the main power switch.	
Caution	When setting 1, be sure to set COIN to 4 in advance. If COIN-AUT is set first, it is necessary to make the settings in the following order again: COIN and then COIN-AUT.	
Display/Adj/Set Range	0 to 1 0: OFF, 1: ON	
Default Value	0	
Related Service Mode	COPIER> OPTION> ACC> COIN COPIER> OPTION> DSPLY-SW> UI-BOX/SEND/FAX	
Additional Functions Mode	Preferences > Display Settings > Default Screen after Startup/Restoration	

■ INT-FACE

COPIER (Service mode for printer) > OPTION (Specification setting mode) > INT-FACE

NWCT-TM	2	Timeout setting of network connection
Detail	*Operation on this item is restricted by the setting of [Restrict Service Representation Access]. To set the time to keep network connection between this machine and the PC application (keep-alive setting). As the value is incremented by 1, the time is increased by 1 minute.	
Adj/Set/Operate Method	1) Enter the setting value, and then press OK key. 2) Turn OFF/ON the main power switch.	
Display/Adj/Set Range	1 to 5	
Unit	min	
Default Value	5	
Supplement/Memo	Expected PC application: Network print application, E-mail function, cascade copy, MEAP network application, etc.	

■ LCNS-TR

COPIER (Service mode for printer) > OPTION (Specification setting mode) > LCNS-TR

ST-SEND	2	Installation state dspl of SEND function
Detail	To display installation state of SEND function when disabling and then transferring the license.	
Use Case	When checking whether SEND function is installed	
Adj/Set/Operate Method	1) Select ST-SEND. 2) Enter 0, and then press OK key. When installation has been completed, the transfer license key is displayed under TR-SEND.	
Display/Adj/Set Range	When operation finished normally: OK!	
Default Value	1	

COPIER (Service mode for printer) > OPTION (Specification setting mode) > LCNS-TR

TR-SEND	2	Trns license key dspl of SEND function
Detail		To display transfer license key to use SEND function when disabling and then transferring the license.
Use Case		- When replacing HDD - When replacing the device
Adj/Set/Operate Method		1) Select ST-SEND. 2) Enter 0, and then press OK key. The transfer license key is displayed under TR-SEND.
Display/Adj/Set Range		24 digits
ST-ENPDF	2	Install state dspl of Encryption PDF
Detail		To display installation state of encrypted PDF transmission function when disabling and then transferring the license.
Use Case		When checking whether Encryption PDF is installed
Adj/Set/Operate Method		1) Select ST-ENPDF. 2) Enter 0, and then press OK key. When installation has been completed, the transfer license key is displayed under TR-ENPDF.
Display/Adj/Set Range		When operation finished normally: OK!
Default Value		According to the setting at shipment
TR-ENPDF	2	Trns license key dspl of Encryption PDF
Detail		To display transfer license key to use Encryption PDF when disabling and then transferring the license.
Use Case		- When replacing HDD - When replacing the device
Adj/Set/Operate Method		1) Select ST-ENPDF. 2) Enter 0, and then press OK key. The transfer license key is displayed under TR-ENPDF.
Caution		This mode is enabled when SEND function is installed.
Display/Adj/Set Range		24 digits
ST-SPDF	2	Install state dspl of Searchable PDF
Detail		To display installation state of Searchable PDF when disabling and then transferring the license.
Use Case		When checking whether Searchable PDF is installed
Adj/Set/Operate Method		1) Select ST-SPDF. 2) Enter 0, and then press OK key. When installation has been completed, the transfer license key is displayed under TR-SPDF.
Display/Adj/Set Range		When operation finished normally: OK!
Default Value		According to the setting at shipment
TR-SPDF	2	Trns license key dspl of Searchable PDF
Detail		To display transfer license key to use Searchable PDF when disabling and then transferring the license.
Use Case		- When replacing HDD - When replacing the device
Adj/Set/Operate Method		1) Select ST-SPDF. 2) Enter 0, and then press OK key. The transfer license key is displayed under TR-SPDF.
Caution		This mode is enabled when SEND function is installed.
Display/Adj/Set Range		24 digits

COPIER (Service mode for printer) > OPTION (Specification setting mode) > LCNS-TR

ST-EXPDF	2	Instal state of Encry PDF + Searchbl PDF
Detail		To display installation state of encrypted PDF + searchable PDF when disabling and then transferring the license.
Use Case		When checking whether Encryption PDF + Searchable PDF is installed
Adj/Set/Operate Method		1) Select ST-EXPDF. 2) Enter 0, and then press OK key. When installation has been completed, the transfer license key is displayed under TR-EXPDF.
Display/Adj/Set Range		When operation finished normally: OK!
Default Value		According to the setting at shipment
TR-EXPDF	2	Trns lcns key of Encry PDF+Searchbl PDF
Detail		To display transfer license key to use Encryption PDF + Searchable PDF when disabling and then transferring the license.
Use Case		- When replacing HDD - When replacing the device
Adj/Set/Operate Method		1) Select ST-EXPDF. 2) Enter 0, and then press OK key. The transfer license key is displayed under TR-EXPDF.
Caution		This mode is enabled when SEND function is installed for Japan.
Display/Adj/Set Range		24 digits
ST-PDFDR	2	Install state dspl of Direct Print PDF
Detail		To display installation state of Direct Print PDF when disabling and then transferring the license.
Use Case		When checking whether Direct Print PDF is installed
Adj/Set/Operate Method		1) Select ST-PDFDR. 2) Enter 0, and then press OK key. When installation has been completed, the transfer license key is displayed under TR-PDFDR.
Display/Adj/Set Range		When operation finished normally: OK!
Default Value		According to the setting at shipment
TR-PDFDR	2	Trns lcns key dspl of Direct Print PDF
Detail		To display transfer license key to use Direct Print PDF when disabling and then transferring the license.
Use Case		- When replacing HDD - When replacing the device
Adj/Set/Operate Method		1) Select ST-PDFDR. 2) Enter 0, and then press OK key. The transfer license key is displayed under TR-PDFDR.
Display/Adj/Set Range		24 digits
ST-SCR	2	Install state dspl of Encry Secure Print
Detail		To display installation state of Encrypted Secure Print when disabling and then transferring the license.
Use Case		When checking whether Encrypted Secure Print is installed
Adj/Set/Operate Method		1) Select ST-SCR. 2) Enter 0, and then press OK key. When installation has been completed, the transfer license key is displayed under TR-SCR.
Display/Adj/Set Range		When operation finished normally: OK!
Default Value		According to the setting at shipment

COPIER (Service mode for printer) > OPTION (Specification setting mode) > LCNS-TR

TR-SCR	2	Trns license key dspl: Encry Secure Pnt
Detail		To display transfer license key to use Encrypted Secure Print when disabling and then transferring the license.
Use Case		- When replacing HDD - When replacing the device
Adj/Set/Operate Method		1) Select ST-SCR. 2) Enter 0, and then press OK key. The transfer license key is displayed under TR-SCR.
Caution		This mode is enabled when there is "3DES+USH-H" Board.
Display/Adj/Set Range		24 digits
ST-BRDIM	2	Install state dspl: PCL Barcode Printing
Detail		To display installation state of BarDIMM when disabling and then transferring the license.
Use Case		When checking whether Barcode Printing for PCL is installed
Adj/Set/Operate Method		1) Select ST-BRDIM. 2) Enter 0, and then press OK key. When installation has been completed, the transfer license key is displayed under TR-BRDIM.
Display/Adj/Set Range		When operation finished normally: OK!
Default Value		According to the setting at shipment
TR-BRDIM	2	Trns lcns key dspl: PCL Barcode Printing
Detail		To display transfer license key to use Barcode Printing for PCL when disabling and then transferring the license.
Use Case		- When replacing HDD - When replacing the device
Adj/Set/Operate Method		1) Select ST-BRDIM. 2) Enter 0, and then press OK key. The transfer license key is displayed under TR-BRDIM.
Display/Adj/Set Range		24 digits
ST-VNC	2	Install state dspl of Remote Oprtr Soft
Detail		To display installation state of Remote Operators Software when disabling and then transferring the license.
Use Case		When checking whether Remote Operators Software is installed
Adj/Set/Operate Method		1) Select ST-VNC. 2) Enter 0, and then press OK key. When installation has been completed, the transfer license key is displayed under TR-VNC.
Display/Adj/Set Range		When operation finished normally: OK!
Default Value		According to the setting at shipment
TR-VNC	2	Trns lcns dspl of Remote Operators Soft
Detail		To display transfer license key to use Remote Operators Software when disabling and then transferring the license.
Use Case		- When replacing HDD - When replacing the device
Adj/Set/Operate Method		1) Select ST-VNC. 2) Enter 0, and then press OK key. The transfer license key is displayed under TR-VNC.
Display/Adj/Set Range		24 digits

COPIER (Service mode for printer) > OPTION (Specification setting mode) > LCNS-TR

ST-WEB	2	Install state dspl: Web Access Software
Detail		To display installation state of Web Access Software when disabling and then transferring the license.
Use Case		When checking whether Web Access Software is installed
Adj/Set/Operate Method		1) Select ST-WEB. 2) Enter 0, and then press OK key. When installation has been completed, the transfer license key is displayed under TR-WEB.
Display/Adj/Set Range		When operation finished normally: OK!
Default Value		According to the setting at shipment
TR-WEB	2	Trns license key dspl of Web Access Soft
Detail		To display transfer license key to use Web Access Software when disabling and then transferring the license.
Use Case		- When replacing HDD - When replacing the device
Adj/Set/Operate Method		1) Select ST-WEB. 2) Enter 0, and then press OK key. The transfer license key is displayed under TR-WEB.
Display/Adj/Set Range		24 digits
ST-HRPDF	2	Install state dspl of High Compress PDF
Detail		To display installation state of High Compression PDF when disabling and then transferring the license.
Use Case		When checking whether High Compression PDF is installed
Adj/Set/Operate Method		1) Select ST-HRPDF. 2) Enter 0, and then press OK key. When installation has been completed, the transfer license key is displayed under TR-HRPDF.
Display/Adj/Set Range		When operation finished normally: OK!
Default Value		According to the setting at shipment
TR-HRPDF	2	Trns lcns key dspl of High Compress PDF
Detail		To display transfer license key to use High Compression PDF when disabling and then transferring the license.
Use Case		- When replacing HDD - When replacing the device
Adj/Set/Operate Method		1) Select ST-HRPDF. 2) Enter 0, and then press OK key. The transfer license key is displayed under TR-HRPDF.
Display/Adj/Set Range		24 digits
ST-TRSND	2	Install state dspl: Trial SEND function
Detail		To display installation state of Trial SEND function when disabling and then transferring the license.
Use Case		When checking whether Trial SEND function is installed
Adj/Set/Operate Method		1) Select ST-TRSND. 2) Enter 0, and then press OK key. When installation has been completed, the transfer license key is displayed under TR-TRSND.
Display/Adj/Set Range		When operation finished normally: OK!
Default Value		According to the setting at shipment

COPIER (Service mode for printer) > OPTION (Specification setting mode) > LCNS-TR

TR-TRSND	2	Trns lcns key dspl: Trial SEND function
Detail		To display transfer license key to use Trial SEND function when disabling and then transferring the license.
Use Case		- When replacing HDD - When replacing the device
Adj/Set/Operate Method		1) Select ST-TRSND. 2) Enter 0, and then press OK key. The transfer license key is displayed under TR-TRSND.
Display/Adj/Set Range		24 digits
ST-WTMRK	2	Install state dspl of Secure Watermark
Detail		To display installation state of Secure Watermark when disabling and then transferring the license.
Use Case		When checking whether Secure Watermark is installed
Adj/Set/Operate Method		1) Select ST-WTMRK. 2) Enter 0, and then press OK key. When installation has been completed, the transfer license key is displayed under TR-WTMRK.
Display/Adj/Set Range		When operation finished normally: OK!
Default Value		According to the setting at shipment
TR-WTMRK	2	Trns license key dspl: Secure Watermark
Detail		To display transfer license key to use Secure Watermark when disabling and then transferring the license.
Use Case		- When replacing HDD - When replacing the device
Adj/Set/Operate Method		1) Select ST-WTMRK. 2) Enter 0, and then press OK key. The transfer license key is displayed under TR-WTMRK.
Display/Adj/Set Range		24 digits
ST-TSPDF	2	Install state dspl of Time Stamp PDF: JP
Detail		To display installation state of Time Stamp PDF (JP only) when disabling and then transferring the license.
Use Case		When checking whether Time Stamp PDF (JP only) is installed
Adj/Set/Operate Method		1) Select ST-TSPDF. 2) Enter 0, and then press OK key. When installation has been completed, the transfer license key is displayed under TR-TSPDF.
Display/Adj/Set Range		When operation finished normally: OK!
Default Value		According to the setting at shipment
TR-TSPDF	2	Trns lcns key dspl of Time Stamp PDF: JP
Detail		To display transfer license key to use Time Stamp PDF (JP only) when disabling and then transferring the license.
Use Case		- When replacing HDD - When replacing the device
Adj/Set/Operate Method		1) Select ST-TSPDF. 2) Enter 0, and then press OK key. The transfer license key is displayed under TR-TSPDF.
Caution		This mode is enabled when SEND function is installed.
Display/Adj/Set Range		24 digits

COPIER (Service mode for printer) > OPTION (Specification setting mode) > LCNS-TR

ST-USPDF	2	Install state dspl of Dgtl User Sign PDF
Detail		To display installation state of Digital User Signature PDF when disabling and then transferring the license.
Use Case		When checking whether Digital User Signature PDF is installed
Adj/Set/Operate Method		1) Select ST-USPDF. 2) Enter 0, and then press OK key. When installation has been completed, the transfer license key is displayed under TR-USPDF.
Display/Adj/Set Range		When operation finished normally: OK!
Default Value		0
TR-USPDF	2	Trns lcns key dspl of Dgtl User Sign PDF
Detail		To display transfer license key to use Digital User Signature PDF when disabling and then transferring the license.
Use Case		- When replacing HDD - When replacing the device
Adj/Set/Operate Method		1) Select ST-USPDF. 2) Enter 0, and then press OK key. The transfer license key is displayed under TR-USPDF.
Caution		This mode is enabled when SEND function is installed.
Display/Adj/Set Range		24 digits
ST-DVPDF	2	Install state dspl of Device Sign PDF
Detail		To display installation state of device signature PDF transmission function when disabling and then transferring the license.
Use Case		When checking whether Device Signature PDF is installed
Adj/Set/Operate Method		1) Select ST-DVPDF. 2) Enter 0, and then press OK key. When installation has been completed, the transfer license key is displayed under TR-DVPDF.
Display/Adj/Set Range		When operation finished normally: OK!
Default Value		According to the setting at shipment
TR-DVPDF	2	Trns lcns key dspl of Device Sign PDF
Detail		To display transfer license key to use Device Signature PDF when disabling and then transferring the license.
Use Case		- When replacing HDD - When replacing the device
Adj/Set/Operate Method		1) Select ST-DVPDF. 2) Enter 0, and then press OK key. The transfer license key is displayed under TR-DVPDF.
Caution		This mode is enabled when SEND function is installed.
Display/Adj/Set Range		24 digits
ST-SCPDF	2	Install state dspl of Trace & Smooth PDF
Detail		To display installation state of Trace & Smooth PDF when disabling and then transferring the license.
Use Case		When checking whether Trace & Smooth PDF is installed
Adj/Set/Operate Method		1) Select ST-SCPDF. 2) Enter 0, and then press OK key. When installation has been completed, the transfer license key is displayed under TR-SCPDF.
Display/Adj/Set Range		When operation finished normally: OK!
Default Value		According to the setting at shipment

COPIER (Service mode for printer) > OPTION (Specification setting mode) > LCNS-TR

TR-SCPFD	2	Trns lcns key dspl of Trace & Smooth PDF
Detail		To display transfer license key to use Trace & Smooth PDF when disabling and then transferring the license.
Use Case		- When replacing HDD - When replacing the device
Adj/Set/Operate Method		1) Select ST-SCPFD. 2) Enter 0, and then press OK key. The transfer license key is displayed under TR-SCPFD.
Caution		This mode is enabled when SEND function is installed.
Display/Adj/Set Range		24 digits
ST-AMS	2	Install state dspl of Access Mngm System
Detail		To display installation state of Access Management System when disabling and then transferring the license.
Use Case		When checking whether Access Management System is installed
Adj/Set/Operate Method		1) Select ST-AMS. 2) Enter 0, and then press OK key. When installation has been completed, the transfer license key is displayed under TR-AMS.
Display/Adj/Set Range		When operation finished normally: OK!
Default Value		According to the setting at shipment
TR-AMS	2	Trns lcns key dspl of Access Mngm System
Detail		To display transfer license key to use Access Management System when disabling and then transferring the license.
Use Case		- When replacing HDD - When replacing the device
Adj/Set/Operate Method		1) Select ST-AMS. 2) Enter 0, and then press OK key. The transfer license key is displayed under TR-AMS.
Display/Adj/Set Range		24 digits
ST-ERDS	2	Install state dspl: E-RDS 3rd Pty Expnsn
Detail		To display installation state of monitoring service function when disabling and then transferring the license.
Use Case		When checking whether E-RDS non-Canon-made extension function is installed
Adj/Set/Operate Method		1) Select ST-ERDS. 2) Enter 0, and then press OK key. When installation has been completed, the transfer license key is displayed under TR-ERDS.
Display/Adj/Set Range		When operation finished normally: OK!
Default Value		According to the setting at shipment
Supplement/Memo		Monitoring service function: A function to send charge counter to the non-Canon-made charge server.
TR-ERDS	2	Trns lcns key dspl: E-RDS 3rd Pty Expnsn
Detail		To display transfer license key to use E-RDS non-Canon-made extension function when disabling and then transferring the license.
Use Case		- When replacing HDD - When replacing the device
Adj/Set/Operate Method		1) Select ST-ERDS. 2) Enter 0, and then press OK key. The transfer license key is displayed under TR-ERDS.
Display/Adj/Set Range		24 digits
Supplement/Memo		Monitoring service function: A function to send charge counter to the non-Canon-made charge server.

COPIER (Service mode for printer) > OPTION (Specification setting mode) > LCNS-TR

ST-PS	2	Install state display of PS function
Detail		To display installation state of PS function when disabling and then transferring the license.
Use Case		When checking whether PS function is installed
Adj/Set/Operate Method		1) Select ST-PS. 2) Enter 0, and then press OK key. When installation has been completed, the transfer license key is displayed under TR-PS.
Display/Adj/Set Range		When operation finished normally: OK!
Default Value		According to the setting at shipment
TR-PS	2	Transfer license key dspl of PS function
Detail		To display transfer license key to use PS function when disabling and then transferring the license.
Use Case		- When replacing HDD - When replacing the device
Adj/Set/Operate Method		1) Select ST-PS. 2) Enter 0, and then press OK key. The transfer license key is displayed under TR-PS.
Display/Adj/Set Range		24 digits
ST-PCL	2	Install state display of PCL function
Detail		To display installation state of PCL function when disabling and then transferring the license.
Use Case		When checking whether PCL function is installed
Adj/Set/Operate Method		1) Select ST-PCL. 2) Enter 0, and then press OK key. When installation has been completed, the transfer license key is displayed under TR-PCL.
Display/Adj/Set Range		When operation finished normally: OK!
Default Value		According to the setting at shipment
TR-PCL	2	Transfer license key dspl: PCL function
Detail		To display transfer license key to use PCL function when disabling and then transferring the license.
Use Case		- When replacing HDD - When replacing the device
Adj/Set/Operate Method		1) Select ST-PCL. 2) Enter 0, and then press OK key. The transfer license key is displayed under TR-PCL.
Display/Adj/Set Range		24 digits
ST-PSLI5	2	Install state dspl: PS/LIPS4/LIPS LX: JP
Detail		To display installation state of PS/LIPS4/LIPS LX function (JP only) when disabling and then transferring the license.
Use Case		When checking whether PS/LIPS4/LIPS LX function (JP only) is installed
Adj/Set/Operate Method		1) Select ST-PSLI5. 2) Enter 0, and then press OK key. When installation has been completed, the transfer license key is displayed under TR-PSLI5.
Display/Adj/Set Range		When operation finished normally: OK!
Default Value		0

COPIER (Service mode for printer) > OPTION (Specification setting mode) > LCNS-TR

TR-PSLI5	2	Trns lcns key dspl: PS/LIPS4/LIPS LX: JP
Detail	To display transfer license key to use PS/LIPS4/LIPS LX function (JP only) when disabling and then transferring the license.	
Use Case	- When replacing HDD - When replacing the device	
Adj/Set/Operate Method	1) Select ST-PSLI5. 2) Enter 0, and then press OK key. The transfer license key is displayed under TR-PSLI5.	
Display/Adj/Set Range	24 digits	
ST-LIPS5	2	Install state dspl:LIPS LX/LIPS4 func:JP
Detail	To display installation state of LIPS LX/LIPS4 function (JP only) when disabling and then transferring the license.	
Use Case	When checking whether LIPS LX/LIPS4 function (JP only) is installed	
Adj/Set/Operate Method	1) Select ST-LIPS5. 2) Enter 0, and then press OK key. When installation has been completed, the transfer license key is displayed under TR-LIPS5.	
Display/Adj/Set Range	When operation finished normally: OK!	
Default Value	According to the setting at shipment	
TR-LIPS5	2	Trns lcns key dspl:LIPS LX/LIPS4 func:JP
Detail	To display transfer license key to use LIPS LX/LIPS4 function (JP only) when disabling and then transferring the license.	
Use Case	- When replacing HDD - When replacing the device	
Adj/Set/Operate Method	1) Select ST-LIPS5. 2) Enter 0, and then press OK key. The transfer license key is displayed under TR-LIPS5.	
Display/Adj/Set Range	24 digits	
ST-LIPS4	2	Install state display of LIPS4 func: JP
Detail	To display installation state of LIPS4 function (JP only) when disabling and then transferring the license.	
Use Case	When checking whether LIPS4 function (JP only) is installed	
Adj/Set/Operate Method	1) Select ST-LIPS4. 2) Enter 0, and then press OK key. When installation has been completed, the transfer license key is displayed under TR-LIPS4.	
Display/Adj/Set Range	When operation finished normally: OK!	
Default Value	According to the setting at shipment	
TR-LIPS4	2	Trns license key dspl of LIPS4 func: JP
Detail	To display transfer license key to use LIPS4 function (JP only) when disabling and then transferring the license.	
Use Case	- When replacing HDD - When replacing the device	
Adj/Set/Operate Method	1) Select ST-LIPS4. 2) Enter 0, and then press OK key. The transfer license key is displayed under TR-LIPS4.	
Display/Adj/Set Range	24 digits	

COPIER (Service mode for printer) > OPTION (Specification setting mode) > LCNS-TR

ST-PSPCL	2	Install state dspl of PS/PCL function
Detail		To display installation state of PS/PCL function when disabling and then transferring the license.
Use Case		When checking whether PS/PCL function is installed
Adj/Set/Operate Method		1) Select ST-PSPCL. 2) Enter 0, and then press OK key. When installation has been completed, the transfer license key is displayed under TR-PSPCL.
Display/Adj/Set Range		When operation finished normally: OK!
Default Value		According to the setting at shipment
TR-PSPCL	2	Transfer license key dspl of PS/PCL func
Detail		To display transfer license key to use PS/PCL function when disabling and then transferring the license.
Use Case		- When replacing HDD - When replacing the device
Adj/Set/Operate Method		1) Select ST-PSPCL. 2) Enter 0, and then press OK key. The transfer license key is displayed under TR-PSPCL.
Display/Adj/Set Range		24 digits
ST-PCLUF	2	Install state dspl: PCL/UFR II function
Detail		To display installation state of PCL/UFR II function when disabling and then transferring the license.
Use Case		When checking whether PCL/UFR II function is installed
Adj/Set/Operate Method		1) Select ST-PCLUF. 2) Enter 0, and then press OK key. When installation has been completed, the transfer license key is displayed under TR-PCLUF.
Display/Adj/Set Range		When operation finished normally: OK!
Default Value		According to the setting at shipment
TR-PCLUF	2	Trns license key dspl of PCL/UFR II func
Detail		To display transfer license key to use PCL/UFR II function when disabling and then transferring the license.
Use Case		- When replacing HDD - When replacing the device
Adj/Set/Operate Method		1) Select ST-PCLUF. 2) Enter 0, and then press OK key. The transfer license key is displayed under TR-PCLUF.
Display/Adj/Set Range		24 digits
ST-PSLIP	2	Install state dspl of PS/LIPS4 func: JP
Detail		To display installation state of PS/LIPS4 function (JP only) when disabling and then transferring the license.
Use Case		When checking whether PS/LIPS4 function (JP only) is installed
Adj/Set/Operate Method		1) Select ST-PSLIP. 2) Enter 0, and then press OK key. When installation has been completed, the transfer license key is displayed under TR-PSLIP.
Display/Adj/Set Range		When operation finished normally: OK!
Default Value		According to the setting at shipment

COPIER (Service mode for printer) > OPTION (Specification setting mode) > LCNS-TR

TR-PSLIP	2	Trns license key dspl: PS/LIPS4 func:JP
Detail		To display transfer license key to use PS/LIPS4 function (JP only) when disabling and then transferring the license.
Use Case		- When replacing HDD - When replacing the device
Adj/Set/Operate Method		1) Select ST-PSLIP. 2) Enter 0, and then press OK key. The transfer license key is displayed under TR-PSLIP.
Display/Adj/Set Range		24 digits
ST-PSPCU	2	Install state dspl of PS/PCL/UFR II func
Detail		To display installation state of PS/PCL/UFR II function when disabling and then transferring the license.
Use Case		When checking whether PS/PCL/UFR II function is installed
Adj/Set/Operate Method		1) Select ST-PSPCU. 2) Enter 0, and then press OK key. When installation has been completed, the transfer license key is displayed under TR-PSPCU.
Display/Adj/Set Range		When operation finished normally: OK!
Default Value		According to the setting at shipment
TR-PSPCU	2	Trns lcns key dspl of PS/PCL/UFR II func
Detail		To display transfer license key to use PS/PCL/UFR II function when disabling and then transferring the license.
Use Case		- When replacing HDD - When replacing the device
Adj/Set/Operate Method		1) Select ST-PSPCU. 2) Enter 0, and then press OK key. The transfer license key is displayed under TR-PSPCU.
Display/Adj/Set Range		24 digits
ST-LXUFR	2	Install state display of UFR II function
Detail		To display installation state of UFR II function when disabling and then transferring the license.
Use Case		When checking whether UFR II function is installed
Adj/Set/Operate Method		1) Select ST-LXUFR. 2) Enter 0, and then press OK key. When installation has been completed, the transfer license key is displayed under TR-LXUFR.
Display/Adj/Set Range		When operation finished normally: OK!
Default Value		According to the setting at shipment
TR-LXUFR	2	Trns license key dspl of UFR II function
Detail		To display transfer license key to use UFR II function when disabling and then transferring the license.
Use Case		- When replacing HDD - When replacing the device
Adj/Set/Operate Method		1) Select ST-LXUFR. 2) Enter 0, and then press OK key. The transfer license key is displayed under TR-LXUFR.
Display/Adj/Set Range		24 digits

COPIER (Service mode for printer) > OPTION (Specification setting mode) > LCNS-TR

ST-HDCR2	2	Install state dspl:HDD Init All Data/Set
Detail		To display installation state of HDD Initialize All Data/Settings when disabling and then transferring the license.
Use Case		When checking whether HDD Initialize All Data/Settings is installed
Adj/Set/Operate Method		1) Select ST-HDCR2. 2) Enter 0, and then press OK key. When installation has been completed, the transfer license key is displayed under TR-HDCR2.
Display/Adj/Set Range		When operation finished normally: OK!
Default Value		0
TR-HDCR2	2	Trns lcns key dspl:HDD Init All Data/Set
Detail		To display transfer license key to use HDD Initialize All Data/Settings when disabling and then transferring the license.
Use Case		- When replacing HDD - When replacing the device
Adj/Set/Operate Method		1) Select ST-HDCR2. 2) Enter 0, and then press OK key. The transfer license key is displayed under TR-HDCR2.
Display/Adj/Set Range		24 digits
ST-JBLK	2	Install state dspl of Document Scan Lock
Detail		To display installation state of Document Scan Lock when disabling and then transferring the license.
Use Case		When checking whether Document Scan Lock is installed
Adj/Set/Operate Method		1) Select ST-JBLK. 2) Enter 0, and then press OK key. When installation has been completed, the transfer license key is displayed under TR-JBLK.
Display/Adj/Set Range		When operation finished normally: OK!
Default Value		0
TR-JBLK	2	Trns lcns key dspl of Document Scan Lock
Detail		To display transfer license key to use Document Scan Lock when disabling and then transferring the license.
Use Case		- When replacing HDD - When replacing the device
Adj/Set/Operate Method		1) Select ST-JBLK. 2) Enter 0, and then press OK key. The transfer license key is displayed under TR-JBLK.
Display/Adj/Set Range		24 digits
ST-AFAX	2	Installation state display of Remote Fax
Detail		To display installation state of remote fax client function when disabling and then transferring the license.
Use Case		When checking whether Remote Fax is installed
Adj/Set/Operate Method		1) Select ST-AFAX. 2) Enter 0, and then press OK key. When installation has been completed, the transfer license key is displayed under TR-AFAX.
Display/Adj/Set Range		When operation finished normally: OK!
Default Value		According to the setting at shipment

COPIER (Service mode for printer) > OPTION (Specification setting mode) > LCNS-TR

TR-AFAX	2	Transfer license key dspl of Remote Fax
Detail		To display transfer license key to use Remote Fax when disabling and then transferring the license.
Use Case		- When replacing HDD - When replacing the device
Adj/Set/Operate Method		1) Select ST-AFAX. 2) Enter 0, and then press OK key. The transfer license key is displayed under TR-AFAX.
Display/Adj/Set Range		24 digits
ST-REPDF	2	Install state dspl:Reader Extensions PDF
Detail		To display installation state of Reader Extensions PDF when disabling and then transferring the license.
Use Case		When checking whether Reader Extensions PDF is installed
Adj/Set/Operate Method		1) Select ST-REPDF. 2) Enter 0, and then press OK key. When installation has been completed, the transfer license key is displayed under TR-REPDF.
Display/Adj/Set Range		When operation finished normally: OK!
Default Value		According to the setting at shipment
TR-REPDF	2	Trns lcns key dspl:Reader Extensions PDF
Detail		To display transfer license key to use Reader Extensions PDF when disabling and then transferring the license.
Use Case		- When replacing HDD - When replacing the device
Adj/Set/Operate Method		1) Select ST-REPDF. 2) Enter 0, and then press OK key. The transfer license key is displayed under TR-REPDF.
Display/Adj/Set Range		24 digits
ST-OOXML	2	Install state display of Office Open XML
Detail		To display installation state of Office Open XML when disabling and then transferring the license.
Use Case		When checking whether Office Open XML is installed
Adj/Set/Operate Method		1) Select ST-OOXML. 2) Enter 0, and then press OK key. When installation has been completed, the transfer license key is displayed under TR-OOXML.
Display/Adj/Set Range		When operation finished normally: OK!
Default Value		According to the setting at shipment
TR-OOXML	2	Trns lcns key display of Office Open XML
Detail		To display transfer license key to use Office Open XML when disabling and then transferring the license.
Use Case		- When replacing HDD - When replacing the device
Adj/Set/Operate Method		1) Select ST-OOXML. 2) Enter 0, and then press OK key. The transfer license key is displayed under TR-OOXML.
Display/Adj/Set Range		24 digits

COPIER (Service mode for printer) > OPTION (Specification setting mode) > LCNS-TR

ST-XPS	2	Install state dspl of Direct Print XPS
Detail		To display installation state of Direct Print XPS when disabling and then transferring the license.
Use Case		When checking whether Direct Print XPS is installed
Adj/Set/Operate Method		1) Select ST-XPS. 2) Enter 0, and then press OK key. When installation has been completed, the transfer license key is displayed under TR-XPS.
Display/Adj/Set Range		When operation finished normally: OK!
Default Value		According to the setting at shipment
TR-XPS	2	Trns lcns key dspl of Direct Print XPS
Detail		To display transfer license key to use Direct Print XPS when disabling and then transferring the license.
Use Case		- When replacing HDD - When replacing the device
Adj/Set/Operate Method		1) Select ST-XPS. 2) Enter 0, and then press OK key. The transfer license key is displayed under TR-XPS.
Display/Adj/Set Range		24 digits
ST-2600	2	Instal state dspl: IEEEE2600.1 scrty func
Detail		To display installation state of the IEEEE2600.1 security function when disabling and then transferring the license.
Use Case		When checking whether the IEEEE2600.1 security function is installed
Adj/Set/Operate Method		1) Select ST-2600. 2) Enter 0, and then press OK key. When installation has been completed, the transfer license key is displayed under TR-2600.
Display/Adj/Set Range		When operation finished normally: OK!
Default Value		According to the setting at shipment
TR-2600	2	Trn lcns key dspl: IEEEE2600.1 scrty func
Detail		To display transfer license key to use IEEEE2600.1 security function when disabling and then transferring the license.
Use Case		- When replacing HDD - When replacing the device
Adj/Set/Operate Method		1) Select ST-2600. 2) Enter 0, and then press OK key. The transfer license key is displayed under TR-2600.
Display/Adj/Set Range		24 digits
ST-OPFNT	2	Install state display of PCL Font Set
Detail		To display installation state of PCL Font Set when disabling and then transferring the license.
Use Case		When checking whether PCL Font Set is installed
Adj/Set/Operate Method		1) Select ST-OPFNT. 2) Enter 0, and then press OK key. When installation has been completed, the transfer license key is displayed under TR-OPFNT.
Display/Adj/Set Range		When operation finished normally: OK!
Default Value		According to the setting at shipment

COPIER (Service mode for printer) > OPTION (Specification setting mode) > LCNS-TR

TR-OPFNT	2	Trns license key display of PCL Font Set
Detail		To display transfer license key to use the PCL Font Set when disabling and then transferring the license.
Use Case		- When replacing HDD - When replacing the device
Adj/Set/Operate Method		1) Select ST-OPFNT. 2) Enter 0, and then press OK key. The transfer license key is displayed under TR-OPFNT.
Display/Adj/Set Range		24 digits
ST-NCAPT	2	Install state display of NetCap function
Detail		To display installation state of network packet capture function when disabling and then transferring the license.
Use Case		When checking whether network packet capture function is installed
Adj/Set/Operate Method		1) Select ST-NCAPT. 2) Enter 0, and then press OK key. When installation has been completed, the transfer license key is displayed under TR-NCAPT.
Display/Adj/Set Range		When operation finished normally: OK!
Default Value		0
TR-NCAPT	2	Transfer license key dspl of NetCap func
Detail		To display transfer license key to use the network packet capture function when disabling and then transferring the license.
Use Case		- When replacing HDD - When replacing the device
Adj/Set/Operate Method		1) Select ST-NCAPT. 2) Enter 0, and then press OK key. The transfer license key is displayed under TR-NCAPT.
Display/Adj/Set Range		24 digits
ST-IPFAX	2	Installation state display of IPFAX
Detail		To display installation state of IPFAX when disabling and then transferring the license.
Use Case		When checking whether IPFAX is installed
Adj/Set/Operate Method		1) Select ST-IPFAX. 2) Enter 0, and then press OK key. When installation has been completed, the transfer license key is displayed under TR-IPFAX.
Display/Adj/Set Range		When operation finished normally: OK!
Default Value		According to the setting at shipment
TR-IPFAX	2	Transfer license key dspl of IPFAX
Detail		To display transfer license key to use IPFAX when disabling and then transferring the license.
Use Case		- When replacing HDD - When replacing the device
Adj/Set/Operate Method		1) Select ST-IPFAX. 2) Enter 0, and then press OK key. The transfer license key is displayed under TR-IPFAX.
Display/Adj/Set Range		24 digits

COPIER (Service mode for printer) > OPTION (Specification setting mode) > LCNS-TR

ST-U-RDS	2	Install state display of E-RDS function
Detail		To display installation state of Embedded-RDS function when disabling and then transferring the license.
Use Case		When checking whether Embedded-RDS function is installed
Adj/Set/Operate Method		1) Select ST-U-RDS. 2) Enter 0, and then press OK key. When installation has been completed, the transfer license key is displayed under TR-U-RDS.
Display/Adj/Set Range		When operation finished normally: OK!
Default Value		According to the setting at shipment
Related Service Mode		COPIER> FUNCTION> INSTALL> E-RDS
TR-U-RDS	2	Trns license key dspl of E-RDS function
Detail		To display transfer license key to use Embedded-RDS function when disabling and then transferring the license.
Use Case		- When replacing the HDD - When replacing the device
Adj/Set/Operate Method		1) Select ST-U-RDS. 2) Enter 0, and then press OK key. The transfer license key is displayed under TR-U-RDS.
Display/Adj/Set Range		24 digits
ST-SMLG	2	Install state dspl of picture login func
Detail		To display installation state of picture login function when disabling and then transferring the license.
Use Case		When checking whether picture login function is installed
Adj/Set/Operate Method		1) Select ST-SMLG. 2) Enter 0, and then press OK key. When installation has been completed, the transfer license key is displayed under TR-SMLG.
Display/Adj/Set Range		When operation finished normally: OK!
Default Value		According to the setting at shipment
TR-SMLG	2	Trns lcns key dspl: picture login func
Detail		To display transfer license key to use picture login function when disabling and then transferring the license.
Use Case		- When replacing HDD - When replacing the device
Adj/Set/Operate Method		1) Select ST-SMLG. 2) Enter 0, and then press OK key. The transfer license key is displayed under TR-SMLG.
Display/Adj/Set Range		24 digits
ST-TCFNT	2	Inst state dspl:PCL Asian Font, trad CHI
Detail		To display installation state of PCL Asian Font (traditional Chinese) when disabling and then transfer the license.
Use Case		When checking whether PCL Asian Font (traditional Chinese) is installed
Adj/Set/Operate Method		1) Select ST-TCFNT. 2) Enter 0, and then press OK key. When installation has been completed, the transfer license key is displayed under TR-TCFNT.
Caution		When replacing the HDD, check that "PCL Traditional Chinese Fonts" and "PCL Traditional Chinese Fonts (HKSCS)" are installed with [Font List] in [Settings/Registration].
Display/Adj/Set Range		When operation finished normally: OK!
Default Value		According to the setting at shipment
Additional Functions Mode		Function Settings> Printer> Output Report> PCL> Font List

COPIER (Service mode for printer) > OPTION (Specification setting mode) > LCNS-TR

TR-TCFNT	2	Trn lic key dspl:PCL Asian Font,trad CHI
Detail		To display transfer license key to use PCL Asian Font (traditional Chinese) when disabling and then transferring the license.
Use Case		- When replacing HDD - When replacing the device
Adj/Set/Operate Method		1) Select ST-TCFNT. 2) Enter 0, and then press OK key. The transfer license key is displayed under TR-TCFNT.
Display/Adj/Set Range		24 digits
Additional Functions Mode		Function Settings> Printer> Output Report> PCL> Font List
TR-FRWEB	2	Trn lcns key dspl:Web Access SW,free ver
Detail		To display transfer license key to use the free version of Web Access Software when disabling and then transferring the license of it.
Use Case		- When replacing HDD - When replacing the device
Adj/Set/Operate Method		1) Select ST-FRWEB. 2) Enter 0, and then press OK key. The transfer license key is displayed under TR-FRWEB.
Display/Adj/Set Range		24 digits
ST-FRWEB	2	Instl state dspl:Web Access SW, free ver
Detail		To display installation state of the free version of Web Access Software when disabling and then transferring the license of it.
Use Case		When checking whether the free version of Web Access Software is installed
Adj/Set/Operate Method		1) Select ST-FRWEB. 2) Enter 0, and then press OK key. When installation has been completed, the transfer license key is displayed under TR-FRWEB.
Display/Adj/Set Range		When operation finished normally: OK!
Default Value		According to the setting at shipment
ST-HCD	2	Inst state dspl: IEEE2600 Security Kit
Detail		To display installation state of Security Kit for IEEE2600 when disabling and then transferring the license.
Use Case		When checking whether the Security Kit for IEEE2600 is installed
Adj/Set/Operate Method		1) Select ST-HCD. 2) Enter 0, and then press OK key. When installation has been completed, the transfer license key is displayed under TR-HCD.
Display/Adj/Set Range		When operation finished normally: OK!
Default Value		According to the setting at shipment
TR-HCD	2	Trn lcns key dspl: IEEE2600 Security Kit
Detail		To display transfer license key to use the Security Kit for IEEE2600 when disabling and then transferring the license of it.
Use Case		- When replacing HDD - When replacing the device
Adj/Set/Operate Method		1) Select ST-HCD. 2) Enter 0, and then press OK key. The transfer license key is displayed under TR-HCD.
Display/Adj/Set Range		24 digits
Default Value		0

COPIER (Service mode for printer) > OPTION (Specification setting mode) > LCNS-TR

ST-MECWL	2	Inst state dspl: McAfee whitelist func
Detail		To display installation state of McAfee whitelisting function when disabling the function and transferring the license.
Use Case		When checking whether McAfee whitelisting function is installed.
Adj/Set/Operate Method		1) Select ST-MECWL. 2) Enter 0, and then press OK key. When installation has been completed, the transfer license key is displayed under TR-MECWL.
Display/Adj/Set Range		When operation finished normally: OK!
Supplement/Memo		McAfee and the McAfee logo are trademarks or registered trademarks of McAfee, LLC or its subsidiaries in the United States and other countries. All other trademarks and registered trademarks are the property of their respective manufacturers. Copyright(c)2018 McAfee LLC
TR-MECWL	2	Trn lcns key dspl: McAfee whitelist func
Detail		To display transfer license key to use McAfee whitelisting function when disabling and then transferring the license of it.
Use Case		- When replacing the HDD - When replacing the device
Adj/Set/Operate Method		1) Select ST-MECWL. 2) Enter 0, and then press OK key. The transfer license key is displayed under TR-MECWL.
Display/Adj/Set Range		24 digits
Supplement/Memo		McAfee and the McAfee logo are trademarks or registered trademarks of McAfee, LLC or its subsidiaries in the United States and other countries. All other trademarks and registered trademarks are the property of their respective manufacturers. Copyright(c)2018 McAfee LLC

■ CUSTOM2

COPIER (Service mode for printer) > OPTION (Specification setting mode) > CUSTOM2

SP-B01	2	[For customization]
SP-B02	2	[For customization]
SP-B03	2	[For customization]
SP-B04	2	[For customization]
SP-B05	2	[For customization]
SP-B06	2	[For customization]
SP-B07	2	[For customization]
SP-B08	2	[For customization]
SP-B09	2	[For customization]
SP-B10	2	[For customization]
SP-B11	2	[For customization]
SP-B12	2	[For customization]
SP-B13	2	[For customization]
SP-B14	2	[For customization]
SP-B15	2	[For customization]
SP-B16	2	[For customization]
SP-B17	2	[For customization]
SP-B18	2	[For customization]
SP-B19	2	[For customization]
SP-B20	2	[For customization]
SP-B21	2	[For customization]

COPIER (Service mode for printer) > OPTION (Specification setting mode) > CUSTOM2

SP-B22	2	[For customization]
SP-B23	2	[For customization]
SP-B24	2	[For customization]
SP-B25	2	[For customization]
SP-B26	2	[For customization]
SP-B27	2	[For customization]
SP-B28	2	[For customization]
SP-B29	2	[For customization]
SP-B30	2	[For customization]
SP-B31	2	[For customization]
SP-B32	2	[For customization]
SP-B33	2	[For customization]
SP-B34	2	[For customization]
SP-B35	2	[For customization]
SP-B36	2	[For customization]
SP-B37	2	[For customization]
SP-B38	2	[For customization]
SP-B39	2	[For customization]
SP-B40	2	[For customization]
SP-B41	2	[For customization]
SP-B42	2	[For customization]
SP-B43	2	[For customization]
SP-B44	2	[For customization]
SP-B45	2	[For customization]
SP-B46	2	[For customization]
SP-B47	2	[For customization]
SP-B48	2	[For customization]
SP-B49	2	[For customization]
SP-B50	2	[For customization]
SP-B51	2	[For customization]
SP-B52	2	[For customization]
SP-B53	2	[For customization]
SP-B54	2	[For customization]
SP-B55	2	[For customization]
SP-B56	2	[For customization]
SP-B57	2	[For customization]
SP-B58	2	[For customization]
SP-B59	2	[For customization]
SP-B60	2	[For customization]
SP-B61	2	[For customization]
SP-B62	2	[For customization]

COPIER (Service mode for printer) > OPTION (Specification setting mode) > CUSTOM2

SP-B63	2	[For customization]
SP-B64	2	[For customization]
SP-B65	2	[For customization]
SP-B66	2	[For customization]
SP-B67	2	[For customization]
SP-B68	2	[For customization]
SP-B69	2	[For customization]
SP-B70	2	[For customization]
SP-B71	2	[For customization]
SP-B72	2	[For customization]
SP-B73	2	[For customization]
SP-B74	2	[For customization]
SP-B75	2	[For customization]
SP-B76	2	[For customization]
SP-B77	2	[For customization]
SP-B78	2	[For customization]
SP-B79	2	[For customization]
SP-B80	2	[For customization]
SP-V01	2	[For customization]
SP-V02	2	[For customization]
SP-V03	2	[For customization]
SP-V04	2	[For customization]
SP-V05	2	[For customization]
SP-V06	2	[For customization]
SP-V07	2	[For customization]
SP-V08	2	[For customization]
SP-V09	2	[For customization]
SP-V10	2	[For customization]
SP-V11	2	[For customization]
SP-V12	2	[For customization]
SP-V13	2	[For customization]
SP-V14	2	[For customization]
SP-V15	2	[For customization]
SP-V16	2	[For customization]
SP-V17	2	[For customization]
SP-V18	2	[For customization]
SP-V19	2	[For customization]
SP-V20	2	[For customization]
SP-V21	2	[For customization]
SP-V22	2	[For customization]
SP-V23	2	[For customization]

COPIER (Service mode for printer) > OPTION (Specification setting mode) > CUSTOM2

SP-V24	2	[For customization]
SP-V25	2	[For customization]
SP-V26	2	[For customization]
SP-V27	2	[For customization]
SP-V28	2	[For customization]
SP-V29	2	[For customization]
SP-V30	2	[For customization]
SP-V31	2	[For customization]
SP-V32	2	[For customization]
SP-V33	2	[For customization]
SP-V34	2	[For customization]
SP-V35	2	[For customization]
SP-V36	2	[For customization]
SP-V37	2	[For customization]
SP-V38	2	[For customization]
SP-V39	2	[For customization]
SP-V40	2	[For customization]
SP-V41	2	[For customization]
SP-V42	2	[For customization]
SP-V43	2	[For customization]
SP-V44	2	[For customization]
SP-V45	2	[For customization]
SP-V46	2	[For customization]
SP-V47	2	[For customization]
SP-V48	2	[For customization]
SP-V49	2	[For customization]
SP-V50	2	[For customization]
SP-V51	2	[For customization]
SP-V52	2	[For customization]
SP-V53	2	[For customization]
SP-V54	2	[For customization]
SP-V55	2	[For customization]
SP-V56	2	[For customization]
SP-V57	2	[For customization]
SP-V58	2	[For customization]
SP-V59	2	[For customization]
SP-V60	2	[For customization]
SP-V61	2	[For customization]
SP-V62	2	[For customization]
SP-V63	2	[For customization]
SP-V64	2	[For customization]

COPIER (Service mode for printer) > OPTION (Specification setting mode) > CUSTOM2

SP-V65	2	[For customization]
SP-V66	2	[For customization]
SP-V67	2	[For customization]
SP-V68	2	[For customization]
SP-V69	2	[For customization]
SP-V70	2	[For customization]
SP-V71	2	[For customization]
SP-V72	2	[For customization]
SP-V73	2	[For customization]
SP-V74	2	[For customization]
SP-V75	2	[For customization]
SP-V76	2	[For customization]
SP-V77	2	[For customization]
SP-V78	2	[For customization]
SP-V79	2	[For customization]
SP-V80	2	[For customization]

■ PM-PRE-M

COPIER (Service mode for printer) > OPTION (Specification setting mode) > PM-PRE-M

TONER-K	1	Dspl/hide Toner (Bk) preparation warning
Detail	To switch between display/hide the preparation warning on the Control Panel Status Bar.	
Use Case	In the case of displaying the warning when consumables/consumable parts are not automatically delivered	
Adj/Set/Operate Method	Enter the setting value, and then press OK key.	
Display/Adj/Set Range	0 to 1 0: Hide, 1: Display	
Default Value	The value differs according to the location.	
TR-ROLL	1	Dspl/hide Sec Transfer Roller prep warn
Detail	To switch between display/hide the preparation warning on the Control Panel Status Bar.	
Use Case	In the case of displaying the warning when consumables/consumable parts are not automatically delivered	
Adj/Set/Operate Method	Enter the setting value, and then press OK key.	
Display/Adj/Set Range	0 to 1 0: Hide, 1: Display	
Default Value	The value differs according to the location.	
FX-REP	1	Display/hide Fix Ass'y prepare warning
Detail	To switch between display/hide the preparation warning on the Control Panel Status Bar.	
Use Case	In the case of displaying the warning when consumables/consumable parts are not automatically delivered	
Adj/Set/Operate Method	Enter the setting value, and then press OK key.	
Display/Adj/Set Range	0 to 1 0: Hide, 1: Display	
Default Value	The value differs according to the location.	

COPIER (Service mode for printer) > OPTION (Specification setting mode) > PM-PRE-M

C1-REP	1	Display/hide CST1 Roller prepare warning
Detail	To switch between display/hide the preparation warning on the Control Panel Status Bar.	
Use Case	In the case of displaying the warning when consumables/consumable parts are not automatically delivered	
Adj/Set/Operate Method	Enter the setting value, and then press OK key.	
Display/Adj/Set Range	0 to 1 0: Hide, 1: Display	
Default Value	The value differs according to the location.	
C2-REP	1	Display/hide CST2 Roller prepare warning
Detail	To switch between display/hide the preparation warning on the Control Panel Status Bar.	
Use Case	In the case of displaying the warning when consumables/consumable parts are not automatically delivered	
Adj/Set/Operate Method	Enter the setting value, and then press OK key.	
Display/Adj/Set Range	0 to 1 0: Hide, 1: Display	
Default Value	The value differs according to the location.	
C3-REP	1	Display/hide CST3 Roller prepare warning
Detail	To switch between display/hide the preparation warning on the Control Panel Status Bar.	
Use Case	In the case of displaying the warning when consumables/consumable parts are not automatically delivered	
Adj/Set/Operate Method	Enter the setting value, and then press OK key.	
Display/Adj/Set Range	0 to 1 0: Hide, 1: Display	
Default Value	The value differs according to the location.	
C4-REP	1	Display/hide CST4 Roller prepare warning
Detail	To switch between display/hide the preparation warning on the Control Panel Status Bar.	
Use Case	In the case of displaying the warning when consumables/consumable parts are not automatically delivered	
Adj/Set/Operate Method	Enter the setting value, and then press OK key.	
Display/Adj/Set Range	0 to 1 0: Hide, 1: Display	
Default Value	The value differs according to the location.	
DF-REP	1	Display/hide Roller (DADF) prep warning
Detail	To switch between display/hide the preparation warning on the Control Panel Status Bar.	
Use Case	In the case of displaying the warning when consumables/consumable parts are not automatically delivered	
Adj/Set/Operate Method	Enter the setting value, and then press OK key.	
Display/Adj/Set Range	0 to 1 0: Hide, 1: Display	
Default Value	The value differs according to the location.	

■ PM-EXC-M

COPIER (Service mode for printer) > OPTION (Specification setting mode) > PM-EXC-M

TR-ROLL	1	Dspl/hide Sec Transfer Rol replace mssg
Detail		To switch between display/hide the Replacement message on the Control Panel Status Bar.
Use Case		When a non-technical person will replace the drum unit
Adj/Set/Operate Method		Enter the setting value, and then press OK key.
Display/Adj/Set Range		0 to 1 0: Hide, 1: Display
Default Value		The value differs according to the location.
FX-REP	1	Display/hide Fix Ass'y Replacement mssg
Detail		To switch between display/hide the Replacement message on the Control Panel Status Bar.
Use Case		When a non-technical person will replace the drum unit
Adj/Set/Operate Method		Enter the setting value, and then press OK key.
Display/Adj/Set Range		0 to 1 0: Hide, 1: Display
Default Value		The value differs according to the location.
C1-REP	1	Display/hide Sec Trn Out-Rol Rplce mssg
Detail		To switch between display/hide the Replacement message on the Control Panel Status Bar.
Use Case		When a non-technical person will replace the drum unit
Adj/Set/Operate Method		Enter the setting value, and then press OK key.
Display/Adj/Set Range		0 to 1 0: Hide, 1: Display
Default Value		The value differs according to the location.
C2-REP	1	Display/hide CST2 Roll Replacement mssg
Detail		To switch between display/hide the Replacement message on the Control Panel Status Bar.
Use Case		When a non-technical person will replace the drum unit
Adj/Set/Operate Method		Enter the setting value, and then press OK key.
Display/Adj/Set Range		0 to 1 0: Hide, 1: Display
Default Value		The value differs according to the location.
C3-REP	1	Display/hide CST3 Roll Replacement mssg
Detail		To switch between display/hide the Replacement message on the Control Panel Status Bar.
Use Case		When a non-technical person will replace the drum unit
Adj/Set/Operate Method		Enter the setting value, and then press OK key.
Display/Adj/Set Range		0 to 1 0: Hide, 1: Display
Default Value		The value differs according to the location.
C4-REP	1	Display/hide CST4 Roll Replacement mssg
Detail		To switch between display/hide the Replacement message on the Control Panel Status Bar.
Use Case		When a non-technical person will replace the drum unit
Adj/Set/Operate Method		Enter the setting value, and then press OK key.
Display/Adj/Set Range		0 to 1 0: Hide, 1: Display
Default Value		The value differs according to the location.

COPIER (Service mode for printer) > OPTION (Specification setting mode) > PM-EXC-M

DF-REP	1	Display/hide Rol (DADF) Replacement mssg
Detail		To switch between display/hide the Replacement message on the Control Panel Status Bar.
Use Case		When a non-technical person will replace the drum unit
Adj/Set/Operate Method		Enter the setting value, and then press OK key.
Display/Adj/Set Range		0 to 1 0: Hide, 1: Display
Default Value		The value differs according to the location.

■ PM-U-DSP

COPIER (Service mode for printer) > OPTION (Specification setting mode) > PM-U-DSP

TR-ROLL	1	Dspl/hide Transfer Roll Consumable scrn
Detail		To switch between display/hide the status and the number of days left on the consumables screen.
Use Case		When switching the display on the consumables screen
Adj/Set/Operate Method		Enter the setting value, and then press OK key.
Display/Adj/Set Range		0 to 1 0: Hide, 1: Display
Default Value		The value differs according to the location.
Additional Functions Mode		Status Monitor > Consmbls/Others > Consumables
FX-REP	1	Display/hide Fixing Unit Consumable scrn
Detail		To switch between display/hide the status and the number of days left on the consumables screen.
Use Case		When switching the display on the consumables screen
Adj/Set/Operate Method		Enter the setting value, and then press OK key.
Display/Adj/Set Range		0 to 1 0: Hide, 1: Display
Default Value		The value differs according to the location.
Additional Functions Mode		Status Monitor > Consmbls/Others > Consumables
C1-REP	1	Display/hide CST1 Roll Consumable scrn
Detail		To switch between display/hide the status and the number of days left on the consumables screen.
Use Case		When switching the display on the consumables screen
Adj/Set/Operate Method		Enter the setting value, and then press OK key.
Display/Adj/Set Range		0 to 1 0: Hide, 1: Display
Default Value		The value differs according to the location.
Additional Functions Mode		Status Monitor > Consmbls/Others > Consumables
C2-REP	1	Display/hide CST2 Roll Consumable scrn
Detail		To switch between display/hide the status and the number of days left on the consumables screen.
Use Case		When switching the display on the consumables screen
Adj/Set/Operate Method		Enter the setting value, and then press OK key.
Display/Adj/Set Range		0 to 1 0: Hide, 1: Display
Default Value		The value differs according to the location.
Additional Functions Mode		Status Monitor > Consmbls/Others > Consumables

COPIER (Service mode for printer) > OPTION (Specification setting mode) > PM-U-DSP

C3-REP	1	Display/hide CST3 Roll Consumable scrn
Detail		To switch between display/hide the status and the number of days left on the consumables screen.
Use Case		When switching the display on the consumables screen
Adj/Set/Operate Method		Enter the setting value, and then press OK key.
Display/Adj/Set Range		0 to 1 0: Hide, 1: Display
Default Value		The value differs according to the location.
Additional Functions Mode		Status Monitor > Consmbls/Others > Consumables
C4-REP	1	Display/hide CST4 Roll Consumable scrn
Detail		To switch between display/hide the status and the number of days left on the consumables screen.
Use Case		When switching the display on the consumables screen
Adj/Set/Operate Method		Enter the setting value, and then press OK key.
Display/Adj/Set Range		0 to 1 0: Hide, 1: Display
Default Value		The value differs according to the location.
Additional Functions Mode		Status Monitor > Consmbls/Others > Consumables
DF-REP	1	Display/hide Roll (DADF) Consumable scrn
Detail		To switch between display/hide the status and the number of days left on the consumables screen.
Use Case		When switching the display on the consumables screen
Adj/Set/Operate Method		Enter the setting value, and then press OK key.
Display/Adj/Set Range		0 to 1 0: Hide, 1: Display
Default Value		The value differs according to the location.
Additional Functions Mode		Status Monitor > Consmbls/Others > Consumables

■ PM-MSG-D

COPIER (Service mode for printer) > OPTION (Specification setting mode) > PM-MSG-D

TONER-K	1	Set days left before Toner(Bk) prep warn
Detail		To set the timing (number of days left) at which the preparation warning will be displayed.
Use Case		When changing the timing (number of days left) at which the preparation warning will be displayed
Adj/Set/Operate Method		Enter the setting value, and then press OK key.
Caution		Change the setting in accordance with the instruction of the sales company HQ.
Display/Adj/Set Range		0 to 365
Default Value		The value differs according to the location.
TR-ROLL	1	Set dys lft bef Sec Trnsfr-Rol prep wrn
Detail		To set the timing (number of days left) at which the preparation warning will be displayed.
Use Case		When changing the timing (number of days left) at which the preparation warning will be displayed
Adj/Set/Operate Method		Enter the setting value, and then press OK key.
Caution		Change the setting in accordance with the instruction of the sales company HQ.
Display/Adj/Set Range		0 to 365
Default Value		The value differs according to the location.

COPIER (Service mode for printer) > OPTION (Specification setting mode) > PM-MSG-D

FX-REP	1	Set days left before Fix Ass'y prep warn
Detail		To set the timing (number of days left) at which the preparation warning will be displayed.
Use Case		When changing the timing (number of days left) at which the preparation warning will be displayed
Adj/Set/Operate Method		Enter the setting value, and then press OK key.
Caution		Change the setting in accordance with the instruction of the sales company HQ.
Display/Adj/Set Range		0 to 365
Default Value		The value differs according to the location.
C1-REP	1	Set days left before CST1 Roll prep warn
Detail		To set the timing (number of days left) at which the preparation warning will be displayed.
Use Case		When changing the timing (number of days left) at which the preparation warning will be displayed
Adj/Set/Operate Method		Enter the setting value, and then press OK key.
Caution		Change the setting in accordance with the instruction of the sales company HQ.
Display/Adj/Set Range		0 to 365
Default Value		The value differs according to the location.
C2-REP	1	Set days left before CST2 Roll prep warn
Detail		To set the timing (number of days left) at which the preparation warning will be displayed.
Use Case		When changing the timing (number of days left) at which the preparation warning will be displayed
Adj/Set/Operate Method		Enter the setting value, and then press OK key.
Caution		Change the setting in accordance with the instruction of the sales company HQ.
Display/Adj/Set Range		0 to 365
Default Value		The value differs according to the location.
C3-REP	1	Set days left before CST3 Roll prep warn
Detail		To set the timing (number of days left) at which the preparation warning will be displayed.
Use Case		When changing the timing (number of days left) at which the preparation warning will be displayed
Adj/Set/Operate Method		Enter the setting value, and then press OK key.
Caution		Change the setting in accordance with the instruction of the sales company HQ.
Display/Adj/Set Range		0 to 365
Default Value		The value differs according to the location.
C4-REP	1	Set days left before CST4 Roll prep warn
Detail		To set the timing (number of days left) at which the preparation warning will be displayed.
Use Case		When changing the timing (number of days left) at which the preparation warning will be displayed
Adj/Set/Operate Method		Enter the setting value, and then press OK key.
Caution		Change the setting in accordance with the instruction of the sales company HQ.
Display/Adj/Set Range		0 to 365
Default Value		The value differs according to the location.
DF-REP	1	Set days left bef Roll (DADF) prep warn
Detail		To set the timing (number of days left) at which the preparation warning will be displayed.
Use Case		When changing the timing (number of days left) at which the preparation warning will be displayed
Adj/Set/Operate Method		Enter the setting value, and then press OK key.
Caution		Change the setting in accordance with the instruction of the sales company HQ.
Display/Adj/Set Range		0 to 365
Default Value		The value differs according to the location.

■ PM-DLV-D

COPIER (Service mode for printer) > OPTION (Specification setting mode) > PM-DLV-D

TONER-K	1	Set Toner (Bk) prior alarm notice timing
Detail		To set the number of days left before the prior notification alarm will be notified.
Use Case		When changing the timing to notify the prior notification alarm
Adj/Set/Operate Method		Enter the setting value, and then press OK key.
Display/Adj/Set Range		-1 to 365 -1: The alarm not issued
Default Value		It differs according to the location.
TR-ROLL	1	Set Transfer Roller prior alm notice tmg
Detail		To set the number of days left before the prior notification alarm will be notified.
Use Case		When changing the timing to notify the prior notification alarm
Adj/Set/Operate Method		Enter the setting value, and then press OK key.
Display/Adj/Set Range		-1 to 365 -1: The alarm not issued
Default Value		It differs according to the location.
FX-UNIT	1	Set Fixing Assembly prior alm notice tmg
Detail		To set the number of days left before the prior notification alarm will be notified.
Use Case		When changing the timing to notify the prior notification alarm
Adj/Set/Operate Method		Enter the setting value, and then press OK key.
Display/Adj/Set Range		-1 to 365 -1: The alarm not issued
Default Value		It differs according to the location.
C1-FD-RL	1	Set CST1 Feed Roller prior alarm ntc tmg
Detail		To set the number of days left before the prior notification alarm will be notified.
Use Case		When changing the timing to notify the prior notification alarm
Adj/Set/Operate Method		Enter the setting value, and then press OK key.
Display/Adj/Set Range		-1 to 365 -1: The alarm not issued
Default Value		It differs according to the location.
C1-SP-RL	1	Set CST1 Sprtn Roller prior alm ntc tmg
Detail		To set the number of days left before the prior notification alarm will be notified.
Use Case		When changing the timing to notify the prior notification alarm
Adj/Set/Operate Method		Enter the setting value, and then press OK key.
Display/Adj/Set Range		-1 to 365 -1: The alarm not issued
Default Value		It differs according to the location.
C2-FD-RL	1	Set CST2 Feed Roller prior alarm ntc tmg
Detail		To set the number of days left before the prior notification alarm will be notified.
Use Case		When changing the timing to notify the prior notification alarm
Adj/Set/Operate Method		Enter the setting value, and then press OK key.
Display/Adj/Set Range		-1 to 365 -1: The alarm not issued
Default Value		It differs according to the location.

COPIER (Service mode for printer) > OPTION (Specification setting mode) > PM-DLV-D

C2-SP-RL	1	Set CST2 Sprtn Roller prior alm ntc tmg
Detail		To set the number of days left before the prior notification alarm will be notified.
Use Case		When changing the timing to notify the prior notification alarm
Adj/Set/Operate Method		Enter the setting value, and then press OK key.
Display/Adj/Set Range		-1 to 365 -1: The alarm not issued
Default Value		It differs according to the location.
C3-SP-RL	1	Set CST3 Sprtn Roller prior alm ntc tmg
Detail		To set the number of days left before the prior notification alarm will be notified.
Use Case		When changing the timing to notify the prior notification alarm
Adj/Set/Operate Method		Enter the setting value, and then press OK key.
Display/Adj/Set Range		-1 to 365 -1: The alarm not issued
Default Value		It differs according to the location.
C3-FD-RL	1	Set CST3 Feed Roller prior alarm ntc tmg
Detail		To set the number of days left before the prior notification alarm will be notified.
Use Case		When changing the timing to notify the prior notification alarm
Adj/Set/Operate Method		Enter the setting value, and then press OK key.
Display/Adj/Set Range		-1 to 365 -1: The alarm not issued
Default Value		It differs according to the location.
C4-FD-RL	1	Set CST4 Feed Roller prior alarm ntc tmg
Detail		To set the number of days left before the prior notification alarm will be notified.
Use Case		When changing the timing to notify the prior notification alarm
Adj/Set/Operate Method		Enter the setting value, and then press OK key.
Display/Adj/Set Range		-1 to 365 -1: The alarm not issued
Default Value		It differs according to the location.
C4-SP-RL	1	Set CST4 Sprtn Roller prior alm ntc tmg
Detail		To set the number of days left before the prior notification alarm will be notified.
Use Case		When changing the timing to notify the prior notification alarm
Adj/Set/Operate Method		Enter the setting value, and then press OK key.
Display/Adj/Set Range		-1 to 365 -1: The alarm not issued
Default Value		It differs according to the location.
M-FD-RL	1	Set MP Tray Feed Roller alarm notice tmg
Detail		To set the number of days left before the prior notification alarm will be notified.
Use Case		When changing the timing to notify the prior notification alarm
Adj/Set/Operate Method		Enter the setting value, and then press OK key.
Display/Adj/Set Range		-1 to 365 -1: The alarm not issued
Default Value		It differs according to the location.

COPIER (Service mode for printer) > OPTION (Specification setting mode) > PM-DLV-D

M-SP-RL	1	Set MP Tray Sprtn Roller alm notice tmng
Detail	To set the number of days left before the prior notification alarm will be notified.	
Use Case	When changing the timing to notify the prior notification alarm	
Adj/Set/Operate Method	Enter the setting value, and then press OK key.	
Display/Adj/Set Range	-1 to 365 -1: The alarm not issued	
Default Value	It differs according to the location.	
DF-PU-RL	1	Set Pickup Roll (DADF) prior alm ntc tmng
Detail	To set the number of days left before the prior notification alarm will be notified.	
Use Case	When changing the timing to notify the prior notification alarm	
Adj/Set/Operate Method	Enter the setting value, and then press OK key.	
Display/Adj/Set Range	-1 to 365 -1: The alarm not issued	
Default Value	It differs according to the location.	
DF-SP-RL	1	Set Separation Roller (DADF) alm ntc tmng
Detail	To set the number of days left before the prior notification alarm will be notified.	
Use Case	When changing the timing to notify the prior notification alarm	
Adj/Set/Operate Method	Enter the setting value, and then press OK key.	
Display/Adj/Set Range	-1 to 365 -1: The alarm not issued	
Default Value	It differs according to the location.	

TEST (Print test mode)

■ PG

COPIER (Service mode for printer) > TEST (Print test mode) > PG

TYPE	1	Test print
Detail	To execute the test print.	
Use Case	At trouble analysis	
Adj/Set/Operate Method	1) Enter the setting value, and then press OK key. 2) Press Start key. Test print is executed.	
Caution	Be sure to return the value to 0 after the test print output.	
Display/Adj/Set Range	0 to 50 0: Normal print 1: Grid 2: 17 gradations Tbic rank 2 3: 17 gradations 600 dpi (134-line screen or 141-line screen) 4: Solid white 5: Halftone (density: 80H, Tbic rank 2, without image correction) 6: Halftone (density: 80H, 134-line screen or 141-line screen, without image correction) 7: Solid black 8: Horizontal line (4 dots, 27 spaces) 9: Horizontal line (6 dots, 50 spaces) 10: Horizontal line (2 dots, 3 spaces) 11: Halftone (density: 60H, Tbic rank 2, without image correction) 12: Halftone (density: 80H, 134-line screen or 141-line screen, without image correction) 13: Halftone (density: 30H, Tbic rank 2, without image correction) 14: Halftone (density: 30H, 134-line screen or 141-line screen, without image correction) 15 to 50: For development	
Default Value	0	

COPIER (Service mode for printer) > TEST (Print test mode) > PG

TXPH	1	[Not used]
DENS-K	1	Adj of Bk-color density at test print
Detail	To adjust Bk color density when performing test print (TYPE=5). As the greater value is set, the image gets darker.	
Use Case	At test print (TYPE=5)	
Adj/Set/Operate Method	Enter the setting value, and then press OK key.	
Display/Adj/Set Range	0 to 255	
Default Value	128	
PG-PICK	1	Setting of test print Pickup Cassette
Detail	To set the Pickup Cassette for test print output.	
Use Case	- At problem analysis - At test print output	
Adj/Set/Operate Method	Enter the setting value, and then press OK key.	
Display/Adj/Set Range	1 to 8 1: Cassette 1, 2: Cassette 2, 3: Cassette 3, 4: Cassette 4, 5: Multi-purpose Tray, 6 to 8: Not used	
Default Value	0	
2-SIDE	1	Setting of PG 2-sided mode
Detail	To set 1-sided/2-sided print for PG output.	
Use Case	At trouble analysis	
Adj/Set/Operate Method	Enter the setting value, and then press OK key.	
Display/Adj/Set Range	0 to 1 0: 1-sided, 1: 2-sided	
Default Value	0	
PG-QTY	1	Setting of PG output quantity
Detail	To set the number of sheets for PG output.	
Use Case	At trouble analysis	
Adj/Set/Operate Method	Enter the setting value, and then press OK key.	
Display/Adj/Set Range	1 to 999	
Unit	sheet	
Default Value	1	
Amount of Change per Unit	1	
FINISH	1	Accessory processing function test print
Detail	To execute the test print relating to accessory processing function.	
Use Case	When checking operation of accessory processing function	
Adj/Set/Operate Method	1) Enter the number of sheets for PG-QTY, and then press OK key. 2) Enter the setting value, and then press OK key. 3) Press Start button. The machine outputs a test print.	
Display/Adj/Set Range	0 to 99 0: N/A 1: Staple (Finisher, front) Any values other than those mentioned above: Not used	
Default Value	0	
Related Service Mode	COPIER> TEST> PG> PG-QTY	

■ NETWORK

COPIER (Service mode for printer) > TEST (Print test mode) > NETWORK

PING	1	Network connection check
Detail		To check connection between this machine and TCP/IP network.
Use Case		- When checking network connection at the time of installation - At network connection failure
Adj/Set/Operate Method		1) Turn OFF the main power switch. 2) Connect the network cable to this machine, and then turn ON the main power switch. 3) Inform the system administrator at user's site that installation of this machine is complete, and ask for network setting. 4) Ask the system administrator to check the network connection, and check the remote host address of PING transmission target. 5) Select the item and enter the remote host address, and then press OK key and Start key. OK: Connection is normal. Checking procedure is complete. NG: Connection failed. Go to step 6) if the cable connection is OK. In case of cable connection failure, connect again and then go to step 5). 6) Select the item and enter loopback address, and then press OK key and Start key. OK: TCP/IP setting of this machine is normal. Go to step 7) to check NIC. NG: TCP/IP setting of this machine has failure. Go to step 3) to check the setting again. 7) Select the item and enter the local host address, and then press OK key. OK: Network setting of this machine and NIC are normal. Inform the system administrator that the trouble is due to network environment and ask for countermeasure. NG: Connection failure/fault with NIC. Check connection of NIC/ replace NIC.
Display/Adj/Set Range		0.0.0.0 to 255.255.255.255 At normal state: OK, At failure occurrence: NG
Supplement/Memo		- Remote host address: IP address of PC terminal in network. - Loopback address: 127.0.0.1. Checking TCP/IP of this machine is available because the signal is returned before NIC. - NIC: Network interface - Local host address: IP address of this machine
BML-DISP	2	Set System Monitor scrn: BMLinks support
Detail		To set whether to display only the device configuration in the System Monitor screen when supporting BMLinks. When the setting is switched, the job status and logs are not displayed.
Use Case		When supporting BMLinks
Adj/Set/Operate Method		Enter the setting value, and then press OK key.
Display/Adj/Set Range		0 to 1 0: Ordinary System Monitor screen, 1: Screen in which only the device configuration is displayed
Default Value		0
IPV6-ADR	1	Setting of PING send address (IPv6)
Detail		To set the IPv6 address to send PING. When PING is sent to this address by COPIER> TEST> NETWORK> PING-IP6, the network connection condition in the IPv6 environment can be checked.
Adj/Set/Operate Method		Enter the setting value, and then press OK key.
Caution		- Enter a consistent character string as an address of IPv6. - Enter an address within 39 characters including hexadecimal numbers (0-9, a-f) and a separator (:).
Related Service Mode		COPIER> TEST> NETWORK> PING-IP6
PING-IP6	1	PING transmission to IPv6 address
Detail		To send PING to the address specified by IPV6-ADR. The network connection condition in the IPv6 environment can be checked.
Adj/Set/Operate Method		Select the item, and then press OK key.
Related Service Mode		COPIER> TEST> NETWORK> IPV6-ADR

■ NET-CAP

COPIER (Service mode for printer) > TEST (Print test mode) > NET-CAP

CAPOFFON	2	ON/OFF of NetCap function
Detail	To set ON/OFF of network packet capture function.	
Adj/Set/Operate Method	Enter the setting value, and then press OK key.	
Display/Adj/Set Range	0 to 1 0: OFF, 1: ON	
Default Value	0	
Related Service Mode	COPIER> TEST> NET-CAP	
Additional Functions Mode	Store Network Packet Log	
STT-STP	2	Start and stop of network packet capture
Detail	To start and stop network packet capture.	
Adj/Set/Operate Method	Enter the setting value, and then press OK key.	
Display/Adj/Set Range	0 to 1 0: Stop, 1: Start	
Default Value	0	
Related Service Mode	COPIER> TEST> NET-CAP	
Additional Functions Mode	Store Network Packet Log	
CAPSTATE	2	State display of network packet capture
Detail	To display the state of network packet capture.	
Adj/Set/Operate Method	N/A (Display only)	
Related Service Mode	COPIER> TEST> NET-CAP	
Additional Functions Mode	Store Network Packet Log	
PONSTART	2	Set network packet capture start timing
Detail	To set whether to perform network packet capture from power-on.	
Adj/Set/Operate Method	1) Enter the setting value, and then press OK key. 2) Turn OFF/ON the main power switch.	
Display/Adj/Set Range	0 to 1 0: OFF, 1: ON	
Default Value	0	
Related Service Mode	COPIER> TEST> NET-CAP	
Additional Functions Mode	Store Network Packet Log	
OVERWRIT	2	Setting of NetCap data overwriting
Detail	To set whether to finish network capturing or overwrite when HDD becomes full.	
Adj/Set/Operate Method	1) Enter the setting value, and then press OK key. 2) Turn OFF/ON the main power switch.	
Display/Adj/Set Range	0 to 1 0: No overwriting (finish network packet capture), 1: Overwriting	
Default Value	1	
Related Service Mode	COPIER> TEST> NET-CAP	
Additional Functions Mode	Store Network Packet Log	

COPIER (Service mode for printer) > TEST (Print test mode) > NET-CAP

PAYLOAD	2	Set network packet capture data save
Detail		To set whether to discard payload when saving the captured packet data.
Adj/Set/Operate Method		1) Enter the setting value, and then press OK key. 2) Turn OFF/ON the main power switch.
Display/Adj/Set Range		0 to 1 0: Save captured packet data as is, 1: Discard payload and save the packet data
Default Value		0
Related Service Mode		COPIER> TEST> NET-CAP
Additional Functions Mode		Store Network Packet Log
FILE-CLR	2	Deletion of network packet capture data
Detail		To delete the captured packet data.
Adj/Set/Operate Method		1) Enter the setting value, and then press OK key. 2) Turn OFF/ON the main power switch.
SIMPFILT	2	Settings of packet data filtering
Detail		To set whether to perform filtering when capturing packet data. When 0 is set, filtering is not performed (All the data are captured.) When 1 is set, packet data is captured only when the receiver's or sender's address coincides with the Mac address of this machine.
Use Case		At problem analysis (at packet data analysis)
Adj/Set/Operate Method		1) Enter the setting value, and then press OK key. 2) Turn OFF/ON the main power switch.
Display/Adj/Set Range		0 to 1 0: Not filtered, 1: Filtered
ENCDATA	2	Setting of packet data encryption
Detail		To set whether to encrypt the packet data when writing the captured packet data to the USB flash drive.
Use Case		- At problem analysis (at packet data analysis) - When improving security of written packet data
Adj/Set/Operate Method		1) Enter the setting value, and then press OK key. 2) Turn OFF/ON the main power switch.
Caution		This setting is enabled only when writing data to the USB flash drive. Even when the packet data is loaded using SST, the file is specified, therefore the setting is disabled.
Display/Adj/Set Range		0 to 2 0: Encrypted (encrypted file) 1: Not encrypted (plain text file) 2: Encrypted (encrypted file + plain text file)
Default Value		0
CAPIF	2	Setting of network packet capture target
Detail		To set the network interface to capture the packet data. Make this setting before starting network packet capture.
Use Case		When changing the target of network packet capture
Adj/Set/Operate Method		Enter the setting value, and then press OK key.
Display/Adj/Set Range		1 to 6 1: Local loopback, 2: Wired LAN, 3: Wireless LAN, 4: Wireless Soft AP mode, 5: Wi-Fi direct 6: Wired LAN (Sub-Line)
Default Value		2
Related Service Mode		COPIER> TEST> NET-CAP

COUNTER (Counter mode)

■ TOTAL

COPIER (Service mode for printer) > COUNTER (Counter mode) > TOTAL

SERVICE1	1	Service-purposed total counter 1
Detail		To count up when the printout is delivered outside the machine. Large size: 1, Small size: 1 A blank sheet is not counted.
Adj/Set/Operate Method		N/A (Display only)
Display/Adj/Set Range		0 to 99999999
SERVICE2	1	Service-purposed total counter 2
Detail		To count up when the printout is delivered outside the machine. Large size: 2, Small size: 1 A blank sheet is not counted.
Adj/Set/Operate Method		N/A (Display only)
Display/Adj/Set Range		0 to 99999999
COPY	1	Total copy counter
Detail		To count up when the printout is delivered outside the machine. Large size: 1, Small size: 1 A blank sheet is not counted.
Adj/Set/Operate Method		N/A (Display only)
Display/Adj/Set Range		0 to 99999999
PDL-PRT	1	PDL print counter
Detail		To count up when the printout is delivered outside the machine according to the charge counter at PDL print. Large size: 1, Small size: 1 A blank sheet is not counted.
Display/Adj/Set Range		0 to 99999999
FAX-PRT	1	FAX reception print counter
Detail		To count up when the printout is delivered outside the machine according to the charge counter at FAX reception. Large size: 1, Small size: 1 A blank sheet is not counted.
Display/Adj/Set Range		0 to 99999999
RMT-PRT	1	Remote print counter
Detail		To count up when the printout is delivered outside the machine and 2-sided print is stacked according to the charge counter at remote print. Large size: 1, Small size: 1 A blank sheet is not counted.
Display/Adj/Set Range		0 to 99999999
BOX-PRT	1	Inbox print counter
Detail		To count up when the printout is delivered outside the machine according to the charge counter at Inbox print. Large size: 1, Small size: 1 A blank sheet is not counted.
Display/Adj/Set Range		0 to 99999999

COPIER (Service mode for printer) > COUNTER (Counter mode) > TOTAL

RPT-PRT	1	Report print counter
Detail		To count up when the printout is delivered outside the machine according to the charge counter at report print. Large size: 1, Small size: 1 A blank sheet is not counted.
Display/Adj/Set Range		0 to 99999999
2-SIDE	1	2-sided copy/print counter
Detail		To count up when the copy/printout is delivered outside the machine according to the charge counter at 2-sided copy/print. Large size: 1, Small size: 1 A blank sheet is not counted.
Display/Adj/Set Range		0 to 99999999
SCAN	1	Scan counter
Detail		To count the number of scan operations according to the charge counter when the scanning operation is complete. Large size: 1, Small size: 1
Display/Adj/Set Range		0 to 99999999

■ PICK-UP

COPIER (Service mode for printer) > COUNTER (Counter mode) > PICK-UP

C1	1	Cassette 1 pickup total counter
Detail		Small size: 1
Unit		sheet
C2	1	Cassette 2 pickup total counter
Detail		Small size: 1
Unit		sheet
C3	1	Cassette 3 pickup total counter
Detail		Total pickup counter value of the Cassette 3 Large size: 1, Small size: 1
Unit		sheet
C4	1	Cassette 4 pickup total counter
Detail		Total pickup counter value of the Cassette 4 Large size: 1, Small size: 1
Unit		sheet
MF	1	Multi-purpose Tray pickup total counter
Detail		Total pickup counter value of the Multi-purpose Tray Large size: 1, Small size: 1
Unit		sheet
2-SIDE	1	2-sided pickup total counter
Detail		Total pickup counter value of 2-sided print Large size: 1, Small size: 1
Unit		sheet

■ FEEDER

COPIER (Service mode for printer) > COUNTER (Counter mode) > FEEDER

FEED	1	DADF original pickup total counter
Detail		DADF original pickup total counter
Use Case		When checking the total counter of original pickup by DADF
Display/Adj/Set Range		0 to 99999999
Unit		sheet
Default Value		0
Amount of Change per Unit		1
DFOP-CNT	1	DADF hinge open/close counter
Detail		DADF hinge open/close counter
Use Case		When checking the DADF hinge open/close counter
Display/Adj/Set Range		0 to 99999999
Unit		time
Default Value		0
Amount of Change per Unit		1

■ JAM

COPIER (Service mode for printer) > COUNTER (Counter mode) > JAM

TOTAL	1	Host machine total jam counter
Detail		Total number of jam occurrences in the host machine
Use Case		When checking the total jam counter of the host machine
Adj/Set/Operate Method		To clear the counter value: Select the item, and then press Clear key.
Unit		time
Amount of Change per Unit		1
FEEDER	1	DADF total jam counter
Detail		Total number of jam occurrences in the DADF
Use Case		When checking the total jam counter of feeder
Adj/Set/Operate Method		To clear the counter value: Select the item, and then press Clear key.
Unit		time
Amount of Change per Unit		1
SORTER	1	Finisher total jam counter
Detail		Total number of jam occurrences in the Finisher
Use Case		When checking the total jam counter of finisher
Adj/Set/Operate Method		To clear the counter value: Select the item, and then press Clear key.
Unit		time
Amount of Change per Unit		1

COPIER (Service mode for printer) > COUNTER (Counter mode) > JAM

MF	1	Multi-purpose Tray jam counter
Detail		The number of pickup jam occurrences in the Multi-purpose Tray
Use Case		When checking the jam counter of Multi-purpose Tray
Adj/Set/Operate Method		To clear the counter value: Select the item, and then press Clear key.
Unit		time
Amount of Change per Unit		1
C1	1	Cassette 1 pickup jam counter
Detail		Cassette 1 pickup jam counter
Use Case		When checking the jam counter of machine's Cassette 1
Adj/Set/Operate Method		To clear the counter value: Select the item, and then press Clear key.
Unit		time
Amount of Change per Unit		1
C2	1	Cassette 2 pickup jam counter
Detail		Cassette 2 pickup jam counter
Use Case		When checking the jam counter of machine's Cassette 2
Adj/Set/Operate Method		To clear the counter value: Select the item, and then press Clear key.
Unit		time
Amount of Change per Unit		1
C3	1	Cassette 3 pickup jam counter
Detail		Cassette 3 pickup jam counter
Use Case		When checking the jam counter of machine's Cassette 3
Adj/Set/Operate Method		To clear the counter value: Select the item, and then press Clear key.
Unit		time
Amount of Change per Unit		1
C4	1	Cassette 4 pickup jam counter
Detail		Cassette 4 pickup jam counter
Use Case		When checking the jam counter of machine's Cassette 4
Adj/Set/Operate Method		To clear the counter value: Select the item, and then press Clear key.
Unit		time
Amount of Change per Unit		1

■ MISC

COPIER (Service mode for printer) > COUNTER (Counter mode) > MISC

LSR-MTR	1	For R&D
ALLPW-ON	1	Number of DCON PCB power-on times
Detail		Number of power-on times (Non-all-night Power Unit). To count up when power is turned ON (Non-all-night Power Unit).
Use Case		When checking the usage status of the product
Unit		time
Default Value		0
Amount of Change per Unit		1

COPIER (Service mode for printer) > COUNTER (Counter mode) > MISC

HDD-ON	1	Number of hard disk start-up times
Detail	To count up when power of the hard disk is turned ON.	
Use Case	When checking the usage status of the product	
Unit	time	
Default Value	0	
Amount of Change per Unit	1	
FIN-PTH	1	For R&D
FR-STPL	1	For R&D
MSTP-B	1	For R&D
MSTPL	1	For R&D
STPL-2P	1	For R&D
STPL-F	1	For R&D
STPL-R	1	For R&D
SWG-RL	1	For R&D
FIN-RBLT	1	For R&D

■ DRBL-1

COPIER (Service mode for printer) > COUNTER (Counter mode) > DRBL-1

TR-ROLL	1	Transfer Roller parts counter
Detail	Transfer Roller 1st line: Total counter value from the previous replacement 2nd line: Estimated life	
Use Case	When checking the consumption level of parts/replacing the parts	
Adj/Set/Operate Method	To clear the counter value: Select the item, and then press Clear key. To change the estimated life: Select the item, enter the value, and then press OK key.	
Caution	Clear the counter value after replacement.	
Display/Adj/Set Range	0 to 99999999	
Default Value	0	
Amount of Change per Unit	1	
C1-SP-RL	1	Cassette1 Separation Roller prts counter
Detail	1st line: Total counter value from the previous replacement 2nd line: Estimated life	
Use Case	When checking the consumption level of parts/replacing the parts	
Adj/Set/Operate Method	To clear the counter value: Select the item, and then press Clear key. To change the estimated life value: Select the item, enter the value, and then press OK key.	
Caution	Clear the counter value after replacement.	
Display/Adj/Set Range	0 to 99999999	
Default Value	0	
Amount of Change per Unit	1	

COPIER (Service mode for printer) > COUNTER (Counter mode) > DRBL-1

C1-FD-RL	1	Cassette 1 Feed Roller parts counter
Detail		1st line: Total counter value from the previous replacement 2nd line: Estimated life
Use Case		When checking the consumption level of parts/replacing the parts
Adj/Set/Operate Method		To clear the counter value: Select the item, and then press Clear key. To change the estimated life value: Select the item, enter the value, and then press OK key.
Caution		Clear the counter value after replacement.
Display/Adj/Set Range		0 to 99999999
Default Value		0
Amount of Change per Unit		1
M-SP-RL	1	Multi-purpose Tray Sprtn Roll prts cntr
Detail		1st line: Total counter value from the previous replacement 2nd line: Estimated life value
Use Case		When checking the consumption level of parts/replacing the parts
Adj/Set/Operate Method		To clear the counter value: Select the item, and then press Clear key. To change the estimated life value: Select the item, enter the value, and then press OK key.
Caution		Clear the counter value after replacement.
Display/Adj/Set Range		0 to 99999999
M-FD-RL	1	Multi-purpose Tray Feed Roll prts cntr
Detail		1st line: Total counter value from the previous replacement 2nd line: Estimated life
Use Case		When checking the consumption level of parts/replacing the parts
Adj/Set/Operate Method		To clear the counter value: Select the item, and then press Clear key. To change the estimated life value: Select the item, enter the value, and then press OK key.
Caution		Clear the counter value after replacement.
Display/Adj/Set Range		0 to 99999999
Default Value		0
Amount of Change per Unit		1
FX-UNIT	1	Fixing Main Unit parts counter
Detail		Fixing Main Unit 1st line: Total counter value from the previous replacement 2nd line: Estimated life
Use Case		When checking the consumption level of parts/replacing the parts
Adj/Set/Operate Method		To clear the counter value: Select the item, and then press Clear key. To change the estimated life: Select the item, enter the value, and then press OK key.
Caution		Clear the counter value after replacement.
Display/Adj/Set Range		0 to 99999999
Default Value		0

■ DRBL-2

COPIER (Service mode for printer) > COUNTER (Counter mode) > DRBL-2

DF-PU-RL	1	ADF Pickup Unit parts counter: DADF
Detail		1st line: Total counter value from the previous replacement 2nd line: Estimated life
Use Case		When checking the consumption level of parts/replacing the parts
Adj/Set/Operate Method		To clear the counter value: Select the item, and then press Clear key. To change the estimated life value: Select the item, enter the value, and then press OK key.
Caution		Clear the counter value after replacement.
Display/Adj/Set Range		0 to 99999999
Default Value		0
Supplement/Memo		Regardless of the read mode (1-sided/2-sided), the counter is advanced every time a sheet is fed.
Amount of Change per Unit		1
DF-SP-RL	1	Separation Roller parts counter: DADF
Detail		Separation Roller (DADF) 1st line: Total counter value from the previous replacement 2nd line: Estimated life
Use Case		When checking the consumption level of parts/replacing the parts
Adj/Set/Operate Method		To clear the counter value: Select the item, and then press Clear key. To change the estimated life: Select the item, enter the value, and then press OK key.
Caution		Clear the counter value after replacement.
Display/Adj/Set Range		0 to 99999999
Default Value		0
Supplement/Memo		Regardless of the read mode (1-sided/2-sided), the counter is advanced every time a sheet is fed.
Amount of Change per Unit		1
C3-SP-RL	1	Cassette3 Separation Roller prts counter
Detail		Cassette3 Separation Roller 1st line: Total counter value from the previous replacement 2nd line: Estimated life
Use Case		When checking the consumption level of parts/replacing the parts
Adj/Set/Operate Method		To clear the counter value: Select the item, and then press Clear key. To change the estimated life: Select the item, enter the value, and then press OK key.
Caution		Clear the counter value after replacement.
Display/Adj/Set Range		0 to 99999999
Default Value		0
Amount of Change per Unit		1
C3-FD-RL	1	Cassette 3 Feed Roller parts counter
Detail		Cassette 3 Feed Roller 1st line: Total counter value from the previous replacement 2nd line: Estimated life
Use Case		When checking the consumption level of parts/replacing the parts
Adj/Set/Operate Method		To clear the counter value: Select the item, and then press Clear key. To change the estimated life: Select the item, enter the value, and then press OK key.
Caution		Clear the counter value after replacement.
Display/Adj/Set Range		0 to 99999999
Default Value		0
Amount of Change per Unit		1

COPIER (Service mode for printer) > COUNTER (Counter mode) > DRBL-2

C4-SP-RL	1	Cassette4 Separation Roller prts counter
Detail	Cassette 4 Separation Roller 1st line: Total counter value from the previous replacement 2nd line: Estimated life	
Use Case	When checking the consumption level of parts/replacing the parts	
Adj/Set/Operate Method	To clear the counter value: Select the item, and then press Clear key. To change the estimated life: Select the item, enter the value, and then press OK key.	
Caution	Clear the counter value after replacement.	
Display/Adj/Set Range	0 to 99999999	
Default Value	0	
Amount of Change per Unit	1	
C4-FD-RL	1	Cassette 4 Feed Roller parts counter
Detail	Cassette 4 Feed Roller 1st line: Total counter value from the previous replacement 2nd line: Estimated life	
Use Case	When checking the consumption level of parts/replacing the parts	
Adj/Set/Operate Method	To clear the counter value: Select the item, and then press Clear key. To change the estimated life: Select the item, enter the value, and then press OK key.	
Caution	Clear the counter value after replacement.	
Display/Adj/Set Range	0 to 99999999	
Default Value	0	
Amount of Change per Unit	1	
C2-SP-RL	1	Cassette2 Separation Roller prts counter
Detail	1st line: Total counter value from the previous replacement 2nd line: Estimated life	
Use Case	When checking the consumption level of parts/replacing the parts	
Adj/Set/Operate Method	To clear the counter value: Select the item, and then press Clear key. To change the estimated life: Select the item, enter the value, and then press OK key.	
Caution	Clear the counter value after replacement.	
Display/Adj/Set Range	0 to 99999999	
Default Value	0	
Amount of Change per Unit	1	
C2-FD-RL	1	Cassette2 Feeding Roller prts counter
Detail	1st line: Total counter value from the previous replacement 2nd line: Estimated life	
Use Case	When checking the consumption level of parts/replacing the parts	
Adj/Set/Operate Method	To clear the counter value: Select the item, and then press Clear key. To change the estimated life: Select the item, enter the value, and then press OK key.	
Caution	Clear the counter value after replacement.	
Display/Adj/Set Range	0 to 99999999	

■ MISC2

COPIER (Service mode for printer) > COUNTER (Counter mode) > MISC2

APW-TIME	2	For R&D
CPW-TIME	2	For R&D
BAT-TIME	2	For R&D

COPIER (Service mode for printer) > COUNTER (Counter mode) > MISC2

FUSE-CNT	2	For R&D
SPW-TIME	2	For R&D

■ PAPER

COPIER (Service mode for printer) > COUNTER (Counter mode) > PAPER

G52-59	1	Delivered sheet counter: 52 to 59 g/m2
Detail	To count up the number of delivered sheets which weight is 52 to 59 g/m2. 1st line: The counter is advanced by 1 for both small size and large size. 2nd line: The counter is advanced by 1 for small size and by 2 for large size.	
Use Case	When checking the consumption level of parts based on the number of delivered sheets	
Adj/Set/Operate Method	N/A (Display only)	
Display/Adj/Set Range	0 to 99999999	
Unit	sheet	
Amount of Change per Unit	1	
G60-63	1	Delivered sheet counter: 60 to 63 g/m2
Detail	To count up the number of delivered sheets which weight is 60 to 63 g/m2. 1st line: The counter is advanced by 1 for both small size and large size. 2nd line: The counter is advanced by 1 for small size and by 2 for large size.	
Use Case	When checking the consumption level of parts based on the number of delivered sheets	
Adj/Set/Operate Method	N/A (Display only)	
Display/Adj/Set Range	0 to 99999999	
Unit	sheet	
Amount of Change per Unit	1	
G64-75	1	Delivered sheet counter: 64 to 75 g/m2
Detail	To count up the number of delivered sheets which weight is 64 to 75 g/m2. 1st line: The counter is advanced by 1 for both small size and large size. 2nd line: The counter is advanced by 1 for small size and by 2 for large size.	
Use Case	When checking the consumption level of parts based on the number of delivered sheets	
Adj/Set/Operate Method	N/A (Display only)	
Display/Adj/Set Range	0 to 99999999	
Unit	sheet	
Amount of Change per Unit	1	
G76-90	1	Delivered sheet counter: 76 to 90 g/m2
Detail	To count up the number of delivered sheets which weight is 76 to 90 g/m2. 1st line: The counter is advanced by 1 for both small size and large size. 2nd line: The counter is advanced by 1 for small size and by 2 for large size.	
Use Case	When checking the consumption level of parts based on the number of delivered sheets	
Adj/Set/Operate Method	N/A (Display only)	
Display/Adj/Set Range	0 to 99999999	
Unit	sheet	
Amount of Change per Unit	1	

COPIER (Service mode for printer) > COUNTER (Counter mode) > PAPER

G91-105	1	Delivered sheet counter: 91 to 105 g/m2
Detail	To count up the number of delivered sheets which weight is 91 to 105 g/m2. 1st line: The counter is advanced by 1 for both small size and large size. 2nd line: The counter is advanced by 1 for small size and by 2 for large size.	
Use Case	When checking the consumption level of parts based on the number of delivered sheets	
Adj/Set/Operate Method	N/A (Display only)	
Display/Adj/Set Range	0 to 99999999	
Unit	sheet	
Amount of Change per Unit	1	
G106-128	1	Delivered sheet counter: 106 to 128 g/m2
Detail	To count up the number of delivered sheets which weight is 106 to 128 g/m2. 1st line: The counter is advanced by 1 for both small size and large size. 2nd line: The counter is advanced by 1 for small size and by 2 for large size.	
Use Case	When checking the consumption level of parts based on the number of delivered sheets	
Adj/Set/Operate Method	N/A (Display only)	
Display/Adj/Set Range	0 to 99999999	
Unit	sheet	
Amount of Change per Unit	1	
G129-150	1	Delivered sheet counter: 129 to 150 g/m2
Detail	To count up the number of delivered sheets which weight is 129 to 150 g/m2. 1st line: The counter is advanced by 1 for both small size and large size. 2nd line: The counter is advanced by 1 for small size and by 2 for large size.	
Use Case	When checking the consumption level of parts based on the number of delivered sheets	
Adj/Set/Operate Method	N/A (Display only)	
Display/Adj/Set Range	0 to 99999999	
Unit	sheet	
Amount of Change per Unit	1	
G151-163	1	Delivered sheet counter: 151 to 163 g/m2
Detail	To count up the number of delivered sheets which weight is 151 to 163 g/m2. 1st line: The counter is advanced by 1 for both small size and large size. 2nd line: The counter is advanced by 1 for small size and by 2 for large size.	
Use Case	When checking the consumption level of parts based on the number of delivered sheets	
Adj/Set/Operate Method	N/A (Display only)	
Display/Adj/Set Range	0 to 99999999	
Unit	sheet	
Amount of Change per Unit	1	
G164-180	1	Delivered sheet counter: 164 to 180 g/m2
Detail	To count up the number of delivered sheets which weight is 164 to 180 g/m2. 1st line: The counter is advanced by 1 for both small size and large size. 2nd line: The counter is advanced by 1 for small size and by 2 for large size.	
Use Case	When checking the consumption level of parts based on the number of delivered sheets	
Adj/Set/Operate Method	N/A (Display only)	
Display/Adj/Set Range	0 to 99999999	
Unit	sheet	
Amount of Change per Unit	1	

COPIER (Service mode for printer) > COUNTER (Counter mode) > PAPER

G181-220	1	Delivered sheet counter: 181 to 220 g/m2
Detail	To count up the number of delivered sheets which weight is 181 to 220 g/m2. 1st line: The counter is advanced by 1 for both small size and large size. 2nd line: The counter is advanced by 1 for small size and by 2 for large size.	
Use Case	When checking the consumption level of parts based on the number of delivered sheets	
Adj/Set/Operate Method	N/A (Display only)	
Display/Adj/Set Range	0 to 99999999	
Unit	sheet	
Amount of Change per Unit	1	
G221-256	1	Delivered sheet counter: 221 to 256 g/m2
Detail	To count up the number of delivered sheets which weight is 221 to 256 g/m2. 1st line: The counter is advanced by 1 for both small size and large size. 2nd line: The counter is advanced by 1 for small size and by 2 for large size.	
Use Case	When checking the consumption level of parts based on the number of delivered sheets	
Adj/Set/Operate Method	N/A (Display only)	
Display/Adj/Set Range	0 to 99999999	
Unit	sheet	
Amount of Change per Unit	1	
G257-300	1	Delivered sheet counter: 257 to 300 g/m2
Detail	To count up the number of delivered sheets which weight is 257 to 300 g/m2. 1st line: The counter is advanced by 1 for both small size and large size. 2nd line: The counter is advanced by 1 for small size and by 2 for large size.	
Use Case	When checking the consumption level of parts based on the number of delivered sheets	
Adj/Set/Operate Method	N/A (Display only)	
Display/Adj/Set Range	0 to 99999999	
Unit	sheet	
Amount of Change per Unit	1	
G301-325	1	Delivered sheet counter: 301 to 325 g/m2
Detail	To count up the number of delivered sheets which weight is 301 to 325 g/m2. 1st line: The counter is advanced by 1 for both small size and large size. 2nd line: The counter is advanced by 1 for small size and by 2 for large size.	
Use Case	When checking the consumption level of parts based on the number of delivered sheets	
Adj/Set/Operate Method	N/A (Display only)	
Display/Adj/Set Range	0 to 99999999	
Unit	sheet	
Amount of Change per Unit	1	
G326-350	1	Delivered sheet counter: 326 to 350 g/m2
Detail	To count up the number of delivered sheets which weight is 326 to 350 g/m2. 1st line: The counter is advanced by 1 for both small size and large size. 2nd line: The counter is advanced by 1 for small size and by 2 for large size.	
Use Case	When checking the consumption level of parts based on the number of delivered sheets	
Adj/Set/Operate Method	N/A (Display only)	
Display/Adj/Set Range	0 to 99999999	
Unit	sheet	
Amount of Change per Unit	1	

COPIER (Service mode for printer) > COUNTER (Counter mode) > PAPER

G351OVER	1	Delivered sheet counter:351 g/m2 or more
Detail	To count up the number of delivered sheets which weight is 351 g/m2 or more. 1st line: The counter is advanced by 1 for both small size and large size. 2nd line: The counter is advanced by 1 for small size and by 2 for large size.	
Use Case	When checking the consumption level of parts based on the number of delivered sheets	
Adj/Set/Operate Method	N/A (Display only)	
Display/Adj/Set Range	0 to 99999999	
Unit	sheet	
Amount of Change per Unit	1	

■ LIFE

COPIER (Service mode for printer) > COUNTER (Counter mode) > LIFE

TONER-K	1	Toner (Bk): Life VL and No. of days left
Detail	To display the life value and the number of days left of Toner (Bk). The 3rd and 4th columns may be hidden depending on the country. 1st column: Operation Life Value 2nd column: Number of Days Left 3rd column: Life Value 4th column: Replacement Life Value	
Use Case	When checking Life VL/No. of days left	
Display/Adj/Set Range	1st column: 0 to 999 (%) 2nd column: 0 to 999 (days) 3rd column: 0 to 999 (%) 4th column: 50 to 999 (%)	
Supplement/Memo	Operation Life Value: Wear level value relative to Replacement Life Value (%) Operation Life Value = Life Value/Replacement Life Value x 100 Number of Days Left: Expected number of days until the part reaches its end of life Replacement Life Value: Target replacement life value	
TR-ROLL	1	Transfer Roller:Life VL/No. of days left
Detail	To display the life value and the number of days left of the Transfer Roller. The 3rd and 4th columns may be hidden depending on the country. 1st column: Operation Life Value 2nd column: Number of Days Left 3rd column: Life Value 4th column: Replacement Life Value	
Use Case	- When checking Life VL/No. of days left of the part - At parts replacement	
Adj/Set/Operate Method	To change the Replacement Life Value: Select the item, enter the value, and then press OK key. To reset Operation Life Value/Number of Days Left/Life Value: Select the item, and then press Clear key.	
Caution	- Be sure to reset Operation Life Value/Number of Days Left/Life Value after replacing the part. - Operation Life Value/Number of Days Left/Life Value can also be reset by clearing the parts counter.	
Display/Adj/Set Range	1st column: 0 to 999 (%) 2nd column: 0 to 999 (days) 3rd column: 0 to 999 (%) 4th column: 50 to 999 (%)	
Supplement/Memo	Operation Life Value: Wear level value relative to Replacement Life Value (%) Operation Life Value = Life Value/Replacement Life Value x 100 Number of Days Left: Expected number of days until the part reaches its end of life Replacement Life Value: Target replacement life value	

COPIER (Service mode for printer) > COUNTER (Counter mode) > LIFE

FX-UNIT	1	Fixing Ass'y: Life VL/No. of days left
Detail		To display the life value and the number of days left of the Fixing Assembly. The 3rd and 4th columns may be hidden depending on the country. 1st column: Operation Life Value 2nd column: Number of Days Left 3rd column: Life Value 4th column: Replacement Life Value
Use Case		- When checking Life VL/No. of days left of the part - At parts replacement
Adj/Set/Operate Method		To change the Replacement Life Value: Select the item, enter the value, and then press OK key. Operation Life Value/Number of Days Left/Life Value: Display only
Caution		Be sure to reset Operation Life Value/Number of Days Left/Life Value after replacing the part.
Display/Adj/Set Range		1st column: 0 to 999 (%) 2nd column: 0 to 999 (days) 3rd column: 0 to 999 (%) 4th column: 50 to 999 (%)
Supplement/Memo		Operation Life Value: Wear level value relative to Replacement Life Value (%) $\text{Operation Life Value} = \frac{\text{Life Value}}{\text{Replacement Life Value}} \times 100$ Number of Days Left: Expected number of days until the part reaches its end of life Replacement Life Value: Target replacement life value
C1-FD-RL	1	Cst1 Feed Roll: Life VL/No. of days left
Detail		To display the life value and the number of days left of the Cassette 1 Feed Roller. The 3rd and 4th columns may be hidden depending on the country. 1st column: Operation Life Value 2nd column: Number of Days Left 3rd column: Life Value 4th column: Replacement Life Value
Use Case		- When checking Life VL/No. of days left of the part - At parts replacement
Adj/Set/Operate Method		To change the Replacement Life Value: Select the item, enter the value, and then press OK key. To reset Operation Life Value/Number of Days Left/Life Value: Select the item, and then press Clear key.
Caution		- Be sure to reset Operation Life Value/Number of Days Left/Life Value after replacing the part. - Operation Life Value/Number of Days Left/Life Value can also be reset by clearing the parts counter.
Display/Adj/Set Range		1st column: 0 to 999 (%) 2nd column: 0 to 999 (days) 3rd column: 0 to 999 (%) 4th column: 50 to 999 (%)
Supplement/Memo		Operation Life Value: Wear level value relative to Replacement Life Value (%) $\text{Operation Life Value} = \frac{\text{Life Value}}{\text{Replacement Life Value}} \times 100$ Number of Days Left: Expected number of days until the part reaches its end of life Replacement Life Value: Target replacement life value

COPIER (Service mode for printer) > COUNTER (Counter mode) > LIFE

C1-SP-RL	1	Cst1 Sepn Roll: Life VL/No. of days left
Detail	<p>To display the life value and the number of days left of the Cassette 1 Separation Roller. The 3rd and 4th columns may be hidden depending on the country.</p> <p>1st column: Operation Life Value 2nd column: Number of Days Left 3rd column: Life Value 4th column: Replacement Life Value</p>	
Use Case	<p>- When checking Life VL/No. of days left of the part - At parts replacement</p>	
Adj/Set/Operate Method	<p>To change the Replacement Life Value: Select the item, enter the value, and then press OK key. To reset Operation Life Value/Number of Days Left/Life Value: Select the item, and then press Clear key.</p>	
Caution	<p>- Be sure to reset Operation Life Value/Number of Days Left/Life Value after replacing the part. - Operation Life Value/Number of Days Left/Life Value can also be reset by clearing the parts counter.</p>	
Display/Adj/Set Range	<p>1st column: 0 to 999 (%) 2nd column: 0 to 999 (days) 3rd column: 0 to 999 (%) 4th column: 50 to 999 (%)</p>	
Supplement/Memo	<p>Operation Life Value: Wear level value relative to Replacement Life Value (%) $\text{Operation Life Value} = \frac{\text{Life Value}}{\text{Replacement Life Value}} \times 100$ Number of Days Left: Expected number of days until the part reaches its end of life Replacement Life Value: Target replacement life value</p>	
C2-FD-RL	1	Cst2 Feed Roll: Life VL/No. of days left
Detail	<p>To display the life value and the number of days left of the Cassette 2 Feed Roller. The 3rd and 4th columns may be hidden depending on the country.</p> <p>1st column: Operation Life Value 2nd column: Number of Days Left 3rd column: Life Value 4th column: Replacement Life Value</p>	
Use Case	<p>- When checking Life VL/No. of days left of the part - At parts replacement</p>	
Adj/Set/Operate Method	<p>To change the Replacement Life Value: Select the item, enter the value, and then press OK key. To reset Operation Life Value/Number of Days Left/Life Value: Select the item, and then press Clear key.</p>	
Caution	<p>- Be sure to reset Operation Life Value/Number of Days Left/Life Value after replacing the part. - Operation Life Value/Number of Days Left/Life Value can also be reset by clearing the parts counter.</p>	
Display/Adj/Set Range	<p>1st column: 0 to 999 (%) 2nd column: 0 to 999 (days) 3rd column: 0 to 999 (%) 4th column: 50 to 999 (%)</p>	
Supplement/Memo	<p>Operation Life Value: Wear level value relative to Replacement Life Value (%) $\text{Operation Life Value} = \frac{\text{Life Value}}{\text{Replacement Life Value}} \times 100$ Number of Days Left: Expected number of days until the part reaches its end of life Replacement Life Value: Target replacement life value</p>	

COPIER (Service mode for printer) > COUNTER (Counter mode) > LIFE

C2-SP-RL	1	Cst2 Sepn Roll: Life VL/No. of days left
Detail	<p>To display the life value and the number of days left of the Cassette 2 Separation Roller. The 3rd and 4th columns may be hidden depending on the country.</p> <p>1st column: Operation Life Value 2nd column: Number of Days Left 3rd column: Life Value 4th column: Replacement Life Value</p>	
Use Case	<p>- When checking Life VL/No. of days left of the part - At parts replacement</p>	
Adj/Set/Operate Method	<p>To change the Replacement Life Value: Select the item, enter the value, and then press OK key. To reset Operation Life Value/Number of Days Left/Life Value: Select the item, and then press Clear key.</p>	
Caution	<p>- Be sure to reset Operation Life Value/Number of Days Left/Life Value after replacing the part. - Operation Life Value/Number of Days Left/Life Value can also be reset by clearing the parts counter.</p>	
Display/Adj/Set Range	<p>1st column: 0 to 999 (%) 2nd column: 0 to 999 (days) 3rd column: 0 to 999 (%) 4th column: 50 to 999 (%)</p>	
Supplement/Memo	<p>Operation Life Value: Wear level value relative to Replacement Life Value (%) $\text{Operation Life Value} = \frac{\text{Life Value}}{\text{Replacement Life Value}} \times 100$ Number of Days Left: Expected number of days until the part reaches its end of life Replacement Life Value: Target replacement life value</p>	
C3-SP-RL	1	Cst3 Sepn Roll: Life VL/No. of days left
Detail	<p>To display the life value and the number of days left of the Cassette 3 Separation Roller. The 3rd and 4th columns may be hidden depending on the country.</p> <p>1st column: Operation Life Value 2nd column: Number of Days Left 3rd column: Life Value 4th column: Replacement Life Value</p>	
Use Case	<p>- When checking Life VL/No. of days left of the part - At parts replacement</p>	
Adj/Set/Operate Method	<p>To change the Replacement Life Value: Select the item, enter the value, and then press OK key. To reset Operation Life Value/Number of Days Left/Life Value: Select the item, and then press Clear key.</p>	
Caution	<p>- Be sure to reset Operation Life Value/Number of Days Left/Life Value after replacing the part. - Operation Life Value/Number of Days Left/Life Value can also be reset by clearing the parts counter.</p>	
Display/Adj/Set Range	<p>1st column: 0 to 999 (%) 2nd column: 0 to 999 (days) 3rd column: 0 to 999 (%) 4th column: 50 to 999 (%)</p>	
Supplement/Memo	<p>Operation Life Value: Wear level value relative to Replacement Life Value (%) $\text{Operation Life Value} = \frac{\text{Life Value}}{\text{Replacement Life Value}} \times 100$ Number of Days Left: Expected number of days until the part reaches its end of life Replacement Life Value: Target replacement life value</p>	

COPIER (Service mode for printer) > COUNTER (Counter mode) > LIFE

C3-FD-RL	1	Cst3 Feed Roll: Life VL/No. of days left
Detail	<p>To display the life value and the number of days left of the Cassette 3 Feed Roller. The 3rd and 4th columns may be hidden depending on the country.</p> <p>1st column: Operation Life Value 2nd column: Number of Days Left 3rd column: Life Value 4th column: Replacement Life Value</p>	
Use Case	<p>- When checking Life VL/No. of days left of the part - At parts replacement</p>	
Adj/Set/Operate Method	<p>To change the Replacement Life Value: Select the item, enter the value, and then press OK key. To reset Operation Life Value/Number of Days Left/Life Value: Select the item, and then press Clear key.</p>	
Caution	<p>- Be sure to reset Operation Life Value/Number of Days Left/Life Value after replacing the part. - Operation Life Value/Number of Days Left/Life Value can also be reset by clearing the parts counter.</p>	
Display/Adj/Set Range	<p>1st column: 0 to 999 (%) 2nd column: 0 to 999 (days) 3rd column: 0 to 999 (%) 4th column: 50 to 999 (%)</p>	
Supplement/Memo	<p>Operation Life Value: Wear level value relative to Replacement Life Value (%) $\text{Operation Life Value} = \frac{\text{Life Value}}{\text{Replacement Life Value}} \times 100$ Number of Days Left: Expected number of days until the part reaches its end of life Replacement Life Value: Target replacement life value</p>	
C4-FD-RL	1	Cst4 Feed Roll: Life VL/No. of days left
Detail	<p>To display the life value and the number of days left of the Cassette 4 Feed Roller. The 3rd and 4th columns may be hidden depending on the country.</p> <p>1st column: Operation Life Value 2nd column: Number of Days Left 3rd column: Life Value 4th column: Replacement Life Value</p>	
Use Case	<p>- When checking Life VL/No. of days left of the part - At parts replacement</p>	
Adj/Set/Operate Method	<p>To change the Replacement Life Value: Select the item, enter the value, and then press OK key. To reset Operation Life Value/Number of Days Left/Life Value: Select the item, and then press Clear key.</p>	
Caution	<p>- Be sure to reset Operation Life Value/Number of Days Left/Life Value after replacing the part. - Operation Life Value/Number of Days Left/Life Value can also be reset by clearing the parts counter.</p>	
Display/Adj/Set Range	<p>1st column: 0 to 999 (%) 2nd column: 0 to 999 (days) 3rd column: 0 to 999 (%) 4th column: 50 to 999 (%)</p>	
Supplement/Memo	<p>Operation Life Value: Wear level value relative to Replacement Life Value (%) $\text{Operation Life Value} = \frac{\text{Life Value}}{\text{Replacement Life Value}} \times 100$ Number of Days Left: Expected number of days until the part reaches its end of life Replacement Life Value: Target replacement life value</p>	

COPIER (Service mode for printer) > COUNTER (Counter mode) > LIFE

C4-SP-RL	1	Cst4 Sepn Roll: Life VL/No. of days left
Detail	<p>To display the life value and the number of days left of the Cassette 4 Separation Roller. The 3rd and 4th columns may be hidden depending on the country.</p> <p>1st column: Operation Life Value 2nd column: Number of Days Left 3rd column: Life Value 4th column: Replacement Life Value</p>	
Use Case	<p>- When checking Life VL/No. of days left of the part - At parts replacement</p>	
Adj/Set/Operate Method	<p>To change the Replacement Life Value: Select the item, enter the value, and then press OK key. To reset Operation Life Value/Number of Days Left/Life Value: Select the item, and then press Clear key.</p>	
Caution	<p>- Be sure to reset Operation Life Value/Number of Days Left/Life Value after replacing the part. - Operation Life Value/Number of Days Left/Life Value can also be reset by clearing the parts counter.</p>	
Display/Adj/Set Range	<p>1st column: 0 to 999 (%) 2nd column: 0 to 999 (days) 3rd column: 0 to 999 (%) 4th column: 50 to 999 (%)</p>	
Supplement/Memo	<p>Operation Life Value: Wear level value relative to Replacement Life Value (%) $\text{Operation Life Value} = \frac{\text{Life Value}}{\text{Replacement Life Value}} \times 100$ Number of Days Left: Expected number of days until the part reaches its end of life Replacement Life Value: Target replacement life value</p>	
M-FD-RL	1	MP Tray Pickup: Life VL/No. of days left
Detail	<p>To display the life value and the number of days left of the Multi-purpose Tray Pickup Roller. The 3rd and 4th columns may be hidden depending on the country.</p> <p>1st column: Operation Life Value 2nd column: Number of Days Left 3rd column: Life Value 4th column: Replacement Life Value</p>	
Use Case	<p>- When checking Life VL/No. of days left of the part - At parts replacement</p>	
Adj/Set/Operate Method	<p>To change the Replacement Life Value: Select the item, enter the value, and then press OK key. To reset Operation Life Value/Number of Days Left/Life Value: Select the item, and then press Clear key.</p>	
Caution	<p>- Be sure to reset Operation Life Value/Number of Days Left/Life Value after replacing the part. - Operation Life Value/Number of Days Left/Life Value can also be reset by clearing the parts counter.</p>	
Display/Adj/Set Range	<p>1st column: 0 to 999 (%) 2nd column: 0 to 999 (days) 3rd column: 0 to 999 (%) 4th column: 50 to 999 (%)</p>	
Supplement/Memo	<p>Operation Life Value: Wear level value relative to Replacement Life Value (%) $\text{Operation Life Value} = \frac{\text{Life Value}}{\text{Replacement Life Value}} \times 100$ Number of Days Left: Expected number of days until the part reaches its end of life Replacement Life Value: Target replacement life value</p>	

COPIER (Service mode for printer) > COUNTER (Counter mode) > LIFE

M-SP-RL	1	MP Tray Sprtn: Life VL/No. of days left
Detail	To display the life value and the number of days left of the Multi-purpose Tray Separation Roller. The 3rd and 4th columns may be hidden depending on the country. 1st column: Operation Life Value 2nd column: Number of Days Left 3rd column: Life Value 4th column: Replacement Life Value	
Use Case	- When checking Life VL/No. of days left of the part - At parts replacement	
Adj/Set/Operate Method	To change the Replacement Life Value: Select the item, enter the value, and then press OK key. To reset Operation Life Value/Number of Days Left/Life Value: Select the item, and then press Clear key.	
Caution	- Be sure to reset Operation Life Value/Number of Days Left/Life Value after replacing the part. - Operation Life Value/Number of Days Left/Life Value can also be reset by clearing the parts counter.	
Display/Adj/Set Range	1st column: 0 to 999 (%) 2nd column: 0 to 999 (days) 3rd column: 0 to 999 (%) 4th column: 50 to 999 (%)	
Supplement/Memo	Operation Life Value: Wear level value relative to Replacement Life Value (%) Operation Life Value = Life Value/Replacement Life Value x 100 Number of Days Left: Expected number of days until the part reaches its end of life Replacement Life Value: Target replacement life value	
DF-PU-RL	1	Pickup Roller (DADF): Life VL/days left
Detail	To display the life value and the number of days left of the Pickup Roller (DADF). The 3rd and 4th columns may be hidden depending on the country. 1st column: Operation Life Value 2nd column: Number of Days Left 3rd column: Life Value 4th column: Replacement Life Value	
Use Case	- When checking Life VL/No. of days left of the part - At parts replacement	
Adj/Set/Operate Method	To change the Replacement Life Value: Select the item, enter the value, and then press OK key. To reset Operation Life Value/Number of Days Left/Life Value: Select the item, and then press Clear key.	
Caution	- Be sure to reset Operation Life Value/Number of Days Left/Life Value after replacing the part. - Operation Life Value/Number of Days Left/Life Value can also be reset by clearing the parts counter.	
Display/Adj/Set Range	1st column: 0 to 999 (%) 2nd column: 0 to 999 (days) 3rd column: 0 to 999 (%) 4th column: 50 to 999 (%)	
Supplement/Memo	Operation Life Value: Wear level value relative to Replacement Life Value (%) Operation Life Value = Life Value/Replacement Life Value x 100 Number of Days Left: Expected number of days until the part reaches its end of life Replacement Life Value: Target re	

COPIER (Service mode for printer) > COUNTER (Counter mode) > LIFE

DF-SP-RL	1 Separation Rol (DADF): Life VL/days left
Detail	To display the life value and the number of days left of the Separation Roller (DADF). The 3rd and 4th columns may be hidden depending on the country. 1st column: Operation Life Value 2nd column: Number of Days Left 3rd column: Life Value 4th column: Replacement Life Value
Use Case	- When checking Life VL/No. of days left of the part - At parts replacement
Adj/Set/Operate Method	To change the Replacement Life Value: Select the item, enter the value, and then press OK key. To reset Operation Life Value/Number of Days Left/Life Value: Select the item, and then press Clear key.
Caution	- Be sure to reset Operation Life Value/Number of Days Left/Life Value after replacing the part. - Operation Life Value/Number of Days Left/Life Value can also be reset by clearing the parts counter.
Display/Adj/Set Range	1st column: 0 to 999 (%) 2nd column: 0 to 999 (days) 3rd column: 0 to 999 (%) 4th column: 50 to 999 (%)
Supplement/Memo	Operation Life Value: Wear level value relative to Replacement Life Value (%) Operation Life Value = Life Value/Replacement Life Value x 100 Number of Days Left: Expected number of days until the part reaches its end of life Replacement Life Value: Target re

FEEDER (ADF service mode)

DISPLAY (State display mode)

FEEDER (ADF service mode) > DISPLAY (State display mode)

FEEDSIZE	1	Dspl orgnl size detected by DADF
Detail		To display the original size detected by the DADF.
Use Case		When checking the paper size recognized by the device after scanning
Adj/Set/Operate Method		N/A (Display only)

ADJUST (Adjustment mode)

FEEDER (ADF service mode) > ADJUST (Adjustment mode)

DOCST	1	Adj of DADF img lead edge margin: front
Detail		To adjust the leading edge margin on the front side at DADF reading. This function is executed when an image that has been imaged in a state where skew correction is not performed/has failed is out of alignment. (In the service mode, when skew correction is turned off or when the inclination of the document is large or the document is chipped.) When replacing the Controller PCB/clearing RAM data, enter the value of service label. As the value is incremented by 1, the margin is reduced by 0.1 mm. (The image moves upward.)
Use Case		When clearing the Reader-related RAM data/replacing the Controller PCB
Adj/Set/Operate Method		Enter the setting value (switch negative/positive by -/+ key) and press OK key.
Display/Adj/Set Range		-45 to 30
Unit		mm
Default Value		0
Amount of Change per Unit		0.1
LA-SPEED	1	Fine adj img ratio: DADF,vert scan,front
Detail		To make a fine adjustment of the front side image magnification ratio in vertical scanning direction at DADF reading. As the value is incremented by 1, the image is reduced by 0.01% in vertical scanning direction. (The feeding speed increases, and the image is reduced.)
Use Case		- When installing DADF - When replacing the SATA Flash PCB - When replacing the clearing the Reader-related RAM data
Adj/Set/Operate Method		Enter the setting value (switch negative/positive by -/+ key) and press OK key.
Display/Adj/Set Range		-200 to 200
Unit		%
Default Value		0
Amount of Change per Unit		0.01

FEEDER (ADF service mode) > ADJUST (Adjustment mode)

DOCST2	1	Adj of DADF img lead edge margin: back
Detail	To adjust the leading edge margin on the back side at DADF reading. This function is executed when an image that has been imaged in a state where skew correction is not performed/has failed is out of alignment. (In the service mode, when skew correction is turned off or when the inclination of the document is large or the document is chipped.) When replacing the Controller PCB/clearing RAM data, enter the value of service label. As the value is incremented by 1, the margin is reduced by 0.1 mm. (The image moves upward.)	
Use Case	When clearing the Reader-related RAM data/replacing the Controller PCB	
Adj/Set/Operate Method	Enter the setting value (switch negative/positive by +/- key) and press OK key.	
Display/Adj/Set Range	-30 to 30	
Unit	mm	
Default Value	0	
Amount of Change per Unit	0.1	
LA-SPD2	1	Fine adj img ratio: DADF,vert scan,back
Detail	To make a fine adjustment of the back side image magnification ratio in vertical scanning direction at DADF reading. As the value is incremented by 1, the image is reduced by 0.01% in vertical scanning direction. (The feeding speed increases, and the image is reduced.)	
Use Case	- When installing DADF - When replacing the SATA Flash PCB - When replacing the clearing the Reader-related RAM data	
Adj/Set/Operate Method	Enter the setting value (switch negative/positive by +/- key) and press OK key.	
Display/Adj/Set Range	-200 to 200 (-2.00 to 2.00%)	
Unit	%	
Default Value	0	
Amount of Change per Unit	0.01	
ADJMSCN1	1	Fine adj img ratio:2-sided,horz scan,frt
Detail	To make a fine adjustment of the front side image magnification ratio in horizontal scanning direction at DADF 2-sided reading. As the value is incremented by 1, the image is enlarged by 0.1% in horizontal scanning direction.	
Use Case	When image magnification ratio on the front side and back side are different at 2-sided reading	
Adj/Set/Operate Method	Enter the setting value (switch negative/positive by +/- key) and press OK key.	
Display/Adj/Set Range	-10 to 10	
Unit	%	
Default Value	0	
Amount of Change per Unit	0.1	
ADJMSCN2	1	Fine adj img ratio:2-sided,horz scan,bck
Detail	To make a fine adjustment of the back side image magnification ratio in horizontal scanning direction at DADF 2-sided reading. As the value is incremented by 1, the image is enlarged by 0.1% in horizontal scanning direction.	
Use Case	When image magnification ratio on the front side and back side are different at 2-sided reading	
Adj/Set/Operate Method	Enter the setting value (switch negative/positive by +/- key) and press OK key.	
Display/Adj/Set Range	-10 to 10	
Unit	%	
Default Value	0	
Amount of Change per Unit	0.1	

FEEDER (ADF service mode) > ADJUST (Adjustment mode)

ADJ-T1	1	Adj of DADF img lead edge margin: front
Detail	To adjust the leading edge margin of image after skew correction (front side). When the value is increased by 1, leading edge margin is increased by 0.1 mm. When the value is decreased by 1, leading edge margin is decreased by 0.1 mm.	
Use Case	When adjusting the leading edge margin	
Adj/Set/Operate Method	Enter the setting value, and then press OK key.	
Caution	Setting the value too high or too low may cause cropped image.	
Display/Adj/Set Range	-15 to 15	
Unit	mm	
Default Value	0	
Amount of Change per Unit	0.1	
ADJ-T2	1	Adj of DADF img lead edge margin: back
Detail	To adjust the leading edge margin of image after skew correction (back side). When the value is increased by 1, leading edge margin is increased by 0.1 mm. When the value is decreased by 1, leading edge margin is decreased by 0.1 mm.	
Use Case	When adjusting the leading edge margin	
Adj/Set/Operate Method	Enter the setting value, and then press OK key.	
Caution	Setting the value too high or too low may cause cropped image.	
Display/Adj/Set Range	-15 to 15	
Unit	mm	
Default Value	0	
Amount of Change per Unit	0.1	
ADJ-L1	1	Adj of DADF img left edge margin: front
Detail	To adjust the left edge margin of image after skew correction (on front side). When the value is increased by 1, left edge margin is increased by 0.1 mm. When the value is decreased by 1, left edge margin is decreased by 0.1 mm.	
Use Case	When adjusting the position of scanned image's left edge	
Adj/Set/Operate Method	Enter the setting value, and then press OK key.	
Caution	Setting the value too high or too low may cause cropped image.	
Display/Adj/Set Range	-30 to 30	
Unit	mm	
Default Value	0	
Amount of Change per Unit	0.1	
ADJ-L2	1	Adj of DADF img left edge margin: back
Detail	To adjust the left edge margin of image after skew correction (on back side). When the value is increased by 1, left edge margin is increased by 0.1 mm. When the value is decreased by 1, left edge margin is decreased by 0.1 mm.	
Use Case	When adjusting the position of scanned image's left edge	
Adj/Set/Operate Method	Enter the setting value, and then press OK key.	
Caution	Setting the value too high or too low may cause cropped image.	
Display/Adj/Set Range	-30 to 30	
Unit	mm	
Default Value	0	
Amount of Change per Unit	0.1	

FEEDER (ADF service mode) > ADJUST (Adjustment mode)

ADJ-PAR1	1	Parallelogram crrect for DADF read: front
Detail		To perform parallelogram correction on image after skew correction (front side). When the value is increased by 1, image is corrected clockwise by 0.01 degree. When the value is decreased by 1, image is corrected counterclockwise by 0.01 degree.
Use Case		When scanned image is parallelogram-shaped
Adj/Set/Operate Method		Enter the setting value, and then press OK key.
Caution		Setting the value too high or too low may cause cropped image.
Display/Adj/Set Range		-30 to 30
Default Value		0
ADJ-PAR2	1	Parallelogram crrect for DADF read: back
Detail		To perform parallelogram correction on image after skew correction (back side). When the value is increased by 1, image is corrected clockwise by 0.01 degree. When the value is decreased by 1, image is corrected counterclockwise by 0.01 degree.
Use Case		When scanned image is parallelogram-shaped
Adj/Set/Operate Method		Enter the setting value, and then press OK key.
Caution		Setting the value too high or too low may cause cropped image.
Display/Adj/Set Range		-30 to 30
Default Value		0
ADJ-ROT1	1	Angle correction for DADF reading: front
Detail		To correct rotation angle on image after skew correction (front side). When the value is increased by 1, image is corrected clockwise by 0.01 degree. When the value is decreased by 1, image is corrected counterclockwise by 0.01 degree.
Use Case		When scanned image is missing part of its trailing edge
Adj/Set/Operate Method		Enter the setting value, and then press OK key.
Caution		Setting the value too high or too low may cause cropped image.
Display/Adj/Set Range		-300 to 300
Default Value		0
ADJ-ROT2	1	Angle correction for DADF reading: back
Detail		To correct rotation angle on image after skew correction (back side). When the value is increased by 1, image is corrected clockwise by 0.01 degree. When the value is decreased by 1, image is corrected counterclockwise by 0.01 degree.
Use Case		When scanned image is missing part of its trailing edge
Adj/Set/Operate Method		Enter the setting value, and then press OK key.
Caution		Setting the value too high or too low may cause cropped image.
Display/Adj/Set Range		-300 to 300
Default Value		0
ADJ-DT	1	Skew adj val: bck lead edge register dif
Detail		To correct the skew difference of the front and back by correcting the difference of leading edge registration.
Use Case		- When writing the values on the service label after executing ADJ-SKW. - When clearing RAM data of the Reader / replacing the Main Controller PCB
Adj/Set/Operate Method		Enter the setting value, and then press OK key.
Caution		Do not change the adjustment values of this mode for image position adjustment.
Display/Adj/Set Range		-255 to 255
Default Value		0
Related Service Mode		FEEDER->FUNCTION->ADJ-SKW

FEEDER (ADF service mode) > ADJUST (Adjustment mode)

ADJ-DL	1	Skew adj val: bck left edge register dif
Detail		To correct the skew difference of the front and back by correcting the difference of left edge registration.
Use Case		- When writing the values on the service label after executing ADJ-SKW. - When clearing RAM data of the Reader / replacing the Main Controller PCB
Adj/Set/Operate Method		Enter the setting value, and then press OK key.
Caution		Do not change the adjustment values of this mode for image position adjustment.
Display/Adj/Set Range		-255 to 255
Default Value		0
Related Service Mode		FEEDER->FUNCTION->ADJ-SKW
ADJ-DROT	1	Skew adj value: back, angle difference
Detail		To correct the skew difference of the front and back by correcting the difference of angles.
Use Case		- When writing the values on the service label after executing ADJ-SKW. - When clearing RAM data of the Reader / replacing the Main Controller PCB
Adj/Set/Operate Method		Enter the setting value, and then press OK key.
Caution		Do not change the adjustment values of this mode for image position adjustment.
Display/Adj/Set Range		-255 to 255
Default Value		0
Related Service Mode		FEEDER->FUNCTION->ADJ-SKW

FUNCTION (Operation / inspection mode)

FEEDER (ADF service mode) > FUNCTION (Operation / inspection mode)

MTR-CHK	1	Specification of DADF operation motor
Detail		To specify the motor of DADF to operate. The motor is activated by MTR-ON.
Use Case		At operation check
Adj/Set/Operate Method		Enter the setting value, and then press OK key.
Display/Adj/Set Range		0: ADF Motor (M4201)
Related Service Mode		FEEDER> FUNCTION> MTR-ON
FEED-CHK	1	Specify DADF individual feed operation
Detail		To specify the feed mode for DADF. Feed operation is activated by FEED-ON.
Use Case		At operation check
Adj/Set/Operate Method		Enter the setting value, and then press OK key.
Display/Adj/Set Range		0: 1-sided pickup/delivery operation
Related Service Mode		FEEDER> FUNCTION> FEED-ON
CL-CHK	1	Specifying DADF Operation Clutch
Detail		To specify the DADF Clutch to be operated. The Clutch is activated by CL-ON.
Use Case		At operation check
Adj/Set/Operate Method		Enter the value, and then press OK key.
Display/Adj/Set Range		0: ADF Pickup Clutch (CL4200)
Related Service Mode		FEEDER> FUNCTION> CL-ON

FEEDER (ADF service mode) > FUNCTION (Operation / inspection mode)

CL-ON	1	Operation check of DADF Clutch
Detail		To start operation check for the Clutch specified by CL-CHK. - When CL-CHK=0 The ADF Motor (M4201) and the ADF Pickup Clutch (CL4200) are turned ON => The ADF Pickup Roller rotates positively for approx. 1 second => The motor stops after 5 seconds from turning OFF the clutch. - When CL-CHK=1 The ADF Motor (M4201) and the ADF Registration Clutch (CL4201) are turned ON => The ADF Registration Roller rotates positively for approx. 5 seconds => The motor stops after 5 seconds from turning OFF the clutch.
Use Case		At operation check
Adj/Set/Operate Method		1) Select the item, and then press OK key. The roller stops automatically after positive rotation. 2) Press OK key. The operation check is completed.
Caution		Press OK key again after execution. It stops automatically after approx. 5 sec; however, it does not finish unless OK key is pressed (STOP screen does not appear.)
Related Service Mode		FEEDER> FUNCTION> CL-CHK
MTR-ON	1	Operation check of DADF Motor
Detail		To drive the DADF Motor for approximately 5 seconds.
Use Case		When checking the operation of the DADF Motor
Adj/Set/Operate Method		1) Select the item, and then press OK key. It is driven for approximately 5 seconds and is automatically stopped. 2) Press OK key. The operation check is completed.
Caution		Be sure to press the OK key again after execution. The operation automatically stops after approximately 5 seconds, but is not completed unless the OK key is pressed (STOP is not displayed).
Display/Adj/Set Range		During operation: ACTIVE, When operation finished normally: OK!
Related Service Mode		FEEDER> FUNCTION> MTR-CHK
ROLL-CLN	1	Rotation of DADF rollers
Detail		To rotate the rollers of DADF for cleaning. Check the rollers with lint-free paper moistened with alcohol while they are rotating.
Use Case		When cleaning the rollers
Adj/Set/Operate Method		1) Select the item, and then press OK key. 2) Clean the rotating rollers with lint-free paper moistened with alcohol. 3) Press OK key. The rollers stop.
FEED-ON	1	Operation check of DADF individual feed
Detail		To start operation check of the feed mode specified by FEED-CHK.
Use Case		At operation check
Adj/Set/Operate Method		Select the item, and then press OK key.
Related Service Mode		FEEDER> FUNCTION> FEED-CHK

FEEDER (ADF service mode) > FUNCTION (Operation / inspection mode)

ADJ-SKW	1	Skew adj: frt / bck diff correct adjust
Detail		To correct the skew difference of the front and back by extracting the difference and calculate the correction value.
Use Case		- When replacing the Scanner Unit (Paper Front) - When replacing the Scanner Unit (Paper Back) - When replacing the Scanner Glass (Paper Back) - When installing the 1-path DADF
Adj/Set/Operate Method		1) Place the paper on the Original Tray and execute the following service modes. 2) Write the following adjusted values on the service label after executing the modes. FEEDER > ADJUST > ADJ-DT FEEDER > ADJUST > ADJ-DL FEEDER > ADJUST > ADJ-DROT
Caution		- Do not open/close the ADF during the setup operation.
Display/Adj/Set Range		Operating: ACTIVE, Terminated normally: OK, Terminated abnormally: NG

OPTION (Specification setting mode)

FEEDER (ADF service mode) > OPTION (Specification setting mode)

R-ATM	1	Set DADF double feed dtct highland mode
Detail		To set the Double Feed Sensor of the DADF to the highland mode. Set 1 if the installation site is above the altitude of 2000 meters.
Use Case		When the installation site is above the altitude of 2000 meters at installation
Adj/Set/Operate Method		Enter the setting value, and then press OK key.
Display/Adj/Set Range		0 to 1 0: Normal, 1: Highland mode
Default Value		0
R-OVLPLV	2	Set DADF double feed dtct threshold VL
Detail		To set the threshold value at which the Double Feed Sensor of the DADF judges whether papers are double fed. Decrease the value if single feed of paper is incorrectly detected as double feed. Increase the value if double feed of paper is incorrectly detected as single feed.
Use Case		When double feed is incorrectly detected with special paper not defined in the specifications
Adj/Set/Operate Method		Enter the setting value (switch negative/positive by +/- key) and press OK key.
Caution		In the case of highlands, be sure to set R-ATM in advance.
Display/Adj/Set Range		-3 to 3
Default Value		0
Related Service Mode		FEEDER> OPTION> R-ATM
SKW-SW	1	Sw skew correct func for ADF stream read
Detail		To enable/disable the ADF skew correction function for ADF stream reading.
Use Case		When one wishes to examine an image printed with the ADF skew correction function disabled
Adj/Set/Operate Method		1) Enter the setting value, and then press OK key. 2) Perform image adjustment. 3) Turn OFF/ON the main power switch.
Caution		Tuning the main power switch OFF/ON automatically sets the value to 0.
Display/Adj/Set Range		0 to 1 0: Enable, 1: Disable
Default Value		0

BOARD (Option board setting mode)

OPTION (Specification setting mode)

BOARD (Option board setting mode) > OPTION (Specification setting mode)

MENU-1	2	Hide/dspl of printer set menu level 1
Detail	To set whether to display or hide the level 1 of printer setting menu.	
Use Case	Upon user's request	
Adj/Set/Operate Method	1) Enter the setting value, and then press OK key. 2) Turn OFF/ON the main power switch.	
Display/Adj/Set Range	0 to 1 0: Hide, 1: Display	
Default Value	0	
MENU-2	2	Hide/dspl of printer set menu level 2
Detail	To set whether to display or hide the level 2 of printer setting menu.	
Use Case	Upon user's request	
Adj/Set/Operate Method	1) Enter the setting value, and then press OK key. 2) Turn OFF/ON the main power switch.	
Display/Adj/Set Range	0 to 1 0: Hide, 1: Display	
Default Value	0	
MENU-3	2	Hide/dspl of printer set menu level 3
Detail	To set whether to display or hide the level 3 of printer setting menu.	
Use Case	Upon user's request	
Adj/Set/Operate Method	1) Enter the setting value, and then press OK key. 2) Turn OFF/ON the main power switch.	
Display/Adj/Set Range	0 to 1 0: Hide, 1: Display	
Default Value	0	
MENU-4	2	Hide/dspl of printer set menu level 4
Detail	To set whether to display or hide the level 4 of printer setting menu.	
Use Case	Upon user's request	
Adj/Set/Operate Method	1) Enter the setting value, and then press OK key. 2) Turn OFF/ON the main power switch.	
Display/Adj/Set Range	0 to 1 0: Hide, 1: Display	
Default Value	0	

FAX (Service Mode for FAX)

Overview

■ Configuration of the Service Mode

Service mode is divided into the following 10 items (#1 to #10).

Item	Name	Description
#1 SSSW	Service software switch	This can be used to conduct the registration/settings relating to basic functions of the fax, such as error management, echo prevention and prevention of communication problems.
#2 MENU	Menu switch setting	This can be used to conduct the registration/settings relating to the required functions at installation, such as NL equalizer, transmission level.
#3 NUMERIC Param.	Setting of numeric parameters	This can be used to enter numeric parameters.
#4 NCU	(Adjustment by a service technician is not possible.)	The values of this item are collectively set based on the setting of #5 TYPE.
#5 TYPE	Country/region setting	If the item "STANDARD" displayed on the display is set, #4 NCU data is collectively set to comply with the communication standards in Japan.
#6 IPFAX	Communication settings of IPFAX	If the license option for IPFAX has been enabled, IPFAX is displayed.
#7 PRINT	Printer function setting	This can be used to conduct the registration/settings relating to the printer basic service functions, such as size reduction conditions for received images.
#8 CLEAR	Data initialization mode setting	This item is to initialize each data.
#9 TEST	Test Mode	To execute various tests.
#10 REPORT	Service Report	To execute report print.

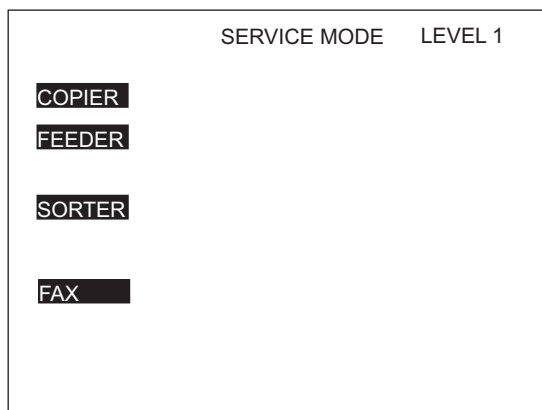
CAUTION:

If a 2nd line fax option is installed, IPFAX cannot be used.

■ Operation method

1. Enter service mode.

2. When the connected options (FEEDER, SORTER, FAX, BOARD) are displayed, select FAX and enter service mode of this board.



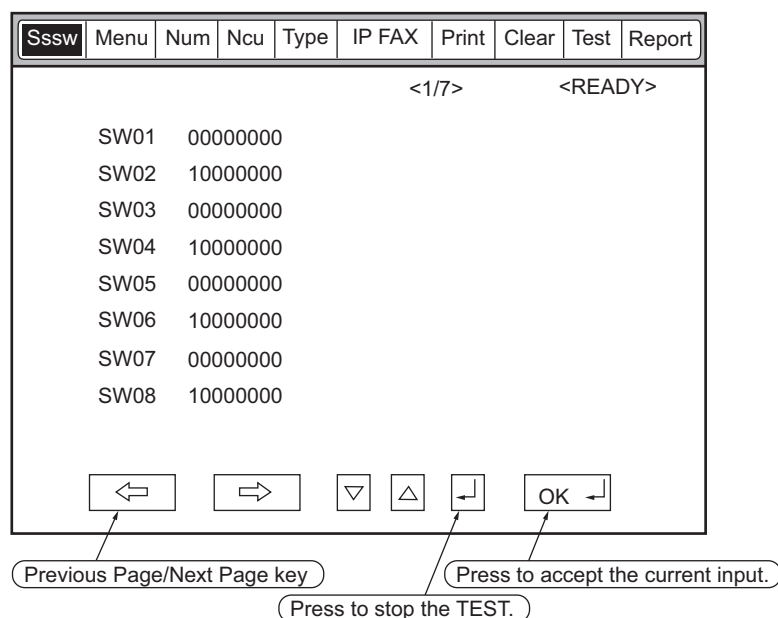
COPIER: Service mode of the connected equipment

FEEDER: Service mode of the ADF (*)

SORTER: Service mode of the Finisher (*)

FAX: Service mode of the fax (*)

The following explains the operation method using the #1 SSSW screen as an example. The meaning of the keys and operations are common for all screens.



- When changing the setting of the bit switch, directly press the bit (numeric value) you want to change.
- To enter a numeric value, use the numeric keypad.
- When confirming a change in a numeric value or when executing an item, press the [OK] key.
- To return to the previous layer, use the [Reset] key.

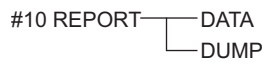
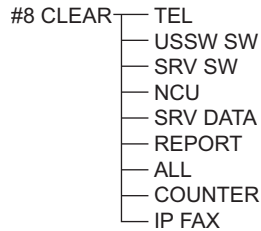
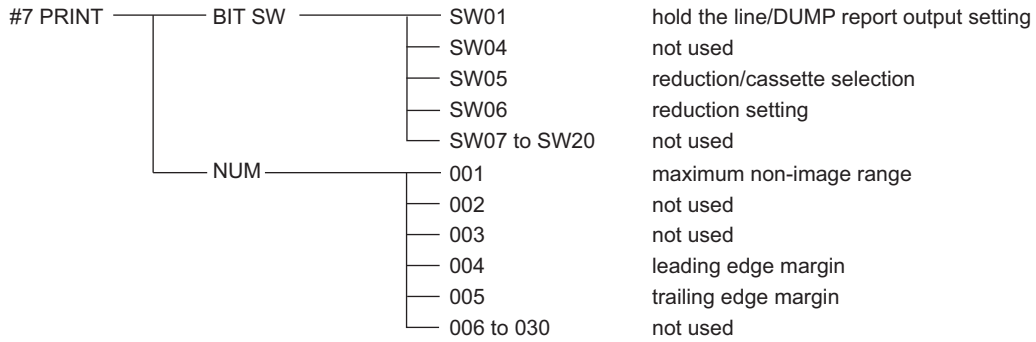
CAUTION:

When changing the service mode settings, turn OFF and then ON the power.

The details of settings in service mode are stored in the storage of the host machine. The settings for this board are enabled by loading the settings stored in the storage of the host machine to the G3 Fax Control PCB when the main power is turned ON. Therefore, be sure to turn OFF and then ON the power when the settings have been changed.

■ Menu List

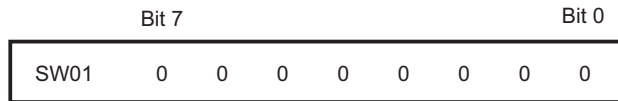
#1 SSSW	SW01	error management	
	SW02	Not used	
	SW03	set remedy against echo	
	SW04	set remedy against communication error	
	SW05	set standard function <DIS signal>	
	SW06 to SW08	Not used	
	SW09	set communication result display	
	SW10 to SW11	Not used	
	SW12	set page timer	
	SW13	Display of the screen Settings	
	SW14	Inch/mm resolution settings	
	SW15	Not used	
	SW17	Transmission level setting of modem	
	SW18	The control of IP supported communication setting	
	SW19 to SW21	Not used	
	SW22	Settings of archive send function	
	SW23 to SW24	Not used	
	SW25	set report display function	
	SW26	set transmission function	
	SW27	Not used	
	SW28	set V. 8/V. 34	
	SW29	Not used	
	SW30	Dial tone detection method switching	
	SW31 to SW50	Not used	
	#2 MENU	001 to 004	Not used
		005	NL equalizer
		006	line monitor
		007	transmission level (ATT)
		008	V.34 modulation speed upper limit
		009	V.34 data speed upper limit
010 to 020		Not used	
#3 NUM	001	not used	
	002	RTN transmission condition (1)	
	003	RTN transmission condition (2)	
	004	RTN transmission condition (3)	
	005	NCC pause time (before ID code)	
	006	NCC pause time (after ID code)	
	007	pre-pulse time at time of call	
	008	not used	
	009	number of characters in telephone numbers between transmitting and receiving parties.	
	010	line connection identification time	
	011	T.30 T1 timer (for reception)	
	012	not used	
	013	T.30 EOL timer	
	014	not used	
	015	hooking detection time	
	016	Time until a temporary response is obtained when switching FAX/TEL	
	017	Pseudo RBT signal pattern ON time	
	018	Pseudo RBT signal pattern ON time (short)	
	019	Pseudo RBT signal pattern OFF time (long)	
	020	Pseudo CI signal pattern ON time	
	021	Pseudo CI signal pattern OFF time (short)	
	022	Pseudo CI signal pattern OFF (long)	
	023	CNG detection level when switching FAX/TEL	
	024	Pseudo RBT transmission level when switching FAX/TEL	
	025	CNG monitoring time when the answering phone connection function is set	
	026	Silent detection level when the answering phone connection function is set	
	027	preamble detection time for V.21 low-speed flag	
	028	Off-hook PCB duty settings	
	029-80	not used	



Setting of Bit Switch (SSSW)

Bit Switch Composition

The registration/setup items of the switch are set according to the positions of its 8 bits; the bit switch shown on the display is as follows, each bit being either 0 or 1:



CAUTION:

Do not change service data identified as "not used"; they are set as initial settings.

Sssw	Menu	Num	Ncu	Type	IP FAX	Print	Clear	Test	Report
					<1/7>	<READY>			
SW01	0	0	0	0	0	0	0	0	0
SW02	1	0	0	0	0	0	0	0	0
SW03	0	0	0	0	0	0	0	0	0
SW04	1	0	0	0	0	0	0	0	0
SW05	0	0	0	0	0	0	0	0	0
SW06	1	0	0	0	0	0	0	0	0
SW07	0	0	0	0	0	0	0	0	0
SW08	1	0	0	0	0	0	0	0	0



• SSSW-SW01

Functional Construction

Bit	Function	1	0
0	Error codes for service technician	Output	Do not output
1	Error dump list	Output	Do not output
2	Not used	-	-
3	Not used	-	-
4	Display service error codes in the ##300 series	Display	Do not display
5	Increase the capacity of SUBLOG for USBFAX2	Increase	Do not increase
6	Not used	-	-
7	Cancel prohibition of user setting collectively	Cancel	Do not cancel

Details of Bit 0

Select whether to output service error codes.

When "Output" is selected, service error codes will be on the display and on the report.

Detailed Discussions of Bit 1

Select whether to output error dump list.

When "Output" is selected, the error transmission report and the reception result report at the time of occurrence of an error are output with the error dump list attached.

Detailed Discussions of Bit 4

Select whether to display service error codes in the ##300 series.

Detailed Discussions of Bit 5

Select whether to increase the log storage area when firmware automatic update function of USBFAX2 (a modem with Silicone Labs modem mounted version) is used.

Detailed Discussions of Bit 7

Select whether to collectively cancel the prohibition of user settings.

• SSSW-SW02

Functional Construction

Bit	Function	1	0
0	Not used	-	-
1	Not used	-	-
2	Not used	-	-
3	Not used	-	-
4	To prohibit control channel retrain during V.34	Prohibit	Do not prohibit
5	Not used	-	-
6	Not used	-	-
7	F-NET service without ring tone	Supported	Not supported

Detailed Discussions of Bit 4

Select whether to prohibit the control channel retrain during V.34.

Detailed Discussions of Bit 7

Select whether to support F-NET (fax communication network) service without a ring tone.

If "Supported" is selected, fax document will be automatically received without a ring tone when FC signal (1300 Hz tonal signal) from F-NET is detected.

• SSSW-SW03

Functional Construction

Bit	Function	1	0
0	Not used	-	-
1	Echo protect tone at high speed transmission	Send	Do not send

Bit	Function	1	0
2	Not used	-	-
3	Not used	-	-
4	Transmission mode: International transmission (1)	Yes	No
5	Transmission mode: International transmission (3)	Yes	No
6	Send mode	International transmission (3)	International transmission (2)
7	Tonal signal before sending CED signal	Send	Do not send

Detailed Discussions of Bit 1

Use it to enable/disable sending an echo protect tone for a high-speed transmission V.29 modem signal (transmission speed at 9600 or 7200 bps).

If errors occur frequently at time of sending fax because of the condition of the line, select "Send". Selecting "send" sends non-modulated carrier for about 200 ms as the synchronous signal before sending images.

NOTE:

Error codes caused by line condition when sending fax
##100, ##104, ##281, ##282, ##283, ##750, ##755, ##760, ##765

Detailed Discussions of Bits 4, 5 and 6

Transmission mode: Selected to use whether international transmission (1), international transmission (2) or international transmission (3).

Use these switches or the dial registration to select a transmission mode if errors occur frequently at time when sending fax overseas.

NOTE:

Error codes caused by echoes at time of sending fax
#005, ##100, ##101, ##102, ##104, ##201, ##280, ##281, ##283, ##284, ##750, ##760, ##765, ##774, ##779, ##784, ##794

Settings using the Dial Registration (user level):

Select "international transmission (1)" when making an entry in the address book. If errors persist, select "international transmission (2)" and then "international transmission (3)".

Transmission mode selected using One-Touch Dial function or the Speed Dial function will be given priority over the setting made by the service soft switch.

An international transmission mode may be selected using the keypad if a mode has been selected using this switch; for settings, see the following table:

Transmission mode	Bit7	Bit6	Bit5	Bit4	Bit3	Bit2	Bit1	Bit0
International transmission (1)	*	0	0	1	-	-	*	-
International transmission (2)	*	0	1	0	-	-	*	-
International transmission (3)	*	1	1	0	-	-	*	-

International transmission (1): Selected to ignore the first DIS signal from the other party.

International transmission (2): Selected to transmit a 1850-Hz total signal when transmitting the DIS signal.

International transmission (3): Selected to transmit a 1650-Hz total signal when transmitting the DIS signal.

Detailed Discussions of Bit 7

Select whether to enable/disable sending of a 1080-Hz tonal signal before sending CED signal.

Select "Send" if errors occur frequently because of an echo when reception is from overseas.

NOTE:

Error codes caused by echoes at the time of reception
#005, ##101, ##106, ##107, ##114, ##200, ##201, ##790

• SSSW-SW04

Functional Construction

Bit	Function	1	0
0	LC monitoring	Monitor	Do not monitor
1	Check the CI signal frequency	Check	Do not checked
2	Final flag sequences of the procedure signal	2 pcs	1 piece
3	Reception mode after sending CFR signal	High speed	High speed/low speed
4	Time to ignore low-speed signals after sending CFR signal	1500 msec	700 msec
5	Check the CS signal frequency (when PBX is set)	Check	Do not check
6	CNG signal at the time of manual sending	Send	Do not send
7	CED signal at the time of manual reception	Send	Do not send

Detailed Discussions of Bit 1

Select whether to check the CI signal frequency.

Detailed Discussions of Bit 2

Select the number of the final flag sequences with the procedure signal (300 bps transmission speed).
Select "2" when the other party's machine does not properly receive the procedure signal sent by this machine.

NOTE:

Error codes occurring at the time of sending fax

##100, ##280, ##281, ##750, ##753, ##754, ##755, ##758, ##759, ##760, ##763, ##764, ##765, ##768, ##769, ##770, ##773, ##775, ##778, ##780, ##783, ##785, ##788

Detailed Discussions of Bit 3

Select a reception mode after sending CFR signal.

Select "High speed" in the case of frequent errors caused by line condition at the time of reception. Simultaneously, turn "OFF" the "ECM reception" of the user data.

NOTE:

Error codes caused by line condition at the time of reception

##107, ##114, ##201

Be sure to change bit 4 before changing this bit; if errors still occur, change this bit.

When 'high speed' is selected, only high-speed signals (images) will be received after sending the CFR signal.

Detailed Discussions of Bit 4

Select the time length during which low-speed signals are ignored after sending the CFR signal.

Select "1500 msec" when reception of image signal is difficult because the line condition is not good.

Detailed Discussions of Bit 5

Select whether to check the CI signal frequency when PBX is set.

Detailed Discussions of Bit 6

Select whether to send CNG signal at the time of manual sending.

If error occurs frequently at manual sending when the destination device that has FAX/TEL switch mode does not change to the fax mode, select "Send".

Detailed Discussions of Bit 7

Select whether to send CED signal at the time of manual reception.

Select "Send" when the other party's machine does not start sending although manual reception is executed.

• SSSW-SW05

Functional Construction

Bit	Function	1	0
0	Not used	-	-
1	To execute mm/inch conversion (text mode).	Yes	No
2	Not used	-	-

Bit	Function	1	0
3	To send bit 33 or later of DIS signal.	Prohibit	Do not prohibit
4	Record paper length to be declared by DIS signal	A4/B4 size	Any size
5	Not used	-	-
6	Not used	-	-
7	Not used	-	-

Detailed Discussions of Bit 1

Execute mm/inch conversion for the image scanned in text mode.

Detailed Discussions of Bit 3

Select whether to send bit 33 or later of DIS signal.

CAUTION:

If "Prohibit" is selected, the super-fine reception from other brand printers or memory box function will be disabled.

Detailed Discussions of Bit 4

Select whether the paper to be declared by DIS signal is a cut paper.

Select "A4/B4 size" if dividing the original at the sending machine side at the time of receiving a long original.

NOTE:

Depending on the model of sending machine, long originals may not be divided.

• SSSW-SW09

Functional Construction

Bit	Function	1	0
0	Communication result at normal completion	Display	Do not display
1	Communication result at completion with an error	Display	Do not display
2	Not used	-	-
3	Not used	-	-
4	Not used	-	-
5	Not used	-	-
6	Not used	-	-
7	Not used	-	-

Detailed Discussions of Bit 0 and 1

Select whether to continue displaying the communication result on the Control Panel at normal completion and/or at completion with an error.

• SSSW-SW12

Functional Construction

Bit	Function	1	0
0	Timeout period for sending 1 page (sending)	1	0
1	Timeout period for sending 1 page (sending)	1	0
2	Timeout period for sending 1 page (HT sending)	1	0
3	Timeout period for sending 1 page (HT sending)	1	0
4	Timeout period for sending 1 page (reception)	1	0
5	Timeout period for sending 1 page (reception)	1	0
6	Not used	-	-
7	Page timer settings for sending/receiving	Set	Do not set

This machine stops communication when sending/receiving per original page takes 32 minutes or longer. When setting the timer different from the above, see the following to set the most appropriate time length.

When 'Do not set' is selected using bit 7, the timeout length per page for all modes will depend on the setting of bit 0 and bit 1.

Timeout period at the time of sending/receiving

Timeout period	Bit7	Bit6	Bit5	Bit4	Bit3	Bit2	Bit1	Bit0
8 min.	0	*	*	*	*	*	0	0
16 min.	0	*	*	*	*	*	0	1
32 min.	0	*	*	*	*	*	1	0
64 min.	0	*	*	*	*	*	1	1

Timeout period at the time of sending (in text mode)

Timeout period	Bit7	Bit6	Bit5	Bit4	Bit3	Bit2	Bit1	Bit0
8 min.	1	*	*	*	*	*	0	0
16 min.	1	*	*	*	*	*	0	1
32 min.	1	*	*	*	*	*	1	0
64 min.	1	*	*	*	*	*	1	1

Timeout period at the time of sending (in text mode)

Timeout period	Bit7	Bit6	Bit5	Bit4	Bit3	Bit2	Bit1	Bit0
8 min.	1	*	*	*	0	0	*	*
16 min.	1	*	*	*	0	1	*	*
32 min.	1	*	*	*	1	0	*	*
64 min.	1	*	*	*	1	1	*	*

Timeout period at the time of reception

Timeout Period	Bit7	Bit6	Bit5	Bit4	Bit3	Bit2	Bit1	Bit0
8 min.	1	*	0	0	*	*	*	*
16 min.	1	*	0	1	*	*	*	*
32 min.	1	*	1	0	*	*	*	*
64 min.	1	*	1	1	*	*	*	*

• SSSW-SW13

Functional Construction

Bit	Function	1	0
0	Not used	-	-
1	Not used	-	-
2	Not used	-	-
3	Display Modem Dial-in/My Number Setting screen	Yes	No
4	Display Number Display Setting screen	Yes	No
5	Not used	-	-
6	Not used	-	-
7	Not used	-	-

Detailed Discussions of Bit 3

To set whether to display Modem Dial-in Setting screen and My Number Setting screen.

NOTE:

Turn OFF and then ON the power of the host machine after the setting.

Detailed Discussions of Bit 4

To set whether to enable the display of Number Display Setting screen.

NOTE:

Turn OFF and then ON the power of the host machine after the setting.

• SSSW-SW14

Functional Construction

Bit	Function	1	0
0	Not used	-	-
1	Not used	-	-
2	Not used	-	-
3	Not used	-	-
4	inch-configuration resolution declaration	Yes	No
5	Not used	-	-
6	Not used	-	-
7	Not used	-	-

Detailed Discussions of Bit 4

At the time of G3 communication, select whether to declare inch-configuration resolution to the other party's machine. if 'declare' is selected, the machine will indicate that it reads and records at an inch-configuration resolution using the DIS, DCS, or DTC signal.

• SSSW-SW17

Functional Construction

Bit	Function	1	0
0	Not used	-	-
1	To select the transmission level of the modem	0 to 15	8 to 15
2	Not used	-	-
3	Not used	-	-
4	Not used	-	-
5	Not used	-	-
6	Not used	-	-
7	Not used	-	-

Detailed Discussions of Bit 1

Select the transmission level of the modem.

• SSSW-SW18

Functional Construction

Bit	Function	1	0
0	Not used	-	-
1	Not used	-	-
2	Prohibition of the control of IP supported communication	Yes	No
3	Number of command retransmission (V1.7 or earlier)	6 times	3 times
4	Request retransmission of all frames after frame loss at JBIG reception	Yes	No
5	Not used	-	-
6	Not used	-	-
7	Not used	-	-

Detailed Discussions of Bit 2

Set whether to prohibit the control of IP supported communication

1: Yes

0: No

Detailed Discussions of Bit 3

Number of command retransmission

1: 6 times

0: 3 times

Detailed Discussions of Bit 4

Set whether to request retransmission of all frames after frame loss at JBIG reception

1: Yes

0: No

• SSSW-SW22

Functional Construction

Bit	Function	1	0
0	Backup when an archive transmission error occurs	Use	Do not use
1	Not used	-	-
2	Not used	-	-
3	Prohibit manual polling operation	-	-
4	Not used	-	-
5	Not used	-	-
6	Archive transmission function	Enabled	Disabled
7	Not used	-	-

Detailed Discussions of Bit0

Select whether to back up data when a communication error occurs during archive transmission.

This function is available on the Platform Version 3.6 or later.

Detailed Discussions of Bit3

Set whether to prohibit of manual polling operation

Detailed Discussions of Bit 6

Set whether to send the sent images to the destination specified by the forwarding function.

• SSSW-SW23

Functional Construction

Bit	Function	1	0
0	Not used	-	-
1	Not used	-	-
2	Prohibit to rotate A4 or larger paper in portrait position by 180 degrees	-	-
3	Not used	-	-
4	Not used	-	-
5	Not used	-	-
6	Not used	-	-
7	Not used	-	-

Detailed Discussion of Bit 2

Set whether to add header with or without rotating the image by 180 degrees when A4 or larger paper is placed in the feeder in portrait position (R position).

1: Yes

0: No

• SSSW-SW25

Functional Construction

Bit	Function	1	0
0	Sender's phone number indicated in the report	Receiver's number	Caller's number
1	Not used	-	-

Bit	Function	1	0
2	Not used	-	-
3	Not used	-	-
4	Not used	-	-
5	Firmware automatic update (USB Fax)	Prohibit	Do not prohibited
6	Not used	-	-
7	Not used	-	-

Detailed Discussions of Bit 0

Select a phone number to be indicated on the report after transmission is completed.

Caller's number: To display the caller's phone number on the report

Receiver's number: To indicate the phone number (CSI signal data) sent from the other party's machine on the report

Detailed Discussions of Bit 5

Select whether to prohibit the firmware automatic update for USB Fax.

• SSSW-SW26

Functional Construction

Bit	Function	1	0
0	Not used	-	-
1	Not used	-	-
2	Check the sequential broadcast.	Check	Do not check
3	Not used	-	-
4	Not used	-	-
5	Redial function when transmission error occurs	Use	Do not use
6	Not used	-	-
7	Error report when sending process is canceled	Do not output	Output

Detailed Discussions of Bit 2

Select whether to display a confirmation message when entering destination for the sequential broadcast in order to prevent the user from broadcasting by mistake.

Detailed Discussions of Bit 5

Select whether to use the redial function when outgoing transmission error occurs.

Detailed Discussions of Bit 7

Select whether to output an error report when the [Stop] key is pressed to cancel sending.

• SSSW-SW28

Functional Configuration

Bit	Function	1	0
0	V.8 procedure at the caller side	No	Yes
1	V.8 procedure at the receiver side	No	Yes
2	V.8 late start at the caller side	No	Yes
3	V.8 late start at the receiver side	No	Yes
4	Fallback from the V.34 receiver side	Prohibit	Do not prohibit
5	Not used	-	-
6	Not used	-	-
7	Not used	-	-

Detailed Discussions of Bit 0

Select whether to execute V.8 procedure when making a call.

"No": V.8 procedure is not executed even if V.8 procedure is received from the receiver side, and the procedure starts from V.21.

Detailed Discussions of Bit 1

Select whether to execute V.8 procedure when receiving a call.

"No": V.8 procedure is not executed, and the procedure starts from V.21.

Detailed Discussions of Bit 2

Select whether to execute V.8 procedure when ANSam signal from the receiver side cannot be recognized at the time of making a call and V.8 procedure is declared by DIS signal from the receiver side.

"Yes": CI signal is sent in response to the DIS signal of the receiver side to execute the V.8 procedure.

"No": CI signal is not sent in response to the DIS signal of the receiver side, and the V.21 procedure is executed.

In the case of manual transmission, there will be no V.8 late start regardless of this setting.

Detailed Discussions of Bit 3

Select whether to declare the existence of the V.8 procedure with the DIS signal that is transmitted after the ANSam signal in case that the ANSam signal at the reception is not recognized at the caller side.

"Yes": V.8 procedure is declared by DIS signal and V.8 procedure is executed after CI signal is sent from the caller side.

"No": V.8 procedure is not declared by DIS signal, and V.21 procedure is executed.

In the case of manual transmission, there will be no V.8 late start regardless of this setting.

Detailed Discussions of Bit 4

Select whether to prohibit fallback from the V.34 receiver side.

"Prohibit": There will be no fallback from the receiver side.

• SSSW-SW30

Functional Construction

Bit	Function	1	0
0	Not used	-	-
1	Not used	-	-
2	Not used	-	-
3	Not used	-	-
4	Not used	-	-
5	Switching the dial tone detection method	-	New detection method
6	Flow control between pages	Control	Do not control
7	Not used	-	-

Detailed Discussions of Bit 5

Switch the detection method when executing the dial tone detection at the time of calling.

0: New detection method (default)

1: Not used

Detailed Discussions of Bit 6

Select whether to execute flow control between pages.

• SSSW-SW50

Functional Construction

Bit	Function	1	0
0	Transmission number restriction: Function to prevent no external access code *2	ON: Enable	OFF: Disable
1	Transmission number restriction: Extension allowance, prohibition *2	Prohibited	Allow
2	Transmission number restriction: Add "0" to the first digit of external access code *2	Yes	No
3	Operate as the client of a fax server *1 *a	Yes	No
4	Display the send job stop confirmation screen when pressing Stop key *2	No	Yes
5	Send jobs that are targeted to stop when pressing Stop key *2	Ongoing send job	Incomplete send job
6	not used	-	-
7	not used	-	-

*1: Supported by the platform version 306 or later

*2: Supported by the platform version 307 or later

*a: Enabled only for USA

Details of Bit 0

To prevent incorrectly sending fax due to forgetting to use the external access number, "0", this function displays a pop-up warning window and prevents sending and returns to the status before pressing Start button by pressing [OK] after setting the fax number in [Fax] or [Scan and Send] and pressing Start button if the set telephone number does not start with "00". This function is supported even if the machine is operating in the fax server mode.

- 0: ON: Disable
- 1: OFF: Enable

CAUTION:

- If using this function, enter the telephone number from the area code.
- This function applies to the fax destination telephone number of "Address List", "One-touch" and "Numeric Keypad input".
However, the warning is not displayed with "sending from Mail Box" and "manual sending".
- A warning is displayed when sending IP fax but it is not displayed when sending PC fax.
- A warning is not displayed when forwarding transmission.
- If any registered number matches to the condition for displaying a warning, the warning is displayed with "sequential broadcast" and "group sending".
- "*" and "#" are also processed as a number.

NOTE:

Example of sending fax to 03-1234-5678

- The machine accepts sending fax with "0 (external access code) + 03 1234 5678 (telephone number)".
- The machine displays a warning and stops sending with "(no external access code) + 03 1234 5678 (telephone number)".
- If the external access code is other than "0", it can be changed from the following service mode.

Service Mode > FAX > NUM > 080

Change the default setting of 080 from "0" to the external access code used in the installation environment.

Details of Bit 1

This is set to allow or prohibit transmission to the extension line.

This is enabled only if Bit 0 (function to prevent no external access code) is "1" (ON: Enable).

If transmission to the extension line is allowed, all telephone numbers not starting with the external access code are allowed. For example, if the external access code is "0", any number starting with "00" as starting 2 digits and number of the extension line are allowed. This means numbers starting with "01" to "09" are prohibited and other numbers are allowed.

If transmission to the extension line is prohibited, only allow the telephone number starting with the external access code + area code "0". For example, if the external access code is "0", allow only numbers starting with "00" as starting 2 digits.

Prohibit all extension numbers. This means only numbers starting with "00" are allowed and other numbers are prohibited.

- 0: Allow
- 1: Prohibit

Details of Bit 2

This is the switch to add "0" to the beginning of external access code (default "0") set by the NUM switch 080.

The NUM switch can be used to set "0" and "1" but not "00" and "01" as the external access code.

This switch is used to solve this issue. In the above example, set this setting to "add" and then set the NUM switch 080 to "0" and "1" to set the external access code of "00" and "01".

- 0: No
- 1: Yes

CAUTION:

- This automatically adds the external access number to the destination telephone number for sending fax registered by Address List, One-touch and entering by the Numeric Keypad excluding Direct Send and Send from Mail Box.
- This should be set only in the network environment that sends fax by adding the external access code.
- Do not add the external access code to the telephone number for fax send destination as the external access code is automatically added.

Details of Bit 3

This switch operates the machine as the client of fax server.

- 0: No
- 1: Yes

CAUTION:

When changing this switch, make sure to turn OFF and then ON then ON the power supply twice. This is the specification for changing the fax configuration and is the same specification as adding the Fax Board to the existing machine.

Details of Bit 4

This is the switch to set to display the send job stop confirmation screen if the Stop key is pressed during sending fax.

- 0: No
- 1: Yes

Details of Bit 5

This is the switch to set to stop the ongoing send job or incomplete send job if the Stop key is pressed during sending fax.

- 0: Incomplete send job
- 1: Ongoing send job

Setting of Menu Switch (MENU)

■ Configuration of Menu Switches

Ssw	Menu	Num	Ncu	Type	IPFAX	Print	Clear	Test	Report
		<1/3>		<READY>					
001		xxxx	←	{yyyy};	{aaaa~bbbb}				
002		xxxx	←	{yyyy};	{aaaa~bbbb}				
003		xxxx	←	{yyyy};	{aaaa~bbbb}				
004		xxxx	←	{yyyy};	{aaaa~bbbb}				
005		xxxx	←	{yyyy};	{aaaa~bbbb}				
006		xxxx	←	{yyyy};	{aaaa~bbbb}				
007		xxxx	←	{yyyy};	{aaaa~bbbb}				
008		xxxx	←	{yyyy};	{aaaa~bbbb}				
<input type="button" value="←"/> <input type="button" value="→"/> <input type="button" value="▽"/> <input type="button" value="△"/> <input type="button" value="↵"/> <input type="button" value="OK ↵"/>									

No.	Function	Scope of selection
005	NL equalizer	1: ON, 0: OFF
006	Phone line monitoring	0 to 3
007	Transmission level (ATT)	8 to 15 (ex: 15 = -15 dBm)
008	Upper limit for V.34 modulation speed	0: 3429, 1: 3200, 2: 3000, 3: 2800, 4: 2743, 5: 2400
009	Upper limit for V.34 data speed	0 to 13
010	Frequency of pseudo CI signal	0: 50 Hz, 1: 25 Hz, 2: 17 Hz

005: NL equalizer

Select ON/OFF of NL equalizer.

Select "1: ON" in the case of frequent errors caused by line status at the time of communication.

NOTE:

Error codes caused by line status at the time of transmission

##100, ##101, ##102, ##104, ##201, ##281, ##282, ##283, ##750, ##755, ##765, ##774, ##779, ##784, ##789

Error codes caused by line status at the time of reception

##103, ##107, ##114, ##201, ##790, ##793

006: Phone line monitoring

Set whether to make monitoring tone of the phone line from the speaker.

- 0 (DIAL):

To make monitoring tone of the phone line from the speaker from the start of line connection until the DIS.

- 1:
To make monitoring tone of the phone line from the speaker from the start of communication until the completion.
- 2:
Not used
- 3 (OFF):
There will be no monitoring tone of the phone line from the speaker.

007: ATT transmission level

Set the transmission level (ATT).

Increase the transmission level (make it closer to 8) in the case of frequent errors caused by line status at the time of communication.

NOTE:

Error codes caused by line status at the time of transmission

##100, ##101, ##102, ##104, ##201, ##280, ##281, ##282, ##283, ##284, ##750, ##752, ##754, ##755, ##757, ##759, ##760, ##762, ##764, ##765, ##767, ##769, ##770, ##772, ##774, ##775, ##777, ##779, ##780, ##782, ##784, ##785, ##787, ##789

Error codes caused by line status at the time of reception

##103, ##106, ##107, ##201, ##793

008: Upper limit for V.34 modulation speed

Select the upper limit of the modulation speed (baud rate) in the V.34 primary channel.

When 4 (2743 baud) is selected, the communication is actually performed at 2400 baud.

009: Upper limit of V.34 data speed

Select an upper limit of data transmission speed in the V.34 primary channel in the range between 2.4k and 33.6kbps at 2400bps intervals (0: 2.4 kbps to 13: 33.6 kbps).

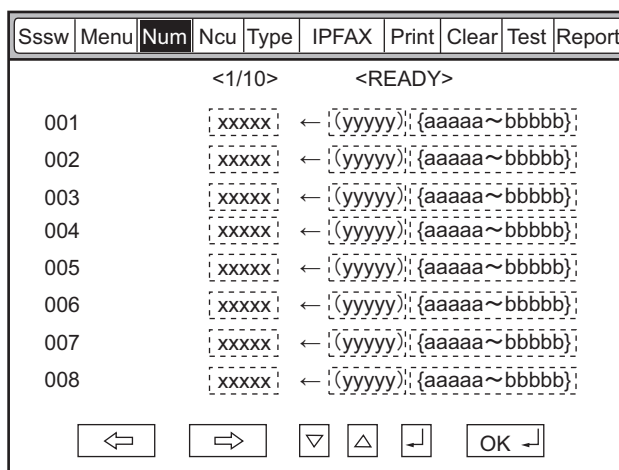
010: Pseudo CI signal frequency

Set pseudo CI signal frequency.

Depending on the type of external phones, there is no ring tone when the FAX/TEL switching function is working. Change the pseudo CI signal frequency when there is no ring tone.

Setting of Numeric Parameter (NUMERIC Param.)

■ Configuration of Numeric Parameters



No.	Function	Setting range	Default value
002	RTN transmission condition (1)	1 to 99%	10
003	RTN transmission condition (2)	2 to 99 times	15
004	RTN transmission condition (3)	1 to 99 lines	12
005	NCC pause time (before ID code)	1 to 60 sec	4
006	NCC pause time (after ID code)	1 to 60 sec	4
007	Prepose time at the time of making a call	0 to 9999 (x 10 ms)	0

No.	Function	Setting range	Default value
009	Comparing the number of digits between the sender's telephone number and the receiver's telephone number	0 to 20 digits	0
010	Line connection identification time	0 to 9999 (x 10 ms)	5500
011	T.30 T1 timer (for reception)	0 to 9999 (x 10 ms)	3500
013	T.30 EOL timer	500 to 3000 (x 10 ms)	1300
015	Hooking detection time	0 to 999	120
016	Time until a temporary response is obtained when switching FAX/TEL	0 to 9	4
017	Pseudo RBT signal pattern ON time	0 to 999	100
018	Pseudo RBT signal pattern OFF time (short)	0 to 999	0
019	Pseudo RBT signal pattern OFF time (long)	0 to 999	200
020	Pseudo CI signal pattern ON time	0 to 999	100
021	Pseudo CI signal pattern OFF time (short)	0 to 999	0
022	Pseudo CI signal pattern OFF time (long)	0 to 999	200
023	CNG detection level when switching FAX/TEL	0 to 7	4
024	Pseudo RBT transmission level when switching FAX/TEL	10 to 20 (TYPE = STANDARD)	20
025	CNG monitoring time when the answering phone connection function is set		
026	Silent detection level when the answering phone connection function is set		
027	V.21 low-speed flag preamble detection time	20 (-10 ms)	0
028	Off-hook PCB duty settings	1 to 99%	0 (50%)
080	Transmission number restriction: Outside line transmission number *1	0 to 9999	0

*1 : Supported on the platform version 307 or later

002: RTN transmission condition (1)/003: RTN transmission condition (2)/004: RTN transmission condition (3)

Set the RTN signal transmission condition.

In the case of frequent errors caused by RTN signal transmission at the time of reception, increase the parameters to loosen the RTN signal transmission condition.

NOTE:

Error codes caused by RTN signal transmission at the time of reception

##104, ##107, ##114, ##201

RTN signal transmission condition (1) is the ratio of error lines for the total number of lines per page of the received image.

RTN signal transmission condition (2) is the reference value (*2) of burst error (*1).

RTN signal transmission condition (3) is the number of errors that fail to meet the reference value of burst error.

*1: Burst error (transmission errors with several continued lines)

*2: Reference value (When "15" is set, transmission error with 15 consecutive lines is recognized as a burst error.)

When any of the above conditions is detected during reception of image signals, RTN signal is sent after reception of the procedure signal from the sending machine. Increasing such parameter sends less RTN signal.

005: NCC pause time (before ID code)

Set the pause time to be automatically entered between the access code and ID code when dialing on NCC (New Common Carrier) line.

006: NCC pause time (after ID code)

Set the pause time to be automatically entered between the ID code and the other party's telephone number when dialing on NCC (New Common Carrier) line.

007: Prepose time at the time of making a call

When automatically making a call, set the time from closing a line to making a call.

009: Comparing the number of digits between the sender's telephone number and the receiver's telephone number

Set the TSI comparing the number of digits (last XX digits) when matching telephone numbers.

010: Line connection identification time

Set the line connection identification time.

Increase this parameter in the case of frequent errors caused by line connection status at the time of communication.

NOTE:

Error codes caused by line connection status

##005, ##018

The line connection identification time is the duration from when the dial signal is transmitted until the line is disconnected at the sending side, or from when DIS signal is transmitted until the line is disconnected at the reception side.

011: T.30 T1 timer (for reception)

Set T1 timer at the time of reception (wait time until receiving the meaningful signal after DIS transmission).

013: T.30 EOL timer

Set the receivable 1 line transmission time.

In the case of a long line data length (e.g.: computer FAX), extend the transmission time to prevent reception errors.

015: Hooking detection time

Set the hooking detection time.

016: Time until the primary response is obtained when switching FAX/TEL

Set the time from when capturing the line until transmission of pseudo RBT at FAX/TEL switching function operation.

017: Pseudo RBT signal pattern ON time/ 018: Pseudo RBT signal pattern OFF time (short)/ 019: Pseudo RBT signal pattern OFF time (long)

Set the pattern of pseudo RBT signal to be sent at Fax/Tel switching function operation.

020: Pseudo CI signal pattern ON time/ 021: Pseudo CI signal pattern OFF time (short)/ 022: Pseudo CI signal pattern OFF time (long)

Set the pattern of pseudo CI signal to be sent at Fax/Tel switching function operation.

023: CNG detection level when switching FAX/TEL

Set the CNG detection level at Fax/Tel switching function operation.

024: Pseudo RBT transmission level when switching FAX/TEL

Set the transmission level of pseudo RBT at Fax/Tel switching function operation.

025: CNG monitoring time when the answering phone connection function is set**027: V21 low-speed flag preamble detection time**

Set the period of time for judge detection of V.21 low-speed command preamble.

Continuous detection for the fixed period of time leads to command analysis.

028: Off-hook PCB duty settings

Set the Off-hook PCB duty setting.

When 0 or a value that is 100 or more is entered, the duty becomes 50%.

080: Transmission number restriction: Outside line transmission number

This sets the number permitted to dial to the outside line.

Only the outside line transmission by the set number is permitted and other numbers are prohibited from transmission.

Setting of Destination (TYPE)

■ Overview

When the type shown on the display is set, all the service data is set to match each country/region domestic telecommunication standards.

Setting of Printer Functions (PRINTER)

■ Setting of Bit Switch (SSSW)

● SSSW-SW01

Functional Construction

Bit	Function	1	0
0	Not used	-	-
1	Not used	-	-
2	Not used	-	-
3	Not used	-	-
4	Not used	-	-
5	Not used	-	-
6	Hold the line (when error code occurs)	Hold	Do not hold
7	Output a print log when DUMP report is output	Output	Do not output

Detailed Discussions of Bit 6

Select whether to hold the line when an error code occurs.

However, in the case of vertical scanning prioritized recording, even when 0 is set for Bit 1 and Bit 0, the priority order will be Letter -> A4 -> Legal.

Detailed Discussions of Bit 7

Select whether to output a print log at the time of the DUMP report output.

● SSSW-SW05

Functional Construction

Bit	Function	1	0
0	Letter priority	Set	Do not set
1	Legal priority	Set	Do not set
2	Not used	-	-
3	Not used	-	-
4	Not used	-	-
5	To prohibit reduced size printing (A4)	Prohibited	Not prohibited
6	To prohibit reduced size printing (A4)	Prohibited	Not prohibited
7	Vertical scanning prioritized recording	Set	Do not set

Detailed Discussions of Bit 0 and 1

When an image which can be printed in 100% magnification and with the same number of divided pages on any of A4, letter and legal is received, set which paper is prioritized for printing.

With the settings of Bit 0 and Bit 1, the priority order of the recording paper is shown in the following table.

Bit 1	Bit 0	Priority order of the recording paper
0	0	A4 -> Letter -> Legal
0	1	Letter -> A4 -> Legal
1	0	Legal -> Letter -> A4
1	1	Letter -> Legal -> A4

However, in the case of vertical scanning prioritized recording, the priority order will be Letter -> A4 -> Legal even when 0 is set for Bit 1 and Bit 0.

Detailed Discussions of Bit 5 and 6

Select whether to enable reduced size printing for A4 or LTR.

Detailed Discussions of Bit 7

Set whether to set vertical scanning prioritized recording.

Set:

If B4 recording paper and A4 recording paper are set and an A4 extra-long image (*) is received, printing will be on the B4 recording paper.

Do not set:

If B5 horizontal recording paper and A4 recording paper are set and a B4 image is received, printing will be by division and on B5 horizontal recording paper.

*: Image B4 or shorter and that cannot be printed on A4 recording paper.

• SSSW-SW06

Functional Construction

Bit	Function	1	0
0	Not used	-	-
1	Not used	-	-
2	Not used	-	-
3	Not used	-	-
4	Not used	-	-
5	Reduced printing from A4 to B5	Enable	Disable
6	Not used	-	-
7	Not used	-	-

Detailed Discussions of Bit 5

Set whether to execute the reduction print that forcibly reduces the received A4 size document into the B5 size. This function is invalid when outputting the report.

■ Setting of Numeric Parameter (NUMERIC Param.)

• Numerical Parameter Composition

No.	Function	Setting range	Initial setting	Unit
01	Missing areas of printing image when receiving image with longer length than standard	0 to 9999	12	1 mm
04	Leading edge blank area	0 to 9999	3	1 mm
05	Trailing edge blank area	0 to 9999	3	1 mm

<001: printing upon reception of extra-length image>

Use it to set the range of the image to be removed from when printing an extra-length received image.

Lower the parameter to decrease the range if the trailing edge of the received image must be retained (as when it is longer than the effective recording length).

<004: leading edge margin>

Use it to set the leading-edge margin for the effective recording length.

<005: trailing edge margin>

Use it to set the trailing-edge margin for the effective recording length.

IPFAX Setting

■ IPFAX

● BASIC N

Bit	Function	Setting range
2	Session control reception timeout (sec.)	0 to 9999 (0*)
20	Reception start delay time (sec.)	0 to 9999 (0*)
21	BYE sending delay time at transmission (x10 msec.)	0 to 9999 (0*)
22	BYE receiving delay time at transmission (x10 msec.)	0 to 9999 (0*)

● NETA NUM

Bit	Function	Setting range
1	T0 timer(Timer C) for IPFAX(sec.)	0 to 9999 (55*)

● NETC NUM

Bit	Function	Setting range
1	SW for adjusting the speed at VoIPGW transmission [%]	0 to 9999* However, the value is fixed in the case of ECM, and is corrected by adding 5 %.
2	VoIPGW buffer size [byte]	0 to 9999* However, when the value is 0, it is internally interpreted as 200.
3	Packet division size [byte]	0 to 9999* However, when the value is 0, it is internally interpreted as 66.
4	Number of VoIPGW buffer reset frames at ECM * At ECM transmission, when frames of the number of this NUM value have been transmitted, the next frames will be transmitted after the VoIPGW buffer becomes empty.	0 to 9999* However, when the value is 0, it is internally interpreted as 16.

● T.38 Bit Setting

SW01

Bit	Function	Setting range	
		1	0
1	German mode is effective during T.38 communication.	Effective	Invalid *
2	T.38 significant bit of DIS (bit123) is ignored. (When this SW is effective, the other party's machine is regarded as IPFAX even if DIS bit123 is 0.)	Ignore	Not ignore
3	Transmission ECM = OFF setting	Effective	Invalid *
4	Reception ECM = OFF setting	Effective	Invalid *

● T.38 NUM Setting

Bit	Function	Setting range
1	High-speed flag sending time of ECM mode for IPFAX (x10 msec.).	0 to 9999 (0*)
2	WAIT time from the close of T.38 to the close of SIP: Unit; second (However, the setting becomes 2 seconds even if the setting is changed to 2 or more.).	0 to 9999 (1*)

Initialization of Set Value (CLEAR)

■ Overview

Selecting the following items enables the applicable data to be initialized.

When clear is executed, the setting items and numeric values for various parameters are set back to the factory setting values.

Item	Data to be initialized
TEL	Registered telephone number data (*1)
USSW SW	Contents registered in the user data and service mode #1 to #3 Memory management contents of the user data are not cleared. Image data stored in the memory is not cleared.
SRV SW	Contents of the user data and service mode #1 to #3, and #7
NCU	Contents of service mode #4
SRV DATA	Contents of the system dump list
REPORT	Contents of the communication management report
ALL	All Settings/Registration data (*1) except service mode #5 TYPE (*2)
COUNTER	The number of printed sheets, the number of read sheets
IPFAX	Contents of service mode IPFAX

*1: With models that can register information other than fax in destination, the telephone number data is not cleared even when TEL (service mode > FAX > Clear > TEL) or ALL (service mode > FAX > Clear > ALL) is executed.

To clear the data, execute the following service mode on the host machine.

COPIER > Function > CLEAR > ADRS-BK

*2: When service mode > FAX > Clear > ALL is executed, a value is registered in service mode > FAX > TYPE according to the location of the host machine (in the case of Japanese model, "STANDARD" is registered).

CAUTION:

If service mode > FAX > Clear > ALL is executed with a fax job waiting to be processed and the fax job is cancelled before the power is turned OFF and then ON, E674-0100 may occur when the power is turned OFF and then ON.

If E674-0100 occurs, the machine can be recovered by executing service mode > FAX > Clear > ALL again and then turning OFF and then ON the power.

In order to prevent the foregoing error, be sure to check for any remaining fax jobs before executing service mode > FAX > Clear > ALL. If there is a remaining job, cancel the job and then execute service mode > FAX > Clear > ALL.

Test Mode (TEST)

■ Overview

● Test Mode Construction

Sssw	Menu	Num	Ncu	Type	IP FAX	Print	Clear	Test	Report
ISDNMOD2									
MODEM									
MODEM2									
FACULTY									
FACULTY2									
DATA SET									
ISDNMOD									

Using Test Mode

1. Press the desired item to highlight; then, press the OK key to bring up its screen.

The following table shows text mode items that are valid and invalid when a fax board is installed:

Yes: may be used

-: not used

Level 1	Level 2	Fax Board present
MODEM	RELAY-1	Yes
	RELAY-2	-
	FREQ	Yes
	G3TX	Yes
	DTMFTX	Yes
	TONERX	-
	V34G3TX	Yes
FACULTY	G3 4800TX	Yes
	SPEAKER	-
	DETECT1	-
	DETECT2	-
	DETECT3	-
	VOICETX	-
DATA SET		-
ISDNMOD		-
ISDNMOD2		-

CAUTION:

Do not use items in the table identified as "-."

■ MODEM Test

● Relay Test (RELAY-1)


Use it to see if the individual relays on the NCU board go on and off as expected.







Sssw	Menu	Num	Ncu	Type	IP FAX	Print	Clear	Test	Report
<MODEM>	<RELAY-1>	<1/1>	<READY>						
CML	OFF								
P	OFF								
S	OFF								
H	OFF								
D	OFF								
R	OFF								

Using Text Mode

1. From the relays indicated on the screen, select the one you want to test; then, turn it off or on using the Up/Down key. (Some of the relays may not actually exist on the NCU board.)

• Frequency Test (FREQ)


Of the items indicated below, press one; in response, the DC circuit will be closed and the selected frequency will be transmitted using the tone transmission function of the modem. You can also monitor the transmission signal by listening to the sound generated by the speaker. To stop the operation and end test mode, press the  key.

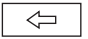
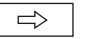



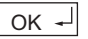
Ssw	Menu	Num	Ncu	Type	IP FAX	Print	Clear	Test	Report
				<MODEM>	<FREQ>	<1/1>	<READY>		
RBT									
462Hz									
1100Hz									
1300Hz									
1500Hz									
1650Hz									
1850Hz									
2100Hz									
									

CAUTION:

'RBT' is not currently supported.

• G3 Signal Transmission Test (G3 Tx)

Of the items indicated below, press one. In response, the DC circuit will be closed and the selected frequency will be transmitted using the G3 signal transmission function of the modem. You can also monitor the transmission signal by listening to the sound generated by the speaker. To stop the operation and end test mode, press the  key.

Ssw	Menu	Num	Ncu	Type	IP FAX	Print	Clear	Test	Report
				<MODEM>	<G3TX>	<1/2>	<READY>		
300bps									
2400bps									
4800bps									
7200bps									
9600bps									
TC7200									
TC9600									
12000bps									
									

Sssw	Menu	Num	Ncu	Type	IP FAX	Print	Clear	Test	Report
<MODEM>	<G3TX>	<2/2>	<READY>						
14400bps									
300-ALL0									
300-ALL1									
300-1:1									
300-1:4									
300-4:1									
<input type="button" value="←"/> <input type="button" value="→"/> <input type="button" value="▽"/> <input type="button" value="△"/> <input type="button" value="↵"/> <input type="button" value="OK ↵"/>									

CAUTION:

'300-ALL0' through '300-4:1' are not currently supported.

• DTMF Transmission Test

Of the items indicated below, press one; in response, the DC circuit will be closed and the selected DTMF signal will be transmitted using the DTMF transmission function of the modem. You can also monitor the transmission signal by listening to the speaker. To stop the operation and to end test mode, press the key.

Sssw	Menu	Num	Ncu	Type	IP FAX	Print	Clear	Test	Report
<MODEM>	<DTMFTX>	<1/1>	<READY>						
LONG		0 1 2 3 4 5 6 7 8 9 * #							
<input type="button" value="←"/> <input type="button" value="→"/> <input type="button" value="▽"/> <input type="button" value="△"/> <input type="button" value="↵"/> <input type="button" value="OK ↵"/>									

Using Text Mode

1. From the items indicated on the screen, select the item you want to test; then, press the key on keypad that corresponds to the DTMF signal to test.

CAUTION:

'SHORT' is not currently supported.

• V.34 G3 Signal Transmission Test (V34G3Tx)

Select the transmission speed you want to test, and then select a modulation speed (baud rate); in response, the V.34 G3 transmission signal will be transmitted to the telephone line terminal and the speaker. To stop the operation and to end test mode, press the key.

Sssw	Menu	Num	Ncu	Type	IP FAX	Print	Clear	Test	Report
				<MODEM>	<V34G3TX>	<1/1>		<READY>	
				SPEED	33600bps				
				3429baud					
				3200baud					
				3000baud					
				2800baud					
				2743baud					
				2400baud					
									OK

Using Text Mode

1. Select 'SPEED', and then select the speed you want to test using the Up/Down key.
2. Select the baud rate you want to test.

■ Function Test

● 4800-bps Signal Transmission Test

The DC circuit will be closed, and a 4800-bps signal will be transmitted using the 4800-bps signal transmission function of the modem. You can also monitor the transmission signal by listening to the speaker. To stop the operation and end test mode, press the key.

Sssw	Menu	Num	Ncu	Type	IP FAX	Print	Clear	Test	Report
				<FACULTY>	<G34800TX>	<1/1>		<READY>	
				G34800TX					
									OK

● Service Report (REPORT)

■ System Data List

Use it to check the settings associated with the service soft switch and service parameters.

```

2003 09/02 TUE 12:00 FAX
*****
*** SYSTEM DATA LIST ***
*****
SERIAL NO      XXXXXXXX
#1 SSSW
SW01          ..... 00000000
SW02          ..... 10000000
SW03          ..... 00000000
SW04          ..... 10000000
SW05          ..... 00000000
SW06          ..... 10000000
SW07          ..... 00000000
SW08          ..... 00000000
SW09          ..... 00000000
SW10          ..... 00000000
SW11          ..... 00000000
SW12          ..... 00000011
SW13          ..... 00000000
SW14          ..... 00000000
SW15          ..... 00000000
SW16          ..... 00000000
SW17          ..... 00000000
SW18          ..... 00000000
SW19          ..... 00011000
SW20          ..... 00000000
SW21          ..... 00000000
SW22          ..... 00000000
SW23          ..... 00000000
SW24          ..... 00000000
SW25          ..... 00000000
SW26          ..... 00100000
SW27          ..... 00000000
SW28          ..... 00000000
SW29          ..... 00000000
SW30          ..... 00000000
SW31          ..... 00000000
SW32          ..... 00000000
SW33          ..... 00000000
SW34          ..... 00000000
SW35          ..... 00000000
SW36          ..... 00000000
SW37          ..... 00000000
SW38          ..... 00000000
SW39          ..... 00000000
SW40          ..... 00000000
SW41          ..... 00000000
SW42          ..... 00000000
SW43          ..... 00000000
SW44          ..... 00000000
SW45          ..... 00000000
SW46          ..... 00000000
SW47          ..... 00000000
SW48          ..... 00000000
SW49          ..... 00000000
SW50          ..... 00000000

#2 MENU
01:          ..... 0
02:          ..... 0
03:          ..... 0
04:          ..... 0
05:          ..... 0
06:          ..... 0
07:          ..... 10
08:          ..... 0
09:          ..... 0
10:          ..... 2
    
```

System Dump List

NOTE:

A system dump list is generated when you execute the following in service mode: FAX > Report > DUMP.

Use it to check the history of communications, both successful and error.

```

2013 04/05 FRI 12:00 FAX
*****
*** SYSTEM DUMP LIST ***
*****
SERIAL NO      XXXXXXXX
CLEAR DATE    2013 02/03 FRI 13:37
*1 TX = 1298
*2 A4 = 1302 B4 = 49 A3 = 27 LTR = 0 LGL = 0
*1 RX = 1572
*2 A4 = 1581 B4 = 59 A3 = 59 LTR = 0 LGL = 0
*3 NWSPD = 0
*3 33600 = 1 31200 = 0 28800 = 2986 26400 = 0 24000 = 0
21600 = 0 19200 = 0 16800 = 0 14400 = 0 12000 = 0
9600 = 0 7200 = 0 4800 = 0 2400 = 0
14400 = 83 12000 = 1 TC9600 = 0 TC7200 = 0
14400 = 0 14400 = 0
*4 9600 = 2 7200 = 0 4800 = 4 2400 = 0
STD = 60 FINE = 2839 SUPER = 107 ULTRA = 71
*5 MH = 7 MR = 32 MMR = 9 JBIG = 3029 JPEG = 0
*6 G3 = 37 ECM = 3040 G4 = 0 IPECM = 0 IPG3 = 0
*7 #000 0 0 0 0 0 0 0 0 0
0 0 0 0 0 0 0 0 0
0 0 0 2 0 0 0 0 0
0 0 0 0 0 0 0 0 0
0 0 0 0 0 0 0 0 0
0 0 0 0 0 0 0 0 0
0 0 0 0 0 0 0 0 0
0 0 0 0 0 0 0 0 0
0 0 0 0 0 0 0 0 0
0 0 0 0 0 0 0 0 0
0 0 0 0 0 0 0 0 0
0 0 0 0 22 0 0 0 0
0 0 0 0 0 0 0 0 0
    
```


2003 09/02 TUE 12:00 FAX

0001

```

*****
*** FAX ERROR TX REPORT ***
*****
TX FUNCTION WAS NOT COMPLETED

JOB NO.                1269
DESTINATION ADDRESS    12345678
PSWDSUBADDRESS
DESTINATION ID
ST. TIME              09/02 09:00
USAGE T              01'50
PGS.                 1
RESULT               NG
                   1      ##750
    
```

```

START TIME          09/02 09:00
OTHER PARTY         12345678
MAKER CODE          10001000
MACHINE CODE        0100001 00000000
RCV VS FRAME        E0 81 85 D4 90 7E 00 00
SYMBOL RATE         3429 baud
DATA RATE           28800 bps [V.34]
TX LVL REDUCTION    0
ERR ABCODE          92
ERR SECTXB          8A
ERR SECRXB          80
    
```

```

Rx : (bit 1) 00000100 01110111 01011111 00100011 00000001 10101001 00000001 (bit 56)
           (bit 57) 00000001 00000001 00000100 00000000 00000000 (bit 96)
Tx : (bit 1) 00000000 01000010 00011111 00100001 00000001 00000001 00000001 (bit 56)
           (bit 57) 00000001 00000001 00000100 00000000 00000000 (bit 96)
    
```

Rx : NSF CSI DIS	CFR	MCF	MCF
Tx : NSS TSI DCS	PIX-288 PPS-NUL	PIX-288 PPS-NUL	PIX-288 PPS-NUL
Rx : MCF	MCF	MCF	
Tx :	PIX-288 PPS-NUL	PIX-288 PPS-EOP	DCN

10

Installation







How to Utilize This Installation	
Procedure.....	660
Installation of Host Machine.....	661
NFC KIT-E1/E2.....	668
Copy Card Reader-F1/Copy Card	
Reader Attachment-B5.....	691
Copy Control Interface Kit-A1.....	704
Connection Kit-A2/A3 for Bluetooth	
LE.....	710
Super G3 FAX Board-AY1.....	737







How to Utilize This Installation Procedure

Symbols

The frequently-performed operations are described with symbols in this procedure.

Screw

		 1x	 1x	 1x	 1x
Packaged Item	Unused Parts	Install	Remove	Tighten	Loosen

<p>Harness (Common for Guides and Clamps)</p>	Connector		Power Cord		
 1x	 1x	 1x	 1x		
Install	Remove	Connect	Disconnect	Connect	Disconnect

Power

						
ON	OFF	Check the sound	Check visually	Check	Push	Cleaning

Installation of Host Machine

Setting the Dehumidification Switch

If the installation environment is a high humidity environment, be sure to turn ON the Dehumidification Switch.

Operation when using uniFLOW Online

When using uniFLOW Online*, follow the setup procedures on the uniFLOW* Online First Steps Guide (http://www.nt-ware.com/uFO_FS).

* China version of "uniFLOW" is called "mdsFLOW".

Installing the IC Card Reader

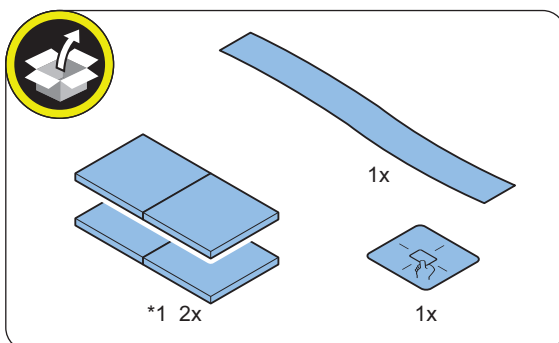
Points to Note at Installation

- When installing the IC Card Reader, the IC Card Reader (sales company's option) is required.
- The IC Card Reader and the following options cannot be used together.
 - IC Card Reader Box
 - Copy Card Reader
- When installing the Connection Kit for Bluetooth LE at the same time, install the Connection Kit for Bluetooth LE first.
- The pictures and illustrations used may differ from the actual product, but the procedures are the same.

Checking the Contents

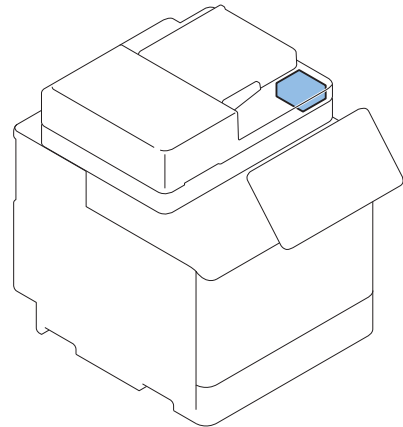
NOTE:

Use the following parts included with the host machine.



*1: Use them if necessary when installing the Card Reader.

Installation Outline Drawing



Essential Items to Be Performed Before Installation

- Turn OFF the main power of the host machine, and disconnect the power plug from the outlet.

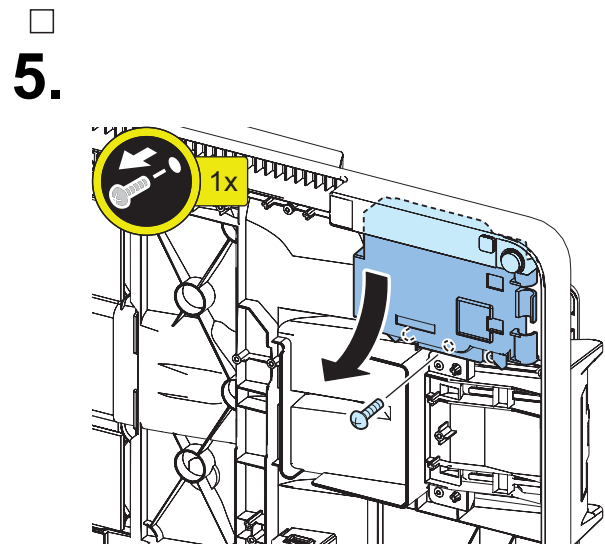
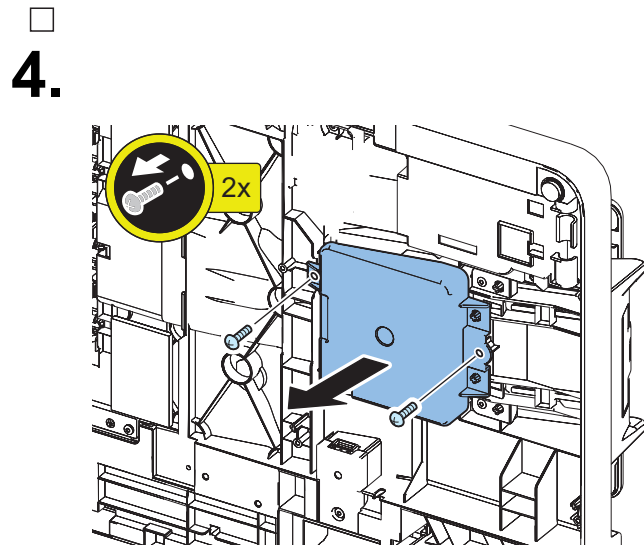
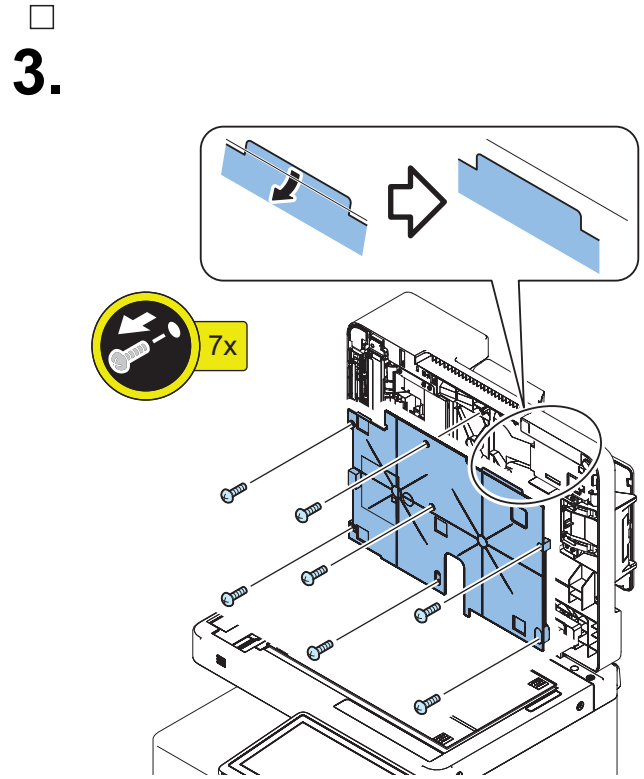
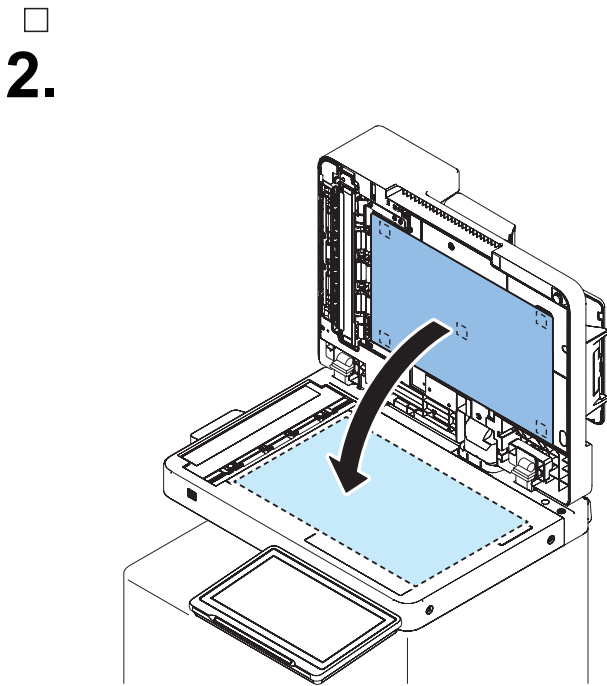
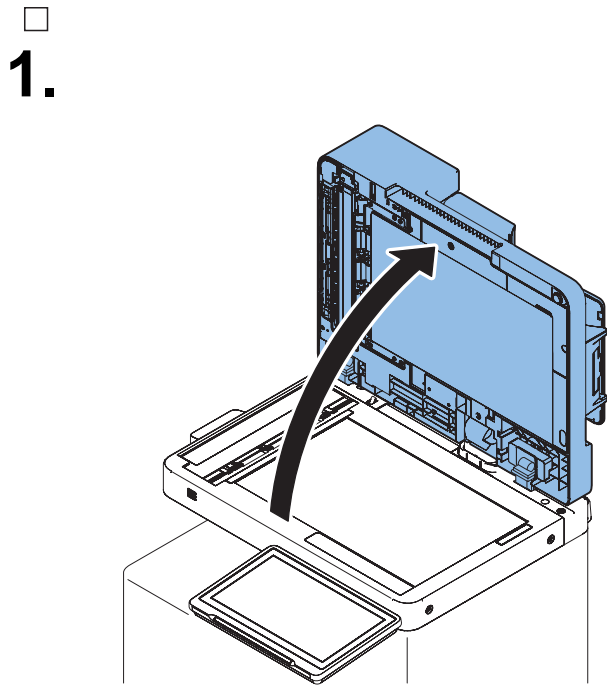
⚠ WARNING:

- If performing work without disconnecting the power plug of the host machine, it may cause electrical shock.
- If disconnecting the power plug without turning OFF the main power, it may cause damage of the machine.

- When turning OFF the main power, follow the below procedure.
 1. Turn OFF the main power switch of the host machine.
 2. The display in the Control Panel and the lamp of the main power are turned off.

■ Installation Procedure

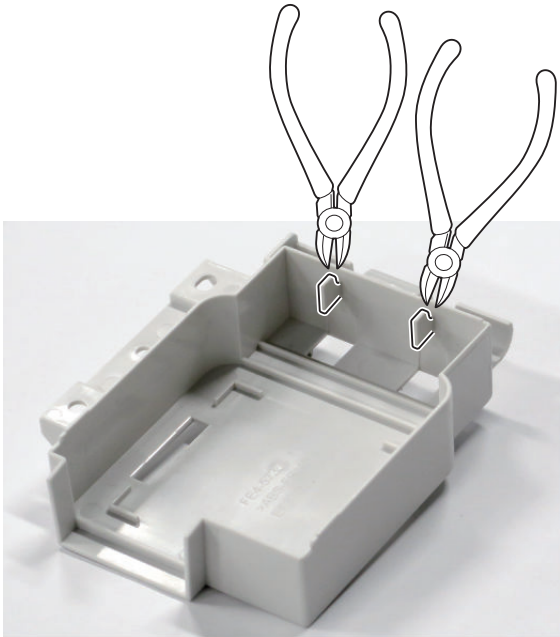
● Removing the Covers



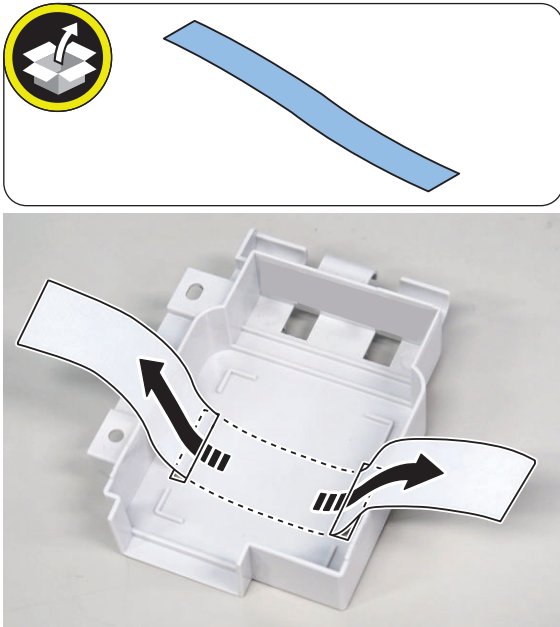
● Installing the IC Card Reader

<For TYPE 1>

□
1.



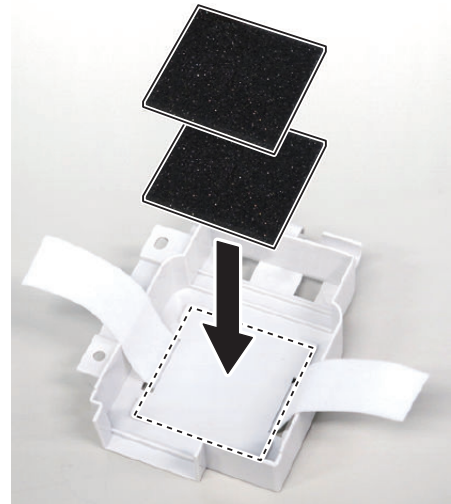
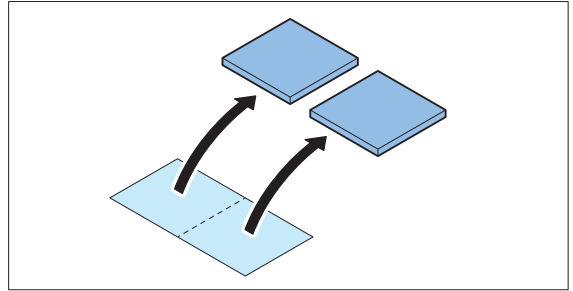
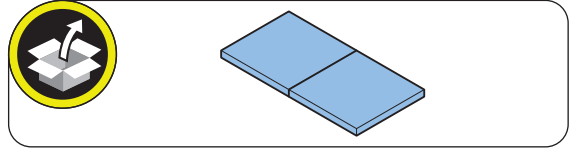
□
2.



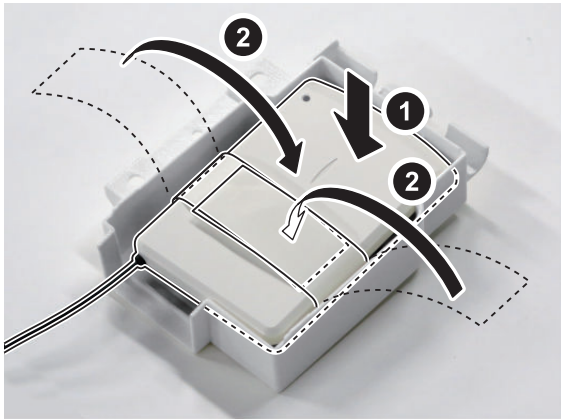
□
3.

NOTE:

Be sure to adjust the number of cushions according to the thickness of the Card Reader.



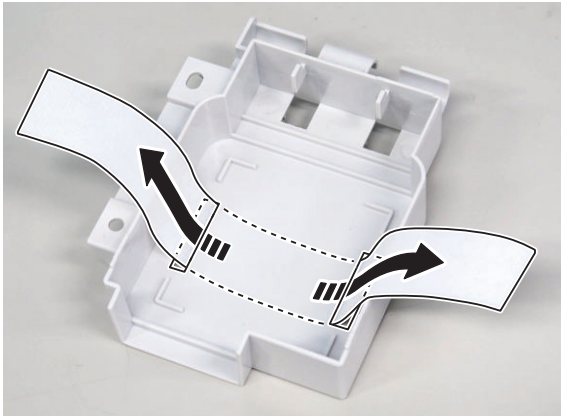
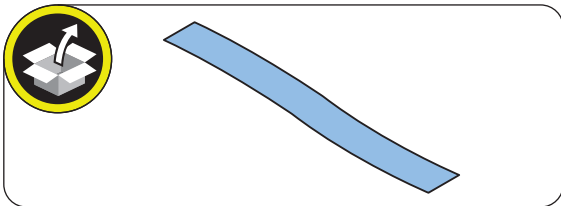
□
4.



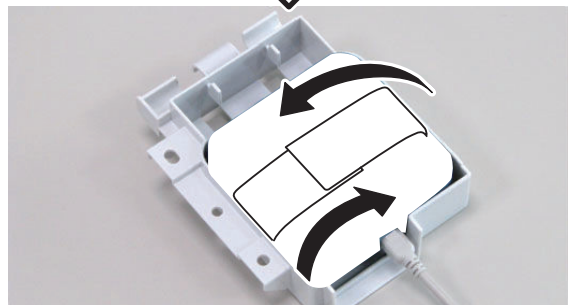
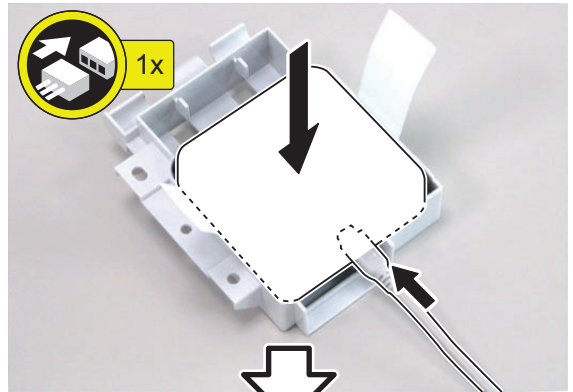
NOTE:
Go to "Subsequent Work". "Subsequent Work" on page 664

<For TYPE 2>

□
1.



□
2.

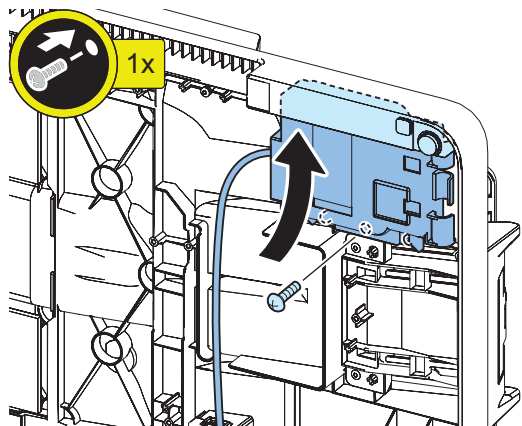


NOTE:
Go to "Subsequent Work". "Subsequent Work" on page 664

• Subsequent Work

□
1.

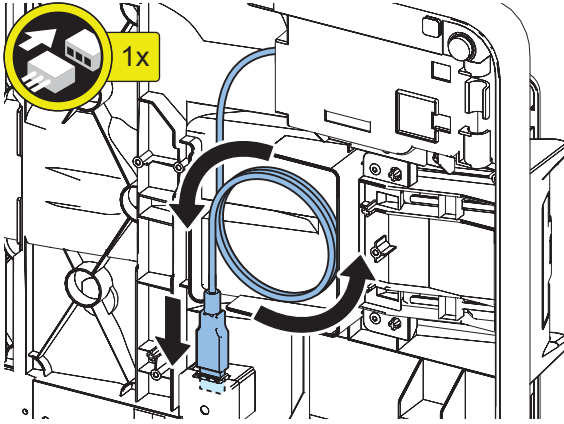
NOTE:
Use the screws removed in "Removing the Covers".



□
2.

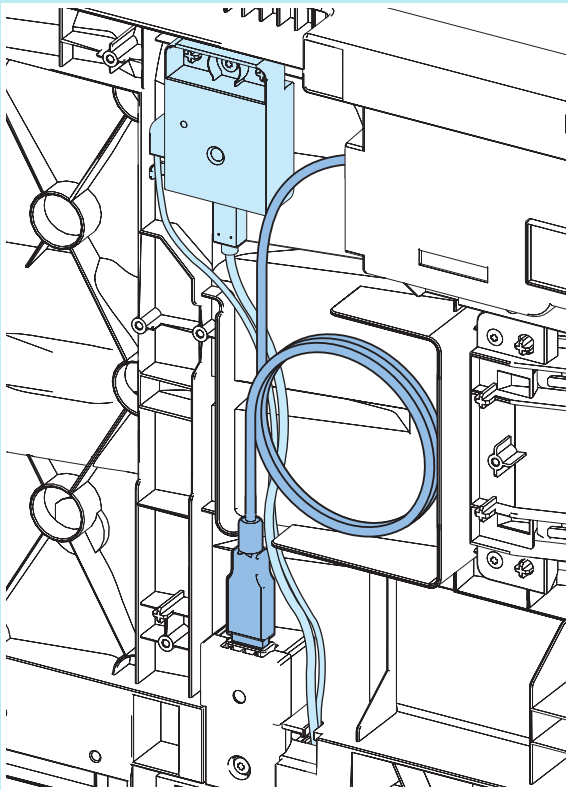
NOTE:

Wind the cable counterclockwise to store it as needed.

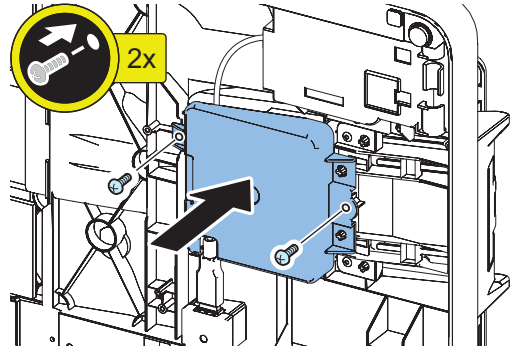


NOTE:

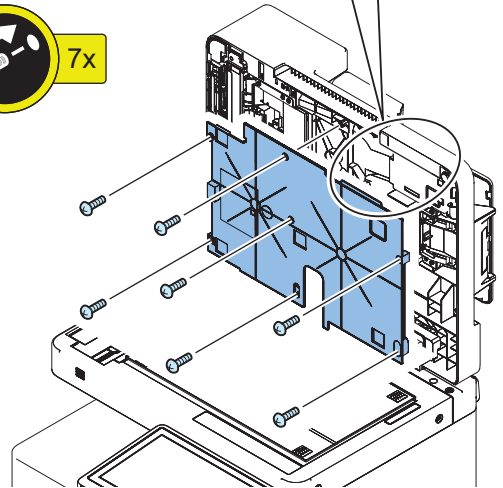
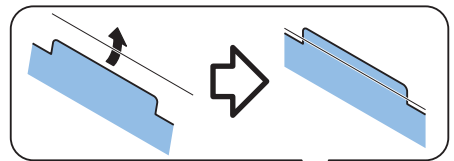
When installing with the Connection Kit for Bluetooth LE at the same time.



□
3.

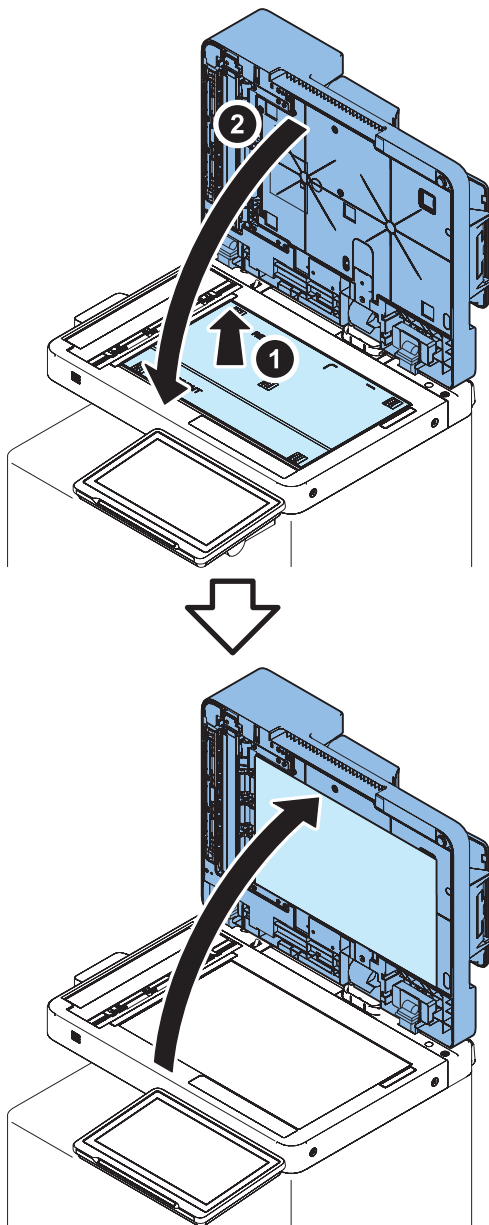
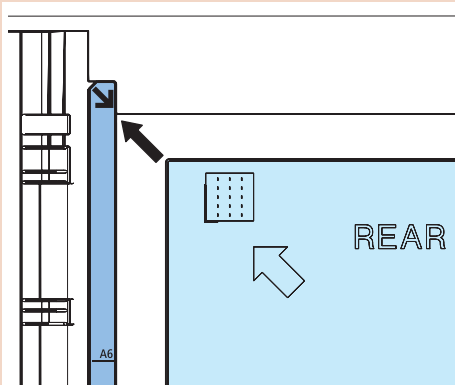


□
4.



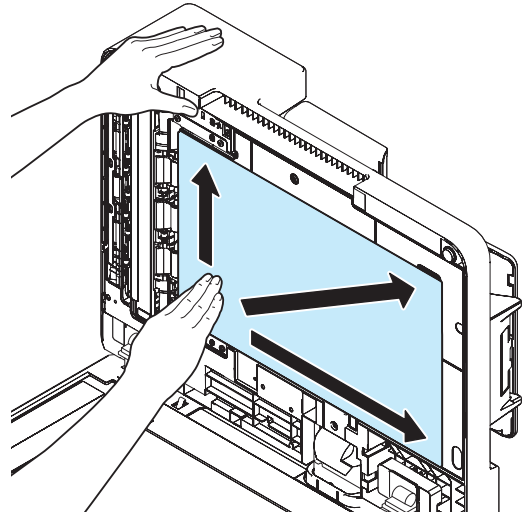
5.

CAUTION:
Align the White Plate to the Index.



6.

CAUTION:
If the White Plate is pressed from top to bottom, it is placed on the Index Sheet, so be sure to press it from bottom to top.

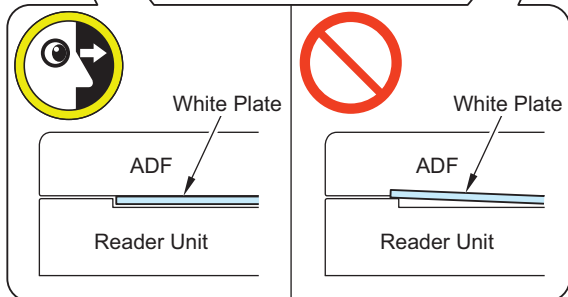
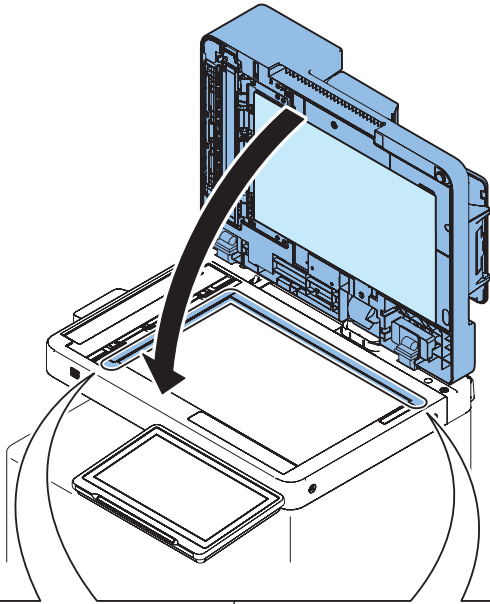


□
7.

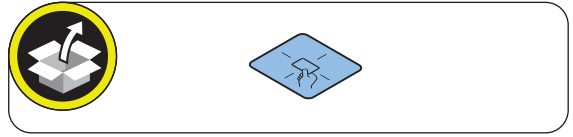
CAUTION:

Check that the White Plate is not placed on the Index Sheet with this equipment closed.

- Be sure that there is no gap between the White Plate and the Index Sheet.
- The gap between the White Plate and the Index Sheet must be 0.3 mm or less as a reference.



□
8.



□

9. Connect the power plug of the host machine to the outlet.

□

10. Turn ON the Main Power Supply Switch.

NFC KIT-E1/E2

Points to Note at Installation

- Do not touch the sensor and PCB components of the Control panel.
- The parts removed in "Removing the Control Panel" will be used in "Installing the Control Panel".
- The pictures and illustrations used may differ from the actual product, but the procedures are the same.

Essential Items to Be Performed Before Installation

- Turn OFF the main power of the host machine, and disconnect the power plug from the outlet.

⚠ WARNING:

- If performing work without disconnecting the power plug of the host machine, it may cause electrical shock.
- If disconnecting the power plug without turning OFF the main power, it may cause damage of the machine.

- When turning OFF the main power, follow the below procedure.
 1. Turn OFF the main power switch of the host machine.
 2. The display in the Control Panel and the lamp of the main power are turned off.

Points to Note When Turning ON/OFF the Main Power

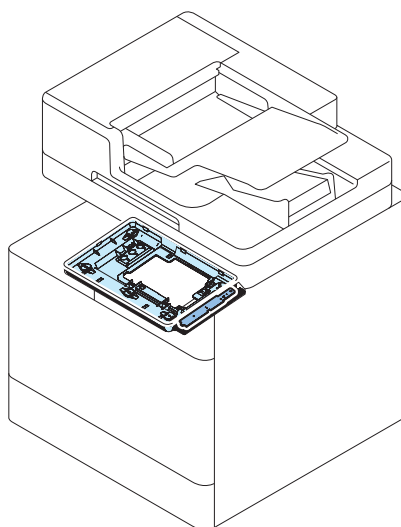
The following message is displayed.

1. When a message prompting to turn OFF and then ON the main power appears, turn OFF and then ON the main power switch.
2. If a message prompting the user to update the version appears, press [Update] to automatically update the version of this equipment.

If [Skip] is selected, a message prompting the user to update the version will appear every time the host machine is started. In the service mode (Lv. 2) shown below, it is possible to set not to display the message.

COPIER > OPTION > FNC-SW > VER-CHNG

Installation Outline Drawing

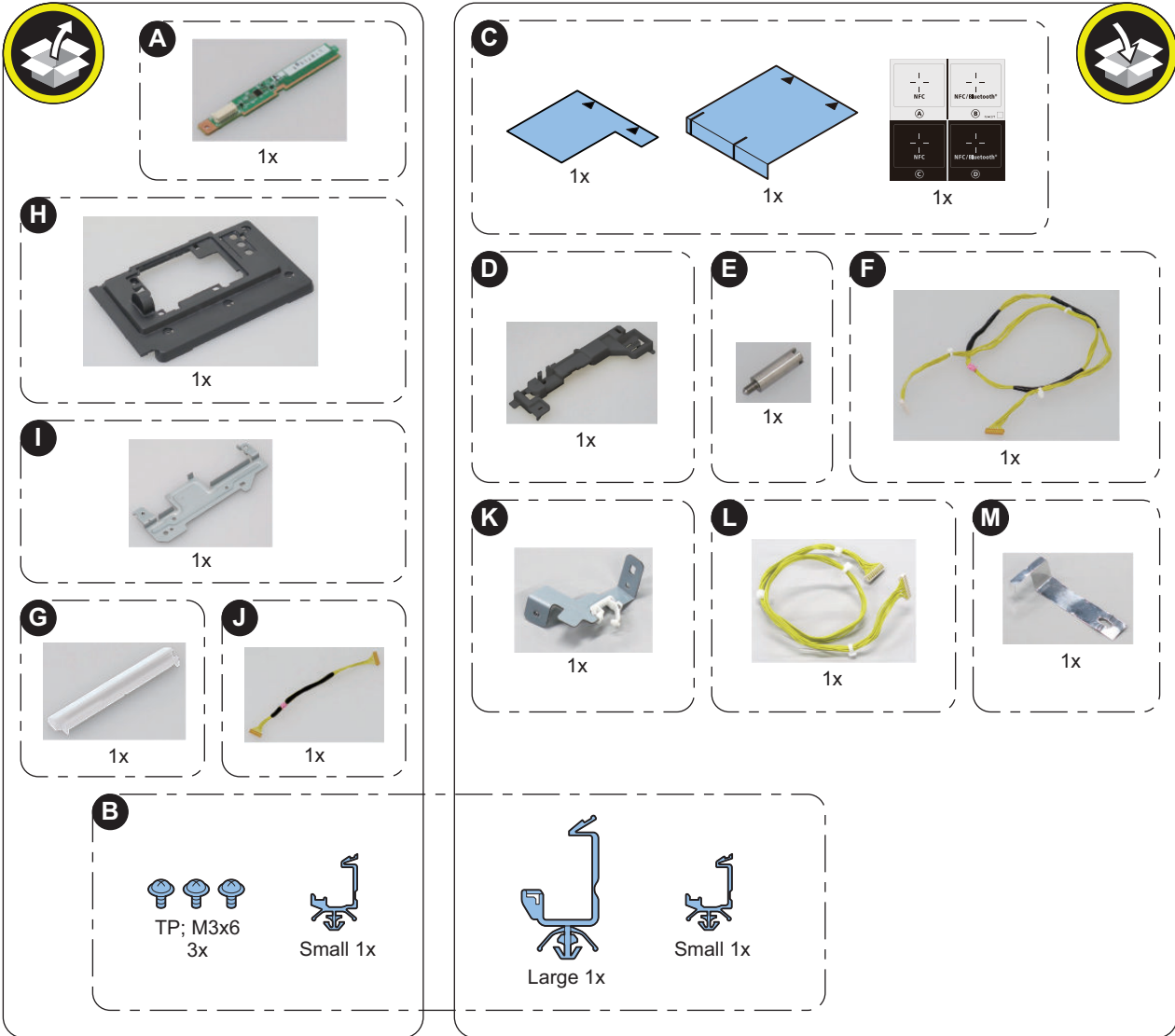


Checking the Contents

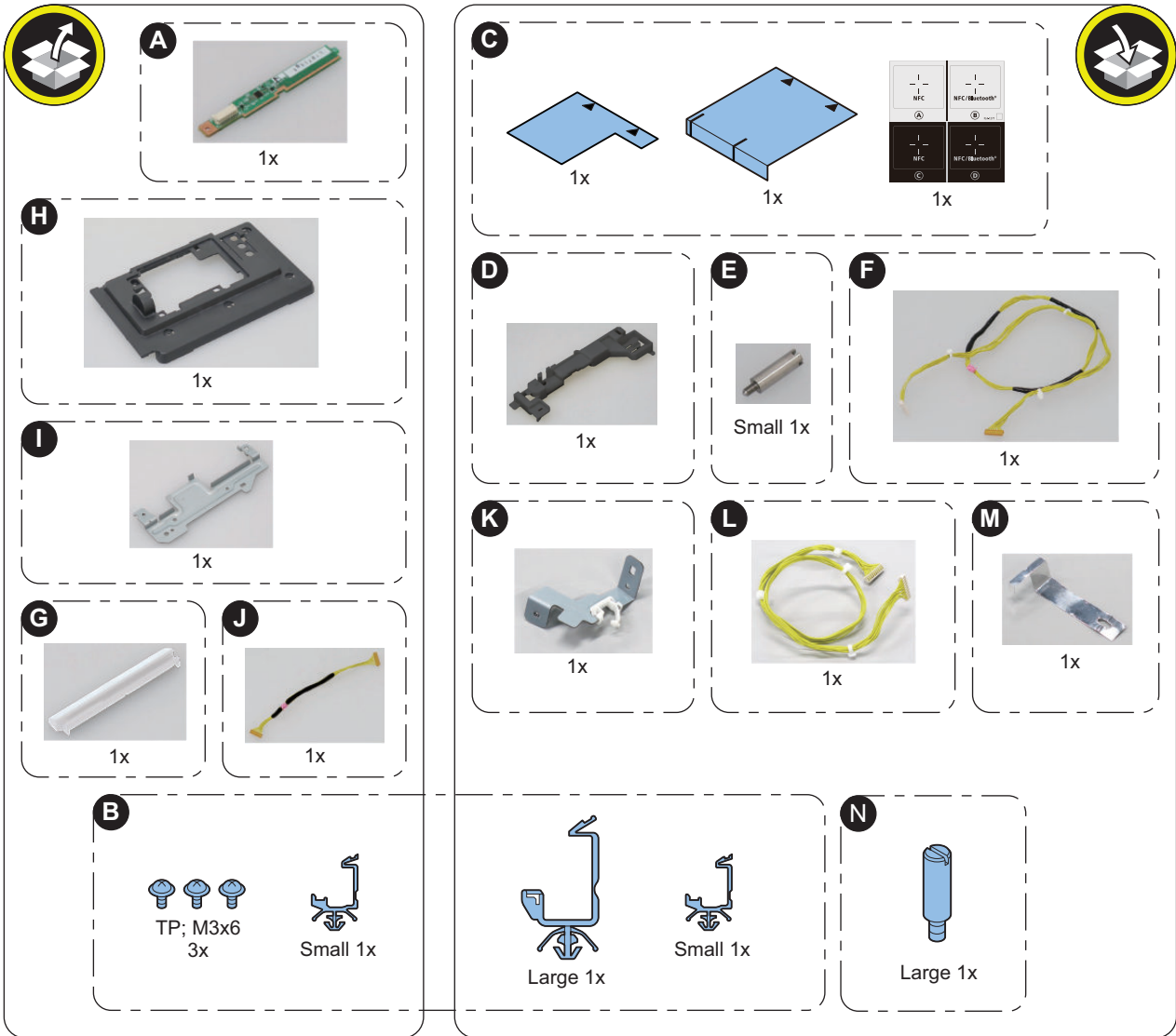
NOTE:

The required parts differ depending on the host machine to which this equipment is installed. Use A, B, G, H, I and J for this product.

<NFC KIT-E1>



<NFC KIT-E2>



<Others>

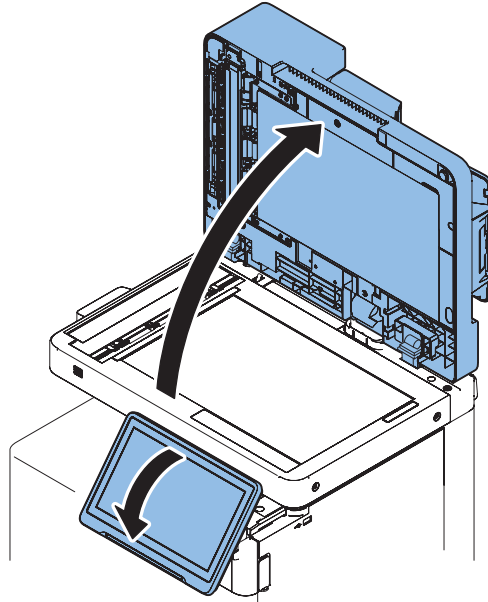
- Guides are included

● Installation procedure

■ Removing the Control Panel

□

1.

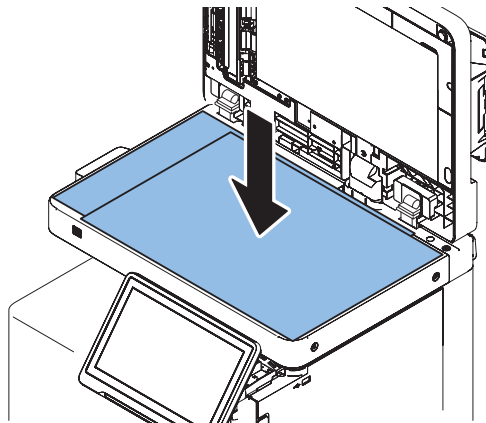


□

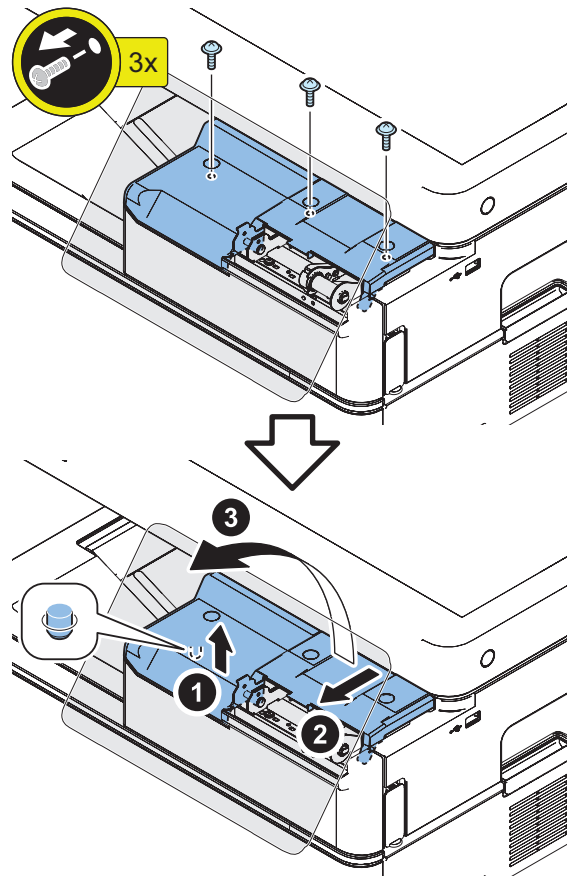
2.

CAUTION:

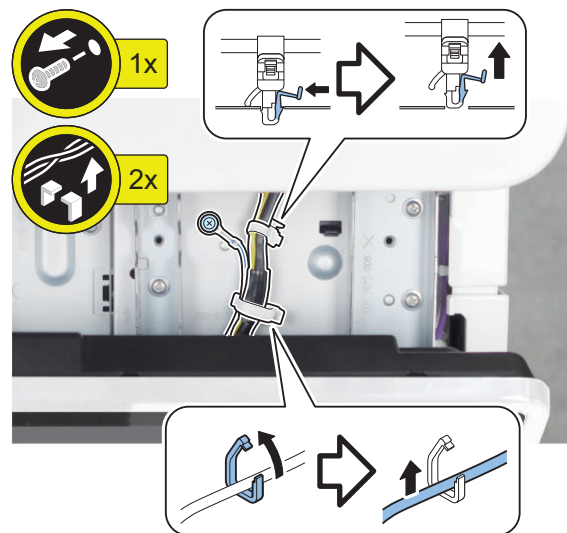
Be sure to place 5 or more sheets of paper to prevent damage.



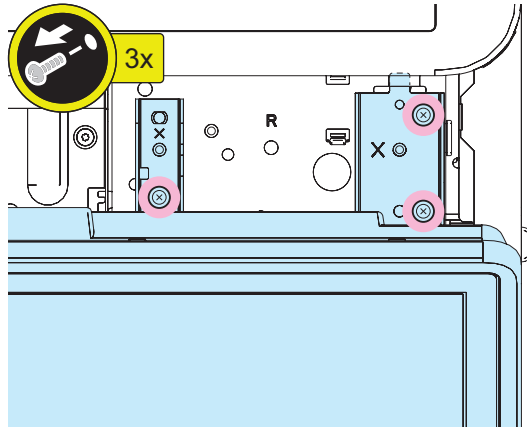
□
3.



□
4.



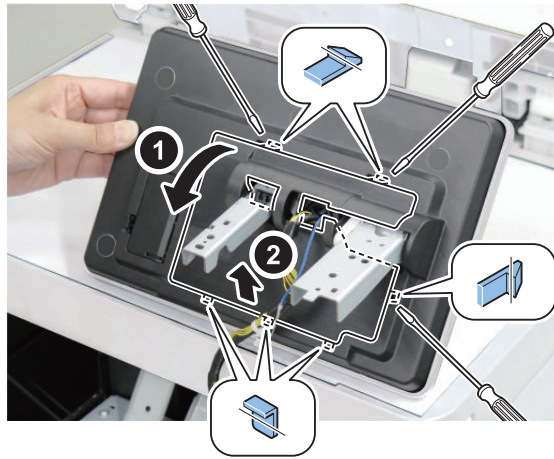
□
5.



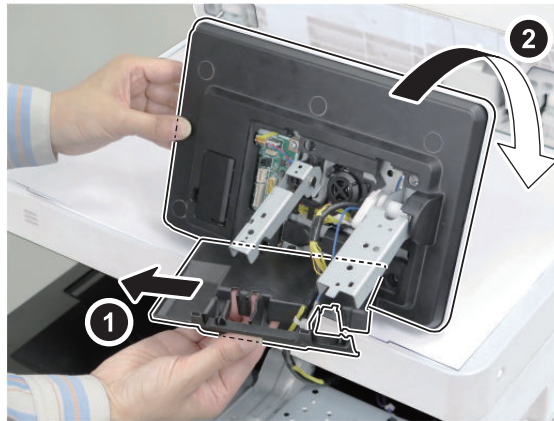
□
6.



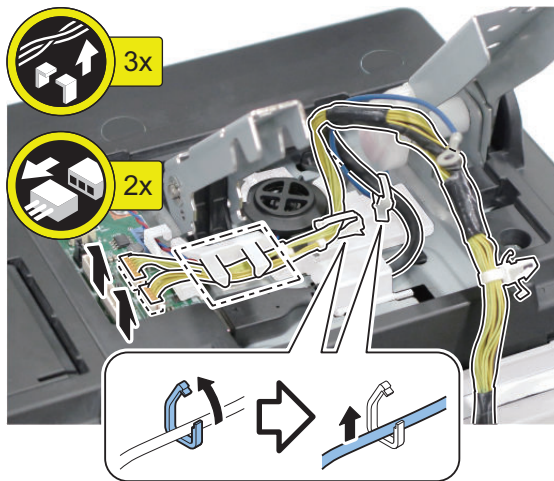
□
7.



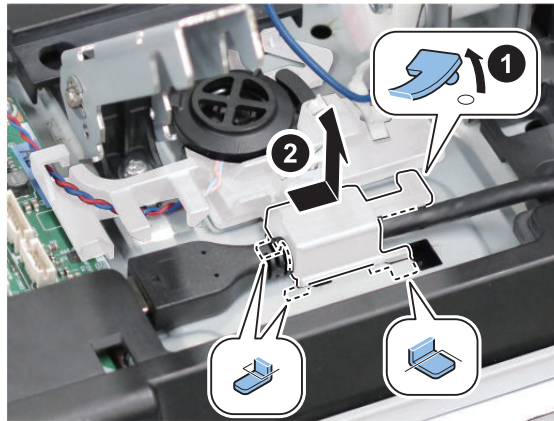
□
8.



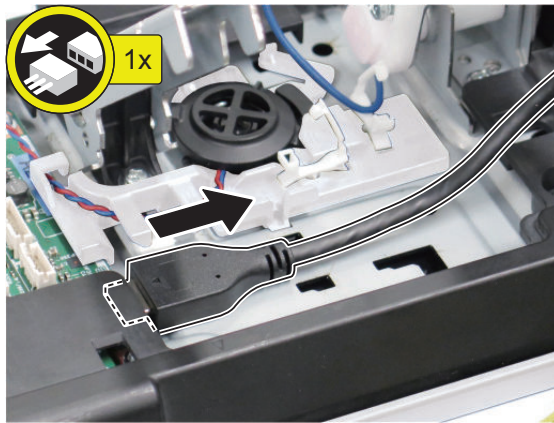
□
9.



□
10.

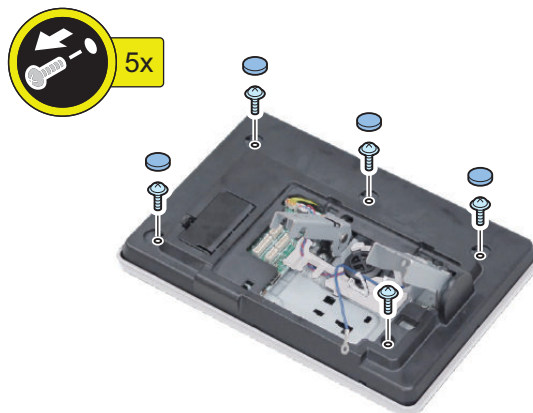


□
11.

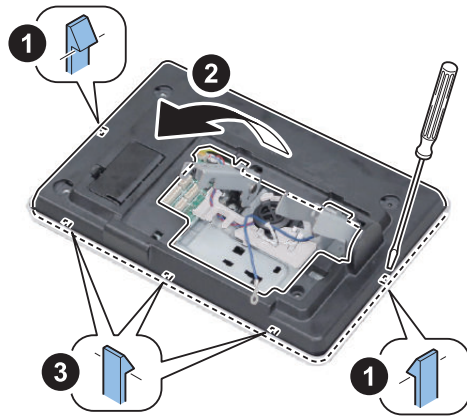


■ Installing the NFC Kit

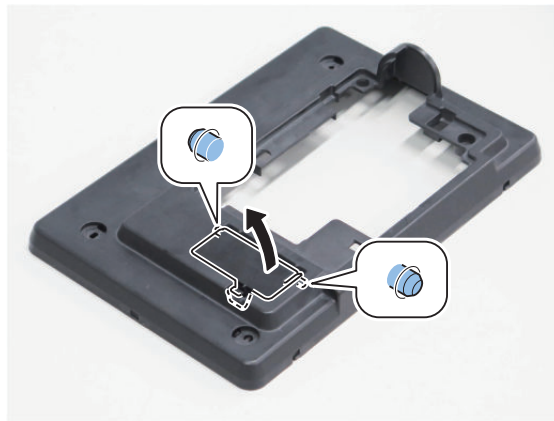
□
1.



□
2.

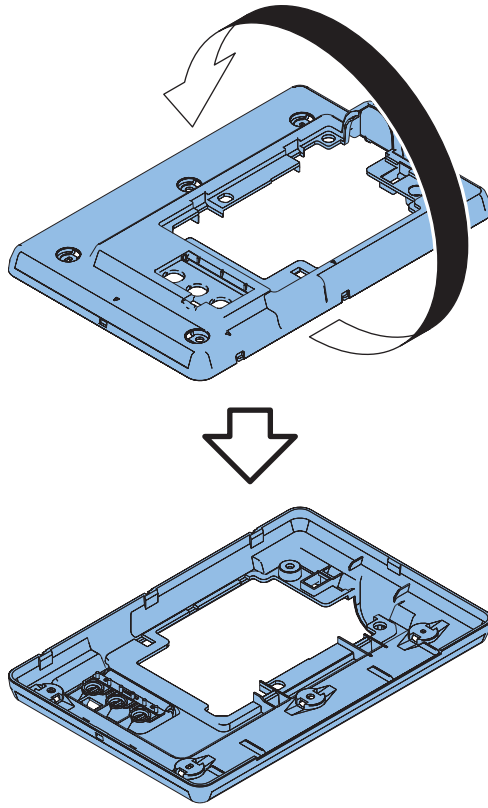


□
3.

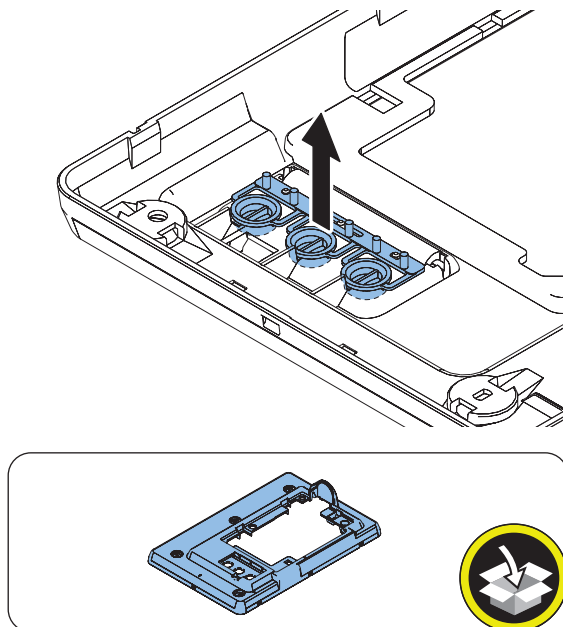
**NOTE:**

The removed parts will be used in step 8.

□
4.



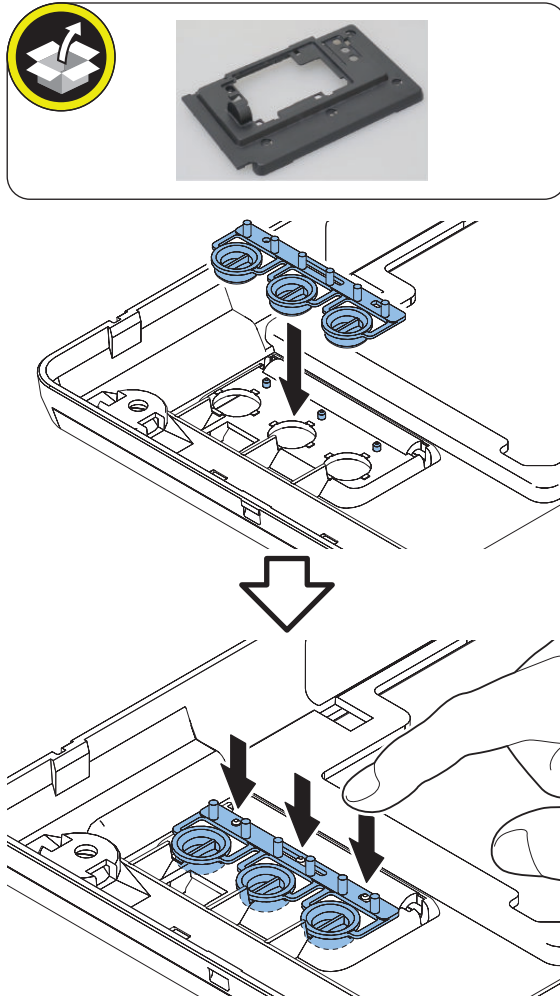
□
5.

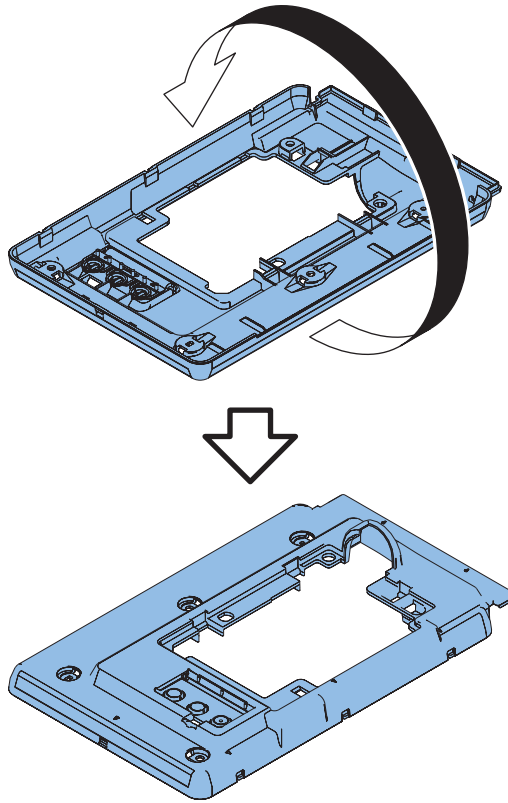


NOTE:
The removed part will be used in the next step.

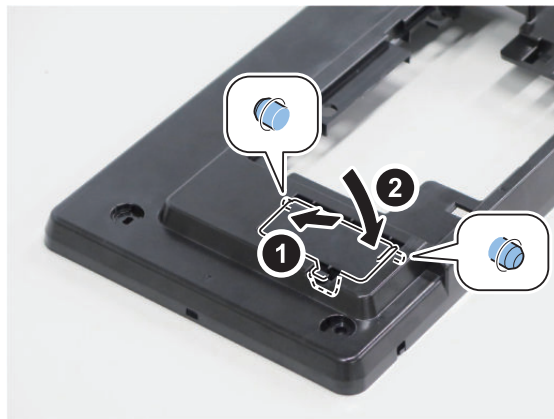
□
6.**NOTE:**

Use the part removed in the previous step.



□
7.□
8.**NOTE:**

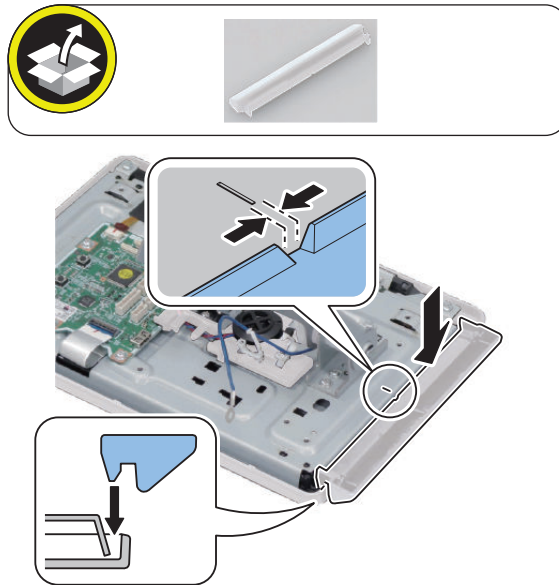
Use the part removed in step 3.



□
9.

NOTE:

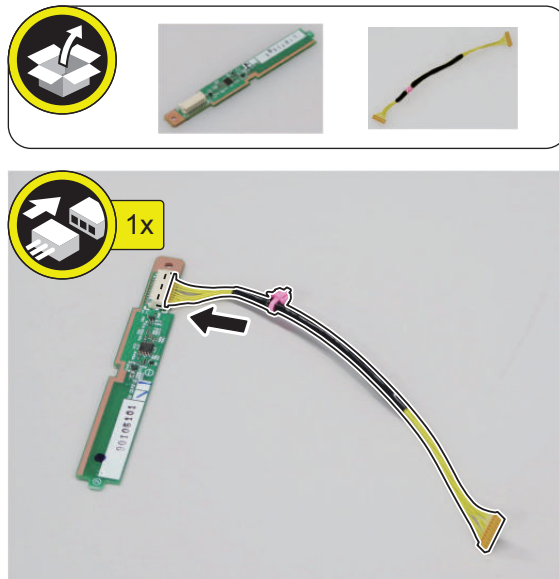
Position the NFC Cover by aligning it with the marking line to install.



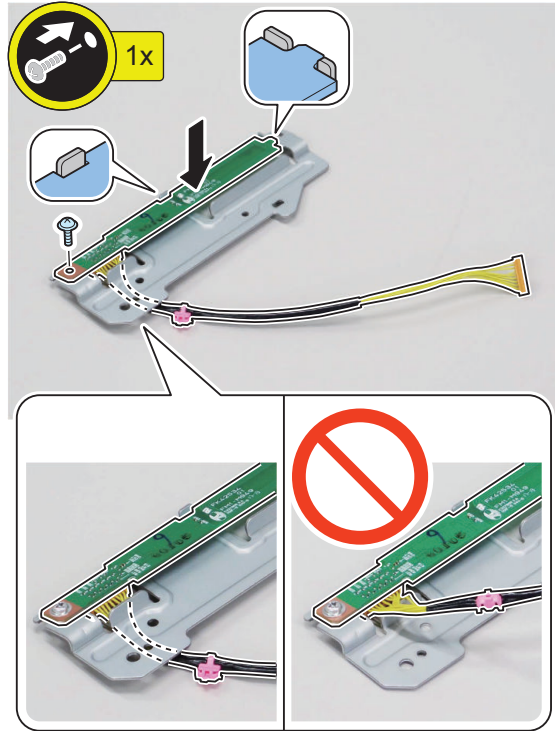
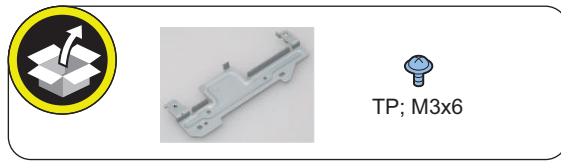
□
10.

NOTE:

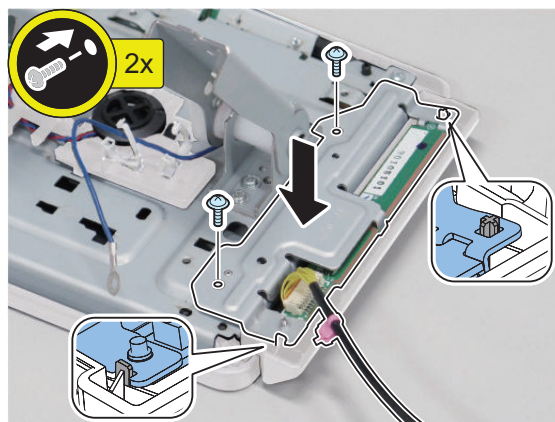
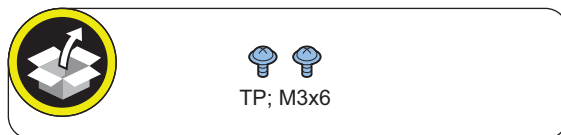
Install the cable to the NFC PCB as shown in the figure.



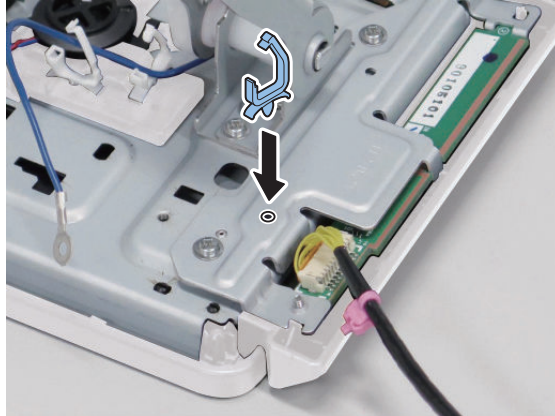
□
11.



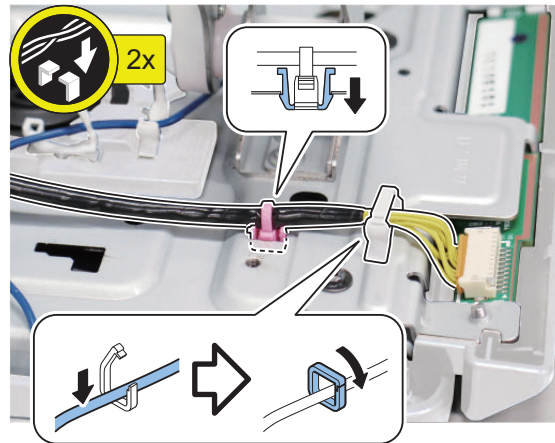
□
12.



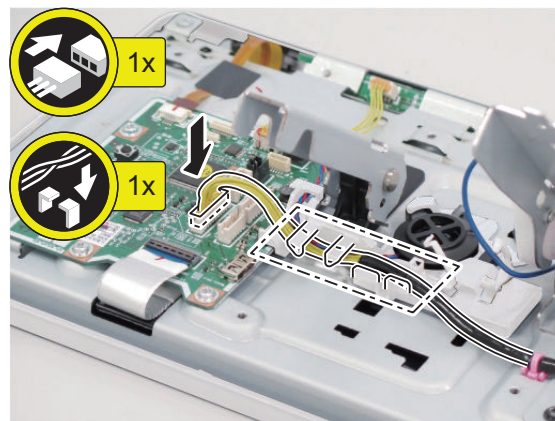
□
13.



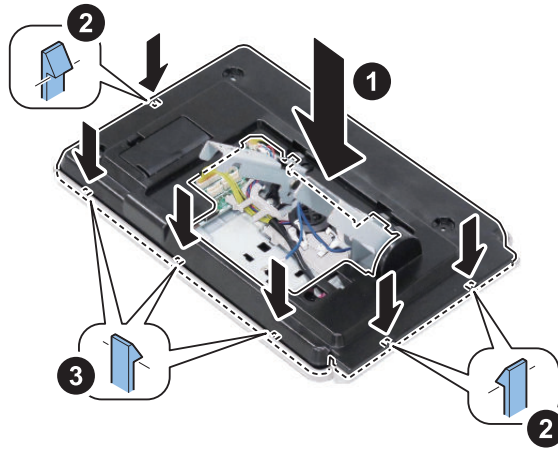
□
14.



□
15.



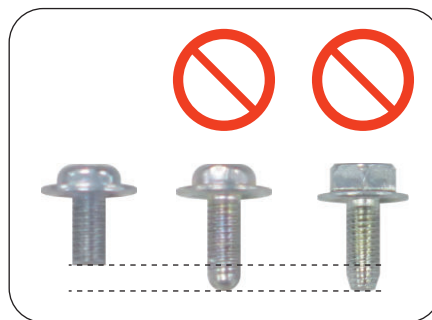
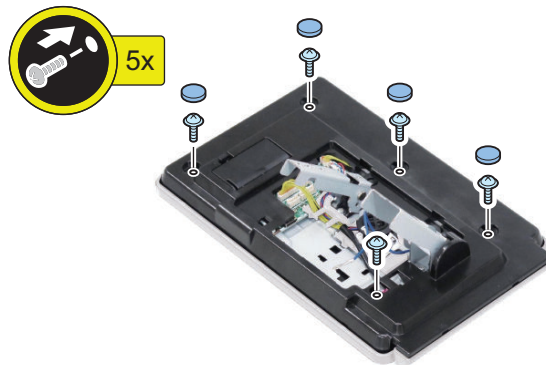
□
16.



□
17.

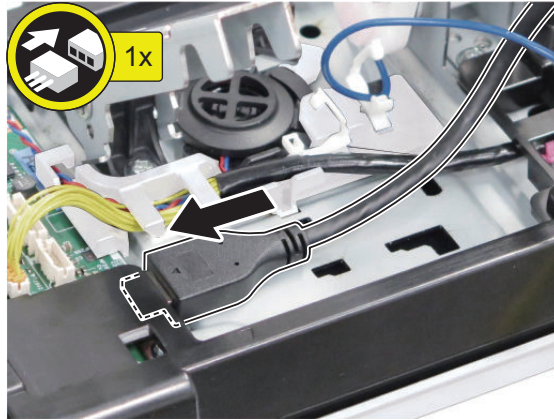
CAUTION:

Be sure to use appropriate type of screws when installing the removed screws.

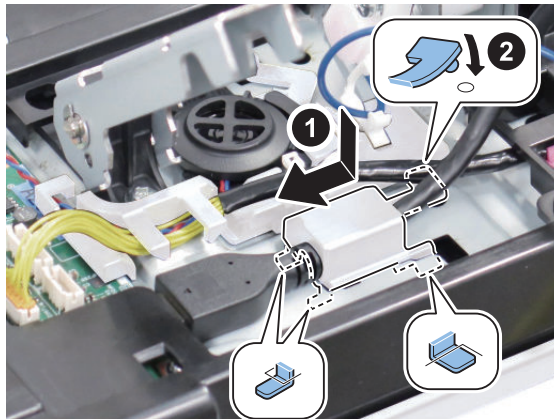


■ Installing the Control Panel

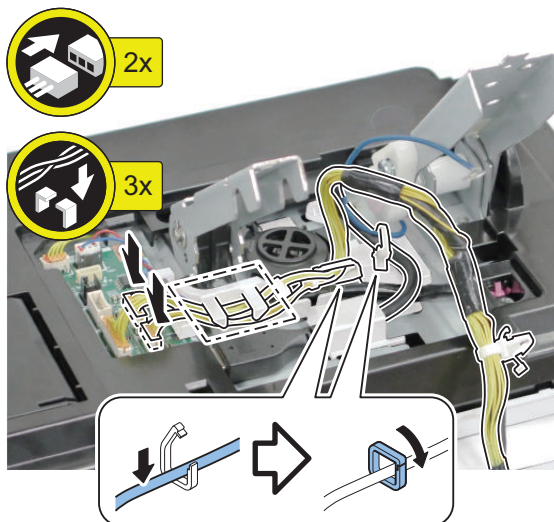
□
1.



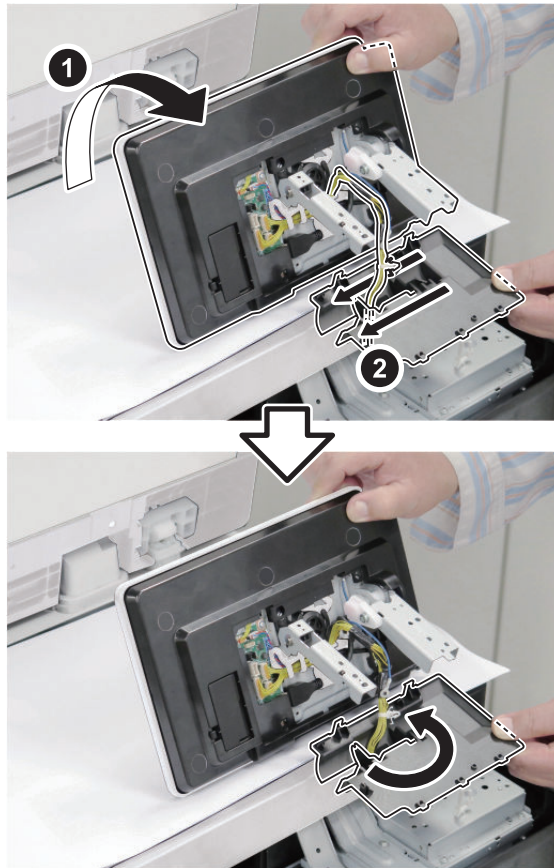
□
2.



□
3.

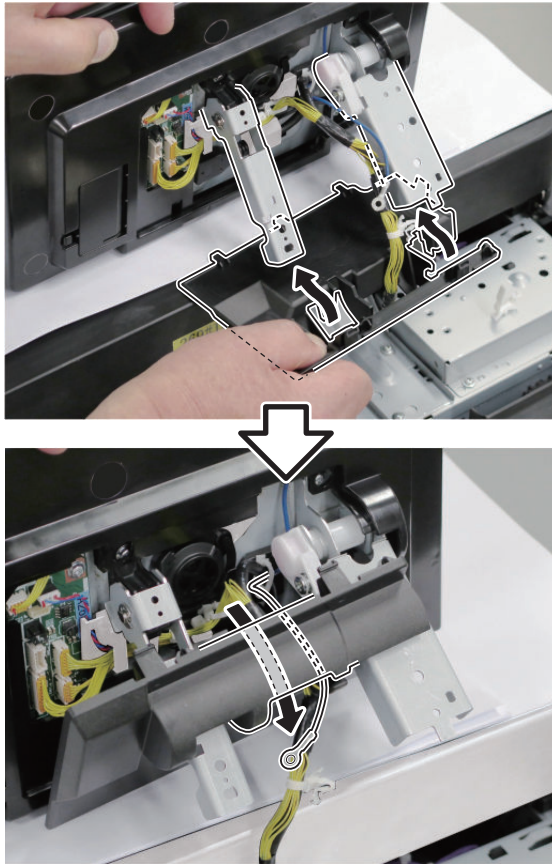
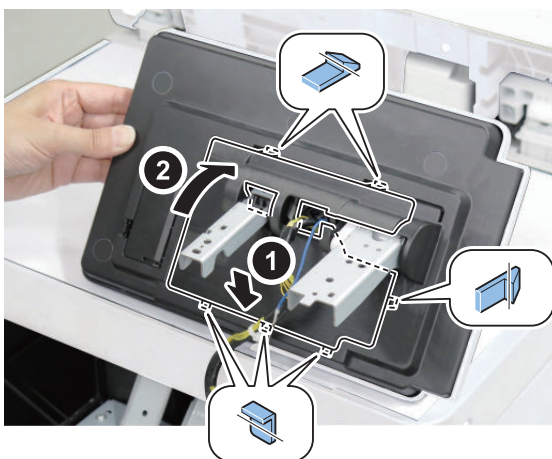


□
4.



□
5.**NOTE:**

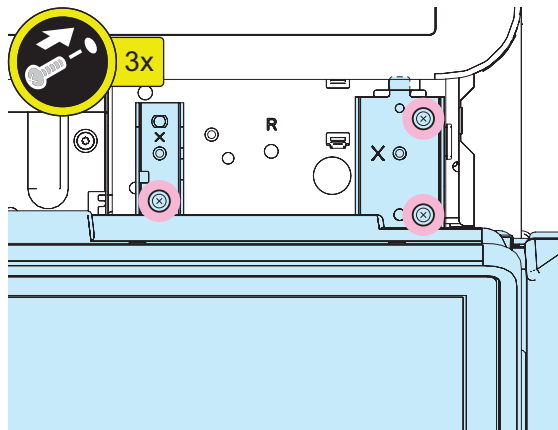
Be sure to turn the Cover in the direction of the arrow to install.

□
6.

□
7.

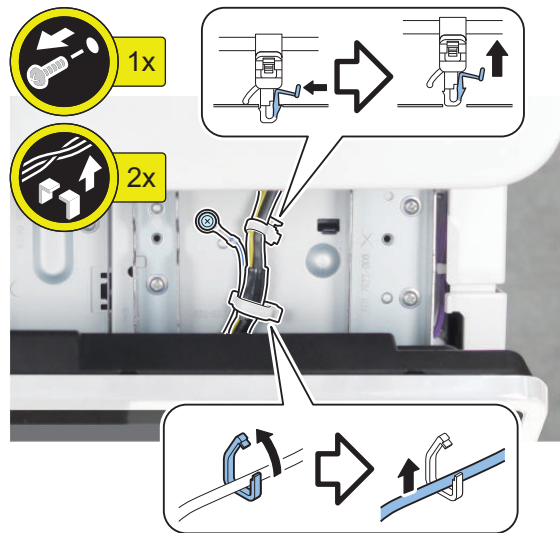
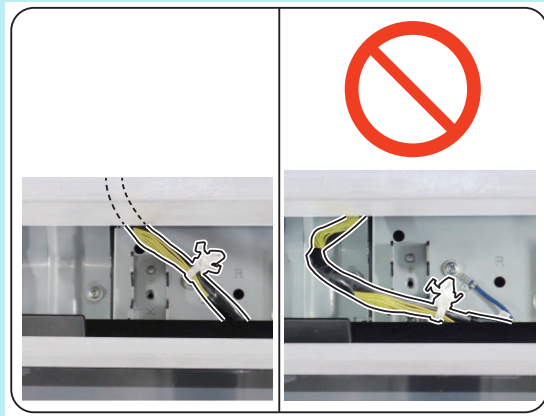


□
8.

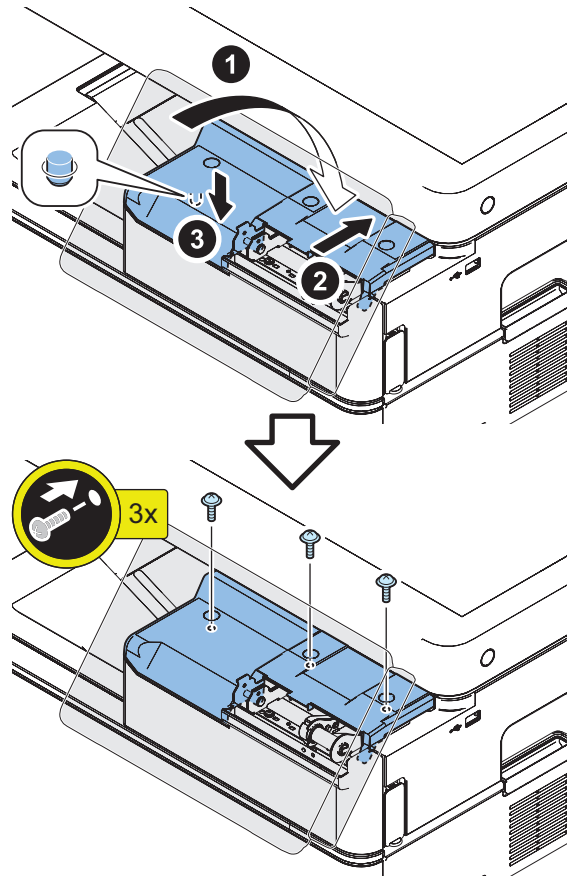


□
9.**NOTE:**

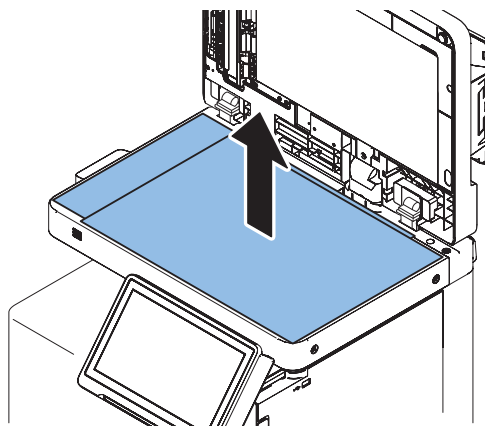
Store the excess cable under the Reader.



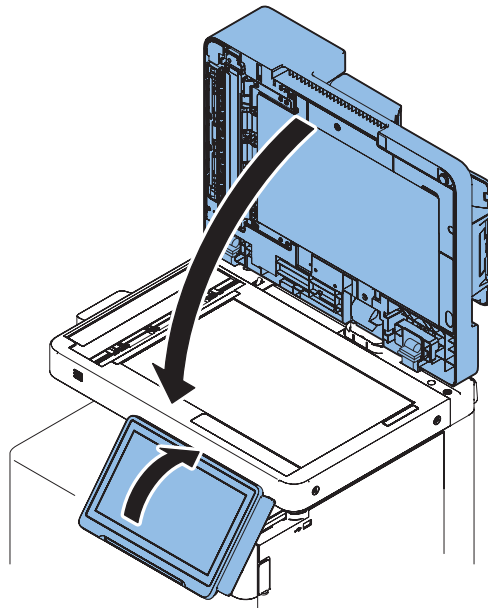
□
10.



□
11.



12.



Setting after Installation



1. Connect the power plug of the host machine to the outlet.
2. Turn ON the main power switch.
3. Enter service mode and set the value to "1".
COPIER > FUNCTION > INSTALL > NFC-USE

NOTE:

When [System Manager Information Settings] is set, it is required to log in as a system manager in accordance with instructions of the user administrator.

4. Select [Settings/Registration] > [Management Settings] > [Device Management] > [Use NFC Card Emulation], and set the item to "ON".
5. Turn OFF and then ON the main power switch.
6. When a message prompting the version update is displayed, press [Update] and automatically update the version of this equipment.

CAUTION:

It may take time to display the update screen. (Approx. 1 to 2 min.) During this time, do not operate the screen.

7. Check the end of the following service mode.
COPIER > DISPLAY > VERSION > PANEL
If the end is an even number (e.g. 01.26): NFC is not installed.
If the end is an odd number (e.g. 01.27): NFC is installed.

Copy Card Reader-F1/Copy Card Reader Attachment-B5

Points to Note at Installation

- To install this equipment, the Copy Card Reader Attachment is required.
- When installing this equipment, be sure to install it by referring to "Table of Options Combination".
- Pictures and illustrations used in this procedure are from the model without the Finisher. Procedures that are not separately described are same for the model with the Finisher.
- After installing the Card Reader, enter the card number to be used in the following service mode. Otherwise, the card will not be recognized even if inserting it.
COPIER > FUNCTION > INSTALL > CARD

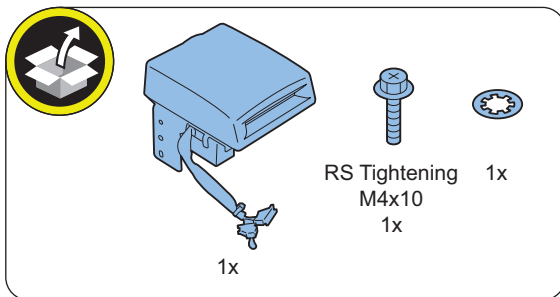
Table of Options Combination

	IC Card Reader Attachment	IC Card Reader Box	Copy Control Interface Kit
Copy Card Reader	No	No	No

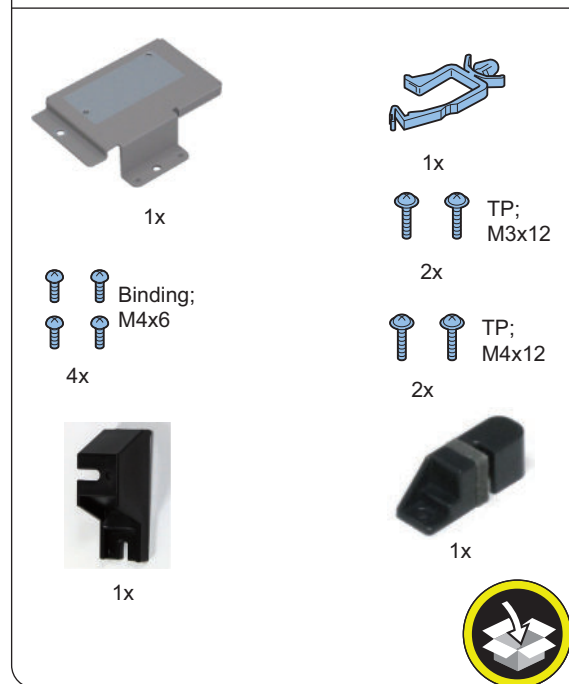
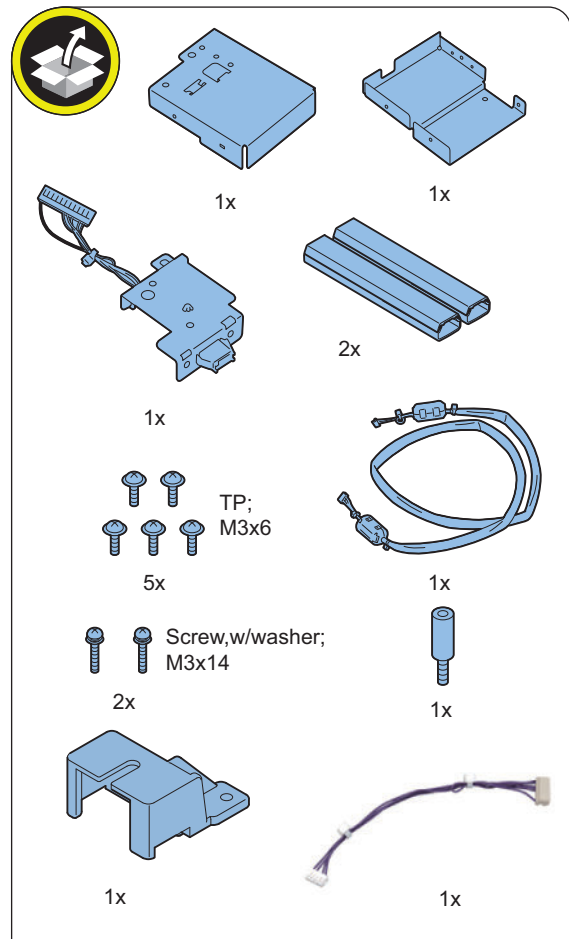
Yes : Available, No : Unavailable

Checking the Contents

< Copy Card Reader-F1 >

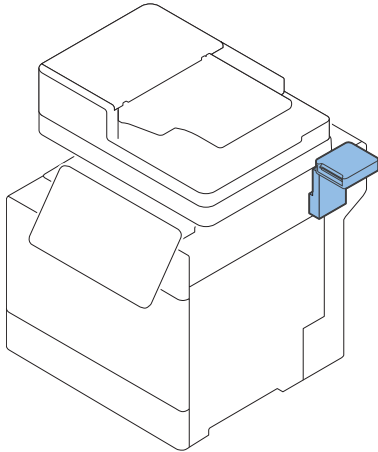


< Copy Card Reader Attachment-B5 >

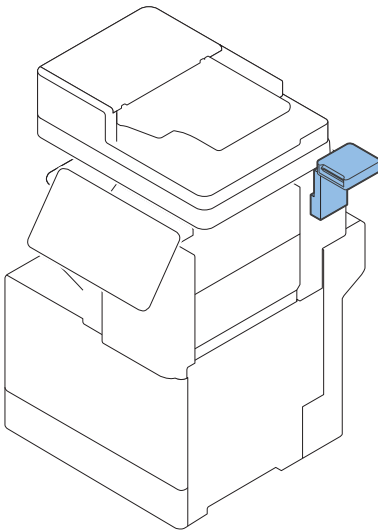


Installation Outline Drawing

<When the Finisher is not installed>



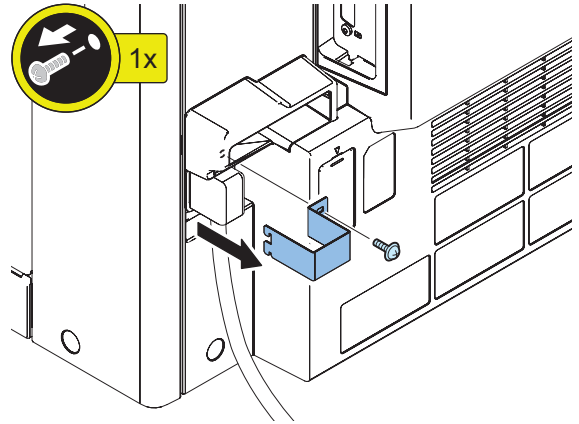
<When the Finisher is installed>



Installation Procedure

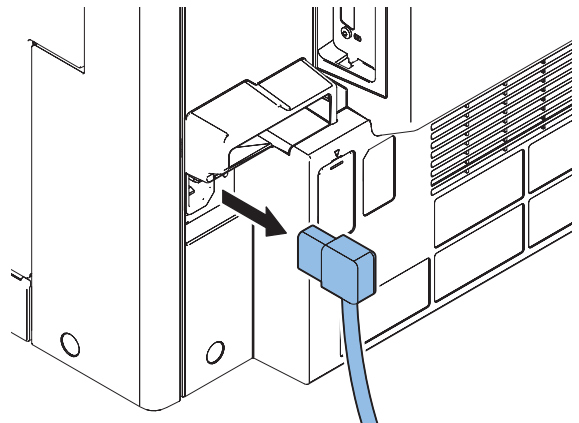
□

1. <Only in the case of 120 V products>



□

2.



Essential Items to Be Performed Before Installation

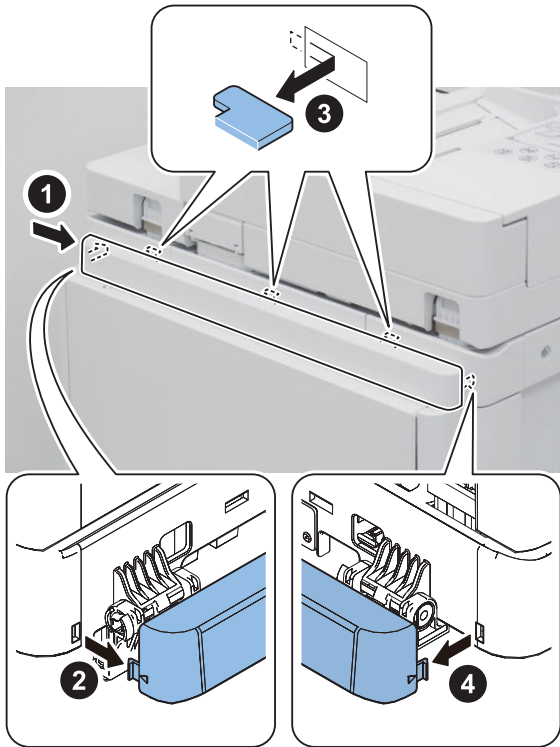
- Turn OFF the main power of the host machine, and disconnect the power plug from the outlet.

⚠ WARNING:

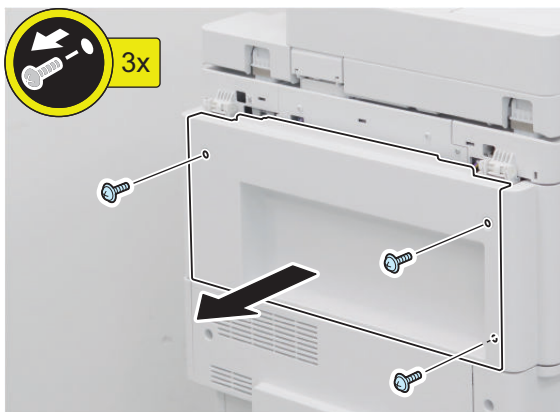
- If performing work without disconnecting the power plug of the host machine, it may cause electrical shock.
- If disconnecting the power plug without turning OFF the main power, it may cause damage of the machine.

- When turning OFF the main power, follow the below procedure.
 1. Turn OFF the main power switch of the host machine.
 2. The display in the Control Panel and the lamp of the main power are turned off.

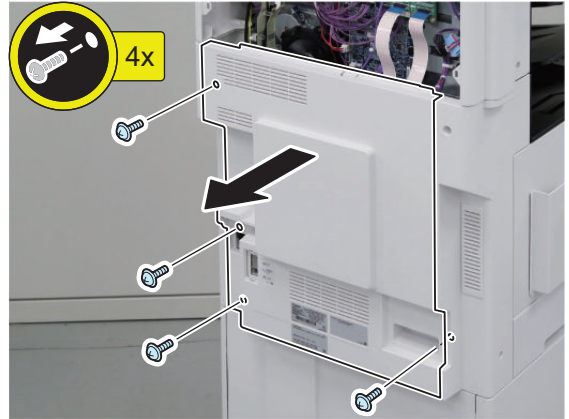
□
3.



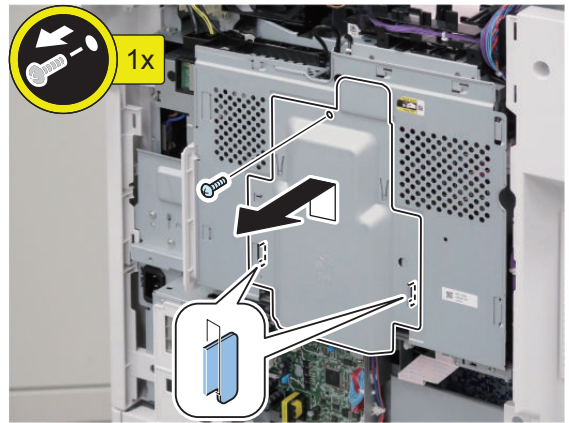
□
4. <When the Finisher is installed>



□
5.

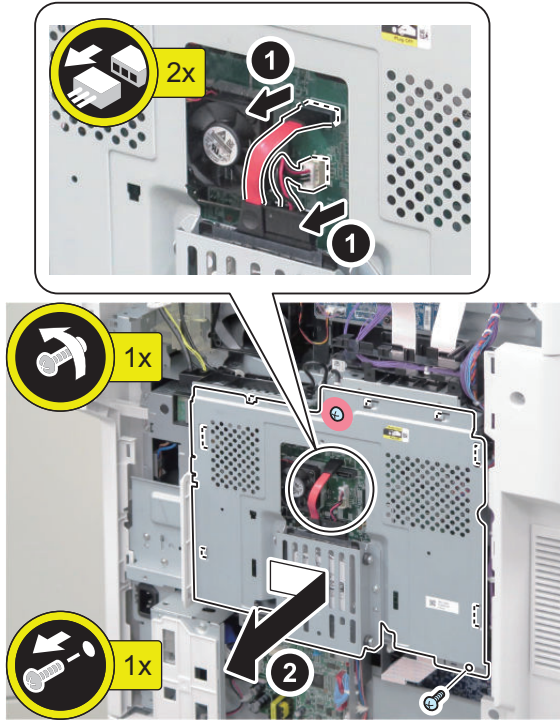


□
6.

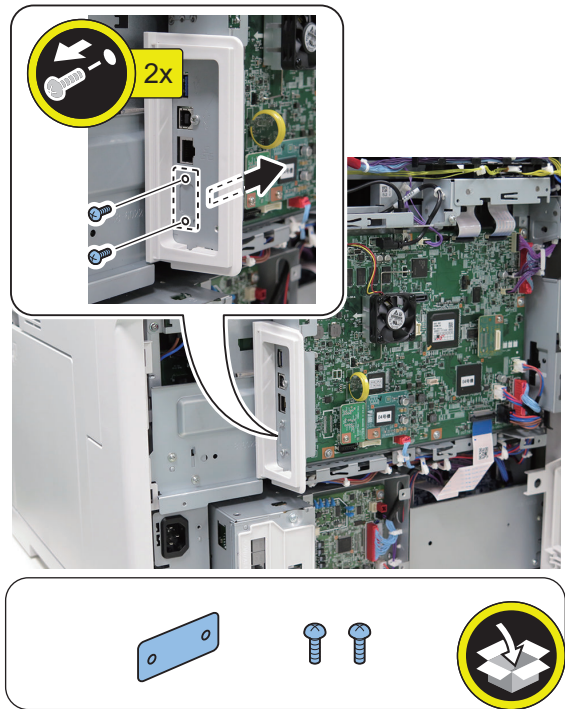


□
7.

CAUTION:
When handling the HDD, be careful not to vibrate or drop it.

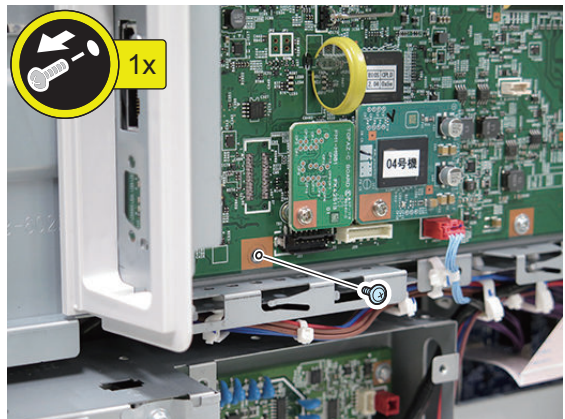


□
8.



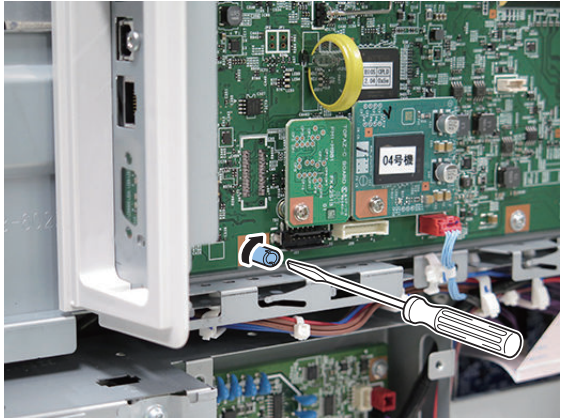
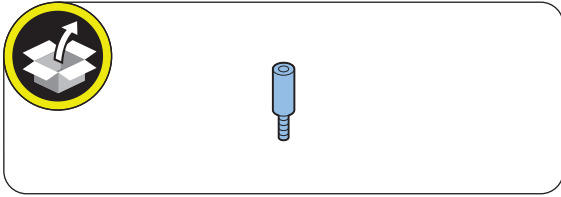
NOTE:
The removed screws will be used in step 9.

□
9.

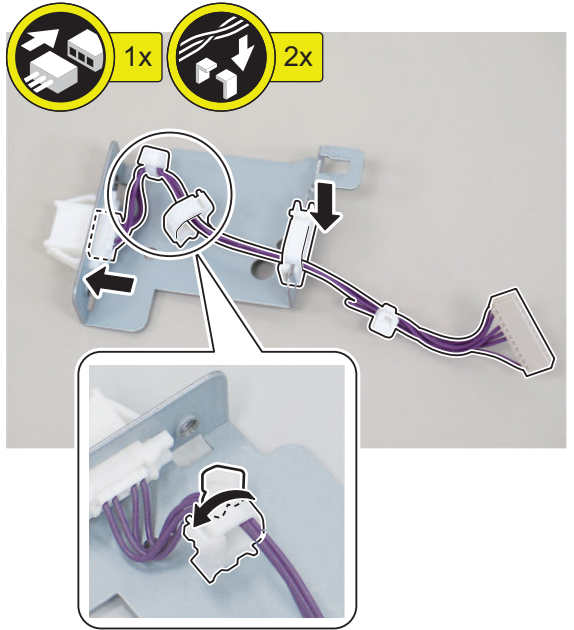


NOTE:
The removed screw will be used in step 9.

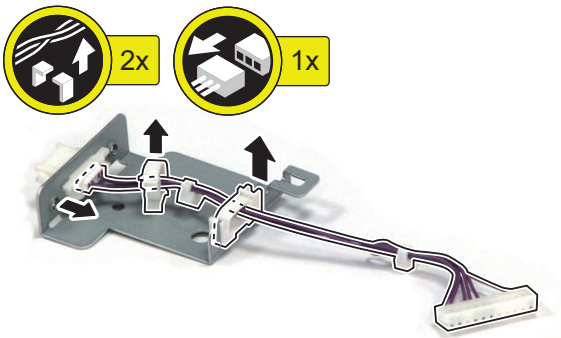
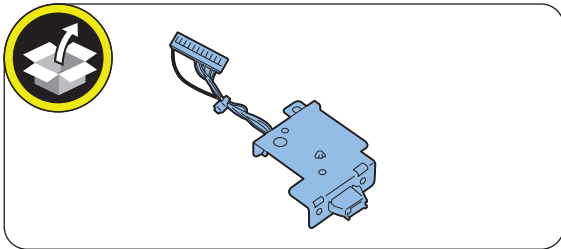
□
10.



□
12.



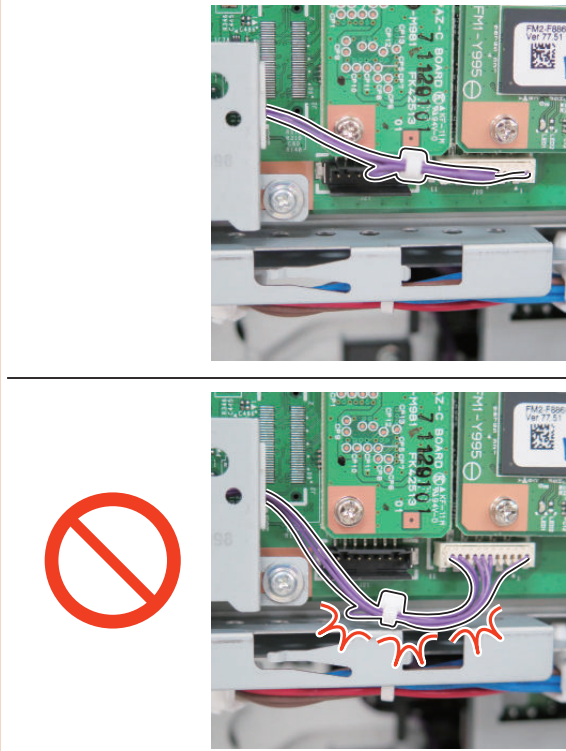
□
11.



13.

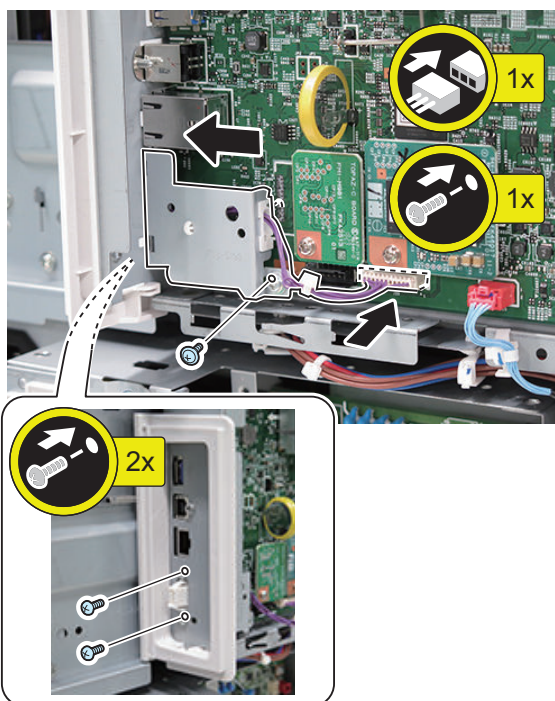
CAUTION:

Do not allow the Relay Cable to contact the metal part of the Controller Box.
The Relay Cable touching the metal part of the Controller Box causes malfunctioning.



NOTE:

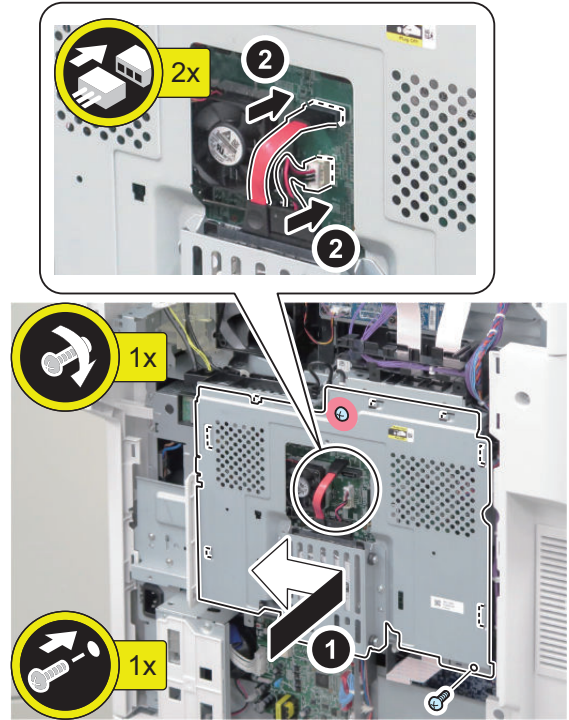
Use the screws removed in steps 4 and 5.



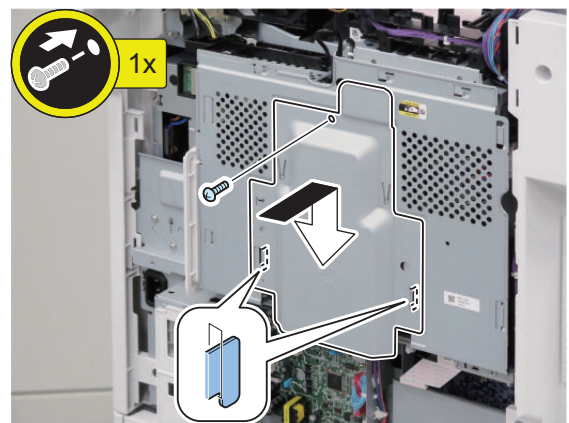
14.

CAUTION:

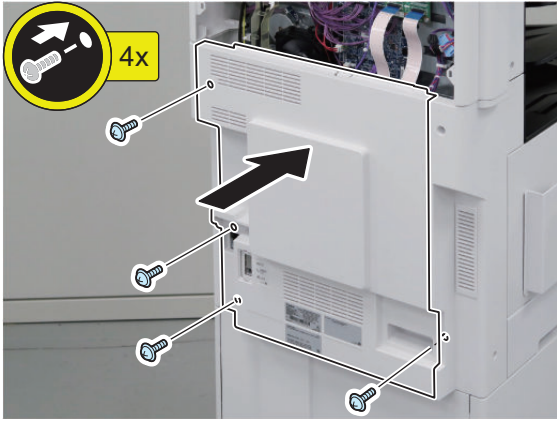
When handling the HDD, be careful not to vibrate or drop it.



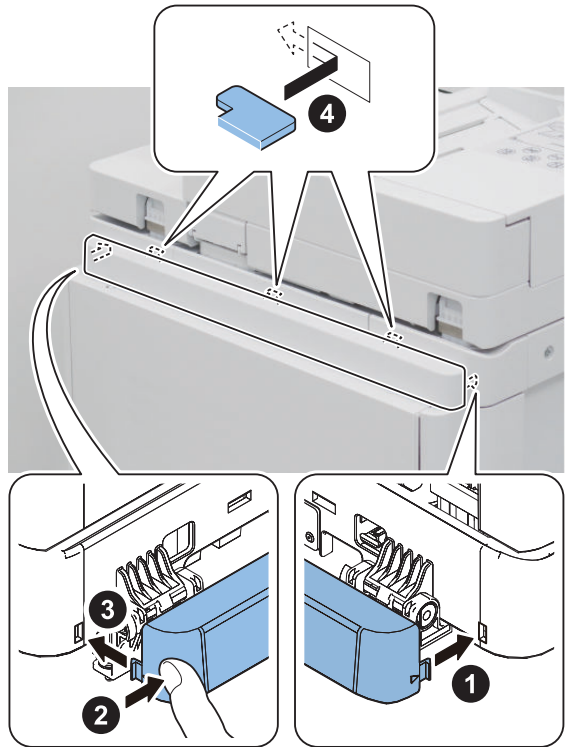
15.



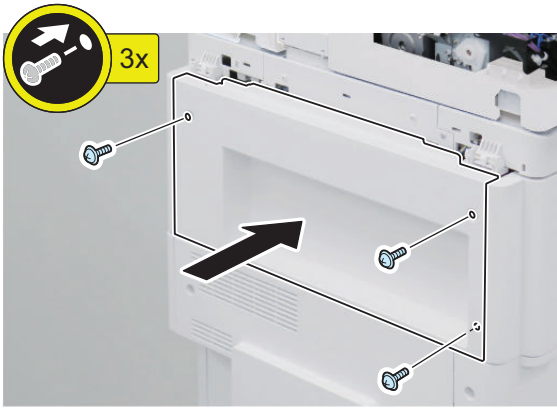
□
16.



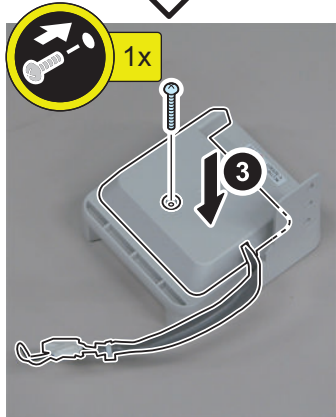
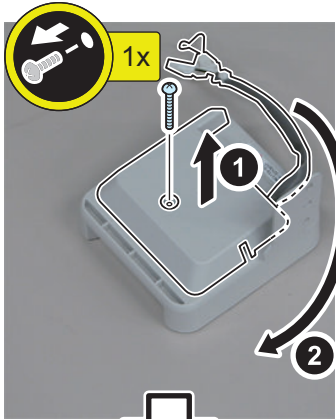
□
18.



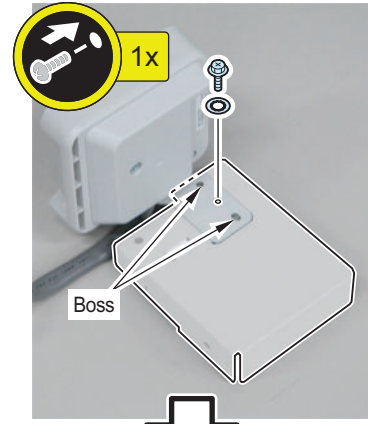
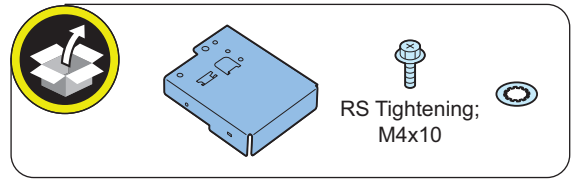
□
17. <When the Finisher is installed>



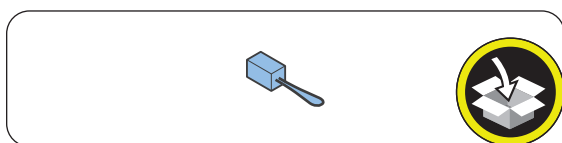
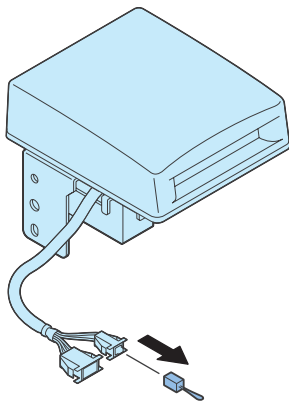
□
19.



□
21.

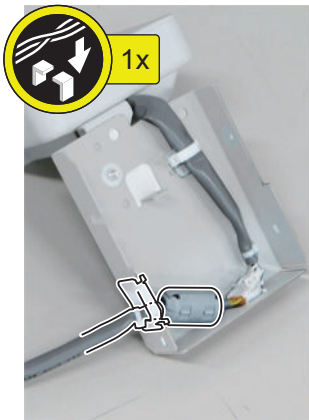
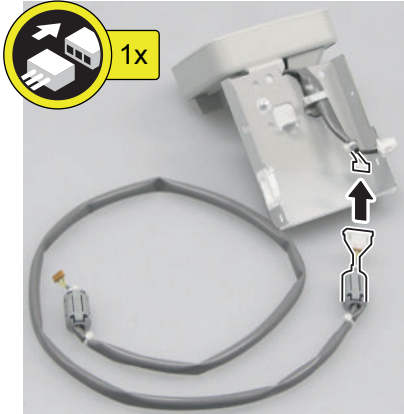
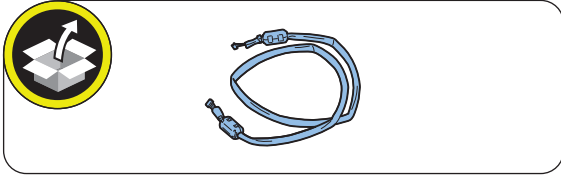


□
20.



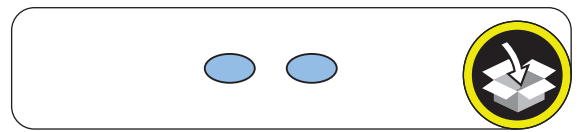
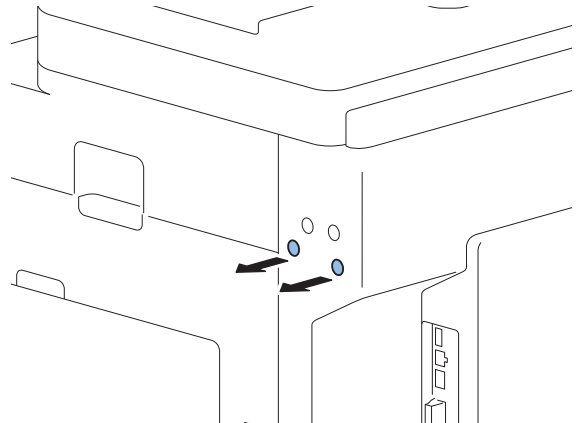
□
22.

CAUTION:
Be sure that the core is inside the Edge Saddle.

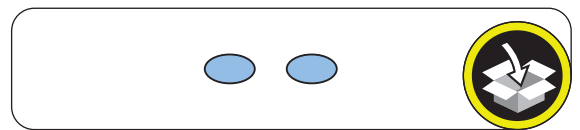
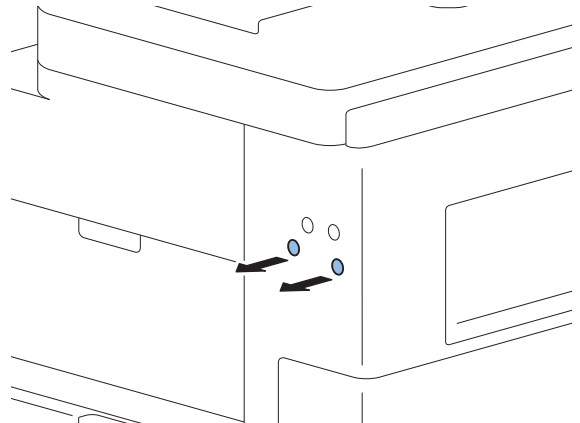


□
23.

<When the Finisher is installed>

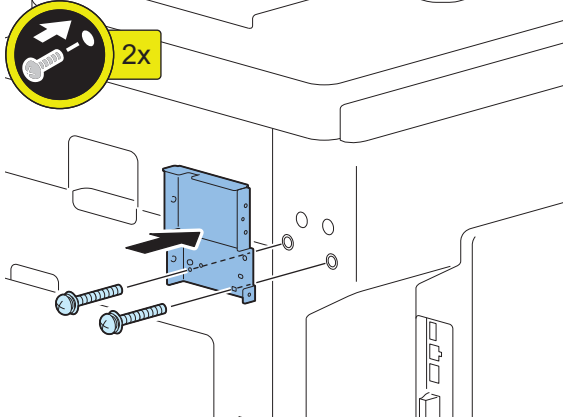
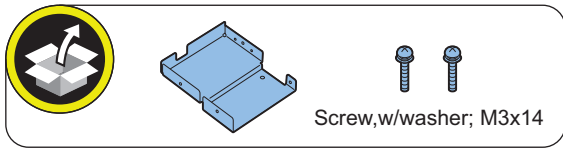


<When the Finisher is installed>

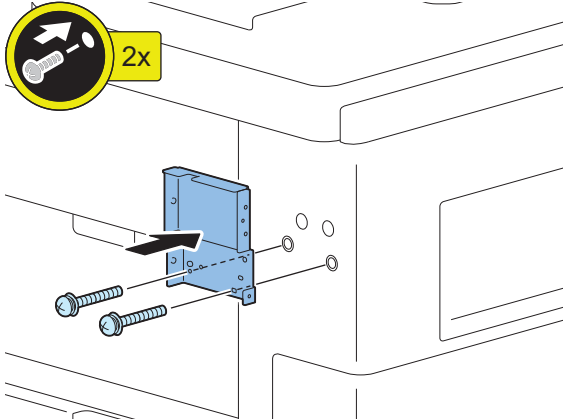
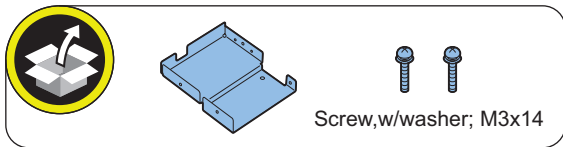


24.

<When the Finisher is not installed>

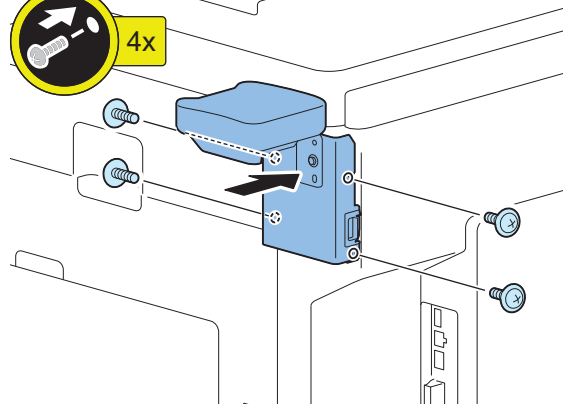
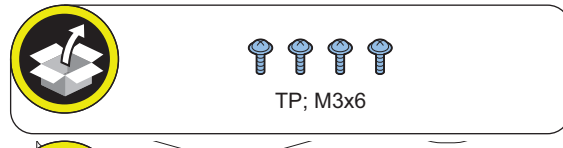


<When the Finisher is installed>

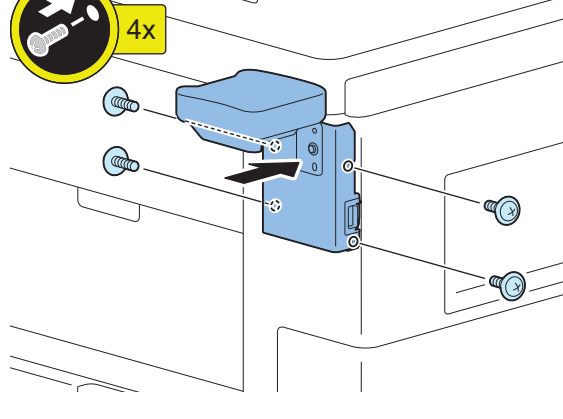
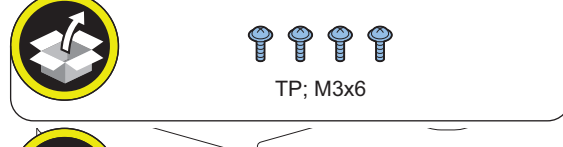


25.

<When the Finisher is not installed>



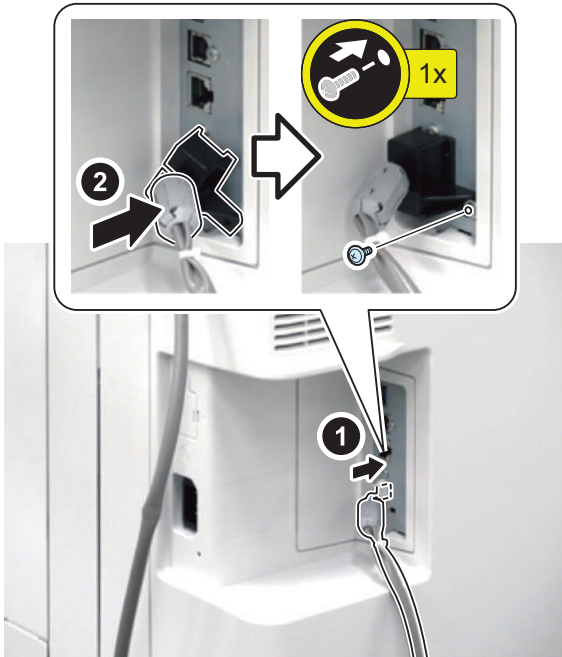
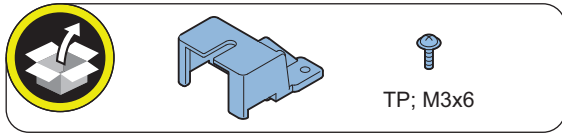
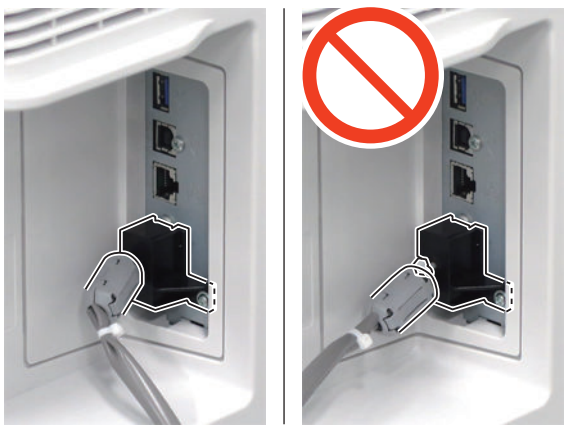
<When the Finisher is installed>



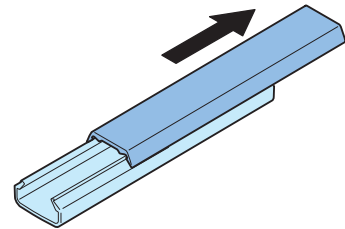
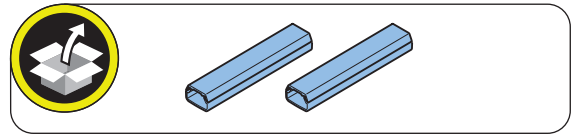
26.

CAUTION:

To prevent the connector from being disconnected, be sure to place the tie-wrap of the Card Reader External Relay Harness inside of the Connector Cover.

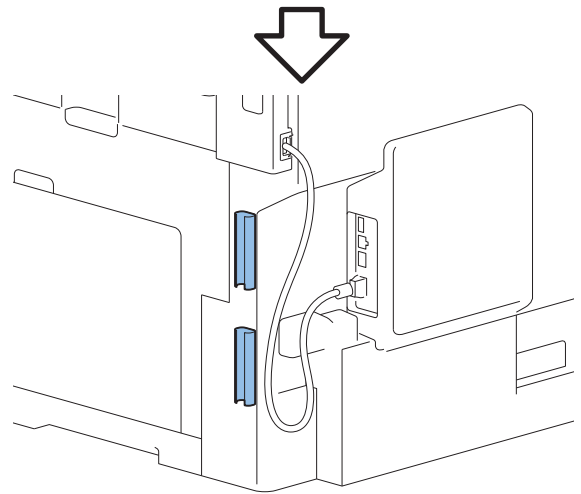
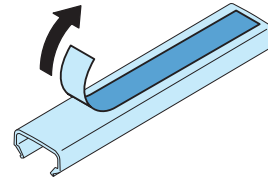


27.

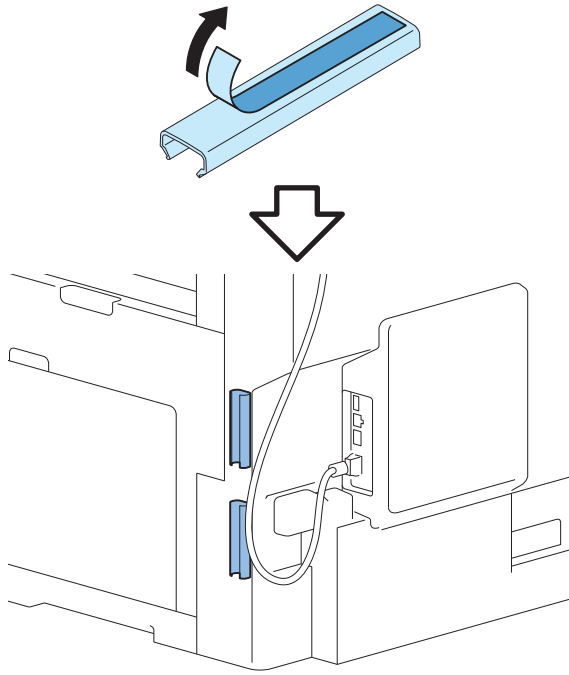


28.

<When the Finisher is not installed>

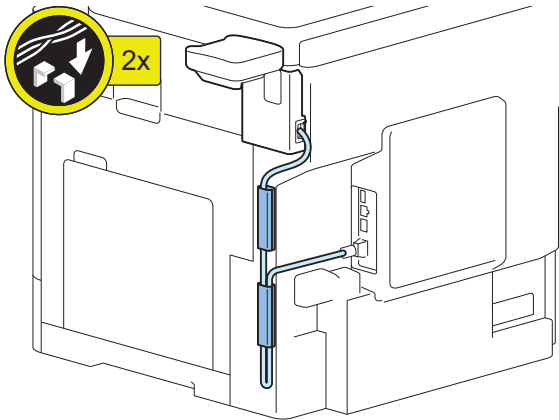


<When the Finisher is installed>



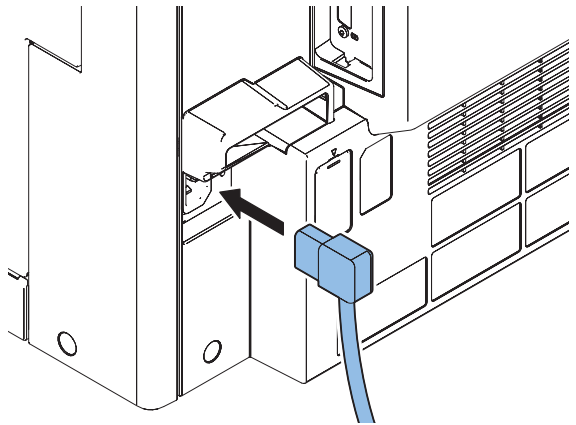
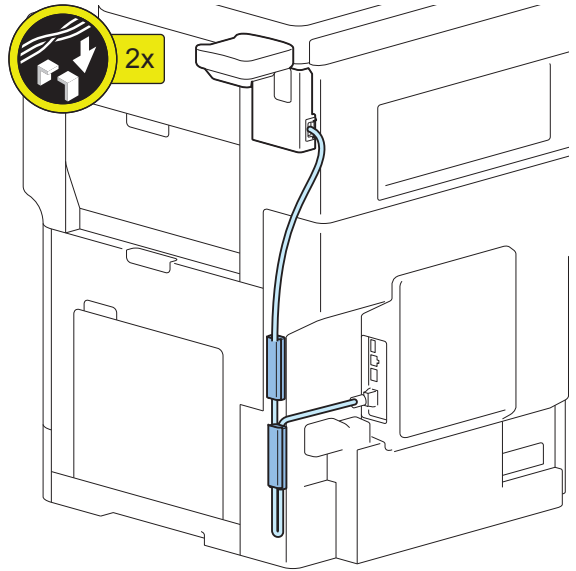
29.

<When the Finisher is not installed>

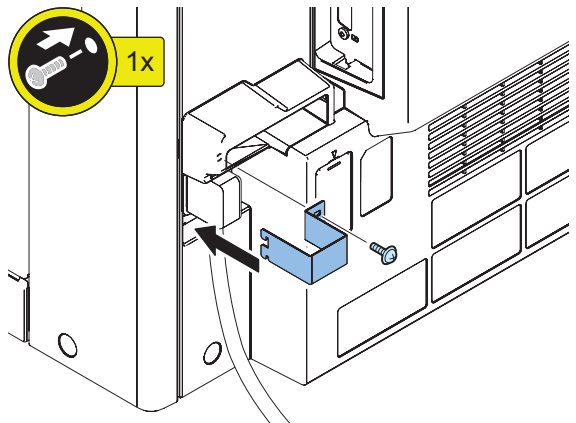


30.

<When the Finisher is installed>



31. <Only in the case of 120 V products>



Checking after Installation



1. **Connect the power plug of the host machine to the power outlet.**
2. **Turn the main power switch ON.**
3. **Check the model of the Card Reader in service mode. (Default: 0 "Card Reader-F1")**
COPIER > OPTION > ACC > CR-TYPE



4. **Set the number of card (number of department ID) that can be used with the Card Reader in service mode.(Lv.2).**
COPIER > OPTION > FNC-SW > CARD-RNG



5. **Use Service Mode to enter the minimum card number to be used by a user (1 to 2001).**
COPIER > FUNCTION > INSTALL > CARD
Starting from the entered card number, the number of cards set in step 4 can be used.



6. **Turn OFF and then ON the main power switch to enable the setting values.**
7. **Insert a card with a card number that has been registered, and check that the machine operates normally.**

NOTE:

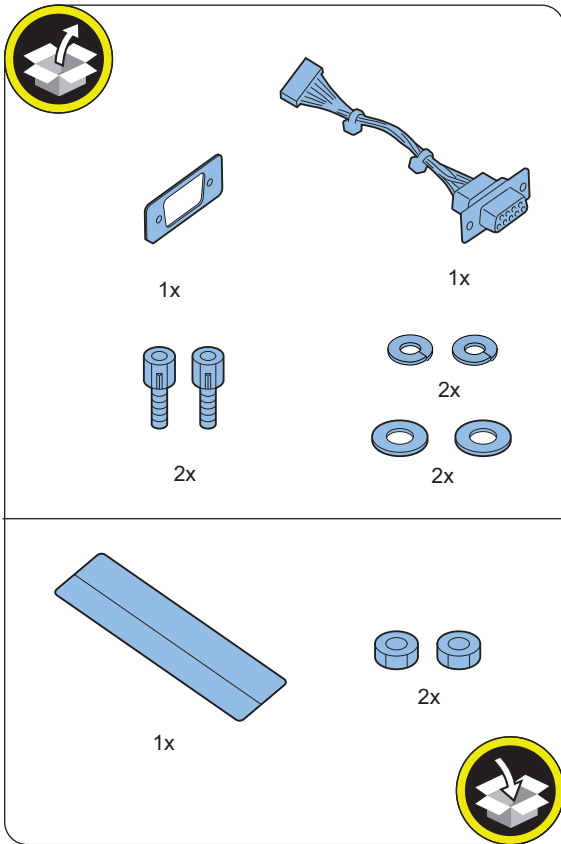
Perform the following operations to change the number of cards (departments) after it has been set. In such a case, counter information for each department is reset.

COPIER > FUNCTION > CLEAR > CARD

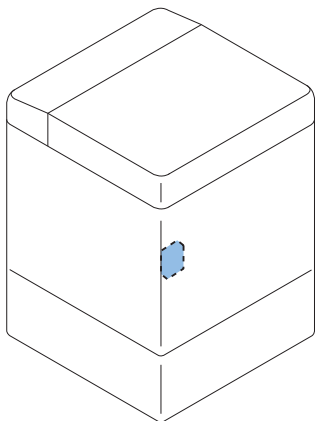
- Turn OFF and then ON the main power switch to enable the settings.
- After that, perform from step 3.

Copy Control Interface Kit-A1

Checking the Contents



Installation Outline Drawing



Essential Items to Be Performed Before Installation

- Turn OFF the main power of the host machine, and disconnect the power plug from the outlet.

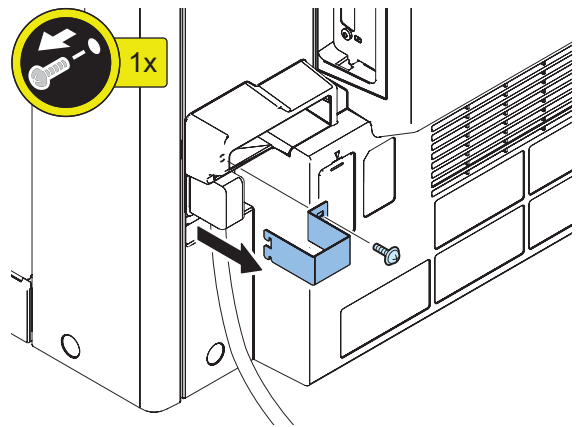
⚠ WARNING:

- If performing work without disconnecting the power plug of the host machine, it may cause electrical shock.
- If disconnecting the power plug without turning OFF the main power, it may cause damage of the machine.

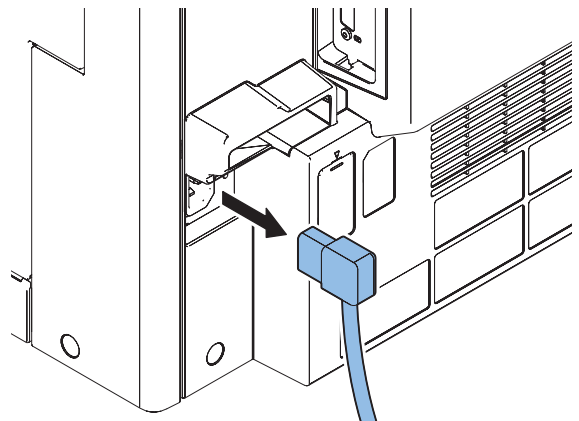
- When turning OFF the main power, follow the below procedure.
 1. Turn OFF the main power switch of the host machine.
 2. The display in the Control Panel and the lamp of the main power are turned off.

Installation Procedure

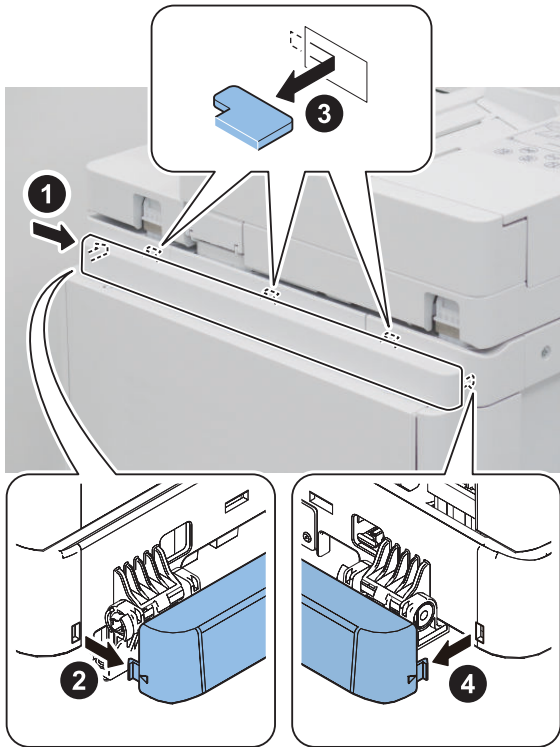
- 1. <Only in the case of 120 V products>



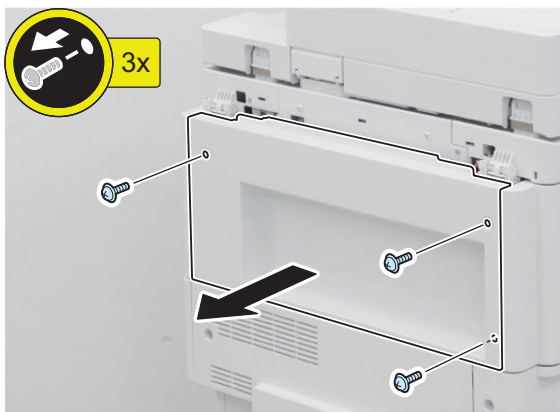
- 2.



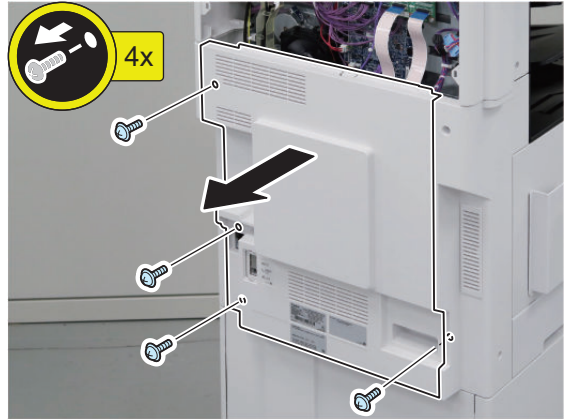
□
3.



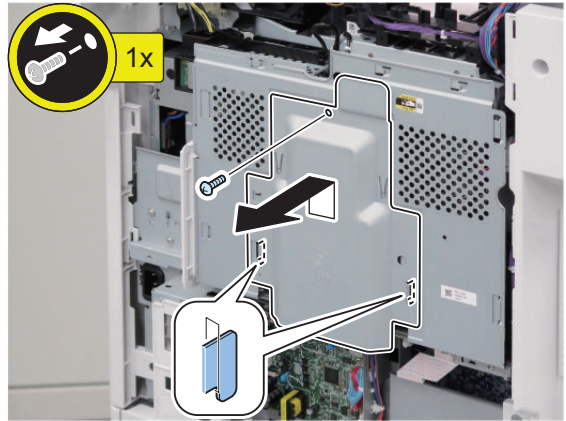
□
4. <When the Finisher is installed>



□
5.



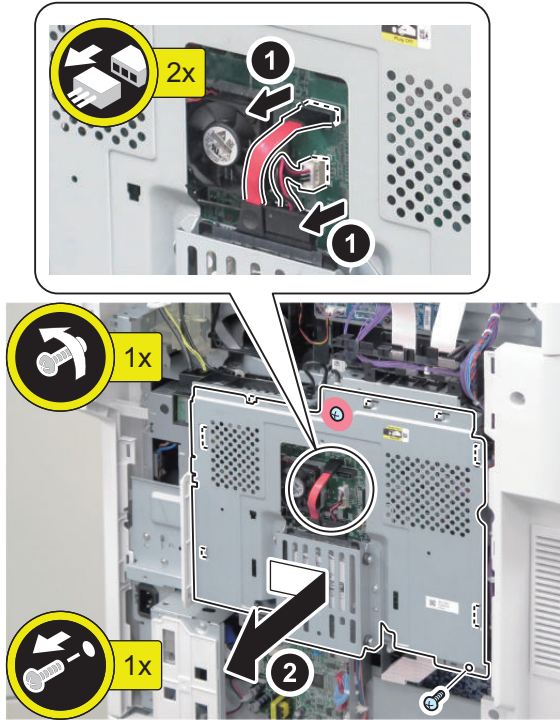
□
6.



7.

CAUTION:

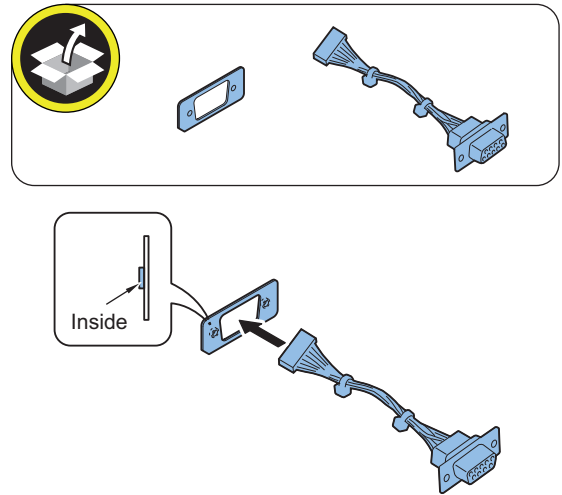
When handling the HDD, be careful not to vibrate or drop it.



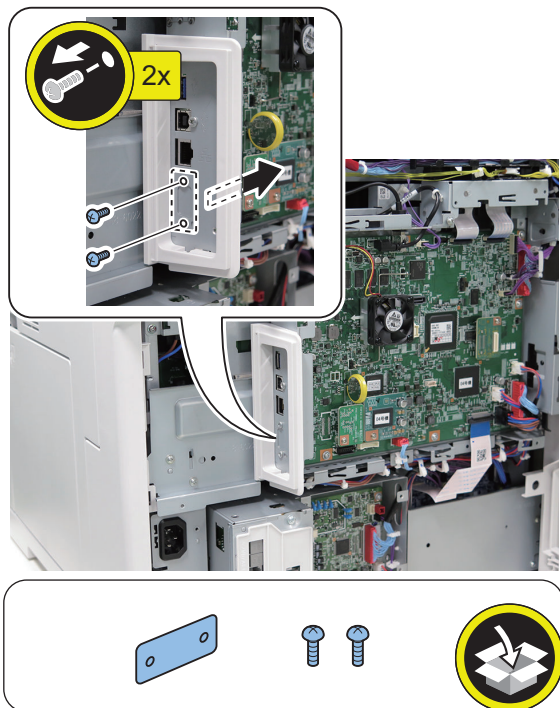
9.

CAUTION:

Be sure to install the D-SUB Support Plate so that the side with protrusions faces the direction as shown in the figure.



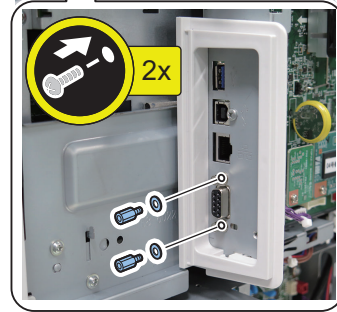
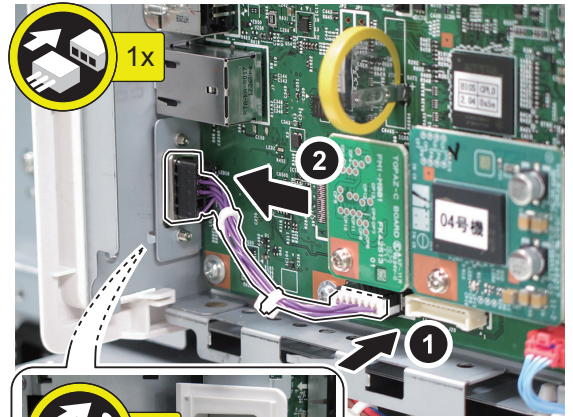
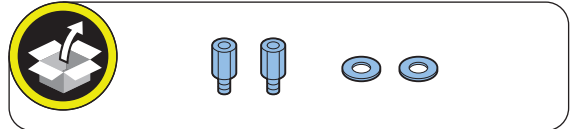
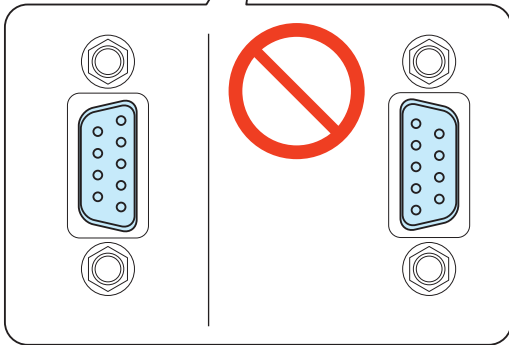
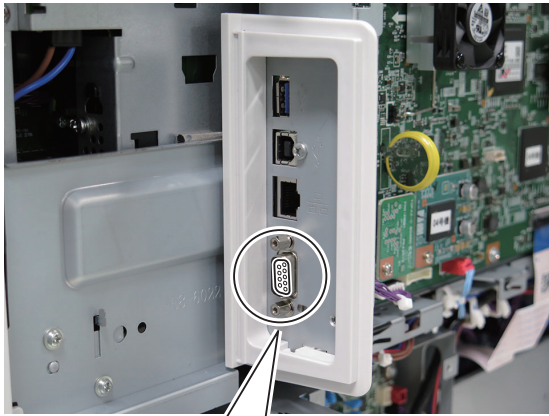
8.



10.

CAUTION:

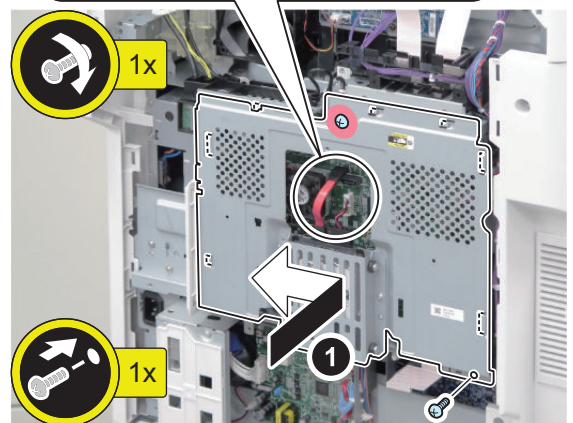
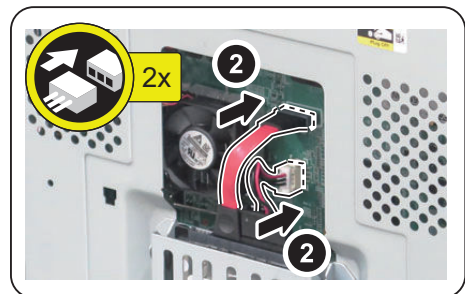
- Be careful not to drop the screws and washers. Dropping them may result in damage, so be sure to pick them up.
- Be sure to install the CC-VI Cable in the orientation shown in the figure.



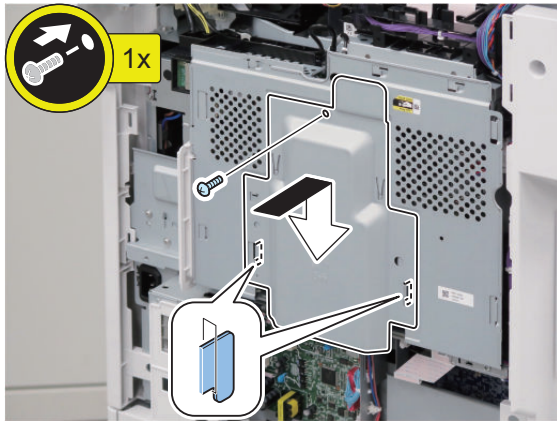
11.

CAUTION:

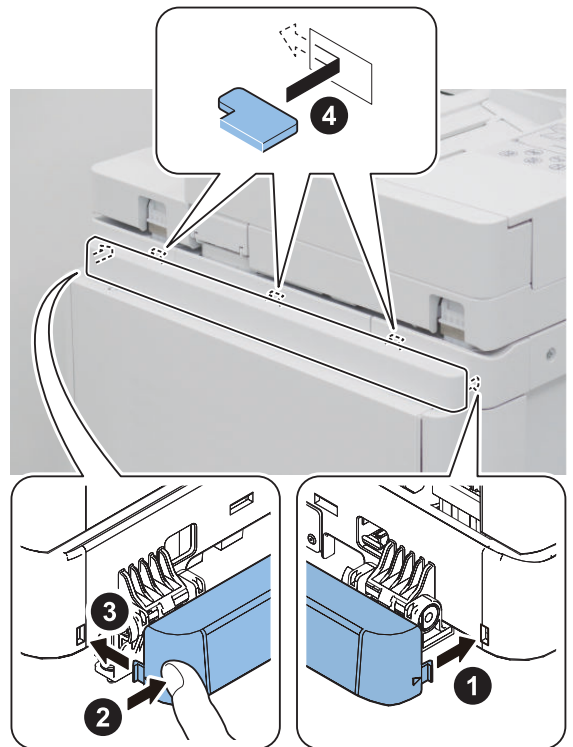
When handling the HDD, be careful not to vibrate or drop it.



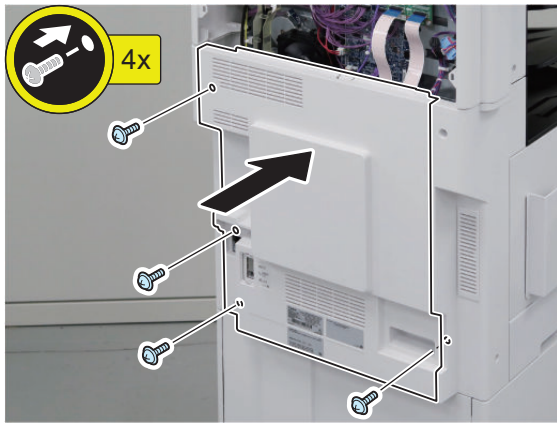
12.



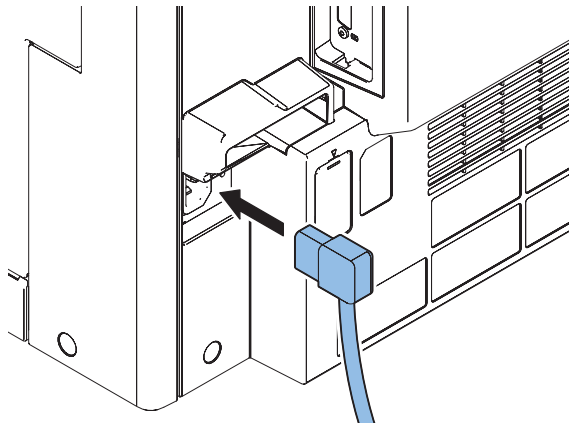
15.



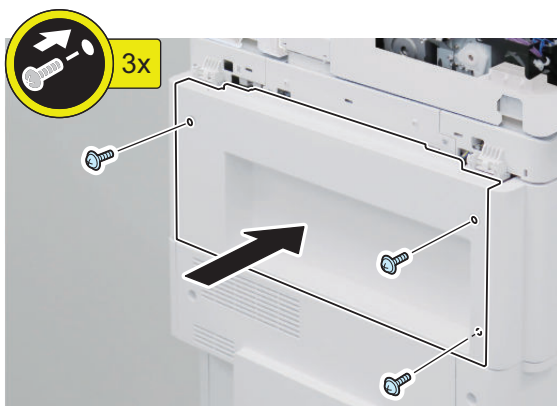
13.



16.

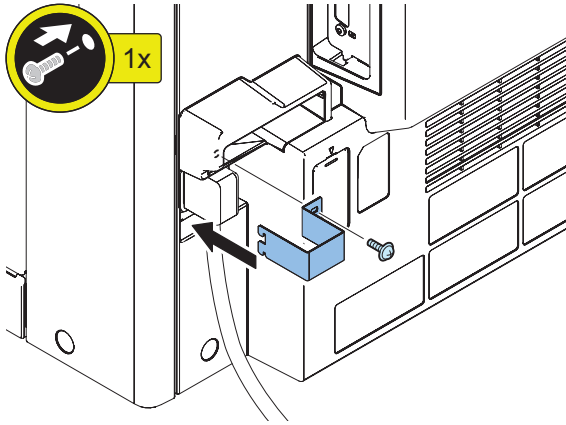


14. <When the Finisher is installed>





17. <Only in the case of 120 V products>



18. Turn ON the Main Power Switch.

Connection Kit-A2/A3 for Bluetooth LE

Points to Note at Installation

- When installing the IC Card Reader Installation Kit at the same time, install this equipment first.
- The pictures and illustrations used may differ from the actual product, but the procedures are the same.

Essential Items to Be Performed Before Installation

- Turn OFF the main power of the host machine, and disconnect the power plug from the outlet.

⚠ WARNING:

- If performing work without disconnecting the power plug of the host machine, it may cause electrical shock.
- If disconnecting the power plug without turning OFF the main power, it may cause damage of the machine.

- When turning OFF the main power, follow the below procedure.
 1. Turn OFF the main power switch of the host machine.
 2. The display in the Control Panel and the lamp of the main power are turned off.

Points to Note When Turning ON/OFF the Main Power

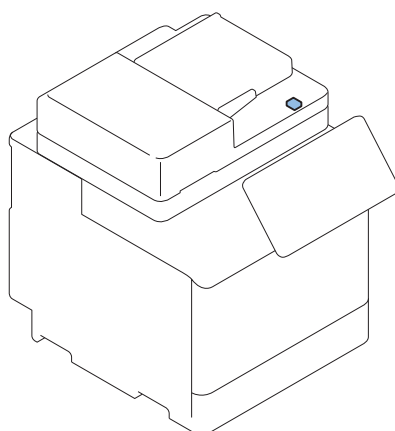
The following message is displayed.

1. When a message prompting to turn OFF and then ON the main power appears, turn OFF and then ON the main power switch.
2. If a message prompting the user to update the version appears, press [Update] to automatically update the version of this equipment.

If [Skip] is selected, a message prompting the user to update the version will appear every time the host machine is started. In the service mode (Lv. 2) shown below, it is possible to set not to display the message.

COPIER > OPTION > FNC-SW > VER-CHNG

Installation Outline Drawing



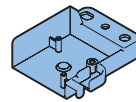






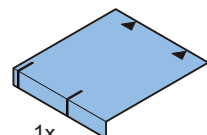



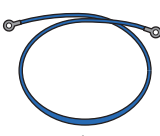



Checking the Contents

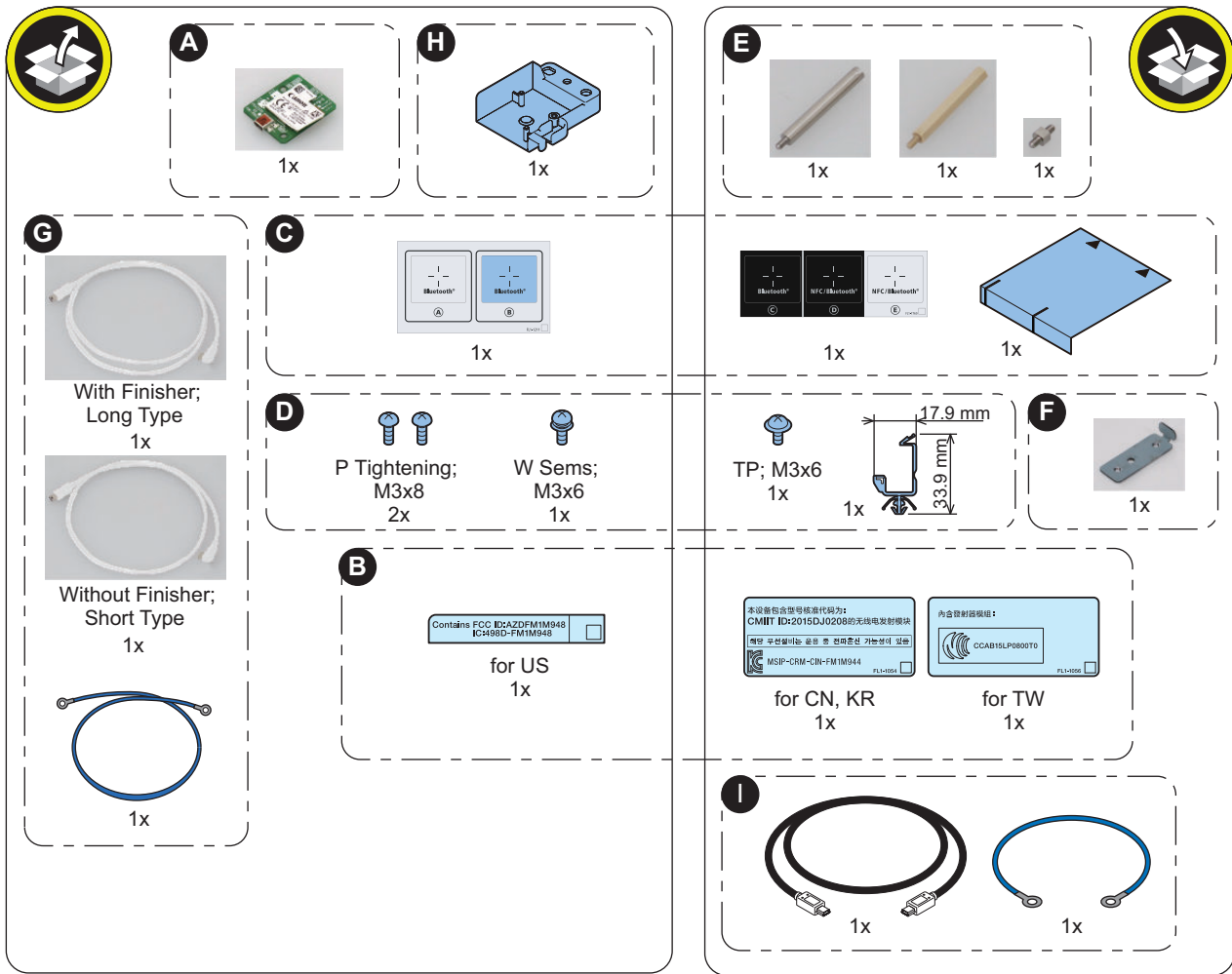
NOTE:

The required parts differ depending on the host machine to which this equipment is installed. Use A, C, D, G and H for this product.

< Connection Kit-A2 for Bluetooth LE >

	<p>A</p>  <p>1x</p>	<p>H</p>  <p>1x</p>	<p>E</p>  <p>1x 1x 1x</p>	
<p>G</p>  <p>With Finisher; Long Type 1x</p>  <p>Without Finisher; Short Type 1x</p>	<p>C</p>  <p>1x</p>	<p>C</p>  <p>1x</p>	 <p>1x</p>	
	<p>D</p>  <p>P Tightening; M3x8 2x</p> <p>W Sems; M3x6 1x</p>	<p>F</p>  <p>TP; M3x6 1x</p>	<p>F</p>  <p>1x</p>	
 <p>1x</p>	<p>B</p>  <p>for CN, KR 1x</p> <p>for TW 1x</p> <p>for US 1x</p>			

<Connection Kit-A3 for Bluetooth LE >



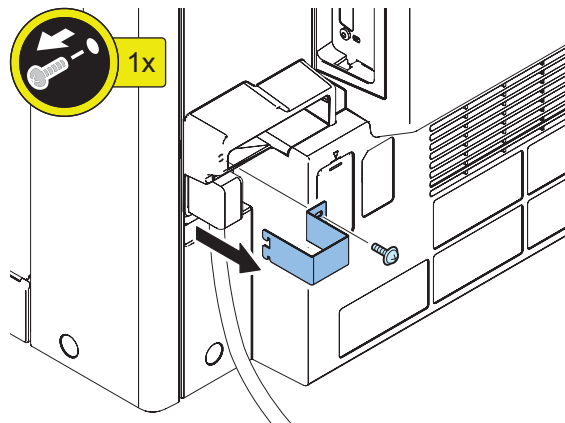
<Others>

- Guides are included

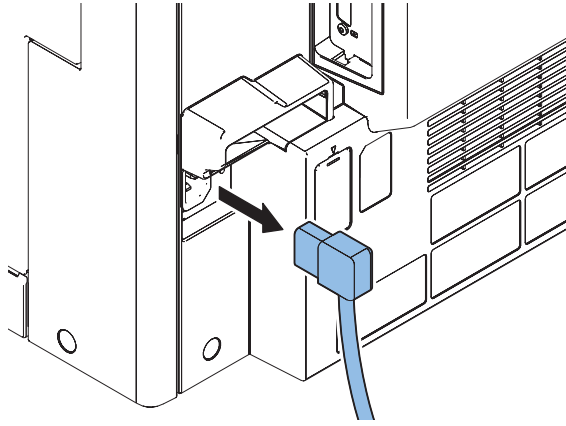
Installation Procedure



1. <Only in the case of 120 V products>



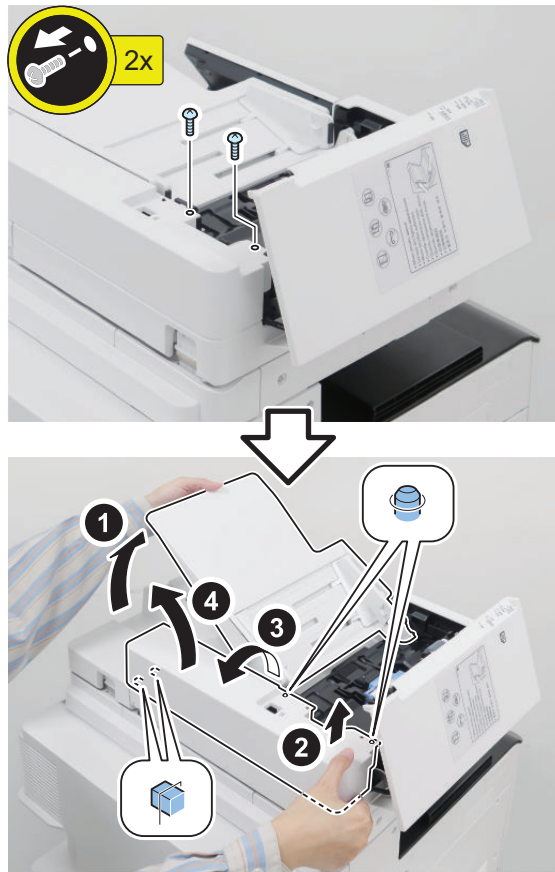
□
2.



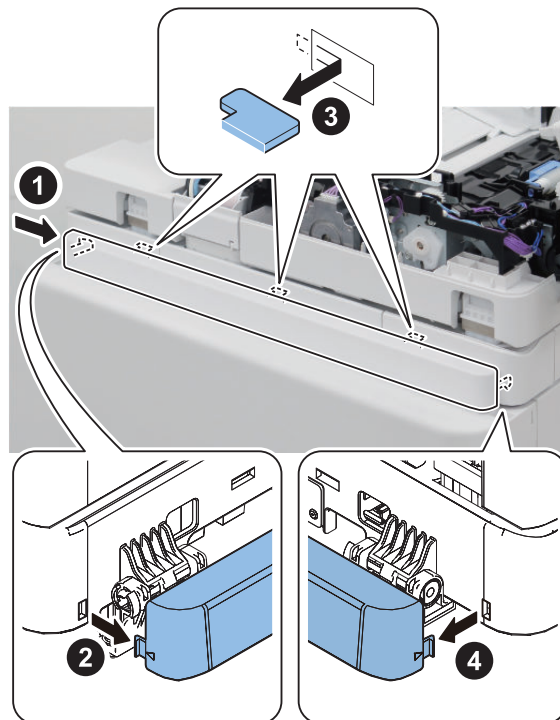
□
3.



□
4.

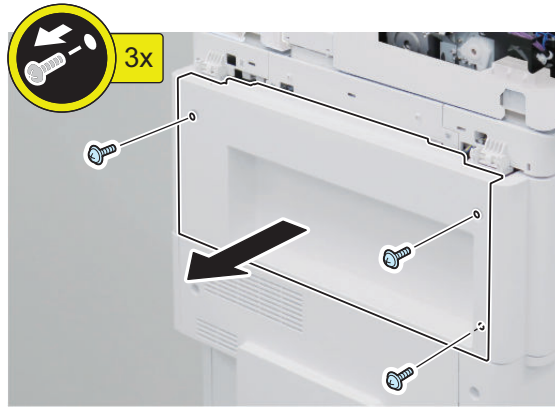


□
5.



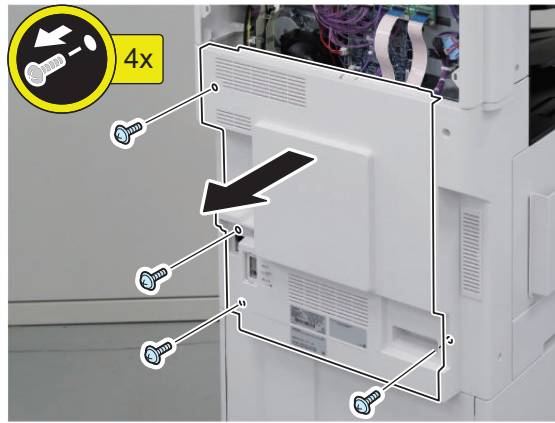
□

6. <When the Finisher is installed>



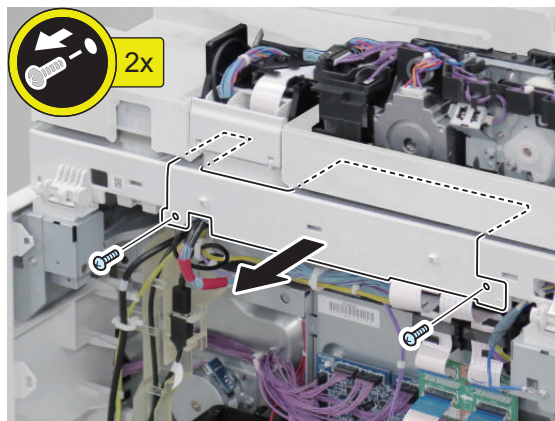
□

7.

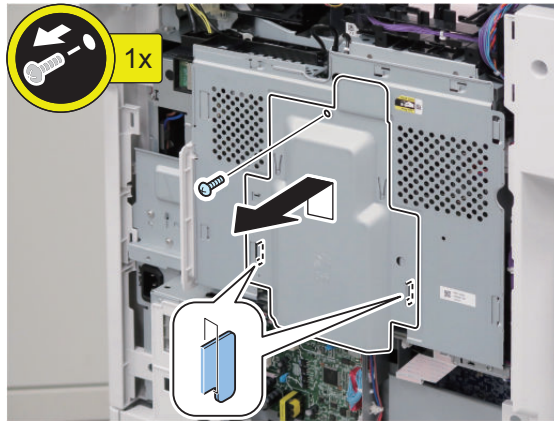


□

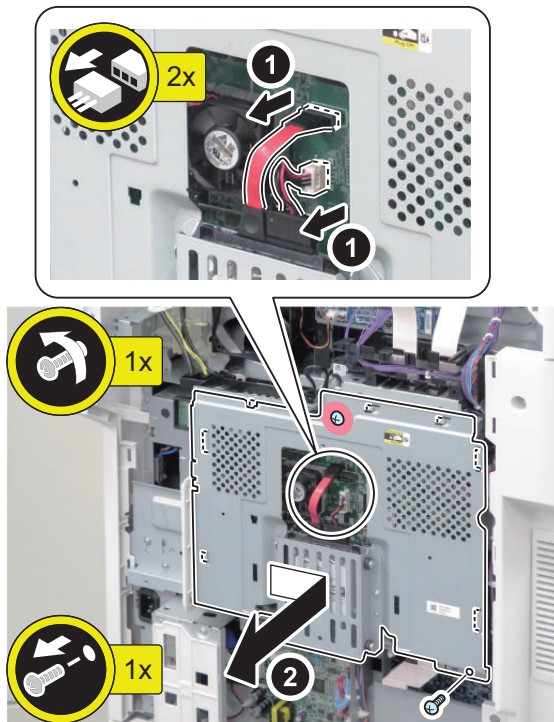
8.



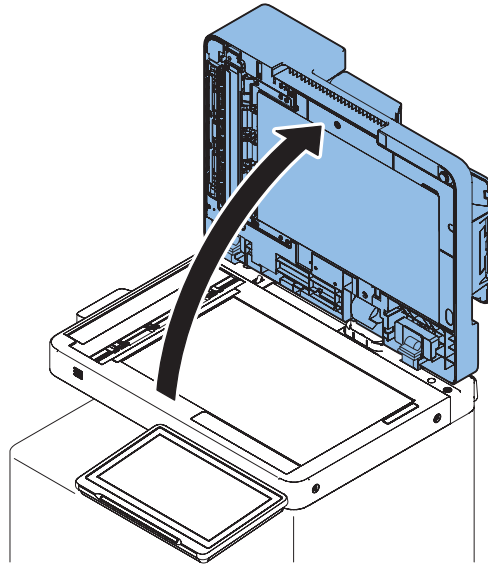
□
9.



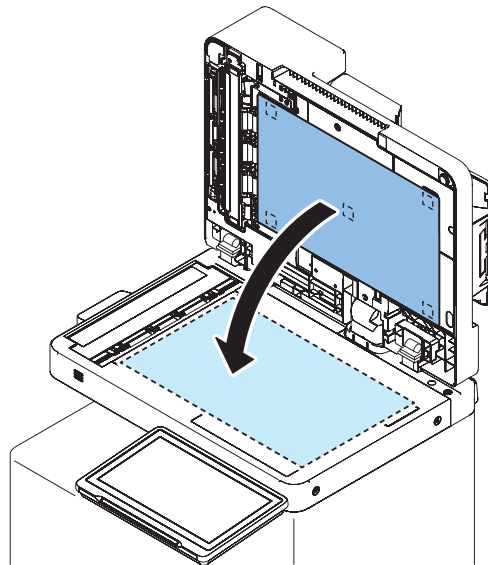
□
10.



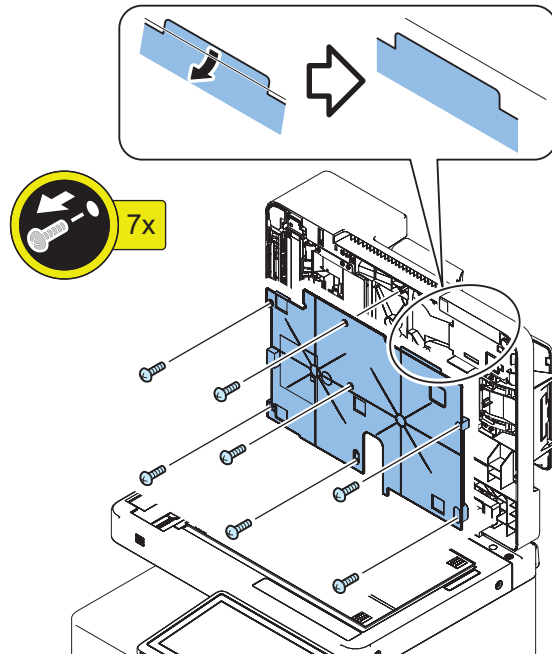
□
11.



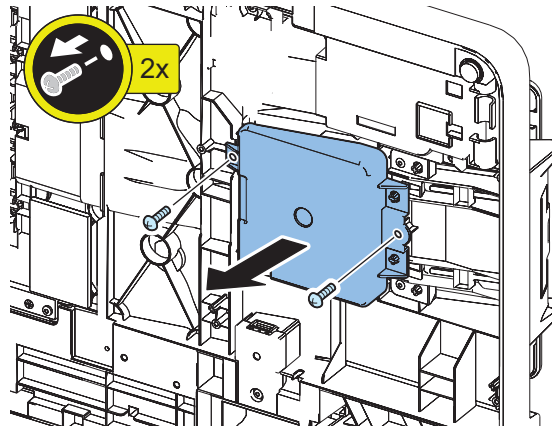
□
12.



□
13.

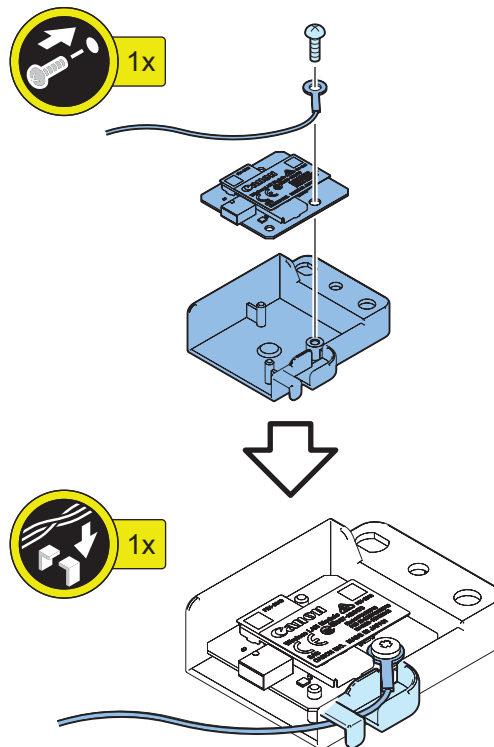
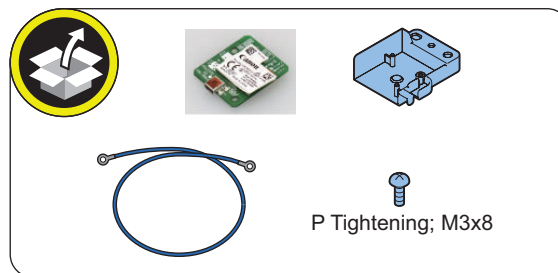
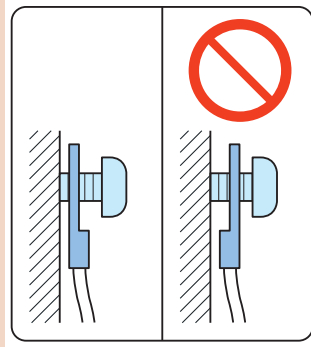


□
14.

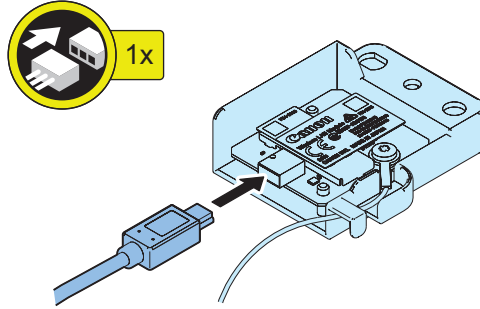
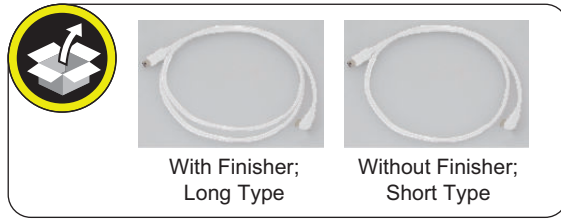


□
15.**CAUTION:**

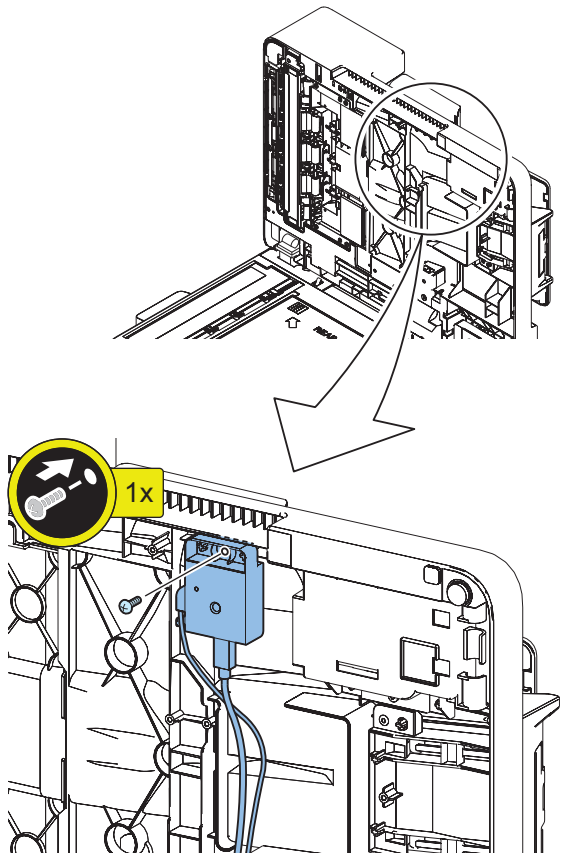
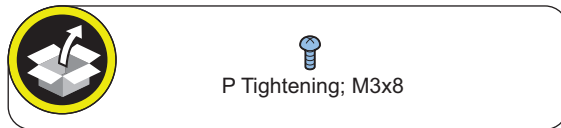
Be sure to install the Grounding Wire in the correct orientation.



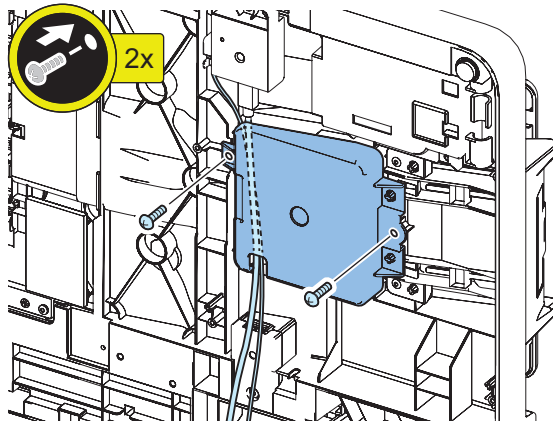
□
16.



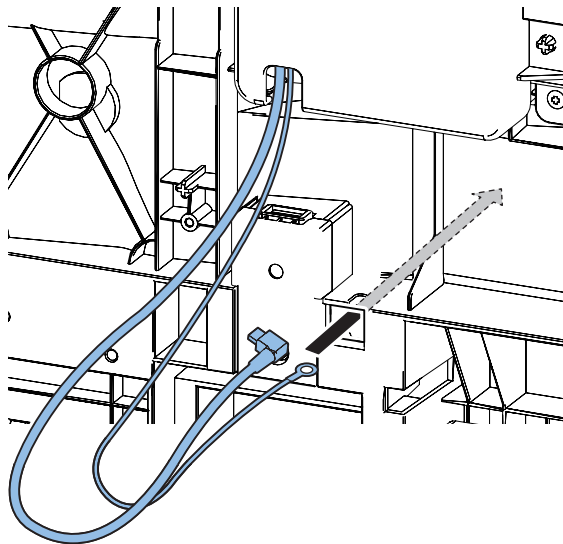
□
17.



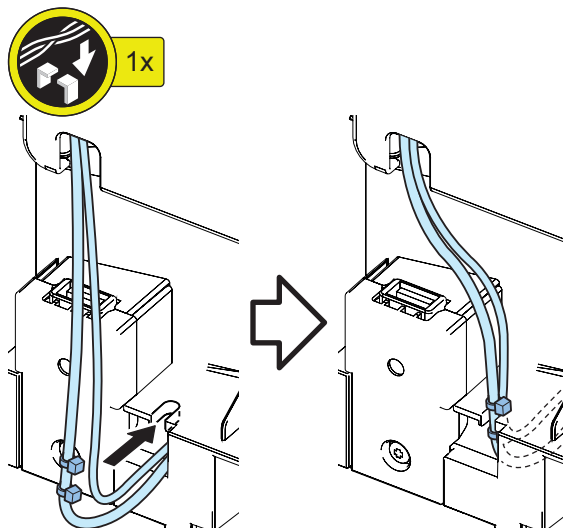
□
18.



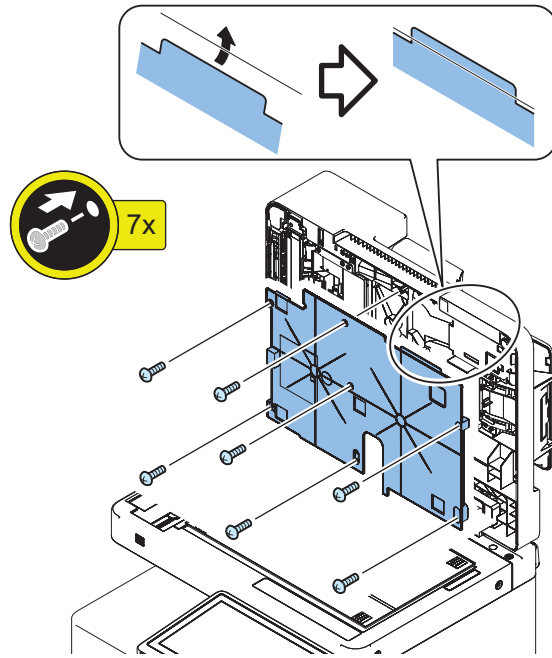
□
19.



□
20.

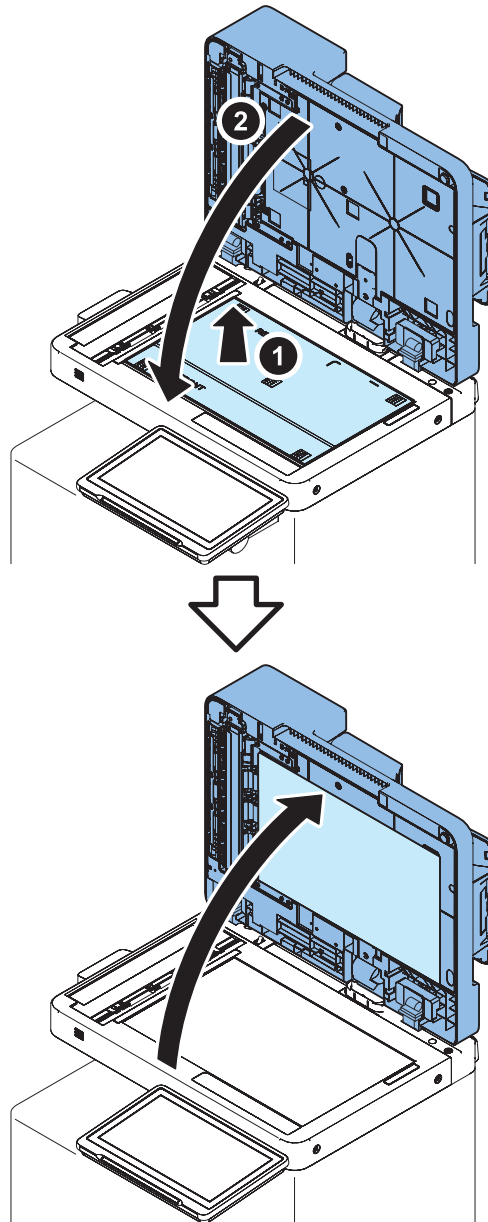
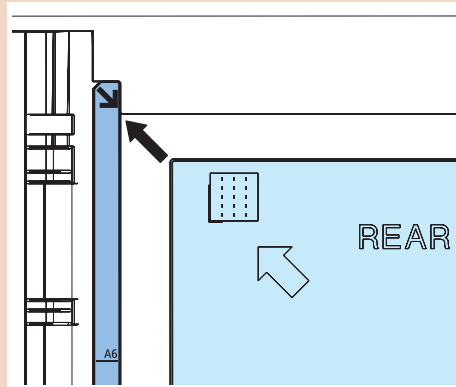


□
21.



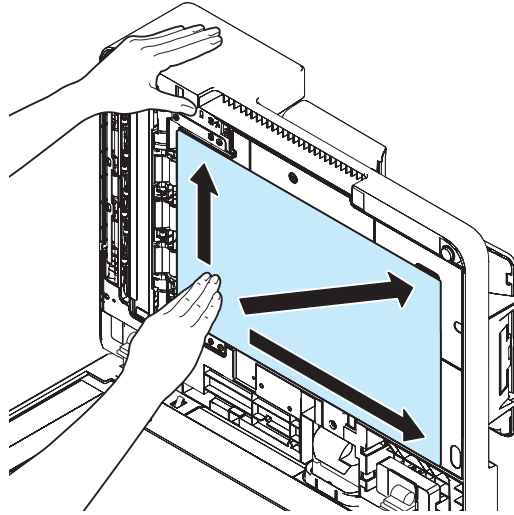
□
22.**CAUTION:**

Align the White Plate with the Index.



□
23.**CAUTION:**

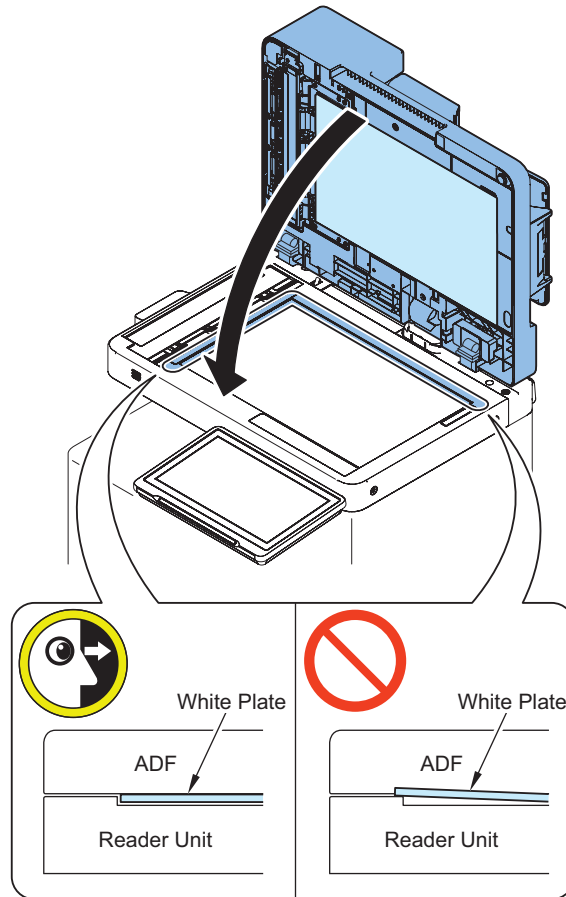
If the White Plate is pressed from top to bottom, it is placed on the Index Sheet, so be sure to press it from bottom to top.



□
24.**CAUTION:**

Check that the White Plate is not placed on the Index Sheet with this equipment closed.

- Be sure that there is no gap between the White Plate and the Index Sheet.
- The gap between the White Plate and the Index Sheet must be 0.3 mm or less as a reference.



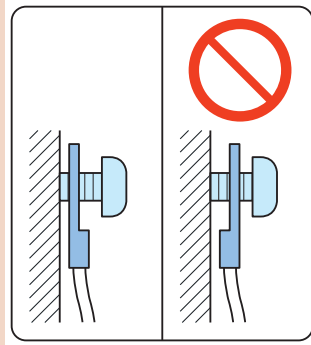
□
25.

NOTE:

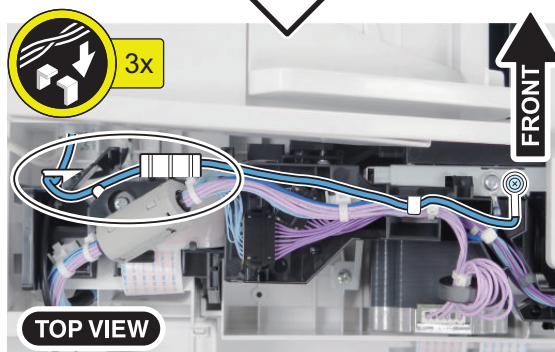
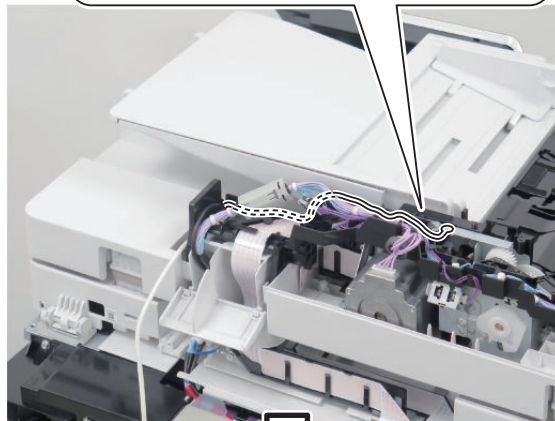
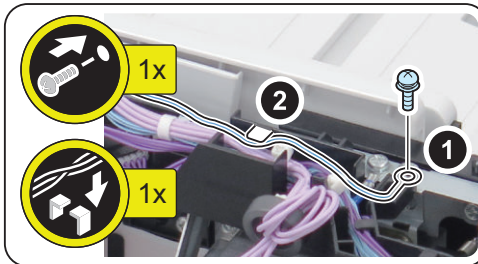
Pull out the Grounding Wire from the hole in which it was inserted in step 9 to install.

CAUTION:

Be sure to install the Grounding Wire in the correct orientation.

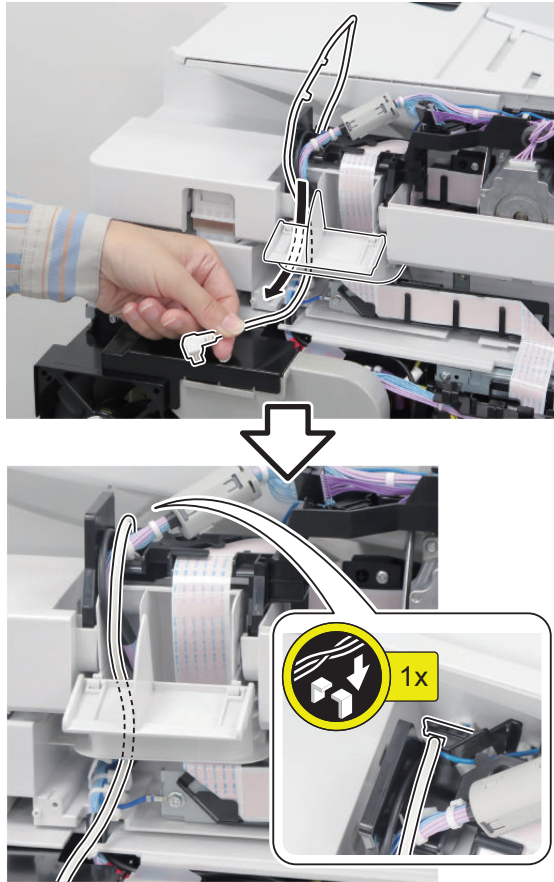


W Sems; M3x6

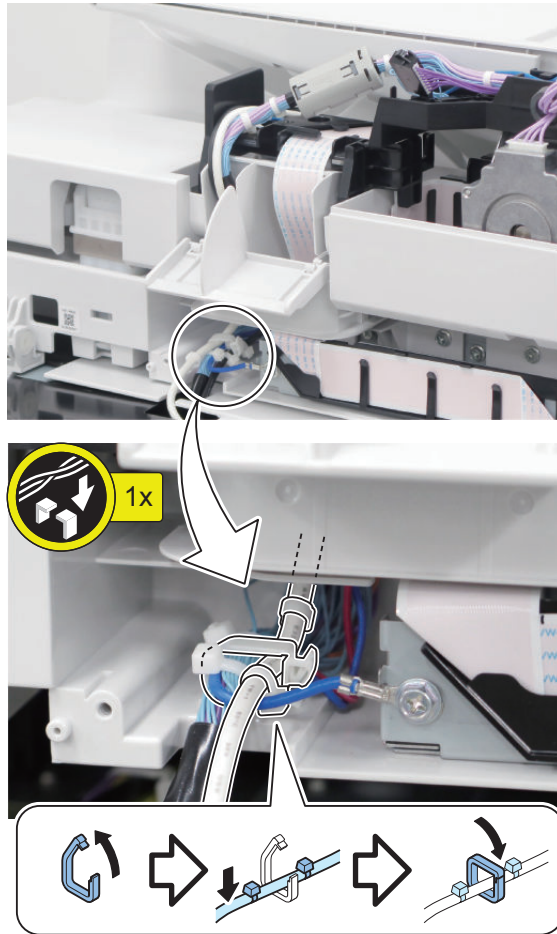


□
26.**NOTE:**

Pull out the cable from the hole in which it was inserted in step 9.

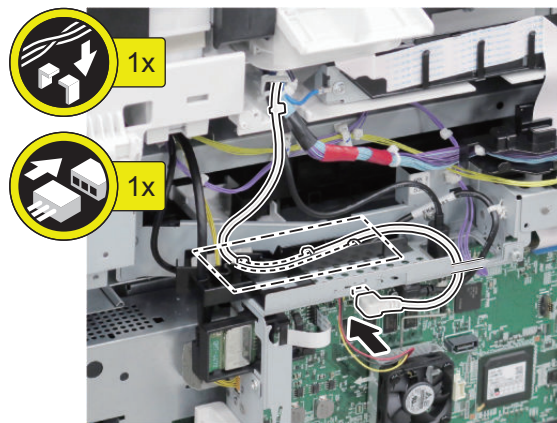


□
27.

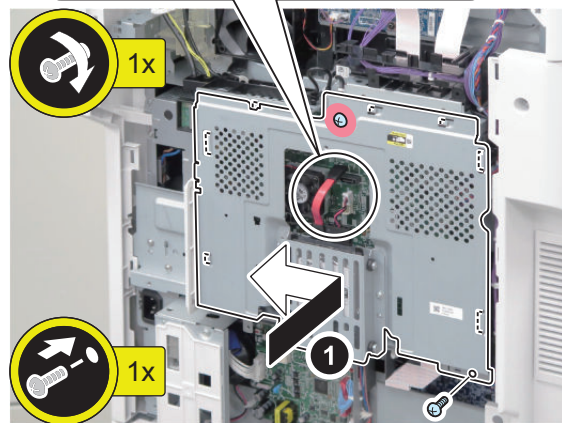
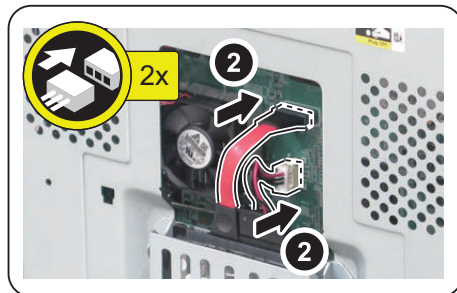
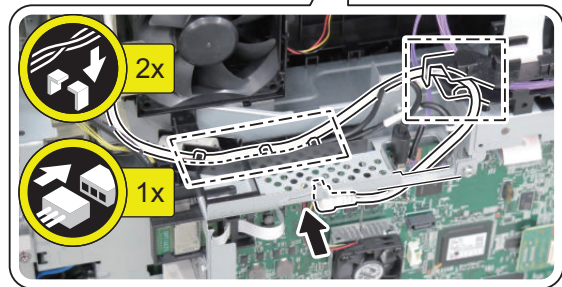
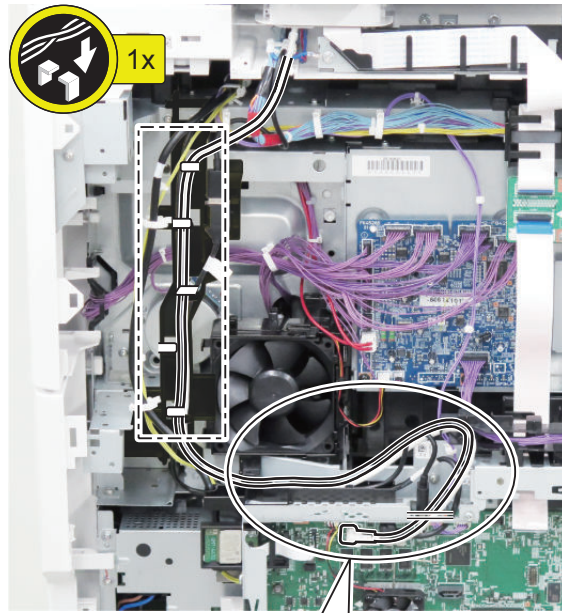


□
28.

<When the Finisher is not installed>

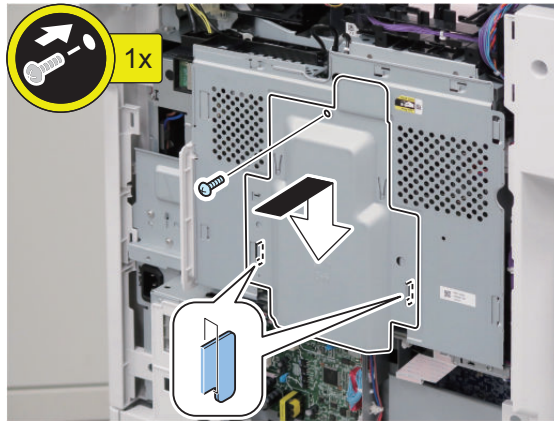


<When the Finisher is installed>

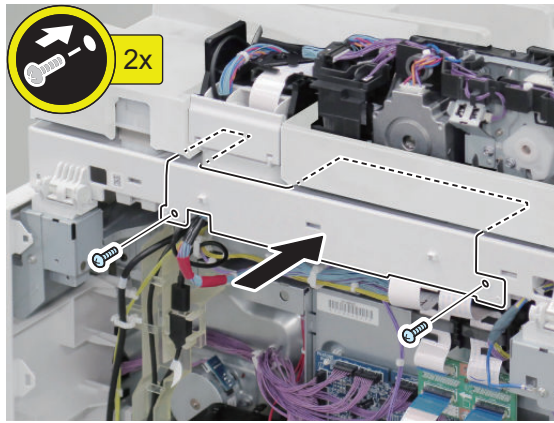


□
29.

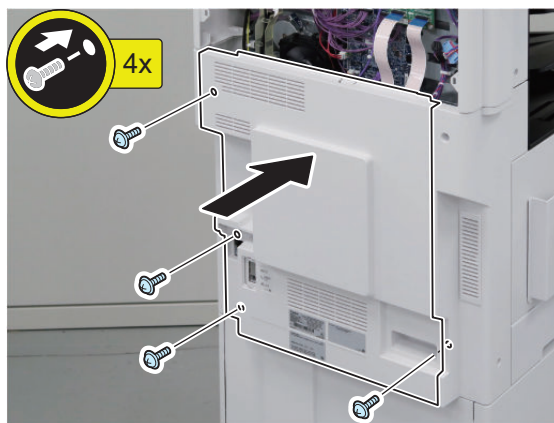
□
30.



□
31.

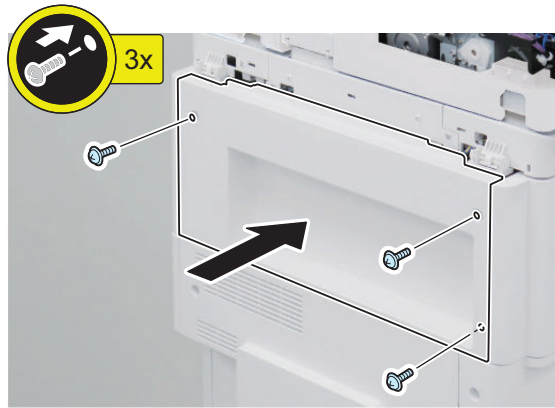


□
32.

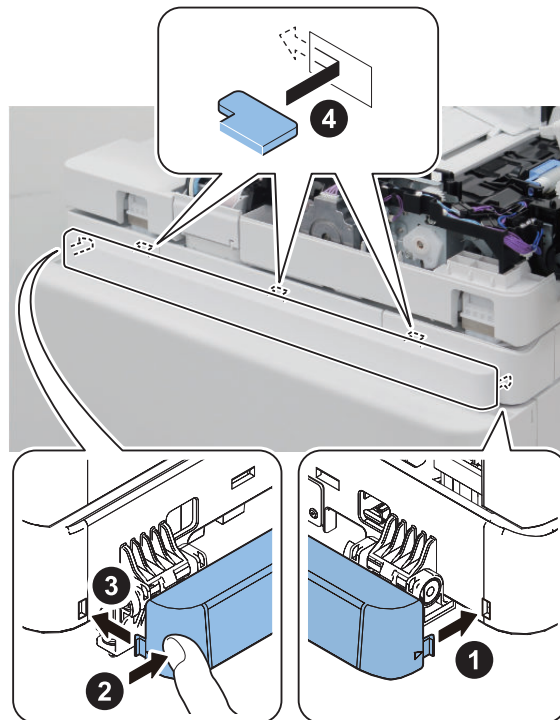


□
33.

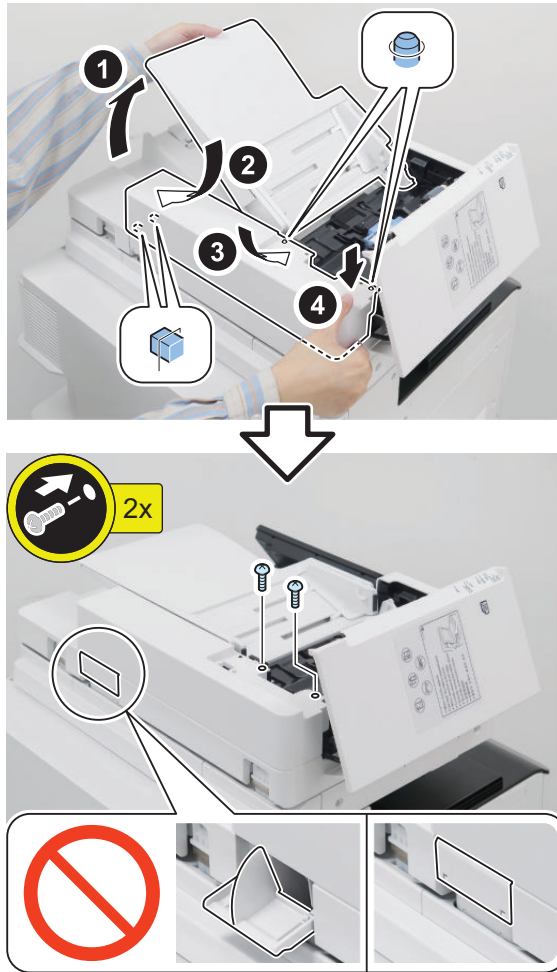
<When the Finisher is installed>



□
34.



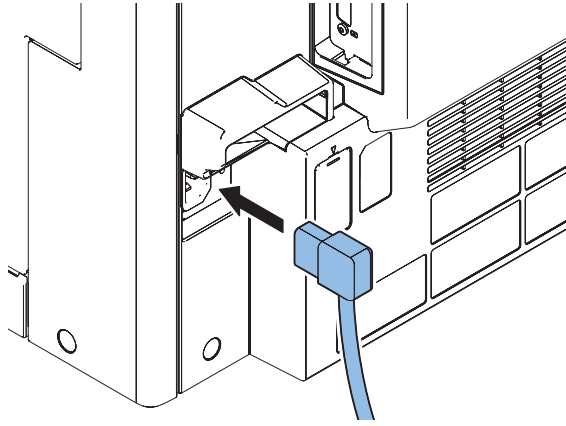
□
35.



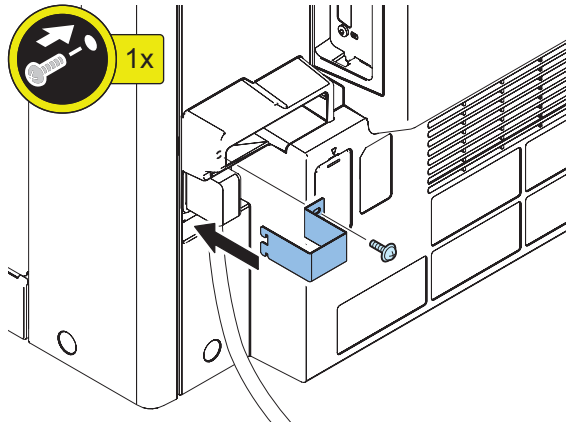
□
36.



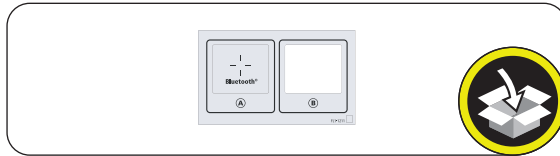
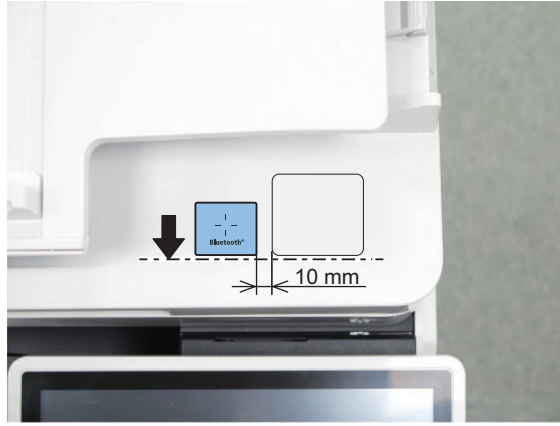
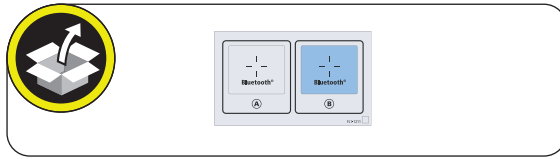
□
37.



□
38. <Only in the case of 120 V products>



□
39.



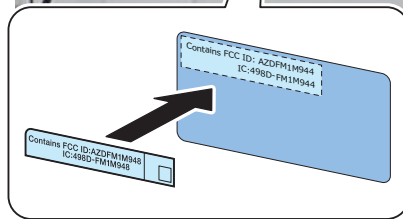
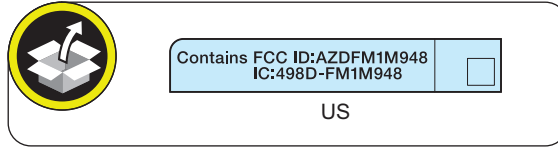
□
40.

NOTE:

Affixing the Approval Label is not required in countries/regions other than the following.

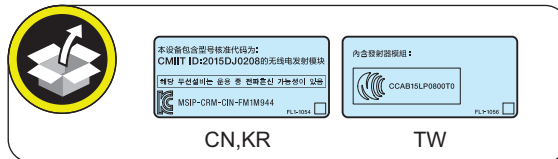
<For US>

Affix it over the number on the Wireless LAN Approval Label.



<For KR and TW>

Affix it over the Wireless LAN Approval Label.



Setting after Installation



1. Connect the power plug of the host machine to the outlet.
2. Turn ON the main power switch.
3. Enter service mode, and set the value to "1".
COPIER >FUNCTION > INSTALL > BLE-USE

NOTE:

When [System Manager Information Settings] is set, it is required to log in as a system manager in accordance with instructions of the user administrator.

4. Select [Settings/Registration] > [Preferences] > [Network] > [Confirm Network Connection Setting Changes], and set the item [ON].
5. Select [Settings/Registration] > [Preferences] > [Network] > [Bluetooth Settings] > [Use Bluetooth] > [ON].
6. The message "Perform Apply Setting Changes from Settings/Registration" appears at the bottom of the Touch Panel Display.
7. Press [Settings/Registration] > [Apply Setting Changes] > [Yes].

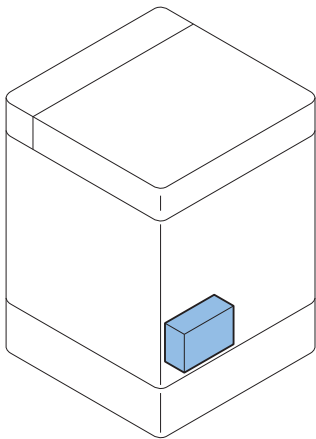
Super G3 FAX Board-AY1

Checking before Installation

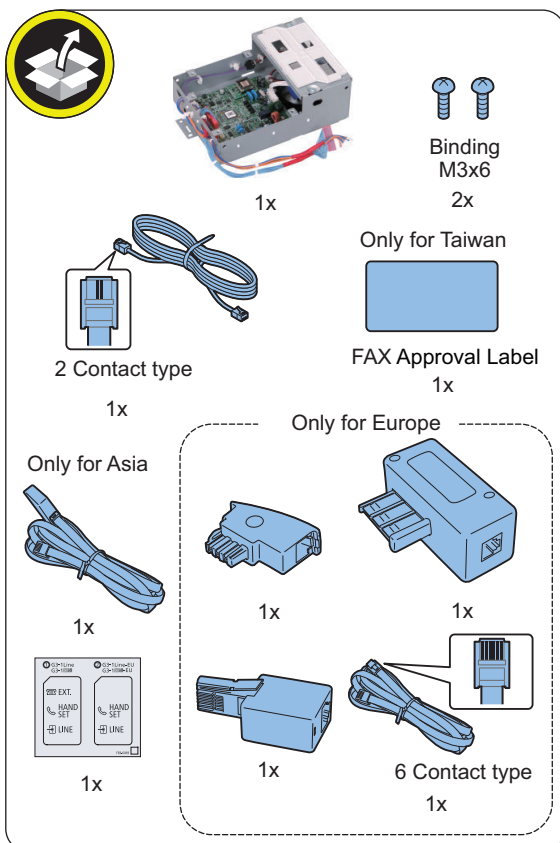
Points to Note when Installing

- Although the figure shows a model without the Finisher, the same procedure applies to the one with the Finisher.
- Although pictures or illustrations used for explanation may differ from the actual products, the procedure is the same.

Installation Outline Drawing



Checking the Contents



<Others> Including guides

Essential Items to Be Performed Before Installation

- Turn OFF the main power of the host machine, and disconnect the power plug from the outlet.

WARNING:

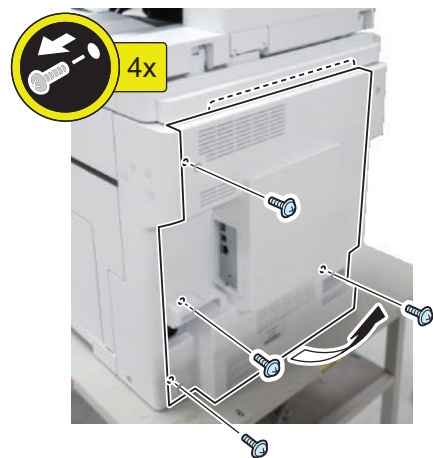
- If performing work without disconnecting the power plug of the host machine, it may cause electrical shock.
- If disconnecting the power plug without turning OFF the main power, it may cause damage of the machine.

- When turning OFF the main power, follow the below procedure.
 1. Turn OFF the main power switch of the host machine.
 2. The display in the Control Panel and the lamp of the main power are turned off.

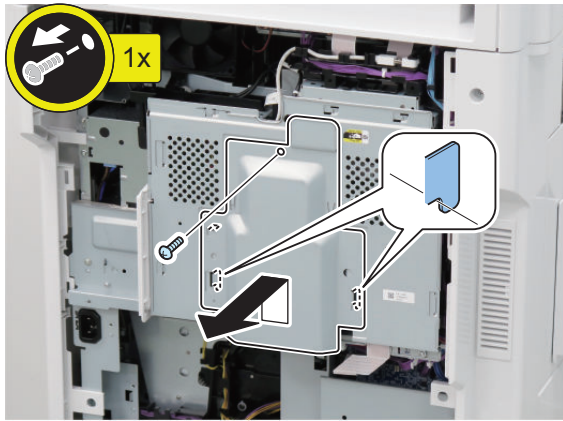
Installation Procedure

Removing the Covers

1.



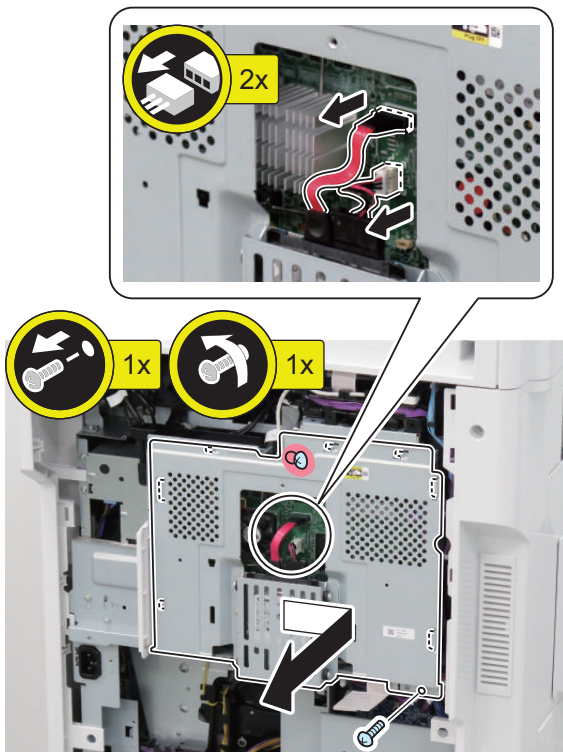
□
2.



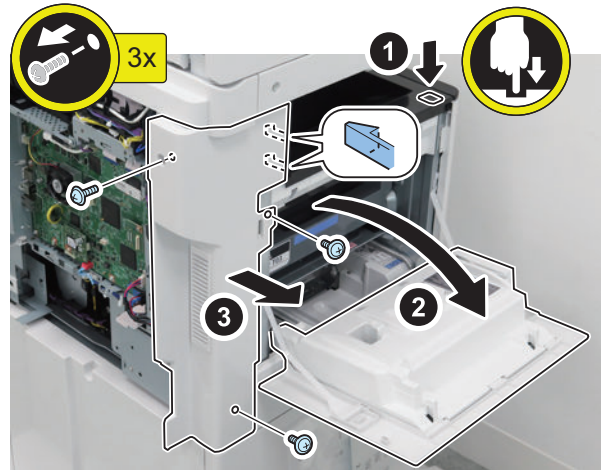
□
3.

CAUTION:

When handling the HDD, be careful not to vibrate or drop it.



□
4.



• Installing the Fax Unit

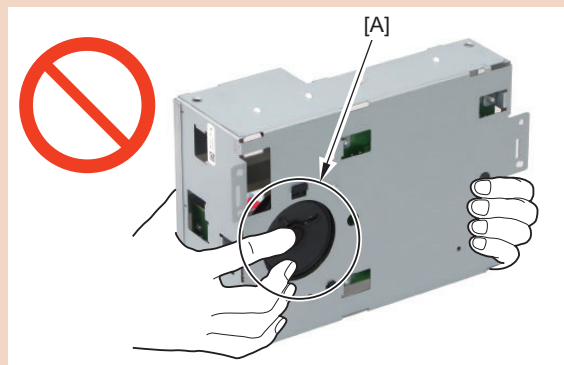
□
1.

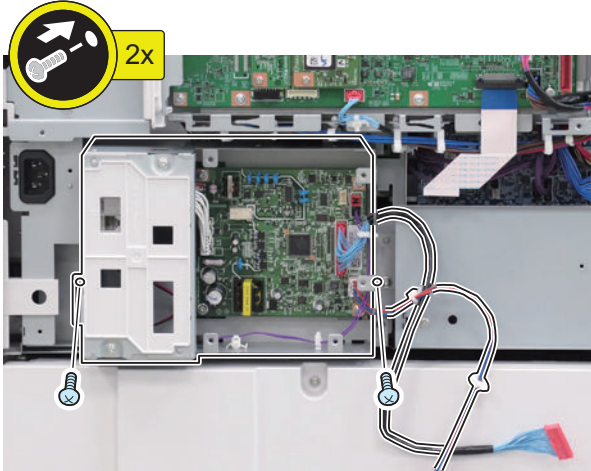
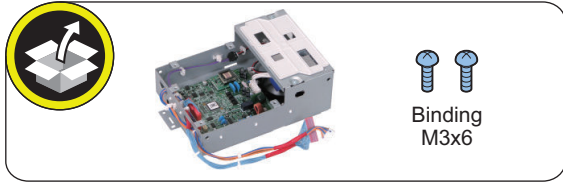
NOTE:

Remove the packing tape if any.

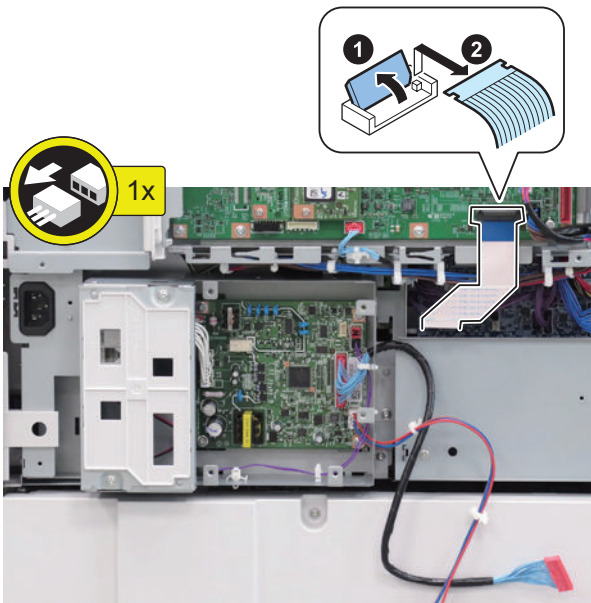
CAUTION:

- When installing the FAX Unit, be careful not to trap the 2 Cables of the FAX Unit.
- Do not directly touch the speaker [A] of the FAX Unit.
- Be sure not to damage the speaker [A].

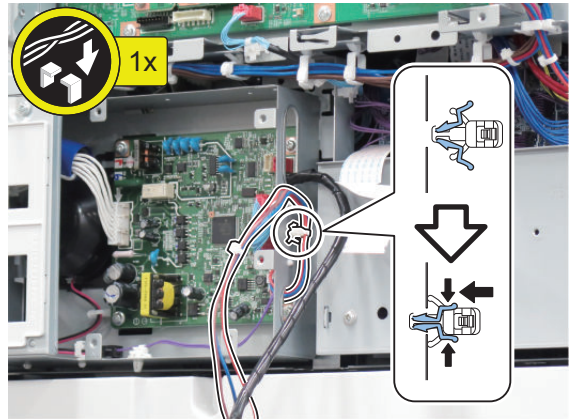




2.



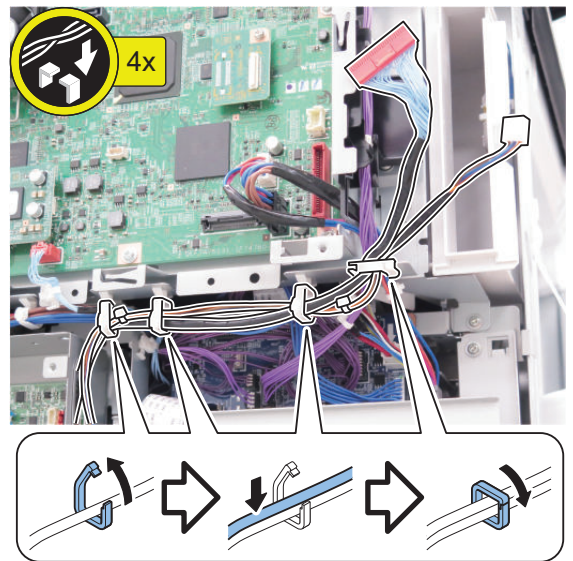
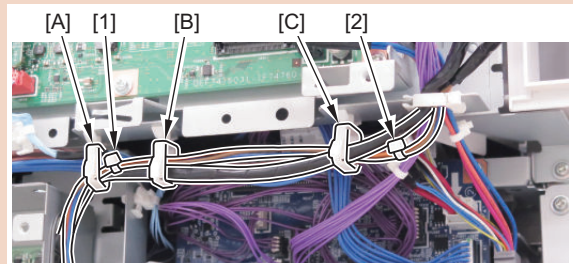
3.



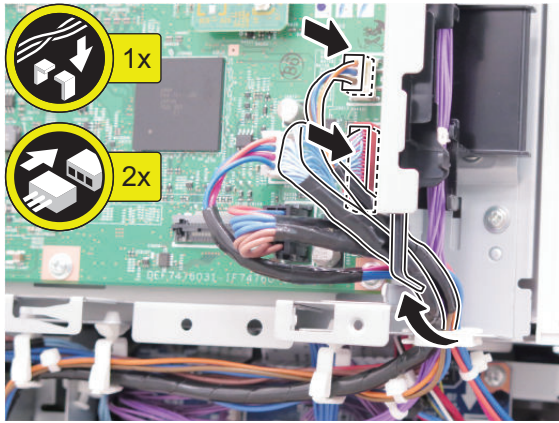
4.

CAUTION:

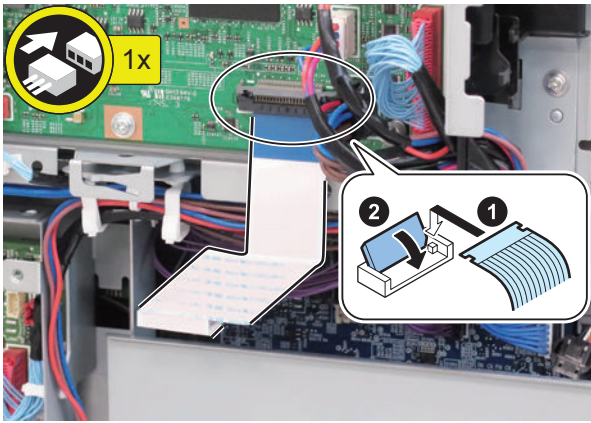
- Fix the tie-wrap between the wire saddles [A] and [B].
- Fix the tie-wrap on the right side of the wire saddle [C].



5.

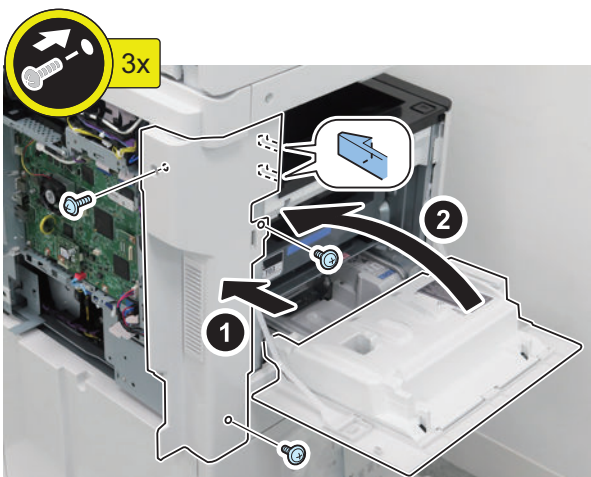


6.



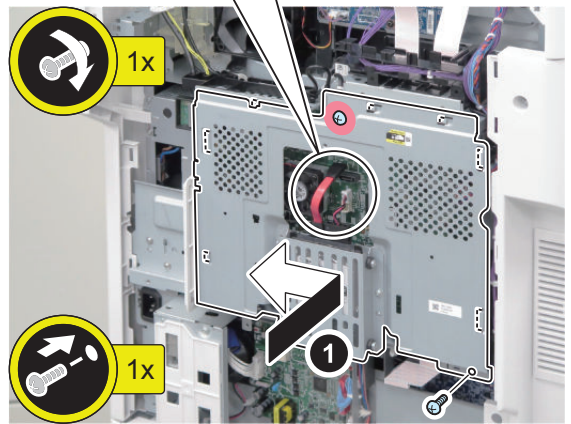
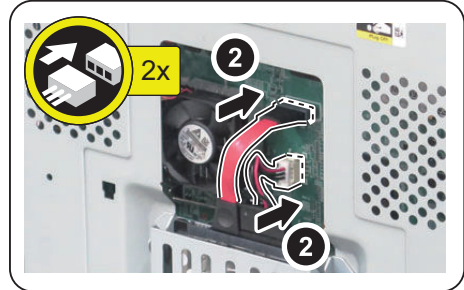
• Installing the Covers

1.

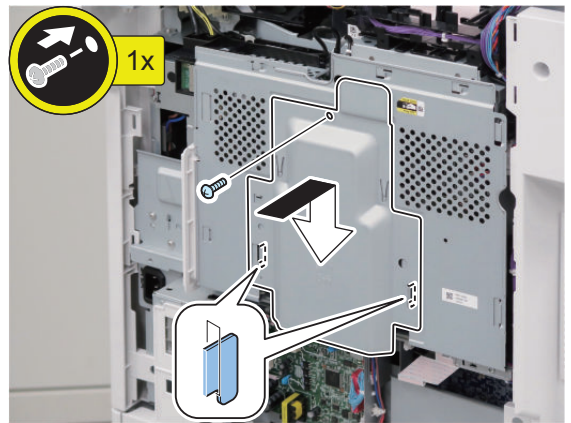


2.

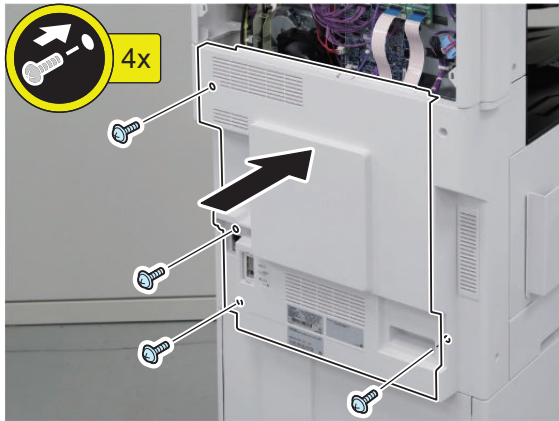
CAUTION:
When handling the HDD, be careful not to vibrate or drop it.



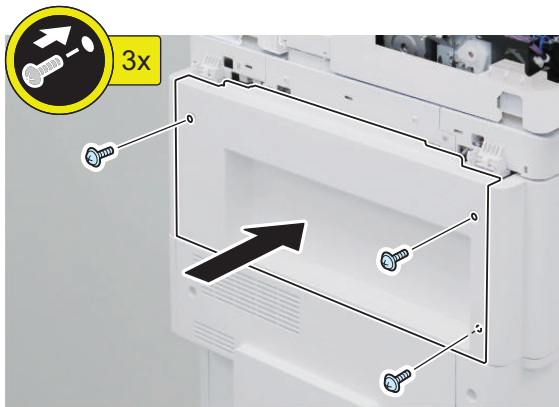
3.



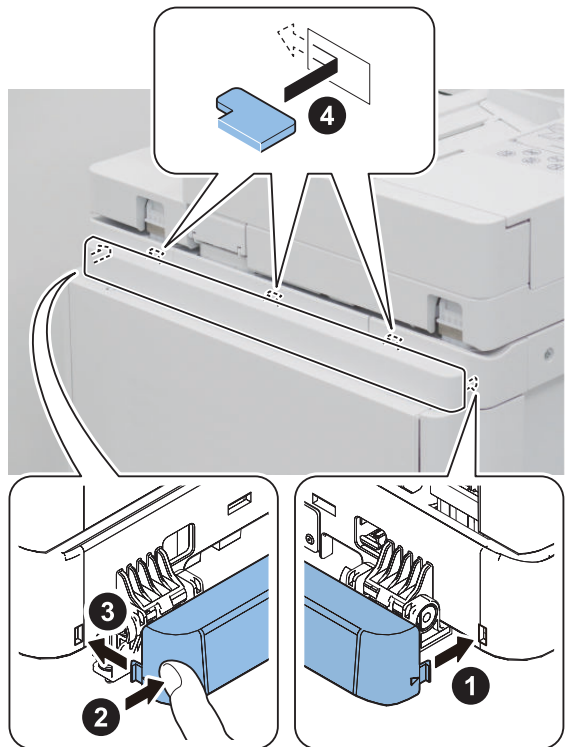
□
4.



□
5. <When the Finisher is installed>



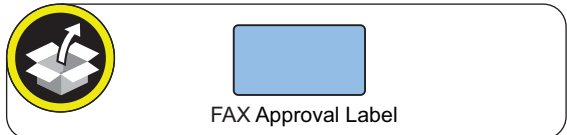
□
6.



• Subsequent Work

□
1.

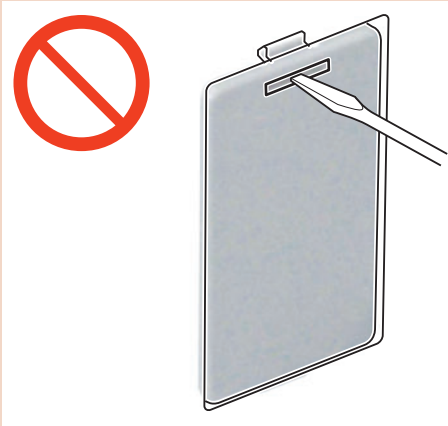
NOTE:
This step is only for Taiwan.



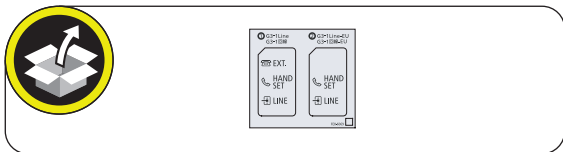
2.

CAUTION:

Do not insert a screwdriver into the hole when removing the Small Cover.



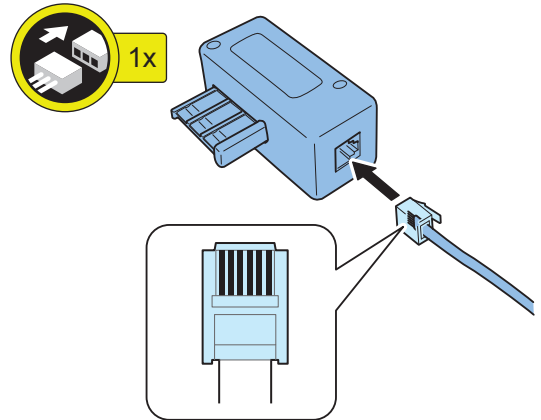
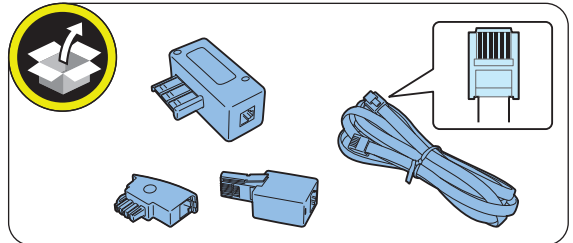
3.



4.

NOTE:

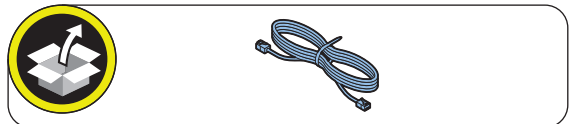
- This step is only for Europe.
- Do not connect the telephone cord (2 core) to PTT plugs.
- Connect the PTT cable (6 core) to the PTT Plug appropriate for the country/region.



5.

NOTE:

Connect one end of the PTT cable or the Telephone Cord (whichever appropriate for the country/region) to the modular jack on the host machine and the other end to the modular jack on the wall.





- 6.** Connect the power plug to the outlet.
- 7.** Turn ON the Main Power Switch.

■ Operation Check

● Type Setting



1. From the following service mode, check that the type setting of Fax board is set to the correct location (country/region) and press OK.
FAX > TYPE > TYPE
2. Check that the value of the following service mode is "0". If it is "1", change it to "0".
COPIER > OPTION > DSPLY-SW > SDTM-DSP

NOTE:

To change parameter to "0" makes no show below [Settings/Registration > Preferences > Time/Energy Settings > Auto Shutdown Time] and auto shut down is not available.

3. After setting the user telephone number, turn OFF and then ON the main power switch.

● Basic Setting

NOTE:

When "System Manager Information Settings" is set, be sure to follow the direction of user administrator in order to log in as an administrator.

In this section, make only minimum settings required for FAX communication.



1. **Set the user telephone number.**
[Settings/Registration] > [Function Settings] > [Send] > [Fax Settings] > [Set Line] > [Line 1] > [Register Unit Telephone Number] > Enter the fax number > [OK]
2. **After setting the user telephone number, turn OFF and then ON the main power switch.**

● FAX Communication Test

Perform communication test to check if FAX function works correctly.



1. **Switch the control panel display to Send/Fax display.**
2. **Send the test document from this machine to another machine that can handle the**

communication test to check that this machine can send the data correctly.

3. **Send the test document from the target to this machine to check if the machine can receive the document properly.**



APPENDICES

Service Tools.....	745
General Circuit Diagram	746
Software Counter Specifications.....	752
Removal.....	756
List of Service Modes That Can Be Restored.....	759

Service Tools

Special Tools

None.

Solvents and Oils

None.

General Circuit Diagram

Host machine

"DC Controller PCB/Low-Voltage Power Supply PCB/High-Voltage Power Supply PCB/Main Controller PCB" on page 747

"Main Controller PCB/FAX PCB/Modular PCB" on page 748

"Finisher Controller PCB" on page 749

Control Panel

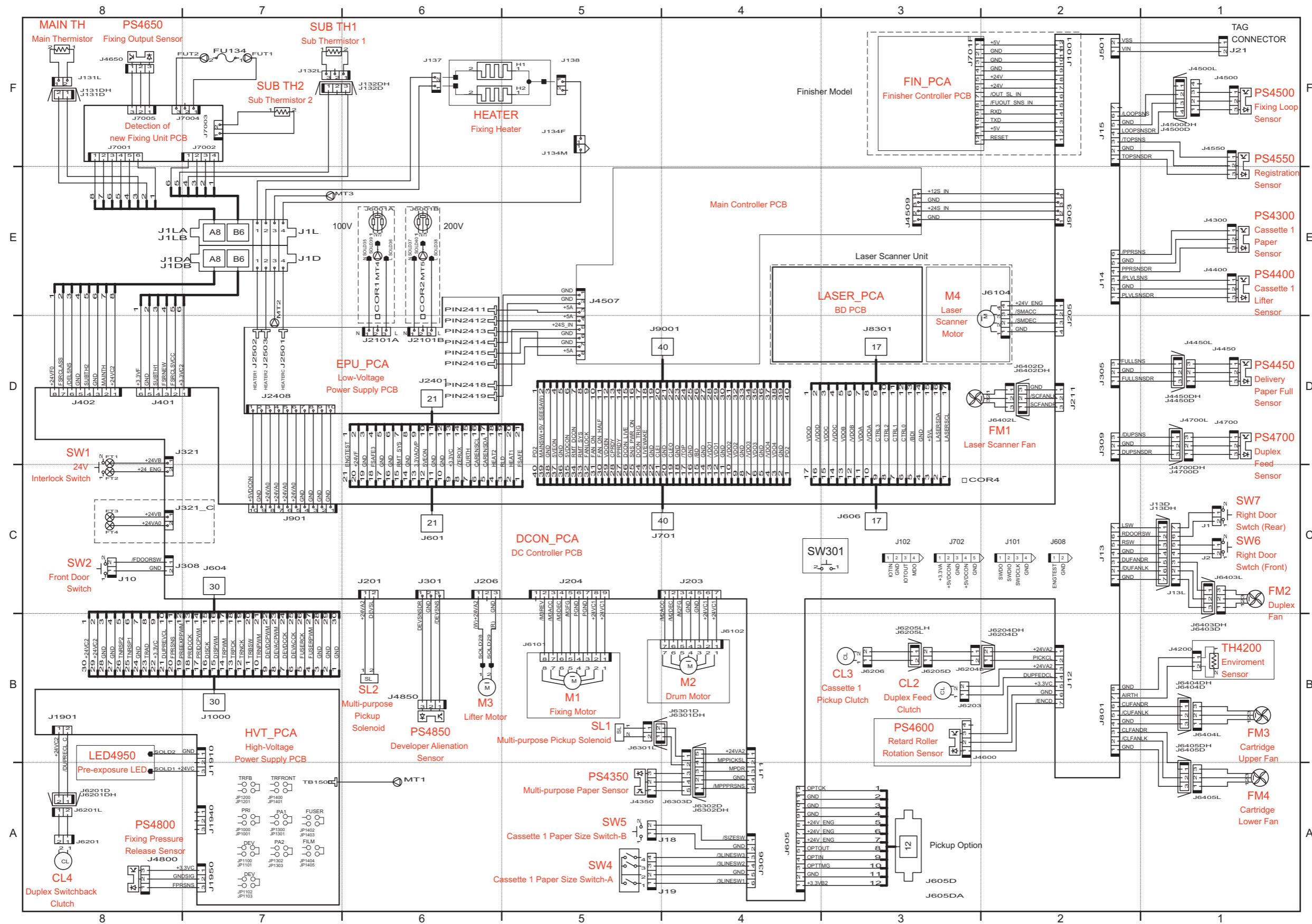
"Control Panel" on page 750

ADF

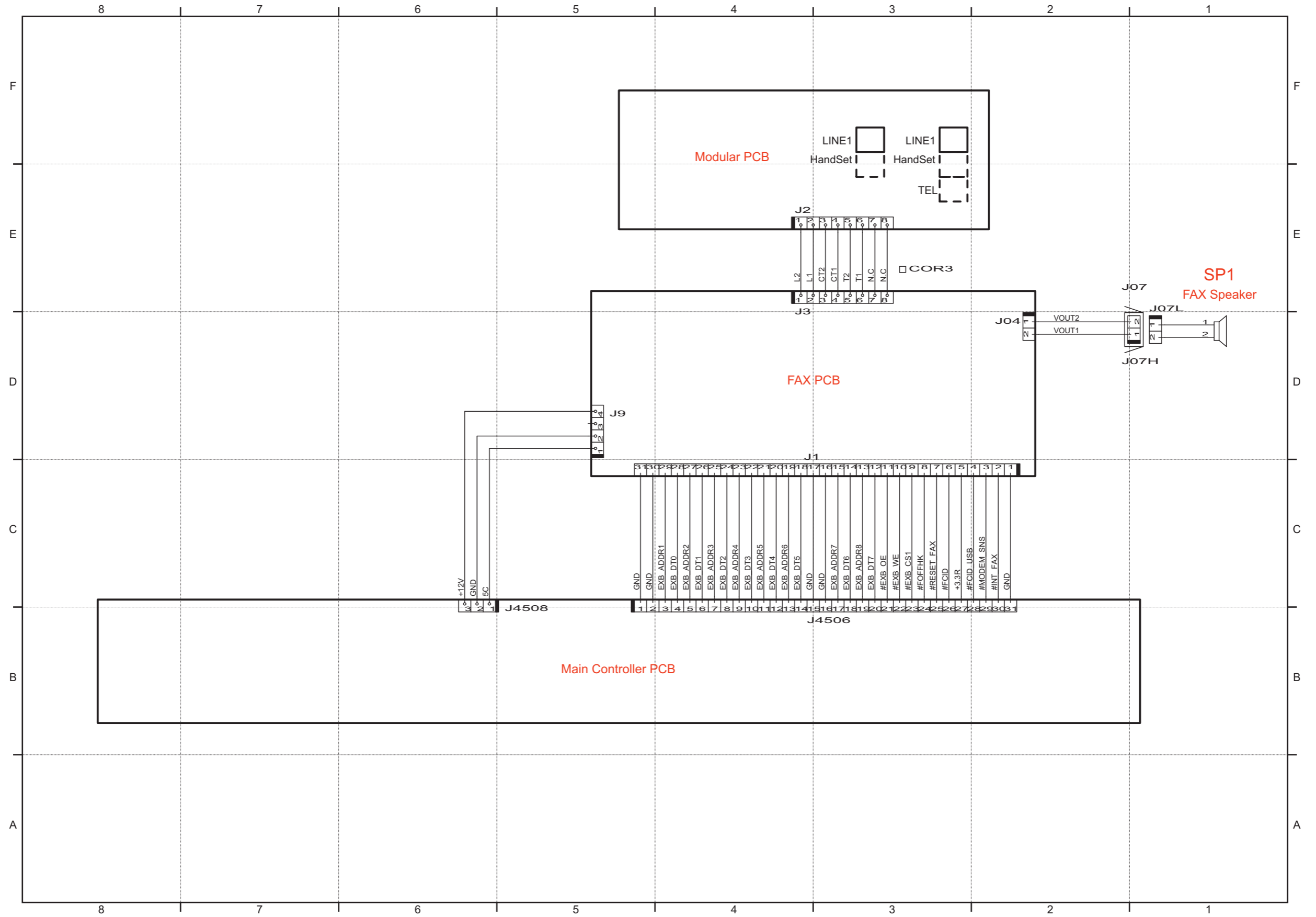
"ADF" on page 751



DC Controller PCB/Low-Voltage Power Supply PCB/High-Voltage Power Supply PCB/Main Controller PCB

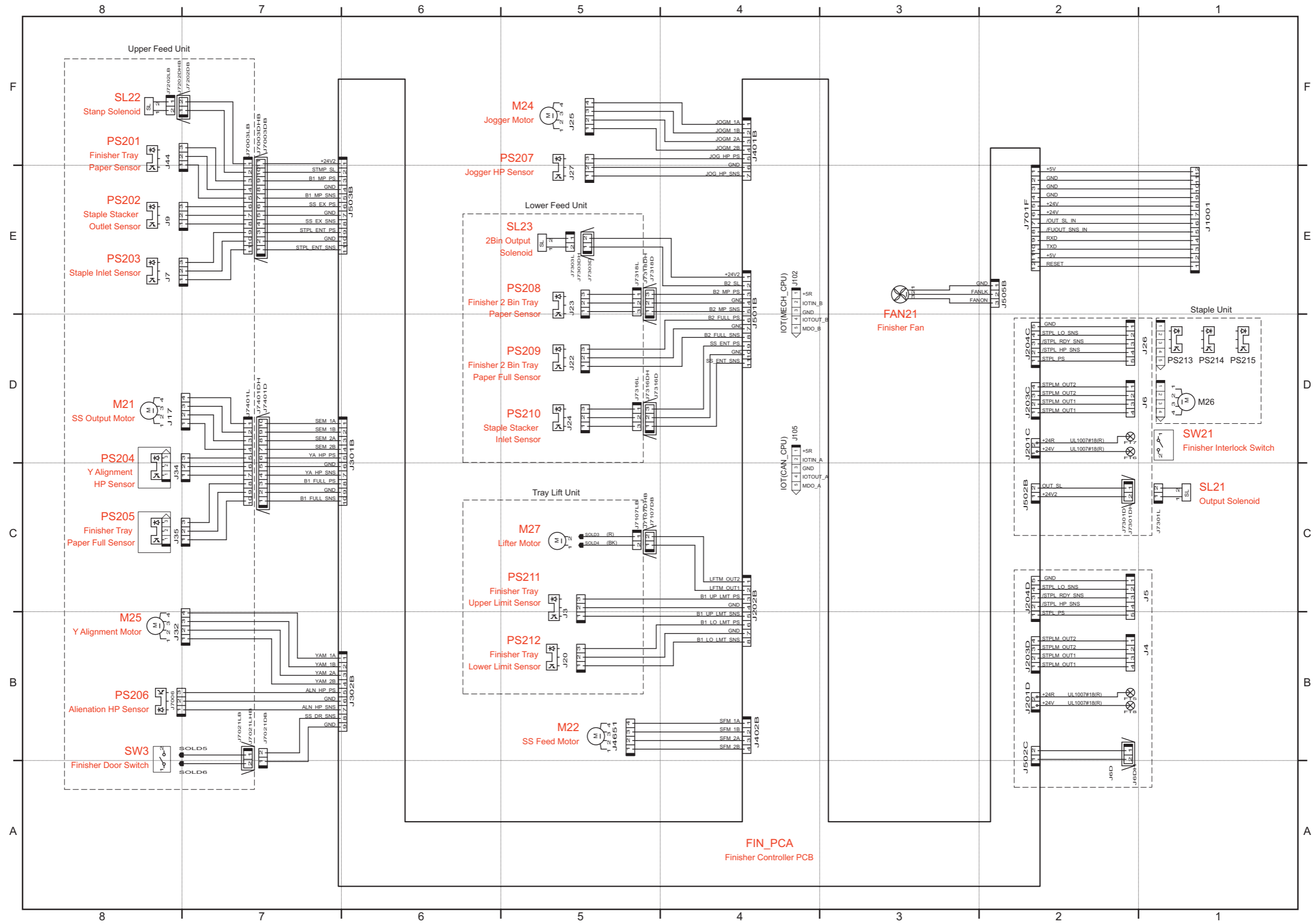


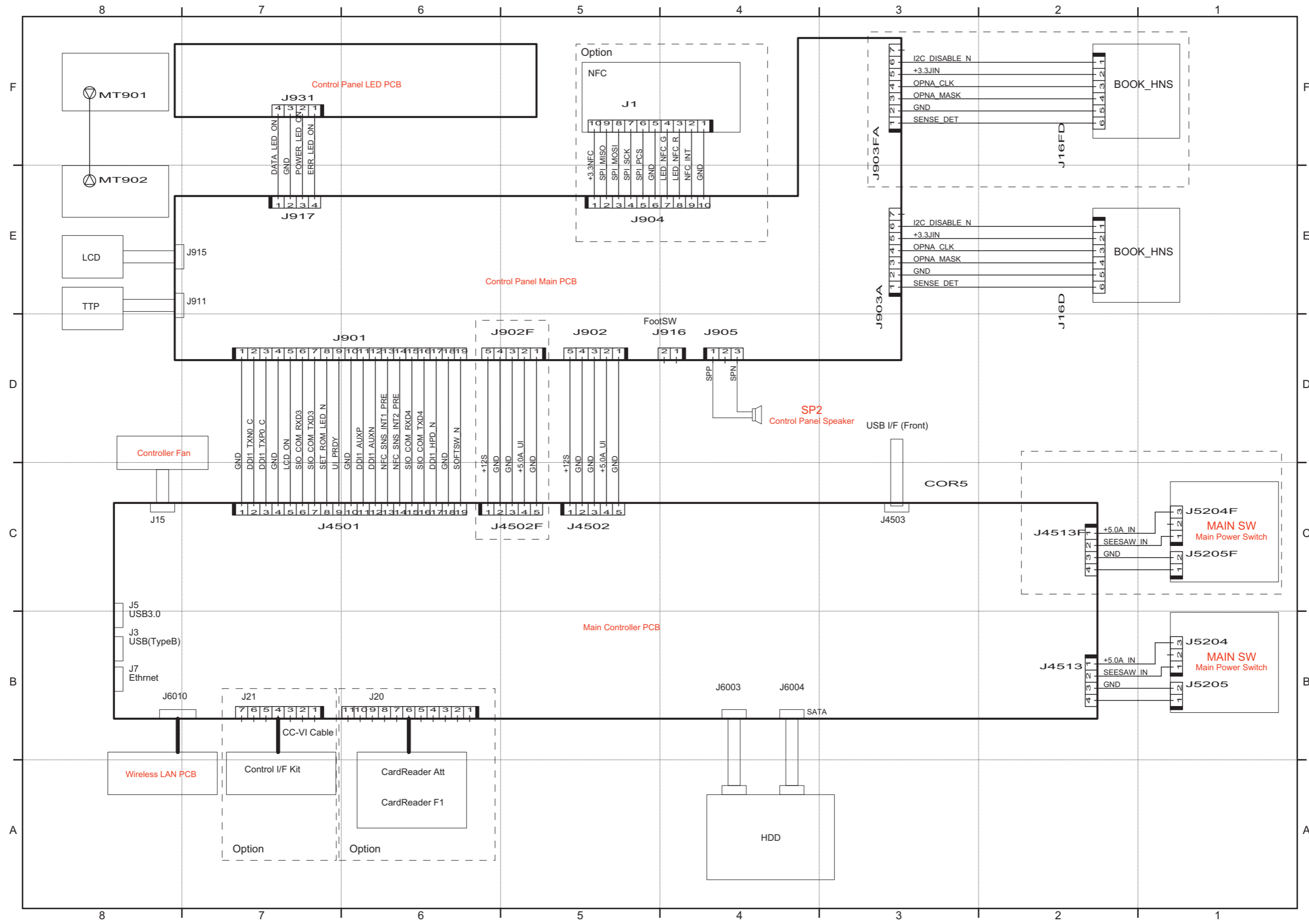
Main Controller PCB/FAX PCB/Modular PCB

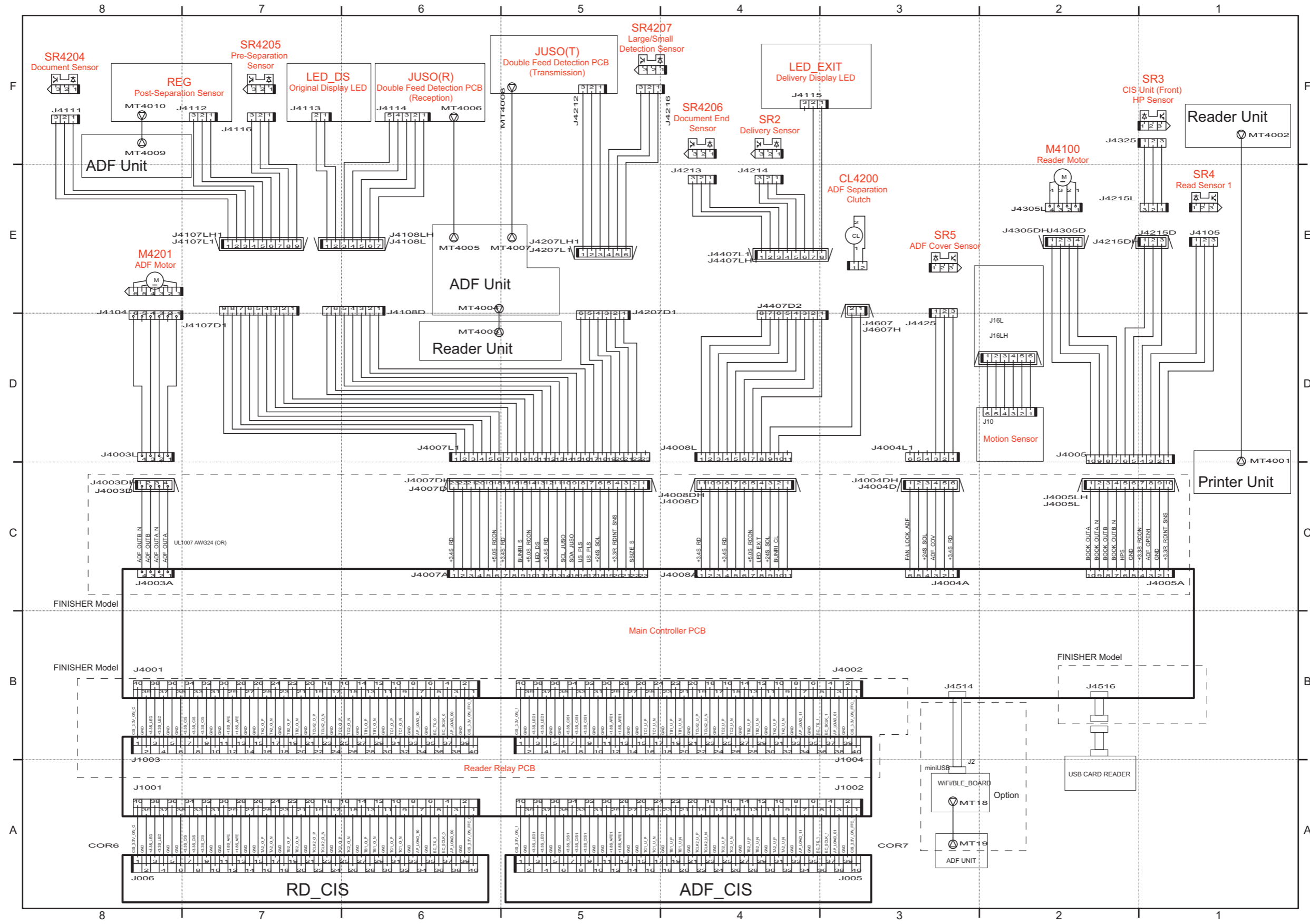


P.2

Finisher Controller PCB







Software Counter Specifications

Software counter classification

Software counter is classified according to the input number as follows:

No.	Counter item	No.	Counter item
000 to 099	Toner Bottle	500 to 599	Scan
100 to 199	Total	600 to 699	Mail Box print, memory media print
200 to 299	Copy	700 to 799	Reception print, Advanced Box print, network print, mobile print
300 to 399	Print	800 to 899	Report print
400 to 499	Copy + Print	900 to 999	Transmission

Description of codes in the table

Code	Description	Code	Description
Large	Paper larger than B4 size	Copy	Local copy
Small size	Paper equal to or smaller than B4	Copy A	Local copy + Mail Box print
The number 1 and 2 in "Counter item"	The count for large size paper	Print	PDL print + Report print + Mail Box print
The size as which "B4" should be counted (service mode: B4-L-CNT)	0: Small (default) 1: Large	Print A	Local copy + Mail Box print
Total A	Total excluding local copy	Scan	Black scan + Color scan
Total B	Total excluding local copy + Mail Box print	-	-

CAUTION:

When printing in the free size setting, it is counted in the large.

Related Service Mode

COPIER > OPTION > USER > B4-L-CNT

000 to 099

Number on the screen	Counter item	Number on the screen	Counter item
064	The number of premature replacements of the Toner Container (Black)	071	The number of installations of a new Toner Container (Black)

100 to 199

Number on the screen	Counter item	Number on the screen	Counter item
101	Total 1	137	Total A (Black/Small)
102	Total 2	138	Total A1 (2-sided)
103	Total (Large)	139	Total A2 (2-sided)
104	Total (Small)	140	LargeA (2-sided)
108	Total (Black 1)	141	SmallA (2-sided)
109	Total (Black 2)	150	Total B1
112	Total (Black/Large)	151	Total B2
113	Total (Black/Small)	152	Total B(Large)
114	Total 1 (2-sided)	153	Total B(Small)
115	Total 2 (2-sided)	156	Total B(Black 1)
116	Large (2-sided)	157	Total B(Black 2)

Number on the screen	Counter item	Number on the screen	Counter item
117	Small (2-sided)	160	Total B (Black/Large)
126	Total A1	161	Total B (Black/Small)
127	Total A2	162	Total B1 (2-sided)
128	Total A(Large)	163	Total B2 (2-sided)
129	Total A(Small)	164	LargeB (2-sided)
132	Total A(Black 1)	165	SmallB (2-sided)
133	Total A(Black 2)	181	Unidentified Toner Bottle (Black)
136	Total A (Black/Large)	-	-

200 to 299

Number on the screen	Counter item	Number on the screen	Counter item
201	Copy (Total 1)	228	Copy(Black/Small)
202	Copy (Total 2)	237	Copy(Black/Large/2-sided)
203	Copy (Large)	238	Copy(Black/Small/2-sided)
204	Copy (Small)	249	CopyA(Black 1)
205	CopyA (Total 1)	250	CopyA(Black 2)
206	CopyA (Total 2)	255	CopyA(Black/Large)
207	CopyA (Large)	256	CopyA(Black/Small)
208	CopyA (Small)	265	CopyA(Black/Large/2-sided)
209	Local Copy (Total 1)	266	CopyA(Black/Small/2-sided)
210	Local Copy (Total 2)	277	Local Copy(Black 1)
211	Local Copy (Large)	278	Local Copy(Black 2)
212	Local Copy (Small)	283	Local Copy(Black/Large)
221	Copy(Black 1)	284	Local Copy(Black/Small)
222	Copy(Black 2)	293	Local Copy(Black/Large/2-sided)
227	Copy(Black/Large)	294	Local Copy(Black/Small/2-sided)

300 to 399

Number on the screen	Counter item	Number on the screen	Counter item
301	print (Total 1)	329	print(Black/Large/2-sided)
302	print (Total 2)	330	print(Black/Small/2-sided)
303	print (Large)	331	PDLprint (Total 1)
304	print (Small)	332	PDLprint (Total 2)
305	printA (Total 1)	333	PDLprint (Large)
306	printA (Total 2)	334	PDLprint (Small)
307	printA (Large)	339	PDLprint(Black 1)
308	printA (Small)	340	PDLprint(Black 2)
313	print(Black 1)	345	PDLprint(Black/Large)
314	print(Black 2)	346	PDLprint(Black/Small)
319	print(Black/Large)	355	PDLprint(Black/Large/2-sided)
320	print(Black/Small)	356	PDLprint(Black/Small/2-sided)

400 to 499

Number on the screen	Counter item	Number on the screen	Counter item
403	Copy+print (Black/Large)	413	Copy+print (2)

Number on the screen	Counter item	Number on the screen	Counter item
404	Copy+print (Black/Small)	414	Copy+print (1)
405	Copy+print (Black 2)	421	Copy+print(Black/Large/2-sided)
406	Copy+print (Black 1)	422	Copy+print(Black/Small/2-sided)
411	Copy+print (Large)	471	Long original counter 2 (Total)
412	Copy+print (Small)	473	Long original counter 2 (Black)

500 to 599

Number on the screen	Counter item	Number on the screen	Counter item
501	Scan (Total 1)	507	Black Scan (Large)
502	Scan (Total 2)	508	Black Scan (Small)
503	Scan (Large)	509	Color Scan (Total 1)
504	Scan (Small)	510	Color Scan (Total 2)
505	Black Scan (Total 1)	511	Color Scan (Large)
506	Black Scan (Total 2)	512	Color Scan (Small)

600 to 699

Number on the screen	Counter item	Number on the screen	Counter item
601	Mail Box print (Total 1)	631	Memory media print(Total 1)
602	Mail Box print (Total 2)	632	Memory media print(Total 2)
603	Mail Box print (Large)	633	Memory media print(Large)
604	Mail Box print (Small)	634	Memory media print(Small)
609	Mail Box print(Black 1)	639	Memory media print(Black 1)
610	Mail Box print(Black 2)	640	Memory media print(Black 2)
615	Mail Box print(Black/Large)	645	Memory media print(Black/Large)
616	Mail Box print(Black/Small)	646	Memory media print(Black/Small)
625	Mail Box print(Black/Large/2-sided)	655	Memory media print(Black/Large/2-sided)
626	Mail Box print(Black/Small/2-sided)	656	Memory media print(Black/Small/2-sided)

700 to 799

Number on the screen	Counter item	Number on the screen	Counter item
701	Reception print (Total 1)	734	Advanced Box print(Black 2)
702	Reception print (Total 2)	737	Advanced Box print(Black/Large)
703	Reception print (Large)	738	Advanced Box print(Black/Small)
704	Reception print (Small)	741	Advanced Box print(Black/Large/2-sided)
709	Reception print(Black 1)	742	Advanced Box print(Black/Small/2-sided)
710	Reception print(Black 2)	743	Network print(Total 1)
715	Reception print(Black/Large)	744	Network print(Total 2)
716	Reception print(Black/Small)	745	Network print(Large)
725	Reception print(Black/Large/2-sided)	746	Network print(Small)
726	Reception print(Black/Small/2-sided)	749	Network print(Black 1)
727	Advanced Box print(Total 1)	750	Network print(Black 2)
728	Advanced Box print(Total 2)	753	Network print(Black/Large)
729	Advanced Box print(Large)	754	Network print(Black/Small)
730	Advanced Box print(Small)	757	Network print(Black/Large/2-sided)
733	Advanced Box print(Black 1)	758	Network print(Black/Small/2-sided)

800 to 899

Number on the screen	Counter item	Number on the screen	Counter item
801	Report print (Total 1)	810	Report print(Black 2)
802	Report print (Total 2)	815	Report print(Black/Large)
803	Report print (Large)	816	Report print(Black/Small)
804	Report print (Small)	825	Report print(Black/Large/2-sided)
809	Report print(Black 1)	826	Report print(Black/Small/2-sided)

900 to 999

Number on the screen	Counter item	Number on the screen	Counter item
915	Transmission scan Total 2(Color)	940	Remote scan (Black)
916	Transmission scan Total 2(Black)	945	Transmission scan /E-mail(Color)
917	Transmission scan Total 3(Color)	946	Transmission scan /E-mail(Black)
918	Transmission scan Total 3(Black)	959	Memory media scan(Color)
921	Transmission scan Total 5(Color)	960	Memory media scan(Black)
922	Transmission scan Total 5(Black)	961	Application Scan(Total 1)
929	Transmission scan Total 6(Color)	962	Application Black Scan(Total 1)
930	Transmission scan Total 6(Black)	963	Application Color Scan(Total 1)
937	Mail Box Scan(Color)	964	SuperBoxLocalScan(Color)
938	Mail Box Scan(Black)	965	SuperBoxLocalScan(Black)
939	Remote scan (Color)	-	-

Removal

Overview

- User data kept by the machine contains address books and inbox documents that users can recognize.
- For security, the Settings/Registration menu for user is provided to delete data on FLASH PCB and perform overwrite deletion to render user data on Storage unrecoverable.
- Before the removal of machine, be sure to explain to the user that the above mode must be used to completely delete data. When performing the user operation as the substitute, make sure that the service staff executes this to prevent the information leak of user data.

■ Cancelling the Device Registration

If Data Backup Service is used, it is required to perform the following steps in the order.

1. **Stop using the Data Backup Service. (Operation on CBIO side)**
2. **Delete all the backup data. (Operation on CBIO side)**
3. **Cancel the device registration. (Operation on the device side)**

NOTE:

For the above-mentioned procedure, see the User's Guide for Data Backup Service or the Service Manual for the imageRUNNER ADVANCE system.

If the User's Guide is not available, see the technical documents published by each sales company.

CAUTION:

Be sure to cancel the device registration before deleting the user, because the device registration cannot be cancelled after deleting the user data.

■ User data deletion

- To delete user data, execute Settings/Registration > Management Settings > System Management > Initialize All Data/Settings. Performing Initialize All Data/Settings returns setting values of Settings/Registration menu to their factory defaults.
- Deletion Mode can be changed. Normally, "Once with 0 (Null) Data" can sufficiently delete data. Note that increasing the number of overwrite increases the time required for the deletion operation.

NOTE:

- When you perform Initialize All Data/Settings, license and data of MEAP application are initialized to the state same as when the HDD is replaced. If any MEAP application may be used by other users after the machine is removed, disable the MEAP application and uninstall it in advance.
- Performing Initialize All Data/Settings does not delete the license of the system option.

■ Deletion of Service Mode Settings

The user mode setting values may have been changed at the user's request. In that case, the service mode setting values should be changed back to the default values before removing the machine.

Work Procedure

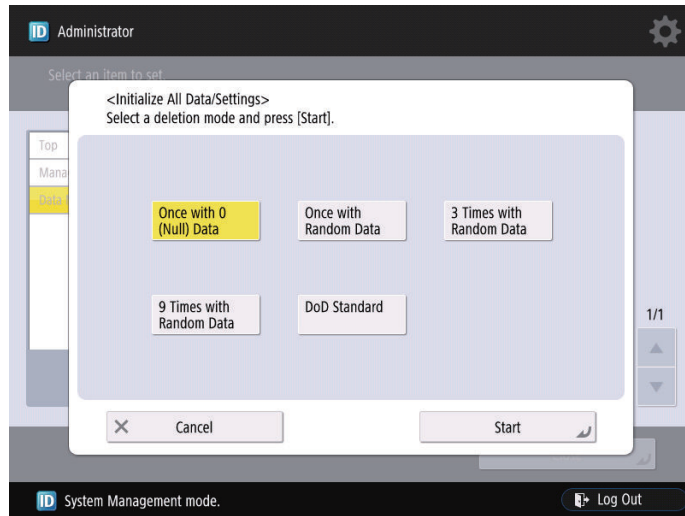
If the user uses MEAP applications, ask the user to uninstall the MEAP applications if necessary.

■ User data delete procedure

1. Settings/Registration > Management Settings > Data Management > Initialize All Data/Settings
2. Select a deletion mode.

3. Press [Start].

If the user has not given any instruction on which item in the deletion mode should be used, select the default "Once with 0 (Null) Data".



NOTE:

- When all the data are initialized, the user data on the HDD and the user data on the Flash PCB are deleted. For the items to be deleted, refer to the backup list.
- Performing "Initialize All Data" turns auto gradation adjustment values and TPM settings to OFF. Therefore, to enable normal operation the next time, the operation performed at installation is necessary.
- Performing Initialize All Data/Settings does not delete the license of the system option.

Report output upon completion of Initialize All Data/Settings

A report is output after "Initialize All Data/Settings" is completed.

Consider using this report to provide to user as a material to inform of work details when executing Initialize All Data/Settings upon user's request.

Operation after Initialize All Data/Settings

The machine is started normally at restart after Initialize All Data/Settings without displaying the message (Turn OFF the main power supply on the right side of the machine) on the screen to prompt shutdown.

The report is output after startup.

```

*****
*** System Information ***
*****

<< Initialize All Data/Settings Report >>

Serial Number          ZZZ99999
Device Name            iR-ADV XXXX (iAXXXX)

Overwrite Method for Deletion Mode  Once with Random Data (*1)

The following data stored in the device has been completely erased.

- Data stored in the temporary data area
- User generated data
- Settings under Settings/Registration (restored to factory defaults)
    
```

*1 display following one.
 "Once with 0 (Null) Data"
 "Once with Random Data"
 "3 Times with Random Data"
 "9 Times with Random Data"
 "DoD Standard"

Limitations

- The language of the report is only English, and cannot be changed.
- The report is output without fail (a function to select ON/OFF of report output is not provided).
- There is no second output of report when the machine is turned ON without paper.
- Only the output of this report remains in the job log.

■ Deletion of Service Mode Setting Values

Service Mode Lev1 > Function> CLEAR > MN-CONT



NOTE:

- When MN-CON clear is executed, the address book on the HDD is not deleted. As for the user data, initialize all the data.
- When MN-CON clear is executed, the password for the security policies will be deleted.

List of Service Modes That Can Be Restored

The following items are restored when a DCM file obtained by using [Settings/Registration] > [Back Up/Restore] or [Backup/Restoration Using Service Mode] is exported.

Purpose for Using the Function

Case	Export/ Import	Use Case
A	Export from and import to the same device	<ul style="list-style-type: none"> Used as backup in preparation for a device failure Used as backup before changing settings
B	Export from and import to a different device of the same model	<ul style="list-style-type: none"> Collectively migrate data when replacing the host machine Copy the settings to multiple devices (during kitting)
C	Export from and import to a different model	<ul style="list-style-type: none"> Migrate the settings from the old model to the new model when replacing the host machine Migrate the settings of the base machine to a different model for a large-scale user

NOTE:

For the details of the function, refer to "Backup/Restoration" of the System Service Manual.

List of Service Modes That Can Be Restored

Initial screen	Main item	Intermediate item	Sub item	Case A	Case B	Case C
COPIER	ADJUST	ADJ-XY	ADJ-X	Restored	-	-
COPIER	ADJUST	ADJ-XY	ADJ-Y	Restored	-	-
COPIER	ADJUST	ADJ-XY	ADJ-S	Restored	-	-
COPIER	ADJUST	ADJ-XY	ADJ-Y-DF	Restored	-	-
COPIER	ADJUST	ADJ-XY	STRD-POS	Restored	-	-
COPIER	ADJUST	ADJ-XY	ADJ-X-MG	Restored	-	-
COPIER	ADJUST	ADJ-XY	ADJY-DF2	Restored	-	-
COPIER	ADJUST	AE	AE-TBL	Restored	Restored	-
COPIER	ADJUST	BLANK	BLANK-T	Restored	-	-
COPIER	ADJUST	BLANK	BLANK-L	Restored	-	-
COPIER	ADJUST	BLANK	BLANK-R	Restored	-	-
COPIER	ADJUST	BLANK	BLANK-B	Restored	-	-
COPIER	ADJUST	CCD	W-PLT-X	Restored	-	-
COPIER	ADJUST	CCD	W-PLT-Y	Restored	-	-
COPIER	ADJUST	CCD	W-PLT-Z	Restored	-	-
COPIER	ADJUST	CCD	100-RG	Restored	-	-
COPIER	ADJUST	CCD	100-GB	Restored	-	-
COPIER	ADJUST	CCD	100DF-RG	Restored	-	-
COPIER	ADJUST	CCD	100DF-GB	Restored	-	-
COPIER	ADJUST	CCD	DFTAR-R	Restored	-	-
COPIER	ADJUST	CCD	DFTAR-G	Restored	-	-
COPIER	ADJUST	CCD	DFTAR-B	Restored	-	-
COPIER	ADJUST	CCD	DFTAR2-R	Restored	-	-
COPIER	ADJUST	CCD	DFTAR2-G	Restored	-	-
COPIER	ADJUST	CCD	DFTAR2-B	Restored	-	-
COPIER	ADJUST	CCD	MTF2-M1	Restored	-	-
COPIER	ADJUST	CCD	MTF2-M2	Restored	-	-
COPIER	ADJUST	CCD	MTF2-M3	Restored	-	-
COPIER	ADJUST	CCD	MTF2-M4	Restored	-	-
COPIER	ADJUST	CCD	MTF2-M5	Restored	-	-
COPIER	ADJUST	CCD	MTF2-M6	Restored	-	-
COPIER	ADJUST	CCD	MTF2-M7	Restored	-	-

Initial screen	Main item	Intermediate item	Sub item	Case A	Case B	Case C
COPIER	ADJUST	CCD	MTF2-M8	Restored	-	-
COPIER	ADJUST	CCD	MTF2-M9	Restored	-	-
COPIER	ADJUST	CCD	MTF2-S1	Restored	-	-
COPIER	ADJUST	CCD	MTF2-S2	Restored	-	-
COPIER	ADJUST	CCD	MTF2-S3	Restored	-	-
COPIER	ADJUST	CCD	MTF2-S4	Restored	-	-
COPIER	ADJUST	CCD	MTF2-S5	Restored	-	-
COPIER	ADJUST	CCD	MTF2-S6	Restored	-	-
COPIER	ADJUST	CCD	MTF2-S7	Restored	-	-
COPIER	ADJUST	CCD	MTF2-S8	Restored	-	-
COPIER	ADJUST	CCD	MTF2-S9	Restored	-	-
COPIER	ADJUST	CCD	100DF2GB	Restored	-	-
COPIER	ADJUST	CCD	100DF2RG	Restored	-	-
COPIER	ADJUST	CCD	DFCH2R2	Restored	-	-
COPIER	ADJUST	CCD	DFCH2R10	Restored	-	-
COPIER	ADJUST	CCD	DFCH2B2	Restored	-	-
COPIER	ADJUST	CCD	DFCH2B10	Restored	-	-
COPIER	ADJUST	CCD	DFCH2G2	Restored	-	-
COPIER	ADJUST	CCD	DFCH2G10	Restored	-	-
COPIER	ADJUST	CCD	MTF-M1	Restored	-	-
COPIER	ADJUST	CCD	MTF-M2	Restored	-	-
COPIER	ADJUST	CCD	MTF-M3	Restored	-	-
COPIER	ADJUST	CCD	MTF-M4	Restored	-	-
COPIER	ADJUST	CCD	MTF-M5	Restored	-	-
COPIER	ADJUST	CCD	MTF-M6	Restored	-	-
COPIER	ADJUST	CCD	MTF-M7	Restored	-	-
COPIER	ADJUST	CCD	MTF-M8	Restored	-	-
COPIER	ADJUST	CCD	MTF-M9	Restored	-	-
COPIER	ADJUST	CCD	MTF-S1	Restored	-	-
COPIER	ADJUST	CCD	MTF-S2	Restored	-	-
COPIER	ADJUST	CCD	MTF-S3	Restored	-	-
COPIER	ADJUST	CCD	MTF-S4	Restored	-	-
COPIER	ADJUST	CCD	MTF-S5	Restored	-	-
COPIER	ADJUST	CCD	MTF-S6	Restored	-	-
COPIER	ADJUST	CCD	MTF-S7	Restored	-	-
COPIER	ADJUST	CCD	MTF-S8	Restored	-	-
COPIER	ADJUST	CCD	MTF-S9	Restored	-	-
COPIER	ADJUST	CCD	DFCH-R2	Restored	-	-
COPIER	ADJUST	CCD	DFCH-R10	Restored	-	-
COPIER	ADJUST	CCD	DFCH-B2	Restored	-	-
COPIER	ADJUST	CCD	DFCH-B10	Restored	-	-
COPIER	ADJUST	CCD	DFCH-G2	Restored	-	-
COPIER	ADJUST	CCD	DFCH-G10	Restored	-	-
COPIER	ADJUST	CCD	MTF3-M1	Restored	-	-
COPIER	ADJUST	CCD	MTF3-M2	Restored	-	-
COPIER	ADJUST	CCD	MTF3-M3	Restored	-	-
COPIER	ADJUST	CCD	MTF3-M4	Restored	-	-
COPIER	ADJUST	CCD	MTF3-M5	Restored	-	-
COPIER	ADJUST	CCD	MTF3-M6	Restored	-	-
COPIER	ADJUST	CCD	MTF3-M7	Restored	-	-
COPIER	ADJUST	CCD	MTF3-M8	Restored	-	-
COPIER	ADJUST	CCD	MTF3-M9	Restored	-	-
COPIER	ADJUST	CCD	MTF3-S1	Restored	-	-

Initial screen	Main item	Intermediate item	Sub item	Case A	Case B	Case C
COPIER	ADJUST	CCD	MTF3-S2	Restored	-	-
COPIER	ADJUST	CCD	MTF3-S3	Restored	-	-
COPIER	ADJUST	CCD	MTF3-S4	Restored	-	-
COPIER	ADJUST	CCD	MTF3-S5	Restored	-	-
COPIER	ADJUST	CCD	MTF3-S6	Restored	-	-
COPIER	ADJUST	CCD	MTF3-S7	Restored	-	-
COPIER	ADJUST	CCD	MTF3-S8	Restored	-	-
COPIER	ADJUST	CCD	MTF3-S9	Restored	-	-
COPIER	ADJUST	CCD	DFTBK-G	Restored	-	-
COPIER	ADJUST	CCD	DFTBK-B	Restored	-	-
COPIER	ADJUST	CCD	DFTBK-R	Restored	-	-
COPIER	ADJUST	CCD	DFTAR3-R	Restored	-	-
COPIER	ADJUST	CCD	DFTAR3-G	Restored	-	-
COPIER	ADJUST	CCD	DFTAR3-B	Restored	-	-
COPIER	ADJUST	CCD	OFST-BW0	Restored	-	-
COPIER	ADJUST	CCD	OFST-BW1	Restored	-	-
COPIER	ADJUST	CCD	OFST-BW2	Restored	-	-
COPIER	ADJUST	CCD	OFST-BW3	Restored	-	-
COPIER	ADJUST	CCD	OFST-BW4	Restored	-	-
COPIER	ADJUST	CCD	OFST-BW5	Restored	-	-
COPIER	ADJUST	CCD	OFST-CL0	Restored	-	-
COPIER	ADJUST	CCD	OFST-CL1	Restored	-	-
COPIER	ADJUST	CCD	OFST-CL2	Restored	-	-
COPIER	ADJUST	CCD	OFST-CL3	Restored	-	-
COPIER	ADJUST	CCD	OFST-CL4	Restored	-	-
COPIER	ADJUST	CCD	OFST-CL5	Restored	-	-
COPIER	ADJUST	CCD	OFST2CL0	Restored	-	-
COPIER	ADJUST	CCD	OFST2CL1	Restored	-	-
COPIER	ADJUST	CCD	OFST2CL2	Restored	-	-
COPIER	ADJUST	CCD	OFST2CL3	Restored	-	-
COPIER	ADJUST	CCD	OFST2CL4	Restored	-	-
COPIER	ADJUST	CCD	OFST2CL5	Restored	-	-
COPIER	ADJUST	CCD	GAIN-CL0	Restored	-	-
COPIER	ADJUST	CCD	GAIN2CL0	Restored	-	-
COPIER	ADJUST	CCD	LED-CL-R	Restored	-	-
COPIER	ADJUST	CCD	LED2CL-R	Restored	-	-
COPIER	ADJUST	CCD	LED-CLR2	Restored	-	-
COPIER	ADJUST	CCD	LED2CLR2	Restored	-	-
COPIER	ADJUST	CCD	OFST3CL0	Restored	-	-
COPIER	ADJUST	CCD	OFST3CL1	Restored	-	-
COPIER	ADJUST	CCD	OFST3CL2	Restored	-	-
COPIER	ADJUST	CCD	OFST3CL3	Restored	-	-
COPIER	ADJUST	CCD	OFST3CL4	Restored	-	-
COPIER	ADJUST	CCD	OFST3CL5	Restored	-	-
COPIER	ADJUST	CCD	OFST4CL0	Restored	-	-
COPIER	ADJUST	CCD	OFST4CL1	Restored	-	-
COPIER	ADJUST	CCD	OFST4CL2	Restored	-	-
COPIER	ADJUST	CCD	OFST4CL3	Restored	-	-
COPIER	ADJUST	CCD	OFST4CL4	Restored	-	-
COPIER	ADJUST	CCD	OFST4CL5	Restored	-	-
COPIER	ADJUST	CCD	GAIN3CL0	Restored	-	-
COPIER	ADJUST	CCD	GAIN4CL0	Restored	-	-
COPIER	ADJUST	CCD	LED3CL	Restored	-	-

Initial screen	Main item	Intermediate item	Sub item	Case A	Case B	Case C
COPIER	ADJUST	CCD	LED3CL2	Restored	-	-
COPIER	ADJUST	CCD	LED4CL	Restored	-	-
COPIER	ADJUST	CCD	LED4CL2	Restored	-	-
COPIER	ADJUST	CCD	LED-BW-1	Restored	-	-
COPIER	ADJUST	CCD	LED-BW-2	Restored	-	-
COPIER	ADJUST	CCD	LED2BW-1	Restored	-	-
COPIER	ADJUST	CCD	LED2BW-2	Restored	-	-
COPIER	ADJUST	CCD	GAIN-BW1	Restored	-	-
COPIER	ADJUST	CCD	GAIN-BW2	Restored	-	-
COPIER	ADJUST	CCD	OFST2BW0	Restored	-	-
COPIER	ADJUST	CCD	OFST2BW1	Restored	-	-
COPIER	ADJUST	CCD	OFST2BW2	Restored	-	-
COPIER	ADJUST	CCD	OFST2BW3	Restored	-	-
COPIER	ADJUST	CCD	OFST2BW4	Restored	-	-
COPIER	ADJUST	CCD	OFST2BW5	Restored	-	-
COPIER	ADJUST	DENS	DENS-ADJ	Restored	-	-
COPIER	ADJUST	FEED-ADJ	REGIST	Restored	-	-
COPIER	ADJUST	FEED-ADJ	ADJ-C1	Restored	-	-
COPIER	ADJUST	FEED-ADJ	ADJ-C2	Restored	-	-
COPIER	ADJUST	FEED-ADJ	ADJ-C3	Restored	-	-
COPIER	ADJUST	FEED-ADJ	ADJ-C4	Restored	-	-
COPIER	ADJUST	FEED-ADJ	ADJ-MF	Restored	-	-
COPIER	ADJUST	FEED-ADJ	ADJ-C1RE	Restored	-	-
COPIER	ADJUST	FEED-ADJ	ADJ-C2RE	Restored	-	-
COPIER	ADJUST	FEED-ADJ	ADJ-C3RE	Restored	-	-
COPIER	ADJUST	FEED-ADJ	ADJ-C4RE	Restored	-	-
COPIER	ADJUST	FEED-ADJ	ADJ-MFRE	Restored	-	-
COPIER	ADJUST	FEED-ADJ	RG-HF-SP	Restored	-	-
COPIER	ADJUST	FEED-ADJ	REG-DUP1	Restored	-	-
COPIER	ADJUST	FEED-ADJ	REG-MF	Restored	-	-
COPIER	ADJUST	MISC	SEG-ADJ	Restored	-	-
COPIER	ADJUST	MISC	K-ADJ	Restored	-	-
COPIER	ADJUST	MISC	ACS-ADJ	Restored	-	-
COPIER	ADJUST	MISC	ACS-EN	Restored	-	-
COPIER	ADJUST	MISC	ACS-CNT	Restored	-	-
COPIER	ADJUST	MISC	ACS-EN2	Restored	-	-
COPIER	ADJUST	MISC	ACS-CNT2	Restored	-	-
COPIER	ADJUST	MISC	SEG-ADJ3	Restored	-	-
COPIER	ADJUST	MISC	K-ADJ3	Restored	-	-
COPIER	ADJUST	MISC	ACS-ADJ3	Restored	-	-
COPIER	ADJUST	MISC	ACS-EN3	Restored	-	-
COPIER	ADJUST	MISC	ACS-CNT3	Restored	-	-
COPIER	ADJUST	PASCAL	OFST-P-K	Restored	-	-
COPIER	FUNCTION	INSTALL	E-RDS	Restored	Restored	Restored
COPIER	FUNCTION	INSTALL	RGW-PORT	Restored	Restored	Restored
COPIER	FUNCTION	INSTALL	RGW-ADR	Restored	Restored	Restored
COPIER	FUNCTION	INSTALL	CDS-CTL	Restored	Restored	Restored
COPIER	FUNCTION	INSTALL	BIT-SVC	Restored	Restored	Restored
COPIER	FUNCTION	INSTALL	NFC-USE	Restored	-	-
COPIER	FUNCTION	INSTALL	BLE-USE	Restored	-	-
COPIER	FUNCTION	INSTALL	FAX-USE	Restored	Restored	Restored
COPIER	OPTION	ACC	COIN	Restored	-	-
COPIER	OPTION	ACC	CARD-SW	Restored	-	-

Initial screen	Main item	Intermediate item	Sub item	Case A	Case B	Case C
COPIER	OPTION	ACC	CC-SPSW	Restored	-	-
COPIER	OPTION	ACC	UNIT-PRC	Restored	-	-
COPIER	OPTION	ACC	MIN-PRC	Restored	-	-
COPIER	OPTION	ACC	MAX-PRC	Restored	-	-
COPIER	OPTION	ACC	SRL-SPSW	Restored	-	-
COPIER	OPTION	ACC	CR-TYPE	Restored	Restored	-
COPIER	OPTION	ACC	MEAP-SRL	Restored	Restored	-
COPIER	OPTION	ACC	CV-CSZ	Restored	Restored	Restored
COPIER	OPTION	ACC	COIN-AUT	Restored	-	-
COPIER	OPTION	FNC-SW	MODEL-SZ	Restored	-	-
COPIER	OPTION	FNC-SW	SCANSLCT	Restored	-	-
COPIER	OPTION	FNC-SW	CONFIG	Restored	-	-
COPIER	OPTION	NETWORK	RAW-DATA	Restored	Restored	Restored
COPIER	OPTION	IMG-MCON	SHARP	Restored	Restored	-
COPIER	OPTION	NETWORK	IFAX-LIM	Restored	Restored	Restored
COPIER	OPTION	FNC-SW	W/SCNR	Restored	-	-
COPIER	OPTION	NETWORK	SMTPTXPN	Restored	Restored	Restored
COPIER	OPTION	NETWORK	SMTPRXPN	Restored	Restored	Restored
COPIER	OPTION	NETWORK	POP3PN	Restored	Restored	Restored
COPIER	OPTION	DSPLY-SW	UI-COPY	Restored	Restored	Restored
COPIER	OPTION	DSPLY-SW	UI-BOX	Restored	Restored	Restored
COPIER	OPTION	DSPLY-SW	UI-SEND	Restored	Restored	Restored
COPIER	OPTION	DSPLY-SW	UI-FAX	Restored	Restored	Restored
COPIER	OPTION	NETWORK	FTPTXPN	Restored	Restored	Restored
COPIER	OPTION	DSPLY-SW	NWERR-SW	Restored	Restored	Restored
COPIER	OPTION	IMG-RDR	DFDST-L1	Restored	-	-
COPIER	OPTION	NETWORK	NS-CMD5	Restored	Restored	Restored
COPIER	OPTION	NETWORK	NS-GSAPI	Restored	Restored	Restored
COPIER	OPTION	NETWORK	NS-NTLM	Restored	Restored	Restored
COPIER	OPTION	NETWORK	NS-PLNWS	Restored	Restored	Restored
COPIER	OPTION	NETWORK	NS-PLN	Restored	Restored	Restored
COPIER	OPTION	NETWORK	NS-LGN	Restored	Restored	Restored
COPIER	OPTION	NETWORK	MEAP-PN	Restored	Restored	Restored
COPIER	OPTION	FNC-SW	SVMD-ENT	Restored	Restored	Restored
COPIER	OPTION	ENV-SET	ENVP-INT	Restored	Restored	Restored
COPIER	OPTION	NETWORK	MEAP-SSL	Restored	Restored	Restored
COPIER	OPTION	FNC-SW	KSIZE-SW	Restored	Restored	-
COPIER	OPTION	NETWORK	LPD-PORT	Restored	Restored	Restored
COPIER	OPTION	FNC-SW	PDF-RDCT	Restored	Restored	Restored
COPIER	OPTION	IMG-MCON	VP-ART	Restored	-	-
COPIER	OPTION	IMG-MCON	VP-TXT	Restored	-	-
COPIER	OPTION	DSPLY-SW	UI-PRINT	Restored	Restored	Restored
COPIER	OPTION	FNC-SW	SJB-UNW	Restored	Restored	Restored
COPIER	OPTION	DSPLY-SW	IMGC-ADJ	Restored	Restored	Restored
COPIER	OPTION	DSPLY-SW	UI-RSCAN	Restored	Restored	Restored
COPIER	OPTION	DSPLY-SW	UI-WEB	Restored	Restored	Restored
COPIER	OPTION	FNC-SW	CARD-RNG	Restored	Restored	-
COPIER	OPTION	NETWORK	WUEN-LIV	Restored	Restored	Restored
COPIER	OPTION	FNC-SW	SJOB-CL	Restored	Restored	Restored
COPIER	OPTION	NETWORK	IFX-CHIG	Restored	Restored	Restored
COPIER	OPTION	IMG-FIX	RAG-CONT	Restored	-	-
COPIER	OPTION	NETWORK	DNSTRANS	Restored	Restored	Restored
COPIER	OPTION	FNC-SW	MIBCOUNT	Restored	Restored	Restored

Initial screen	Main item	Intermediate item	Sub item	Case A	Case B	Case C
COPIER	OPTION	DSPLY-SW	RMT-CNSL	Restored	Restored	Restored
COPIER	OPTION	CUSTOM	PDLEVCT1	Restored	Restored	Restored
COPIER	OPTION	NETWORK	PROXYRES	Restored	Restored	Restored
COPIER	OPTION	NETWORK	WOLTRANS	Restored	Restored	Restored
COPIER	OPTION	IMG-RDR	DF2DSTL1	Restored	-	-
COPIER	OPTION	NETWORK	802XTOUT	Restored	Restored	Restored
COPIER	OPTION	NETWORK	NCONF-SW	Restored	Restored	Restored
COPIER	OPTION	CUSTOM	ABK-TOOL	Restored	Restored	Restored
COPIER	OPTION	FNC-SW	PSWD-SW	Restored	Restored	Restored
COPIER	OPTION	FNC-SW	SM-PSWD	Restored	Restored	Restored
COPIER	OPTION	IMG-MCON	C-PDL-T	Restored	Restored	-
COPIER	OPTION	IMG-MCON	C-S-C-D	Restored	Restored	-
COPIER	OPTION	FNC-SW	RPT2SIDE	Restored	Restored	Restored
COPIER	OPTION	NETWORK	AFS-JOB	Restored	Restored	Restored
COPIER	OPTION	NETWORK	AFC-EVNT	Restored	Restored	Restored
COPIER	OPTION	DSPLY-SW	UI-SBOX	Restored	Restored	Restored
COPIER	OPTION	DSPLY-SW	UI-MEM	Restored	Restored	Restored
COPIER	OPTION	NETWORK	ILOGMODE	Restored	Restored	Restored
COPIER	OPTION	NETWORK	ILOGKEEP	Restored	Restored	Restored
COPIER	OPTION	DSPLY-SW	UI-NAVI	Restored	Restored	Restored
COPIER	OPTION	FNC-SW	INVALPDL	Restored	Restored	-
COPIER	OPTION	FNC-SW	CDS-FIRM	Restored	Restored	Restored
COPIER	OPTION	FNC-SW	CDS-MEAP	Restored	Restored	Restored
COPIER	OPTION	FNC-SW	CDS-UGW	Restored	Restored	Restored
COPIER	OPTION	FNC-SW	LOCLFIRM	Restored	Restored	Restored
COPIER	OPTION	NETWORK	IPTBROAD	Restored	Restored	Restored
COPIER	OPTION	NETWORK	PFWFTPRT	Restored	Restored	Restored
COPIER	OPTION	FEED-SW	EVLP-FS	Restored	-	-
COPIER	OPTION	FEED-SW	TFL-RTC	Restored	Restored	-
COPIER	OPTION	DSPLY-SW	UI-CUSTM	Restored	Restored	Restored
COPIER	OPTION	FNC-SW	SDLMTWRN	Restored	Restored	Restored
COPIER	OPTION	NETWORK	DDNSINTV	Restored	Restored	Restored
COPIER	OPTION	FNC-SW	FAX-INT	Restored	Restored	Restored
COPIER	OPTION	FNC-SW	CDS-LVUP	Restored	Restored	Restored
COPIER	OPTION	FEED-SW	SP-SW	Restored	-	-
COPIER	OPTION	FNC-SW	AMSOFFSW	Restored	Restored	Restored
COPIER	OPTION	FNC-SW	UA-OFFSW	Restored	Restored	Restored
COPIER	OPTION	FNC-SW	MIB-NVTA	Restored	Restored	-
COPIER	OPTION	FNC-SW	MIB-EXT	Restored	Restored	-
COPIER	OPTION	CUSTOM	DFEJCLED	Restored	-	-
COPIER	OPTION	FNC-SW	SVC-RUI	Restored	Restored	-
COPIER	OPTION	FNC-SW	LCDSFLG	Restored	Restored	Restored
COPIER	OPTION	DSPLY-SW	SDTM-DSP	Restored	Restored	Restored
COPIER	OPTION	FNC-SW	BXSHIFT	Restored	Restored	Restored
COPIER	OPTION	FNC-SW	HOME-SW	Restored	Restored	Restored
COPIER	OPTION	FNC-SW	NO-LGOUT	Restored	Restored	Restored
COPIER	OPTION	FNC-SW	JM-ERR-R	Restored	-	-
COPIER	OPTION	NETWORK	SIPAUDIO	Restored	Restored	Restored
COPIER	OPTION	NETWORK	SIPINOUT	Restored	Restored	Restored
COPIER	OPTION	NETWORK	SIPREGPR	Restored	Restored	Restored
COPIER	OPTION	FNC-SW	ASLPMAX	Restored	Restored	Restored
COPIER	OPTION	NETWORK	VLAN-SW	Restored	Restored	Restored
COPIER	OPTION	FNC-SW	SEND-SPD	Restored	Restored	Restored

Initial screen	Main item	Intermediate item	Sub item	Case A	Case B	Case C
COPIER	OPTION	FNC-SW	VER-CHNG	Restored	Restored	Restored
COPIER	OPTION	NETWORK	FTPMODE	Restored	Restored	Restored
COPIER	OPTION	NETWORK	SSLMODE	Restored	Restored	Restored
COPIER	OPTION	NETWORK	SSLSTRNG	Restored	Restored	Restored
COPIER	OPTION	DSPLY-SW	UI-PPA	Restored	Restored	Restored
COPIER	OPTION	NETWORK	NW-WAIT	Restored	Restored	Restored
COPIER	OPTION	NETWORK	WLAN-USE	Restored	Restored	Restored
COPIER	OPTION	DSPLY-SW	CE-DSP	Restored	-	-
COPIER	OPTION	IMG-MCON	DOTSCT	Restored	-	-
COPIER	OPTION	IMG-MCON	SP-GRAD	Restored	-	-
COPIER	OPTION	NETWORK	WLANPORT	Restored	Restored	Restored
COPIER	OPTION	DSPLY-SW	LOCAL-SZ	Restored	Restored	-
COPIER	OPTION	CUSTOM	TIFFJPEG	Restored	Restored	Restored
COPIER	OPTION	NETWORK	RAW-PORT	Restored	Restored	Restored
COPIER	OPTION	NETWORK	LINKWAKE	Restored	-	-
COPIER	OPTION	FNC-SW	PICLOGIN	Restored	Restored	-
COPIER	OPTION	CUSTOM	DCM-EXCL	Restored	Restored	Restored
COPIER	OPTION	FNC-SW	DCONTRY	Restored	-	-
COPIER	OPTION	DSPLY-SW	SND-NAME	Restored	Restored	Restored
COPIER	OPTION	DSPLY-SW	PCMP-DSP	Restored	Restored	Restored
COPIER	OPTION	FNC-SW	FL-START	Restored	Restored	Restored
COPIER	OPTION	CUSTOM	FPOT-MD	Restored	Restored	Restored
COPIER	OPTION	NETWORK	BLEPOWER	Restored	-	-
COPIER	OPTION	NETWORK	WSMC-USE	Restored	Restored	Restored
COPIER	OPTION	FNC-SW	3RDP-MSG	Restored	-	-
COPIER	OPTION	DSPLY-SW	ERR-DISP	Restored	Restored	Restored
COPIER	OPTION	DSPLY-SW	SVC-ACA	Restored	Restored	Restored
COPIER	OPTION	NETWORK	INTENT	Restored	-	-
COPIER	OPTION	IMG-MCON	BIN-SEL	Restored	-	-
COPIER	OPTION	DSPLY-SW	SVC-SRA	Restored	Restored	Restored
COPIER	OPTION	DSPLY-SW	LF-DSP-S	Restored	Restored	Restored
COPIER	OPTION	DSPLY-SW	LF-DSP-U	Restored	Restored	Restored
COPIER	OPTION	DSPLY-SW	ERRL-DSP	Restored	Restored	Restored
COPIER	OPTION	DSPLY-SW	JLG-UD-D	Restored	Restored	Restored
COPIER	OPTION	DSPLY-SW	UFOS-DSP	Restored	Restored	Restored
COPIER	OPTION	DSPLY-SW	SVC-DAT	Restored	Restored	Restored
COPIER	OPTION	FNC-SW	TNR-SAVE	Restored	Restored	-
COPIER	OPTION	CUSTOM2	SP-B01	Restored	Restored	Restored
COPIER	OPTION	CUSTOM2	SP-B02	Restored	Restored	Restored
COPIER	OPTION	CUSTOM2	SP-B03	Restored	Restored	Restored
COPIER	OPTION	CUSTOM2	SP-B04	Restored	Restored	Restored
COPIER	OPTION	CUSTOM2	SP-B05	Restored	Restored	Restored
COPIER	OPTION	CUSTOM2	SP-B06	Restored	Restored	Restored
COPIER	OPTION	CUSTOM2	SP-B07	Restored	Restored	Restored
COPIER	OPTION	CUSTOM2	SP-B08	Restored	Restored	Restored
COPIER	OPTION	CUSTOM2	SP-B09	Restored	Restored	Restored
COPIER	OPTION	CUSTOM2	SP-B10	Restored	Restored	Restored
COPIER	OPTION	CUSTOM2	SP-B11	Restored	Restored	Restored
COPIER	OPTION	CUSTOM2	SP-B12	Restored	Restored	Restored
COPIER	OPTION	CUSTOM2	SP-B13	Restored	Restored	Restored
COPIER	OPTION	CUSTOM2	SP-B14	Restored	Restored	Restored
COPIER	OPTION	CUSTOM2	SP-B15	Restored	Restored	Restored
COPIER	OPTION	CUSTOM2	SP-B16	Restored	Restored	Restored

Initial screen	Main item	Intermediate item	Sub item	Case A	Case B	Case C
COPIER	OPTION	CUSTOM2	SP-V43	Restored	Restored	Restored
COPIER	OPTION	CUSTOM2	SP-V44	Restored	Restored	Restored
COPIER	OPTION	CUSTOM2	SP-V45	Restored	Restored	Restored
COPIER	OPTION	CUSTOM2	SP-V46	Restored	Restored	Restored
COPIER	OPTION	CUSTOM2	SP-V47	Restored	Restored	Restored
COPIER	OPTION	CUSTOM2	SP-V48	Restored	Restored	Restored
COPIER	OPTION	CUSTOM2	SP-V49	Restored	Restored	Restored
COPIER	OPTION	CUSTOM2	SP-V50	Restored	Restored	Restored
COPIER	OPTION	CUSTOM2	SP-V51	Restored	Restored	Restored
COPIER	OPTION	CUSTOM2	SP-V52	Restored	Restored	Restored
COPIER	OPTION	CUSTOM2	SP-V53	Restored	Restored	Restored
COPIER	OPTION	CUSTOM2	SP-V54	Restored	Restored	Restored
COPIER	OPTION	CUSTOM2	SP-V55	Restored	Restored	Restored
COPIER	OPTION	CUSTOM2	SP-V56	Restored	Restored	Restored
COPIER	OPTION	CUSTOM2	SP-V57	Restored	Restored	Restored
COPIER	OPTION	CUSTOM2	SP-V58	Restored	Restored	Restored
COPIER	OPTION	CUSTOM2	SP-V59	Restored	Restored	Restored
COPIER	OPTION	CUSTOM2	SP-V60	Restored	Restored	Restored
COPIER	OPTION	CUSTOM2	SP-V61	Restored	Restored	Restored
COPIER	OPTION	CUSTOM2	SP-V62	Restored	Restored	Restored
COPIER	OPTION	CUSTOM2	SP-V63	Restored	Restored	Restored
COPIER	OPTION	CUSTOM2	SP-V64	Restored	Restored	Restored
COPIER	OPTION	CUSTOM2	SP-V65	Restored	Restored	Restored
COPIER	OPTION	CUSTOM2	SP-V66	Restored	Restored	Restored
COPIER	OPTION	CUSTOM2	SP-V67	Restored	Restored	Restored
COPIER	OPTION	CUSTOM2	SP-V68	Restored	Restored	Restored
COPIER	OPTION	CUSTOM2	SP-V69	Restored	Restored	Restored
COPIER	OPTION	CUSTOM2	SP-V70	Restored	Restored	Restored
COPIER	OPTION	CUSTOM2	SP-V71	Restored	Restored	Restored
COPIER	OPTION	CUSTOM2	SP-V72	Restored	Restored	Restored
COPIER	OPTION	CUSTOM2	SP-V73	Restored	Restored	Restored
COPIER	OPTION	CUSTOM2	SP-V74	Restored	Restored	Restored
COPIER	OPTION	CUSTOM2	SP-V75	Restored	Restored	Restored
COPIER	OPTION	CUSTOM2	SP-V76	Restored	Restored	Restored
COPIER	OPTION	CUSTOM2	SP-V77	Restored	Restored	Restored
COPIER	OPTION	CUSTOM2	SP-V78	Restored	Restored	Restored
COPIER	OPTION	CUSTOM2	SP-V79	Restored	Restored	Restored
COPIER	OPTION	CUSTOM2	SP-V80	Restored	Restored	Restored
COPIER	OPTION	INT-FACE	NWCT-TM	Restored	-	-
COPIER	OPTION	PM-DLV-D	TONER-K	Restored	Restored	Restored
COPIER	OPTION	PM-DLV-D	FX-UNIT	Restored	Restored	Restored
COPIER	OPTION	PM-DLV-D	C1-FD-RL	Restored	Restored	Restored
COPIER	OPTION	PM-DLV-D	C1-SP-RL	Restored	Restored	Restored
COPIER	OPTION	PM-DLV-D	C2-FD-RL	Restored	Restored	Restored
COPIER	OPTION	PM-DLV-D	C2-SP-RL	Restored	Restored	Restored
COPIER	OPTION	PM-DLV-D	C3-SP-RL	Restored	Restored	Restored
COPIER	OPTION	PM-DLV-D	C3-FD-RL	Restored	Restored	Restored
COPIER	OPTION	PM-DLV-D	C4-FD-RL	Restored	Restored	Restored
COPIER	OPTION	PM-DLV-D	C4-SP-RL	Restored	Restored	Restored
COPIER	OPTION	PM-DLV-D	M-FD-RL	Restored	Restored	Restored
COPIER	OPTION	PM-DLV-D	M-SP-RL	Restored	Restored	Restored
COPIER	OPTION	PM-DLV-D	DF-PU-RL	Restored	Restored	Restored
COPIER	OPTION	PM-DLV-D	DF-SP-RL	Restored	Restored	Restored

Initial screen	Main item	Intermediate item	Sub item	Case A	Case B	Case C
COPIER	OPTION	PM-EXC-M	TR-ROLL	Restored	Restored	Restored
COPIER	OPTION	PM-EXC-M	FX-REP	Restored	Restored	Restored
COPIER	OPTION	PM-EXC-M	C1-REP	Restored	Restored	Restored
COPIER	OPTION	PM-EXC-M	C2-REP	Restored	Restored	Restored
COPIER	OPTION	PM-EXC-M	C3-REP	Restored	Restored	Restored
COPIER	OPTION	PM-EXC-M	C4-REP	Restored	Restored	Restored
COPIER	OPTION	PM-EXC-M	DF-REP	Restored	Restored	Restored
COPIER	OPTION	PM-MSG-D	TONER-K	Restored	Restored	Restored
COPIER	OPTION	PM-MSG-D	TR-ROLL	Restored	Restored	Restored
COPIER	OPTION	PM-MSG-D	FX-REP	Restored	Restored	Restored
COPIER	OPTION	PM-MSG-D	C1-REP	Restored	Restored	Restored
COPIER	OPTION	PM-MSG-D	C2-REP	Restored	Restored	Restored
COPIER	OPTION	PM-MSG-D	C3-REP	Restored	Restored	Restored
COPIER	OPTION	PM-MSG-D	C4-REP	Restored	Restored	Restored
COPIER	OPTION	PM-MSG-D	DF-REP	Restored	Restored	Restored
COPIER	OPTION	PM-PRE-M	TONER-K	Restored	Restored	Restored
COPIER	OPTION	PM-PRE-M	TR-ROLL	Restored	Restored	Restored
COPIER	OPTION	PM-PRE-M	FX-REP	Restored	Restored	Restored
COPIER	OPTION	PM-PRE-M	C1-REP	Restored	Restored	Restored
COPIER	OPTION	PM-PRE-M	C2-REP	Restored	Restored	Restored
COPIER	OPTION	PM-PRE-M	C3-REP	Restored	Restored	Restored
COPIER	OPTION	PM-PRE-M	C4-REP	Restored	Restored	Restored
COPIER	OPTION	PM-PRE-M	DF-REP	Restored	Restored	Restored
COPIER	OPTION	PM-U-DSP	TR-ROLL	Restored	Restored	Restored
COPIER	OPTION	PM-U-DSP	FX-REP	Restored	Restored	Restored
COPIER	OPTION	PM-U-DSP	C1-REP	Restored	Restored	Restored
COPIER	OPTION	PM-U-DSP	C2-REP	Restored	Restored	Restored
COPIER	OPTION	PM-U-DSP	C3-REP	Restored	Restored	Restored
COPIER	OPTION	PM-U-DSP	C4-REP	Restored	Restored	Restored
COPIER	OPTION	PM-U-DSP	DF-REP	Restored	Restored	Restored
COPIER	OPTION	USER	COPY-LIM	Restored	Restored	-
COPIER	OPTION	USER	SLEEP	Restored	Restored	Restored
COPIER	OPTION	USER	COUNTER2	Restored	Restored	Restored
COPIER	OPTION	USER	COUNTER3	Restored	Restored	Restored
COPIER	OPTION	USER	COUNTER4	Restored	Restored	Restored
COPIER	OPTION	USER	COUNTER5	Restored	Restored	Restored
COPIER	OPTION	USER	COUNTER6	Restored	Restored	Restored
COPIER	OPTION	USER	DATE-DSP	Restored	Restored	Restored
COPIER	OPTION	USER	MB-CCV	Restored	-	-
COPIER	OPTION	USER	CONTROL	Restored	-	-
COPIER	OPTION	USER	CNT-DISP	Restored	Restored	Restored
COPIER	OPTION	USER	PH-D-SEL	Restored	-	-
COPIER	OPTION	USER	COPY-JOB	Restored	Restored	-
COPIER	OPTION	USER	JOB-INVL	Restored	Restored	Restored
COPIER	OPTION	USER	TAB-ROT	Restored	Restored	-
COPIER	OPTION	USER	PR-PSESW	Restored	Restored	Restored
COPIER	OPTION	USER	IDPRN-SW	Restored	Restored	-
COPIER	OPTION	USER	CPRT-DSP	Restored	Restored	Restored
COPIER	OPTION	USER	PCL-COPY	Restored	Restored	Restored
COPIER	OPTION	USER	CNT-SW	Restored	Restored	Restored
COPIER	OPTION	USER	BCNT-AST	Restored	Restored	Restored
COPIER	OPTION	USER	PRJOB-CP	Restored	Restored	Restored
COPIER	OPTION	USER	DPT-ID-7	Restored	Restored	Restored

Initial screen	Main item	Intermediate item	Sub item	Case A	Case B	Case C
COPIER	OPTION	USER	RUI-RJT	Restored	Restored	Restored
COPIER	OPTION	USER	SND-RATE	Restored	Restored	Restored
COPIER	OPTION	USER	FREG-SW	Restored	Restored	Restored
COPIER	OPTION	USER	IFAX-SZL	Restored	Restored	Restored
COPIER	OPTION	USER	IFAX-PGD	Restored	Restored	Restored
COPIER	OPTION	USER	MEAPSAFE	Restored	Restored	-
COPIER	OPTION	USER	PRNT-POS	Restored	Restored	Restored
COPIER	OPTION	USER	AFN-PSWD	Restored	Restored	Restored
COPIER	OPTION	USER	PTJAM-RC	Restored	Restored	Restored
COPIER	OPTION	USER	PDL-NCSW	Restored	Restored	-
COPIER	OPTION	USER	PS-MODE	Restored	Restored	Restored
COPIER	OPTION	USER	CNCT-RLZ	Restored	Restored	Restored
COPIER	OPTION	USER	COUNTER7	Restored	Restored	Restored
COPIER	OPTION	USER	COUNTER8	Restored	Restored	Restored
COPIER	OPTION	USER	2C-CT-SW	Restored	Restored	Restored
COPIER	OPTION	USER	LDAP-SW	Restored	Restored	Restored
COPIER	OPTION	USER	FROM-OF	Restored	Restored	Restored
COPIER	OPTION	USER	FILE-OF	Restored	Restored	Restored
COPIER	OPTION	USER	MAIL-OF	Restored	Restored	Restored
COPIER	OPTION	USER	IFAX-OF	Restored	Restored	Restored
COPIER	OPTION	USER	LDAP-DEF	Restored	Restored	Restored
COPIER	OPTION	USER	FREE-DSP	Restored	-	-
COPIER	OPTION	USER	TNRB-SW	Restored	Restored	Restored
COPIER	OPTION	USER	USBH-DSP	Restored	Restored	Restored
COPIER	OPTION	USER	USBM-DSP	Restored	Restored	Restored
COPIER	OPTION	USER	USBI-DSP	Restored	Restored	Restored
COPIER	OPTION	USER	CTCHKDSP	Restored	Restored	Restored
COPIER	OPTION	USER	DFLT-ADJ	Restored	Restored	Restored
COPIER	OPTION	USER	USBR-DSP	Restored	Restored	Restored
COPIER	OPTION	USER	POL-SCAN	Restored	Restored	Restored
COPIER	OPTION	USER	PH-D-SL2	Restored	Restored	-
COPIER	OPTION	USER	JA-SBOX	Restored	Restored	Restored
COPIER	OPTION	USER	JA-DFAX	Restored	Restored	Restored
COPIER	OPTION	USER	JA-REP	Restored	Restored	Restored
COPIER	OPTION	USER	JA-FREP	Restored	Restored	Restored
COPIER	OPTION	USER	JA-BOX	Restored	Restored	Restored
COPIER	OPTION	USER	JA-FORM	Restored	Restored	Restored
COPIER	OPTION	USER	JA-PREV	Restored	Restored	Restored
COPIER	OPTION	USER	JA-PULL	Restored	Restored	Restored
COPIER	OPTION	USER	JA-PDLB	Restored	Restored	Restored
COPIER	OPTION	USER	JA-JOBK	Restored	Restored	Restored
COPIER	OPTION	USER	JA-JDF	Restored	Restored	Restored
COPIER	OPTION	USER	JA-RUI	Restored	Restored	Restored
COPIER	OPTION	USER	JA-WEB	Restored	Restored	Restored
COPIER	OPTION	USER	EXP-CRYP	Restored	Restored	Restored
COPIER	OPTION	USER	SNDSTREN	Restored	Restored	Restored
COPIER	OPTION	USER	FAXSTREN	Restored	Restored	Restored
COPIER	OPTION	USER	SJ-UNMSK	Restored	Restored	Restored
COPIER	OPTION	USER	SJ-CLMSK	Restored	Restored	Restored
COPIER	OPTION	USER	PDFD-MSW	Restored	Restored	Restored
COPIER	OPTION	USER	SFT-OUT	Restored	Restored	Restored
COPIER	OPTION	USER	LGCY-SCP	Restored	Restored	Restored
COPIER	OPTION	USER	CNT-PRT	Restored	Restored	Restored

Initial screen	Main item	Intermediate item	Sub item	Case A	Case B	Case C
COPIER	OPTION	USER	C-P-SIZE	Restored	Restored	Restored
COPIER	OPTION	USER	MF-FEED	Restored	Restored	Restored
COPIER	OPTION	USER	TNRBEXGR	Restored	Restored	Restored
COPIER	OPTION	USER	INSTDT-Y	Restored	-	-
COPIER	OPTION	USER	INSTDT-M	Restored	-	-
COPIER	OPTION	USER	INSTDT-D	Restored	-	-
COPIER	OPTION	USER	INSTDT-H	Restored	-	-
COPIER	OPTION	USER	INSTDT-N	Restored	-	-
COPIER	OPTION	USER	STOP-USE	Restored	Restored	Restored
COPIER	OPTION	USER	LASTREST	Restored	Restored	Restored
COPIER	TEST	NET-CAP	CAPIF	Restored	-	-
FEEDER	ADJUST	-	DOCST	Restored	-	-
FEEDER	ADJUST	-	LA-SPEED	Restored	-	-
FEEDER	ADJUST	-	DOCST2	Restored	-	-
FEEDER	ADJUST	-	LA-SPD2	Restored	-	-
FEEDER	ADJUST	-	ADJMSCN1	Restored	-	-
FEEDER	ADJUST	-	ADJMSCN2	Restored	-	-
FEEDER	ADJUST	-	ADJ-T1	Restored	-	-
FEEDER	ADJUST	-	ADJ-T2	Restored	-	-
FEEDER	ADJUST	-	ADJ-L1	Restored	-	-
FEEDER	ADJUST	-	ADJ-L2	Restored	-	-
FEEDER	ADJUST	-	ADJ-PAR1	Restored	-	-
FEEDER	ADJUST	-	ADJ-PAR2	Restored	-	-
FEEDER	ADJUST	-	ADJ-ROT1	Restored	-	-
FEEDER	ADJUST	-	ADJ-ROT2	Restored	-	-
FEEDER	ADJUST	-	ADJ-DT	Restored	-	-
FEEDER	ADJUST	-	ADJ-DL	Restored	-	-
FEEDER	ADJUST	-	ADJ-DROT	Restored	-	-
FEEDER	OPTION	-	R-ATM	Restored	Restored	-
FEEDER	OPTION	-	R-OVLPLV	Restored	Restored	-