

PARTS CATALOG

imageRUNNER
ADVANCE DX
4751i/4745i
4735i/4725i



Canon

February 28, 2020
Rev. 0

Index

SNL	Product Code No. /Serial No.
A1C	ASSEMBLY LOCATION DIAGRAM (Single pass ADF) (IR-ADV 4751i)
A1E	ASSEMBLY LOCATION DIAGRAM (Single pass ADF) (IR-ADV 4745i)
A1F	ASSEMBLY LOCATION DIAGRAM (WITHOUT ADF) (IR-ADV 4735i, 4725i)
A2	OPTION PARTS CATALOG LIST
001B	ACCESSORIES (A/INCH SIZE)
001C	ACCESSORIES (A/B/K/INCH SIZE)
100B	EXTERNAL COVERS, PANELS, ETC.
102	RIGHT DOOR ASSEMBLY
103B	MACHINE FRONT PLATE
104	INTERNAL COMPONENTS 1
105C	INTERNAL COMPONENTS 2 (IR-ADV 4751i, 4745i, 4735i)
105E	INTERNAL COMPONENTS 2 (IR-ADV 4725i)
106B	INTERNAL COMPONENTS 3 (IR-ADV 4751i)
106C	INTERNAL COMPONENTS 3 (IR-ADV 4745i, 4735i, 4725i)
107	INTERNAL COMPONENTS 4
108A	INTERNAL COMPONENTS 5 (Single pass ADF)
108C	INTERNAL COMPONENTS 5 (WITHOUT ADF)
109B	MACHINE REAR PLATE 1
110	MACHINE REAR PLATE 2
130	CONTROL PANEL ASSEMBLY
140B	POWER CORD TERMINAL ASS'Y (120V)
140C	POWER CORD TERMINAL ASS'Y (230V)
250	MAIN DRIVE ASSEMBLY
260	PAPER PICK-UP DRIVE ASSEMBLY (UPPER) (4745, 4735, 4725 Series)
261	PAPER PICK-UP DRIVE ASSEMBLY (LOWER) (4745, 4735, 4725 Series)
262	PAPER PICK-UP DRIVE ASSEMBLY (IR-ADV 4751 Series)
263	DUPLEXING DRIVE ASSEMBLY
270	CARTRIDGE LEFT RAIL ASSEMBLY
271	CARTRIDGE RIGHT RAIL ASSEMBLY
272	BOTTLE DRIVE ASSEMBLY
280	FIRST DELIVERY DRIVE ASSEMBLY
310A	PAPER PICK-UP ASSEMBLY (UPPER)
311A	PAPER PICK-UP ASSEMBLY (LOWER)
312B	MULTI PAPER PICK-UP ASSEMBLY
313	DUPLEXING FEED GUIDE ASSEMBLY
316	PRE-REGISTRATION GUIDE ASS'Y
320	TRANSFER PAPER FEED ASSEMBLY
330	DOOR ASSEMBLY, RIGHT LOWER
333	RIGHT LOWER INNER DOOR ASS'Y

Index

350	FIRST PAPER DELIVERY ASSEMBLY
351	SECOND PAPER DELIVERY ASSEMBLY
352	SECOND DELIVERY FRAME ASSEMBLY
460C	LASER SCANNER UNIT (IR-ADV 4751i)
460D	LASER SCANNER UNIT (IR-ADV 4745i, 4735i)
460E	LASER SCANNER UNIT (IR-ADV 4725i)
620	HOPPER ASSEMBLY
640	DEVELOPING ASSEMBLY
770	WASTE TONER BOX ASSEMBLY
810B	FIXING ASSEMBLY (120V IR-ADV 4751i)
810C	FIXING ASSEMBLY (120V IR-ADV 4745i, 4735i, 4725i)
810D	FIXING ASSEMBLY (230V IR-ADV 4751i)
810E	FIXING ASSEMBLY (230V IR-ADV 4745i, 4735i, 4725i)
815	DELIVERY LOWER GUIDE ASSEMBLY
816	DELIVERY UPPER GUIDE ASSEMBLY
900B	CONTROLLER BOX ASSEMBLY
910A	MAIN CONTROLLER PCB ASSEMBLY (IR-ADV 4751 Series)
910B	MAIN CONTROLLER PCB ASSEMBLY (IR-ADV 4745 Series)
910C	MAIN CONTROLLER PCB ASSEMBLY (IR-ADV 4735 Series)
910D	MAIN CONTROLLER PCB ASSEMBLY (IR-ADV 4725 Series)
930	DC CONTROLLER PCB ASSEMBLY
980	HIGH VOLTAGE PCB ASSEMBLY
B02	ADF MAINTENANCE KIT (Single pass ADF)
B11B	INTERNAL COMPONENTS 1 (Single pass ADF)
B12B	INTERNAL COMPONENTS 2 (Single pass ADF)
B13	INTERNAL COMPONENTS 3 (Single pass ADF)
B14	INTERNAL COMPONENTS 4 (Single pass ADF)
B15	DOCUMENT TRAY ASSEMBLY (Single pass ADF)
B16	OPEN/CLOSE COVER ASSEMBLY (Single pass ADF)
B17	BASE FRAME ASSEMBLY (Single pass ADF)
B40	PLATEN GUIDE ASS'Y (Single pass ADF)
B90	DF DRIVER PCB ASSEMBLY (Single pass ADF)
D11B	READER ASSEMBLY (Single pass ADF)
D11D	READER ASSEMBLY (WITHOUT ADF)
H30	CASSETTE ASSEMBLY (UPPER)
H31	CASSETTE ASSEMBLY (LOWER)
ZZA	MECHANICAL STANDARD PARTS (HOW TO USE)
ZZB	MECHANICAL STANDARD PARTS (SCREWS)
ZZC	MECHANICAL STANDARD PARTS (BOLTS)
ZZD	MECHANICAL STANDARD PARTS (NUTS)

Index

ZZE MECHANICAL STANDARD PARTS (RETAINING RINGS)

Figure SNL (1/2)Product Code No./Serial No.

	Product Code No.	Model Name	Remarks	Serial No.
1	F17-7327-000	imageRUNNER ADVANCE DX 4751i	230V LTN A/B/K/INCH SIZE Single pass ADF	25A
2	F17-7337-000	imageRUNNER ADVANCE DX 4751i	120V US, CA, LTN A/INCH SIZE Single pass ADF	24X
3	F17-7338-000	imageRUNNER ADVANCE DX 4751i	120V US A/INCH SIZE Single pass ADF GOVERNMENT	24Y
4	F17-7325-000	imageRUNNER ADVANCE DX 4745i	230V LTN A/B/K/INCH SIZE Single pass ADF	25L
5	F17-7335-000	imageRUNNER ADVANCE DX 4745i	120V US, CA, LTN A/INCH SIZE Single pass ADF	25J
6	F17-7336-000	imageRUNNER ADVANCE DX 4745i	120V US A/INCH SIZE Single pass ADF GOVERNMENT	25K
7	F17-7323-000	imageRUNNER ADVANCE DX 4735i	230V LTN A/B/K/INCH SIZE WITHOUT ADF	25X
8	F17-7333-000	imageRUNNER ADVANCE DX 4735i	120V US, CA, LTN A/INCH SIZE WITHOUT ADF	25V
9	F17-7334-000	imageRUNNER ADVANCE DX 4735i	120V US A/INCH SIZE WITHOUT ADF GOVERNMENT	25W
10	F17-7321-000	imageRUNNER ADVANCE DX 4725i	230V LTN A/B/K/INCH SIZE WITHOUT ADF	26K
11	F17-7331-000	imageRUNNER ADVANCE DX 4725i	120V US, CA, LTN A/INCH SIZE WITHOUT ADF	26H
12	F17-7332-000	imageRUNNER ADVANCE DX 4725i	120V US A/INCH SIZE WITHOUT ADF GOVERNMENT	26J

Figure SNL (2/2) Product Code No. /Serial No.

	中オーダー	製品名	備考	シリアル No.
1	F17-7327-000	imageRUNNER ADVANCE DX 4751i	230V LTN A/B/K/INCH SIZE ワンパス A D F	25A
2	F17-7337-000	imageRUNNER ADVANCE DX 4751i	120V US, CA, LTN A/INCH SIZE ワンパス A D F	24X
3	F17-7338-000	imageRUNNER ADVANCE DX 4751i	120V US A/INCH SIZE ワンパス A D F GOVERNMENT	24Y
4	F17-7325-000	imageRUNNER ADVANCE DX 4745i	230V LTN A/B/K/INCH SIZE ワンパス A D F	25L
5	F17-7335-000	imageRUNNER ADVANCE DX 4745i	120V US, CA, LTN A/INCH SIZE ワンパス A D F	25J
6	F17-7336-000	imageRUNNER ADVANCE DX 4745i	120V US A/INCH SIZE ワンパス A D F GOVERNMENT	25K
7	F17-7323-000	imageRUNNER ADVANCE DX 4735i	230V LTN A/B/K/INCH SIZE A D F なし	25X
8	F17-7333-000	imageRUNNER ADVANCE DX 4735i	120V US, CA, LTN A/INCH SIZE A D F なし	25V
9	F17-7334-000	imageRUNNER ADVANCE DX 4735i	120V US A/INCH SIZE A D F なし GOVERNMENT	25W
10	F17-7321-000	imageRUNNER ADVANCE DX 4725i	230V LTN A/B/K/INCH SIZE A D F なし	26K
11	F17-7331-000	imageRUNNER ADVANCE DX 4725i	120V US, CA, LTN A/INCH SIZE A D F なし	26H
12	F17-7332-000	imageRUNNER ADVANCE DX 4725i	120V US A/INCH SIZE A D F なし GOVERNMENT	26J

FIGURE & KEY NO.	PART NUMBER	RANK	QTY	DESCRIPTION	SERIAL NUMBER /REMARKS
SNL	NPN		RF	Product Code No./Serial No.	
1	F17-7327-000		1	imageRUNNER ADVANCE DX 4751i	25A 230V LTN A/ B/ K/ INCH SIZE Single pass ADF
2	F17-7337-000		1	imageRUNNER ADVANCE DX 4751i	24X 120V US, CA, LTN A/ INCH SIZE Single pass ADF
3	F17-7338-000		1	imageRUNNER ADVANCE DX 4751i	24Y 120V US A/ INCH SIZE Single pass ADF GOVERNMENT
4	F17-7325-000		1	imageRUNNER ADVANCE DX 4745i	25L 230V LTN A/ B/ K/ INCH SIZE Single pass ADF
5	F17-7335-000		1	imageRUNNER ADVANCE DX 4745i	25J 120V US, CA, LTN A/ INCH SIZE Single pass ADF
6	F17-7336-000		1	imageRUNNER ADVANCE DX 4745i	25K 120V US A/ INCH SIZE Single pass ADF GOVERNMENT
7	F17-7323-000		1	imageRUNNER ADVANCE DX 4735i	25X 230V LTN A/ B/ K/ INCH SIZE WITHOUT ADF
8	F17-7333-000		1	imageRUNNER ADVANCE DX 4735i	25V 120V US, CA, LTN A/ INCH SIZE WITHOUT ADF
9	F17-7334-000		1	imageRUNNER ADVANCE DX 4735i	25W 120V US A/ INCH SIZE WITHOUT ADF GOVERNMENT
10	F17-7321-000		1	imageRUNNER ADVANCE DX 4725i	26K 230V LTN A/ B/ K/ INCH SIZE WITHOUT ADF
11	F17-7331-000		1	imageRUNNER ADVANCE DX 4725i	26H 120V US, CA, LTN A/ INCH SIZE WITHOUT ADF

FIGURE & KEY NO.	PART NUMBER	R A N K	QTY	DESCRIPTION	SERIAL NUMBER /REMARKS
12	F17-7332-000		1	imageRUNNER ADVANCE DX 4725i	26J 120V US A/ INCH SIZE WITHOUT ADF GOVERNMENT

Figure A1C (1/5) ASSEMBLY LOCATION DIAGRAM (Single pass ADF) (IR-ADV 4751i)

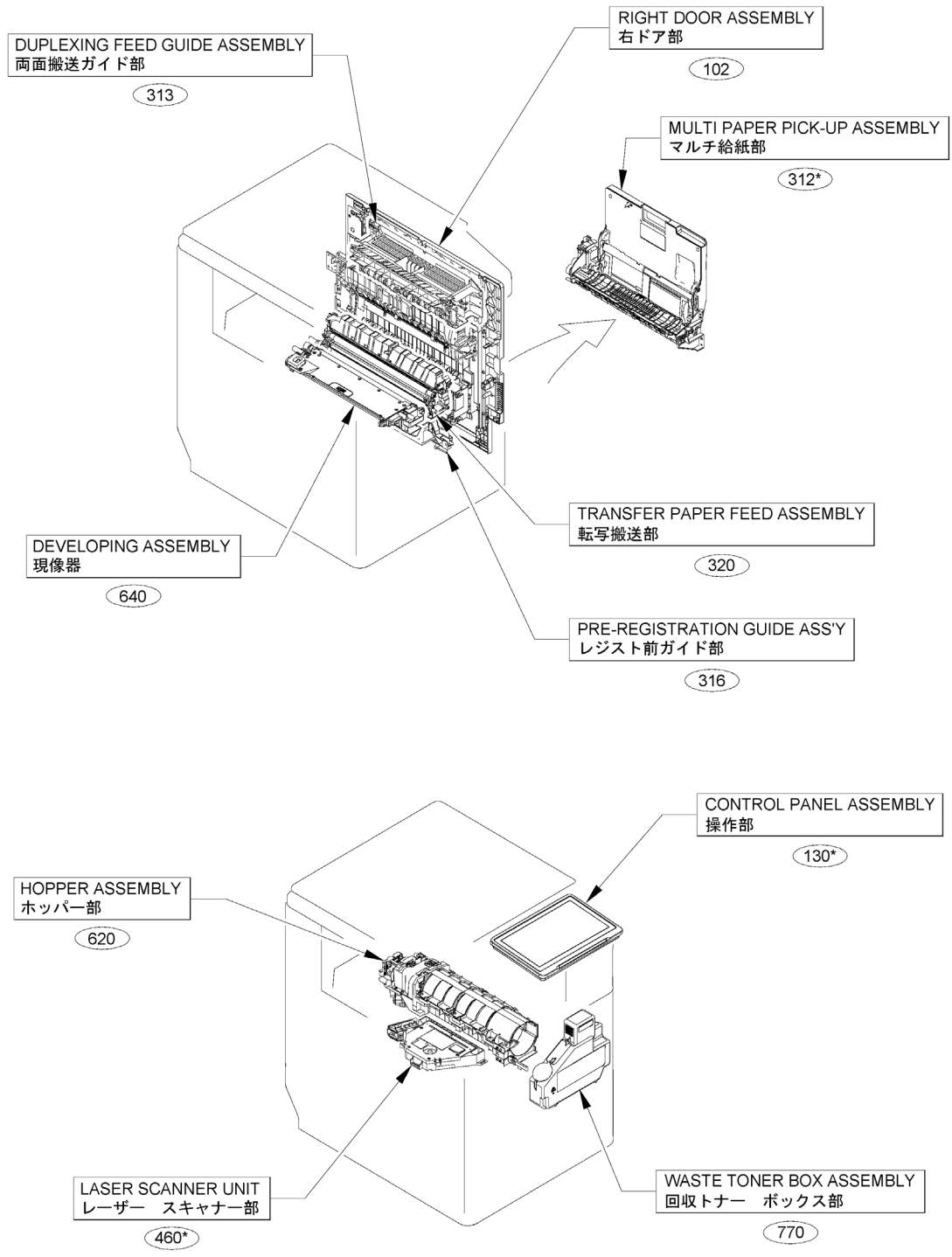


Figure A1C (2/5) ASSEMBLY LOCATION DIAGRAM (Single pass ADF) (IR-ADV 4751i)

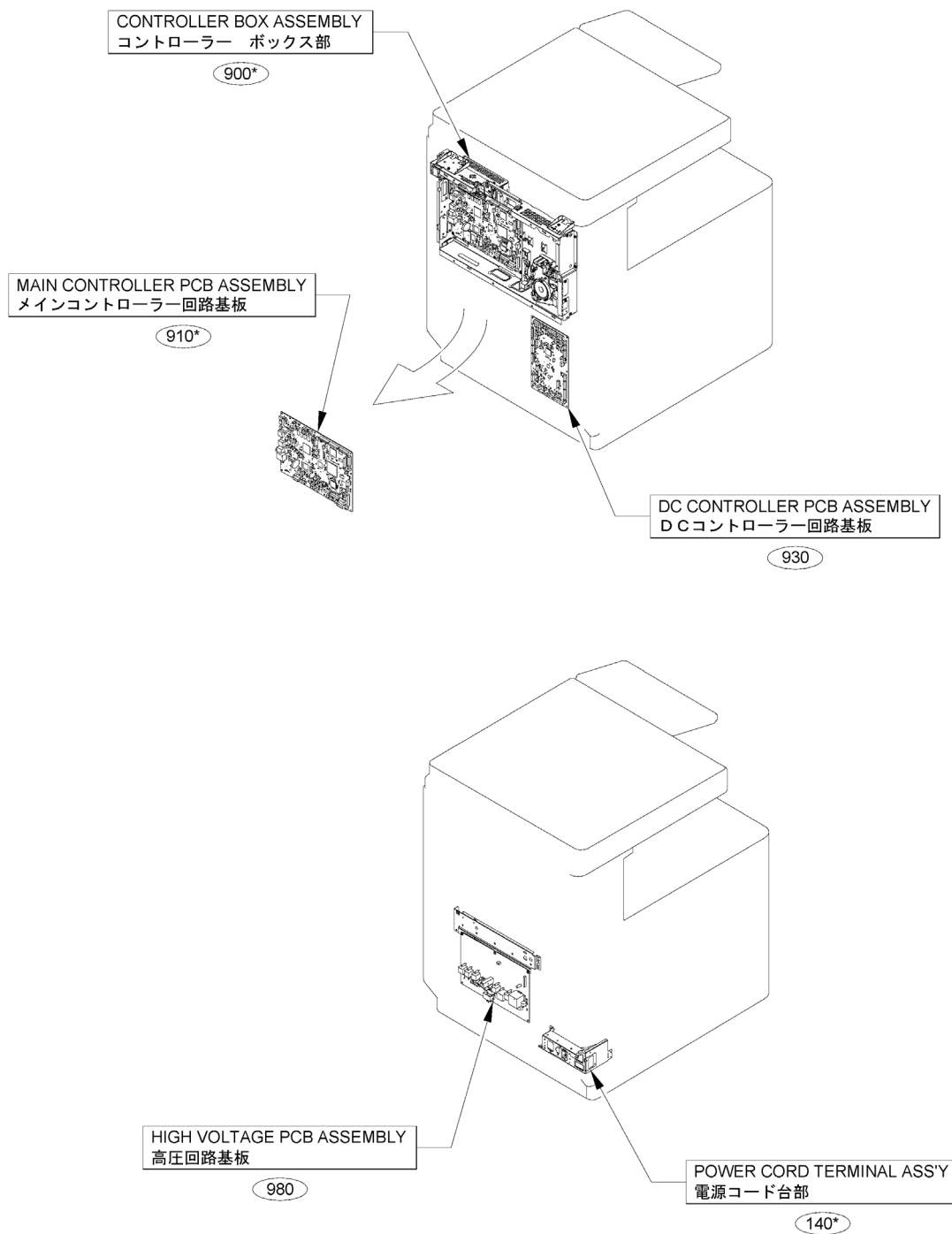


Figure A1C (3/5) ASSEMBLY LOCATION DIAGRAM (Single pass ADF) (IR-ADV 4751i)

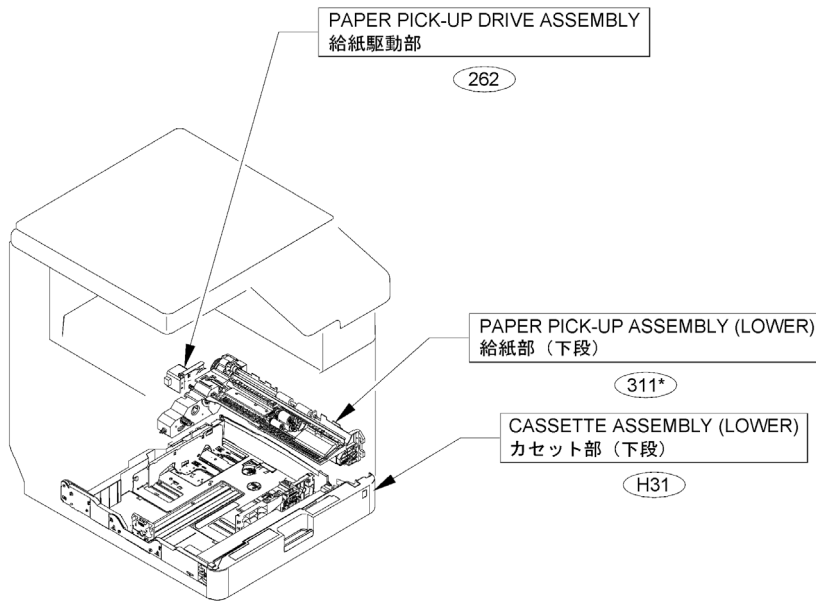
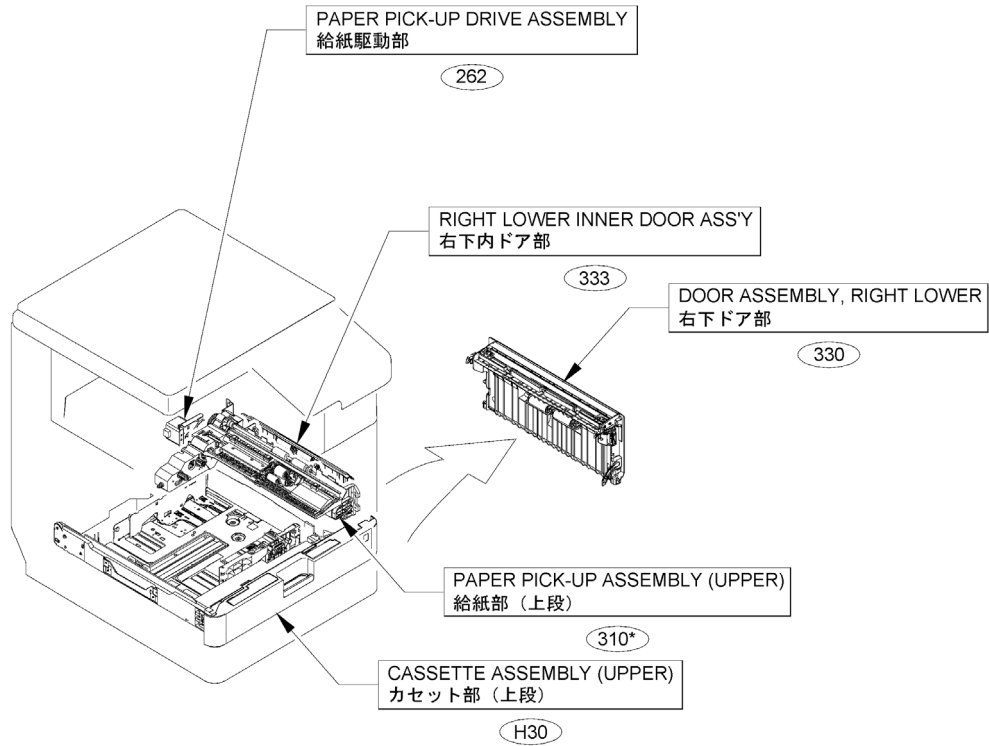


Figure A1C (4/5) ASSEMBLY LOCATION DIAGRAM (Single pass ADF) (IR-ADV 4751i)

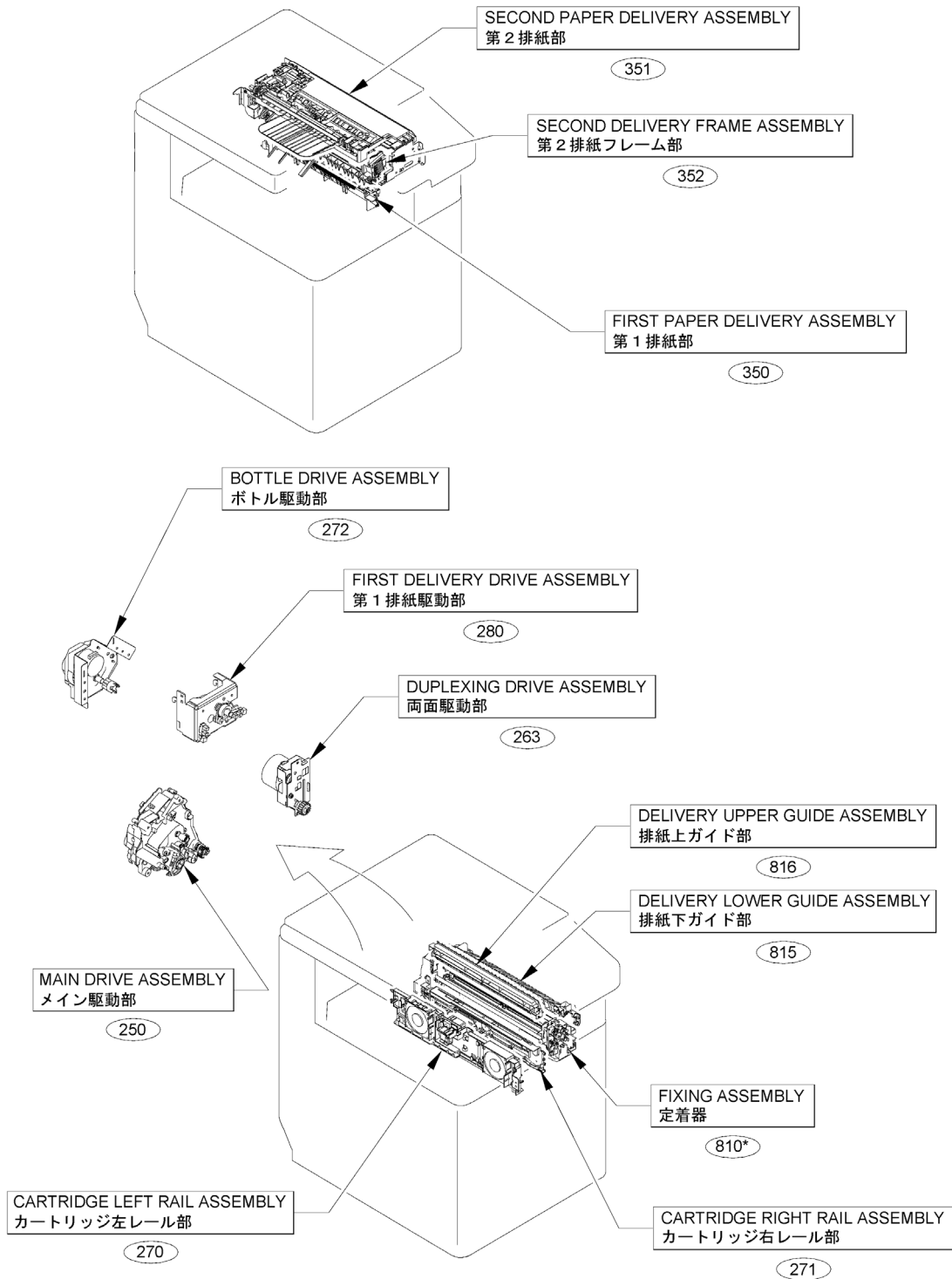


Figure A1C (5/5) ASSEMBLY LOCATION DIAGRAM (Single pass ADF) (IR-ADV 4751i)

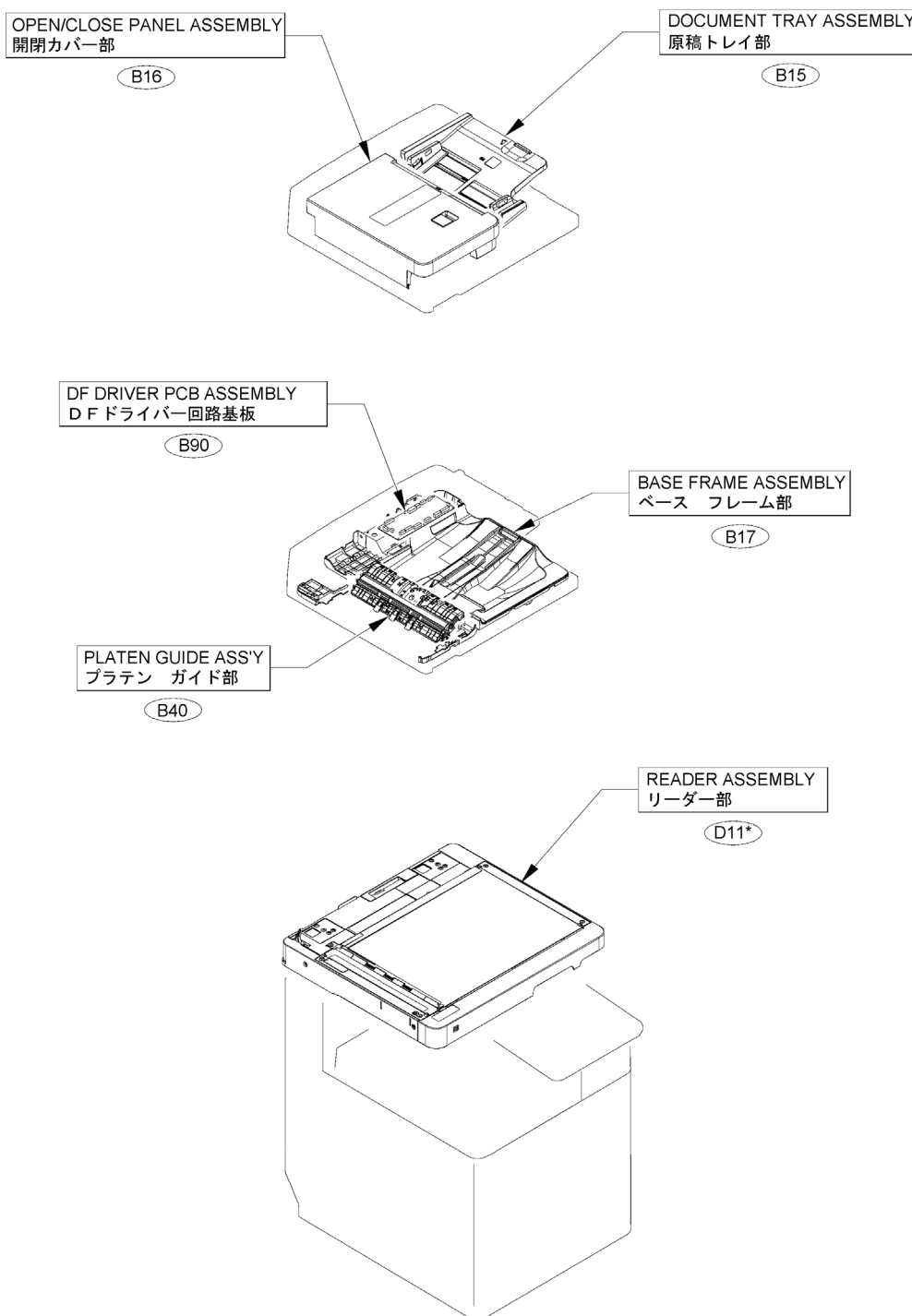


Figure A1E (1/5) ASSEMBLY LOCATION DIAGRAM (Single pass ADF) (IR-ADV 4745i)

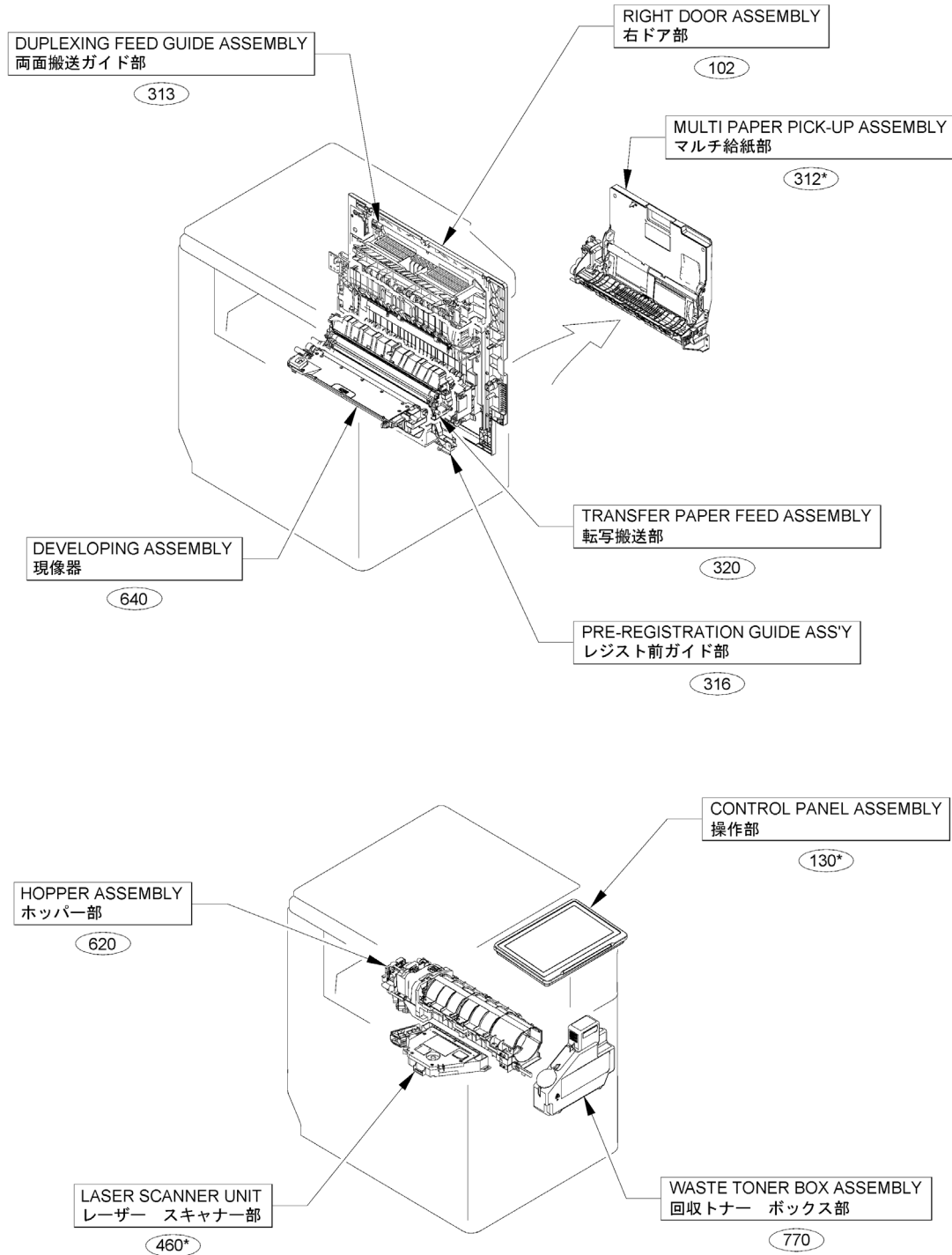


Figure A1E (2/5) ASSEMBLY LOCATION DIAGRAM (Single pass ADF) (IR-ADV 4745i)

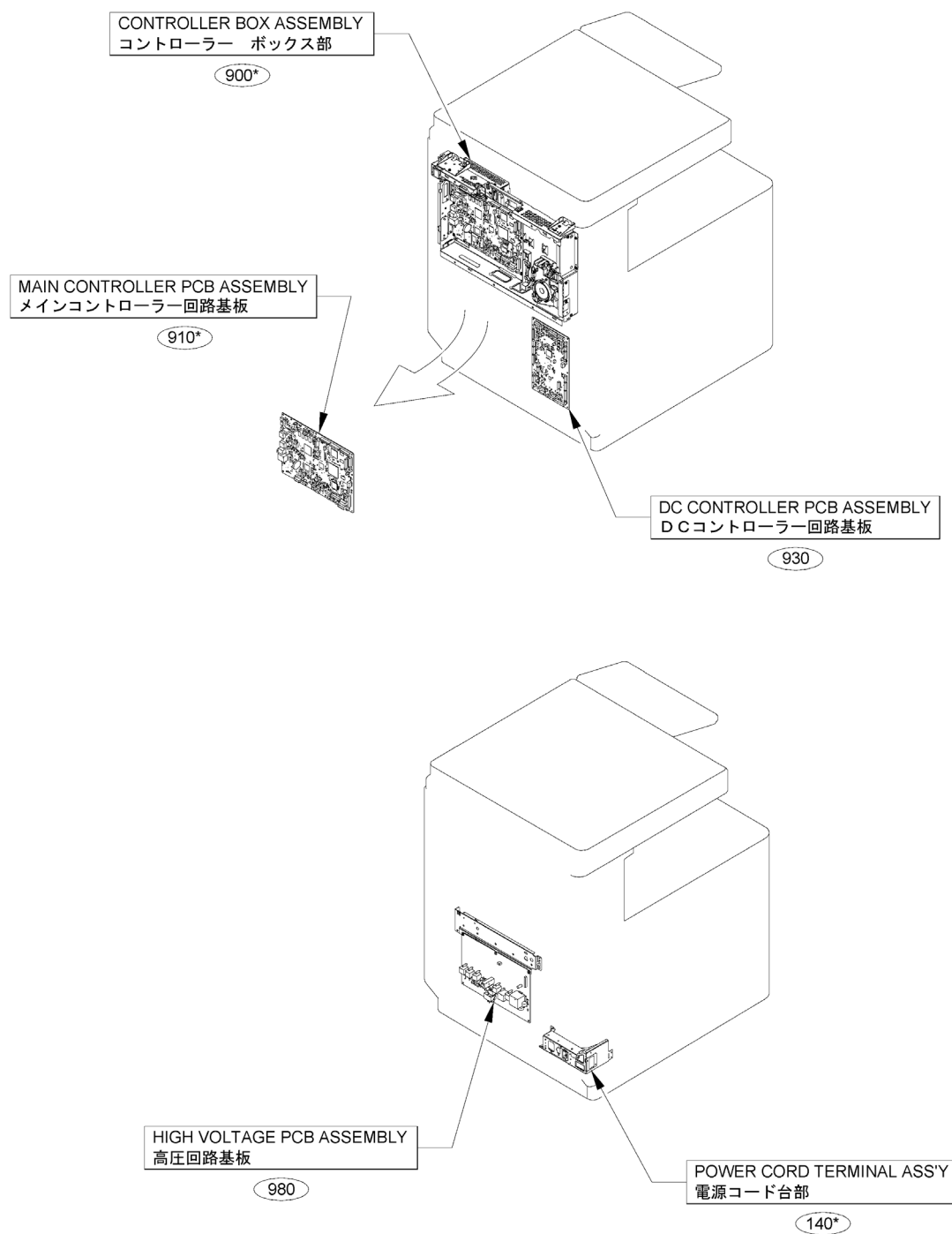


Figure A1E (3/5) ASSEMBLY LOCATION DIAGRAM (Single pass ADF) (IR-ADV 4745i)

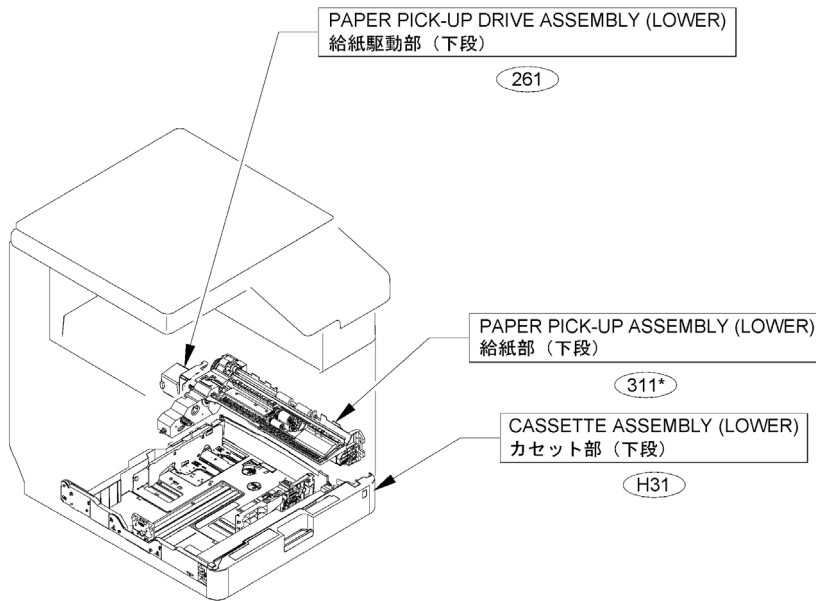
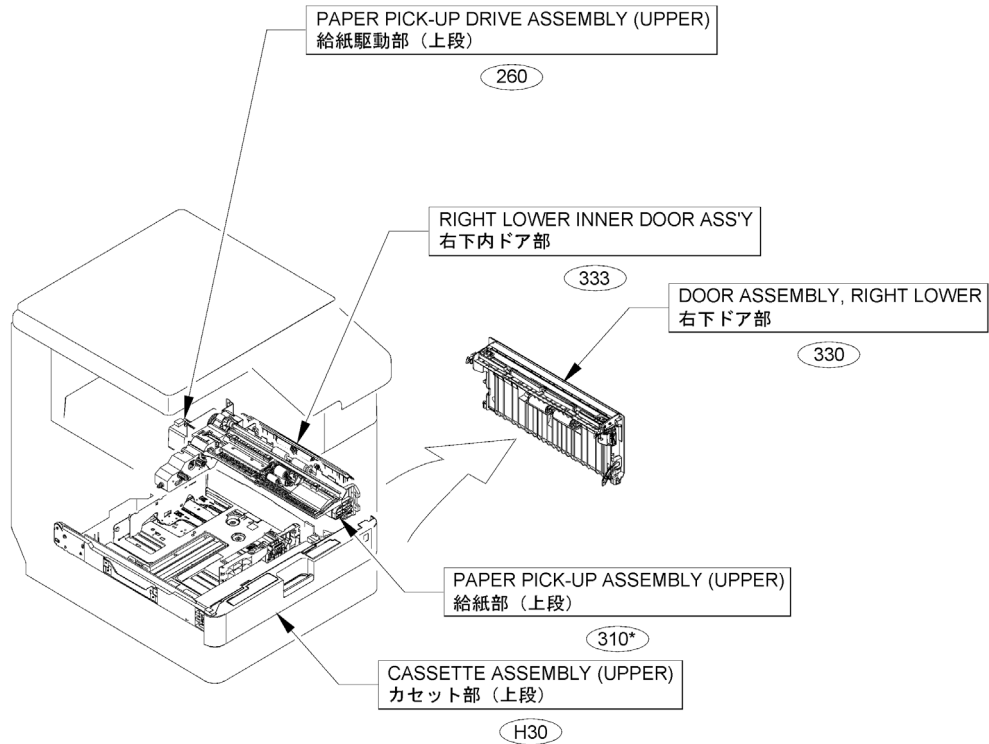


Figure A1E (4/5) ASSEMBLY LOCATION DIAGRAM (Single pass ADF) (IR-ADV 4745i)

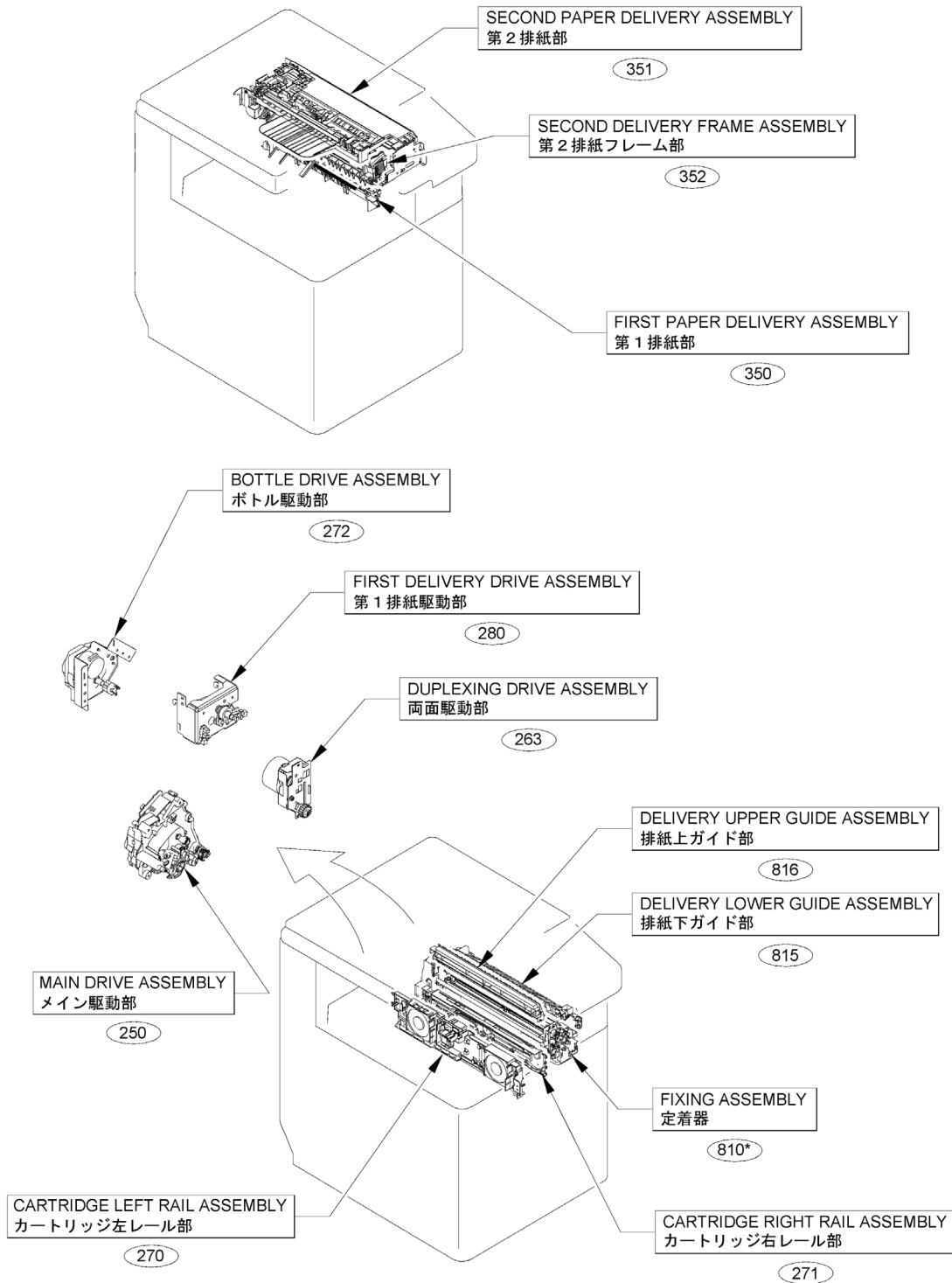


Figure A1E (5/5) ASSEMBLY LOCATION DIAGRAM (Single pass ADF) (IR-ADV 4745i)

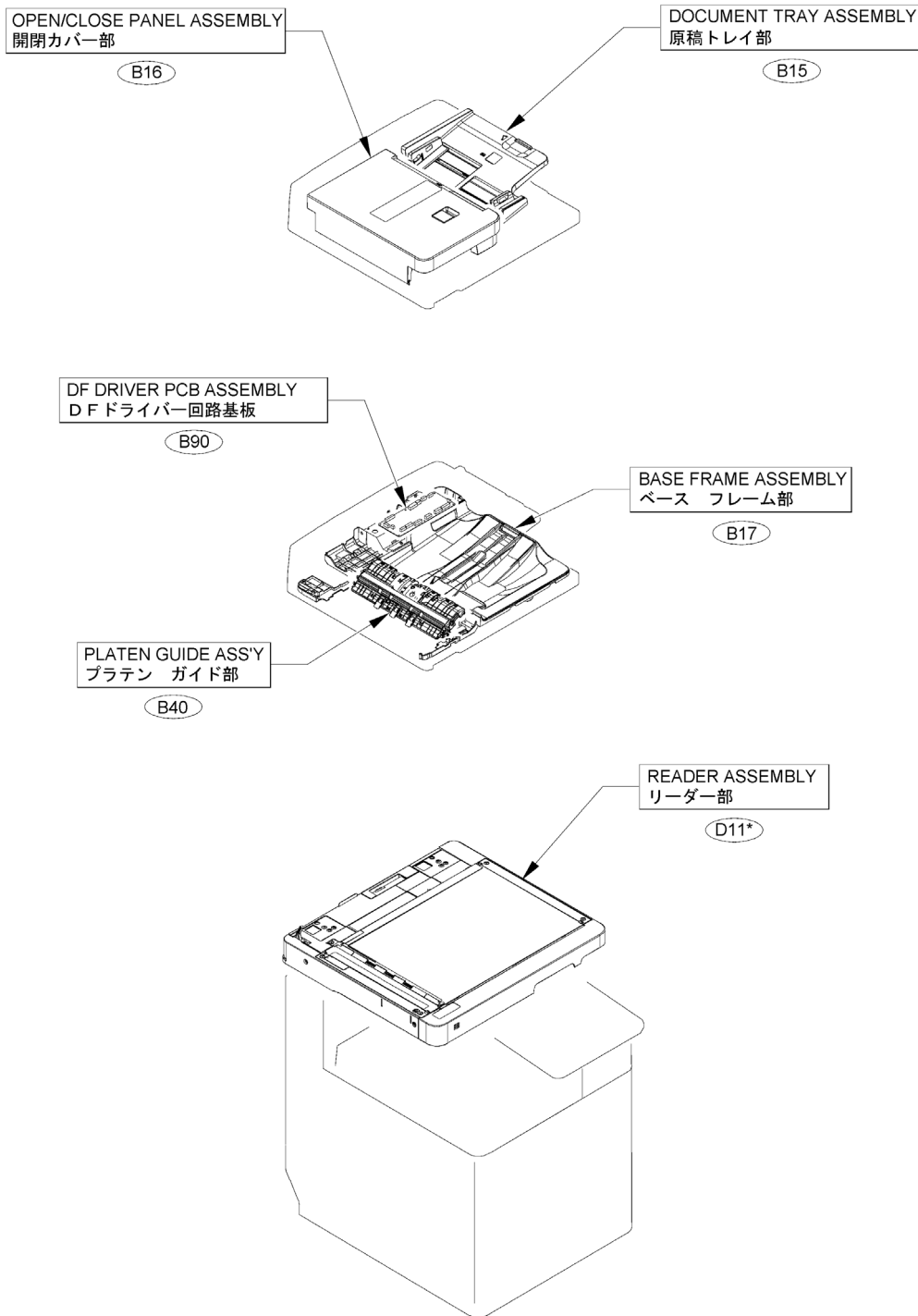


Figure A1F (1/5) ASSEMBLY LOCATION DIAGRAM (WITHOUT ADF) (IR-ADV 4735i, 4725i)

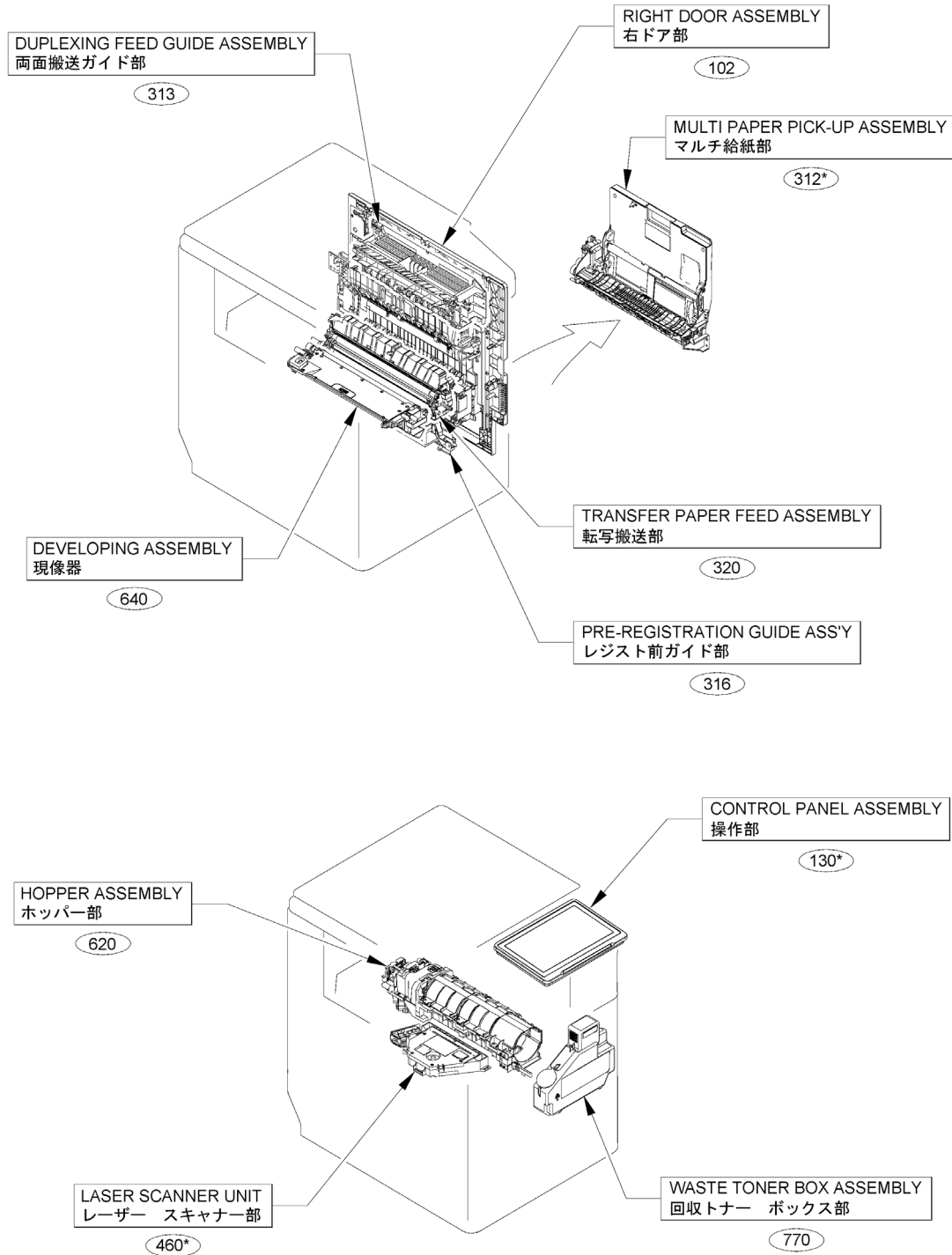


Figure A1F (2/5) ASSEMBLY LOCATION DIAGRAM (WITHOUT ADF) (IR-ADV 4735i, 4725i)

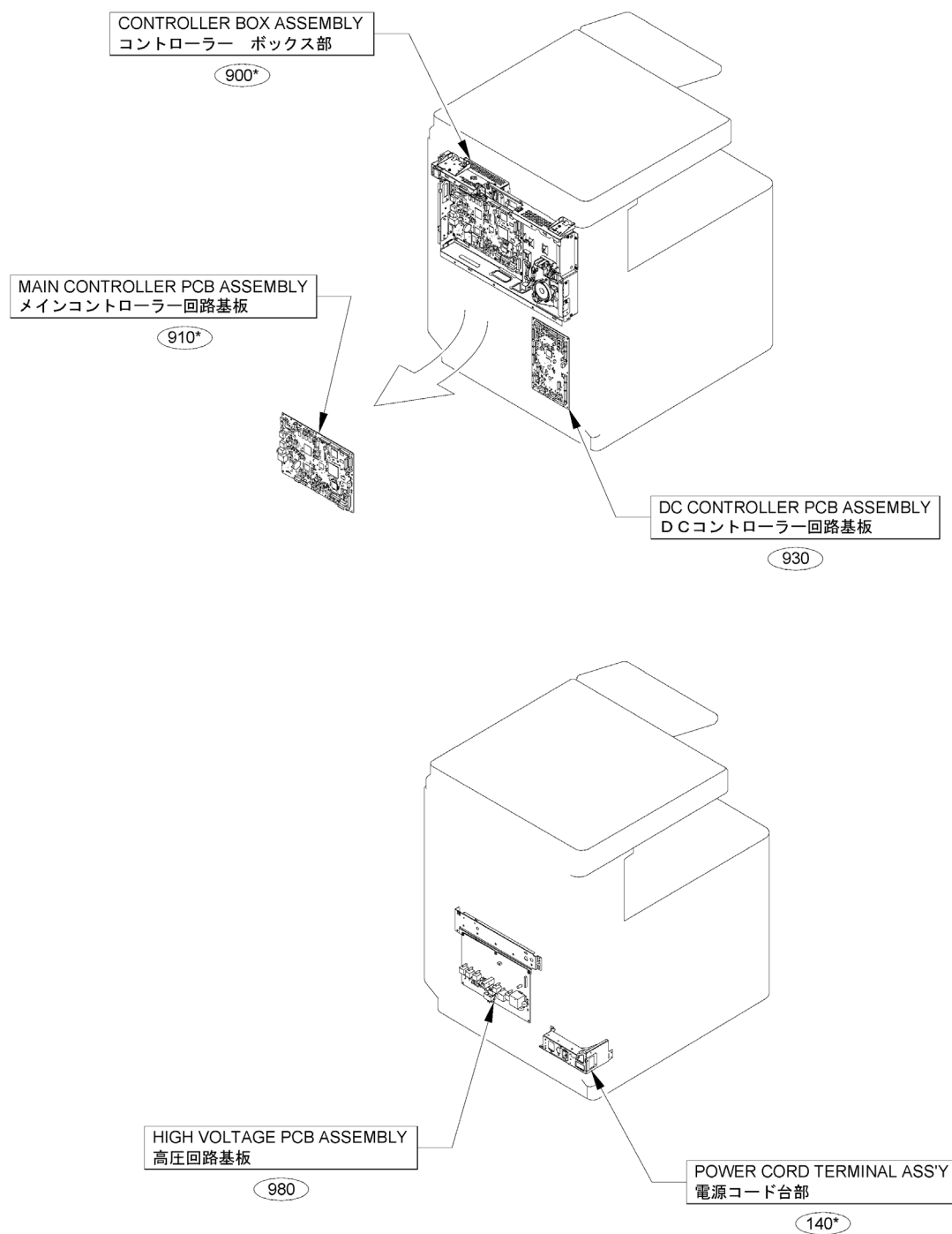


Figure A1F (3/5) ASSEMBLY LOCATION DIAGRAM (WITHOUT ADF) (IR-ADV 4735i, 4725i)

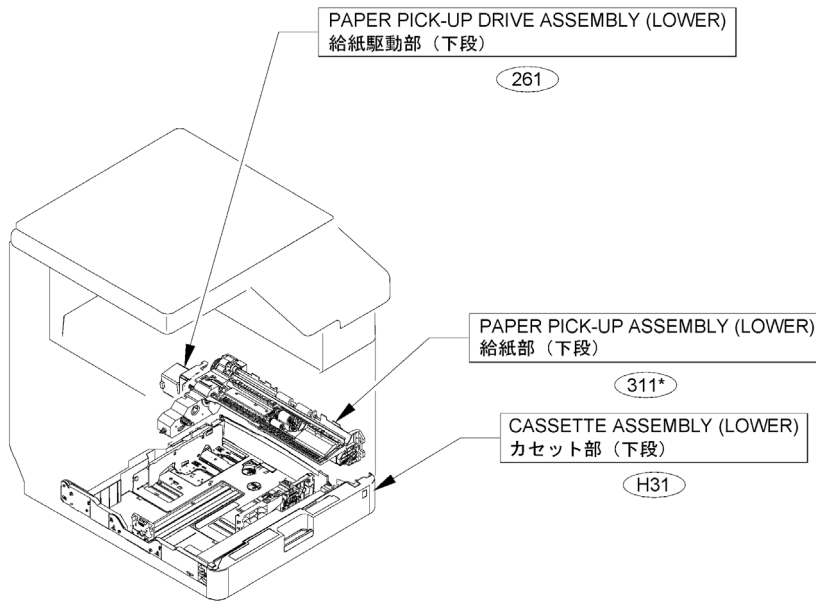
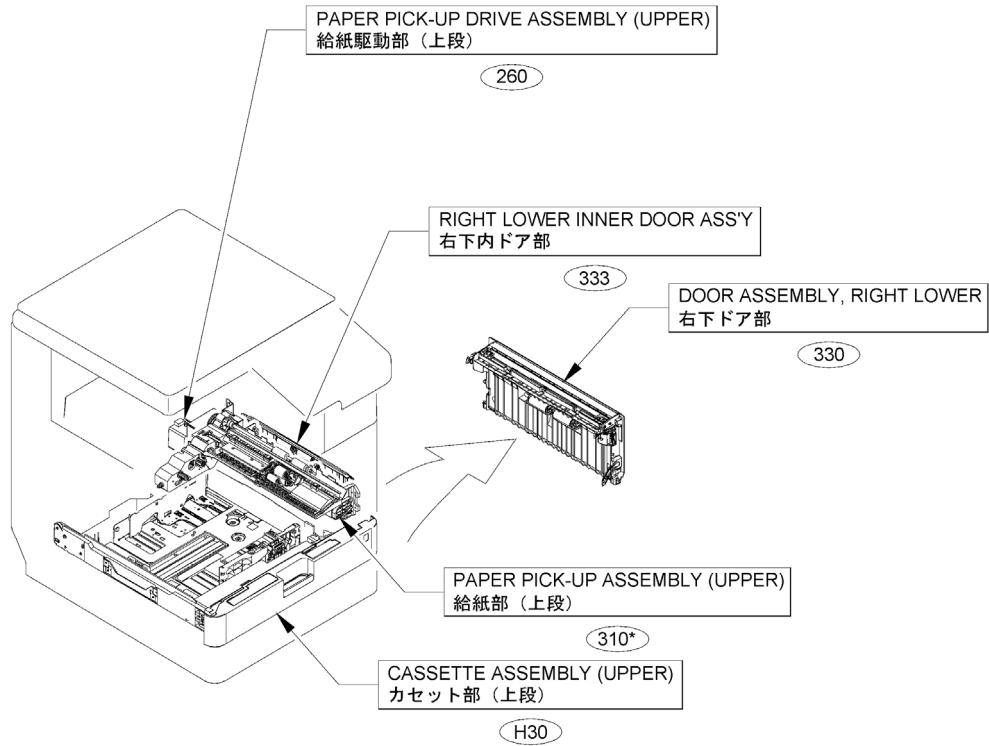


Figure A1F (4/5) ASSEMBLY LOCATION DIAGRAM (WITHOUT ADF) (IR-ADV 4735i, 4725i)

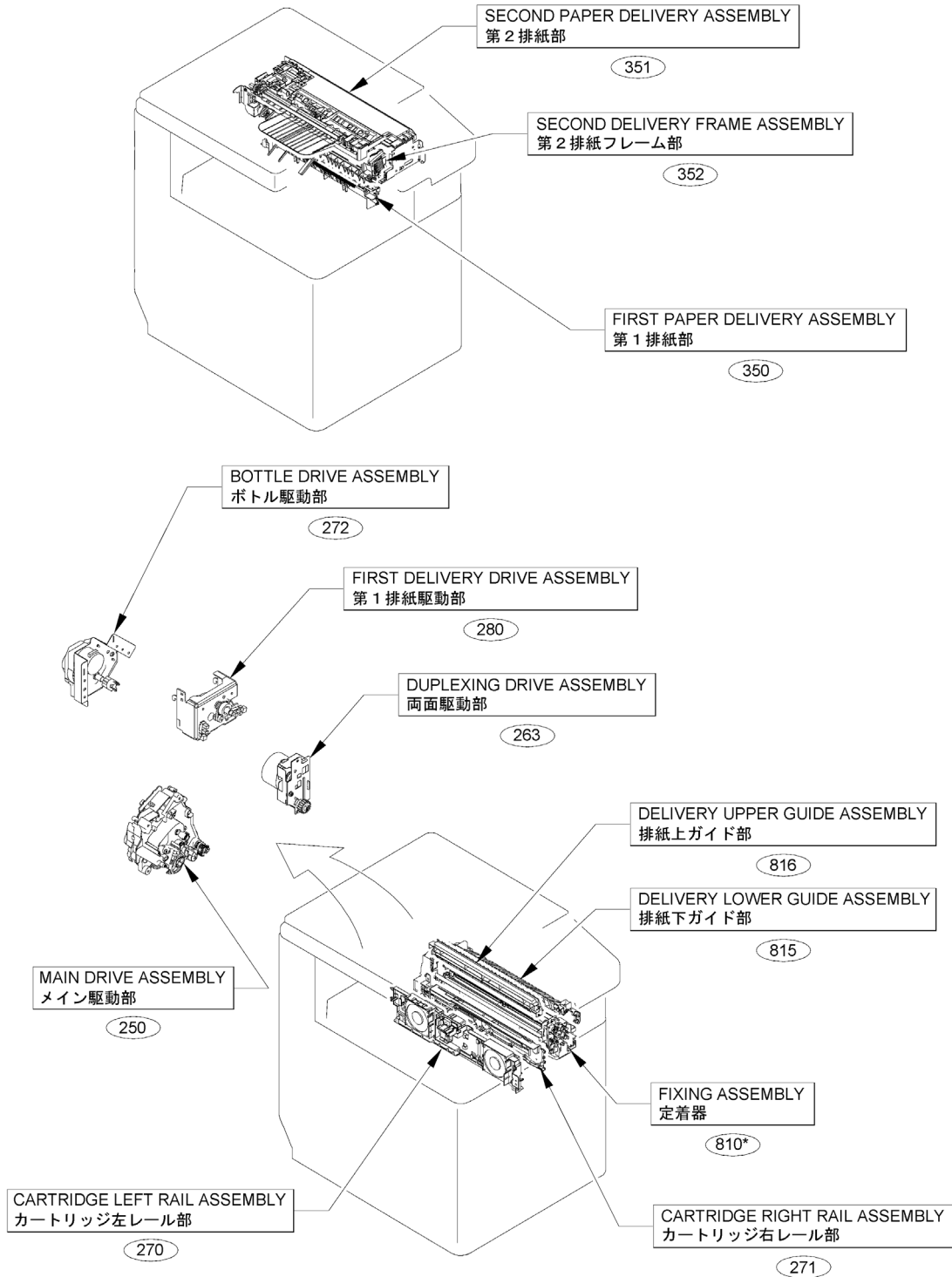


Figure A1F (5/5) ASSEMBLY LOCATION DIAGRAM (WITHOUT ADF) (IR-ADV 4735i, 4725i)

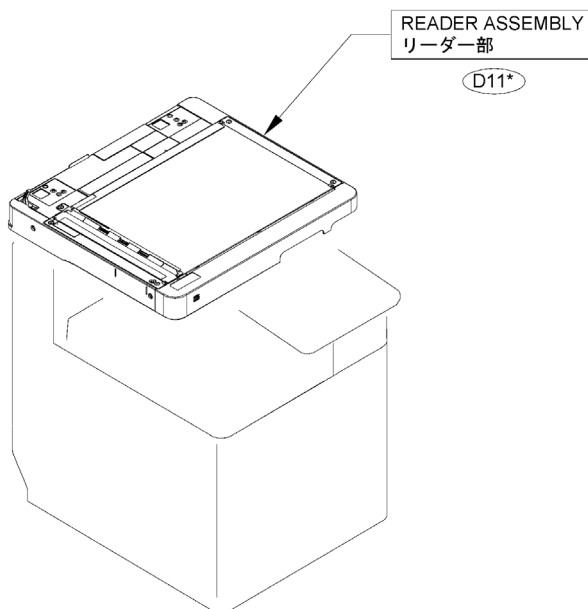


Figure A2 OPTION PARTS CATALOG LIST

This is the table of the machine's options whose parts catalog is issued.
 本機オプションで、パーツカタログが発行されている機種の一覧である。

No.	Model Name(English)	Model Name(Japanese)
1	DADF-BA1	(日本仕向けなし)
2	Single Pass DADF-C1	(日本仕向けなし)
3	Platen Cover-Y2	原稿台カバー・Y 2
4	ADF Access Handle-A1	A D Fアクセスハンドル・A 1
5	(JAPAN ONLY)	プリンタカバー・M 1
6	NFC Kit-E1	N F Cキット・E 1
7	Paper Deck Unit-F1	ペーパーデッキユニット・F 1
8	Cassette Feeding Unit-AN1	2段カセットペディスタル・A N 1
9	High Capacity Cassette Feeding Unit-B1	大容量カセットペディスタル・B 1
10	Envelope Feeder Attachment-D1	(日本仕向けなし)
11	Inner 2Way Tray-L1	インナー2ウェイトレイ・L 1
12	Staple Finisher-Y1/Booklet Finisher-Y1	ステイプルフィニッシャー・Y 1 / 中綴じフィニッシャー・Y 1
13	Inner Finisher-J1	インナーフィニッシャー・J 1
14	2/3 Hole, 2/4 Hole, 4 Hole Puncher Unit-A1	2 / 3 穴、2 / 4 穴、4 穴パンチャーユニット ・A 1
15	Inner 2/3 Hole, 2/4 Hole, 4 Hole Puncher-C1	インナー2 / 3 穴、2 / 4 穴、4 穴パンチャー ・C 1
16	Buffer Pass Unit-N1	バッファパスユニット・N 1
17	Heater Kit-N2	ヒーター基板・N 2
18	Reader Heater Unit-J4	(日本仕向けなし)
19	Cassette Heater Unit-37	カセットヒーターユニット3 7
20	Cassette Heater Unit-41	(日本仕向けなし)
21	Paper Deck Heater Unit-C1	ペーパーデッキヒーターユニット・C 1
22	Utility Tray-B1	ユーティリティートレイ・B 1
23	Copy Card Reader Attachment-B6	コピーカードリーダー取付けキット・B 6
24	Numeric Keypad-A1	テンキー・A 1
25	Super G3 FAX Board-BF1	(日本仕向けなし)
26	Super G3 3rd/4th Line Fax Board-AS1	G 3 回線増設キット (3・4 回線) ・A S 1
27	Super G3 2nd Line Fax Board-BF1	G 3 回線増設キット (2 回線) ・B F 1
28	(JAPAN ONLY)	ハンドセット・G 2
29	Voice Guidance Kit-G1	(日本仕向けなし)
30	Voice Operation Kit-D1	音声操作キット・D 1
31	(JAPAN ONLY)	i R - A D V 課金装置接続キット・A 3
32	Serial Interface Kit-K3	シリアルインターフェースキット・K 3
33	Copy Control Interface Kit-A1	コントロールインターフェースキット・A 1
34	2.5inch/1TB HDD-P1/250GB HDD-N1	オプションHDD (2.5 inch / 1TB) ・P 1 / (2.5 inch / 250GB) ・N 1
35	HDD Mirroring Kit-J1	HDDミラーリングキット・J 1
36	IC Card Reader Box for Numeric Keypad-A1	テンキー用ICカードリーダーボックス・A 1
37	Copy Card Reader-F1	コピーカードリーダー・F 1
38	Connection Kit-A2 for Bluetooth LE	拡張キット・A 2 for Bluetooth LE
39	Option Attachment kit for Reader-A1	リーダー用オプション取付けキット・A 1

Figure 001B ACCESSORIES (A/INCH SIZE)

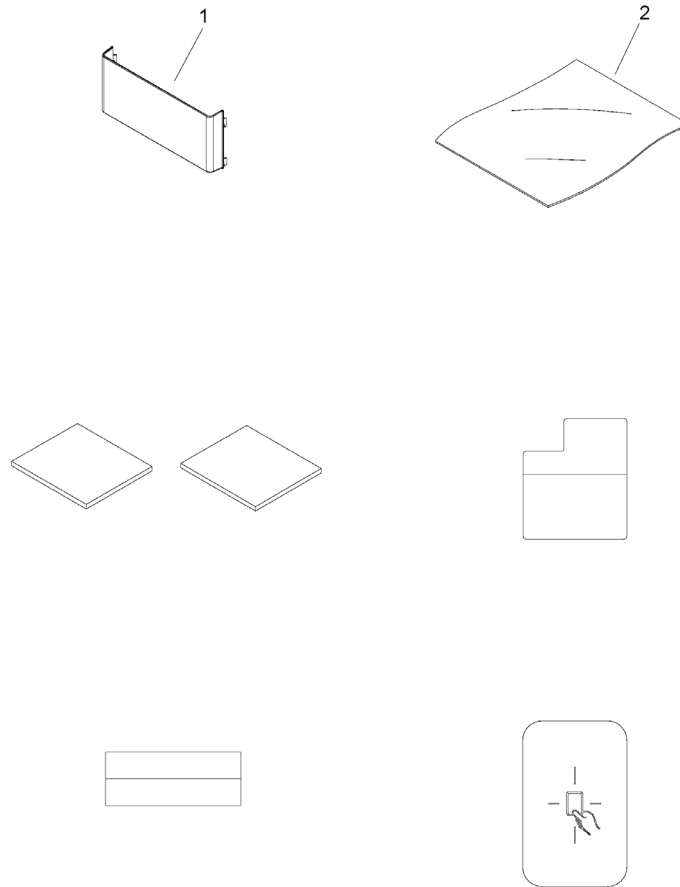


FIGURE & KEY NO.	PART NUMBER	R A N K	QTY	DESCRIPTION	SERIAL NUMBER /REMARKS
001B	NPN		RF	ACCESSORIES	A/ INCH SIZE
1	FE4-2809-000		1	HOLDER, SERVICE BOOK	
2	FE2-D452-000		1	CLOTH, CLEANING	

Figure 001C ACCESSORIES (A/B/K/INCH SIZE)

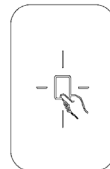
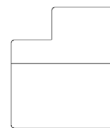
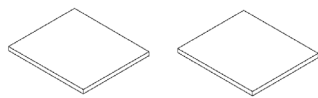
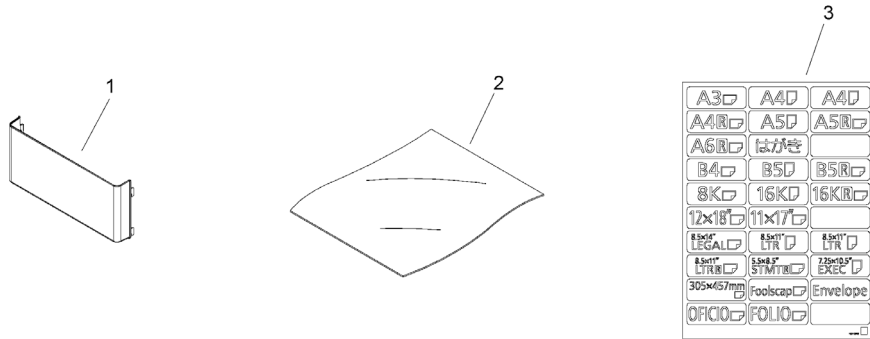


FIGURE & KEY NO.	PART NUMBER	RANK	QTY	DESCRIPTION	SERIAL NUMBER /REMARKS
001C	NPN		RF	ACCESSORIES	A/ B/ K/ INCH SIZE
1	FE4-2809-000		1	HOLDER, SERVICE BOOK	
2	FE2-D452-000		1	CLOTH, CLEANING	
3	FE2-C083-000		1	LABEL, CASSETTE SIZE	

Figure 100B EXTERNAL COVERS, PANELS, ETC.

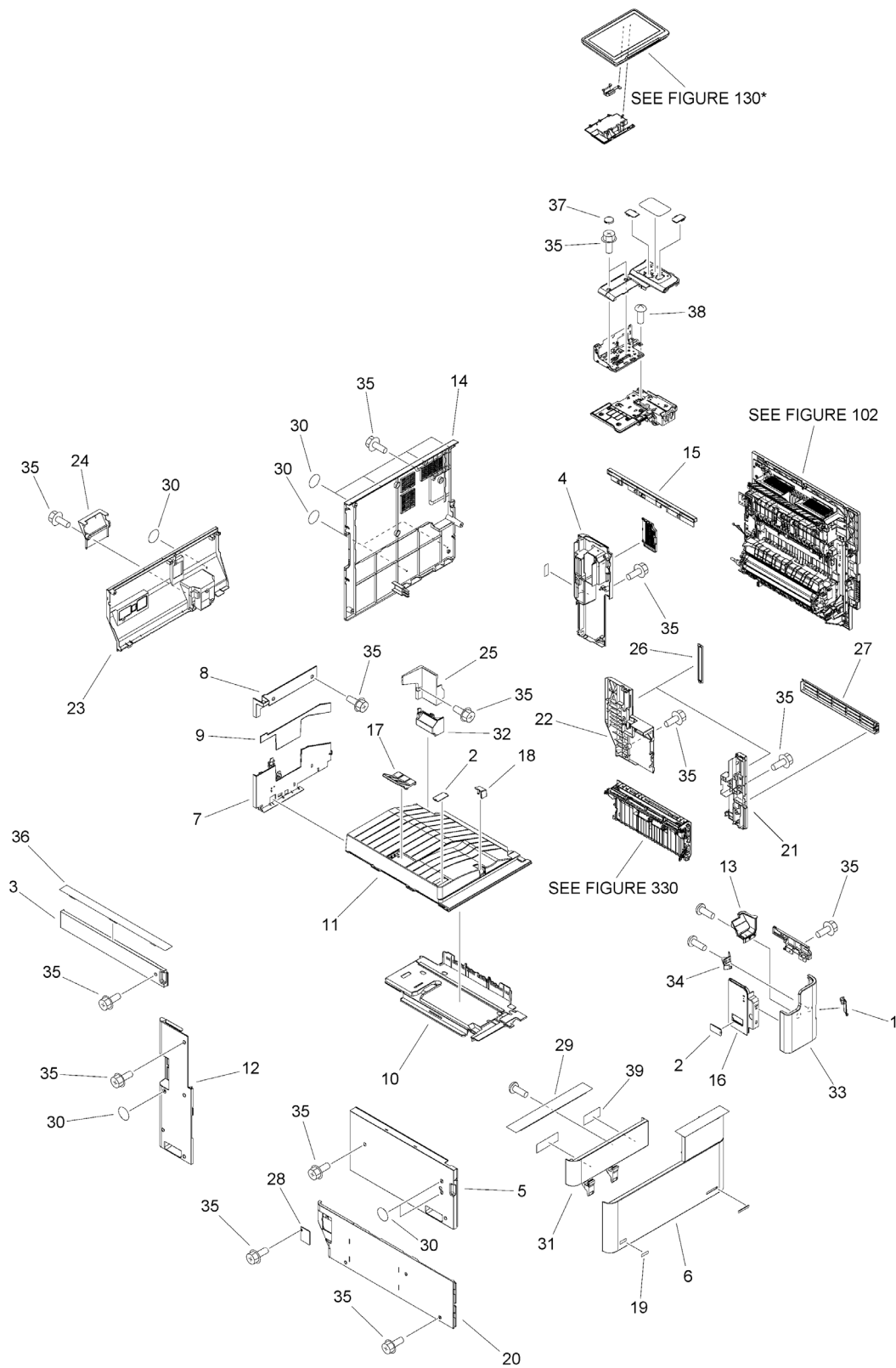


FIGURE & KEY NO.	PART NUMBER	RANK	QTY	DESCRIPTION	SERIAL NUMBER /REMARKS
100B	NPN		RF	EXTERNAL COVERS, PANELS, ETC.	
1	FC8-4000-000		1	COVER, MAIN SWITCH	
2	FE8-8807-000		2	COVER, FAX CONNECTOR	
3	FE4-6552-000		1	COVER, LEFT UPPER	
4	FE2-E002-000		1	COVER, REAR, RIGHT	
5	FE4-6560-000		1	COVER, LEFT	
6	FM1-X324-000		1	FRONT DOOR UNIT	
7	FE4-6570-000		1	COVER, DEPTH, DELIVERY, BOTTOM	
8	FE4-6571-000		1	COVER, DEPTH, DELIVERY ,UPPER	
9	FE4-6572-000		1	COVER, DEPTH, DELIVERY, CENTER	
10	FE4-6573-000		1	TRAY, BASE, RIGHT	
11	FE4-6575-000		1	TRAY, PAPER DELIVERY	
12	FE4-6577-000		1	COVER, REAR, LEFT	
13	FE2-D769-000		1	COVER, FRONT, UPPER, 2	
14	FE4-6579-000		1	COVER, REAR	
15	FE4-6576-000		1	COVER, RIGHT DOOR, UPPER	
16	FE2-D764-000		1	COVER, RIGHT, UPPER, BEHIND	
17	FE4-6586-000		1	GUIDE, PAPER BACK END	
18	FE4-6587-000		1	COVER, DELIVERY TRAY, ACC	
19	FE4-7200-000		1	LABEL, TONER	
20	FE4-7204-000		1	PANEL, LEFT LOWER	
21	FE4-7205-000		1	PANEL, RIGHT LOWER, FRONT	
22	FE4-7206-000		1	PANEL, RIGHT LOWER, REAR	
23	FE4-7208-000		1	PANEL, REAR LOWER	
24	FE4-7209-000		1	PANEL, PROTECTIVE	
25	FE4-7210-000		1	COVER, PAPER DELIVERY, REAR	
26	FE4-7226-000		2	PANEL, HANDLE	
27	FE4-7237-000		1	PANEL, RIGHT CENTER	
28	FE4-6581-000		1	COVER, LATTICE	
29	FL0-5736-000		1	COVER, TONER BOTTLE, TOP	
30	FL0-5737-000		10	SEAL, BLANKING	
31	FL0-5744-000		1	COVER, TONER BOTTLE	
32	FM1-J192-000		1	COVER, PAPER DELIVERY, REAR	
33	FE2-D762-000		1	COVER, FRONT, UPPER, 1	
34	FC0-2538-000		1	MOUNT, SWITCH COVER	
35	XA9-1386-000		15	SCREW,RS,M3X8	
36	FL0-5735-000		1	PLATE, COVER, LEFT	
37	FE3-9169-000		2	CAP	
38	XA9-0893-000		8	SCREW, M4X8	
39	FE4-7255-000		1	LABEL, TONER TYPE	

Figure 102 RIGHT DOOR ASSEMBLY

NOTE : This assembly includes the assemblies shown in Figure 312, 313 and 320.

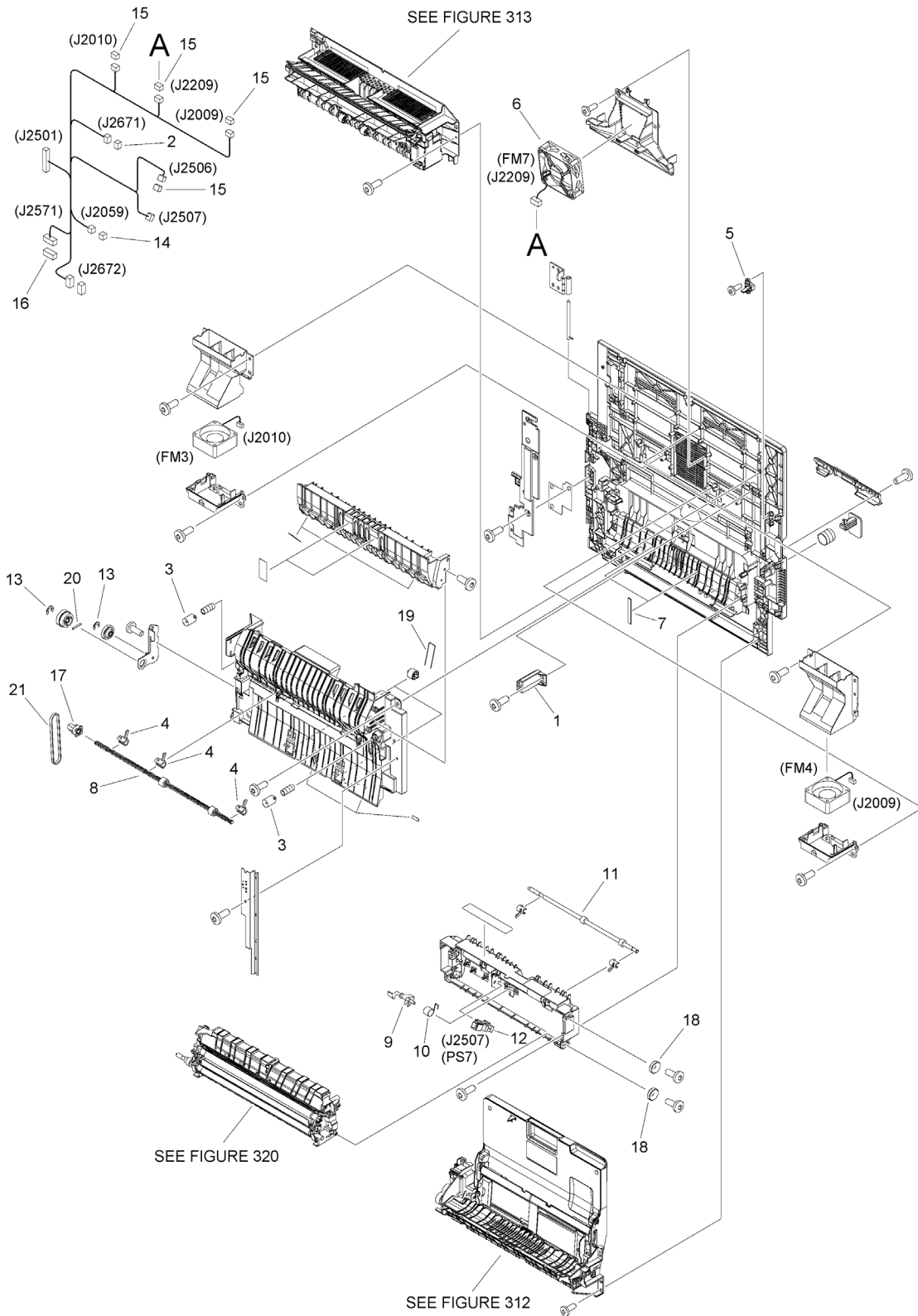


FIGURE & KEY NO.	PART NUMBER	RANK	QTY	DESCRIPTION	SERIAL NUMBER /REMARKS
102	FM1-J052-020		1	RIGHT DOOR ASSEMBLY	SEE NOTE
1	FC0-2458-010		1	GUIDE, AUXILIARY	
2	VS1-8959-003		1	CONNECTOR, SNAP TIGHT, 3P, W	
3	FC5-6014-000		2	CAP, SPRING	
4	FC9-0717-000		3	BUSHING	
5	FE4-0096-000		1	FLAG, MICROSWITCH	
6	FK2-0360-000		1	FAN	FM7
7	FL1-6367-000		2	SHEET, STATIC CHARGE	
8	FL3-1448-000		1	ROLLER, DUPLEXING PAPER FEED	
9	FC9-8965-010		1	FLAG, REVERSE DETECT	
10	FC9-8966-000		1	SPRING, TORSION	
11	FL3-6203-000		1	ROLLER, DUPLEXING PAPER FEED	
12	WG8-5836-000		1	IC PHOTOINTERRUPTER, HYBRID	PS7
13	XD9-0136-000		2	RING, E	
14	VS1-7177-002		1	CONNECTOR, SNAP TIGHT, BK	
15	VS1-7177-003		4	CONNECTOR, SNAP TIGHT, BK	
16	VS1-7177-005		1	CONNECTOR, SNAP TIGHT, BK	
17	FU5-3796-000		1	PULLEY	
18	FU5-6014-000		2	COLLAR	
19	FU8-2883-000		2	SPRING, RETAINING	
20	XD9-0289-000		1	PIN, PARALLEL	
21	XF2-1611-840		1	BELT, TIMING	

Figure 103B MACHINE FRONT PLATE

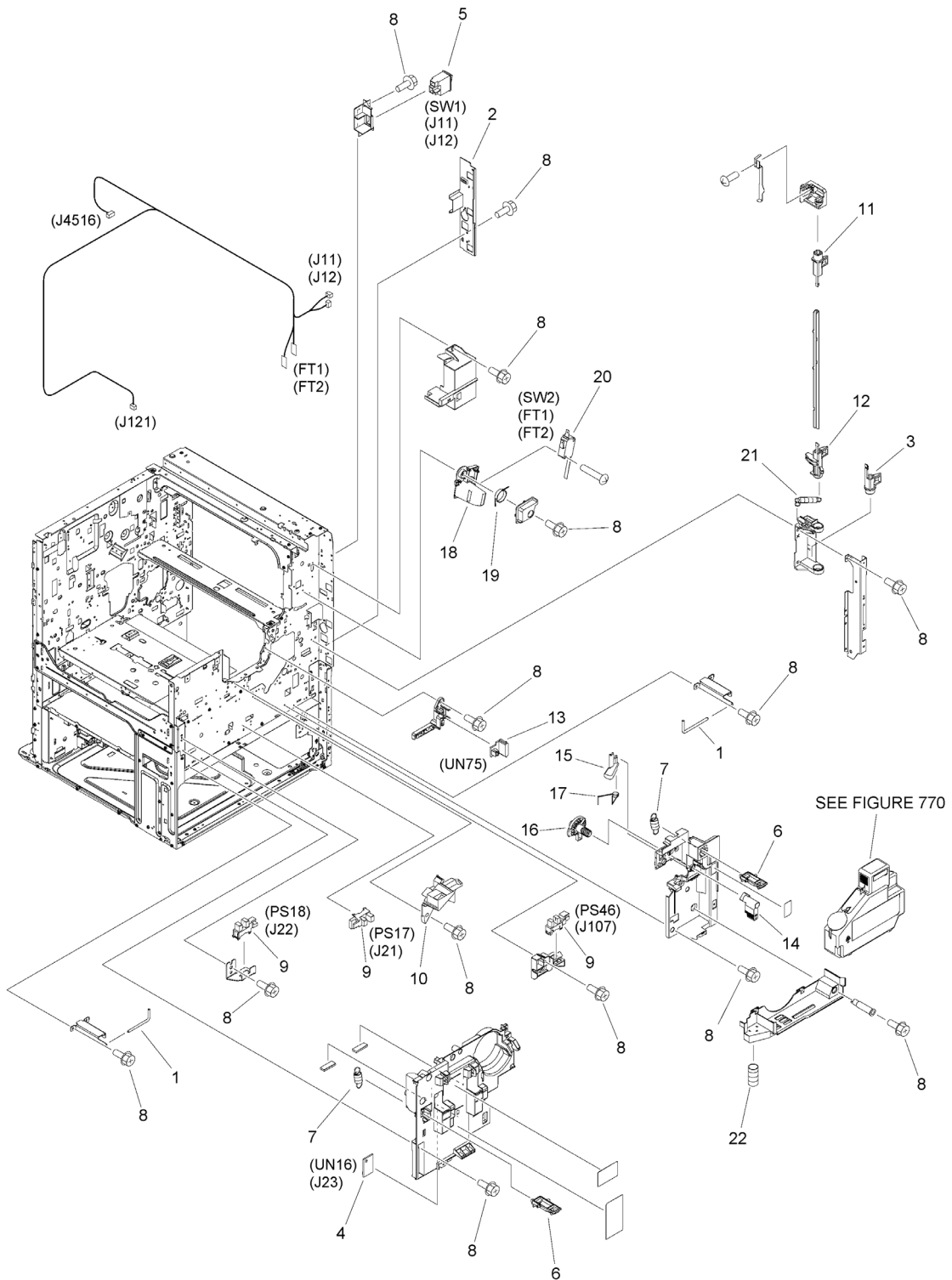


FIGURE & KEY NO.	PART NUMBER	RANK	QTY	DESCRIPTION	SERIAL NUMBER /REMARKS
103B	NPN		RF	MACHINE FRONT PLATE	
1	FA8-2446-000		2	PIN, HINGE	
2	FC9-0574-000		1	COVER, INNER, RIGHT	
3	FC9-0900-000		1	HOOK, RIGHT DOOR, LOWER	
4	WP2-5410-000		1	SENSOR, HUMIDITY	UN16
5	FK3-2835-000		1	SWITCH, MAIN POWER SUPPLY	SW1
6	FC9-1698-000		2	HOOK, FRONT DOOR	
7	FU7-2996-000		2	SPRING, TENSION	
8	XA9-1386-000		15	SCREW,RS,M3X8	
9	WG8-5836-000		3	IC PHOTOINTERRUPTER, HYBRID	PS17, PS18, PS46
10	FE4-6878-000		1	COVER, DEVELOPING	
11	FC9-0898-000		1	HOOK, RIGHT DOOR, UPPER	
12	FC9-0899-000		1	HOOK, RIGHT DOOR, CENTER	
13	FM4-1101-000		1	CONTACT PCB ASSEMBLY	UN75
14	FE8-8403-000		1	LEVER, BOTTLE EXCHANGE	
15	FC9-0503-000		1	LEVER, HANDLE LOCK	
16	FC9-7708-000		1	GEAR, 7T	
17	FU7-2912-000		1	SPRING, TORSION	
18	FC9-1701-000		1	HOLDER, INTERLOCK	
19	FU7-2997-000		1	SPRING, TORSION	
20	WC4-5188-000		1	SWITCH, MICRO	SW2
21	FU6-2194-000		1	SPRING, TENSION	
22	FU7-2911-000		1	SPRING, COMPRESSION	

Figure 104 INTERNAL COMPONENTS 1

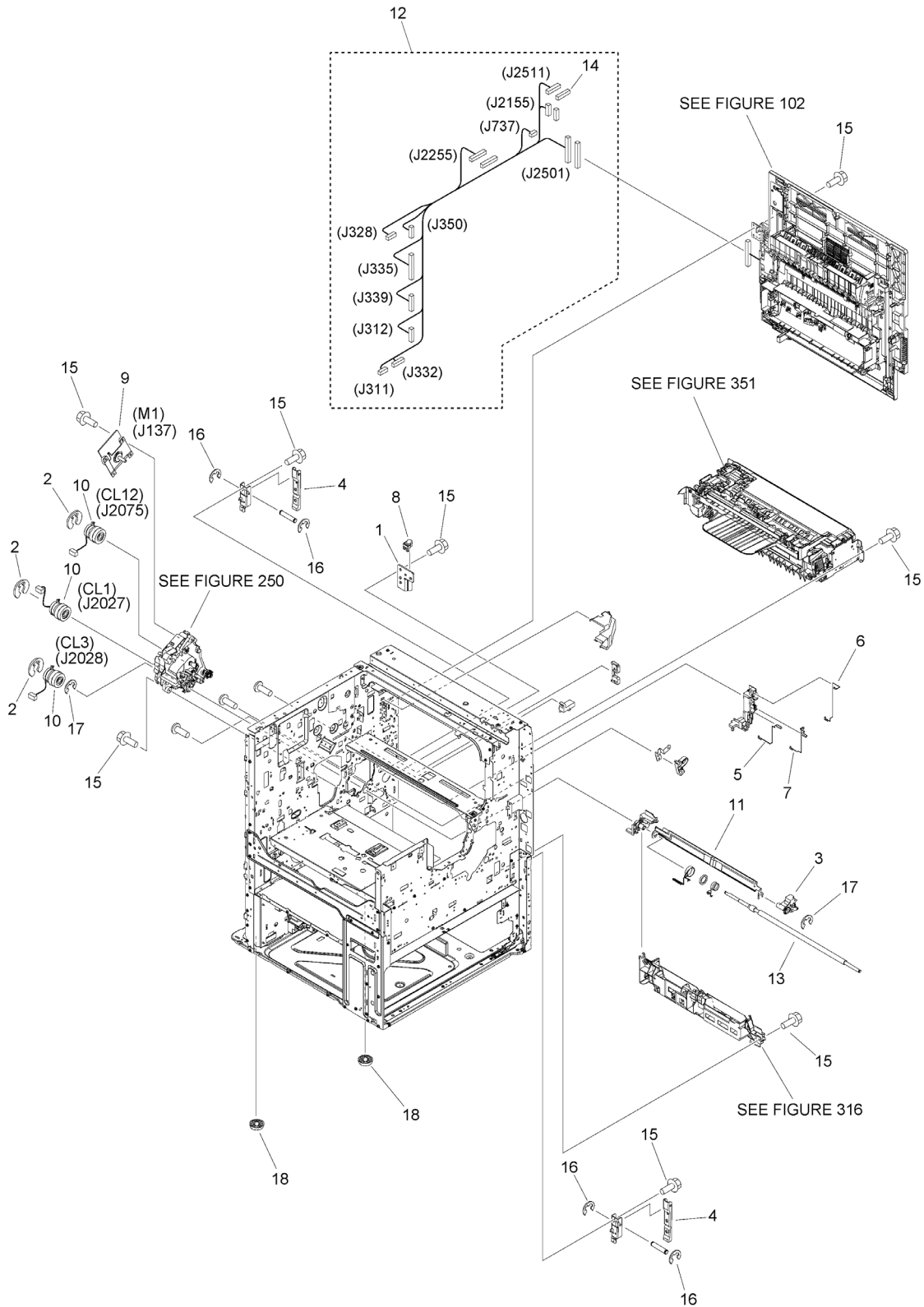


FIGURE & KEY NO.	PART NUMBER	RANK	QTY	DESCRIPTION	SERIAL NUMBER /REMARKS
104	NPN		RF	INTERNAL COMPONENTS 1	
1	FC0-2513-000		1	HINGE, RIGHT DOOR, LOWER	
2	FC8-6380-000		3	CLIP	
3	FL1-4039-000		1	BUSHING	
4	FC9-0562-010		2	LEVER, RIGHT	
5	FC9-0989-000		1	SPRING, CONTACT	
6	FC9-0990-000		1	SPRING, CONTACT	
7	FC9-0991-000		1	SPRING, CONTACT	
8	FE4-6484-010		1	CAM, HINGE, RIGHT DOOR	
9	FK2-9142-000		1	MOTOR, DC	M1
10	FK2-9153-000		3	CLUTCH	CL1, CL3, CL12
11	FM1-J189-000		1	GUIDE, PRE-TRANSFER, UPPER	
12	FM2-K813-000		1	CABLE, DOOR, RIGHT	
13	FM3-9250-000		1	ROLLER, REG. PRESSURE	
14	VS1-8412-015		1	CONNECTOR, SNAP TIGHT, BL	
15	XA9-1386-000		15	SCREW,RS,M3X8	
16	XD9-0136-000		4	RING, E	
17	XD9-0396-000		2	RETAINING RING (E-TYPE)	
18	XH9-0136-000		2	FOOT, RUBBER	

Figure 105C INTERNAL COMPONENTS 2 (IR-ADV 4751i, 4745i, 4735i)

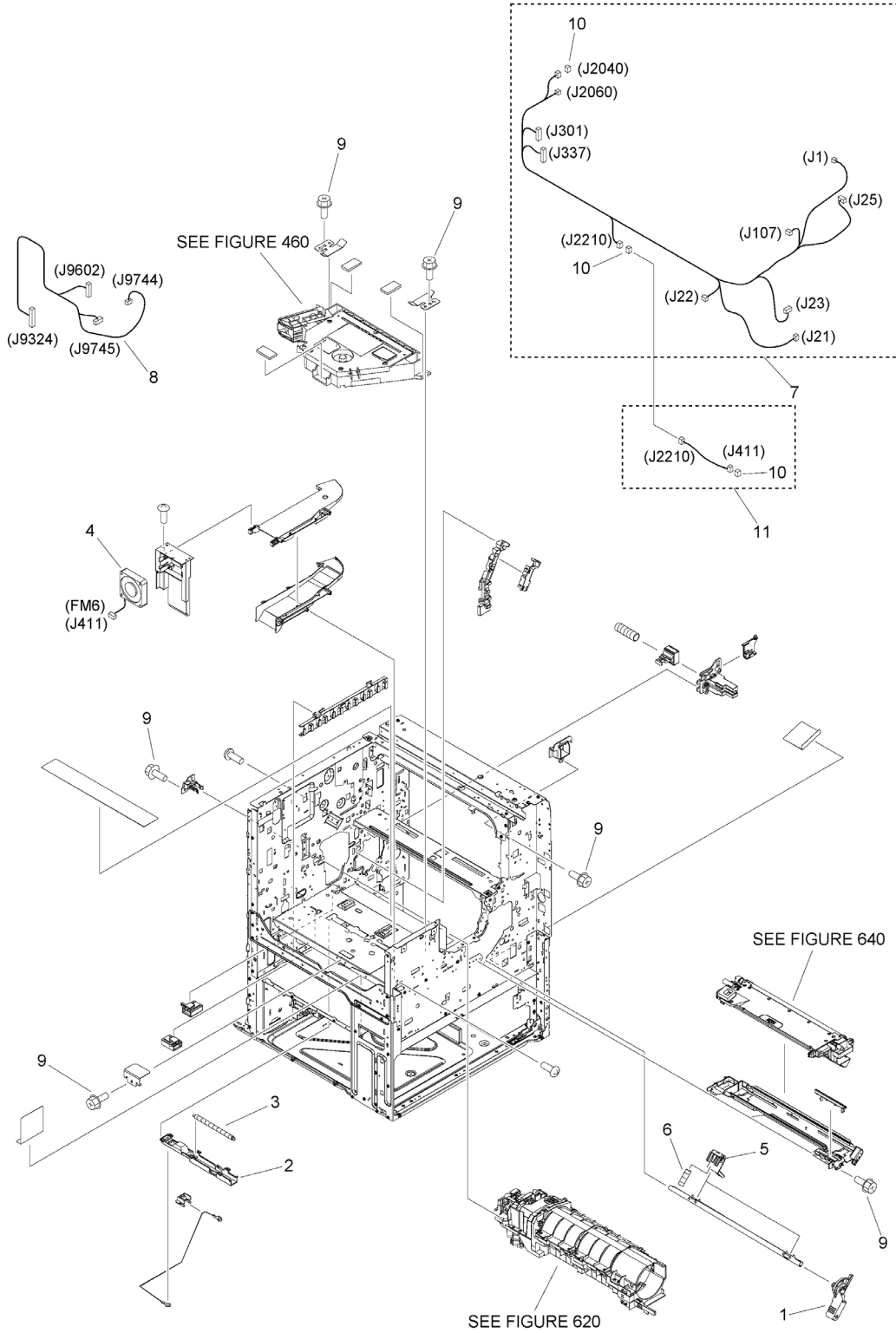


FIGURE & KEY NO.	PART NUMBER	RANK	QTY	DESCRIPTION	SERIAL NUMBER /REMARKS
105C	NPN		RF	INTERNAL COMPONENTS 2	IR-ADV 4751i, 4745i, 4735i
1	FE8-8404-000		1	HANDLE, PRESSURE	
2	FC9-1623-010		1	LINK, LASER SHUTTER	
3	FU7-2972-000		1	SPRING, TENSION	
4	FK2-0472-010		1	FAN	FM6
5	FC9-0609-000		2	CAM, DEVELOPING PRESSURE	
6	FU8-2801-000		2	SPRING, COMPRESSION	
7	FM2-K815-000		1	CABLE, DC CONTROLLER, FRONT	
8	FM1-N874-000		1	CABLE, LASER	
9	XA9-1386-000		15	SCREW,RS,M3X8	
10	VS1-7177-003		3	CONNECTOR, SNAP TIGHT, BK	
11	FM1-C863-010		1	CABLE, COOLING FAN	

Figure 105E INTERNAL COMPONENTS 2 (IR-ADV 4725i)

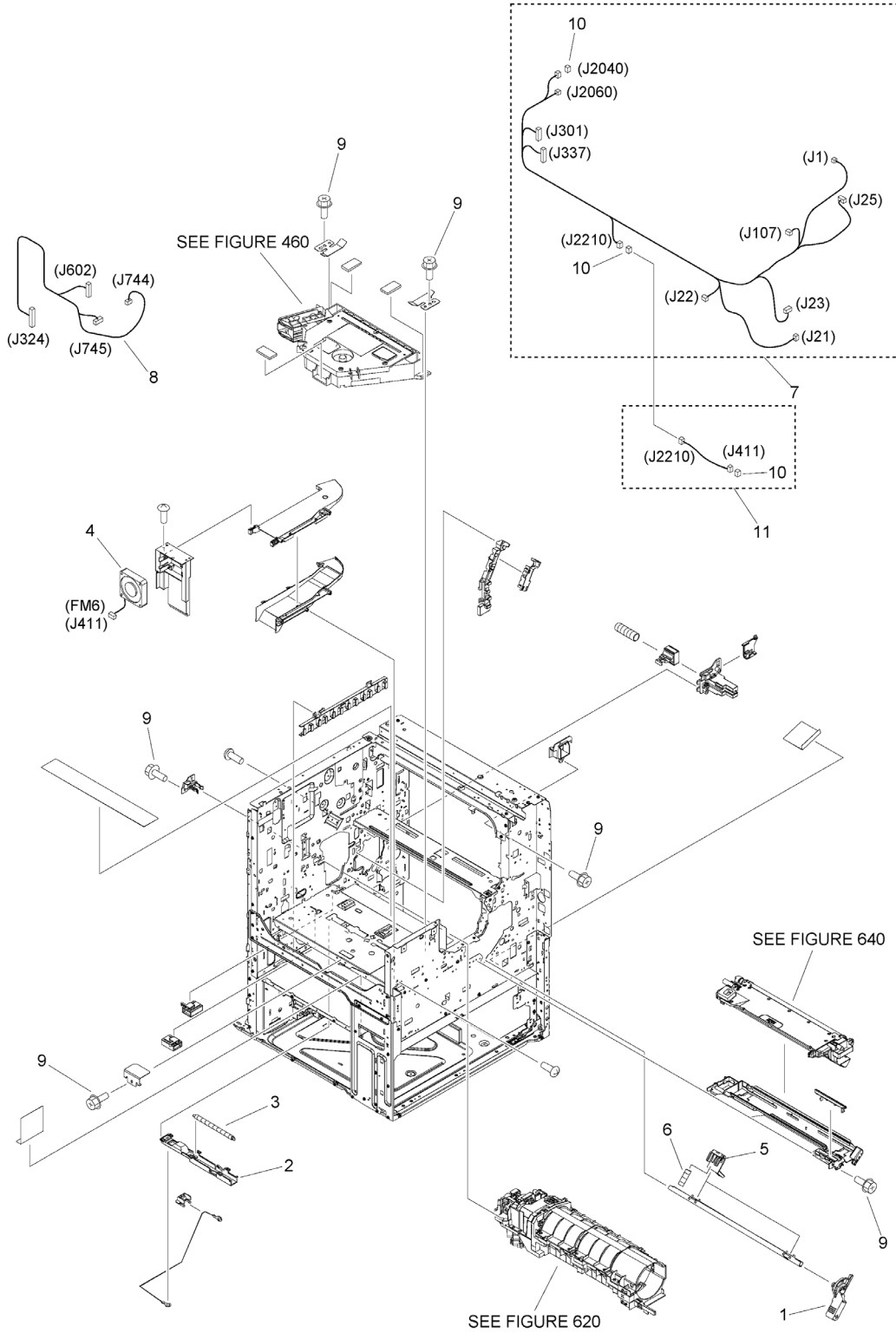


FIGURE & KEY NO.	PART NUMBER	RANK	QTY	DESCRIPTION	SERIAL NUMBER /REMARKS
105E	NPN		RF	INTERNAL COMPONENTS 2	IR-ADV 4725i
1	FE8-8404-000		1	HANDLE, PRESSURE	
2	FC9-1623-010		1	LINK, LASER SHUTTER	
3	FU7-2972-000		1	SPRING, TENSION	
4	FK2-0472-010		1	FAN	FM6
5	FC9-0609-000		2	CAM, DEVELOPING PRESSURE	
6	FU8-2801-000		2	SPRING, COMPRESSION	
7	FM2-K815-000		1	CABLE, DC CONTROLLER, FRONT	
8	FM1-N898-000		1	CABLE, LASER	
9	XA9-1386-000		15	SCREW,RS,M3X8	
10	VS1-7177-003		3	CONNECTOR, SNAP TIGHT, BK	
11	FM1-C863-010		1	CABLE, COOLING FAN	

Figure 106B INTERNAL COMPONENTS 3 (IR-ADV 4751i)

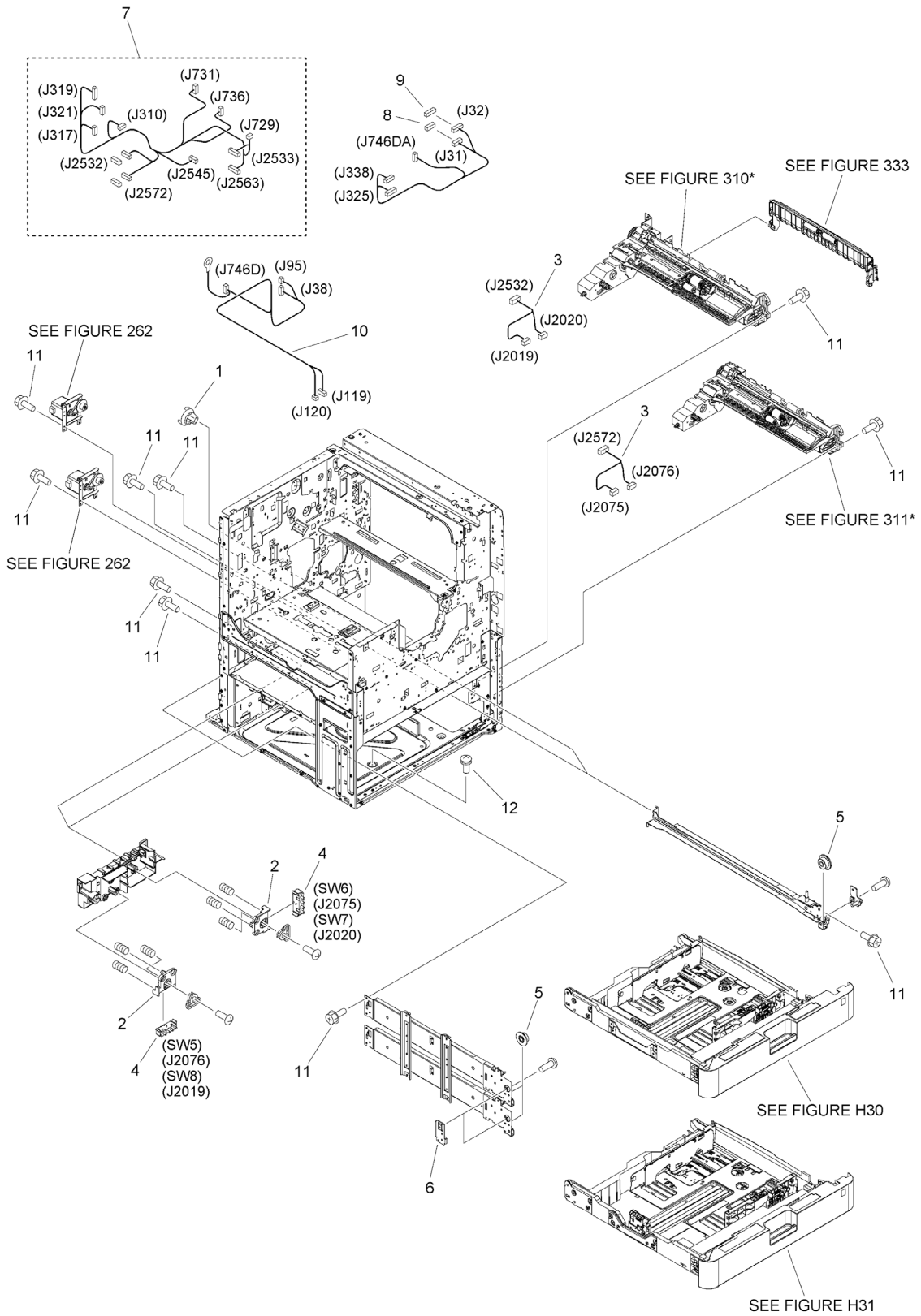


FIGURE & KEY NO.	PART NUMBER	RANK	QTY	DESCRIPTION	SERIAL NUMBER /REMARKS
106B	NPN		RF	INTERNAL COMPONENTS 3	IR-ADV 4751i
1	FU5-1030-000		1	BUSHING	
2	FC8-2478-000		4	HOLDER, SWITCH	
3	FM4-2903-000		2	CABLE, SIZE DETECT	
4	WC2-5761-000		4	SWITCH, DETECT PUSH	SW5, SW6, SW7, SW8
5	FC8-4999-000		4	ROLLER, RAIL	
6	FL3-1456-000		2	RAIL, ROLLER SHAFT PLATE, LEFT	
7	FM2-K814-000		1	CABLE, CASSETTE	
8	VS1-8412-011		1	CONNECTOR, SNAP TIGHT, BL	
9	VS1-8412-015		1	CONNECTOR, SNAP TIGHT, BL	
10	FM1-N919-000		1	CABLE, AC DRIVER	
11	XA9-1386-000		15	SCREW,RS,M3X8	
12	XA9-1016-000		1	SCREW W/WASHER, M3X6	

Figure 106C INTERNAL COMPONENTS 3 (IR-ADV 4745i, 4735i, 4725i)

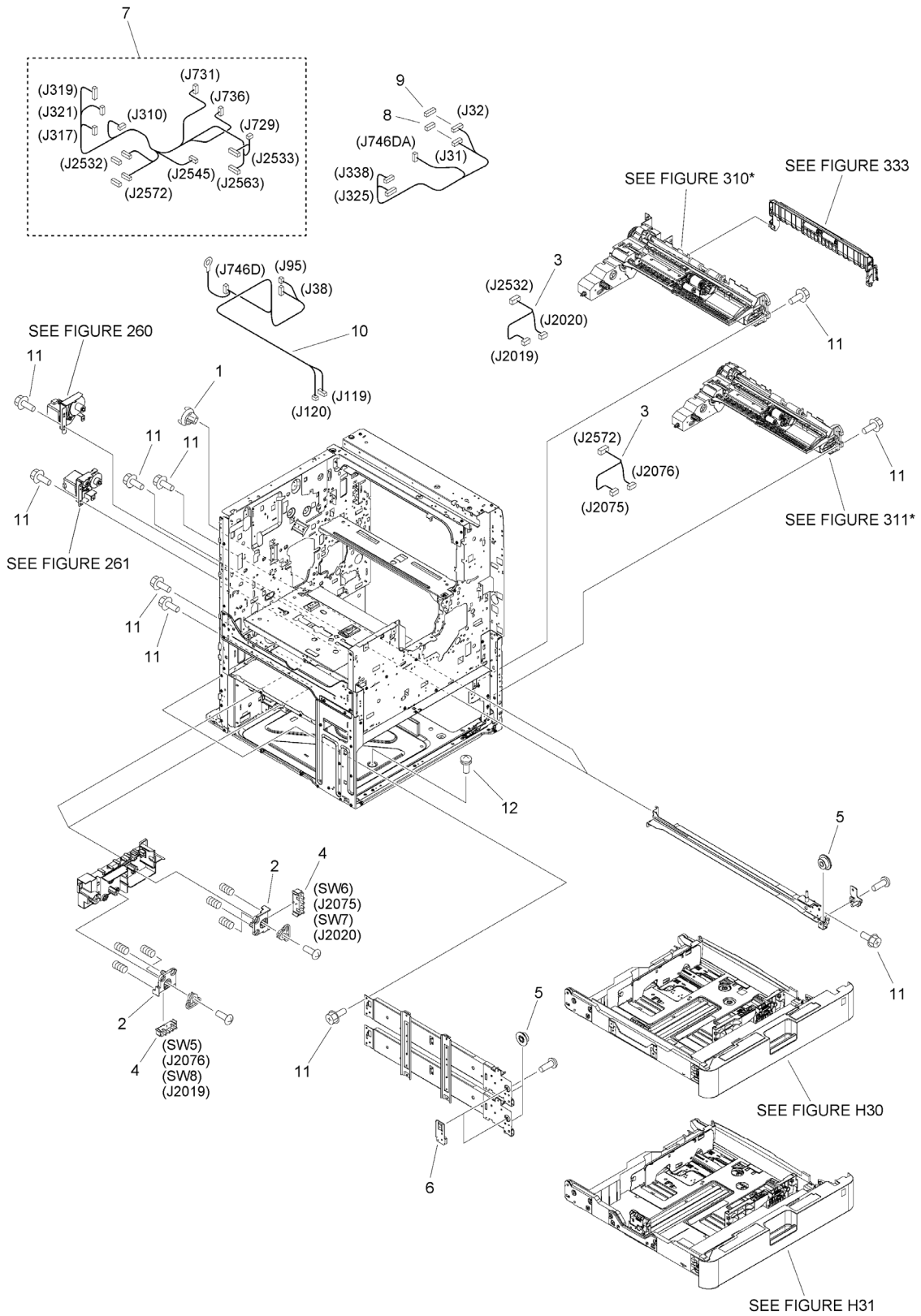


FIGURE & KEY NO.	PART NUMBER	RANK	QTY	DESCRIPTION	SERIAL NUMBER /REMARKS
106C	NPN		RF	INTERNAL COMPONENTS 3	IR-ADV 4745i, 4735i, 4725i
1	FU5-1030-000		1	BUSHING	
2	FC8-2478-000		4	HOLDER, SWITCH	
3	FM4-2903-000		2	CABLE, SIZE DETECT	
4	WC2-5761-000		4	SWITCH, DETECT PUSH	SW5, SW6, SW7, SW8
5	FC8-4999-000		4	ROLLER, RAIL	
6	FL3-1456-000		2	RAIL, ROLLER SHAFT PLATE, LEFT	
7	FM2-K814-000		1	CABLE, CASSETTE	
8	VS1-8412-011		1	CONNECTOR, SNAP TIGHT, BL	
9	VS1-8412-015		1	CONNECTOR, SNAP TIGHT, BL	
10	FM1-N919-000		1	CABLE, AC DRIVER	
11	XA9-1386-000		15	SCREW,RS,M3X8	
12	XA9-1016-000		1	SCREW W/WASHER, M3X6	

Figure 107 INTERNAL COMPONENTS 4

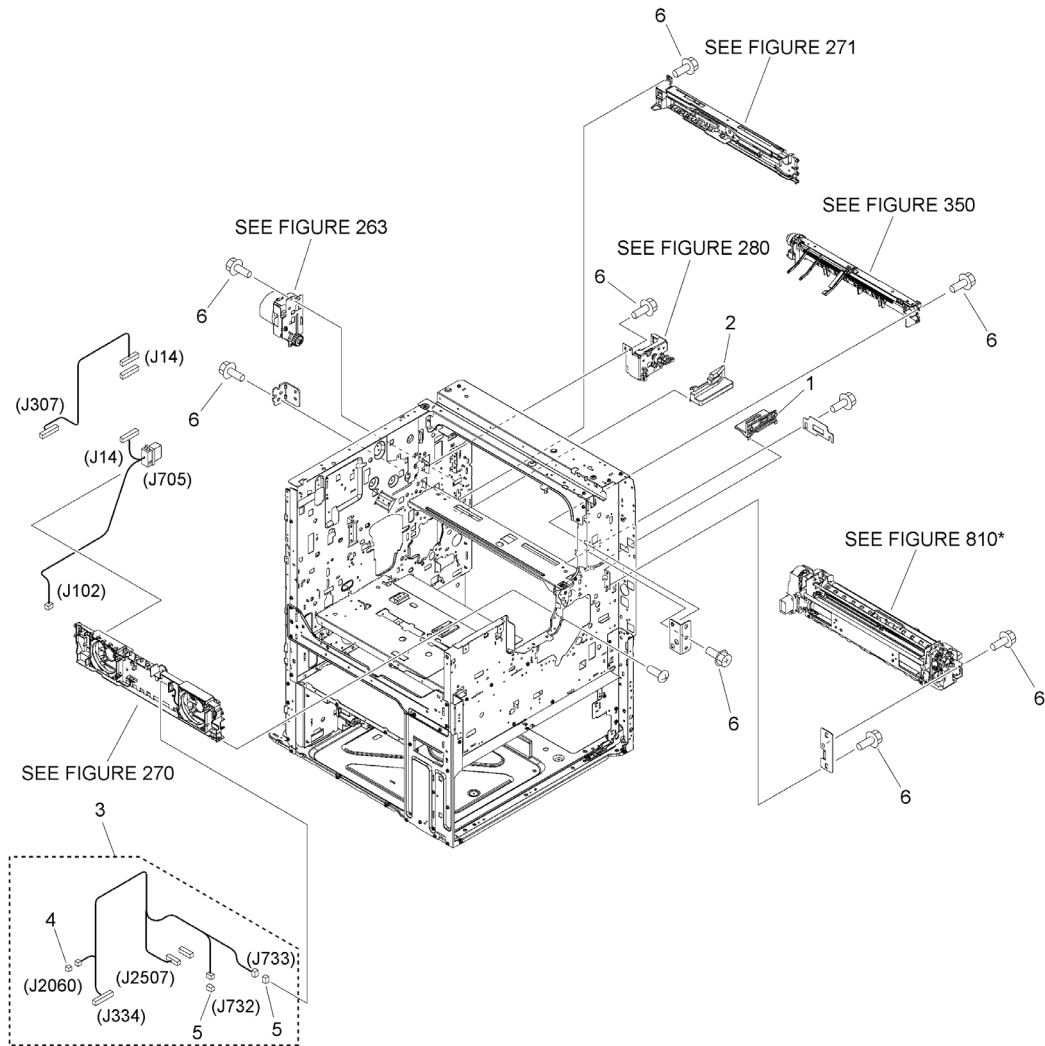


FIGURE & KEY NO.	PART NUMBER	RANK	QTY	DESCRIPTION	SERIAL NUMBER /REMARKS
107	NPN		RF	INTERNAL COMPONENTS 4	
1	FC9-0535-000		1	RAIL, FIXING, FRONT	
2	FC9-0536-000		1	RAIL, FIXING, REAR	
3	FM2-K817-000		1	CABLE, COOLING FAN	
4	VS1-7177-002		1	CONNECTOR, SNAP TIGHT, BK	
5	VS1-7177-003		2	CONNECTOR, SNAP TIGHT, BK	
6	XA9-1386-000		15	SCREW,RS,M3X8	

Figure 108A INTERNAL COMPONENTS 5 (Single pass ADF)

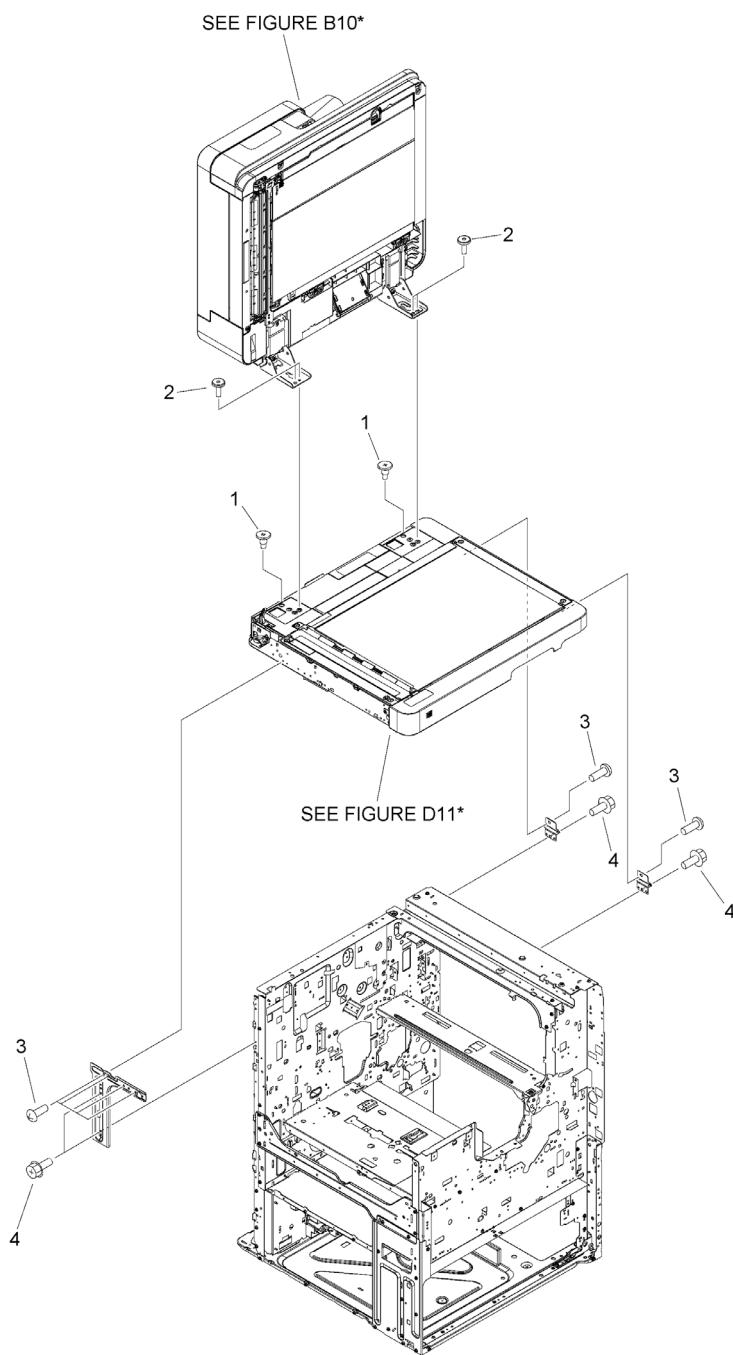


FIGURE & KEY NO.	PART NUMBER	RANK	QTY	DESCRIPTION	SERIAL NUMBER /REMARKS
108A	NPN		RF	INTERNAL COMPONENTS 5	Single pass ADF
1	FE2-F749-000		2	SCREW, STEPPED, M5X6	
2	FE2-F750-000		4	SCREW, FIXED, M4	
3	XA9-0893-000		6	SCREW, M4X8	
4	XA9-1386-000		4	SCREW,RS,M3X8	

Figure 108C INTERNAL COMPONENTS 5 (WITHOUT ADF)

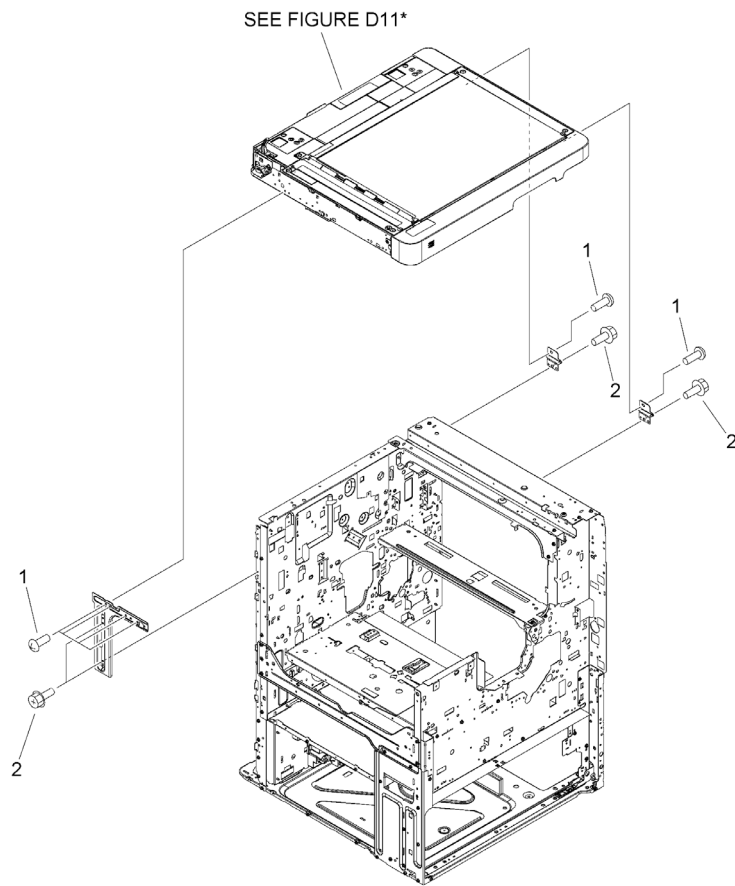


FIGURE & KEY NO.	PART NUMBER	R A N K	QTY	DESCRIPTION	SERIAL NUMBER /REMARKS
108C	NPN		RF	INTERNAL COMPONENTS 5	WITHOUT ADF
1	XA9-0893-000		6	SCREW, M4X8	
2	XA9-1386-000		4	SCREW,RS,M3X8	

Figure 109B MACHINE REAR PLATE 1

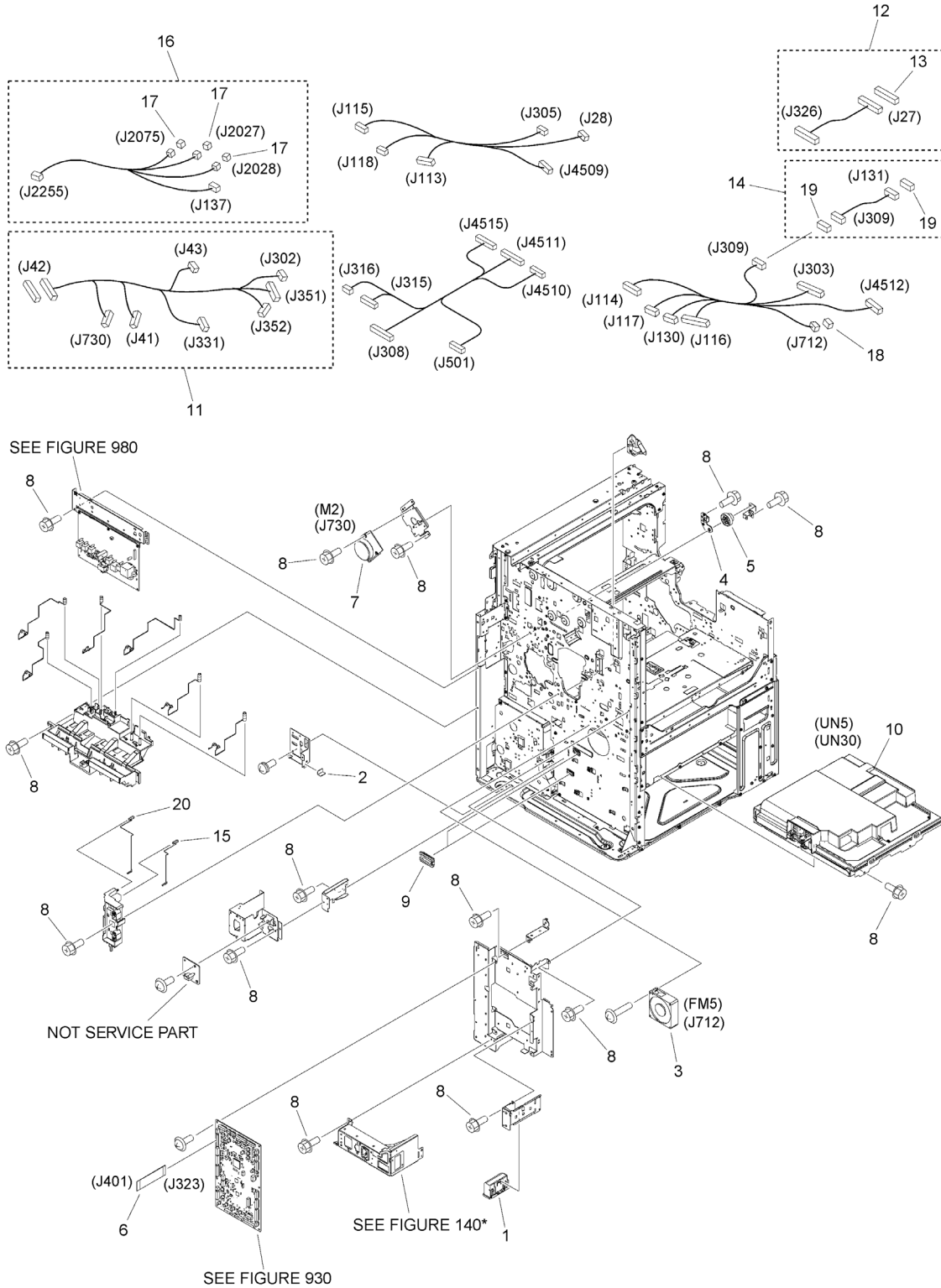


FIGURE & KEY NO.	PART NUMBER	RANK	QTY	DESCRIPTION	SERIAL NUMBER /REMARKS
109B	NPN		RF	MACHINE REAR PLATE 1	
1	FC6-4689-000		1	HANDLE	
2	FC9-8976-000		1	SHEET, CONNECTING PLATE	
3	FK2-0360-000		1	FAN	FM5
4	FE4-6884-000		1	RAIL, PRS RELEASE	
5	FE4-7123-000		1	GEAR, 63T/19T	
6	FK4-6031-000		1	CABLE, FFC, HVT	
7	FK4-2681-000		1	MOTOR, DC	M2
8	XA9-1386-000		15	SCREW,RS,M3X8	
9	FC7-2409-000		2	BUSHING	
10	FM1-X328-000		1	POWER SUPPLY ASSEMBLY	UN5, UN30 120V
10	FM1-X330-000		1	POWER SUPPLY ASSEMBLY	UN5, UN30 230V
11	FM2-K816-000		1	CABLE, HOPPER CONNECTING	
12	FM2-K811-000		1	CABLE, FINISHER	
13	VS1-8412-013		1	CONNECTOR, SNAP TIGHT, BL	
14	FM2-J850-000		1	CABLE, CONNECTING	
15	FC9-0993-000		1	SPRING, CONTACT	
16	FM1-N900-000		1	CABLE, MAIN FEED	
17	VS1-7177-002		3	CONNECTOR, SNAP TIGHT, BK	
18	VS1-7177-003		1	CONNECTOR, SNAP TIGHT, BK	
19	VS1-8959-003		2	CONNECTOR, SNAP TIGHT, 3P, W	
20	FC9-0992-000		1	SPRING, CONTACT	

Figure 110 MACHINE REAR PLATE 2

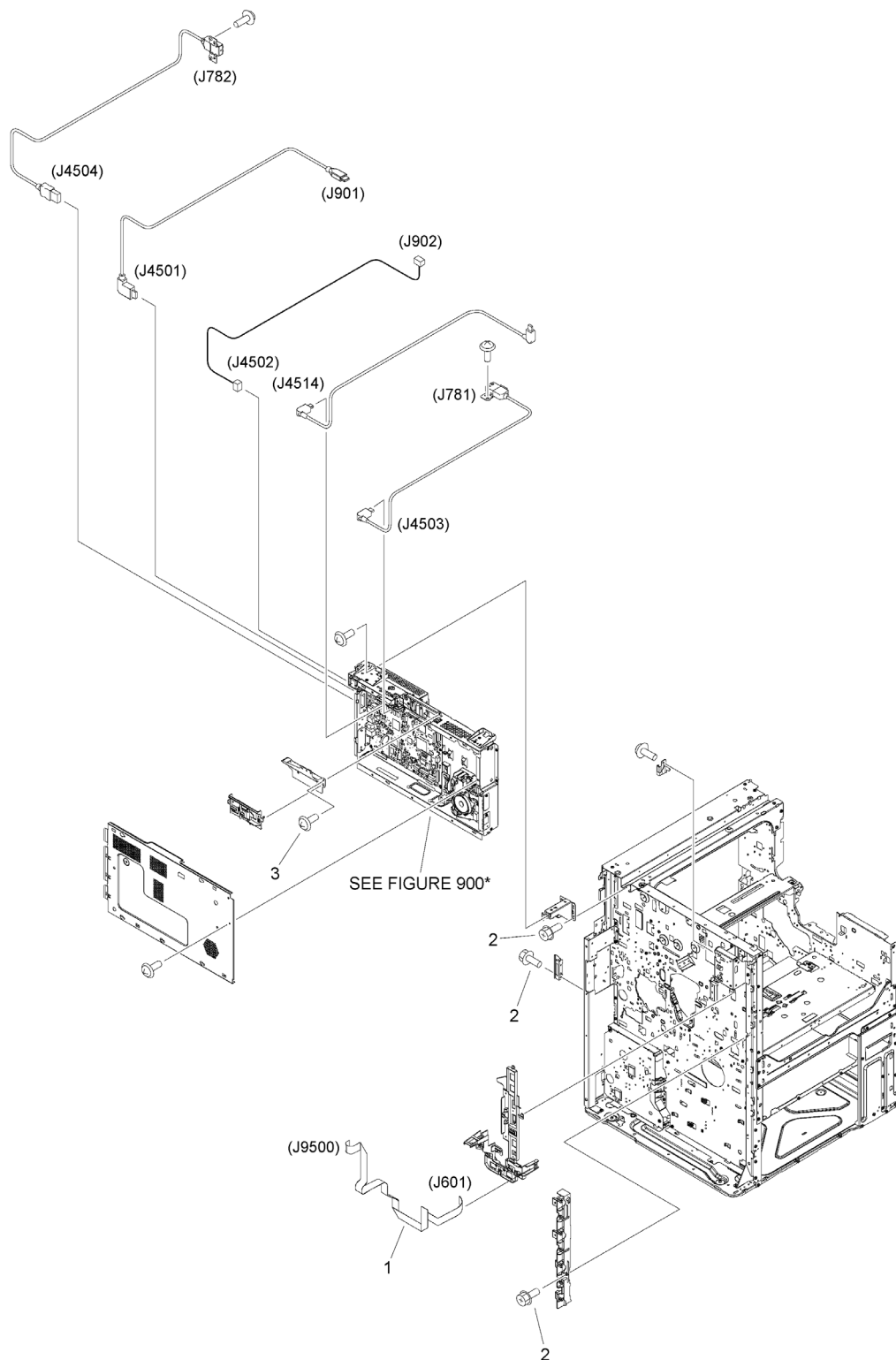


FIGURE & KEY NO.	PART NUMBER	RANK	QTY	DESCRIPTION	SERIAL NUMBER /REMARKS
110	NPN		RF	MACHINE REAR PLATE 2	
1	FK4-6434-000		1	CABLE, FFC, LASER	
2	XA9-1386-000		15	SCREW,RS,M3X8	
3	XA9-2050-000		3	SCREW, SELF-TAPPING, M3	

Figure 130 CONTROL PANEL ASSEMBLY

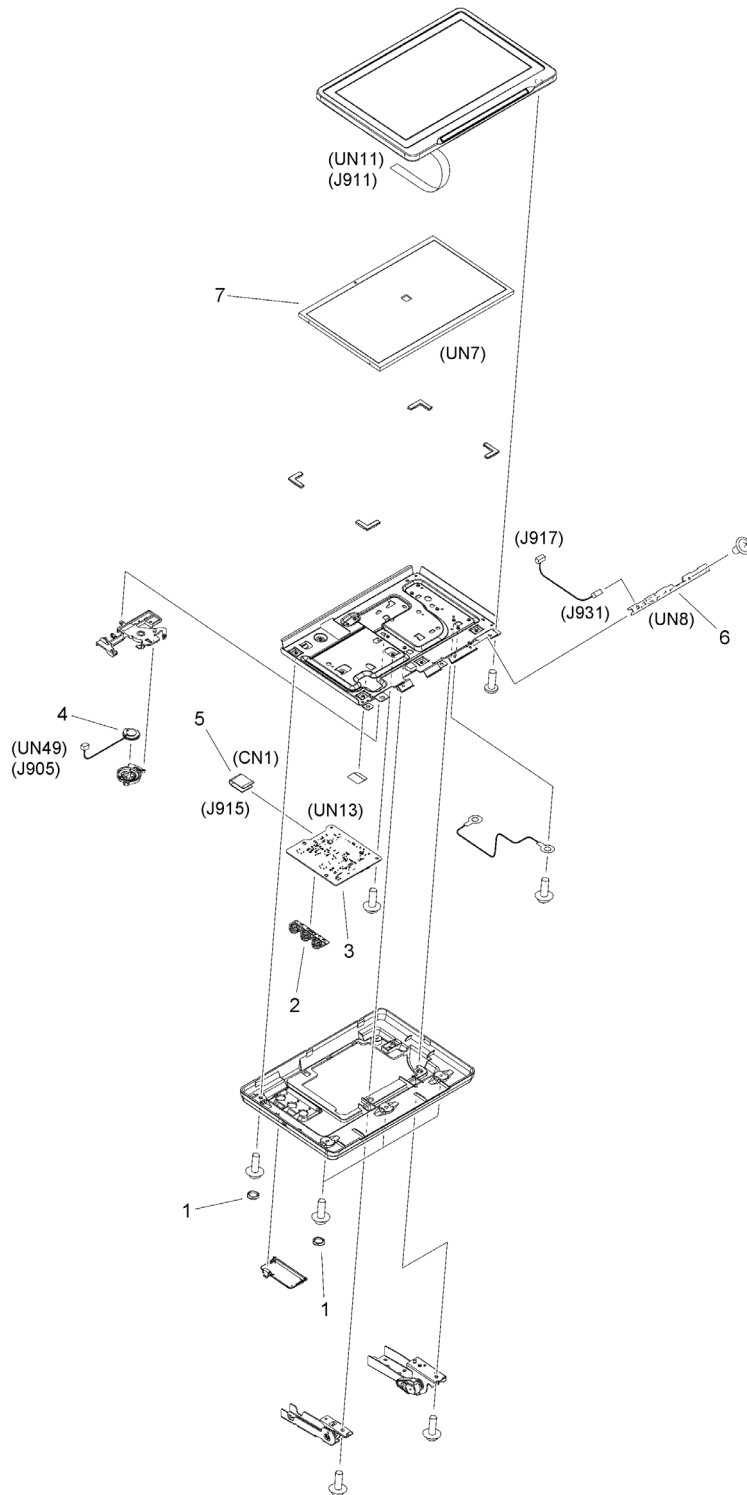


FIGURE & KEY NO.	PART NUMBER	RANK	QTY	DESCRIPTION	SERIAL NUMBER /REMARKS
130	FM1-X034-000		1	CONTROL PANEL ASSEMBLY	
1	FE3-9169-000		4	CAP	
2	FE8-7637-000		1	KEY TOP, SWITCH	
3	FM2-A911-000		1	CONTROL PANEL MAIN PCB ASS'Y	UN13
4	FK4-2377-000		1	SPEAKER	UN49
5	FK4-4895-000		1	CABLE, FLAT	
6	FM2-A912-000		1	CONTROL PANEL LED PCB ASSEMBLY	UN8
7	FK4-2375-000		1	LCD UNIT	UN7

Figure 140B POWER CORD TERMINAL ASS'Y (120V)

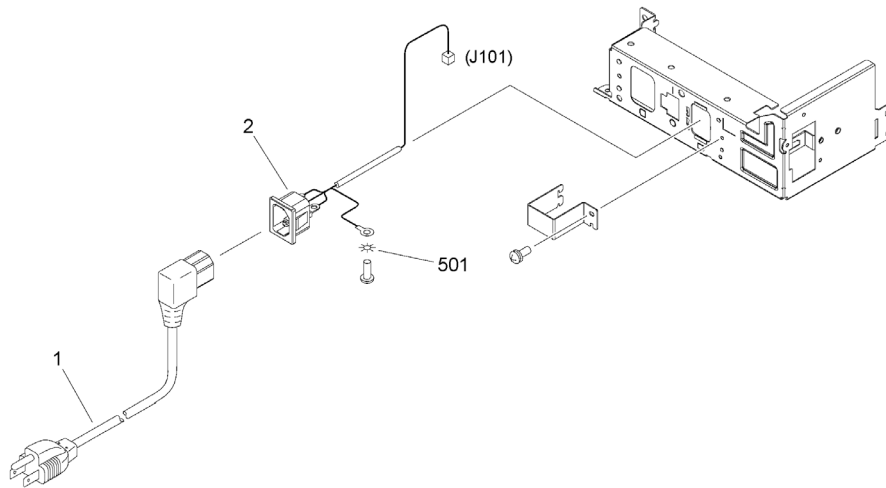


FIGURE & KEY NO.	PART NUMBER	RANK	QTY	DESCRIPTION	SERIAL NUMBER /REMARKS
140B	NPN		RF	POWER CORD TERMINAL ASS'Y	120V
1	FK4-5598-000		1	CORD, POWER	
2	FM2-K805-000		1	CABLE, AC INLET	
501	XD1-4200-402		1	WASHER, TOOTHED LOCK, M4	

Figure 140C POWER CORD TERMINAL ASS'Y (230V)

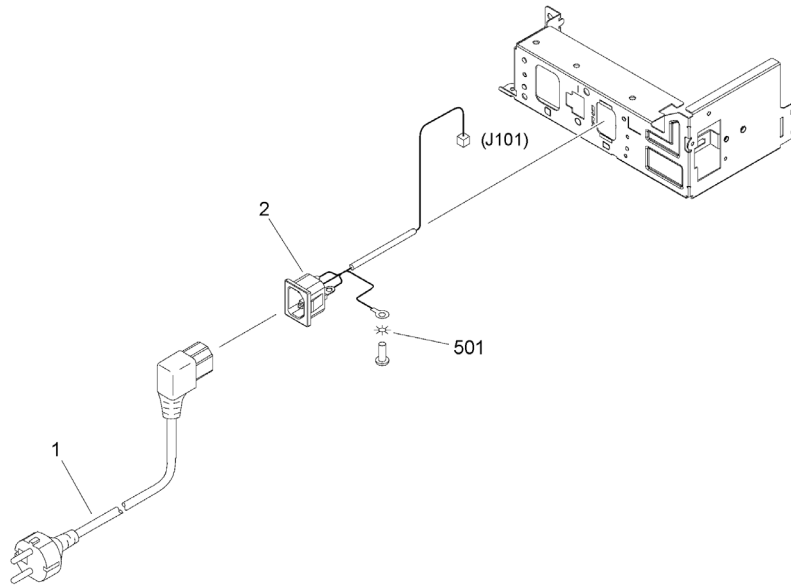


FIGURE & KEY NO.	PART NUMBER	RANK	QTY	DESCRIPTION	SERIAL NUMBER /REMARKS
140C	NPN		RF	POWER CORD TERMINAL ASS'Y	230V
1	FK4-3860-000		1	CORD, POWER	
2	FM2-K805-000		1	CABLE, AC INLET	
501	XD1-4200-402		1	WASHER, TOOTHED LOCK, M4	

Figure 250 MAIN DRIVE ASSEMBLY

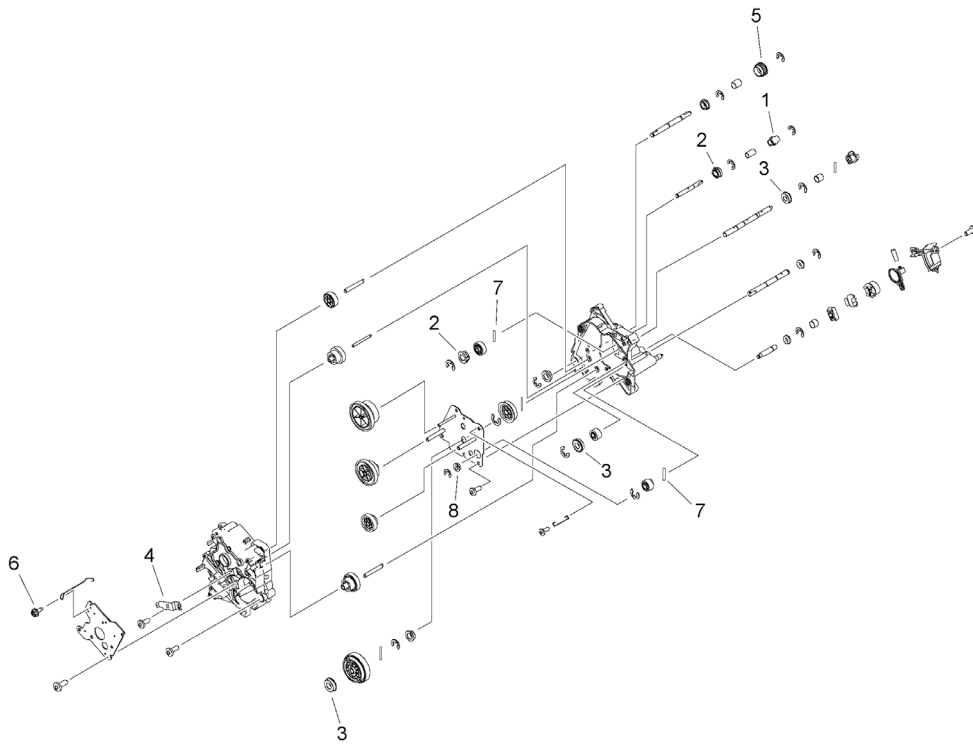


FIGURE & KEY NO.	PART NUMBER	RANK	QTY	DESCRIPTION	SERIAL NUMBER /REMARKS
250	FM1-J142-000		1	MAIN DRIVE ASSEMBLY	
1	FC9-0922-000		1	COUPLING	
2	FC9-0923-000		2	BUSHING	
3	XG9-0794-000		3	BEARING, BALL, LNR-1680KKR	
4	FE2-0459-010		1	PLATE, GROUNDING	
5	FU8-0547-000		1	GEAR, 22T	
6	XA9-1386-000		1	SCREW,RS,M3X8	
7	XD9-0289-000		2	PIN, PARALLEL	
8	XG9-0787-000		1	BEARING, BALL, LF1060ZZHP0P25L	

Figure 260 PAPER PICK-UP DRIVE ASSEMBLY (UPPER) (4745, 4735, 4725 Series)

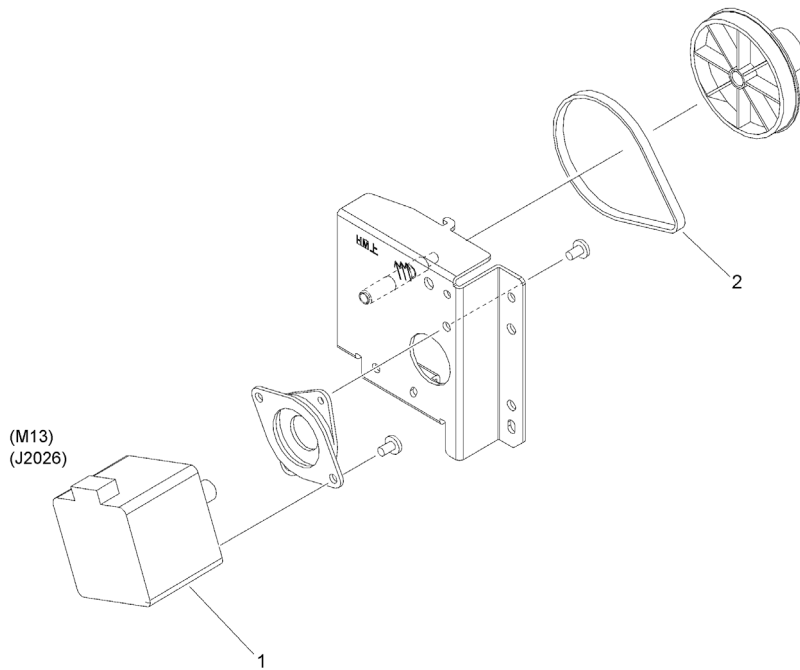


FIGURE & KEY NO.	PART NUMBER	RANK	QTY	DESCRIPTION	SERIAL NUMBER /REMARKS
260	FM4-7923-010		1	PAPER PICK-UP DRIVE ASS'Y	UPPER 4745, 4735, 4725 Series
1	FK2-7327-000		1	MOTOR, STEPPING	M13
2	XF2-1609-040		1	BELT, TIMING	

Figure 261 PAPER PICK-UP DRIVE ASSEMBLY (LOWER) (4745, 4735, 4725 Series)

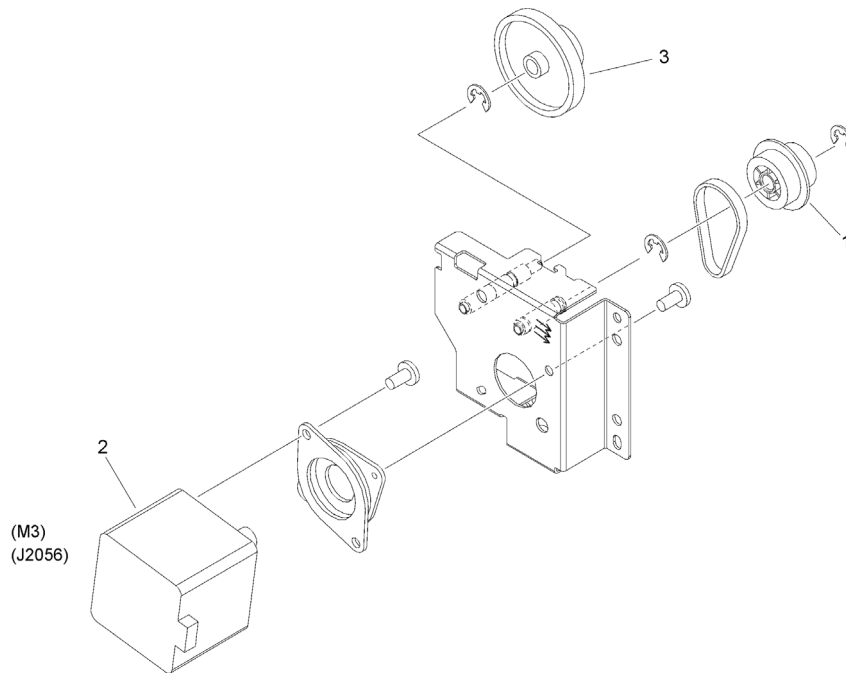


FIGURE & KEY NO.	PART NUMBER	RANK	QTY	DESCRIPTION	SERIAL NUMBER /REMARKS
261	FM4-7902-010		1	PAPER PICK-UP DRIVE ASS'Y	LOWER 4745, 4735, 4725 Series
1	FC6-5022-000		1	PULLEY, 34T	
2	FK2-7327-000		1	MOTOR, STEPPING	M3
3	FU3-0285-000		1	GEAR, 80T/16T	

Figure 262 PAPER PICK-UP DRIVE ASSEMBLY (IR-ADV 4751 Series)

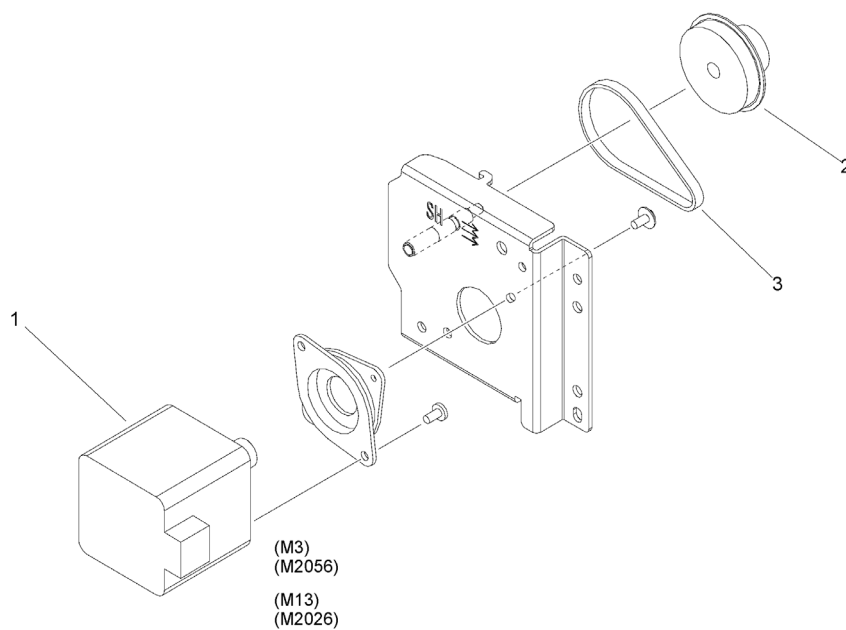


FIGURE & KEY NO.	PART NUMBER	RANK	QTY	DESCRIPTION	SERIAL NUMBER /REMARKS
262	NPN		RF	PAPER PICK-UP DRIVE ASSEMBLY	IR-ADV 4751 Series
1	FK2-7326-000		2	MOTOR, DC	M3, M13
2	FU7-0353-000		1	PULLEY, 53T/GEAR, 16T	
3	XF2-1607-340		1	BELT, TIMING	
A1	FL3-5604-000		1	PLATE, PAPER PICK-UP DRIVE	
A2	FB4-4147-000		1	DAMPER, MOTOR	

Figure 263 DUPLEXING DRIVE ASSEMBLY

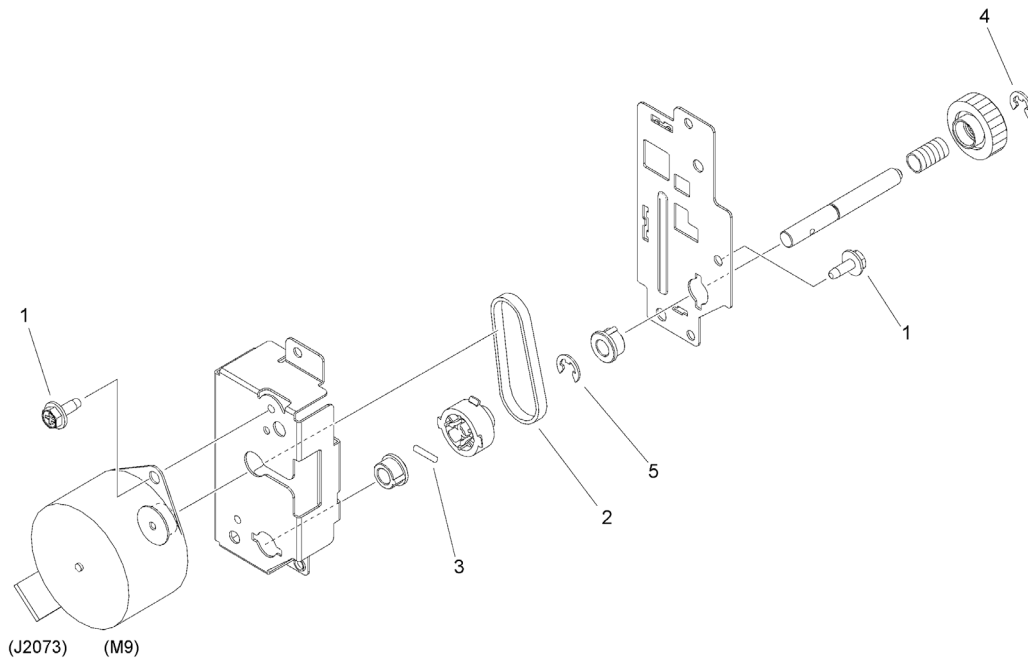


FIGURE & KEY NO.	PART NUMBER	RANK	QTY	DESCRIPTION	SERIAL NUMBER /REMARKS
263	FM1-J057-000		1	DUPLEXING DRIVE ASSEMBLY	
1	XA9-1386-000		4	SCREW, RS, M3X8	
2	XF2-1606-040		1	BELT, TIMING	
3	XD9-0333-000		1	PIN, DOWEL	
4	XD9-0134-000		1	RING, E	
5	XD9-0136-000		1	RING, E	

Figure 270 CARTRIDGE LEFT RAIL ASSEMBLY

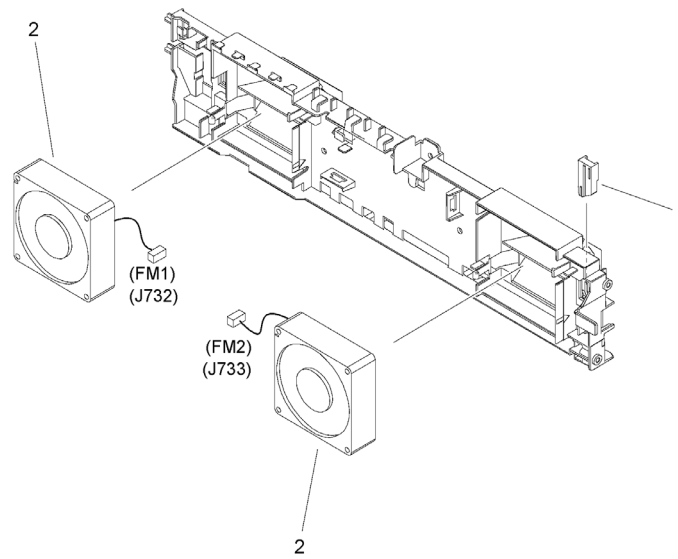


FIGURE & KEY NO.	PART NUMBER	RANK	QTY	DESCRIPTION	SERIAL NUMBER /REMARKS
270	NPN		RF	CARTRIDGE LEFT RAIL ASSEMBLY	
1	FC9-1618-000		1	STOPPER, DRUM	
2	FK2-0360-000		2	FAN	FM1, FM2

Figure 271 CARTRIDGE RIGHT RAIL ASSEMBLY

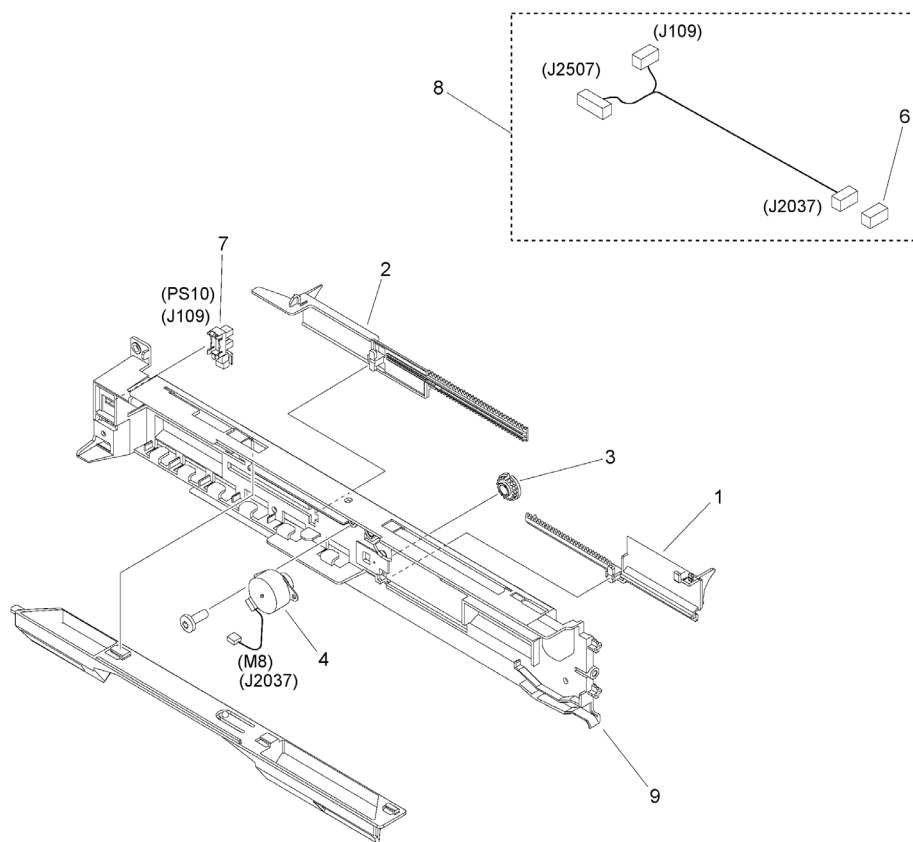


FIGURE & KEY NO.	PART NUMBER	RANK	QTY	DESCRIPTION	SERIAL NUMBER /REMARKS
271	NPN		RF	CARTRIDGE RIGHT RAIL ASSEMBLY	
1	FE8-8414-000		1	SHUTTER, FRONT	
2	FE4-6546-000		1	SHUTTER, REAR	
3	FC9-1683-000		1	PINION, 18T	
4	FK2-9148-000		1	MOTOR, STEPPING	M8
6	VS1-7177-004		1	CONNECTOR, SNAP TIGHT, BK	
7	WG8-5836-000		1	PHOTOINTERRUPTER	PS10
8	FM1-N922-000		1	CABLE, SIDE END SHUTTER	
9	FE4-6544-000		1	RAIL, CARTRIDGE, RIGHT	

Figure 272 BOTTLE DRIVE ASSEMBLY

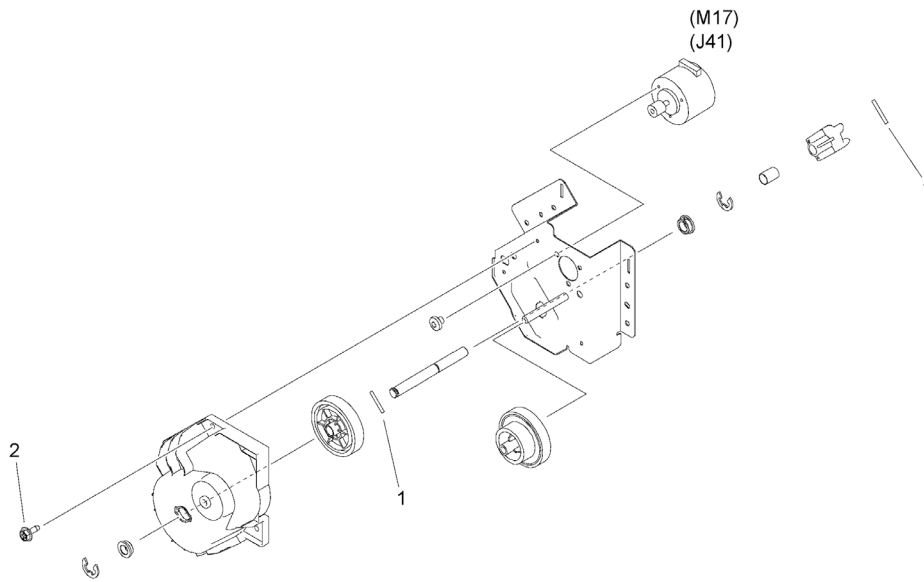


FIGURE & KEY NO.	PART NUMBER	R A N K	QTY	DESCRIPTION	SERIAL NUMBER /REMARKS
272	FM1-J135-000		1	BOTTLE DRIVE ASSEMBLY	
1	XD9-0291-000		2	PIN, PARALLEL	
2	XA9-1386-000		3	SCREW,RS,M3X8	

Figure 280 FIRST DELIVERY DRIVE ASSEMBLY

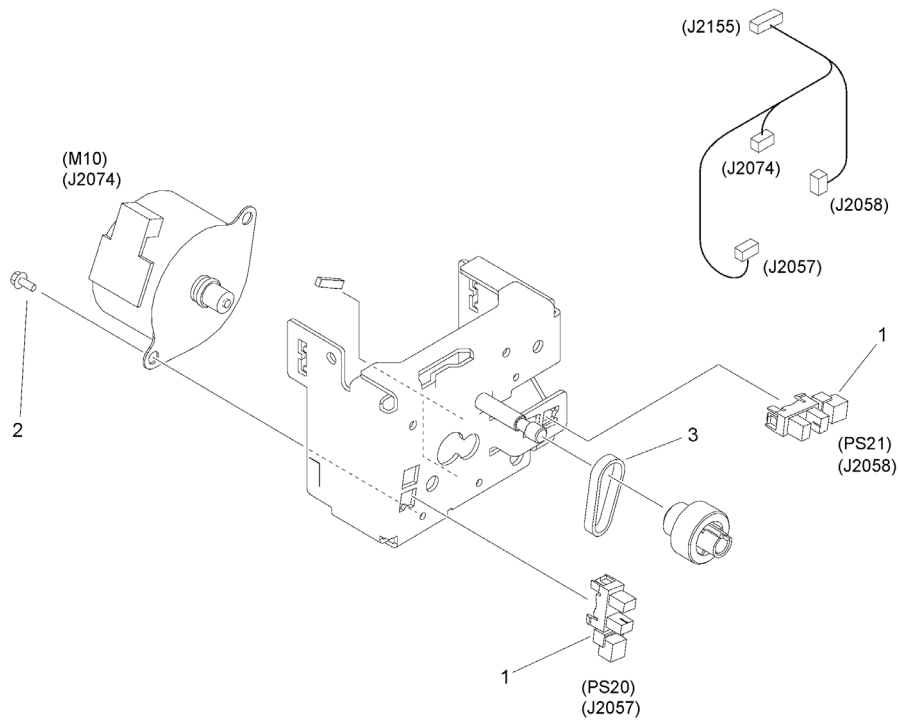


FIGURE & KEY NO.	PART NUMBER	RANK	QTY	DESCRIPTION	SERIAL NUMBER /REMARKS
280	FM1-J126-010		1	FIRST DELIVERY DRIVE ASSEMBLY	
1	WG8-5836-000		2	IC PHOTOINTERRUPTER, HYBRID	PS20, PS21
2	XA9-1386-000		2	SCREW, RS, M3X8	
3	XF2-1603-640		1	BELT, TIMING	

Figure 310A PAPER PICK-UP ASSEMBLY (UPPER)

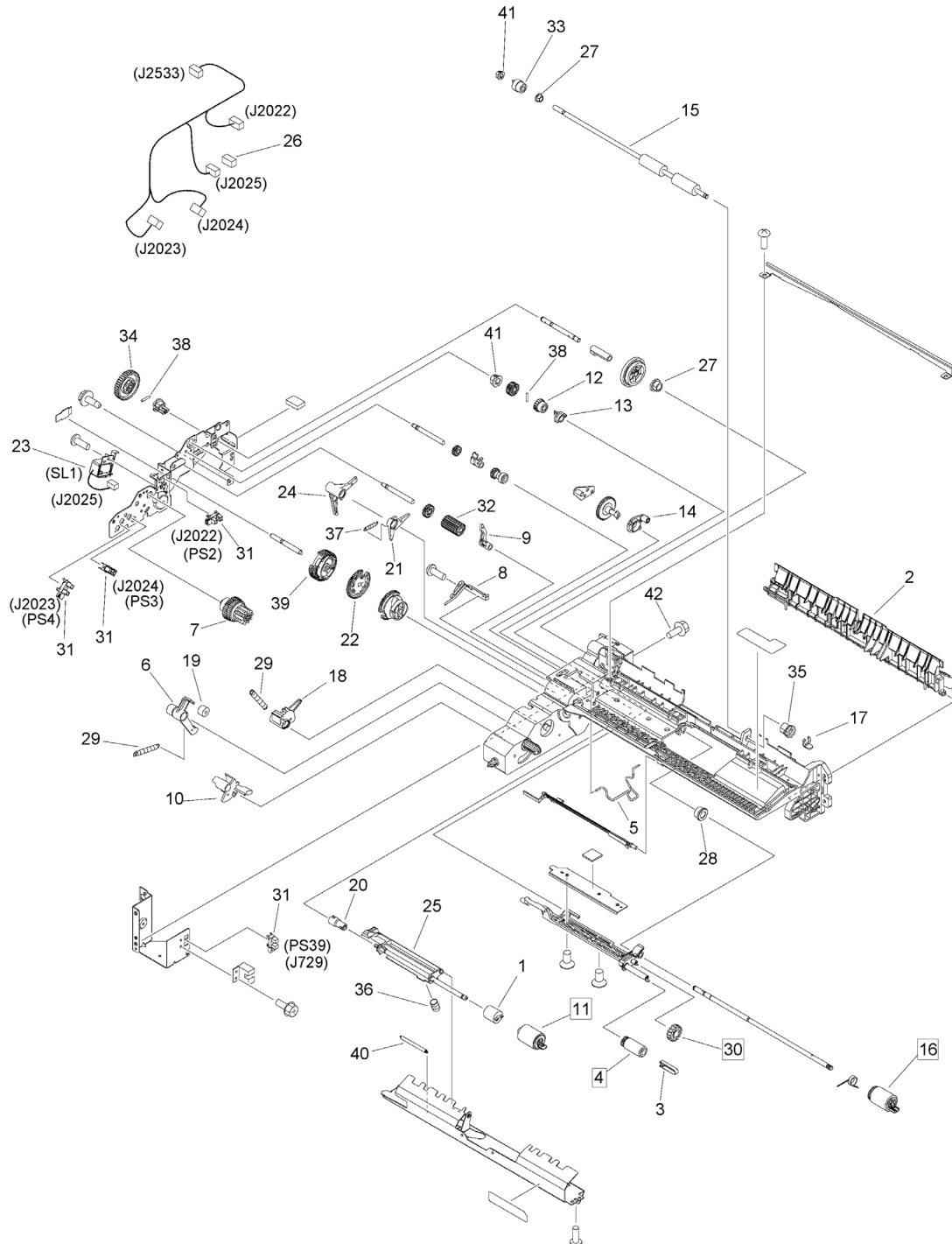


FIGURE & KEY NO.	PART NUMBER	RANK	QTY	DESCRIPTION	SERIAL NUMBER /REMARKS
310A	FM4-9175-030		1	PAPER PICK-UP ASSEMBLY	UPPER
1	FB6-3410-000		1	LIMITER, TORQUE	
2	FC5-0595-010		1	GUIDE, VERTICAL PATH	
3	FC7-5845-000		1	STOPPER, ROLLER	
4	FB6-3405-000		1	ROLLER, PAPER PICK-UP	[DP]
5	FB6-3388-000		1	ROD, SEPARATION ROLLER RELEASE	
6	FB6-3389-000		1	CLAW, PICK-UP	
7	FE2-B951-000		1	GEAR, RATCHET	
8	FB6-3392-020		1	SPRING, LEAF	
9	FB6-3396-010		1	LOCK, PICK-UP	
10	FB6-3397-000		1	FLAG, PAPER SENSOR	
11	FC6-6661-000		1	ROLLER, SEPARATION	[DP]
12	FB6-3402-000		1	GEAR, RATCHET	
13	FB6-3403-000		1	COUPLING, FEED SHAFT STOP	
14	FB6-3404-000		1	COUPLING, SEPARATION SHAFT	
15	FB6-4852-000		1	ROLLER, VERTICAL PATH	
16	FC0-5080-000		1	ROLLER, FEED/SEPARATION	[DP]
17	FC6-9867-000		1	RING, RETAINING	
18	FC8-1178-000		1	CLAW, PAPER PICK-UP	
19	FC8-1202-000		1	DAMPER	
20	FC9-4290-010		1	JOINT, RETARD	
21	FC9-7253-000		1	ARM, LIFTING	
22	FL1-4729-000		1	GEAR, 46T	
23	FK2-0408-010		1	SOLENOID	SL1
24	FM3-4146-010		1	PICK-UP ARM UNIT	
25	FM4-2525-000		1	HOLDER, SEPARATION ROLLER	
26	VS1-7177-002		1	CONNECTOR, SNAP TIGHT, BK	
27	FS1-1205-000		2	BUSHING	
28	FS5-1943-000		1	BUSHING	
29	FS7-2800-000		2	SPRING, TENSION	
30	FU0-0043-000		1	GEAR, 15T	[DP]
31	WG8-5836-000		4	IC PHOTOINTERRUPTER, HYBRID	PS2, PS3, PS4, PS39
32	FU3-0288-000		1	GEAR, 21T	
33	FU3-0289-000		1	GEAR, 14T	
34	FU3-0347-000		1	GEAR, 41T	
35	FU5-1763-000		1	BUSHING	
36	FU6-2684-000		1	SPRING, COMPRESSION	
37	FU6-2784-000		1	SPRING, TENSION	
38	XD9-0289-000		3	PIN, PARALLEL	
39	FU8-0214-000		1	GEAR, 46T	
40	FU7-5378-000		1	SPRING, TENSION	
41	RS5-1567-000		2	BUSHING	
42	XA9-1386-000		1	SCREW,RS,M3X8	

Figure 311A PAPER PICK-UP ASSEMBLY (LOWER)

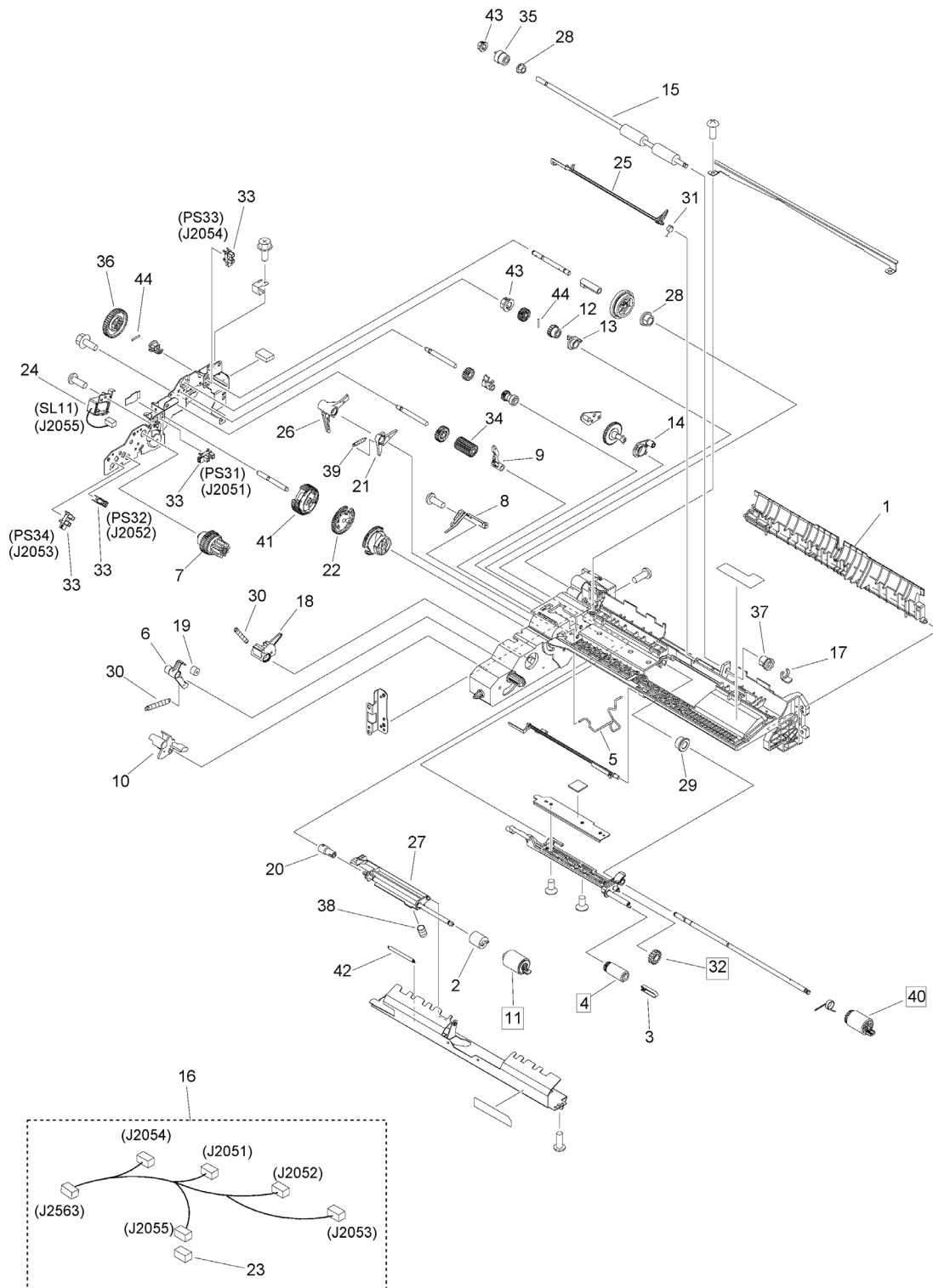


FIGURE & KEY NO.	PART NUMBER	RANK	QTY	DESCRIPTION	SERIAL NUMBER /REMARKS
311A	FM4-9177-020		1	PAPER PICK-UP ASSEMBLY	LOWER
1	FB6-3387-000		1	GUIDE, VERTICAL PATH	
2	FB6-3410-000		1	LIMITER, TORQUE	
3	FC7-5845-000		1	STOPPER, ROLLER	
4	FB6-3405-000		1	ROLLER, PAPER PICK-UP	[DP]
5	FB6-3388-000		1	ROD, SEPARATION ROLLER RELEASE	
6	FB6-3389-000		1	CLAW, PICK-UP	
7	FE2-B951-000		1	GEAR, RATCHET	
8	FB6-3392-020		1	SPRING, LEAF	
9	FB6-3396-010		1	LOCK, PICK-UP	
10	FB6-3397-000		1	FLAG, PAPER SENSOR	
11	FC6-6661-000		1	ROLLER, SEPARATION	[DP]
12	FB6-3402-000		1	GEAR, RATCHET	
13	FB6-3403-000		1	COUPLING, FEED SHAFT STOP	
14	FB6-3404-000		1	COUPLING, SEPARATION SHAFT	
15	FB6-4852-000		1	ROLLER, VERTICAL PATH	
16	FG3-2302-020		1	CABLE, PAPER PICK-UP	
17	FC6-9867-000		1	RING, RETAINING	
18	FC8-1178-000		1	CLAW, PAPER PICK-UP	
19	FC8-1202-000		1	DAMPER	
20	FC9-4290-010		1	JOINT, RETARD	
21	FC9-7253-000		1	ARM, LIFTING	
22	FL1-4729-000		1	GEAR, 46T	
23	VS1-7177-002		1	CONNECTOR, SNAP TIGHT, BK	
24	FK2-0408-010		1	SOLENOID	SL11
25	FL3-8032-000		1	FLAG, REGISTRATION SENSOR	
26	FM3-4146-010		1	PICK-UP ARM UNIT	
27	FM4-2525-000		1	HOLDER, SEPARATION ROLLER	
28	FS1-1205-000		2	BUSHING	
29	FS5-1943-000		1	BUSHING	
30	FS7-2800-000		2	SPRING, TENSION	
31	FS7-2803-000		1	SPRING, TORSION	
32	FU0-0043-000		1	GEAR, 15T	[DP]
33	WG8-5836-000		4	IC PHOTOINTERRUPTER, HYBRID	PS31, PS32, PS33, PS34
34	FU3-0288-000		1	GEAR, 21T	
35	FU3-0289-000		1	GEAR, 14T	
36	FU3-0347-000		1	GEAR, 41T	
37	FU5-1763-000		1	BUSHING	
38	FU6-2684-000		1	SPRING, COMPRESSION	
39	FU6-2784-000		1	SPRING, TENSION	
40	FC0-5080-000		1	ROLLER, FEED/SEPARATION	[DP]
41	FU8-0214-000		1	GEAR, 46T	
42	FU7-5378-000		1	SPRING, TENSION	

FIGURE & KEY NO.	PART NUMBER	R A N K	QTY	DESCRIPTION	SERIAL NUMBER /REMARKS
43	RS5-1567-000		2	BUSHING	
44	XD9-0289-000		3	PIN, PARALLEL	

Figure 312B MULTI PAPER PICK-UP ASSEMBLY

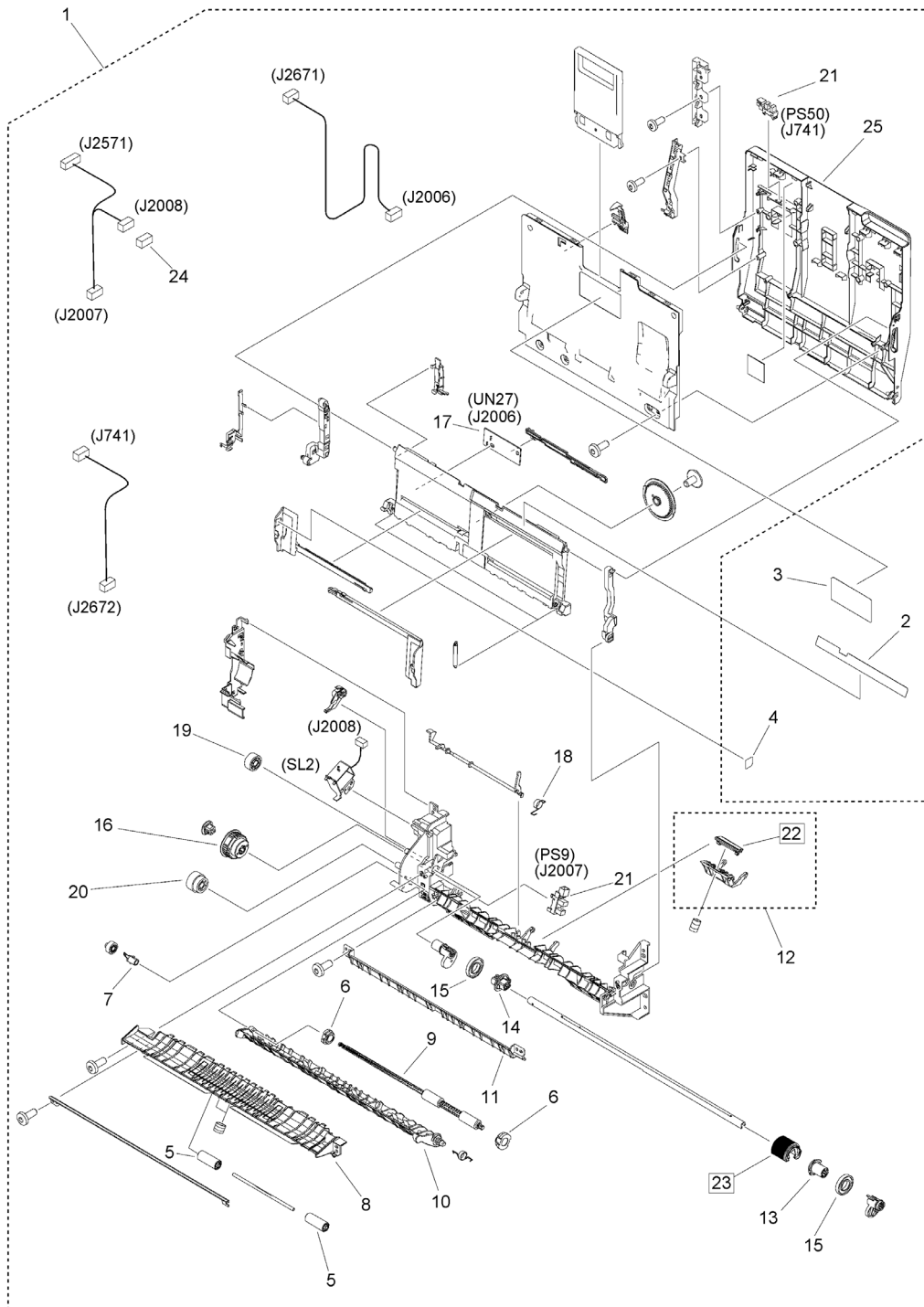


FIGURE & KEY NO.	PART NUMBER	RANK	QTY	DESCRIPTION	SERIAL NUMBER /REMARKS
312B	NPN		RF	MULTI PAPER PICK-UP ASSEMBLY	
1	FM1-J119-010		1	MULTI PAPER PICK-UP ASSEMBLY	
2	FE2-C422-000		1	LABEL, DOCUMENT SIZE	
3	FE2-C733-000		1	LABEL, PAPER SET INSTRUCTION	
4	FE4-7250-010		1	LABEL, DOCUMENT MAXIMUM	
5	FC9-0670-000		2	ROLLER, EXTRACTION	
6	FC9-0923-000		2	BUSHING	
7	FC9-1026-000		1	BUSHING	
8	FL3-1348-010		1	GUIDE, MULTI, UPPER	
9	FL3-1349-000		1	ROLLER, MULTI EXTRACTION DRIVE	
10	FL0-2517-010		1	GUIDE, MULTI LOWER	
11	FL3-5605-000		1	GUIDE, VERTICAL PATH	
12	FM3-9287-010		1	MULTI SEPARATION PAD ASSEMBLY	
13	FC9-0684-000		1	BUSHING	
14	FC9-0685-000		1	BUSHING	
15	FC9-0687-000		2	ROLLER, MULTI	
16	FM3-9293-010		1	MULTI PAPER PICK-UP GEAR ASS'Y	
17	FM2-2768-000		1	MULTI FEED SIZE PCB ASSEMBLY	UN27
18	FU7-2925-000		1	SPRING, TORSION	
19	FU8-0525-000		1	GEAR, 21T	
20	FU8-0526-000		1	GEAR 27T/25T	
21	WG8-5836-000		2	IC PHOTOINTERRUPTER, HYBRID	PS9, PS50
22	FL3-3469-000		1	PAD, SEPARATION	[DP]
23	FL3-1352-000		1	ROLLER, PAPER PICK-UP	[DP]
24	VS1-7177-002		1	CONNECTOR, SNAP TIGHT, BK	
25	FL0-5743-010		1	COVER, MULTI	

Figure 313 DUPLEXING FEED GUIDE ASSEMBLY

NOTE 1 : This assembly is included in the assembly shown in Figure 102. NOTE 2 : This assembly does not include the parts shown with Key No. 18.

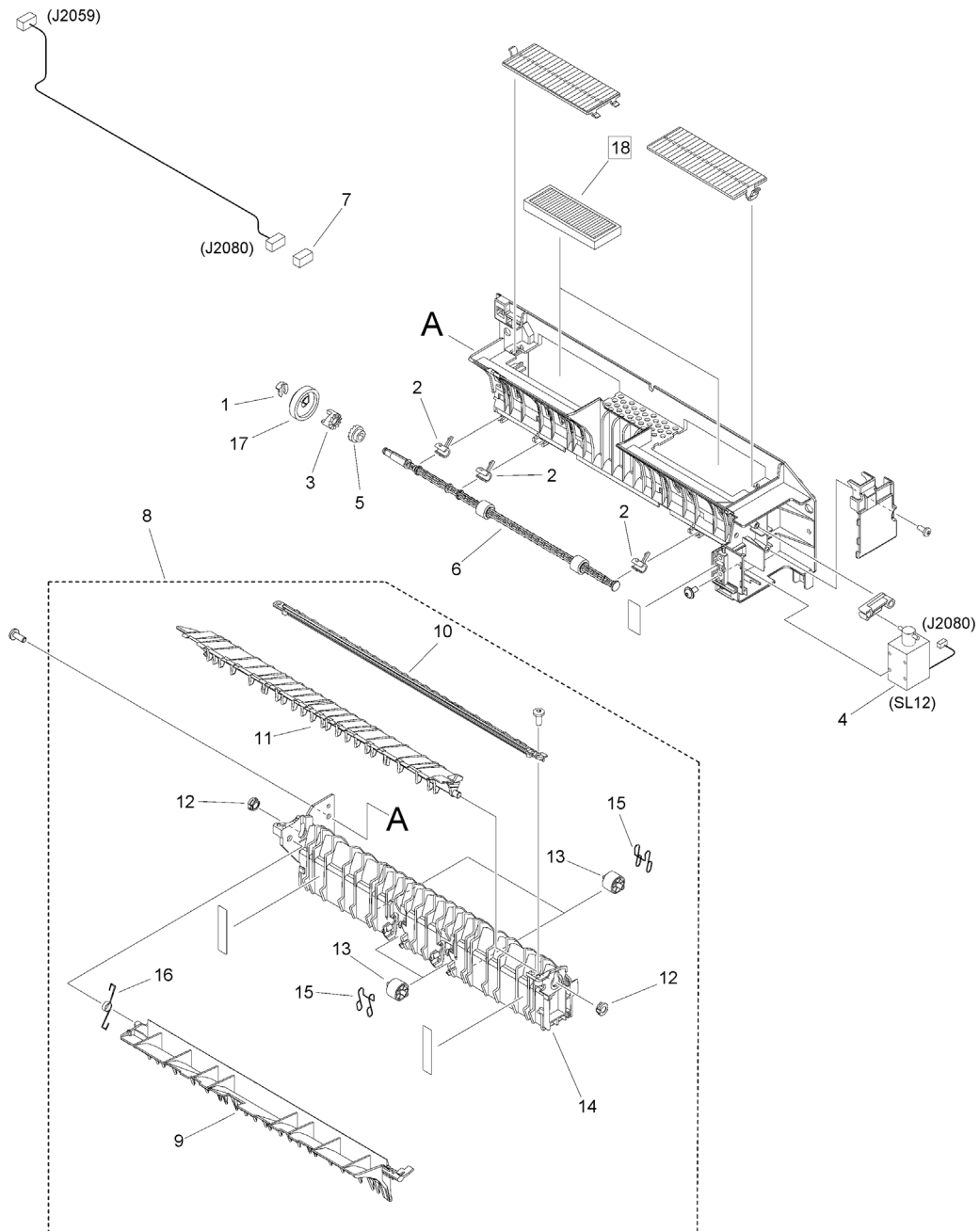


FIGURE & KEY NO.	PART NUMBER	RANK	QTY	DESCRIPTION	SERIAL NUMBER /REMARKS
313	FM4-9157-000		1	DUPLEXING FEED GUIDE ASSEMBLY	SEE NOTE 1
1	FC5-4425-000		1	CLIP	
2	FC9-0717-000		3	BUSHING	
3	FC9-0826-000		1	RATCHET, INTERMEDIATE	
4	FH6-5095-000		1	SOLENOID	SL12
5	FC9-0852-000		1	RATCHET, FEED	
6	FL3-1451-000		1	ROLLER, ENTRANCE	
7	VS1-7177-003		1	CONNECTOR, SNAP TIGHT, BK	
8	FM4-9740-000		1	DUPLEXING ENTRANCE GUIDE ASS'Y	
9	FC9-0841-000		1	FLAPPER, SECOND DELIVERY	
10	FC9-0843-000		1	GUIDE, REVERSE ENTRANCE	
11	FC9-0846-000		1	FLAPPER, REVERSE	
12	FC9-0923-000		2	BUSHING	
13	FC9-7720-000		4	COLLAR, FIXING DELIVERY	
14	FL3-1443-000		1	GUIDE, ENTRANCE	
15	FU7-2947-000		4	SPRING, RETAINING	
16	FU8-2805-000		1	SPRING, TORSION	
17	FU8-0607-000		1	GEAR, 35T	
18	FC0-3078-000		1	FILTER, AIR	[DP] SEE NOTE 2

Figure 316 PRE-REGISTRATION GUIDE ASS'Y

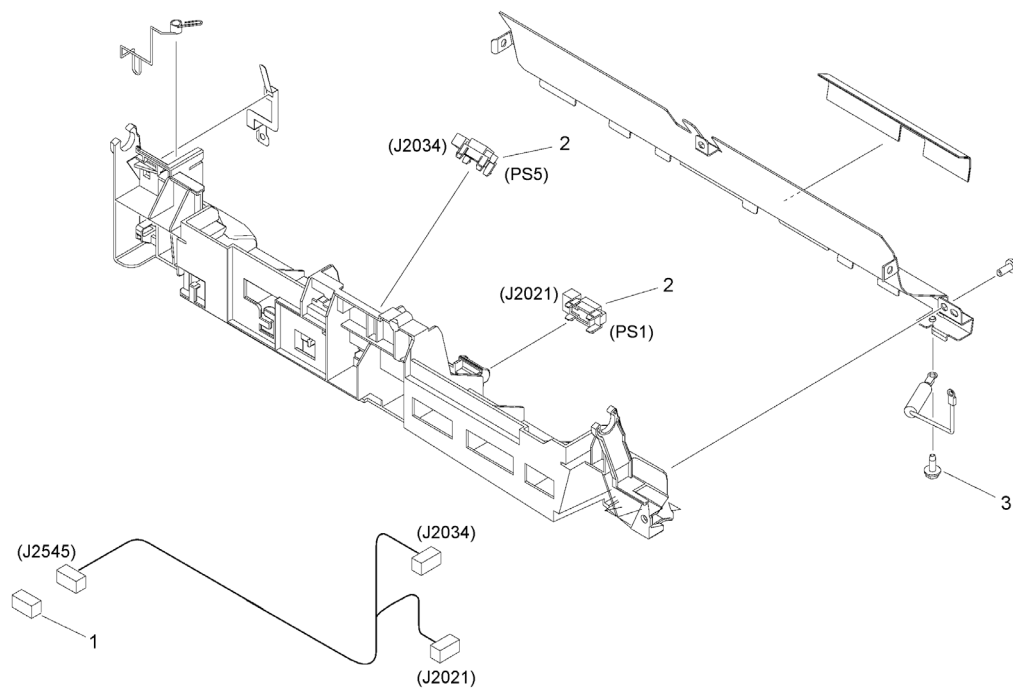


FIGURE & KEY NO.	PART NUMBER	RANK	QTY	DESCRIPTION	SERIAL NUMBER /REMARKS
316	FM4-7921-000		1	PRE-REGISTRATION GUIDE ASS'Y	
1	VS1-7177-006		1	CONNECTOR, SNAP TIGHT, 6P, W	
2	WG8-5927-000		2	PHOTOINTERRUPTER, PS122TL1-A	PS1, PS5
3	XA9-1386-000		1	SCREW, RS, M3X8.5	

Figure 320 TRANSFER PAPER FEED ASSEMBLY

NOTE : This assembly is included in the assembly shown in Figure 102.

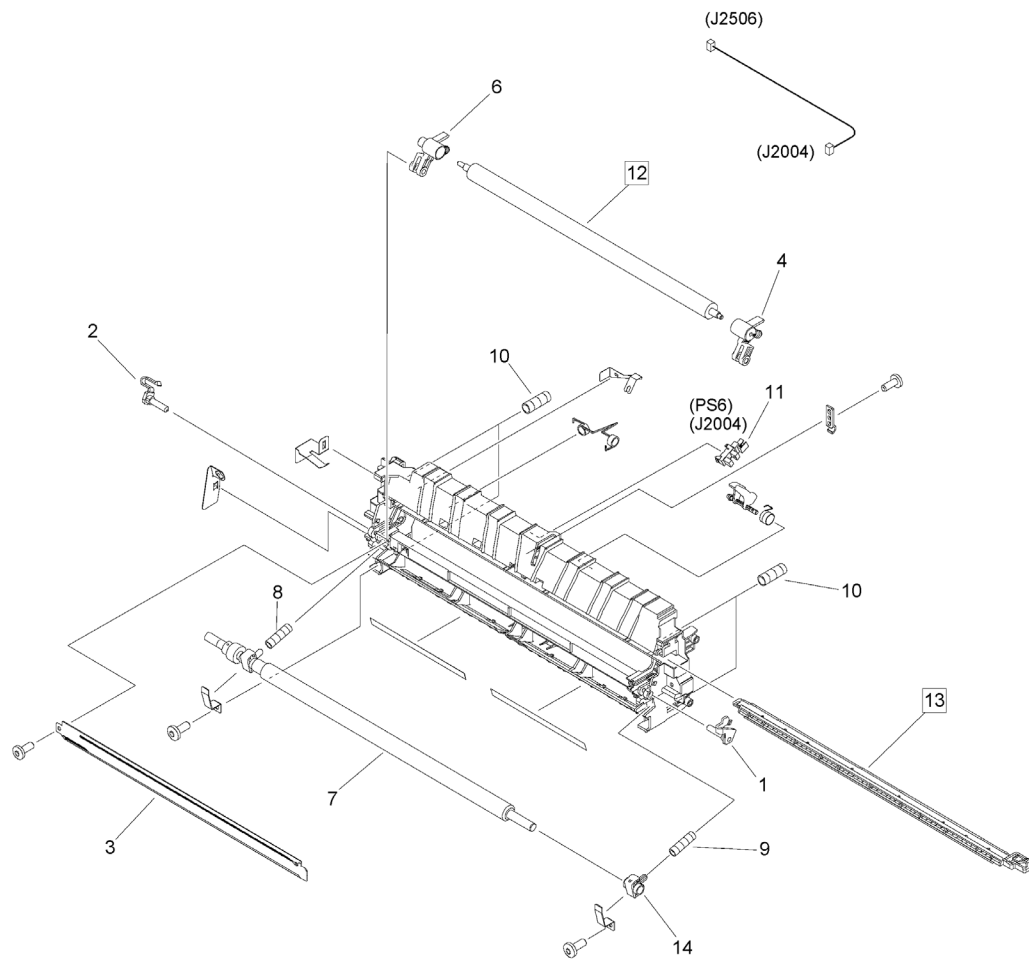


FIGURE & KEY NO.	PART NUMBER	RANK	QTY	DESCRIPTION	SERIAL NUMBER /REMARKS
320	FM1-J125-000		1	TRANSFER PAPER FEED ASSEMBLY	SEE NOTE
1	FC0-4340-000		1	PIN, TRANSFER HINGE	
2	FC5-1536-000		1	PIN, TRANSFER HINGE	
3	FC9-0702-000		1	GUIDE, ELIMINATOR	
4	FM3-9297-000		1	ARM, TRANSFER, FRONT	
6	FM3-9298-000		1	ARM, TRANSFER, REAR	
7	FM3-9299-000		1	ROLLER, REGISTRATION	
8	FU7-2930-000		1	SPRING, COMPRESSION	
9	FU7-2931-000		1	SPRING, COMPRESSION	
10	FU7-2933-000		4	SPRING, COMPRESSION	
11	WG8-5836-000		1	IC PHOTOINTERRUPTER, HYBRID	PS6
12	FE8-2935-000		1	ROLLER, TRANSFER	[DP]
13	FM3-9296-010		1	ELIMINATOR HOLDER ASSEMBLY	[DP]
14	FU5-1009-000		1	BUSHING	

Figure 330 DOOR ASSEMBLY, RIGHT LOWER

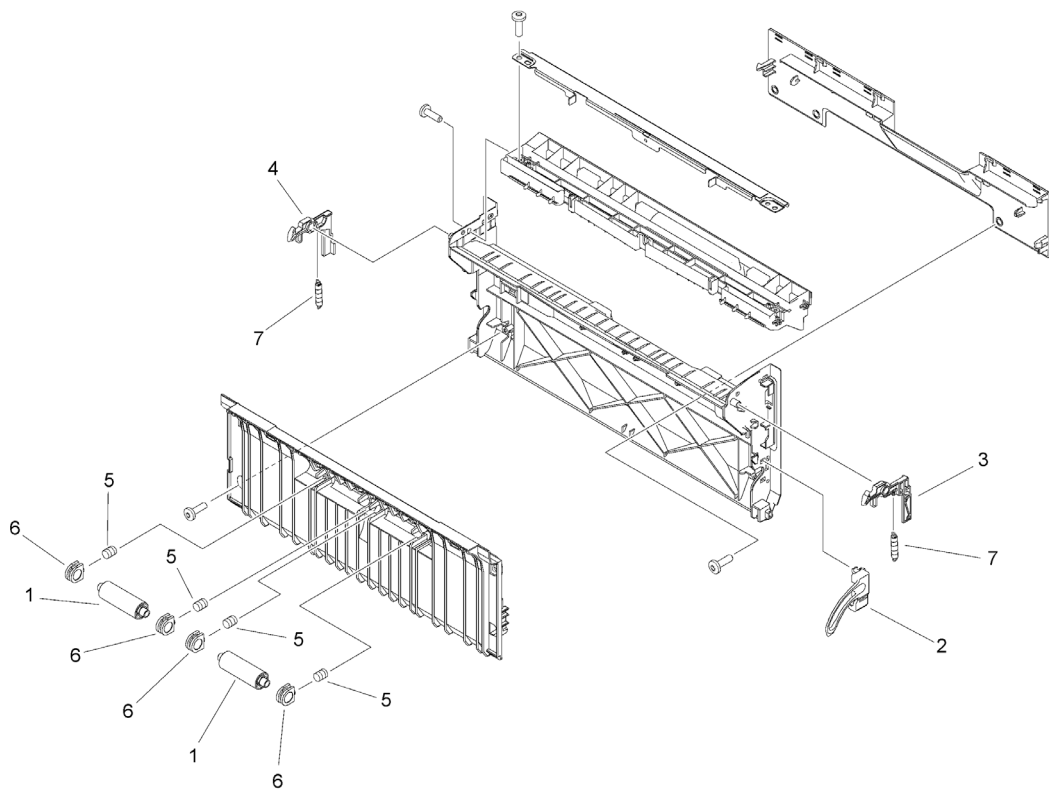


FIGURE & KEY NO.	PART NUMBER	RANK	QTY	DESCRIPTION	SERIAL NUMBER /REMARKS
330	FM1-J122-000		1	RIGHT LOWER DOOR ASSEMBLY	
1	FB6-3313-000		2	ROLLER, PAPER FEED	
2	FC0-2520-000		1	STOPPER, DOOR, RIGHT LOWER	
3	FC0-2521-000		1	HOOK, RIGHT LOWER DOOR, FRONT	
4	FC0-2522-000		1	HOOK, RIGHT LOWER DOOR, REAR	
5	FS7-2788-000		4	SPRING, COMPRESSION	
6	FU5-1035-000		4	BUSHING	
7	FE4-7148-000		2	SPRING, TENSION	

Figure 333 RIGHT LOWER INNER DOOR ASS'Y

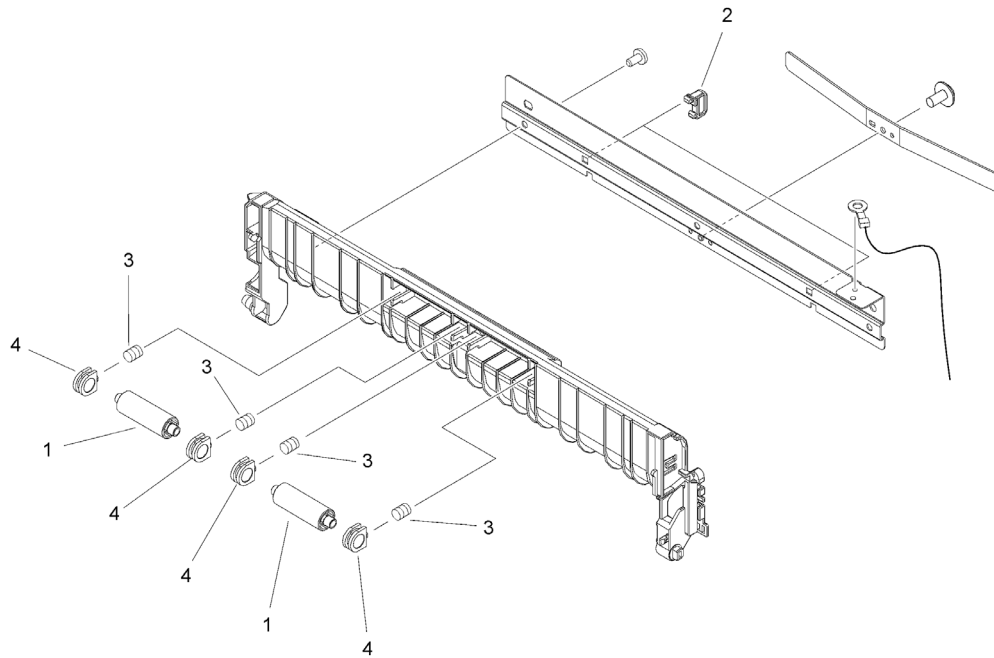


FIGURE & KEY NO.	PART NUMBER	RANK	QTY	DESCRIPTION	SERIAL NUMBER /REMARKS
333	FM3-1297-000		1	RIGHT LOWER INNER DOOR ASSY	
1	FB6-3313-000		2	ROLLER, PAPER FEED	
2	FC7-5907-000		2	SPRING, GROUNDING	
3	FS7-2788-000		4	SPRING, COMPRESSION	
4	FU5-1035-000		4	BUSHING	

Figure 350 FIRST PAPER DELIVERY ASSEMBLY

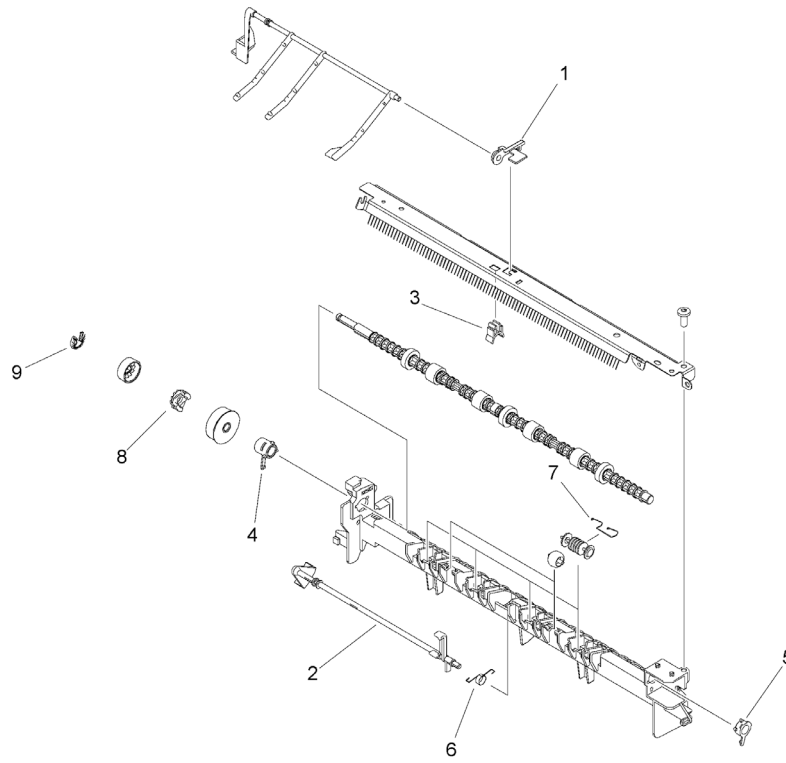


FIGURE & KEY NO.	PART NUMBER	RANK	QTY	DESCRIPTION	SERIAL NUMBER /REMARKS
350	FM1-J123-000		1	FIRST PAPER DELIVERY ASSEMBLY	
1	FC0-3073-000		1	BUSHING	
2	FC9-0802-000		1	LEVER, DELIVERY SENSOR	
3	FC9-0805-000		1	BUSHING	
4	FC9-8959-000		1	BUSHING	
5	FU5-1522-000		1	BUSHING, DELIVERY ROLLER	
6	FU7-2925-000		1	SPRING, TORSION	
7	FU7-2968-000		4	SPRING, TORSION	
8	FE4-6931-000		1	CAM, TRANSMISSION	
9	FC6-5046-000		1	RING, RETAINING	

Figure 351 SECOND PAPER DELIVERY ASSEMBLY

NOTE : This assembly does not include the parts shown with Key No. 18.

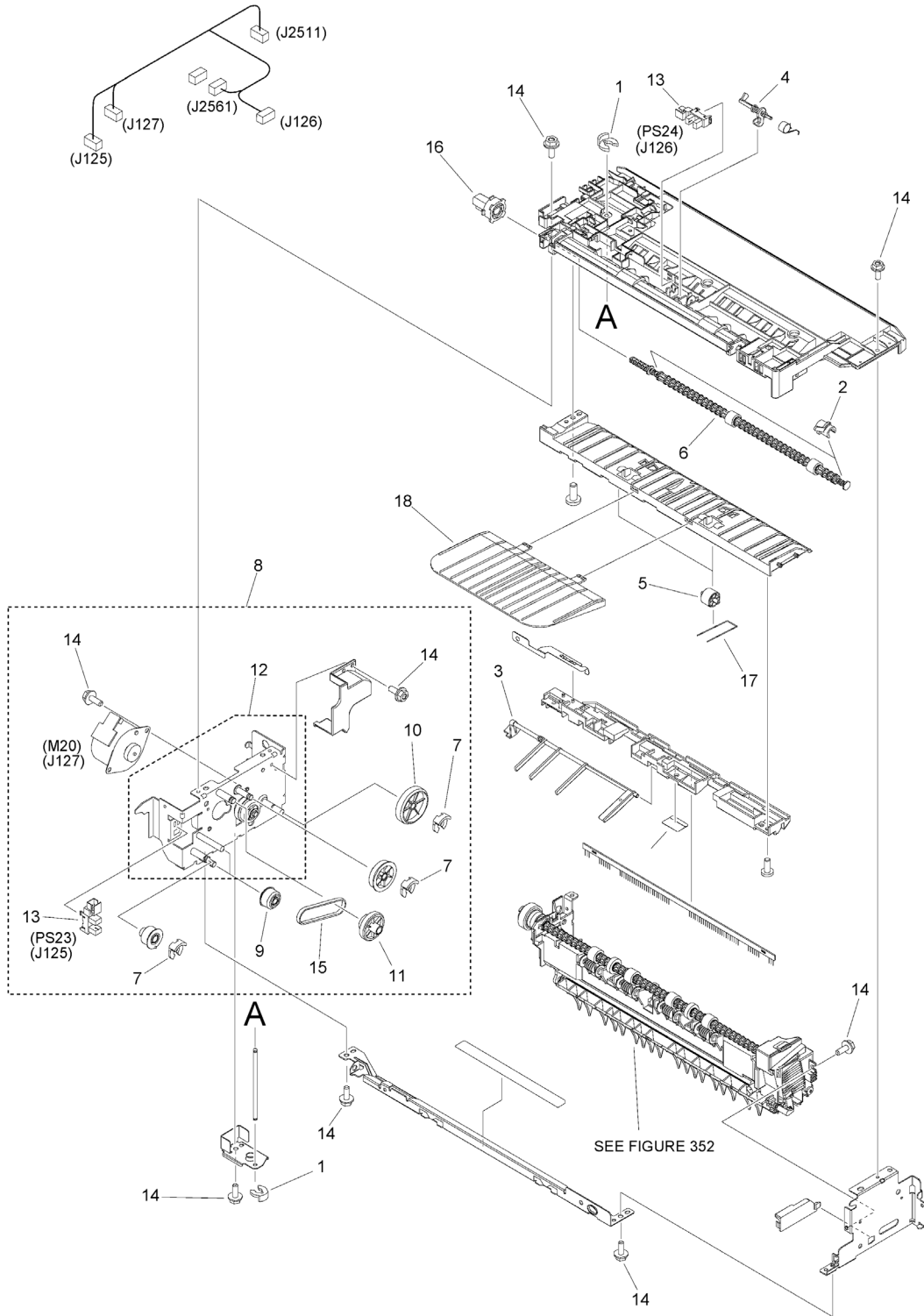


FIGURE & KEY NO.	PART NUMBER	RANK	QTY	DESCRIPTION	SERIAL NUMBER /REMARKS
351	FM1-J171-010		1	SECOND PAPER DELIVERY ASSEMBLY	
1	FC5-4697-000		2	RING, RETAINING	
2	FC9-0717-000		2	BUSHING	
3	FC9-0816-010		1	FLAG, FULL SENSOR	
4	FC9-0822-000		1	LEVER, REVERSE SENSOR	
5	FC9-7720-000		2	COLLAR, FIXING DELIVERY	
6	FL3-1450-000		1	ROLLER, REVERSE	
7	FC5-4425-000		3	CLIP	
8	FM4-7916-000		1	2ND PAPER DELIVERY DRIVE UNIT	
9	FU8-0603-000		2	GEAR, 18T	
10	FU8-0606-000		1	GEAR, 46T	
11	FU8-0610-000		1	GEAR, 35T	
12	FM1-B597-000		1	SIDE PLATE, 2ND PAPER DELIVERY	
13	WG8-5836-000		2	IC PHOTOINTERRUPTER, HYBRID	PS23, PS24
14	XA9-1386-000		11	SCREW, RS, M3X8	
15	XF2-1608-040		1	BELT, TIMING	
16	FU5-3796-000		1	PULLEY	
17	FU7-2934-000		2	SPRING, RETAINING	
18	FE4-7217-000		1	GUIDE, REVERSE BACK END	SEE NOTE

Figure 352 SECOND DELIVERY FRAME ASSEMBLY

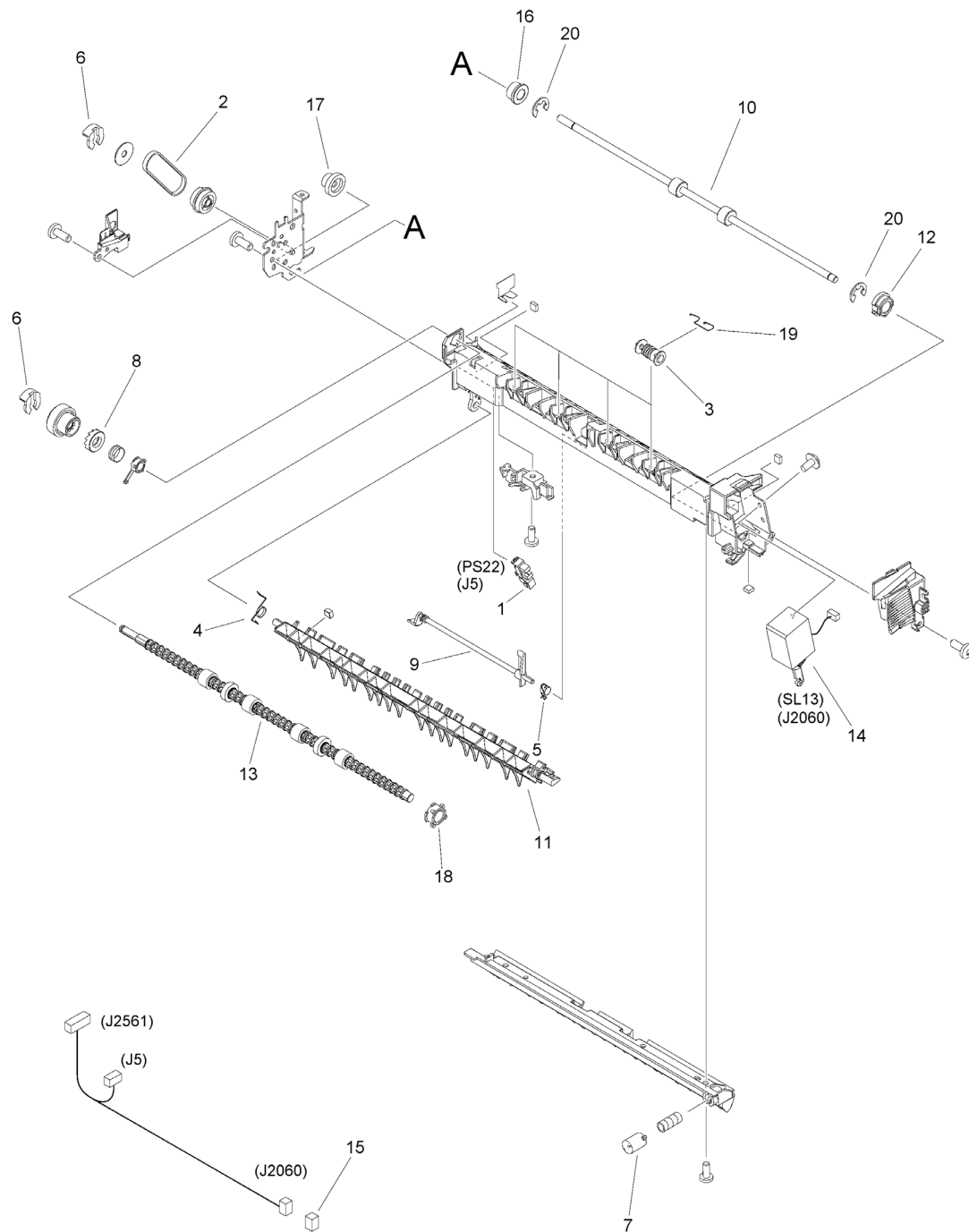


FIGURE & KEY NO.	PART NUMBER	RANK	QTY	DESCRIPTION	SERIAL NUMBER /REMARKS
352	FM1-J172-000		1	SECOND DELIVERY FRAME ASSEMBLY	
1	WG8-5836-000		1	IC PHOTOINTERRUPTER, HYBRID	PS22
2	XF2-1608-040		1	BELT, TIMING	
3	FC0-5231-000		4	ROLLER, FD	
4	FC5-0974-000		1	SPRING, TORSION	
5	FC5-0997-000		1	SPRING, TORSION	
6	FC5-4425-000		2	CLIP	
7	FC5-6014-000		1	CAP, SPRING	
8	FC9-0854-000		1	RATCHET, FEED	
9	FC9-0856-000		1	FLAG, SENSOR	
10	FC9-0857-000		1	ROLLER, VERTICAL PASS	
11	FC9-0870-010		1	FLAPPER	
12	FC9-0923-000		1	BUSHING	
13	FL3-1454-000		1	ROLLER, SECOND DELIVERY	
14	FL3-3151-000		1	SOLENOID	SL13
15	VS1-7177-002		1	CONNECTOR, SNAP TIGHT, BK	
16	FS5-1943-000		1	BUSHING	
17	FU5-0076-000		1	GEAR, 24T	
18	FU5-1522-000		1	BUSHING, DELIVERY ROLLER	
19	FU6-2189-000		4	SPRING, TORSION	
20	XD9-0136-000		2	RETAINING RING (E-TYPE)	

Figure 460C LASER SCANNER UNIT (IR-ADV 4751i)

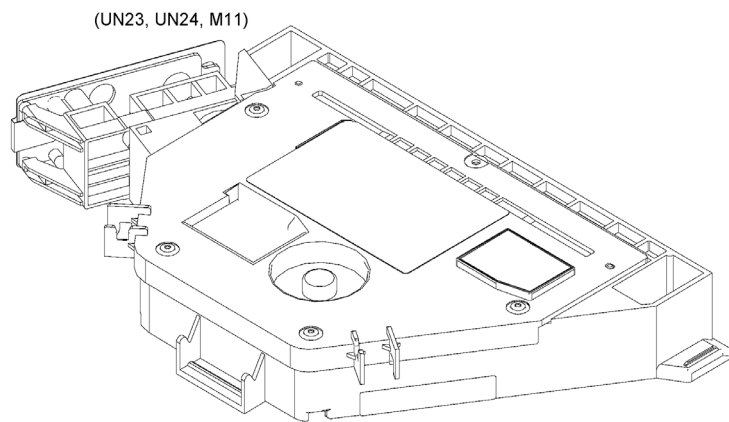


FIGURE & KEY NO.	PART NUMBER	R A N K	QTY	DESCRIPTION	SERIAL NUMBER /REMARKS
460C	FM1-M053-010		1	LASER SCANNER ASSEMBLY	UN23, UN24, M11 IR-ADV 4751i

Figure 460D LASER SCANNER UNIT (IR-ADV 4745i, 4735i)

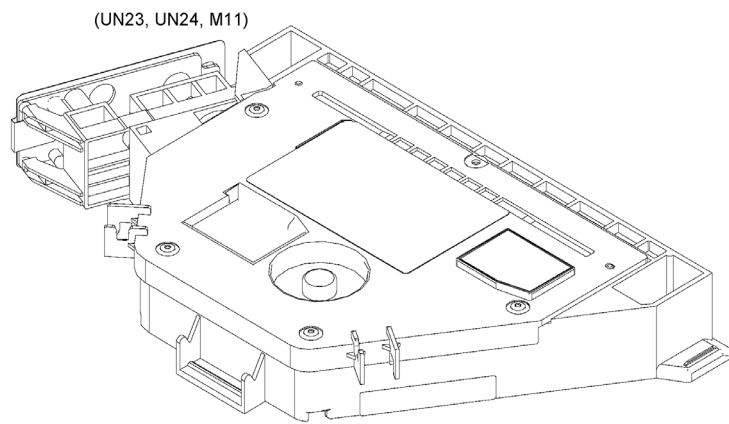


FIGURE & KEY NO.	PART NUMBER	R A N K	QTY	DESCRIPTION	SERIAL NUMBER /REMARKS
460D	FM1-M053-010		1	LASER SCANNER ASSEMBLY	UN23, UN24, M11 IR-ADV 4745i, 4735i

Figure 460E LASER SCANNER UNIT (IR-ADV 4725i)

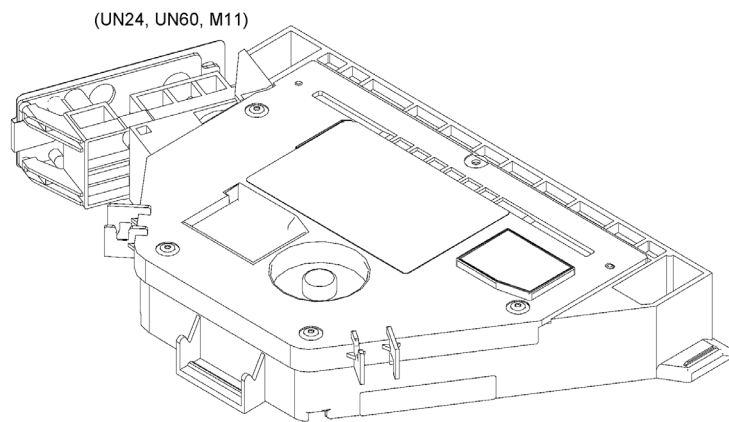


FIGURE & KEY NO.	PART NUMBER	R A N K	QTY	DESCRIPTION	SERIAL NUMBER /REMARKS
460E	FM1-M052-010		1	LASER SCANNER ASSEMBLY	UN24, UN60, M11 IR-ADV 4725i

Figure 620 HOPPER ASSEMBLY

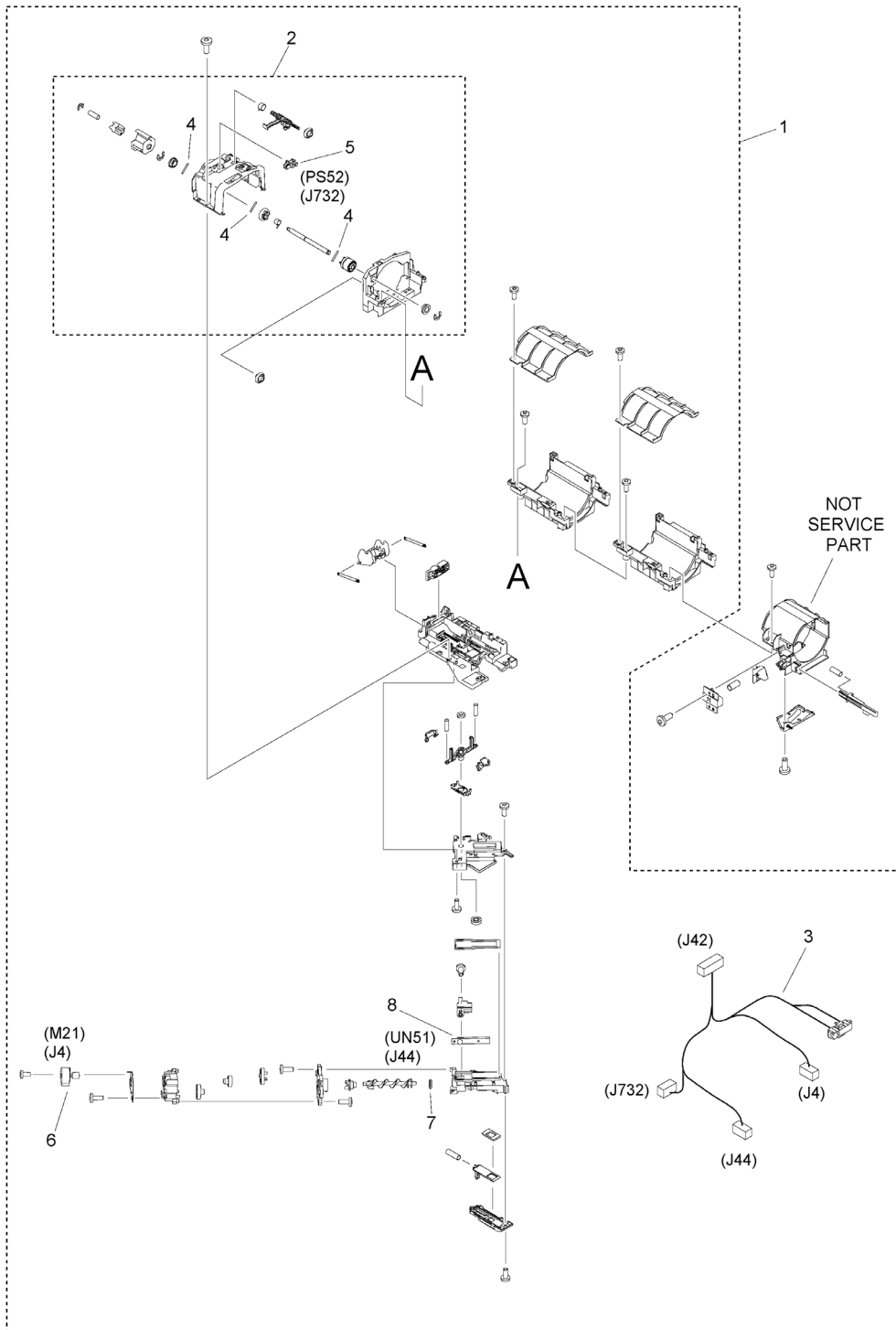


FIGURE & KEY NO.	PART NUMBER	RANK	QTY	DESCRIPTION	SERIAL NUMBER /REMARKS
620	NPN		RF	HOPPER ASSEMBLY	
1	4Y8-3112-000		1	HOPPER ASSEMBLY	
2	FM1-J133-000		1	UPPER PUMP HOLDER ASSEMBLY	
3	FM1-N873-000		1	CABLE, NTD	
4	XD9-0291-000		3	PIN, PARALLEL	
5	WG8-5836-000		1	IC PHOTOINTERRUPTER, HYBRID	PS52
6	FK4-2683-000		1	MOTOR, STEPPING, DC	M21
7	MB4-8201-000		1	SEAL, OIL	
8	FK4-4926-000		1	SENSOR, ELECTROMAGNETIC	UN51

Figure 640 DEVELOPING ASSEMBLY

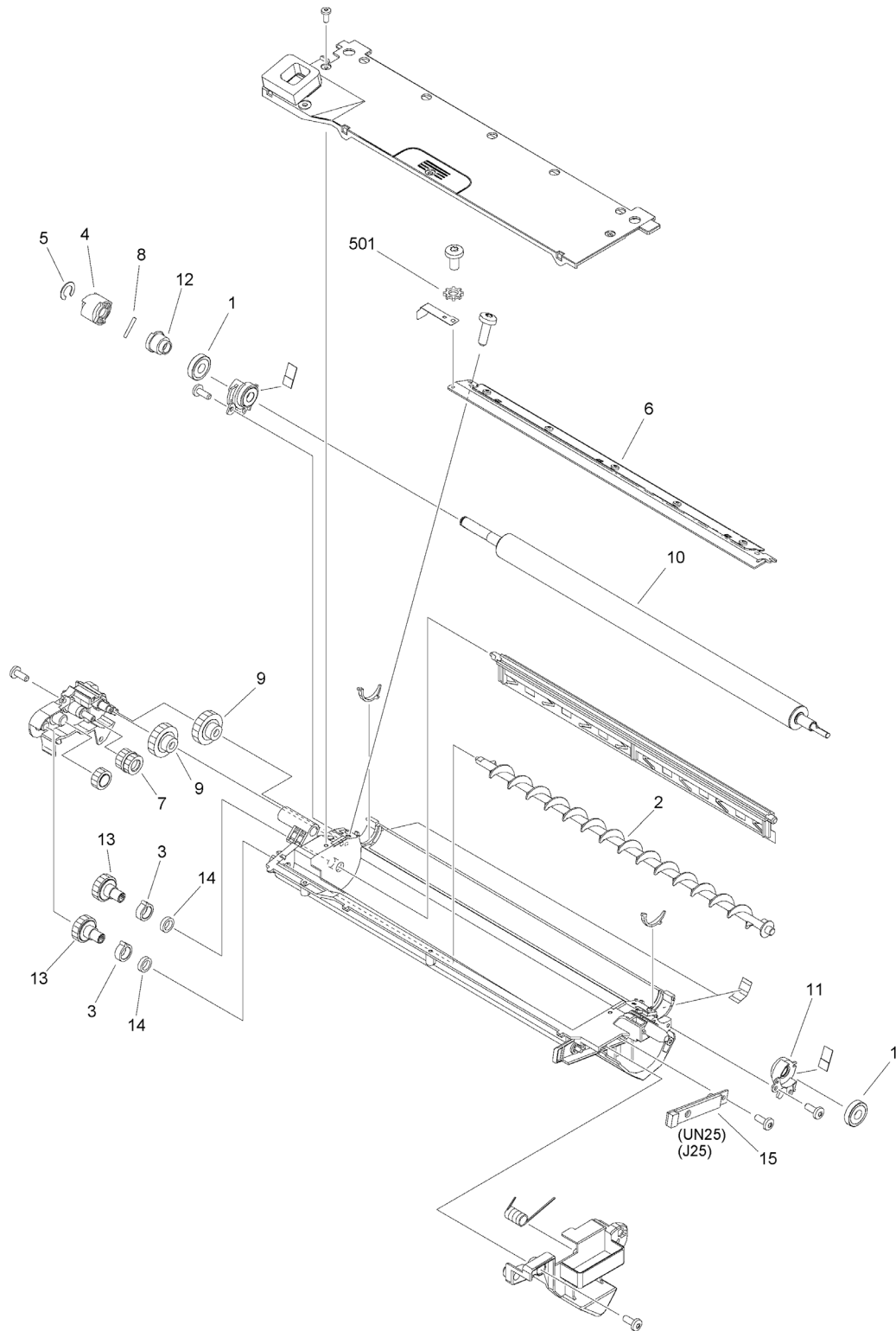


FIGURE & KEY NO.	PART NUMBER	RANK	QTY	DESCRIPTION	SERIAL NUMBER /REMARKS
640	FM1-J148-000		1	DEVELOPING ASSEMBLY	[DP]
1	FC0-5122-000		2	ROLLER	
2	FC9-1610-000		1	FEEDSCREW, TONER	
3	FC9-1613-000		2	BUSHING	
4	FE4-6689-010		1	COUPLING, DEVELOPING	
5	FE4-8138-000		1	RING, C	
6	FM3-9265-000		1	BLADE ASSEMBLY	
7	FU8-0509-000		1	GEAR, 18T/18T	
8	XD9-0290-000		1	PIN, PARALLEL	
9	FU8-0512-000		2	GEAR, 31T/13T	
10	FM4-9170-000		1	DEVELOPING CYLINDER ASSEMBLY	
11	FL1-5255-000		1	HOLDER, CYLINDER, FRONT	
12	FU8-0511-000		1	GEAR, 16T	
13	FU8-0553-000		2	GEAR, 24T	
14	MB4-8201-000		2	SEAL, OIL	
15	FK4-4926-000		1	SENSOR, ELECTROMAGNETIC	UN25
501	XD1-4200-302		1	WASHER, TOOTHED LOCK, M3	

Figure 770 WASTE TONER BOX ASSEMBLY

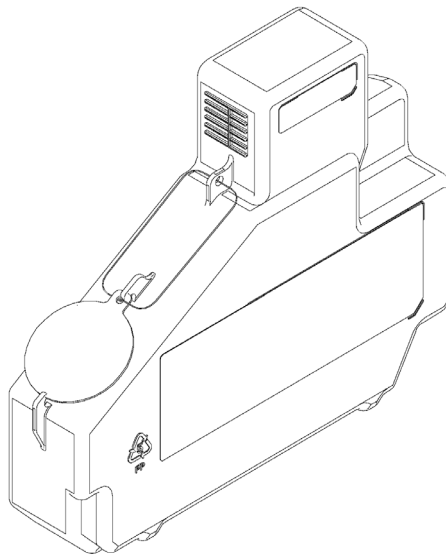


FIGURE & KEY NO.	PART NUMBER	R A N K	QTY	DESCRIPTION	SERIAL NUMBER /REMARKS
770	FM3-9276-040		1	WASTE TONER BOX ASSEMBLY	[DP]

Figure 810B FIXING ASSEMBLY (120V IR-ADV 4751i)

NOTE : This assembly includes the assemblies shown in Figure 815, 816.

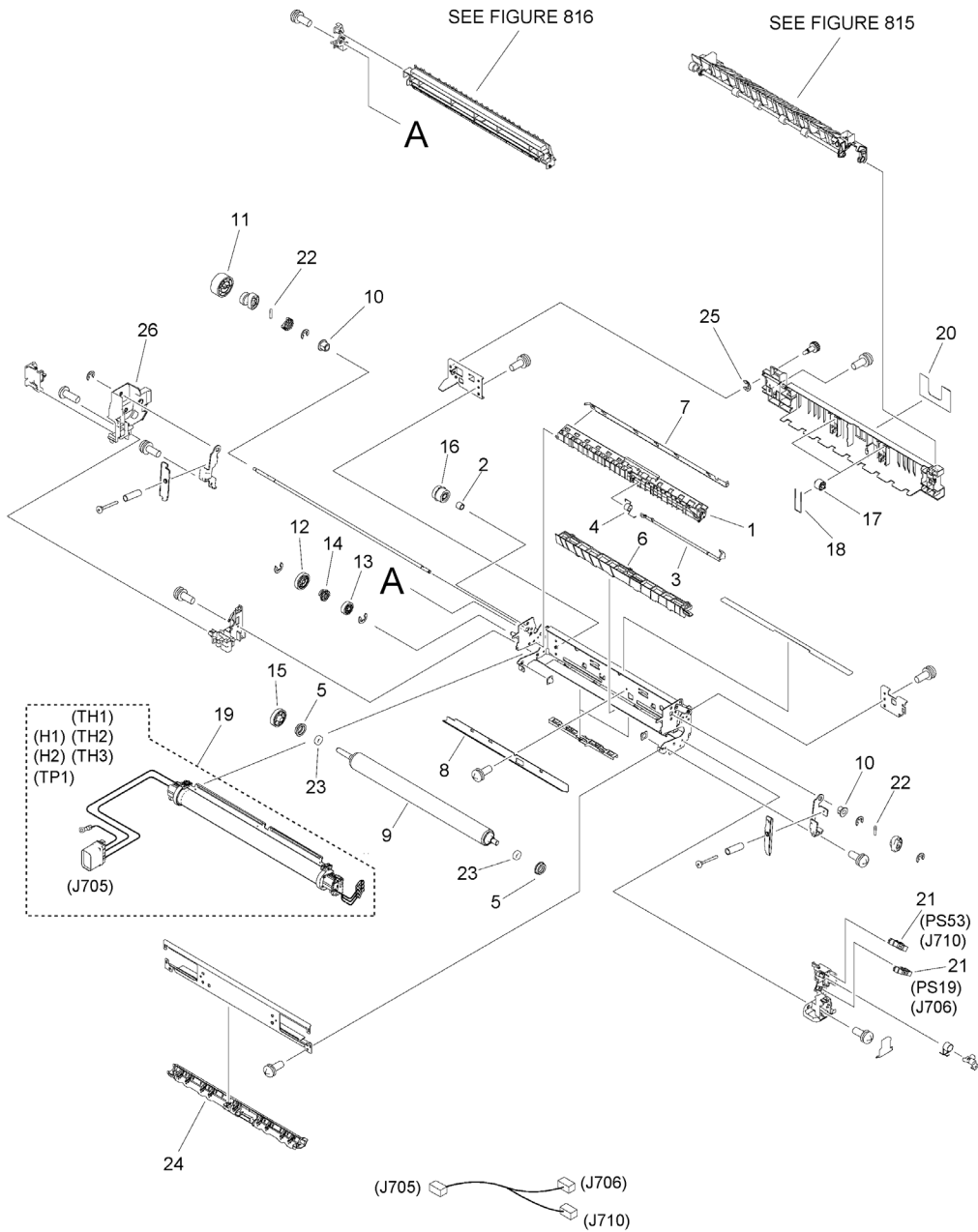


FIGURE & KEY NO.	PART NUMBER	RANK	QTY	DESCRIPTION	SERIAL NUMBER /REMARKS
810B	FM1-J020-020		1	FIXING ASSEMBLY	120V IR-ADV 4751i SEE NOTE [DP]
1	FC0-2394-000		1	GUIDE, DELIVERY LOWER	
2	FC0-2406-000		1	COLLAR, FIXING DELIVERY	
3	FC0-2413-000		1	FLAG, SENSOR	
4	FC5-1367-000		1	SPRING,SENSOR LEVER	
5	FC5-7182-000		2	HOUSING,BEARING	
6	FC9-0781-010		1	GUIDE, FIXING ENTRANCE, 1	
7	FC9-0782-000		1	ELIMINATOR, STATIC CHARGE	
8	FC9-8968-000		1	ELIMINATOR, STATIC CHARGE	
9	FC9-8974-000		1	ROLLER, PRESSURE	
10	FE3-3212-000		2	BUSHING	
11	FE4-6927-000		1	GEAR, 35T	
12	FE4-6929-000		1	GEAR, 27T	
13	FE4-6930-000		1	GEAR, 25T	
14	FE4-6931-000		1	CAM, TRANSMISSION	
15	FE4-6932-010		1	GEAR, 36T	
16	FE4-6933-000		1	GEAR, 26T	
17	FC9-7720-000		2	COLLAR, FIXING DELIVERY	
18	FU7-2934-000		2	SPRING, RETAINING	
19	FM1-J035-010		1	FIXING FILM ASSEMBLY	H1, H2, TH1, TH2, TH3, TP1
20	FU6-8898-000		1	LABEL,HIGH TEMPERATURE CAUTION	
21	WG8-5836-000		2	IC PHOTOINTERRUPTER, HYBRID	PS19, PS53
22	XD9-0333-000		2	PIN, PARALLEL	
23	XG9-0875-000		2	BEARING, BALL, NS P0 16MM	
24	4Y8-3117-000		1	GUIDE, FIXING ENTRANCE	
25	XD9-0134-000		1	RING, E	
26	FE4-6935-000		1	COVER, FIXING GEAR	

Figure 810C FIXING ASSEMBLY (120V IR-ADV 4745i, 4735i, 4725i)

NOTE : This assembly includes the assemblies shown in Figure 815, 816.

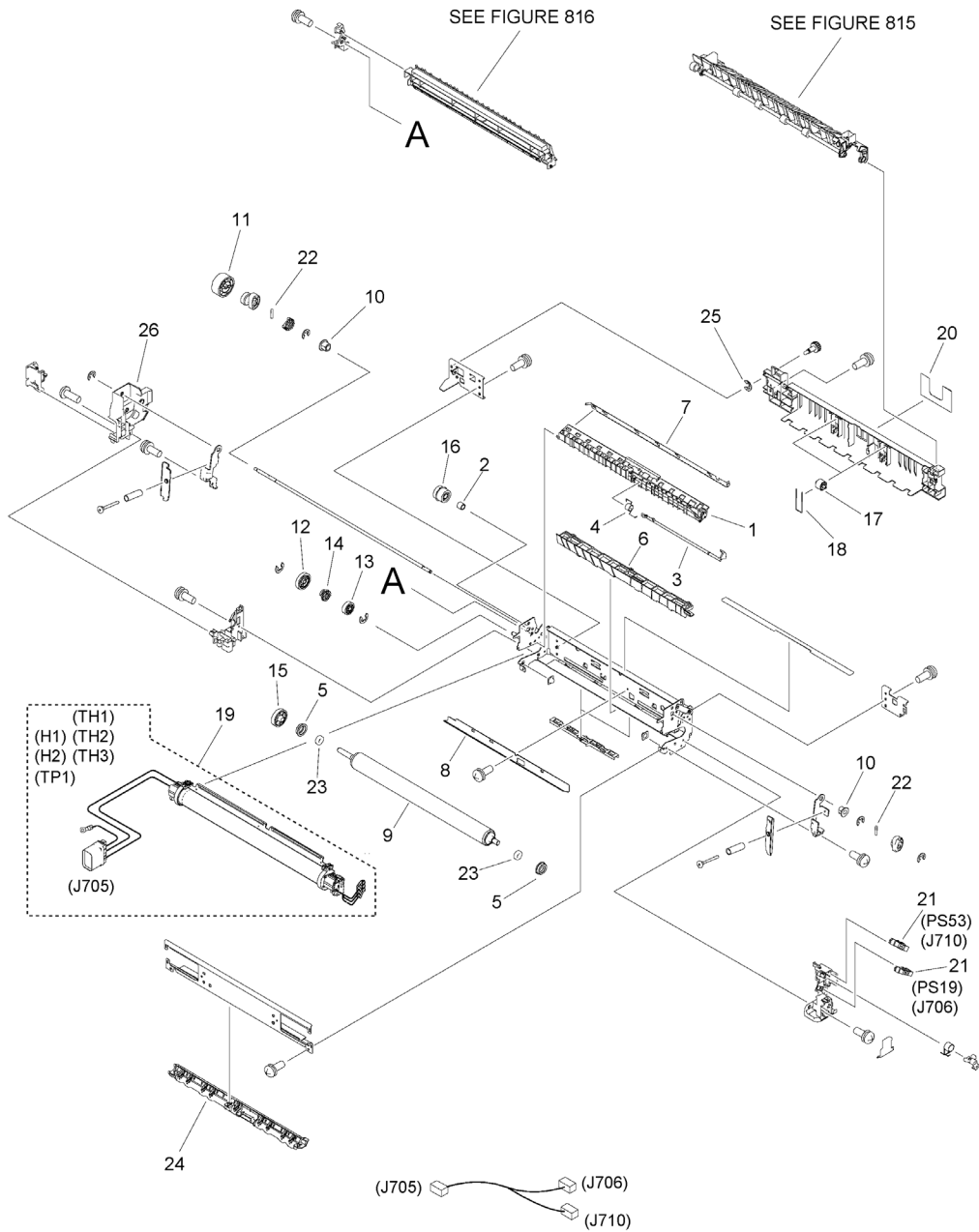


FIGURE & KEY NO.	PART NUMBER	RANK	QTY	DESCRIPTION	SERIAL NUMBER /REMARKS
810C	FM1-J023-010		1	FIXING ASSEMBLY	120V IR-ADV 4745i, 4735i, 4725i SEE NOTE [DP]
1	FC0-2394-000		1	GUIDE, DELIVERY LOWER	
2	FC0-2406-000		1	COLLAR, FIXING DELIVERY	
3	FC0-2413-000		1	FLAG, SENSOR	
4	FC5-1367-000		1	SPRING,SENSOR LEVER	
5	FC5-7182-000		2	HOUSING,BEARING	
6	FC9-0781-010		1	GUIDE, FIXING ENTRANCE, 1	
7	FC9-0782-000		1	ELIMINATOR, STATIC CHARGE	
8	FC9-8968-000		1	ELIMINATOR, STATIC CHARGE	
9	FC9-8974-000		1	ROLLER, PRESSURE	
10	FE3-3212-000		2	BUSHING	
11	FE4-6927-000		1	GEAR, 35T	
12	FE4-6929-000		1	GEAR, 27T	
13	FE4-6930-000		1	GEAR, 25T	
14	FE4-6931-000		1	CAM, TRANSMISSION	
15	FE4-6932-010		1	GEAR, 36T	
16	FE4-6933-000		1	GEAR, 26T	
17	FC9-7720-000		2	COLLAR, FIXING DELIVERY	
18	FU7-2934-000		2	SPRING, RETAINING	
19	FM1-J038-000		1	FIXING FILM ASSEMBLY	H1, H2, TH1, TH2, TH3, TP1
20	FU6-8898-000		1	LABEL,HIGH TEMPERATURE CAUTION	
21	WG8-5836-000		2	IC PHOTOINTERRUPTER, HYBRID	PS19, PS53
22	XD9-0333-000		2	PIN, PARALLEL	
23	XG9-0875-000		2	BEARING, BALL, NS P0 16MM	
24	4Y8-3117-000		1	GUIDE, FIXING ENTRANCE	
25	XD9-0134-000		1	RING, E	
26	FE4-6935-000		1	COVER, FIXING GEAR	

Figure 810D FIXING ASSEMBLY (230V IR-ADV 4751i)

NOTE : This assembly includes the assemblies shown in Figure 815, 816.

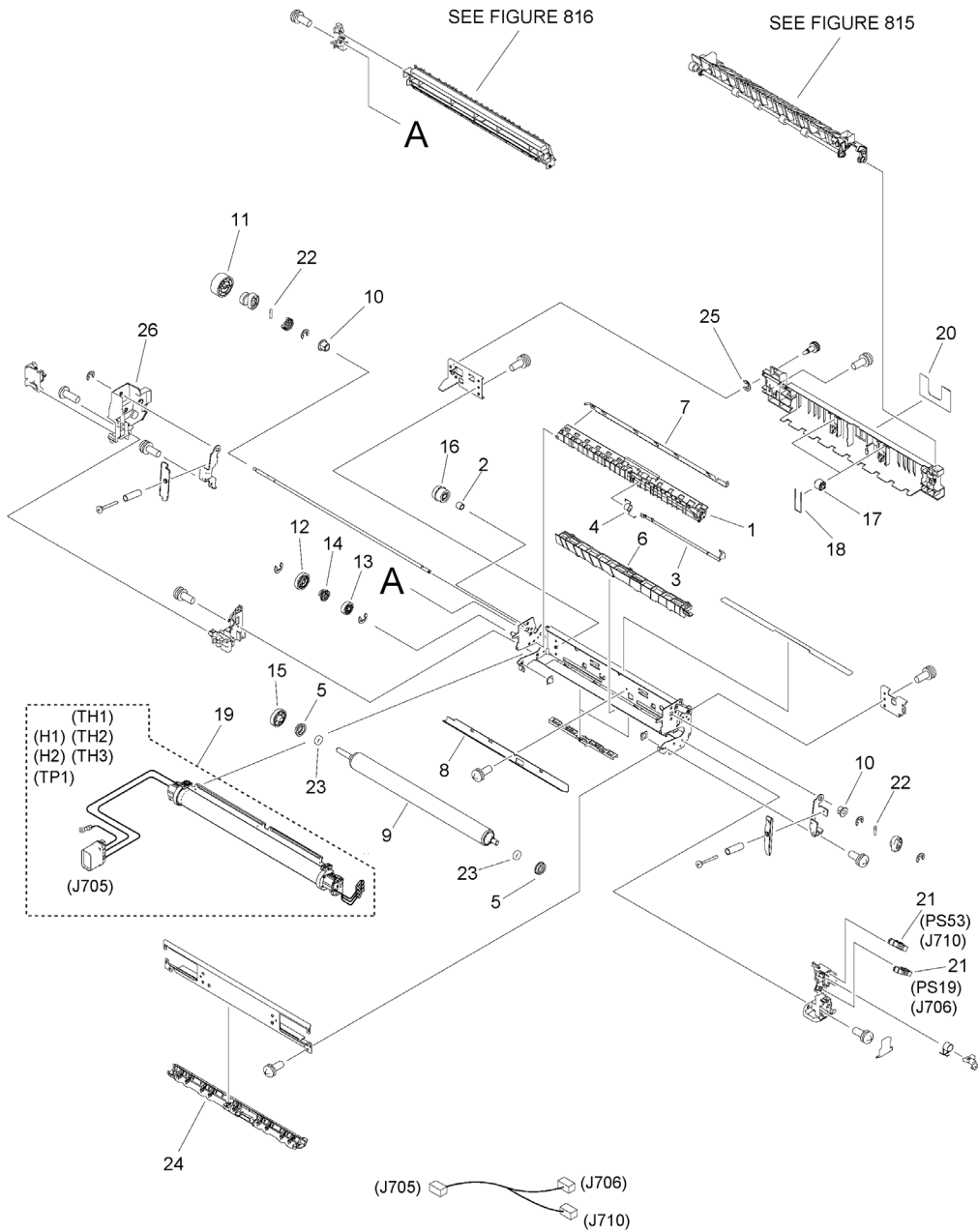


FIGURE & KEY NO.	PART NUMBER	RANK	QTY	DESCRIPTION	SERIAL NUMBER /REMARKS
810D	FM1-J021-030		1	FIXING ASSEMBLY	230V IR-ADV 4751i SEE NOTE [DP]
1	FC0-2394-000		1	GUIDE, DELIVERY LOWER	
2	FC0-2406-000		1	COLLAR, FIXING DELIVERY	
3	FC0-2413-000		1	FLAG, SENSOR	
4	FC5-1367-000		1	SPRING,SENSOR LEVER	
5	FC5-7182-000		2	HOUSING,BEARING	
6	FC9-0781-010		1	GUIDE, FIXING ENTRANCE, 1	
7	FC9-0782-000		1	ELIMINATOR, STATIC CHARGE	
8	FC9-8968-000		1	ELIMINATOR, STATIC CHARGE	
9	FC9-8974-000		1	ROLLER, PRESSURE	
10	FE3-3212-000		2	BUSHING	
11	FE4-6927-000		1	GEAR, 35T	
12	FE4-6929-000		1	GEAR, 27T	
13	FE4-6930-000		1	GEAR, 25T	
14	FE4-6931-000		1	CAM, TRANSMISSION	
15	FE4-6932-010		1	GEAR, 36T	
16	FE4-6933-000		1	GEAR, 26T	
17	FC9-7720-000		2	COLLAR, FIXING DELIVERY	
18	FU7-2934-000		2	SPRING, RETAINING	
19	FM1-J036-020		1	FIXING FILM ASSEMBLY	H1, H2, TH1, TH2, TH3, TP1
20	FU6-8898-000		1	LABEL,HIGH TEMPERATURE CAUTION	
21	WG8-5836-000		2	IC PHOTOINTERRUPTER, HYBRID	PS19, PS53
22	XD9-0333-000		2	PIN, PARALLEL	
23	XG9-0875-000		2	BEARING, BALL, NS P0 16MM	
24	4Y8-3117-000		1	GUIDE, FIXING ENTRANCE	
25	XD9-0134-000		1	RING, E	
26	FE4-6935-000		1	COVER, FIXING GEAR	

Figure 810E FIXING ASSEMBLY (230V IR-ADV 4745i, 4735i, 4725i)

NOTE : This assembly includes the assemblies shown in Figure 815, 816.

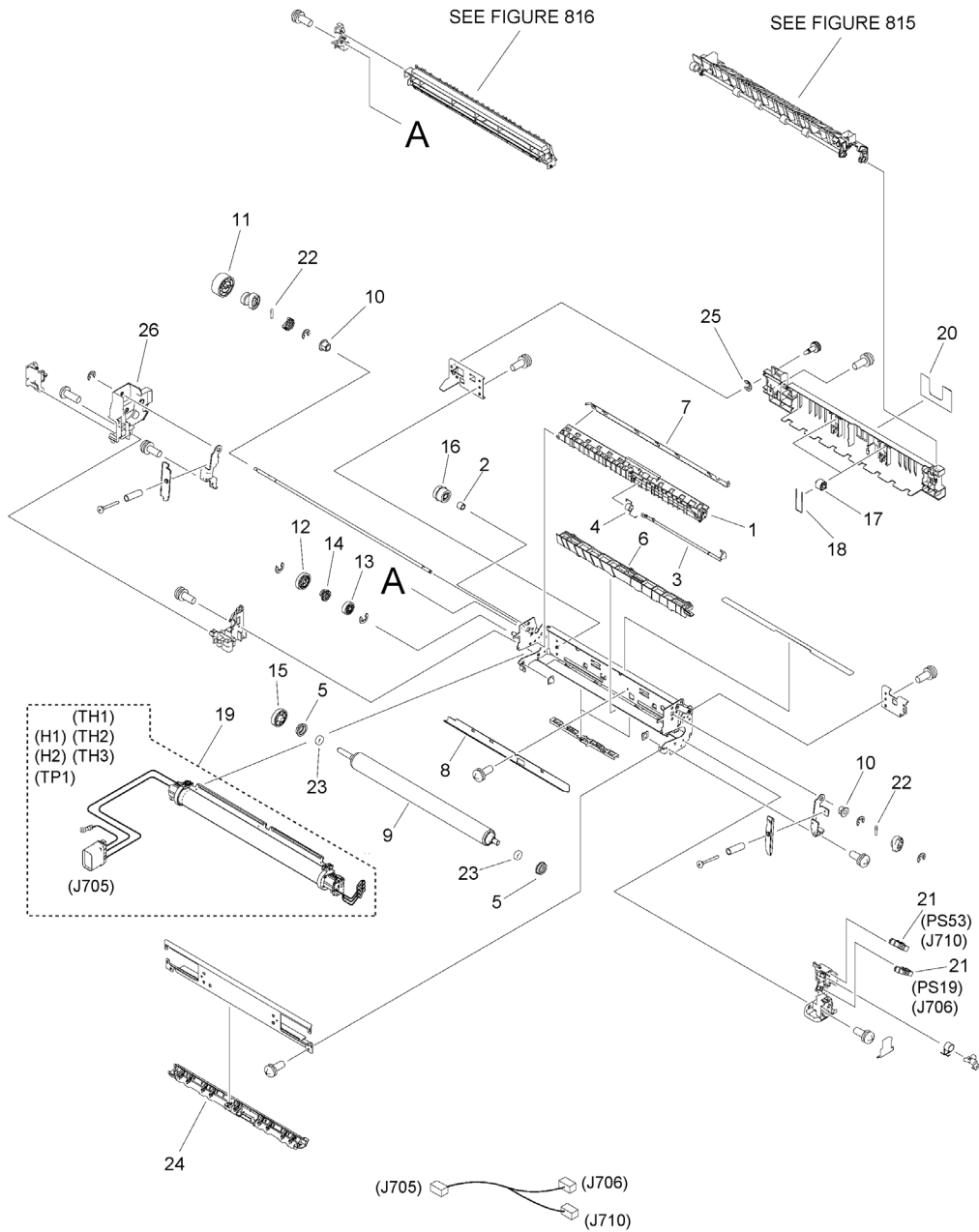


FIGURE & KEY NO.	PART NUMBER	RANK	QTY	DESCRIPTION	SERIAL NUMBER /REMARKS
810E	FM1-J024-020		1	FIXING ASSEMBLY	230V IR-ADV 4745i, 4735i, 4725i SEE NOTE [DP]
1	FC0-2394-000		1	GUIDE, DELIVERY LOWER	
2	FC0-2406-000		1	COLLAR, FIXING DELIVERY	
3	FC0-2413-000		1	FLAG, SENSOR	
4	FC5-1367-000		1	SPRING,SENSOR LEVER	
5	FC5-7182-000		2	HOUSING,BEARING	
6	FC9-0781-010		1	GUIDE, FIXING ENTRANCE, 1	
7	FC9-0782-000		1	ELIMINATOR, STATIC CHARGE	
8	FC9-8968-000		1	ELIMINATOR, STATIC CHARGE	
9	FC9-8974-000		1	ROLLER, PRESSURE	
10	FE3-3212-000		2	BUSHING	
11	FE4-6927-000		1	GEAR, 35T	
12	FE4-6929-000		1	GEAR, 27T	
13	FE4-6930-000		1	GEAR, 25T	
14	FE4-6931-000		1	CAM, TRANSMISSION	
15	FE4-6932-010		1	GEAR, 36T	
16	FE4-6933-000		1	GEAR, 26T	
17	FC9-7720-000		2	COLLAR, FIXING DELIVERY	
18	FU7-2934-000		2	SPRING, RETAINING	
19	FM1-J039-020		1	FIXING FILM ASSEMBLY	H1, H2, TH1, TH2, TH3, TP1
20	FU6-8898-000		1	LABEL,HIGH TEMPERATURE CAUTION	
21	WG8-5836-000		2	IC PHOTOINTERRUPTER, HYBRID	PS19, PS53
22	XD9-0333-000		2	PIN, PARALLEL	
23	XG9-0875-000		2	BEARING, BALL, NS P0 16MM	
24	4Y8-3117-000		1	GUIDE, FIXING ENTRANCE	
25	XD9-0134-000		1	RING, E	
26	FE4-6935-000		1	COVER, FIXING GEAR	

Figure 815 DELIVERY LOWER GUIDE ASSEMBLY

NOTE : This assembly is included in the assembly shown in Figure 810.

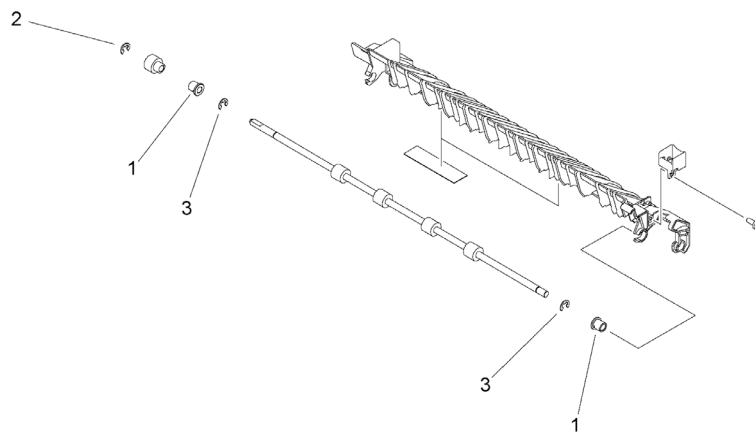


FIGURE & KEY NO.	PART NUMBER	RANK	QTY	DESCRIPTION	SERIAL NUMBER /REMARKS
815	FM1-J002-000		1	DELIVERY LOWER GUIDE ASSEMBLY	SEE NOTE
1	FA9-4041-005		2	BUSHING	
2	XD9-0134-000		1	RING, E	
3	XD9-0136-000		2	RING, E	

Figure 816 DELIVERY UPPER GUIDE ASSEMBLY

NOTE : This assembly is included in the assembly shown in Figure 810.

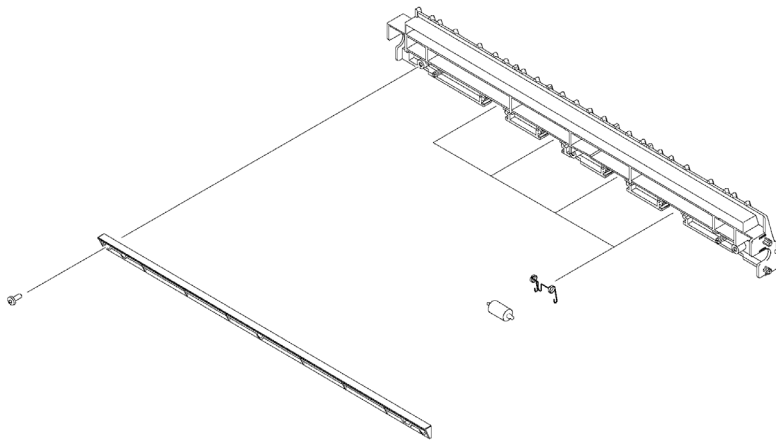


FIGURE & KEY NO.	PART NUMBER	R A N K	QTY	DESCRIPTION	SERIAL NUMBER /REMARKS
816	FM1-H799-000		1	DELIVERY UPPER GUIDE ASSEMBLY	SEE NOTE

Figure 900B CONTROLLER BOX ASSEMBLY

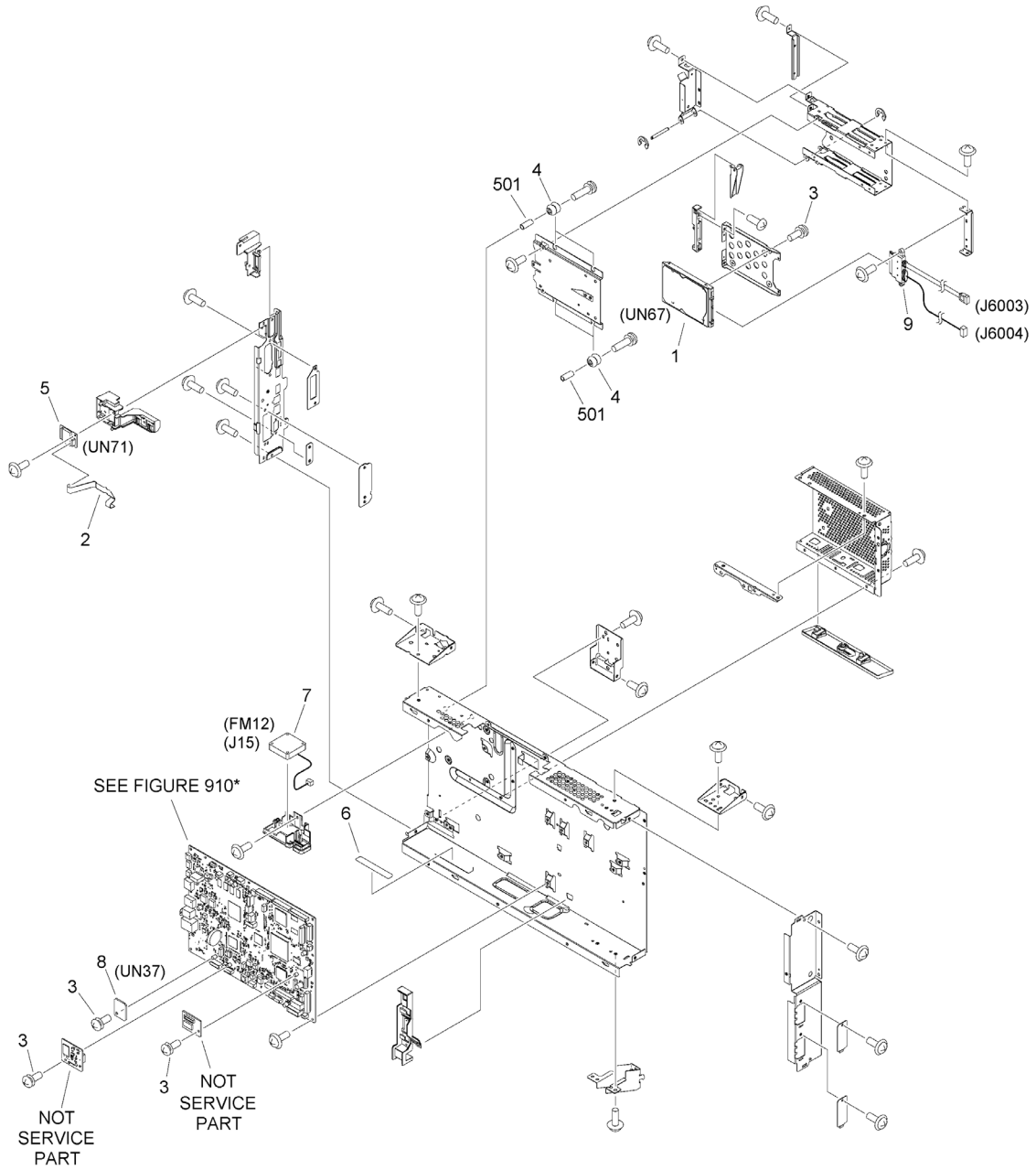


FIGURE & KEY NO.	PART NUMBER	RANK	QTY	DESCRIPTION	SERIAL NUMBER /REMARKS
900B	NPN		RF	CONTROLLER BOX ASSEMBLY	
1	FK4-1550-010		1	HARD DISK DRIVE, MQ01ABF032	UN67
2	FK4-6405-000		1	CABLE, FLAT	
3	XA9-1979-000		7	SCREW, MACH. PAN HEAD, M3X4	
4	XH9-0149-000		4	DAMPER, CUSHION	
5	QM7-4472-000		1	WIRELESS LAN BOARD ASS'Y	UN71
6	FC0-5049-000		1	LABEL, MEMORY CAUTION	
7	FK4-2852-000		1	FAN	FM12
8	FM1-M981-000		1	TPM PCB ASSEMBLY	UN37
9	FK4-6476-000		1	CABLE, HARD DISK DRIVE, 1	
501	XZ1-1301-005		4	SPACER	

Figure 910A MAIN CONTROLLER PCB ASSEMBLY (IR-ADV 4751 Series)

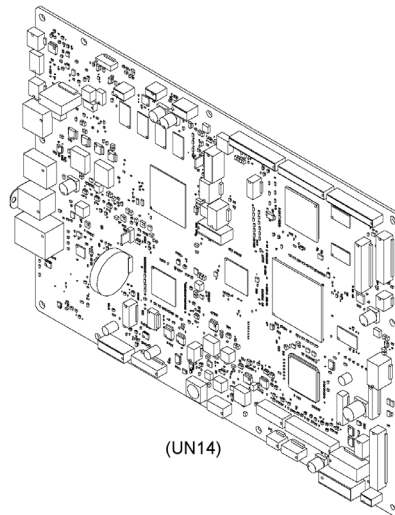


FIGURE & KEY NO.	PART NUMBER	R A N K	QTY	DESCRIPTION	SERIAL NUMBER /REMARKS
910A	FM2-M919-000		1	MAIN CONTROLLER PCB ASSEMBLY	UN14 IR-ADV 4751 Series

Figure 910B MAIN CONTROLLER PCB ASSEMBLY (IR-ADV 4745 Series)

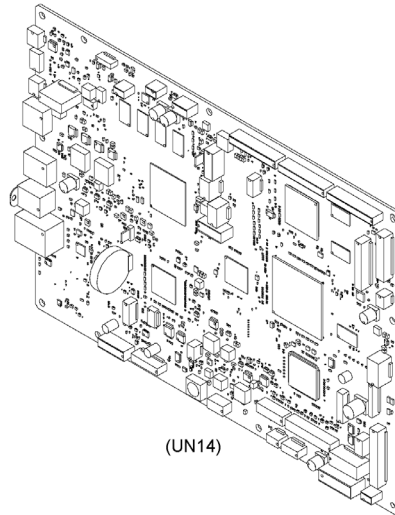


FIGURE & KEY NO.	PART NUMBER	R A N K	QTY	DESCRIPTION	SERIAL NUMBER /REMARKS
910B	FM2-M920-000		1	MAIN CONTROLLER PCB ASSEMBLY	UN14 IR-ADV 4745 Series

Figure 910C MAIN CONTROLLER PCB ASSEMBLY (IR-ADV 4735 Series)

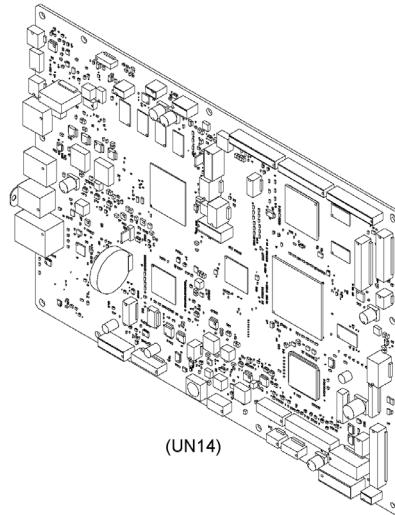


FIGURE & KEY NO.	PART NUMBER	R A N K	QTY	DESCRIPTION	SERIAL NUMBER /REMARKS
910C	FM2-M921-000		1	MAIN CONTROLLER PCB ASSEMBLY	UN14 IR-ADV 4735 Series

Figure 910D MAIN CONTROLLER PCB ASSEMBLY (IR-ADV 4725 Series)

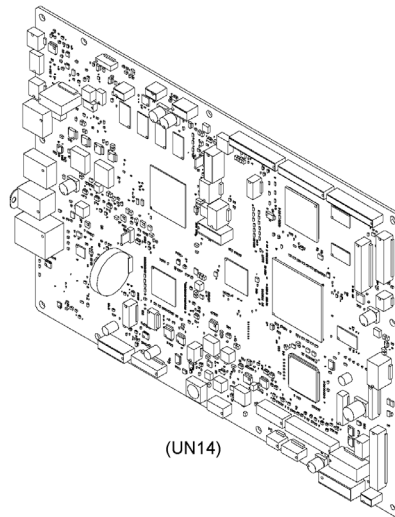


FIGURE & KEY NO.	PART NUMBER	R A N K	QTY	DESCRIPTION	SERIAL NUMBER /REMARKS
910D	FM2-M922-000		1	MAIN CONTROLLER PCB ASSEMBLY	UN14 IR-ADV 4725 Series

Figure 930 DC CONTROLLER PCB ASSEMBLY

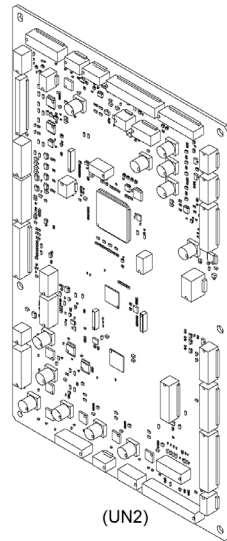


FIGURE & KEY NO.	PART NUMBER	R A N K	QTY	DESCRIPTION	SERIAL NUMBER /REMARKS
930	FM2-M965-000		1	DC CONTROLLER PCB ASSEMBLY	UN2

Figure 980 HIGH VOLTAGE PCB ASSEMBLY

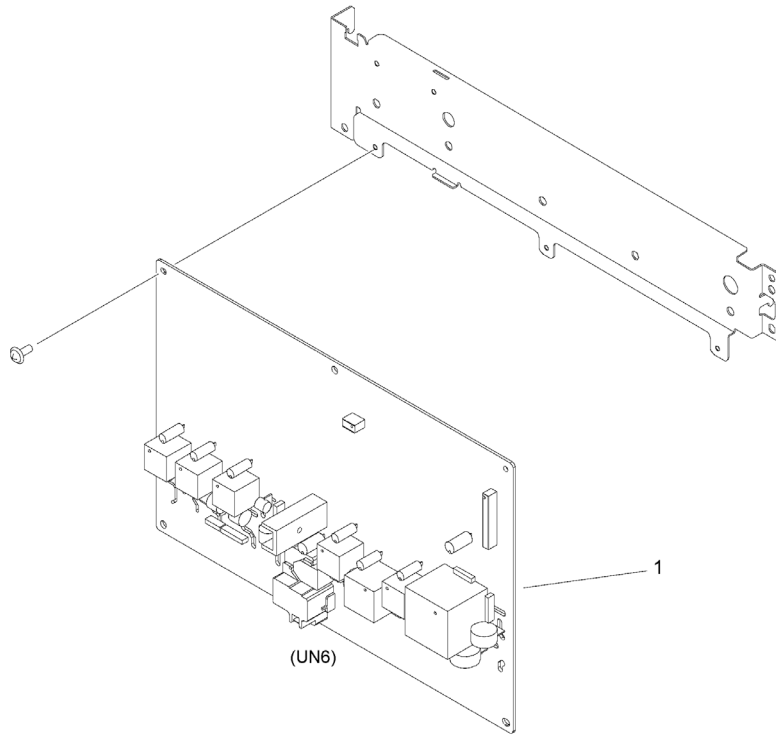


FIGURE & KEY NO.	PART NUMBER	R A N K	QTY	DESCRIPTION	SERIAL NUMBER /REMARKS
980	NPN		RF	HIGH VOLTAGE PCB ASSEMBLY	
1	FM2-L998-000		1	H.V. TRANSFER PCB ASSEMBLY	UN6

Figure B02 ADF MAINTENANCE KIT (Single pass ADF)

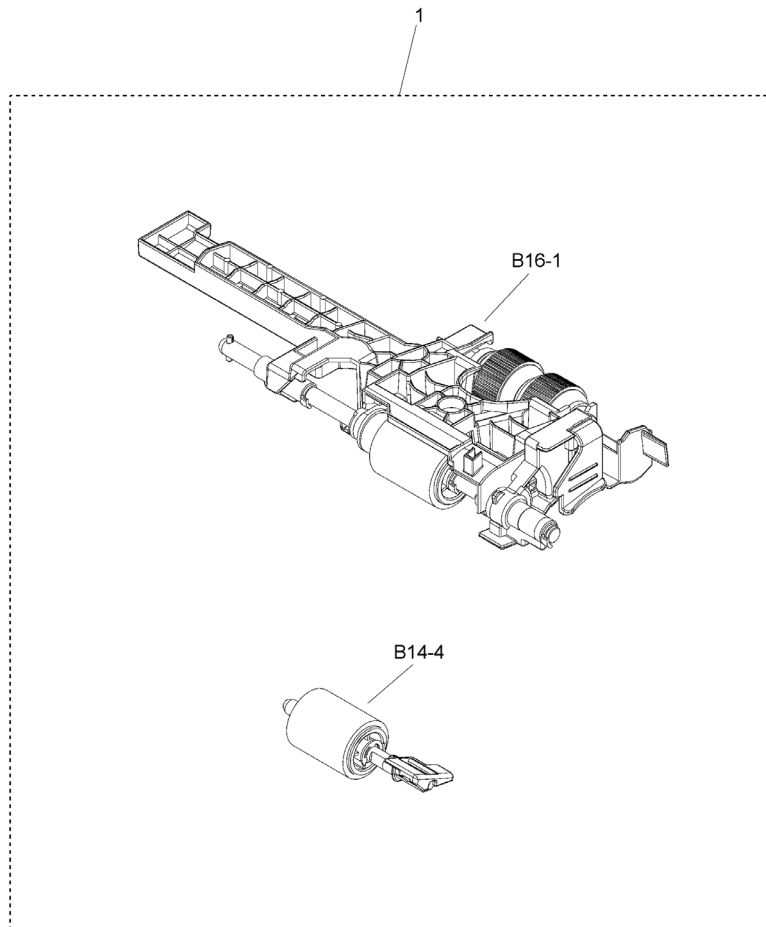


FIGURE & KEY NO.	PART NUMBER	R A N K	QTY	DESCRIPTION	SERIAL NUMBER /REMARKS
B02	NPN		RF	ADF MAINTENANCE KIT	Single pass ADF
1	FM2-A273-000		1	ADF MAINTENANCE KIT, DR-205	

Figure B11B INTERNAL COMPONENTS 1 (Single pass ADF)

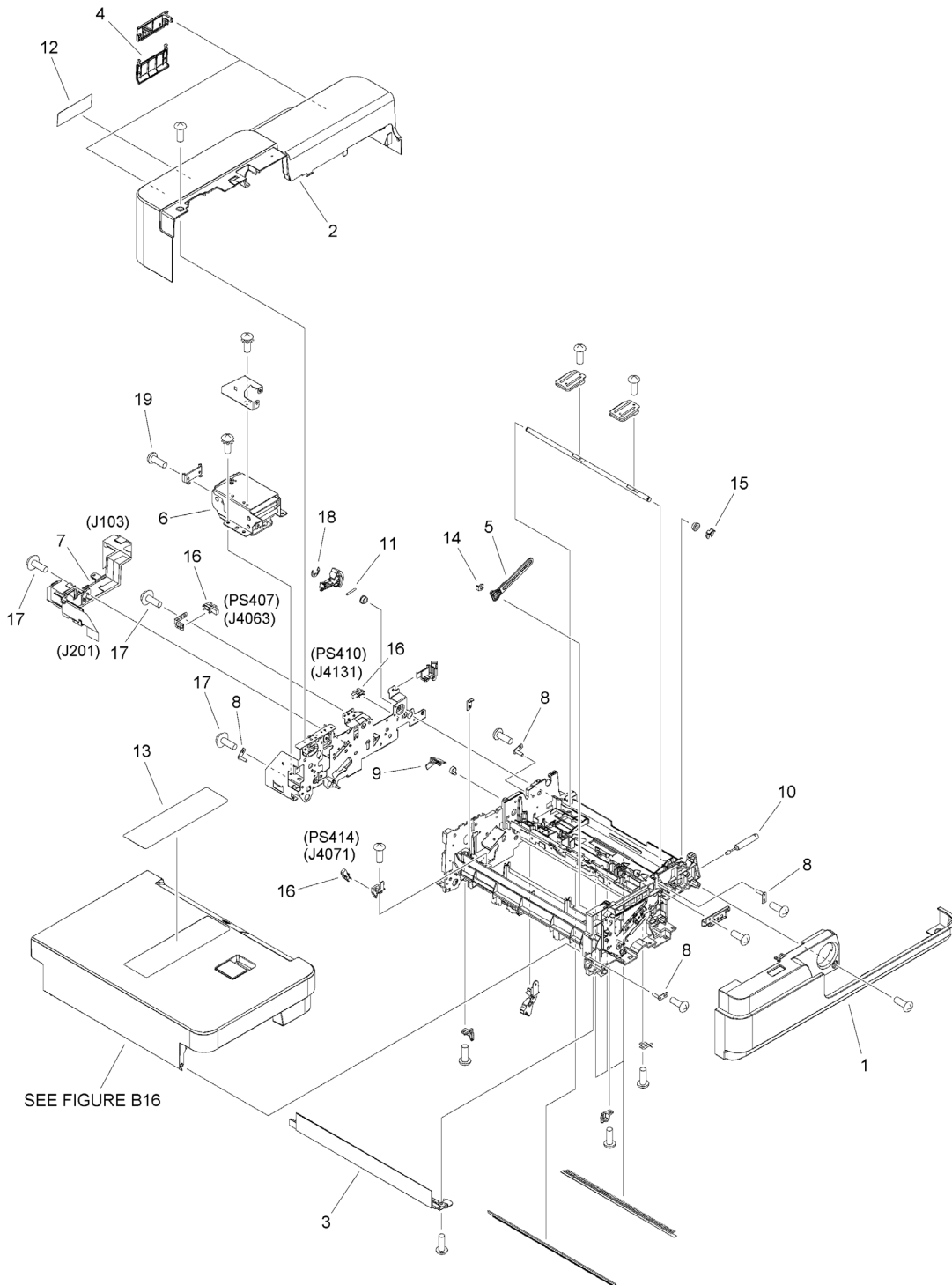


FIGURE & KEY NO.	PART NUMBER	RANK	QTY	DESCRIPTION	SERIAL NUMBER /REMARKS
B11B	NPN		RF	INTERNAL COMPONENTS 1	Single pass ADF
1	FM1-U274-000		1	FRONT COVER ASSEMBLY	
2	FM1-U272-000		1	REAR COVER ASSEMBLY	
3	FE8-9895-000		1	COVER, LEFT, LOWER	
4	FE2-A749-000		2	COVER, HINGE 2	
5	FE8-9253-000		1	STOPPER, OPEN/CLOSE	
6	FE8-9880-000		1	HINGE, LEFT	
7	FM2-A275-000		1	F.F.C. GUIDE UNIT	
8	FL1-2829-000		4	SHAFT, OPEN/CLOSE	
9	FE8-9257-000		1	FLAG, OPEN/CLOSE SENSOR	
10	FE2-D485-000		1	DAMPER UNIT, OIL	
11	XD9-0359-000		1	PIN, PARALLEL	
12	FE2-C909-000		1	LABEL, CAUTION	
13	FE2-C419-000		1	LABEL, PROHIBITION DOCUMENT	
14	FE8-5515-000		1	CLIP	
15	FC5-4425-000		1	CLIP	
16	WG8-5935-000		3	IC, PHOTO INTERRUPTER	PS407, PS410, PS414
17	XA9-1671-000		15	SCREW, D, M3X8	
18	XD9-0395-000		1	RETAINING RING (E-TYPE)	
19	XA9-2014-000		2	SCREW, MACH. TRUSS HEAD, M4X6	

Figure B12B INTERNAL COMPONENTS 2 (Single pass ADF)

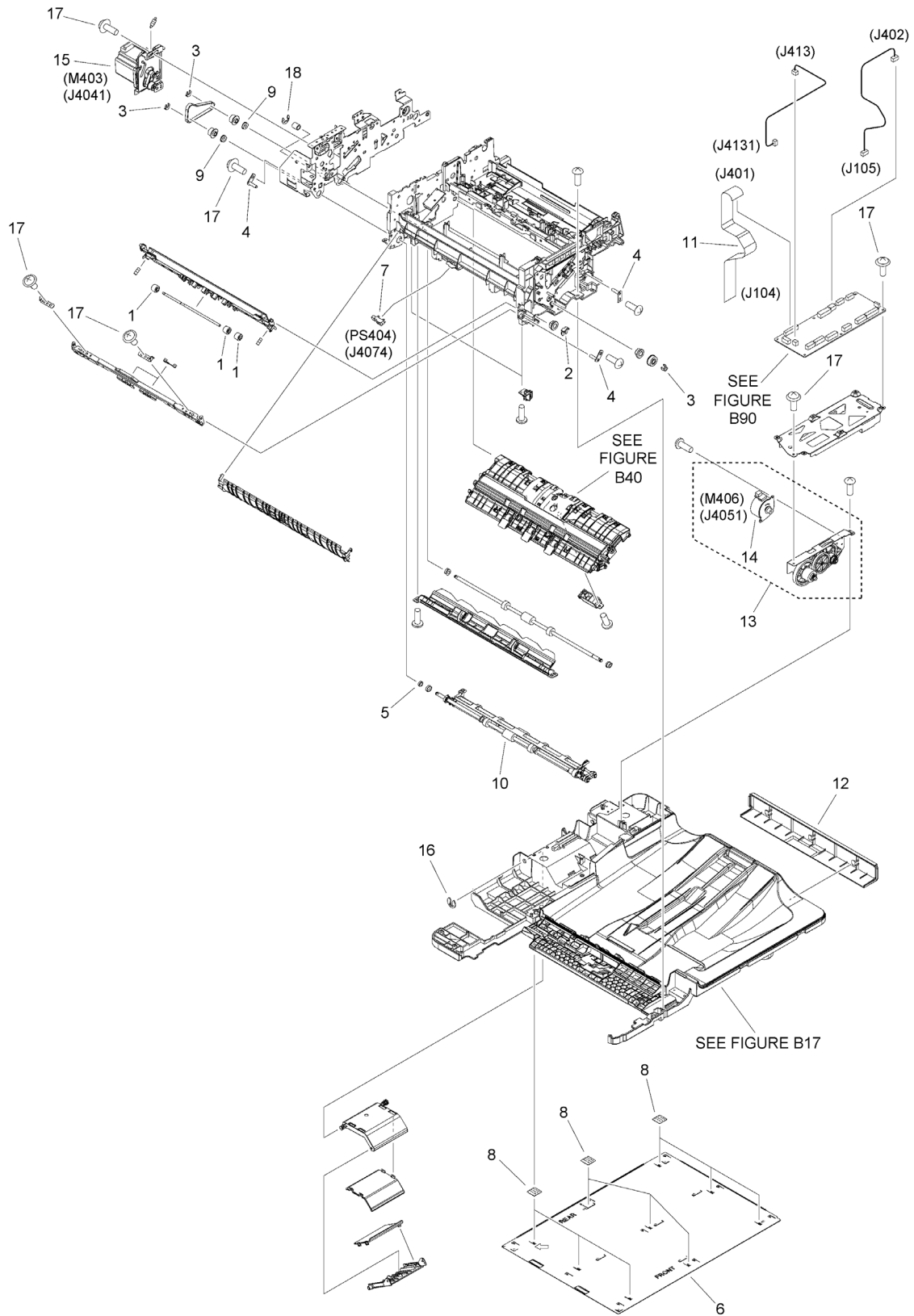


FIGURE & KEY NO.	PART NUMBER	RANK	QTY	DESCRIPTION	SERIAL NUMBER /REMARKS
B12B	NPN		RF	INTERNAL COMPONENTS 2	Single pass ADF
1	FC0-1296-000		3	ROLLER	
2	FC5-4425-000		1	CLIP	
3	FE8-5515-000		3	CLIP	
4	FL1-2829-000		3	SHAFT, OPEN/CLOSE	
5	FE8-5380-000		1	ROLLER, DESORPTION SLIDE	
6	FE3-5529-010		1	PANEL, COPYBOARD	
7	WG8-6233-000		1	PHOTO-INTERRUPTER	PS404
8	FE8-5725-000		9	SPONGE, SHEET, WHITE	
9	XG9-0805-000		2	BEARING, BALL, LF-1260ZZR	
10	FM1-U342-000		1	PLATEN ROLLER ASS'Y	
11	FK4-3333-000		1	CABLE, FLAT	
12	FE8-9900-000		1	COVER, RIGHT	
13	FM1-U405-000		1	LIFTER DRIVE ASSEMBLY	
14	FK4-3336-000		1	MOTOR, STEPPING, DC	M406
15	FM1-U404-000		1	MOTOR ASS'Y	M403
16	FE8-5516-000		1	RING, RETAINING	
17	XA9-1671-000		15	SCREW, D, M3X8	
18	XD9-0395-000		1	RETAINING RING (E-TYPE)	

Figure B13 INTERNAL COMPONENTS 3 (Single pass ADF)

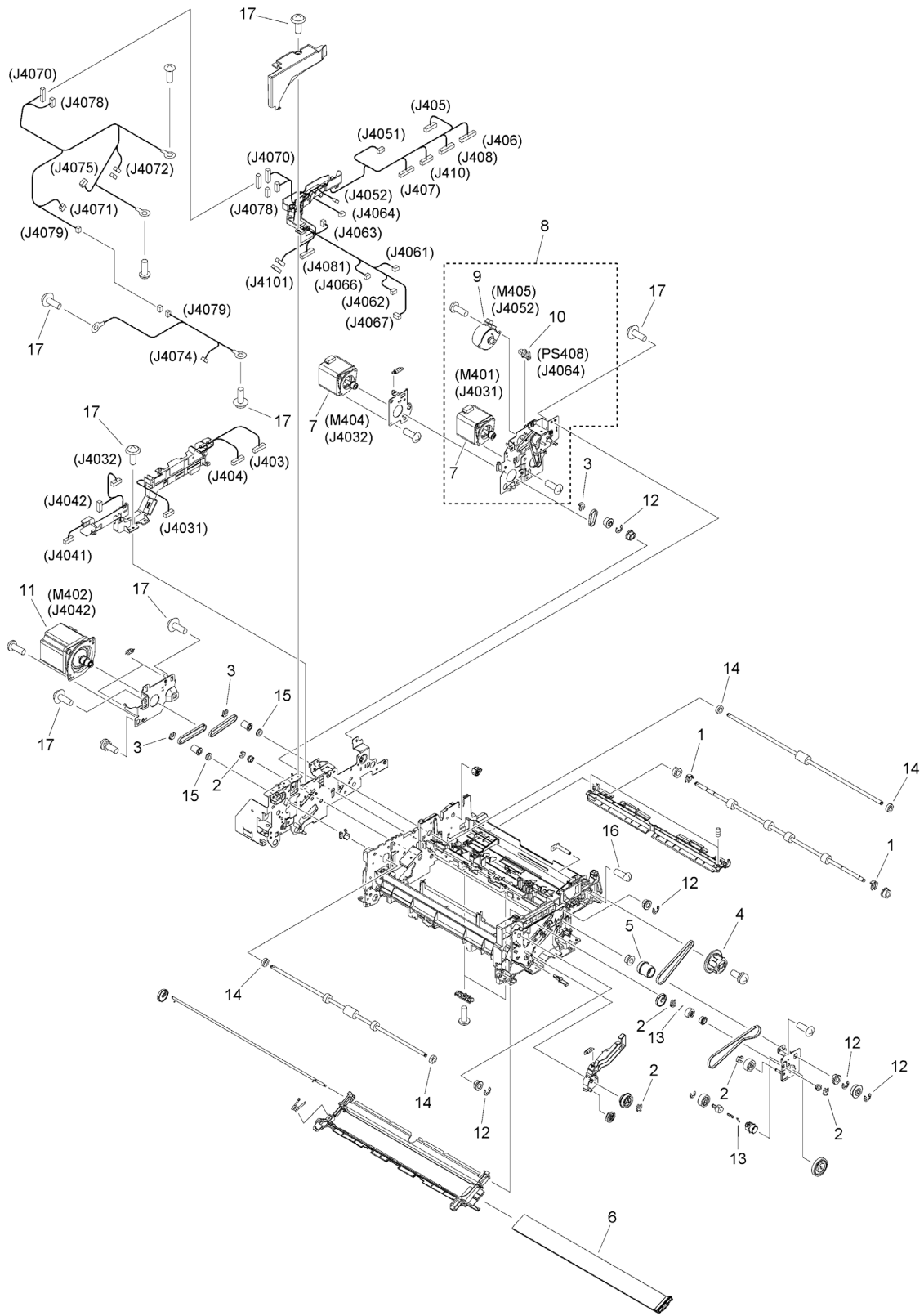


FIGURE & KEY NO.	PART NUMBER	RANK	QTY	DESCRIPTION	SERIAL NUMBER /REMARKS
B13	NPN		RF	INTERNAL COMPONENTS 3	Single pass ADF
1	FC5-4425-000		2	CLIP	
2	FE8-5162-000		5	CLIP	
3	FE8-5515-000		3	CLIP	
4	FE8-5156-000		1	DIAL, JAM CLEARING	
5	FL1-5310-000		1	PULLEY, 34T	
6	FL1-5503-000		1	GLASS, READER	
7	FM1-T962-000		2	MOTOR ASS'Y	M401, M404
8	FM1-U403-000		1	PAPER PICK-UP MOTOR ASS'Y	
9	FK4-3336-000		1	MOTOR, STEPPING, DC	M405
10	WG8-5935-000		1	IC, PHOTO INTERRUPTER	PS408
11	FM1-W515-000		1	MOTOR ASS'Y	M402
12	XD9-0395-000		5	RETAINING RING (E-TYPE)	
13	XD9-0328-000		2	PIN, PARALLEL	
14	XG9-0497-000		4	BEARING, BALL, MR106ZZ,	
15	XG9-0805-000		2	BEARING, BALL, LF-1260ZZR	
16	XA9-2014-000		1	SCREW, MACH. TRUSS HEAD, M4X6	
17	XA9-1671-000		15	SCREW, D, M3X8	

Figure B14 INTERNAL COMPONENTS 4 (Single pass ADF)

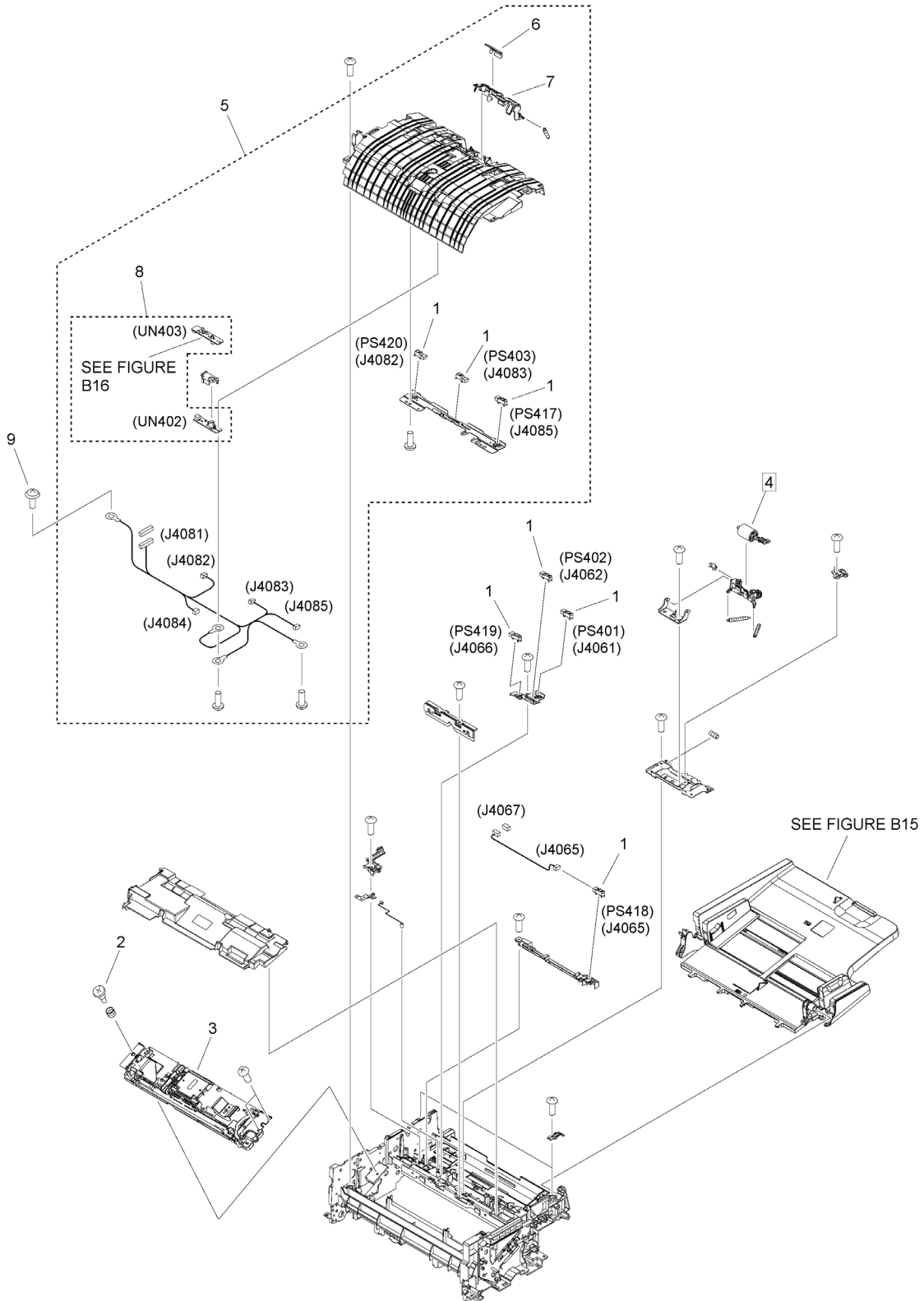
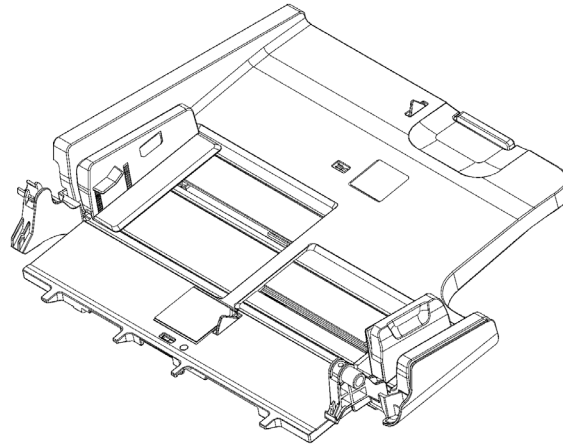


FIGURE & KEY NO.	PART NUMBER	RANK	QTY	DESCRIPTION	SERIAL NUMBER /REMARKS
B14	NPN		RF	INTERNAL COMPONENTS 4	Single pass ADF
1	WG8-6233-000		7	PHOTO-INTERRUPTER	PS401, PS402, PS403, PS417, PS418, PS419, PS420
2	FS5-9284-020		1	SCREW, STEPPED	
3	FM2-A693-000		1	SCANNER UNIT	
4	FM1-T423-000		1	SEPARATION ROLLER UNIT	[DP]
5	FM1-T424-000		1	LOWER EXTRACTION GUIDE ASS'Y	
6	FL1-4610-000		1	PAD, SEPARATION	
7	FL4-0117-000		1	GUIDE, SEPARATION	
8	FM1-K086-010		1	DOUBLE FEED DETECTION KIT	UN402, UN403
9	XA9-1671-000		1	SCREW, D, M3X8	

Figure B15 DOCUMENT TRAY ASSEMBLY (Single pass ADF)



(LED402)(VR401)(PS409)(PS411)(PS412)(PS413)(PS415)

FIGURE & KEY NO.	PART NUMBER	R A N K	QTY	DESCRIPTION	SERIAL NUMBER /REMARKS
B15	FM1-T421-000		1	DOCUMENT TRAY ASSEMBLY	LED402, VR401, PS409, PS411, PS412, PS413, PS415 Single pass ADF

Figure B16 OPEN/CLOSE COVER ASSEMBLY (Single pass ADF)

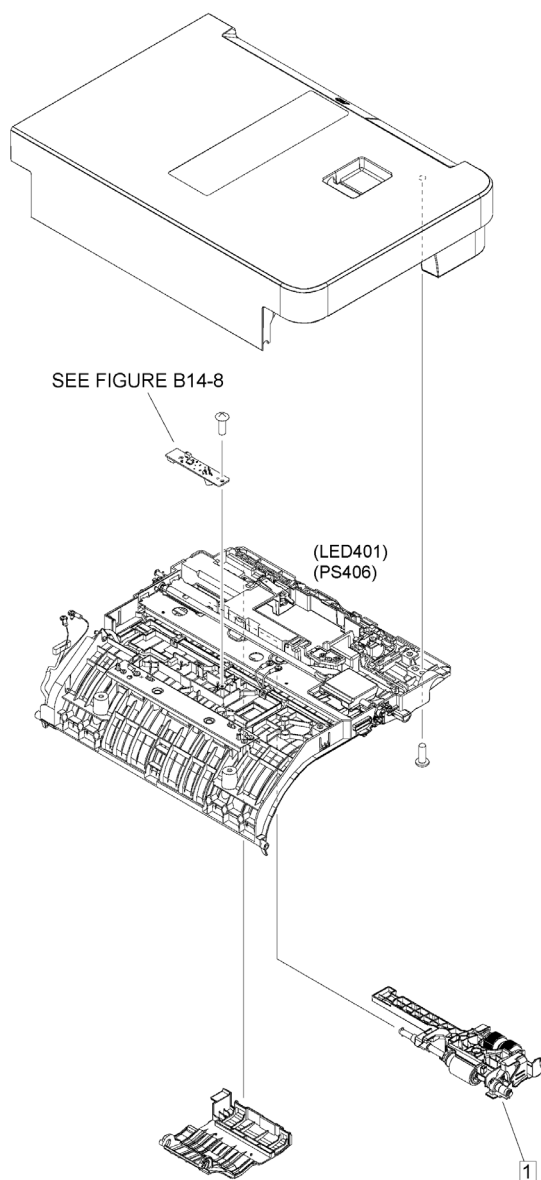


FIGURE & KEY NO.	PART NUMBER	RANK	QTY	DESCRIPTION	SERIAL NUMBER /REMARKS
B16	FM1-T420-000		1	OPEN/CLOSE COVER ASSEMBLY	LED401, PS406 Single pass ADF
1	FM1-T417-000		1	PAPER PICK-UP ROLLER ASSEMBLY	[DP]

Figure B17 BASE FRAME ASSEMBLY (Single pass ADF)

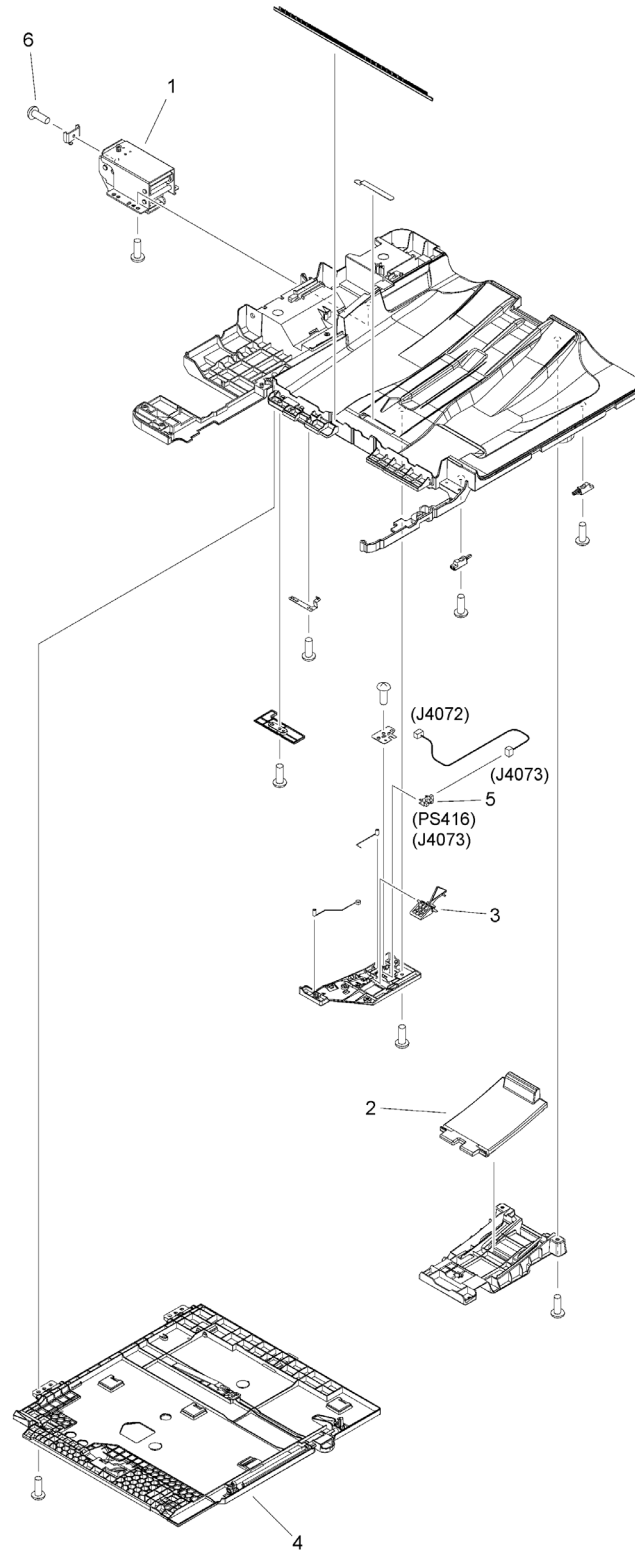


FIGURE & KEY NO.	PART NUMBER	RANK	QTY	DESCRIPTION	SERIAL NUMBER /REMARKS
B17	NPN		RF	BASE FRAME ASSEMBLY	Single pass ADF
1	FE8-9881-000		1	HINGE, RIGHT	
2	FE2-A477-000		1	TRAY, PAPER DELIVERY EXTENSION	
3	FE8-9893-000		1	FLAG, PAPER DELIVERY SENSOR	
4	FM1-U273-000		1	WHITE PLATE SUPPORT ASSEMBLY	
5	WG8-5935-000		1	IC, PHOTO INTERRUPTER	PS416
6	XA9-2014-000		1	SCREW, MACH. TRUSS HEAD, M4X6	

Figure B40 PLATEN GUIDE ASS'Y (Single pass ADF)

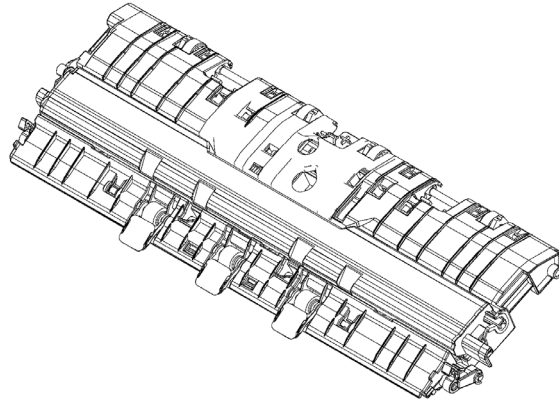


FIGURE & KEY NO.	PART NUMBER	R A N K	QTY	DESCRIPTION	SERIAL NUMBER /REMARKS
B40	FM1-U343-000		1	PLATEN GUIDE ASSY	Single pass ADF

Figure B90 DF DRIVER PCB ASSEMBLY (Single pass ADF)

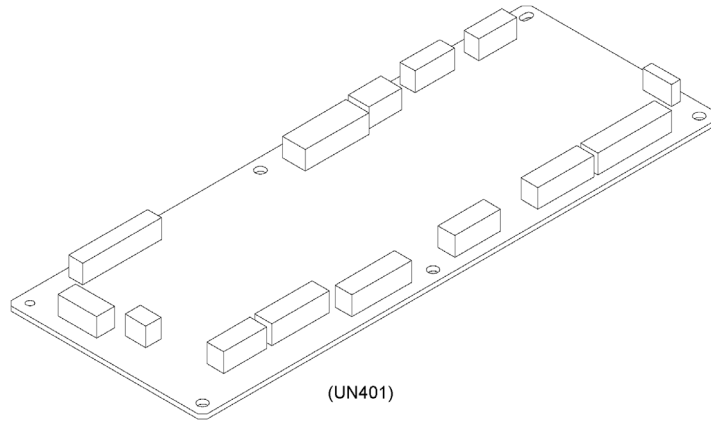


FIGURE & KEY NO.	PART NUMBER	R A N K	QTY	DESCRIPTION	SERIAL NUMBER /REMARKS
B90	FM1-T957-000		1	DF DRIVER PCB ASSEMBLY	UN401 Single pass ADF

Figure D11B READER ASSEMBLY (Single pass ADF)

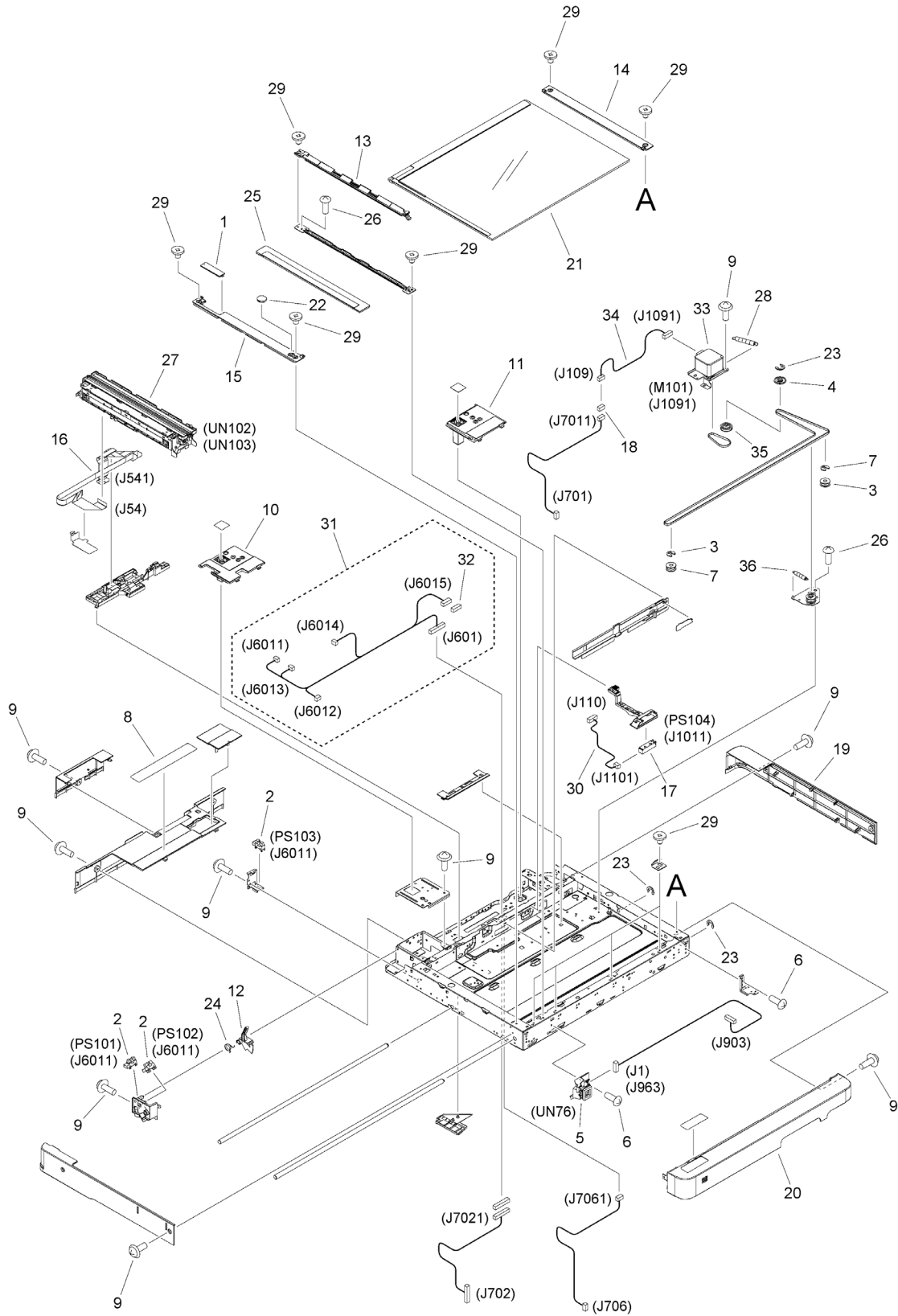


FIGURE & KEY NO.	PART NUMBER	RANK	QTY	DESCRIPTION	SERIAL NUMBER /REMARKS
D11B	NPN		RF	READER ASSEMBLY	Single pass ADF
1	FE2-A111-000		1	COVER, READER, LEFT UPPER	
2	WG8-5935-000		3	IC, PHOTO INTERRUPTER	PS101, PS102, PS103
3	FE8-5627-000		2	PULLEY	
4	FE8-5626-000		1	PULLEY	
5	FM1-U011-000		1	MOTION SENSOR UNIT	UN76
6	XA9-0893-000		2	SCREW, M4X8	
7	FE8-5516-000		2	RING, RETAINING	
8	FE8-4672-000		1	LABEL, COPY INHIBITED	English
8	FE8-6158-000		1	LABEL, COPY INHIBITED	French
9	XA9-1386-000		15	SCREW,RS,M3X8	
10	FE2-A113-000		1	COVER, HINGE LOWER, LEFT	
11	FE2-A114-000		1	COVER, HINGE LOWER, RIGHT	
12	FE8-5215-000		1	FLAG, OPEN/CLOSE SENSOR	
13	FE8-9350-000		1	COVER, GLASS SUPPORT	
14	FE8-5747-000		1	COVER, GLASS RETAINING	
15	FE2-A110-000		1	COVER, GLASS RETAINING, LEFT	
16	FK4-3318-000		1	CABLE, FLAT	
17	FK4-4384-000		1	IC, PHOTO SENSOR,DOCUMENT SIZE	PS104
18	VS1-8959-004		1	CONNECTOR, SNAP TIGHT, 4P, W	
19	FE2-B517-000		1	COVER, READER, RIGHT	
20	FE2-A105-000		1	COVER, READER, FRONT	
21	FL1-5546-000		1	GLASS, COPYBOARD	
22	FE3-9178-000		1	CAP	
23	XD9-0395-000		3	RETAINING RING (E-TYPE)	
24	FU2-2215-000		1	SPRING, TORSION	
25	FL1-5083-000		1	GLASS, READER	
26	XA9-1116-030		2	SCREW,M3X5	
27	FM2-A692-000		1	SCANNER UNIT	UN102, UN103
28	FU2-2200-000		1	SPRING, TENSION	
29	XA9-1415-000		10	SCREW, FLAT HEAD, M4	
30	FM1-T947-000		1	CABLE, SIZE SENSING	
31	FM1-T942-000		1	CABLE, READER SENSOR	
32	VS1-7504-006		1	CONNECTOR, SNAP TIGHT	
33	FM1-T727-000		1	MOTOR ASS'Y	M101
34	FM1-T941-000		1	CABLE, OPTICAL MOTOR	
35	FL0-0825-000		1	PULLEY, 24T/41T	
36	FU2-2214-000		1	SPRING, TENSION	

Figure D11D READER ASSEMBLY (WITHOUT ADF)

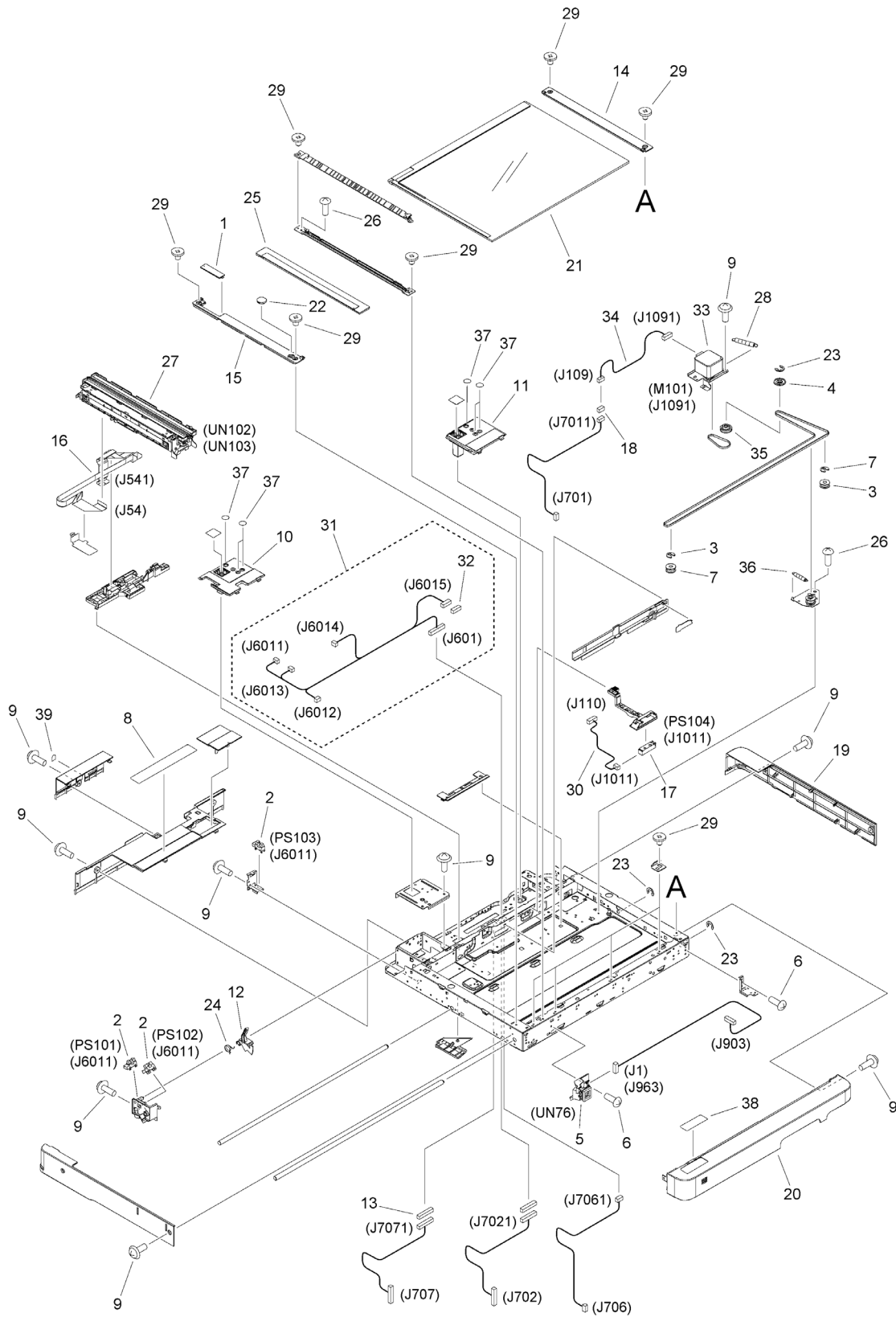


FIGURE & KEY NO.	PART NUMBER	RANK	QTY	DESCRIPTION	SERIAL NUMBER /REMARKS
D11D	NPN		RF	READER ASSEMBLY	WITHOUT ADF
1	FE2-A111-000		1	COVER, READER, LEFT UPPER	
2	WG8-5935-000		3	IC, PHOTO INTERRUPTER	PS101, PS102, PS103
3	FE8-5627-000		2	PULLEY	
4	FE8-5626-000		1	PULLEY	
5	FM1-U011-000		1	MOTION SENSOR UNIT	UN76
6	XA9-0893-000		2	SCREW, M4X8	
7	FE8-5516-000		2	RING, RETAINING	
8	FE8-4672-000		1	LABEL, COPY INHIBITED	English
8	FE8-6158-000		1	LABEL, COPY INHIBITED	US English
9	XA9-2050-000		15	SCREW, SELF-TAPPING, M3	
10	FE2-A113-000		1	COVER, HINGE LOWER, LEFT	
11	FE2-A114-000		1	COVER, HINGE LOWER, RIGHT	
12	FE8-5215-000		1	FLAG, OPEN/CLOSE SENSOR	
13	VS1-8412-019		1	CONNECTOR, SNAP TIGHT, BL	
14	FE8-5747-000		1	COVER, GLASS RETAINING	
15	FE2-A110-000		1	COVER, GLASS RETAINING, LEFT	
16	FK4-3318-000		1	CABLE, FLAT	
17	FK4-4384-000		1	IC, PHOTO SENSOR,DOCUMENT SIZE	PS104
18	VS1-8959-004		1	CONNECTOR, SNAP TIGHT, 4P, W	
19	FE2-B517-000		1	COVER, READER, RIGHT	
20	FE2-A105-000		1	COVER, READER, FRONT	
21	FL1-5546-000		1	GLASS, COPYBOARD	
22	FE3-9178-000		1	CAP	
23	XD9-0395-000		3	RETAINING RING (E-TYPE)	
24	FU2-2215-000		1	SPRING, TORSION	
25	FL1-5163-000		1	GLASS, READER	
26	XA9-1116-030		2	SCREW,M3X5	
27	FM2-A692-000		1	SCANNER UNIT	UN102, UN103
28	FU2-2200-000		1	SPRING, TENSION	
29	XA9-1415-000		10	SCREW, FLAT HEAD, M4	
30	FM1-T947-000		1	CABLE, SIZE SENSING	
31	FM1-T942-000		1	CABLE, READER SENSOR	
32	VS1-7504-006		1	CONNECTOR, SNAP TIGHT	
33	FM1-T727-000		1	MOTOR ASS'Y	M101
34	FM1-T941-000		1	CABLE, OPTICAL MOTOR	
35	FL0-0825-000		1	PULLEY, 24T/41T	
36	FU2-2214-000		1	SPRING, TENSION	
37	FL0-5737-000		6	SEAL, BLANKING	
38	FE2-D030-000		1	LABEL, GLASS CLEANING	
39	FL1-2761-000		1	SEAL, CABLE BLANKING	

Figure H30 CASSETTE ASSEMBLY (UPPER)

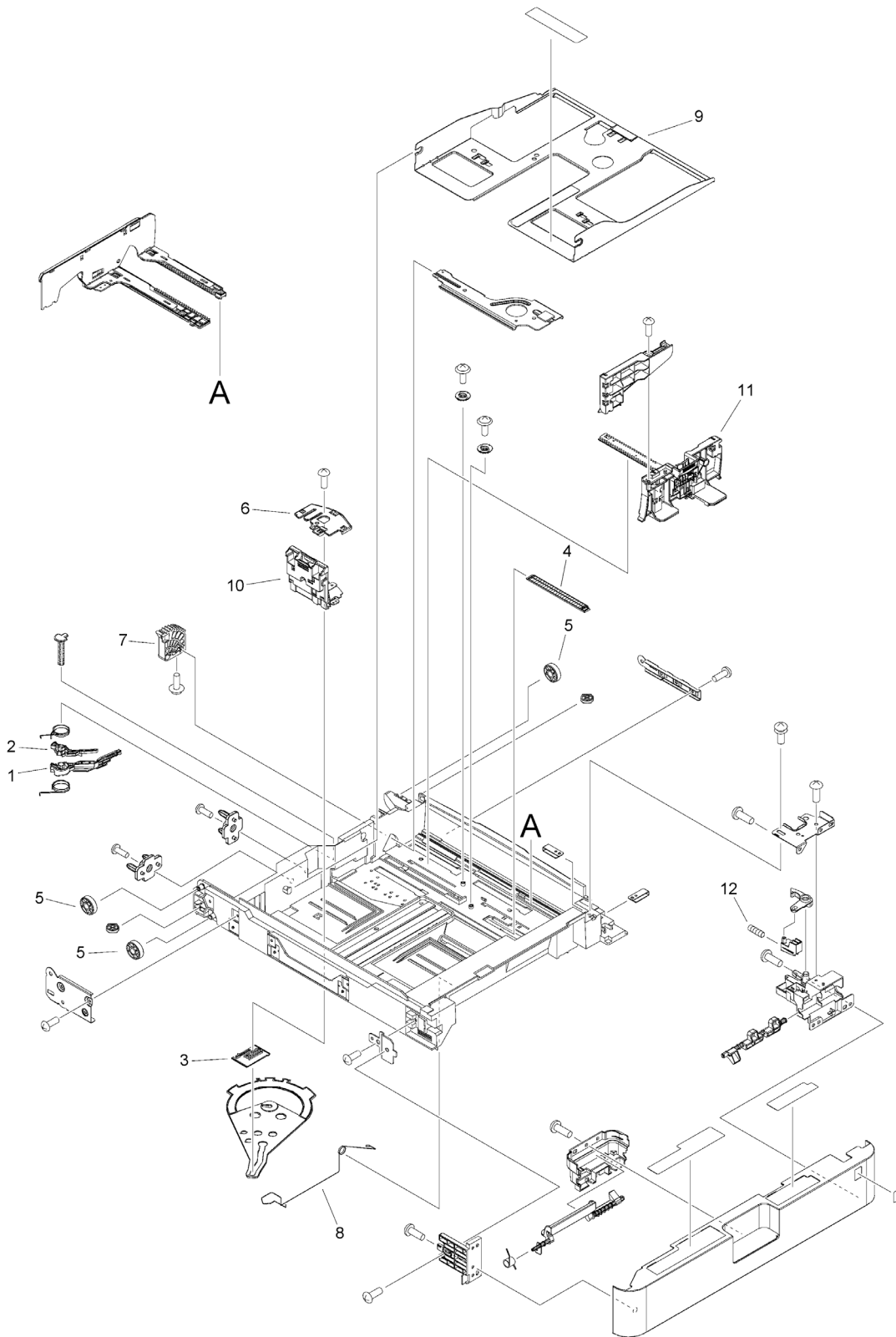


FIGURE & KEY NO.	PART NUMBER	RANK	QTY	DESCRIPTION	SERIAL NUMBER /REMARKS
H30	FM1-J113-000		1	CASSETTE ASSEMBLY	UPPER
1	FC8-2469-000		1	DIAL, DETECT, SMALL	
2	FC8-2470-000		1	DIAL, DETECT, LARGE	
3	FC8-2475-000		1	PLATE, JOINT	
4	FC8-2670-000		1	PLATE, FREE STOP	
5	FC8-4970-000		3	ROLLER, CASSETTE SWING	
6	FC8-4996-000		1	COVER, TOP	
7	FC9-0129-000		1	GEAR, 9T	
8	FC9-0140-000		1	SPRING, GROUNDING	
9	FL2-9472-000		1	PLATE, CENTER	
10	FM3-8907-000		1	BACK END LIMIT PLATE ASSEMBLY	
11	FM3-8905-010		1	SIDE END PLATE ASSEMBLY, FRONT	
12	FU7-2518-000		1	SPRING, COMPRESSION	

Figure H31 CASSETTE ASSEMBLY (LOWER)

NOTE : This assembly does not include the part shown with key No. 12.

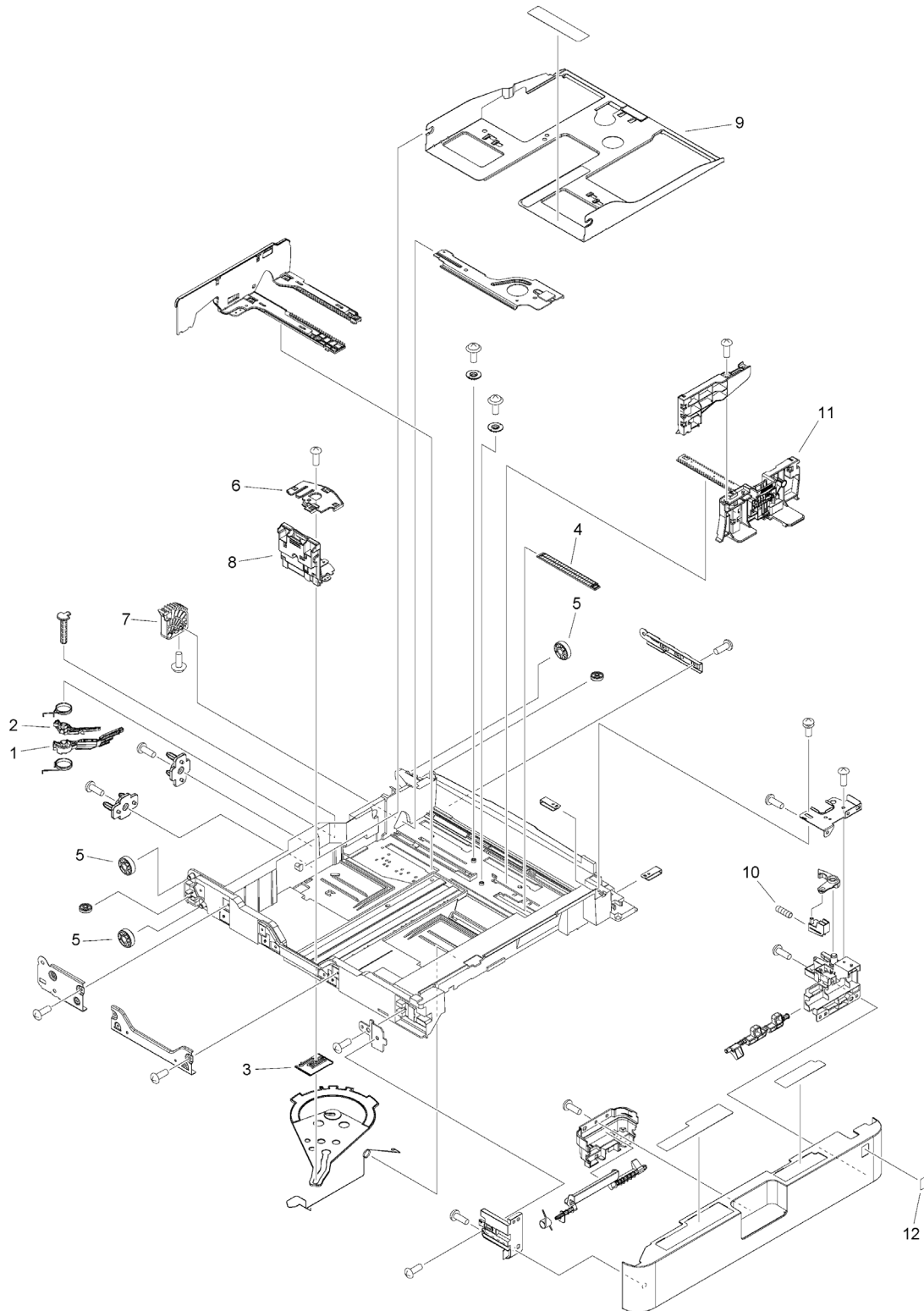


FIGURE & KEY NO.	PART NUMBER	RANK	QTY	DESCRIPTION	SERIAL NUMBER /REMARKS
H31	FM1-J208-000		1	CASSETTE ASSEMBLY	LOWER
1	FC8-2469-000		1	DIAL, DETECT, SMALL	
2	FC8-2470-000		1	DIAL, DETECT, LARGE	
3	FC8-2475-000		1	PLATE, JOINT	
4	FC8-2670-000		1	PLATE, FREE STOP	
5	FC8-4970-000		3	ROLLER, CASSETTE SWING	
6	FC8-4996-000		1	COVER, TOP	
7	FC9-0129-000		1	GEAR, 9T	
8	FM3-8907-000		1	BACK END LIMIT PLATE ASSEMBLY	
9	FL2-9472-000		1	PLATE, CENTER	
10	FU7-2518-000		1	SPRING, COMPRESSION	
11	FM3-8905-010		1	SIDE END PLATE ASSEMBLY, FRONT	
12	FE4-7285-000		1	LABEL, CASSETTE NUMBER 2	SEE NOTE

Figure ZZA MECHANICAL STANDARD PARTS (HOW TO USE)

Mechanical standard parts 機械標準部品

About a mechanical standard parts

A Mechanical standard parts is a mechanical part which not parts peculiar to a product.
They are parts which are common to a Canon product and are used, such as a screw and a washer.
The Fig No. and parts number of the mechanical standard parts are not listed in the product parts catalog.
Refer to the parts catalog of mechanical standard parts when checking the parts number for screw or washer etc. and identify them by part shape or size.

機械標準部品とは

機械標準部品とは、製品特有の部品ではなく、ねじやワッシャなどキヤノン製品共通で使用されている機械部品（メカ部品）のことです。
製品のパーツカタログには、機械標準部品のFig No.や部品番号は記載していません。
ねじや、ワッシャ等の部品番号を調べるときは、機械標準部品のパーツカタログを参照し、部品の形状や大きさから判断し、使用している部品を調べてください。

Material and surface treatment of a mechanical standard parts

Material and surface treatment of mechanical standard parts are assigned commonly for each part.
Refer to the Table 1 for the parts which material and surface treatment are assigned as numbers.

機械標準部品の材料および表面処理

機械標準部品の材料および表面処理については、各種部品共通で決められています。
材料および表面処理が番号で決められている部品については、表1を参照してください。

Table 1 Material and Surface treatment
表1 材料および表面処理

No. 番号	Material 材料	Surface treatment 表面処理	Color 色
1	Stainless steel ステンレス	Stainless steel black coloring (BC4) ステンレス黒着色(BC4)	Black 黒
2		not to be given なし	White 白
3	Brass 黄銅	Regular nickel plating (NL) 普通ニッケルメッキ(NL)	White 白
4		Black nickel plating (BN) 黒色ニッケルメッキ(BN)	Black 黒
5	Steel 鋼	White zinc trivalent chromate treating (ZC3) 白色亜鉛3価クロメート(ZC3)	White 白
6		Regular nickel chromium plating (NC) 普通ニッケルクロムメッキ(NC)	White 白
7		Regular nickel plating (NL) 普通ニッケルメッキ(NL)	White 白
8		Iron and steel phosphating (P1) 鉄鋼燐酸塩処理(P1)	Black 黒
9		Black zinc trivalent chromate treating (BZ3) 黒色亜鉛3価クロメート(BZ3)	Black 黒

Figure ZZB (1/7)MECHANICAL STANDARD PARTS (SCREWS)

1. Screws
ねじ

How to read Parts Numbers
部品番号の見方

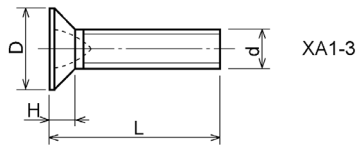
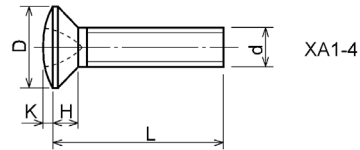
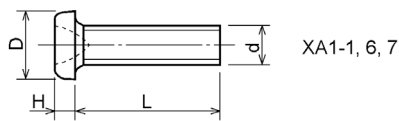
Screws
ねじ

XB1-2400-609

Type No.
類別番号
Normal designation (d)
ねじの呼び (d)
Length (L)
ねじの長さ (L)
Material and Surface treatment
材料および表面処理

XB1-2 expresses Binding head machine screw.
XB1-2は、バインドねじを表す
40 expresses M4.0.
40は、M4.0を表す
0-60 expresses a length of 6.0mm.
0-60は、6.0mmの長さを表す
9 expresses Steel (Black zinc trivalent chromate
treating) from Table 1.
9は、表1より鋼（黒色亜鉛3価クロメート）を表す

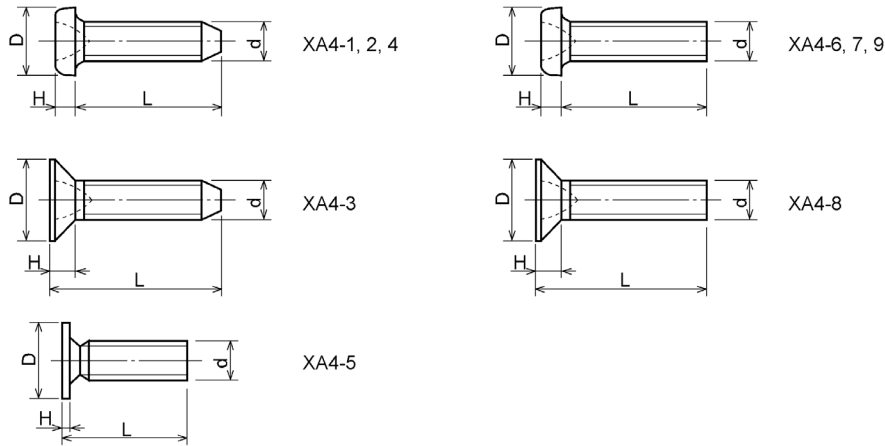
1-1. Cross Recessed Head Screws for Precision Equipments
精密機器用十字穴付き小ねじ



Type No. 類別番号	Type 類別	Head size (mm) 頭部寸法 (mm)						
		M1.4	M1.6	M1.7	M2	M2.5	M2.6	
XA1-1	Pan head Class 1 なべ1種	D	2	2.4	2.5	3	3.8	4
		H	0.5	0.55	0.5	0.6	0.9	0.8
XA1-3	Countersunk head Class 1 さら1種	D	2	2.4	2.5	3	3.8	4
		H	0.48	0.55	0.58	0.73	0.85	0.93
XA1-4	Oval countersunk head Class 1 丸さら1種	D	2	2.4	2.5	3	3.8	4
		H + K	0.68	0.8	0.88	1	1.25	1.3
XA1-6	Pan head Class 3 なべ3種	D	2.5	2.8	3	3.5	4.3	4.5
		H	0.8	0.85	0.9	1	1.3	1.2
XA1-7	Pan head Class 2 なべ2種	D	2.5	2.8	3	3.5	4.3	4.5
		H	0.5	0.55	0.5	0.6	0.9	0.8

Figure ZZB (2/7) MECHANICAL STANDARD PARTS (SCREWS)

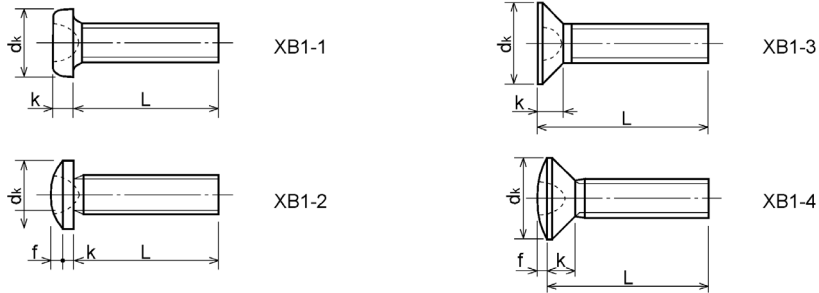
1-2. Precision Tapping Screws
精密用タッピンねじ



Type No. 類別番号	Type 類別	Head size (mm) 頭部寸法 (mm)						
		M1.4	M1.6	M1.7	M2	M2.5	M2.6	
XA4-1	With tapered end pan head Class 1 絞り-なべ1種	D XA4-1	2	2.4	2.5	3	3.8	4
		H XA4-1	0.5	0.55	0.5	0.6	0.9	0.8
XA4-2	With tapered end pan head Class 3 絞り-なべ3種	D XA4-2	2.5	2.8	3	3.5	4.3	4.5
		H XA4-2	0.8	0.85	0.9	1	1.3	1.2
XA4-3	With tapered end countersunk head 絞り-さら	D XA4-3	2	2.4	2.5	3	3.8	4
		H XA4-3	0.48	0.55	0.58	0.73	0.85	0.93
XA4-4	With tapered end pan head Class 2 絞り-なべ2種	D XA4-4	2.5	2.8	3	3.5	4.3	4.5
		H XA4-4	0.5	0.55	0.5	0.6	0.9	0.8
XA4-5	With parallel end ultra thin head ストレート-超薄頭	D XA4-5	2.5	2.8	3	-	-	-
		H XA4-5	0.2	0.2	0.2	-	-	-
XA4-6	With parallel end pan head Class 1 ストレート-なべ1種	D XA4-6	2	2.4	2.5	3	3.8	4
		H XA4-6	0.5	0.55	0.5	0.6	0.9	0.8
XA4-7	With parallel end pan head Class 3 ストレート-なべ3種	D XA4-7	2.5	2.8	3	3.5	4.3	4.5
		H XA4-7	0.8	0.85	0.9	1	1.3	1.2
XA4-8	With parallel end countersunk head ストレート-さら	D XA4-8	2	2.4	2.5	3	3.8	4
		H XA4-8	0.48	0.55	0.58	0.73	0.85	0.93
XA4-9	With parallel end pan head Class 2 ストレート-なべ2種	D XA4-9	2.5	2.8	3	3.5	4.3	4.5
		H XA4-9	0.5	0.55	0.5	0.6	0.9	0.8

Figure ZZB (3/7)MECHANICAL STANDARD PARTS (SCREWS)

1-3. Cross Recessed Head Screws
一般用十字穴付き小ねじ

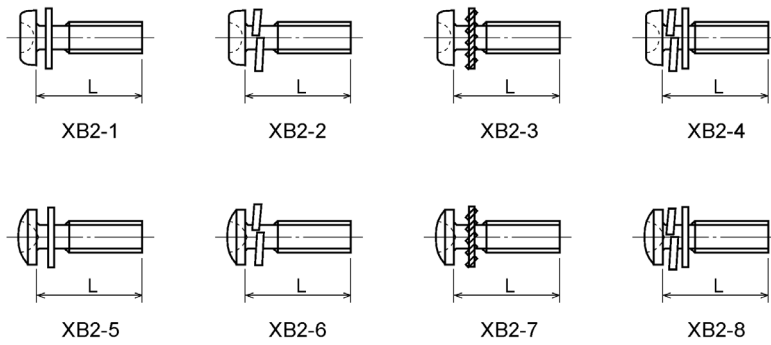


Type No. 類別番号	Type 類別
XB1-1	Pan head なべ
XB1-2	Binding head バインド
XB1-3	Countersunk head さら
XB1-4	Oval countersunk head 丸さら

		Head size (mm) 頭部寸法 (mm)					
		M2	M2.5	M2.6	M3	M4	M5
d _k	XB1-1	3.5	4.5	4.5	5.5	7	9
k	XB1-1	1.3	1.7	1.7	2	2.6	3.3
d _k	XB1-2	4.3	5.3	5.5	6.3	8.3	10.3
k+f	XB1-2	1.2	1.5	1.6	1.9	2.5	3.1
d _k	XB1-3	4	5	-	6	8	10
k	XB1-3	1.2	1.45	-	1.75	2.3	2.8
d _k	XB1-4	4	5	-	6	8	10
k+f	XB1-4	1.6	2	-	2.45	3.2	4
Screw part length ねじ部長さ b		8	12	12	12	16	20

Figure ZZB (4/7) MECHANICAL STANDARD PARTS (SCREWS)

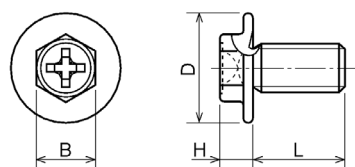
1-4. Cross Recessed Head Screws with Captive Washer
座金組込み十字穴付き小ねじ



Type No. 類別番号	Type 類別
XB2-1	Pan head + Plain washer (circular bright) なべねじ+平座金
XB2-2	Pan head + Spring washer なべねじ+ばね座金
XB2-3	Pan head + Toothed lock washer なべねじ+歯付座金
XB2-4	Pan head + Spring washer and plain washer (circular bright) なべねじ+(ばね+平)座金
XB2-5	Binding head + Plain washer (circular bright) バインドねじ+平座金
XB2-6	Binding head + Spring washer バインドねじ+ばね座金
XB2-7	Binding head + Toothed lock washer バインドねじ+歯付座金
XB2-8	Binding head + Spring washer and plain washer (circular bright) バインドねじ+(ばね+平)座金

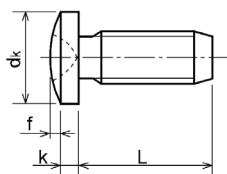
Figure ZZB (5/7) MECHANICAL STANDARD PARTS (SCREWS)

1-5. Hexagon Head Tapping Screws for Matallic Materials
 金属用六角タッピンねじ



Type No. 類別番号	Type 類別	Head size (mm) 頭部寸法 (mm)		
		M3	M4	
XB3-6	For metallic materials 金属用タッピン	D	8	10
		B	5.5	5.5
XB3-7	For metallic materials with clawed 金属用タッピン-つめ付き	H XB3-6	3.1	3.1
		H XB3-7	3.2	3.2

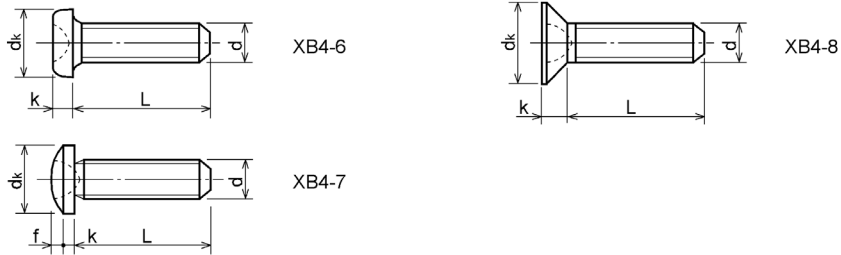
1-6. Special Tapping Screws
 特殊タッピンねじ



Type No. 類別番号	Type 類別	Head size (mm) 頭部寸法 (mm)		
		M3	M4	
XB4-5	Binding head バインド	dk	6.3	8.3
		k	1.3	1.7
		k+f	1.9	2.5

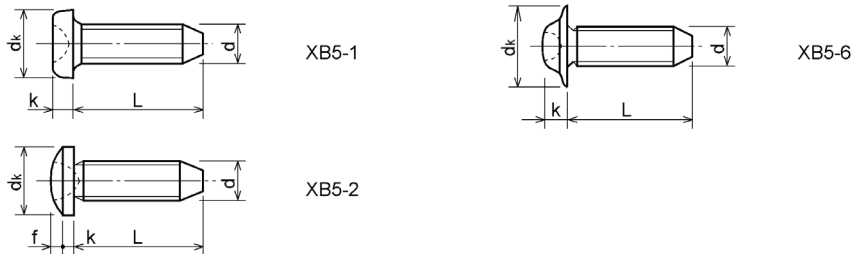
Figure ZZB (6/7) MECHANICAL STANDARD PARTS (SCREWS)

1-7. General Head Tapping Screws
一般用タッピンねじ



Type No. 類別番号	Type 類別	Head size (mm) 頭部寸法 (mm)						
		M2	M2.5	M2.6	M3	M4	M5	
XB4-6	Pan head なべ	dk XB4-6	3.5	4.5	4.5	5.5	7	9
		k XB4-6	1.3	1.7	1.7	2	2.6	3.3
XB4-7	Binding head バインド	dk XB4-7	4.3	5.3	5.5	6.3	8.3	10.3
		k+f XB4-7	1.2	1.5	1.6	1.9	2.5	3.1
XB4-8	Countersunk head さら	dk XB4-8	4	5	5.2	6	8	10
		k XB4-8	1.2	1.45	1.5	1.75	2.3	2.8

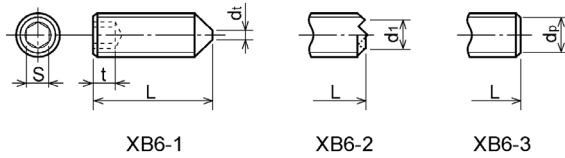
1-8. Tapping Screws for Metallic Materials
金属用タッピンねじ



Type No. 類別番号	Type 類別	Head size (mm) 頭部寸法 (mm)					
		M2.5	M2.6	M3	M4	M5	
XB5-1	Pan head なべ	dk XB5-1	4.5	4.5	5.5	7	9
		k XB5-1	1.7	1.7	2	2.6	3.3
XB5-2	Binding head バインド	dk XB5-2	5.5	5.5	6.3	8.3	10.3
		k+f XB5-2	1.6	1.6	1.9	2.5	3.1
XB5-6	Flanged pan head つば付きなべ	dk XB5-6	6.5	6.5	8	10	12
		k XB5-6	2.1	2.1	1.75	3.2	4

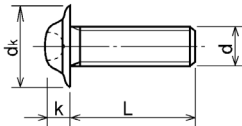
Figure ZZB (7/7) MECHANICAL STANDARD PARTS (SCREWS)

1-9. Hexagon Socket Set Screws
六角穴付き止めねじ



Type No. 類別番号	Type 類別	Head size (mm) 頭部寸法 (mm)						
		M1.6 M1.7	M2	M2.5 M2.6	M3	M5	M5	M6
	S	0.7	0.9	1.3	1.5	2	2.5	3
	t	1.5	1.7	2	2	2.5	3	3.5
	dt max XB6-1	0.4	0.5	0.65	0.75	1	1.25	1.5
	d1 max XB6-2	-	1.2	1.5	1.7	2.2	2.8	3.3
	d1 min XB6-2	-	1	1.2	1.4	1.9	2.4	2.9
	dp max XB6-3	0.8	1	1.5	2	2.5	3.5	4
	dp min XB6-3	0.55	0.75	1.25	1.75	2.25	3.2	3.7

1-10. Flanged Pan Head Machine Screws
つば付きなべ小ねじ

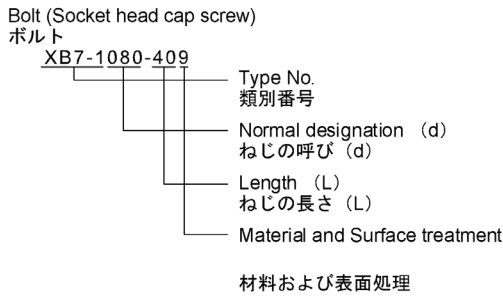


Type No. 類別番号	Type 類別	Head size (mm) 頭部寸法 (mm)				
		M2	M2.5 M2.6	M3	M5	M5
	dk	5	6.5	8	10	12
	k	1.7	2.1	2.5	3.2	4

Figure ZZC MECHANICAL STANDARD PARTS (BOLTS)

2. Bolts (Socket head cap screw)
ボルト

How to read Parts Numbers
部品番号の見方



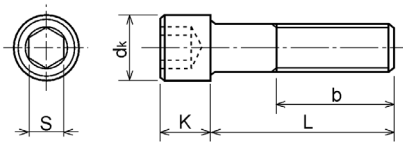
XB7-1 expresses Hexagon socket head cap screws.
XB7-1は、六角穴付きボルトを表す

080 expresses M8.0.
080は、M8.0を表す

40 expresses a length of 40mm.
40は、40mmの長さを表す

9 expresses Steel (Black zinc trivalent chromate treating) from Table 1.
9は、表1より鋼（黒色亜鉛3価クロメート）を表す

2-1. Hexagon socket head cap screws
六角穴付きボルト



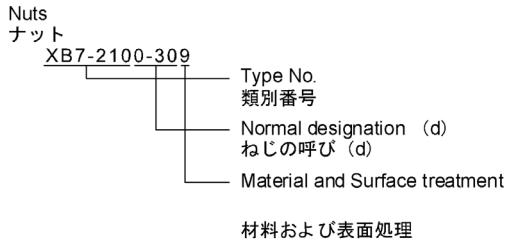
Type No. 類別番号	Type 類別
XB7-1	Hexagon socket head cap screws 六角穴付きボルト

	Head size (mm) 頭部寸法 (mm)						
	M3	M4	M5	M6	M8	M10	M12
S	2.5	3	4	5	6	8	10
d_k	5.5	7	8.5	10	13	16	18
K	3	4	5	6	8	10	12
Screw part length b_{max} ねじ部長さ b_{max}	18	20	22	24	28	32	36

Figure ZZD MECHANICAL STANDARD PARTS (NUTS)

3. Nuts
ナット

How to read Parts Numbers
部品番号の見方

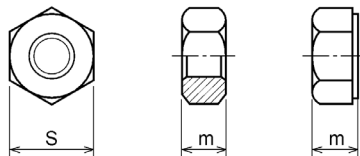


XB7-210 expresses Hexagon nut class 1.
XB7-210は、六角ナット1種を表す

0-30 expresses M3.0.
0-30は、M3.0を表す

9 expresses Steel (Black zinc trivalent chromate treating) from Table 1.
9は、表1より鋼（黒色亜鉛3価クロメート）を表す

3-1. Hexagon Nuts and Hexagon Thin Nuts
六角ナット



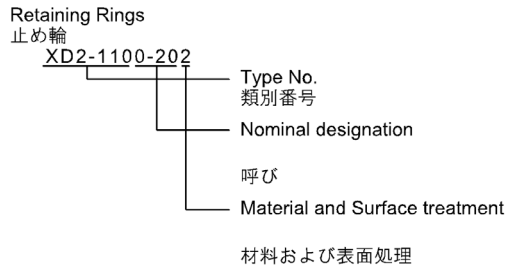
Type No. 類別番号	Type 類別
XB7-210	Hexagon nut Class 1 六角ナット-1種
XB7-220	Hexagon nut Class 3 六角ナット-3種
XB7-230	Hexagon nut Style 1 double chamfered 六角ナット-スタイル1-両面とり
XB7-231	Hexagon nut Style 1 washer faced 六角ナット-スタイル1-座付き
XB7-240	Hexagon nut Style 2 double chamfered 六角ナット-スタイル2-両面とり
XB7-241	Hexagon nut Style 2 washer faced 六角ナット-スタイル2-座付き
XB7-250	Hexagon nut 六角ナット
XB7-260	Hexagon thin nut double chamfered 六角低ナット-両面とり
XB7-270	Hexagon thin nut not chamfered 六角低ナット-面とり無し

	Head size (mm) 頭部寸法 (mm)						
	M2	M2.5	M3	M4	M5	M6	M8
S	4	5	5.5	7	8	10	13
m XB7-210	1.6	2	2.4	3.2	4	5	6.5
m XB7-220	1.2	1.6	1.8	2.4	3.2	3.6	5
m XB7-230, 231	1.6	2	2.4	3.2	4.7	5.2	6.8
m XB7-240, 241	-	-	-	-	5.1	5.7	7.5
m XB7-250	-	-	-	-	5.6	6.1	7.9
m XB7-260	1.2	1.6	1.8	2.2	2.7	3.2	4
m XB7-270	1.2	1.6	1.8	2.2	2.7	3.2	4

Figure ZZE (1/3)MECHANICAL STANDARD PARTS (RETAINING RINGS)

5. Retaining Rings
止め輪

How to read Parts Numbers
部品番号の見方

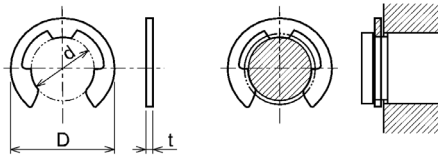


XD2-110 expresses retaining ring-E type (Type1).
XD2-110は、E形止め輪（1種）を表す

0-20 expresses a 020 of nominal designation.
(See Table 5)
0-20は、呼び020を表す（表5参照）

2 expresses Stainless steel (Surface treatment is not to be given) from Table 1.
2は、表1よりステンレス（表面処理なし）を表す

5-1. Retaining Rings - E type
E形止め輪



Type No. 類別番号	Type 類別
XD2-110	Retaining ring - E type (Type 1) E形止め輪（1種）
XD2-120	Retaining ring - E type (Type 2) E形止め輪（2種）

Table 5 表5

Type 種類	Nominal designation 呼び	d (mm)	D (mm)	t (mm)
Type 1 1種	007	0.65	2	0.2
	010	0.95	2.8	0.2
	013	1.25	3.3	0.3
	017	1.65	4.2	0.4
	020	1.95	4.6	0.5
	024	2.35	6	0.6
	028	2.74	6.5	0.6
	032	3.14	7.2	0.6
	037	3.64	8	0.7
	040	3.93	10	0.7
	042	4.13	10	0.7
	050	4.93	11	0.7
	058	5.73	12	0.7
	060	5.93	12.7	0.9
064	6.32	13.5	0.9	
074	7.31	15	0.9	
080	7.91	16.5	1	
Type 2 2種	008	0.8	2	0.2
	012	1.2	3	0.3
	015	1.5	4	0.4
	020	2	5	0.4
	025	2.5	6	0.4
	030	3	7	0.6
	040	4	9	0.6
	050	5	11	0.6
	060	6	12	0.8
	070	7	14	0.8
	080	8	16	0.8
	090	9	18	0.8
100	10	20	1	

Figure ZZE (2/3)MECHANICAL STANDARD PARTS (RETAINING RINGS)

5-2. Grip Rings
グリップ止め輪

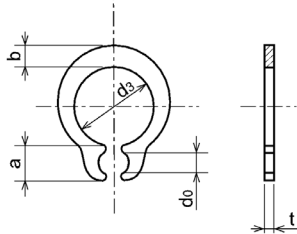


Table 5 表5

Nominal designation 呼び	d_3 (mm)	t (mm)	b (mm)	a (mm)	d_o (mm)
020	1.9	0.5	1	1.8	0.8
025	2.35	0.5	1.2	1.9	0.9
030	2.85	0.6	1.4	1.9	0.9
035	3.3	0.6	1.6	2	0.9
040	3.8	0.8	1.8	2.8	1.2
045	4.25	0.8	2	2.9	1.3
050	4.75	0.8	2.2	2.9	1.3
060	5.7	1	2.4	3.1	1.4
070	6.7	1	2.7	3.3	1.4
080	7.7	1	3	3.5	1.4
090	8.65	1.2	3.3	4.7	1.5
100	9.65	1.2	3.5	4.7	2

Type No. 類別番号	Type 類別
XD2-210	Grip ring グリップ止め輪

5-3. Toothed Retaining Rings
歯付き形止め輪

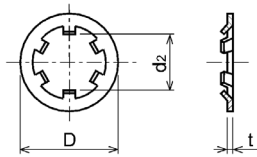


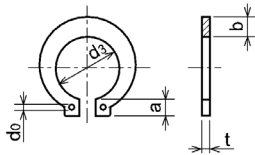
Table 5 表5

Nominal designation 呼び	d_z (mm)	D (mm)	t (mm)	No of teeth 歯数
015	1.4	5.2	0.25	3
020	1.9	6	0.25	3
024	2.3	6.4	0.25	3
030	2.8	8	0.25	4
040	3.8	9	0.25	4
050	4.8	10	0.25	5
060	5.8	11	0.25	5
080	7.8	13	0.25	5
100	9.8	15.4	0.25	6

Type No. 類別番号	Type 類別
XD2-230	Toothed retaining ring 歯付き形止め輪

Figure ZZE (3/3)MECHANICAL STANDARD PARTS (RETAINING RINGS)

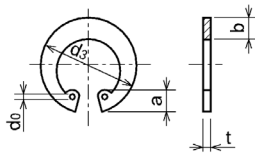
5-4. Retaining Rings - C Type
C形止め輪



Type No. 類別番号	Type 類別
XD2-310	Retaining ring - C type for shaft C形止め輪 軸用

Table 5 表5

Nominal designation 呼び	d ₃ (mm)	t (mm)	b (mm)	a (mm)	d ₀ (mm)
010	9.3	1	1.6	3	1.2
012	11.1	1	1.8	3.2	1.5
014	12.9	1	2	3.4	1.7
015	13.8	1	2.1	3.5	1.7
016	14.7	1	2.2	3.6	1.7
017	15.7	1	2.2	3.7	1.7
018	16.5	1.2	2.6	3.8	1.7
020	18.5	1.2	2.7	3.9	2
022	20.5	1.2	2.7	4.1	2
025	23.2	1.2	3.1	4.3	2
028	25.9	1.5	3.1	4.6	2
030	27.9	1.5	3.5	4.8	2
032	29.6	1.5	3.5	5	2.5
035	32.2	1.5	4	5.4	2.5



Type No. 類別番号	Type 類別
XD2-320	Retaining ring - C type for hole C形止め輪 穴用

Table 5 表5

Nominal designation 呼び	d ₃ (mm)	t (mm)	b (mm)	a (mm)	d ₀ (mm)
010	10.7	1	1.8	3.1	1.2
011	11.8	1	1.8	3.2	1.2
012	13	1	1.8	3.3	1.5
014	15.1	1	2	3.6	1.7
016	17.3	1	2	3.7	1.7
018	19.5	1	2.5	4	1.7
019	20.5	1	2.5	4	2
020	21.5	1	2.5	4	2
022	23.5	1	2.5	4.1	2
025	26.9	1.2	3	4.4	2
028	30.1	1.2	3	4.6	2
030	32.1	1.2	3	4.7	2
032	34.4	1.2	3.5	5.2	2.5
035	37.8	1.5	3.5	5.2	2.5
037	39.8	1.5	3.5	5.2	2.5
040	43.5	1.8	4	5.7	2.5
042	45.5	1.8	4	5.8	2.5
045	48.5	1.8	4.5	5.9	2.5
047	50.5	1.8	4.5	6.1	2.5
050	54.2	2	4.5	6.5	2.5
052	56.2	2	5.1	6.5	2.5
055	59.2	2	5.1	6.5	2.5
060	64.2	2	5.1	6.8	2.5
062	66.2	2	5.5	6.9	2.5
068	72.5	2.5	6	7.4	2.5
072	76.5	2.5	6.6	7.4	2.5
075	79.5	2.5	6.6	7.8	2.5
080	85.5	2.5	7	8	2.5
085	90.5	3	7	8	3
090	95.5	3	7.6	8.3	3
095	100.5	3	8	8.5	3