

PARTS CATALOG

imageRUNNER

ADVANCE

C5560i III/C5550i III

C5540i III/**C**5535i III



Canon

April 7, 2022
Rev. 2

Index

SNL	Product Code No. /Serial No.
A1B	ASSEMBLY LOCATION DIAGRAM
A2	OPTION PARTS CATALOG LIST
001B	ACCESSORIES (120V C5560i, C5550i)
001C	ACCESSORIES (120V C5540i, C5535i)
001D	ACCESSORIES (230V)
100AE	EXTERNAL COVERS, PANELS, ETC. (120V C5560i)
100AF	EXTERNAL COVERS, PANELS, ETC. (120V C5550i)
100AG	EXTERNAL COVERS, PANELS, ETC. (120V C5540i)
100AH	EXTERNAL COVERS, PANELS, ETC. (120V C5535i)
100AJ	EXTERNAL COVERS, PANELS, ETC. (230V C5560i)
100AK	EXTERNAL COVERS, PANELS, ETC. (230V C5550i)
100AL	EXTERNAL COVERS, PANELS, ETC. (230V C5540i)
100AM	EXTERNAL COVERS, PANELS, ETC. (230V C5535i)
101	INTERNAL COMPONENTS 1
102B	INTERNAL COMPONENTS 2
103B	INTERNAL COMPONENTS 3
104	INTERNAL COMPONENTS 4
105	INTERNAL COMPONENTS 5
106A	MACHINE REAR PLATE 1 (100V, 120V TW, 230V)
106B	MACHINE REAR PLATE 1 (120V US, CA, LTN C5560i/50i)
106C	MACHINE REAR PLATE 1 (120V US, CA, LTN C5540i/35i)
107B	MACHINE REAR PLATE 2 (120V US, CA, LTN C5560i/50i)
107C	MACHINE REAR PLATE 2 (120V US, CA, LTN C5540i/35i)
107D	MACHINE REAR PLATE 2 (230V C5560i, C5550i)
107E	MACHINE REAR PLATE 2 (230V C5540i, C5535i)
108	MACHINE REAR PLATE 3
109	MACHINE REAR PLATE 4
111	RIGHT DOOR ASSEMBLY
112	RIGHT INNER DOOR ASSEMBLY
113	RIGHT LOWER DOOR ASSEMBLY
114	RIGHT OUTER DOOR ASSEMBLY
115	FRONT COVER ASSEMBLY
130B	FLAT CONTROL PANEL ASSEMBLY (US, CA, LTN, AU, SG, HK, IN)
140B	POWER CORD TERMINAL ASS'Y (120V C5560i, C5550i)
140C	POWER CORD TERMINAL ASS'Y (120V US C5540i, C5535i, 230V)
250	MAIN DRIVE ASSEMBLY
260	PAPER PICK-UP DRIVE ASS'Y, UP.
261	PAPER PICK-UP DRIVE ASS'Y, LW.
262	DUPLEXING REG. DRIVE ASSEMBLY

Index

270	SHUTTER DRIVE MOUNT ASSEMBLY
271	SET ON DRIVE ASSEMBLY
280	FIXING DRIVE ASSEMBLY
281	FIXING DELIVERY DRIVE ASSEMBLY
290	LIFTER DRIVE MOUNT ASSEMBLY
310	PAPER PICK-UP ASSEMBLY, 1
311	PAPER PICK-UP ASSEMBLY, 2
313	PRE-REG. GUIDE ASSEMBLY
315	MULTI PAPER PICK-UP TRAY ASS'Y
316	MULTI PAPER PICK-UP ASSEMBLY
350	FIRST PAPER DELIVERY ASSEMBLY
351	2ND/3RD PAPER DELIVERY ASS'Y
352	SECOND PAPER DELIVERY ASSEMBLY
353	THIRD PAPER DELIVERY ASSEMBLY
460	LASER SCANNER ASSEMBLY
530	INTER. TRANSFER BELT ASS'Y
535	TRANSFER CLEANER ASSEMBLY
600	PROCESS-KIT FRAME ASSEMBLY
620	SET ON HOPPER ASS'Y, BLACK
621	SET ON HOPPER ASS'Y, COLOR
626B	BOTTLE FRONT INNER DOOR ASS'Y
627	BOTTLE BASE ASSEMBLY, BLACK
628	BOTTLE BASE ASSEMBLY, COLOR
640	DEVELOPING ASSEMBLY
770	CONTAINER, WASTE TONER, WT-202
771	WASTE TONER DRIVE DETECT ASS'Y
810B	FIXING ASSEMBLY (120V)
810C	FIXING ASSEMBLY (230V)
811	SHUTTER ASSEMBLY
812	DELIVERY GUIDE ASSEMBLY, LOWER
900B	CONTROLLER BOX ASSEMBLY
910	POWER SUPPLY ASSEMBLY
930A	MAIN CONTROLLER PCB ASSEMBLY (C5560 SERIES)
930B	MAIN CONTROLLER PCB ASSEMBLY (C5550 SERIES)
930C	MAIN CONTROLLER PCB ASSEMBLY (C5540 SERIES)
930D	MAIN CONTROLLER PCB ASSEMBLY (C5535 SERIES)
931	RISER PCB ASSEMBLY
962A	PAPER FEED DRIVER PCB ASSEMBLY (MODEL WITHOUT DUCT)
B01	ATTACHMENT PARTS (ADF)
B11B	INTERNAL COMPONENTS 1 (ADF) (A/ INCH SIZE)

Index

B11C	INTERNAL COMPONENTS 1 (ADF) (A/ B/ K/ INCH SIZE)
B12B	INTERNAL COMPONENTS 2 (ADF)
B13	INTERNAL COMPONENTS 3 (ADF)
B14	INTERNAL COMPONENTS 4 (ADF)
B15	DOCUMENT TRAY ASSEMBLY
B16B	OPEN/CLOSE PANEL ASSEMBLY
B17	BASE FRAME ASSEMBLY
B40B	PLATEN GUIDE ASS'Y
B90	DF DRIVER PCB ASSEMBLY
D01	ATTACHMENT PARTS (READER)
D11B	READER ASSEMBLY
H30	CASSETTE ASSEMBLY (SMALL)
H31	CASSETTE ASSEMBLY (LARGE)
ZZA	MECHANICAL STANDARD PARTS (HOW TO USE)
ZZB	MECHANICAL STANDARD PARTS (SCREWS)
ZZC	MECHANICAL STANDARD PARTS (BOLTS)
ZZD	MECHANICAL STANDARD PARTS (NUTS)
ZZE	MECHANICAL STANDARD PARTS (RETAINING RINGS)

Figure SNL Product Code No./Serial No.

	Product Code No.	Model Name	Remarks	Serial No.
1	F17-8031-000	imageRUNNER ADVANCE C5560i III	120V US, CA,LTN	2HT
2	F17-8033-000	imageRUNNER ADVANCE C5560i III	120V US, CA,LTN GOVERNMENT model	2HU
3	F17-8081-000	imageRUNNER ADVANCE C5560i III	230V LTN	2HV
4	F17-8032-000	imageRUNNER ADVANCE C5550i III	120V US, CA,LTN	2JG
5	F17-8034-000	imageRUNNER ADVANCE C5550i III	120V US, CA,LTN GOVERNMENT model	2JH
6	F17-8082-000	imageRUNNER ADVANCE C5550i III	230V LTN	2JJ
7	F17-8431-000	imageRUNNER ADVANCE C5540i III	120V US, CA,LTN	2JU
8	F17-8433-000	imageRUNNER ADVANCE C5540i III	120V US, CA,LTN GOVERNMENT model	2JV
9	F17-8481-000	imageRUNNER ADVANCE C5540i III	230V LTN	2JW
10	F17-8432-000	imageRUNNER ADVANCE C5535i III	120V US, CA,LTN	2KJ
11	F17-8434-000	imageRUNNER ADVANCE C5535i III	120V US, CA,LTN GOVERNMENT model	2KK
12	F17-8482-000	imageRUNNER ADVANCE C5535i III	230V LTN	2KL

	中オーダー	製品名	備考	シリアル No.
1	F17-8031-000	imageRUNNER ADVANCE C5560i III	120V US, CA,LTN	2HT
2	F17-8033-000	imageRUNNER ADVANCE C5560i III	120V US, CA,LTN GOVERNMENT model	2HU
3	F17-8081-000	imageRUNNER ADVANCE C5560i III	230V LTN	2HV
4	F17-8032-000	imageRUNNER ADVANCE C5550i III	120V US, CA,LTN	2JG
5	F17-8034-000	imageRUNNER ADVANCE C5550i III	120V US, CA,LTN GOVERNMENT model	2JH
6	F17-8082-000	imageRUNNER ADVANCE C5550i III	230V LTN	2JJ
7	F17-8431-000	imageRUNNER ADVANCE C5540i III	120V US, CA,LTN	2JU
8	F17-8433-000	imageRUNNER ADVANCE C5540i III	120V US, CA,LTN GOVERNMENT model	2JV
9	F17-8481-000	imageRUNNER ADVANCE C5540i III	230V LTN	2JW
10	F17-8432-000	imageRUNNER ADVANCE C5535i III	120V US, CA,LTN	2KJ
11	F17-8434-000	imageRUNNER ADVANCE C5535i III	120V US, CA,LTN GOVERNMENT model	2KK
12	F17-8482-000	imageRUNNER ADVANCE C5535i III	230V LTN	2KL

FIGURE & KEY NO.	PART NUMBER	RANK	QTY	DESCRIPTION	SERIAL NUMBER /REMARKS
SNL	NPN		RF	Product Code No./Serial No.	
1	F17-8031-000		1	imageRUNNER ADVANCE C5560i III	2HT 120V US, CA,LTN
2	F17-8033-000		1	imageRUNNER ADVANCE C5560i III	2HU 120V US, CA,LTN GOVERNMENT model
3	F17-8081-000		1	imageRUNNER ADVANCE C5560i III	2HV 230V LTN
4	F17-8032-000		1	imageRUNNER ADVANCE C5550i III	2JG 120V US, CA,LTN
5	F17-8034-000		1	imageRUNNER ADVANCE C5550i III	2JH 120V US, CA,LTN GOVERNMENT model
6	F17-8082-000		1	imageRUNNER ADVANCE C5550i III	2JJ 230V LTN
7	F17-8431-000		1	imageRUNNER ADVANCE C5540i III	2JU 120V US, CA,LTN
8	F17-8433-000		1	imageRUNNER ADVANCE C5540i III	2JV 120V US, CA,LTN GOVERNMENT model
9	F17-8481-000		1	imageRUNNER ADVANCE C5540i III	2JW 230V LTN
10	F17-8432-000		1	imageRUNNER ADVANCE C5535i III	2KJ 120V US, CA,LTN
11	F17-8434-000		1	imageRUNNER ADVANCE C5535i III	2KK 120V US, CA,LTN GOVERNMENT model
12	F17-8482-000		1	imageRUNNER ADVANCE C5535i III	2KL 230V LTN

Figure A1B (1/6) ASSEMBLY LOCATION DIAGRAM

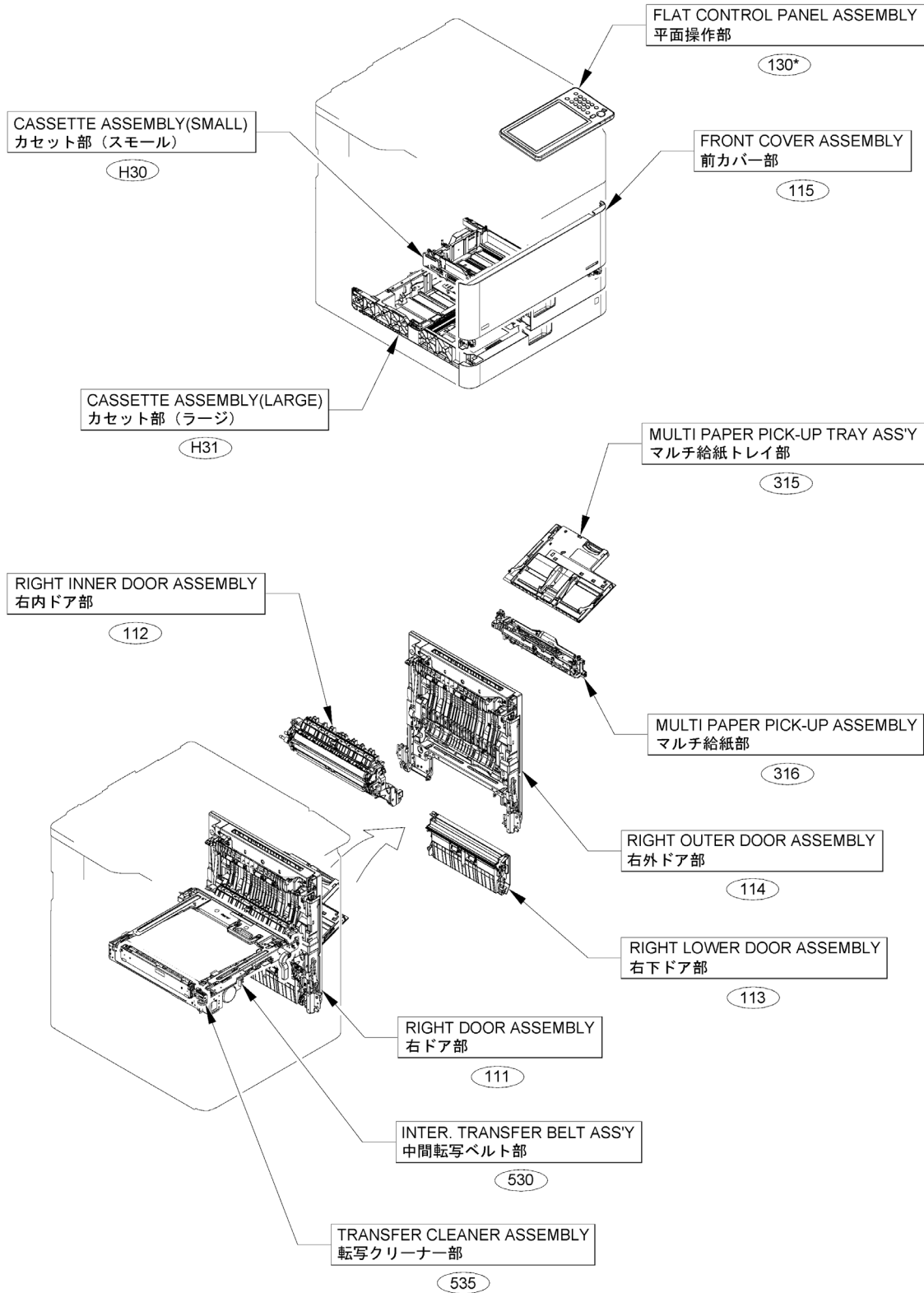


Figure A1B (2/6) ASSEMBLY LOCATION DIAGRAM

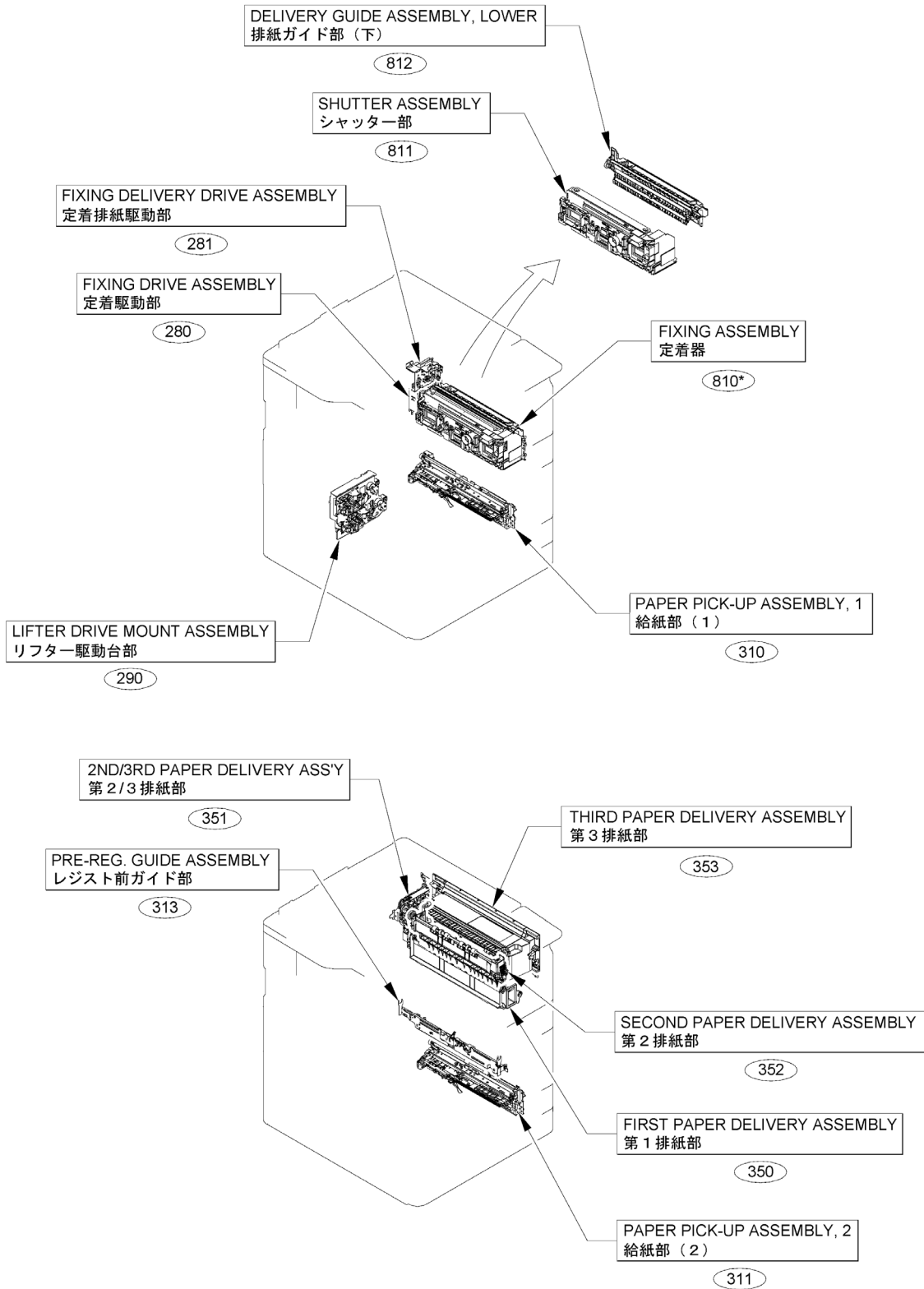


Figure A1B (3/6) ASSEMBLY LOCATION DIAGRAM

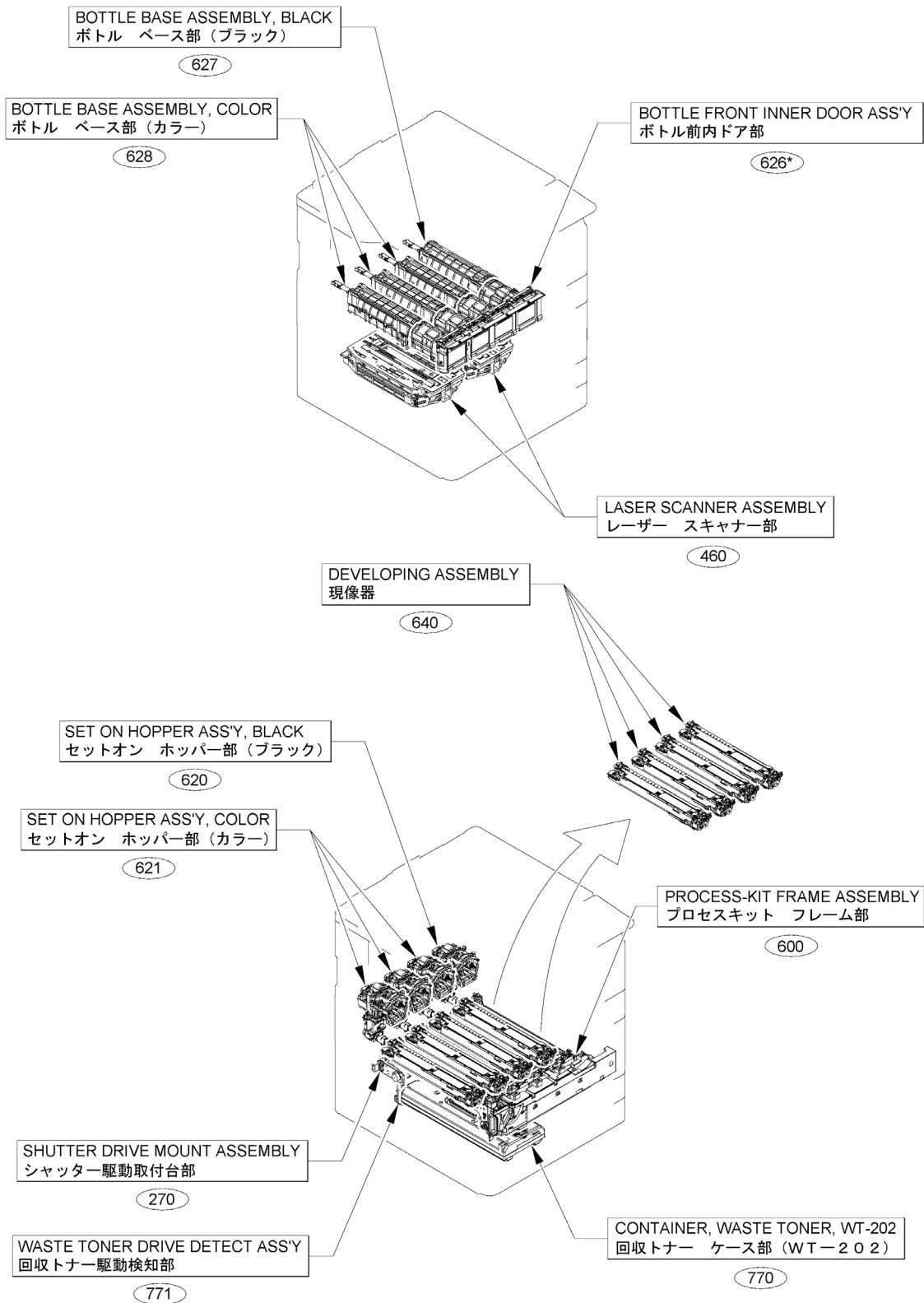


Figure A1B (4/6) ASSEMBLY LOCATION DIAGRAM

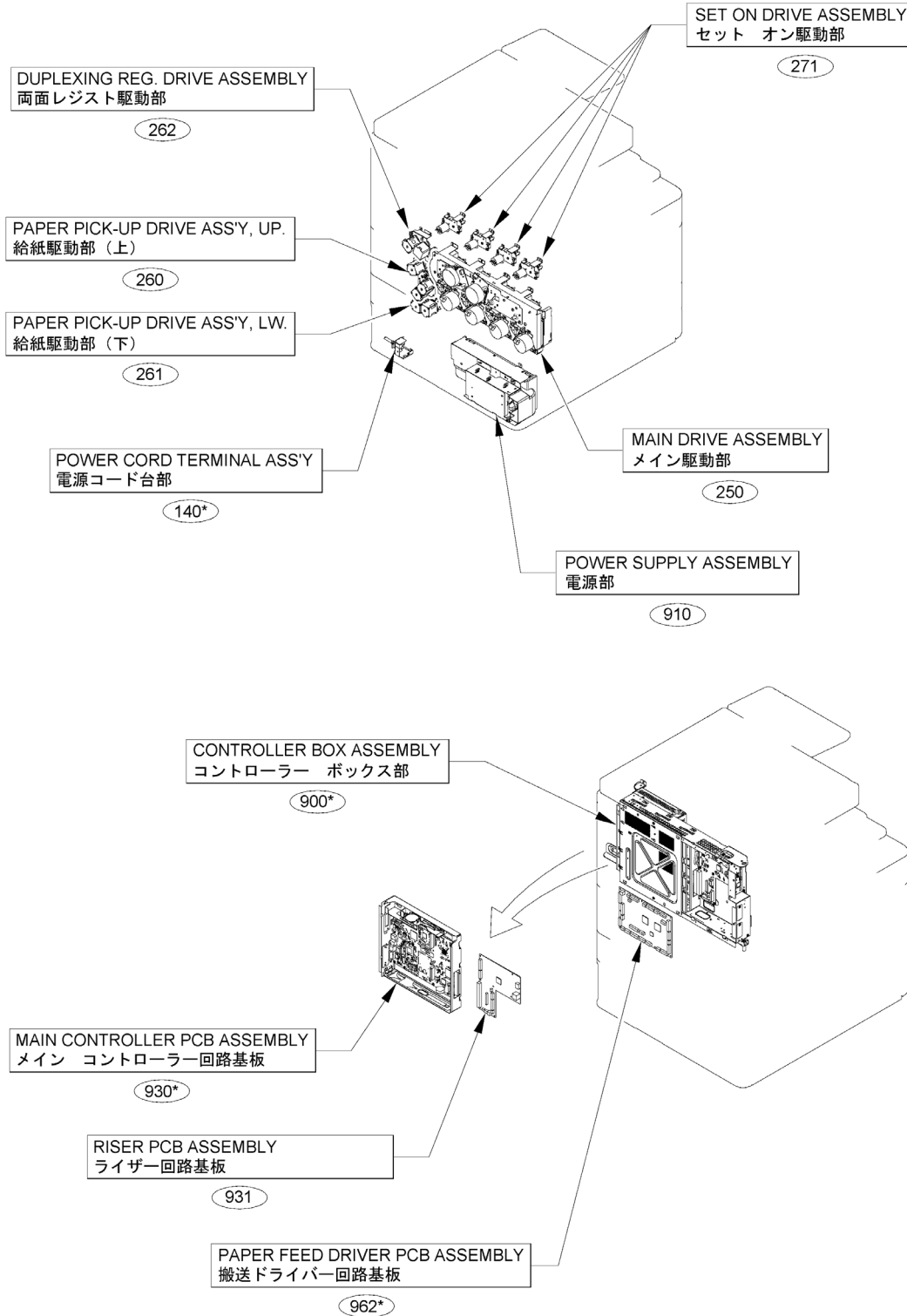


Figure A1B (5/6) ASSEMBLY LOCATION DIAGRAM

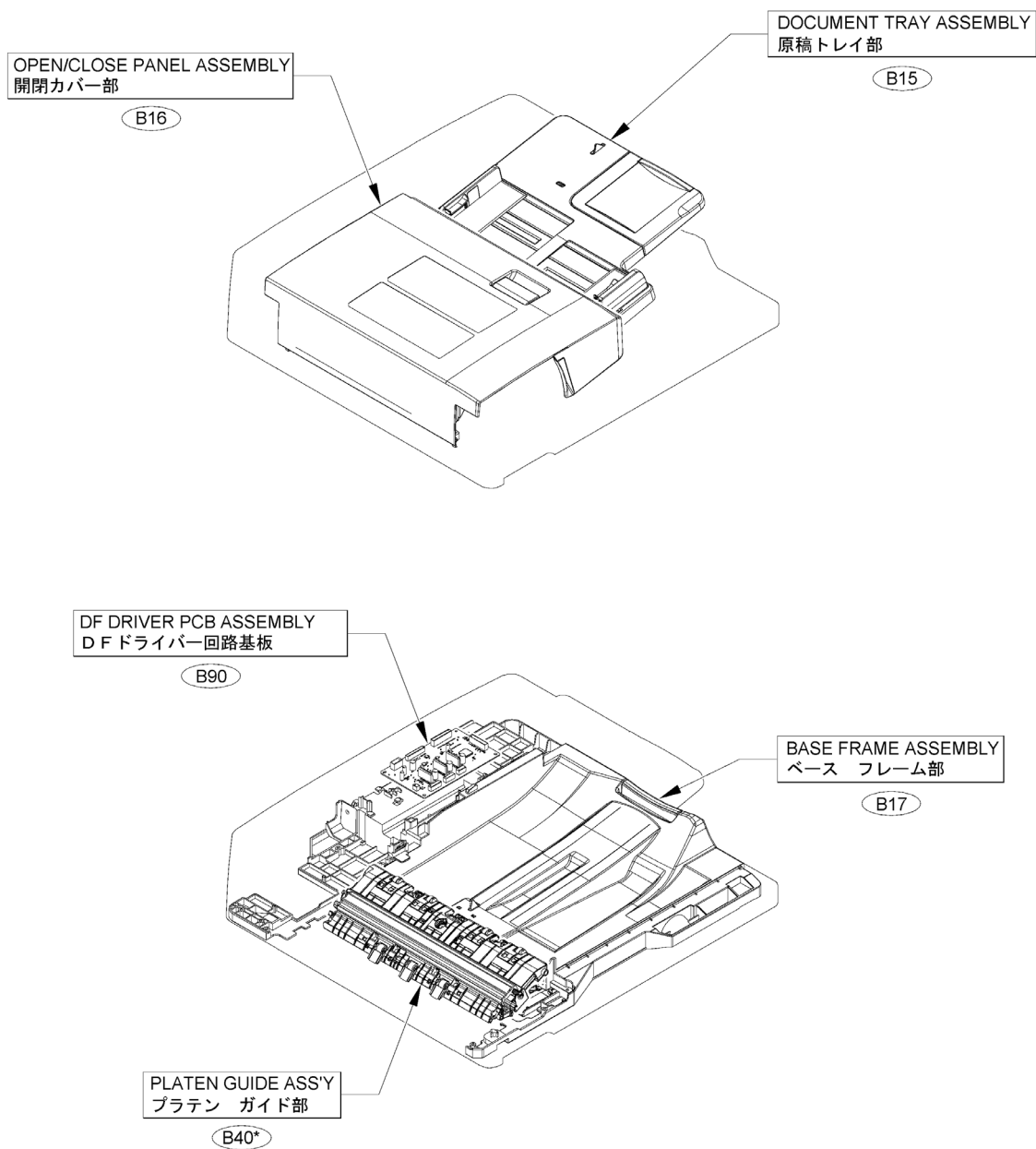


Figure A1B (6/6) ASSEMBLY LOCATION DIAGRAM

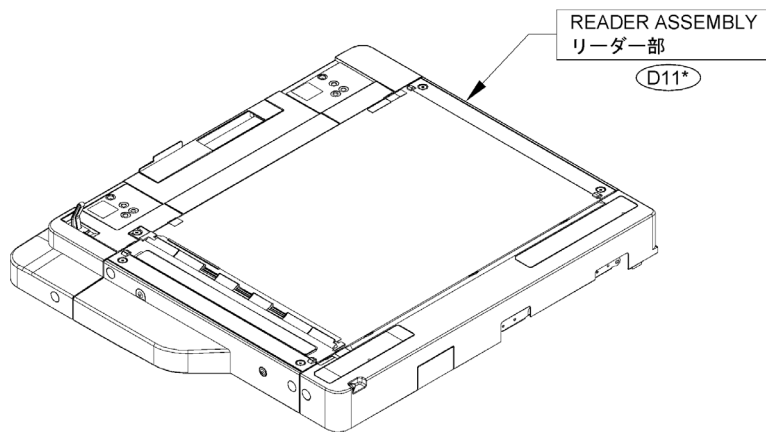


Figure A2 OPTION PARTS CATALOG LIST

This is the table of the machine's options whose parts catalog is issued.
 本機のオプションで、パーツカタログが発行されている機種の一覧である。

No.	Model Name(English)	Model Name(Japanese)
1	Platen Cover Type W	原稿台カバー タイプW
2	Stamp Unit-B1	(日本仕向けなし)
3	ADF Access Handle-A1	A D Fアクセスハンドル・ A 1
4	Printer Cover-J1	プリンタカバー・ J 1
5	NFC Kit-C1	N F Cキット・ C 1
6	Paper Deck Unit-F1	ペーパーデッキユニット・ F 1
7	Cassette Feeding Unit-AM1	2段カセットペディスタル・ A M 1
8	High Capacity Cassette Feeding Unit-A1	大容量カセットペディスタル・ A 1
9	FL Cassette-AZ1	F Lカセット・ A Z 1
10	FL Cassette-BA1	F Lカセット・ B A 1
11	Tab Feeding Attachment-F1	(日本仕向けなし)
12	Copy Tray-J2	コピートレイ・ J 2
13	Inner 2way Tray-J1	インナー2ウェイトレイ・ J 1
14	Staple Finisher-Y1/Booklet Finisher-Y1	ステイプルフィニッシャー・ Y 1 / 中綴じフィニッシャー・ Y 1
15	Inner Finisher-H1	インナーフィニッシャー・ H 1
16	2/3 Hole, 2/4 Hole, 4 Hole Puncher Unit-A1	2 / 3 穴、2 / 4 穴、 4 穴パンチャーユニット・ A 1
17	Inner 2/3 Hole, 2/4 Hole, 4 Hole Puncher-B1	インナー2 / 3 穴、2 / 4 穴、 4 穴パンチャー・ B 1
18	Buffer Pass Unit-L1	バッファパスユニット・ L 1
19	Reader Heater Unit-J3	リーダーヒーターキット・ J 3
20	Cassette Heater Unit-41	(日本仕向けなし)
21	Paper Deck Heater Unit-C1	ペーパーデッキヒーターユニット・ C 1
22	Utility Tray-B1	ユーティリティートレイ・ B 1
23	Copy Card Reader Attachment-B5	コピーカードリーダー取付けキット・ B 5
24	Super G3 FAX Board-AS1	(日本仕向けなし)
25	Super G3 FAX Board-AS2	(日本仕向けなし)
26	Super G3 2nd Line Fax Board-AS1	(日本仕向けなし)
27	Super G3 2nd Line Fax Board-AS2	(日本仕向けなし)
28	Super G3 3rd/4th Line Fax Board-AS1	G 3 回線増設キット (3・4回線) ・ A S 1
29	Super G3 3rd/4th Line Fax Board-AS2	(日本仕向けなし)
30	(JAPAN ONLY)	G 3 回線増設キット (2回線) ・ B A 1
31	(JAPAN ONLY)	ハンドセット・ G 2
32	Voice Guidance Kit-G1	(日本仕向けなし)
33	Voice Operation Kit-D1	音声操作キット・ D 1
34	Document Scan Lock Kit-B2	イメージ解析ボード・ B 2
35	(JAPAN ONLY)	i R - A D V 課金装置接続キット・ A 3
36	Serial Interface Kit-K3	(日本仕向けなし)
37	Copy Control Interface Kit-A1	(日本仕向けなし)
38	2.5inch/1 TB HDD-P1/250 GB HDD-N1	オプションHDD (2.5 inch / 1TB) ・ P 1 / (2.5 inch / 250GB) ・ N 1
39	HDD Mirroring Kit-J1	HDDミラーリングキット・ J 1
40	Removable HDD Kit-AL1	リムーバブルHDDキット・ A L 1
41	IC Card Reader Box-C1	I C カードリーダーボックス・ C 1
42	Copy Card Reader-F1	コピーカードリーダー・ F 1
43	Connection Kit-A1 for Bluetooth LE	拡張キット・ A 1 for Bluetooth LE

Figure 001B ACCESSORIES (120V C5560i, C5550i)

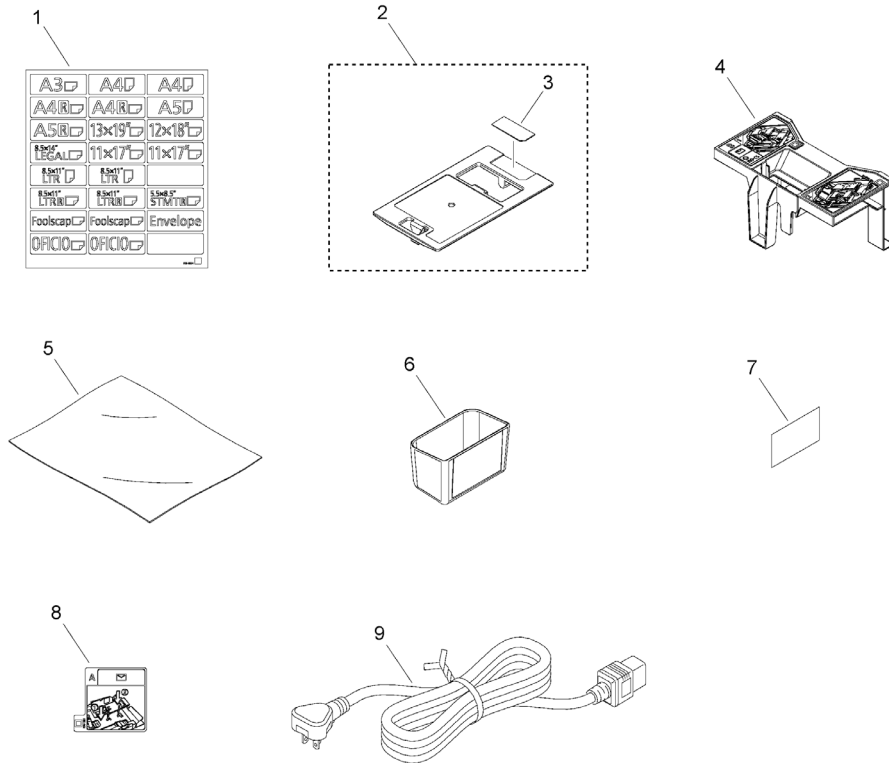


FIGURE & KEY NO.	PART NUMBER	RANK	QTY	DESCRIPTION	SERIAL NUMBER /REMARKS
001B	NPN		RF	ACCESSORIES	120V C5560i, C5550i
1	FE8-8834-000		1	LABEL, PAPER SIZE	
2	FL0-3261-000		1	PLATE, LIFTING	
3	FL3-6526-000		1	SHEET, SEPARATION	
4	FL1-0490-000		1	ENVELOPE HORIZONTAL FEED ASS'Y	
5	FE2-A001-000		1	CLOTH, CLEANING	
6	FE3-9210-000		1	BOX, CLEANING CLOTH STOCK	
7	FE3-4465-000		1	TAPE, DUPLEXING	
8	FE8-1367-000		1	LABEL, ENVELOPE KIT	
9	FK3-2053-000		1	CORD, POWER SUPPLY, 120V	

Figure 001C ACCESSORIES (120V C5540i, C5535i)

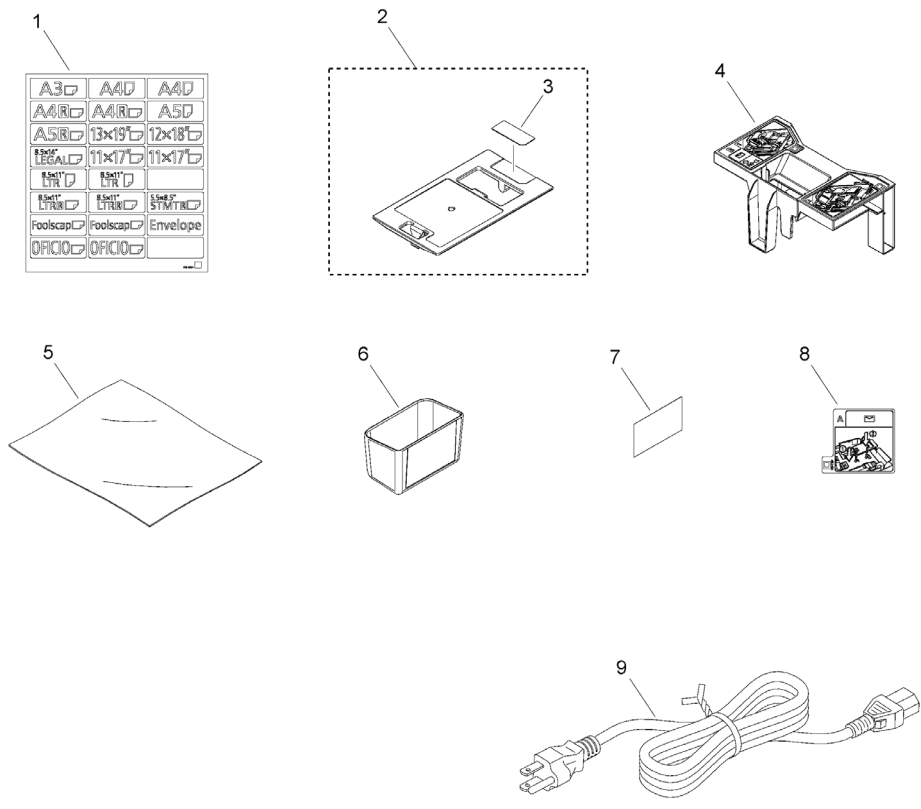


FIGURE & KEY NO.	PART NUMBER	RANK	QTY	DESCRIPTION	SERIAL NUMBER /REMARKS
001C	NPN		RF	ACCESSORIES	120V C5540i, C5535i
1	FE8-8834-000		1	LABEL, PAPER SIZE	
2	FL0-3261-000		1	PLATE, LIFTING	
3	FL3-6526-000		1	SHEET, SEPARATION	
4	FL1-0490-000		1	ENVELOPE HORIZONTAL FEED ASS'Y	
5	FE2-A001-000		1	CLOTH, CLEANING	
6	FE3-9210-000		1	BOX, CLEANING CLOTH STOCK	
7	FE3-4465-000		1	TAPE, DUPLEXING	
8	FE8-1367-000		1	LABEL, ENVELOPE KIT	
9	FK4-5515-000		1	CORD, POWER, 125V	

Figure 001D ACCESSORIES (230V)

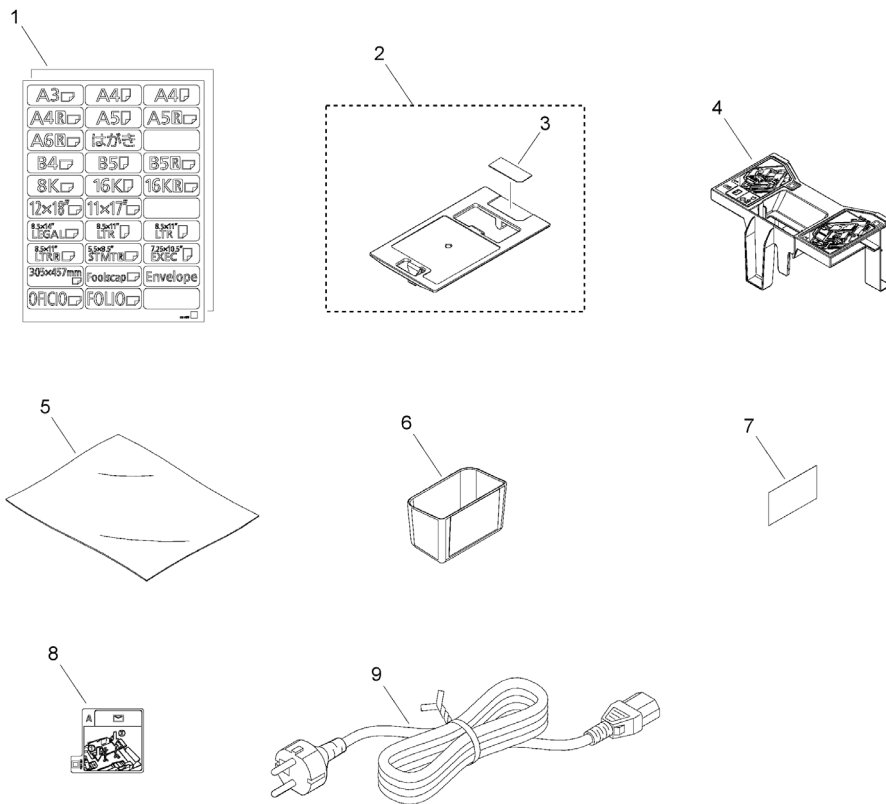


FIGURE & KEY NO.	PART NUMBER	RANK	QTY	DESCRIPTION	SERIAL NUMBER /REMARKS
001D	NPN		RF	ACCESSORIES	230V
1	FE2-F819-000		2	LABEL, PAPER SIZE	
2	FL0-3261-000		1	PLATE, LIFTING	
3	FL3-6526-000		1	SHEET, SEPARATION	
4	FL1-0490-000		1	ENVELOPE HORIZONTAL FEED ASS'Y	
5	FE2-A001-000		1	CLOTH, CLEANING	
6	FE3-9210-000		1	BOX, CLEANING CLOTH STOCK	
7	FE3-4465-000		1	TAPE, DUPLEXING	
8	FE8-1367-000		1	LABEL, ENVELOPE KIT	
9	FK4-1390-000		1	CORD, POWER	

Figure 100AE (1/2)EXTERNAL COVERS, PANELS, ETC. (120V C5560i)

NOTE : Several kinds of labels are attached on the board for the parts of Key No. 33.

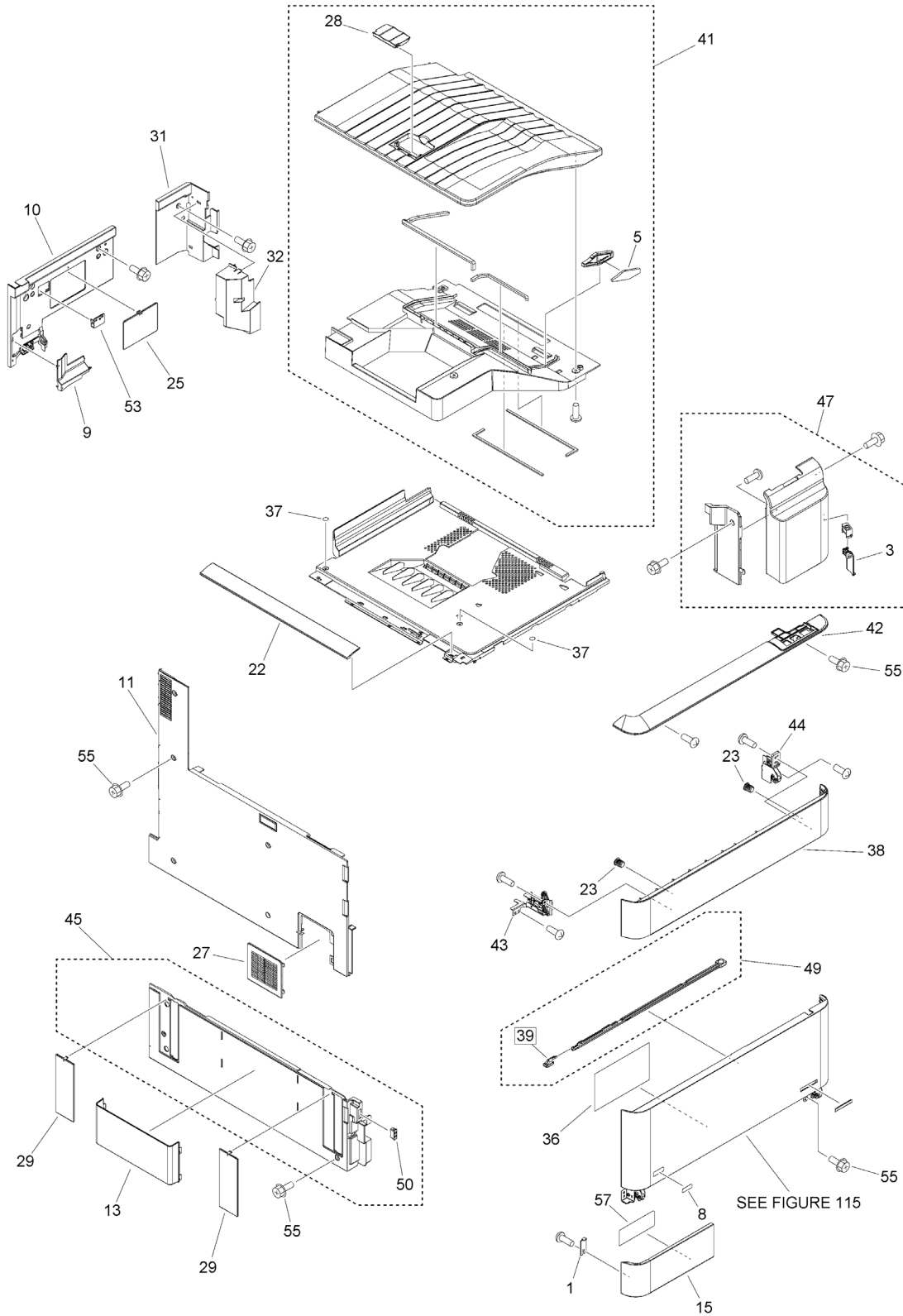


Figure 100AE (2/2) EXTERNAL COVERS, PANELS, ETC. (120V C5560i)

NOTE : Several kinds of labels are attached on the board for the parts of Key No. 33.

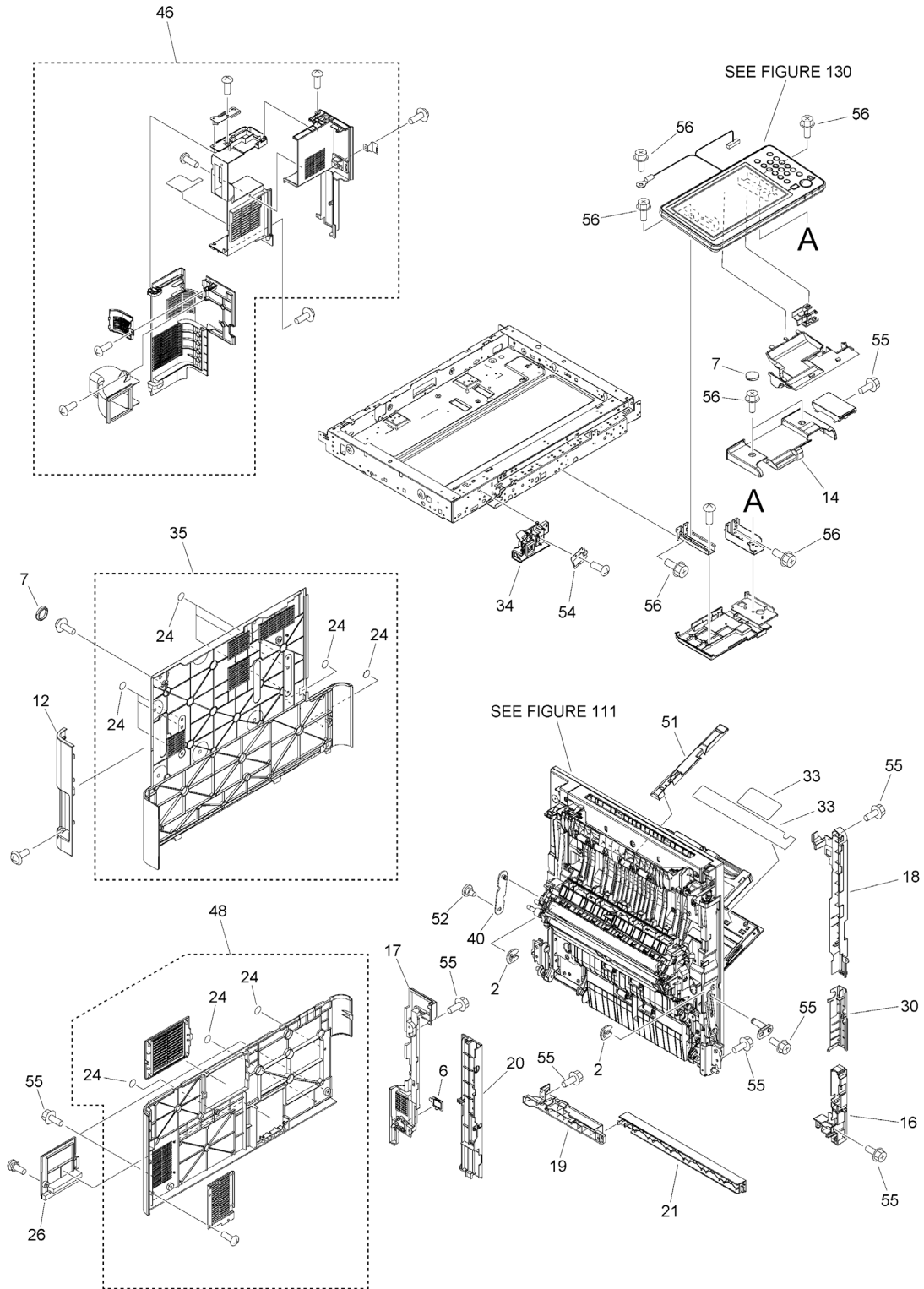


FIGURE & KEY NO.	PART NUMBER	RANK	QTY	DESCRIPTION	SERIAL NUMBER /REMARKS
100AE	NPN		RF	EXTERNAL COVERS, PANELS, ETC.	120V C5560i
1	FC6-1844-000		1	PLATE, MAGNET, B	
2	FC6-3002-000		2	RING, RESIN, RETAINING	
3	FC8-4000-000		1	COVER, MAIN SWITCH	
5	FC8-5086-000		1	FILTER, AIR	
6	FE3-9087-000		1	COVER, ENV. HEATER SWITCH	
7	FE3-9178-000		3	CAP	
8	FE4-1818-000		1	LABEL, TONER	
9	FE4-1987-000		1	COVER, INNER DELIVERY, LF REAR	
10	FE4-2009-000		1	COVER, INNER,DELV. REAR	
11	FE4-2010-000		1	COVER, LEFT UPPER	
12	FE4-2808-000		1	COVER, REAR UPPER, LEFT	
13	FE4-2809-000		1	HOLDER, SERVICE BOOK	
14	FE4-2811-000		1	COVER, ARM, UPPER	
15	FE4-3610-000		1	COVER, WASTE TONER ASSEMBLY	
16	FE4-3815-000		1	COVER, RIGHT, FRONT	
17	FE4-3816-000		1	COVER, RIGHT REAR	
18	FE4-3817-000		1	COVER, RIGHT FRONT, UPPER	
19	FE4-3818-000		1	COVER, RIGHT REAR, LOWER	
20	FE4-3849-000		1	COVER, HANDLE, RIGHT REAR	
21	FE4-4156-000		1	COVER, LOWER RIGHT	
22	FL1-1988-000		1	COVER, BELT, LEFT UPPER	
23	FE4-4819-000		2	CATCH, MAGNET, METAL	
24	FE4-5428-000		11	SEAL	
25	FE4-7420-000		1	COVER, BIAS PCB	
26	FL1-6629-000		1	COVER, CONNECTOR	
27	FE4-7477-000		1	COVER, DUCT, LEFT	
28	FE4-7487-000		1	STOPPER, PUSHING	
29	FE4-7494-000		2	COVER, HANDLE, LEFT	
30	FE4-7495-000		1	COVER, RIGHT FRONT HANDLE, MD.	
31	FE4-9267-000		1	COVER,INNER DELIVERY,RT. REAR	
32	FE4-9268-000		1	COVER, INNER DELIVERY SENSOR	
33	FE2-C324-000		1	LABEL, MULTIPLE	SEE NOTE
34	FM1-M093-000		1	MOTION SENSOR PCB ASSEMBLY	
35	FL0-4181-010		1	COVER, REAR UPPER	
36	FL0-4190-000		1	LABEL, SERVICE	
37	FL0-7516-000		2	SEAL, BLANKING	
38	FL1-0394-000		1	COVER, TONER	
39	FL2-9476-010		1	PAD, GLASS CLEANING	[DP]
40	FL2-9530-010		1	STOPPER, RIGHT DOOR, 2	
41	FM1-G221-000		1	INNER LOWER COVER ASSEMBLY	
42	FM1-G231-000		1	FRONT UPPER COVER ASSEMBLY	
43	FM1-G344-000		1	TONER COVER HINGE MOUNT ASS'Y	
44	FM1-G352-000		1	TONER COVER HINGE ASS'Y, RIGHT	

FIGURE & KEY NO.	PART NUMBER	RANK	QTY	DESCRIPTION	SERIAL NUMBER /REMARKS
45	FM1-G373-000		1	COVER ASSEMBLY, LEFT LOWER	
46	FM1-G601-000		1	RIGHT REAR UP. COVER ASSEMBLY	
47	FM1-G633-000		1	RIGHT FRONT UP. COVER ASSEMBLY	
48	FM1-G643-000		1	REAR LOWER COVER ASSEMBLY	
49	FM3-5968-030		1	GLASS CLEANING ROD ASSEMBLY	
50	XZ9-0603-000		1	CATCH, MAGNET	
51	FE4-4841-000		1	COVER,MULTI PAPER PICK-UP WIRE	
52	FU2-2390-000		1	SCREW, STEPPED, M4	
53	FE4-7425-000		1	SUPPORT, PAPER DELIVERY TRAY	
54	FM1-N784-000		1	WIRELESS NETWORK PCB ASSEMBLY	
55	XA9-0732-010		25	SCREW,RS,M4X8	
56	XA9-1386-000		15	SCREW,RS,M3X8	
57	FE4-3035-000		1	LABEL, OPERATOR CAUTION	

Figure 100AF (1/2)EXTERNAL COVERS, PANELS, ETC. (120V C5550i)

NOTE : Several kinds of labels are attached on the board for the parts of Key No. 33.

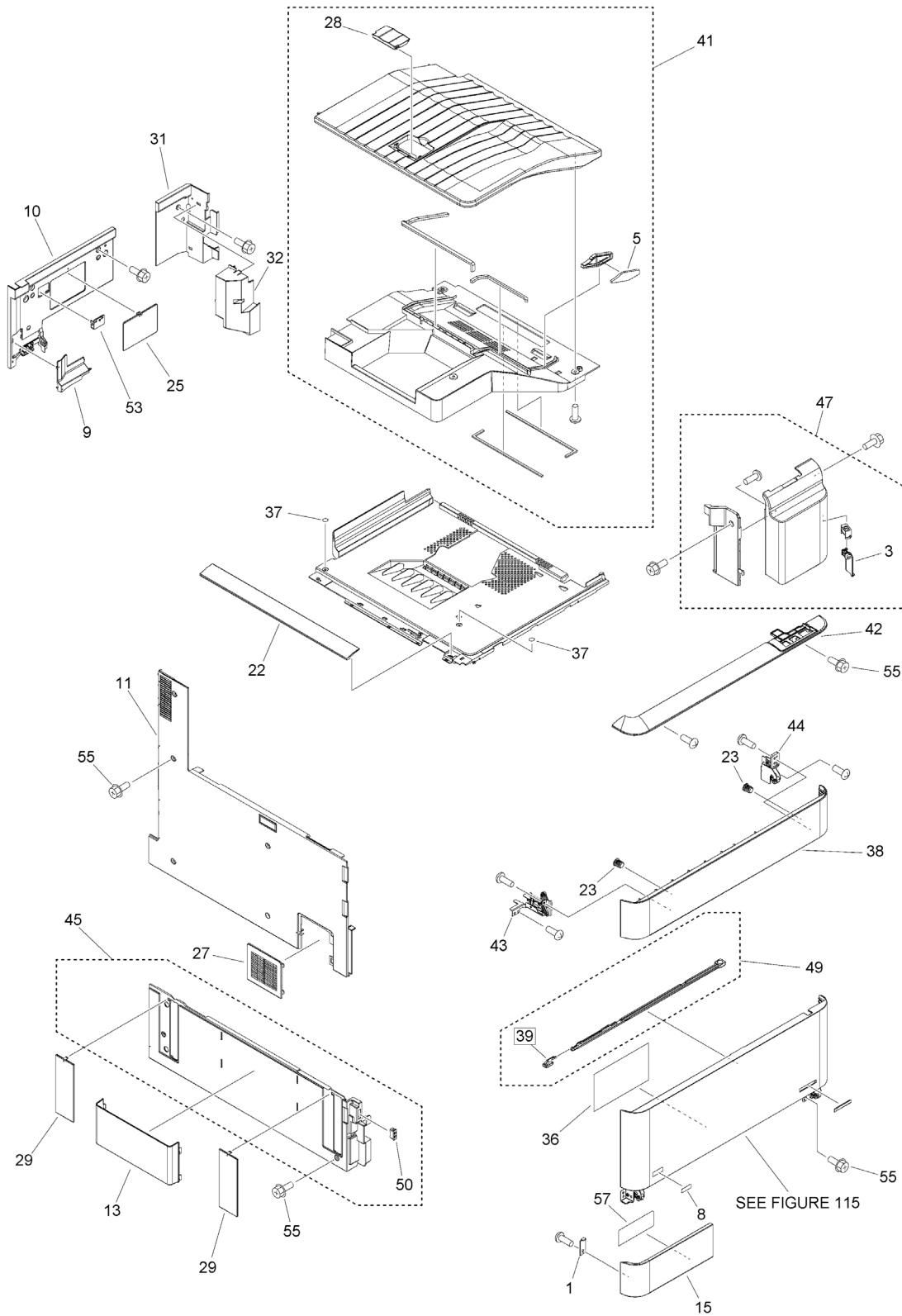


Figure 100AF (2/2)EXTERNAL COVERS, PANELS, ETC. (120V C5550i)

NOTE : Several kinds of labels are attached on the board for the parts of Key No. 33.

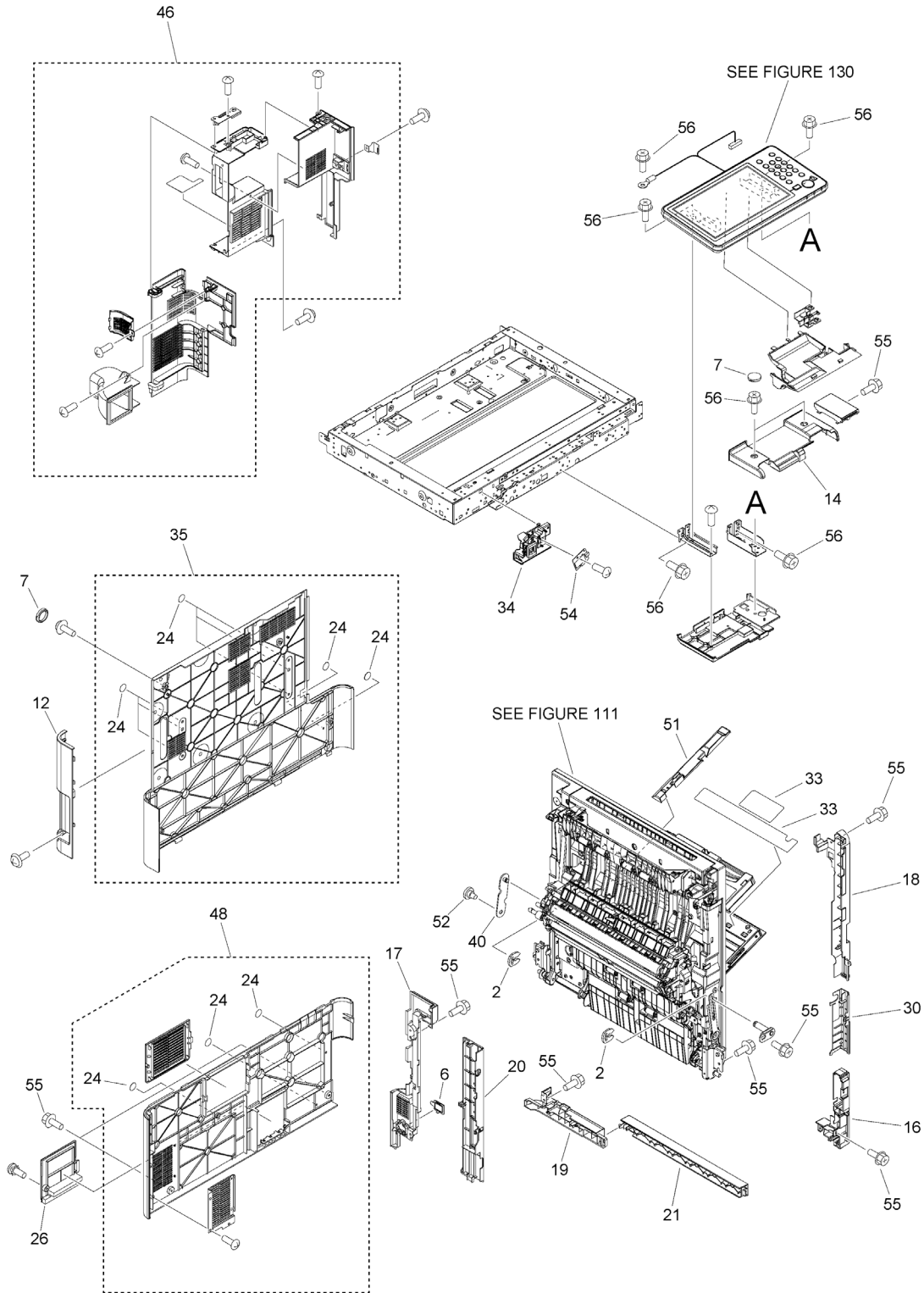


FIGURE & KEY NO.	PART NUMBER	RANK	QTY	DESCRIPTION	SERIAL NUMBER /REMARKS
100AF	NPN		RF	EXTERNAL COVERS, PANELS, ETC.	120V C5550i
1	FC6-1844-000		1	PLATE, MAGNET, B	
2	FC6-3002-000		2	RING, RESIN, RETAINING	
3	FC8-4000-000		1	COVER, MAIN SWITCH	
5	FC8-5086-000		1	FILTER, AIR	
6	FE3-9087-000		1	COVER, ENV. HEATER SWITCH	
7	FE3-9178-000		3	CAP	
8	FE4-1818-000		1	LABEL, TONER	
9	FE4-1987-000		1	COVER, INNER DELIVERY, LF REAR	
10	FE4-2009-000		1	COVER, INNER,DELV. REAR	
11	FE4-2010-000		1	COVER, LEFT UPPER	
12	FE4-2808-000		1	COVER, REAR UPPER, LEFT	
13	FE4-2809-000		1	HOLDER, SERVICE BOOK	
14	FE4-2811-000		1	COVER, ARM, UPPER	
15	FE4-3610-000		1	COVER, WASTE TONER ASSEMBLY	
16	FE4-3815-000		1	COVER, RIGHT, FRONT	
17	FE4-3816-000		1	COVER, RIGHT REAR	
18	FE4-3817-000		1	COVER, RIGHT FRONT, UPPER	
19	FE4-3818-000		1	COVER, RIGHT REAR, LOWER	
20	FE4-3849-000		1	COVER, HANDLE, RIGHT REAR	
21	FE4-4156-000		1	COVER, LOWER RIGHT	
22	FL1-1988-000		1	COVER, BELT, LEFT UPPER	
23	FE4-4819-000		2	CATCH, MAGNET, METAL	
24	FE4-5428-000		11	SEAL	
25	FE4-7420-000		1	COVER, BIAS PCB	
26	FL1-6629-000		1	COVER, CONNECTOR	
27	FE4-7477-000		1	COVER, DUCT, LEFT	
28	FE4-7487-000		1	STOPPER, PUSHING	
29	FE4-7494-000		2	COVER, HANDLE, LEFT	
30	FE4-7495-000		1	COVER, RIGHT FRONT HANDLE, MD.	
31	FE4-9267-000		1	COVER,INNER DELIVERY,RT. REAR	
32	FE4-9268-000		1	COVER, INNER DELIVERY SENSOR	
33	FE2-C324-000		1	LABEL, MULTIPLE	SEE NOTE
34	FM1-M093-000		1	MOTION SENSOR PCB ASSEMBLY	
35	FL0-4181-010		1	COVER, REAR UPPER	
36	FL0-4190-000		1	LABEL, SERVICE	
37	FL0-7516-000		2	SEAL, BLANKING	
38	FL1-0394-000		1	COVER, TONER	
39	FL2-9476-010		1	PAD, GLASS CLEANING	[DP]
40	FL2-9530-010		1	STOPPER, RIGHT DOOR, 2	
41	FM1-G221-000		1	INNER LOWER COVER ASSEMBLY	
42	FM1-G231-000		1	FRONT UPPER COVER ASSEMBLY	
43	FM1-G344-000		1	TONER COVER HINGE MOUNT ASS'Y	
44	FM1-G352-000		1	TONER COVER HINGE ASS'Y, RIGHT	

FIGURE & KEY NO.	PART NUMBER	RANK	QTY	DESCRIPTION	SERIAL NUMBER /REMARKS
45	FM1-G373-000		1	COVER ASSEMBLY, LEFT LOWER	
46	FM1-G601-000		1	RIGHT REAR UP. COVER ASSEMBLY	
47	FM1-G633-000		1	RIGHT FRONT UP. COVER ASSEMBLY	
48	FM1-G643-000		1	REAR LOWER COVER ASSEMBLY	
49	FM3-5968-030		1	GLASS CLEANING ROD ASSEMBLY	
50	XZ9-0603-000		1	CATCH, MAGNET	
51	FE4-4841-000		1	COVER,MULTI PAPER PICK-UP WIRE	
52	FU2-2390-000		1	SCREW, STEPPED, M4	
53	FE4-7425-000		1	SUPPORT, PAPER DELIVERY TRAY	
54	FM1-N784-000		1	WIRELESS NETWORK PCB ASSEMBLY	
55	XA9-0732-010		25	SCREW,RS,M4X8	
56	XA9-1386-000		15	SCREW,RS,M3X8	
57	FE4-3035-000		1	LABEL, OPERATOR CAUTION	

Figure 100AG (1/2)EXTERNAL COVERS, PANELS, ETC. (120V C5540i)

NOTE : Several kinds of labels are attached on the board for the parts of Key No. 33.

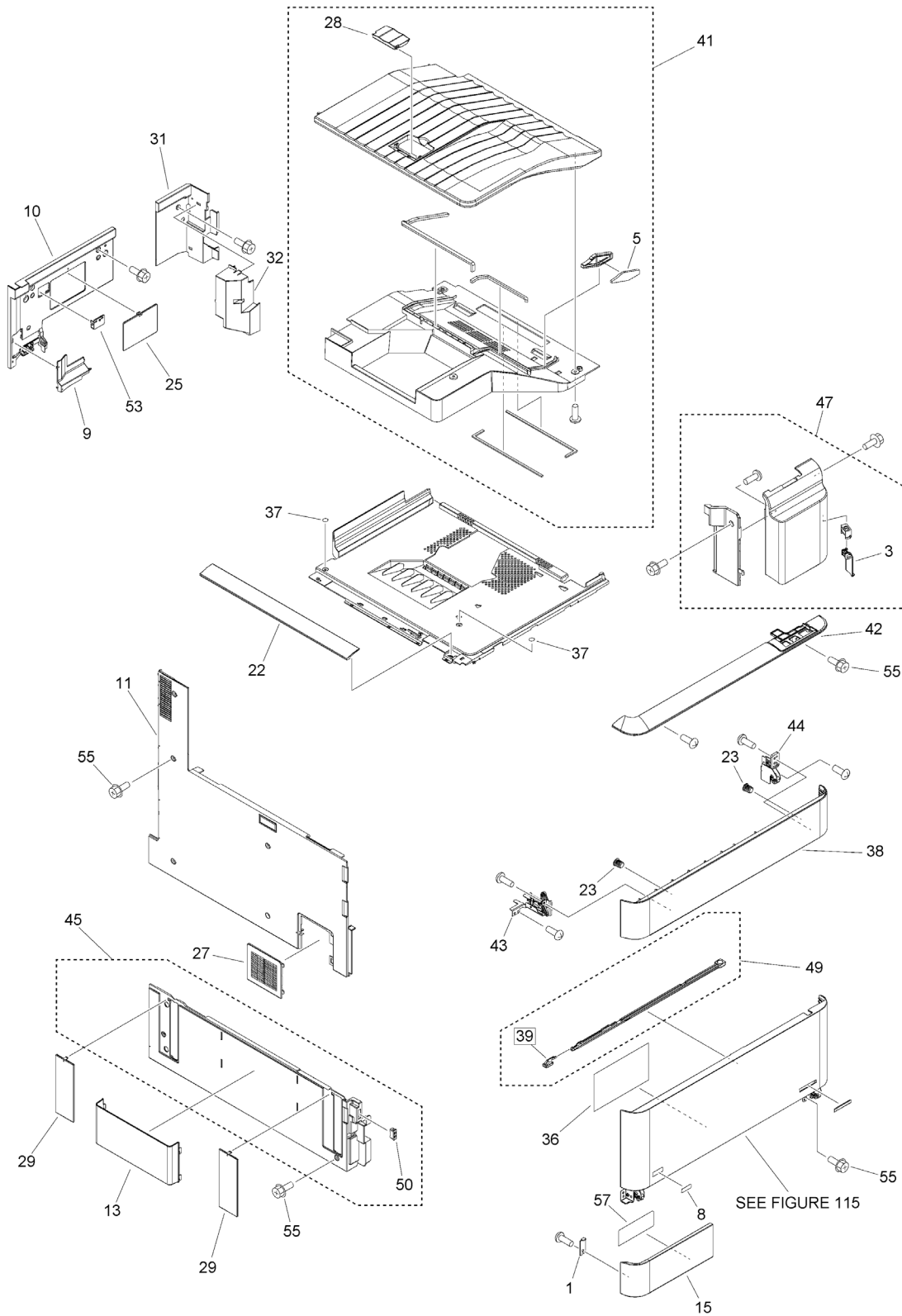


Figure 100AG (2/2) EXTERNAL COVERS, PANELS, ETC. (120V C5540i)

NOTE : Several kinds of labels are attached on the board for the parts of Key No. 33.

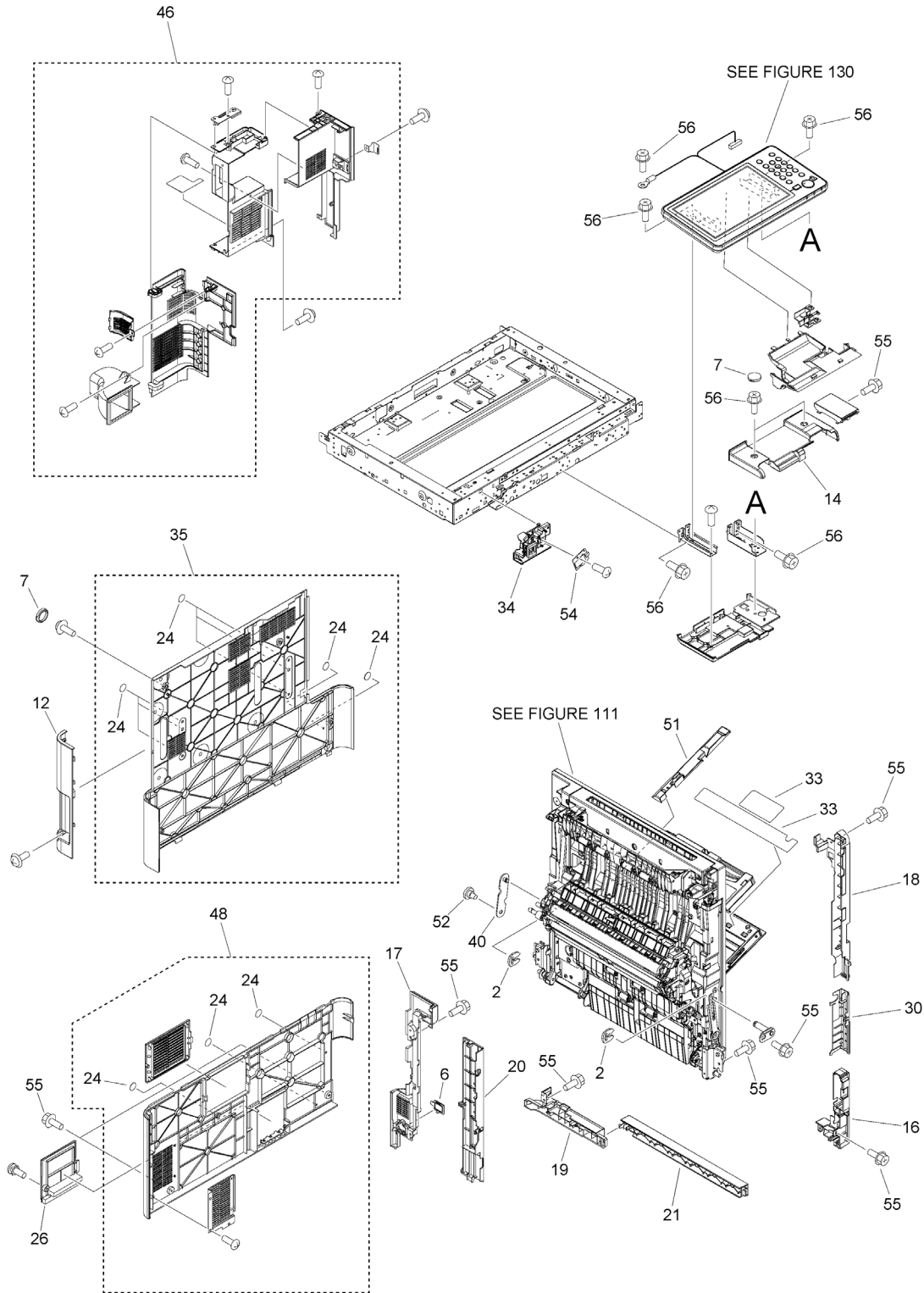


FIGURE & KEY NO.	PART NUMBER	RANK	QTY	DESCRIPTION	SERIAL NUMBER /REMARKS
100AG	NPN		RF	EXTERNAL COVERS, PANELS, ETC.	120V C5540i
1	FC6-1844-000		1	PLATE, MAGNET, B	
2	FC6-3002-000		2	RING, RESIN, RETAINING	
3	FC8-4000-000		1	COVER, MAIN SWITCH	
5	FC8-5086-000		1	FILTER, AIR	
6	FE3-9087-000		1	COVER, ENV. HEATER SWITCH	
7	FE3-9178-000		3	CAP	
8	FE4-1818-000		1	LABEL, TONER	
9	FE4-1987-000		1	COVER, INNER DELIVERY, LF REAR	
10	FE4-2009-000		1	COVER, INNER,DELV. REAR	
11	FE4-2010-000		1	COVER, LEFT UPPER	
12	FE4-2808-000		1	COVER, REAR UPPER, LEFT	
13	FE4-2809-000		1	HOLDER, SERVICE BOOK	
14	FE4-2811-000		1	COVER, ARM, UPPER	
15	FE4-3610-000		1	COVER, WASTE TONER ASSEMBLY	
16	FE4-3815-000		1	COVER, RIGHT, FRONT	
17	FE4-3816-000		1	COVER, RIGHT REAR	
18	FE4-3817-000		1	COVER, RIGHT FRONT, UPPER	
19	FE4-3818-000		1	COVER, RIGHT REAR, LOWER	
20	FE4-3849-000		1	COVER, HANDLE, RIGHT REAR	
21	FE4-4156-000		1	COVER, LOWER RIGHT	
22	FL1-1988-000		1	COVER, BELT, LEFT UPPER	
23	FE4-4819-000		2	CATCH, MAGNET, METAL	
24	FE4-5428-000		11	SEAL	
25	FE4-7420-000		1	COVER, BIAS PCB	
26	FL1-6629-000		1	COVER, CONNECTOR	
27	FE4-7477-000		1	COVER, DUCT, LEFT	
28	FE4-7487-000		1	STOPPER, PUSHING	
29	FE4-7494-000		2	COVER, HANDLE, LEFT	
30	FE4-7495-000		1	COVER, RIGHT FRONT HANDLE, MD.	
31	FE4-9267-000		1	COVER,INNER DELIVERY,RT. REAR	
32	FE4-9268-000		1	COVER, INNER DELIVERY SENSOR	
33	FE2-C324-000		1	LABEL, MULTIPLE	SEE NOTE
34	FM1-M093-000		1	MOTION SENSOR PCB ASSEMBLY	
35	FL0-4181-010		1	COVER, REAR UPPER	
36	FL0-4190-000		1	LABEL, SERVICE	
37	FL0-7516-000		2	SEAL, BLANKING	
38	FL1-0394-000		1	COVER, TONER	
39	FL2-9476-010		1	PAD, GLASS CLEANING	[DP]
40	FL2-9530-010		1	STOPPER, RIGHT DOOR, 2	
41	FM1-G221-000		1	INNER LOWER COVER ASSEMBLY	
42	FM1-G231-000		1	FRONT UPPER COVER ASSEMBLY	
43	FM1-G344-000		1	TONER COVER HINGE MOUNT ASS'Y	
44	FM1-G352-000		1	TONER COVER HINGE ASS'Y, RIGHT	

FIGURE & KEY NO.	PART NUMBER	RANK	QTY	DESCRIPTION	SERIAL NUMBER /REMARKS
45	FM1-G373-000		1	COVER ASSEMBLY, LEFT LOWER	
46	FM1-G601-000		1	RIGHT REAR UP. COVER ASSEMBLY	
47	FM1-G633-000		1	RIGHT FRONT UP. COVER ASSEMBLY	
48	FM1-G643-000		1	REAR LOWER COVER ASSEMBLY	
49	FM3-5968-030		1	GLASS CLEANING ROD ASSEMBLY	
50	XZ9-0603-000		1	CATCH, MAGNET	
51	FE4-4841-000		1	COVER,MULTI PAPER PICK-UP WIRE	
52	FU2-2390-000		1	SCREW, STEPPED, M4	
53	FE4-7425-000		1	SUPPORT, PAPER DELIVERY TRAY	
54	FM1-N784-000		1	WIRELESS NETWORK PCB ASSEMBLY	
55	XA9-0732-010		25	SCREW,RS,M4X8	
56	XA9-1386-000		15	SCREW,RS,M3X8	
57	FE4-3035-000		1	LABEL, OPERATOR CAUTION	

Figure 100AH (1/2)EXTERNAL COVERS, PANELS, ETC. (120V C5535i)

NOTE : Several kinds of labels are attached on the board for the parts of Key No. 33.

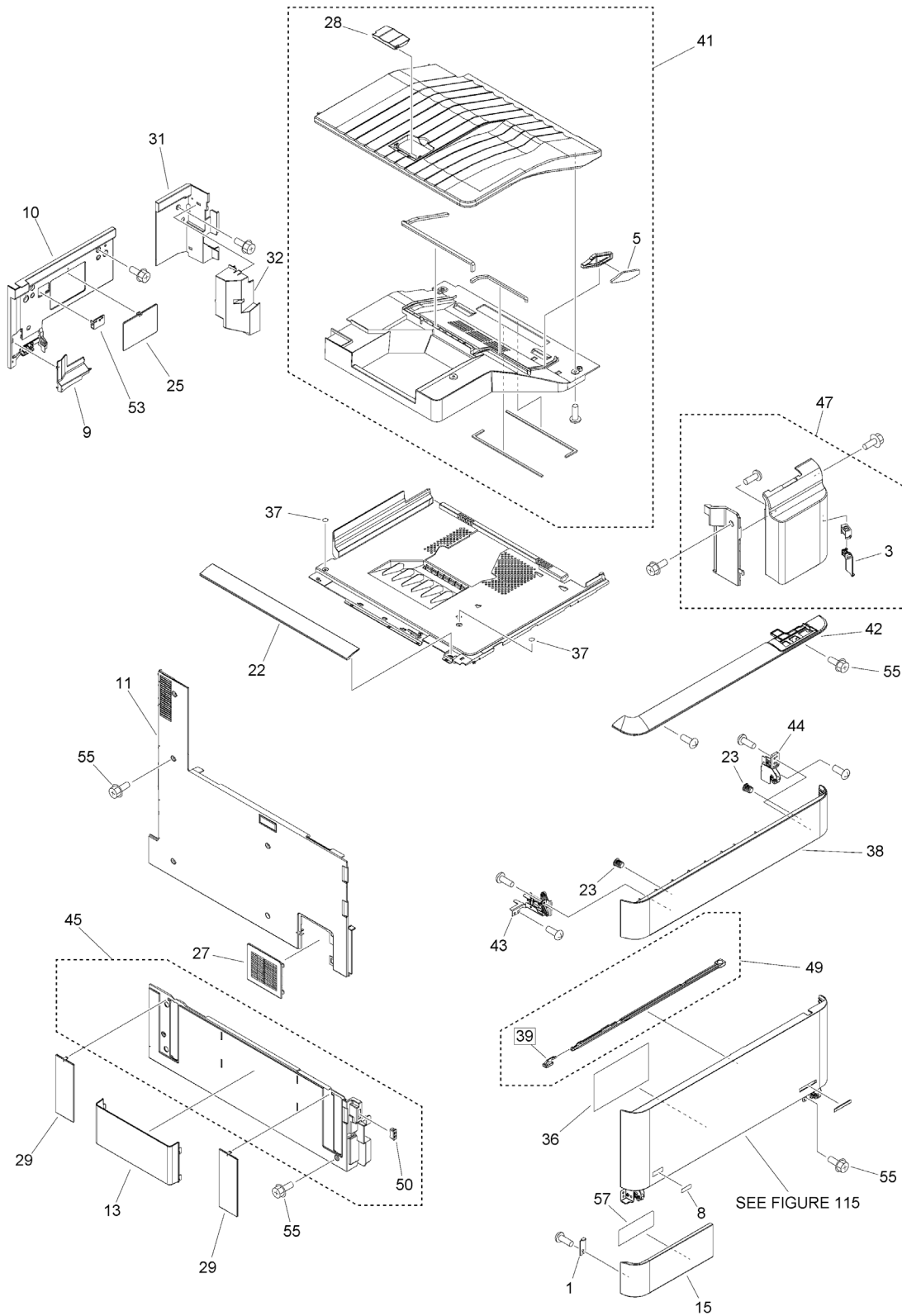


Figure 100AH (2/2)EXTERNAL COVERS, PANELS, ETC. (120V C5535i)

NOTE : Several kinds of labels are attached on the board for the parts of Key No. 33.

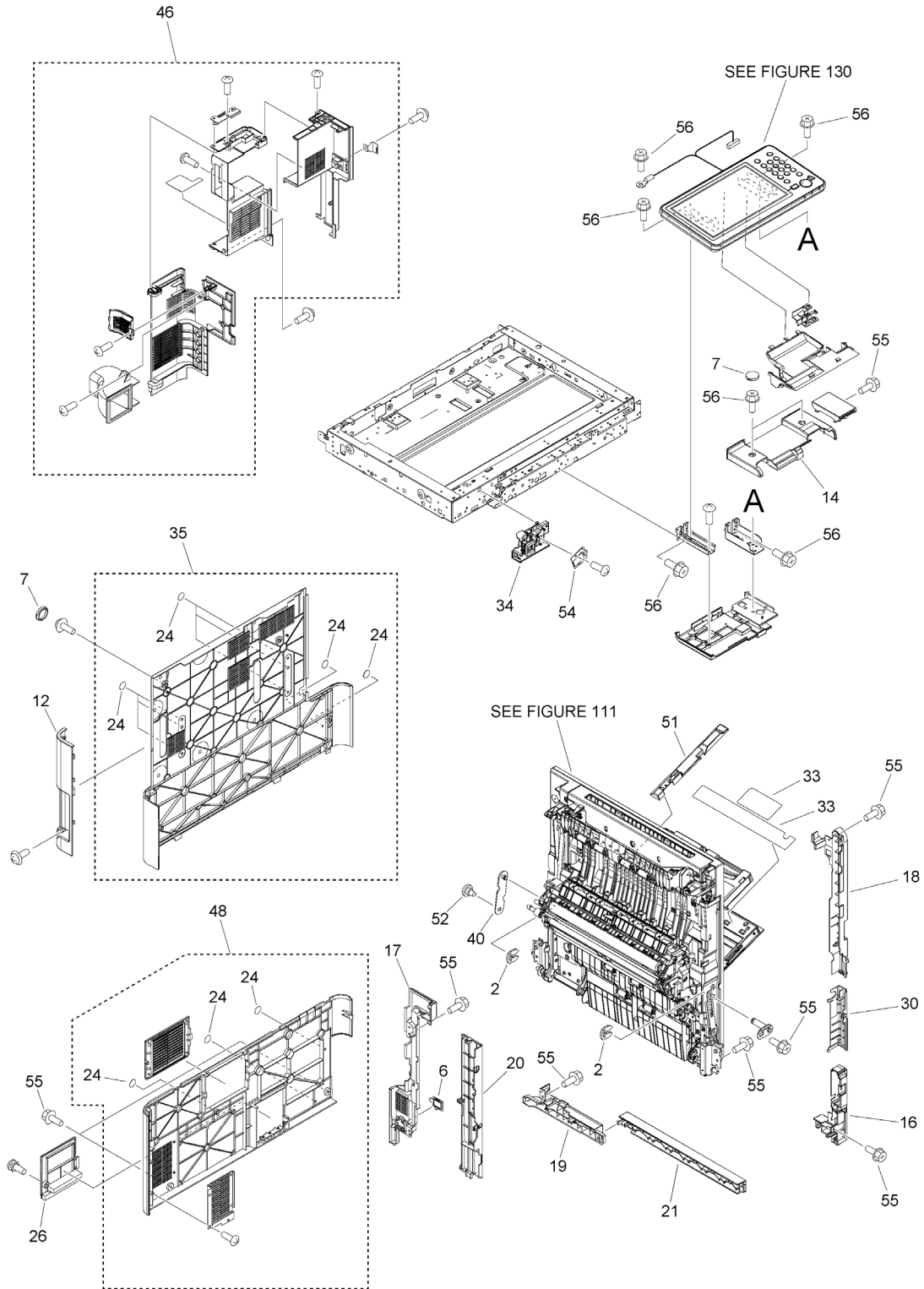


FIGURE & KEY NO.	PART NUMBER	RANK	QTY	DESCRIPTION	SERIAL NUMBER /REMARKS
100AH	NPN		RF	EXTERNAL COVERS, PANELS, ETC.	120V C5535i
1	FC6-1844-000		1	PLATE, MAGNET, B	
2	FC6-3002-000		2	RING, RESIN, RETAINING	
3	FC8-4000-000		1	COVER, MAIN SWITCH	
5	FC8-5086-000		1	FILTER, AIR	
6	FE3-9087-000		1	COVER, ENV. HEATER SWITCH	
7	FE3-9178-000		3	CAP	
8	FE4-1818-000		1	LABEL, TONER	
9	FE4-1987-000		1	COVER, INNER DELIVERY, LF REAR	
10	FE4-2009-000		1	COVER, INNER,DELV. REAR	
11	FE4-2010-000		1	COVER, LEFT UPPER	
12	FE4-2808-000		1	COVER, REAR UPPER, LEFT	
13	FE4-2809-000		1	HOLDER, SERVICE BOOK	
14	FE4-2811-000		1	COVER, ARM, UPPER	
15	FE4-3610-000		1	COVER, WASTE TONER ASSEMBLY	
16	FE4-3815-000		1	COVER, RIGHT, FRONT	
17	FE4-3816-000		1	COVER, RIGHT REAR	
18	FE4-3817-000		1	COVER, RIGHT FRONT, UPPER	
19	FE4-3818-000		1	COVER, RIGHT REAR, LOWER	
20	FE4-3849-000		1	COVER, HANDLE, RIGHT REAR	
21	FE4-4156-000		1	COVER, LOWER RIGHT	
22	FL1-1988-000		1	COVER, BELT, LEFT UPPER	
23	FE4-4819-000		2	CATCH, MAGNET, METAL	
24	FE4-5428-000		11	SEAL	
25	FE4-7420-000		1	COVER, BIAS PCB	
26	FL1-6629-000		1	COVER, CONNECTOR	
27	FE4-7477-000		1	COVER, DUCT, LEFT	
28	FE4-7487-000		1	STOPPER, PUSHING	
29	FE4-7494-000		2	COVER, HANDLE, LEFT	
30	FE4-7495-000		1	COVER, RIGHT FRONT HANDLE, MD.	
31	FE4-9267-000		1	COVER,INNER DELIVERY,RT. REAR	
32	FE4-9268-000		1	COVER, INNER DELIVERY SENSOR	
33	FE2-C324-000		1	LABEL, MULTIPLE	SEE NOTE
34	FM1-M093-000		1	MOTION SENSOR PCB ASSEMBLY	
35	FL0-4181-010		1	COVER, REAR UPPER	
36	FL0-4190-000		1	LABEL, SERVICE	
37	FL0-7516-000		2	SEAL, BLANKING	
38	FL1-0394-000		1	COVER, TONER	
39	FL2-9476-010		1	PAD, GLASS CLEANING	[DP]
40	FL2-9530-010		1	STOPPER, RIGHT DOOR, 2	
41	FM1-G221-000		1	INNER LOWER COVER ASSEMBLY	
42	FM1-G231-000		1	FRONT UPPER COVER ASSEMBLY	
43	FM1-G344-000		1	TONER COVER HINGE MOUNT ASS'Y	
44	FM1-G352-000		1	TONER COVER HINGE ASS'Y, RIGHT	

FIGURE & KEY NO.	PART NUMBER	RANK	QTY	DESCRIPTION	SERIAL NUMBER /REMARKS
45	FM1-G373-000		1	COVER ASSEMBLY, LEFT LOWER	
46	FM1-G601-000		1	RIGHT REAR UP. COVER ASSEMBLY	
47	FM1-G633-000		1	RIGHT FRONT UP. COVER ASSEMBLY	
48	FM1-G643-000		1	REAR LOWER COVER ASSEMBLY	
49	FM3-5968-030		1	GLASS CLEANING ROD ASSEMBLY	
50	XZ9-0603-000		1	CATCH, MAGNET	
51	FE4-4841-000		1	COVER,MULTI PAPER PICK-UP WIRE	
52	FU2-2390-000		1	SCREW, STEPPED, M4	
53	FE4-7425-000		1	SUPPORT, PAPER DELIVERY TRAY	
54	FM1-N784-000		1	WIRELESS NETWORK PCB ASSEMBLY	
55	XA9-0732-010		25	SCREW,RS,M4X8	
56	XA9-1386-000		15	SCREW,RS,M3X8	
57	FE4-3035-000		1	LABEL, OPERATOR CAUTION	

Figure 100AJ (1/2)EXTERNAL COVERS, PANELS, ETC. (230V C5560i)

NOTE : Several kinds of labels are attached on the board for the parts of Key No. 33.

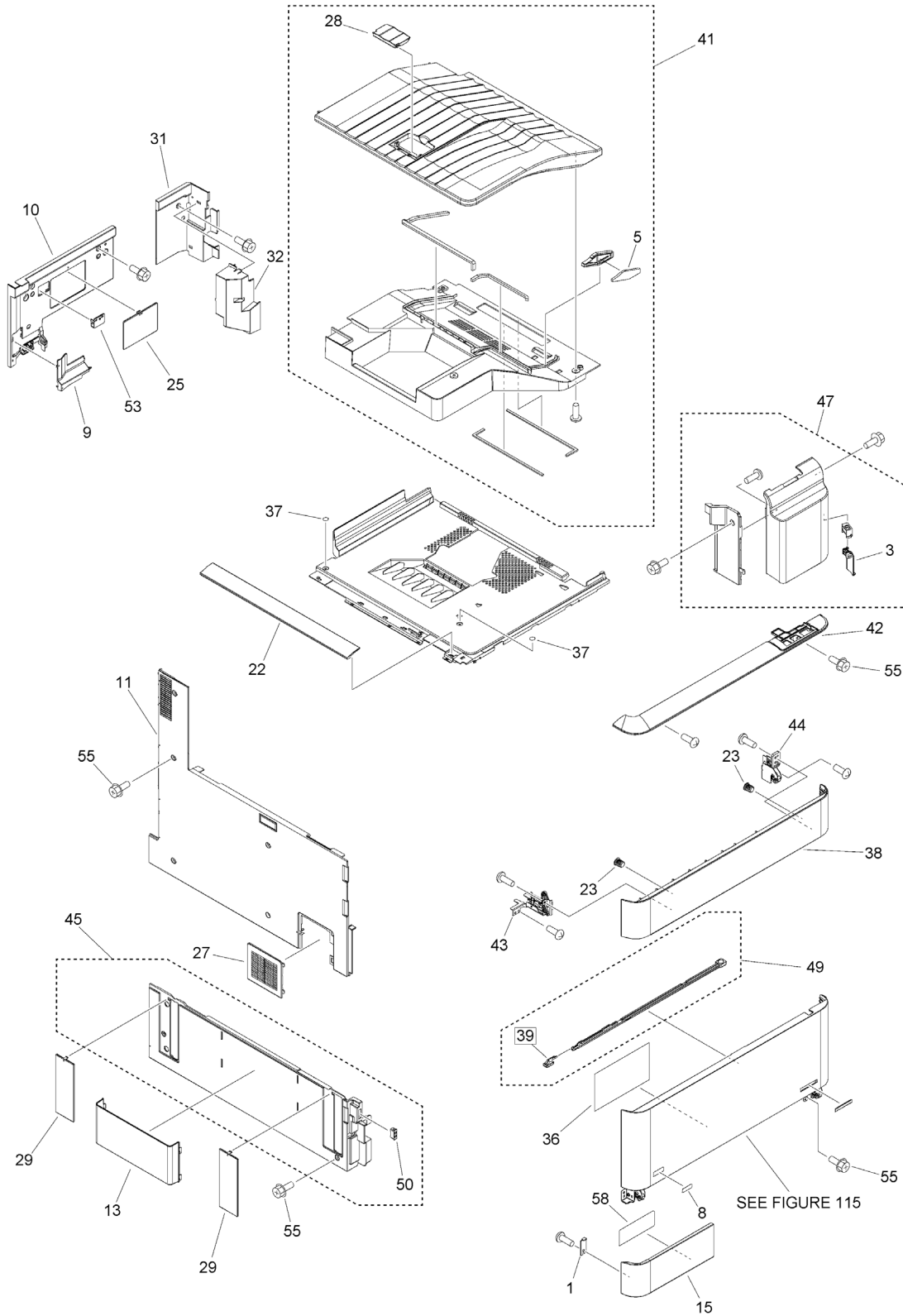


Figure 100AJ (2/2) EXTERNAL COVERS, PANELS, ETC. (230V C5560i)

NOTE : Several kinds of labels are attached on the board for the parts of Key No. 33.

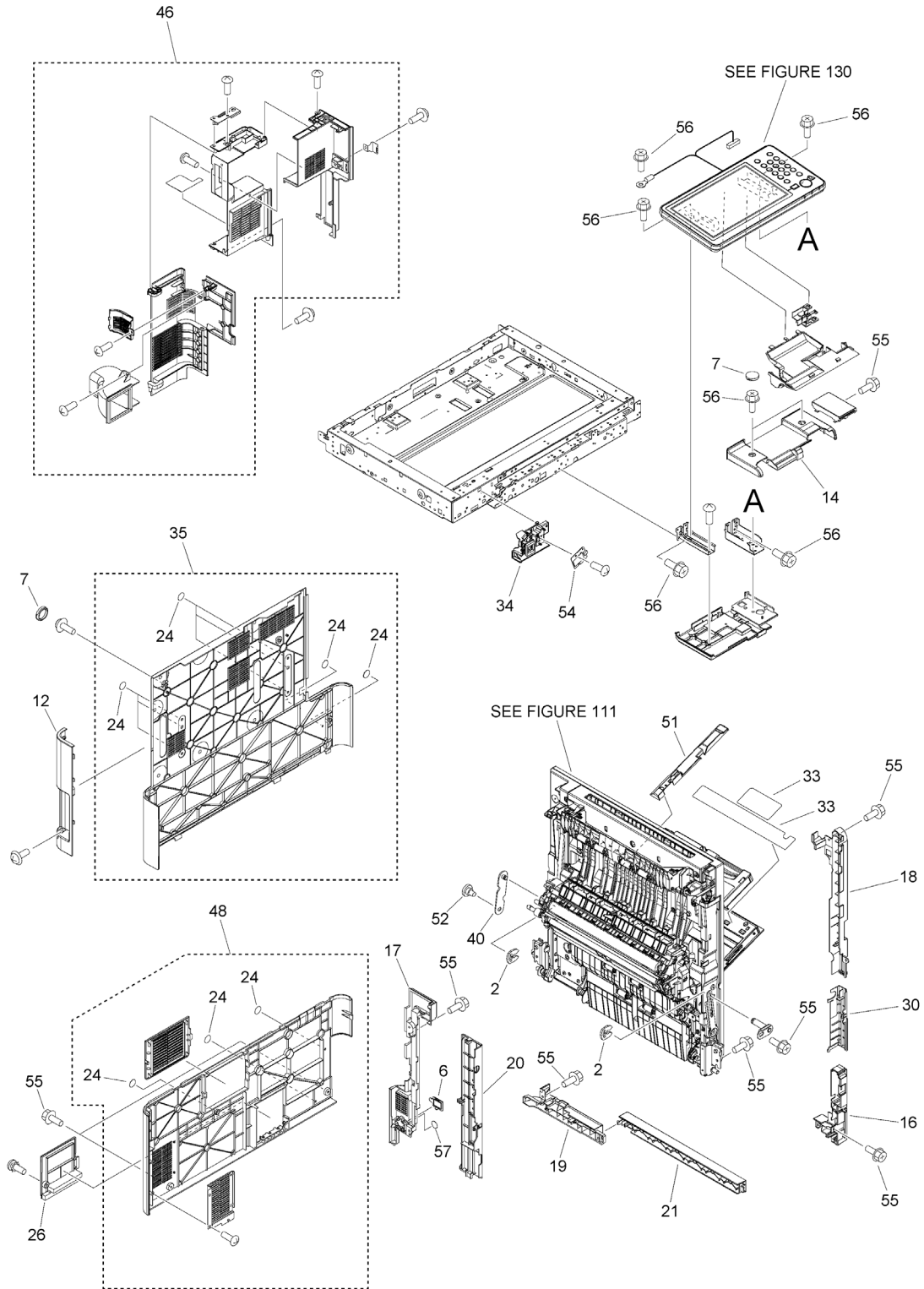


FIGURE & KEY NO.	PART NUMBER	RANK	QTY	DESCRIPTION	SERIAL NUMBER /REMARKS
100AJ	NPN		RF	EXTERNAL COVERS, PANELS, ETC.	230V C5560i
1	FC6-1844-000		1	PLATE, MAGNET, B	
2	FC6-3002-000		2	RING, RESIN, RETAINING	
3	FC8-4000-000		1	COVER, MAIN SWITCH	
5	FC8-5086-000		1	FILTER, AIR	
6	FE3-9087-000		1	COVER, ENV. HEATER SWITCH	
7	FE3-9178-000		3	CAP	
8	FE4-1818-000		1	LABEL, TONER	
9	FE4-1987-000		1	COVER, INNER DELIVERY, LF REAR	
10	FE4-2009-000		1	COVER, INNER,DELV. REAR	
11	FE4-2010-000		1	COVER, LEFT UPPER	
12	FE4-2808-000		1	COVER, REAR UPPER, LEFT	
13	FE4-2809-000		1	HOLDER, SERVICE BOOK	
14	FE4-2811-000		1	COVER, ARM, UPPER	
15	FE4-3610-000		1	COVER, WASTE TONER ASSEMBLY	
16	FE4-3815-000		1	COVER, RIGHT, FRONT	
17	FE4-3816-000		1	COVER, RIGHT REAR	
18	FE4-3817-000		1	COVER, RIGHT FRONT, UPPER	
19	FE4-3818-000		1	COVER, RIGHT REAR, LOWER	
20	FE4-3849-000		1	COVER, HANDLE, RIGHT REAR	
21	FE4-4156-000		1	COVER, LOWER RIGHT	
22	FL1-1988-000		1	COVER, BELT, LEFT UPPER	
23	FE4-4819-000		2	CATCH, MAGNET, METAL	
24	FE4-5428-000		11	SEAL	
25	FE4-7420-000		1	COVER, BIAS PCB	
26	FL1-6629-000		1	COVER, CONNECTOR	
27	FE4-7477-000		1	COVER, DUCT, LEFT	
28	FE4-7487-000		1	STOPPER, PUSHING	
29	FE4-7494-000		2	COVER, HANDLE, LEFT	
30	FE4-7495-000		1	COVER, RIGHT FRONT HANDLE, MD.	
31	FE4-9267-000		1	COVER,INNER DELIVERY,RT. REAR	
32	FE4-9268-000		1	COVER, INNER DELIVERY SENSOR	
33	FE2-C324-000		1	LABEL, MULTIPLE	SEE NOTE
34	FM1-M093-000		1	MOTION SENSOR PCB ASSEMBLY	
35	FL0-4181-010		1	COVER, REAR UPPER	
36	FL0-4190-000		1	LABEL, SERVICE	
37	FL0-7516-000		2	SEAL, BLANKING	
38	FL1-0394-000		1	COVER, TONER	
39	FL2-9476-010		1	PAD, GLASS CLEANING	[DP]
40	FL2-9530-010		1	STOPPER, RIGHT DOOR, 2	
41	FM1-G221-000		1	INNER LOWER COVER ASSEMBLY	
42	FM1-G231-000		1	FRONT UPPER COVER ASSEMBLY	
43	FM1-G344-000		1	TONER COVER HINGE MOUNT ASS'Y	
44	FM1-G352-000		1	TONER COVER HINGE ASS'Y, RIGHT	

FIGURE & KEY NO.	PART NUMBER	RANK	QTY	DESCRIPTION	SERIAL NUMBER /REMARKS
45	FM1-G373-000		1	COVER ASSEMBLY, LEFT LOWER	
46	FM1-G601-000		1	RIGHT REAR UP. COVER ASSEMBLY	
47	FM1-G633-000		1	RIGHT FRONT UP. COVER ASSEMBLY	
48	FM1-G643-000		1	REAR LOWER COVER ASSEMBLY	
49	FM3-5968-030		1	GLASS CLEANING ROD ASSEMBLY	
50	XZ9-0603-000		1	CATCH, MAGNET	
51	FE4-4841-000		1	COVER,MULTI PAPER PICK-UP WIRE	
52	FU2-2390-000		1	SCREW, STEPPED, M4	
53	FE4-7425-000		1	SUPPORT, PAPER DELIVERY TRAY	
54	FM1-N784-000		1	WIRELESS NETWORK PCB ASSEMBLY	
55	XA9-0732-010		25	SCREW,RS,M4X8	
56	XA9-1386-000		15	SCREW,RS,M3X8	
57	FL1-0800-000		1	SEAL	
58	FE4-3035-000		1	LABEL, OPERATOR CAUTION	

Figure 100AK (1/2)EXTERNAL COVERS, PANELS, ETC. (230V C5550i)

NOTE : Several kinds of labels are attached on the board for the parts of Key No. 33.

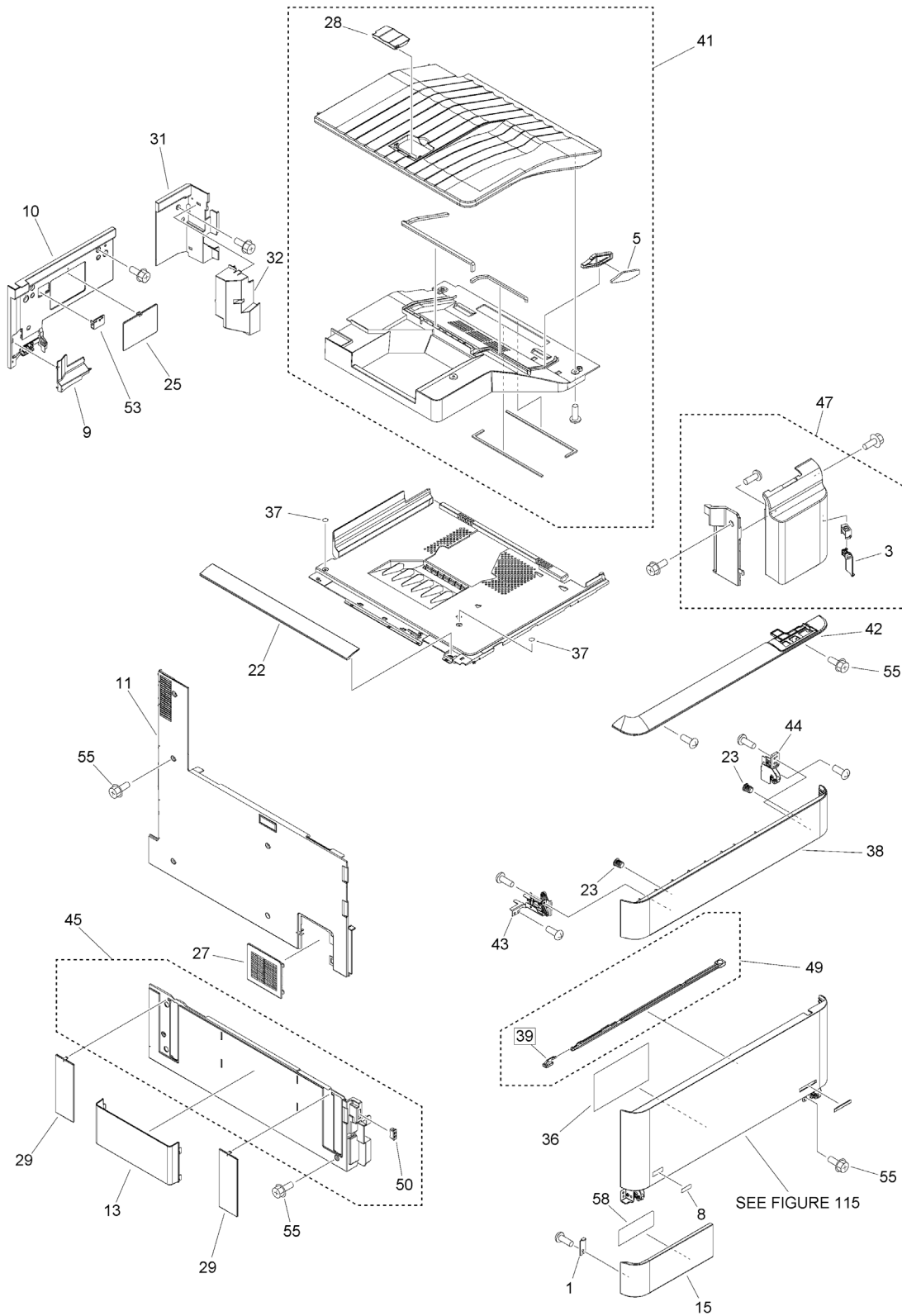


Figure 100AK (2/2) EXTERNAL COVERS, PANELS, ETC. (230V C5550i)

NOTE : Several kinds of labels are attached on the board for the parts of Key No. 33.

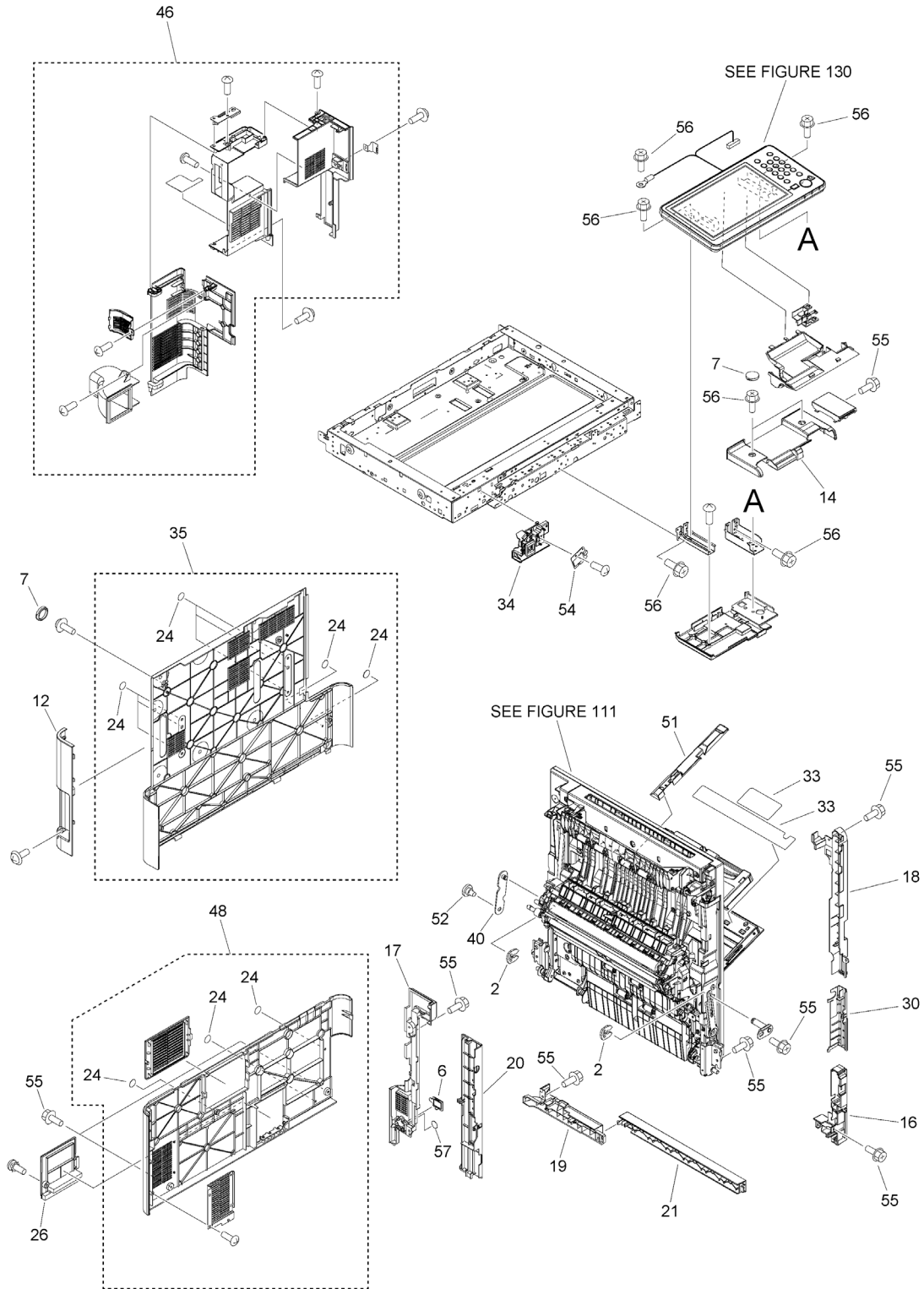


FIGURE & KEY NO.	PART NUMBER	RANK	QTY	DESCRIPTION	SERIAL NUMBER /REMARKS
100AK	NPN		RF	EXTERNAL COVERS, PANELS, ETC.	230V C5550i
1	FC6-1844-000		1	PLATE, MAGNET, B	
2	FC6-3002-000		2	RING, RESIN, RETAINING	
3	FC8-4000-000		1	COVER, MAIN SWITCH	
5	FC8-5086-000		1	FILTER, AIR	
6	FE3-9087-000		1	COVER, ENV. HEATER SWITCH	
7	FE3-9178-000		3	CAP	
8	FE4-1818-000		1	LABEL, TONER	
9	FE4-1987-000		1	COVER, INNER DELIVERY, LF REAR	
10	FE4-2009-000		1	COVER, INNER,DELV. REAR	
11	FE4-2010-000		1	COVER, LEFT UPPER	
12	FE4-2808-000		1	COVER, REAR UPPER, LEFT	
13	FE4-2809-000		1	HOLDER, SERVICE BOOK	
14	FE4-2811-000		1	COVER, ARM, UPPER	
15	FE4-3610-000		1	COVER, WASTE TONER ASSEMBLY	
16	FE4-3815-000		1	COVER, RIGHT, FRONT	
17	FE4-3816-000		1	COVER, RIGHT REAR	
18	FE4-3817-000		1	COVER, RIGHT FRONT, UPPER	
19	FE4-3818-000		1	COVER, RIGHT REAR, LOWER	
20	FE4-3849-000		1	COVER, HANDLE, RIGHT REAR	
21	FE4-4156-000		1	COVER, LOWER RIGHT	
22	FL1-1988-000		1	COVER, BELT, LEFT UPPER	
23	FE4-4819-000		2	CATCH, MAGNET, METAL	
24	FE4-5428-000		11	SEAL	
25	FE4-7420-000		1	COVER, BIAS PCB	
26	FL1-6629-000		1	COVER, CONNECTOR	
27	FE4-7477-000		1	COVER, DUCT, LEFT	
28	FE4-7487-000		1	STOPPER, PUSHING	
29	FE4-7494-000		2	COVER, HANDLE, LEFT	
30	FE4-7495-000		1	COVER, RIGHT FRONT HANDLE, MD.	
31	FE4-9267-000		1	COVER,INNER DELIVERY,RT. REAR	
32	FE4-9268-000		1	COVER, INNER DELIVERY SENSOR	
33	FE2-C324-000		1	LABEL, MULTIPLE	SEE NOTE
34	FM1-M093-000		1	MOTION SENSOR PCB ASSEMBLY	
35	FL0-4181-010		1	COVER, REAR UPPER	
36	FL0-4190-000		1	LABEL, SERVICE	
37	FL0-7516-000		2	SEAL, BLANKING	
38	FL1-0394-000		1	COVER, TONER	
39	FL2-9476-010		1	PAD, GLASS CLEANING	[DP]
40	FL2-9530-010		1	STOPPER, RIGHT DOOR, 2	
41	FM1-G221-000		1	INNER LOWER COVER ASSEMBLY	
42	FM1-G231-000		1	FRONT UPPER COVER ASSEMBLY	
43	FM1-G344-000		1	TONER COVER HINGE MOUNT ASS'Y	
44	FM1-G352-000		1	TONER COVER HINGE ASS'Y, RIGHT	

FIGURE & KEY NO.	PART NUMBER	RANK	QTY	DESCRIPTION	SERIAL NUMBER /REMARKS
45	FM1-G373-000		1	COVER ASSEMBLY, LEFT LOWER	
46	FM1-G601-000		1	RIGHT REAR UP. COVER ASSEMBLY	
47	FM1-G633-000		1	RIGHT FRONT UP. COVER ASSEMBLY	
48	FM1-G643-000		1	REAR LOWER COVER ASSEMBLY	
49	FM3-5968-030		1	GLASS CLEANING ROD ASSEMBLY	
50	XZ9-0603-000		1	CATCH, MAGNET	
51	FE4-4841-000		1	COVER,MULTI PAPER PICK-UP WIRE	
52	FU2-2390-000		1	SCREW, STEPPED, M4	
53	FE4-7425-000		1	SUPPORT, PAPER DELIVERY TRAY	
54	FM1-N784-000		1	WIRELESS NETWORK PCB ASSEMBLY	
55	XA9-0732-010		25	SCREW,RS,M4X8	
56	XA9-1386-000		15	SCREW,RS,M3X8	
57	FL1-0800-000		1	SEAL	
58	FE4-3035-000		1	LABEL, OPERATOR CAUTION	

Figure 100AL (1/2)EXTERNAL COVERS, PANELS, ETC. (230V C5540i)

NOTE : Several kinds of labels are attached on the board for the parts of Key No. 33.

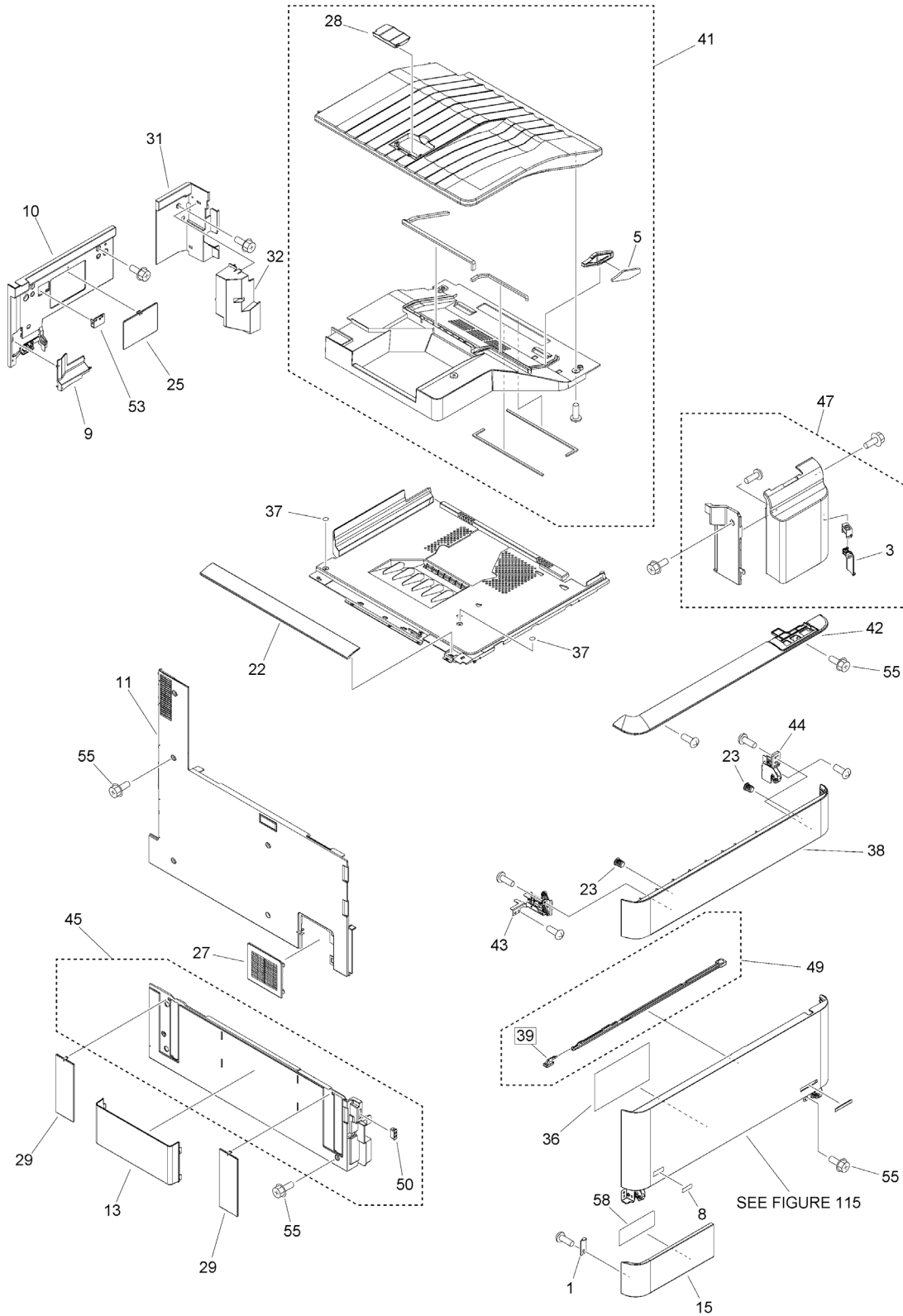


Figure 100AL (2/2) EXTERNAL COVERS, PANELS, ETC. (230V C5540i)

NOTE : Several kinds of labels are attached on the board for the parts of Key No. 33.

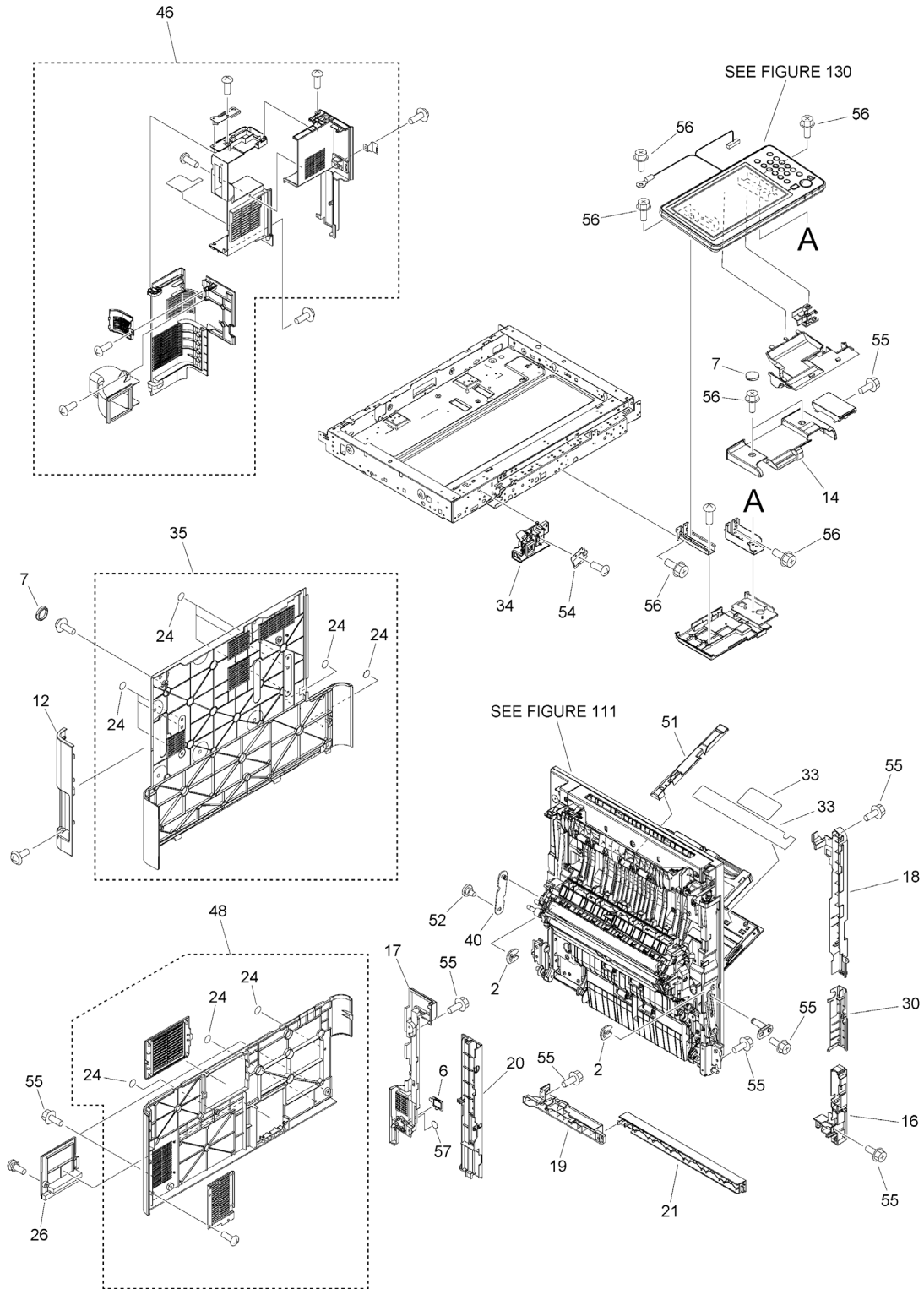


FIGURE & KEY NO.	PART NUMBER	RANK	QTY	DESCRIPTION	SERIAL NUMBER /REMARKS
100AL	NPN		RF	EXTERNAL COVERS, PANELS, ETC.	230V C5540i
1	FC6-1844-000		1	PLATE, MAGNET, B	
2	FC6-3002-000		2	RING, RESIN, RETAINING	
3	FC8-4000-000		1	COVER, MAIN SWITCH	
5	FC8-5086-000		1	FILTER, AIR	
6	FE3-9087-000		1	COVER, ENV. HEATER SWITCH	
7	FE3-9178-000		3	CAP	
8	FE4-1818-000		1	LABEL, TONER	
9	FE4-1987-000		1	COVER, INNER DELIVERY, LF REAR	
10	FE4-2009-000		1	COVER, INNER,DELV. REAR	
11	FE4-2010-000		1	COVER, LEFT UPPER	
12	FE4-2808-000		1	COVER, REAR UPPER, LEFT	
13	FE4-2809-000		1	HOLDER, SERVICE BOOK	
14	FE4-2811-000		1	COVER, ARM, UPPER	
15	FE4-3610-000		1	COVER, WASTE TONER ASSEMBLY	
16	FE4-3815-000		1	COVER, RIGHT, FRONT	
17	FE4-3816-000		1	COVER, RIGHT REAR	
18	FE4-3817-000		1	COVER, RIGHT FRONT, UPPER	
19	FE4-3818-000		1	COVER, RIGHT REAR, LOWER	
20	FE4-3849-000		1	COVER, HANDLE, RIGHT REAR	
21	FE4-4156-000		1	COVER, LOWER RIGHT	
22	FL1-1988-000		1	COVER, BELT, LEFT UPPER	
23	FE4-4819-000		2	CATCH, MAGNET, METAL	
24	FE4-5428-000		11	SEAL	
25	FE4-7420-000		1	COVER, BIAS PCB	
26	FL1-6629-000		1	COVER, CONNECTOR	
27	FE4-7477-000		1	COVER, DUCT, LEFT	
28	FE4-7487-000		1	STOPPER, PUSHING	
29	FE4-7494-000		2	COVER, HANDLE, LEFT	
30	FE4-7495-000		1	COVER, RIGHT FRONT HANDLE, MD.	
31	FE4-9267-000		1	COVER,INNER DELIVERY,RT. REAR	
32	FE4-9268-000		1	COVER, INNER DELIVERY SENSOR	
33	FE2-C324-000		1	LABEL, MULTIPLE	SEE NOTE
34	FM1-M093-000		1	MOTION SENSOR PCB ASSEMBLY	
35	FL0-4181-010		1	COVER, REAR UPPER	
36	FL0-4190-000		1	LABEL, SERVICE	
37	FL0-7516-000		2	SEAL, BLANKING	
38	FL1-0394-000		1	COVER, TONER	
39	FL2-9476-010		1	PAD, GLASS CLEANING	[DP]
40	FL2-9530-010		1	STOPPER, RIGHT DOOR, 2	
41	FM1-G221-000		1	INNER LOWER COVER ASSEMBLY	
42	FM1-G231-000		1	FRONT UPPER COVER ASSEMBLY	
43	FM1-G344-000		1	TONER COVER HINGE MOUNT ASS'Y	
44	FM1-G352-000		1	TONER COVER HINGE ASS'Y, RIGHT	

FIGURE & KEY NO.	PART NUMBER	RANK	QTY	DESCRIPTION	SERIAL NUMBER /REMARKS
45	FM1-G373-000		1	COVER ASSEMBLY, LEFT LOWER	
46	FM1-G601-000		1	RIGHT REAR UP. COVER ASSEMBLY	
47	FM1-G633-000		1	RIGHT FRONT UP. COVER ASSEMBLY	
48	FM1-G643-000		1	REAR LOWER COVER ASSEMBLY	
49	FM3-5968-030		1	GLASS CLEANING ROD ASSEMBLY	
50	XZ9-0603-000		1	CATCH, MAGNET	
51	FE4-4841-000		1	COVER,MULTI PAPER PICK-UP WIRE	
52	FU2-2390-000		1	SCREW, STEPPED, M4	
53	FE4-7425-000		1	SUPPORT, PAPER DELIVERY TRAY	
54	FM1-N784-000		1	WIRELESS NETWORK PCB ASSEMBLY	
55	XA9-0732-010		25	SCREW,RS,M4X8	
56	XA9-1386-000		15	SCREW,RS,M3X8	
57	FL1-0800-000		1	SEAL	
58	FE4-3035-000		1	LABEL, OPERATOR CAUTION	

Figure 100AM (1/2)EXTERNAL COVERS, PANELS, ETC. (230V C5535i)

NOTE : Several kinds of labels are attached on the board for the parts of Key No. 33.

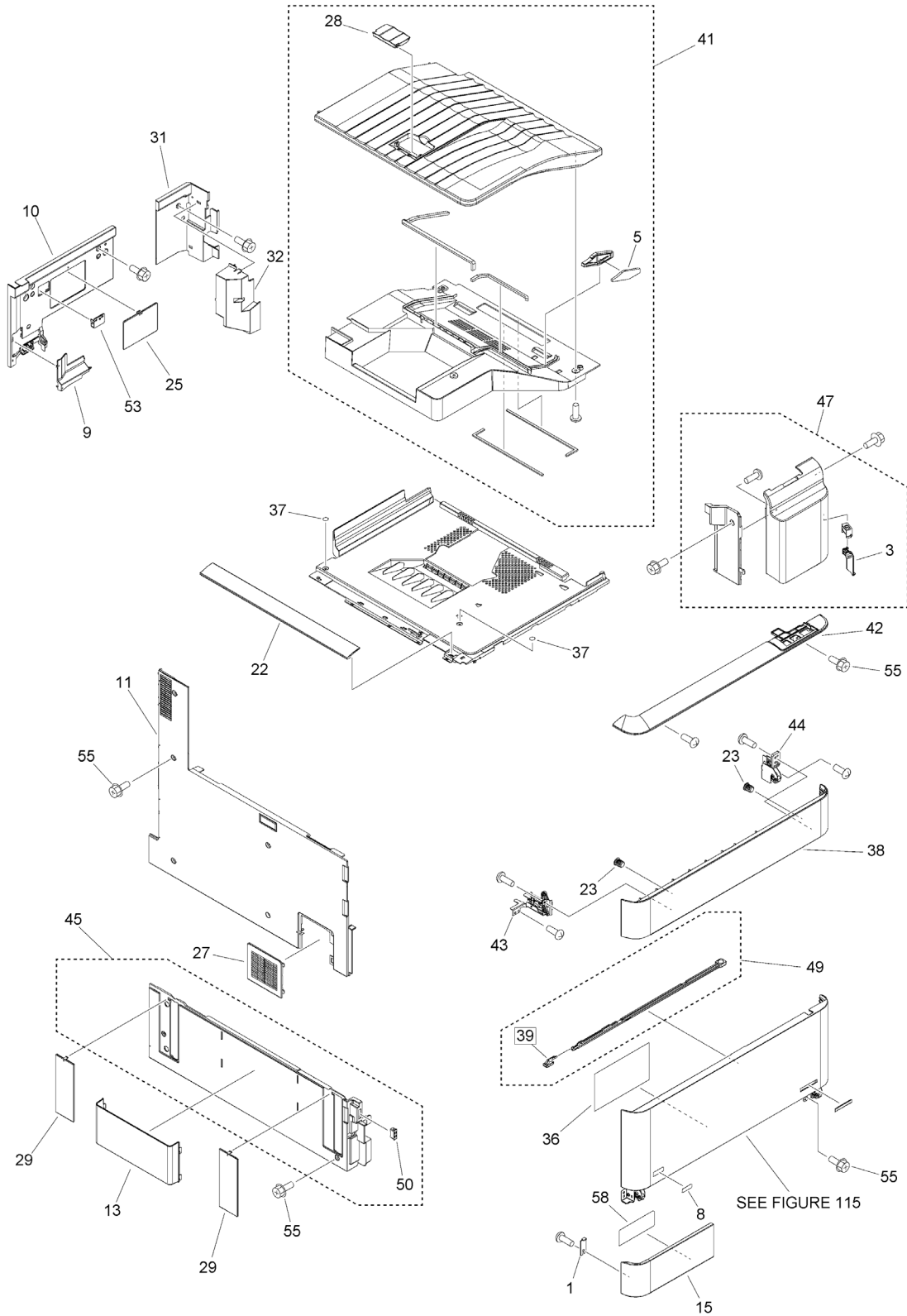


Figure 100AM (2/2) EXTERNAL COVERS, PANELS, ETC. (230V C5535i)

NOTE : Several kinds of labels are attached on the board for the parts of Key No. 33.

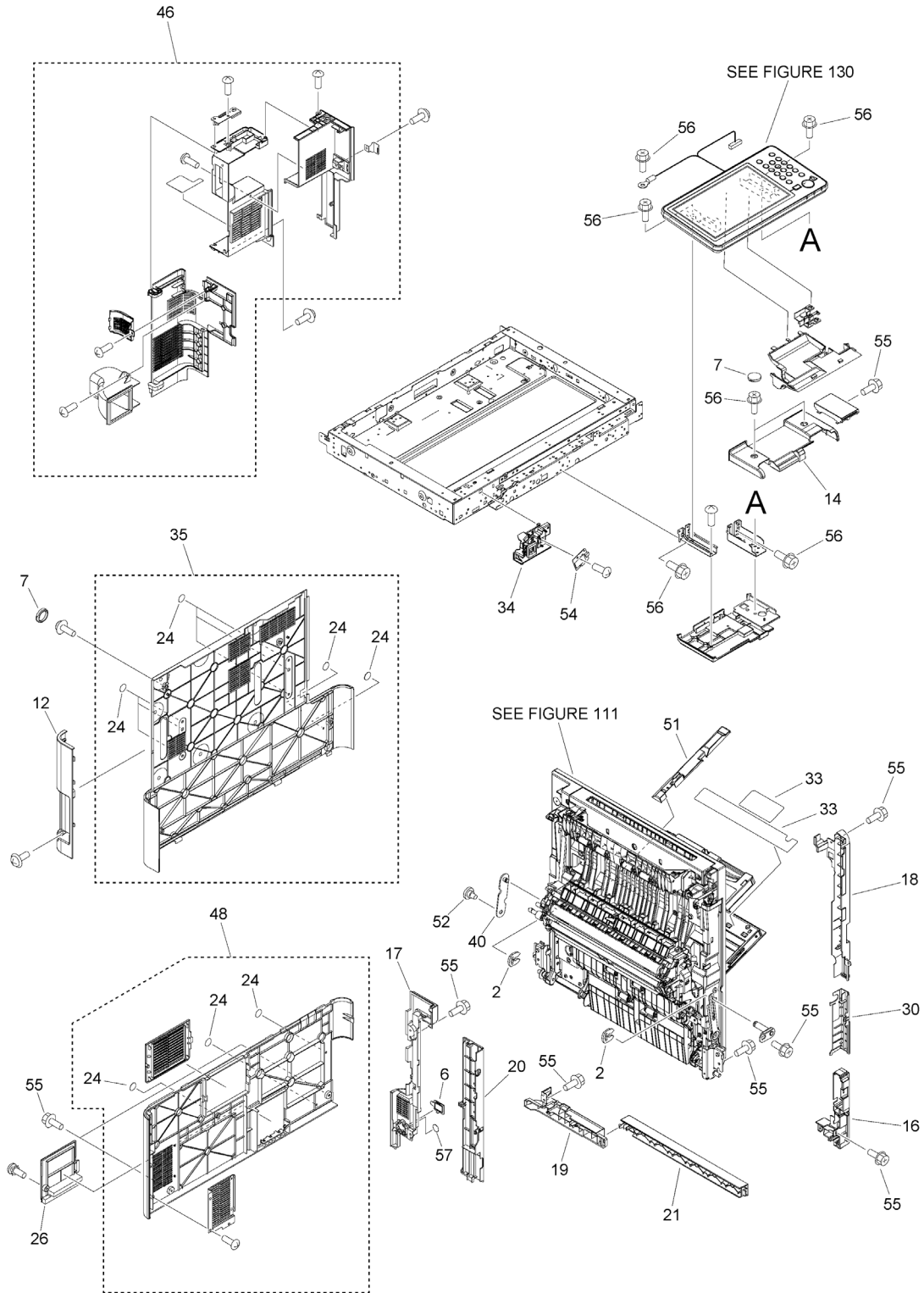


FIGURE & KEY NO.	PART NUMBER	RANK	QTY	DESCRIPTION	SERIAL NUMBER /REMARKS
100AM	NPN		RF	EXTERNAL COVERS, PANELS, ETC.	230V C5535i
1	FC6-1844-000		1	PLATE, MAGNET, B	
2	FC6-3002-000		2	RING, RESIN, RETAINING	
3	FC8-4000-000		1	COVER, MAIN SWITCH	
5	FC8-5086-000		1	FILTER, AIR	
6	FE3-9087-000		1	COVER, ENV. HEATER SWITCH	
7	FE3-9178-000		3	CAP	
8	FE4-1818-000		1	LABEL, TONER	
9	FE4-1987-000		1	COVER, INNER DELIVERY, LF REAR	
10	FE4-2009-000		1	COVER, INNER,DELV. REAR	
11	FE4-2010-000		1	COVER, LEFT UPPER	
12	FE4-2808-000		1	COVER, REAR UPPER, LEFT	
13	FE4-2809-000		1	HOLDER, SERVICE BOOK	
14	FE4-2811-000		1	COVER, ARM, UPPER	
15	FE4-3610-000		1	COVER, WASTE TONER ASSEMBLY	
16	FE4-3815-000		1	COVER, RIGHT, FRONT	
17	FE4-3816-000		1	COVER, RIGHT REAR	
18	FE4-3817-000		1	COVER, RIGHT FRONT, UPPER	
19	FE4-3818-000		1	COVER, RIGHT REAR, LOWER	
20	FE4-3849-000		1	COVER, HANDLE, RIGHT REAR	
21	FE4-4156-000		1	COVER, LOWER RIGHT	
22	FL1-1988-000		1	COVER, BELT, LEFT UPPER	
23	FE4-4819-000		2	CATCH, MAGNET, METAL	
24	FE4-5428-000		11	SEAL	
25	FE4-7420-000		1	COVER, BIAS PCB	
26	FL1-6629-000		1	COVER, CONNECTOR	
27	FE4-7477-000		1	COVER, DUCT, LEFT	
28	FE4-7487-000		1	STOPPER, PUSHING	
29	FE4-7494-000		2	COVER, HANDLE, LEFT	
30	FE4-7495-000		1	COVER, RIGHT FRONT HANDLE, MD.	
31	FE4-9267-000		1	COVER,INNER DELIVERY,RT. REAR	
32	FE4-9268-000		1	COVER, INNER DELIVERY SENSOR	
33	FE2-C324-000		1	LABEL, MULTIPLE	SEE NOTE
34	FM1-M093-000		1	MOTION SENSOR PCB ASSEMBLY	
35	FL0-4181-010		1	COVER, REAR UPPER	
36	FL0-4190-000		1	LABEL, SERVICE	
37	FL0-7516-000		2	SEAL, BLANKING	
38	FL1-0394-000		1	COVER, TONER	
39	FL2-9476-010		1	PAD, GLASS CLEANING	[DP]
40	FL2-9530-010		1	STOPPER, RIGHT DOOR, 2	
41	FM1-G221-000		1	INNER LOWER COVER ASSEMBLY	
42	FM1-G231-000		1	FRONT UPPER COVER ASSEMBLY	
43	FM1-G344-000		1	TONER COVER HINGE MOUNT ASS'Y	
44	FM1-G352-000		1	TONER COVER HINGE ASS'Y, RIGHT	

FIGURE & KEY NO.	PART NUMBER	RANK	QTY	DESCRIPTION	SERIAL NUMBER /REMARKS
45	FM1-G373-000		1	COVER ASSEMBLY, LEFT LOWER	
46	FM1-G601-000		1	RIGHT REAR UP. COVER ASSEMBLY	
47	FM1-G633-000		1	RIGHT FRONT UP. COVER ASSEMBLY	
48	FM1-G643-000		1	REAR LOWER COVER ASSEMBLY	
49	FM3-5968-030		1	GLASS CLEANING ROD ASSEMBLY	
50	XZ9-0603-000		1	CATCH, MAGNET	
51	FE4-4841-000		1	COVER,MULTI PAPER PICK-UP WIRE	
52	FU2-2390-000		1	SCREW, STEPPED, M4	
53	FE4-7425-000		1	SUPPORT, PAPER DELIVERY TRAY	
54	FM1-N784-000		1	WIRELESS NETWORK PCB ASSEMBLY	
55	XA9-0732-010		25	SCREW,RS,M4X8	
56	XA9-1386-000		15	SCREW,RS,M3X8	
57	FL1-0800-000		1	SEAL	
58	FE4-3035-000		1	LABEL, OPERATOR CAUTION	

Figure 101 INTERNAL COMPONENTS 1

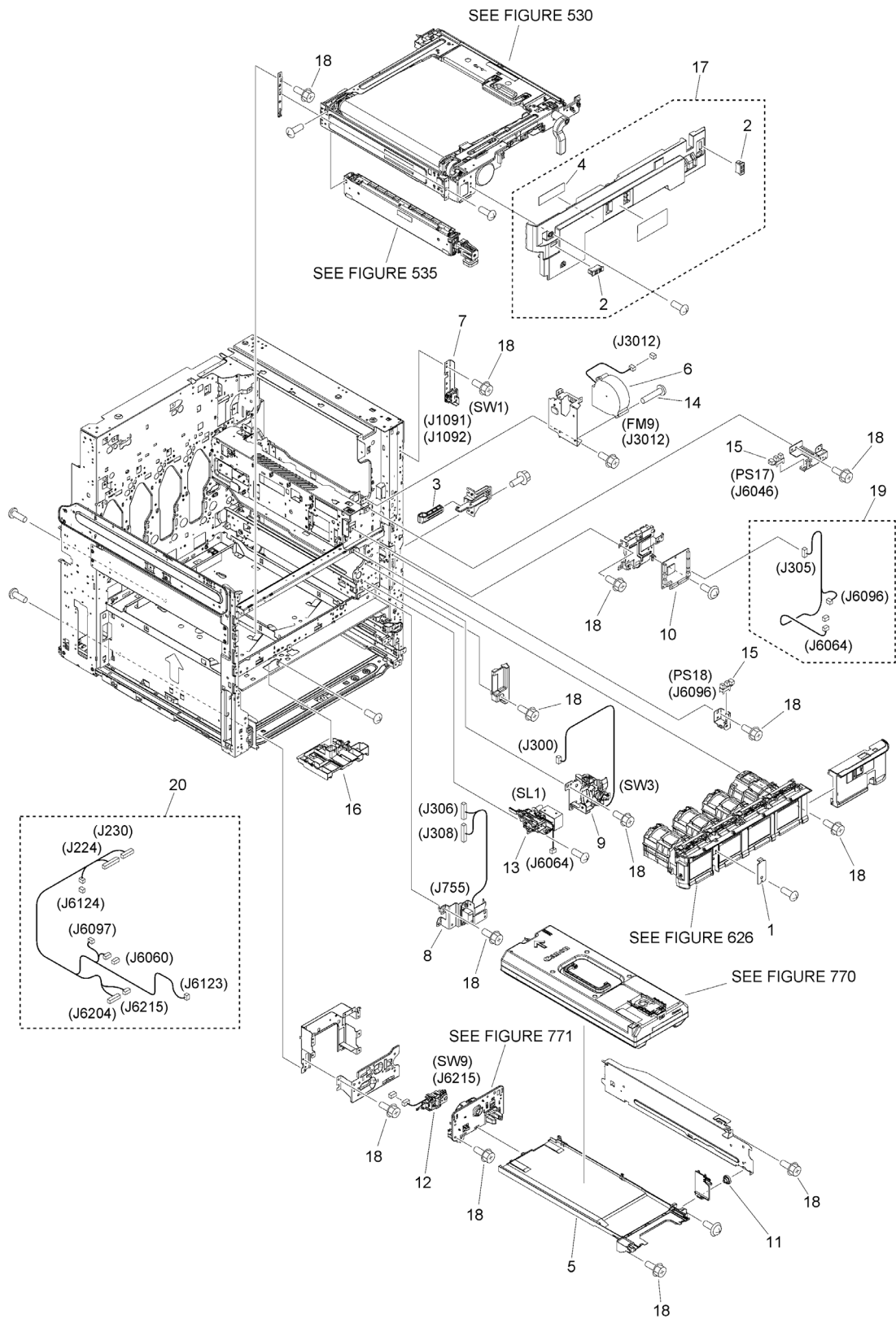


FIGURE & KEY NO.	PART NUMBER	RANK	QTY	DESCRIPTION	SERIAL NUMBER /REMARKS
101	NPN		RF	INTERNAL COMPONENTS 1	
1	FC6-1844-000		1	PLATE, MAGNET, B	
2	XZ9-0603-000		2	CATCH, MAGNET	
3	FC8-4202-000		1	LINK, MOVABLE	
4	FC9-7928-000		1	LABEL, BELT SENSOR CAUTION	
5	FE4-3608-000		1	COVER, WASTE TONER CASE	
6	FK2-7291-000		1	FAN	FM9
7	FM1-G618-000		1	MAIN SWITCH ASSEMBLY	SW1
8	FM1-V528-010		1	DRAWER ASSEMBLY	
9	FM1-V529-010		1	INTERLOCK SWITCH ASSEMBLY	SW3
10	FM2-J815-000		1	DRIVER PCB ASSEMBLY, FRONT	
11	FE8-1304-000		1	ROLLER, RAIL	
12	FM1-K250-010		1	AUTO SIZE DETECT ASSEMBLY	SW9
13	FM1-N636-000		1	PATT. READ SHUTTER DRIVE ASS'Y	SL1
14	XA9-2011-000		2	SCREW, MACH., TRUSS HEAD, M4X36	
15	WG8-5783-000		2	IC, PHOTO-INTERRUPTER, LG248NL1A	PS17, PS18
16	FM1-G358-000		1	SHUTTER ASSEMBLY	
17	FM1-H222-000		1	COVER, I.T.B., FRONT	
18	XA9-0732-010		29	SCREW, RS, M4X8	
19	FM2-H969-000		1	CABLE, LOAD	
20	FM2-H971-000		1	CABLE, WASTE TONER	

Figure 102B INTERNAL COMPONENTS 2

NOTE : Several kinds of labels are attached on the board for the parts of Key No. 2 and 7.

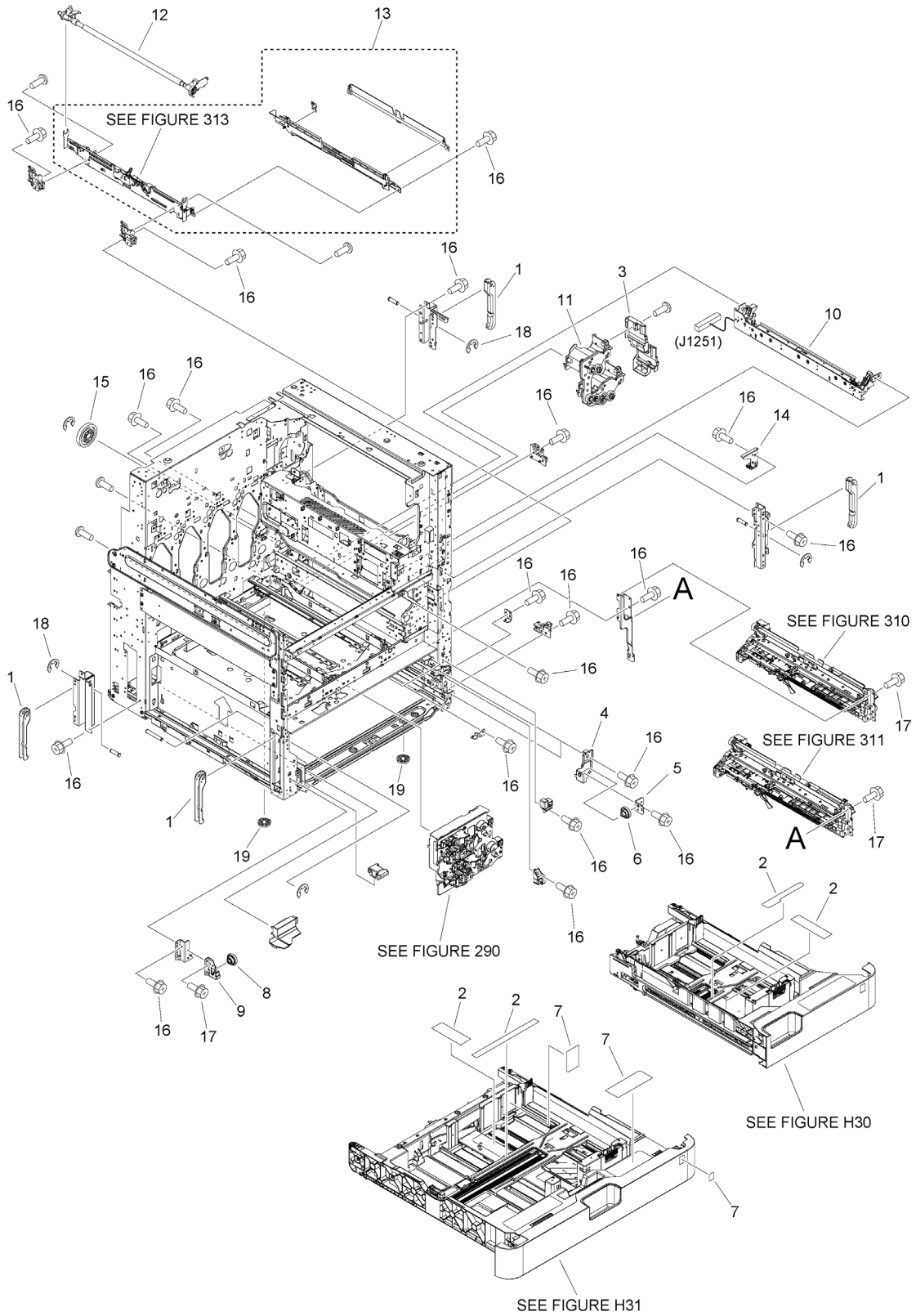


FIGURE & KEY NO.	PART NUMBER	RANK	QTY	DESCRIPTION	SERIAL NUMBER /REMARKS
102B	NPN		RF	INTERNAL COMPONENTS 2	
1	FB2-8094-020		4	KNOB, 1	
2	FE2-C320-000		1	LABEL, ENVELOPE	SEE NOTE
3	FE4-4151-000		1	COVER, PAPER PICK-UP CABLE	
4	FE4-4624-000		2	SUPPORT, CST. ROLLER, RIGHT 1	
5	FE4-4625-000		2	SUPPORT, CST. ROLLER, RIGHT 2	
6	FE8-1304-000		2	ROLLER, RAIL	
7	FE8-1364-000		1	LABEL, MULTIPLE	SEE NOTE
8	FE8-1713-000		1	ROLLER, RAIL	
9	FL1-0489-000		1	SUPPORT, CASSETTE ROLLER, LEFT	
10	FM1-G456-000		1	SENSOR UNIT, REG. PATCH	
11	FM1-G580-000		1	PAPER PICK-UP DRIVE ASSEMBLY	
12	FM1-H146-000		1	REGISTRATION ROLLER ASSEMBLY	
13	FM1-V453-000		1	PRE-REG. GUIDE ASSEMBLY SET	
14	FM3-8916-000		1	DRAWING LINK ASSY, FRONT	
15	FU2-2267-000		1	GEAR, 36T	
16	XA9-0732-010		22	SCREW,RS,M4X8	
17	XA9-1386-000		9	SCREW,RS,M3X8	
18	XD9-0137-010		2	RING, E	
19	FE2-H893-000		2	FOOT, RUBBER	

Figure 103B INTERNAL COMPONENTS 3

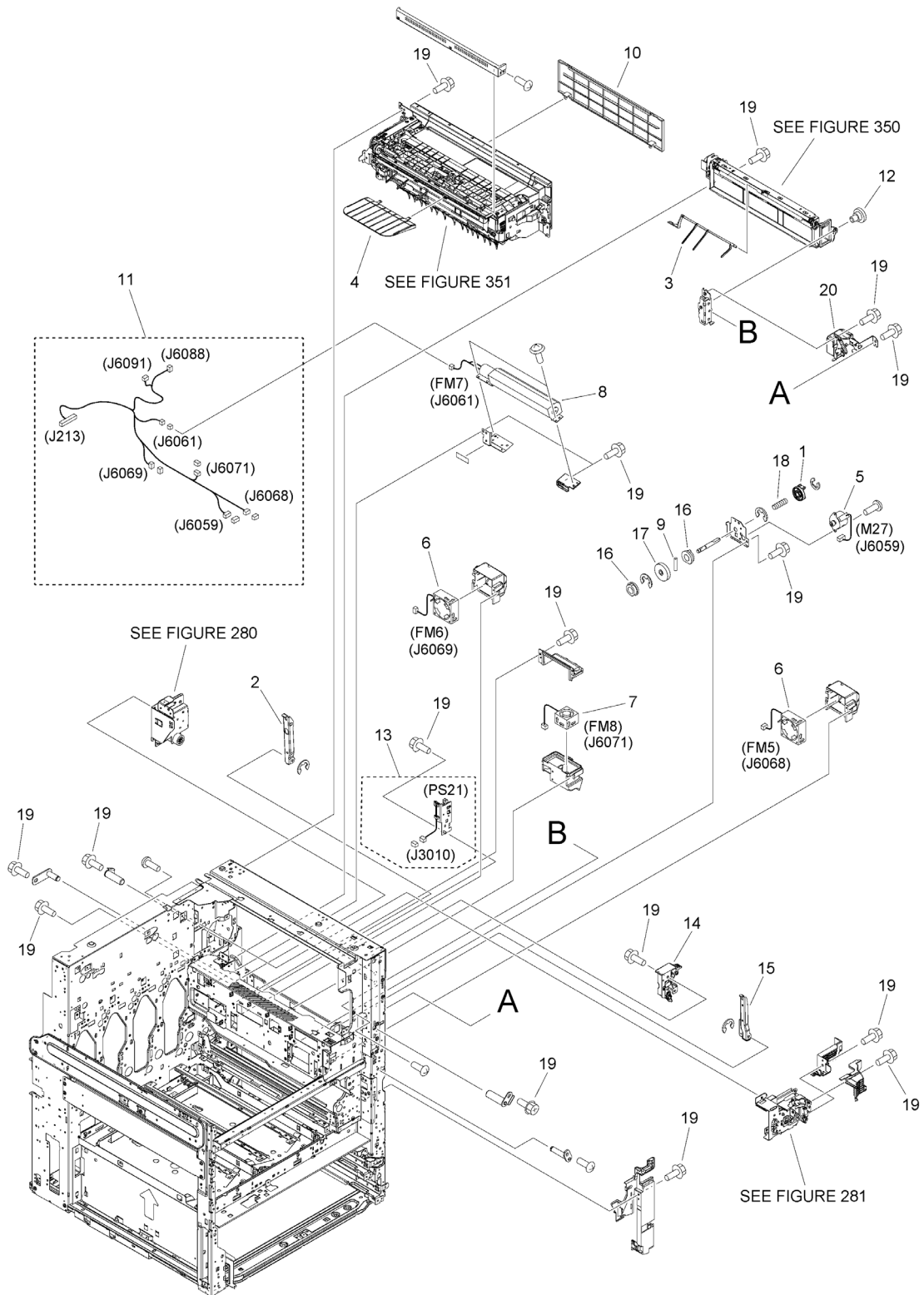


FIGURE & KEY NO.	PART NUMBER	RANK	QTY	DESCRIPTION	SERIAL NUMBER /REMARKS
103B	NPN		RF	INTERNAL COMPONENTS 3	
1	FC6-9556-000		1	COUPLING, FAN SHUTTER	
2	FC8-4909-010		1	RAIL, FIXING, REAR	
3	FE4-1985-000		1	LEVER, FULL DETECT	
4	FE4-7497-000		1	GUIDE, REVERSE BACK END	
5	FK2-2069-000		1	MOTOR, STEPPING, DC	M27
6	FK2-3679-000		2	FAN	FM5, FM6
7	FK2-7290-000		1	FAN	FM8
8	FK2-7362-010		1	FAN	FM7
9	XD9-0288-000		1	PIN, DOWEL	
10	FL0-5270-010		1	COVER, PAPER DELIVERY BLANKING	
11	FM2-H976-000		1	CABLE, SIDE END COOLING FAN	
12	FU2-2390-000		1	SCREW, STEPPED, M4	
13	FM1-G228-000		1	OPEN/CLOSE SENSOR ASSEMBLY	PS21
14	FM1-K437-000		1	PAPER DELIVERY DOOR HOOK ASS'Y	
15	FM3-6108-000		1	FIXING RAIL FRONT ASSEMBLY	
16	FS1-1508-000		2	BUSHING	
17	FU7-0318-000		1	GEAR, 50T	
18	FU7-2530-000		1	SPRING	
19	XA9-0732-010		35	SCREW,RS,M4X8	
20	FM3-6008-000		1	SUPPORT, TOGGLE, FRONT	

Figure 104 INTERNAL COMPONENTS 4

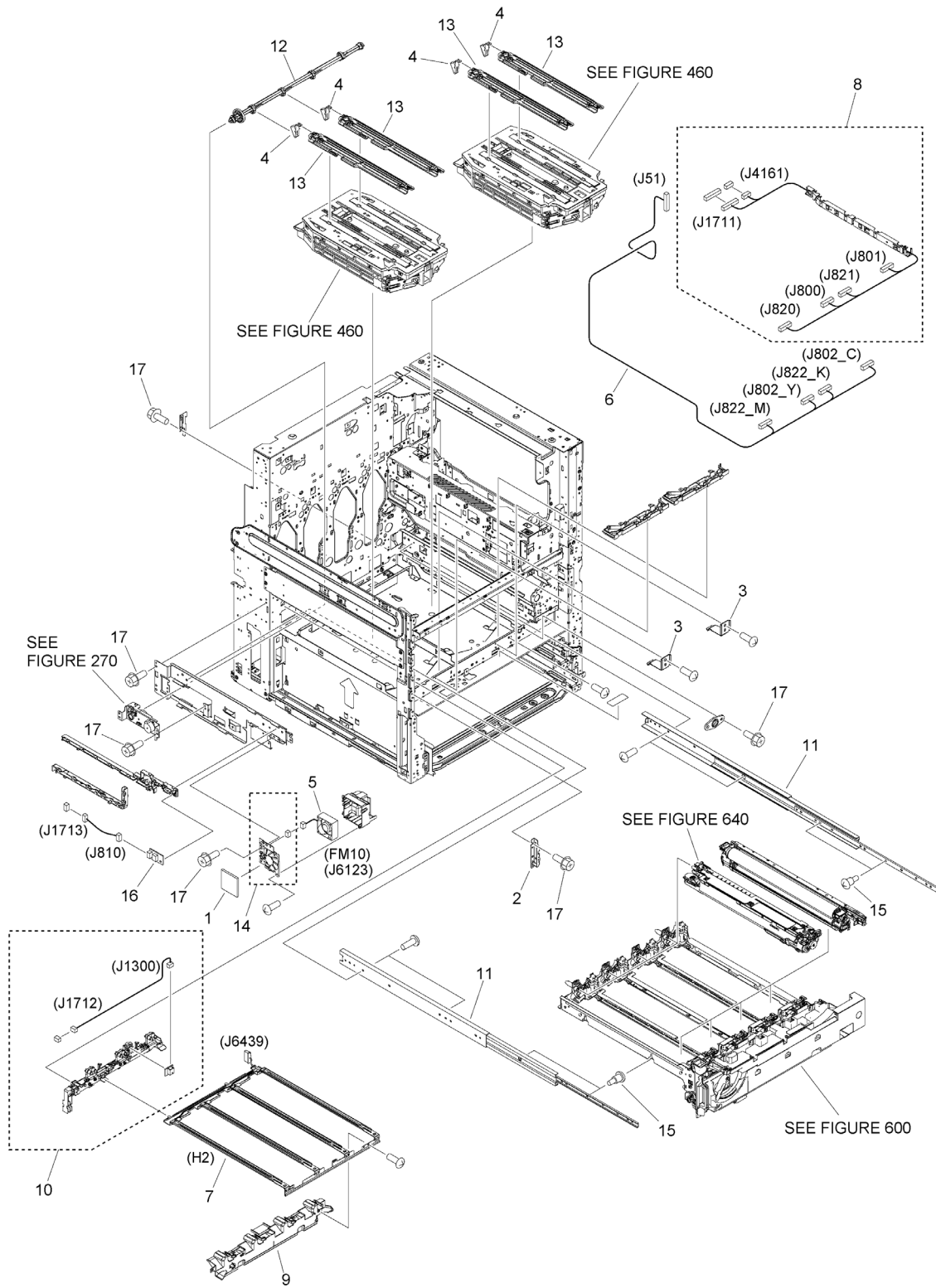


FIGURE & KEY NO.	PART NUMBER	RANK	QTY	DESCRIPTION	SERIAL NUMBER /REMARKS
104	NPN		RF	INTERNAL COMPONENTS 4	
1	FC6-4023-000		1	FILTER, AIR	
2	FC8-4014-000		1	CROSSMEMBER, PROCESS KIT FRAME	
3	FC8-5009-010		2	SPRING	
4	FC8-5013-000		4	SPRING, LEAF	
5	FK2-3679-000		1	FAN	FM10
6	FK4-1102-000		1	CABLE, COAXIAL	
7	FK4-1110-000		1	HEATER, DRUM	H2
8	FM1-G457-000		1	LASER SCANNER CABLE UNIT	
9	FM1-G597-000		1	IMAGING FRONT DUCT ASSEMBLY	
10	FM1-G603-000		1	IMAGING H.V. CONTACT ASS'Y, CL	
11	FM1-G610-000		2	RAIL CROSSMEMBER ASS'Y	
12	FM3-5927-020		1	SHUTTER CAM SHAFT ASSEMBLY	
13	FM3-5966-010		4	DUST-PROOF SHUTTER ASSEMBLY	
14	FM3-8896-010		1	FILTER HOLDER ASSEMBLY	
15	FU5-9447-000		4	SCREW, STEPPED, M4X6.3	
16	WP2-5410-000		1	SENSOR, HUMIDITY	
17	XA9-0732-010		12	SCREW,RS,M4X8	

Figure 105 INTERNAL COMPONENTS 5

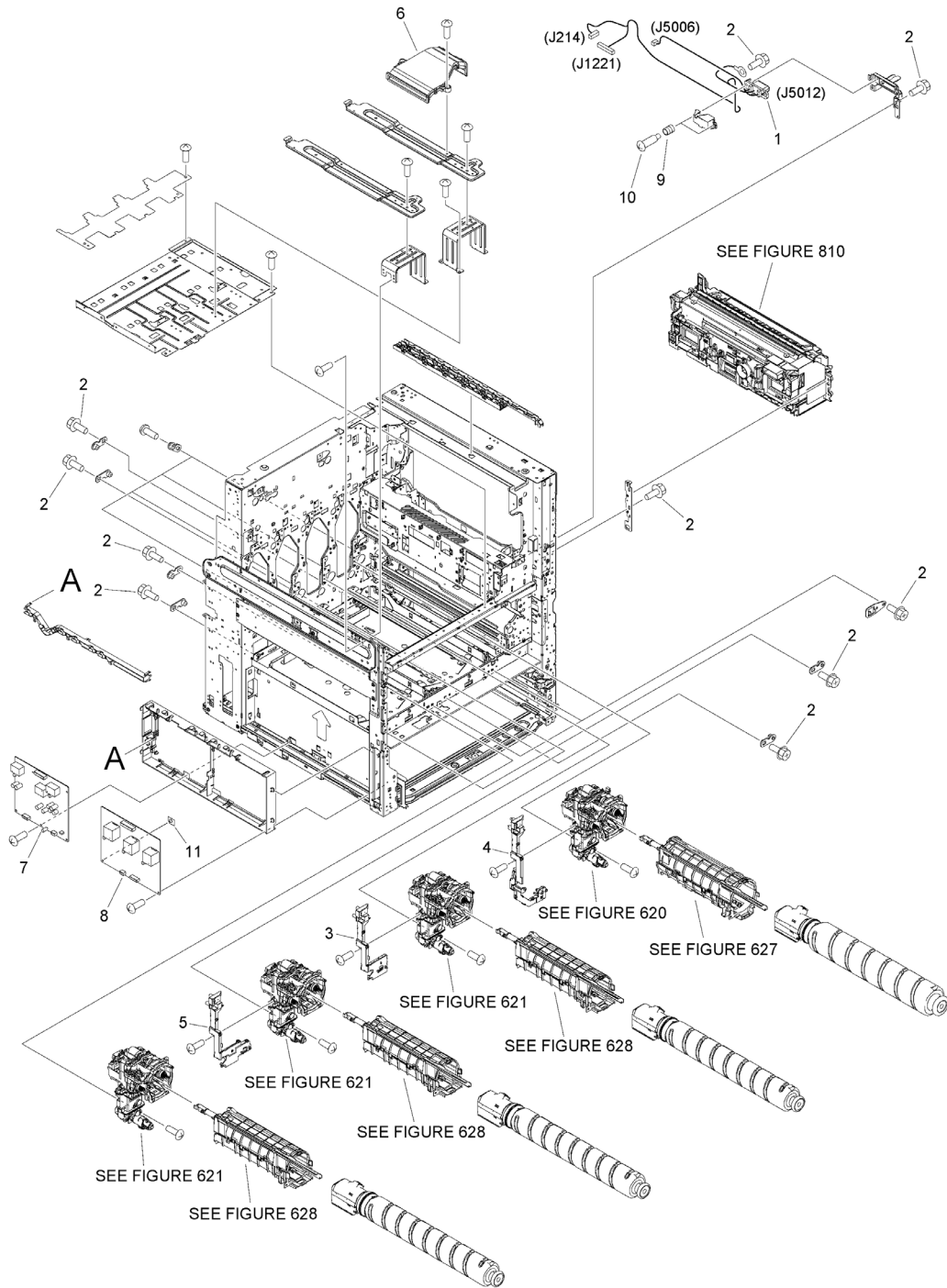


FIGURE & KEY NO.	PART NUMBER	RANK	QTY	DESCRIPTION	SERIAL NUMBER /REMARKS
105	NPN		RF	INTERNAL COMPONENTS 5	
1	FM2-H977-000		1	CABLE, FIXING DRAWER, 2	
2	XA9-0732-010		15	SCREW,RS,M4X8	
3	FM1-G317-000		1	HIGH VOLTAGE CONNECTING ASS'Y	
4	FM1-G323-000		1	CONNECTING HOLDER ASSEMBLY	
5	FM1-G341-000		1	HIGH VOLTAGE CONNECTING ASS'Y	
6	FM1-K164-000		1	INNER EXHAUST DUCT ASSEMBLY	
7	FM2-J805-000		1	DEV. HIGH VOLTAGE PCB ASSEMBLY	
8	FM2-J804-000		1	CORONA H.V. PCB ASSEMBLY	
9	FS5-2964-000		2	SPRING, COMPRESSION	
10	FS5-9758-020		2	SCREW, STEPPED, M3	
11	FL4-0180-000		1	SHEET, ADHESIVE	

Figure 106A MACHINE REAR PLATE 1 (100V, 120V TW, 230V)

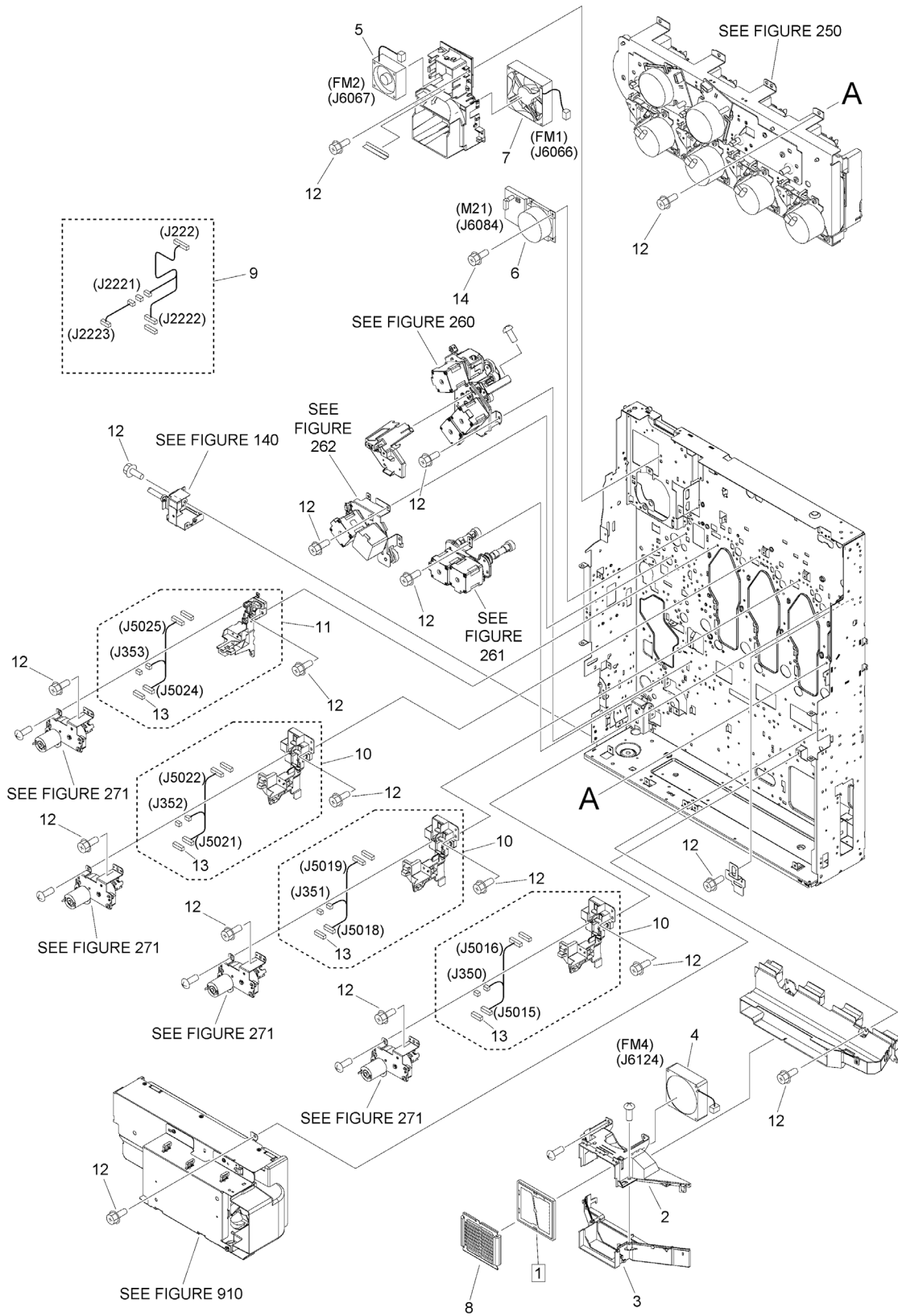


FIGURE & KEY NO.	PART NUMBER	RANK	QTY	DESCRIPTION	SERIAL NUMBER /REMARKS
106A	NPN		RF	MACHINE REAR PLATE 1	100V, 120V TW, 230V
1	FM1-P236-000		1	TONER FILTER ASSEMBLY	[DP]
2	FC8-4079-000		1	COVER, REAR DUCT, UPPER	
3	FC8-4080-000		1	COVER, REAR DUCT, LOWER	
4	FK2-0360-000		1	FAN	FM4
5	FK2-3679-000		1	FAN	FM2
6	FK2-7302-000		1	MOTOR, DC	M21
7	FL0-8154-000		1	FAN	FM1
8	FL3-3585-000		1	PLATE, FAN PROTECTIVE, REAR	
9	FM2-H980-000		1	CABLE, CASSETTE MOTOR	
10	FM1-G346-000		3	IMAGING H.V.CONTACT ASSEMBLY	
11	FM1-G347-000		1	SET ON DRIVE BLACK MOUNT ASS'Y	
12	XA9-0732-010		44	SCREW,RS,M4X8	
13	VS1-8412-007		4	CONNECTOR, SNAP TIGHT, BL	
14	XA9-1386-000		3	SCREW,RS,M3X8	

Figure 106B MACHINE REAR PLATE 1 (120V US, CA, LTN C5560i/50i)

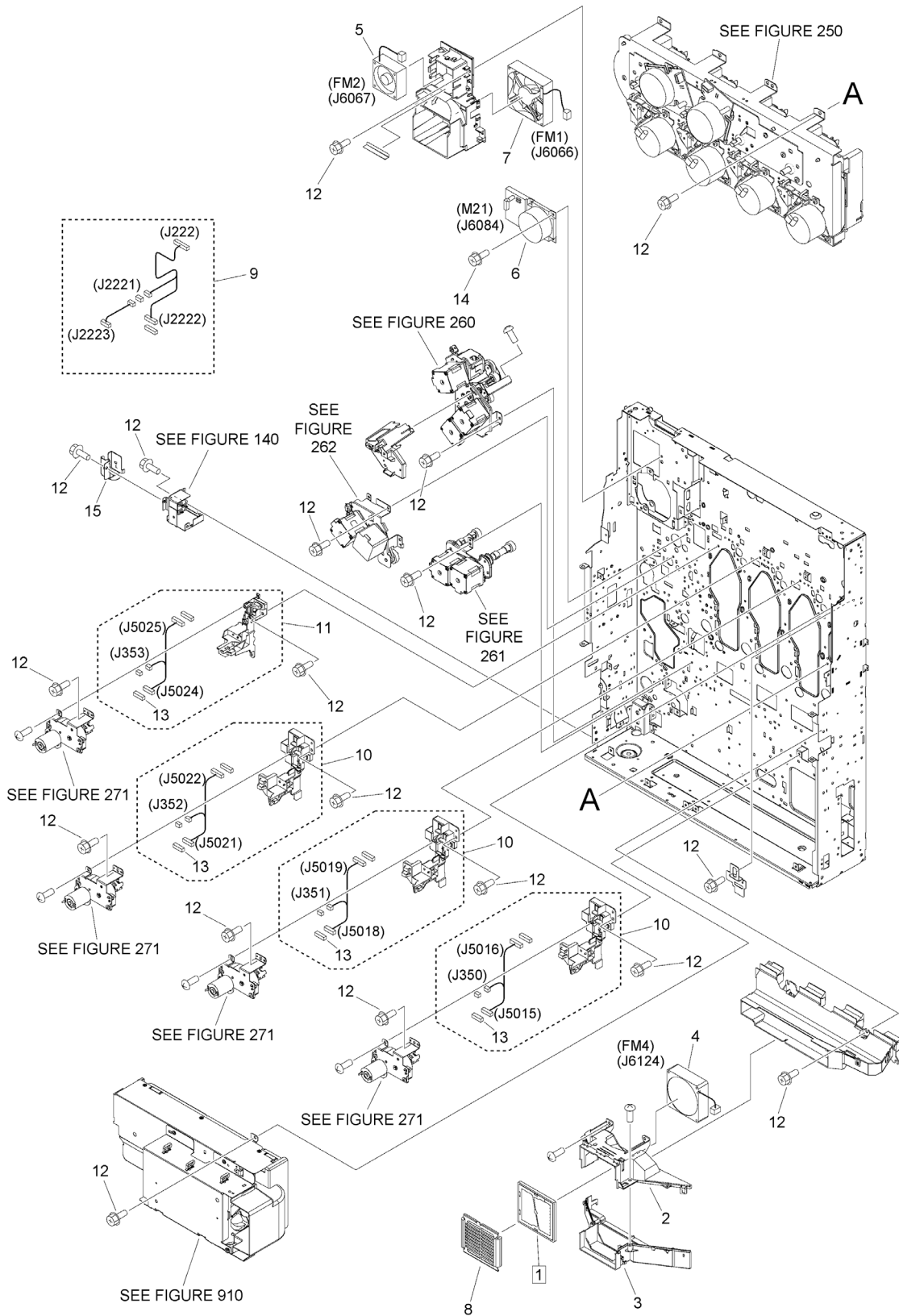


FIGURE & KEY NO.	PART NUMBER	RANK	QTY	DESCRIPTION	SERIAL NUMBER /REMARKS
106B	NPN		RF	MACHINE REAR PLATE 1	120V US, CA, LTN C5560i, C5550i
1	FM1-P236-000		1	TONER FILTER ASSEMBLY	[DP]
2	FC8-4079-000		1	COVER, REAR DUCT, UPPER	
3	FC8-4080-000		1	COVER, REAR DUCT, LOWER	
4	FK2-0360-000		1	FAN	FM4
5	FK2-3679-000		1	FAN	FM2
6	FK2-7302-000		1	MOTOR, DC	M21
7	FL0-8154-000		1	FAN	FM1
8	FL3-3585-000		1	PLATE, FAN PROTECTIVE, REAR	
9	FM2-H980-000		1	CABLE, CASSETTE MOTOR	
10	FM1-G346-000		3	IMAGING H.V.CONTACT ASSEMBLY	
11	FM1-G347-000		1	SET ON DRIVE BLACK MOUNT ASS'Y	
12	XA9-0732-010		45	SCREW,RS,M4X8	
13	VS1-8412-007		4	CONNECTOR, SNAP TIGHT, BL	
14	XA9-1386-000		3	SCREW,RS,M3X8	
15	FC0-5054-000		1	COVER, PLUG	

Figure 106C MACHINE REAR PLATE 1 (120V US, CA, LTN C5540i/35i)

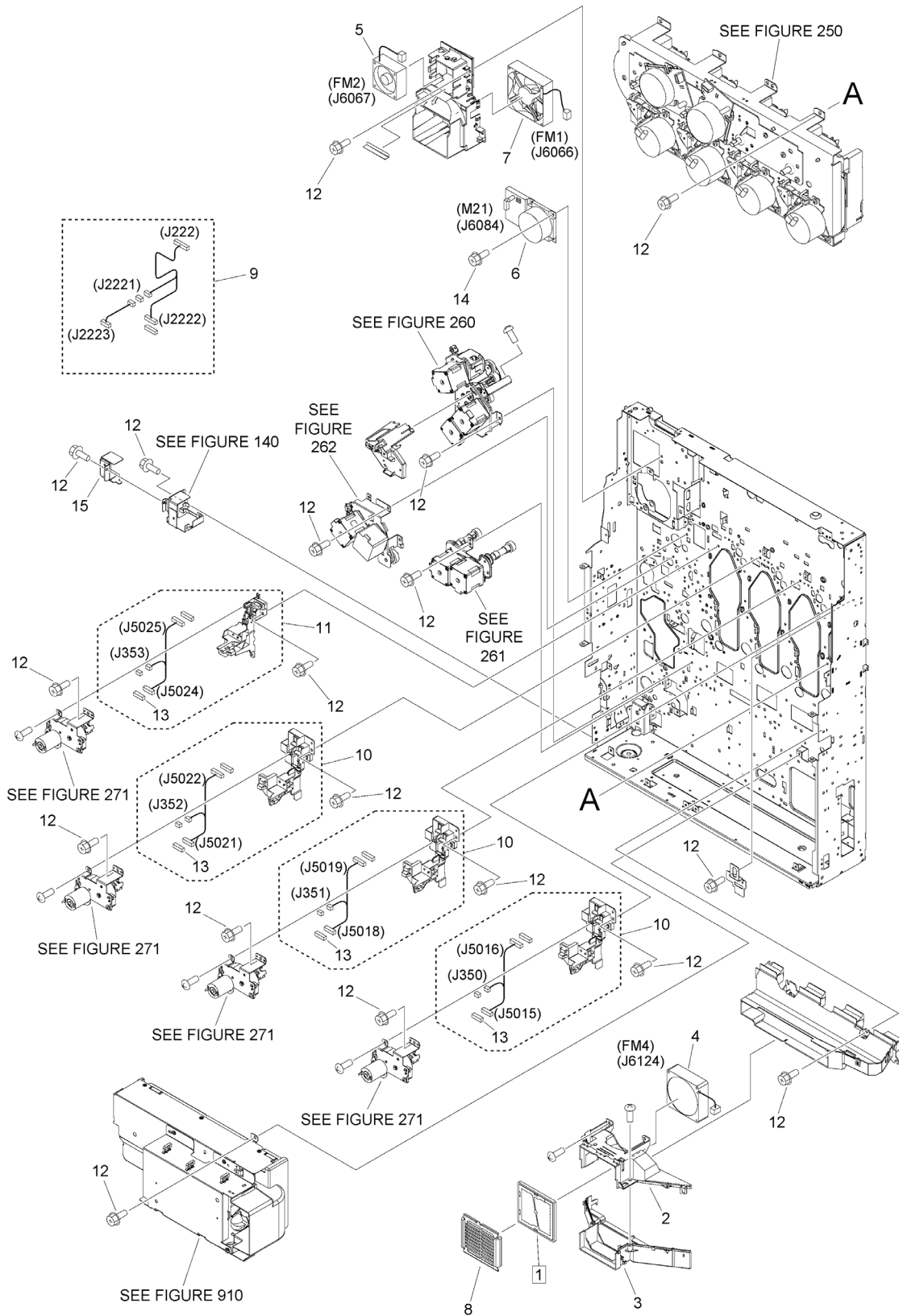


FIGURE & KEY NO.	PART NUMBER	RANK	QTY	DESCRIPTION	SERIAL NUMBER /REMARKS
106C	NPN		RF	MACHINE REAR PLATE 1	120V US, CA, LTN C5540i, C5535i
1	FM1-P236-000		1	TONER FILTER ASSEMBLY	[DP]
2	FC8-4079-000		1	COVER, REAR DUCT, UPPER	
3	FC8-4080-000		1	COVER, REAR DUCT, LOWER	
4	FK2-0360-000		1	FAN	FM4
5	FK2-3679-000		1	FAN	FM2
6	FK2-7302-000		1	MOTOR, DC	M21
7	FL0-8154-000		1	FAN	FM1
8	FL3-3585-000		1	PLATE, FAN PROTECTIVE, REAR	
9	FM2-H980-000		1	CABLE, CASSETTE MOTOR	
10	FM1-G346-000		3	IMAGING H.V.CONTACT ASSEMBLY	
11	FM1-G347-000		1	SET ON DRIVE BLACK MOUNT ASS'Y	
12	XA9-0732-010		45	SCREW,RS,M4X8	
13	VS1-8412-007		4	CONNECTOR, SNAP TIGHT, BL	
14	XA9-1386-000		3	SCREW,RS,M3X8	
15	FC0-5055-010		1	COVER, PLUG	

Figure 107B MACHINE REAR PLATE 2 (120V US, CA, LTN C5560i/50i)

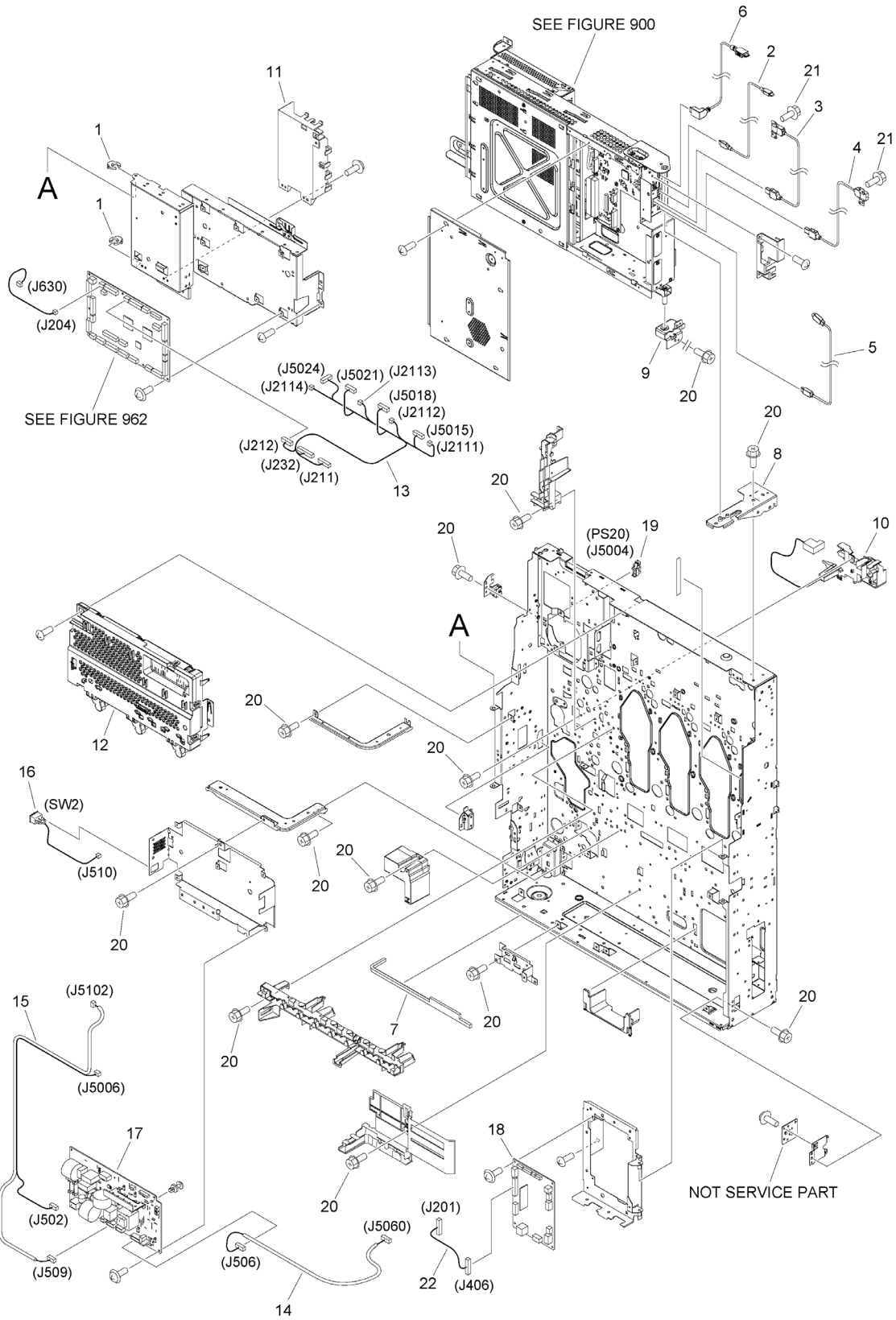


FIGURE & KEY NO.	PART NUMBER	RANK	QTY	DESCRIPTION	SERIAL NUMBER /REMARKS
107B	NPN		RF	MACHINE REAR PLATE 2	120V US, CA, LTN C5560i, C5550i
1	FC5-4424-000		2	CLIP	
2	FK4-3253-000		1	CABLE, USB	
3	FK4-3254-000		1	CABLE, USB	
4	FK4-3255-000		1	CABLE, USB	
5	FK4-3256-010		1	CABLE, USB	
6	FK4-6403-000		1	CABLE, USER INTERFACE	
7	FL1-6343-000		1	SEAL, BASE PLATE	
8	FL2-9531-000		1	HINGE, CONTROLLER BOX, UPPER	
9	FL3-1197-000		1	HINGE, CONTROLLER BOX, LOWER	
10	FM1-G558-000		1	H.V. CONTACT ASS'Y	
11	FM1-G628-000		1	POWER SUPPLY ASS'Y	
12	FM1-V527-000		1	HIGH VOLTAGE POWER SUPPLY UNIT	
13	FM2-H965-010		1	CABLE, TONER HOPPER	
14	FM2-H974-000		1	CABLE, AC HEATER	
15	FM2-H983-000		1	CABLE, FIXING READER HEATER	
16	FM2-H986-000		1	CABLE, ENVIRONMENT SWITCH	SW2
17	FM2-J810-000		1	AC DRIVER PCB ASSEMBLY	
18	FM2-J816-000		1	RELAY PCB ASSEMBLY	
19	WG8-5783-000		1	IC,PHOTO-INTERRUPTER,LG248NL1A	PS20
20	XA9-0732-010		26	SCREW,RS,M4X8	
21	XA9-1386-000		4	SCREW,RS,M3X8	
22	FM2-H990-000		1	CABLE, FEED POWER SUPPLY	

Figure 107C MACHINE REAR PLATE 2 (120V US, CA, LTN C5540i/35i)

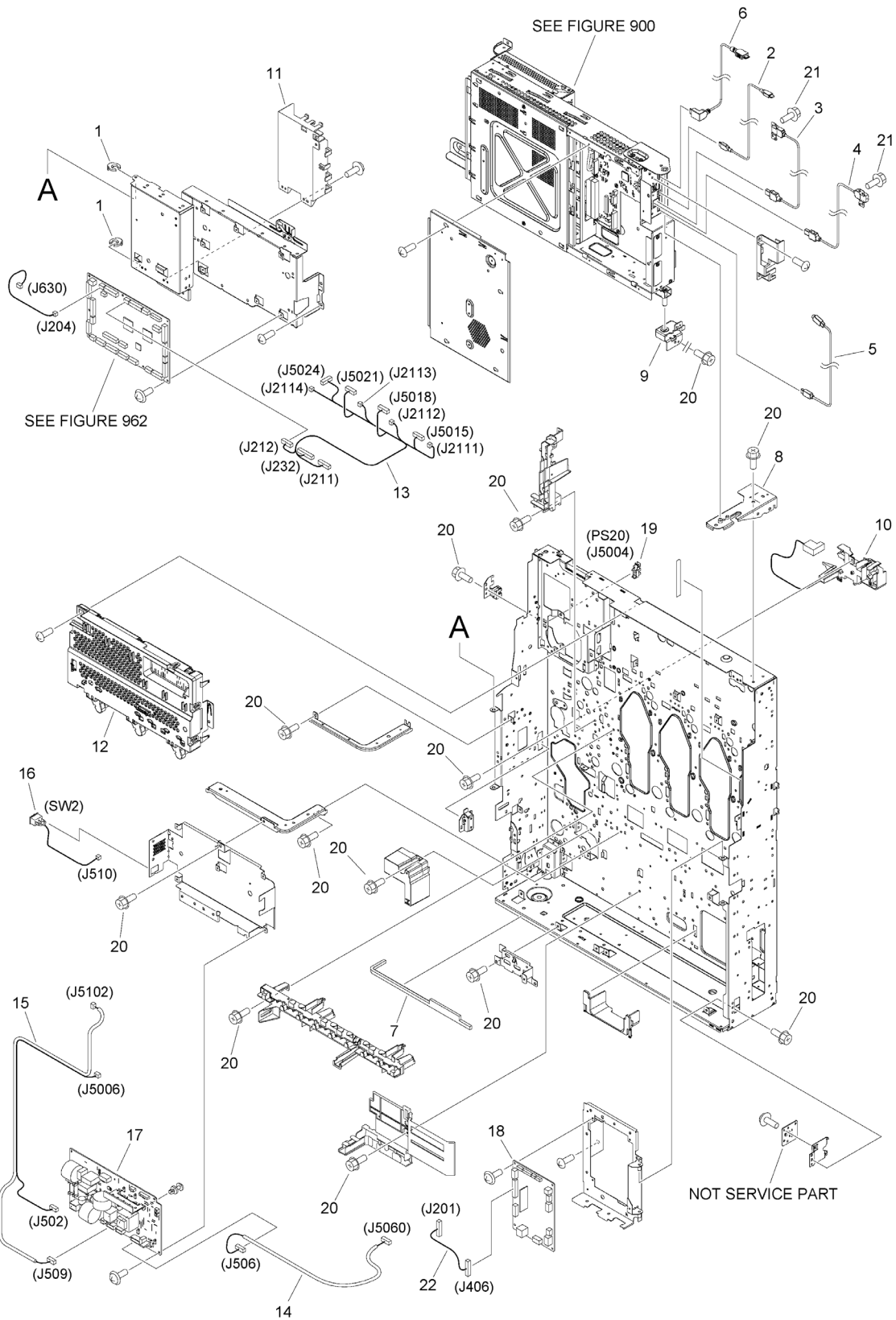


FIGURE & KEY NO.	PART NUMBER	RANK	QTY	DESCRIPTION	SERIAL NUMBER /REMARKS
107C	NPN		RF	MACHINE REAR PLATE 2	120V US, CA, LTN C5540i, C5535i
1	FC5-4424-000		2	CLIP	
2	FK4-3253-000		1	CABLE, USB	
3	FK4-3254-000		1	CABLE, USB	
4	FK4-3255-000		1	CABLE, USB	
5	FK4-3256-010		1	CABLE, USB	
6	FK4-6403-000		1	CABLE, USER INTERFACE	
7	FL1-6343-000		1	SEAL, BASE PLATE	
8	FL2-9531-000		1	HINGE, CONTROLLER BOX, UPPER	
9	FL3-1197-000		1	HINGE, CONTROLLER BOX, LOWER	
10	FM1-G558-000		1	H.V. CONTACT ASS'Y	
11	FM1-G628-000		1	POWER SUPPLY ASS'Y	
12	FM1-V527-000		1	HIGH VOLTAGE POWER SUPPLY UNIT	
13	FM2-H965-010		1	CABLE, TONER HOPPER	
14	FM2-H974-000		1	CABLE, AC HEATER	
15	FM2-H983-000		1	CABLE, FIXING READER HEATER	
16	FM2-H986-000		1	CABLE, ENVIRONMENT SWITCH	SW2
17	FM2-J809-000		1	AC DRIVER PCB ASSEMBLY	
18	FM2-J816-000		1	RELAY PCB ASSEMBLY	
19	WG8-5783-000		1	IC,PHOTO-INTERRUPTER,LG248NL1A	PS20
20	XA9-0732-010		26	SCREW,RS,M4X8	
21	XA9-1386-000		4	SCREW,RS,M3X8	
22	FM2-H990-000		1	CABLE, FEED POWER SUPPLY	

Figure 107D MACHINE REAR PLATE 2 (230V C5560i, C5550i)

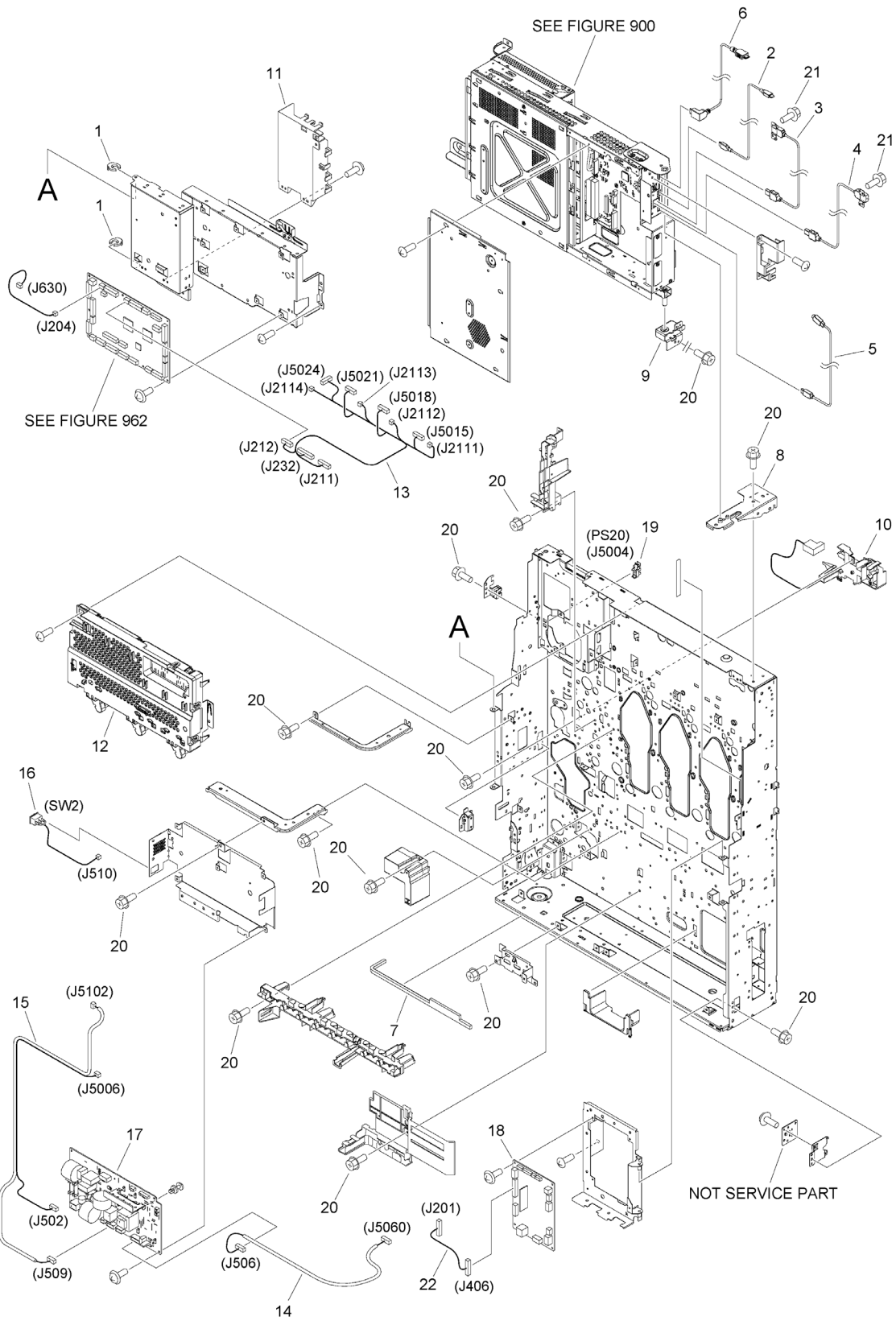


FIGURE & KEY NO.	PART NUMBER	RANK	QTY	DESCRIPTION	SERIAL NUMBER /REMARKS
107D	NPN		RF	MACHINE REAR PLATE 2	230V C5560i, C5550i
1	FC5-4424-000		2	CLIP	
2	FK4-3253-000		1	CABLE, USB	
3	FK4-3254-000		1	CABLE, USB	
4	FK4-3255-000		1	CABLE, USB	
5	FK4-3256-010		1	CABLE, USB	
6	FK4-6403-000		1	CABLE, USER INTERFACE	
7	FL1-6343-000		1	SEAL, BASE PLATE	
8	FL2-9531-000		1	HINGE, CONTROLLER BOX, UPPER	
9	FL3-1197-000		1	HINGE, CONTROLLER BOX, LOWER	
10	FM1-G558-000		1	H.V. CONTACT ASS'Y	
11	FM1-G628-000		1	POWER SUPPLY ASS'Y	
12	FM1-V527-000		1	HIGH VOLTAGE POWER SUPPLY UNIT	
13	FM2-H965-010		1	CABLE, TONER HOPPER	
14	FM2-H974-000		1	CABLE, AC HEATER	
15	FM2-H983-000		1	CABLE, FIXING READER HEATER	
16	FM2-H986-000		1	CABLE, ENVIRONMENT SWITCH	SW2
17	FM2-J812-000		1	AC DRIVER PCB ASSEMBLY	
18	FM2-J816-000		1	RELAY PCB ASSEMBLY	
19	WG8-5783-000		1	IC,PHOTO-INTERRUPTER,LG248NL1A	PS20
20	XA9-0732-010		26	SCREW,RS,M4X8	
21	XA9-1386-000		4	SCREW,RS,M3X8	
22	FM2-H990-000		1	CABLE, FEED POWER SUPPLY	

Figure 107E MACHINE REAR PLATE 2 (230V C5540i, C5535i)

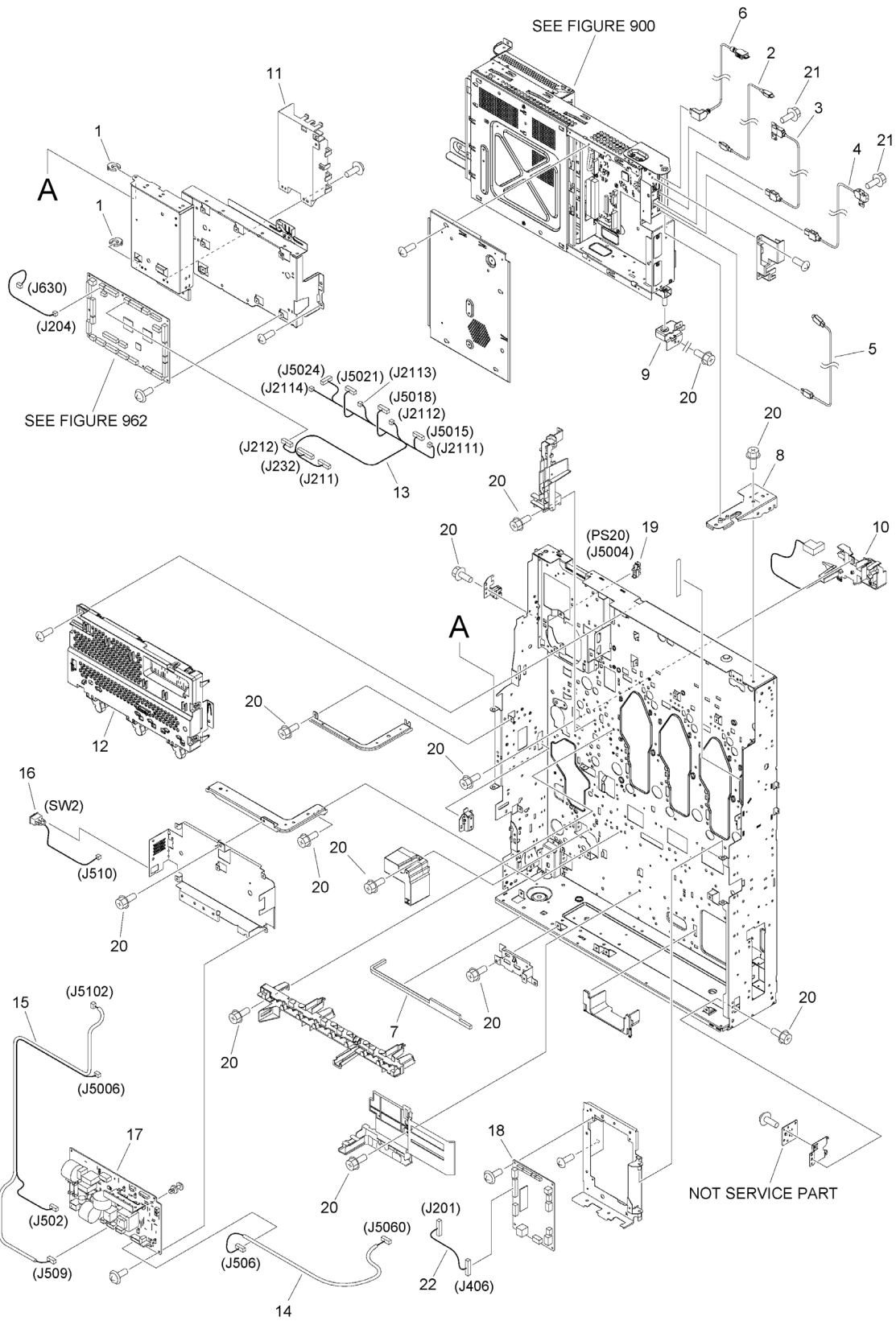


FIGURE & KEY NO.	PART NUMBER	RANK	QTY	DESCRIPTION	SERIAL NUMBER /REMARKS
107E	NPN		RF	MACHINE REAR PLATE 2	230V C5540i, C5535i
1	FC5-4424-000		2	CLIP	
2	FK4-3253-000		1	CABLE, USB	
3	FK4-3254-000		1	CABLE, USB	
4	FK4-3255-000		1	CABLE, USB	
5	FK4-3256-010		1	CABLE, USB	
6	FK4-6403-000		1	CABLE, USER INTERFACE	
7	FL1-6343-000		1	SEAL, BASE PLATE	
8	FL2-9531-000		1	HINGE, CONTROLLER BOX, UPPER	
9	FL3-1197-000		1	HINGE, CONTROLLER BOX, LOWER	
10	FM1-G558-000		1	H.V. CONTACT ASS'Y	
11	FM1-G628-000		1	POWER SUPPLY ASS'Y	
12	FM1-V527-000		1	HIGH VOLTAGE POWER SUPPLY UNIT	
13	FM2-H965-010		1	CABLE, TONER HOPPER	
14	FM2-H974-000		1	CABLE, AC HEATER	
15	FM2-H983-000		1	CABLE, FIXING READER HEATER	
16	FM2-H986-000		1	CABLE, ENVIRONMENT SWITCH	SW2
17	FM2-J811-000		1	AC DRIVER PCB ASSEMBLY	
18	FM2-J816-000		1	RELAY PCB ASSEMBLY	
19	WG8-5783-000		1	IC,PHOTO-INTERRUPTER,LG248NL1A	PS20
20	XA9-0732-010		26	SCREW,RS,M4X8	
21	XA9-1386-000		4	SCREW,RS,M3X8	
22	FM2-H990-000		1	CABLE, FEED POWER SUPPLY	

Figure 108 MACHINE REAR PLATE 3

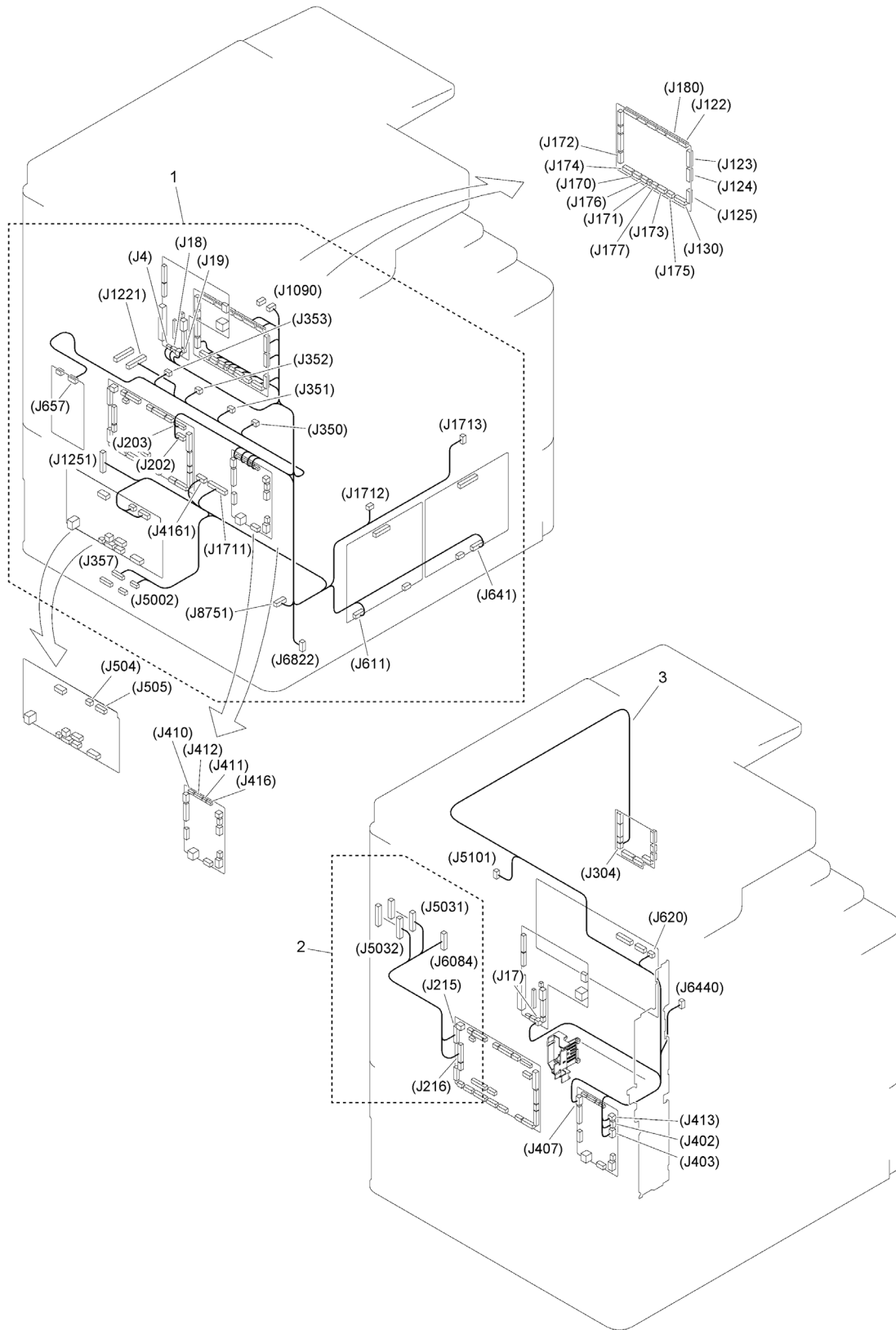


FIGURE & KEY NO.	PART NUMBER	RANK	QTY	DESCRIPTION	SERIAL NUMBER /REMARKS
108	NPN		RF	MACHINE REAR PLATE 3	
1	FM2-H964-000		1	CABLE, MAIN	
2	FM2-H967-010		1	CABLE, PAPER FEED MAIN	
3	FM2-H972-000		1	CABLE, DC POWER SUPPLY MAIN	

Figure 109 MACHINE REAR PLATE 4

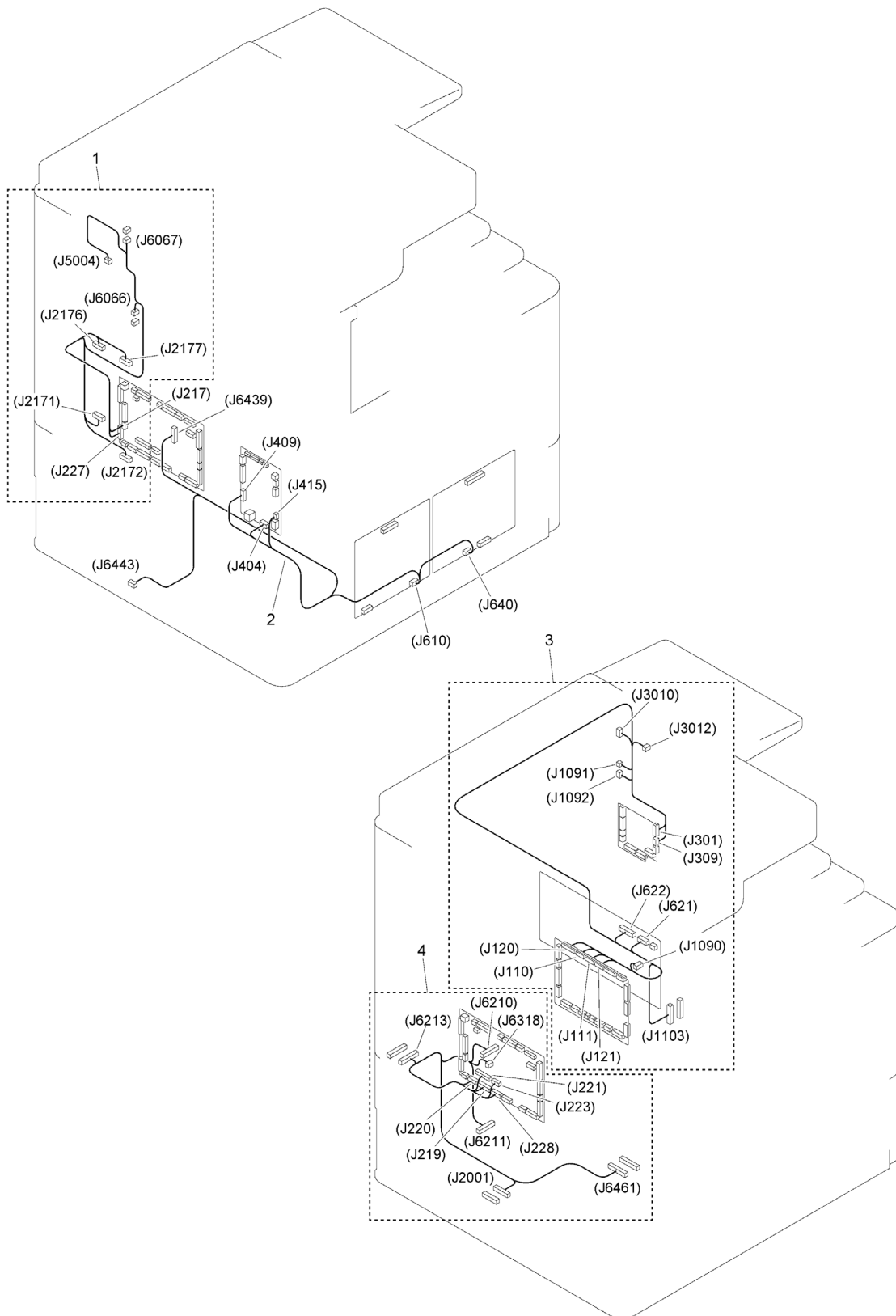


FIGURE & KEY NO.	PART NUMBER	RANK	QTY	DESCRIPTION	SERIAL NUMBER /REMARKS
109	NPN		RF	MACHINE REAR PLATE 4	
1	FM2-H978-000		1	CABLE, PAPER FEED MAIN	
2	FM2-H973-010		1	CABLE, DC POWER SUPPLY MAIN, 2	
3	FM2-H985-000		1	CABLE, MAIN, UPPER	
4	FM2-J855-010		1	PAPER FEED CABLE ASS'Y, LOWER	

Figure 111 RIGHT DOOR ASSEMBLY

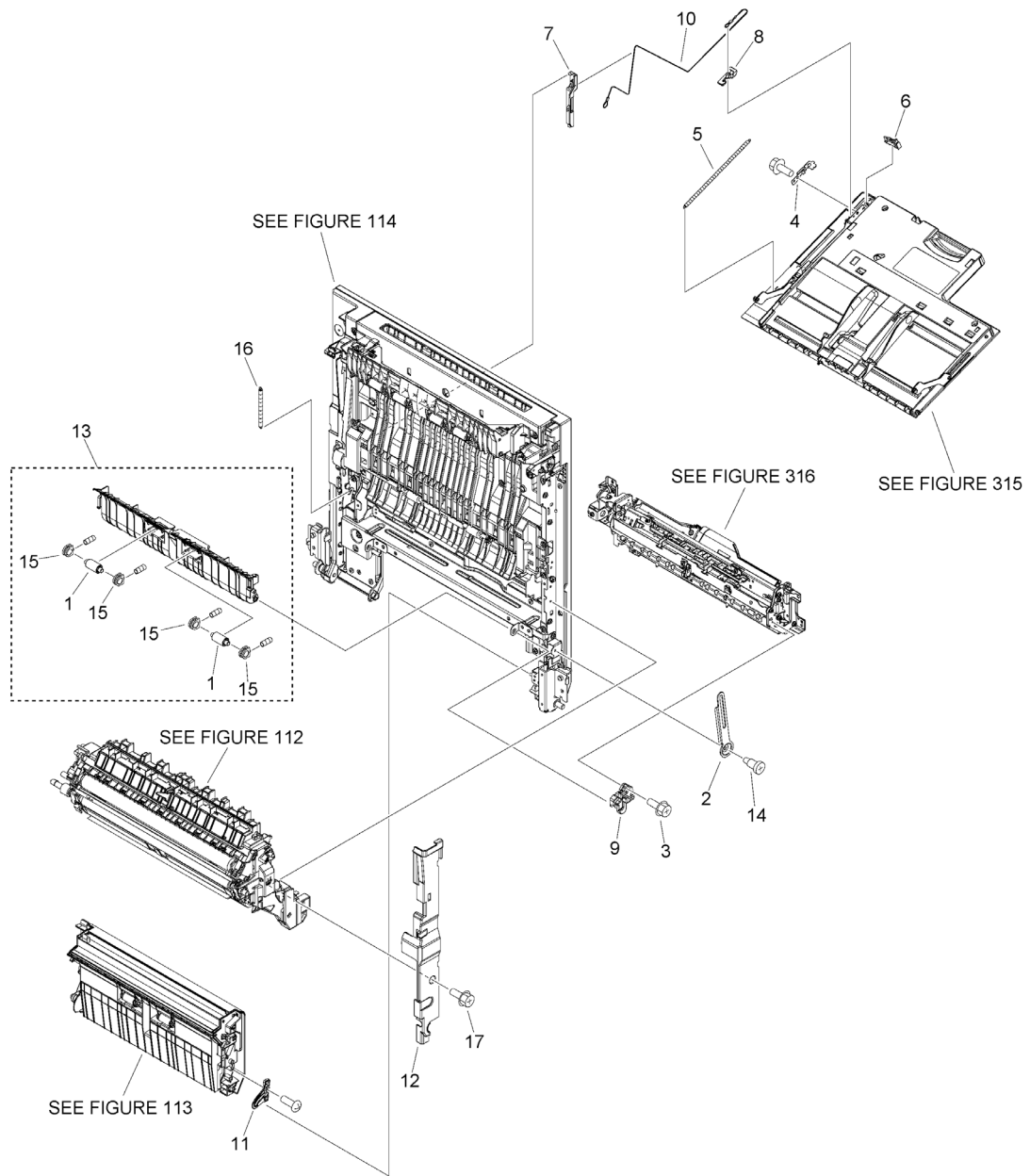


FIGURE & KEY NO.	PART NUMBER	RANK	QTY	DESCRIPTION	SERIAL NUMBER /REMARKS
111	NPN		RF	RIGHT DOOR ASSEMBLY	
1	FC0-7610-010		2	ROLLER, DRIVEN ROLLER	
2	FC8-4820-000		1	STOPPER, RIGHT DOOR, F	
3	XA9-1386-000		1	SCREW,RS,M3X8	
4	FE4-4849-000		1	SUPPORT, WIRE, 2	
5	FE4-4851-000		1	SPRING, TENSION	
6	FE4-4853-000		1	STOPPER, WIRE	
7	FE4-4855-000		1	COVER, MULTI PULLEY	
8	FE4-4872-000		1	HOOK, MULTI WIRE	
9	FE4-4882-000		1	STOPPER, MULTI CROSSING GUIDE	
10	FE4-5152-000		1	WIRE, MULTI TRAY	
11	FE8-1312-000		1	STOPPER, DOOR	
12	FE8-2449-000		1	COVER, RIGHT DOOR INNER, F	
13	FM1-G579-010		1	MULTI GUIDE ASSEMBLY	
14	FU2-2390-000		1	SCREW, STEPPED, M4	
15	FU2-1731-000		4	BUSHING	
16	FU7-2480-000		1	SPRING	
17	XA9-0732-010		6	SCREW,RS,M4X8	

Figure 112 RIGHT INNER DOOR ASSEMBLY

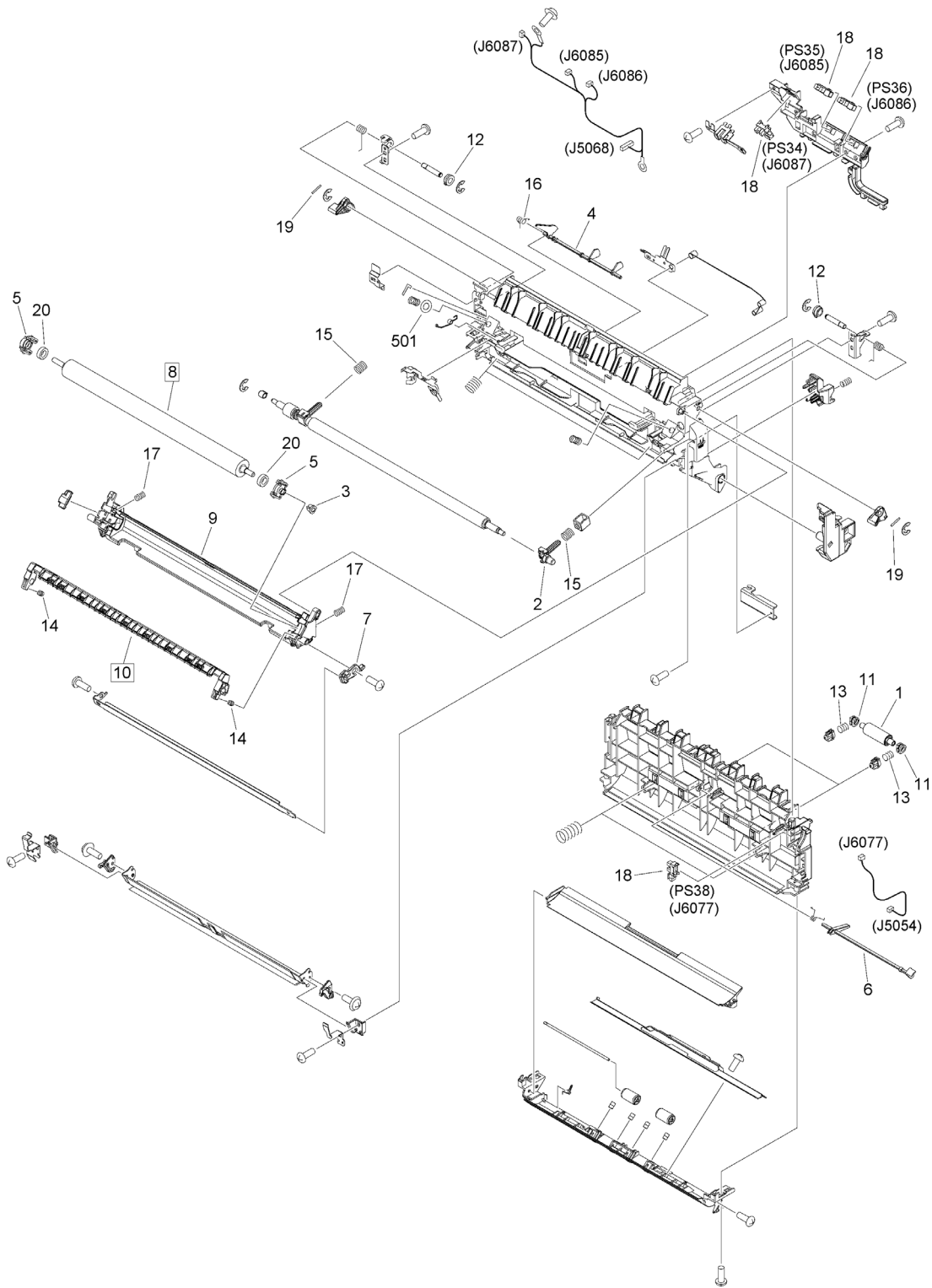


FIGURE & KEY NO.	PART NUMBER	RANK	QTY	DESCRIPTION	SERIAL NUMBER /REMARKS
112	FM1-G550-020		1	RIGHT INNER DOOR ASSEMBLY	
1	FB6-4873-000		2	ROLLER, PAPER FEED	
2	FC0-0220-000		1	BUSHING	
3	FC8-4884-000		1	BUSHING	
4	FC8-5303-000		1	LEVER, LOOP SENSOR	
5	FC8-5313-000		2	HOLDER, 2ND TRNSFR. BUSHING	
6	FC8-5314-000		1	LEVER, DUPLEXING SENSOR	
7	FC9-7955-000		1	SUPPORT, OUTER GUIDE	
8	FE4-8322-000		1	ROLLER, 2ND TRNSFR. OUTER	[DP]
9	FL0-7279-000		1	HOLDER, TRANSFER OUTER	
10	FM3-8893-000		1	TRANSFER SEP. GUIDE ASSEMBLY	[DP]
11	FU2-1731-000		4	BUSHING	
12	FU5-1457-000		2	BUSHING	
13	FU7-2521-000		4	SPRING	
14	FU7-2524-000		2	SPRING	
15	FU7-2525-000		2	SPRING	
16	FU7-2526-000		1	SPRING	
17	FU8-2925-000		2	SPRING, COMPRESSION	
18	WG8-5783-000		4	IC,PHOTO-INTERRUPTER,LG248NL1A	PS34, PS35, PS36, PS38
19	XD9-0291-000		2	PIN, PARALLEL	
20	XG9-0795-000		2	BEARING, BALL, L-1060ZZHPOP25L	
501	XD1-1108-225		1	WASHER,COP	

Figure 113 RIGHT LOWER DOOR ASSEMBLY

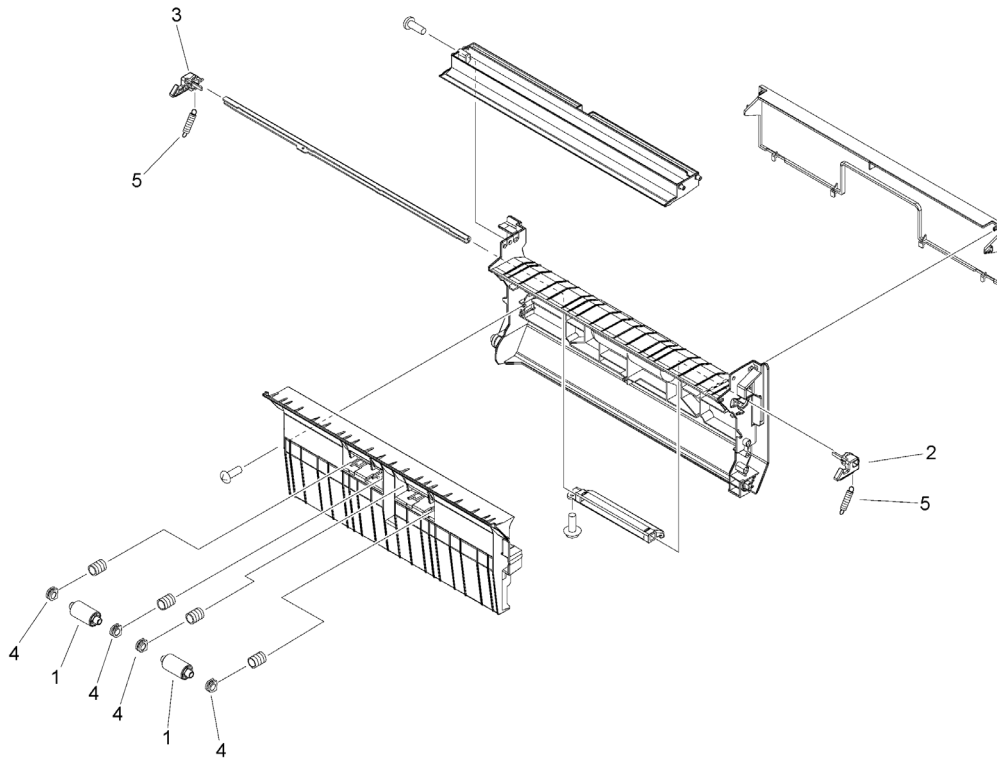


FIGURE & KEY NO.	PART NUMBER	RANK	QTY	DESCRIPTION	SERIAL NUMBER /REMARKS
113	FM1-G583-000		1	RIGHT LOWER DOOR ASSEMBLY	
1	FC0-7610-010		2	ROLLER, DRIVEN ROLLER	
2	FC8-4859-000		1	HOOK, RIGHT LOWER DOOR, F	
3	FC8-4860-000		1	HOOK, RIGHT LOWER DOOR	
4	FU2-1731-000		4	BUSHING	
5	FU7-2519-000		2	SPRING	

Figure 114 (1/2)RIGHT OUTER DOOR ASSEMBLY

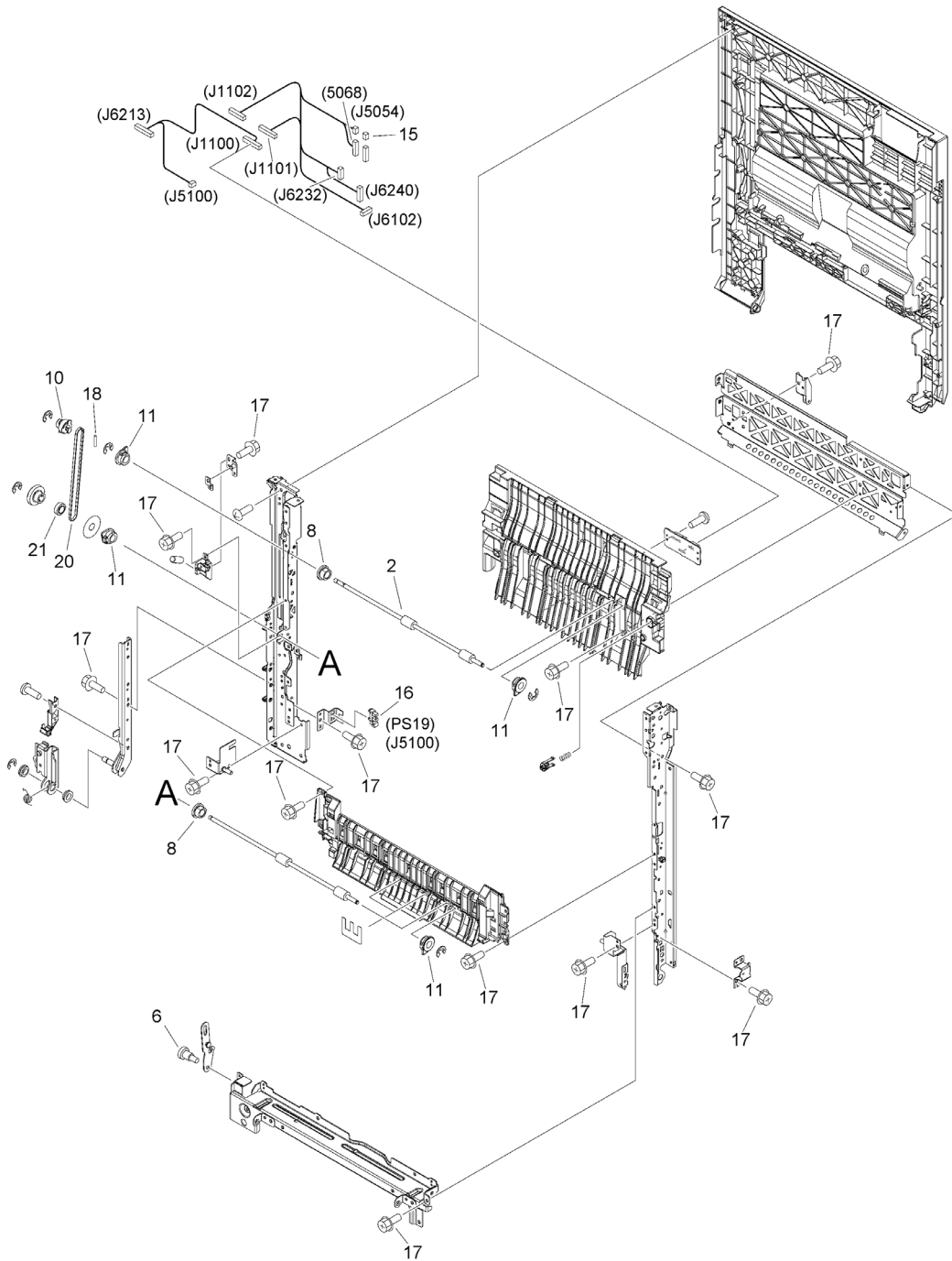


Figure 114 (2/2) RIGHT OUTER DOOR ASSEMBLY

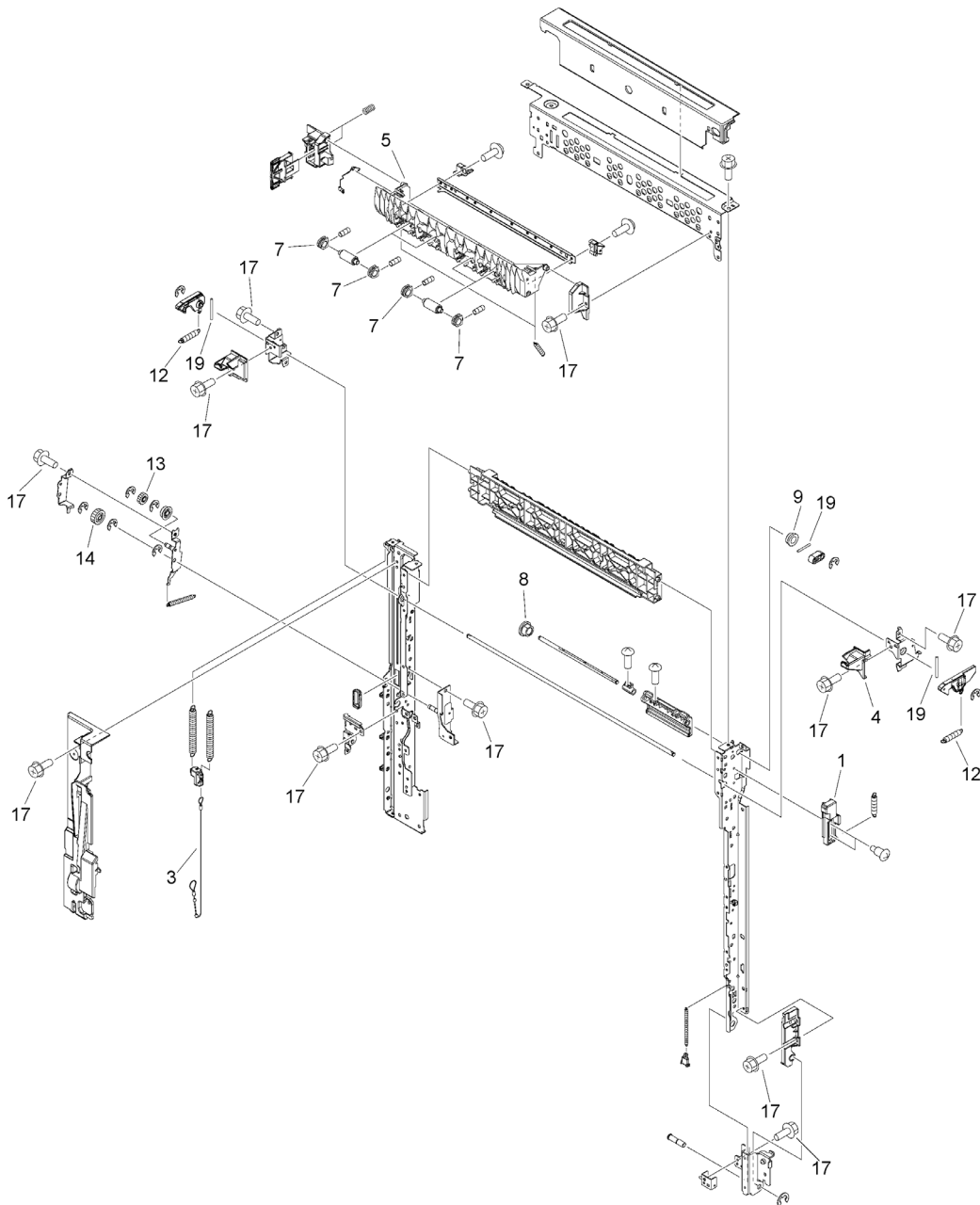


FIGURE & KEY NO.	PART NUMBER	RANK	QTY	DESCRIPTION	SERIAL NUMBER /REMARKS
114	FM1-G549-020		1	RIGHT OUTER DOOR ASSEMBLY	
1	FC0-4876-000		1	ARM, SLIDE, F	
2	FC0-5077-000		1	ROLLER, DUPLEXING FEEDER	
3	FE2-B762-000		1	WIRE, DAMPER	
4	FC8-4854-020		1	LEVER, TOGGLE, F	
5	FE4-2006-010		1	GUIDE, FIRST DELIVERY OPPOSED	
6	FU2-2390-000		1	SCREW, STEPPED, M4	
7	FU2-1731-000		8	BUSHING	
8	FU5-1033-000		3	BUSHING	
9	FU5-1457-000		1	BUSHING	
10	FU5-3016-000		1	PULLEY, 24T	
11	FU6-1020-000		4	BUSHING	
12	FU7-2478-000		2	SPRING	
13	FU8-0202-000		1	GEAR, 15T	
14	FU8-0203-000		1	GEAR, 22T	
15	VS1-8412-003		1	CONNECTOR, SNAP TIGHT, BL	
16	WG8-5783-000		1	IC,PHOTO-INTERRUPTER,LG248NL1A	PS19
17	XA9-0732-010		59	SCREW,RS,M4X8	
18	XD9-0288-000		1	PIN, DOWEL	
19	XD9-0292-000		3	PIN, PARALLEL	
20	XF2-4118-340		1	BELT, TIMING	
21	XG9-0497-000		1	BEARING, BALL, MR106ZZ,	

Figure 115 FRONT COVER ASSEMBLY

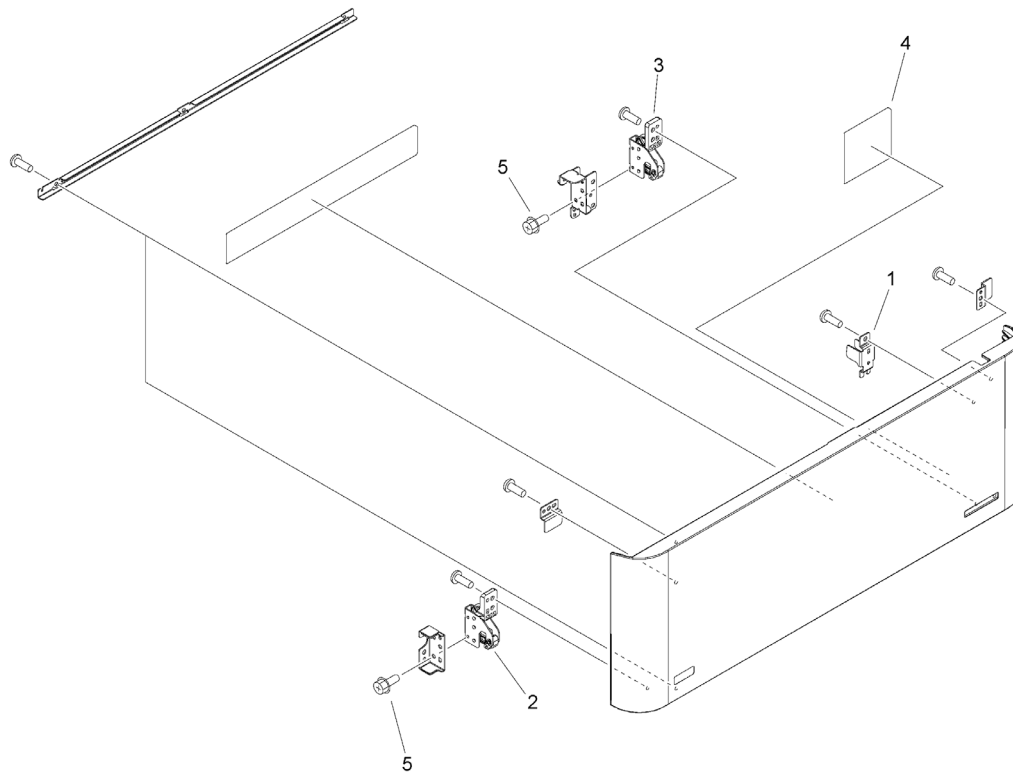


FIGURE & KEY NO.	PART NUMBER	RANK	QTY	DESCRIPTION	SERIAL NUMBER /REMARKS
115	FM1-G369-000		1	FRONT COVER ASSEMBLY	
1	FC8-4155-000		1	PLATE,F DOOR OPEN/CLOSE DETECT	
2	FM3-6064-010		1	HINGE ASSEMBLY, 2	
3	FM3-8934-000		1	HINGE ASSEMBLY	
4	FU6-8646-000		1	LABEL, LASER CAUTION	
5	XA9-1386-000		4	SCREW,RS,M3X8	

Figure 130B FLAT CONTROL PANEL ASSEMBLY (US, CA, LTN, AU, SG, HK, IN)

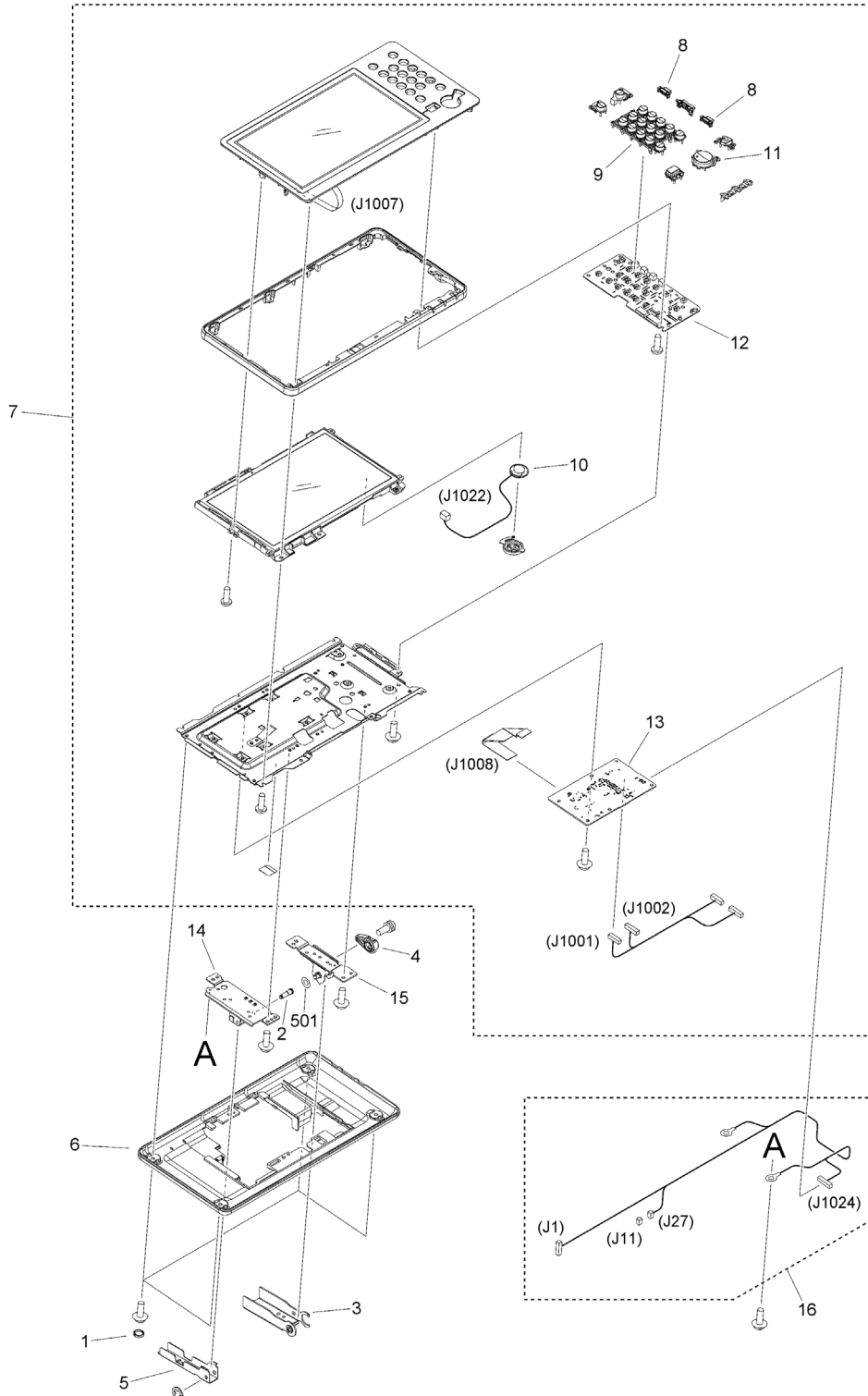


FIGURE & KEY NO.	PART NUMBER	RANK	QTY	DESCRIPTION	SERIAL NUMBER /REMARKS
130B	NPN		RF	FLAT CONTROL PANEL ASSEMBLY	US, CA, LTN, AU, SG, HK, IN
1	FE3-9169-000		4	CAP	
2	FE4-2501-000		1	HINGE, SHAFT	
3	FE4-2502-000		1	HINGE, RIGHT	
4	FE4-2503-000		1	SUPPORT, HINGE	
5	FL0-4439-000		1	HINGE, LEFT	
6	FE4-2812-000		1	COVER, LOWER	
7	FM1-N429-010		1	FLAT CONTROL PANEL ASSEMBLY	
8	FE4-1788-000		2	KEY TOP, SIDE	
9	FL1-2178-000		1	KEY TOP, NUMBERS	
10	FK4-2365-000		1	SPEAKER	
11	FL0-5116-000		1	KEY TOP, START	
12	FM1-M929-000		1	KEY TOP PCB ASSEMBLY	
13	FM1-X811-000		1	CPU PCB ASSEMBLY	
14	FM1-M730-010		1	HINGE BASE ASSEMBLY, LEFT	
15	FM1-M731-010		1	HINGE BASE ASSEMBLY, RIGHT	
16	FM2-F866-000		1	CABLE, UI	
501	XD1-1108-233		1	WASHER	

Figure 140B POWER CORD TERMINAL ASS'Y (120V C5560i, C5550i)

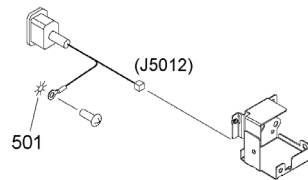


FIGURE & KEY NO.	PART NUMBER	R A N K	QTY	DESCRIPTION	SERIAL NUMBER /REMARKS
140B	FM1-G624-000		1	POWER CORD TERMINAL ASS'Y	120V C5560i, C5550i
501	XD1-4200-502		1	LOCK WASHER (SUS)	

Figure 140C POWER CORD TERMINAL ASS'Y (120V US
C5540i, C5535i, 230V)

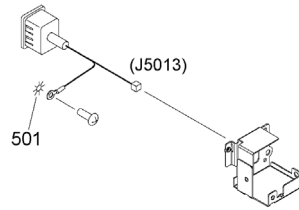


FIGURE & KEY NO.	PART NUMBER	RANK	QTY	DESCRIPTION	SERIAL NUMBER /REMARKS
140C	FM1-G623-010		1	POWER CORD TERMINAL ASS'Y	120V US C5540i, C5535i, 230V
501	XD1-4200-502		1	LOCK WASHER (SUS)	

Figure 250 MAIN DRIVE ASSEMBLY

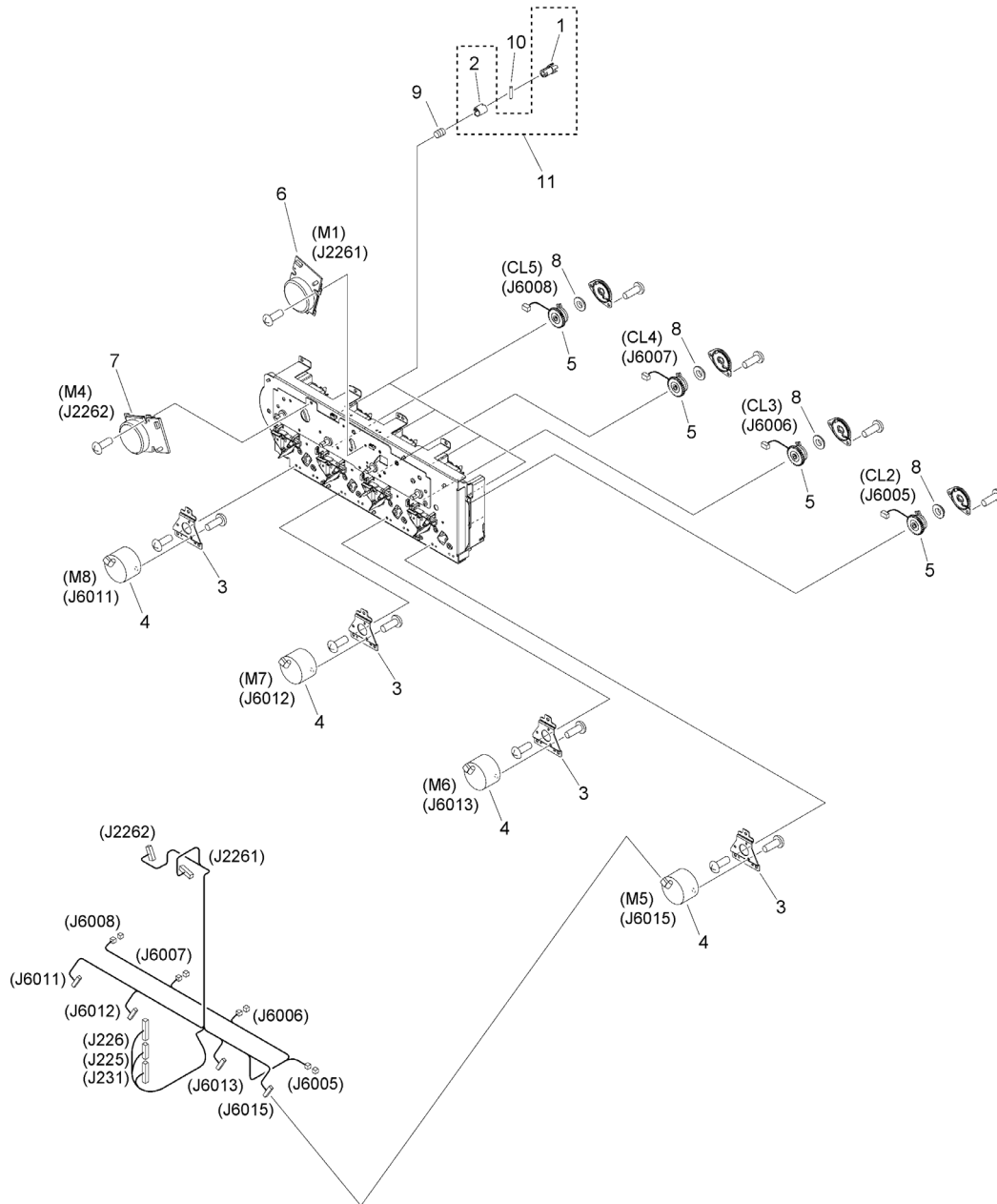


FIGURE & KEY NO.	PART NUMBER	RANK	QTY	DESCRIPTION	SERIAL NUMBER /REMARKS
250	FM1-V455-010		1	MAIN DRIVE ASSEMBLY	
1	FC8-4170-000		4	COUPLING, DEVELOPMENT	
2	FC8-4171-010		4	CAP, COUPLING	
3	FC8-5323-000		4	PLATE, MOTOR MOUNTING	
4	FK2-7303-000		4	MOTOR, DC	M5, M6, M7, M8
5	FK2-7371-000		4	CLUTCH, ELECTROMAGNETIC	CL2, CL3, CL4, CL5
6	FK4-1108-000		1	BRUSHLESS MOTOR CL	M1
7	FK4-1109-000		1	BRUSHLESS MOTOR BK	M4
8	FU5-1448-000		4	BUSHING	
9	FU6-2636-000		4	SPRING, COMPRESSION	
10	XD9-0325-000		4	PIN, PARALLEL	
11	FM4-8387-010		4	COUPLING SET(2)	

Figure 260 PAPER PICK-UP DRIVE ASS'Y, UP.

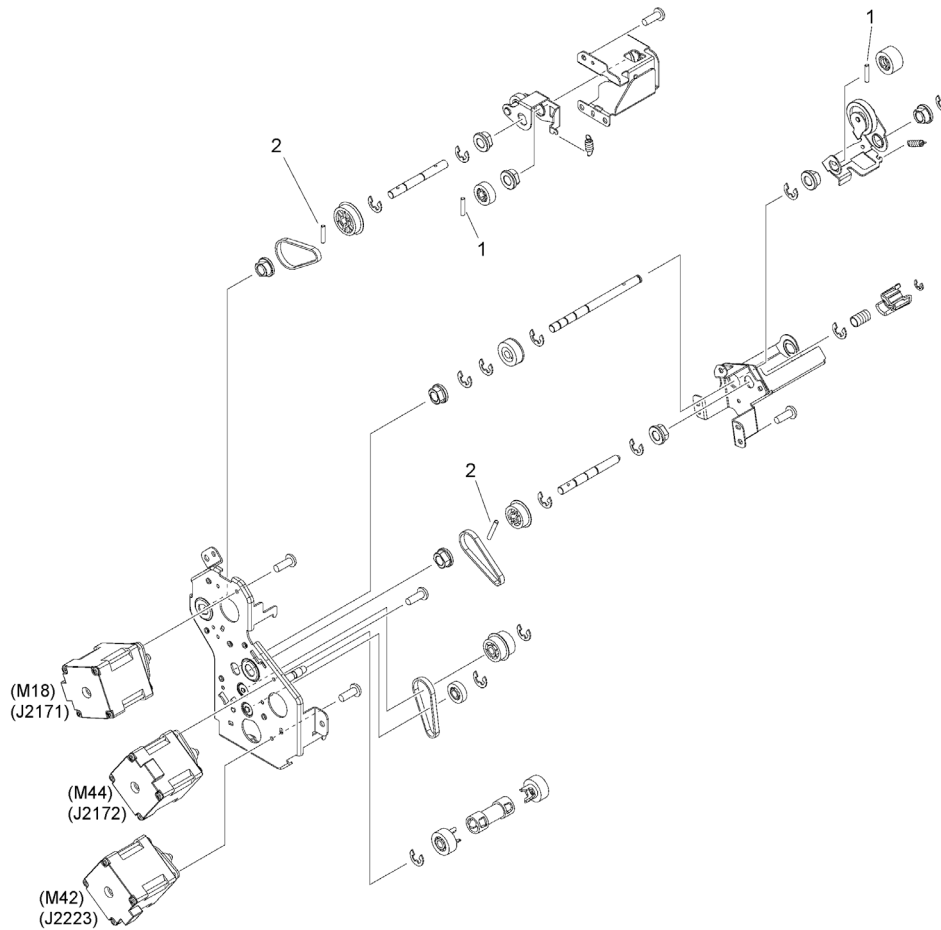


FIGURE & KEY NO.	PART NUMBER	RANK	QTY	DESCRIPTION	SERIAL NUMBER /REMARKS
260	FM1-G577-010		1	PAPER PICK-UP DRIVE ASSY, UP.	
1	XD9-0288-000		2	PIN, DOWEL	
2	XD9-0290-000		2	PIN, PARALLEL	

Figure 261 PAPER PICK-UP DRIVE ASS'Y, LW.

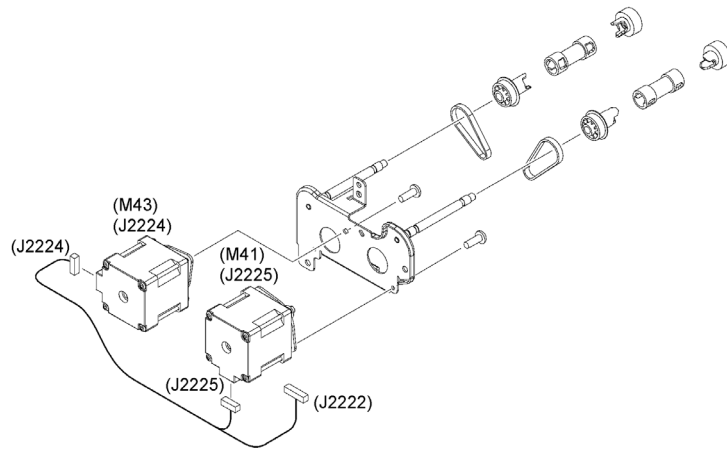


FIGURE & KEY NO.	PART NUMBER	R A N K	QTY	DESCRIPTION	SERIAL NUMBER /REMARKS
261	FM1-G578-010		1	PAPER PICK-UP DRIVE ASSY, LW.	

Figure 262 DUPLEXING REG. DRIVE ASSEMBLY

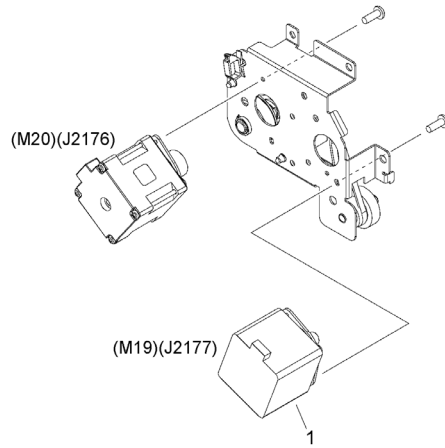


FIGURE & KEY NO.	PART NUMBER	R A N K	QTY	DESCRIPTION	SERIAL NUMBER /REMARKS
262	FM1-G552-010		1	DUPLEXING REG. DRIVE ASSEMBLY	
1	FK2-7586-010		1	MOTOR, STEPPING	M19

Figure 270 SHUTTER DRIVE MOUNT ASSEMBLY

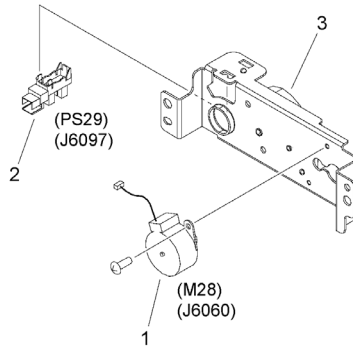


FIGURE & KEY NO.	PART NUMBER	RANK	QTY	DESCRIPTION	SERIAL NUMBER /REMARKS
270	NPN		RF	SHUTTER DRIVE MOUNT ASSEMBLY	
1	FK2-2069-000		1	MOTOR, STEPPING, DC	M28
2	WG8-5783-000		1	IC,PHOTO-INTERRUPTER,LG248NL1A	PS29
3	FM3-6109-000		1	DRIVE MOUNT BASE ASSEMBLY	

Figure 271 SET ON DRIVE ASSEMBLY

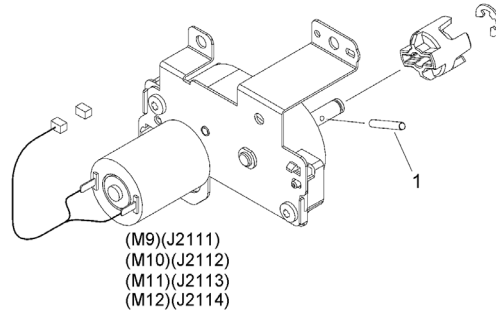


FIGURE & KEY NO.	PART NUMBER	R A N K	QTY	DESCRIPTION	SERIAL NUMBER /REMARKS
271	FM1-G328-010		1	SET ON DRIVE ASSEMBLY	M9, M10, M11, M12
1	XD9-0290-000		1	PIN, PARALLEL	

Figure 280 FIXING DRIVE ASSEMBLY

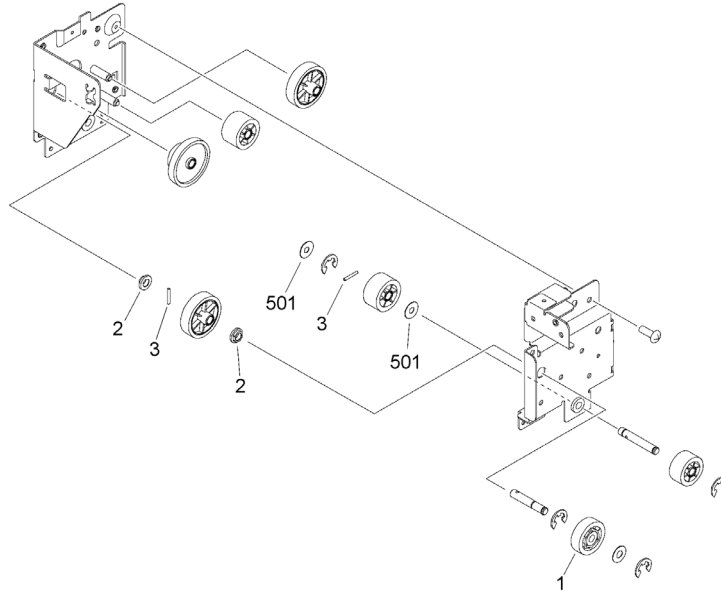


FIGURE & KEY NO.	PART NUMBER	RANK	QTY	DESCRIPTION	SERIAL NUMBER /REMARKS
280	FM1-G513-000		1	FIXING DRIVE ASSEMBLY	
1	FL3-1198-000		1	GEAR ASSEMBLY	
2	FU5-1173-000		2	BUSHING	
3	XD9-0290-000		2	PIN, PARALLEL	
501	XD1-1106-215		2	WASHER,COP	

Figure 281 FIXING DELIVERY DRIVE ASSEMBLY

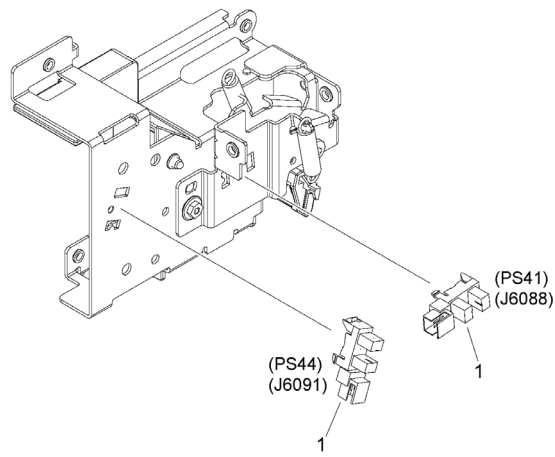


FIGURE & KEY NO.	PART NUMBER	R A N K	QTY	DESCRIPTION	SERIAL NUMBER /REMARKS
281	FM1-G222-000		1	FIXING DELIVERY DRIVE ASSEMBLY	
1	WG8-5783-000		2	IC,PHOTO-INTERRUPTER,LG248NL1A	PS41, PS44

Figure 290 LIFTER DRIVE MOUNT ASSEMBLY

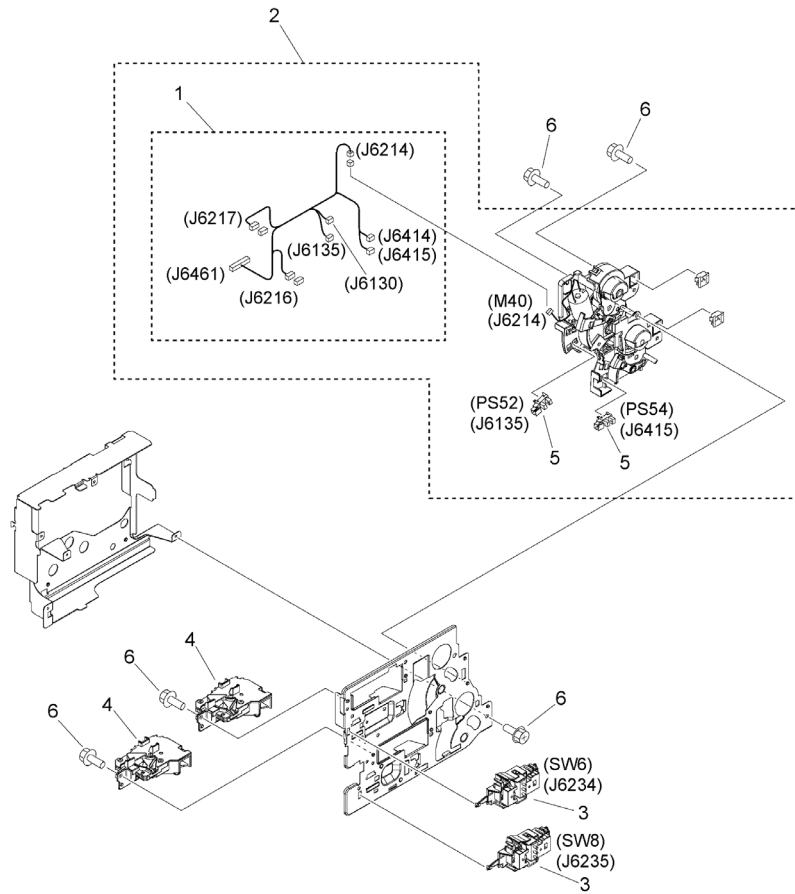


FIGURE & KEY NO.	PART NUMBER	RANK	QTY	DESCRIPTION	SERIAL NUMBER /REMARKS
290	NPN		1	LIFTER DRIVE MOUNT ASSEMBLY	
1	FM2-J951-000		1	CABLE, LIFTER	
2	FM1-V487-000		1	LIFTER DRIVE ASSEMBLY	M40
3	FM1-K250-010		2	AUTO SIZE DETECT ASSEMBLY	SW6, SW8
4	FM1-M019-000		2	CASSETTE AUTO CLOSE ASSEMBLY	
5	WG8-5783-000		2	IC,PHOTO-INTERRUPTER,LG248NL1A	PS52, PS54
6	XA9-1386-000		13	SCREW,RS,M3X8	

Figure 310 PAPER PICK-UP ASSEMBLY, 1

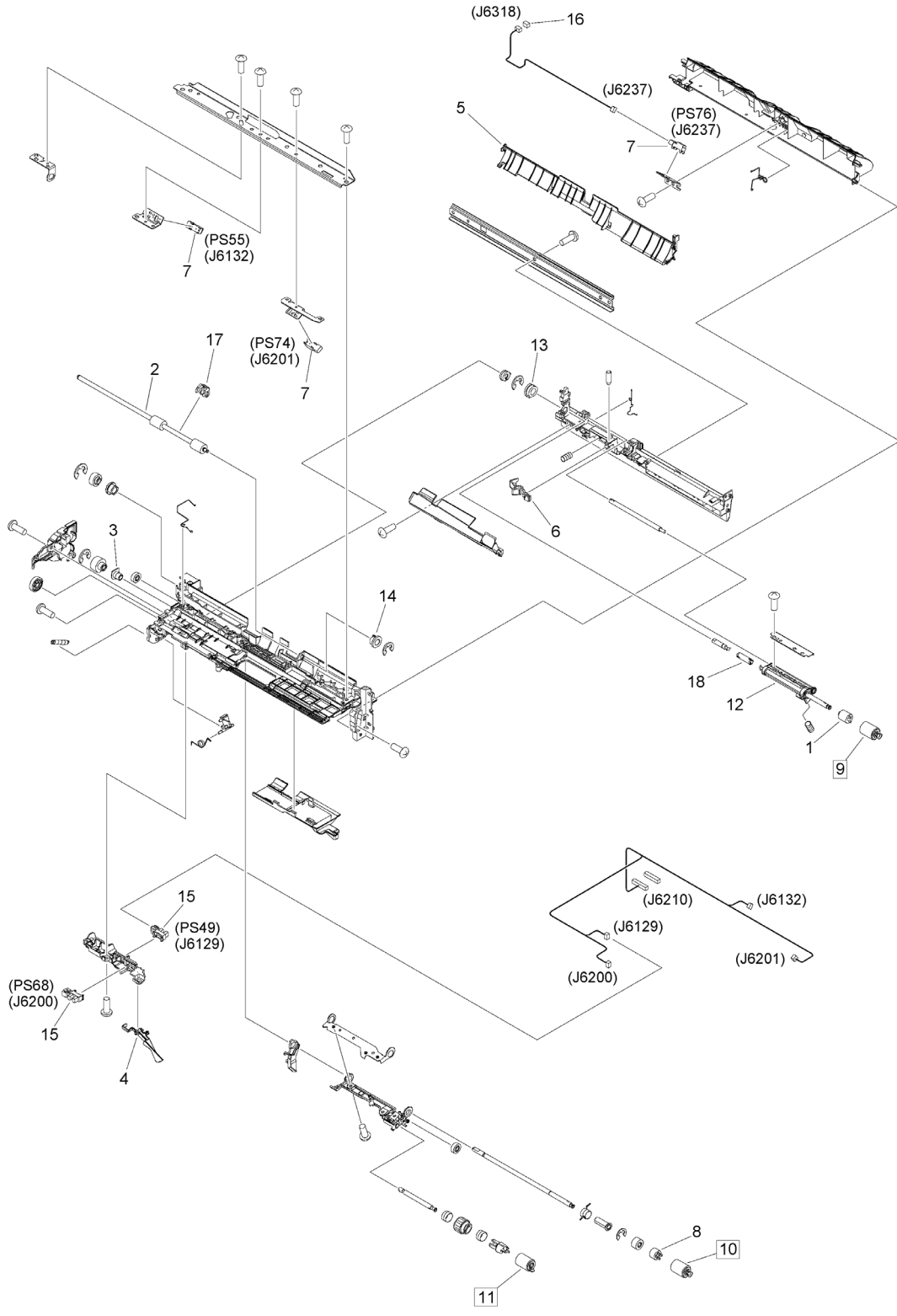


FIGURE & KEY NO.	PART NUMBER	RANK	QTY	DESCRIPTION	SERIAL NUMBER /REMARKS
310	FM2-A205-000		1	PAPER PICK-UP ASSEMBLY, 1	
1	FE4-9853-000		1	LIMITTER, TORQUE	
2	FE4-4426-000		1	ROLLER, EXTRACTION	
3	FE4-4536-000		1	BUSHING	
4	FE4-4564-000		1	LEVER, PAPER YES/NO DETECT	
5	FE4-4560-000		1	GUIDE, VERTICAL PATH, UPPER	
6	FE8-1330-010		1	LEVER, ESTRANGEMENT	
7	WG8-6233-000		3	PHOTO-SENSOR, KUA0055C	PS55, PS74, PS76
8	FL0-1515-000		1	ONE-WAY CLUTCH ASSEMBLY	
9	FL0-1674-000		1	ROLLER, SEPARATION	[DP]
10	FL4-0763-000		1	ROLLER, PAPER FEED	[DP]
11	FL4-0762-000		1	ROLLER, PAPER PICK-UP	[DP]
12	FL0-4772-000		1	HOLDER, SEPARATION ROLLER	
13	FS1-1508-000		1	BUSHING	
14	FU5-1442-000		1	BUSHING	
15	WG8-5783-000		2	IC,PHOTO-INTERRUPTER,LG248NL1A	PS49, PS68
16	VS1-8412-003		1	CONNECTOR, SNAP TIGHT, BL	
17	FE8-8918-000		1	GUIDE, EXTRACTION OPTION	
18	FE4-5061-010		1	COUPLING, JOINT	

Figure 311 PAPER PICK-UP ASSEMBLY, 2

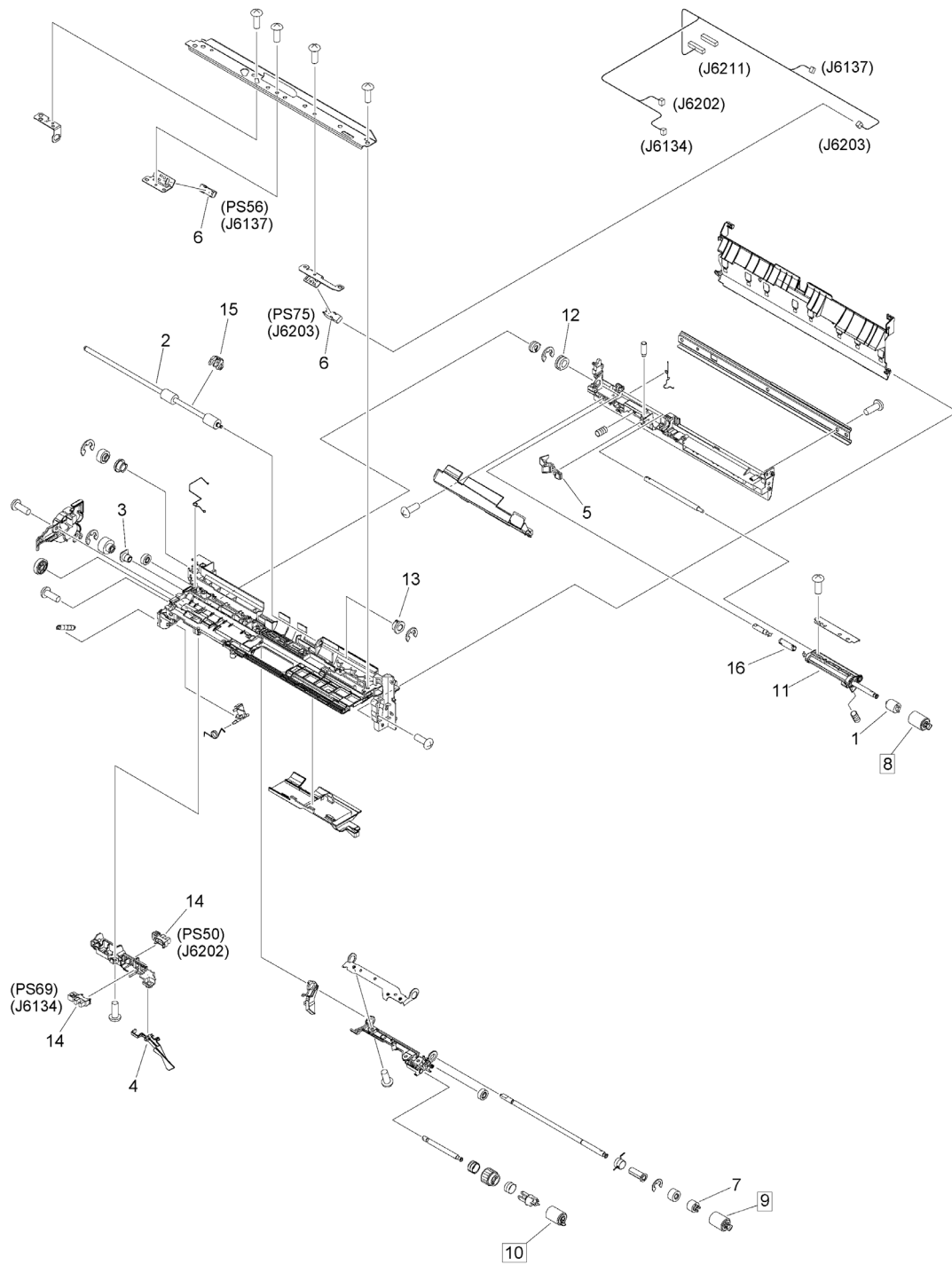


FIGURE & KEY NO.	PART NUMBER	RANK	QTY	DESCRIPTION	SERIAL NUMBER /REMARKS
311	FM2-A206-000		1	PAPER PICK-UP ASSEMBLY, 2	
1	FE4-9853-000		1	LIMITTER, TORQUE	
2	FE4-4426-000		1	ROLLER, EXTRACTION	
3	FE4-4536-000		1	BUSHING	
4	FE4-4564-000		1	LEVER, PAPER YES/NO DETECT	
5	FE8-1330-010		1	LEVER, ESTRANGEMENT	
6	WG8-6233-000		2	PHOTO-SENSOR, KUA0055C	PS56, PS75
7	FL0-1515-000		1	ONE-WAY CLUTCH ASSEMBLY	
8	FL0-1674-000		1	ROLLER, SEPARATION	[DP]
9	FL4-0763-000		1	ROLLER, PAPER FEED	[DP]
10	FL4-0762-000		1	ROLLER, PAPER PICK-UP	[DP]
11	FL0-4772-000		1	HOLDER, SEPARATION ROLLER	
12	FS1-1508-000		1	BUSHING	
13	FU5-1442-000		1	BUSHING	
14	WG8-5783-000		2	IC,PHOTO-INTERRUPTER,LG248NL1A	PS50, PS69
15	FE8-8918-000		1	GUIDE, EXTRACTION OPTION	
16	FE4-5061-010		1	COUPLING, JOINT	

Figure 313 PRE-REG. GUIDE ASSEMBLY

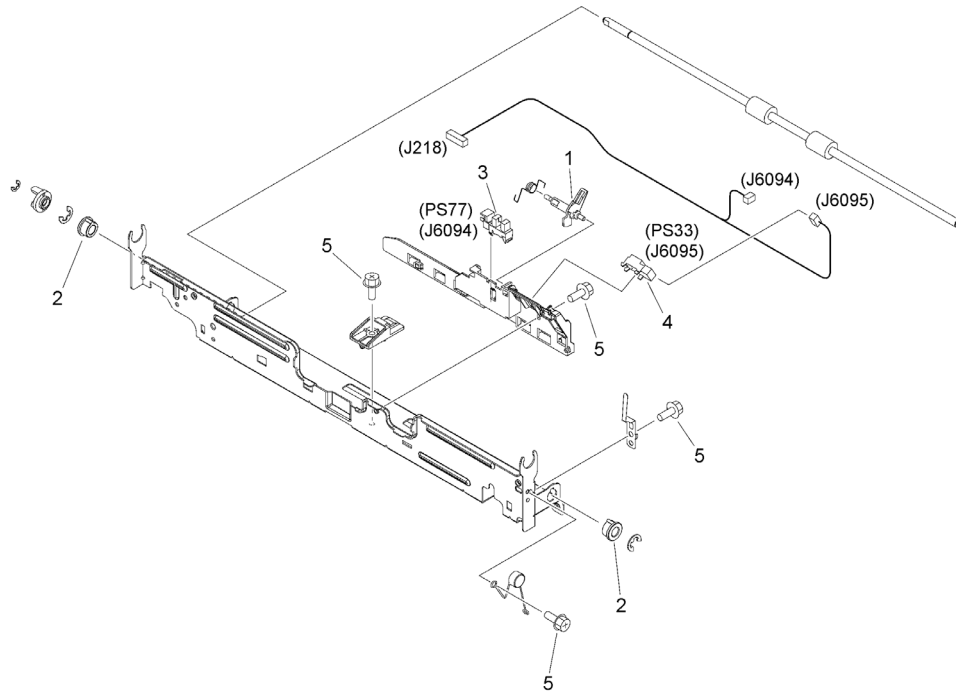


FIGURE & KEY NO.	PART NUMBER	RANK	QTY	DESCRIPTION	SERIAL NUMBER /REMARKS
313	NPN		1	PRE-REG. GUIDE ASSEMBLY	
1	FE4-8307-010		1	FLAG, REG. SENSOR	
2	FS5-1943-000		2	BUSHING	
3	WG8-5783-000		1	IC,PHOTO-INTERRUPTER,LG248NL1A	PS77
4	WG8-6233-000		1	IC,PHOTO-INTERRUPTER	PS33
5	XA9-1386-000		4	SCREW,RS,M3X8	

Figure 315 MULTI PAPER PICK-UP TRAY ASS'Y

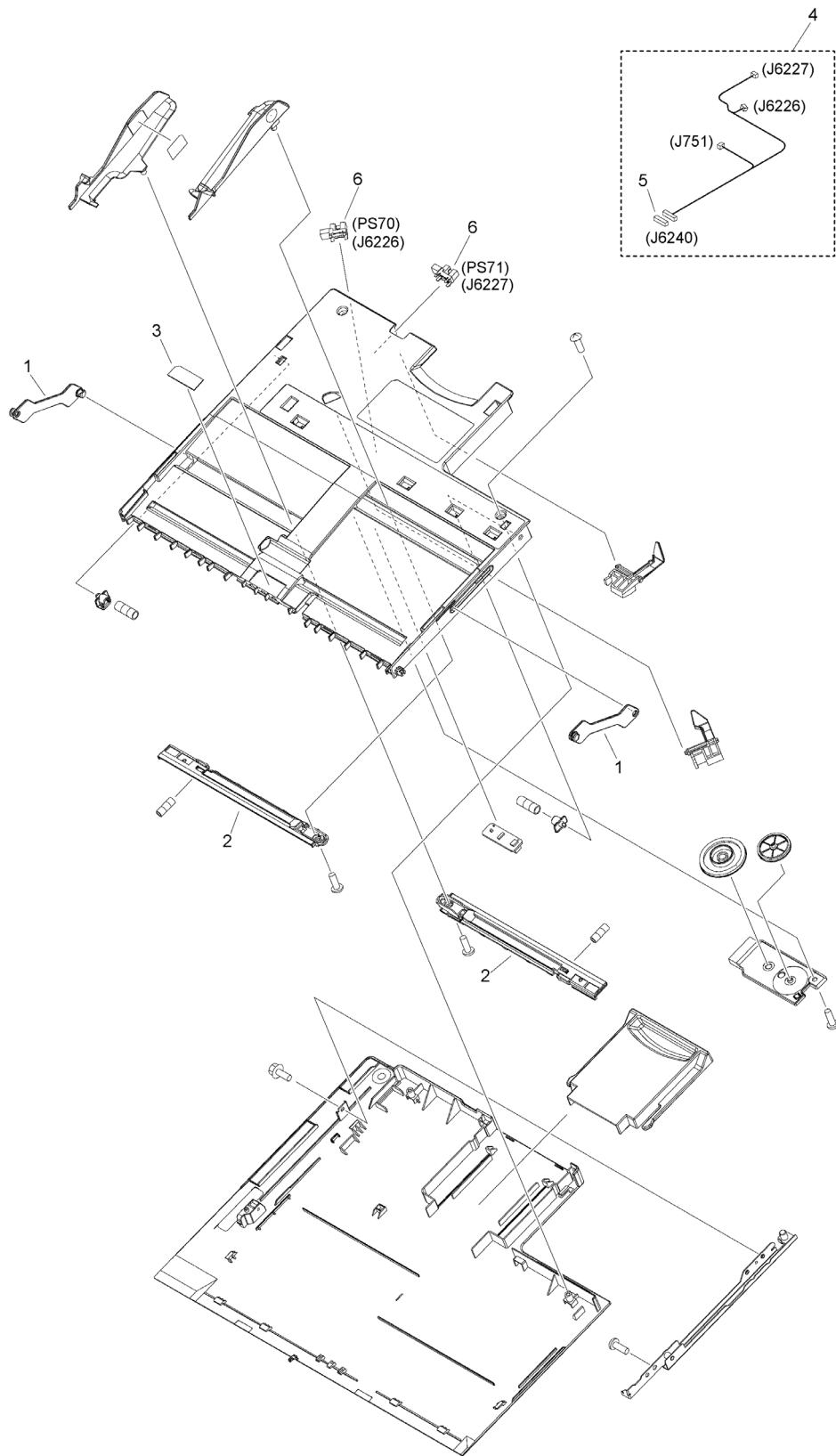


FIGURE & KEY NO.	PART NUMBER	RANK	QTY	DESCRIPTION	SERIAL NUMBER /REMARKS
315	FM1-N385-010		1	MULTI PAPER PICK-UP TRAY ASS'Y	
1	FE4-4880-000		2	LINK, MULTI TRAY	
2	FE8-3360-000		2	RACK	
3	FL0-5121-000		1	SHEET, SEPARATION	
4	FM1-E939-010		1	CABLE, MULTI	
5	VS1-7177-009		1	CONNECTOR, WIRE TO WIRE, 9P	
6	WG8-5935-000		2	IC, PHOTO INTERRUPTER	PS70, PS71

Figure 316 (1/2)MULTI PAPER PICK-UP ASSEMBLY

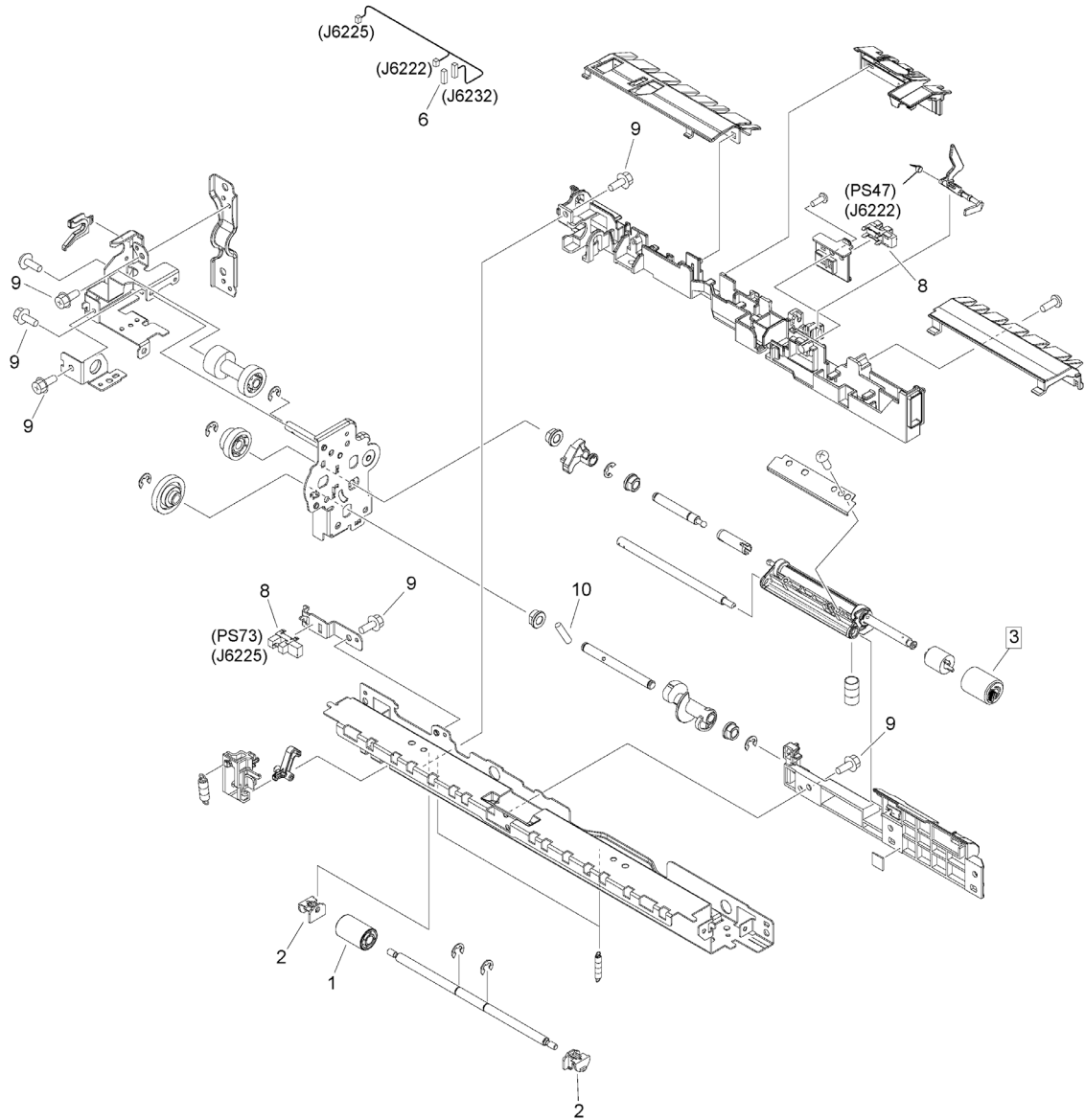


Figure 316 (2/2) MULTI PAPER PICK-UP ASSEMBLY

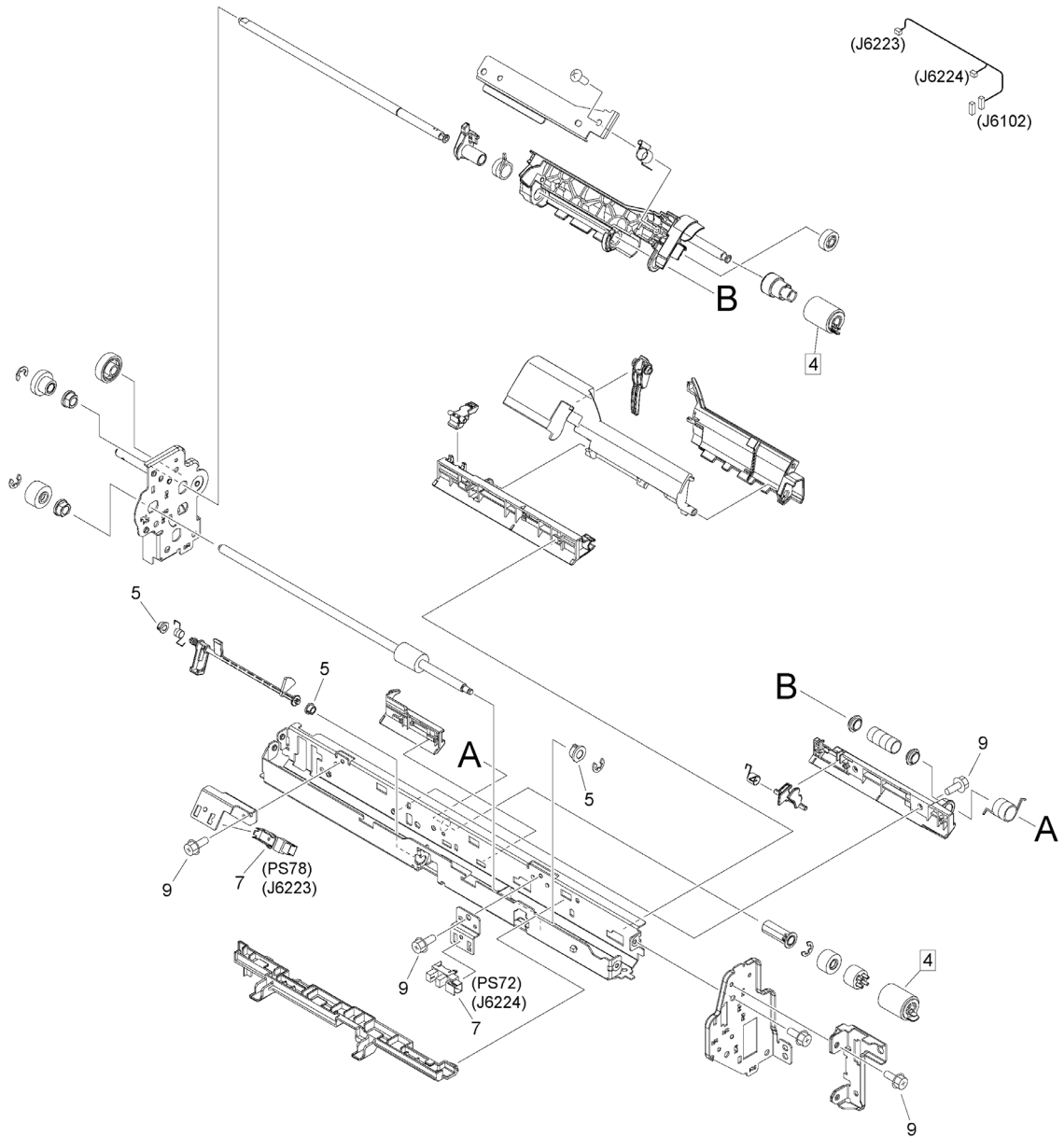


FIGURE & KEY NO.	PART NUMBER	RANK	QTY	DESCRIPTION	SERIAL NUMBER /REMARKS
316	FM1-G591-000		1	MULTI PAPER PICK-UP ASSEMBLY	
1	FE3-9593-000		1	ROLLER, REGISTRATION DRIVEN	
2	FE4-1049-000		2	BUSHING	
3	FL0-1674-000		1	ROLLER, SEPARATION	[DP]
4	FL4-0762-000		2	ROLLER, PAPER PICK-UP	[DP]
5	FU5-1442-000		3	BUSHING	
6	VS1-7177-007		1	CONNECTOR, 7P, FEMALE, BK	
7	WG8-5783-000		2	IC,PHOTO-INTERRUPTER,LG248NL1A	PS72, PS78
8	WG8-5935-000		2	IC, PHOTO INTERRUPTER	PS47, PS73
9	XA9-1386-000		28	SCREW,RS,M3X8	
10	XD9-0289-000		1	PIN, PARALLEL	

Figure 350 FIRST PAPER DELIVERY ASSEMBLY

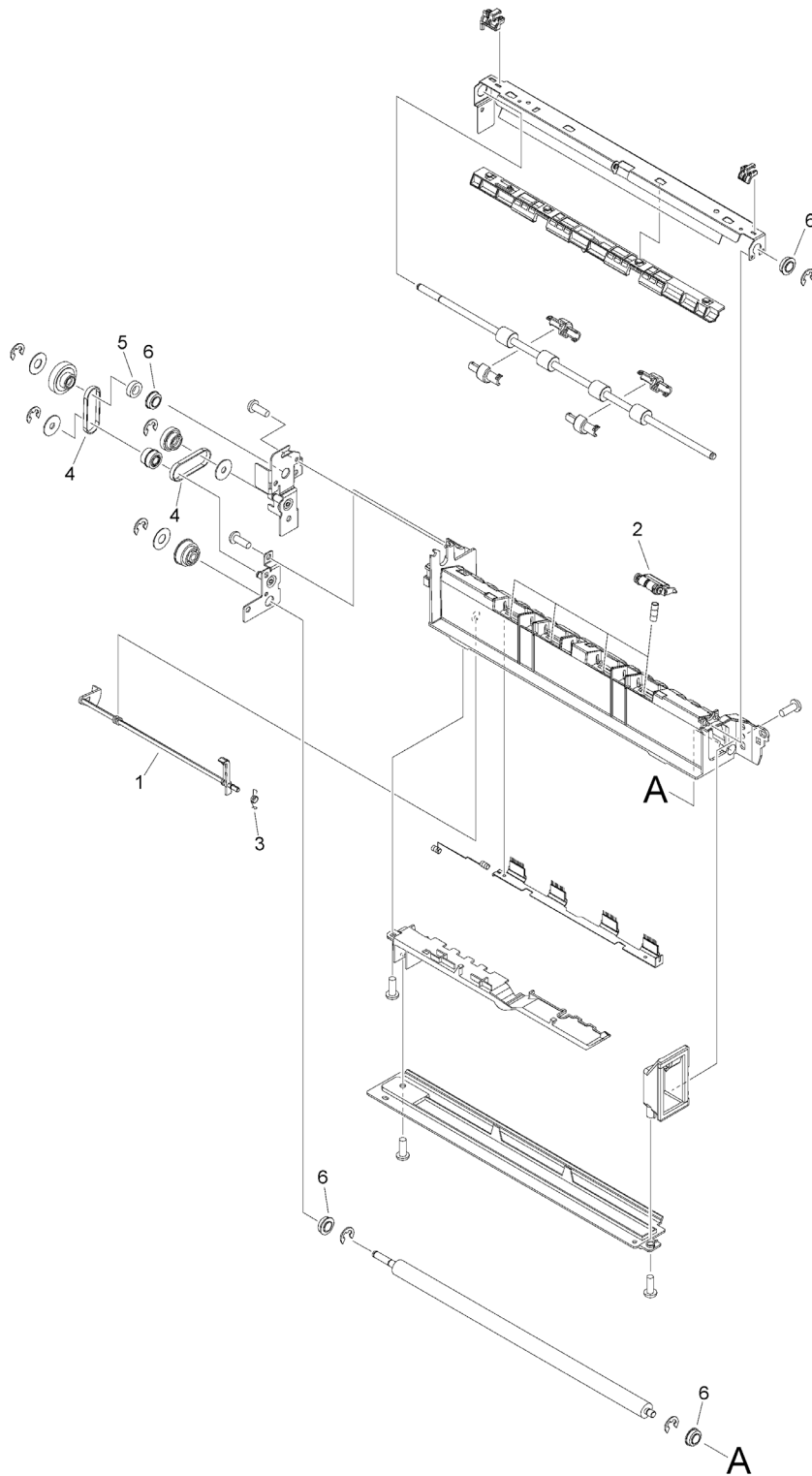


FIGURE & KEY NO.	PART NUMBER	RANK	QTY	DESCRIPTION	SERIAL NUMBER /REMARKS
350	FM1-G218-010		1	FIRST PAPER DELIVERY ASSEMBLY	
1	FE4-1984-000		1	FLAG, 1ST DELIVERY SENSOR	
2	FM1-G226-000		4	PAPER DELIVERY ROLLER ASSEMBLY	
3	FU5-2068-030		1	SPRING, TORSION	
4	XF2-1605-640		2	BELT, TIMING	
5	XG9-0497-000		1	BEARING, BALL, MR106ZZ,	
6	XG9-0778-000		4	BEARING, BALL, MF106ZZ-1	

Figure 351 2ND/3RD PAPER DELIVERY ASS'Y

NOTE : This assembly includes the assemblies shown in Figure 352 and 353.

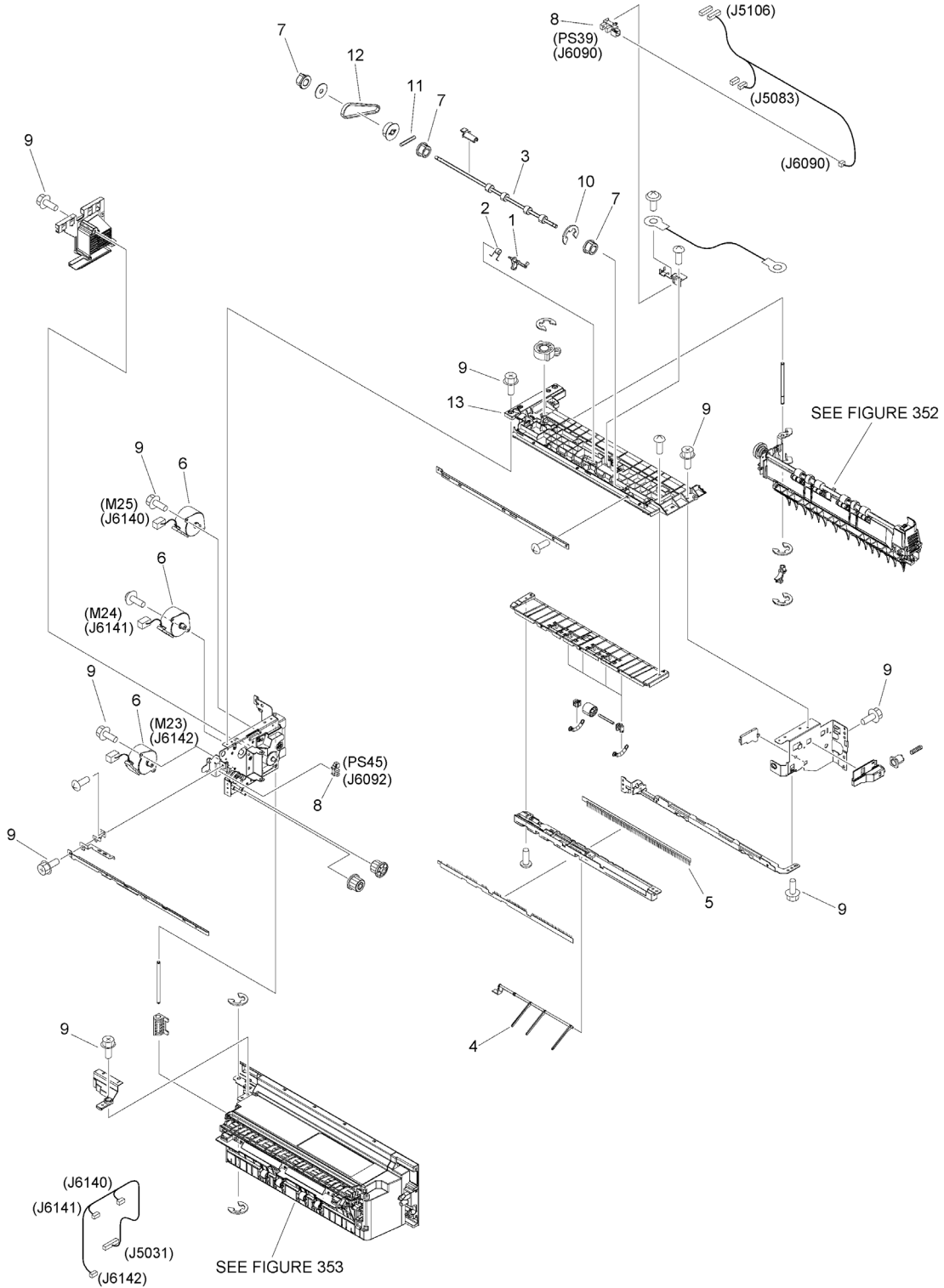


FIGURE & KEY NO.	PART NUMBER	RANK	QTY	DESCRIPTION	SERIAL NUMBER /REMARKS
351	FM1-G219-040		1	2ND/3RD PAPER DELIVERY ASS'Y	SEE NOTE
1	FC5-0987-000		1	FLAG, REVERSE SENSOR	
2	FC5-0988-000		1	SPRING, TORSION	
3	FC5-0989-020		1	ROLLER, REVERSE	
4	FC8-4752-000		1	LEVER,2ND DELIVERY FULL DETECT	
5	FE3-8288-000		1	ELIMINATOR, STATIC CHARGE	
6	FK2-7304-000		3	MOTOR	M23, M24, M25
7	FS5-1943-000		3	BUSHING	
8	WG8-5783-000		2	IC,PHOTO-INTERRUPTER,LG248NL1A	PS39, PS45
9	XA9-1386-000		16	SCREW,RS,M3X8	
10	XD9-0136-000		1	RING, E	
11	XD9-0289-000		1	PIN, PARALLEL	
12	XF2-1607-640		1	BELT, TIMING	
13	FL0-5276-000		1	STAY, 2 PAPER DELIVERY, UPPER	

Figure 352 SECOND PAPER DELIVERY ASSEMBLY

NOTE : This assembly is included in the assembly shown in Figure 351.

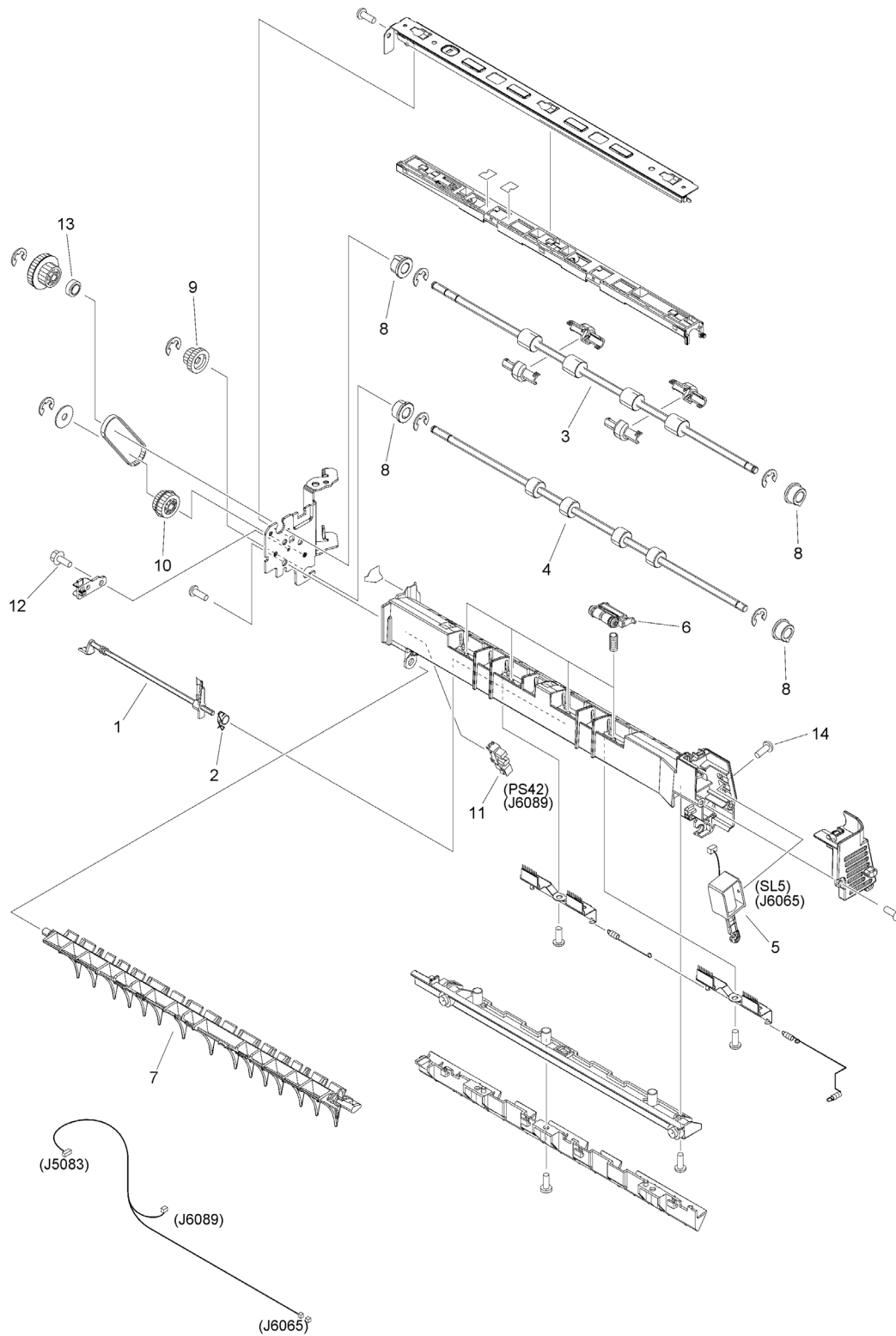


FIGURE & KEY NO.	PART NUMBER	RANK	QTY	DESCRIPTION	SERIAL NUMBER /REMARKS
352	FM1-G224-020		1	SECOND PAPER DELIVERY ASSEMBLY	SEE NOTE
1	FC5-0996-000		1	FLAG, 2ND DELIVERY SENSOR	
2	FC5-0997-000		1	SPRING, TORSION	
3	FC8-4782-000		1	ROLLER, SECOND PAPER DELIVERY	
4	FC8-4789-000		1	ROLLER, SECOND VERTICAL PATH	
5	FL0-4029-000		1	SOLENOID	SL5
6	FM1-G226-000		4	PAPER DELIVERY ROLLER ASSEMBLY	
7	FM1-N629-000		1	FLAPPER ASSEMBLY	
8	FS5-1943-000		4	BUSHING	
9	FU5-0076-000		1	GEAR, 24T	
10	FU5-3020-000		1	GEAR, 24T/PULLEY, 30T	
11	WG8-5783-000		1	IC,PHOTO-INTERRUPTER,LG248NL1A	PS42
12	XA9-1386-000		1	SCREW,RS,M3X8	
13	XG9-0704-000		1	BEARING, BALL, MR106ZZ	
14	XA9-2008-000		1	SCREW,M3X4	

Figure 353 THIRD PAPER DELIVERY ASSEMBLY

NOTE : This assembly is included in the assembly shown in Figure 351.

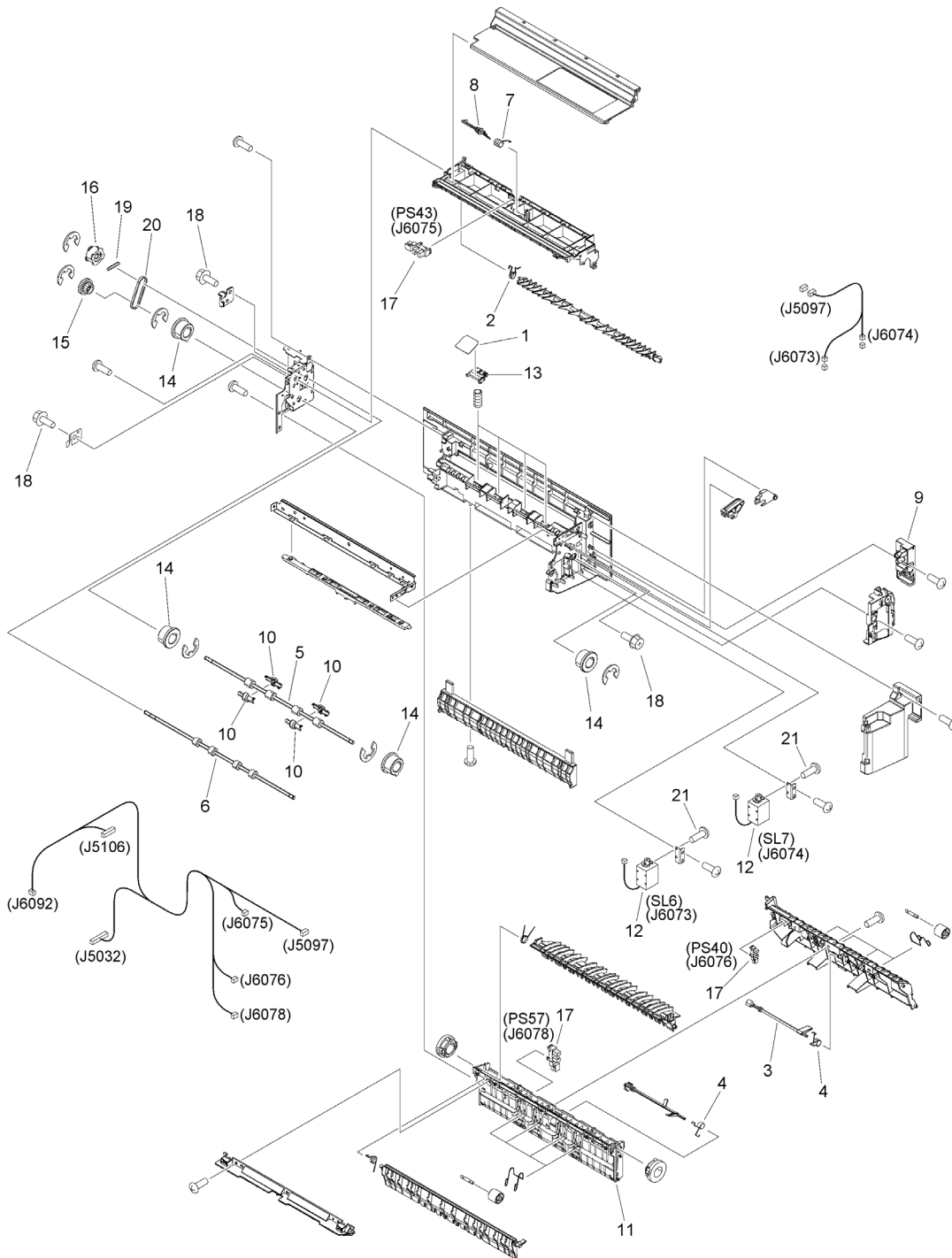


FIGURE & KEY NO.	PART NUMBER	RANK	QTY	DESCRIPTION	SERIAL NUMBER /REMARKS
353	FM1-G230-030		1	THIRD PAPER DELIVERY ASSEMBLY	SEE NOTE
1	FC0-4875-000		4	SHEET, ROLLER HOLDER	
2	FC5-0977-000		1	SPRING, TORSION	
3	FE2-P673-000		1	FLAG, DUPLEX ENTRANCE SENSOR	
4	FC5-1006-000		2	SPRING, TORSION	
5	FC5-1020-020		1	ROLLER, 3RD DELIVERY	
6	FC8-4783-000		1	ROLLER, DUPLEXING ENTRANCE	
7	FC8-5111-000		1	SPRING	
8	FC8-5112-000		1	FLAG, THIRD DELIVERY SENSOR	
9	FC8-5120-000		1	HOOK, 2ND/3RD PAPER DELIVERY	
10	FC9-8621-000		4	ROLLER, REFORM	
11	FL0-7191-010		1	GUIDE, 2ND DEL. ENTRANCE INNER	
12	FL3-1169-000		2	SOLENOID	SL6, SL7
13	FM4-9344-010		4	PAPER DELIVERY ROLLER ASSEMBLY	
14	FS5-1943-000		4	BUSHING	
15	FU5-3018-000		1	PULLEY, 30T/GEAR, 35T	
16	FU5-3021-000		1	PULLEY, 30T	
17	WG8-5783-000		3	IC,PHOTO-INTERRUPTER,LG248NL1A	PS40, PS43, PS57
18	XA9-1386-000		4	SCREW,RS,M3X8	
19	XD9-0289-000		1	PIN, PARALLEL	
20	XF2-4107-240		1	BELT, TIMING	
21	XA9-2008-000		4	SCREW,M3X4	

Figure 460 LASER SCANNER ASSEMBLY

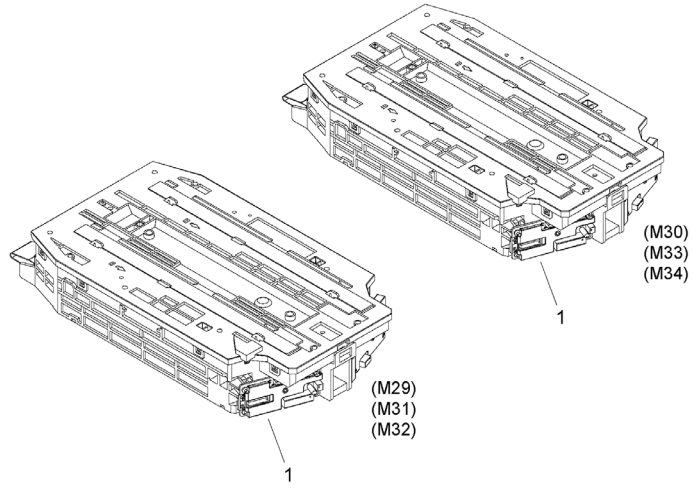


FIGURE & KEY NO.	PART NUMBER	R A N K	QTY	DESCRIPTION	SERIAL NUMBER /REMARKS
460	NPN		RF	LASER SCANNER ASSEMBLY	
1	FM1-G395-000		2	LASER SCANNER ASSEMBLY	M29, M30, M31, M32, M33, M34

Figure 530 (1/4) INTER. TRANSFER BELT ASS'Y

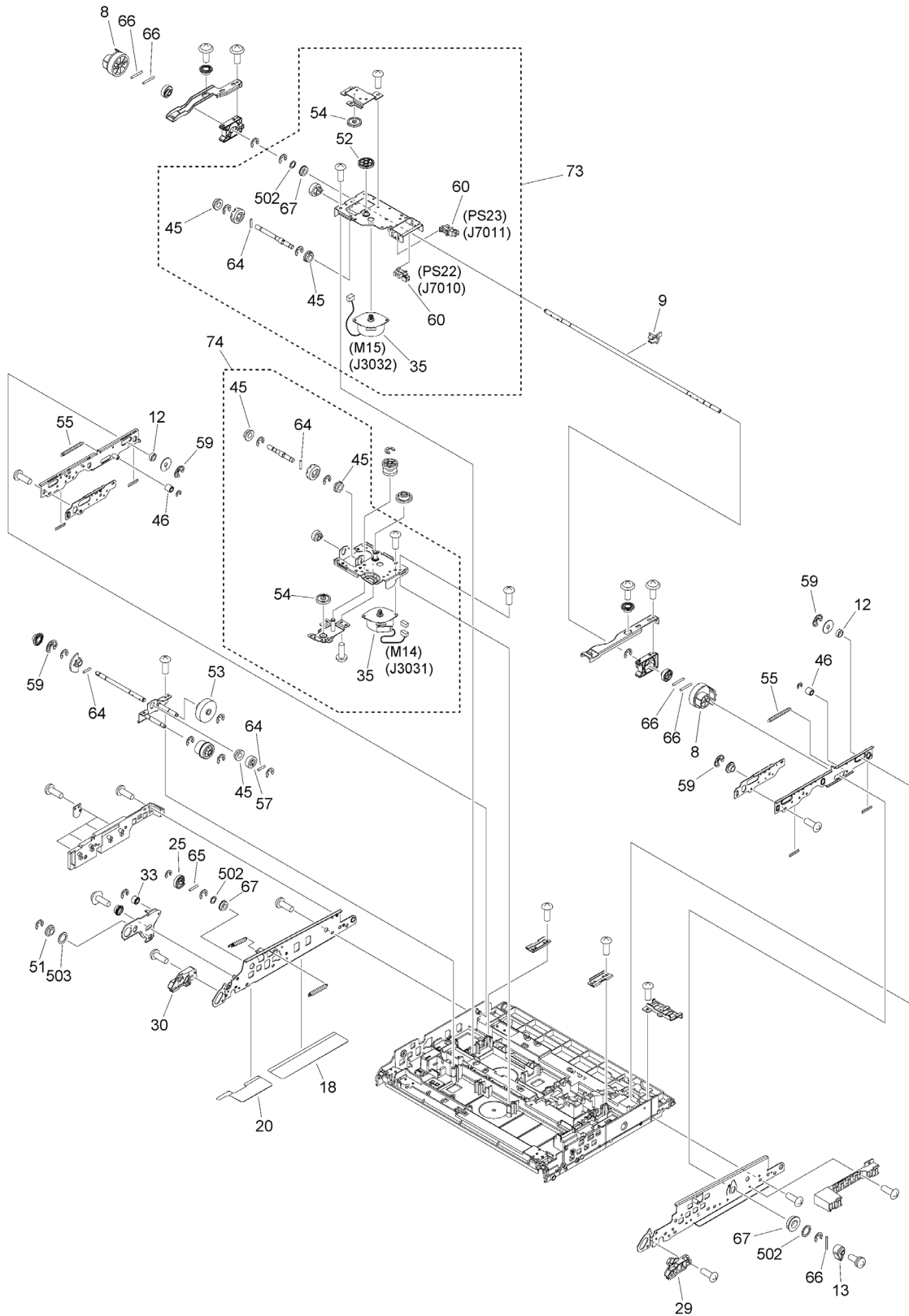


Figure 530 (2/4) INTER. TRANSFER BELT ASS'Y

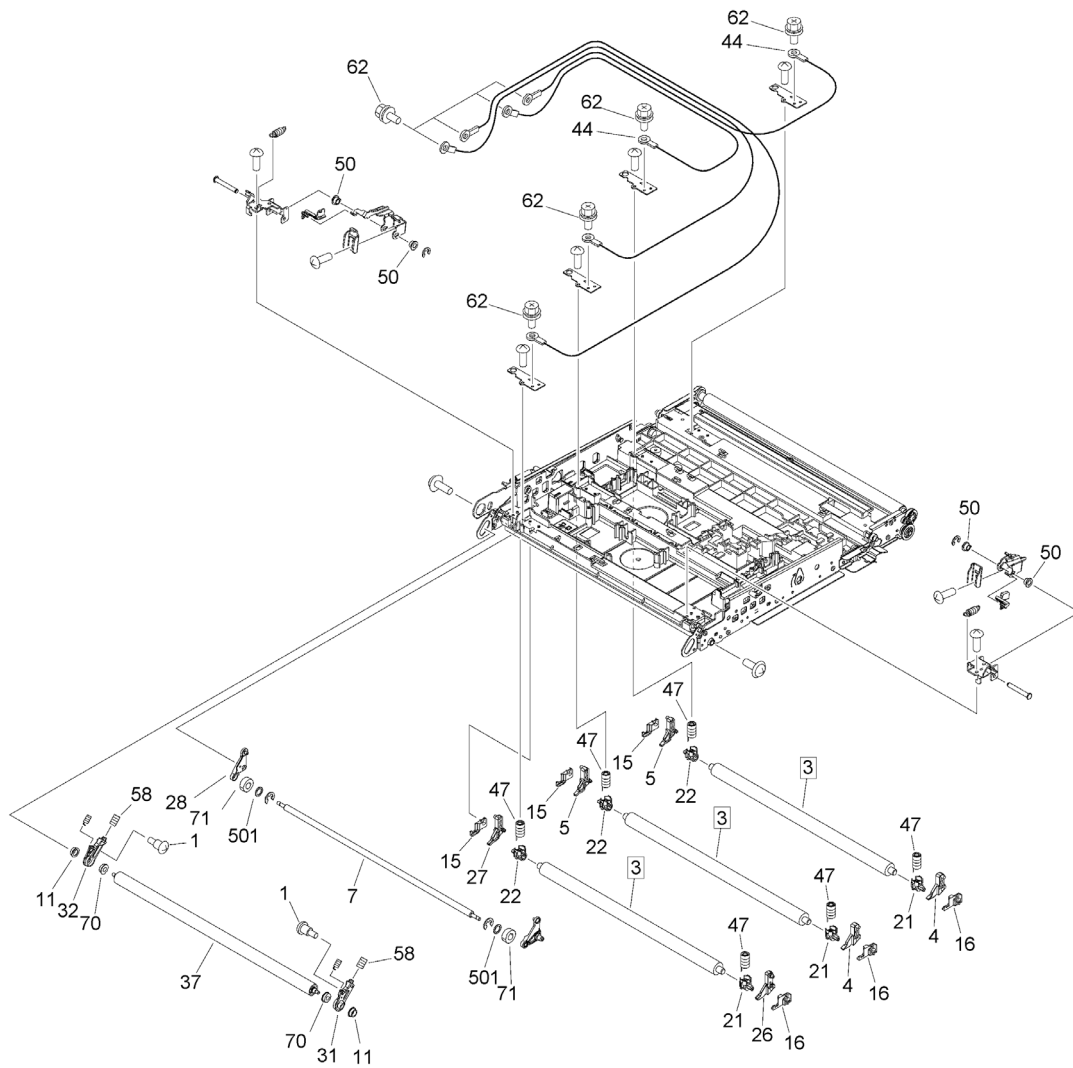


Figure 530 (3/4) INTER. TRANSFER BELT ASS'Y

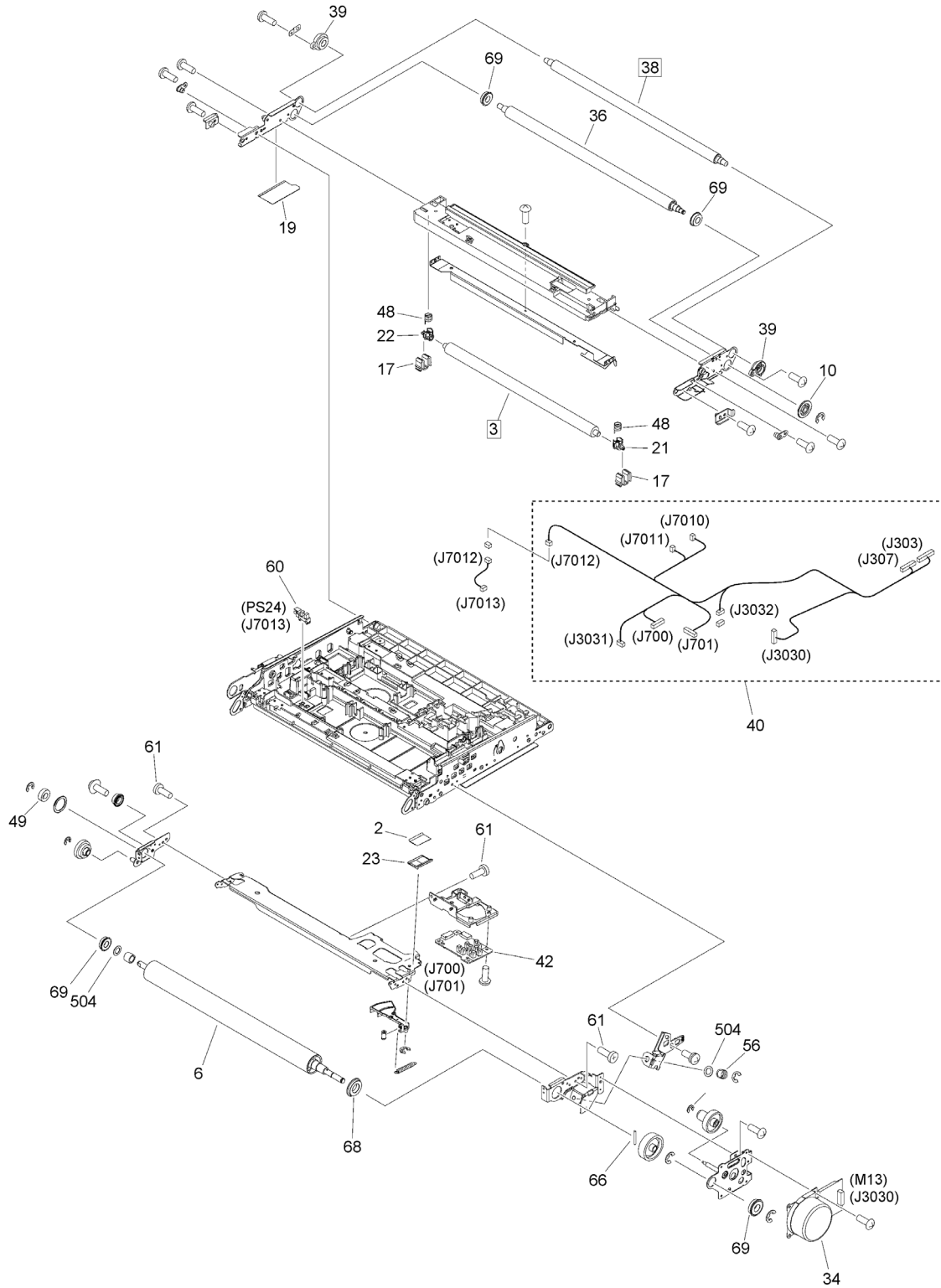


Figure 530 (4/4) INTER. TRANSFER BELT ASS'Y

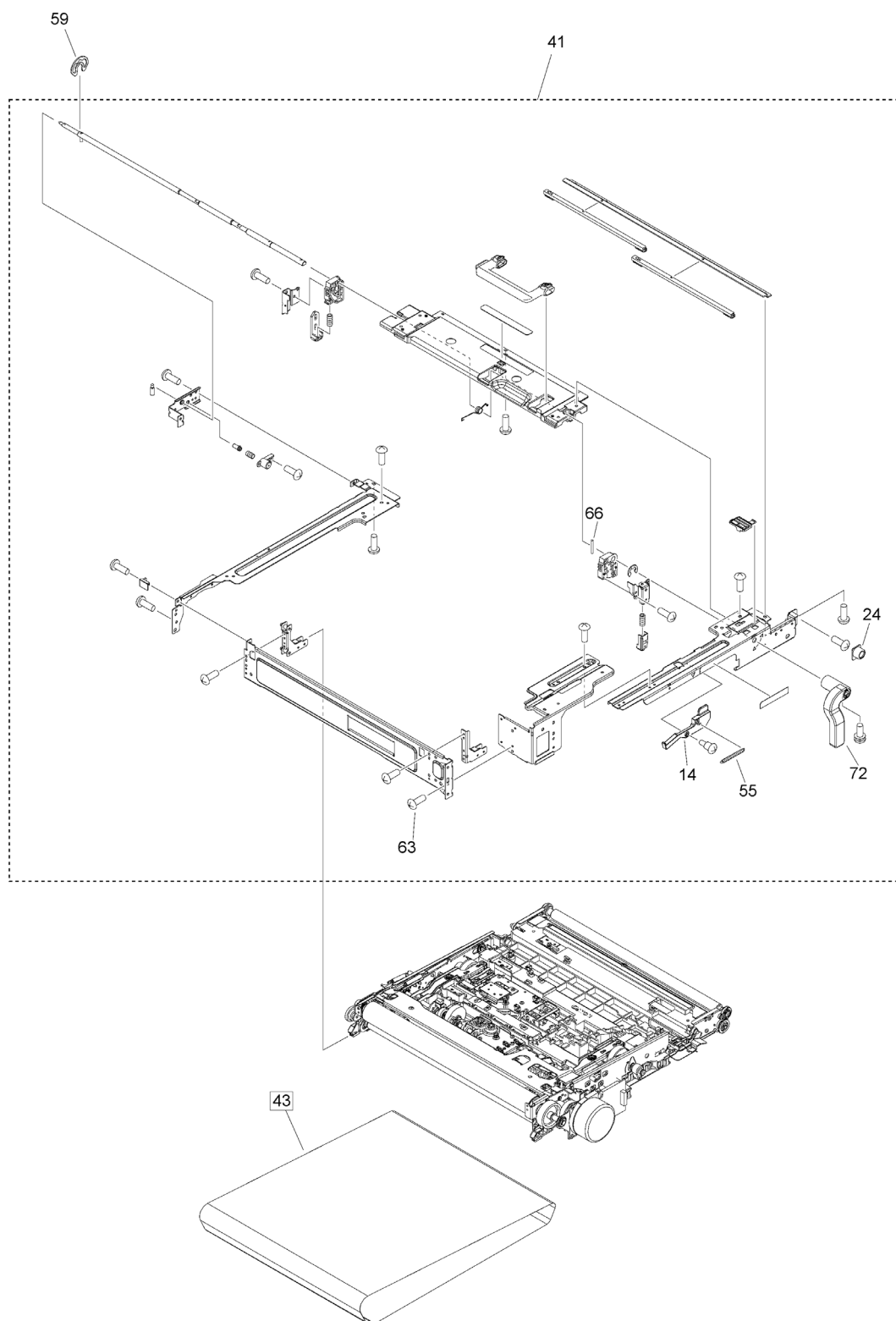


FIGURE & KEY NO.	PART NUMBER	RANK	QTY	DESCRIPTION	SERIAL NUMBER /REMARKS
530	NPN		RF	INTER. TRANSFER BELT ASS'Y	
1	FU2-2387-000		2	SCREW, M3X2.2	
2	FC0-0253-000		1	PLATE, BELT RETAINING	
3	FE8-3974-000		4	ROLLER, PRIMARY TRANSFER	[DP]
4	FC0-5043-000		2	ARM, DESORPTION, FRONT	
5	FC0-5044-000		2	ARM, DESORPTION, REAR	
6	FC8-4403-000		1	ROLLER, DRIVE	
7	FC8-4406-000		1	ROLLER, 1ST TRNSFR. AUXILIARY	
8	FC8-4414-000		2	CAM, DESORPTION	
9	FC8-4423-000		1	FLAG, DESORPTION SENSOR	
10	FC8-4449-000		1	FLANGE	
11	FC8-4455-000		2	ROLLER, TENSION SLIDER	
12	FC8-4456-000		2	ROLLER, DESORPTION SLIDE	
13	FC8-4490-000		1	CAM, LOCK	
14	FC8-4491-000		1	ARM, LOCK	
15	FC8-4492-010		3	STOPPER,1ST TRNSFR. BUSHING,R	
16	FC8-4493-010		3	STOPPER,1ST TRNSFR. BUSHING,F	
17	FC8-4494-000		2	STOPPER, BLACK	
18	FC9-7915-000		1	SHEET, BELT RETAINING, B	
19	FC9-7916-000		1	SHEET, BELT RETAINING, C	
20	FL0-4149-000		1	SHEET, BELT RETAINING, A2	
21	FE4-2116-000		4	BUSHING, PRIMARY TRANSFER, FR.	
22	FE4-2117-000		4	BUSHING, PRIMARY TRANSFER, RR.	
23	FL3-4847-010		1	GUIDE, BELT	
24	FC0-3759-000		1	CAP,SCREW	
25	FE4-2180-000		1	CAM, STERRING	
26	FE4-2191-000		1	ARM, DESORPTION, FRONT	
27	FE4-2192-000		1	ARM, DESORPTION, REAR	
28	FE4-2194-000		1	PLATE,DESORPTION ARM AUX.,REAR	
29	FE4-2203-000		1	ARM, TRANSFER, FRONT	
30	FE4-2204-000		1	ARM, TRANSFER, REAR	
31	FE4-2219-000		1	BUSHING, FRONT	
32	FE4-2220-000		1	BUSHING, REAR	
33	FE4-2222-000		1	ROLLER	
34	FK2-7300-000		1	MOTOR, DC	M13
35	FK2-7365-000		2	MOTOR	M14, M15
36	FL0-4162-000		1	ROLLER, IDLER	
37	FL0-4163-000		1	ROLLER, TENSION	
38	FL0-4164-000		1	ROLLER, 2ND TRNSFR. INNER	[DP]
39	FL3-1109-000		2	HOLDER, 2ND TRNSFR. BUSHING	
40	FM2-H968-000		1	CABLE, I.T.B.	
41	FM1-G312-000		1	TRANSFER OUTER FRAME ASSEMBLY	
42	FM1-M838-000		1	DISPLACEMENT SENSOR PCB ASS'Y	
43	FM1-N265-010		1	BELT, INTER TRANSFER	[DP]

FIGURE & KEY NO.	PART NUMBER	RANK	QTY	DESCRIPTION	SERIAL NUMBER /REMARKS
44	FM3-7856-010		2	CABLE,PRIMARY TRANSFER H.V. CK	
45	FS1-1508-000		5	BUSHING	
46	FS5-6948-000		2	COLLAR, RAIL	
47	FU2-1136-000		6	SPRING, COMPRESSION	
48	FU2-1137-000		2	SPRING, COMPRESSION	
49	FU3-0267-000		1	GEAR, 18T	
50	FU5-1442-000		4	BUSHING	
51	FU5-1447-000		1	BUSHING	
52	FU6-0147-000		1	GEAR, 48T	
53	FU6-0272-000		1	GEAR, 15T/45T	
54	FU6-0686-000		2	GEAR, 11T/43T	
55	FU7-2451-000		3	SPRING	
56	FU7-2462-000		1	SPRING	
57	FU8-0499-000		1	GEAR, 22T	
58	FU8-2926-000		2	SPRING, TENSION	
59	FB6-6088-000		5	RING, RETAINING	
60	WG8-5783-000		3	IC,PHOTO-INTERRUPTER,LG248NL1A	PS22, PS23, PS24
61	XA9-2018-000		6	SCREW,M3,L6	
62	XA9-2003-000		8	SCREW, W/WASHER, M3X6	
63	XA9-2008-000		4	SCREW,M3X4	
64	XD9-0288-000		4	PIN, DOWEL	
65	XD9-0289-000		1	PIN, PARALLEL	
66	XD9-0291-000		7	PIN, PARALLEL	
67	XG9-0520-000		3	BEARING, BALL, MF106ZZS	
68	XG9-0731-000		1	BEARING, BALL, 6801ZZ	
69	XG9-0794-000		4	BEARING, BALL, LNR-1680KKR	
70	XG9-0797-000		2	BEARING, BALL, LF-1260ZZRPOP25	
71	XG9-0861-000		2	BEARING, BALL, L-840ZZHPOP25L	
72	FC8-4394-000		1	LEVER	
73	FM1-N263-000		1	DESORPTION DRIVE ASSEMBLY	
74	FM1-H223-000		1	STEPPING DRIVE ASSEMBLY	
501	XD1-1104-115		2	WASHER,COP	
502	XD1-1106-215		3	WASHER,COP	
503	XD1-1109-215		1	WASHER,COP	
504	XD1-1208-225		2	WASHER, PLAIN	

Figure 535 TRANSFER CLEANER ASSEMBLY

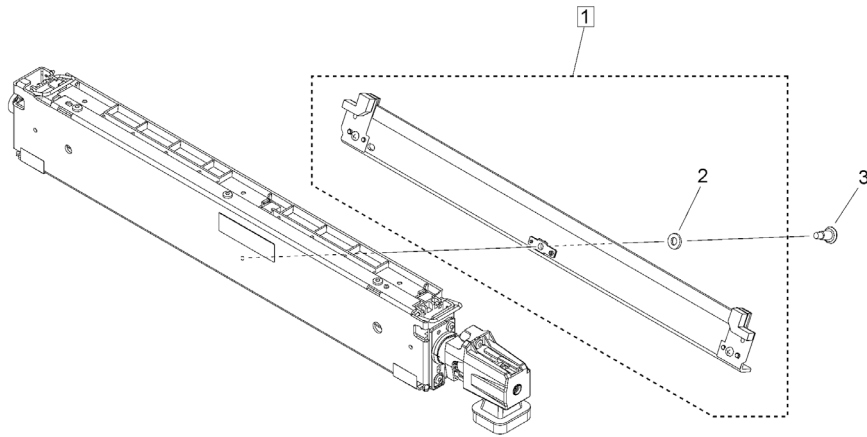


FIGURE & KEY NO.	PART NUMBER	RANK	QTY	DESCRIPTION	SERIAL NUMBER /REMARKS
535	FM1-G370-010		1	TRANSFER CLEANER ASSEMBLY	
1	FM4-7246-010		1	BLADE, TRANSFER CLEANING	[DP]
2	FS5-6957-000		1	WASHER,WAVE	
3	FU5-9737-000		1	SCREW, STEPPED, M4X6.5	

Figure 600 (1/2)PROCESS-KIT FRAME ASSEMBLY

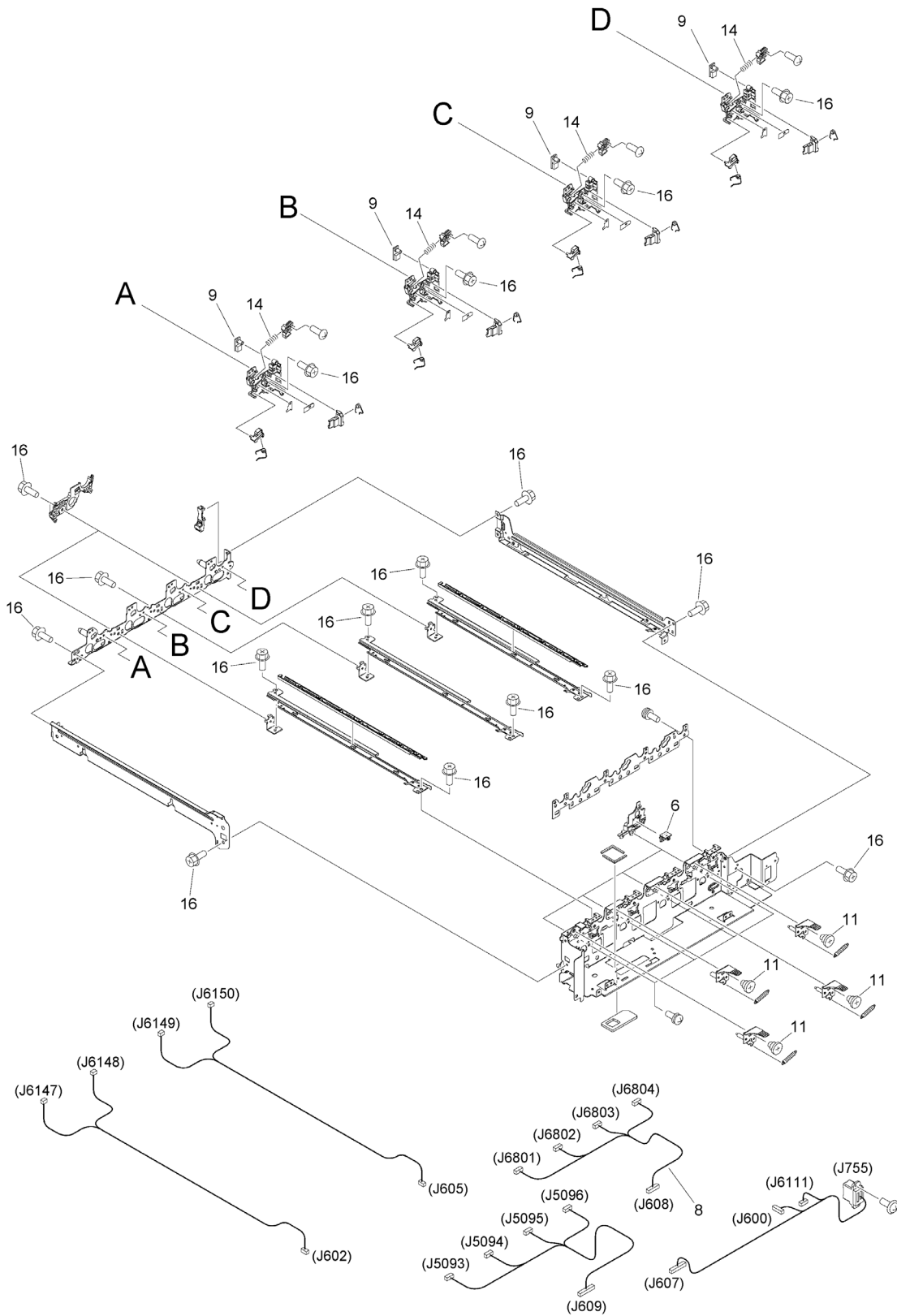


Figure 600 (2/2)PROCESS-KIT FRAME ASSEMBLY

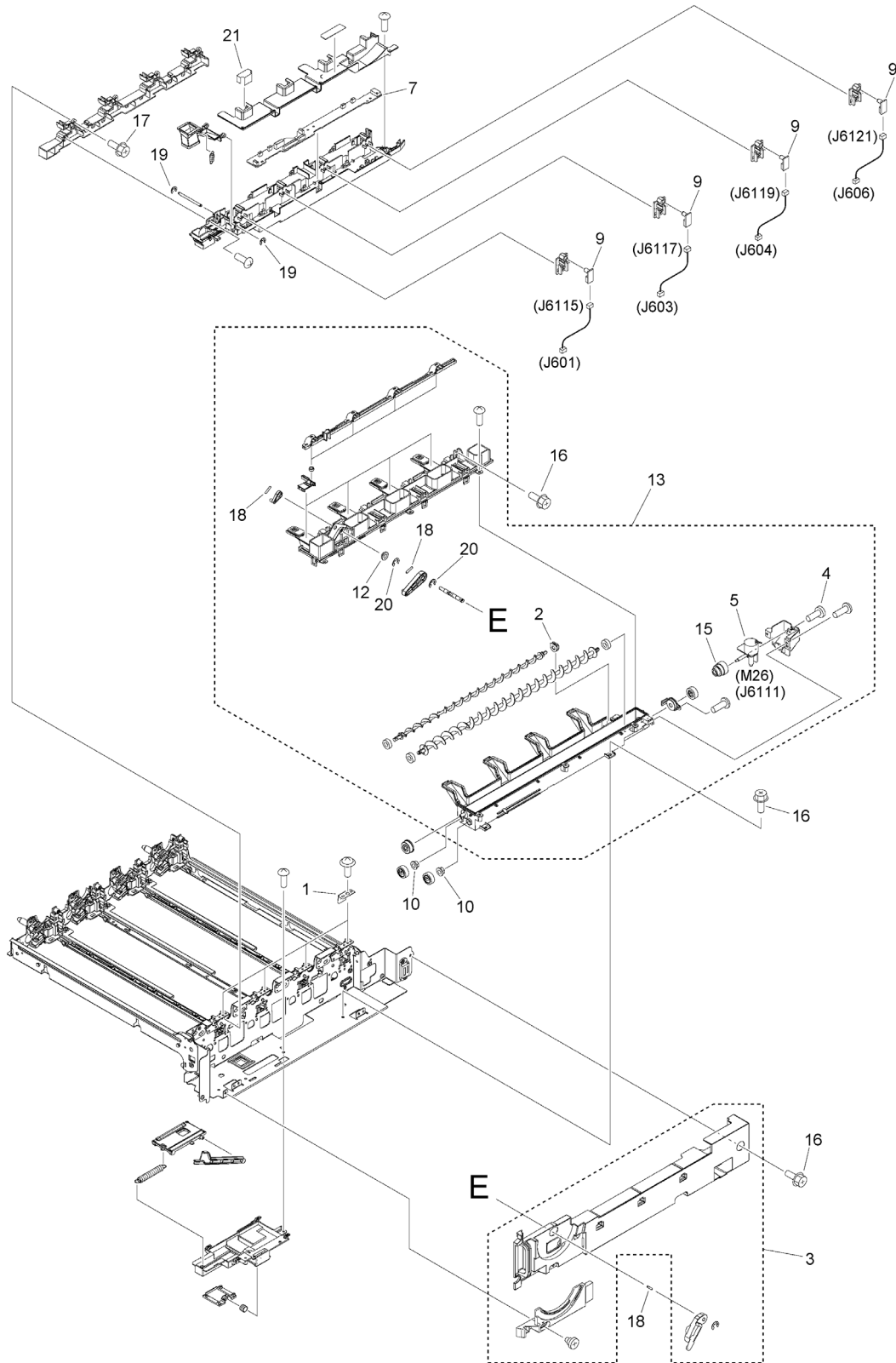


FIGURE & KEY NO.	PART NUMBER	RANK	QTY	DESCRIPTION	SERIAL NUMBER /REMARKS
600	FM1-G355-030		1	PROCESS-KIT FRAME ASSEMBLY	
1	FC8-3921-000		4	PLATE, DRUM GROUNDING	
2	FC8-4573-000		1	BUSHING	
3	FM1-W438-000		1	PROCESS FRONT COVER ASS'Y SET	
4	XA9-2018-000		2	SCREW,M3,L6	
5	FM1-G365-010		1	FEED MOTOR DRIVE ASSEMBLY	M26
6	FM1-V982-000		4	DRUM CONTACT PCB ASS'Y	
7	FM1-V983-010		1	CONNECTING PCB ASSEMBLY	
8	FM1-V985-010		1	CABLE, DRUM IC	
9	FM3-7945-000		8	LED PCB ASSEMBLY	
10	FS1-1205-000		2	BUSHING	
11	FS5-9360-020		4	SCREW,STEPPED,M4	
12	FU5-1447-000		1	BUSHING	
13	FM1-G364-000		1	FEED CASE ASSEMBLY	
14	FU7-2470-000		4	SPRING	
15	FU8-0209-000		1	GEAR, 16T/36T	
16	XA9-0732-010		24	SCREW,RS,M4X8	
17	XA9-1386-000		4	SCREW,RS,M3X8	
18	XD9-0288-000		3	PIN, DOWEL	
19	XD9-0134-000		2	RING, E	
20	XD9-0136-000		2	RING, E	
21	FE4-3589-000		1	SHEET, PROTECTION	

Figure 620 SET ON HOPPER ASS'Y, BLACK

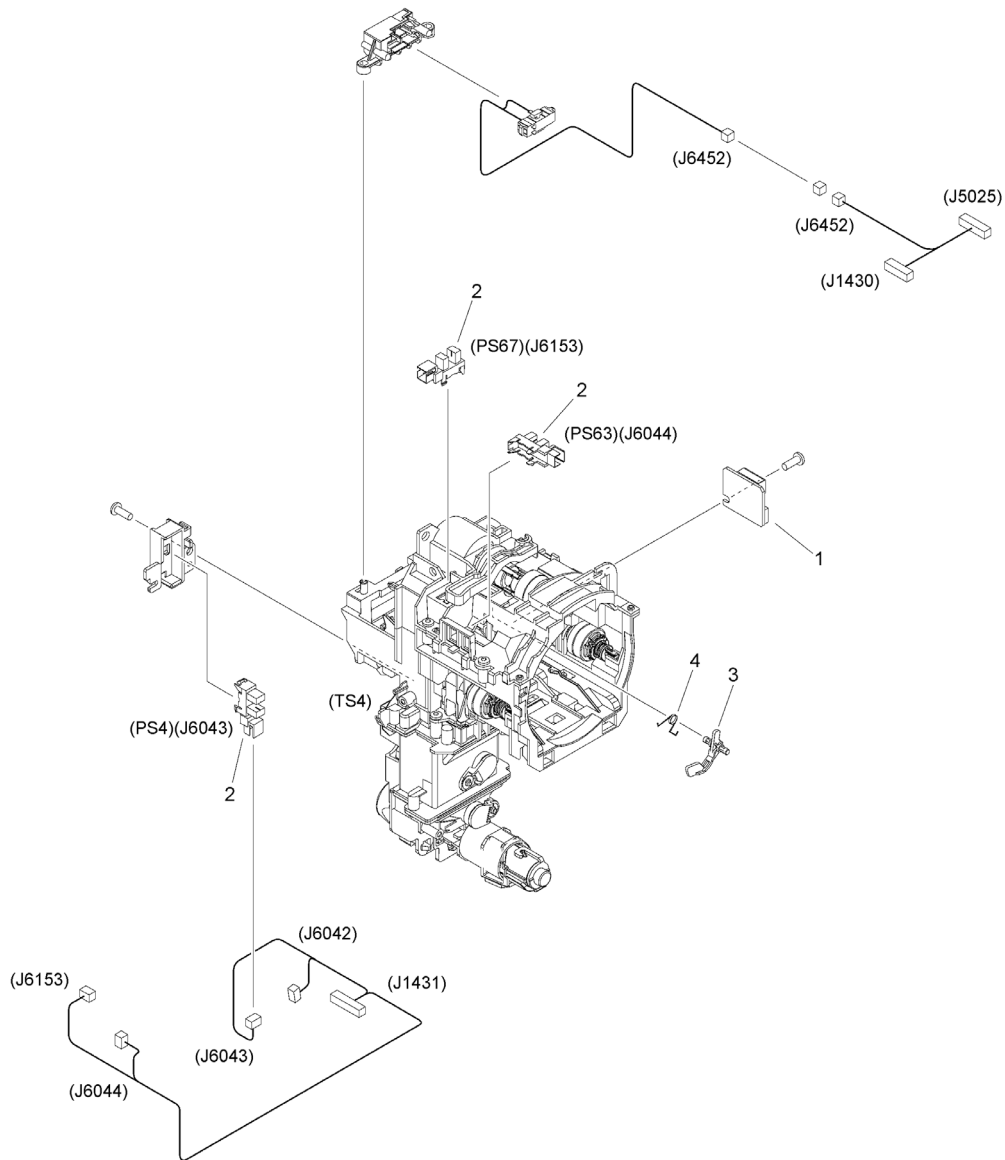


FIGURE & KEY NO.	PART NUMBER	RANK	QTY	DESCRIPTION	SERIAL NUMBER /REMARKS
620	FM1-G327-010		1	SET ON HOPPER ASS'Y, BLACK	TS4
1	FM3-7948-000		1	TONER SENSOR RELAY PCB ASS'Y	
2	WG8-5783-000		3	IC,PHOTO-INTERRUPTER,LG248NL1A	PS4, PS63, PS67
3	FC0-5760-000		1	FLAG, BOTTLE SENSOR	
4	FU9-2035-000		1	SPRING, BOTTLE SENSOR FLAG	

Figure 621 SET ON HOPPER ASS'Y, COLOR

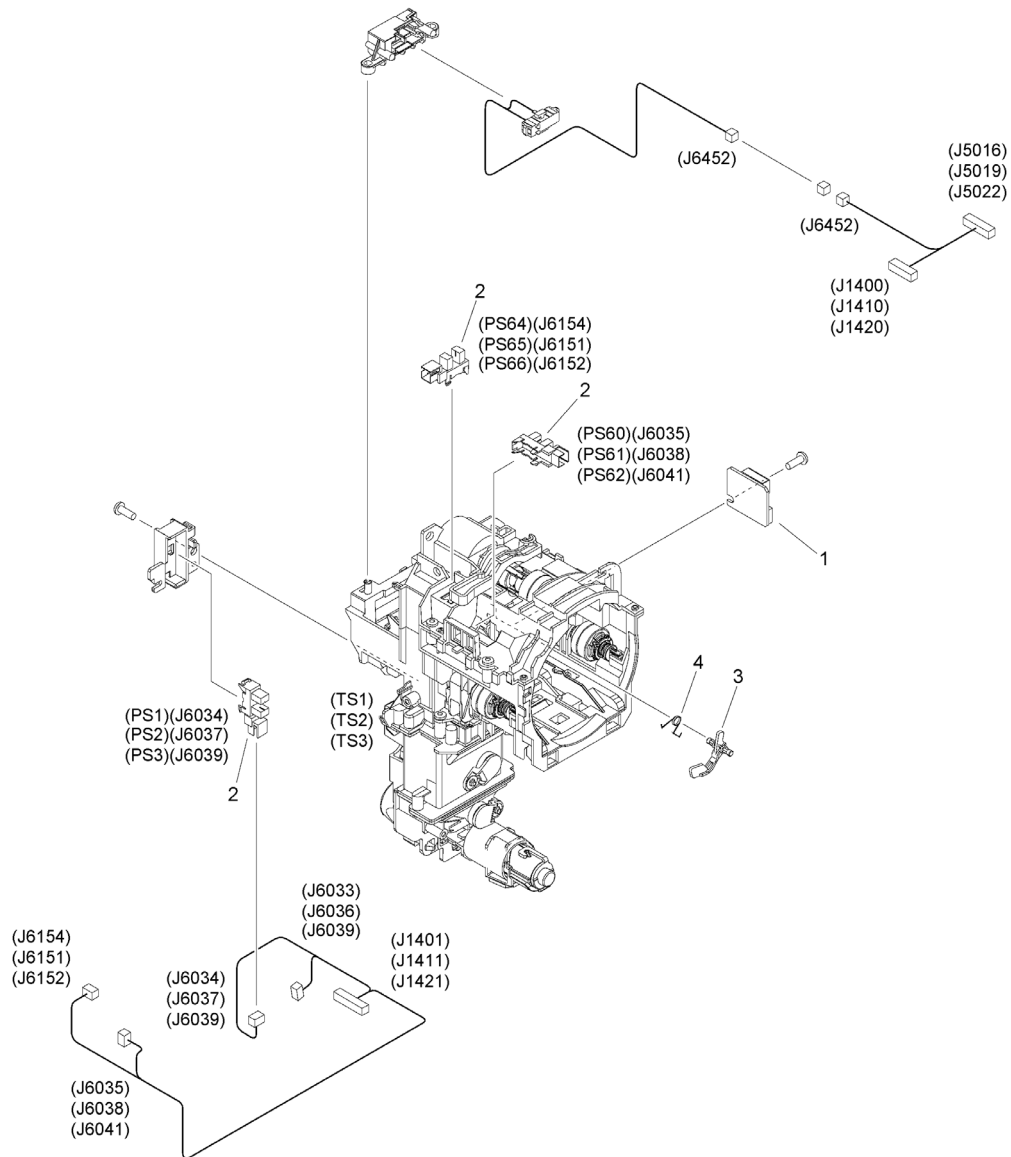


FIGURE & KEY NO.	PART NUMBER	RANK	QTY	DESCRIPTION	SERIAL NUMBER /REMARKS
621	FM1-G314-010		1	SET ON HOPPER ASS'Y, COLOR	TS1, TS2, TS3
1	FM3-7948-000		1	TONER SENSOR RELAY PCB ASS'Y	
2	WG8-5783-000		3	IC,PHOTO-INTERRUPTER,LG248NL1A	PS1, PS2, PS3, PS60, PS61, PS62, PS64, PS65, PS66
3	FC0-5760-000		1	FLAG, BOTTLE SENSOR	
4	FU9-2035-000		1	SPRING, BOTTLE SENSOR FLAG	

Figure 626B BOTTLE FRONT INNER DOOR ASS'Y

NOTE : Several kinds of labels are attached on the board for the parts of Key No. 1.

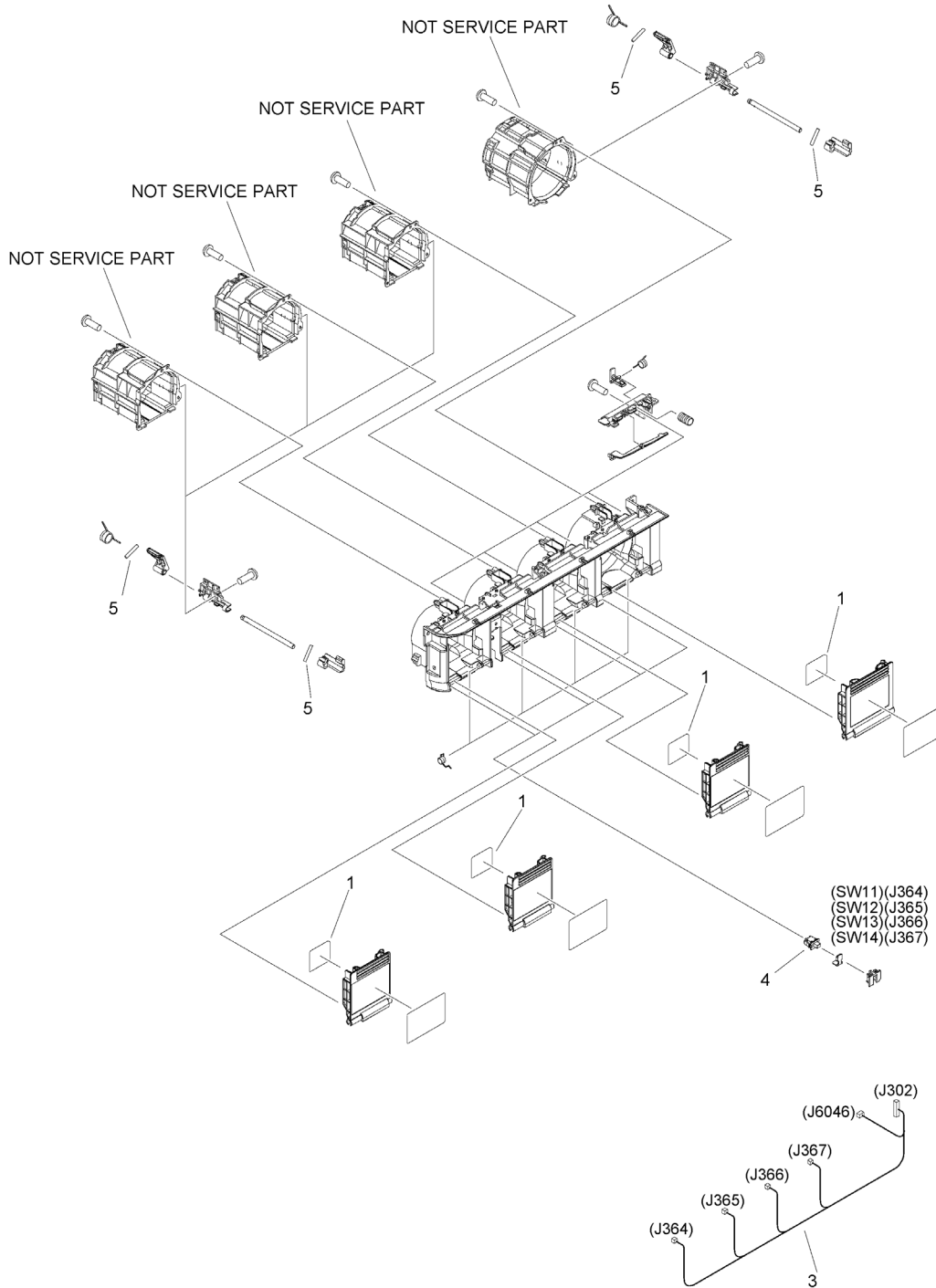


FIGURE & KEY NO.	PART NUMBER	RANK	QTY	DESCRIPTION	SERIAL NUMBER /REMARKS
626B	NPN		1	BOTTLE FRONT INNER DOOR ASS'Y	
1	FL4-5369-000		1	LABEL, COLOR	SEE NOTE
3	FM2-H970-000		1	CABLE, SET ON DOOR SENSOR	
4	WC2-5806-000		4	SWITCH, PUSH	SW11, SW12, SW13, SW14
5	XD9-0289-000		8	PIN, PARALLEL	

Figure 627 BOTTLE BASE ASSEMBLY, BLACK

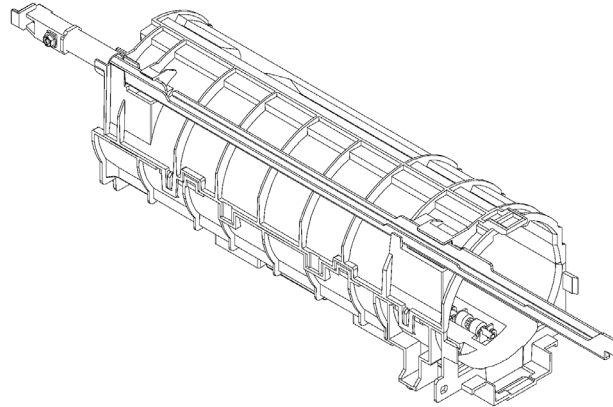


FIGURE & KEY NO.	PART NUMBER	R A N K	QTY	DESCRIPTION	SERIAL NUMBER /REMARKS
627	FM1-G349-010		1	BOTTLE BASE ASSEMBLY, BLACK	

Figure 628 BOTTLE BASE ASSEMBLY, COLOR

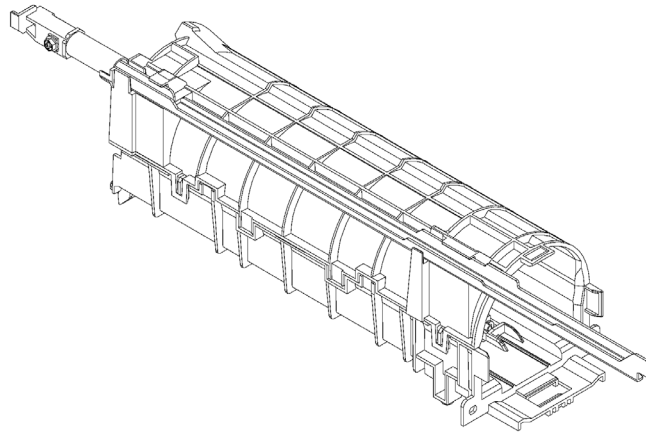


FIGURE & KEY NO.	PART NUMBER	R A N K	QTY	DESCRIPTION	SERIAL NUMBER /REMARKS
628	FM1-G348-000		1	BOTTLE BASE ASSEMBLY, COLOR	

Figure 640 DEVELOPING ASSEMBLY

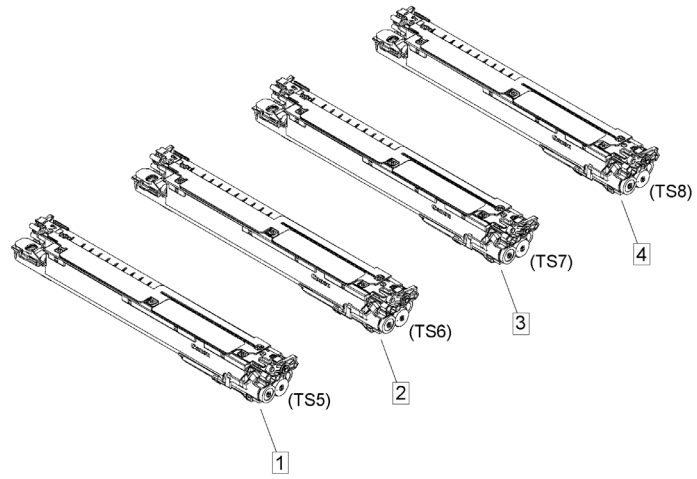


FIGURE & KEY NO.	PART NUMBER	RANK	QTY	DESCRIPTION	SERIAL NUMBER /REMARKS
640	NPN		RF	DEVELOPING ASSEMBLY	
1	FM2-G203-000		1	DEVELOPING ASSEMBLY, Y	TS5 [DP]
2	FM2-G204-000		1	DEVELOPING ASSEMBLY, M	TS6 [DP]
3	FM2-G205-000		1	DEVELOPING ASSEMBLY, C	TS7 [DP]
4	FM2-G206-000		1	DEVELOPING ASSEMBLY, BK	TS8 [DP]

Figure 770 CONTAINER, WASTE TONER, WT-202

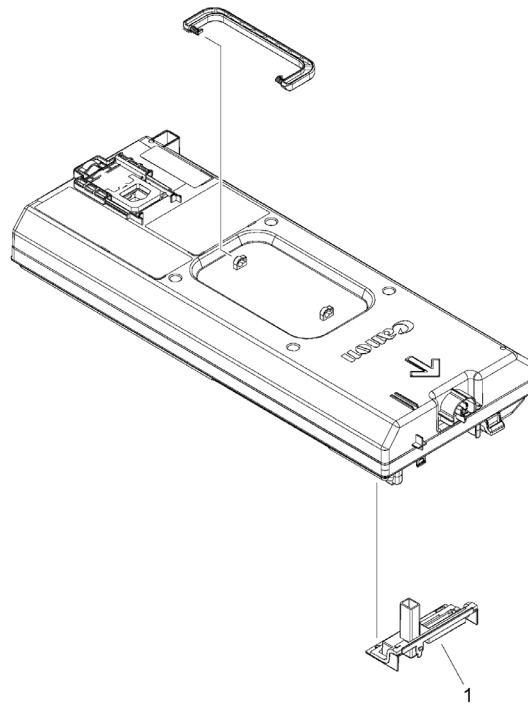


FIGURE & KEY NO.	PART NUMBER	R A N K	QTY	DESCRIPTION	SERIAL NUMBER /REMARKS
770	FM1-A606-050		1	CONTAINER, WASTE TONER, WT-202	[DP]
1	FLO-7007-000		1	WINDOW, WASTE TONER CASE	

Figure 771 WASTE TONER DRIVE DETECT ASS'Y

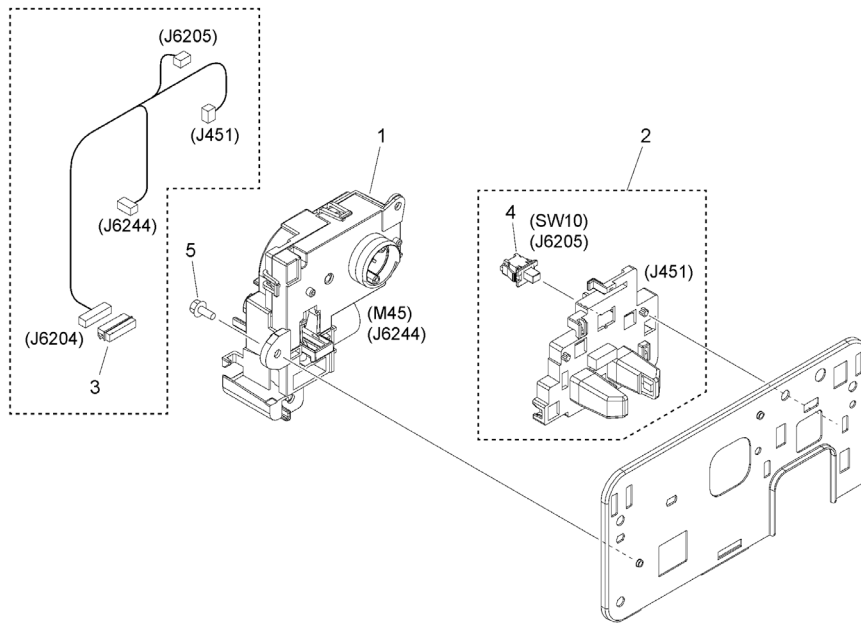


FIGURE & KEY NO.	PART NUMBER	RANK	QTY	DESCRIPTION	SERIAL NUMBER /REMARKS
771	FM1-G366-010		1	WASTE TONER DRIVE DETECT ASS'Y	
1	FM1-G361-010		1	WASTE TONER DRIVE ASSEMBLY	M45
2	FM1-G362-010		1	WASTE TONER DETECT ASSEMBLY	
3	VS1-7177-009		1	CONNECTOR, WIRE TO WIRE, 9P	
4	WC2-5803-000		1	SWITCH	SW10
5	XA9-1386-000		2	SCREW,RS,M3X8	

Figure 810B (1/2)FIXING ASSEMBLY (120V)

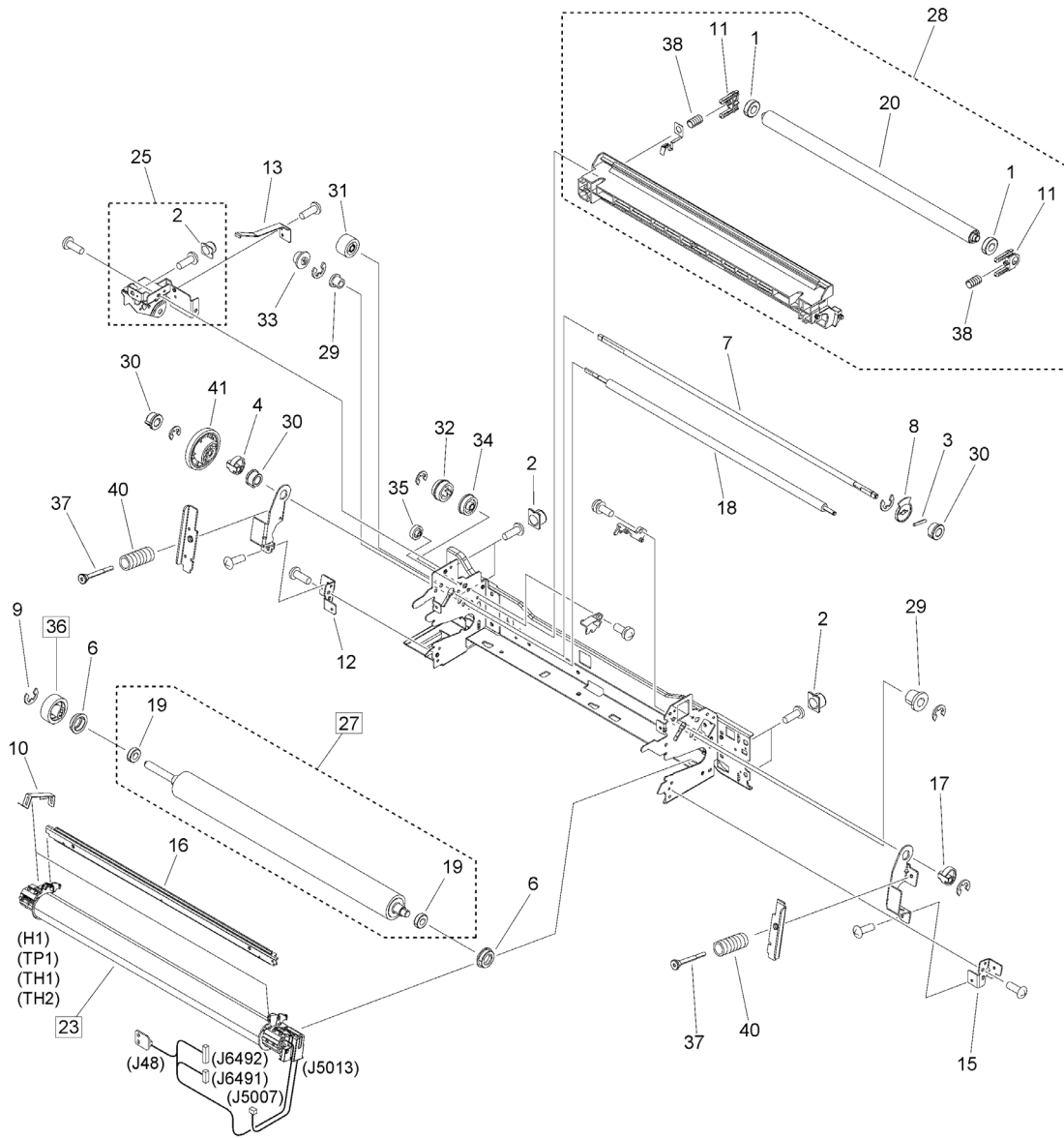


Figure 810B (2/2) FIXING ASSEMBLY (120V)

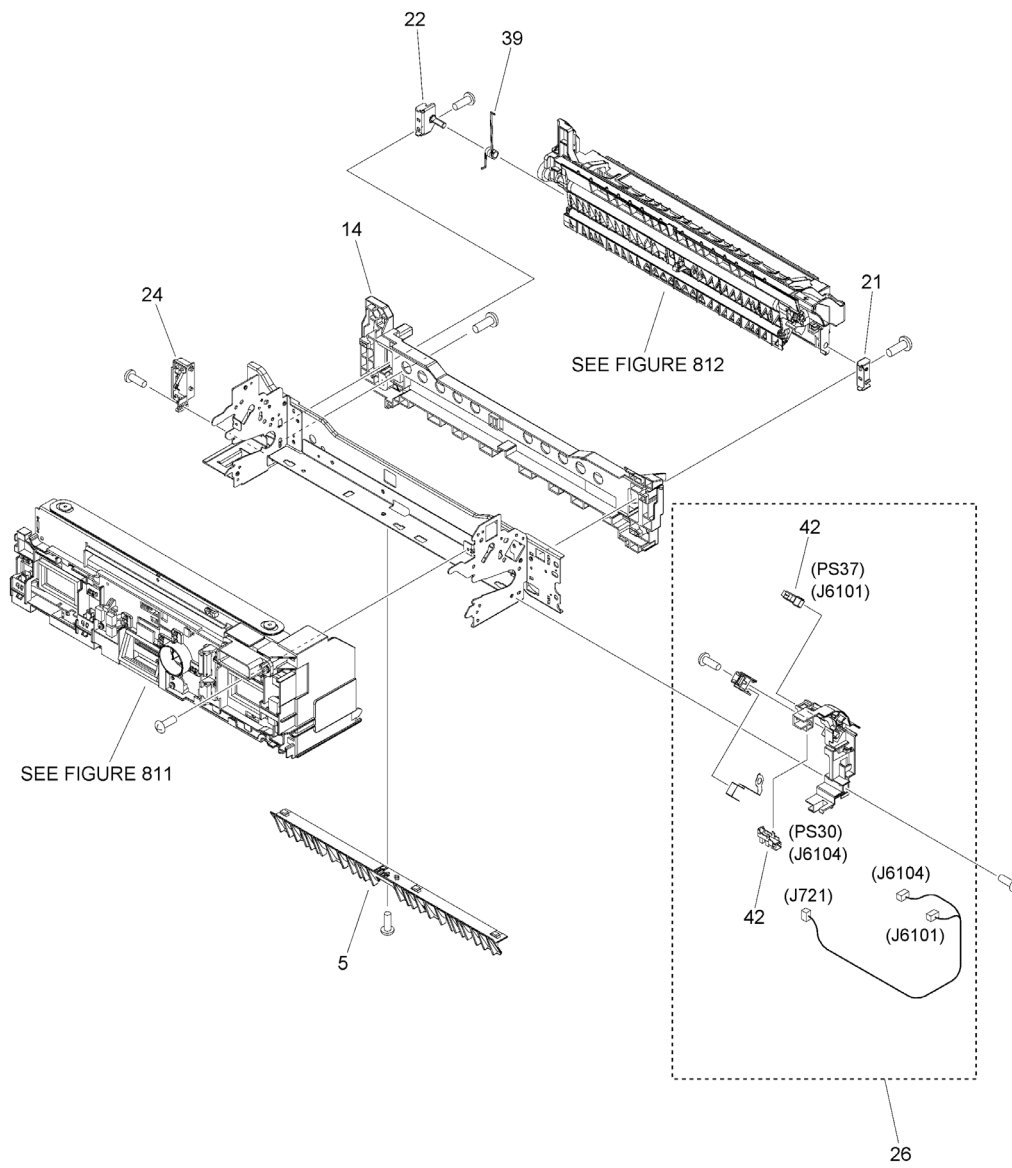


FIGURE & KEY NO.	PART NUMBER	RANK	QTY	DESCRIPTION	SERIAL NUMBER /REMARKS
810B	NPN		1	FIXING ASSEMBLY	120V
1	FA9-4077-000		2	BUSHING	
2	FC0-3759-000		5	CAP,SCREW	
3	XD9-0289-000		1	PIN, PARALLEL	
4	FC0-4925-000		1	CAM, PRESSURE RELEASE	
5	FC0-4934-010		1	GUIDE, FIXING ENTRANCE	
6	FC5-7182-000		2	HOUSING,BEARING	
7	FC6-9269-000		1	SHAFT	
8	FC6-9272-000		1	FLAG, PRESSURE RELEASE SENSOR	
9	XD9-0136-000		1	RING, E	
10	FE8-6575-000		2	SPRING, LEAF	
11	FC6-9472-000		2	HOLDER, BUSHING	
12	FC7-2392-000		1	MOUNT, PRESSURE	
13	FC7-4834-010		1	STOPPER, PRESSURE RELEASE	
14	FC8-5027-010		1	HANDLE, FIXING DRAWER	
15	FC8-5031-000		1	MOUNT, PRESSURE, FRONT	
16	FC8-5043-030		1	GUIDE, FIXING SEPARATION	
17	FC8-5068-000		1	CAM, PRESSURE RELEASE	
18	FE4-3689-000		1	ROLLER, INNER PAPER DELIVERY	
19	XG9-0875-000		2	BEARING, BALL, NS P0 16MM	
20	FL1-5523-000		1	ROLLER, SLEEVE	
21	FL2-9554-000		1	PLATE, GUIDE HINGE, FRONT	
22	FL3-1145-000		1	PLATE, GUIDE HINGE, REAR	
23	FM2-A667-000		1	FILM ASSEMBLY	H1, TH1, TH2, TP1 [DP]
24	FM1-G663-000		1	PRESSURE ROLLER CONTACT ASS'Y	
25	FM1-H216-000		1	PRESSURE RELEASE PLATE ASS'Y	
26	FM1-H217-010		1	SENSOR HOLDER ASSEMBLY	
27	FM1-N252-000		1	PRESSURE ROLLER KIT	[DP]
28	FM3-5955-000		1	GUIDE, FIXING DELIVERY, UPPER	
29	FS1-1528-000		2	BUSHING, PL	
30	FS5-1943-000		3	BUSHING	
31	FU2-1246-000		1	GEAR, 19T	
32	FU2-1247-000		1	GEAR, 33T/17T	
33	FU2-1248-000		1	GEAR, 15T	
34	FU2-1249-000		1	GEAR, 32T	
35	FU2-1250-000		1	GEAR, 23T	
36	FU2-1252-000		1	GEAR, 27T	[DP]
37	FU6-0028-000		2	SCREW	
38	FU6-2644-000		2	SPRING, COMPRESSION	
39	FU8-2279-000		1	SPRING	
40	FU8-2921-000		2	SPRING, COMPRESSION	
41	FU9-0513-000		1	GEAR, 46T	
42	WG8-5783-000		2	IC,PHOTO-INTERRUPTER,LG248NL1A	PS30, PS37

Figure 810C (1/2)FIXING ASSEMBLY (230V)

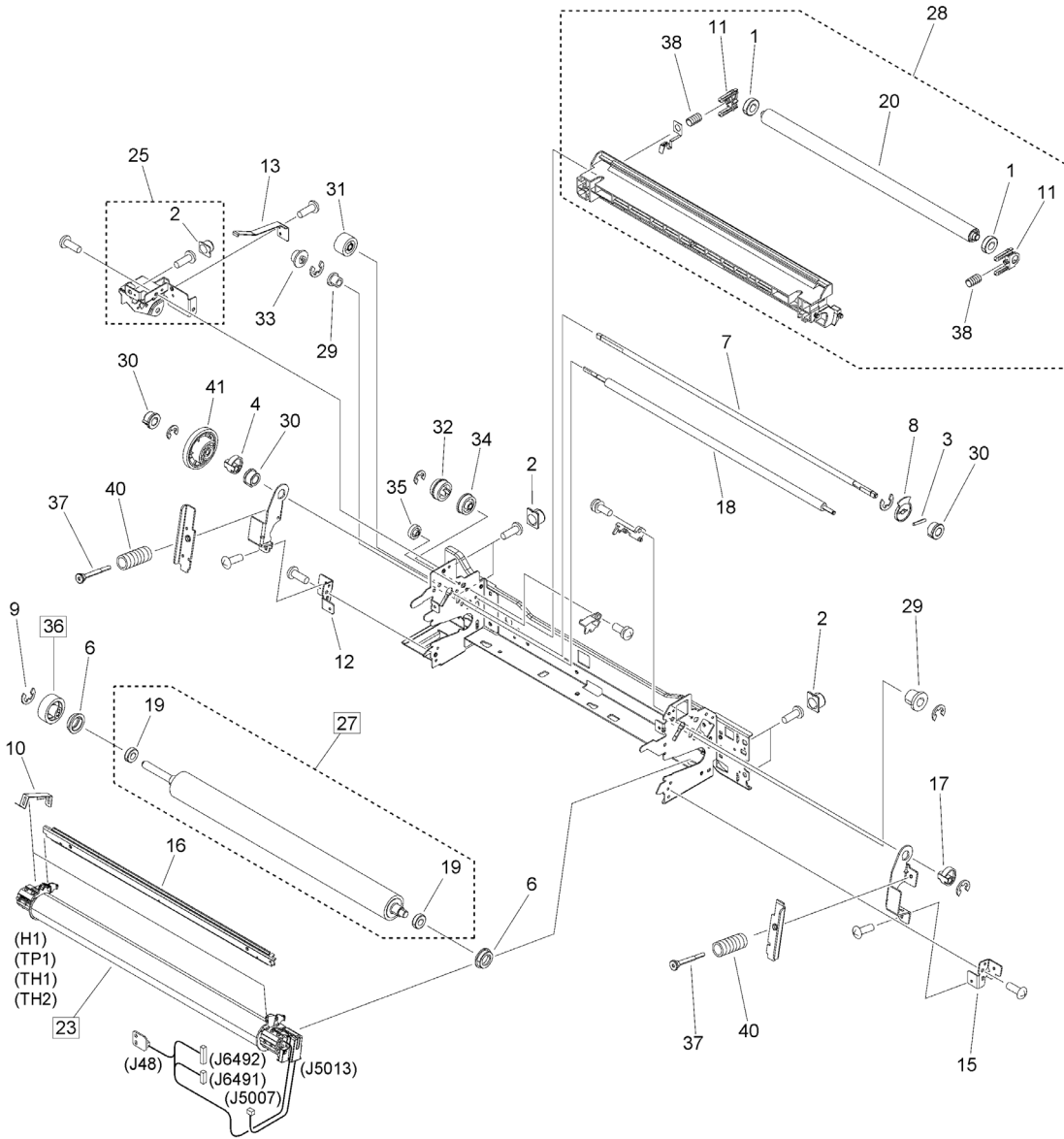


Figure 810C (2/2) FIXING ASSEMBLY (230V)

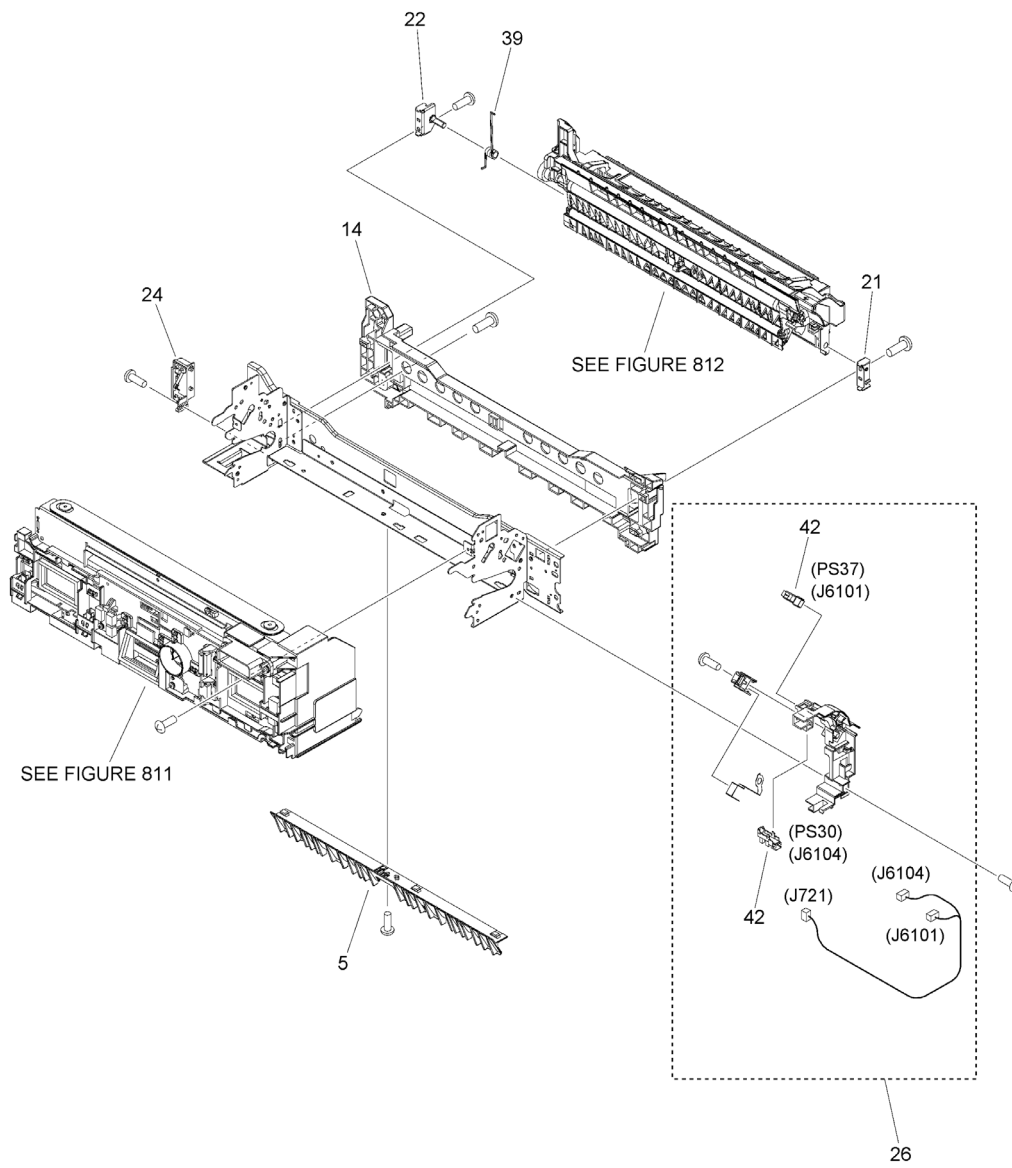


FIGURE & KEY NO.	PART NUMBER	RANK	QTY	DESCRIPTION	SERIAL NUMBER /REMARKS
810C	NPN		1	FIXING ASSEMBLY	230V
1	FA9-4077-000		2	BUSHING	
2	FC0-3759-000		5	CAP,SCREW	
3	XD9-0289-000		1	PIN, PARALLEL	
4	FC0-4925-000		1	CAM, PRESSURE RELEASE	
5	FC0-4934-010		1	GUIDE, FIXING ENTRANCE	
6	FC5-7182-000		2	HOUSING,BEARING	
7	FC6-9269-000		1	SHAFT	
8	FC6-9272-000		1	FLAG, PRESSURE RELEASE SENSOR	
9	XD9-0136-000		1	RING, E	
10	FE8-6575-000		2	SPRING, LEAF	
11	FC6-9472-000		2	HOLDER, BUSHING	
12	FC7-2392-000		1	MOUNT, PRESSURE	
13	FC7-4834-010		1	STOPPER, PRESSURE RELEASE	
14	FC8-5027-010		1	HANDLE, FIXING DRAWER	
15	FC8-5031-000		1	MOUNT, PRESSURE, FRONT	
16	FC8-5043-030		1	GUIDE, FIXING SEPARATION	
17	FC8-5068-000		1	CAM, PRESSURE RELEASE	
18	FE4-3689-000		1	ROLLER, INNER PAPER DELIVERY	
19	XG9-0875-000		2	BEARING, BALL, NS P0 16MM	
20	FL1-5523-000		1	ROLLER, SLEEVE	
21	FL2-9554-000		1	PLATE, GUIDE HINGE, FRONT	
22	FL3-1145-000		1	PLATE, GUIDE HINGE, REAR	
23	FM1-N255-010		1	FILM ASSEMBLY	H1, TH1, TH2, TP1 [DP]
24	FM1-G663-000		1	PRESSURE ROLLER CONTACT ASS'Y	
25	FM1-H216-000		1	PRESSURE RELEASE PLATE ASS'Y	
26	FM1-H217-010		1	SENSOR HOLDER ASSEMBLY	
27	FM1-N252-000		1	PRESSURE ROLLER KIT	[DP]
28	FM3-5955-000		1	GUIDE, FIXING DELIVERY, UPPER	
29	FS1-1528-000		2	BUSHING, PL	
30	FS5-1943-000		3	BUSHING	
31	FU2-1246-000		1	GEAR, 19T	
32	FU2-1247-000		1	GEAR, 33T/17T	
33	FU2-1248-000		1	GEAR, 15T	
34	FU2-1249-000		1	GEAR, 32T	
35	FU2-1250-000		1	GEAR, 23T	
36	FU2-1252-000		1	GEAR, 27T	[DP]
37	FU6-0028-000		2	SCREW	
38	FU6-2644-000		2	SPRING, COMPRESSION	
39	FU8-2279-000		1	SPRING	
40	FU8-2921-000		2	SPRING, COMPRESSION	
41	FU9-0513-000		1	GEAR, 46T	
42	WG8-5783-000		2	IC,PHOTO-INTERRUPTER,LG248NL1A	PS30, PS37

Figure 811 SHUTTER ASSEMBLY

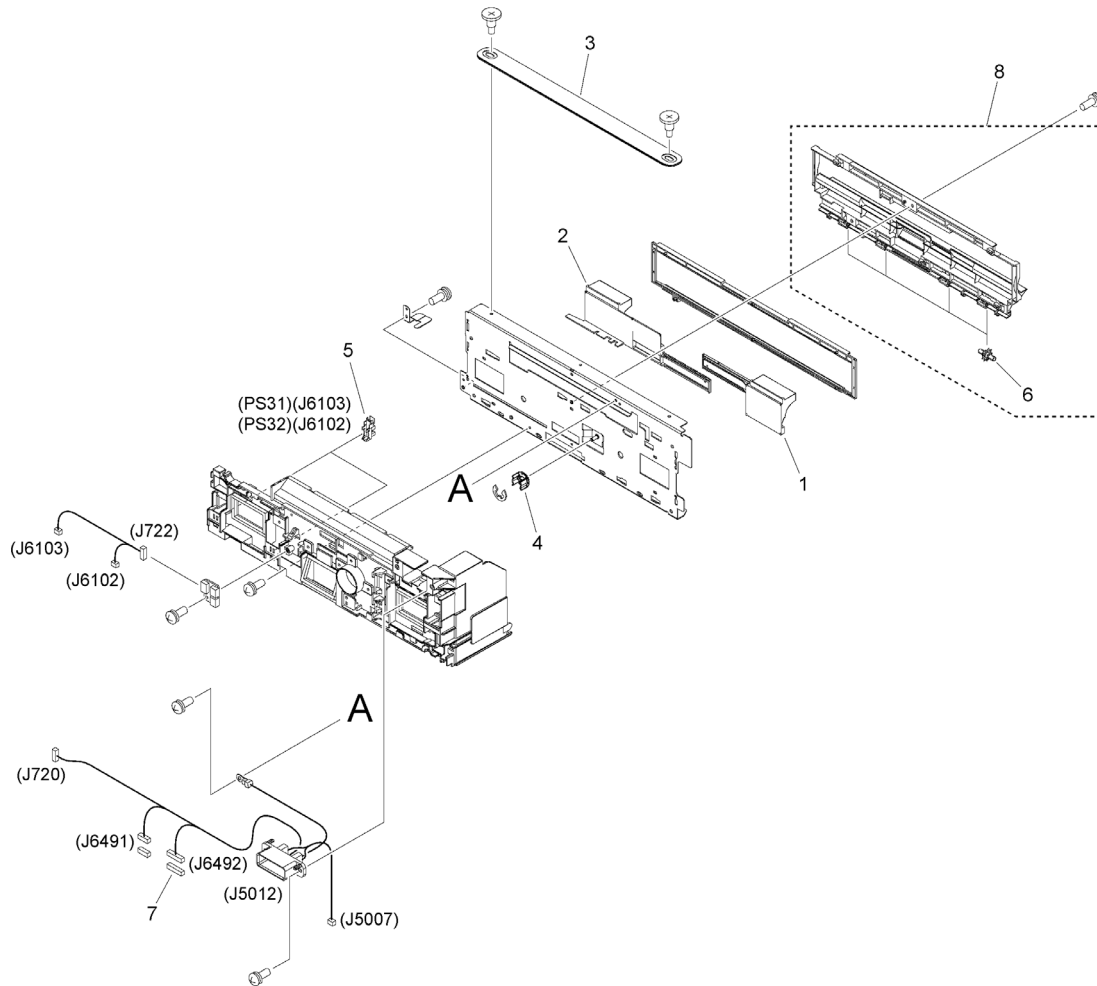


FIGURE & KEY NO.	PART NUMBER	RANK	QTY	DESCRIPTION	SERIAL NUMBER /REMARKS
811	FM1-G662-010		1	SHUTTER ASSEMBLY	
1	FC8-5047-000		1	SHUTTER, F	
2	FC8-5048-000		1	SHUTTER, R	
3	FL0-4511-000		1	HANDLE, FIXING	
4	FU7-0270-000		1	PINION, SHUTTER	
5	WG8-5783-000		2	IC,PHOTO-INTERRUPTER,LG248NL1A	PS31, PS32
6	FC7-2471-000		4	ROWEL	
7	VS1-7177-012		1	CONNECTOR, SNAP TIGHT, BK	
8	FM1-U496-000		1	SHUTTER COVER ASSEMBLY	

Figure 812 DELIVERY GUIDE ASSEMBLY, LOWER

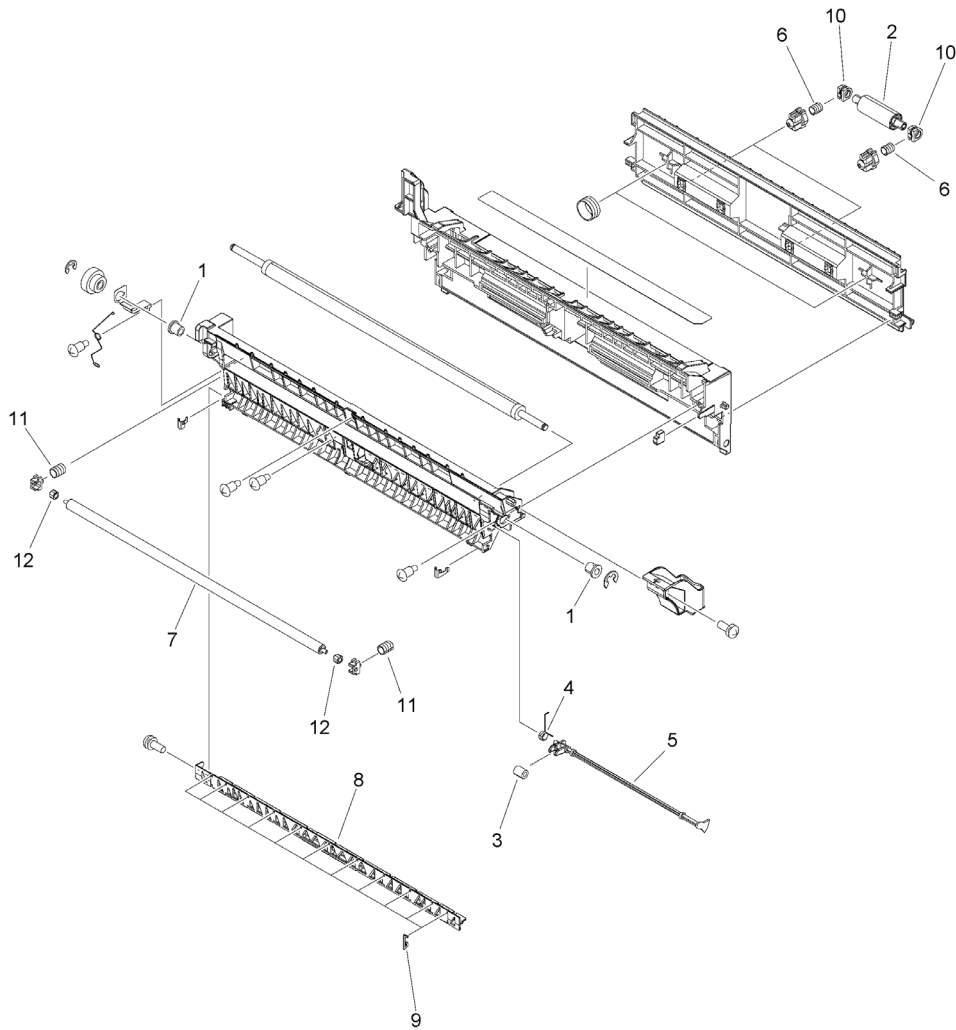


FIGURE & KEY NO.	PART NUMBER	RANK	QTY	DESCRIPTION	SERIAL NUMBER /REMARKS
812	FM1-G658-000		1	DELIVERY GUIDE ASSEMBLY, LOWER	
1	FA9-4041-005		2	BUSHING	
2	FB6-4873-000		2	ROLLER, PAPER FEED	
3	FB6-7002-000		1	ROLLER, PAPER SENSOR	
4	FC6-9309-000		1	SPRING, TORSION	
5	FC6-9473-000		1	FLAG, PAPER DELIVERY SENSOR	
6	FU7-2521-000		4	SPRING	
7	FC7-2395-000		1	ROLLER, PAPER DELIVERY	
8	FC7-6978-000		1	GUIDE, INNER PAPER DELIVERY	
9	FE4-3706-000		11	RIB	
10	FU5-1035-000		4	BUSHING	
11	FU5-2683-000		2	SPRING	
12	FU6-1269-000		2	BUSHING	

Figure 900B CONTROLLER BOX ASSEMBLY

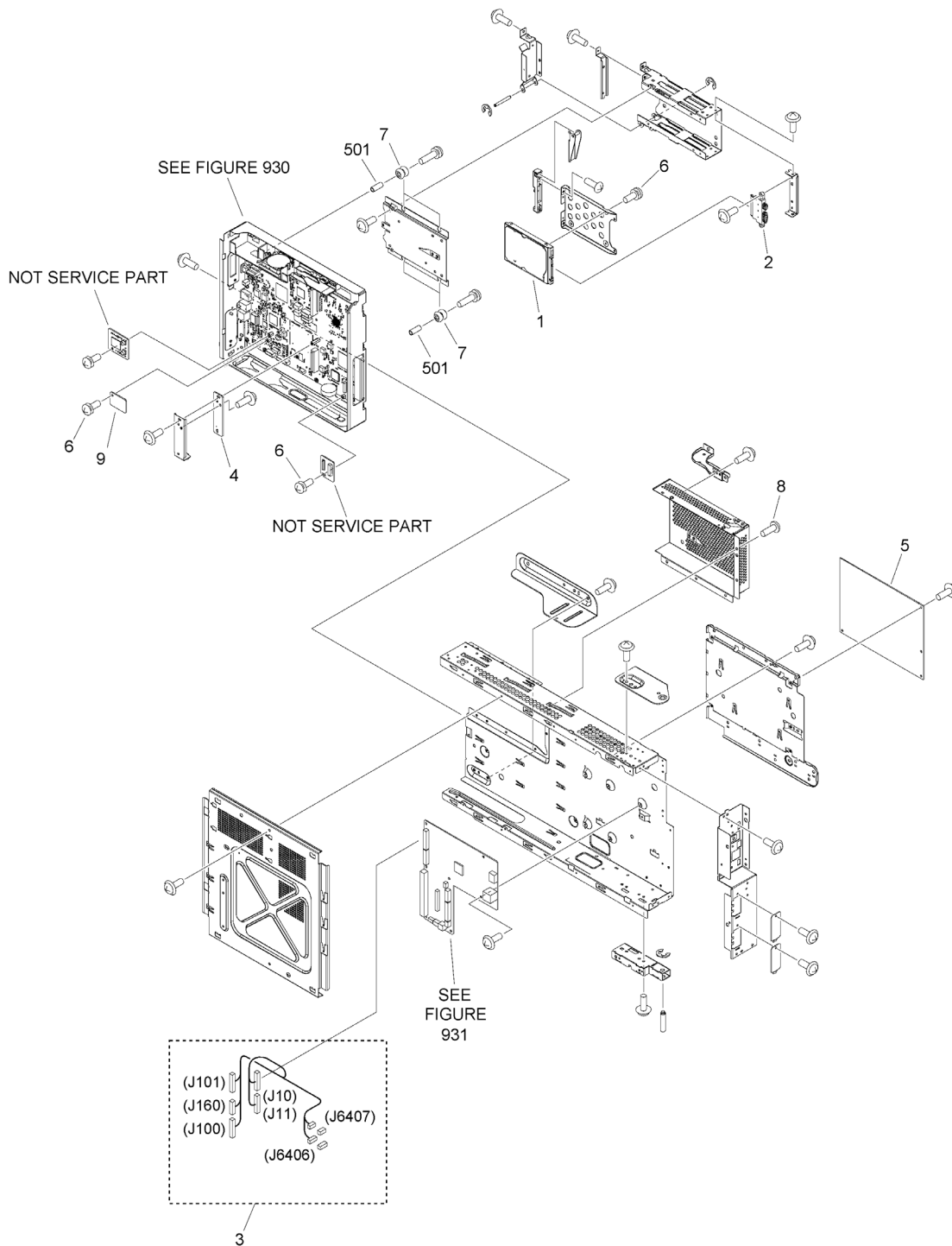


FIGURE & KEY NO.	PART NUMBER	RANK	QTY	DESCRIPTION	SERIAL NUMBER /REMARKS
900B	NPN		RF	CONTROLLER BOX ASSEMBLY	
1	FK4-1550-010		1	HARD DISK DRIVE, MQ01ABF032	
2	FK4-2497-000		1	CABLE, HARD DISK DRIVE, 1	
3	FM2-H992-000		1	CABLE, INTERFACE	
4	FM1-T849-000		1	BYPASS PCB ASSEMBLY	
5	FM2-J977-000		1	DC CONTROLLER PCB ASSEMBLY	
6	XA9-1979-000		4	SCREW, MACH. PAN HEAD, M3X4	
7	XH9-0149-000		4	DAMPER, CUSHION	
8	XA9-2008-000		6	SCREW,M3X4	
9	FM1-M981-000		1	TPM PCB ASSEMBLY	
501	XZ1-1301-005		4	SPACER	

Figure 910 POWER SUPPLY ASSEMBLY

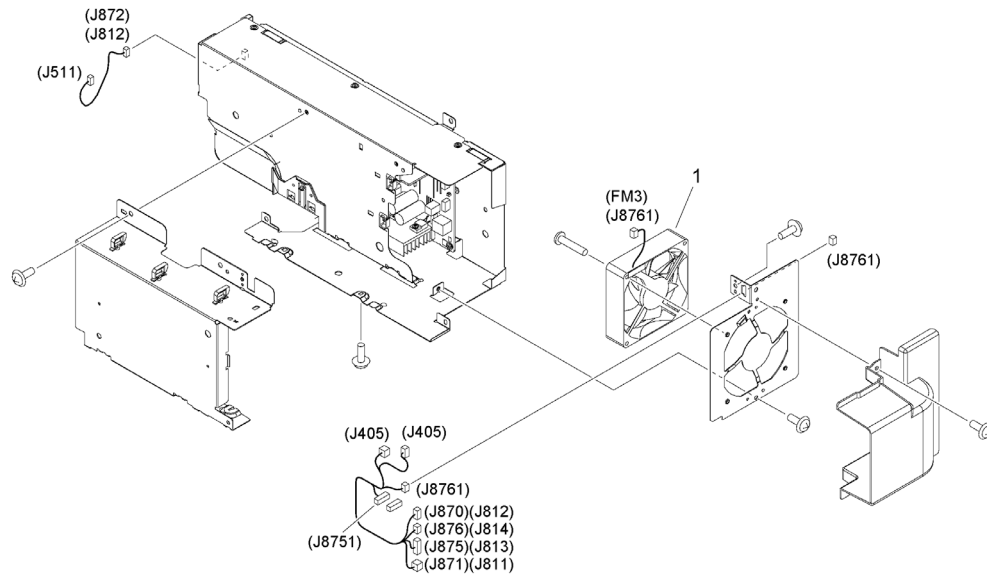


FIGURE & KEY NO.	PART NUMBER	R A N K	QTY	DESCRIPTION	SERIAL NUMBER /REMARKS
910	FM1-V290-010		1	POWER SUPPLY ASSEMBLY	
1	FL0-8154-000		1	FAN	FM3

Figure 930A MAIN CONTROLLER PCB ASSEMBLY (C5560 SERIES)

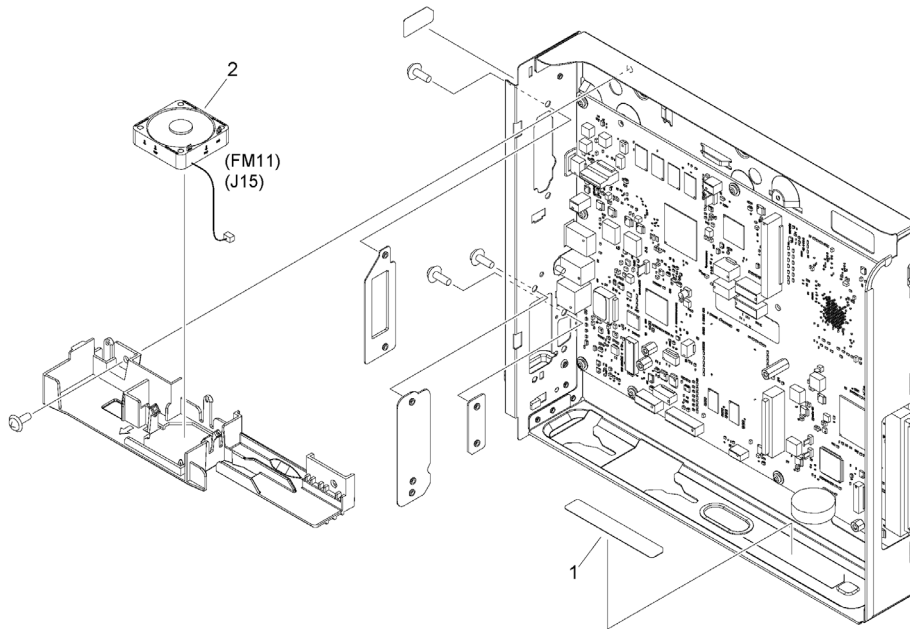


FIGURE & KEY NO.	PART NUMBER	RANK	QTY	DESCRIPTION	SERIAL NUMBER /REMARKS
930A	FM1-V522-000		1	MAIN CONTROLLER PCB ASSEMBLY	C5560 SERIES
1	FC0-5049-000		1	LABEL, MEMORY CAUTION	
2	FK4-3886-000		1	FAN	FM11

Figure 930B MAIN CONTROLLER PCB ASSEMBLY (C5550 SERIES)

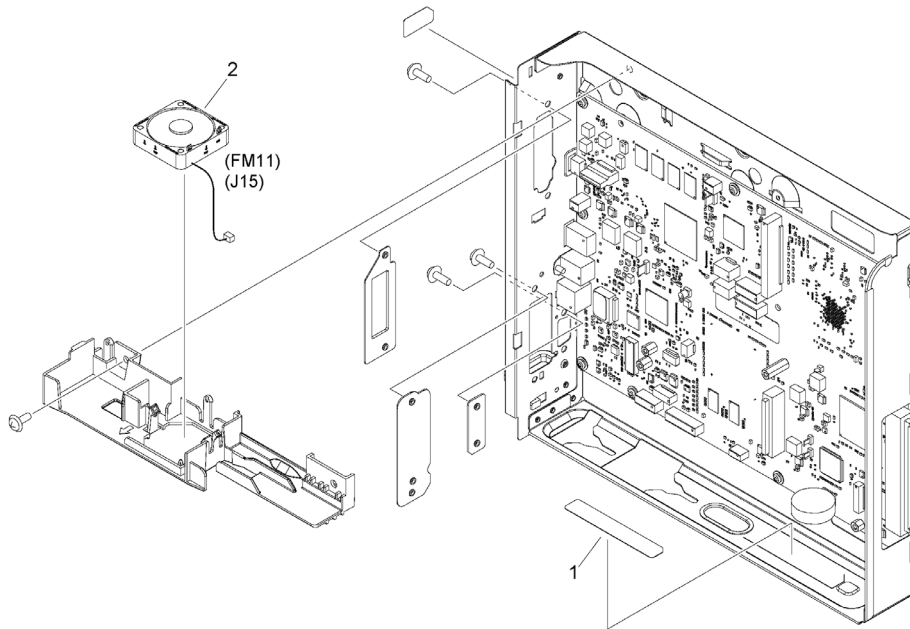


FIGURE & KEY NO.	PART NUMBER	RANK	QTY	DESCRIPTION	SERIAL NUMBER /REMARKS
930B	FM1-V521-000		1	MAIN CONTROLLER PCB ASSEMBLY	C5550 SERIES
1	FC0-5049-000		1	LABEL, MEMORY CAUTION	
2	FK4-3886-000		1	FAN	FM11

Figure 930C MAIN CONTROLLER PCB ASSEMBLY (C5540 SERIES)

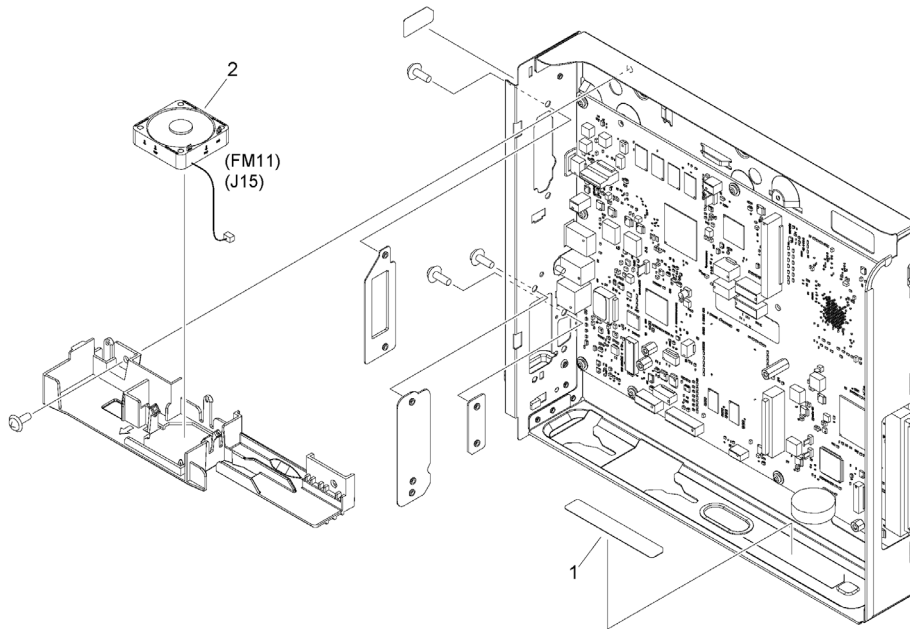


FIGURE & KEY NO.	PART NUMBER	RANK	QTY	DESCRIPTION	SERIAL NUMBER /REMARKS
930C	FM1-V520-000		1	MAIN CONTROLLER PCB ASSEMBLY	C5540 SERIES
1	FC0-5049-000		1	LABEL, MEMORY CAUTION	
2	FK4-3886-000		1	FAN	FM11

Figure 930D MAIN CONTROLLER PCB ASSEMBLY (C5535 SERIES)

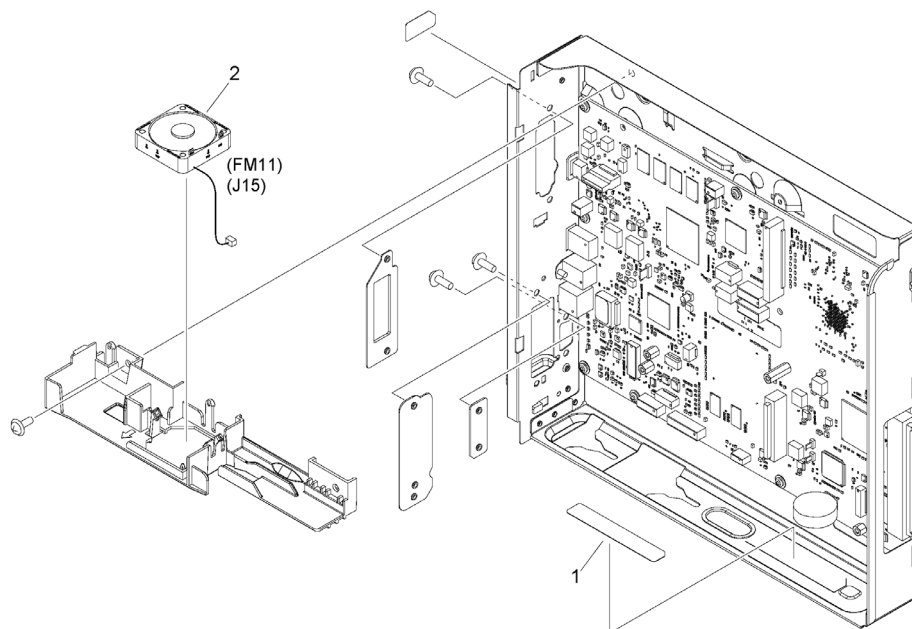


FIGURE & KEY NO.	PART NUMBER	RANK	QTY	DESCRIPTION	SERIAL NUMBER /REMARKS
930D	FM1-V519-000		1	MAIN CONTROLLER PCB ASSEMBLY	C5535 SERIES
1	FC0-5049-000		1	LABEL, MEMORY CAUTION	
2	FK4-3886-000		1	FAN	FM11

Figure 931 RISER PCB ASSEMBLY

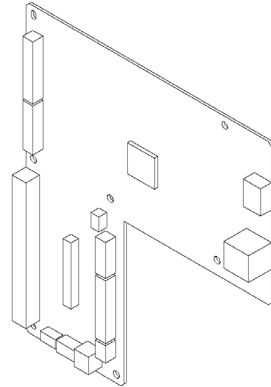


FIGURE & KEY NO.	PART NUMBER	R A N K	QTY	DESCRIPTION	SERIAL NUMBER /REMARKS
931	FM2-J818-000		1	RISER PCB ASSEMBLY	

Figure 962A PAPER FEED DRIVER PCB ASSEMBLY (MODEL WITHOUT DUCT)

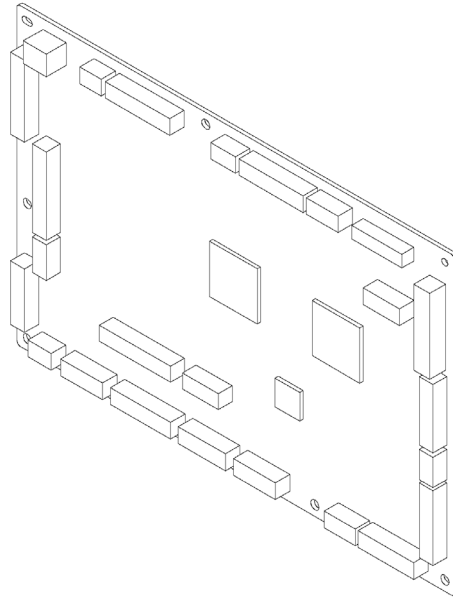


FIGURE & KEY NO.	PART NUMBER	R A N K	QTY	DESCRIPTION	SERIAL NUMBER /REMARKS
962A	FM2-J814-000		1	PAPER FEED DRIVER PCB ASSEMBLY	MODEL WITHOUT DUCT

Figure B01 ATTACHMENT PARTS (ADF)

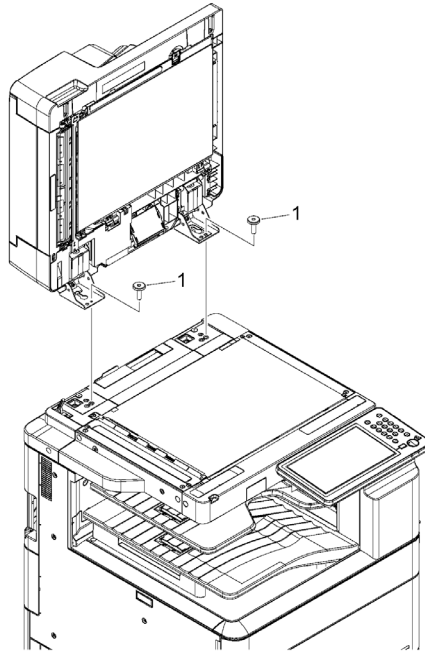


FIGURE & KEY NO.	PART NUMBER	R A N K	QTY	DESCRIPTION	SERIAL NUMBER /REMARKS
B01	NPN		RF	ATTACHMENT PARTS	ADF
1	FU5-9167-000		4	SCREW, FIXED, M4	

Figure B11B INTERNAL COMPONENTS 1 (ADF) (A/ INCH SIZE)

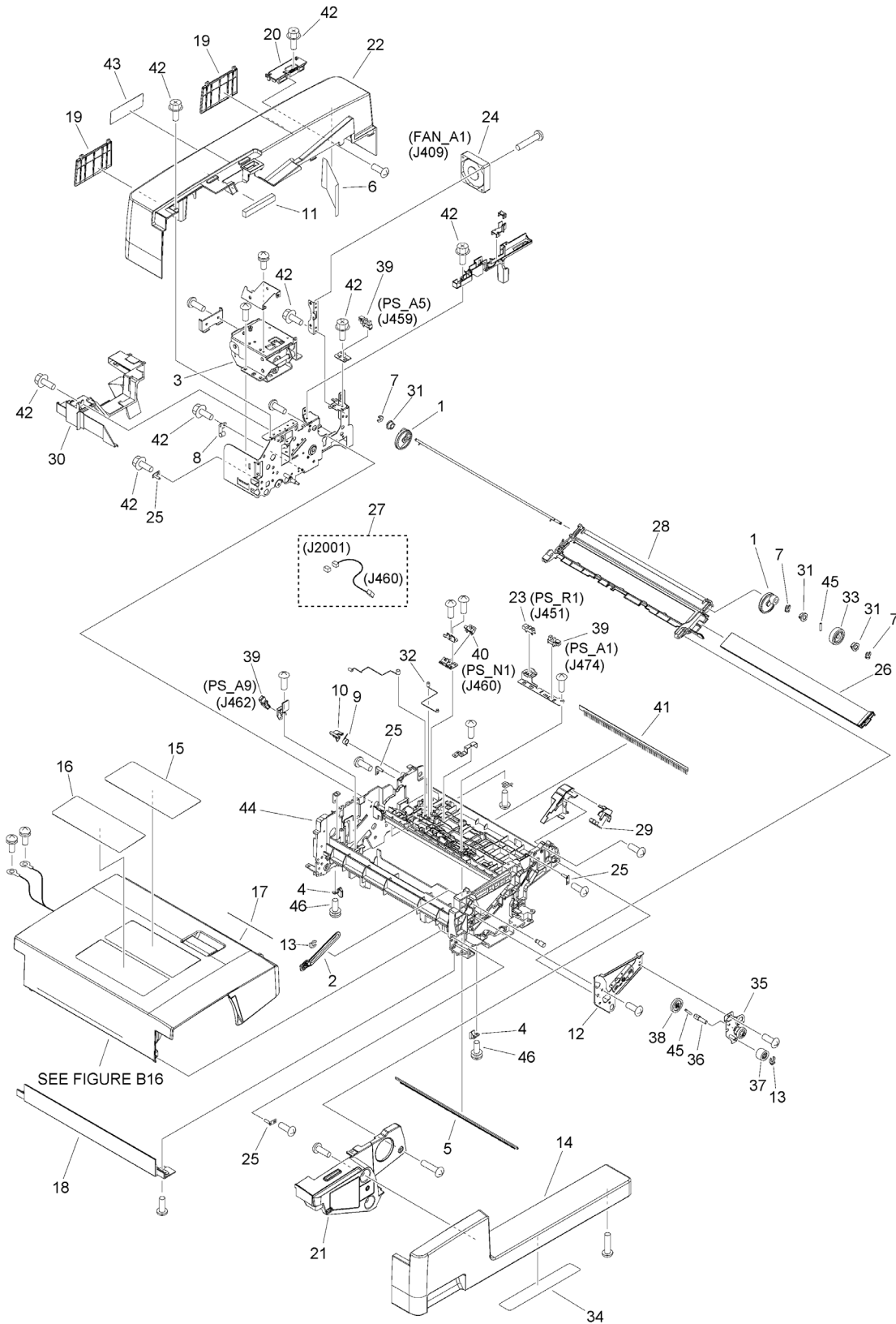


FIGURE & KEY NO.	PART NUMBER	RANK	QTY	DESCRIPTION	SERIAL NUMBER /REMARKS
B11B	NPN		RF	INTERNAL COMPONENTS 1	ADF, A/ INCH SIZE
1	FC0-0506-000		2	CAM, GLASS MOVE	
2	FC0-0515-000		1	STOPPER, OPEN/CLOSE	
3	FC0-1204-000		1	HINGE, LEFT	
4	FC0-1220-010		2	BLOCK, POSITIONING	
5	FE8-5930-000		1	ELIMINATOR, STATIC CHARGE	
6	FC0-1252-000		1	SHEET, DUCT	
7	FC0-1271-000		3	CLIP	
8	FC0-1289-000		1	SPRING, GROUNDING	
9	FC0-1353-000		1	SPRING, TORSION	
10	FC0-1356-000		1	FLAG, OPEN/CLOSE SENSOR	
11	FC0-8828-000		1	CUSHION, REAR COVER	
12	FM1-J774-000		1	SIDE PLATE ASSEMBLY, FRONT	
13	FC5-4424-000		2	CLIP	
14	FE4-4320-000		1	COVER, FRONT, 1	
15	FE8-1627-000		1	LABEL, PROHIBITION DOCUMENT	
16	FE8-1630-000		1	LABEL, CLEANING	
17	FE8-1633-000		1	LABEL, DOCUMENT SIZE	
18	FE8-1835-000		1	COVER, LEFT, LOWER	
19	FE8-1837-000		2	COVER, HINGE	
20	FE8-1844-000		1	COVER, REAR, B	
21	FE8-1845-000		1	COVER, FRONT, 2	
22	FE8-1857-000		1	COVER, REAR, A	
23	FK2-6470-000		1	PHOTO-SENSOR, KUA0055C	PS_R1
24	FK2-6471-000		1	FAN	FAN_A1
25	FL3-4613-000		4	SHAFT, OPEN/CLOSE	
26	FL3-4941-000		1	GLASS, READER	
27	FM1-M888-000		1	CABLE, DOCUMENT SET SENSOR	
28	FM1-K755-000		1	HOLDER, GLASS	
29	FM1-K827-000		1	LED PCB ASSEMBLY	
30	FM1-K758-000		1	FLAT CABLE UNIT	
31	FU5-1442-000		3	BUSHING	
32	FU8-2988-000		1	SPRING, COMPRESSION	
33	FU9-0244-000		1	GEAR, 18T	
34	FE4-6278-000		1	LABEL, CLEANING PROCESS	US English
34	FE8-1636-000		1	LABEL, CLEANING PROCESS	French, Spanish, Portuguese
35	FM1-V354-000		1	GLASS CLUTCH ASS'Y	
36	FE4-4297-000		1	SHAFT	
37	FU6-0094-000		1	GEAR, 23T	
38	FU9-0233-010		1	GEAR, 26T	
39	WG8-5783-000		3	IC,PHOTO-INTERRUPTER,LG248NL1A	PS_A1, PS_A5, PS_A9
40	WG8-5935-000		1	IC, PHOTO INTERRUPTER	PS_N1

FIGURE & KEY NO.	PART NUMBER	RANK	QTY	DESCRIPTION	SERIAL NUMBER /REMARKS
41	FE3-8288-000		1	ELIMINATOR, STATIC CHARGE	
42	XA9-1386-000		9	SCREW,RS,M3X8	
43	FE2-A717-000		1	LABEL, FINGER NIP CAUTION	
44	FE4-4343-000		1	FRAME, FEED	
45	XD9-0328-000		2	PIN, PARALLEL	
46	XA9-2016-000		2	SCREW, W/WASHER, M3X12	

Figure B11C INTERNAL COMPONENTS 1 (ADF) (A/ B/ K/ INCH SIZE)

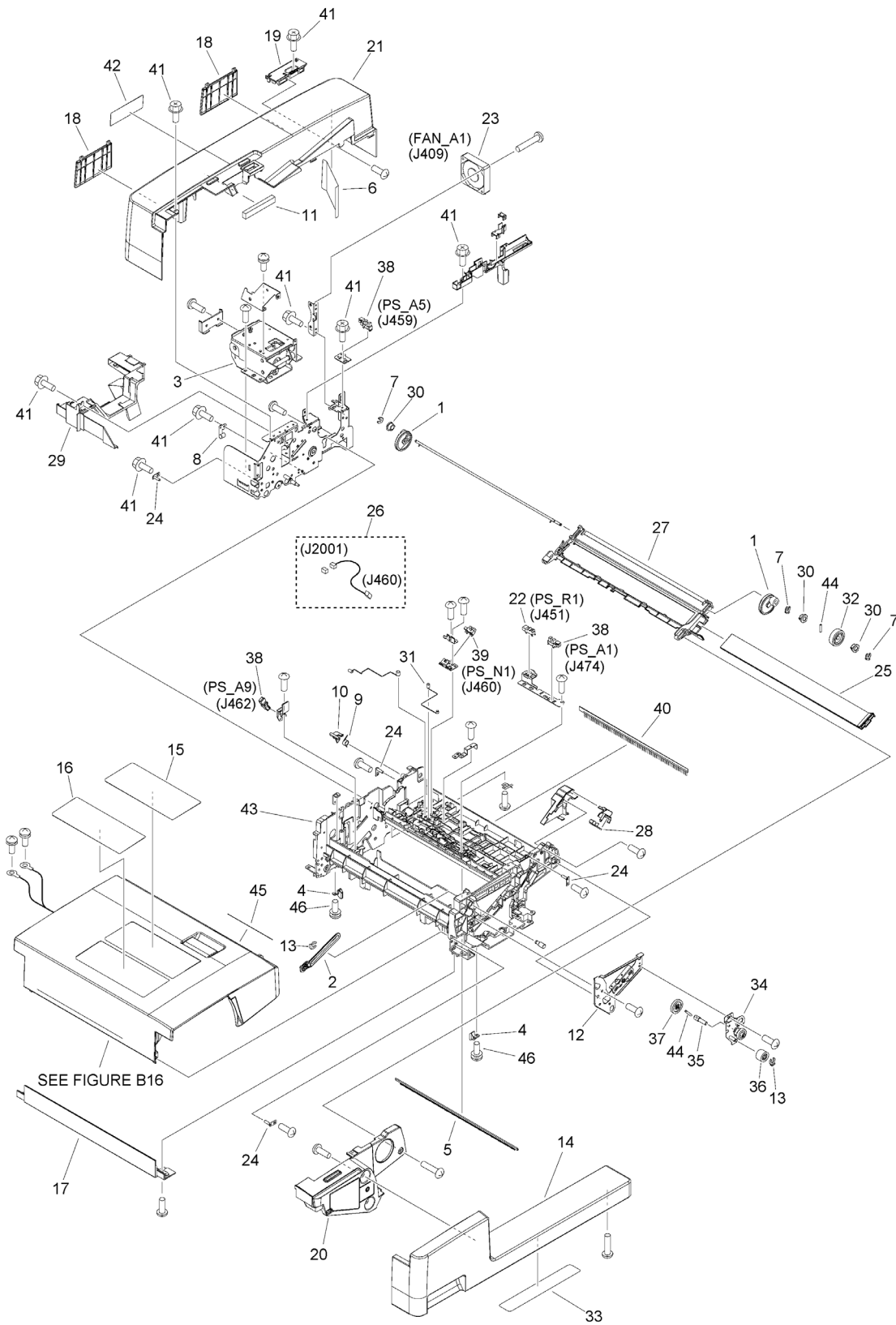


FIGURE & KEY NO.	PART NUMBER	RANK	QTY	DESCRIPTION	SERIAL NUMBER /REMARKS
B11C	NPN		RF	INTERNAL COMPONENTS 1	ADF, A/ B/ K/ INCH SIZE
1	FC0-0506-000		2	CAM, GLASS MOVE	
2	FC0-0515-000		1	STOPPER, OPEN/CLOSE	
3	FC0-1204-000		1	HINGE, LEFT	
4	FC0-1220-010		2	BLOCK, POSITIONING	
5	FE8-5930-000		1	ELIMINATOR, STATIC CHARGE	
6	FC0-1252-000		1	SHEET, DUCT	
7	FC0-1271-000		3	CLIP	
8	FC0-1289-000		1	SPRING, GROUNDING	
9	FC0-1353-000		1	SPRING, TORSION	
10	FC0-1356-000		1	FLAG, OPEN/CLOSE SENSOR	
11	FC0-8828-000		1	CUSHION, REAR COVER	
12	FM1-J774-000		1	SIDE PLATE ASSEMBLY, FRONT	
13	FC5-4424-000		2	CLIP	
14	FE4-4320-000		1	COVER, FRONT, 1	
15	FE8-1627-000		1	LABEL, PROHIBITION DOCUMENT	
16	FE8-1630-000		1	LABEL, CLEANING	
17	FE8-1835-000		1	COVER, LEFT, LOWER	
18	FE8-1837-000		2	COVER, HINGE	
19	FE8-1844-000		1	COVER, REAR, B	
20	FE8-1845-000		1	COVER, FRONT, 2	
21	FE8-1857-000		1	COVER, REAR, A	
22	FK2-6470-000		1	PHOTO-SENSOR, KUA0055C	PS_R1
23	FK2-6471-000		1	FAN	FAN_A1
24	FL3-4613-000		4	SHAFT, OPEN/CLOSE	
25	FL3-4941-000		1	GLASS, READER	
26	FM1-M888-000		1	CABLE, DOCUMENT SET SENSOR	
27	FM1-K755-000		1	HOLDER, GLASS	
28	FM1-K827-000		1	LED PCB ASSEMBLY	
29	FM1-K758-000		1	FLAT CABLE UNIT	
30	FU5-1442-000		3	BUSHING	
31	FU8-2988-000		1	SPRING, COMPRESSION	
32	FU9-0244-000		1	GEAR, 18T	
33	FE4-6278-000		1	LABEL, CLEANING PROCESS	US English
33	FE8-1637-000		1	LABEL, CLEANING PROCESS	Spanish, Portuguese, Simplified Chinese, Traditional Chinese, Korean
34	FM1-V354-000		1	GLASS CLUTCH ASS'Y	
35	FE4-4297-000		1	SHAFT	
36	FU6-0094-000		1	GEAR, 23T	
37	FU9-0233-010		1	GEAR, 26T	
38	WG8-5783-000		3	IC,PHOTO-INTERRUPTER,LG248NL1A	PS_A1, PS_A5, PS_A9

FIGURE & KEY NO.	PART NUMBER	RANK	QTY	DESCRIPTION	SERIAL NUMBER /REMARKS
39	WG8-5935-000		1	IC, PHOTO INTERRUPTER	PS_N1
40	FE3-8288-000		1	ELIMINATOR, STATIC CHARGE	
41	XA9-1386-000		9	SCREW,RS,M3X8	
42	FE2-A717-000		1	LABEL, FINGER NIP CAUTION	
43	FE4-4343-000		1	FRAME, FEED	
44	XD9-0328-000		2	PIN, PARALLEL	
45	FE8-1634-000		1	LABEL, DOCUMENT SIZE	
46	XA9-2016-000		2	SCREW, W/WASHER, M3X12	

Figure B12B INTERNAL COMPONENTS 2 (ADF)

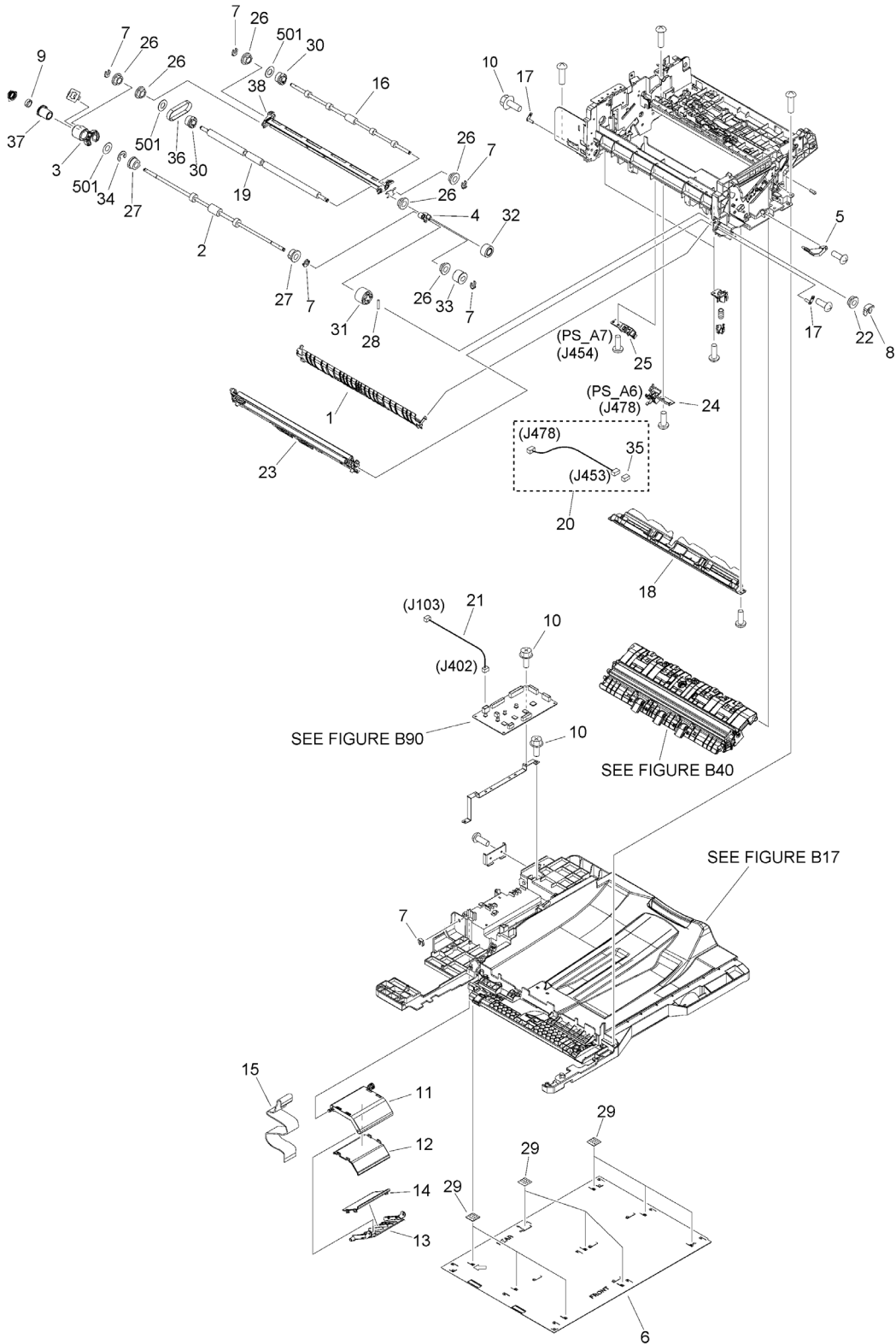


FIGURE & KEY NO.	PART NUMBER	RANK	QTY	DESCRIPTION	SERIAL NUMBER /REMARKS
B12B	NPN		1	INTERNAL COMPONENTS 2	ADF
1	FC0-0479-000		1	GUIDE, INNER	
2	FC0-0484-000		1	ROLLER, READ, 1	
3	FC0-1256-000		1	STOPPER, ARM, FRONT	
4	FC0-1257-000		1	STOPPER, ARM, REAR	
5	FC0-1281-000		1	SHAFT, HOOK	
6	FC0-1304-000		1	PANEL, COPYBOARD	
7	FC5-4424-000		6	CLIP	
8	FC5-4425-000		1	CLIP	
9	FC8-4456-000		1	ROLLER, DESORPTION SLIDE	
10	XA9-1386-000		5	SCREW,RS,M3X8	
11	FE8-1831-000		1	CASE, CABLE	
12	FE8-1832-000		1	CASE, CABLE	
13	FE8-1833-000		1	CASE, CABLE	
14	FE8-1834-000		1	CASE, CABLE	
15	FK3-2185-000		1	CABLE, FLAT	
16	FL0-8069-000		1	ROLLER, PAPER FEED, 2	
17	FL3-4613-000		2	SHAFT, OPEN/CLOSE	
18	FL3-4945-000		1	GUIDE, INNER, 2	
19	FL3-4956-000		1	ROLLER, PAPER FEED, 1	
20	FM0-0302-000		1	CABLE, READER SENSOR	
21	FM1-M887-000		1	CABLE, DF POWER SUPPLY	
22	FS1-1508-000		1	BUSHING	
23	FM4-6647-020		1	READ OUTER GUIDE ASSEMBLY	
24	FM4-6657-000		1	PHOTO SENSOR UNIT, 1	PS_A6
25	FM4-6658-000		1	PHOTO SENSOR UNIT, 2	PS_A7
26	FS1-1569-000		6	BUSHING	
27	FU5-1726-000		2	BUSHING	
28	XD9-0333-000		1	PIN, PARALLEL	
29	FC0-9274-000		9	SPONGE, SHEET, WHITE	
30	FU6-3095-000		2	PULLEY, 16T	
31	FU9-0236-000		1	GEAR, 22T	
32	FU9-0237-000		1	GEAR, 18T	
33	FU9-0238-000		1	GEAR, 17T	
34	XD9-0136-000		1	RING, E	
35	VS1-8412-003		1	CONNECTOR, SNAP TIGHT, BL	
36	XF2-1603-640		1	BELT, TIMING	
37	FU6-1613-000		1	BUSHING	
38	FE4-4283-000		1	GUIDE, COPY BOARD	
501	XD1-1106-232		3	WASHER,COP	

Figure B13 INTERNAL COMPONENTS 3 (ADF)

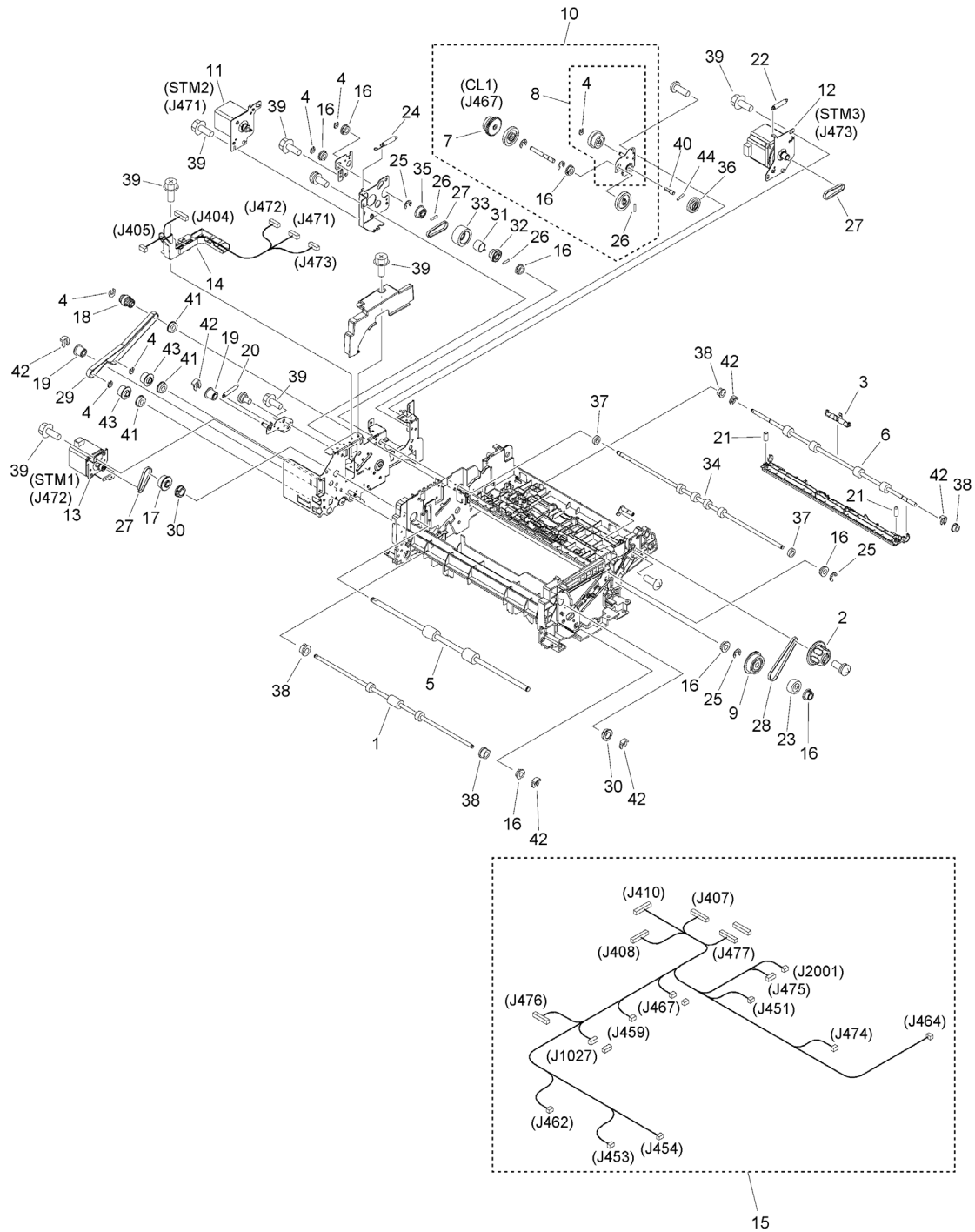


FIGURE & KEY NO.	PART NUMBER	RANK	QTY	DESCRIPTION	SERIAL NUMBER /REMARKS
B13	NPN		1	INTERNAL COMPONENTS 3	ADF
1	FC0-0485-000		1	ROLLER, READ, 1	
2	FC0-1233-000		1	DIAL, JAM CLEARING	
3	FC0-1370-000		1	CLAMP, PAPER DELIVERY ROLLER	
4	FC5-4424-000		6	CLIP	
5	FE4-4256-000		1	ROLLER, REGISTRATION	
6	FL1-1330-000		1	ROLLER, READ	
7	FK2-7371-000		1	CLUTCH, ELECTROMAGNETIC	CL1
8	FM1-V357-000		1	PICK CLUTCH ASS'Y	
9	FL3-4933-000		1	PULLEY, 34T	
10	FM1-J773-000		1	ELEM. CLUTCH SHAFT UNIT	
11	FM1-J778-010		1	MOTOR ASS'Y	STM2
12	FM1-J779-010		1	MOTOR ASS'Y	STM3
13	FM1-J780-000		1	MOTOR ASS'Y	STM1
14	FM1-L172-000		1	MOTOR CABLE GUIDE ASSEMBLY	
15	FM1-M885-000		1	CABLE, MAIN	
16	FS1-1508-000		8	BUSHING	
17	FU6-3090-000		1	PULLEY, 30T	
18	FE8-3533-000		1	PULLEY, 24T/24T	
19	FU6-6160-000		2	ROLLER, TENSIONER	
20	FU8-2605-000		1	SPRING, TENSION	
21	FU8-2679-000		2	SPRING, COMPRESSION	
22	FU8-2686-000		1	SPRING, TENSION	
23	FL0-8066-000		1	GEAR, 18T	
24	FU9-2437-000		1	SPRING, TENSION	
25	XD9-0136-000		3	RING, E	
26	XD9-0333-000		3	PIN, PARALLEL	
27	XF2-1605-640		3	BELT, TIMING	
28	XF2-1609-540		1	BELT, TIMING	
29	XF2-1618-880		1	BELT, TIMING	
30	XG9-0737-000		2	BUSHING	
31	FC5-3167-000		1	SPRING, CLUTCH	
32	FE4-4315-000		1	CLUTCH, MECHANICAL	
33	FE4-4316-000		1	GEAR, 24T	
34	FE8-2589-000		1	ROLLER, EXTRACTION	
35	FU6-3047-000		1	PULLEY, 24T	
36	FU9-0233-010		1	GEAR, 26T	
37	XG9-0497-000		2	BEARING, BALL, MR106ZZ,	
38	FU5-1726-000		4	BUSHING	
39	XA9-1386-000		10	SCREW,RS,M3X8	
40	FE4-4297-000		1	SHAFT	
41	XG9-0805-000		3	BEARING, BALL, LF-1260ZZR	
42	FC5-4425-000		6	CLIP	
43	FU6-3091-000		2	PULLEY, 24T	

FIGURE & KEY NO.	PART NUMBER	R A N K	QTY	DESCRIPTION	SERIAL NUMBER /REMARKS
44	XD9-0328-000		1	PIN, PARALLEL	

Figure B14 INTERNAL COMPONENTS 4 (ADF)

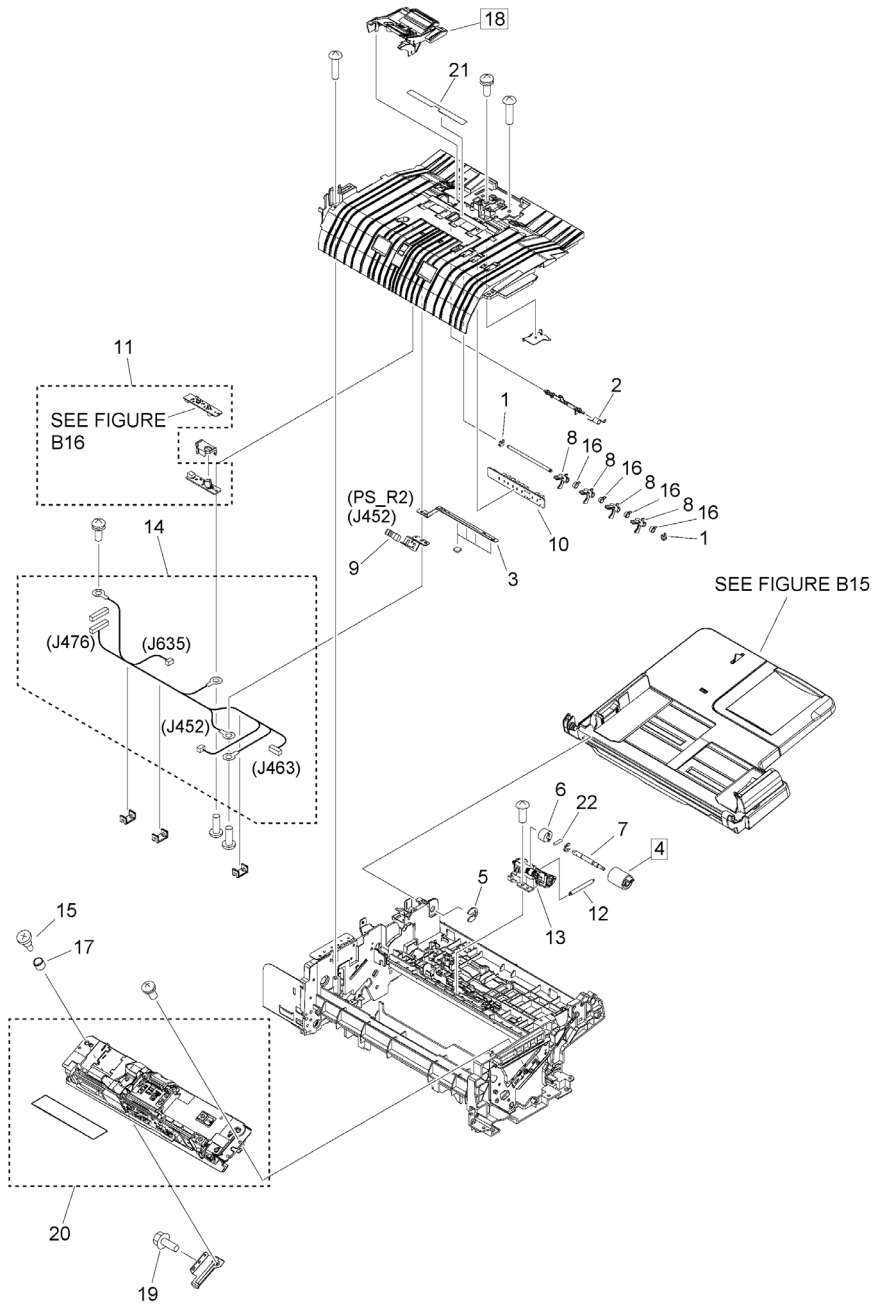


FIGURE & KEY NO.	PART NUMBER	RANK	QTY	DESCRIPTION	SERIAL NUMBER /REMARKS
B14	NPN		1	INTERNAL COMPONENTS 4	ADF
1	FC0-1271-000		2	CLIP	
2	FC0-1334-000		1	SPRING, TORSION	
3	FC0-1364-000		1	SPRING, GROUNDING	
4	FC0-9631-000		1	ROLLER, SEPARATION	[DP]
5	FC6-5046-000		1	RING, RETAINING	
6	FE4-4268-000		1	LIMITTER, TORQUE	
7	FE4-4276-000		1	SHAFT, PAPER PICK-UP	
8	FE4-4342-000		4	FLAG, WIDTH SENSOR	
9	FK2-6470-000		1	PHOTO-SENSOR, KUA0055C	PS_R2
10	FM0-0292-000		1	WIDTH SENSOR PCB ASSEMBLY	
11	FM1-K086-010		1	DOUBLE FEED DETECTION KIT	
12	FU2-1300-000		1	SPRING, TENSION	
13	FM1-R033-000		1	SEPARATION ROLLER HOLDER ASS'Y	
14	FM1-P872-000		1	CABLE, DF PAPER PICK-UP	
15	FS5-9284-020		1	SCREW, STEPPED	
16	FU2-1306-000		4	SPRING, TORSION	
17	FU8-2993-000		1	SPRING, COMPRESSION	
18	FM1-J766-000		1	SEPARATION PAD UNIT	[DP]
19	XA9-1386-000		1	SCREW,RS,M3X8	
20	FM0-2745-020		1	SCANNER UNIT	
21	FL0-3852-000		1	SHEET, EXTRACTION GUIDE	
22	XD9-0332-000		1	PIN, PARALLEL	

Figure B15 DOCUMENT TRAY ASSEMBLY

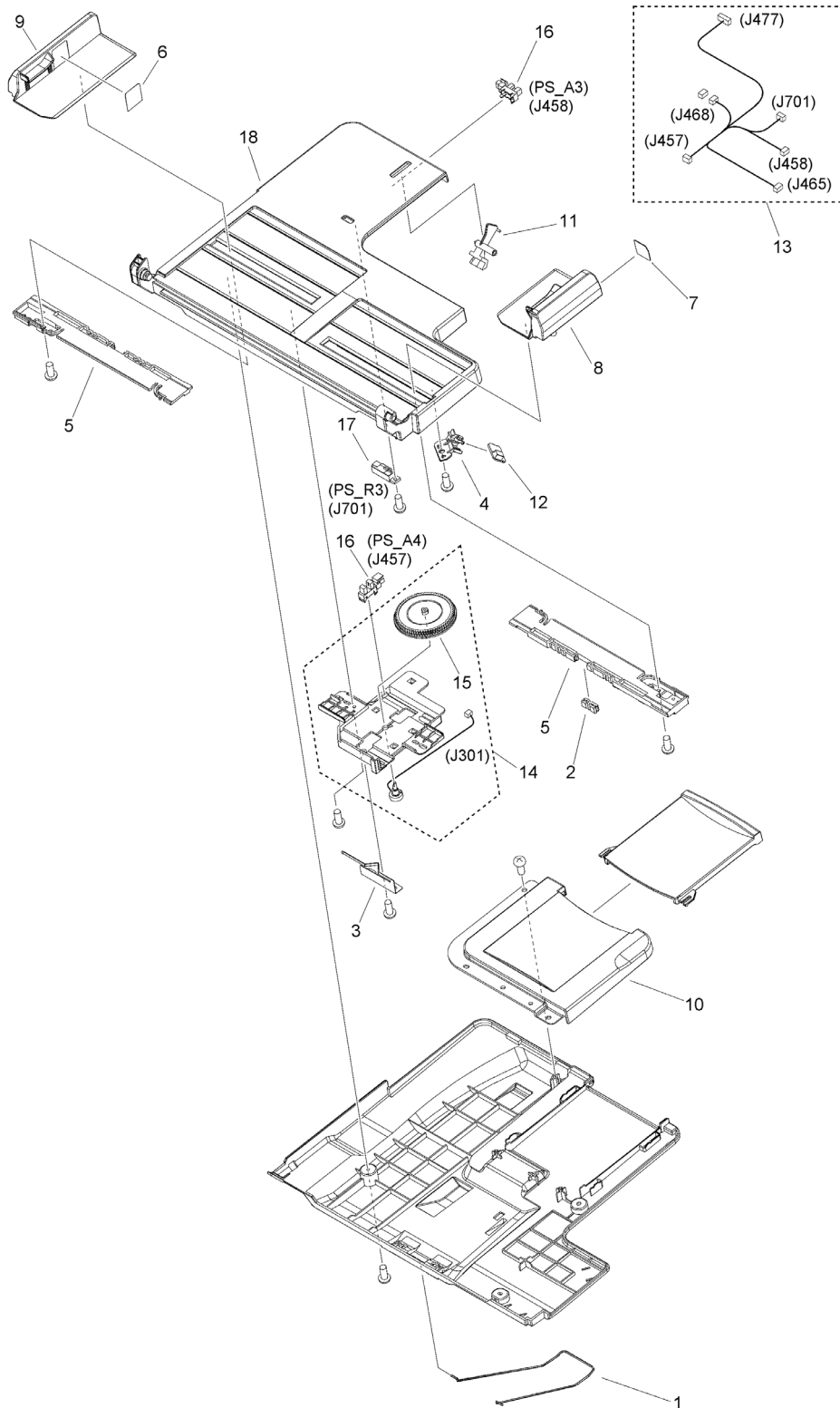


FIGURE & KEY NO.	PART NUMBER	RANK	QTY	DESCRIPTION	SERIAL NUMBER /REMARKS
B15	NPN		1	DOCUMENT TRAY ASSEMBLY	
1	FC0-8823-000		1	STOPPER, DOCUMENT	
2	FC5-3108-000		1	RACK	
3	FC5-3113-000		1	SPRING, LEAF	
4	FE4-4282-000		1	COVER, LED	
5	FE4-6225-000		2	RACK, DOCUMENT TRAY	
6	FE8-1623-000		1	LABEL, DOCUMENT HEIGHT, A	
7	FE8-1624-000		1	LABEL, DOCUMENT HEIGHT, B	
8	FE8-1838-000		1	GUIDE, SIDE, FRONT	
9	FE8-1839-000		1	GUIDE, SIDE, REAR	
10	FE8-1849-000		1	COVER, AUXILIARY TRAY	
11	FE8-1851-000		1	FLAG, DOCUMENT LENGTH SENSOR	
12	FM0-0294-000		1	EJECT LIGHT LED PCB ASS'Y	
13	FM1-M884-010		1	CABLE, TRAY	
14	FM3-6211-000		1	HOLDER, VOLUME	
15	FU8-0237-000		1	GEAR, 70T	
16	WG8-5783-000		2	IC,PHOTO-INTERRUPTER,LG248NL1A	PS_A3, PS_A4
17	WP2-5428-000		1	IC,PHOTO SENSOR, PS126EL1	PS_R3
18	FE8-1855-000		1	TRAY, DOCUMENT, UPPER	

Figure B16B OPEN/CLOSE PANEL ASSEMBLY

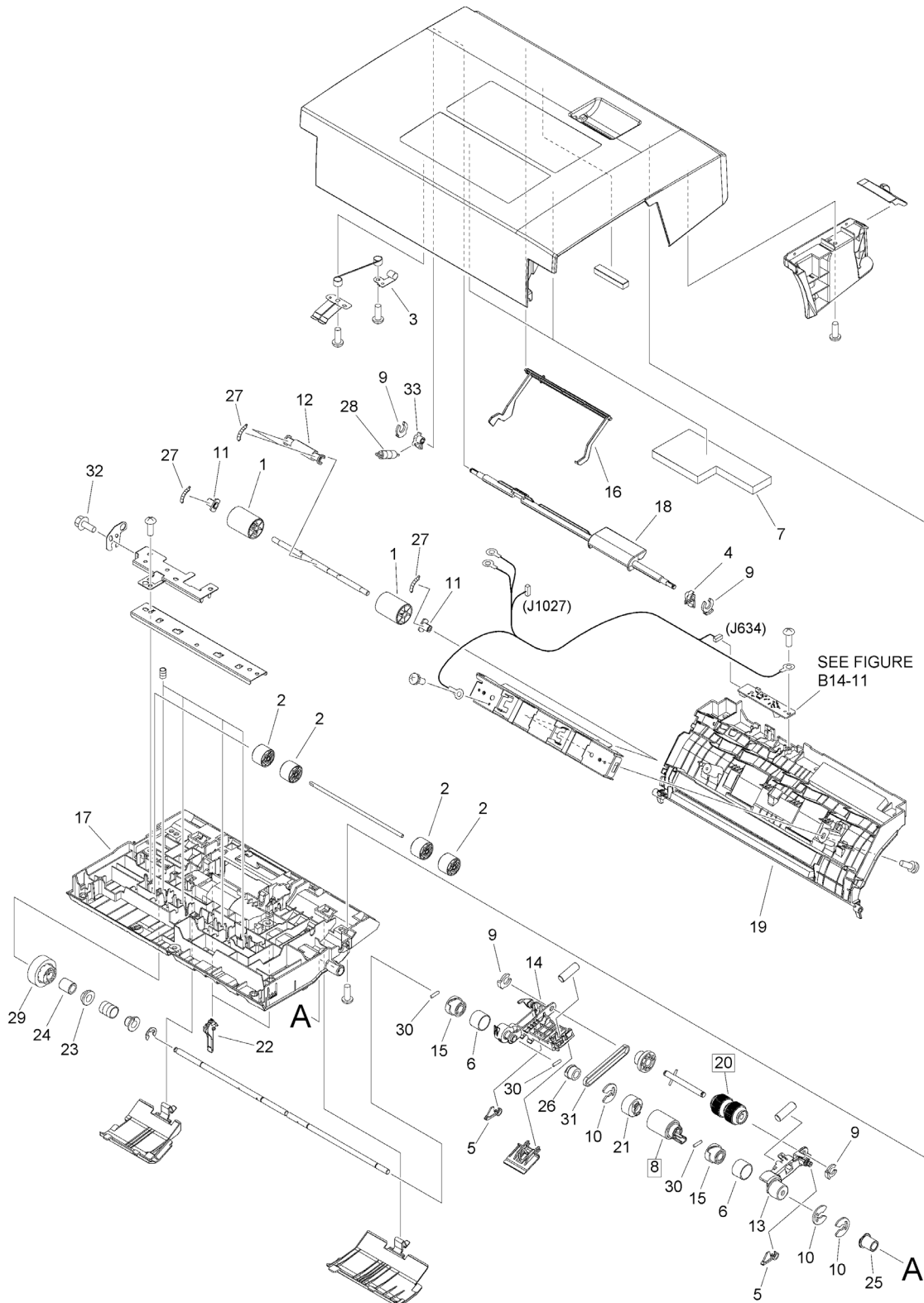


FIGURE & KEY NO.	PART NUMBER	RANK	QTY	DESCRIPTION	SERIAL NUMBER /REMARKS
B16B	FM1-J769-000		1	OPEN/CLOSE PANEL ASSEMBLY	
1	FC0-0488-000		2	ROLLER, REGISTRATION	
2	FC0-1249-000		4	ROLLER, EXTRACTION	
3	FC0-1289-000		1	SPRING, GROUNDING	
4	FC0-1358-010		1	HOOK, OPEN/CLOSE	
5	FC0-1389-000		2	LEVER, STOP	
6	FC0-8822-000		2	SPRING, TORSION	
7	FC0-8831-000		2	SEAL, OPEN/CLOSE COVER	
8	FC0-9450-000		1	ROLLER, PAPER FEED	[DP]
9	FC5-4424-000		4	CLIP	
10	FC6-5046-000		3	RING, RETAINING	
11	FC8-7283-000		2	BUSHING	
12	FC8-7284-000		1	BUSHING	
13	FE4-4270-000		1	ARM, PAPER PICK-UP, FRONT	
14	FE4-4271-000		1	ARM, PAPER PICK-UP, REAR	
15	FE4-4319-000		2	BUSHING	
16	FE4-4349-010		1	FLAG, SET SENSOR	
17	FL0-3788-000		1	GUIDE, OPEN/CLOSE INNER, A	
18	FL0-3789-010		1	LEVER, OPEN/CLOSE	
19	FL0-3849-000		1	GUIDE, OPEN/CLOSE INNER, B	
20	FL1-3120-000		1	ROLLER, PAPER PICK-UP	[DP]
21	FL0-4546-000		1	ROLLER, ONE-WAY CLUTCH	
22	FL3-4952-000		2	SHUTTER	
23	FS1-1569-000		1	BUSHING	
24	FU5-6862-000		1	ROLLER, WIRE	
25	FU6-1613-000		1	BUSHING	
26	FU6-3095-000		1	PULLEY, 16T	
27	FU8-2677-000		4	SPRING, TENSION	
28	FU8-2682-000		1	SPRING, TENSION	
29	FU9-0249-000		1	GEAR, 24T	
30	XD9-0287-000		3	PIN, DOWEL	
31	XF2-1607-840		1	BELT, TIMING	
32	XA9-1386-000		1	SCREW,RS,M3X8	
33	FE8-4538-000		1	HOOK, OPEN/CLOSE	

Figure B17 BASE FRAME ASSEMBLY

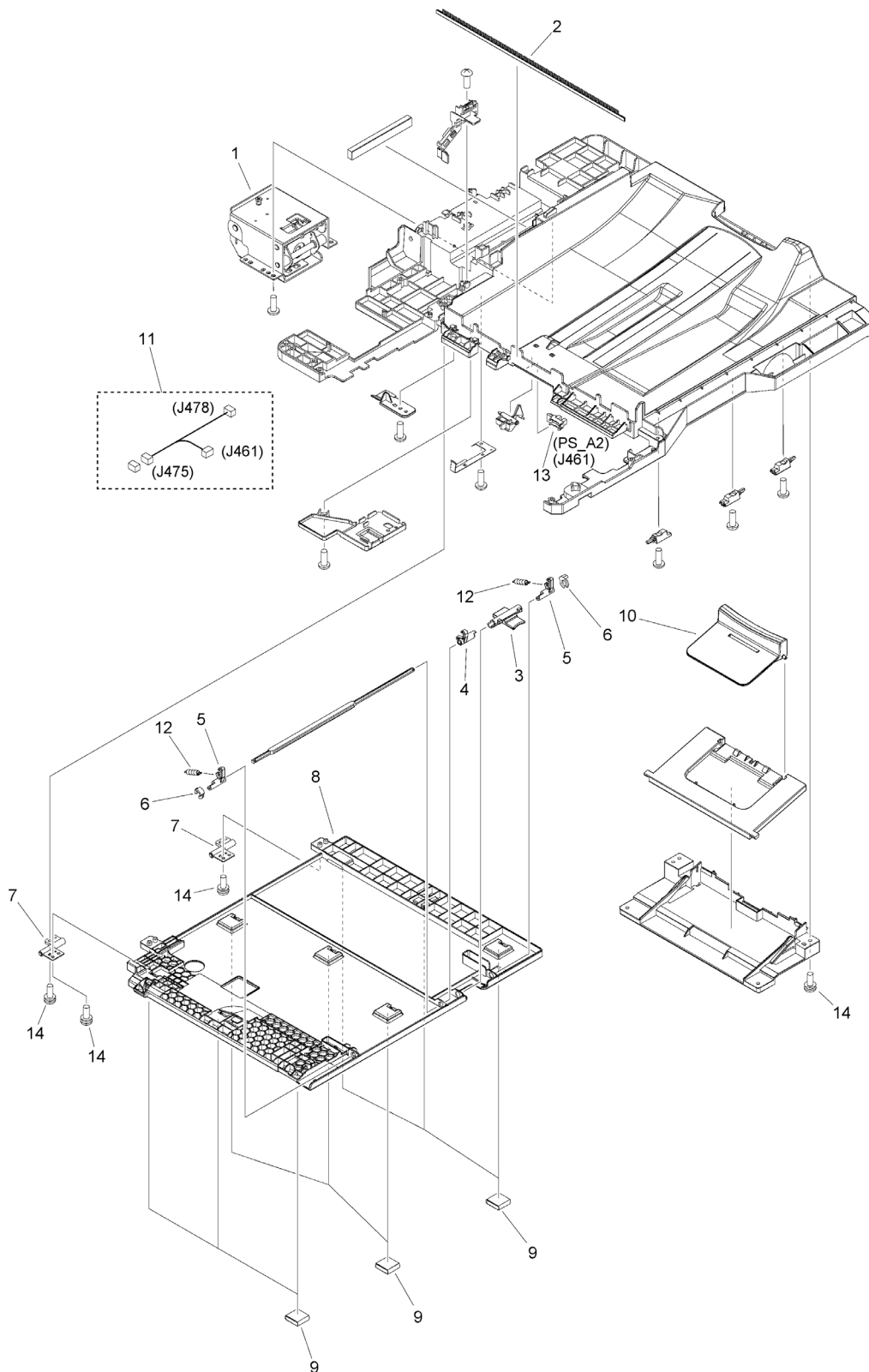


FIGURE & KEY NO.	PART NUMBER	RANK	QTY	DESCRIPTION	SERIAL NUMBER /REMARKS
B17	NPN		1	BASE FRAME ASSEMBLY	
1	FC0-1205-000		1	HINGE, RIGHT	
2	FE2-B749-000		1	ELIMINATOR, STATIC CHARGE	
3	FC0-1309-000		1	HANDLE, RATCHET, A	
4	FC0-1310-000		1	HANDLE, RATCHET, B	
5	FC0-1314-000		2	RATCHET	
6	FC5-4424-000		2	CLIP	
7	FC8-5811-000		2	HINGE, PLATE	
8	FE8-1836-000		1	SUPPORT, WHITE PLATE	
9	FL0-5178-000		9	CUSHION	
10	FL1-0799-000		1	STOPPER, PAPER DELIVERY	
11	FM0-0296-000		1	CABLE, SOLENOID	
12	FU8-2990-000		2	SPRING, TENSION	
13	WG8-5783-000		1	IC,PHOTO-INTERRUPTER,LG248NL1A	PS_A2
14	XA9-2016-000		12	SCREW, W/WASHER, M3X12	

Figure B40B PLATEN GUIDE ASS'Y

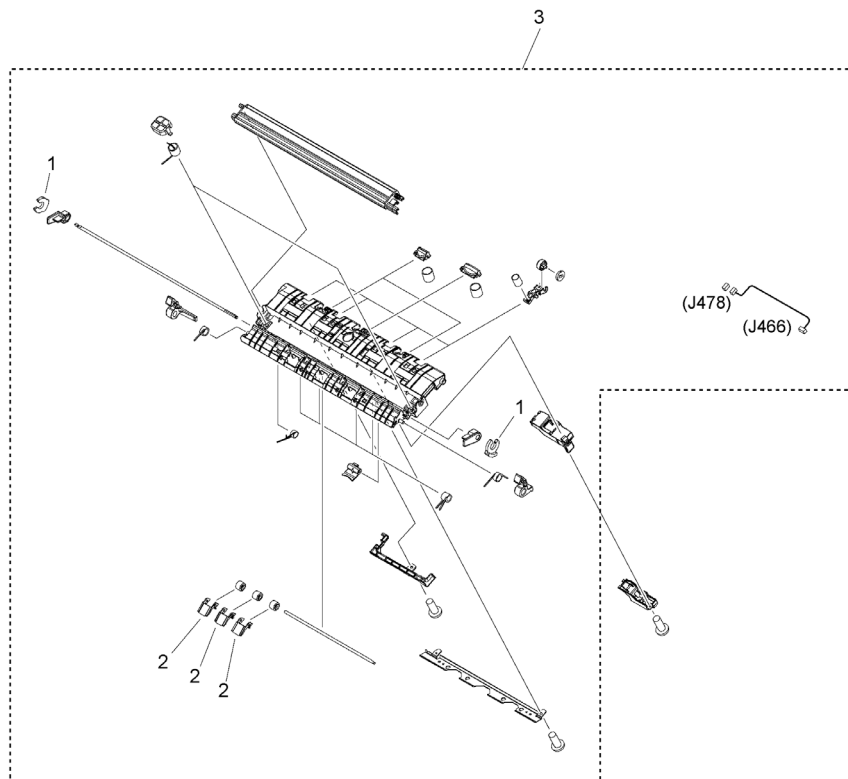


FIGURE & KEY NO.	PART NUMBER	R A N K	QTY	DESCRIPTION	SERIAL NUMBER /REMARKS
B40B	NPN		1	PLATEN GUIDE ASSY	
1	FC0-1271-000		2	CLIP	
2	FL3-4954-000		3	FLAPPER, GUIDE	
3	FM1-P734-000		1	PLATEN GUIDE ASSY	

Figure B90 DF DRIVER PCB ASSEMBLY

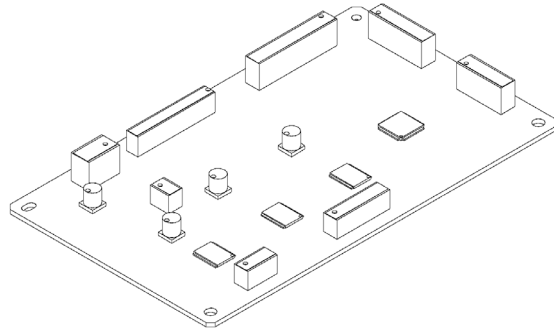


FIGURE & KEY NO.	PART NUMBER	R A N K	QTY	DESCRIPTION	SERIAL NUMBER /REMARKS
B90	FM2-J827-000		1	DF DRIVER PCB ASSEMBLY	

Figure D01 ATTACHMENT PARTS (READER)

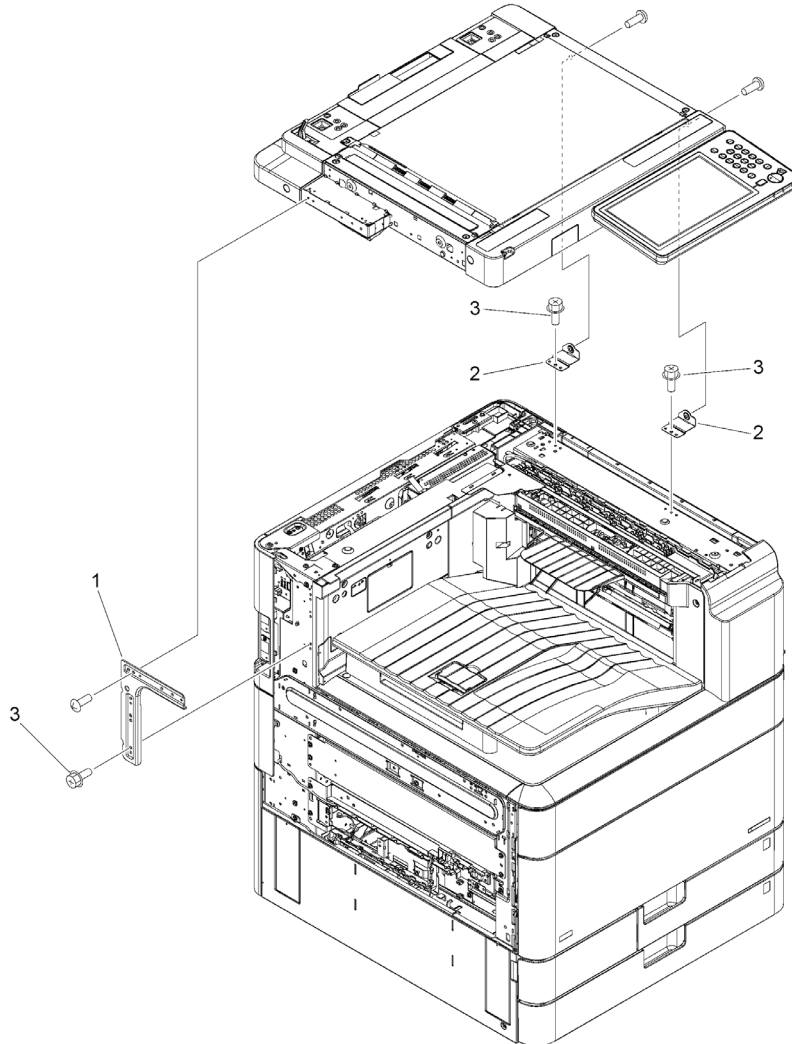


FIGURE & KEY NO.	PART NUMBER	RANK	QTY	DESCRIPTION	SERIAL NUMBER /REMARKS
D01	NPN		RF	ATTACHMENT PARTS	READER
1	FC0-5039-000		1	PLATE, READER MOUNTING, 2	
2	FE4-1928-000		2	PLATE, READER MOUNTING, 1	
3	XA9-0732-010		5	SCREW,RS,M4X8	

Figure D11B (1/2) READER ASSEMBLY

NOTE : This part comes with a sheet of several kinds of seal, as shown framed below.

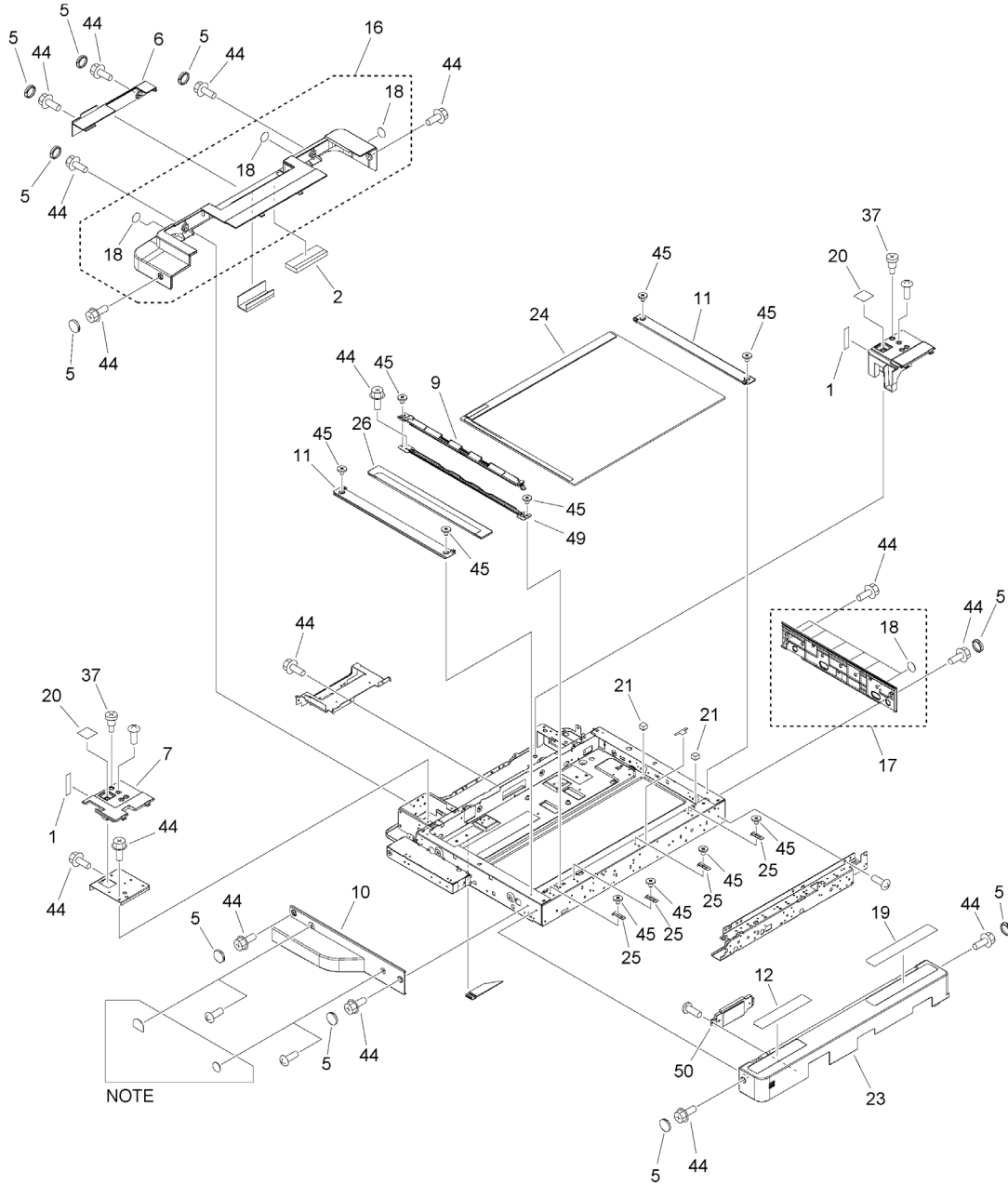


Figure D11B (2/2) READER ASSEMBLY

NOTE : This part comes with a sheet of several kinds of seal, as shown framed below.

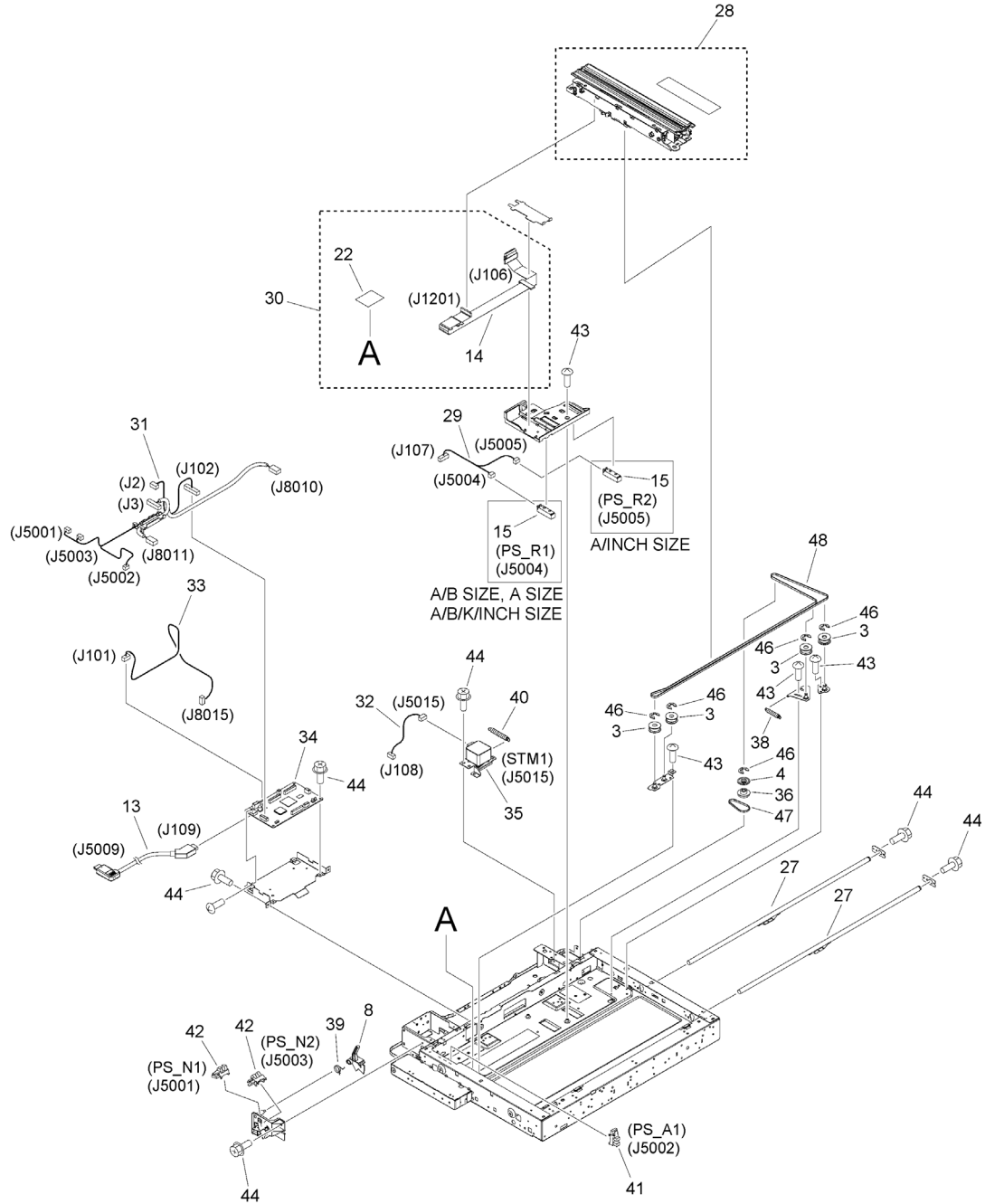


FIGURE & KEY NO.	PART NUMBER	RANK	QTY	DESCRIPTION	SERIAL NUMBER /REMARKS
D11B	NPN		1	READER ASSEMBLY	
1	FC0-0691-000		2	SHEET, HINGE COVER	
2	FC0-0693-000		1	CUSHION, MAINTENANCE COVER	
3	FC8-6163-000		4	PULLEY	
4	FC8-6180-000		1	PULLEY	
5	FE3-9178-000		10	CAP	
6	FE8-1818-000		1	COVER, MAINTENANCE	
7	FE8-1820-000		1	COVER, HINGE LOWER, LEFT	
8	FE8-5215-000		1	FLAG, OPEN/CLOSE SENSOR	
9	FE8-1824-000		1	COVER, GLASS SUPPORT	
10	FE8-1827-000		1	COVER, SIDE, LEFT	
11	FE8-1853-000		2	COVER, GLASS RETAINING	
12	FE8-6161-000		1	LABEL, CLEANING POSITION	
13	FK4-2332-000		1	CABLE, INTERFACE	
14	FK4-4240-000		1	CABLE, FLAT	
15	FK4-4384-000		1	IC, PHOTO SENSOR,DOCUMENT SIZE	PS_R1, PS_R2
16	FL0-6479-000		1	COVER, REAR	
17	FL0-6480-000		1	COVER, SIDE, RIGHT	
18	FL1-0800-000		9	SEAL	
19	FE8-6152-000		1	LABEL, COPY INHIBITED	US English
19	FE8-6153-000		1	LABEL, COPY PROHIBITION	Canadian French, Portuguese, Spanish
20	FL1-1331-000		2	SHEET, BLANKING	
21	FL1-3735-000		2	SPACER, SHAFT CUSHION	
22	FL1-4605-000		1	SHEET, SLIP	
23	FL1-5118-000		1	COVER, FRONT	
24	FL1-5545-000		1	GLASS, COPYBOARD	
25	FL3-4761-010		4	COVER, GLASS RETAINING	
26	FL3-4769-000		1	GLASS, READER	
27	FM0-2730-000		2	GUIDE SHAFT ASS'Y	
28	FM0-2744-010		1	SCANNER UNIT	
29	FM1-M875-000		1	CABLE, SIZE SENSING	
30	FM1-T689-000		1	FLAT CABLE SET	
31	FM1-V394-000		1	POWER CABLE ASSEMBLY	
32	FM1-Y982-000		1	CABLE, OPTICAL MOTOR	
33	FM2-J828-010		1	CABLE, POWER SUPPLY	
34	FM2-J829-000		1	READER CONTROLLER PCB ASSEMBLY	
35	FM4-6171-000		1	MOTOR ASS'Y	STM1
36	FU5-3710-000		1	PULLEY	
37	FU5-9139-000		2	SCREW, STEPPED, M5X6	
38	FU8-2481-000		1	SPRING, TENSION	
39	FU8-2497-000		1	SPRING, TORSION	
40	FU8-2600-000		1	SPRING, TENSION	
41	WG8-5783-000		1	IC,PHOTO-INTERRUPTER,LG248NL1A	PS_A1

FIGURE & KEY NO.	PART NUMBER	RANK	QTY	DESCRIPTION	SERIAL NUMBER /REMARKS
42	WG8-5935-000		2	IC, PHOTO INTERRUPTER	PS_N1, PS_N2
43	XA9-1116-030		5	SCREW,M3X5	
44	XA9-1386-000		33	SCREW,RS,M3X8	
45	XA9-1415-000		10	SCREW, FLAT HEAD, M4	
46	XD9-0136-000		5	RING, E	
47	XF2-4606-835		1	BELT, TIMING	
48	XF2-4668-040		1	BELT, TIMING	
49	FL3-4612-000		1	FRAME, JUMP GUIDE	
50	FE4-4435-000		1	COVER, FRONT, SMALL	

Figure H30 CASSETTE ASSEMBLY (SMALL)

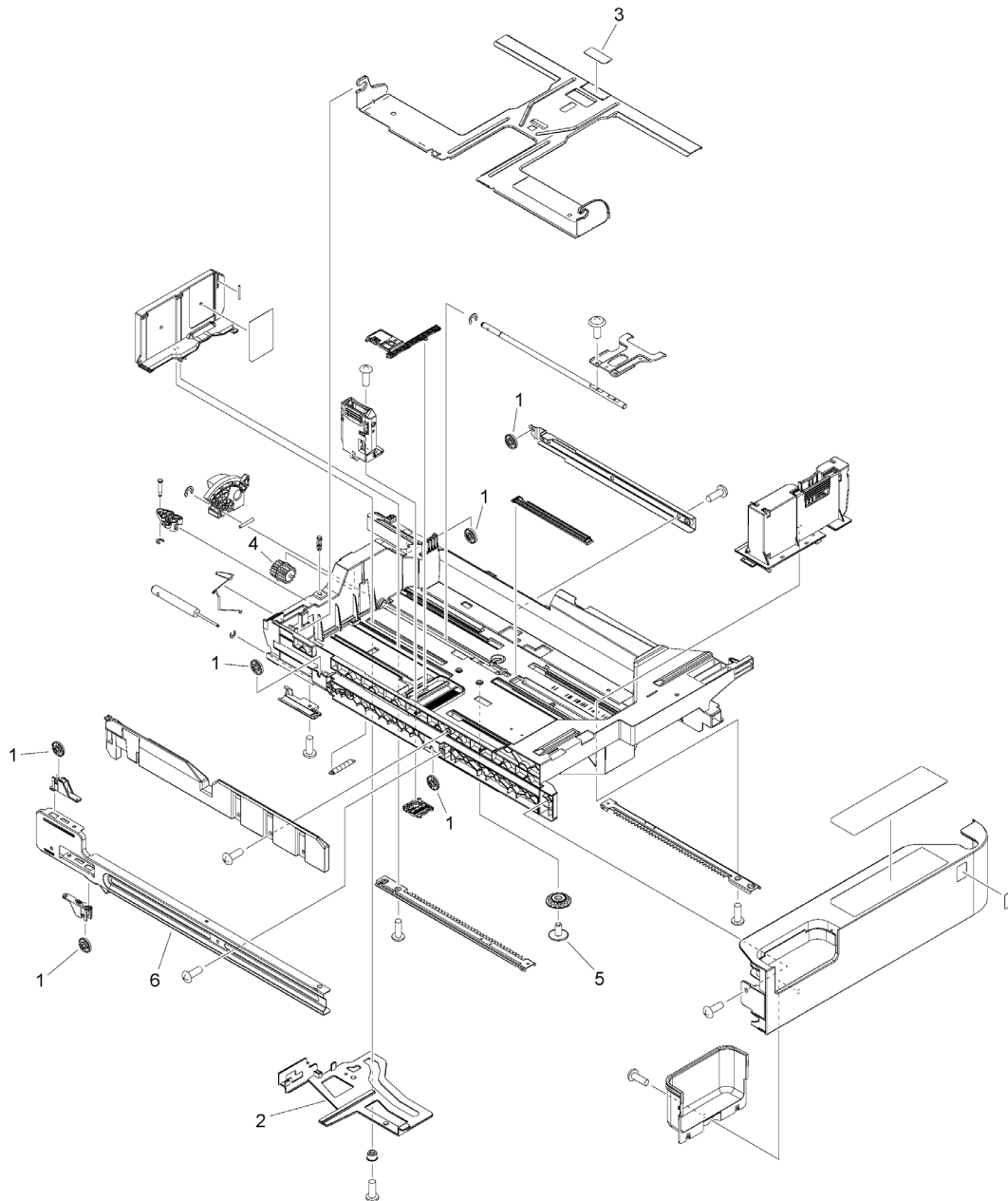


FIGURE & KEY NO.	PART NUMBER	RANK	QTY	DESCRIPTION	SERIAL NUMBER /REMARKS
H30	FM1-G581-010		1	CASSETTE ASSEMBLY	SMALL
1	FE3-1528-010		6	ROLLER, CASSETTE	
2	FE8-1308-000		1	LINK, SIZE DETECT	
3	FL3-6526-000		1	SHEET, SEPARATION	
4	RC1-9396-000		1	GEAR, 14T	
5	FE8-0315-000		1	SCREW, B, M4X8	
6	FE4-4678-000		1	SUPPORT, CASSETTE RAIL	

Figure H31 CASSETTE ASSEMBLY (LARGE)

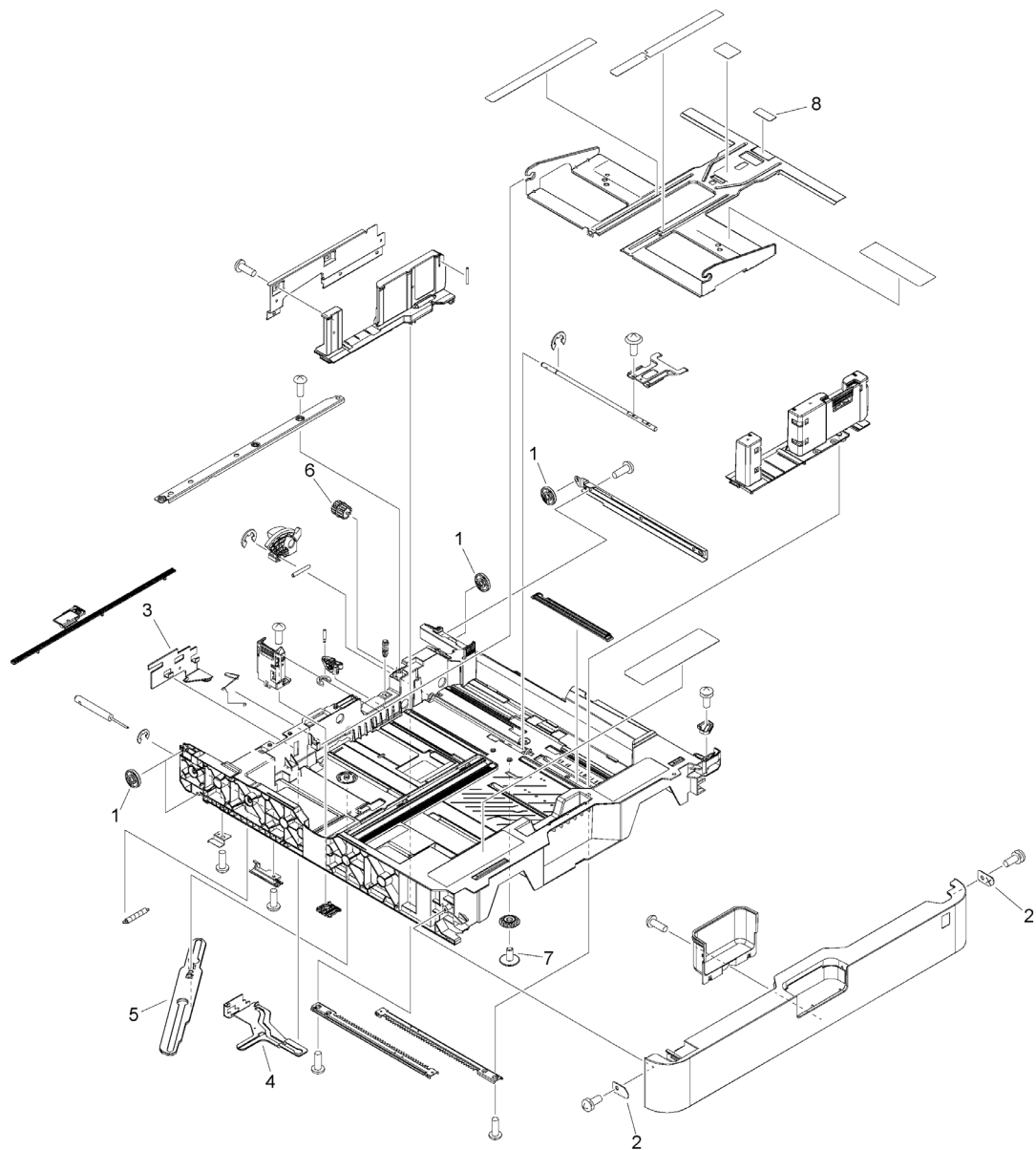


FIGURE & KEY NO.	PART NUMBER	RANK	QTY	DESCRIPTION	SERIAL NUMBER /REMARKS
H31	FM1-G582-030		1	CASSETTE ASSEMBLY	LARGE
1	FE3-1528-010		4	ROLLER, CASSETTE	
2	FE3-8153-000		2	WASHER	
3	FE8-1305-000		1	CAM, BACK END DETECT	
4	FE8-1306-000		1	LINK, SIZE DETECT	
5	FE8-1307-000		1	ARM, BACK END DETECT	
6	RC1-9396-000		1	GEAR, 14T	
7	FE8-0315-000		1	SCREW, B, M4X8	
8	FL3-6526-000		1	SHEET, SEPARATION	

Figure ZZA MECHANICAL STANDARD PARTS (HOW TO USE)

Mechanical standard parts 機械標準部品

About a mechanical standard parts

A Mechanical standard parts is a mechanical part which not parts peculiar to a product.
They are parts which are common to a Canon product and are used, such as a screw and a washer.
The Fig No. and parts number of the mechanical standard parts are not listed in the product parts catalog.
Refer to the parts catalog of mechanical standard parts when checking the parts number for screw or washer etc. and identify them by part shape or size.

機械標準部品とは

機械標準部品とは、製品特有の部品ではなく、ねじやワッシャなどキヤノン製品共通で使用されている機械部品（メカ部品）のことです。
製品のパーツカタログには、機械標準部品のFig No.や部品番号は記載していません。
ねじや、ワッシャ等の部品番号を調べる時は、機械標準部品のパーツカタログを参照し、部品の形状や大きさから判断し、使用している部品を調べてください。

Material and surface treatment of a mechanical standard parts

Material and surface treatment of mechanical standard parts are assigned commonly for each part.
Refer to the Table 1 for the parts which material and surface treatment are assigned as numbers.

機械標準部品の材料および表面処理

機械標準部品の材料および表面処理については、各種部品共通で決められています。
材料および表面処理が番号で決められている部品については、表1を参照してください。

Table 1 Material and Surface treatment
表1 材料および表面処理

No. 番号	Material 材料	Surface treatment 表面処理	Color 色
1	Stainless steel ステンレス	Stainless steel black coloring (BC4) ステンレス黒着色(BC4)	Black 黒
2		not to be given なし	White 白
3	Brass 黄銅	Regular nickel plating (NL) 普通ニッケルメッキ(NL)	White 白
4		Black nickel plating (BN) 黒色ニッケルメッキ(BN)	Black 黒
5	Steel 鋼	White zinc trivalent chromate treating (ZC3) 白色亜鉛3価クロメート(ZC3)	White 白
6		Regular nickel chromium plating (NC) 普通ニッケルクロムメッキ(NC)	White 白
7		Regular nickel plating (NL) 普通ニッケルメッキ(NL)	White 白
8		Iron and steel phosphating (P1) 鉄鋼燐酸塩処理(P1)	Black 黒
9		Black zinc trivalent chromate treating (BZ3) 黒色亜鉛3価クロメート(BZ3)	Black 黒

Figure ZZB (1/7)MECHANICAL STANDARD PARTS (SCREWS)

1. Screws
ねじ

How to read Parts Numbers
部品番号の見方

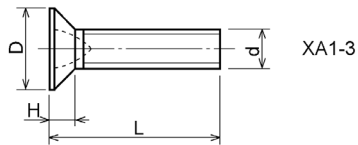
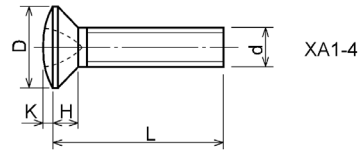
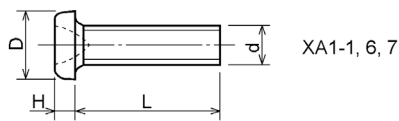
Screws
ねじ

XB1-2400-609

Type No.
類別番号
Normal designation (d)
ねじの呼び (d)
Length (L)
ねじの長さ (L)
Material and Surface treatment
材料および表面処理

XB1-2 expresses Binding head machine screw.
XB1-2は、バインドねじを表す
40 expresses M4.0.
40は、M4.0を表す
0-60 expresses a length of 6.0mm.
0-60は、6.0mmの長さを表す
9 expresses Steel (Black zinc trivalent chromate
treating) from Table 1.
9は、表1より鋼（黒色亜鉛3価クロメート）を表す

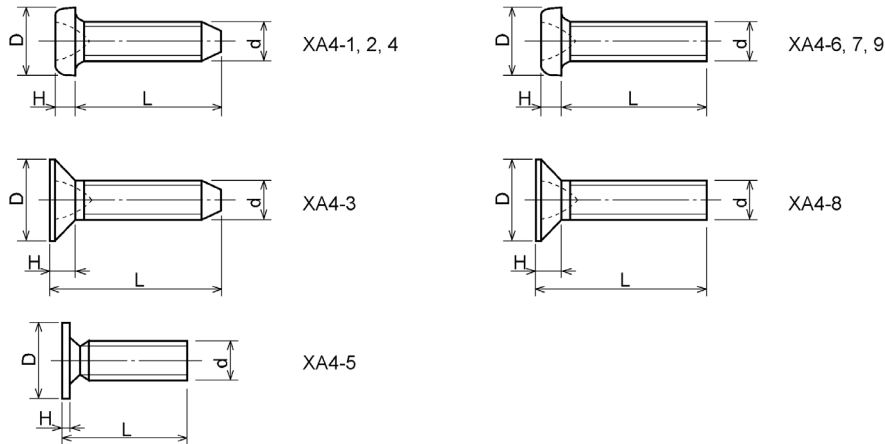
1-1. Cross Recessed Head Screws for Precision Equipments
精密機器用十字穴付き小ねじ



Type No. 類別番号	Type 類別	Head size (mm) 頭部寸法 (mm)						
		M1.4	M1.6	M1.7	M2	M2.5	M2.6	
XA1-1	Pan head Class 1 なべ1種	D	2	2.4	2.5	3	3.8	4
		H	0.5	0.55	0.5	0.6	0.9	0.8
XA1-3	Countersunk head Class 1 さら1種	D	2	2.4	2.5	3	3.8	4
		H	0.48	0.55	0.58	0.73	0.85	0.93
XA1-4	Oval countersunk head Class 1 丸さら1種	D	2	2.4	2.5	3	3.8	4
		H + K	0.68	0.8	0.88	1	1.25	1.3
XA1-6	Pan head Class 3 なべ3種	D	2.5	2.8	3	3.5	4.3	4.5
		H	0.8	0.85	0.9	1	1.3	1.2
XA1-7	Pan head Class 2 なべ2種	D	2.5	2.8	3	3.5	4.3	4.5
		H	0.5	0.55	0.5	0.6	0.9	0.8

Figure ZZB (2/7) MECHANICAL STANDARD PARTS (SCREWS)

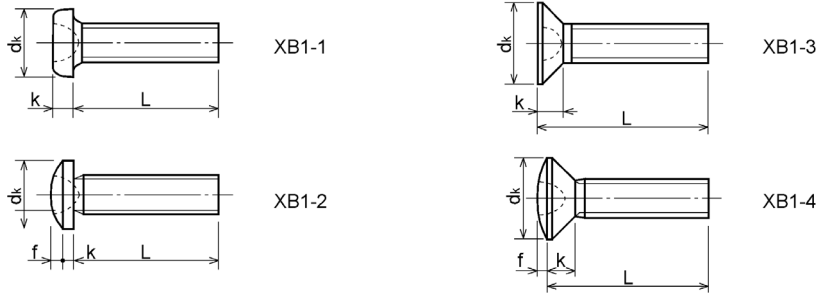
1-2. Precision Tapping Screws
精密用タッピンねじ



Type No. 類別番号	Type 類別	Head size (mm) 頭部寸法 (mm)						
		M1.4	M1.6	M1.7	M2	M2.5	M2.6	
XA4-1	With tapered end pan head Class 1 絞り-なべ1種	D XA4-1	2	2.4	2.5	3	3.8	4
		H XA4-1	0.5	0.55	0.5	0.6	0.9	0.8
XA4-2	With tapered end pan head Class 3 絞り-なべ3種	D XA4-2	2.5	2.8	3	3.5	4.3	4.5
		H XA4-2	0.8	0.85	0.9	1	1.3	1.2
XA4-3	With tapered end countersunk head 絞り-さら	D XA4-3	2	2.4	2.5	3	3.8	4
		H XA4-3	0.48	0.55	0.58	0.73	0.85	0.93
XA4-4	With tapered end pan head Class 2 絞り-なべ2種	D XA4-4	2.5	2.8	3	3.5	4.3	4.5
		H XA4-4	0.5	0.55	0.5	0.6	0.9	0.8
XA4-5	With parallel end ultra thin head ストレート-超薄頭	D XA4-5	2.5	2.8	3	-	-	-
		H XA4-5	0.2	0.2	0.2	-	-	-
XA4-6	With parallel end pan head Class 1 ストレート-なべ1種	D XA4-6	2	2.4	2.5	3	3.8	4
		H XA4-6	0.5	0.55	0.5	0.6	0.9	0.8
XA4-7	With parallel end pan head Class 3 ストレート-なべ3種	D XA4-7	2.5	2.8	3	3.5	4.3	4.5
		H XA4-7	0.8	0.85	0.9	1	1.3	1.2
XA4-8	With parallel end countersunk head ストレート-さら	D XA4-8	2	2.4	2.5	3	3.8	4
		H XA4-8	0.48	0.55	0.58	0.73	0.85	0.93
XA4-9	With parallel end pan head Class 2 ストレート-なべ2種	D XA4-9	2.5	2.8	3	3.5	4.3	4.5
		H XA4-9	0.5	0.55	0.5	0.6	0.9	0.8

Figure ZZB (3/7) MECHANICAL STANDARD PARTS (SCREWS)

1-3. Cross Recessed Head Screws
一般用十字穴付き小ねじ

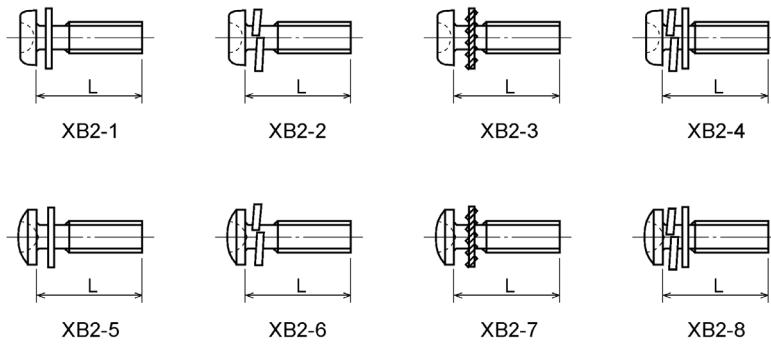


Type No. 類別番号	Type 類別
XB1-1	Pan head なべ
XB1-2	Binding head バインド
XB1-3	Countersunk head さら
XB1-4	Oval countersunk head 丸さら

		Head size (mm) 頭部寸法 (mm)					
		M2	M2.5	M2.6	M3	M4	M5
dk	XB1-1	3.5	4.5	4.5	5.5	7	9
k	XB1-1	1.3	1.7	1.7	2	2.6	3.3
dk	XB1-2	4.3	5.3	5.5	6.3	8.3	10.3
k+f	XB1-2	1.2	1.5	1.6	1.9	2.5	3.1
dk	XB1-3	4	5	-	6	8	10
k	XB1-3	1.2	1.45	-	1.75	2.3	2.8
dk	XB1-4	4	5	-	6	8	10
k+f	XB1-4	1.6	2	-	2.45	3.2	4
Screw part length ねじ部長さ b		8	12	12	12	16	20

Figure ZZB (4/7) MECHANICAL STANDARD PARTS (SCREWS)

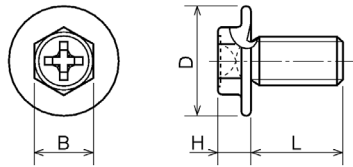
1-4. Cross Recessed Head Screws with Captive Washer
座金組込み十字穴付き小ねじ



Type No. 類別番号	Type 類別
XB2-1	Pan head + Plain washer (circular bright) なべねじ+平座金
XB2-2	Pan head + Spring washer なべねじ+ばね座金
XB2-3	Pan head + Toothed lock washer なべねじ+歯付座金
XB2-4	Pan head + Spring washer and plain washer (circular bright) なべねじ+(ばね+平)座金
XB2-5	Binding head + Plain washer (circular bright) バインドねじ+平座金
XB2-6	Binding head + Spring washer バインドねじ+ばね座金
XB2-7	Binding head + Toothed lock washer バインドねじ+歯付座金
XB2-8	Binding head + Spring washer and plain washer (circular bright) バインドねじ+(ばね+平)座金

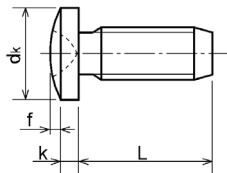
Figure ZZB (5/7) MECHANICAL STANDARD PARTS (SCREWS)

1-5. Hexagon Head Tapping Screws for Matallic Materials
 金属用六角タッピンねじ



Type No. 類別番号	Type 類別	Head size (mm) 頭部寸法 (mm)		
		M3	M4	
XB3-6	For metallic materials 金属用タッピン	D	8	10
		B	5.5	5.5
XB3-7	For metallic materials with clawed 金属用タッピン-つめ付き	H XB3-6	3.1	3.1
		H XB3-7	3.2	3.2

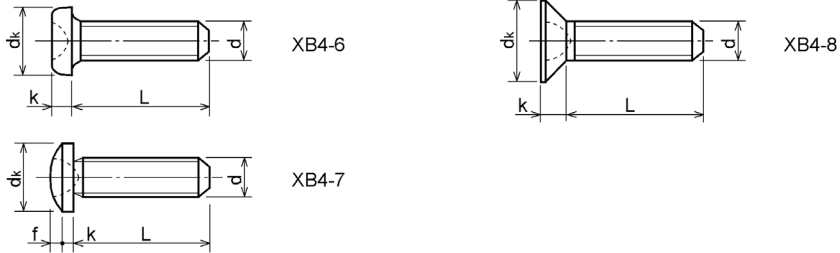
1-6. Special Tapping Screws
 特殊タッピンねじ



Type No. 類別番号	Type 類別	Head size (mm) 頭部寸法 (mm)		
		M3	M4	
XB4-5	Binding head バインド	dk	6.3	8.3
		k	1.3	1.7
		k+f	1.9	2.5

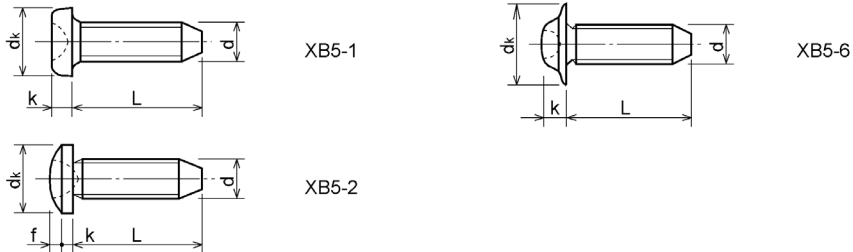
Figure ZZB (6/7) MECHANICAL STANDARD PARTS (SCREWS)

1-7. General Head Tapping Screws
一般用タッピンねじ



Type No. 類別番号	Type 類別	Head size (mm) 頭部寸法 (mm)						
		M2	M2.5	M2.6	M3	M4	M5	
XB4-6	Pan head なべ	dk XB4-6	3.5	4.5	4.5	5.5	7	9
		k XB4-6	1.3	1.7	1.7	2	2.6	3.3
XB4-7	Binding head バインド	dk XB4-7	4.3	5.3	5.5	6.3	8.3	10.3
		k+f XB4-7	1.2	1.5	1.6	1.9	2.5	3.1
XB4-8	Countersunk head さら	dk XB4-8	4	5	5.2	6	8	10
		k XB4-8	1.2	1.45	1.5	1.75	2.3	2.8

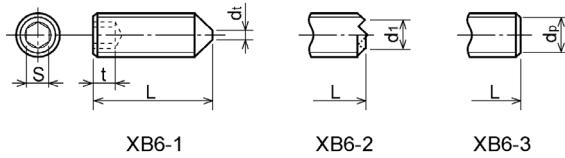
1-8. Tapping Screws for Metallic Materials
金属用タッピンねじ



Type No. 類別番号	Type 類別	Head size (mm) 頭部寸法 (mm)					
		M2.5	M2.6	M3	M4	M5	
XB5-1	Pan head なべ	dk XB5-1	4.5	4.5	5.5	7	9
		k XB5-1	1.7	1.7	2	2.6	3.3
XB5-2	Binding head バインド	dk XB5-2	5.5	5.5	6.3	8.3	10.3
		k+f XB5-2	1.6	1.6	1.9	2.5	3.1
XB5-6	Flanged pan head つば付きなべ	dk XB5-6	6.5	6.5	8	10	12
		k XB5-6	2.1	2.1	1.75	3.2	4

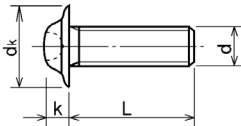
Figure ZZB (7/7) MECHANICAL STANDARD PARTS (SCREWS)

1-9. Hexagon Socket Set Screws
六角穴付き止めねじ



Type No. 類別番号	Type 類別	Head size (mm) 頭部寸法 (mm)						
		M1.6 M1.7	M2	M2.5 M2.6	M3	M5	M5	M6
	S	0.7	0.9	1.3	1.5	2	2.5	3
	t	1.5	1.7	2	2	2.5	3	3.5
	dt max XB6-1	0.4	0.5	0.65	0.75	1	1.25	1.5
	d1 max XB6-2	-	1.2	1.5	1.7	2.2	2.8	3.3
	d1 min XB6-2	-	1	1.2	1.4	1.9	2.4	2.9
	dp max XB6-3	0.8	1	1.5	2	2.5	3.5	4
	dp min XB6-3	0.55	0.75	1.25	1.75	2.25	3.2	3.7

1-10. Flanged Pan Head Machine Screws
つば付きなべ小ねじ



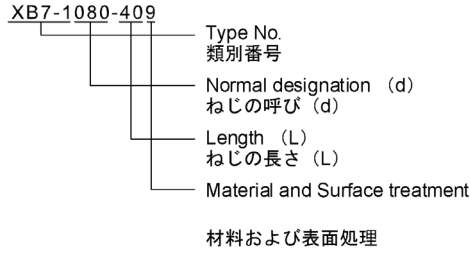
Type No. 類別番号	Type 類別	Head size (mm) 頭部寸法 (mm)				
		M2	M2.5 M2.6	M3	M5	M5
	dk	5	6.5	8	10	12
	k	1.7	2.1	2.5	3.2	4

Figure ZZC MECHANICAL STANDARD PARTS (BOLTS)

2. Bolts (Socket head cap screw)
ボルト

How to read Parts Numbers
部品番号の見方

Bolt (Socket head cap screw)
ボルト



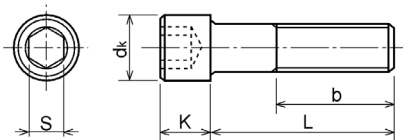
XB7-1 expresses Hexagon socket head cap screws.
XB7-1は、六角穴付きボルトを表す

080 expresses M8.0.
080は、M8.0を表す

40 expresses a length of 40mm.
40は、40mmの長さを表す

9 expresses Steel (Black zinc trivalent chromate treating) from Table 1.
9は、表1より鋼（黒色亜鉛3価クロメート）を表す

2-1. Hexagon socket head cap screws
六角穴付きボルト



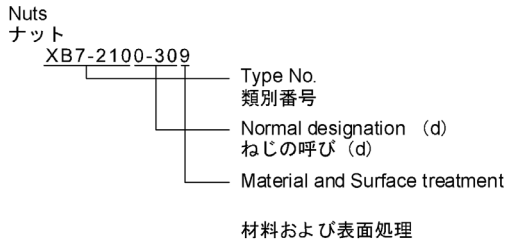
Type No. 類別番号	Type 類別
XB7-1	Hexagon socket head cap screws 六角穴付きボルト

	Head size (mm) 頭部寸法 (mm)						
	M3	M4	M5	M6	M8	M10	M12
S	2.5	3	4	5	6	8	10
dk	5.5	7	8.5	10	13	16	18
K	3	4	5	6	8	10	12
Screw part length ねじ部長さ b_{max}	18	20	22	24	28	32	36

Figure ZZD MECHANICAL STANDARD PARTS (NUTS)

3. Nuts
ナット

How to read Parts Numbers
部品番号の見方

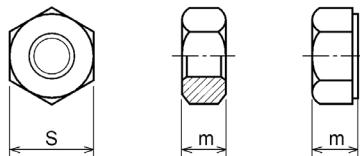


XB7-210 expresses Hexagon nut class 1.
XB7-210は、六角ナット1種を表す

0-30 expresses M3.0.
0-30は、M3.0を表す

9 expresses Steel (Black zinc trivalent chromate
treating) from Table 1.
9は、表1より鋼（黒色亜鉛3価クロメート）を表す

3-1. Hexagon Nuts and Hexagon Thin Nuts
六角ナット



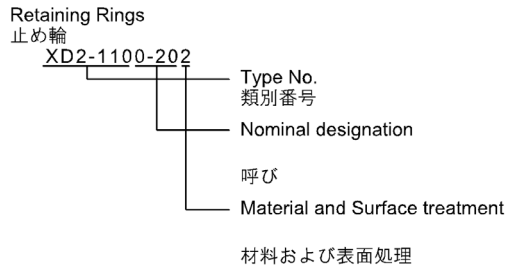
Type No. 類別番号	Type 類別
XB7-210	Hexagon nut Class 1 六角ナット-1種
XB7-220	Hexagon nut Class 3 六角ナット-3種
XB7-230	Hexagon nut Style 1 double chamfered 六角ナット-スタイル1-両面とり
XB7-231	Hexagon nut Style 1 washer faced 六角ナット-スタイル1-座付き
XB7-240	Hexagon nut Style 2 double chamfered 六角ナット-スタイル2-両面とり
XB7-241	Hexagon nut Style 2 washer faced 六角ナット-スタイル2-座付き
XB7-250	Hexagon nut 六角ナット
XB7-260	Hexagon thin nut double chamfered 六角低ナット-両面とり
XB7-270	Hexagon thin nut not chamfered 六角低ナット-面とり無し

	Head size (mm) 頭部寸法 (mm)						
	M2	M2.5	M3	M4	M5	M6	M8
S	4	5	5.5	7	8	10	13
m XB7-210	1.6	2	2.4	3.2	4	5	6.5
m XB7-220	1.2	1.6	1.8	2.4	3.2	3.6	5
m XB7-230, 231	1.6	2	2.4	3.2	4.7	5.2	6.8
m XB7-240, 241	-	-	-	-	5.1	5.7	7.5
m XB7-250	-	-	-	-	5.6	6.1	7.9
m XB7-260	1.2	1.6	1.8	2.2	2.7	3.2	4
m XB7-270	1.2	1.6	1.8	2.2	2.7	3.2	4

Figure ZZE (1/3)MECHANICAL STANDARD PARTS (RETAINING RINGS)

5. Retaining Rings
止め輪

How to read Parts Numbers
部品番号の見方

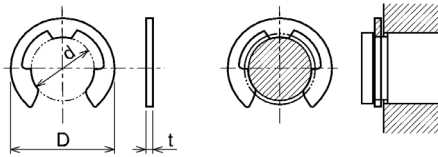


XD2-110 expresses retaining ring-E type (Type1).
XD2-110は、E形止め輪（1種）を表す

0-20 expresses a 020 of nominal designation.
(See Table 5)
0-20は、呼び020を表す（表5参照）

2 expresses Stainless steel (Surface treatment is not to be given) from Table 1.
2は、表1よりステンレス（表面処理なし）を表す

5-1. Retaining Rings - E type
E形止め輪



Type No. 類別番号	Type 類別
XD2-110	Retaining ring - E type (Type 1) E形止め輪（1種）
XD2-120	Retaining ring - E type (Type 2) E形止め輪（2種）

Table 5 表5

Type 種類	Nominal designation 呼び	d (mm)	D (mm)	t (mm)
Type 1 1種	007	0.65	2	0.2
	010	0.95	2.8	0.2
	013	1.25	3.3	0.3
	017	1.65	4.2	0.4
	020	1.95	4.6	0.5
	024	2.35	6	0.6
	028	2.74	6.5	0.6
	032	3.14	7.2	0.6
	037	3.64	8	0.7
	040	3.93	10	0.7
	042	4.13	10	0.7
	050	4.93	11	0.7
	058	5.73	12	0.7
	060	5.93	12.7	0.9
064	6.32	13.5	0.9	
074	7.31	15	0.9	
080	7.91	16.5	1	
Type 2 2種	008	0.8	2	0.2
	012	1.2	3	0.3
	015	1.5	4	0.4
	020	2	5	0.4
	025	2.5	6	0.4
	030	3	7	0.6
	040	4	9	0.6
	050	5	11	0.6
	060	6	12	0.8
	070	7	14	0.8
	080	8	16	0.8
	090	9	18	0.8
100	10	20	1	

Figure ZZE (2/3)MECHANICAL STANDARD PARTS (RETAINING RINGS)

5-2. Grip Rings
グリップ止め輪

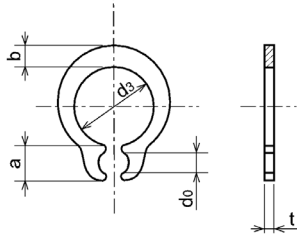


Table 5 表5

Nominal designation 呼び	d_3 (mm)	t (mm)	b (mm)	a (mm)	d_o (mm)
020	1.9	0.5	1	1.8	0.8
025	2.35	0.5	1.2	1.9	0.9
030	2.85	0.6	1.4	1.9	0.9
035	3.3	0.6	1.6	2	0.9
040	3.8	0.8	1.8	2.8	1.2
045	4.25	0.8	2	2.9	1.3
050	4.75	0.8	2.2	2.9	1.3
060	5.7	1	2.4	3.1	1.4
070	6.7	1	2.7	3.3	1.4
080	7.7	1	3	3.5	1.4
090	8.65	1.2	3.3	4.7	1.5
100	9.65	1.2	3.5	4.7	2

Type No. 類別番号	Type 類別
XD2-210	Grip ring グリップ止め輪

5-3. Toothed Retaining Rings
歯付き形止め輪

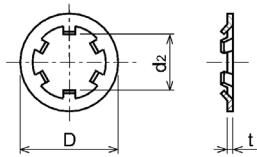


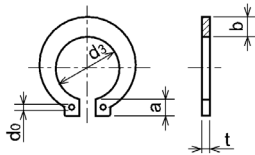
Table 5 表5

Nominal designation 呼び	d_z (mm)	D (mm)	t (mm)	No of teeth 歯数
015	1.4	5.2	0.25	3
020	1.9	6	0.25	3
024	2.3	6.4	0.25	3
030	2.8	8	0.25	4
040	3.8	9	0.25	4
050	4.8	10	0.25	5
060	5.8	11	0.25	5
080	7.8	13	0.25	5
100	9.8	15.4	0.25	6

Type No. 類別番号	Type 類別
XD2-230	Toothed retaining ring 歯付き形止め輪

Figure ZZE (3/3)MECHANICAL STANDARD PARTS (RETAINING RINGS)

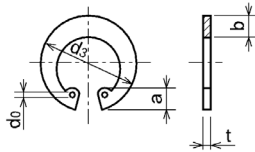
5-4. Retaining Rings - C Type
C形止め輪



Type No. 類別番号	Type 類別
XD2-310	Retaining ring - C type for shaft C形止め輪 軸用

Table 5 表5

Nominal designation 呼び	d ₃ (mm)	t (mm)	b (mm)	a (mm)	d ₀ (mm)
010	9.3	1	1.6	3	1.2
012	11.1	1	1.8	3.2	1.5
014	12.9	1	2	3.4	1.7
015	13.8	1	2.1	3.5	1.7
016	14.7	1	2.2	3.6	1.7
017	15.7	1	2.2	3.7	1.7
018	16.5	1.2	2.6	3.8	1.7
020	18.5	1.2	2.7	3.9	2
022	20.5	1.2	2.7	4.1	2
025	23.2	1.2	3.1	4.3	2
028	25.9	1.5	3.1	4.6	2
030	27.9	1.5	3.5	4.8	2
032	29.6	1.5	3.5	5	2.5
035	32.2	1.5	4	5.4	2.5



Type No. 類別番号	Type 類別
XD2-320	Retaining ring - C type for hole C形止め輪 穴用

Table 5 表5

Nominal designation 呼び	d ₃ (mm)	t (mm)	b (mm)	a (mm)	d ₀ (mm)
010	10.7	1	1.8	3.1	1.2
011	11.8	1	1.8	3.2	1.2
012	13	1	1.8	3.3	1.5
014	15.1	1	2	3.6	1.7
016	17.3	1	2	3.7	1.7
018	19.5	1	2.5	4	1.7
019	20.5	1	2.5	4	2
020	21.5	1	2.5	4	2
022	23.5	1	2.5	4.1	2
025	26.9	1.2	3	4.4	2
028	30.1	1.2	3	4.6	2
030	32.1	1.2	3	4.7	2
032	34.4	1.2	3.5	5.2	2.5
035	37.8	1.5	3.5	5.2	2.5
037	39.8	1.5	3.5	5.2	2.5
040	43.5	1.8	4	5.7	2.5
042	45.5	1.8	4	5.8	2.5
045	48.5	1.8	4.5	5.9	2.5
047	50.5	1.8	4.5	6.1	2.5
050	54.2	2	4.5	6.5	2.5
052	56.2	2	5.1	6.5	2.5
055	59.2	2	5.1	6.5	2.5
060	64.2	2	5.1	6.8	2.5
062	66.2	2	5.5	6.9	2.5
068	72.5	2.5	6	7.4	2.5
072	76.5	2.5	6.6	7.4	2.5
075	79.5	2.5	6.6	7.8	2.5
080	85.5	2.5	7	8	2.5
085	90.5	3	7	8	3
090	95.5	3	7.6	8.3	3
095	100.5	3	8	8.5	3