

PARTS CATALOG

imageRUNNER ADVANCE C75 00 series (CEL)

<PREFACE>

This Parts Catalog contains listings of parts used. Diagrams are provided with the listings to aid the service technician in identifying clearly, the item to be ordered.

Whenever ordering parts, consult this Parts Catalog for all of the information pertaining to each item. Be sure to include, in the Parts Request, the full item description, the item part number, and the quantity.

The Canon logo is displayed in a bold, black, sans-serif font. The letter 'C' is significantly larger and more stylized than the other letters, which are in a standard weight. The logo is centered horizontally on the page.

Index

SNL	Product Code No./Serial No.
A1B	ASSEMBLY LOCATION DIAGRAM (DECURLER model)
A2	OPTION PARTS CATALOG LIST
001D	ACCESSORIES
100K	EXTERNAL COVERS, PANELS, ETC. (PRINTER) (C7580i)
100L	EXTERNAL COVERS, PANELS, ETC. (PRINTER) (C7570i)
100M	EXTERNAL COVERS, PANELS, ETC. (PRINTER) (C7565i)
101	INTERNAL COMPONENTS 1
102	INTERNAL COMPONENTS 2
103	INTERNAL COMPONENTS 3
104	INTERNAL COMPONENTS 4
105	INTERNAL COMPONENTS 5
106B	INTERNAL COMPONENTS 6 (WITHOUT CASSETTE HEATER)
107	MACHINE BOTTOM PLATE
108	MACHINE REAR PLATE 1
109	MACHINE REAR PLATE 2
110	MACHINE REAR PLATE 3
111	MACHINE REAR PLATE 4
112	MACHINE REAR PLATE 5
113	MACHINE REAR PLATE 6
114	MACHINE REAR PLATE 7
115	MACHINE REAR PLATE 8
116	MULTI DOOR ASSEMBLY
117	VERTICAL PATH DOOR ASSEMBLY
118	REVERSE DELIVERY DOOR ASSEMBLY
119	FRONT INNER DOOR ASSEMBLY
130C	FLAT CONTROL PANEL ASSEMBLY
140D	POWER CORD TERMINAL ASSEMBLY (230V C7580i)
140E	POWER CORD TERMINAL ASSEMBLY (230V C7570i, C7565i)
191	PRE-FIXING FEED FAN ASSEMBLY
192	FIXING EXHAUST FAN ASSEMBLY
193	PRIMARY CORONA EXHAUST ASS'Y
250	DRUM DRIVE ASS'Y, (Y/M/C)
251	DRUM DRIVE ASSEMBLY, BLACK
260	DECK DRIVE ASSEMBLY, LEFT
261	VERTICAL PATH DRIVE ASS'Y, 2
263	MULTI DRIVE ASSEMBLY
270	DEVELOPING DRIVE ASS'Y, COLOR
271	DEVELOPING DRIVE ASS'Y, BLACK
272	2ND TRNS. EST. DRIVE ASS'Y

Index

273	WASTE TONER DRIVE ASSEMBLY
300	PAPER DECK ASSEMBLY, RIGHT
301	PAPER DECK ASSEMBLY, LEFT
302	CASSETTE ASSEMBLY
310	PAPER PICK-UP ASSEMBLY (RIGHT)
311	PAPER PICK-UP ASSEMBLY (LEFT)
315D	MULTI TRAY ASSEMBLY
316	MULTI DOOR PAPER PICK-UP ASS'Y
320	REGISTRATION ASSEMBLY
321	REG. PATCH SENSING ASSEMBLY
330	FIXING/FEED ASSEMBLY
331	PRE-FIXING PAPER FEED ASSEMBLY
350	REVERSE PAPER DELIVERY ASS'Y
460	LASER SCANNER ASSEMBLY
510	HOLDER UNIT, DRUM UNIT
530	I. T. B. FRAME ASSEMBLY
531	TRANSFER PRESSURE ASS'Y, FRONT
532	PRE-TRANSFER CORONA ASSEMBLY
550	PRIMARY CORONA ASSEMBLY
580	SECONDARY TRANSFER ASSEMBLY
620	HOPPER MOUNT ASSEMBLY, COLOR
621	HOPPER ASSEMBLY, COLOR
622	HOPPER ASSEMBLY, BLACK
623	BOTTLE TRAY ASSEMBLY, COLOR
624	BOTTLE TRAY ASSEMBLY, BLACK
625	TONER CONTAINER COVER ASS'Y
640	DEVELOPING ASSEMBLY
770	WASTE TONER FEEDER ASSEMBLY
771	WASTE TONER BOTTLE CASE ASS'Y
772	WASTE TONER BOTTLE ASSEMBLY
810B	FIXING ASSEMBLY, 200V/208V/230V
811	FIXING BASE ASSEMBLY
812	FIXING FRAME ASSEMBLY
830	FIXING CLEANER ASSEMBLY
840	FIXING DRIVE ASSEMBLY
850	INNER PAPER DELIVERY ASSEMBLY
900A	CONTROLLER BOX ASSEMBLY
910	DC POWER SUPPLY BOX ASSEMBLY
911	IH POWER SUPPLY BOX ASSEMBLY
912	HEATER POWER SUPPLY PCB ASS'Y

Index

913	RELAY PCB ASSEMBLY
930	DC CONTROLLER PCB ASS'Y
931	RISER PCB ASSEMBLY
932A	MAIN CONTROLLER PCB ASSEMBLY (C7580 Series)
932C	MAIN CONTROLLER PCB ASSEMBLY (C7570 Series)
932E	MAIN CONTROLLER PCB ASSEMBLY (C7565 Series)
950	LASER INTERFACE PCB ASSEMBLY
960	PAPER PICK-UP DRIVER PCB ASS'Y
961	MULTI DRIVER PCB ASSEMBLY
962	SIDE DRIVER PCB ASSEMBLY
964B	DRUM HEATER DRIVER PCB ASS'Y (208V, 230V)
965	FIXING/FEEDER DRIVER PCB ASS'Y
966B	AC DRIVER PCB ASSEMBLY (208V, 230V)
967	DRUM DRIVER PCB ASS'Y
983	DRUM POST HIGH VOLTAGE ASS'Y
984	POST HIGH VOLTAGE PCB ASSEMBLY
985	COLOR 1ST CORONA H. V. PCB
987	2ND TRANSFER HIGH VOLTAGE PCB
B10C	INTERNAL COMPONENTS 1 (ADF)
B11C	INTERNAL COMPONENTS 2 (ADF)
B12	INTERNAL COMPONENTS 3 (ADF)
B13	INTERNAL COMPONENTS 4 (ADF)
B14	INTERNAL COMPONENTS 5 (ADF)
B15	INTERNAL COMPONENTS 6 (ADF)
B16	DOCUMENT TRAY ASSEMBLY (ADF)
B17	OPEN/CLOSE PANEL ASSEMBLY (ADF)
B18	BASE FRAME ASSEMBLY (ADF)
B19	WHITE PLATE ASSEMBLY (ADF)
B30	PAPER PICK-UP ASSEMBLY (ADF)
B31	PAPER DELIVERY ASSEMBLY (ADF)
B32	OPEN/CLOSE GUIDE ASSEMBLY (ADF)
B40	PLATEN ROLLER ASSEMBLY, 1 (ADF)
B41	PLATEN ROLLER ASSEMBLY, 2 (ADF)
B42	PAPER FEED GUIDE ASSEMBLY, 1 (ADF)
B43	PAPER FEED GUIDE ASSEMBLY, 2 (ADF)
B90	DF DRIVER PCB ASSEMBLY (ADF)
D10C	EXTERNAL COVERS, PANELS, ETC. (READER)
D11	INTERNAL COMPONENTS 1 (READER)
D12	INTERNAL COMPONENTS 2 (READER)
D90	READER CONTROLLER PCB ASSEMBLY (READER)

Index

M01	DECURLER PATH ACCESSORY ASS'Y (DECURLER model)
M30	DECURLER PATH ASSEMBLY (DECURLER model)
M31	ROTATION FRAME ASSEMBLY (DECURLER model)
M90	BUFFER DRIVER PCB ASSEMBLY (DECURLER model)
ZZA	MECHANICAL STANDARD PARTS (HOW TO USE)
ZZB	MECHANICAL STANDARD PARTS (SCREWS)
ZZC	MECHANICAL STANDARD PARTS (BOLTS)
ZZD	MECHANICAL STANDARD PARTS (NUTS)
ZZE	MECHANICAL STANDARD PARTS (RETAINING RINGS)

Figure SNL Product Code No./Serial No.

	Product Code No.	Model Name	Remarks	Serial No.
1	F16-8691-000	imageRUNNER ADVANCE C7580i	WFP	-
2	F16-8692-000	imageRUNNER ADVANCE C7570i	WFQ	-
3	F16-8694-000	imageRUNNER ADVANCE C7565i	WFR, WLB	-

	中オーダー	製品名	備考	シリアル No.
1	F16-8691-000	imageRUNNER ADVANCE C7580i	WFP	-
2	F16-8692-000	imageRUNNER ADVANCE C7570i	WFQ	-
3	F16-8694-00	imageRUNNER ADVANCE C7565i	WFR, WLB	-

FIGURE & KEY NO.	PART NUMBER	RANK	QTY	DESCRIPTION	SERIAL NUMBER /REMARKS
SNL	NPN		RF	Product Code No./Serial No.	
1	F16-8691-000		1	imageRUNNER ADVANCE C7580i	WFP
2	F16-8692-000		1	imageRUNNER ADVANCE C7570i	WFQ
3	F16-8694-000		1	imageRUNNER ADVANCE C7565i	WFR,WLB

Figure A1B (1/9) ASSEMBLY LOCATION DIAGRAM (DECURLER model)

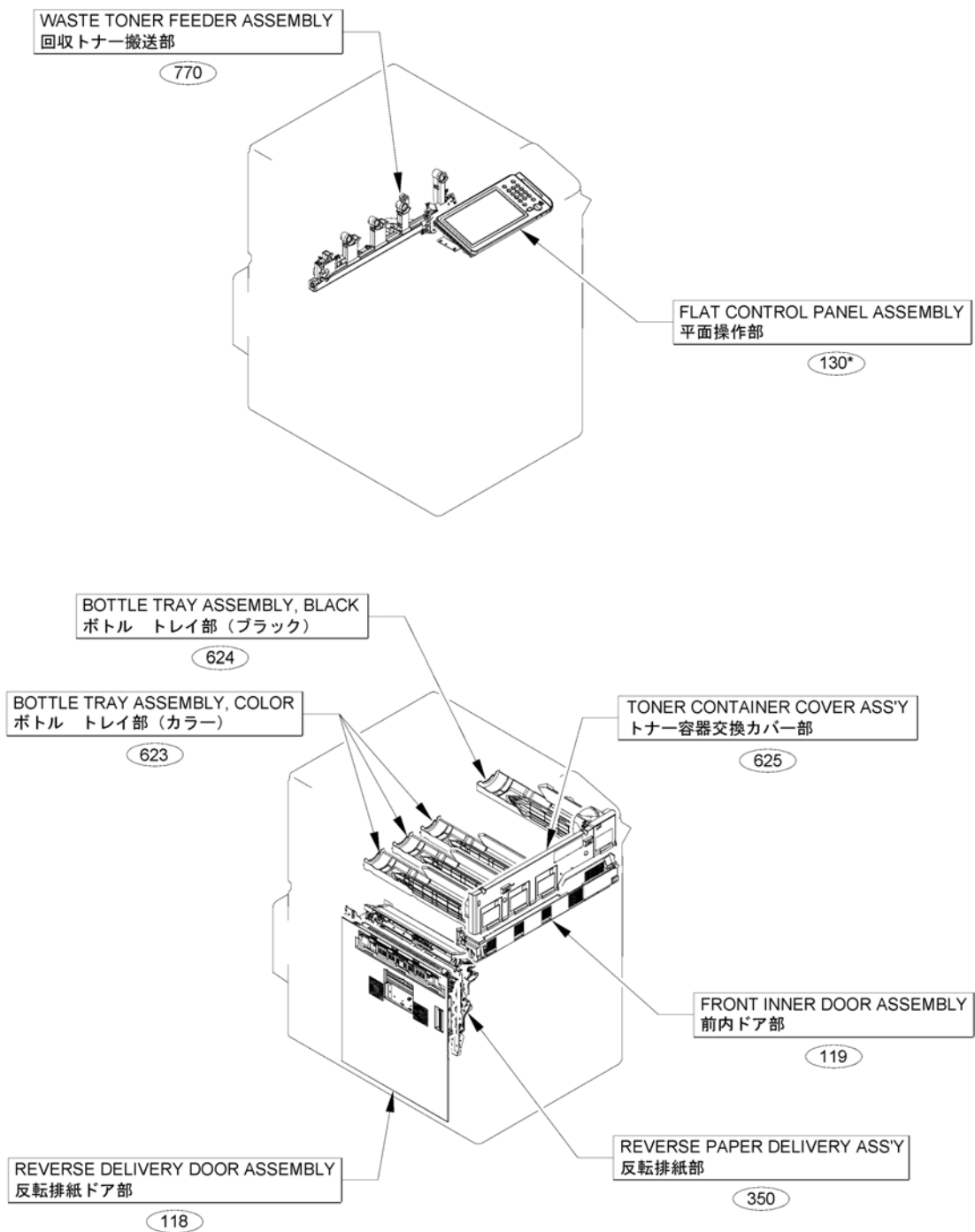


Figure A1B (2/9) ASSEMBLY LOCATION DIAGRAM (DECURLER model)

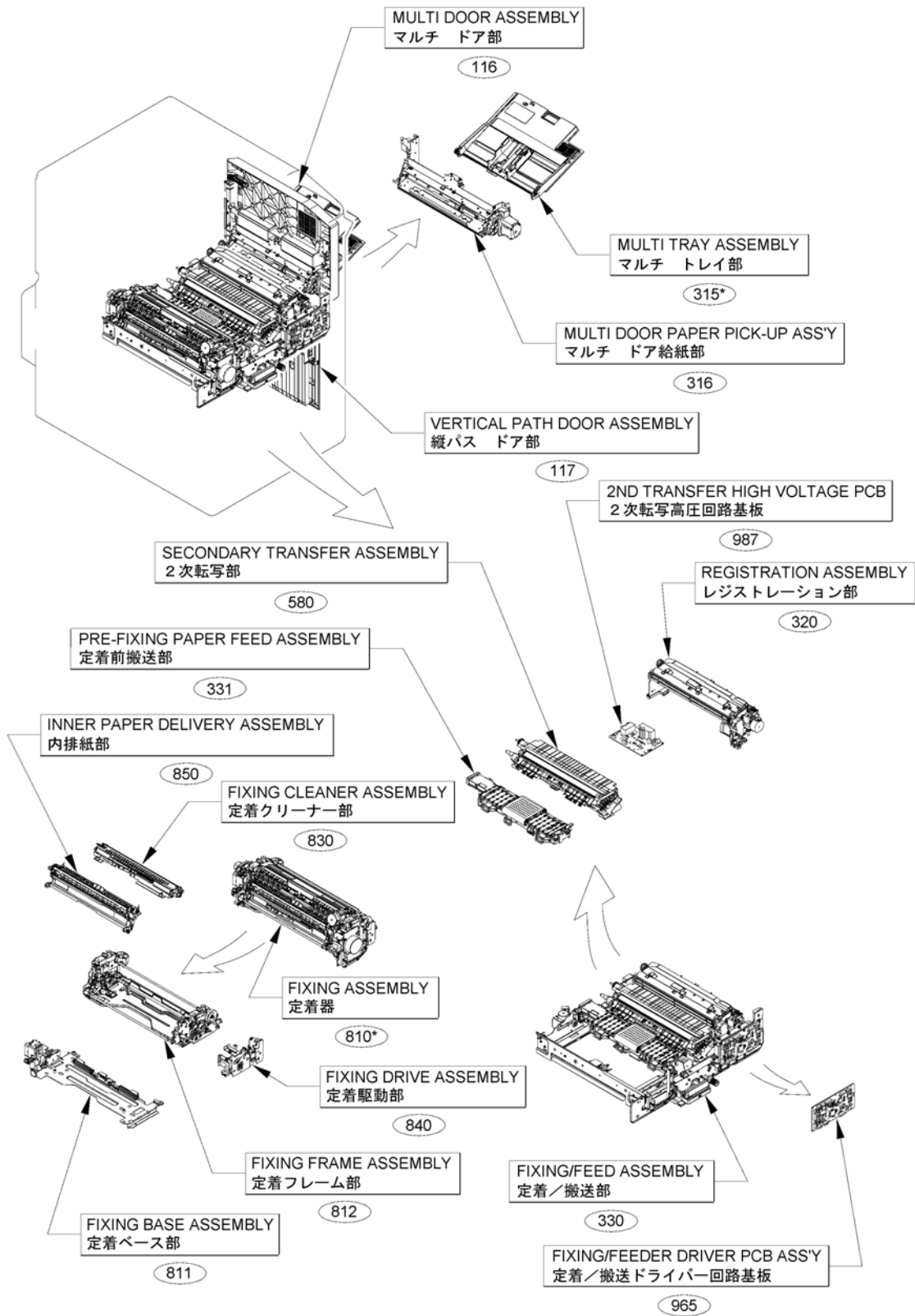


Figure A1B (3/9) ASSEMBLY LOCATION DIAGRAM (DECURLER model)

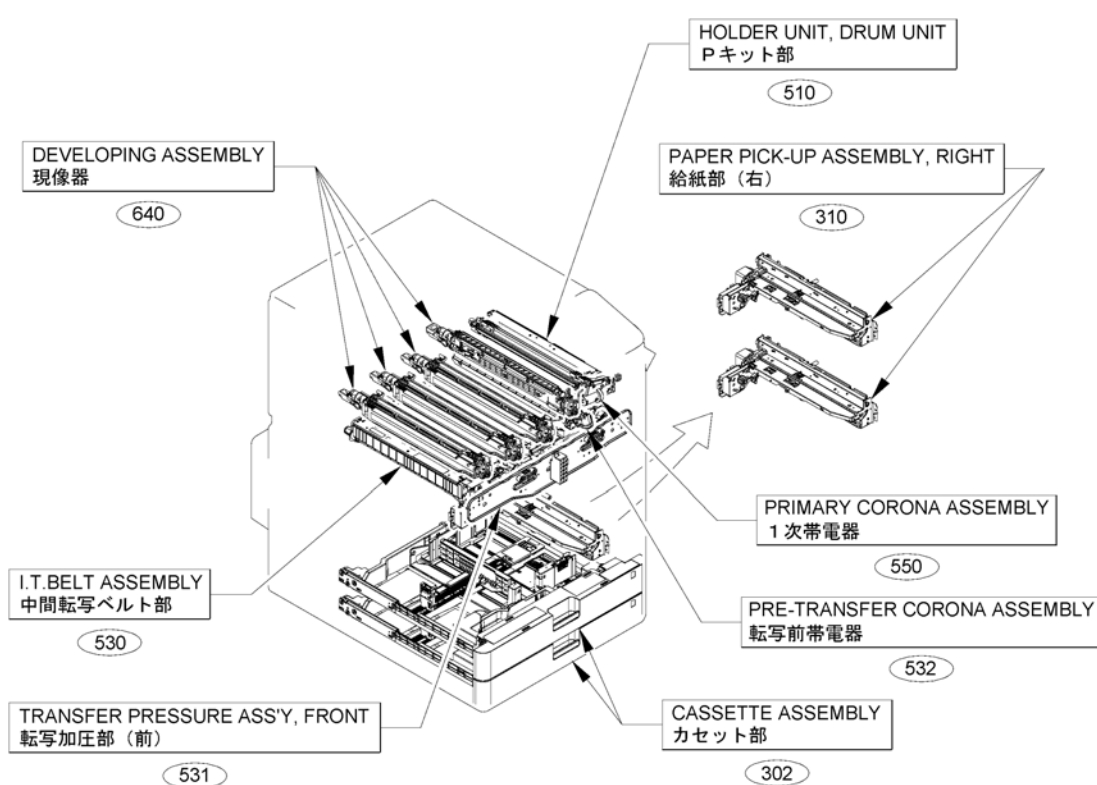


Figure A1B (4/9) ASSEMBLY LOCATION DIAGRAM (DECURLER mode I)

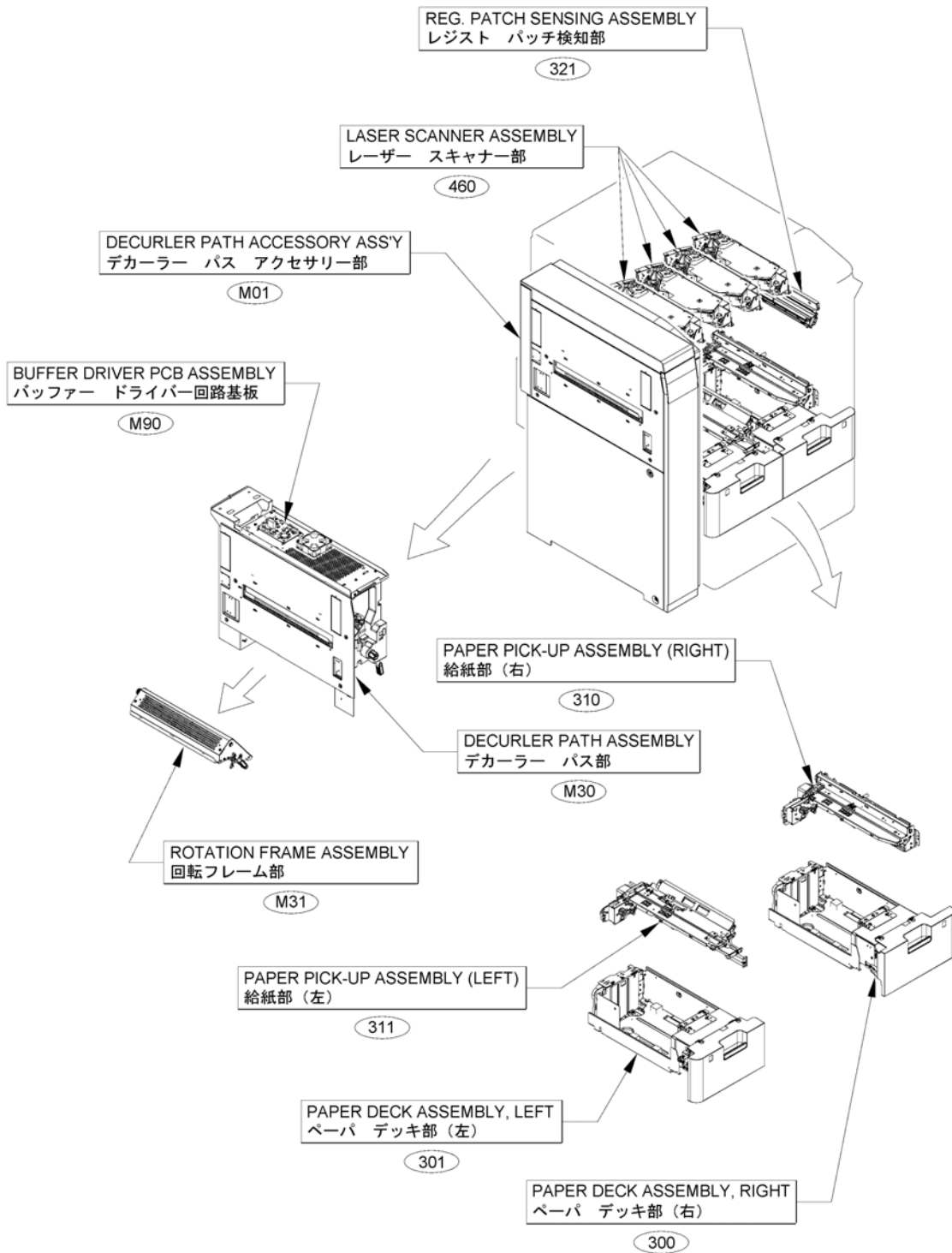


Figure A1B (5/9) ASSEMBLY LOCATION DIAGRAM (DECURLER mode I)

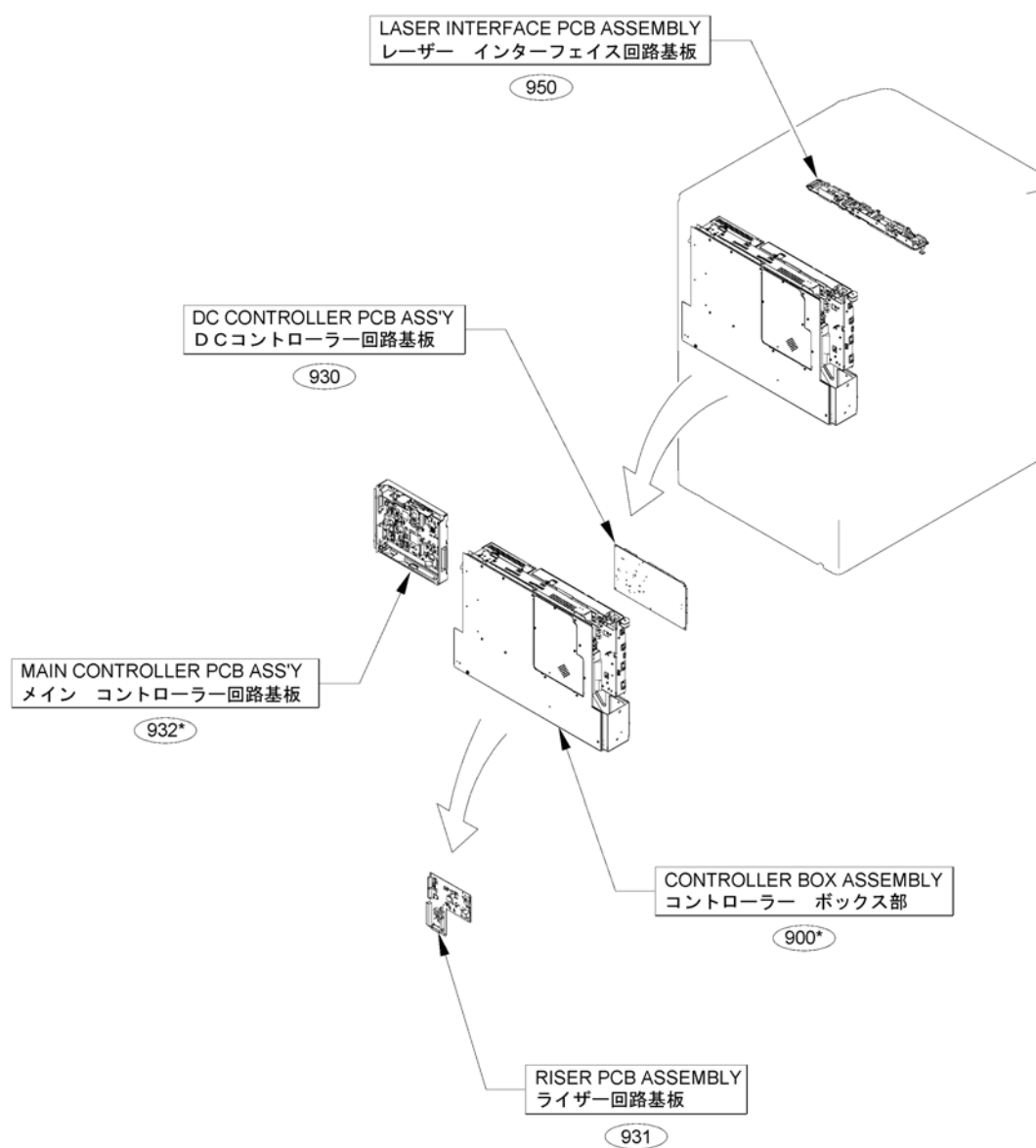


Figure A1B (6/9) ASSEMBLY LOCATION DIAGRAM (DECURLER model)

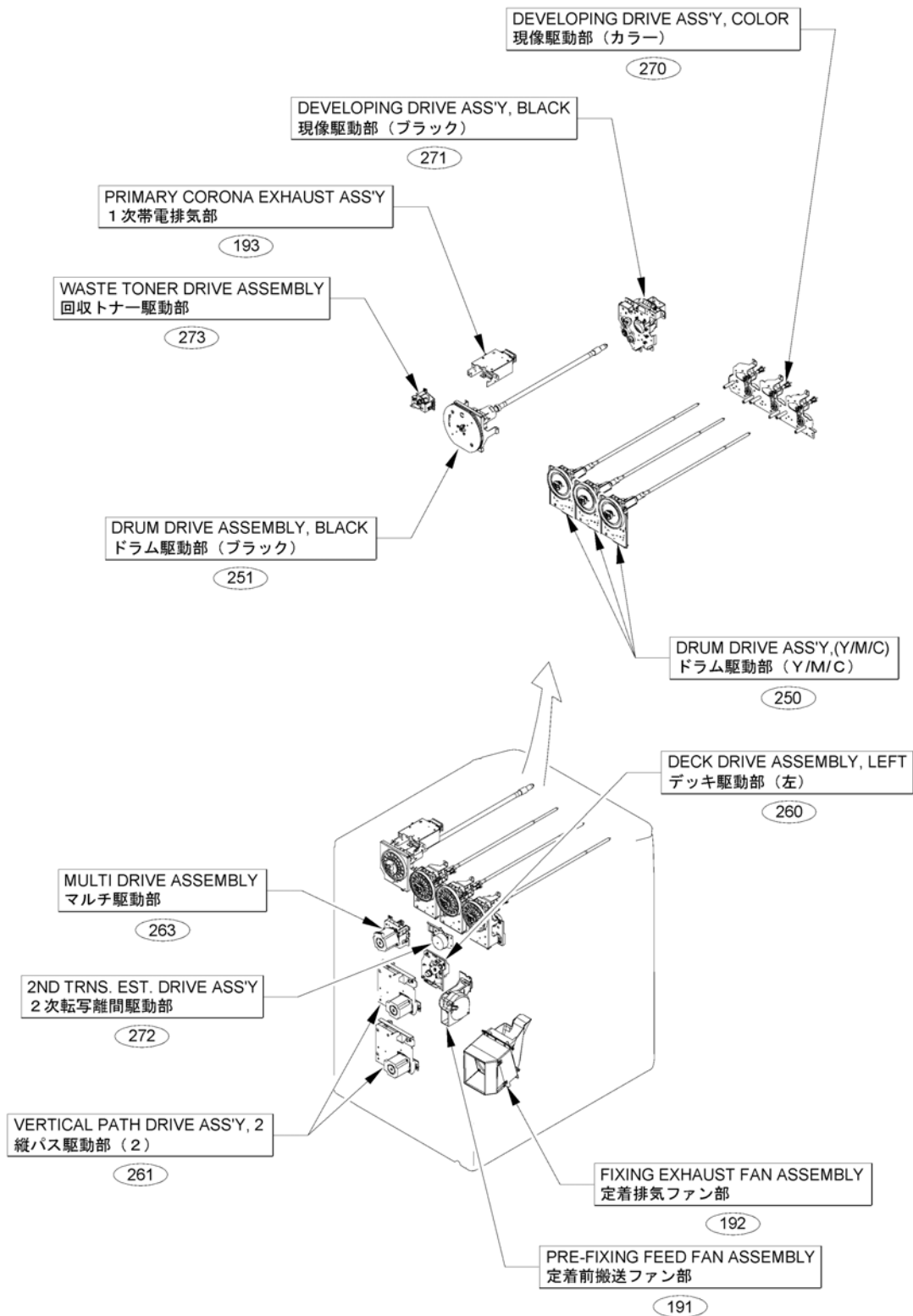


Figure A1B (7/9) ASSEMBLY LOCATION DIAGRAM (DECURLER model)

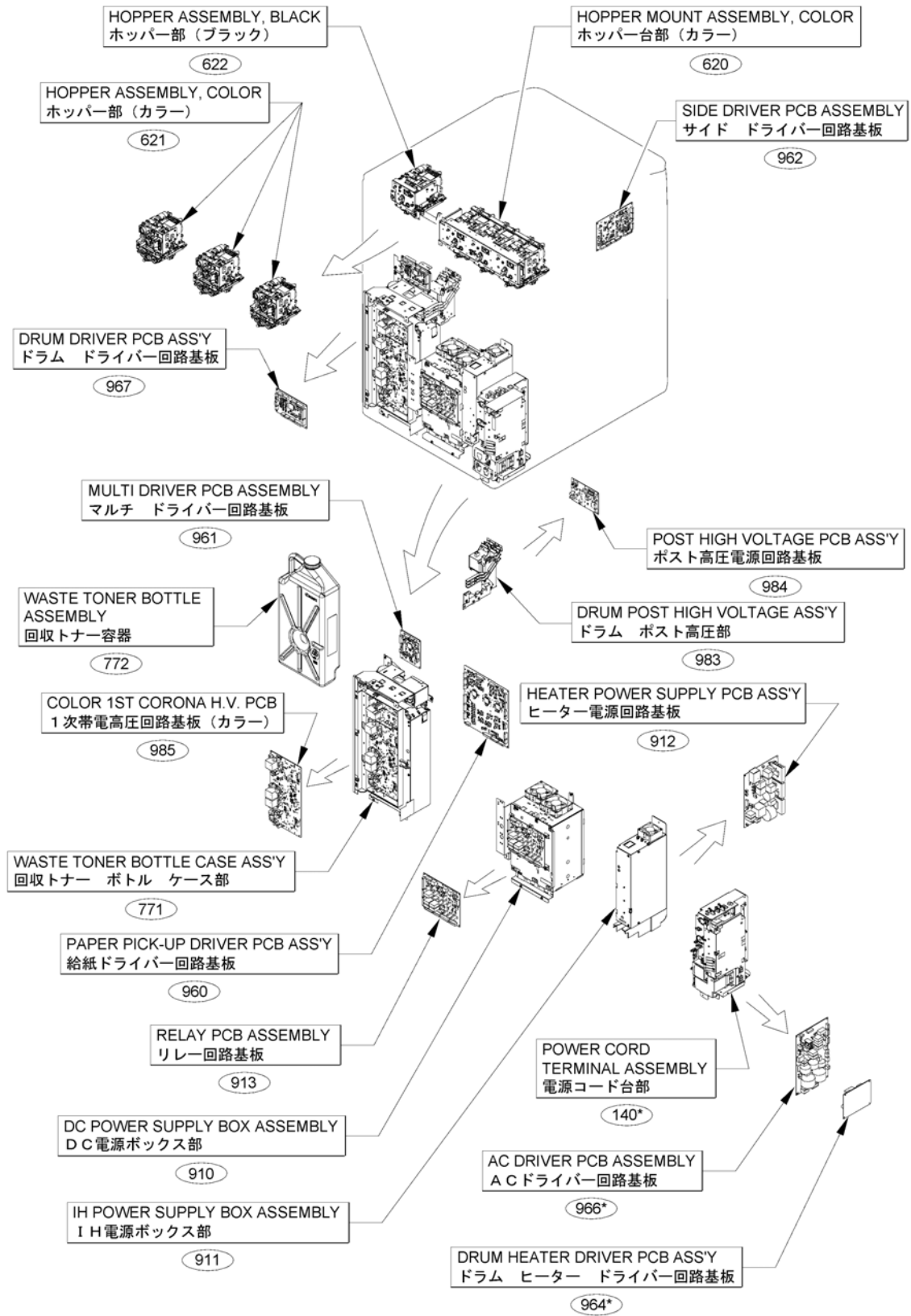


Figure A1B (8/9) ASSEMBLY LOCATION DIAGRAM (DECURLER mode I)

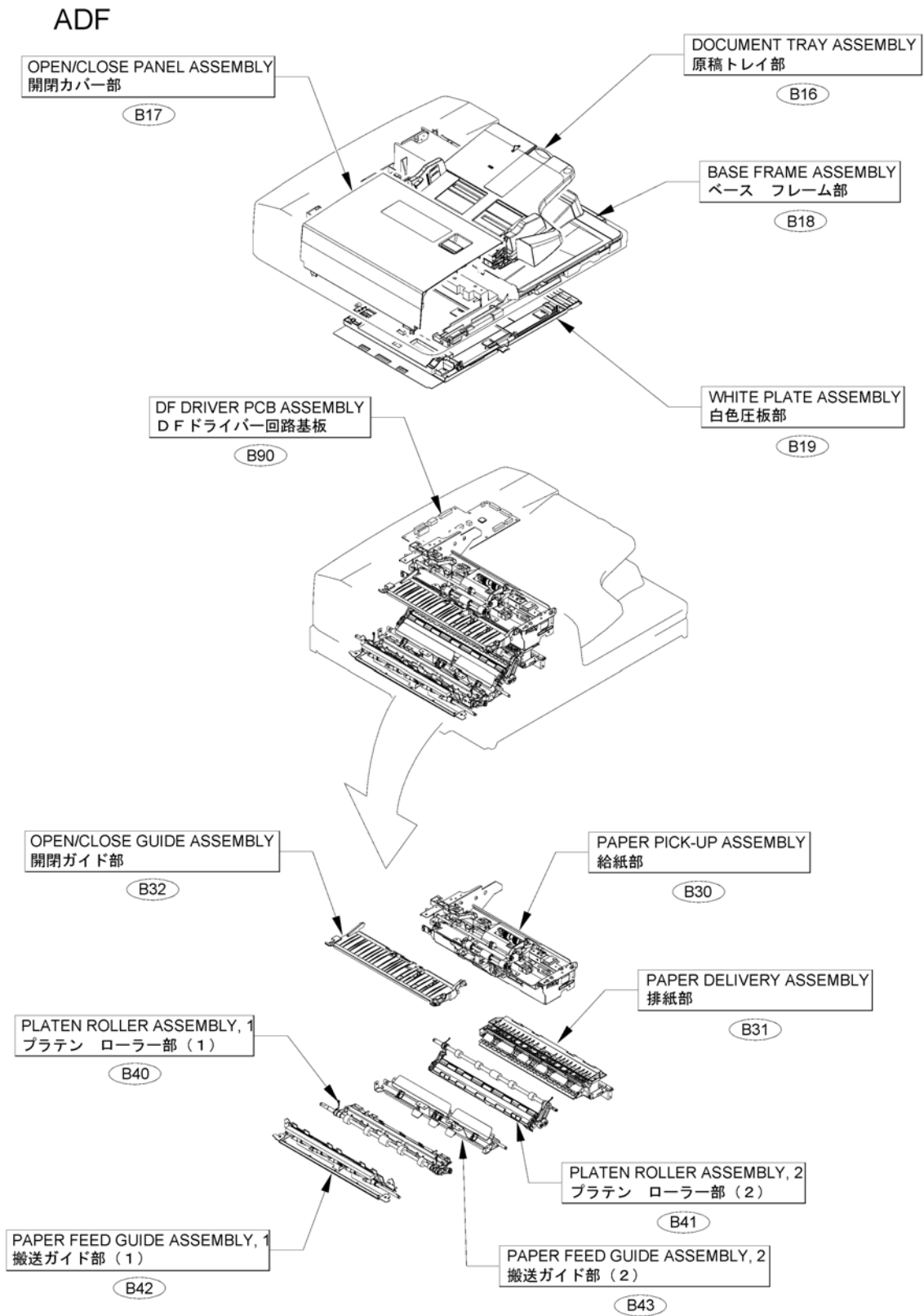


Figure A1B (9/9) ASSEMBLY LOCATION DIAGRAM (DECURLER model)

READER

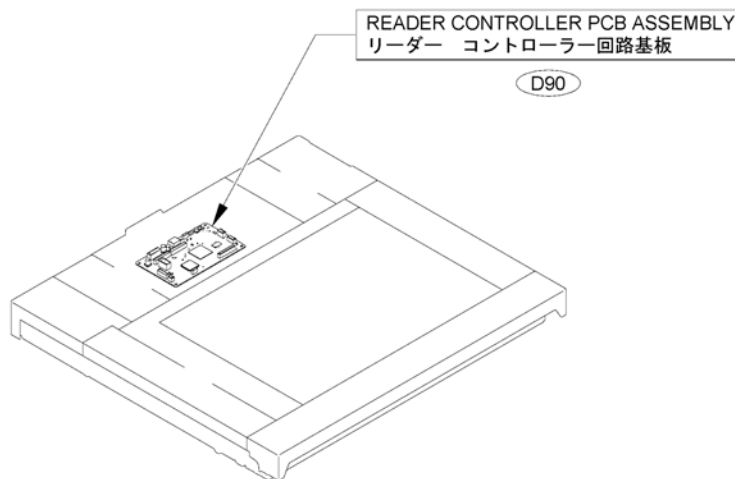


Figure A2 (1/2)OPTION PARTS CATALOG LIST

This is the table of the machine's options whose parts catalog is issued.
 本機のオプションで、パーツカタログが発行されている機種の一覧である。

No.	Model Name(English)	Model Name(Japanese)
1	(JAPAN ONLY)	原稿台カバー タイプV
2	ADF Access Handle-A1	ADFアクセスハンドル・A1
3	Printer Cover-H1	プリンタカバー・H1
4	Upright Control Panel-E2	立面操作部・E2
5	NFC Kit-A1 (for Upright Control Panel)	NFCキット・A1 (立面操作部用)
6	NFC Kit-B1 (Flat Control Panel)	NFCキット・B1 (平面操作部)
7	NFC Kit-C1	NFCキット・C1
8	Paper Deck Unit-E1	ペーパーデッキユニット・E1
9	POD Deck Lite-C1	PODデッキライト・C1
10	Tab Feeding Attachment-F1	(日本仕向けなし)
11	Envelope Feeder Attachment-F1	封筒搬送キット・F1
12	Envelope Feeder Attachment-G1	封筒搬送キット・G1
13	Paper Deck Double Feeding Detection Kit-A1	ペーパーデッキ重送検知キット・A1
14	MULTI DRAWER PD-C1	多段デッキ・C1
15	Copy Tray-R1/R2	コピートレイ・R1/R2
16	Staple Finisher-X1/Booklet Finisher-X1	ステイプルフィニッシャー・X1/ 中綴じフィニッシャー・X1
17	Document Insertion Unit-N1	インサーター・N1
18	Document Insertion Unit-Q1	(日本仕向けなし)
19	2/3 Hole, 2/4 Hole, 4 Hole Puncher Unit-A1	2/3穴、2/4穴、4穴 パンチャーユニット・A1
20	Puncher Unit-BE1/BF1/BG1/BH1	パンチャーユニット・BE1/BF1/ BG1/BH1
21	Multi Function Professional Puncher-A1	(日本仕向けなし)
22	Paper Folding Unit-J1	ペーパーフォールディングユニット・J1
23	Inner Booklet Trimmer-A1	インナートリマー・A1
24	Buffer Pass Unit-M1	バッファーパスユニット・M1
25	Reader Heater Unit-G1	リーダーヒーターキット・G1
26	Cassette Heater Unit-38	(日本仕向けなし)
27	Paper Deck Heater Unit-A1	ペーパーデッキヒーターユニット・A1
28	Utility Tray-B1	ユーティリティートレイ・B1
29	Copy Card Reader Attachment-A4	コピーカードリーダー取付けキット・A4
30	Super G3 FAX Board-AS1	スーパーG3FAXボード・AS1
31	Super G3 FAX Board-AS2	(日本仕向けなし)
32	Super G3 2nd Line Fax Board-AS1	G3回線増設キット(2回線)・AS1
33	Super G3 2nd Line Fax Board-AS2	(日本仕向けなし)
34	Super G3 3rd/4th Line Fax Board-AS1	G3回線増設キット(3・4回線)・AS1
35	Super G3 3rd/4th Line Fax Board-AS2	(日本仕向けなし)
36	(JAPAN ONLY)	ハンドセット・G2
37	Voice Guidance Kit-G1	(日本仕向けなし)
38	Voice Operation Kit-D1	音声操作キット・D1
39	Document Scan Lock Kit-B1	イメージ解析ボード・B1
40	(JAPAN ONLY)	iR-ADV課金装置接続キット・A3
41	Serial Interface Kit-K3	シリアルインターフェースキット・K3
42	Copy Control Interface Kit-A1	コントロールインターフェースキット・A1
43	2.5inch/1TB HDD-P1/250GB HDD-N1	オプションHDD (2.5inch/1TB)・P1/ (2.5inch/250GB)・N1

Figure A2 (2/2) OPTION PARTS CATALOG LIST

No.	Model Name(English)	Model Name(Japanese)
44	HDD Mirroring Kit-J1	HDDミラーリングキット・J1
45	Removable HDD Kit-AL1	リムーバブルHDDキット・AL1
46	IC Card Reader Box-B1	ICカードリーダーボックス・B1
47	Copy Card Reader-F1	コピーカードリーダー・F1
48	Connection Kit-A1 for Bluetooth LE	拡張キット・A1 for Bluetooth LE

Figure 001D ACCESSORIES

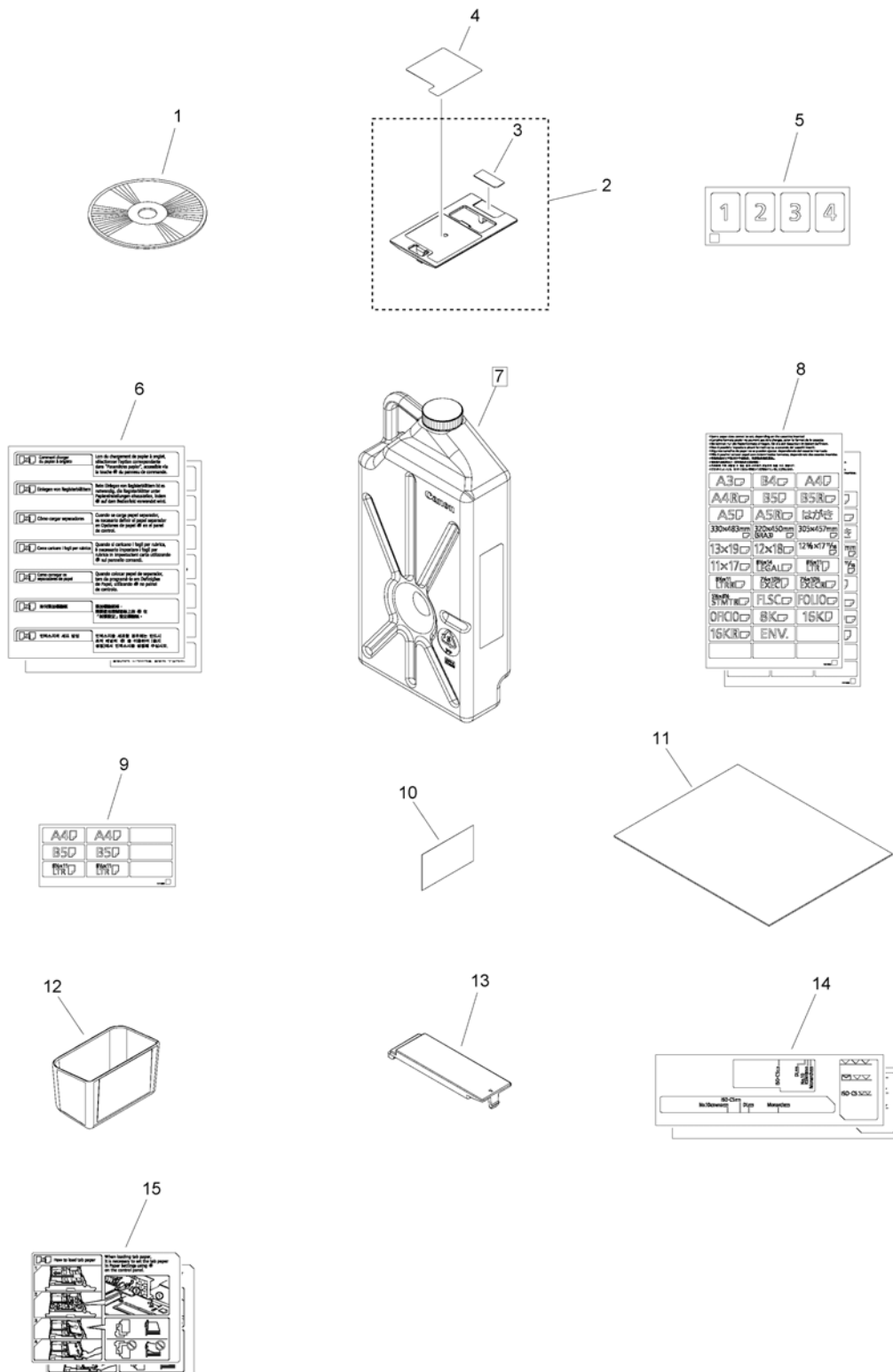


FIGURE & KEY NO.	PART NUMBER	RANK	QTY	DESCRIPTION	SERIAL NUMBER /REMARKS
001D	NPN		RF	ACCESSORIES	
1	FK4-4359-000		1	CD-ROM, SOFTWARE FOR UFR II	
1	FK4-4363-000		1	CD-ROM, SOFTWARE FOR PCL	
1	FK4-4367-000		1	CD-ROM, SOFTWARE FOR PS	
2	FL0-3261-000		1	PLATE, LIFTING	
3	FL3-6526-000		1	SHEET, SEPARATION	
4	FE3-9943-000		1	LABEL, MOUNTING INSTRUCTION	
5	FL0-6118-000		1	LABEL, CASSETTE NUMBER	
6	FU8-8174-000		2	LABEL, INDEX PAPER SET	
7	FM1-P094-000		1	WASTE TONER BOTTLE ASSEMBLY	[DP]
8	FE4-5866-000		2	LABEL, PAPER SIZE	
9	FE4-5895-000		1	LABEL, PAPER SIZE	
10	FE3-4465-000		1	TAPE, DUPLEXING	
11	FE3-4473-000		1	CLOTH, CLEANING	
12	FE3-9210-000		1	BOX, CLEANING CLOTH STOCK	
13	FE4-6211-000		1	COVER, LEFT UPPER, SMALL	
14	FU8-8203-000		2	LABEL, ENVELOPE SIZE	
15	FU8-8145-000		2	LABEL, INDEX PAPER SET	

Figure 100K (1/2)EXTERNAL COVERS, PANELS, ETC. (PRINTER) (C7580i)

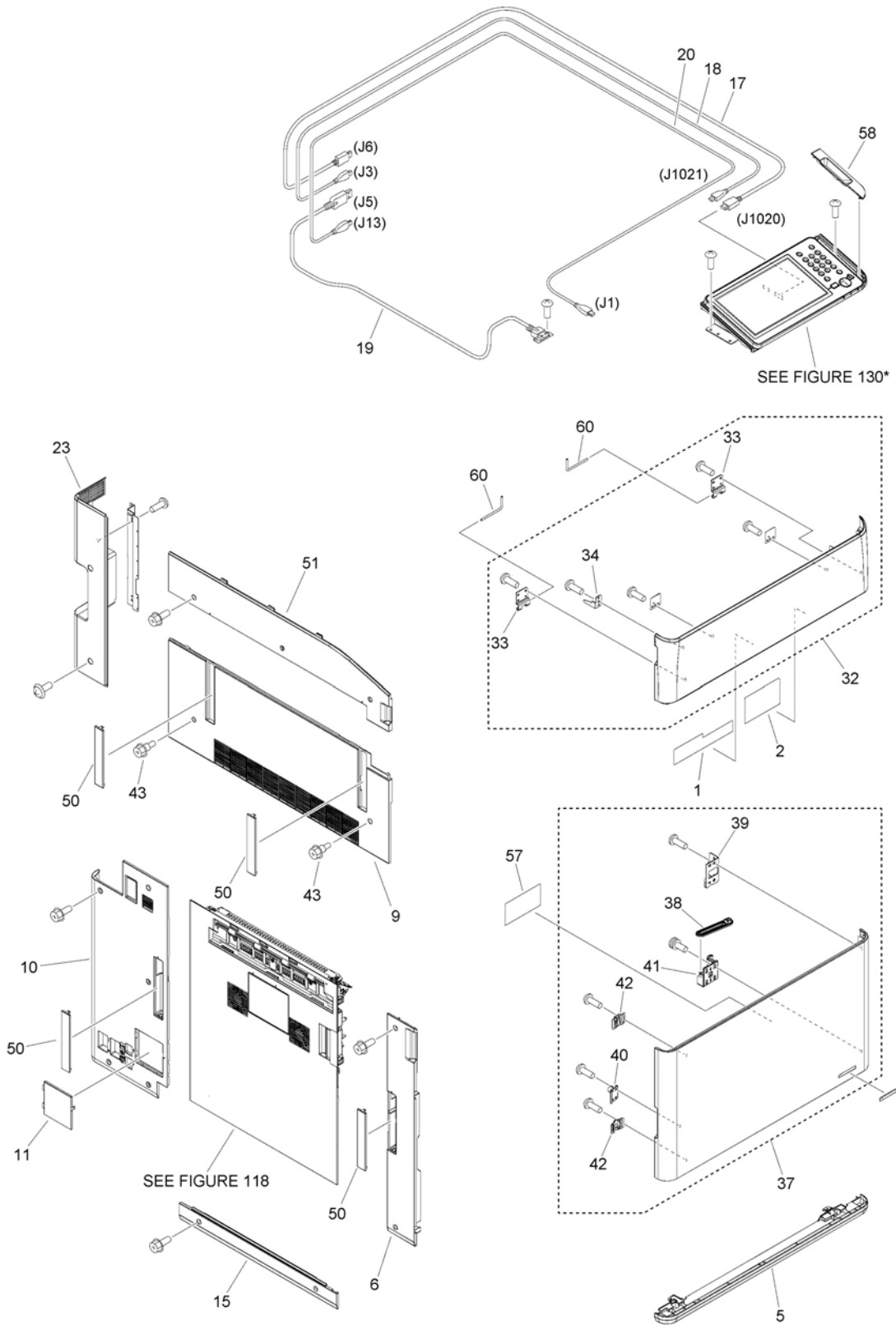


Figure 100K (2/2) EXTERNAL COVERS, PANELS, ETC. (PRINTER) (C7580i)

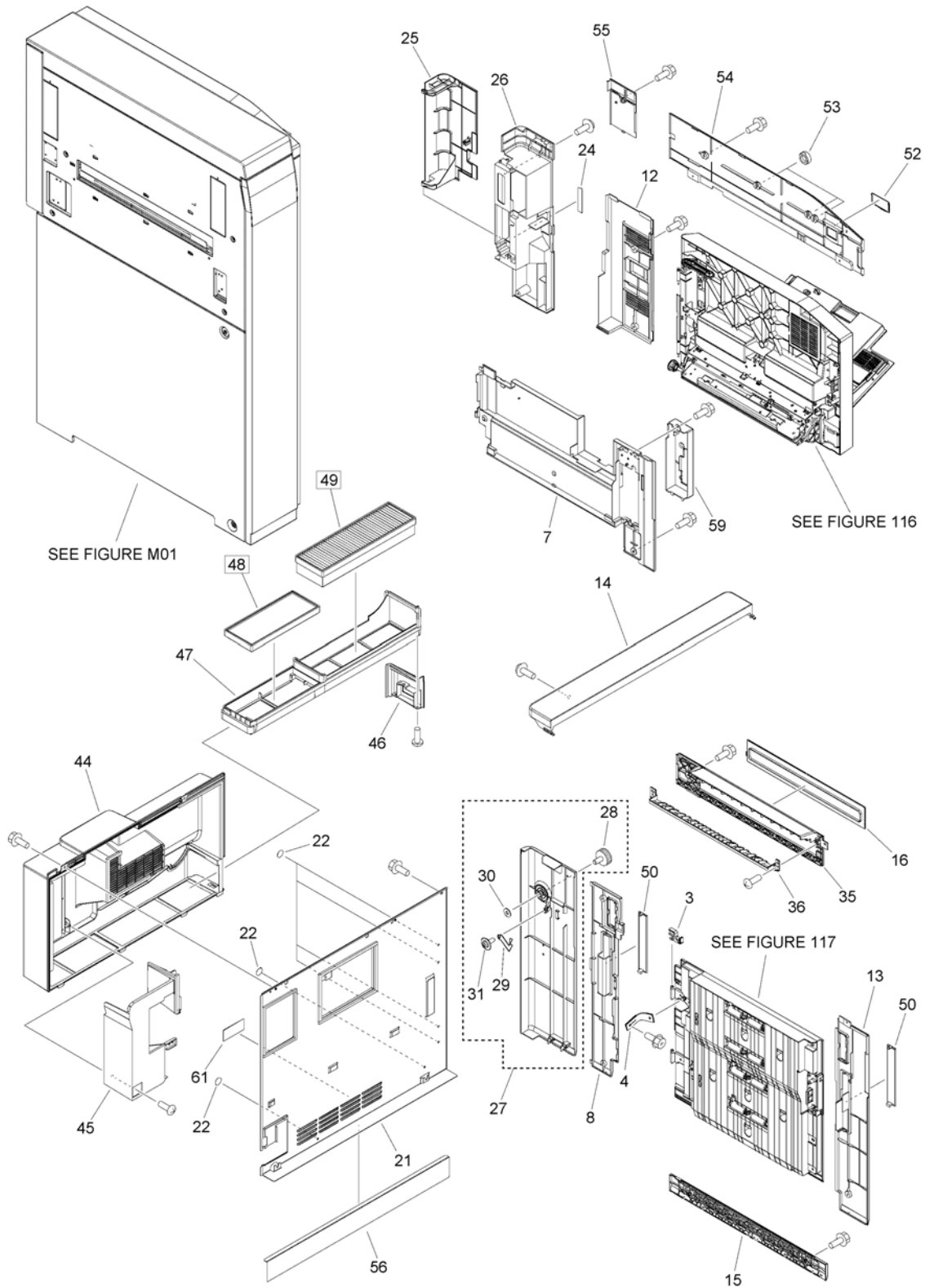


FIGURE & KEY NO.	PART NUMBER	RANK	QTY	DESCRIPTION	SERIAL NUMBER /REMARKS
100K	NPN		RF	EXTERNAL COVERS, PANELS, ETC.	PRINTER C7580i
1	FC8-4725-000		1	LABEL, TONER EXCHANGE	
2	FE8-2640-000		1	LABEL, TONER	
3	FE3-6396-000		1	STOPPER	
4	FE3-8179-000		1	BAND	
5	FE8-0398-000		1	COVER, CASSETTE, LOWER	
6	FE8-0399-000		1	COVER, LEFT LOWER, FRONT	
7	FE8-0526-000		1	COVER, MULTI INNER	
8	FE8-0529-000		1	COVER, RIGHT LOWER REAR, 2	
9	FE8-1008-000		1	COVER, LEFT CENTER	
10	FE8-1009-000		1	COVER, LEFT LOWER, REAR	
11	FE8-1010-000		1	COVER, CONNECTOR	
12	FE8-1011-000		1	COVER, RIGHT CENTER	
13	FE8-1013-000		1	COVER, RIGHT LOWER, FRONT	
14	FE8-1017-000		1	COVER, BOX, UPPER	
15	FE8-1019-000		2	COVER, LOWER	
16	FE8-1020-000		1	PANEL, DECK	
17	FK4-3622-000		1	CABLE, USER INTERFACE	
18	FK4-3623-000		1	CABLE, USB	
19	FK4-3624-000		1	CABLE, USB, EXTENSION	
20	FK4-3626-000		1	CABLE, USB, SMALL	
21	FL0-7783-000		1	PANEL, REAR LOWER	
22	FE4-5428-000		6	SEAL	
23	FE8-0530-000		1	COVER, BOX, LEFT	
24	FE4-5882-000		1	LABEL, USB LAN INDICATION	
25	FE8-0527-000		1	COVER, SIDE	
26	FE8-0528-000		1	COVER, RIGHT REAR, 1	
27	FM1-L193-000		1	COVER, RIGHT LOWER REAR, 1	
28	FB2-5500-020		1	SCREW, M4X9	
29	FC0-8799-000		1	SPRING	
30	FC2-2121-000		1	WASHER	
31	XA9-1013-000		1	SCREW, M3X8	
32	FM1-L194-000		1	TONER EXCHANGE COVER ASSEMBLY	
33	FC8-1835-000		2	HINGE	
34	FC9-4041-000		1	FLAG, OPEN/CLOSE DETECT	
35	FE8-1014-000		1	COVER, DECK GUIDE	
36	FE8-1015-000		1	GUIDE, DECK	
37	FM1-L309-000		1	COVER ASSEMBLY, FRONT	
38	FC0-9385-000		1	SLIDER	
39	FC8-1840-000		1	HINGE, UPPER	
40	FE8-0395-000		1	PLATE, DOOR	
41	FL0-7771-000		1	HINGE, LOWER	
42	FM1-L318-000		2	MAGNET CATCH BLOCK ASSEMBLY	

FIGURE & KEY NO.	PART NUMBER	RANK	QTY	DESCRIPTION	SERIAL NUMBER /REMARKS
43	FS5-9217-010		2	SCREW, STEPPED, M4	
44	FL0-7924-000		1	COVER, SILENCER	
45	FL0-7925-000		1	PLATE, DUCT PARTITION	
46	FE8-0247-000		1	COVER, FILTER CASE	
47	FL0-7926-000		1	LID, OZONE FILTER	
48	FL0-7930-000		1	FILTER, OZONE	[DP]
49	FL0-7931-000		1	FILTER, AIR	[DP]
50	FE8-1021-000		6	COVER, HANDLE	
51	FE8-1023-000		1	COVER, LEFT UPPER	
52	FC8-1844-000		1	COVER, MAIN SWITCH	
53	FE4-7426-000		3	CAP	
54	FE8-1022-000		1	COVER, RIGHT UPPER	
55	FE8-1016-000		1	COVER, RIGHT, REA	
56	FL1-1087-000		1	SHEET, CURTAIN, REAR LOWER	
57	FU6-8525-000		1	LABEL, WIRE HEIGHT	
58	FE4-1801-000		1	COVER, CONTROL PANEL, RIGHT	
59	FE8-1024-000		1	COVER, MULTI DOOR INNER	
60	FU6-4563-000		2	PIN, HINGE	
61	FE4-5899-000		1	LABEL, GROUNDING CAUTION	
62	FK4-3625-000		1	CABLE, USB	

Figure 100L (1/2)EXTERNAL COVERS, PANELS, ETC. (PRINTER) (C7570i)

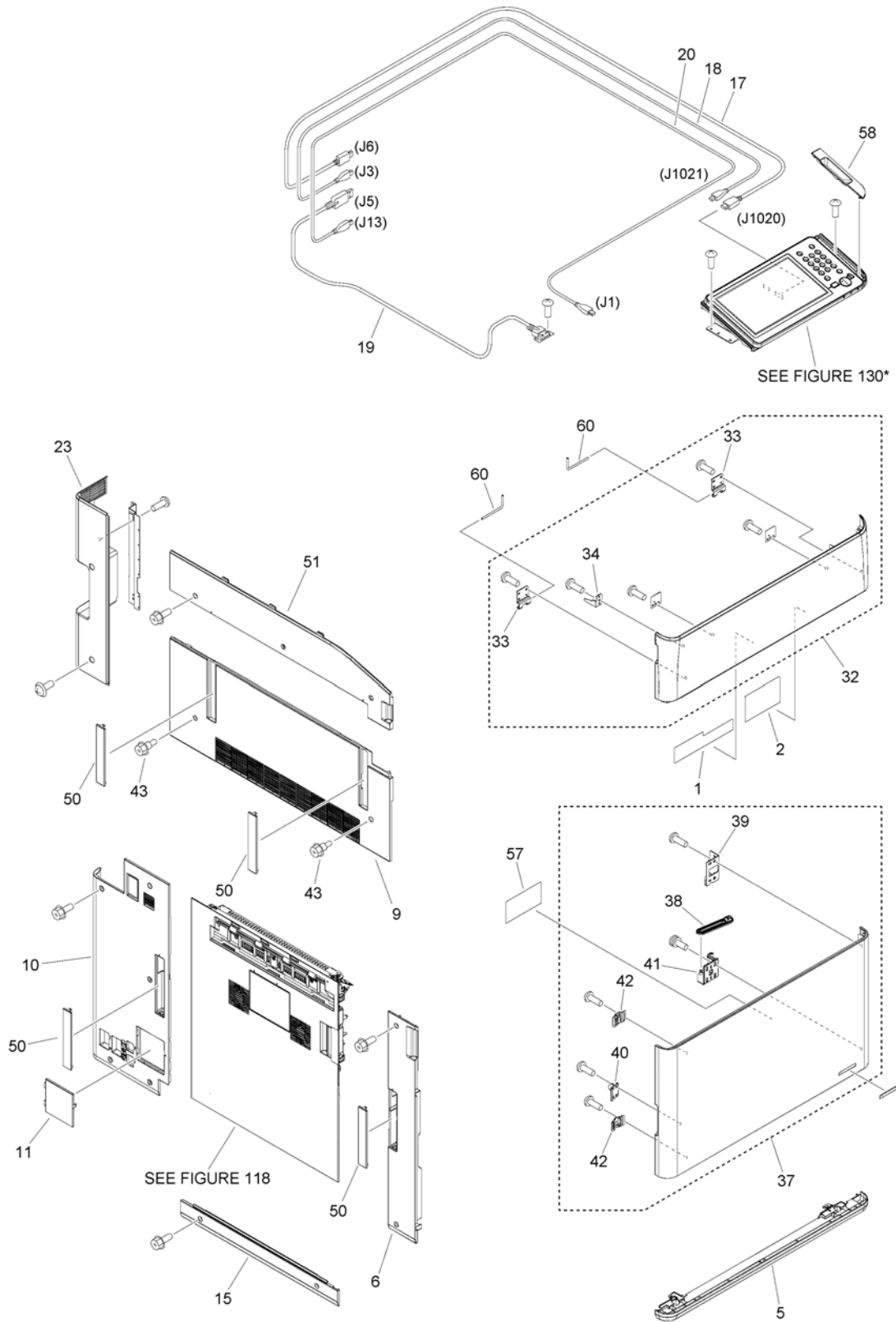


Figure 100L (2/2) EXTERNAL COVERS, PANELS, ETC. (PRINTER) (C7570i)

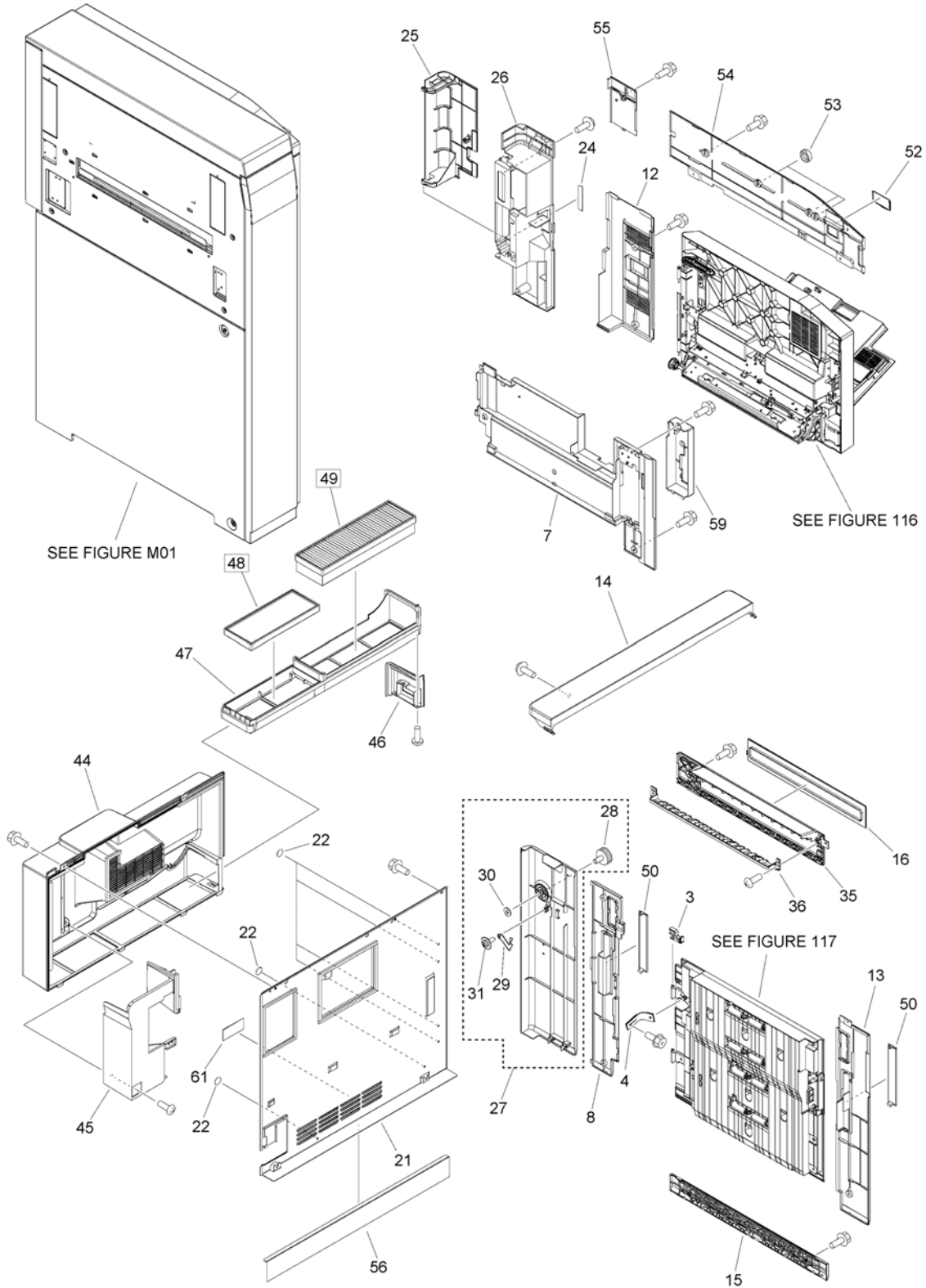


FIGURE & KEY NO.	PART NUMBER	RANK	QTY	DESCRIPTION	SERIAL NUMBER /REMARKS
100L	NPN		RF	EXTERNAL COVERS, PANELS, ETC.	PRINTER C7570i
1	FC8-4725-000		1	LABEL, TONER EXCHANGE	
2	FE8-2640-000		1	LABEL, TONER	
3	FE3-6396-000		1	STOPPER	
4	FE3-8179-000		1	BAND	
5	FE8-0398-000		1	COVER, CASSETTE, LOWER	
6	FE8-0399-000		1	COVER, LEFT LOWER, FRONT	
7	FE8-0526-000		1	COVER, MULTI INNER	
8	FE8-0529-000		1	COVER, RIGHT LOWER REAR, 2	
9	FE8-1008-000		1	COVER, LEFT CENTER	
10	FE8-1009-000		1	COVER, LEFT LOWER, REAR	
11	FE8-1010-000		1	COVER, CONNECTOR	
12	FE8-1011-000		1	COVER, RIGHT CENTER	
13	FE8-1013-000		1	COVER, RIGHT LOWER, FRONT	
14	FE8-1017-000		1	COVER, BOX, UPPER	
15	FE8-1019-000		2	COVER, LOWER	
16	FE8-1020-000		1	PANEL, DECK	
17	FK4-3622-000		1	CABLE, USER INTERFACE	
18	FK4-3623-000		1	CABLE, USB	
19	FK4-3624-000		1	CABLE, USB, EXTENSION	
20	FK4-3626-000		1	CABLE, USB, SMALL	
21	FL0-7783-000		1	PANEL, REAR LOWER	
22	FE4-5428-000		6	SEAL	
23	FE8-0530-000		1	COVER, BOX, LEFT	
24	FE4-5882-000		1	LABEL, USB LAN INDICATION	
25	FE8-0527-000		1	COVER, SIDE	
26	FE8-0528-000		1	COVER, RIGHT REAR, 1	
27	FM1-L193-000		1	COVER, RIGHT LOWER REAR, 1	
28	FB2-5500-020		1	SCREW, M4X9	
29	FC0-8799-000		1	SPRING	
30	FC2-2121-000		1	WASHER	
31	XA9-1013-000		1	SCREW, M3X8	
32	FM1-L194-000		1	TONER EXCHANGE COVER ASSEMBLY	
33	FC8-1835-000		2	HINGE	
34	FC9-4041-000		1	FLAG, OPEN/CLOSE DETECT	
35	FE8-1014-000		1	COVER, DECK GUIDE	
36	FE8-1015-000		1	GUIDE, DECK	
37	FM1-L309-000		1	COVER ASSEMBLY, FRONT	
38	FC0-9385-000		1	SLIDER	
39	FC8-1840-000		1	HINGE, UPPER	
40	FE8-0395-000		1	PLATE, DOOR	
41	FL0-7771-000		1	HINGE, LOWER	
42	FM1-L318-000		2	MAGNET CATCH BLOCK ASSEMBLY	

FIGURE & KEY NO.	PART NUMBER	RANK	QTY	DESCRIPTION	SERIAL NUMBER /REMARKS
43	FS5-9217-010		2	SCREW, STEPPED, M4	
44	FL0-7924-000		1	COVER, SILENCER	
45	FL0-7925-000		1	PLATE, DUCT PARTITION	
46	FE8-0247-000		1	COVER, FILTER CASE	
47	FL0-7926-000		1	LID, OZONE FILTER	
48	FL0-7930-000		1	FILTER, OZONE	[DP]
49	FL0-7931-000		1	FILTER, AIR	[DP]
50	FE8-1021-000		6	COVER, HANDLE	
51	FE8-1023-000		1	COVER, LEFT UPPER	
52	FC8-1844-000		1	COVER, MAIN SWITCH	
53	FE4-7426-000		3	CAP	
54	FE8-1022-000		1	COVER, RIGHT UPPER	
55	FE8-1016-000		1	COVER, RIGHT, REA	
56	FL1-1087-000		1	SHEET, CURTAIN, REAR LOWER	
57	FU6-8525-000		1	LABEL, WIRE HEIGHT	
58	FE4-1801-000		1	COVER, CONTROL PANEL, RIGHT	
59	FE8-1024-000		1	COVER, MULTI DOOR INNER	
60	FU6-4563-000		2	PIN, HINGE	
61	FE4-5899-000		1	LABEL, GROUNDING CAUTION	
62	FK4-3625-000		1	CABLE, USB	

Figure 100M (1/2)EXTERNAL COVERS, PANELS, ETC. (PRINTER) (C7565i)

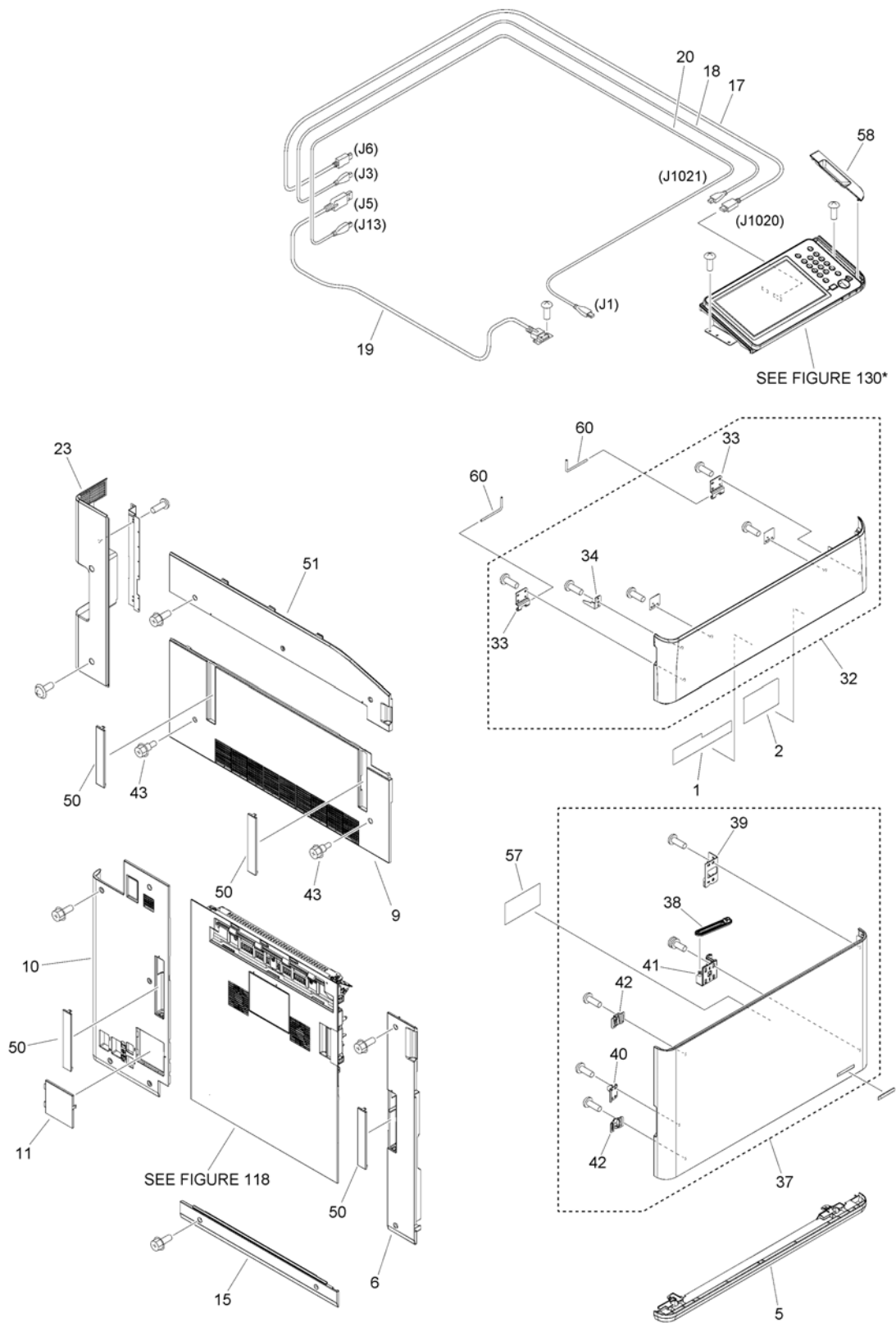


Figure 100M (2/2) EXTERNAL COVERS, PANELS, ETC. (PRINTER) (C7565i)

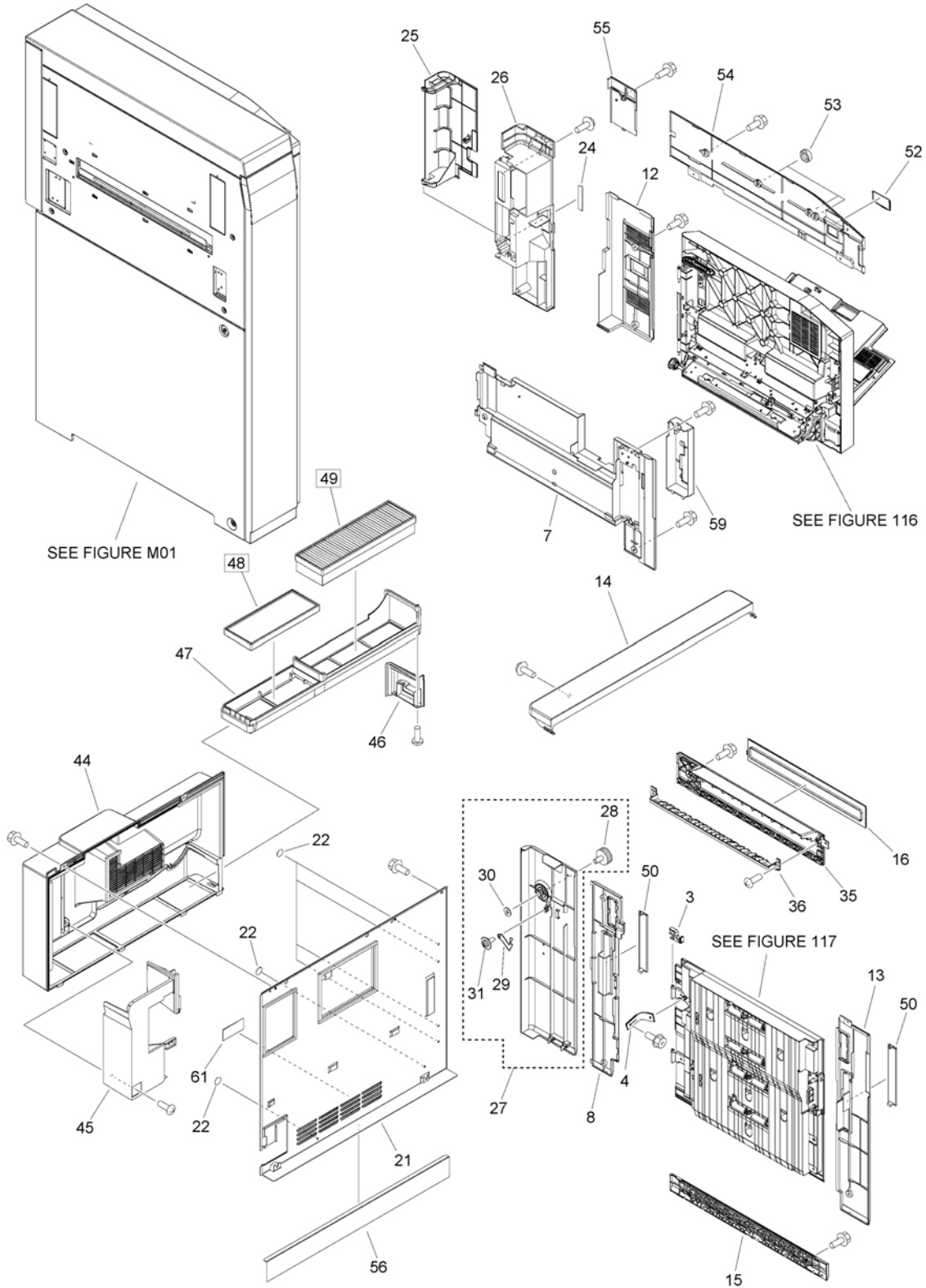


FIGURE & KEY NO.	PART NUMBER	RANK	QTY	DESCRIPTION	SERIAL NUMBER /REMARKS
100M	NPN		RF	EXTERNAL COVERS, PANELS, ETC.	PRINTER C7565i
1	FC8-4725-000		1	LABEL, TONER EXCHANGE	
2	FE8-2640-000		1	LABEL, TONER	
3	FE3-6396-000		1	STOPPER	
4	FE3-8179-000		1	BAND	
5	FE8-0398-000		1	COVER, CASSETTE, LOWER	
6	FE8-0399-000		1	COVER, LEFT LOWER, FRONT	
7	FE8-0526-000		1	COVER, MULTI INNER	
8	FE8-0529-000		1	COVER, RIGHT LOWER REAR, 2	
9	FE8-1008-000		1	COVER, LEFT CENTER	
10	FE8-1009-000		1	COVER, LEFT LOWER, REAR	
11	FE8-1010-000		1	COVER, CONNECTOR	
12	FE8-1011-000		1	COVER, RIGHT CENTER	
13	FE8-1013-000		1	COVER, RIGHT LOWER, FRONT	
14	FE8-1017-000		1	COVER, BOX, UPPER	
15	FE8-1019-000		2	COVER, LOWER	
16	FE8-1020-000		1	PANEL, DECK	
17	FK4-3622-000		1	CABLE, USER INTERFACE	
18	FK4-3623-000		1	CABLE, USB	
19	FK4-3624-000		1	CABLE, USB, EXTENSION	
20	FK4-3626-000		1	CABLE, USB, SMALL	
21	FL0-7783-000		1	PANEL, REAR LOWER	
22	FE4-5428-000		6	SEAL	
23	FE8-0530-000		1	COVER, BOX, LEFT	
24	FE4-5882-000		1	LABEL, USB LAN INDICATION	
25	FE8-0527-000		1	COVER, SIDE	
26	FE8-0528-000		1	COVER, RIGHT REAR, 1	
27	FM1-L193-000		1	COVER, RIGHT LOWER REAR, 1	
28	FB2-5500-020		1	SCREW, M4X9	
29	FC0-8799-000		1	SPRING	
30	FC2-2121-000		1	WASHER	
31	XA9-1013-000		1	SCREW, M3X8	
32	FM1-L194-000		1	TONER EXCHANGE COVER ASSEMBLY	
33	FC8-1835-000		2	HINGE	
34	FC9-4041-000		1	FLAG, OPEN/CLOSE DETECT	
35	FE8-1014-000		1	COVER, DECK GUIDE	
36	FE8-1015-000		1	GUIDE, DECK	
37	FM1-L309-000		1	COVER ASSEMBLY, FRONT	
38	FC0-9385-000		1	SLIDER	
39	FC8-1840-000		1	HINGE, UPPER	
40	FE8-0395-000		1	PLATE, DOOR	
41	FL0-7771-000		1	HINGE, LOWER	
42	FM1-L318-000		2	MAGNET CATCH BLOCK ASSEMBLY	

FIGURE & KEY NO.	PART NUMBER	RANK	QTY	DESCRIPTION	SERIAL NUMBER /REMARKS
43	FS5-9217-010		2	SCREW, STEPPED, M4	
44	FL0-7924-000		1	COVER, SILENCER	
45	FL0-7925-000		1	PLATE, DUCT PARTITION	
46	FE8-0247-000		1	COVER, FILTER CASE	
47	FL0-7926-000		1	LID, OZONE FILTER	
48	FL0-7930-000		1	FILTER, OZONE	[DP]
49	FL0-7931-000		1	FILTER, AIR	[DP]
50	FE8-1021-000		6	COVER, HANDLE	
51	FE8-1023-000		1	COVER, LEFT UPPER	
52	FC8-1844-000		1	COVER, MAIN SWITCH	
53	FE4-7426-000		3	CAP	
54	FE8-1022-000		1	COVER, RIGHT UPPER	
55	FE8-1016-000		1	COVER, RIGHT, REA	
56	FL1-1087-000		1	SHEET, CURTAIN, REAR LOWER	
57	FU6-8525-000		1	LABEL, WIRE HEIGHT	
58	FE4-1801-000		1	COVER, CONTROL PANEL, RIGHT	
59	FE8-1024-000		1	COVER, MULTI DOOR INNER	
60	FU6-4563-000		2	PIN, HINGE	
61	FE4-5899-000		1	LABEL, GROUNDING CAUTION	
62	FK4-3625-000		1	CABLE, USB	

Figure 101 INTERNAL COMPONENTS 1

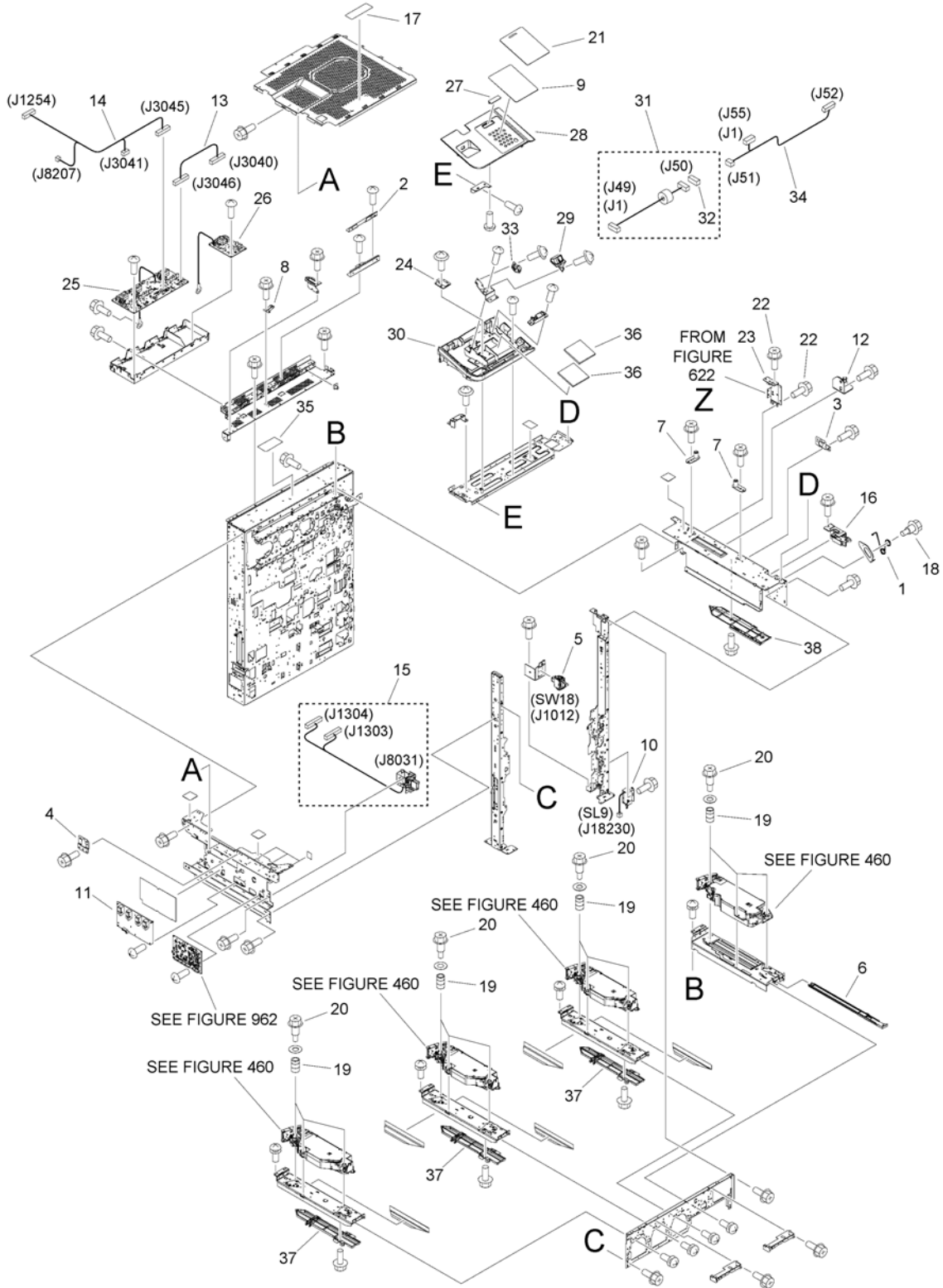


FIGURE & KEY NO.	PART NUMBER	RANK	QTY	DESCRIPTION	SERIAL NUMBER /REMARKS
101	NPN		RF	INTERNAL COMPONENTS 1	
1	FC0-0405-000		1	SPRING, TORSION	
2	FC8-6028-000		1	PLATE, READER HANDLE, LEFT	
3	FC9-4049-000		1	PLATE, READER FIXED, RIGHT	
4	FC9-4085-000		1	PLATE, READER FIXED, LEFT	
5	FK3-2575-000		1	SWITCH	SW18
6	FL2-8925-000		1	GLASS, DUST-PROOF	
7	FL2-8926-000		2	PIN, READER POSITIONING	
8	FC9-8812-000		1	PLATE, GROUNDING	
9	FL0-4117-000		1	SHEET	
10	FM0-0875-010		1	SOLENOID UNIT	SL9
11	FM0-0882-000		1	HIGH VOLTAGE PCB ASS'Y	
12	FL1-0162-000		1	MOUNT, SLIDER	
13	FM1-V927-000		1	CABLE, DEVELOPING H.V., BLACK	
14	FM1-V926-000		1	CABLE, DEVELOPING H.V., COLOR	
15	FM1-L571-000		1	FR. INNER DOOR DRAWER ASSEMBLY	
16	FM3-9972-000		1	MAIN SWITCH ASS'Y	
17	FS5-8623-000		1	LABEL, WARNING LESER	
18	FU5-9900-000		9	SCREW, STEPPED, M4	
19	FU5-2682-000		12	SPRING	
20	FU5-9596-000		12	SCREW, STEPPED, RS, M3	
21	FL0-4116-000		1	SHEET, DEVICE PORT	
22	XA9-0684-000		6	SCREW, M4X6	
23	FC8-1845-000		1	PLATE, MAIN SWITCH	
24	FM1-N784-000		1	WIRELESS NETWORK PCB ASSEMBLY	
25	FM1-V875-000		1	DEV. H.V. PCB ASSEMBLY, COLOR	
26	FM1-V876-000		1	DEV. H.V. PCB ASSEMBLY, BLACK	
27	FE4-2089-000		1	GUIDE, LAMP LED	
28	FL0-6122-000		1	COVER, UPPER LEFT	
29	FE4-4709-000		1	COVER, SENSOR, SMALL	
30	FL0-6133-010		1	COVER, CONTROL PANEL, LEFT	
31	FM1-M946-000		1	CABLE, SIGNAL	
32	VS1-8959-005		1	CONNECTOR, SNAP TIGHT, 5P, W	
33	FM1-T857-000		1	MOTION SENSOR PCB ASSEMBLY	
34	FM1-M940-000		1	CABLE, SIGNAL	
35	FU8-8135-000		1	LABEL, EXCHANGE INSTRUCTION	
36	FE4-7896-000		2	CUSHION	
37	FC9-4056-010		3	GUIDE, INSERT, COLLAR	
38	FC9-4057-000		1	GUIDE, INSERT, BLACK	

Figure 102 INTERNAL COMPONENTS 2

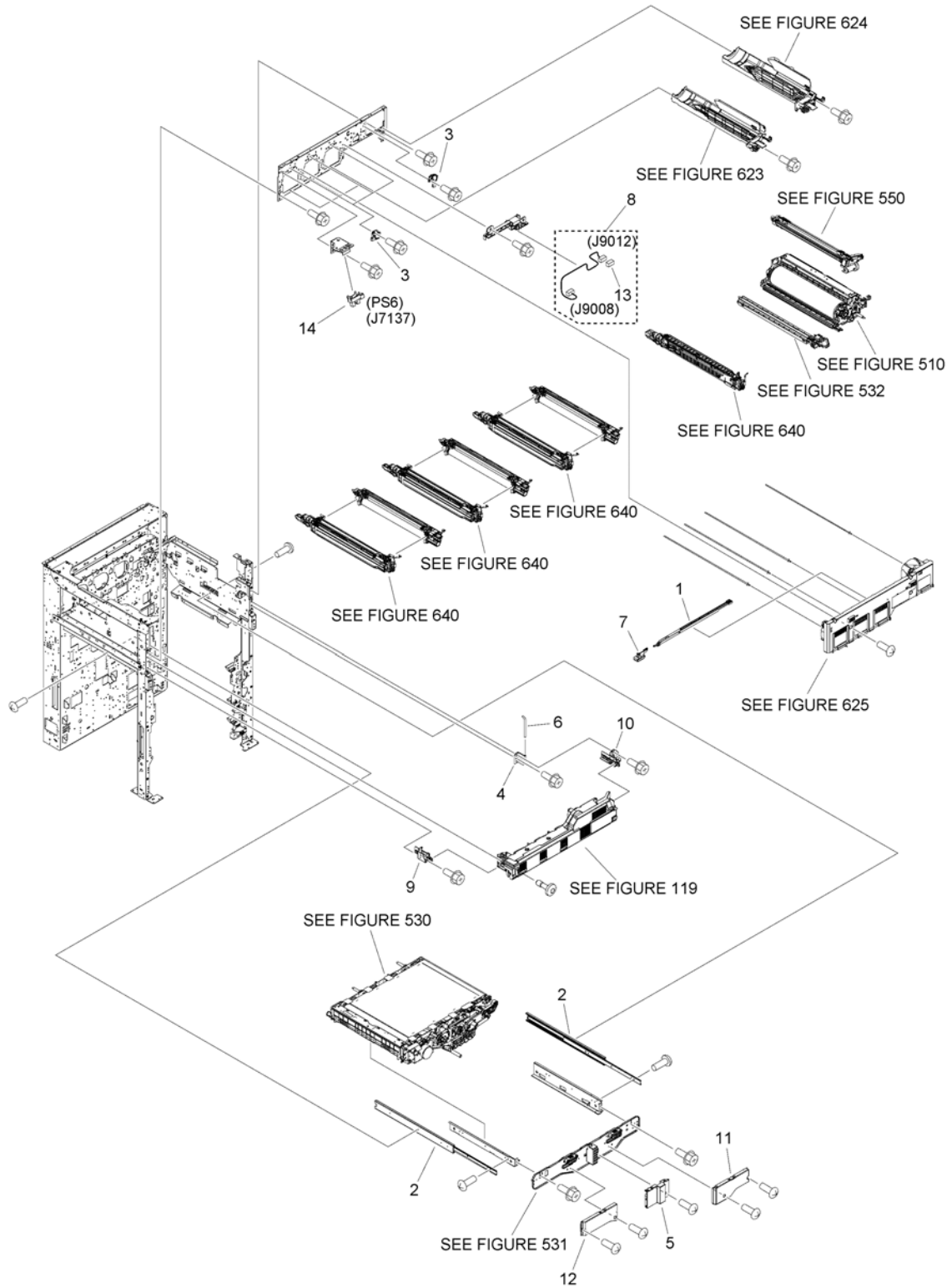


FIGURE & KEY NO.	PART NUMBER	RANK	QTY	DESCRIPTION	SERIAL NUMBER /REMARKS
102	NPN		RF	INTERNAL COMPONENTS 2	
1	FC8-2339-000		1	ROD, GLASS CLEANING	
2	FC8-9059-000		2	RAIL, SLIDE	
3	FM0-4905-000		4	TONER CONTAINER ID SENSOR UNIT	
4	FC9-3889-000		1	HINGE	
5	FC9-4108-000		1	COVER, I.T.B. INNER	
6	FC9-8402-000		1	SHAFT, HINGE	
7	FL2-4425-000		1	CLEANING PAD UNIT	
8	FM1-V857-000		1	CABLE, TONER SENSOR, RIGHT	
9	FM3-9886-000		1	RAIL ASSEMBLY, LEFT	
10	FM3-9887-000		1	RAIL ASSEMBLY, RIGHT	
11	FC9-4107-000		1	COVER, I.T.B. INNER, RIGHT	
12	FC9-4109-000		1	COVER, I.T.B. INNER, LEFT	
13	VS1-8959-005		1	CONNECTOR, SNAP TIGHT, 5P, W	
14	WG8-5783-000		1	IC,PHOTO-INTERRUPTER,LG248NL1A	PS6

Figure 103 INTERNAL COMPONENTS 3

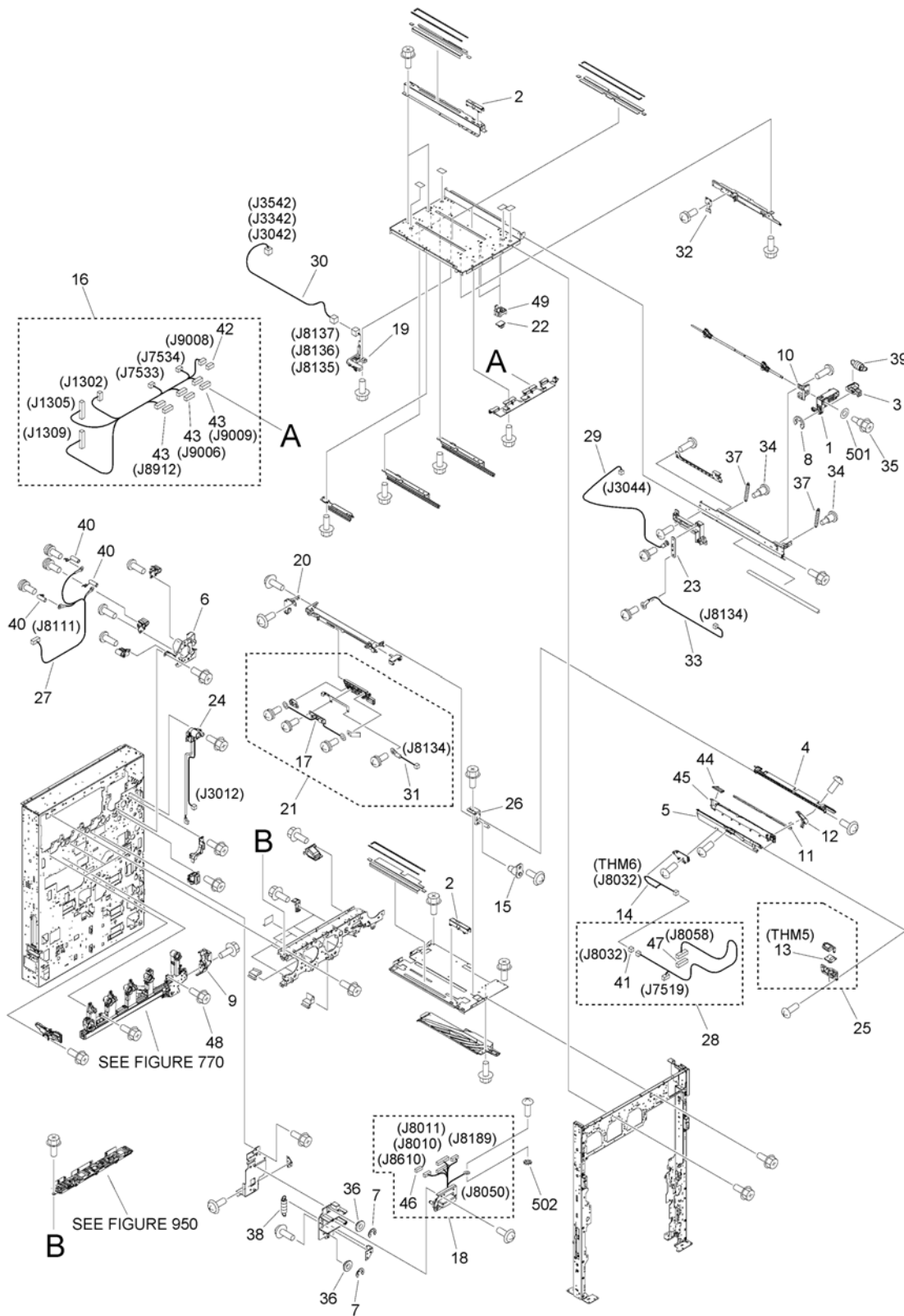


FIGURE & KEY NO.	PART NUMBER	RANK	QTY	DESCRIPTION	SERIAL NUMBER /REMARKS
103	NPN		RF	INTERNAL COMPONENTS 3	
1	FC8-2311-000		1	LEVER, ESTRANGEMENT	
2	FC8-2334-000		3	GUIDE, CLEANER	
3	FC8-2645-000		1	LEVER, LOCK	
4	FC8-2647-000		1	RAIL, PRIMARY CORONA	
5	FC8-2646-000		1	DUCT, PRIMARY, LEFT	
6	FC8-1936-000		1	SUPPORT, POWER DISPATCHING	
7	XD9-0136-000		11	RING, E	
8	XD9-0134-000		2	RING, E	
9	FE8-1025-000		1	COVER, MULTI SUB	
10	FC9-3999-000		1	HOLDER, CAM SHAFT	
11	FC9-9331-000		1	SHEET, GROUNDING	
12	FE8-0456-000		1	PLATE, GROUNDING	
13	FK2-0607-000		1	THERMOSENSOR	THM5
14	FK2-7919-000		1	THERMISTOR UNIT	THM6
15	FL2-8865-000		1	HINGE	
16	FM1-V827-000		1	CABLE, SENSOR CONNECTING	
17	FM1-D901-000		1	HIGH VOLTAGE PCB ASSEMBLY	
18	FM1-K309-000		1	I.T.BELT DRAWER ASSEMBLY	
19	FM0-1389-000		3	DEV. TERMINAL HOLDER ASSEMBLY	
20	FM3-4961-000		1	BYPASS ASSEMBLY	
21	FM0-1546-000		1	DEVELOPING MOUNT UNIT	
22	FM3-7941-000		2	TEMPERATURE SENSOR PCB ASS'Y	
23	FM3-9593-000		1	H.V. RESISTOR PCB ASSEMBLY	
24	FM3-9890-010		1	PRIMARY H.V. CONNECTOR ASS'Y	
25	FM3-9891-000		1	SENSOR UNIT, THERMO	
26	FM3-9959-000		1	DEVELOPING RAIL MOUNT ASS'Y	
27	FM4-1356-000		1	CABLE, DRUM HEATER	
28	FM1-V845-000		1	CABLE, THERMISTOR	
29	FM4-1410-010		1	CABLE, DEVELOPING, BLACK	
30	FM4-1411-000		3	CABLE, DEVELOPING, COLOR	
31	FM4-1414-000		1	CABLE, BIAS, BLACK	
32	FC0-9410-000		1	PLATE, DEVELOPING GROUNDING	
33	FM4-1430-000		1	CABLE, BIAS CONNECTING, BLACK	
34	FS1-9102-020		2	SCREW, STEPPED, M3	
35	FS5-9277-020		2	SCREW, STEPPED, M4	
36	FU6-1182-000		2	BUSHING	
37	FU7-2316-000		2	SPRING, TENSION	
38	FU7-2344-000		1	SPRING, TENSION	
39	FU7-2347-000		1	SPRING, TENSION	
40	FU7-2389-000		3	SPRING, COMPRESSION	
41	VS1-7177-002		1	CONNECTOR, SNAP TIGHT, BK	
42	VS1-8412-005		1	CONNECTOR, SNAP TIGHT, BL	
43	VS1-8412-011		3	CONNECTOR, SNAP TIGHT, BL	

FIGURE & KEY NO.	PART NUMBER	RANK	QTY	DESCRIPTION	SERIAL NUMBER /REMARKS
44	FC9-0439-000		1	SEAL, PRIMARY DUCT	
45	FC9-0438-000		1	DUCT, PRIMARY, RIGHT	
46	VS1-8412-003		1	CONNECTOR, SNAP TIGHT, BL	
47	VS1-8412-007		1	CONNECTOR, SNAP TIGHT, BL	
48	XA9-1386-000		15	SCREW,RS,M3X8	
49	FC9-3714-000		2	HOLDER, THERMISTOR	
501	XD1-1106-212		1	WASHER,COP	
502	XD1-4200-402		2	WASHER, TOOTHED LOCK, M4	

Figure 104 INTERNAL COMPONENTS 4

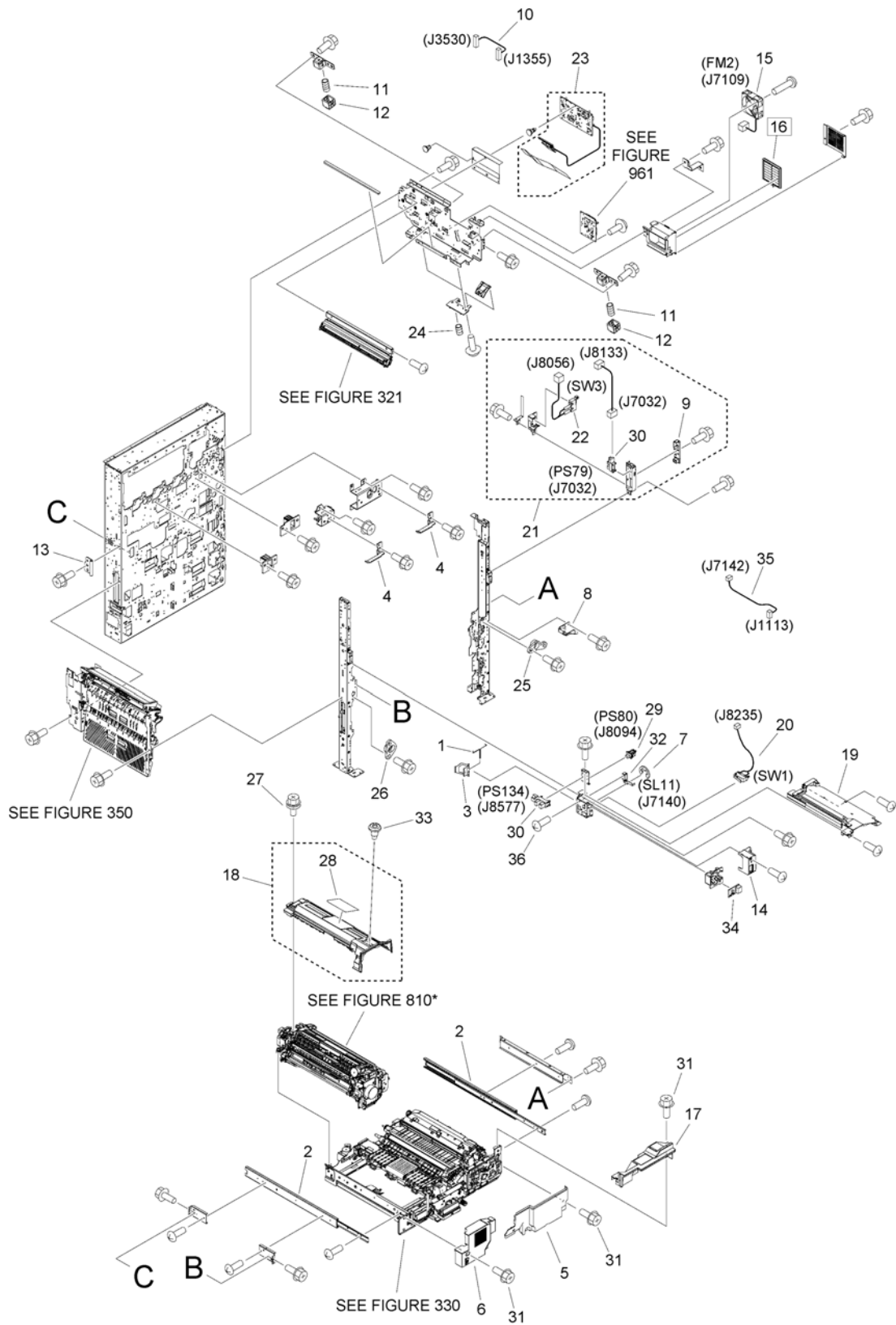


FIGURE & KEY NO.	PART NUMBER	RANK	QTY	DESCRIPTION	SERIAL NUMBER /REMARKS
104	NPN		RF	INTERNAL COMPONENTS 4	
1	FE8-0389-000		1	SPRING, LEAF	
2	FC0-8153-000		2	RAIL, SLIDE	
3	FE8-0413-000		1	PLATE, DOOR SWITCH	
4	FC0-8160-000		2	SPRING, LEAF	
5	FC8-1975-020		1	COVER, FIXING/FEED, RIGHT	
6	FM1-L305-000		1	COVER, FIXING/FEED, LEFT	
7	XD9-0134-000		1	RING, E	
8	FL0-7772-000		1	MOUNT, FRONT DOOR HINGE, LOWER	
9	FC8-2700-000		1	MOUNT, HOOK	
10	FM1-X979-000		1	CABLE, SIGNAL	
11	FU9-2372-000		2	SPRING, COMPRESSION	
12	FC8-8802-000		2	BLOCK, PUSHING	
13	FC9-3832-000		1	HINGE	
14	FL1-1457-000		1	COVER, DOOR SWITCH INNER	
15	FK2-0360-000		1	FAN	FM2
16	FL2-0439-000		1	FILTER, DUST	[DP]
17	FL2-8906-020		1	COVER, FIXING/FEEDER SUB	
18	FL0-7633-000		1	FIXING COVER ASSEMBLY	
19	FM1-L268-000		1	FIXING DUCT ASSEMBLY	
20	FM1-X840-000		1	CABLE, DOOR SWITCH, FRONT	SW1
21	FM3-9823-000		1	MULTI DOOR SWITCH ASSY	
22	FM4-1392-000		1	CABLE, DOOR SWITCH	SW3
23	FM1-P017-000		1	POTENTIAL CONTROL PCB ASSEMBLY	
24	FU9-2393-000		2	SPRING, COMPRESSION	
25	FU6-1601-000		1	BUSHING	
26	FU6-1602-000		1	BUSHING	
27	XA9-1933-000		1	SCREW, W/WASHER, M4X8	
28	FU8-8010-000		1	LABEL, HIGH TMP. CAUTION	
29	WC2-5803-000		1	SWITCH	PS80
30	WG8-5848-000		2	IC, PHOTO-INTERRUPTER	PS79, PS134
31	XA9-1386-000		1	SCREW,RS,M3X8	
32	FM1-L228-000		1	DOOR SHUTTER UNIT, FRONT	SL11
33	FS2-9001-020		1	SCREW, STEPPED, M4	
34	FM1-V871-000		1	LED ILLUMINATION UNIT	
35	FM1-V907-000		1	CABLE, LED, FRONT DOOR	
36	XA9-2008-000		2	SCREW, M3X4	

Figure 105 INTERNAL COMPONENTS 5

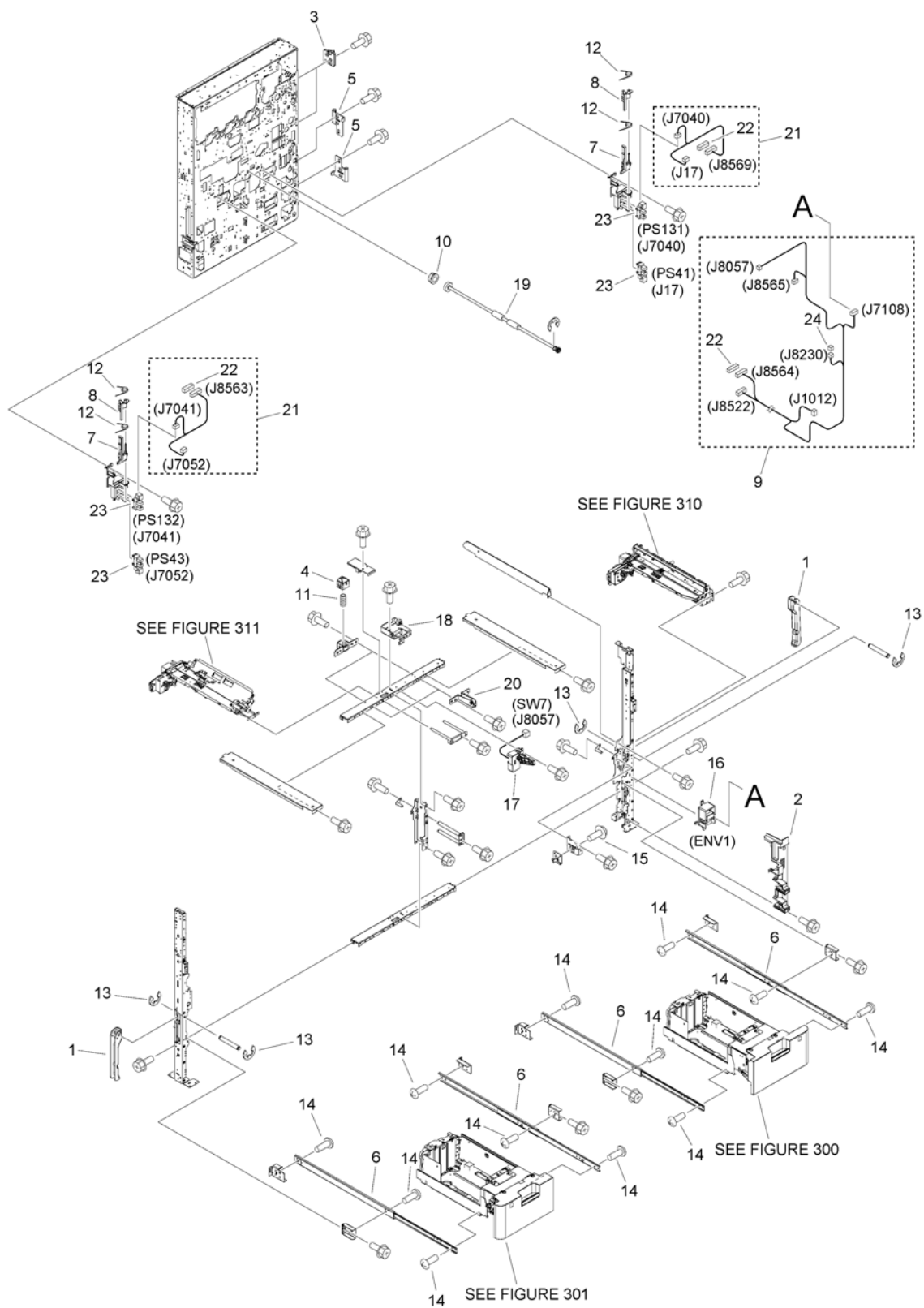


FIGURE & KEY NO.	PART NUMBER	RANK	QTY	DESCRIPTION	SERIAL NUMBER /REMARKS
105	NPN		RF	INTERNAL COMPONENTS 5	
1	FB2-8094-020		2	KNOB, 1	
2	FE8-0400-000		1	COVER, INNER, RIGHT LOWER	
3	FC0-9971-000		2	PLATE, HINGE	
4	FC8-8802-000		2	BLOCK, PUSHING	
5	FE8-0879-000		2	PLATE, HINGE	
6	FE2-3074-010		4	RAIL, SLIDE	
7	FE4-9842-000		2	FLAG, SENSOR, 1	
8	FE4-9843-000		2	FLAG, SENSOR, 2	
9	FM1-V820-000		1	CABLE, MAIN SWITCH CONNECTING	
10	FS1-1189-000		1	BUSHING, ABS	
11	FU7-2352-000		2	SPRING, COMPRESSION	
12	FC9-3968-000		4	SPRING, TORSION	
13	XD9-0137-010		4	RING, E	
14	XA9-1934-000		8	SCREW, M4X4	
15	XA9-0926-000		2	SCREW, TP, M4X8	
16	FM1-D450-000		1	SENSOR UNIT, ENVIRONMENT	ENV1
17	FM3-4952-010		1	INTERLOCK SWITCH UNIT	SW7
18	FM3-9915-010		1	FIXING/FEDER LOCK ASSEMBLY	
19	FM3-9916-000		1	ROLLER ASS'Y, PAPER FEED, LEFT	
20	FM3-9976-000		2	GUIDE STOPPER ASSEMBLY	
21	FM1-V851-000		2	CABLE, DECK REMNANT DETECT	
22	VS1-8412-007		3	CONNECTOR, SNAP TIGHT, BL	
23	WG8-5848-000		4	IC, PHOTO-INTERRUPTER	PS41, PS43, PS131, PS132
24	VS1-7177-002		1	CONNECTOR, SNAP TIGHT, BK	

Figure 106B INTERNAL COMPONENTS 6 (WITHOUT CASSETTE HEATER)

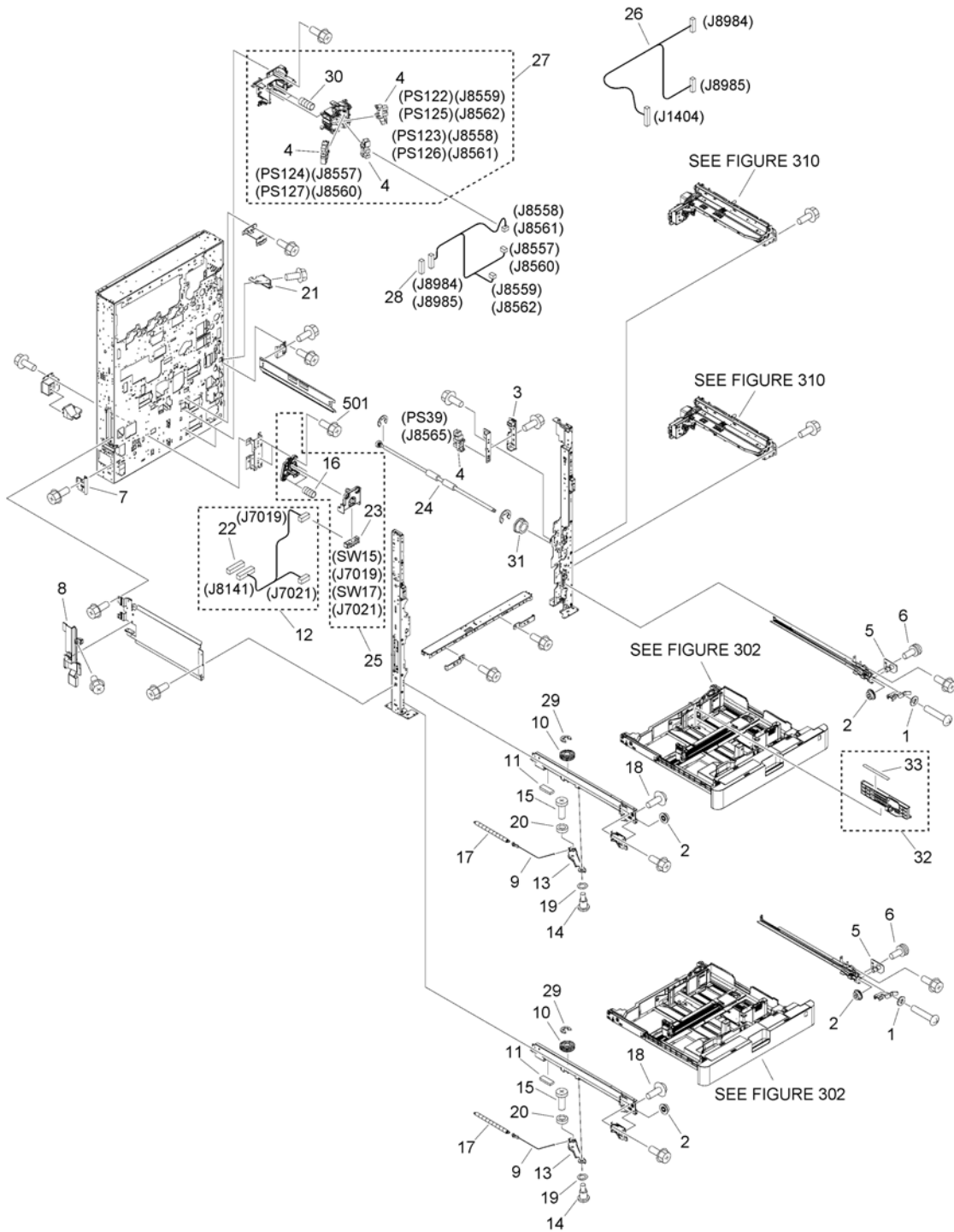


FIGURE & KEY NO.	PART NUMBER	RANK	QTY	DESCRIPTION	SERIAL NUMBER /REMARKS
106B	NPN		RF	INTERNAL COMPONENTS 6	WITHOUT CASSETTE HEATER
1	FC2-2121-000		2	WASHER	
2	FC8-4999-000		4	ROLLER, RAIL	
3	FE8-0877-000		1	MOUNT, HOOK	
4	WG8-5783-000		7	IC,PHOTO-INTERRUPTER,LG248NL1A	PS39, PS122, PS123, PS124, PS125, PS126, PS127
5	FL3-7679-000		2	PLATE, ROLLER SHAFT	
6	XA9-0961-000		2	SCREW, W/WASHER, M4X10	
7	FC9-8432-000		1	HINGE	
8	FL2-8696-000		1	COVER, REVERSE CONNECTOR	
9	FE2-0063-010		2	WIRE	
10	FE3-6365-000		2	PULLEY	
11	FE4-0758-000		2	SHEET, SILENCER SPONGE	
12	FM4-1294-000		2	CABLE, CASSETTE SIZE, 2	
13	FL3-9417-010		2	ARM, ROLLER	
14	FS5-9162-020		2	SCREW, STEPPED	
15	XA9-0679-000		2	SCREW, MACH., FLAT HEAD, M3X4	
16	FU9-2424-000		6	SPRING, COMPRESSION	
17	FU9-2375-000		2	SPRING, TENSION	
18	XA9-0994-000		2	SCREW, TP, M4X6	
19	XD9-0154-000		2	WASHER, SHIM	
20	XG9-0795-000		2	BEARING, BALL, L-1060ZZHPOP25L	
21	FE8-0941-000		1	SUPPORT BELT	
22	VS1-8412-011		2	CONNECTOR, SNAP TIGHT, BL	
23	WC2-5848-000		2	SWITCH, DETECT PUSH	SW15, SW17
24	FM1-L199-000		1	FEED ROLLER UNIT, RIGHT	
25	FM1-C638-000		2	SWITCH HOLDER UNIT	
26	FM1-V830-000		1	CABLE, CST. SIZE CONNECTING	
27	FM0-1467-000		2	CASSETTE SIZE SENSING ASSEMBLY	
28	VS1-8412-009		1	CONNECTOR, SNAP TIGHT, BL	
29	XD9-0134-000		2	RING, E	
30	FU9-2390-000		4	SPRING, COMPRESSION	
31	FS1-1189-000		1	BUSHING, ABS	
32	FM1-C678-000		1	INDEX PAPER GUIDE ASS'Y	
33	FU8-8146-000		1	LABEL, INDEX PAPER GUIDE	
501	XB3-6400-805		2	SCREW,RS,M4X8	

Figure 107 MACHINE BOTTOM PLATE

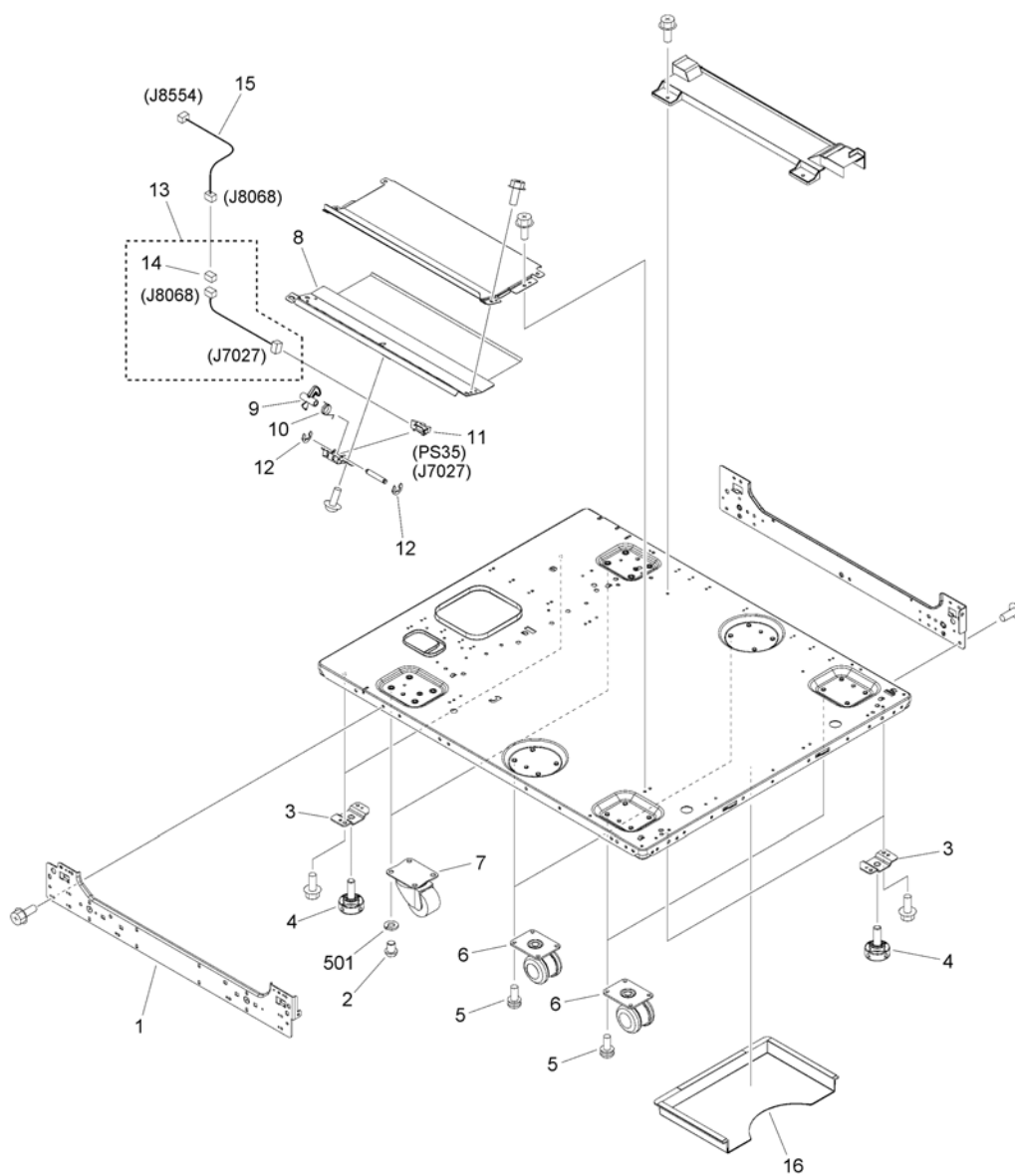


FIGURE & KEY NO.	PART NUMBER	RANK	QTY	DESCRIPTION	SERIAL NUMBER /REMARKS
107	NPN		RF	MACHINE BOTTOM PLATE	
1	FC8-1832-010		1	CROSSMEMBER, LEFT LOWER	
2	FB4-1340-000		8	SCREW,ALLEN HEAD,M8X10	
3	FC5-2687-000		4	PLATE, ADJUSTER MOUNTING	
4	FC8-6639-000		4	ADJUSTER	
5	FE4-0430-000		16	SCREW, W/WASHER, M6	
6	FM1-J255-000		4	CASTER	
7	XZ9-0409-020		2	CASTER	
8	FL2-8698-000		1	GUIDE, DELIVERY 3	
9	FC9-3779-000		1	FLAG, REVERSE V. PATH SENSOR	
10	FC9-3836-000		1	SPRING, TORSION	
11	WG8-5848-000		1	IC, PHOTO-INTERRUPTER	PS35
12	XD9-0134-000		2	RING, E	
13	FM4-1397-000		1	CABLE, RIGHT VERTICAL PATH, 3	
14	VS1-8412-003		1	CONNECTOR, SNAP TIGHT, BL	
15	FM1-V975-000		1	CABLE, CONNECTING, 3	
16	FE4-3758-000		1	HOLDER, SERVICE BOOK	
501	XD1-3100-805		8	WASHER,SPRING	
A1	FC8-1833-000		1	CROSSMEMBER, RIGHT LOWER	

Figure 108 MACHINE REAR PLATE 1

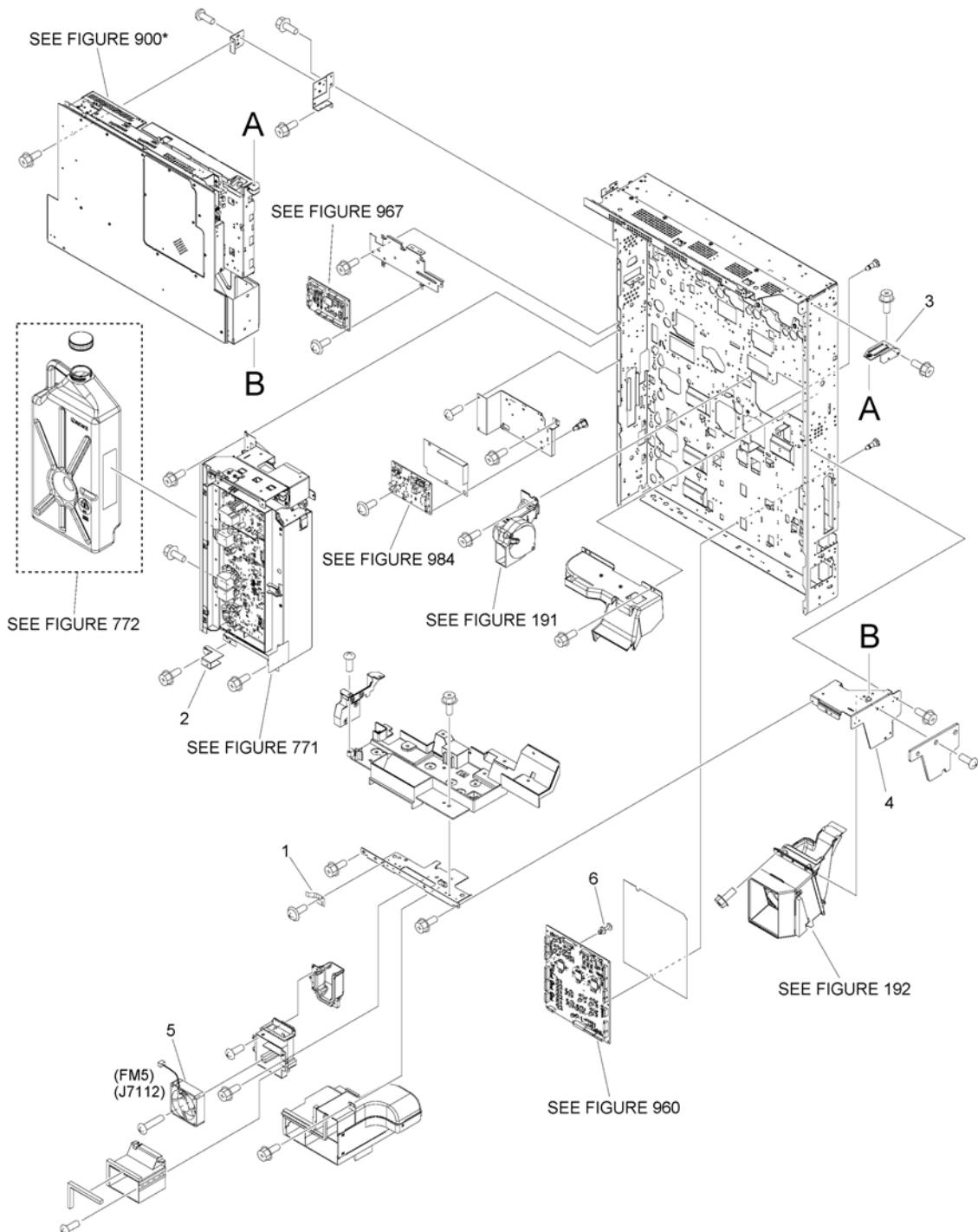


FIGURE & KEY NO.	PART NUMBER	RANK	QTY	DESCRIPTION	SERIAL NUMBER /REMARKS
108	NPN		RF	MACHINE REAR PLATE 1	
1	FC8-4933-000		1	SPRING	
2	FC9-7493-000		1	CROSSMEMBER, COVER, REAR LOWER	
3	FM0-0853-010		1	HINGE	
4	FM0-0854-000		1	PLATE, FIXING DUCT	
5	FL3-8779-000		1	FAN	FM5
6	VT2-5176-010		1	CARD SPACER	

Figure 109 MACHINE REAR PLATE 2

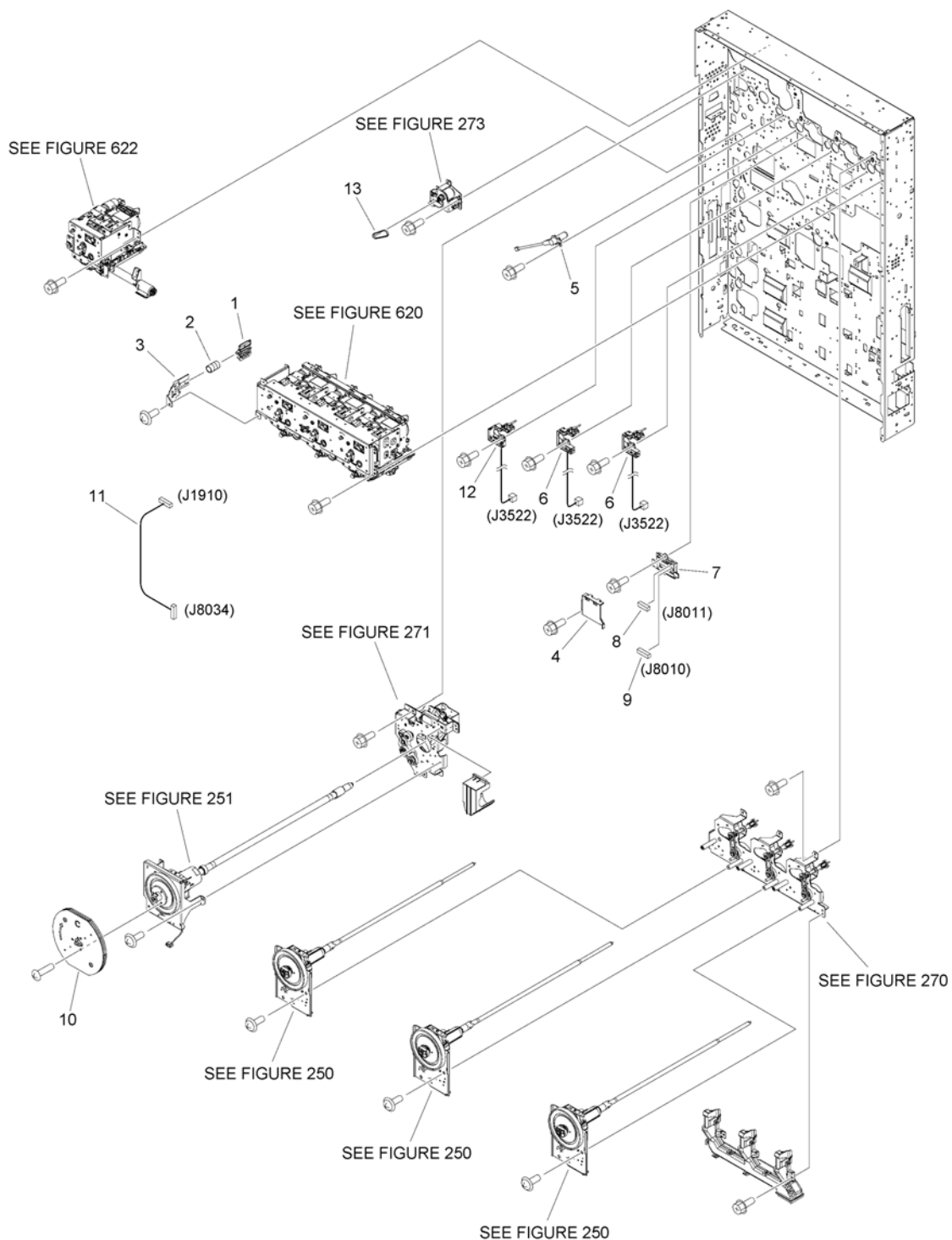


FIGURE & KEY NO.	PART NUMBER	RANK	QTY	DESCRIPTION	SERIAL NUMBER /REMARKS
109	NPN		RF	MACHINE REAR PLATE 2	
1	FC8-2791-000		1	RACK, SHUTTER	
2	FC8-2792-000		1	SPRING, COMPRESSION	
3	FC9-3670-000		1	STOPPER, SHUTTER RACK	
4	FC9-3786-020		1	COVER, I.T.B. CABLE	
5	FK3-4046-000		1	CONNECTOR	
6	FM0-1503-000		2	CORONA TERMINAL UNIT, Y . M	
7	FC9-3867-010		1	MOUNT, CONNECTOR	
8	VS1-8412-015		1	CONNECTOR, SNAP TIGHT, BL	
9	VS1-8412-019		1	CONNECTOR, SNAP TIGHT, BL	
10	FM1-L346-000		1	FLYWHEEL	
11	FM1-V833-000		1	CABLE, DRIVE MOTOR CONNECTING	
12	FM3-4981-000		1	CORONA TERMINAL UNIT, C	
13	XF2-1606-740		1	BELT, TIMING	

Figure 110 MACHINE REAR PLATE 3

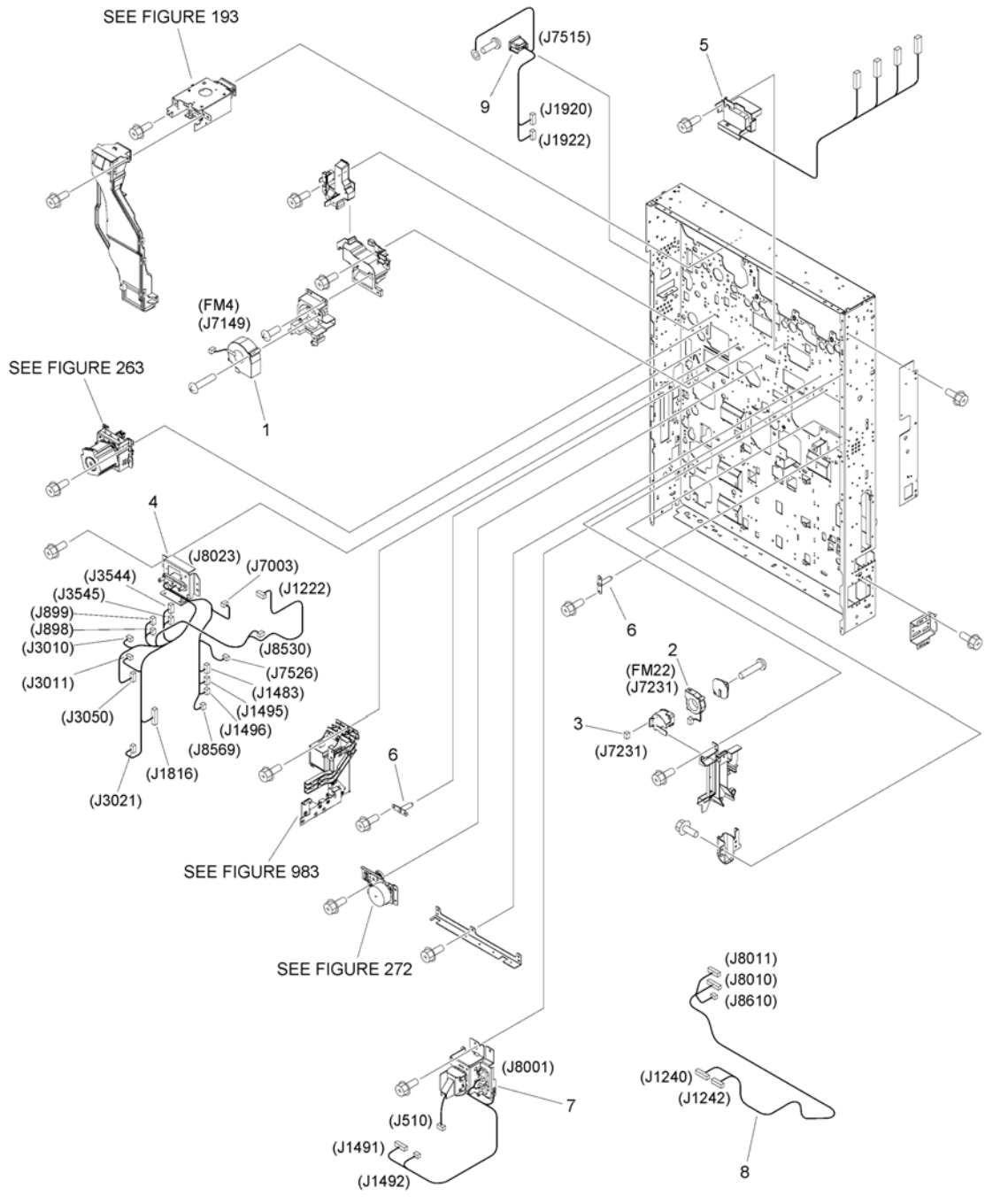


FIGURE & KEY NO.	PART NUMBER	RANK	QTY	DESCRIPTION	SERIAL NUMBER /REMARKS
110	NPN		RF	MACHINE REAR PLATE 3	
1	FL3-7770-000		1	FAN	FM4
2	FK3-3986-000		1	FAN	FM22
3	VS1-7177-003		1	CONNECTOR, SNAP TIGHT, BK	
4	FM1-L186-000		1	FIXING/FEEDER DRAWER ASSEMBLY	
5	FM1-L198-000		1	MOUNT, 1ST TRNSFR. TERMINAL	
6	FL2-8660-000		2	PLATE, POSITION, FIXING/FEEDER	
7	FM1-L578-000		1	FIXING DRAWER ASSEMBLY	
8	FM1-V829-000		1	CABLE, DRAWER CONNECTING	
9	FM1-V835-000		1	CABLE, LATTICE, 3.5K	

Figure 111 MACHINE REAR PLATE 4

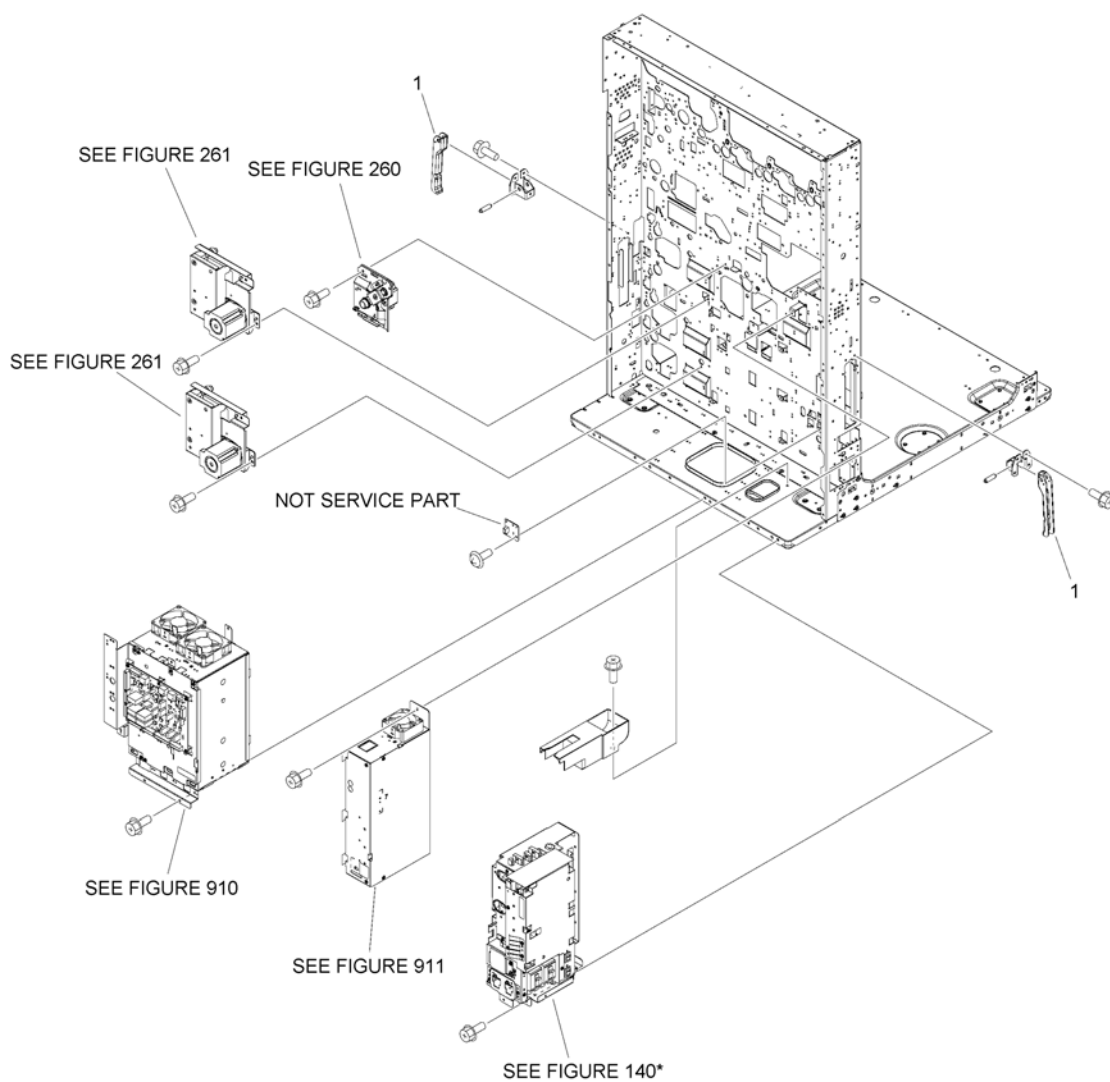


FIGURE & KEY NO.	PART NUMBER	R A N K	QTY	DESCRIPTION	SERIAL NUMBER /REMARKS
111	NPN		RF	MACHINE REAR PLATE 4	
1	FB2-8094-020		2	KNOB, 1	

Figure 112 MACHINE REAR PLATE 5

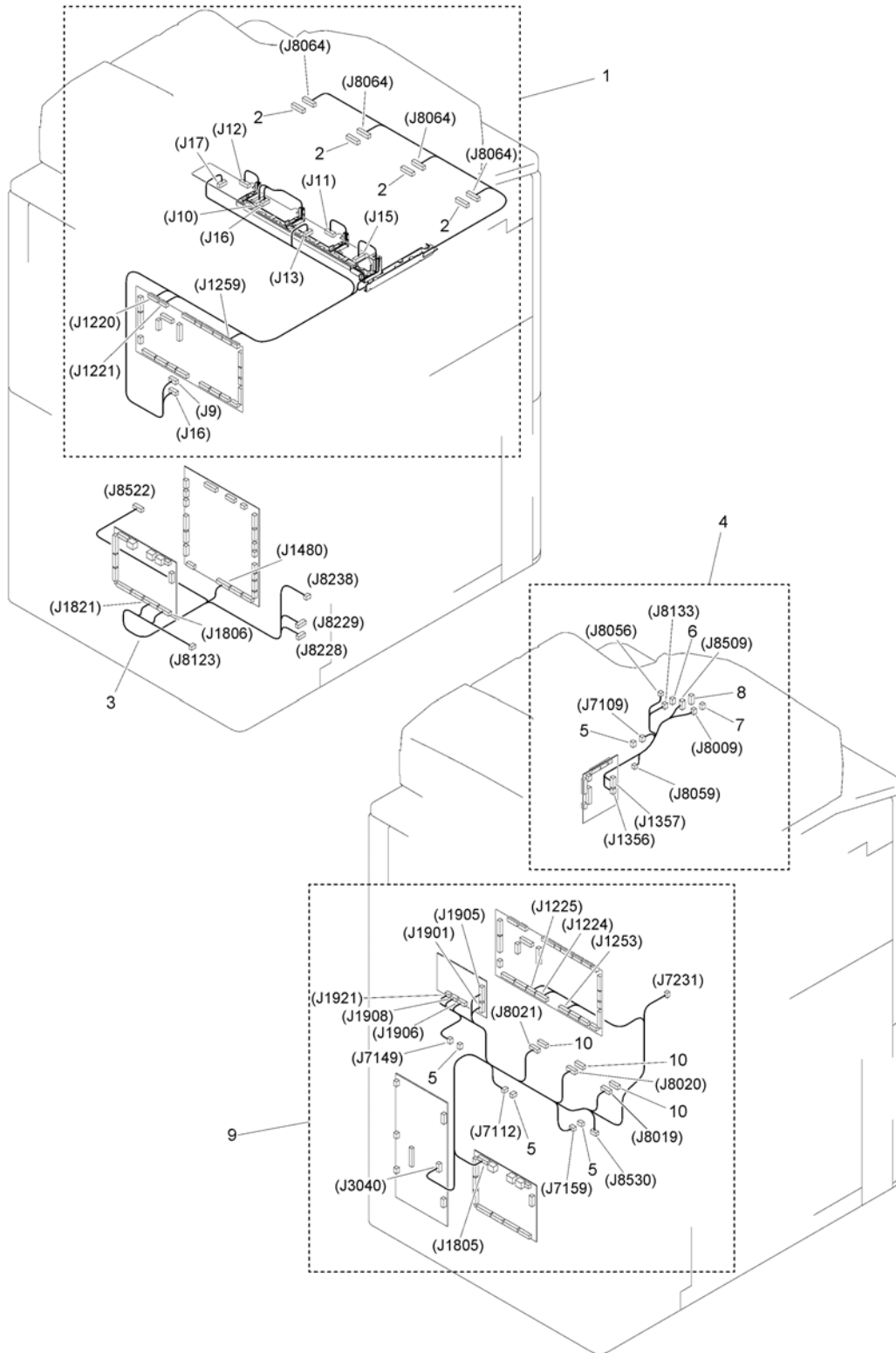


FIGURE & KEY NO.	PART NUMBER	RANK	QTY	DESCRIPTION	SERIAL NUMBER /REMARKS
112	NPN		RF	MACHINE REAR PLATE 5	
1	FM1-L187-000		1	SCANNER MAIN CABLE ASSEMBLY	
2	VS1-8412-009		4	CONNECTOR, SNAP TIGHT, BL	
3	FM1-V812-000		1	CABLE, RELAY POWER SUPPLY	
4	FM1-V837-000		1	CABLE, PROCESS UNIT CONNECTING	
5	VS1-7177-003		4	CONNECTOR, SNAP TIGHT, BK	
6	VS1-8412-003		1	CONNECTOR, SNAP TIGHT, BL	
7	VS1-8412-005		1	CONNECTOR, SNAP TIGHT, BL	
8	VS1-8412-013		1	CONNECTOR, SNAP TIGHT, BL	
9	FM1-V817-000		1	CABLE, SIGNAL MAIN	
10	VS1-8412-017		3	CONNECTOR, SNAP TIGHT, BL	

Figure 113 MACHINE REAR PLATE 6

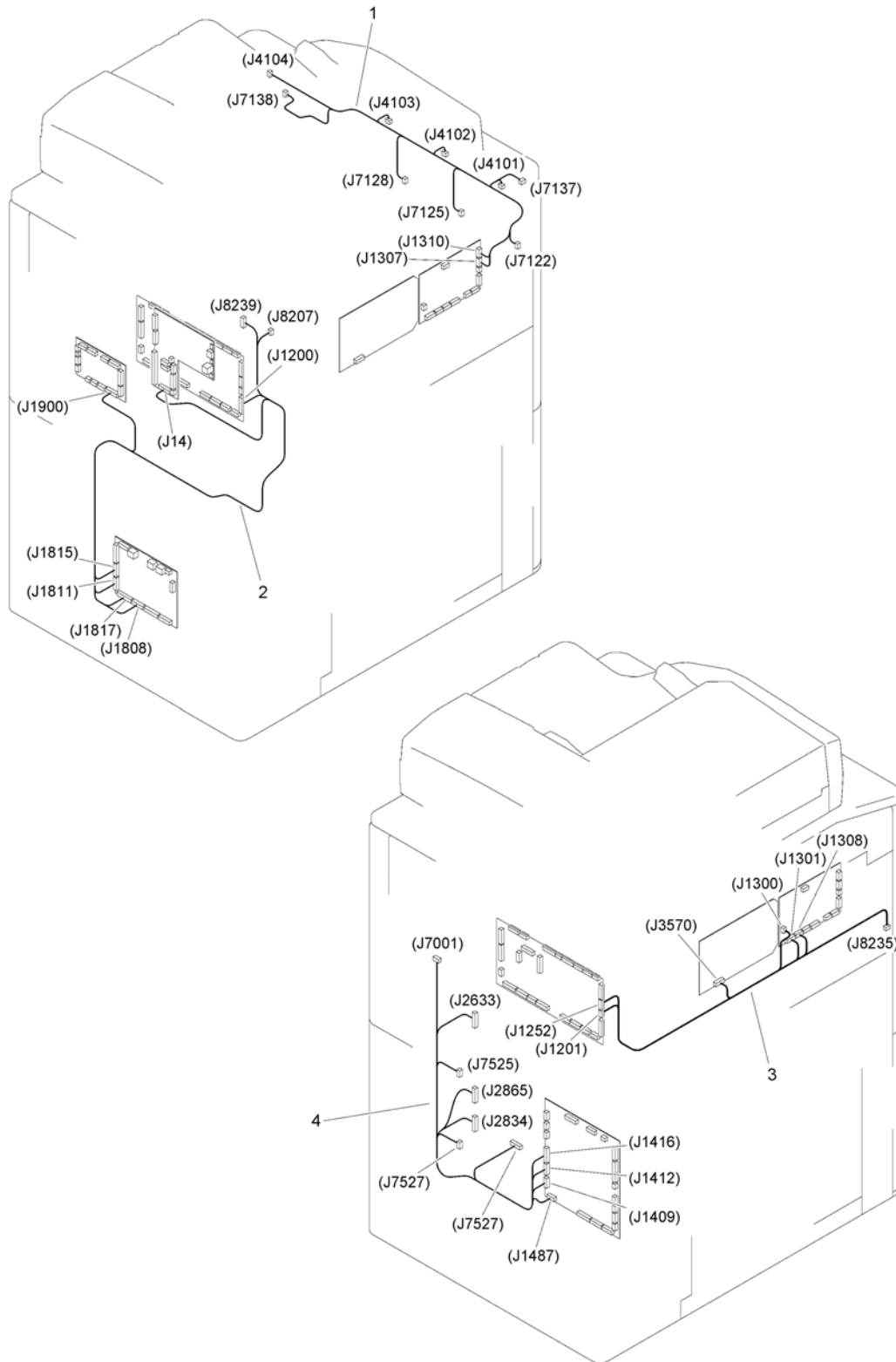


FIGURE & KEY NO.	PART NUMBER	RANK	QTY	DESCRIPTION	SERIAL NUMBER /REMARKS
113	NPN		RF	MACHINE REAR PLATE 6	
1	FM1-V824-000		1	CABLE, SIGNAL, UPPER	
2	FM1-V818-000		1	CABLE, DC POWER SUPPLY MAIN	
3	FM1-V823-000		1	CABLE, DC CONTROLLER/SIDE	
4	FM1-V846-000		1	CABLE, PAPER PICK-UP, RIGHT	

Figure 114 MACHINE REAR PLATE 7

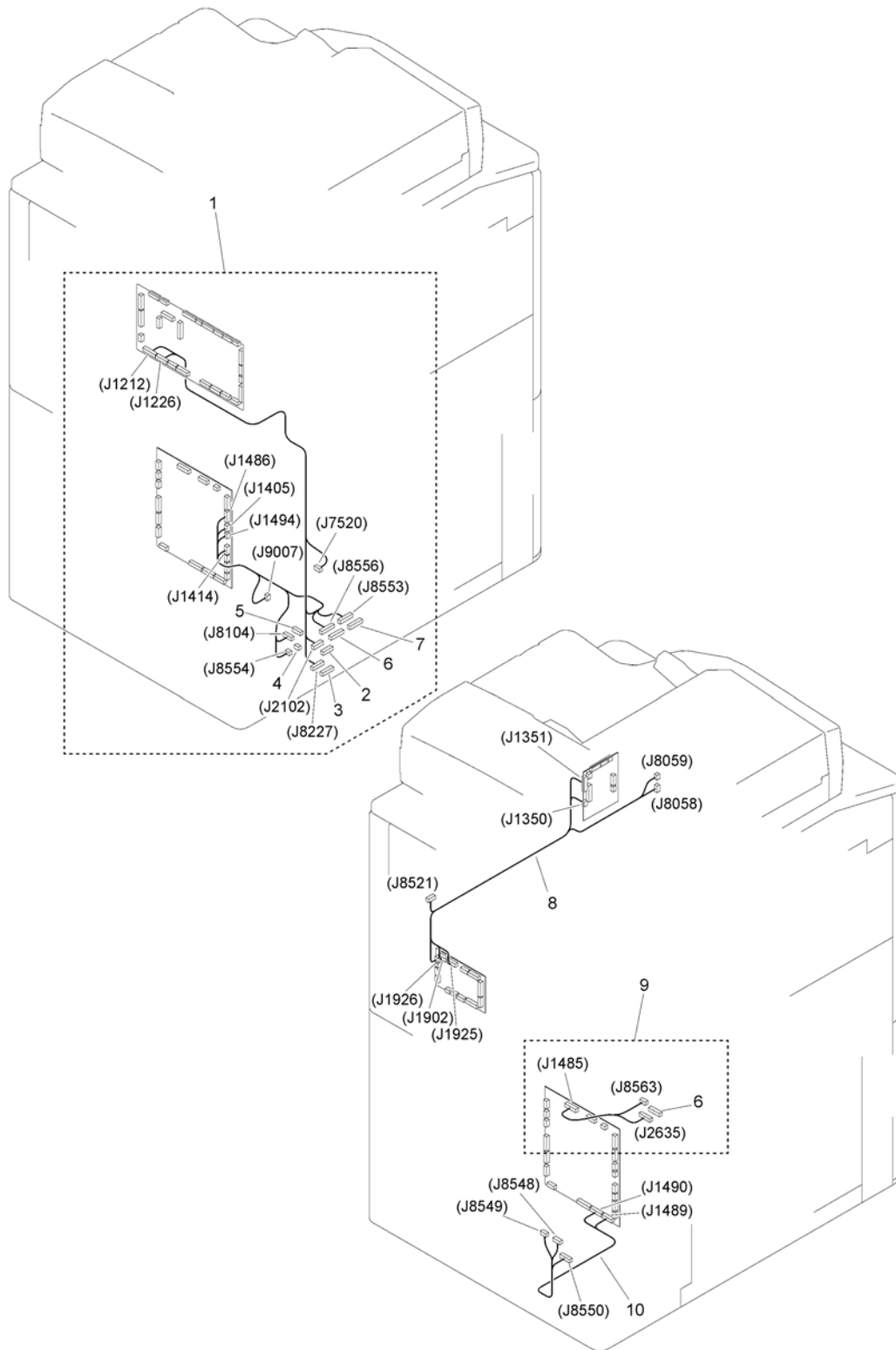


FIGURE & KEY NO.	PART NUMBER	RANK	QTY	DESCRIPTION	SERIAL NUMBER /REMARKS
114	NPN		RF	MACHINE REAR PLATE 7	
1	FM1-V822-000		1	CABLE, DC CONTROLLER/FEED	
2	VS1-7177-007		1	CONNECTOR, 7P, FEMALE, BK	
3	VS1-7177-009		1	CONNECTOR, WIRE TO WIRE, 9P	
4	VS1-8412-003		1	CONNECTOR, SNAP TIGHT, BL	
5	VS1-8412-013		1	CONNECTOR, SNAP TIGHT, BL	
6	VS1-8412-019		2	CONNECTOR, SNAP TIGHT, BL	
7	VS1-8412-025		1	CONNECTOR, SNAP TIGHT, BL	
8	FM1-V843-000		1	CABLE, DRUM/MULTI	
9	FM1-V850-000		1	CABLE, DECK CONNECTING, LEFT	
10	FM1-V848-000		1	CABLE, PAPER PICK-UP/IH SIGNAL	

Figure 115 MACHINE REAR PLATE 8

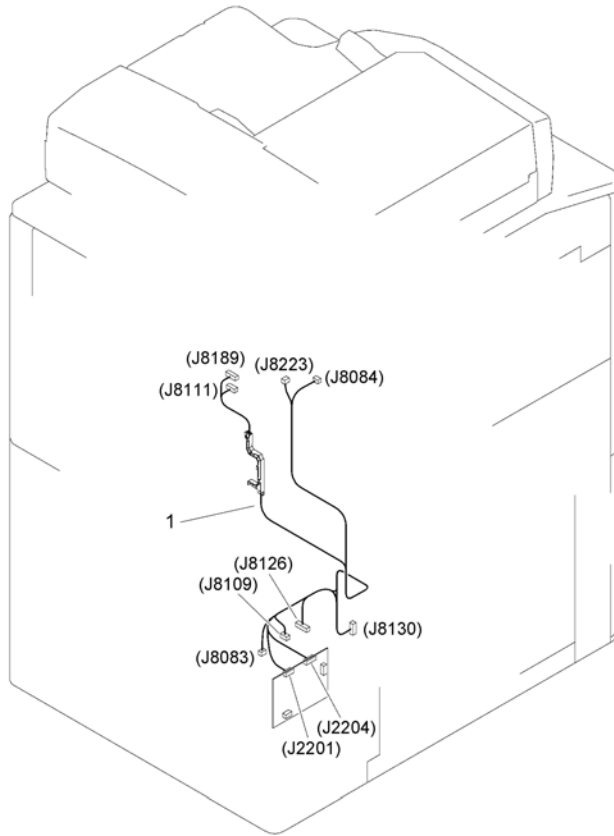


FIGURE & KEY NO.	PART NUMBER	R A N K	QTY	DESCRIPTION	SERIAL NUMBER /REMARKS
115	NPN		RF	MACHINE REAR PLATE 8	
1	FM1-L188-000		1	CABLE, CASSETTE DRUM HEATER	

Figure 116 MULTI DOOR ASSEMBLY

NOTE : This assembly includes the assemblies shown in Figure 315 and 316.

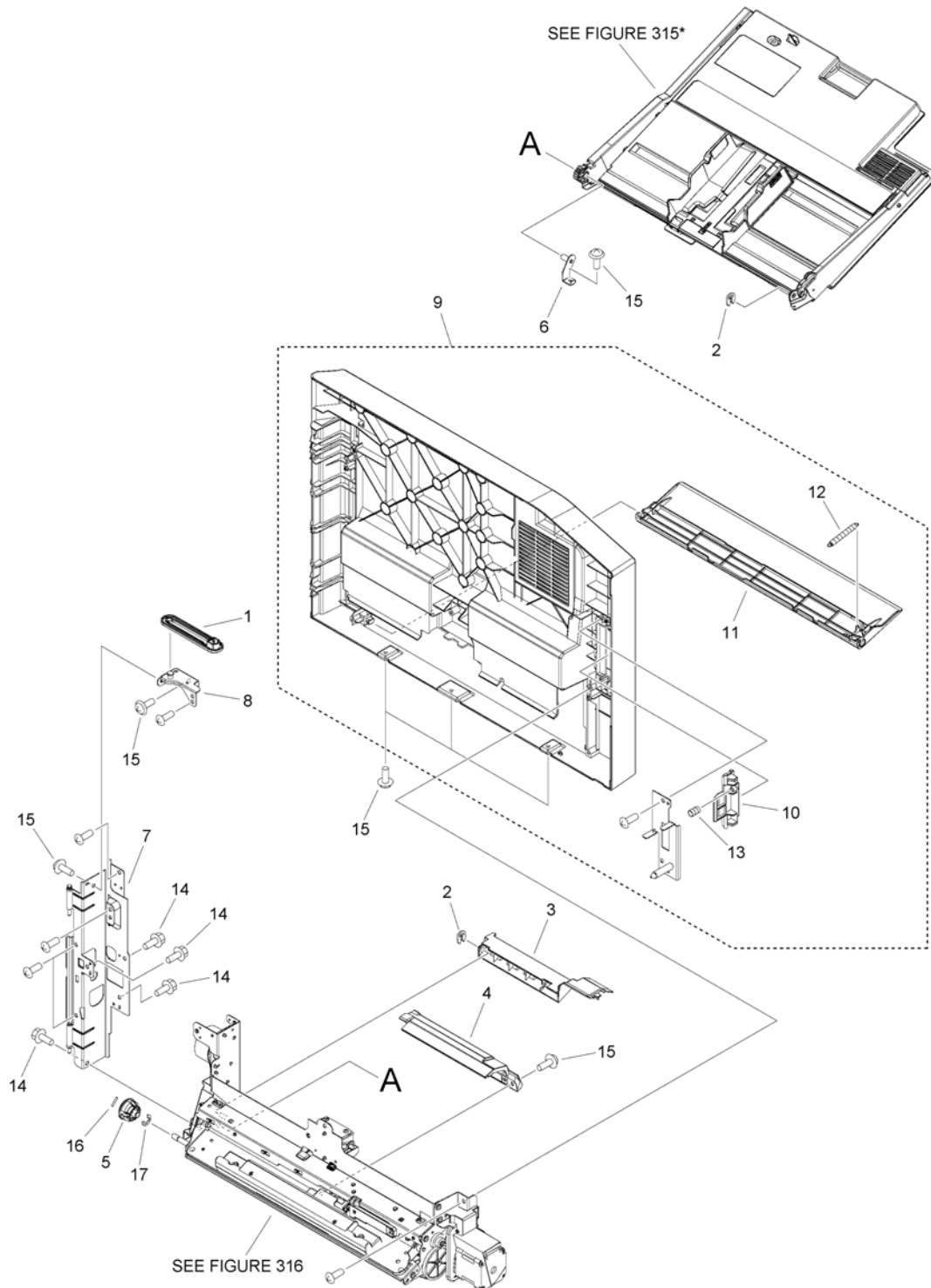


FIGURE & KEY NO.	PART NUMBER	RANK	QTY	DESCRIPTION	SERIAL NUMBER /REMARKS
116	FM1-L297-000		1	MULTI DOOR ASSEMBLY	SEE NOTE
1	FC0-9385-000		1	SLIDER	
2	FC6-3002-000		2	RING, RESIN, RETAINING	
3	FE4-8517-000		1	HOLDER, PAPER PICK-UP ROLLER,	
4	FE4-8520-000		1	GUIDE, SEPARATION ROLLER, REAR	
5	FE8-1379-000		1	COUPLING	
6	FL0-6571-000		1	HINGE, TRAY	
7	FL0-6572-000		1	HINGE, MULTI DOOR COVER	
8	FL1-0163-000		1	MOUNT, SLIDER	
9	FM1-L304-000		1	MULTI COVER ASSEMBLY	
10	FE4-5423-000		1	HOOK	
11	FE4-8531-000		1	PANEL, MULTI TRAY, LOWER	
12	FU2-1593-000		1	SPRING, TENSION	
13	FU7-2341-000		1	SPRING, COMPRESSION	
14	XA9-0732-010		4	SCREW,RS,M4X8	
15	XA9-2010-000		8	SCREW, TP, M3X6	
16	XD9-0289-000		1	PIN, PARALLEL	
17	XD9-0136-000		1	RING, E	

Figure 117 VERTICAL PATH DOOR ASSEMBLY

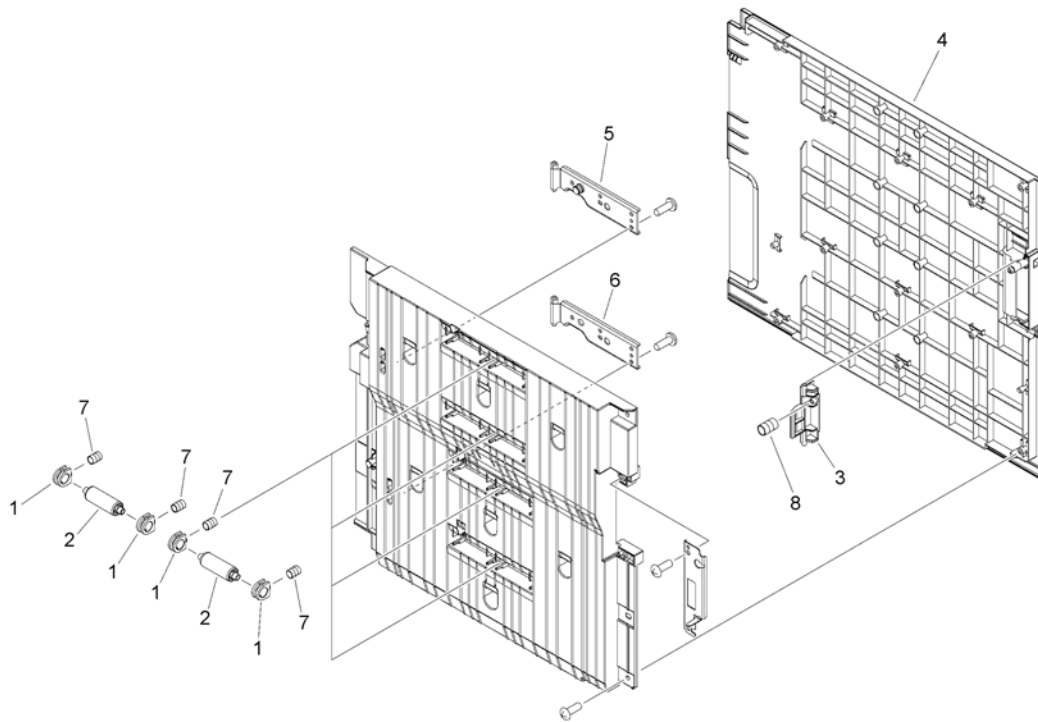


FIGURE & KEY NO.	PART NUMBER	RANK	QTY	DESCRIPTION	SERIAL NUMBER /REMARKS
117	FM1-L200-000		1	VERTICAL PATH DOOR ASSEMBLY	
1	FC7-7209-000		16	BUSHING, VERTICAL ROLLER	
2	FC8-3782-000		8	ROLLER, PAPER FEED	
3	FE4-5423-000		1	HOOK	
4	FE8-0884-000		1	DOOR, RIGHT LOWER	
5	FL0-7886-000		1	HINGE	
6	FL0-7901-000		1	HINGE	
7	FS7-2788-000		16	SPRING, COMPRESSION	
8	FU7-2341-000		1	SPRING, COMPRESSION	

Figure 118 REVERSE DELIVERY DOOR ASSEMBLY

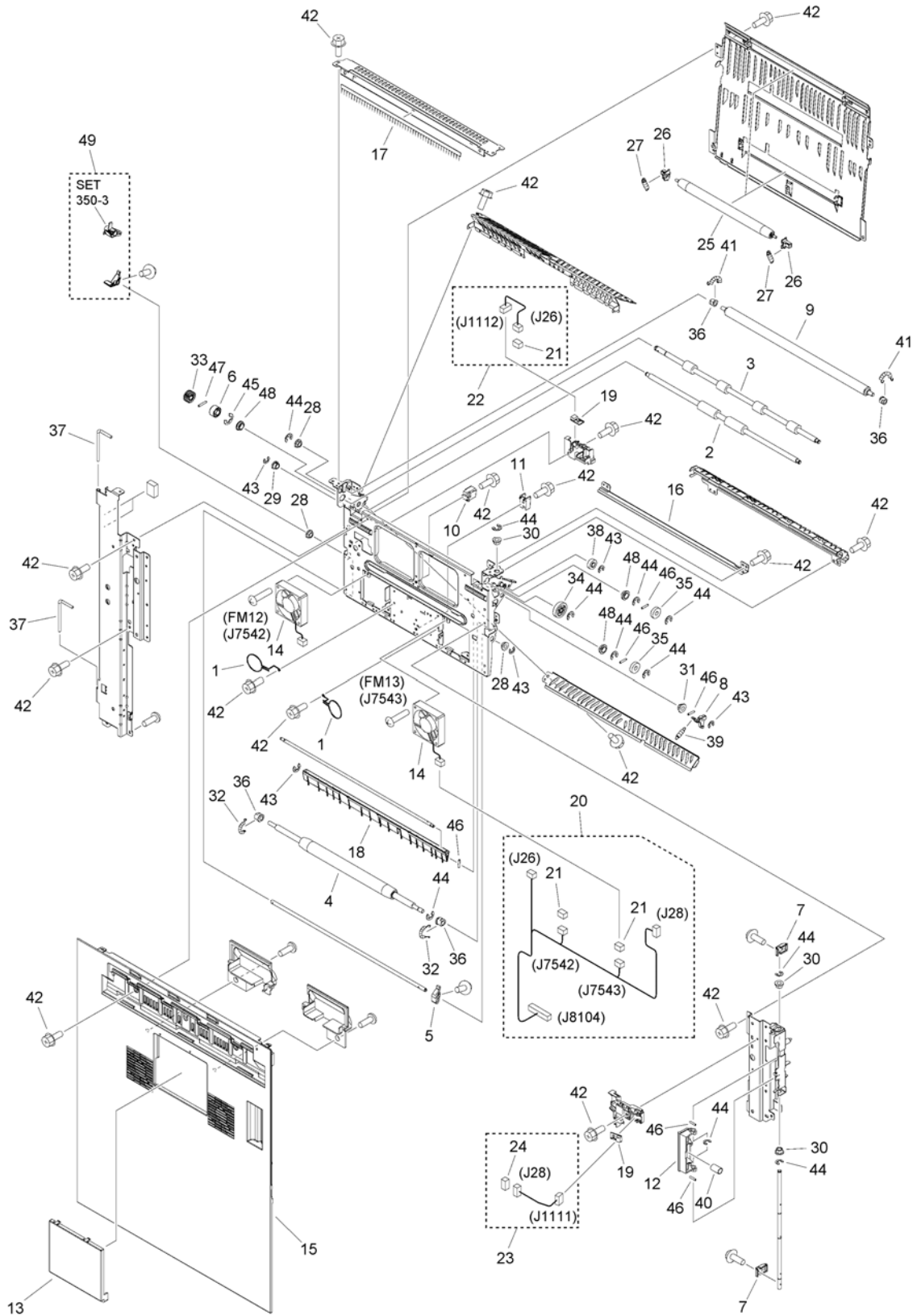


FIGURE & KEY NO.	PART NUMBER	RANK	QTY	DESCRIPTION	SERIAL NUMBER /REMARKS
118	FM1-L223-000		1	REVERSE DELIVERY DOOR ASSEMBLY	
1	FC0-8733-000		2	SPRING, GROUNDING	
2	FC8-2571-000		1	ROLLER, OUTER DELI. DRIVE	
3	FC8-2572-000		1	ROLLER, OUTER DELIVERY DRIVE	
4	FC8-2576-000		1	ROLLER, ESTRANGEMENT FOLLOWER	
5	FC8-2597-000		1	ARM,ROLLER ESTRANGEMENT,FRONT	
6	FC8-2606-010		1	ROLLER, SIDE END	
7	FC8-2623-000		2	ARM, HANDLE	
8	FC9-3776-000		1	ARM, REVERSE FLAPPER	
9	FC9-3777-000		1	ROLLER,OUTER DELIVERY FOLLOWER	
10	FC9-7527-000		1	SPACER, GUIDE, UPPER	
11	FC9-7528-000		1	SPACER, GUIDE, LOWER	
12	FE8-0980-000		1	HANDLE, REVERSE DOO	
13	FE8-1018-000		1	COVER, REVERSE, SMALL	
14	FK2-0472-010		2	FAN	FM12, FM13
15	FL0-7909-000		1	COVER, REVERSE DOOR	
16	FL2-8869-010		1	GUIDE, DELIVERY OUTLET, UPPER	
17	FC6-4009-000		1	ELIMINATOR,STATIC CHARGE	
18	FL3-4355-000		1	FLAPPER, REVERSE	
19	FM1-V871-000		2	LED ILLUMINATION UNIT	
20	FM1-V903-000		1	CABLE, FAN CONNECTING	
21	VS1-7177-003		3	CONNECTOR, SNAP TIGHT, BK	
22	FM1-V904-000		1	CABLE, LED ILLUMINATION, 1	
23	FM1-V905-000		1	CABLE, LED ILLUMINATION, 2	
24	VS1-7177-004		1	CONNECTOR, SNAP TIGHT, BK	
25	FC9-4094-010		2	ROLLER, REVERSE DRIVEN	
26	FE8-2440-000		4	BUSHING	
27	FU7-2351-000		4	SPRING, TENSION	
28	FS1-1569-000		3	BUSHING	
29	FU5-1442-000		1	BUSHING	
30	FU5-1453-000		3	BUSHING	
31	FU5-1469-000		1	BUSHING, POLYACETAR	
32	FU5-2139-040		2	SPRING, TENSION	
33	FU6-0029-000		1	GEAR, 18T	
34	FU6-0072-000		1	GEAR, 32T	
35	FU6-0152-000		2	GEAR, 17T	
36	FU6-1190-000		4	BUSHING	
37	FU6-4563-000		2	PIN, HINGE	
38	FU7-0287-000		1	GEAR, 16T	
39	FU7-2322-000		1	SPRING, TENSION	
40	FU7-2349-000		1	SPRING, COMPRESSION	
41	FU8-2355-000		2	SPRING, TENSION	
42	XA9-1386-000		15	SCREW,RS,M3X8	
43	XD9-0134-000		5	RING, E	

FIGURE & KEY NO.	PART NUMBER	RANK	QTY	DESCRIPTION	SERIAL NUMBER /REMARKS
44	XD9-0136-000		11	RING, E	
45	XD9-0137-010		3	RING, E	
46	XD9-0288-000		6	PIN, DOWEL	
47	XD9-0289-000		1	PIN, PARALLEL	
48	XG9-0709-000		3	BEARING, BALL, MF128ZZ-3	
49	FM1-D469-000		1	ARM KIT	

Figure 119 FRONT INNER DOOR ASSEMBLY

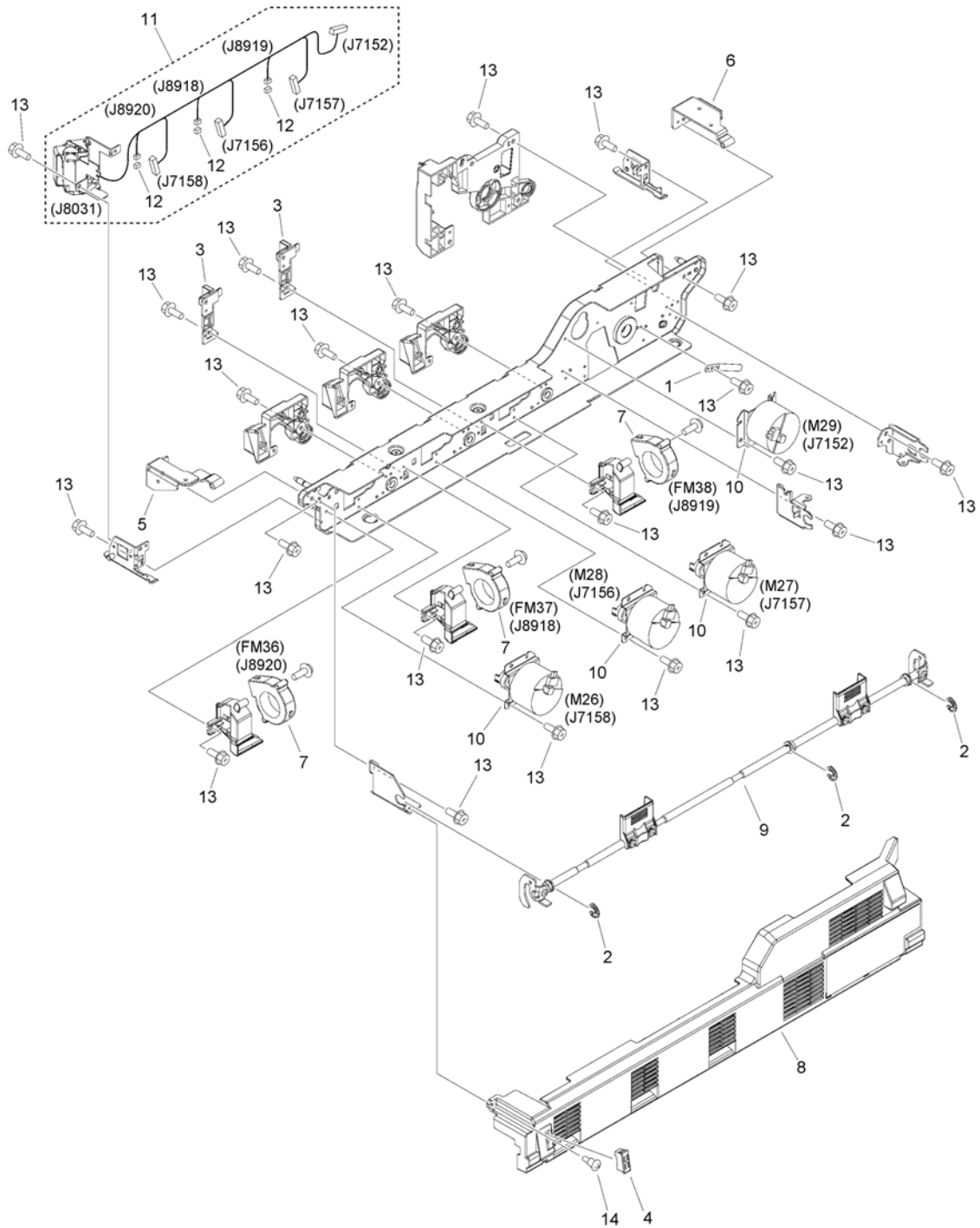


FIGURE & KEY NO.	PART NUMBER	RANK	QTY	DESCRIPTION	SERIAL NUMBER /REMARKS
119	FM1-N507-000		1	FRONT INNER DOOR ASSEMBLY	
1	FC0-2338-000		1	SPRING, GROUNDING	
2	FC5-2715-000		3	RING, RETAINING	
3	FC8-1998-000		2	RAIL, CARTRIDGE GUIDE	
4	XZ9-0603-000		1	CATCH, MAGNET	
5	FC9-3773-000		1	HINGE	
6	FC9-3774-000		1	HINGE	
7	FK3-3986-000		3	FAN	FM36, FM37, FM38
8	FL0-7773-000		1	COVER, INNER, FRONT	
9	FM0-1350-000		1	HOOK SHAFT UNIT	
10	FM0-1351-000		4	DEV. STIRRING MOTOR ASS'Y	M26, M27, M28, M29
11	FM0-1490-000		1	DRAWER CABLE UNIT	
12	VS1-7177-003		3	CONNECTOR, SNAP TIGHT, BK	
13	XA9-1386-000		15	SCREW,RS,M3X8	
14	FS1-9253-020		2	SCREW, STEPPED M4X8	

Figure 130C FLAT CONTROL PANEL ASSEMBLY

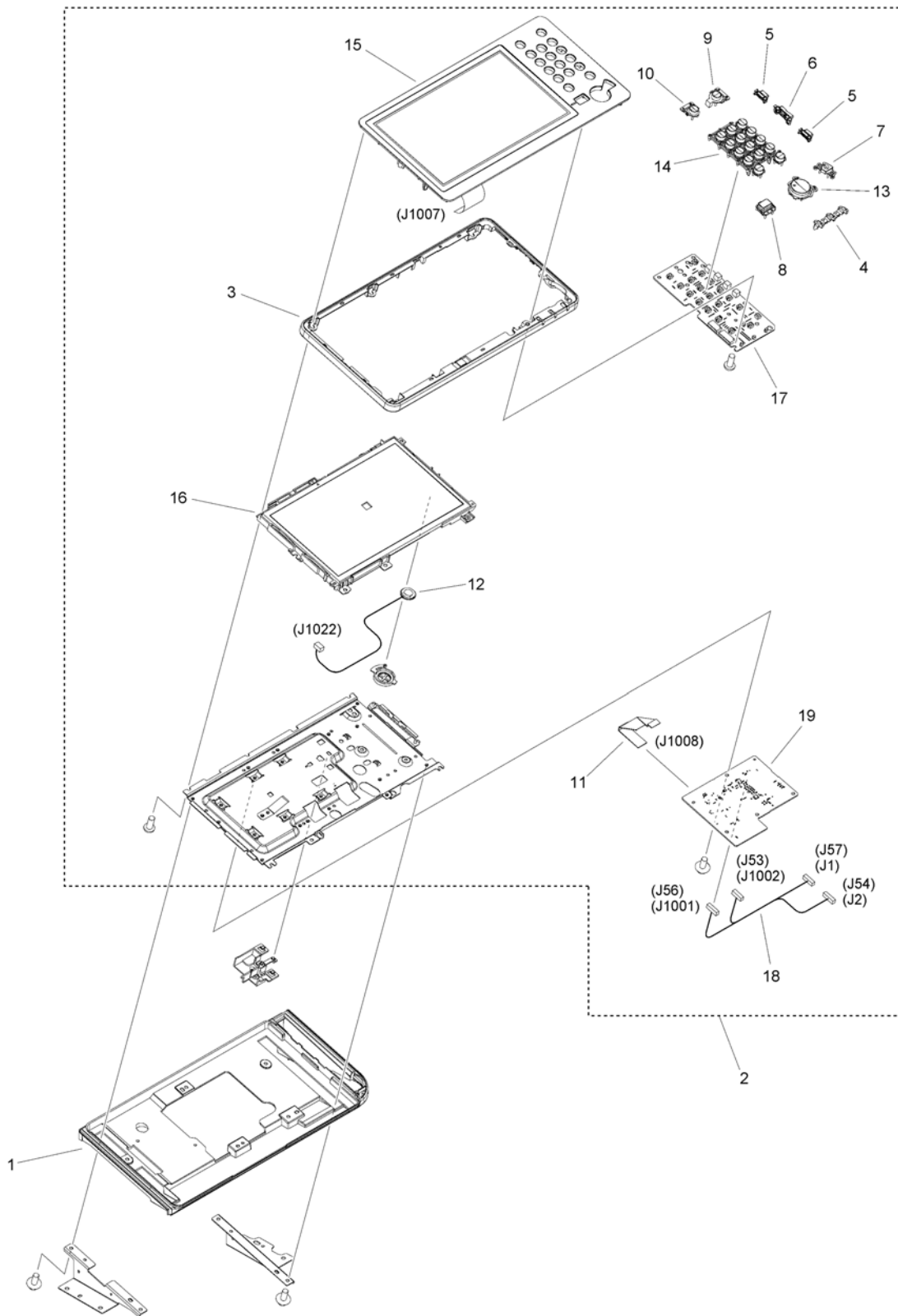


FIGURE & KEY NO.	PART NUMBER	RANK	QTY	DESCRIPTION	SERIAL NUMBER /REMARKS
130C	NPN		RF	FLAT CONTROL PANEL ASSEMBLY	
1	FL0-6131-010		1	COVER, LOWER	
2	FM1-H746-010		1	FLAT CONTROL PANEL ASSEMBLY	
3	FE4-1774-000		1	COVER, FRAME	
4	FE4-1787-000		1	GUIDE, LAMP LED	
5	FE4-1788-000		2	KEY TOP, SIDE	
6	FE4-1789-000		1	KEY TOP, VOLUME	
7	FE4-5109-000		1	KEY TOP, STOP	
8	FE4-5110-000		1	KEY TOP, RESET	
9	FE4-5111-000		1	KEY TOP, SLEEP	
10	FE4-5556-000		1	KEY TOP, SETTINGS/REGISTRATION	
11	FK4-2360-000		1	CABLE, FLEXIBLE FLAT	
12	FK4-2365-000		1	SPEAKER	
13	FL0-5116-000		1	KEY TOP, START	
14	FL1-2178-000		1	KEY TOP, NUMBERS	
15	FM1-L483-000		1	CONTROL PANEL UNIT	
16	FM1-L493-000		1	LCD HOLDER UNIT	
17	FM1-M929-000		1	KEY TOP PCB ASSEMBLY	
18	FM1-M930-000		1	CABLE, 10 KEY	
19	FM1-T858-000		1	CPU PCB ASSEMBLY	

Figure 140D POWER CORD TERMINAL ASSEMBLY (230V C7580i)

NOTE 1 : This assembly includes the assemblies shown in Figure 964 and 966. NOTE 2 : This assembly does not include the part shown with key No. 14.

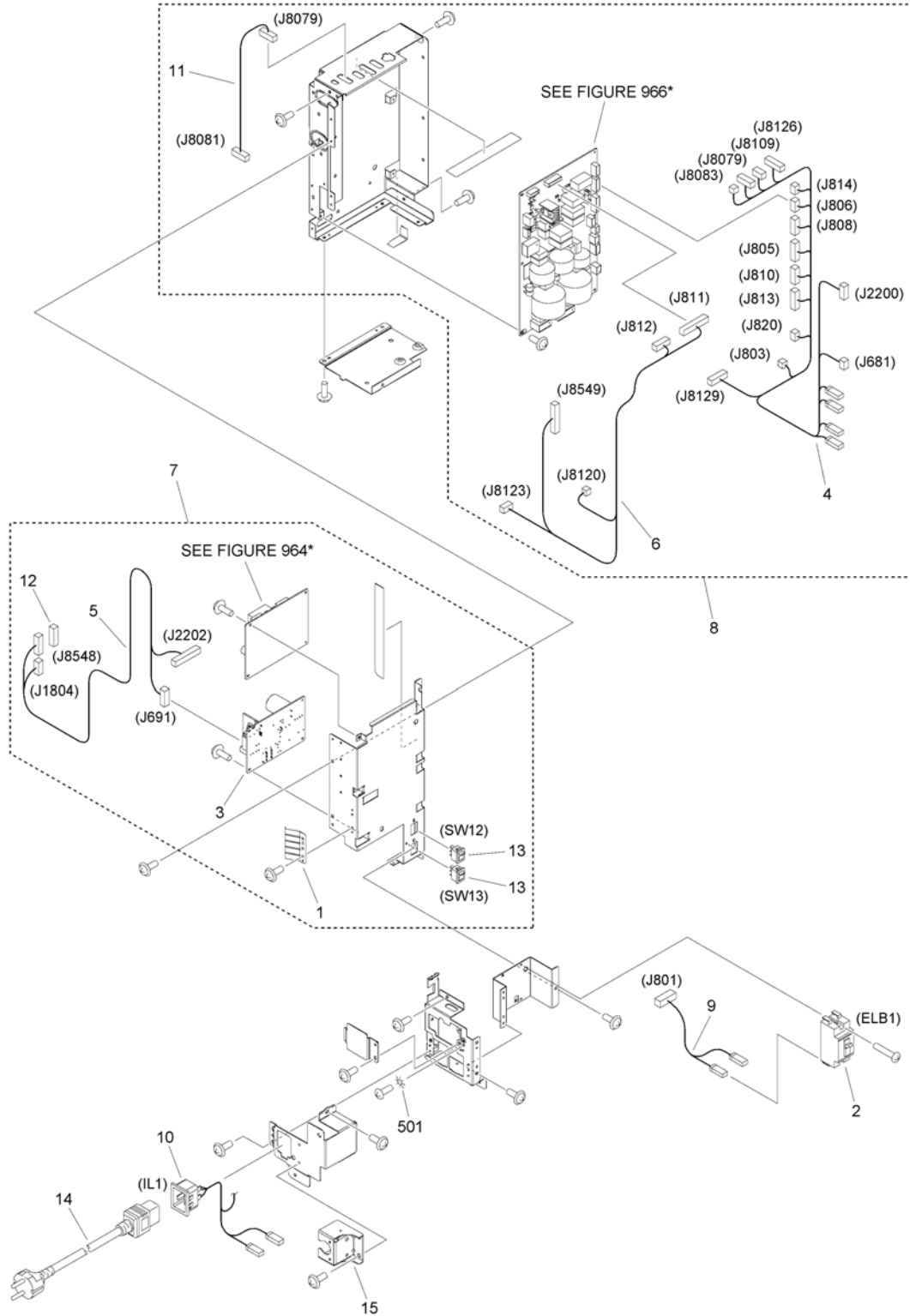


FIGURE & KEY NO.	PART NUMBER	RANK	QTY	DESCRIPTION	SERIAL NUMBER /REMARKS
140D	FM1-N334-000		1	POWER CORD TERMINAL ASSEMBLY	230V C7580i SEE NOTE 1
1	FC6-8737-000		1	PLATE, GROUNDING	
2	FH7-7626-000		1	BREAKER,ELECTRIC LEAKAGE	ELB1
3	FK4-2679-000		1	ALL NIGHT POWER SUPPLY PCB	
4	FM1-V810-000		1	CABLE, AC MAIN	
5	FM1-V816-000		1	CABLE, ALL-NIGHT & DRUM HEATER	
6	FM1-V811-000		1	CABLE, AC PCB ASS'Y CONNECTING	
7	FM1-N354-000		1	HEATER POWER SUPPLY ASSEMBLY	
8	FM1-N352-000		1	AC DRIVER ASSEMBLY	
9	FM4-1343-000		1	CABLE, BREAKER 1	
10	FM0-2094-000		1	CABLE, INLET	IL1
11	FM4-1349-000		1	CABLE, DECK	
12	VS1-8412-015		1	CONNECTOR, SNAP TIGHT, BL	
13	WC1-5179-000		2	SWITCH,TOGGLE	SW12, SW13
14	FK3-2289-000		1	CORD, POWER, 230V	SEE NOTE 2
15	FL3-9168-000		1	COVER, PLUG	
501	XD1-4200-402		1	WASHER, TOOTHED LOCK, M4	

Figure 140E POWER CORD TERMINAL ASSEMBLY (230V C7570i, C7565i)

NOTE 1 : This assembly includes the assemblies shown in Figure 964 and 966. NOTE 2 : This assembly does not include the part shown with key No. 14.

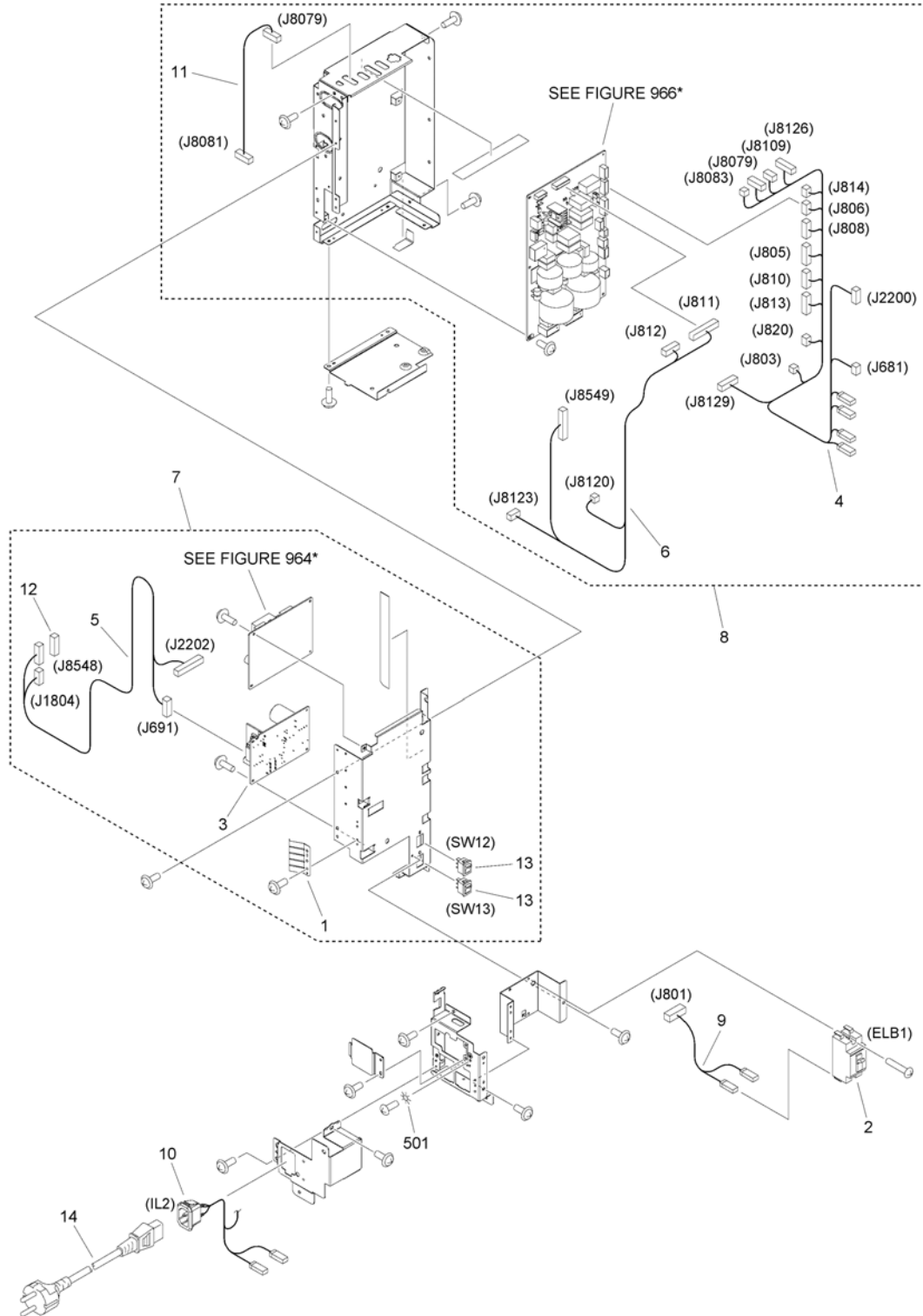


FIGURE & KEY NO.	PART NUMBER	RANK	QTY	DESCRIPTION	SERIAL NUMBER /REMARKS
140E	FM1-N333-000		1	POWER CORD TERMINAL ASSEMBLY	230V C7570i, C7565i SEE NOTE 1
1	FC6-8737-000		1	PLATE, GROUNDING	
2	FH7-7625-000		1	BREAKER, ELECTRIC LEAKAGE	ELB1
3	FK4-2679-000		1	ALL NIGHT POWER SUPPLY PCB	
4	FM1-V810-000		1	CABLE, AC MAIN	
5	FM1-V816-000		1	CABLE, ALL-NIGHT & DRUM HEATER	
6	FM1-V811-000		1	CABLE, AC PCB ASS'Y CONNECTING	
7	FM1-N354-000		1	HEATER POWER SUPPLY ASSEMBLY	
8	FM1-N352-000		1	AC DRIVER ASSEMBLY	
9	FM4-1343-000		1	CABLE, BREAKER 1	
10	FM4-1462-000		1	CABLE, INLET	IL2
11	FM4-1349-000		1	CABLE, DECK	
12	VS1-8412-015		1	CONNECTOR, SNAP TIGHT, BL	
13	WC1-5179-000		2	SWITCH, TOGGLE	SW12, SW13
14	FH2-7080-000		1	CORD, POWER, 230V	SEE NOTE 2
501	XD1-4200-402		1	WASHER, TOOTHED LOCK, M4	

Figure 191 PRE-FIXING FEED FAN ASSEMBLY

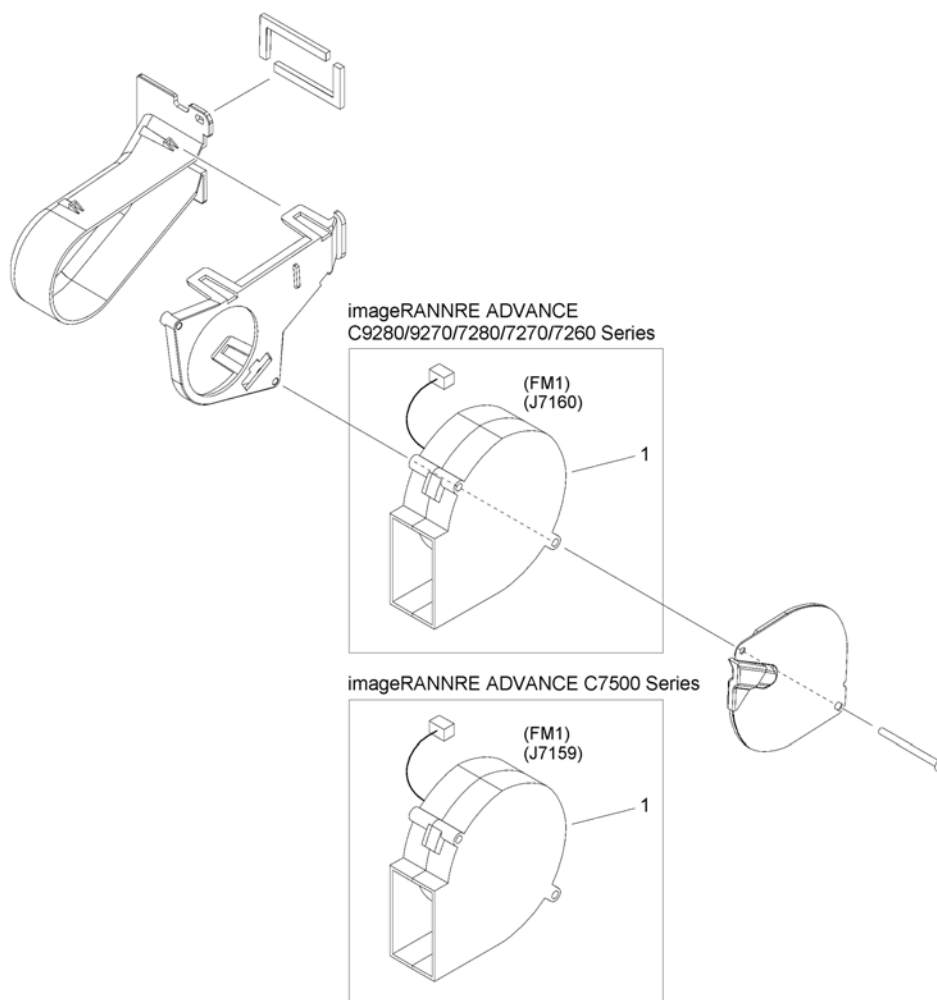


FIGURE & KEY NO.	PART NUMBER	R A N K	QTY	DESCRIPTION	SERIAL NUMBER /REMARKS
191	FM0-2289-000		1	PRE-FIXING FEED FAN ASSEMBLY	
1	FK2-9500-000		1	FAN	FM1

Figure 192 FIXING EXHAUST FAN ASSEMBLY

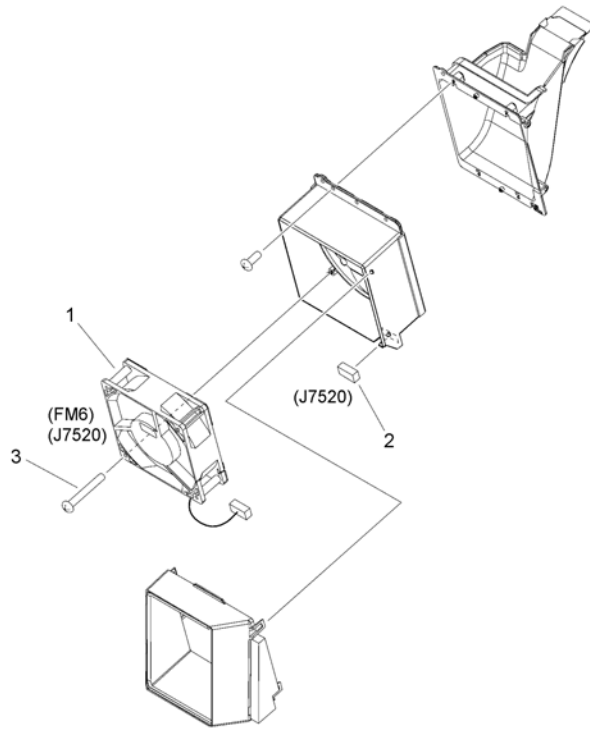


FIGURE & KEY NO.	PART NUMBER	RANK	QTY	DESCRIPTION	SERIAL NUMBER /REMARKS
192	FM1-L269-000		1	FIXING EXHAUST FAN ASSEMBLY	
1	FLO-7928-000		1	FAN	FM6
2	VS1-7177-004		1	CONNECTOR, SNAP TIGHT, BK	
3	XA9-1034-000		2	SCREW,P,M4X55	

Figure 193 PRIMARY CORONA EXHAUST ASS'Y

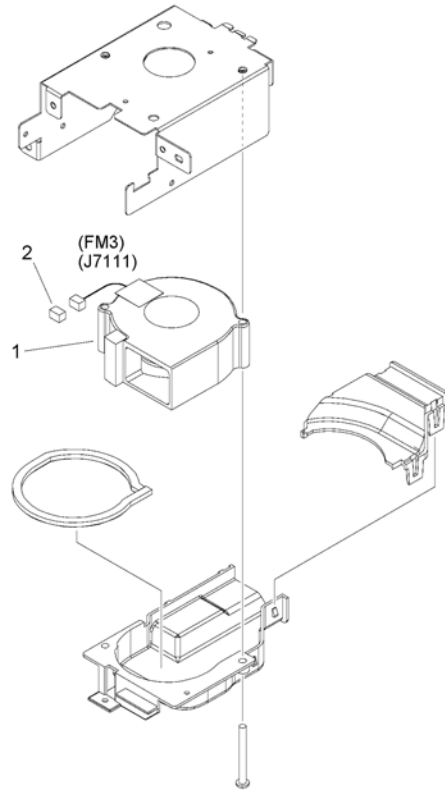


FIGURE & KEY NO.	PART NUMBER	R A N K	QTY	DESCRIPTION	SERIAL NUMBER /REMARKS
193	FM0-1494-010		1	PRIMARY CORONA EXHAUST ASS'Y	
1	FL3-7770-000		1	FAN	FM3
2	VS1-7177-003		1	CONNECTOR, SNAP TIGHT, BK	

Figure 250 DRUM DRIVE ASS'Y, (Y/M/C)

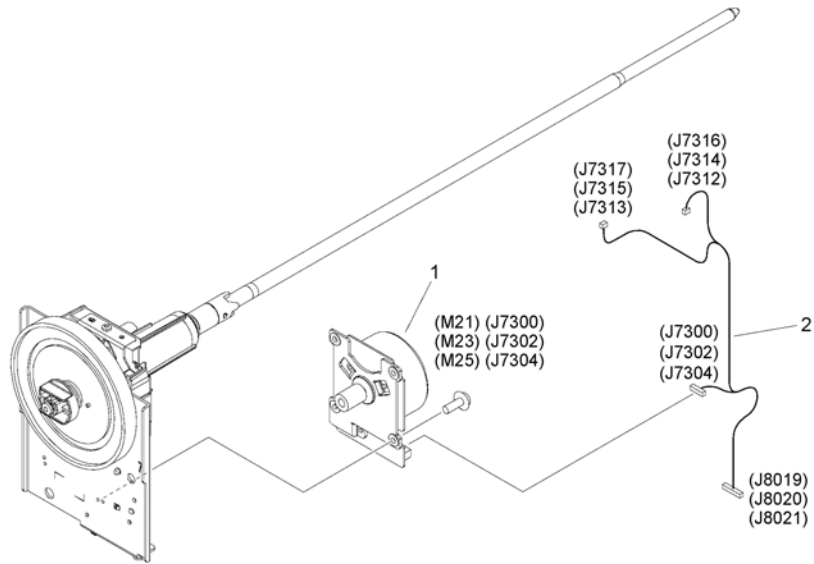


FIGURE & KEY NO.	PART NUMBER	RANK	QTY	DESCRIPTION	SERIAL NUMBER /REMARKS
250	FM1-L344-000		1	DRUM DRIVE ASSY,(Y/M/C)	
1	FK3-2284-000		1	MOTOR, DC BRUSHLESS	M21,M23,M25
2	FM1-W950-000		1	CABLE, DRUM DRIVE UNIT, COLOR	

Figure 251 DRUM DRIVE ASSEMBLY, BLACK

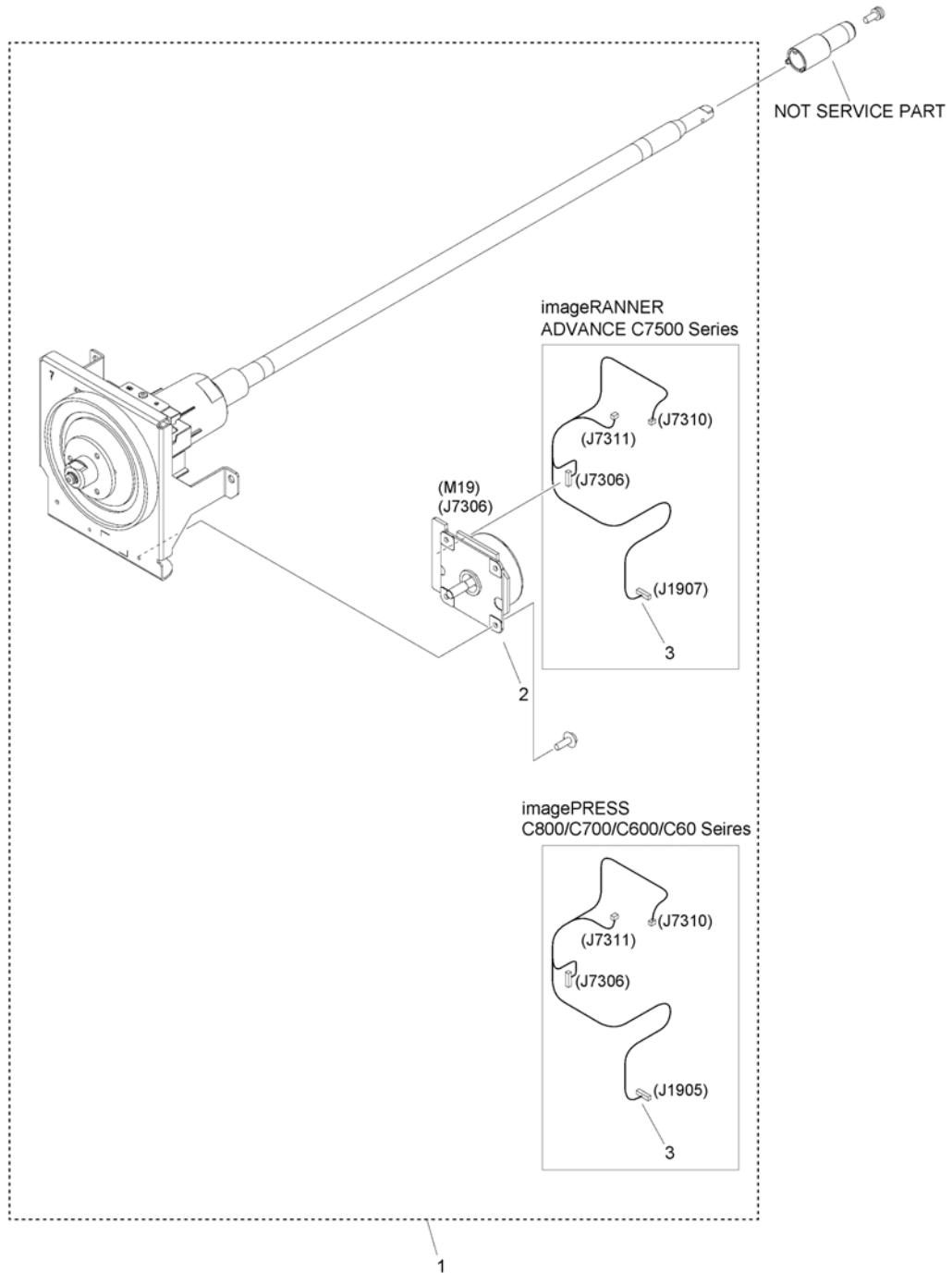


FIGURE & KEY NO.	PART NUMBER	RANK	QTY	DESCRIPTION	SERIAL NUMBER /REMARKS
251	NPN		RF	DRUM DRIVE ASSEMBLY, BLACK	
1	FM0-1343-010		1	DRUM DRIVE ASSEMBLY, BLACK	
2	FK3-3982-000		1	MOTOR, DC BRUSHLESS	M19
3	FM0-2801-000		1	CABLE, DRUM DRIVE UNIT, BLACK	

Figure 260 DECK DRIVE ASSEMBLY, LEFT

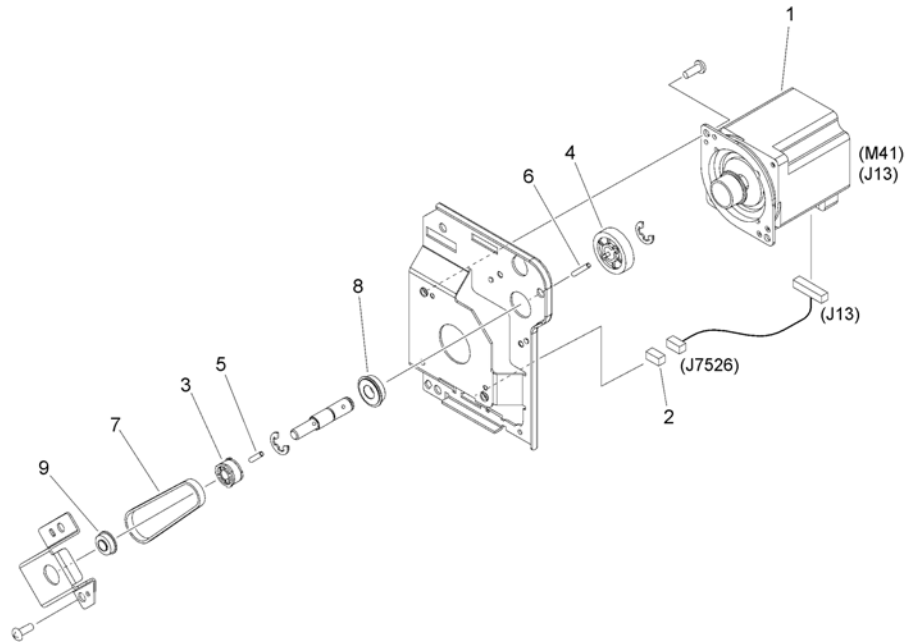


FIGURE & KEY NO.	PART NUMBER	RANK	QTY	DESCRIPTION	SERIAL NUMBER /REMARKS
260	FM1-L224-000		1	DECK DRIVE ASSEMBLY, LEFT	
1	FK2-7675-000		1	MOTOR, STEPPING, DC	M41
2	VS1-7177-004		1	CONNECTOR, SNAP TIGHT, BK	
3	FU2-1814-000		1	PULLEY, 22T	
4	FU8-0335-000		1	GEAR, 28T	
5	XD9-0288-000		1	PIN, DOWEL	
6	XD9-0290-000		1	PIN, PARALLEL	
7	XF2-1608-340		1	BELT, TIMING	
8	XG9-0794-000		1	BEARING, BALL, LNR-1680KKR	
9	XG9-0707-000		1	BEARING, BALL, MF126ZZ-1	

Figure 261 VERTICAL PATH DRIVE ASS'Y, 2

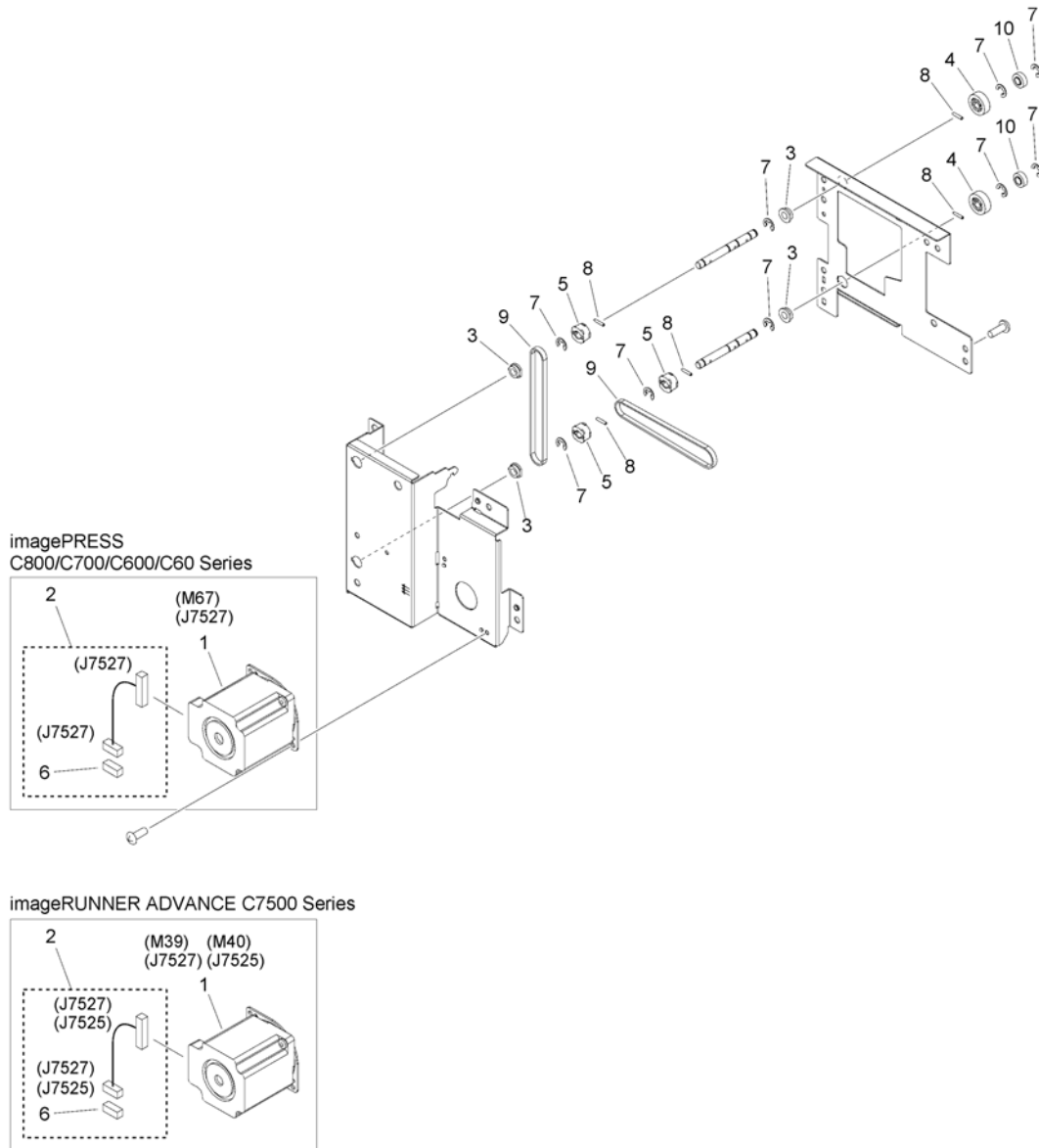


FIGURE & KEY NO.	PART NUMBER	RANK	QTY	DESCRIPTION	SERIAL NUMBER /REMARKS
261	FM0-1445-000		1	VERTICAL PATH DRIVE ASSY, 2	
1	FK2-7675-000		1	MOTOR, STEPPING, DC	imagePRESS C800/C700/C600/C60 Series M67 imageRUNNER ADVANCE C7500 Series M39,M40
2	FM0-2841-000		1	CABLE, MOTOR CONNECTING	
3	FS1-1508-000		4	BUSHING	
4	FU3-0277-000		2	GEAR, 16T	
5	FU6-3398-000		3	PULLEY, 22T	
6	VS1-7177-005		1	CONNECTOR, SNAP TIGHT, BK	
7	XD9-0136-000		9	RING, E	
8	XD9-0288-000		5	PIN, DOWEL	
9	XF2-1611-840		2	BELT, TIMING	
10	XG9-0706-000		2	BEARING, BALL, MR126ZZ-1	

Figure 263 MULTI DRIVE ASSEMBLY

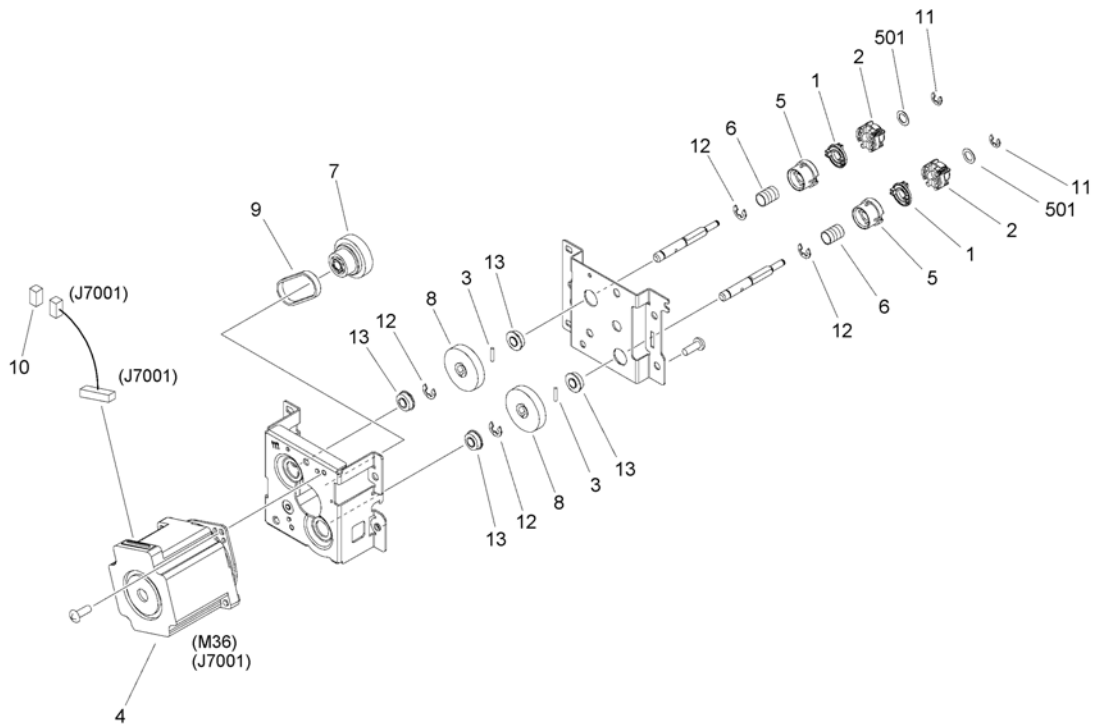


FIGURE & KEY NO.	PART NUMBER	RANK	QTY	DESCRIPTION	SERIAL NUMBER /REMARKS
263	FM1-L201-000		1	MULTI DRIVE ASSEMBLY	
1	FC0-9158-000		2	COUPLING	
2	FE8-0890-000		2	COUPLING	
3	XD9-0288-000		2	PIN, DOWEL	
4	FK2-7675-000		1	MOTOR, STEPPING, DC	M36
5	FE8-0895-000		2	BASE, COUPLING	
6	FE8-0897-000		2	SPRING, COMPRESSION	
7	FE8-0898-000		1	GEAR/PULLEY, 46T/28T	
8	FU7-0318-000		2	GEAR, 50T	
9	XF2-1605-240		1	BELT, TIMING	
10	VS1-7177-004		1	CONNECTOR, SNAP TIGHT, BK	
11	XD9-0134-000		2	RING, E	
12	XD9-0136-000		4	RING, E	
13	XG9-0707-000		4	BEARING, BALL, MF126ZZ-1	
501	XD1-1105-223		2	WASHER,COP	

Figure 270 DEVELOPING DRIVE ASS'Y, COLOR

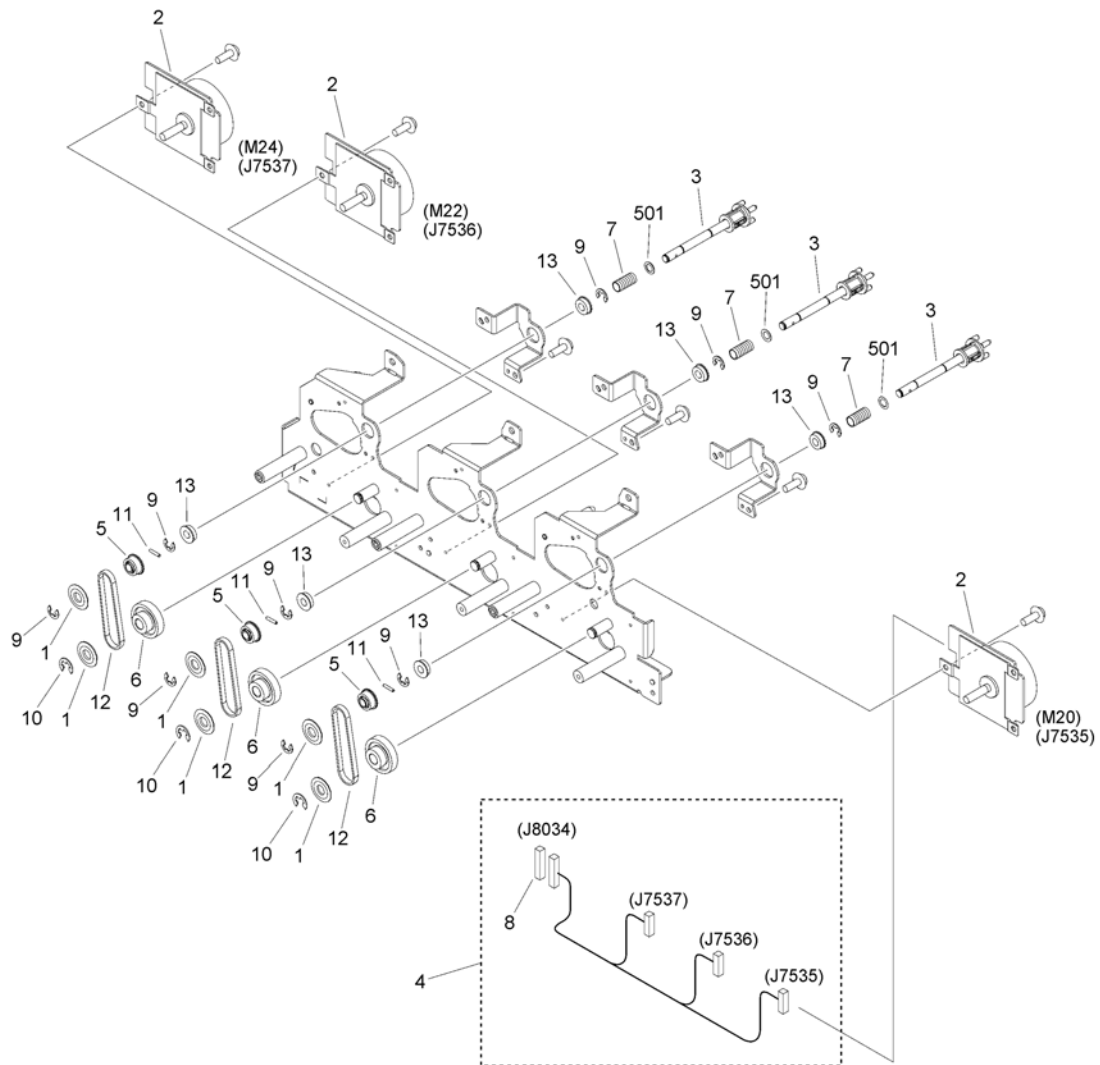


FIGURE & KEY NO.	PART NUMBER	RANK	QTY	DESCRIPTION	SERIAL NUMBER /REMARKS
270	FM0-1342-000		1	DEVELOPING DRIVE ASS'Y, COLOR	
1	FC8-1933-000		6	FLANGE	
2	FK2-7897-000		3	MOTOR, DC	M20, M22, M24
3	FL3-7321-000		3	SLEEVE DRIVE UNIT	
4	FM0-2804-000		1	CABLE, DEV. DRIVE MOTOR, COLOR	
5	FU6-3385-000		3	PULLEY, 22T	
6	FU7-0999-000		3	GEAR, 25T/50T	
7	FU9-2254-000		3	SPRING, COMPRESSION	
8	VS1-8412-023		1	CONNECTOR, SNAP TIGHT, BL	
9	XD9-0136-000		9	RING, E	
10	XD9-0137-010		3	RING, E	
11	XD9-0288-000		3	PIN, DOWEL	
12	XF2-1607-240		3	BELT, TIMING	
13	XG9-0594-000		6	BEARING, BALL, MF126ZZ	
501	XD1-1106-222		3	WASHER,COP	

Figure 271 DEVELOPING DRIVE ASS'Y, BLACK

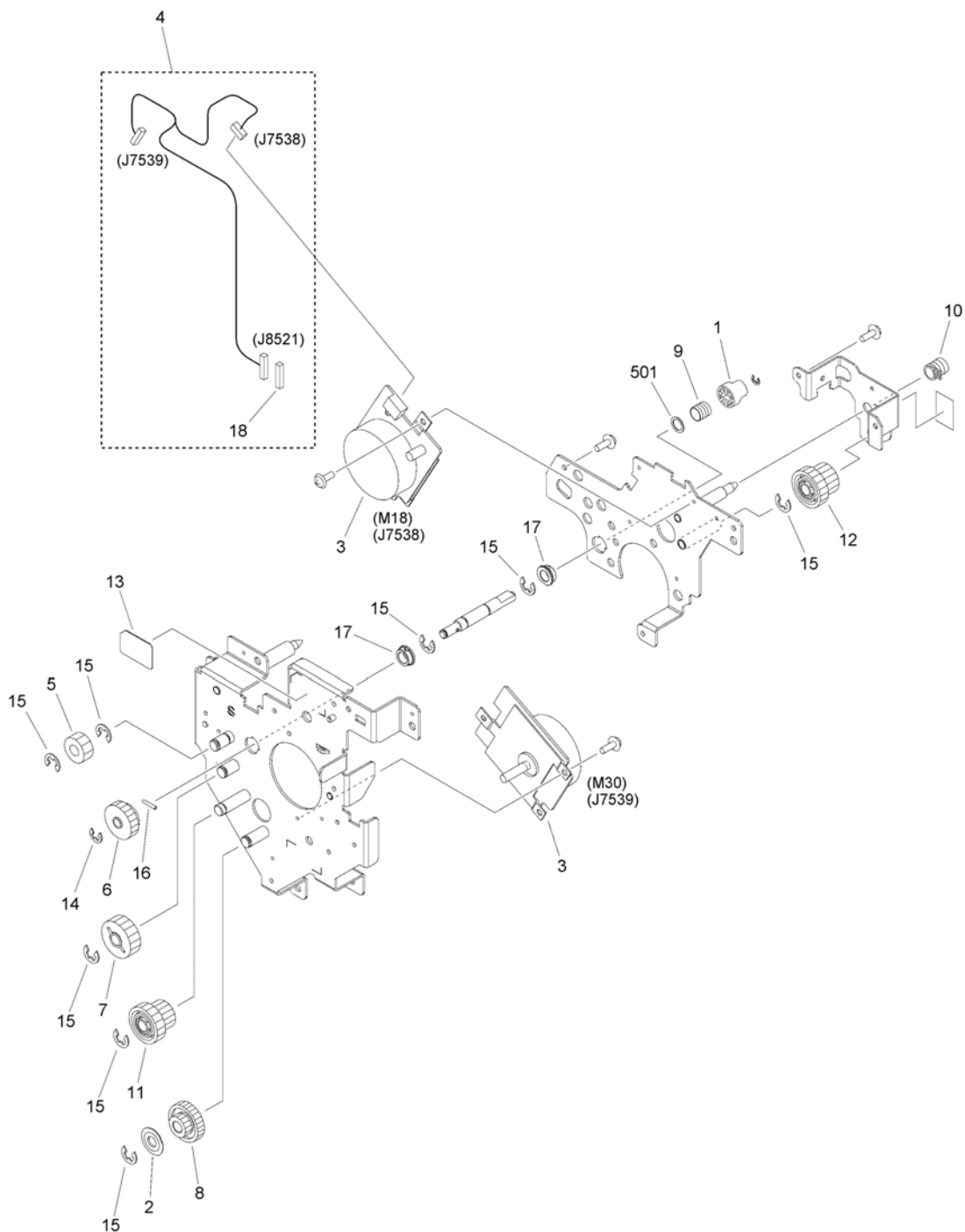


FIGURE & KEY NO.	PART NUMBER	RANK	QTY	DESCRIPTION	SERIAL NUMBER /REMARKS
271	FM1-L345-000		1	DEVELOPING DRIVE ASS'Y, BLACK	
1	FE8-2028-000		1	COUPLING	
2	FC8-1933-000		1	FLANGE	
3	FK2-7897-000		2	MOTOR, DC	M18,M30
4	FM1-V842-000		1	CABLE, DEV. DRIVE MOTOR, BLACK	
5	FE3-6515-000		1	GEAR, 20T	
6	FU6-0261-000		1	GEAR, 27T	
7	FU6-0603-000		1	GEAR, 30T	
8	FU7-0999-000		1	GEAR, 25T/50T	
9	FU7-2343-000		1	SPRING, COMPRESSION	
10	FU7-2388-000		1	SPRING, COMPRESSION	
11	FU8-0051-000		1	GEAR, 49T/21T	
12	FU8-0090-000		1	GEAR, 49T/21T	
13	FU8-8004-000		1	LABEL, HOPPER MOUNTING, BLACK	
14	XD9-0136-000		1	RING, E	
15	XD9-0137-010		8	RING, E	
16	XD9-0289-000		1	PIN, PARALLEL	
17	XG9-0737-000		2	BUSHING	
18	VS1-8412-015		1	CONNECTOR, SNAP TIGHT, BL	
501	XD1-1108-215		1	WASHER,COP	

Figure 272 2ND TRNS. EST. DRIVE ASS'Y

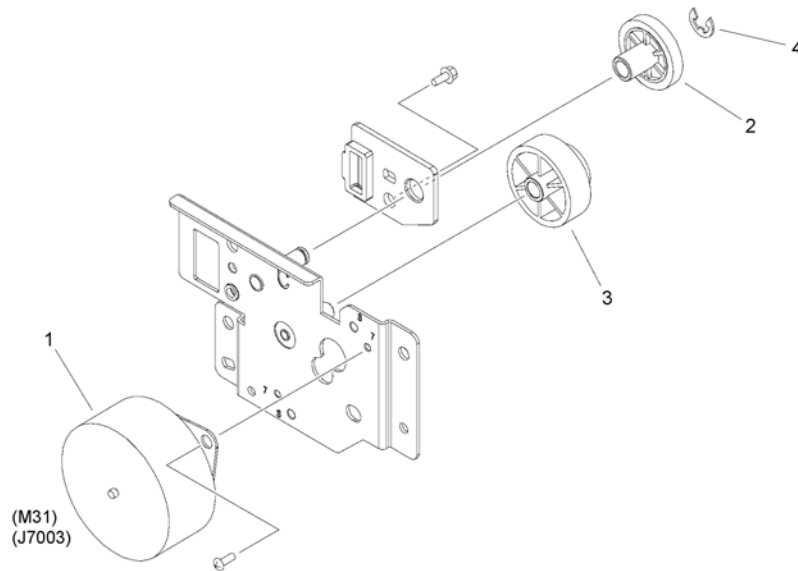


FIGURE & KEY NO.	PART NUMBER	RANK	QTY	DESCRIPTION	SERIAL NUMBER /REMARKS
272	FM1-L404-000		1	2ND TRNS. EST. DRIVE ASS'Y	
1	FK4-0640-000		1	MOTOR, STEPPING	M31
2	FU6-0678-000		1	GEAR, 24T	
3	FE8-1087-000		1	GEAR, 55T/16T	
4	XD9-0136-000		1	RING, E	

Figure 273 WASTE TONER DRIVE ASSEMBLY

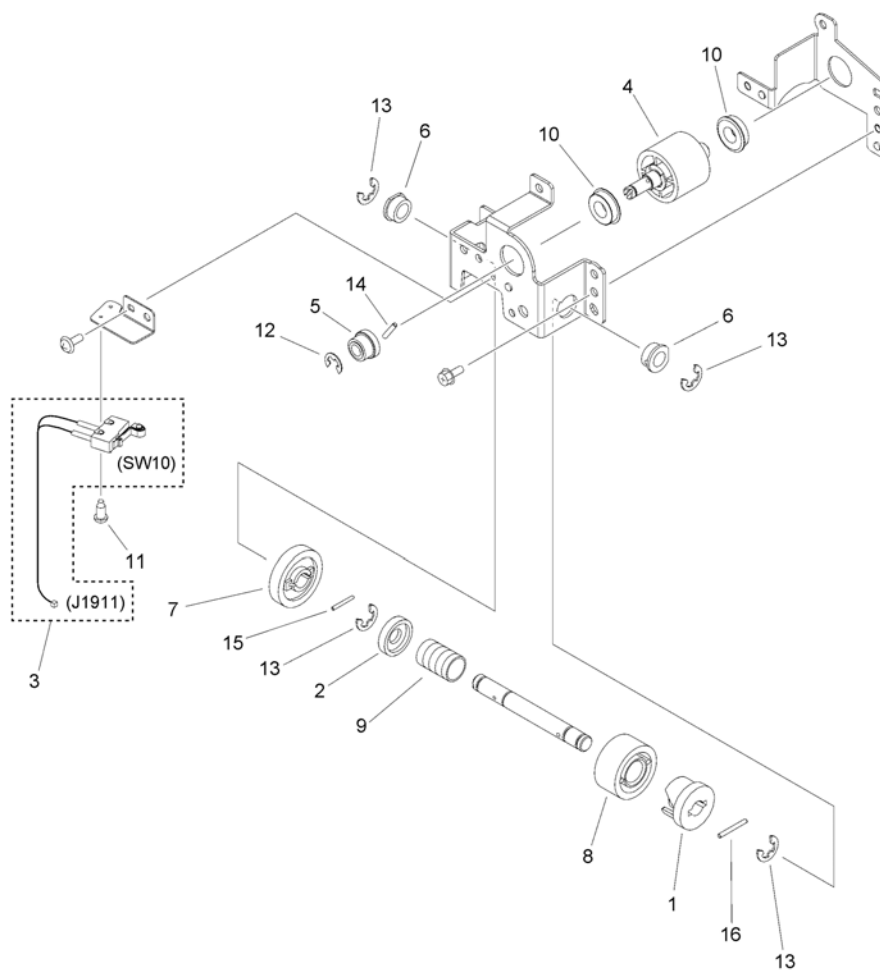


FIGURE & KEY NO.	PART NUMBER	RANK	QTY	DESCRIPTION	SERIAL NUMBER /REMARKS
273	FM1-L605-000		1	WASTE TONER DRIVE ASSEMBLY	
1	FC9-4116-000		1	CAM	
2	FC9-4118-000		1	HOLDER, SPRING	
3	FM1-V834-000		1	CABLE, WASTE TONER SWITCH	SW10
4	FM4-3890-000		1	WASTE TONER WORM GEAR ASSEMBLY	
5	FU5-3666-000		1	PULLEY, 19T	
6	FU6-1184-000		2	BUSHING	
7	FU8-0069-000		1	GEAR, 35T	
8	FU8-0081-000		1	GEAR, 26T	
9	FU8-2369-000		1	SPRING, COMPRESSION	
10	XG9-0508-000		2	BEARING, BALL, F688ZZ	
11	XA9-0944-000		1	SCREW, STEPPED, M2	
12	XD9-0136-000		1	RING, E	
13	XD9-0137-010		4	RING, E	
14	XD9-0219-000		1	PIN, DOWEL	
15	XD9-0329-000		1	PIN, DOWEL	
16	XD9-0292-000		1	PIN, PARALLEL	

Figure 300 PAPER DECK ASSEMBLY, RIGHT

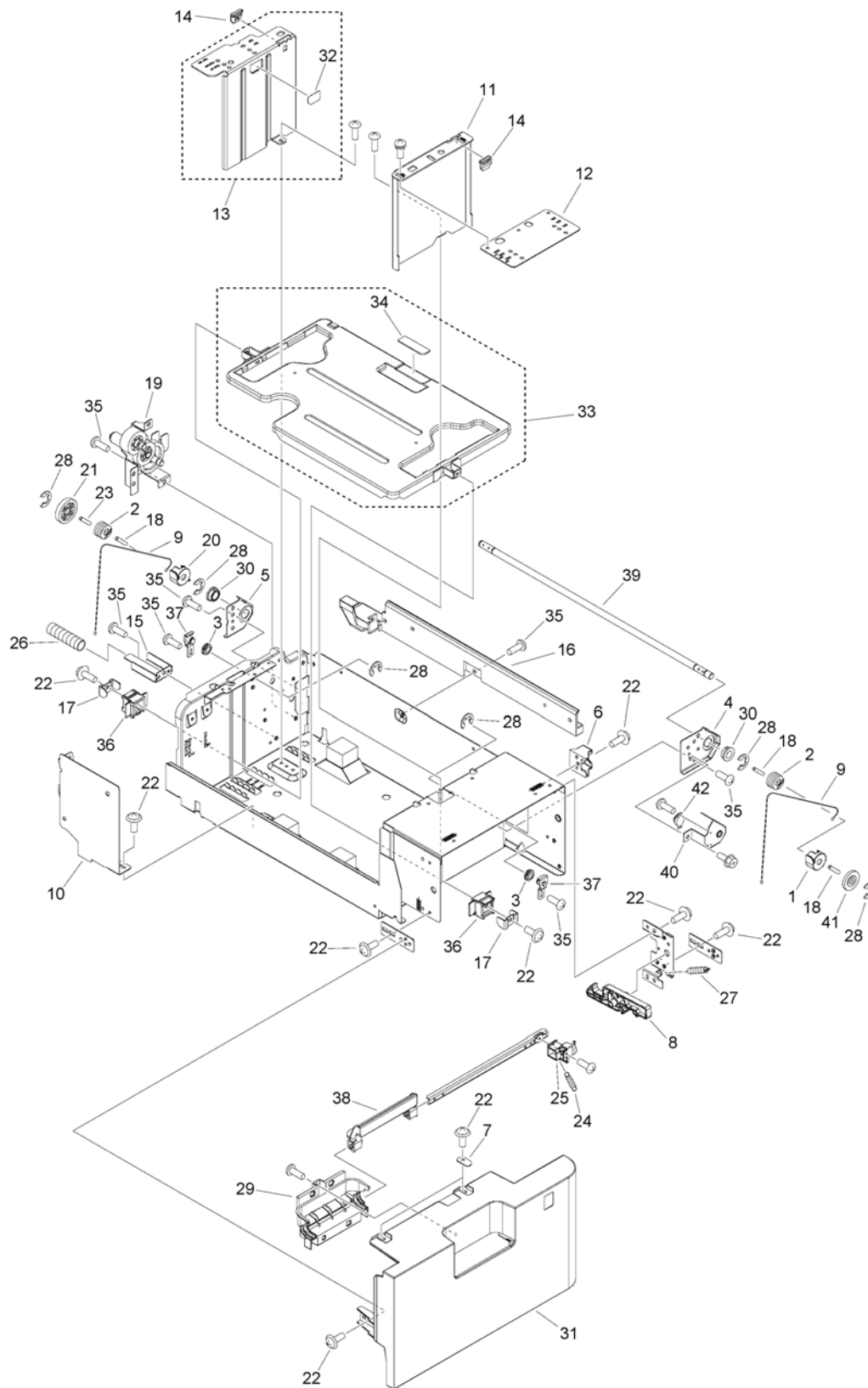


FIGURE & KEY NO.	PART NUMBER	RANK	QTY	DESCRIPTION	SERIAL NUMBER /REMARKS
300	FM1-L245-000		1	PAPER DECK ASSEMBLY, RIGHT	
1	FL3-4333-000		1	FLANGE, LIFT, FRONT	
2	FB2-8465-000		2	PULLEY, LIFTING	
3	FC5-2609-000		2	PULLEY	
4	FC6-3762-000		1	SUPPORT, SHAFT, FRONT	
5	FC6-3763-010		1	SUPPORT, SHAFT, REAR	
6	FC9-9359-010		1	BLOCK, POSITIONING	
7	FE3-8153-000		2	WASHER	
8	FE4-9831-000		1	HOOK	
9	FC8-2529-000		2	WIRE	
10	FE4-9837-000		1	PLATE, BACK END LIMIT	
11	FE4-9812-000		1	PLATE, PAPER SIDE END, FRONT	
12	FE4-9813-000		1	PLATE, PAPER SIDE END ADJUST	
13	FL0-7505-000		1	PLATE, PAPER SIDE END, REAR	
14	FB6-3490-000		2	CLAW, SIDE PLATE GUIDE	
15	FE4-9815-000		1	SUPPORT, DECK SPRING	
16	FE4-9816-000		1	GUIDE, ROLLER	
17	FE4-9820-000		2	PLATE, SLIDER RETAINING	
18	XD9-0334-000		3	PIN, DOWEL	
19	FM1-L249-000		1	LIFTER DRIVE UNIT	
20	FL3-4334-000		1	FLANGE, LIFT, REAR	
21	FU2-1893-000		1	GEAR, 30T	
22	XA9-1450-000		15	SCREW, TP, M4X6	
23	XD9-0336-000		1	PIN, DOWEL	
24	FE4-2098-000		1	SPRING, TENSION	
25	FE4-1289-000		1	LEVER, DECK	
26	FU8-2361-000		1	SPRING, COMPRESSION	
27	FU2-1894-000		1	SPRING, TENSION	
28	XD9-0137-010		6	RING, E	
29	FE4-1297-000		1	COVER, HANDLE, LEFT	
30	XG9-0737-000		2	BUSHING	
31	FE4-9833-000		1	COVER, DECK FRONT, RIGHT	
32	FC8-4964-010		1	LABEL, HEIGHT LIMIT, S	
33	FL0-7508-000		1	PLATE, LIFTER	
34	FC9-7171-000		1	SHEET, SEPARATION	
35	XA9-1934-000		15	SCREW, M4X4	
36	FE4-9821-000		2	BLOCK, SLIDE	
37	FL2-8664-000		2	PLATE, SUPPORT PULLEY	
38	FE4-1298-000		1	HANDLE, LEFT	
39	FE4-9826-000		1	SHAFT, TRANSMISSION	
40	FC6-3764-000		1	HOLDER, DAMPER	
41	FU0-0078-000		1	GEAR, 27T	
42	XH9-0148-000		1	DAMPER, OIL	

Figure 301 PAPER DECK ASSEMBLY, LEFT

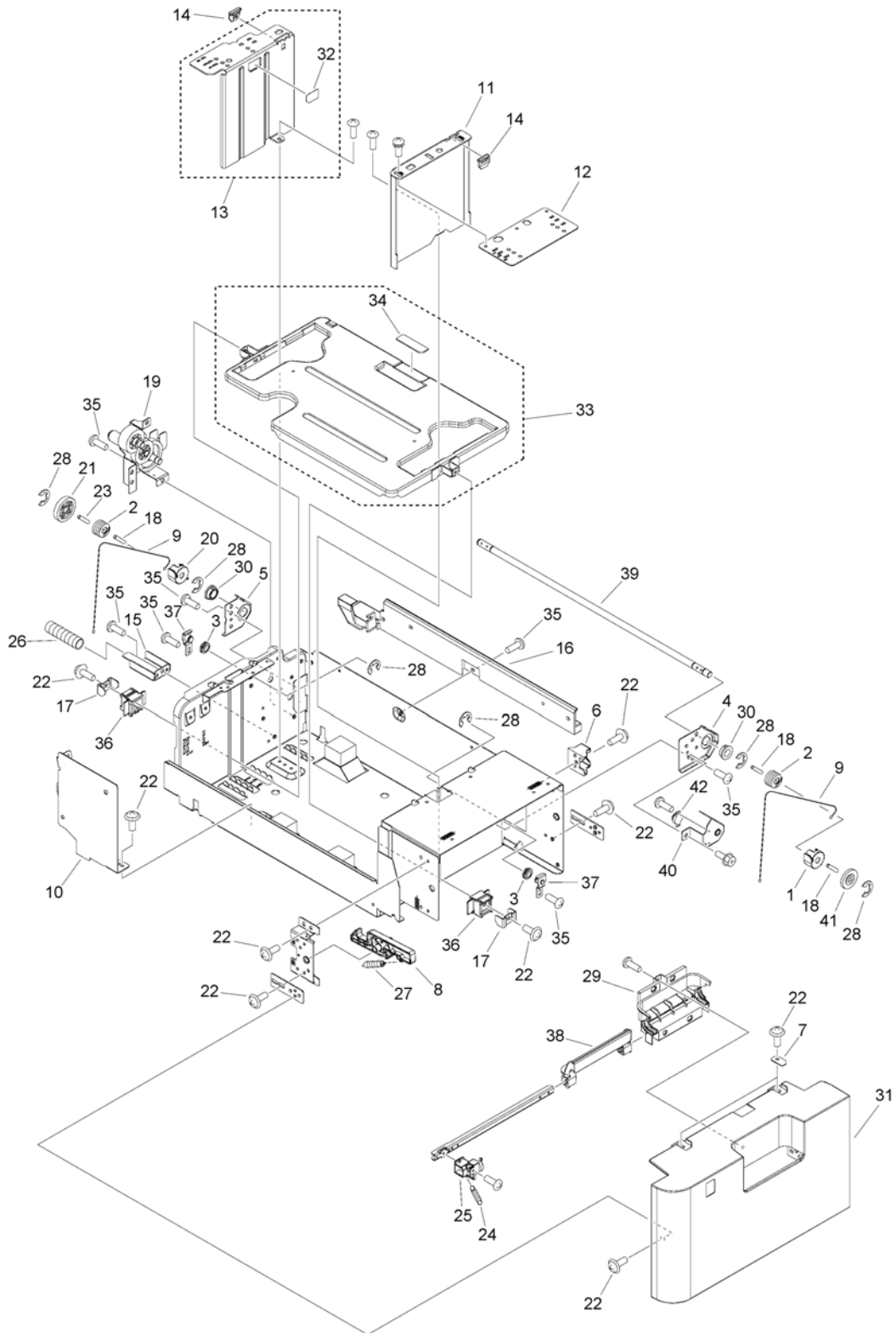


FIGURE & KEY NO.	PART NUMBER	RANK	QTY	DESCRIPTION	SERIAL NUMBER /REMARKS
301	FM1-L251-000		1	PAPER DECK ASSEMBLY, LEFT	
1	FL3-4333-000		1	FLANGE, LIFT, FRONT	
2	FB2-8465-000		2	PULLEY, LIFTING	
3	FC5-2609-000		2	PULLEY	
4	FC6-3762-000		1	SUPPORT, SHAFT, FRONT	
5	FC6-3763-010		1	SUPPORT,SHAFT,REAR	
6	FC9-9359-010		1	BLOCK, POSITIONING	
7	FE3-8153-000		2	WASHER	
8	FE4-9831-000		1	HOOK	
9	FC8-2529-000		2	WIRE	
10	FE4-9837-000		1	PLATE, BACK END LIMIT	
11	FE4-9812-000		1	PLATE, PAPER SIDE END, FRONT	
12	FE4-9813-000		1	PLATE, PAPER SIDE END ADJUST	
13	FL0-7505-000		1	PLATE, PAPER SIDE END, REAR	
14	FB6-3490-000		2	CLAW, SIDE PLATE GUIDE	
15	FE4-9815-000		1	SUPPORT, DECK SPRING	
16	FE4-9816-000		1	GUIDE, ROLLER	
17	FE4-9820-000		2	PLATE, SLIDER RETAINING	
18	XD9-0334-000		3	PIN, DOWEL	
19	FM1-L249-000		1	LIFTER DRIVE UNIT	
20	FL3-4334-000		1	FLANGE, LIFT, REAR	
21	FU2-1893-000		1	GEAR, 30T	
22	XA9-1450-000		15	SCREW, TP, M4X6	
23	XD9-0336-000		1	PIN, DOWEL	
24	FE4-2098-000		1	SPRING, TENSION	
25	FE4-1289-000		1	LEVER, DECK	
26	FU8-2361-000		1	SPRING, COMPRESSION	
27	FU2-1894-000		1	SPRING, TENSION	
28	XD9-0137-010		6	RING, E	
29	FE4-1297-000		1	COVER, HANDLE, LEFT	
30	XG9-0737-000		2	BUSHING	
31	FE4-9836-000		1	COVER, DECK FRONT, LEFT	
32	FC8-4964-010		1	LABEL, HEIGHT LIMIT, S	
33	FL0-7508-000		1	PLATE, LIFTER	
34	FC9-7171-000		1	SHEET, SEPARATION	
35	XA9-1934-000		15	SCREW, M4X4	
36	FE4-9821-000		2	BLOCK,SLIDE	
37	FL2-8664-000		2	PLATE, SUPPORT PULLEY	
38	FE4-1298-000		1	HANDLE, LEFT	
39	FE4-9826-000		1	SHAFT, TRANSMISSION	
40	FC6-3764-000		1	HOLDER,DAMPER	
41	FU0-0078-000		1	GEAR, 27T	
42	XH9-0148-000		1	DAMPER, OIL	

Figure 302 CASSETTE ASSEMBLY

NOTE : Several kinds of labels are attached on the board for the parts of Key No. 50 and 51.

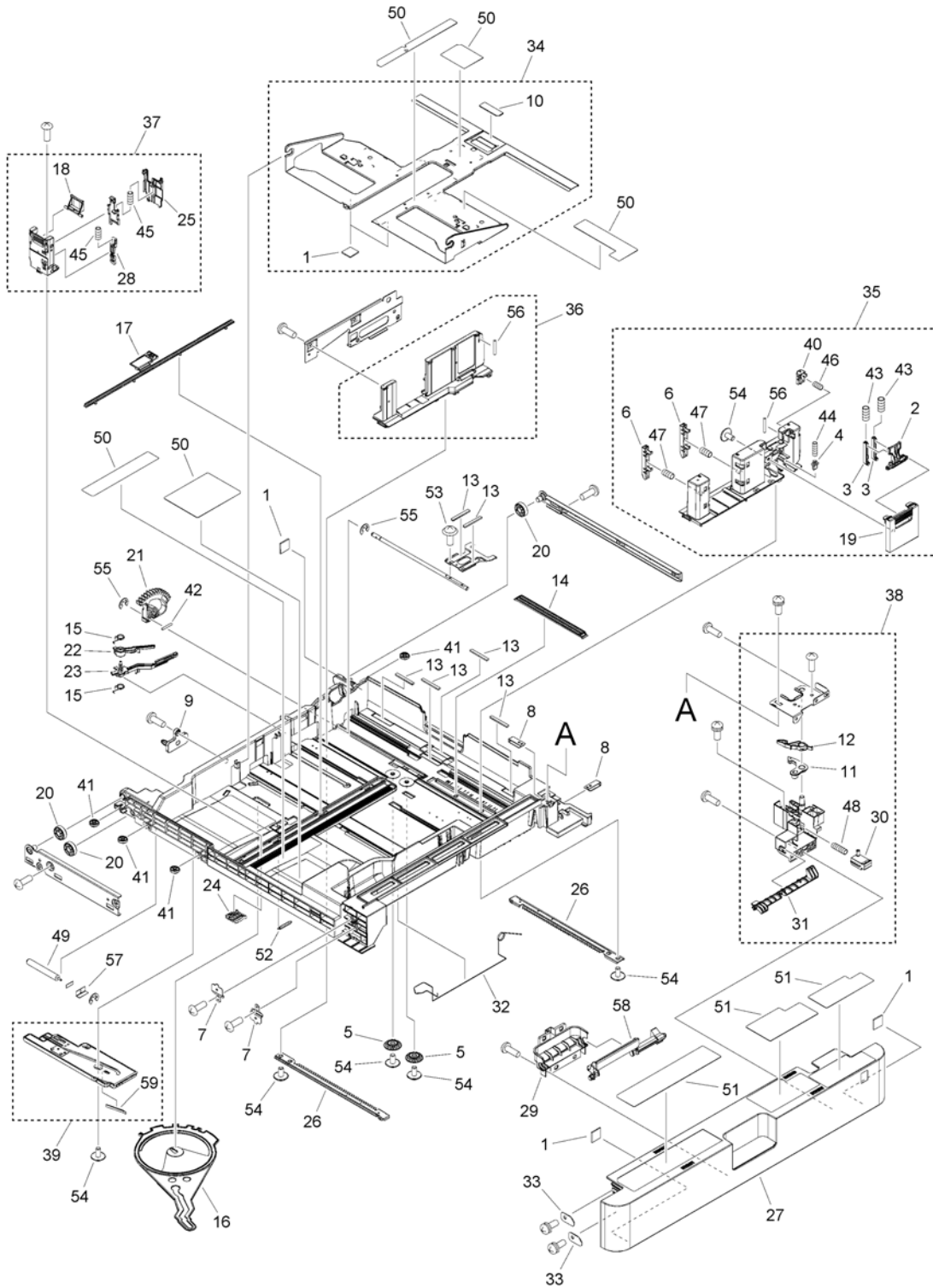


FIGURE & KEY NO.	PART NUMBER	RANK	QTY	DESCRIPTION	SERIAL NUMBER /REMARKS
302	FM1-L236-000		1	CASSETTE ASSEMBLY	
1	FC8-1205-000		5	PAD, PAPER PICK-UP HOLDER	
2	FC8-2462-000		1	KNOB, PAPER SIDE END	
3	FC8-2463-000		2	STOPPER	
4	FC8-2464-000		1	PLATE, CLICK	
5	FC8-4990-000		2	GEAR, 14T	
6	FC8-5262-000		2	BLOCK, PAPER SIDE END, LARGE	
7	FC9-0127-000		2	PLATE, COVER MOUNTING, L	
8	FC9-0128-000		2	PLATE, COVER MOUNTING, R	
9	FC9-3831-000		1	PIN, SIZE DETECT	
10	FC9-7171-000		1	SHEET, SEPARATION	
11	FC9-7259-000		1	ARM, LOCK, A	
12	FC9-7260-000		1	ARM, LOCK, B	
13	FC9-7257-000		6	SHEET, SILENCER	
14	FE2-0026-010		1	PLATE, FREE STOP	
15	FE2-0027-010		2	SPRING, TORSION	
16	FE2-0029-010		1	LINK, BACK END DETECT	
17	FE2-0182-010		1	RACK, LEFT	
18	FE2-0579-000		1	LEVER	
19	FE8-2070-000		1	COVER, SIDE LOCK	
20	FE3-6350-000		3	ROLLER, CASSETTE SWING	
21	FE3-6354-000		1	GEAR, 14T	
22	FE3-6355-000		1	LEVER, DETECT, U	
23	FE3-6356-000		1	LEVER, DETECT, L	
24	FE3-6357-000		1	PLATE, LINK	
25	FE3-6358-000		1	FLAPPER	
26	FE3-6359-000		2	RACK, PAPER SIDE END	
27	FE4-9841-000		1	COVER, CASSETTE, FRONT	
28	FE2-0024-000		1	STOPPER	
29	FE4-5426-000		1	SUPPORT, LEVER	
30	FE3-6363-000		1	LINK, HOOK SLIDE	
31	FE3-6364-010		1	LINK	
32	FE3-6366-000		1	SPRING, GROUNDING	
33	FE3-8153-000		2	WASHER	
34	FL3-7685-000		1	PLATE, LIFTING	
35	FM0-1415-000		1	SIDE END PLATE ASSEMBLY, FRONT	
36	FM0-1416-000		1	SIDE END PLATE ASSEMBLY, REAR	
37	FM0-1417-010		1	BACK END LIMIT PLATE ASSEMBLY	
38	FM0-1418-010		1	CST. LOCK ASSEMBLY	
39	FM1-C666-010		1	GUIDE, CASSETTE	
40	FM3-8911-000		1	BLOCK, PAPER SIDE END, SMALL	
41	FS5-6945-000		4	COLLAR, REGISTRATION MULTI	
42	XD9-0359-000		1	PIN, PARALLEL	
43	FU7-2326-000		2	SPRING, COMPRESSION	

FIGURE & KEY NO.	PART NUMBER	RANK	QTY	DESCRIPTION	SERIAL NUMBER /REMARKS
44	FU7-2327-000		1	SPRING, COMPRESSION	
45	FU7-2328-000		2	SPRING, COMPRESSION	
46	FU7-2513-000		1	SPRING, COMPRESSION	
47	FU7-2514-000		2	SPRING, COMPRESSION	
48	FU7-2518-000		1	SPRING, COMPRESSION	
49	FE4-0765-010		1	DAMPER UNIT	
50	FU8-8212-000		1	LABEL, CASSETTE BODY	SEE NOTE
51	FU8-8213-000		1	LABEL, CASSETTE COVER, FRONT	SEE NOTE
52	FU9-2418-000		1	SPRING, TENSION	
53	XA9-0807-000		2	SCREW, W/SEAL, M3X6	
54	XA9-1523-000		10	SCREW, B, M4X8	
55	XD9-0135-000		2	RING, E	
56	XD9-0290-000		2	PIN, PARALLEL	
57	FE4-0787-000		1	SHEET, STOPPER	
58	FE4-5427-000		1	LEVER	
59	FE4-0757-000		1	SHEET	

Figure 310 (1/2) PAPER PICK-UP ASSEMBLY (RIGHT)

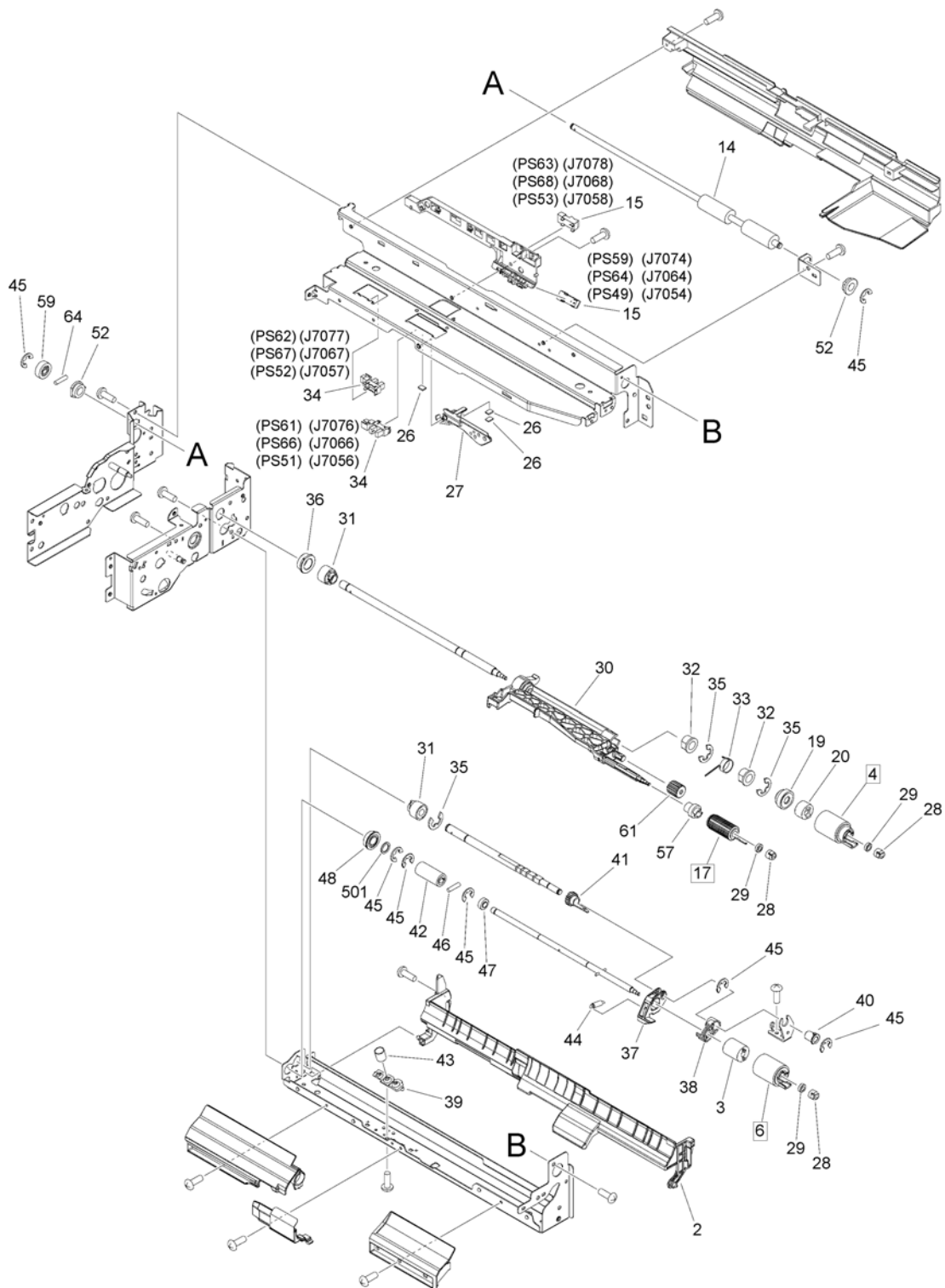


Figure 310 (2/2) PAPER PICK-UP ASSEMBLY (RIGHT)

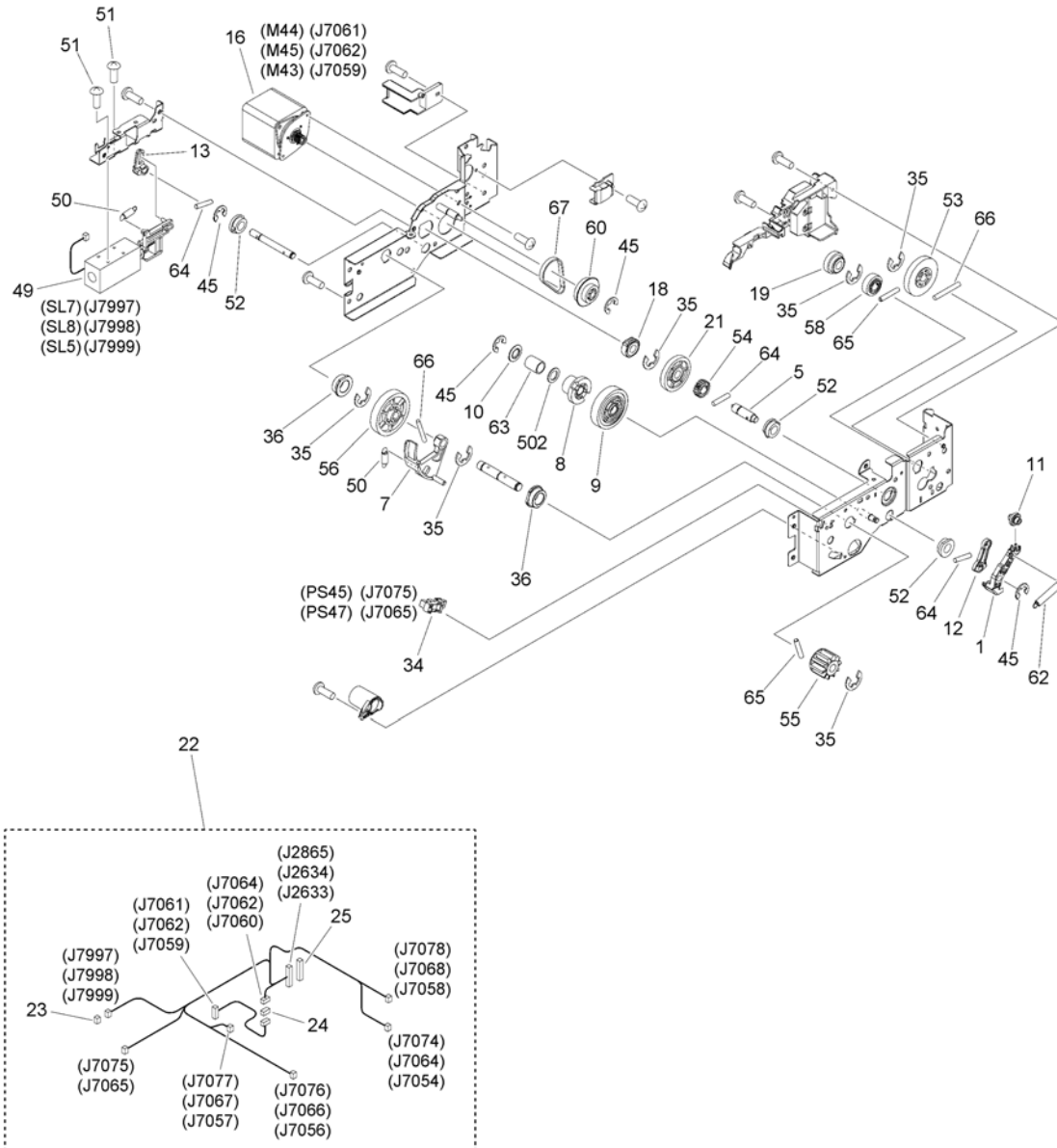


FIGURE & KEY NO.	PART NUMBER	RANK	QTY	DESCRIPTION	SERIAL NUMBER /REMARKS
310	FM1-R274-000		1	PAPER PICK-UP ASSEMBLY	RIGHT
1	FC0-9434-000		1	ARM, PAPER PICK-UP RELEASE	
2	FC0-9443-000		1	GUIDE, PAPER PICK-UP	
3	FC0-9445-000		1	LIMITTER, TORQUE	
4	FC0-9450-000		1	ROLLER, PAPER FEED	[DP]
5	FC0-9490-000		1	SHAFT, TRANSMISSION	
6	FC0-9631-000		1	ROLLER, SEPARATION	[DP]
7	FC0-9793-000		1	LEVER, PAPER SENSOR	
8	FC0-9798-000		1	GEAR, 19T	
9	FC0-9799-000		1	GEAR, 48T	
10	FC9-0402-000		1	FLANGE, PULLEY	
11	FC9-7261-000		1	ROLLER, LINK	
12	FE2-0282-000		1	LEVER, PAPER PICK-UP PICK, H	
13	FE2-0283-000		1	LEVER, PAPER PICK-UP PICK, S	
14	FE8-6577-000		1	ROLLER, VERTICAL PATH	
15	FK2-6470-000		2	PHOTO-SENSOR, KUA0055C	PS49, PS53, PS59, PS63, PS64, PS68
16	FK3-3209-000		1	MOTOR, STEPPING, DC	M43, M44, M45
17	FL0-4500-000		1	ROLLER, PAPER PICK-UP	[DP]
18	FL2-8683-000		1	BUSHING	
19	FL3-7673-000		2	GEAR, 24T	
20	FL3-7676-000		1	CLUTCH, ONE-WAY	
21	FL3-7707-000		1	GEAR, 41T	
22	FM0-2826-000		1	CABLE, PAPER PICK-UP UNIT	
23	VS1-7177-002		1	CONNECTOR, SNAP TIGHT, BK	
24	VS1-7177-004		1	CONNECTOR, SNAP TIGHT, BK	
25	VS1-8412-021		1	CONNECTOR, SNAP TIGHT, BL	
26	FC0-2118-000		3	DAMPER	
27	FC0-9425-000		1	FLAG, SENSOR	
28	FC8-0785-000		3	HEAD, ROLLER SHAFT	
29	FE2-0286-000		3	RING, RETAINING	
30	FL0-1895-000		1	HOLDER, ROLLER SUPPORT	
31	FL3-7710-000		2	CLUTCH, ONE-WAY	
32	FS5-1605-000		2	BUSHING	
33	FU9-2403-000		1	SPRING, TORSION	
34	WG8-5783-000		3	IC,PHOTO-INTERRUPTER,LG248NL1A	PS45, PS47, PS51, PS52, PS61, PS62, PS66, PS67
35	XD9-0137-000		9	RING, E	
36	XG9-0737-000		3	BUSHING	
37	FC0-9423-000		1	HOLDER, ESTRANGEMENT	
38	FC0-9424-000		1	ARM, ROLLER	
39	FC0-9789-000		1	PLATE, ADJUST	
40	FS6-1067-000		1	BUSHING	
41	FU0-0014-000		1	GEAR, 16T	

FIGURE & KEY NO.	PART NUMBER	RANK	QTY	DESCRIPTION	SERIAL NUMBER /REMARKS
42	FU9-0987-000		1	GEAR, 16T	
43	FU9-2354-000		1	SPRING, COMPRESSION	
44	FU9-2400-000		1	SPRING, TENSION	
45	XD9-0136-000		11	RING, E	
46	XD9-0287-000		1	PIN, DOWEL	
47	XG9-0706-000		1	BEARING, BALL, MR126ZZ-1	
48	XG9-0805-000		1	BEARING, BALL, LF-1260ZZR	
49	FL0-1932-000		1	SOLENOID	SL5, SL7, SL8
50	FU9-2399-000		2	SPRING, TENSION	
51	XA9-2008-000		2	SCREW,M3X4	
52	FS1-1508-009		5	BUSHING	
53	FS5-0662-000		1	GEAR, 36T	
54	FS7-0652-000		1	GEAR, 18T	
55	FU0-0010-000		1	GEAR, 10T	
56	FU0-0117-000		1	GEAR, 52T	
57	FU0-0123-000		1	GEAR, 16T	
58	FU0-0124-000		1	GEAR, 18T	
59	FU3-0277-000		1	GEAR, 16T	
60	FU5-0330-000		1	PULLEY, 40T/GEAR, 20T	
61	FU9-0983-000		1	GEAR, 15T	
62	FU9-2378-000		1	SPRING, TENSION	
63	FU9-2398-000		1	SPRING, COMPRESSION	
64	XD9-0288-000		4	PIN, DOWEL	
65	XD9-0289-000		2	PIN, PARALLEL	
66	XD9-0291-000		2	PIN, PARALLEL	
67	XF2-1605-640		1	BELT, TIMING	
501	XD1-1106-216		1	SHIM	
502	XD1-1106-225		1	WASHER,COP	

Figure 311 (1/2) PAPER PICK-UP ASSEMBLY (LEFT)

NOTE : This assembly does not include the part shown with key No. 59.

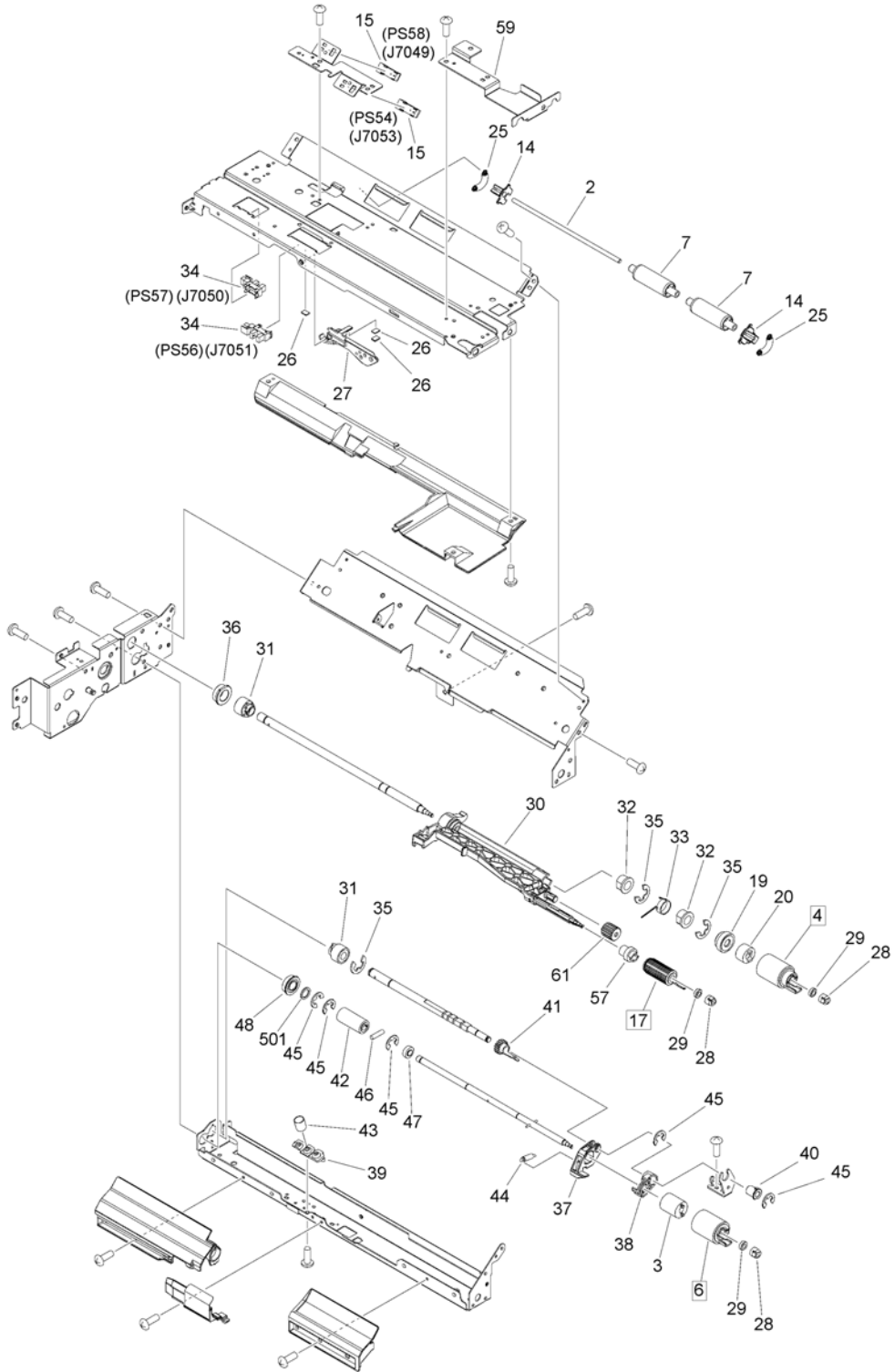


Figure 311 (2/2) PAPER PICK-UP ASSEMBLY (LEFT)

NOTE : This assembly does not include the part shown with key No. 59.

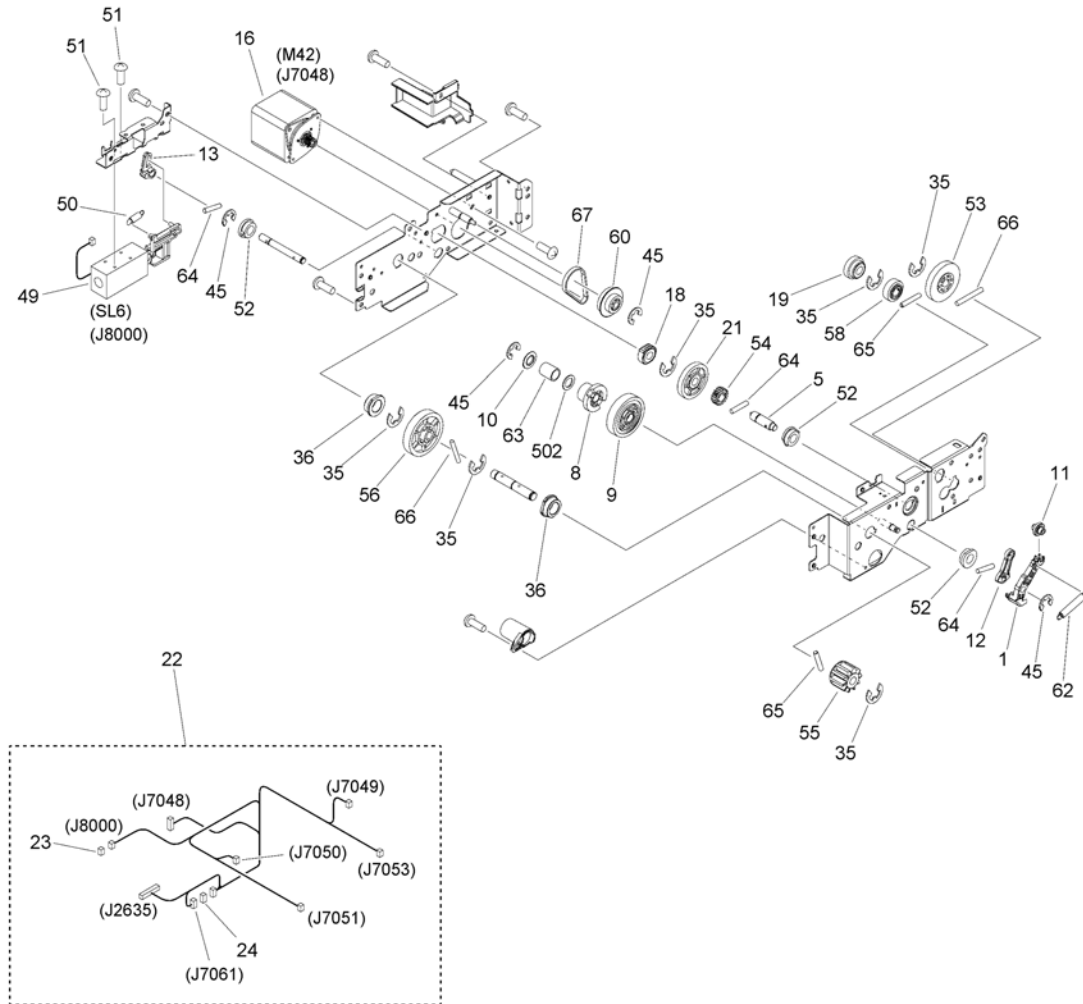


FIGURE & KEY NO.	PART NUMBER	RANK	QTY	DESCRIPTION	SERIAL NUMBER /REMARKS
311	FM1-L254-000		1	PAPER PICK-UP ASSEMBLY	LEFT
1	FC0-9434-000		1	ARM, PAPER PICK-UP RELEASE	
2	FC8-2608-010		1	SHAFT, ROLLER	
3	FC0-9445-000		1	LIMITTER, TORQUE	
4	FC0-9450-000		1	ROLLER, PAPER FEED	[DP]
5	FC0-9490-000		1	SHAFT, TRANSMISSION	
6	FC0-9631-000		1	ROLLER, SEPARATION	[DP]
7	FC8-2607-000		2	ROLLER, DRIVEN	
8	FC0-9798-000		1	GEAR, 19T	
9	FC0-9799-000		1	GEAR, 48T	
10	FC9-0402-000		1	FLANGE, PULLEY	
11	FC9-7261-000		1	ROLLER, LINK	
12	FE2-0282-000		1	LEVER, PAPER PICK-UP PICK, H	
13	FE2-0283-000		1	LEVER, PAPER PICK-UP PICK, S	
14	FE8-2440-000		2	BUSHING	
15	FK2-6470-000		2	PHOTO-SENSOR, KUA0055C	PS54, PS58
16	FK3-3209-000		1	MOTOR, STEPPING, DC	M42
17	FL0-4500-000		1	ROLLER, PAPER PICK-UP	[DP]
18	FL2-8683-000		1	BUSHING	
19	FL3-7673-000		2	GEAR, 24T	
20	FL3-7676-000		1	CLUTCH, ONE-WAY	
21	FL3-7707-000		1	GEAR, 41T	
22	FM1-V849-000		1	CABLE, PAPER PICK-UP UNIT	
23	VS1-7177-002		1	CONNECTOR, SNAP TIGHT, BK	
24	VS1-7177-004		1	CONNECTOR, SNAP TIGHT, BK	
25	FU2-1848-000		2	SPRING, TENSION	
26	FC0-2118-010		3	DAMPER	
27	FC0-9425-000		1	FLAG, SENSOR	
28	FC8-0785-000		3	HEAD, ROLLER SHAFT	
29	FE2-0286-000		3	RING, RETAINING	
30	FL0-1895-000		1	HOLDER, ROLLER SUPPORT	
31	FL3-7710-000		2	CLUTCH, ONE-WAY	
32	FS5-1605-000		2	BUSHING	
33	FU9-2403-000		1	SPRING, TORSION	
34	WG8-5783-000		2	IC,PHOTO-INTERRUPTER,LG248NL1A	PS56, PS57
35	XD9-0137-010		9	RING, E	
36	XG9-0737-000		3	BUSHING	
37	FC0-9423-000		1	HOLDER, ESTRANGEMENT	
38	FC0-9424-000		1	ARM, ROLLER	
39	FC0-9789-000		1	PLATE, ADJUST	
40	FS6-1067-000		1	BUSHING	
41	FU0-0014-000		1	GEAR, 16T	
42	FU9-0987-000		1	GEAR, 16T	
43	FU9-2354-000		1	SPRING, COMPRESSION	

FIGURE & KEY NO.	PART NUMBER	RANK	QTY	DESCRIPTION	SERIAL NUMBER /REMARKS
44	FU9-2400-000		1	SPRING, TENSION	
45	XD9-0136-000		9	RING, E	
46	XD9-0287-000		1	PIN, DOWEL	
47	XG9-0706-000		1	BEARING, BALL, MR126ZZ-1	
48	XG9-0805-000		1	BEARING, BALL, LF-1260ZZR	
49	FL0-1932-000		1	SOLENOID	SL6
50	FU9-2399-000		1	SPRING, TENSION	
51	XA9-2008-000		2	SCREW,M3X4	
52	FS1-1508-000		3	BUSHING	
53	FS5-0662-000		1	GEAR, 36T	
54	FS7-0652-000		1	GEAR, 18T	
55	FU0-0010-000		1	GEAR, 10T	
56	FU0-0117-000		1	GEAR, 52T	
57	FU0-0123-000		1	GEAR, 16T	
58	FU0-0124-000		1	GEAR, 18T	
59	FE4-9807-000		1	PLATE, POSITIONING	SEE NOTE
60	FU5-0330-000		1	PULLEY, 40T/GEAR, 20T	
61	FU9-0983-000		1	GEAR, 15T	
62	FU9-2378-000		1	SPRING, TENSION	
63	FU9-2398-000		1	SPRING, COMPRESSION	
64	XD9-0288-000		3	PIN, DOWEL	
65	XD9-0289-000		2	PIN, PARALLEL	
66	XD9-0291-000		2	PIN, PARALLEL	
67	XF2-1605-640		1	BELT, TIMING	
501	XD1-1106-216		1	SHIM	
502	XD1-1106-225		1	WASHER,COP	

Figure 315D MULTI TRAY ASSEMBLY

NOTE 1 : This assembly is included in the assembly shown in Figure 116. NOTE 2 : This assembly does not include the part shown with key No. 24. NOTE 3 : Several kinds of labels are attached on the board for the parts of Key No. 24.

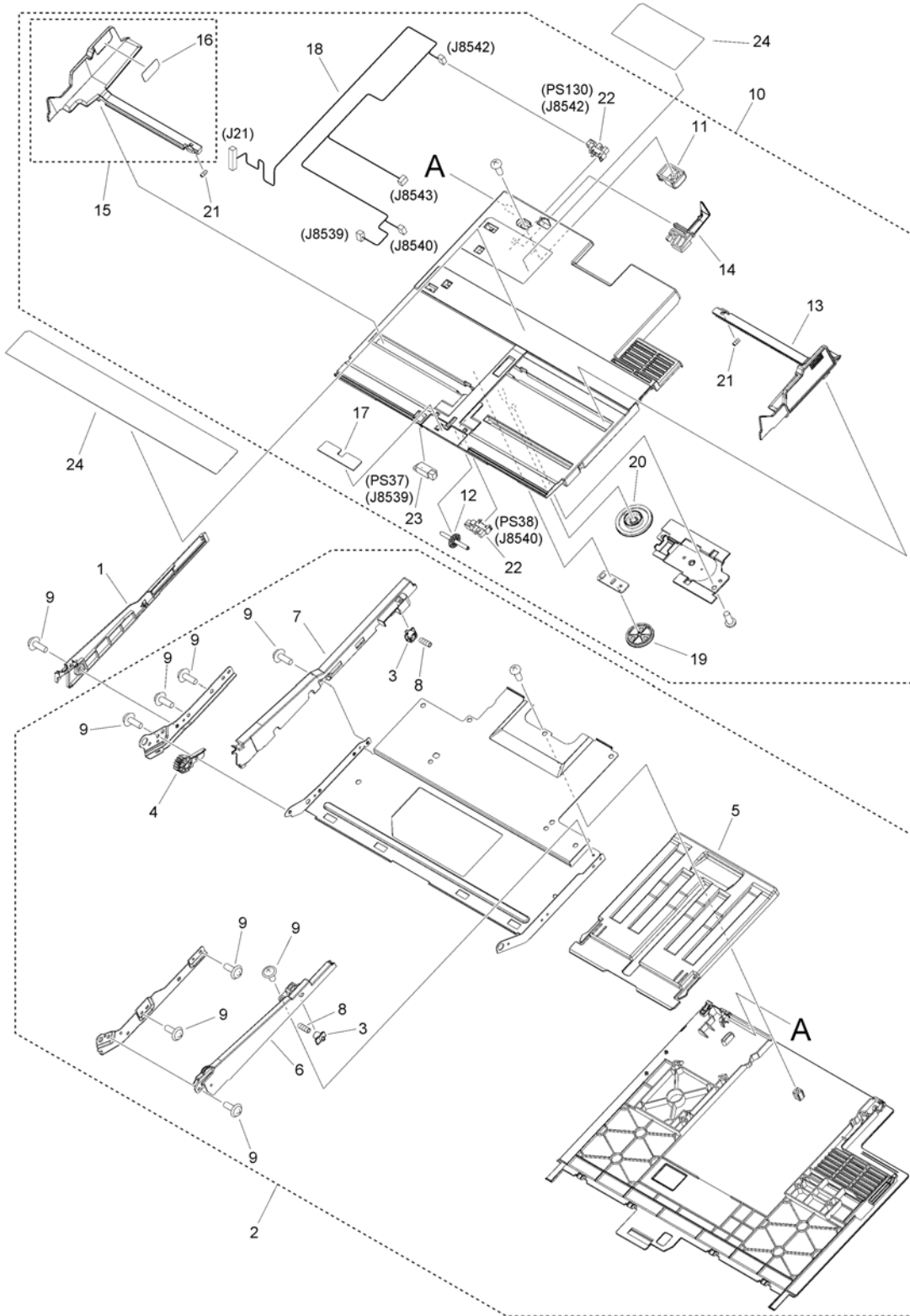


FIGURE & KEY NO.	PART NUMBER	RANK	QTY	DESCRIPTION	SERIAL NUMBER /REMARKS
315D	NPN		1	MULTI TRAY ASSEMBLY	SEE NOTE 1
1	FE8-0320-000		1	COVER, TRAY SIDE, REAR 2	
2	FM1-L336-000		1	MULTI PAPER PICK-UP TRAY ASS'Y	
3	FE3-5650-000		2	HOOK, MULTI FEED TRAY	
4	FE4-8532-000		1	GEAR, 6T	
5	FE4-8540-000		1	TRAY, SECOND	
6	FE4-8541-000		1	COVER, TRAY SIDE, FRONT	
7	FE4-8542-000		1	COVER, TRAY SIDE, REAR 1	
8	FU2-1067-010		2	SPRING, COMPRESSION	
9	XA9-2010-000		9	SCREW, TP, M3X6	
10	FM1-L337-000		1	PLATE ASSEMBLY, LIFTER	
11	FB6-3459-000		1	BLOCK, SIDE REGIST. ADJUSTING	
12	FC8-5388-000		1	ROLLER, LAST PAPER DETECT	
13	FE4-8537-000		1	PLATE, PAPER SIDE END, FRONT	
14	FE8-1310-000		1	FLAG, LENGTH DETECT	
15	FL0-6568-000		1	PLATE, PAPER SIDE END, REAR	
16	FU2-1892-000		1	LABEL, MAXIMUM LOAD	
17	FB6-4937-000		1	SHEET, SEPARATION	
18	FM1-V906-000		1	CABLE, MULTI UNIT SUB	
19	FU2-1690-000		1	GEAR, 51T	
20	FU2-1732-000		1	GEAR, 40T/47T	
21	FU2-1940-000		2	SPRING, COMPRESSION	
22	WG8-5783-000		2	IC,PHOTO-INTERRUPTER,LG248NL1A	PS38,PS130
23	WP2-5428-000		1	IC,PHOTO SENSOR, PS126EL1	PS37
24	FU2-1938-000		1	LABEL, MANUAL FEED SIZE	SEE NOTE 2 SEE NOTE 3

Figure 316 MULTI DOOR PAPER PICK-UP ASS'Y

NOTE : This assembly is included in the assembly shown in Figure 116.

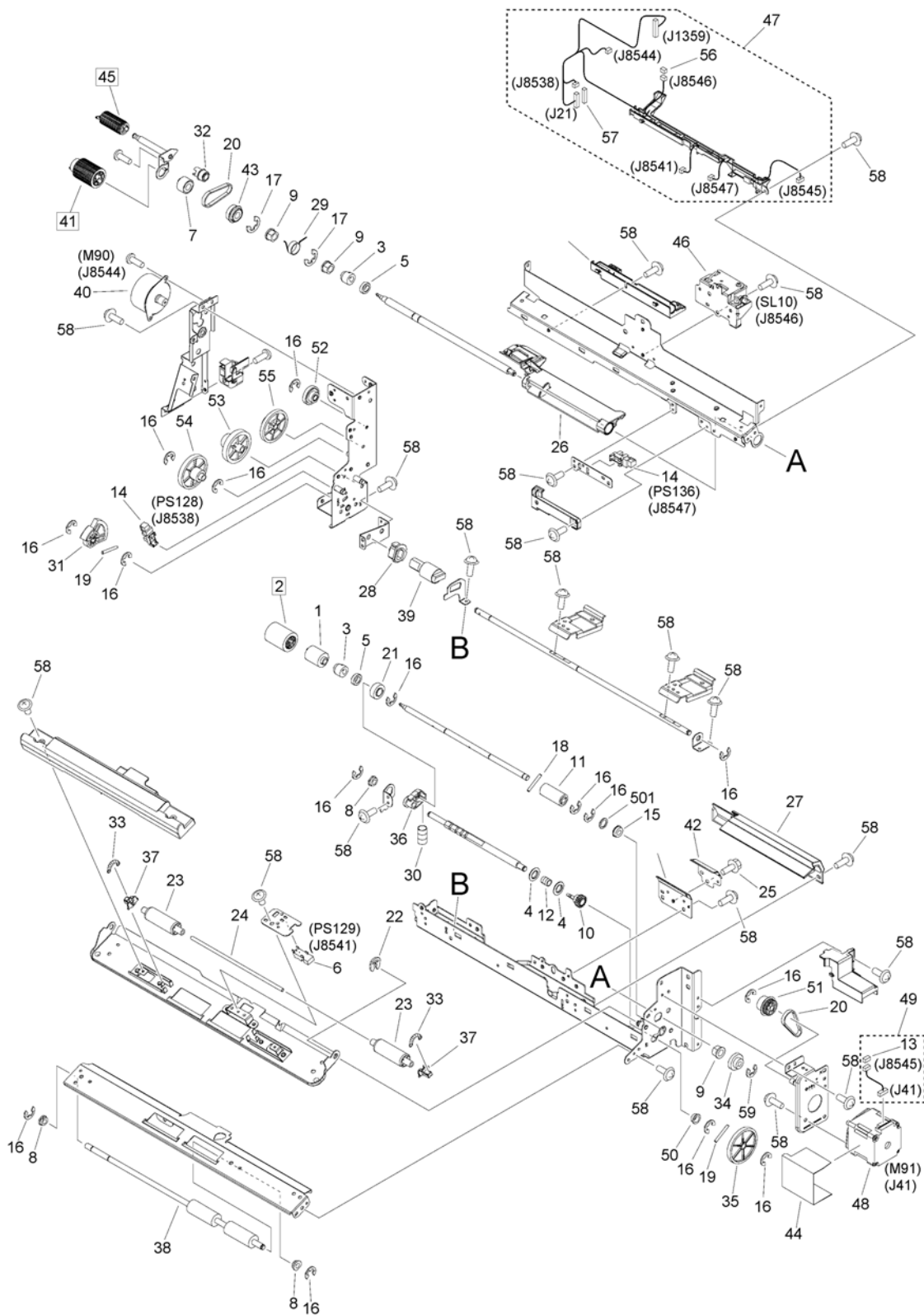


FIGURE & KEY NO.	PART NUMBER	RANK	QTY	DESCRIPTION	SERIAL NUMBER /REMARKS
316	FM1-M129-000		1	MULTI DOOR PAPER PICK-UP ASS'Y	SEE NOTE
1	FC0-9445-000		1	LIMITTER, TORQUE	
2	FC0-9631-000		1	ROLLER, SEPARATION	[DP]
3	FC8-0785-000		2	HEAD, ROLLER SHAFT	
4	FC9-0402-000		2	FLANGE, PULLEY	
5	FE2-0286-000		2	RING, RETAINING	
6	FK2-6470-000		1	PHOTO-SENSOR, KUA0055C	PS129
7	FL3-7676-000		1	CLUTCH, ONE-WAY	
8	FS1-1508-000		3	BUSHING	
9	FS5-1605-000		3	BUSHING	
10	FU0-0014-000		1	GEAR, 16T	
11	FU9-0987-000		1	GEAR, 16T	
12	FU9-2398-000		1	SPRING, COMPRESSION	
13	VS1-7177-004		1	CONNECTOR, SNAP TIGHT, BK	
14	WG8-5783-000		2	IC,PHOTO-INTERRUPTER,LG248NL1A	PS128, PS136
15	XG9-0805-000		1	BEARING, BALL, LF-1260ZZR	
16	XD9-0136-000		15	RING, E	
17	XD9-0137-010		2	RING, E	
18	XD9-0287-000		1	PIN, DOWEL	
19	XD9-0291-000		2	PIN, PARALLEL	
20	XF2-1605-440		2	BELT, TIMING	
21	XG9-0706-000		1	BEARING, BALL, MR126ZZ-1	
22	FC6-3002-000		1	RING, RESIN, RETAINING	
23	FC8-2607-000		2	ROLLER, DRIVEN	
24	FC8-2608-010		1	SHAFT, ROLLER	
25	FE4-0431-000		1	SCREW, W/WASHER, M3X6	
26	FE4-8518-000		1	HOLDER, ROLLER, FRONT	
27	FE4-8521-000		1	GUIDE, SEPARATION ROLLER,FRONT	
28	FE4-8543-000		1	GEAR, 9T	
29	FE4-9908-000		1	SPRING, TORSION	
30	FE4-9909-000		1	SPRING, COMPRESSION	
31	FE8-0322-000		1	GEAR, 16T	
32	FE8-1210-000		1	PULLEY, 20T	
33	FE8-1903-000		2	SPRING, TENSION	
34	FE8-1909-000		1	GEAR, 18T/18T	
35	FE8-1910-000		1	GEAR, 72T	
36	FE8-1911-000		1	ARM, SEPARATION ROLLER	
37	FE8-2440-000		2	BUSHING	
38	FE8-3727-000		1	ROLLER, MULTI PRE-REGISTRATION	
39	FE8-4150-000		1	DAMPER UNIT, TRAY	
40	FK4-0641-000		1	MOTOR, STEPPING	M90
41	FL1-3428-000		1	ROLLER, PAPER FEED	[DP]
42	FL0-7566-000		1	GUIDE, SEPARATION	
43	FL1-0018-000		1	PULLEY, 30T	

FIGURE & KEY NO.	PART NUMBER	RANK	QTY	DESCRIPTION	SERIAL NUMBER /REMARKS
44	FL1-1170-000		1	SHEET	
45	FL1-3427-000		1	ROLLER, PAPER PICK-UP	[DP]
46	FM1-L302-000		1	SOLENOID UNIT	SL10
47	FM1-L338-000		1	CABLE, MULTI UNIT	
48	FM1-L375-000		1	MOTOR, STEPPING, DC	M91
49	FM1-W984-000		1	CABLE, M.P. PICK UP MOTOR	
50	FS2-6022-000		1	BUSHING, COP	
51	FU2-1591-000		1	GEAR/PULLEY, 15T/30T	
52	FU2-1691-000		1	GEAR, 40T/14T	
53	FU2-1743-000		1	GEAR, 19T/48T	
54	FU8-0229-000		1	GEAR, 16T/50T	
55	FU8-0230-000		1	GEAR, 25T/48T	
56	VS1-7177-003		1	CONNECTOR, SNAP TIGHT, BK	
57	VS1-7177-012		1	CONNECTOR, SNAP TIGHT, BK	
58	XA9-2010-000		15	SCREW, TP, M3X6	
59	XD9-0134-000		1	RING, E	
501	XD1-1106-216		1	SHIM	

Figure 320 REGISTRATION ASSEMBLY

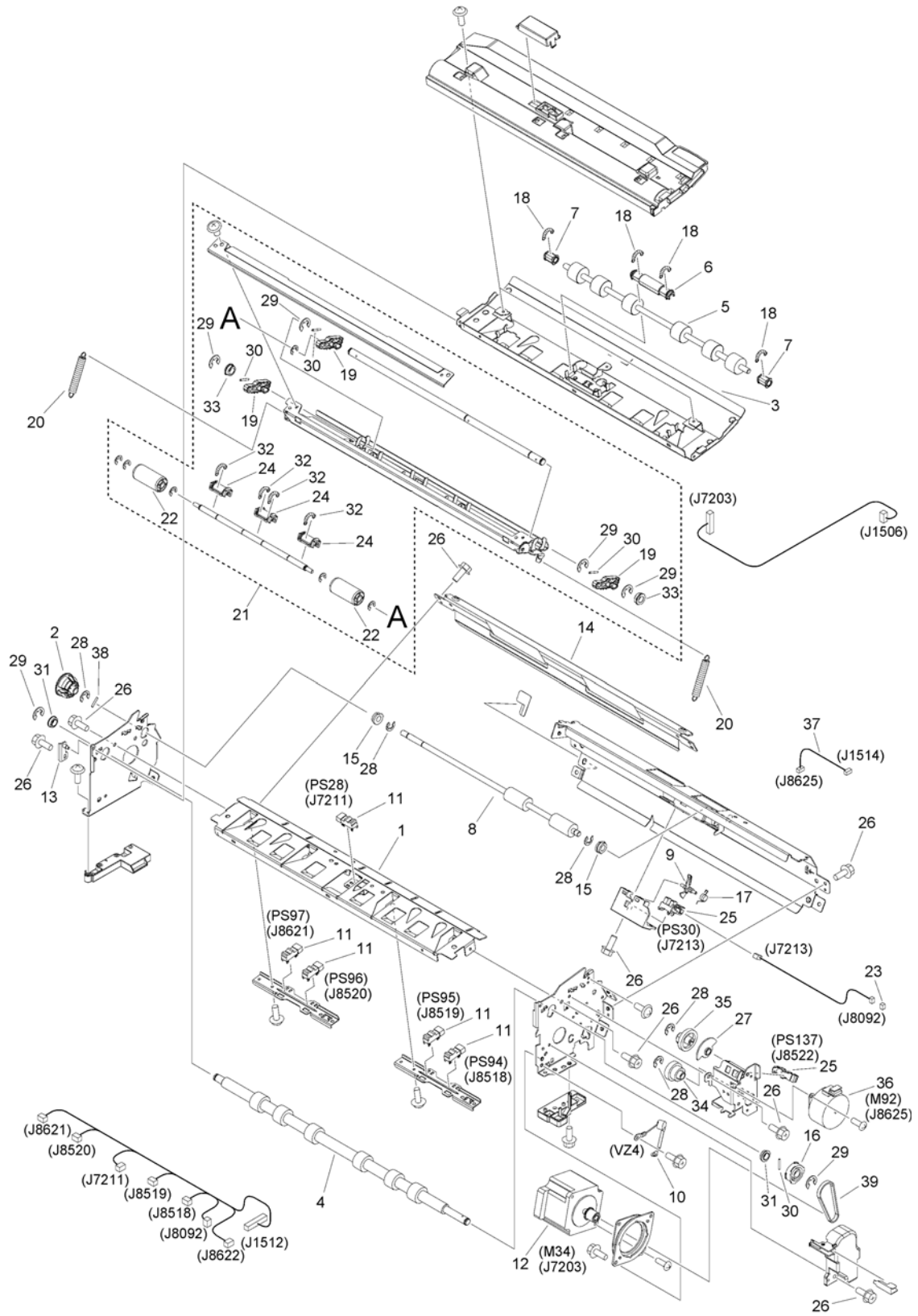


FIGURE & KEY NO.	PART NUMBER	RANK	QTY	DESCRIPTION	SERIAL NUMBER /REMARKS
320	FM1-L649-000		1	REGISTRATION ASSEMBLY	
1	FC0-8774-000		1	GUIDE, LOWER	
2	FE8-1379-000		1	COUPLING	
3	FL1-0262-000		1	GUIDE, UPPER	
4	FC8-2803-000		1	ROLLER, REGISTRATION DRIVE	
5	FC8-2804-000		1	ROLLER, REGISTRATION FOLLOWER	
6	FC8-2805-000		1	BUSHING	
7	FC8-2806-010		2	BUSHING	
8	FE8-0956-000		1	ROLLER, PAPER FEED	
9	FC9-3720-000		1	FLAG, SENSOR	
10	FF3-4656-000		1	VARISTOR	VZ4
11	FK2-6470-000		5	PHOTO-SENSOR, KUA0055C	PS28, PS94, PS95, PS96, PS97
12	FK3-2312-000		1	MOTOR, STEPPING, DC	M34
13	FL2-8703-000		1	PLATE,REGISTRATION POSITIONING	
14	FL2-8851-010		1	GUIDE, CROSSING	
15	FS1-1508-000		2	BUSHING	
16	FE8-0889-000		1	PULLEY, 35T	
17	FU7-2350-000		1	SPRING, TORSION	
18	FU7-2351-000		4	SPRING, TENSION	
19	FE8-1557-000		3	LEVER, ESTRANGEMENT	
20	FE8-1774-000		2	SPRING, TENSION	
21	FM1-L652-000		1	PRE-REG. GUIDE ASSEMBLY, UPPER	
22	FC0-9817-000		2	ROLLER, DRIVEN	
23	VS1-7177-003		1	CONNECTOR, SNAP TIGHT, BK	
24	FC0-9829-000		3	BUSHING	
25	WG8-5783-000		2	IC,PHOTO-INTERRUPTER,LG248NL1A	PS30, PS137
26	XA9-1386-000		20	SCREW,RS,M3X8	
27	FE8-1773-000		1	FLAG, SENSOR	
28	XD9-0136-000		11	RING, E	
29	XD9-0137-010		6	RING, E	
30	XD9-0290-000		4	PIN, PARALLEL	
31	XG9-0709-000		2	BEARING, BALL, MF128ZZ-3	
32	FE8-1559-000		4	SPRING, TENSION	
33	XG9-0737-000		2	BUSHING	
34	FE8-1771-000		1	GEAR, 20T/29T	
35	FE8-1772-000		1	CAM/GEAR, 24T	
36	FK4-0641-000		1	MOTOR, STEPPING	M92
37	FM1-W995-000		1	CABLE, ESTRANGEMENT MOTOR	
38	XD9-0289-000		1	PIN, PARALLEL	
39	XF2-1607-140		1	BELT, TIMING	

Figure 321 REG. PATCH SENSING ASSEMBLY

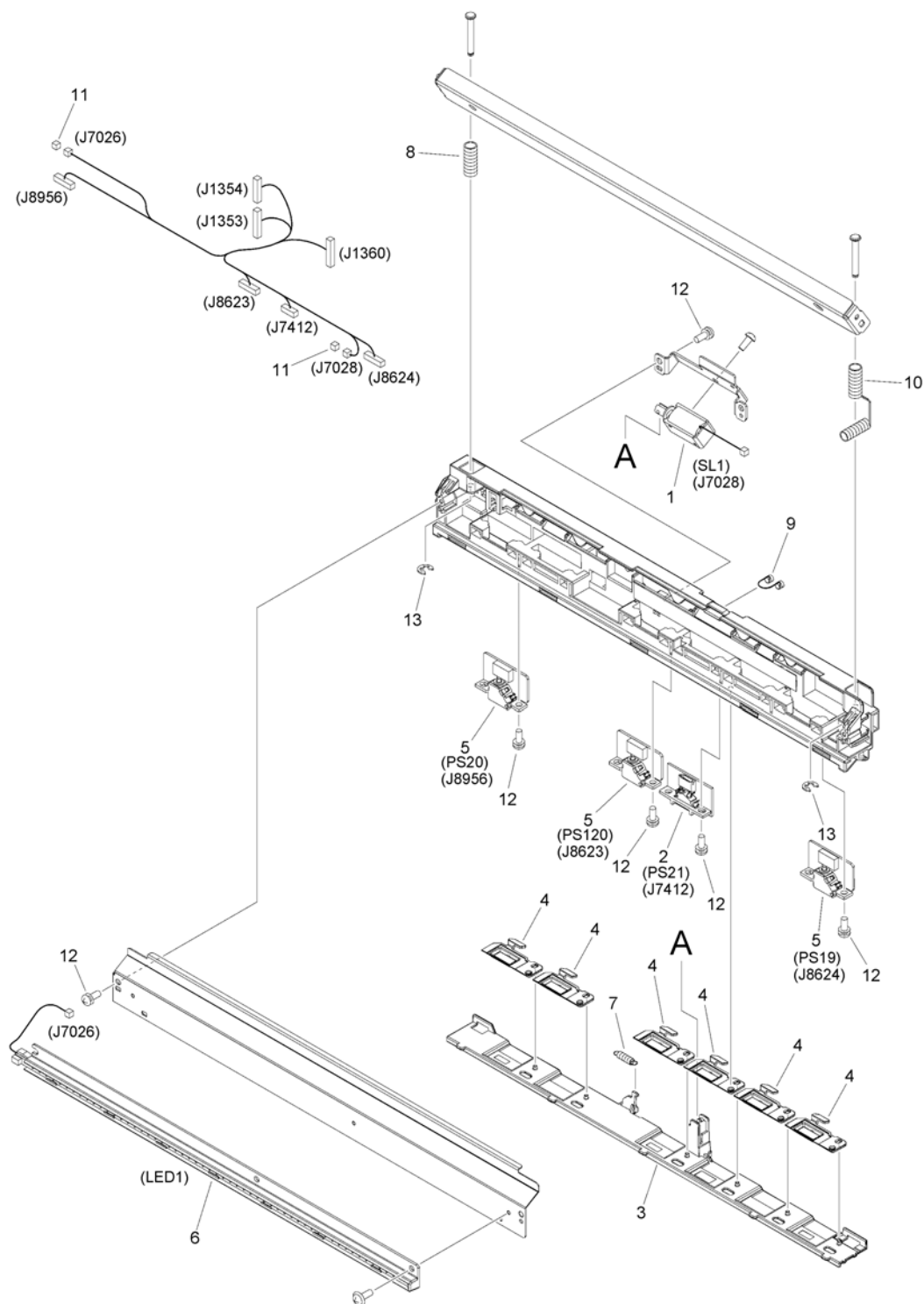


FIGURE & KEY NO.	PART NUMBER	RANK	QTY	DESCRIPTION	SERIAL NUMBER /REMARKS
321	FM1-L347-000		1	REG. PATCH SENSING ASSEMBLY	
1	FK2-7915-000		1	SOLENOID	SL1
2	FK3-3203-000		1	PHOTO-SENSOR, YA-HA26	PS21
3	FL1-1442-000		1	LINK, SHUTTER	
4	FL3-9434-000		6	SHUTTER	
5	FM0-1481-000		3	REGIST. SENSOR PCB ASSEMBLY	PS19, PS20, PS120
6	FM3-4867-000		1	PRE-EXPOSURE ASSEMBLY	LED1
7	FU7-2354-000		1	SPRING, TENSION	
8	FU7-2355-000		1	SPRING, COMPRESSION	
9	FU9-2406-000		1	SPRING, GROUNDING	
10	FU9-2407-010		1	SPRING, COMPRESSION	
11	VS1-7177-002		2	CONNECTOR, SNAP TIGHT, BK	
12	XA9-1509-000		12	SCREW, FLAT ASS'Y TAPPING	
13	XD9-0134-000		2	RING, E	

Figure 330 (1/3) FIXING/FEED ASSEMBLY

NOTE 1 : This assembly does not included the assemblies shown in Figure 320, 331 and 580. NOTE 2 : This assembly includes the assemblies shown in Figure 965 and 987.

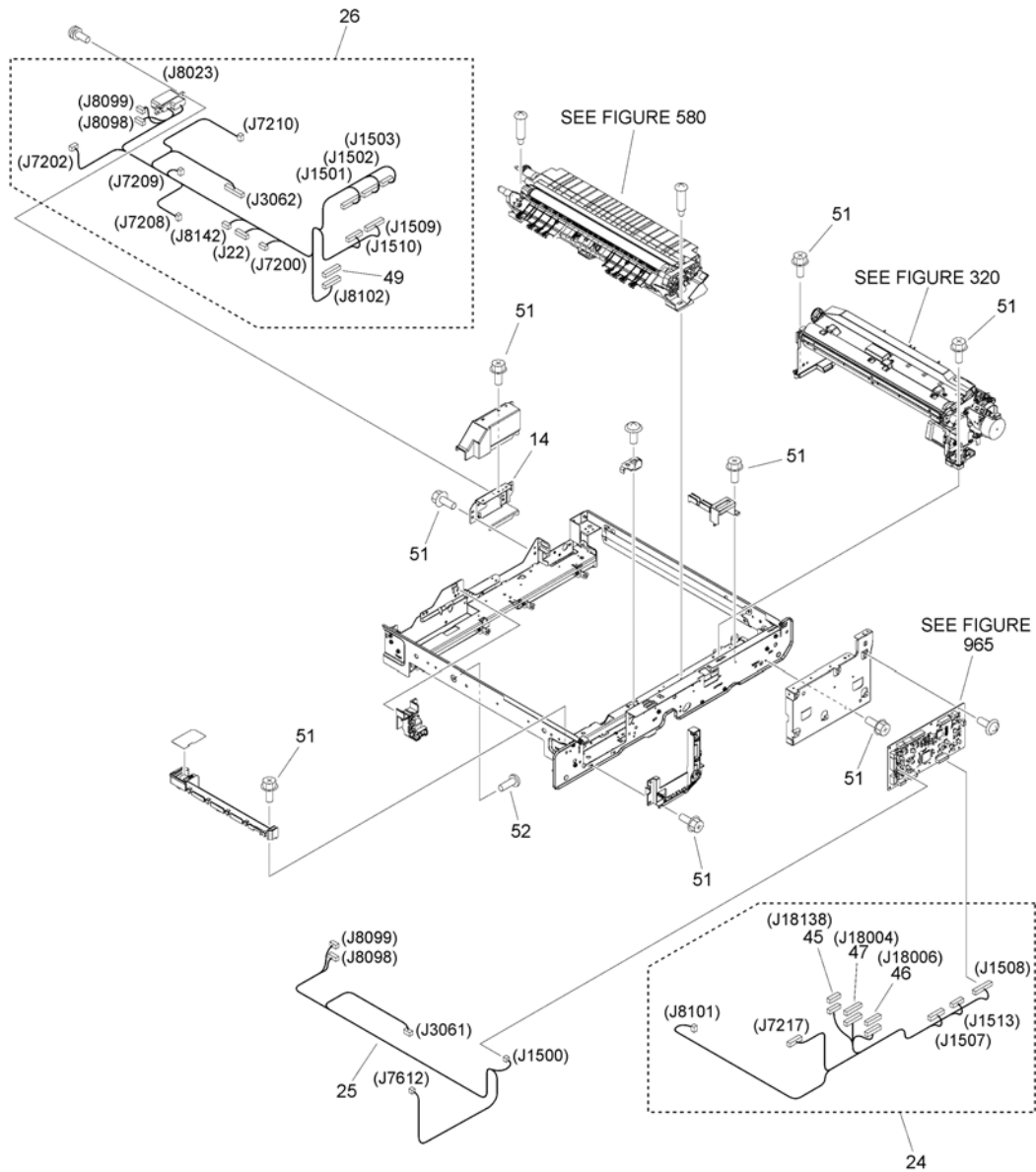


Figure 330 (2/3) FIXING/FEED ASSEMBLY

NOTE 1 : This assembly does not included the assemblies shown in Figure 320, 331 and 580. NOTE 2 : This assembly includes the assemblies shown in Figure 965 and 987.

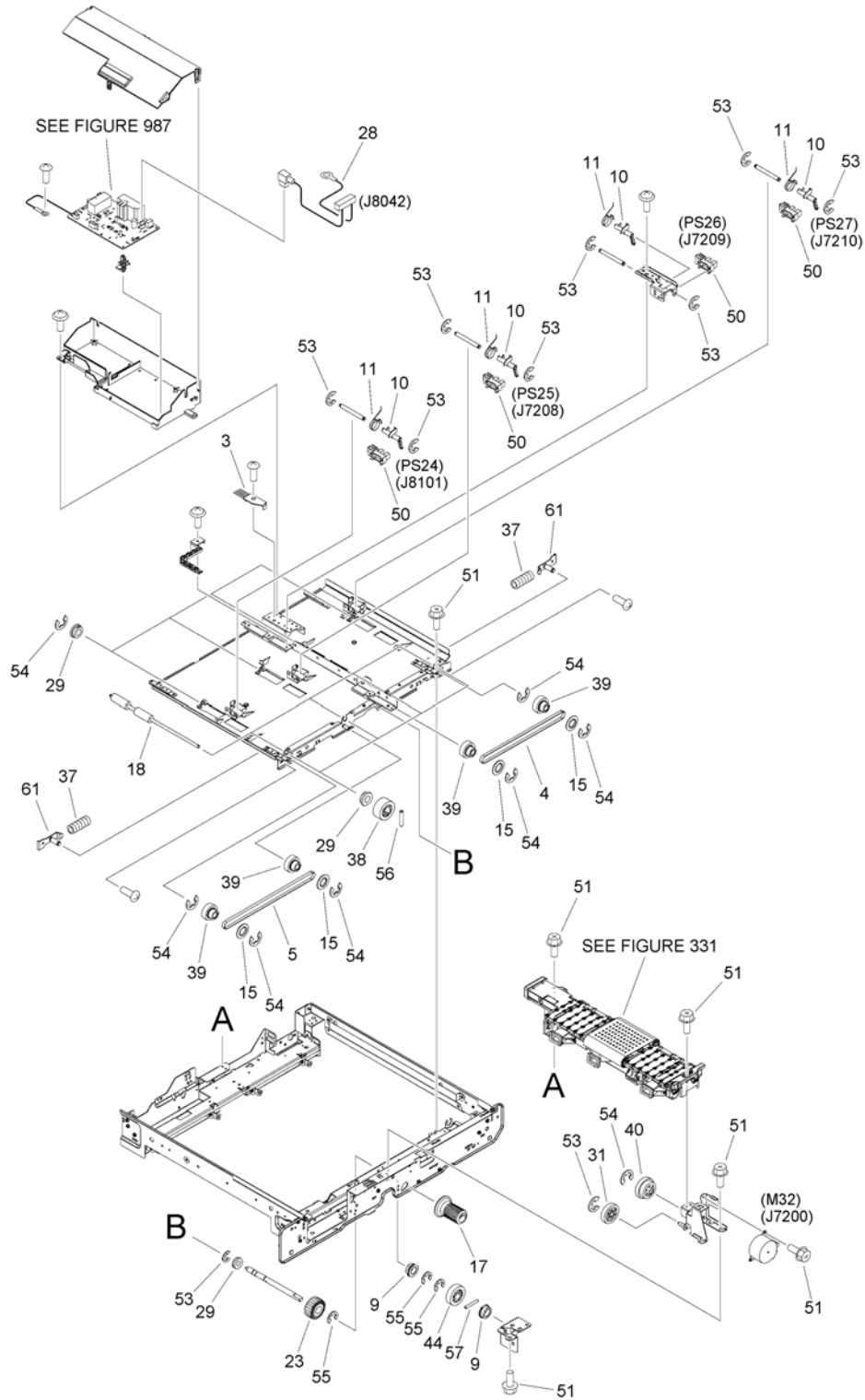


Figure 330 (3/3) FIXING/FEED ASSEMBLY

NOTE 1 : This assembly does not included the assemblies shown in Figure 320, 331 and 580. NOTE 2 : This assembly includes the assemblies shown in Figure 965 and 987.

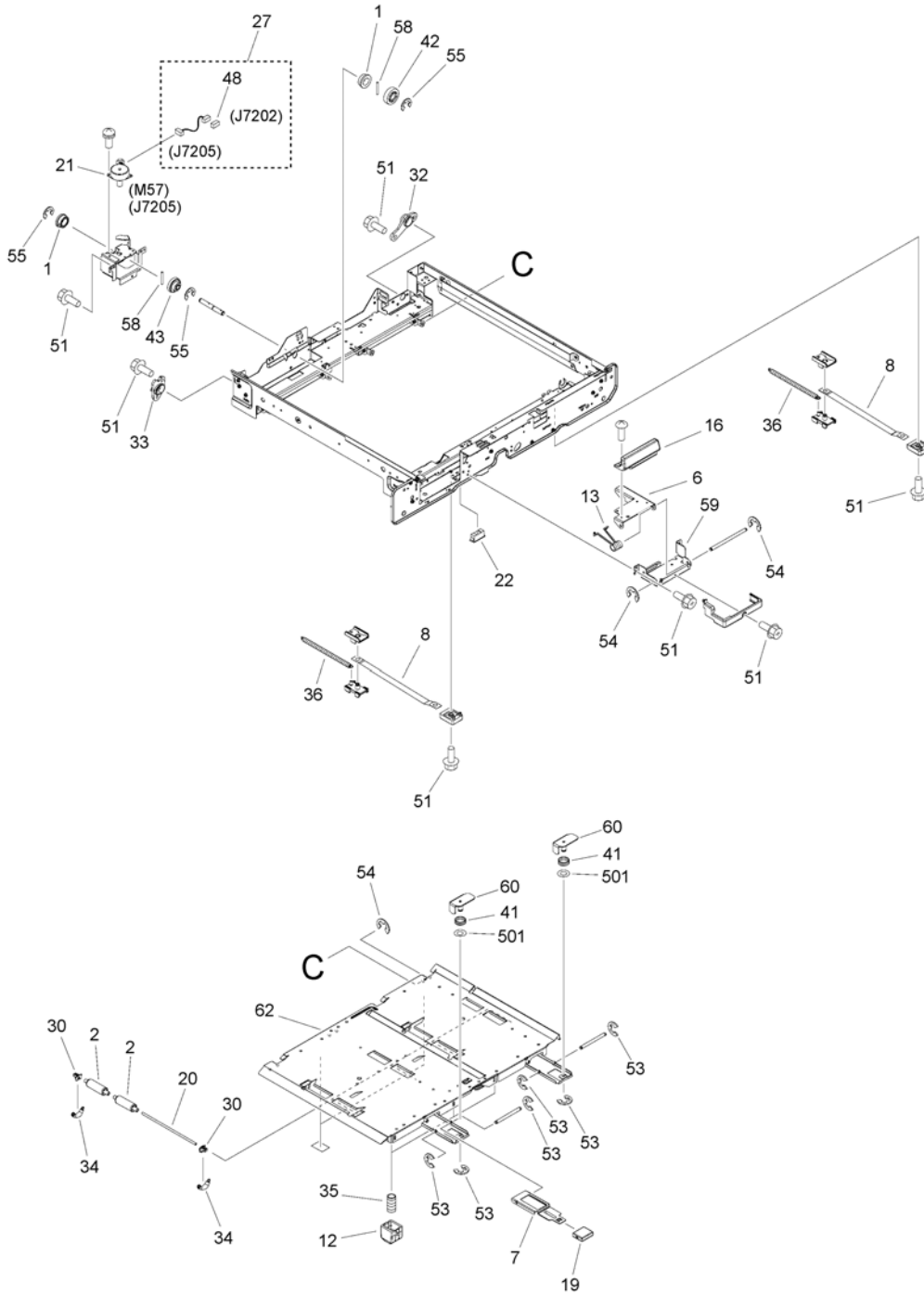


FIGURE & KEY NO.	PART NUMBER	RANK	QTY	DESCRIPTION	SERIAL NUMBER /REMARKS
330	FM1-P087-000		1	FIXING/FEED ASSEMBLY	SEE NOTE 1 SEE NOTE 2
1	FA9-2112-000		2	BUSHING, PL	
2	FC8-2607-000		8	ROLLER, DRIVEN	
3	FC6-9029-000		1	BRUSH, GROUNDING	
4	XF2-1616-040		1	BELT, TIMING	
5	XF2-1617-440		1	BELT, TIMING	
6	FC8-1951-000		1	HOOK	
7	FC8-1962-000		1	PLATE, HANDLE	
8	FC8-1968-000		2	TAPE, SUPPORT	
9	XG9-0737-000		2	BUSHING	
10	FC8-2611-000		4	FLAG, DUPLEXING SENSOR	
11	FC8-2615-000		4	SPRING, TORSION	
12	FC8-8802-000		3	BLOCK, PUSHING	
13	FC9-0371-000		1	SPRING, TORSION	
14	FC9-0401-010		1	MOUNT,CONNECTOR	
15	FC9-0402-000		4	FLANGE, PULLEY	
16	FC9-4120-000		1	HANDLE	
17	FC9-7525-000		1	KNOB, REGISTRATION	
18	FC9-8388-000		4	ROLLER, DUPLEXING	
19	FC9-8425-000		1	LEVER, GUIDE	
20	FC8-2608-010		4	SHAFT, ROLLER	
21	FK3-2288-000		1	MOTOR, STEPPING, DC	M57
22	XZ9-0603-000		2	CATCH, MAGNET	
23	FL3-5201-000		1	GEAR, 24T	
24	FM1-V838-000		1	CABLE, SIGNAL	
25	FM1-V856-000		1	CABLE, FIXING/FEEDER POWER	
26	FM1-W821-000		1	CABLE, FIX/FEED DRAWER MAIN	
27	FM0-2127-000		1	CABLE, MOTOR CONNECTING	
28	FM1-V858-000		1	CABLE, 2ND HIGH VOLTAGE	
29	FS1-1508-000		9	BUSHING	
30	FE8-2440-000		8	BUSHING	
31	FU6-0072-000		1	GEAR, 32T	
32	FU2-1255-000		1	BUSHING	
33	FU2-1256-000		1	BUSHING	
34	FU7-2351-000		8	SPRING, TENSION	
35	FU7-2352-000		3	SPRING, COMPRESSION	
36	FU7-2359-000		2	SPRING, TENSION	
37	FU7-2379-000		2	SPRING, COMPRESSION	
38	FU8-0055-000		4	GEAR, 18T	
39	FU8-0056-000		4	GEAR, 19T/PULLEY, 16T	
40	FU8-0067-000		1	GEAR, 28T/34T	
41	FU8-2365-000		2	SPRING, COMPRESSION	
42	FU9-0810-000		1	GEAR, 26T	

FIGURE & KEY NO.	PART NUMBER	RANK	QTY	DESCRIPTION	SERIAL NUMBER /REMARKS
43	FU9-0826-000		1	GEAR, 58T/34T	
44	FU9-0901-000		1	GEAR, 24T	
45	VS1-8959-007		1	WIRE TO WIRE CONNECTOR	
46	VS1-8959-012		1	CONNECTOR, WIRE TO WIRE, 12P	
47	VS1-8959-013		1	WIRE TO WIRE CONNECTOR	
48	VS1-7177-004		1	CONNECTOR, SNAP TIGHT, BK	
49	VS1-8412-013		1	CONNECTOR, SNAP TIGHT, BL	
50	WG8-5783-000		4	IC,PHOTO-INTERRUPTER,LG248NL1A	PS24, PS25, PS26, PS27
51	XA9-1386-000		15	SCREW,RS,M3X8	
52	XA9-1659-000		1	SCREW,M3X4	
53	XD9-0134-000		16	RING, E	
54	XD9-0136-000		14	RING, E	
55	XD9-0137-010		6	RING, E	
56	XD9-0288-000		4	PIN, DOWEL	
57	XD9-0289-000		1	PIN, PARALLEL	
58	XD9-0290-000		2	PIN, PARALLEL	
59	FC8-1950-000		1	BASE, HANDLE	
60	FL3-4091-000		2	PLATE, MAGNET	
61	FL2-8749-000		2	SUPPORT, IDLER GEAR	
62	FC0-8719-000		1	GUIDE, DUPLEXING, LOWER	
501	XD1-1104-132		2	SHIM, CIRCULAR	

Figure 331 PRE-FIXING PAPER FEED ASSEMBLY

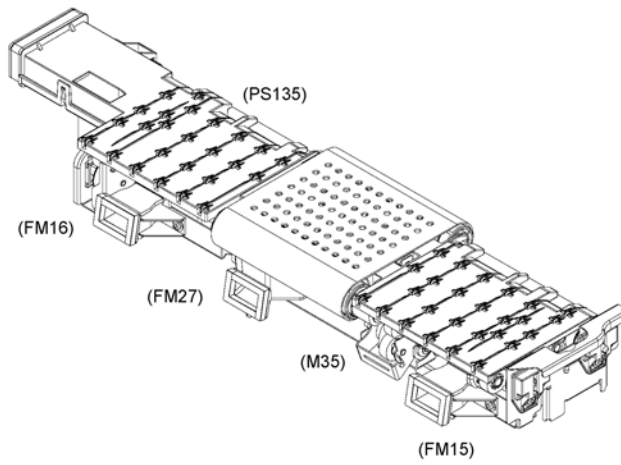


FIGURE & KEY NO.	PART NUMBER	R A N K	QTY	DESCRIPTION	SERIAL NUMBER /REMARKS
331	FM1-L427-000		1	PRE-FIXING PAPER FEED ASSEMBLY	FM15, FM16, FM27, M35, PS135

Figure 350 (1/2) REVERSE PAPER DELIVERY ASS'Y

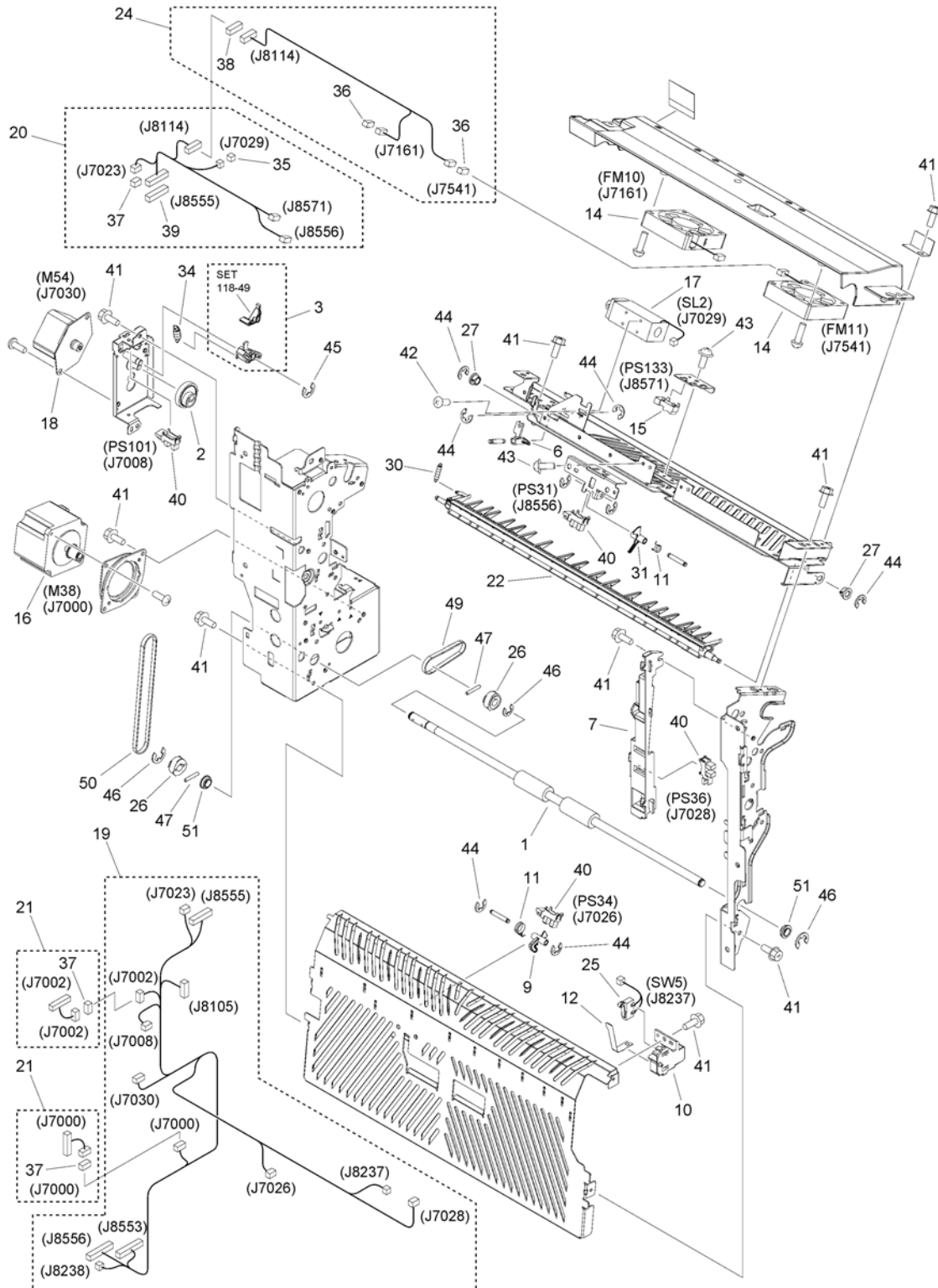


Figure 350 (2/2) REVERSE PAPER DELIVERY ASS'Y

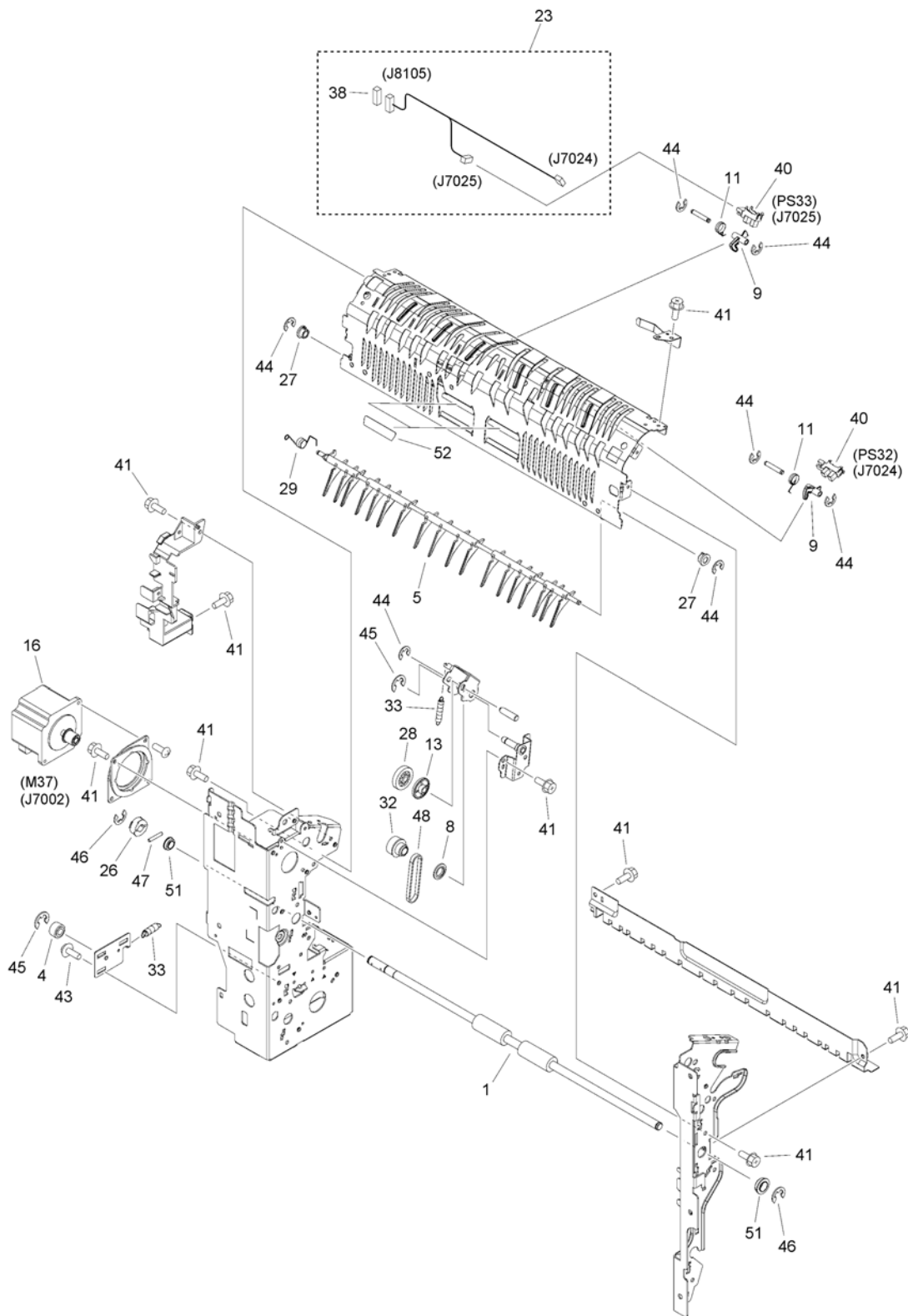


FIGURE & KEY NO.	PART NUMBER	RANK	QTY	DESCRIPTION	SERIAL NUMBER /REMARKS
350	FM1-L219-000		1	REVERSE PAPER DELIVERY ASSY	
1	FC0-8177-000		2	ROLLER, REVERSE DRIVE	
2	FC0-8732-000		1	CAM, ESTRANGEMENT	
3	FM1-D469-000		1	ARM KIT	
4	FC9-9145-000		1	SPACER, INNER PAPER DELIVERY	
5	FC8-2567-000		1	FLAPPER, DUPLEXING	
6	FC8-2573-010		1	ARM, EXCHANGE FLAPPER	
7	FC8-2586-000		1	HOOK, REVERSE DOOR	
8	FC8-8976-000		1	FLANGE, PULLEY	
9	FC9-3779-000		3	FLAG, REVERSE V. PATH SENSOR	
10	FC9-3833-000		1	HOLDER, SWITCH	
11	FC9-3836-000		4	SPRING, TORSION	
12	FC9-3838-000		1	PLATE, SWITCH	
13	FC9-4077-000		1	ROLLER, REVERSE SWING	
14	FK2-0472-010		2	FAN	FM10, FM11
15	FK2-6470-000		1	PHOTO-SENSOR, KUA0055C	PS133
16	FK3-2312-000		2	MOTOR, STEPPING, DC	M37, M38
17	FL2-8909-000		1	SOLENOID	SL2
18	FM0-0765-000		1	MOTOR, STEPPING, DC	M54
19	FM1-V847-000		1	CABLE, CONNECTING	
20	FM1-V976-000		1	CABLE, REVERSE & SOLENOID	
21	FM0-2134-000		2	CABLE, MOTOR CONNECTING	
22	FM0-3014-000		1	EXCHANGE FLAPPER UNIT	
23	FM4-1338-000		1	CABLE, VERTICAL PATH SENSOR	
24	FM4-1341-000		1	CABLE, PAPER DELIVERY FAN	
25	FM4-1342-000		1	SWITCH CABLE UNIT	SW5
26	FS5-3805-000		3	PULLEY, 28T	
27	FU5-1442-000		4	BUSHING	
28	FU6-0689-000		1	GEAR, 22T	
29	FU7-2319-000		1	SPRING, TORSION	
30	FU7-2320-000		1	SPRING, TENSION	
31	FC9-3782-000		1	FLAG, OUTER DELIVERY SENSOR	
32	FU8-0077-000		1	GEAR, 16T/PULLEY, 20T	
33	FU8-2360-000		2	SPRING, TENSION	
34	FU9-2253-000		1	SPRING, TENSION	
35	VS1-7177-002		1	CONNECTOR, SNAP TIGHT, BK	
36	VS1-7177-003		2	CONNECTOR, SNAP TIGHT, BK	
37	VS1-7177-004		3	CONNECTOR, SNAP TIGHT, BK	
38	VS1-7177-006		2	CONNECTOR, SNAP TIGHT, BK	
39	VS1-7177-011		1	CONNECTOR, SNAP TIGHT, 11P, BK	
40	WG8-5848-000		6	IC, PHOTO-INTERRUPTER	PS31, PS32, PS33, PS34, PS36, PS101
41	XA9-1386-000		28	SCREW,RS,M3X8	
42	XA9-2008-000		2	SCREW,M3X4	

FIGURE & KEY NO.	PART NUMBER	RANK	QTY	DESCRIPTION	SERIAL NUMBER /REMARKS
43	XA9-2010-000		4	SCREW, TP, M3X6	
44	XD9-0134-000		15	RING, E	
45	XD9-0136-000		3	RING, E	
46	XD9-0137-010		5	RING, E	
47	XD9-0289-000		3	PIN, PARALLEL	
48	XF2-1606-140		1	BELT, TIMING	
49	XF2-1606-540		1	BELT, TIMING	
50	XF2-1614-540		1	BELT, TIMING	
51	XG9-0709-000		4	BEARING, BALL, MF128ZZ-3	
52	FL0-7913-000		2	SHEET, GUIDE	

Figure 460 LASER SCANNER ASSEMBLY

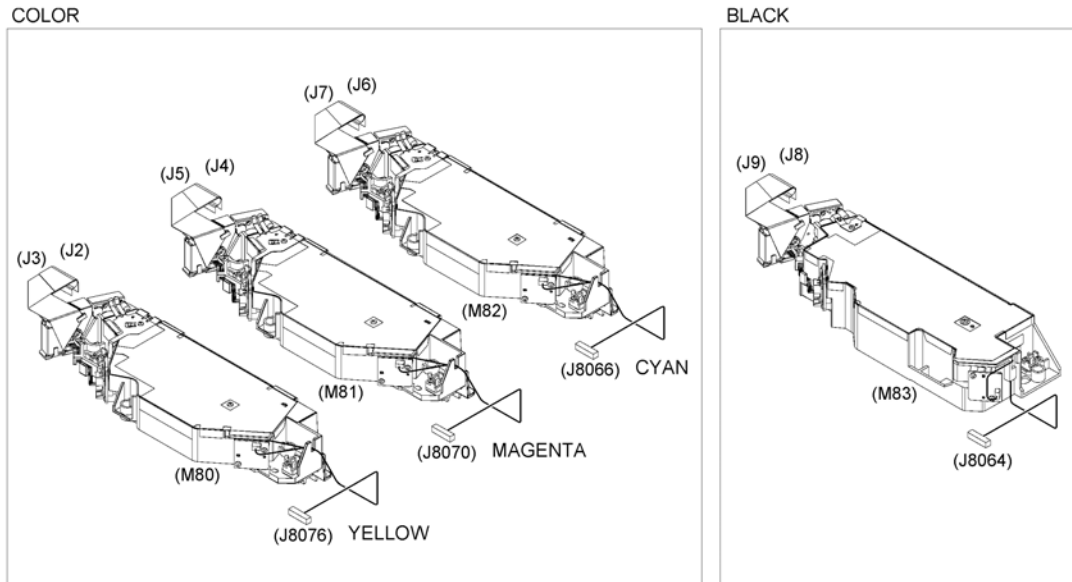


FIGURE & KEY NO.	PART NUMBER	R A N K	QTY	DESCRIPTION	SERIAL NUMBER /REMARKS
460	FM1-L151-000		1	LASER SCANNER ASSEMBLY	M80, M81, M82 COLOR
460	FM1-L152-000		1	LASER SCANNER ASSEMBLY	M83 BLACK

Figure 510 HOLDER UNIT, DRUM UNIT

NOTE 1 : This assembly does not include the parts shown with key No. 5 and 9. NOTE 2 : This assembly does not include the parts shown inside the frame.

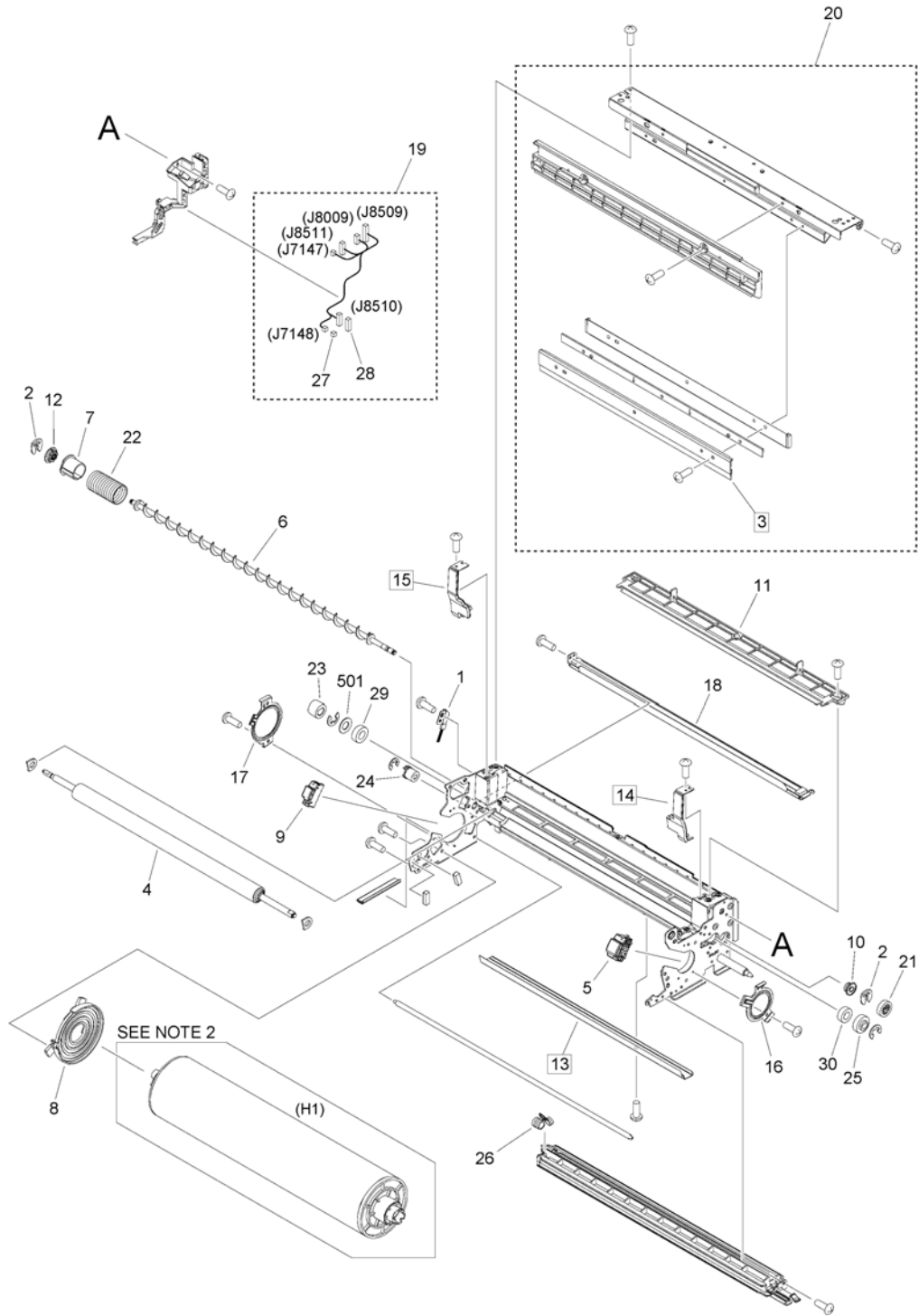


FIGURE & KEY NO.	PART NUMBER	RANK	QTY	DESCRIPTION	SERIAL NUMBER /REMARKS
510	FM1-P093-000		1	HOLDER UNIT, DRUM UNIT	SEE NOTE 2
1	FC6-1035-000		1	BRUSH, STATIC CHARGE ELIMINATE	
2	FC6-3002-000		2	RING, RESIN, RETAINING	
3	FC8-2281-000		1	BLADE, CLEANER, BLACK	[DP]
4	FC0-9864-000		1	BRUSH, CLEANING	
5	FC8-2315-000		1	SPACER, SLEEVE DRUM, FRONT	SEE NOTE 1
6	FC8-2544-000		1	SCREW, CREAMING	
7	FC8-2545-000		1	SHUTTER, WASTE TONER	
8	FC8-2644-000		1	RING, SLIP	
9	FC9-0393-000		1	SPACER, SLEEVE DRUM, REAR	SEE NOTE 1
10	FL2-0415-000		1	BUSHING	
11	FL2-2704-000		1	PLATE, PARTITION, CENTER	
12	FL2-8598-000		1	BUSHING	
13	FL2-8652-010		1	SHEET, SCRAPER	[DP]
14	FL2-8653-000		1	SCRAPER, SIDE END, FRONT	[DP]
15	FL2-8654-000		1	SCRAPER, SIDE END, REAR	[DP]
16	FL2-8848-000		1	HOLDER, BEARING, F	
17	FL2-8849-000		1	HOLDER, BEARING, R	
18	FL0-1270-000		1	MOUNT,CLEANER TONER CATCH,LW.	
19	FM0-2115-000		1	CABLE, PROCESS UNIT	
20	FM1-L385-000		1	BLADE ASSEMBLY(BK)	
21	FU3-0317-000		1	GEAR, 21T	
22	FU7-2314-000		1	SPRING, COMPRESSION	
23	FU8-0037-000		1	GEAR, 18T	
24	FU8-0038-000		1	GEAR, 24T	
25	FU8-0052-000		1	GEAR, 19T	
26	FU9-2270-000		1	SPRING, GROUNDING	
27	VS1-7177-002		1	CONNECTOR, SNAP TIGHT, BK	
28	VS1-8412-007		1	CONNECTOR, SNAP TIGHT, BL	
29	XG9-0725-000		1	BEARING, BALL, MR126-2RS,	
30	XG9-0814-000		1	BEARING, BALL, L-1680DDRPOP25L	
501	XD1-1106-235		1	WASHER,COP	

Figure 530 (1/3) I. T. B. FRAME ASSEMBLY

NOTE : This assembly does not include the parts shown with key No.100.

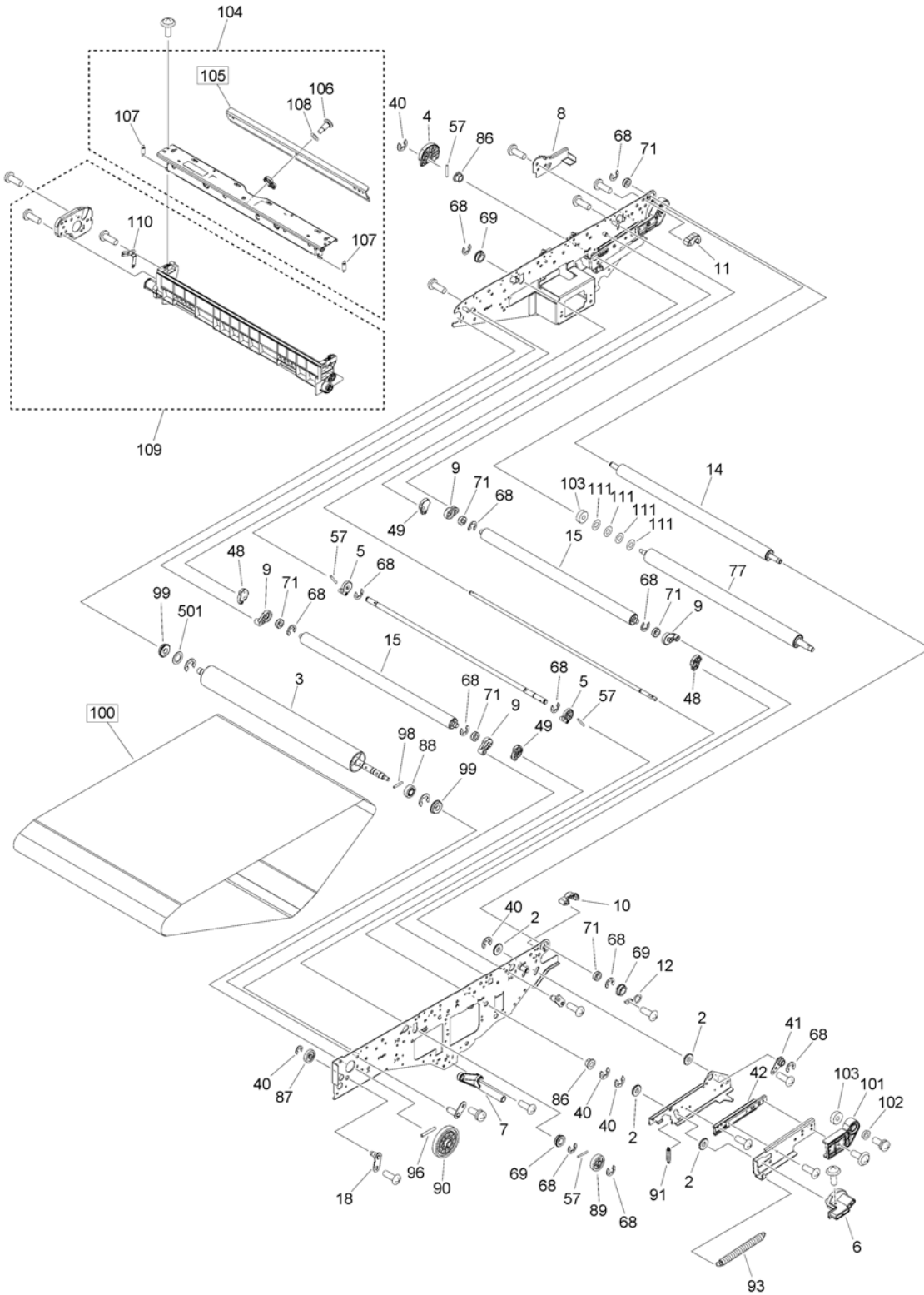


Figure 530 (2/3) I. T. B. FRAME ASSEMBLY

NOTE : This assembly does not include the parts shown with key No.100.

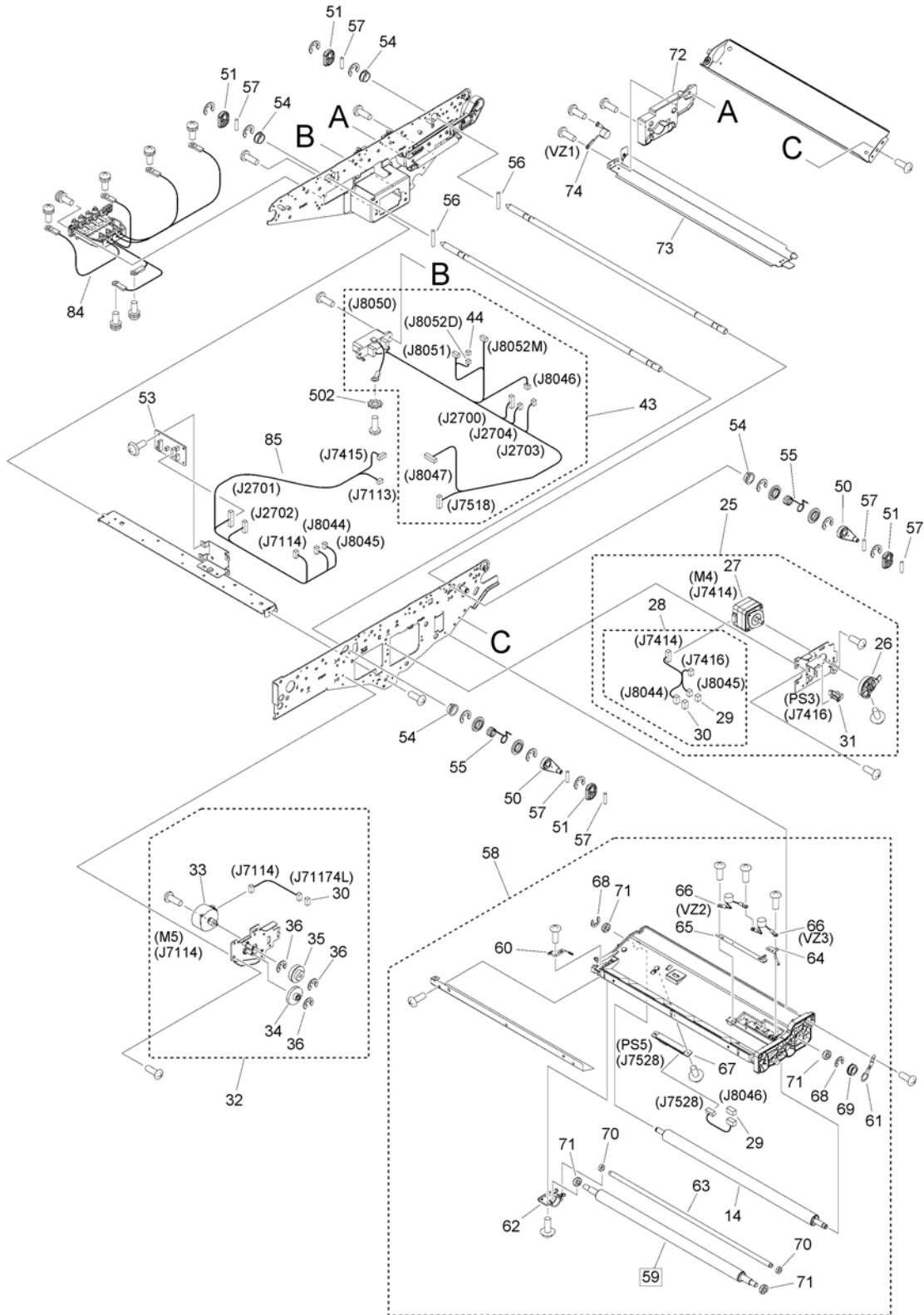


Figure 530 (3/3) I. T. B. FRAME ASSEMBLY

NOTE : This assembly does not include the parts shown with key No.100.

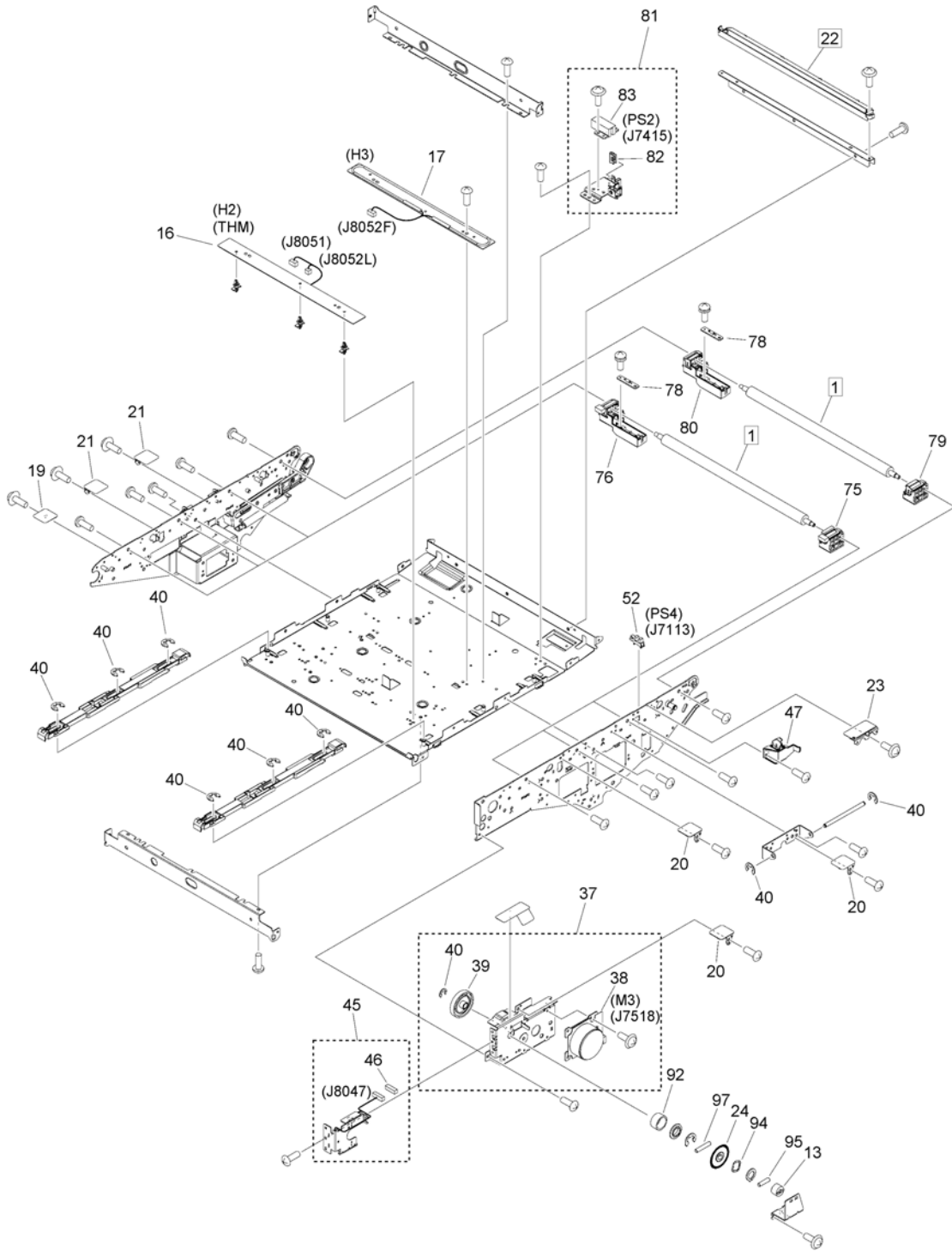


FIGURE & KEY NO.	PART NUMBER	RANK	QTY	DESCRIPTION	SERIAL NUMBER /REMARKS
530	FM1-L339-000		1	I.T.B. FRAME ASSEMBLY	
1	FC0-2331-000		4	ROLLER, TRANSFER, 1	[DP]
2	FC5-9151-000		4	COLLAR, SLIDE	
3	FC8-1698-000		1	ROLLER, DRIVE	
4	FC8-1727-000		1	CAM, STOPPER	
5	FC8-1736-000		2	CAM, TRANSFER DESORPTION	
6	FC8-1755-000		1	CAM, STOPPER, FRONT	
7	FC8-1761-010		1	FOOT, SUPPORT	
8	FC8-1791-000		1	SUPPORT, REAR	
9	FC8-1792-010		4	HOLDER, ROLLER	
10	FC9-3787-010		1	HOLDER, ROLLER, FRONT	
11	FC9-3788-010		1	HOLDER, ROLLER, REAR	
12	FC9-4123-000		1	PLATE, ROLLER GROUNDING	
13	FC9-9380-000		1	LIMITTER, TORQUE	
14	FE4-0111-000		2	ROLLER, IDLER, A	
15	FE4-0112-000		2	ROLLER, IDLER, B	
16	FK3-2576-000		1	HEATER UNIT	H2, THM
17	FK3-2577-000		1	HEATER UNIT	H3
18	FL0-7950-000		1	SUPPORT, GEAR	
19	FL0-7952-000		1	CLAMP, BELT	
20	FL0-7953-000		3	CLAMP, BELT, FRONT	
21	FL1-0158-000		2	CLAMP, BELT, REAR	
22	FL1-2173-000		1	SCRAPER, BELT INTERNAL	[DP]
23	FL1-2902-000		1	GUIDE, BELT	
24	FL2-8809-000		1	WHEEL, CORD, 2	
25	FM0-0655-000		1	STEERING CAM DRIVE ASSEMBLY	
26	FC0-8168-000		1	CAM, STEERING	
27	FK3-2279-000		1	MOTOR, STEPPING, DC	M4
28	FM0-2124-000		1	CABLE, STEERING	
29	VS1-7177-003		2	CONNECTOR, SNAP TIGHT, BK	
30	VS1-7177-004		2	CONNECTOR, SNAP TIGHT, BK	
31	WG8-5783-000		1	IC,PHOTO-INTERRUPTER,LG248NL1A	PS3
32	FM0-0656-000		1	DESORPTION DRIVE ASSEMBLY	
33	FK3-2280-000		1	MOTOR, STEPPING, DC	M5
34	FU5-0390-000		1	GEAR, 65T/23T	
35	FU8-0095-000		1	GEAR, 58T/20T	
36	XD9-0135-000		3	RING, E	
37	FM0-0657-000		1	I.T.BELT DRIVE ASSEMBLY	
38	FK3-4045-000		1	MOTOR, DC BRUSHLESS	M3
39	FU2-0589-000		1	GEAR, 22T/88T	
40	XD9-0136-000		14	RING, E	
41	FC8-4623-000		1	BUSHING	
42	FC9-4063-000		1	RAIL, SLIDE	
43	FM0-2123-000		1	CABLE, I.T.B. MAIN	

FIGURE & KEY NO.	PART NUMBER	RANK	QTY	DESCRIPTION	SERIAL NUMBER /REMARKS
44	VS1-7177-002		1	CONNECTOR, SNAP TIGHT, BK	
45	FM0-2323-000		1	ENCODER UNIT	
46	VS1-8412-007		1	CONNECTOR, SNAP TIGHT, BL	
47	FM0-3011-000		1	GUIDE UNIT	
48	FC8-1711-010		2	CAM, DESORPTION, 1	
49	FC8-1712-010		2	CAM, DESORPTION, 2	
50	FC8-1779-000		2	LEVER, LIFT UP	
51	FC8-1780-000		4	CAM, LIFT UP	
52	WG8-5848-000		1	IC, PHOTO-INTERRUPTER	PS4
53	FM3-9597-000		1	I.T.BELT PCB ASSEMBLY	
54	FS5-1474-000		4	BUSHING COP	
55	FU8-2380-000		2	SPRING, TORSION	
56	XD9-0289-000		2	PIN, PARALLEL	
57	XD9-0291-000		10	PIN, PARALLEL	
58	FM1-L342-000		1	SECONDARY TRANSFER HOLDER UNIT	
59	FC7-9325-000		1	ROLLER, TRANSFER, 2	[DP]
60	FC8-1769-000		1	PLATE, TRANSFER GROUNDING, 1	
61	FC8-1771-000		1	PLATE, TRANSFER GROUNDING, 2	
62	FE8-1059-000		1	HOLDER, TRANSFER ROLLER	
63	FE8-1060-000		1	ROLLER, 2ND TRANSFER, FRONT	
64	FE8-1061-000		1	SPRING, LEAF, 1	
65	FE8-1062-000		1	SPRING, LEAF, 2	
66	FL0-8118-000		2	VARISTOR	VZ2, VZ3
67	FM1-G742-000		1	SENSOR UNIT, PHOTO MICRO	PS5
68	XD9-0137-010		14	RING, E	
69	XG9-0737-000		4	BUSHING	
70	XG9-0783-000		2	BEARING, BALL, L-1060ZZ	
71	XG9-0793-000		10	BEARING, BALL, L-1680KKRP0P25L	
72	FC8-1716-020		1	HOLDER, GUIDE	
73	FL0-7955-000		1	GUIDE,2ND TRNSFR.,FRONT UPPER	
74	FL3-2302-000		1	VARISTOR	VZ1
75	FM1-L351-000		3	HOLDER ASSY, FRONT	
76	FM1-L353-000		3	HOLDER ASSY, REAR	
77	FC8-1697-000		1	ROLLER, STEERING	
78	FM2-7196-000		4	HVR PCB ASSEMBLY	
79	FM3-4898-040		1	HOLDER ASSY, FRONT	
80	FM3-4899-040		1	HOLDER ASSY, REAR	
81	FM3-4906-000		1	PHOTO SENSOR UNIT, EDGE	
82	FC5-9144-000		1	PLATE, EDGE	
83	FK2-7866-000		1	IC PHOTO-SENSOR, HYBRID	PS2
84	FM3-4909-000		1	TRANSFER H.V. CABLE UNIT	
85	FM4-1451-000		1	CABLE, I.T.B. UNIT	
86	FS1-1205-000		2	BUSHING	
87	FU2-1721-000		1	GEAR, 37T	

FIGURE & KEY NO.	PART NUMBER	RANK	QTY	DESCRIPTION	SERIAL NUMBER /REMARKS
88	FU2-1722-000		1	GEAR, 34T	
89	FU2-1816-000		1	GEAR, 34T	
90	FU7-0996-000		1	GEAR, 88T	
91	FU7-2302-000		1	SPRING, TENSION	
92	FU8-2366-000		1	SPRING, COMPRESSION	
93	FU8-2373-000		1	SPRING, TENSION	
94	XD9-0252-000		1	WASHER,WAVE	
95	XD9-0287-000		1	PIN, DOWEL	
96	XD9-0303-000		1	PIN, DOWEL	
97	XD9-0305-000		1	PIN, PARALLEL	
98	XD9-0335-000		1	PIN, PARALLEL	
99	XG9-0789-000		2	BEARING, BALL, 6900ZZ1NXRC3	
100	FM1-P695-000		1	BELT, INTER. TRANSFER	SEE NOTE [DP]
101	FC8-1725-010		1	HOLDER, BUSHING, FRONT	
102	XG9-0709-000		1	BEARING, BALL, MF128ZZ-3	
103	XG9-0879-000		2	BEARING, BALL, 608ZZM3SMLY551	
104	FM1-L377-000		1	TRANSFER CLEANER ASSEMBLY	
105	FL3-4920-000		1	PLATE, BLADE	[DP]
106	FU5-9331-000		1	SCREW, STEPPED, M4	
107	FU8-2376-000		2	SPRING, PRESSURE	
108	XD9-0160-000		1	WASHER,WAVE	
109	FM1-L376-000		1	WASTE TONER FEED ASSEMBLY	
110	FE8-0436-000		1	SPRING, GROUNDING	
111	FB2-6285-000		4	SHIM	
501	XD1-1100-225		1	WASHER, COP	
502	XD1-4200-402		1	WASHER, TOOTHED LOCK, M4	

Figure 531 TRANSFER PRESSURE ASS'Y, FRONT

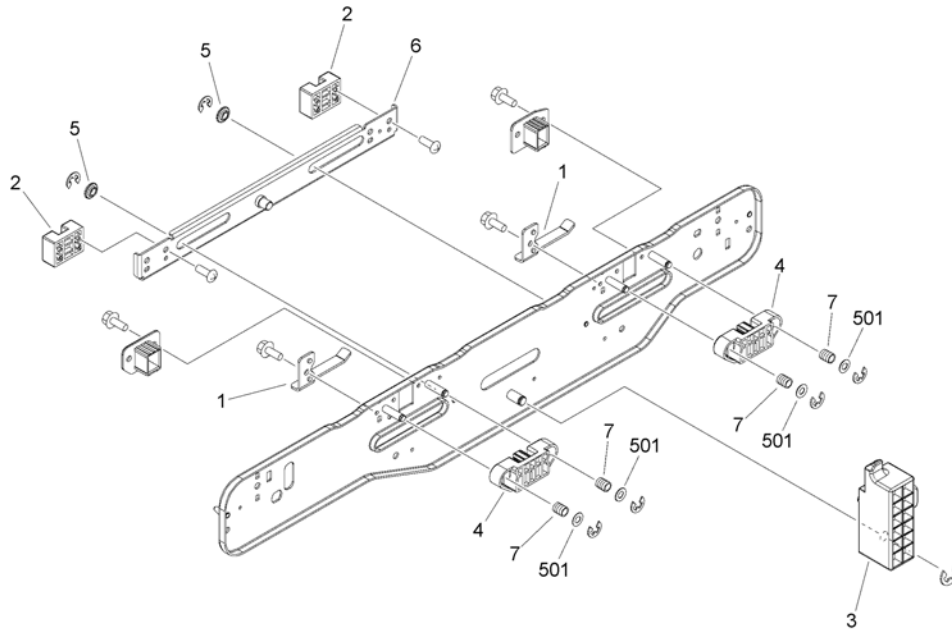


FIGURE & KEY NO.	PART NUMBER	RANK	QTY	DESCRIPTION	SERIAL NUMBER /REMARKS
531	NPN		RF	TRANSFER PRESSURE ASSY, FRONT	
1	FC0-8160-000		2	SPRING, LEAF	
2	FC8-1790-000		2	LINK, LIFT UP, 2	
3	FC8-1798-000		1	LEVER, OPERATOR	
4	FC9-0385-010		2	BLOCK, PRESSURE	
5	FC9-3827-000		2	ROLLER, SLIDE	
6	FL2-8710-000		1	LINK, LIFT UP, 1	
7	FU7-2381-000		4	SPRING, COMPRESSION	
501	XD1-1106-235		4	WASHER,COP	

Figure 532 PRE-TRANSFER CORONA ASSEMBLY

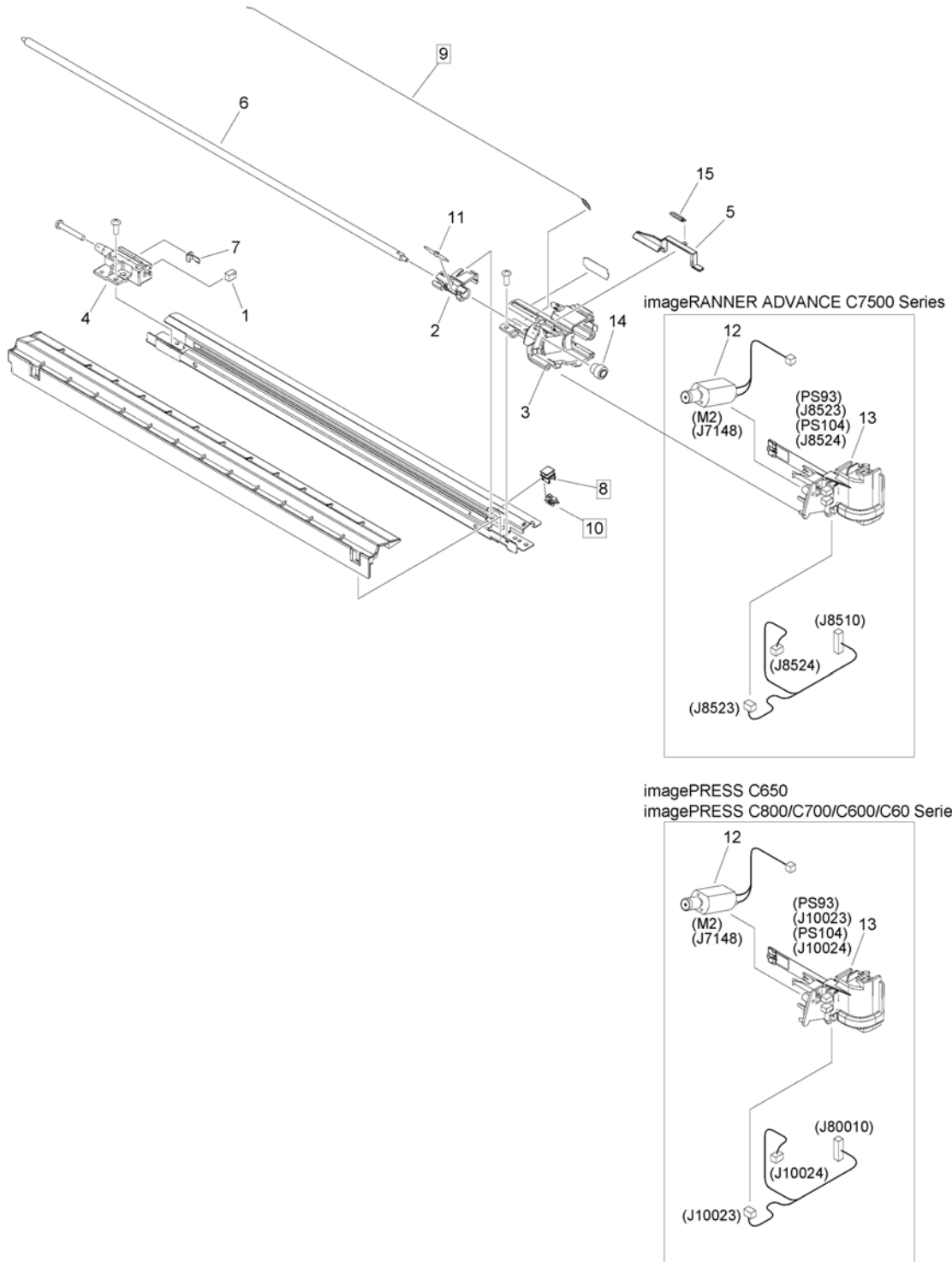


FIGURE & KEY NO.	PART NUMBER	RANK	QTY	DESCRIPTION	SERIAL NUMBER /REMARKS
532	FM0-1464-000		1	PRE-TRANSFER CORONA ASSEMBLY	[DP]
1	FA4-1864-000		1	DAMPER	
2	FC0-8113-000		1	HOLDER, FELT	
3	FC0-8114-000		1	BLOCK, PRE-TRANSFER CORONA, FR	
4	FC0-8117-000		1	FLAG, HOME POSITION SENSING	
5	FC0-9712-000		1	BLOCK, PRE-TRANSFER CORONA, RR	
6	FC5-1810-000		1	SCREW, LEAD	
7	FC9-4111-000		1	TERMINAL, CORONA WIRE	
8	FL2-7750-010		1	SLIDER, PAD	[DP]
9	FL2-8807-000		1	PRE-TRANSFER CORONA LINE ASS'Y	[DP]
10	FL3-7560-000		1	HOLDER, WIRE CLEANING PAD	[DP]
11	FL3-8790-000		1	SPRING, LEAF	
12	FM0-0759-000		1	CLEANING MOTOR UNIT	M2
13	FM0-0863-000		1	SHUTTER BLOCK UNIT	PS93, PS104
14	FU9-0835-000		1	GEAR, 16T	
15	FU9-2240-000		1	SPRING, TENSION	

Figure 550 PRIMARY CORONA ASSEMBLY

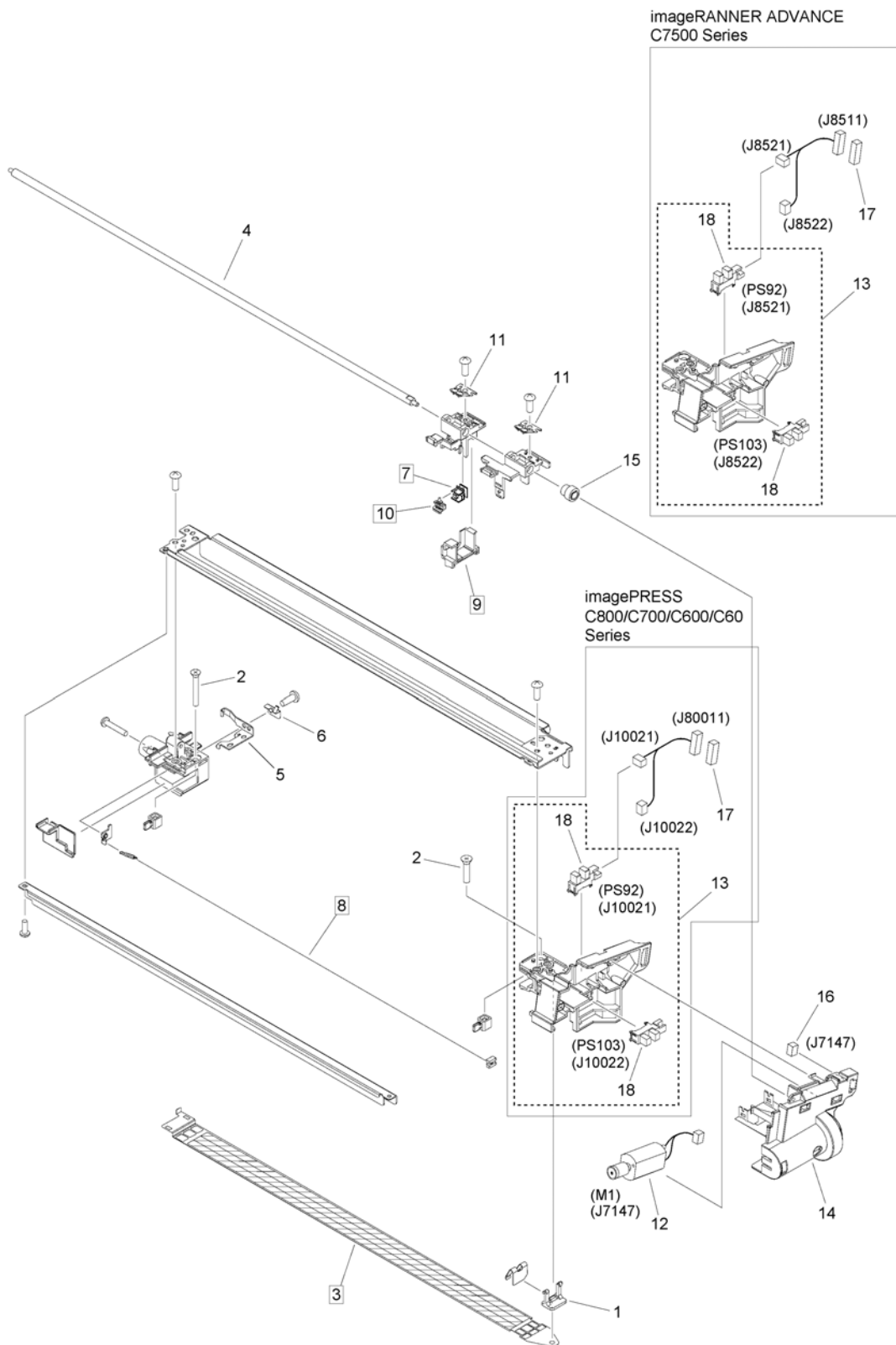


FIGURE & KEY NO.	PART NUMBER	RANK	QTY	DESCRIPTION	SERIAL NUMBER /REMARKS
550	FM1-L382-000		1	PRIMARY CORONA ASSEMBLY	[DP]
1	FB2-2959-000		1	LEVER, GRID	
2	XA9-0228-000		2	SCREW, INSUL., C.S.HEAD	
3	FC0-9857-000		1	PLATE, ETCHING GRID	[DP]
4	FC5-1810-000		1	SCREW, LEAD	
5	FC6-1057-010		1	PLATE, POWER DISPATCHING	
6	FC8-2296-000		1	PLATE, GROUNDING	
7	FL2-7750-010		1	SLIDER, PAD	[DP]
8	FL2-8915-000		1	PRIMARY CORONA WIRE ASS'Y	[DP]
9	FL3-4090-000		1	SLIDER, PAD	[DP]
10	FL3-7560-000		1	HOLDER, WIRE CLEANING PAD	[DP]
11	FL3-8789-000		2	PIN, SLIDER	
12	FM0-0759-000		1	CLEANING MOTOR UNIT	M1
13	FM0-0893-000		1	BLOCK, PRIMARY CORONA, FRONT	
14	FM0-0894-000		1	MOTOR COVER UNIT	
15	FU9-0835-000		1	GEAR, 16T	
16	VS1-7177-002		1	CONNECTOR, SNAP TIGHT, BK	
17	VS1-8412-007		1	CONNECTOR, SNAP TIGHT, BL	
18	WG8-5848-000		2	IC, PHOTO-INTERRUPTER	PS92, PS103

Figure 580 SECONDARY TRANSFER ASSEMBLY

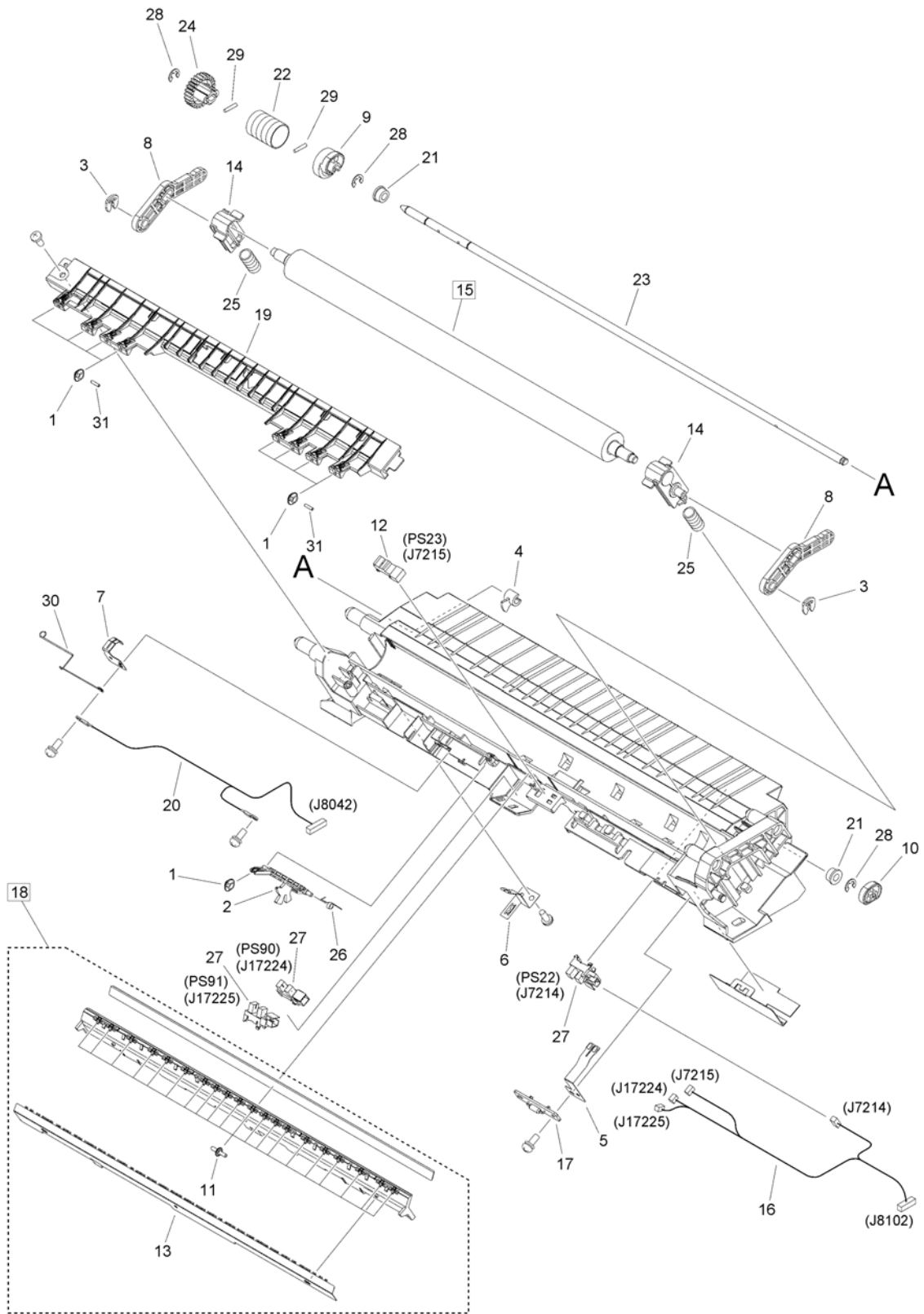


FIGURE & KEY NO.	PART NUMBER	RANK	QTY	DESCRIPTION	SERIAL NUMBER /REMARKS
580	FM1-L378-000		1	SECONDARY TRANSFER ASSEMBLY	
1	FB6-3150-000		9	ROLLER, TRANSFER SENSOR	
2	FC0-8778-000		1	FLAG, LOOP	
3	FC6-3002-000		2	RING, RESIN, RETAINING	
4	FC8-2627-000		1	FLAG, SENSOR	
5	FC8-2633-000		1	PLATE, POWER DISPATCHING	
6	FE8-0466-000		1	PLATE, GROUNDING	
7	FC8-2641-000		1	PLATE, STATIC CHARGE	
8	FC9-0252-010		2	ARM, SECONDARY TRANSFER	
9	FC9-3741-000		1	CAM, SWING, REAR	
10	FC9-4030-000		1	CAM, SWING, FRONT	
11	FC9-4121-000		20	ROWEL	
12	FK2-6470-000		1	PHOTO-SENSOR, KUA0055C	PS23
13	FL2-8872-000		1	ELIMINATOR, STATIC CHARGE	
14	FL3-6675-000		2	HOLDER, 2ND TRNSFR. ROLLER	
15	FE8-0387-000		1	ROLLER, 2ND TRNSFR. OUTER	[DP]
16	FM0-2106-000		1	CABLE, 2ND TRNSFR. H.V.	
17	FM2-7196-000		1	HVR PCB ASSEMBLY	
18	FM3-9841-000		1	2ND TRNSFR. ELIMINATOR ASS'Y	[DP]
19	FM1-L428-000		1	OUTLET GUIDE RIB UNIT	
20	FM1-V859-000		1	CABLE, SECONDARY H.V. RESISTOR	
21	FS1-1508-000		2	BUSHING	
22	FS4-2136-000		1	SPRING, COMPRESSION	
23	FU6-5909-010		1	SHAFT, CAM	
24	FU8-0024-000		1	GEAR, 25T	
25	FU8-2371-000		2	SPRING, COMPRESSION	
26	FU9-2269-000		1	SPRING, TORSION	
27	WG8-5783-000		3	IC,PHOTO-INTERRUPTER,LG248NL1A	PS22, PS90, PS91
28	XD9-0136-000		3	RING, E	
29	XD9-0288-000		2	PIN, DOWEL	
30	FE8-0444-000		1	SPRING, GROUNDING	
31	XD9-0287-000		8	PIN, DOWEL	

Figure 620 HOPPER MOUNT ASSEMBLY, COLOR

NOTE : This assembly includes the assembly shown in Figure 621.

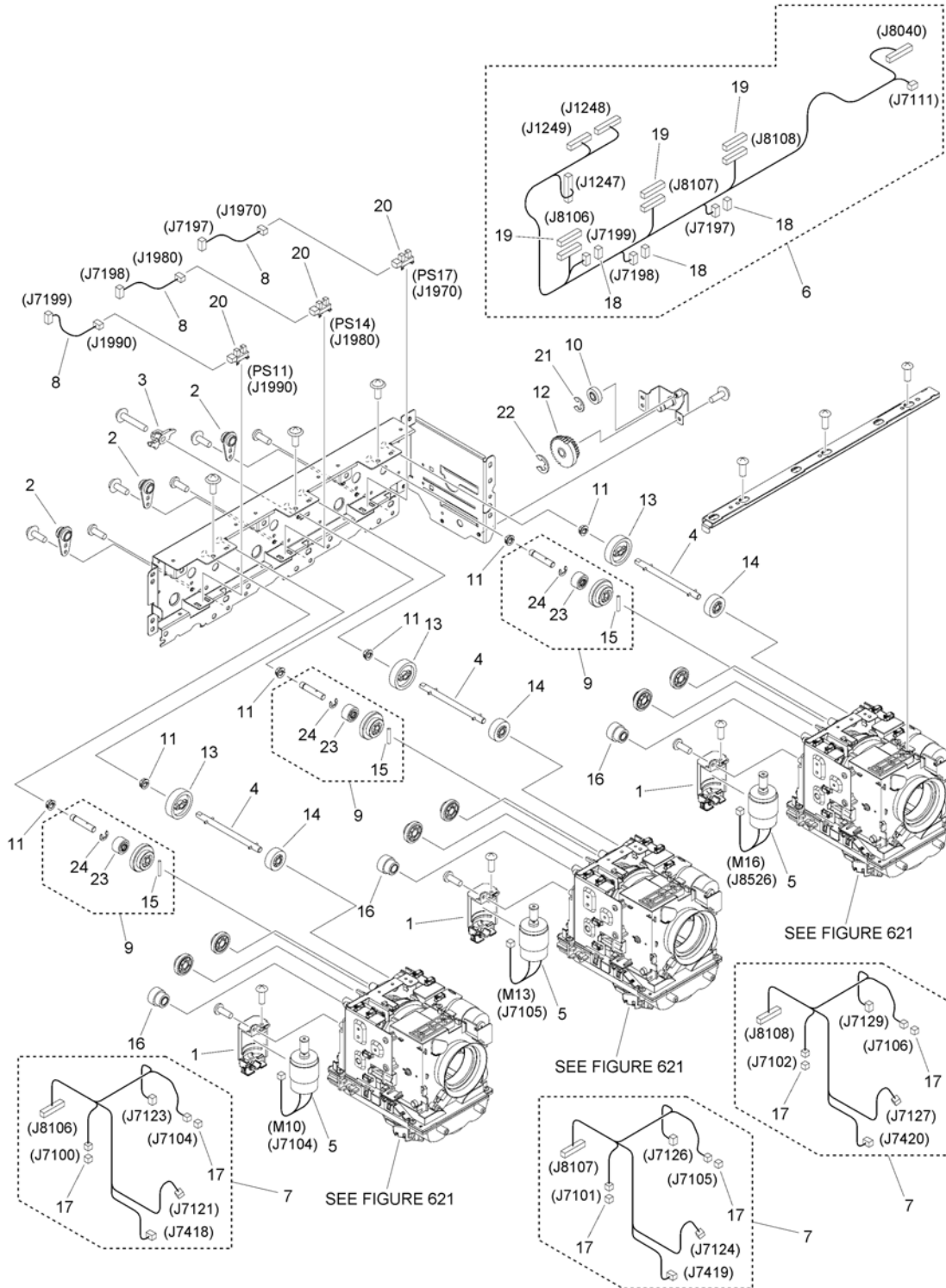


FIGURE & KEY NO.	PART NUMBER	RANK	QTY	DESCRIPTION	SERIAL NUMBER /REMARKS
620	FM1-L391-000		1	HOPPER MOUNT ASSEMBLY, COLOR	SEE NOTE
1	FC0-8244-000		3	COVER, MOTOR	
2	FC8-4623-000		3	BUSHING	
3	FC9-5461-000		1	ARM, ROLLER ESTRANGEMENT, REAR	
4	FL3-8781-000		3	SHAFT, TRANSMISSION	
5	FM0-0756-000		3	HOPPER MOTOR UNIT	M10, M13, M16
6	FM0-2815-000		1	CABLE, HOPPER MAIN	
7	FM0-2120-010		3	CABLE, HOPPER UNIT, COLOR	
8	FM0-2871-000		3	CABLE, SENSOR CONNECTING	
9	FM0-2702-010		3	ONE-WAY SHAFT UNIT	
10	FU3-0314-000		1	GEAR, 15T	
11	FU5-1451-000		6	BUSHING	
12	FU9-0056-000		1	GEAR, 24T/16T	
13	FU9-0839-000		3	GEAR, 37T	
14	FU9-0880-000		3	GEAR, 16T	
15	XD9-0289-000		3	PIN, PARALLEL	
16	FU9-0885-000		3	GEAR, 28T/16T	
17	VS1-7177-002		6	CONNECTOR, SNAP TIGHT, BK	
18	VS1-7177-005		3	CONNECTOR, SNAP TIGHT, BK	
19	VS1-8412-013		3	CONNECTOR, SNAP TIGHT, BL	
20	WG8-5848-000		3	IC, PHOTO-INTERRUPTER	PS11, PS14, PS17
21	XD9-0134-000		1	RING, E	
22	XD9-0137-010		1	RING, E	
23	FL3-8703-000		3	GEAR, 18T	
24	XD9-0136-000		3	RING, E	

Figure 621 HOPPER ASSEMBLY, COLOR

NOTE : This assembly is included in the assembly shown in Figure 620.

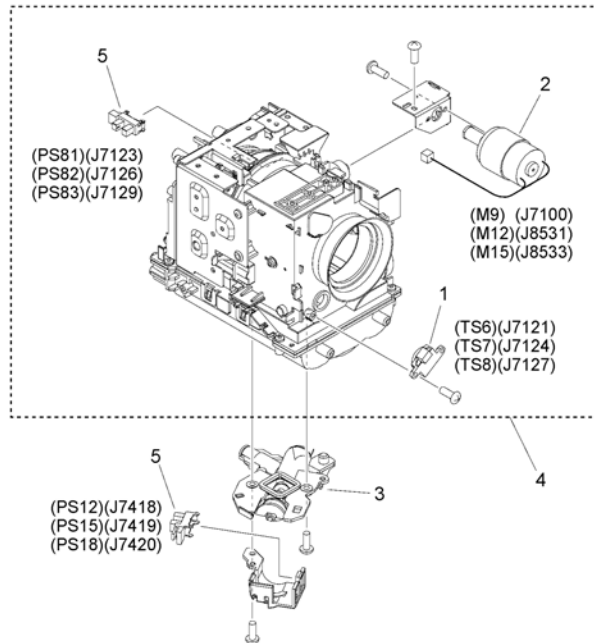


FIGURE & KEY NO.	PART NUMBER	RANK	QTY	DESCRIPTION	SERIAL NUMBER /REMARKS
621	FM1-L402-000		1	HOPPER ASSEMBLY, COLOR	SEE NOTE
1	FK2-0590-000		1	TONER SENSOR UNIT	TS6, TS7, TS8
2	FM0-0756-000		1	HOPPER MOTOR UNIT	M9, M12, M15
3	FM0-0888-000		1	SUPPLY PIPE ASSEMBLY, COLOR	
4	FM1-L409-000		1	HOPPER ASSEMBLY	
5	WG8-5848-000		2	IC, PHOTO-INTERRUPTER	PS12, PS15, PS18, PS81, PS82, PS83

Figure 622 HOPPER ASSEMBLY, BLACK

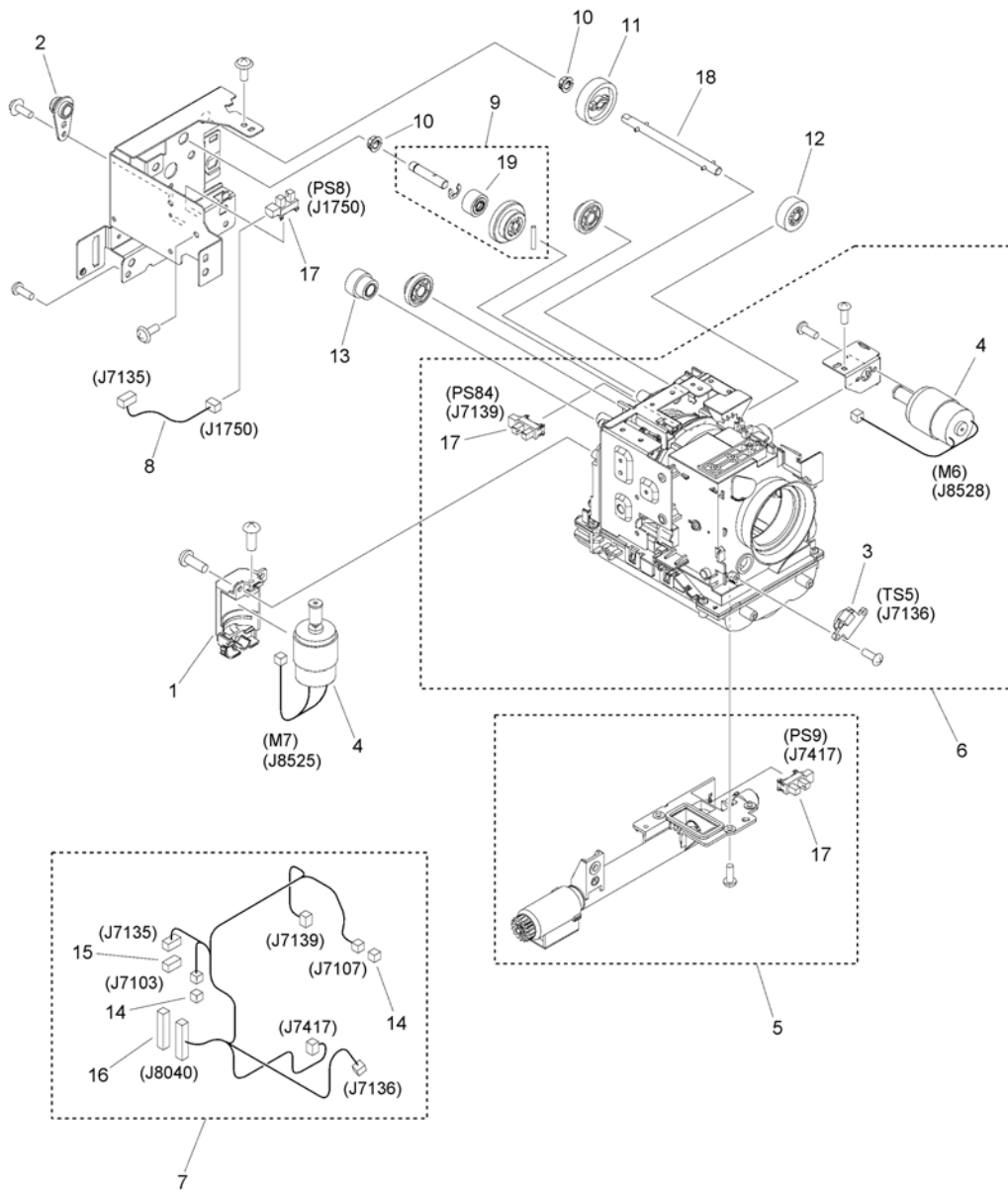


FIGURE & KEY NO.	PART NUMBER	RANK	QTY	DESCRIPTION	SERIAL NUMBER /REMARKS
622	FM1-L390-000		1	HOPPER ASSEMBLY, BLACK	
1	FC0-8244-000		1	COVER, MOTOR	
2	FC8-4623-000		1	BUSHING	
3	FK2-0590-000		1	TONER SENSOR UNIT	TS5
4	FM0-0756-000		2	HOPPER MOTOR UNIT	M6, M7
5	FM0-0860-000		1	SUPPLY PIPE ASSEMBLY, BLACK	
6	FM1-L409-000		1	HOPPER ASSEMBLY	
7	FM0-2119-000		1	CABLE, HOPPER UNIT, BLACK	
8	FM0-2121-000		1	CABLE, SENSOR CONNECTING	
9	FM0-2702-010		1	ONE-WAY SHAFT UNIT	
10	FU5-1451-000		2	BUSHING	
11	FU9-0839-000		1	GEAR, 37T	
12	FU9-0880-000		1	GEAR, 16T	
13	FU9-0885-000		1	GEAR, 28T/16T	
14	VS1-7177-002		2	CONNECTOR, SNAP TIGHT, BK	
15	VS1-7177-004		1	CONNECTOR, SNAP TIGHT, BK	
16	VS1-8412-017		1	CONNECTOR, SNAP TIGHT, BL	
17	WG8-5848-000		3	IC, PHOTO-INTERRUPTER	PS8, PS9, PS84
18	FL3-8781-000		1	SHAFT, TRANSMISSION	
19	FL3-8703-000		1	GEAR, 18T	

Figure 623 BOTTLE TRAY ASSEMBLY, COLOR

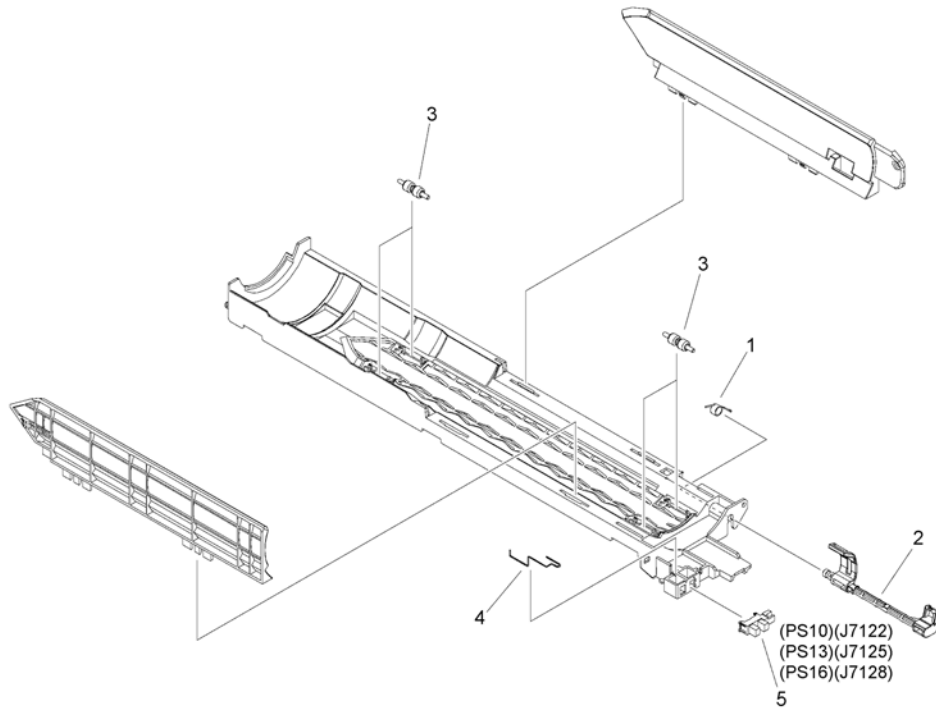


FIGURE & KEY NO.	PART NUMBER	RANK	QTY	DESCRIPTION	SERIAL NUMBER /REMARKS
623	FM1-L604-000		1	BOTTLE TRAY ASSEMBLY, COLOR	
1	FC0-1512-000		1	SPRING, TORSION	
2	FC0-8240-000		1	LEVER, BOTTLE DETECT	
3	FC8-4649-000		4	ROLLER, BOTTLE TRAY	
4	FC9-3752-000		1	SPRING, STATIC CHARGE	
5	WG8-5783-000		1	IC,PHOTO-INTERRUPTER,LG248NL1A	PS10, PS13, PS16

Figure 624 BOTTLE TRAY ASSEMBLY, BLACK

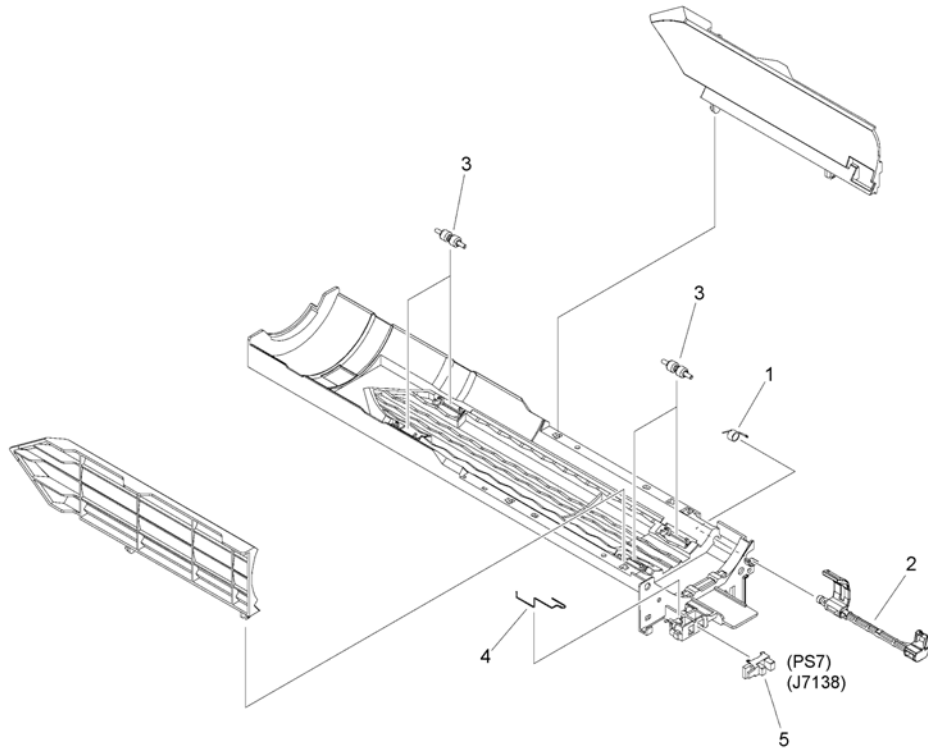


FIGURE & KEY NO.	PART NUMBER	RANK	QTY	DESCRIPTION	SERIAL NUMBER /REMARKS
624	FM1-L310-000		1	BOTTLE TRAY ASSEMBLY, BLACK	
1	FC0-1512-000		1	SPRING, TORSION	
2	FC0-8240-000		1	LEVER, BOTTLE DETECT	
3	FC8-4649-000		4	ROLLER, BOTTLE TRAY	
4	FC9-3752-000		1	SPRING, STATIC CHARGE	
5	WG8-5783-000		1	IC,PHOTO-INTERRUPTER,LG248NL1A	PS7

Figure 625 TONER CONTAINER COVER ASS'Y

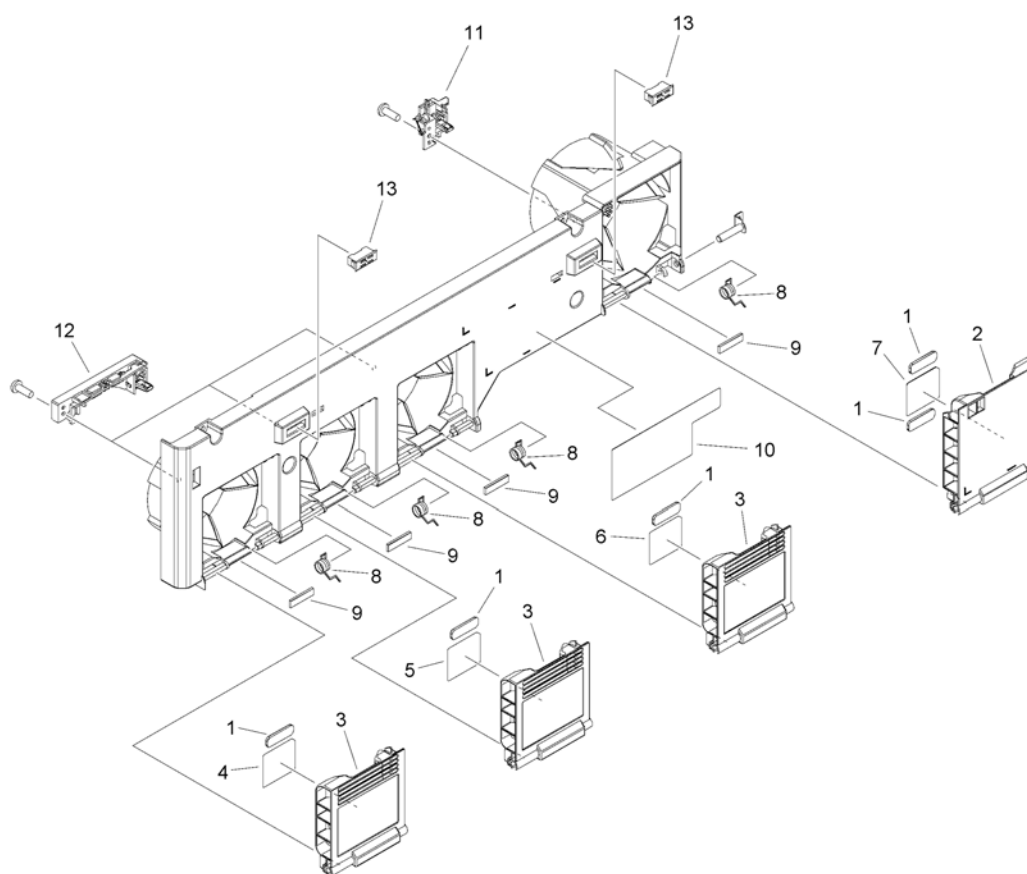


FIGURE & KEY NO.	PART NUMBER	RANK	QTY	DESCRIPTION	SERIAL NUMBER /REMARKS
625	FM1-L403-000		1	TONER CONTAINER COVER ASS'Y	
1	FC0-0793-000		5	SHEET, INNER DOOR	
2	FC8-2525-010		1	DOOR, BOTTLE EXCHANGE INNER, B	
3	FC8-4662-010		3	DOOR, BOTTLE EXCHANGE INNER	
4	FC8-4663-000		1	LABEL, COLOR, YELLOW	
5	FC8-4664-000		1	LABEL, COLOR, MAGENTA	
6	FC8-4665-000		1	LABEL, COLOR, CYAN	
7	FC8-4666-000		1	LABEL, COLOR, BLACK	
8	FC8-4687-000		4	SPRING, TORSION	
9	FC9-3751-000		4	SEAL, COVER	
10	FE8-2637-000		1	LABEL, WARNING LESER	
11	FM3-9898-000		1	LATCH HOLDER ASSEMBLY, BLACK	
12	FM3-9980-010		3	LATCH HOLDER ASSEMBLY, COLOR	
13	XZ9-0603-000		2	CATCH, MAGNET	

Figure 640 DEVELOPING ASSEMBLY

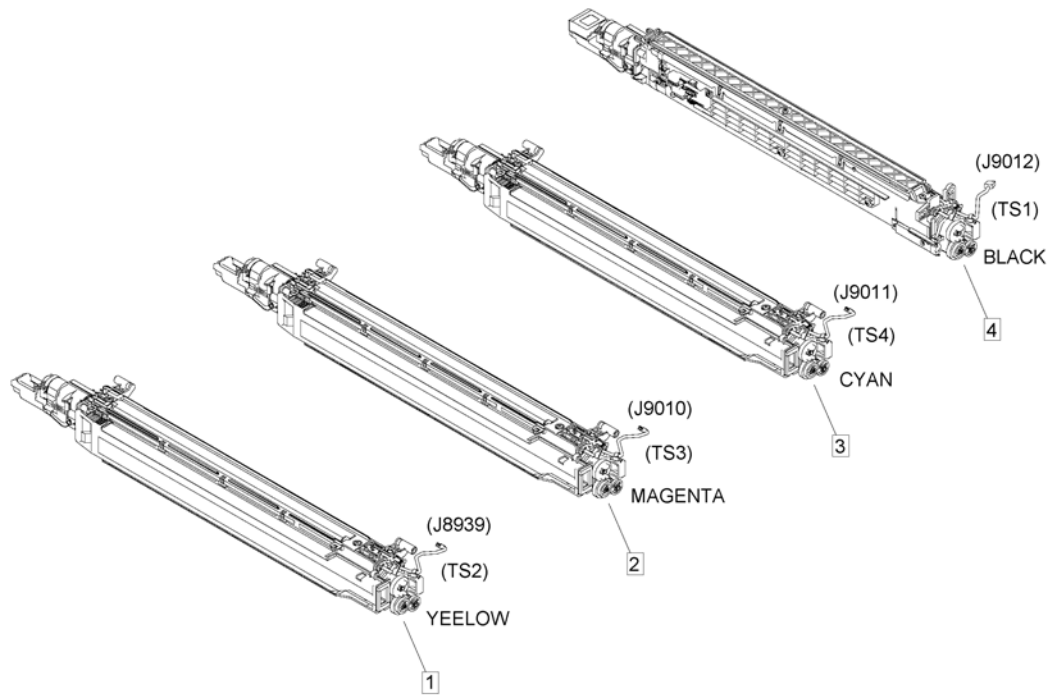


FIGURE & KEY NO.	PART NUMBER	RANK	QTY	DESCRIPTION	SERIAL NUMBER /REMARKS
640	NPN		RF	DEVELOPING ASSEMBLY	
1	FM1-P089-000		1	DEVELOPING ASSEMBLY, Y	TS2 [DP]
2	FM1-P090-000		1	DEVELOPING ASSEMBLY, M	TS3 [DP]
3	FM1-P091-000		1	DEVELOPING ASSEMBLY, C	TS4 [DP]
4	FM1-P092-000		1	DEVELOPING ASSEMBLY, BK	TS1 [DP]

Figure 770 WASTE TONER FEEDER ASSEMBLY

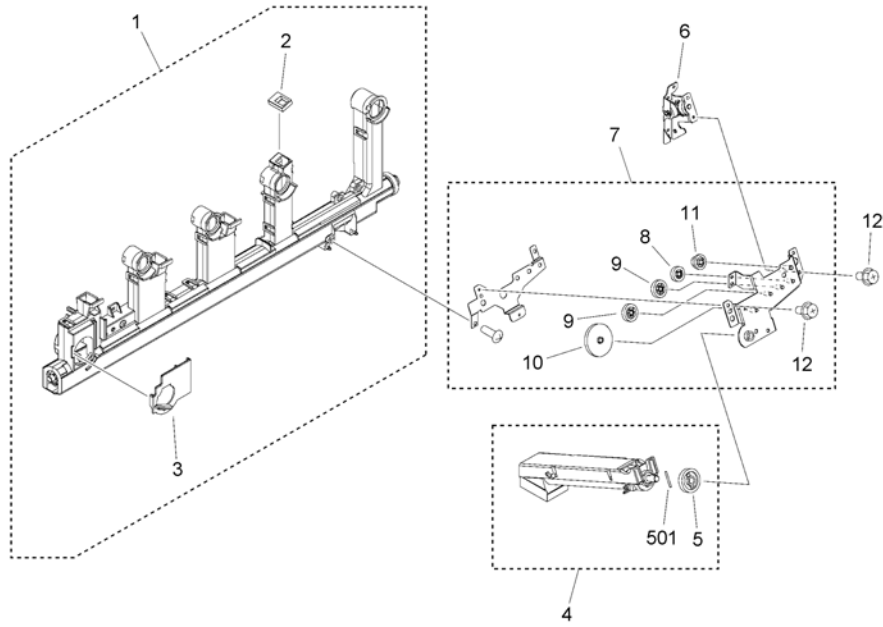


FIGURE & KEY NO.	PART NUMBER	RANK	QTY	DESCRIPTION	SERIAL NUMBER /REMARKS
770	NPN		RF	WASTE TONER FEEDER ASSEMBLY	
1	FM1-L380-000		1	WASTE TONER FIRST FEED ASS'Y	
2	FE2-0306-000		1	SEAL, BLACK	
3	FL0-1898-000		1	SHUTTER, TONER CATCHER	
4	FM1-L381-000		1	WASTE TONER SECOND FEED ASS'Y	
5	FU8-0069-000		1	GEAR, 35T	
6	FM3-4922-000		1	WASTE TONER FEED GEAR ASS'Y, 1	
7	FM3-4928-000		1	WASTE TONER FEED GEAR ASS'Y, 2	
8	FU6-0092-000		1	GEAR, 21T	
9	FU6-0098-000		2	GEAR, 25T	
10	FU7-0313-000		1	GEAR, 49T	
11	FU9-0055-000		1	GEAR, 14T/21T	
12	XA9-1386-000		2	SCREW,RS,M3X8	
501	XD9-0286-000		1	PIN, PARALLEL	

Figure 771 WASTE TONER BOTTLE CASE ASS'Y

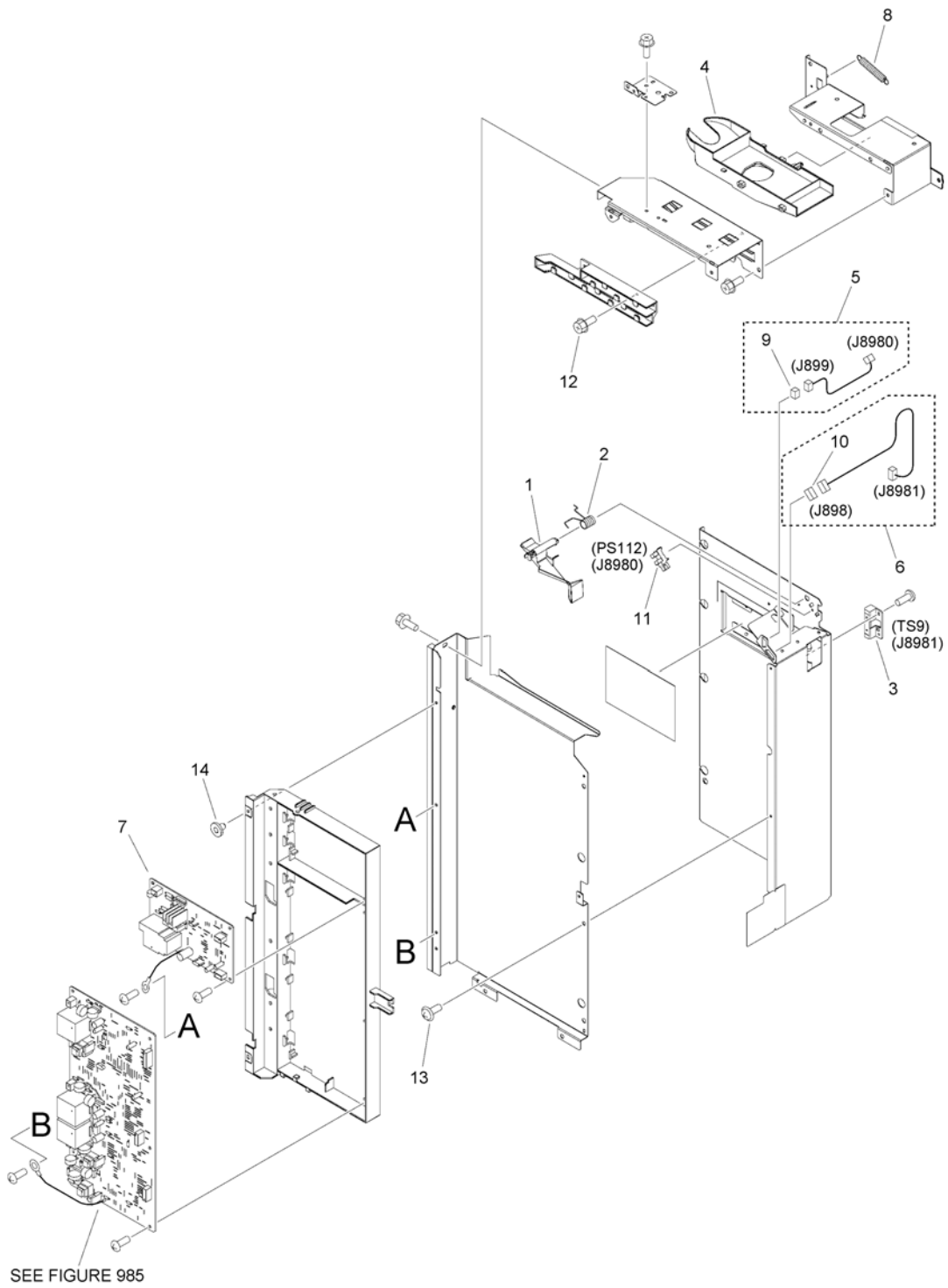


FIGURE & KEY NO.	PART NUMBER	RANK	QTY	DESCRIPTION	SERIAL NUMBER /REMARKS
771	NPN		RF	WASTE TONER BOTTLE CASE ASSY	
1	FC0-8158-000		1	LEVER, SENSING	
2	FC0-8159-000		1	SPRING, TORSION	
3	FK2-0003-00U		1	RECONDITIONED PHOTO SENSOR	TS9
4	FL0-7991-000		1	CAP, BOTTLE	
5	FM0-0831-000		1	CABLE, BOTTLE SENSING	
6	FM0-2069-000		1	CABLE, WASTE TONER	
7	FM1-V874-000		1	BLACK 1ST CORONA H.V. PCB	
8	FU9-2276-000		1	SPRING, TENSION	
9	VS1-7177-003		1	CONNECTOR, SNAP TIGHT, BK	
10	VS1-7177-004		1	CONNECTOR, SNAP TIGHT, BK	
11	WG8-5848-000		1	IC, PHOTO-INTERRUPTER	PS112
12	XA9-1386-000		2	SCREW,RS,M3X8	
13	XA9-1503-000		3	SCREW, TAP, M3X6	
14	XA9-2017-000		3	SCREW, PANHEAD MACHINE M4X6	

Figure 772 WASTE TONER BOTTLE ASSEMBLY

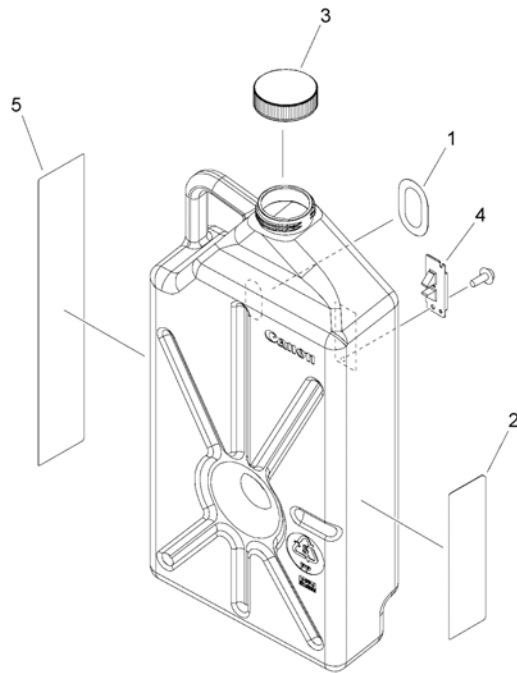


FIGURE & KEY NO.	PART NUMBER	RANK	QTY	DESCRIPTION	SERIAL NUMBER /REMARKS
772	FM1-P094-000		1	WASTE TONER BOTTLE ASSEMBLY	[DP]
1	FC6-1384-000		1	SHEET, BOTTLE WINDOW	
2	FC9-7131-000		1	LABEL, CAUTION	
3	FL3-9150-000		1	CAP, WASTE TONER	
4	FL3-7570-000		1	PRISM	
5	FU8-8005-000		1	LABEL, WASTE TONER	

Figure 810B FIXING ASSEMBLY, 200V/208V/230V

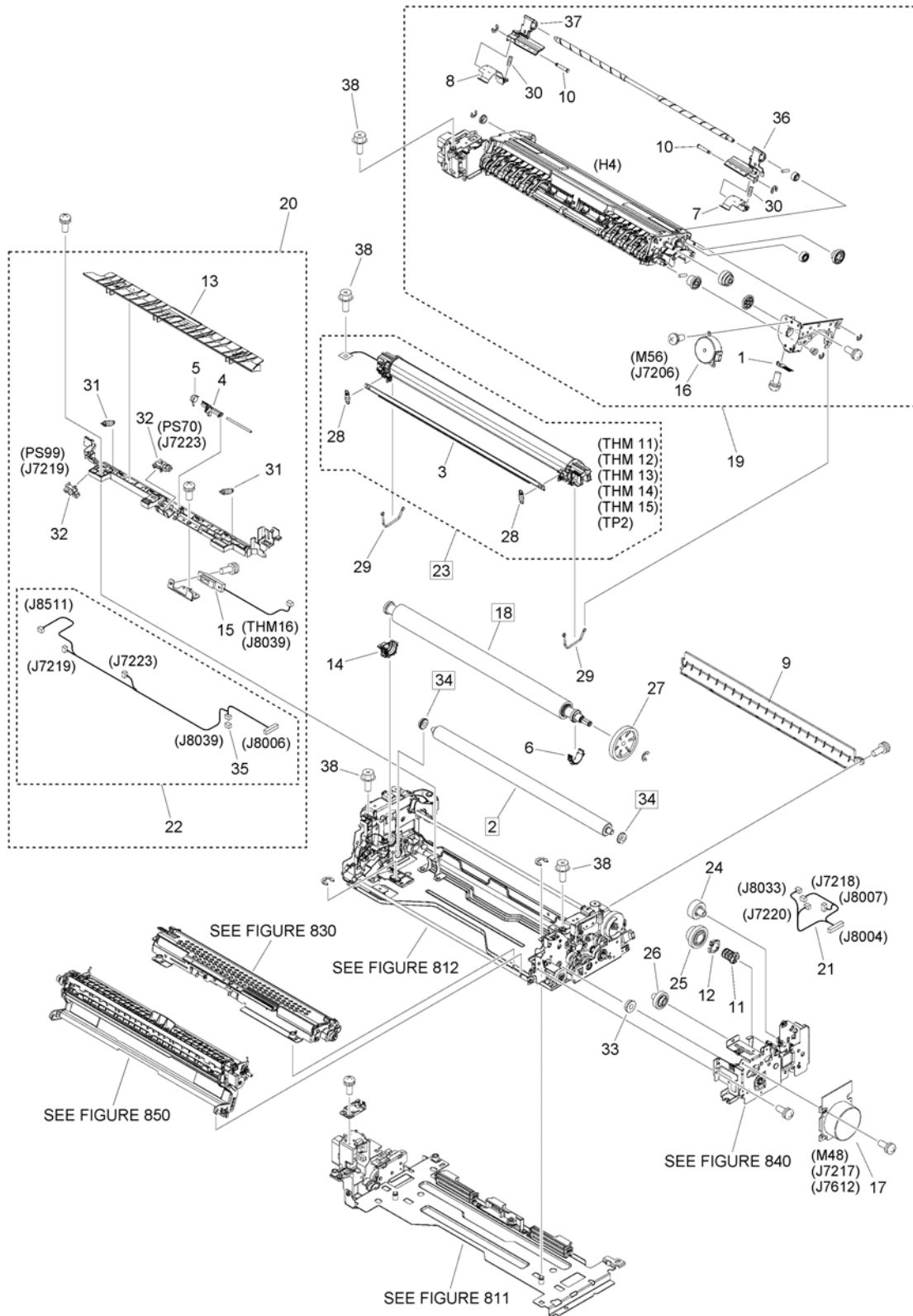


FIGURE & KEY NO.	PART NUMBER	RANK	QTY	DESCRIPTION	SERIAL NUMBER /REMARKS
810B	NPN		RF	FIXING ASSEMBLY,200V/208V/230V	
1	FB5-9104-010		1	ELIMINATOR, STATIC CHARGE	
2	FC0-7967-000		1	ROLLER, HEAT	[DP]
3	FC0-7970-000		1	PLATE, SEPARATION	
4	FC0-7993-000		1	FLAG, SENSOR	
5	FC0-7994-000		1	SPRING, TORSION	
6	FC0-7998-000		1	HOUSING, BEARING	
7	FC0-8092-000		1	PLATE, MOVE, FRONT	
8	FC0-8093-000		1	PLATE, MOVE, REAR	
9	FE8-0084-000		1	GUIDE, FIXING, UPPER	
10	FC0-8101-000		2	SHAFT	
11	FC0-8103-000		1	HOLDER, GEAR	
12	FC0-8104-000		1	SPRING, LEAF, GEAR	
13	FE8-0755-000		1	GUIDE, ENTRANCE	
14	FC0-9148-000		1	HOUSING, BEARING	
15	FH7-7586-020		1	THERMISTOR UNIT	THM16
16	FK4-3919-000		1	MOTOR, STEPPING, DC	M56
17	FK4-3918-000		1	MOTOR, DC	M48
18	FM0-0387-010		1	PRESSURE ROLLER UNIT	[DP]
19	FM1-P110-000		1	HEATER UNIT, 200V/208V/230V	H4
20	FM1-K788-000		1	ENTRANCE GUIDE ASSEMBLY	
21	FM0-2141-010		1	CABLE, FIXING UNIT, UPPER	
22	FM0-2143-000		1	CABLE, FIXING UNIT, LOWER	
23	FM1-N742-000		1	FIXING FILM UNIT	THM 11, THM 12, THM 13, THM 14, THM 15, TP2 [DP]
24	FU9-0905-000		1	GEAR, 27T	
25	FU9-0831-000		1	GEAR, 35T/22T	
26	FU9-0832-000		1	GEAR, 26T	
27	FU9-0897-000		1	GEAR, 41T	
28	FU9-2230-000		2	SPRING, TENSION	
29	FU9-2233-000		2	SPRING, TENSION	
30	FU9-2234-000		2	SPRING, COMPRESSION	
31	FU9-2310-000		2	SPRING, TENSION	
32	WG8-5783-000		2	IC,PHOTO-INTERRUPTER,LG248NL1A	PS70, PS99
33	XG9-0797-000		1	BEARING, BALL, LF-1260ZZRPOP25	
34	XG9-0876-000		2	BEARING, BALL, LNR-1680KKR	[DP]
35	VS1-7177-003		1	CONNECTOR, SNAP TIGHT, BK	
36	FE4-7768-000		1	SUPPORT, FRONT	
37	FE4-7769-000		1	SUPPORT, REAR	
38	XA9-1933-000		4	SCREW, W/WASHER, M4X8	

Figure 811 FIXING BASE ASSEMBLY

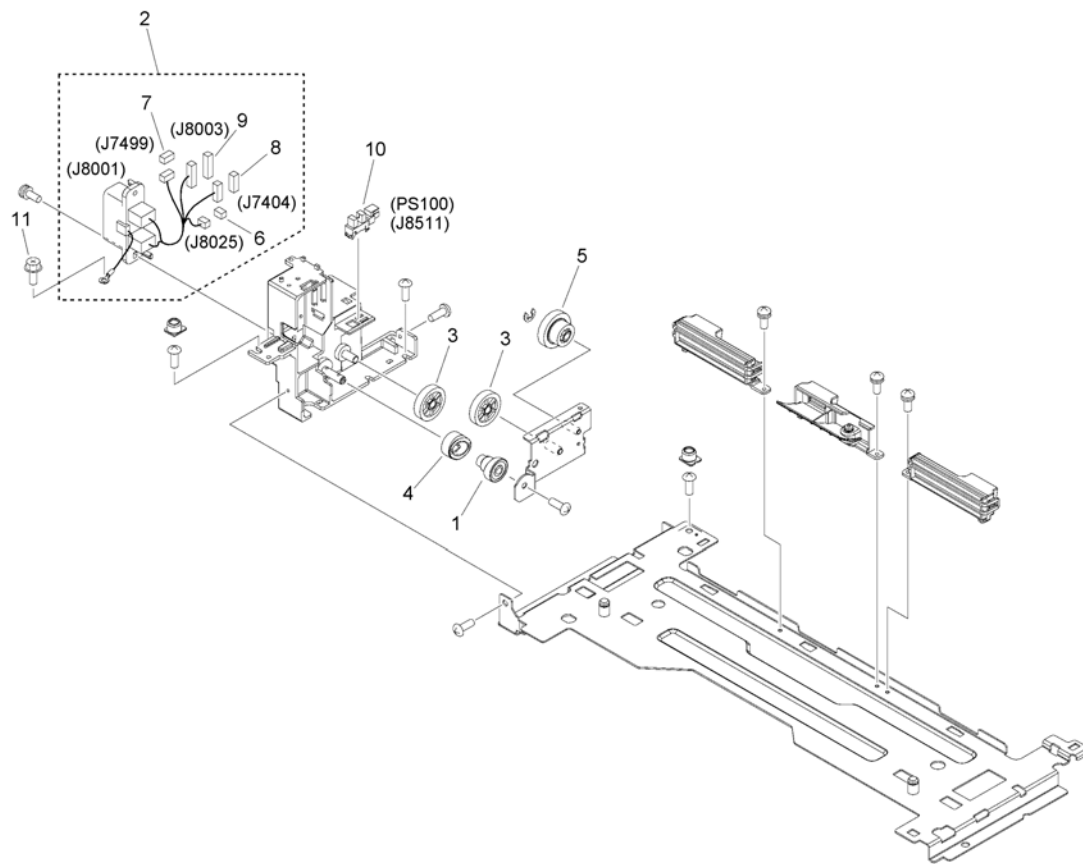


FIGURE & KEY NO.	PART NUMBER	RANK	QTY	DESCRIPTION	SERIAL NUMBER /REMARKS
811	NPN		RF	FIXING BASE ASSEMBLY	
1	FC0-7995-000		1	CAM, RECIPROCATING	
2	FM1-V888-000		1	CABLE, FIXING UNIT DRAWER	
3	FU6-0072-000		2	GEAR, 32T	
4	FU9-0811-000		1	GEAR, 22T	
5	FU9-0812-000		1	GEAR, 34T/21T	
6	VS1-7177-003		1	CONNECTOR, SNAP TIGHT, BK	
7	VS1-7177-004		1	CONNECTOR, SNAP TIGHT, BK	
8	VS1-7177-006		1	CONNECTOR, SNAP TIGHT, BK	
9	VS1-7177-010		1	CONNECTOR, 10P	
10	WG8-5783-000		1	IC,PHOTO-INTERRUPTER,LG248NL1A	PS100
11	XA9-1933-000		1	SCREW, W/WASHER, M4X8	

Figure 812 FIXING FRAME ASSEMBLY

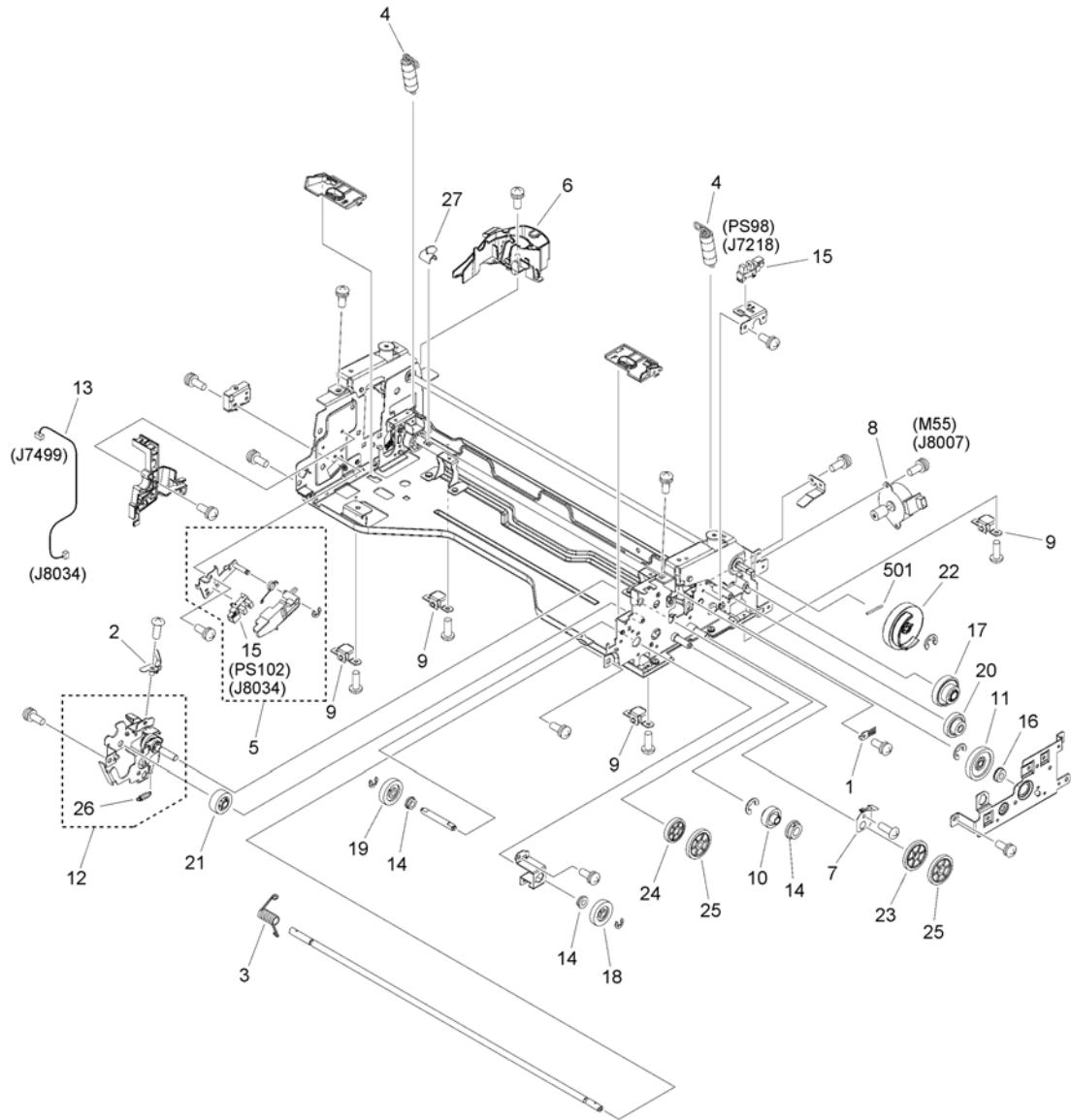


FIGURE & KEY NO.	PART NUMBER	RANK	QTY	DESCRIPTION	SERIAL NUMBER /REMARKS
812	NPN		RF	FIXING FRAME ASSEMBLY	
1	FB5-9104-010		1	ELIMINATOR, STATIC CHARGE	
2	FC0-7972-000		1	PLATE, STATIC CHARGE	
3	FC0-8063-000		1	SPRING, TORSION	
4	FU9-2228-000		2	SPRING, TENSION	
5	FM0-0406-000		1	CLEANING REMNANT DETECT ASS'Y	
6	FE8-0086-000		1	GUIDE, CABLE	
7	FC0-9142-000		1	SPRING, GROUNDING	
8	FK3-2288-000		1	MOTOR, STEPPING, DC	M55
9	FL3-7141-000		4	ROLLER, SWING	
10	FL3-7162-000		1	GEAR, 38T	
11	FL3-7163-000		1	GEAR, 62T	
12	FM1-R354-000		1	CLEANER DRIVE ASSEMBLY	
13	FM1-X804-000		1	CABLE, SENSOR	
14	FS1-1508-000		3	BUSHING	
15	WG8-5783-000		2	IC,PHOTO-INTERRUPTER,LG248NL1A	PS98, PS102
16	XG9-0797-000		1	BEARING, BALL, LF-1260ZZRPOP25	
17	FU9-0826-000		1	GEAR, 58T/34T	
18	FU9-0833-000		1	GEAR, 17T	
19	FU9-0834-000		1	GEAR, 24T	
20	FU9-0891-000		1	GEAR, 46T/27T	
21	FU9-0893-000		1	GEAR, 20T	
22	FE8-0083-000		1	GEAR, 43T	
23	FU9-0945-000		1	GEAR, 58T/34T	
24	FU9-0946-000		1	GEAR, 47T	
25	FU9-0947-000		2	GEAR, 58T/23T	
26	FU9-2231-000		1	SPRING, TENSION	
27	FC0-8069-000		1	FLAG, CAM SENSOR	
501	XD3-2200-202		1	PIN, M2 X20	

Figure 830 FIXING CLEANER ASSEMBLY

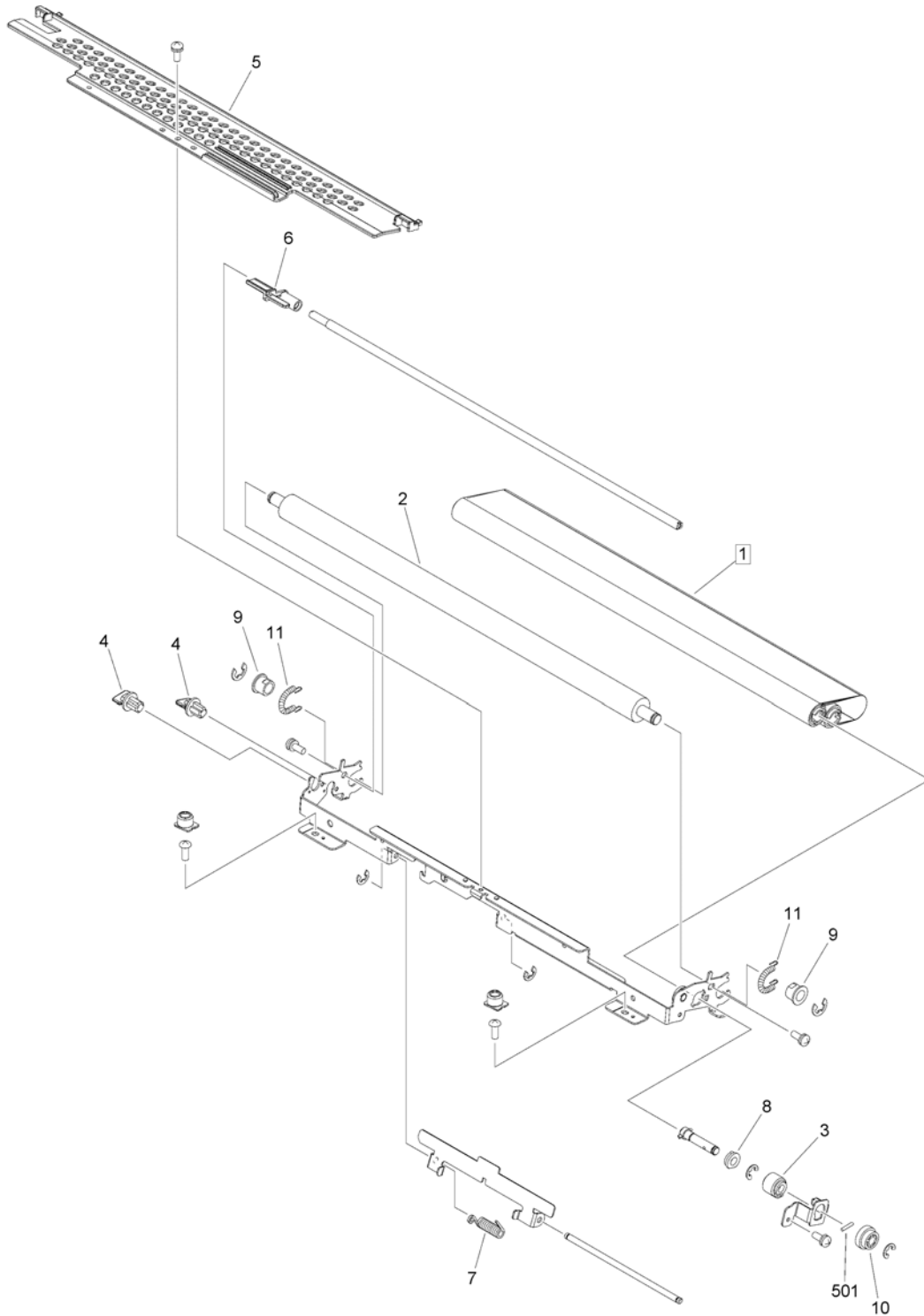


FIGURE & KEY NO.	PART NUMBER	RANK	QTY	DESCRIPTION	SERIAL NUMBER /REMARKS
830	FM0-0393-000		1	FIXING CLEANER ASSEMBLY	
1	FC0-8030-000		1	SHEET, CLEANER SUPPLY ROLL	[DP]
2	FC0-8031-000		1	ROLLER, CLEANING	
3	FC0-8039-000		1	BUSHING	
4	FC0-8041-000		2	LEVER, ATTACHMENT	
5	FC0-8042-000		1	COVER, FIXING CLEANER	
6	FC0-8043-010		1	LEVER, CLEANER REMNANT SENSING	
7	FC0-8044-000		1	SPRING, TORSION	
8	FS1-1508-000		1	BUSHING	
9	FS2-1256-000		2	BUSHING	
10	FU9-0818-000		1	GEAR, 30T	
11	FU9-2229-000		2	SPRING, TENSION	
501	XD3-2200-102		1	PIN, PARALLEL	

Figure 840 FIXING DRIVE ASSEMBLY

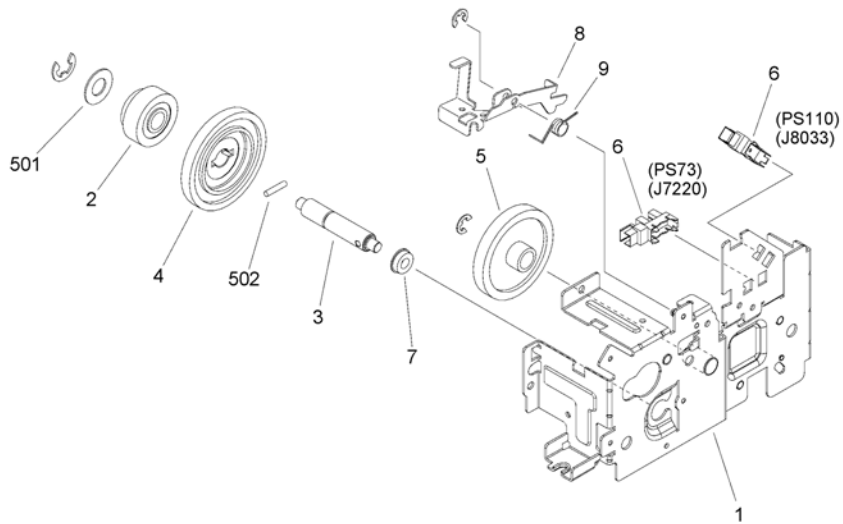


FIGURE & KEY NO.	PART NUMBER	RANK	QTY	DESCRIPTION	SERIAL NUMBER /REMARKS
840	NPN		RF	FIXING DRIVE ASSEMBLY	
1	FL1-2868-000		1	SUPPORT, FIXING DRIVE	
2	FL3-7153-000		1	GEAR, 21T	
3	FU7-5968-000		1	SHAFT, TRANSMISSION	
4	FU9-0828-000		1	GEAR, 87T/22T	
5	FU9-0830-000		1	GEAR, 50T	
6	WG8-5783-000		2	IC,PHOTO-INTERRUPTER,LG248NL1A	PS73, PS110
7	XG9-0797-000		1	BEARING, BALL, LF-1260ZZRPOP25	
8	FE8-5620-000		1	ARM, ROTATION LIMIT	
9	FE8-5622-000		1	SPRING, TORSION	
501	XD1-1200-239		1	WASHER, PLAIN	
502	XD3-2300-142		1	PIN, DOWEL	

Figure 850 INNER PAPER DELIVERY ASSEMBLY

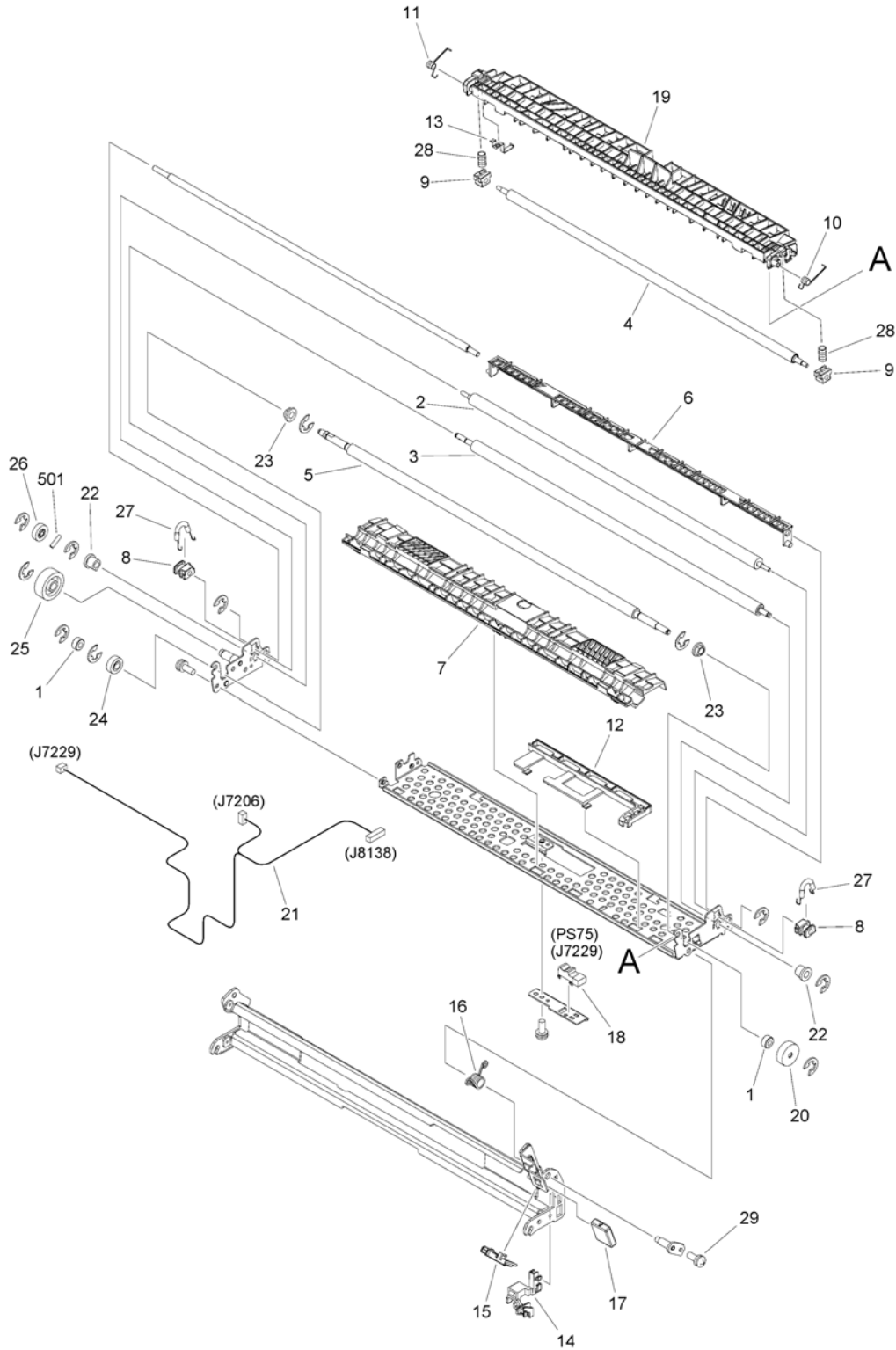


FIGURE & KEY NO.	PART NUMBER	RANK	QTY	DESCRIPTION	SERIAL NUMBER /REMARKS
850	NPN		RF	INNER PAPER DELIVERY ASSEMBLY	
1	FB3-2706-000		2	BUSHING	
2	FE8-0077-000		1	ROLLER, UPPER, 1	
3	FE8-0078-000		1	ROLLER, LOWER, 1	
4	FC0-8003-000		1	ROLLER, UPPER, 2	
5	FC0-8004-000		1	ROLLER, LOWER, 2	
6	FC0-8005-000		1	GUIDE, LOWER, 1	
7	FC0-8007-010		1	GUIDE, LOWER, 2	
8	FC0-8008-000		2	BUSHING	
9	FC0-8009-000		2	BUSHING	
10	FC0-8010-000		1	SPRING, TORSION	
11	FC0-8011-000		1	SPRING, TORSION	
12	FC0-8017-000		1	GUIDE, CABLE, 1	
13	FC0-8019-000		1	PLATE, GROUNDING	
14	FC0-8027-000		1	GUIDE, CABLE, 2	
15	FC0-8028-000		1	GUIDE, CABLE, 3	
16	FC0-8029-000		1	SPRING, TORSION	
17	FC9-8425-000		1	LEVER, GUIDE	
18	FK2-8560-000		1	PHOTO-SENSOR, KUA0095C	PS75
19	FL3-7160-010		1	GUIDE, PAPER DELIVERY, UPPER	
20	FL3-7161-000		1	GEAR, 18T	
21	FM0-2142-010		1	CABLE, MOTOR	
22	FS1-1528-000		2	BUSHING, PL	
23	FS1-1569-000		2	BUSHING	
24	FU9-0815-000		1	GEAR, 16T	
25	FU9-0816-000		1	GEAR, 30T	
26	FU9-0817-000		1	GEAR, 16T	
27	FU9-2226-000		2	SPRING, TENSION	
28	FU9-2227-000		2	SPRING, COMPRESSION	
29	XA9-1420-000		1	SCREW, W/WASHER, M3X8	
501	XD3-2200-082		1	PIN, PARALLEL	

Figure 900A CONTROLLER BOX ASSEMBLY

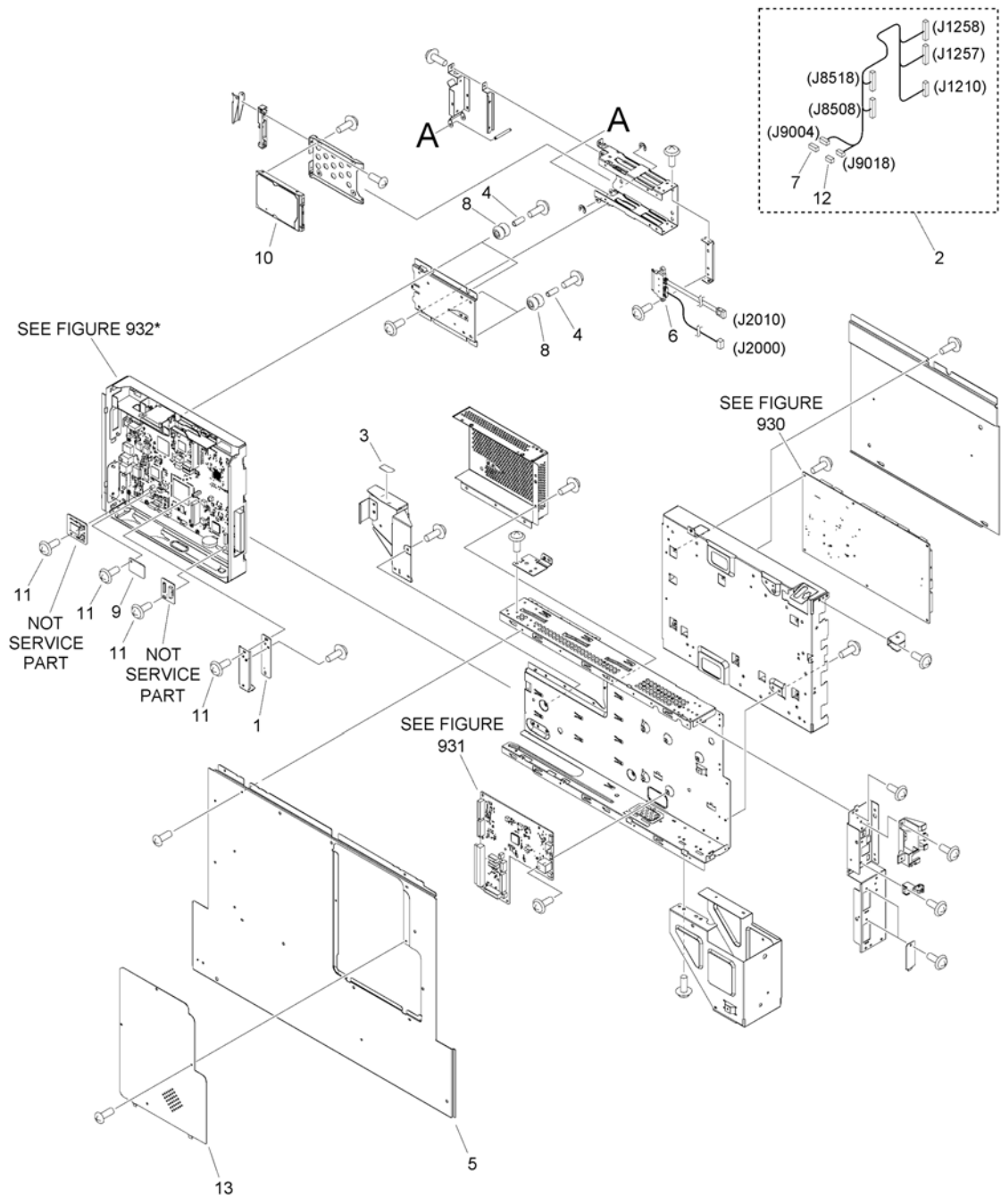


FIGURE & KEY NO.	PART NUMBER	RANK	QTY	DESCRIPTION	SERIAL NUMBER /REMARKS
900A	NPN		RF	CONTROLLER BOX ASSEMBLY	
1	FM1-T849-000		1	BYPASS PCB ASSEMBLY	
2	FM1-V825-000		1	CABLE, DC CONTROLLER RISER	
3	FU8-8257-000		1	LABEL, CAUTION	
4	XZ1-1301-005		4	SPACER	
5	FL0-7786-000		1	COVER, REAR UPPER	
6	FK4-2497-000		1	CABLE, HARD DISK DRIVE, 1	
7	VS1-7177-005		1	CONNECTOR, SNAP TIGHT, BK	
8	XH9-0149-000		4	DAMPER, CUSHION	
9	FM1-M981-000		1	TPM PCB ASSEMBLY	
10	FK4-1550-000		1	HARD DISK DRIVE, MQ01ABF032	
11	XA9-1979-000		6	SCREW, MACH. PAN HEAD, M3X4	
12	VS1-7177-004		1	CONNECTOR, SNAP TIGHT, BK	
13	FE4-1637-010		1	COVER, REAR, SMALL	

Figure 910 DC POWER SUPPLY BOX ASSEMBLY

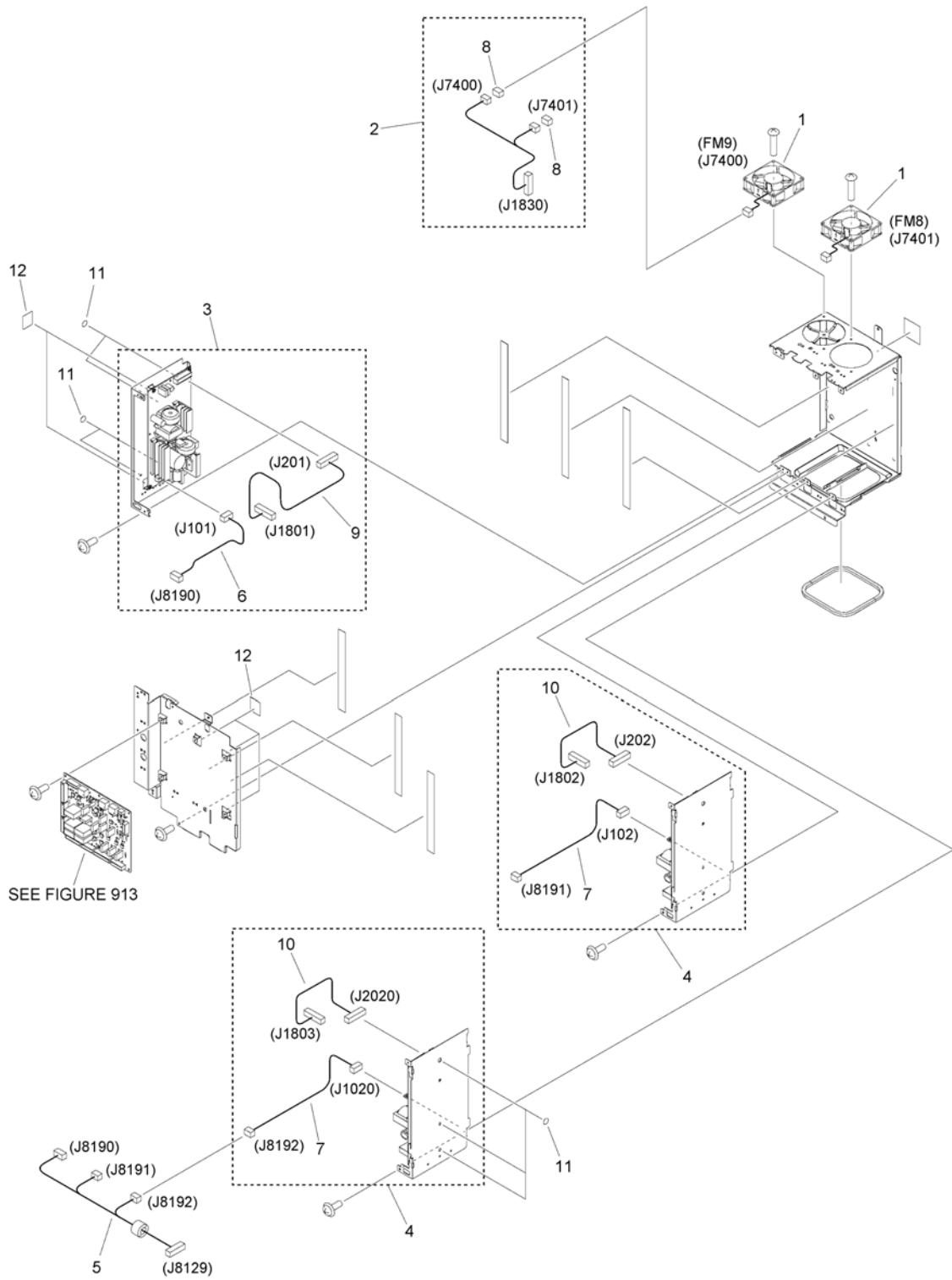


FIGURE & KEY NO.	PART NUMBER	RANK	QTY	DESCRIPTION	SERIAL NUMBER /REMARKS
910	NPN		RF	DC POWER SUPPLY BOX ASSEMBLY	
1	FK2-6818-000		2	FAN	FM8,FM9
2	FM0-2067-000		1	CABLE, POWER SUPPLY FAN	
3	FM1-L373-000		1	DC POWER SUPPLY ASSEMBLY, 12V	
4	FM1-L372-000		2	DC POWER SUPPLY ASSEMBLY, 24V	
5	FM1-V813-000		1	CABLE, POWER SUPPLY CONNECTING	
6	FM4-1354-000		1	CABLE, AC POWER SUPPLY, 12V	
7	FM4-1355-000		2	CABLE, AC POWER SUPPLY, 24V	
8	VS1-7177-003		2	CONNECTOR, SNAP TIGHT, BK	
9	FM1-V814-000		1	CABLE, POWER SUPPLY, 12V	
10	FM1-V815-000		2	CABLE, 24V POWER SUPPLY	
11	FC8-6109-000		7	SEAL	
12	FL0-7796-000		5	SHEET, SIDE	

Figure 911 IH POWER SUPPLY BOX ASSEMBLY

NOTE : This assembly includes the assembly shown in Figure 912.

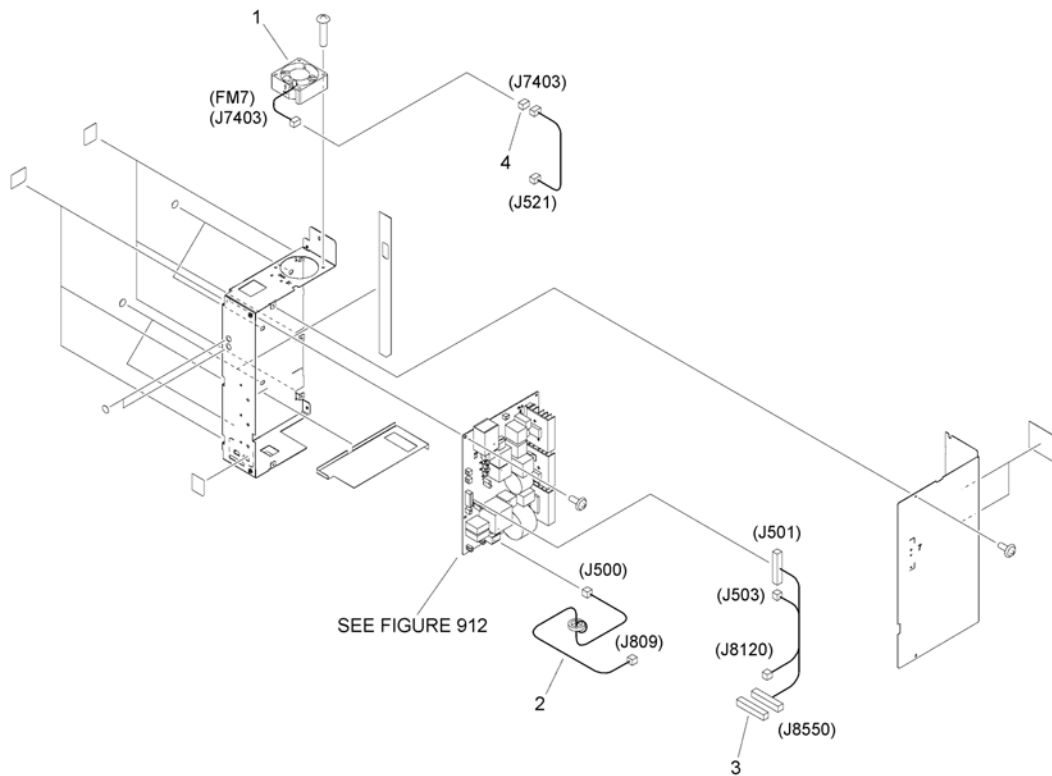


FIGURE & KEY NO.	PART NUMBER	RANK	QTY	DESCRIPTION	SERIAL NUMBER /REMARKS
911	FM1-L178-000		1	IH POWER SUPPLY BOX ASSEMBLY	SEE NOTE
1	FK4-3647-000		1	FAN	FM7
2	FM1-V925-000		1	CABLE, IH - AC CONNECTING	
3	VS1-8412-023		1	CONNECTOR, SNAP TIGHT, BL	
4	VS1-7177-003		1	CONNECTOR, SNAP TIGHT, BK	

Figure 912 HEATER POWER SUPPLY PCB ASS'Y

NOTE : This assembly is included in the assembly shown in Figure 911.

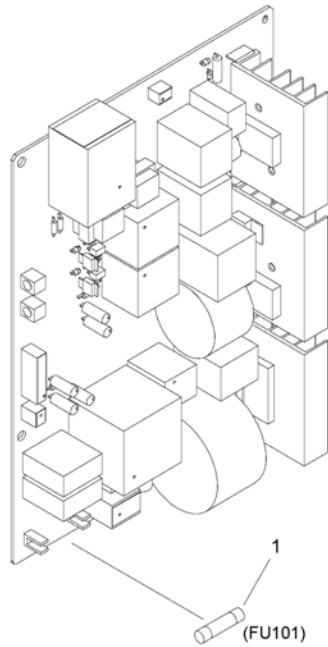


FIGURE & KEY NO.	PART NUMBER	RANK	QTY	DESCRIPTION	SERIAL NUMBER /REMARKS
912	FM1-V872-000		1	HEATER POWER SUPPLY PCB ASS'Y	SEE NOTE
1	VD7-4132-002		1	FUSE	FU101
L	FH3-0937-000		1	INDUCTOR	L101
T	FK2-0681-000		1	TRANSFORMER	T102
T	FK3-2327-000		2	TRANSFORMER, HF SIGNAL	T161, T171

Figure 913 RELAY PCB ASSEMBLY

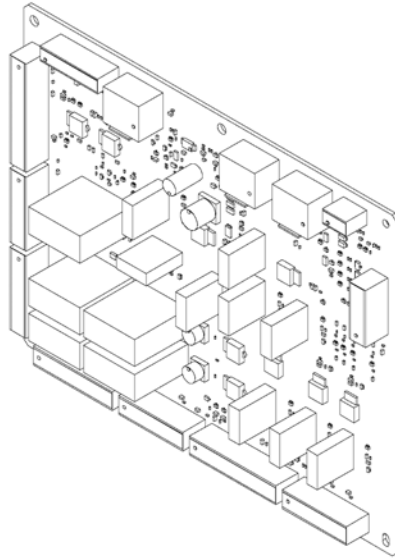


FIGURE & KEY NO.	PART NUMBER	R A N K	QTY	DESCRIPTION	SERIAL NUMBER /REMARKS
913	FM1-V863-000		1	RELAY PCB ASSEMBLY	

Figure 930 DC CONTROLLER PCB ASS'Y

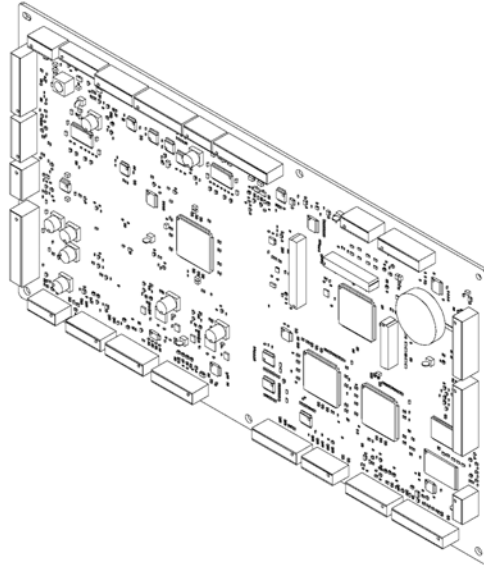


FIGURE & KEY NO.	PART NUMBER	R A N K	QTY	DESCRIPTION	SERIAL NUMBER /REMARKS
930	FM1-Y883-000		1	DC CONTROLLER PCB ASS'Y	
IC	FK3-2323-000		3	IC, ASIC, T6VN7EFG-0002	IC125, IC129, IC130

Figure 931 RISER PCB ASSEMBLY

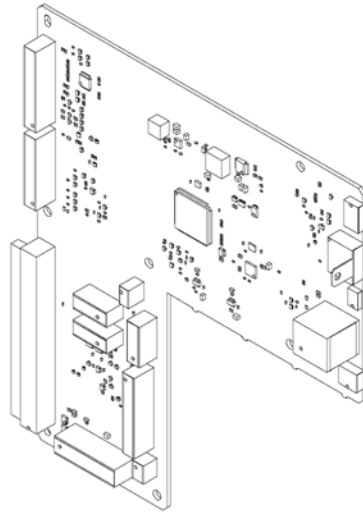


FIGURE & KEY NO.	PART NUMBER	R A N K	QTY	DESCRIPTION	SERIAL NUMBER /REMARKS
931	FM1-V885-000		1	RISER PCB ASSEMBLY	
IC	FK2-3218-000		1	IC, MB87L8650, GATE ARRAY	IC13

Figure 932A MAIN CONTROLLER PCB ASSEMBLY (C7580 Series)

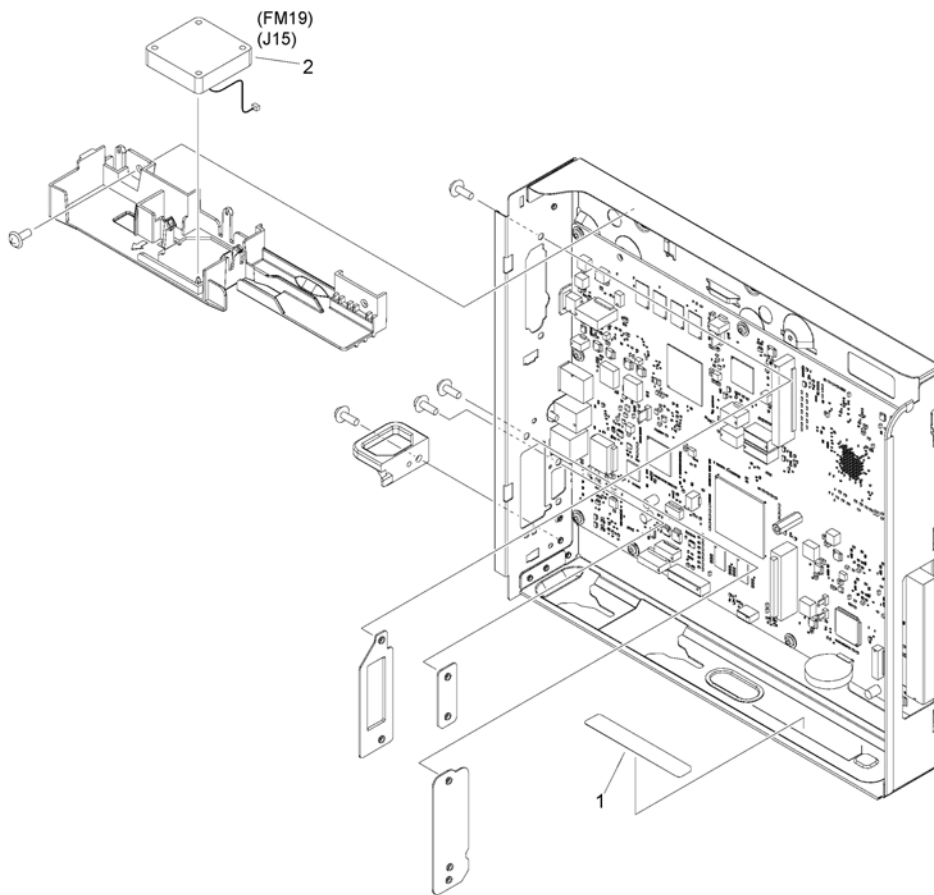


FIGURE & KEY NO.	PART NUMBER	R A N K	QTY	DESCRIPTION	SERIAL NUMBER /REMARKS
932A	FM1-N340-000		1	MAIN CONTROLLER PCB ASSEMBLY	C7580 Series
1	FC0-5049-000		1	LABEL, MEMORY CAUTION	
2	FK4-2852-000		1	FAN	FM19

Figure 932C MAIN CONTROLLER PCB ASSEMBLY (C7570 Series)

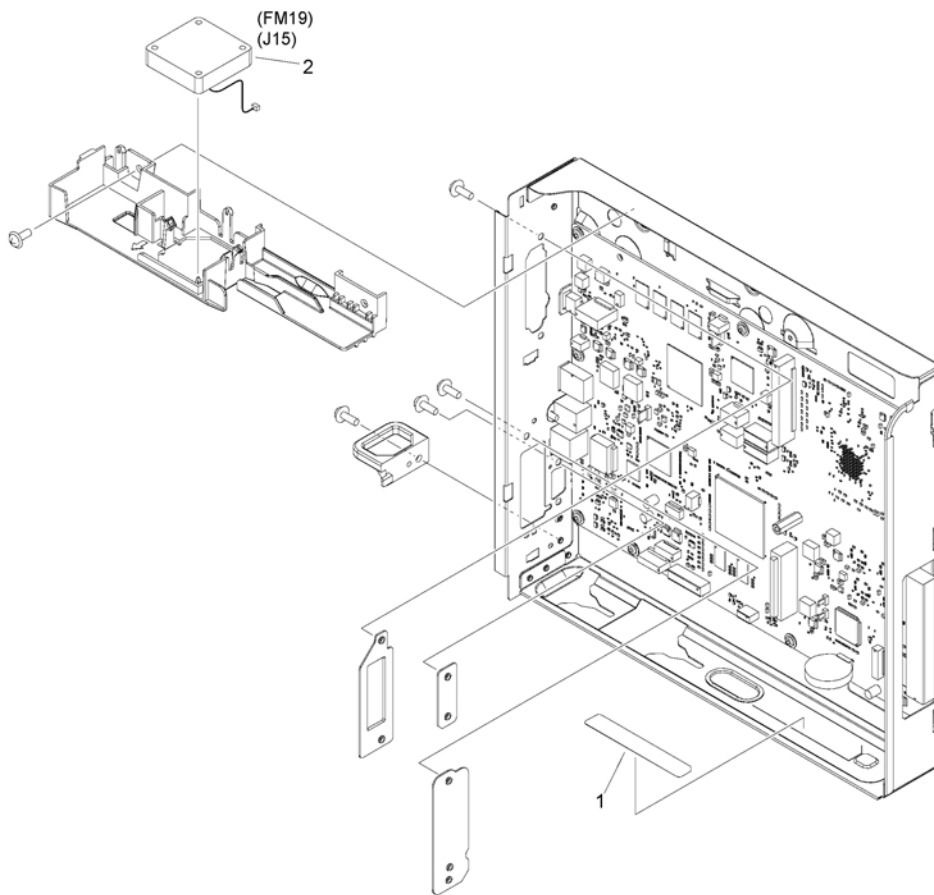


FIGURE & KEY NO.	PART NUMBER	RANK	QTY	DESCRIPTION	SERIAL NUMBER /REMARKS
932C	FM1-N341-000		1	MAIN CONTROLLER PCB ASSEMBLY	C7570 Series
1	FC0-5049-000		1	LABEL, MEMORY CAUTION	
2	FK4-2852-000		1	FAN	FM19

Figure 932E MAIN CONTROLLER PCB ASSEMBLY (C7565 Series)

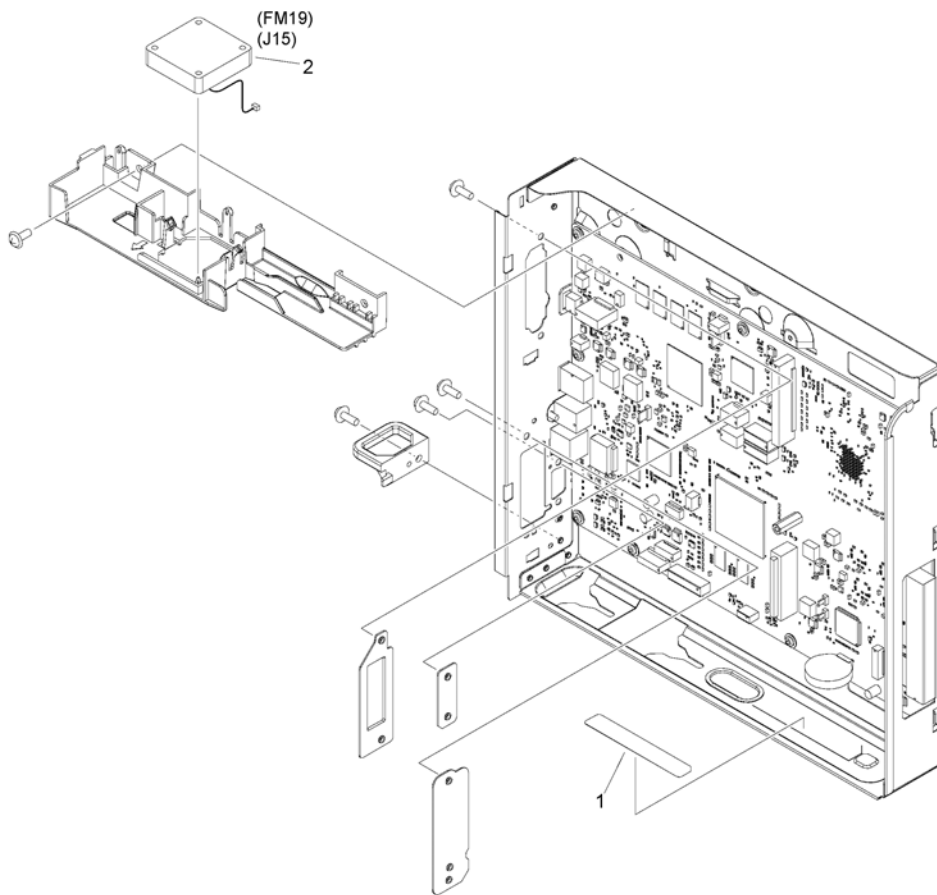


FIGURE & KEY NO.	PART NUMBER	RANK	QTY	DESCRIPTION	SERIAL NUMBER /REMARKS
932E	FM1-N342-000		1	MAIN CONTROLLER PCB ASSEMBLY	C7565 Series
1	FC0-5049-000		1	LABEL, MEMORY CAUTION	
2	FK4-2852-000		1	FAN	FM19

Figure 950 LASER INTERFACE PCB ASSEMBLY

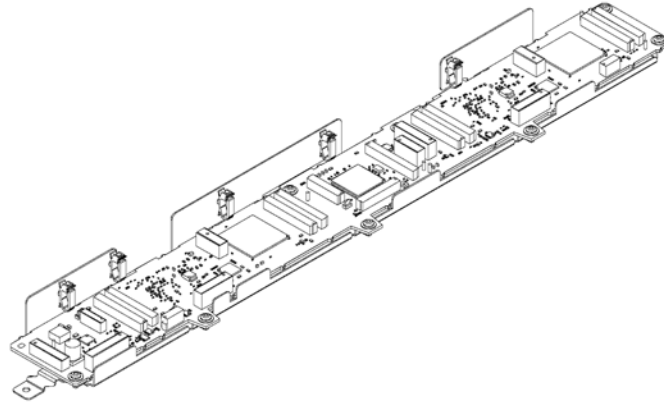


FIGURE & KEY NO.	PART NUMBER	R A N K	QTY	DESCRIPTION	SERIAL NUMBER /REMARKS
950	FM1-L179-000		1	LASER INTERFACE PCB ASSEMBLY	
IC	FK3-3985-000		4	IC,MB8AA4570-GE1	IC26, IC27, IC28, IC29

Figure 960 PAPER PICK-UP DRIVER PCB ASS'Y

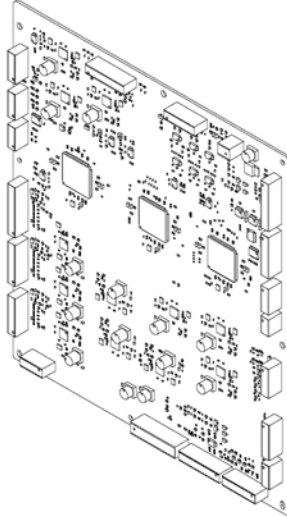


FIGURE & KEY NO.	PART NUMBER	R A N K	QTY	DESCRIPTION	SERIAL NUMBER /REMARKS
960	FM1-V865-000		1	PAPER PICK-UP DRIVER PCB ASS'Y	
IC	FK3-2323-000		3	IC, ASIC, T6VN7EFG-0002	IC129, IC130, IC131

Figure 961 MULTI DRIVER PCB ASSEMBLY

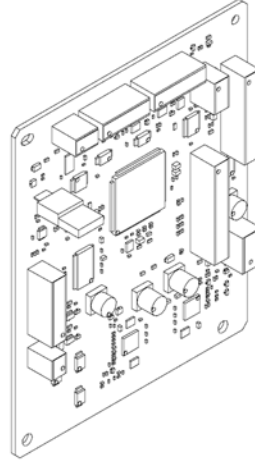


FIGURE & KEY NO.	PART NUMBER	R A N K	QTY	DESCRIPTION	SERIAL NUMBER /REMARKS
961	FM1-V867-000		1	MULTI DRIVER PCB ASSEMBLY	
IC	FK3-2323-000		1	IC, ASIC, T6VN7EFG-0002	IC103

Figure 962 SIDE DRIVER PCB ASSEMBLY

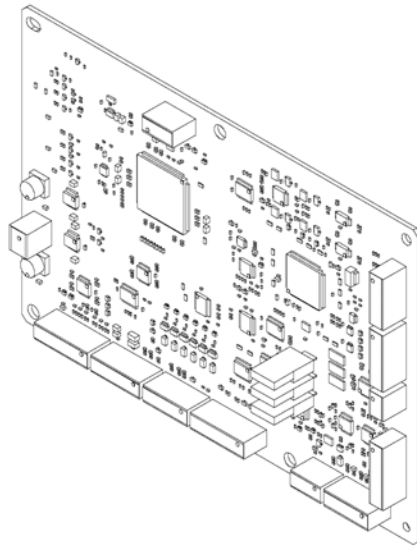


FIGURE & KEY NO.	PART NUMBER	R A N K	QTY	DESCRIPTION	SERIAL NUMBER /REMARKS
962	FM1-Y884-000		1	SIDE DRIVER PCB ASSEMBLY	
IC	FK3-2323-000		1	IC, ASIC, T6VN7EFG-0002	IC109

Figure 964B DRUM HEATER DRIVER PCB ASS'Y (208V, 230V)

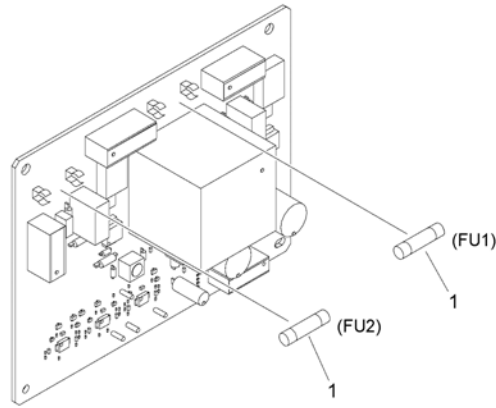


FIGURE & KEY NO.	PART NUMBER	RANK	QTY	DESCRIPTION	SERIAL NUMBER /REMARKS
964B	FM0-0764-000		1	DRUM HEATER DRIVER PCB ASSY	208V, 230V
1	VD7-3501-001		2	FUSE	FU1, FU2
T	FK3-2592-000		1	TRANSFORMER, POWER	T1

Figure 965 **FIXING/FEEDER DRIVER PCB ASS'Y**

NOTE : This assembly is included in the assembly shown in Figure 330.

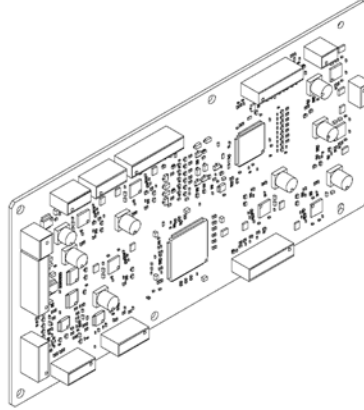


FIGURE & KEY NO.	PART NUMBER	RANK	QTY	DESCRIPTION	SERIAL NUMBER /REMARKS
965	FM1-V869-000		1	FIXING/FEEDER DRIVER PCB ASS'Y	SEE NOTE
IC	FK2-1773-000		1	IC,TC200GO2EFG-1031,GATE ARRAY	IC100
IC	FK3-2323-000		1	IC, ASIC, T6VN7EFG-0002	IC101

Figure 966B AC DRIVER PCB ASSEMBLY (208V, 230V)

NOTE : This assembly is included in the assembly shown in Figure 140.

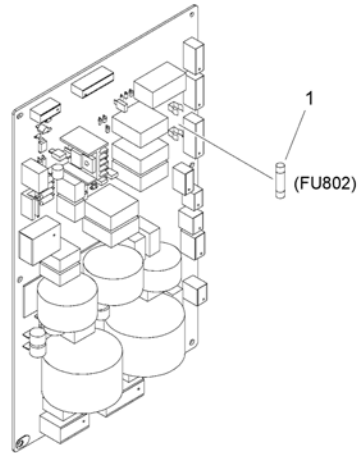


FIGURE & KEY NO.	PART NUMBER	RANK	QTY	DESCRIPTION	SERIAL NUMBER /REMARKS
966B	FM1-V860-000		1	AC DRIVER PCB ASSEMBLY	208V, 230V SEE NOTE
1	VD7-3503-151		1	FUSE, 250V, 3.15A	FU802

Figure 967 DRUM DRIVER PCB ASS'Y

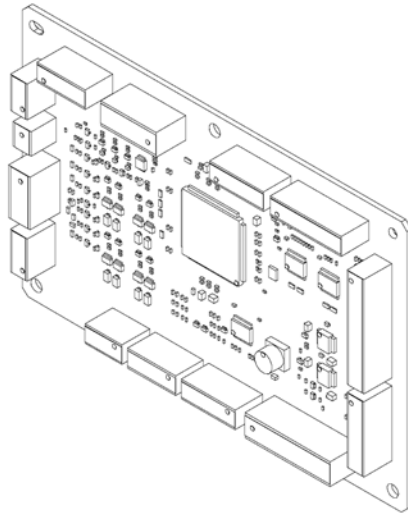


FIGURE & KEY NO.	PART NUMBER	R A N K	QTY	DESCRIPTION	SERIAL NUMBER /REMARKS
967	FM1-V866-000		1	DRUM DRIVER PCB ASS'Y	
IC	FK3-2323-000		1	IC, ASIC, T6VN7EFG-0002	IC100

Figure 983 DRUM POST HIGH VOLTAGE ASS'Y

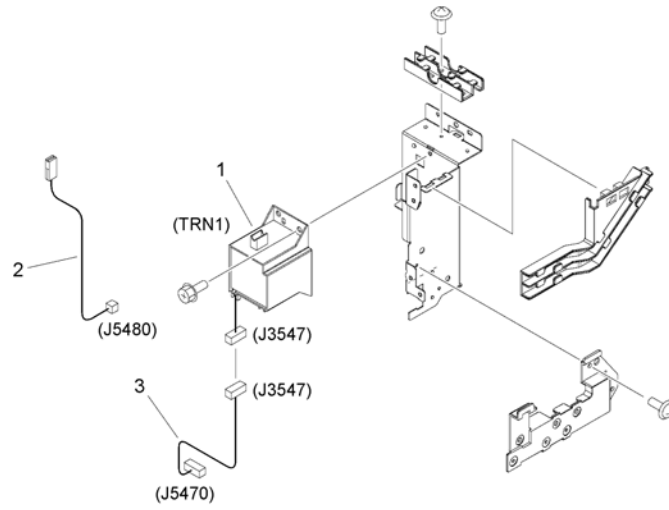


FIGURE & KEY NO.	PART NUMBER	R A N K	QTY	DESCRIPTION	SERIAL NUMBER /REMARKS
983	FM1-L184-000		1	DRUM POST HIGH VOLTAGE ASS'Y	
1	FK2-7718-000		1	TRANSFORMER, H.V.	
2	FM0-2065-000		1	CABLE, DRUM POST HIGH VOLTAGE	
3	FM0-2101-000		1	CABLE, SIGNAL CONNECTING	

Figure 984 POST HIGH VOLTAGE PCB ASSEMBLY

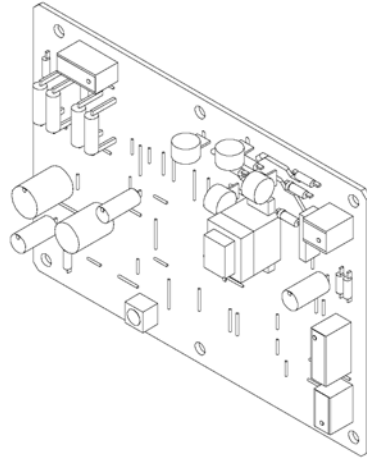


FIGURE & KEY NO.	PART NUMBER	R A N K	QTY	DESCRIPTION	SERIAL NUMBER /REMARKS
984	FM1-V877-000		1	POST HIGH VOLTAGE PCB ASSEMBLY	
T	FH3-0967-000		1	TRANSFORMER, INVERTER	T301

Figure 985 COLOR 1ST CORONA H. V. PCB

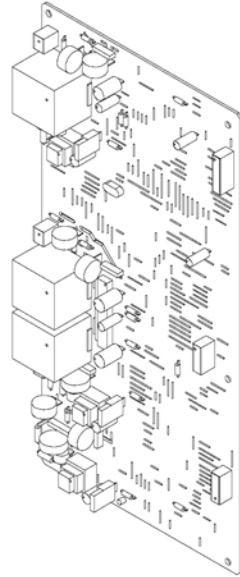


FIGURE & KEY NO.	PART NUMBER	RANK	QTY	DESCRIPTION	SERIAL NUMBER /REMARKS
985	FM1-V873-000		1	COLOR 1ST CORONA H.V. PCB	
IC	FK3-2324-000		1	IC, ASIC, QFP100-P-1420-0.65A	IC9
T	FK3-2590-000		3	TRANSFORMER, INVERTER	T300, T500, T701

Figure 987 2ND TRANSFER HIGH VOLTAGE PCB

NOTE : This assembly is included in the assembly shown in Figure 330.

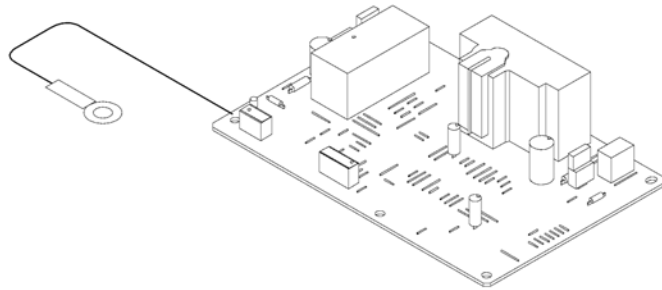


FIGURE & KEY NO.	PART NUMBER	R A N K	QTY	DESCRIPTION	SERIAL NUMBER /REMARKS
987	FM1-V878-000		1	2ND TRANSFER HIGH VOLTAGE PCB	SEE NOTE

FIGURE & KEY NO.	PART NUMBER	RANK	QTY	DESCRIPTION	SERIAL NUMBER /REMARKS
B10C	NPN		RF	INTERNAL COMPONENTS 1	ADF
1	FC5-4424-000		2	CLIP	
2	FM1-G460-000		1	OPEN/CLOSE COVER STOPPER SET	
3	FE4-6290-000		1	LABEL, CLEANING	
4	FK4-2204-000		1	CABLE, FLEXIBLE FLAT	
5	FM1-L581-000		1	PHOTO SENSOR UNIT	
6	WG8-5783-000		1	IC,PHOTO-INTERRUPTER,LG248NL1A	SR16
7	FC8-5831-000		1	STOPPER, HINGE, LEFT	
8	FC8-5832-000		1	STOPPER, HINGE, RIGHT	
9	FE4-6232-000		1	COVER, FRONT, B	
10	FE3-5583-000		1	HINGE, LEFT	
11	FK2-3724-010		1	SOLENOID	SL1
12	FE2-1387-000		1	COVER, STAMP CABLE	
13	FM0-0509-000		1	FLEXIBLE FLAT CABLE UNIT	
14	FE4-6237-000		1	COVER, REAR, B	
15	FE4-6250-000		2	COVER, HINGE	
16	FC8-5811-000		1	HINGE, PLATE	
17	FC8-5833-000		1	COVER, PAPER DEL. SENSOR, A	
18	FC8-5834-000		1	COVER, PAPER DEL. SENSOR, B	
19	FC8-5837-000		1	PIN	
20	FE4-6249-000		2	COVER, HINGE ADJUSTING	
21	FK2-6471-000		1	FAN	FM2
22	FL2-9591-000		1	FAN	FM1
23	FL0-1456-000		1	COVER, FRONT, A	
24	FL0-4601-000		1	COVER, REAR, S	
25	FS5-1372-000		2	BUSHING	
26	FE4-6287-000		1	LABEL, FINGER NIP CAUTION	
27	FU7-2560-000		1	SPRING, COMPRESSION	
28	XA9-2016-000		6	SCREW, W/WASHER, M3X12	
29	XA9-2014-000		15	SCREW, MACH. TRUSS HEAD, M4X6	
30	FE4-6263-000		1	LABEL, PROHIBITION DOCUMENT	
31	FE4-6277-000		1	LABEL, CLEANING PROCESS	Spanish
31	FE4-6278-000		1	LABEL, CLEANING PROCESS	US English
31	FE4-6279-000		1	LABEL, CLEANING PROCESS	French
31	FE4-6280-000		1	LABEL, CLEANING PROCESS	German
31	FE4-6281-000		1	LABEL, CLEANING PROCESS	Italian
32	FE4-6238-000		1	COVER, BASE FRAME, C	
33	FL2-9701-000		1	COVER, STAMP	
34	FM3-9168-000		1	CABLE, SOLENOID CONNECTING, 1	
35	VS1-7177-002		1	CONNECTOR, SNAP TIGHT, BK	
36	XA9-2019-000		4	SCREW, W/WASHER P, M3X8	
37	FM1-K086-000		1	DOUBLE FEED DETECTION KIT	
38	FC7-5465-000		1	STAMPER	[DP]

Figure B11C INTERNAL COMPONENTS 2 (ADF)

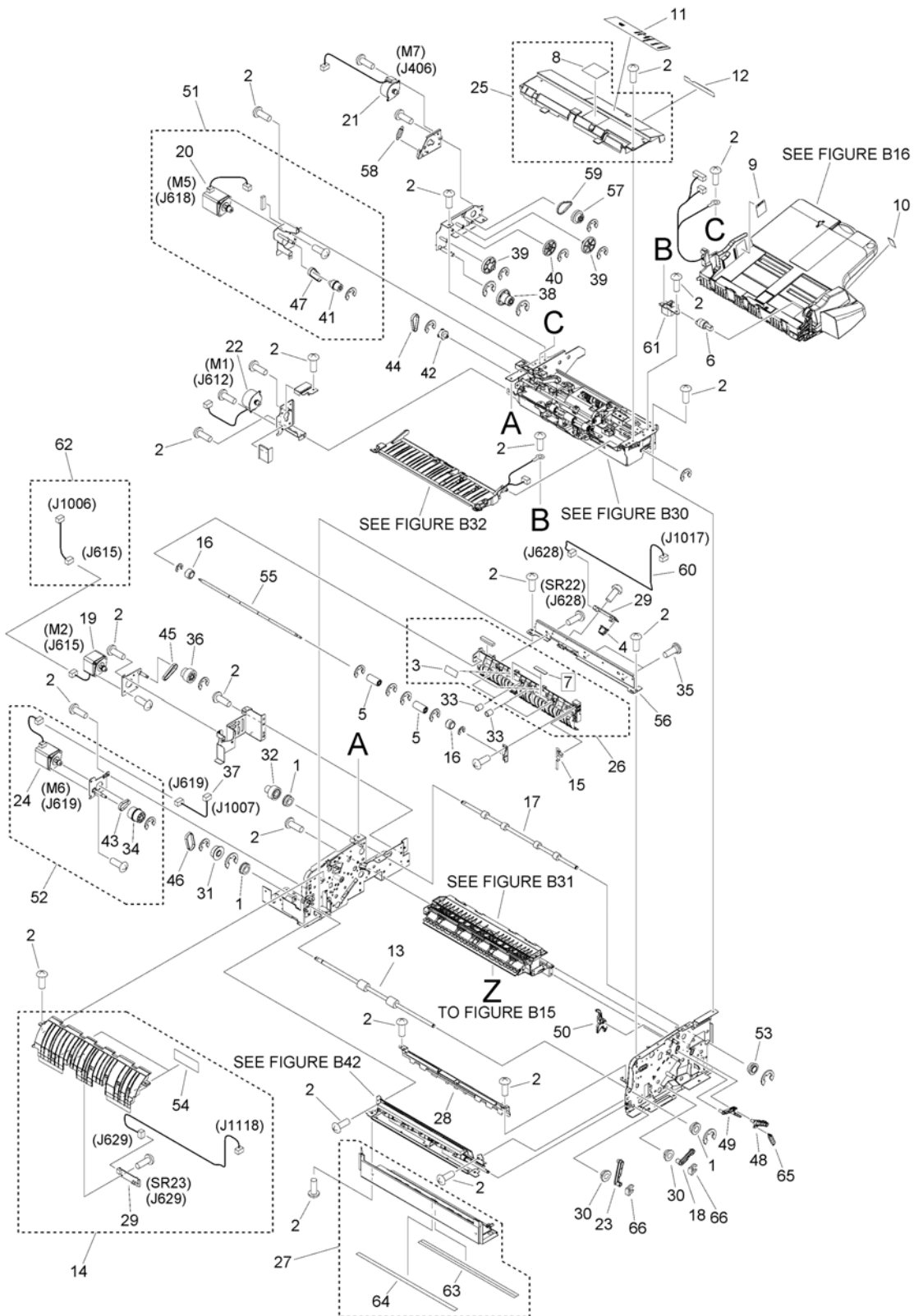


FIGURE & KEY NO.	PART NUMBER	RANK	QTY	DESCRIPTION	SERIAL NUMBER /REMARKS
B11C	NPN		RF	INTERNAL COMPONENTS 2	ADF
1	FA9-2112-000		3	BUSHING, PL	
2	XA9-2014-000		15	SCREW, MACH. TRUSS HEAD, M4X6	
3	FC5-2954-000		2	SCRAPER	
4	FC5-3131-000		1	HOLDER, SEPARATION SENSOR	
5	FC8-5636-000		2	ROLLER, REGISTRATION	
6	FL3-7438-000		1	DAMPER, DOCUMENT TRAY	
7	FC8-5633-000		2	SHEET, CLEANER DUST	[DP]
8	FE4-6309-000		1	LABEL, JAM CLEARING	
9	FE4-6273-000		1	LABEL, DOCUMENT HEIGHT	
10	FE4-6274-000		1	LABEL, DOCUMENT HEIGHT	
11	FE4-6266-000		1	LABEL, DOCUMENT SIZE	
12	FE4-6270-000		1	LABEL, DOCUMENT SIZE	
13	FC8-5680-000		1	ROLLER, REGISTRATION	
14	FM3-6194-010		1	PRE-REG. INNER GUIDE ASSEMBLY	
15	FC8-5739-000		1	SPRING, LEAF	
16	FC8-5776-000		2	ROLLER, PRESSURE	
17	FE4-1936-000		1	ROLLER, DELIVERY	
18	FE3-3580-000		1	ARM, PRESSURE, 1	
19	FM0-3144-000		1	MOTOR, STEPPING, DC	M2
20	FM0-3142-000		1	MOTOR, STEPPING, DC	M5
21	FK3-2270-000		1	MOTOR, STEPPING, DC	M7
22	FK2-7177-000		1	MOTOR, STEPPING, DC	M1
23	FE3-3581-000		1	ARM, PRESSURE, 2	
24	FM0-3143-000		1	MOTOR, STEPPING, DC	M6
25	FL0-4609-000		1	COVER, PAPER PICK-UP, UPPER	
26	FL2-9663-000		1	GUIDE, REG. INNER, LOWER	
27	FL0-4600-000		1	COVER, SIDE, LEFT	
28	FL2-9670-000		1	GUIDE, REGISTRATION	
29	FM2-1022-000		2	SENSOR PCB UNIT	SR22, SR23
30	FS1-1569-000		2	BUSHING	
31	FU5-0338-000		1	PULLEY, 30T	
32	FL0-1463-000		1	GEAR, 24T	
33	FU5-2234-000		4	SPRING, COMPRESSION	
34	FU5-3534-000		1	PULLEY, 30T/30T(REG)	
35	FU5-9372-000		2	SCREW, STEPPED, M3X10	
36	FU7-0515-000		1	PULLEY, 24T/GEAR, 24T	
37	FM1-K824-000		1	CABLE, MOTOR	
38	FU8-0228-000		1	GEAR, 20T/48T	
39	FU8-0229-000		2	GEAR, 16T/50T	
40	FU8-0230-000		1	GEAR, 25T/48T	
41	FU8-0232-000		1	GEAR, 16T/PULLEY, 30T	
42	FU9-0921-000		1	PULLEY, 32T	
43	XF2-1604-360		1	BELT, TIMING	

FIGURE & KEY NO.	PART NUMBER	RANK	QTY	DESCRIPTION	SERIAL NUMBER /REMARKS
44	XF2-1605-640		1	BELT, TIMING	
45	XF2-1605-660		1	BELT, TIMING	
46	XF2-1606-260		1	BELT, TIMING, COGGED	
47	XF2-1606-560		1	BELT, TIMING	
48	FE4-1950-000		1	LEVER, ESTRANGEMENT, 1	
49	FE4-1951-000		1	LEVER, ESTRANGEMENT, 2	
50	FE4-1952-000		1	LEVER, ESTRANGEMENT, 3	
51	FM1-G794-000		1	PAPER PICK-UP DRIVE ASSEMBLY	
52	FM1-G792-000		1	REGISTRATION DRIVE ASSEMBLY	
53	XG9-0709-000		1	BEARING, BALL, MF128ZZ-3	
54	FC8-5765-000		2	SHEET	
55	FC8-5637-000		1	SHAFT, REGISTRATION IDLER	
56	FC8-5735-000		1	SUPPORT, INNER GUIDE, REAR	
57	FU9-0920-000		1	GEAR/PULLEY, 48T/25T	
58	FU7-2580-000		1	SPRING, TENSION	
59	XF2-1606-040		1	BELT, TIMING	
60	FM3-7565-000		1	CABLE, READER SENSOR	
61	FC8-5622-000		1	HOLDER, DOCUMENT TRAY DAMPER	
62	FM1-K823-000		1	CABLE, MOTOR	
63	FC8-5732-000		1	SHEET, SIDE COVER	
64	FC8-5733-000		1	SHEET, SIDE COVER BLANKING	
65	FU7-2588-000		1	SPRING, TENSION	
66	FC5-4424-000		2	CLIP	

Figure B12 INTERNAL COMPONENTS 3 (ADF)

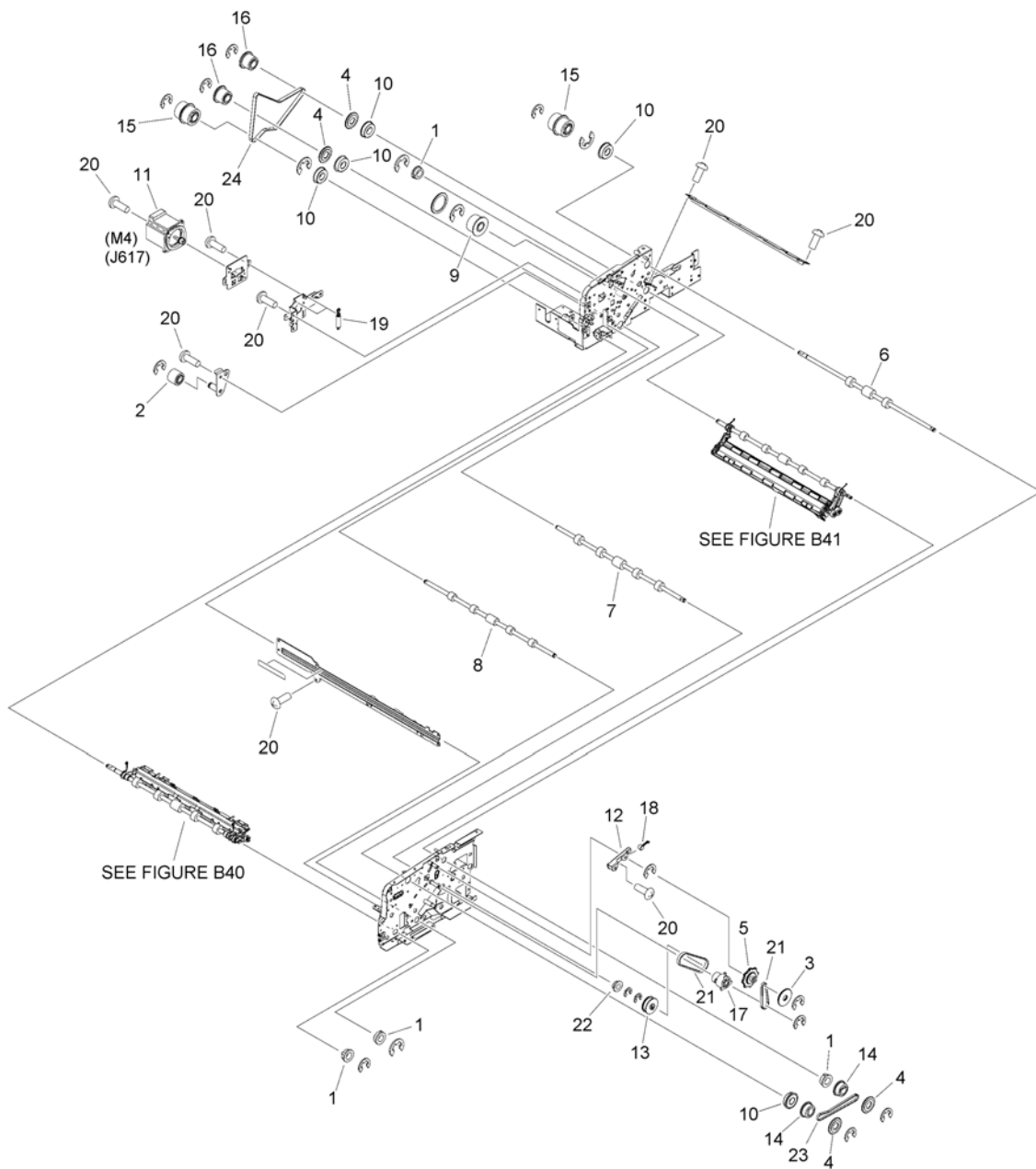


FIGURE & KEY NO.	PART NUMBER	RANK	QTY	DESCRIPTION	SERIAL NUMBER /REMARKS
B12	NPN		RF	INTERNAL COMPONENTS 3	ADF
1	FA9-2112-000		4	BUSHING, PL	
2	FC7-0285-000		1	PULLEY, TENSION	
3	FC7-4185-000		1	STOPPER	
4	FC8-5484-000		4	FLANGE, PULLEY	
5	FC8-5530-000		1	DIAL, JAM CLEARING	
6	FC8-5580-000		1	ROLLER, EXTRACTION	
7	FC8-5679-000		1	ROLLER, FEED	
8	FC8-5682-000		1	ROLLER, READ, 2	
9	FC8-5725-000		1	PULLEY, IDLER	
10	XG9-0508-000		5	BEARING, BALL, F688ZZ	
11	FK2-7173-000		1	MOTOR, STEPPING, DC	M4
12	FL2-9573-000		1	TENSIONER ASSEMBLY, FRONT	
13	FS5-3989-000		1	PULLEY, 32T	
14	FU5-0339-000		2	PULLEY, 23T	
15	FU5-3530-000		2	PULLEY, 30T	
16	FU5-3531-000		2	PULLEY, 24T	
17	FU7-2585-000		1	GEAR/PULLEY, T30T/T24T	
18	FU7-2552-000		1	SPRING, TORSION	
19	FU7-2554-000		2	SPRING, TENSION	
20	XA9-2014-000		15	SCREW, MACH. TRUSS HEAD, M4X6	
21	XF2-1607-640		2	BELT, TIMING	
22	FS1-1569-000		1	BUSHING	
23	XF2-1613-040		1	BELT, TIMING	
24	XF2-1623-080		1	BELT, TIMING	

Figure B13 INTERNAL COMPONENTS 4 (ADF)

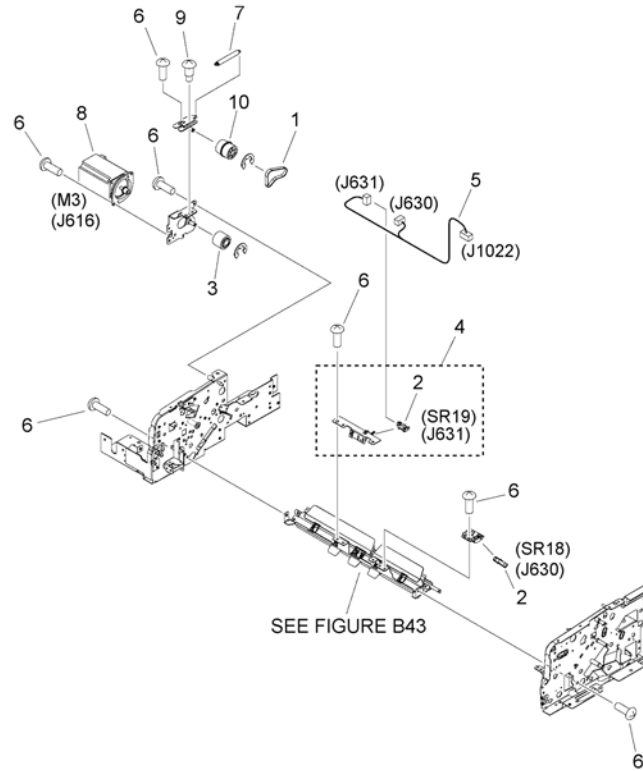


FIGURE & KEY NO.	PART NUMBER	RANK	QTY	DESCRIPTION	SERIAL NUMBER /REMARKS
B13	NPN		RF	INTERNAL COMPONENTS 4	ADF
1	XF2-1607-660		1	BELT, TIMING	
2	WG8-5783-000		2	IC,PHOTO-INTERRUPTER,LG248NL1A	SR18, SR19
3	FC7-0285-000		1	PULLEY, TENSION	
4	FM3-6184-000		1	PHOTO SENSOR ASSEMBLY	
5	FM3-7572-000		1	CABLE, READ 2 SENSOR	
6	XA9-2014-000		8	SCREW, MACH. TRUSS HEAD, M4X6	
7	FU7-2553-000		1	SPRING, TENSION	
8	FK2-7175-000		1	MOTOR, STEPPING, DC	M3
9	FU5-9038-000		1	SCREW, STEPPED, M3	
10	FU5-3534-000		1	PULLEY, 30T/30T(REG)	

Figure B14 INTERNAL COMPONENTS 5 (ADF)

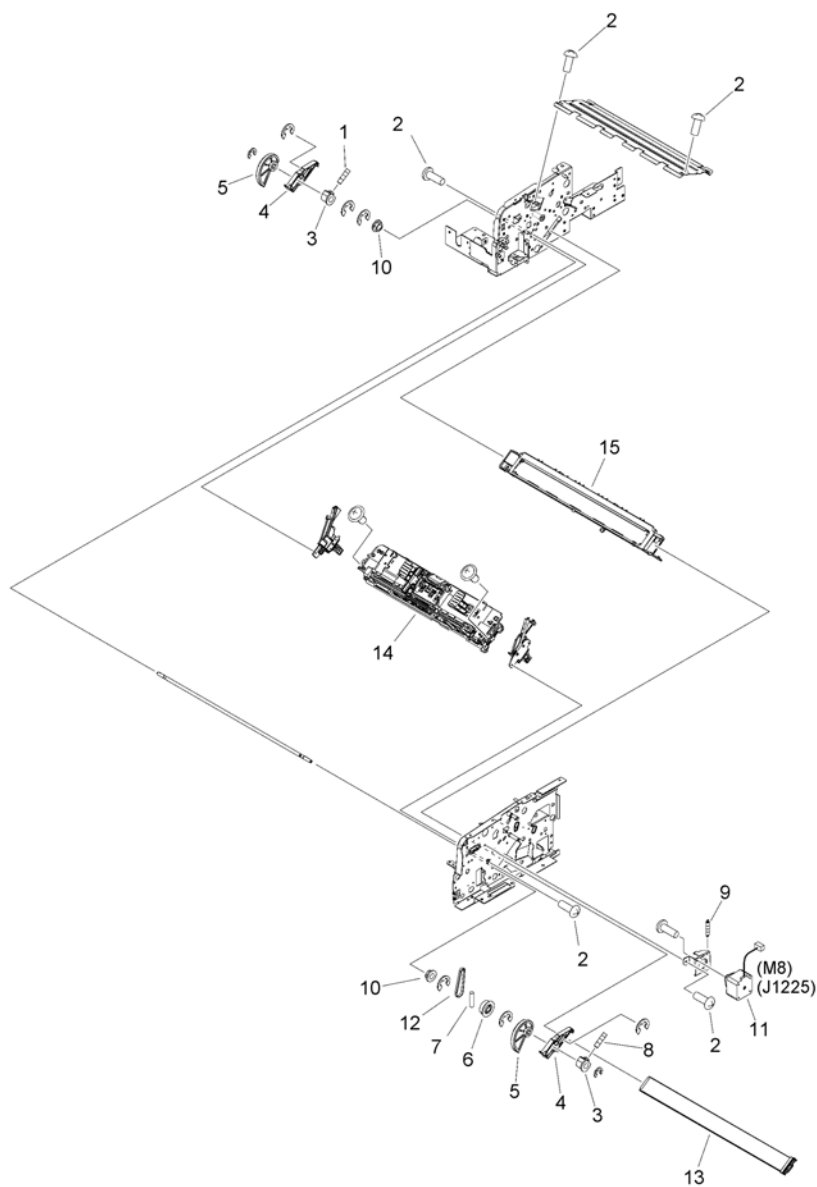


FIGURE & KEY NO.	PART NUMBER	RANK	QTY	DESCRIPTION	SERIAL NUMBER /REMARKS
B14	NPN		RF	INTERNAL COMPONENTS 5	ADF
1	FU7-2572-000		1	SPRING, COMPRESSION	
2	XA9-2014-000		8	SCREW, MACH. TRUSS HEAD, M4X6	
3	FC8-5513-000		2	BUSHING	
4	FC8-5514-000		2	SLIDER	
5	FC8-5516-000		2	CAM, GLASS SHIFT	
6	FU8-0240-000		1	PULLEY	
7	XD9-0289-000		1	PIN, PARALLEL	
8	FU7-2551-010		1	SPRING, COMPRESSION	
9	FU7-2550-000		1	SPRING, TENSION	
10	FS1-1569-000		2	BUSHING	
11	FK2-7178-000		1	MOTOR, STEPPING, DC	M8
12	XF2-1607-240		1	BELT, TIMING	
13	FL3-8423-000		1	GLASS, READER	
14	FM1-B002-000		1	SCANNER UNIT, ADF	
15	FM0-3131-000		1	GLASS HOLDER ASSEMBLY	

Figure B15 INTERNAL COMPONENTS 6 (ADF)

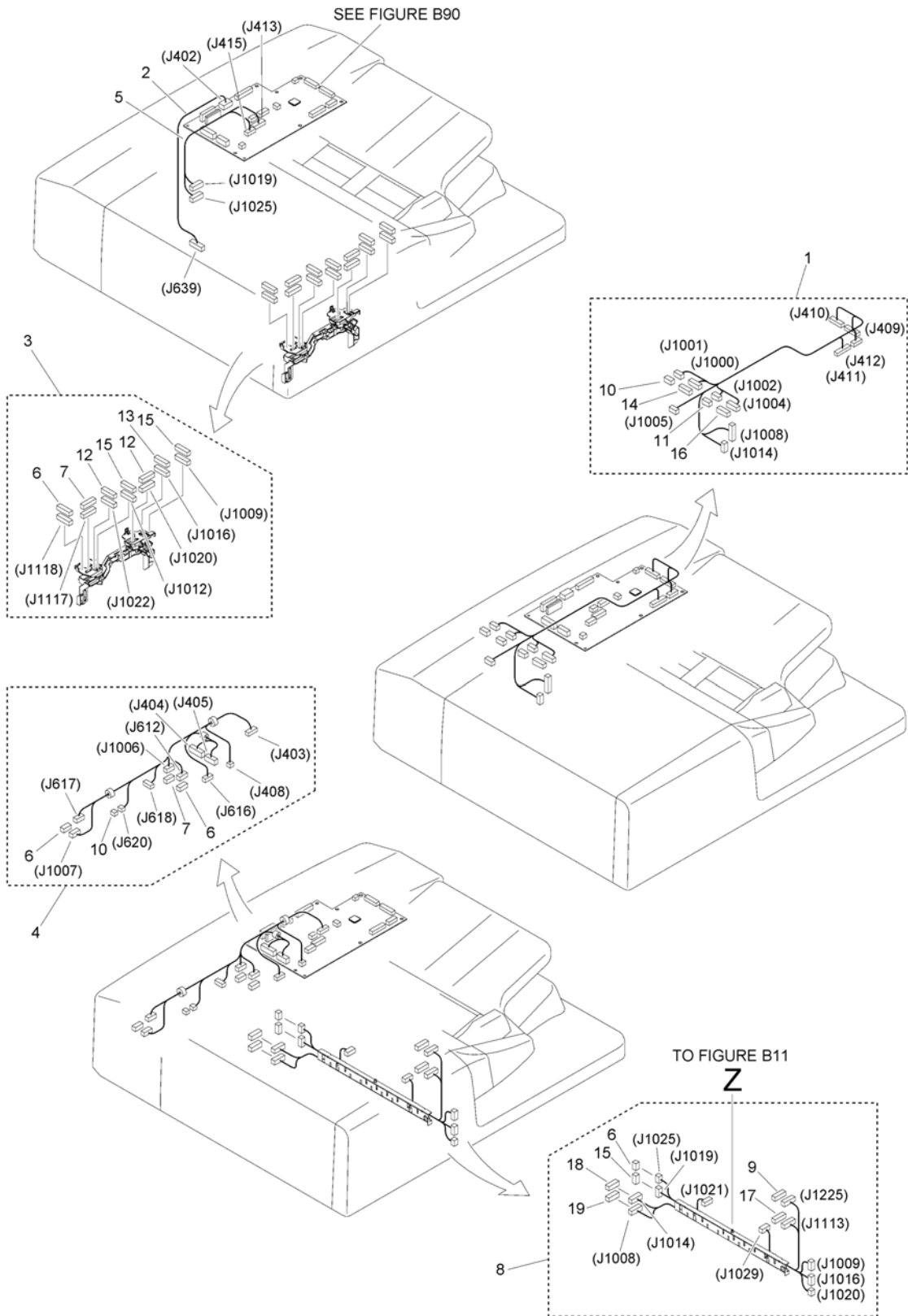


FIGURE & KEY NO.	PART NUMBER	RANK	QTY	DESCRIPTION	SERIAL NUMBER /REMARKS
B15	NPN		RF	INTERNAL COMPONENTS 6	ADF
1	FM1-K813-000		1	CABLE, MAIN SENSOR	
2	FM3-8316-000		1	CABLE, ADF POWER SUPPLY	
3	FM1-G783-000		1	CABLE, SENSOR, FRONT	
4	FM1-K820-000		1	CABLE, REAR MOTOR, 2	
5	FM1-K814-000		1	CABLE, MOTOR	
6	VS1-7177-004		4	CONNECTOR, SNAP TIGHT, BK	
7	VS1-7177-005		2	CONNECTOR, SNAP TIGHT, BK	
8	FM0-3138-000		1	CABLE GUIDE UNIT	
9	VS1-7177-009		1	CONNECTOR, 9P	
10	VS1-7177-003		2	CONNECTOR, SNAP TIGHT, BK	
11	VS1-7177-002		1	CONNECTOR, SNAP TIGHT, BK	
12	VS1-7177-006		2	CONNECTOR, SNAP TIGHT, BK	
13	VS1-7177-008		1	CONNECTOR, SNAP TIGHT, BK	
14	VS1-7177-015		1	CONNECTOR, SNAP TIGHT	
15	VS1-7177-011		3	CONNECTOR, SNAP TIGHT, 11P, BK	
16	VS1-8412-007		1	CONNECTOR, SNAP TIGHT, BL	
17	VS1-7177-014		1	CONNECTOR, SNAP TIGHT, BK	
18	VS1-8412-013		1	CONNECTOR, SNAP TIGHT, BL	
19	VS1-8412-027		1	CONNECTOR, SNAP TIGHT, BL	

Figure B16 DOCUMENT TRAY ASSEMBLY (ADF)

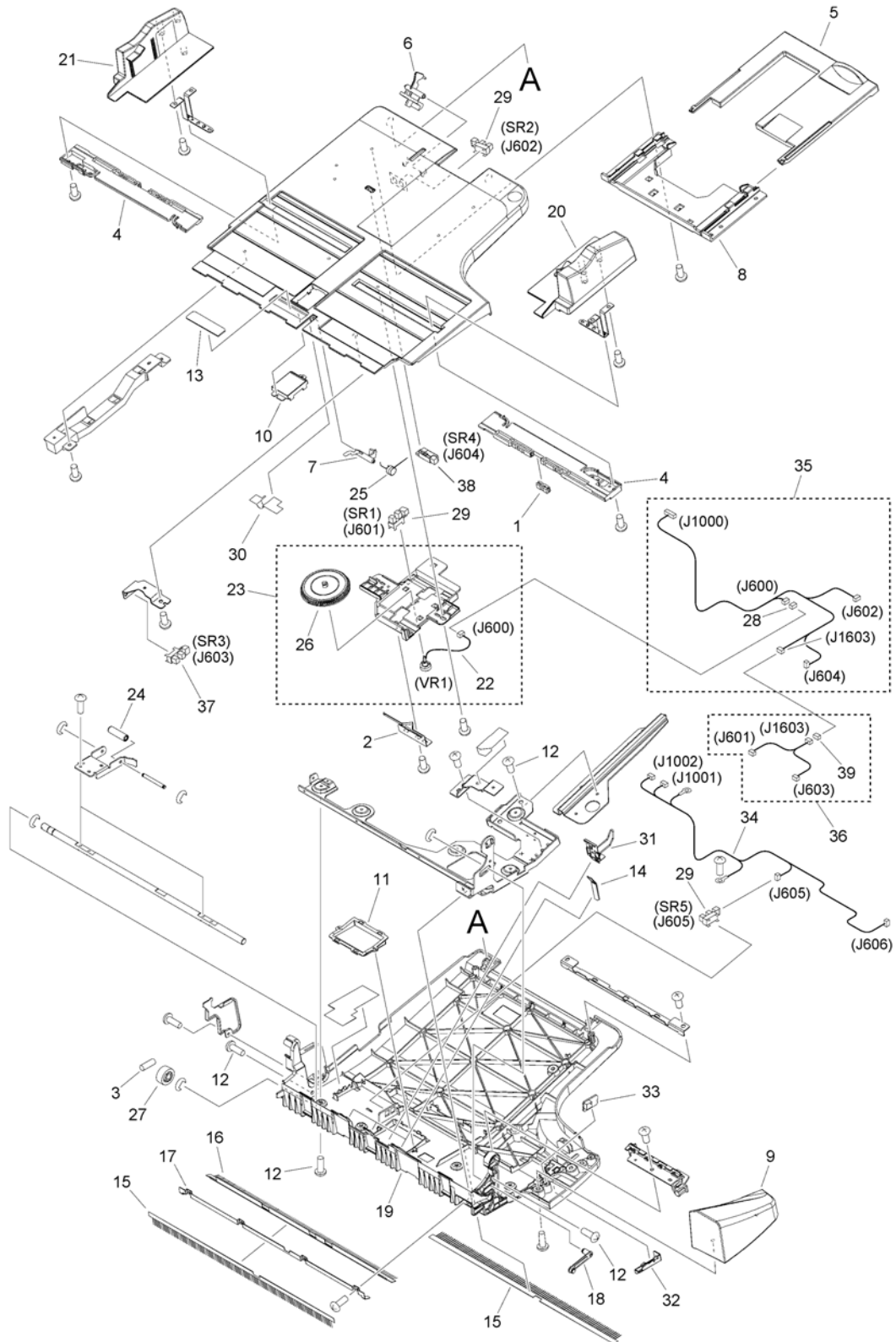


FIGURE & KEY NO.	PART NUMBER	RANK	QTY	DESCRIPTION	SERIAL NUMBER /REMARKS
B16	FM0-3125-000		1	DOCUMENT TRAY ASSEMBLY	ADF
1	FC5-3108-000		1	RACK	
2	FC5-3113-000		1	SPRING, LEAF	
3	XD9-0289-000		1	PIN, PARALLEL	
4	FE4-6225-000		2	RACK, DOCUMENT TRAY	
5	FE4-6226-000		1	TRAY, SLIDE	
6	FE4-6227-000		1	FLAG, TRAY DOCUMENT SENSOR	
7	FE4-6228-000		1	FLAG, DOCUMENT SET SENSOR	
8	FE8-1346-000		1	COVER, DOCUMENT TRAY	
9	FE4-6230-000		1	COVER, DOCUMENT TRAY, FRONT	
10	FC8-5616-000		1	WINDOW, DOCUMENT TRAY, UPPER	
11	FC8-5617-000		1	WINDOW, DOCUMENT TRAY, LOWER	
12	XA9-2014-000		13	SCREW, MACH. TRUSS HEAD, M4X6	
13	FC8-5625-000		1	SHEET, SEPARATION	
14	FC8-5627-000		3	PLATE, SEPARATION	
15	FC8-5841-000		2	ELIMINATOR, STATIC CHARGE	
16	FC8-5842-000		1	ELIMINATOR, STATIC CHARGE	
17	FC8-5846-000		1	PLATE, ELIMINATION	
18	FL2-9614-000		1	PLATE, DOCUMENT TRAY STOPPER	
19	FL1-0167-000		1	TRAY, DOCUMENT, LOWER	
20	FE4-6223-000		1	GUIDE, SIDE, REAR	
21	FE4-6224-000		1	GUIDE, SIDE, FRONT	
22	FM2-1024-000		1	VARIABLE RESISTOR UNIT	VR1
23	FM3-6211-000		1	HOLDER, VOLUME	
24	FU5-6078-000		2	ROLLER, PLATEN	
25	FU7-2541-000		1	SPRING, TORSION	
26	FU8-0237-000		1	GEAR, 70T	
27	FU8-0238-000		1	GEAR, 20T	
28	VS1-7177-003		1	CONNECTOR, SNAP TIGHT, BK	
29	WG8-5783-000		3	IC,PHOTO-INTERRUPTER,LG248NL1A	SR1,SR2,SR5
30	FC8-5773-000		1	SHEET	
31	FM3-6234-000		1	DOCUMENT GUIDE ASSEMBLY	
32	FC0-8359-000		1	COVER, LED ILLUMINATION	
33	FM0-0294-000		1	EJECT LIGHT LED PCB ASS'Y	
34	FM0-0700-000		1	CABLE, TRAY, LOWER	
35	FM1-K821-000		1	CABLE, TRAY UPPER, 1	
36	FM1-K822-000		1	CABLE, TRAY UPPER, 2	
37	WG8-5935-000		1	IC, PHOTO INTERRUPTER	SR3
38	WP2-5428-000		1	PHOTOSENSOR	SR4
39	VS1-7177-006		1	CONNECTOR, SNAP TIGHT, BK	

Figure B17 OPEN/CLOSE PANEL ASSEMBLY (ADF)

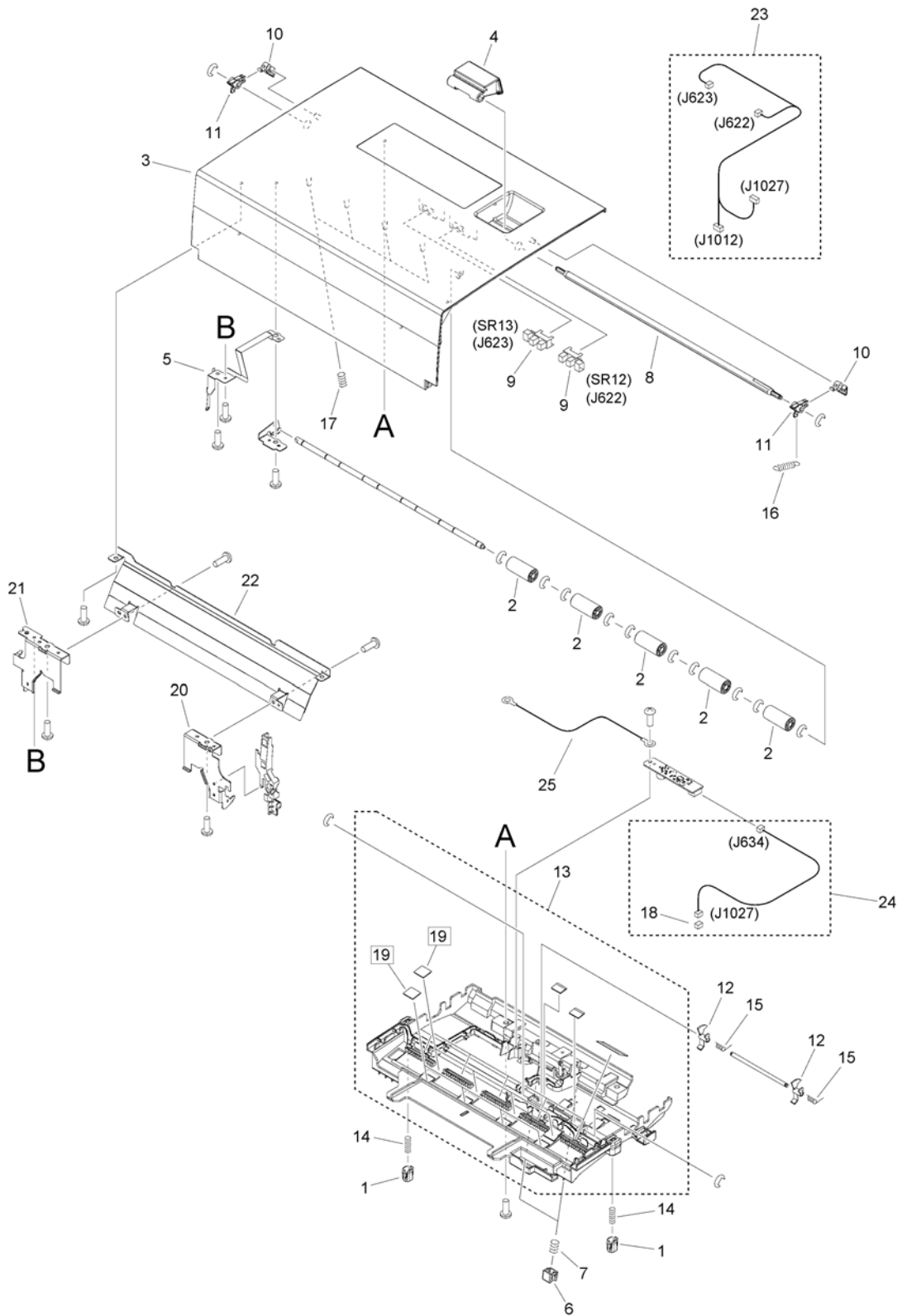


FIGURE & KEY NO.	PART NUMBER	RANK	QTY	DESCRIPTION	SERIAL NUMBER /REMARKS
B17	NPN		RF	OPEN/CLOSE PANEL ASSEMBLY	ADF
1	FC5-2963-000		2	RETAINER, OPEN/CLOSE GUIDE	
2	FC7-4188-000		5	ROLLER, REGISTRATION	
3	FL0-4602-000		1	COVER, OPEN/CLOSE	
4	FE4-6248-000		1	LEVER, OPEN/CLOSE	
5	FC8-5706-000		1	SPRING, LEAF	
6	FC8-5713-000		2	RETAINER, ROLLER	
7	FU7-2566-000		2	SPRING, COMPRESSION	
8	FC8-5699-000		1	SHAFT, OPEN/CLOSE COVER LEVER	
9	WG8-5783-000		2	IC,PHOTO-INTERRUPTER,LG248NL1A	SR12,SR13
10	FC8-5743-000		2	RATCHET, OPEN/CLOSE COVER	
11	FC8-5744-000		2	ARM, OPEN/CLOSE COVER	
12	FC8-5751-000		2	FLAG, WIDTH SENSING, UPPER	
13	FL0-1457-000		1	GUIDE, OPEN/CLOSE COVER	
14	FU7-2568-000		2	SPRING, COMPRESSION	
15	FU7-2567-000		2	SPRING, TORSION	
16	FU6-2900-000		1	SPRING, TENSION	
17	FU7-2555-000		4	SPRING, COMPRESSION	
18	VS1-7177-006		1	CONNECTOR, SNAP TIGHT, BK	
19	FC8-5727-000		8	SHEET, CLEANER DUST	[DP]
20	FC8-5740-000		1	SUPPORT, ROLLER RELEASE, FRONT	
21	FC8-5741-000		1	SUPPORT, ROLLER RELEASE, REAR	
22	FL2-9657-000		1	GUIDE, LOOP	
23	FM1-K818-000		1	CABLE, COVER	
24	FM1-K819-000		1	CABLE, RECEIVE	
25	FM1-K825-000		1	CABLE, GROUNDING	

Figure B18 BASE FRAME ASSEMBLY (ADF)

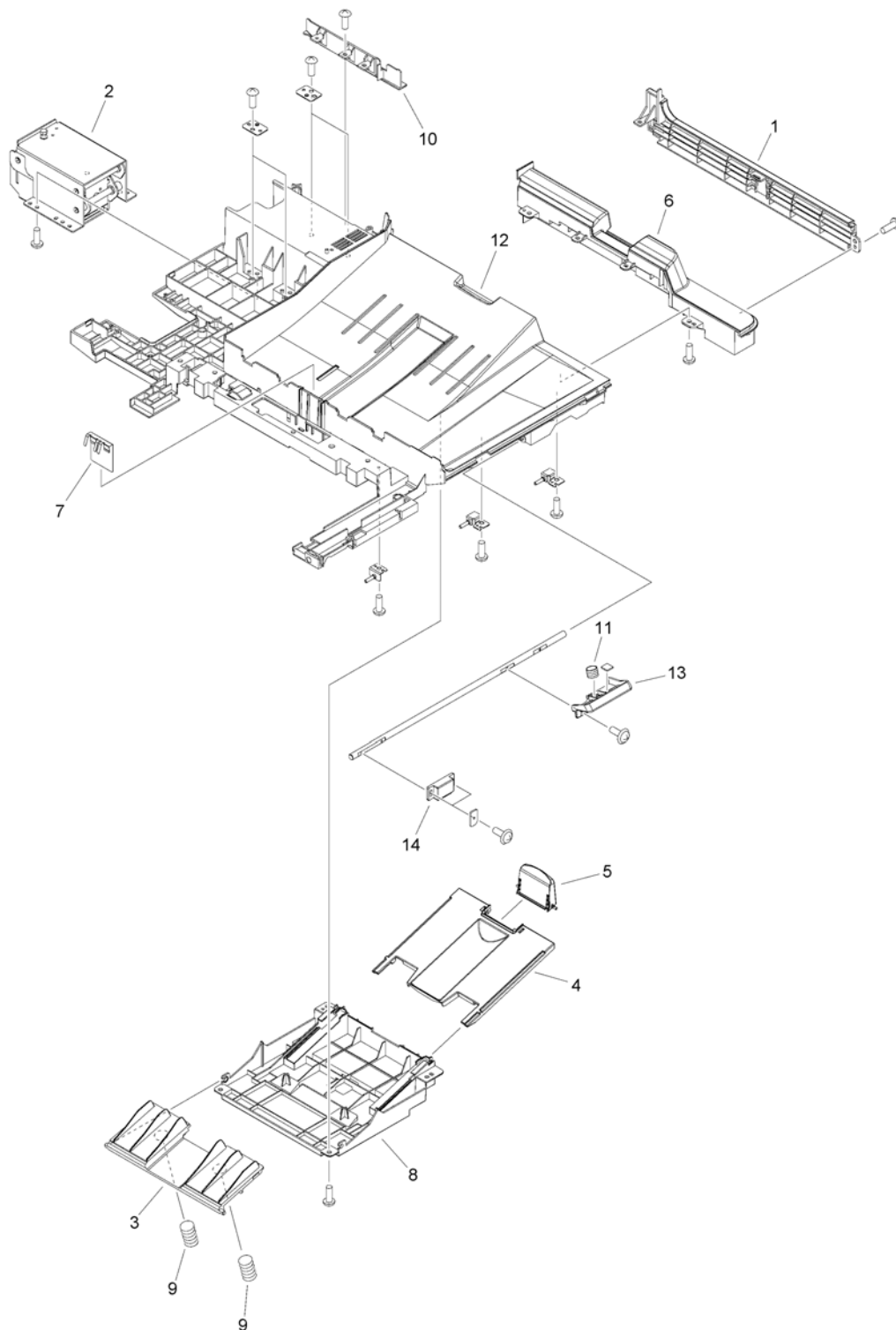


FIGURE & KEY NO.	PART NUMBER	RANK	QTY	DESCRIPTION	SERIAL NUMBER /REMARKS
B18	NPN		RF	BASE FRAME ASSEMBLY	ADF
1	FE4-6245-000		1	COVER, SIDE, RIGHT	
2	FE3-5584-000		1	HINGE, RIGHT	
3	FE4-6239-000		1	STOPPER, PAPER DELIVERY	
4	FE4-6240-000		1	TRAY, PAPER DELIVERY AUXILIARY	
5	FE4-6242-000		1	TRAY, PAPER DELIVERY AUXILIARY	
6	FE4-6243-000		1	COVER, FRAME BASE, D	
7	FC8-5898-000		1	PLATE, DELIVERY GROUND	
8	FL2-9698-000		1	COVER, FRAME BASE, B	
9	FU7-2545-000		2	SPRING, COMPRESSION	
10	FE4-6244-000		1	COVER, FRAME BASE, E	
11	FU7-2584-000		1	SPRING, COMPRESSION	
12	FE3-5587-000		1	FRAME, BASE	
13	FE3-5588-000		1	HANDLE, ADF	
14	FE4-1953-000		1	CATCH, MAGNET	

Figure B19 WHITE PLATE ASSEMBLY (ADF)

NOTE : This assembly does not include the parts shown with key No. 2 and 4.

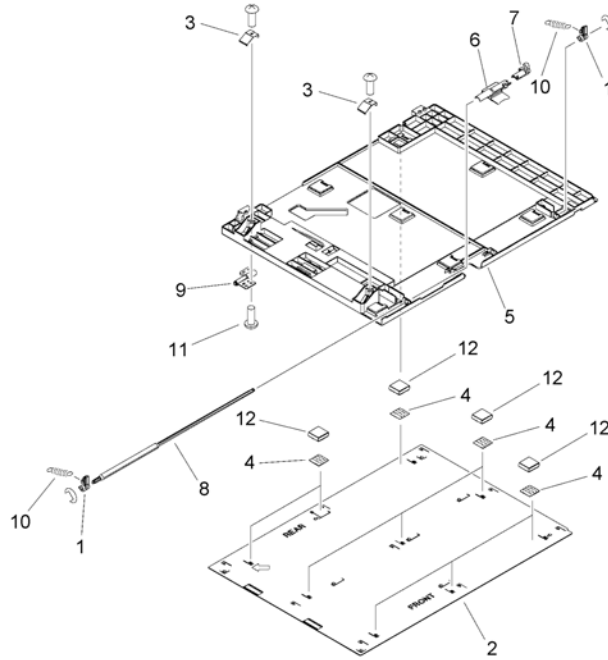


FIGURE & KEY NO.	PART NUMBER	RANK	QTY	DESCRIPTION	SERIAL NUMBER /REMARKS
B19	FM1-L580-000		1	WHITE PLATE ASSEMBLY	ADF
1	FC5-2957-000		2	LEVER, LATCH	
2	FC0-1304-000		1	PANEL, COPYBOARD	SEE NOTE
3	FC7-3156-000		2	SPRING, LEAF	
4	FE4-4680-000		9	SPONGE, SHEET, WHITE	SEE NOTE
5	FE4-6258-000		1	SUPPORT, SHEET, WHITE	
6	FC8-5921-000		1	RATCHET, SHEET, WHITE A	
7	FC8-5920-000		1	RATCHET, SHEET, WHITE B	
8	FC8-5810-000		1	SHAFT, RATCHET ROTATION	
9	FC8-5811-000		1	HINGE, PLATE	
10	FU5-2235-020		2	SPRING, TENSION	
11	XA9-2016-000		2	SCREW, W/WASHER, M3X12	
12	FL0-5178-000		9	CUSHION	

Figure B30 PAPER PICK-UP ASSEMBLY (ADF)

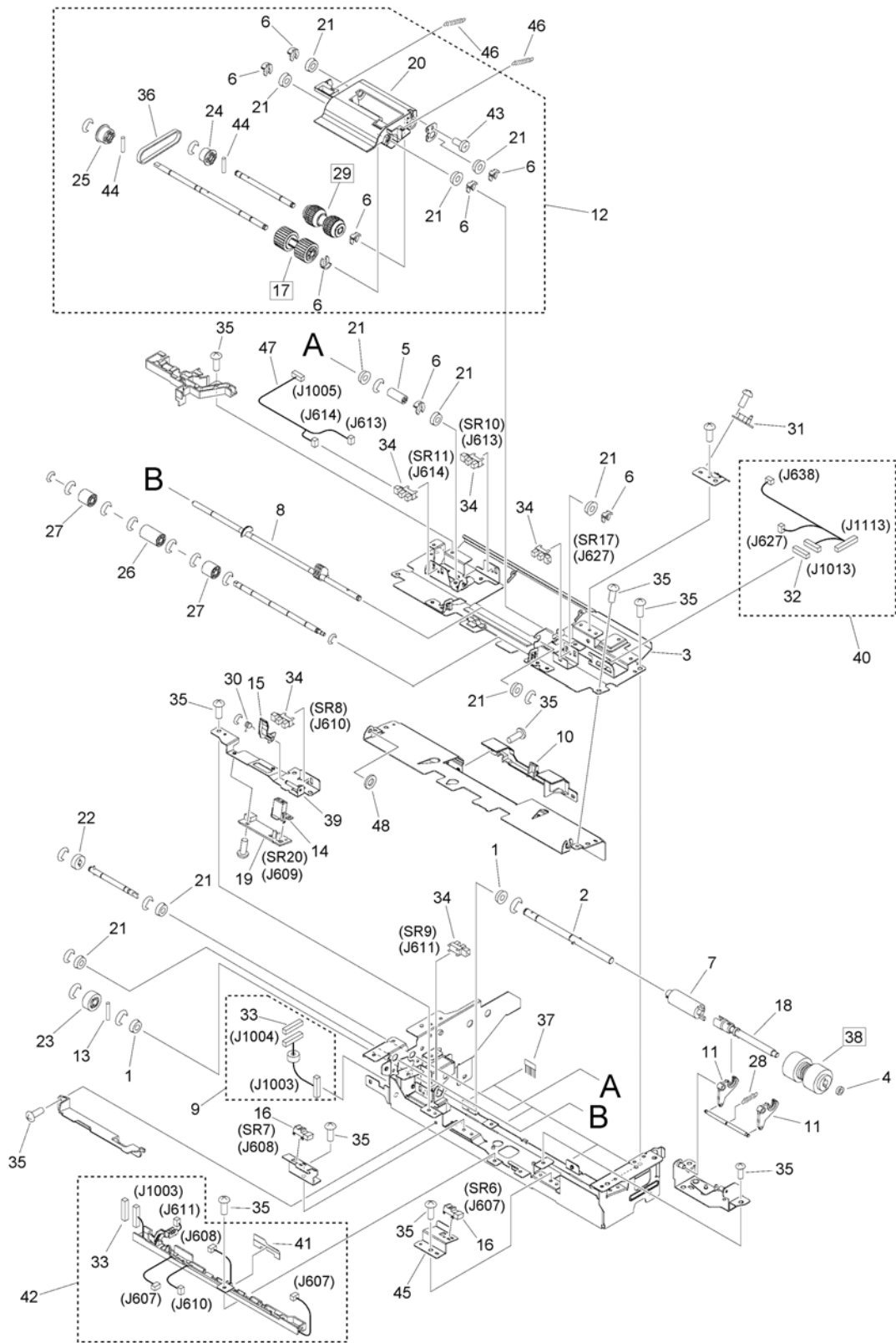


FIGURE & KEY NO.	PART NUMBER	RANK	QTY	DESCRIPTION	SERIAL NUMBER /REMARKS
B30	NPN		RF	PAPER PICK-UP ASSEMBLY	ADF
1	FA9-2112-000		2	BUSHING, PL	
2	FL2-9615-000		1	SHAFT, TRANSMISSION	
3	FL2-9616-000		1	GUIDE, PAPER PICK-UP, UPPER	
4	XG9-0497-000		1	BEARING, BALL, MR106ZZ,	
5	FC5-3163-000		1	JOINT	
6	FC6-5046-000		8	RING, RETAINING	
7	FC8-5907-010		1	LIMITER, TORQUE	
8	FL0-1462-000		1	SHAFT,ROLLER ARM DRIVE	
9	FM1-K829-000		1	CABLE, SENSOR JOINT	
10	FC8-5586-000		1	GUIDE, PAPER PICK-UP LW., FEED	
11	FC8-5594-000		2	ROLLER, LEVER	
12	FM0-3122-000		1	ARM ASSEMBLY	
13	XD9-0289-000		1	PIN, PARALLEL	
14	FC8-5673-000		1	COVER, SENSOR	
15	FC8-5760-000		1	FLAG, DELAY SENSOR	
16	FK2-6470-000		2	PHOTO-SENSOR, KUA0055C	SR6,SR7
17	FL2-9608-000		1	ROLLER, PAPER FEED	[DP]
18	FL2-9623-000		1	SHAFT, ROLLER C DRIVE	
19	FM2-1022-000		1	SENSOR PCB UNIT	SR20
20	FE4-7009-000		1	ARM, PAPER PICK-UP ROLLER	
21	FS1-1569-000		10	BUSHING	
22	FU3-0277-000		1	GEAR, 16T	
23	FU3-0313-000		1	GEAR, 20T	
24	FU5-3695-000		1	PULLEY, 22T	
25	FU5-3696-000		1	PULLEY, 25T	
26	FU5-6871-000		1	ROLLER	
27	FU5-6872-000		2	ROLLER	
28	FU7-2542-000		1	SPRING, TENSION	
29	FL3-7266-000		1	ROLLER, PAPER PICK-UP	[DP]
30	FU7-2563-000		1	SPRING, TORSION	
31	FM1-K827-000		1	LED PCB ASSEMBLY	
32	VS1-7177-009		1	CONNECTOR, 9P	
33	VS1-8412-017		2	CONNECTOR, SNAP TIGHT, BL	
34	WG8-5783-000		5	IC,PHOTO-INTERRUPTER,LG248NL1A	SR8,SR9,SR10, SR11,SR17
35	XA9-2014-000		19	SCREW, MACH. TRUSS HEAD, M4X6	
36	XF2-1606-640		1	TIMING, BELT	
37	FC8-5899-000		4	ELIMINATOR, STATIC CHARGE	
38	FB2-7777-020		1	ROLLER, SPONGE	[DP]
39	FL2-9617-000		1	SUPPORT, SEPARATION SENSOR	
40	FM1-K826-000		1	CABLE, GUIDE UNIT DOCKING	
41	FC8-5919-010		1	SHEET, CABLE PROTECTION	
42	FM3-6231-010		1	CABLE, PICK-UP, REAR LOWER	

FIGURE & KEY NO.	PART NUMBER	RANK	QTY	DESCRIPTION	SERIAL NUMBER /REMARKS
43	XA9-1522-000		1	SCREW, M3X6	
44	XD9-0288-000		2	PIN, DOWEL	
45	FC8-5588-000		1	PLATE, SENSOR SEPARATION, 1	
46	FU7-2583-000		2	SPRING, TENSION	
47	FM3-7570-000		1	CABLE, PAPER PICK-UP REAR, UP.	
48	FC8-5908-000		1	SHEET	

Figure B31 PAPER DELIVERY ASSEMBLY (ADF)

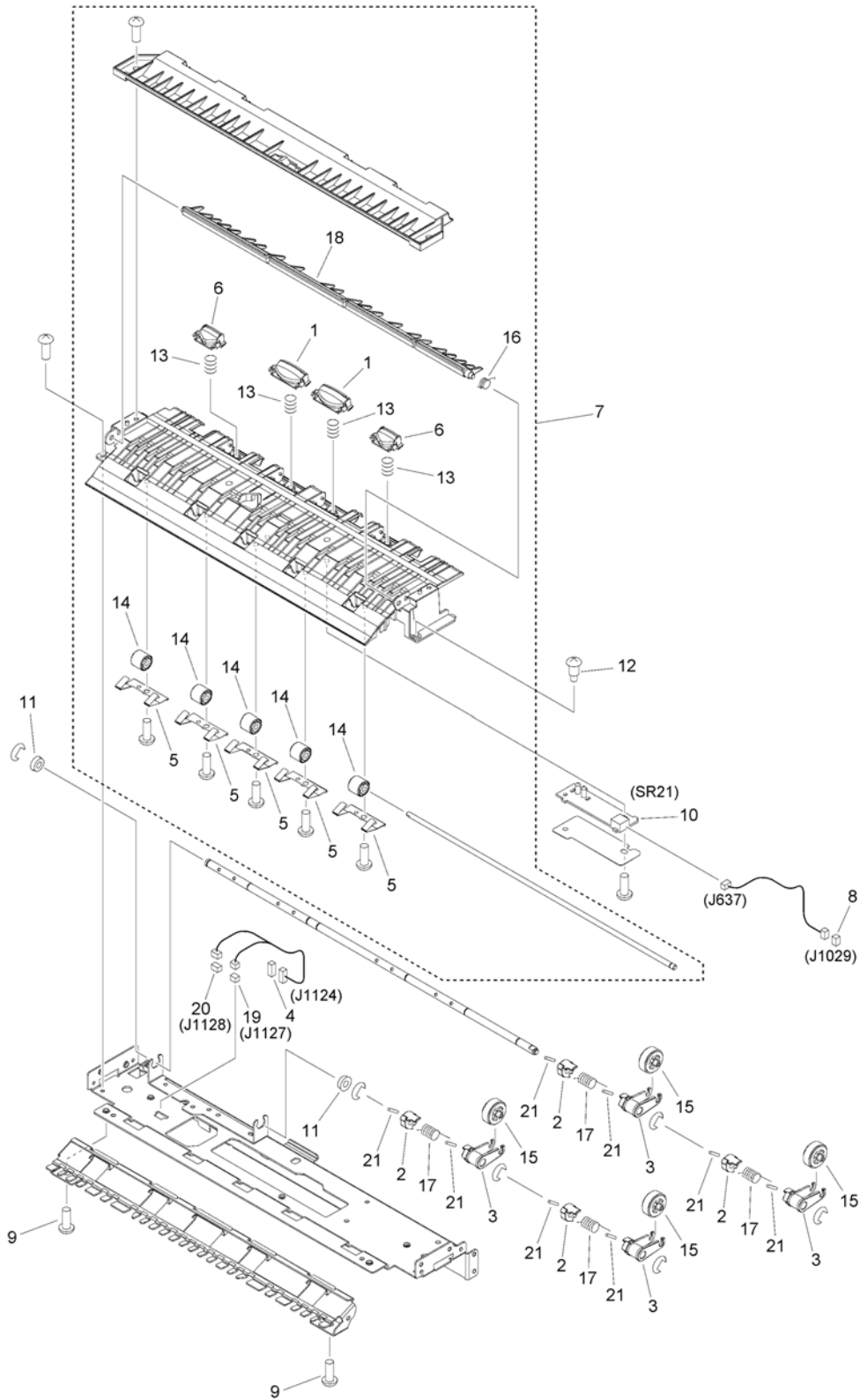


FIGURE & KEY NO.	PART NUMBER	RANK	QTY	DESCRIPTION	SERIAL NUMBER /REMARKS
B31	FM0-0501-000		1	PAPER DELIVERY ASSEMBLY	ADF
1	FC5-2978-000		2	GUIDE, REFORM	
2	FC5-2988-000		4	RETAINER, ROLLER	
3	FC5-2989-000		4	HOLDER, PAPER DELIVERY ROLLER	
4	VS1-7177-005		1	CONNECTOR, SNAP TIGHT, BK	
5	FC8-5830-000		5	SPRING, LEAF	
6	FC8-5845-000		2	RIB, DELIVERY SHAPE	
7	FM3-6182-000		1	PAPER DELIVERY LW. GUIDE ASS'Y	
8	VS1-7177-004		1	CONNECTOR, SNAP TIGHT, BK	
9	XA9-2014-000		2	SCREW, MACH. TRUSS HEAD, M4X6	
10	FM2-1022-000		1	SENSOR PCB UNIT	SR21
11	FS1-1569-000		2	BUSHING	
12	FS1-9009-020		1	TWO-STEP SCREW, M3	
13	FU5-2240-000		4	SPRING, COMPRESSION	
14	FU5-6073-000		5	ROLLER, FEED	
15	FU5-6077-000		4	ROLLER, PAPER DELIVERY	
16	FU6-2740-000		1	SPRING, TORSION	
17	FU7-2562-000		4	SPRING, TORSION	
18	FC8-5817-000		1	FLAPPER, REVERSE	
19	VS1-7177-002		1	CONNECTOR, SNAP TIGHT, BK	
20	VS1-7177-003		1	CONNECTOR, SNAP TIGHT, BK	
21	XD9-0289-000		8	PIN, PARALLEL	

Figure B32 OPEN/CLOSE GUIDE ASSEMBLY (ADF)

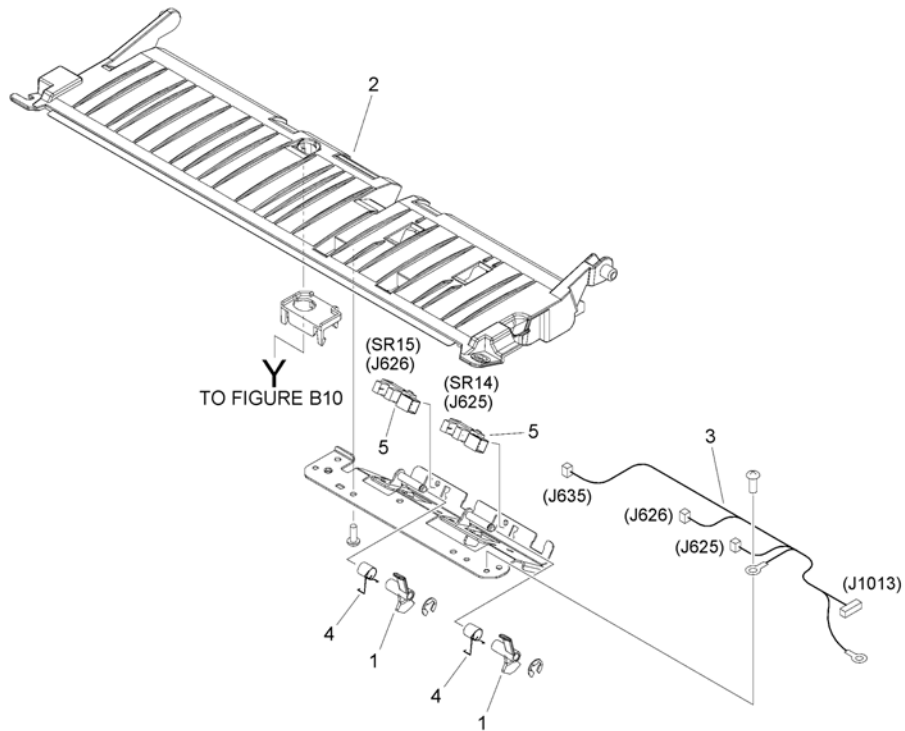


FIGURE & KEY NO.	PART NUMBER	RANK	QTY	DESCRIPTION	SERIAL NUMBER /REMARKS
B32	NPN		RF	OPEN/CLOSE GUIDE ASSEMBLY	ADF
1	FC8-5761-000		2	FLAG, WIDTH SENSOR, LOWER	
2	FL0-1454-000		1	GUIDE, OPEN/CLOSE, UPPER	
3	FM1-K817-000		1	CABLE, SENSOR	
4	FU7-2556-000		2	SPRING, TORSION	
5	WG8-5783-000		2	IC,PHOTO-INTERRUPTER,LG248NL1A	SR14,SR15

Figure B40 PLATEN ROLLER ASSEMBLY, 1 (ADF)

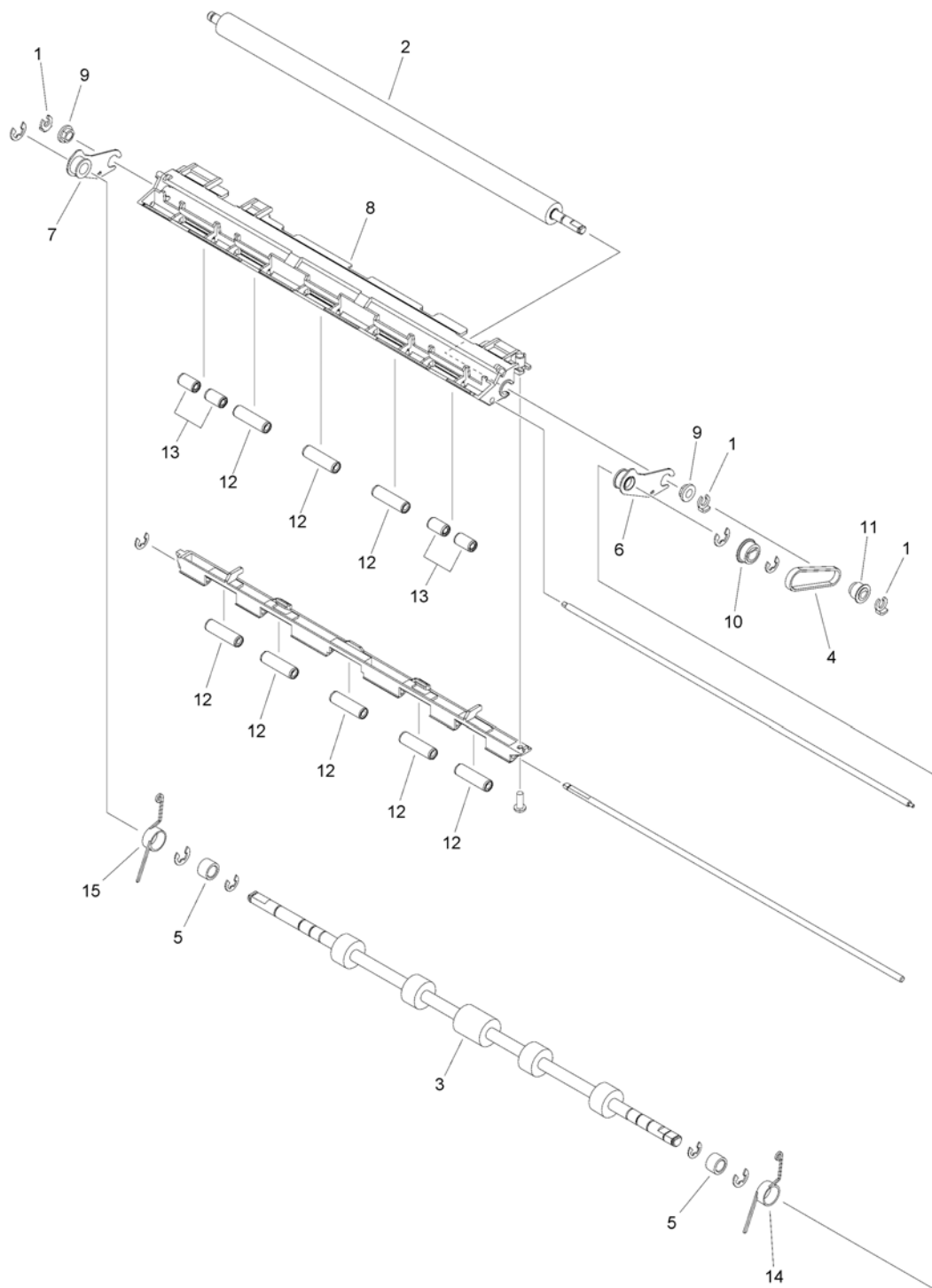


FIGURE & KEY NO.	PART NUMBER	RANK	QTY	DESCRIPTION	SERIAL NUMBER /REMARKS
B40	FM3-6176-000		1	PLATEN ROLLER ASSEMBLY, 1	ADF
1	FC5-4424-000		3	CLIP	
2	FC8-5487-000		1	ROLLER, PLATEN, 1	
3	FC8-5681-000		1	ROLLER, READ, 1	
4	XF2-1605-740		1	BELT, TIMING	
5	FC8-5775-000		2	ROLLER, SUPPORT	
6	FL2-9568-000		1	SUPPORT, PLATEN ROLLER, FRONT	
7	FL2-9569-000		1	SUPPORT, PLATEN ROLLER, REAR	
8	FL2-9571-000		1	GUIDE, PLATEN, 1	
9	FS1-1569-000		2	BUSHING	
10	FU5-0339-000		1	PULLEY, 23T	
11	FU5-0341-000		1	PULLEY, 18T	
12	FU5-6078-000		8	ROLLER, PLATEN	
13	FU5-6080-000		4	ROLLER	
14	FU7-2546-000		1	SPRING, TORSION	
15	FU7-2547-000		1	SPRING, TORSION	

Figure B41 PLATEN ROLLER ASSEMBLY, 2 (ADF)

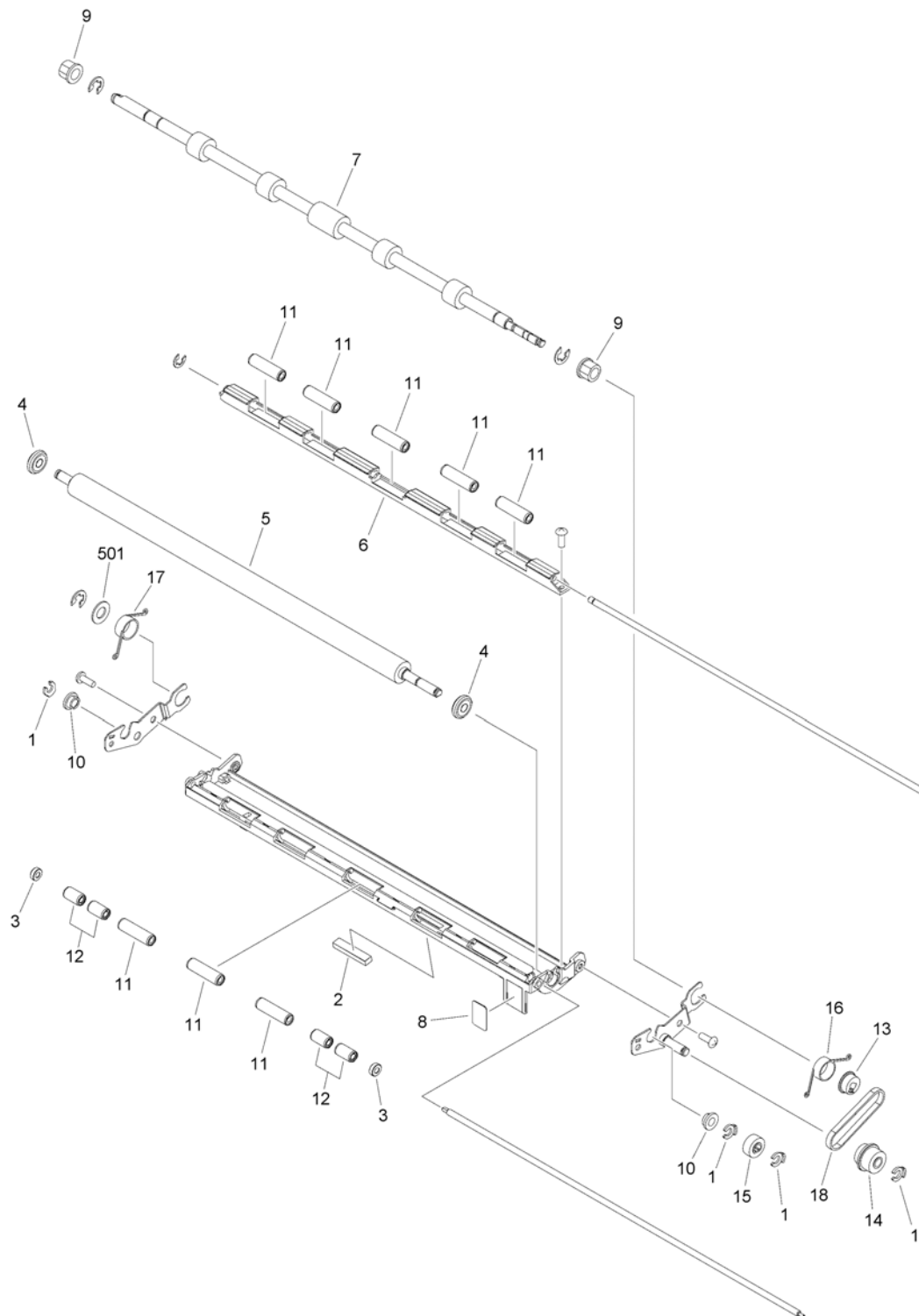


FIGURE & KEY NO.	PART NUMBER	RANK	QTY	DESCRIPTION	SERIAL NUMBER /REMARKS
B41	FM0-3134-000		1	PLATEN ROLLER ASSEMBLY, 2	ADF
1	FC5-4424-000		4	CLIP	
2	FC7-4191-000		1	MAGNET	
3	FC8-5485-000		2	ROLLER	
4	FC8-5486-000		2	ROLLER	
5	FC8-5488-000		1	ROLLER, PLATEN, 2	
6	FC8-5490-000		1	GUIDE, PLATEN ROLLER, 2B	
7	FC8-5683-000		1	SHAFT, READ 3 ROLLER	
8	FC8-5545-000		1	LABEL, PLATEN KNOB	
9	FU6-1021-000		2	BUSHING	
10	FS1-1569-000		2	BUSHING	
11	FU5-6078-000		8	ROLLER, PLATEN	
12	FU5-6080-000		4	ROLLER	
13	FU7-0205-000		1	PULLEY, 21T	
14	FU7-0473-000		1	GEAR, 18T/PULLEY, 23T	
15	FU7-0514-000		1	GEAR, 16T	
16	FU7-2548-000		1	SPRING, TORSION	
17	FU7-2549-000		1	SPRING, TORSION	
18	XF2-1606-140		1	BELT, TIMING	
501	XD1-1108-239		1	WASHER,COP	

Figure B42 PAPER FEED GUIDE ASSEMBLY, 1 (ADF)

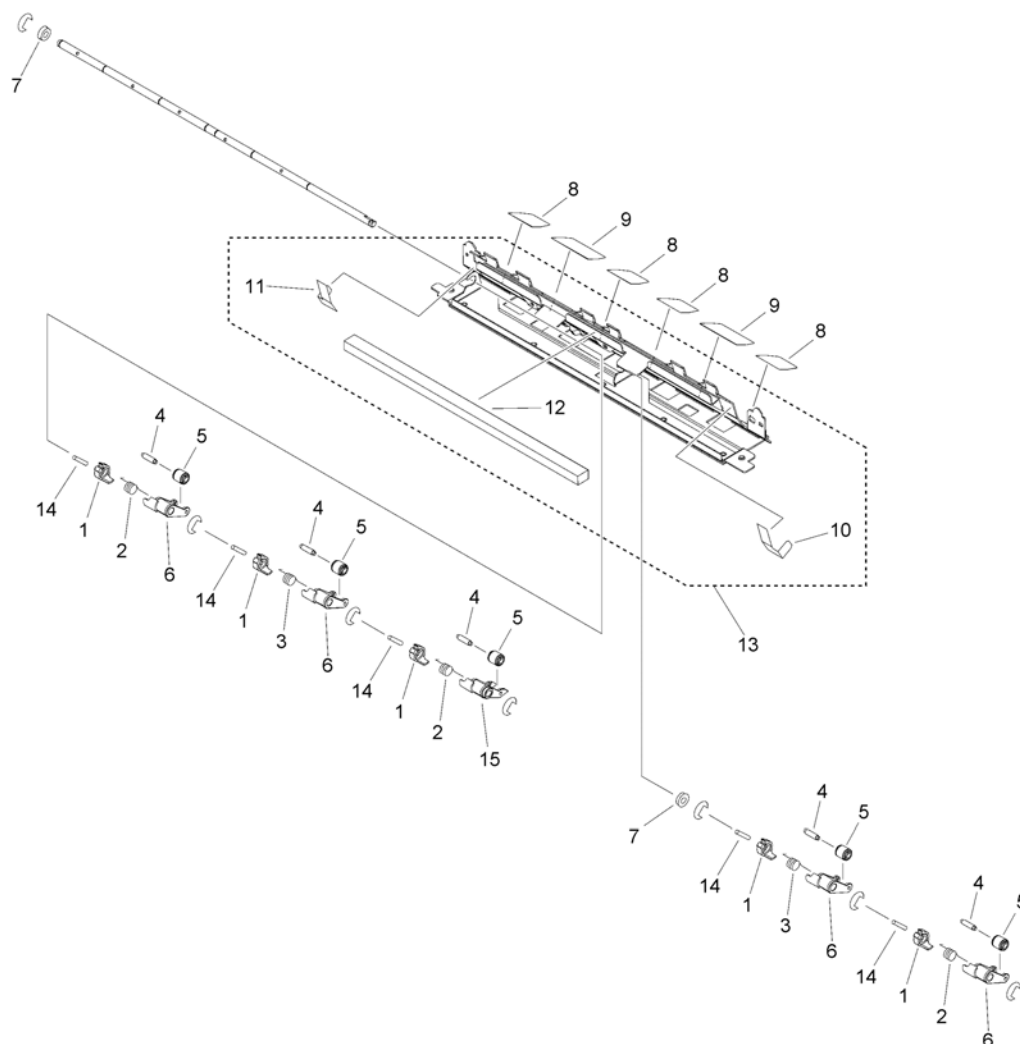


FIGURE & KEY NO.	PART NUMBER	RANK	QTY	DESCRIPTION	SERIAL NUMBER /REMARKS
B42	NPN		RF	PAPER FEED GUIDE ASSEMBLY, 1	ADF
1	FC5-2988-000		5	RETAINER, ROLLER	
2	FC5-3021-000		3	SPRING, TORSION	
3	FC5-3026-000		2	SPRING, TORSION	
4	FC8-5520-000		5	SHAFT, READ 1 ROLLER	
5	FC8-5654-000		5	ROLLER, IDLER READ	
6	FL2-0741-000		4	HOLDER, PAPER FEEDER ROLLER	
7	FS1-1569-000		2	BUSHING	
8	FL0-4461-000		4	LABEL, FINGER NIP CAUTION	
9	FL0-4460-000		2	LABEL, FINGER NIP CAUTION	
10	FC8-5767-000		1	SHEET, GUIDE SIDE END FRONT	
11	FC8-5768-000		1	SHEET, GUIDE SIDE END REAR	
12	FC8-5860-000		1	SHEET, NOISE-PROOF	
13	FL2-9669-000		1	GUIDE, PAPER FEED	
14	XD9-0289-000		5	PIN, PARALLEL	
15	FL0-1469-000		1	HOLDER, PAPER FEEDER ROLLER	

Figure B43 PAPER FEED GUIDE ASSEMBLY, 2 (ADF)

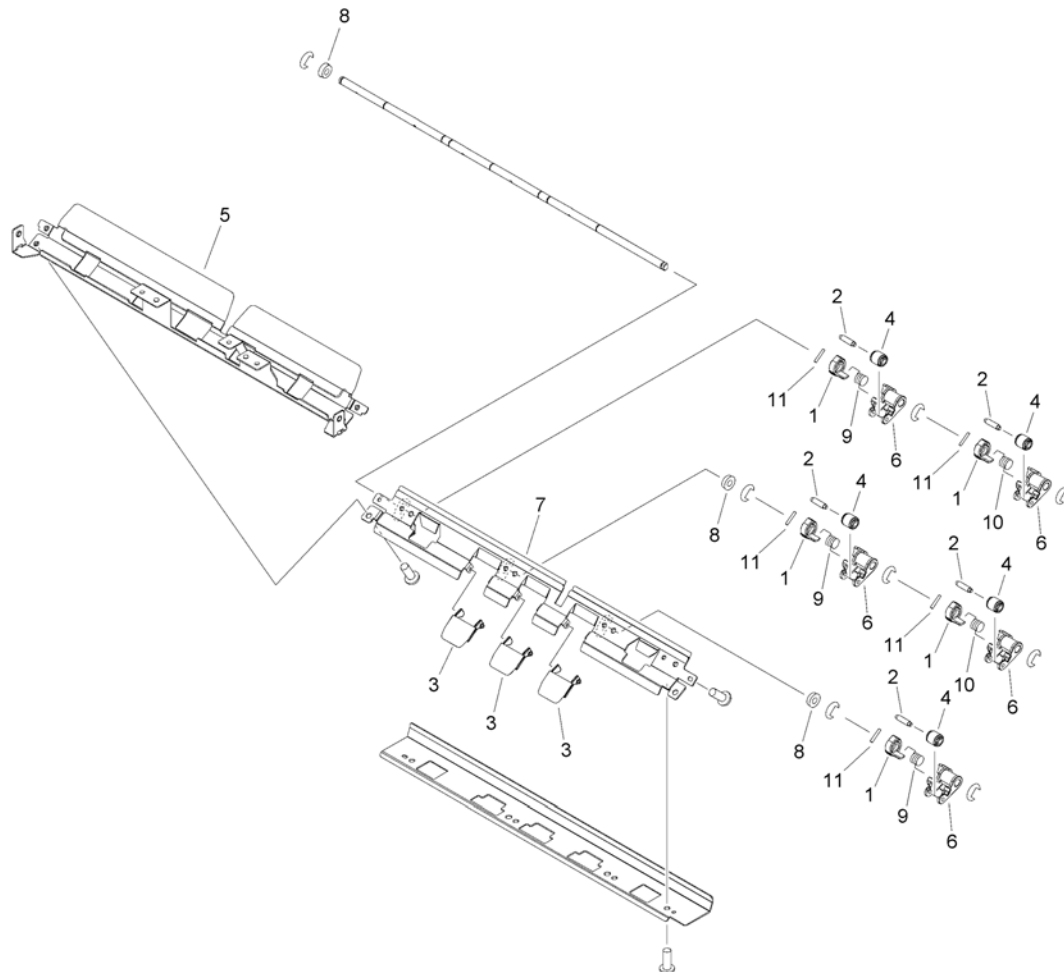


FIGURE & KEY NO.	PART NUMBER	RANK	QTY	DESCRIPTION	SERIAL NUMBER /REMARKS
B43	NPN		RF	PAPER FEED GUIDE ASSEMBLY, 2	ADF
1	FC8-5505-000		5	STOPPER, ROLLER	
2	FC8-5520-000		5	SHAFT, READ 1 ROLLER	
3	FL2-9667-000		3	GUIDE, READ 2 FEED SWING, LW.	
4	FC8-5654-000		5	ROLLER, IDLER READ	
5	FL3-8428-000		1	GUIDE, READ 2 FEED, UPPER	
6	FL2-9575-000		5	HOLDER, READ 2 ROLLER	
7	FL2-9586-000		1	GUIDE, READ 2 FEED, LOWER	
8	FS1-1569-000		3	BUSHING	
9	FU7-2557-000		3	SPRING, TORSION	
10	FU7-2558-000		2	SPRING, TORSION	
11	XD9-0289-000		5	PIN, PARALLEL	

Figure B90 DF DRIVER PCB ASSEMBLY (ADF)

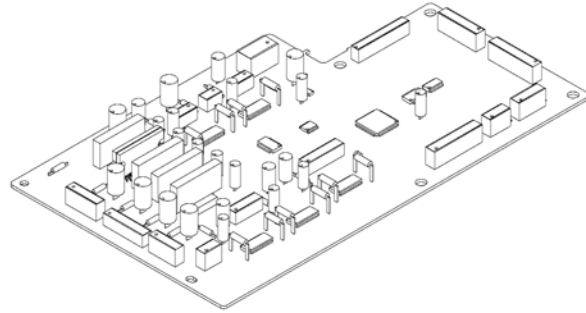


FIGURE & KEY NO.	PART NUMBER	R A N K	QTY	DESCRIPTION	SERIAL NUMBER /REMARKS
B90	FM1-K812-000		1	DF DRIVER PCB ASSEMBLY	ADF
IC	FK2-1773-000		1	IC,TC200GO2EFG-1031,GATE ARRAY	

Figure D10C EXTERNAL COVERS, PANELS, ETC. (READER)

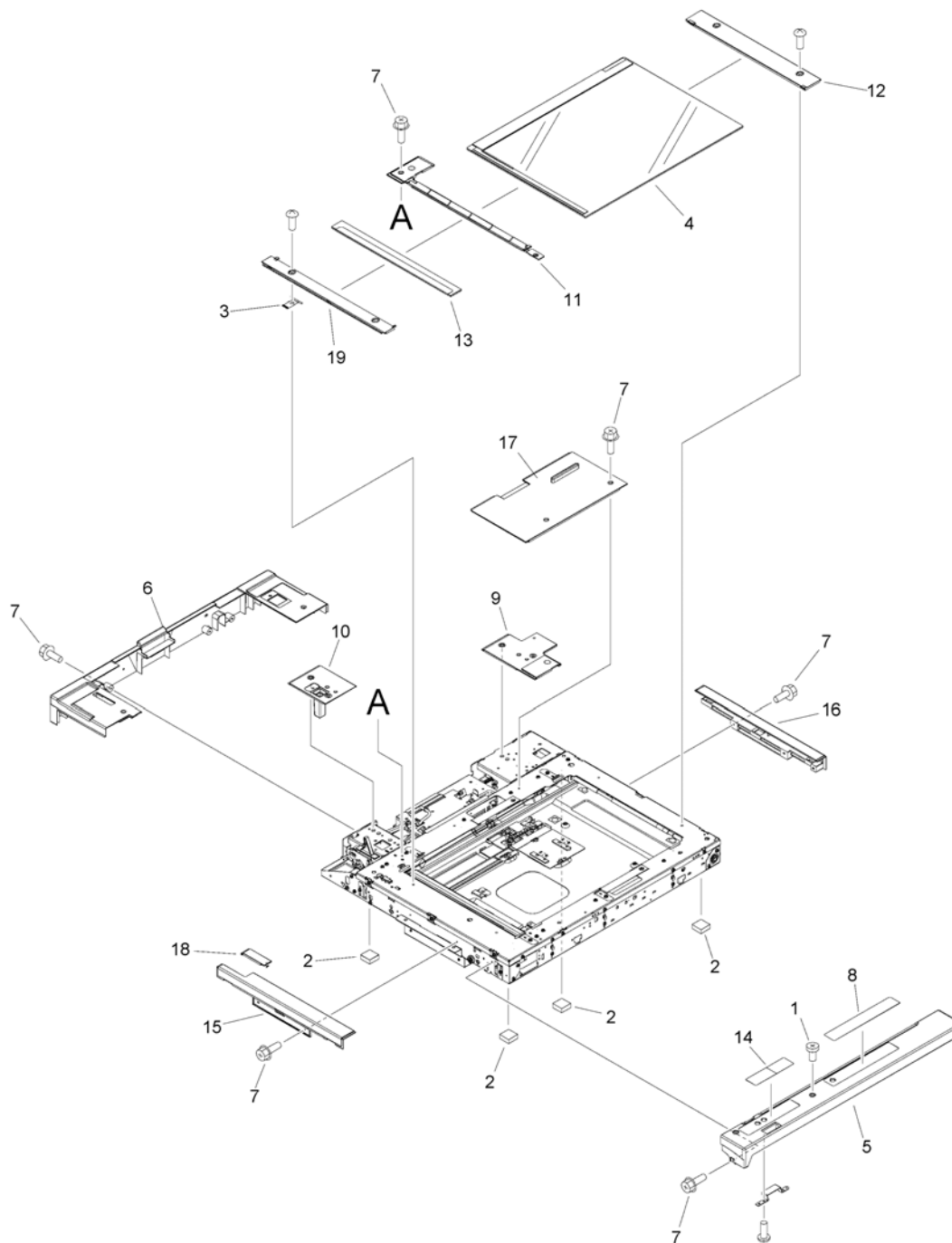


FIGURE & KEY NO.	PART NUMBER	RANK	QTY	DESCRIPTION	SERIAL NUMBER /REMARKS
D10C	NPN		RF	EXTERNAL COVERS, PANELS, ETC.	READER
1	XA9-2017-000		1	SCREW, PANHEAD MACHINE M4X6	
2	FC6-5156-000		4	DAMPER	
3	FC7-1333-000		1	SPRING, GROUNDING	
4	FL1-0446-000		1	GLASS, COPYBOARD	
5	FE4-1734-000		1	COVER, FRONT	
6	FE4-1735-000		1	COVER, REAR UPPER	
7	FS5-9562-020		12	SCREW, STEPPED, M3X1.4	
8	FE4-6293-000		1	LABEL, COPY INHIBITED	US English
8	FE4-6305-000		1	LABEL, COPY INHIBITED	UK English
8	FE4-6306-000		1	LABEL, COPY INHIBITED	French
8	FE4-6307-000		1	LABEL, COPY INHIBITED	German
8	FE4-6308-000		1	LABEL, COPY INHIBITED	Italian
9	FE4-6251-000		1	COVER, DF MOUNT, RIGHT	
10	FE4-6252-000		1	COVER, DF MOUNT, LEFT	
11	FE4-6256-000		1	MOUNT, JUMP	
12	FL0-4598-000		1	COVER, RIGHT UPPER	
13	FL1-2144-000		1	GLASS, READER	
14	FL1-3472-000		1	LABEL, CLEANING POSITION	
15	FE4-6260-000		1	COVER, LEFT	
16	FE4-6257-000		1	COVER, RIGHT	
17	FL0-4597-000		1	COVER, CABLE	
18	FE4-6211-000		1	COVER, LEFT UPPER, SMALL	
19	FE4-6254-000		1	COVER, LEFT UPPER	

Figure D11 INTERNAL COMPONENTS 1 (READER)

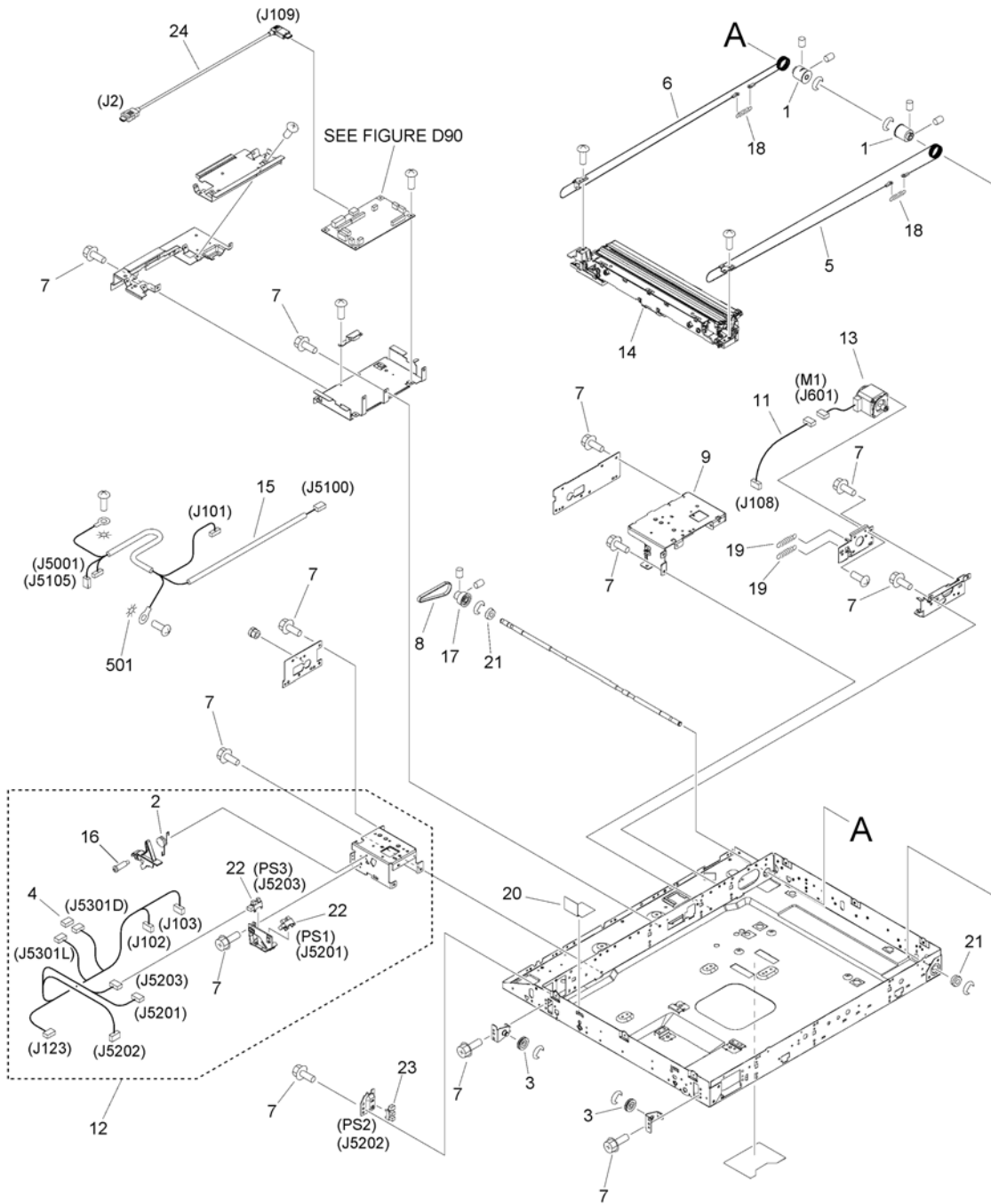


FIGURE & KEY NO.	PART NUMBER	RANK	QTY	DESCRIPTION	SERIAL NUMBER /REMARKS
D11	NPN		RF	INTERNAL COMPONENTS 1	READER
1	FB5-3087-000		2	PULLEY	
2	FU7-2593-000		1	SPRING, TORSION	
3	FC7-1312-000		2	PULLEY	
4	VS1-7207-003		1	CONNECTOR, SNAP TIGHT, BK	
5	FC0-8333-000		1	WIRE, FRONT	
6	FC8-6035-000		1	WIRE, REAR	
7	XA9-1386-000		15	SCREW,RS,M3X8	
8	XF9-0774-000		1	BELT, TIMING	
9	FC8-6014-000		1	MOUNT, DF, R	
11	FM3-8274-000		1	CABLE, MOTOR	
12	FM1-C248-000		1	DF MOUNT ASSEMBLY, L	
13	FM1-H106-000		1	MOTOR, STEPPING, DC	M1
14	FM1-B001-000		1	SCANNER UNIT, READER	
15	FM1-K804-000		1	CABLE, READER POWER SUPPLY	
16	FS5-9227-020		1	SCREW, STEPPED, M4	
17	FU5-3705-000		1	PULLEY, 52T	
18	FU7-2591-000		2	SPRING, TENSION	
19	FU8-8031-000		2	SPRING, TENSION	
20	FC8-3555-000		1	SHEET, FLEXIBLE FLAT CABLE	
21	XG9-0508-000		2	BEARING, BALL, F688ZZ	
22	WG8-5935-000		2	IC, PHOTO INTERRUPTER	PS1, PS3
23	WG8-5783-000		1	IC,PHOTO-INTERRUPTER,LG248NL1A	PS2
24	FK4-2202-000		1	CABLE, INTERFACE	
501	XD1-4200-402		1	WASHER, TOOTHED LOCK, M4	

Figure D12 INTERNAL COMPONENTS 2 (READER)

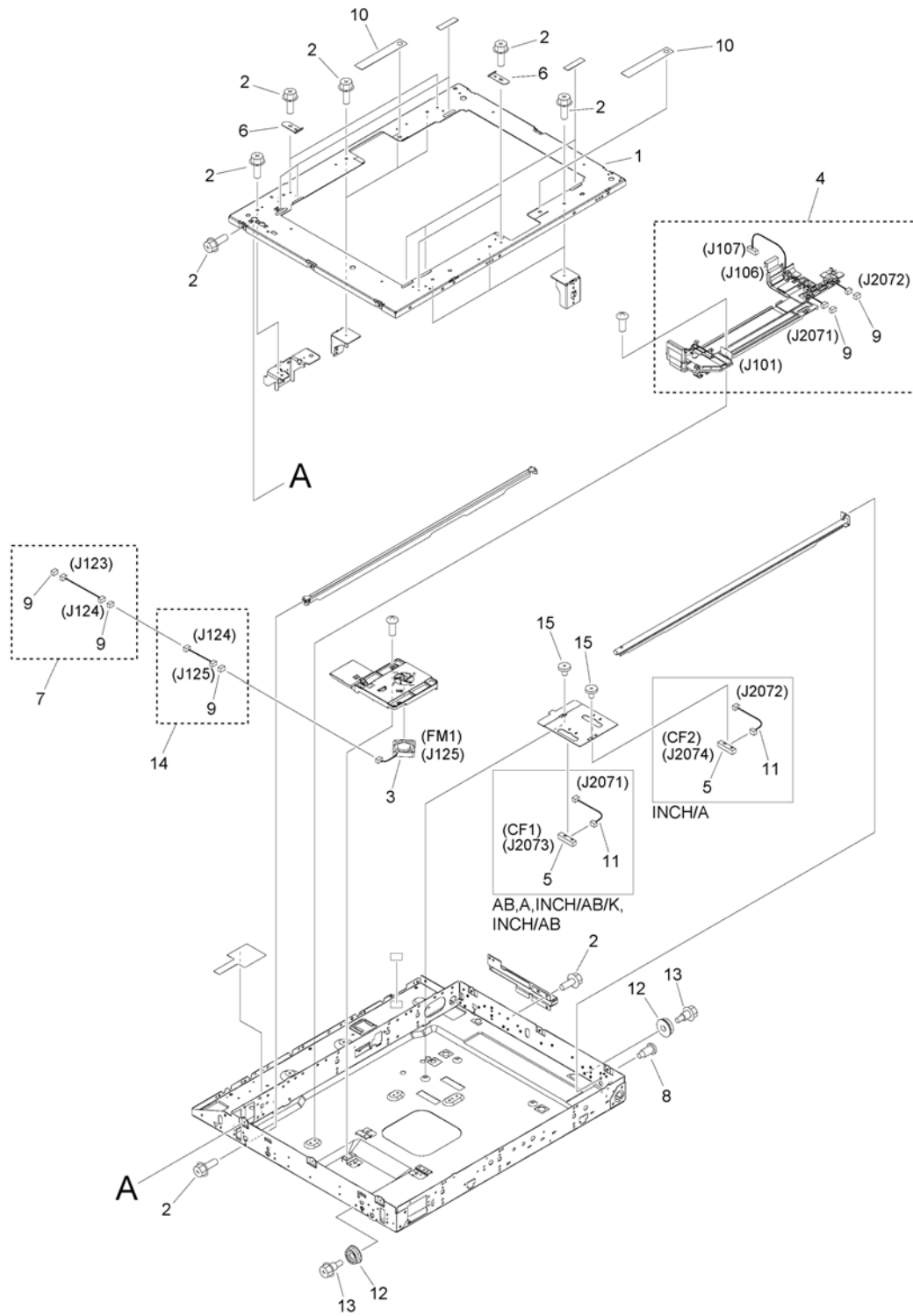


FIGURE & KEY NO.	PART NUMBER	RANK	QTY	DESCRIPTION	SERIAL NUMBER /REMARKS
D12	NPN		RF	INTERNAL COMPONENTS 2	READER
1	FL2-9793-010		1	FRAME, UPPER	
2	XA9-1386-000		15	SCREW,RS,M3X8	
3	FK2-6459-000		1	FAN	FM1
4	FM0-0482-000		1	FLAT CABLE UNIT	
5	FK4-4520-000		1	IC,PHOTO SENSOR, DOCUMENT SIZE	CF1, CF2
6	FL2-4856-000		4	PLATE,GLASS SUPPORT	
7	FM3-8282-000		1	CABLE, FAN CONNECTING, 2	
8	FS1-9120-020		1	SCREW, STEPPED, M3	
9	VS1-7177-003		5	CONNECTOR, SNAP TIGHT, BK	
10	FC8-6056-000		2	SHEET, GLASS GAP	
11	FM3-7552-000		1	CABLE, SIZE DETECT	
12	FC8-6017-000		2	BUSH, RUBBER	
13	FS5-9343-000		2	SCREW, STEPPED, M4	
14	FM1-K806-000		1	CABLE, FAN	
15	XA9-2017-000		2	SCREW, PANHEAD MACHINE M4X6	

Figure D90 READER CONTROLLER PCB ASSEMBLY (READER)

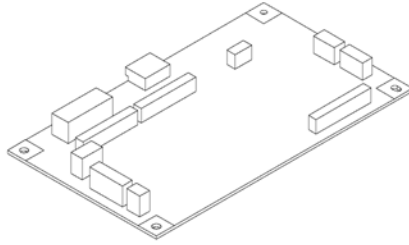


FIGURE & KEY NO.	PART NUMBER	R A N K	QTY	DESCRIPTION	SERIAL NUMBER /REMARKS
D90	FM1-K808-010		1	READER CONTROLLER PCB ASSEMBLY	READER

Figure M01 DECURLER PATH ACCESSORY ASS'Y (DECURLER mode I)

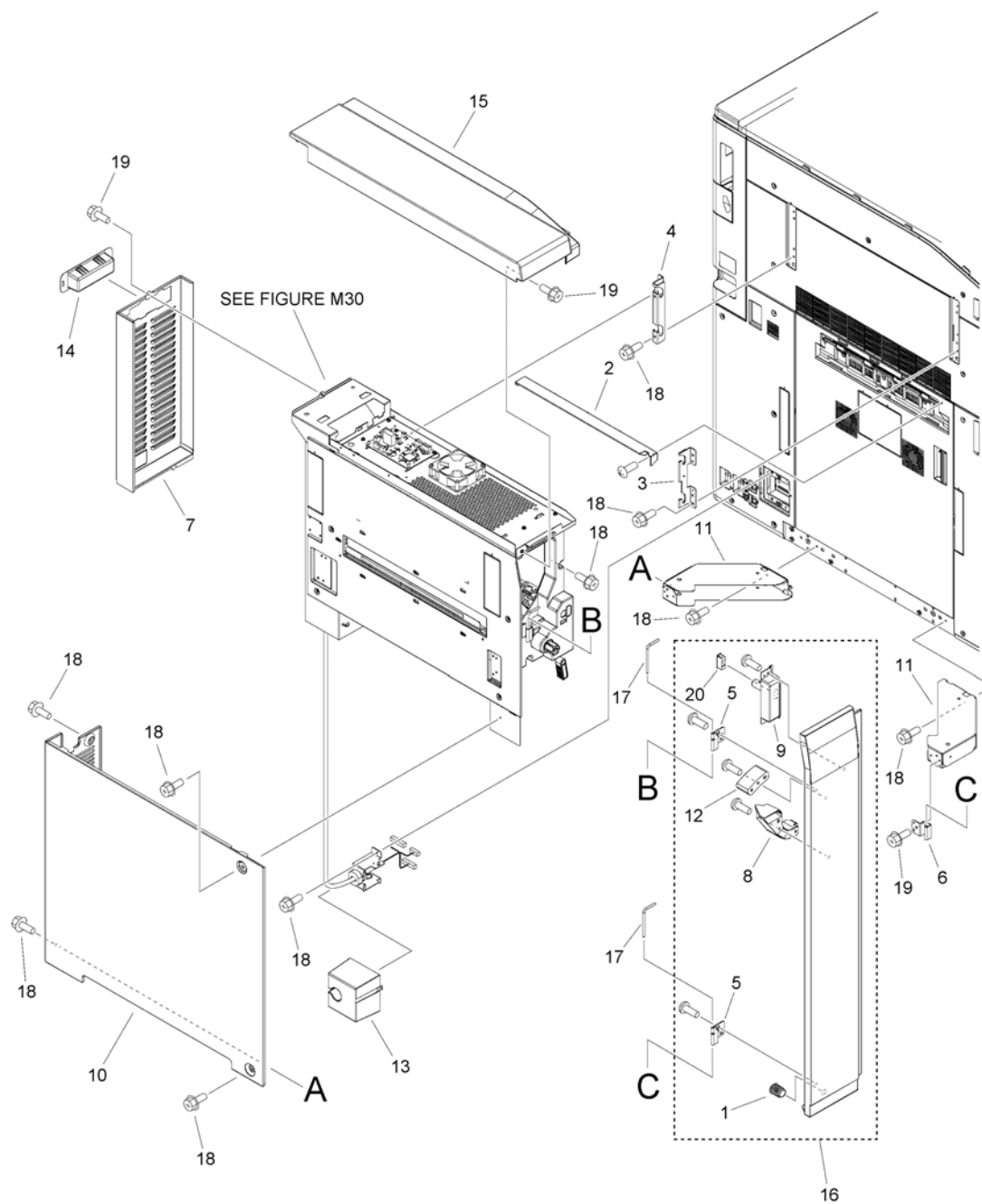


FIGURE & KEY NO.	PART NUMBER	RANK	QTY	DESCRIPTION	SERIAL NUMBER /REMARKS
M01	NPN		RF	DECURLER PATH ACCESSORY ASS'Y	DECURLER model
1	FA9-3870-000		1	CATCH, MAGNET	
2	FE8-0953-000		1	GUIDE, PAPER DELIVERY, UPPER	
3	FC8-9026-000		1	PLATE, BUFFER MOUNTING, FRONT	
4	FC8-9027-000		1	PLATE, BUFFER MOUNTING, REAR	
5	FC8-9030-000		2	HINGE	
6	FC8-9033-000		1	HINGE	
7	FE8-1776-000		1	COVER, REAR	
8	FE8-0966-000		1	RIB, FRONT COVER, LOWER	
9	FE8-0951-000		1	GRIP, F. COVER OPEN/CLOSE DTC	
10	FE8-0948-000		1	COVER, LEFT LOWER	
11	FC9-3929-000		2	SUPPORT,COVER	
12	FE8-0952-000		1	RIB, FRONT COVER, UPPER	
13	FE8-0947-000		1	COVER,CONNECTOR	
14	FE8-0943-000		1	HANDLE	
15	FL0-7900-000		1	COVER, UPPER	
16	FM1-L217-000		1	FRONT COVER ASSEMBLY	
17	FU6-4563-000		2	PIN, HINGE	
18	XA9-0732-010		9	SCREW,RS,M4X8	
19	XA9-1386-000		5	SCREW,RS,M3X8	
20	XZ9-0603-000		1	CATCH, MAGNET	

Figure M30 (1/3) DECURLER PATH ASSEMBLY (DECURLER model)

NOTE : This assembly includes the assemblies shown in Figure M31 and M90.

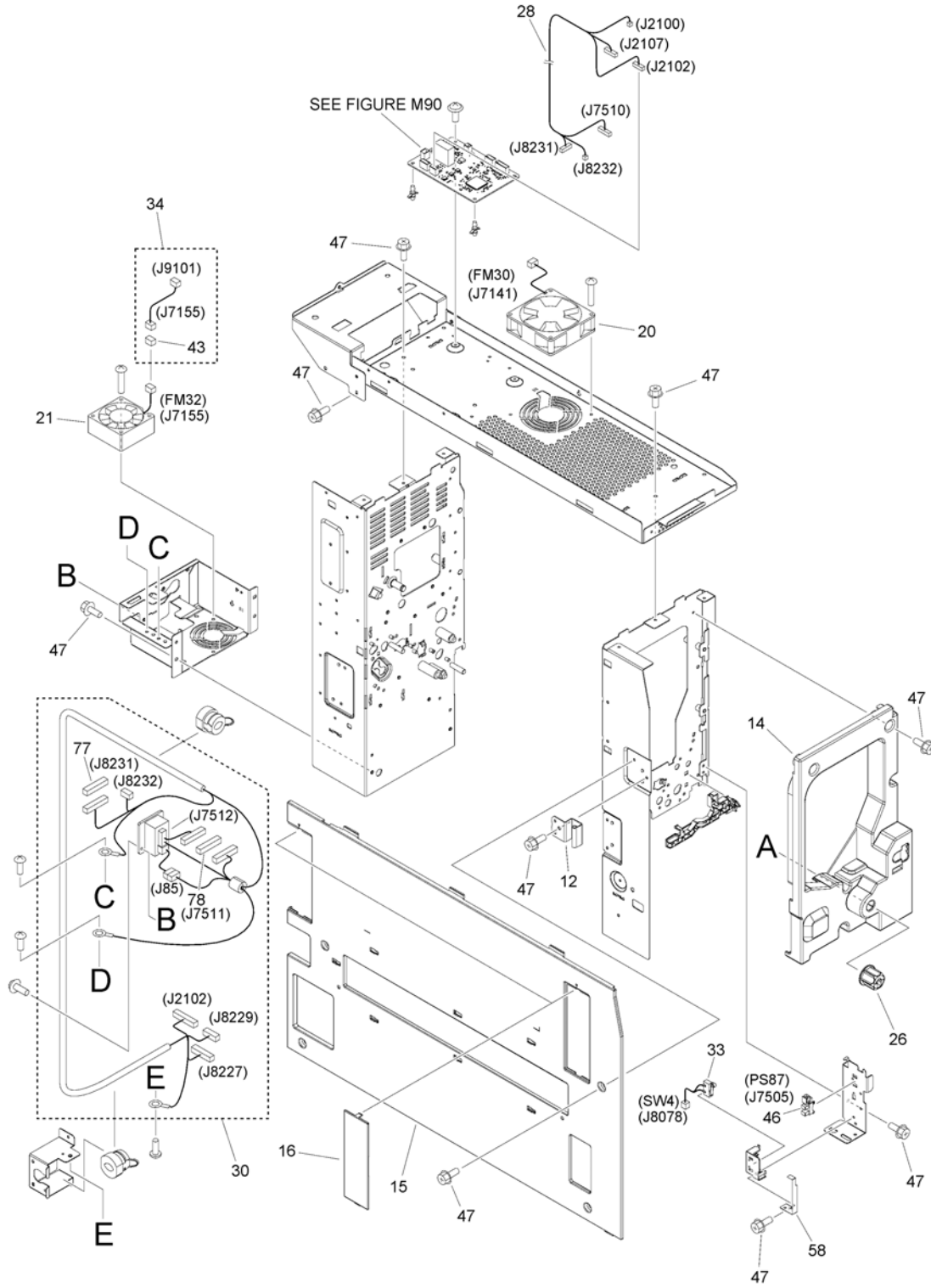


Figure M30 (2/3)DECURLER PATH ASSEMBLY (DECURLER model)

NOTE : This assembly includes the assemblies shown in Figure M31 and M90.

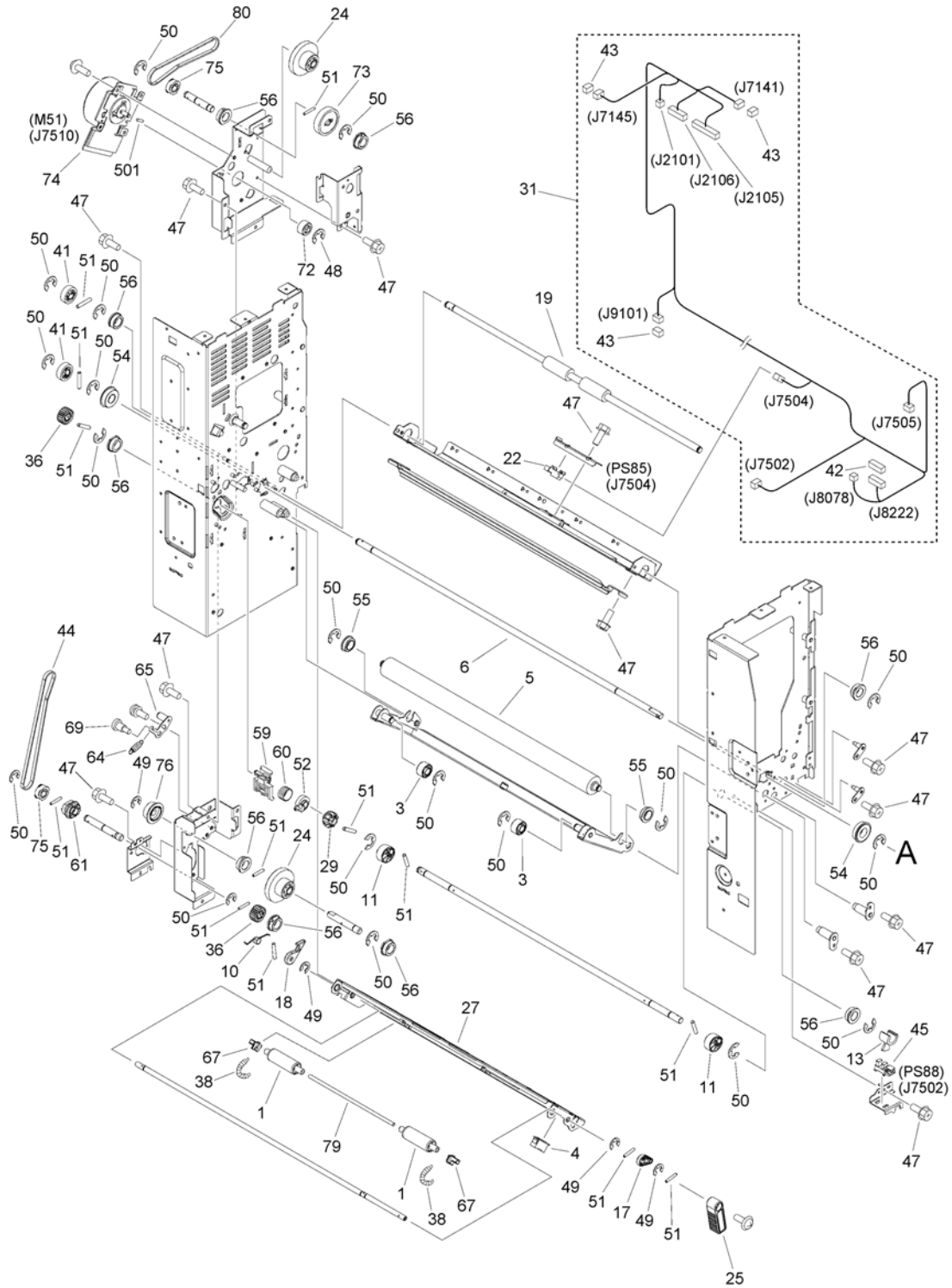


Figure M30 (3/3) DECURLER PATH ASSEMBLY (DECURLER model)

NOTE : This assembly includes the assemblies shown in Figure M31 and M90.

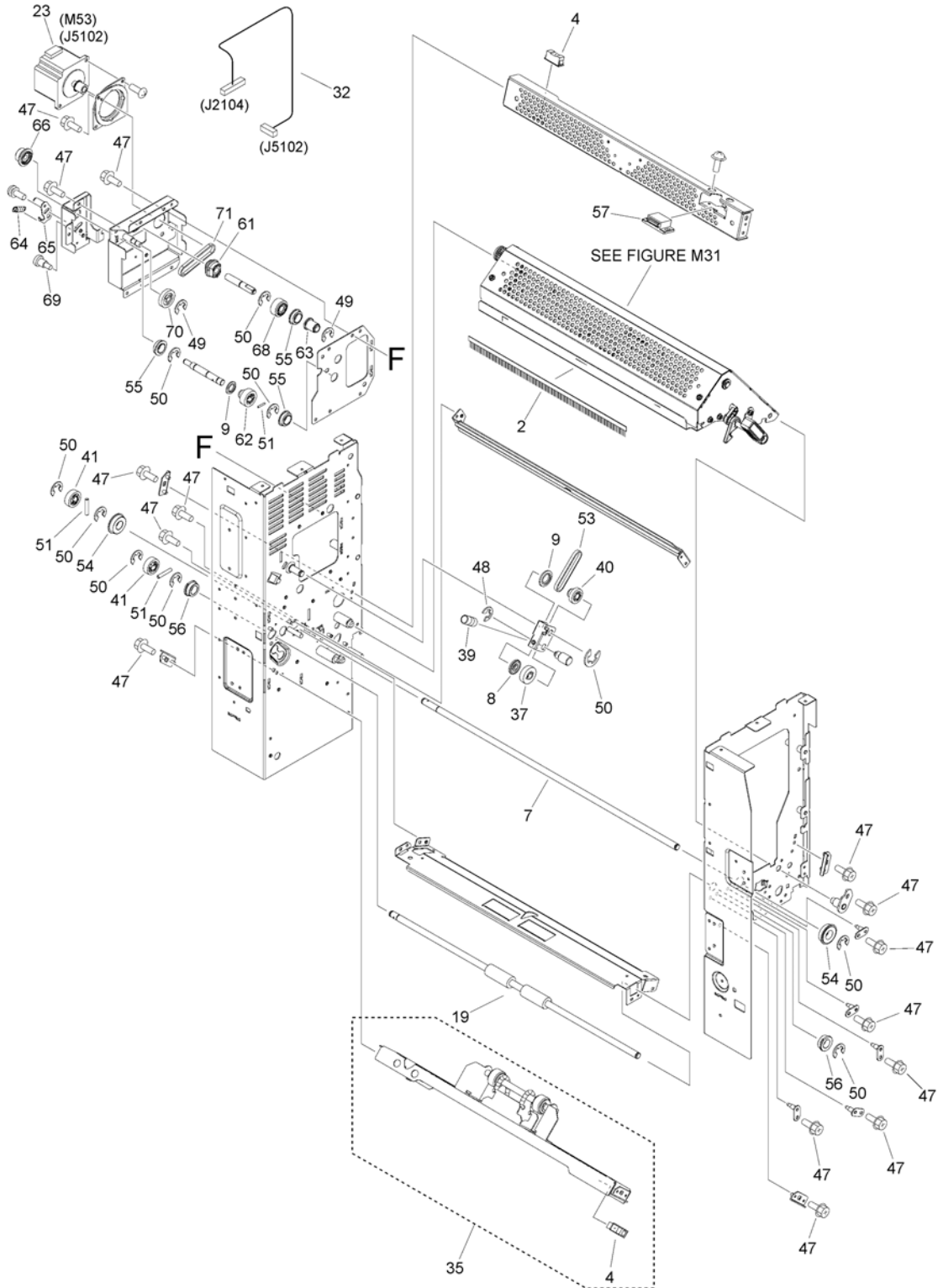


FIGURE & KEY NO.	PART NUMBER	RANK	QTY	DESCRIPTION	SERIAL NUMBER /REMARKS
M30	FM1-L202-000		1	DECURLER PATH ASSEMBLY	DECURLER model SEE NOTE
1	FC8-2607-000		2	ROLLER, DRIVEN	
2	FC6-4009-000		1	ELIMINATOR,STATIC CHARGE	
3	FC8-2606-010		2	ROLLER, SIDE END	
4	XZ9-0603-000		2	CATCH, MAGNET	
5	FC8-8963-000		1	ROLLER, PAPER FEED	
6	FC8-8967-000		1	ROLLER, PAPER FEED, LOWER	
7	FC8-8970-010		1	ROLLER, PAPER FEED, UPPER	
8	FC8-8973-000		1	ROLLER, SIDE END	
9	FC8-8976-000		2	FLANGE, PULLEY	
10	FC8-8978-000		1	SPRING, TORSION	
11	FE8-0900-000		2	CAM	
12	FC8-9033-000		1	HINGE	
13	FC9-3922-000		1	FLAG, CAM SENSOR	
14	FC9-3926-000		1	COVER, DECURLER INNER	
15	FE8-0945-000		1	COVER, LEFT UPPER	
16	FE4-5189-000		2	COVER, BLANKING	
17	FC9-3952-000		1	LOCK, HOOK	
18	FC9-6203-000		1	HOOK	
19	FC9-6209-000		2	ROLLER, PAPER FEED	
20	FK2-0360-000		1	FAN	FM30
21	FK2-3679-000		1	FAN	FM32
22	FK2-6470-000		1	PHOTO-SENSOR, KUA0055C	PS85
23	FK3-2298-000		1	MOTOR, STEPPING, DC	
24	FE8-0922-000		2	GEAR, 25T/50T	
25	FL2-8738-010		1	KNOB, DECURLER	
26	FL2-8878-000		1	KNOB, EXTRACTION	
27	FC8-8982-000		1	GUIDE, ENTRANCE, LOWER	
28	FM1-V886-000		1	CABLE, SIGNAL, RIGHT	
29	FE8-0935-000		1	CAM	
30	FM1-V852-000		1	CABLE, MAIN	
31	FM0-2138-000		1	CABLE, SENSOR MAIN	
32	FM1-V853-000		1	CABLE, MOTOR	
33	FM4-1438-000		1	CABLE, DOOR SWITCH	SW4
34	FM4-1465-000		1	CABLE, FAN CONNECTING	
35	FM4-4346-010		1	BACK-UP CROSSMEMBER UNIT, LW.	
36	FU6-0029-000		2	GEAR, 18T	
37	FU6-0733-000		1	GEAR, 21T	
38	FU7-2351-000		2	SPRING, TENSION	
39	FU7-2365-000		1	SPRING, COMPRESSION	
40	FU8-0075-010		1	GEAR, 18T/PULLEY, 20T	
41	FU8-0076-000		4	GEAR, 24T	
42	VS1-7173-006		1	CONNECTOR, SNAP TIGHT, 6P, W	

FIGURE & KEY NO.	PART NUMBER	RANK	QTY	DESCRIPTION	SERIAL NUMBER /REMARKS
43	VS1-7177-003		4	CONNECTOR, SNAP TIGHT, BK	
44	XF2-1617-240		1	BELT, TIMING	
45	WG8-5783-000		1	IC,PHOTO-INTERRUPTER,LG248NL1A	PS88
46	WG8-5848-000		1	IC, PHOTO-INTERRUPTER	PS87
47	XA9-1386-000		15	SCREW,RS,M3X8	
48	XD9-0134-000		2	RING, E	
49	XD9-0136-000		7	RING, E	
50	XD9-0137-010		30	RING, E	
51	XD9-0289-000		17	PIN, PARALLEL	
52	FE8-0936-000		1	BLOCK, PRESSURE	
53	XF2-1606-540		1	BELT, TIMING	
54	XG9-0793-000		4	BEARING, BALL, L-1680KKRP0P25L	
55	XG9-0709-000		5	BEARING, BALL, MF128ZZ-3	
56	XG9-0737-000		11	BUSHING	
57	XZ9-0593-000		1	CATCH, MAGNET	
58	FC9-3924-000		1	PLATE, DOOR SWITCH	
59	FE8-0937-000		1	BLOCK, SUPPORT	
60	FE8-0938-000		1	SPRING, COMPRESSION	
61	FL0-7889-000		2	BUSHING	
62	FE8-0906-000		1	GEAR/PULLEY, 20T/20T	
63	FE8-0907-000		1	PULLEY, 20T	
64	FE8-0913-000		2	SPRING, TENSION	
65	FL0-1845-000		2	PLATE, TENSIONER	
66	FL0-7888-000		1	PULLEY, 28T	
67	FE8-2440-000		2	BUSHING	
68	FL0-7890-000		1	GEAR, 20T	
69	FS5-9714-000		2	SCREW,STEPPED,M3	
70	FU8-0403-000		1	GEAR, 22T	
71	XF2-1607-040		1	BELT, TIMING	
72	FE8-0921-000		1	GEAR, 18T	
73	FE8-0923-000		1	GEAR, 40T	
74	FK4-0639-000		1	MOTOR, DC	
75	FS5-3805-000		2	PULLEY, 28T	
76	FE8-0927-000		1	PULLEY, 35T	
77	VS1-7177-007		1	CONNECTOR, 7P, FEMALE, BK	
78	VS1-7177-008		1	CONNECTOR, SNAP TIGHT, BK	
79	FC8-2608-010		1	SHAFT, ROLLER	
80	XF2-1613-240		1	BELT, TIMING	
501	XD3-2200-082		1	PIN, PARALLEL	

Figure M31 ROTATION FRAME ASSEMBLY (DECURLER model)

NOTE : This assembly is included in the assembly shown in Figure M30.

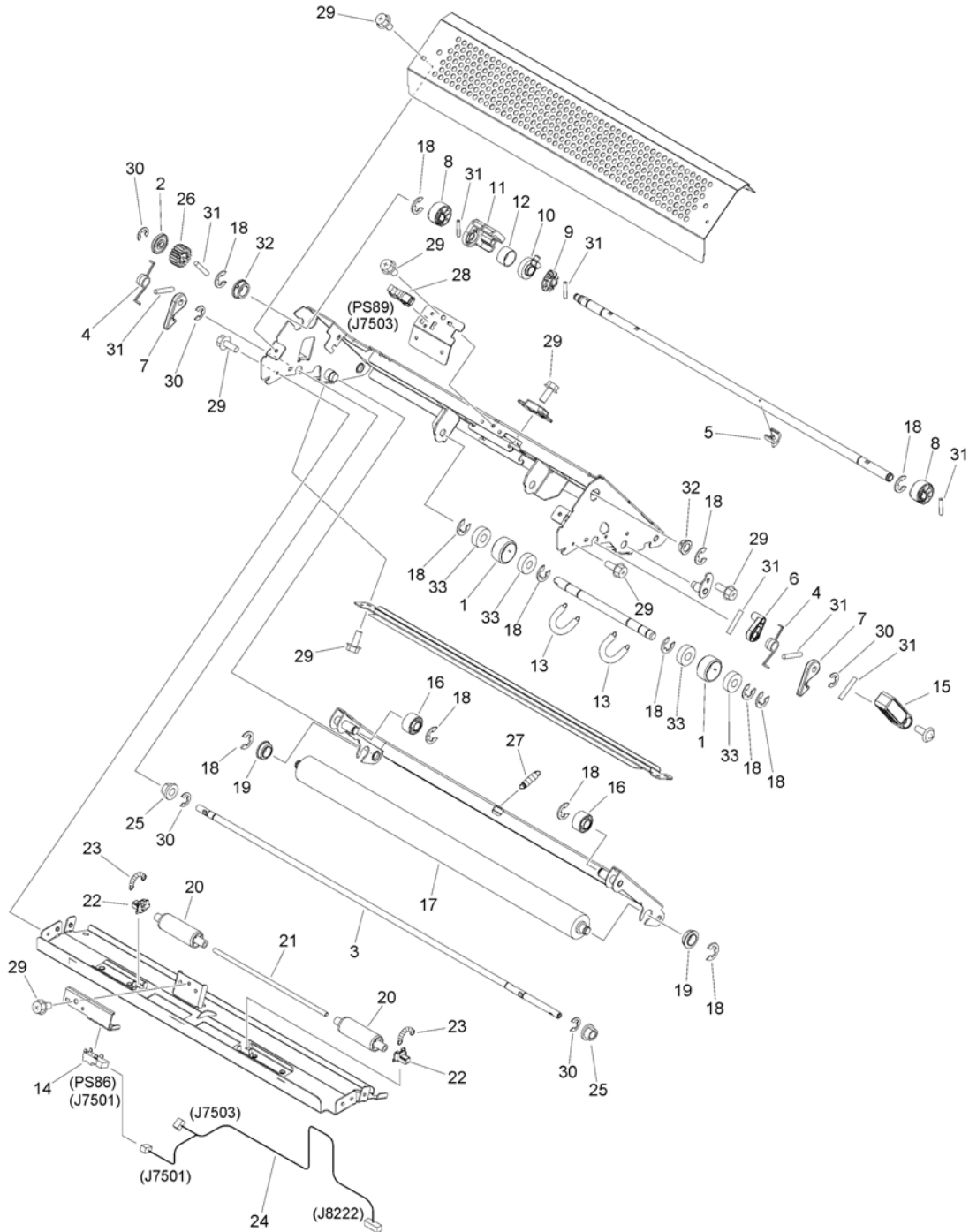


FIGURE & KEY NO.	PART NUMBER	RANK	QTY	DESCRIPTION	SERIAL NUMBER /REMARKS
M31	FM1-L210-000		1	ROTATION FRAME ASSEMBLY	DECURLER model SEE NOTE
1	FC8-6462-000		2	ROLLER, BACK-UP	
2	FC8-8973-000		1	ROLLER, SIDE END	
3	FC8-8977-000		1	SHAFT, HOOK RELEASE	
4	FC8-8978-000		2	SPRING, TORSION	
5	FC9-3922-000		1	FLAG, CAM SENSOR	
6	FC9-3952-000		1	LOCK, HOOK	
7	FC9-6203-000		2	HOOK	
8	FE8-0900-000		2	CAM	
9	FE8-0935-000		1	CAM	
10	FE8-0936-000		1	BLOCK, PRESSURE	
11	FE8-0937-000		1	BLOCK, SUPPORT	
12	FE8-0938-000		1	SPRING, COMPRESSION	
13	FE8-1450-000		2	SPRING, TENSION	
14	FK2-6470-000		1	PHOTO-SENSOR, KUA0055C	PS86
15	FL2-8738-010		1	KNOB, DECURLER	
16	FC8-2606-010		2	ROLLER, SIDE END	
17	FC8-8963-000		1	ROLLER, PAPER FEED	
18	XD9-0137-010		13	RING, E	
19	XG9-0709-000		2	BEARING, BALL, MF128ZZ-3	
20	FC8-2607-000		2	ROLLER, DRIVEN	
21	FC8-2608-010		1	SHAFT, ROLLER	
22	FE8-2440-000		2	BUSHING	
23	FU7-2351-000		2	SPRING, TENSION	
24	FM4-1437-000		1	CABLE, SENSOR	
25	FU5-1453-000		2	BUSHING	
26	FU6-0029-000		1	GEAR, 18T	
27	FU8-2445-000		1	SPRING, TENSION	
28	WG8-5848-000		1	IC, PHOTO-INTERRUPTER	PS89
29	XA9-1386-000		12	SCREW,RS,M3X8	
30	XD9-0136-000		5	RING, E	
31	XD9-0289-000		8	PIN, PARALLEL	
32	XG9-0737-000		2	BUSHING	
33	XG9-0846-000		4	BEARING, BALL, R-1980KKR	

Figure M90 **BUFFER DRIVER PCB ASSEMBLY (DECURLER model)**

NOTE : This assembly is included in the assembly shown in Figure M30.

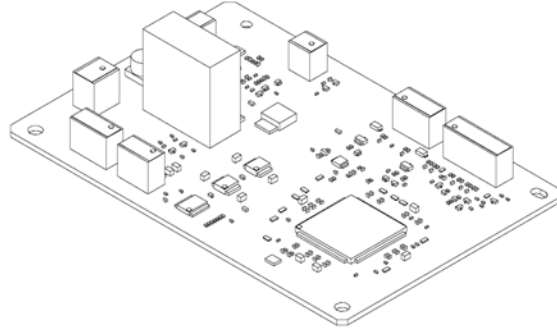


FIGURE & KEY NO.	PART NUMBER	R A N K	QTY	DESCRIPTION	SERIAL NUMBER /REMARKS
M90	FM1-V870-000		1	BUFFER DRIVER PCB ASSEMBLY	DECURLER model SEE NOTE
IC	FK3-2323-000		1	IC, ASIC, T6VN7EFG-0002	IC100

Figure ZZA MECHANICAL STANDARD PARTS (HOW TO USE)

Mechanical standard parts
機械標準部品

About a mechanical standard parts

A Mechanical standard parts is a mechanical part which not parts peculiar to a product.
They are parts which are common to a Canon product and are used, such as a screw and a washer.
The Fig No. and parts number of the mechanical standard parts are not listed in the product parts catalog.
Refer to the parts catalog of mechanical standard parts when checking the parts number for screw or washer etc. and identify them by part shape or size.

機械標準部品とは

機械標準部品とは、製品特有の部品ではなく、ねじやワッシャなどキヤノン製品共通で使用されている機械部品（メカ部品）のことです。
製品のパーツカタログには、機械標準部品のFig No.や部品番号は記載しておりません。
ねじや、ワッシャ等の部品番号を調べる時は、機械標準部品のパーツカタログを参照し、部品の形状や大きさから判断し、使用している部品を調べてください。

Material and surface treatment of a mechanical standard parts

Material and surface treatment of mechanical standard parts are assigned commonly for each part.
Refer to the Table 1 for the parts which material and surface treatment are assigned as numbers.

機械標準部品の材料および表面処理

機械標準部品の材料および表面処理については、各種部品共通で決められています。
材料および表面処理が番号で決められている部品については、表1を参照してください。

Table 1 Material and Surface treatment
表1 材料および表面処理

No. 番号	Material 材料	Surface treatment 表面処理	Color 色
1	Stainless steel ステンレス	Stainless steel black coloring (BC4) ステンレス黒着色(BC4)	Black 黒
2		not to be given なし	White 白
3	Brass 黄銅	Regular nickel plating (NL) 普通ニッケルメッキ(NL)	White 白
4		Black nickel plating (BN) 黒色ニッケルメッキ(BN)	Black 黒
5	Steel 鋼	White zinc trivalent chromate treating (ZC3) 白色亜鉛3価クロメート(ZC3)	White 白
6		Regular nickel chromium plating (NC) 普通ニッケルクロムメッキ(NC)	White 白
7		Regular nickel plating (NL) 普通ニッケルメッキ(NL)	White 白
8		Iron and steel phosphating (P1) 鉄鋼燐酸塩処理(P1)	Black 黒
9		Black zinc trivalent chromate treating (BZ3) 黒色亜鉛3価クロメート(BZ3)	Black 黒

Figure ZZB (1/7)MECHANICAL STANDARD PARTS (SCREWS)

1. Screws
ねじ

How to read Parts Numbers
部品番号の見方

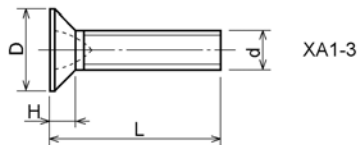
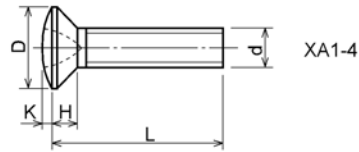
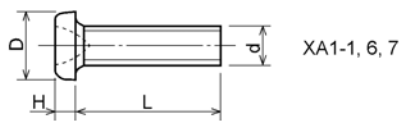
Screws
ねじ

XB1-2400-609

Type No.
類別番号
Normal designation (d)
ねじの呼び (d)
Length (L)
ねじの長さ (L)
Material and Surface treatment
材料および表面処理

XB1-2 expresses Binding head machine screw.
XB1-2は、バインドねじを表す
40 expresses M4.0.
40は、M4.0を表す
0-60 expresses a length of 6.0mm.
0-60は、6.0mmの長さを表す
9 expresses Steel (Black zinc trivalent chromate
treating) from Table 1.
9は、表1より鋼 (黒色亜鉛3価クロメート) を表す

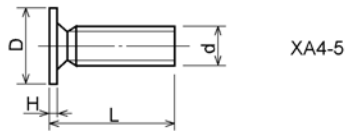
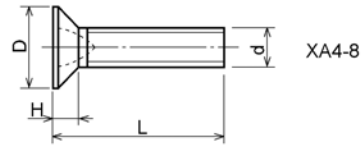
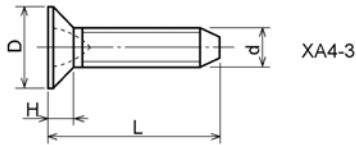
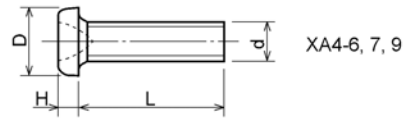
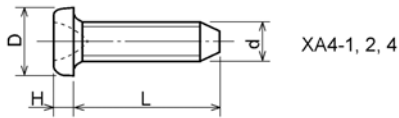
1-1. Cross Recessed Head Screws for Precision Equipments
精密機器用十字穴付き小ねじ



Type No. 類別番号	Type 類別	Head size (mm) 頭部寸法 (mm)						
		M1.4	M1.6	M1.7	M2	M2.5	M2.6	
XA1-1	Pan head Class 1 なべ1種	D	2	2.4	2.5	3	3.8	4
		H	0.5	0.55	0.5	0.6	0.9	0.8
XA1-3	Countersunk head Class 1 さら1種	D	2	2.4	2.5	3	3.8	4
		H	0.48	0.55	0.58	0.73	0.85	0.93
XA1-4	Oval countersunk head Class 1 丸さら1種	D	2	2.4	2.5	3	3.8	4
		H + K	0.68	0.8	0.88	1	1.25	1.3
XA1-6	Pan head Class 3 なべ3種	D	2.5	2.8	3	3.5	4.3	4.5
		H	0.8	0.85	0.9	1	1.3	1.2
XA1-7	Pan head Class 2 なべ2種	D	2.5	2.8	3	3.5	4.3	4.5
		H	0.5	0.55	0.5	0.6	0.9	0.8

Figure ZZB (2/7)MECHANICAL STANDARD PARTS (SCREWS)

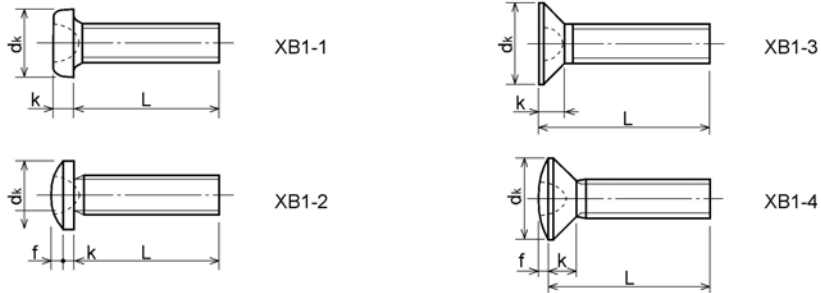
1-2. Precision Tapping Screws
精密用タッピンねじ



Type No. 類別番号	Type 類別	Head size (mm) 頭部寸法 (mm)						
		M1.4	M1.6	M1.7	M2	M2.5	M2.6	
XA4-1	With tapered end pan head Class 1 絞り-なべ1種	D XA4-1	2	2.4	2.5	3	3.8	4
		H XA4-1	0.5	0.55	0.5	0.6	0.9	0.8
XA4-2	With tapered end pan head Class 3 絞り-なべ3種	D XA4-2	2.5	2.8	3	3.5	4.3	4.5
		H XA4-2	0.8	0.85	0.9	1	1.3	1.2
XA4-3	With tapered end countersunk head 絞り-さら	D XA4-3	2	2.4	2.5	3	3.8	4
		H XA4-3	0.48	0.55	0.58	0.73	0.85	0.93
XA4-4	With tapered end pan head Class 2 絞り-なべ2種	D XA4-4	2.5	2.8	3	3.5	4.3	4.5
		H XA4-4	0.5	0.55	0.5	0.6	0.9	0.8
XA4-5	With parallel end ultra thin head ストレート-超薄頭	D XA4-5	2.5	2.8	3	-	-	-
		H XA4-5	0.2	0.2	0.2	-	-	-
XA4-6	With parallel end pan head Class 1 ストレート-なべ1種	D XA4-6	2	2.4	2.5	3	3.8	4
		H XA4-6	0.5	0.55	0.5	0.6	0.9	0.8
XA4-7	With parallel end pan head Class 3 ストレート-なべ3種	D XA4-7	2.5	2.8	3	3.5	4.3	4.5
		H XA4-7	0.8	0.85	0.9	1	1.3	1.2
XA4-8	With parallel end countersunk head ストレート-さら	D XA4-8	2	2.4	2.5	3	3.8	4
		H XA4-8	0.48	0.55	0.58	0.73	0.85	0.93
XA4-9	With parallel end pan head Class 2 ストレート-なべ2種	D XA4-9	2.5	2.8	3	3.5	4.3	4.5
		H XA4-9	0.5	0.55	0.5	0.6	0.9	0.8

Figure ZZB (3/7)MECHANICAL STANDARD PARTS (SCREWS)

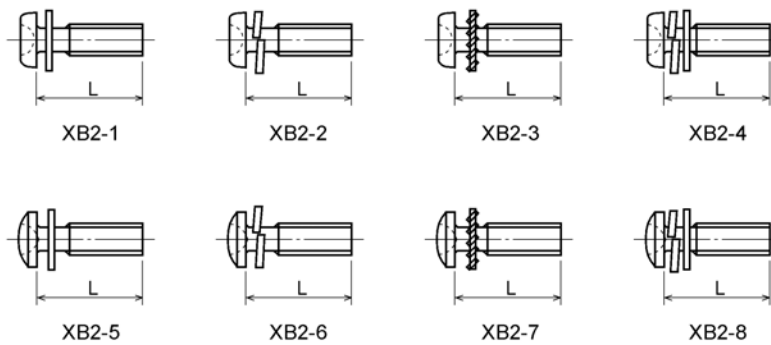
1-3. Cross Recessed Head Screws
一般用十字穴付き小ねじ



Type No. 類別番号	Type 類別	Head size (mm) 頭部寸法 (mm)					
		M2	M2.5	M2.6	M3	M4	M5
XB1-1	Pan head なべ	3.5	4.5	4.5	5.5	7	9
XB1-2	Binding head バインド	1.2	1.5	1.6	1.9	2.5	3.1
XB1-3	Countersunk head さら	4	5	-	6	8	10
XB1-4	Oval countersunk head 丸さら	1.6	2	-	2.45	3.2	4
Screw part length ねじ部長さ b		8	12	12	12	16	20

Figure ZZB (4/7) MECHANICAL STANDARD PARTS (SCREWS)

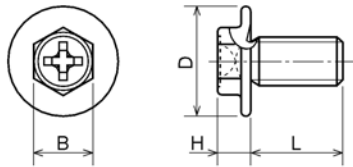
1-4. Cross Recessed Head Screws with Captive Washer
座金組込み十字穴付き小ねじ



Type No. 類別番号	Type 類別
XB2-1	Pan head + Plain washer (circular bright) なべねじ+平座金
XB2-2	Pan head + Spring washer なべねじ+ばね座金
XB2-3	Pan head + Toothed lock washer なべねじ+歯付座金
XB2-4	Pan head + Spring washer and plain washer (circular bright) なべねじ+(ばね+平)座金
XB2-5	Binding head + Plain washer (circular bright) バインドねじ+平座金
XB2-6	Binding head + Spring washer バインドねじ+ばね座金
XB2-7	Binding head + Toothed lock washer バインドねじ+歯付座金
XB2-8	Binding head + Spring washer and plain washer (circular bright) バインドねじ+(ばね+平)座金

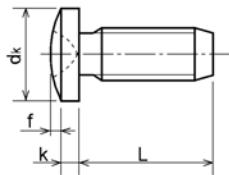
Figure ZZB (5/7) MECHANICAL STANDARD PARTS (SCREWS)

1-5. Hexagon Head Tapping Screws for Matallic Materials
 金属用六角タッピンねじ



Type No. 類別番号	Type 類別	Head size (mm) 頭部寸法 (mm)		
		M3	M4	
XB3-6	For metallic materials 金属用タッピン	D	8	10
		B	5.5	5.5
XB3-7	For metallic materials with clawed 金属用タッピン-つめ付き	H XB3-6	3.1	3.1
		H XB3-7	3.2	3.2

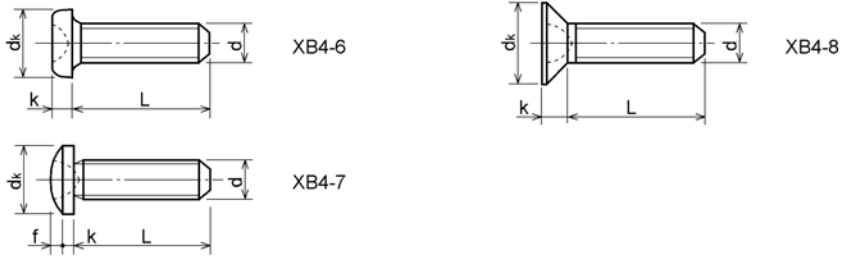
1-6. Special Tapping Screws
 特殊タッピンねじ



Type No. 類別番号	Type 類別	Head size (mm) 頭部寸法 (mm)		
		M3	M4	
XB4-5	Binding head バインド	dk	6.3	8.3
		k	1.3	1.7
		k+f	1.9	2.5

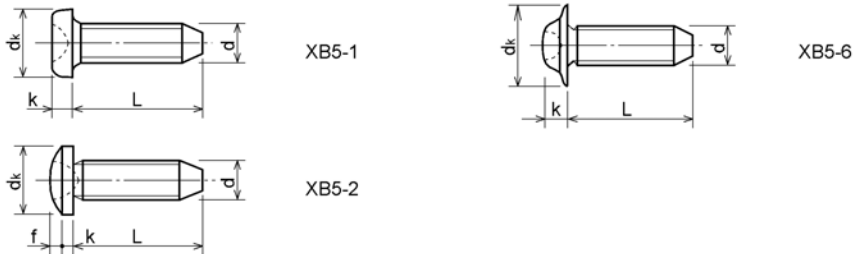
Figure ZZB (6/7) MECHANICAL STANDARD PARTS (SCREWS)

1-7. General Head Tapping Screws
一般用タッピンねじ



Type No. 類別番号	Type 類別	Head size (mm) 頭部寸法 (mm)						
		M2	M2.5	M2.6	M3	M4	M5	
XB4-6	Pan head なべ	dk	3.5	4.5	4.5	5.5	7	9
		k	1.3	1.7	1.7	2	2.6	3.3
XB4-7	Binding head バインド	dk	4.3	5.3	5.5	6.3	8.3	10.3
		k+f	1.2	1.5	1.6	1.9	2.5	3.1
XB4-8	Countersunk head さら	dk	4	5	5.2	6	8	10
		k	1.2	1.45	1.5	1.75	2.3	2.8

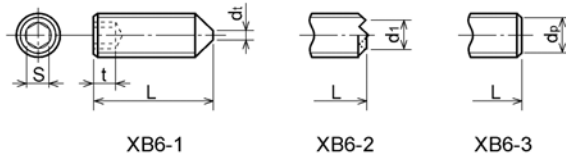
1-8. Tapping Screws for Metallic Materials
金属用タッピンねじ



Type No. 類別番号	Type 類別	Head size (mm) 頭部寸法 (mm)					
		M2.5	M2.6	M3	M4	M5	
XB5-1	Pan head なべ	dk	4.5	4.5	5.5	7	9
		k	1.7	1.7	2	2.6	3.3
XB5-2	Binding head バインド	dk	5.5	5.5	6.3	8.3	10.3
		k+f	1.6	1.6	1.9	2.5	3.1
XB5-6	Flanged pan head つば付きなべ	dk	6.5	6.5	8	10	12
		k	2.1	2.1	1.75	3.2	4

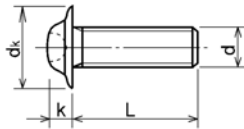
Figure ZZB (7/7)MECHANICAL STANDARD PARTS (SCREWS)

1-9. Hexagon Socket Set Screws
六角穴付き止めねじ



Type No. 類別番号	Type 類別	Head size (mm) 頭部寸法 (mm)						
		M1.6 M1.7	M2	M2.5 M2.6	M3	M5	M5	M6
	S	0.7	0.9	1.3	1.5	2	2.5	3
	t	1.5	1.7	2	2	2.5	3	3.5
	dt max XB6-1	0.4	0.5	0.65	0.75	1	1.25	1.5
	d1 max XB6-2	-	1.2	1.5	1.7	2.2	2.8	3.3
	d1 min XB6-2	-	1	1.2	1.4	1.9	2.4	2.9
	dp max XB6-3	0.8	1	1.5	2	2.5	3.5	4
	dp min XB6-3	0.55	0.75	1.25	1.75	2.25	3.2	3.7

1-10. Flanged Pan Head Machine Screws
つば付きなべ小ねじ



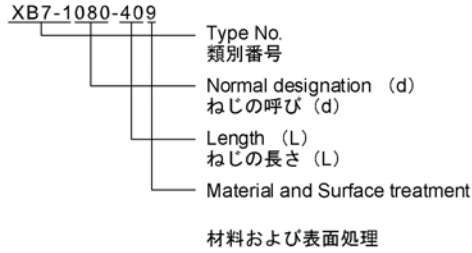
Type No. 類別番号	Type 類別	Head size (mm) 頭部寸法 (mm)				
		M2	M2.5 M2.6	M3	M5	M5
	dk	5	6.5	8	10	12
	k	1.7	2.1	2.5	3.2	4

Figure ZZC MECHANICAL STANDARD PARTS (BOLTS)

2. Bolts (Socket head cap screw)
ボルト

How to read Parts Numbers
部品番号の見方

Bolt (Socket head cap screw)
ボルト



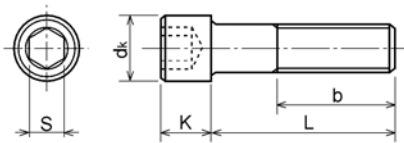
XB7-1 expresses Hexagon socket head cap screws.
XB7-1は、六角穴付きボルトを表す

080 expresses M8.0.
080は、M8.0を表す

40 expresses a length of 40mm.
40は、40mmの長さを表す

9 expresses Steel (Black zinc trivalent chromate treating) from Table 1.
9は、表1より鋼（黒色亜鉛3価クロメート）を表す

2-1. Hexagon socket head cap screws
六角穴付きボルト



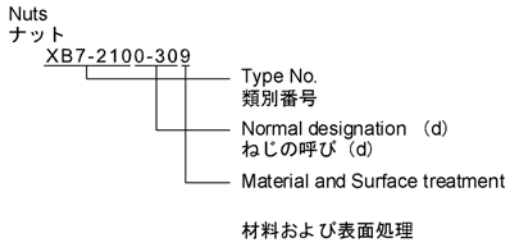
Type No. 類別番号	Type 類別
XB7-1	Hexagon socket head cap screws 六角穴付きボルト

	Head size (mm) 頭部寸法 (mm)						
	M3	M4	M5	M6	M8	M10	M12
S	2.5	3	4	5	6	8	10
dk	5.5	7	8.5	10	13	16	18
K	3	4	5	6	8	10	12
Screw part length ねじ部長さ b_{max}	18	20	22	24	28	32	36

Figure ZZD MECHANICAL STANDARD PARTS (NUTS)

3. Nuts
ナット

How to read Parts Numbers
部品番号の見方

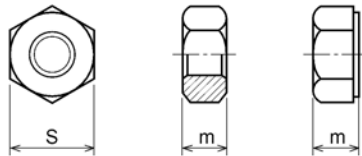


XB7-210 expresses Hexagon nut class 1.
XB7-210は、六角ナット1種を表す

0-30 expresses M3.0.
0-30は、M3.0を表す

9 expresses Steel (Black zinc trivalent chromate treating) from Table 1.
9は、表1より鋼（黒色亜鉛3価クロメート）を表す

3-1. Hexagon Nuts and Hexagon Thin Nuts
六角ナット



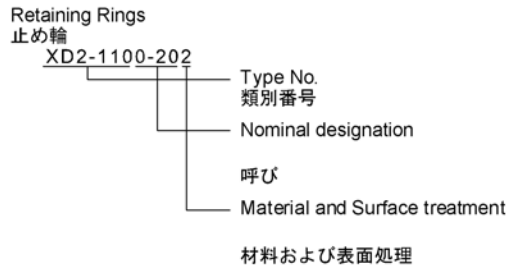
Type No. 類別番号	Type 類別
XB7-210	Hexagon nut Class 1 六角ナット-1種
XB7-220	Hexagon nut Class 3 六角ナット-3種
XB7-230	Hexagon nut Style 1 double chamfered 六角ナット-スタイル1-両面とり
XB7-231	Hexagon nut Style 1 washer faced 六角ナット-スタイル1-座付き
XB7-240	Hexagon nut Style 2 double chamfered 六角ナット-スタイル2-両面とり
XB7-241	Hexagon nut Style 2 washer faced 六角ナット-スタイル2-座付き
XB7-250	Hexagon nut 六角ナット
XB7-260	Hexagon thin nut double chamfered 六角低ナット-両面とり
XB7-270	Hexagon thin nut not chamfered 六角低ナット-面とり無し

	Head size (mm) 頭部寸法 (mm)						
	M2	M2.5	M3	M4	M5	M6	M8
S	4	5	5.5	7	8	10	13
m XB7-210	1.6	2	2.4	3.2	4	5	6.5
m XB7-220	1.2	1.6	1.8	2.4	3.2	3.6	5
m XB7-230, 231	1.6	2	2.4	3.2	4.7	5.2	6.8
m XB7-240, 241	-	-	-	-	5.1	5.7	7.5
m XB7-250	-	-	-	-	5.6	6.1	7.9
m XB7-260	1.2	1.6	1.8	2.2	2.7	3.2	4
m XB7-270	1.2	1.6	1.8	2.2	2.7	3.2	4

Figure ZZE (1/3)MECHANICAL STANDARD PARTS (RETAINING RINGS)

5. Retaining Rings
止め輪

How to read Parts Numbers
部品番号の見方

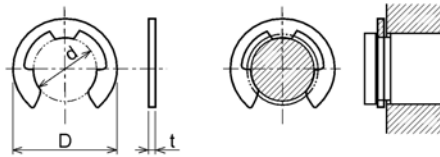


XD2-110 expresses retaining ring-E type (Type1).
XD2-110は、E形止め輪（1種）を表す

0-20 expresses a 020 of nominal designation.
(See Table 5)
0-20は、呼び020を表す（表5参照）

2 expresses Stainless steel (Surface treatment is not to be given) from Table 1.
2は、表1よりステンレス（表面処理なし）を表す

5-1. Retaining Rings - E type
E形止め輪



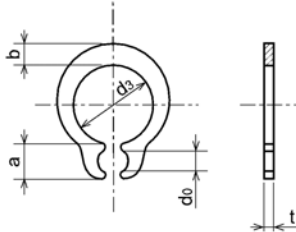
Type No. 類別番号	Type 類別
XD2-110	Retaining ring - E type (Type 1) E形止め輪（1種）
XD2-120	Retaining ring - E type (Type 2) E形止め輪（2種）

Table 5 表5

Type 種類	Nominal designation 呼び	d (mm)	D (mm)	t (mm)
Type 1 1種	007	0.65	2	0.2
	010	0.95	2.8	0.2
	013	1.25	3.3	0.3
	017	1.65	4.2	0.4
	020	1.95	4.6	0.5
	024	2.35	6	0.6
	028	2.74	6.5	0.6
	032	3.14	7.2	0.6
	037	3.64	8	0.7
	040	3.93	10	0.7
	042	4.13	10	0.7
	050	4.93	11	0.7
	058	5.73	12	0.7
	060	5.93	12.7	0.9
064	6.32	13.5	0.9	
074	7.31	15	0.9	
080	7.91	16.5	1	
Type 2 2種	008	0.8	2	0.2
	012	1.2	3	0.3
	015	1.5	4	0.4
	020	2	5	0.4
	025	2.5	6	0.4
	030	3	7	0.6
	040	4	9	0.6
	050	5	11	0.6
	060	6	12	0.8
	070	7	14	0.8
	080	8	16	0.8
	090	9	18	0.8
	100	10	20	1

Figure ZZE (2/3)MECHANICAL STANDARD PARTS (RETAINING RINGS)

5-2. Grip Rings
グリップ止め輪

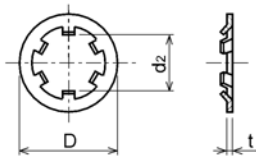


Type No. 類別番号	Type 類別
XD2-210	Grip ring グリップ止め輪

Table 5 表5

Nominal designation 呼び	d_3 (mm)	t (mm)	b (mm)	a (mm)	d_0 (mm)
020	1.9	0.5	1	1.8	0.8
025	2.35	0.5	1.2	1.9	0.9
030	2.85	0.6	1.4	1.9	0.9
035	3.3	0.6	1.6	2	0.9
040	3.8	0.8	1.8	2.8	1.2
045	4.25	0.8	2	2.9	1.3
050	4.75	0.8	2.2	2.9	1.3
060	5.7	1	2.4	3.1	1.4
070	6.7	1	2.7	3.3	1.4
080	7.7	1	3	3.5	1.4
090	8.65	1.2	3.3	4.7	1.5
100	9.65	1.2	3.5	4.7	2

5-3. Toothed Retaining Rings
歯付き形止め輪



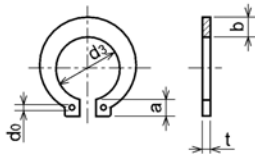
Type No. 類別番号	Type 類別
XD2-230	Toothed retaining ring 歯付き形止め輪

Table 5 表5

Nominal designation 呼び	d_2 (mm)	D (mm)	t (mm)	No of teeth 歯数
015	1.4	5.2	0.25	3
020	1.9	6	0.25	3
024	2.3	6.4	0.25	3
030	2.8	8	0.25	4
040	3.8	9	0.25	4
050	4.8	10	0.25	5
060	5.8	11	0.25	5
080	7.8	13	0.25	5
100	9.8	15.4	0.25	6

Figure ZZE (3/3)MECHANICAL STANDARD PARTS (RETAINING RINGS)

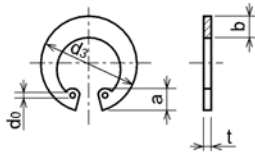
5-4. Retaining Rings - C Type
C形止め輪



Type No. 類別番号	Type 類別
XD2-310	Retaining ring - C type for shaft C形止め輪 軸用

Table 5 表5

Nominal designation 呼び	ds (mm)	t (mm)	b (mm)	a (mm)	d0 (mm)
010	9.3	1	1.6	3	1.2
012	11.1	1	1.8	3.2	1.5
014	12.9	1	2	3.4	1.7
015	13.8	1	2.1	3.5	1.7
016	14.7	1	2.2	3.6	1.7
017	15.7	1	2.2	3.7	1.7
018	16.5	1.2	2.6	3.8	1.7
020	18.5	1.2	2.7	3.9	2
022	20.5	1.2	2.7	4.1	2
025	23.2	1.2	3.1	4.3	2
028	25.9	1.5	3.1	4.6	2
030	27.9	1.5	3.5	4.8	2
032	29.6	1.5	3.5	5	2.5
035	32.2	1.5	4	5.4	2.5



Type No. 類別番号	Type 類別
XD2-320	Retaining ring - C type for hole C形止め輪 穴用

Table 5 表5

Nominal designation 呼び	ds (mm)	t (mm)	b (mm)	a (mm)	d0 (mm)
010	10.7	1	1.8	3.1	1.2
011	11.8	1	1.8	3.2	1.2
012	13	1	1.8	3.3	1.5
014	15.1	1	2	3.6	1.7
016	17.3	1	2	3.7	1.7
018	19.5	1	2.5	4	1.7
019	20.5	1	2.5	4	2
020	21.5	1	2.5	4	2
022	23.5	1	2.5	4.1	2
025	26.9	1.2	3	4.4	2
028	30.1	1.2	3	4.6	2
030	32.1	1.2	3	4.7	2
032	34.4	1.2	3.5	5.2	2.5
035	37.8	1.5	3.5	5.2	2.5
037	39.8	1.5	3.5	5.2	2.5
040	43.5	1.8	4	5.7	2.5
042	45.5	1.8	4	5.8	2.5
045	48.5	1.8	4.5	5.9	2.5
047	50.5	1.8	4.5	6.1	2.5
050	54.2	2	4.5	6.5	2.5
052	56.2	2	5.1	6.5	2.5
055	59.2	2	5.1	6.5	2.5
060	64.2	2	5.1	6.8	2.5
062	66.2	2	5.5	6.9	2.5
068	72.5	2.5	6	7.4	2.5
072	76.5	2.5	6.6	7.4	2.5
075	79.5	2.5	6.6	7.8	2.5
080	85.5	2.5	7	8	2.5
085	90.5	3	7	8	3
090	95.5	3	7.6	8.3	3
095	100.5	3	8	8.5	3