

W7200 W7250 PARTS CATALOG

REVISION 0

Q51-1072-000	W7200(USA)
Q51-1074-000	W7200
Q51-1077-000	W7200(JPN)
Q51-1082-000	W7200(USA)
Q51-1084-000	W7250
Q51-1087-000	W7250(JPN)
Q55-1060-000	ST-31
Q55-1070-000	ST-21

Canon

JULY2002

AY3-4302-P03

0702 GR 0.15-0

W7200 W7250 PARTS CATALOG



Application

This manual has been issued by Canon Inc. for qualified person to learn technical theory, installation, maintenance, and repair of products. This manual covers all localities where the products are sold. For this reason, there may be information in this manual that does not apply to your locality.

Corrections

This manual could include technical inaccuracies or typographical errors due to improvements or changes in the products. When changes occur in applicable products or in the content of this manual, Canon will release technical information as the need arises. In the event of major changes in the contents of this manual over a long or short period. Canon will issue a new editions of this manual.

The following paragraph does not apply to any countries where such provisions are inconsistent with local law.

Trademarks

The product names and company names described in this manual are the registered trademarks of the individual companies.

Copyright

This manual is copyrighted with all rights reserved. Under the copyright laws, this manual may not be copied, reproduced or translated into another language, in whole or in part, without the written consent of Canon Inc.

Copyright © 2002 by Canon Inc.

CANON INC.

NB Quality Assurance Div.

30-2 Shimomaruko 3-chome, Ohta-ku,

Tokyo 146-8501, Japan

DTP System

This manual was produced on an Apple® Power Macintosh® G3 personal computer and Canon LBP-2030PS laser beam printer, final pages were printed on Genasett 3100Q.

Parts layout illustrations and Logotypes were created using MACROMEDIA® FreeHand® 7J.

Pattern drawing were scanned by CanoScan 600 scanner with Adobe® photoshop®.

Documents and page layouts were created using QuarkXpress® 3.3J.

Parts lists were created using Helix Technologies® Herix Xpress® and converted to EPS files.

I. CONTENTS

- A. PARTS LAYOUT & PARTS LIST
- B. SCREWS & WASHERS LIST
- C. NUMERICAL INDEX

II. ABOUT THIS MANUAL

A. PARTS LAYOUT & PARTS LIST

Parts layout illustration

a) Parts search

Find a part from the parts layout illustration and find its key number from the parts list to identify the part number and name. For screws, nuts, washers, lock washers, pins, spacers, see SCREWS & WASHERS LIST.

Note: If parts have the same or similar shape but different specifications, their key number is assigned to several part numbers and names in the parts list.

b) Parts replacement procedure

To replace parts, the parts layout illustrations have figure numbers according to the disassembly procedure of the product. The parts that require careful work are shown the illustration.

C) TOOL LIST

This is a list of tools used for servicing products.

Parts list

a) FIGURE & KEY No.

The FIGURE & KEY No. column corresponds to the key numbers assigned to the parts in the parts layout illustration. It also corresponds to the part locations printed on the PC board.

b) PART NUMBER

The PART NUMBER column gives the part numbers corresponding to the key numbers. To order a part, indicate the part number clearly.

Note: Parts marked NPN are not service parts.

c) RANK

The service parts with N in the RANK column are order parts.

d) QTY

The QTY column gives the number of parts in the corresponding components layout illustration.

e) DESCRIPTION

The DESCRIPTION column gives the part names in English.
To order a part, indicate the part name, too.

B. SCREWS & WASHERS LIST

This is a list of screws, nuts, washers, lock washers, pins, and spacers.

The QTY column does not give the number of parts used.

C. NUMERICAL INDEX

All the parts listed in this parts catalog are arranged in order of part number. You can identify part locations and names from the NUMERICAL INDEX.

A. PARTS LAYOUT & PARTS LIST

FIGURE 1 PRINTER & ACCESSORIES

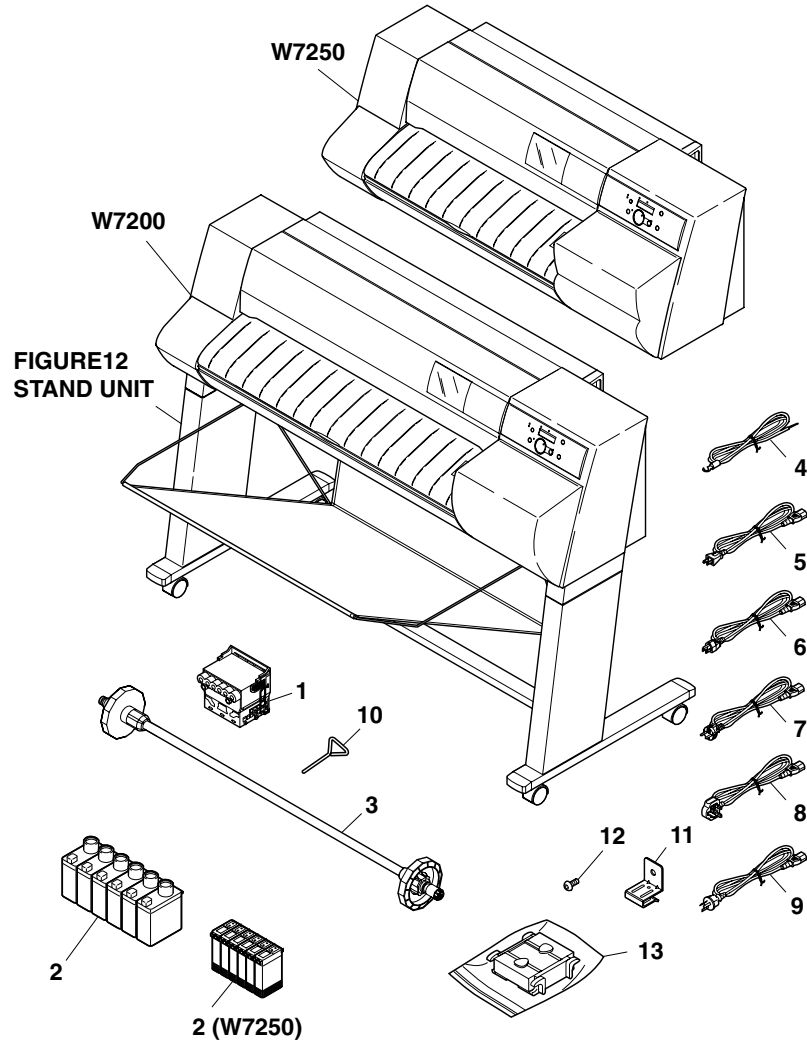


FIGURE & KEY NO.	PART NUMBER	RANK	QTY	DESCRIPTION	REMARKS
1- 1 2	NPN		1	PRINT HEAD	
	NPN		1	INK TANK(BK)	
	NPN		1	INK TANK(PC)	
	NPN		1	INK TANK(C)	
	NPN		1	INK TANK(PM)	
3	NPN		1	INK TANK(M)	
	NPN		1	INK TANK(Y)	
	NPN		1	ROLL HOLDER SET	
4	FH2-5006-000		WIRE, GROUNDING		
5	QH2-2627-000		CORD, POWER	100V	
6	QH2-2628-000		CORD, POWER	120V(UL)	
7	QH2-2629-000		CORD, POWER	220V-240V	
8	QH2-2630-000		CORD, POWER	240V(UK)	
9	QH2-2631-000		CORD, POWER	240V(AUS)	
10	NPN		1	HEX KEY WRENCH	
11	QE1-3126-000		1	STOPPER, BELT	
12	QE1-2334-000		1	SCREW, ALLEN, M4X6	
13	QM1-0783-000		1	RAIL CLEANER ASS'Y	

FIGURE 2 COVERS (1)

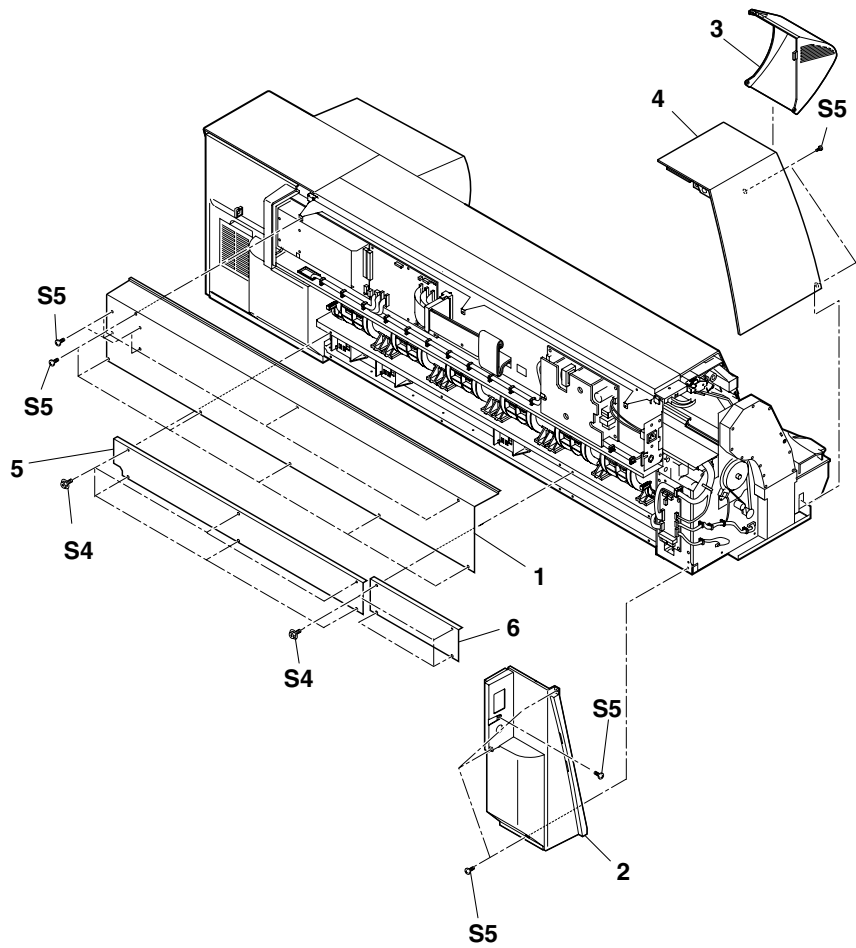


FIGURE & KEY NO.	PART NUMBER	RANK	QTY	DESCRIPTION	REMARKS
2- 1	QE1-2710-000		1	COVER, REAR	W7200
	QE1-3031-000		1	COVER, REAR	W7250
2	QE1-2708-000		1	COVER, REAR LEFT	W7200
	QM1-0735-000		1	REAR LEFT COVER UNIT	W7250
3	QM1-0779-000		1	LEFT COVER UNIT	
4	QM1-0638-000		1	UPPER LEFT COVER UNIT	
5	QE1-2713-000		1	COVER, STAY, REAR	W7200 ONLY
6	QE1-2942-000		1	COVER, STAY, REAR	

FIGURE 3 COVERS (2)

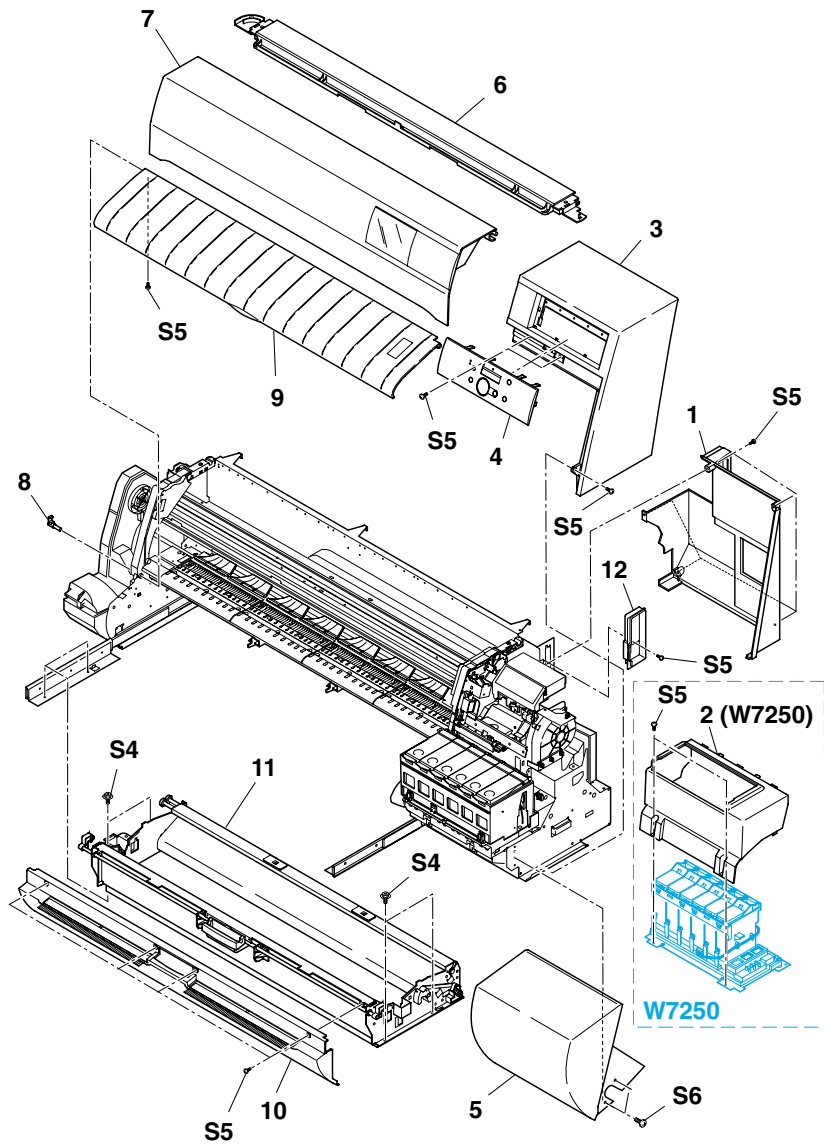


FIGURE & KEY NO.	PART NUMBER	RANK	QTY	DESCRIPTION	REMARKS
3- 1	QE1-2709-000		1	COVER, REAR RIGHT	W7200
	QE1-3030-000		1	COVER, REAR RIGHT	W7250
	QE1-3101-000		1	COVER, BLIND	W7250 ONLY
	QM1-0687-000		1	UPPER RIGHT COVER UNIT	W7200
4	QM1-0714-000		1	UPPER RIGHT COVER UNIT	W7250
	QM1-0688-000		1	OPERATION PANEL UNIT	W7200 ENGLISH
	QM1-0733-000		1	OPERATION PANEL UNIT	W7250 ENGLISH
	QM1-0770-000		1	OPERATION PANEL UNIT	W7200 JAPANESE
5	QM1-0771-000		1	OPERATION PANEL UNIT	W7250 JAPANESE
	QM1-0699-000		1	RIGHT COVER UNIT	W7200
	QM1-0715-000		1	RIGHT COVER UNIT	W7250
	QM1-0685-000		1	UPPER REAR COVER UNIT	W7200
6	QM1-0713-000		1	UPPER REAR COVER UNIT	W7250
	QM1-0686-000		1	UPPER COVER UNIT	W7200
	QM1-0716-000		1	UPPER COVER UNIT	W7250
	QM1-0795-000		1	UPPER COVER UNIT	W7200 USA
8	QM1-0796-000		1	UPPER COVER UNIT	W7250 USA
	QM1-0645-000		1	SENSOR SHAFT ASS'Y	
	QM1-0652-000		1	MANUAL FEED TRAY UNIT	W7200
	QM1-0725-000		1	MANUAL FEED TRAY UNIT	W7250
10	QM1-0762-000		1	TRAY COVER UNIT	W7200
	QM1-0763-000		1	TRAY COVER UNIT	W7250
11	QM1-0674-000		1	ROLL TRAY UNIT	W7200
	QM1-0702-000		1	ROLL TRAY UNIT	W7250
12	QE1-3194-000		1	COVER, INTERFACE	

FIGURE 4 ELECTRICAL PART

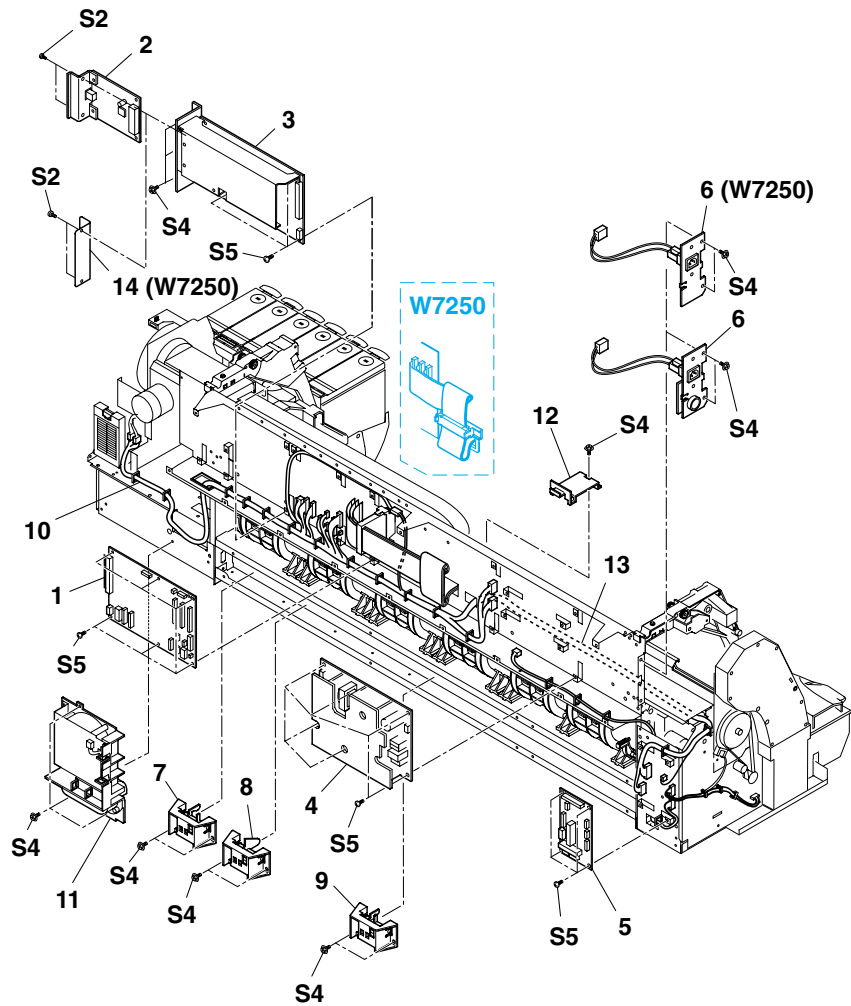


FIGURE & KEY NO.	PART NUMBER	RANK	QTY	DESCRIPTION	REMARKS
4- 1	QM1-5001-000		1	ENGINE CONTROLLER ASS'Y	
2	NPN		1	IEEE1394 EXPANSION BOARD	
3	QM1-0749-000		1	SYSTEM CONTROLLER ASS'Y	
4	QH3-3487-000		1	POWER SUPPLY ASS'Y	
5	QM1-5003-000		1	MOTOR DRIVER ASS'Y	
6	QM1-0720-000		1	INLET UNIT	W7200
	QM1-0754-000		1	INLET UNIT	W7250
7	QM1-0683-000		1	ROLL SET SENSOR UNIT	
8	QM1-0681-000		1	ROLL END SENSOR UNIT	
9	QM1-0682-000		1	ROLL TRAY SET SENSOR UNIT	
10	QM1-5018-000		1	DC CABLE ASS'Y	
11	QM1-0653-000		1	FAN UNIT	
12	NPN		1	GUIDE, CABLE	
13	QM1-0486-000		1	MOTOR DRIVE CABLE ASS'Y	W7250
	QM1-5011-000		1	MOTOR DRIVE CABLE ASS'Y	W7200
14	NPN		1	PLATE, BLIND	W7250 ONLY

FIGURE 5 AIR FLOW FAN UNIT & FEED MOTOR ASS'Y

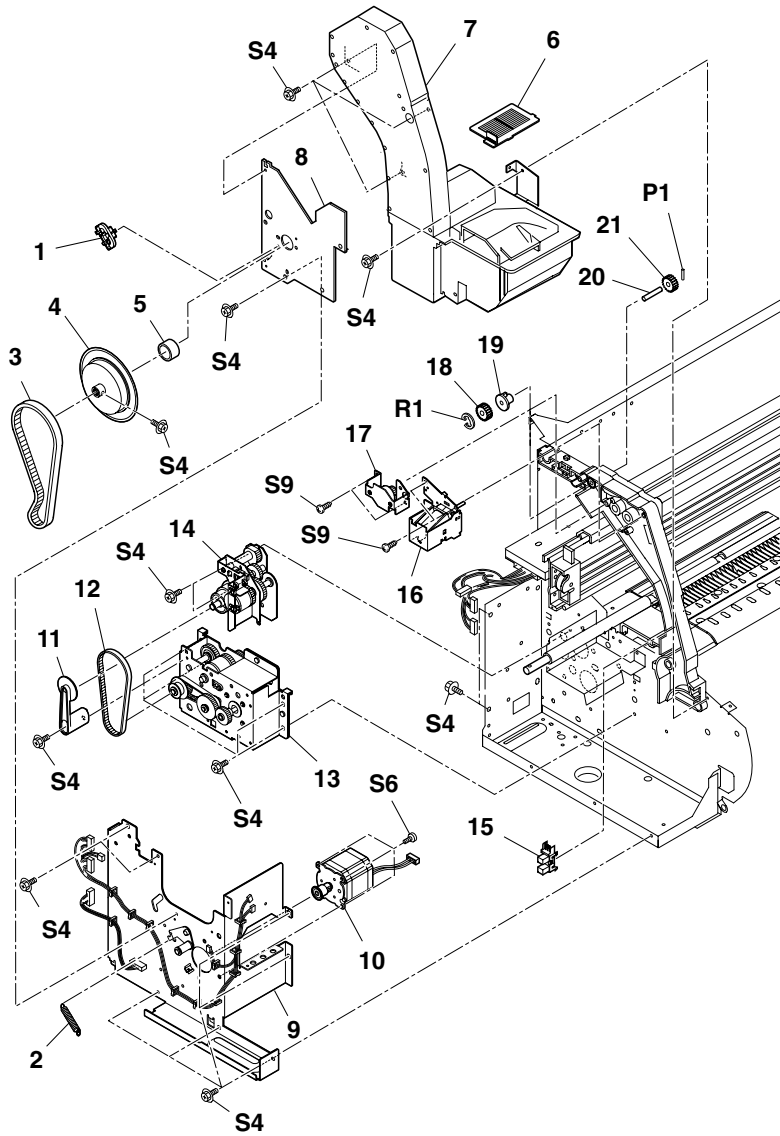


FIGURE & KEY NO.	PART NUMBER	RANK	QTY	DESCRIPTION	REMARKS
5- 1	QM1-0658-000		1	FEED ROLLER SENSOR UNIT	
2	QE1-1279-000		1	SPRING, HOOK END COIL	
3	XF2-4119-090		1	BELT, FEED	
4	QL1-0376-000		1	ENCODER SLIT ASS'Y	
5	QE1-2982-000		1	SPACER	
6	QE1-3239-000		1	FILTER, AIR	
7	QM1-0778-000		1	AIR FLOW FAN UNIT	
8	NPN		1	FAN BASE UNIT	
9	NPN		1	FEED MOTOR BASE UNIT	
10	QM1-0656-000		1	FEED MOTOR ASS'Y	
11	QE1-3024-000		1	GUIDE, BELT	
12	XF2-4114-360		1	BELT, DRIVE	
13	QM1-0673-000		1	ROLL DRIVE UNIT	
14	QM1-0651-000		1	PINCH ROLLER DRIVE UNIT	
15	FH7-7312-000		1	IC, EE-SX4235A-P2, PHOTO INTER.	
16	QM1-0642-000		1	UPPER COVER LOCK UNIT (L)	
17	QM1-0766-000		1	LEFT DUMPER UNIT	W7250
	QM1-0786-000		1	LEFT DUMPER UNIT	W7200
18	QE1-1061-000		1	GEAR, IDLER	
19	FS5-1646-000		1	BUSHING	
20	NPN		1	SHAFT	
21	QE1-1063-000		1	GEAR, IDLER	

FIGURE 6 PINCH ROLLER UNIT

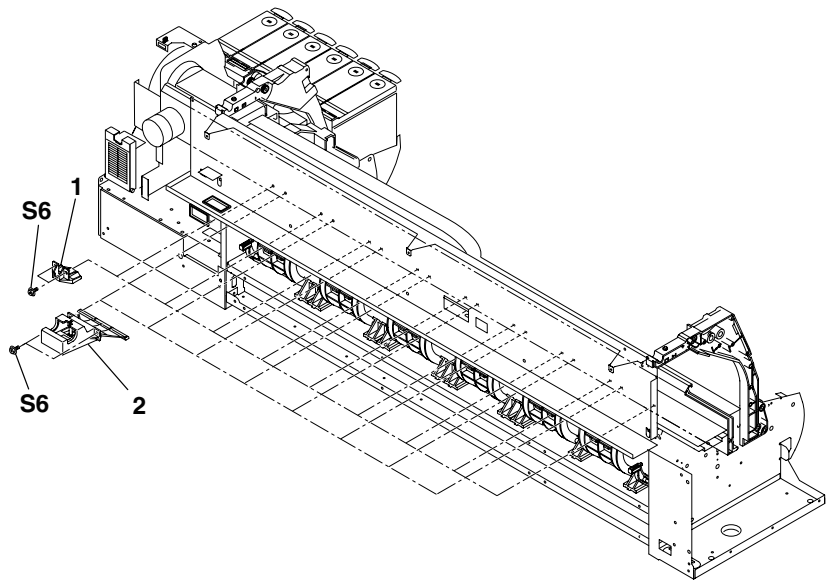


FIGURE & KEY NO.	PART NUMBER	RANK	QTY	DESCRIPTION	REMARKS
6 - 1	NPN		8	BLOCK, GUIDE	W7200
	NPN		6	BLOCK, GUIDE	W7250
2	QM1-0647-000		8	PINCH ROLLER UNIT	W7200
	QM1-0647-000		6	PINCH ROLLER UNIT	W7250

FIGURE 7 PAPER GUIDE UNIT

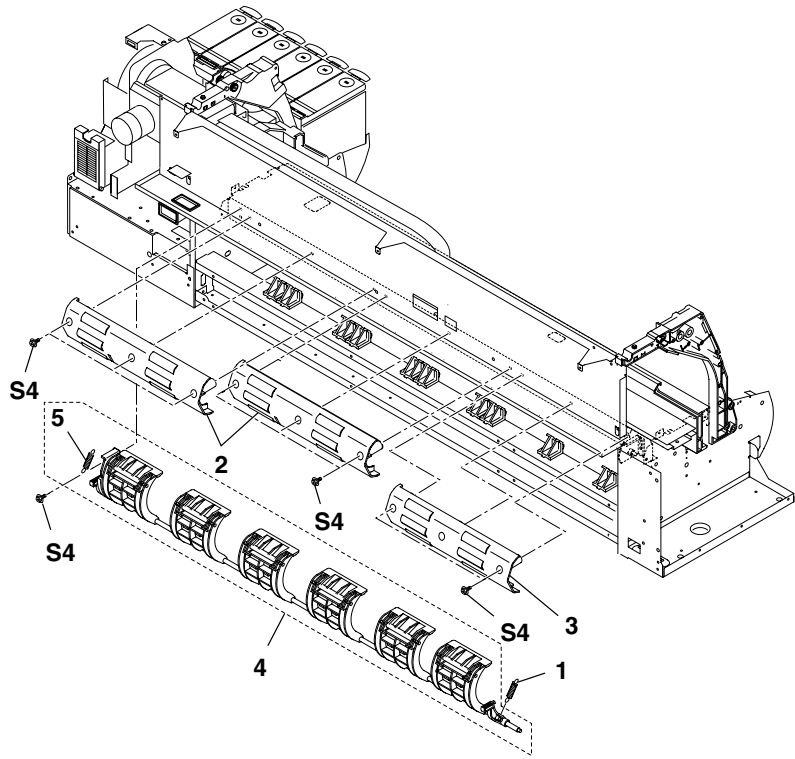


FIGURE & KEY NO.	PART NUMBER	RANK	QTY	DESCRIPTION	REMARKS
7 - 1	QE1-1271-000		1	SPRING, HOOK END COIL	
2	QM1-0648-000		2	PAPER GUIDE UNIT A	
3	QM1-0696-000		1	PAPER GUIDE UNIT A	W7200 ONLY
4	QM1-0649-000		1	PAPER GUIDE UNIT B	W7200
	QM1-0701-000		1	PAPER GUIDE UNIT B	W7250
5	QE1-1271-000		1	SPRING, HOOK END COIL	

FIGURE 8 PLATEN & FEED ROLLER

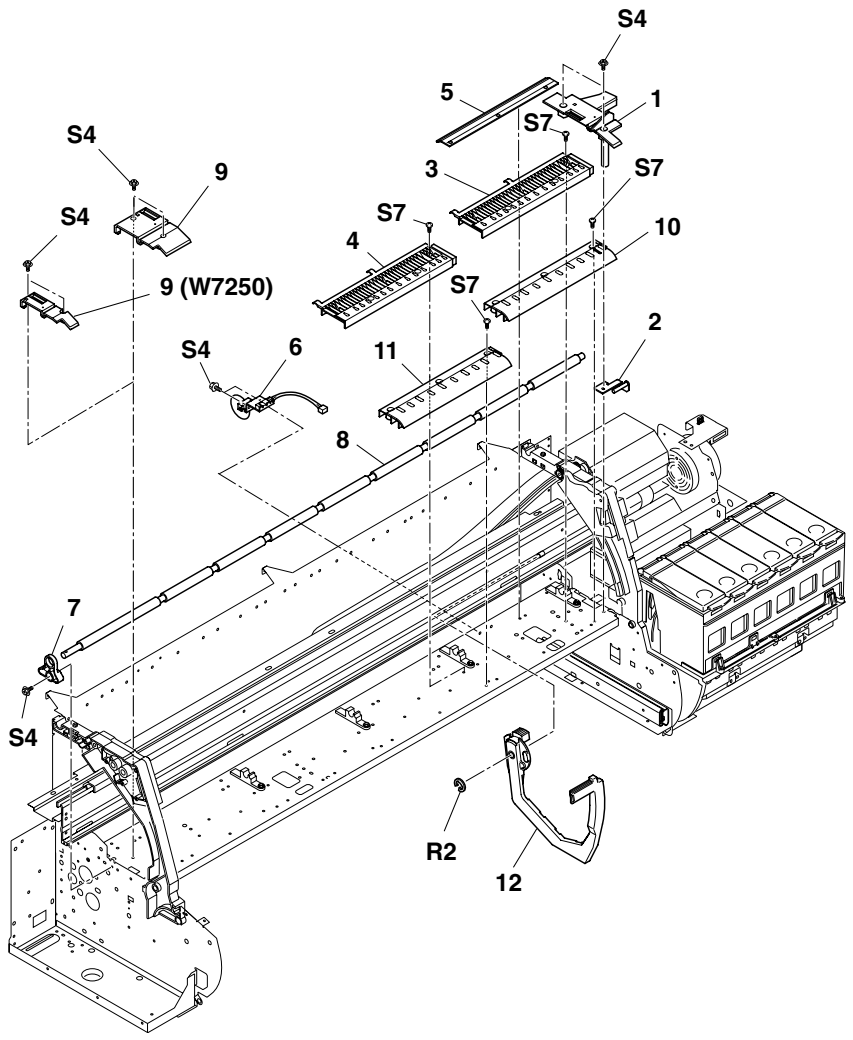


FIGURE & KEY NO.	PART NUMBER	RANK	QTY	DESCRIPTION	REMARKS
8- 1	QM1-0717-000		1	RIGHT PLATEN UNIT	
2	NPN		1	PLATE, LEVER GUIDE	
3	QM1-0761-000		1	PLATEN A	
4	QE1-2674-000		3	PLATEN B	W7200
	QE1-2674-000		2	PLATEN B	W7250
5	QE1-2697-000		3	PLATEN, REAR	W7200
	QE1-2697-000		2	PLATEN, REAR	W7250
6	QM1-0650-000		1	FEED SENSOR UNIT	
7	QE1-2673-000		1	BUSHING, FEED	
8	QE1-2669-000		1	ROLLER, FEED	W7200
	QE1-2963-000		1	ROLLER, FEED	W7250
9	QE1-2950-000		1	PLATEN, LEFT	W7200
	QE1-3041-000		1	PLATEN, LEFT	W7250
10	QE1-2696-000		1	PLATEN A, FRONT	
11	QE1-2678-000		3	PLATEN B, FRONT	W7200
	QE1-2678-000		2	PLATEN B, FRONT	W7250
12	QM1-0731-000		1	RELEASE LEVER ASS'Y	

FIGURE 9 CARRIAGE UNIT

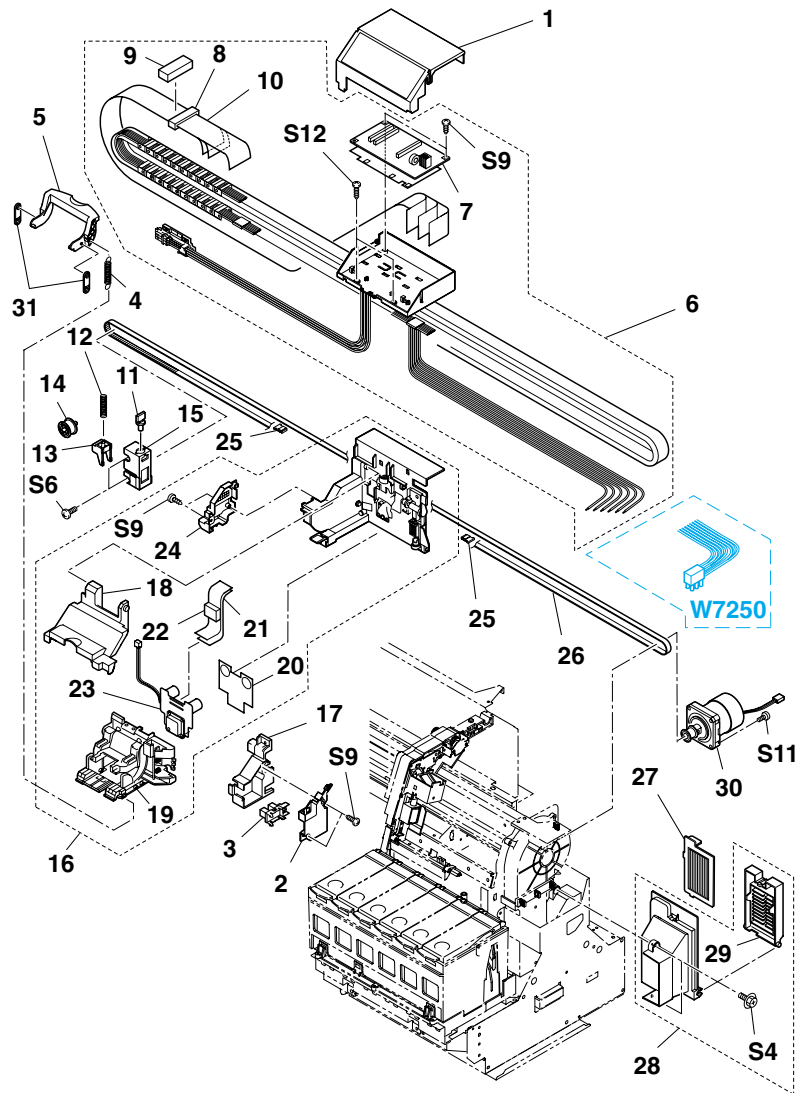


FIGURE & KEY NO.	PART NUMBER	RANK	QTY	DESCRIPTION	REMARKS
9- 1	QE1-2695-000		1	COVER, TUBE BASE	
2	QE1-3058-000		1	COVER, TUBE HOLDER	
3	FH7-7312-000		1	IC, EE-SX4235A-P2, PHOTO INTER.	
4	QE1-1282-000		1	SPRING, HOOK END COIL	
5	QE1-2819-000		1	LEVER, PRINTHEAD LOCK	
6	QM1-0663-000		1	INK TUBE UNIT	W7200
	QM1-0710-000		1	INK TUBE UNIT	W7250
7	QM1-5002-000		1	CARRIAGE RELAY ASS'Y	
8	WE8-5344-000		1	FERRITE CORE	
9	QE1-2682-000		1	PAD	
10	QM1-5014-000		1	FLEXIBLE CABLE ASS'Y	W7200
	QM1-5214-000		1	FLEXIBLE CABLE ASS'Y	W7250
11	QE1-2691-000		1	LEVER, IDLER ROLLER	
12	QE1-1270-000		1	SPRING, COIL	
13	QE1-2690-000		1	GUIDE, IDLER ROLLER	
14	QM1-0662-000		1	IDLER ROLLER ASS'Y	
15	QE1-2689-000		1	MOUNT, IDLER ROLLER	
16	QM1-0746-000		1	CARRIAGE UNIT	
17	QE1-2826-000		1	HOLDER, TUBE	
18	QE1-2814-000		1	COVER, CARRIAGE	
19	NPN		1	HEAD HOLDER UNIT	
20	QE1-2838-000		1	SHEET	
21	QH2-2554-000		2	FLEXIBLE CABLE	
22	QE1-3184-000		1	PAD	
23	QM1-5004-000		1	HEAD RELAY ASS'Y	
24	NPN		1	COVER, SENSOR	
25	QE1-2341-000		2	STOPPER, BELT	
26	QE1-2824-000		1	BELT, CARRIAGE	W7200
	QE1-2977-000		1	BELT, CARRIAGE	W7250
27	QE1-3239-000		1	FILTER, AIR	
28	QM1-0777-000		1	DUCT UNIT	
29	QL1-0431-000		1	FILTER COVER ASS'Y	
30	QM1-0661-000		1	CARRIAGE MOTOR ASS'Y	
31	QC1-0008-000		2	JOINT LEVER B	

FIGURE 10 INK TANK & PURGE UNIT

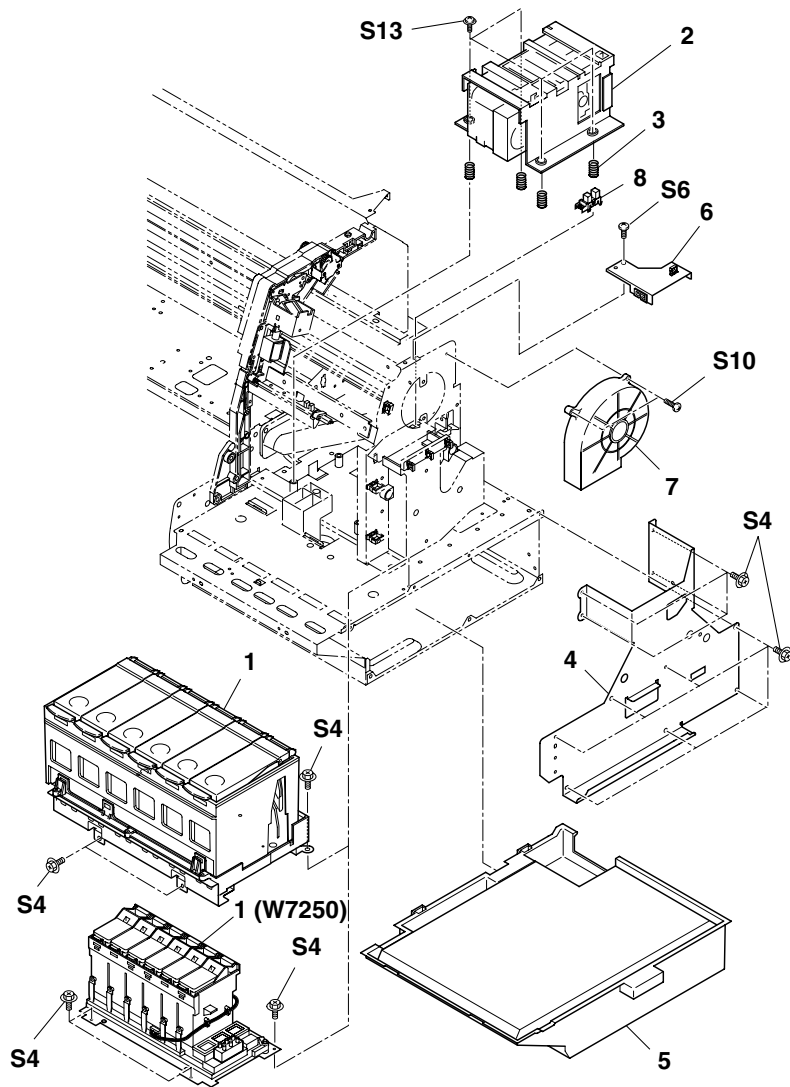


FIGURE & KEY NO.	PART NUMBER	RANK	QTY	DESCRIPTION	REMARKS
10 - 1	QM1-0689-000		1	INK TANK UNIT	W7200
	QM1-0738-000		1	INK TANK UNIT	W7250
	2	QM1-0670-000	1	PURGE UNIT	
	3	QE1-1280-000	4	SPRING, COIL	
4	NPN		1	STAY, SUPPORT	W7200
	NPN		1	STAY, SUPPORT	W7250
5	QM1-0659-000		1	WASTE INK ABSORBER UNIT	W7200
	QM1-0723-000		1	WASTE INK ABSORBER UNIT	W7250
6	NPN		1	MOUNT, CONNECTOR	
	7	QH4-4382-000	1	FAN, AIR FLOW	
8	FH7-7312-000		1	IC, EE-SX4235A-P2, PHOTO INTER.	

FIGURE 11 LINEAR SCALE

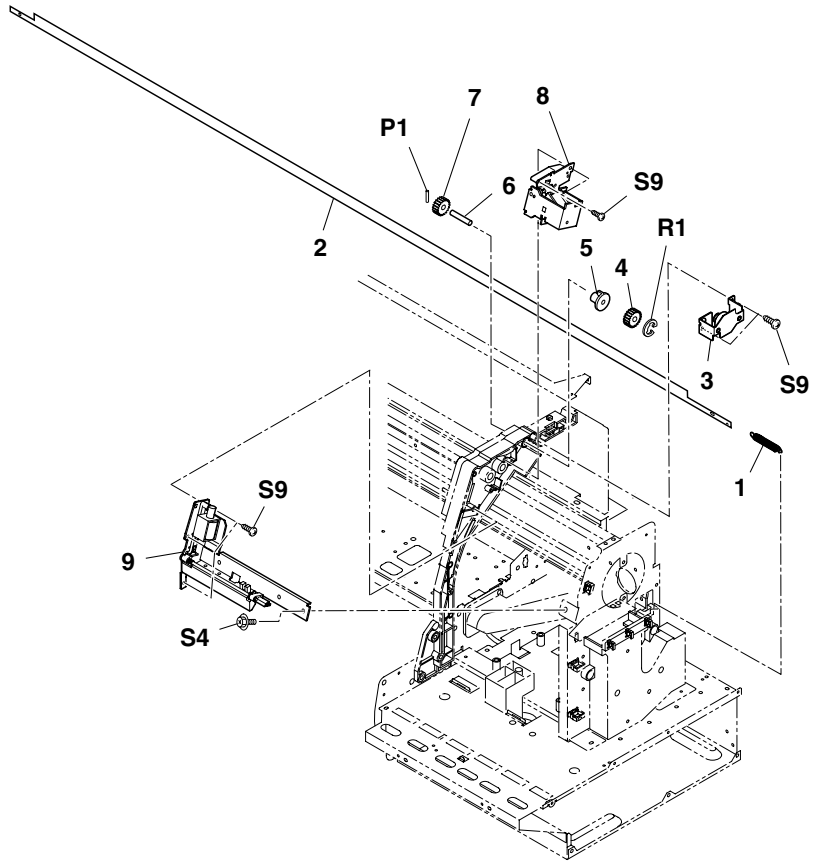


FIGURE & KEY NO.	PART NUMBER	RANK	QTY	DESCRIPTION	REMARKS
11- 1	QE1-1254-000		1	SPRING, HOOK END COIL	
	QE1-2672-000		1	SCALE, LINEAR	W7200
	QE1-2976-000		1	SCALE, LINEAR	W7250
	QM1-0767-000		1	RIGHT DUMPER UNIT	W7250
	QM1-0787-000		1	RIGHT DUMPER UNIT	W7200
4	QE1-1061-000		1	GEAR, IDLER	
5	FS5-1646-000		1	BUSHING	
6	NPN		1	SHAFT	
7	QE1-1063-000		1	GEAR, IDLER	
8	QM1-0643-000		1	UPPER COVER LOCK UNIT (R)	
9	QM1-0644-000		1	RIGHT COVER LOCK UNIT	

FIGURE 12 STAND UNIT

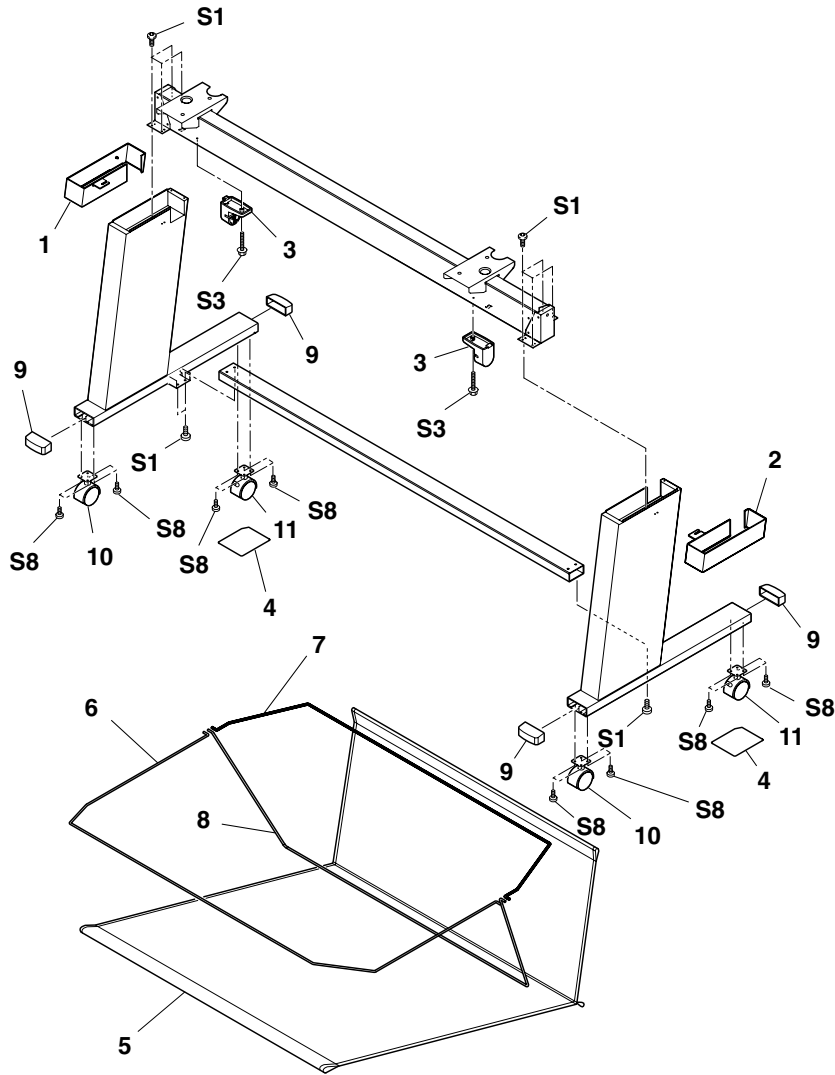


FIGURE & KEY NO.	PART NUMBER	RANK	QTY	DESCRIPTION	REMARKS
12- 1	QE1-3063-000		1	COVER, LEFT	
2	QE1-3064-000		1	COVER, RIGHT	
3	QE1-3009-000		2	SUPPORT, BLOCK	
4	QE1-3158-000		2	SHEET, CASTER	
5	QE1-3005-000		1	STACKER, PAPER	ST-31
6	QE1-3013-000		1	STACKER, PAPER	ST-21
	QE1-3006-000		1	WIRE, HANGING, FRONT	ST-31
	QE1-3014-000		1	WIRE, HANGING, FRONT	ST-21
7	QE1-3007-000		1	WIRE, HANGING, REAR	ST-31
	QE1-3015-000		1	WIRE, HANGING, REAR	ST-21
8	QE1-3113-000		1	WIRE, HANGING, SHORT	ST-31
	QE1-3114-000		1	WIRE, HANGING, SHORT	ST-21
9	QE1-2995-000		4	CAP, FOOT	
10	QE1-3173-000		2	CASTER	WITHOUT STOPPER
11	QE1-3174-000		2	CASTER	WITH STOPPER

FIGURE 13 SYSTEM CONTROLLER COMPONENT

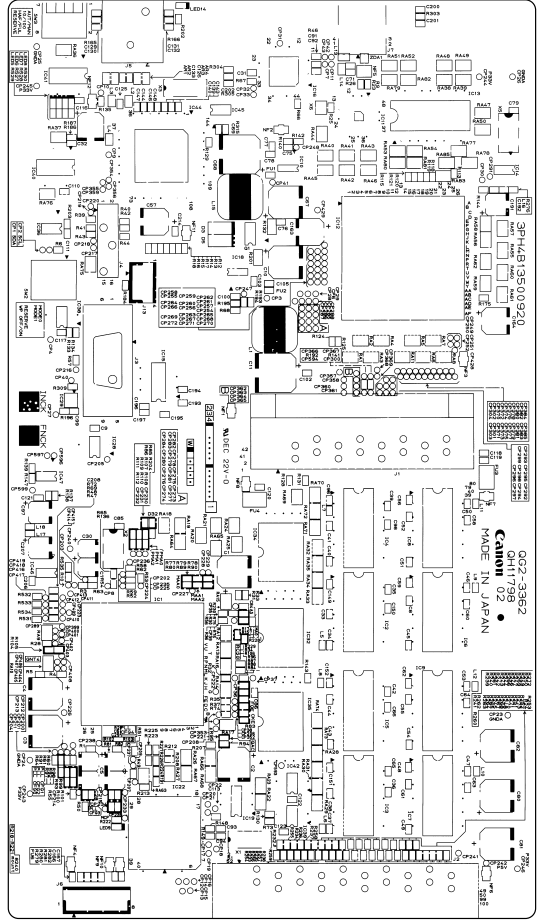


FIGURE & KEY NO.	PART NUMBER	RANK	QTY	DESCRIPTION	REMARKS
13 - 1	QH8-1040-000		1	IC, MB87J8060PB-G, GATE ARRAY	
2	QH8-1105-000		1	IC, ISPLSI2032VE-110LT44, PLD	
3	WA7-2037-000		3	IC, MX29LV160TTC-90, FLASH ROM	

FIGURE 14 ENGINE CONTROLLER COMPONENT

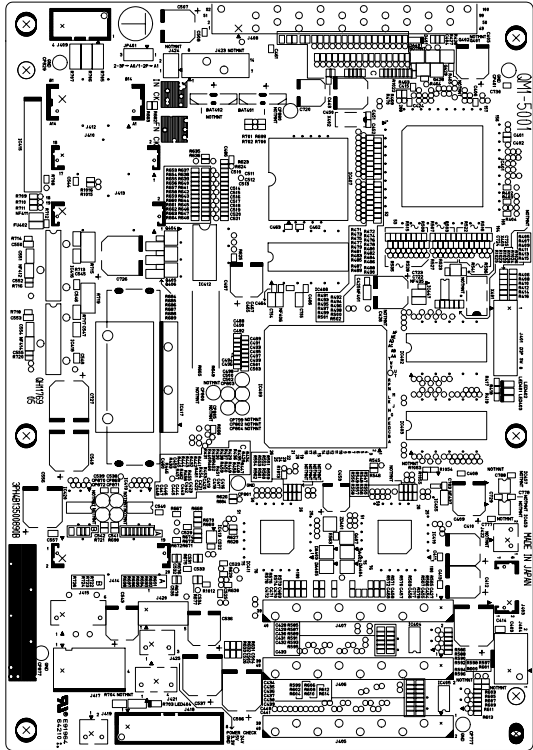


FIGURE & KEY NO.	PART NUMBER	RANK	QTY	DESCRIPTION	REMARKS
14- 1	QH8-1016-000		1	IC, KS5000M, ASIC	
2	QH8-1021-000		2	IC, HG73C122FB, ASIC	
3	QH8-1022-000		1	SOCKET, IC	
4	QH8-1121-000		1	IC, MBM29LV160BE90TN, FLASH ROM	

FIGURE 15 CARRIAGE CONTROLLER COMPONENT

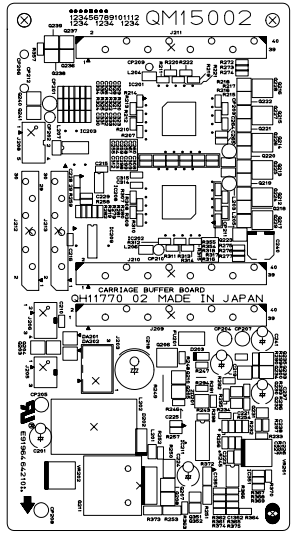


FIGURE & KEY NO.	PART NUMBER	RANK	QTY	DESCRIPTION	REMARKS
15 - 1	QH8-1020-000		2	IC, HG73C121FB, ASIC	

FIGURE 16 HEAD CONTROLLER COMPONENT

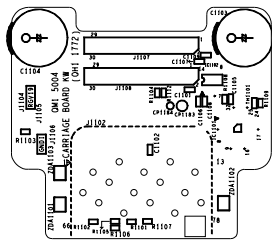


FIGURE & KEY NO.	PART NUMBER	RANK	QTY	DESCRIPTION	REMARKS
16 - 1	QH7-8512-000		1	IC, BJ-LICC2, LINEAR	

FIGURE 17 TOOL

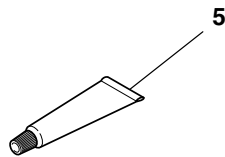
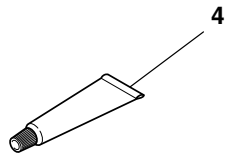
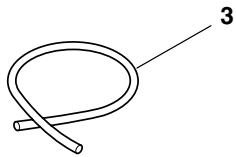
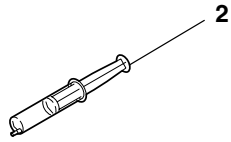
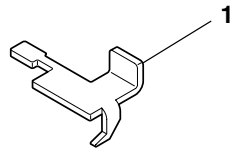


FIGURE & KEY NO.	PART NUMBER	RANK	QTY	DESCRIPTION	REMARKS
17 - 1	QY9-0103-000		1	COVER SWITCH TOOL	
2	CK-0541-000		1	SYRINGE	
3	QA2-6161-000		1	TUBE	
4	CK-0551-020		1	LUBE, PERMALUB G NO.2	
5	CK-0562-000		1	GREASE, MOLYKOTE PG-641	

B. SCREWS & WASHERS LIST

FIGURE & KEY NO.	PART NUMBER	RANK	QTY	DESCRIPTION	REMARKS
P - 1	XD3-2160-082			PIN, DOWEL 1.6x8	
R - 1	XD2-1100-322			RING, E M3.2	
2	XD2-1100-802			RING, E M8	
S - 1	QE1-2304-000			SCREW, ALLEN, M4X8	
2	QE1-2334-000			SCREW, ALLEN, M4X6	
3	XA9-0632-000			SCREW, M4X26	
4	XA9-0732-000			SCREW, RS, M4	
5	XB1-2400-606			SCREW, MACHINE M4X6	
6	XB1-2400-609			SCREW, MACHINE M4X6	
7	XB1-2400-809			SCREW, MACHINE M4X8	
8	XB6-7400-806			SCREW, TP, M4X8	
9	XB4-7400-809			SCREW, TAP BINDING HEAD, M4X8	
10	XB1-2300-809			SCREW, MACHINE M3X8	
11	XB1-2401-009			SCREW, MACHINE M4X10	
12	XB4-7401-009			SCREW, TAP BINDING HEAD M4X10	
13	XB6-7400-609			SCREW, MACHINE, M4X6	

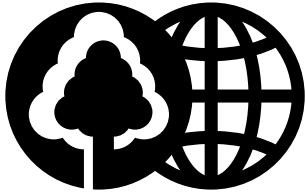
C. NUMERICAL INDEX

PART NUMBER	FIGURE & KEY NO.	DESCRIPTION
CK-0541-000	17- 2	SYRINGE
CK-0551-020	17- 4	LUBE, PERMALUB G NO.2
CK-0562-000	17- 5	GREASE, MOLYKOTE PG-641
FH2-5006-000	1- 4	WIRE, GROUNDING
FH7-7312-000	5- 15	IC, EE-SX4235A-P2, PHOTO INTER.
	9- 3	
	10- 8	
F55-1646-000	5- 19	BUSHING
	11- 5	
QA2-6161-000	17- 3	TUBE
QC1-0008-000	9- 31	JOINT LEVER B
QE1-1061-000	5- 18	GEAR, IDLER
	11- 4	
QE1-1063-000	5- 21	GEAR, IDLER
	11- 7	
QE1-1254-000	11- 1	SPRING, HOOK END COIL
QE1-1270-000	9- 12	SPRING, COIL
QE1-1271-000	7- 1	SPRING, HOOK END COIL
	7- 5	
QE1-1279-000	5- 2	SPRING, HOOK END COIL
QE1-1280-000	10- 3	SPRING, COIL
QE1-1282-000	9- 4	SPRING, HOOK END COIL
QE1-2304-000	S- 1	SCREW, ALLEN, M4X8
QE1-2334-000	1- 12	SCREW, ALLEN, M4X6
	S- 2	
QE1-2341-000	9- 25	STOPPER, BELT
QE1-2669-000	8- 8	ROLLER, FEED
QE1-2672-000	11- 2	SCALE, LINEAR
QE1-2673-000	8- 7	BUSHING, FEED
QE1-2674-000	8- 4	PLATEN B
	8- 4	
QE1-2678-000	8- 11	PLATEN B, FRONT
	8- 11	
QE1-2682-000	9- 9	PAD
QE1-2689-000	9- 15	MOUNT, IDLER ROLLER
QE1-2690-000	9- 13	GUIDE, IDLER ROLLER
QE1-2691-000	9- 11	LEVER, IDLER ROLLER
QE1-2695-000	9- 1	COVER, TUBE BASE
QE1-2696-000	8- 10	PLATEN A, FRONT
QE1-2697-000	8- 5	PLATEN, REAR
	8- 5	
QE1-2708-000	2- 2	COVER, REAR LEFT
QE1-2709-000	3- 1	COVER, REAR RIGHT
QE1-2710-000	2- 1	COVER, REAR
QE1-2713-000	2- 5	COVER, STAY, REAR
QE1-2814-000	9- 18	COVER, CARRIAGE
QE1-2819-000	9- 5	LEVER, PRINTHEAD LOCK
QE1-2824-000	9- 26	BELT, CARRIAGE
QE1-2826-000	9- 17	HOLDER, TUBE
QE1-2838-000	9- 20	SHEET
QE1-2942-000	2- 6	COVER, STAY, REAR
QE1-2950-000	8- 9	PLATEN, LEFT
QE1-2963-000	8- 8	ROLLER, FEED
QE1-2976-000	11- 2	SCALE, LINEAR
QE1-2977-000	9- 26	BELT, CARRIAGE
QE1-2982-000	5- 5	SPACER
QE1-2995-000	12- 9	CAP, FOOT
QE1-3005-000	12- 5	STACKER, PAPER

PART NUMBER	FIGURE & KEY NO.	DESCRIPTION
QE1-3006-000	12- 6	WIRE, HANGING, FRONT
QE1-3007-000	12- 7	WIRE, HANGING, REAR
QE1-3009-000	12- 3	SUPPORT, BLOCK
QE1-3013-000	12- 5	STACKER, PAPER
QE1-3014-000	12- 6	WIRE, HANGING, FRONT
QE1-3015-000	12- 7	WIRE, HANGING, REAR
QE1-3024-000	5- 11	GUIDE, BELT
QE1-3030-000	3- 1	COVER, REAR RIGHT
QE1-3031-000	2- 1	COVER, REAR
QE1-3041-000	8- 9	PLATEN, LEFT
QE1-3058-000	9- 2	COVER, TUBE HOLDER
QE1-3063-000	12- 1	COVER, LEFT
QE1-3064-000	12- 2	COVER, RIGHT
QE1-3101-000	3- 2	COVER, BLIND
QE1-3113-000	12- 8	WIRE, HANGING, SHORT
QE1-3114-000	12- 8	WIRE, HANGING, SHORT
QE1-3126-000	1- 11	STOPPER, BELT
QE1-3158-000	12- 4	SHEET, CASTER
QE1-3173-000	12- 10	CASTER
QE1-3174-000	12- 11	CASTER
QE1-3184-000	9- 22	PAD
QE1-3194-000	3- 12	COVER, INTERFACE
QE1-3239-000	5- 6	FILTER, AIR
	9- 27	
QH2-2554-000	9- 21	FLEXIBLE CABLE
QH2-2627-000	1- 5	CORD, POWER
QH2-2628-000	1- 6	CORD, POWER
QH2-2629-000	1- 7	CORD, POWER
QH2-2630-000	1- 8	CORD, POWER
QH2-2631-000	1- 9	CORD, POWER
QH3-3487-000	4- 4	POWER SUPPLY ASSY
QH4-4382-000	10- 7	FAN, AIR FLOW
QH7-8512-000	16- 1	IC, BJ-LICC2, LINEAR
QH8-1016-000	14- 1	IC, KS5000M, ASIC
QH8-1020-000	15- 1	IC, HG73C121FB, ASIC
QH8-1021-000	14- 2	IC, HG73C122FB, ASIC
QH8-1022-000	14- 3	SOCKET, IC
QH8-1040-000	13- 1	IC, MB87J8060PB-G, GATE ARRAY
QH8-1105-000	13- 2	IC, ISPLSI2032VE-110LT44, PLD
QH8-1121-000	14- 4	IC, MBM29LV160BE90TN, FLASH ROM
QL1-0376-000	5- 4	ENCODER SLIT ASSY
QL1-0431-000	9- 29	FILTER COVER ASSY
QM1-0486-000	4- 13	MOTOR DRIVE CABLE ASSY
QM1-0638-000	2- 4	UPPER LEFT COVER UNIT
QM1-0642-000	5- 16	UPPER COVER LOCK UNIT (L)
QM1-0643-000	11- 8	UPPER COVER LOCK UNIT (R)
QM1-0644-000	11- 9	RIGHT COVER LOCK UNIT
QM1-0645-000	3- 8	SENSOR SHAFT ASSY
QM1-0647-000	6- 2	PINCH ROLLER UNIT
	6- 2	
QM1-0648-000	7- 2	PAPER GUIDE UNIT A
QM1-0649-000	7- 4	PAPER GUIDE UNIT B
QM1-0650-000	8- 6	FEED SENSOR UNIT
QM1-0651-000	5- 14	PINCH ROLLER DRIVE UNIT
QM1-0652-000	3- 9	MANUAL FEED TRAY UNIT
QM1-0653-000	4- 11	FAN UNIT
QM1-0656-000	5- 10	FEED MOTOR ASSY
QM1-0658-000	5- 1	FEED ROLLER SENSOR UNIT

PART NUMBER	FIGURE & KEY NO.	DESCRIPTION
QM1-0659-000	10- 5	WASTE INK ABSORBER UNIT
QM1-0661-000	9- 30	CARRIAGE MOTOR ASSY
QM1-0662-000	9- 14	IDLER ROLLER ASSY
QM1-0663-000	9- 6	INK TUBE UNIT
QM1-0670-000	10- 2	PURGE UNIT
QM1-0673-000	5- 13	ROLL DRIVE UNIT
QM1-0674-000	3- 11	ROLL TRAY UNIT
QM1-0681-000	4- 8	ROLL END SENSOR UNIT
QM1-0682-000	4- 9	ROLL TRAY SET SENSOR UNIT
QM1-0683-000	4- 7	ROLL SET SENSOR UNIT
QM1-0685-000	3- 6	UPPER REAR COVER UNIT
QM1-0686-000	3- 7	UPPER COVER UNIT
QM1-0687-000	3- 3	UPPER RIGHT COVER UNIT
QM1-0688-000	3- 4	OPERATION PANEL UNIT
QM1-0689-000	10- 1	INK TANK UNIT
QM1-0696-000	7- 3	PAPER GUIDE UNIT A
QM1-0699-000	3- 5	RIGHT COVER UNIT
QM1-0701-000	7- 4	PAPER GUIDE UNIT B
QM1-0702-000	3- 11	ROLL TRAY UNIT
QM1-0710-000	9- 6	INK TUBE UNIT
QM1-0713-000	3- 6	UPPER REAR COVER UNIT
QM1-0714-000	3- 3	UPPER RIGHT COVER UNIT
QM1-0715-000	3- 5	RIGHT COVER UNIT
QM1-0716-000	3- 7	UPPER COVER UNIT
QM1-0717-000	8- 1	RIGHT PLATEN UNIT
QM1-0720-000	4- 6	INLET UNIT
QM1-0723-000	10- 5	WASTE INK ABSORBER UNIT
QM1-0725-000	3- 9	MANUAL FEED TRAY UNIT
QM1-0731-000	8- 12	RELEASE LEVER ASSY
QM1-0733-000	3- 4	OPERATION PANEL UNIT
QM1-0735-000	2- 2	REAR LEFT COVER UNIT
QM1-0738-000	10- 1	INK TANK UNIT
QM1-0746-000	9- 16	CARRIAGE UNIT
QM1-0749-000	4- 3	SYSTEM CONTROLLER ASSY
QM1-0754-000	4- 6	INLET UNIT
QM1-0761-000	8- 3	PLATEN A
QM1-0762-000	3- 10	TRAY COVER UNIT
QM1-0763-000	3- 10	TRAY COVER UNIT
QM1-0766-000	5- 17	LEFT DUMPER UNIT
QM1-0767-000	11- 3	RIGHT DUMPER UNIT
QM1-0770-000	3- 4	OPERATION PANEL UNIT
QM1-0771-000	3- 4	OPERATION PANEL UNIT
QM1-0777-000	9- 28	DUCT UNIT
QM1-0778-000	5- 7	AIR FLOW FAN UNIT
QM1-0779-000	2- 3	LEFT COVER UNIT
QM1-0783-000	1- 13	RAIL CLEANER ASSY
QM1-0786-000	5- 17	RIGHT DUMPER UNIT
QM1-0787-000	11- 3	LEFT DUMPER UNIT
QM1-0795-000	3- 7	UPPER COVER UNIT
QM1-0796-000	3- 7	UPPER COVER UNIT
QM1-5001-000	4- 1	ENGINE CONTROLLER ASSY
QM1-5002-000	9- 7	CARRIAGE RELAY ASSY
QM1-5003-000	4- 5	MOTOR DRIVER ASSY
QM1-5004-000	9- 23	HEAD RELAY ASSY
QM1-5011-000	4- 13	MOTOR DRIVE CABLE ASSY
QM1-5014-000	9- 10	FLEXIBLE CABLE ASSY
QM1-5018-000	4- 10	DC CABLE ASSY
QM1-5214-000	9- 10	FLEXIBLE CABLE ASSY

PART NUMBER	FIGURE & KEY NO.	DESCRIPTION
QY9-0103-000	17- 1	COVER SWITCH TOOL
WA7-2037-000	13- 3	IC, MX29LV160TTC-90, FLASH ROM
WE8-5344-000	9- 8	FERRITE CORE
XA9-0632-000	S- 3	SCREW, M4X26
XA9-0732-000	S- 4	SCREW, RS, M4
XB1-2300-809	S- 10	SCREW, MACHINE M3X8
XB1-2400-606	S- 5	SCREW, MACHINE M4X6
XB1-2400-609	S- 6	SCREW, MACHINE M4X6
XB1-2400-809	S- 7	SCREW, MACHINE M4X8
XB1-2401-009	S- 11	SCREW, MACHINE M4X10
XB4-7400-809	S- 9	SCREW, TAP BINDING HEAD, M4X8
XB4-7401-009	S- 12	SCREW, TAP BINDING HEAD M4X10
XB6-7400-609	S- 13	SCREW, MACHINE, M4X6
XB6-7400-806	S- 8	SCREW, TP, M4X8
XD2-1100-322	R- 1	RING, E M3.2
XD2-1100-802	R- 2	RING, E M8
XD3-2160-082	P- 1	PIN, DOWEL 1.6x8
XF2-4114-360	5- 12	BELT, FEED
XF2-4119-090	5- 3	BELT, DRIVE



This document is printed
on 100% recycled paper.

Canon