

PARTS CATALOG

imagePROGRAF
iPF9000
iPF9000S
iPF9100
iPF9400
iPF9400S



Canon

July 25, 2012
Rev. 0

PREFACE

This Parts Catalog contains listings of parts used

Diagrams are provided with the listings to aid the service technician in identifying clearly, the item to be ordered.

Whenever ordering parts, consult this Parts Catalog for all of the information pertaining to each item. Be sure to include, in the Parts Request, the full item description, the item part number, and the quantity.

COPYRIGHT (C) 1999 CANON INC.

Use of this manual should be strictly supervised to avoid disclosure of confidential information.

Contents

NUMERICAL INDEX

iPF9400/9400S/9100/9000S/9000(Numerical Index) 1-1

iPF9400/9400S/9100/9000S/9000(Parts Catalog)

01	PRINTER & ACCESSORIES	2-1
02	COVERS (1)	2-4
03	COVERS (2)	2-6
04	ELECTRICAL PART	2-9
05	INK TANK & PURGE UNIT	2-11
06	CARRIAGE UNIT	2-13
07	FEED MOTOR ASS'Y	2-17
08	AIR FLOW FAN UNIT	2-20
09	PINCH ROLLER UNIT	2-22
10	PLATEN & FEED ROLLER	2-23
11	LINEAR SCALE	2-27
12	MEDIA TAKE-UP UNIT	2-28
13	STAND & BASKET UNIT	2-31
14	TOOL	2-33
ZZA	MECHANICAL STANDARD PARTS(HOW TO USE)	2-34
ZZB	MECHANICAL STANDARD PARTS(SCREWS)	2-35
ZZC	MECHANICAL STANDARD PARTS(BOLTS)	2-42
ZZD	MECHANICAL STANDARD PARTS(NUTS)	2-43
ZZE	MECHANICAL STANDARD PARTS(RETAINING RINGS)	2-44

NUMERICAL INDEX

iPF9400/9400S/9100/9000S/9000(Numerical Index)

PARTS NUMBER	FIGURE & KEY NO.	PARTS NUMBER	FIGURE & KEY NO.	PARTS NUMBER	FIGURE & KEY NO.
FA3-8727-000	07 - 27	QC1-7143-000	03 - 19	QC2-2413-000	12 - 33
FA3-8727-000	10 - 21	QC1-7156-000	06 - 20	QC2-2417-000	12 - 34
FB1-0733-000	01 - 9	QC1-7237-000	08 - 7	QC2-2434-010	12 - 32
FH2-7092-020	01 - 18	QC1-7278-000	03 - 9	QC2-2458-000	10 - 23
FH7-5489-050	07 - 19	QC1-7303-000	06 - 42	QC2-3113-000	03 - 20
FK2-2416-000	04 - 11	QC1-7399-000	03 - 23	QC2-3114-000	03 - 21
FS5-1189-000	07 - 34	QC1-9198-000	08 - 10	QC2-3137-000	06 - 43
FY9-6022-000	14 - 2	QC2-0653-000	06 - 16	QC2-3138-000	06 - 15
NPN	01 -	QC2-0659-050	06 - 8	QC2-4116-000	13 - 9
NPN	01 - 1	QC2-0660-050	06 - 9	QC2-4136-000	07 - 15
NPN	01 - 2	QC2-0661-000	06 - 10	QC2-4350-000	13 - 2
NPN	01 - 2	QC2-0710-000	06 - 28	QC2-4351-000	13 - 3
NPN	01 - 2	QC2-2078-000	06 - 12	QC2-6025-000	13 - 7
NPN	01 - 2	QC2-2082-000	10 - 11	QC2-6626-000	13 - 1
NPN	01 - 2	QC2-2104-000	06 - 13	QC2-6657-020	03 - 3
NPN	01 - 2	QC2-2106-000	06 - 14	QC2-6658-000	02 - 1
NPN	01 - 2	QC2-2117-000	06 - 31	QC2-6659-000	02 - 2
NPN	01 - 2	QC2-2153-000	06 - 52	QC2-6660-000	03 - 7
NPN	01 - 2	QC2-2154-000	06 - 53	QC2-6679-000	02 - 18
NPN	01 - 2	QC2-2172-000	03 - 6	QC2-6712-000	06 - 31
NPN	01 - 2	QC2-2173-000	03 - 7	QC3-1883-000	11 - 2
NPN	01 - 2	QC2-2177-000	03 - 4	QC3-2713-000	03 - 3
NPN	02 -	QC2-2178-020	03 - 3	QC3-2714-000	02 - 1
NPN	03 -	QC2-2178-020	03 - 3	QC3-2715-000	02 - 2
NPN	04 -	QC2-2179-000	03 - 14	QC3-2716-000	03 - 7
NPN	05 -	QC2-2180-000	03 - 15	QC3-2769-000	06 - 13
NPN	06 -	QC2-2181-000	02 - 5	QC3-2770-000	06 - 14
NPN	07 -	QC2-2183-000	02 - 6	QC3-3648-000	03 - 16
NPN	08 -	QC2-2191-000	02 - 3	QC3-3653-000	07 - 14
NPN	09 -	QC2-2192-000	02 - 4	QC3-5038-000	06 - 54
NPN	10 -	QC2-2195-000	07 - 28	QD1-0359-000	06 - 52
NPN	11 -	QC2-2197-000	02 - 7	QD1-0360-000	06 - 53
NPN	12 -	QC2-2198-000	02 - 8	QD1-0362-000	11 - 2
NPN	13 -	QC2-2199-000	02 - 9	QE1-1048-000	09 - 4
NPN	14 -	QC2-2200-000	02 - 10	QE1-1063-000	07 - 17
QC1-6847-000	07 - 6	QC2-2202-030	02 - 11	QE1-1270-000	06 - 44
QC1-6921-000	10 - 10	QC2-2224-000	01 - 8	QE1-1495-000	12 - 28
QC1-6924-000	03 - 8	QC2-2354-000	10 - 20	QE1-2304-000	12 - 29
QC1-6925-000	03 - 11	QC2-2355-000	10 - 7	QE1-2334-000	01 - 19
QC1-6926-000	03 - 12	QC2-2356-000	10 - 17	QE1-2691-000	06 - 46
QC1-6927-000	03 - 13	QC2-2364-000	06 - 23	QH2-2732-000	01 - 16
QC1-6930-000	02 - 1	QC2-2365-000	06 - 24	QK1-1387-000	08 - 11
QC1-6931-000	02 - 2	QC2-2366-000	06 - 25	QK1-1392-000	01 - 13
QC1-6999-000	09 - 3	QC2-2399-000	12 - 5	QK1-1393-000	01 - 12
QC1-7034-000	10 - 16	QC2-2401-000	12 - 6	QK1-1394-000	01 - 11
QC1-7043-000	10 - 15	QC2-2402-000	12 - 7	QK1-1395-000	01 - 15
QC1-7067-000	07 - 24	QC2-2403-000	12 - 8	QK1-1396-010	01 - 17
QC1-7068-000	07 - 16	QC2-2404-000	12 - 9	QK1-1441-000	01 - 14
QC1-7092-000	07 - 14	QC2-2408-000	12 - 10	QK1-2091-000	06 - 39
QC1-7137-000	01 - 10	QC2-2409-000	12 - 11	QK1-2758-000	06 - 39
QC1-7138-000	03 - 18	QC2-2410-000	12 - 12	QK1-2868-000	06 - 48
QC1-7141-000	07 - 21	QC2-2412-000	12 - 13	QK1-2896-000	06 - 48

NUMERICAL INDEX

iPF9400/9400S/9100/9000S/9000(Numerical Index)

PARTS NUMBER	FIGURE & KEY NO.	PARTS NUMBER	FIGURE & KEY NO.	PARTS NUMBER	FIGURE & KEY NO.
QK1-2908-000	12 - 1	QM2-2476-090	01 - 4	QM3-1095-000	12 - 18
QK1-2983-000	06 - 40	QM2-2495-010	03 - 5	QM3-1106-000	07 - 7
QK1-2984-000	06 - 41	QM2-2511-000	07 - 18	QM3-1108-000	12 - 16
QK1-2985-000	06 - 32	QM2-2526-000	07 - 13	QM3-1109-000	12 - 17
QK1-4084-000	04 - 3	QM2-2528-010	10 - 9	QM3-1110-010	12 - 31
QK1-4095-000	04 - 12	QM2-2572-000	06 - 49	QM3-1117-000	01 - 6
QK1-4096-000	04 - 13	QM2-2596-050	09 - 1	QM3-1191-000	04 - 9
QK1-5207-000	04 - 3	QM2-3421-010	06 - 36	QM3-1204-000	06 - 51
QK1-9587-000	06 - 39	QM2-3437-000	06 - 21	QM3-1419-000	08 - 8
QL2-1104-000	06 - 33	QM3-0541-000	06 - 17	QM3-2022-000	13 - 5
QL2-1114-000	06 - 34	QM3-0560-000	06 - 18	QM3-2023-000	13 - 6
QL2-1125-000	06 - 50	QM3-0584-000	06 - 2	QM3-2064-000	08 - 12
QL2-1650-000	08 - 3	QM3-0979-000	06 - 29	QM3-3025-000	13 - 8
QL2-1659-000	10 - 4	QM3-0980-000	06 - 37	QM3-3026-000	02 - 15
QL2-1660-000	10 - 5	QM3-0981-000	03 - 2	QM3-3027-000	02 - 16
QL2-1662-000	10 - 1	QM3-0983-000	04 - 6	QM3-3028-000	02 - 16
QL2-1663-000	08 - 14	QM3-0985-000	04 - 1	QM3-3029-010	04 - 4
QL2-1666-010	01 - 3	QM3-0986-000	03 - 2	QM3-3030-030	03 - 1
QL2-1667-000	02 - 12	QM3-1004-020	05 - 1	QM3-3069-000	08 - 5
QL2-1668-000	03 - 16	QM3-1005-000	05 - 2	QM3-3072-000	05 - 2
QL2-1676-000	12 - 26	QM3-1006-000	05 - 3	QM3-3073-000	05 - 3
QL2-1692-000	02 - 13	QM3-1007-000	03 - 17	QM3-3080-000	05 - 2
QL2-1697-000	02 - 14	QM3-1008-000	10 - 12	QM3-3081-000	05 - 3
QL2-2094-000	12 - 27	QM3-1009-000	09 - 7	QM3-3090-040	06 - 1
QL2-2095-000	07 - 4	QM3-1010-000	09 - 2	QM3-3092-000	06 - 7
QL2-2101-000	03 - 4	QM3-1011-000	10 - 18	QM3-3099-000	04 - 1
QL2-2108-000	08 - 4	QM3-1012-000	08 - 5	QM3-3106-000	06 - 29
QL2-2109-000	10 - 6	QM3-1016-060	06 - 7	QM3-3107-000	06 - 37
QL2-2110-000	08 - 1	QM3-1017-000	06 - 3	QM3-3108-000	03 - 2
QL2-2114-000	08 - 2	QM3-1018-000	06 - 4	QM3-3109-000	03 - 2
QL2-2326-000	13 - 10	QM3-1019-060	06 - 1	QM3-3111-000	04 - 10
QL2-2426-000	13 - 4	QM3-1020-000	06 - 45	QM3-3112-000	06 - 36
QL2-2442-000	06 - 34	QM3-1023-000	07 - 32	QM3-3138-000	06 - 21
QL2-2443-000	06 - 33	QM3-1024-000	07 - 22	QM3-3158-000	04 - 1
QL2-2782-000	10 - 8	QM3-1025-000	07 - 33	QM3-3165-000	03 - 2
QL2-2783-000	10 - 3	QM3-1026-000	07 - 25	QM3-3166-000	03 - 2
QL2-2784-000	10 - 2	QM3-1027-000	07 - 26	QM3-3267-010	01 - 21
QL2-2916-000	01 - 22	QM3-1031-000	02 - 15	QM3-3268-010	01 - 24
QL2-3143-000	12 - 19	QM3-1032-000	02 - 16	QM3-3269-010	01 - 23
QL2-3144-000	12 - 20	QM3-1033-020	05 - 6	QM3-3358-040	06 - 1
QL2-3145-000	12 - 21	QM3-1034-020	05 - 5	QM3-4843-000	08 - 8
QL2-3146-000	12 - 22	QM3-1038-000	08 - 9	QM3-6505-000	02 - 15
QL2-3147-000	12 - 23	QM3-1039-000	08 - 13	QM3-6509-010	03 - 2
QL2-3148-000	12 - 24	QM3-1044-010	06 - 22	QM3-6510-010	03 - 2
QL2-3149-000	12 - 25	QM3-1045-000	04 - 4	QM3-6512-000	05 - 2
QL2-3385-000	10 - 24	QM3-1047-000	04 - 5	QM3-6513-000	05 - 3
QL2-8080-000	06 - 34	QM3-1049-030	03 - 1	QM3-7018-020	05 - 1
QL2-8087-000	10 - 25	QM3-1055-000	05 - 4	QM3-7036-000	04 - 5
QL2-8099-000	10 - 1	QM3-1056-010	08 - 6	QM3-7042-000	07 - 33
QM1-0662-000	06 - 47	QM3-1091-000	12 - 35	QM3-7700-000	10 - 26
QM2-2470-040	01 - 5	QM3-1092-010	12 - 4	QM3-7701-000	10 - 27
QM2-2475-000	01 - 7	QM3-1093-000	12 - 15	QM3-7702-000	10 - 28

NUMERICAL INDEX

iPF9400/9400S/9100/9000S/9000(Numerical Index)

PARTS NUMBER	FIGURE & KEY NO.	PARTS NUMBER	FIGURE & KEY NO.	PARTS NUMBER	FIGURE & KEY NO.
QM3-9934-000	03 - 2	WM2-5280-000	04 - 11		
QM3-9935-000	03 - 2	WP2-5187-000	04 - 7		
QM3-9937-000	05 - 2	XA9-0249-000	07 - 30		
QM3-9938-000	05 - 3	XA9-0724-000	10 - 502		
QM4-8018-000	06 - 21	XA9-0732-000	02 - 17		
QM4-8113-000	07 - 3	XA9-0732-000	03 - 22		
QM4-8114-000	06 - 7	XA9-0732-000	04 - 8		
QM4-8116-000	01 - 25	XA9-0732-000	05 - 7		
QM4-8120-000	06 - 1	XA9-0732-000	06 - 11		
QM4-8121-000	06 - 1	XA9-0732-000	07 - 29		
QM4-8131-000	10 - 29	XA9-0732-000	08 - 15		
QM4-8132-000	10 - 30	XA9-0732-000	09 - 5		
QM4-8133-000	10 - 31	XA9-0732-000	10 - 22		
QM4-8134-000	10 - 12	XA9-1501-000	01 - 20		
QM4-8136-000	02 - 16	XA9-1501-000	12 - 30		
QM4-8137-000	03 - 1	XA9-2027-000	02 - 19		
QM4-8139-000	02 - 16	XA9-2027-000	05 - 8		
QM4-8142-000	03 - 1	XA9-2027-000	08 - 16		
QM4-8143-000	07 - 32	XB1-2300-406	07 - 502		
QM4-8144-000	07 - 13	XB1-2300-407	04 - 503		
QM4-8147-000	12 - 36	XB1-2300-606	04 - 502		
QM4-8299-000	06 - 6	XB1-2300-607	05 - 501		
QM7-7007-000	04 - 1	XB1-2300-806	06 - 503		
QM7-7013-000	04 - 1	XB1-2400-606	04 - 501		
QM7-7017-000	06 - 37	XB1-2400-606	06 - 505		
QM7-7019-000	04 - 10	XB2-8401-009	07 - 501		
QM7-7020-000	06 - 29	XB4-5300-806	06 - 504		
QU1-0082-000	07 - 8	XB4-5400-806	07 - 503		
QU1-0083-000	07 - 9	XB4-7300-807	12 - 501		
QU1-0084-000	07 - 11	XB4-7300-809	06 - 502		
QU1-0130-000	06 - 26	XB4-7301-009	06 - 506		
QU1-0131-000	06 - 27	XB4-7401-009	06 - 501		
QU1-1004-000	06 - 38	XB4-7402-509	08 - 502		
QU1-2005-000	06 - 5	XB4-7404-009	08 - 501		
QU1-2006-000	06 - 19	XB5-2400-809	05 - 502		
QU1-2169-000	11 - 1	XD1-1100-502	06 - 507		
QU1-2170-000	07 - 1	XD1-1108-219	09 - 502		
QU1-2173-000	07 - 20	XD2-1100-322	12 - 503		
QU1-2175-000	06 - 35	XD2-1100-502	12 - 502		
QU1-2185-000	03 - 10	XD2-1100-642	09 - 501		
QU1-6016-000	07 - 10	XD2-3100-152	10 - 501		
QY9-0103-000	14 - 1	XD3-2200-142	12 - 504		
WC4-5052-000	10 - 19	XD3-2200-222	07 - 504		
WC4-5180-000	07 - 23	XF2-4117-360	07 - 12		
WG8-5624-000	06 - 30	XF2-4119-770	07 - 2		
WG8-5624-000	10 - 13	XF2-4119-790	07 - 2		
WG8-5624-000	12 - 14	XG9-0365-000	09 - 6		
WG8-5677-000	07 - 31	XG9-0453-000	07 - 5		
WG8-5677-000	10 - 14	XG9-0549-000	09 - 6		
WG8-5770-000	12 - 2				
WG8-5771-000	12 - 3				
WK1-5207-000	04 - 2				

iPF9400/9400S/9100/9000S/9000(Parts Catalog)

iPF9400

120/230V	Q51-2244-000
----------	--------------

100V	Q51-2247-000
------	--------------

iPF9400S

120/230V	Q51-2254-000
----------	--------------

100V	Q51-2257-000
------	--------------

iPF9100

120/230V	Q51-1714-000
----------	--------------

100V	Q51-1717-000
------	--------------

iPF9000S

120/230V	Q51-1694-000
----------	--------------

100V	Q51-1697-000
------	--------------

iPF9000

120/230V	Q51-1344-000
----------	--------------

100V	Q51-1377-000
------	--------------

BU-01

**Q55-2460-
000**

RH3-63

**Q55-2130-
000**

RH3-64

**Q55-2850-
000**

Contents

01	PRINTER & ACCESSORIES	2-1
02	COVERS (1)	2-4
03	COVERS (2)	2-6
04	ELECTRICAL PART	2-9
05	INK TANK & PURGE UNIT	2-11
06	CARRIAGE UNIT	2-13
07	FEED MOTOR ASS'Y	2-17
08	AIR FLOW FAN UNIT	2-20
09	PINCH ROLLER UNIT	2-22
10	PLATEN & FEED ROLLER.....	2-23
11	LINEAR SCALE	2-27
12	MEDIA TAKE-UP UNIT.....	2-28
13	STAND & BASKET UNIT	2-31
14	TOOL	2-33
ZZA	MECHANICAL STANDARD PARTS(HOW TO USE)	2-34
ZZB	MECHANICAL STANDARD PARTS(SCREWS).....	2-35
ZZC	MECHANICAL STANDARD PARTS(BOLTS).....	2-42
ZZD	MECHANICAL STANDARD PARTS(NUTS).....	2-43
ZZE	MECHANICAL STANDARD PARTS(RETAINING RINGS)	2-44

FIGURE 01 PRINTER & ACCESSORIES

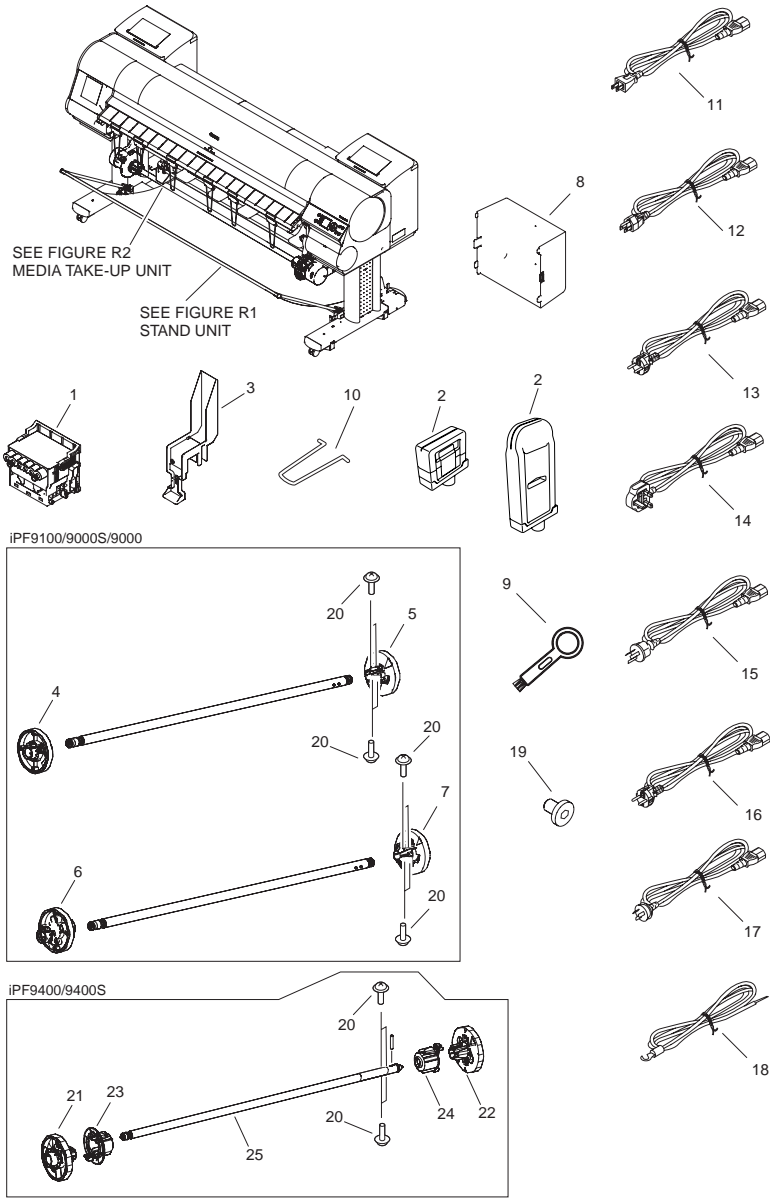


FIGURE & KEY NO.	PARTS NUMBER	R A N K	Q'TY	DESCRIPTION	SERIAL NUMBER/ REMARKS	S V C
Fig.01	NPN		RF	PRINTER & ACCESSORIES		
1	NPN		RF	PRINTHEAD		
2	NPN		RF	INK TANK (MBK)		
2	NPN		RF	INK TANK (PBK)		
2	NPN		RF	INK TANK (C)		
2	NPN		RF	INK TANK (M)		
2	NPN		RF	INK TANK (Y)		
2	NPN		RF	INK TANK (PC)		
2	NPN		RF	INK TANK (PM)		
2	NPN		RF	INK TANK (R)	iPF9400/9100/9000	
2	NPN		RF	INK TANK (G)	iPF9400/9100/9000	
2	NPN		RF	INK TANK (B)	iPF9400/9100/9000	
2	NPN		RF	INK TANK (GY)		
2	NPN		RF	INK TANK (PGY)	iPF9400/9100/9000	
3	QL2-1666-010		1	STOPPER, BELT		
4	QM2-2476-090		1	2 INCH DRIVE SPOOL UNIT LEFT	iPF9100/9000S/9000	
5	QM2-2470-040		1	2 INCH DRIVE SPOOL UNIT RIGHT	iPF9100/9000S/9000	
6	QM3-1117-000		1	3 INCH DRIVE SPOOL UNIT LEFT	iPF9100/9000S/9000	
7	QM2-2475-000		1	3 INCH DRIVE SPOOL UNIT RIGHT	iPF9100/9000S/9000	
8	QC2-2224-000		1	POCKET		
9	FB1-0733-000		1	BRUSH, CLEANER		
10	QC1-7137-000		6	BAR, DELIVERY SUPPORT		
11	QK1-1394-000		1	CORD, POWER	100V	
12	QK1-1393-000		1	CORD, POWER	120V(UL)	
13	QK1-1392-000		1	CORD, POWER	230V	
14	QK1-1441-000		1	CORD, POWER	230V(UK)	
15	QK1-1395-000		1	CORD, POWER	230V(AUS)	
16	QH2-2732-000		1	CORD, POWER	230V(KOR)	
17	QK1-1396-010		1	CORD, POWER	230V(CHN)	
18	FH2-7092-020		1	WIRE, GROUND	100V	
19	QE1-2334-000		1	SCREW, ALLEN, M4X6		
20	XA9-1501-000		8	SCREW, RS, M3X10		

FIGURE & KEY NO.	PARTS NUMBER	R A N K	Q'TY	DESCRIPTION	SERIAL NUMBER/ REMARKS	S V C
21	QM3-3267-010		1	FLANGE, SPOOL	iPF9400/9400S	
22	QL2-2916-000		1	DRIVE SPOOL UNIT, RIGHT	iPF9400/9400S	
23	QM3-3269-010		1	HOLDER, ROLL	iPF9400/9400S	
24	QM3-3268-010		1	HOLDER, ROLL	iPF9400/9400S	
25	QM4-8116-000		1	SHAFT, SPOOL	iPF9400/9400S	

FIGURE 02 COVERS (1)

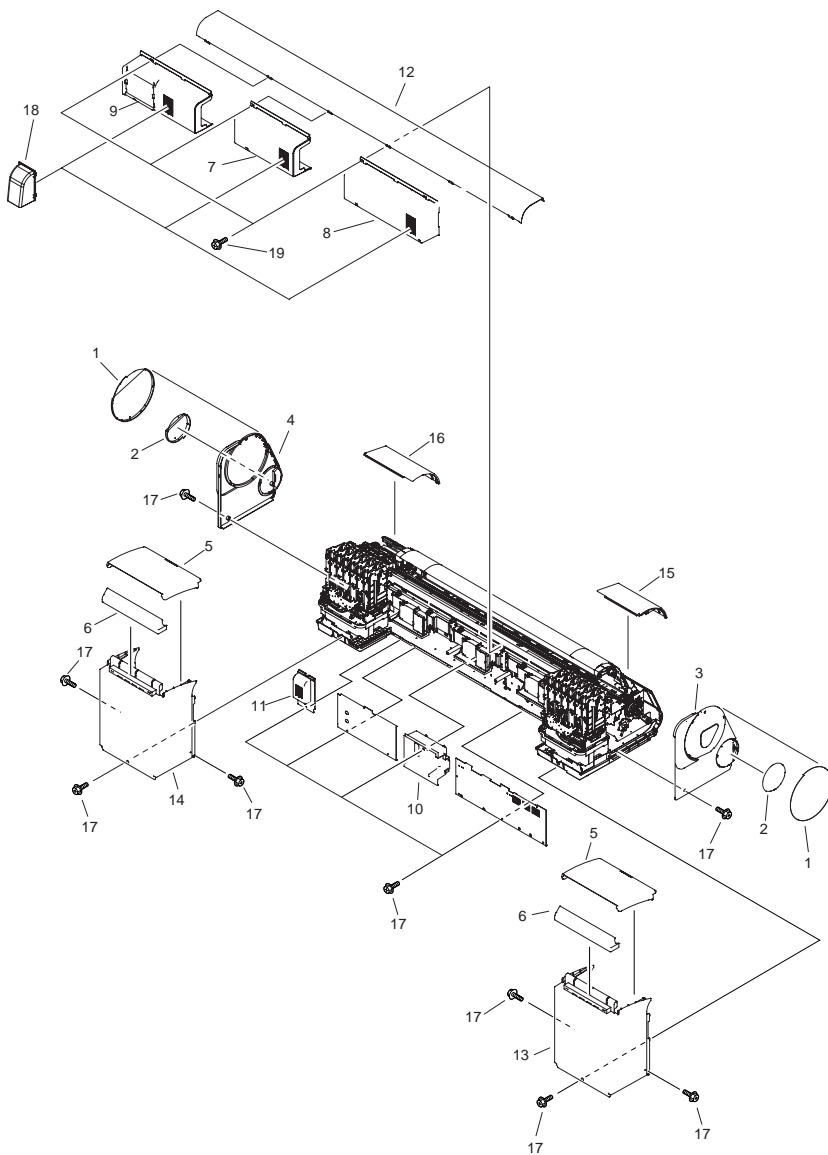


FIGURE & KEY NO.	PARTS NUMBER	R A N K	Q'TY	DESCRIPTION	SERIAL NUMBER/ REMARKS	S V C
Fig.02	NPN		RF	COVERS (1)		
1	QC1-6930-000		2	COVER, CIRCLE(L)	iPF9100/9000	
1	QC2-6658-000		2	COVER, CIRCLE(L)	iPF9400S/9000S	
1	QC3-2714-000		2	COVER, CIRCLE(L)	iPF9400	
2	QC1-6931-000		2	COVER, CIRCLE(S)	iPF9400S/9100/9000	
2	QC2-6659-000		2	COVER, CIRCLE(S)	iPF9000S	
2	QC3-2715-000		2	COVER, CIRCLE(S)	iPF9400	
3	QC2-2191-000		1	COVER, SIDE, LEFT		
4	QC2-2192-000		1	COVER, SIDE, RIGHT		
5	QC2-2181-000		2	COVER, TANK, UPPER		
6	QC2-2183-000		2	COVER, TANK, REAR		
7	QC2-2197-000		1	COVER, REAR, MIDDLE		
8	QC2-2198-000		1	COVER, REAR, LEFT		
9	QC2-2199-000		1	COVER, REAR, RIGHT		
10	QC2-2200-000		1	COVER, INTERFACE		
11	QC2-2202-030		1	COVER, EXHAUST		
12	QL2-1667-000		1	COVER, REAR, UPPER		
13	QL2-1692-000		1	COVER, TANK, LEFT		
14	QL2-1697-000		1	COVER, TANK, RIGHT		
15	QM3-1031-000		1	COVER, LEFT, UPPER	iPF9100/9000	
15	QM3-3026-000		1	COVER, LEFT, UPPER	iPF9400S/9000S	
15	QM3-6505-000		1	COVER, LEFT, UPPER	iPF9400	
16	QM3-1032-000		1	RIGHT COVER UNIT	iPF9000	
16	QM3-3027-000		1	RIGHT COVER UNIT	iPF9100	
16	QM3-3028-000		1	RIGHT COVER UNIT	iPF9000S	
16	QM4-8136-000		1	RIGHT COVER UNIT	iPF9400	
16	QM4-8139-000		1	RIGHT COVER UNIT	iPF9400S	
17	XA9-0732-000		17	SCREW, RS, M4		
18	QC2-6679-000		3	COVER, EXHAUST	iPF9400/9100/9000S	
19	XA9-2027-000		8	SCREW, RS, M4		

FIGURE 03
COVERS (2)

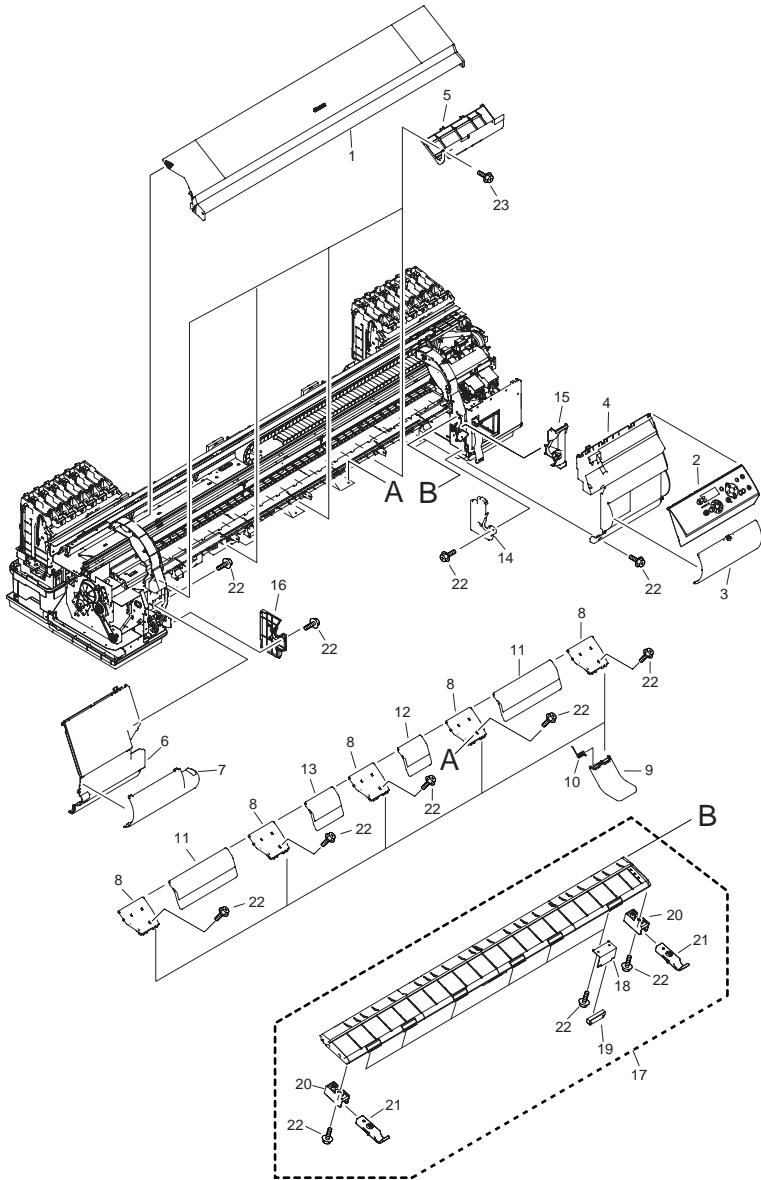


FIGURE & KEY NO.	PARTS NUMBER	R A N K	Q'TY	DESCRIPTION	SERIAL NUMBER/ REMARKS	S V C
Fig.03	NPN		RF	COVERS (2)		
1	QM3-1049-030		1	UPPER COVER UNIT	iPF9100/9000	
1	QM3-3030-030		1	UPPER COVER UNIT	iPF9000S	
1	QM4-8137-000		1	UPPER COVER UNIT	iPF9400	
1	QM4-8142-000		1	UPPER COVER UNIT	iPF9400S	
2	QM3-0981-000		1	OPERATION PANEL UNIT	iPF9000(ENGLISH)	
2	QM3-0986-000		1	OPERATION PANEL UNIT	iPF9000(JAPANESE)	
2	QM3-3108-000		1	OPERATION PANEL UNIT	iPF9100(ENGLISH)	
2	QM3-3109-000		1	OPERATION PANEL UNIT	iPF9100(JAPANESE)	
2	QM3-3165-000		1	OPERATION PANEL UNIT	iPF9000S(ENGLISH)	
2	QM3-3166-000		1	OPERATION PANEL UNIT	iPF9000S(JAPANESE)	
2	QM3-6510-010		1	OPERATION PANEL UNIT	iPF9400(JAPANESE)	
2	QM3-6509-010		1	OPERATION PANEL UNIT	iPF9400(ENGLISH)	
2	QM3-9935-000		1	OPERATION PANEL UNIT	iPF9400S(JAPANESE)	
2	QM3-9934-000		1	OPERATION PANEL UNIT	iPF9400S(ENGLISH)	
3	QC2-2178-020		1	COVER, CARTRIDGE	iPF9100/9000	
3	QC2-6657-020		1	COVER, CARTRIDGE	iPF9000S	
3	QC3-2713-000		1	COVER, CARTRIDGE	iPF9400	
3	QC2-2178-020		1	COVER, CARTRIDGE	iPF9400S	
4	QL2-2101-000		1	COVER, RIGHT	iPF9000	
4	QC2-2177-000		1	COVER, RIGHT	iPF9400/9400S/9100/ 9000S	
5	QM2-2495-010		3	FEED UPPER GUIDE UNIT		
6	QC2-2172-000		1	COVER, LEFT		
7	QC2-2173-000		1	COVER, LEFT, LOWER	iPF9400S/9100/9000	
7	QC2-6660-000		1	COVER, LEFT, LOWER	iPF9000S	
7	QC3-2716-000		1	COVER, LEFT, LOWER	iPF9400	
8	QC1-6924-000		5	GUIDE A, FEED LOWER		
9	QC1-7278-000		5	ARM, LOWER GUIDE		
10	QU1-2185-000		5	SPRING, TORSION		
11	QC1-6925-000		2	GUIDE B, FEED LOWER		
12	QC1-6926-000		1	GUIDE C, FEED LOWER		

FIGURE & KEY NO.	PARTS NUMBER	RANK	Q'TY	DESCRIPTION	SERIAL NUMBER/REMARKS	SVC
13	QC1-6927-000		1	GUIDE D, FEED LOWER		
14	QC2-2179-000		1	COVER, SPOOL RECEIVE, RIGHT, 1		
15	QC2-2180-000		1	COVER, SPOOL RECEIVE, RIGHT, 2		
16	QL2-1668-000		1	COVER, SPOOL RECEIVE, LEFT	iPF9100/9000S/9000	
16	QC3-3648-000		1	COVER, SPOOL RECEIVE, LEFT	iPF9400/9400S	
17	QM3-1007-000		1	ROLL PAPER COVER UNIT		
18	QC1-7138-000		6	MOUNT, ASSIST, DELIVERY		
19	QC1-7143-000		6	SHEET, DELIVERY ASSIST		
20	QC2-3113-000		2	HOOK, BASKET		
21	QC2-3114-000		2	MOUNT, HOOK		
22	XA9-0732-000		30	SCREW, RS, M4		
23	QC1-7399-000		8	SCREW, STEPPED, M4		

FIGURE 04 ELECTRICAL PART

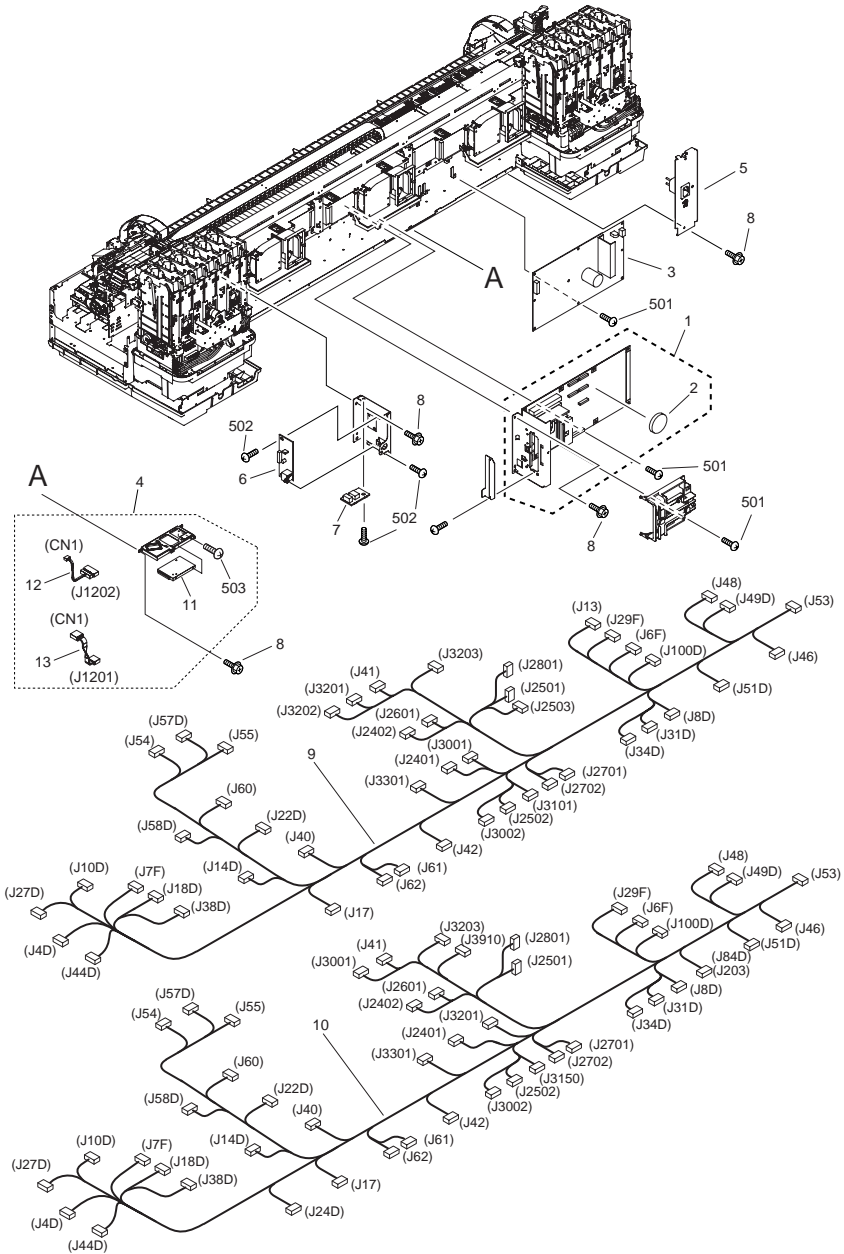


FIGURE & KEY NO.	PARTS NUMBER	R A N K	Q'TY	DESCRIPTION	SERIAL NUMBER/REMARKS	S V C
Fig.04	NPN		RF	ELECTRICAL PART		
1	QM3-0985-000		1	MAIN BOARD DIMM ASS'Y	iPF9000	
1	QM3-3158-000		1	MAIN BOARD DIMM ASS'Y	iPF9000S	
1	QM3-3099-000		1	MAIN BOARD DIMM ASS'Y	iPF9100	
1	QM7-7007-000		1	MAIN BOARD DIMM ASS'Y	iPF9400	
1	QM7-7013-000		1	MAIN BOARD DIMM ASS'Y	iPF9400S	
2	WK1-5207-000		1	LITHIUM BATTERY		
3	QK1-5207-000		1	POWER SUPPLY ASS'Y	iPF9100/9000S/9000	
3	QK1-4084-000		1	POWER SUPPLY ASS'Y	iPF9400/9400S	
4	QM3-1045-000		1	HDD UNIT, MHV2040AH	iPF9000	
4	QM3-3029-010		1	HDD UNIT, MHW2080BH	iPF9100/9000S	
5	QM3-1047-000		1	INLET UNIT	iPF9100/9000S/9000/ 9400/9400S(100V)	
5	QM3-7036-000		1	INLET UNIT	iPF9400/ 9400S(OVERSEAS)	
6	QM3-0983-000		1	TAKE-UP UNIT RELAY PCB ASS'Y		
7	WP2-5187-000		1	SENSOR UNIT, HUMIDITY		
8	XA9-0732-000		9	SCREW, RS, M4		
9	QM3-1191-000		1	HARNESS, WIRE, MAIN	iPF9000	
10	QM3-3111-000		1	HARNESS, WIRE, MAIN	iPF9100/9000S	
10	QM7-7019-000		1	HARNESS, WIRE, MAIN	iPF9400/9400S	
11	FK2-2416-000		1	HDD, WD800BEVT-22ZCT0	iPF9100/9000S	
11	WM2-5280-000		1	HDD, MK2575GSX(HDD2L05QSL)	iPF9400/9400S	
12	QK1-4095-000		1	HARNESS, WIRE, HDD1	iPF9400/9400S/9100/ 9000S	
13	QK1-4096-000		1	HARNESS, WIRE, HDD2	iPF9400/9400S/9100/ 9000S	
501	XB1-2400-606		13	SCREW, MACHINE M4X6		
502	XB1-2300-606		4	SCREW, MACHINE M3X6		
503	XB1-2300-407		4	SCREW, MACH, TRUSS HEAD, M3X4	iPF9400/9400S/9100/ 9000S	

FIGURE 05 INK TANK & PURGE UNIT

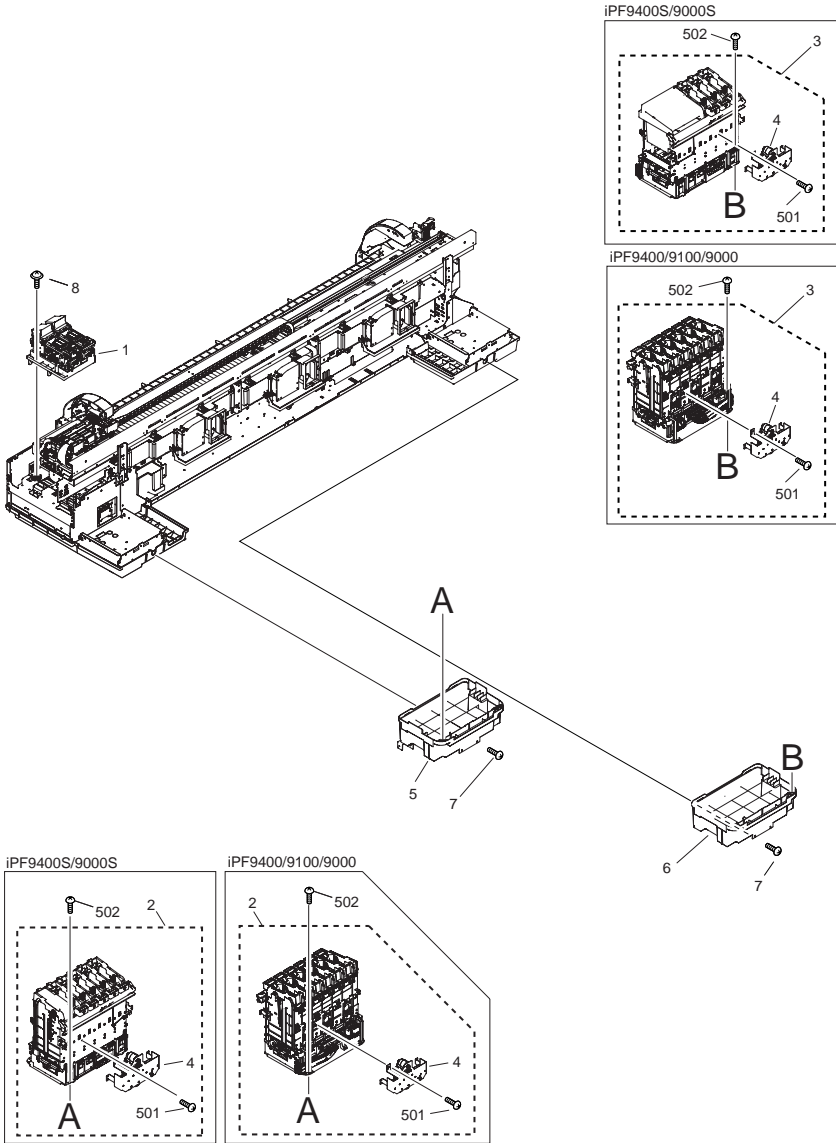


FIGURE & KEY NO.	PARTS NUMBER	R A N K	Q'TY	DESCRIPTION	SERIAL NUMBER/ REMARKS	S V C
Fig.05	NPN		RF	INK TANK & PURGE UNIT		
1	QM3-1004-020		1	PURGE UNIT	iPF9100/9000S/9000	
1	QM3-7018-020		1	PURGE UNIT	iPF9400/9400S	
2	QM3-1005-000		1	INK TANK UNIT R	iPF9000	
2	QM3-3080-000		1	INK TANK UNIT R	iPF9100	
2	QM3-3072-000		1	INK TANK UNIT R	iPF9000S	
2	QM3-6512-000		1	INK TANK UNIT R	iPF9400	
2	QM3-9937-000		1	INK TANK UNIT R	iPF9400S	
3	QM3-1006-000		1	INK TANK UNIT L	iPF9000	
3	QM3-3081-000		1	INK TANK UNIT L	iPF9100	
3	QM3-3073-000		1	INK TANK UNIT L	iPF9000S	
3	QM3-6513-000		1	INK TANK UNIT L	iPF9400	
3	QM3-9938-000		1	INK TANK UNIT L	iPF9400S	
4	QM3-1055-000		2	INK SUPPLY DRIVE UNIT		
5	QM3-1034-020		1	INK SUPPLY MOUNT UNIT (R)		
6	QM3-1033-020		1	INK SUPPLY MOUNT UNIT (L)		
7	XA9-0732-000		4	SCREW, RS, M4		
8	XA9-2027-000		3	SCREW, RS, M4		
501	XB1-2300-607		6	SCREW, BH3X6(S)		
502	XB5-2400-809		4	SCREW, TAPPING M4X8		

FIGURE 06 CARRIAGE UNIT

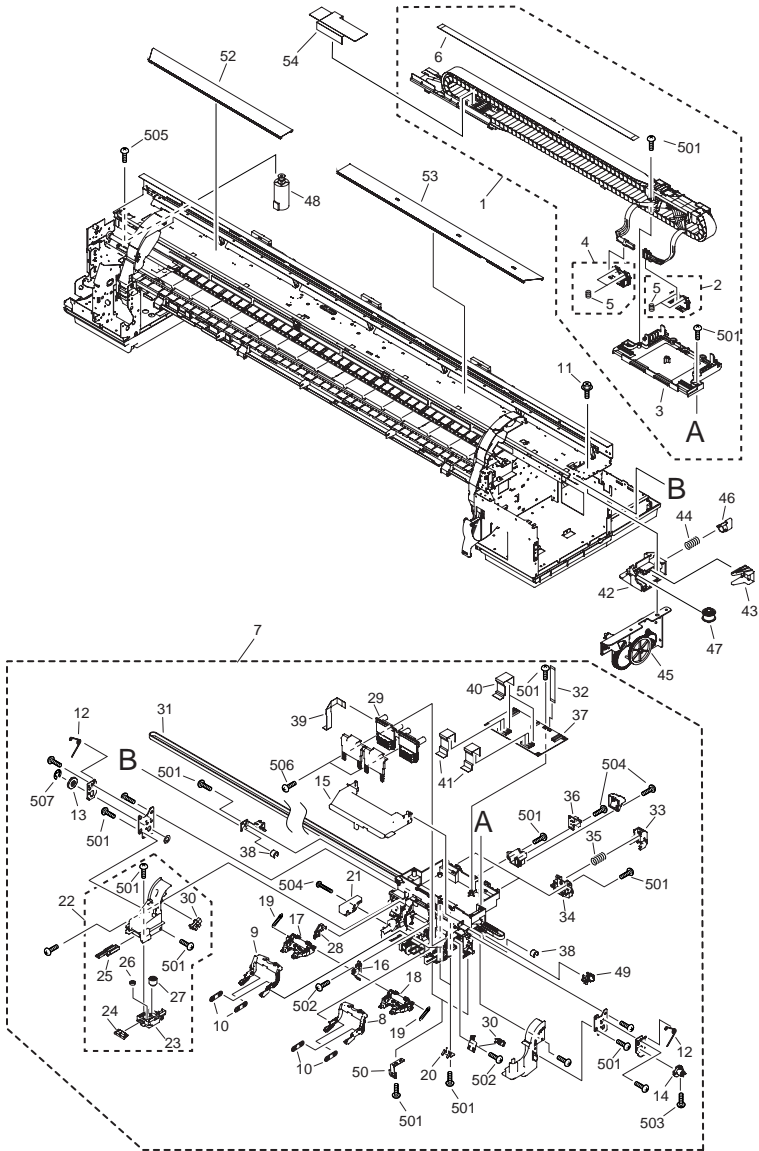


FIGURE & KEY NO.	PARTS NUMBER	R A N K	Q'TY	DESCRIPTION	SERIAL NUMBER/ REMARKS	S V C
Fig.06	NPN		RF	CARRIAGE UNIT		
1	QM3-1019-060		1	TUBE UNIT	iPF9000	
1	QM3-3090-040		1	TUBE UNIT	iPF9000S	
1	QM3-3358-040		1	TUBE UNIT	iPF9100	
1	QM4-8120-000		1	TUBE UNIT	iPF9400	
1	QM4-8121-000		1	TUBE UNIT	iPF9400S	
2	QM3-0584-000		1	BASE UNIT, JOINT		
3	QM3-1017-000		1	UPPER CARRIAGE COVER		
4	QM3-1018-000		1	BASE UNIT, JOINT, LEFT		
5	QU1-2005-000		4	SPRING, COMPRESSION		
6	QM4-8299-000		1	FLEXIBLE CABLE ASS'Y		
7	QM3-1016-060		1	CARRIAGE UNIT	iPF9000	
7	QM3-3092-000		1	CARRIAGE UNIT	iPF9100/9000S	
7	QM4-8114-000		1	CARRIAGE UNIT	iPF9400/9400S	
8	QC2-0659-050		1	LEVER R, INK TUBE		
9	QC2-0660-050		1	LEVER L, INK TUBE		
10	QC2-0661-000		4	LINK LEVER, TUBE		
11	XA9-0732-000		4	SCREW, RS, M4		
12	QC2-2078-000		2	SPRING, TORSION		
13	QC2-2104-000		1	CAM, LIFT, LEFT	iPF9100/9000S/9000	
13	QC3-2769-000		1	CAM, LIFT, LEFT	iPF9400/9400S	
14	QC2-2106-000		1	CAM, LIFT, RIGHT	iPF9100/9000S/9000	
14	QC3-2770-000		1	CAM, LIFT, RIGHT	iPF9400/9400S	
15	QC2-3138-000		1	COVER, CARRIAGE		
16	QC2-0653-000		1	HOLDER, LEVER SET PRINTHEAD		
17	QM3-0541-000		1	HEAD LEVER UNIT		
18	QM3-0560-000		1	HEAD LEVER UNIT		
19	QU1-2006-000		2	SPRING, COMPRESSION		
20	QC1-7156-000		2	STOPPER, BELT		
21	QM2-3437-000		1	MULTI SENSOR UNIT	iPF9000	
21	QM3-3138-000		1	MULTI SENSOR UNIT	iPF9100/9000S	
21	QM4-8018-000		1	MULTI SENSOR UNIT	iPF9400/9400S	

FIGURE & KEY NO.	PARTS NUMBER	R A N K	Q'TY	DESCRIPTION	SERIAL NUMBER/ REMARKS	S V C
22	QM3-1044-010		1	CUTTER HOLDER UNIT		
23	QC2-2364-000		1	HOLDER, GEAR		
24	QC2-2365-000		1	RACK		
25	QC2-2366-000		1	LEVER		
26	QU1-0130-000		1	GEAR, 20T		
27	QU1-0131-000		1	GEAR, 20T/36T		
28	QC2-0710-000		1	COVER, FFC MULTI SENSOR		
29	QM3-0979-000		1	HEAD RELAY PCB ASS'Y	iPF9000	
29	QM3-3106-000		1	HEAD RELAY PCB ASS'Y	iPF9100/9000S	
29	QM7-7020-000		1	HEAD RELAY PCB ASS'Y	iPF9400/9400S	
30	WG8-5624-000		2	IC, PHOTO INTERRUPTER		
31	QC2-2117-000		1	BELT, CARRIAGE	iPF9000	
31	QC2-6712-000		1	BELT, CARRIAGE	iPF9400/9400S/9100/ 9000S	
32	QK1-2985-000		1	CABLE, FLEXIBLE		
33	QL2-1104-000		2	IDLER ROLLER UNIT	iPF9000	
33	QL2-2443-000		2	IDLER ROLLER UNIT	iPF9400/9400S/9100/ 9000S	
34	QL2-1114-000		2	IDLER ROLLER HOLDER UNIT	iPF9000	
34	QL2-2442-000		2	IDLER ROLLER HOLDER UNIT	iPF9100/9000S	
34	QL2-8080-000		2	IDLER ROLLER HOLDER UNIT	iPF9400/9400S	
35	QU1-2175-000		2	SPRING, COIL		
36	QM2-3421-010		1	ENCODER SENSOR UNIT	iPF9000	
36	QM3-3112-000		1	ENCODER SENSOR UNIT	iPF9400/9400S/9100/ 9000S	
37	QM3-0980-000		1	CARRIAGE RELAY PCB ASS'Y	iPF9000	
37	QM3-3107-000		1	CARRIAGE RELAY PCB ASS'Y	iPF9100/9000S	
37	QM7-7017-000		1	CARRIAGE RELAY PCB ASS'Y	iPF9400/9400S	
38	QU1-1004-000		2	BUSHING		
39	QK1-2091-000		1	CABLE, MULTI SENSOR	iPF9000	
39	QK1-2758-000		1	CABLE, MULTI SENSOR	iPF9100/9000S	
39	QK1-9587-000		1	CABLE, MULTI SENSOR	iPF9400/9400S	
40	QK1-2983-000		2	CABLE, FLEXIBLE		

FIGURE & KEY NO.	PARTS NUMBER	RANK	Q'TY	DESCRIPTION	SERIAL NUMBER/REMARKS	SVC
41	QK1-2984-000		4	CABLE, FLEXIBLE		
42	QC1-7303-000		1	MOUNT, IDLER ROLLER		
43	QC2-3137-000		1	GUIDE, IDLER ROLLER		
44	QE1-1270-000		1	SPRING, COIL		
45	QM3-1020-000		1	LIFT DRIVE UNIT		
46	QE1-2691-000		1	LEVER, IDLER ROLLER		
47	QM1-0662-000		1	IDLER ROLLER ASS'Y		
48	QK1-2896-000		1	MOTOR, CARRIAGE	iPF9000	
48	QK1-2868-000		1	MOTOR, CARRIAGE	iPF9400/9400S/9100/9000S	
49	QM2-2572-000		1	RAIL CLEANER ASS'Y		
50	QL2-1125-000		2	SLIDER, RAIL		
51	QM3-1204-000		1	HARNESS, WIRE, LIFT MOTOR		
52	QC2-2153-000		1	GUIDE, FFC, L	iPF9100/9000S/9000	
52	QD1-0359-000		1	GUIDE, FFC, L	iPF9400/9400S	
53	QC2-2154-000		1	GUIDE, FFC, R	iPF9100/9000S/9000	
53	QD1-0360-000		1	GUIDE, FFC, R	iPF9400/9400S	
54	QC3-5038-000		1	SHEET, STABILIZE	iPF9100/9000S/9000	
501	XB4-7401-009		32	SCREW, TAP., PAN HEAD, M4X10		
502	XB4-7300-809		3	SCREW, TAP, BINDING HEAD, M3X8		
503	XB1-2300-806		1	SCREW, BH3X8		
504	XB4-5300-806		2	SCREW, TAP., TRUSS HEAD M3X8		
505	XB1-2400-606		4	SCREW, MACHINE M4X6		
506	XB4-7301-009		4	SCREW, BINDING HEAD SELF-TPG		
507	XD1-1100-502		1	SHIM		

FIGURE 07
FEED MOTOR ASS'Y

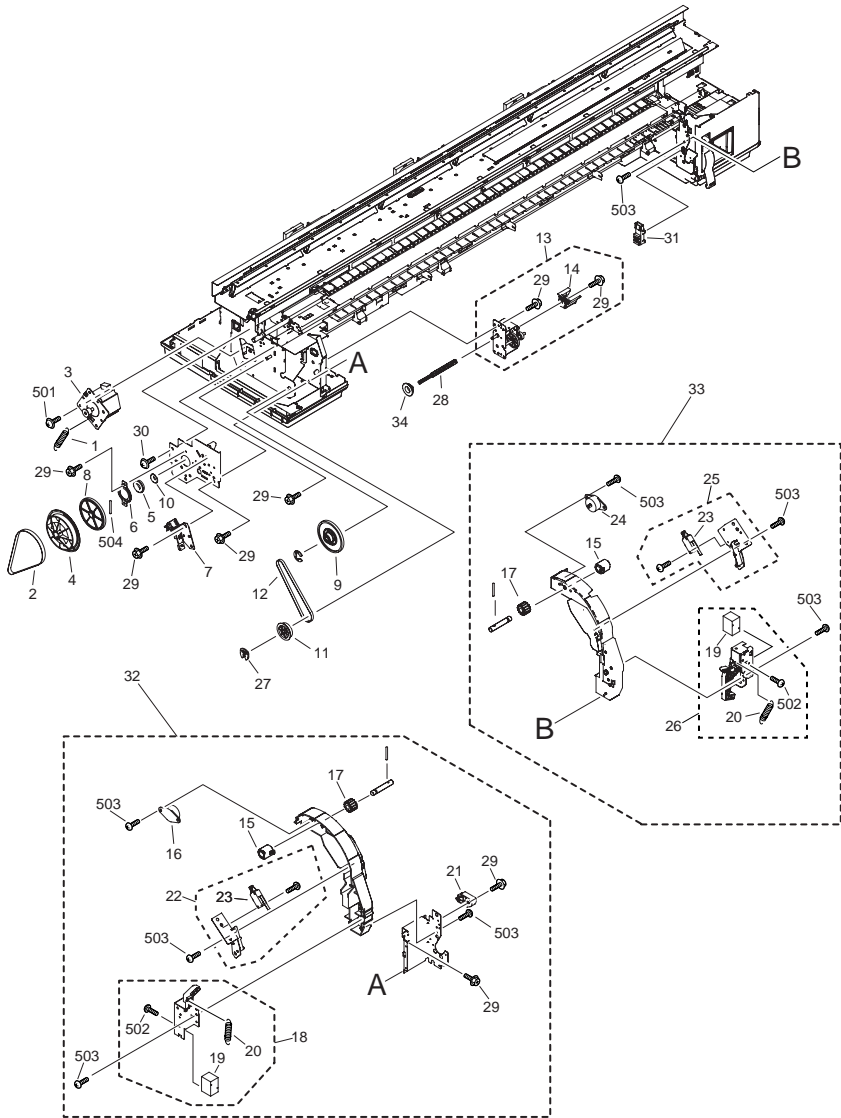


FIGURE & KEY NO.	PARTS NUMBER	RANK	Q'TY	DESCRIPTION	SERIAL NUMBER/REMARKS	SVC
Fig.07	NPN		RF	FEED MOTOR ASS'Y		
1	QU1-2170-000		1	SPRING, HOOK END COIL		
2	XF2-4119-770		1	BELT, FEED	iPF9400/9400S/9000S	
2	XF2-4119-790		1	BELT, FEED	iPF9100/9000	
3	QM4-8113-000		1	FEED MOTOR ASS'Y		
4	QL2-2095-000		1	PULLEY ASS'Y		
5	XG9-0453-000		1	BEARING, BALL, 6902ZZNR, NSK		
6	QC1-6847-000		1	SUPPORT, BEARING		
7	QM3-1106-000		1	SENSOR UNIT		
8	QU1-0082-000		1	GEAR 76T		
9	QU1-0083-000		1	GEAR, PULLY 76T/36T		
10	QU1-6016-000		1	COLLAR, FEED ROLLER		
11	QU1-0084-000		1	GEAR 56T		
12	XF2-4117-360		1	BELT, DRIVE		
13	QM2-2526-000		1	SPOOL DRIVE UNIT	iPF9100/9000S/9000	
13	QM4-8144-000		1	SPOOL DRIVE UNIT	iPF9400/9400S	
14	QC1-7092-000		1	COVER, GEAR	iPF9100/9000S/9000	
14	QC3-3653-000		1	COVER, GEAR	iPF9400/9400S	
15	QC2-4136-000		2	COUPLING, DAMPER		
16	QC1-7068-000		1	DAMPER, LEFT		
17	QE1-1063-000		2	GEAR 14T		
18	QM2-2511-000		1	UPPER COVER LOCK UNIT L		
19	FH7-5489-050		2	SOLENOID, DC24V		
20	QU1-2173-000		2	SPRING, HOOK END COIL		
21	QC1-7141-000		1	STOPPER, COVER		
22	QM3-1024-000		1	UPPER COVER SWITCH UNIT L		
23	WC4-5180-000		2	MICROSWITCH (DOOR)		
24	QC1-7067-000		1	DAMPER, RIGHT		
25	QM3-1026-000		1	UPPER COVER SWITCH UNIT R		
26	QM3-1027-000		1	UPPER COVER LOCK UNIT R		
27	FA3-8727-000		1	RETAINING RING		
28	QC2-2195-000		1	SHAFT, JOINT		

FIGURE & KEY NO.	PARTS NUMBER	R A N K	Q'TY	DESCRIPTION	SERIAL NUMBER/ REMARKS	S V C
29	XA9-0732-000		11	SCREW, RS, M4		
30	XA9-0249-000		3	SCREW, M4X8		
31	WG8-5677-000		1	PHOTO-INTERRUPTER		
32	QM3-1023-000		1	COVER STAY UNIT L	iPF9100/9000S/9000	
32	QM4-8143-000		1	COVER STAY UNIT L	iPF9400/9400S	
33	QM3-1025-000		1	COVER STAY UNIT R	iPF9100/9000S/9000	
33	QM3-7042-000		1	COVER STAY UNIT R	iPF9400/9400S	
34	FS5-1189-000		1	BUSHING		
501	XB2-8401-009		4	SCREW, W/WASHER, M4X10		
502	XB1-2300-406		4	SCREW, MACHINE, TRUSS HEAD, M3		
503	XB4-5400-806		12	SCREW, P, M4X8		
504	XD3-2200-222		1	PIN		

FIGURE 08 AIR FLOW FAN UNIT

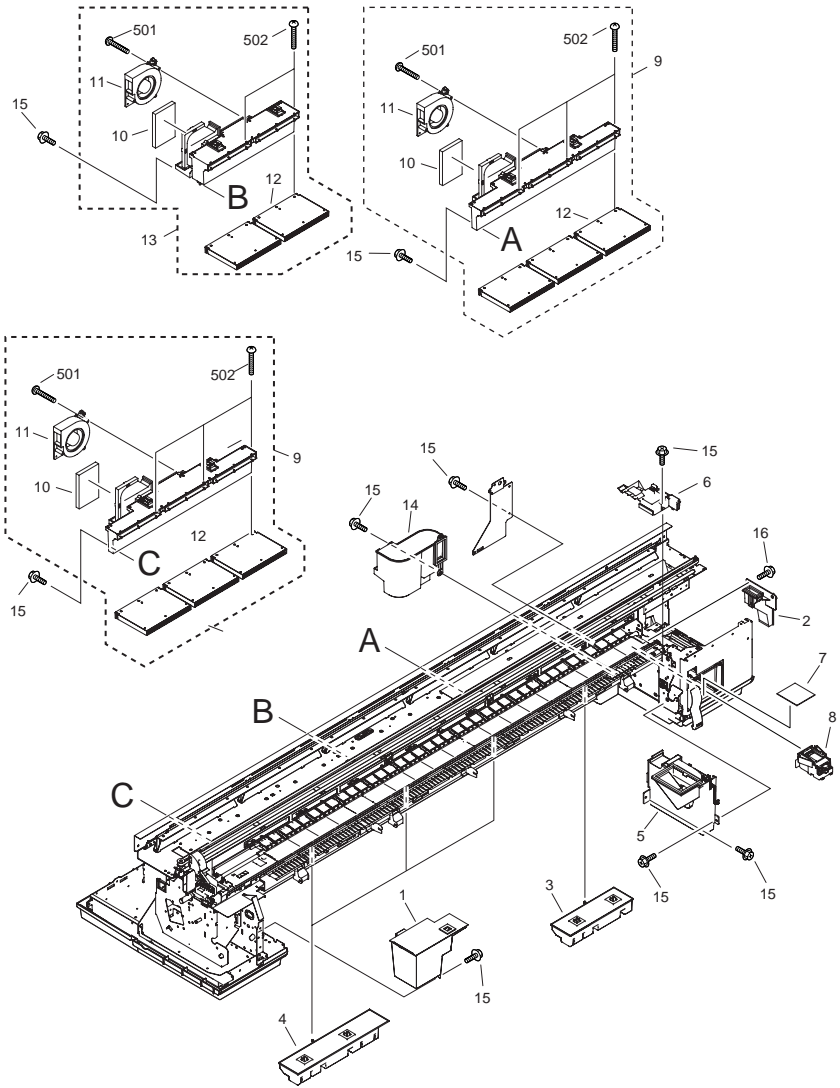


FIGURE & KEY NO.	PARTS NUMBER	RANK	Q'TY	DESCRIPTION	SERIAL NUMBER/REMARKS	SVC
Fig.08	NPN		RF	AIR FLOW FAN UNIT		
1	QL2-2110-000		1	WASTE INK ABSORBER UNIT		
2	QL2-2114-000		1	DUCT ASS'Y		
3	QL2-1650-000		1	WASTE INK ABSORBER UNIT (S)		
4	QL2-2108-000		3	WASTE INK ABSORBER UNIT (L)		
5	QM3-1012-000		1	SUCTION FAN UNIT	iPF9000	
5	QM3-3069-000		1	SUCTION FAN UNIT	iPF9400/9400S/9100/9000S	
6	QM3-1056-010		1	HEAD MANAGEMENT SENSOR		
7	QC1-7237-000		1	ABSORBER, INK		
8	QM3-1419-000		1	M/C RELAY PCB ASS'Y	iPF9100/9000S/9000	
8	QM3-4843-000		1	M/C RELAY PCB ASS'Y	iPF9400/9400S	
9	QM3-1038-000		2	FAN UNIT		
10	QC1-9198-000		3	FILTER, MIST		
11	QK1-1387-000		3	FAN, MIST		
12	QM3-2064-000		8	DUCT UNIT		
13	QM3-1039-000		1	FAN UNIT		
14	QL2-1663-000		1	DUCT		
15	XA9-0732-000		18	SCREW, RS, M4		
16	XA9-2027-000		1	SCREW, RS, M4		
501	XB4-7404-009		6	SCREW, TAP BINDING HEAD, M4X40		
502	XB4-7402-509		24	SCREW, TAP., TRUSS HEAD, M4X25		

FIGURE 09 PINCH ROLLER UNIT

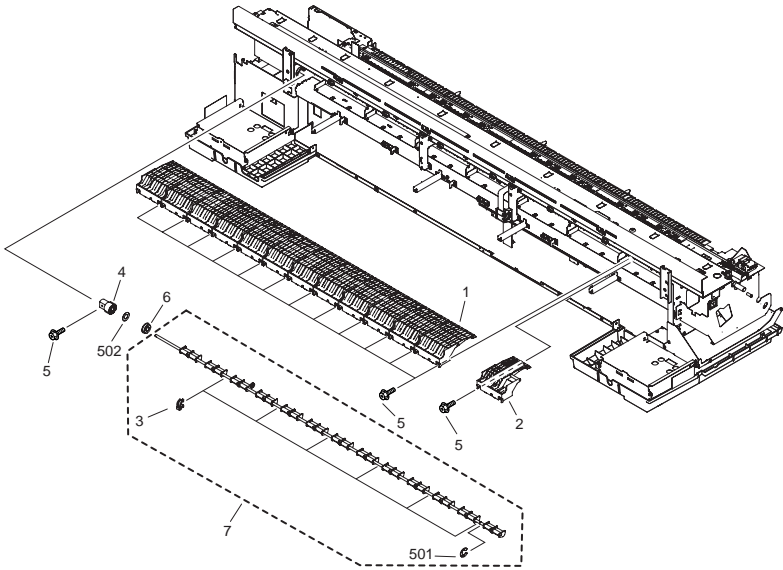
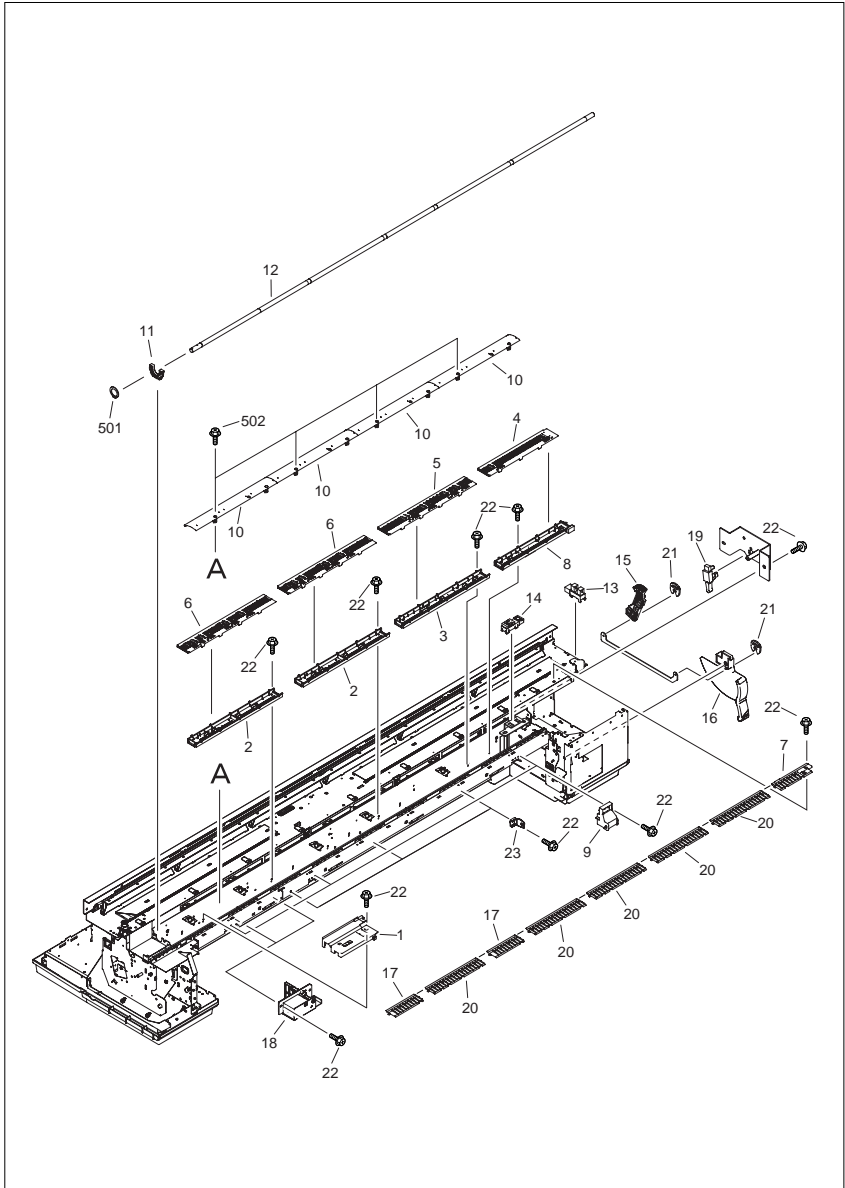


FIGURE & KEY NO.	PARTS NUMBER	RANK	Q'TY	DESCRIPTION	SERIAL NUMBER/REMARKS	SVC
Fig.09	NPN		RF	PINCH ROLLER UNIT		
1	QM2-2596-050		12	PINCH ROLLER UNIT		
2	QM3-1010-000		1	PINCH ROLLER UNIT		
3	QC1-6999-000		6	BUSHING		
4	QE1-1048-000		1	GEAR		
5	XA9-0732-000		27	SCREW, RS, M4		
6	XG9-0549-000		1	BEARING, BALL	iPF9000	
6	XG9-0365-000		1	BEARING, BALL	iPF9400/9400S/9100/9000S	
7	QM3-1009-000		1	RELEASE LEVER SHAFT UNIT		
501	XD2-1100-642		1	RING, E		
502	XD1-1108-219		1	WASHER, COP		

FIGURE 10 PLATEN & FEED ROLLER

iPF9100/9000S/9000



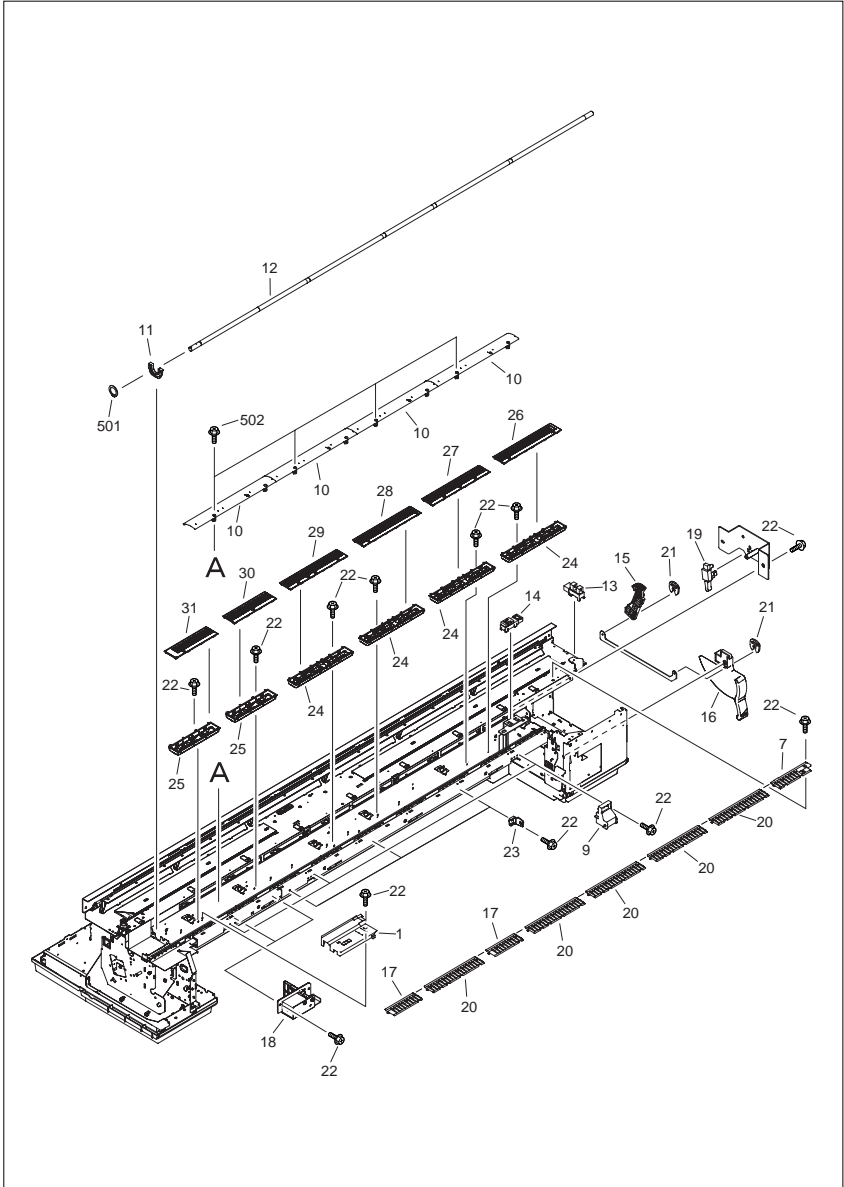


FIGURE & KEY NO.	PARTS NUMBER	R A N K	Q'TY	DESCRIPTION	SERIAL NUMBER/ REMARKS	S V C
Fig.10	NPN		RF	PLATEN & FEED ROLLER		
1	QL2-1662-000		1	MOUNT, SENSOR ADJUSTING	iPF9100/9000S/9000	
1	QL2-8099-000		1	MOUNT, SENSOR ADJUSTING	iPF9400/9400S	
2	QL2-2784-000		2	BASE, PLATEN L	iPF9100/9000S/9000	
3	QL2-2783-000		1	BASE, PLATEN C	iPF9100/9000S/9000	
4	QL2-1659-000		1	PLATEN R	iPF9100/9000S/9000	
5	QL2-1660-000		1	PLATEN C	iPF9100/9000S/9000	
6	QL2-2109-000		2	PLATEN L	iPF9100/9000S/9000	
7	QC2-2355-000		1	GUIDE, DELIVERY, RIGHT		
8	QL2-2782-000		1	BASE, PLATEN R	iPF9100/9000S/9000	
9	QM2-2528-010		3	COVER LOCK UNIT		
10	QC1-6921-000		4	PLATEN, REAR		
11	QC2-2082-000		1	BUSHING		
12	QM3-1008-000		1	FEED ROLLER ASS'Y	iPF9100/9000S/9000	
12	QM4-8134-000		1	FEED ROLLER ASS'Y	iPF9400/9400S	
13	WG8-5624-000		1	IC, PHOTO INTERRUPTER		
14	WG8-5677-000		1	PHOTO-INTERRUPTER		
15	QC1-7043-000		1	GEAR, RELEASE		
16	QC1-7034-000		1	LEVER, RELEASE		
17	QC2-2356-000		2	GUIDE, DELIVERY, LEFT		
18	QM3-1011-000		2	SOLENOID UNIT		
19	WC4-5052-000		1	MICRO SWITCH		
20	QC2-2354-000		5	GUIDE, DELIVERY		
21	FA3-8727-000		2	RING, RETAINING		
22	XA9-0732-000		50	SCREW, RS, M4		
23	QC2-2458-000		3	GUIDE, ROLL PAPER COVER		
24	QL2-3385-000		4	BASE, PLATEN R	iPF9400/9400S	
25	QL2-8087-000		2	BASE, PLATEN L	iPF9400/9400S	
26	QM3-7700-000		1	PLATEN R	iPF9400/9400S	
27	QM3-7701-000		1	PLATEN C	iPF9400/9400S	
28	QM3-7702-000		1	PLATEN C	iPF9400/9400S	
29	QM4-8131-000		1	PLATEN C	iPF9400/9400S	

FIGURE & KEY NO.	PARTS NUMBER	RANK	Q'TY	DESCRIPTION	SERIAL NUMBER/REMARKS	SVC
30	QM4-8132-000		1	PLATEN C	iPF9400/9400S	
31	QM4-8133-000		1	PLATEN L	iPF9400/9400S	
501	XD2-3100-152		1	RING, C		
502	XA9-0724-000		8	SCREW, M3X8		

FIGURE 11 LINEAR SCALE

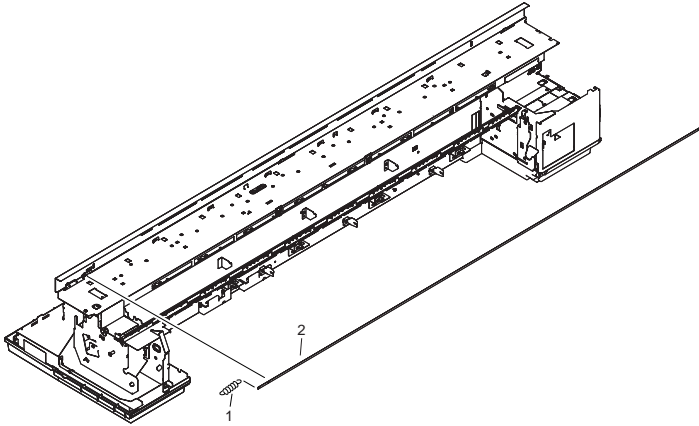


FIGURE & KEY NO.	PARTS NUMBER	RANK	QTY	DESCRIPTION	SERIAL NUMBER/REMARKS	SVC
Fig.11	NPN		RF	LINEAR SCALE		
1	QU1-2169-000		1	SPRING, HOOK END COIL		
2	QC3-1883-000		1	SCALE, LINEAR	iPF9100/9000S/9000	
2	QD1-0362-000		1	SCALE, LINEAR	iPF9400/9400S	

FIGURE 12 MEDIA TAKE-UP UNIT

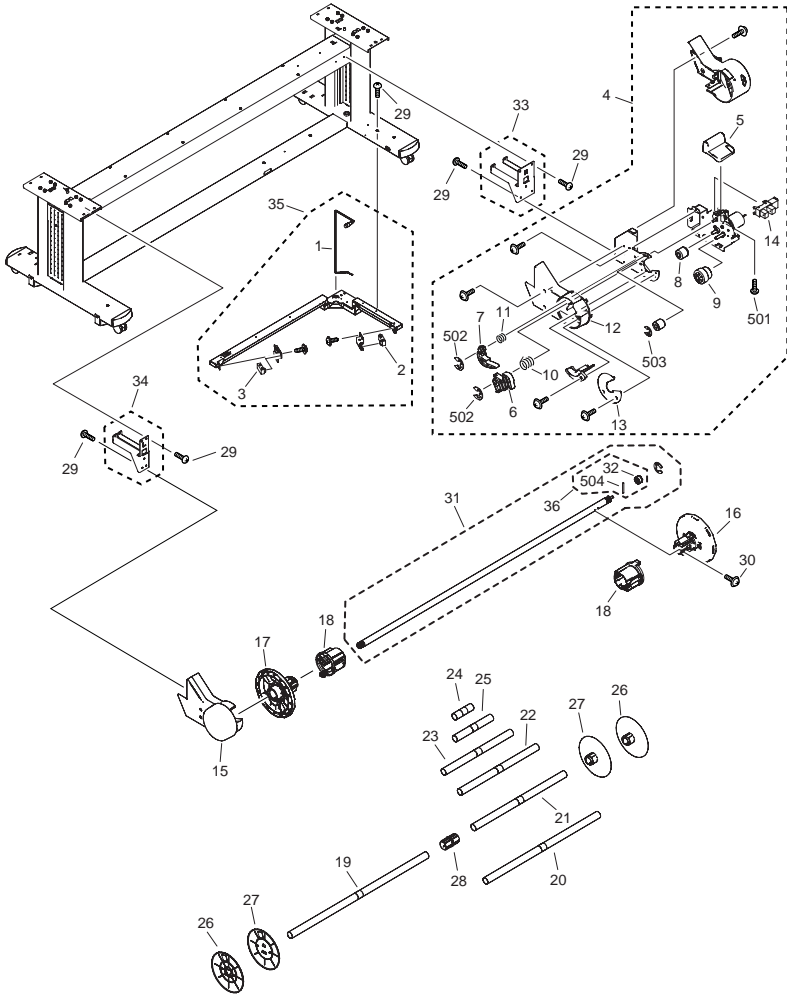


FIGURE & KEY NO.	PARTS NUMBER	R A N K	Q'TY	DESCRIPTION	SERIAL NUMBER/ REMARKS	S V C
Fig.12	NPN		RF	MEDIA TAKE-UP UNIT		
1	QK1-2908-000		1	CABLE, INTERFACE		
2	WG8-5770-000		1	IC, PID310L, PHOTO-INTERRUPTER		
3	WG8-5771-000		1	IC, PIE310, PHOTO-INTERRUPTER		
4	QM3-1092-010		1	MEDIA TAKE-UP DRIVE UNIT		
5	QC2-2399-000		1	KNOB		
6	QC2-2401-000		1	LEVER, LOCK		
7	QC2-2402-000		1	LEVER, RELEASE		
8	QC2-2403-000		1	GEAR, 14T		
9	QC2-2404-000		1	GEAR, 22T		
10	QC2-2408-000		1	SPRING, TORSION		
11	QC2-2409-000		1	SPRING, TORSION		
12	QC2-2410-000		1	COVER, DRIVE UNIT, 1		
13	QC2-2412-000		1	COVER, DRIVE UNIT, 2		
14	WG8-5624-000		1	IC, PHOTO INTERRUPTER		
15	QM3-1093-000		1	MEDIA TAKE-UP IDLER UNIT		
16	QM3-1108-000		1	RIGHT FLANGE UNIT		
17	QM3-1109-000		1	LEFT FLANGE UNIT		
18	QM3-1095-000		2	3 INCH ADAPTER UNIT		
19	QL2-3143-000		1	WEIGHT G		
20	QL2-3144-000		1	WEIGHT F		
21	QL2-3145-000		1	WEIGHT E		
22	QL2-3146-000		1	WEIGHT D		
23	QL2-3147-000		1	WEIGHT C		
24	QL2-3148-000		1	WEIGHT A		
25	QL2-3149-000		1	WEIGHT B		
26	QL2-1676-000		2	WEIGHT FLANGE 1		
27	QL2-2094-000		2	WEIGHT FLANGE 2		
28	QE1-1495-000		1	WEIGHT JOINT		
29	QE1-2304-000		15	BOLT, HEX HEAD, M4X8		
30	XA9-1501-000		4	SCREW, RS, M3X10		
31	QM3-1110-010		1	MEDIA TAKE-UP SPOOL SHAFT UNIT		

FIGURE & KEY NO.	PARTS NUMBER	R A N K	Q'TY	DESCRIPTION	SERIAL NUMBER/ REMARKS	S V C
32	QC2-2434-010		1	GEAR, 27T		
33	QC2-2413-000		1	BRACKET, MOUNTING, RIGHT		
34	QC2-2417-000		1	BRACKET, MOUNTING, LEFT		
35	QM3-1091-000		1	MEDIA TAKE-UP SENSOR UNIT		
36	QM4-8147-000		1	GEAR KIT		
501	XB4-7300-807		1	SCREW, TAP TIGHT, BINDING HEAD		
502	XD2-1100-502		2	RETAINING RING (E-TYPE)		
503	XD2-1100-322		1	RETAINING RING (E-TYPE)		
504	XD3-2200-142		1	PIN, PARALLEL		

FIGURE 13
STAND & BASKET UNIT

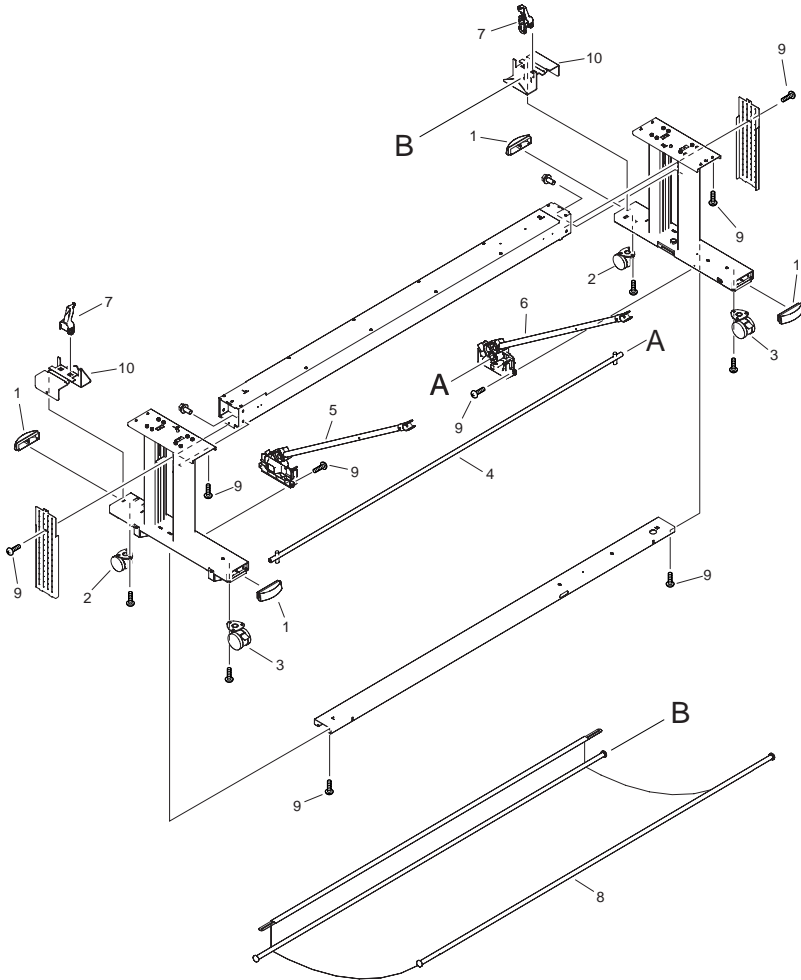


FIGURE & KEY NO.	PARTS NUMBER	R A N K	Q'TY	DESCRIPTION	SERIAL NUMBER/ REMARKS	S V C
Fig.13	NPN		RF	STAND & BASKET UNIT		
1	QC2-6626-000		4	CAP, FOOT		
2	QC2-4350-000		2	CASTER		
3	QC2-4351-000		2	CASTER		
4	QL2-2426-000		1	BASKET ROD		
5	QM3-2022-000		1	BASKET SUPPORT (L)		
6	QM3-2023-000		1	BASKET SUPPORT (R)		
7	QC2-6025-000		2	HOLDER, REAR		
8	QM3-3025-000		1	BASKET ROD		
9	QC2-4116-000		20	SCREW, HEX SOCKET, M4X10		
10	QL2-2326-000		2	MOUNT, HOLDER, ROD		

FIGURE 14 TOOL

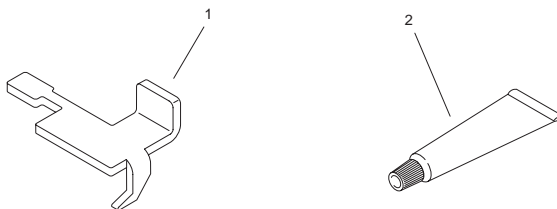


FIGURE & KEY NO.	PARTS NUMBER	RANK	QTY	DESCRIPTION	SERIAL NUMBER/REMARKS	SVC
Fig.14	NPN		RF	TOOL		
1	QY9-0103-000		1	COVER SWITCH TOOL		
2	FY9-6022-000		1	LUBE, FLOIL G-5000H, GREASE		

FIGURE ZZA

MECHANICAL STANDARD PARTS(HOW TO USE)

Mechanical standard parts

機械標準部品

About a mechanical standard parts

A Mechanical standard parts is a mechanical part which not parts peculiar to a product. They are parts which are common to a Canon product and are used, such as a screw and a washer. The Fig No. and parts number of the mechanical standard parts are not listed in the product parts catalog. Refer to the parts catalog of mechanical standard parts when checking the parts number for screw or washer etc. and identify them by part shape or size.

機械標準部品とは

機械標準部品とは、製品特有の部品ではなく、ねじやワッシャなどキヤノン製品共通で使用されている機械部品(メカ部品)のことです。
製品のパーツカタログには、機械標準部品のFig No.や部品番号は記載しておりません。
ねじや、ワッシャ等の部品番号を調べるときは、機械標準部品のパーツカタログを参照し、部品の形状や大きさから判断し、使用している部品を調べてください。

Material and surface treatment of a mechanical standard parts

Material and surface treatment of mechanical standard parts are assigned commonly for each part. Refer to the Table 1 for the parts which material and surface treatment are assigned as numbers.

機械標準部品の材料および表面処理

機械標準部品の材料および表面処理については、各種部品共通で決められています。
材料および表面処理が番号で決められている部品については、表1を参照してください。

Table 1 Material and Surface treatment
表1 材料および表面処理

No. 番号	Material 材料	Surface treatment 表面処理	Color 色
1	Stainless steel ステンレス	Stainless steel black coloring (BC4) ステンレス黒着色(BC4)	Black 黒
2		not to be given なし	White 白
3	Brass 黄銅	Regular nickel plating (NL) 普通ニッケルメッキ(NL)	White 白
4		Black nickel plating (BN) 黒色ニッケルメッキ(BN)	Black 黒
5	Steel 鋼	White zinc trivalent chromate treating (ZC3) 白色亜鉛3価クロメート(ZC3)	White 白
6		Regular nickel chromium plating (NC) 普通ニッケルクロムメッキ(NC)	White 白
7		Regular nickel plating (NL) 普通ニッケルメッキ(NL)	White 白
8		Iron and steel phosphating (P1) 鉄鋼磷酸塩処理(P1)	Black 黒
9		Black zinc trivalent chromate treating (BZ3) 黒色亜鉛3価クロメート(BZ3)	Black 黒

FIGURE ZZB MECHANICAL STANDARD PARTS(SCREWS)

1. Screws ねじ

How to read Parts Numbers
部品番号の見方

Screws
ねじ

XB1-2400-609

Type No.
類別番号

Normal designation (d)
ねじの呼び(d)

Length (L)
ねじの長さ(L)

Material and Surface treatment
材料および表面処理

XB1-2 expresses Binding head machine screw.
XB1-2は、バインドねじを表す

40 expresses M4.0.
40は、M4.0を表す

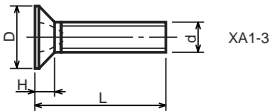
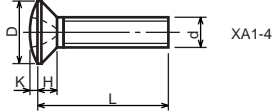
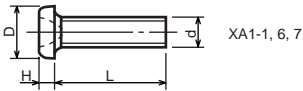
0-60 expresses a length of 6.0mm.
0-60は、6.0mmの長さを表す

9 expresses Steel (Black zinc trivalent chromate
treating) from Table 1.

9は、表1より鋼(黒色亜鉛3価クロメート)を表す

1-1. Cross Recessed Head Screws for Precision Equipments

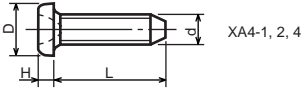
精密機器用十字穴付き小ねじ



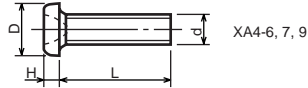
Type No. 類別番号	Type 類別
XA1-1	Pan head Class 1 なべ1種
XA1-3	Countersunk head Class 1 さら1種
XA1-4	Oval countersunk head Class 1 丸さら1種
XA1-6	Pan head Class 3 なべ3種
XA1-7	Pan head Class 2 なべ2種

		Head size (mm) 頭部寸法 (mm)					
		M1.4	M1.6	M1.7	M2	M2.5	M2.6
D	XA1-1	2	2.4	2.5	3	3.8	4
H	XA1-1	0.5	0.55	0.5	0.6	0.9	0.8
D	XA1-3	2	2.4	2.5	3	3.8	4
H	XA1-3	0.48	0.55	0.58	0.73	0.85	0.93
D	XA1-4	2	2.4	2.5	3	3.8	4
H + K	XA1-4	0.68	0.8	0.88	1	1.25	1.3
D	XA1-6	2.5	2.8	3	3.5	4.3	4.5
H	XA1-6	0.8	0.85	0.9	1	1.3	1.2
D	XA1-7	2.5	2.8	3	3.5	4.3	4.5
H	XA1-7	0.5	0.55	0.5	0.6	0.9	0.8

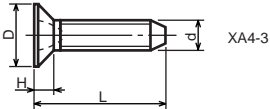
1-2. Precision Tapping Screws
精密用タッピンねじ



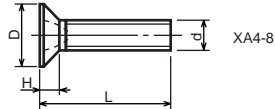
XA4-1, 2, 4



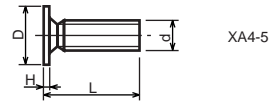
XA4-6, 7, 9



XA4-3



XA4-8



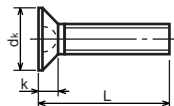
XA4-5

Type No. 類別番号	Type 類別	Head size (mm) 頭部寸法 (mm)						
		M1.4	M1.6	M1.7	M2	M2.5	M2.6	
XA4-1	With tapered end pan head Class 1 絞りなべ1種	D XA4-1	2	2.4	2.5	3	3.8	4
		H XA4-1	0.5	0.55	0.5	0.6	0.9	0.8
XA4-2	With tapered end pan head Class 3 絞りなべ3種	D XA4-2	2.5	2.8	3	3.5	4.3	4.5
		H XA4-2	0.8	0.85	0.9	1	1.3	1.2
XA4-3	With tapered end countersunk head 絞り-さら	D XA4-3	2	2.4	2.5	3	3.8	4
		H XA4-3	0.48	0.55	0.58	0.73	0.85	0.93
XA4-4	With tapered end pan head Class 2 絞りなべ2種	D XA4-4	2.5	2.8	3	3.5	4.3	4.5
		H XA4-4	0.5	0.55	0.5	0.6	0.9	0.8
XA4-5	With parallel end ultra thin head ストレート-超薄頭	D XA4-5	2.5	2.8	3	-	-	-
		H XA4-5	0.2	0.2	0.2	-	-	-
XA4-6	With parallel end pan head Class 1 ストレートなべ1種	D XA4-6	2	2.4	2.5	3	3.8	4
		H XA4-6	0.5	0.55	0.5	0.6	0.9	0.8
XA4-7	With parallel end pan head Class 3 ストレートなべ3種	D XA4-7	2.5	2.8	3	3.5	4.3	4.5
		H XA4-7	0.8	0.85	0.9	1	1.3	1.2
XA4-8	With parallel end countersunk head ストレート-さら	D XA4-8	2	2.4	2.5	3	3.8	4
		H XA4-8	0.48	0.55	0.58	0.73	0.85	0.93
XA4-9	With parallel end pan head Class 2 ストレートなべ2種	D XA4-9	2.5	2.8	3	3.5	4.3	4.5
		H XA4-9	0.5	0.55	0.5	0.6	0.9	0.8

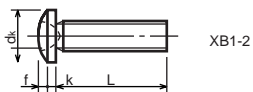
1-3. Cross Recessed Head Screws
一般用十字穴付き小ねじ



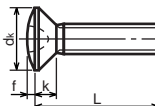
XB1-1



XB1-3



XB1-2

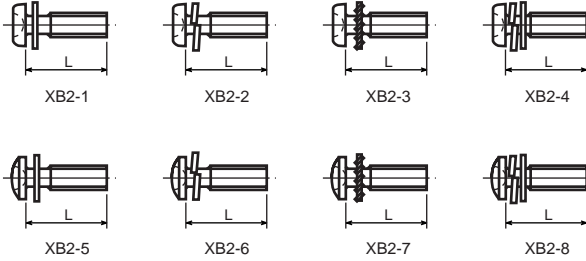


XB1-4

Type No. 類別番号	Type 類別
XB1-1	Pan head なべ
XB1-2	Binding head バインド
XB1-3	Countersunk head さら
XB1-4	Oval countersunk head 丸さら

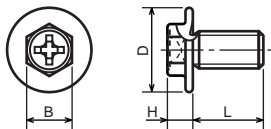
		Head size (mm) 頭部寸法 (mm)					
		M2	M2.5	M2.6	M3	M4	M5
dk	XB1-1	3.5	4.5	4.5	5.5	7	9
k	XB1-1	1.3	1.7	1.7	2	2.6	3.3
dk	XB1-2	4.3	5.3	5.5	6.3	8.3	10.3
k+f	XB1-2	1.2	1.5	1.6	1.9	2.5	3.1
dk	XB1-3	4	5	-	6	8	10
k	XB1-3	1.2	1.45	-	1.75	2.3	2.8
dk	XB1-4	4	5	-	6	8	10
k+f	XB1-4	1.6	2	-	2.45	3.2	4
Screw part length ねじ部長さ b		8	12	12	12	16	20

1-4. Cross Recessed Head Screws with Captive Washer
座金組込み十字穴付き小ねじ



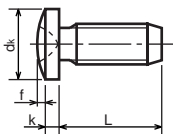
Type No. 類別番号	Type 類別
XB2-1	Pan head + Plain washer (circular bright) なべねじ+平座金
XB2-2	Pan head + Spring washer なべねじ+ばね座金
XB2-3	Pan head + Toothed lock washer なべねじ+歯付座金
XB2-4	Pan head + Spring washer and plain washer (circular bright) なべねじ+(ばね+平)座金
XB2-5	Binding head + Plain washer (circular bright) バインドねじ+平座金
XB2-6	Binding head + Spring washer バインドねじ+ばね座金
XB2-7	Binding head + Toothed lock washer バインドねじ+歯付座金
XB2-8	Binding head + Spring washer and plain washer (circular bright) バインドねじ+(ばね+平)座金

1-5. Hexagon Head Tapping Screws for Metallic Materials
 金属用六角タッピンねじ



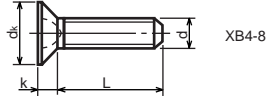
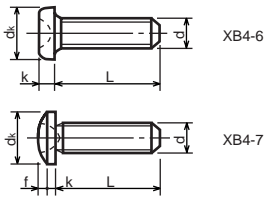
Type No. 類別番号	Type 類別	Head size (mm) 頭部寸法 (mm)	
		M3	M4
XB3-6	For metallic materials 金属用タッピン	D	8 10
		B	5.5 5.5
XB3-7	For metallic materials with clawed 金属用タッピン-つめ付き	H XB3-6	3.1 3.1
		H XB3-7	3.2 3.2

1-6. Special Tapping Screws
 特殊タッピンねじ



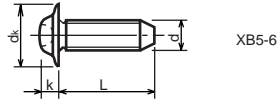
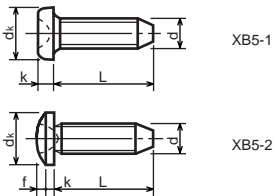
Type No. 類別番号	Type 類別	Head size (mm) 頭部寸法 (mm)	
		M3	M4
XB4-5	Binding head バインド	d _k	6.3 8.3
		k	1.3 1.7
		k+f	1.9 2.5

1-7. General Head Tapping Screws
一般用タッピンねじ



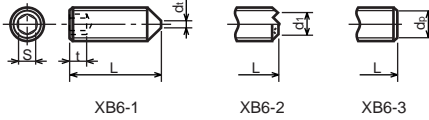
Type No. 類別番号	Type 類別	Head size (mm) 頭部寸法 (mm)						
		M2	M2.5	M2.6	M3	M4	M5	
XB4-6	Pan head なべ	d _k XB4-6	3.5	4.5	4.5	5.5	7	9
		k XB4-6	1.3	1.7	1.7	2	2.6	3.3
XB4-7	Binding head バインド	d _k XB4-7	4.3	5.3	5.5	6.3	8.3	10.3
		k+f XB4-7	1.2	1.5	1.6	1.9	2.5	3.1
XB4-8	Countersunk head さら	d _k XB4-8	4	5	5.2	6	8	10
		k XB4-8	1.2	1.45	1.5	1.75	2.3	2.8

1-8. Tapping Screws for Metallic Materials
金属用タッピンねじ



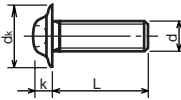
Type No. 類別番号	Type 類別	Head size (mm) 頭部寸法 (mm)					
		M2.5	M2.6	M3	M4	M5	
XB5-1	Pan head なべ	d _k XB5-1	4.5	4.5	5.5	7	9
		k XB5-1	1.7	1.7	2	2.6	3.3
XB5-2	Binding head バインド	d _k XB5-2	5.5	5.5	6.3	8.3	10.3
		k+f XB5-2	1.6	1.6	1.9	2.5	3.1
XB5-6	Flanged pan head つば付きなべ	d _k XB5-6	6.5	6.5	8	10	12
		k XB5-6	2.1	2.1	1.75	3.2	4

1-9. Hexagon Socket Set Screws
六角穴付止めねじ



Type No. 類別番号	Type 類別	Head size (mm) 頭部寸法 (mm)							
		M1.6 M1.7	M2	M2.5 M2.6	M3	M5	M5	M6	
XB6-1	Cone point とがり先	S	0.7	0.9	1.3	1.5	2	2.5	3
		t	1.5	1.7	2	2	2.5	3	3.5
		$d_{t \max}$ XB6-1	0.4	0.5	0.65	0.75	1	1.25	1.5
		$d_{l \max}$ XB6-2	-	1.2	1.5	1.7	2.2	2.8	3.3
		$d_{l \min}$ XB6-2	-	1	1.2	1.4	1.9	2.4	2.9
		$d_{p \max}$ XB6-3	0.8	1	1.5	2	2.5	3.5	4
		$d_{p \min}$ XB6-3	0.55	0.75	1.25	1.75	2.25	3.2	3.7

1-10. Flanged Pan Head Machine Screws
つば付きなべ小ねじ



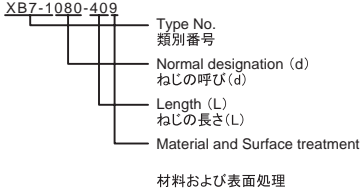
Type No. 類別番号	Type 類別	Head size (mm) 頭部寸法 (mm)					
		M2	M2.5 M2.6	M3	M5	M5	
XB6-7	Flanged pan head つば付きなべ	d_k	5	6.5	8	10	12
		k	1.7	2.1	2.5	3.2	4

FIGURE ZZC MECHANICAL STANDARD PARTS(BOLTS)

2. Bolts (Socket head cap screw) ボルト

How to read Parts Numbers
部品番号の見方

Bolt (Socket head cap screw)
ボルト



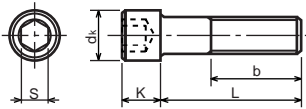
XB7-1 expresses Hexagon socket head cap screws.
XB7-1は、六角穴付きボルトを表す

080 expresses M8.0.
080は、M8.0を表す

40 expresses a length of 40mm.
40は、40mmの長さを表す

9 expresses Steel (Black zinc trivalent chromate treating) from Table 1.
9は、表1より鋼(黒色亜鉛3価クロメート)を表す

2-1. Hexagon socket head cap screws 六角穴付きボルト



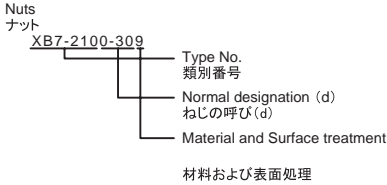
Type No. 類別番号	Type 類別
XB7-1	Hexagon socket head cap screws 六角穴付きボルト

	Head size (mm) 頭部寸法 (mm)						
	M3	M4	M5	M6	M8	M10	M12
S	2.5	3	4	5	6	8	10
d_k	5.5	7	8.5	10	13	16	18
K	3	4	5	6	8	10	12
Screw part length b_{max} ねじ部長さ b_{max}	18	20	22	24	28	32	36

FIGURE ZZD MECHANICAL STANDARD PARTS(NUTS)

3. Nuts ナット

How to read Parts Numbers
部品番号の見方

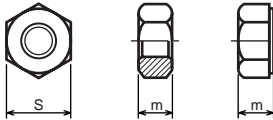


XB7-210 expresses Hexagon nut class 1.
XB7-210は、六角ナット1種を表す

0-30 expresses M3.0.
0-30は、M3.0を表す

9 expresses Steel (Black zinc trivalent chromate treating) from Table 1.
9は、表1より鋼(黒色亜鉛3価クロメート)を表す

3-1. Hexagon Nuts and Hexagon Thin Nuts 六角ナット



Type No. 類別番号	Type 類別
XB7-210	Hexagon nut Class 1 六角ナット-1種
XB7-220	Hexagon nut Class 3 六角ナット-3種
XB7-230	Hexagon nut Style 1 double chamfered 六角ナット-スタイル1-両面とり
XB7-231	Hexagon nut Style 1 washer faced 六角ナット-スタイル1-座付き
XB7-240	Hexagon nut Style 2 double chamfered 六角ナット-スタイル2-両面とり
XB7-241	Hexagon nut Style 2 washer faced 六角ナット-スタイル2-座付き
XB7-250	Hexagon nut 六角ナット
XB7-260	Hexagon thin nut double chamfered 六角低ナット-両面とり
XB7-270	Hexagon thin nut not chamfered 六角低ナット-面とり無し

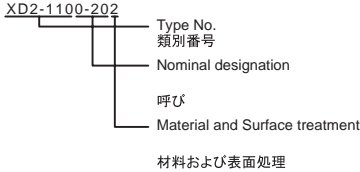
	Head size (mm) 頭部寸法 (mm)						
	M2	M2.5	M3	M4	M5	M6	M8
S	4	5	5.5	7	8	10	13
m XB7-210	1.6	2	2.4	3.2	4	5	6.5
m XB7-220	1.2	1.6	1.8	2.4	3.2	3.6	5
m XB7-230, 231	1.6	2	2.4	3.2	4.7	5.2	6.8
m XB7-240, 241	-	-	-	-	5.1	5.7	7.5
m XB7-250	-	-	-	-	5.6	6.1	7.9
m XB7-260	1.2	1.6	1.8	2.2	2.7	3.2	4
m XB7-270	1.2	1.6	1.8	2.2	2.7	3.2	4

FIGURE ZZE MECHANICAL STANDARD PARTS(RETAINING RINGS)

5. Retaining Rings 止め輪

How to read Parts Numbers
部品番号の見方

Retaining Rings 止め輪



XD2-110 expresses retaining ring-E type (Type1).
XD2-110は、E形止め輪(1種)を表す

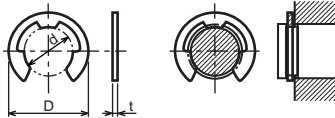
0-20 expresses a 020 of nominal designation.
(See Table 5)

0-20は、呼び020を表す(表5参照)

2 expresses Stainless steel (Surface treatment is not to be given) from Table 1.

2は、表1よりステンレス(表面処理なし)を表す

5-1. Retaining Rings - E type E形止め輪

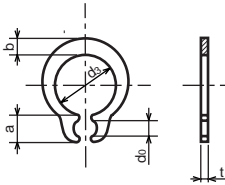


Type No. 類別番号	Type 類別
XD2-110	Retaining ring - E type (Type 1) E形止め輪(1種)
XD2-120	Retaining ring - E type (Type 2) E形止め輪(2種)

Table 5 表5

Type 種類	Nominal designation 呼び	d (mm)	D (mm)	t (mm)
Type 1 1種	007	0.65	2	0.2
	010	0.95	2.8	0.2
	013	1.25	3.3	0.3
	017	1.65	4.2	0.4
	020	1.95	4.6	0.5
	024	2.35	6	0.6
	028	2.74	6.5	0.6
	032	3.14	7.2	0.6
	037	3.64	8	0.7
	040	3.93	10	0.7
	042	4.13	10	0.7
	050	4.93	11	0.7
	058	5.73	12	0.7
	060	5.93	12.7	0.9
	064	6.32	13.5	0.9
	074	7.31	15	0.9
	080	7.91	16.5	1
Type 2 2種	008	0.8	2	0.2
	012	1.2	3	0.3
	015	1.5	4	0.4
	020	2	5	0.4
	025	2.5	6	0.4
	030	3	7	0.6
	040	4	9	0.6
	050	5	11	0.6
	060	6	12	0.8
	070	7	14	0.8
	080	8	16	0.8
	090	9	18	0.8
	100	10	20	1

5-2. Grip Rings
グリップ止め輪

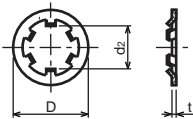


Type No. 類別番号	Type 類別
XD2-210	Grip ring グリップ止め輪

Table 5 表5

Nominal designation 呼び	d ₃ (mm)	t (mm)	b (mm)	a (mm)	d ₀ (mm)
020	1.9	0.5	1	1.8	0.8
025	2.35	0.5	1.2	1.9	0.9
030	2.85	0.6	1.4	1.9	0.9
035	3.3	0.6	1.6	2	0.9
040	3.8	0.8	1.8	2.8	1.2
045	4.25	0.8	2	2.9	1.3
050	4.75	0.8	2.2	2.9	1.3
060	5.7	1	2.4	3.1	1.4
070	6.7	1	2.7	3.3	1.4
080	7.7	1	3	3.5	1.4
090	8.65	1.2	3.3	4.7	1.5
100	9.65	1.2	3.5	4.7	2

5-3. Toothed Retaining Rings
歯付き形止め輪



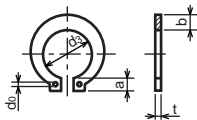
Type No. 類別番号	Type 類別
XD2-230	Toothed retaining ring 歯付き形止め輪

Table 5 表5

Nominal designation 呼び	d _z (mm)	D (mm)	t (mm)	No of teeth 歯数
015	1.4	5.2	0.25	3
020	1.9	6	0.25	3
024	2.3	6.4	0.25	3
030	2.8	8	0.25	4
040	3.8	9	0.25	4
050	4.8	10	0.25	5
060	5.8	11	0.25	5
080	7.8	13	0.25	5
100	9.8	15.4	0.25	6

5-4. Retaining Rings - C Type

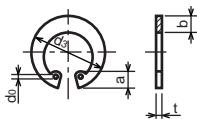
C形止め輪



Type No. 類別番号	Type 類別
XD2-310	Retaining ring - C type for shaft C形止め輪 軸用

Table 5 表5

Nominal designation 呼び	d _s (mm)	t (mm)	b (mm)	a (mm)	d ₀ (mm)
010	9.3	1	1.6	3	1.2
012	11.1	1	1.8	3.2	1.5
014	12.9	1	2	3.4	1.7
015	13.8	1	2.1	3.5	1.7
016	14.7	1	2.2	3.6	1.7
017	15.7	1	2.2	3.7	1.7
018	16.5	1.2	2.6	3.8	1.7
020	18.5	1.2	2.7	3.9	2
022	20.5	1.2	2.7	4.1	2
025	23.2	1.2	3.1	4.3	2
028	25.9	1.5	3.1	4.6	2
030	27.9	1.5	3.5	4.8	2
032	29.6	1.5	3.5	5	2.5
035	32.2	1.5	4	5.4	2.5



Type No. 類別番号	Type 類別
XD2-320	Retaining ring - C type for hole C形止め輪 穴用

Table 5 表5

Nominal designation 呼び	d _s (mm)	t (mm)	b (mm)	a (mm)	d ₀ (mm)
010	10.7	1	1.8	3.1	1.2
011	11.8	1	1.8	3.2	1.2
012	13	1	1.8	3.3	1.5
014	15.1	1	2	3.6	1.7
016	17.3	1	2	3.7	1.7
018	19.5	1	2.5	4	1.7
019	20.5	1	2.5	4	2
020	21.5	1	2.5	4	2
022	23.5	1	2.5	4.1	2
025	26.9	1.2	3	4.4	2
028	30.1	1.2	3	4.6	2
030	32.1	1.2	3	4.7	2
032	34.4	1.2	3.5	5.2	2.5
035	37.8	1.5	3.5	5.2	2.5
037	39.8	1.5	3.5	5.2	2.5
040	43.5	1.8	4	5.7	2.5
042	45.5	1.8	4	5.8	2.5
045	48.5	1.8	4.5	5.9	2.5
047	50.5	1.8	4.5	6.1	2.5
050	54.2	2	4.5	6.5	2.5
052	56.2	2	5.1	6.5	2.5
055	59.2	2	5.1	6.5	2.5
060	64.2	2	5.1	6.8	2.5
062	66.2	2	5.5	6.9	2.5
068	72.5	2.5	6	7.4	2.5
072	76.5	2.5	6.6	7.4	2.5
075	79.5	2.5	6.6	7.8	2.5
080	85.5	2.5	7	8	2.5
085	90.5	3	7	8	3
090	95.5	3	7.6	8.3	3
095	100.5	3	8	8.5	3

Prepared by
L Printer Quality Assurance Center
CANON INC.

Canon