

PARTS CATALOG

iPF825/820/815/810

Canon

Oct 13 2010

PREFACE

This Parts Catalog contains listings of parts used

Diagrams are provided with the listings to aid the service technician in identifying clearly, the item to be ordered.

Whenever ordering parts, consult this Parts Catalog for all of the information pertaining to each item. Be sure to include, in the Parts Request, the full item description, the item part number, and the quantity.

COPYRIGHT (C) 1999 CANON INC.

Use of this manual should be strictly supervised to avoid disclosure of confidential information.

Contents

NUMERICAL INDEX

iPF825/820/815/810(Numerical Index)..... 1-1

iPF825/820/815/810(Parts Catalog)

01	PRINTER & ACCESSORIES	2-1
02	COVERS (1)	2-3
03	COVERS (2)	2-5
04	ELECTRICAL PART	2-7
05	INK TANK & PURGE UNIT	2-9
06	CARRIAGE & TUBE UNIT	2-11
07	WASTE INK BOX & FAN UNIT	2-14
08	CUTTER & DELIVERY GUIDE UNIT	2-16
09	PICK-UP & FEED UNIT	2-18
10	PINCH ROLLER UNIT	2-20
11	PLATEN & FEED ROLLER	2-22
12	LINEAR SCALE	2-24
13	LOWER ROLL UNIT	2-25
14	TOOL	2-28
R1	STAND UNIT	2-29
R2	BASKET UNIT	2-31
R3	MEDIA TAKE-UP UNIT	2-33
ZZA	MECHANICAL STANDARD PARTS(HOW TO USE)	2-36
ZZB	MECHANICAL STANDARD PARTS(SCREWS)	2-37
ZZC	MECHANICAL STANDARD PARTS(BOLTS)	2-44
ZZD	MECHANICAL STANDARD PARTS(NUTS)	2-45
ZZE	MECHANICAL STANDARD PARTS(RETAINING RINGS)	2-46

NUMERICAL INDEX

iPF825/820/815/810(Numerical Index)

PARTS NUMBER	FIGURE & KEY NO.	PARTS NUMBER	FIGURE & KEY NO.	PARTS NUMBER	FIGURE & KEY NO.
CK-0551-020	14 - 2	QC2-0689-000	06 - 15	QC2-9785-000	R1 - 6
CK-0562-000	14 - 3	QC2-0690-000	06 - 14	QC2-9785-000	R2 - 10
FA3-8727-000	11 - 17	QC2-0866-000	09 - 4	QC2-9788-000	13 - 19
FH2-7092-020	01 - 16	QC2-0866-000	13 - 34	QC2-9809-000	11 - 18
FH7-5489-050	08 - 19	QC2-2172-000	03 - 5	QC2-9830-000	09 - 12
FH7-5489-050	09 - 11	QC2-2173-000	03 - 6	QC2-9830-000	13 - 20
FH7-5489-050	13 - 15	QC2-2178-020	03 - 3	QC2-9835-000	08 - 15
NPN	01 -	QC2-2179-000	03 - 7	QC2-9836-000	08 - 16
NPN	01 - 1	QC2-2180-000	03 - 8	QC2-9837-000	08 - 17
NPN	01 - 2	QC2-2181-000	02 - 5	QC2-9865-000	13 - 21
NPN	01 - 2	QC2-2183-000	02 - 6	QC2-9873-000	13 - 8
NPN	01 - 2	QC2-2191-000	02 - 3	QC2-9874-000	13 - 10
NPN	01 - 2	QC2-2192-000	02 - 4	QC2-9901-000	03 - 10
NPN	01 - 2	QC2-2198-000	02 - 7	QC2-9901-000	13 - 5
NPN	02 -	QC2-2199-000	02 - 8	QC2-9908-000	07 - 12
NPN	03 -	QC2-2202-030	02 - 11	QC2-9909-000	07 - 13
NPN	04 -	QC2-2224-000	02 - 9	QC2-9945-000	13 - 1
NPN	05 -	QC2-2399-000	R3 - 5	QC2-9947-000	13 - 3
NPN	06 -	QC2-2401-000	R3 - 6	QC2-9948-000	13 - 6
NPN	07 -	QC2-2402-000	R3 - 7	QC2-9951-000	13 - 2
NPN	08 -	QC2-2403-000	R3 - 8	QC2-9952-000	13 - 4
NPN	09 -	QC2-2404-000	R3 - 9	QC3-0124-000	11 - 19
NPN	10 -	QC2-2408-000	R3 - 10	QC3-0133-000	R2 - 13
NPN	11 -	QC2-2409-000	R3 - 11	QC3-0134-000	R2 - 11
NPN	12 -	QC2-2410-000	R3 - 12	QC3-0136-000	R2 - 1
NPN	13 -	QC2-2412-000	R3 - 13	QC3-0140-000	R2 - 4
NPN	14 -	QC2-2413-000	R3 - 32	QC3-0141-000	R2 - 5
NPN	R1 -	QC2-2417-000	R3 - 33	QC3-0142-000	R2 - 6
NPN	R2 -	QC2-2434-000	R3 - 31	QC3-0148-000	13 - 11
NPN	R3 -	QC2-3137-000	06 - 25	QC3-0169-000	01 - 8
QC1-0008-000	06 - 2	QC2-4064-040	02 - 10	QC3-0184-000	06 - 40
QC1-6847-000	11 - 28	QC2-4111-000	09 - 10	QC3-0196-000	R2 - 2
QC1-6868-000	04 - 3	QC2-4111-000	13 - 17	QC3-0197-000	R2 - 3
QC1-6921-000	11 - 8	QC2-4116-000	13 - 7	QC3-0208-000	09 - 16
QC1-6930-000	02 - 1	QC2-4116-000	R1 - 12	QC3-0208-000	13 - 18
QC1-6931-000	02 - 2	QC2-4116-000	R1 - 12	QC3-1889-000	12 - 2
QC1-6999-000	10 - 4	QC2-4116-000	R2 - 14	QC3-5221-000	R1 - 7
QC1-7034-000	11 - 16	QC2-4136-000	08 - 3	QE1-1063-000	08 - 4
QC1-7067-000	08 - 2	QC2-4346-000	R2 - 7	QE1-1270-000	06 - 24
QC1-7068-000	08 - 11	QC2-4350-000	R1 - 2	QE1-1281-000	06 - 19
QC1-7137-000	01 - 9	QC2-4351-000	R1 - 3	QE1-1282-000	06 - 5
QC1-7138-000	03 - 11	QC2-6025-000	R1 - 4	QE1-1495-000	R3 - 27
QC1-7141-000	08 - 8	QC2-6322-000	R2 - 8	QE1-2304-000	R3 - 28
QC1-7143-000	03 - 12	QC2-6323-000	R2 - 9	QE1-2334-000	01 - 17
QC1-7156-000	06 - 34	QC2-6626-000	R1 - 1	QE1-2691-000	06 - 28
QC1-7237-000	07 - 11	QC2-9614-000	06 - 31	QH2-2732-000	01 - 14
QC1-7278-000	09 - 14	QC2-9623-000	06 - 10	QK1-0440-000	06 - 13
QC1-7278-000	13 - 16	QC2-9660-000	06 - 11	QK1-1392-000	01 - 12
QC1-7303-000	06 - 26	QC2-9725-000	09 - 19	QK1-1393-000	01 - 11
QC1-9198-000	07 - 5	QC2-9725-000	13 - 36	QK1-1394-000	01 - 10
QC2-0682-000	06 - 18	QC2-9742-000	03 - 9	QK1-1395-000	01 - 13
QC2-0687-000	06 - 16	QC2-9783-000	R1 - 5	QK1-1396-010	01 - 15

NUMERICAL INDEX

iPF825/820/815/810(Numerical Index)

PARTS NUMBER	FIGURE & KEY NO.	PARTS NUMBER	FIGURE & KEY NO.	PARTS NUMBER	FIGURE & KEY NO
QK1-2908-000	R3 - 1	QM3-2023-000	R1 - 10	QM3-4925-000	06 - 29
QK1-2912-000	04 - 4	QM3-2854-000	R1 - 11	QM3-4926-000	06 - 30
QK1-5211-000	06 - 23	QM3-3029-010	04 - 6	QM3-4927-000	04 - 1
QK1-5218-000	06 - 8	QM3-3147-000	04 - 1	QM3-4930-000	04 - 8
QK1-5224-000	13 - 22	QM3-3267-010	01 - 4	QM3-4931-000	13 - 25
QL2-1100-000	06 - 4	QM3-3267-010	01 - 4	QM3-4933-000	04 - 1
QL2-1125-000	06 - 42	QM3-3268-010	01 - 5	QM3-4938-000	08 - 14
QL2-1676-000	R3 - 25	QM3-3268-010	01 - 5	QM3-4965-000	06 - 6
QL2-1697-000	02 - 13	QM3-3269-010	01 - 6	QM3-4966-000	06 - 32
QL2-2094-000	R3 - 26	QM3-3269-010	01 - 6	QM3-5230-000	11 - 22
QL2-2095-000	11 - 25	QM3-4812-000	11 - 14	QM3-5235-010	R2 - 12
QL2-2327-000	R1 - 8	QM3-4814-000	07 - 3	QM3-5240-000	06 - 21
QL2-2442-000	06 - 38	QM3-4816-000	07 - 8	QM3-5244-000	04 - 5
QL2-2443-000	06 - 36	QM3-4827-000	07 - 9	QM3-5246-000	11 - 26
QL2-2822-000	07 - 2	QM3-4828-010	07 - 10	QM3-5251-000	11 - 5
QL2-2825-000	11 - 6	QM3-4829-000	10 - 7	QM3-5252-000	02 - 16
QL2-2831-000	07 - 6	QM3-4834-010	06 - 1	QM3-5253-000	02 - 16
QL2-2835-000	07 - 7	QM3-4835-000	06 - 7	QM3-5254-000	04 - 6
QL2-2837-000	06 - 3	QM3-4838-000	06 - 33	QM3-7700-000	11 - 2
QL2-2839-000	03 - 4	QM3-4843-000	07 - 14	QM3-7701-000	11 - 3
QL2-2840-000	11 - 1	QM3-4844-000	07 - 15	QM3-7702-000	11 - 4
QL2-2849-010	01 - 3	QM3-4846-000	07 - 4	QU1-0082-000	11 - 9
QL2-2916-000	01 - 7	QM3-4847-010	05 - 1	QU1-0299-000	09 - 9
QL2-2916-000	01 - 7	QM3-4850-000	08 - 1	QU1-0299-000	13 - 26
QL2-3143-000	R3 - 19	QM3-4851-000	06 - 22	QU1-0302-000	09 - 8
QL2-3145-000	R3 - 20	QM3-4852-000	08 - 10	QU1-0302-000	13 - 27
QL2-3146-000	R3 - 21	QM3-4853-000	03 - 2	QU1-0309-000	10 - 2
QL2-3147-000	R3 - 22	QM3-4855-000	02 - 16	QU1-0320-000	09 - 7
QL2-3148-000	R3 - 23	QM3-4856-000	02 - 15	QU1-0320-000	13 - 28
QL2-3149-000	R3 - 24	QM3-4857-000	04 - 5	QU1-2169-000	12 - 1
QL2-3402-000	02 - 12	QM3-4864-000	10 - 1	QU1-2170-000	11 - 11
QM1-0662-000	06 - 27	QM3-4868-000	09 - 18	QU1-2173-000	08 - 9
QM2-2511-000	08 - 12	QM3-4868-000	13 - 35	QU1-2177-000	06 - 9
QM2-2528-010	11 - 7	QM3-4869-010	09 - 13	QU1-2185-000	09 - 15
QM2-2596-050	10 - 6	QM3-4869-010	13 - 23	QU1-2185-000	13 - 29
QM3-0825-000	06 - 41	QM3-4872-000	09 - 17	QU1-2400-000	11 - 20
QM3-0983-000	04 - 7	QM3-4872-000	13 - 24	QU1-2401-000	11 - 12
QM3-1024-000	08 - 13	QM3-4873-010	08 - 22	QU1-2402-000	13 - 9
QM3-1026-000	08 - 5	QM3-4876-000	01 - 19	QU1-2406-000	06 - 37
QM3-1027-000	08 - 7	QM3-4878-000	03 - 14	QU1-6016-000	11 - 13
QM3-1031-000	02 - 14	QM3-4879-000	03 - 2	QU1-8233-000	02 - 17
QM3-1055-000	05 - 3	QM3-4880-000	02 - 16	QU1-8234-000	02 - 18
QM3-1091-000	R3 - 34	QM3-4883-000	09 - 1	QU1-8235-000	06 - 35
QM3-1092-000	R3 - 4	QM3-4883-000	13 - 13	QU1-8236-000	02 - 19
QM3-1093-000	R3 - 15	QM3-4884-000	09 - 2	QU1-8237-000	03 - 13
QM3-1095-000	R3 - 18	QM3-4884-000	13 - 14	QU1-8238-000	13 - 32
QM3-1106-000	11 - 27	QM3-4898-000	05 - 2	QY9-0103-000	14 - 1
QM3-1108-000	R3 - 16	QM3-4910-000	03 - 1	WC4-5052-000	11 - 21
QM3-1109-000	R3 - 17	QM3-4911-000	07 - 1	WC4-5052-000	13 - 12
QM3-1422-000	06 - 17	QM3-4912-000	07 - 16	WC4-5180-000	08 - 6
QM3-2011-000	R3 - 30	QM3-4919-010	08 - 21	WE8-6409-000	06 - 39
QM3-2022-000	R1 - 9	QM3-4922-000	04 - 1	WG8-5624-000	R3 - 14

NUMERICAL INDEX

iPF825/820/815/810(Numerical Index)

PARTS NUMBER	FIGURE & KEY NO.	PARTS NUMBER	FIGURE & KEY NO.	PARTS NUMBER	FIGURE & KEY NO
WG8-5677-000	11 - 15	XD2-1100-642	R3 - 504		
WG8-5770-000	R3 - 2	XF2-4119-770	11 - 10		
WG8-5771-000	R3 - 3	XG9-0365-000	10 - 5		
WG8-5776-000	06 - 12	XG9-0453-000	11 - 29		
WG8-5776-000	08 - 20				
WG8-5776-000	09 - 6				
WG8-5776-000	10 - 8				
WG8-5776-000	13 - 30				
WG8-5805-000	09 - 3				
WG8-5805-000	13 - 31				
WK1-5024-000	04 - 2				
WP2-5187-000	04 - 9				
XA9-0724-000	11 - 23				
XA9-0732-000	02 - 20				
XA9-0732-000	03 - 15				
XA9-0732-000	04 - 10				
XA9-0732-000	05 - 4				
XA9-0732-000	06 - 20				
XA9-0732-000	07 - 17				
XA9-0732-000	08 - 18				
XA9-0732-000	09 - 5				
XA9-0732-000	10 - 3				
XA9-0732-000	11 - 24				
XA9-0732-000	13 - 33				
XA9-0732-000	R2 - 15				
XA9-1501-000	01 - 18				
XA9-1501-000	R3 - 29				
XB1-2300-406	08 - 501				
XB1-2300-409	08 - 504				
XB1-2300-409	09 - 503				
XB1-2300-409	13 - 505				
XB1-2300-606	04 - 502				
XB1-2300-606	06 - 502				
XB1-2300-607	05 - 501				
XB1-2301-406	08 - 502				
XB1-2301-409	09 - 504				
XB1-2301-409	13 - 503				
XB1-2400-606	04 - 501				
XB1-2400-807	03 - 501				
XB1-2400-809	09 - 502				
XB1-2400-809	13 - 502				
XB2-8401-009	11 - 501				
XB4-5400-806	08 - 503				
XB4-7300-807	R3 - 501				
XB4-7401-009	06 - 501				
XB4-7401-206	R1 - 501				
XB6-7300-609	13 - 504				
XD2-1100-322	R3 - 503				
XD2-1100-502	R3 - 502				
XD2-1100-642	09 - 501				
XD2-1100-642	10 - 501				
XD2-1100-642	13 - 501				

iPF825/820/815/810(Parts Catalog)

iPF825

120/230V	Q51-2154-000
230V	Q51-2156-000
100V	Q51-2157-000

iPF820

120/230V	Q51-1864-000
100V	Q51-1867-000

iPF815

120/230V	Q51-2144-000
230V	Q51-2146-000
100V	Q51-2147-000

iPF810

120/230V	Q51-1744-000
100V	Q51-1747-000

Stand Unit ST-44

for iPF815/810 Q55-2550-
000

Stand Unit ST-45

for iPF815/810 Q55-2640-
000

Basket Unit BU-03

for iPF825/820 Q55-2630-
000

Media Take Up Unit TU-06

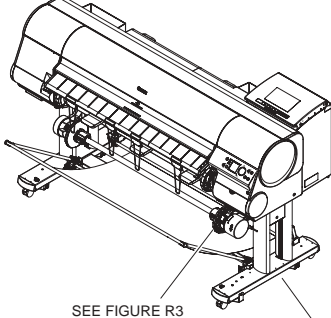
for iPF815/810 Q55-2330-
000

Contents

01	PRINTER & ACCESSORIES	2-1
02	COVERS (1)	2-3
03	COVERS (2)	2-5
04	ELECTRICAL PART	2-7
05	INK TANK & PURGE UNIT	2-9
06	CARRIAGE & TUBE UNIT	2-11
07	WASTE INK BOX & FAN UNIT	2-14
08	CUTTER & DELIVERY GUIDE UNIT	2-16
09	PICK-UP & FEED UNIT	2-18
10	PINCH ROLLER UNIT	2-20
11	PLATEN & FEED ROLLER	2-22
12	LINEAR SCALE	2-24
13	LOWER ROLL UNIT	2-25
14	TOOL	2-28
R1	STAND UNIT	2-29
R2	BASKET UNIT	2-31
R3	MEDIA TAKE-UP UNIT	2-33
ZZA	MECHANICAL STANDARD PARTS(HOW TO USE)	2-36
ZZB	MECHANICAL STANDARD PARTS(SCREWS).....	2-37
ZZC	MECHANICAL STANDARD PARTS(BOLTS).....	2-44
ZZD	MECHANICAL STANDARD PARTS(NUTS).....	2-45
ZZE	MECHANICAL STANDARD PARTS(RETAINING RINGS)	2-46

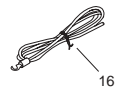
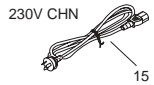
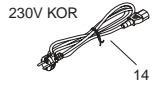
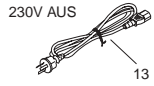
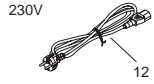
FIGURE 01 PRINTER & ACCESSORIES

iPF815/810

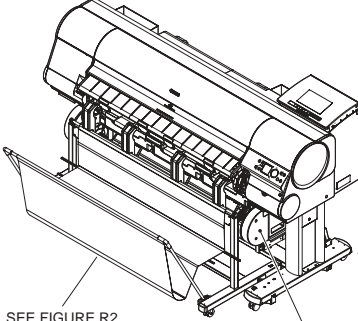


SEE FIGURE R3
MEDIA TAKE-UP UNIT

SEE FIGURE R1
STAND UNIT



iPF825/820



SEE FIGURE R2
BASKET UNIT

SEE FIGURE 13
LOWER ROLL UNIT

SEE FIGURE R1
STAND UNIT

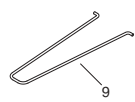
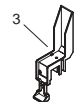
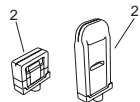
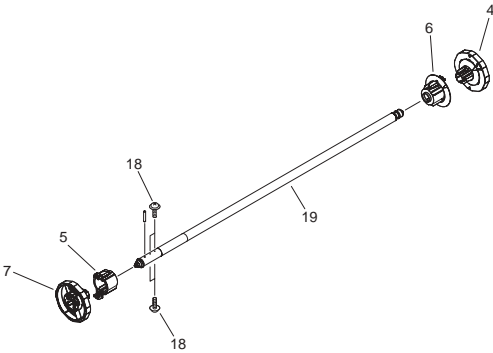


FIGURE & KEY NO.	PARTS NUMBER	R A N K	Q'TY	DESCRIPTION	SERIAL NUMBER/ REMARKS	S V C
Fig.01	NPN		RF	PRINTER & ACCESSORIES		
1	NPN		RF	PRINTHEAD		
2	NPN		RF	INK TANK (Y)		
2	NPN		RF	INK TANK (M)		
2	NPN		RF	INK TANK (C)		
2	NPN		RF	INK TANK (PBK)		
2	NPN		RF	INK TANK (MBK)		
3	QL2-2849-010		1	STOPPER, BELT		
4	QM3-3267-010		1	FLANGE, SPOOL	iPF815/810	
4	QM3-3267-010		2	FLANGE, SPOOL	iPF825/820	
5	QM3-3268-010		1	HOLDER, ROLL	iPF815/810	
5	QM3-3268-010		2	HOLDER, ROLL	iPF825/820	
6	QM3-3269-010		1	HOLDER, ROLL	iPF815/810	
6	QM3-3269-010		2	HOLDER, ROLL	iPF825/820	
7	QL2-2916-000		1	DRIVE SPOOL UNIT, RIGHT	iPF815/810	
7	QL2-2916-000		2	DRIVE SPOOL UNIT, RIGHT	iPF825/820	
8	QC3-0169-000		1	BRUSH, CLEANER		
9	QC1-7137-000		4	BAR, DELIVERY SUPPORT	iPF815/810	
10	QK1-1394-000		1	CORD, POWER	100V	
11	QK1-1393-000		1	CORD, POWER	120V UL	
12	QK1-1392-000		1	CORD, POWER	230V	
13	QK1-1395-000		1	CORD, POWER	230V AUS	
14	QH2-2732-000		1	CORD, POWER	230V KOR	
15	QK1-1396-010		1	CORD, POWER	230V CHN	
16	FH2-7092-020		1	WIRE, GROUND	100V	
17	QE1-2334-000		1	SCREW, ALLEN, M4X6		
18	XA9-1501-000		4	SCREW, RS, M3X10		
19	QM3-4876-000		1	SHAFT, SPOOL		

FIGURE 02 COVERS (1)

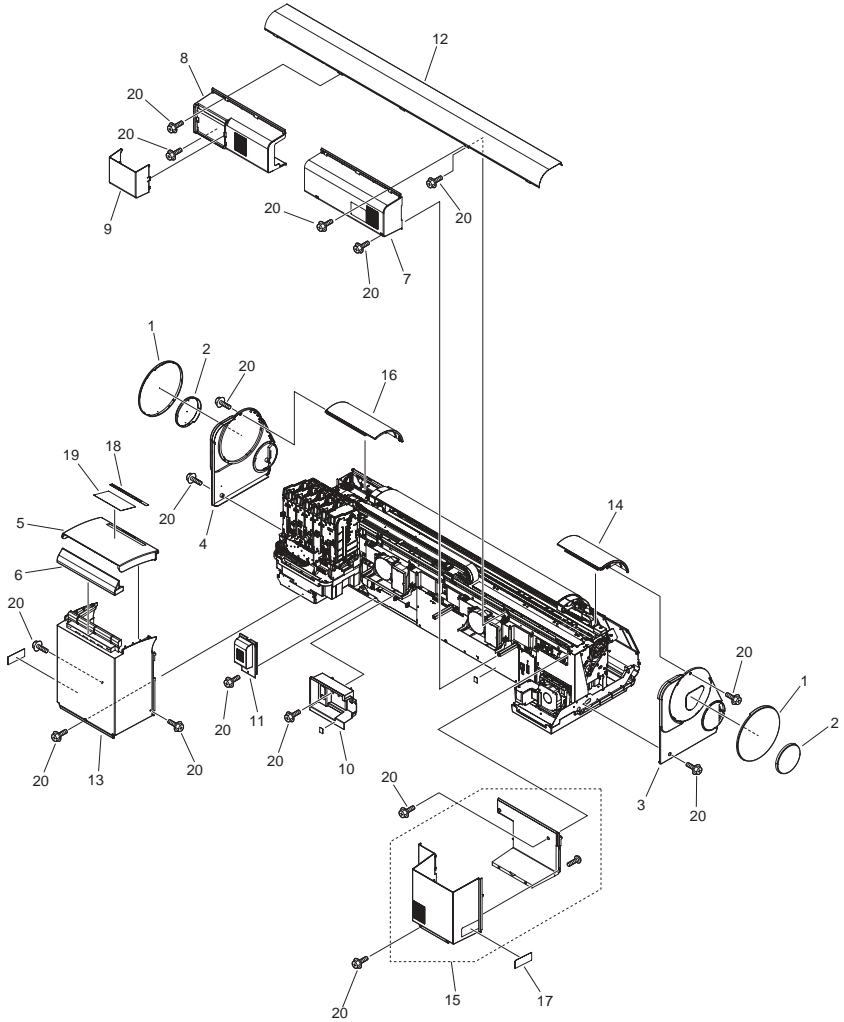


FIGURE & KEY NO.	PARTS NUMBER	RANK	Q'TY	DESCRIPTION	SERIAL NUMBER/REMARKS	SVC
Fig.02	NPN		RF	COVERS (1)		
1	QC1-6930-000		2	COVER, CIRCLE(L)		
2	QC1-6931-000		2	COVER, CIRCLE(S)		
3	QC2-2191-000		1	COVER, SIDE, LEFT		
4	QC2-2192-000		1	COVER, SIDE, RIGHT		
5	QC2-2181-000		1	COVER, TANK, UPPER		
6	QC2-2183-000		1	COVER, TANK, REAR		
7	QC2-2198-000		1	COVER, REAR, LEFT		
8	QC2-2199-000		1	COVER, REAR, RIGHT		
9	QC2-2224-000		1	POCKET		
10	QC2-4064-040		1	COVER, INTERFACE		
11	QC2-2202-030		1	COVER, EXHAUST		
12	QL2-3402-000		1	COVER, REAR, UPPER		
13	QL2-1697-000		1	COVER, TANK, RIGHT		
14	QM3-1031-000		1	COVER, LEFT, UPPER		
15	QM3-4856-000		1	LEFT REAR COVER UNIT		
16	QM3-4855-000		1	RIGHT COVER UNIT	iPF810	
16	QM3-4880-000		1	RIGHT COVER UNIT	iPF820	
16	QM3-5252-000		1	RIGHT COVER UNIT	iPF815	
16	QM3-5253-000		1	RIGHT COVER UNIT	iPF825	
17	QU1-8233-000		1	LABEL, HANDLE		
18	QU1-8234-000		1	LABEL, INK TANK		
19	QU1-8236-000		1	LABEL, INK SET		
20	XA9-0732-000		26	SCREW,RS,M4X8		

FIGURE 03 COVERS (2)

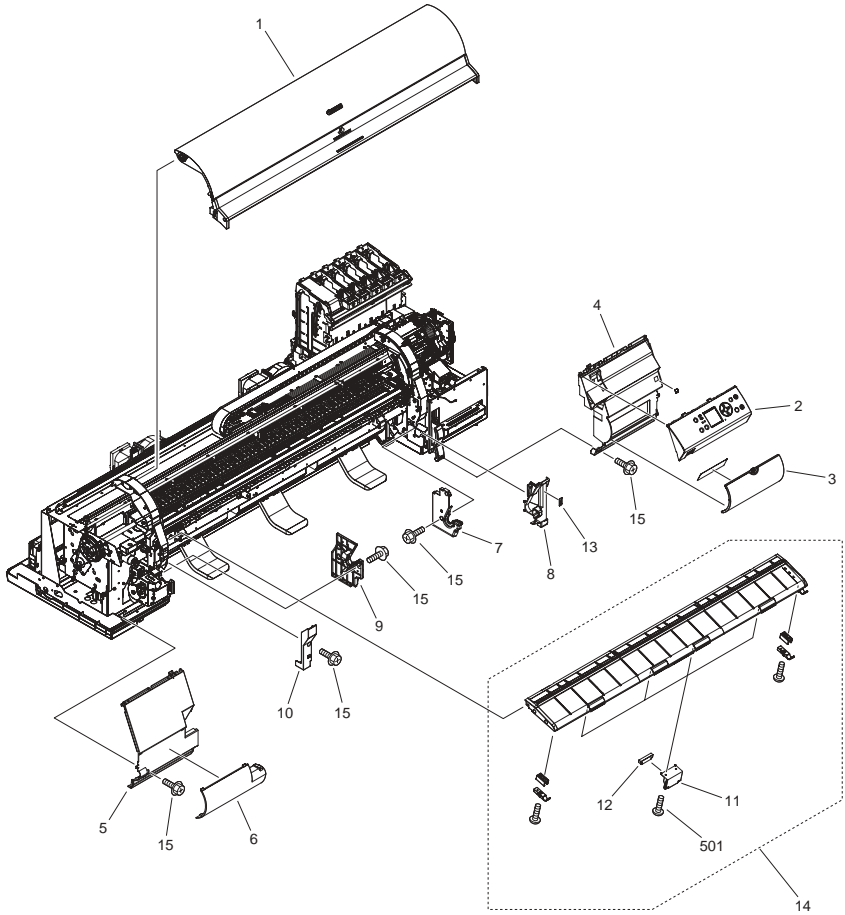


FIGURE & KEY NO.	PARTS NUMBER	R A N K	Q'TY	DESCRIPTION	SERIAL NUMBER/ REMARKS	S V C
Fig.03	NPN		RF	COVERS (2)		
1	QM3-4910-000		1	UPPER COVER UNIT		
2	QM3-4853-000		1	OPERATION PANEL UNIT	JAPANESE	
2	QM3-4879-000		1	OPERATION PANEL UNIT	ENGLISH	
3	QC2-2178-020		1	COVER, CARTRIDGE		
4	QL2-2839-000		1	COVER, RIGHT		
5	QC2-2172-000		1	COVER, LEFT		
6	QC2-2173-000		1	COVER, LEFT, LOWER		
7	QC2-2179-000		1	COVER, SPOOL RECEIVE, RIGHT, 1		
8	QC2-2180-000		1	COVER, SPOOL RECEIVE, RIGHT, 2		
9	QC2-9742-000		1	COVER, SPOOL RECEIVE, LEFT		
10	QC2-9901-000		1	COVER, PICK-UP		
11	QC1-7138-000		4	MOUNT, ASSIST, DELIVERY		
12	QC1-7143-000		4	SHEET, DELIVERY ASSIST		
13	QU1-8237-000		1	LABEL, UPPER ROLL	IPF825/820	
14	QM3-4878-000		1	ROLL MEDIA COVER UNIT		
15	XA9-0732-000		9	SCREW,RS,M4X8		
501	XB1-2400-807		AR	SCREW,MACH.,TRUSS HEAD,M4X8		

FIGURE 04 ELECTRICAL PART

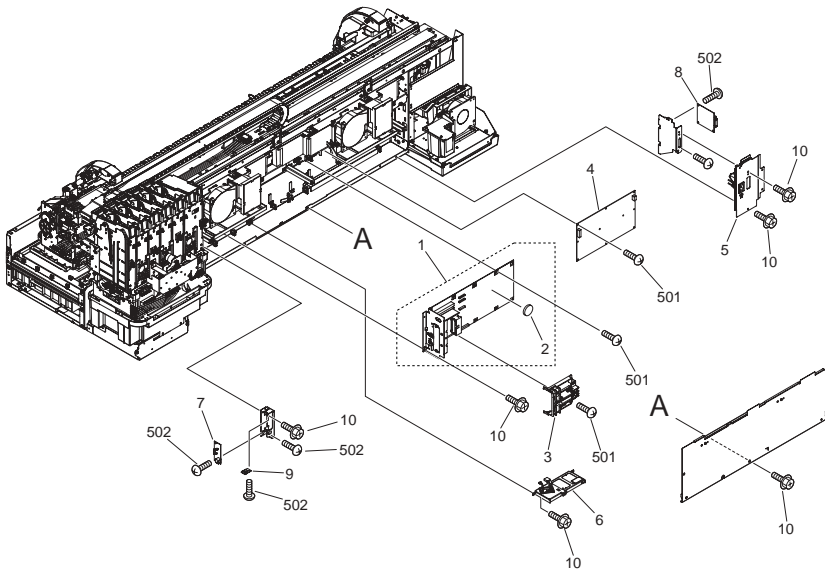


FIGURE & KEY NO.	PARTS NUMBER	R A N K	Q'TY	DESCRIPTION	SERIAL NUMBER/REMARKS	S V C
Fig.04	NPN		RF	ELECTRICAL PART		
1	QM3-4922-000		1	MAIN CONTROLLER ASS'Y	iPF810	
1	QM3-4933-000		1	MAIN CONTROLLER ASS'Y	iPF820	
1	QM3-3147-000		1	MAIN CONTROLLER ASS'Y	iPF815	
1	QM3-4927-000		1	MAIN CONTROLLER ASS'Y	iPF825	
2	WK1-5024-000		1	LITHIUM BATTERY		
3	QC1-6868-000		1	GUIDE, RAIL		
4	QK1-2912-000		1	POWER SUPPLY ASS'Y		
5	QM3-4857-000		1	INLET UNIT	100V	
5	QM3-5244-000		1	INLET UNIT	120/230V	
6	QM3-3029-010		1	HDD UNIT, WD800BEVT-22ZCT0	iPF820/810	
6	QM3-5254-000		1	HDD UNIT, HTS545016B9A300	iPF825/815	
7	QM3-0983-000		1	TAKE-UP UNIT RELAY PCB ASS'Y		
8	QM3-4930-000		1	ROLL UNIT RELAY PCB ASS'Y		
9	WP2-5187-000		1	SENSOR UNIT, HUMIDITY		
10	XA9-0732-000		15	SCREW,RS,M4X8		
501	XB1-2400-606		AR	SCREW,MACH.,TRUSS HEAD,M4X6		
502	XB1-2300-606		AR	SCREW,MACH.,TRUSS HEAD,M3X6		

FIGURE 05 INK TANK & PURGE UNIT

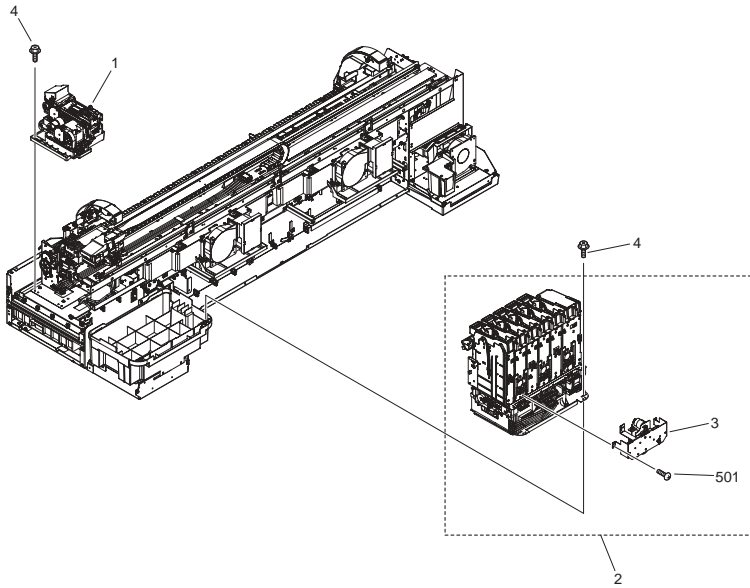


FIGURE & KEY NO.	PARTS NUMBER	RANK	Q'TY	DESCRIPTION	SERIAL NUMBER/REMARKS	SVC
Fig.05	NPN		RF	INK TANK & PURGE UNIT		
1	QM3-4847-010		1	PURGE UNIT		
2	QM3-4898-000		1	INK TANK UNIT		
3	QM3-1055-000		1	INK SUPPLY DRIVE UNIT		
4	XA9-0732-000		4	SCREW,RS,M4X8		
501	XB1-2300-607		AR	SCREW,MACH.,TRUSS HEAD,M3X6		

FIGURE 06 CARRIAGE & TUBE UNIT

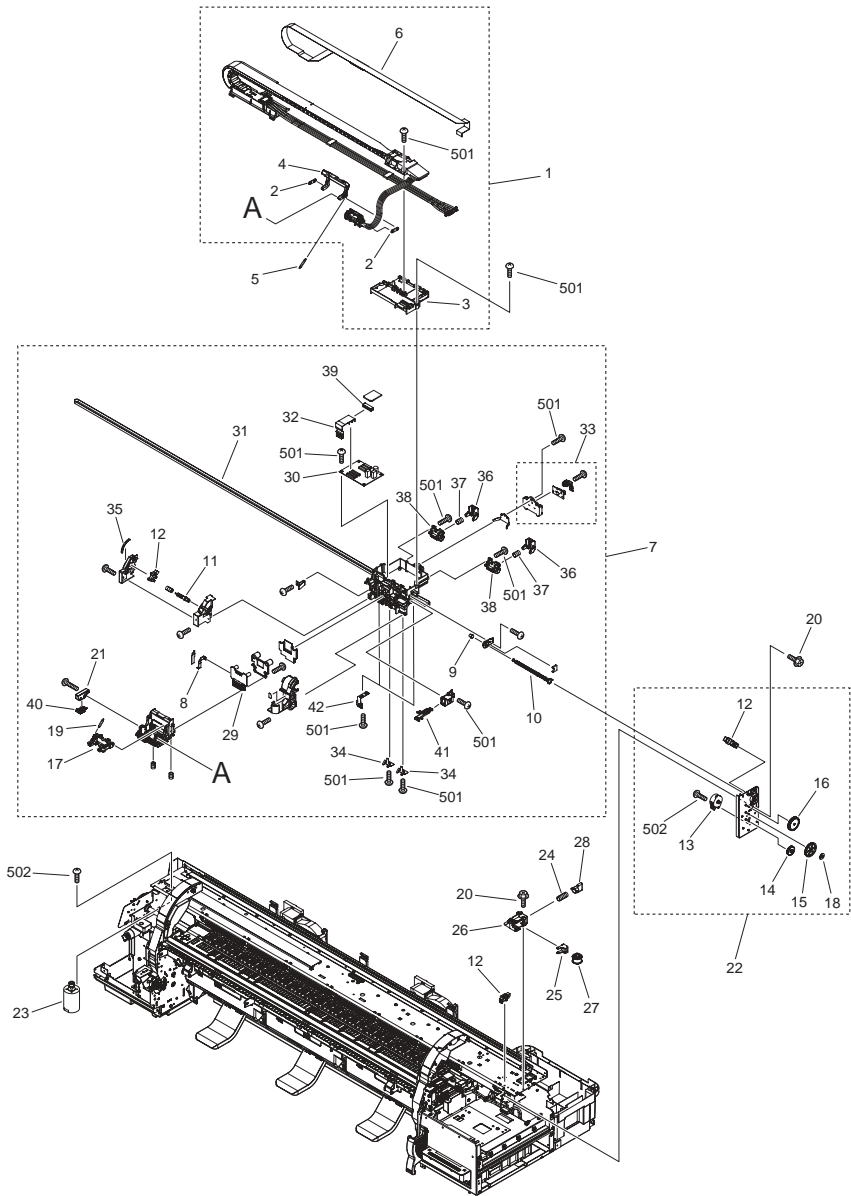


FIGURE & KEY NO.	PARTS NUMBER	RANK	Q'TY	DESCRIPTION	SERIAL NUMBER/REMARKS	SVC
Fig.06	NPN		RF	CARRIAGE & TUBE UNIT		
1	QM3-4834-010		1	TUBE UNIT		
2	QC1-0008-000		2	JOINT LEVER B		
3	QL2-2837-000		1	COVER, CARRIAGE		
4	QL2-1100-000		1	PRINthead LOCK LEVER		
5	QE1-1282-000		1	SPRING, HOOK END COIL		
6	QM3-4965-000		1	FLEXIBLE CABLE ASS'Y		
7	QM3-4835-000		1	CARRIAGE UNIT		
8	QK1-5218-000		1	CABLE, FLEXIBLE		
9	QU1-2177-000		1	SPRING, COIL		
10	QC2-9623-000		1	LEVER, LIFT		
11	QC2-9660-000		1	LEVER, SLANT		
12	WG8-5776-000		3	PHOTO-INTERRUPTER, SG2481		
13	QK1-0440-000		1	MOTOR, STEPPING DC 24V		
14	QC2-0690-000		1	GEAR, LIFT DOUBLE C		
15	QC2-0689-000		1	GEAR, LIFT DOUBLE B		
16	QC2-0687-000		1	GEAR, LIFT IDLER B		
17	QM3-1422-000		1	HEAD LEVER UNIT		
18	QC2-0682-000		1	RING		
19	QE1-1281-000		1	SPRING, HOOK END COIL		
20	XA9-0732-000		4	SCREW,RS,M4X8		
21	QM3-5240-000		1	MULTI SENSOR UNIT		
22	QM3-4851-000		1	LIFT DRIVE UNIT		
23	QK1-5211-000		1	MOTOR, DC BRUSHLESS		
24	QE1-1270-000		1	SPRING, COIL		
25	QC2-3137-000		1	GUIDE, IDLER ROLLER		
26	QC1-7303-000		1	MOUNT, IDLER ROLLER		
27	QM1-0662-000		1	IDLER ROLLER ASS'Y		
28	QE1-2691-000		1	LEVER, IDLER ROLLER		
29	QM3-4925-000		1	HEAD RELAY PCB ASS'Y		
30	QM3-4926-000		1	CARRIAGE RELAY PCB ASS'Y		
31	QC2-9614-000		1	BELT, CARRIAGE		

FIGURE & KEY NO.	PARTS NUMBER	RANK	Q'TY	DESCRIPTION	SERIAL NUMBER/REMARKS	SVC
32	QM3-4966-000		1	FLEXIBLE CABLE UNIT		
33	QM3-4838-000		1	ENCODER SENSOR UNIT		
34	QC1-7156-000		2	STOPPER, BELT		
35	QU1-8235-000		1	LABEL, SLANT		
36	QL2-2443-000		2	IDLER ROLLER UNIT		
37	QU1-2406-000		2	SPRING, COIL		
38	QL2-2442-000		2	IDLER ROLLER HOLDER UNIT		
39	WE8-6409-000		1	FERRITE, CORE		
40	QC3-0184-000		1	GUIDE, MULTI SENSOR		
41	QM3-0825-000		1	CLEANER		
42	QL2-1125-000		2	SLIDER, RAIL		
501	XB4-7401-009		AR	SCREW,TAPPING,TRUSS HEAD,M4X10		
502	XB1-2300-606		AR	SCREW,MACH.,TRUSS HEAD,M3X6		

FIGURE & KEY NO.	PARTS NUMBER	R A N K	Q'TY	DESCRIPTION	SERIAL NUMBER/REMARKS	S V C
Fig.07	NPN		RF	WASTE INK BOX & FAN UNIT		
1	QM3-4911-000		1	INK SUPPLY MOUNT UNIT		
2	QL2-2822-000		3	WASTE INK ABSORBER UNIT		
3	QM3-4814-000		1	WASTE INK BOX UNIT (L)		
4	QM3-4846-000		2	MIST FAN UNIT		
5	QC1-9198-000		1	FILTER, MIST		
6	QL2-2831-000		1	DUCT, WASTE INK		
7	QL2-2835-000		1	DUCT, PLATEN FAN		
8	QM3-4816-000		1	PLATEN FAN DUCT UNIT		
9	QM3-4827-000		1	PLATEN SUCTION FAN UNIT		
10	QM3-4828-010		1	WASTE INK BOX UNIT		
11	QC1-7237-000		2	ABSORBER, INK		
12	QC2-9908-000		1	TRAY, INK ABSORBER		
13	QC2-9909-000		1	ABSORBER, INK		
14	QM3-4843-000		1	M/C RELAY PCB ASSY		
15	QM3-4844-000		1	HEAD MANAGEMENT SENSOR UNIT		
16	QM3-4912-000		1	WASTE INK RECEPTACLE UNIT		
17	XA9-0732-000		10	SCREW,RS,M4X8		

FIGURE 08 CUTTER & DELIVERY GUIDE UNIT

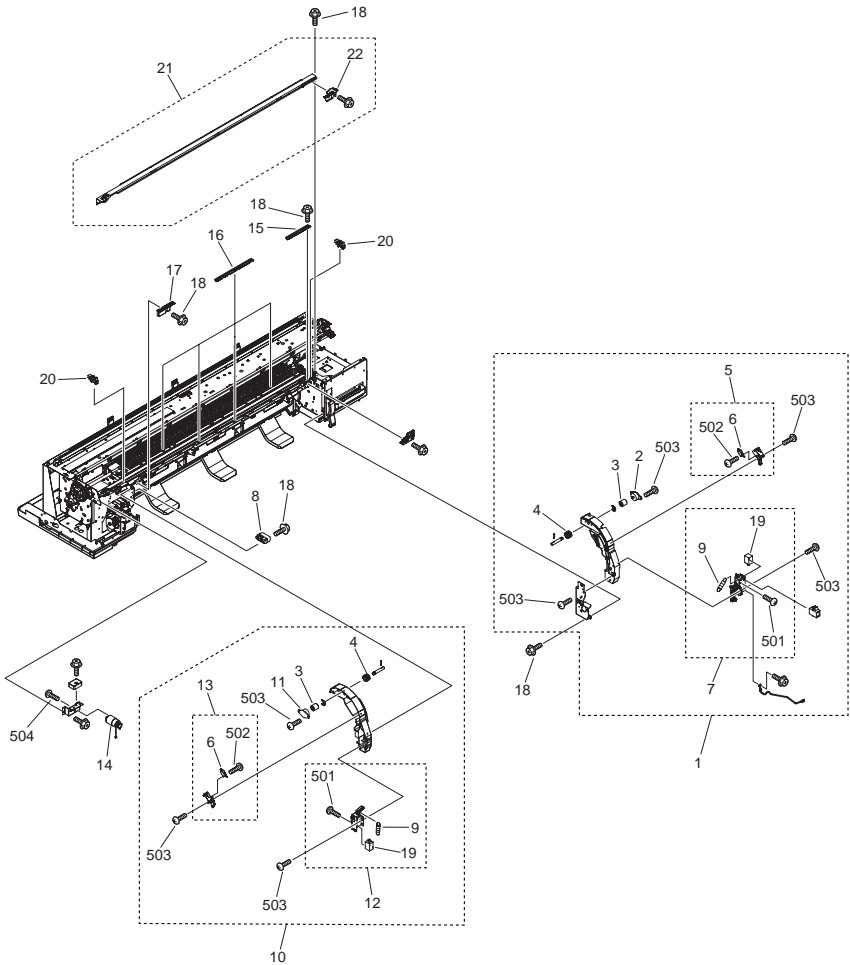


FIGURE & KEY NO.	PARTS NUMBER	R A N K	Q'TY	DESCRIPTION	SERIAL NUMBER/ REMARKS	S V C
Fig.08	NPN		RF	CUTTER & DELIVERY GUIDE UNIT		
1	QM3-4850-000		1	COVER STAY UNIT (R)		
2	QC1-7067-000		1	DAMPER, RIGHT		
3	QC2-4136-000		2	COUPLING, DAMPER		
4	QE1-1063-000		2	GEAR 14T		
5	QM3-1026-000		1	UPPER COVER SWITCH UNIT R		
6	WC4-5180-000		2	MICROSWITCH (DOOR)		
7	QM3-1027-000		1	UPPER COVER LOCK UNIT R		
8	QC1-7141-000		1	STOPPER, COVER		
9	QU1-2173-000		2	SPRING, HOOK END COIL		
10	QM3-4852-000		1	COVER STAY UNIT (L)		
11	QC1-7068-000		1	DAMPER, LEFT		
12	QM2-2511-000		1	UPPER COVER LOCK UNIT L		
13	QM3-1024-000		1	UPPER COVER SWITCH UNIT L		
14	QM3-4938-000		1	MOTOR UNIT		
15	QC2-9835-000		1	GUIDE, DELIVERY, RIGHT		
16	QC2-9836-000		4	GUIDE, DELIVERY		
17	QC2-9837-000		1	GUIDE, DELIVERY, LEFT		
18	XA9-0732-000		7	SCREW,RS,M4X8		
19	FH7-5489-050		2	SOLENOID, DC24V		
20	WG8-5776-000		2	PHOTO-INTERRUPTER, SG2481		
21	QM3-4919-010		1	CUTTER UNIT		
22	QM3-4873-010		1	CUTTER		
501	XB1-2300-406		AR	SCREW,MACH.,TRUSS HEAD,M3X4		
502	XB1-2301-406		AR	SCREW,MACH.,TRUSS HEAD,M3X14		
503	XB4-5400-806		AR	SCREW,P,M4X8		
504	XB1-2300-409		AR	SCREW,MACH.,TRUSS HEAD,M3X4		

FIGURE & KEY NO.	PARTS NUMBER	R A N K	Q'TY	DESCRIPTION	SERIAL NUMBER/ REMARKS	S V C
Fig.09	NPN		RF	PICK-UP & FEED UNIT		
1	QM3-4883-000		1	REWIND DRIVE UNIT		
2	QM3-4884-000		1	PICK-UP DRIVE UNIT		
3	WG8-5805-000		3	PHOTO-INTERRUPTER, KR866-AALF		
4	QC2-0866-000		2	BUSHING		
5	XA9-0732-000		18	SCREW,RS,M4X8		
6	WG8-5776-000		1	PHOTO-INTERRUPTER, SG2481		
7	QU1-0320-000		1	GEAR, 44T		
8	QU1-0302-000		1	GEAR, 28T		
9	QU1-0299-000		1	GEAR, ONE-WAY CLUTCH		
10	QC2-4111-000		24	ROLLER, PAPER GUIDE		
11	FH7-5489-050		1	SOLENOID, DC24V		
12	QC2-9830-000		6	FLAPPER		
13	QM3-4869-010		15	ROLLER UNIT		
14	QC1-7278-000		3	ARM, LOWER GUIDE		
15	QU1-2185-000		3	SPRING, TORSION		
16	QC3-0208-000		1	ROLLER, PICK-UP		
17	QM3-4872-000		3	FEED GUIDE UNIT		
18	QM3-4868-000		1	ROLLER UNIT ASS'Y		
19	QC2-9725-000		1	GUIDE, FEED, LOWER		
501	XD2-1100-642		AR	RING,E		
502	XB1-2400-809		AR	SCREW,MACH.,TRUSS HEAD,M4X8		
503	XB1-2300-409		AR	SCREW,MACH.,TRUSS HEAD,M3X4		
504	XB1-2301-409		AR	SCREW,MACH.,TRUSS HEAD,M3X14		

FIGURE 10
PINCH ROLLER UNIT

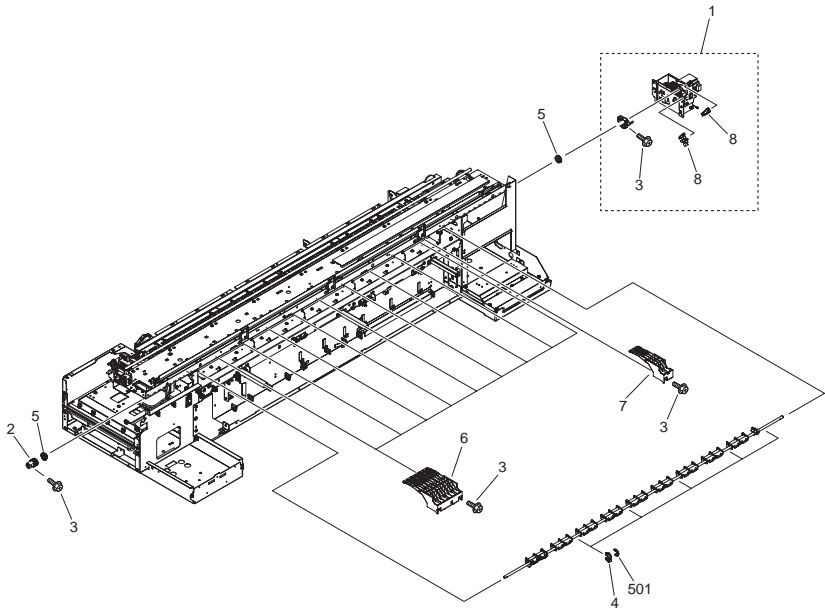


FIGURE & KEY NO.	PARTS NUMBER	R A N K	Q'TY	DESCRIPTION	SERIAL NUMBER/ REMARKS	S V C
Fig.10	NPN		RF	PINCH ROLLER UNIT		
1	QM3-4864-000		1	PRESSURE RELEASE DRIVE UNIT		
2	QU1-0309-000		1	GEAR, 24T		
3	XA9-0732-000		18	SCREW,RS,M4X8		
4	QC1-6999-000		5	BUSHING		
5	XG9-0365-000		2	BEARING,BALL		
6	QM2-2596-050		9	PINCH ROLLER UNIT		
7	QM3-4829-000		1	PINCH ROLLER UNIT		
8	WG8-5776-000		2	PHOTO-INTERRUPTER, SG2481		
501	XD2-1100-642		AR	RING,E		

FIGURE 11 PLATEN & FEED ROLLER

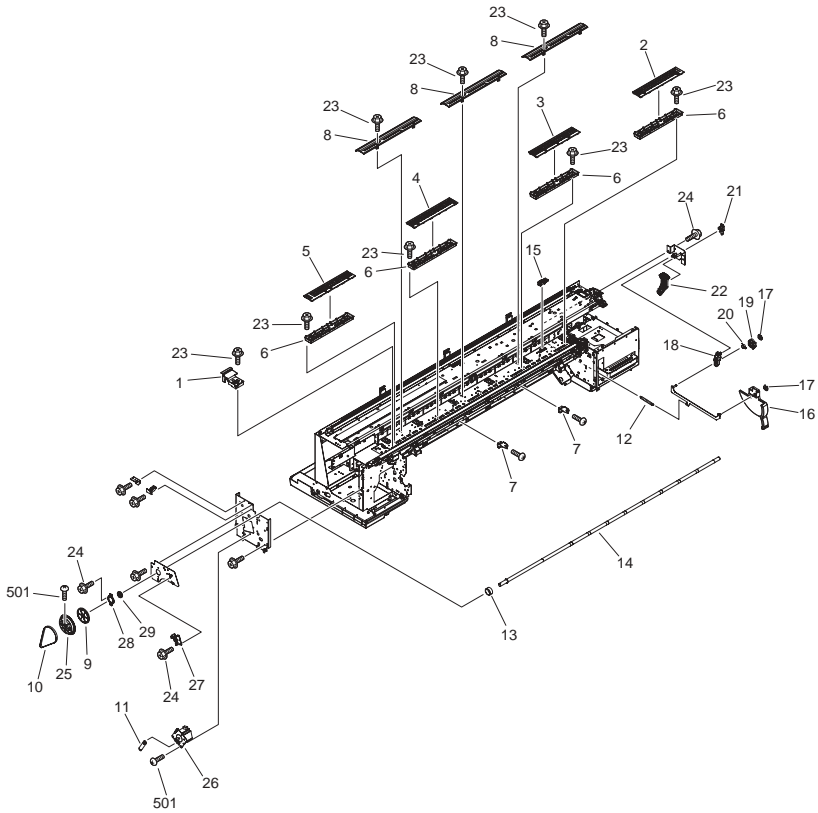


FIGURE & KEY NO.	PARTS NUMBER	R A N K	Q'TY	DESCRIPTION	SERIAL NUMBER/ REMARKS	S V C
Fig.11	NPN		RF	PLATEN & FEED ROLLER		
1	QL2-2840-000		1	MOUNT, MULTI SENSOR REFERENCE		
2	QM3-7700-000		1	PLATEN UNIT (A)		
3	QM3-7701-000		1	PLATEN UNIT (B)		
4	QM3-7702-000		1	PLATEN UNIT (C)		
5	QM3-5251-000		1	PLATEN UNIT (D)		
6	QL2-2825-000		4	BASE, PLATEN		
7	QM2-2528-010		2	COVER LOCK UNIT		
8	QC1-6921-000		3	PLATEN, REAR		
9	QU1-0082-000		1	GEAR 76T		
10	XF2-4119-770		1	BELT, FEED		
11	QU1-2170-000		1	SPRING, HOOK END COIL		
12	QU1-2401-000		1	SPRING, COMPRESSION		
13	QU1-6016-000		1	COLLAR, FEED ROLLER		
14	QM3-4812-000		1	FEED ROLLER ASSY		
15	WG8-5677-000		1	PHOTO-INTERRUPTER		
16	QC1-7034-000		1	LEVER, RELEASE		
17	FA3-8727-000		2	RING, RETAINING		
18	QC2-9809-000		1	ARM, RELEASE		
19	QC3-0124-000		1	JOINT, RELEASE		
20	QU1-2400-000		1	SPRING, TORSION		
21	WC4-5052-000		1	MICRO SWITCH		
22	QM3-5230-000		1	GEAR, RELEASE		
23	XA9-0724-000		38	SCREW,RS,M3X8		
24	XA9-0732-000		6	SCREW,RS,M4X8		
25	QL2-2095-000		1	PULLEY ASSY		
26	QM3-5246-000		1	FEED MOTOR ASS'Y		
27	QM3-1106-000		1	SENSOR UNIT		
28	QC1-6847-000		1	SUPPORT, BEARING		
29	XG9-0453-000		1	BEARING, BALL, 6902ZZNR		
501	XB2-8401-009		AR	SCREW,W/WASHER,M4X10		

FIGURE 12 LINEAR SCALE

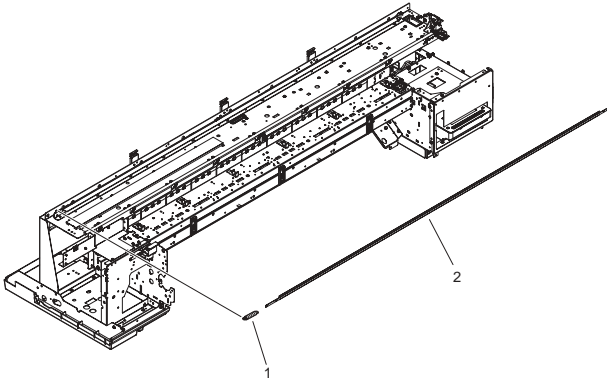


FIGURE & KEY NO.	PARTS NUMBER	RANK	QTY	DESCRIPTION	SERIAL NUMBER/REMARKS	SVC
Fig.12	NPN		RF	LINEAR SCALE		
1	QU1-2169-000		1	SPRING, HOOK END COIL		
2	QC3-1889-000		1	SCALE, LINEAR		

FIGURE 13 LOWER ROLL UNIT

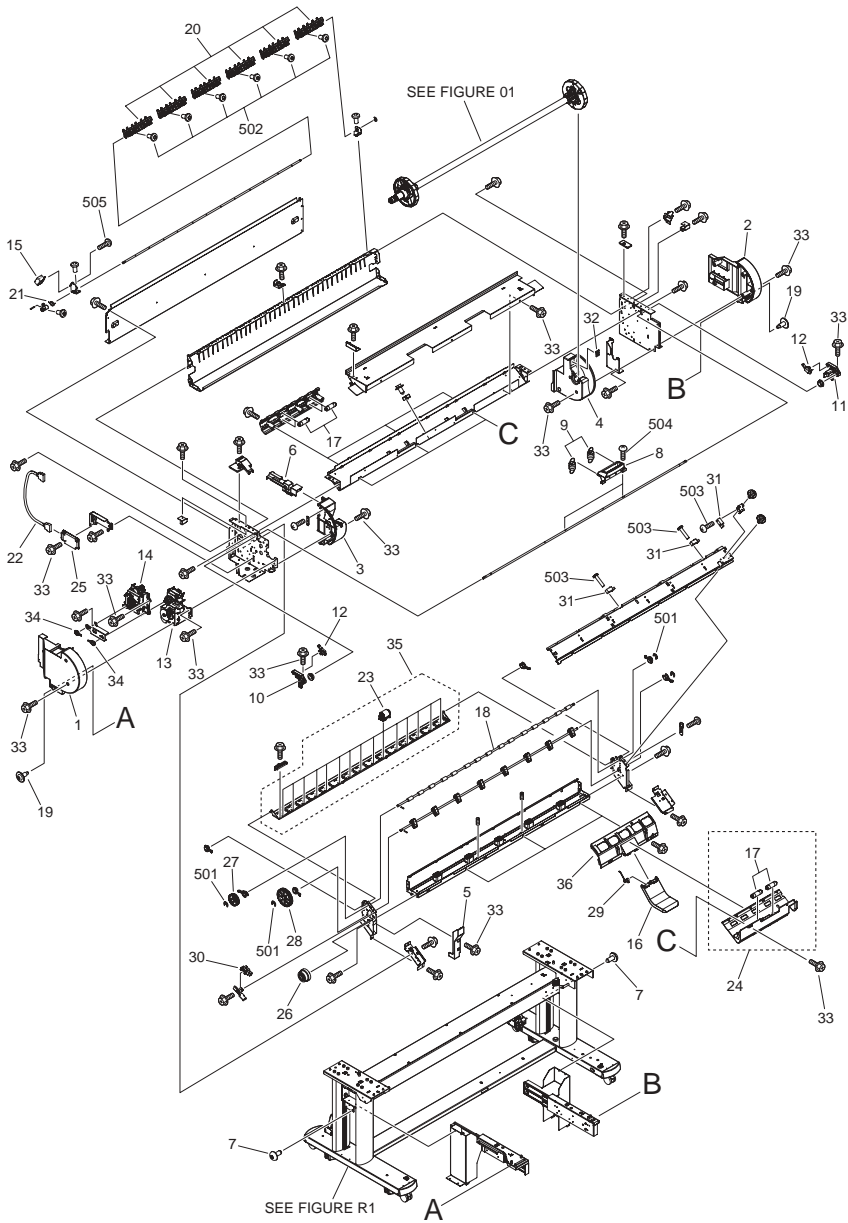


FIGURE & KEY NO.	PARTS NUMBER	R A N K	Q'TY	DESCRIPTION	SERIAL NUMBER/ REMARKS	S V C
Fig.13	NPN		RF	LOWER ROLL UNIT		
1	QC2-9945-000		1	COVER, LOWER ROLL, LEFT		
2	QC2-9951-000		1	COVER, LOWER ROLL, RIGHT		
3	QC2-9947-000		1	COVER, LOWER ROLL, LEFT INSIDE		
4	QC2-9952-000		1	COVER, LOWER ROLL, RIGHT INSID		
5	QC2-9901-000		1	COVER, PICK-UP		
6	QC2-9948-000		1	COVER, GEAR		
7	QC2-4116-000		8	SCREW, HEX SOCKET M4X10		
8	QC2-9873-000		2	HANDLE, RELEASE		
9	QU1-2402-000		4	SPRING, COMPRESSION		
10	QC2-9874-000		1	HOOK, LOCK, LEFT		
11	QC3-0148-000		1	HOOK, LOCK, RIGHT		
12	WC4-5052-000		2	MICRO SWITCH		
13	QM3-4883-000		1	REWIND DRIVE UNIT		
14	QM3-4884-000		1	PICK-UP DRIVE UNIT		
15	FH7-5489-050		1	SOLENOID, DC24V		
16	QC1-7278-000		3	ARM, LOWER GUIDE		
17	QC2-4111-000		18	ROLLER, PAPER GUIDE		
18	QC3-0208-000		1	ROLLER, PICK-UP		
19	QC2-9788-000		2	SCREW, STEPPED, HEX M4X10		
20	QC2-9830-000		6	FLAPPER		
21	QC2-9865-000		1	SPRING, TORSION		
22	QK1-5224-000		1	CABLE, INTERFACE		
23	QM3-4869-010		15	ROLLER UNIT		
24	QM3-4872-000		3	FEED GUIDE UNIT		
25	QM3-4931-000		1	ROLL UNIT PCB ASS'Y		
26	QU1-0299-000		1	GEAR, ONE-WAY CLUTCH		
27	QU1-0302-000		1	GEAR, 28T		
28	QU1-0320-000		1	GEAR, 44T		
29	QU1-2185-000		3	SPRING, TORSION		
30	WG8-5776-000		1	PHOTO-INTERRUPTER, SG2481		
31	WG8-5805-000		3	PHOTO-INTERRUPTER, KR866-AALF		

FIGURE & KEY NO.	PARTS NUMBER	R A N K	Q'TY	DESCRIPTION	SERIAL NUMBER/ REMARKS	S V C
32	QU1-8238-000		1	LABEL, LOWER ROLL		
33	XA9-0732-000		20	SCREW,RS,M4X8		
34	QC2-0866-000		2	BUSHING		
35	QM3-4868-000		1	ROLLER UNIT ASS'Y		
36	QC2-9725-000		1	GUIDE, FEED, LOWER		
501	XD2-1100-642		AR	RING,E		
502	XB1-2400-809		AR	SCREW,MACH.,TRUSS HEAD,M4X8		
503	XB1-2301-409		AR	SCREW,MACH.,TRUSS HEAD,M3X14		
504	XB6-7300-609		AR	SCREW,TP,M3X6		
505	XB1-2300-409		AR	SCREW,MACH.,TRUSS HEAD,M3X4		

FIGURE 14 TOOL

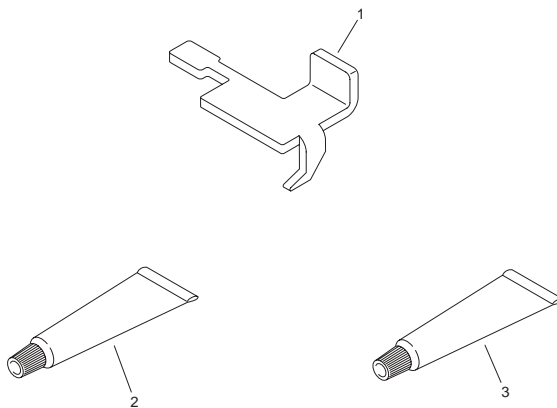
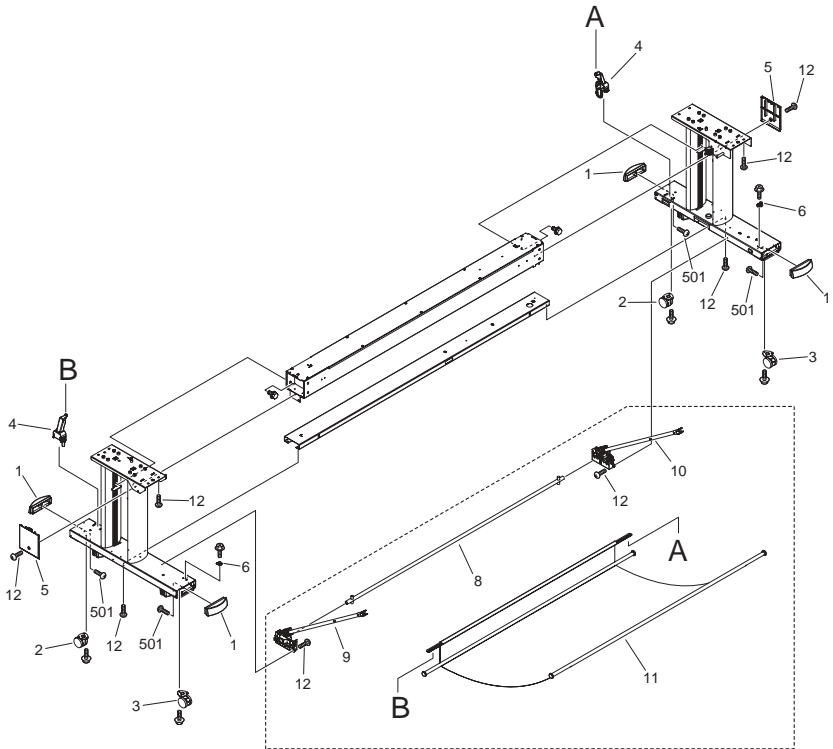
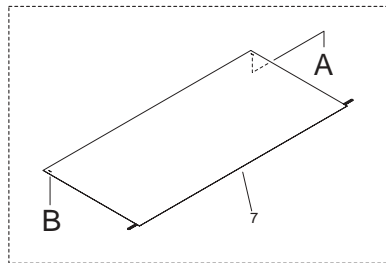


FIGURE & KEY NO.	PARTS NUMBER	RANK	QTY	DESCRIPTION	SERIAL NUMBER/REMARKS	SVC
Fig.14	NPN		RF	TOOL		
1	QY9-0103-000		1	COVER SWITCH TOOL		
2	CK-0551-020		1	LUBE, PERMALUB G NO.2		
3	CK-0562-000		1	GREASE, MOLYKOTE PG-641		

FIGURE R1 STAND UNIT



iPF815/810



iPF825/820

FIGURE & KEY NO.	PARTS NUMBER	RANK	Q'TY	DESCRIPTION	SERIAL NUMBER/REMARKS	SVC
Fig.R1	NPN		RF	STAND UNIT		
1	QC2-6626-000		4	CAP, FOOT		
2	QC2-4350-000		2	CASTER		
3	QC2-4351-000		2	CASTER, W/STOPPER		
4	QC2-6025-000		2	HOLDER, REAR		
5	QC2-9783-000		2	COVER, SIDE		
6	QC2-9785-000		2	HOOK, BASKET		
7	QC3-5221-000		1	BASKET	iPF825/820	
8	QL2-2327-000		1	ROD, BASKET	iPF815/810	
9	QM3-2022-000		1	BASKET SUPPORT (L)	iPF815/810	
10	QM3-2023-000		1	BASKET SUPPORT (R)	iPF815/810	
11	QM3-2854-000		1	BASKET	iPF815/810	
12	QC2-4116-000		20	SCREW, HEX SOCKET M4X10	iPF815/810	
12	QC2-4116-000		18	SCREW, HEX SOCKET M4X10	iPF825/820	
501	XB4-7401-206		AR	SCREW, SELF-TAPPING, P.HEAD		

FIGURE R2 BASKET UNIT

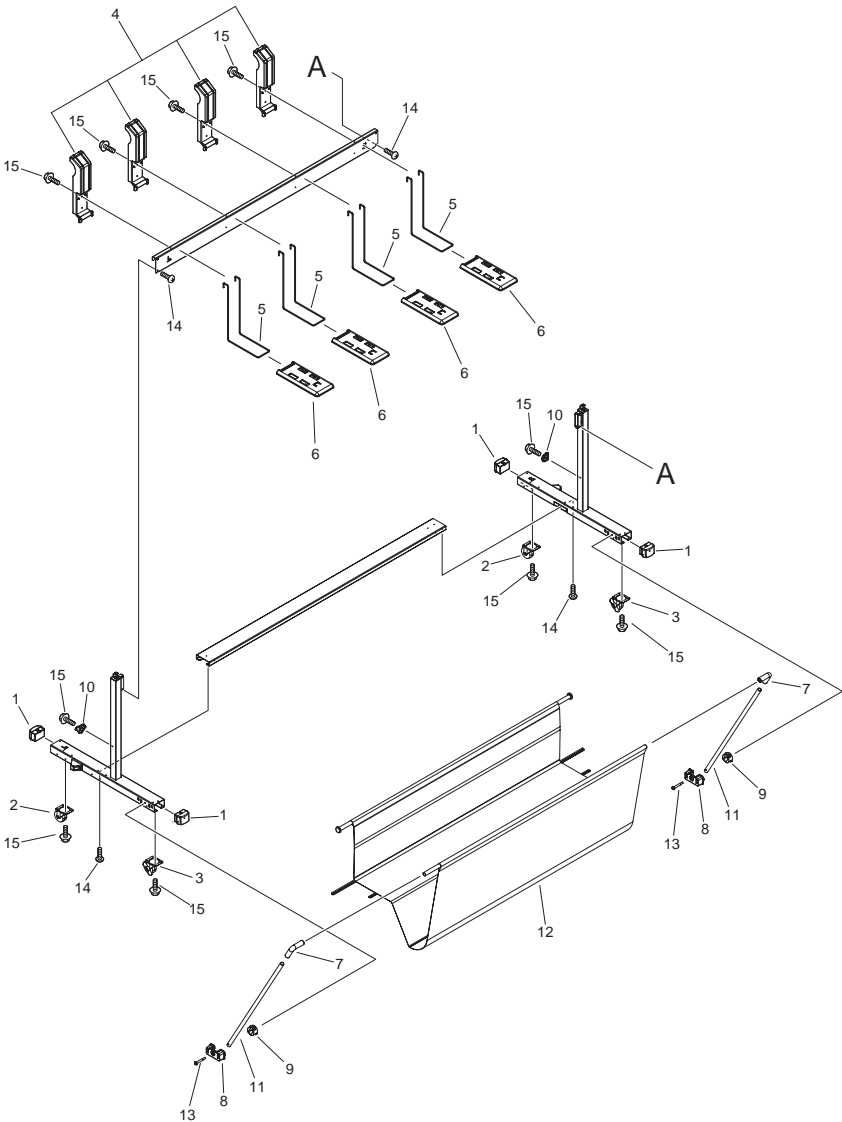


FIGURE & KEY NO.	PARTS NUMBER	R A N K	Q'TY	DESCRIPTION	SERIAL NUMBER/ REMARKS	S V C
Fig.R2	NPN		RF	BASKET UNIT		
1	QC3-0136-000		4	COVER, FOOT		
2	QC3-0196-000		2	CASTER		
3	QC3-0197-000		2	CASTER, W/STOPPER		
4	QC3-0140-000		4	GUIDE, DELIVERY		
5	QC3-0141-000		4	SUPPORT DELIVERY		
6	QC3-0142-000		4	COVER, DELIVERY SUPPORT		
7	QC2-4346-000		2	JOINT, ROD		
8	QC2-6322-000		2	HOLDER, ROD		
9	QC2-6323-000		2	SUPPORT, ROD		
10	QC2-9785-000		2	HOOK, BASKET		
11	QC3-0134-000		2	ROD, SIDE		
12	QM3-5235-010		1	BASKET		
13	QC3-0133-000		2	SCREW, STEPPED, M4		
14	QC2-4116-000		12	SCREW, HEX SOCKET M4X10		
15	XA9-0732-000		24	SCREW,RS,M4X8		

FIGURE R3 MEDIA TAKE-UP UNIT

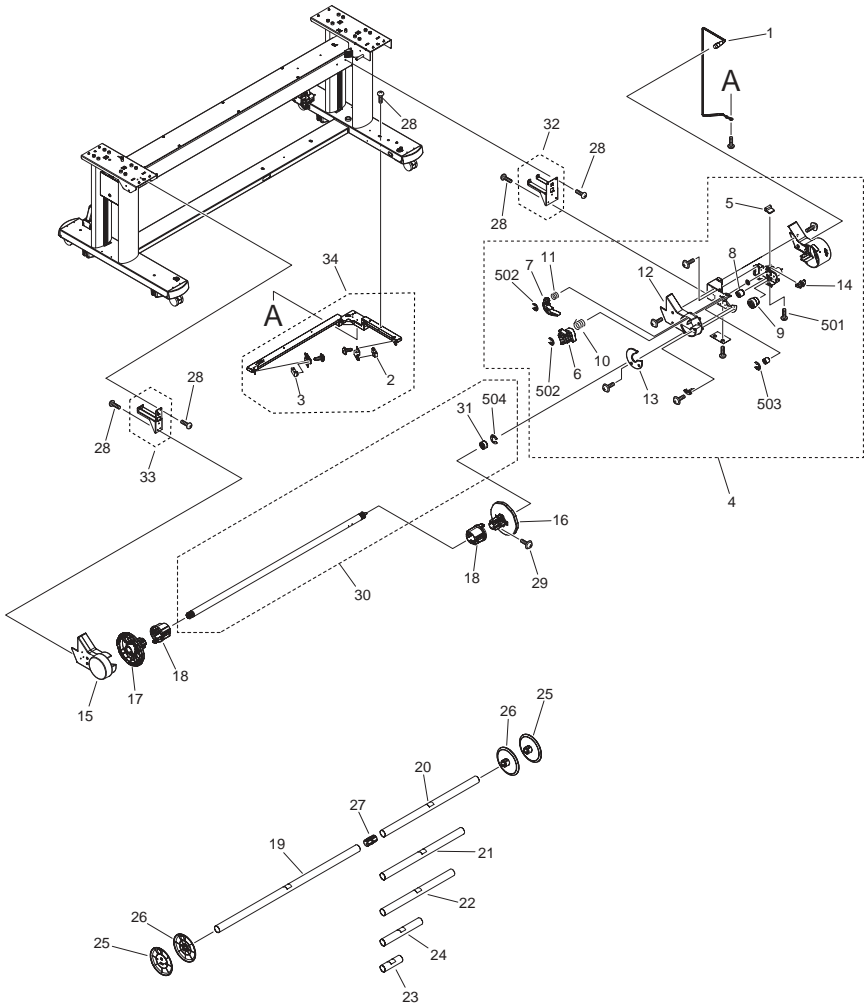


FIGURE & KEY NO.	PARTS NUMBER	R A N K	Q'TY	DESCRIPTION	SERIAL NUMBER/ REMARKS	S V C
Fig.R3	NPN		RF	MEDIA TAKE-UP UNIT		
1	QK1-2908-000		1	CABLE, INTERFACE		
2	WG8-5770-000		1	IC, PID310L, PHOTO-INTERRUPTER		
3	WG8-5771-000		1	IC, PIE310, PHOTO-INTERRUPTER		
4	QM3-1092-000		1	MEDIA TAKE-UP DRIVE UNIT		
5	QC2-2399-000		1	KNOB		
6	QC2-2401-000		1	LEVER, LOCK		
7	QC2-2402-000		1	LEVER, RELEASE		
8	QC2-2403-000		1	GEAR, 14T		
9	QC2-2404-000		1	GEAR, 22T		
10	QC2-2408-000		1	SPRING, TORSION		
11	QC2-2409-000		1	SPRING, TORSION		
12	QC2-2410-000		1	COVER, DRIVE UNIT, 1		
13	QC2-2412-000		1	COVER, DRIVE UNIT, 2		
14	WG8-5624-000		1	IC, PHOTO INTERRUPTER		
15	QM3-1093-000		1	MEDIA TAKE-UP IDLER UNIT		
16	QM3-1108-000		1	RIGHT FLANGE UNIT		
17	QM3-1109-000		1	LEFT FLANGE UNIT		
18	QM3-1095-000		2	3 INCH ADAPTER UNIT		
19	QL2-3143-000		1	WEIGHT G		
20	QL2-3145-000		1	WEIGHT E		
21	QL2-3146-000		1	WEIGHT D		
22	QL2-3147-000		1	WEIGHT C		
23	QL2-3148-000		1	WEIGHT A		
24	QL2-3149-000		1	WEIGHT B		
25	QL2-1676-000		2	WEIGHT FLANGE 1		
26	QL2-2094-000		2	WEIGHT FLANGE 2		
27	QE1-1495-000		1	WEIGHT JOINT		
28	QE1-2304-000		16	BOLT, HEX HEAD, M4X8		
29	XA9-1501-000		2	SCREW, RS, M3X10		
30	QM3-2011-000		1	MEDIA TAKE-UP SPOOL SHAFT UNIT		
31	QC2-2434-000		1	GEAR, 27T		

FIGURE & KEY NO.	PARTS NUMBER	R A N K	Q'TY	DESCRIPTION	SERIAL NUMBER/ REMARKS	S V C
32	QC2-2413-000		1	BRACKET, MOUNTING, RIGHT		
33	QC2-2417-000		1	BRACKET, MOUNTING, LEFT		
34	QM3-1091-000		1	MEDIA TAKE-UP SENSOR UNIT		
501	XB4-7300-807		AR	SCREW,TAPPING,TRUSS HEAD,M3X8		
502	XD2-1100-502		AR	RING,E		
503	XD2-1100-322		AR	RING,E		
504	XD2-1100-642		AR	RING,E		

FIGURE ZZA

MECHANICAL STANDARD PARTS(HOW TO USE)

Mechanical standard parts

機械標準部品

About a mechanical standard parts

A Mechanical standard parts is a mechanical part which not parts peculiar to a product. They are parts which are common to a Canon product and are used, such as a screw and a washer. The Fig No. and parts number of the mechanical standard parts are not listed in the product parts catalog. Refer to the parts catalog of mechanical standard parts when checking the parts number for screw or washer etc. and identify them by part shape or size.

機械標準部品とは

機械標準部品とは、製品特有の部品ではなく、ねじやワッシャなどキヤノン製品共通で使用されている機械部品(メカ部品)のことです。
製品のパーツカタログには、機械標準部品のFig No.や部品番号は記載しておりません。
ねじや、ワッシャ等の部品番号を調べるときは、機械標準部品のパーツカタログを参照し、部品の形状や大きさから判断し、使用している部品を調べてください。

Material and surface treatment of a mechanical standard parts

Material and surface treatment of mechanical standard parts are assigned commonly for each part. Refer to the Table 1 for the parts which material and surface treatment are assigned as numbers.

機械標準部品の材料および表面処理

機械標準部品の材料および表面処理については、各種部品共通で決められています。
材料および表面処理が番号で決められている部品については、表1を参照してください。

Table 1 Material and Surface treatment

表1 材料および表面処理

No. 番号	Material 材料	Surface treatment 表面処理	Color 色
1	Stainless steel ステンレス	Stainless steel black coloring (BC4) ステンレス黒着色(BC4)	Black 黒
2		not to be given なし	White 白
3	Brass 黄銅	Regular nickel plating (NL) 普通ニッケルメッキ(NL)	White 白
4		Black nickel plating (BN) 黒色ニッケルメッキ(BN)	Black 黒
5	Steel 鋼	White zinc trivalent chromate treating (ZC3) 白色亜鉛3価クロメート(ZC3)	White 白
6		Regular nickel chromium plating (NC) 普通ニッケルクロムメッキ(NC)	White 白
7		Regular nickel plating (NL) 普通ニッケルメッキ(NL)	White 白
8		Iron and steel phosphating (P1) 鉄鋼磷酸塩処理(P1)	Black 黒
9		Black zinc trivalent chromate treating (BZ3) 黒色亜鉛3価クロメート(BZ3)	Black 黒

FIGURE ZZB MECHANICAL STANDARD PARTS(SCREWS)

1. Screws ねじ

How to read Parts Numbers
部品番号の見方

Screws
ねじ

XB1-2400-609

Type No.
類別番号

Normal designation (d)
ねじの呼び(d)

Length (L)
ねじの長さ(L)

Material and Surface treatment
材料および表面処理

XB1-2 expresses Binding head machine screw.
XB1-2は、バインドねじを表す

40 expresses M4.0.
40は、M4.0を表す

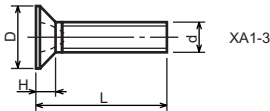
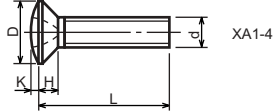
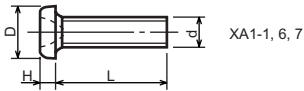
0-60 expresses a length of 6.0mm.
0-60は、6.0mmの長さを表す

9 expresses Steel (Black zinc trivalent chromate
treating) from Table 1.

9は、表1より鋼(黒色亜鉛3価クロメート)を表す

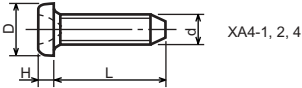
1-1. Cross Recessed Head Screws for Precision Equipments

精密機器用十字穴付き小ねじ

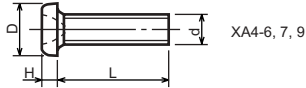


Type No. 類別番号	Type 類別	Head size (mm) 頭部寸法 (mm)							
		M1.4	M1.6	M1.7	M2	M2.5	M2.6		
XA1-1	Pan head Class 1 なべ1種	D	XA1-1	2	2.4	2.5	3	3.8	4
		H	XA1-1	0.5	0.55	0.5	0.6	0.9	0.8
XA1-3	Countersunk head Class 1 さら1種	D	XA1-3	2	2.4	2.5	3	3.8	4
		H	XA1-3	0.48	0.55	0.58	0.73	0.85	0.93
XA1-4	Oval countersunk head Class 1 丸さら1種	D	XA1-4	2	2.4	2.5	3	3.8	4
		H + K	XA1-4	0.68	0.8	0.88	1	1.25	1.3
XA1-6	Pan head Class 3 なべ3種	D	XA1-6	2.5	2.8	3	3.5	4.3	4.5
		H	XA1-6	0.8	0.85	0.9	1	1.3	1.2
XA1-7	Pan head Class 2 なべ2種	D	XA1-7	2.5	2.8	3	3.5	4.3	4.5
		H	XA1-7	0.5	0.55	0.5	0.6	0.9	0.8

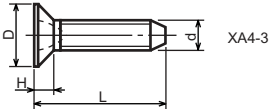
1-2. Precision Tapping Screws
精密用タッピンねじ



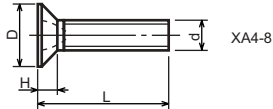
XA4-1, 2, 4



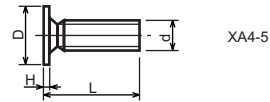
XA4-6, 7, 9



XA4-3



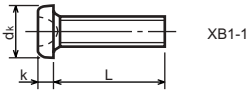
XA4-8



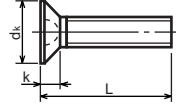
XA4-5

Type No. 類別番号	Type 類別	Head size (mm) 頭部寸法 (mm)						
		M1.4	M1.6	M1.7	M2	M2.5	M2.6	
XA4-1	With tapered end pan head Class 1 絞りなべ1種	D XA4-1	2	2.4	2.5	3	3.8	4
		H XA4-1	0.5	0.55	0.5	0.6	0.9	0.8
XA4-2	With tapered end pan head Class 3 絞りなべ3種	D XA4-2	2.5	2.8	3	3.5	4.3	4.5
		H XA4-2	0.8	0.85	0.9	1	1.3	1.2
XA4-3	With tapered end countersunk head 絞り-さら	D XA4-3	2	2.4	2.5	3	3.8	4
		H XA4-3	0.48	0.55	0.58	0.73	0.85	0.93
XA4-4	With tapered end pan head Class 2 絞りなべ2種	D XA4-4	2.5	2.8	3	3.5	4.3	4.5
		H XA4-4	0.5	0.55	0.5	0.6	0.9	0.8
XA4-5	With parallel end ultra thin head ストレート-超薄頭	D XA4-5	2.5	2.8	3	-	-	-
		H XA4-5	0.2	0.2	0.2	-	-	-
XA4-6	With parallel end pan head Class 1 ストレートなべ1種	D XA4-6	2	2.4	2.5	3	3.8	4
		H XA4-6	0.5	0.55	0.5	0.6	0.9	0.8
XA4-7	With parallel end pan head Class 3 ストレートなべ3種	D XA4-7	2.5	2.8	3	3.5	4.3	4.5
		H XA4-7	0.8	0.85	0.9	1	1.3	1.2
XA4-8	With parallel end countersunk head ストレート-さら	D XA4-8	2	2.4	2.5	3	3.8	4
		H XA4-8	0.48	0.55	0.58	0.73	0.85	0.93
XA4-9	With parallel end pan head Class 2 ストレートなべ2種	D XA4-9	2.5	2.8	3	3.5	4.3	4.5
		H XA4-9	0.5	0.55	0.5	0.6	0.9	0.8

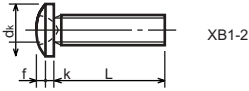
1-3. Cross Recessed Head Screws
 一般用十字穴付き小ねじ



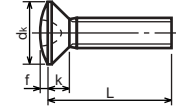
XB1-1



XB1-3



XB1-2

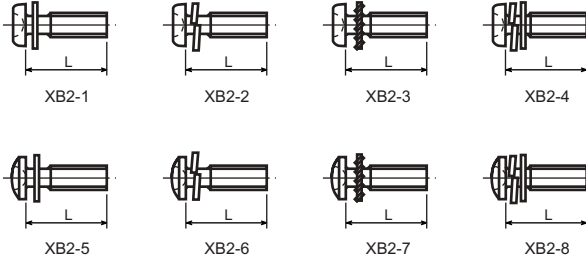


XB1-4

Type No. 類別番号	Type 類別
XB1-1	Pan head なべ
XB1-2	Binding head バインド
XB1-3	Countersunk head ざら
XB1-4	Oval countersunk head 丸ざら

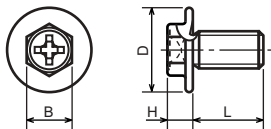
		Head size (mm) 頭部寸法 (mm)					
		M2	M2.5	M2.6	M3	M4	M5
dk	XB1-1	3.5	4.5	4.5	5.5	7	9
k	XB1-1	1.3	1.7	1.7	2	2.6	3.3
dk	XB1-2	4.3	5.3	5.5	6.3	8.3	10.3
k+f	XB1-2	1.2	1.5	1.6	1.9	2.5	3.1
dk	XB1-3	4	5	-	6	8	10
k	XB1-3	1.2	1.45	-	1.75	2.3	2.8
dk	XB1-4	4	5	-	6	8	10
k+f	XB1-4	1.6	2	-	2.45	3.2	4
Screw part length ねじ部長さ b		8	12	12	12	16	20

1-4. Cross Recessed Head Screws with Captive Washer
座金組込み十字穴付き小ねじ



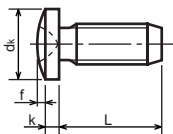
Type No. 類別番号	Type 類別
XB2-1	Pan head + Plain washer (circular bright) なべねじ+平座金
XB2-2	Pan head + Spring washer なべねじ+ばね座金
XB2-3	Pan head + Toothed lock washer なべねじ+歯付座金
XB2-4	Pan head + Spring washer and plain washer (circular bright) なべねじ+(ばね+平)座金
XB2-5	Binding head + Plain washer (circular bright) バインドねじ+平座金
XB2-6	Binding head + Spring washer バインドねじ+ばね座金
XB2-7	Binding head + Toothed lock washer バインドねじ+歯付座金
XB2-8	Binding head + Spring washer and plain washer (circular bright) バインドねじ+(ばね+平)座金

1-5. Hexagon Head Tapping Screws for Metallic Materials
 金属用六角タッピンねじ



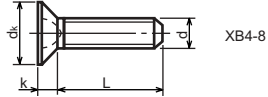
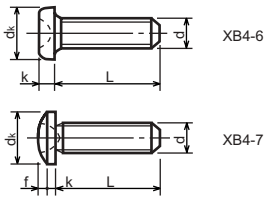
Type No. 類別番号	Type 類別	Head size (mm) 頭部寸法 (mm)		
		M3	M4	
XB3-6	For metallic materials 金属用タッピン	D	8	10
		B	5.5	5.5
XB3-7	For metallic materials with clawed 金属用タッピン-つめ付き	H XB3-6	3.1	3.1
		H XB3-7	3.2	3.2

1-6. Special Tapping Screws
 特殊タッピンねじ



Type No. 類別番号	Type 類別	Head size (mm) 頭部寸法 (mm)		
		M3	M4	
XB4-5	Binding head バインド	dk	6.3	8.3
		k	1.3	1.7
		k+f	1.9	2.5

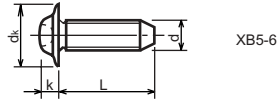
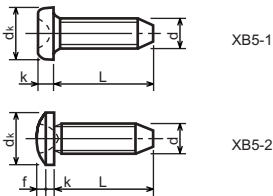
1-7. General Head Tapping Screws
一般用タッピンねじ



Type No. 類別番号	Type 類別
XB4-6	Pan head なべ
XB4-7	Binding head バインド
XB4-8	Countersunk head さら

		Head size (mm) 頭部寸法 (mm)					
		M2	M2.5	M2.6	M3	M4	M5
dk	XB4-6	3.5	4.5	4.5	5.5	7	9
k	XB4-6	1.3	1.7	1.7	2	2.6	3.3
dk	XB4-7	4.3	5.3	5.5	6.3	8.3	10.3
k+f	XB4-7	1.2	1.5	1.6	1.9	2.5	3.1
dk	XB4-8	4	5	5.2	6	8	10
k	XB4-8	1.2	1.45	1.5	1.75	2.3	2.8

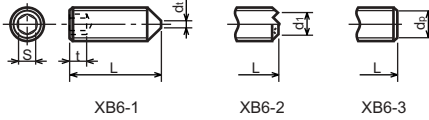
1-8. Tapping Screws for Metallic Materials
金属用タッピンねじ



Type No. 類別番号	Type 類別
XB5-1	Pan head なべ
XB5-2	Binding head バインド
XB5-6	Flanged pan head つば付きなべ

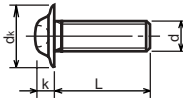
		Head size (mm) 頭部寸法 (mm)				
		M2.5	M2.6	M3	M4	M5
dk	XB5-1	4.5	4.5	5.5	7	9
k	XB5-1	1.7	1.7	2	2.6	3.3
dk	XB5-2	5.5	5.5	6.3	8.3	10.3
k+f	XB5-2	1.6	1.6	1.9	2.5	3.1
dk	XB5-6	6.5	6.5	8	10	12
k	XB5-6	2.1	2.1	1.75	3.2	4

1-9. Hexagon Socket Set Screws
六角穴付止めねじ



Type No. 類別番号	Type 類別	Head size (mm) 頭部寸法 (mm)							
		M1.6 M1.7	M2	M2.5 M2.6	M3	M5	M5	M6	
XB6-1	Cone point とがり先	S	0.7	0.9	1.3	1.5	2	2.5	3
		t	1.5	1.7	2	2	2.5	3	3.5
		$d_{t \max}$ XB6-1	0.4	0.5	0.65	0.75	1	1.25	1.5
		$d_{l \max}$ XB6-2	-	1.2	1.5	1.7	2.2	2.8	3.3
		$d_{l \min}$ XB6-2	-	1	1.2	1.4	1.9	2.4	2.9
XB6-3	Flat point 平先	$d_{p \max}$ XB6-3	0.8	1	1.5	2	2.5	3.5	4
		$d_{p \min}$ XB6-3	0.55	0.75	1.25	1.75	2.25	3.2	3.7

1-10. Flanged Pan Head Machine Screws
つば付きなべ小ねじ



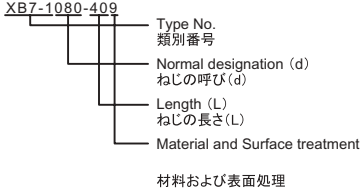
Type No. 類別番号	Type 類別	Head size (mm) 頭部寸法 (mm)					
		M2	M2.5 M2.6	M3	M5	M5	
XB6-7	Flanged pan head つば付きなべ	d_k	5	6.5	8	10	12
		k	1.7	2.1	2.5	3.2	4

FIGURE ZZC MECHANICAL STANDARD PARTS(BOLTS)

2. Bolts (Socket head cap screw) ボルト

How to read Parts Numbers
部品番号の見方

Bolt (Socket head cap screw)
ボルト



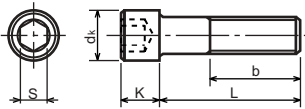
XB7-1 expresses Hexagon socket head cap screws.
XB7-1は、六角穴付きボルトを表す

080 expresses M8.0.
080は、M8.0を表す

40 expresses a length of 40mm.
40は、40mmの長さを表す

9 expresses Steel (Black zinc trivalent chromate treating) from Table 1.
9は、表1より鋼(黒色亜鉛3価クロメート)を表す

2-1. Hexagon socket head cap screws 六角穴付きボルト



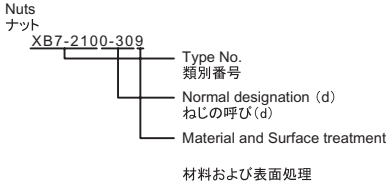
Type No. 類別番号	Type 類別
XB7-1	Hexagon socket head cap screws 六角穴付きボルト

	Head size (mm) 頭部寸法 (mm)						
	M3	M4	M5	M6	M8	M10	M12
S	2.5	3	4	5	6	8	10
d_k	5.5	7	8.5	10	13	16	18
K	3	4	5	6	8	10	12
Screw part length b_{max} ねじ部長さ b_{max}	18	20	22	24	28	32	36

FIGURE ZZD MECHANICAL STANDARD PARTS(NUTS)

3. Nuts ナット

How to read Parts Numbers
部品番号の見方

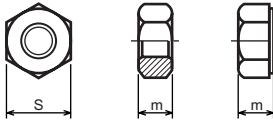


XB7-210 expresses Hexagon nut class 1.
XB7-210は、六角ナット1種を表す

0-30 expresses M3.0.
0-30は、M3.0を表す

9 expresses Steel (Black zinc trivalent chromate treating) from Table 1.
9は、表1より鋼(黒色亜鉛3価クロメート)を表す

3-1. Hexagon Nuts and Hexagon Thin Nuts 六角ナット



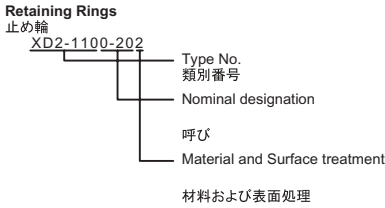
Type No. 類別番号	Type 類別
XB7-210	Hexagon nut Class 1 六角ナット-1種
XB7-220	Hexagon nut Class 3 六角ナット-3種
XB7-230	Hexagon nut Style 1 double chamfered 六角ナット-スタイル1-両面とり
XB7-231	Hexagon nut Style 1 washer faced 六角ナット-スタイル1-座付き
XB7-240	Hexagon nut Style 2 double chamfered 六角ナット-スタイル2-両面とり
XB7-241	Hexagon nut Style 2 washer faced 六角ナット-スタイル2-座付き
XB7-250	Hexagon nut 六角ナット
XB7-260	Hexagon thin nut double chamfered 六角低ナット-両面とり
XB7-270	Hexagon thin nut not chamfered 六角低ナット-面とり無し

	Head size (mm) 頭部寸法 (mm)						
	M2	M2.5	M3	M4	M5	M6	M8
S	4	5	5.5	7	8	10	13
m XB7-210	1.6	2	2.4	3.2	4	5	6.5
m XB7-220	1.2	1.6	1.8	2.4	3.2	3.6	5
m XB7-230, 231	1.6	2	2.4	3.2	4.7	5.2	6.8
m XB7-240, 241	-	-	-	-	5.1	5.7	7.5
m XB7-250	-	-	-	-	5.6	6.1	7.9
m XB7-260	1.2	1.6	1.8	2.2	2.7	3.2	4
m XB7-270	1.2	1.6	1.8	2.2	2.7	3.2	4

FIGURE ZZE MECHANICAL STANDARD PARTS(RETAINING RINGS)

5. Retaining Rings 止め輪

How to read Parts Numbers
部品番号の見方



XD2-110 expresses retaining ring-E type (Type1).
XD2-110は、E形止め輪(1種)を表す

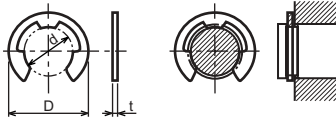
0-20 expresses a 020 of nominal designation.
(See Table 5)

0-20は、呼び020を表す(表5参照)

2 expresses Stainless steel (Surface treatment is not to be given) from Table 1.

2は、表1よりステンレス(表面処理なし)を表す

5-1. Retaining Rings - E type E形止め輪

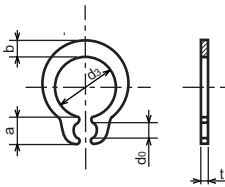


Type No. 類別番号	Type 類別
XD2-110	Retaining ring - E type (Type 1) E形止め輪(1種)
XD2-120	Retaining ring - E type (Type 2) E形止め輪(2種)

Table 5 表5

Type 種類	Nominal designation 呼び	d (mm)	D (mm)	t (mm)
Type 1 1種	007	0.65	2	0.2
	010	0.95	2.8	0.2
	013	1.25	3.3	0.3
	017	1.65	4.2	0.4
	020	1.95	4.6	0.5
	024	2.35	6	0.6
	028	2.74	6.5	0.6
	032	3.14	7.2	0.6
	037	3.64	8	0.7
	040	3.93	10	0.7
	042	4.13	10	0.7
	050	4.93	11	0.7
	058	5.73	12	0.7
	060	5.93	12.7	0.9
	064	6.32	13.5	0.9
	074	7.31	15	0.9
080	7.91	16.5	1	
Type 2 2種	008	0.8	2	0.2
	012	1.2	3	0.3
	015	1.5	4	0.4
	020	2	5	0.4
	025	2.5	6	0.4
	030	3	7	0.6
	040	4	9	0.6
	050	5	11	0.6
	060	6	12	0.8
	070	7	14	0.8
	080	8	16	0.8
	090	9	18	0.8
	100	10	20	1

5-2. Grip Rings
グリップ止め輪

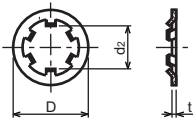


Type No. 類別番号	Type 類別
XD2-210	Grip ring グリップ止め輪

Table 5 表5

Nominal designation 呼び	d ₃ (mm)	t (mm)	b (mm)	a (mm)	d ₀ (mm)
020	1.9	0.5	1	1.8	0.8
025	2.35	0.5	1.2	1.9	0.9
030	2.85	0.6	1.4	1.9	0.9
035	3.3	0.6	1.6	2	0.9
040	3.8	0.8	1.8	2.8	1.2
045	4.25	0.8	2	2.9	1.3
050	4.75	0.8	2.2	2.9	1.3
060	5.7	1	2.4	3.1	1.4
070	6.7	1	2.7	3.3	1.4
080	7.7	1	3	3.5	1.4
090	8.65	1.2	3.3	4.7	1.5
100	9.65	1.2	3.5	4.7	2

5-3. Toothed Retaining Rings
歯付き形止め輪



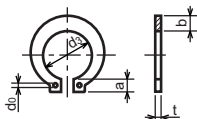
Type No. 類別番号	Type 類別
XD2-230	Toothed retaining ring 歯付き形止め輪

Table 5 表5

Nominal designation 呼び	d _z (mm)	D (mm)	t (mm)	No of teeth 歯数
015	1.4	5.2	0.25	3
020	1.9	6	0.25	3
024	2.3	6.4	0.25	3
030	2.8	8	0.25	4
040	3.8	9	0.25	4
050	4.8	10	0.25	5
060	5.8	11	0.25	5
080	7.8	13	0.25	5
100	9.8	15.4	0.25	6

5-4. Retaining Rings - C Type

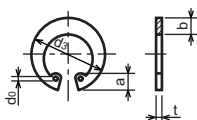
C形止め輪



Type No. 類別番号	Type 類別
XD2-310	Retaining ring - C type for shaft C形止め輪 軸用

Table 5 表5

Nominal designation 呼び	d ₃ (mm)	t (mm)	b (mm)	a (mm)	d ₀ (mm)
010	9.3	1	1.6	3	1.2
012	11.1	1	1.8	3.2	1.5
014	12.9	1	2	3.4	1.7
015	13.8	1	2.1	3.5	1.7
016	14.7	1	2.2	3.6	1.7
017	15.7	1	2.2	3.7	1.7
018	16.5	1.2	2.6	3.8	1.7
020	18.5	1.2	2.7	3.9	2
022	20.5	1.2	2.7	4.1	2
025	23.2	1.2	3.1	4.3	2
028	25.9	1.5	3.1	4.6	2
030	27.9	1.5	3.5	4.8	2
032	29.6	1.5	3.5	5	2.5
035	32.2	1.5	4	5.4	2.5



Type No. 類別番号	Type 類別
XD2-320	Retaining ring - C type for hole C形止め輪 穴用

Table 5 表5

Nominal designation 呼び	d ₃ (mm)	t (mm)	b (mm)	a (mm)	d ₀ (mm)
010	10.7	1	1.8	3.1	1.2
011	11.8	1	1.8	3.2	1.2
012	13	1	1.8	3.3	1.5
014	15.1	1	2	3.6	1.7
016	17.3	1	2	3.7	1.7
018	19.5	1	2.5	4	1.7
019	20.5	1	2.5	4	2
020	21.5	1	2.5	4	2
022	23.5	1	2.5	4.1	2
025	26.9	1.2	3	4.4	2
028	30.1	1.2	3	4.6	2
030	32.1	1.2	3	4.7	2
032	34.4	1.2	3.5	5.2	2.5
035	37.8	1.5	3.5	5.2	2.5
037	39.8	1.5	3.5	5.2	2.5
040	43.5	1.8	4	5.7	2.5
042	45.5	1.8	4	5.8	2.5
045	48.5	1.8	4.5	5.9	2.5
047	50.5	1.8	4.5	6.1	2.5
050	54.2	2	4.5	6.5	2.5
052	56.2	2	5.1	6.5	2.5
055	59.2	2	5.1	6.5	2.5
060	64.2	2	5.1	6.8	2.5
062	66.2	2	5.5	6.9	2.5
068	72.5	2.5	6	7.4	2.5
072	76.5	2.5	6.6	7.4	2.5
075	79.5	2.5	6.6	7.8	2.5
080	85.5	2.5	7	8	2.5
085	90.5	3	7	8	3
090	95.5	3	7.6	8.3	3
095	100.5	3	8	8.5	3

Prepared by
L Printer Quality Assurance Center
CANON INC.

Canon