

# **PARTS CATALOG**

**iPF765/760/755/750**

**Canon**

**Jul 17 2012**



## **PREFACE**

This Parts Catalog contains listings of parts used

Diagrams are provided with the listings to aid the service technician in identifying clearly, the item to be ordered.

Whenever ordering parts, consult this Parts Catalog for all of the information pertaining to each item. Be sure to include, in the Parts Request, the full item description, the item part number, and the quantity.

***COPYRIGHT (C) 1999 CANON INC.***

Use of this manual should be strictly supervised to avoid disclosure of confidential information.





# Contents

## NUMERICAL INDEX

iPF765/760/755/750(Numerical Index)..... 1-1

## iPF765/760/755/750(Parts Catalog)

01	PRINTER & ACCESSORIES .....	2-1
02	COVERS .....	2-4
03	ROLL UNIT .....	2-6
04	ELECTRICAL PART .....	2-9
05	INK SUPPLY & PURGE UNIT .....	2-11
06	LINEAR SCALE .....	2-14
07	CARRIAGE UNIT .....	2-15
08	AIR FLOW FAN UNIT .....	2-18
09	CUTTER UNIT .....	2-20
10	PLATEN & GUIDE UNIT .....	2-22
11	PINCH ROLLER UNIT .....	2-24
12	FEED ROLLER UNIT .....	2-25
13	TOOL .....	2-27
R1	STAND UNIT ST-33 .....	2-28
R2	STAND UNIT ST-34 .....	2-30
ZZA	MECHANICAL STANDARD PARTS(HOW TO USE) .....	2-34
ZZB	MECHANICAL STANDARD PARTS(SCREWS) .....	2-35
ZZC	MECHANICAL STANDARD PARTS(BOLTS) .....	2-42
ZZD	MECHANICAL STANDARD PARTS(NUTS) .....	2-43
ZZE	MECHANICAL STANDARD PARTS(RETAINING RINGS) .....	2-44



# NUMERICAL INDEX

## iPF765/760/755/750(Numerical Index)

PARTS NUMBER	FIGURE & KEY NO.	PARTS NUMBER	FIGURE & KEY NO.	PARTS NUMBER	FIGURE & KEY NO
999-9999-999	13 - 2	QC2-9785-000	R1 - 9	QC3-1651-000	03 - 34
AY3-4560-000	R2 - 8	QC2-9785-000	R2 - 29	QC3-1652-000	03 - 35
FB1-0733-000	01 - 3	QC3-0133-000	R1 - 15	QC3-1654-000	03 - 6
FC7-7556-000	04 - 9	QC3-0133-000	R2 - 35	QC3-1658-000	03 - 10
FC7-7556-000	05 - 15	QC3-0197-000	R1 - 11	QC3-1659-000	03 - 11
FH2-7092-020	01 - 23	QC3-0197-000	R2 - 31	QC3-1661-000	03 - 2
FK2-2416-000	04 - 3	QC3-1442-000	R1 - 17	QC3-1668-000	02 - 19
FK2-6470-000	03 - 3	QC3-1445-000	08 - 8	QC3-1672-000	03 - 9
FY9-6022-000	13 - 2	QC3-1455-000	R1 - 18	QC3-1683-000	02 - 16
NPN	01 -	QC3-1458-010	10 - 8	QC3-1684-000	07 - 9
NPN	01 - 1	QC3-1478-000	12 - 10	QC3-1686-010	07 - 10
NPN	01 - 2	QC3-1480-000	11 - 6	QC3-1690-000	02 - 6
NPN	01 - 2	QC3-1492-000	R1 - 4	QC3-1695-000	02 - 2
NPN	01 - 2	QC3-1511-000	07 - 29	QC3-1696-000	02 - 3
NPN	01 - 2	QC3-1514-000	07 - 28	QC3-1697-000	02 - 4
NPN	01 - 2	QC3-1515-000	07 - 27	QC3-1698-000	02 - 5
NPN	02 -	QC3-1516-000	07 - 32	QC3-1706-000	03 - 44
NPN	03 -	QC3-1519-000	07 - 33	QC3-1707-000	03 - 45
NPN	04 -	QC3-1524-000	07 - 21	QC3-1709-000	01 - 5
NPN	05 -	QC3-1525-000	07 - 36	QC3-1710-000	01 - 6
NPN	06 -	QC3-1526-000	07 - 23	QC3-1711-000	01 - 7
NPN	07 -	QC3-1527-000	07 - 35	QC3-1712-000	01 - 8
NPN	08 -	QC3-1531-000	07 - 4	QC3-1713-000	01 - 9
NPN	09 -	QC3-1532-000	07 - 5	QC3-1714-000	01 - 10
NPN	10 -	QC3-1533-000	07 - 6	QC3-1731-000	R1 - 8
NPN	11 -	QC3-1534-010	07 - 7	QC3-1731-000	R2 - 28
NPN	12 -	QC3-1542-000	05 - 13	QC3-1732-000	R1 - 10
NPN	13 -	QC3-1550-000	05 - 5	QC3-1732-000	R2 - 30
NPN	R1 -	QC3-1552-000	08 - 6	QC3-1739-000	R1 - 3
NPN	R2 -	QC3-1555-000	09 - 1	QC3-1742-000	02 - 9
QC1-0008-000	07 - 16	QC3-1568-000	08 - 14	QC3-1746-000	R1 - 7
QC1-4850-000	09 - 5	QC3-1569-000	08 - 15	QC3-1746-000	R2 - 27
QC1-5141-000	R1 - 13	QC3-1570-000	08 - 17	QC3-1747-000	R1 - 16
QC1-6912-000	01 - 14	QC3-1571-000	08 - 18	QC3-1747-000	R2 - 26
QC2-0682-000	05 - 1	QC3-1572-000	08 - 19	QC3-1751-000	07 - 1
QC2-0687-000	05 - 2	QC3-1574-000	08 - 20	QC3-1752-010	03 - 8
QC2-0689-000	05 - 3	QC3-1612-000	05 - 25	QC3-1759-000	03 - 14
QC2-0690-000	05 - 4	QC3-1615-000	05 - 33	QC3-1760-000	03 - 15
QC2-0729-000	05 - 18	QC3-1616-000	05 - 34	QC3-1766-000	09 - 2
QC2-0736-000	05 - 19	QC3-1617-000	05 - 35	QC3-1808-000	08 - 7
QC2-0739-000	05 - 23	QC3-1621-000	07 - 13	QC3-1818-000	03 - 23
QC2-0832-000	05 - 24	QC3-1631-000	03 - 16	QC3-1819-000	03 - 18
QC2-0957-000	12 - 8	QC3-1633-000	03 - 20	QC3-1829-000	02 - 18
QC2-0998-000	12 - 7	QC3-1634-000	03 - 12	QC3-1850-000	R2 - 6
QC2-1281-000	05 - 20	QC3-1635-000	03 - 5	QC3-1878-000	06 - 1
QC2-4116-000	R1 - 12	QC3-1636-000	03 - 30	QC3-1879-000	12 - 6
QC2-4116-000	R2 - 32	QC3-1638-000	03 - 17	QC3-1900-000	02 - 24
QC2-4346-000	R1 - 5	QC3-1639-000	03 - 13	QC3-1914-000	R1 - 1
QC2-5993-000	R1 - 14	QC3-1647-000	03 - 22	QC3-1914-000	R2 - 1
QC2-5993-000	R2 - 34	QC3-1648-000	03 - 21	QC3-1916-010	10 - 6
QC2-6323-010	R2 - 3	QC3-1649-000	03 - 33	QC3-1921-000	R2 - 33
QC2-6793-000	01 - 24	QC3-1650-000	03 - 52	QC3-1928-000	05 - 49

# NUMERICAL INDEX

## iPF765/760/755/750(Numerical Index)

PARTS NUMBER	FIGURE & KEY NO.	PARTS NUMBER	FIGURE & KEY NO.	PARTS NUMBER	FIGURE & KEY NO
QC3-1929-000	05 - 50	QL2-3182-000	12 - 1	QM3-5886-000	02 - 8
QC3-1930-000	05 - 51	QL2-3183-000	08 - 16	QM3-5887-010	03 - 43
QC3-1931-000	05 - 52	QL2-3188-000	02 - 22	QM3-5889-000	01 - 4
QC3-1938-000	03 - 19	QL2-3203-000	07 - 14	QM3-5890-000	01 - 11
QC3-1939-000	05 - 53	QM3-1355-000	05 - 21	QM3-5893-000	01 - 16
QC3-1943-000	R2 - 20	QM3-3267-010	01 - 13	QM3-5894-000	R1 - 2
QC3-1944-000	R2 - 21	QM3-3269-010	01 - 15	QM3-5894-000	R2 - 2
QC3-1945-000	R2 - 22	QM3-4569-000	07 - 31	QM3-5898-000	R1 - 6
QC3-1946-000	R2 - 19	QM3-4574-000	07 - 22	QM3-5898-000	R2 - 25
QC3-1947-000	R2 - 16	QM3-4580-000	07 - 37	QM3-5904-000	02 - 1
QC3-1948-000	R2 - 15	QM3-4582-000	04 - 11	QM3-5905-000	08 - 1
QC3-1949-000	R2 - 10	QM3-4583-000	09 - 9	QM3-5908-000	02 - 10
QC3-1950-000	R2 - 9	QM3-4584-000	09 - 10	QM3-5909-000	02 - 11
QC3-1953-000	R2 - 4	QM3-4585-020	04 - 7	QM3-5910-010	05 - 31
QC3-1955-000	R2 - 24	QM3-4587-000	04 - 8	QM3-5911-000	02 - 15
QC3-1958-000	R2 - 12	QM3-4590-000	07 - 43	QM3-5942-000	02 - 11
QC3-1959-000	R2 - 5	QM3-4591-000	07 - 42	QM3-5946-000	11 - 1
QC3-1962-000	R2 - 14	QM3-4592-000	03 - 4	QM3-5947-000	02 - 17
QC3-1963-000	R2 - 23	QM3-4599-000	08 - 25	QM3-5949-020	10 - 1
QC3-1969-000	R2 - 13	QM3-4600-000	05 - 37	QM3-5951-010	07 - 15
QC3-1971-000	R2 - 11	QM3-4601-000	05 - 38	QM3-5953-010	03 - 27
QD1-0004-000	R2 - 39	QM3-4602-000	03 - 42	QM3-5954-000	05 - 42
QD1-0005-000	R2 - 38	QM3-4611-000	12 - 11	QM3-5955-000	05 - 43
QE1-2819-010	07 - 17	QM3-4932-000	08 - 24	QM3-5956-000	05 - 36
QH2-2732-000	01 - 21	QM3-5805-000	08 - 12	QM3-5957-000	05 - 12
QK1-0440-000	05 - 6	QM3-5808-000	08 - 2	QM3-5961-000	09 - 15
QK1-0440-000	08 - 3	QM3-5815-000	12 - 9	QM3-5971-010	10 - 11
QK1-0550-000	05 - 26	QM3-5816-020	11 - 7	QM3-5988-000	05 - 11
QK1-0550-000	09 - 6	QM3-5817-000	11 - 4	QM3-5996-000	R2 - 18
QK1-1392-000	01 - 19	QM3-5819-000	04 - 1	QM3-5997-000	R2 - 17
QK1-1396-010	01 - 22	QM3-5820-000	04 - 1	QM4-8157-000	02 - 11
QK1-2081-000	03 - 37	QM3-5824-010	07 - 19	QM4-8158-000	02 - 11
QK1-2086-000	08 - 11	QM3-5826-010	07 - 25	QM4-8159-000	04 - 1
QK1-5056-000	04 - 2	QM3-5831-000	07 - 26	QM4-8160-000	04 - 1
QK1-5066-000	12 - 4	QM3-5833-000	07 - 2	QU1-0359-000	08 - 26
QK1-5067-000	12 - 3	QM3-5841-000	08 - 5	QU1-0360-000	11 - 2
QK1-5068-000	07 - 41	QM3-5842-000	02 - 1	QU1-0363-000	05 - 7
QK1-5073-000	07 - 38	QM3-5844-030	09 - 3	QU1-0365-000	09 - 7
QK1-5097-000	01 - 17	QM3-5846-030	09 - 4	QU1-0366-000	05 - 27
QK1-5098-000	01 - 18	QM3-5853-000	08 - 9	QU1-0367-000	05 - 28
QK1-5099-000	01 - 20	QM3-5854-000	08 - 10	QU1-0369-000	01 - 12
QK1-5106-000	04 - 10	QM3-5856-010	05 - 17	QU1-0370-000	03 - 26
QK1-5141-000	04 - 2	QM3-5861-010	05 - 32	QU1-0371-000	03 - 25
QK1-5143-000	07 - 39	QM3-5862-010	05 - 16	QU1-0372-000	03 - 31
QL2-3157-010	10 - 5	QM3-5870-000	03 - 49	QU1-0373-000	03 - 29
QL2-3158-010	10 - 4	QM3-5876-000	03 - 7	QU1-0374-010	03 - 32
QL2-3159-010	10 - 3	QM3-5877-000	03 - 1	QU1-0375-000	03 - 24
QL2-3160-010	10 - 2	QM3-5878-000	02 - 12	QU1-2437-000	06 - 2
QL2-3172-030	02 - 21	QM3-5879-000	02 - 13	QU1-2438-000	07 - 24
QL2-3173-010	02 - 20	QM3-5882-000	02 - 14	QU1-2439-000	07 - 30
QL2-3175-000	03 - 36	QM3-5883-020	07 - 8	QU1-2440-000	07 - 40
QL2-3175-000	07 - 11	QM3-5885-000	02 - 7	QU1-2441-000	07 - 3

# NUMERICAL INDEX

## iPF765/760/755/750(Numerical Index)

PARTS NUMBER	FIGURE & KEY NO.	PARTS NUMBER	FIGURE & KEY NO.	PARTS NUMBER	FIGURE & KEY NO
QU1-2442-000	11 - 3	XA9-1928-000	05 - 46		
QU1-2443-000	05 - 29	XA9-1928-000	07 - 44		
QU1-2445-000	07 - 18	XA9-1928-000	08 - 27		
QU1-2446-000	12 - 2	XA9-1928-000	09 - 14		
QU1-2447-000	05 - 8	XA9-1928-000	10 - 10		
QU1-2449-000	03 - 39	XA9-1928-000	11 - 9		
QU1-2450-000	03 - 40	XA9-1928-000	12 - 15		
QU1-2451-000	07 - 12	XB1-2200-507	12 - 501		
QU1-2456-000	03 - 51	XB1-2260-409	05 - 501		
QU1-8264-000	07 - 34	XB1-2260-409	09 - 501		
QU1-8279-000	01 - 25	XB1-2300-407	04 - 501		
QU1-8293-000	R2 - 7	XB1-2300-409	03 - 501		
QY9-0037-000	13 - 3	XB1-2300-607	05 - 502		
QY9-0103-000	13 - 1	XB1-2400-607	04 - 502		
RK2-2884-000	03 - 48	XB4-5300-807	02 - 501		
WC4-5052-000	05 - 9	XB4-5300-807	05 - 503		
WC4-5052-000	08 - 13	XB4-5300-807	07 - 501		
WG8-5776-000	03 - 38	XB4-5300-807	08 - 501		
WG8-5776-000	05 - 30	XB4-5300-807	R1 - 502		
WG8-5776-000	09 - 8	XB4-5300-807	R2 - 502		
WG8-5849-000	05 - 10	XB4-5400-807	09 - 503		
WG8-5849-000	08 - 4	XB4-5401-007	03 - 502		
WG8-5849-000	12 - 5	XB4-5401-007	05 - 504		
WM2-5272-000	04 - 3	XB4-5401-007	08 - 502		
WM2-5280-000	04 - 3	XB4-6301-205	R2 - 503		
WT2-0136-000	05 - 39	XB4-6302-505	R2 - 504		
WT2-0204-000	05 - 48	XB6-7300-607	01 - 501		
WT2-5056-000	05 - 44	XB6-7300-607	12 - 502		
WT2-5056-000	08 - 21	XB7-2301-009	R1 - 501		
WT2-5056-000	09 - 11	XB7-2301-009	R2 - 501		
WT2-5056-000	12 - 13	XD1-4200-402	04 - 503		
WT2-5694-000	03 - 46	XD2-1100-242	09 - 502		
WT2-5694-000	04 - 5	XD2-1100-322	01 - 502		
WT2-5694-000	05 - 41	XD2-1100-502	01 - 503		
WT2-5694-000	08 - 22	XD2-1100-502	03 - 503		
WT2-5694-000	09 - 12	XZ9-0697-000	R2 - 37		
WT2-5737-000	05 - 40				
WT2-5737-000	12 - 14				
WT2-5738-000	04 - 6				
WT2-5738-000	05 - 45				
WT2-5738-000	12 - 12				
WT2-5981-000	07 - 45				
XA9-0949-000	R2 - 36				
XA9-1386-000	01 - 26				
XA9-1386-000	03 - 47				
XA9-1386-000	05 - 22				
XA9-1386-000	08 - 23				
XA9-1386-000	09 - 13				
XA9-1386-000	10 - 9				
XA9-1928-000	02 - 23				
XA9-1928-000	03 - 50				
XA9-1928-000	04 - 4				



# iPF765/760/755/750(Parts Catalog)

## iPF765

120/230V	Q51-2364-000
230V(CHN)	Q51-2366-000
100V	Q51-2367-000
230V(KOR)	Q51-2368-000

## iPF760

120/230V	Q51-2354-000
230V(CHN)	Q51-2356-000
100V	Q51-2357-000
230V(KOR)	Q51-2358-000

## iPF755

120/230V	Q51-1894-000
100V	Q51-1897-000

## iPF750

120/230V	Q51-1764-000
100V	Q51-1767-000

Stand Unit ST-33

**Q55-2560-  
000**

Stand Unit ST-34

**Q55-2800-  
000**



# Contents

01	PRINTER & ACCESSORIES .....	2-1
02	COVERS .....	2-4
03	ROLL UNIT .....	2-6
04	ELECTRICAL PART .....	2-9
05	INK SUPPLY & PURGE UNIT .....	2-11
06	LINEAR SCALE .....	2-14
07	CARRIAGE UNIT .....	2-15
08	AIR FLOW FAN UNIT .....	2-18
09	CUTTER UNIT .....	2-20
10	PLATEN & GUIDE UNIT .....	2-22
11	PINCH ROLLER UNIT .....	2-24
12	FEED ROLLER UNIT .....	2-25
13	TOOL .....	2-27
R1	STAND UNIT ST-33 .....	2-28
R2	STAND UNIT ST-34 .....	2-30
ZZA	MECHANICAL STANDARD PARTS(HOW TO USE) .....	2-34
ZZB	MECHANICAL STANDARD PARTS(SCREWS) .....	2-35
ZZC	MECHANICAL STANDARD PARTS(BOLTS) .....	2-42
ZZD	MECHANICAL STANDARD PARTS(NUTS) .....	2-43
ZZE	MECHANICAL STANDARD PARTS(RETAINING RINGS) .....	2-44



# FIGURE 01 PRINTER & ACCESSORIES

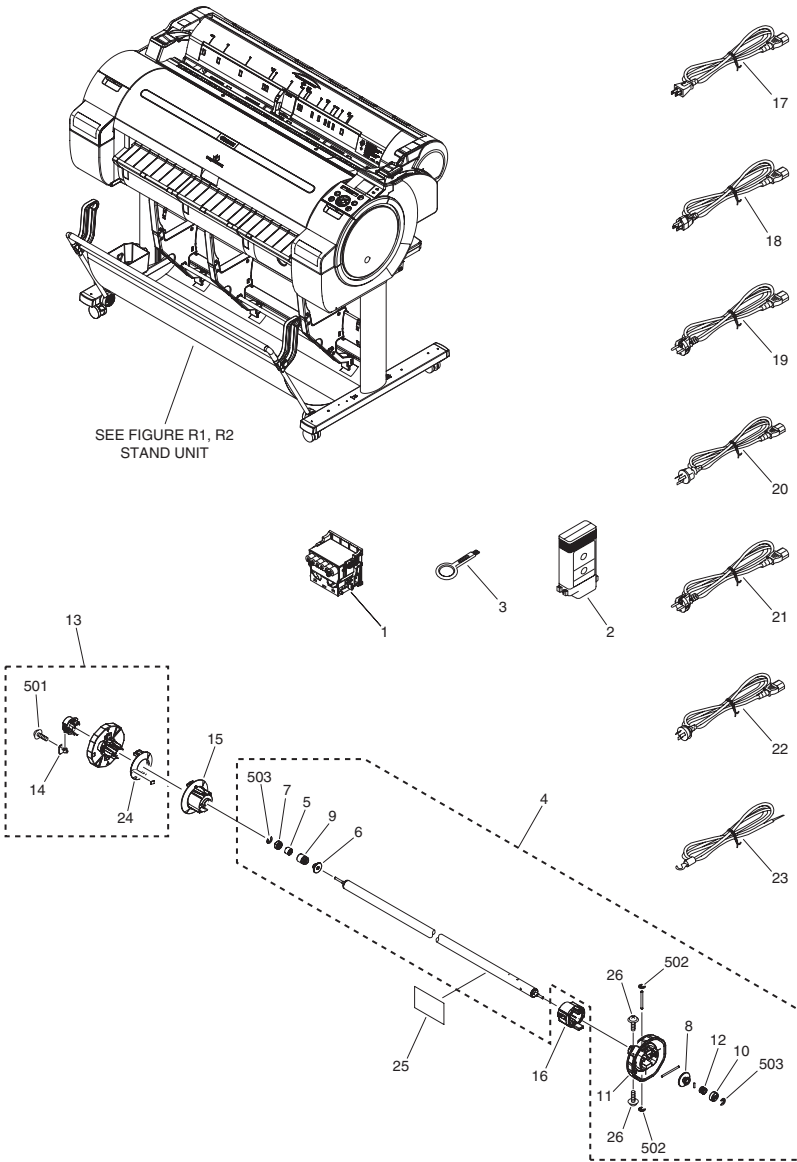


FIGURE & KEY NO.	PARTS NUMBER	R A N K	Q'TY	DESCRIPTION	SERIAL NUMBER/ REMARKS	S V C
Fig.01	NPN		RF	PRINTER & ACCESSORIES		
1	NPN		RF	PRINTHEAD		
2	NPN		RF	INK TANK (MBK)		
2	NPN		RF	INK TANK (PBK)		
2	NPN		RF	INK TANK (C)		
2	NPN		RF	INK TANK (M)		
2	NPN		RF	INK TANK (Y)		
3	FB1-0733-000		1	BRUSH, CLEANING		
4	QM3-5889-000		1	SPOOL SHAFT UNIT		
5	QC3-1709-000		1	LIMITER, TORQUE		
6	QC3-1710-000		1	ROLLER, LIMIT, LEFT		
7	QC3-1711-000		1	CLUTCH, ONE-WAY		
8	QC3-1712-000		1	ROLLER, LIMIT, RIGHT		
9	QC3-1713-000		1	CAP, SPOOL, LEFT		
10	QC3-1714-000		1	CAP, SPOOL, RIGHT		
11	QM3-5890-000		1	FLANGE UNIT (R)		
12	QU1-0369-000		1	GEAR, 15T		
13	QM3-3267-010		1	FLANGE UNIT (L)		
14	QC1-6912-000		1	LEVER, LOCK, FLANGE		
15	QM3-3269-010		1	ROLL HOLDER UNIT (L)		
16	QM3-5893-000		1	ROLL HOLDER UNIT (R)		
17	QK1-5097-000		1	CORD, POWER	100V	
18	QK1-5098-000		1	CORD, POWER	120V UL	
19	QK1-1392-000		1	CORD, POWER	230V	
20	QK1-5099-000		1	CORD, POWER	230V AUS	
21	QH2-2732-000		1	CORD, POWER	230V KOR	
22	QK1-1396-010		1	CORD, POWER	230V CHN	
23	FH2-7092-020		1	WIRE, GROUND	100V	
24	QC2-6793-000		1	SPACER, ROLL		
25	QU1-8279-000		1	LABEL,ROLL HOLDER		
26	XA9-1386-000		2	SCREW, RS, M3X8		
501	XB6-7300-607		3	SCREW, CROSS-RECESS, FCH		

FIGURE & KEY NO.	PARTS NUMBER	R A N K	Q'TY	DESCRIPTION	SERIAL NUMBER/ REMARKS	S V C
502	XD2-1100-322		2	RETAINING RING (E-TYPE)		
503	XD2-1100-502		2	RETAINING RING (E-TYPE)		

# FIGURE 02 COVERS

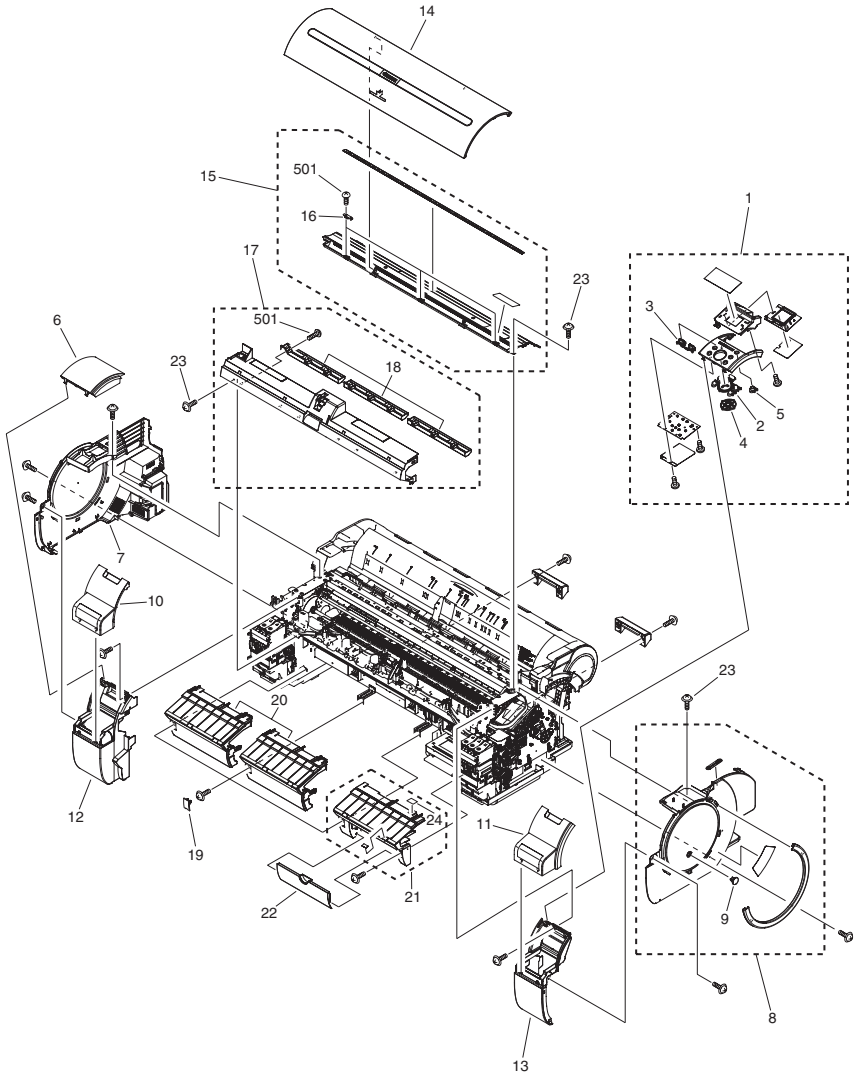


FIGURE & KEY NO.	PARTS NUMBER	R A N K	Q'TY	DESCRIPTION	SERIAL NUMBER/ REMARKS	S V C
Fig.02	NPN		RF	COVERS		
1	QM3-5842-000		1	OPERATION PANEL UNIT	ENGLISH	
1	QM3-5904-000		1	OPERATION PANEL UNIT	JAPANESE	
2	QC3-1695-000		1	KEY, SCROLL		
3	QC3-1696-000		1	KEY, LOAD/CUT		
4	QC3-1697-000		1	KEY, OK		
5	QC3-1698-000		1	KEY, POWER		
6	QC3-1690-000		1	COVER, TOP, LEFT		
7	QM3-5885-000		1	LEFT COVER UNIT		
8	QM3-5886-000		1	RIGHT COVER UNIT		
9	QC3-1742-000		1	CAP, BLANKING		
10	QM3-5908-000		1	INK TANK COVER UNIT (L)		
11	QM3-5909-000		1	INK TANK COVER UNIT (R)	iPF750	
11	QM3-5942-000		1	INK TANK COVER UNIT (R)	iPF755	
11	QM4-8157-000		1	INK TANK COVER UNIT (R)	iPF760	
11	QM4-8158-000		1	INK TANK COVER UNIT (R)	iPF765	
12	QM3-5878-000		1	FRONT COVER UNIT (L)		
13	QM3-5879-000		1	FRONT COVER UNIT (R)		
14	QM3-5882-000		1	UPPER COVER UNIT		
15	QM3-5911-000		1	UPPER REAR COVER UNIT		
16	QC3-1683-000		3	DAMPER		
17	QM3-5947-000		1	FRONT COVER UNIT		
18	QC3-1829-000		3	COVER, CUTTER GUARD		
19	QC3-1668-000		3	CAP, SCREW		
20	QL2-3173-010		2	COVER, DELIVERY		
21	QL2-3172-030		1	COVER, DELEVERY, RIGHT		
22	QL2-3188-000		1	COVER, MAINTENANCE CARTRIDGE		
23	XA9-1928-000		AR	SCREW, TP, M3X8		
24	QC3-1900-000		1	PAD		
501	XB4-5300-807		12	SCREW, P, M3X8		

# FIGURE 03 ROLL UNIT

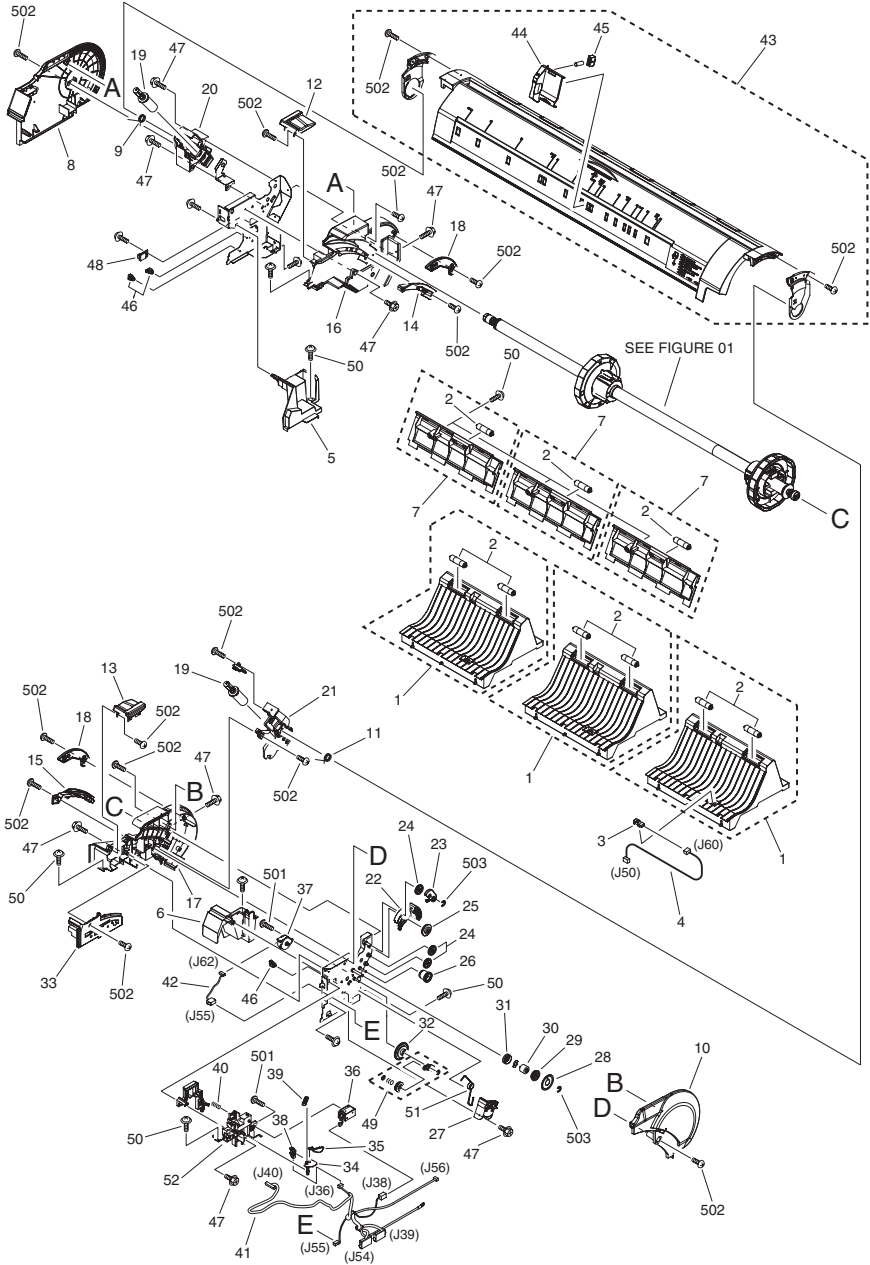




FIGURE & KEY NO.	PARTS NUMBER	R A N K	Q'TY	DESCRIPTION	SERIAL NUMBER/ REMARKS	S V C
Fig.03	NPN		RF	ROLL UNIT		
1	QM3-5877-000		3	FEED GUIDE UNIT (L)		
2	QC3-1661-000		9	ROLLER, GUIDE		
3	FK2-6470-000		1	PHOTO-SENSOR, KUA0055C		
4	QM3-4592-000		1	HARNES, WIRE, PE		
5	QC3-1635-000		1	COVER, REAR, LEFT		
6	QC3-1654-000		1	COVER, REAR, RIGHT		
7	QM3-5876-000		3	FEED GUIDE UNIT (U)		
8	QC3-1752-010		1	COVER, ROLL, LEFT		
9	QC3-1672-000		1	SPRING, TORSION		
10	QC3-1658-000		1	COVER, ROLL, RIGHT		
11	QC3-1659-000		1	SPRING, TORSION		
12	QC3-1634-000		1	MOUNT, SPOOL, LEFT		
13	QC3-1639-000		1	MOUNT, SPOOL, RIGHT		
14	QC3-1759-000		1	RAIL, SPOOL, LEFT		
15	QC3-1760-000		1	RAIL, SPOOL, RIGHT		
16	QC3-1631-000		1	HOLDER, SPOOL, LEFT		
17	QC3-1638-000		1	HOLDER, SPOOL, RIGHT		
18	QC3-1819-000		2	COVER, SUPPORT		
19	QC3-1938-000		2	DAMPER, AIR		
20	QC3-1633-000		1	HOLDER, DAMPER, LEFT		
21	QC3-1648-000		1	HOLDER, DAMPER, RIGHT		
22	QC3-1647-000		1	COVER, SPOOL GEAR		
23	QC3-1818-000		1	COVER, GEAR		
24	QU1-0375-000		3	GEAR, 25T		
25	QU1-0371-000		1	GEAR, 17T/28T		
26	QU1-0370-000		1	GEAR, 18T/54T		
27	QM3-5953-010		1	ENCODER UNIT		
29	QU1-0373-000		1	GEAR, 50T		
30	QC3-1636-000		1	LIMITER, TORQUE		
31	QU1-0372-000		1	GEAR, 50T		
32	QU1-0374-010		1	GEAR, 32T/96T		

FIGURE & KEY NO.	PARTS NUMBER	RANK	Q'TY	DESCRIPTION	SERIAL NUMBER/REMARKS	SVC
33	QC3-1649-000		1	CAP. ROLL, RIGHT		
34	QC3-1651-000		1	FLAG, SENSOR		
35	QC3-1652-000		1	ARM, SENSOR FLAG		
36	QL2-3175-000		1	SOLENOID		
37	QK1-2081-000		1	MOTOR, STEPPING		
38	WG8-5776-000		1	PHOTO-INTERRUPTER, SG2481		
39	QU1-2449-000		1	SPRING, TENSION		
40	QU1-2450-000		1	SPRING, COMPRESSION		
42	QM3-4602-000		1	HARNESS, WIRE, MOTOR		
43	QM3-5887-010		1	ROLL COVER UNIT		
44	QC3-1706-000		1	GUIDE, SLIDE		
45	QC3-1707-000		1	LOCK, SLIDE GUIDE		
46	WT2-5694-000		3	CLIP CLAMP, WIRE		
47	XA9-1386-000		10	SCREW, RS, M3X8		
48	RK2-2884-000		1	ENVIRONMENT SENSOR PCB ASS'Y		
49	QM3-5870-000		1	GEAR UNIT		
50	XA9-1928-000		AR	SCREW, TP, M3X8		
51	QU1-2456-000		1	SPRING, TORSION		
52	QC3-1650-000		1	HOLDER, SENSOR FLAG		
501	XB1-2300-409		4	SCREW, MACHINE M3X4		
502	XB4-5401-007		19	SCREW, M4X10		
503	XD2-1100-502		2	RETAINING RING (E-TYPE)		

# FIGURE 04 ELECTRICAL PART

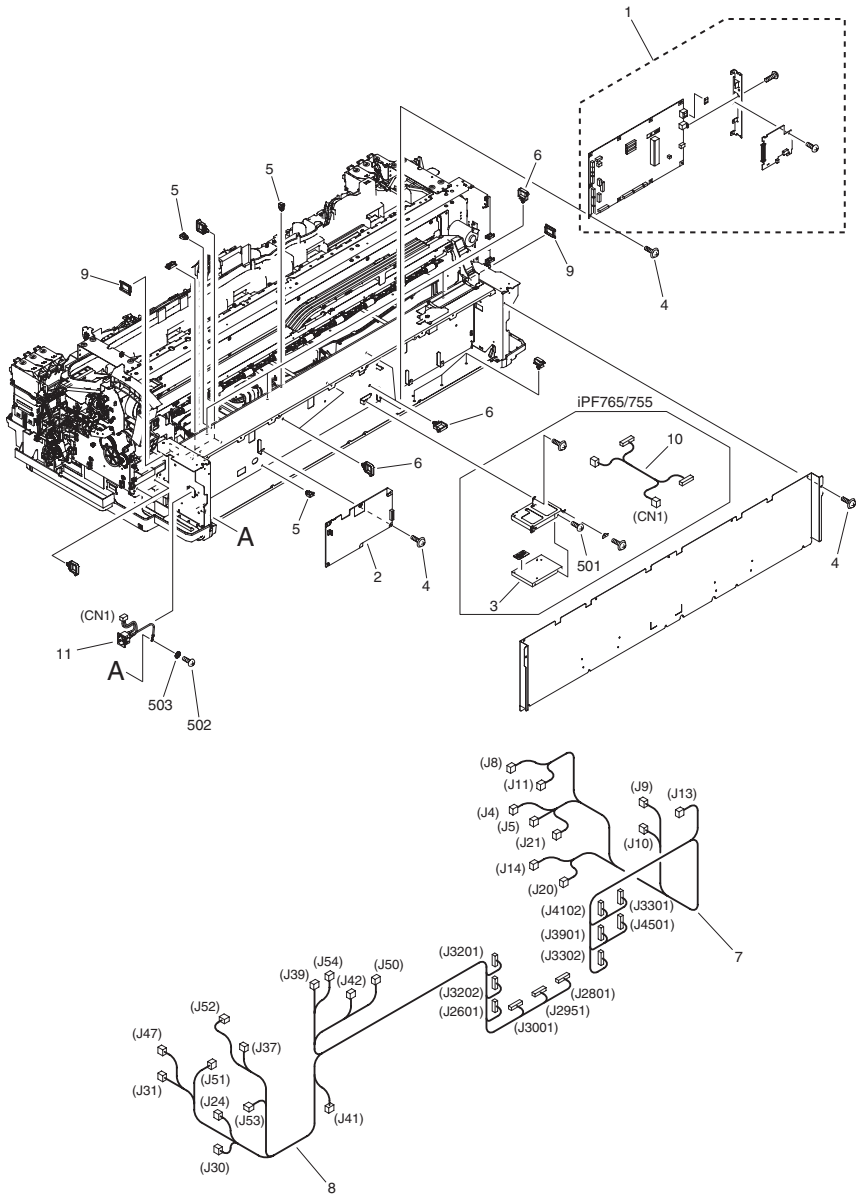


FIGURE & KEY NO.	PARTS NUMBER	R A N K	Q'TY	DESCRIPTION	SERIAL NUMBER/REMARKS	S V C
Fig.04	NPN		RF	ELECTRICAL PART		
1	QM3-5820-000		1	MAIN CONTROLLER ASS'Y	iPF750	
1	QM3-5819-000		1	MAIN CONTROLLER ASS'Y	iPF755	
1	QM4-8159-000		1	MAIN CONTROLLER ASS'Y	iPF760	
1	QM4-8160-000		1	MAIN CONTROLLER ASS'Y	iPF765	
2	QK1-5056-000		1	POWER SUPPLY ASS'Y	iPF755/750	
2	QK1-5141-000		1	POWER SUPPLY ASS'Y	iPF765/760	
3	FK2-2416-000		1	HDD, WD800BEVT-22ZCT0	iPF755(80GB)	
3	WM2-5272-000		1	HDD, HTS545016B9A300	iPF755(160GB)	
3	WM2-5280-000		1	HDD, MK2575GSX(HDD2L05QSL)	iPF765(250GB)	
4	XA9-1928-000		AR	SCREW, TP, M3X8		
5	WT2-5694-000		3	CLIP CLAMP, WIRE		
6	WT2-5738-000		7	CLAMP, CABLE		
7	QM3-4585-020		1	HARNESS, WIRE, LEFT		
8	QM3-4587-000		1	HARNESS, WIRE, RIGHT		
9	FC7-7556-000		2	SADDLE, WIRE		
10	QK1-5106-000		1	HARNESS, WIRE, HDD	iPF765/755	
11	QM3-4582-000		1	HARNESS, INLET		
501	XB1-2300-407		4	SCREW, BH3X4 (S)	iPF765/755	
502	XB1-2400-607		1	SCREW, CROSS-RECESS, FCH		
503	XD1-4200-402		1	WASHER, TOOTHED LOCK, M4		

# FIGURE 05 INK SUPPLY & PURGE UNIT

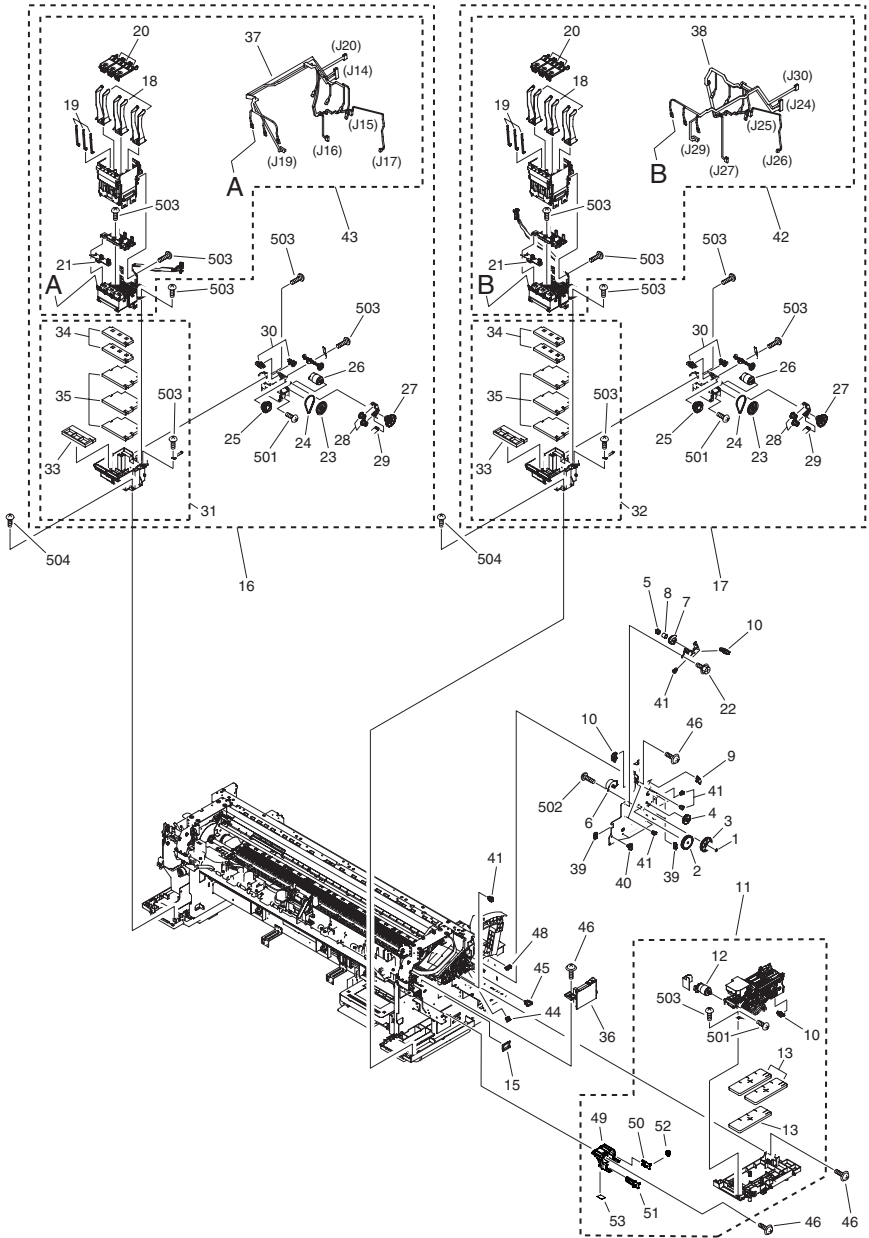


FIGURE & KEY NO.	PARTS NUMBER	R A N K	Q'TY	DESCRIPTION	SERIAL NUMBER/ REMARKS	S V C
Fig.05	NPN		RF	INK SUPPLY & PURGE UNIT		
1	QC2-0682-000		1	RING		
2	QC2-0687-000		1	GEAR, LIFT IDLER B		
3	QC2-0689-000		1	GEAR, LIFT DOUBLE B		
4	QC2-0690-000		1	GEAR, LIFT DOUBLE C		
5	QC3-1550-000		1	COUPLING		
6	QK1-0440-000		1	MOTOR, STEPPING DC 10W UNDER		
7	QU1-0363-000		1	GEAR, LIFT, 30T		
8	QU1-2447-000		1	SPRING, COMPRESSION		
9	WC4-5052-000		1	MICRO SWITCH		
10	WG8-5849-000		3	PHOTOINTERRUPTER, GP1S173LCS0F		
11	QM3-5988-000		1	PURGE UNIT		
12	QM3-5957-000		1	MOTOR, DC		
13	QC3-1542-000		3	ABSORBER, INK		
15	FC7-7556-000		1	SADDLE, WIRE		
16	QM3-5862-010		1	INK SUPPLY UNIT (L)		
17	QM3-5856-010		1	INK SUPPLY UNIT (R)		
18	QC2-0729-000		6	HOLDER, INK TANK		
19	QC2-0736-000		6	GUIDE, LIGHT		
20	QC2-1281-000		6	LEVER, INK TANK		
21	QM3-1355-000		2	INK TANK ROM PCB UNIT		
22	XA9-1386-000		2	SCREW, RS, M3X8		
23	QC2-0739-000		2	GEAR, VALVE 2		
24	QC2-0832-000		2	BELT, TIMING		
25	QC3-1612-000		2	CAM GEAR, 38T		
26	QK1-0550-000		2	MOTOR, PAPER FEED		
27	QU1-0366-000		2	GEAR, 22T/70T		
28	QU1-0367-000		4	GEAR, 14T		
29	QU1-2443-000		2	SPRING, TORSION		
30	WG8-5776-000		4	PHOTO-INTERRUPTER, SG2481		
31	QM3-5910-010		1	INK SUPPLY MOUNT UNIT (L)		
32	QM3-5861-010		1	INK SUPPLY MOUNT UNIT (R)		

FIGURE & KEY NO.	PARTS NUMBER	R A N K	Q'TY	DESCRIPTION	SERIAL NUMBER/ REMARKS	S V C
33	QC3-1615-000		2	ABSORBER, INK		
34	QC3-1616-000		4	ABSORBER, INK		
35	QC3-1617-000		6	ABSORBER, INK		
36	QM3-5956-000		1	HEAD MANAGEMENT SENSOR UNIT		
37	QM3-4600-000		1	HARNESS, WIRE, TANK, LEFT		
38	QM3-4601-000		1	HARNESS, WIRE, TANK (R)		
39	WT2-0136-000		4	CLAMP, CORD		
40	WT2-5737-000		3	CLIP, CABLE		
41	WT2-5694-000		8	CLIP CLAMP, WIRE		
42	QM3-5954-000		1	INK SUPPLY TANK UNIT (R)		
43	QM3-5955-000		1	INK SUPPLY TANK UNIT (L)		
44	WT2-5056-000		2	CLIP, CORD		
45	WT2-5738-000		1	CLAMP, CABLE		
46	XA9-1928-000		9	SCREW, TP, M3X8		
48	WT2-0204-000		1	CLAMP, CORD		
49	QC3-1928-000		1	MOUNT, JOINT, INK		
50	QC3-1929-000		1	JOINT A, INK		
51	QC3-1930-000		1	JOINT B, INK		
52	QC3-1931-000		1	CLAMP		
53	QC3-1939-000		1	TAPE, MOUNT, JOINT, INK		
501	XB1-2260-409		6	SCREW, BH 2.6X4		
502	XB1-2300-607		2	SCREW, BH3X6		
503	XB4-5300-807		27	SCREW, P, M3X8		
504	XB4-5401-007		8	SCREW, M4X10		

# FIGURE 06 LINEAR SCALE

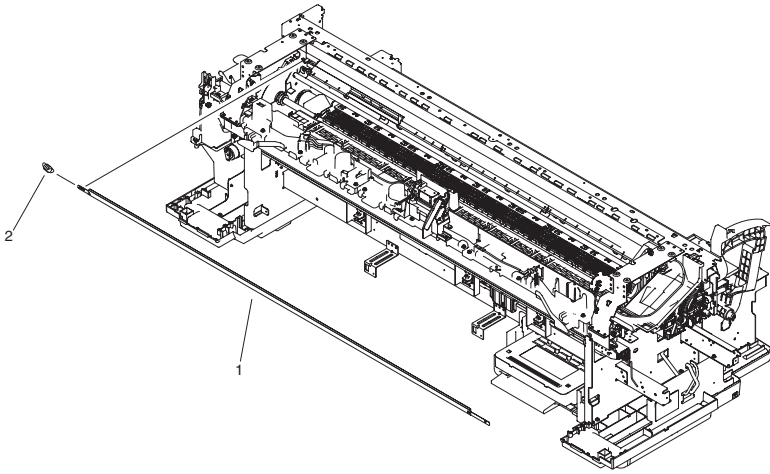


FIGURE & KEY NO.	PARTS NUMBER	RANK	QTY	DESCRIPTION	SERIAL NUMBER/REMARKS	S V C
Fig.06	NPN		RF	LINEAR SCALE		
1	QC3-1878-000		1	SCALE, LINEAR		
2	QU1-2437-000		1	SPRING, TENSION		



# FIGURE 07 CARRIAGE UNIT

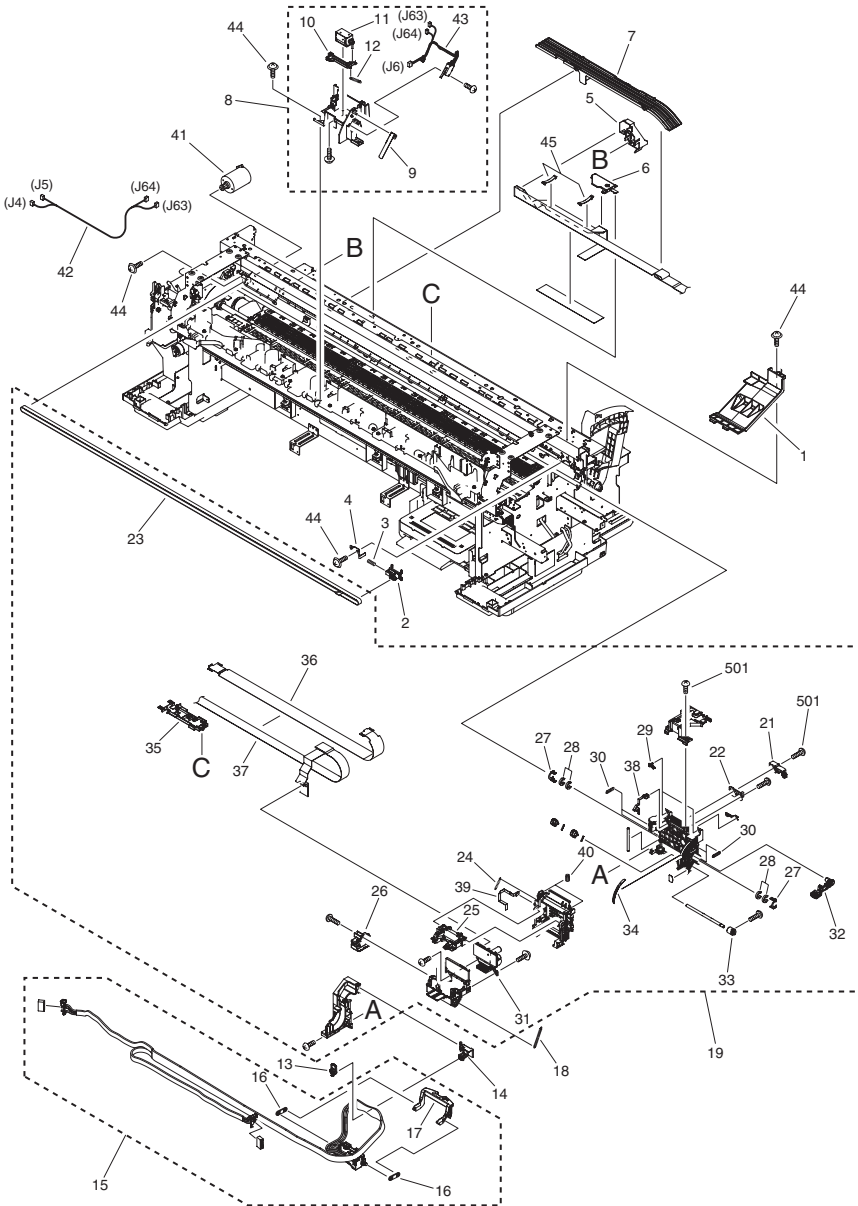


FIGURE & KEY NO.	PARTS NUMBER	RANK	Q'TY	DESCRIPTION	SERIAL NUMBER/REMARKS	SVC
Fig.07	NPN		RF	CARRIAGE UNIT		
1	QC3-1751-000		1	COVER, PROTECTION		
2	QM3-5833-000		1	PULLEY UNIT		
3	QU1-2441-000		1	SPRING, COMPRESSION		
4	QC3-1531-000		1	RETAINER, PULLEY		
5	QC3-1532-000		1	HOLDER, FLEXIBLE CABLE		
6	QC3-1533-000		1	COVER, FLEXIBLE CABLE		
7	QC3-1534-010		1	GUIDE, FLEXIBLE CABLE		
8	QM3-5883-020		1	COVER LOCK UNIT		
9	QC3-1684-000		1	PLATE, SWITCH		
10	QC3-1686-010		1	LEVER, LOCK		
11	QL2-3175-000		1	SOLENOID		
12	QU1-2451-000		1	SPRING, TENSION		
13	QC3-1621-000		1	SUPPORT, TUBE		
14	QL2-3203-000		1	GUIDE, TUBE		
15	QM3-5951-010		1	INK TUBE UNIT		
16	QC1-0008-000		2	JOINT LEVER B		
17	QE1-2819-010		1	JOINT LEVER A		
18	QU1-2445-000		1	SPRING, TENSION		
19	QM3-5824-010		1	CARRIAGE UNIT		
21	QC3-1524-000		1	COVER, LINEAR ENCODER		
22	QM3-4574-000		1	ENCODER SENSOR UNIT		
23	QC3-1526-000		1	BELT, CARRIAGE		
24	QU1-2438-000		1	SPRING, TENSION		
25	QM3-5826-010		1	HEAD LEVER UNIT		
26	QM3-5831-000		1	MULTI SENSOR UNIT		
27	QC3-1515-000		2	RETAINER, PAD		
28	QC3-1514-000		4	PAD		
29	QC3-1511-000		2	SLIDER, RAIL		
30	QU1-2439-000		4	SPRING, TENSION		
31	QM3-4569-000		1	CARRIAGE PCB UNIT		
32	QC3-1516-000		1	LEVER, SLANT		

FIGURE & KEY NO.	PARTS NUMBER	R A N K	Q'TY	DESCRIPTION	SERIAL NUMBER/REMARKS	S V C
33	QC3-1519-000		1	COUPLING		
34	QU1-8264-000		1	LABEL, SLANT		
35	QC3-1527-000		1	HOLDER, FLEXIBLE CABLE		
36	QC3-1525-000		1	FILM, FLEXIBLE CABLE		
37	QM3-4580-000		1	FLEXIBLE CABLE UNIT		
38	QK1-5073-000		1	CABLE, FLEXIBLE		
39	QK1-5143-000		1	CABLE, FLEXIBLE		
40	QU1-2440-000		2	SPRING, COMPRESSION		
41	QK1-5068-000		1	MOTOR, DC		
42	QM3-4591-000		1	HARNESS, WIRE, INTERLOCK RELAY		
43	QM3-4590-000		1	HARNESS, WIRE, INTERLOCK		
44	XA9-1928-000		6	SCREW, TP, M3X8		
45	WT2-5981-000		2	CLAMP, CORD		
501	XB4-5300-807		7	SCREW, P, M3X8		



FIGURE & KEY NO.	PARTS NUMBER	R A N K	Q'TY	DESCRIPTION	SERIAL NUMBER/ REMARKS	S V C
Fig.08	NPN		RF	AIR FLOW FAN UNIT		
1	QM3-5905-000		1	SUCTION FAN UNIT		
2	QM3-5808-000		1	PLATEN SHUTTER DRIVE UNIT		
3	QK1-0440-000		1	MOTOR, STEPPING DC 10W UNDER		
4	WG8-5849-000		1	PHOTOINTERRUPTER, GP1S173LCS0F		
5	QM3-5841-000		1	M/C HOLDER UNIT		
6	QC3-1552-000		1	ABSORBER, INK		
7	QC3-1808-000		1	ABSORBER, INK		
8	QC3-1445-000		1	GEAR, SHUTTER		
9	QM3-5853-000		1	MIST FAN DUCT UNIT		
10	QM3-5854-000		1	FAN UNIT		
11	QK1-2086-000		1	FAN		
12	QM3-5805-000		1	WASTE INK BOX UNIT		
13	WC4-5052-000		2	MICRO SWITCH		
14	QC3-1568-000		1	COVER, FRONT DUCT		
15	QC3-1569-000		1	COVER, FRONT DUCT, LEFT		
16	QL2-3183-000		1	COVER, FRONT DUCT, RIGHT		
17	QC3-1570-000		1	ABSORBER, INK		
18	QC3-1571-000		4	ABSORBER, INK		
19	QC3-1572-000		1	ABSORBER, INK		
20	QC3-1574-000		1	SEAL, FRONT DUCT		
21	WT2-5056-000		6	CLIP, CORD		
22	WT2-5694-000		6	CLIP CLAMP, WIRE		
23	XA9-1386-000		20	SCREW, RS, M3X8		
24	QM3-4932-000		1	M/C RELAY PCB ASS'Y		
25	QM3-4599-000		1	HARNESS, WIRE, TANK COVER L		
26	QU1-0359-000		1	GEAR, 20T/72T		
27	XA9-1928-000		AR	SCREW, TP, M3X8		
501	XB4-5300-807		4	SCREW, P, M3X8		
502	XB4-5401-007		5	SCREW, M4X10		

# FIGURE 09 CUTTER UNIT

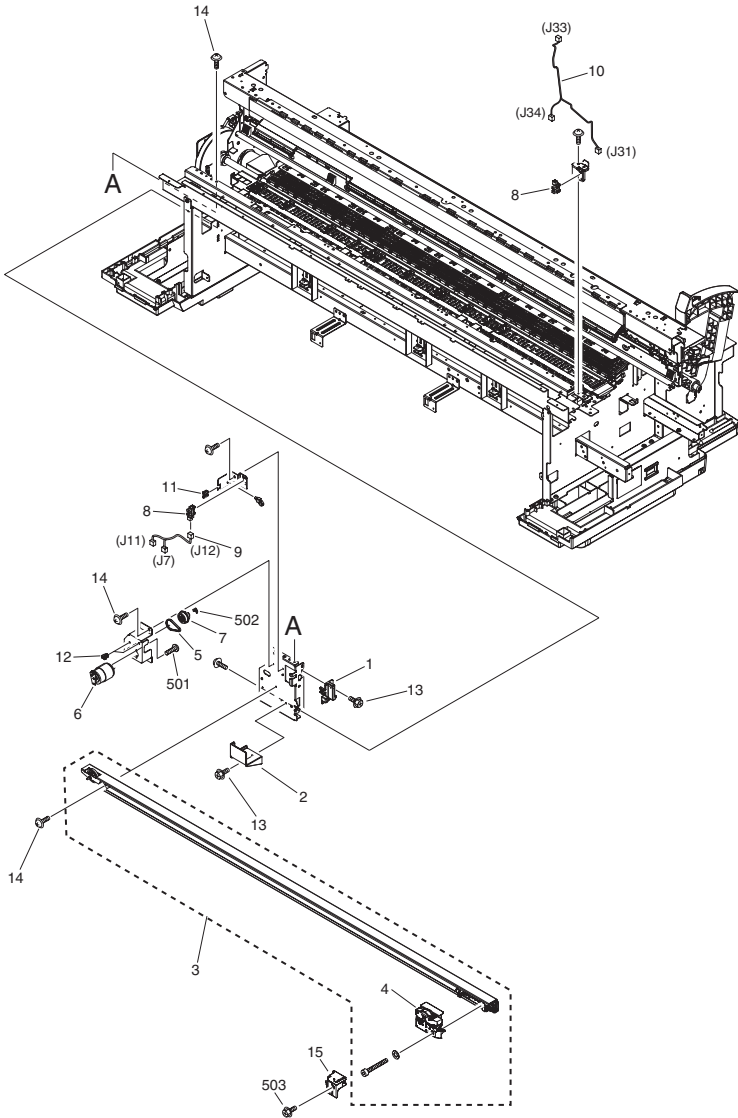


FIGURE & KEY NO.	PARTS NUMBER	R A N K	Q'TY	DESCRIPTION	SERIAL NUMBER/ REMARKS	S V C
Fig.09	NPN		RF	CUTTER UNIT		
1	QC3-1555-000		1	COVER, PLATE		
2	QC3-1766-000		1	COVER, CUTTER DRIVE		
3	QM3-5844-030		1	CUTTER UNIT		
4	QM3-5846-030		1	CUTTER		
5	QC1-4850-000		1	BELT, TIMING		
6	QK1-0550-000		1	MOTOR, PAPER FEED		
7	QU1-0365-000		1	GEAR, 30T		
8	WG8-5776-000		2	PHOTO-INTERRUPTER, SG2481		
9	QM3-4583-000		1	HARNESS, WIRE, CUTTER, LEFT		
10	QM3-4584-000		1	HARNESS, WIRE, CUTTER, RIGHT		
11	WT2-5056-000		1	CLIP, CORD		
12	WT2-5694-000		2	CLIP CLAMP, WIRE		
13	XA9-1386-000		2	SCREW, RS, M3X8		
14	XA9-1928-000		AR	SCREW, TP, M3X8		
15	QM3-5961-000		1	CUTTER SUPPORT UNIT		
501	XB1-2260-409		2	SCREW, BH 2.6X4		
502	XD2-1100-242		1	WASHER, RETAINING		
503	XB4-5400-807		1	SCREW, P, M4X8		

FIGURE 10  
PLATEN & GUIDE UNIT

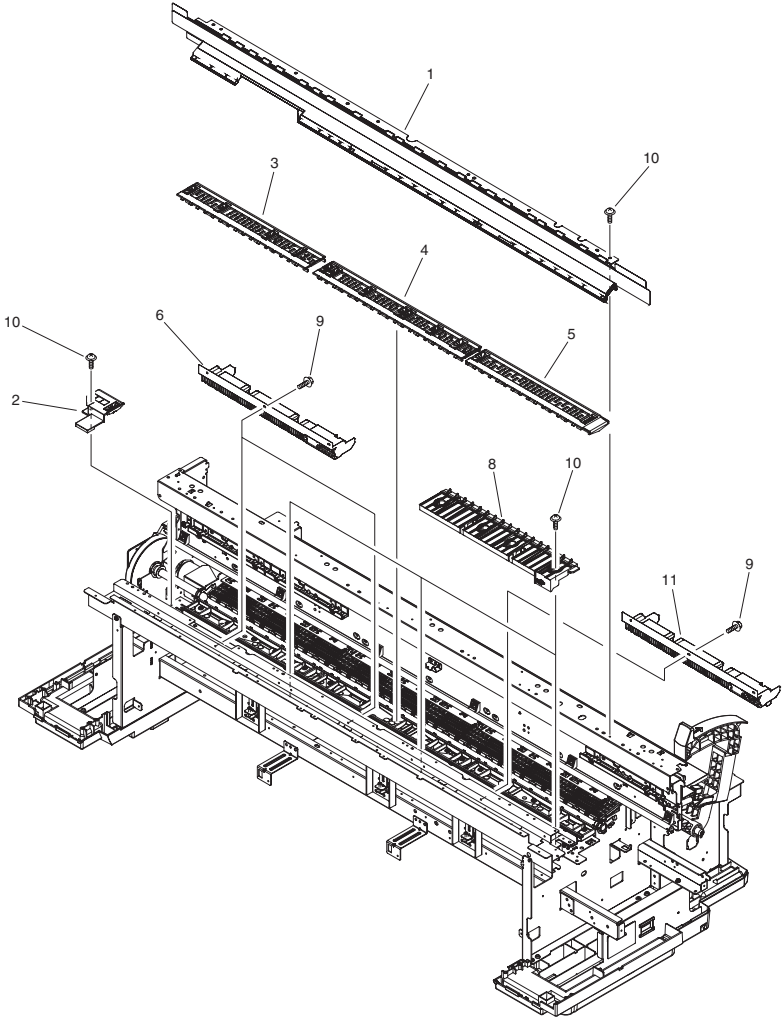




FIGURE & KEY NO.	PARTS NUMBER	RANK	Q'TY	DESCRIPTION	SERIAL NUMBER/REMARKS	SVC
Fig.10	NPN		RF	PLATEN & GUIDE UNIT		
1	QM3-5949-020		1	TUBE GUIDE UNIT		
2	QL2-3160-010		1	MOUNT, MULTI SENSOR REFERENCE		
3	QL2-3159-010		1	PLATEN, LEFT		
4	QL2-3158-010		1	PLATEN		
5	QL2-3157-010		1	PLATEN, RIGHT		
6	QC3-1916-010		2	GUIDE, DELIVERY, UPPER		
8	QC3-1458-010		2	GUIDE, DELIVERY		
9	XA9-1386-000		9	SCREW, RS, M3X8		
10	XA9-1928-000		AR	SCREW, TP, M3X8		
11	QM3-5971-010		1	GUIDE, DELIVERY, UPPER, HP		

# FIGURE 11 PINCH ROLLER UNIT

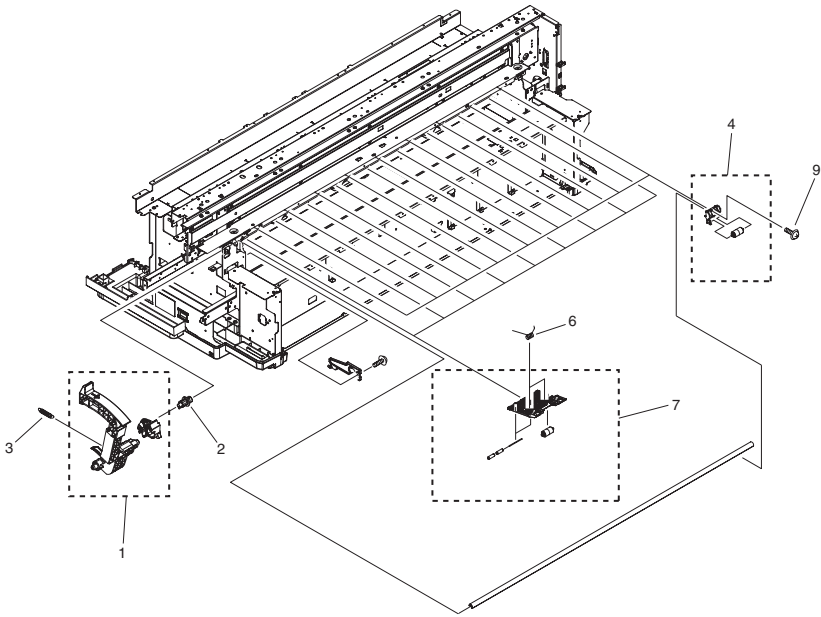


FIGURE & KEY NO.	PARTS NUMBER	RANK	QTY	DESCRIPTION	SERIAL NUMBER/REMARKS	SVC
Fig.11	NPN		RF	PINCH ROLLER UNIT		
1	QM3-5946-000		1	RELEASE LEVER UNIT		
2	QU1-0360-000		1	GEAR, RELEASE, 14T		
3	QU1-2442-000		1	SPRING, TENSION		
4	QM3-5817-000		9	PAPER GUIDE ROLLER UNIT		
6	QC3-1480-000		18	SPRING, TORSION		
7	QM3-5816-020		9	HOLDER, PINCH ROLLER		
9	XA9-1928-000		AR	SCREW, TP, M3X8		

# FIGURE 12 FEED ROLLER UNIT

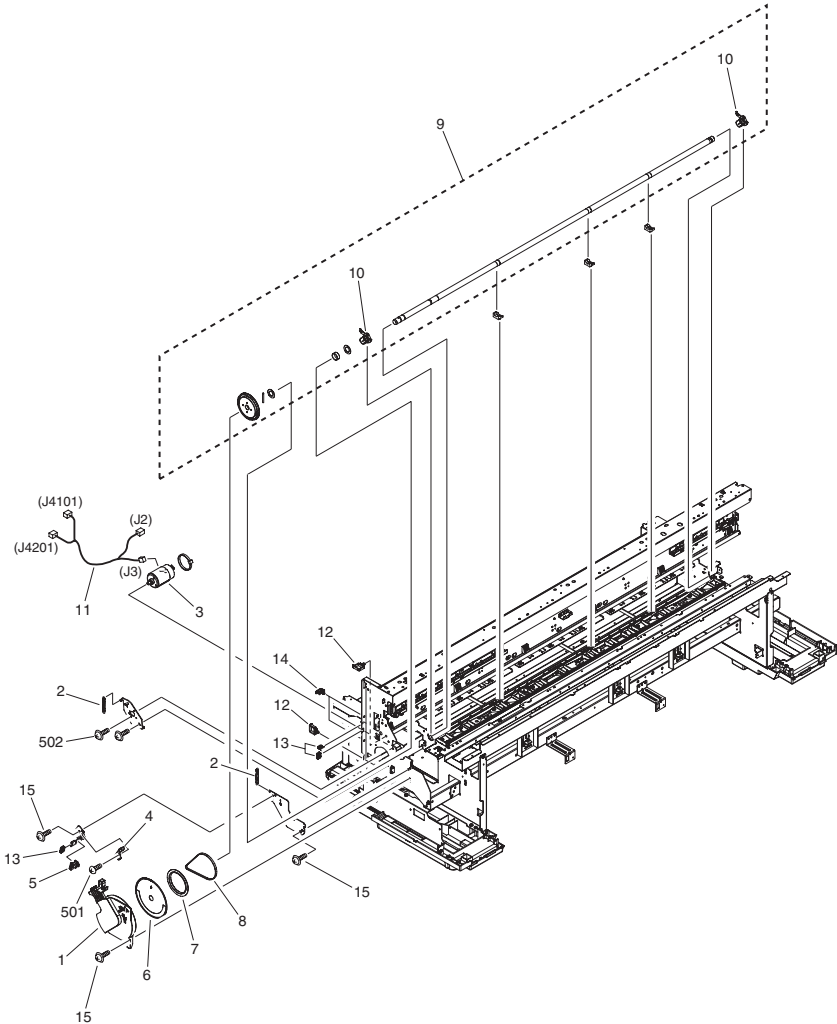


FIGURE & KEY NO.	PARTS NUMBER	RANK	Q'TY	DESCRIPTION	SERIAL NUMBER/REMARKS	SVC
Fig.12	NPN		RF	FEED ROLLER UNIT		
1	QL2-3182-000		1	COVER, CODE WHEEL		
2	QU1-2446-000		2	SPRING, TENSION		
3	QK1-5067-000		1	MOTOR, DC		
4	QK1-5066-000		1	ENCODER ASS'Y		
5	WG8-5849-000		1	PHOTOINTERRUPTER, GP1S173LCS0F		
6	QC3-1879-000		1	WHEEL, CODE		
7	QC2-0998-000		1	FLANGE, PULLEY		
8	QC2-0957-000		1	BELT, PAPER TRANSPORT		
9	QM3-5815-000		1	FEED ROLLER ASS'Y		
10	QC3-1478-000		2	BUSHING		
11	QM3-4611-000		1	HARNESS, WIRE, MOTOR		
12	WT2-5738-000		2	CLAMP, CABLE		
13	WT2-5056-000		3	CLIP, CORD		
14	WT2-5737-000		2	CLIP, CABLE		
15	XA9-1928-000		4	SCREW, TP, M3X8		
501	XB1-2200-507		2	SCREW, BH 2X5, S		
502	XB6-7300-607		2	SCREW, CROOSS-RECESS, FCH		

# FIGURE 13 TOOL

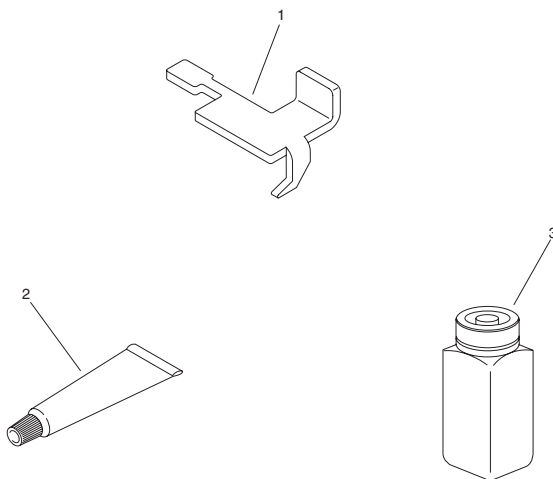


FIGURE & KEY NO.	PARTS NUMBER	RANK	Q'TY	DESCRIPTION	SERIAL NUMBER/REMARKS	SVC
Fig.13	NPN		RF	TOOL		
1	QY9-0103-000		1	COVER SWITCH TOOL		
2	999-9999-999		1	999		
2	FY9-6022-000		1	LUBE, FLOIL G-5000H, GREASE		
3	QY9-0037-000		1	GREASE, EU-1		

# FIGURE R1 STAND UNIT ST-33

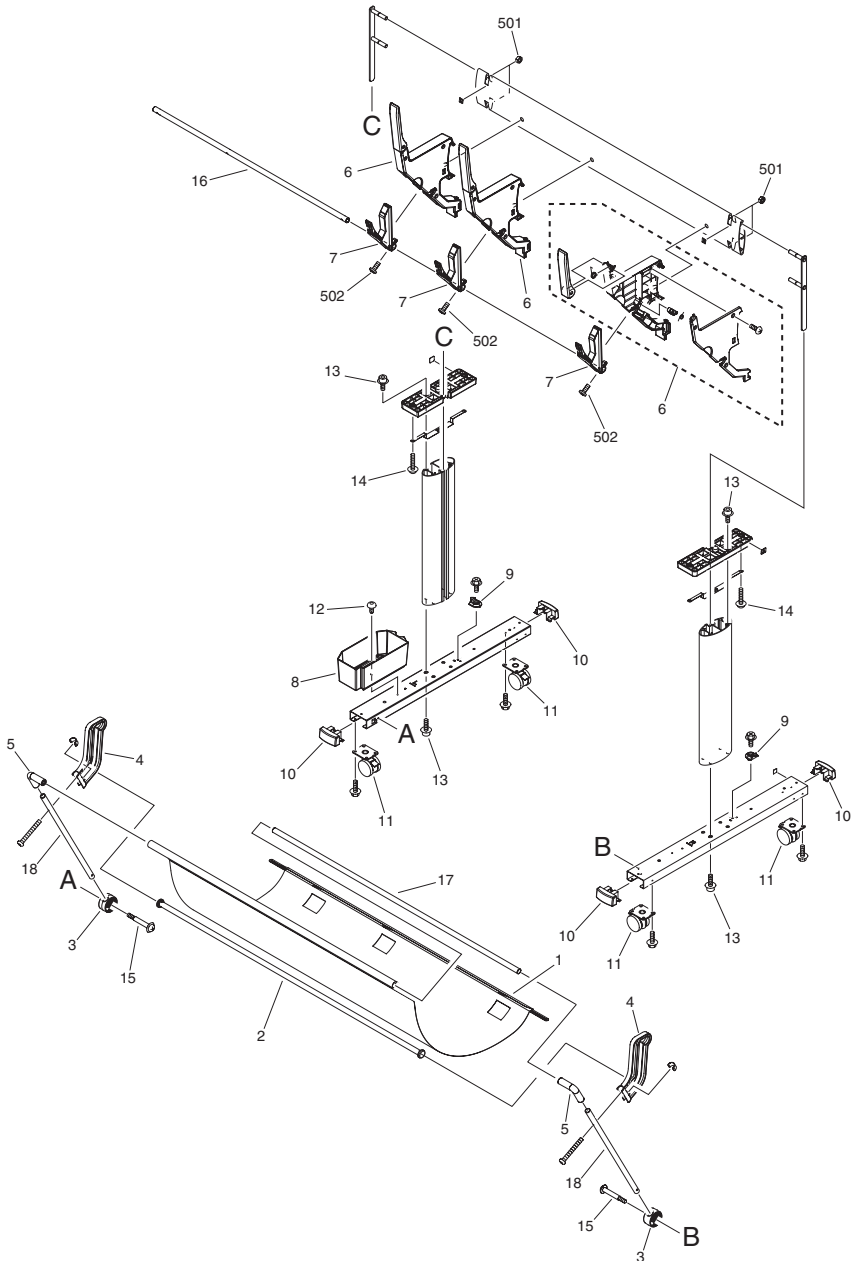
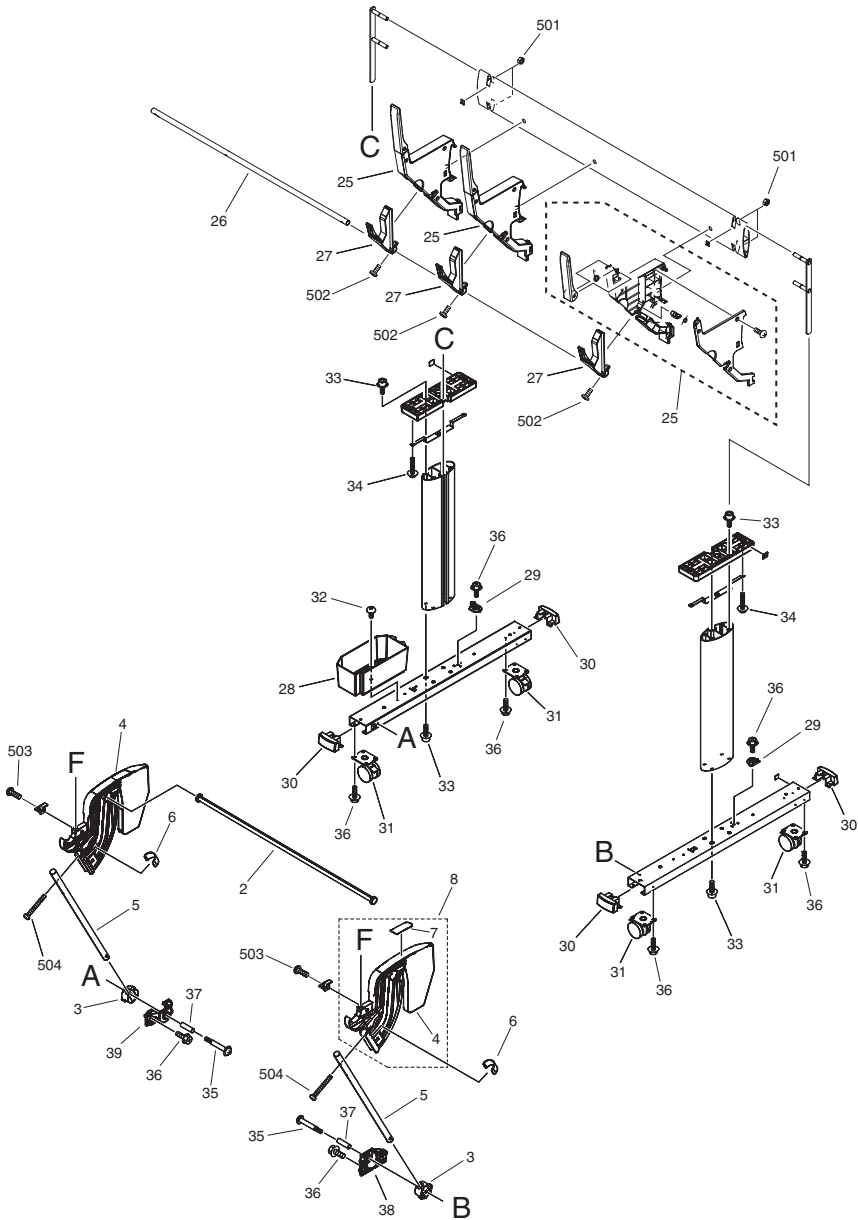


FIGURE & KEY NO.	PARTS NUMBER	R A N K	Q'TY	DESCRIPTION	SERIAL NUMBER/ REMARKS	S V C
Fig.R1	NPN		RF	STAND UNIT ST-33		
1	QC3-1914-000		1	BASKET		
2	QM3-5894-000		1	SUPPORT ROD UNIT		
3	QC3-1739-000		2	SUPPORT, ROD		
4	QC3-1492-000		2	GUIDE, BASKET		
5	QC2-4346-000		2	JOINT, ROD		
6	QM3-5898-000		3	PAPER GUIDE UNIT		
7	QC3-1746-000		3	PAPER STOPPER UNIT		
8	QC3-1731-000		1	BOX, ACCESSORY		
9	QC2-9785-000		2	HOOK, BASKET		
10	QC3-1732-000		4	CAP, STAND		
11	QC3-0197-000		4	CASTER, W/STOPPER		
12	QC2-4116-000		1	SCREW, HEX SOCKET M4X10		
13	QC1-5141-000		16	SCREW,ALLEN,M8X20		
14	QC2-5993-000		4	SCREW, HEX SOCKET, M4X30		
15	QC3-0133-000		2	SCREW, STEPPED, M4		
16	QC3-1747-000		1	ROD, STOPPER 36		
17	QC3-1442-000		1	ROD, AL 36		
18	QC3-1455-000		2	ROD, SIDE AL		
501	XB7-2301-009		4	NUT		
502	XB4-5300-807		12	SCREW, P, M3X8		

# FIGURE R2 STAND UNIT ST-34





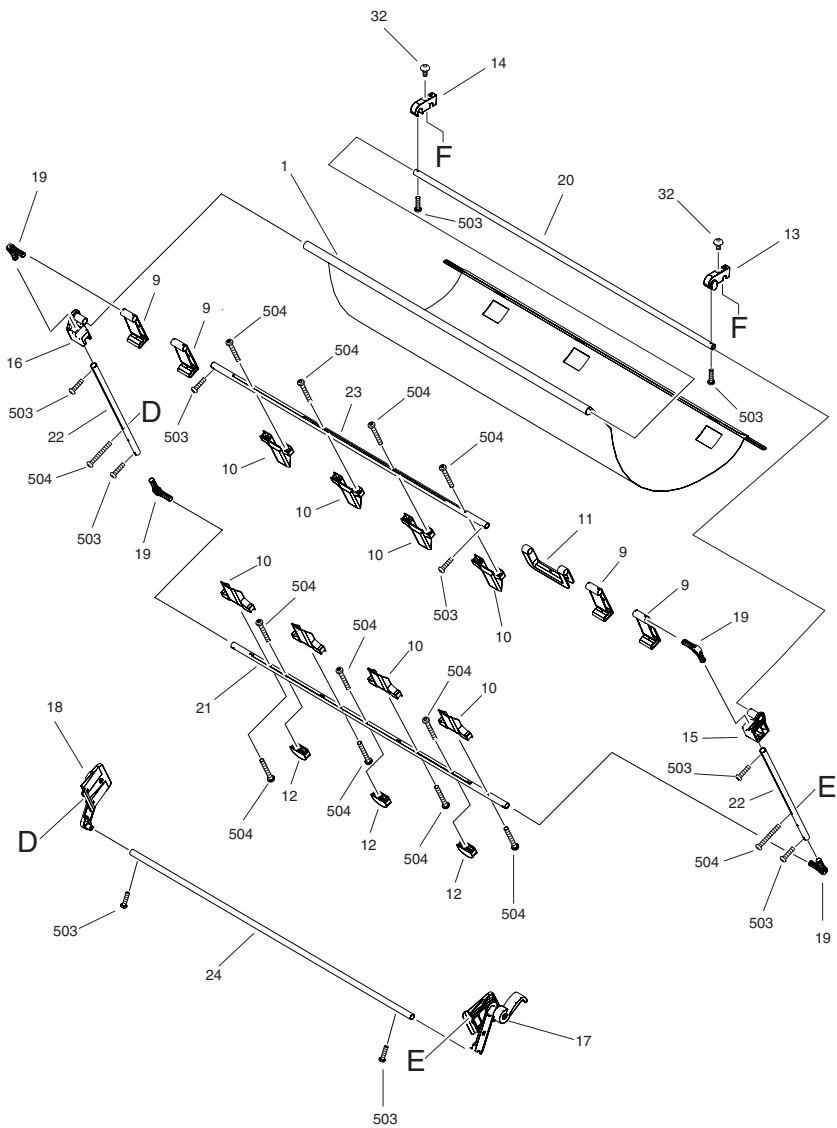


FIGURE & KEY NO.	PARTS NUMBER	R A N K	Q'TY	DESCRIPTION	SERIAL NUMBER/ REMARKS	S V C
Fig.R2	NPN		RF	STAND UNIT ST-34		
1	QC3-1914-000		1	BASKET		
2	QM3-5894-000		1	SUPPORT ROD UNIT		
3	QC2-6323-010		2	SUPPORT, ROD		
4	QC3-1953-000		2	GUIDE, BASKET		
5	QC3-1959-000		2	ROD, SIDE AL		
6	QC3-1850-000		2	PROTECTOR, ROD		
7	QU1-8293-000		1	LABEL, UNLOCK		
8	AY3-4560-000		1	GUIDE, BASKET, R		
9	QC3-1950-000		4	TRAY		
10	QC3-1949-000		8	STOPPER, TRAY		
11	QC3-1971-000		1	HANDLE, BASKET		
12	QC3-1958-000		3	SPACER, BASKET		
13	QC3-1969-000		1	JOINT, C, R		
14	QC3-1962-000		1	JOINT, C, L		
15	QC3-1948-000		1	JOINT, SLIDE, R		
16	QC3-1947-000		1	JOINT, SLIDE, L		
17	QM3-5997-000		1	LINK ARM UNIT (R)		
18	QM3-5996-000		1	LINK ARM UNIT (L)		
19	QC3-1946-000		4	JOINT, ROD		
20	QC3-1943-000		1	ROD, AL, A, 36		
21	QC3-1944-000		1	ROD, AL, B, 36		
22	QC3-1945-000		2	ROD, AL, C		
23	QC3-1963-000		1	ROD, AL, D, 36		
24	QC3-1955-000		1	ROD, STOPPER, AL 36		
25	QM3-5898-000		3	PAPER GUIDE UNIT		
26	QC3-1747-000		1	ROD, STOPPER 36		
27	QC3-1746-000		3	PAPER STOPPER UNIT		
28	QC3-1731-000		1	BOX, ACCESSORY		
29	QC2-9785-000		2	HOOK, BASKET		
30	QC3-1732-000		4	CAP, STAND		
31	QC3-0197-000		4	CASTER, W/STOPPER		

FIGURE & KEY NO.	PARTS NUMBER	RANK	Q'TY	DESCRIPTION	SERIAL NUMBER/REMARKS	SVC
32	QC2-4116-000		3	SCREW, HEX SOCKET M4X10		
33	QC3-1921-000		16	SCREW, ALLEN, M8X16		
34	QC2-5993-000		4	SCREW, HEX SOCKET, M4X30		
35	QC3-0133-000		2	SCREW, STEPPED, M4		
36	XA9-0949-000		22	SCREW, RS, M4X10		
37	XZ9-0697-000		2	BUSHING		
38	QD1-0005-000		1	HOLDER, ROD, R		
39	QD1-0004-000		1	HOLDER, ROD, L		
501	XB7-2301-009		4	NUT		
502	XB4-5300-807		6	SCREW, P, M3X8		
503	XB4-6301-205		12	SCREW,TAPPING,PAN HEAD,M3X12		
504	XB4-6302-505		27	SCREW,TAPPING,PAN HEAD,M3X25		

# FIGURE ZZA

## MECHANICAL STANDARD PARTS(HOW TO USE)

### Mechanical standard parts

#### 機械標準部品

#### About a mechanical standard parts

A Mechanical standard parts is a mechanical part which not parts peculiar to a product. They are parts which are common to a Canon product and are used, such as a screw and a washer. The Fig No. and parts number of the mechanical standard parts are not listed in the product parts catalog. Refer to the parts catalog of mechanical standard parts when checking the parts number for screw or washer etc. and identify them by part shape or size.

#### 機械標準部品とは

機械標準部品とは、製品特有の部品ではなく、ねじやワッシャなどキヤノン製品共通で使用されている機械部品(メカ部品)のことです。  
製品のパーツカタログには、機械標準部品のFig No.や部品番号は記載しておりません。  
ねじや、ワッシャ等の部品番号を調べるときは、機械標準部品のパーツカタログを参照し、部品の形状や大きさから判断し、使用している部品を調べてください。

#### Material and surface treatment of a mechanical standard parts

Material and surface treatment of mechanical standard parts are assigned commonly for each part. Refer to the Table 1 for the parts which material and surface treatment are assigned as numbers.

#### 機械標準部品の材料および表面処理

機械標準部品の材料および表面処理については、各種部品共通で決められています。  
材料および表面処理が番号で決められている部品については、表1を参照してください。

Table 1 Material and Surface treatment  
表1 材料および表面処理

No. 番号	Material 材料	Surface treatment 表面処理	Color 色
1	Stainless steel ステンレス	Stainless steel black coloring (BC4) ステンレス黒着色(BC4)	Black 黒
2		not to be given なし	White 白
3	Brass 黄銅	Regular nickel plating (NL) 普通ニッケルメッキ(NL)	White 白
4		Black nickel plating (BN) 黒色ニッケルメッキ(BN)	Black 黒
5	Steel 鋼	White zinc trivalent chromate treating (ZC3) 白色亜鉛3価クロメート(ZC3)	White 白
6		Regular nickel chromium plating (NC) 普通ニッケルクロムメッキ(NC)	White 白
7		Regular nickel plating (NL) 普通ニッケルメッキ(NL)	White 白
8		Iron and steel phosphating (P1) 鉄鋼磷酸塩処理(P1)	Black 黒
9		Black zinc trivalent chromate treating (BZ3) 黒色亜鉛3価クロメート(BZ3)	Black 黒

# FIGURE ZZB MECHANICAL STANDARD PARTS(SCREWS)

## 1. Screws ねじ

How to read Parts Numbers  
部品番号の見方

Screws  
ねじ

XB1-2400-609

Type No.  
類別番号

Normal designation (d)  
ねじの呼び(d)

Length (L)  
ねじの長さ(L)

Material and Surface treatment  
材料および表面処理

XB1-2 expresses Binding head machine screw.  
XB1-2は、バインドねじを表す

40 expresses M4.0.  
40は、M4.0を表す

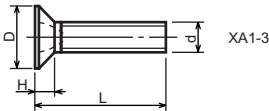
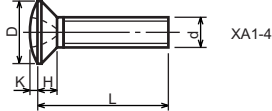
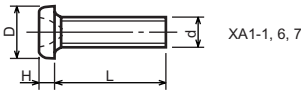
0-60 expresses a length of 6.0mm.  
0-60は、6.0mmの長さを表す

9 expresses Steel (Black zinc trivalent chromate  
treating) from Table 1.

9は、表1より鋼(黒色亜鉛3価クロメート)を表す

### 1-1. Cross Recessed Head Screws for Precision Equipments

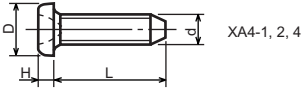
精密機器用十字穴付き小ねじ



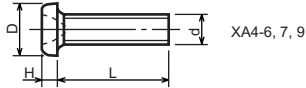
Type No. 類別番号	Type 類別
XA1-1	Pan head Class 1 なべ1種
XA1-3	Countersunk head Class 1 さら1種
XA1-4	Oval countersunk head Class 1 丸さら1種
XA1-6	Pan head Class 3 なべ3種
XA1-7	Pan head Class 2 なべ2種

		Head size (mm) 頭部寸法 (mm)					
		M1.4	M1.6	M1.7	M2	M2.5	M2.6
D	XA1-1	2	2.4	2.5	3	3.8	4
H	XA1-1	0.5	0.55	0.5	0.6	0.9	0.8
D	XA1-3	2	2.4	2.5	3	3.8	4
H	XA1-3	0.48	0.55	0.58	0.73	0.85	0.93
D	XA1-4	2	2.4	2.5	3	3.8	4
H + K	XA1-4	0.68	0.8	0.88	1	1.25	1.3
D	XA1-6	2.5	2.8	3	3.5	4.3	4.5
H	XA1-6	0.8	0.85	0.9	1	1.3	1.2
D	XA1-7	2.5	2.8	3	3.5	4.3	4.5
H	XA1-7	0.5	0.55	0.5	0.6	0.9	0.8

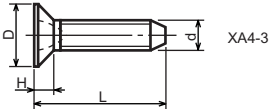
1-2. Precision Tapping Screws  
精密用タッピンねじ



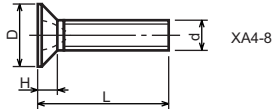
XA4-1, 2, 4



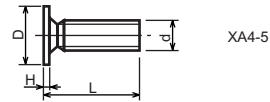
XA4-6, 7, 9



XA4-3



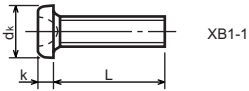
XA4-8



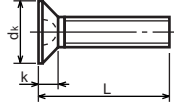
XA4-5

Type No. 類別番号	Type 類別	Head size (mm) 頭部寸法 (mm)						
		M1.4	M1.6	M1.7	M2	M2.5	M2.6	
XA4-1	With tapered end pan head Class 1 絞りなべ1種	D XA4-1	2	2.4	2.5	3	3.8	4
		H XA4-1	0.5	0.55	0.5	0.6	0.9	0.8
XA4-2	With tapered end pan head Class 3 絞りなべ3種	D XA4-2	2.5	2.8	3	3.5	4.3	4.5
		H XA4-2	0.8	0.85	0.9	1	1.3	1.2
XA4-3	With tapered end countersunk head 絞り-さら	D XA4-3	2	2.4	2.5	3	3.8	4
		H XA4-3	0.48	0.55	0.58	0.73	0.85	0.93
XA4-4	With tapered end pan head Class 2 絞りなべ2種	D XA4-4	2.5	2.8	3	3.5	4.3	4.5
		H XA4-4	0.5	0.55	0.5	0.6	0.9	0.8
XA4-5	With parallel end ultra thin head ストレート-超薄頭	D XA4-5	2.5	2.8	3	-	-	-
		H XA4-5	0.2	0.2	0.2	-	-	-
XA4-6	With parallel end pan head Class 1 ストレートなべ1種	D XA4-6	2	2.4	2.5	3	3.8	4
		H XA4-6	0.5	0.55	0.5	0.6	0.9	0.8
XA4-7	With parallel end pan head Class 3 ストレートなべ3種	D XA4-7	2.5	2.8	3	3.5	4.3	4.5
		H XA4-7	0.8	0.85	0.9	1	1.3	1.2
XA4-8	With parallel end countersunk head ストレート-さら	D XA4-8	2	2.4	2.5	3	3.8	4
		H XA4-8	0.48	0.55	0.58	0.73	0.85	0.93
XA4-9	With parallel end pan head Class 2 ストレートなべ2種	D XA4-9	2.5	2.8	3	3.5	4.3	4.5
		H XA4-9	0.5	0.55	0.5	0.6	0.9	0.8

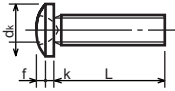
**1-3. Cross Recessed Head Screws**  
 一般用十字穴付き小ねじ



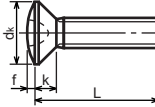
XB1-1



XB1-3



XB1-2

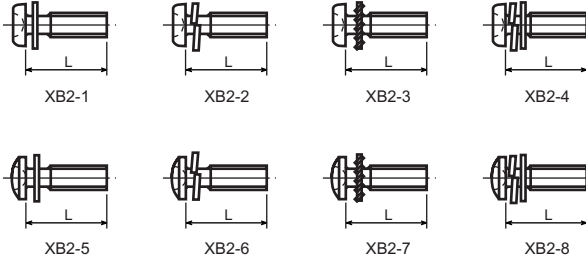


XB1-4

Type No. 類別番号	Type 類別
XB1-1	Pan head なべ
XB1-2	Binding head バインド
XB1-3	Countersunk head さら
XB1-4	Oval countersunk head 丸さら

		Head size (mm) 頭部寸法 (mm)					
		M2	M2.5	M2.6	M3	M4	M5
dk	XB1-1	3.5	4.5	4.5	5.5	7	9
k	XB1-1	1.3	1.7	1.7	2	2.6	3.3
dk	XB1-2	4.3	5.3	5.5	6.3	8.3	10.3
k+f	XB1-2	1.2	1.5	1.6	1.9	2.5	3.1
dk	XB1-3	4	5	-	6	8	10
k	XB1-3	1.2	1.45	-	1.75	2.3	2.8
dk	XB1-4	4	5	-	6	8	10
k+f	XB1-4	1.6	2	-	2.45	3.2	4
Screw part length ねじ部長さ b		8	12	12	12	16	20

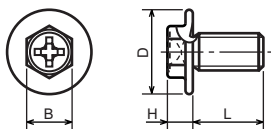
1-4. Cross Recessed Head Screws with Captive Washer  
座金組み十字穴付き小ねじ



Type No. 類別番号	Type 類別
XB2-1	Pan head + Plain washer (circular bright) なべねじ+平座金
XB2-2	Pan head + Spring washer なべねじ+ばね座金
XB2-3	Pan head + Toothed lock washer なべねじ+歯付座金
XB2-4	Pan head + Spring washer and plain washer (circular bright) なべねじ+(ばね+平)座金
XB2-5	Binding head + Plain washer (circular bright) バインドねじ+平座金
XB2-6	Binding head + Spring washer バインドねじ+ばね座金
XB2-7	Binding head + Toothed lock washer バインドねじ+歯付座金
XB2-8	Binding head + Spring washer and plain washer (circular bright) バインドねじ+(ばね+平)座金

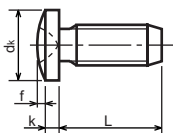


**1-5. Hexagon Head Tapping Screws for Metallic Materials**  
 金属用六角タッピンねじ



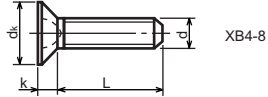
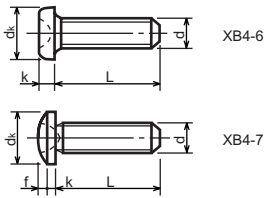
Type No. 類別番号	Type 類別	Head size (mm) 頭部寸法 (mm)	
		M3	M4
XB3-6	For metallic materials 金属用タッピン	D	8 10
		B	5.5 5.5
XB3-7	For metallic materials with clawed 金属用タッピン-つめ付き	H XB3-6	3.1 3.1
		H XB3-7	3.2 3.2

**1-6. Special Tapping Screws**  
 特殊タッピンねじ



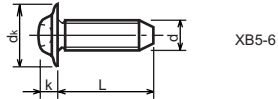
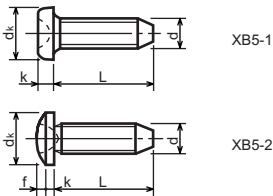
Type No. 類別番号	Type 類別	Head size (mm) 頭部寸法 (mm)	
		M3	M4
XB4-5	Binding head バインド	d <sub>k</sub>	6.3 8.3
		k	1.3 1.7
		k+f	1.9 2.5

1-7. General Head Tapping Screws  
一般用タッピンねじ



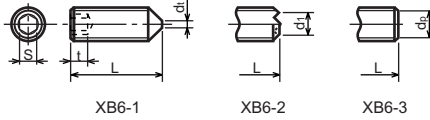
Type No. 類別番号	Type 類別	Head size (mm) 頭部寸法 (mm)						
		M2	M2.5	M2.6	M3	M4	M5	
XB4-6	Pan head なべ	$d_k$ XB4-6	3.5	4.5	4.5	5.5	7	9
		$k$ XB4-6	1.3	1.7	1.7	2	2.6	3.3
XB4-7	Binding head バインド	$d_k$ XB4-7	4.3	5.3	5.5	6.3	8.3	10.3
		$k+f$ XB4-7	1.2	1.5	1.6	1.9	2.5	3.1
XB4-8	Countersunk head さら	$d_k$ XB4-8	4	5	5.2	6	8	10
		$k$ XB4-8	1.2	1.45	1.5	1.75	2.3	2.8

1-8. Tapping Screws for Metallic Materials  
金属用タッピンねじ



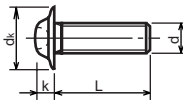
Type No. 類別番号	Type 類別	Head size (mm) 頭部寸法 (mm)					
		M2.5	M2.6	M3	M4	M5	
XB5-1	Pan head なべ	$d_k$ XB5-1	4.5	4.5	5.5	7	9
		$k$ XB5-1	1.7	1.7	2	2.6	3.3
XB5-2	Binding head バインド	$d_k$ XB5-2	5.5	5.5	6.3	8.3	10.3
		$k+f$ XB5-2	1.6	1.6	1.9	2.5	3.1
XB5-6	Flanged pan head つば付きなべ	$d_k$ XB5-6	6.5	6.5	8	10	12
		$k$ XB5-6	2.1	2.1	1.75	3.2	4

**1-9. Hexagon Socket Set Screws**  
六角穴付止めねじ



Type No. 類別番号	Type 類別	Head size (mm) 頭部寸法 (mm)							
		M1.6 M1.7	M2	M2.5 M2.6	M3	M5	M5	M6	
XB6-1	Cone point とがり先	S	0.7	0.9	1.3	1.5	2	2.5	3
		t	1.5	1.7	2	2	2.5	3	3.5
		$d_{t \max}$ XB6-1	0.4	0.5	0.65	0.75	1	1.25	1.5
		$d_{l \max}$ XB6-2	-	1.2	1.5	1.7	2.2	2.8	3.3
		$d_{l \min}$ XB6-2	-	1	1.2	1.4	1.9	2.4	2.9
XB6-3	Flat point 平先	$d_{p \max}$ XB6-3	0.8	1	1.5	2	2.5	3.5	4
		$d_{p \min}$ XB6-3	0.55	0.75	1.25	1.75	2.25	3.2	3.7

**1-10. Flanged Pan Head Machine Screws**  
つば付きなべ小ねじ



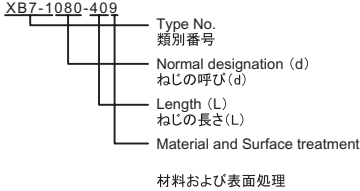
Type No. 類別番号	Type 類別	Head size (mm) 頭部寸法 (mm)					
		M2	M2.5 M2.6	M3	M5	M5	
XB6-7	Flanged pan head つば付きなべ	$d_k$	5	6.5	8	10	12
		k	1.7	2.1	2.5	3.2	4

# FIGURE ZZC MECHANICAL STANDARD PARTS(BOLTS)

## 2. Bolts (Socket head cap screw) ボルト

How to read Parts Numbers  
部品番号の見方

Bolt (Socket head cap screw)  
ボルト



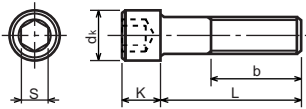
XB7-1 expresses Hexagon socket head cap screws.  
XB7-1は、六角穴付きボルトを表す

080 expresses M8.0.  
080は、M8.0を表す

40 expresses a length of 40mm.  
40は、40mmの長さを表す

9 expresses Steel (Black zinc trivalent chromate treating) from Table 1.  
9は、表1より鋼(黒色亜鉛3価クロメート)を表す

### 2-1. Hexagon socket head cap screws 六角穴付きボルト



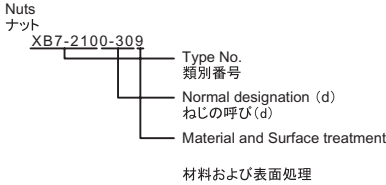
Type No. 類別番号	Type 類別
XB7-1	Hexagon socket head cap screws 六角穴付きボルト

	Head size (mm) 頭部寸法 (mm)						
	M3	M4	M5	M6	M8	M10	M12
S	2.5	3	4	5	6	8	10
d <sub>k</sub>	5.5	7	8.5	10	13	16	18
K	3	4	5	6	8	10	12
Screw part length ねじ部長さ b <sub>max</sub>	18	20	22	24	28	32	36

# FIGURE ZZD MECHANICAL STANDARD PARTS(NUTS)

## 3. Nuts ナット

How to read Parts Numbers  
部品番号の見方

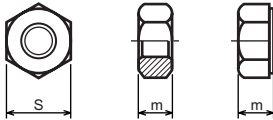


XB7-210 expresses Hexagon nut class 1.  
XB7-210は、六角ナット1種を表す

0-30 expresses M3.0.  
0-30は、M3.0を表す

9 expresses Steel (Black zinc trivalent chromate treating) from Table 1.  
9は、表1より鋼(黒色亜鉛3価クロメート)を表す

### 3-1. Hexagon Nuts and Hexagon Thin Nuts 六角ナット



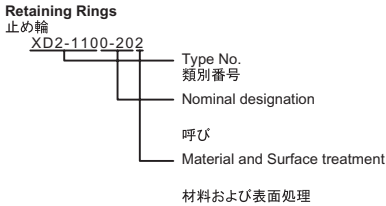
Type No. 類別番号	Type 類別
XB7-210	Hexagon nut Class 1 六角ナット-1種
XB7-220	Hexagon nut Class 3 六角ナット-3種
XB7-230	Hexagon nut Style 1 double chamfered 六角ナット-スタイル1-両面とり
XB7-231	Hexagon nut Style 1 washer faced 六角ナット-スタイル1-座付き
XB7-240	Hexagon nut Style 2 double chamfered 六角ナット-スタイル2-両面とり
XB7-241	Hexagon nut Style 2 washer faced 六角ナット-スタイル2-座付き
XB7-250	Hexagon nut 六角ナット
XB7-260	Hexagon thin nut double chamfered 六角低ナット-両面とり
XB7-270	Hexagon thin nut not chamfered 六角低ナット-面とり無し

	Head size (mm) 頭部寸法 (mm)						
	M2	M2.5	M3	M4	M5	M6	M8
S	4	5	5.5	7	8	10	13
m XB7-210	1.6	2	2.4	3.2	4	5	6.5
m XB7-220	1.2	1.6	1.8	2.4	3.2	3.6	5
m XB7-230, 231	1.6	2	2.4	3.2	4.7	5.2	6.8
m XB7-240, 241	-	-	-	-	5.1	5.7	7.5
m XB7-250	-	-	-	-	5.6	6.1	7.9
m XB7-260	1.2	1.6	1.8	2.2	2.7	3.2	4
m XB7-270	1.2	1.6	1.8	2.2	2.7	3.2	4

# FIGURE ZZE MECHANICAL STANDARD PARTS(RETAINING RINGS)

## 5. Retaining Rings 止め輪

How to read Parts Numbers  
部品番号の見方

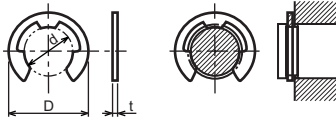


XD2-110 expresses retaining ring-E type (Type1).  
XD2-110は、E形止め輪(1種)を表す

0-20 expresses a 020 of nominal designation.  
(See Table 5)  
0-20は、呼び020を表す(表5参照)

2 expresses Stainless steel (Surface treatment is not to be given) from Table 1.  
2は、表1よりステンレス(表面処理なし)を表す

### 5-1. Retaining Rings - E type E形止め輪

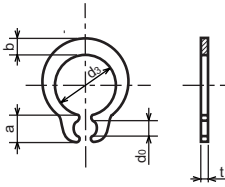


Type No. 類別番号	Type 類別
XD2-110	Retaining ring - E type (Type 1) E形止め輪(1種)
XD2-120	Retaining ring - E type (Type 2) E形止め輪(2種)

Table 5 表5

Type 種類	Nominal designation 呼び	d (mm)	D (mm)	t (mm)
Type 1 1種	007	0.65	2	0.2
	010	0.95	2.8	0.2
	013	1.25	3.3	0.3
	017	1.65	4.2	0.4
	020	1.95	4.6	0.5
	024	2.35	6	0.6
	028	2.74	6.5	0.6
	032	3.14	7.2	0.6
	037	3.64	8	0.7
	040	3.93	10	0.7
	042	4.13	10	0.7
	050	4.93	11	0.7
	058	5.73	12	0.7
	060	5.93	12.7	0.9
	064	6.32	13.5	0.9
	074	7.31	15	0.9
080	7.91	16.5	1	
Type 2 2種	008	0.8	2	0.2
	012	1.2	3	0.3
	015	1.5	4	0.4
	020	2	5	0.4
	025	2.5	6	0.4
	030	3	7	0.6
	040	4	9	0.6
	050	5	11	0.6
	060	6	12	0.8
	070	7	14	0.8
	080	8	16	0.8
	090	9	18	0.8
	100	10	20	1

5-2. Grip Rings  
グリップ止め輪

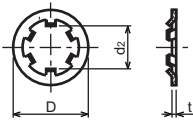


Type No. 類別番号	Type 類別
XD2-210	Grip ring グリップ止め輪

Table 5 表5

Nominal designation 呼び	d <sub>3</sub> (mm)	t (mm)	b (mm)	a (mm)	d <sub>0</sub> (mm)
020	1.9	0.5	1	1.8	0.8
025	2.35	0.5	1.2	1.9	0.9
030	2.85	0.6	1.4	1.9	0.9
035	3.3	0.6	1.6	2	0.9
040	3.8	0.8	1.8	2.8	1.2
045	4.25	0.8	2	2.9	1.3
050	4.75	0.8	2.2	2.9	1.3
060	5.7	1	2.4	3.1	1.4
070	6.7	1	2.7	3.3	1.4
080	7.7	1	3	3.5	1.4
090	8.65	1.2	3.3	4.7	1.5
100	9.65	1.2	3.5	4.7	2

5-3. Toothed Retaining Rings  
歯付き形止め輪



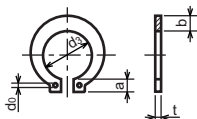
Type No. 類別番号	Type 類別
XD2-230	Toothed retaining ring 歯付き形止め輪

Table 5 表5

Nominal designation 呼び	d <sub>z</sub> (mm)	D (mm)	t (mm)	No of teeth 歯数
015	1.4	5.2	0.25	3
020	1.9	6	0.25	3
024	2.3	6.4	0.25	3
030	2.8	8	0.25	4
040	3.8	9	0.25	4
050	4.8	10	0.25	5
060	5.8	11	0.25	5
080	7.8	13	0.25	5
100	9.8	15.4	0.25	6

### 5-4. Retaining Rings - C Type

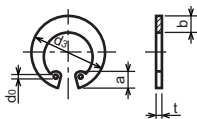
C形止め輪



Type No. 類別番号	Type 類別
XD2-310	Retaining ring - C type for shaft C形止め輪 軸用

Table 5 表5

Nominal designation 呼び	d <sub>3</sub> (mm)	t (mm)	b (mm)	a (mm)	d <sub>0</sub> (mm)
010	9.3	1	1.6	3	1.2
012	11.1	1	1.8	3.2	1.5
014	12.9	1	2	3.4	1.7
015	13.8	1	2.1	3.5	1.7
016	14.7	1	2.2	3.6	1.7
017	15.7	1	2.2	3.7	1.7
018	16.5	1.2	2.6	3.8	1.7
020	18.5	1.2	2.7	3.9	2
022	20.5	1.2	2.7	4.1	2
025	23.2	1.2	3.1	4.3	2
028	25.9	1.5	3.1	4.6	2
030	27.9	1.5	3.5	4.8	2
032	29.6	1.5	3.5	5	2.5
035	32.2	1.5	4	5.4	2.5



Type No. 類別番号	Type 類別
XD2-320	Retaining ring - C type for hole C形止め輪 穴用

Table 5 表5

Nominal designation 呼び	d <sub>3</sub> (mm)	t (mm)	b (mm)	a (mm)	d <sub>0</sub> (mm)
010	10.7	1	1.8	3.1	1.2
011	11.8	1	1.8	3.2	1.2
012	13	1	1.8	3.3	1.5
014	15.1	1	2	3.6	1.7
016	17.3	1	2	3.7	1.7
018	19.5	1	2.5	4	1.7
019	20.5	1	2.5	4	2
020	21.5	1	2.5	4	2
022	23.5	1	2.5	4.1	2
025	26.9	1.2	3	4.4	2
028	30.1	1.2	3	4.6	2
030	32.1	1.2	3	4.7	2
032	34.4	1.2	3.5	5.2	2.5
035	37.8	1.5	3.5	5.2	2.5
037	39.8	1.5	3.5	5.2	2.5
040	43.5	1.8	4	5.7	2.5
042	45.5	1.8	4	5.8	2.5
045	48.5	1.8	4.5	5.9	2.5
047	50.5	1.8	4.5	6.1	2.5
050	54.2	2	4.5	6.5	2.5
052	56.2	2	5.1	6.5	2.5
055	59.2	2	5.1	6.5	2.5
060	64.2	2	5.1	6.8	2.5
062	66.2	2	5.5	6.9	2.5
068	72.5	2.5	6	7.4	2.5
072	76.5	2.5	6.6	7.4	2.5
075	79.5	2.5	6.6	7.8	2.5
080	85.5	2.5	7	8	2.5
085	90.5	3	7	8	3
090	95.5	3	7.6	8.3	3
095	100.5	3	8	8.5	3



Prepared by  
L Printer Quality Assurance Center  
CANON INC.

**Canon**