

PARTS CATALOG

iPF720/710/700

Canon

Mar 10 2008

PREFACE

This Parts Catalog contains listings of parts used

Diagrams are provided with the listings to aid the service technician in identifying clearly, the item to be ordered.

Whenever ordering parts, consult this Parts Catalog for all of the information pertaining to each item. Be sure to include, in the Parts Request, the full item description, the item part number, and the quantity.

COPYRIGHT (C) 1999 CANON INC.

Use of this manual should be strictly supervised to avoid disclosure of confidential information.

Contents

NUMERICAL INDEX

iPF720/710/700(Numerical Index) 1-1

iPF720/710/700(Parts Catalog)

01	PRINTER & ACCESSORIES	2-1
02	COVERS (1)	2-3
03	COVERS (2)	2-5
04	ELECTRICAL PART	2-7
05	INK TANK & PURGE UNIT	2-9
06	CARRIAGE UNIT	2-11
07	FEED MOTOR ASS'Y	2-14
08	AIR FLOW FAN UNIT	2-16
09	PINCH ROLLER UNIT	2-18
10	PLATEN & FEED ROLLER	2-20
11	LINEAR SCALE	2-22
12	TOOL	2-24
R1	STAND UNIT	2-25

NUMERICAL INDEX

iPF720/710/700(Numerical Index)

PARTS NUMBER	FIGURE & KEY NO.	PARTS NUMBER	FIGURE & KEY NO.	PARTS NUMBER	FIGURE & KEY NO
CK-0551-020	12 - 2	QC2-2697-000	11 - 2	QK1-3062-000	06 - 29
CK-0562-000	12 - 3	QC2-2706-000	02 - 9	QK1-3064-000	06 - 30
FB1-0733-000	01 - 3	QC2-2710-000	03 - 13	QL2-0231-000	06 - 1
FH2-7092-020	01 - 7	QC2-2713-000	02 - 4	QL2-0562-000	07 - 12
FH7-5489-050	07 - 11	QC2-2713-000	03 - 1	QL2-1052-000	08 - 1
FH7-5489-050	10 - 11	QC2-2716-000	02 - 10	QL2-1053-000	08 - 2
NPN	01 -	QC2-2717-000	02 - 5	QL2-1054-030	08 - 3
NPN	01 - 1	QC2-2720-000	03 - 2	QL2-1725-000	10 - 12
NPN	01 - 2	QC2-2750-000	01 - 4	QL2-1726-000	03 - 12
NPN	01 - 2	QC2-2999-000	08 - 5	QL2-1729-000	02 - 7
NPN	01 - 2	QC2-4346-000	R1 - 1	QL2-1731-000	10 - 15
NPN	01 - 2	QC2-4348-000	R1 - 8	QL2-1733-000	10 - 1
NPN	01 - 2	QC2-4350-000	R1 - 9	QL2-1734-000	10 - 3
NPN	02 -	QC2-4351-000	R1 - 10	QL2-1735-000	10 - 2
NPN	03 -	QC2-4359-000	R1 - 17	QL2-1736-000	03 - 10
NPN	04 -	QC2-5995-000	R1 - 18	QL2-1737-000	03 - 11
NPN	05 -	QC2-6006-000	R1 - 2	QL2-1738-000	07 - 4
NPN	06 -	QC2-6012-000	R1 - 11	QL2-1745-000	06 - 35
NPN	07 -	QC2-6015-000	R1 - 12	QL2-2095-000	07 - 3
NPN	08 -	QC2-6022-000	R1 - 15	QL2-2273-000	R1 - 7
NPN	09 -	QC2-6025-000	R1 - 4	QL2-2464-000	08 - 3
NPN	10 -	QC2-6026-000	R1 - 5	QM1-0662-000	06 - 11
NPN	11 -	QC2-6808-000	02 - 10	QM2-1050-000	10 - 6
NPN	12 -	QC2-6809-000	02 - 11	QM2-2450-000	07 - 6
NPN	R1 -	QC2-6812-000	10 - 5	QM2-2470-040	01 - 6
QC1-0008-000	06 - 6	QC2-6826-000	06 - 27	QM2-2475-000	01 - 6
QC1-3928-000	06 - 16	QE1-1270-000	06 - 7	QM2-2476-090	01 - 5
QC1-5141-000	R1 - 16	QE1-1281-000	06 - 26	QM2-2533-000	06 - 43
QC1-6813-000	10 - 4	QE1-1282-000	06 - 4	QM2-2723-000	01 - 5
QC1-6838-000	04 - 6	QE1-2304-000	R1 - 6	QM2-3426-000	06 - 31
QC1-6868-000	04 - 3	QE1-2682-000	06 - 34	QM3-0162-000	05 - 4
QC1-7567-000	03 - 9	QE1-2689-000	06 - 8	QM3-0681-000	R1 - 13
QC2-0682-000	06 - 37	QE1-2690-000	06 - 9	QM3-0682-000	R1 - 14
QC2-0687-000	06 - 38	QE1-2691-000	06 - 10	QM3-0825-000	06 - 12
QC2-0689-000	06 - 39	QE1-2728-000	03 - 5	QM3-0829-000	09 - 1
QC2-0690-000	06 - 40	QE1-2814-000	06 - 20	QM3-1106-000	07 - 1
QC2-1330-000	R1 - 3	QE1-2819-000	06 - 5	QM3-1145-000	03 - 4
QC2-2584-000	09 - 2	QE1-2826-000	06 - 21	QM3-1301-000	04 - 1
QC2-2592-000	07 - 5	QE1-3058-000	06 - 2	QM3-1328-000	03 - 4
QC2-2634-000	06 - 18	QE1-3184-000	06 - 22	QM3-1332-000	06 - 44
QC2-2635-000	06 - 17	QH2-2554-000	06 - 28	QM3-1333-000	06 - 32
QC2-2646-000	06 - 19	QH2-2732-000	01 - 10	QM3-1334-000	06 - 24
QC2-2653-000	06 - 23	QK1-0440-000	06 - 41	QM3-1336-000	04 - 8
QC2-2660-000	03 - 8	QK1-1384-000	07 - 9	QM3-1354-000	06 - 45
QC2-2663-000	02 - 1	QK1-1392-000	01 - 10	QM3-1369-030	08 - 4
QC2-2665-000	02 - 8	QK1-1393-000	01 - 9	QM3-1380-000	10 - 10
QC2-2667-000	02 - 2	QK1-1394-000	01 - 8	QM3-1384-000	02 - 3
QC2-2668-000	03 - 7	QK1-1395-000	01 - 12	QM3-1386-000	03 - 3
QC2-2669-000	03 - 6	QK1-1396-000	01 - 13	QM3-1387-000	02 - 11
QC2-2682-000	05 - 8	QK1-1441-000	01 - 11	QM3-1391-000	07 - 10
QC2-2683-000	05 - 9	QK1-2912-000	04 - 4	QM3-1395-000	05 - 2
QC2-2684-000	05 - 10	QK1-3059-000	06 - 14	QM3-1398-000	04 - 7

NUMERICAL INDEX

iPF720/710/700(Numerical Index)

PARTS NUMBER	FIGURE & KEY NO.	PARTS NUMBER	FIGURE & KEY NO.	PARTS NUMBER	FIGURE & KEY NO
QM3-1401-000	06 - 13	WE8-5471-000	06 - 46		
QM3-1402-000	06 - 15	WG8-5624-000	05 - 6		
QM3-1406-000	06 - 36	WG8-5624-000	06 - 3		
QM3-1408-000	05 - 3	WG8-5677-000	10 - 9		
QM3-1413-000	05 - 1	WK1-5024-000	04 - 2		
QM3-1415-000	06 - 42	WP2-5187-000	05 - 7		
QM3-1419-000	04 - 5	XA9-0249-000	07 - 14		
QM3-1422-000	06 - 33	XA9-0724-000	10 - 7		
QM3-1428-000	02 - 6	XA9-0732-000	03 - 14		
QM3-1436-000	03 - 3	XA9-0732-000	05 - 11		
QM3-1437-000	03 - 3	XA9-0732-000	07 - 15		
QM3-3215-000	04 - 1	XA9-0732-000	08 - 6		
QM3-3221-000	06 - 44	XA9-0732-000	09 - 4		
QM3-3222-000	06 - 32	XA9-0732-000	10 - 14		
QM3-3224-000	04 - 1	XB1-2300-409	07 - 502		
QM3-3227-000	04 - 7	XB1-2300-409	10 - 501		
QM3-3228-000	04 - 8	XB1-2300-606	06 - 501		
QM3-3240-000	03 - 4	XB1-2301-409	07 - 504		
QM3-3241-000	03 - 4	XB1-2301-409	10 - 502		
QM3-3242-000	04 - 7	XB1-2400-607	02 - 501		
QM3-3243-000	04 - 8	XB1-2400-607	03 - 501		
QM3-3266-000	01 - 6	XB1-2400-607	04 - 501		
QM3-3267-000	01 - 5	XB1-2400-609	06 - 502		
QM3-3268-000	01 - 14	XB1-2400-609	07 - 503		
QM3-3269-000	01 - 15	XB1-2400-609	09 - 501		
QM3-3272-000	07 - 16	XB1-2400-609	10 - 503		
QM3-3274-000	07 - 8	XB1-2400-805	R1 - 501		
QM3-3277-000	07 - 17	XB1-2400-809	06 - 503		
QM3-3326-000	07 - 10	XB1-2400-809	07 - 501		
QM3-3328-000	10 - 10	XB1-2401-609	03 - 502		
QM3-3329-000	06 - 42	XB1-2403-009	R1 - 502		
QM3-3330-000	06 - 15	XB4-5300-807	02 - 502		
QM3-3335-000	04 - 9	XB4-5300-807	05 - 501		
QU1-0036-000	09 - 3	XB4-5301-007	08 - 501		
QU1-0082-000	07 - 18	XB4-7300-809	06 - 504		
QU1-2068-000	07 - 2	XB4-7301-609	06 - 505		
QU1-2235-000	10 - 8	XB4-7400-609	08 - 502		
QU1-2237-000	11 - 1	XB4-7400-809	06 - 508		
QU1-2238-000	06 - 25	XB4-7401-009	06 - 506		
QU1-8133-000	03 - 15	XB4-7401-209	06 - 507		
QU1-8134-000	10 - 16	XB6-7400-809	09 - 502		
QU1-8136-000	02 - 13	XB7-1080-209	R1 - 503		
QU1-8137-000	03 - 16	XB7-2301-009	R1 - 504		
QU1-8138-000	02 - 12	XD2-1100-502	07 - 505		
QU1-8149-000	08 - 7	XD2-1100-502	10 - 504		
QU1-8150-000	08 - 8	XF2-4120-090	07 - 7		
QU1-8198-000	01 - 16				
QY9-0103-000	12 - 1				
WC4-5052-000	05 - 5				
WC4-5052-000	07 - 6				
WC4-5180-000	07 - 13				
WC4-5180-000	10 - 13				

iPF720/710/700(Parts Catalog)

iPF720

120V/230V Q51-1854-000

100V Q51-1857-000

iPF710

120V/230V Q51-1674-000

100V Q51-1677-000

iPF700

120V/230V Q51-1474-000

100V Q51-1477-000

STAND UNIT ST-32

Q55-2380-000

For iPF700

Q55-2420-000

For iPF720/710

Contents

01	PRINTER & ACCESSORIES	2-1
02	COVERS (1)	2-3
03	COVERS (2)	2-5
04	ELECTRICAL PART	2-7
05	INK TANK & PURGE UNIT	2-9
06	CARRIAGE UNIT	2-11
07	FEED MOTOR ASS'Y	2-14
08	AIR FLOW FAN UNIT	2-16
09	PINCH ROLLER UNIT	2-18
10	PLATEN & FEED ROLLER.....	2-20
11	LINEAR SCALE	2-22
12	TOOL	2-24
R1	STAND UNIT	2-25

FIGURE 01 PRINTER & ACCESSORIES

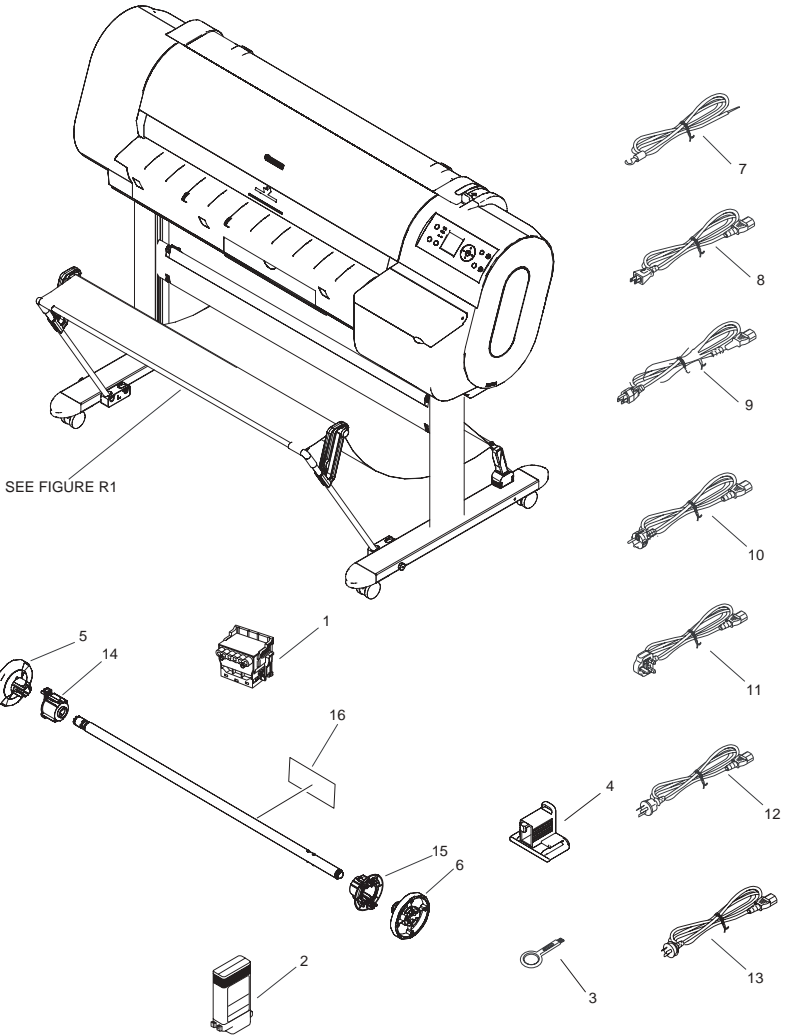


FIGURE & KEY NO.	PARTS NUMBER	R A N K	Q'TY	DESCRIPTION	SERIAL NUMBER/ REMARKS	S V C
Fig.01	NPN		RF	PRINTER & ACCESSORIES		
1	NPN		RF	PRINTHEAD		
2	NPN		RF	INK TANK(MBK)		
2	NPN		RF	INK TANK(PBK)		
2	NPN		RF	INK TANK(C)		
2	NPN		RF	INK TANK(M)		
2	NPN		RF	INK TANK(Y)		
3	FB1-0733-000		1	BRUSH, CLEANER		
4	QC2-2750-000		1	STOPPER, BELT		
5	QM2-2476-090		1	FLANGE, SPOOL	iPF700(2 INCH)	
5	QM2-2723-000		1	FLANGE, SPOOL	iPF700(3 INCH)	
5	QM3-3267-000		1	FLANGE, SPOOL	iPF720/710	
6	QM2-2470-040		1	DRIVE SPOOL UNIT, RIGHT	iPF700(2 INCH)	
6	QM2-2475-000		1	DRIVE SPOOL UNIT, RIGHT	iPF700(3 INCH)	
6	QM3-3266-000		1	DRIVE SPOOL UNIT, RIGHT	iPF720/710	
7	FH2-7092-020		1	WIRE, GROUND	100V	
8	QK1-1394-000		1	CORD, POWER	100V	
9	QK1-1393-000		1	CORD, POWER	120V (UL)	
10	QK1-1392-000		1	CORD, POWER	220-240V	
10	QH2-2732-000		1	CORD, POWER	240V(KOR)	
11	QK1-1441-000		1	CORD, POWER	240V (UK)	
12	QK1-1395-000		1	CORD, POWER	240V (AUS)	
13	QK1-1396-000		1	CORD, POWER	240V (CHN)	
14	QM3-3268-000		1	HOLDER, ROLL	iPF720/710	
15	QM3-3269-000		1	HOLDER, ROLL	iPF720/710	
16	QU1-8198-000		1	LABEL, ROLL HOLDER		

FIGURE 02 COVERS (1)

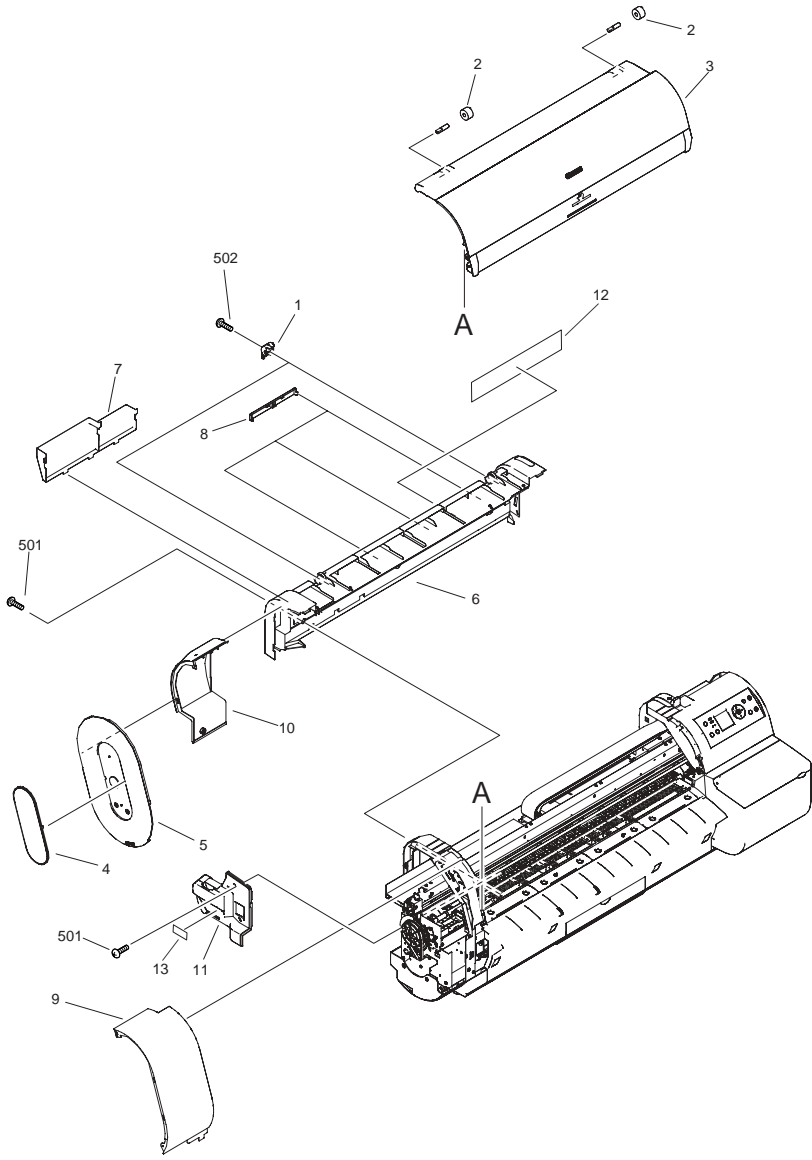


FIGURE & KEY NO.	PARTS NUMBER	RANK	Q'TY	DESCRIPTION	SERIAL NUMBER/REMARKS	SVC
Fig.02	NPN		RF	COVERS (1)		
1	QC2-2663-000		2	COVER, DAMPER		
2	QC2-2667-000		2	DAMPER		
3	QM3-1384-000		1	UPPER COVER UNIT		
4	QC2-2713-000		1	COVER, SIDE, S		
5	QC2-2717-000		1	COVER, SIDE, LEFT		
6	QM3-1428-000		1	COVER, REAR, UPPER		
7	QL2-1729-000		1	BOX, ACCESSORY		
8	QC2-2665-000		3	COVER, LOUVER		
9	QC2-2706-000		1	COVER, FRONT, LEFT		
10	QC2-2716-000		1	COVER, REAR, LEFT	iPF700	
10	QC2-6808-000		1	COVER, REAR, LEFT	iPF720/710	
11	QM3-1387-000		1	SPOOL HOLDER UNIT L	iPF700	
11	QC2-6809-000		1	COVER, REWIND DRIVE	iPF720/710	
12	QU1-8138-000		1	LABEL, ROLL MEDIA SET		
13	QU1-8136-000		1	LABEL, HANDLE, L		
501	XB1-2400-607		7	SCREW, MACH, TRUSS HEAD, M4X6		
502	XB4-5300-807		2	SCREW, P, M3X8		

FIGURE 03
COVERS (2)

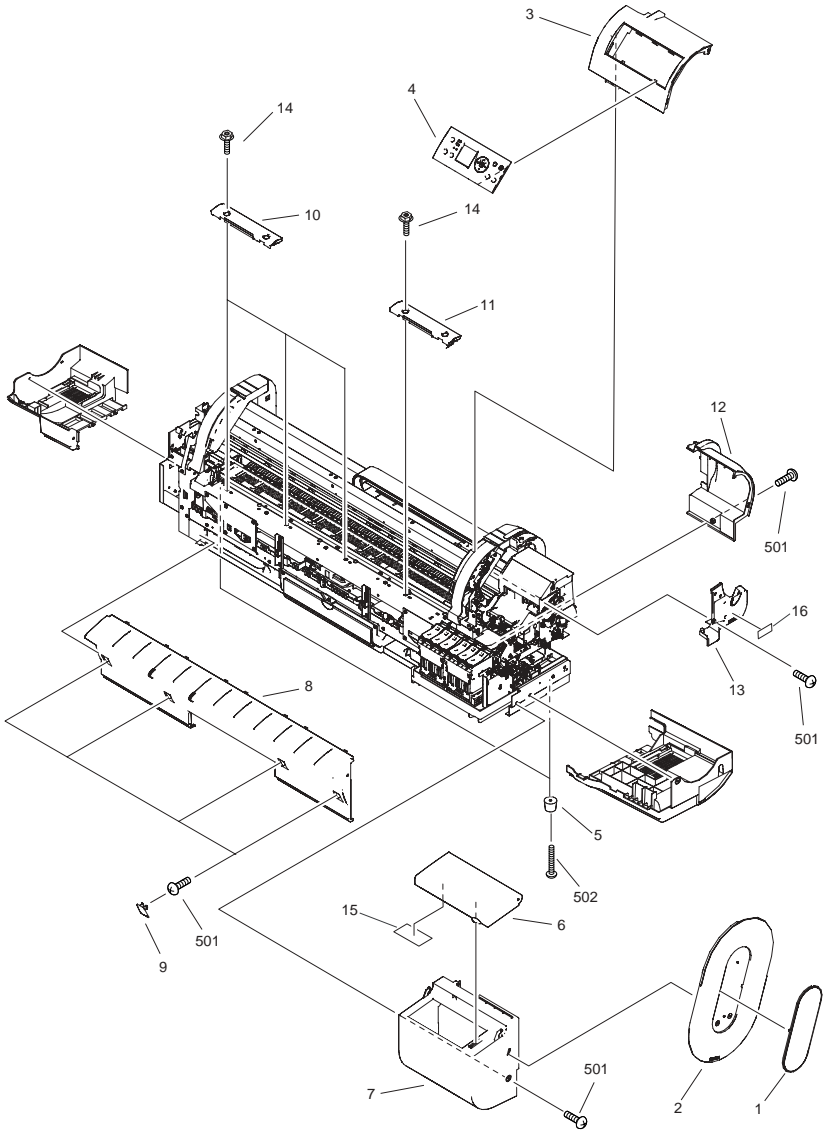


FIGURE & KEY NO.	PARTS NUMBER	R A N K	Q'TY	DESCRIPTION	SERIAL NUMBER/REMARKS	S V C
Fig.03	NPN		RF	COVERS (2)		
1	QC2-2713-000		1	COVER, SIDE, S		
2	QC2-2720-000		1	COVER, SIDE, RIGHT		
3	QM3-1386-000		1	COVER, FRONT, RIGHT	iPF700	
3	QM3-1436-000		1	COVER, FRONT, RIGHT	iPF710	
3	QM3-1437-000		1	COVER, FRONT, RIGHT	iPF720	
4	QM3-1145-000		1	OPERATION PANEL UNIT	iPF700(ENGLISH)	
4	QM3-1328-000		1	OPERATION PANEL UNIT	iPF700(JAPANESE)	
4	QM3-3241-000		1	OPERATION PANEL UNIT	iPF720/710(JAPANESE)	
4	QM3-3240-000		1	OPERATION PANEL UNIT	iPF720/710(ENGLISH)	
5	QE1-2728-000		4	FOOT, RUBER		
6	QC2-2669-000		1	COVER, TANK		
7	QC2-2668-000		1	COVER, TANK BASE		
8	QC2-2660-000		1	COVER, FRONT		
9	QC1-7567-000		4	CAP, SCREW		
10	QL2-1736-000		3	GUIDE, DELIVERY		
11	QL2-1737-000		1	GUIDE, DELIVERY		
12	QL2-1726-000		1	COVER, REAR, RIGHT		
13	QC2-2710-000		1	HOLDER, SPOOL, RIGHT		
14	XA9-0732-000		8	SCREW, RS, M4X8		
15	QU1-8133-000		1	LABEL, INK SET		
16	QU1-8137-000		1	LABEL, HANDLE, R		
501	XB1-2400-607		16	SCREW, MACH, TRUSS HEAD, M4X6		
502	XB1-2401-609		2	SCREW, MACHINE, M4X16		

FIGURE 04 ELECTRICAL PART

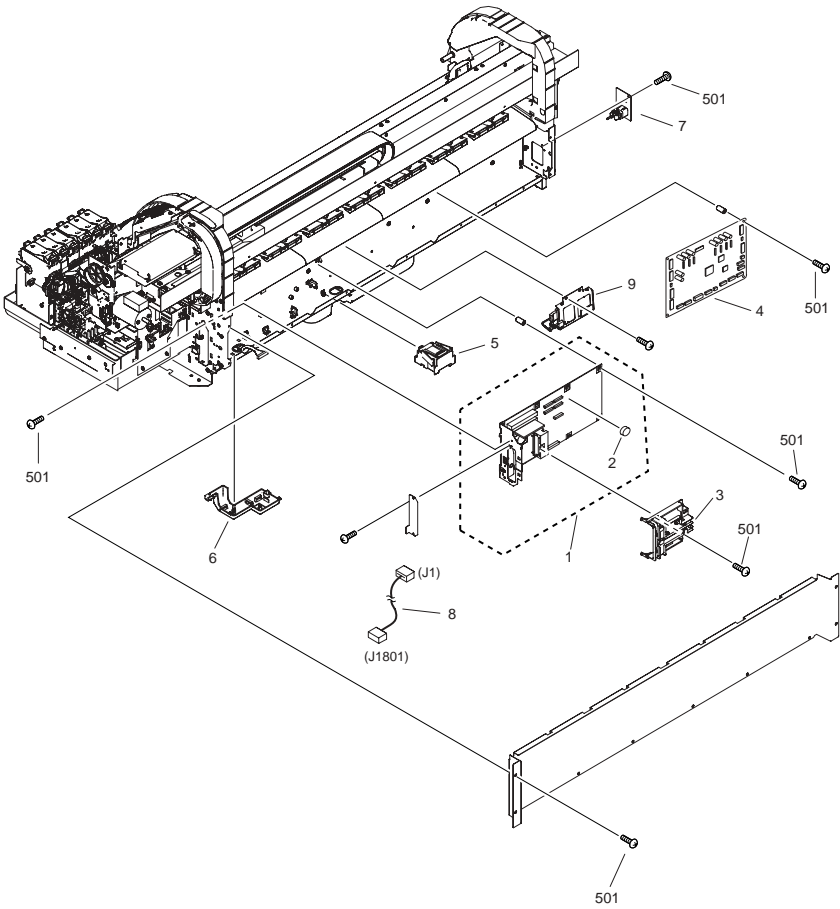


FIGURE & KEY NO.	PARTS NUMBER	RANK	Q'TY	DESCRIPTION	SERIAL NUMBER/REMARKS	SVC
Fig.04	NPN		RF	ELECTRICAL PART		
1	QM3-1301-000		1	MAIN BOARD DIMM ASS'Y	iPF700	
1	QM3-3215-000		1	MAIN BOARD DIMM ASS'Y	iPF710	
1	QM3-3224-000		1	MAIN BOARD DIMM ASS'Y	iPF720	
2	WK1-5024-000		1	LITHIUM BATTERY		
3	QC1-6868-000		1	GUIDE, RAIL		
4	QK1-2912-000		1	POWER SUPPLY UNIT		
5	QM3-1419-000		1	M/C RELAY PCB ASS'Y		
6	QC1-6838-000		1	GUIDE, CABLE		
7	QM3-1398-000		1	CABLE, INLET	iPF700	
7	QM3-3242-000		1	CABLE, INLET	iPF710	
7	QM3-3227-000		1	CABLE, INLET	iPF720	
8	QM3-1336-000		1	CABLE, DC POWER	iPF700	
8	QM3-3243-000		1	CABLE, DC POWER	iPF710	
8	QM3-3228-000		1	CABLE, DC POWER	iPF720	
9	QM3-3335-000		1	HDD UNIT, MHW2080BH	iPF720	
501	XB1-2400-607		33	SCREW, MACH, TRUSS HEAD, M4X6		

FIGURE 05 INK TANK & PURGE UNIT

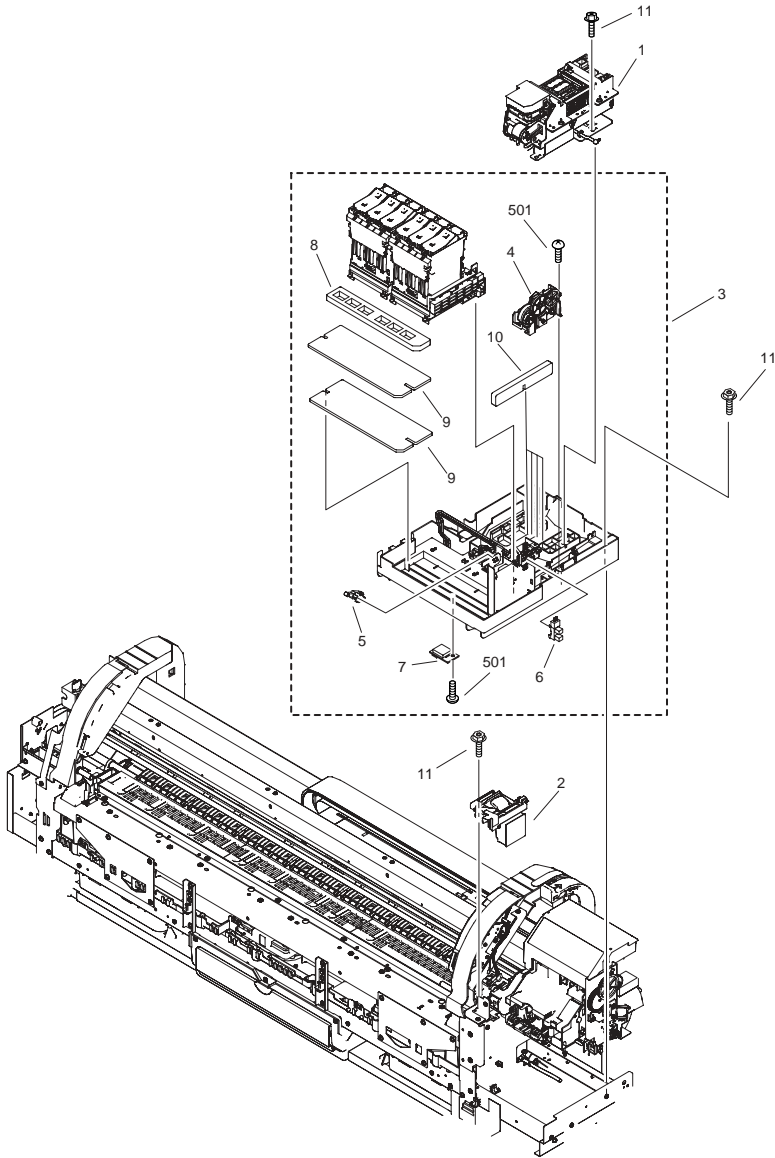


FIGURE & KEY NO.	PARTS NUMBER	R A N K	Q'TY	DESCRIPTION	SERIAL NUMBER/ REMARKS	S V C
Fig.05	NPN		RF	INK TANK & PURGE UNIT		
1	QM3-1413-000		1	PURGE UNIT		
2	QM3-1395-000		1	HEAD MANAGEMENT SENSOR UNIT		
3	QM3-1408-000		1	INK TANK UNIT		
4	QM3-0162-000		1	INK SUPPLY DRIVE UNIT		
5	WC4-5052-000		1	MICRO SWITCH		
6	WG8-5624-000		1	IC, PHOTO INTERRUPTER		
7	WP2-5187-000		1	SENSOR, HUMIDITY		
8	QC2-2682-000		1	ABSORBER, INK, A		
9	QC2-2683-000		2	ABSORBER, INK, B		
10	QC2-2684-000		4	ABSORBER, INK		
11	XA9-0732-000		9	SCREW, RS, M4X8		
501	XB4-5300-807		5	SCREW, P, M3X8		

FIGURE 06 CARRIAGE UNIT

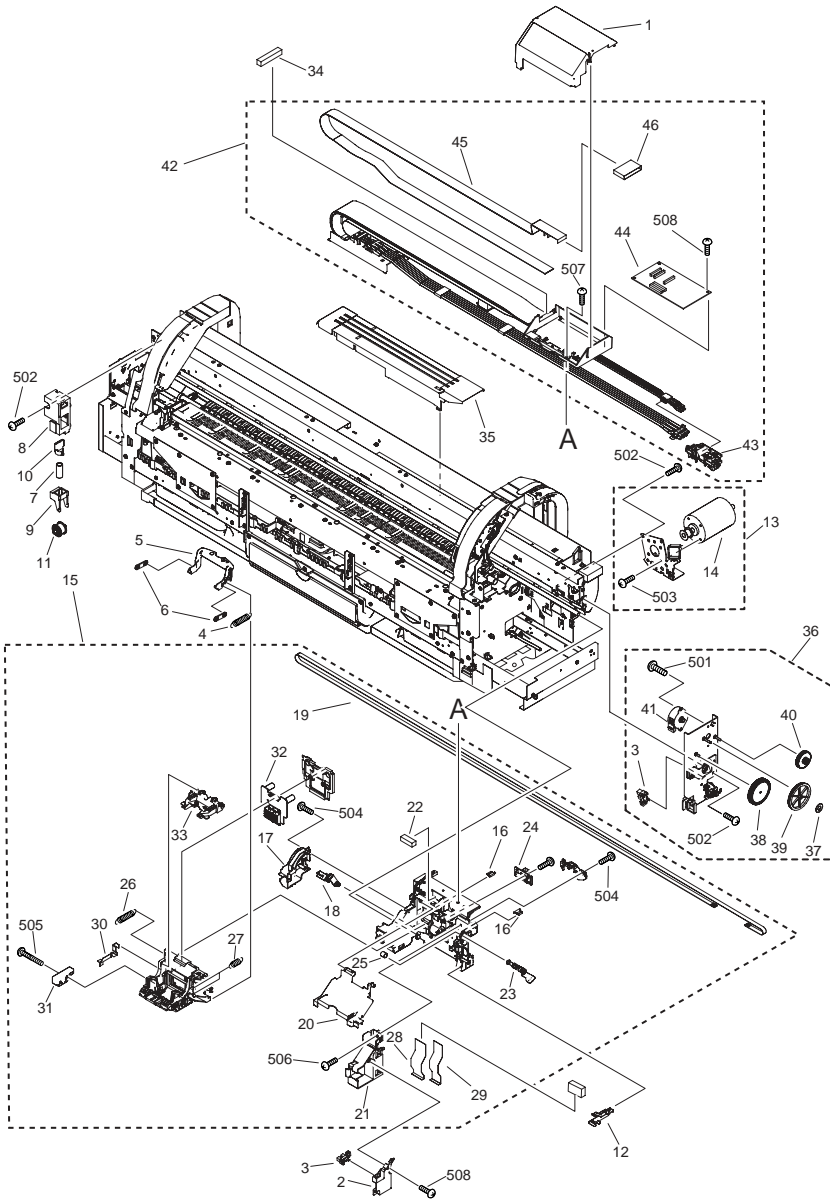


FIGURE & KEY NO.	PARTS NUMBER	R A N K	Q'TY	DESCRIPTION	SERIAL NUMBER/ REMARKS	S V C
Fig.06	NPN		RF	CARRIAGE UNIT		
1	QL2-0231-000		1	TUBE BASE COVER ASS'Y		
2	QE1-3058-000		1	COVER, TUBE HOLDER		
3	WG8-5624-000		2	IC, PHOTO INTERRUPTER		
4	QE1-1282-000		1	SPRING, HOOK END COIL		
5	QE1-2819-000		1	JOINT LEVER A		
6	QC1-0008-000		2	JOINT LEVER B		
7	QE1-1270-000		1	SPRING, COIL		
8	QE1-2689-000		1	MOUNT, IDLER ROLLER		
9	QE1-2690-000		1	GUIDE, IDLER ROLLER		
10	QE1-2691-000		1	LEVER, IDLER ROLLER		
11	QM1-0662-000		1	IDLER ROLLER ASS'Y		
12	QM3-0825-000		1	CLEANER		
13	QM3-1401-000		1	MOTOR, CARRIAGE		
14	QK1-3059-000		1	MOTOR		
15	QM3-1402-000		1	CARRIAGE UNIT	iPF700	
15	QM3-3330-000		1	CARRIAGE UNIT	iPF720/710	
16	QC1-3928-000		2	BELT, STOPPER		
17	QC2-2635-000		1	COVER, SLANT LEVER		
18	QC2-2634-000		1	LEVER, SLANT		
19	QC2-2646-000		1	BELT, CARRIAGE		
20	QE1-2814-000		1	COVER, CARRIAGE		
21	QE1-2826-000		1	HOLDER, TUBE		
22	QE1-3184-000		1	PAD		
23	QC2-2653-000		1	LEVER, LIFT		
24	QM3-1334-000		1	ENCODER SENSOR		
25	QU1-2238-000		1	SPRING, COMPRESSION		
26	QE1-1281-000		1	SPRING, HOOK END COIL		
27	QC2-6826-000		2	SPRING, HEAD HOLDER		
28	QH2-2554-000		1	FLEXIBLE CABLE		
29	QK1-3062-000		1	CABLE, FLEXIBLE		
30	QK1-3064-000		1	CABLE, FLEXIBLE		

FIGURE & KEY NO.	PARTS NUMBER	RANK	Q'TY	DESCRIPTION	SERIAL NUMBER/REMARKS	SVC
31	QM2-3426-000		1	MULTI SENSOR UNIT		
32	QM3-1333-000		1	HEAD RELAY PCB ASS'Y	iPF700	
32	QM3-3222-000		1	HEAD RELAY PCB ASS'Y	iPF720/710	
33	QM3-1422-000		1	HEAD LEVER UNIT		
34	QE1-2682-000		1	PAD		
35	QL2-1745-000		1	RETAINER, SHEET		
36	QM3-1406-000		1	LIFT DRIVE UNIT		
37	QC2-0682-000		1	RING		
38	QC2-0687-000		1	GEAR, LIFT IDLER B		
39	QC2-0689-000		1	GEAR, LIFT DOUBLE B		
40	QC2-0690-000		1	GEAR, LIFT DOUBLE C		
41	QK1-0440-000		1	MOTOR, STEPPING DC 24V		
42	QM3-1415-000		1	TUBE UNIT	iPF700	
42	QM3-3329-000		1	TUBE UNIT	iPF720/710	
43	QM2-2533-000		1	JOINT BASE UNIT		
44	QM3-1332-000		1	CARRIAGE RELAY PCB ASS'Y	iPF700	
44	QM3-3221-000		1	CARRIAGE RELAY PCB ASS'Y	iPF720/710	
45	QM3-1354-000		1	FLEXIBLE CABLE ASS'Y		
46	WE8-5471-000		1	FERRITE CORE		
501	XB1-2300-606		2	SCREW, MACHINE M3X6		
502	XB1-2400-609		9	SCREW, MACH., TRUSS HEAD, M4X6		
503	XB1-2400-809		4	SCREW, MACHINE M4X8		
504	XB4-7300-809		5	SCREW, TAP, BINDING HEAD, M3X8		
505	XB4-7301-609		1	SCREW, TAPPING M3X16		
506	XB4-7401-009		1	SCREW, TAP., PAN HEAD, M4X10		
507	XB4-7401-209		2	SCREW, BINDING HEAD, SELF-TPG		
508	XB4-7400-809		4	SCREW, TAP., TRUSS HEAD, M4X8		

FIGURE 07 FEED MOTOR ASS'Y

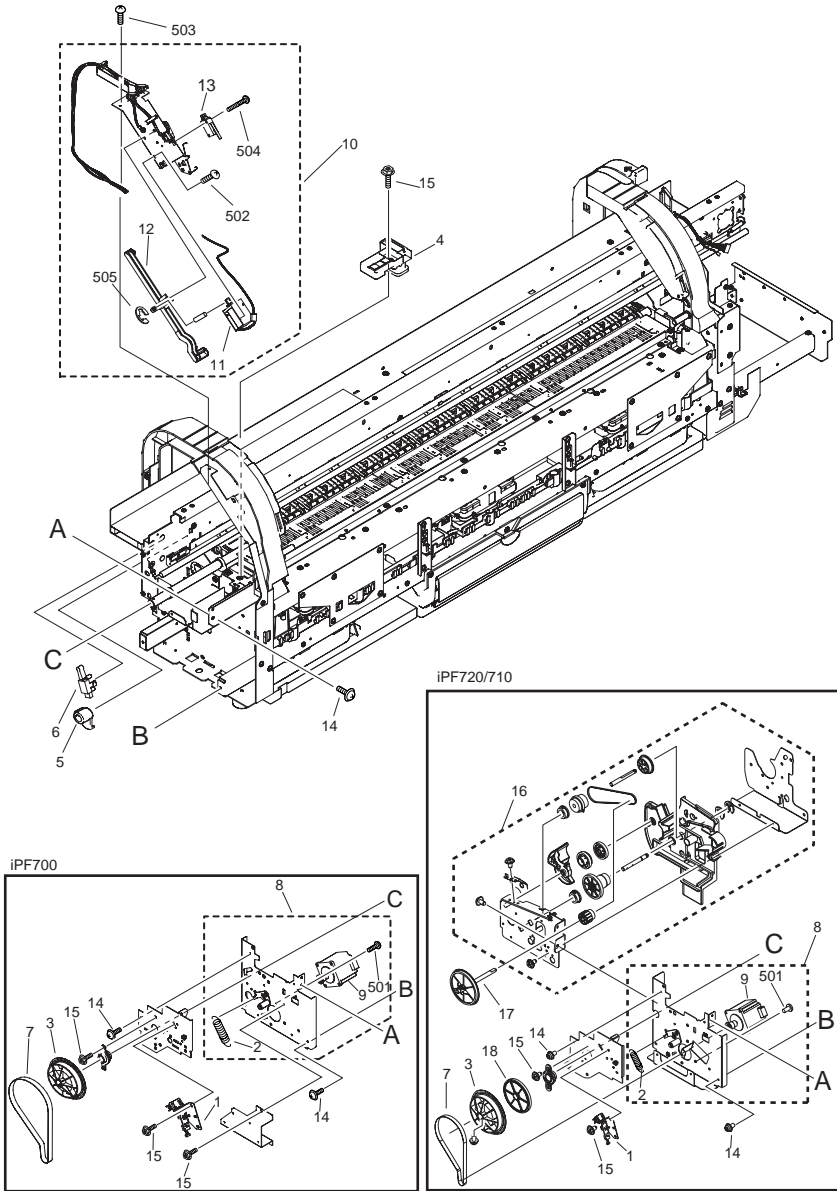


FIGURE & KEY NO.	PARTS NUMBER	R A N K	Q'TY	DESCRIPTION	SERIAL NUMBER/ REMARKS	S V C
Fig.07	NPN		RF	FEED MOTOR ASS'Y		
1	QM3-1106-000		1	SENSOR UNIT		
2	QU1-2068-000		1	SPRING, HOOK END COIL		
3	QL2-2095-000		1	CODE WHEEL ASS'Y		
4	QL2-1738-000		1	BASE, MULTI SENSOR REFERENCE		
5	QC2-2592-000		1	FLAG, SWITCH		
6	WC4-5052-000		1	MICRO SWITCH		
7	XF2-4120-090		1	BELT, FEED		
8	QM2-2450-000		1	FEED MOTOR BASE UNIT	iPF700	
8	QM3-3274-000		1	FEED MOTOR BASE UNIT	iPF720/710	
9	QK1-1384-000		1	FEED MOTOR ASS'Y		
10	QM3-1391-000		1	UPPER COVER LOCK UNIT L	iPF700	
10	QM3-3326-000		1	UPPER COVER LOCK UNIT L	iPF720/710	
11	FH7-5489-050		1	SOLENOID, DC 24V		
12	QL2-0562-000		1	LEVER, LOCK, LEFT		
13	WC4-5180-000		1	MICRO SWITCH		
14	XA9-0249-000		9	SCREW, M4X8		
15	XA9-0732-000		8	SCREW, RS, M4		
16	QM3-3272-000		1	REWIND DRIVE UNIT	iPF720/710	
17	QM3-3277-000		1	REWIND DRIVE GEAR UNIT	iPF720/710	
18	QU1-0082-000		1	GEAR 76T	iPF720/710	
501	XB1-2400-809		4	SCREW, BINDING HEAD M4X8		
502	XB1-2300-409		2	SCREW, MACHINE, M3X4		
503	XB1-2400-609		2	SCREW,MACH.,TRUSS HEAD,M4X6		
504	XB1-2301-409		2	SCREW,MACH.,TRUSS HEAD,M3X14		
505	XD2-1100-502		1	RING, E		

FIGURE 08 AIR FLOW FAN UNIT

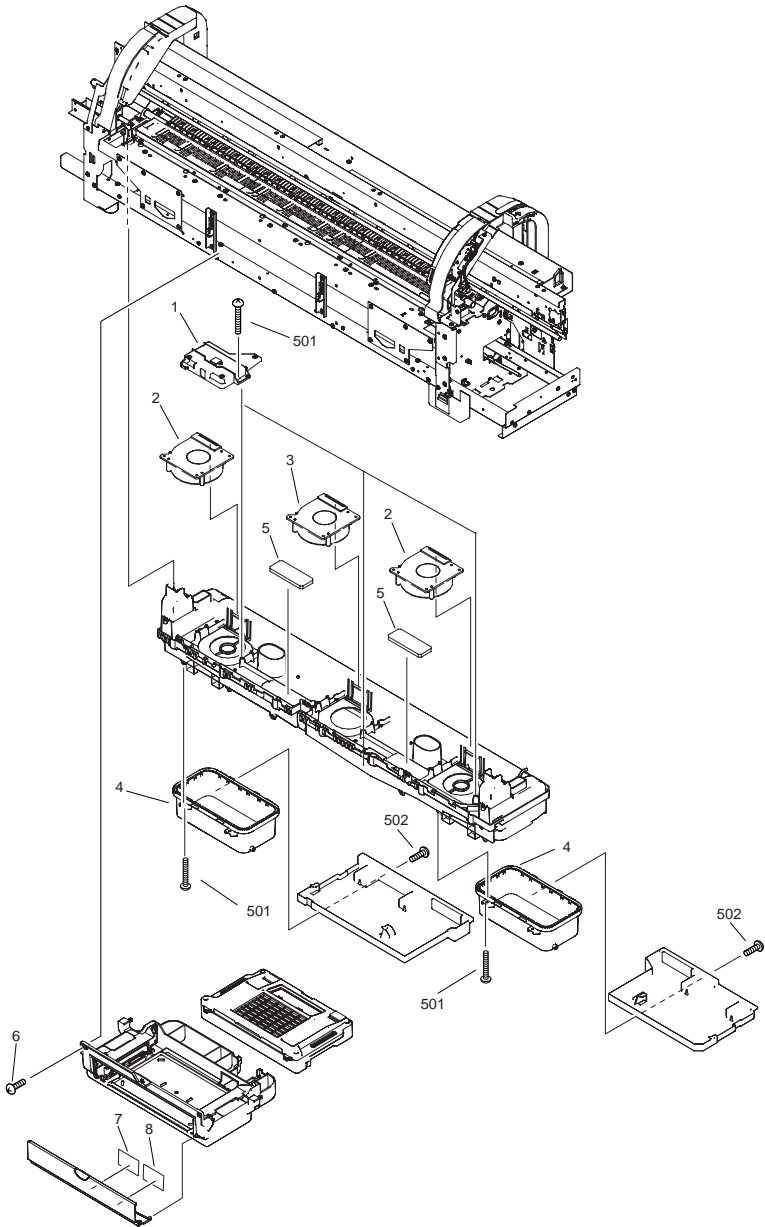


FIGURE & KEY NO.	PARTS NUMBER	R A N K	Q'TY	DESCRIPTION	SERIAL NUMBER/ REMARKS	S V C
Fig.08	NPN		RF	AIR FLOW FAN UNIT		
1	QL2-1052-000		3	COVER, FAN		
2	QL2-1053-000		2	MIST FAN		
3	QL2-1054-030		1	SUCTION FAN	iPF700	
3	QL2-2464-000		1	SUCTION FAN	iPF720/710	
4	QM3-1369-030		2	WASTE INK TANK UNIT		
5	QC2-2999-000		2	ABSORBER, DUCT		
6	XA9-0732-000		3	SCREW, RS, M4X8		
7	QU1-8149-000		1	LABEL, M/C CAUTION, L		
8	QU1-8150-000		1	LABEL, M/C CAUTION, R		
501	XB4-5301-007		14	SCREW, P, M3X10		
502	XB4-7400-609		4	SCREW, TAP., TRUSS HEAD, M4X6		

FIGURE 09 PINCH ROLLER UNIT

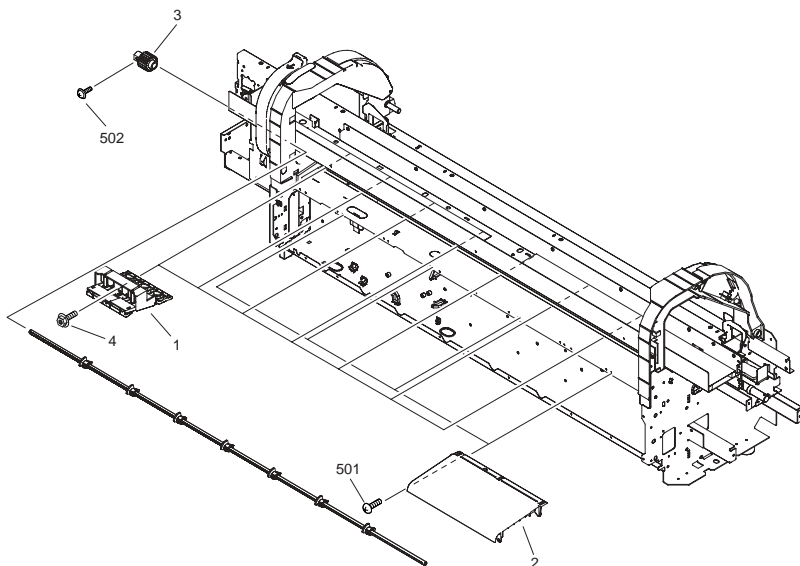


FIGURE & KEY NO.	PARTS NUMBER	RANK	Q'TY	DESCRIPTION	SERIAL NUMBER/REMARKS	SVC
Fig.09	NPN		RF	PINCH ROLLER UNIT		
1	QM3-0829-000		7	PINCH ROLLER UNIT		
2	QC2-2584-000		4	GUIDE, PAPER FEED		
3	QU1-0036-000		1	GEAR, RELEASE		
4	XA9-0732-000		7	SCREW, RS, M4X8		
501	XB1-2400-609		12	SCREW, MACH., TRUSS HEAD, M4X6		
502	XB6-7400-809		1	SCREW, M4X8		

FIGURE 10
PLATEN & FEED ROLLER

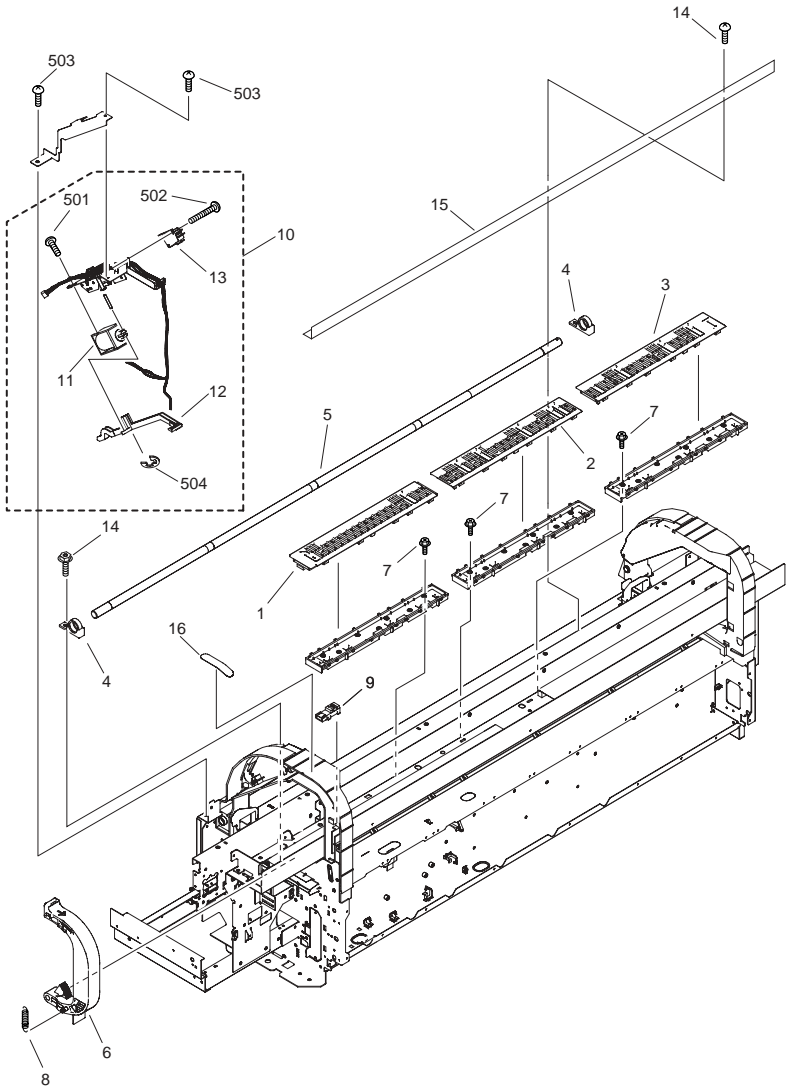


FIGURE & KEY NO.	PARTS NUMBER	R A N K	Q'TY	DESCRIPTION	SERIAL NUMBER/ REMARKS	S V C
Fig.10	NPN		RF	PLATEN & FEED ROLLER		
1	QL2-1733-000		1	PLATEN L		
2	QL2-1735-000		1	PLATEN C		
3	QL2-1734-000		1	PLATEN R		
4	QC1-6813-000		2	BUSHING, FEED		
5	QC2-6812-000		1	ROLLER, FEED		
6	QM2-1050-000		1	RELEASE LEVER UNIT		
7	XA9-0724-000		33	SCREW, M3X8		
8	QU1-2235-000		1	SPRING, TENSION		
9	WG8-5677-000		1	PHOTOINTERRUPTER		
10	QM3-1380-000		1	UPPER COVER LOCK UNIT R	iPF700	
10	QM3-3328-000		1	UPPER COVER LOCK UNIT R	iPF720/710	
11	FH7-5489-050		1	SOLENOID, DC 24V		
12	QL2-1725-000		1	LEVER, LOCK, RIGHT		
13	WC4-5180-000		1	MICRO SWITCH		
14	XA9-0732-000		7	SCREW, RS, M4X8		
15	QL2-1731-000		1	BLADE, CUTTER		
16	QU1-8134-000		1	LABEL, RELEASE LEVER		
501	XB1-2300-409		2	SCREW, MACHINE, M3X4		
502	XB1-2301-409		2	SCREW,MACH.,TRUSS HEAD,M3X14		
503	XB1-2400-609		2	SCREW,MACH.,TRUSS HEAD,M4X6		
504	XD2-1100-502		1	RING, E		

FIGURE 11
LINEAR SCALE

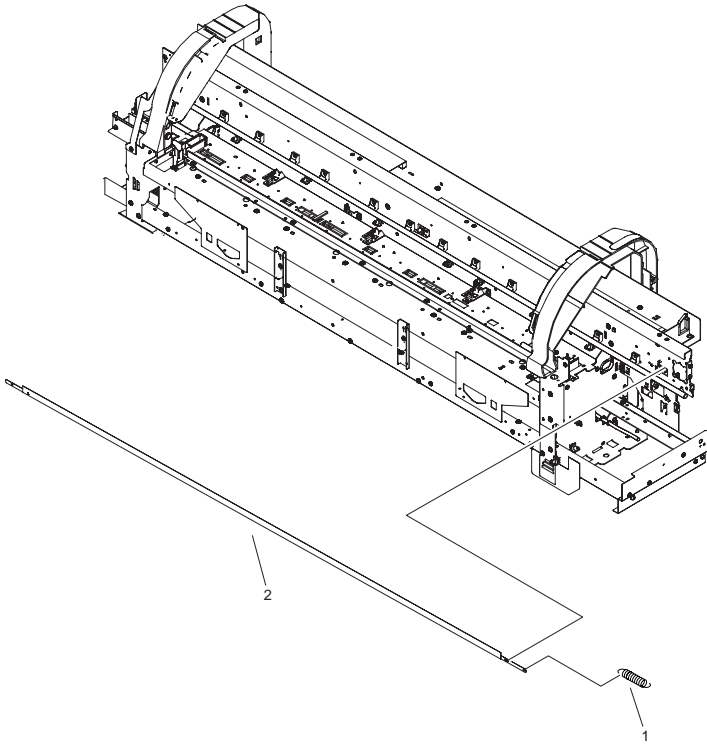


FIGURE & KEY NO.	PARTS NUMBER	RANK	Q'TY	DESCRIPTION	SERIAL NUMBER/REMARKS	SVC
Fig.11	NPN		RF	LINEAR SCALE		
1	QU1-2237-000		1	SPRING, TENSION		
2	QC2-2697-000		1	SCALE, LINEAR		

FIGURE 12 TOOL

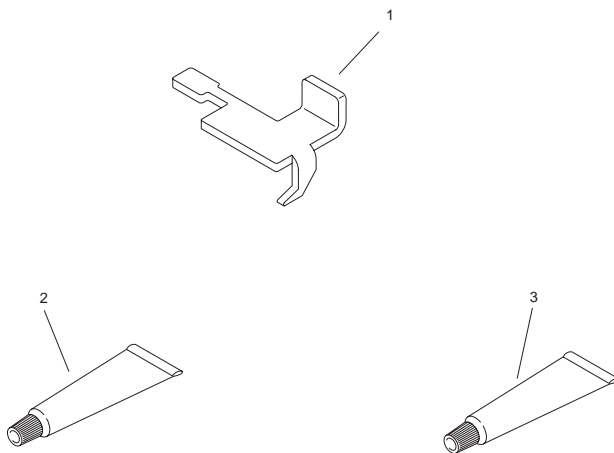


FIGURE & KEY NO.	PARTS NUMBER	RANK	Q'TY	DESCRIPTION	SERIAL NUMBER/REMARKS	SVC
Fig.12	NPN		1	TOOL		
1	QY9-0103-000		1	COVER SWITCH TOOL		
2	CK-0551-020		1	LUBE, PERMALUB G NO.2		
3	CK-0562-000		1	GREASE, MOLYKOTE PG-641		

FIGURE R1 STAND UNIT

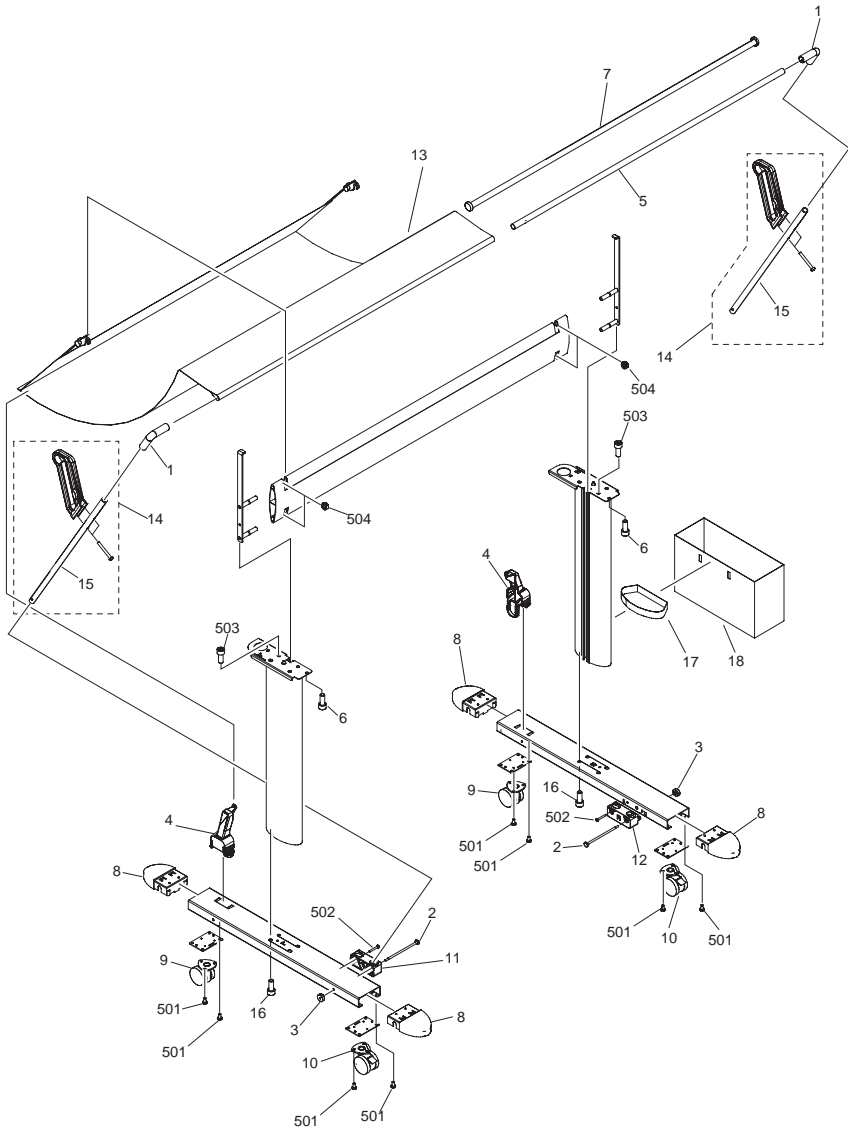


FIGURE & KEY NO.	PARTS NUMBER	R A N K	Q'TY	DESCRIPTION	SERIAL NUMBER/ REMARKS	S V C
Fig.R1	NPN		RF	STAND UNIT		
1	QC2-4346-000		2	JOINT, ROD		
2	QC2-6006-000		2	BOLT		
3	QC2-1330-000		2	NUT		
4	QC2-6025-000		2	HOLDER, BASKET		
5	QC2-6026-000		1	ROD, BASKET, FRONT		
6	QE1-2304-000		4	BOLT, HEX HEAD, M4X8		
7	QL2-2273-000		1	ROD, BASKET, AUXILIARY		
8	QC2-4348-000		4	CAP, STAND		
9	QC2-4350-000		2	CASTER		
10	QC2-4351-000		2	CASTER, W/STOPPER		
11	QC2-6012-000		1	SUPPORT, ROD, LEFT		
12	QC2-6015-000		1	SUPPORT, ROD, RIGHT		
13	QM3-0681-000		1	BASKET		
14	QM3-0682-000		2	BASKET ROD UNIT		
15	QC2-6022-000		2	ROD, BASKET, SIDE		
16	QC1-5141-000		8	SCREW, ALLEN, M8X20		
17	QC2-4359-000		1	BAND, FIXING		
18	QC2-5995-000		1	BOX, ACCESSORY		
501	XB1-2400-805		28	SCREW, MACHINE M4X8 (S)		
502	XB1-2403-009		2	SCREW, MACHINE M4X30		
503	XB7-1080-209		8	BOLT		
504	XB7-2301-009		4	NUT		

Prepared by
L Printer Quality Assurance Center
CANON INC.

Canon