

PARTS CATALOG

iPF5100/5000/510/500

Canon

Aug 27 2010

PREFACE

This Parts Catalog contains listings of parts used

Diagrams are provided with the listings to aid the service technician in identifying clearly, the item to be ordered.

Whenever ordering parts, consult this Parts Catalog for all of the information pertaining to each item. Be sure to include, in the Parts Request, the full item description, the item part number, and the quantity.

COPYRIGHT (C) 1999 CANON INC.

Use of this manual should be strictly supervised to avoid disclosure of confidential information.

Contents

NUMERICAL INDEX

iPF5100/5000/510/500(Numerical Index) 1-1

iPF5100/5000/510/500(Parts Catalog)

01	PRINTER & ACCESSORIES	2-1
02	COVERS (1)	2-3
03	COVERS (2)	2-6
04	ELECTRICAL PART	2-8
05	PURGE UNIT	2-11
06	CUTTER UNIT	2-13
07	INK SUPPLY UNIT	2-15
08	LINEAR SCALE & LIFT DRIVE UNIT	2-19
09	CARRIAGE UNIT	2-21
10	CARRIAGE & FEED MOTOR UNIT	2-24
11	PICK-UP & FEED UNIT (1)	2-26
12	PICK-UP & FEED UNIT (2)	2-29
13	PINCH ROLLER UNIT	2-31
14	AIR FLOW FAN UNIT	2-33
15	PLATEN & SPUR UNIT	2-35
16	CASSETTE	2-38
17	TOOL	2-40
R1	ROLL UNIT	2-41
R2	STAND & BASKET UNIT	2-45

NUMERICAL INDEX

iPF5100/5000/510/500(Numerical Index)

PARTS NUMBER	FIGURE & KEY NO.	PARTS NUMBER	FIGURE & KEY NO.	PARTS NUMBER	FIGURE & KEY NO.
AY3-4493-000	17 - 3	QC2-0650-000	09 - 3	QC2-0873-010	12 - 6
CK-0562-000	17 - 1	QC2-0653-000	09 - 10	QC2-0874-000	12 - 7
FB1-0733-000	01 - 4	QC2-0655-000	09 - 11	QC2-0875-000	12 - 8
FH2-7092-020	01 - 11	QC2-0659-050	09 - 19	QC2-0876-000	12 - 9
NPN	01 -	QC2-0660-050	09 - 20	QC2-0878-000	12 - 13
NPN	01 - 1	QC2-0661-000	09 - 21	QC2-0879-000	12 - 14
NPN	01 - 2	QC2-0661-000	09 - 21	QC2-0884-000	12 - 1
NPN	01 - 2	QC2-0663-000	09 - 18	QC2-0887-000	11 - 15
NPN	01 - 2	QC2-0664-000	09 - 22	QC2-0888-000	12 - 15
NPN	01 - 2	QC2-0675-000	08 - 6	QC2-0889-000	11 - 26
NPN	01 - 2	QC2-0676-000	08 - 7	QC2-0890-000	11 - 27
NPN	01 - 2	QC2-0678-000	08 - 5	QC2-0891-000	11 - 16
NPN	01 - 2	QC2-0681-000	08 - 8	QC2-0892-000	11 - 17
NPN	01 - 2	QC2-0682-000	08 - 9	QC2-0895-000	11 - 20
NPN	01 - 2	QC2-0682-000	11 - 6	QC2-0900-000	11 - 21
NPN	01 - 2	QC2-0682-000	13 - 3	QC2-0902-000	11 - 22
NPN	01 - 2	QC2-0683-000	08 - 10	QC2-0903-000	11 - 23
NPN	01 - 2	QC2-0684-000	08 - 17	QC2-0918-000	11 - 24
NPN	02 -	QC2-0685-000	08 - 11	QC2-0922-000	03 - 13
NPN	03 -	QC2-0686-000	08 - 12	QC2-0923-000	03 - 14
NPN	04 -	QC2-0687-000	08 - 13	QC2-0924-000	03 - 15
NPN	05 -	QC2-0688-000	08 - 14	QC2-0926-020	03 - 16
NPN	06 -	QC2-0689-000	08 - 15	QC2-0927-020	03 - 17
NPN	07 -	QC2-0690-000	08 - 16	QC2-0928-000	03 - 18
NPN	08 -	QC2-0710-000	09 - 12	QC2-0929-000	03 - 19
NPN	09 -	QC2-0739-000	07 - 7	QC2-0930-000	12 - 18
NPN	10 -	QC2-0740-000	07 - 8	QC2-0933-000	13 - 14
NPN	11 -	QC2-0742-000	07 - 9	QC2-0934-000	13 - 15
NPN	12 -	QC2-0746-020	07 - 2	QC2-0938-000	12 - 12
NPN	13 -	QC2-0746-020	07 - 2	QC2-0941-000	12 - 19
NPN	14 -	QC2-0758-000	07 - 14	QC2-0942-000	03 - 21
NPN	15 -	QC2-0759-000	09 - 13	QC2-0943-000	03 - 22
NPN	16 -	QC2-0763-000	07 - 12	QC2-0947-000	03 - 6
NPN	17 -	QC2-0763-000	07 - 12	QC2-0955-000	15 - 9
NPN	R1 -	QC2-0764-000	07 - 13	QC2-0957-000	10 - 4
NPN	R2 -	QC2-0764-000	07 - 13	QC2-0958-000	15 - 10
QA4-0292-000	15 - 6	QC2-0806-000	05 - 7	QC2-0964-000	15 - 11
QA4-0880-000	15 - 7	QC2-0832-000	06 - 11	QC2-0981-000	13 - 17
QC1-0710-000	R1 - 44	QC2-0832-000	07 - 10	QC2-0982-000	13 - 4
QC1-2950-000	13 - 12	QC2-0832-000	11 - 30	QC2-0985-000	10 - 6
QC1-4149-000	03 - 20	QC2-0833-020	05 - 8	QC2-0990-000	10 - 7
QC1-4149-000	11 - 18	QC2-0862-000	11 - 7	QC2-0993-000	13 - 20
QC1-4149-000	12 - 25	QC2-0863-000	11 - 8	QC2-0994-000	13 - 5
QC1-4149-000	15 - 14	QC2-0864-000	11 - 9	QC2-0995-000	10 - 9
QC1-4149-000	R1 - 45	QC2-0865-010	11 - 10	QC2-0996-000	13 - 6
QC1-4850-000	06 - 6	QC2-0866-000	11 - 11	QC2-0998-000	10 - 11
QC1-4851-000	11 - 5	QC2-0866-000	12 - 16	QC2-1002-000	15 - 15
QC1-5141-000	R2 - 17	QC2-0866-000	15 - 8	QC2-1004-000	15 - 17
QC2-0606-000	04 - 8	QC2-0867-000	11 - 12	QC2-1007-000	15 - 18
QC2-0612-000	04 - 13	QC2-0868-000	11 - 13	QC2-1009-000	15 - 19
QC2-0612-000	04 - 13	QC2-0869-000	11 - 14	QC2-1018-000	15 - 20
QC2-0649-000	09 - 3	QC2-0872-000	12 - 5	QC2-1024-000	15 - 21

NUMERICAL INDEX

iPF5100/5000/510/500(Numerical Index)

PARTS NUMBER	FIGURE & KEY NO.	PARTS NUMBER	FIGURE & KEY NO.	PARTS NUMBER	FIGURE & KEY NO
QC2-1025-000	15 - 22	QC2-1261-000	R1 - 5	QC2-4338-000	R2 - 16
QC2-1027-000	15 - 23	QC2-1262-000	03 - 9	QC2-4341-000	R2 - 1
QC2-1070-000	14 - 6	QC2-1262-000	R1 - 6	QC2-4342-000	R2 - 2
QC2-1071-000	14 - 6	QC2-1263-000	R1 - 12	QC2-4343-000	R2 - 3
QC2-1076-000	14 - 4	QC2-1264-000	R1 - 13	QC2-4346-000	R2 - 4
QC2-1076-000	14 - 4	QC2-1271-000	02 - 22	QC2-4348-000	R2 - 8
QC2-1079-000	14 - 5	QC2-1272-000	02 - 15	QC2-4350-000	R2 - 9
QC2-1100-000	05 - 6	QC2-1273-000	02 - 23	QC2-4351-000	R2 - 10
QC2-1103-000	02 - 24	QC2-1274-000	06 - 10	QC2-4359-000	R2 - 5
QC2-1110-000	05 - 1	QC2-1277-000	02 - 4	QC2-5993-000	R2 - 6
QC2-1116-000	02 - 2	QC2-1278-000	02 - 5	QC2-5995-000	R2 - 7
QC2-1117-000	02 - 3	QC2-1283-000	09 - 14	QC2-6030-000	R2 - 15
QC2-1122-000	02 - 9	QC2-1289-000	02 - 21	QC2-6270-000	R1 - 51
QC2-1123-000	02 - 8	QC2-1308-000	02 - 19	QC2-6514-000	02 - 10
QC2-1124-050	03 - 2	QC2-1309-000	09 - 15	QC2-6518-000	02 - 2
QC2-1139-030	02 - 9	QC2-1310-000	R1 - 7	QC2-6519-000	02 - 3
QC2-1140-000	03 - 2	QC2-1317-000	12 - 10	QC2-6523-000	03 - 7
QC2-1163-000	02 - 16	QC2-1317-000	13 - 9	QC2-6523-000	R1 - 4
QC2-1163-000	02 - 16	QC2-1323-000	05 - 3	QC2-6537-000	02 - 10
QC2-1165-000	02 - 6	QC2-1324-000	12 - 11	QC2-6568-000	R1 - 55
QC2-1166-000	02 - 10	QC2-1373-000	04 - 16	QC2-6569-000	R1 - 34
QC2-1167-000	02 - 13	QC2-1374-000	09 - 25	QC3-1885-000	10 - 8
QC2-1170-000	02 - 19	QC2-1375-000	07 - 22	QC3-1886-000	11 - 5
QC2-1171-000	03 - 23	QC2-1381-000	R1 - 28	QC3-1887-000	08 - 2
QC2-1172-000	03 - 3	QC2-1385-000	R1 - 2	QC3-1888-000	08 - 2
QC2-1176-000	02 - 16	QC2-1386-000	R1 - 3	QC3-2876-000	05 - 14
QC2-1178-000	02 - 10	QC2-1395-000	15 - 12	QK1-0440-000	08 - 1
QC2-1189-000	R1 - 24	QC2-1396-000	09 - 23	QK1-0447-000	10 - 1
QC2-1191-000	R1 - 47	QC2-1396-000	09 - 23	QK1-0550-000	06 - 7
QC2-1210-000	R1 - 34	QC2-1396-000	10 - 5	QK1-0550-000	07 - 11
QC2-1210-000	R1 - 54	QC2-1396-000	15 - 16	QK1-0550-000	11 - 3
QC2-1211-000	R1 - 31	QC2-1397-020	01 - 3	QK1-1386-000	14 - 2
QC2-1212-020	R1 - 35	QC2-1404-000	02 - 26	QK1-1440-000	05 - 10
QC2-1212-020	R1 - 55	QC2-1411-000	04 - 29	QK1-2073-000	04 - 5
QC2-1213-000	R1 - 39	QC2-1411-000	R1 - 25	QK1-2074-000	04 - 5
QC2-1214-000	R1 - 37	QC2-1446-000	02 - 25	QK1-2080-000	10 - 2
QC2-1222-000	R1 - 8	QC2-1451-000	11 - 28	QK1-2081-000	R1 - 16
QC2-1222-000	R1 - 51	QC2-1452-000	11 - 29	QK1-2082-000	10 - 2
QC2-1223-000	R1 - 10	QC2-1455-000	11 - 4	QK1-2083-000	10 - 2
QC2-1229-000	13 - 19	QC2-1460-000	13 - 16	QK1-2084-000	14 - 2
QC2-1231-000	R1 - 26	QC2-1541-000	13 - 18	QK1-2086-000	05 - 10
QC2-1234-000	R1 - 29	QC2-1541-000	R1 - 46	QK1-2090-000	09 - 5
QC2-1236-000	R1 - 27	QC2-1556-020	16 - 5	QK1-2091-000	09 - 16
QC2-1238-000	R1 - 36	QC2-1569-000	15 - 13	QK1-2098-000	04 - 15
QC2-1240-000	R1 - 41	QC2-1570-000	15 - 26	QK1-2682-000	01 - 8
QC2-1244-000	R1 - 32	QC2-4325-000	09 - 3	QK1-2685-000	01 - 7
QC2-1255-000	R1 - 1	QC2-4326-000	09 - 11	QK1-2686-000	01 - 10
QC2-1257-000	R1 - 14	QC2-4327-000	R1 - 53	QK1-2688-000	01 - 5
QC2-1258-000	R1 - 15	QC2-4327-000	R1 - 56	QK1-2689-000	01 - 6
QC2-1259-000	03 - 7	QC2-4333-000	R2 - 12	QK1-2690-000	01 - 9
QC2-1259-000	R1 - 4	QC2-4334-000	R2 - 13	QK1-2726-000	04 - 15
QC2-1261-000	03 - 8	QC2-4335-000	R2 - 14	QK1-2745-000	04 - 5

NUMERICAL INDEX

iPF5100/5000/510/500(Numerical Index)

PARTS NUMBER	FIGURE & KEY NO.	PARTS NUMBER	FIGURE & KEY NO.	PARTS NUMBER	FIGURE & KEY NO
QK1-2746-000	04 - 5	QM3-0361-000	09 - 4	QM3-0717-000	R1 - 52
QK1-2757-000	09 - 16	QM3-0365-000	09 - 7	QM3-0732-000	06 - 1
QL2-1537-000	14 - 7	QM3-0517-000	13 - 1	QM3-0736-000	02 - 1
QL2-1555-000	02 - 20	QM3-0518-000	13 - 7	QM3-0738-000	07 - 1
QL2-1561-000	15 - 24	QM3-0522-020	13 - 8	QM3-0739-000	07 - 5
QL2-1566-000	15 - 27	QM3-0525-040	07 - 1	QM3-0740-000	02 - 11
QL2-1571-050	02 - 18	QM3-0526-000	12 - 3	QM3-0742-030	02 - 17
QL2-1579-000	15 - 3	QM3-0527-000	04 - 14	QM3-0744-000	02 - 11
QL2-1580-000	15 - 4	QM3-0529-000	05 - 5	QM3-0745-000	02 - 5
QL2-1585-000	R1 - 49	QM3-0541-000	09 - 8	QM3-0752-000	R1 - 20
QL2-1588-000	03 - 4	QM3-0542-000	09 - 27	QM3-0754-000	R1 - 23
QL2-1592-000	15 - 25	QM3-0543-000	09 - 26	QM3-0756-000	R1 - 11
QL2-1593-000	13 - 2	QM3-0547-040	03 - 10	QM3-0757-000	06 - 4
QL2-2317-000	13 - 2	QM3-0548-040	03 - 11	QM3-0758-000	04 - 3
QL2-2408-000	03 - 1	QM3-0549-000	02 - 7	QM3-0760-000	13 - 1
QM2-3414-000	09 - 4	QM3-0550-000	14 - 10	QM3-0761-000	13 - 7
QM2-3420-000	10 - 3	QM3-0551-000	04 - 3	QM3-0762-000	02 - 7
QM2-3421-010	09 - 6	QM3-0554-040	07 - 1	QM3-0765-000	02 - 11
QM2-3422-000	11 - 2	QM3-0555-050	07 - 5	QM3-0766-000	02 - 11
QM2-3423-000	10 - 10	QM3-0560-000	09 - 24	QM3-0767-000	13 - 10
QM2-3424-000	04 - 1	QM3-0561-030	03 - 10	QM3-0769-000	04 - 3
QM2-3426-000	09 - 7	QM3-0562-030	03 - 11	QM3-0771-000	06 - 4
QM2-3428-010	R1 - 17	QM3-0563-000	02 - 7	QM3-0776-010	R1 - 38
QM3-0161-000	08 - 4	QM3-0564-000	04 - 3	QM3-0779-000	16 - 1
QM3-0162-000	07 - 6	QM3-0577-000	03 - 5	QM3-0783-010	09 - 1
QM3-0179-000	14 - 1	QM3-0579-000	13 - 11	QM3-0785-000	09 - 2
QM3-0181-000	16 - 1	QM3-0581-000	13 - 13	QM3-0792-000	05 - 9
QM3-0182-000	16 - 4	QM3-0583-030	02 - 14	QM3-0794-000	15 - 1
QM3-0183-000	16 - 2	QM3-0584-000	07 - 4	QM3-0799-000	05 - 9
QM3-0184-000	16 - 3	QM3-0584-000	07 - 4	QM3-0802-000	15 - 25
QM3-0186-030	03 - 12	QM3-0585-010	06 - 5	QM3-0803-010	09 - 1
QM3-0187-000	14 - 3	QM3-0592-000	15 - 1	QM3-0805-000	09 - 2
QM3-0203-000	02 - 1	QM3-0600-000	06 - 4	QM3-0853-000	04 - 6
QM3-0205-000	02 - 11	QM3-0601-000	06 - 4	QM3-0855-000	07 - 15
QM3-0206-000	02 - 11	QM3-0614-030	02 - 14	QM3-0857-000	04 - 28
QM3-0208-000	14 - 9	QM3-0619-000	11 - 1	QM3-0858-000	04 - 7
QM3-0210-000	05 - 9	QM3-0626-000	02 - 11	QM3-0862-000	07 - 16
QM3-0211-000	05 - 9	QM3-0627-000	02 - 11	QM3-0863-000	04 - 9
QM3-0212-030	02 - 12	QM3-0628-000	R1 - 50	QM3-0864-000	14 - 8
QM3-0215-000	R1 - 11	QM3-0631-000	12 - 2	QM3-0865-000	12 - 21
QM3-0221-000	R1 - 30	QM3-0632-000	12 - 20	QM3-0866-000	12 - 22
QM3-0222-030	R1 - 38	QM3-0636-040	02 - 17	QM3-0867-000	06 - 2
QM3-0223-030	R1 - 33	QM3-0647-010	09 - 1	QM3-0868-000	R1 - 42
QM3-0224-000	R1 - 40	QM3-0648-010	09 - 1	QM3-0869-000	R1 - 43
QM3-0225-000	R1 - 20	QM3-0650-000	09 - 2	QM3-0872-000	07 - 17
QM3-0226-000	R1 - 18	QM3-0651-000	09 - 2	QM3-0873-000	07 - 18
QM3-0227-000	R1 - 19	QM3-0653-070	05 - 4	QM3-0874-000	07 - 19
QM3-0229-000	R1 - 23	QM3-0654-050	05 - 4	QM3-0875-000	07 - 20
QM3-0231-000	R1 - 21	QM3-0684-000	R2 - 11	QM3-0876-000	05 - 2
QM3-0245-000	15 - 28	QM3-0701-000	14 - 1	QM3-0878-000	06 - 3
QM3-0246-000	15 - 2	QM3-0704-000	09 - 28	QM3-0879-000	12 - 23
QM3-0351-000	09 - 4	QM3-0708-000	02 - 7	QM3-0880-000	04 - 10

NUMERICAL INDEX

iPF5100/5000/510/500(Numerical Index)

PARTS NUMBER	FIGURE & KEY NO.	PARTS NUMBER	FIGURE & KEY NO.	PARTS NUMBER	FIGURE & KEY NO
QM3-0881-000	04 - 11	WT2-5056-000	04 - 23		
QM3-0886-000	07 - 21	WT2-5056-000	12 - 24		
QM3-0890-000	15 - 29	WT2-5064-000	04 - 24		
QM3-0891-000	15 - 30	WT2-5098-000	04 - 25		
QM3-0895-000	04 - 12	WT2-5694-000	04 - 26		
QM3-0896-000	04 - 10	WT2-5694-000	12 - 17		
QM3-0897-000	04 - 11	WT2-5701-000	04 - 20		
QM3-0898-000	06 - 3	WT2-5760-000	04 - 27		
QM3-0901-000	07 - 17	XA9-0135-000	11 - 19		
QM3-0902-000	07 - 18	XA9-0831-000	R1 - 48		
QM3-0903-000	07 - 20	XA9-0863-000	R1 - 9		
QM3-0904-000	05 - 2	XB1-2200-506	10 - 501		
QM3-0905-000	04 - 12	XB1-2200-506	11 - 501		
QM3-0907-000	12 - 23	XB1-2260-409	06 - 501		
QM3-0908-000	04 - 11	XB1-2260-409	07 - 501		
QM3-0909-000	04 - 10	XB1-2260-409	11 - 502		
QM3-0913-000	06 - 3	XB1-2300-606	08 - 502		
QM3-0914-000	07 - 21	XB1-2300-606	R1 - 502		
QM3-0917-000	15 - 29	XB1-2400-606	04 - 503		
QM3-0918-000	15 - 30	XB1-2400-805	R2 - 502		
QM3-0924-000	07 - 18	XB3-6300-605	13 - 502		
QM3-0925-000	07 - 19	XB4-5300-806	R1 - 501		
QM3-0927-000	04 - 6	XB4-7300-806	02 - 501		
QM3-0928-000	07 - 23	XB4-7300-806	03 - 502		
QM3-0932-000	04 - 10	XB4-7300-806	05 - 502		
QM3-0933-000	04 - 11	XB4-7300-806	07 - 503		
QM3-0934-000	06 - 3	XB4-7402-509	R2 - 501		
QM3-0935-000	07 - 18	XB6-7300-606	02 - 502		
QM3-0940-000	04 - 6	XB6-7300-606	03 - 501		
QM3-0946-000	12 - 23	XB6-7300-606	04 - 501		
QM3-4330-000	03 - 5	XB6-7300-606	05 - 501		
QM3-5311-000	R1 - 50	XB6-7300-606	06 - 502		
QM3-6665-000	08 - 18	XB6-7300-606	07 - 502		
QM3-6676-000	05 - 13	XB6-7300-606	07 - 502		
QU1-2006-000	09 - 9	XB6-7300-606	08 - 501		
QY9-0037-000	17 - 2	XB6-7300-606	10 - 502		
WC4-5052-000	06 - 9	XB6-7300-606	11 - 503		
WE8-6409-000	09 - 17	XB6-7300-606	12 - 502		
WG8-5624-000	06 - 8	XB6-7300-606	13 - 501		
WG8-5624-000	07 - 3	XB6-7300-606	14 - 501		
WG8-5624-000	08 - 3	XB6-7300-606	15 - 501		
WG8-5624-000	12 - 4	XB7-1080-209	R2 - 503		
WG8-5624-000	15 - 5	XD1-4200-402	04 - 502		
WG8-5624-000	R1 - 22	XD3-1200-102	12 - 503		
WK1-5024-000	04 - 4	XD3-2200-082	12 - 504		
WP2-5187-000	04 - 2	XD3-2200-122	12 - 501		
WT2-0136-000	04 - 17				
WT2-0262-000	04 - 18				
WT2-0270-000	11 - 25				
WT2-0317-000	04 - 19				
WT2-0494-000	04 - 21				
WT2-5018-000	04 - 22				

iPF5100/5000/510/500(Parts Catalog)

iPF5100

100V	Q51-1641-000
120V	Q51-1642-000
230V	Q51-1643-000

iPF5000

120V	Q51-1382-000
230V	Q51-1384-000
100V	Q51-1387-000

iPF510

100V	Q51-1651-000
120V	Q51-1652-000
230V	Q51-1653-000

iPF500

120V	Q51-1392-000
230V	Q51-1394-000
100V	Q51-1397-000

ROLL UNIT RU-01

**Q55-2050-
000**

ROLL UNIT RU-02

**Q55-2480-
000**

STAND UNIT ST-11

**Q55-2350-
000**

BASKET UNIT BU-02

**Q55-2360-
000**

Contents

01	PRINTER & ACCESSORIES	2-1
02	COVERS (1)	2-3
03	COVERS (2)	2-6
04	ELECTRICAL PART	2-8
05	PURGE UNIT	2-11
06	CUTTER UNIT	2-13
07	INK SUPPLY UNIT	2-15
08	LINEAR SCALE & LIFT DRIVE UNIT	2-19
09	CARRIAGE UNIT	2-21
10	CARRIAGE & FEED MOTOR UNIT	2-24
11	PICK-UP & FEED UNIT (1)	2-26
12	PICK-UP & FEED UNIT (2)	2-29
13	PINCH ROLLER UNIT	2-31
14	AIR FLOW FAN UNIT	2-33
15	PLATEN & SPUR UNIT	2-35
16	CASSETTE	2-38
17	TOOL	2-40
R1	ROLL UNIT	2-41
R2	STAND & BASKET UNIT	2-45

FIGURE 01 PRINTER & ACCESSORIES

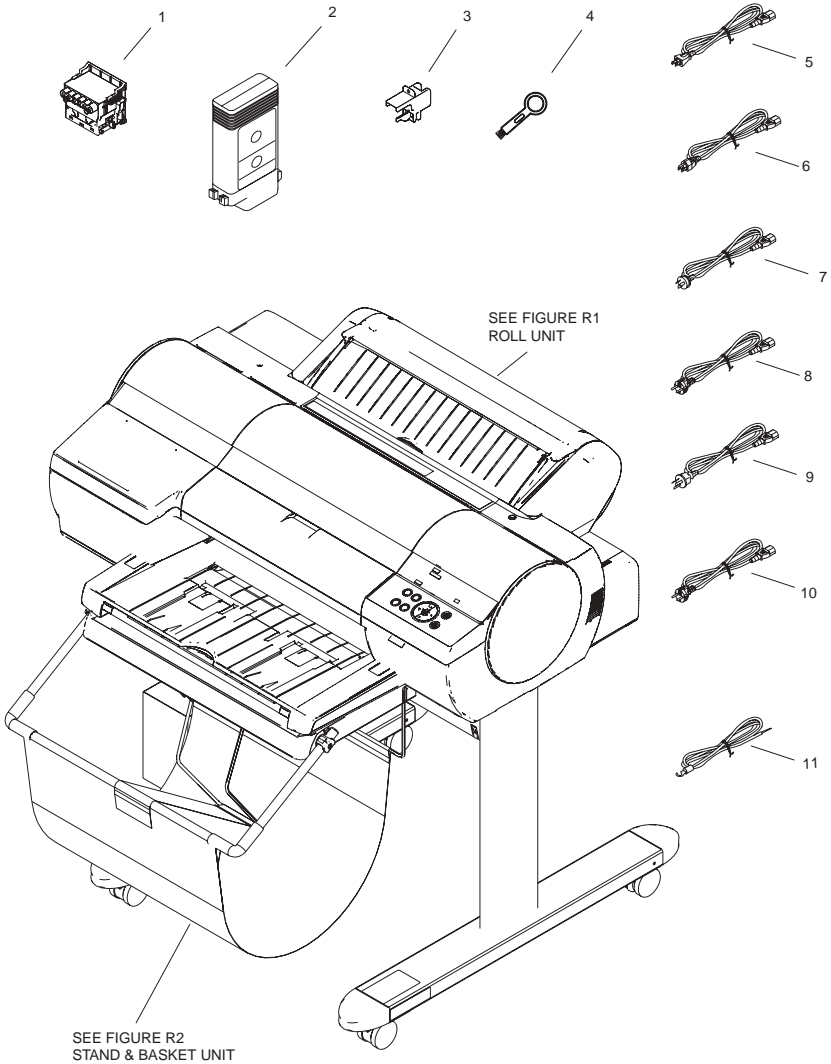


FIGURE & KEY NO.	PARTS NUMBER	RANK	Q'TY	DESCRIPTION	SERIAL NUMBER/REMARKS	SVC
Fig.01	NPN		RF	PRINTER & ACCESSORIES		
1	NPN		RF	PRINTHEAD		
2	NPN		RF	INK TANK (MBK)		
2	NPN		RF	INK TANK (PBK)		
2	NPN		RF	INK TANK (C)		
2	NPN		RF	INK TANK (M)		
2	NPN		RF	INK TANK (Y)		
2	NPN		RF	INK TANK (PC)	iPF5100/5000	
2	NPN		RF	INK TANK (PM)	iPF5100/5000	
2	NPN		RF	INK TANK (R)	iPF5100/5000	
2	NPN		RF	INK TANK (G)	iPF5100/5000	
2	NPN		RF	INK TANK (B)	iPF5100/5000	
2	NPN		RF	INK TANK (GY)	iPF5100/5000	
2	NPN		RF	INK TANK (PGY)	iPF5100/5000	
3	QC2-1397-020		1	STOPPER, BELT		
4	FB1-0733-000		1	BRUSH, CLEANER		
5	QK1-2688-000		1	CORD, POWER	100V	
6	QK1-2689-000		1	CORD, POWER	120V (UL)	
7	QK1-2685-000		1	CORD, POWER	240V (CHN)	
8	QK1-2682-000		1	CORD, POWER	220-240V	
9	QK1-2690-000		1	CORD, POWER	240V (AUS)	
10	QK1-2686-000		1	CORD, POWER	240V (KOR)	
11	FH2-7092-020		1	WIRE, GROUND	100V	

FIGURE 02 COVERS (1)

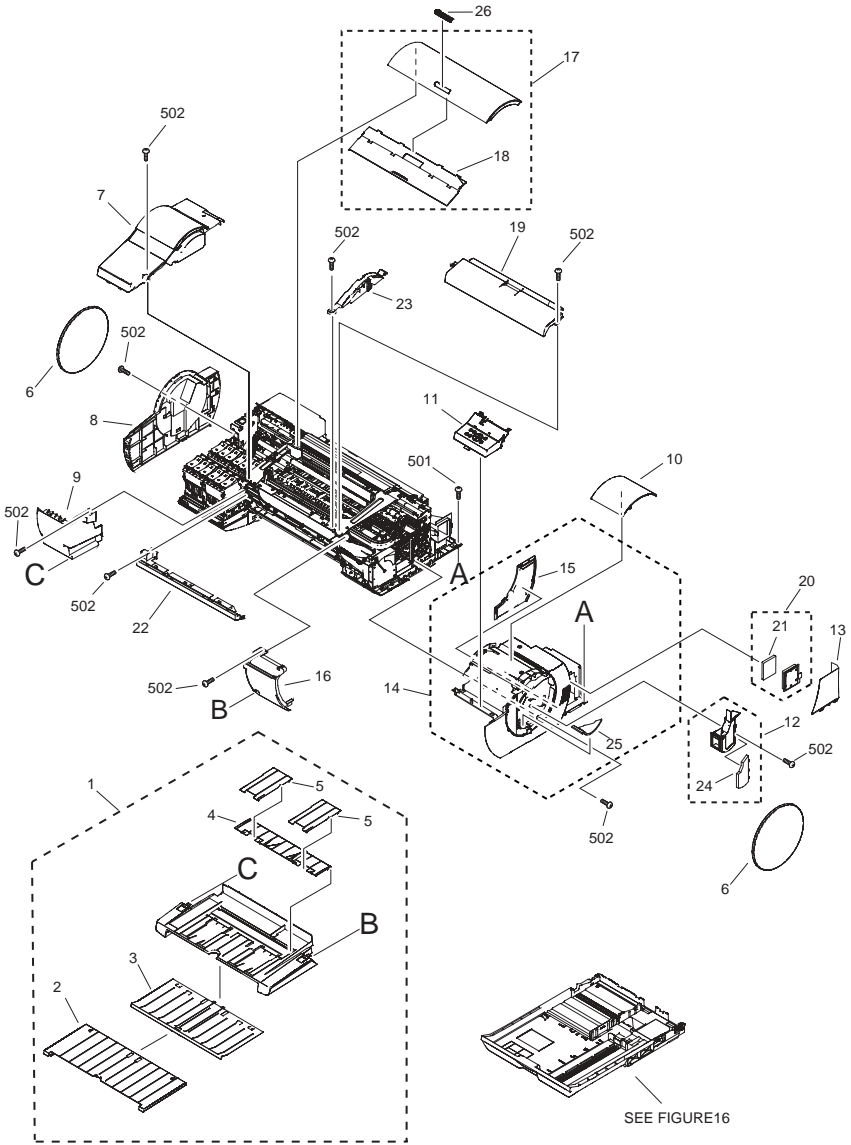


FIGURE & KEY NO.	PARTS NUMBER	R A N K	Q'TY	DESCRIPTION	SERIAL NUMBER/ REMARKS	S V C
Fig.02	NPN		RF	COVERS (1)		
1	QM3-0203-000		1	TRAY UNIT	iPF5000/500	
1	QM3-0736-000		1	TRAY UNIT	iPF5100/510	
2	QC2-1116-000		1	TRAY, PAPER EJECTION	iPF5000/500	
2	QC2-6518-000		1	TRAY, DELIVERY	iPF5100/510	
3	QC2-1117-000		1	TRAY, EXTENSION, PAPER	iPF5000/500	
3	QC2-6519-000		1	TRAY, AUXILIARY	iPF5100/510	
4	QC2-1277-000		1	BASE, GUIDE, ROLL		
5	QC2-1278-000		2	GUIDE, ROLL	iPF5000/500	
5	QM3-0745-000		2	ROLL GUIDE UNIT	iPF5100/510	
6	QC2-1165-000		2	COVER, CIRCLE		
7	QM3-0549-000		1	TANK COVER UNIT	iPF500	
7	QM3-0563-000		1	TANK COVER UNIT	iPF5000	
7	QM3-0762-000		1	TANK COVER UNIT	iPF510	
7	QM3-0708-000		1	TANK COVER UNIT	iPF5100	
8	QC2-1123-000		1	COVER, LEFT		
9	QC2-1139-030		1	COVER, LEFT, FRONT	iPF510/500	
9	QC2-1122-000		1	COVER, LEFT, FRONT	iPF5100/5000	
10	QC2-1178-000		1	COVER, TOP, RIGHT	iPF500	
10	QC2-1166-000		1	COVER, TOP, RIGHT	iPF5000	
10	QC2-6537-000		1	COVER, TOP, RIGHT	iPF510	
10	QC2-6514-000		1	COVER, TOP, RIGHT	iPF5100	
11	QM3-0626-000		1	OPERATION PANEL UNIT	iPF500 (ENGLISH)	
11	QM3-0205-000		1	OPERATION PANEL UNIT	iPF500 (JAPANESE)	
11	QM3-0627-000		1	OPERATION PANEL UNIT	iPF5000 (ENGLISH)	
11	QM3-0206-000		1	OPERATION PANEL UNIT	iPF5000 (JAPANESE)	
11	QM3-0766-000		1	OPERATION PANEL UNIT	iPF510 (ENGLISH)	
11	QM3-0765-000		1	OPERATION PANEL UNIT	iPF510 (JAPANESE)	
11	QM3-0744-000		1	OPERATION PANEL UNIT	iPF5100 (ENGLISH)	
11	QM3-0740-000		1	OPERATION PANEL UNIT	iPF5100 (JAPANESE)	
12	QM3-0212-030		1	MIST FILTER UNIT		
13	QC2-1167-000		1	COVER, FILTER		

FIGURE & KEY NO.	PARTS NUMBER	R A N K	Q'TY	DESCRIPTION	SERIAL NUMBER/ REMARKS	S V C
14	QM3-0583-030		1	COVER, RIGHT	iPF510/500	
14	QM3-0614-030		1	COVER, RIGHT	iPF5100/5000	
15	QC2-1272-000		1	COVER, LOUVER		
16	QC2-1163-000		1	COVER, RIGHT, FRONT	iPF5000	
16	QC2-1176-000		1	COVER, RIGHT, FRONT	iPF510/500	
16	QC2-1163-000		1	COVER, RIGHT, FRONT	iPF5100	
17	QM3-0636-040		1	TOP COVER UNIT	iPF5000/500	
17	QM3-0742-030		1	TOP COVER UNIT	iPF5100/510	
18	QL2-1571-050		1	COVER, TOP, WINDOW	iPF5000/500	
19	QC2-1308-000		1	COVER, FRONT, UPPER	iPF510/500	
19	QC2-1170-000		1	COVER, FRONT, UPPER	iPF5100/5000	
20	QL2-1555-000		1	HOLDER, FILTER(MECH), EXHAUST		
21	QC2-1289-000		1	FILTER(MECH), AIR		
22	QC2-1271-000		1	COVER, AIR DUCT, FRONT		
23	QC2-1273-000		1	ARM		
24	QC2-1103-000		1	FILTER(MECH), INK MIST		
25	QC2-1446-000		1	ABSORBER, DRAIN, WASTE INK		
26	QC2-1404-000		1	EMBLEM, CANON LOGO		
501	XB4-7300-806		1	SCREW, TAP, BINDING HEAD, M3X8		
502	XB6-7300-606		AR	SCREW, TP, M3X6		

FIGURE 03 COVERS (2)

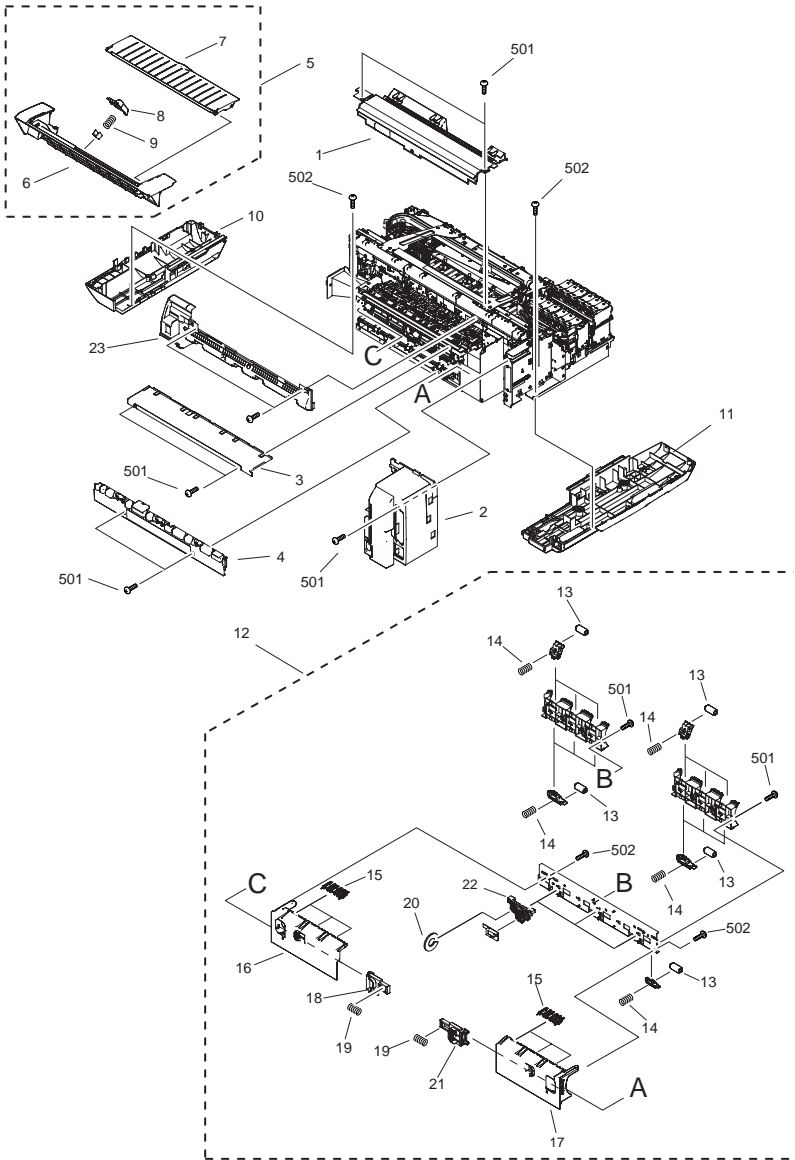
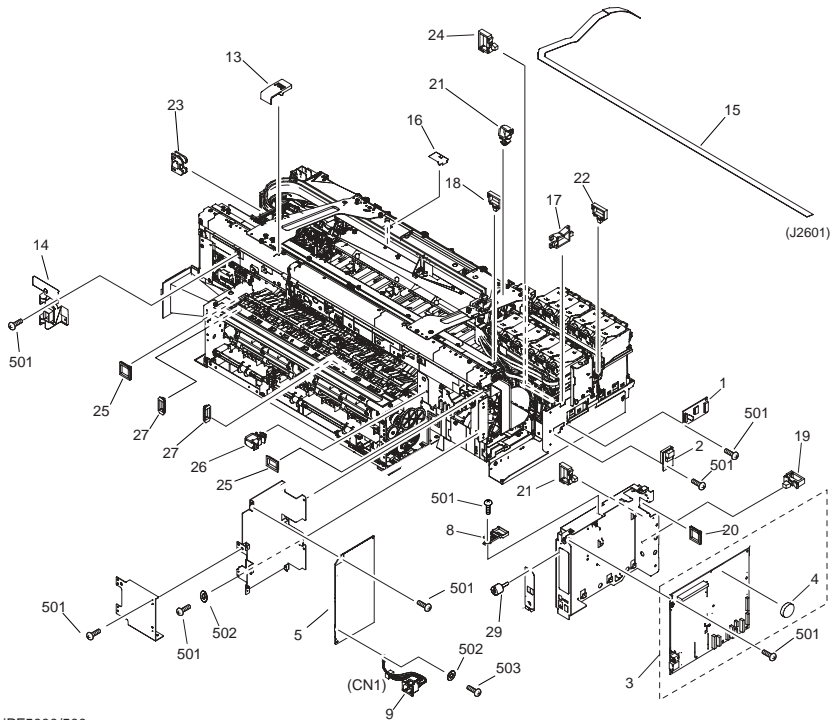
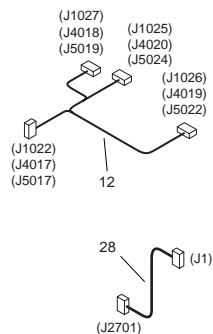
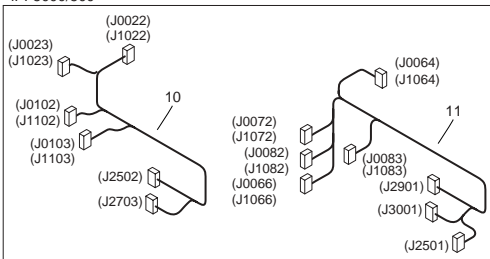


FIGURE & KEY NO.	PARTS NUMBER	R A N K	Q'TY	DESCRIPTION	SERIAL NUMBER/ REMARKS	S V C
Fig.03	NPN		RF	COVERS (2)		
1	QL2-2408-000		1	COVER, REAR, UPPER		
2	QC2-1124-050		1	COVER, LEFT, REAR	iPF5100/5000	
2	QC2-1140-000		1	COVER, LEFT, REAR	iPF510/500	
3	QC2-1172-000		1	COVER, REAR		
4	QL2-1588-000		1	COVER, REAR, LOWER		
5	QM3-0577-000		1	MANUAL FEED TRAY UNIT	iPF5000/500	
5	QM3-4330-000		1	MANUAL FEED TRAY UNIT	iPF510	
6	QC2-0947-000		1	TRAY, PAPER, MANUAL FEED	iPF5000/510/500	
7	QC2-1259-000		1	TRAY, PAPER	iPF5000/500	
7	QC2-6523-000		1	TRAY, PAPER	iPF510	
8	QC2-1261-000		1	GUIDE, SIDE	iPF5000/510/500	
9	QC2-1262-000		1	SPRING, COMPRESSION	iPF5000/510/500	
10	QM3-0547-040		1	COVER, BOTTOM, RIGHT	iPF510/500	
10	QM3-0561-030		1	COVER, BOTTOM, RIGHT	iPF5100/5000	
11	QM3-0548-040		1	COVER, BOTTOM, LEFT	iPF510/500	
11	QM3-0562-030		1	COVER, BOTTOM, LEFT	iPF5100/5000	
12	QM3-0186-030		1	GUIDE UNIT, PAPER, CASSETTE		
13	QC2-0922-000		12	ROLLER, PINCH		
14	QC2-0923-000		12	SPRING, COMPRESSION		
15	QC2-0924-000		6	FLAPPER, GUIDE, PAPER		
16	QC2-0926-020		1	GUIDE, SLIDE, R		
17	QC2-0927-020		1	GUIDE, SLIDE, L		
18	QC2-0928-000		1	LEVER, R, GUIDE, SLIDE		
19	QC2-0929-000		2	SPRING, COMPRESSION		
20	QC1-4149-000		3	WASHER		
21	QC2-0942-000		1	GUIDE, SLIDE, R		
22	QC2-0943-000		3	LEVER, RELEASE, PINCH		
23	QC2-1171-000		1	GUIDE, PAPER, MANUAL FEED		
501	XB6-7300-606		AR	SCREW, TP, M3X6		
502	XB4-7300-806		14	SCREW, TAP, BINDING HEAD, M3X8		

FIGURE 04 ELECTRICAL PART



iPF5000/500



iPF5100/510

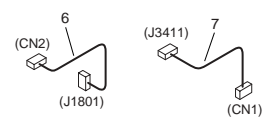
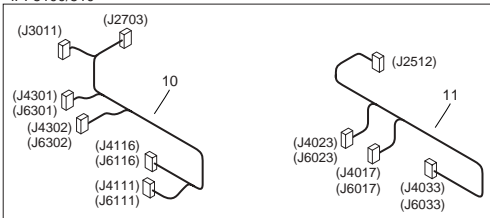


FIGURE & KEY NO.	PARTS NUMBER	R A N K	Q'TY	DESCRIPTION	SERIAL NUMBER/REMARKS	S V C
Fig.04	NPN		RF	ELECTRICAL PART		
1	QM2-3424-000		1	CUTTER DRIVER PCB ASS'Y	iPF5000/500	
2	WP2-5187-000		1	SENSOR, HUMIDITY		
3	QM3-0758-000		1	MAIN CONTROLLER ASS'Y	iPF5100	
3	QM3-0769-000		1	MAIN CONTROLLER ASS'Y	iPF510	
3	QM3-0551-000		1	MAIN CONTROLLER ASS'Y	iPF500	
3	QM3-0564-000		1	MAIN CONTROLLER ASS'Y	iPF5000	
4	WK1-5024-000		1	BATTERY, LITHIUM		
5	QK1-2745-000		1	POWER SUPPLY ASS'Y	iPF5100 (100/120V)	
5	QK1-2746-000		1	POWER SUPPLY ASS'Y	iPF5100 (230V)	
5	QK1-2073-000		1	POWER SUPPLY ASS'Y	iPF5000/510/500 (100/120V)	
5	QK1-2074-000		1	POWER SUPPLY ASS'Y	iPF5000/510/500 (230V)	
6	QM3-0853-000		1	HARNESS, WIRE, POWER	iPF5000/500	
6	QM3-0940-000		1	HARNESS, WIRE, POWER	iPF510	
6	QM3-0927-000		1	HARNESS, WIRE, POWER	iPF5100	
7	QM3-0858-000		1	HARNESS, WIRE, HIGROMETER		
8	QC2-0606-000		1	HOLDER, CORE, CABLE		
9	QM3-0863-000		1	HARNESS, WIRE, INLET		
10	QM3-0896-000		1	HARNESS, WIRE, 2	iPF5100	
10	QM3-0932-000		1	HARNESS, WIRE, 2	iPF510	
10	QM3-0880-000		1	HARNESS, WIRE, 2, CROSSING	iPF5000	
10	QM3-0909-000		1	HARNESS, WIRE, 2, CROSSING	iPF500	
11	QM3-0897-000		1	HARNESS, WIRE, 1	iPF5100	
11	QM3-0933-000		1	HARNESS, WIRE, 1	iPF510	
11	QM3-0881-000		1	HARNESS, WIRE, 1, CROSSING	iPF5000	
11	QM3-0908-000		1	HARNESS, WIRE, 1, CROSSING	iPF500	
12	QM3-0895-000		1	HARNESS, WIRE, BASE UNIT	iPF5100/510	
12	QM3-0905-000		1	HARNESS, WIRE, BASE UNIT	iPF5000/500	
13	QC2-0612-000		7	GUIDE, CABLE	iPF510/500	
13	QC2-0612-000		8	GUIDE, CABLE	iPF5100/5000	
14	QM3-0527-000		1	CONNECTOR UNIT		

FIGURE & KEY NO.	PARTS NUMBER	R A N K	Q'TY	DESCRIPTION	SERIAL NUMBER/REMARKS	S V C
15	QK1-2098-000		1	CABLE, FLAT, CONTROL PANEL	iPF5100/5000	
15	QK1-2726-000		1	CABLE, FLAT, CONTROL PANEL	iPF510/500	
16	QC2-1373-000		1	RETAINING PLATE, HARNESS, WIRE		
17	WT2-0136-000		3	SADDLE, WIRE		
18	WT2-0262-000		3	SADDLE, WIRE		
19	WT2-0317-000		8	CLIP, CABLE		
20	WT2-5701-000		1	SADDLE, WIRE		
21	WT2-0494-000		2	SADDLE, WIRE		
22	WT2-5018-000		12	SADDLE, WIRE		
23	WT2-5056-000		1	SADDLE, WIRE		
24	WT2-5064-000		1	SADDLE, WIRE		
25	WT2-5098-000		6	SADDLE, WIRE		
26	WT2-5694-000		14	SADDLE, WIRE		
27	WT2-5760-000		2	SADDLE, WIRE		
28	QM3-0857-000		1	HARNESS, WIRE, CUTTER	iPF5000/500	
29	QC2-1411-000		2	SCREW, M3X12		
501	XB6-7300-606		AR	SCREW, TP, M3X6		
502	XD1-4200-402		2	WASHER, TOOTHED LOCK, M4		
503	XB1-2400-606		1	SCREW, MACHINE M4X6		

FIGURE 05 PURGE UNIT

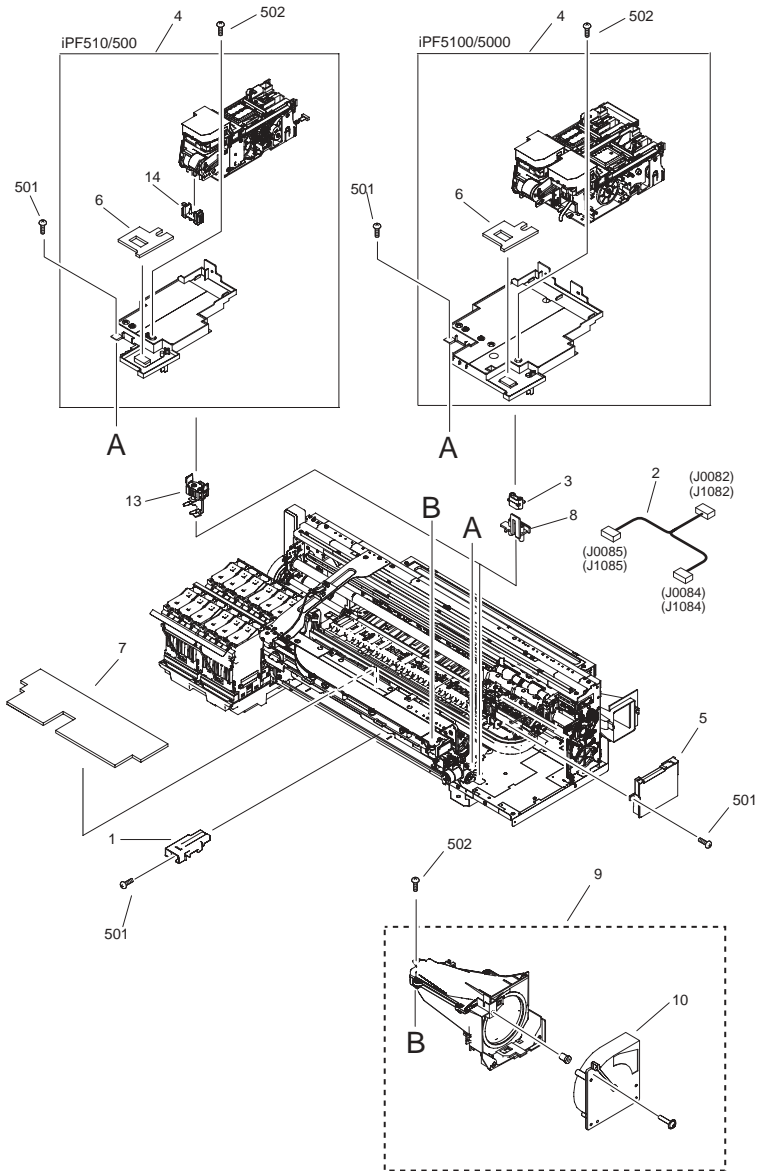


FIGURE & KEY NO.	PARTS NUMBER	R A N K	Q'TY	DESCRIPTION	SERIAL NUMBER/ REMARKS	S V C
Fig.05	NPN		RF	PURGE UNIT		
1	QC2-1110-000		3	GUIDE, MAINTENANCE CARTRIDGE		
2	QM3-0904-000		1	HARNESS, WIRE, HEAD MANAGEMENT	iPF510/500	
2	QM3-0876-000		1	HARNESS, WIRE, HEAD MANAGEMENT	iPF5100/5000	
3	QC2-1323-000		1	JOINT, TUBE	iPF5100/5000	
4	QM3-0653-070		1	PURGE KIT	iPF510/500	
4	QM3-0654-050		1	PURGE KIT	iPF5100/5000	
5	QM3-0529-000		1	HEAD MANAGEMENT SENSOR		
6	QC2-1100-000		1	ABSORBER, INK, FAN		
7	QC2-0806-000		1	ABSORBER, WASTE INK		
8	QC2-0833-020		1	JOINT, INK TUBE, PURGE UNIT	iPF5100/5000	
9	QM3-0210-000		1	MIST FAN UNIT	iPF500	
9	QM3-0211-000		1	MIST FAN UNIT	iPF5000	
9	QM3-0799-000		1	MIST FAN UNIT	iPF510	
9	QM3-0792-000		1	MIST FAN UNIT	iPF5100	
10	QK1-1440-000		1	FAN	iPF5000/500	
10	QK1-2086-000		1	FAN	iPF5100/510	
13	QM3-6676-000		1	TUBE JOINT UNIT	iPF510/500	
14	QC3-2876-000		1	JOINT, INK TUBE, PURGE UNIT	iPF510/500	
501	XB6-7300-606		9	SCREW, TP, M3X6		
502	XB4-7300-806		4	SCREW, TAP, BINDING HEAD, M3X8		

FIGURE 06 CUTTER UNIT

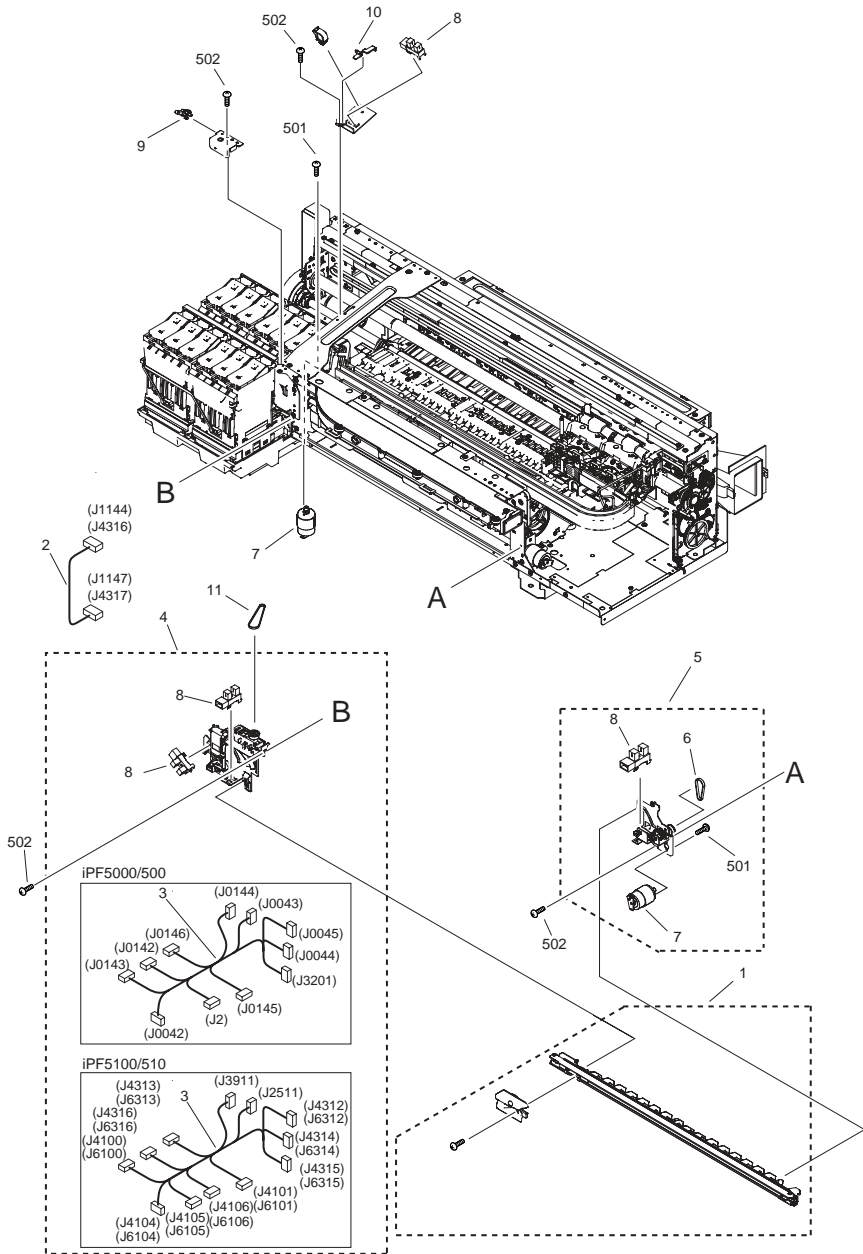
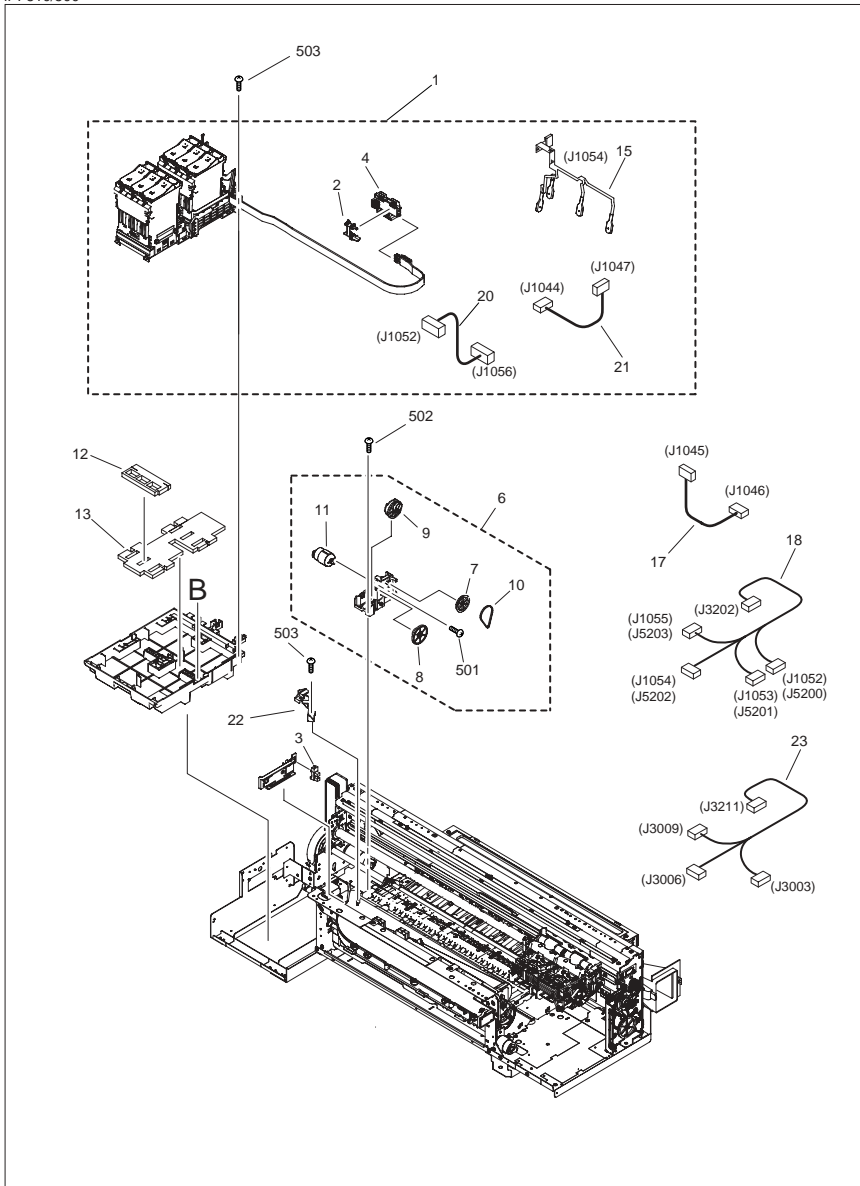


FIGURE & KEY NO.	PARTS NUMBER	R A N K	Q'TY	DESCRIPTION	SERIAL NUMBER/REMARKS	S V C
Fig.06	NPN		RF	CUTTER UNIT		
1	QM3-0732-000		1	CUTTER UNIT		
2	QM3-0867-000		1	HARNESS, WIRE, LIFT MOTOR, CUT		
3	QM3-0913-000		1	HARNESS, WIRE, COVER	iPF500	
3	QM3-0878-000		1	HARNESS, WIRE, COVER	iPF5000	
3	QM3-0934-000		1	HARNESS, WIRE, COVER	iPF510	
3	QM3-0898-000		1	HARNESS, WIRE, COVER	iPF5100	
4	QM3-0600-000		1	CUTTER LIFTER DRIVE UNIT	iPF500	
4	QM3-0601-000		1	CUTTER LIFTER DRIVE UNIT	iPF5000	
4	QM3-0771-000		1	CUTTER LIFTER DRIVE UNIT	iPF510	
4	QM3-0757-000		1	CUTTER LIFTER DRIVE UNIT	iPF5100	
5	QM3-0585-010		1	CUTTER DRIVE UNIT		
6	QC1-4850-000		1	BELT, TIMING		
7	QK1-0550-000		2	MOTOR, DC24V		
8	WG8-5624-000		4	IC, PHOTO INTERRUPTER		
9	WC4-5052-000		1	MICRO SWITCH		
10	QC2-1274-000		1	LEVER, SENSOR		
11	QC2-0832-000		1	BELT, TIMING		
501	XB1-2260-409		4	SCREW, BH 2.6X4		
502	XB6-7300-606		4	SCREW, TP, M3X6		

FIGURE 07 INK SUPPLY UNIT

IPF510/500



iPF5100/5000

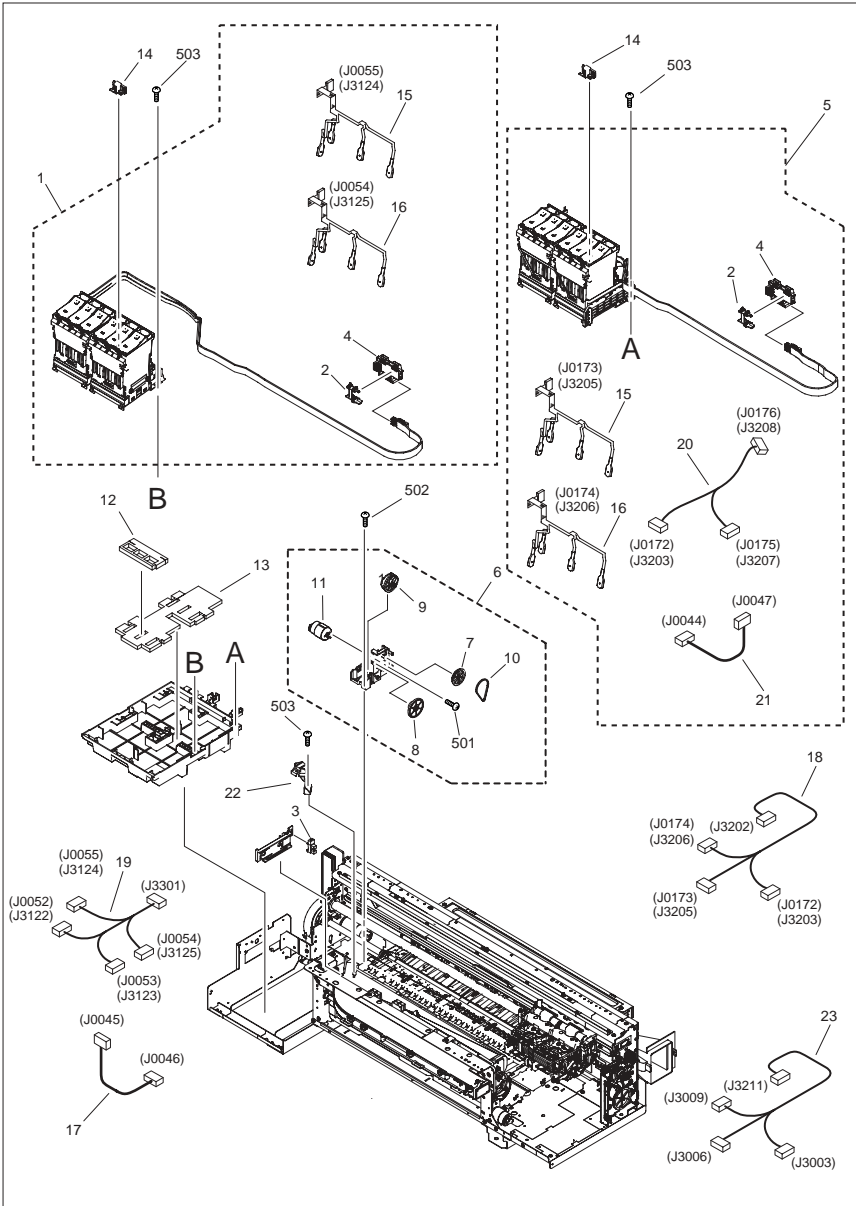
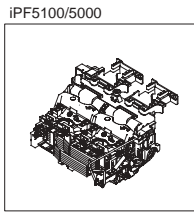


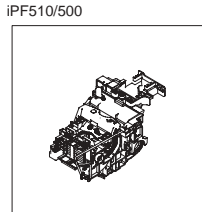
FIGURE & KEY NO.	PARTS NUMBER	R A N K	Q'TY	DESCRIPTION	SERIAL NUMBER/ REMARKS	S V C
Fig.07	NPN		RF	INK SUPPLY UNIT		
1	QM3-0738-000		1	INK SUPPLY UNIT	iPF5100	
1	QM3-0525-040		1	INK SUPPLY UNIT	iPF510/500	
1	QM3-0554-040		1	INK SUPPLY UNIT	iPF5000	
2	QC2-0746-020		1	GUIDE, TUBE, CARRIAGE	iPF510/500	
2	QC2-0746-020		2	GUIDE, TUBE, CARRIAGE	iPF5100/5000	
3	WG8-5624-000		1	IC, PHOTO INTERRUPTER, TLP1241		
4	QM3-0584-000		1	BASE UNIT, JOINT	iPF510/500	
4	QM3-0584-000		2	BASE UNIT, JOINT	iPF5100/5000	
5	QM3-0739-000		1	INK SUPPLY UNIT (R)	iPF5100	
5	QM3-0555-050		1	INK SUPPLY UNIT (R)	iPF5000	
6	QM3-0162-000		1	INK SUPPLY DRIVE UNIT		
7	QC2-0739-000		1	GEAR, VALVE 2		
8	QC2-0740-000		1	GEAR, VALVE 3		
9	QC2-0742-000		1	CAM, VALVE		
10	QC2-0832-000		1	BELT, TIMING		
11	QK1-0550-000		1	MOTOR, 24V, DC		
12	QC2-0763-000		2	ABSORBER, INK, UPPER	iPF510/500	
12	QC2-0763-000		4	ABSORBER, INK, UPPER	iPF5100/5000	
13	QC2-0764-000		2	ABSORBER, INK, LOWER	iPF510/500	
13	QC2-0764-000		4	ABSORBER, INK, LOWER	iPF5100/5000	
14	QC2-0758-000		2	JOINT, LEVER	iPF5100/5000	
15	QM3-0855-000		2	HARNESS, WIRE, INK SENSOR		
16	QM3-0862-000		2	HARNESS, WIRE, INK SENSOR	iPF5100/5000	
17	QM3-0901-000		1	HARNESS, WIRE, VALVE MOTOR	iPF510/500	
17	QM3-0872-000		1	HARNESS, WIRE, VALVE MOTOR	iPF5100/5000	
18	QM3-0935-000		1	HARNESS, WIRE, INK TANK	iPF510	
18	QM3-0902-000		1	HARNESS, WIRE, INK TANK	iPF500	
18	QM3-0873-000		1	HARNESS, WIRE, INK TANK	iPF5000	
18	QM3-0924-000		1	HARNESS, WIRE, INK TANK	iPF5100	
19	QM3-0874-000		1	HARNESS, WIRE, 2, INK TANK	iPF5000	
19	QM3-0925-000		1	HARNESS, WIRE, 2, INK TANK	iPF5100	

FIGURE & KEY NO.	PARTS NUMBER	R A N K	Q'TY	DESCRIPTION	SERIAL NUMBER/ REMARKS	S V C
20	QM3-0903-000		1	HARNESS, WIRE, ROM, INK TANK	iPF510/500	
20	QM3-0875-000		1	HARNESS, WIRE, ROM, INK TANK	iPF5100/5000	
21	QM3-0914-000		1	HARNESS, WIRE, SENSOR, VALVE	iPF510/500	
21	QM3-0886-000		1	HARNESS, WIRE, SENSOR, VALVE	iPF5100/5000	
22	QC2-1375-000		1	GUIDE, INK TUBE		
23	QM3-0928-000		1	HARNESS, WIRE, FEED	iPF5100/510	
501	XB1-2260-409		2	SCREW, BINDING HEAD, M2.6X4		
502	XB6-7300-606		6	SCREW, TP, M3X6	iPF510/500	
502	XB6-7300-606		10	SCREW, TP, M3X6	iPF5100/5000	
503	XB4-7300-806		AR	SCREW, TAP, BINDING HEAD, M3X8		

FIGURE 08 LINEAR SCALE & LIFT DRIVE UNIT



SEE FIGURE 09



SEE FIGURE 09

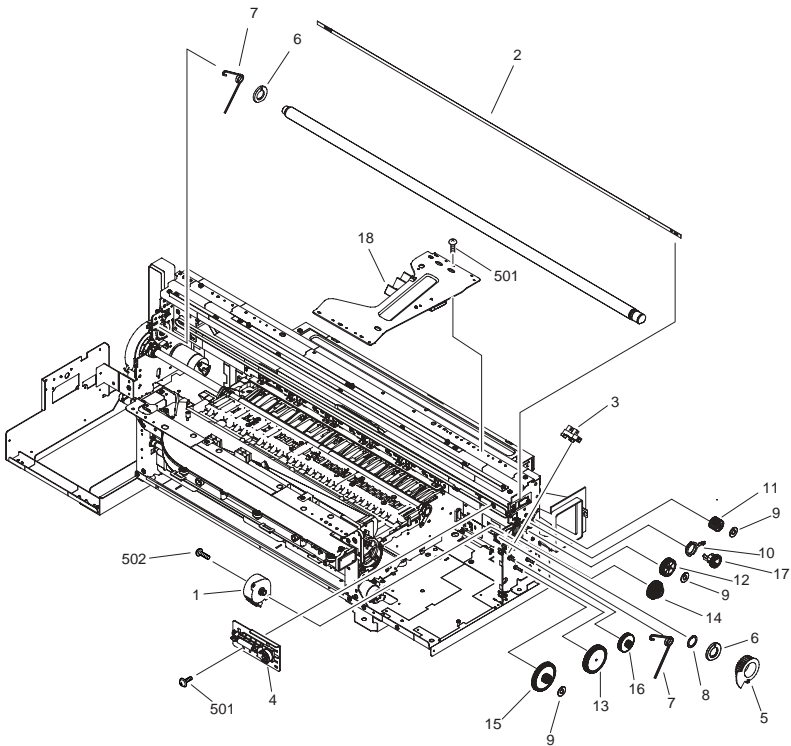
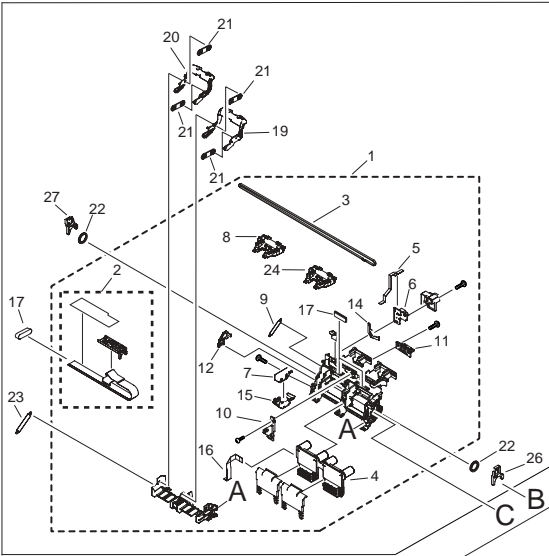


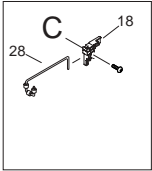
FIGURE & KEY NO.	PARTS NUMBER	R A N K	Q'TY	DESCRIPTION	SERIAL NUMBER/ REMARKS	S V C
Fig.08	NPN		RF	LINEAR SCALE & LIFT DRIVE UNIT		
1	QK1-0440-000		1	MOTOR, 24V, DC		
2	QC3-1887-000		1	SCALE, LINEAR	IPF510/500	
2	QC3-1888-000		1	SCALE, LINEAR	IPF5100/5000	
3	WG8-5624-000		1	IC, PHOTO INTERRUPTER		
4	QM3-0161-000		1	IDLER PULLEY UNIT		
5	QC2-0678-000		1	GEAR, LIFT		
6	QC2-0675-000		2	CAM, LIFTER		
7	QC2-0676-000		2	SPRING, TORSION		
8	QC2-0681-000		1	RING		
9	QC2-0682-000		2	RING		
10	QC2-0683-000		1	BUSHING, POLYPLASTICS		
11	QC2-0685-000		1	GEAR, RELEASE, IDLER		
12	QC2-0686-000		1	GEAR, LIFT, IDLER A		
13	QC2-0687-000		1	GEAR, LIFT, IDLER B		
14	QC2-0688-000		1	GEAR, LIFT, DOUBLE A		
15	QC2-0689-000		1	GEAR, LIFT, DOUBLE B		
16	QC2-0690-000		1	GEAR, LIFT, DOUBLE C		
17	QC2-0684-000		1	GEAR, RELEASE, PRESSURE		
18	QM3-6665-000		1	TUBE LEVER GUIDE UNIT		
501	XB6-7300-606		5	SCREW, TP, M3X6		
502	XB1-2300-606		2	SCREW, MACHINE M3X6		

FIGURE 09 CARRIAGE UNIT

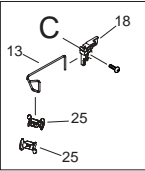
iPF5100/5000



iPF5100/5000/510



iPF500



iPF510/500

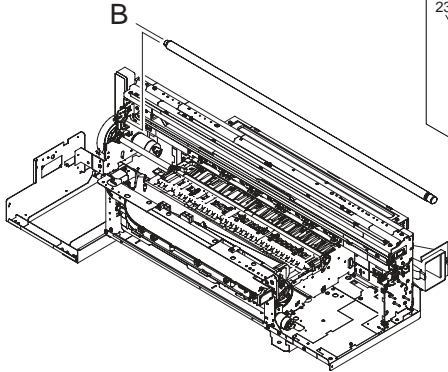
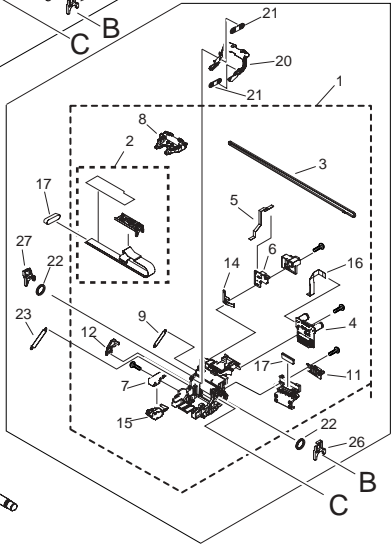


FIGURE & KEY NO.	PARTS NUMBER	R A N K	Q'TY	DESCRIPTION	SERIAL NUMBER/ REMARKS	S V C
Fig.09	NPN		RF	CARRIAGE UNIT		
1	QM3-0783-010		1	CARRIAGE UNIT	iPF5100	
1	QM3-0803-010		1	CARRIAGE UNIT	iPF510	
1	QM3-0647-010		1	CARRIAGE UNIT	iPF500	
1	QM3-0648-010		1	CARRIAGE UNIT	iPF5000	
2	QM3-0785-000		1	FLEXIBLE CABLE ASS'Y	iPF5100	
2	QM3-0805-000		1	FLEXIBLE CABLE ASS'Y	iPF510	
2	QM3-0650-000		1	FLEXIBLE CABLE ASS'Y	iPF500	
2	QM3-0651-000		1	FLEXIBLE CABLE ASS'Y	iPF5000	
3	QC2-4325-000		1	BELT, CARRIAGE	iPF5100	
3	QC2-0649-000		1	BELT, CARRIAGE	iPF510/500	
3	QC2-0650-000		1	BELT, CARRIAGE	iPF5000	
4	QM3-0361-000		1	CARRIAGE RELAY PCB ASS'Y	iPF5100	
4	QM2-3414-000		1	CARRIAGE RELAY PCB ASS'Y	iPF5000	
4	QM3-0351-000		1	CARRIAGE RELAY PCB ASS'Y	iPF510/500	
5	QK1-2090-000		1	CABLE, FLEXIBLE		
6	QM2-3421-010		1	ENCODER SENSOR UNIT		
7	QM3-0365-000		1	MULTI SENSOR UNIT	iPF5100	
7	QM2-3426-000		1	MULTI SENSOR UNIT	iPF5000/510/500	
8	QM3-0541-000		1	HEAD LEVER UNIT		
9	QU1-2006-000		2	SPRING, COMPRESSION		
10	QC2-0653-000		1	HOLDER, LEVER, SET, PRINT HEAD	iPF5100/5000	
11	QC2-0655-000		1	HOLDER, BELT	iPF5000/510/500	
11	QC2-4326-000		1	HOLDER, BELT	iPF5100	
12	QC2-0710-000		1	COVER, FFC, MULTI-SENSOR		
13	QC2-0759-000		1	GUIDE, TUBE	iPF500	
14	QC2-1283-000		1	SPRING, LEAF, GROUDING		
15	QC2-1309-000		1	GUIDE, MULTI-SENSOR		
16	QK1-2757-000		1	CABLE, FLEXIBLE	iPF5100	
16	QK1-2091-000		1	CABLE, FLAT, MULTI-SENSOR	iPF5000/510/500	
17	WE8-6409-000		2	FERRITE CORE		
18	QC2-0663-000		1	HOLDER, WIRE(MECH)		

FIGURE & KEY NO.	PARTS NUMBER	R A N K	Q'TY	DESCRIPTION	SERIAL NUMBER/REMARKS	S V C
19	QC2-0659-050		1	LEVER, R, INK TUBE	iPF5100/5000	
20	QC2-0660-050		1	LEVER, L, INK TUBE		
21	QC2-0661-000		2	LINK, LEVER, TUBE	iPF510/500	
21	QC2-0661-000		4	LINK, LEVER, TUBE	iPF5100/5000	
22	QC2-0664-000		2	PAD, OIL		
23	QC2-1396-000		1	SPRING, TENSION	iPF510/500	
23	QC2-1396-000		2	SPRING, TENSION	iPF5100/5000	
24	QM3-0560-000		1	HEAD LEVER UNIT	iPF5100/5000	
25	QC2-1374-000		2	ROLLER, WIRE(MECH), GUIDE	iPF500	
26	QM3-0543-000		1	CLEANER UNIT, R, RAIL,CARRIAGE		
27	QM3-0542-000		1	CLEANER UNIT, L, RAIL,CARRIAGE		
28	QM3-0704-000		1	TUBE GUIDE UNIT	iPF5100/5000/510	

FIGURE 10 CARRIAGE & FEED MOTOR UNIT

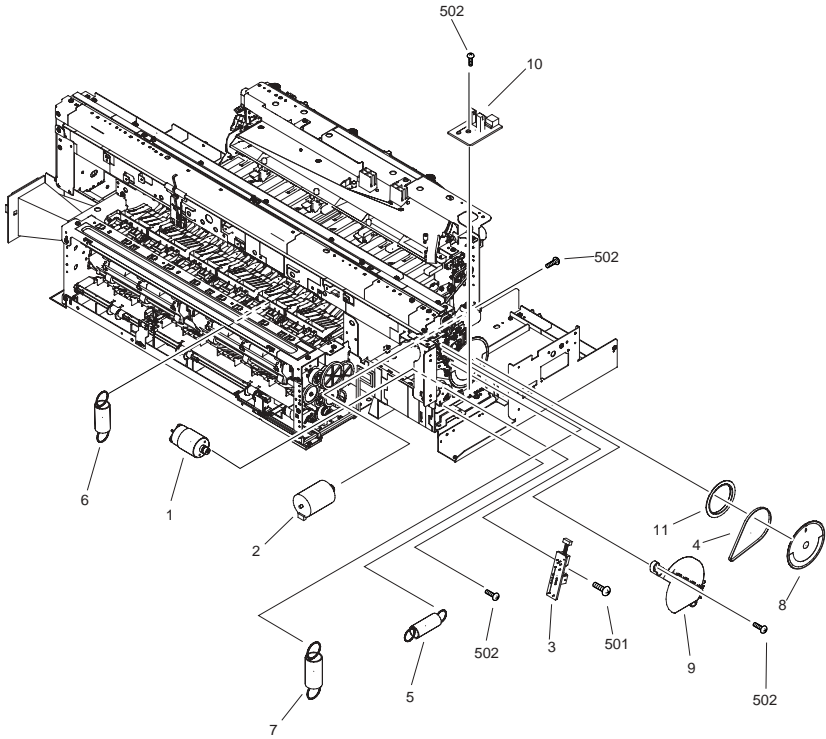


FIGURE & KEY NO.	PARTS NUMBER	R A N K	Q'TY	DESCRIPTION	SERIAL NUMBER/ REMARKS	S V C
Fig.10	NPN		RF	CARRIAGE & FEED MOTOR UNIT		
1	QK1-0447-000		1	MOTOR, 26.4V, DC		
2	QK1-2080-000		1	MOTOR, DC BRUSHLESS	iPF5000	
2	QK1-2082-000		1	MOTOR, DC BRUSHLESS	iPF510/500	
2	QK1-2083-000		1	MOTOR, DC BRUSHLESS	iPF5100	
3	QM2-3420-000		1	SENSOR UNIT, LINE FEED		
4	QC2-0957-000		1	BELT, DRIVE, PAPER TRANSPORT		
5	QC2-1396-000		1	SPRING, TENSION		
6	QC2-0985-000		1	SPRING, TENSION		
7	QC2-0990-000		1	SPRING, TENSION		
8	QC3-1885-000		1	WHEEL, CODE		
9	QC2-0995-000		1	COVER, CODE WHEEL		
10	QM2-3423-000		1	SENSOR UNIT, HOME POSITION, LI		
11	QC2-0998-000		1	FLANGE, PULLEY		
501	XB1-2200-506		2	SCREW, BINDING HEAD, M2X5		
502	XB6-7300-606		3	SCREW, TP, M3X6		

FIGURE 11
PICK-UP & FEED UNIT (1)

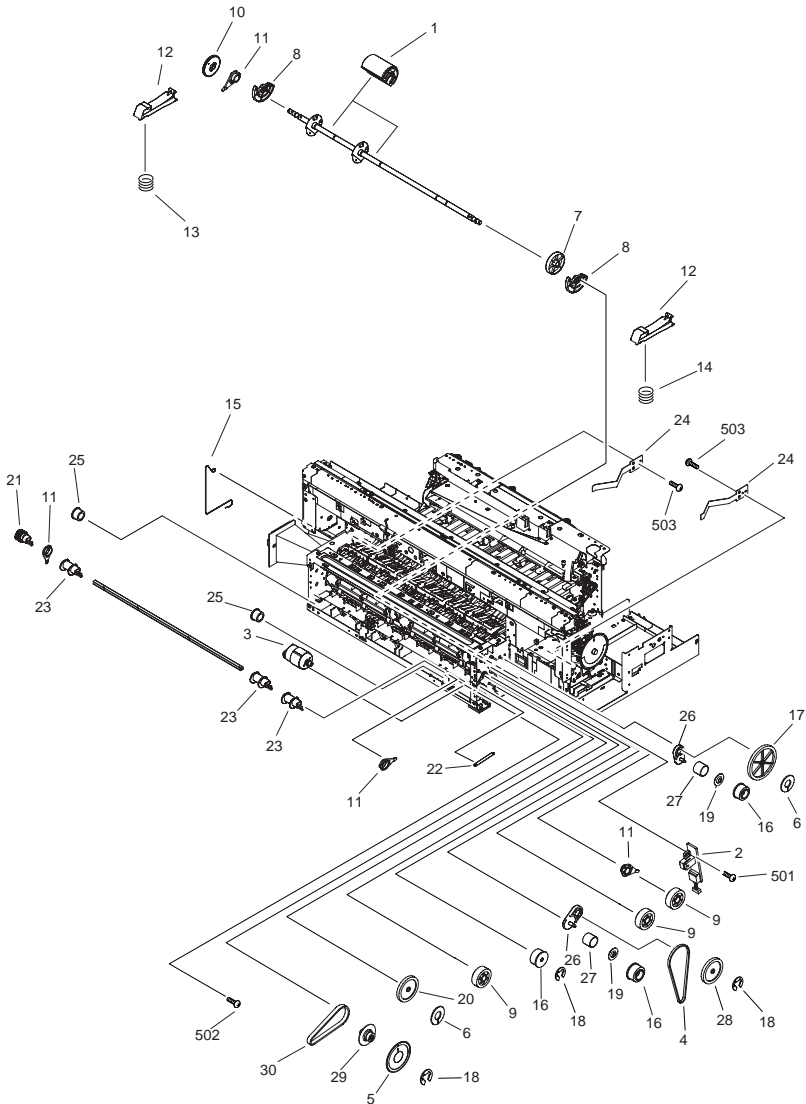


FIGURE & KEY NO.	PARTS NUMBER	RANK	Q'TY	DESCRIPTION	SERIAL NUMBER/REMARKS	SVC
Fig.11	NPN		RF	PICK-UP & FEED UNIT (1)		
1	QM3-0619-000		2	ROLLER, PICK-UP		
2	QM2-3422-000		1	ENCODER SENSOR UNIT		
3	QK1-0550-000		1	MOTOR, DC24V		
4	QC2-1455-000		1	BELT, TIMING		
5	QC3-1886-000		1	WHEEL, CODE	IPF5100/5000/500	
5	QC1-4851-000		1	WHEEL, CODE	IPF510	
6	QC2-0682-000		5	RING		
7	QC2-0862-000		1	ROLLER, PICK-UP, PAPER		
8	QC2-0863-000		2	ROLLER, PICK-UP, PAPER		
9	QC2-0864-000		3	GEAR, DRIVE, PAPER FEED		
10	QC2-0865-010		1	GEAR, CAM, PAPER FEED		
11	QC2-0866-000		5	BUSHING		
12	QC2-0867-000		2	LEVER, CAM, PAPER CASSETTE		
13	QC2-0868-000		1	SPRING, R, COMPRESSION		
14	QC2-0869-000		1	SPRING, L, COMPRESSION		
15	QC2-0887-000		1	SPRING, EARTH, PAPER CASSETTE		
16	QC2-0891-000		3	GEAR, PENDULUM, PAPER CASSETTE		
17	QC2-0892-000		1	GEAR, PAPER CASSETTE		
18	QC1-4149-000		3	WASHER		
19	XA9-0135-000		2	RING, PUSH		
20	QC2-0895-000		1	GEAR, IDLER		
21	QC2-0900-000		1	GEAR, CAM, RELEASE		
22	QC2-0902-000		1	SPRING, TENSION		
23	QC2-0903-000		3	CAM, RELEASE		
24	QC2-0918-000		2	SPRING, PLATE, PAPER CASSETTE		
25	WT2-0270-000		2	BUSHING	IPF5000/500	
26	QC2-0889-000		2	BASE, PENDULUM		
27	QC2-0890-000		2	SPRING, COMPRESSION		
28	QC2-1451-000		1	GEAR, 17T/77T		
29	QC2-1452-000		1	GEAR, 20T/61T		
30	QC2-0832-000		1	BELT, TIMING		

FIGURE & KEY NO.	PARTS NUMBER	R A N K	Q'TY	DESCRIPTION	SERIAL NUMBER/ REMARKS	S V C
501	XB1-2200-506		1	SCREW, BINDING HEAD, M2X5		
502	XB1-2260-409		2	SCREW, BINDING HEAD, M2.6X4		
503	XB6-7300-606		AR	SCREW, TP, M3X6		

FIGURE 12
PICK-UP & FEED UNIT (2)

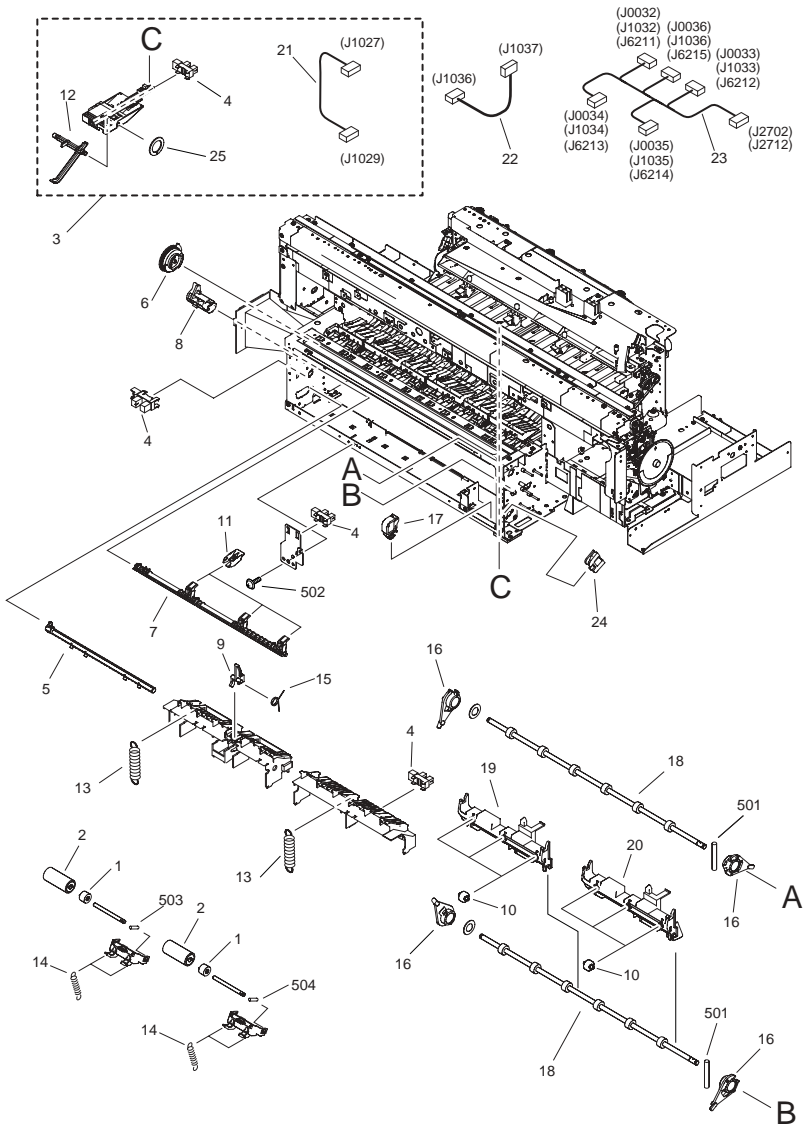


FIGURE & KEY NO.	PARTS NUMBER	R A N K	Q'TY	DESCRIPTION	SERIAL NUMBER/ REMARKS	S V C
Fig.12	NPN		RF	PICK-UP & FEED UNIT (2)		
1	QC2-0884-000		2	TORQUE LIMITTER		
2	QM3-0631-000		2	RUBBER UNIT, SEPARATE		
3	QM3-0526-000		1	CASSETTE SENSOR UNIT		
4	WG8-5624-000		4	IC, PHOTO INTERRUPTER		
5	QC2-0872-000		1	LEVER, RELEASE		
6	QC2-0873-010		1	GEAR, CAM, SEPARATION		
7	QC2-0874-000		1	LEVER, RETURN		
8	QC2-0875-000		1	ARM, LEVER, RETURN		
9	QC2-0876-000		1	LEVER, PAPER FEED		
10	QC2-1317-000		6	ROLLER, GUIDE, INNER		
11	QC2-1324-000		3	COVER, LEVER, RETURN		
12	QC2-0938-000		1	LEVER, PAPER SENSOR, CASSETTE		
13	QC2-0878-000		2	SPRING, TENSION		
14	QC2-0879-000		4	SPRING, TENSION		
15	QC2-0888-000		1	SPRING, TORSION		
16	QC2-0866-000		4	BUSHING		
17	WT2-5694-000		18	SADDLE, WIRE		
18	QC2-0930-000		2	ROLLER, FEED		
19	QC2-0941-000		2	GUIDE, INNER, PAPER		
20	QM3-0632-000		1	GUIDE UNIT, L, INNER, PAPER PA		
21	QM3-0865-000		1	HARNESS, WIRE, PAPER SENSE		
22	QM3-0866-000		1	HARNESS, WIRE, CASSETTE SENSE		
23	QM3-0907-000		1	HARNESS, WIRE, CASSETTE	iPF500	
23	QM3-0946-000		1	HARNESS, WIRE, CASSETTE	iPF510	
23	QM3-0879-000		1	HARNESS, WIRE, CASSETTE	iPF5100/5000	
24	WT2-5056-000		1	SADDLE, WIRE		
25	QC1-4149-000		1	WASHER		
501	XD3-2200-122		2	PIN DOWEL		
502	XB6-7300-606		1	SCREW, TP, M3X6		
503	XD3-1200-102		2	PIN, SPRING, 2X10		
504	XD3-2200-082		1	PIN, STRAIGHT, 2X8		

FIGURE 13 PINCH ROLLER UNIT

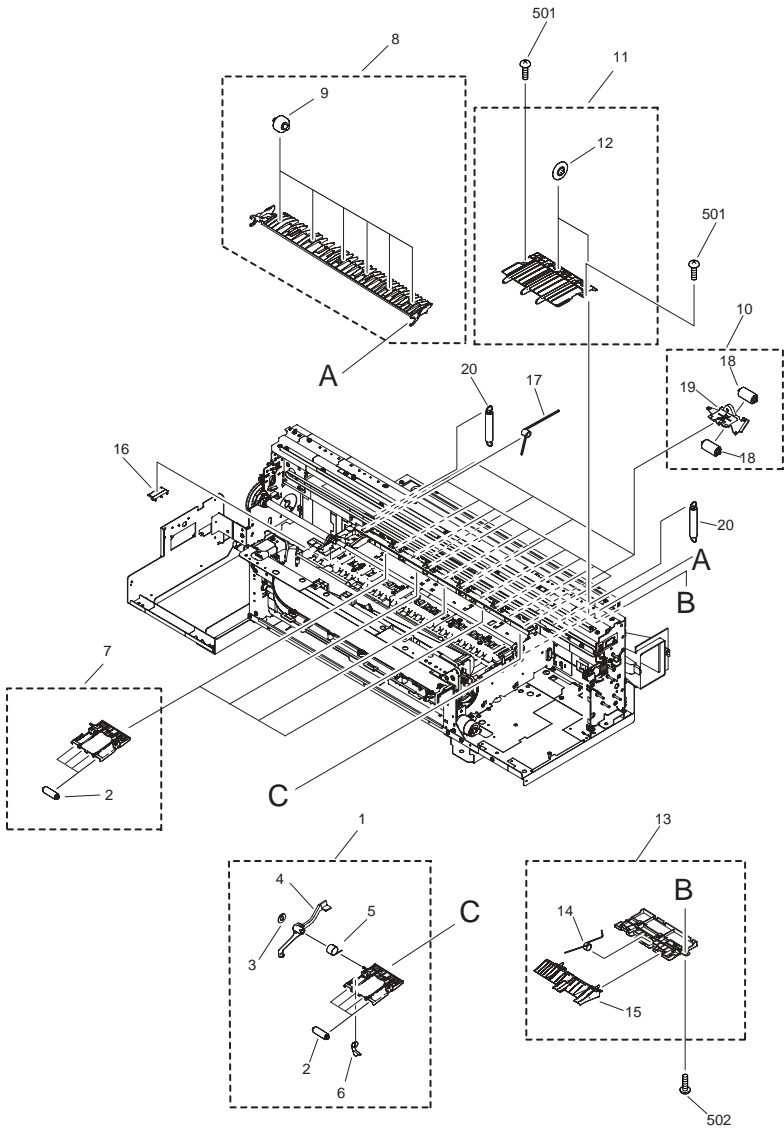


FIGURE & KEY NO.	PARTS NUMBER	R A N K	Q'TY	DESCRIPTION	SERIAL NUMBER/ REMARKS	S V C
Fig.13	NPN		RF	PINCH ROLLER UNIT		
1	QM3-0760-000		1	PINCH ROLLER UNIT 1	iPF5100/510	
1	QM3-0517-000		1	PINCH ROLLER UNIT 1	iPF5000/500	
2	QL2-2317-000		20	ROLLER, PINCH	iPF5100/510	
2	QL2-1593-000		20	ROLLER, PINCH	iPF5000/500	
3	QC2-0682-000		1	RING		
4	QC2-0982-000		1	LEVER, A		
5	QC2-0994-000		1	SPRING, TORSION		
6	QC2-0996-000		1	LEVER, B		
7	QM3-0761-000		4	PINCH ROLLER UNIT 2	iPF5100/510	
7	QM3-0518-000		4	PINCH ROLLER UNIT 2	iPF5000/500	
8	QM3-0522-020		1	GUIDE UNIT, A2, PAPER		
9	QC2-1317-000		6	ROLLER, GUIDE, INNER		
10	QM3-0767-000		4	GUIDE ROLLER UNIT		
11	QM3-0579-000		3	GUIDE UNIT, INNER, STRAIGHT PA		
12	QC1-2950-000		6	ROLLER		
13	QM3-0581-000		1	GUIDE UNIT, OUTER, STRAIGHT PA		
14	QC2-0933-000		3	SPRING, TORSION		
15	QC2-0934-000		3	FLAPPER		
16	QC2-1460-000		1	GUIDE, WASTE INK		
17	QC2-0981-000		10	SPRING, TORSION		
18	QC2-1541-000		8	ROLLER, GUIDE		
19	QC2-1229-000		4	HOLDER, ROLLER, GUIDE	iPF5000/510/500	
20	QC2-0993-000		2	SPRING, TENSION		
501	XB6-7300-606		4	SCREW, TP, M3X6		
502	XB3-6300-605		3	SCREW, RS-TIGHT, M3X6		

FIGURE 14
AIR FLOW FAN UNIT

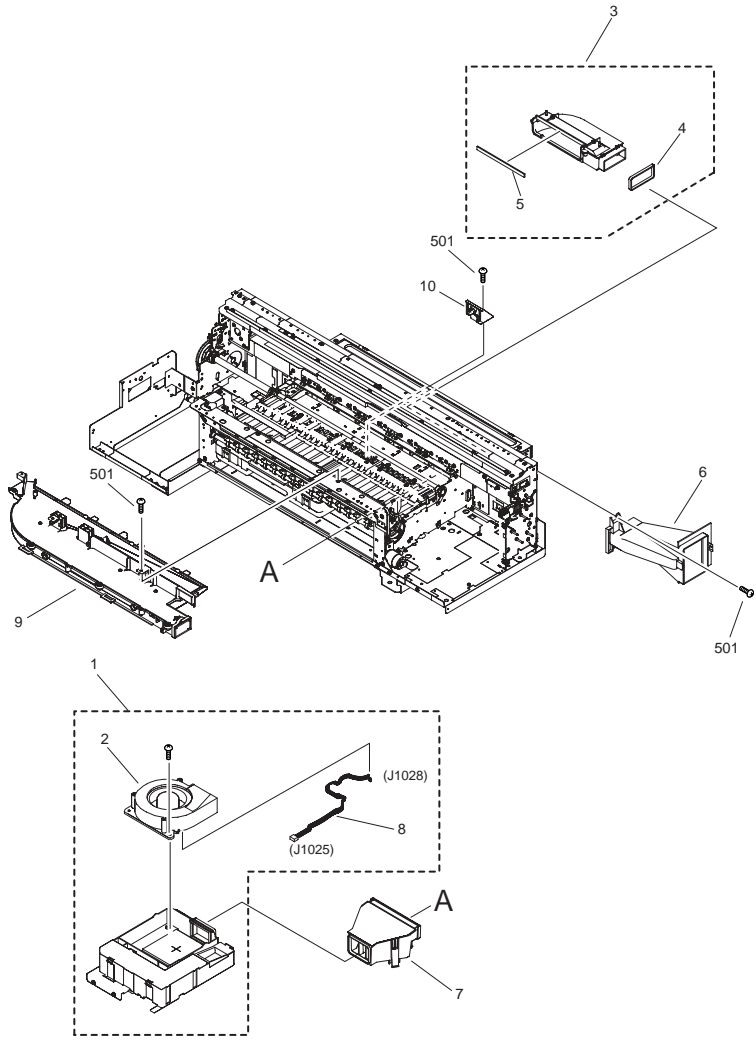


FIGURE & KEY NO.	PARTS NUMBER	R A N K	Q'TY	DESCRIPTION	SERIAL NUMBER/REMARKS	S V C
Fig.14	NPN		RF	AIR FLOW FAN UNIT		
1	QM3-0701-000		1	SUCTION FAN UNIT	iPF5100/510	
1	QM3-0179-000		1	SUCTION FAN UNIT	iPF5000/500	
2	QK1-2084-000		1	FAN	iPF5100/510	
2	QK1-1386-000		1	FAN	iPF5000/500	
3	QM3-0187-000		1	AIR DUCT, 2		
4	QC2-1076-000		1	SEAL, AIR DUCT	iPF5100/5000/500	
4	QC2-1076-000		1	SEAL, AIR DUCT	iPF510	
5	QC2-1079-000		1	SEAL, 3, AIR DUCT		
6	QC2-1070-000		1	AIR DUCT, 3	iPF510/500	
6	QC2-1071-000		1	AIR DUCT, 3	iPF5100/5000	
7	QL2-1537-000		1	AIR DUCT, 1		
8	QM3-0864-000		1	HARNESS, WIRE, FAN, PLATEN	iPF5000/500	
9	QM3-0208-000		1	FRONT DUCT UNIT		
10	QM3-0550-000		1	M/C RELAY PCB ASS'Y		
501	XB6-7300-606		5	SCREW, TP, M3X6		

FIGURE 15 PLATEN & SPUR UNIT

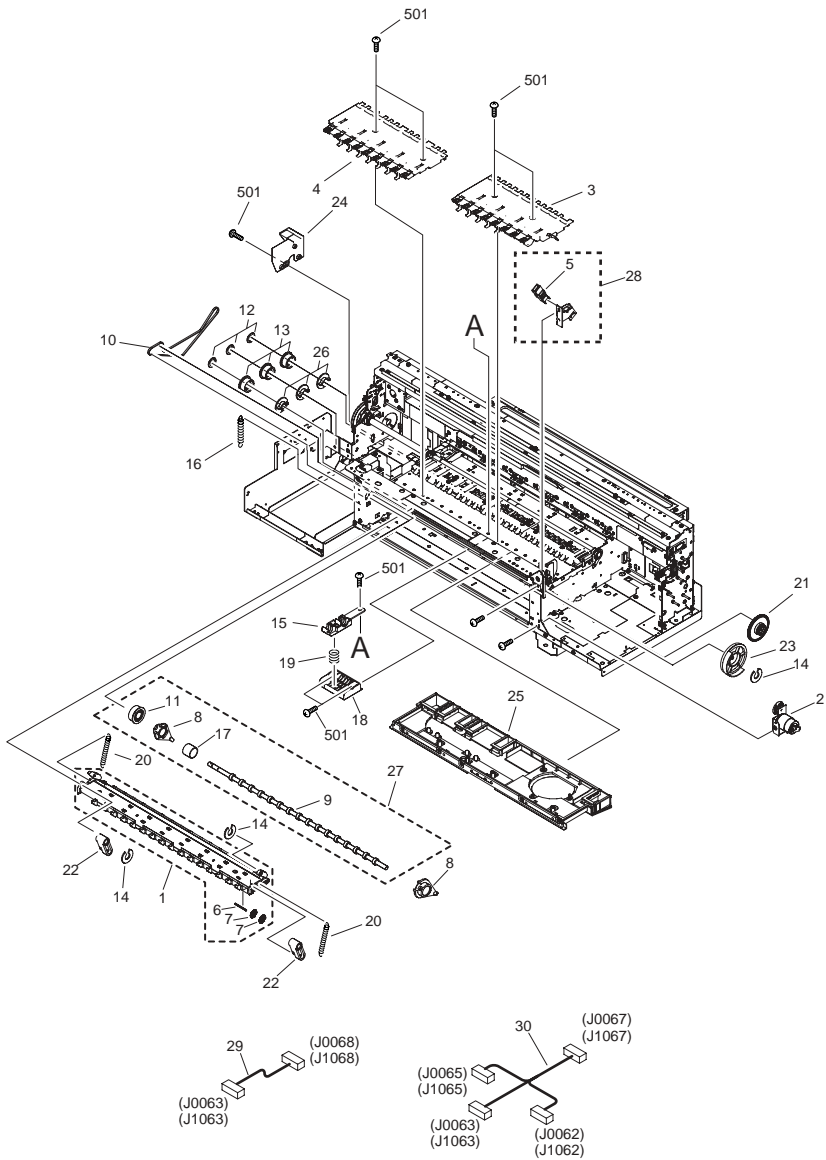


FIGURE & KEY NO.	PARTS NUMBER	R A N K	Q'TY	DESCRIPTION	SERIAL NUMBER/ REMARKS	S V C
Fig.15	NPN		RF	PLATEN & SPUR UNIT		
1	QM3-0592-000		1	SPUR UNIT	iPF5000/510/500	
1	QM3-0794-000		1	SPUR UNIT	iPF5100	
2	QM3-0246-000		1	SPUR MOTOR UNIT		
3	QL2-1579-000		1	PLATEN A		
4	QL2-1580-000		1	PLATEN B		
5	WG8-5624-000		1	IC, PHOTO INTERRUPTER		
6	QA4-0292-000		32	SPRING, TENSION		
7	QA4-0880-000		64	ROWEL		
8	QC2-0866-000		4	BUSHING		
9	QC2-0955-000		2	ROLLER, TRANSPORT, PAPER	iPF5000/500	
10	QC2-0958-000		1	BELT, DRIVE, PAPER EJECTION		
11	QC2-0964-000		2	PULLEY		
12	QC2-1395-000		3	RING		
13	QC2-1569-000		3	PULLEY, BELT		
14	QC1-4149-000		3	WASHER		
15	QC2-1002-000		1	BUSHING		
16	QC2-1396-000		4	SPRING, TENSION		
17	QC2-1004-000		2	SPRING, COMPRESSION	iPF5000/500	
18	QC2-1007-000		1	COVER, BUSHING		
19	QC2-1009-000		1	SPRING, COMPRESSION		
20	QC2-1018-000		2	SPRING, TENSION		
21	QC2-1024-000		1	GEAR, ROWEL		
22	QC2-1025-000		2	ARM, SUPPORT, ROWEL BASE		
23	QC2-1027-000		1	CAM, ROWEL		
24	QL2-1561-000		1	PLATE, REFLECTION, MULTI-SENSO		
25	QL2-1592-000		1	DUCT UNIT, PLATEN	iPF5000/500	
25	QM3-0802-000		1	DUCT UNIT, PLATEN	iPF5100/510	
26	QC2-1570-000		3	FLANGE, BELT PULLEY		
27	QL2-1566-000		2	ROLLER, DELIVERY		
28	QM3-0245-000		1	SENSOR UNIT, SPUR		
29	QM3-0890-000		1	HARNESS, WIRE, 1, SPUR	iPF5100/5000	

FIGURE & KEY NO.	PARTS NUMBER	RANK	Q'TY	DESCRIPTION	SERIAL NUMBER/REMARKS	SVC
29	QM3-0917-000		1	HARNESS, WIRE, 1, SPUR	iPF510/500	
30	QM3-0891-000		1	HARNESS, WIRE, 2, SPUR	iPF5000	
30	QM3-0918-000		1	HARNESS, WIRE, 2, SPUR	iPF500	
501	XB6-7300-606		8	SCREW, TP, M3X6		

FIGURE 16
CASSETTE

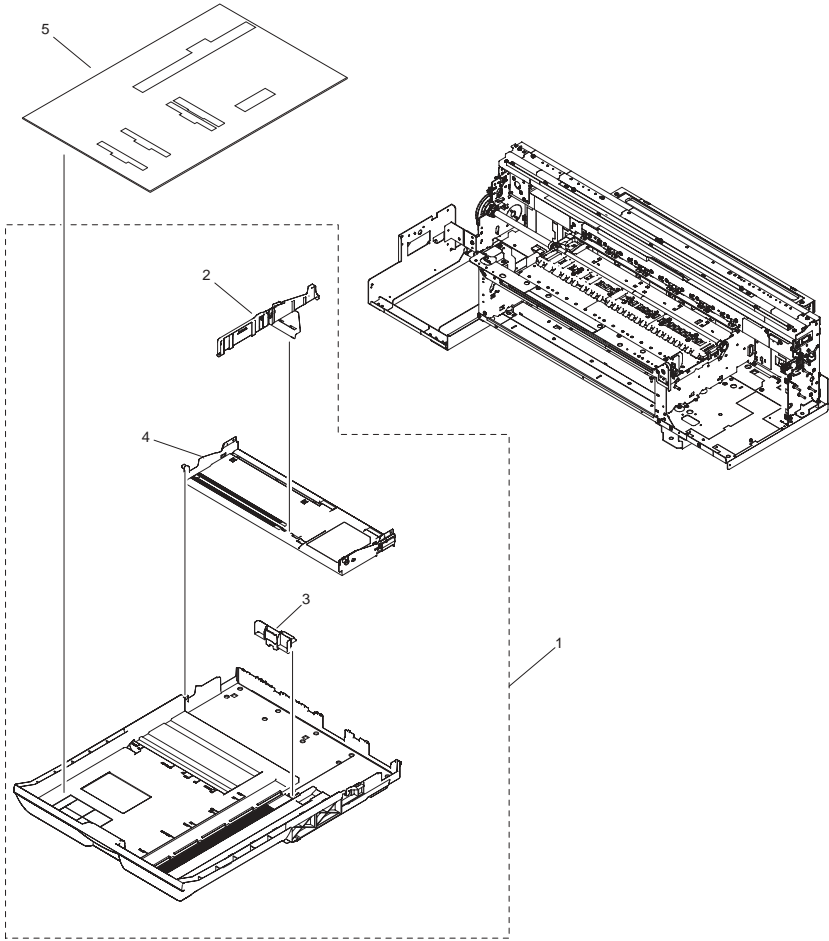


FIGURE & KEY NO.	PARTS NUMBER	RANK	Q'TY	DESCRIPTION	SERIAL NUMBER/REMARKS	SVC
Fig.16	NPN		RF	CASSETTE		
1	QM3-0181-000		1	CASSETTE BASE	iPF5000/500	
1	QM3-0779-000		1	CASSETTE BASE	iPF5100/510	
2	QM3-0183-000		1	GUIDE, SIDE LIMIT, CASSETTE		
3	QM3-0184-000		1	GUIDE, END LIMIT, CASSETTE		
4	QM3-0182-000		1	PLATE UNIT,PAPER CASSETTE		
5	QC2-1556-020		1	SHEET, MYLAR		

FIGURE 17 TOOL

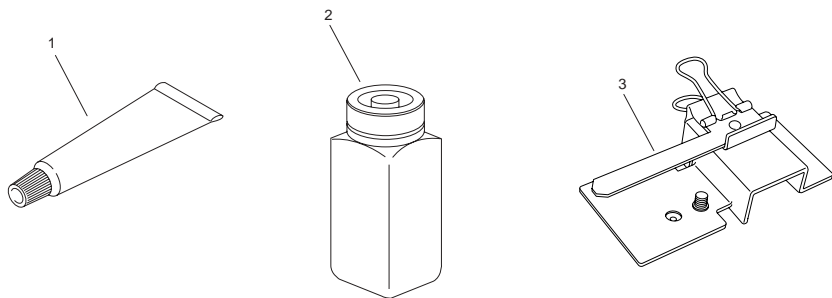


FIGURE & KEY NO.	PARTS NUMBER	RANK	Q'TY	DESCRIPTION	SERIAL NUMBER/REMARKS	SVC
Fig.17	NPN		RF	TOOL		
1	CK-0562-000		1	GREASE, MOLYKOTE PG-641		
2	QY9-0037-000		1	GREASE, EU-1		
3	AY3-4493-000		1	ADJUSTING UNIT, CR WIRE		

FIGURE R1 ROLL UNIT

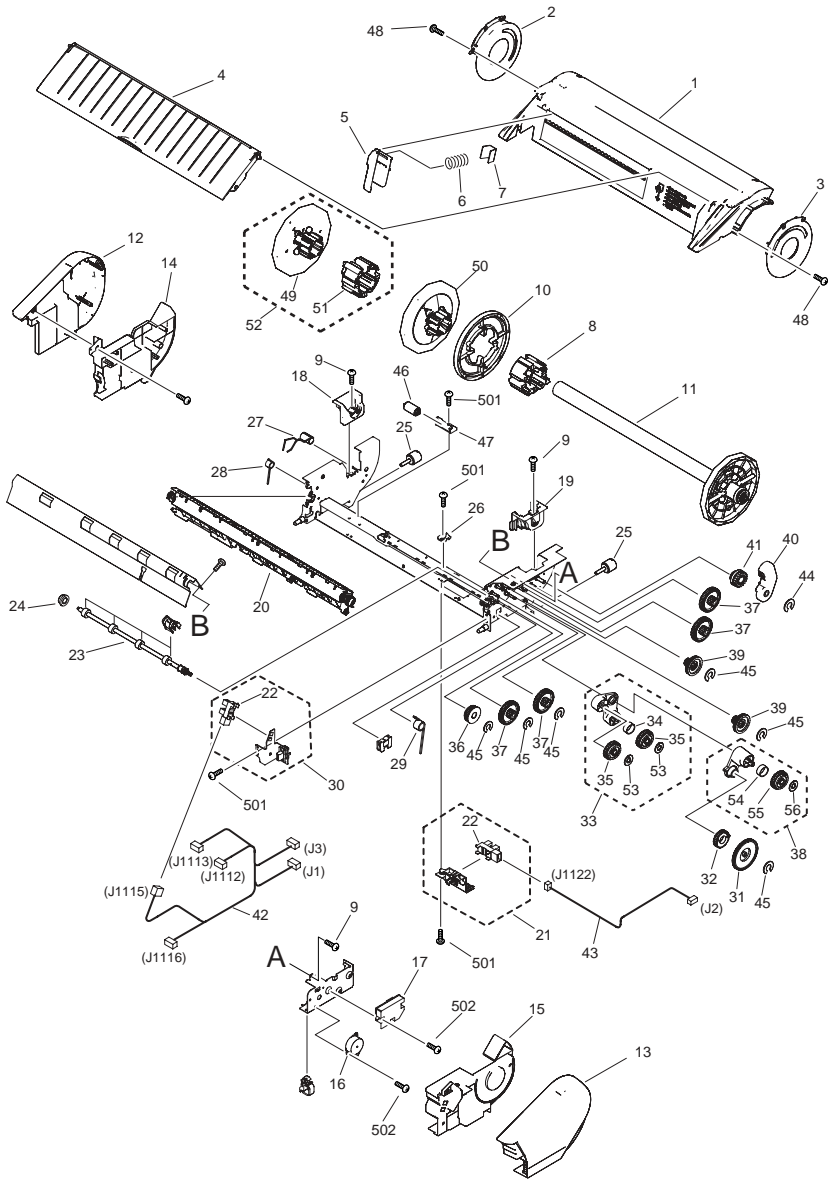


FIGURE & KEY NO.	PARTS NUMBER	R A N K	Q'TY	DESCRIPTION	SERIAL NUMBER/ REMARKS	S V C
Fig.R1	NPN		RF	ROLL UNIT		
1	QC2-1255-000		1	COVER, ROLL		
2	QC2-1385-000		1	COVER, ROLL, LEFT		
3	QC2-1386-000		1	COVER, ROLL, RIGHT		
4	QC2-1259-000		1	TRAY, MANUAL PAPER FEED	iPF5000/500	
4	QC2-6523-000		1	TRAY, MANUAL PAPER FEED	iPF5100/510	
5	QC2-1261-000		1	GUIDE, SIDE, PAPER		
6	QC2-1262-000		1	SPRING, COMPRESSION		
7	QC2-1310-000		1	SLIDE PIECE, GUIDE		
8	QC2-1222-000		1	HOLDER, ROLL		
9	XA9-0863-000		11	SCREW, TAP M3X6		
10	QC2-1223-000		1	SPACER, HOLDER, ROLL		
11	QM3-0215-000		1	ROLL SHAFT UNIT	iPF5000/500	
11	QM3-0756-000		1	ROLL SHAFT UNIT	iPF5100/510	
12	QC2-1263-000		1	CAP, ROLL, LEFT		
13	QC2-1264-000		1	CAP, ROLL, RIGHT		
14	QC2-1257-000		1	CASE, ROLL, LEFT		
15	QC2-1258-000		1	CASE, R, ROLL		
16	QK1-2081-000		1	MOTOR, STEPPING		
17	QM2-3428-010		1	PCB ASS'Y, DRIVER, ROLL UNIT		
18	QM3-0226-000		1	HOLDER UNIT, LEFT, ROLL HOLDER		
19	QM3-0227-000		1	HOLDER UNIT, RIGHT, ROLL HOLDE		
20	QM3-0225-000		1	ROLLER RELEASE UNIT	iPF5000/500	
20	QM3-0752-000		1	ROLLER RELEASE UNIT	iPF5100/510	
21	QM3-0231-000		1	SENSOR UNIT, DETECTION, ROLL		
22	WG8-5624-000		2	IC, PHOTO INTERRUPTER, TLP1241		
23	QM3-0229-000		1	FEED ROLLER UNIT	iPF5000/500	
23	QM3-0754-000		1	FEED ROLLER UNIT	iPF5100/510	
24	QC2-1189-000		1	BUSHING		
25	QC2-1411-000		2	SCREW, M3X12		
26	QC2-1231-000		1	BUSHING		
27	QC2-1236-000		1	SPRING, LEAF, GROUNDING		

FIGURE & KEY NO.	PARTS NUMBER	R A N K	Q'TY	DESCRIPTION	SERIAL NUMBER/ REMARKS	S V C
28	QC2-1381-000		1	SPRING, TORSION		
29	QC2-1234-000		1	SPRING, TORSION		
30	QM3-0221-000		1	SENSOR UNIT, CAM, ROLL		
31	QC2-1211-000		1	GEAR, PENDULUM, TOP		
32	QC2-1244-000		1	GEAR, PENDULUM, BOTTOM		
33	QM3-0223-030		1	PENDULUM UNIT, LOWER, ROLL		
34	QC2-1210-000		1	SPRING, COMPRESSION	iPF5000/500	
34	QC2-6569-000		1	SPRING, COMPRESSION	iPF5100/510	
35	QC2-1212-020		2	GEAR, PENDULUM, 1	iPF5000/500	
36	QC2-1238-000		1	GEAR		
37	QC2-1214-000		4	GEAR		
38	QM3-0222-030		1	PENDULUM UNIT, UPPER, ROLL	iPF5000/500	
38	QM3-0776-010		1	PENDULUM UNIT, UPPER, ROLL	iPF5100/510	
39	QC2-1213-000		2	GEAR		
40	QM3-0224-000		1	PENDULUM UNIT, 2, ROLL		
41	QC2-1240-000		1	GEAR, PENDULUM, 2		
42	QM3-0868-000		1	HARNESS, WIRE, ROLL UNIT		
43	QM3-0869-000		1	HARNESS, WIRE, SENSOR, ROLL		
44	QC1-0710-000		1	WASHER		
45	QC1-4149-000		6	WASHER		
46	QC2-1541-000		1	ROLLER, GUIDE		
47	QC2-1191-000		1	HOLDER, ROLLER		
48	XA9-0831-000		16	SCREW, TP, M3X10		
49	QL2-1585-000		1	HOLDER, ROLL, LEFT, 2	iPF5000/500	
50	QM3-0628-000		1	HOLDER, ROLL, LEFT, 1	iPF5000/500	
50	QM3-5311-000		1	HOLDER, ROLL, LEFT, 1	iPF5100/510	
51	QC2-1222-000		1	HOLDER, ROLL	iPF5000/500	
51	QC2-6270-000		1	HOLDER, ROLL	iPF5100/510	
52	QM3-0717-000		1	HOLDER, ROLL, LEFT, 2	iPF5100/510	
53	QC2-4327-000		2	RING		
54	QC2-1210-000		1	SPRING, COMPRESSION	iPF5000/500	
55	QC2-1212-020		1	GEAR, PENDULUM, 1	iPF5000/500	

FIGURE & KEY NO.	PARTS NUMBER	RANK	Q'TY	DESCRIPTION	SERIAL NUMBER/REMARKS	SVC
55	QC2-6568-000		1	GEAR, PENDULUM, 1	iPF5100/510	
56	QC2-4327-000		1	RING	iPF5000/500	
501	XB4-5300-806		4	SCREW, TAPPING, TRUSS HEAD M3X8		
502	XB1-2300-606		5	SCREW, MACHINE M3X6		

FIGURE R2 STAND & BASKET UNIT

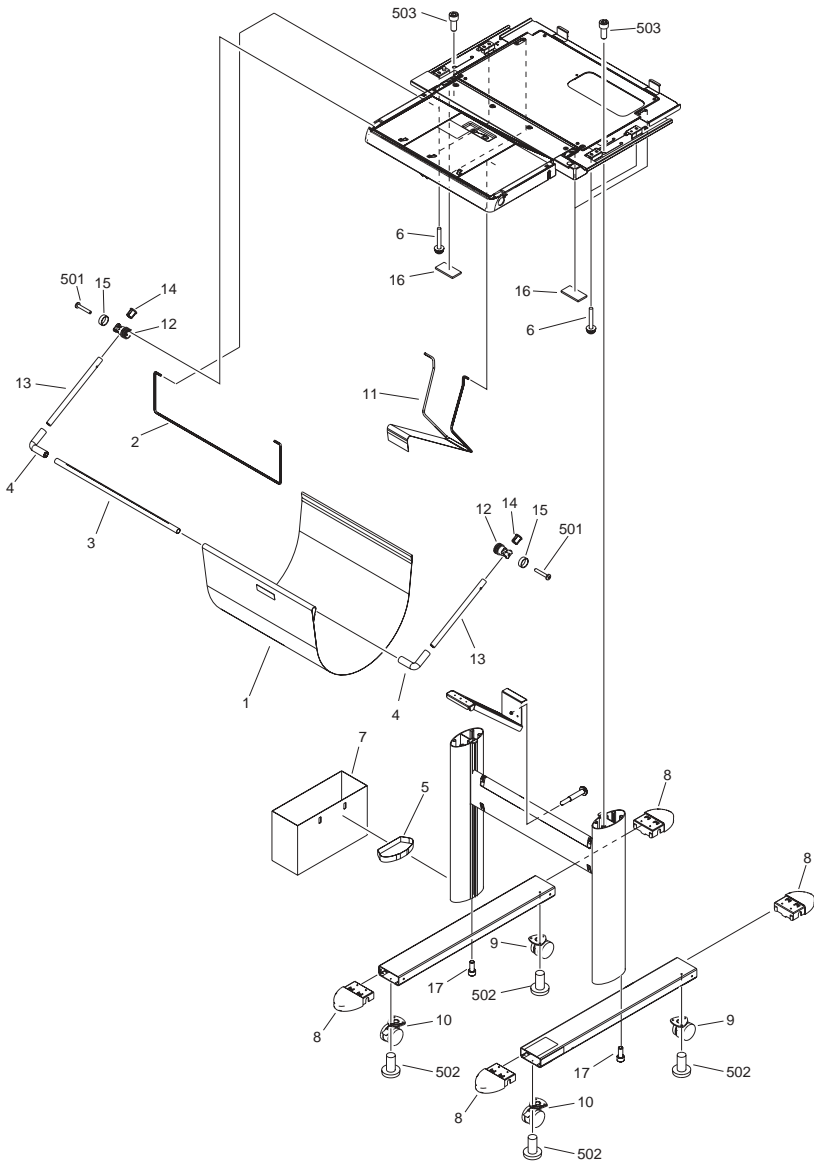


FIGURE & KEY NO.	PARTS NUMBER	R A N K	Q'TY	DESCRIPTION	SERIAL NUMBER/ REMARKS	S V C
Fig.R2	NPN		RF	STAND & BASKET UNIT		
1	QC2-4341-000		1	BASKET		
2	QC2-4342-000		1	ROD, BASKET, REAR		
3	QC2-4343-000		1	ROD, BASKET, FRONT		
4	QC2-4346-000		2	JOINT, ROD		
5	QC2-4359-000		1	BAND, FIXING	STAND UNIT	
6	QC2-5993-000		4	SCREW, HEX SOCKET, M4X30		
7	QC2-5995-000		1	BOX, ACCESSORY	STAND UNIT	
8	QC2-4348-000		4	CAP, STAND	STAND UNIT	
9	QC2-4350-000		2	CASTER	STAND UNIT	
10	QC2-4351-000		2	CASTER, W/STOPPER	STAND UNIT	
11	QM3-0684-000		1	STACK ROD UNIT		
12	QC2-4333-000		2	HOLDER, ROD		
13	QC2-4334-000		2	ROD, BASKET, SIDE		
14	QC2-4335-000		2	CAP, ROD		
15	QC2-6030-000		2	SPRING, COMPRESSION		
16	QC2-4338-000		4	FOOT, RUBBER		
17	QC1-5141-000		8	SCREW, ALLEN, M8X20	STAND UNIT	
501	XB4-7402-509		2	SCREW, TAPPING, TRUSS HEAD, M4X25		
502	XB1-2400-805		28	SCREW, MACHINE M4X8 (S)	STAND UNIT	
503	XB7-1080-209		8	BOLT	STAND UNIT	

Prepared by
L Printer Quality Assurance Center
CANON INC.

Canon