

imagePRESS Server A3200

PARTS CATALOG

Canon

January 5, 2011

Rev. 1

PREFACE

This Parts Catalog contains listings of parts used

Diagrams are provided with the listings to aid the service technician in identifying clearly, the item to be ordered.

Whenever ordering parts, consult this Parts Catalog for all of the information pertaining to each item. Be sure to include, in the Parts Request, the full item description, the item part number, and the quantity.

COPYRIGHT (C) 1999 CANON INC.

Use of this manual should be strictly supervised to avoid disclosure of confidential information.

Contents

NUMERICAL INDEX

imagePRESS Server A3200(Numerical Index) 1-1

imagePRESS Server A3200(Parts Catalog)

001 ACCESSORIES2-1
101 INTERNAL COMPONENTS2-3
102 INTERFACE KIT2-5

NUMERICAL INDEX

imagePRESS Server A3200(Numerical Index)

PARTS NUMBER	FIGURE & KEY NO.	PARTS NUMBER	FIGURE & KEY NO.	PARTS NUMBER	FIGURE & KEY NO
FE1-6186-000	001 - 1				
FE1-6202-000	101 - 14				
FE1-6203-000	101 - 10				
FE1-6204-000	101 - 7				
FE1-6206-000	101 - 4				
FE1-6207-000	102 - 1				
FE1-6209-000	102 - 3				
FE1-6210-000	101 - 6				
FE1-6245-000	102 - 2				
FE1-6253-000	101 - 17				
FE1-6322-000	001 - 8				
FE1-6323-000	001 - 10				
FE1-6324-000	001 - 11				
FE1-6326-000	001 - 12				
FE1-6327-000	001 - 9				
FE1-6399-000	001 - 2				
FE1-6400-000	101 - 12				
FE1-6514-000	101 - 1				
FE1-6515-000	101 - 3				
FE1-6516-000	101 - 2				
FE1-6517-000	101 - 16				
FE1-6518-000	101 - 13				
FE1-6519-000	101 - 5				
FE1-6520-000	101 - 9				
FE1-6521-000	101 - 19				
FE1-6522-000	101 - 15				
FE1-6523-000	101 - 11				
FE1-6524-000	101 - 8				
FE1-6525-000	101 - 18				
FE1-6541-000	001 - 5				
FE1-6542-000	001 - 5				
FE1-6543-000	001 - 5				
FE1-6544-000	001 - 6				
FE1-6545-000	001 - 6				
FE1-6546-000	001 - 7				
FE1-6547-000	001 - 7				
FK2-2891-000	001 - 3				
FM2-7360-000	001 - 4				
NPN	001 -				
NPN	101 -				
NPN	102 -				

imagePRESS Server A3200(Parts Catalog)

imagePRESS Server A3200

US,CA,LTN F62-9501-000

**EUR,AU,SG,HK, F62-9511-000
KR,LTN**

JP F62-9521-000

Contents

001	ACCESSORIES	2-1
101	INTERNAL COMPONENTS	2-3
102	INTERFACE KIT	2-5

FIGURE 001 ACCESSORIES

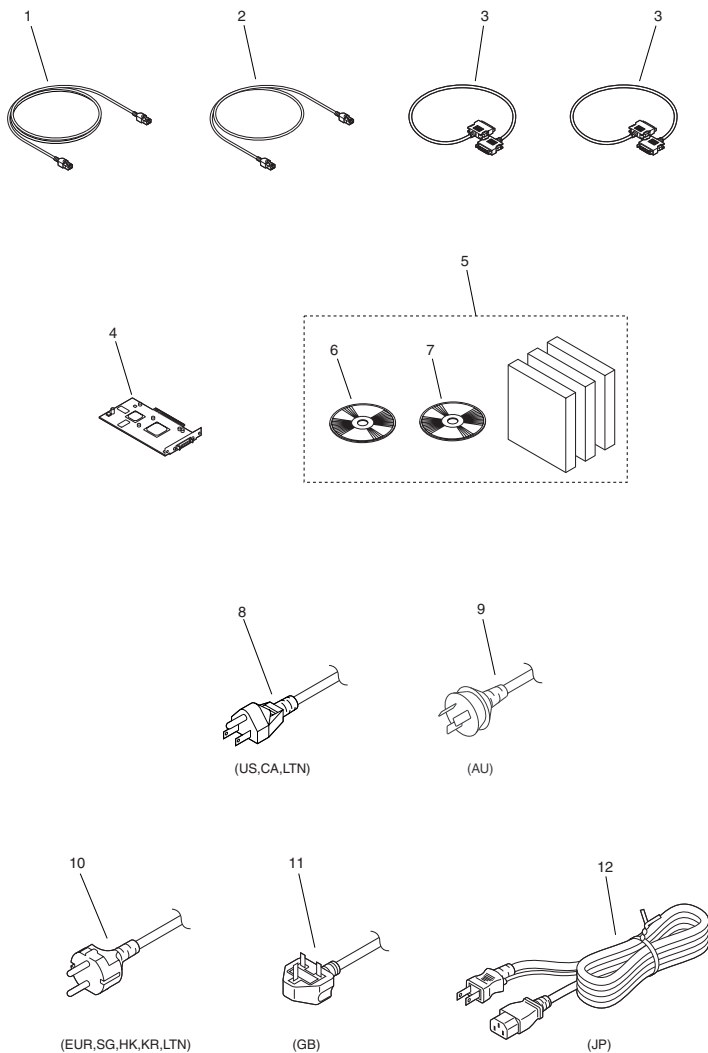
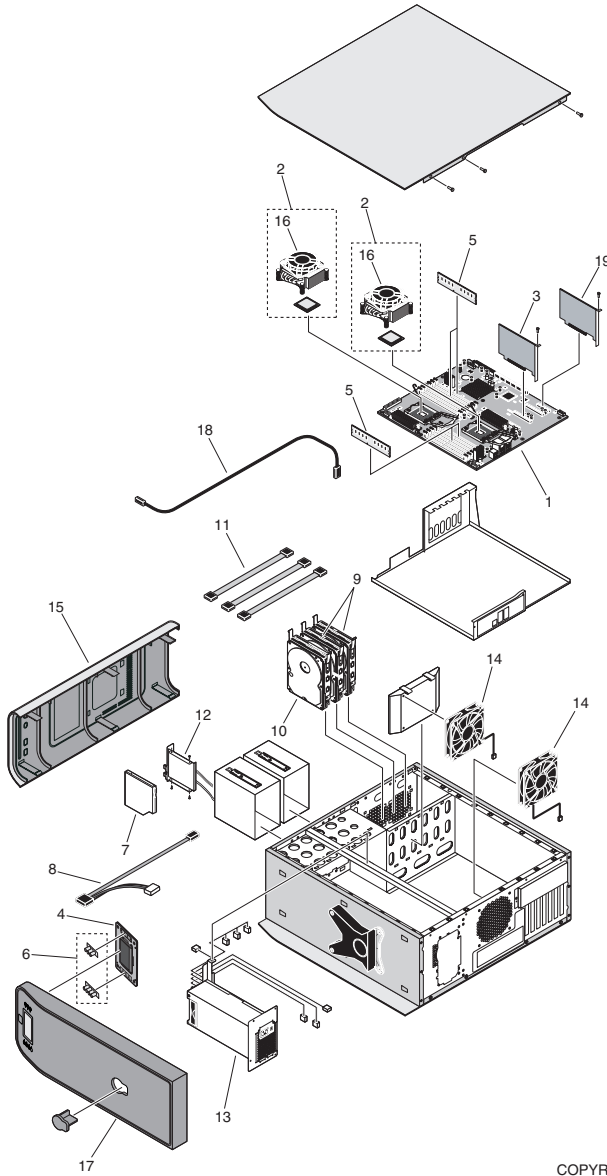


FIGURE & KEY NO.	PARTS NUMBER	R A N K	Q'TY	DESCRIPTION	SERIAL NUMBER/REMARKS	S V C
Fig.001	NPN		RF	ACCESSORIES		
1	FE1-6186-000		1	CABLE, CROSSOVER		
2	FE1-6399-000		1	CABLE, ETHERNET STRAIGHT		
3	FK2-2891-000		2	CABLE, COPIER I/F		
4	FM2-7360-000		1	OPEN INTERFACE BOARD PCB ASS'Y		
5	FE1-6541-000		1	DVD, MEDIA PACK, US	US,CA,LTN	
5	FE1-6542-000		1	DVD, MEDIA PACK, EFIGS	EUR,AU,SG,HK,KR,LTN	
5	FE1-6543-000		1	DVD, MEDIA PACK, JP	JP	
6	FE1-6544-000		1	DVD-ROM, SYS S/W DVD1, EFIGS	US,CA,LTN,EUR,AU,SG, HK,KR,LTN	
6	FE1-6545-000		1	DVD-ROM, SYS S/W DVD1, JP	JP	
7	FE1-6546-000		1	DVD-ROM, SYS S/W DVD2, EFIGS	US,CA,LTN,EUR,AU,SG, HK,KR,LTN	
7	FE1-6547-000		1	DVD-ROM, SYS S/W DVD2, JP	JP	
8	FE1-6322-000		1	POWER CORD, US	US,CA,LTN	
9	FE1-6327-000		1	POWER CORD, AU	AU	
10	FE1-6323-000		1	POWER CORD, 230V, EUR	EUR,SG,HK,KR,LTN	
11	FE1-6324-000		1	POWER CORD, 230V, GB	GB	
12	FE1-6326-000		1	POWER CORD, JP	JP	

FIGURE 101 INTERNAL COMPONENTS



COPYRIGHTED BY EFI

FIGURE & KEY NO.	PARTS NUMBER	RANK	Q'TY	DESCRIPTION	SERIAL NUMBER/REMARKS	SVC
Fig.101	NPN		RF	INTERNAL COMPONENTS		
1	FE1-6514-000		1	MOTHERBOARD PCB ASSEMBLY		
2	FE1-6516-000		2	IC, CPU, W/ COOLING KIT		
3	FE1-6515-000		1	IMAGE CONTROLLER PCB ASS'Y		
4	FE1-6206-000		1	UIB PCB ASS'Y		
5	FE1-6519-000		4	DIMM ASS'Y, 1GB		
6	FE1-6210-000		1	BUTTON, UIB		
7	FE1-6404-000		1	DVD-RW DRIVE UNIT		
8	FE1-6524-000		1	CABLE, POWER, INTERFACE		
9	FE1-6520-000		2	HDD, 500GB		
10	FE1-6203-000		1	HDD, 250GB		
11	FE1-6523-000		3	CABLE, HDD SATA		
12	FE1-6400-000		1	PWR /RESET/ USB/ SPEAKER ASS'Y		
13	FE1-6518-000		1	POWER SUPPLY UNIT		
14	FE1-6202-000		2	FAN		
15	FE1-6522-000		1	COVER, FRONT		
16	FE1-6517-000		2	COOLING FAN ASSEMBLY		
17	FE1-6253-000		1	COVER, TOP		
18	FE1-6525-000		1	CABLE, USB 36IN		
19	FE1-6521-000		1	DISPLAY I/F PCB ASSEMBLY		

FIGURE 102 INTERFACE KIT

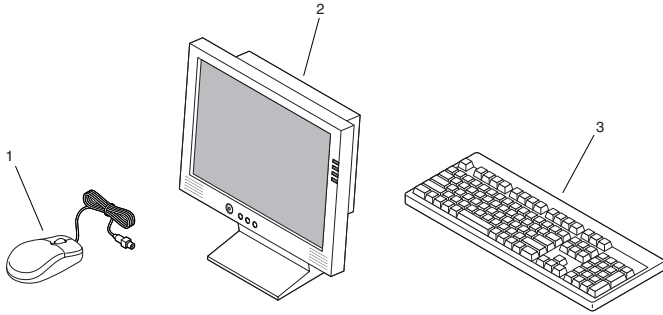


FIGURE & KEY NO.	PARTS NUMBER	RANK	Q'TY	DESCRIPTION	SERIAL NUMBER/REMARKS	SVC
Fig.102	NPN		RF	INTERFACE KIT		
1	FE1-6207-000		1	MOUSE		
2	FE1-6245-000		1	DISPLAY ASSEMBLY, 22 IN		
3	FE1-6209-000		1	KEYBOARD ASSEMBLY		

Prepared by
OIP Service Management Center
CANON INC.

Canon