

# **imagePRESS Server A1200**

# **PARTS CATALOG**

**Canon**

**January 6, 2011**



## **PREFACE**

This Parts Catalog contains listings of parts used

Diagrams are provided with the listings to aid the service technician in identifying clearly, the item to be ordered.

Whenever ordering parts, consult this Parts Catalog for all of the information pertaining to each item. Be sure to include, in the Parts Request, the full item description, the item part number, and the quantity.

***COPYRIGHT (C) 1999 CANON INC.***

Use of this manual should be strictly supervised to avoid disclosure of confidential information.



# Contents

## NUMERICAL INDEX

imagePRESS Server A1200(Numerical Index) ..... 1-1

## imagePRESS Server A1200(Parts Catalog)

001	ACCESSORIES .....	2-1
101	INTERNAL COMPONENTS .....	2-3
102	INTERFACE KIT .....	2-5



# NUMERICAL INDEX

## imagePRESS Server A1200(Numerical Index)

PARTS NUMBER	FIGURE & KEY NO.	PARTS NUMBER	FIGURE & KEY NO.	PARTS NUMBER	FIGURE & KEY NO
FE1-5837-000	101 - 15				
FE1-6079-000	101 - 12				
FE1-6127-000	101 - 8				
FE1-6186-000	001 - 1				
FE1-6203-000	101 - 11				
FE1-6204-000	101 - 9				
FE1-6206-000	101 - 6				
FE1-6207-000	102 - 1				
FE1-6209-000	102 - 3				
FE1-6210-000	101 - 7				
FE1-6232-000	101 - 10				
FE1-6245-000	102 - 2				
FE1-6274-000	101 - 17				
FE1-6318-000	101 - 3				
FE1-6322-000	001 - 8				
FE1-6323-000	001 - 10				
FE1-6324-000	001 - 11				
FE1-6326-000	001 - 9				
FE1-6395-000	101 - 14				
FE1-6399-000	001 - 2				
FE1-6400-000	101 - 13				
FE1-6405-000	101 - 4				
FE1-6515-000	101 - 5				
FE1-6528-000	101 - 16				
FE1-6529-000	101 - 1				
FE1-6529-000	101 - 2				
FE1-6530-000	001 - 5				
FE1-6531-000	001 - 5				
FE1-6532-000	001 - 5				
FE1-6533-000	001 - 6				
FE1-6534-000	001 - 6				
FE1-6535-000	001 - 7				
FE1-6536-000	001 - 7				
FK2-2891-000	001 - 3				
FM2-7360-000	001 - 4				
NPN	001 -				
NPN	101 -				
NPN	102 -				





# **imagePRESS Server A1200(Parts Catalog)**

imagePRESS Server A1200

**US,CA,LTN F62-9503-000**

**EUR,AU,SG,HK, F62-9513-000  
KR,LTN**

**JP F62-9523-000**



# Contents

001	ACCESSORIES .....	2-1
101	INTERNAL COMPONENTS .....	2-3
102	INTERFACE KIT .....	2-5



# FIGURE 001 ACCESSORIES

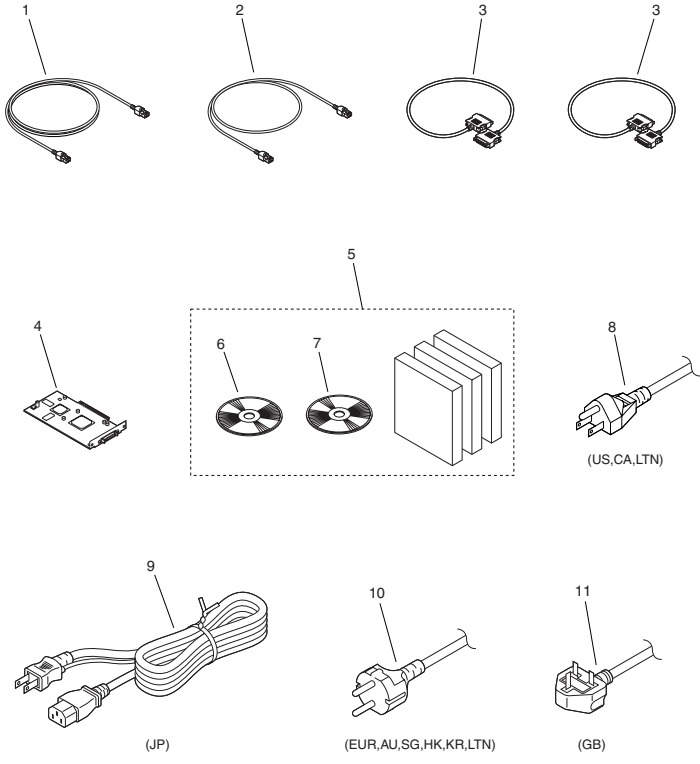
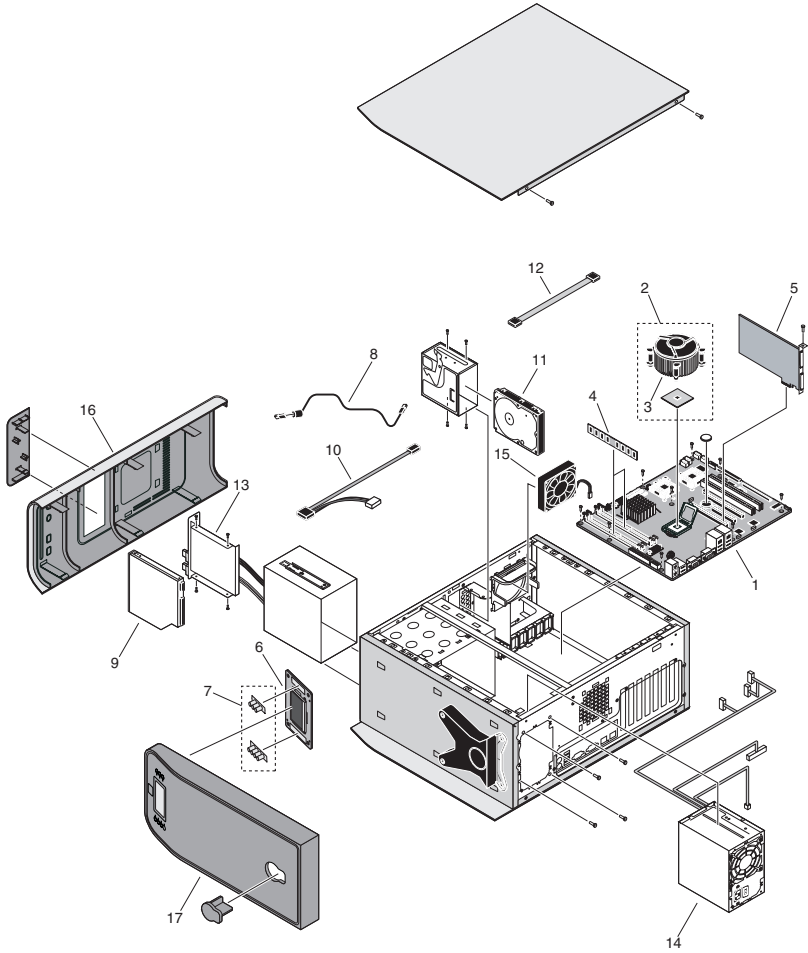


FIGURE & KEY NO.	PARTS NUMBER	RANK	Q'TY	DESCRIPTION	SERIAL NUMBER/REMARKS	SVC
Fig.001	NPN		RF	ACCESSORIES		
1	FE1-6186-000		1	CABLE, CROSSOVER		
2	FE1-6399-000		1	CABLE, ETHERNET STRAIGHT		
3	FK2-2891-000		2	CABLE, COPIER I/F		
4	FM2-7360-000		1	OPEN INTERFACE BOARD PCB ASS'Y		
5	FE1-6530-000		1	DVD, MEDIA PACK, US	US,CA,LTN	
5	FE1-6531-000		1	DVD, MEDIA PACK, EFIGS	EUR,AU,SG,HK,KR,LTN	
5	FE1-6532-000		1	DVD, MEDIA PACK, JP	JP	
6	FE1-6533-000		1	DVD-ROM, SYS S/W DVD1, EFIGS	US,CA,LTN,EUR,AU,SG,HK,KR,LTN	
6	FE1-6534-000		1	DVD-ROM, SYS S/W DVD1, JP	JP	
7	FE1-6535-000		1	DVD-ROM, SYS S/W DVD2, EFIGS	US,CA,LTN,EUR,AU,SG,HK,KR,LTN	
7	FE1-6536-000		1	DVD-ROM, SYS S/W DVD2, JP	JP	
8	FE1-6322-000		1	POWER CORD, US	US,CA,LTN	
9	FE1-6326-000		1	POWER CORD, JP	JP	
10	FE1-6323-000		1	POWER CORD, 230V, EUR	EUR,AU,SG,HK,KR,LTN	
11	FE1-6324-000		1	POWER CORD, 230V, GB	GB	

# FIGURE 101 INTERNAL COMPONENTS



COPYRIGHTED BY EFI

FIGURE & KEY NO.	PARTS NUMBER	RANK	Q'TY	DESCRIPTION	SERIAL NUMBER/REMARKS	SVC
Fig.101	NPN		RF	INTERNAL COMPONENTS		
1	FE1-6529-000		1	MOTHERBOARD PCB ASSEMBLY		
2	FE1-6529-000		1	IC, CPU, W/ COOLING KIT		
3	FE1-6318-000		1	FAN ASSEMBLY		
4	FE1-6405-000		1	DIMM ASS'Y, 1GB		
5	FE1-6515-000		1	IMAGE CONTROLLER PCB ASS'Y		
6	FE1-6206-000		1	UIB PCB ASS'Y		
7	FE1-6210-000		1	BUTTON, UIB		
8	FE1-6127-000		1	CABLE, UIB		
9	FE1-6404-000		1	DVD-RW DRIVE UNIT		
10	FE1-6232-000		1	CABLE, CD-ROM/DVD/ZIP/MO		
11	FE1-6203-000		1	HDD, 250GB		
12	FE1-6079-000		1	CABLE, HDD		
13	FE1-6400-000		1	PWR /RESET/ USB/ SPEAKER ASS'Y		
14	FE1-6395-000		1	POWER SUPPLY ASSEMBLY		
15	FE1-5837-000		1	FAN		
16	FE1-6528-000		1	COVER, FRONT		
17	FE1-6274-000		1	COVER, TOP		



# FIGURE 102 INTERFACE KIT

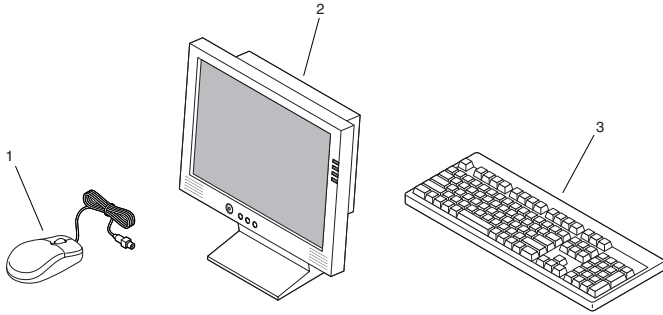


FIGURE & KEY NO.	PARTS NUMBER	RANK	Q'TY	DESCRIPTION	SERIAL NUMBER/REMARKS	SVC
Fig.102	NPN		RF	INTERFACE KIT		
1	FE1-6207-000		1	MOUSE		
2	FE1-6245-000		1	DISPLAY ASSEMBLY, LCD, 22 IN		
3	FE1-6209-000		1	KEYBOARD ASSEMBLY		



Prepared by  
OIP Service Management Center  
CANON INC.

**Canon**