

# imagePRESS C800/C700/C60 Series

## PARTS CATALOG



# Canon

October 28, 2014  
Rev. 0



## **PREFACE**

This Parts Catalog contains listings of parts used

Diagrams are provided with the listings to aid the service technician in identifying clearly, the item to be ordered.

Whenever ordering parts, consult this Parts Catalog for all of the information pertaining to each item. Be sure to include, in the Parts Request, the full item description, the item part number, and the quantity.

***COPYRIGHT (C) 1999 CANON INC.***

Use of this manual should be strictly supervised to avoid disclosure of confidential information.



# Contents

## NUMERICAL INDEX

imagePRESS C800/C700/C600/C60 Series(Numerical Index)..... 1-1

## imagePRESS C800/C700/C600/C60 Series(Parts Catalog)

A1	ASSEMBLY LOCATION DIAGRAM .....	2-1
A2	OPTION PARTS CATALOG LIST .....	2-8
001	ACCESSORIES .....	2-9
100	EXTERNAL COVERS, PANELS, ETC. ....	2-11
101	INTERNAL COMPONENTS 1 .....	2-16
102	INTERNAL COMPONENTS 2 .....	2-18
103	INTERNAL COMPONENTS 3 .....	2-20
104	INTERNAL COMPONENTS 4 .....	2-23
105	INTERNAL COMPONENTS 5 .....	2-26
106	INTERNAL COMPONENTS 6 .....	2-28
107	MACHINE BOTTOM PLATE .....	2-30
108	MACHINE REAR PLATE 1 .....	2-32
109	MACHINE REAR PLATE 2 .....	2-34
110	MACHINE REAR PLATE 3 .....	2-36
111	MACHINE REAR PLATE 4 .....	2-38
112	MACHINE REAR PLATE 5 .....	2-40
113	MACHINE REAR PLATE 6 .....	2-42
114	MACHINE REAR PLATE 7 .....	2-44
115	MACHINE REAR PLATE 8 .....	2-46
117	VERTICAL PATH DOOR ASSEMBLY .....	2-48
118	REVERSE DELIVERY DOOR ASSEMBLY .....	2-50
119	FRONT INNER DOOR ASSEMBLY .....	2-54
140	POWER CORD TERMINAL ASSEMBLY .....	2-56
191	DEV. COOLING EXHAUST FAN ASS'Y .....	2-59
192	FIXING EXHAUST FAN ASSEMBLY .....	2-60
193	PRIMARY CORONA EXHAUST ASS'Y .....	2-61
194	PAPER COOLING ASSEMBLY, UPPER .....	2-62
195	PAPER COOLING ASSEMBLY, LOWER .....	2-63
250	DRUM DRIVE ASSEMBLY, COLOR .....	2-64
251	DRUM DRIVE ASSEMBLY, BLACK .....	2-65
260	VERTICAL PATH DRIVE ASS'Y, 1 .....	2-66
261	VERTICAL PATH DRIVE ASS'Y, 2 .....	2-67
262	PRE-REG. DRIVE ASSEMBLY .....	2-68
270	DEVELOPING DRIVE ASS'Y, COLOR .....	2-69
271	DEVELOPING DRIVE ASS'Y, BLACK .....	2-71

# Contents

272	2ND TRNS. EST. DRIVE ASS'Y .....	2-73
273	WASTE TONER DRIVE ASSEMBLY .....	2-74
300	CASSETTE ASSEMBLY .....	2-76
305	CASSETTE HEATER ASSEMBLY .....	2-79
310	PAPER PICK-UP ASSEMBLY .....	2-80
320	REGISTRATION ASSEMBLY .....	2-84
321	REG. PATCH DETECT ASSEMBLY .....	2-88
330	FIXING/FEED ASSEMBLY .....	2-90
331	PRE-FIXING PAPER FEED ASSEMBLY .....	2-96
332	FIXING DRIVE ASSEMBLY .....	2-98
350	REVERSE PAPER DELIVERY ASS'Y .....	2-99
355	DECURLER PATH COVER ASSEMBLY .....	2-103
356	DECURLER PATH ASSEMBLY .....	2-105
357	ROTATION FRAME ASSEMBLY .....	2-110
460	LASER SCANNER ASSEMBLY .....	2-112
510	PROCESS ASSEMBLY .....	2-113
530	I.T.B. FRAME ASSEMBLY .....	2-115
531	TRANSFER PRESSURE ASS'Y, FRONT .....	2-122
532	PRE-TRANSFER CORONA ASSEMBLY .....	2-123
550	PRIMARY CORONA ASSEMBLY .....	2-125
580	SECONDARY TRANSFER ASSEMBLY .....	2-127
620	HOPPER MOUNT ASSEMBLY, COLOR .....	2-130
621	HOPPER ASSEMBLY, COLOR .....	2-132
622	HOPPER ASSEMBLY, BLACK .....	2-133
623	BOTTLE TRAY ASSEMBLY, COLOR .....	2-135
624	BOTTLE TRAY ASSEMBLY, BLACK .....	2-137
625	TONER CONTAINER COVER ASS'Y .....	2-139
640	DEVELOPING ASSEMBLY .....	2-141
770	WASTE TONER FIRST FEED ASS'Y .....	2-142
771	SUB FRAME ASSEMBLY .....	2-143
772	CONTAINER, WASTE TONER, WT-401 .....	2-144
810	FIXING ASSEMBLY .....	2-145
811	UPPER BELT ASSEMBLY .....	2-148
812	FIXING BASE ASSEMBLY .....	2-150
900	CONTROLLER BOX ASSEMBLY .....	2-155
910	DC POWER SUPPLY BOX ASSEMBLY .....	2-157
911	IH POWER SUPPLY BOX ASSEMBLY .....	2-159
912	HEATER POWER SUPPLY PCB ASS'Y .....	2-160
913	RELAY PCB ASSEMBLY .....	2-161
931	DC CONTROLLER I/F PCB ASS'Y .....	2-162
932	MAIN CONTROLLER PCB ASS'Y, 1 .....	2-163
933	MAIN CONTROLLER PCB ASS'Y, 2 .....	2-164
934	DC CONTROLLER DIFF PCB ASS'Y .....	2-165
940	RISER PCB ASSEMBLY .....	2-166
950	LASER INTERFACE PCB ASSEMBLY .....	2-167

## Contents

960	PAPER PICK-UP DRIVER PCB ASS'Y .....	2-168
961	REG. PATCH DRIVER PCB ASSEMBLY .....	2-169
962	AC DRIVER PCB ASSEMBLY .....	2-170
963	BUFFER DRIVER PCB ASSEMBLY .....	2-171
964	DRUM HEATER DRIVER PCB ASS'Y .....	2-172
965	FIXING/FEEDER DRIVER PCB ASS'Y .....	2-173
966	CIS DRIVER PCB ASSEMBLY .....	2-174
983	DRUM POST HIGH VOLTAGE ASS'Y .....	2-175
984	POST HIGH VOLTAGE PCB ASSEMBLY .....	2-176
985	1ST CORONA HIGH VOLTAGE PCB .....	2-177
986	2ND TRNSFR. STATIC CHARGE H.V. ....	2-178
987	2ND TRANSFER H.V. PCB ASS'Y .....	2-179
990	HARD DISK DRIVE ASSEMBLY .....	2-180
ZZA	MECHANICAL STANDARD PARTS (HOW TO USE) .....	2-182
ZZB	MECHANICAL STANDARD PARTS (SCREWS) .....	2-183
ZZC	MECHANICAL STANDARD PARTS (BOLTS) .....	2-190
ZZD	MECHANICAL STANDARD PARTS (NUTS) .....	2-191
ZZE	MECHANICAL STANDARD PARTS (RETAINING RINGS) .....	2-192





# NUMERICAL INDEX

## imagePRESS C800/C700/C600/C60 Series(Numerical Index)

PARTS NUMBER	FIGURE & KEY NO.	PARTS NUMBER	FIGURE & KEY NO.	PARTS NUMBER	FIGURE & KEY NO.
FA4-1864-000	532 - 1	FC0-9423-000	310 - 2	FC0-9690-000	100 - 20
FA9-3870-000	355 - 1	FC0-9424-000	310 - 3	FC0-9691-000	100 - 21
FB2-2959-000	550 - 1	FC0-9425-000	310 - 4	FC0-9692-000	100 - 22
FB2-6285-020	530 - 1	FC0-9434-000	310 - 5	FC0-9693-000	100 - 23
FB2-8094-020	105 - 1	FC0-9438-000	310 - 6	FC0-9694-000	100 - 24
FB2-8094-020	111 - 1	FC0-9443-000	310 - 7	FC0-9695-000	100 - 25
FB4-1340-000	107 - 1	FC0-9445-000	310 - 8	FC0-9712-000	532 - 5
FB4-2007-000	330 - 1	FC0-9450-000	310 - 9	FC0-9759-000	330 - 7
FB5-9104-010	530 - 2	FC0-9490-000	310 - 10	FC0-9785-000	530 - 6
FB5-9104-010	810 - 1	FC0-9497-000	100 - 5	FC0-9786-000	580 - 5
FB6-0450-000	100 - 1	FC0-9498-000	355 - 2	FC0-9789-000	310 - 12
FB6-3150-000	331 - 1	FC0-9504-000	356 - 1	FC0-9793-000	310 - 13
FB6-6088-000	810 - 2	FC0-9508-000	355 - 3	FC0-9798-000	310 - 14
FC0-0405-000	101 - 1	FC0-9511-000	355 - 4	FC0-9799-000	310 - 15
FC0-0793-000	625 - 1	FC0-9512-000	101 - 2	FC0-9805-000	320 - 1
FC0-1512-000	623 - 1	FC0-9513-000	101 - 3	FC0-9806-000	320 - 2
FC0-1512-000	624 - 1	FC0-9517-000	356 - 2	FC0-9808-000	320 - 3
FC0-2118-010	310 - 1	FC0-9519-000	356 - 3	FC0-9809-000	320 - 4
FC0-2235-000	001 - 14	FC0-9520-000	356 - 4	FC0-9810-000	320 - 5
FC0-2236-000	001 - 15	FC0-9523-000	810 - 3	FC0-9816-000	320 - 6
FC0-2237-000	001 - 16	FC0-9524-000	810 - 4	FC0-9819-000	320 - 7
FC0-2338-000	119 - 1	FC0-9528-000	812 - 1	FC0-9834-000	320 - 8
FC0-4088-000	530 - 111	FC0-9530-000	812 - 2	FC0-9835-000	320 - 9
FC0-4129-000	771 - 1	FC0-9539-000	812 - 3	FC0-9844-000	100 - 26
FC0-8113-000	532 - 2	FC0-9543-000	812 - 4	FC0-9845-000	100 - 27
FC0-8114-000	532 - 3	FC0-9548-000	812 - 5	FC0-9849-000	105 - 3
FC0-8117-000	532 - 4	FC0-9570-000	530 - 5	FC0-9850-000	104 - 5
FC0-8130-010	550 - 2	FC0-9577-000	330 - 3	FC0-9857-000	550 - 3
FC0-8144-000	104 - 1	FC0-9578-000	330 - 4	FC0-9864-000	510 - 1
FC0-8156-000	104 - 2	FC0-9579-000	330 - 5	FC0-9865-000	355 - 7
FC0-8160-000	104 - 3	FC0-9581-000	330 - 6	FC0-9866-000	118 - 3
FC0-8160-000	531 - 1	FC0-9622-000	811 - 1	FC0-9874-000	812 - 6
FC0-8168-000	530 - 3	FC0-9631-000	310 - 11	FC0-9910-000	350 - 2
FC0-8177-000	350 - 1	FC0-9653-000	109 - 1	FC0-9912-000	350 - 3
FC0-8240-000	623 - 2	FC0-9656-000	100 - 6	FC0-9918-000	350 - 4
FC0-8240-000	624 - 2	FC0-9656-000	194 - 1	FC0-9919-000	350 - 5
FC0-8244-000	620 - 1	FC0-9658-000	194 - 2	FC0-9932-000	118 - 4
FC0-8244-000	622 - 1	FC0-9660-000	100 - 7	FC0-9933-000	118 - 5
FC0-8281-000	100 - 2	FC0-9667-000	355 - 5	FC0-9939-000	107 - 10
FC0-8302-000	100 - 3	FC0-9668-000	355 - 6	FC0-9940-000	118 - 6
FC0-8307-010	100 - 80	FC0-9669-000	100 - 8	FC0-9944-000	530 - 7
FC0-8727-000	118 - 1	FC0-9670-000	100 - 9	FC0-9957-000	530 - 8
FC0-8775-000	331 - 2	FC0-9671-000	100 - 10	FC0-9968-000	262 - 1
FC0-9367-000	330 - 2	FC0-9672-000	100 - 11	FC0-9971-000	105 - 4
FC0-9385-000	100 - 4	FC0-9673-000	100 - 12	FC0-9979-000	330 - 8
FC0-9388-000	580 - 1	FC0-9674-000	100 - 13	FC0-9982-000	355 - 8
FC0-9389-000	580 - 2	FC0-9676-000	100 - 14	FC0-9982-000	356 - 5
FC0-9390-000	580 - 3	FC0-9677-000	105 - 2	FC0-9985-000	320 - 11
FC0-9391-000	580 - 4	FC0-9682-000	100 - 15	FC0-9992-000	100 - 28
FC0-9395-000	530 - 4	FC0-9683-000	100 - 16	FC2-2121-000	106 - 1
FC0-9410-000	103 - 1	FC0-9685-000	100 - 17	FC5-1282-000	100 - 29
FC0-9415-000	104 - 4	FC0-9686-000	100 - 18	FC5-1810-000	532 - 6

# NUMERICAL INDEX

## imagePRESS C800/C700/C600/C60 Series(Numerical Index)

PARTS NUMBER	FIGURE & KEY NO.	PARTS NUMBER	FIGURE & KEY NO.	PARTS NUMBER	FIGURE & KEY NO.
FC5-1810-000	550 - 4	FC8-1933-000	270 - 1	FC8-4623-000	530 - 29
FC5-2277-000	357 - 1	FC8-1933-000	271 - 2	FC8-4623-000	620 - 2
FC5-2598-000	812 - 7	FC8-1936-000	103 - 2	FC8-4623-000	622 - 2
FC5-2652-000	100 - 30	FC8-1962-000	330 - 11	FC8-4649-000	623 - 3
FC5-2652-000	355 - 9	FC8-1968-000	330 - 12	FC8-4649-000	624 - 3
FC5-2668-000	100 - 31	FC8-1998-000	119 - 3	FC8-4662-010	625 - 3
FC5-2687-000	107 - 2	FC8-2023-000	812 - 11	FC8-4663-000	625 - 4
FC5-2715-000	119 - 2	FC8-2027-000	812 - 12	FC8-4664-000	625 - 5
FC5-2715-000	320 - 12	FC8-2029-000	812 - 13	FC8-4665-000	625 - 6
FC5-5451-000	355 - 10	FC8-2077-000	810 - 5	FC8-4666-000	625 - 7
FC5-9144-000	530 - 9	FC8-2080-000	812 - 14	FC8-4687-000	625 - 8
FC5-9151-000	530 - 10	FC8-2100-000	810 - 6	FC8-4724-000	100 - 34
FC6-1035-000	510 - 2	FC8-2101-000	812 - 15	FC8-4990-000	300 - 5
FC6-1057-000	550 - 5	FC8-2106-010	812 - 16	FC8-4999-000	106 - 2
FC6-1368-000	271 - 1	FC8-2108-000	810 - 7	FC8-5174-000	900 - 1
FC6-3002-000	510 - 3	FC8-2119-000	810 - 8	FC8-5205-000	932 - 1
FC6-3002-000	580 - 6	FC8-2250-000	110 - 1	FC8-5205-000	933 - 1
FC6-4009-000	118 - 7	FC8-2251-000	110 - 2	FC8-5262-000	300 - 6
FC6-4009-000	356 - 6	FC8-2281-000	510 - 4	FC8-6639-000	107 - 4
FC6-8737-000	140 - 7	FC8-2296-000	550 - 6	FC8-8802-000	104 - 6
FC6-9029-000	330 - 9	FC8-2311-000	103 - 3	FC8-8802-000	105 - 5
FC7-0722-000	812 - 8	FC8-2315-000	510 - 5	FC8-8802-000	330 - 13
FC7-0727-000	330 - 10	FC8-2334-000	103 - 4	FC8-8963-000	356 - 8
FC7-1227-000	357 - 2	FC8-2339-000	102 - 1	FC8-8963-000	357 - 5
FC7-1428-000	812 - 9	FC8-2462-000	300 - 2	FC8-8967-000	356 - 9
FC7-1481-010	812 - 10	FC8-2463-000	300 - 3	FC8-8970-010	356 - 10
FC7-7183-000	357 - 3	FC8-2464-000	300 - 4	FC8-8973-000	356 - 11
FC7-8201-000	530 - 11	FC8-2507-010	812 - 18	FC8-8973-000	357 - 6
FC7-9325-000	530 - 12	FC8-2509-000	812 - 19	FC8-8976-000	350 - 7
FC8-0785-000	310 - 16	FC8-2525-010	625 - 2	FC8-8976-000	356 - 12
FC8-1205-000	300 - 1	FC8-2544-000	510 - 6	FC8-8977-000	357 - 7
FC8-1697-000	530 - 15	FC8-2545-000	510 - 7	FC8-8978-000	357 - 8
FC8-1713-000	530 - 16	FC8-2550-000	350 - 6	FC8-8988-000	356 - 13
FC8-1716-010	530 - 17	FC8-2576-000	118 - 8	FC8-8988-000	357 - 9
FC8-1725-010	530 - 68	FC8-2597-000	118 - 9	FC8-9030-000	355 - 11
FC8-1727-000	530 - 18	FC8-2606-000	118 - 10	FC9-0127-000	300 - 7
FC8-1736-000	530 - 19	FC8-2606-000	356 - 7	FC9-0128-000	300 - 8
FC8-1755-000	530 - 20	FC8-2606-000	357 - 4	FC9-0385-010	531 - 4
FC8-1761-010	530 - 21	FC8-2607-000	117 - 2	FC9-0393-000	510 - 9
FC8-1762-000	102 - 22	FC8-2608-000	117 - 3	FC9-0402-000	310 - 17
FC8-1763-000	102 - 23	FC8-2623-000	118 - 11	FC9-0402-000	330 - 14
FC8-1769-000	530 - 22	FC8-2627-000	320 - 13	FC9-0438-000	103 - 8
FC8-1771-000	530 - 23	FC8-2627-000	580 - 7	FC9-0439-000	103 - 9
FC8-1778-010	530 - 24	FC8-2633-000	580 - 8	FC9-0447-000	108 - 1
FC8-1779-000	530 - 25	FC8-2641-000	580 - 9	FC9-3670-000	109 - 4
FC8-1790-000	531 - 2	FC8-2644-000	510 - 8	FC9-3751-000	625 - 9
FC8-1791-000	530 - 26	FC8-2645-000	103 - 5	FC9-3752-000	623 - 4
FC8-1792-010	530 - 27	FC8-2646-000	103 - 6	FC9-3752-000	624 - 4
FC8-1798-000	531 - 3	FC8-2647-000	103 - 7	FC9-3773-000	119 - 4
FC8-1832-010	107 - 3	FC8-2674-000	331 - 3	FC9-3779-000	107 - 5
FC8-1835-000	100 - 32	FC8-2791-000	109 - 2	FC9-3786-010	109 - 5
FC8-1844-000	100 - 33	FC8-2792-000	109 - 3	FC9-3787-010	530 - 30

# NUMERICAL INDEX

## imagePRESS C800/C700/C600/C60 Series(Numerical Index)

PARTS NUMBER	FIGURE & KEY NO.	PARTS NUMBER	FIGURE & KEY NO.	PARTS NUMBER	FIGURE & KEY NO
FC9-3788-010	530 - 31	FC9-9380-000	530 - 34	FE3-6353-000	119 - 5
FC9-3827-000	531 - 5	FE2-0010-010	305 - 1	FE3-6354-000	300 - 21
FC9-3831-000	300 - 9	FE2-0016-010	100 - 36	FE3-6355-000	300 - 22
FC9-3836-000	107 - 6	FE2-0025-010	300 - 13	FE3-6356-000	300 - 23
FC9-3889-000	102 - 2	FE2-0026-010	300 - 14	FE3-6357-000	300 - 24
FC9-3922-000	356 - 14	FE2-0027-010	300 - 15	FE3-6358-000	300 - 25
FC9-3922-000	357 - 10	FE2-0029-010	300 - 16	FE3-6359-000	300 - 26
FC9-3940-000	900 - 2	FE2-0063-010	106 - 3	FE3-6360-000	300 - 27
FC9-3952-000	356 - 15	FE2-0075-010	320 - 14	FE3-6361-000	300 - 28
FC9-3952-000	357 - 11	FE2-0092-010	195 - 1	FE3-6362-000	300 - 29
FC9-3972-000	812 - 20	FE2-0108-020	100 - 37	FE3-6363-000	300 - 30
FC9-3999-000	103 - 10	FE2-0115-010	104 - 7	FE3-6364-000	300 - 31
FC9-4041-000	100 - 35	FE2-0123-010	100 - 38	FE3-6365-000	106 - 4
FC9-4049-000	101 - 4	FE2-0124-010	355 - 13	FE3-6366-000	300 - 32
FC9-4063-000	530 - 32	FE2-0125-010	100 - 39	FE3-6367-000	530 - 38
FC9-4077-000	350 - 8	FE2-0126-010	100 - 40	FE3-6371-000	580 - 10
FC9-4085-000	101 - 5	FE2-0127-010	100 - 41	FE3-6389-000	100 - 47
FC9-4096-000	932 - 2	FE2-0128-010	100 - 42	FE3-6390-000	100 - 48
FC9-4097-000	932 - 3	FE2-0170-010	530 - 35	FE3-6391-000	105 - 8
FC9-4098-000	932 - 4	FE2-0176-010	355 - 15	FE3-6396-000	100 - 49
FC9-4098-000	933 - 2	FE2-0177-010	331 - 5	FE3-6397-000	001 - 2
FC9-4107-000	102 - 3	FE2-0179-010	108 - 5	FE3-6515-000	271 - 3
FC9-4108-000	102 - 4	FE2-0180-010	355 - 16	FE3-8153-000	300 - 33
FC9-4109-000	102 - 5	FE2-0180-010	356 - 18	FE3-8162-000	812 - 17
FC9-4111-000	532 - 7	FE2-0182-010	300 - 17	FE3-8172-000	812 - 23
FC9-4116-000	273 - 1	FE2-0194-010	105 - 7	FE3-8179-000	100 - 50
FC9-4117-000	105 - 6	FE2-0195-010	100 - 56	FE3-8190-000	107 - 8
FC9-4118-000	273 - 2	FE2-0199-010	100 - 43	FE3-8336-000	810 - 9
FC9-4123-000	530 - 33	FE2-0202-010	331 - 6	FE3-9943-000	001 - 7
FC9-4156-000	933 - 3	FE2-0209-010	100 - 44	FE4-0111-000	530 - 13
FC9-5461-000	620 - 3	FE2-0224-010	103 - 13	FE4-0112-000	530 - 14
FC9-5556-000	331 - 4	FE2-0227-010	330 - 17	FE4-0430-000	107 - 9
FC9-6203-000	356 - 16	FE2-0235-010	357 - 14	FE4-0758-000	106 - 5
FC9-6203-000	357 - 12	FE2-0267-010	812 - 22	FE4-0765-000	300 - 49
FC9-6207-000	356 - 17	FE2-0270-010	102 - 7	FE4-0787-000	300 - 57
FC9-6207-000	357 - 13	FE2-0272-010	251 - 1	FE4-1049-000	117 - 1
FC9-7171-000	300 - 10	FE2-0277-010	530 - 36	FG5-5794-000	001 - 1
FC9-7259-000	300 - 11	FE2-0282-000	310 - 19	FH3-0967-000	984 - T
FC9-7260-000	300 - 12	FE2-0283-000	310 - 20	FH3-0967-000	986 - T
FC9-7261-000	310 - 18	FE2-0286-000	310 - 21	FH7-7626-000	140 - 12
FC9-7493-000	108 - 2	FE2-0290-000	100 - 45	FK2-0003-00U	102 - 8
FC9-8388-000	330 - 15	FE2-0301-000	100 - 46	FK2-0014-000	140 - 12
FC9-8402-000	102 - 6	FE2-0306-000	770 - 1	FK2-0161-000	530 - 39
FC9-8425-000	330 - 16	FE2-0579-000	300 - 18	FK2-0360-000	104 - 8
FC9-8425-000	812 - 21	FE2-0718-000	107 - 7	FK2-0360-000	356 - 20
FC9-9145-000	350 - 9	FE2-1682-000	300 - 19	FK2-0590-000	621 - 1
FC9-9331-000	103 - 11	FE3-6321-000	810 - 10	FK2-0590-000	622 - 3
FC9-9332-000	103 - 12	FE3-6322-000	330 - 18	FK2-0598-000	912 - T
FC9-9341-000	990 - 1	FE3-6334-000	530 - 37	FK2-0607-000	103 - 14
FC9-9342-000	108 - 3	FE3-6340-000	118 - 13	FK2-0680-000	912 - T
FC9-9343-000	108 - 4	FE3-6340-000	356 - 19	FK2-0681-000	912 - T
FC9-9353-000	355 - 12	FE3-6350-000	300 - 20	FK2-0831-000	330 - 19

# NUMERICAL INDEX

## imagePRESS C800/C700/C600/C60 Series(Numerical Index)

PARTS NUMBER	FIGURE & KEY NO.	PARTS NUMBER	FIGURE & KEY NO.	PARTS NUMBER	FIGURE & KEY NO.
FK2-2523-000	810 - 11	FK3-2324-000	985 - IC	FL0-1932-000	310 - 26
FK2-2529-000	900 - 3	FK3-2575-000	101 - 6	FL0-1934-000	100 - 55
FK2-2537-000	812 - 24	FK3-2576-000	530 - 42	FL0-2776-000	192 - 1
FK2-3149-000	350 - 10	FK3-2577-000	530 - 43	FL0-2870-000	100 - 57
FK2-3218-000	933 - IC	FK3-2590-000	985 - T	FL0-3261-000	001 - 8
FK2-3218-000	940 - IC	FK3-2592-000	964 - T	FL0-4500-000	310 - 24
FK2-3679-000	356 - 21	FK3-2593-000	118 - 15	FL0-4501-000	101 - 28
FK2-3679-000	911 - 1	FK3-2593-000	910 - 2	FL0-4504-000	100 - 19
FK2-6461-000	910 - 1	FK3-3203-000	321 - 2	FL0-4511-000	810 - 40
FK2-6465-000	331 - 7	FK3-3207-000	262 - 2	FL0-8037-000	320 - 15
FK2-6470-000	812 - 25	FK3-3208-000	350 - 13	FL2-0415-000	510 - 11
FK2-7675-000	260 - 1	FK3-3209-000	310 - 23	FL2-0439-000	104 - 11
FK2-7675-000	261 - 1	FK3-3213-000	140 - 18	FL2-2704-000	510 - 12
FK2-7718-000	983 - 1	FK3-3225-000	320 - 17	FL2-4425-000	102 - 9
FK2-7866-000	530 - 40	FK3-3227-000	530 - 44	FL2-7750-010	532 - 8
FK2-7870-000	812 - 26	FK3-3792-000	933 - IC	FL2-7750-010	550 - 7
FK2-7871-000	812 - 27	FK3-3793-000	933 - IC	FL2-8565-000	812 - 62
FK2-7884-000	810 - 12	FK3-3803-000	113 - 1	FL2-8566-000	812 - 63
FK2-7885-000	810 - 12	FK3-3812-000	990 - 2	FL2-8567-010	810 - 14
FK2-7897-000	270 - 2	FK3-3980-000	530 - 45	FL2-8568-010	810 - 15
FK2-7897-000	271 - 4	FK3-3981-000	250 - 1	FL2-8588-000	812 - 28
FK2-7897-000	530 - 41	FK3-3981-000	530 - 46	FL2-8598-000	510 - 13
FK2-7899-000	332 - 1	FK3-3982-000	251 - 2	FL2-8652-000	510 - 14
FK2-7915-000	321 - 1	FK3-3985-000	950 - IC	FL2-8653-000	510 - 15
FK2-7919-000	103 - 15	FK3-3986-000	108 - 6	FL2-8654-000	510 - 16
FK2-8345-000	933 - IC	FK3-3986-000	110 - 3	FL2-8660-000	110 - 4
FK2-8353-000	933 - IC	FK3-3986-000	119 - 6	FL2-8683-000	310 - 27
FK2-8365-000	100 - 51	FK3-3988-000	140 - 16	FL2-8697-000	100 - 58
FK2-8431-000	900 - 5	FK3-4046-000	109 - 6	FL2-8710-000	531 - 6
FK2-8433-000	900 - 6	FK4-1610-000	194 - 3	FL2-8734-010	356 - 24
FK2-8560-000	118 - 14	FK4-1861-000	932 - IC	FL2-8749-000	330 - 41
FK2-8560-000	310 - 22	FK4-2862-000	001 - 17	FL2-8763-000	812 - 29
FK2-8560-000	320 - 16	FK4-2863-000	001 - 18	FL2-8807-000	532 - 9
FK2-8560-000	330 - 21	FL0-1248-000	195 - 2	FL2-8809-000	530 - 48
FK2-8560-000	350 - 11	FL0-1252-000	100 - 52	FL2-8848-000	510 - 17
FK2-8560-000	356 - 22	FL0-1253-000	100 - 53	FL2-8849-000	510 - 18
FK2-8560-000	357 - 15	FL0-1263-000	810 - 13	FL2-8865-000	103 - 16
FK2-8560-000	580 - 12	FL0-1265-000	100 - 54	FL2-8870-010	530 - 49
FK2-9788-000	933 - IC	FL0-1270-000	510 - 10	FL2-8871-000	530 - 50
FK3-1998-000	140 - 8	FL0-1271-000	104 - 9	FL2-8878-000	356 - 25
FK3-2212-000	932 - IC	FL0-1272-000	104 - 10	FL2-8915-000	550 - 8
FK3-2289-000	140 - 17	FL0-1281-000	331 - 8	FL2-8925-000	101 - 8
FK3-2298-000	356 - 23	FL0-1858-000	355 - 17	FL2-8926-000	101 - 9
FK3-2312-000	350 - 12	FL0-1859-000	355 - 18	FL3-2302-000	530 - 51
FK3-2323-000	913 - IC	FL0-1865-000	140 - 1	FL3-4090-000	550 - 9
FK3-2323-000	931 - IC	FL0-1877-000	530 - 47	FL3-4091-000	330 - 22
FK3-2323-000	934 - IC	FL0-1884-000	321 - 3	FL3-4101-000	100 - 59
FK3-2323-000	960 - IC	FL0-1894-000	104 - 36	FL3-4283-000	933 - IC
FK3-2323-000	961 - IC	FL0-1895-000	310 - 25	FL3-6526-000	001 - 9
FK3-2323-000	963 - IC	FL0-1898-000	770 - 2	FL3-6670-000	900 - 4
FK3-2323-000	965 - IC	FL0-1899-000	771 - 2	FL3-6670-000	932 - 5
FK3-2323-000	966 - IC	FL0-1929-000	117 - 4	FL3-6675-000	580 - 13

# NUMERICAL INDEX

## imagePRESS C800/C700/C600/C60 Series(Numerical Index)

PARTS NUMBER	FIGURE & KEY NO.	PARTS NUMBER	FIGURE & KEY NO.	PARTS NUMBER	FIGURE & KEY NO.
FL3-7321-000	270 - 3	FM0-0854-000	108 - 9	FM0-1465-000	530 - 58
FL3-7553-000	100 - 60	FM0-0860-000	622 - 6	FM0-1466-000	530 - 59
FL3-7560-000	532 - 10	FM0-0863-000	532 - 13	FM0-1467-000	105 - 25
FL3-7560-000	550 - 10	FM0-0875-010	101 - 10	FM0-1481-000	321 - 5
FL3-7570-000	772 - 1	FM0-0888-000	621 - 3	FM0-1490-000	119 - 9
FL3-7604-000	104 - 12	FM0-0893-000	550 - 13	FM0-1491-000	101 - 12
FL3-7608-000	330 - 23	FM0-0894-000	550 - 14	FM0-1494-000	193 -
FL3-7613-000	356 - 26	FM0-1328-000	770 -	FM0-1497-000	332 -
FL3-7621-000	810 - 16	FM0-1330-000	350 - 16	FM0-1499-000	810 - 22
FL3-7643-000	530 - 52	FM0-1338-000	622 -	FM0-1503-000	109 - 7
FL3-7645-000	102 - 10	FM0-1339-000	620 -	FM0-1507-000	110 - 6
FL3-7673-000	310 - 28	FM0-1342-000	270 -	FM0-1511-000	106 - 8
FL3-7676-000	310 - 29	FM0-1343-000	251 -	FM0-1512-000	106 - 9
FL3-7679-000	106 - 6	FM0-1344-000	250 -	FM0-1513-000	625 -
FL3-7684-000	104 - 13	FM0-1347-010	580 -	FM0-1518-000	621 - 4
FL3-7685-000	300 - 34	FM0-1349-000	119 -	FM0-1518-000	622 - 7
FL3-7693-000	320 - 18	FM0-1350-000	119 - 7	FM0-1519-000	621 -
FL3-7706-000	350 - 14	FM0-1351-000	119 - 8	FM0-1529-000	140 - 2
FL3-7707-000	310 - 30	FM0-1355-000	117 -	FM0-1531-000	140 - 6
FL3-7710-000	310 - 31	FM0-1356-000	262 -	FM0-1533-010	530 - 60
FL3-7714-000	530 - 53	FM0-1357-000	356 -	FM0-1534-000	272 -
FL3-7727-000	900 - 7	FM0-1366-000	460 -	FM0-1535-000	580 - 16
FL3-7728-000	100 - 61	FM0-1367-000	460 -	FM0-1540-000	550 -
FL3-7729-000	100 - 62	FM0-1373-000	812 -	FM0-1541-000	100 - 65
FL3-7756-000	580 - 14	FM0-1374-000	810 - 18	FM0-1546-000	103 - 20
FL3-7767-000	192 - 2	FM0-1375-000	810 - 19	FM0-1554-000	355 - 19
FL3-7770-000	110 - 5	FM0-1379-000	811 - 2	FM0-1558-000	192 -
FL3-7770-000	193 - 1	FM0-1383-000	812 - 30	FM0-1559-000	510 - 20
FL3-7771-000	117 - 5	FM0-1385-010	810 - 20	FM0-1560-000	530 - 61
FL3-7798-000	100 - 63	FM0-1386-000	810 - 21	FM0-1561-000	530 - 62
FL3-8317-000	530 - 55	FM0-1389-000	103 - 17	FM0-1562-000	101 - 13
FL3-8779-000	108 - 7	FM0-1401-000	580 - 15	FM0-1563-000	911 -
FL3-8781-000	620 - 4	FM0-1415-000	300 - 35	FM0-1564-000	100 - 66
FL3-8781-000	622 - 4	FM0-1416-000	300 - 36	FM0-1566-000	105 - 9
FL3-8789-000	550 - 11	FM0-1417-000	300 - 37	FM0-1575-000	320 - 10
FL3-8790-000	532 - 11	FM0-1418-000	300 - 38	FM0-1580-000	350 -
FL3-9150-000	772 - 2	FM0-1423-000	330 - 25	FM0-1589-000	118 -
FL3-9168-000	140 - 1	FM0-1426-000	771 -	FM0-1611-000	194 - 4
FL3-9185-000	357 - 16	FM0-1432-000	101 - 11	FM0-2079-000	104 - 15
FL3-9404-000	100 - 64	FM0-1433-000	983 -	FM0-2101-000	983 - 3
FL3-9417-000	106 - 7	FM0-1435-000	950 -	FM0-2119-000	622 - 8
FL3-9434-000	321 - 4	FM0-1438-000	940 -	FM0-2120-010	620 - 6
FL3-9439-000	330 - 24	FM0-1443-000	310 -	FM0-2121-000	622 - 9
FL3-9448-000	191 - 1	FM0-1444-000	260 -	FM0-2124-000	530 - 63
FM0-0322-000	900 - 8	FM0-1445-000	261 -	FM0-2134-000	320 - 20
FM0-0756-000	620 - 5	FM0-1449-000	321 -	FM0-2134-000	350 - 17
FM0-0756-000	621 - 2	FM0-1452-000	191 -	FM0-2135-000	356 - 27
FM0-0756-000	622 - 5	FM0-1455-000	104 - 14	FM0-2136-000	356 - 28
FM0-0759-000	532 - 12	FM0-1459-000	530 - 56	FM0-2139-000	356 - 29
FM0-0759-000	550 - 12	FM0-1460-000	530 - 57	FM0-2702-010	620 - 7
FM0-0765-000	350 - 15	FM0-1461-000	510 - 19	FM0-2702-010	622 - 10
FM0-0853-000	108 - 8	FM0-1464-000	532 -	FM0-2746-000	140 - 3

# NUMERICAL INDEX

## imagePRESS C800/C700/C600/C60 Series(Numerical Index)

PARTS NUMBER	FIGURE & KEY NO.	PARTS NUMBER	FIGURE & KEY NO.	PARTS NUMBER	FIGURE & KEY NO
FM0-2747-000	114 - 1	FM0-2826-000	310 - 32	FM0-4695-000	900 - 16
FM0-2748-000	911 - 2	FM0-2827-000	983 - 2	FM0-4834-000	305 - 2
FM0-2749-000	910 - 3	FM0-2830-000	356 - 30	FM0-4889-000	118 - 18
FM0-2750-000	115 - 1	FM0-2831-000	356 - 31	FM0-4891-000	810 - 24
FM0-2751-000	105 - 10	FM0-2841-000	260 - 2	FM0-4893-000	110 - 11
FM0-2752-000	112 - 1	FM0-2841-000	261 - 2	FM0-4896-000	102 - 12
FM0-2753-000	113 - 2	FM0-2842-000	114 - 4	FM0-4897-000	530 - 69
FM0-2754-000	114 - 2	FM0-2843-000	320 - 25	FM0-4898-000	530 - 70
FM0-2756-000	110 - 7	FM0-2844-000	140 - 4	FM0-4899-000	530 - 71
FM0-2757-000	900 - 9	FM0-2845-000	900 - 12	FM0-4900-000	530 - 72
FM0-2768-000	900 - 10	FM0-2846-000	140 - 9	FM0-4904-000	100 - 68
FM0-2769-000	900 - 11	FM0-2847-000	103 - 22	FM0-4905-000	102 - 13
FM0-2770-000	115 - 2	FM0-2850-000	900 - 13	FM0-4910-000	772 -
FM0-2771-000	110 - 8	FM0-2851-000	580 - 19	FM0-4911-000	624 -
FM0-2772-000	812 - 31	FM0-2852-000	320 - 26	FM0-4922-000	330 - 37
FM0-2773-000	812 - 32	FM0-2853-000	350 - 21	FM0-4924-000	330 - 38
FM0-2774-000	330 - 27	FM0-2855-000	113 - 3	FM0-4925-000	330 - 39
FM0-2775-000	330 - 28	FM0-2858-000	101 - 14	FM0-4927-000	320 - 27
FM0-2776-000	330 - 29	FM0-2859-000	101 - 15	FM0-4928-000	966 -
FM0-2777-000	810 - 23	FM0-2862-000	140 - 13	FM0-4929-000	140 -
FM0-2778-000	811 - 3	FM0-2863-000	100 - 67	FM0-4930-000	140 -
FM0-2780-000	812 - 33	FM0-2864-000	330 - 35	FM0-4945-000	103 - 23
FM0-2782-000	812 - 34	FM0-2866-000	320 - 19	FM0-4955-000	510 - 21
FM0-2783-000	330 - 30	FM0-2867-000	110 - 9	FM0-4957-000	530 - 73
FM0-2784-000	580 - 17	FM0-2868-000	110 - 10	FM0-4966-000	140 -
FM0-2785-000	330 - 31	FM0-2870-000	195 - 3	FM0-4967-000	115 - 3
FM0-2786-000	580 - 18	FM0-2871-000	620 - 9	FM0-4969-000	140 - 2
FM0-2787-000	330 - 32	FM0-2872-000	273 - 3	FM0-4976-000	350 - 22
FM0-2788-000	330 - 33	FM0-2916-010	931 -	FM0-4980-000	320 - 28
FM0-2789-000	320 - 21	FM0-2917-000	101 - 16	FM0-4983-000	320 - 29
FM0-2790-000	320 - 22	FM0-2920-000	962 -	FM0-4984-000	320 - 30
FM0-2791-000	320 - 23	FM0-2922-000	934 -	FM1-C639-000	109 - 8
FM0-2792-000	320 - 24	FM0-2923-000	960 -	FM1-C640-000	271 -
FM0-2793-000	330 - 34	FM0-2924-000	965 -	FM1-C646-000	118 - 19
FM0-2794-000	331 - 9	FM0-2925-000	961 -	FM1-C649-000	330 - 40
FM0-2797-000	530 - 64	FM0-2926-000	108 - 10	FM1-C653-000	102 - 14
FM0-2798-000	530 - 65	FM0-2927-000	913 -	FM1-C654-000	530 - 75
FM0-2801-000	251 - 3	FM0-2928-000	963 -	FM1-C655-000	117 - 6
FM0-2802-000	250 - 2	FM0-2929-000	962 -	FM1-C661-000	272 - 1
FM0-2804-000	270 - 4	FM0-2930-000	964 -	FM1-C662-000	580 - 20
FM0-2805-000	271 - 5	FM0-2931-000	530 - 66	FM1-C663-000	580 - 21
FM0-2811-000	103 - 21	FM0-2936-000	987 -	FM1-C664-000	580 - 11
FM0-2813-000	102 - 11	FM0-2937-000	101 - 17	FM1-C666-000	300 - 39
FM0-2815-000	620 - 8	FM0-2938-000	101 - 18	FM1-C667-000	331 - 10
FM0-2818-000	105 - 11	FM0-2939-000	912 -	FM1-C674-000	771 - 3
FM0-2819-000	114 - 3	FM0-2941-000	900 - 14	FM1-C678-000	001 - 5
FM0-2820-000	262 - 3	FM0-3008-010	330 - 36	FM1-C680-000	100 - 69
FM0-2821-000	350 - 18	FM0-3009-010	118 - 2	FM1-C681-000	100 - 70
FM0-2822-000	350 - 19	FM0-3011-000	530 - 67	FM1-C705-000	118 - 20
FM0-2823-000	350 - 20	FM0-4326-000	900 - 15	FM1-C706-000	910 - 4
FM0-2824-000	118 - 16	FM0-4351-000	933 -	FM1-C714-000	640 - 1
FM0-2825-000	118 - 17	FM0-4353-000	932 -	FM1-C715-000	640 - 2

# NUMERICAL INDEX

## imagePRESS C800/C700/C600/C60 Series(Numerical Index)

PARTS NUMBER	FIGURE & KEY NO.	PARTS NUMBER	FIGURE & KEY NO.	PARTS NUMBER	FIGURE & KEY NO.
FM1-C716-000	640 - 3	FM4-1347-000	140 - 5	FS5-9758-020	110 - 14
FM1-C717-000	640 - 4	FM4-1354-000	910 - 7	FS6-1067-000	310 - 36
FM1-C721-000	811 -	FM4-1355-000	910 - 8	FS7-0564-000	530 - 81
FM1-C722-000	810 - 17	FM4-1356-000	103 - 31	FS7-0652-000	310 - 37
FM1-C725-000	273 -	FM4-1357-000	110 - 12	FU0-0001-000	530 - 82
FM1-C727-000	510 -	FM4-1360-000	910 - 9	FU0-0002-000	320 - 35
FM1-C734-000	100 - 71	FM4-1361-000	910 - 10	FU0-0004-000	320 - 36
FM1-C876-000	900 - 17	FM4-1362-000	910 - 11	FU0-0006-000	320 - 37
FM1-C965-000	985 -	FM4-1370-000	910 - 12	FU0-0008-000	320 - 38
FM1-C966-000	108 - 11	FM4-1397-000	107 - 11	FU0-0009-000	320 - 39
FM1-D410-000	530 - 54	FM4-1410-000	103 - 32	FU0-0010-000	310 - 38
FM1-D411-000	104 - 16	FM4-1411-000	103 - 33	FU0-0014-000	310 - 39
FM1-D412-000	530 -	FM4-1414-000	103 - 34	FU0-0110-000	530 - 83
FM1-D437-000	811 - 17	FM4-1430-000	103 - 35	FU0-0111-000	530 - 84
FM1-D438-000	104 - 17	FM4-1437-000	357 - 17	FU0-0114-000	330 - 44
FM1-D440-000	356 - 33	FM4-1438-000	356 - 32	FU0-0117-000	310 - 40
FM1-D448-000	300 -	FM4-3890-000	273 - 4	FU0-0123-000	310 - 41
FM1-D450-000	105 - 12	FS1-1205-000	530 - 78	FU0-0124-000	310 - 42
FM1-D451-000	320 -	FS1-1341-000	320 - 32	FU0-0126-000	811 - 8
FM1-D452-000	331 -	FS1-1422-000	812 - 36	FU2-0589-000	530 - 85
FM1-D901-000	103 - 24	FS1-1508-000	260 - 3	FU3-0277-000	260 - 4
FM1-D965-000	986 -	FS1-1508-000	261 - 3	FU3-0277-000	261 - 4
FM1-D966-000	984 -	FS1-1508-000	310 - 33	FU3-0277-000	310 - 43
FM2-7196-000	530 - 76	FS1-1528-000	320 - 33	FU3-0314-000	620 - 10
FM2-7196-000	580 - 22	FS1-1569-000	118 - 21	FU3-0317-000	510 - 22
FM3-4867-000	321 - 6	FS1-9002-010	530 - 79	FU5-0330-000	310 - 44
FM3-4877-010	910 - 5	FS1-9010-020	811 - 5	FU5-0390-000	530 - 86
FM3-4906-000	530 - 77	FS1-9010-020	812 - 37	FU5-0629-000	330 - 45
FM3-4961-000	103 - 25	FS1-9078-020	100 - 72	FU5-1442-000	118 - 22
FM3-4981-000	109 - 9	FS1-9102-020	103 - 36	FU5-1442-000	350 - 24
FM3-5246-000	320 - 31	FS1-9253-020	102 - 17	FU5-1451-000	620 - 11
FM3-7941-000	103 - 26	FS2-9012-000	622 - 11	FU5-1451-000	622 - 12
FM3-8911-000	300 - 40	FS4-2136-000	580 - 24	FU5-1453-000	117 - 7
FM3-9585-000	812 - 35	FS5-0662-000	310 - 34	FU5-1453-000	118 - 23
FM3-9586-000	910 - 6	FS5-1474-000	330 - 42	FU5-1453-000	357 - 18
FM3-9593-000	103 - 27	FS5-1474-000	530 - 80	FU5-1457-000	195 - 4
FM3-9604-000	811 - 4	FS5-1592-000	320 - 34	FU5-1457-000	330 - 46
FM3-9886-000	102 - 15	FS5-1605-000	310 - 35	FU5-2139-040	118 - 24
FM3-9887-000	102 - 16	FS5-1943-000	580 - 23	FU5-2682-000	101 - 22
FM3-9890-000	103 - 28	FS5-2964-000	110 - 13	FU5-3666-000	273 - 5
FM3-9891-000	103 - 29	FS5-3805-000	350 - 23	FU5-6616-000	530 - 87
FM3-9898-000	625 - 10	FS5-6487-000	356 - 34	FU5-8549-000	100 - 83
FM3-9901-000	623 -	FS5-6488-000	330 - 43	FU5-8560-000	100 - 84
FM3-9951-000	990 - 3	FS5-6945-000	300 - 41	FU5-9224-000	104 - 18
FM3-9959-000	103 - 30	FS5-8623-000	101 - 20	FU5-9224-000	810 - 25
FM3-9972-000	101 - 19	FS5-8623-000	625 - 12	FU5-9225-000	104 - 19
FM3-9976-000	105 - 13	FS5-9162-020	106 - 10	FU5-9571-000	104 - 20
FM3-9980-010	625 - 11	FS5-9217-010	100 - 73	FU5-9596-000	101 - 23
FM4-0759-000	900 - 18	FS5-9277-020	101 - 21	FU5-9599-000	990 - 5
FM4-0780-000	900 - 19	FS5-9277-020	103 - 37	FU5-9749-000	810 - 41
FM4-1343-000	140 - 14	FS5-9391-000	990 - 4	FU5-9900-000	101 - 7
FM4-1344-000	140 - 15	FS5-9438-030	355 - 20	FU5-9905-000	100 - 82

# NUMERICAL INDEX

## imagePRESS C800/C700/C600/C60 Series(Numerical Index)

PARTS NUMBER	FIGURE & KEY NO.	PARTS NUMBER	FIGURE & KEY NO.	PARTS NUMBER	FIGURE & KEY NO.
FU6-0029-000	118 - 25	FU7-2347-000	103 - 41	FU8-8138-000	104 - 27
FU6-0029-000	356 - 35	FU7-2351-000	330 - 53	FU8-8139-000	104 - 24
FU6-0029-000	357 - 19	FU7-2352-000	105 - 14	FU8-8140-000	104 - 25
FU6-0092-000	118 - 26	FU7-2352-000	330 - 54	FU8-8141-000	104 - 26
FU6-0092-000	350 - 25	FU7-2354-000	321 - 7	FU8-8145-000	001 - 12
FU6-0152-000	118 - 27	FU7-2355-000	321 - 8	FU8-8146-000	001 - 6
FU6-0261-000	271 - 6	FU7-2365-000	356 - 38	FU8-8156-000	355 - 22
FU6-0603-000	271 - 7	FU7-2377-000	810 - 27	FU8-8162-000	100 - 77
FU6-0678-000	272 - 2	FU7-2379-000	330 - 55	FU8-8163-000	771 - 4
FU6-0689-000	350 - 26	FU7-2380-000	812 - 42	FU8-8164-000	100 - 34
FU6-0694-000	330 - 47	FU7-2381-000	531 - 7	FU8-8170-000	118 - 30
FU6-0733-000	356 - 36	FU7-2388-000	271 - 10	FU8-8174-000	001 - 13
FU6-1182-000	103 - 38	FU7-2389-000	103 - 42	FU8-8175-000	001 - 4
FU6-1184-000	273 - 6	FU7-2513-000	300 - 46	FU8-8178-000	001 - 3
FU6-1190-000	118 - 28	FU7-2514-000	300 - 47	FU8-8185-000	104 - 27
FU6-1513-000	356 - 37	FU7-2518-000	300 - 48	FU8-8195-000	117 - 8
FU6-1601-000	104 - 21	FU8-0019-000	810 - 28	FU8-8196-000	355 - 23
FU6-1601-000	330 - 48	FU8-0020-000	810 - 29	FU8-8197-000	100 - 34
FU6-1602-000	104 - 22	FU8-0024-000	580 - 25	FU8-8199-000	320 - 43
FU6-1602-000	330 - 49	FU8-0025-000	272 - 3	FU8-8203-000	001 - 10
FU6-2595-000	812 - 38	FU8-0037-000	510 - 24	FU8-8206-000	001 - 12
FU6-3054-000	262 - 4	FU8-0038-000	510 - 25	FU8-8208-000	356 - 41
FU6-3385-000	270 - 5	FU8-0051-000	271 - 11	FU8-8209-000	104 - 37
FU6-3398-000	260 - 5	FU8-0052-000	510 - 26	FU8-8212-000	300 - 50
FU6-3398-000	261 - 5	FU8-0056-000	330 - 56	FU8-8213-000	300 - 51
FU6-4563-000	100 - 75	FU8-0066-000	332 - 2	FU8-8217-000	100 - 85
FU6-4563-000	355 - 21	FU8-0069-000	273 - 7	FU8-8219-000	625 - 13
FU6-6397-000	330 - 50	FU8-0075-000	356 - 39	FU8-8257-000	900 - 21
FU6-8525-000	100 - 76	FU8-0076-000	356 - 40	FU9-0048-000	330 - 61
FU6-8575-000	119 - 10	FU8-0077-000	350 - 27	FU9-0056-000	620 - 12
FU6-8576-000	119 - 11	FU8-0078-000	331 - 11	FU9-0155-000	330 - 62
FU6-8577-000	119 - 12	FU8-0081-000	273 - 8	FU9-0835-000	532 - 14
FU6-8578-000	119 - 13	FU8-0083-000	330 - 58	FU9-0835-000	550 - 15
FU6-8647-000	305 - 3	FU8-0090-000	271 - 12	FU9-0839-000	620 - 13
FU6-8861-000	933 - 4	FU8-0094-000	331 - 12	FU9-0839-000	622 - 13
FU7-0281-000	320 - 40	FU8-0095-000	530 - 89	FU9-0880-000	620 - 14
FU7-0394-000	812 - 39	FU8-0163-000	320 - 41	FU9-0880-000	622 - 14
FU7-0398-000	330 - 51	FU8-0167-000	320 - 42	FU9-0885-000	620 - 16
FU7-0399-000	330 - 52	FU8-2355-000	118 - 29	FU9-0885-000	622 - 17
FU7-0999-000	270 - 6	FU8-2356-000	811 - 6	FU9-0971-000	812 - 43
FU7-0999-000	271 - 8	FU8-2358-000	810 - 30	FU9-0977-000	811 - 7
FU7-2302-000	530 - 88	FU8-2360-000	350 - 28	FU9-0979-000	811 - 9
FU7-2306-000	810 - 26	FU8-2365-000	330 - 59	FU9-0980-000	332 - 3
FU7-2310-000	812 - 40	FU8-2369-000	273 - 9	FU9-0983-000	310 - 45
FU7-2311-000	812 - 41	FU8-2373-000	530 - 90	FU9-0987-000	310 - 46
FU7-2314-000	510 - 23	FU8-2380-000	530 - 91	FU9-0996-000	810 - 31
FU7-2316-000	103 - 39	FU8-2445-000	357 - 20	FU9-2240-000	532 - 15
FU7-2326-000	300 - 43	FU8-5203-000	330 - 60	FU9-2254-000	270 - 7
FU7-2327-000	300 - 44	FU8-5220-000	357 - 21	FU9-2335-000	106 - 11
FU7-2328-000	300 - 45	FU8-8004-000	271 - 13	FU9-2337-000	356 - 42
FU7-2343-000	271 - 9	FU8-8127-000	772 - 3	FU9-2338-000	357 - 22
FU7-2344-000	103 - 40	FU8-8135-000	101 - 24	FU9-2339-000	812 - 44



# NUMERICAL INDEX

## imagePRESS C800/C700/C600/C60 Series(Numerical Index)

PARTS NUMBER	FIGURE & KEY NO.	PARTS NUMBER	FIGURE & KEY NO.	PARTS NUMBER	FIGURE & KEY NO.
FU9-2344-000	811 - 10	NPN	106 -	VS1-7177-003	356 - 44
FU9-2346-000	812 - 45	NPN	107 -	VS1-7177-003	530 - 95
FU9-2347-000	812 - 46	NPN	108 -	VS1-7177-003	810 - 33
FU9-2348-000	330 - 64	NPN	109 -	VS1-7177-003	812 - 50
FU9-2349-000	330 - 65	NPN	110 -	VS1-7177-003	900 - 22
FU9-2350-000	330 - 66	NPN	111 -	VS1-7177-003	910 - 13
FU9-2351-000	580 - 26	NPN	112 -	VS1-7177-003	911 - 4
FU9-2354-000	310 - 47	NPN	113 -	VS1-7177-004	103 - 45
FU9-2359-000	194 - 5	NPN	114 -	VS1-7177-004	112 - 4
FU9-2360-000	350 - 29	NPN	115 -	VS1-7177-004	114 - 7
FU9-2361-000	350 - 30	NPN	194 -	VS1-7177-004	115 - 5
FU9-2362-000	350 - 31	NPN	195 -	VS1-7177-004	192 - 3
FU9-2363-000	118 - 31	NPN	305 -	VS1-7177-004	310 - 54
FU9-2364-000	118 - 32	NPN	330 -	VS1-7177-004	320 - 50
FU9-2365-000	118 - 33	NPN	355 -	VS1-7177-004	330 - 72
FU9-2366-000	320 - 44	NPN	357 -	VS1-7177-004	350 - 33
FU9-2367-000	320 - 45	NPN	531 -	VS1-7177-004	530 - 96
FU9-2368-000	320 - 46	NPN	640 -	VS1-7177-004	622 - 19
FU9-2370-000	320 - 47	NPN	810 -	VS1-7177-004	810 - 34
FU9-2371-000	320 - 48	NPN	900 -	VS1-7177-004	910 - 14
FU9-2372-000	104 - 29	NPN	910 -	VS1-7177-005	102 - 18
FU9-2375-000	106 - 12	NPN	990 -	VS1-7177-005	260 - 6
FU9-2377-000	330 - 67	RB2-0493-000	118 - 34	VS1-7177-005	261 - 6
FU9-2378-000	310 - 48	RB2-0493-000	812 - 48	VS1-7177-005	620 - 18
FU9-2381-000	330 - 68	RB2-5850-000	530 - 93	VS1-7177-005	812 - 51
FU9-2382-000	330 - 69	RH7-7129-020	580 - 28	VS1-7177-006	812 - 52
FU9-2384-000	530 - 92	VD7-3422-002	912 - 1	VS1-7177-007	580 - 29
FU9-2390-000	105 - 15	VD7-3501-001	964 - 1	VS1-7177-007	812 - 53
FU9-2393-000	104 - 30	VD7-3503-151	962 - 1	VS1-7177-008	812 - 54
FU9-2394-000	580 - 27	VS1-7164-038	112 - 2	VS1-7177-009	115 - 6
FU9-2398-000	310 - 49	VS1-7177-002	103 - 44	VS1-7177-009	118 - 36
FU9-2399-000	310 - 50	VS1-7177-002	105 - 17	VS1-7177-009	350 - 34
FU9-2400-000	310 - 51	VS1-7177-002	114 - 5	VS1-7177-009	356 - 45
FU9-2402-000	262 - 5	VS1-7177-002	310 - 53	VS1-7177-012	115 - 7
FU9-2403-000	310 - 52	VS1-7177-002	321 - 11	VS1-8412-003	107 - 12
FU9-2404-000	812 - 47	VS1-7177-002	530 - 94	VS1-8412-003	112 - 5
FU9-2406-000	321 - 9	VS1-7177-002	550 - 16	VS1-8412-003	114 - 8
FU9-2407-000	321 - 10	VS1-7177-002	620 - 17	VS1-8412-003	330 - 73
FU9-2409-000	195 - 5	VS1-7177-002	622 - 18	VS1-8412-005	103 - 46
FU9-2413-000	356 - 43	VS1-7177-002	812 - 49	VS1-8412-005	900 - 23
FU9-2415-000	117 - 9	VS1-7177-003	110 - 15	VS1-8412-007	105 - 18
FU9-2417-000	810 - 32	VS1-7177-003	112 - 3	VS1-8412-007	112 - 6
FU9-2418-000	300 - 52	VS1-7177-003	114 - 6	VS1-8412-007	330 - 74
FU9-2424-000	105 - 16	VS1-7177-003	115 - 4	VS1-8412-007	550 - 17
FU9-2425-000	330 - 70	VS1-7177-003	118 - 35	VS1-8412-009	103 - 47
NPN	001 -	VS1-7177-003	119 - 14	VS1-8412-009	105 - 19
NPN	100 -	VS1-7177-003	193 - 2	VS1-8412-009	112 - 7
NPN	101 -	VS1-7177-003	273 - 10	VS1-8412-009	115 - 8
NPN	102 -	VS1-7177-003	320 - 49	VS1-8412-009	140 - 10
NPN	103 -	VS1-7177-003	330 - 71	VS1-8412-009	330 - 75
NPN	104 -	VS1-7177-003	331 - 13	VS1-8412-011	331 - 14
NPN	105 -	VS1-7177-003	350 - 32	VS1-8412-013	110 - 16

# NUMERICAL INDEX

## imagePRESS C800/C700/C600/C60 Series(Numerical Index)

PARTS NUMBER	FIGURE & KEY NO.	PARTS NUMBER	FIGURE & KEY NO.	PARTS NUMBER	FIGURE & KEY NO
VS1-8412-013	115 - 9	WG8-6002-000	195 - 6	XA9-2010-000	100 - 78
VS1-8412-013	330 - 76	WG8-6002-000	350 - 35	XA9-2010-000	320 - 54
VS1-8412-013	620 - 19	WG8-6002-000	357 - 23	XD1-1100-225	330 - 501
VS1-8412-015	105 - 20	WG8-6002-000	530 - 98	XD1-1100-225	530 - 501
VS1-8412-015	112 - 8	WG8-6002-000	550 - 18	XD1-1103-138	812 - 501
VS1-8412-015	115 - 10	WG8-6002-000	620 - 20	XD1-1104-132	330 - 502
VS1-8412-015	330 - 77	WG8-6002-000	621 - 5	XD1-1104-135	812 - 502
VS1-8412-015	530 - 97	WG8-6002-000	622 - 15	XD1-1104-634	332 - 501
VS1-8412-017	101 - 25	WS3-5970-000	810 - 36	XD1-1106-212	103 - 501
VS1-8412-017	330 - 78	WT2-5694-000	305 - 5	XD1-1106-216	310 - 501
VS1-8412-017	622 - 20	XA9-0228-000	550 - 19	XD1-1106-222	270 - 501
VS1-8412-019	101 - 26	XA9-0679-000	106 - 13	XD1-1106-225	310 - 502
VS1-8412-019	109 - 10	XA9-0684-000	101 - 27	XD1-1106-235	510 - 501
VS1-8412-019	115 - 11	XA9-0732-010	100 - 81	XD1-1106-235	531 - 501
VS1-8412-019	330 - 79	XA9-0732-010	355 - 24	XD1-1108-215	271 - 501
VS1-8412-019	900 - 24	XA9-0807-000	300 - 53	XD1-1108-215	350 - 501
VS1-8412-021	109 - 11	XA9-0807-000	320 - 53	XD1-1108-225	320 - 501
VS1-8412-021	114 - 9	XA9-0807-000	810 - 37	XD1-1108-235	262 - 501
VS1-8412-021	310 - 55	XA9-0807-000	811 - 12	XD1-1206-233	812 - 503
VS1-8412-023	270 - 8	XA9-0893-000	332 - 4	XD1-3100-805	107 - 501
VS1-8412-023	911 - 3	XA9-0944-000	273 - 11	XD1-4200-402	103 - 502
VS1-8412-027	103 - 43	XA9-0961-000	106 - 14	XD1-4200-402	110 - 501
VS1-8412-027	114 - 10	XA9-0961-000	330 - 81	XD1-4200-402	140 - 501
VS1-8412-029	112 - 9	XA9-0994-000	106 - 15	XD1-4200-402	530 - 502
VS1-8412-029	115 - 12	XA9-1031-000	305 - 4	XD1-4200-402	812 - 504
VS1-8959-005	900 - 25	XA9-1035-000	110 - 17	XD3-2200-122	262 - 502
VS1-8959-006	356 - 46	XA9-1135-000	108 - 12	XD9-0134-000	103 - 18
VS1-8959-006	812 - 55	XA9-1249-010	100 - 74	XD9-0134-000	106 - 16
VS1-8959-008	900 - 26	XA9-1331-000	102 - 20	XD9-0134-000	107 - 14
WC1-5179-000	140 - 11	XA9-1331-000	104 - 32	XD9-0134-000	118 - 38
WC2-5803-000	104 - 31	XA9-1331-000	771 - 5	XD9-0134-000	262 - 6
WC2-5848-000	105 - 21	XA9-1386-000	102 - 21	XD9-0134-000	271 - 14
WE8-6994-000	001 - 11	XA9-1386-000	104 - 33	XD9-0134-000	320 - 55
WG8-5783-000	102 - 19	XA9-1386-000	108 - 13	XD9-0134-000	321 - 13
WG8-5783-000	105 - 22	XA9-1386-000	117 - 10	XD9-0134-000	330 - 84
WG8-5783-000	310 - 56	XA9-1386-000	118 - 37	XD9-0134-000	350 - 37
WG8-5783-000	320 - 52	XA9-1386-000	119 - 15	XD9-0134-000	356 - 50
WG8-5783-000	356 - 47	XA9-1386-000	330 - 82	XD9-0134-000	530 - 99
WG8-5783-000	530 - 110	XA9-1386-000	350 - 36	XD9-0134-000	620 - 21
WG8-5783-000	580 - 30	XA9-1386-000	355 - 25	XD9-0134-000	810 - 38
WG8-5783-000	623 - 5	XA9-1386-000	356 - 49	XD9-0134-000	811 - 13
WG8-5783-000	624 - 5	XA9-1386-000	357 - 24	XD9-0134-000	812 - 57
WG8-5783-000	810 - 35	XA9-1386-000	771 - 6	XD9-0135-000	300 - 55
WG8-5783-000	811 - 11	XA9-1496-000	990 - 6	XD9-0135-000	812 - 58
WG8-5783-000	812 - 56	XA9-1503-000	108 - 14	XD9-0136-000	103 - 19
WG8-5848-000	350 - 46	XA9-1509-000	321 - 12	XD9-0136-000	117 - 11
WG8-5848-000	356 - 48	XA9-1523-000	300 - 54	XD9-0136-000	118 - 39
WG8-5848-000	621 - 6	XA9-1659-000	194 - 7	XD9-0136-000	195 - 7
WG8-5848-000	622 - 16	XA9-1659-000	330 - 83	XD9-0136-000	260 - 7
WG8-6002-000	105 - 23	XA9-1788-000	104 - 34	XD9-0136-000	261 - 7
WG8-6002-000	107 - 13	XA9-1959-000	900 - 20	XD9-0136-000	262 - 7
WG8-6002-000	194 - 6	XA9-2008-000	310 - 57	XD9-0136-000	270 - 9

# NUMERICAL INDEX

## imagePRESS C800/C700/C600/C60 Series(Numerical Index)

PARTS NUMBER	FIGURE & KEY NO.	PARTS NUMBER	FIGURE & KEY NO.	PARTS NUMBER	FIGURE & KEY NO.
XD9-0136-000	271 - 15	XD9-0292-000	273 - 15	XG9-0779-000	118 - 12
XD9-0136-000	272 - 4	XD9-0295-000	330 - 89	XG9-0779-000	320 - 51
XD9-0136-000	273 - 12	XD9-0295-000	812 - 60	XG9-0779-000	356 - 58
XD9-0136-000	310 - 59	XD9-0298-000	330 - 90	XG9-0781-000	350 - 45
XD9-0136-000	320 - 56	XD9-0305-000	530 - 105	XG9-0781-000	356 - 59
XD9-0136-000	330 - 85	XD9-0329-000	273 - 16	XG9-0789-000	530 - 28
XD9-0136-000	350 - 38	XD9-0359-000	300 - 42	XG9-0805-000	310 - 58
XD9-0136-000	356 - 51	XF2-1605-640	310 - 65	XH9-0151-000	990 - 7
XD9-0136-000	357 - 25	XF2-1605-860	356 - 54	XZ9-0379-000	100 - 79
XD9-0136-000	530 - 100	XF2-1606-540	356 - 55	XZ9-0409-020	107 - 15
XD9-0136-000	580 - 31	XF2-1606-640	330 - 91	XZ9-0581-000	104 - 35
XD9-0136-000	810 - 39	XF2-1606-660	262 - 8	XZ9-0593-000	356 - 60
XD9-0136-000	811 - 14	XF2-1606-940	260 - 9	XZ9-0603-000	330 - 80
XD9-0136-000	812 - 59	XF2-1607-040	109 - 12	XZ9-0603-000	355 - 14
XD9-0137-010	105 - 24	XF2-1607-040	330 - 92	XZ9-0603-000	356 - 61
XD9-0137-010	118 - 40	XF2-1607-240	270 - 12	XZ9-0603-000	625 - 14
XD9-0137-010	270 - 10	XF2-1607-540	350 - 42		
XD9-0137-010	271 - 16	XF2-1607-660	320 - 59		
XD9-0137-010	273 - 13	XF2-1608-840	350 - 43		
XD9-0137-010	310 - 60	XF2-1611-840	261 - 9		
XD9-0137-010	320 - 57	XF2-1614-040	350 - 44		
XD9-0137-010	330 - 86	XF2-1615-140	330 - 93		
XD9-0137-010	350 - 39	XF2-1616-460	530 - 106		
XD9-0137-010	356 - 52	XG9-0475-000	330 - 20		
XD9-0137-010	357 - 26	XG9-0493-000	530 - 107		
XD9-0137-010	530 - 101	XG9-0497-000	106 - 18		
XD9-0137-010	620 - 15	XG9-0497-000	330 - 26		
XD9-0154-000	106 - 17	XG9-0499-000	811 - 15		
XD9-0219-000	273 - 14	XG9-0507-000	330 - 57		
XD9-0252-000	530 - 102	XG9-0508-000	273 - 17		
XD9-0287-000	310 - 61	XG9-0509-000	320 - 60		
XD9-0287-000	330 - 87	XG9-0521-000	331 - 16		
XD9-0287-000	331 - 15	XG9-0593-000	811 - 16		
XD9-0287-000	530 - 103	XG9-0594-000	270 - 13		
XD9-0288-000	118 - 41	XG9-0594-000	812 - 61		
XD9-0288-000	260 - 8	XG9-0693-000	530 - 108		
XD9-0288-000	261 - 8	XG9-0706-000	260 - 10		
XD9-0288-000	270 - 11	XG9-0706-000	261 - 10		
XD9-0288-000	310 - 62	XG9-0706-000	310 - 66		
XD9-0288-000	330 - 88	XG9-0707-000	262 - 9		
XD9-0288-000	350 - 40	XG9-0709-000	330 - 63		
XD9-0288-000	580 - 32	XG9-0709-000	356 - 56		
XD9-0289-000	118 - 42	XG9-0709-000	357 - 28		
XD9-0289-000	271 - 17	XG9-0709-000	530 - 109		
XD9-0289-000	310 - 63	XG9-0724-000	320 - 61		
XD9-0289-000	350 - 41	XG9-0725-000	510 - 27		
XD9-0289-000	356 - 53	XG9-0727-000	510 - 28		
XD9-0289-000	357 - 27	XG9-0737-000	271 - 18		
XD9-0290-000	300 - 56	XG9-0737-000	310 - 67		
XD9-0290-000	320 - 58	XG9-0737-000	356 - 57		
XD9-0291-000	310 - 64	XG9-0737-000	357 - 29		
XD9-0291-000	530 - 104	XG9-0737-000	530 - 74		



# imagePRESS C800/C700/C600/C600 Series(Parts Catalog)

## imagePRESS C800

208V US,CA,LTN	F16-3031-000	QKJ
230V EUR	F16-3041-000	QKM
230V AU	F16-3041-000	QKM
230V SG,IN,HK,LTN	F16-3041-000	QKM
230V KR	F16-3041-000	QKM
230V CN,HK,TW	F16-3051-000	QKR

## imagePRESS C700

208V US,CA,LTN	F16-3031-000	QKJ
230V EUR	F16-3041-000	QKM
230V AU	F16-3041-000	QKM
230V SG,IN,HK,LTN	F16-3041-000	QKM
230V KR	F16-3041-000	QKM
230V CN,HK,TW	F16-3052-000	QKT

## imagePRESS C600i

230V EUR	F16-3043-000	QKP
----------	--------------	-----

## imagePRESS C600

230V CN,HK,TW	F16-3053-000	QKU
---------------	--------------	-----

## imagePRESS C60

<b>208V US,CA,LTN</b>	<b>F16-3031-000</b>	<b>QKJ</b>
<b>208V US,CA,LTN</b>	<b>F16-3033-000</b>	<b>QKL</b>
<b>230V EUR</b>	<b>F16-3041-000</b>	<b>QKM</b>
<b>230V AU</b>	<b>F16-3041-000</b>	<b>QKM</b>
<b>230V SG,IN,HK,LTN</b>	<b>F16-3041-000</b>	<b>QKM</b>
<b>230V KR</b>	<b>F16-3041-000</b>	<b>QKM</b>

# Contents

A1	ASSEMBLY LOCATION DIAGRAM .....	2-1
A2	OPTION PARTS CATALOG LIST .....	2-8
001	ACCESSORIES .....	2-9
100	EXTERNAL COVERS, PANELS, ETC. ....	2-11
101	INTERNAL COMPONENTS 1 .....	2-16
102	INTERNAL COMPONENTS 2 .....	2-18
103	INTERNAL COMPONENTS 3 .....	2-20
104	INTERNAL COMPONENTS 4 .....	2-23
105	INTERNAL COMPONENTS 5 .....	2-26
106	INTERNAL COMPONENTS 6 .....	2-28
107	MACHINE BOTTOM PLATE .....	2-30
108	MACHINE REAR PLATE 1 .....	2-32
109	MACHINE REAR PLATE 2 .....	2-34
110	MACHINE REAR PLATE 3 .....	2-36
111	MACHINE REAR PLATE 4 .....	2-38
112	MACHINE REAR PLATE 5 .....	2-40
113	MACHINE REAR PLATE 6 .....	2-42
114	MACHINE REAR PLATE 7 .....	2-44
115	MACHINE REAR PLATE 8 .....	2-46
117	VERTICAL PATH DOOR ASSEMBLY .....	2-48
118	REVERSE DELIVERY DOOR ASSEMBLY .....	2-50
119	FRONT INNER DOOR ASSEMBLY .....	2-54
140	POWER CORD TERMINAL ASSEMBLY .....	2-56
191	DEV. COOLING EXHAUST FAN ASS'Y .....	2-59
192	FIXING EXHAUST FAN ASSEMBLY .....	2-60
193	PRIMARY CORONA EXHAUST ASS'Y .....	2-61
194	PAPER COOLING ASSEMBLY, UPPER .....	2-62
195	PAPER COOLING ASSEMBLY, LOWER .....	2-63
250	DRUM DRIVE ASSEMBLY, COLOR .....	2-64
251	DRUM DRIVE ASSEMBLY, BLACK .....	2-65
260	VERTICAL PATH DRIVE ASS'Y, 1 .....	2-66
261	VERTICAL PATH DRIVE ASS'Y, 2 .....	2-67
262	PRE-REG. DRIVE ASSEMBLY .....	2-68
270	DEVELOPING DRIVE ASS'Y, COLOR .....	2-69
271	DEVELOPING DRIVE ASS'Y, BLACK .....	2-71
272	2ND TRNS. EST. DRIVE ASS'Y .....	2-73
273	WASTE TONER DRIVE ASSEMBLY .....	2-74
300	CASSETTE ASSEMBLY .....	2-76
305	CASSETTE HEATER ASSEMBLY .....	2-79
310	PAPER PICK-UP ASSEMBLY .....	2-80
320	REGISTRATION ASSEMBLY .....	2-84
321	REG. PATCH DETECT ASSEMBLY .....	2-88
330	FIXING/FEED ASSEMBLY .....	2-90
331	PRE-FIXING PAPER FEED ASSEMBLY .....	2-96
332	FIXING DRIVE ASSEMBLY .....	2-98

350	REVERSE PAPER DELIVERY ASS'Y.....	2-99
355	DECURLER PATH COVER ASSEMBLY.....	2-103
356	DECURLER PATH ASSEMBLY.....	2-105
357	ROTATION FRAME ASSEMBLY.....	2-110
460	LASER SCANNER ASSEMBLY.....	2-112
510	PROCESS ASSEMBLY.....	2-113
530	I.T.B. FRAME ASSEMBLY.....	2-115
531	TRANSFER PRESSURE ASS'Y, FRONT.....	2-122
532	PRE-TRANSFER CORONA ASSEMBLY.....	2-123
550	PRIMARY CORONA ASSEMBLY.....	2-125
580	SECONDARY TRANSFER ASSEMBLY.....	2-127
620	HOPPER MOUNT ASSEMBLY, COLOR.....	2-130
621	HOPPER ASSEMBLY, COLOR.....	2-132
622	HOPPER ASSEMBLY, BLACK.....	2-133
623	BOTTLE TRAY ASSEMBLY, COLOR.....	2-135
624	BOTTLE TRAY ASSEMBLY, BLACK.....	2-137
625	TONER CONTAINER COVER ASS'Y.....	2-139
640	DEVELOPING ASSEMBLY.....	2-141
770	WASTE TONER FIRST FEED ASS'Y.....	2-142
771	SUB FRAME ASSEMBLY.....	2-143
772	CONTAINER, WASTE TONER, WT-401.....	2-144
810	FIXING ASSEMBLY.....	2-145
811	UPPER BELT ASSEMBLY.....	2-148
812	FIXING BASE ASSEMBLY.....	2-150
900	CONTROLLER BOX ASSEMBLY.....	2-155
910	DC POWER SUPPLY BOX ASSEMBLY.....	2-157
911	IH POWER SUPPLY BOX ASSEMBLY.....	2-159
912	HEATER POWER SUPPLY PCB ASS'Y.....	2-160
913	RELAY PCB ASSEMBLY.....	2-161
931	DC CONTROLLER I/F PCB ASS'Y.....	2-162
932	MAIN CONTROLLER PCB ASS'Y, 1.....	2-163
933	MAIN CONTROLLER PCB ASS'Y, 2.....	2-164
934	DC CONTROLLER DIFF PCB ASS'Y.....	2-165
940	RISER PCB ASSEMBLY.....	2-166
950	LASER INTERFACE PCB ASSEMBLY.....	2-167
960	PAPER PICK-UP DRIVER PCB ASS'Y.....	2-168
961	REG. PATCH DRIVER PCB ASSEMBLY.....	2-169
962	AC DRIVER PCB ASSEMBLY.....	2-170
963	BUFFER DRIVER PCB ASSEMBLY.....	2-171
964	DRUM HEATER DRIVER PCB ASS'Y.....	2-172
965	FIXING/FEEDER DRIVER PCB ASS'Y.....	2-173
966	CIS DRIVER PCB ASSEMBLY.....	2-174
983	DRUM POST HIGH VOLTAGE ASS'Y.....	2-175
984	POST HIGH VOLTAGE PCB ASSEMBLY.....	2-176
985	1ST CORONA HIGH VOLTAGE PCB.....	2-177

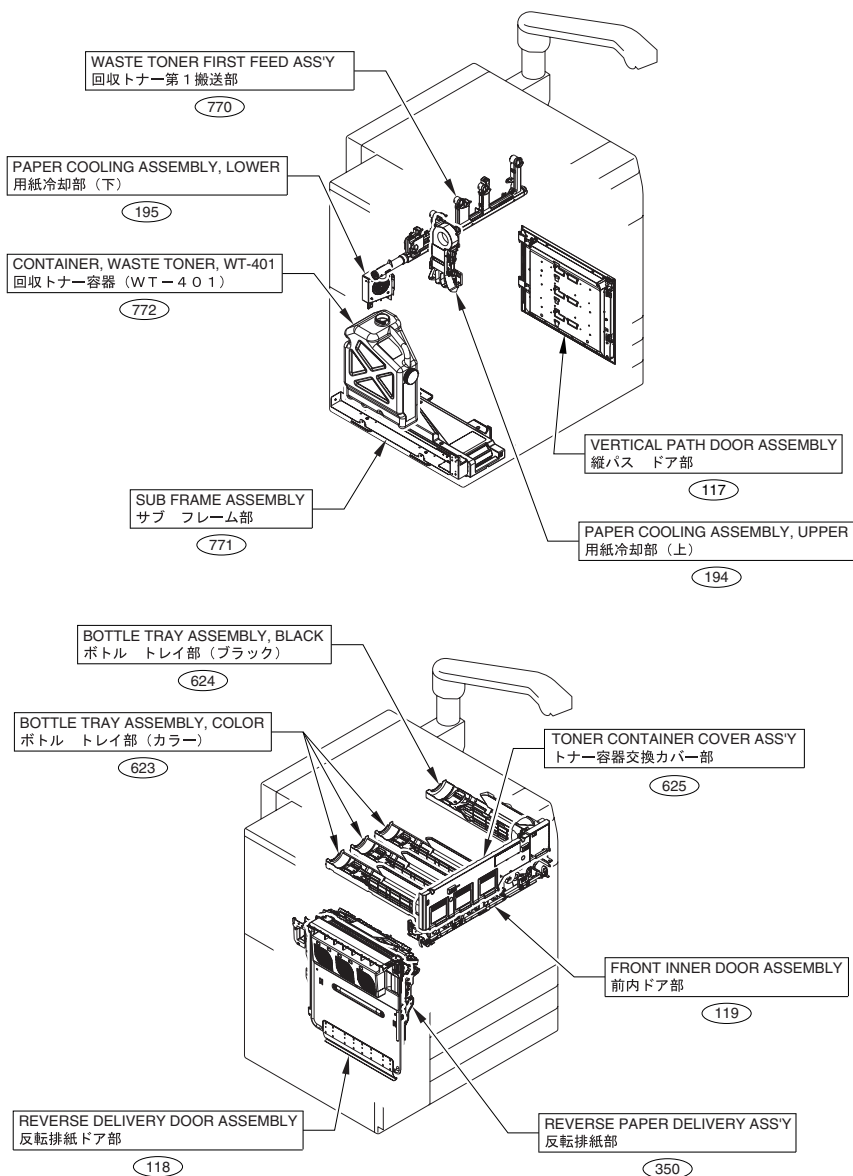


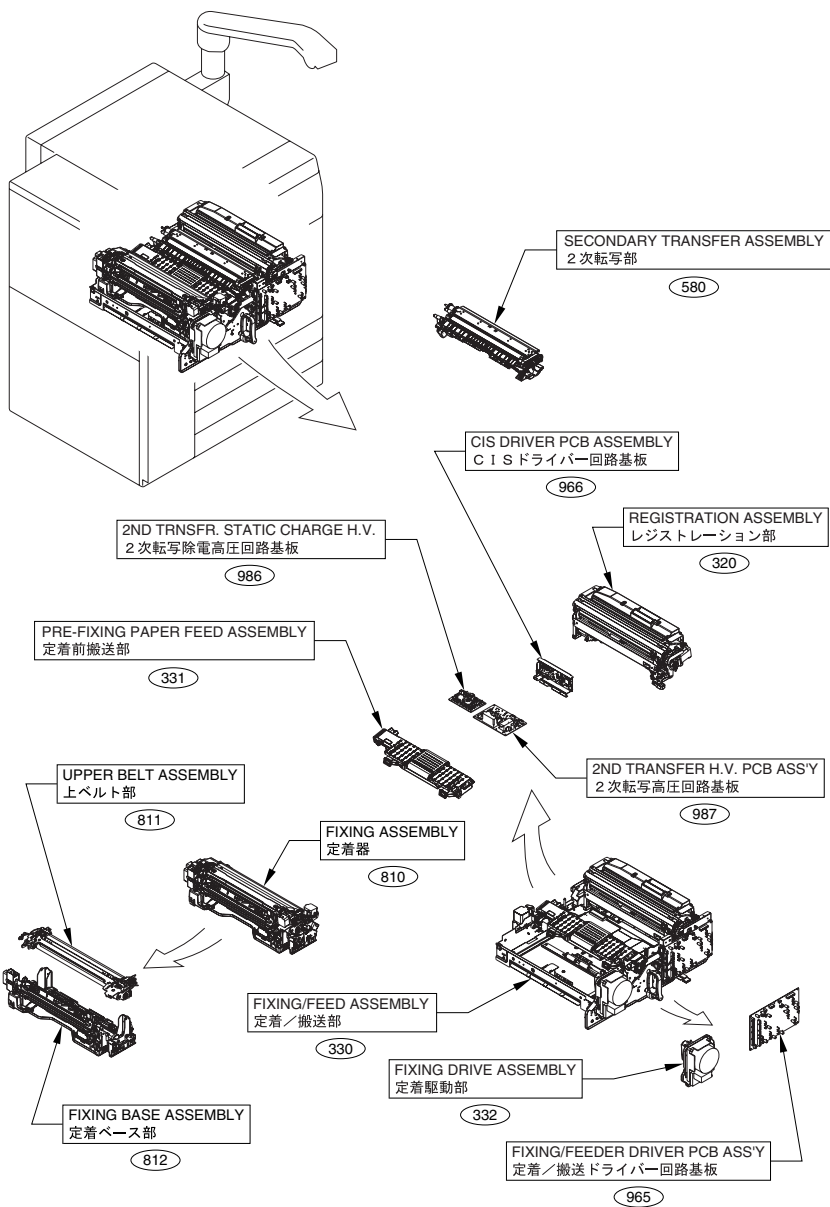
## Contents

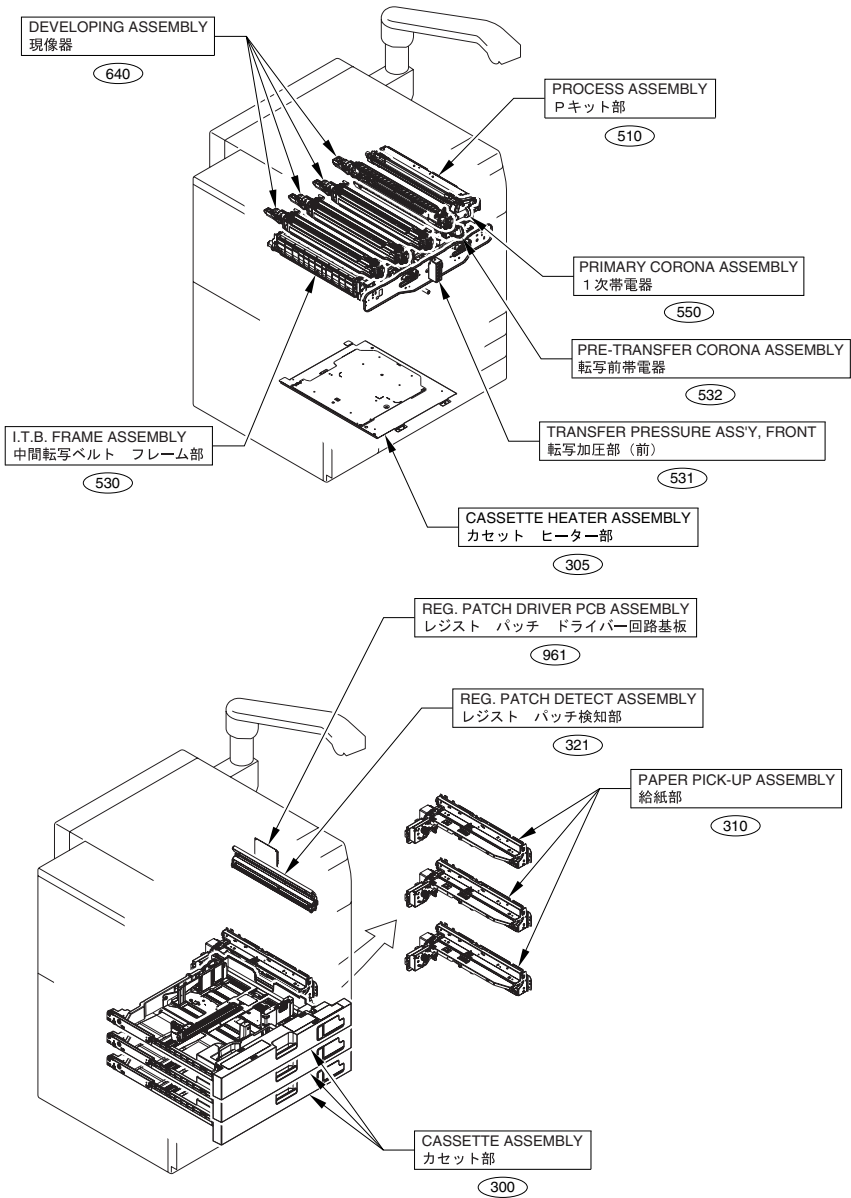
986	2ND TRNSFR. STATIC CHARGE H.V. ....	2-178
987	2ND TRANSFER H.V. PCB ASSY.....	2-179
990	HARD DISK DRIVE ASSEMBLY .....	2-180
ZZA	MECHANICAL STANDARD PARTS (HOW TO USE) .....	2-182
ZZB	MECHANICAL STANDARD PARTS (SCREWS).....	2-183
ZZC	MECHANICAL STANDARD PARTS (BOLTS).....	2-190
ZZD	MECHANICAL STANDARD PARTS (NUTS).....	2-191
ZZE	MECHANICAL STANDARD PARTS (RETAINING RINGS) .....	2-192

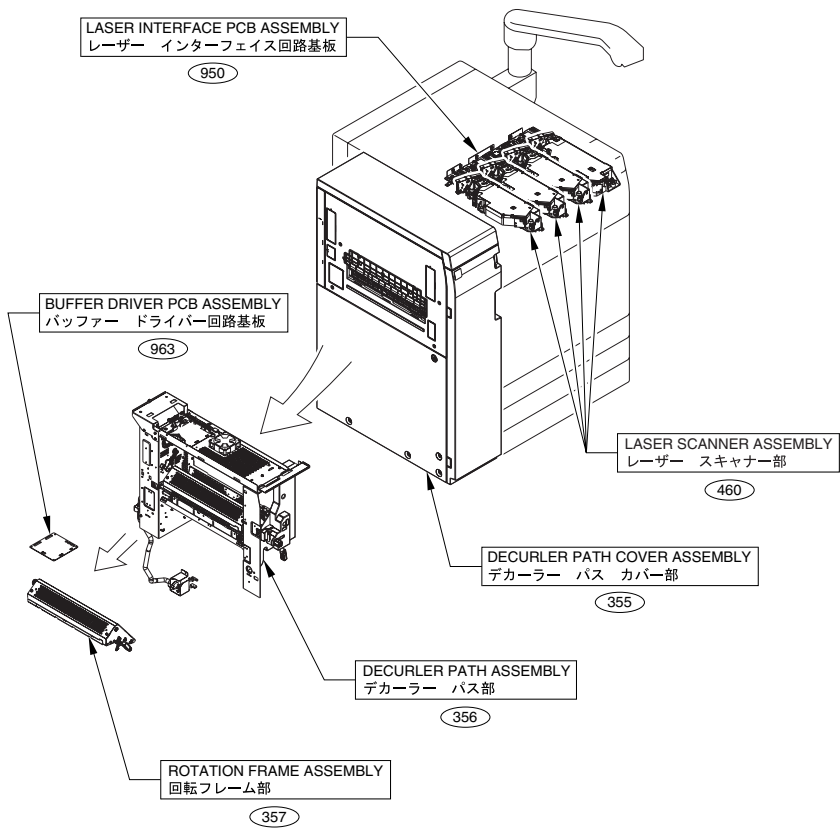


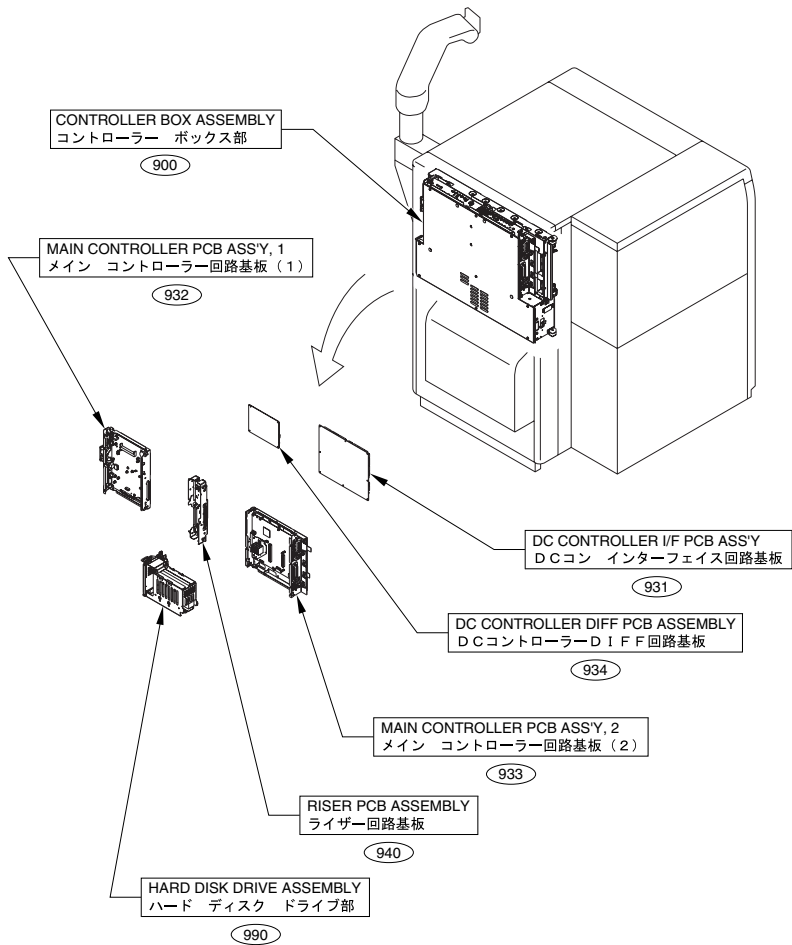
# FIGURE A1 ASSEMBLY LOCATION DIAGRAM

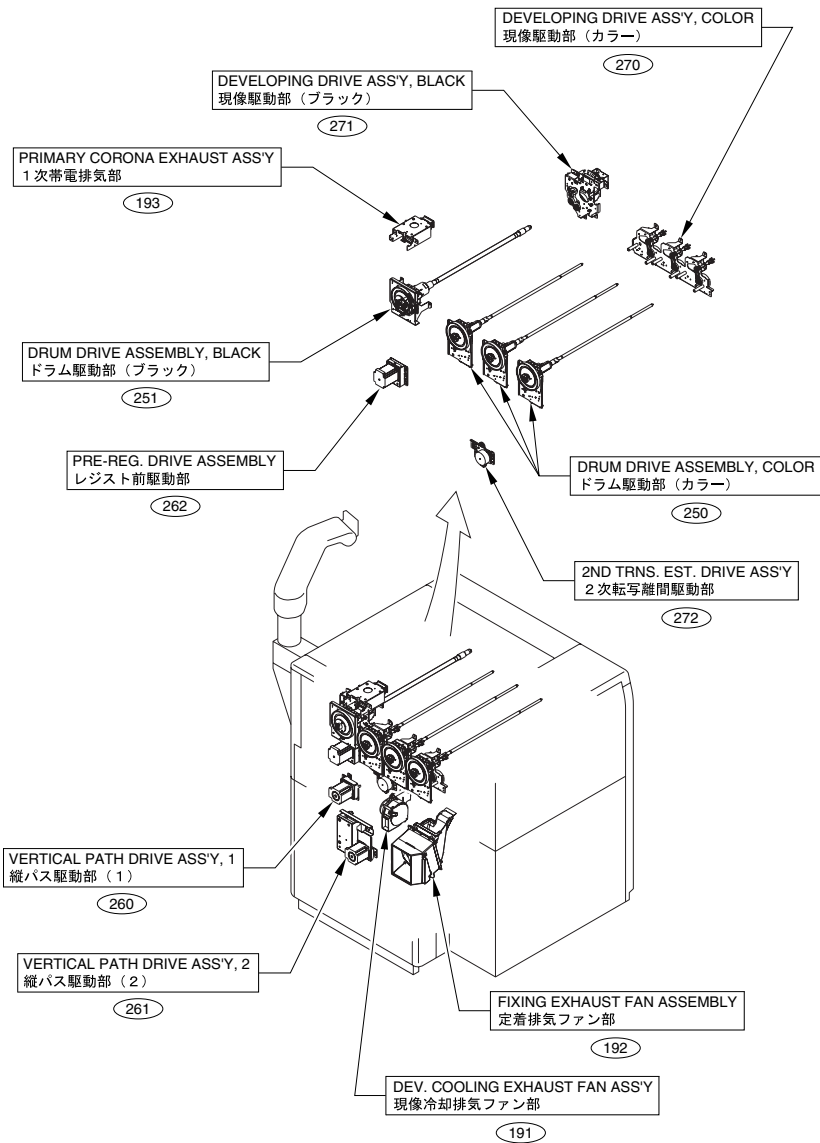




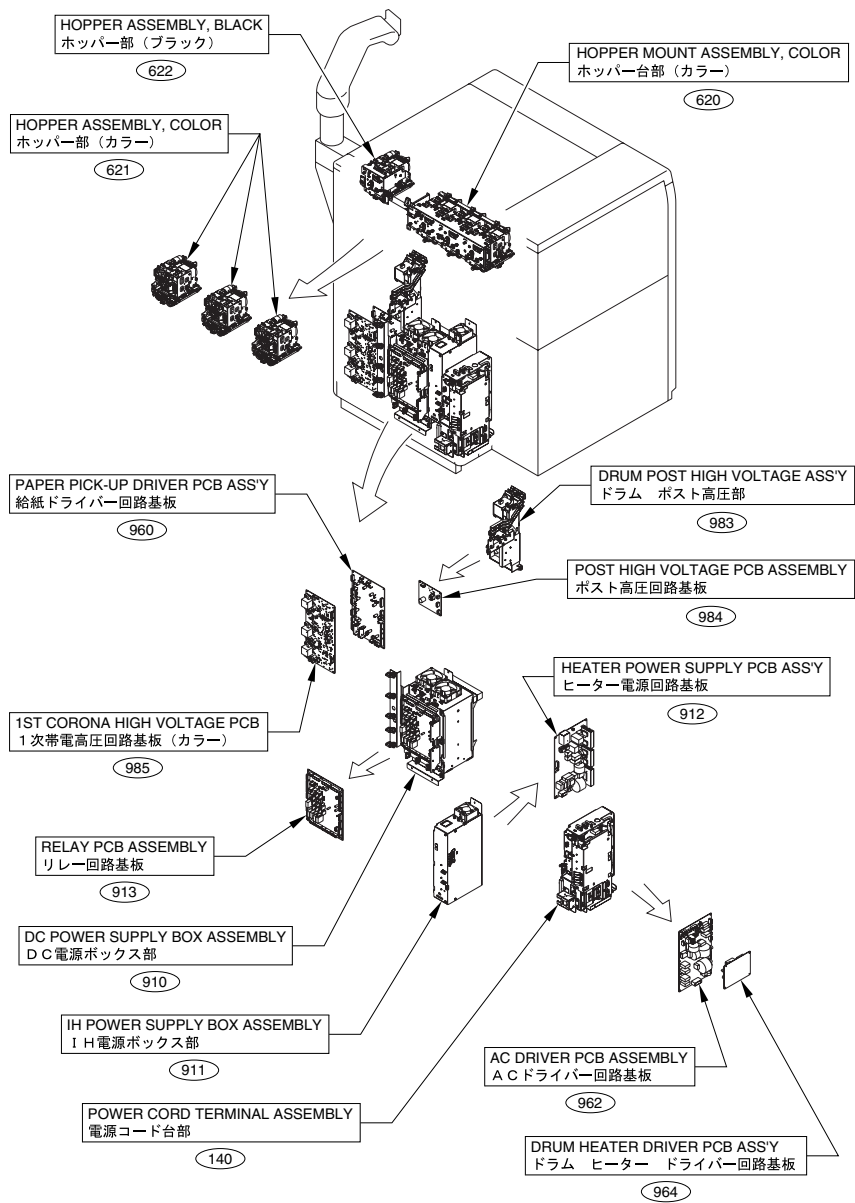












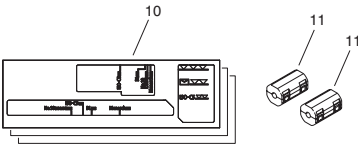
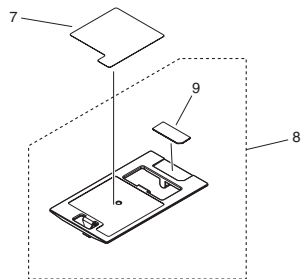
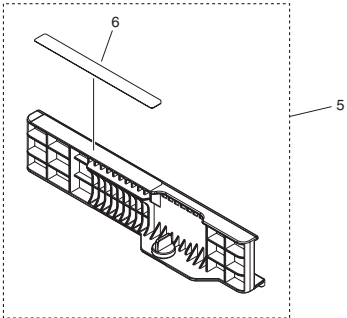
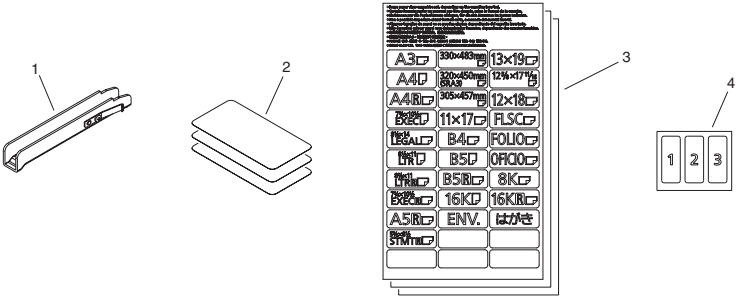
# FIGURE A2

## OPTION PARTS CATALOG LIST

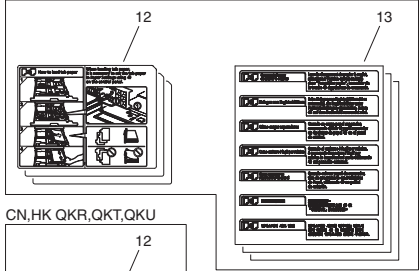
This is the table of the machine's options whose parts catalog is issued.  
 本機のオプションで、パーツカタログが発行されている機種の一覧である。

No.	Model Name(English)	Model Name(Japanese)
1	Duplex Color Image Reader Unit-F1/G1/H1	マルチカラーイメージリーダユニット・F 1 / G 1 / H 1
2	ADF Access Handle-A1	ADFアクセスハンドル・A 1
3	Printer Cover-B1/F1	プリンタカバー・B 1 / F 1
4	Upright Control Panel-D1	立面操作部・D 1
5	POD Deck Lite-B1	PODデッキライト・B 1
6	POD Deck Lite Attachment Kit-A1	PODデッキライト取付けキット・A 1
7	Stack Bypass-B1	手差し給紙ユニット・B 1
8	Stack Bypass Alignment Tray-C1	手差し補助トレイ・C 1
9	Multi-drawer Paper Deck-B1	多段デッキ・B 1
10	Tab Feeding Attachment-F1	インデックス紙アタッチメント・F 1
11	Envelope Feeder Attachment-F1	封筒搬送キット・F 1
12	Envelope Feeder Attachment-G1	封筒搬送キット・G 1
13	Side Paper Deck-AF1(Multi Drawer)	サイドペーパーデッキ・A F 1
14	Output Tray-A1	アウトプットトレイ・A 1
15	Finisher-AM1/Saddle Finisher-AM2	フィニッシャー・AM 1 / サドルフィニッシャー・AM 2
16	Staple Finisher-T1/Booklet Finisher-T1	ステイプルフィニッシャー・T 1 / 中綴じフィニッシャー・T 1
17	Perfect Binder-D1	パーフェクトバインダー・D 1
18	Puncher Unit-BS1/BT1/BU1	パンチャーユニット・BS 1 / BT 1 / BU 1
19	External 2 Hole Puncher-C1	外付け2穴パンチャー・C 1
20	External 2/3 Hole Puncher-C1	外付け2 / 3穴パンチャー・C 1
21	External 2/4 Hole Puncher-C1	外付け2 / 4穴パンチャー・C 1
22	External 4 Hole Puncher-C1	外付け4穴パンチャー・C 1
23	Professional Puncher-B1/C1	(日本仕向けなし)
24	Professional Puncher Integration Unit-C1	(日本仕向けなし)
25	Document Insertion Unit-M1	インサーター・M 1
26	Paper Folding Unit-F1	ペーパーフォールディングユニット・F 1
27	Booklet Trimmer-D1	トリマー・D 1
28	Two-Knife Booklet Trimmer-A1	天地トリマー・A 1
29	Reader Heater Unit-G1	リーダヒーターキット・G 1
30	Power Supply Unit-V1	オプション電源・V 1
31	Copy Card Reader-F1	コピーカードリーダ・F 1
32	Copy Card Reader Attachment-A1/A2	コピーカードリーダ取付けキット・A 1 / A 2
33	Auto Gradation Sensor-A1	オートグラデーションセンサー・A 1
34	imagePRESS Server F200	imagePRESS Server F200
35	imagePRESS Server G100	imagePRESS Server G100
36	Voice Guidance Kit-F1/F2	音声ガイドダンスキット・F 1 / F 2
37	HDD Data Encryption & Mirroring Kit-C8	HDDデータ暗号化 / ミラーリングキット・C 8
38	USB Device Port-A1/A2/A3	USBデバイスポート・A 1 / A 2 / A 3
39	Removable HDD Kit-AB1/AB2	リムーバブルHDDキット・A B 1 / A B 2
40	3.5inch/1TB HDD-M1	オプションHDD (3.5 inch / 1TB) ・M 1
41	Multimedia Reader/Writer-A1/A2/A3	マルチメディアリーダ / ライター・A 1 / A 2 / A 3
42	PRISMAsync for imagePRESS C800	PRISMAsync for imagePRESS C800

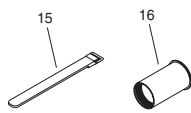
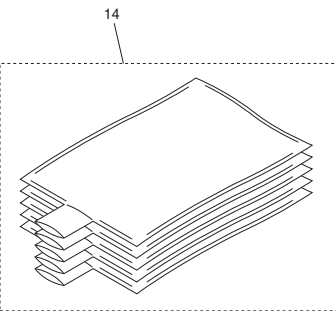
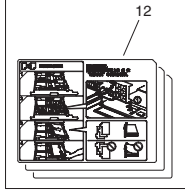
# FIGURE 001 ACCESSORIES



US,CA, EUR, AU, SG, HK QKM, KR, LTN



CN, HK QKR, QKT, QKU



C600i

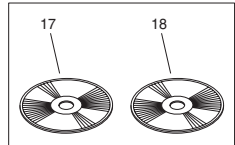
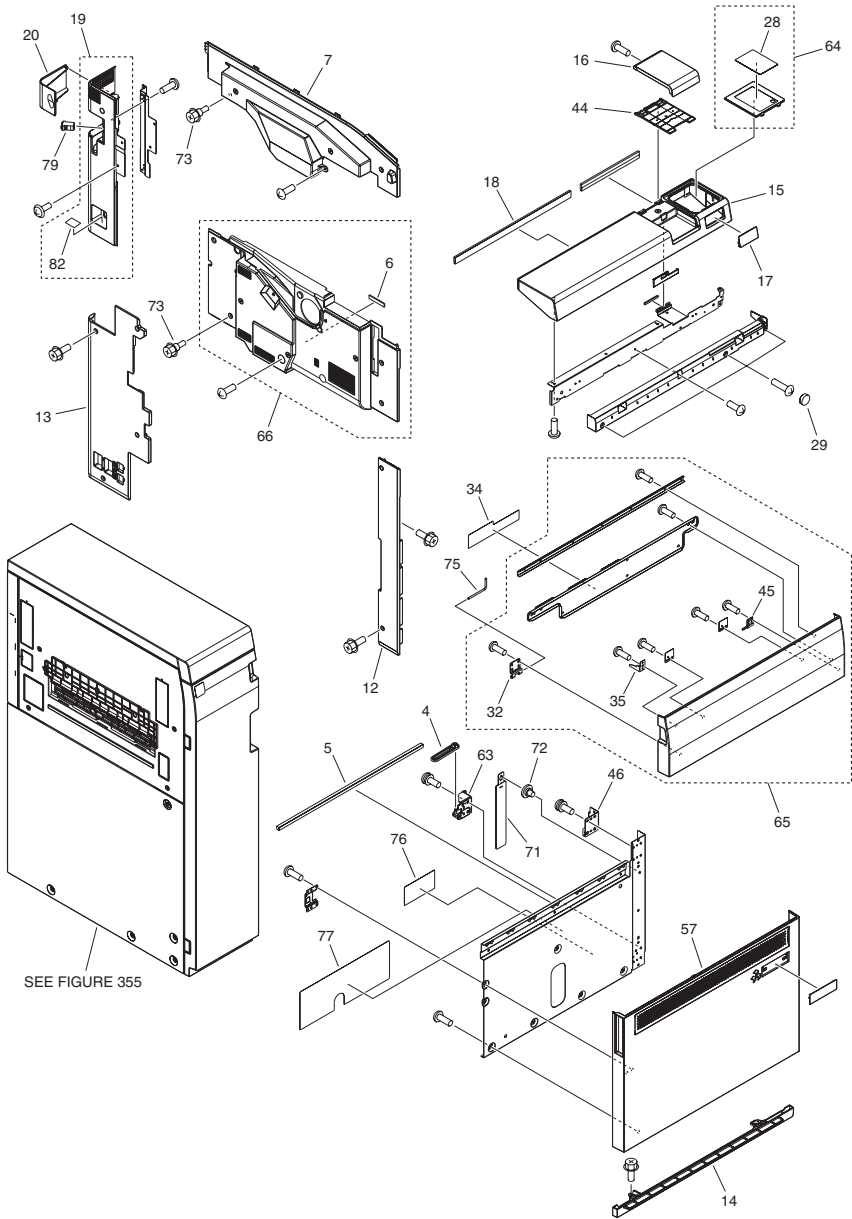


FIGURE & KEY NO.	PARTS NUMBER	R A N K	Q'TY	DESCRIPTION	SERIAL NUMBER/REMARKS	S V C
Fig.001	NPN		RF	ACCESSORIES		
1	FG5-5794-000		1	HANDLE,MAIN BODY		
2	FE3-6397-000		3	SHEET, MEDIA INDICATION		
3	FU8-8178-000		3	LABEL, PAPER SIZE		
4	FU8-8175-000		1	LABEL, CASSETTE NUMBER		
5	FM1-C678-000		1	INDEX PAPER ATTACHMENT ASSY		
6	FU8-8146-000		1	LABEL, INDEX PAPER GUIDE		
7	FE3-9943-000		1	LABEL, MOUNTING INSTRUCTION		
8	FL0-3261-000		1	PLATE, LIFTING		
9	FL3-6526-000		1	SHEET, SEPARATION		
10	FU8-8203-000		3	LABEL, ENVELOPE SIZE		
11	WE8-6994-000		2	CORE, FERRITE		
12	FU8-8145-000		3	LABEL, INDEX PAPER SET	US,CA,EUR,AU,SG,HK QKM,KR,LTN English	
12	FU8-8206-000		3	LABEL, INDEX PAPER SET	CN,HK QKR,QKT,QKU,TW Simplified Chinese	
13	FU8-8174-000		3	LABEL, INDEX PAPER SET	US,CA,EUR,AU,SG,HK QKM,KR,LTN French,German,Spanish,Italian,Portuguese,Traditional Chinese,Korean	
14	FC0-2235-000		1	BAG, WASTE TONER		
15	FC0-2236-000		1	BAND, WASTE TONER		
16	FC0-2237-000		1	JOINT, WASTE TONER		
17	FK4-2862-000		1	CD-ROM, USER SOFTWARE, UFR II	C600i UK English,French,Italian,German,Spanish	
18	FK4-2863-000		1	CD-ROM, USER SOFTWARE, PCL	C600i UK English,French,Italian,German,Spanish	

# FIGURE 100 EXTERNAL COVERS, PANELS, ETC.



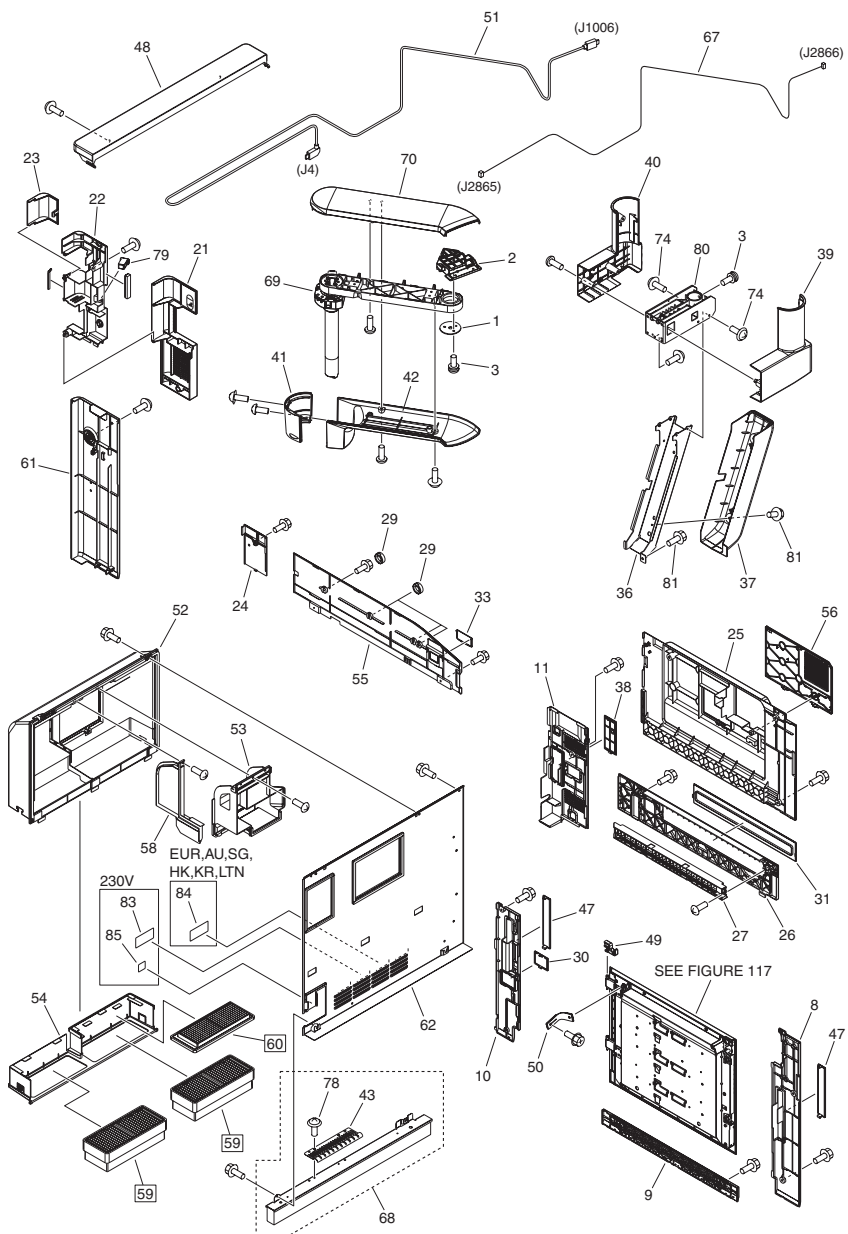


FIGURE & KEY NO.	PARTS NUMBER	R A N K	Q'TY	DESCRIPTION	SERIAL NUMBER/ REMARKS	S V C
Fig.100	NPN		RF	EXTERNAL COVERS, PANELS, ETC.		
1	FB6-0450-000		1	WASHER		
2	FC0-8281-000		1	MOUNT, HINGE FIXED		
3	FC0-8302-000		5	SCREW, W/WASHER, M4X10		
4	FC0-9385-000		1	SLIDER		
5	FC0-9497-000		1	SEAL, COOLING DUCT		
6	FC0-9656-000		1	CUSHION, FLAPPER		
7	FC0-9660-000		1	COVER, LEFT UPPER		
8	FC0-9669-000		1	COVER, RIGHT LOWER, FRONT		
9	FC0-9670-000		1	COVER, LOWER		
10	FC0-9671-000		1	COVER, RIGHT LOWER REAR, 2		
11	FC0-9672-000		1	COVER, RIGHT, MIDDLE		
12	FC0-9673-000		1	COVER, LEFT LOWER, FRONT		
13	FC0-9674-000		1	COVER, LEFT LOWER, REAR		
14	FC0-9676-000		1	COVER, CASSETTE, LOWER		
15	FC0-9682-000		1	PANEL, UPPER, FRONT		
16	FC0-9683-000		1	COVER, USB PORT		
17	FC0-9685-000		1	COVER, BLANKING		
18	FC0-9686-000		1	SEAL		
19	FL0-4504-000		1	COVER, BOX, LEFT		
20	FC0-9690-000		1	COVER, CONNECTOR, LEFT		
21	FC0-9691-000		1	COVER, HARD DISK DRIVE		
22	FC0-9692-000		1	COVER, BOX, RIGHT		
23	FC0-9693-000		1	COVER, BOX CONNECTOR, RIGHT		
24	FC0-9694-000		1	COVER, RIGHT, REAR		
25	FC0-9695-000		1	COVER, RIGHT CENTER, FRONT		
26	FC0-9844-000		1	COVER, DECK GUIDE		
27	FC0-9845-000		1	GUIDE, DECK		
28	FC0-9992-000		1	LABEL, DEVICE PORT		
29	FC5-1282-000		7	RUBBER, COVER		
30	FC5-2652-000		1	COVER, SIDE REGIST. ADJUST, L.		
31	FC5-2668-000		1	PANEL, DECK		

FIGURE & KEY NO.	PARTS NUMBER	R A N K	Q'TY	DESCRIPTION	SERIAL NUMBER/ REMARKS	S V C
32	FC8-1835-000		1	HINGE		
33	FC8-1844-000		1	COVER, MAIN SWITCH		
34	FU8-8197-000		1	LABEL, TONER EXCHANGE	CN,HK QKR,QKT,QKU,TW Simplified Chinese,Japanese	
34	FC8-4724-000		1	LABEL, TONER EXCHANGE	US,CA,LTN English,French,Spanish,P ortuguese	
34	FU8-8164-000		1	LABEL, TONER EXCHANGE	EUR,AU,SG,HK,KR,LTN English,French,German,S panish,Italian,Traditional Chinese,Korean	
35	FC9-4041-000		1	FLAG, OPEN/CLOSE DETECT		
36	FE2-0016-010		1	PLATE, REINFORCEMENT		
37	FE2-0108-020		1	COVER, ARM, LOWER		
38	FE2-0123-010		1	COVER, BLANKING		
39	FE2-0125-010		1	COVER, BASE, FRONT		
40	FE2-0126-010		1	COVER, BASE, REAR		
41	FE2-0127-010		1	COVER, ARM SIDE END		
42	FE2-0128-010		1	COVER, ARM, LOWER		
43	FE2-0199-010		1	PLATE, GROUNDING		
44	FE2-0209-010		1	COVER, USB, LOWER		
45	FE2-0290-000		1	HINGE, TORQUE		
46	FE2-0301-000		1	HINGE, UPPER		
47	FE3-6389-000		2	COVER, HANDLE		
48	FE3-6390-000		1	COVER, BOX, UPPER		
49	FE3-6396-000		1	STOPPER		
50	FE3-8179-000		1	BAND		
51	FK2-8365-000		1	CABLE, USER INTERFACE		
52	FL0-1252-000		1	COVER, SILENCER		
53	FL0-1253-000		1	DUCT, FAN		
54	FL0-1265-000		1	LID, OZONE FILTER		
55	FL0-1934-000		1	COVER, RIGHT UPPER		
56	FE2-0195-010		1	COVER, LID		
57	FL0-2870-000		1	COVER, FRONT		



FIGURE & KEY NO.	PARTS NUMBER	R A N K	Q'TY	DESCRIPTION	SERIAL NUMBER/REMARKS	S V C
58	FL2-8697-000		1	PLATE, DUCT PARTITION		
59	FL3-4101-000		2	FILTER, OZONE	[DP]	
60	FL3-7553-000		1	FILTER, DUST	[DP]	
61	FL3-7728-000		1	COVER, RIGHT LOWER REAR, 1		
62	FL3-7729-000		1	PANEL, REAR LOWER		
63	FL3-7798-000		1	HINGE, LOWER		
64	FL3-9404-000		1	COVER, DEVICE PORT		
65	FM0-1541-000		1	TONER EXCHANGE COVER ASSEMBLY		
66	FM0-1564-000		1	LEFT COVER ASSEMBLY, MIDDLE		
67	FM0-2863-000		1	CABLE, UI POWER SUPPLY		
68	FM0-4904-000		1	CURTAIN ASSEMBLY, REAR		
69	FM1-C680-000		1	LINK ARM UNIT		
70	FM1-C681-000		1	ARM COVER ASS'Y, UPPER		
71	FM1-C734-000		1	CLEANING SHEET UNIT		
72	FS1-9078-020		1	SCREW, STEPPED, M4		
73	FS5-9217-010		6	SCREW, STEPPED, M4		
74	XA9-1249-010		4	SCREW, TP M4X8		
75	FU6-4563-000		1	PIN, HINGE		
76	FU6-8525-000		1	LABEL, WIRE HEIGHT		
77	FU8-8162-000		1	LABEL, MAP		
78	XA9-2010-000		2	SCREW, TP, M3X6		
79	XZ9-0379-000		2	LATCH		
80	FC0-8307-010		1	BASE, FRAME		
81	XA9-0732-010		3	SCREW, RS, M4X8		
82	FU5-9905-000		1	LABEL, CONNECTION CAUTION		
83	FU5-8549-000		1	LABEL, MULTI POWER CAUTION	230V	
84	FU5-8560-000		1	LABEL, GROUNDING CAUTION	EUR, AU, SG, IN, HK QKM, KR, LTN	
85	FU8-8217-000		1	LABEL, SUB POWER SUPPLY CORD	230V CN, HK QKR, QKT, QKU, TW	



FIGURE & KEY NO.	PARTS NUMBER	RANK	Q'TY	DESCRIPTION	SERIAL NUMBER/REMARKS	SVC
Fig.101	NPN		RF	INTERNAL COMPONENTS 1		
1	FC0-0405-000		1	SPRING, TORSION		
2	FC0-9512-000		1	PLATE, BUFFER MOUNTING, FRONT		
3	FC0-9513-000		1	PLATE, BUFFER MOUNTING, REAR		
4	FC9-4049-000		1	PLATE, READER FIXED, RIGHT		
5	FC9-4085-000		1	PLATE, READER FIXED, LEFT		
6	FK3-2575-000		1	SWITCH	SW11	
7	FU5-9900-000		9	SCREW, STEPPED, M4		
8	FL2-8925-000		1	GLASS, DUST-PROOF		
9	FL2-8926-000		2	PIN, READER POSITIONING		
10	FM0-0875-010		1	SOLENOID UNIT	SL9	
11	FM0-1432-000		4	PRIMARY TRANSFER H.V. UNIT		
12	FM0-1491-000		1	FR. INNER DOOR DRAWER ASSEMBLY		
13	FM0-1562-000		1	ELES. HIGH VOLTAGE PCB ASS'Y		
14	FM0-2858-000		1	CABLE, DEVELOPING H.V., COLOR		
15	FM0-2859-000		1	CABLE, DEVELOPING H.V., BLACK		
16	FM0-2917-000		1	TONER CONTAINER ID DRIVER PCB		
17	FM0-2937-000		1	DEV. H.V. PCB ASSEMBLY, BLACK		
18	FM0-2938-000		1	DEV. H.V. PCB ASSEMBLY, COLOR		
19	FM3-9972-000		1	MAIN SWITCH ASS'Y		
20	FS5-8623-000		1	LABEL, WARNING LESER		
21	FS5-9277-020		3	SCREW, STEPPED, M4		
22	FU5-2682-000		12	SPRING		
23	FU5-9596-000		3	SCREW,STEPPED,RS,M3		
24	FU8-8135-000		1	LABEL, EXCHANGE INSTRUCTION		
25	VS1-8412-017		1	CONNECTOR, SNAP TIGHT, BL		
26	VS1-8412-019		1	CONNECTOR, SNAP TIGHT, BL		
27	XA9-0684-000		8	SCREW,M4X6		
28	FL0-4501-000		3	SHEET, CUSHION		

# FIGURE 102 INTERNAL COMPONENTS 2

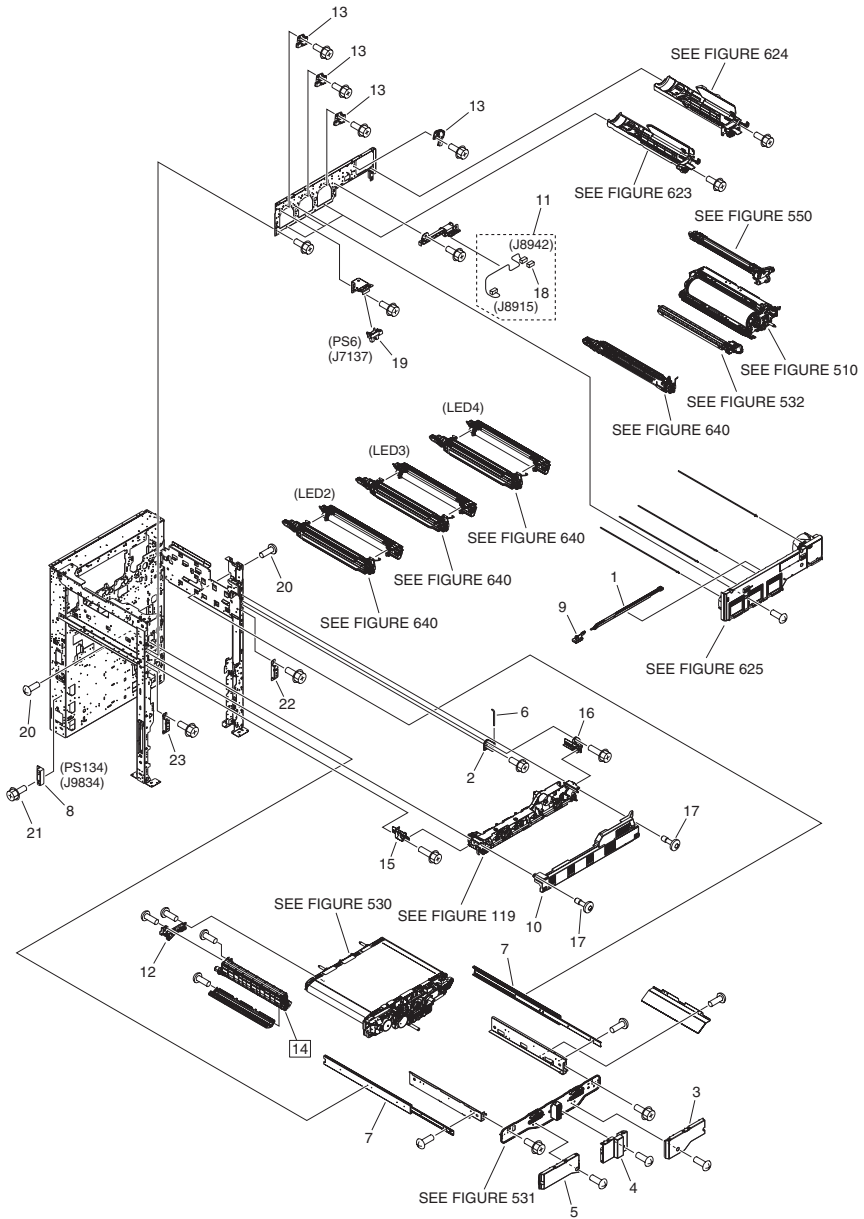


FIGURE & KEY NO.	PARTS NUMBER	RANK	Q'TY	DESCRIPTION	SERIAL NUMBER/REMARKS	SVC
Fig.102	NPN		RF	INTERNAL COMPONENTS 2		
1	FC8-2339-000		1	ROD, GLASS CLEANING		
2	FC9-3889-000		1	HINGE		
3	FC9-4107-000		1	COVER, I.T.B. INNER, RIGHT		
4	FC9-4108-000		1	COVER, I.T.B. INNER		
5	FC9-4109-000		1	COVER, I.T.B. INNER, LEFT		
6	FC9-8402-000		1	SHAFT, HINGE		
7	FE2-0270-010		2	RAIL, SLIDE		
8	FK2-0003-00U		1	RECONDITIONED PHOTO SENSOR	PS134	
9	FL2-4425-000		1	CLEANING PAD UNIT		
10	FL3-7645-000		1	COVER, INNER, FRONT		
11	FM0-2813-000		1	CABLE,BLACK TONER SENSOR,RIGHT		
12	FM0-4896-000		1	CONTACT BLOCK UNIT		
13	FM0-4905-000		4	TONER CONTAINER ID SENSOR UNIT		
14	FM1-C653-000		1	TRANSFER CLEANER ASSEMBLY	[DP]	
15	FM3-9886-000		1	RAIL ASSEMBLY, LEFT		
16	FM3-9887-000		1	RAIL ASSEMBLY, RIGHT		
17	FS1-9253-020		2	SCREW, STEPPED M4X8		
18	VS1-7177-005		1	CONNECTOR, SNAP TIGHT, BK		
19	WG8-5783-000		1	IC,PHOTO-INTERRUPTER,LG248NL1A	PS6	
20	XA9-1331-000		6	SCREW,MACH.,TRUSS HEAD,M4X4		
21	XA9-1386-000		2	SCREW,RS,M3X8		
22	FC8-1762-000		1	PLATE,FRAME POSITIONING, RIGHT		
23	FC8-1763-000		1	PLATE, FRAME POSITIONING, LEFT		



FIGURE & KEY NO.	PARTS NUMBER	R A N K	Q'TY	DESCRIPTION	SERIAL NUMBER/ REMARKS	S V C
Fig.103	NPN		RF	INTERNAL COMPONENTS 3		
1	FC0-9410-000		3	PLATE, DEVELOPING GROUNDING		
2	FC8-1936-000		1	SUPPORT, POWER DISPATCHING		
3	FC8-2311-000		1	LEVER, ESTRANGEMENT		
4	FC8-2334-000		3	GUIDE, CLEANER		
5	FC8-2645-000		1	LEVER, LOCK		
6	FC8-2646-000		1	DUCT, PRIMARY, LEFT		
7	FC8-2647-000		1	RAIL, PRIMARY CORONA		
8	FC9-0438-000		1	DUCT, PRIMARY, RIGHT		
9	FC9-0439-000		1	SEAL, PRIMARY DUCT		
10	FC9-3999-000		1	HOLDER, CAM SHAFT		
11	FC9-9331-000		1	SHEET, GROUNDING		
12	FC9-9332-000		1	PLATE, GROUNDING		
13	FE2-0224-010		1	SPRING, LEAF		
14	FK2-0607-000		1	THERMOSENSOR	THM5	
15	FK2-7919-000		1	THERMISTOR UNIT	THM6	
16	FL2-8865-000		1	HINGE		
17	FM0-1389-000		3	DEV. TERMINAL HOLDER ASSEMBLY		
18	XD9-0134-000		1	RING, E		
19	XD9-0136-000		2	RING, E		
20	FM0-1546-000		1	DEVELOPING MOUNT UNIT		
21	FM0-2811-000		1	CABLE, SENSOR CONNECTING		
22	FM0-2847-000		1	CABLE, THERMISTOR		
23	FM0-4945-000		1	I.T.BELT DRAWER ASSEMBLY		
24	FM1-D901-000		1	HIGH VOLTAGE PCB ASSEMBLY		
25	FM3-4961-000		1	BYPASS ASSEMBLY		
26	FM3-7941-000		2	TEMPERATURE SENSOR PCB ASS'Y		
27	FM3-9593-000		1	H.V. RESISTOR PCB ASSEMBLY		
28	FM3-9890-000		1	PRIMARY H.V. CONNECTOR ASS'Y		
29	FM3-9891-000		1	SENSOR UNIT, THERMO		
30	FM3-9959-000		1	DEVELOPING RAIL MOUNT ASS'Y		
31	FM4-1356-000		1	CABLE, DRUM HEATER		

FIGURE & KEY NO.	PARTS NUMBER	R A N K	Q'TY	DESCRIPTION	SERIAL NUMBER/ REMARKS	S V C
32	FM4-1410-000		1	CABLE, DEVELOPING, BLACK		
33	FM4-1411-000		3	CABLE, DEVELOPING, COLOR		
34	FM4-1414-000		1	CABLE, BIAS, BLACK		
35	FM4-1430-000		1	CABLE, BIAS CONNECTING, BLACK		
36	FS1-9102-020		2	SCREW, STEPPED, M3		
37	FS5-9277-020		1	SCREW, STEPPED, M4		
38	FU6-1182-000		2	BUSHING		
39	FU7-2316-000		2	SPRING, TENSION		
40	FU7-2344-000		1	SPRING, TENSION		
41	FU7-2347-000		1	SPRING, TENSION		
42	FU7-2389-000		3	SPRING, COMPRESSION		
43	VS1-8412-027		1	CONNECTOR, SNAP TIGHT, BL		
44	VS1-7177-002		1	CONNECTOR, SNAP TIGHT, BK		
45	VS1-7177-004		1	CONNECTOR, SNAP TIGHT, BK		
46	VS1-8412-005		1	CONNECTOR, SNAP TIGHT, BL		
47	VS1-8412-009		4	CONNECTOR, SNAP TIGHT, BL		
501	XD1-1106-212		1	WASHER,COP		
502	XD1-4200-402		1	WASHER, TOOTHED LOCK, M4		



# FIGURE 104 INTERNAL COMPONENTS 4

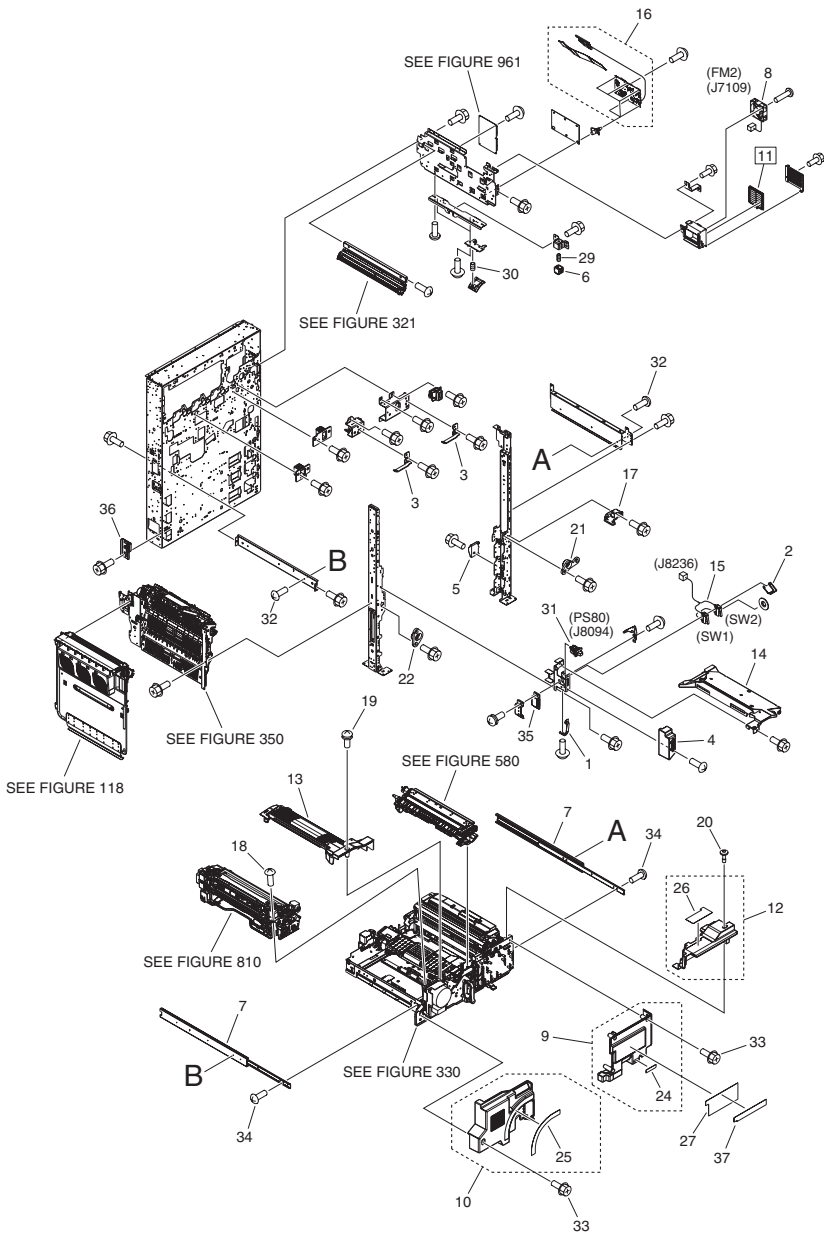


FIGURE & KEY NO.	PARTS NUMBER	R A N K	Q'TY	DESCRIPTION	SERIAL NUMBER/ REMARKS	S V C
Fig.104	NPN		RF	INTERNAL COMPONENTS 4		
1	FC0-8144-000		1	SPRING, LEAF		
2	FC0-8156-000		1	SPRING, TORSION		
3	FC0-8160-000		2	SPRING, LEAF		
4	FC0-9415-000		1	COVER, DOOR SWITCH INNER		
5	FC0-9850-000		1	HOOK, LEVER, LOWER		
6	FC8-8802-000		1	BLOCK, PUSHING		
7	FE2-0115-010		2	RAIL, SLIDE		
8	FK2-0360-000		1	FAN	FM2	
9	FL0-1271-000		1	COVER, FIXING/FEEDER, RIGHT		
10	FL0-1272-000		1	COVER, FIXING/FEEDER, LEFT		
11	FL2-0439-000		1	FILTER, DUST	[DP]	
12	FL3-7604-000		1	COVER, FIXING/FEEDER SUB		
13	FL3-7684-000		1	COVER, FIXING, UPPER		
14	FM0-1455-000		1	FIXING DUCT ASSEMBLY		
15	FM0-2079-000		1	CABLE, DOOR SWITCH, FRONT	SW1,SW2	
16	FM1-D411-000		1	POTENTIAL CONTROL PCB ASSEMBLY		
17	FM1-D438-000		1	MOUNT, FRONT DOOR HINGE, LOWER		
18	FU5-9224-000		2	SCREW, BH4X6(YELLOW)		
19	FU5-9225-000		1	SCREW, WWASHER, M4X10(YELLOW)		
20	FU5-9571-000		1	SCREW, STEPPED M4X8(YELLOW)		
21	FU6-1601-000		1	BUSHING		
22	FU6-1602-000		1	BUSHING		
24	FU8-8139-000		1	LABEL, OPERATOR NUMBER, C5		
25	FU8-8140-000		1	LABEL, OPERATOR NUMBER, C1		
26	FU8-8141-000		1	LABEL, UNIT INSERT CAUTION		
27	FU8-8138-000		1	LABEL, JAM CLEARING PROCESS	US,CA,EUR,AU,SG,HK QKM,KR,LTN English	
27	FU8-8185-000		1	LABEL, JAM CLEARING PROCESS	CN,HK QKR,QKT,QKU,TW Simplified Chinese	
29	FU9-2372-000		1	SPRING, COMPRESSION		
30	FU9-2393-000		2	SPRING, COMPRESSION		

FIGURE & KEY NO.	PARTS NUMBER	RANK	Q'TY	DESCRIPTION	SERIAL NUMBER/REMARKS	SVC
31	WC2-5803-000		1	SWITCH	PS80       US,CA,EUR,AU,SG,HK QKM,KR,LTN French,German,Spanish,Italian,Portuguese,Traditional Chinese,Korean	
32	XA9-1331-000		6	SCREW,MACH.,TRUSS HEAD,M4X4		
33	XA9-1386-000		AR	SCREW,RS,M3X8		
34	XA9-1788-000		6	SCREW, MACH.,TRUSS HEAD,M4X6		
35	XZ9-0581-000		1	CATCH,MAGNET		
36	FL0-1894-000		1	HINGE		
37	FU8-8209-000		1	LABEL, JAM CLEARING CAUTION		



FIGURE & KEY NO.	PARTS NUMBER	R A N K	Q'TY	DESCRIPTION	SERIAL NUMBER/ REMARKS	S V C
Fig.105	NPN		RF	INTERNAL COMPONENTS 5		
1	FB2-8094-020		2	KNOB, 1		
2	FC0-9677-000		1	COVER, INNER, RIGHT LOWER		
3	FC0-9849-000		1	HOOK, LEVER, UPPER		
4	FC0-9971-000		4	PLATE, HINGE		
5	FC8-8802-000		2	BLOCK, PUSHING		
6	FC9-4117-000		1	PIN, POSITIONING		
7	FE2-0194-010		1	BLOCK, HANDLE ASSIST		
8	FE3-6391-000		2	COVER, GUIDE STOPPER		
9	FM0-1566-000		1	INTERLOCK SWITCH UNIT	SW7	
10	FM0-2751-000		1	CABLE, RELAY		
11	FM0-2818-000		1	CABLE, CASSETTE SIZE		
12	FM1-D450-000		1	SENSOR UNIT, ENVIRONMENT	ENV1	
13	FM3-9976-000		2	GUIDE STOPPER ASSEMBLY		
14	FU7-2352-000		2	SPRING, COMPRESSION		
15	FU9-2390-000		6	SPRING, COMPRESSION		
16	FU9-2424-000		9	SPRING, COMPRESSION		
17	VS1-7177-002		2	CONNECTOR, SNAP TIGHT, BK		
18	VS1-8412-007		1	CONNECTOR, SNAP TIGHT, BL		
19	VS1-8412-009		3	CONNECTOR, SNAP TIGHT, BL		
20	VS1-8412-015		1	CONNECTOR, SNAP TIGHT, BL		
21	WC2-5848-000		3	SWITCH, DETECT PUSH	SW15,SW17,SW21	
22	WG8-5783-000		9	IC,PHOTO-INTERRUPTER,LG248NL1A	PS139,PS140,PS141,PS142,PS143,PS144,PS145,PS146,PS147	
23	WG8-6002-000		1	PHOTOINTERRUPTER, GP1A173LCSVF	PS39	
24	XD9-0137-010		4	RING, E		
25	FM0-1467-000		3	CASSETTE SIZE SENSING ASSEMBLY		

# FIGURE 106 INTERNAL COMPONENTS 6

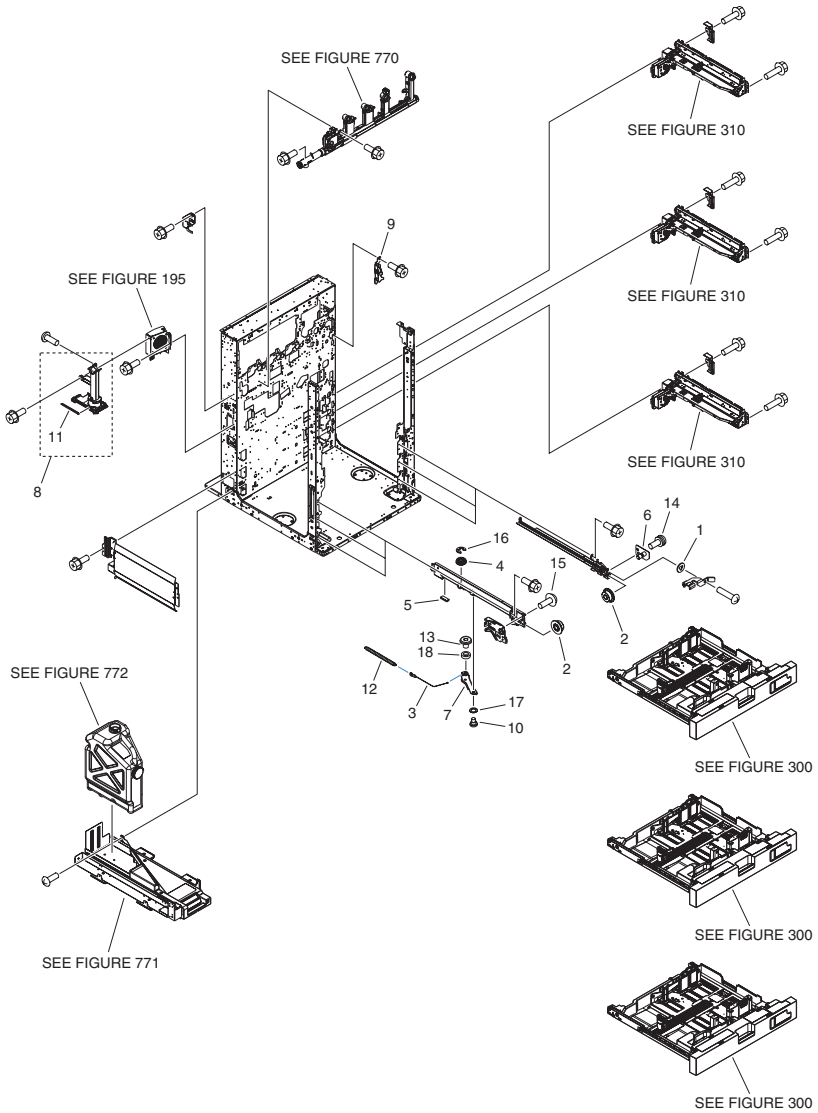


FIGURE & KEY NO.	PARTS NUMBER	R A N K	Q'TY	DESCRIPTION	SERIAL NUMBER/ REMARKS	S V C
Fig.106	NPN		RF	INTERNAL COMPONENTS 6		
1	FC2-2121-000		3	WASHER		
2	FC8-4999-000		6	ROLLER, RAIL		
3	FE2-0063-010		3	WIRE		
4	FE3-6365-000		3	PULLEY		
5	FE4-0758-000		3	SHEET, SILENCER SPONGE		
6	FL3-7679-000		3	PLATE, ROLLER SHAFT		
7	FL3-9417-000		3	ARM, ROLLER		
8	FM0-1511-000		1	VERTICAL PIPE UNIT		
9	FM0-1512-000		1	WASTE TONER FEED GEAR ASS'Y		
10	FS5-9162-020		3	SCREW, STEPPED		
11	FU9-2335-000		1	SPRING, TENSION		
12	FU9-2375-000		3	SPRING, TENSION		
13	XA9-0679-000		3	SCREW, MACH., FLAT HEAD, M3X4		
14	XA9-0961-000		3	SCREW, W/WASHER, M4X10		
15	XA9-0994-000		3	SCREW, TP, M4X6		
16	XD9-0134-000		3	RING, E		
17	XD9-0154-000		3	WASHER, SHIM		
18	XG9-0497-000		3	BEARING, BALL, MR106ZZ,		

# FIGURE 107 MACHINE BOTTOM PLATE

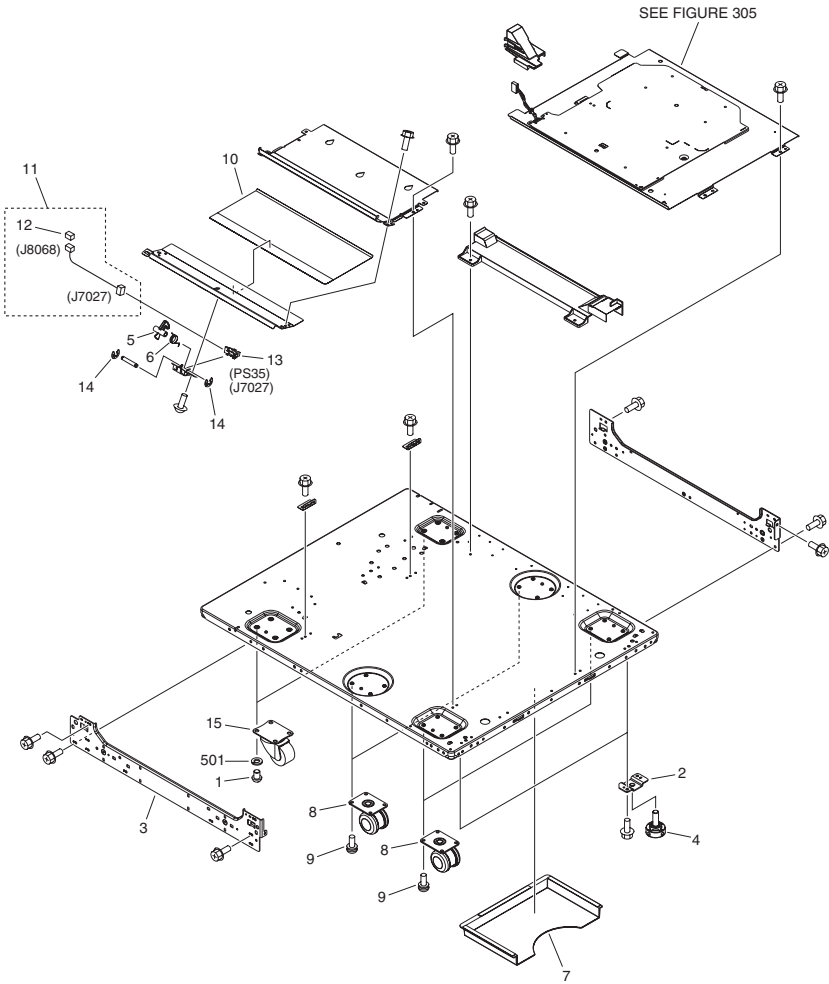




FIGURE & KEY NO.	PARTS NUMBER	R A N K	Q'TY	DESCRIPTION	SERIAL NUMBER/ REMARKS	S V C
Fig.107	NPN		RF	MACHINE BOTTOM PLATE		
1	FB4-1340-000		8	SCREW,ALLEN HEAD,M8X10		
2	FC5-2687-000		2	PLATE, ADJUSTER MOUNTING		
3	FC8-1832-010		1	CROSSMEMBER, LEFT LOWER		
4	FC8-6639-000		2	ADJUSTER		
5	FC9-3779-000		1	FLAG, REVERSE V. PATH SENSOR		
6	FC9-3836-000		1	SPRING, TORSION		
7	FE2-0718-000		1	HOLDER, SERVICE BOOK		
8	FE3-8190-000		4	CASTER		
9	FE4-0430-000		16	SCREW, W/WASHER, M6		
10	FC0-9939-000		1	SHEET, PAPER DELIVERY GUIDE		
11	FM4-1397-000		1	CABLE, RIGHT VERTICAL PATH, 3		
12	VS1-8412-003		1	CONNECTOR, SNAP TIGHT, BL		
13	WG8-6002-000		1	PHOTOINTERRUPTER, GP1A173LCSVF	PS35	
14	XD9-0134-000		2	RING, E		
15	XZ9-0409-020		2	CASTER		
501	XD1-3100-805		8	WASHER,SPRING		

# FIGURE 108 MACHINE REAR PLATE 1

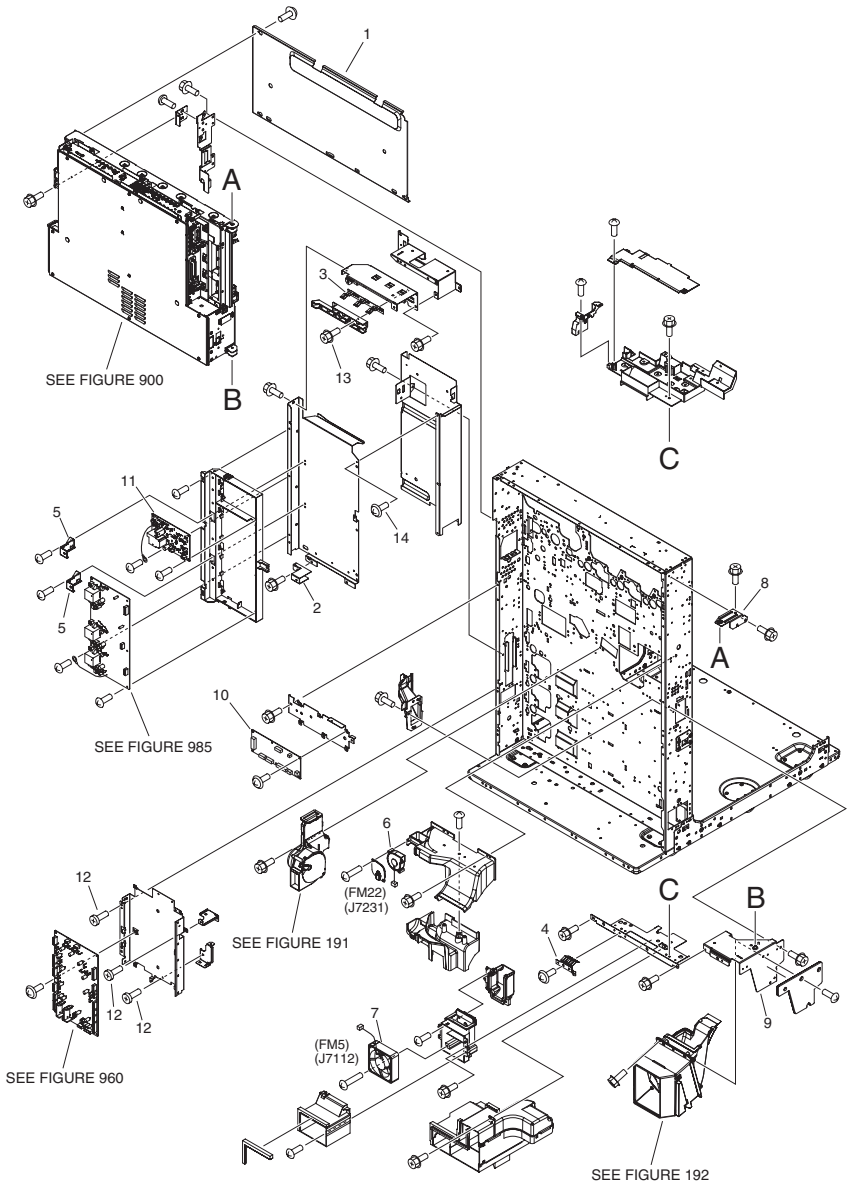


FIGURE & KEY NO.	PARTS NUMBER	R A N K	Q'TY	DESCRIPTION	SERIAL NUMBER/REMARKS	S V C
Fig.108	NPN		RF	MACHINE REAR PLATE 1		
1	FC9-0447-000		1	COVER, DC CONTROLLER		
2	FC9-7493-000		1	CROSSMEMBER, COVER, REAR LOWER		
3	FC9-9342-000		1	PLATE, GROUNDING		
4	FC9-9343-000		1	PLATE, GROUNDING		
5	FE2-0179-010		2	PLATE, GROUNDING		
6	FK3-3986-000		1	FAN	FM22	
7	FL3-8779-000		1	FAN	FM5	
8	FM0-0853-000		1	HINGE		
9	FM0-0854-000		1	PLATE, FIXING DUCT		
10	FM0-2926-000		1	DRUM I.T.B. DRIVER PCB ASS'Y		
11	FM1-C966-000		1	1ST CORONA HIGH VOLTAGE PCB		
12	XA9-1135-000		4	SCREW,RS,M4X8		
13	XA9-1386-000		2	SCREW,RS,M3X8		
14	XA9-1503-000		3	SCREW, TAP, M3X6		

# FIGURE 109 MACHINE REAR PLATE 2

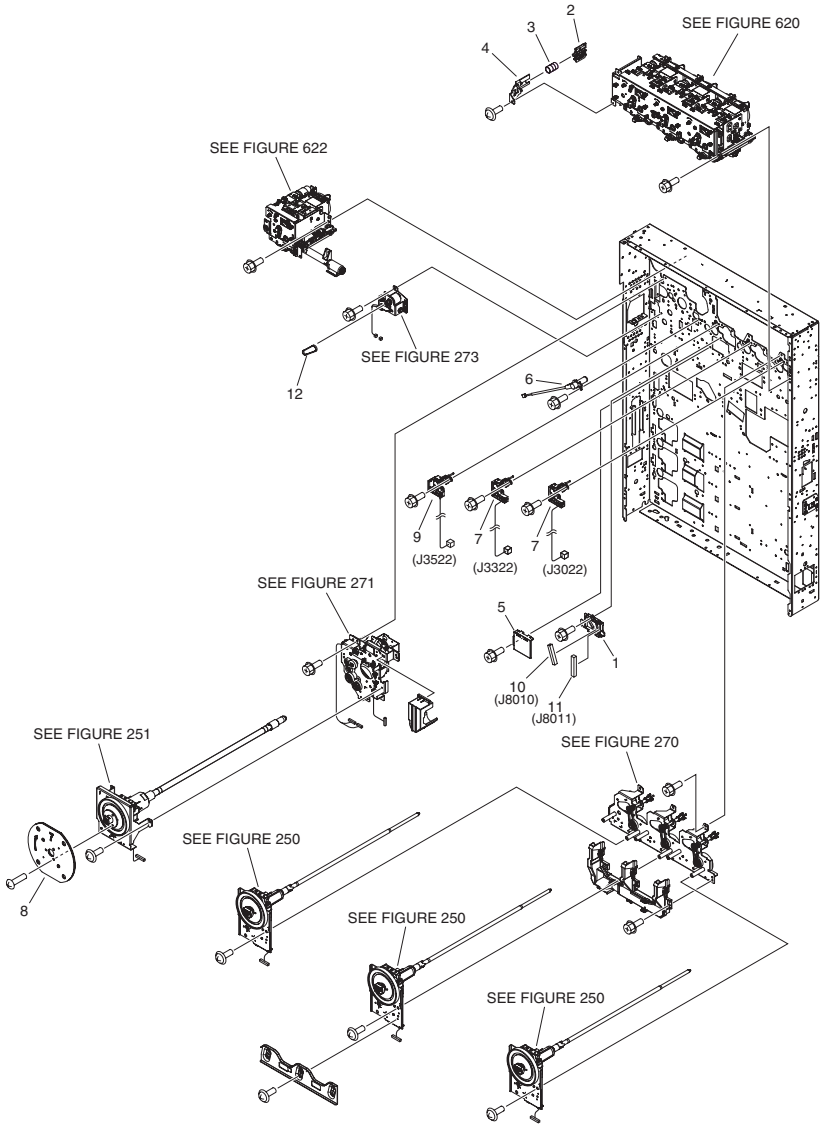


FIGURE & KEY NO.	PARTS NUMBER	RANK	Q'TY	DESCRIPTION	SERIAL NUMBER/REMARKS	SVC
Fig.109	NPN		RF	MACHINE REAR PLATE 2		
1	FC0-9653-000		1	MOUNT, CONNECTOR		
2	FC8-2791-000		1	RACK, SHUTTER		
3	FC8-2792-000		1	SPRING, COMPRESSION		
4	FC9-3670-000		1	STOPPER, SHUTTER RACK		
5	FC9-3786-010		1	COVER, I.T.B. CABLE		
6	FK3-4046-000		1	CONNECTOR		
7	FM0-1503-000		2	CORONA TERMINAL UNIT, Y . M		
8	FM1-C639-000		1	FLYWHEEL, 1		
9	FM3-4981-000		1	CORONA TERMINAL UNIT, C		
10	VS1-8412-019		1	CONNECTOR, SNAP TIGHT, BL		
11	VS1-8412-021		1	CONNECTOR, SNAP TIGHT, BL		
12	XF2-1607-040		1	BELT, TIMING		



FIGURE & KEY NO.	PARTS NUMBER	R A N K	Q'TY	DESCRIPTION	SERIAL NUMBER/ REMARKS	S V C
Fig.110	NPN		RF	MACHINE REAR PLATE 3		
1	FC8-2250-000		1	COVER, FIXING DRAWER, 1		
2	FC8-2251-000		1	COVER, FIXING DRAWER, 2		
3	FK3-3986-000		1	FAN	FM18	
4	FL2-8660-000		2	PLATE, POSITION, FIXING/FEEDER		
5	FL3-7770-000		1	FAN	FM4	
6	FM0-1507-000		1	FIXING/FEEDER DRAWER ASSEMBLY		
7	FM0-2756-000		1	CABLE, POD DECK LATTICE		
8	FM0-2771-000		1	CABLE, MAIN FIXING DRAWER		
9	FM0-2867-000		1	CABLE, DRAWER POWER SUPPLY		
10	FM0-2868-000		1	CABLE, DRAWER SIGNAL		
11	FM0-4893-000		1	MOUNT, 1ST TRNSFR. TERMINAL		
12	FM4-1357-000		1	CABLE, MAIN HEATER		
13	FS5-2964-000		6	SPRING, COMPRESSION		
14	FS5-9758-020		6	SCREW, STEPPED, M3		
15	VS1-7177-003		1	CONNECTOR, SNAP TIGHT, BK		
16	VS1-8412-013		1	CONNECTOR, SNAP TIGHT, BL		
17	XA9-1035-000		1	SCREW,M4X4		
501	XD1-4200-402		1	WASHER, TOOTHED LOCK, M4		

# FIGURE 111 MACHINE REAR PLATE 4

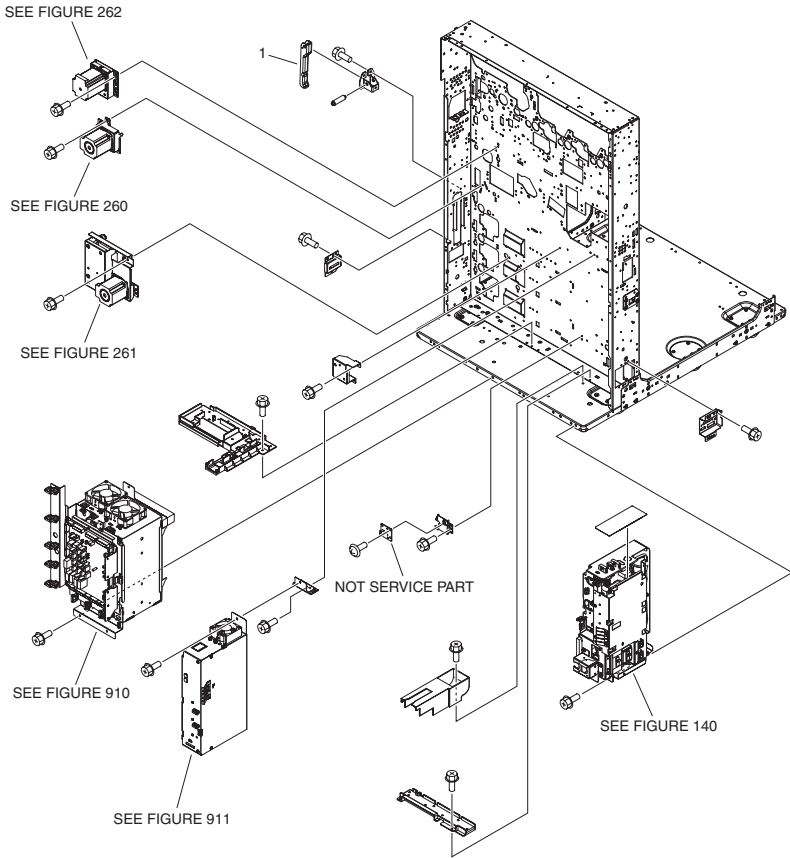




FIGURE & KEY NO.	PARTS NUMBER	R A N K	Q'TY	DESCRIPTION	SERIAL NUMBER/ REMARKS	S V C
Fig.111  1	NPN  FB2-8094-020		RF  1	MACHINE REAR PLATE 4  KNOB, 1		

FIGURE 112  
MACHINE REAR PLATE 5

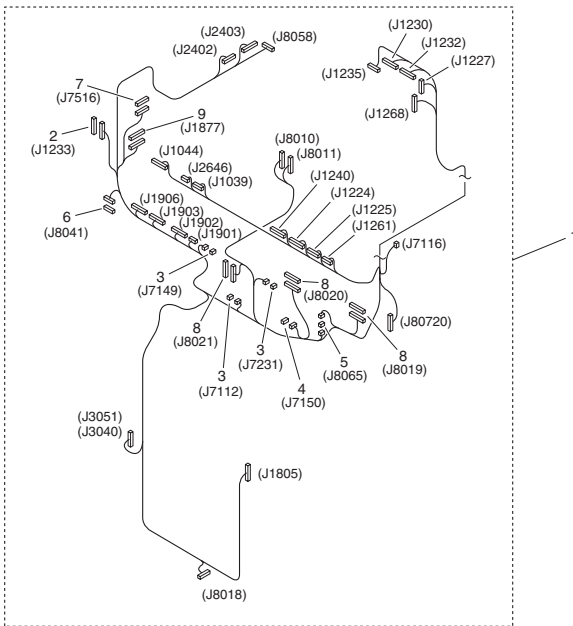
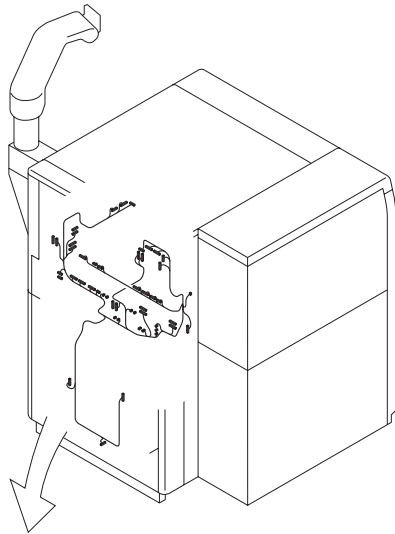


FIGURE & KEY NO.	PARTS NUMBER	RANK	Q'TY	DESCRIPTION	SERIAL NUMBER/REMARKS	SVC
Fig.112	NPN		RF	MACHINE REAR PLATE 5		
1	FM0-2752-000		1	CABLE, SIGNAL MAIN		
2	VS1-7164-038		1	CONNECTOR, SNAP TIGHT, 38P, W		
3	VS1-7177-003		3	CONNECTOR, SNAP TIGHT, BK		
4	VS1-7177-004		1	CONNECTOR, SNAP TIGHT, BK		
5	VS1-8412-003		1	CONNECTOR, SNAP TIGHT, BL		
6	VS1-8412-007		1	CONNECTOR, SNAP TIGHT, BL		
7	VS1-8412-009		1	CONNECTOR, SNAP TIGHT, BL		
8	VS1-8412-015		3	CONNECTOR, SNAP TIGHT, BL		
9	VS1-8412-029		1	CONNECTOR, SNAP TIGHT, BL		

# FIGURE 113 MACHINE REAR PLATE 6

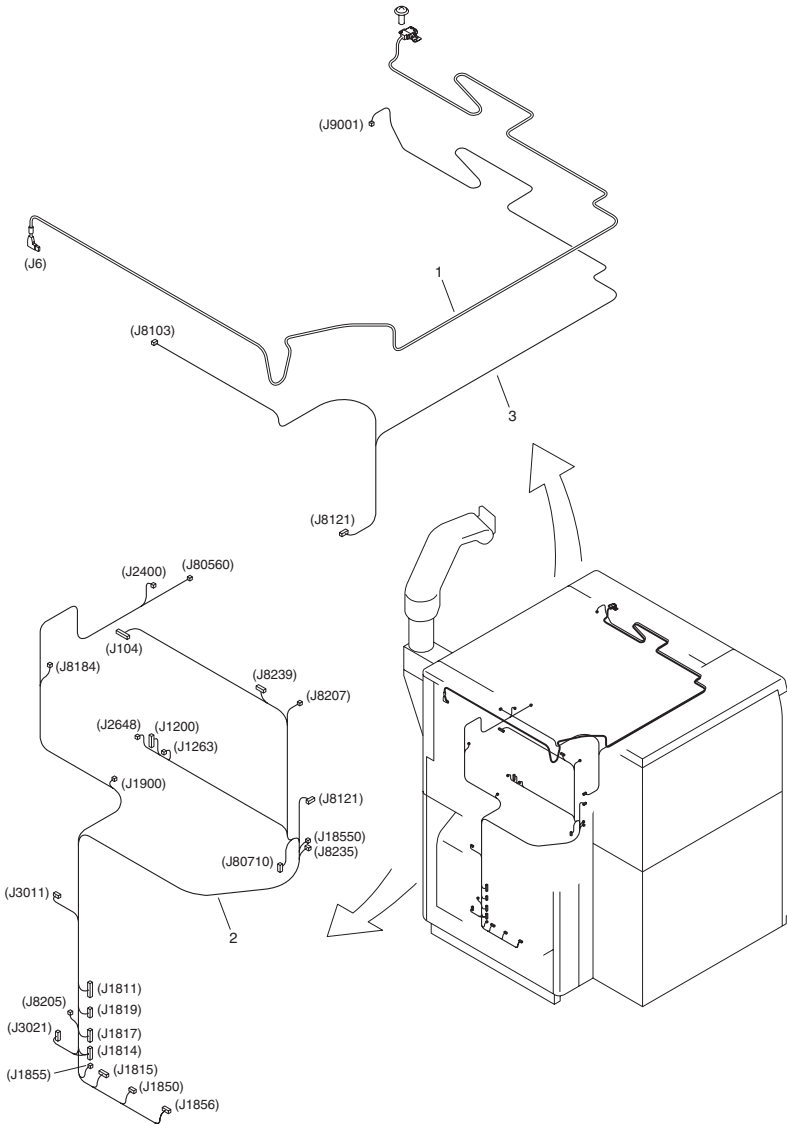


FIGURE & KEY NO.	PARTS NUMBER	RANK	Q'TY	DESCRIPTION	SERIAL NUMBER/REMARKS	SVC
Fig.113	NPN		RF	MACHINE REAR PLATE 6		
1	FK3-3803-000		1	CABLE, USB		
2	FM0-2753-000		1	CABLE, DC POWER SUPPLY MAIN		
3	FM0-2855-000		1	CABLE, POWER		

# FIGURE 114 MACHINE REAR PLATE 7

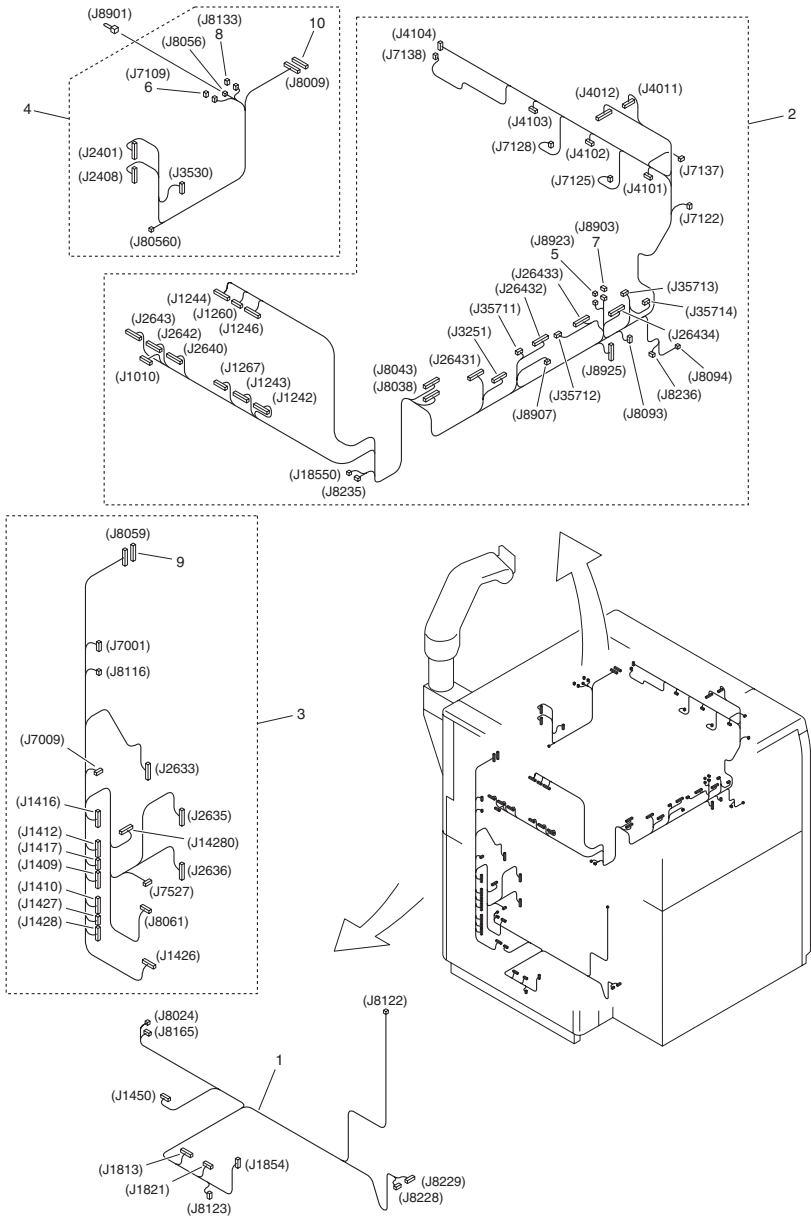


FIGURE & KEY NO.	PARTS NUMBER	RANK	Q'TY	DESCRIPTION	SERIAL NUMBER/REMARKS	SVC
Fig.114	NPN		RF	MACHINE REAR PLATE 7		
1	FM0-2747-000		1	CABLE, PAPER PICK-UP DECURLER		
2	FM0-2754-000		1	CABLE, SIGNAL, UPPER		
3	FM0-2819-000		1	CABLE, PAPER PICK-UP, RIGHT		
4	FM0-2842-000		1	CABLE, SIGNAL, RIGHT		
5	VS1-7177-002		1	CONNECTOR, SNAP TIGHT, BK		
6	VS1-7177-003		1	CONNECTOR, SNAP TIGHT, BK		
7	VS1-7177-004		1	CONNECTOR, SNAP TIGHT, BK		
8	VS1-8412-003		1	CONNECTOR, SNAP TIGHT, BL		
9	VS1-8412-021		1	CONNECTOR, SNAP TIGHT, BL		
10	VS1-8412-027		1	CONNECTOR, SNAP TIGHT, BL		

# FIGURE 115 MACHINE REAR PLATE 8

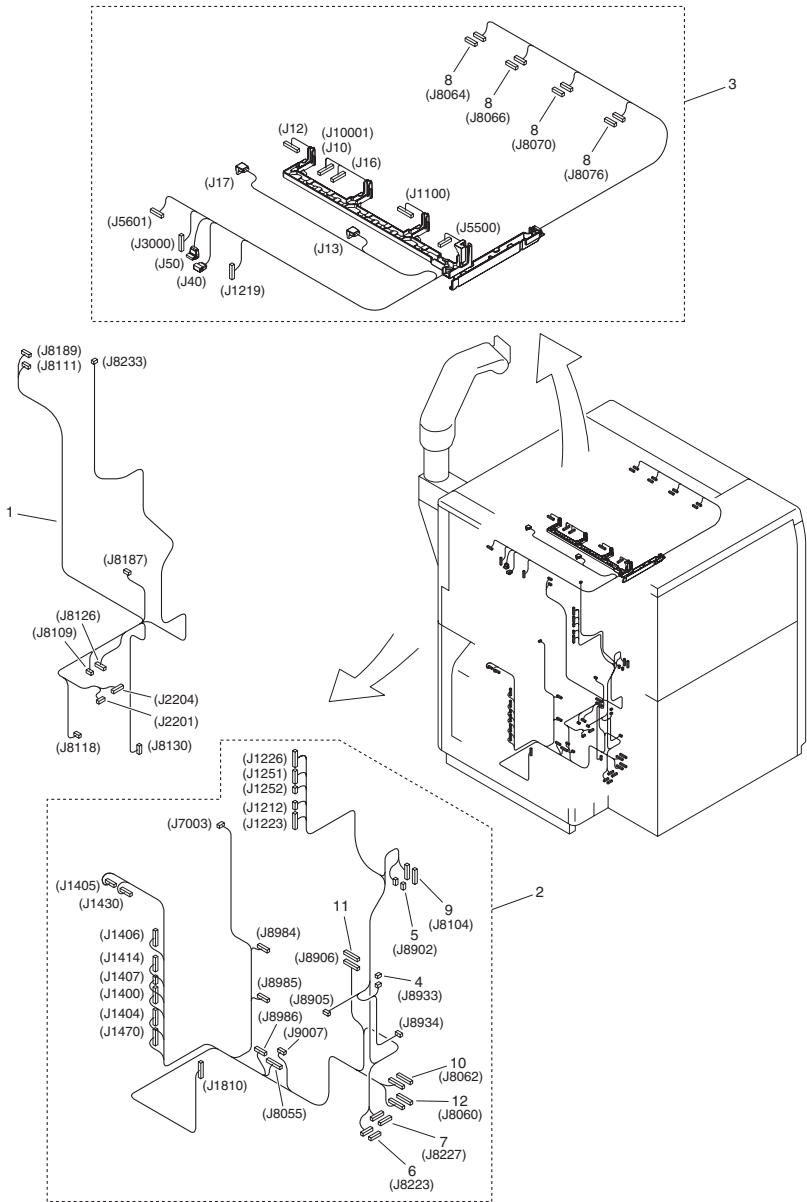




FIGURE & KEY NO.	PARTS NUMBER	R A N K	Q'TY	DESCRIPTION	SERIAL NUMBER/ REMARKS	S V C
Fig.115	NPN		RF	MACHINE REAR PLATE 8		
1	FM0-2750-000		1	CABLE, CASSETTE DRUM HEATER		
2	FM0-2770-000		1	CABLE, PAPER PICK-UP, LOWER		
3	FM0-4967-000		1	SCANNER MAIN CABLE ASSEMBLY		
4	VS1-7177-003		1	CONNECTOR, SNAP TIGHT, BK		
5	VS1-7177-004		1	CONNECTOR, SNAP TIGHT, BK		
6	VS1-7177-009		1	CONNECTOR, 9P		
7	VS1-7177-012		1	CONNECTOR, SNAP TIGHT, BK		
8	VS1-8412-009		4	CONNECTOR, SNAP TIGHT, BL		
9	VS1-8412-013		1	CONNECTOR, SNAP TIGHT, BL		
10	VS1-8412-015		1	CONNECTOR, SNAP TIGHT, BL		
11	VS1-8412-019		1	CONNECTOR, SNAP TIGHT, BL		
12	VS1-8412-029		1	CONNECTOR, SNAP TIGHT, BL		

# FIGURE 117 VERTICAL PATH DOOR ASSEMBLY

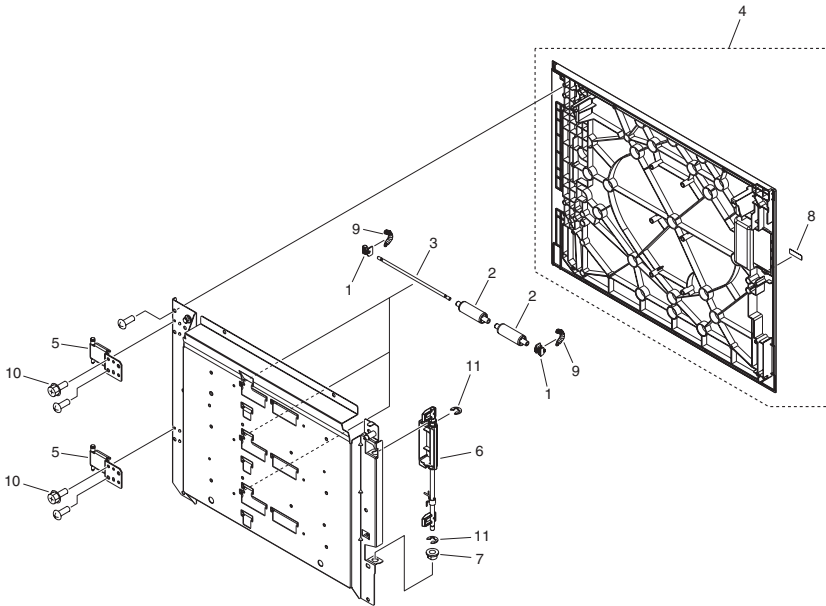
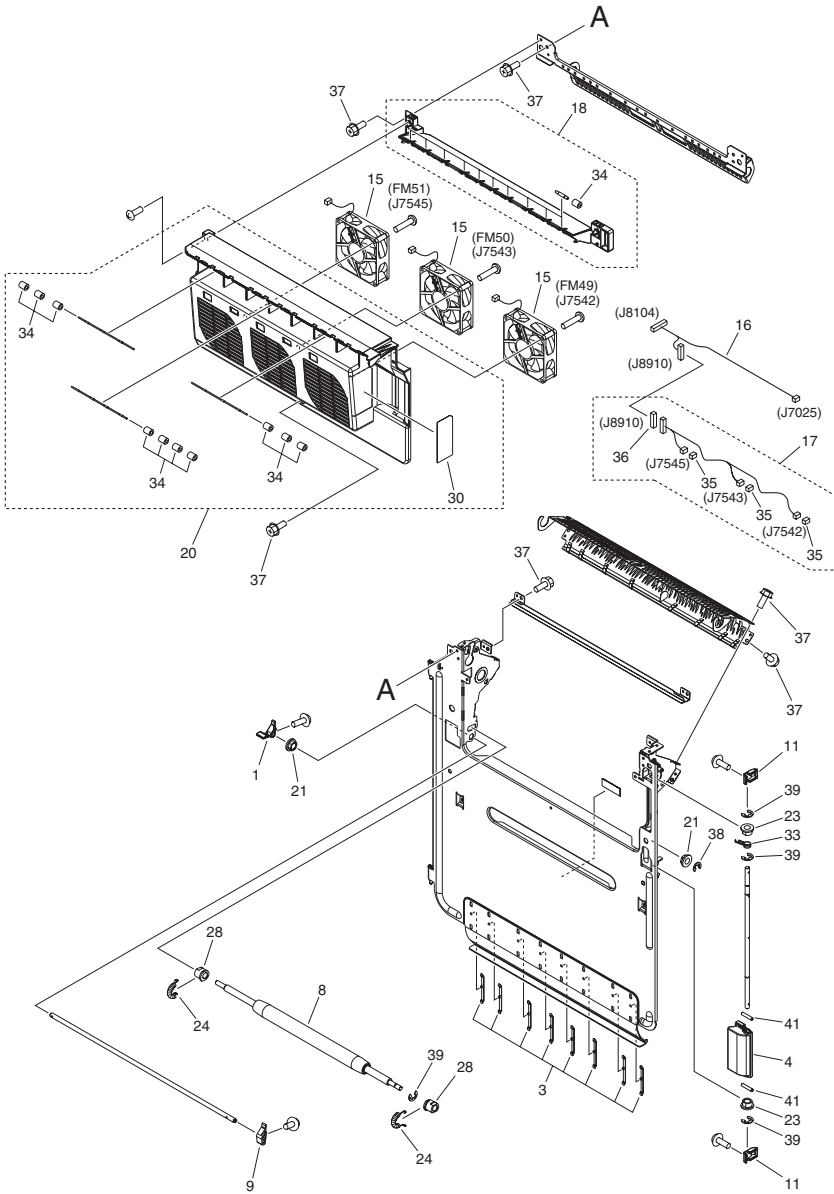


FIGURE & KEY NO.	PARTS NUMBER	R A N K	Q'TY	DESCRIPTION	SERIAL NUMBER/ REMARKS	S V C
Fig.117	FM0-1355-000		1	VERTICAL PATH DOOR ASSEMBLY		
1	FE4-1049-000		6	BUSHING		
2	FC8-2607-000		6	ROLLER, DRIVEN		
3	FC8-2608-000		3	SHAFT, ROLLER		
4	FL0-1929-000		1	COVER, RIGHT		
5	FL3-7771-000		2	HINGE		
6	FM1-C655-000		1	HANDLE ASSEMBLY		
7	FU5-1453-000		1	BUSHING		
8	FU8-8195-000		1	LABEL, OPERATOR NUMBER, A1		
9	FU9-2415-000		6	SPRING, TENSION		
10	XA9-1386-000		4	SCREW,RS,M3X8		
11	XD9-0136-000		2	RING, E		

# FIGURE 118 REVERSE DELIVERY DOOR ASSEMBLY



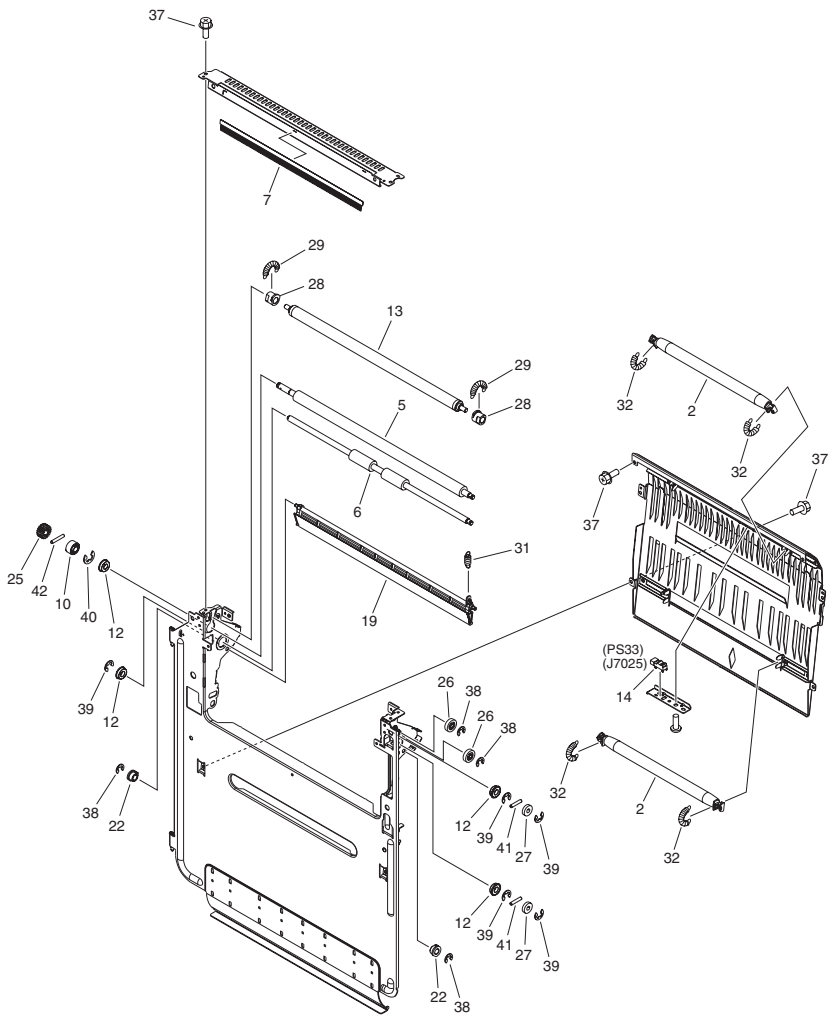


FIGURE & KEY NO.	PARTS NUMBER	R A N K	Q'TY	DESCRIPTION	SERIAL NUMBER/ REMARKS	S V C
Fig.118	FM0-1589-000		1	REVERSE DELIVERY DOOR ASSEMBLY		
1	FC0-8727-000		1	ARM, ROLLER ESTRANGEMENT, REAR		
2	FM0-3009-010		2	DRIVEN ROLLER ASSEMBLY		
3	FC0-9866-000		8	RIB, REVERSE GUIDE		
4	FC0-9932-000		1	LEVER, DOOR		
5	FC0-9933-000		1	ROLLER, OUTER DELIVERY DRIVE		
6	FC0-9940-000		1	ROLLER, REVERSE DRIVE		
7	FC6-4009-000		1	ELIMINATOR,STATIC CHARGE		
8	FC8-2576-000		1	ROLLER, ESTRANGEMENT FOLLOWER		
9	FC8-2597-000		1	ARM,ROLLER ESTRANGEMENT,FRONT		
10	FC8-2606-000		1	ROLLER, SIDE END		
11	FC8-2623-000		2	ARM, HANDLE		
12	XG9-0779-000		4	BEARING, BALL, 688ZZNR D41		
13	FE3-6340-000		1	ROLLER,OUTER DELIVERY FOLLOWER		
14	FK2-8560-000		1	PHOTO-SENSOR, KUA0095C	PS33	
15	FK3-2593-000		3	FAN	FM49,FM50,FM51	
16	FM0-2824-000		1	CABLE, EXHAUST FAN CONNECTING		
17	FM0-2825-000		1	CABLE, EXHAUST FAN		
18	FM0-4889-000		1	INTERNAL GUIDE ASSEMBLY		
19	FM1-C646-000		1	REVERSE FLAPPER UNIT		
20	FM1-C705-000		1	EXHAUST FAN COVER ASSY		
21	FS1-1569-000		2	BUSHING		
22	FU5-1442-000		2	BUSHING		
23	FU5-1453-000		2	BUSHING		
24	FU5-2139-040		2	SPRING, TENSION		
25	FU6-0029-000		1	GEAR, 18T		
26	FU6-0092-000		2	GEAR, 21T		
27	FU6-0152-000		2	GEAR, 17T		
28	FU6-1190-000		4	BUSHING		
29	FU8-2355-000		2	SPRING, TENSION		
30	FU8-8170-000		1	LABEL, OPERATOR NUMBER, B4		
31	FU9-2363-000		1	SPRING, TENSION		

FIGURE & KEY NO.	PARTS NUMBER	R A N K	Q'TY	DESCRIPTION	SERIAL NUMBER/ REMARKS	S V C
32	FU9-2364-000		4	SPRING, TENSION		
33	FU9-2365-000		1	SPRING, TORSION		
34	RB2-0493-000		20	ROLLER, PAPER SENSOR		
35	VS1-7177-003		3	CONNECTOR, SNAP TIGHT, BK		
36	VS1-7177-009		1	CONNECTOR, 9P		
37	XA9-1386-000		AR	SCREW,RS,M3X8		
38	XD9-0134-000		5	RING, E		
39	XD9-0136-000		9	RING, E		
40	XD9-0137-010		1	RING, E		
41	XD9-0288-000		4	PIN, DOWEL		
42	XD9-0289-000		1	PIN, PARALLEL		

# FIGURE 119 FRONT INNER DOOR ASSEMBLY

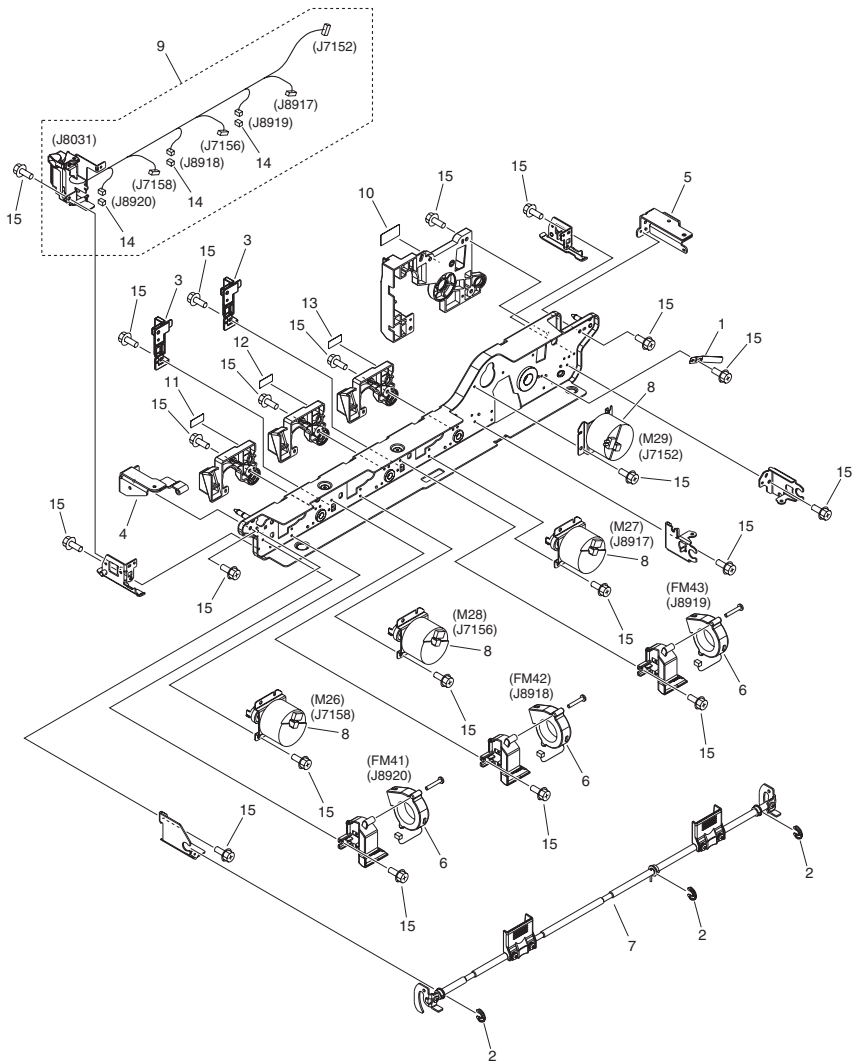
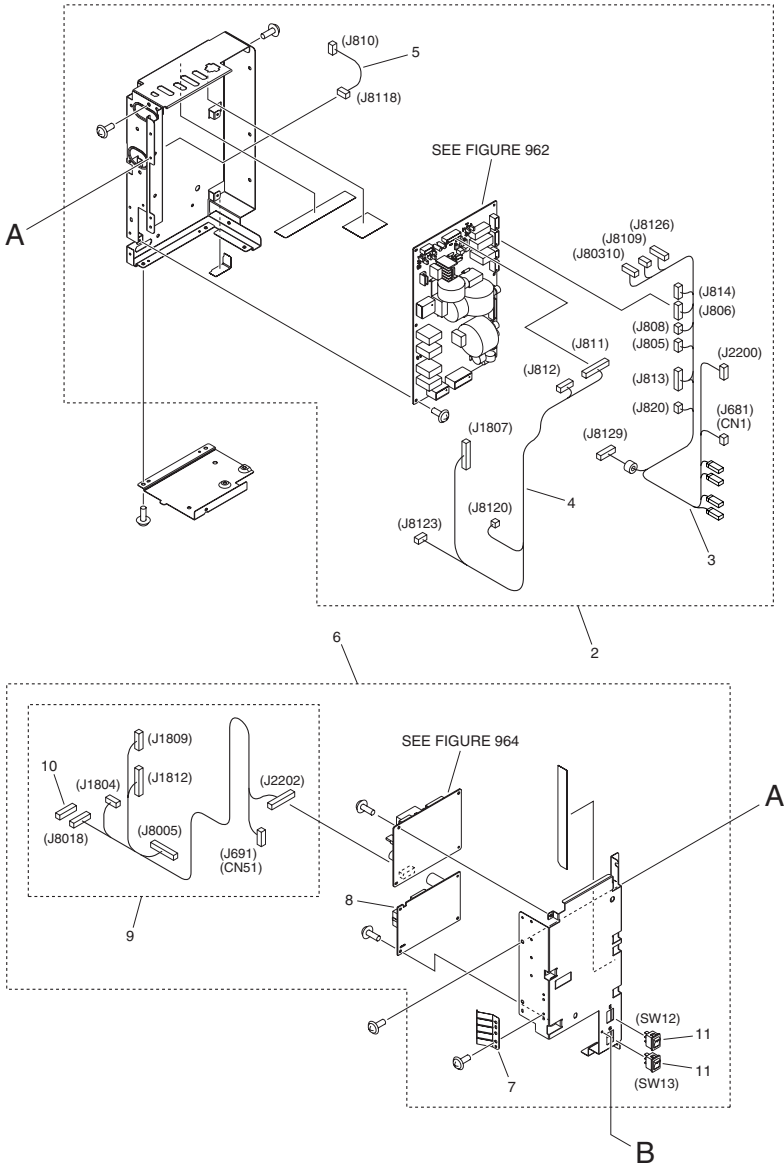




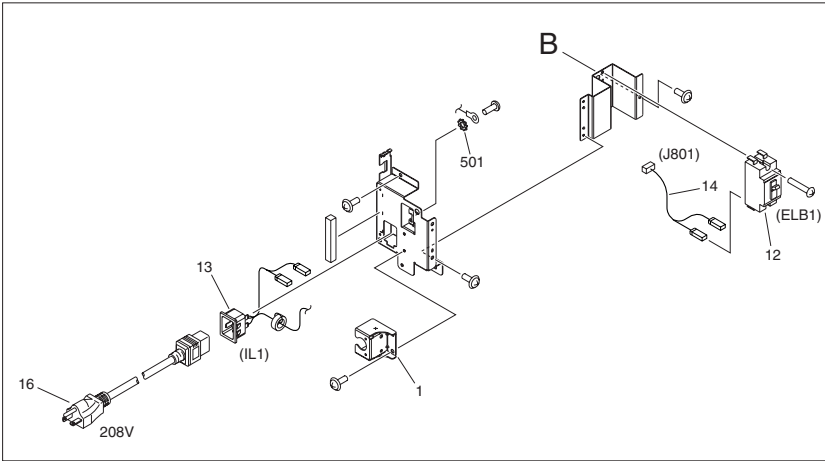
FIGURE & KEY NO.	PARTS NUMBER	R A N K	Q'TY	DESCRIPTION	SERIAL NUMBER/REMARKS	S V C
Fig.119	FM0-1349-000		1	FRONT INNER DOOR ASSEMBLY		
1	FC0-2338-000		1	SPRING, GROUNDING		
2	FC5-2715-000		3	RING, RETAINING		
3	FC8-1998-000		2	RAIL, CARTRIDGE GUIDE		
4	FC9-3773-000		1	HINGE		
5	FE3-6353-000		1	HINGE, TORQUE, REAR		
6	FK3-3986-000		3	FAN	FM41,FM42,FM43	
7	FM0-1350-000		1	HOOK SHAFT UNIT		
8	FM0-1351-000		4	DEV. STIRRING MOTOR ASS'Y	M26,M27,M28,M29	
9	FM0-1490-000		1	DRAWER CABLE UNIT		
10	FU6-8575-000		1	LABEL, COLOR, BLACK		
11	FU6-8576-000		1	LABEL, COLOR, YELLOW		
12	FU6-8577-000		1	LABEL, COLOR, MAGENTA		
13	FU6-8578-000		1	LABEL, COLOR, CYAN		
14	VS1-7177-003		3	CONNECTOR, SNAP TIGHT, BK		
15	XA9-1386-000		AR	SCREW,RS,M3X8		

# FIGURE 140 POWER CORD TERMINAL ASSEMBLY



NOTE : This assembly includes the assemblies shown in Figure 962 and 964.  
 注 : このユニットはFigure 962, 964のユニットを含みます。

208V



230V

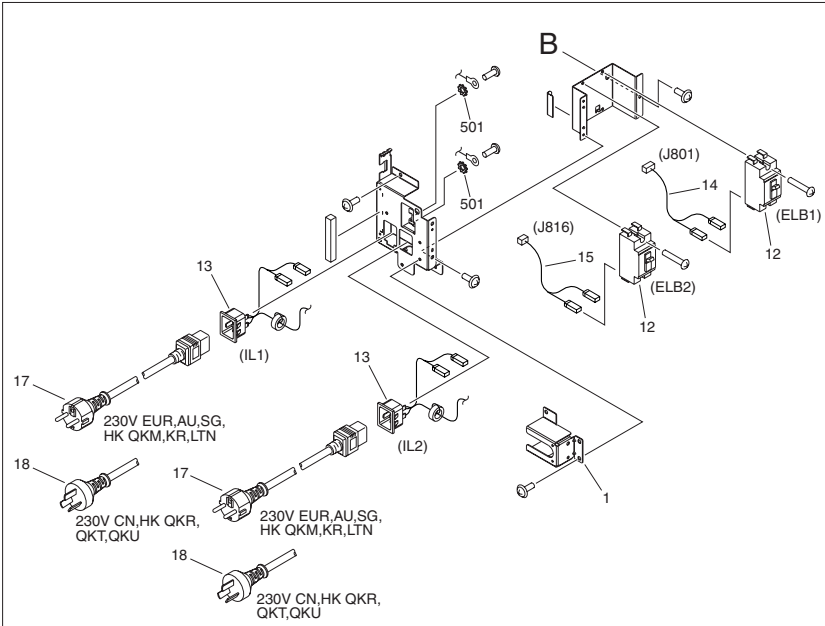


FIGURE & KEY NO.	PARTS NUMBER	R A N K	Q'TY	DESCRIPTION	SERIAL NUMBER/ REMARKS	S V C
Fig.140	FM0-4929-000		1	POWER CORD TERMINAL ASSEMBLY	208V SEE NOTE	
Fig.140	FM0-4930-000		1	POWER CORD TERMINAL ASSEMBLY	230V EUR,AU,SG,HK QKM,KR,LTN SEE NOTE	
Fig.140	FM0-4966-000		1	POWER CORD TERMINAL ASSEMBLY	230V CN,HK QKR,QKT,QKU,TW SEE NOTE	
1	FL3-9168-000		1	COVER, PLUG	208V	
1	FL0-1865-000		1	COVER, PLUG	230V	
2	FM0-1529-000		1	AC DRIVER ASSEMBLY	208V	
2	FM0-4969-000		1	AC DRIVER ASSEMBLY	230V	
3	FM0-2746-000		1	CABLE, AC MAIN		
4	FM0-2844-000		1	CABLE, AC PCB ASS'Y CONNECTING		
5	FM4-1347-000		1	CABLE, HEATER AC		
6	FM0-1531-000		1	HEATER POWER SUPPLY ASSEMBLY		
7	FC6-8737-000		1	PLATE, GROUNDING		
8	FK3-1998-000		1	ALL NIGHT POWER SUPPLY PCB		
9	FM0-2846-000		1	CABLE, ALL-NIGHT & DRUM HEATER		
10	VS1-8412-009		1	CONNECTOR, SNAP TIGHT, BL		
11	WC1-5179-000		2	SWITCH,TOGGLE	SW12,SW13	
12	FK2-0014-000		1	BREAKER, ELECTRIC LEAKAGE	208V ELB1	
12	FH7-7626-000		2	BREAKER,ELECTRIC LEAKAGE	230V ELB1,ELB2	
13	FM0-2862-000		2	CABLE, INLET	IL1,IL2	
14	FM4-1343-000		1	CABLE, BREAKER 1		
15	FM4-1344-000		1	CABLE, BREAKER 2	230V	
16	FK3-3988-000		1	CORD, POWER SUPPLY	208V	
17	FK3-2289-000		2	CORD, POWER, 230V	230V EUR,AU,SG,HK QKM,KR,LTN	
18	FK3-3213-000		2	CORD, POWER SUPPLY	230V CN,HK QKR,QKT,QKU,TW	
501	XD1-4200-402		2	WASHER, TOOTHED LOCK, M4		

# FIGURE 191 DEV. COOLING EXHAUST FAN ASS'Y

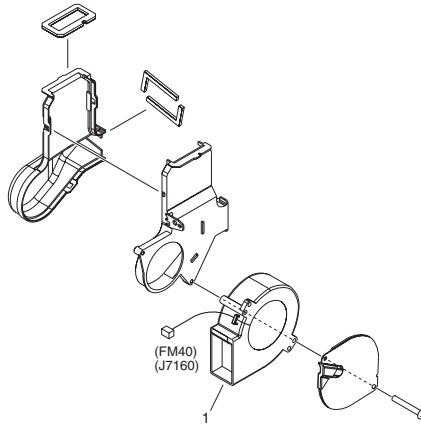


FIGURE & KEY NO.	PARTS NUMBER	RANK	Q'TY	DESCRIPTION	SERIAL NUMBER/REMARKS	SVC
Fig.191	FM0-1452-000		1	DEV. COOLING EXHAUST FAN ASS'Y		
1	FL3-9448-000		1	FAN	FM40	

# FIGURE 192 FIXING EXHAUST FAN ASSEMBLY

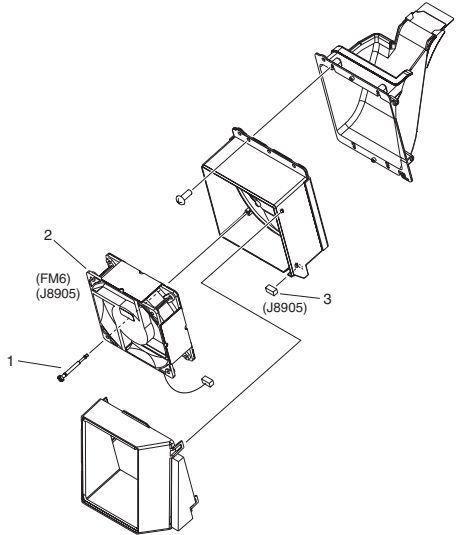


FIGURE & KEY NO.	PARTS NUMBER	RANK	Q'TY	DESCRIPTION	SERIAL NUMBER/REMARKS	SVC
Fig.192	FM0-1558-000		1	FIXING EXHAUST FAN ASSEMBLY		
1	FL0-2776-000		2	SCREW, STEPPED, M3		
2	FL3-7767-000		1	FAN	FM6	
3	VS1-7177-004		1	CONNECTOR, SNAP TIGHT, BK		

# FIGURE 193 PRIMARY CORONA EXHAUST ASS'Y

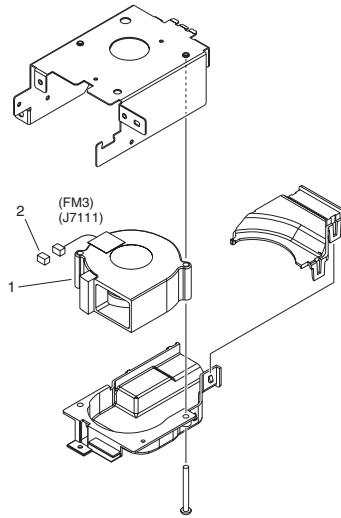


FIGURE & KEY NO.	PARTS NUMBER	RANK	Q'TY	DESCRIPTION	SERIAL NUMBER/REMARKS	SVC
Fig.193	FM0-1494-000		1	PRIMARY CORONA EXHAUST ASS'Y		
1	FL3-7770-000		1	FAN	FM3	
2	VS1-7177-003		1	CONNECTOR, SNAP TIGHT, BK		

# FIGURE 194 PAPER COOLING ASSEMBLY, UPPER

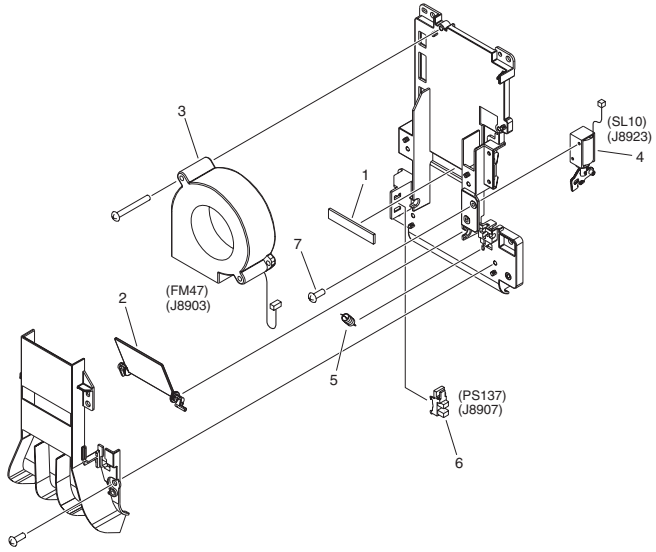


FIGURE & KEY NO.	PARTS NUMBER	RANK	QTY	DESCRIPTION	SERIAL NUMBER/REMARKS	SVC
Fig.194	NPN		RF	PAPER COOLING ASSEMBLY, UPPER		
1	FC0-9656-000		1	CUSHION, FLAPPER		
2	FC0-9658-000		1	FLAPPER		
3	FK4-1610-000		1	FAN	FM47	
4	FM0-1611-000		1	SOLENOID UNIT	SL10	
5	FU9-2359-000		1	SPRING, TENSION		
6	WG8-6002-000		1	PHOTOINTERRUPTER, GP1A173LCSVF	PS137	
7	XA9-1659-000		2	SCREW,M3X4		



# FIGURE 195 PAPER COOLING ASSEMBLY, LOWER

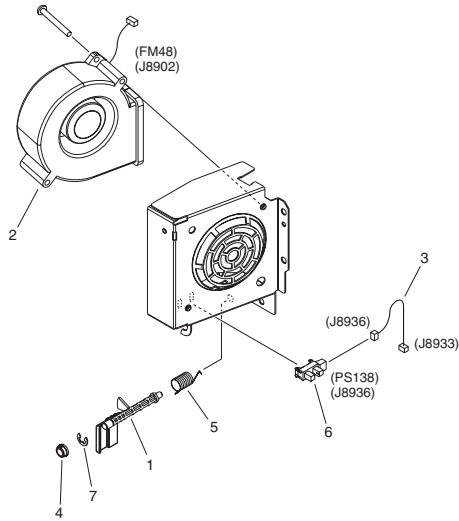


FIGURE & KEY NO.	PARTS NUMBER	RANK	Q'TY	DESCRIPTION	SERIAL NUMBER/REMARKS	SVC
Fig.195	NPN		RF	PAPER COOLING ASSEMBLY, LOWER		
1	FE2-0092-010		1	FLAG, WASTE TONER SHUTTER		
2	FL0-1248-000		1	FAN	FM48	
3	FM0-2870-000		1	CABLE, SHUTTER SENSOR		
4	FU5-1457-000		1	BUSHING		
5	FU9-2409-000		1	SPRING, TORSION		
6	WG8-6002-000		1	PHOTOINTERRUPTER, GP1A173LCSVF	PS138	
7	XD9-0136-000		1	RING, E		

# FIGURE 250 DRUM DRIVE ASSEMBLY, COLOR

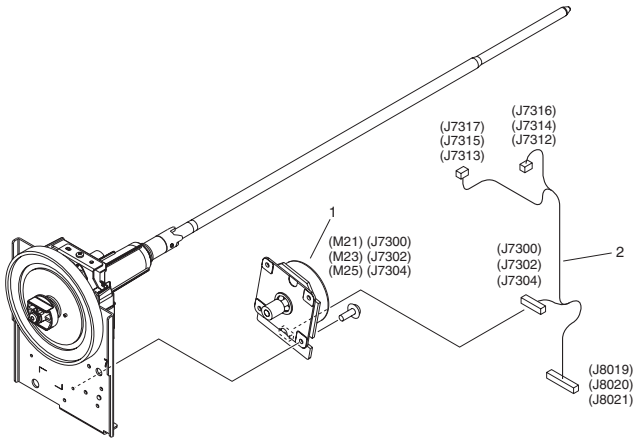


FIGURE & KEY NO.	PARTS NUMBER	RANK	Q'TY	DESCRIPTION	SERIAL NUMBER/REMARKS	SVC
Fig.250	FM0-1344-000		3	DRUM DRIVE ASSEMBLY, COLOR		
1	FK3-3981-000		1	MOTOR, DC BRUSHLESS	M21,M23,M25	
2	FM0-2802-000		1	CABLE, DRUM DRIVE UNIT, COLOR		

# FIGURE 251 DRUM DRIVE ASSEMBLY, BLACK

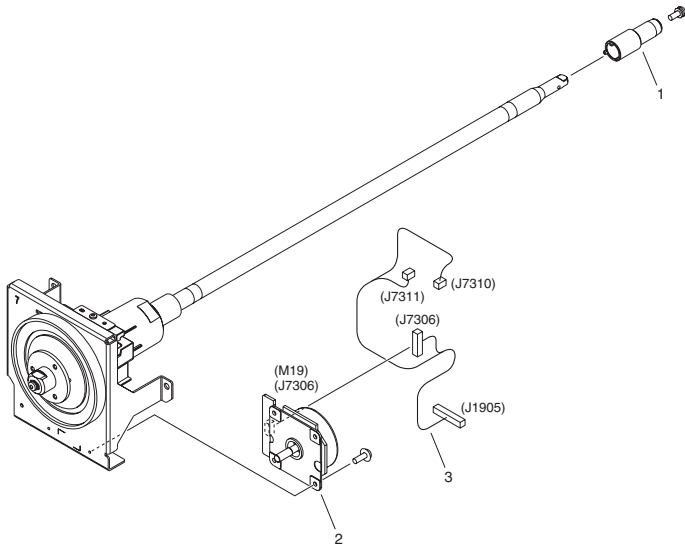


FIGURE & KEY NO.	PARTS NUMBER	RANK	Q'TY	DESCRIPTION	SERIAL NUMBER/REMARKS	SVC
Fig.251	FM0-1343-000		1	DRUM DRIVE ASSEMBLY, BLACK		
1	FE2-0272-010		1	CAP, DRUM SHAFT		
2	FK3-3982-000		1	MOTOR, DC BRUSHLESS	M19	
3	FM0-2801-000		1	CABLE, DRUM DRIVE UNIT, BLACK		

# FIGURE 260 VERTICAL PATH DRIVE ASS'Y, 1

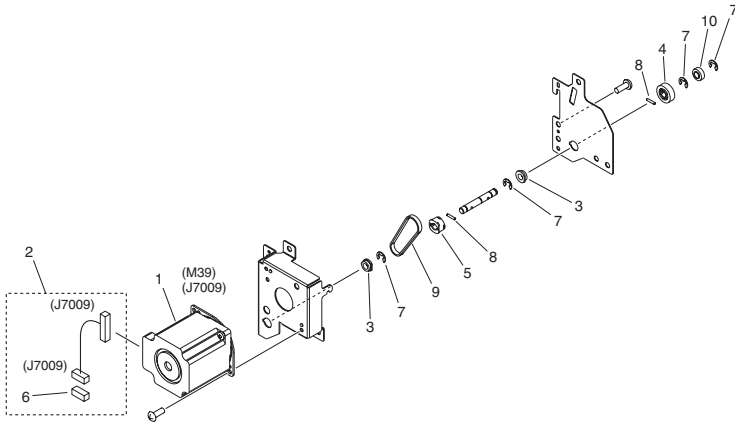


FIGURE & KEY NO.	PARTS NUMBER	RANK	QTY	DESCRIPTION	SERIAL NUMBER/REMARKS	SVC
Fig.260	FM0-1444-000		1	VERTICAL PATH DRIVE ASS'Y, 1		
1	FK2-7675-000		1	MOTOR, STEPPING, DC	M39	
2	FM0-2841-000		1	CABLE, MOTOR CONNECTING		
3	FS1-1508-000		2	BUSHING		
4	FU3-0277-000		1	GEAR, 16T		
5	FU6-3398-000		1	PULLEY, 22T		
6	VS1-7177-005		1	CONNECTOR, SNAP TIGHT, BK		
7	XD9-0136-000		4	RING, E		
8	XD9-0288-000		2	PIN, DOWEL		
9	XF2-1606-940		1	BELT, TIMING		
10	XG9-0706-000		1	BEARING, BALL, MR126ZZ-1		

# FIGURE 261 VERTICAL PATH DRIVE ASS'Y, 2

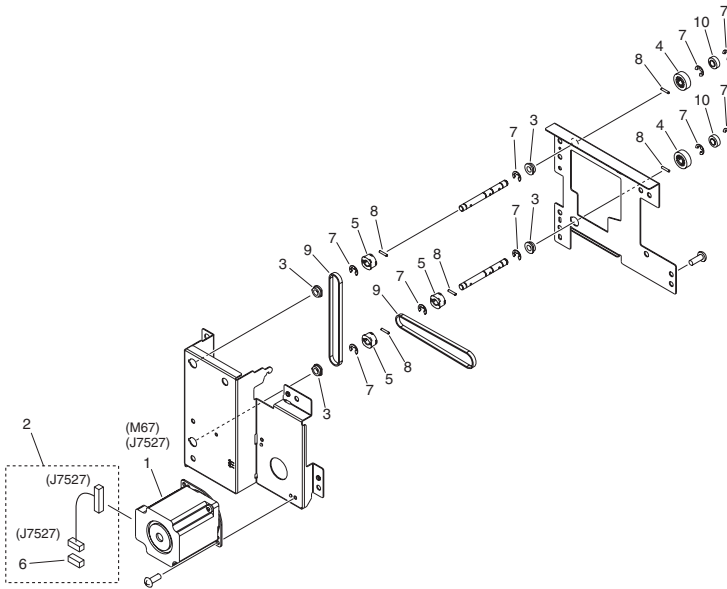


FIGURE & KEY NO.	PARTS NUMBER	RANK	Q'TY	DESCRIPTION	SERIAL NUMBER/REMARKS	SVC
Fig.261	FM0-1445-000		1	VERTICAL PATH DRIVE ASS'Y, 2		
1	FK2-7675-000		1	MOTOR, STEPPING, DC	M67	
2	FM0-2841-000		1	CABLE, MOTOR CONNECTING		
3	FS1-1508-000		4	BUSHING		
4	FU3-0277-000		2	GEAR, 16T		
5	FU6-3398-000		3	PULLEY, 22T		
6	VS1-7177-005		1	CONNECTOR, SNAP TIGHT, BK		
7	XD9-0136-000		9	RING, E		
8	XD9-0288-000		5	PIN, DOWEL		
9	XF2-1611-840		2	BELT, TIMING		
10	XG9-0706-000		2	BEARING, BALL, MR126ZZ-1		

# FIGURE 262 PRE-REG. DRIVE ASSEMBLY

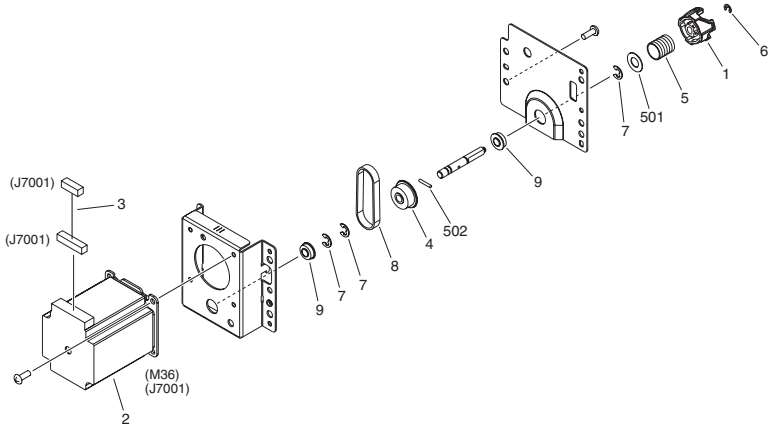


FIGURE & KEY NO.	PARTS NUMBER	RANK	QTY	DESCRIPTION	SERIAL NUMBER/REMARKS	SVC
Fig.262	FM0-1356-000		1	PRE-REG. DRIVE ASSEMBLY		
1	FC0-9968-000		1	COUPLING, REGISTRATION DRIVE		
2	FK3-3207-000		1	MOTOR, STEPPING, DC	M36	
3	FM0-2820-000		1	CABLE, MOTOR CONNECTING, 3		
4	FU6-3054-000		1	PULLEY		
5	FU9-2402-000		1	SPRING, COMPRESSION		
6	XD9-0134-000		1	RING, E		
7	XD9-0136-000		3	RING, E		
8	XF2-1606-660		1	BELT, TIMING		
9	XG9-0707-000		2	BEARING, BALL, MF126ZZ-1		
501	XD1-1108-235		1	WASHER,COP		
502	XD3-2200-122		1	PIN, DOWEL		

# FIGURE 270 DEVELOPING DRIVE ASS'Y, COLOR

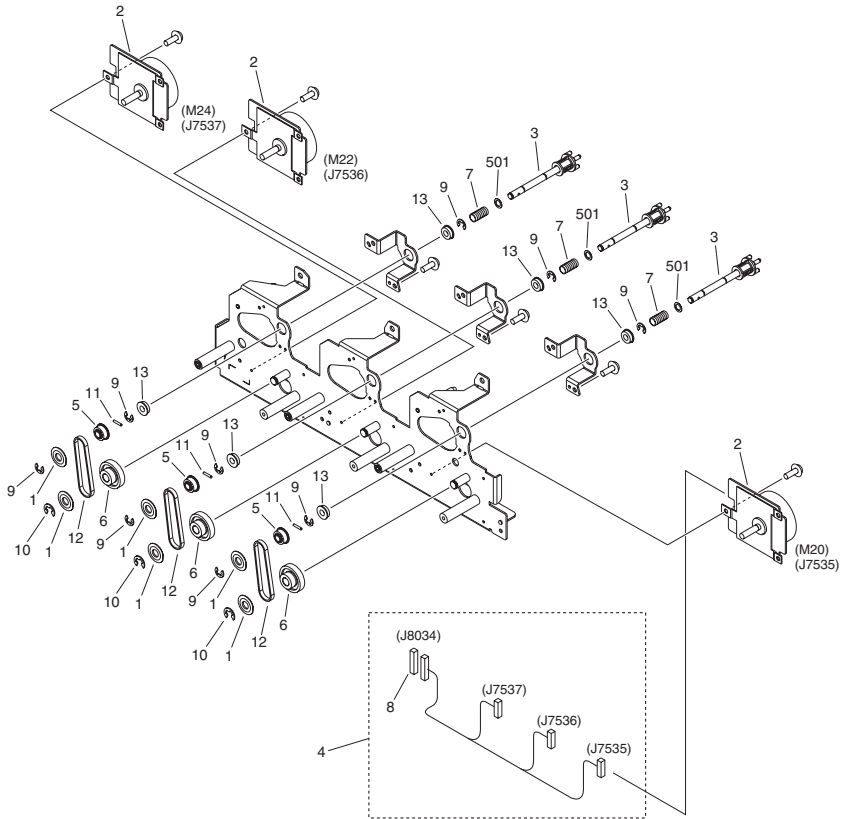


FIGURE & KEY NO.	PARTS NUMBER	R A N K	Q'TY	DESCRIPTION	SERIAL NUMBER/ REMARKS	S V C
Fig.270	FM0-1342-000		1	DEVELOPING DRIVE ASSY, COLOR		
1	FC8-1933-000		6	FLANGE		
2	FK2-7897-000		3	MOTOR, DC	M20,M22,M24	
3	FL3-7321-000		3	SLEEVE DRIVE UNIT		
4	FM0-2804-000		1	CABLE, DEV. DRIVE MOTOR, COLOR		
5	FU6-3385-000		3	PULLEY, 22T		
6	FU7-0999-000		3	GEAR, 25T/50T		
7	FU9-2254-000		3	SPRING, COMPRESSION		
8	VS1-8412-023		1	CONNECTOR, SNAP TIGHT, BL		
9	XD9-0136-000		9	RING, E		
10	XD9-0137-010		3	RING, E		
11	XD9-0288-000		3	PIN, DOWEL		
12	XF2-1607-240		3	BELT, TIMING		
13	XG9-0594-000		6	BEARING, BALL, MF126ZZ		
501	XD1-1106-222		3	WASHER,COP		



FIGURE 271  
DEVELOPING DRIVE ASS'Y, BLACK

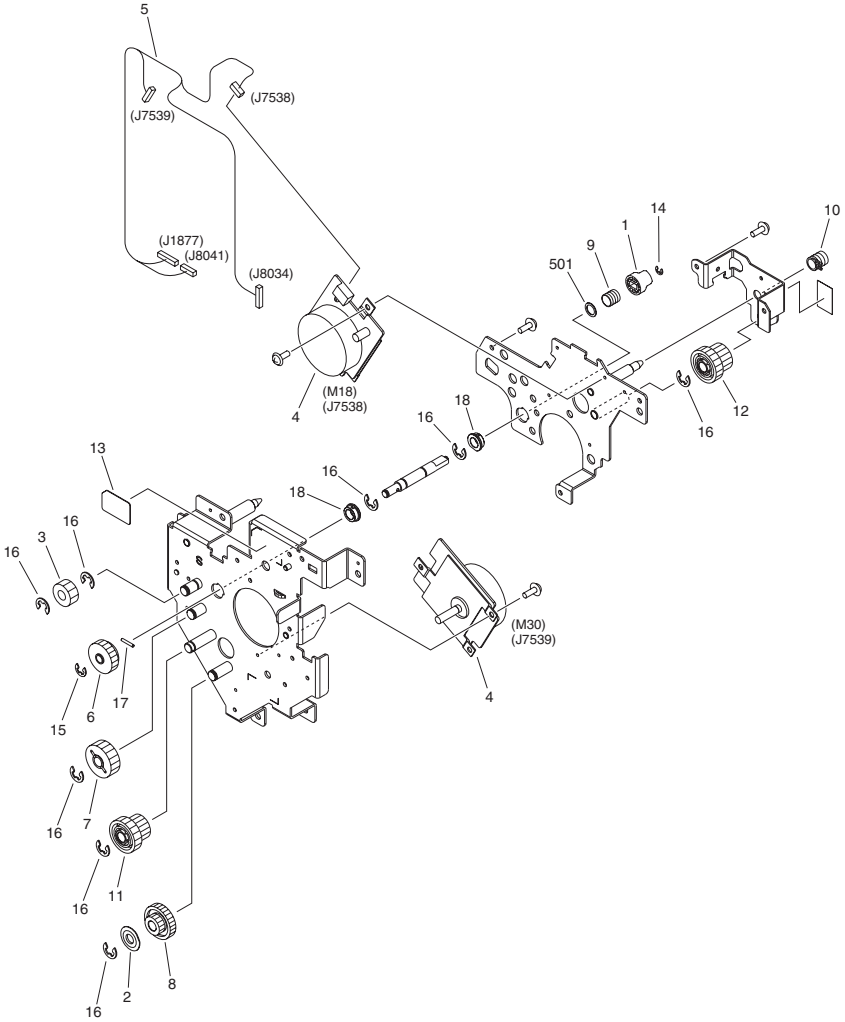


FIGURE & KEY NO.	PARTS NUMBER	R A N K	Q'TY	DESCRIPTION	SERIAL NUMBER/ REMARKS	S V C
Fig.271	FM1-C640-000		1	DEVELOPING DRIVE ASS'Y, BLACK		
1	FC6-1368-000		1	COUPLING		
2	FC8-1933-000		1	FLANGE		
3	FE3-6515-000		1	GEAR, 20T		
4	FK2-7897-000		2	MOTOR, DC	M18,M30	
5	FM0-2805-000		1	CABLE, DEV. DRIVE MOTOR, BLACK		
6	FU6-0261-000		1	GEAR, 27T		
7	FU6-0603-000		1	GEAR, 30T		
8	FU7-0999-000		1	GEAR, 25T/50T		
9	FU7-2343-000		1	SPRING, COMPRESSION		
10	FU7-2388-000		1	SPRING, COMPRESSION		
11	FU8-0051-000		1	GEAR, 49T/21T		
12	FU8-0090-000		1	GEAR, 49T/21T		
13	FU8-8004-000		1	LABEL, HOPPER MOUNTING, BLACK		
14	XD9-0134-000		1	RING, E		
15	XD9-0136-000		1	RING, E		
16	XD9-0137-010		8	RING, E		
17	XD9-0289-000		1	PIN, PARALLEL		
18	XG9-0737-000		2	BUSHING		
501	XD1-1108-215		1	WASHER,COP		

# FIGURE 272 2ND TRNS. EST. DRIVE ASS'Y

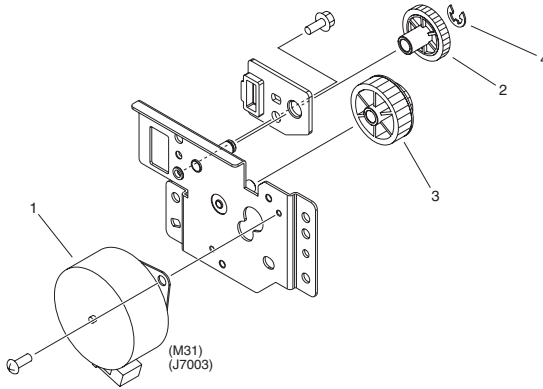


FIGURE & KEY NO.	PARTS NUMBER	RANK	Q'TY	DESCRIPTION	SERIAL NUMBER/REMARKS	SVC
Fig.272	FM0-1534-000		1	2ND TRNS. EST. DRIVE ASS'Y		
1	FM1-C661-000		1	MOTOR, STEPPING, DC	M31	
2	FU6-0678-000		1	GEAR, 24T		
3	FU8-0025-000		1	GEAR, 36T/16T		
4	XD9-0136-000		1	RING, E		

# FIGURE 273 WASTE TONER DRIVE ASSEMBLY

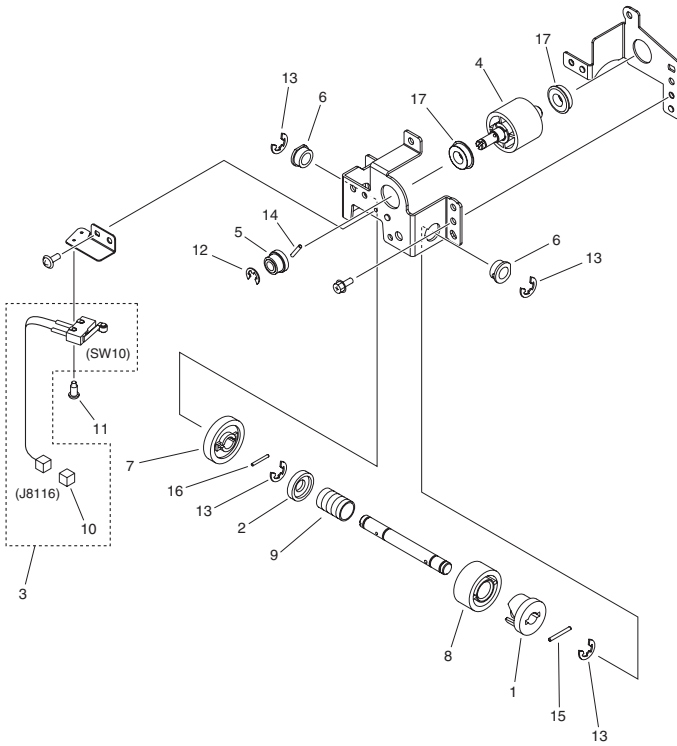
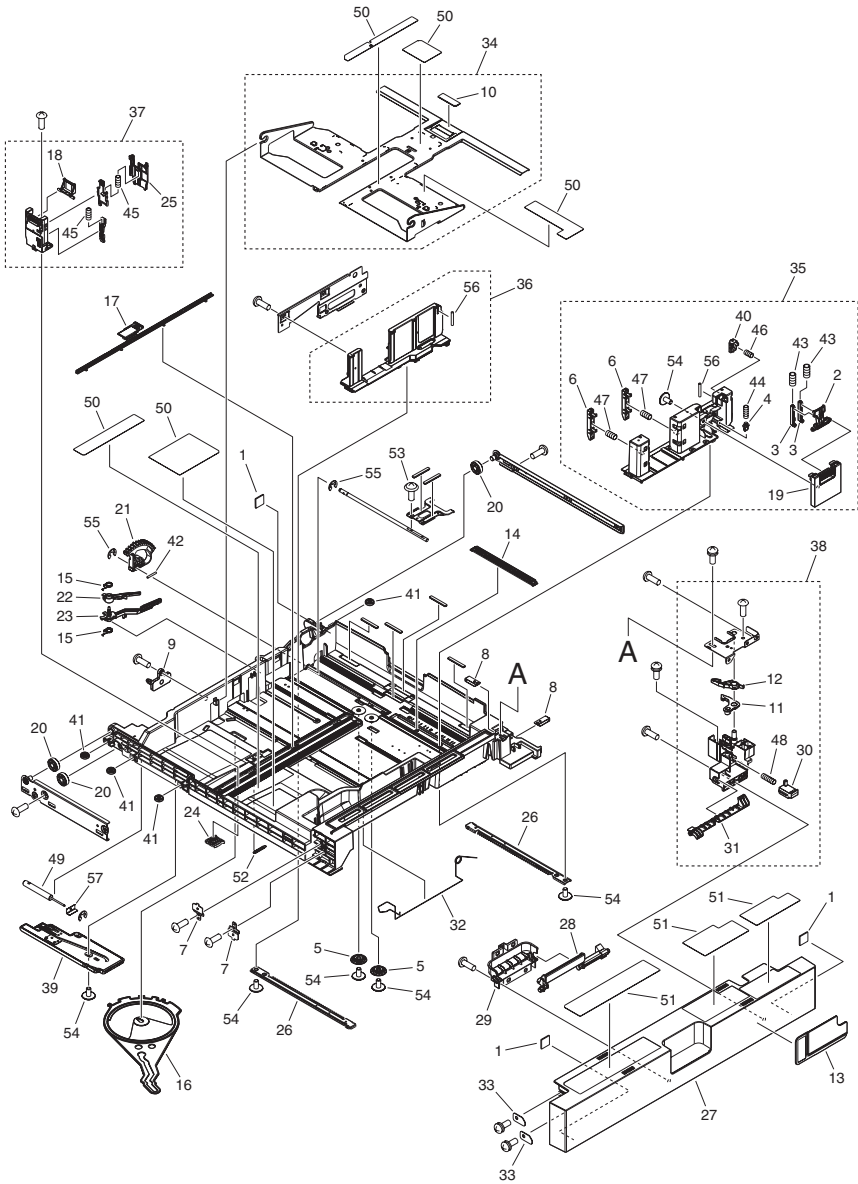


FIGURE & KEY NO.	PARTS NUMBER	R A N K	Q'TY	DESCRIPTION	SERIAL NUMBER/ REMARKS	S V C
Fig.273	FM1-C725-000		1	WASTE TONER DRIVE ASSEMBLY		
1	FC9-4116-000		1	CAM		
2	FC9-4118-000		1	HOLDER, SPRING		
3	FM0-2872-000		1	CABLE, WASTE TONER SWITCH	SW10	
4	FM4-3890-000		1	WASTE TONER WORM GEAR ASSEMBLY		
5	FU5-3666-000		1	PULLEY, 19T		
6	FU6-1184-000		2	BUSHING		
7	FU8-0069-000		1	GEAR, 35T		
8	FU8-0081-000		1	GEAR, 26T		
9	FU8-2369-000		1	SPRING, COMPRESSION		
10	VS1-7177-003		1	CONNECTOR, SNAP TIGHT, BK		
11	XA9-0944-000		1	SCREW, STEPPED, M2		
12	XD9-0136-000		1	RING, E		
13	XD9-0137-010		4	RING, E		
14	XD9-0219-000		1	PIN, DOWEL		
15	XD9-0292-000		1	PIN, PARALLEL		
16	XD9-0329-000		1	PIN, DOWEL		
17	XG9-0508-000		2	BEARING, BALL, F688ZZ		

# FIGURE 300 CASSETTE ASSEMBLY



NOTE : Several kinds of labels are attached on the board for the parts of Key No. 50 and 51.  
 注 : Key No. 50, 51の部品は台紙に数種類のラベルが付いています。

FIGURE & KEY NO.	PARTS NUMBER	R A N K	Q'TY	DESCRIPTION	SERIAL NUMBER/ REMARKS	S V C
Fig.300	FM1-D448-000		3	CASSETTE ASSEMBLY		
1	FC8-1205-000		3	PAD, PAPER PICK-UP HOLDER		
2	FC8-2462-000		1	KNOB, PAPER SIDE END		
3	FC8-2463-000		2	STOPPER		
4	FC8-2464-000		1	PLATE, CLICK		
5	FC8-4990-000		2	GEAR, 14T		
6	FC8-5262-000		2	BLOCK, PAPER SIDE END, LARGE		
7	FC9-0127-000		2	PLATE, COVER MOUNTING, L		
8	FC9-0128-000		2	PLATE, COVER MOUNTING, R		
9	FC9-3831-000		1	PIN, SIZE DETECT		
10	FC9-7171-000		1	SHEET, SEPARATION		
11	FC9-7259-000		1	ARM, LOCK, A		
12	FC9-7260-000		1	ARM, LOCK, B		
13	FE2-0025-010		1	HOLDER, MEDIA PLATE		
14	FE2-0026-010		1	PLATE, FREE STOP		
15	FE2-0027-010		2	SPRING, TROSION		
16	FE2-0029-010		1	LINK, BACK END DETECT		
17	FE2-0182-010		1	RACK, LEFT		
18	FE2-0579-000		1	LEVER		
19	FE2-1682-000		1	COVER, SIDE LOCK		
20	FE3-6350-000		3	ROLLER, CASSETTE SWING		
21	FE3-6354-000		1	GEAR, 14T		
22	FE3-6355-000		1	LEVER, DETECT, U		
23	FE3-6356-000		1	LEVER, DETECT, L		
24	FE3-6357-000		1	PLATE, LINK		
25	FE3-6358-000		1	FLAPPER		
26	FE3-6359-000		2	RACK, PAPER SIDE END		
27	FE3-6360-000		1	COVER, CASSETTE, FRONT		
28	FE3-6361-000		1	LEVER		
29	FE3-6362-000		1	SUPPORT, LEVER		
30	FE3-6363-000		1	LINK, HOOK SLIDE		
31	FE3-6364-000		1	LINK		

FIGURE & KEY NO.	PARTS NUMBER	RANK	Q'TY	DESCRIPTION	SERIAL NUMBER/REMARKS	SVC
32	FE3-6366-000		1	SPRING, GROUNDING		
33	FE3-8153-000		2	WASHER		
34	FL3-7685-000		1	PLATE, LIFTING		
35	FM0-1415-000		1	SIDE END PLATE ASSEMBLY, FRONT		
36	FM0-1416-000		1	SIDE END PLATE ASSEMBLY, REAR		
37	FM0-1417-000		1	BACK END LIMIT PLATE ASSEMBLY		
38	FM0-1418-000		1	CST. LOCK ASSEMBLY		
39	FM1-C666-000		1	GUIDE, CASSETTE		
40	FM3-8911-000		1	BLOCK, PAPER SIDE END, SMALL		
41	FS5-6945-000		4	COLLAR, REGISTRATION MULTI		
42	XD9-0359-000		1	PIN, PARALLEL		
43	FU7-2326-000		2	SPRING, COMPRESSION		
44	FU7-2327-000		1	SPRING, COMPRESSION		
45	FU7-2328-000		2	SPRING, COMPRESSION		
46	FU7-2513-000		1	SPRING, COMPRESSION		
47	FU7-2514-000		2	SPRING, COMPRESSION		
48	FU7-2518-000		1	SPRING, COMPRESSION		
49	FE4-0765-000		1	DAMPER UNIT		
50	FU8-8212-000		1	LABEL, CASSETTE BODY	SEE NOTE	
51	FU8-8213-000		1	LABEL, CASSETTE COVER, FRONT	SEE NOTE	
52	FU9-2418-000		1	SPRING, TENSION		
53	XA9-0807-000		2	SCREW, W/SEAL, M3X6		
54	XA9-1523-000		AR	SCREW, B, M4X8		
55	XD9-0135-000		2	RING, E		
56	XD9-0290-000		2	PIN, PARALLEL		
57	FE4-0787-000		1	SHEET, STOPPER		



# FIGURE 305 CASSETTE HEATER ASSEMBLY

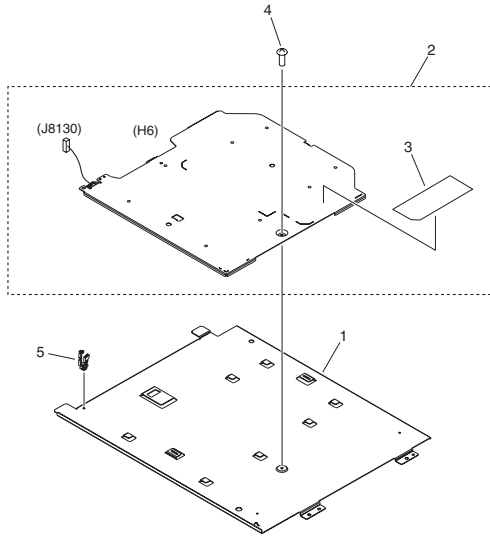


FIGURE & KEY NO.	PARTS NUMBER	RANK	Q'TY	DESCRIPTION	SERIAL NUMBER/REMARKS	SVC
Fig.305	NPN		RF	CASSETTE HEATER ASSEMBLY		
1	FE2-0010-010		1	MOUNT, CASSETTE HEATER		
2	FMO-4834-000		1	CASSETTE HEATER ASSEMBLY	H6	
3	FU6-8647-000		1	LABEL, HIGH TMP. CAUTION		
4	XA9-1031-000		1	SCREW, MACH. TRUSS HEAD, M4X6		
5	WT2-5694-000		1	CLIP CLAMP, WIRE		

# FIGURE 310 PAPER PICK-UP ASSEMBLY

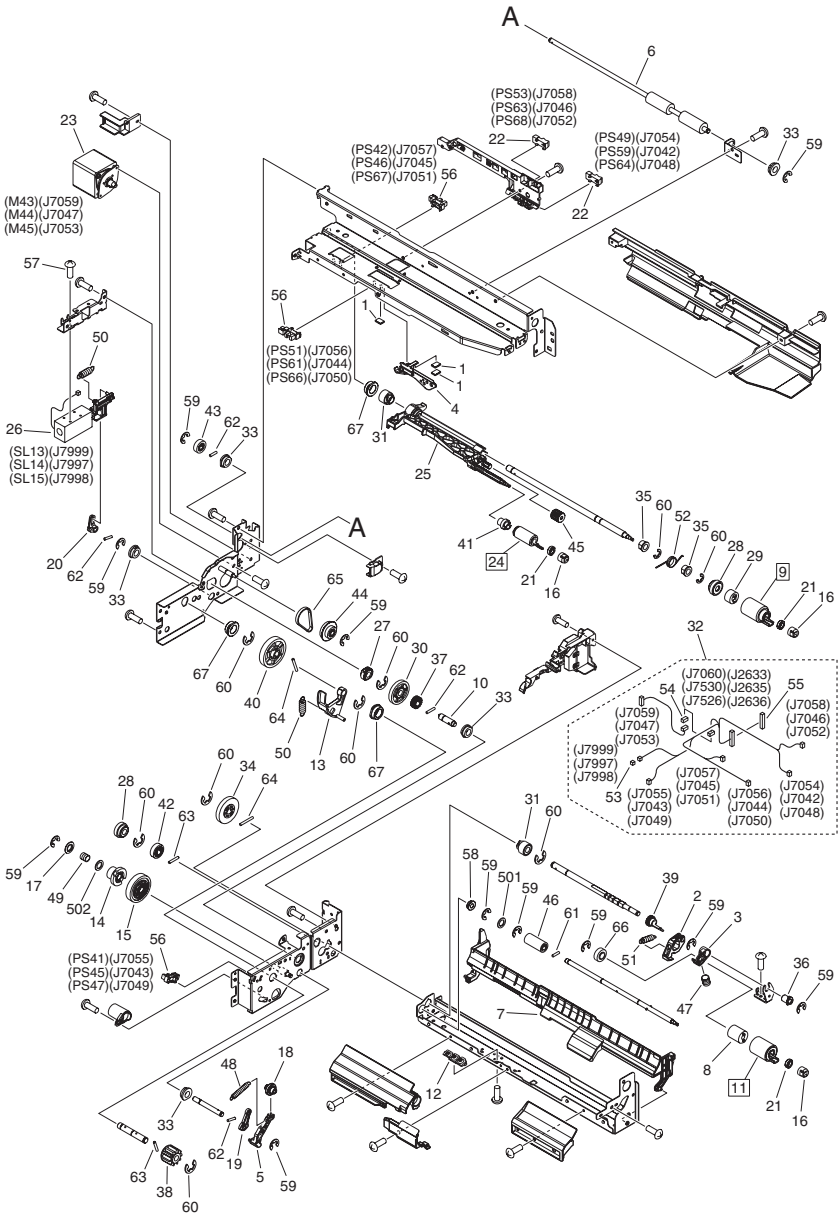
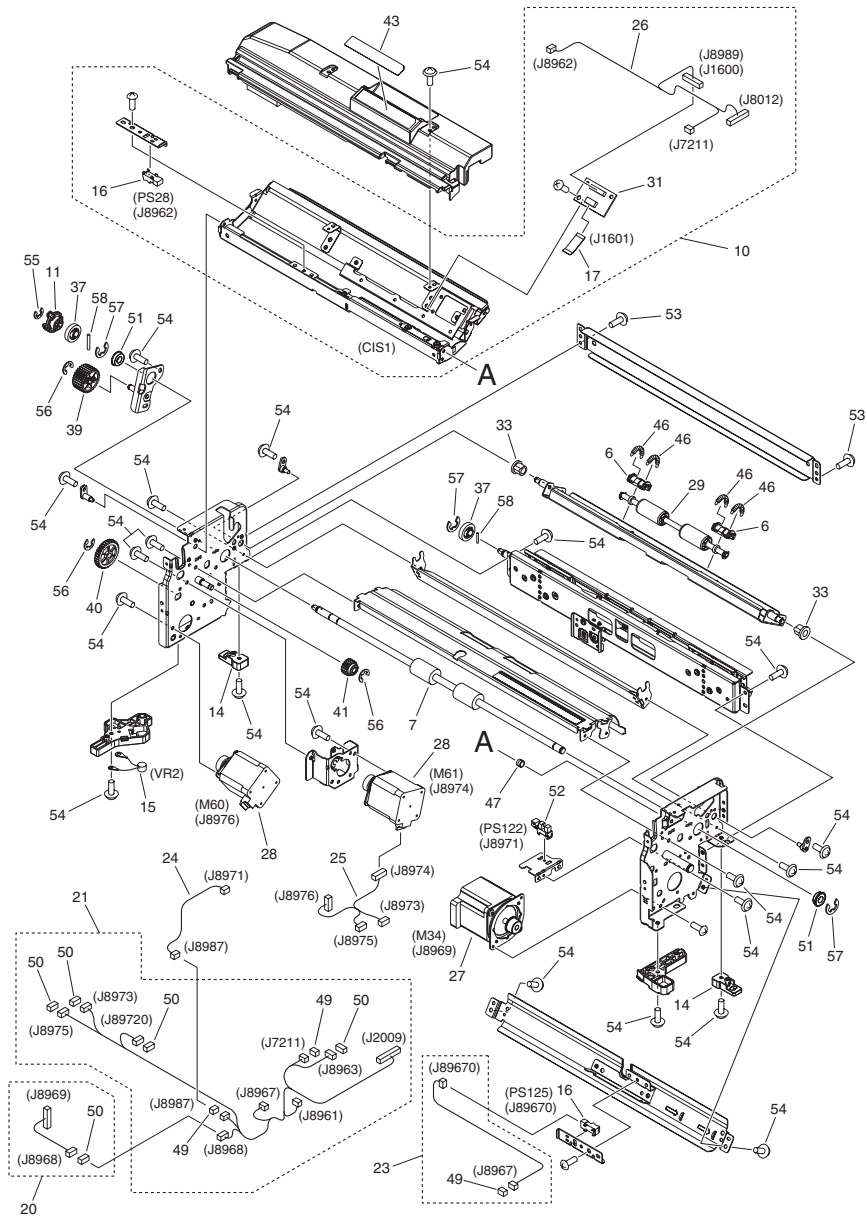


FIGURE & KEY NO.	PARTS NUMBER	RANK	Q'TY	DESCRIPTION	SERIAL NUMBER/REMARKS	SVC
Fig.310	FM0-1443-000		3	PAPER PICK-UP ASSEMBLY		
1	FC0-2118-010		3	DAMPER		
2	FC0-9423-000		1	HOLDER, ESTRANGEMENT		
3	FC0-9424-000		1	ARM, ROLLER		
4	FC0-9425-000		1	FLAG, SENSOR		
5	FC0-9434-000		1	ARM, PAPER PICK-UP RELEASE		
6	FC0-9438-000		1	ROLLER, VERTICAL PATH		
7	FC0-9443-000		1	GUIDE, PAPER PICK-UP		
8	FC0-9445-000		1	LIMITTER, TORQUE		
9	FC0-9450-000		1	ROLLER, PAPER FEED	[DP]	
10	FC0-9490-000		1	SHAFT, TRANSMISSION		
11	FC0-9631-000		1	ROLLER, SEPARATION	[DP]	
12	FC0-9789-000		1	PLATE, ADJUST		
13	FC0-9793-000		1	LEVER, PAPER SENSOR		
14	FC0-9798-000		1	GEAR, 19T		
15	FC0-9799-000		1	GEAR, 48T		
16	FC8-0785-000		3	HEAD, ROLLER SHAFT		
17	FC9-0402-000		1	FLANGE, PULLEY		
18	FC9-7261-000		1	ROLLER, LINK		
19	FE2-0282-000		1	LEVER, PAPER PICK-UP PICK, H		
20	FE2-0283-000		1	LEVER, PAPER PICK-UP PICK, S		
21	FE2-0286-000		3	RING, RETAINING		
22	FK2-8560-000		2	PHOTO-SENSOR, KUA0095C	PS49,PS53,PS59,PS63,P S64,PS68	
23	FK3-3209-000		1	MOTOR, STEPPING, DC	M43,M44,M45	
24	FL0-4500-000		1	ROLLER, PAPER PICK-UP	[DP]	
25	FL0-1895-000		1	HOLDER, ROLLER SUPPORT		
26	FL0-1932-000		1	SOLENOID	SL13,SL14,SL15	
27	FL2-8683-000		1	BUSHING		
28	FL3-7673-000		2	GEAR, 24T		
29	FL3-7676-000		1	CLUTCH, ONE-WAY		
30	FL3-7707-000		1	GEAR, 41T		

FIGURE & KEY NO.	PARTS NUMBER	RANK	Q'TY	DESCRIPTION	SERIAL NUMBER/REMARKS	SVC
31	FL3-7710-000		2	CLUTCH, ONE-WAY		
32	FM0-2826-000		1	CABLE, PAPER PICK-UP UNIT		
33	FS1-1508-000		5	BUSHING		
34	FS5-0662-000		1	GEAR, 36T		
35	FS5-1605-000		2	BUSHING		
36	FS6-1067-000		1	BUSHING		
37	FS7-0652-000		1	GEAR, 18T		
38	FU0-0010-000		1	GEAR, 10T		
39	FU0-0014-000		1	GEAR, 16T		
40	FU0-0117-000		1	GEAR, 52T		
41	FU0-0123-000		1	GEAR, 16T		
42	FU0-0124-000		1	GEAR, 18T		
43	FU3-0277-000		1	GEAR, 16T		
44	FU5-0330-000		1	PULLEY, 40T/GEAR, 20T		
45	FU9-0983-000		1	GEAR, 15T		
46	FU9-0987-000		1	GEAR, 16T		
47	FU9-2354-000		1	SPRING, COMPRESSION		
48	FU9-2378-000		1	SPRING, TENSION		
49	FU9-2398-000		1	SPRING, COMPRESSION		
50	FU9-2399-000		2	SPRING, TENSION		
51	FU9-2400-000		1	SPRING, TENSION		
52	FU9-2403-000		1	SPRING, TORSION		
53	VS1-7177-002		1	CONNECTOR, SNAP TIGHT, BK		
54	VS1-7177-004		1	CONNECTOR, SNAP TIGHT, BK		
55	VS1-8412-021		1	CONNECTOR, SNAP TIGHT, BL		
56	WG8-5783-000		3	IC.PHOTO-INTERRUPTER,LG248NL1A	PS41,PS42,PS45,PS46,P S47,PS51,PS61,PS66,PS 67	
57	XA9-2008-000		2	SCREW,M3X4		
58	XG9-0805-000		1	BEARING, BALL, LF-1260ZZR		
59	XD9-0136-000		AR	RING, E		
60	XD9-0137-010		9	RING, E		
61	XD9-0287-000		1	PIN, DOWEL		

FIGURE & KEY NO.	PARTS NUMBER	R A N K	Q'TY	DESCRIPTION	SERIAL NUMBER/ REMARKS	S V C
62	XD9-0288-000		4	PIN, DOWEL		
63	XD9-0289-000		2	PIN, PARALLEL		
64	XD9-0291-000		2	PIN, PARALLEL		
65	XF2-1605-640		1	BELT, TIMING		
66	XG9-0706-000		1	BEARING, BALL, MR126ZZ-1		
67	XG9-0737-000		3	BUSHING		
501	XD1-1106-216		1	SHIM		
502	XD1-1106-225		1	WASHER,COP		

# FIGURE 320 REGISTRATION ASSEMBLY



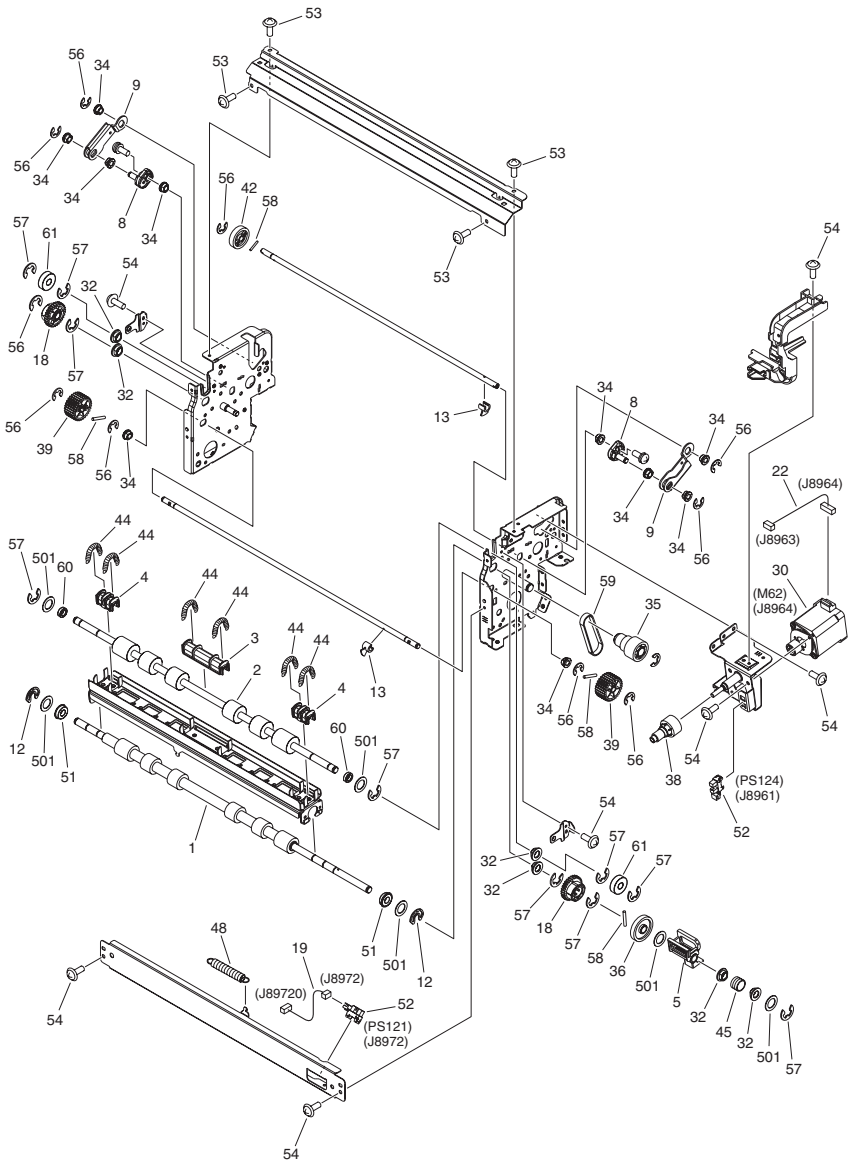


FIGURE & KEY NO.	PARTS NUMBER	RANK	Q'TY	DESCRIPTION	SERIAL NUMBER/REMARKS	SVC
Fig.320	FM1-D451-000		1	REGISTRATION ASSEMBLY		
1	FC0-9805-000		1	ROLLER, REGISTRATION DRIVE		
2	FC0-9806-000		1	ROLLER, REGISTRATION FOLLOWER		
3	FC0-9808-000		1	BUSHING		
4	FC0-9809-000		2	BUSHING		
5	FC0-9810-000		1	RACK, SHIFT		
6	FC0-9816-000		2	HOLDER, BEARING		
7	FC0-9819-000		1	ROLLER, PAPER FEED		
8	FC0-9834-000		2	CRANK, ESTRANGEMENT		
9	FC0-9835-000		2	LINK, ESTRANGEMENT		
10	FM0-1575-000		1	PRE-REG. GUIDE ASSEMBLY, UPPER	CIS1	
11	FC0-9985-000		1	COUPLING, DRIVEN		
12	FC5-2715-000		2	RING, RETAINING		
13	FC8-2627-000		2	FLAG, SENSOR		
14	FE2-0075-010		2	MOUNT, REGISTRATION		
15	FL0-8037-000		1	VARISTOR	VR2	
16	FK2-8560-000		2	PHOTO-SENSOR, KUA0095C	PS28,PS125	
17	FK3-3225-000		1	CABLE, FLEXIBLE FLAT		
18	FL3-7693-000		2	GEAR, 29T		
19	FM0-2866-000		1	CABLE, SENSOR, HOME POSITION		
20	FM0-2134-000		1	CABLE, MOTOR CONNECTING		
21	FM0-2789-000		1	CABLE, REGISTRATION UNIT		
22	FM0-2790-000		1	CABLE, MOTOR CONNECTING, 2		
23	FM0-2791-000		1	CABLE, SENSOR		
24	FM0-2792-000		1	CABLE, SENSOR, HOME POSITION		
25	FM0-2843-000		1	CABLE, REG. MOTOR CONNECTING		
26	FM0-2852-000		1	CABLE, REG. UNIT GUIDE, UPPER		
27	FM0-4927-000		1	REG. MOTOR ASSEMBLY	M34	
28	FM0-4980-000		2	REG. ESTRANGEMENT MOTOR UNIT	M60,M61	
29	FM0-4983-000		1	DRIVEN ROLLER ASSEMBLY		
30	FM0-4984-000		1	REGISTRATION SHIFT MOTOR ASS'Y	M62	
31	FM3-5246-000		1	CONNECTING PCB ASSEMBLY		



FIGURE & KEY NO.	PARTS NUMBER	RANK	Q'TY	DESCRIPTION	SERIAL NUMBER/REMARKS	SVC
32	FS1-1341-000		6	BUSHING, OILLESS METAL		
33	FS1-1528-000		2	BUSHING, PL		
34	FS5-1592-000		10	BUSHING		
35	FU0-0002-000		1	GEAR, 30T		
36	FU0-0004-000		1	GEAR, 38T		
37	FU0-0006-000		2	GEAR, 20T		
38	FU0-0008-000		1	GEAR, 36T/16T		
39	FU0-0009-000		3	GEAR, 29T		
40	FU7-0281-000		1	GEAR, 34T		
41	FU8-0163-000		1	GEAR, 17T		
42	FU8-0167-000		1	GEAR, 25T		
43	FU8-8199-000		1	LABEL, OPERATOR NUMBER, C3		
44	FU9-2366-000		6	SPRING, TENSION		
45	FU9-2367-000		1	SPRING, COMPRESSION		
46	FU9-2368-000		4	SPRING, TENSION		
47	FU9-2370-000		1	SPRING, COMPRESSION		
48	FU9-2371-000		1	SPRING, TENSION		
49	VS1-7177-003		3	CONNECTOR, SNAP TIGHT, BK		
50	VS1-7177-004		5	CONNECTOR, SNAP TIGHT, BK		
51	XG9-0779-000		4	BEARING, BALL, 688ZZNR D41		
52	WG8-5783-000		3	IC,PHOTO-INTERRUPTER,LG248NL1A	PS121,PS122,PS124	
53	XA9-0807-000		6	SCREW, W/SEAL, M3X6		
54	XA9-2010-000		AR	SCREW, TP, M3X6		
55	XD9-0134-000		1	RING, E		
56	XD9-0136-000		9	RING, E		
57	XD9-0137-010		AR	RING, E		
58	XD9-0290-000		6	PIN, PARALLEL		
59	XF2-1607-660		1	BELT, TIMING		
60	XG9-0509-000		2	BEARING, BALL MR128ZZ		
61	XG9-0724-000		2	BEARING, BALL, 608ZZ-SH44M		
501	XD1-1108-225		6	WASHER,COP		

**FIGURE 321**  
**REG. PATCH DETECT ASSEMBLY**

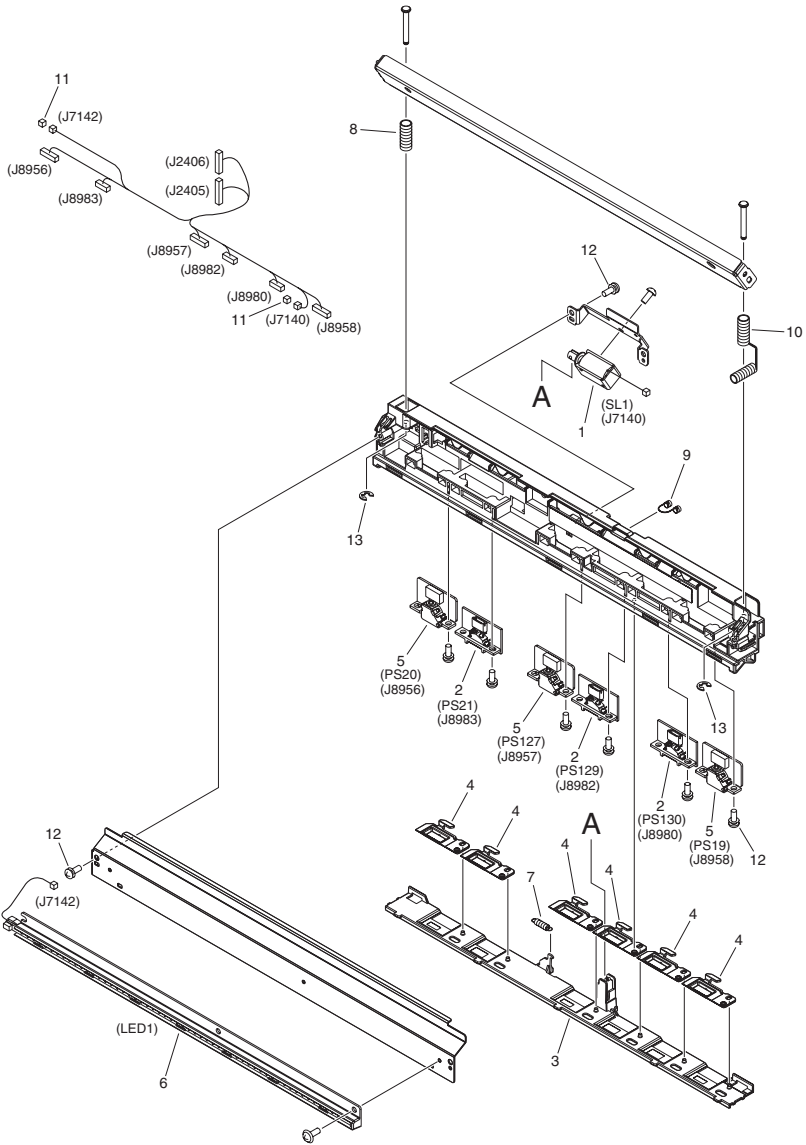
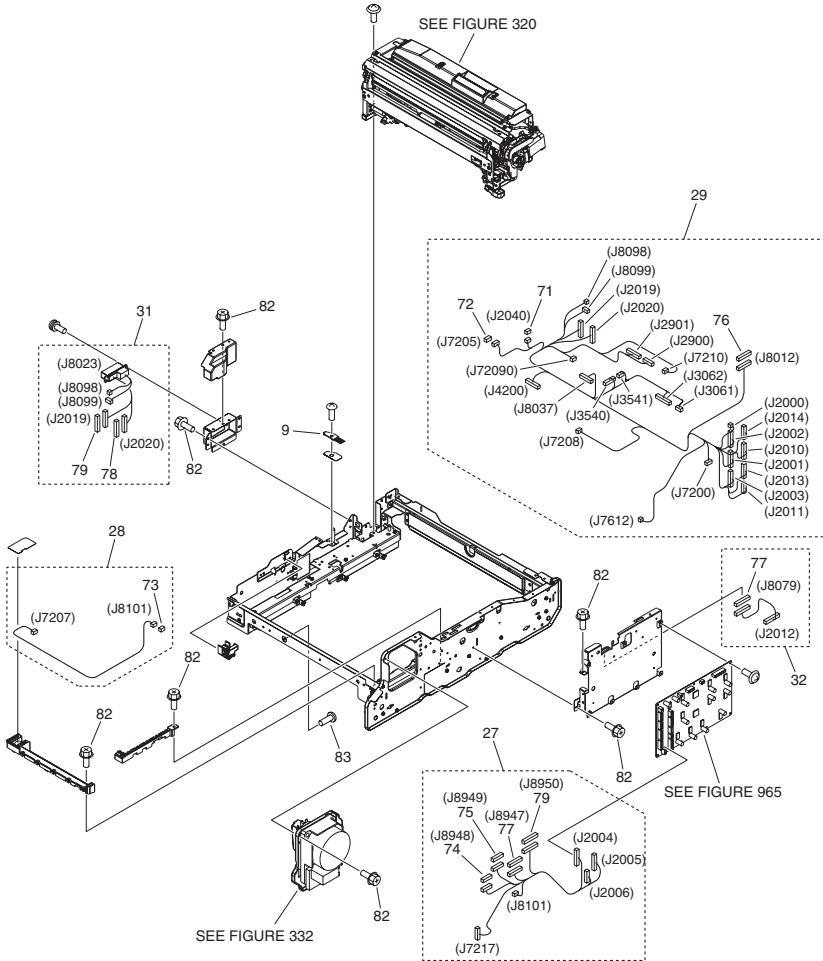
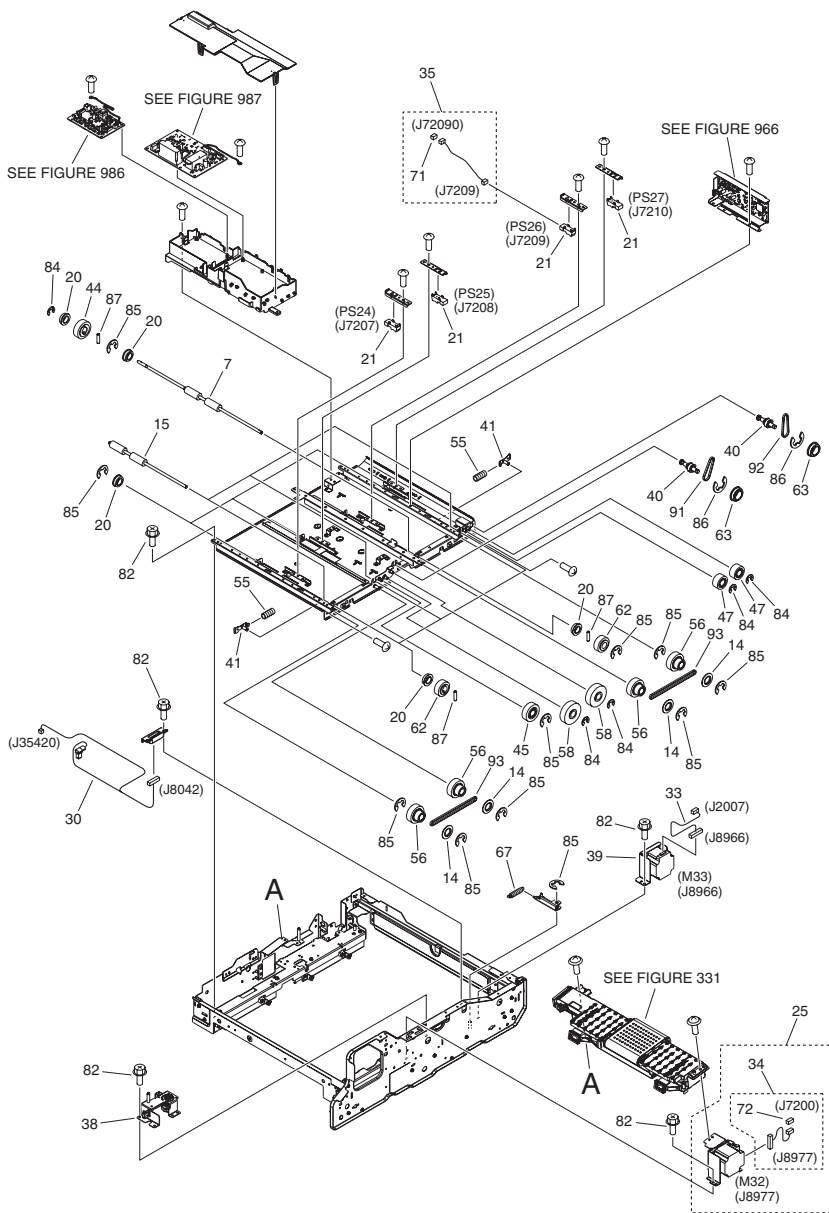


FIGURE & KEY NO.	PARTS NUMBER	RANK	Q'TY	DESCRIPTION	SERIAL NUMBER/REMARKS	SVC
Fig.321	FM0-1449-000		1	REG. PATCH DETECT ASSEMBLY		
1	FK2-7915-000		1	SOLENOID	SL1	
2	FK3-3203-000		3	PHOTO-SENSOR, YA-HA26	PS21,PS129,PS130	
3	FL0-1884-000		1	LINK, SHUTTER		
4	FL3-9434-000		6	SHUTTER		
5	FM0-1481-000		3	REGIST. SENSOR PCB ASSEMBLY	PS19,PS20,PS127	
6	FM3-4867-000		1	PRE-EXPOSURE ASSEMBLY	LED1	
7	FU7-2354-000		1	SPRING, TENSION		
8	FU7-2355-000		1	SPRING, COMPRESSION		
9	FU9-2406-000		1	SPRING, GROUNDING		
10	FU9-2407-000		1	SPRING, COMPRESSION		
11	VS1-7177-002		2	CONNECTOR, SNAP TIGHT, BK		
12	XA9-1509-000		AR	SCREW, FLAT ASS'Y TAPPING		
13	XD9-0134-000		2	RING, E		

# FIGURE 330 FIXING/FEEED ASSEMBLY





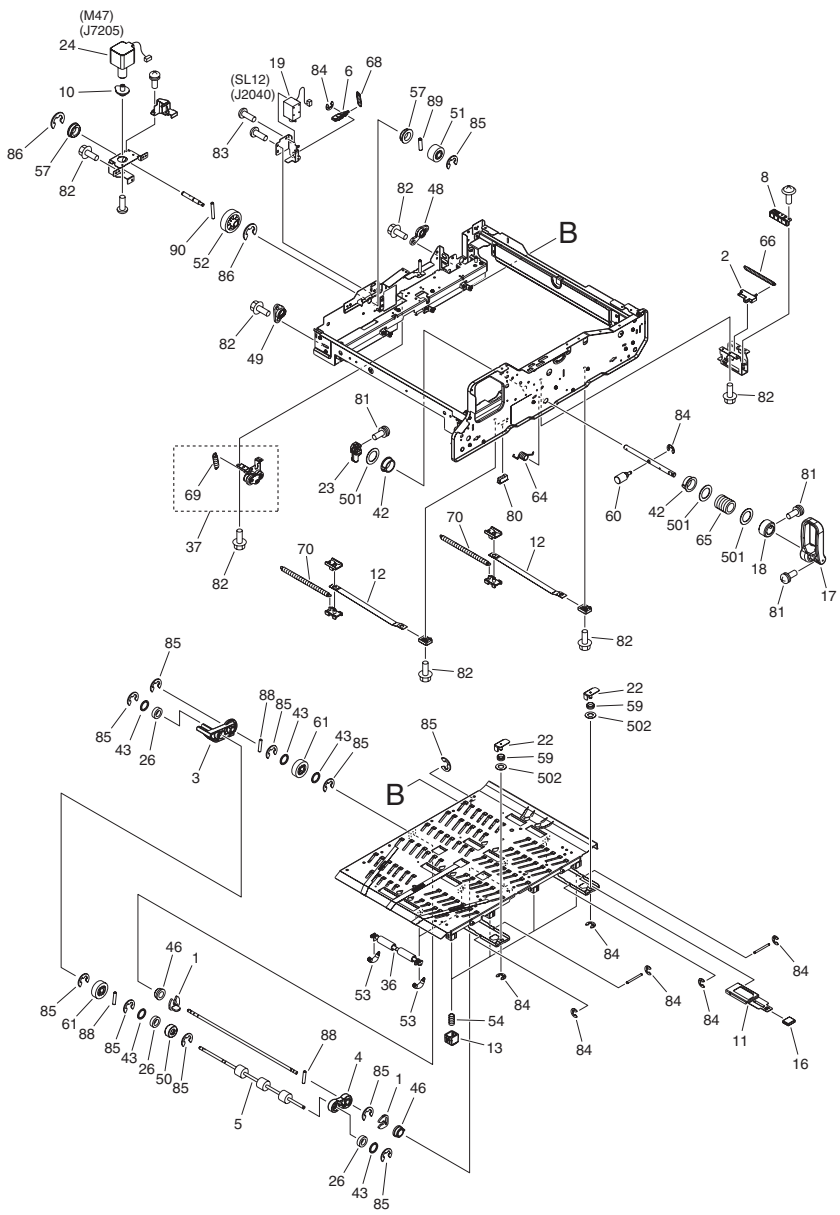


FIGURE & KEY NO.	PARTS NUMBER	R A N K	Q'TY	DESCRIPTION	SERIAL NUMBER/ REMARKS	S V C
Fig.330	NPN		RF	FIXING/FEEDER ASSEMBLY		
1	FB4-2007-000		2	RING, RETAINING		
2	FC0-9367-000		1	SLIDER, LOCK		
3	FC0-9577-000		1	ARM, SPONGE ROLLER, REAR		
4	FC0-9578-000		1	ARM, SPONGE ROLLER, FRONT		
5	FC0-9579-000		1	ROLLER, SPONGE		
6	FC0-9581-000		1	ARM, SOLENOID		
7	FC0-9759-000		1	ROLLER, PAPER FEED		
8	FC0-9979-000		1	GUIDE, SLIDER		
9	FC6-9029-000		1	BRUSH, GROUNDING		
10	FC7-0727-000		1	BUSHING		
11	FC8-1962-000		1	PLATE, HANDLE		
12	FC8-1968-000		2	TAPE, SUPPORT		
13	FC8-8802-000		4	BLOCK, PUSHING		
14	FC9-0402-000		4	FLANGE, PULLEY		
15	FC9-8388-000		3	ROLLER, DUPLEXING		
16	FC9-8425-000		1	LEVER, GUIDE		
17	FE2-0227-010		1	HANDLE		
18	FE3-6322-000		1	BOSS, PRESSURE		
19	FK2-0831-000		1	SOLENOID	SL12	
20	XG9-0475-000		9	BEARING,BALL,VL-MF106A1X3T1XZZ		
21	FK2-8560-000		4	PHOTO-SENSOR, KUA0095C	PS24,PS25,PS26,PS27	
22	FL3-4091-000		2	PLATE, MAGNET		
23	FL3-7608-000		1	ARM, RELEASE		
24	FL3-9439-000		1	MOTOR, STEPPING, DC	M47	
25	FM0-1423-000		1	DUPLEXING DRIVE ASSEMBLY, LEFT	M32	
26	XG9-0497-000		3	BEARING, BALL, MR106ZZ,		
27	FM0-2774-000		1	CABLE, FIXING/FEEDER SIGNAL		
28	FM0-2775-000		1	CABLE, DUPLEXING SENSOR, 1		
29	FM0-2776-000		1	CABLE, FIX/FEED DRAWER MAIN		
30	FM0-2783-000		1	CABLE, 2ND TRNSFR. H.V.		
31	FM0-2785-000		1	CABLE, FIX/FEED DRAWER MAIN		

FIGURE & KEY NO.	PARTS NUMBER	R A N K	Q'TY	DESCRIPTION	SERIAL NUMBER/ REMARKS	S V C
32	FM0-2787-000		1	CABLE, 2ND TR. H.V. CONNECTING	M33	
33	FM0-2788-000		1	CABLE, DUPLEXING MOTOR, RIGHT		
34	FM0-2793-000		1	CABLE, MOTOR		
35	FM0-2864-000		1	CABLE, DUPLEXING SENSOR, RIGHT		
36	FM0-3008-010		4	DRIVEN ROLLER UNIT		
37	FM0-4922-000		1	DRIVE SUPPORT ASS'Y		
38	FM0-4924-000		1	REG. ADJUST MOUNT ASSEMBLY		
39	FM0-4925-000		1	DUPLEXING MOTOR UNIT, RIGHT		
40	FM1-C649-000		2	DUPLEXING DRIVE SHAFT ASSEMBLY		
41	FL2-8749-000		2	SUPPORT, IDLER GEAR		
42	FS5-1474-000		2	BUSHING COP		
43	FS5-6488-000		5	WASHER		
44	FU0-0114-000		1	GEAR, 19T		
45	FU5-0629-000		1	GEAR, 19T		
46	FU5-1457-000		2	BUSHING		
47	FU6-0694-000		2	GEAR, 14T		
48	FU6-1601-000		1	BUSHING		
49	FU6-1602-000		1	BUSHING		
50	FU6-6397-000		1	ROLLER		
51	FU7-0398-000		1	GEAR, 20T		
52	FU7-0399-000		1	GEAR, 32T		
53	FU7-2351-000		8	SPRING, TENSION		
54	FU7-2352-000		4	SPRING, COMPRESSION		
55	FU7-2379-000		2	SPRING, COMPRESSION		
56	FU8-0056-000		4	GEAR, 19T/PULLEY, 16T		
57	XG9-0507-000		2	BEARING, BALL, MF128ZZ		
58	FU8-0083-000		2	GEAR, 24T		
59	FU8-2365-000		2	SPRING, COMPRESSION		
60	FU8-5203-000		1	SHAFT, SUPPORT		
61	FU9-0048-000		2	GEAR, 19T		
62	FU9-0155-000		4	GEAR, 16T		
63	XG9-0709-000		2	BEARING, BALL, MF128ZZ-3		



FIGURE & KEY NO.	PARTS NUMBER	R A N K	Q'TY	DESCRIPTION	SERIAL NUMBER/ REMARKS	S V C
64	FU9-2348-000		1	SPRING, TORSION		
65	FU9-2349-000		1	SPRING, COMPRESSION		
66	FU9-2350-000		1	SPRING, TENSION		
67	FU9-2377-000		1	SPRING, TENSION		
68	FU9-2381-000		1	SPRING, COMPRESSION		
69	FU9-2382-000		1	SPRING, COMPRESSION		
70	FU9-2425-000		2	SPRING, TENSION		
71	VS1-7177-003		2	CONNECTOR, SNAP TIGHT, BK		
72	VS1-7177-004		2	CONNECTOR, SNAP TIGHT, BK		
73	VS1-8412-003		1	CONNECTOR, SNAP TIGHT, BL		
74	VS1-8412-007		1	CONNECTOR, SNAP TIGHT, BL		
75	VS1-8412-009		1	CONNECTOR, SNAP TIGHT, BL		
76	VS1-8412-013		1	CONNECTOR, SNAP TIGHT, BL		
77	VS1-8412-015		2	CONNECTOR, SNAP TIGHT, BL		
78	VS1-8412-017		1	CONNECTOR, SNAP TIGHT, BL		
79	VS1-8412-019		2	CONNECTOR, SNAP TIGHT, BL		
80	XZ9-0603-000		1	CATCH, MAGNET		
81	XA9-0961-000		3	SCREW, W/WASHER, M4X10		
82	XA9-1386-000		AR	SCREW,RS,M3X8		
83	XA9-1659-000		3	SCREW,M3X4		
84	XD9-0134-000		AR	RING, E		
85	XD9-0136-000		AR	RING, E		
86	XD9-0137-010		4	RING, E		
87	XD9-0287-000		5	PIN, DOWEL		
88	XD9-0288-000		3	PIN, DOWEL		
89	XD9-0295-000		1	PIN, PARALLEL		
90	XD9-0298-000		1	PIN, PARALLEL		
91	XF2-1606-640		1	TIMING, BELT		
92	XF2-1607-040		1	BELT, TIMING		
93	XF2-1615-140		2	BELT, TIMING		
501	XD1-1100-225		3	WASHER, COP		
502	XD1-1104-132		2	SHIM, CIRCULAR		

# FIGURE 331 PRE-FIXING PAPER FEED ASSEMBLY

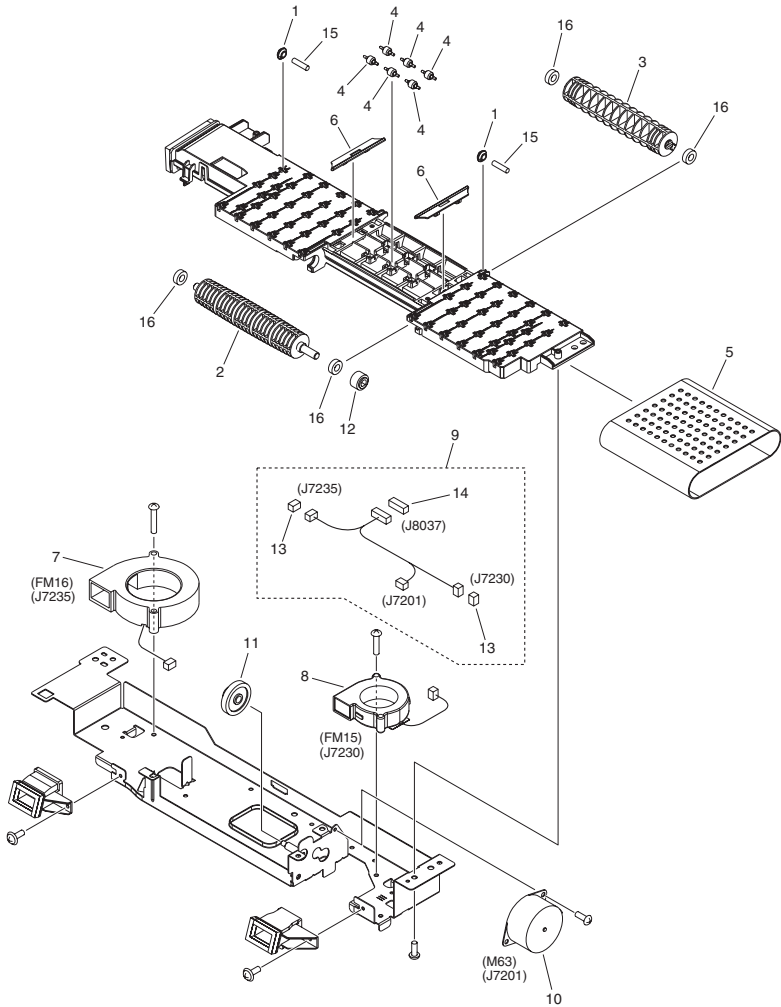


FIGURE & KEY NO.	PARTS NUMBER	R A N K	Q'TY	DESCRIPTION	SERIAL NUMBER/ REMARKS	S V C
Fig.331	FM1-D452-000		1	PRE-FIXING PAPER FEED ASSEMBLY		
1	FB6-3150-000		63	ROLLER, TRANSFER SENSOR		
2	FC0-8775-000		1	ROLLER, PRE-FIXING DRIVE		
3	FC8-2674-000		1	ROLLER, PRE-FIXING FOLLOWER		
4	FC9-5556-000		6	ROLLER		
5	FE2-0177-010		1	BELT		
6	FE2-0202-010		2	RIB, GUIDE		
7	FK2-6465-000		1	FAN	FM16	
8	FL0-1281-000		1	FAN	FM15	
9	FMO-2794-000		1	CABLE, PRE-FIXING FEED UNIT		
10	FM1-C667-000		1	MOTOR, STEPPING, DC	M63	
11	FU8-0078-000		1	GEAR, 34T/14T		
12	FU8-0094-000		1	GEAR, 15T		
13	VS1-7177-003		2	CONNECTOR, SNAP TIGHT, BK		
14	VS1-8412-011		1	CONNECTOR, SNAP TIGHT, BL		
15	XD9-0287-000		AR	PIN, DOWEL		
16	XG9-0521-000		4	BEARING, BALL, MR126ZZ		

# FIGURE 332 FIXING DRIVE ASSEMBLY

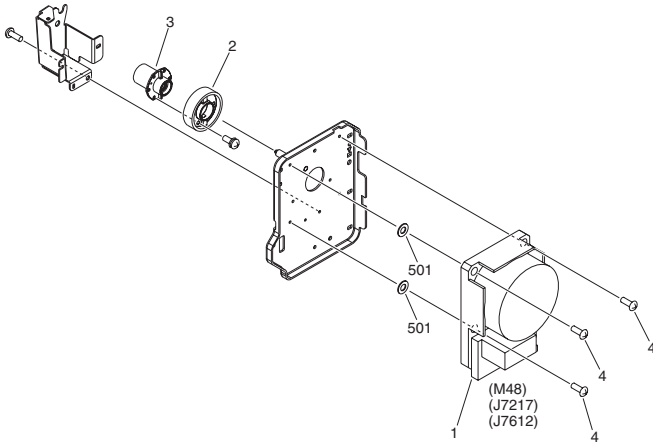
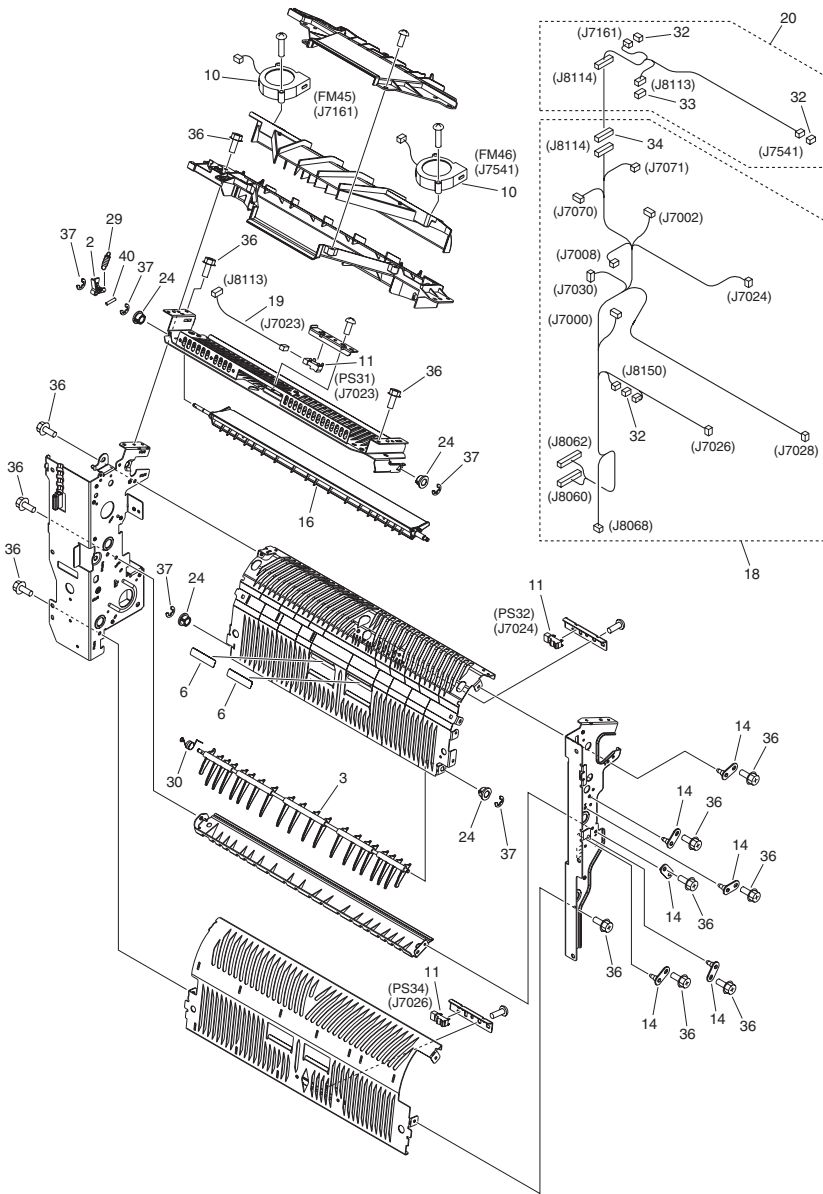


FIGURE & KEY NO.	PARTS NUMBER	RANK	QTY	DESCRIPTION	SERIAL NUMBER/REMARKS	SVC
Fig.332	FM0-1497-000		1	FIXING DRIVE ASSEMBLY		
1	FK2-7899-000		1	MOTOR, DC	M48	
2	FU8-0066-000		1	GEAR, 75T		
3	FU9-0980-000		1	GEAR, 27T		
4	XA9-0893-000		4	SCREW, M4X8		
501	XD1-1104-634		2	WASHER,COP		

# FIGURE 350 REVERSE PAPER DELIVERY ASS'Y



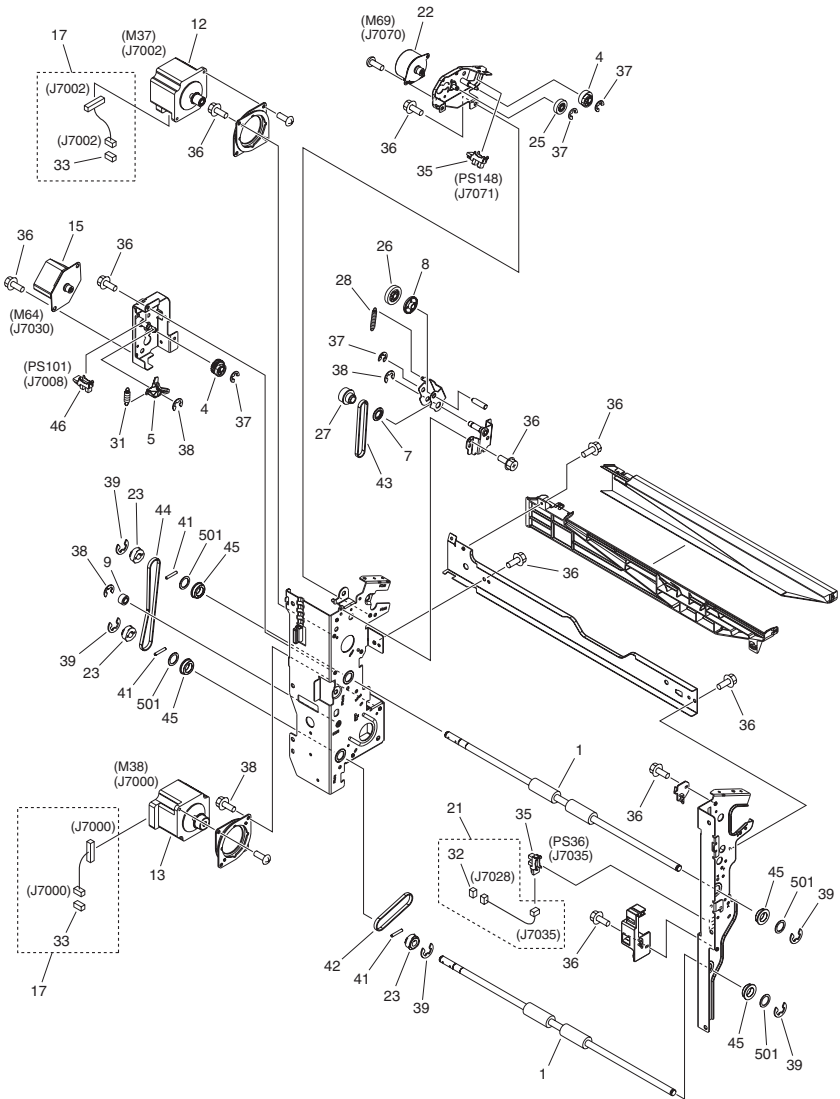


FIGURE & KEY NO.	PARTS NUMBER	R A N K	Q'TY	DESCRIPTION	SERIAL NUMBER/ REMARKS	S V C
Fig.350	FM0-1580-000		1	REVERSE PAPER DELIVERY ASS'Y		
1	FC0-8177-000		2	ROLLER, REVERSE DRIVE		
2	FC0-9910-000		1	ARM, EXCHANGE FLAPPER		
3	FC0-9912-000		1	FLAPPER, DUPLEXING		
4	FC0-9918-000		2	GEAR, 21T		
5	FC0-9919-000		1	ARM, REVERSE ESTRANGEMENT		
6	FC8-2550-000		2	SHEET, GUIDE		
7	FC8-8976-000		1	FLANGE, PULLEY		
8	FC9-4077-000		1	ROLLER, REVERSE SWING		
9	FC9-9145-000		1	SPACER, INNER PAPER DELIVERY		
10	FK2-3149-000		2	FAN	FM45,FM46	
11	FK2-8560-000		3	PHOTO-SENSOR, KUA0095C	PS31,PS32,PS34	
12	FK3-2312-000		1	MOTOR, STEPPING, DC	M37	
13	FK3-3208-000		1	MOTOR, STEPPING, DC	M38	
14	FL3-7706-000		6	PIN, POSITIONING		
15	FM0-0765-000		1	MOTOR, STEPPING, DC	M64	
16	FM0-1330-000		1	EXCHANGE FLAPPER UNIT		
17	FM0-2134-000		2	CABLE, MOTOR CONNECTING		
18	FM0-2821-000		1	CABLE, CONNECTING		
19	FM0-2822-000		1	CABLE, PAPER DELIVERY SENSOR		
20	FM0-2823-000		1	CABLE, FAN		
21	FM0-2853-000		1	CABLE, REVERSE DOOR SENSOR		
22	FM0-4976-000		1	MOTOR, STEPPING, DC	M69	
23	FS5-3805-000		3	PULLEY, 28T		
24	FU5-1442-000		4	BUSHING		
25	FU6-0092-000		1	GEAR, 21T		
26	FU6-0689-000		1	GEAR, 22T		
27	FU8-0077-000		1	GEAR, 16T/PULLEY, 20T		
28	FU8-2360-000		1	SPRING, TENSION		
29	FU9-2360-000		1	SPRING, TENSION		
30	FU9-2361-000		1	SPRING, TORSION		
31	FU9-2362-000		1	SPRING, TENSION		

FIGURE & KEY NO.	PARTS NUMBER	RANK	Q'TY	DESCRIPTION	SERIAL NUMBER/REMARKS	SVC	
32	VS1-7177-003		4	CONNECTOR, SNAP TIGHT, BK	PS36,PS148		
33	VS1-7177-004		3	CONNECTOR, SNAP TIGHT, BK			
34	VS1-7177-009		1	CONNECTOR, 9P			
35	WG8-6002-000		2	PHOTOINTERRUPTER, GP1A173LCSVF			
36	XA9-1386-000	AR		SCREW,RS,M3X8			
37	XD9-0134-000		9	RING, E			
38	XD9-0136-000		3	RING, E			
39	XD9-0137-010		5	RING, E			
40	XD9-0288-000		1	PIN, DOWEL			
41	XD9-0289-000		3	PIN, PARALLEL			
42	XF2-1607-540		1	BELT, TIMING			
43	XF2-1608-840		1	BELT, TIMING			
44	XF2-1614-040		1	BELT, TIMING			
45	XG9-0781-000		4	BEARING, BALL, MF128A1T1XZZMC3			
46	WG8-5848-000		1	IC, PHOTO-INTERRUPTER			PS101
501	XD1-1108-215		4	WASHER,COP			



# FIGURE 355 DECURLER PATH COVER ASSEMBLY

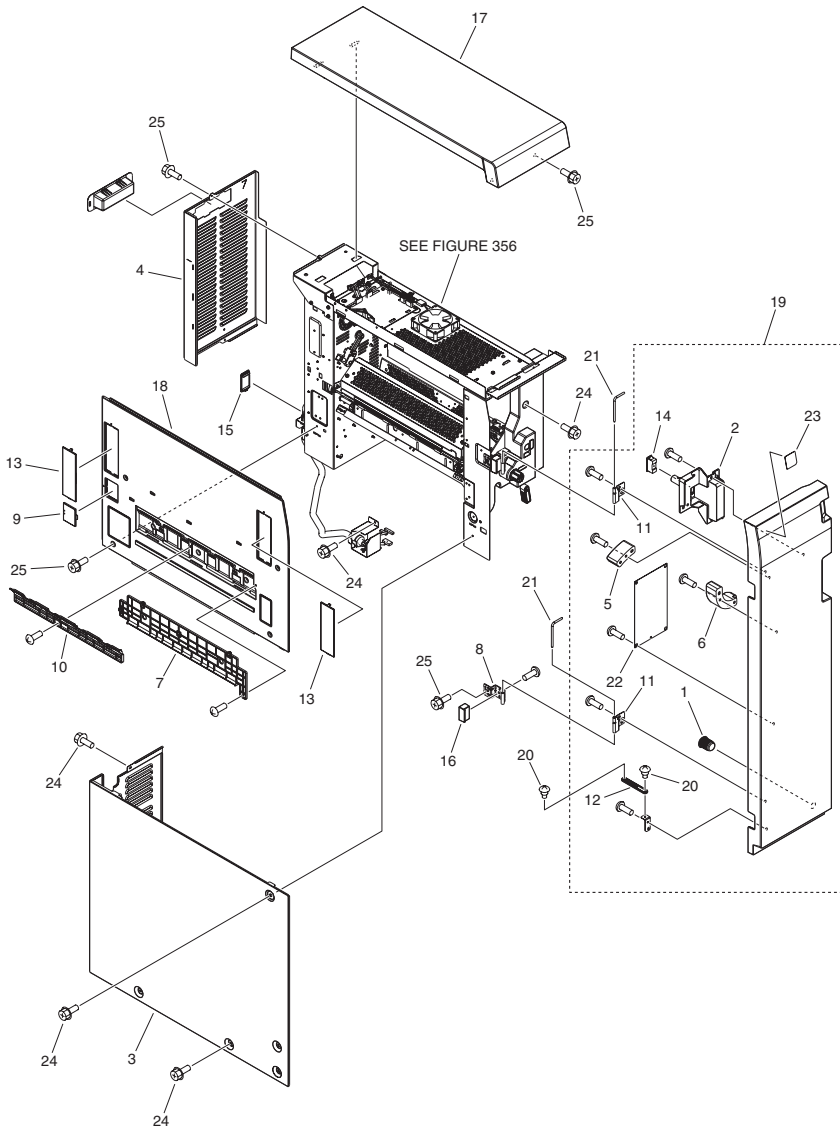
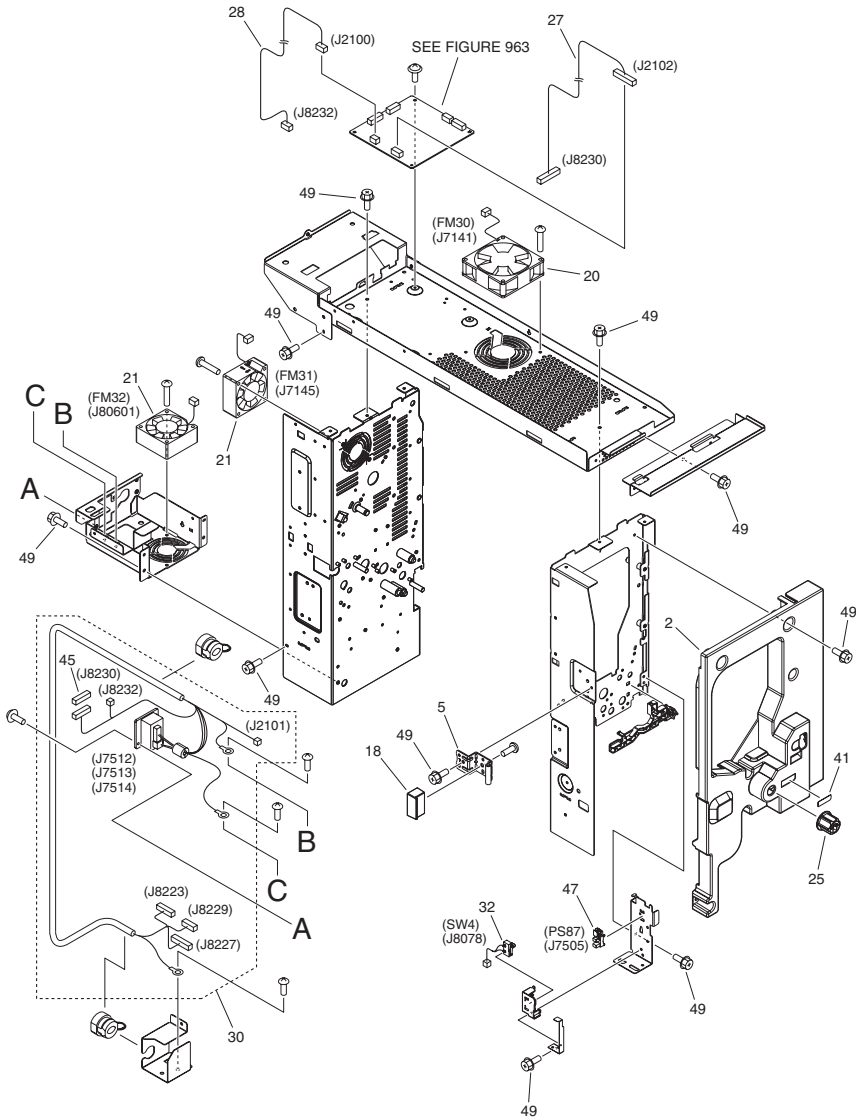
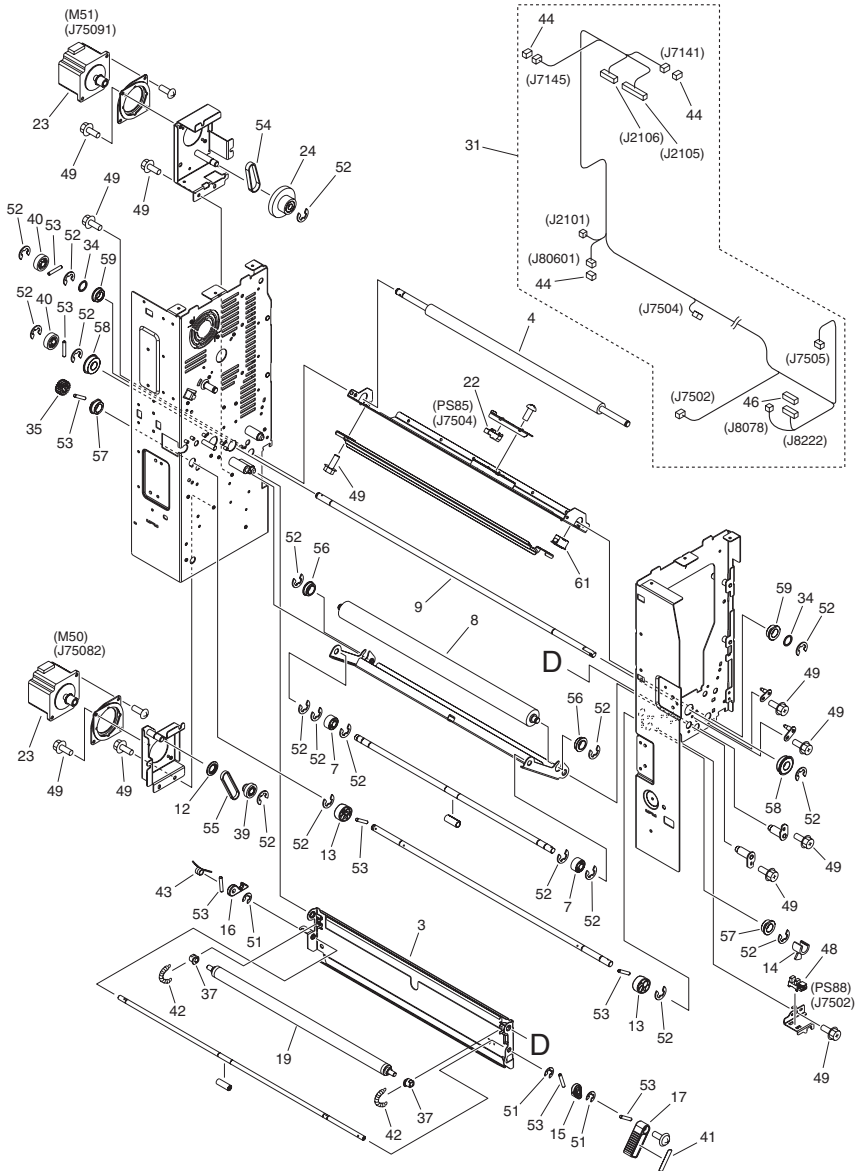


FIGURE & KEY NO.	PARTS NUMBER	R A N K	Q'TY	DESCRIPTION	SERIAL NUMBER/ REMARKS	S V C
Fig.355	NPN		RF	DECURLER PATH COVER ASSEMBLY		
1	FA9-3870-000		1	CATCH, MAGNET		
2	FC0-9498-000		1	GRIP, F. COVER OPEN/CLOSE DTCT		
3	FC0-9508-000		1	COVER, LEFT		
4	FC0-9511-000		1	COVER, DECURLER, REAR		
5	FC0-9667-000		1	RIB, FRONT COVER, UPPER		
6	FC0-9668-000		1	RIB, FRONT COVER, LOWER		
7	FC0-9865-000		1	GUIDE, FINISHER, UPPER		
8	FC0-9982-000		1	HINGE, COVER, FRONT		
9	FC5-2652-000		1	COVER, SIDE REGIST. ADJUST, L.		
10	FC5-5451-000		1	GUIDE, DELIVERY, LOWER		
11	FC8-9030-000		2	HINGE		
12	FC9-9353-000		1	SLIDER		
13	FE2-0124-010		2	COVER, BLANKING		
14	XZ9-0603-000		1	CATCH, MAGNET		
15	FE2-0176-010		1	COVER, CONNECTOR		
16	FE2-0180-010		1	COVER, HINGE		
17	FL0-1858-000		1	COVER, DECURLER, UPPER		
18	FL0-1859-000		1	COVER, DECURLER, LEFT UPPER		
19	FM0-1554-000		1	FRONT COVER ASSEMBLY, LEFT		
20	FS5-9438-030		2	SCREW, STEPPED		
21	FU6-4563-000		2	PIN, HINGE		
22	FU8-8156-000		1	LABEL, OPERATOR		
23	FU8-8196-000		1	LABEL, NUMBER		
24	XA9-0732-010		AR	SCREW, RS, M4X8		
25	XA9-1386-000		AR	SCREW, RS, M3X8		

# FIGURE 356 DECURLER PATH ASSEMBLY



NOTE : This assembly includes the assembly shown in Figure 963.  
 NOTE : Several kinds of labels are attached on the board for the parts of Key No. 41.  
 注 : このユニットはFigure 963のユニットを含みます。  
 注 : Key No. 41の部品は台紙に数種類のラベルが付いています。



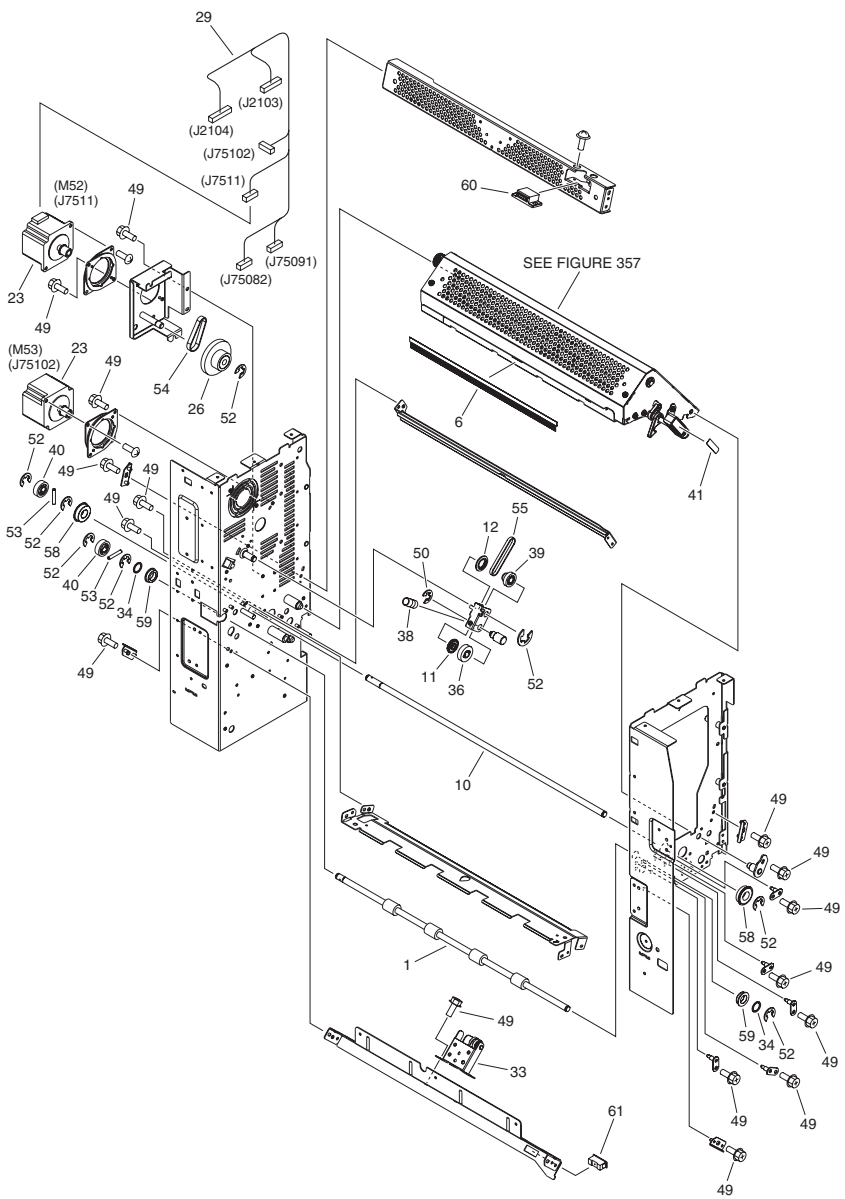


FIGURE & KEY NO.	PARTS NUMBER	R A N K	Q'TY	DESCRIPTION	SERIAL NUMBER/ REMARKS	S V C
Fig.356	FM0-1357-000		1	DECURLER PATH ASSEMBLY	SEE NOTE	
1	FC0-9504-000		1	ROLLER, PAPER DELIVERY		
2	FC0-9517-000		1	COVER, DECURLER INNER		
3	FC0-9519-000		1	GUIDE, ENTRANCE, LOWER		
4	FC0-9520-000		1	ROLLER, PAPER FEED		
5	FC0-9982-000		1	HINGE, COVER, FRONT		
6	FC6-4009-000		1	ELIMINATOR,STATIC CHARGE		
7	FC8-2606-000		2	ROLLER, SIDE END		
8	FC8-8963-000		1	ROLLER, PAPER FEED		
9	FC8-8967-000		1	ROLLER, PAPER FEED, LOWER		
10	FC8-8970-010		1	ROLLER, PAPER FEED, UPPER		
11	FC8-8973-000		1	ROLLER, SIDE END		
12	FC8-8976-000		2	FLANGE, PULLEY		
13	FC8-8988-000		2	CAM, 2		
14	FC9-3922-000		1	FLAG, CAM SENSOR		
15	FC9-3952-000		1	LOCK, HOOK		
16	FC9-6203-000		1	HOOK		
17	FC9-6207-000		1	HANDLE		
18	FE2-0180-010		1	COVER, HINGE		
19	FE3-6340-000		1	ROLLER,OUTER DELIVERY FOLLOWER		
20	FK2-0360-000		1	FAN	FM30	
21	FK2-3679-000		2	FAN	FM31,FM32	
22	FK2-8560-000		1	PHOTO-SENSOR, KUA0095C	PS85	
23	FK3-2298-000		4	MOTOR, STEPPING, DC	M50,M51,M52,M53	
24	FL2-8734-010		1	GEAR, 25T/50T/PULLEY, 25T		
25	FL2-8878-000		1	KNOB, EXTRACTION		
26	FL3-7613-000		1	GEAR, 29T/58T/PULLEY, 29T		
27	FM0-2135-000		1	CABLE, SIGNAL, RIGHT		
28	FM0-2136-000		1	CABLE, POWER SUPPLY CONNECTING		
29	FM0-2139-000		1	CABLE, MOTOR MAIN		
30	FM0-2830-000		1	CABLE, MAIN		
31	FM0-2831-000		1	CABLE, SENSOR MAIN		

FIGURE & KEY NO.	PARTS NUMBER	R A N K	Q'TY	DESCRIPTION	SERIAL NUMBER/ REMARKS	S V C
32	FM4-1438-000		1	CABLE, DOOR SWITCH	SW4	
33	FM1-D440-000		1	BACK-UP CROSSMEMBER UNIT, LW.		
34	FS5-6487-000		4	WASHER		
35	FU6-0029-000		1	GEAR, 18T		
36	FU6-0733-000		1	GEAR, 21T		
37	FU6-1513-000		2	BUSHING		
38	FU7-2365-000		1	SPRING, COMPRESSION		
39	FU8-0075-000		2	GEAR, 18T/PULLEY, 20T		
40	FU8-0076-000		4	GEAR, 24T		
41	FU8-8208-000		1	LABEL, OPERATOR NUMBER	SEE NOTE	
42	FU9-2337-000		2	SPRING, COMPRESSION		
43	FU9-2413-000		1	SPRING, TORSION		
44	VS1-7177-003		3	CONNECTOR, SNAP TIGHT, BK		
45	VS1-7177-009		1	CONNECTOR, 9P		
46	VS1-8959-006		1	CONNECTOR, SNAP TIGHT, 6P, W		
47	WG8-5783-000		1	IC,PHOTO-INTERRUPTER,LG248NL1A	PS87	
48	WG8-5848-000		1	PHOTOINTERRUPTER, GP1A173LCSVF	PS88	
49	XA9-1386-000		AR	SCREW,RS,M3X8		
50	XD9-0134-000		1	RING, E		
51	XD9-0136-000		3	RING, E		
52	XD9-0137-010		AR	RING, E		
53	XD9-0289-000		AR	PIN, PARALLEL		
54	XF2-1605-860		2	BELT, TIMING		
55	XF2-1606-540		2	BELT, TIMING		
56	XG9-0709-000		2	BEARING, BALL, MF128ZZ-3		
57	XG9-0737-000		2	BUSHING		
58	XG9-0779-000		4	BEARING, BALL, 688ZZNR D41		
59	XG9-0781-000		4	BEARING, BALL, MF128A1T1XZZMC3		
60	XZ9-0593-000		1	CATCH, MAGNET		
61	XZ9-0603-000		2	CATCH, MAGNET		

# FIGURE 357 ROTATION FRAME ASSEMBLY

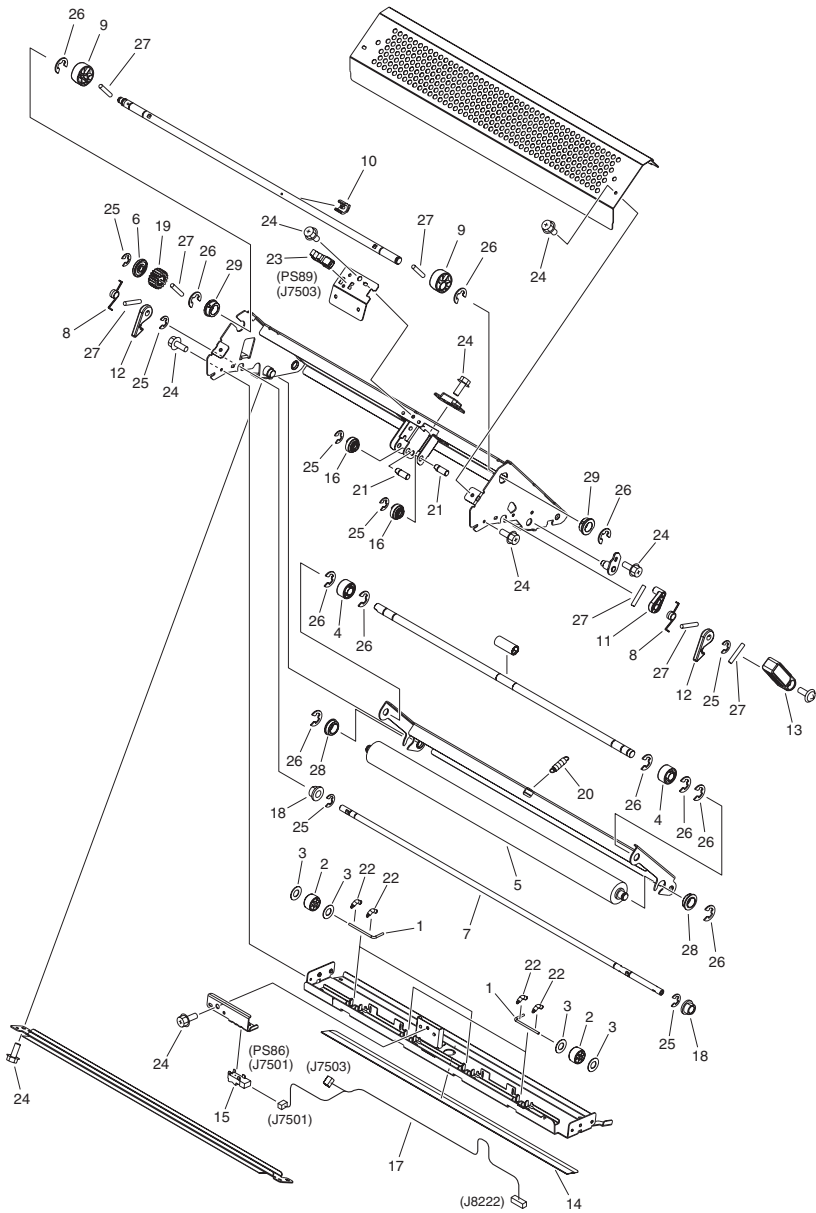
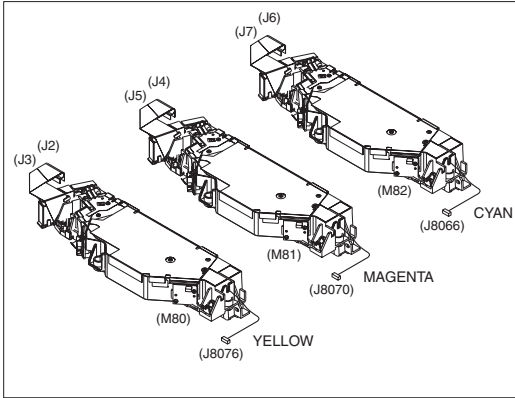




FIGURE & KEY NO.	PARTS NUMBER	R A N K	Q'TY	DESCRIPTION	SERIAL NUMBER/ REMARKS	S V C
Fig.357	NPN		RF	ROTATION FRAME ASSEMBLY		
1	FC5-2277-000		4	SHAFT, DELIVERY ROLLER, UPPER		
2	FC7-1227-000		4	ROLLER		
3	FC7-7183-000		8	WASHER		
4	FC8-2606-000		2	ROLLER, SIDE END		
5	FC8-8963-000		1	ROLLER, PAPER FEED		
6	FC8-8973-000		1	ROLLER, SIDE END		
7	FC8-8977-000		1	SHAFT, HOOK RELEASE		
8	FC8-8978-000		2	SPRING, TORSION		
9	FC8-8988-000		2	CAM, 2		
10	FC9-3922-000		1	FLAG, CAM SENSOR		
11	FC9-3952-000		1	LOCK, HOOK		
12	FC9-6203-000		2	HOOK		
13	FC9-6207-000		1	HANDLE		
14	FE2-0235-010		1	SHEET, SHORT GUIDE, UPPER		
15	FK2-8560-000		1	PHOTO-SENSOR, KUA0095C	PS86	
16	FL3-9185-000		2	ROLLER, BACK-UP		
17	FM4-1437-000		1	CABLE, SENSOR		
18	FU5-1453-000		2	BUSHING		
19	FU6-0029-000		1	GEAR, 18T		
20	FU8-2445-000		1	SPRING, TENSION		
21	FU8-5220-000		2	SHAFT, BACK UP		
22	FU9-2338-000		8	SPRING, TENSION		
23	WG8-6002-000		1	PHOTOINTERRUPTER, GP1A173LCSVF	PS89	
24	XA9-1386-000		AR	SCREW,RS,M3X8		
25	XD9-0136-000		6	RING, E		
26	XD9-0137-010		AR	RING, E		
27	XD9-0289-000		7	PIN, PARALLEL		
28	XG9-0709-000		2	BEARING, BALL, MF128ZZ-3		
29	XG9-0737-000		2	BUSHING		

# FIGURE 460 LASER SCANNER ASSEMBLY

COLOR



BLACK

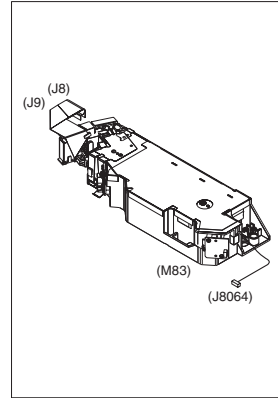
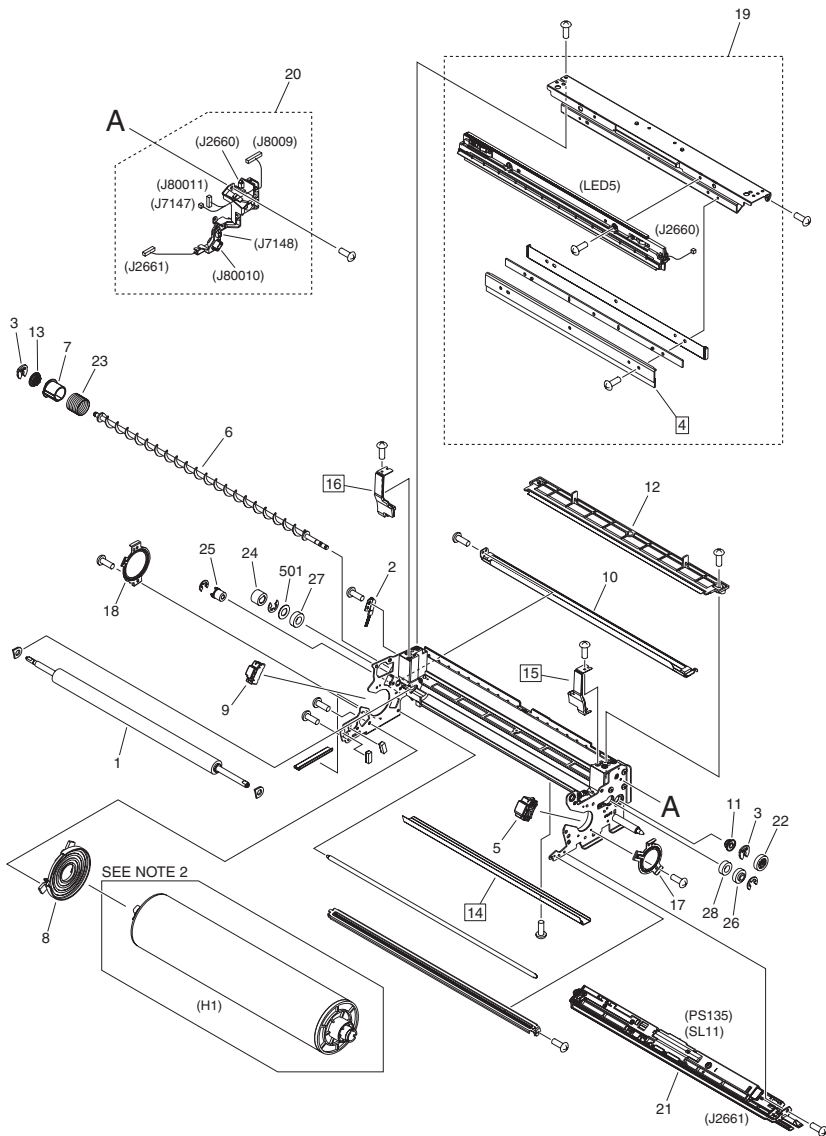


FIGURE & KEY NO.	PARTS NUMBER	RANK	QTY	DESCRIPTION	SERIAL NUMBER/REMARKS	SVC
Fig.460	FM0-1366-000		3	LASER SCANNER ASSEMBLY	COLOR M80,M81,M82	
Fig.460	FM0-1367-000		1	LASER SCANNER ASSEMBLY	BLACK M83	

# FIGURE 510 PROCESS ASSEMBLY



NOTE 1 : This assembly does not include the parts shown with key No. 5 and 9.

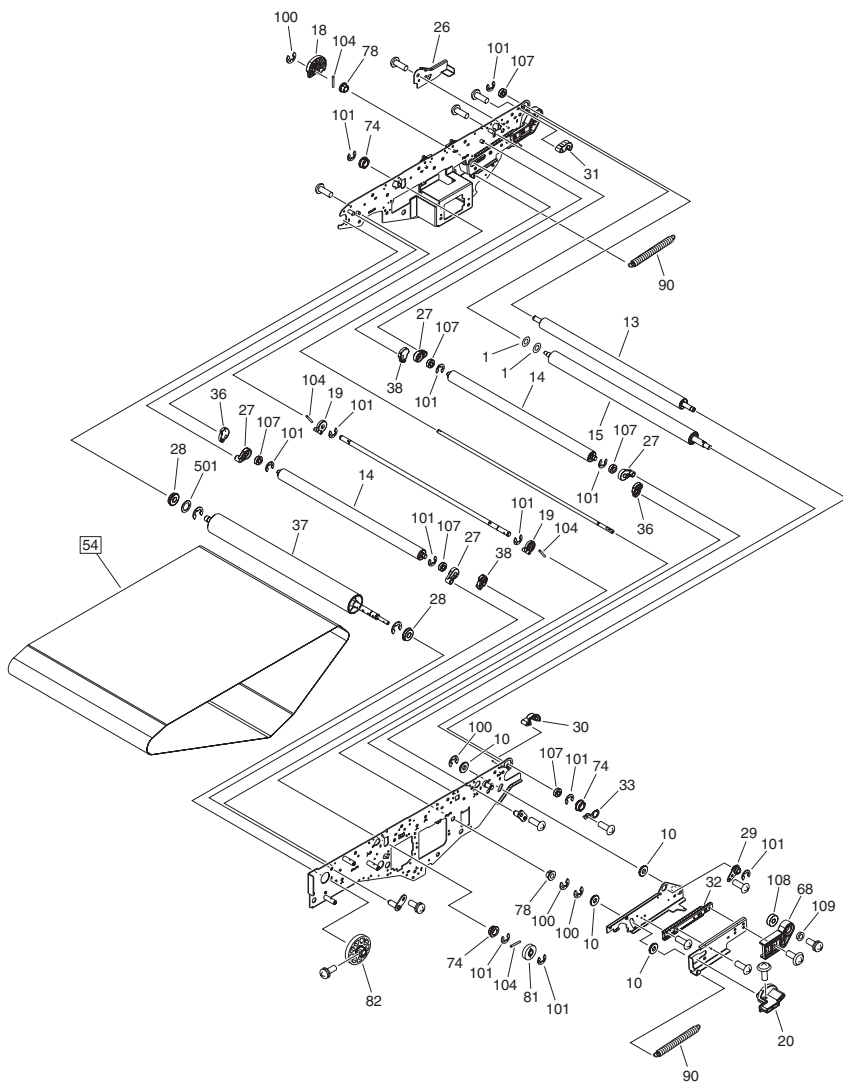
NOTE 2 : This assembly does not include the parts shown inside the frame.

注 1 : このユニットにKey No. 5, 9の部品は含まれません。

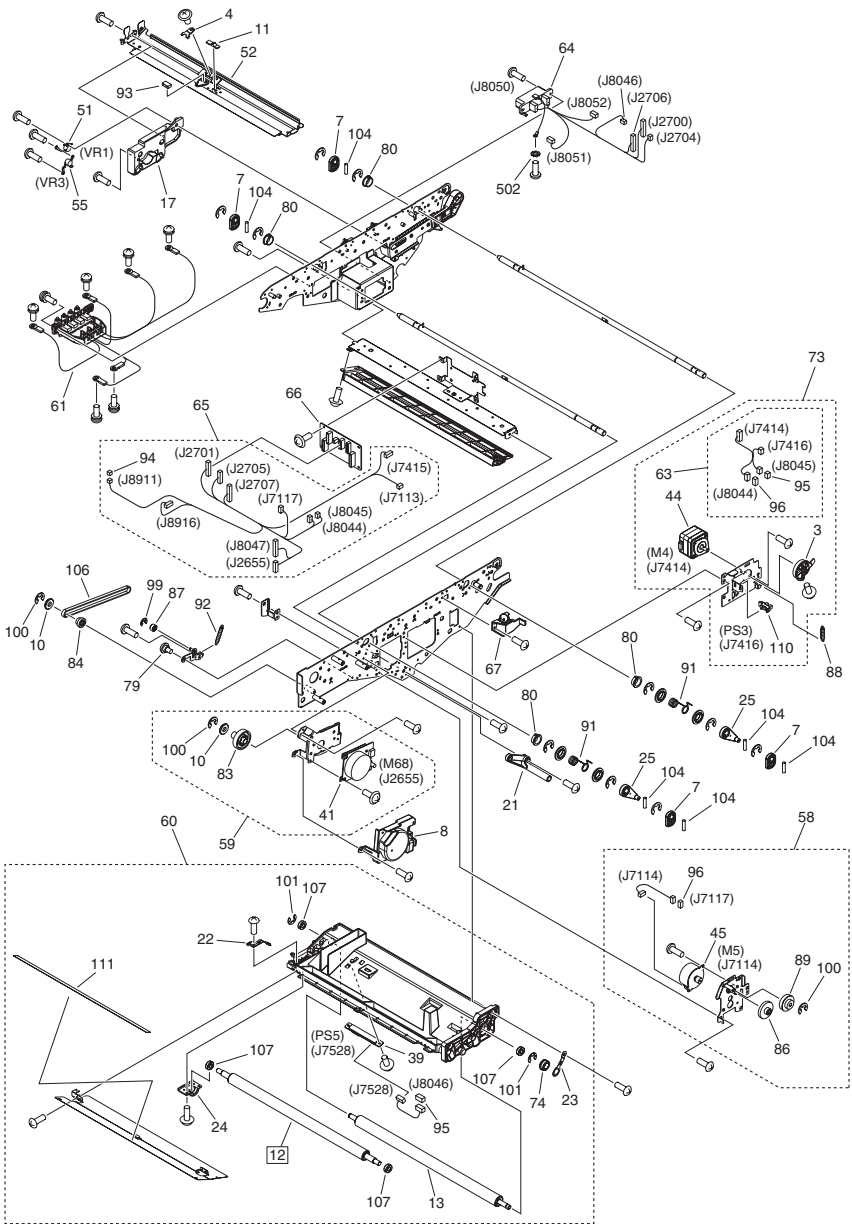
注 2 : このユニットにこの部品は含まれません。

FIGURE & KEY NO.	PARTS NUMBER	R A N K	Q'TY	DESCRIPTION	SERIAL NUMBER/ REMARKS	S V C
Fig.510	FM1-C727-000		1	PROCESS ASSEMBLY		
1	FC0-9864-000		1	BRUSH, CLEANING		
2	FC6-1035-000		1	BRUSH, STATIC CHARGE ELIMINATE		
3	FC6-3002-000		2	RING, RESIN, RETAINING		
4	FC8-2281-000		1	BLADE, CLEANER, BLACK	[DP]	
5	FC8-2315-000		1	SPACER, SLEEVE DRUM, FRONT	SEE NOTE 1	
6	FC8-2544-000		1	SCREW, CREAMING		
7	FC8-2545-000		1	SHUTTER, WASTE TONER		
8	FC8-2644-000		1	RING, SLIP		
9	FC9-0393-000		1	SPACER, SLEEVE DRUM, REAR	SEE NOTE 1	
10	FL0-1270-000		1	MOUNT,CLEANER TONER CATCH,LW.		
11	FL2-0415-000		1	BUSHING		
12	FL2-2704-000		1	PLATE, PARTITION, CENTER		
13	FL2-8598-000		1	BUSHING		
14	FL2-8652-000		1	SHEET, SCRAPER	[DP]	
15	FL2-8653-000		1	SCRAPER, SIDE END, FRONT	[DP]	
16	FL2-8654-000		1	SCRAPER, SIDE END, REAR	[DP]	
17	FL2-8848-000		1	HOLDER, BEARING, F		
18	FL2-8849-000		1	HOLDER, BEARING, R		
19	FM0-1461-000		1	BLADE ASSEMBLY(BK)	LED5	
20	FM0-1559-000		1	PROCESS UNIT CABLE ASSEMBLY		
21	FM0-4955-000		1	SENSOR UNIT, PATCH, BLACK	PS135,SL11	
22	FU3-0317-000		1	GEAR, 21T		
23	FU7-2314-000		1	SPRING, COMPRESSION		
24	FU8-0037-000		1	GEAR, 18T		
25	FU8-0038-000		1	GEAR, 24T		
26	FU8-0052-000		1	GEAR, 19T		
27	XG9-0725-000		1	BEARING, BALL, MR126-2RS,		
28	XG9-0727-000		1	BEARING, BALL, 688-2RS,		
501	XD1-1106-235		1	WASHER,COP		

# FIGURE 530 I.T.B. FRAME ASSEMBLY



NOTE : This assembly does not include the part shown with key No. 54.  
 注 : このユニットにKey No. 54の部品は含まれません。



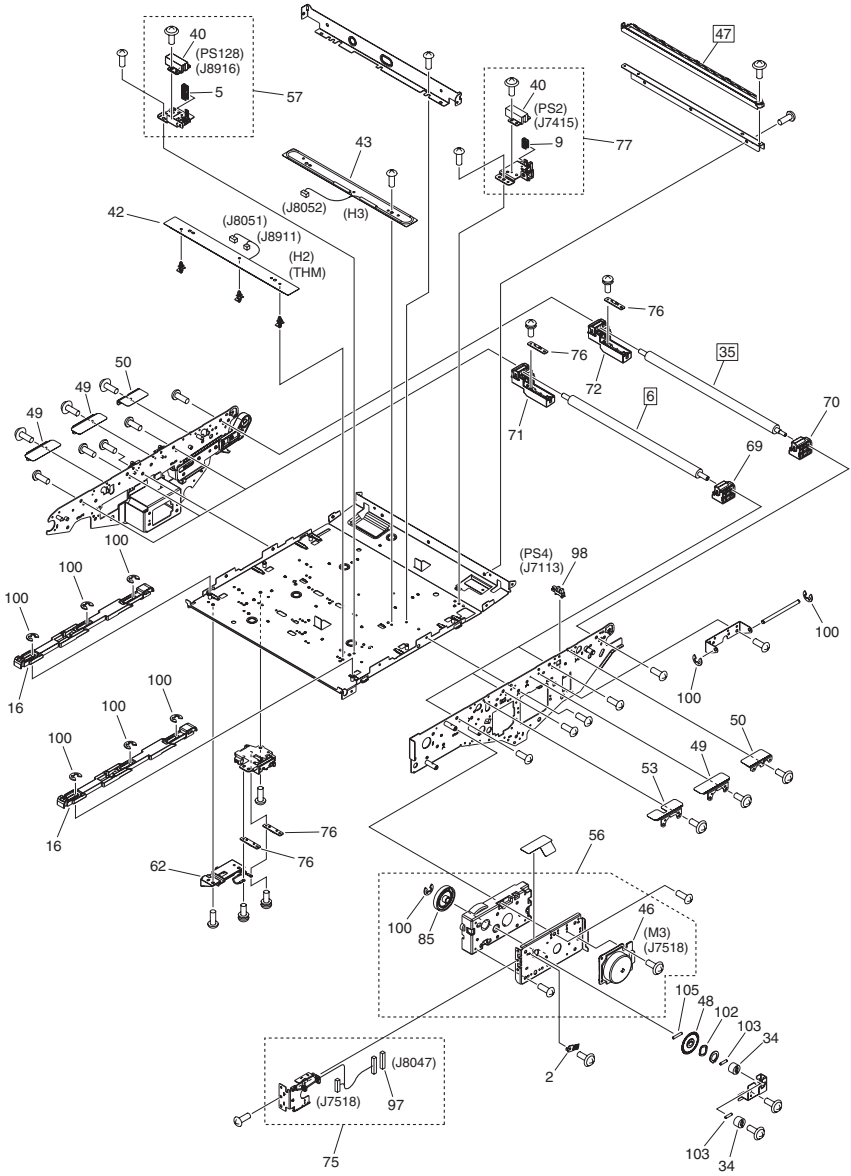


FIGURE & KEY NO.	PARTS NUMBER	R A N K	Q'TY	DESCRIPTION	SERIAL NUMBER/ REMARKS	S V C
Fig.530	FM1-D412-000		1	I.T.B. FRAME ASSEMBLY		
1	FB2-6285-020		2	SHIM		
2	FB5-9104-010		1	ELIMINATOR, STATIC CHARGE		
3	FC0-8168-000		1	CAM, STEERING		
4	FC0-9395-000		1	CLAMP, PRISM		
5	FC0-9570-000		1	PLATE, EDGE		
6	FC0-9785-000		3	ROLLER, TRANSFER, 1	[DP]	
7	FC0-9944-000		4	CAM, LIFT UP		
8	FC0-9957-000		1	COVER, MOTOR		
9	FC5-9144-000		1	PLATE, EDGE		
10	FC5-9151-000		6	COLLAR, SLIDE		
11	FC7-8201-000		1	PRISM		
12	FC7-9325-000		1	ROLLER, TRANSFER, 2	[DP]	
13	FE4-0111-000		2	ROLLER, IDLER, A		
14	FE4-0112-000		2	ROLLER, IDLER, B		
15	FC8-1697-000		1	ROLLER, STEERING		
16	FC8-1713-000		2	LINK, DESORPTION		
17	FC8-1716-010		1	HOLDER, GUIDE		
18	FC8-1727-000		1	CAM, STOPPER		
19	FC8-1736-000		2	CAM, TRANSFER DESORPTION		
20	FC8-1755-000		1	CAM, STOPPER, FRONT		
21	FC8-1761-010		1	FOOT, SUPPORT		
22	FC8-1769-000		1	PLATE, TRANSFER GROUNDING, 1		
23	FC8-1771-000		1	PLATE, TRANSFER GROUNDING, 2		
24	FC8-1778-010		1	HOLDER, TRANSFER ROLLER		
25	FC8-1779-000		2	LEVER, LIFT UP		
26	FC8-1791-000		1	SUPPORT, REAR		
27	FC8-1792-010		4	HOLDER, ROLLER		
28	XG9-0789-000		2	BEARING, BALL, 6900ZZ1NXRC3		
29	FC8-4623-000		1	BUSHING		
30	FC9-3787-010		1	HOLDER, ROLLER, FRONT		
31	FC9-3788-010		1	HOLDER, ROLLER, REAR		



FIGURE & KEY NO.	PARTS NUMBER	RANK	Q'TY	DESCRIPTION	SERIAL NUMBER/REMARKS	SVC
32	FC9-4063-000		1	RAIL, SLIDE		
33	FC9-4123-000		1	PLATE, ROLLER GROUNDING		
34	FC9-9380-000		2	LIMITTER, TORQUE		
35	FE2-0170-010		1	ROLLER, TRANSFER, 1	[DP]	
36	FE2-0277-010		2	CAM, DESORPTION, 1		
37	FE3-6334-000		1	ROLLER, DRIVE		
38	FE3-6367-000		2	CAM, DESORPTION, 2		
39	FK2-0161-000		1	SENSOR UNIT, EE-SY133-P18	PS5	
40	FK2-7866-000		2	IC PHOTO-SENSOR, HYBRID	PS2,PS128	
41	FK2-7897-000		1	MOTOR, DC	M68	
42	FK3-2576-000		1	HEATER UNIT	H2,THM	
43	FK3-2577-000		1	HEATER UNIT	H3	
44	FK3-3227-000		1	MOTOR, STEPPING, DC	M4	
45	FK3-3980-000		1	MOTOR, STEPPING, DC	M5	
46	FK3-3981-000		1	MOTOR, DC BRUSHLESS	M3	
47	FL0-1877-000		1	SCRAPER, BELT INTERNAL	[DP]	
48	FL2-8809-000		1	WHEEL, CORD, 2		
49	FL2-8870-010		3	CLAMP, BELT, 1		
50	FL2-8871-000		2	CLAMP, BELT, 2		
51	FL3-2302-000		1	VARISTOR	VR1	
52	FL3-7643-000		1	GUIDE,2ND TRNSFR.,FRONT UPPER		
53	FL3-7714-000		1	CLAMP, BELT, 3		
54	FM1-D410-000		1	BELT, INTER. TRANSFER	SEE NOTE [DP]	
55	FL3-8317-000		1	VARISTOR	VR3	
56	FM0-1459-000		1	I.T.BELT DRIVE ASSEMBLY		
57	FM0-1460-000		1	EDGE SENSOR ASSEMBLY		
58	FM0-1465-000		1	DESORPTION DRIVE ASSEMBLY		
59	FM0-1466-000		1	TRANSFER CLEANER DRIVE ASS'Y		
60	FM0-1533-010		1	2ND TRNSFR. HOLDER ASSEMBLY		
61	FM0-1560-000		1	TRANSFER H.V. CABLE UNIT		
62	FM0-1561-000		1	CLEANER H.V. CABLE UNIT		
63	FM0-2124-000		1	CABLE, STEERING		

FIGURE & KEY NO.	PARTS NUMBER	R A N K	Q'TY	DESCRIPTION	SERIAL NUMBER/ REMARKS	S V C
64	FM0-2797-000		1	CABLE, I.T.B. MAIN		
65	FM0-2798-000		1	CABLE, I.T.BELT UNIT		
66	FM0-2931-000		1	I.T.B. CONNECTING PCB ASSEMBLY		
67	FM0-3011-000		1	GUIDE UNIT		
68	FC8-1725-010		1	HOLDER, BUSHING, FRONT		
69	FM0-4897-000		3	HOLDER ASS'Y, FRONT		
70	FM0-4898-000		1	HOLDER ASS'Y, FRONT		
71	FM0-4899-000		3	HOLDER ASS'Y, REAR		
72	FM0-4900-000		1	HOLDER ASS'Y, REAR		
73	FM0-4957-000		1	STEERING CAM DRIVE ASSEMBLY		
74	XG9-0737-000		4	BUSHING		
75	FM1-C654-000		1	ENCODER UNIT		
76	FM2-7196-000		6	HVR PCB ASSEMBLY		
77	FM3-4906-000		1	PHOTO SENSOR UNIT, EDGE		
78	FS1-1205-000		2	BUSHING		
79	FS1-9002-010		1	SCREW, STEPPED, M4X5		
80	FS5-1474-000		4	BUSHING COP		
81	FS7-0564-000		1	GEAR, 34T		
82	FU0-0001-000		1	GEAR, 88T		
83	FU0-0110-000		1	PULLEY, 20T/GEAR, 68T		
84	FU0-0111-000		1	GEAR, 27T/PULLEY, 21T		
85	FU2-0589-000		1	GEAR, 22T/88T		
86	FU5-0390-000		1	GEAR, 65T/23T		
87	FU5-6616-000		1	ROLLER, TENSION		
88	FU7-2302-000		1	SPRING, TENSION		
89	FU8-0095-000		1	GEAR, 58T/20T		
90	FU8-2373-000		2	SPRING, TENSION		
91	FU8-2380-000		2	SPRING, TORSION		
92	FU9-2384-000		1	SPRING, TENSION		
93	RB2-5850-000		1	PRISM		
94	VS1-7177-002		1	CONNECTOR, SNAP TIGHT, BK		
95	VS1-7177-003		2	CONNECTOR, SNAP TIGHT, BK		

FIGURE & KEY NO.	PARTS NUMBER	R A N K	Q'TY	DESCRIPTION	SERIAL NUMBER/ REMARKS	S V C
96	VS1-7177-004		2	CONNECTOR, SNAP TIGHT, BK		
97	VS1-8412-015		1	CONNECTOR, SNAP TIGHT, BL		
98	WG8-6002-000		1	PHOTOINTERRUPTER, GP1A173LCSVF	PS4	
99	XD9-0134-000		1	RING, E		
100	XD9-0136-000		AR	RING, E		
101	XD9-0137-010		AR	RING, E		
102	XD9-0252-000		1	WASHER,WAVE		
103	XD9-0287-000		2	PIN, DOWEL		
104	XD9-0291-000		AR	PIN, PARALLEL		
105	XD9-0305-000		1	PIN, PARALLEL		
106	XF2-1616-460		1	BELT, TIMING		
107	XG9-0493-000		AR	BEARING, BALL, 688ZZ		
108	XG9-0693-000		1	BEARING, BALL, 608ZZM3SMLY13		
109	XG9-0709-000		1	BEARING, BALL, MF128ZZ-3		
110	WG8-5783-000		1	IC.PHOTO-INTERRUPTER,LG248NL1A	PS3	
111	FC0-4088-000		1	SHEET		
501	XD1-1100-225		1	WASHER, COP		
502	XD1-4200-402		1	WASHER, TOOTHED LOCK, M4		

# FIGURE 531 TRANSFER PRESSURE ASS'Y, FRONT

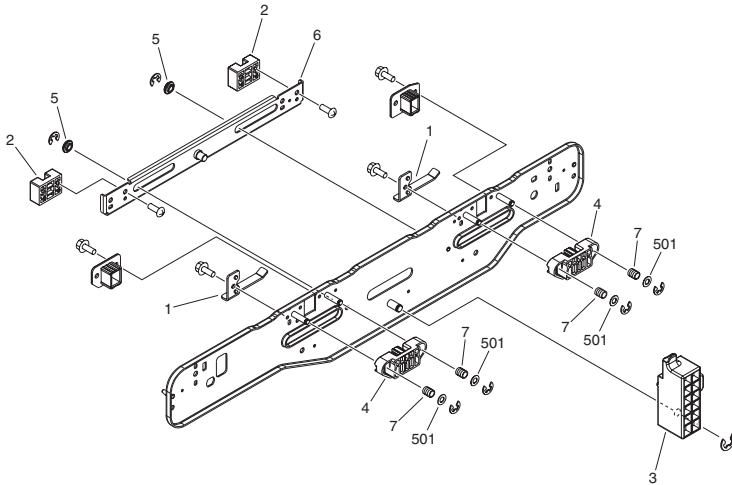


FIGURE & KEY NO.	PARTS NUMBER	RANK	QTY	DESCRIPTION	SERIAL NUMBER/REMARKS	SVC
Fig.531	NPN		RF	TRANSFER PRESSURE ASS'Y, FRONT		
1	FC0-8160-000		2	SPRING, LEAF		
2	FC8-1790-000		2	LINK, LIFT UP, 2		
3	FC8-1798-000		1	LEVER, OPERATOR		
4	FC9-0385-010		2	BLOCK, PRESSURE		
5	FC9-3827-000		2	ROLLER, SLIDE		
6	FL2-8710-000		1	LINK, LIFT UP, 1		
7	FU7-2381-000		4	SPRING, COMPRESSION		
501	XD1-1106-235		4	WASHER,COP		

# FIGURE 532 PRE-TRANSFER CORONA ASSEMBLY

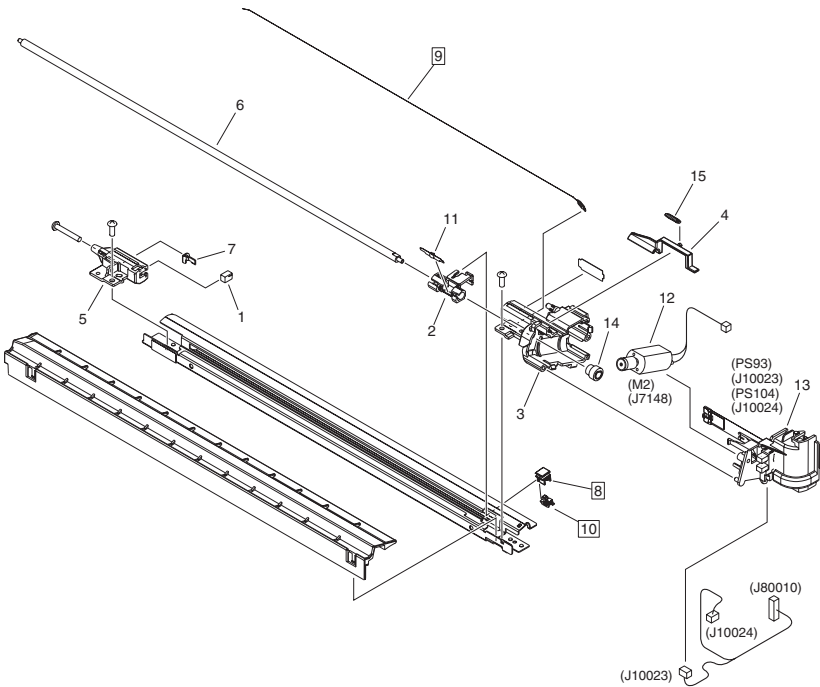


FIGURE & KEY NO.	PARTS NUMBER	R A N K	Q'TY	DESCRIPTION	SERIAL NUMBER/ REMARKS	S V C
Fig.532	FM0-1464-000		1	PRE-TRANSFER CORONA ASSEMBLY	[DP]	
1	FA4-1864-000		1	DAMPER		
2	FC0-8113-000		1	HOLDER, FELT		
3	FC0-8114-000		1	BLOCK, PRE-TRANSFER CORONA, FR		
4	FC0-8117-000		1	FLAG, HOME POSITION SENSING		
5	FC0-9712-000		1	BLOCK, PRE-TRANSFER CORONA, RR		
6	FC5-1810-000		1	SCREW, LEAD		
7	FC9-4111-000		1	TERMINAL, CORONA WIRE		
8	FL2-7750-010		1	SLIDER, PAD	[DP]	
9	FL2-8807-000		1	PRE-TRANSFER CORONA LINE ASS'Y	[DP]	
10	FL3-7560-000		1	HOLDER, WIRE CLEANING PAD	[DP]	
11	FL3-8790-000		1	SPRING, LEAF		
12	FM0-0759-000		1	CLEANING MOTOR UNIT	M2	
13	FM0-0863-000		1	SHUTTER BLOCK UNIT	PS93,PS104	
14	FU9-0835-000		1	GEAR, 16T		
15	FU9-2240-000		1	SPRING, TENSION		

# FIGURE 550 PRIMARY CORONA ASSEMBLY

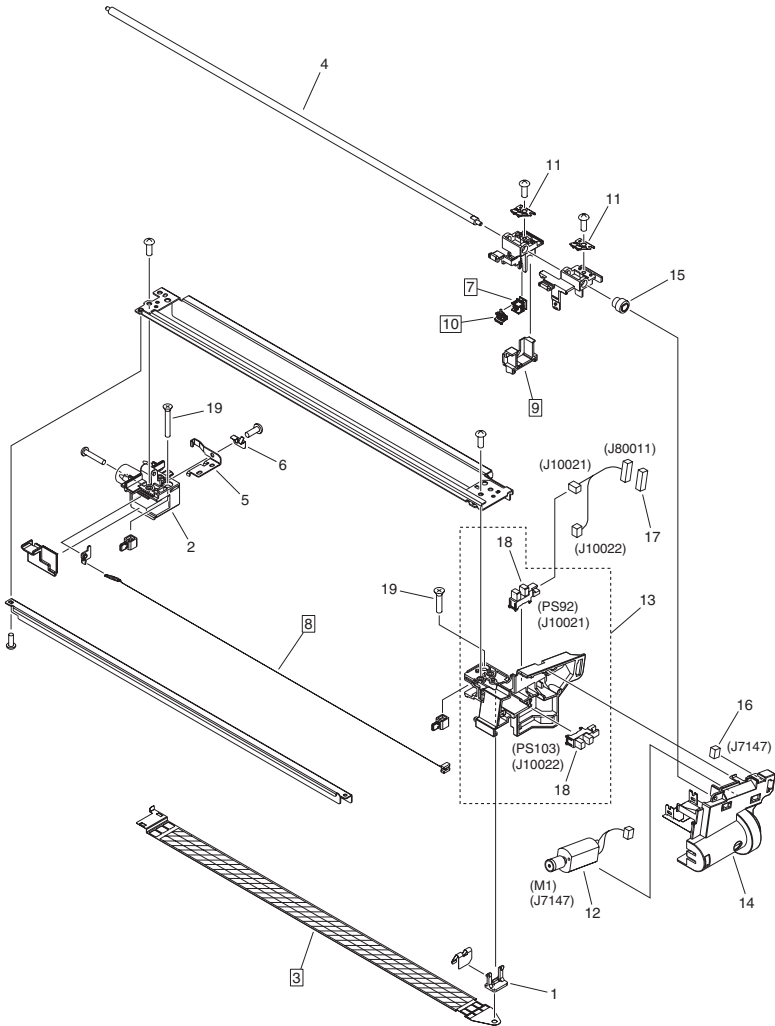


FIGURE & KEY NO.	PARTS NUMBER	R A N K	Q'TY	DESCRIPTION	SERIAL NUMBER/ REMARKS	S V C
Fig.550	FM0-1540-000		1	PRIMARY CORONA ASSEMBLY	[DP]	
1	FB2-2959-000		1	LEVER, GRID		
2	FC0-8130-010		1	BLOCK, PRIMARY CORONA, REAR		
3	FC0-9857-000		1	PLATE, ETCHING GRID	[DP]	
4	FC5-1810-000		1	SCREW, LEAD		
5	FC6-1057-000		1	PLATE, POWER DISPATCHING		
6	FC8-2296-000		1	PLATE, GROUNDING		
7	FL2-7750-010		1	SLIDER, PAD	[DP]	
8	FL2-8915-000		1	PRIMARY CORONA WIRE ASS'Y	[DP]	
9	FL3-4090-000		1	SLIDER, PAD	[DP]	
10	FL3-7560-000		1	HOLDER, WIRE CLEANING PAD	[DP]	
11	FL3-8789-000		2	PIN, SLIDER		
12	FM0-0759-000		1	CLEANING MOTOR UNIT	M1	
13	FM0-0893-000		1	BLOCK, PRIMARY CORONA, FRONT		
14	FM0-0894-000		1	MOTOR COVER UNIT		
15	FU9-0835-000		1	GEAR, 16T		
16	VS1-7177-002		1	CONNECTOR, SNAP TIGHT, BK		
17	VS1-8412-007		1	CONNECTOR, SNAP TIGHT, BL		
18	WG8-6002-000		2	PHOTOINTERRUPTER, GP1A173LCSVF	PS92,PS103	
19	XA9-0228-000		2	SCREW, INSUL., C.S.HEAD		



# FIGURE 580 SECONDARY TRANSFER ASSEMBLY

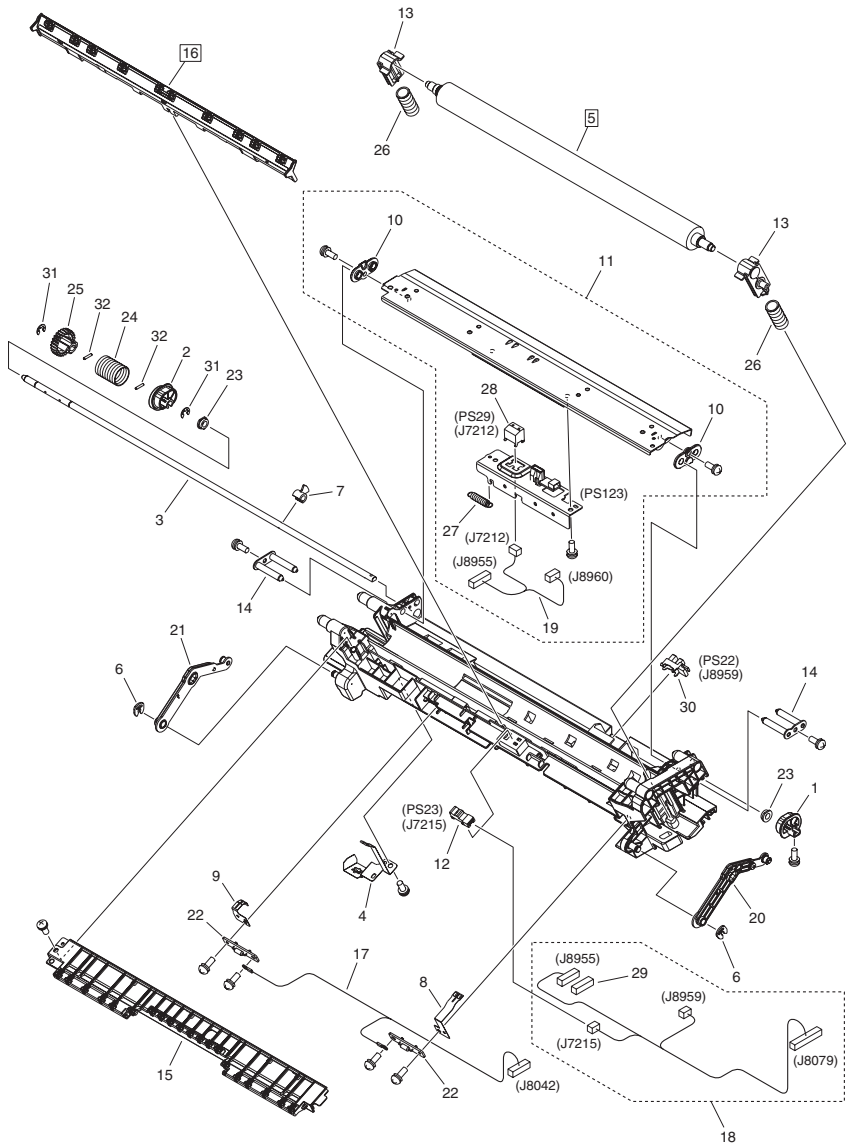
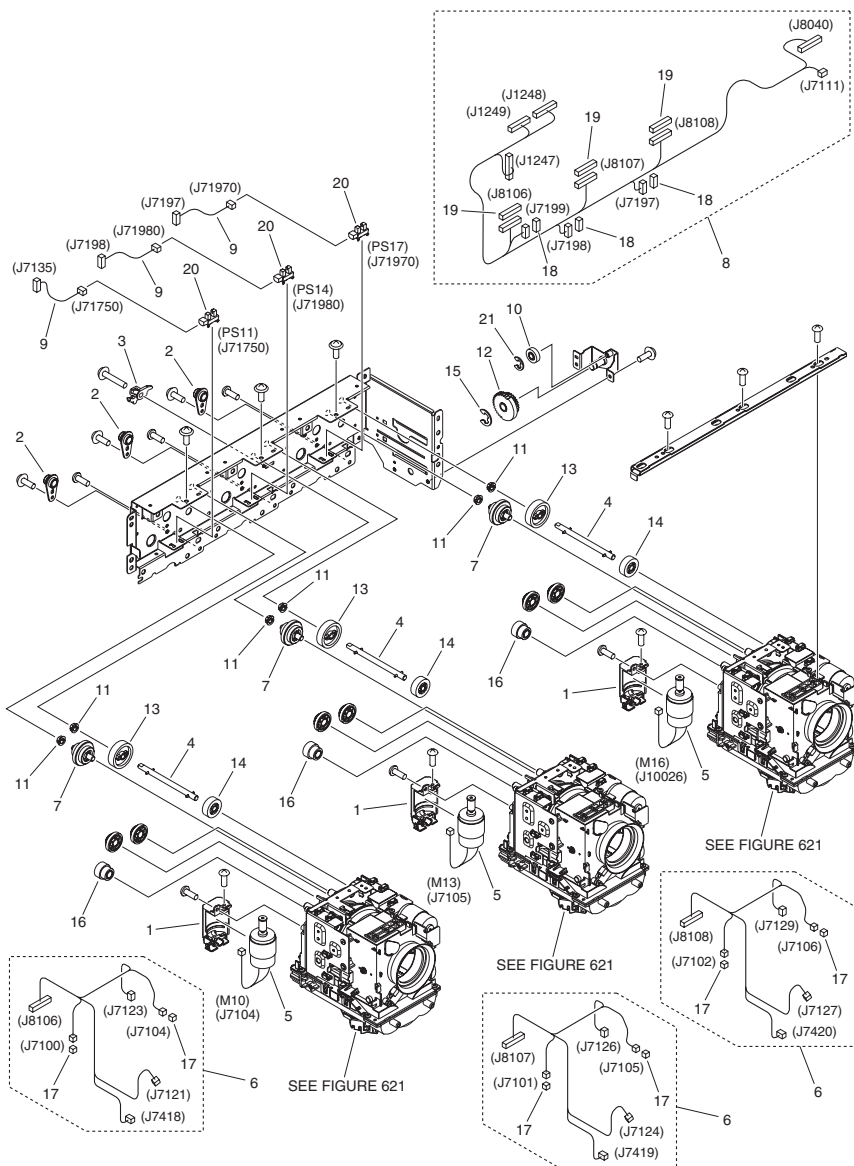


FIGURE & KEY NO.	PARTS NUMBER	R A N K	Q'TY	DESCRIPTION	SERIAL NUMBER/ REMARKS	S V C
Fig.580	FM0-1347-010		1	SECONDARY TRANSFER ASSEMBLY		
1	FC0-9388-000		1	CAM, SWING, FRONT		
2	FC0-9389-000		1	CAM, SWING, REAR		
3	FC0-9390-000		1	SHAFT, CAM		
4	FC0-9391-000		1	PLATE, GROUNDING		
5	FC0-9786-000		1	ROLLER, 2ND TRNSFR. OUTER	[DP]	
6	FC6-3002-000		2	RING, RESIN, RETAINING		
7	FC8-2627-000		1	FLAG, SENSOR		
8	FC8-2633-000		1	PLATE, POWER DISPATCHING		
9	FC8-2641-000		1	PLATE, STATIC CHARGE		
10	FE3-6371-000		2	BUSHING		
11	FM1-C664-000		1	TRANSFER GUIDE ASS'Y, FR. LW.	PS123	
12	FK2-8560-000		1	PHOTO-SENSOR, KUA0095C	PS23	
13	FL3-6675-000		2	HOLDER, 2ND TRNSFR. ROLLER		
14	FL3-7756-000		2	PLATE, POSITIONING		
15	FM0-1401-000		1	OUTLET GUIDE RIB UNIT		
16	FM0-1535-000		1	SECONDARY TRANSFER ELIM. ASS'Y	[DP]	
17	FM0-2784-000		1	CABLE, SECONDARY H.V. RESISTOR		
18	FM0-2786-000		1	CABLE, 2ND TRNSFR. H.V.		
19	FM0-2851-000		1	CABLE, OHP SENSOR		
20	FM1-C662-000		1	ARM PLATE ASSEMBLY, FRONT		
21	FM1-C663-000		1	ARM PLATE ASSEMBLY, REAR		
22	FM2-7196-000		2	HVR PCB ASSEMBLY		
23	FS5-1943-000		2	BUSHING		
24	FS4-2136-000		1	SPRING, COMPRESSION		
25	FU8-0024-000		1	GEAR, 25T		
26	FU9-2351-000		2	SPRING, COMPRESSION		
27	FU9-2394-000		1	SPRING, TENSION		
28	RH7-7129-020		1	OHT SENSOR UNIT	PS29	
29	VS1-7177-007		1	CONNECTOR, 7P, FEMALE, BK		
30	WG8-5783-000		1	IC,PHOTO-INTERRUPTER,LG248NL1A	PS22	
31	XD9-0136-000		2	RING, E		

FIGURE & KEY NO.	PARTS NUMBER	R A N K	Q'TY	DESCRIPTION	SERIAL NUMBER/ REMARKS	S V C
32	XD9-0288-000		2	PIN, DOWEL		

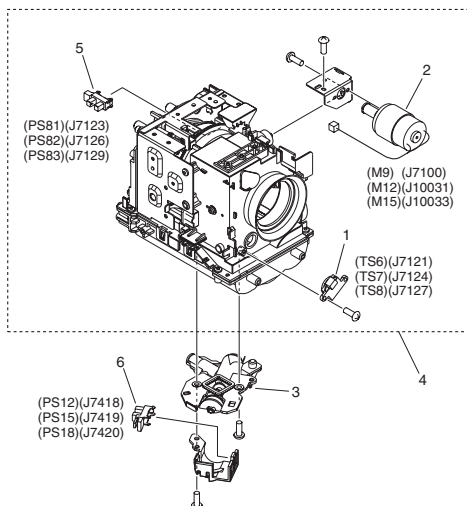
# FIGURE 620 HOPPER MOUNT ASSEMBLY, COLOR



NOTE : This assembly includes the assembly shown in Figure 621.  
 注 : このユニットはFigure 621のユニットを含みます。

FIGURE & KEY NO.	PARTS NUMBER	R A N K	Q'TY	DESCRIPTION	SERIAL NUMBER/ REMARKS	S V C
Fig.620	FM0-1339-000		1	HOPPER MOUNT ASSEMBLY, COLOR	SEE NOTE	
1	FC0-8244-000		3	COVER, MOTOR		
2	FC8-4623-000		3	BUSHING		
3	FC9-5461-000		1	ARM, ROLLER ESTRANGEMENT, REAR		
4	FL3-8781-000		3	SHAFT, TRANSMISSION		
5	FM0-0756-000		3	HOPPER MOTOR UNIT	M10,M13,M16	
6	FM0-2120-010		3	CABLE, HOPPER UNIT, COLOR		
7	FM0-2702-010		3	ONE-WAY SHAFT UNIT		
8	FM0-2815-000		1	CABLE, HOPPER MAIN		
9	FM0-2871-000		3	CABLE, SENSOR CONNECTING		
10	FU3-0314-000		1	GEAR, 15T		
11	FU5-1451-000		6	BUSHING		
12	FU9-0056-000		1	GEAR, 24T/16T		
13	FU9-0839-000		3	GEAR, 37T		
14	FU9-0880-000		3	GEAR, 16T		
15	XD9-0137-010		1	RING, E		
16	FU9-0885-000		3	GEAR, 28T/16T		
17	VS1-7177-002		6	CONNECTOR, SNAP TIGHT, BK		
18	VS1-7177-005		3	CONNECTOR, SNAP TIGHT, BK		
19	VS1-8412-013		3	CONNECTOR, SNAP TIGHT, BL		
20	WG8-6002-000		3	PHOTOINTERRUPTER, GP1A173LCSVF	PS11,PS14,PS17	
21	XD9-0134-000		1	RING, E		

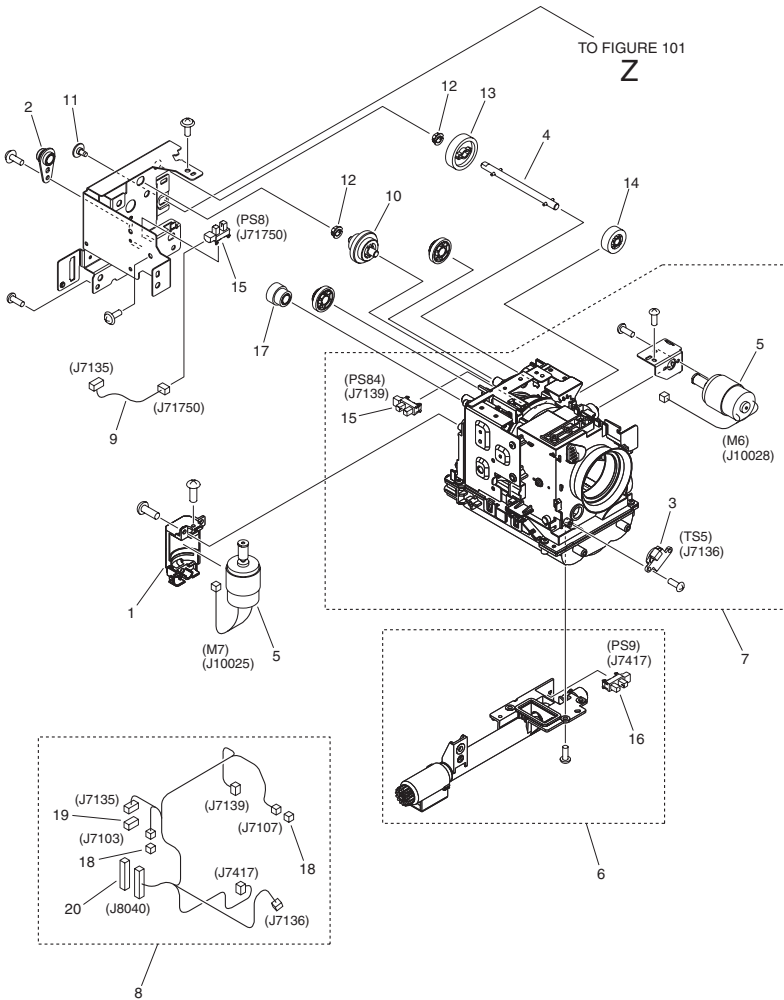
# FIGURE 621 HOPPER ASSEMBLY, COLOR



NOTE : This assembly is included in the assembly shown in Figure 620.  
注 : このユニットはFigure 620のユニットに含まれます。

FIGURE & KEY NO.	PARTS NUMBER	R A N K	Q'TY	DESCRIPTION	SERIAL NUMBER/REMARKS	S V C
Fig.621	FM0-1519-000		3	HOPPER ASSEMBLY, COLOR	SEE NOTE	
1	FK2-0590-000		1	TONER SENSOR UNIT	TS6,TS7,TS8	
2	FM0-0756-000		1	HOPPER MOTOR UNIT	M9,M12,M15	
3	FM0-0888-000		1	SUPPLY PIPE ASSEMBLY, COLOR		
4	FM0-1518-000		1	HOPPER ASSEMBLY		
5	WG8-6002-000		1	PHOTOINTERRUPTER, GP1A173LCSVF	PS81,PS82,PS83	
6	WG8-5848-000		1	IC, PHOTO-INTERRUPTER	PS12,PS15,PS18	

# FIGURE 622 HOPPER ASSEMBLY, BLACK



NOTE : This assembly does not include the part shown with key No. 11.  
 注 : このユニットにKey No. 11の部品は含まれません。

FIGURE & KEY NO.	PARTS NUMBER	R A N K	Q'TY	DESCRIPTION	SERIAL NUMBER/ REMARKS	S V C
Fig.622	FM0-1338-000		1	HOPPER ASSEMBLY, BLACK		
1	FC0-8244-000		1	COVER, MOTOR		
2	FC8-4623-000		1	BUSHING		
3	FK2-0590-000		1	TONER SENSOR UNIT	TS5	
4	FL3-8781-000		1	SHAFT, TRANSMISSION		
5	FM0-0756-000		2	HOPPER MOTOR UNIT	M6,M7	
6	FM0-0860-000		1	SUPPLY PIPE ASSEMBLY, BLACK		
7	FM0-1518-000		1	HOPPER ASSEMBLY		
8	FM0-2119-000		1	CABLE, HOPPER UNIT, BLACK		
9	FM0-2121-000		1	CABLE, SENSOR CONNECTING		
10	FM0-2702-010		1	ONE-WAY SHAFT UNIT		
11	FS2-9012-000		1	SCREW, STEPPED M2.2	SEE NOTE	
12	FU5-1451-000		2	BUSHING		
13	FU9-0839-000		1	GEAR, 37T		
14	FU9-0880-000		1	GEAR, 16T		
15	WG8-6002-000		2	PHOTOINTERRUPTER, GP1A173LCSVF	PS8,PS84	
16	WG8-5848-000		1	IC, PHOTO-INTERRUPTER	PS9	
17	FU9-0885-000		1	GEAR, 28T/16T		
18	VS1-7177-002		2	CONNECTOR, SNAP TIGHT, BK		
19	VS1-7177-004		1	CONNECTOR, SNAP TIGHT, BK		
20	VS1-8412-017		1	CONNECTOR, SNAP TIGHT, BL		



# FIGURE 623 BOTTLE TRAY ASSEMBLY, COLOR

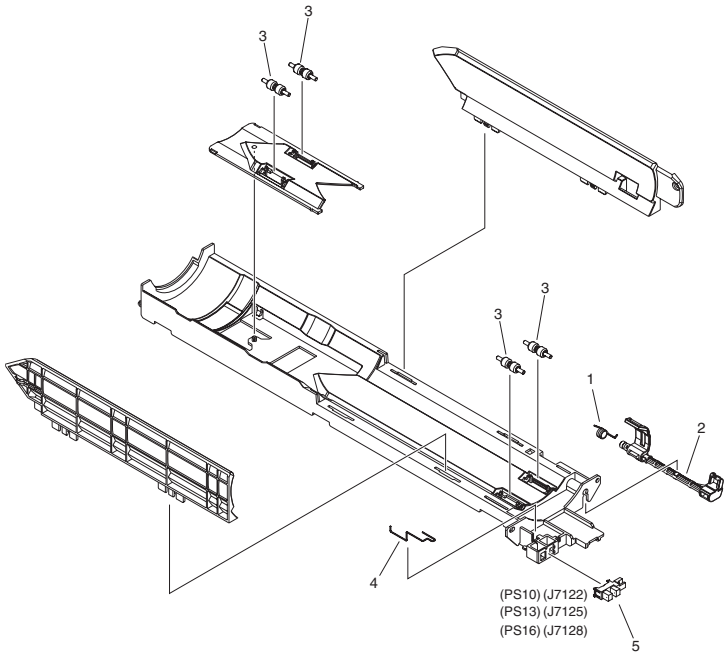


FIGURE & KEY NO.	PARTS NUMBER	RANK	Q'TY	DESCRIPTION	SERIAL NUMBER/REMARKS	SVC
Fig.623	FM3-9901-000		3	BOTTLE TRAY ASSEMBLY, COLOR		
1	FC0-1512-000		1	SPRING, TORSION		
2	FC0-8240-000		1	LEVER, BOTTLE DETECT		
3	FC8-4649-000		4	ROLLER, BOTTLE TRAY		
4	FC9-3752-000		1	SPRING, STATIC CHARGE		
5	WG8-5783-000		1	IC,PHOTO-INTERRUPTER,LG248NL1A	PS10,PS13,PS16	

# FIGURE 624 BOTTLE TRAY ASSEMBLY, BLACK

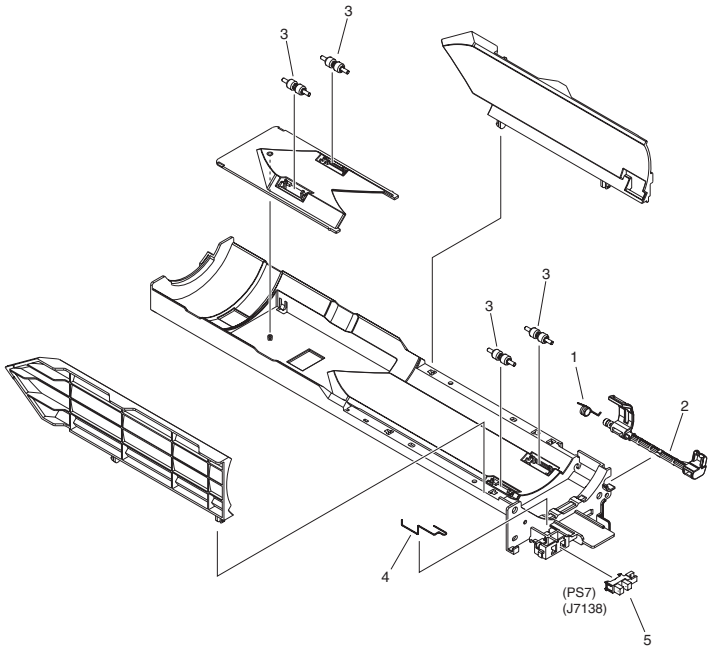
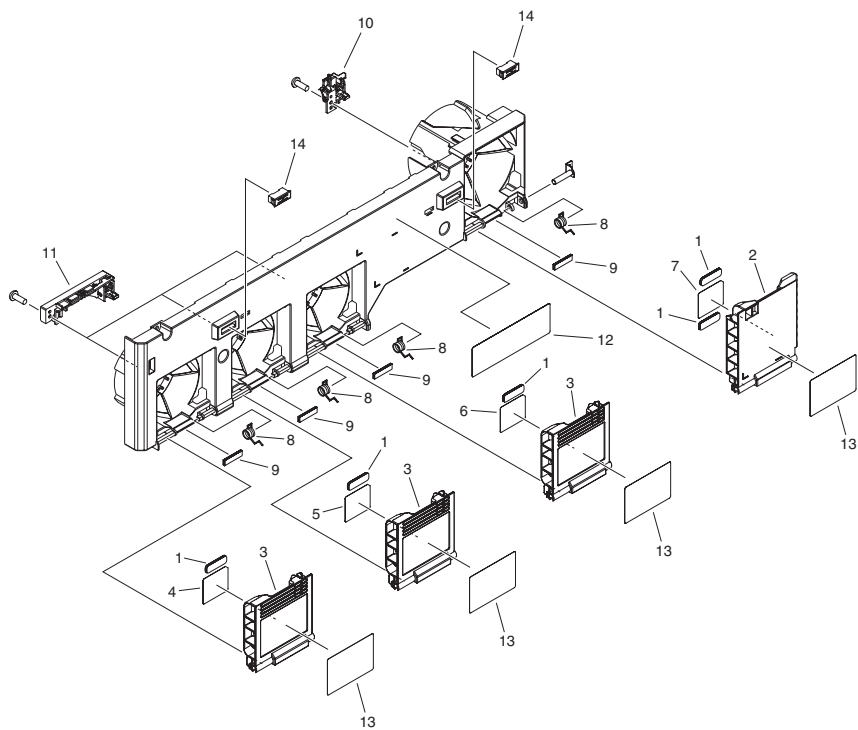


FIGURE & KEY NO.	PARTS NUMBER	RANK	Q'TY	DESCRIPTION	SERIAL NUMBER/REMARKS	SVC
Fig.624	FM0-4911-000		1	BOTTLE TRAY ASSEMBLY, BLACK		
1	FC0-1512-000		1	SPRING, TORSION		
2	FC0-8240-000		1	LEVER, BOTTLE DETECT		
3	FC8-4649-000		4	ROLLER, BOTTLE TRAY		
4	FC9-3752-000		1	SPRING, STATIC CHARGE		
5	WG8-5783-000		1	IC,PHOTO-INTERRUPTER,LG248NL1A	PS7	

# FIGURE 625 TONER CONTAINER COVER ASS'Y



NOTE : Several kinds of labels are attached on the board for the parts of Key No. 13.  
注 : Key No. 13の部品は台紙に数種類のラベルが付いています。

FIGURE & KEY NO.	PARTS NUMBER	R A N K	Q'TY	DESCRIPTION	SERIAL NUMBER/ REMARKS	S V C
Fig.625	FM0-1513-000		1	TONER CONTAINER COVER ASS'Y		
1	FC0-0793-000		5	SHEET, INNER DOOR		
2	FC8-2525-010		1	DOOR, BOTTLE EXCHANGE INNER, B		
3	FC8-4662-010		3	DOOR, BOTTLE EXCHANGE INNER		
4	FC8-4663-000		1	LABEL, COLOR, YELLOW		
5	FC8-4664-000		1	LABEL, COLOR, MAGENTA		
6	FC8-4665-000		1	LABEL, COLOR, CYAN		
7	FC8-4666-000		1	LABEL, COLOR, BLACK		
8	FC8-4687-000		4	SPRING, TORSION		
9	FC9-3751-000		4	SEAL, COVER		
10	FM3-9898-000		1	LATCH HOLDER ASSEMBLY, BLACK		
11	FM3-9980-010		3	LATCH HOLDER ASSEMBLY, COLOR		
12	FS5-8623-000		1	LABEL, WARNING LASER		
13	FU8-8219-000		1	LABEL, TONER	SEE NOTE	
14	XZ9-0603-000		2	CATCH, MAGNET		

# FIGURE 640 DEVELOPING ASSEMBLY

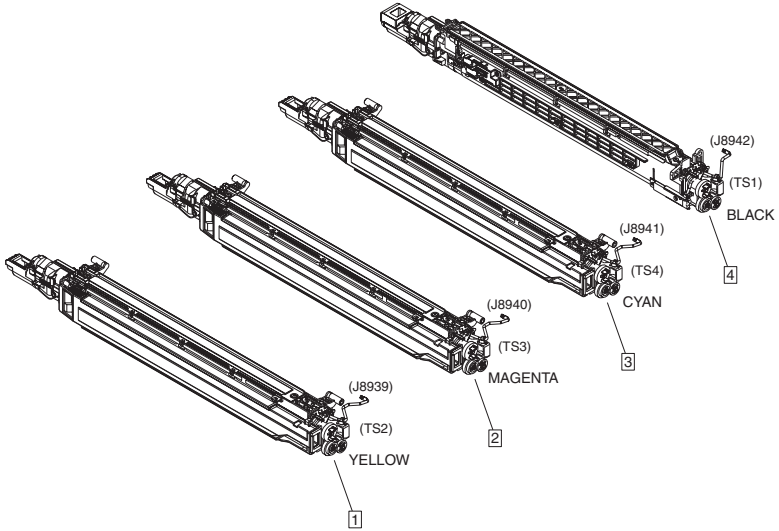


FIGURE & KEY NO.	PARTS NUMBER	RANK	Q'TY	DESCRIPTION	SERIAL NUMBER/REMARKS	SVC
Fig.640	NPN		RF	DEVELOPING ASSEMBLY		
1	FM1-C714-000		1	DEVELOPING ASSEMBLY, Y	TS2 [DP]	
2	FM1-C715-000		1	DEVELOPING ASSEMBLY, M	TS3 [DP]	
3	FM1-C716-000		1	DEVELOPING ASSEMBLY, C	TS4 [DP]	
4	FM1-C717-000		1	DEVELOPING ASSEMBLY, BK	TS1 [DP]	

# FIGURE 770 WASTE TONER FIRST FEED ASS'Y

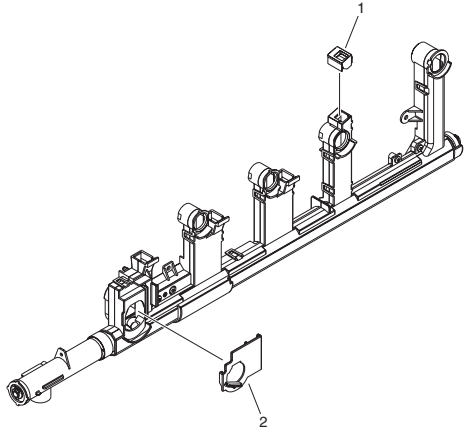


FIGURE & KEY NO.	PARTS NUMBER	RANK	QTY	DESCRIPTION	SERIAL NUMBER/REMARKS	SVC
Fig.770	FM0-1328-000		1	WASTE TONER FIRST FEED ASS'Y		
1	FE2-0306-000		1	SEAL, BLACK		
2	FL0-1898-000		1	SHUTTER, TONER CATCHER		



# FIGURE 771 SUB FRAME ASSEMBLY

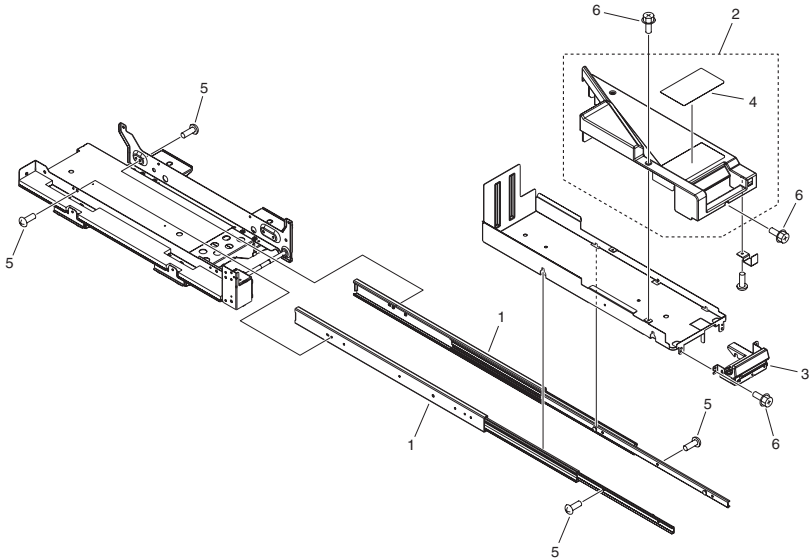


FIGURE & KEY NO.	PARTS NUMBER	R A N K	Q'TY	DESCRIPTION	SERIAL NUMBER/REMARKS	S V C
Fig.771	FM0-1426-000		1	SUB FRAME ASSEMBLY		
1	FC0-4129-000		2	RAIL, SLIDE		
2	FL0-1899-000		1	COVER, HANDLE		
3	FM1-C674-000		1	HANDLE ASSEMBLY		
4	FU8-8163-000		1	LABEL, TONER BOTTLE		
5	XA9-1331-000		6	SCREW,MACH.,TRUSS HEAD,M4X4		
6	XA9-1386-000		5	SCREW,RS,M3X8		

# FIGURE 772 CONTAINER, WASTE TONER, WT-401

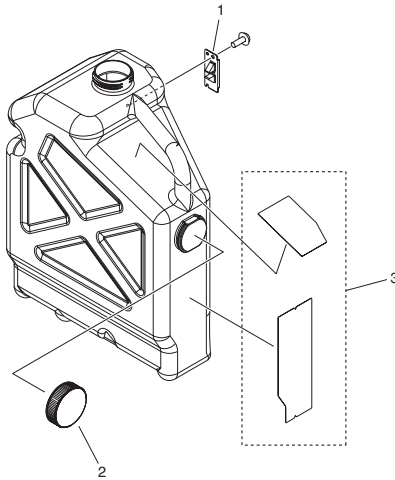


FIGURE & KEY NO.	PARTS NUMBER	RANK	QTY	DESCRIPTION	SERIAL NUMBER/REMARKS	SVC
Fig.772	FM0-4910-000		1	CONTAINER, WASTE TONER, WT-401	[DP]	
1	FL3-7570-000		1	PRISM		
2	FL3-9150-000		1	CAP, WASTE TONER		
3	FU8-8127-000		1	LABEL, WASTE TONER		

# FIGURE 810 FIXING ASSEMBLY

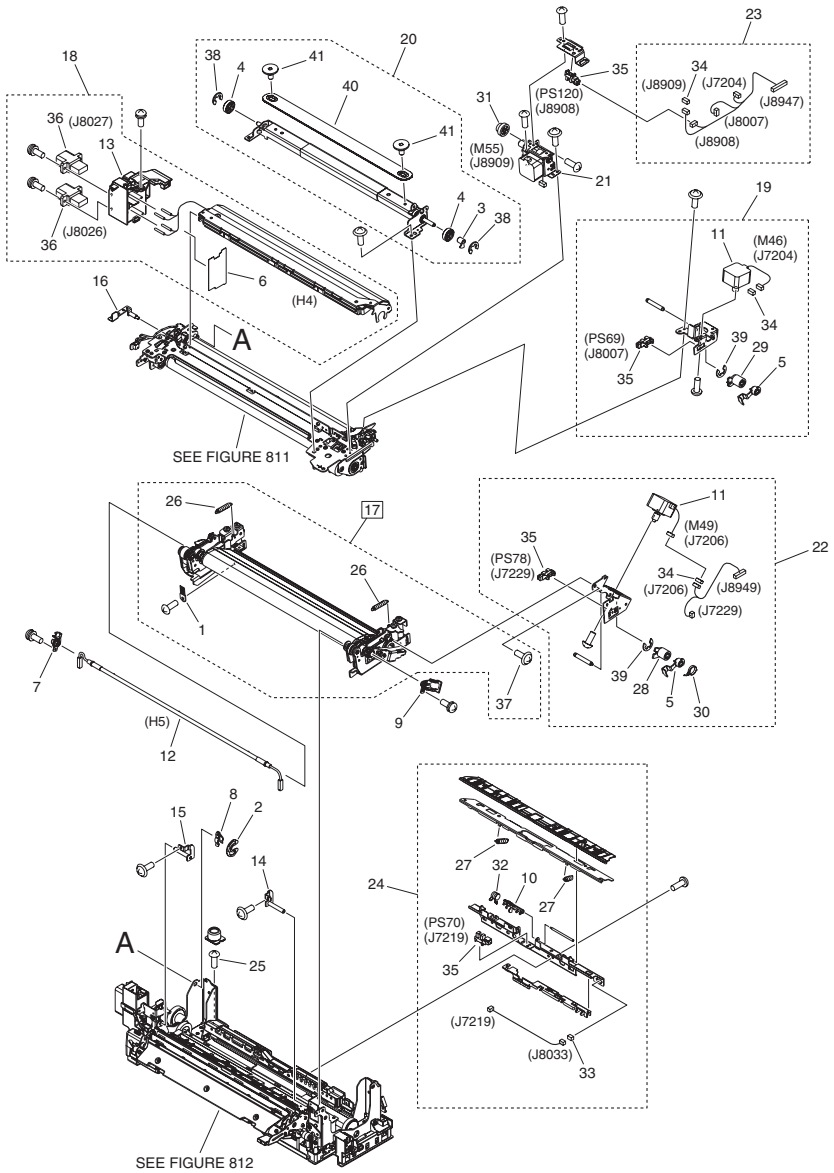


FIGURE & KEY NO.	PARTS NUMBER	R A N K	Q'TY	DESCRIPTION	SERIAL NUMBER/ REMARKS	S V C
Fig.810	NPN		RF	FIXING ASSEMBLY		
1	FB5-9104-010		1	ELIMINATOR, STATIC CHARGE		
2	FB6-6088-000		1	RING, RETAINING		
3	FC0-9523-000		1	FLAG, HOME POSITION		
4	FC0-9524-000		2	CAM, PRESSURE		
5	FC8-2077-000		2	FLAG, HOME POSITION		
6	FC8-2100-000		1	FILM, DRAWER BLOCK COVER		
7	FC8-2108-000		1	BUSHING, REAR		
8	FC8-2119-000		1	SPACER		
9	FE3-8336-000		1	BUSHING, FRONT		
10	FE3-6321-000		1	FLAG, ENTRANCE SENSOR		
11	FK2-2523-000		2	MOTOR, STEPPING, DC	M46,M49	
12	FK2-7884-000		1	HEATER, HALOGEN, 200V/208V	208V H5	
12	FK2-7885-000		1	HEATER, HALOGEN, 230V	230V H5	
13	FL0-1263-000		1	MOUNT, DRAWER		
14	FL2-8567-010		1	HINGE, FRONT		
15	FL2-8568-010		1	HINGE, REAR		
16	FL3-7621-000		1	PLATE, IH FIXED		
17	FM1-C722-000		1	LOWER BELT ASSEMBLY	[DP]	
18	FM0-1374-000		1	HEATER ASSEMBLY	H4	
19	FM0-1375-000		1	SHIFT CONTROL UPPER ASSEMBLY		
20	FM0-1385-010		1	PLATE ASS'Y, REFRESH PRESSURE		
21	FM0-1386-000		1	REFRESH DRIVE UNIT	M55	
22	FM0-1499-000		1	SHIFT CONTROL LOWER ASSEMBLY		
23	FM0-2777-000		1	CABLE, REFRESH		
24	FM0-4891-000		1	ENTRANCE GUIDE ASSEMBLY		
25	FU5-9224-000		1	SCREW, BH4X6(YELLOW)		
26	FU7-2306-000		2	SPRING, TENSION		
27	FU7-2377-000		2	SPRING, TENSION		
28	FU8-0019-000		1	ARM, SHIFT CONTROL, L		
29	FU8-0020-000		1	ARM, SHIFT CONTROL, U		
30	FU8-2358-000		1	SPRING, TORSION		

FIGURE & KEY NO.	PARTS NUMBER	RANK	Q'TY	DESCRIPTION	SERIAL NUMBER/REMARKS	SVC
31	FU9-0996-000		1	GEAR, 29T/19T	PS69,PS70,PS78,PS120	
32	FU9-2417-000		1	SPRING, TORSION		
33	VS1-7177-003		1	CONNECTOR, SNAP TIGHT, BK		
34	VS1-7177-004		3	CONNECTOR, SNAP TIGHT, BK		
35	WG8-5783-000		4	IC,PHOTO-INTERRUPTER,LG248NL1A		
36	WS3-5970-000		2	CONNECTOR, DRAWER		
37	XA9-0807-000		1	SCREW, W/SEAL, M3X6		
38	XD9-0134-000		2	RING, E		
39	XD9-0136-000		2	RING, E		
40	FL0-4511-000		1	HANDLE, FIXING		
41	FU5-9749-000		2	SCREW, STEPPED, M4		

# FIGURE 811 UPPER BELT ASSEMBLY

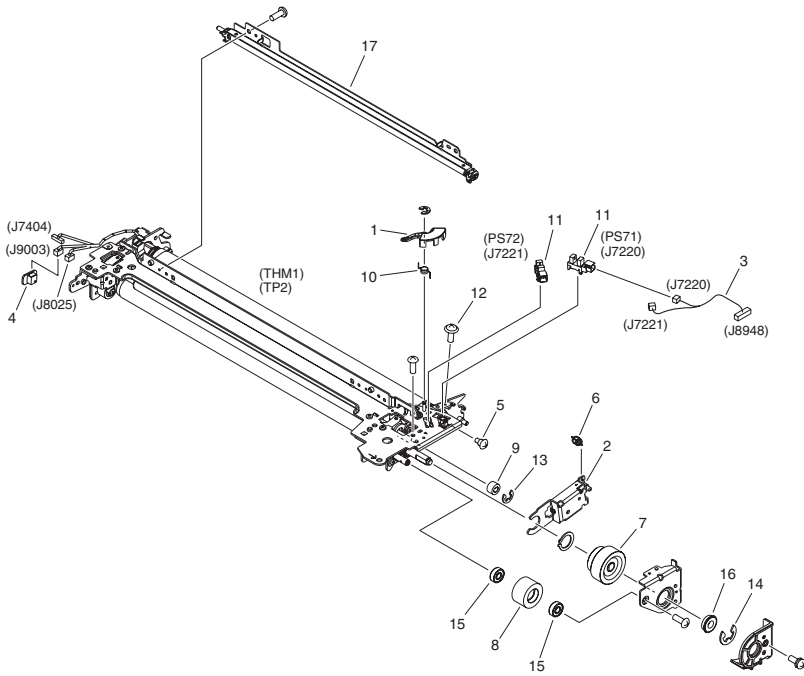
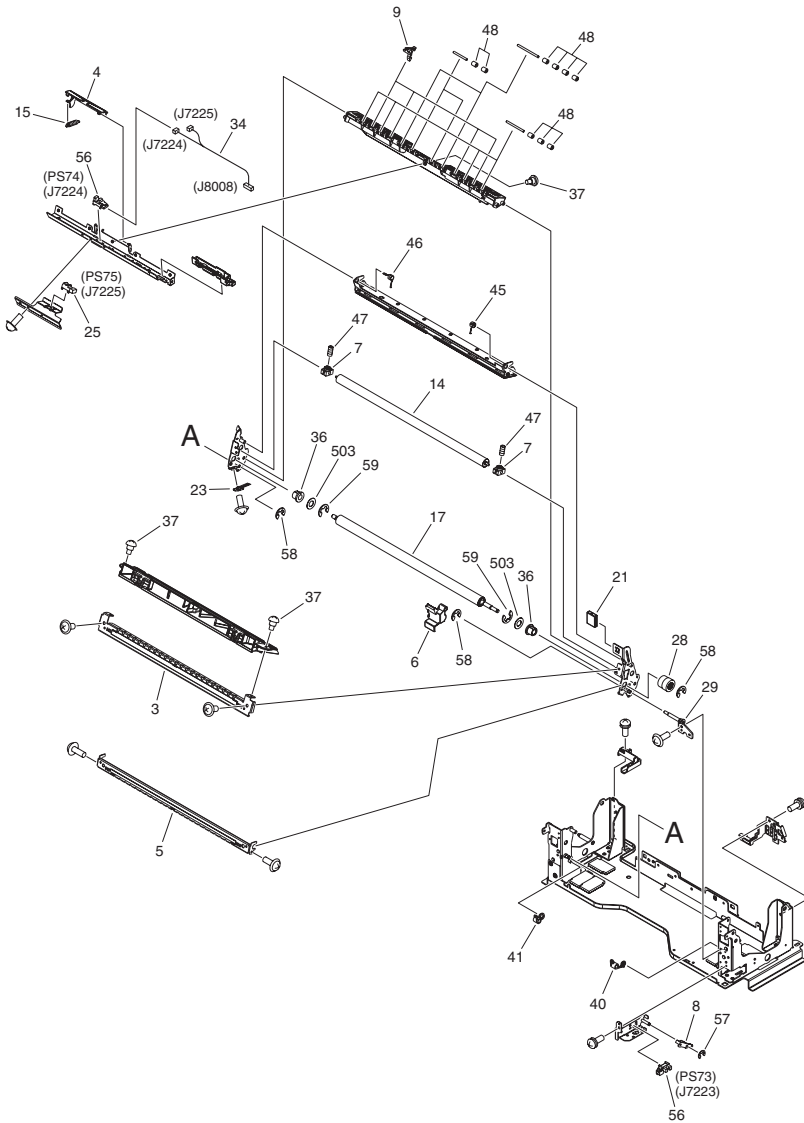


FIGURE & KEY NO.	PARTS NUMBER	R A N K	Q'TY	DESCRIPTION	SERIAL NUMBER/ REMARKS	S V C
Fig.811	FM1-C721-000		1	UPPER BELT ASSEMBLY	THM1,TP2 [DP]	
1	FC0-9622-000		1	FLAG, BELT SENSOR		
2	FM0-1379-000		1	TENSION ARM UNIT, FRONT		
3	FM0-2778-000		1	CABLE, UPPER BELT UNIT		
4	FM3-9604-000		1	FIXING FUSE PCB ASSEMBLY		
5	FS1-9010-020		1	SCREW, STEPPED, M3		
6	FU8-2356-000		1	SPRING, TENSION		
7	FU9-0977-000		1	GEAR, 37T/42T		
8	FU0-0126-000		1	GEAR, 31T		
9	FU9-0979-000		1	GEAR, 14T		
10	FU9-2344-000		1	SPRING, TORSION		
11	WG8-5783-000		2	IC,PHOTO-INTERRUPTER,LG248NL1A	PS71,PS72	
12	XA9-0807-000		1	SCREW, W/SEAL, M3X6		
13	XD9-0134-000		1	RING, E		
14	XD9-0136-000		1	RING, E		
15	XG9-0499-000		2	BEARING, BALL R-1560X2ZZR		
16	XG9-0593-000		1	BEARING, BALL 1680HHRP0P15		
17	FM1-D437-000		1	CLEANING ROLLER UNIT		

# FIGURE 812 FIXING BASE ASSEMBLY





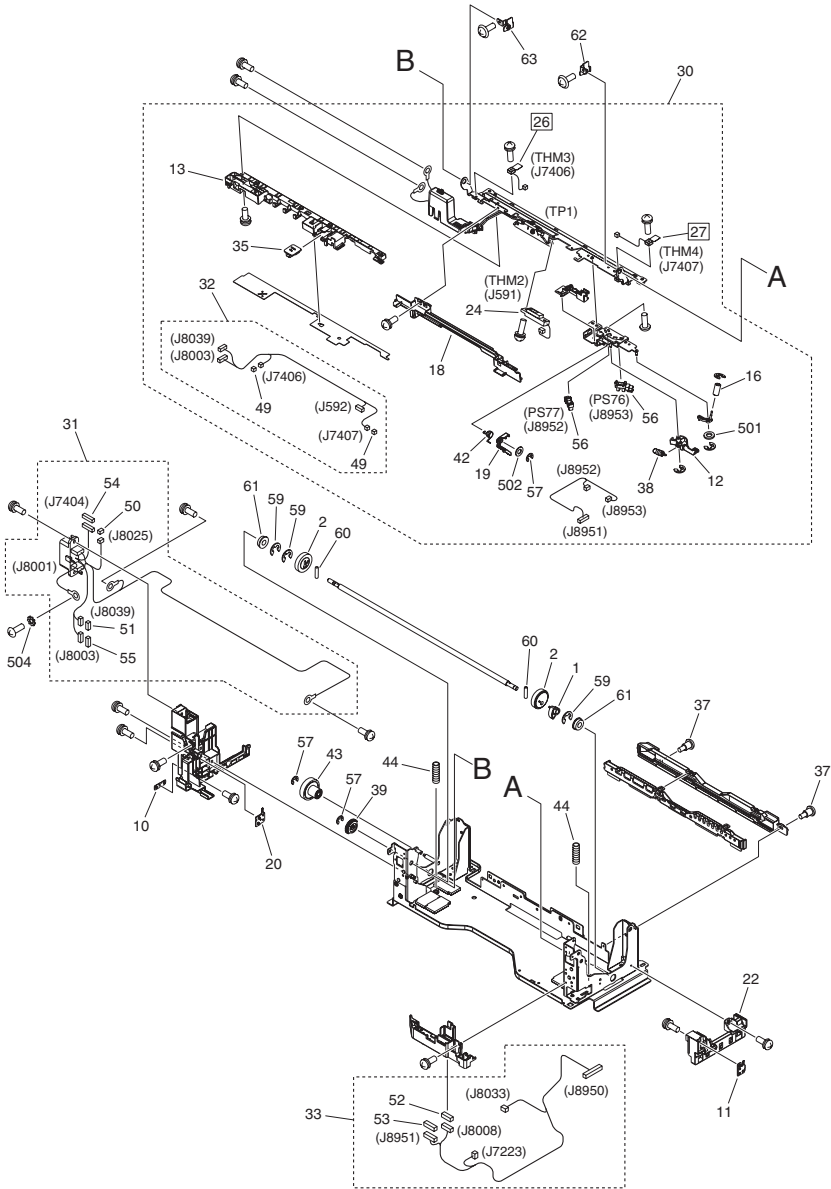


FIGURE & KEY NO.	PARTS NUMBER	R A N K	Q'TY	DESCRIPTION	SERIAL NUMBER/ REMARKS	S V C
Fig.812	FM0-1373-000		1	FIXING BASE ASSEMBLY		
1	FC0-9528-000		1	ARM, PRESSURE SENSING		
2	FC0-9530-000		2	CAM, PRESSURE		
3	FC0-9539-000		1	COVER, PAPER DELIVERY, UPPER		
4	FC0-9543-000		1	LEVER, WRAPPING SENSOR		
5	FC0-9548-000		1	COVER, PAPER DELIVERY, LOWER		
6	FC0-9874-000		1	COVER, INNER DELIVERY CONNECTOR		
7	FC5-2598-000		2	BUSHING		
8	FC7-0722-000		1	FLAG, PRESSURE RELEASE SENSOR		
9	FC7-1428-000		4	RIB, INNER PAPER DELIVERY GUIDE		
10	FC7-1481-010		1	PLATE, HEATER CONNECTING		
11	FC8-2023-000		1	PLATE, HEATER TERMINAL, F		
12	FC8-2027-000		1	FLAG, B SENSOR, L		
13	FC8-2029-000		1	GUIDE, CORD		
14	FC8-2080-000		1	ROLLER, INNER DELIVERY, UPPER		
15	FC8-2101-000		1	SPRING, TENSION		
16	FC8-2106-010		1	ROLLER, BELT DETECT, LOWER		
17	FE3-8162-000		1	ROLLER, INNER DELIVERY, LOWER		
18	FC8-2507-010		1	COVER, THERMISTOR		
19	FC8-2509-000		1	ARM, FLAG SAVE		
20	FC9-3972-000		1	PLATE, HEATER CONNECTING		
21	FC9-8425-000		1	LEVER, GUIDE		
22	FE2-0267-010		1	GUIDE, CABLE, FRONT		
23	FE3-8172-000		1	ELIMINATOR, STATIC CHARGE		
24	FK2-2537-000		1	THERMISTOR	THM2	
25	FK2-6470-000		1	PHOTO-SENSOR, KUA0055C	PS75	
26	FK2-7870-000		1	THERMISTOR UNIT	THM3 [DP]	
27	FK2-7871-000		1	THERMISTOR UNIT	THM4 [DP]	
28	FL2-8588-000		1	GEAR, 15T		
29	FL2-8763-000		1	HINGE		
30	FM0-1383-000		1	PRESSURE CROSSMEMBER ASSEMBLY	TP1	

FIGURE & KEY NO.	PARTS NUMBER	R A N K	Q'TY	DESCRIPTION	SERIAL NUMBER/ REMARKS	S V C
31	FM0-2772-000		1	CABLE, FIXING DRAWER		
32	FM0-2773-000		1	CABLE, LOWER BELT THERMISTOR		
33	FM0-2780-000		1	CABLE, LOWER BELT UNIT		
34	FM0-2782-000		1	CABLE, FIXING OUTLET SENSOR		
35	FM3-9585-000		1	THERMISTOR CONNECT PCB ASS'Y		
36	FS1-1422-000		2	BUSHING		
37	FS1-9010-020		9	SCREW, STEPPED, M3		
38	FU6-2595-000		1	SPRING, TENTION		
39	FU7-0394-000		1	GEAR, 30T		
40	FU7-2310-000		1	SPRING, TORSION		
41	FU7-2311-000		1	SPRING, TORSION		
42	FU7-2380-000		1	SPRING, TORSION		
43	FU9-0971-000		1	GEAR, 43T/19T		
44	FU9-2339-000		2	SPRING, COMPRESSION		
45	FU9-2346-000		1	SPRING, TORSION		
46	FU9-2347-000		1	SPRING, TORSION		
47	FU9-2404-000		2	SPRING, COMPRESSION		
48	RB2-0493-000		24	ROLLER, PAPER SENSOR		
49	VS1-7177-002		2	CONNECTOR, SNAP TIGHT, BK		
50	VS1-7177-003		1	CONNECTOR, SNAP TIGHT, BK		
51	VS1-7177-005		1	CONNECTOR, SNAP TIGHT, BK		
52	VS1-7177-006		1	CONNECTOR, SNAP TIGHT, BK		
53	VS1-7177-007		1	CONNECTOR, 7P, FEMALE, BK		
54	VS1-7177-008		1	CONNECTOR, SNAP TIGHT, BK		
55	VS1-8959-006		1	CONNECTOR, SNAP TIGHT, 6P, W		
56	WG8-5783-000		4	IC,PHOTO-INTERRUPTER,LG248NL1A	PS73,PS74,PS76,PS77	
57	XD9-0134-000		4	RING, E		
58	XD9-0135-000		3	RING, E		
59	XD9-0136-000		5	RING, E		
60	XD9-0295-000		2	PIN, PARALLEL		
61	XG9-0594-000		2	BEARING, BALL, MF126ZZ		
62	FL2-8565-000		1	SUPPORT, HINGE, FRONT		

FIGURE & KEY NO.	PARTS NUMBER	R A N K	Q'TY	DESCRIPTION	SERIAL NUMBER/ REMARKS	S V C
63	FL2-8566-000		1	SUPPORT, HINGE, REAR		
501	XD1-1103-138		1	WASHER		
502	XD1-1104-135		1	WASHER,COP		
503	XD1-1206-233		2	WASHER		
504	XD1-4200-402		1	WASHER, TOOTHED LOCK, M4		

# FIGURE 900 CONTROLLER BOX ASSEMBLY

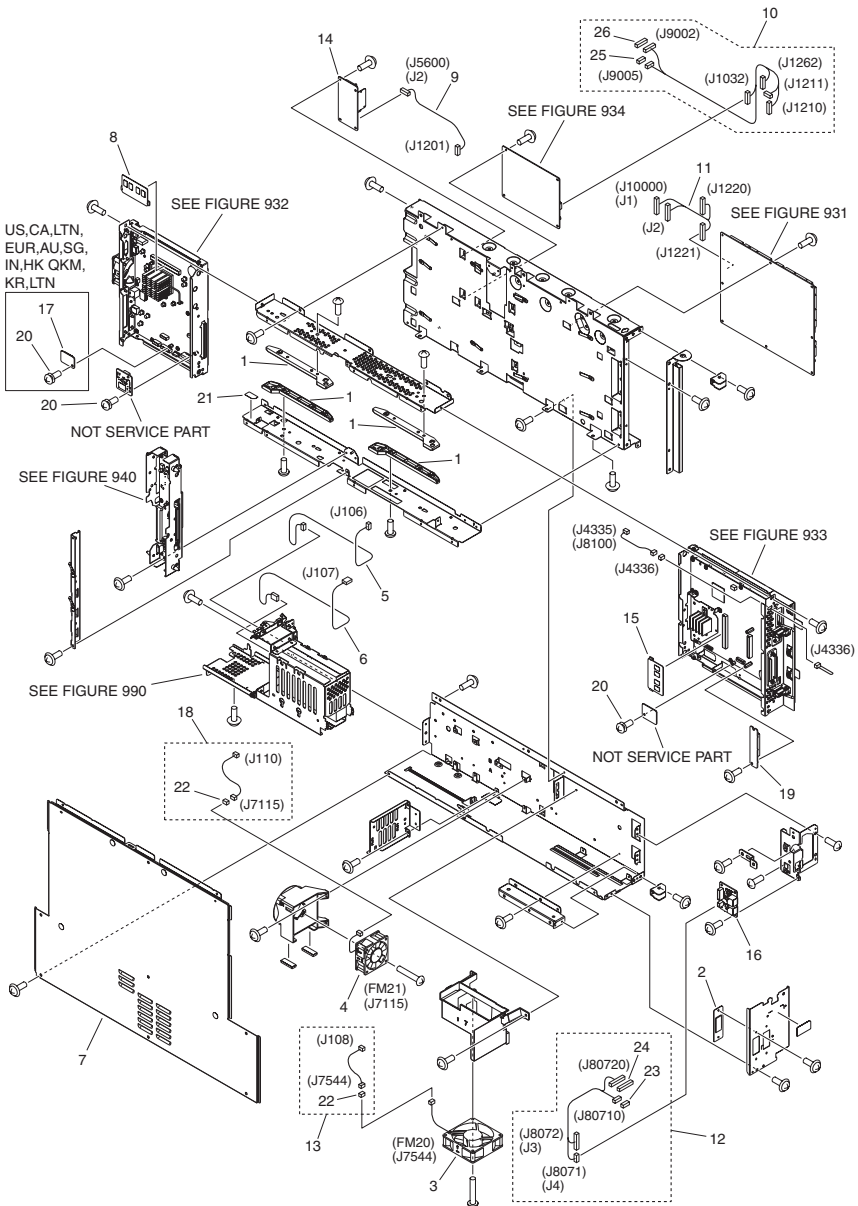


FIGURE & KEY NO.	PARTS NUMBER	R A N K	Q'TY	DESCRIPTION	SERIAL NUMBER/ REMARKS	S V C
Fig.900	NPN		RF	CONTROLLER BOX ASSEMBLY		
1	FC8-5174-000		4	RAIL, MAIN CONTROLLER, 1		
2	FC9-3940-000		1	PLATE, MODULAR BLANKING		
3	FK2-2529-000		1	FAN	FM20	
4	FL3-6670-000		1	FAN	FM21	
5	FK2-8431-000		1	CABLE, STANDARD SATA POWER, B		
6	FK2-8433-000		1	CABLE, STANDARD SATA SIGNAL, B		
7	FL3-7727-000		1	PANEL, REAR, UPPER		
8	FM0-0322-000		1	MEMORY PCB ASSEMBLY		
9	FM0-2757-000		1	CABLE, DC DC		
10	FM0-2768-000		1	CABLE, SERIAL INTERFACE		
11	FM0-2769-000		1	CABLE, DC CONTROLLER RISER		
12	FM0-2845-000		1	CABLE, PCB ASSEMBLY, CAN		
13	FM0-2850-000		1	CABLE, CONTROLLER FAN COOLING		
14	FM0-2941-000		1	LASER P.S. CONNECT PCB ASS'Y		
15	FM0-4326-000		1	MEMORY PCB ASSEMBLY		
16	FM0-4695-000		1	TRANSCEIVER PCB ASSEMBLY, CAN		
17	FM1-C876-000		1	TPM PCB ASSEMBLY	US,CA,LTN,EUR,AU,SG,I N,HK QKM,KR,LTN	
18	FM4-0759-000		1	CABLE, FAN		
19	FM4-0780-000		1	BYPASS PCB ASS'Y, SUB		
20	XA9-1959-000		3	SCREW, W/WASHER, M3X4		
21	FU8-8257-000		1	LABEL, CAUTION		
22	VS1-7177-003		2	CONNECTOR, SNAP TIGHT, BK		
23	VS1-8412-005		1	CONNECTOR, SNAP TIGHT, BL		
24	VS1-8412-019		1	CONNECTOR, SNAP TIGHT, BL		
25	VS1-8959-005		1	CONNECTOR, SNAP TIGHT, 5P, W		
26	VS1-8959-008		1	CONNECTOR, SNAP TIGHT, 8P, W		

# FIGURE 910 DC POWER SUPPLY BOX ASSEMBLY

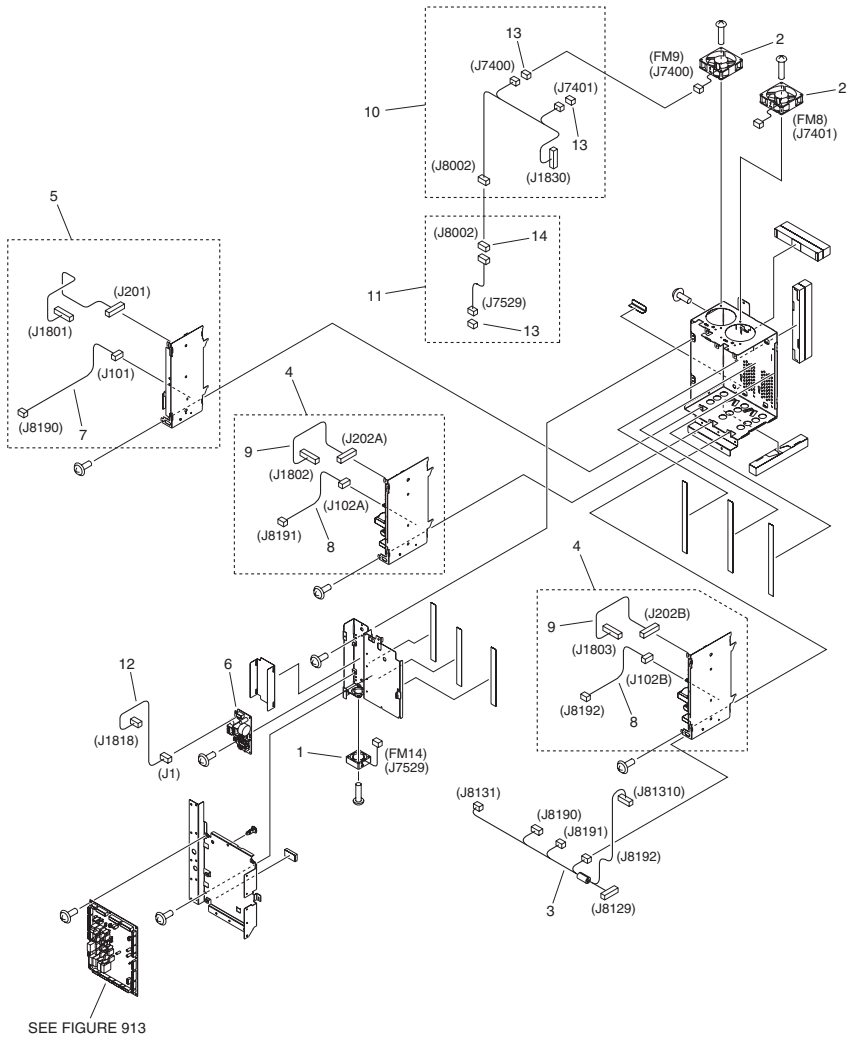
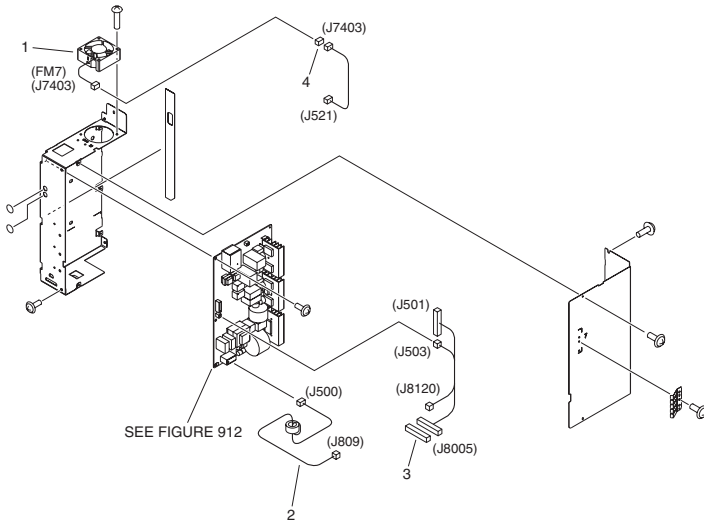


FIGURE & KEY NO.	PARTS NUMBER	R A N K	Q'TY	DESCRIPTION	SERIAL NUMBER/ REMARKS	S V C
Fig.910	NPN		RF	DC POWER SUPPLY BOX ASSEMBLY		
1	FK2-6461-000		1	FAN	FM14	
2	FK3-2593-000		2	FAN	FM8,FM9	
3	FM0-2749-000		1	CABLE, POWER SUPPLY CONNECTING		
4	FM1-C706-000		2	DC POWER SUPPLY ASSEMBLY, 24V		
5	FM3-4877-010		1	DC POWER SUPPLY ASSEMBLY, 12V		
6	FM3-9586-000		1	DC POWER CONNECTING PCB ASSY		
7	FM4-1354-000		1	CABLE, AC POWER SUPPLY, 12V		
8	FM4-1355-000		2	CABLE, AC POWER SUPPLY, 24V		
9	FM4-1360-000		2	CABLE(2), AC POWER SUPPLY, 24V		
10	FM4-1361-000		1	CABLE, FAN		
11	FM4-1362-000		1	CABLE, FAN		
12	FM4-1370-000		1	CABLE, FAN		
13	VS1-7177-003		3	CONNECTOR, SNAP TIGHT, BK		
14	VS1-7177-004		1	CONNECTOR, SNAP TIGHT, BK		



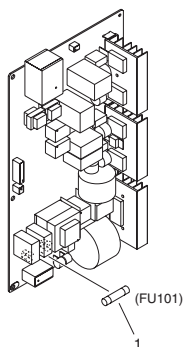
# FIGURE 911 IH POWER SUPPLY BOX ASSEMBLY



NOTE : This assembly includes the assembly shown in Figure 912.  
注 : このユニットはFigure 912のユニットを含みます。

FIGURE & KEY NO.	PARTS NUMBER	RANK	Q'TY	DESCRIPTION	SERIAL NUMBER/REMARKS	SVC
Fig.911	FM0-1563-000		1	IH POWER SUPPLY BOX ASSEMBLY	SEE NOTE	
1	FK2-3679-000		1	FAN	FM7	
2	FM0-2748-000		1	CABLE, IH - AC CONNECTING		
3	VS1-8412-023		1	CONNECTOR, SNAP TIGHT, BL		
4	VS1-7177-003		1	CONNECTOR, SNAP TIGHT, BK		

# FIGURE 912 HEATER POWER SUPPLY PCB ASS'Y



NOTE : This assembly is included in the assembly shown in Figure 911.  
注 : このユニットはFigure 911のユニットに含まれます。

FIGURE & KEY NO.	PARTS NUMBER	RANK	Q'TY	DESCRIPTION	SERIAL NUMBER/REMARKS	SVC
Fig.912	FM0-2939-000		1	HEATER POWER SUPPLY PCB ASS'Y	SEE NOTE	
1	VD7-3422-002		1	FUSE	FU101	
T	FK2-0598-000		1	TRANSFORMER	T101	
T	FK2-0680-000		2	TRANSFORMER	T161,T171	
T	FK2-0681-000		1	TRANSFORMER	T102	

# FIGURE 913 RELAY PCB ASSEMBLY

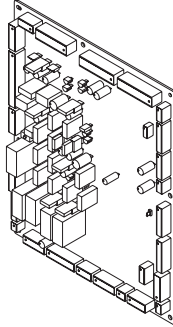


FIGURE & KEY NO.	PARTS NUMBER	RANK	Q'TY	DESCRIPTION	SERIAL NUMBER/REMARKS	SVC
Fig.913	FM0-2927-000		1	RELAY PCB ASSEMBLY		
IC	FK3-2323-000		1	IC, ASIC, T6VN7EFG-0002	IC6	

# FIGURE 931 DC CONTROLLER I/F PCB ASS'Y

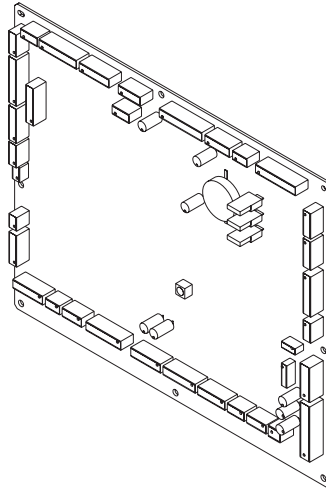


FIGURE & KEY NO.	PARTS NUMBER	RANK	QTY	DESCRIPTION	SERIAL NUMBER/REMARKS	SVC
Fig.931	FM0-2916-010		1	DC CONTROLLER I/F PCB ASS'Y		
IC	FK3-2323-000		4	IC, ASIC, T6VN7EFG-0002	IC38,IC42,IC43,IC44	

# FIGURE 932 MAIN CONTROLLER PCB ASS'Y, 1

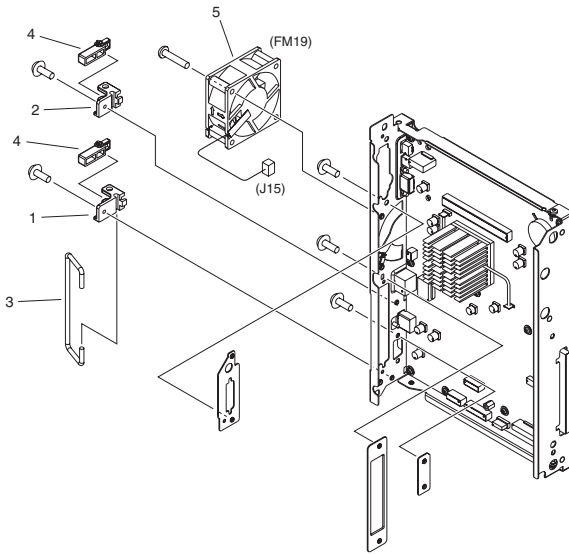


FIGURE & KEY NO.	PARTS NUMBER	RANK	Q'TY	DESCRIPTION	SERIAL NUMBER/REMARKS	SVC
Fig.932	FM0-4353-000		1	MAIN CONTROLLER PCB ASS'Y, 1		
1	FC8-5205-000		1	MOUNT, LEVER		
2	FC9-4096-000		1	MOUNT, LEVER		
3	FC9-4097-000		1	HANDLE		
4	FC9-4098-000		2	LEVER		
5	FL3-6670-000		1	FAN	FM19	
IC	FK4-1861-000		1	IC, 88E8075-B0-NNC2C000-W553,	IC4	
IC	FK3-2212-000		1	IC, AU80610004671AASLBMH,	IC1	

# FIGURE 933 MAIN CONTROLLER PCB ASS'Y, 2

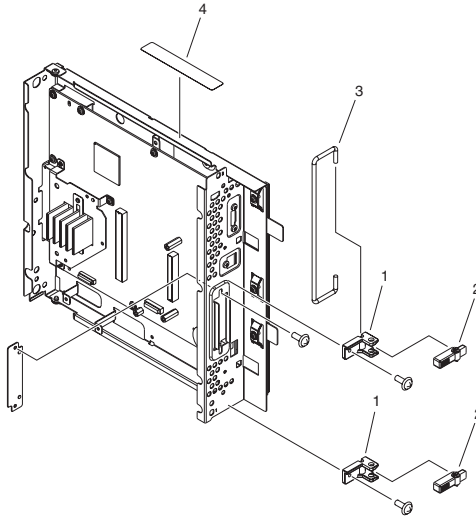


FIGURE & KEY NO.	PARTS NUMBER	RANK	QTY	DESCRIPTION	SERIAL NUMBER/REMARKS	SVC
Fig.933	FM0-4351-000		1	MAIN CONTROLLER PCB ASS'Y, 2		
1	FC8-5205-000		2	MOUNT, LEVER		
2	FC9-4098-000		2	LEVER		
3	FC9-4156-000		1	HANDLE		
4	FU6-8861-000		1	LABEL, MEMORY CAUTION		
IC	FK2-3218-000		1	IC, MB87L8650, GATE ARRAY	IC28	
IC	FK2-8345-000		1	IC, UPD8085517F1-612-MNB-A	IC20	
IC	FK2-8353-000		1	IC, PD812006F5-D11-PN9-A, ASIC	IC6	
IC	FK2-9788-000		1	IC, R8A03019ABG U100,	IC22	
IC	FK3-3792-000		1	IC, CLOCK GENERATOR	IC43	
IC	FK3-3793-000		1	IC, CLOCK GENERATOR	IC1	
IC	FL3-4283-000		1	IC, SST39VF200A-70-4C-EKE,	IC60	

# FIGURE 934 DC CONTROLLER DIFF PCB ASS'Y

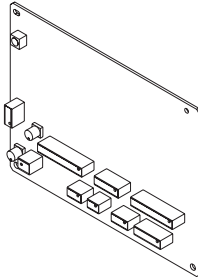


FIGURE & KEY NO.	PARTS NUMBER	RANK	Q'TY	DESCRIPTION	SERIAL NUMBER/REMARKS	SVC
Fig.934	FM0-2922-000		1	DC CONTROLLER DIFF PCB ASS'Y		
IC	FK3-2323-000		1	IC, ASIC, T6VN7EFG-0002	IC1	

# FIGURE 940 RISER PCB ASSEMBLY

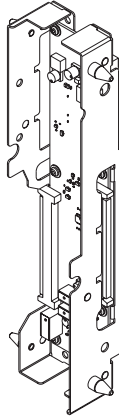


FIGURE & KEY NO.	PARTS NUMBER	RANK	QTY	DESCRIPTION	SERIAL NUMBER/REMARKS	SVC
Fig.940	FM0-1438-000		1	RISER PCB ASSEMBLY		
IC	FK2-3218-000		1	IC, MB87L8650, GATE ARRAY	IC1	



# FIGURE 950 LASER INTERFACE PCB ASSEMBLY

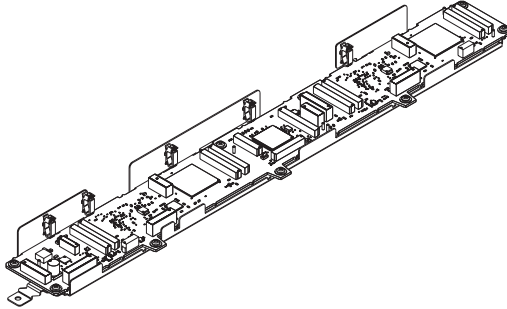


FIGURE & KEY NO.	PARTS NUMBER	RANK	Q'TY	DESCRIPTION	SERIAL NUMBER/REMARKS	SVC
Fig.950	FM0-1435-000		1	LASER INTERFACE PCB ASSEMBLY		
IC	FK3-3985-000		4	IC,MB8AA4570-GE1	IC26,IC27,IC28,IC29	

# FIGURE 960 PAPER PICK-UP DRIVER PCB ASS'Y

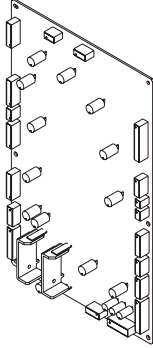


FIGURE & KEY NO.	PARTS NUMBER	RANK	QTY	DESCRIPTION	SERIAL NUMBER/REMARKS	SVC
Fig.960	FM0-2923-000		1	PAPER PICK-UP DRIVER PCB ASS'Y		
IC	FK3-2323-000		2	IC, ASIC, T6VN7EFG-0002	IC22,IC23	

# FIGURE 961 REG. PATCH DRIVER PCB ASSEMBLY

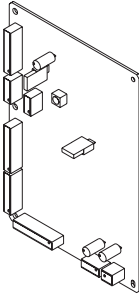
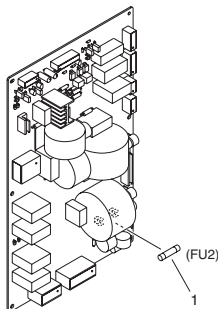


FIGURE & KEY NO.	PARTS NUMBER	RANK	Q'TY	DESCRIPTION	SERIAL NUMBER/REMARKS	SVC
Fig.961	FM0-2925-000		1	REG. PATCH DRIVER PCB ASSEMBLY		
IC	FK3-2323-000		1	IC, ASIC, T6VN7EFG-0002	IC15	

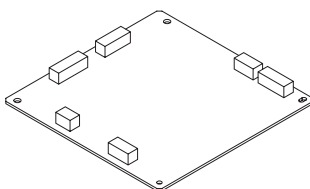
# FIGURE 962 AC DRIVER PCB ASSEMBLY



NOTE : This assembly is included in the assembly shown in Figure 140.  
注 : このユニットはFigure 140のユニットに含まれます。

FIGURE & KEY NO.	PARTS NUMBER	RANK	Q'TY	DESCRIPTION	SERIAL NUMBER/REMARKS	SVC
Fig.962	FM0-2920-000		1	AC DRIVER PCB ASSEMBLY	208V SEE NOTE	
Fig.962	FM0-2929-000		1	AC DRIVER PCB ASSEMBLY	230V SEE NOTE	
1	VD7-3503-151		1	FUSE, 250V, 3.15A	FU2	

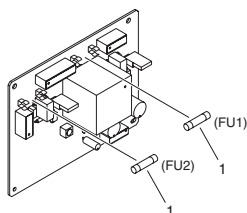
# FIGURE 963 BUFFER DRIVER PCB ASSEMBLY



NOTE : This assembly is included in the assembly shown in Figure 356.  
 注 : このユニットはFigure 356のユニットに含まれます。

FIGURE & KEY NO.	PARTS NUMBER	RANK	Q'TY	DESCRIPTION	SERIAL NUMBER/REMARKS	SVC
Fig.963	FM0-2928-000		1	BUFFER DRIVER PCB ASSEMBLY	SEE NOTE	
IC	FK3-2323-000		1	IC, ASIC, T6VN7EFG-0002	IC7	

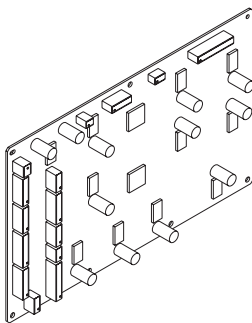
# FIGURE 964 DRUM HEATER DRIVER PCB ASS'Y



NOTE : This assembly is included in the assembly shown in Figure 140.  
注 : このユニットはFigure 140のユニットに含まれます。

FIGURE & KEY NO.	PARTS NUMBER	RANK	Q'TY	DESCRIPTION	SERIAL NUMBER/REMARKS	SVC
Fig.964	FM0-2930-000		1	DRUM HEATER DRIVER PCB ASS'Y	SEE NOTE	
1	VD7-3501-001		2	FUSE	FU1,FU2	
T	FK3-2592-000		1	TRANSFORMER, POWER	T1	

# FIGURE 965 FIXING/FEEDER DRIVER PCB ASS'Y



NOTE : This assembly is included in the assembly shown in Figure 330.  
注：このユニットはFigure 330のユニットに含まれます。

FIGURE & KEY NO.	PARTS NUMBER	RANK	Q'TY	DESCRIPTION	SERIAL NUMBER/REMARKS	SVC
Fig.965	FM0-2924-000		1	FIXING/FEEDER DRIVER PCB ASS'Y		
IC	FK3-2323-000		2	IC, ASIC, T6VN7EFG-0002		

# FIGURE 966 CIS DRIVER PCB ASSEMBLY

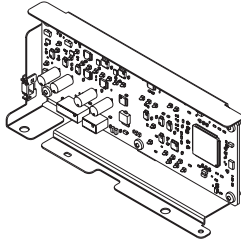
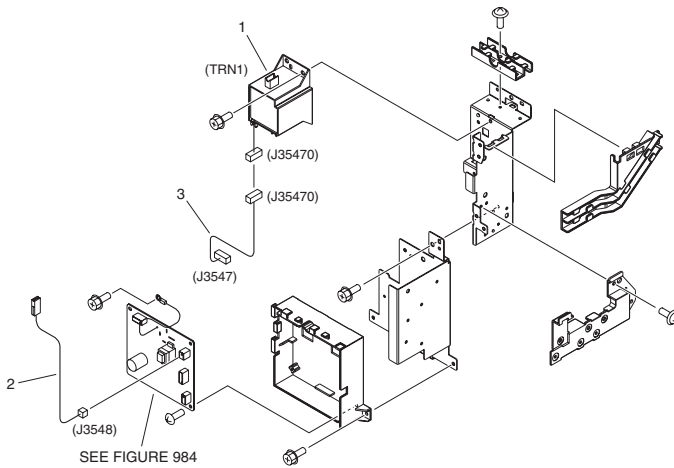


FIGURE & KEY NO.	PARTS NUMBER	RANK	QTY	DESCRIPTION	SERIAL NUMBER/REMARKS	SVC
Fig.966	FM0-4928-000		1	CIS DRIVER PCB ASSEMBLY		
IC	FK3-2323-000		1	IC, ASIC, T6VN7EFG-0002	IC501	



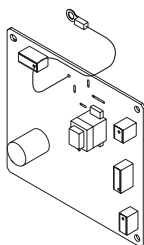
# FIGURE 983 DRUM POST HIGH VOLTAGE ASS'Y



NOTE : This assembly includes the assembly shown in Figure 984.  
 注 : このユニットはFigure 984のユニットを含みます。

FIGURE & KEY NO.	PARTS NUMBER	RANK	Q'TY	DESCRIPTION	SERIAL NUMBER/REMARKS	SVC
Fig.983	FM0-1433-000		1	DRUM POST HIGH VOLTAGE ASS'Y	SEE NOTE	
1	FK2-7718-000		1	TRANSFORMER, H.V.	TRN1	
2	FM0-2827-000		1	CABLE, DRUM POST HIGH VOLTAGE		
3	FM0-2101-000		1	CABLE, SIGNAL CONNECTING		

# FIGURE 984 POST HIGH VOLTAGE PCB ASSEMBLY



NOTE : This assembly is included in the assembly shown in Figure 983.  
 注 : このユニットはFigure 983のユニットに含まれます。

FIGURE & KEY NO.	PARTS NUMBER	RANK	QTY	DESCRIPTION	SERIAL NUMBER/REMARKS	SVC
Fig.984	FM1-D966-000		1	POST HIGH VOLTAGE PCB ASSEMBLY	SEE NOTE	
T	FH3-0967-000		1	TRANSFORMER, INVERTER	T301	

# FIGURE 985 1ST CORONA HIGH VOLTAGE PCB

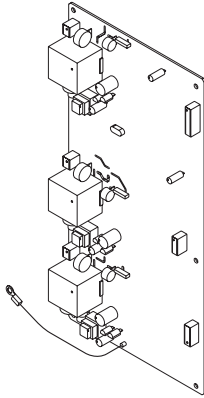


FIGURE & KEY NO.	PARTS NUMBER	RANK	Q'TY	DESCRIPTION	SERIAL NUMBER/REMARKS	SVC
Fig.985	FM1-C965-000		1	1ST CORONA HIGH VOLTAGE PCB		
IC	FK3-2324-000		1	IC, ASIC, QFP100-P-1420-0.65A	IC9	
T	FK3-2590-000		3	TRANSFORMER, INVERTER	T101,T301,T501	

# FIGURE 986 2ND TRNSFR. STATIC CHARGE H.V.

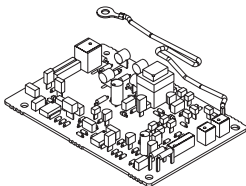


FIGURE & KEY NO.	PARTS NUMBER	RANK	QTY	DESCRIPTION	SERIAL NUMBER/REMARKS	SVC
Fig.986	FM1-D965-000		1	2ND TRNSFR. STATIC CHARGE H.V.	SEE NOTE	
T	FH3-0967-000		1	TRANSFORMER, INVERTER	T200	

# FIGURE 987

## 2ND TRANSFER H.V. PCB ASS'Y

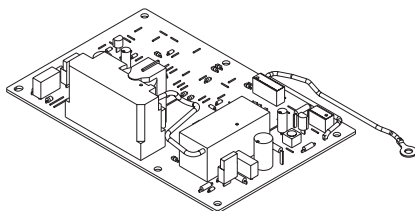


FIGURE & KEY NO.	PARTS NUMBER	RANK	Q'TY	DESCRIPTION	SERIAL NUMBER/REMARKS	SVC
Fig.987	FM0-2936-000		1	2ND TRANSFER H.V. PCB ASS'Y	SEE NOTE	

# FIGURE 990 HARD DISK DRIVE ASSEMBLY

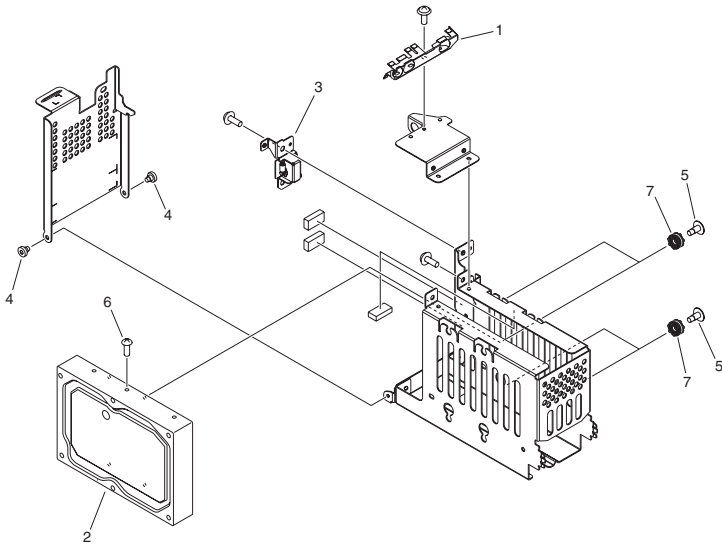


FIGURE & KEY NO.	PARTS NUMBER	RANK	Q'TY	DESCRIPTION	SERIAL NUMBER/REMARKS	SVC
Fig.990	NPN		RF	HARD DISK DRIVE ASSEMBLY		
1	FC9-9341-000		1	PLATE, GROUNDING		
2	FK3-3812-000		1	HDD, WD10EURX-63C57Y0(J)		
3	FM3-9951-000		1	LATCH SHAFT UNIT		
4	FS5-9391-000		2	SCREW, STEPPED, M3		
5	FU5-9599-000		4	SCREW, STEPPED, #6X32		
6	XA9-1496-000		1	SCREW,M3X6.4		
7	XH9-0151-000		4	DAMPER, CUSHION		

# FIGURE ZZA

## MECHANICAL STANDARD PARTS (HOW TO USE)

### Mechanical standard parts

#### 機械標準部品

#### About a mechanical standard parts

A Mechanical standard parts is a mechanical part which not parts peculiar to a product. They are parts which are common to a Canon product and are used, such as a screw and a washer. The Fig No. and parts number of the mechanical standard parts are not listed in the product parts catalog. Refer to the parts catalog of mechanical standard parts when checking the parts number for screw or washer etc. and identify them by part shape or size.

#### 機械標準部品とは

機械標準部品とは、製品特有の部品ではなく、ねじやワッシャなどキヤノン製品共通で使用されている機械部品(メカ部品)のことです。  
製品のパーツカタログには、機械標準部品のFig No.や部品番号は記載しておりません。  
ねじや、ワッシャ等の部品番号を調べるときは、機械標準部品のパーツカタログを参照し、部品の形状や大きさから判断し、使用している部品を調べてください。

#### Material and surface treatment of a mechanical standard parts

Material and surface treatment of mechanical standard parts are assigned commonly for each part. Refer to the Table 1 for the parts which material and surface treatment are assigned as numbers.

#### 機械標準部品の材料および表面処理

機械標準部品の材料および表面処理については、各種部品共通で決められています。  
材料および表面処理が番号で決められている部品については、表1を参照してください。

Table 1 Material and Surface treatment

表1 材料および表面処理

No. 番号	Material 材料	Surface treatment 表面処理	Color 色
1	Stainless steel ステンレス	Stainless steel black coloring (BC4) ステンレス黒着色(BC4)	Black 黒
2		not to be given なし	White 白
3	Brass 黄銅	Regular nickel plating (NL) 普通ニッケルメッキ(NL)	White 白
4		Black nickel plating (BN) 黒色ニッケルメッキ(BN)	Black 黒
5	Steel 鋼	White zinc trivalent chromate treating (ZC3) 白色亜鉛3価クロメート(ZC3)	White 白
6		Regular nickel chromium plating (NC) 普通ニッケルクロムメッキ(NC)	White 白
7		Regular nickel plating (NL) 普通ニッケルメッキ(NL)	White 白
8		Iron and steel phosphating (P1) 鉄鋼磷酸塩処理(P1)	Black 黒
9		Black zinc trivalent chromate treating (BZ3) 黒色亜鉛3価クロメート(BZ3)	Black 黒



# FIGURE ZZB MECHANICAL STANDARD PARTS (SCREWS)

## 1. Screws ねじ

How to read Parts Numbers  
部品番号の見方

Screws  
ねじ

**XB1-2400-609**

Type No.  
類別番号

Normal designation (d)  
ねじの呼び(d)

Length (L)  
ねじの長さ(L)

Material and Surface treatment  
材料および表面処理

XB1-2 expresses Binding head machine screw.  
XB1-2は、バインドねじを表す

40 expresses M4.0.  
40は、M4.0を表す

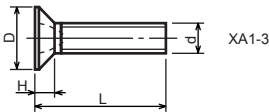
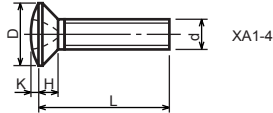
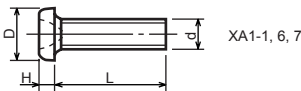
0-60 expresses a length of 6.0mm.  
0-60は、6.0mmの長さを表す

9 expresses Steel (Black zinc trivalent chromate  
treating) from Table 1.

9は、表1より鋼(黒色亜鉛3価クロメート)を表す

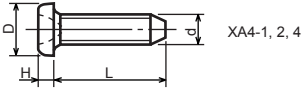
### 1-1. Cross Recessed Head Screws for Precision Equipments

精密機器用十字穴付き小ねじ

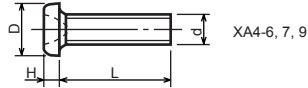


Type No. 類別番号	Type 類別	Head size (mm) 頭部寸法 (mm)							
		M1.4	M1.6	M1.7	M2	M2.5	M2.6		
XA1-1	Pan head Class 1 なべ1種	D	XA1-1	2	2.4	2.5	3	3.8	4
		H	XA1-1	0.5	0.55	0.5	0.6	0.9	0.8
XA1-3	Countersunk head Class 1 さら1種	D	XA1-3	2	2.4	2.5	3	3.8	4
		H	XA1-3	0.48	0.55	0.58	0.73	0.85	0.93
XA1-4	Oval countersunk head Class 1 丸さら1種	D	XA1-4	2	2.4	2.5	3	3.8	4
		H + K	XA1-4	0.68	0.8	0.88	1	1.25	1.3
XA1-6	Pan head Class 3 なべ3種	D	XA1-6	2.5	2.8	3	3.5	4.3	4.5
		H	XA1-6	0.8	0.85	0.9	1	1.3	1.2
XA1-7	Pan head Class 2 なべ2種	D	XA1-7	2.5	2.8	3	3.5	4.3	4.5
		H	XA1-7	0.5	0.55	0.5	0.6	0.9	0.8

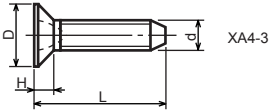
1-2. Precision Tapping Screws  
精密用タッピンねじ



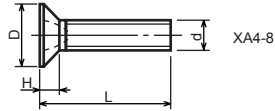
XA4-1, 2, 4



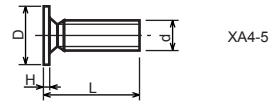
XA4-6, 7, 9



XA4-3



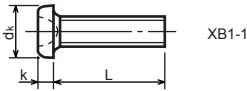
XA4-8



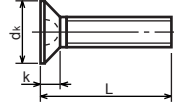
XA4-5

Type No. 類別番号	Type 類別	Head size (mm) 頭部寸法 (mm)						
		M1.4	M1.6	M1.7	M2	M2.5	M2.6	
XA4-1	With tapered end pan head Class 1 絞りなべ1種	D XA4-1	2	2.4	2.5	3	3.8	4
		H XA4-1	0.5	0.55	0.5	0.6	0.9	0.8
XA4-2	With tapered end pan head Class 3 絞りなべ3種	D XA4-2	2.5	2.8	3	3.5	4.3	4.5
		H XA4-2	0.8	0.85	0.9	1	1.3	1.2
XA4-3	With tapered end countersunk head 絞り-さら	D XA4-3	2	2.4	2.5	3	3.8	4
		H XA4-3	0.48	0.55	0.58	0.73	0.85	0.93
XA4-4	With tapered end pan head Class 2 絞りなべ2種	D XA4-4	2.5	2.8	3	3.5	4.3	4.5
		H XA4-4	0.5	0.55	0.5	0.6	0.9	0.8
XA4-5	With parallel end ultra thin head ストレート-超薄頭	D XA4-5	2.5	2.8	3	-	-	-
		H XA4-5	0.2	0.2	0.2	-	-	-
XA4-6	With parallel end pan head Class 1 ストレートなべ1種	D XA4-6	2	2.4	2.5	3	3.8	4
		H XA4-6	0.5	0.55	0.5	0.6	0.9	0.8
XA4-7	With parallel end pan head Class 3 ストレートなべ3種	D XA4-7	2.5	2.8	3	3.5	4.3	4.5
		H XA4-7	0.8	0.85	0.9	1	1.3	1.2
XA4-8	With parallel end countersunk head ストレート-さら	D XA4-8	2	2.4	2.5	3	3.8	4
		H XA4-8	0.48	0.55	0.58	0.73	0.85	0.93
XA4-9	With parallel end pan head Class 2 ストレートなべ2種	D XA4-9	2.5	2.8	3	3.5	4.3	4.5
		H XA4-9	0.5	0.55	0.5	0.6	0.9	0.8

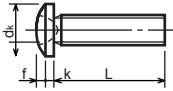
**1-3. Cross Recessed Head Screws**  
 一般用十字穴付き小ねじ



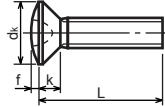
XB1-1



XB1-3



XB1-2

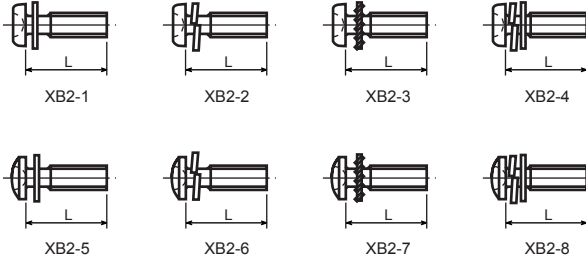


XB1-4

Type No. 類別番号	Type 類別
XB1-1	Pan head なべ
XB1-2	Binding head バインド
XB1-3	Countersunk head さら
XB1-4	Oval countersunk head 丸さら

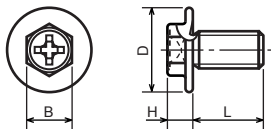
		Head size (mm) 頭部寸法 (mm)					
		M2	M2.5	M2.6	M3	M4	M5
dk	XB1-1	3.5	4.5	4.5	5.5	7	9
k	XB1-1	1.3	1.7	1.7	2	2.6	3.3
dk	XB1-2	4.3	5.3	5.5	6.3	8.3	10.3
k+f	XB1-2	1.2	1.5	1.6	1.9	2.5	3.1
dk	XB1-3	4	5	-	6	8	10
k	XB1-3	1.2	1.45	-	1.75	2.3	2.8
dk	XB1-4	4	5	-	6	8	10
k+f	XB1-4	1.6	2	-	2.45	3.2	4
Screw part length ねじ部長さ b		8	12	12	12	16	20

1-4. Cross Recessed Head Screws with Captive Washer  
座金組込み十字穴付き小ねじ



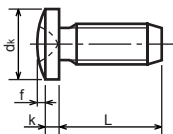
Type No. 類別番号	Type 類別
XB2-1	Pan head + Plain washer (circular bright) なべねじ+平座金
XB2-2	Pan head + Spring washer なべねじ+ばね座金
XB2-3	Pan head + Toothed lock washer なべねじ+歯付座金
XB2-4	Pan head + Spring washer and plain washer (circular bright) なべねじ+(ばね+平)座金
XB2-5	Binding head + Plain washer (circular bright) バインドねじ+平座金
XB2-6	Binding head + Spring washer バインドねじ+ばね座金
XB2-7	Binding head + Toothed lock washer バインドねじ+歯付座金
XB2-8	Binding head + Spring washer and plain washer (circular bright) バインドねじ+(ばね+平)座金

**1-5. Hexagon Head Tapping Screws for Metallic Materials**  
 金属用六角タッピンねじ



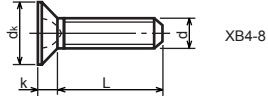
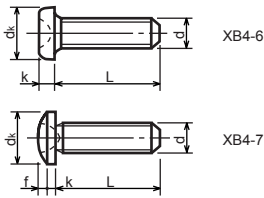
Type No. 類別番号	Type 類別	Head size (mm) 頭部寸法 (mm)	
		M3	M4
XB3-6	For metallic materials 金属用タッピン	D	8 10
		B	5.5 5.5
XB3-7	For metallic materials with clawed 金属用タッピン-つめ付き	H XB3-6	3.1 3.1
		H XB3-7	3.2 3.2

**1-6. Special Tapping Screws**  
 特殊タッピンねじ



Type No. 類別番号	Type 類別	Head size (mm) 頭部寸法 (mm)	
		M3	M4
XB4-5	Binding head バインド	dk	6.3 8.3
		k	1.3 1.7
		k+f	1.9 2.5

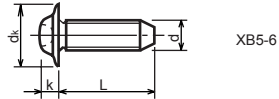
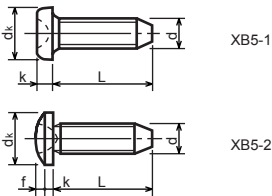
**1-7. General Head Tapping Screws**  
 一般用タッピンねじ



Type No. 類別番号	Type 類別
XB4-6	Pan head なべ
XB4-7	Binding head バインド
XB4-8	Countersunk head さら

		Head size (mm) 頭部寸法 (mm)					
		M2	M2.5	M2.6	M3	M4	M5
dk	XB4-6	3.5	4.5	4.5	5.5	7	9
k	XB4-6	1.3	1.7	1.7	2	2.6	3.3
dk	XB4-7	4.3	5.3	5.5	6.3	8.3	10.3
k+f	XB4-7	1.2	1.5	1.6	1.9	2.5	3.1
dk	XB4-8	4	5	5.2	6	8	10
k	XB4-8	1.2	1.45	1.5	1.75	2.3	2.8

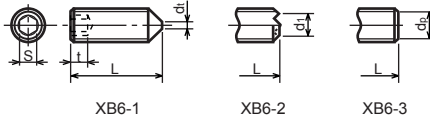
**1-8. Tapping Screws for Metallic Materials**  
 金属用タッピンねじ



Type No. 類別番号	Type 類別
XB5-1	Pan head なべ
XB5-2	Binding head バインド
XB5-6	Flanged pan head つば付きなべ

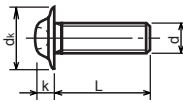
		Head size (mm) 頭部寸法 (mm)				
		M2.5	M2.6	M3	M4	M5
dk	XB5-1	4.5	4.5	5.5	7	9
k	XB5-1	1.7	1.7	2	2.6	3.3
dk	XB5-2	5.5	5.5	6.3	8.3	10.3
k+f	XB5-2	1.6	1.6	1.9	2.5	3.1
dk	XB5-6	6.5	6.5	8	10	12
k	XB5-6	2.1	2.1	1.75	3.2	4

**1-9. Hexagon Socket Set Screws**  
六角穴付止めねじ



Type No. 類別番号	Type 類別	Head size (mm) 頭部寸法 (mm)							
		M1.6 M1.7	M2	M2.5 M2.6	M3	M5	M5	M6	
XB6-1	Cone point とがり先	S	0.7	0.9	1.3	1.5	2	2.5	3
		t	1.5	1.7	2	2	2.5	3	3.5
		$d_{t \max}$ XB6-1	0.4	0.5	0.65	0.75	1	1.25	1.5
		$d_{l \max}$ XB6-2	-	1.2	1.5	1.7	2.2	2.8	3.3
		$d_{l \min}$ XB6-2	-	1	1.2	1.4	1.9	2.4	2.9
		$d_{p \max}$ XB6-3	0.8	1	1.5	2	2.5	3.5	4
		$d_{p \min}$ XB6-3	0.55	0.75	1.25	1.75	2.25	3.2	3.7

**1-10. Flanged Pan Head Machine Screws**  
つば付きなべ小ねじ



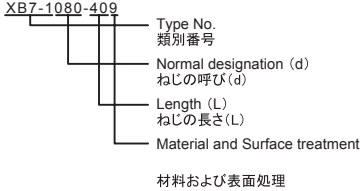
Type No. 類別番号	Type 類別	Head size (mm) 頭部寸法 (mm)					
		M2	M2.5 M2.6	M3	M5	M5	
XB6-7	Flanged pan head つば付きなべ	$d_k$	5	6.5	8	10	12
		k	1.7	2.1	2.5	3.2	4

# FIGURE ZZC MECHANICAL STANDARD PARTS (BOLTS)

## 2. Bolts (Socket head cap screw) ボルト

How to read Parts Numbers  
部品番号の見方

Bolt (Socket head cap screw)  
ボルト



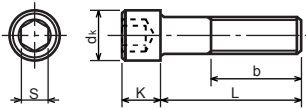
XB7-1 expresses Hexagon socket head cap screws.  
XB7-1は、六角穴付きボルトを表す

080 expresses M8.0.  
080は、M8.0を表す

40 expresses a length of 40mm.  
40は、40mmの長さを表す

9 expresses Steel (Black zinc trivalent chromate treating) from Table 1.  
9は、表1より鋼(黒色亜鉛3価クロメート)を表す

### 2-1. Hexagon socket head cap screws 六角穴付きボルト



Type No. 類別番号	Type 類別
XB7-1	Hexagon socket head cap screws 六角穴付きボルト

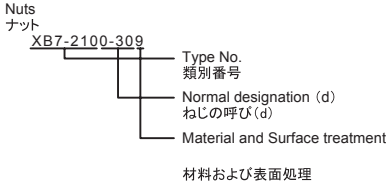
	Head size (mm) 頭部寸法 (mm)						
	M3	M4	M5	M6	M8	M10	M12
S	2.5	3	4	5	6	8	10
d <sub>k</sub>	5.5	7	8.5	10	13	16	18
K	3	4	5	6	8	10	12
Screw part length ねじ部長さ b <sub>max</sub>	18	20	22	24	28	32	36



# FIGURE ZZD MECHANICAL STANDARD PARTS (NUTS)

## 3. Nuts ナット

How to read Parts Numbers  
部品番号の見方

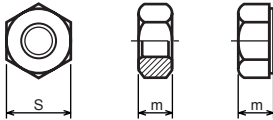


XB7-210 expresses Hexagon nut class 1.  
XB7-210は、六角ナット1種を表す

0-30 expresses M3.0.  
0-30は、M3.0を表す

9 expresses Steel (Black zinc trivalent chromate treating) from Table 1.  
9は、表1より鋼(黒色亜鉛3価クロメート)を表す

### 3-1. Hexagon Nuts and Hexagon Thin Nuts 六角ナット



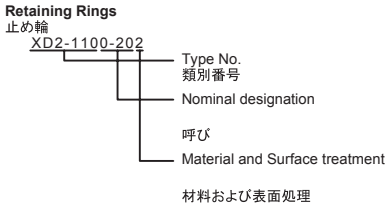
Type No. 類別番号	Type 類別
XB7-210	Hexagon nut Class 1 六角ナット-1種
XB7-220	Hexagon nut Class 3 六角ナット-3種
XB7-230	Hexagon nut Style 1 double chamfered 六角ナット-スタイル1-両面とり
XB7-231	Hexagon nut Style 1 washer faced 六角ナット-スタイル1-座付き
XB7-240	Hexagon nut Style 2 double chamfered 六角ナット-スタイル2-両面とり
XB7-241	Hexagon nut Style 2 washer faced 六角ナット-スタイル2-座付き
XB7-250	Hexagon nut 六角ナット
XB7-260	Hexagon thin nut double chamfered 六角低ナット-両面とり
XB7-270	Hexagon thin nut not chamfered 六角低ナット-面とり無し

	Head size (mm) 頭部寸法 (mm)						
	M2	M2.5	M3	M4	M5	M6	M8
S	4	5	5.5	7	8	10	13
m XB7-210	1.6	2	2.4	3.2	4	5	6.5
m XB7-220	1.2	1.6	1.8	2.4	3.2	3.6	5
m XB7-230, 231	1.6	2	2.4	3.2	4.7	5.2	6.8
m XB7-240, 241	-	-	-	-	5.1	5.7	7.5
m XB7-250	-	-	-	-	5.6	6.1	7.9
m XB7-260	1.2	1.6	1.8	2.2	2.7	3.2	4
m XB7-270	1.2	1.6	1.8	2.2	2.7	3.2	4

# FIGURE ZZE MECHANICAL STANDARD PARTS (RETAINING RINGS)

## 5. Retaining Rings 止め輪

How to read Parts Numbers  
部品番号の見方



XD2-110 expresses retaining ring-E type (Type1).  
XD2-110は、E形止め輪(1種)を表す

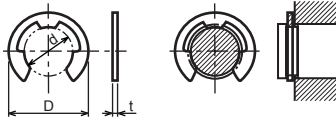
0-20 expresses a 020 of nominal designation.  
(See Table 5)

0-20は、呼び020を表す(表5参照)

2 expresses Stainless steel (Surface treatment is not to be given) from Table 1.

2は、表1よりステンレス(表面処理なし)を表す

### 5-1. Retaining Rings - E type E形止め輪

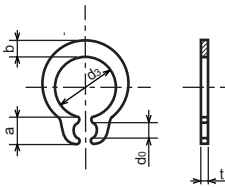


Type No. 類別番号	Type 類別
XD2-110	Retaining ring - E type (Type 1) E形止め輪(1種)
XD2-120	Retaining ring - E type (Type 2) E形止め輪(2種)

Table 5 表5

Type 種類	Nominal designation 呼び	d (mm)	D (mm)	t (mm)
Type 1 1種	007	0.65	2	0.2
	010	0.95	2.8	0.2
	013	1.25	3.3	0.3
	017	1.65	4.2	0.4
	020	1.95	4.6	0.5
	024	2.35	6	0.6
	028	2.74	6.5	0.6
	032	3.14	7.2	0.6
	037	3.64	8	0.7
	040	3.93	10	0.7
	042	4.13	10	0.7
	050	4.93	11	0.7
	058	5.73	12	0.7
	060	5.93	12.7	0.9
	064	6.32	13.5	0.9
	074	7.31	15	0.9
080	7.91	16.5	1	
Type 2 2種	008	0.8	2	0.2
	012	1.2	3	0.3
	015	1.5	4	0.4
	020	2	5	0.4
	025	2.5	6	0.4
	030	3	7	0.6
	040	4	9	0.6
	050	5	11	0.6
	060	6	12	0.8
	070	7	14	0.8
	080	8	16	0.8
	090	9	18	0.8
	100	10	20	1

5-2. Grip Rings  
グリップ止め輪

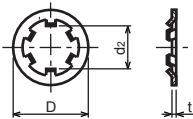


Type No. 類別番号	Type 類別
XD2-210	Grip ring グリップ止め輪

Table 5 表5

Nominal designation 呼び	d <sub>3</sub> (mm)	t (mm)	b (mm)	a (mm)	d <sub>0</sub> (mm)
020	1.9	0.5	1	1.8	0.8
025	2.35	0.5	1.2	1.9	0.9
030	2.85	0.6	1.4	1.9	0.9
035	3.3	0.6	1.6	2	0.9
040	3.8	0.8	1.8	2.8	1.2
045	4.25	0.8	2	2.9	1.3
050	4.75	0.8	2.2	2.9	1.3
060	5.7	1	2.4	3.1	1.4
070	6.7	1	2.7	3.3	1.4
080	7.7	1	3	3.5	1.4
090	8.65	1.2	3.3	4.7	1.5
100	9.65	1.2	3.5	4.7	2

5-3. Toothed Retaining Rings  
歯付き形止め輪



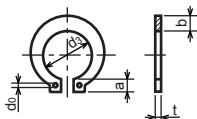
Type No. 類別番号	Type 類別
XD2-230	Toothed retaining ring 歯付き形止め輪

Table 5 表5

Nominal designation 呼び	d <sub>z</sub> (mm)	D (mm)	t (mm)	No of teeth 歯数
015	1.4	5.2	0.25	3
020	1.9	6	0.25	3
024	2.3	6.4	0.25	3
030	2.8	8	0.25	4
040	3.8	9	0.25	4
050	4.8	10	0.25	5
060	5.8	11	0.25	5
080	7.8	13	0.25	5
100	9.8	15.4	0.25	6

### 5-4. Retaining Rings - C Type

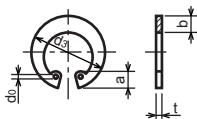
C形止め輪



Type No. 類別番号	Type 類別
XD2-310	Retaining ring - C type for shaft C形止め輪 軸用

Table 5 表5

Nominal designation 呼び	d <sub>3</sub> (mm)	t (mm)	b (mm)	a (mm)	d <sub>0</sub> (mm)
010	9.3	1	1.6	3	1.2
012	11.1	1	1.8	3.2	1.5
014	12.9	1	2	3.4	1.7
015	13.8	1	2.1	3.5	1.7
016	14.7	1	2.2	3.6	1.7
017	15.7	1	2.2	3.7	1.7
018	16.5	1.2	2.6	3.8	1.7
020	18.5	1.2	2.7	3.9	2
022	20.5	1.2	2.7	4.1	2
025	23.2	1.2	3.1	4.3	2
028	25.9	1.5	3.1	4.6	2
030	27.9	1.5	3.5	4.8	2
032	29.6	1.5	3.5	5	2.5
035	32.2	1.5	4	5.4	2.5



Type No. 類別番号	Type 類別
XD2-320	Retaining ring - C type for hole C形止め輪 穴用

Table 5 表5

Nominal designation 呼び	d <sub>3</sub> (mm)	t (mm)	b (mm)	a (mm)	d <sub>0</sub> (mm)
010	10.7	1	1.8	3.1	1.2
011	11.8	1	1.8	3.2	1.2
012	13	1	1.8	3.3	1.5
014	15.1	1	2	3.6	1.7
016	17.3	1	2	3.7	1.7
018	19.5	1	2.5	4	1.7
019	20.5	1	2.5	4	2
020	21.5	1	2.5	4	2
022	23.5	1	2.5	4.1	2
025	26.9	1.2	3	4.4	2
028	30.1	1.2	3	4.6	2
030	32.1	1.2	3	4.7	2
032	34.4	1.2	3.5	5.2	2.5
035	37.8	1.5	3.5	5.2	2.5
037	39.8	1.5	3.5	5.2	2.5
040	43.5	1.8	4	5.7	2.5
042	45.5	1.8	4	5.8	2.5
045	48.5	1.8	4.5	5.9	2.5
047	50.5	1.8	4.5	6.1	2.5
050	54.2	2	4.5	6.5	2.5
052	56.2	2	5.1	6.5	2.5
055	59.2	2	5.1	6.5	2.5
060	64.2	2	5.1	6.8	2.5
062	66.2	2	5.5	6.9	2.5
068	72.5	2.5	6	7.4	2.5
072	76.5	2.5	6.6	7.4	2.5
075	79.5	2.5	6.6	7.8	2.5
080	85.5	2.5	7	8	2.5
085	90.5	3	7	8	3
090	95.5	3	7.6	8.3	3
095	100.5	3	8	8.5	3

Prepared by  
OIP Business Support Group  
CANON INC.

**Canon**