

PARTS
CATALOG

imagePRESS
C10000VP
C8000VP Series
Sub Station/Power
Unit Station



Canon

April 12, 2019
Rev. 2

Index

SNL	Product Code No. /Serial No.
A1	ASSEMBLY LOCATION DIAGRAM
A2	OPTION PARTS CATALOG LIST
001B	ACCESSORIES (Sub/Power unit Station)
111	EXTERNAL COVERS, PANELS, ETC. (Sub station)
112	INTERNAL COMPONENTS 1 (Sub station)
113	INTERNAL COMPONENTS 2 (Sub station)
114	INTERNAL COMPONENTS 3 (Sub station)
115	MACHINE REAR PLATE 1 (Sub station)
116	MACHINE REAR PLATE 2 (Sub station)
120	POWER STATION COVER ASSEMBLY
121	POWER STATION ASSEMBLY
140A	POWER CORD TERMINAL ASSEMBLY (200V)
140B	POWER CORD TERMINAL ASSEMBLY (208V)
140C	POWER CORD TERMINAL ASSEMBLY (400V EUR, AU, SG, IN, KR, LTN)
140D	POWER CORD TERMINAL ASSEMBLY (400V CN)
141	POWER CORD TERMINAL ASSEMBLY (208V)
181	COOLING FAN ASS'Y, 2
183	FIRST FIXING FAN ASSEMBLY
184	SECOND FIXING FAN ASSEMBLY
185	FIRST EXHAUST DUCT ASSEMBLY
186	FAN MOUNT ASSEMBLY, OUTER
188	BELT COOLING FAN ASSEMBLY
189	PAPER DELIVERY FAN ASSEMBLY
195	FIRST FIXING EXHAUST FAN ASS'Y
280	1ST FIXING DRIVE ASSEMBLY
281	2ND FIXING DRIVE ASSEMBLY
283	WASTE TONER DRIVE ASSEMBLY
284	DELIVERY DRIVE ASSEMBLY
340	FIXING/FEED ASSEMBLY, CENTER
341	FIXING/FEED ASS'Y, CENTER LOW
342	FIXING/FEED ASS'Y, CENTER UP
343	FIXING/FEED ASSEMBLY, LEFT
344	FIXING/FEED ASS'Y, LEFT UPPER
345	FIXING/FEED ASS'Y, LEFT MIDDLE
346	FIXING/FEED ASS'Y, LEFT LOWER
347	FIXING/FEED ASSEMBLY, RIGHT
348	FIXING/FEED ASS'Y, RIGHT UPPER
349	FIXING/FEED ASS'Y, RIGHT LOWER
350	REVERSE DELIVERY ASSEMBLY

Index

351	DELIVERY GUIDE ASSEMBLY, UPPER
352	DELIVERY GUIDE ASSEMBLY, LOWER
353	REVERSE GUIDE ASSEMBLY, UPPER
354	REVERSE GUIDE ASSEMBLY, LOWER
355	REVERSE ASSEMBLY
356	WHITE PLATE MOUNT ASSEMBLY
357	SPONGE ROLLER MOUNT ASSEMBLY
370	DUPLEXING DECURLER ASSEMBLY
371	DUPLEXING ASSEMBLY, RIGHT
372	DUPLEXING ASSEMBLY, LEFT
772	WASTE TONER PIPE ASSEMBLY
773	WASTE TONER ASSEMBLY
774	WASTE TONER BOTTLE TRAY ASS'Y
775	BOTTLE, WASTE TONER, WT-402
810A	1ST FIXING ASSEMBLY (200V, 208V)
810B	1ST FIXING ASSEMBLY (400V)
812	INNER PAPER DELIVERY ASS'Y, 1
813A	FIXING PRESSURE BELT ASSEMBLY (200V, 208V)
813B	FIXING PRESSURE BELT ASSEMBLY (400V)
814A	FIXING INTERMEDIATE ASS'Y, 1 (200V, 208V)
814B	FIXING INTERMEDIATE ASS'Y, 1 (400V)
815	FIRST FIXING ASSEMBLY, UPPER
816	FIRST FIXING ASSEMBLY, LOWER
817	CLEANER DRIVE ASSEMBLY
818	FIXING BELT DRIVE ASS'Y
830	FIXING CLEANER ASSEMBLY
840A	EXTERNAL HEATING ASSEMBLY (200V, 208V)
840B	EXTERNAL HEATING ASSEMBLY (400V)
850A	SECOND FIXING ASSEMBLY (200V, 208V)
850B	SECOND FIXING ASSEMBLY (400V)
852	INNER PAPER DELIVERY ASS'Y, 2
854A	FIXING INTERMEDIATE ASS'Y, 2 (200V, 208V)
854B	FIXING INTERMEDIATE ASS'Y, 2 (400V)
855	SECOND FIXING ASSEMBLY, UPPER
856	SECOND FIXING ASSEMBLY, LOWER
857	PRESSURE BEARING HOLDER ASS'Y
890	FIRST FIXING MOUNT ASSEMBLY
891	SECOND FIXING MOUNT ASSEMBLY
892	LOCK SENSING ASSEMBLY, 1
893	LOCK SENSING ASSEMBLY, 2

Index

911	DC POWER SUPPLY ASS'Y, 12V
912	DC POWER SUPPLY ASS'Y, 24V-1
913	DC POWER SUPPLY ASS'Y, 24V-2
915	DC POWER SUPPLY ASS'Y, 38V
962B	NOISE FILTER PCB ASSEMBLY (208V, 230V)
965	FEED DRIVER PCB ASSEMBLY
999B	CABLE UNIT (Sub station)
B02	ATTACHMENT PARTS (CN)
B10	INTERNAL COMPONENTS 1 (ADF) (CN)
B11	INTERNAL COMPONENTS 2 (ADF) (CN)
B12	INTERNAL COMPONENTS 3 (ADF) (CN)
B13	INTERNAL COMPONENTS 4 (ADF) (CN)
B14	INTERNAL COMPONENTS 5 (ADF) (CN)
B15	INTERNAL COMPONENTS 6 (ADF) (CN)
B16	DOCUMENT TRAY ASSEMBLY (CN)
B17	OPEN/CLOSE PANEL ASSEMBLY (CN)
B18	BASE FRAME ASSEMBLY (CN)
B19	WHITE PLATE ASSEMBLY (CN)
B20	ESTRANGEMENT DRIVE ASSEMBLY (CN)
B30	PAPER PICK-UP ASSEMBLY (CN)
B31	PAPER DELIVERY ASSEMBLY (CN)
B32	OPEN/CLOSE GUIDE ASSEMBLY (CN)
B40	PLATEN ROLLER ASSEMBLY, 1 (CN)
B41	PLATEN ROLLER ASSEMBLY, 2 (CN)
B42	PAPER FEED GUIDE ASSEMBLY, 1 (CN)
B43	PAPER FEED GUIDE ASSEMBLY, 2 (CN)
B90	DF DRIVER PCB ASSEMBLY (CN)
D10	EXTERNAL COVERS, PANELS, ETC. (CN)
D11	INTERNAL COMPONENTS 1 (READER) (CN)
D12	INTERNAL COMPONENTS 2 (READER) (CN)
D90	READER CONTROLLER PCB ASSEMBLY (CN)
L94	DC POWER SUPPLY ASS'Y, 38V
ZZA	MECHANICAL STANDARD PARTS (HOW TO USE)
ZZB	MECHANICAL STANDARD PARTS (SCREWS)
ZZC	MECHANICAL STANDARD PARTS (BOLTS)
ZZD	MECHANICAL STANDARD PARTS (NUTS)
ZZE	MECHANICAL STANDARD PARTS (RETAINING RINGS)

Figure SNL Product Code No./Serial No.

	Product Code No.	Model Name	Remarks	Serial No.
1	F16-4434-000	imagePRESS C10000VP	Sub station JP,US,CA,LTN	WBE
2	F16-4494-000	imagePRESS C10000VP	Sub station EUR,AU,SG,IN,KR,LTN	WBF
3	F16-4454-000	imagePRESS C10000VP	Sub station CN	WBG WUP(Reader) WCA(ADF)
4	F16-4417-000	imagePRESS C10000VP	Power unit station JP	WBH
5	F16-4437-000	imagePRESS C10000VP	Power unit station US,CA,LTN	WBJ
6	F16-4497-000	imagePRESS C10000VP	Power unit station EUR,AU,SG,IN,KR,LTN	WBK
7	F16-4457-000	imagePRESS C10000VP	Power unit station CN	WBL

	中オーダー	製品名	備考	シリアル No.
1	F16-4434-000	imagePRESS C10000VP	Sub station JP,US,CA,LTN	WBE
2	F16-4494-000	imagePRESS C10000VP	Sub station EUR,AU,SG,IN,KR,LTN	WBF
3	F16-4454-000	imagePRESS C10000VP	Sub station CN	WBG WUP(Reader) WCA(ADF)
4	F16-4417-000	imagePRESS C10000VP	Power unit station JP	WBH
5	F16-4437-000	imagePRESS C10000VP	Power unit station US,CA,LTN	WBJ
6	F16-4497-000	imagePRESS C10000VP	Power unit station EUR,AU,SG,IN,KR,LTN	WBK
7	F16-4457-000	imagePRESS C10000VP	Power unit station CN	WBL

FIGURE & KEY NO.	PART NUMBER	RANK	QTY	DESCRIPTION	SERIAL NUMBER /REMARKS
SNL	NPN		RF	Product Code No./Serial No.	
1	F16-4434-000		1	imagePRESS C10000VP	WBE Sub station JP,US,CA,LTN
2	F16-4494-000		1	imagePRESS C10000VP	WBF Sub station EUR,AU,SG,IN,KR,LTN
3	F16-4454-000		1	imagePRESS C10000VP	WBG WUP(Reader) WCA(ADF) Sub station CN
4	F16-4417-000		1	imagePRESS C10000VP	WBH Power station JP
5	F16-4437-000		1	imagePRESS C10000VP	WBJ Power station US,CA,LTN
6	F16-4497-000		1	imagePRESS C10000VP	WBK Power station EUR,AU,SG,IN,KR,LTN
7	F16-4457-000		1	imagePRESS C10000VP	WBL Power station CN

Figure A1 (1/8) ASSEMBLY LOCATION DIAGRAM

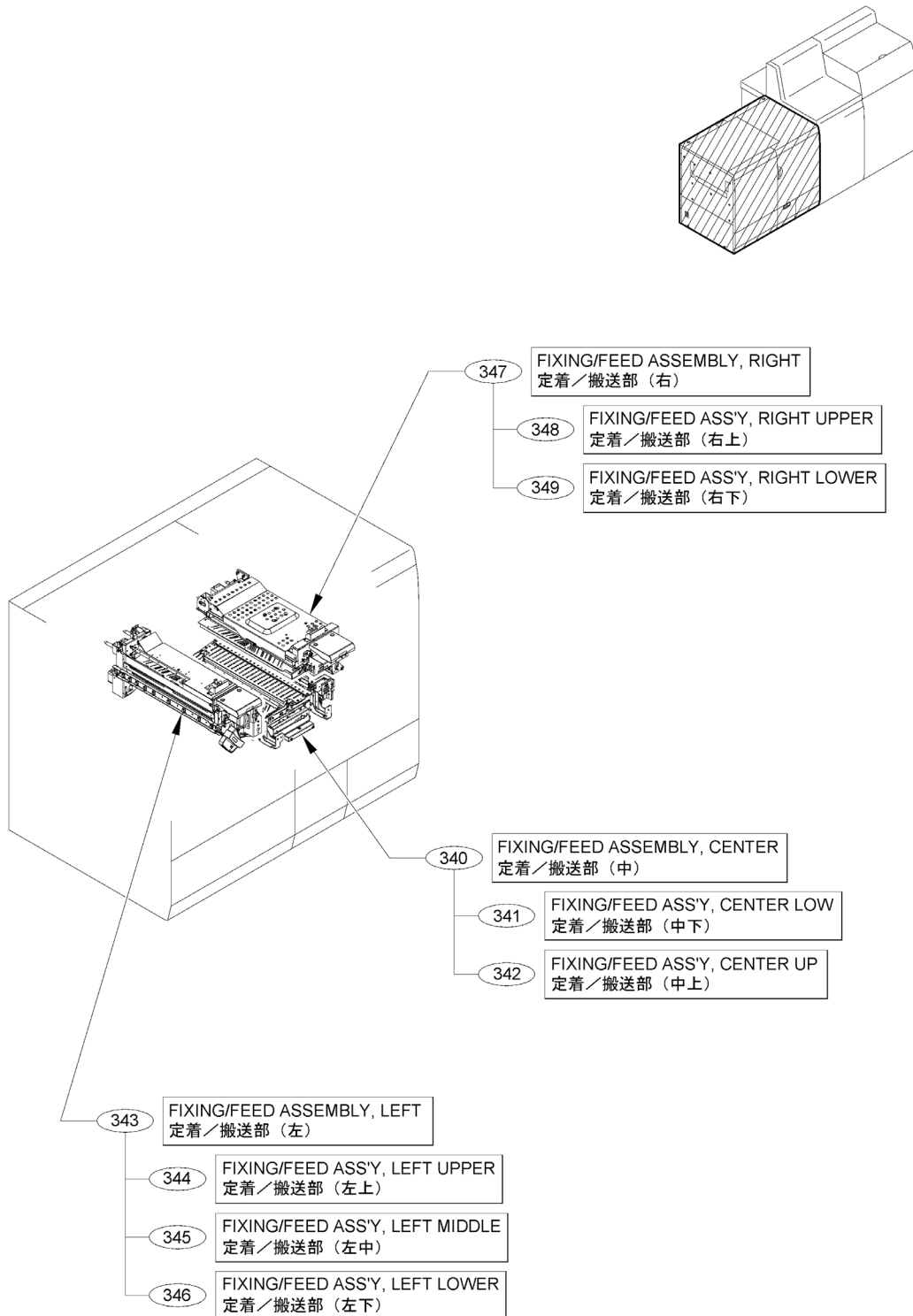


Figure A1 (3/8) ASSEMBLY LOCATION DIAGRAM

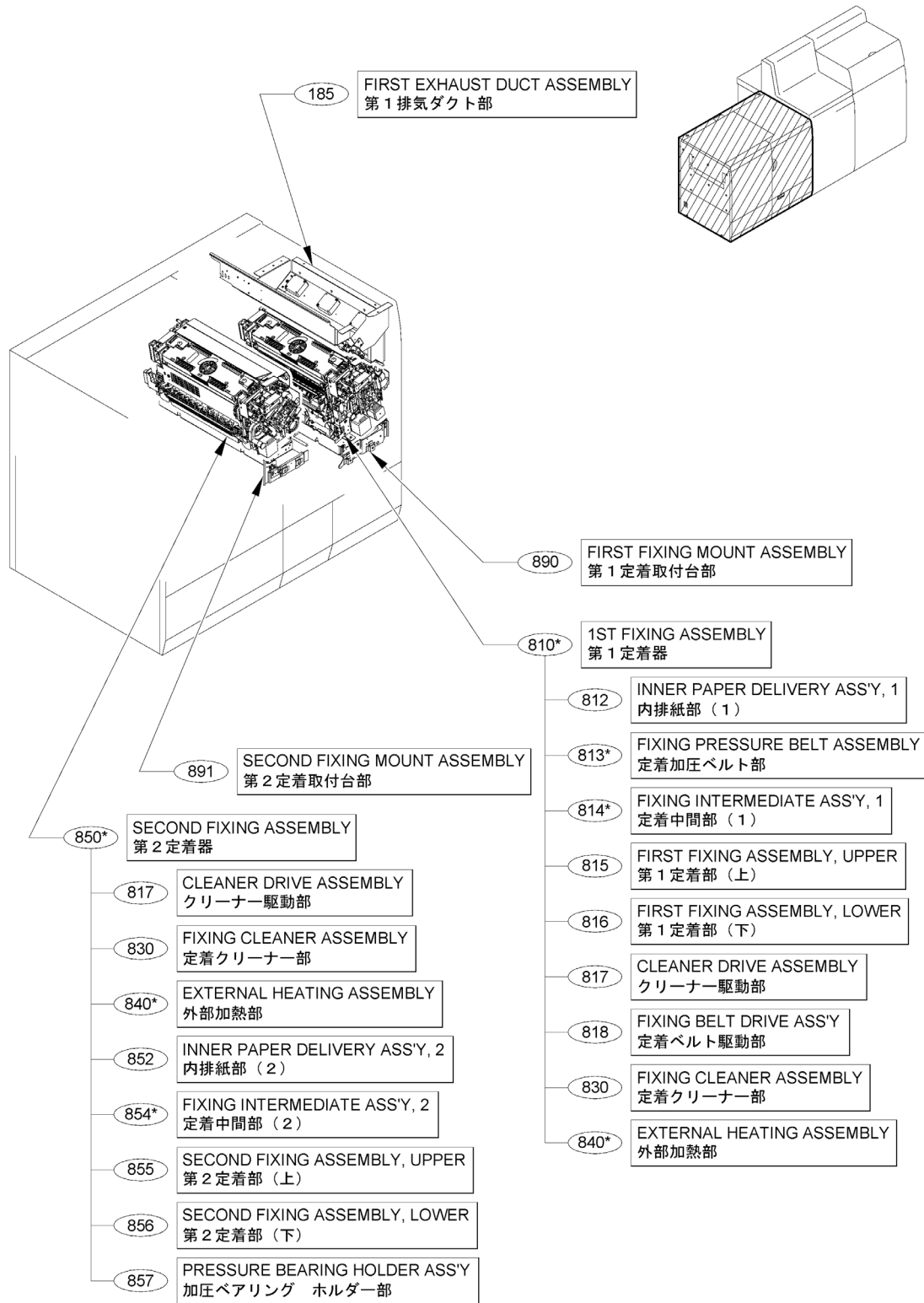


Figure A1 (4/8) ASSEMBLY LOCATION DIAGRAM

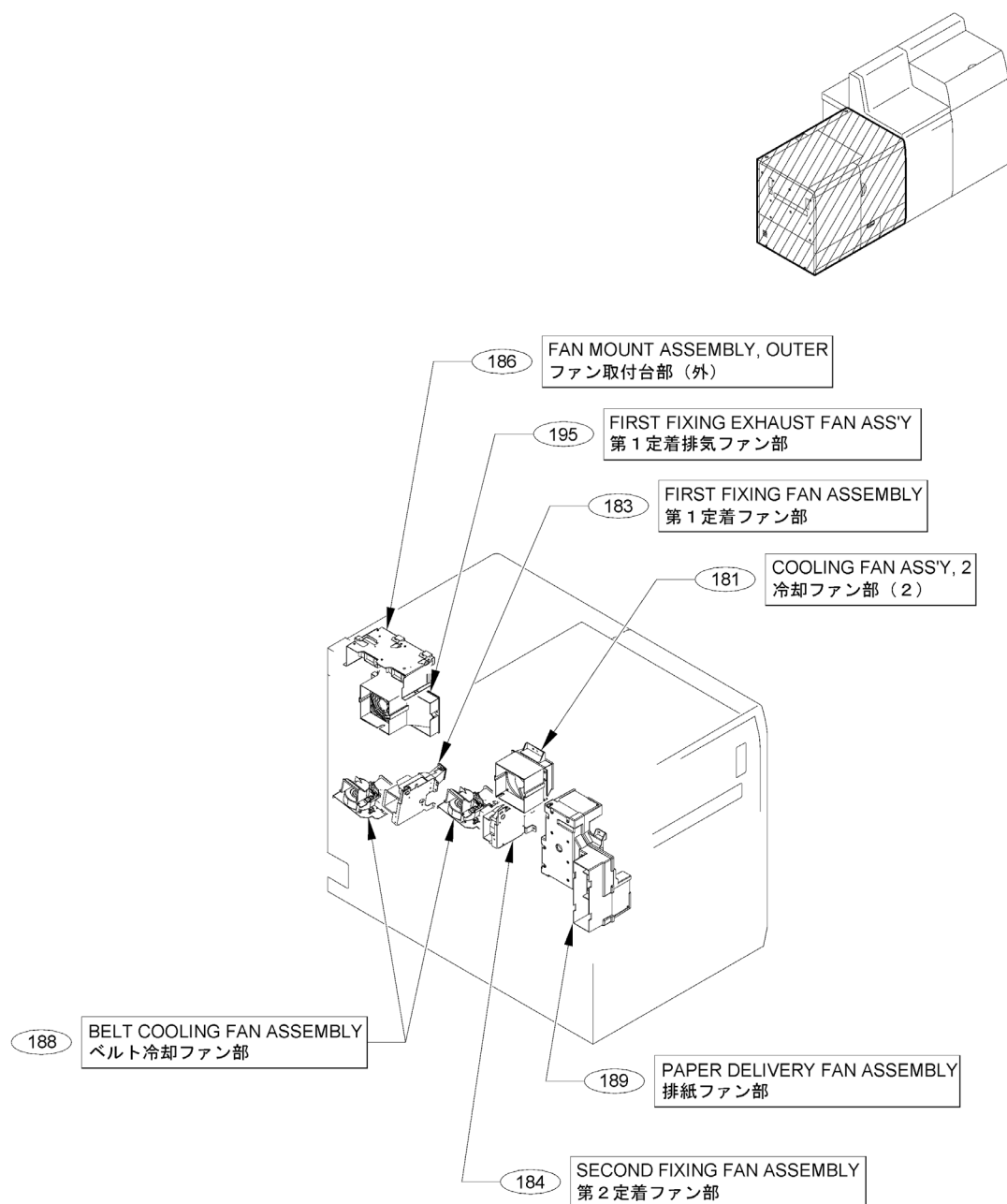


Figure A1 (5/8) ASSEMBLY LOCATION DIAGRAM

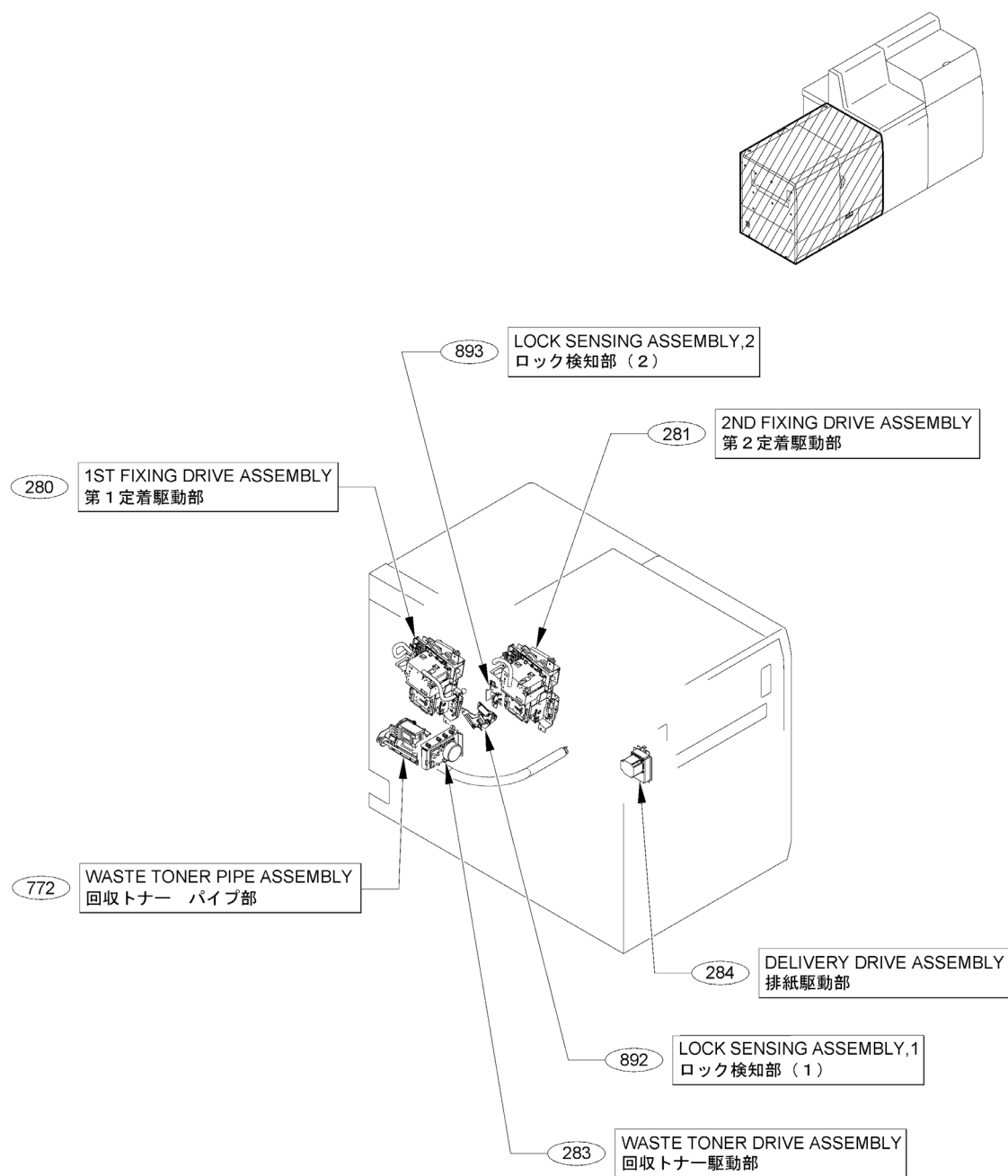


Figure A1 (6/8) ASSEMBLY LOCATION DIAGRAM

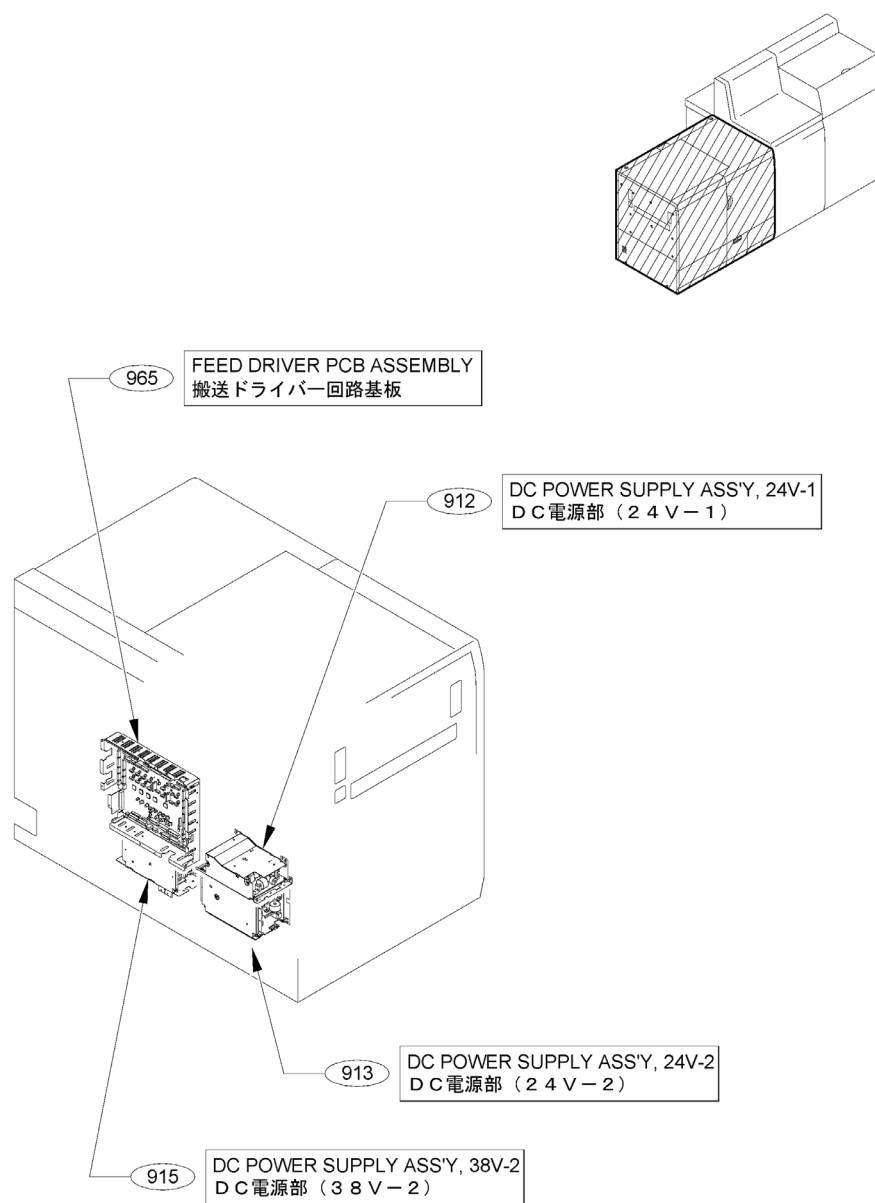


Figure A1 (7/8) ASSEMBLY LOCATION DIAGRAM

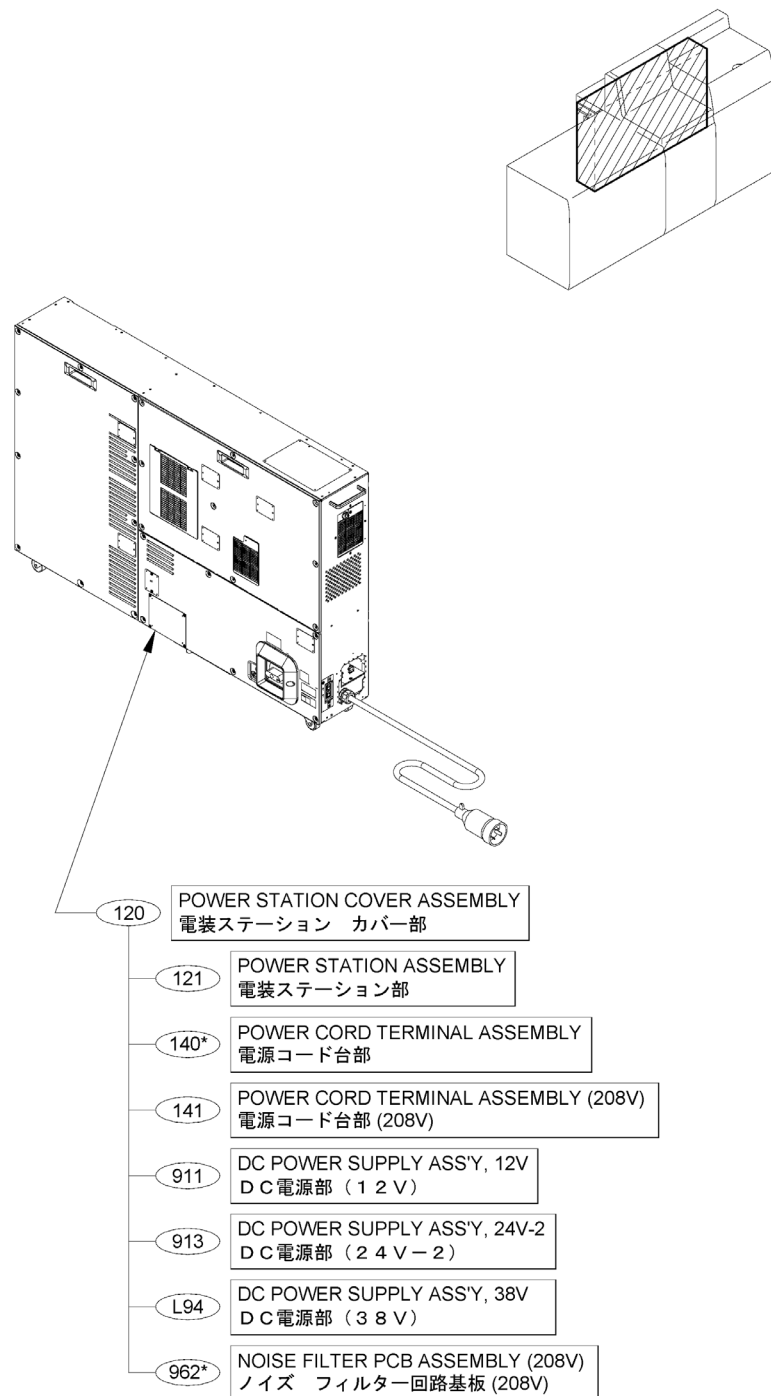


Figure A1 (8/8) ASSEMBLY LOCATION DIAGRAM

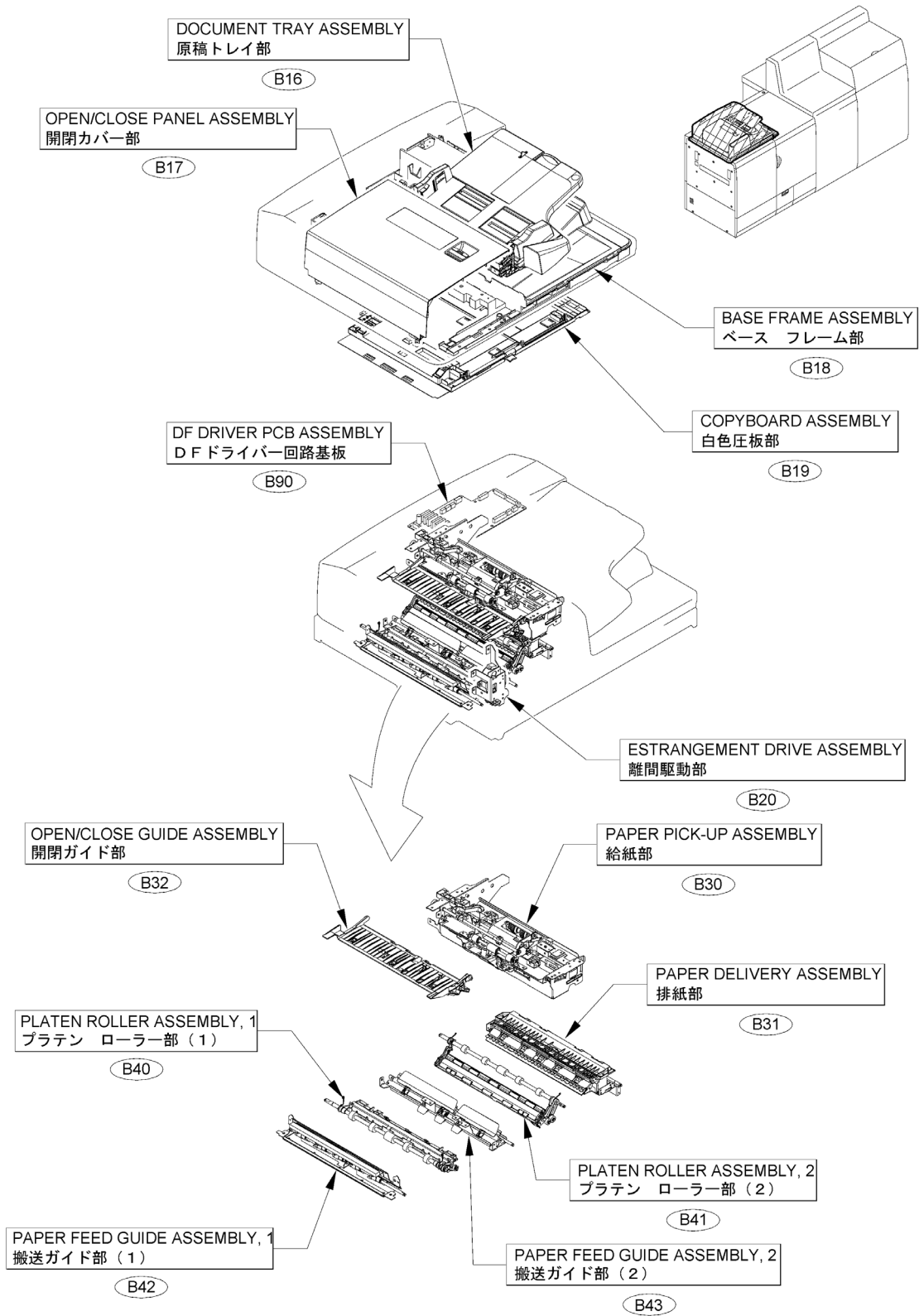


Figure A2 OPTION PARTS CATALOG LIST

This is the table of the machine's options whose parts catalog is issued.
 本機のオプションで、パーツカタログが発行されている機種の一覧である。

No.	Model Name(English)	Model Name(Japanese)
1	Reader Attachment-B1	リーダーアタッチメント・B 1
2	Duplex Color Image Reader Unit-K1	マルチカラーイメージリーダーユニット・K 1
3	Printer Cover-K1	プリンタカバー・K 1
4	Upright Control Panel-F1	立面操作部・F 1
5	Control Panel Attachment Kit-A1	立面操作部取付けキット・A 1
6	POD Deck Lite-C1	PODデッキライト・C 1
7	POD Deck-D1	PODデッキ・D 1
8	LONG SHEET TRAY-A1	長尺用トレイ・A 1
9	POD Buffer Unit-A1	(日本仕向けなし)
10	Long Sheet Tray-C1	長尺用排紙トレイ・C 1
11	Finisher-AN1/Saddle Finisher-AN2	フィニッシャー・AN 1 / サドルフィニッシャー・AN 2
12	Document Insertion Unit-N1	インサーター・N 1
13	Inserter Option controller Kit-A1	インサーター オプション コントローラキット ・A 1
14	Multi Function Professional Puncher-A1	(日本仕向けなし)
15	Paper Folding Unit-J1	ペーパーフォールディングユニット・J 1
16	imagePRESS Server B5000	imagePRESS Server B5000
17	imagePRESS Server B4000	imagePRESS Server B4000
18	HDD Data Encryption & Mirroring Kit-E1	HDDデータ暗号化/ミラーリングキット・E 1
19	3.5inch/250GB HDD-Q1	オプションHDD (3.5inch/250GB) ・Q 1
20	Removable HDD Kit-AM1	リムーバブルHDDキット・AM 1

Figure 001B (1/4) ACCESSORIES (Sub/Power unit Station)

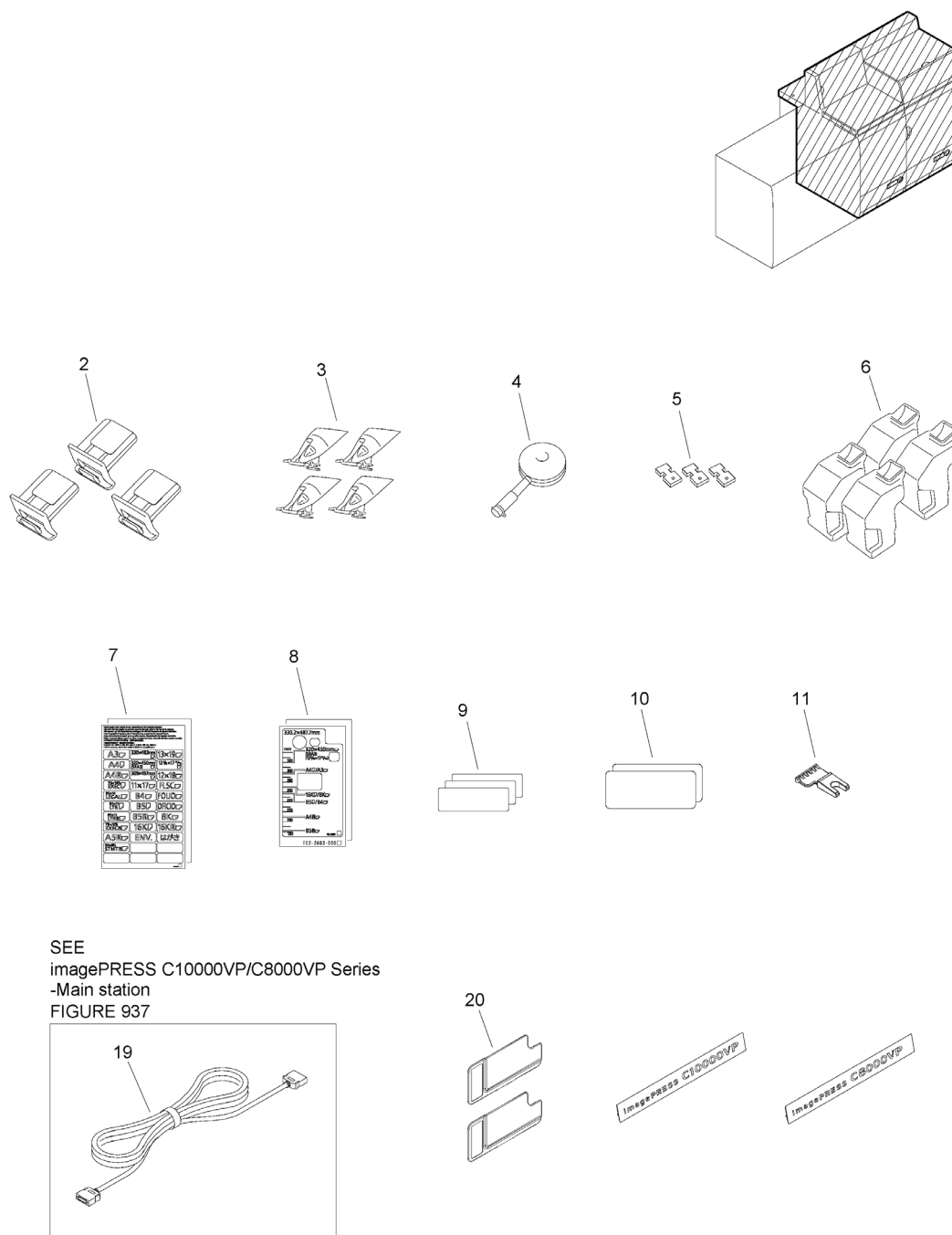


Figure 001B (2/4) ACCESSORIES (Sub/Power unit Station)

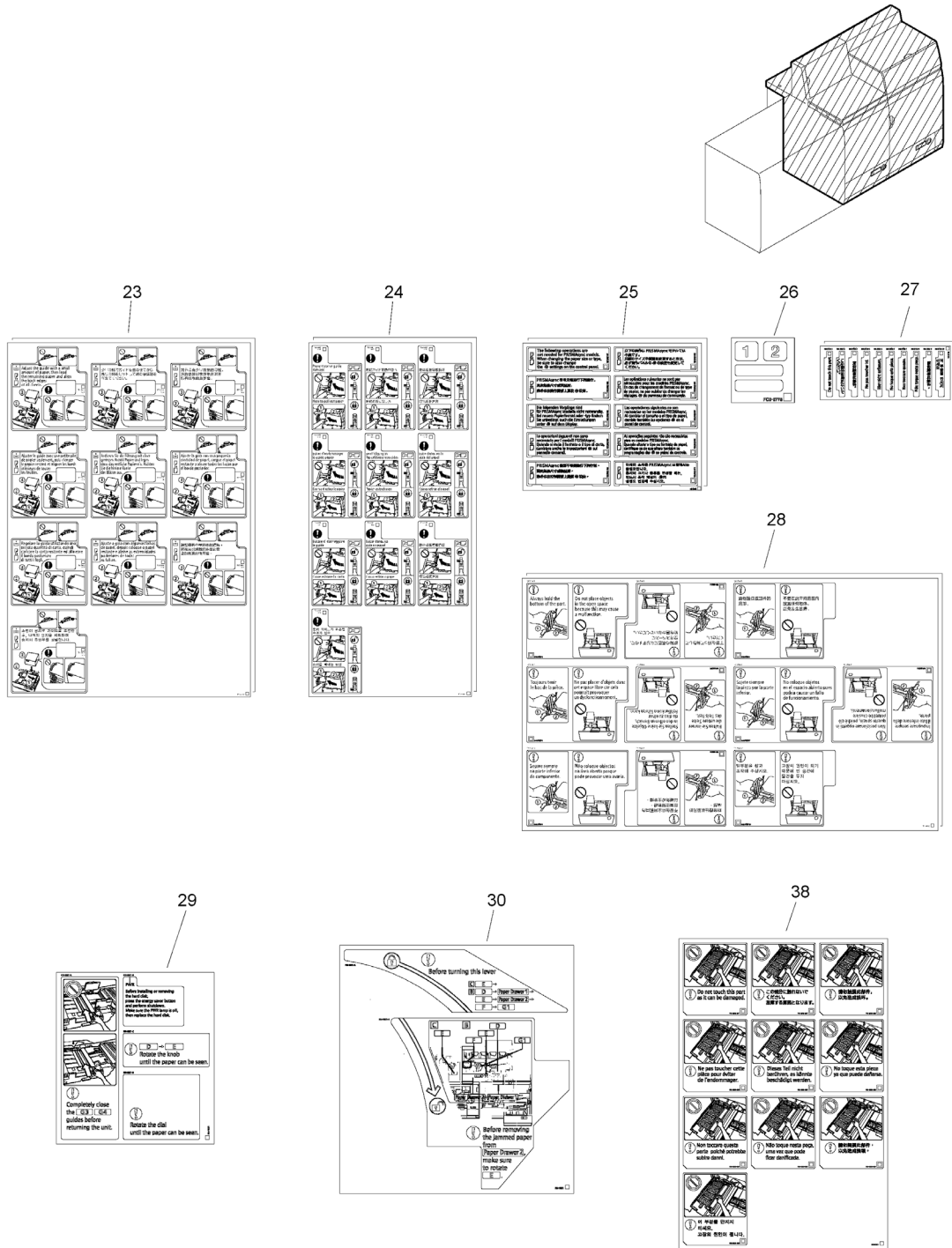


Figure 001B (3/4) ACCESSORIES (Sub/Power unit Station)

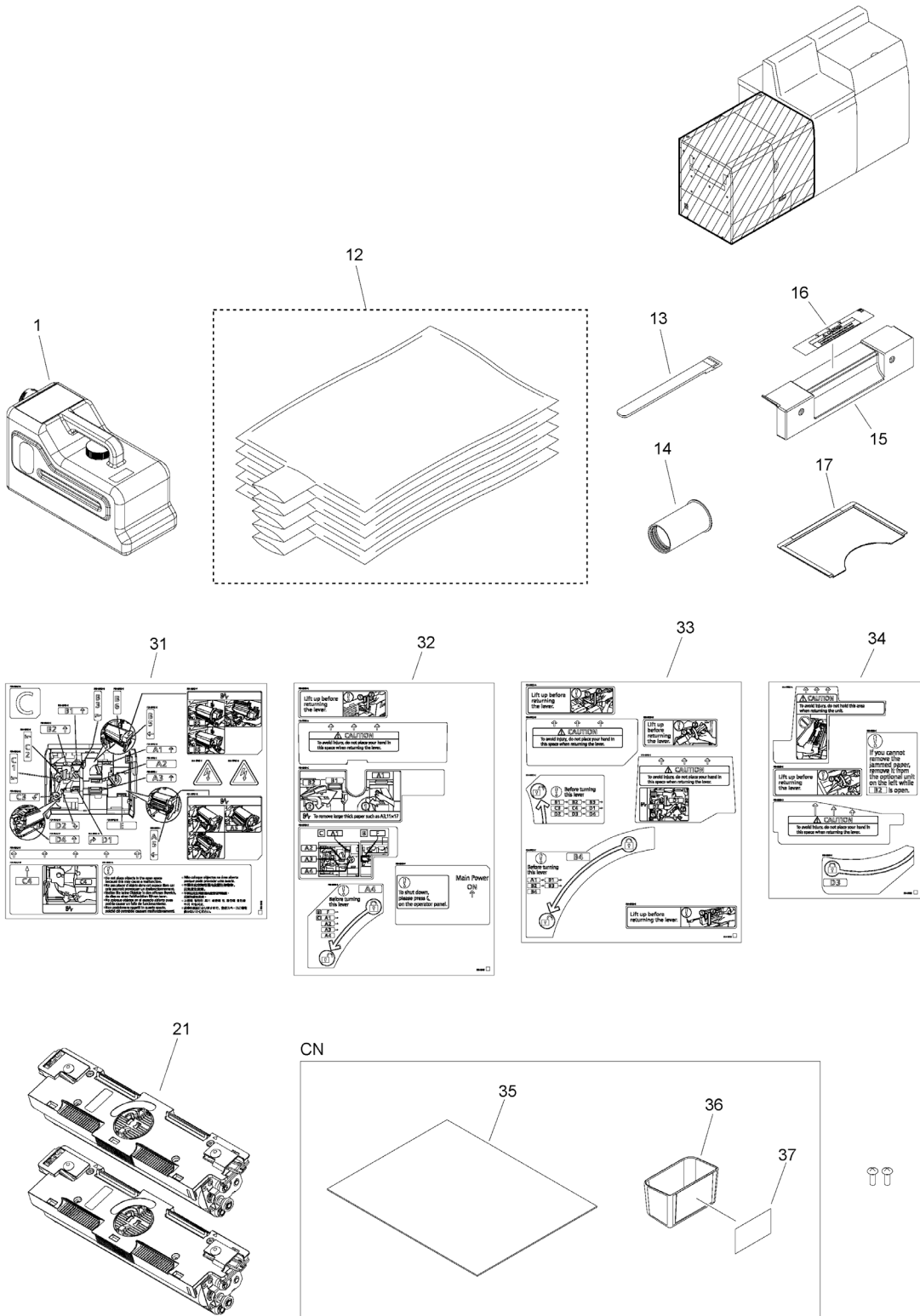


Figure 001B (4/4) ACCESSORIES (Sub/Power unit Station)

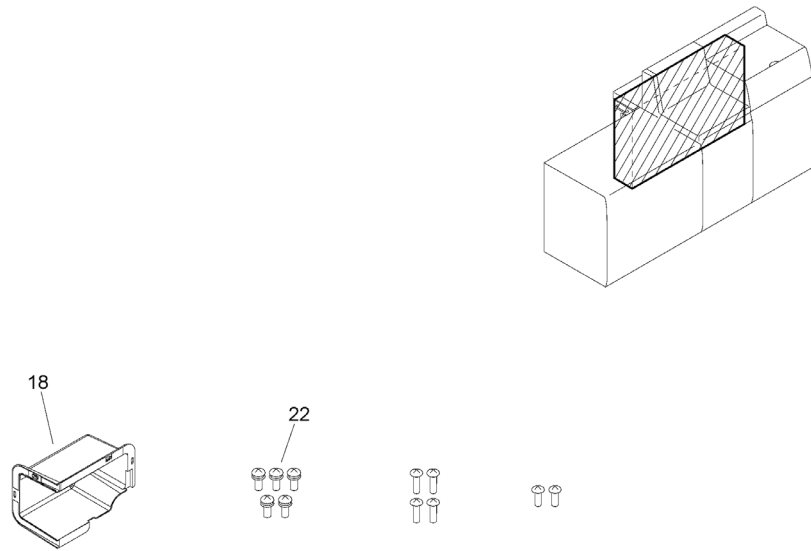


FIGURE & KEY NO.	PART NUMBER	RANK	QTY	DESCRIPTION	SERIAL NUMBER /REMARKS
001B	NPN		RF	ACCESSORIES	Sub/ Power unit Station
1	FM2-2058-010		1	BOTTLE, WASTE TONER, WT-402	
2	FL2-9290-000		3	CLEANING UNIT, A	
3	FL2-4088-000		4	FUNNEL, ABS	
4	FE8-6318-000		1	BLOWER BRUSH	
5	FC7-9708-000		3	COVER, TOOL	
6	FC7-3482-000		4	CASE, COLOR DEVELOPING	
7	FU8-8178-000		2	LABEL, PAPER SIZE	
8	FE2-2883-010		2	LABEL, WIDTH SIZE	JP, US, CA, EUR, AU, SG, IN, KR, LTN
8	FE2-2884-010		2	LABEL, WIDTH SIZE, INCH	CN
9	FC8-3800-000		3	SHEET, TONER BREAK UP	
10	FC6-9992-000		2	PLATE, MEDIA INDICATION	
11	FC9-5864-000		1	SPACER, SHUTTER OPEN	
12	FC0-2235-000		1	BAG, WASTE TONER	
13	FC0-2236-000		1	BAND, WASTE TONER	
14	FC0-2237-000		1	JOINT, WASTE TONER	
15	FC6-8326-000		1	COVER, DUPLEXING, LEFT	
16	FE4-9979-000		1	LABEL, HAND STUCK WARNING	English
16	FE4-9980-000		1	LABEL, HAND STUCK WARNING	Simplified Chinese
16	FE4-9981-000		1	LABEL, HAND STUCK WARNING	Japanese
16	FE4-9982-000		1	LABEL, HAND STUCK WARNING	French
16	FE4-9983-000		1	LABEL, HAND STUCK WARNING	German
16	FE4-9984-000		1	LABEL, HAND STUCK WARNING	Italian
16	FE4-9985-000		1	LABEL, HAND STUCK WARNING	Spanish
16	FE4-9986-000		1	LABEL, HAND STUCK WARNING	Portuguese
16	FE4-9987-000		1	LABEL, HAND STUCK WARNING	Traditional Chinese
16	FE4-9988-000		1	LABEL, HAND STUCK WARNING	Korean
17	FC5-1146-000		1	HOLDER, SERVICE BOOK	
18	FC7-2245-000		1	COVER, CABLE	
19	FK4-3274-000		1	CABLE, COMMUNICATION	SEE imagePRESS C10000VP/ C8000VP Series -Main station FIGURE 937
20	FE2-0025-010		2	HOLDER, MEDIA PLATE	
21	FM1-A392-010		2	FIXING CLEANER ASSEMBLY	
22	XA9-0940-000		5	SCREW, W/WASHER, M4X12	
23	FE2-2880-010		2	LABEL, PAPER SUPPLY,1	
24	FE2-2881-010		2	LABEL, PAPER SUPPLY,2	
25	FE2-2882-010		2	LABEL, PAPER SIZE	
26	FC0-2778-000		1	LABEL, REMOVABLE HDD	
27	FE4-9165-000		2	LABEL, LIMIT PLATE CAUTION	

FIGURE & KEY NO.	PART NUMBER	RANK	QTY	DESCRIPTION	SERIAL NUMBER /REMARKS
28	FE4-9166-000		2	LABEL, CAUTION	
29	FE4-9921-000		1	LABEL, MAIN STATION LANGUAGE 1	English
29	FE4-9922-000		1	LABEL, MAIN STATION LANGUAGE 1	Simplified Chinese
29	FE4-9923-000		1	LABEL, MAIN STATION LANGUAGE 1	Japanese
29	FE4-9924-000		1	LABEL, MAIN STATION LANGUAGE 1	French
29	FE4-9925-000		1	LABEL, MAIN STATION LANGUAGE 1	German
29	FE4-9926-000		1	LABEL, MAIN STATION LANGUAGE 1	Italian
29	FE4-9927-000		1	LABEL, MAIN STATION LANGUAGE 1	Spanish
29	FE4-9928-000		1	LABEL, MAIN STATION LANGUAGE 1	Portuguese
29	FE4-9929-000		1	LABEL, MAIN STATION LANGUAGE 1	Traditional Chinese
29	FE4-9930-000		1	LABEL, MAIN STATION LANGUAGE 1	Korean
30	FE4-9931-000		1	LABEL, MAIN STATION LANGUAGE 2	English
30	FE4-9932-000		1	LABEL, MAIN STATION LANGUAGE 2	Simplified Chinese
30	FE4-9933-000		1	LABEL, MAIN STATION LANGUAGE 2	Japanese
30	FE4-9934-000		1	LABEL, MAIN STATION LANGUAGE 2	French
30	FE4-9935-000		1	LABEL, MAIN STATION LANGUAGE 2	German
30	FE4-9936-000		1	LABEL, MAIN STATION LANGUAGE 2	Italian
30	FE4-9937-000		1	LABEL, MAIN STATION LANGUAGE 2	Spanish
30	FE4-9938-000		1	LABEL, MAIN STATION LANGUAGE 2	Portuguese
30	FE4-9939-000		1	LABEL, MAIN STATION LANGUAGE 2	Traditional Chinese
30	FE4-9940-000		1	LABEL, MAIN STATION LANGUAGE 2	Korean
31	FE4-9942-000		1	LABEL, SUB STATION UNIVERSAL	
32	FE4-9943-000		1	LABEL, SUB STATION LANGUAGE 1	English
32	FE4-9944-000		1	LABEL, SUB STATION LANGUAGE 1	Simplified Chinese
32	FE4-9945-000		1	LABEL, SUB STATION LANGUAGE 1	Japanese
32	FE4-9946-000		1	LABEL, SUB STATION LANGUAGE 1	French
32	FE4-9947-000		1	LABEL, SUB STATION LANGUAGE 1	German
32	FE4-9948-000		1	LABEL, SUB STATION LANGUAGE 1	Italian
32	FE4-9949-000		1	LABEL, SUB STATION LANGUAGE 1	Spanish
32	FE4-9950-000		1	LABEL, SUB STATION LANGUAGE 1	Portuguese
32	FE4-9951-000		1	LABEL, SUB STATION LANGUAGE 1	Traditional Chinese
32	FE4-9952-000		1	LABEL, SUB STATION LANGUAGE 1	Korean
33	FE4-9953-000		1	LABEL, SUB STATION LANGUAGE 2	English
33	FE4-9954-000		1	LABEL, SUB STATION LANGUAGE 2	Simplified Chinese
33	FE4-9955-000		1	LABEL, SUB STATION LANGUAGE 2	Japanese
33	FE4-9956-000		1	LABEL, SUB STATION LANGUAGE 2	French
33	FE4-9957-000		1	LABEL, SUB STATION LANGUAGE 2	German
33	FE4-9958-000		1	LABEL, SUB STATION LANGUAGE 2	Italian
33	FE4-9959-000		1	LABEL, SUB STATION LANGUAGE 2	Spanish
33	FE4-9960-000		1	LABEL, SUB STATION LANGUAGE 2	Portuguese
33	FE4-9961-000		1	LABEL, SUB STATION LANGUAGE 2	Traditional Chinese
33	FE4-9962-000		1	LABEL, SUB STATION LANGUAGE 2	Korean
34	FE4-9963-000		1	LABEL, SUB STATION LANGUAGE 3	English
34	FE4-9964-000		1	LABEL, SUB STATION LANGUAGE 3	Simplified Chinese

FIGURE & KEY NO.	PART NUMBER	RANK	QTY	DESCRIPTION	SERIAL NUMBER /REMARKS
34	FE4-9965-000		1	LABEL, SUB STATION LANGUAGE 3	Japanese
34	FE4-9966-000		1	LABEL, SUB STATION LANGUAGE 3	French
34	FE4-9967-000		1	LABEL, SUB STATION LANGUAGE 3	German
34	FE4-9968-000		1	LABEL, SUB STATION LANGUAGE 3	Italian
34	FE4-9969-000		1	LABEL, SUB STATION LANGUAGE 3	Spanish
34	FE4-9970-000		1	LABEL, SUB STATION LANGUAGE 3	Portuguese
34	FE4-9971-000		1	LABEL, SUB STATION LANGUAGE 3	Traditional Chinese
34	FE4-9972-000		1	LABEL, SUB STATION LANGUAGE 3	Korean
35	FE2-A001-000		1	CLOTH, CLEANING	CN
36	FE3-9210-000		1	BOX, CLEANING CLOTH STOCK	CN
37	FE3-4465-000		1	TAPE, DUPLEXING	CN
38	FE8-5525-000		1	LABEL, CAUTION	

Figure 111 EXTERNAL COVERS, PANELS, ETC. (Sub station)

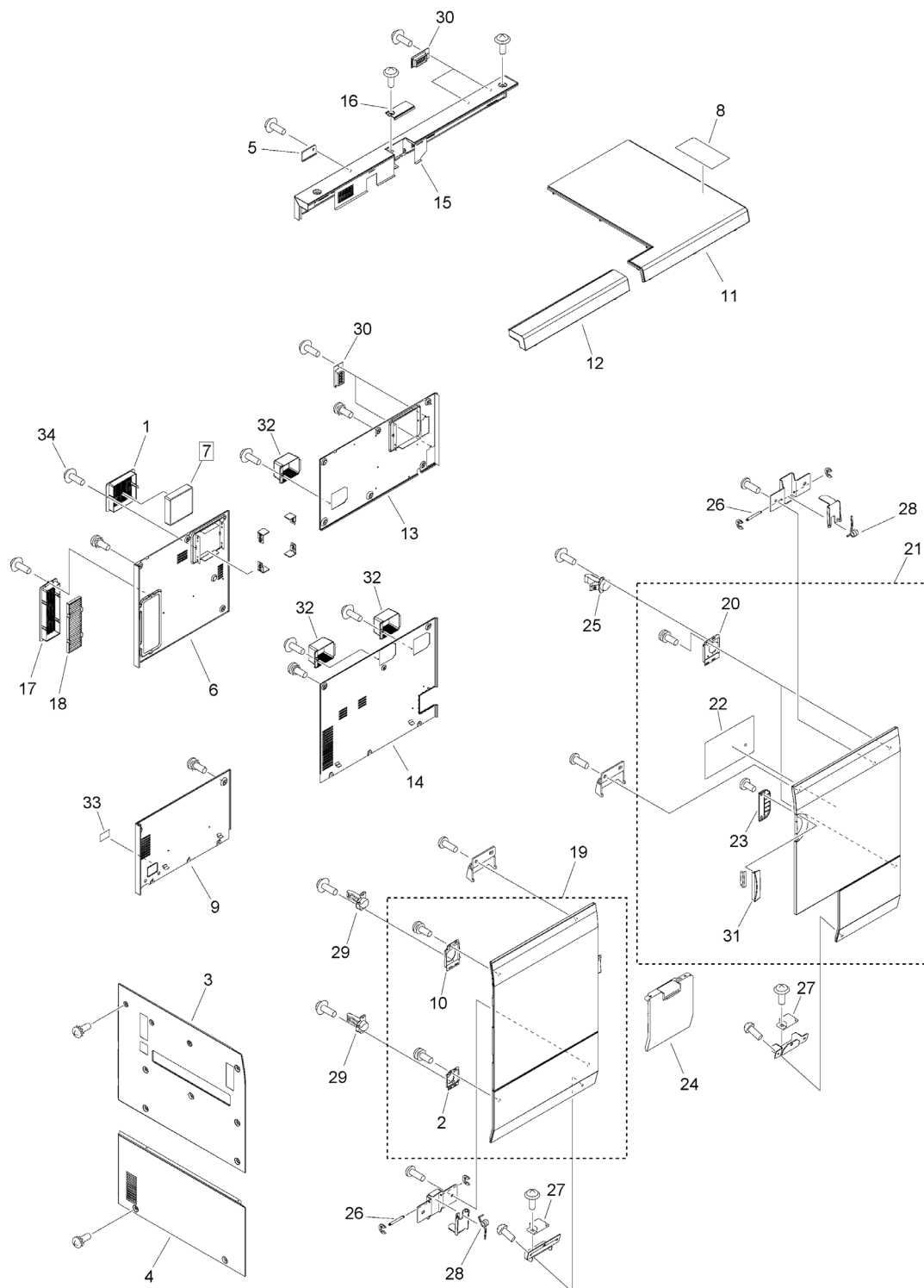


FIGURE & KEY NO.	PART NUMBER	RANK	QTY	DESCRIPTION	SERIAL NUMBER /REMARKS
111	NPN		RF	EXTERNAL COVERS, PANELS, ETC.	Sub station
1	FC6-2034-000		1	COVER, FIXING FILTER	
2	FC6-3133-000		1	SUPPORT, HINGE MOUNTING, 1	
3	FC6-8337-000		1	PANEL, LEFT, UPPER	
4	FC6-8338-000		1	PANEL, LEFT, LOWER	
5	FC6-8341-000		1	COVER, TOP PLATE BLANKING	
6	FC7-1892-000		1	COVER, REAR, LEFT UPPER	
7	FC6-2035-000		1	FILTER, OZONE	[DP]
8	FC9-6105-010		1	LABEL, CAUTION	
9	FC7-1891-000		1	COVER, REAR, LEFT LOWER	
10	FC6-3134-000		1	SUPPORT, HINGE MOUNTING, 2	
11	FL0-7863-000		1	COVER, RIGHT UPPER	
12	FL0-7864-000		1	COVER, LEFT UPPER, FRONT	
13	FL0-0544-000		1	PANEL, REAR, RIGHT UPPER	
14	FL0-0486-000		1	PANEL, REAR, RIGHT LOWER	
15	FL0-7865-000		1	COVER, REAR UPPER	
16	FL0-2705-000		1	COVER, BLANKING, REAR UPPER	
17	FC5-9987-000		1	COVER, PAPER DELIVERY FILTER	
18	FC5-9988-000		1	FILTER, DELIVERY ELECTROSTATIC	
19	FM1-L515-000		1	DOOR, LEFT	
20	FC7-3455-000		2	SUPPORT, HINGE MOUNTING, 4	
21	FM1-L513-000		1	DOOR, RIGHT	
22	FE4-9978-000		1	LABEL, MAP	
23	FC6-8033-000		1	GRIP	
24	FM2-2071-000		1	COVER, WASTE TONER BOTTLE	
25	FC7-3458-000		2	HINGE	
26	FC7-4576-000		2	SHAFT, SWING	
27	XZ9-0614-000		2	CATCH, MAGNET	
28	FU6-2544-000		2	SPRING, TORSION	
29	FC5-8660-000		2	LOCK, ONE-TOUCH	
30	FC6-8137-010		4	BASE, FILTER	
31	FC6-3160-000		1	HANDLE	
32	FE3-7810-000		3	COVER, FAN	
33	FE4-5357-000		1	LABEL, CONNECTION CAUTION	
34	FB2-5500-020		2	SCREW, M4X9	

Figure 112 INTERNAL COMPONENTS 1 (Sub station)

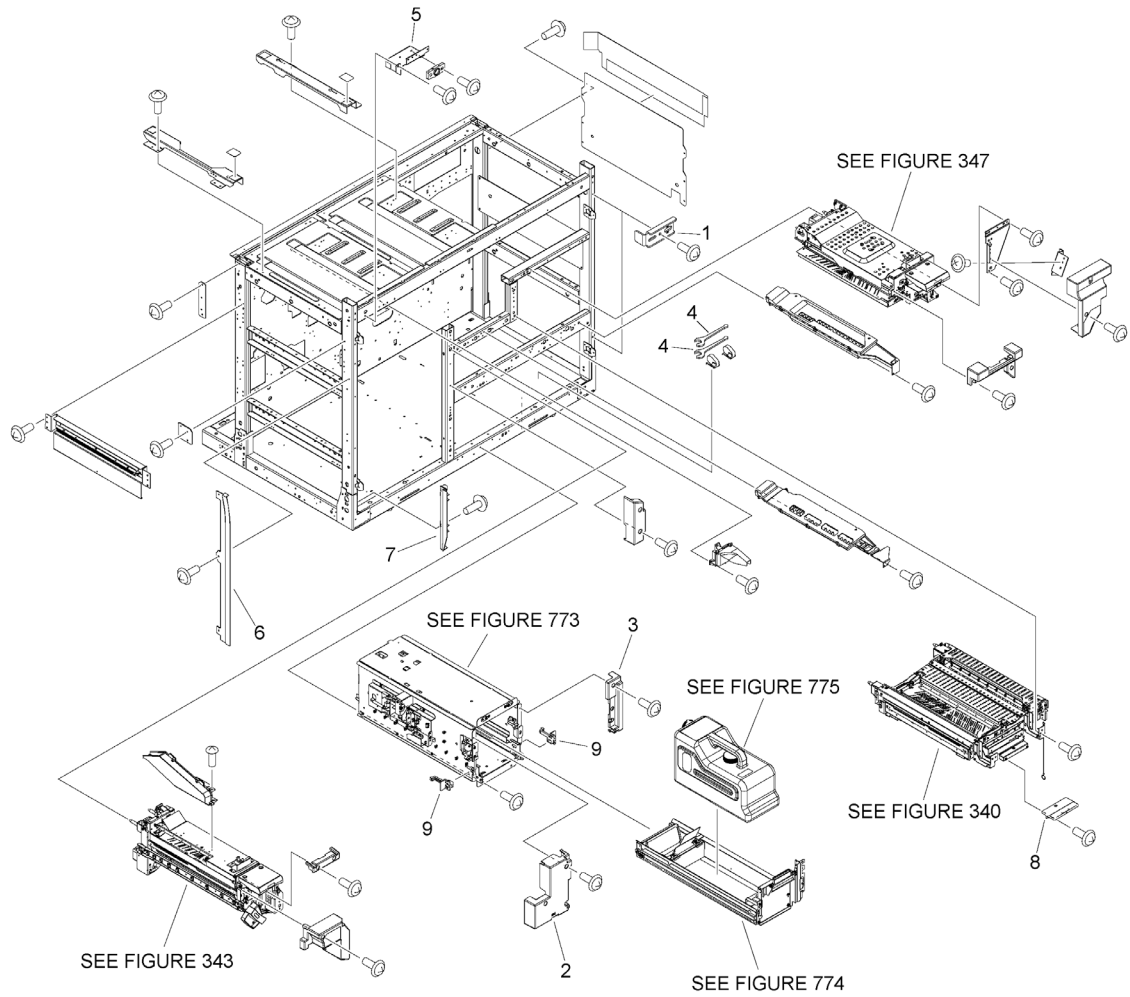


FIGURE & KEY NO.	PART NUMBER	RANK	QTY	DESCRIPTION	SERIAL NUMBER /REMARKS
112	NPN		RF	INTERNAL COMPONENTS 1	Sub station
1	FC6-8313-000		2	PLATE, FRAME JOINT	
2	FC6-8446-000		1	COVER, WASTE TONER, LEFT	
3	FC6-8447-000		1	COVER, WASTE TONER, RIGHT	
4	FC7-5711-000		2	SPANNER	
5	FC6-2389-000		1	PLATE, DELIVERY POSITION, FR.	
6	FC6-8339-000		1	COVER, BLANKING, UPPER	
7	FC6-8340-000		1	COVER, BLANKING, LOWER	
8	FC6-0036-000		1	GRIP, DUPLEXING HANDLE	
9	FC7-2261-000		2	STOPPER, CONTAINER	

Figure 113 INTERNAL COMPONENTS 2 (Sub station)

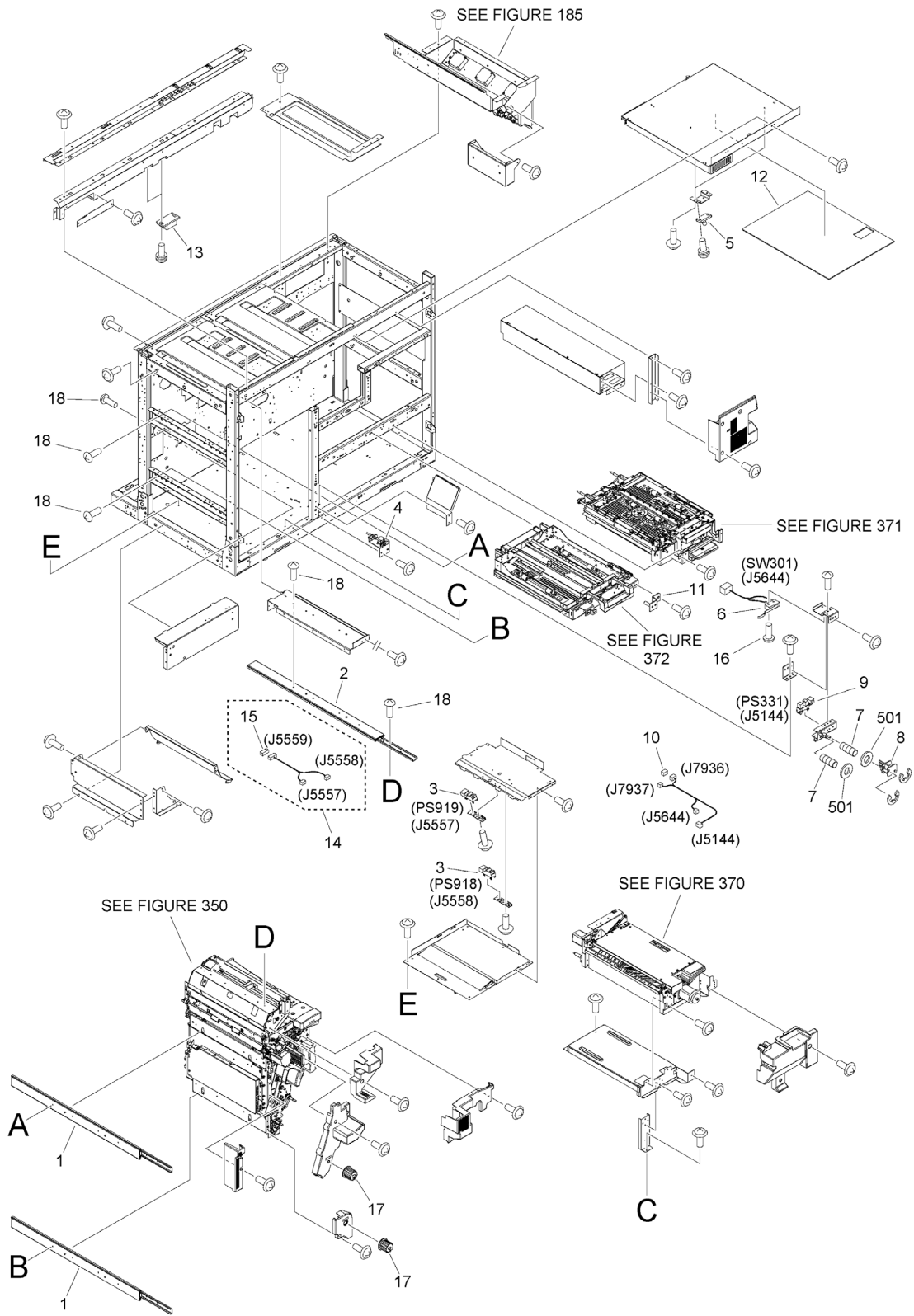


FIGURE & KEY NO.	PART NUMBER	RANK	QTY	DESCRIPTION	SERIAL NUMBER /REMARKS
113	NPN		RF	INTERNAL COMPONENTS 2	Sub station
1	FC7-4043-000		2	RAIL, PAPER DELIVERY SLIDE, 1	
2	FC7-4044-000		1	RAIL, PAPER DELIVERY SLIDE, 2	
3	FK2-6470-000		2	PHOTO-SENSOR, KUA0055C	PS918,PS919
4	FM3-0293-000		1	INTERLOCK PUSH UNIT	
5	FC7-4941-000		2	LATCH, PUSH	
6	RH7-6037-000		1	SWITCH, INTERLOCK	SW301
7	FU5-2954-000		2	SPRING, COMPRESSION	
8	FC6-3173-000		1	BUTTON, SWITCH	
9	WG8-5783-000		1	IC,PHOTO-INTERRUPTER,LG248NL1A	PS331
10	VS1-7177-003		1	CONNECTOR, SNAP TIGHT, BK	
11	FL2-2293-000		1	LOCK, PAPER FEED, LOWER	
12	FC6-2040-000		1	SHEET, HEAT INSULATING	
13	XZ9-0614-000		2	CATCH, MAGNET	
14	FM1-L898-000		1	CABLE, SENSOR	
15	VS1-7177-006		1	CONNECTOR, SNAP TIGHT, BK	
16	XA9-0554-000		2	SCREW,MACH.,TRUSS HEAD	
17	FC7-7067-000		2	KNOB, EXTRACTION	
18	XA9-1788-000		16	SCREW, MACH.,TRUSS HEAD,M4X6	
501	XD1-1104-122		2	WASHER,COP	

FIGURE & KEY NO.	PART NUMBER	RANK	QTY	DESCRIPTION	SERIAL NUMBER /REMARKS
114	NPN		RF	INTERNAL COMPONENTS 3	Sub station
1	FM2-5147-000		1	VERTICAL PATH HANDLE ASSEMBLY	
2	FC0-4131-000		4	RAIL, FIXING SLIDE	
3	FC5-8661-000		2	PLATE, MOUNTING	
4	FB2-3159-000		2	LEVER, LIFTER	
5	FE3-7639-000		4	ADJUSTER	
6	FM3-2132-000		1	FLAG UNIT	
7	FE3-4952-000		4	CASTER	
8	FU5-9208-000		4	SCREW, STEPPED, M4	
9	WG8-5783-000		1	IC,PHOTO-INTERRUPTER,LG248NL1A	PS381
10	VS1-7177-006		1	CONNECTOR, SNAP TIGHT, BK	
11	VS1-7177-012		1	CONNECTOR, SNAP TIGHT, BK	
12	VS1-8959-006		1	CONNECTOR, SNAP TIGHT, 6P, W	
13	VS1-8959-003		1	CONNECTOR, SNAP TIGHT, 3P, W	
14	VS1-8959-004		1	CONNECTOR, SNAP TIGHT, 4P, W	
15	FC0-8818-000		2	PLATE, MOUNTING	
16	FM1-L882-000		1	CABLE, SENSOR	
17	VS1-8959-012		1	CONNECTOR, WIRE TO WIRE, 12P	
18	FM1-K628-000		1	COVER, SECOND FIXING, LOWER	
19	FM1-K626-000		2	COVER, FIXING UPPER	
20	FM1-K627-000		1	COVER, FIRST FIXING, LOWER	
21	XA9-1788-000		12	SCREW, MACH., TRUSS HEAD, M4X6	
22	FU5-9226-000		4	SCREW, W/WASHER, M4X16(YELLOW)	
23	FU5-9224-000		3	SCREW, BH4X6(YELLOW)	

FIGURE & KEY NO.	PART NUMBER	RANK	QTY	DESCRIPTION	SERIAL NUMBER /REMARKS
115	NPN		RF	MACHINE REAR PLATE 1	Sub station
1	FM1-L839-000		1	CABLE, POWER SUPPLY/LIMITER	
2	FM1-H039-000		1	CABLE, FIXING DUPLEXING DRAWER	
3	FM1-A421-000		1	CONNECTOR MOUNT UNIT	
4	VS1-7177-009		1	CONNECTOR, WIRE TO WIRE, 9P	
5	FK2-3098-010		1	FAN	FM362
6	FM1-L970-000		1	CABLE, SWITCH	
7	VS1-7177-006		1	CONNECTOR, SNAP TIGHT, BK	
8	VS1-7177-004		1	CONNECTOR, SNAP TIGHT, BK	
9	FM1-L840-000		1	CABLE, HEATER, AC	
10	FM1-L830-000		1	CABLE, FIXING DUPLEXING, LEFT	
11	FE3-2223-000		1	TUBE, AIR, 1	
12	FE3-2224-000		1	TUBE, AIR, 2	
13	FE3-7807-000		1	JOINT, TUBE, BRASS	
14	FE3-7808-000		8	CLAMP, TUBE	
15	FM1-D331-010		3	SOLENOID VALVE UNIT	
16	FE3-2285-000		1	TUBE, AIR, 3	
17	FE3-2286-000		1	TUBE, AIR, 4	
18	FL0-2669-000		1	JOINT, TUBE, 2	
19	VS1-8412-003		1	CONNECTOR, SNAP TIGHT, BL	

Figure 116 MACHINE REAR PLATE 2 (Sub station)

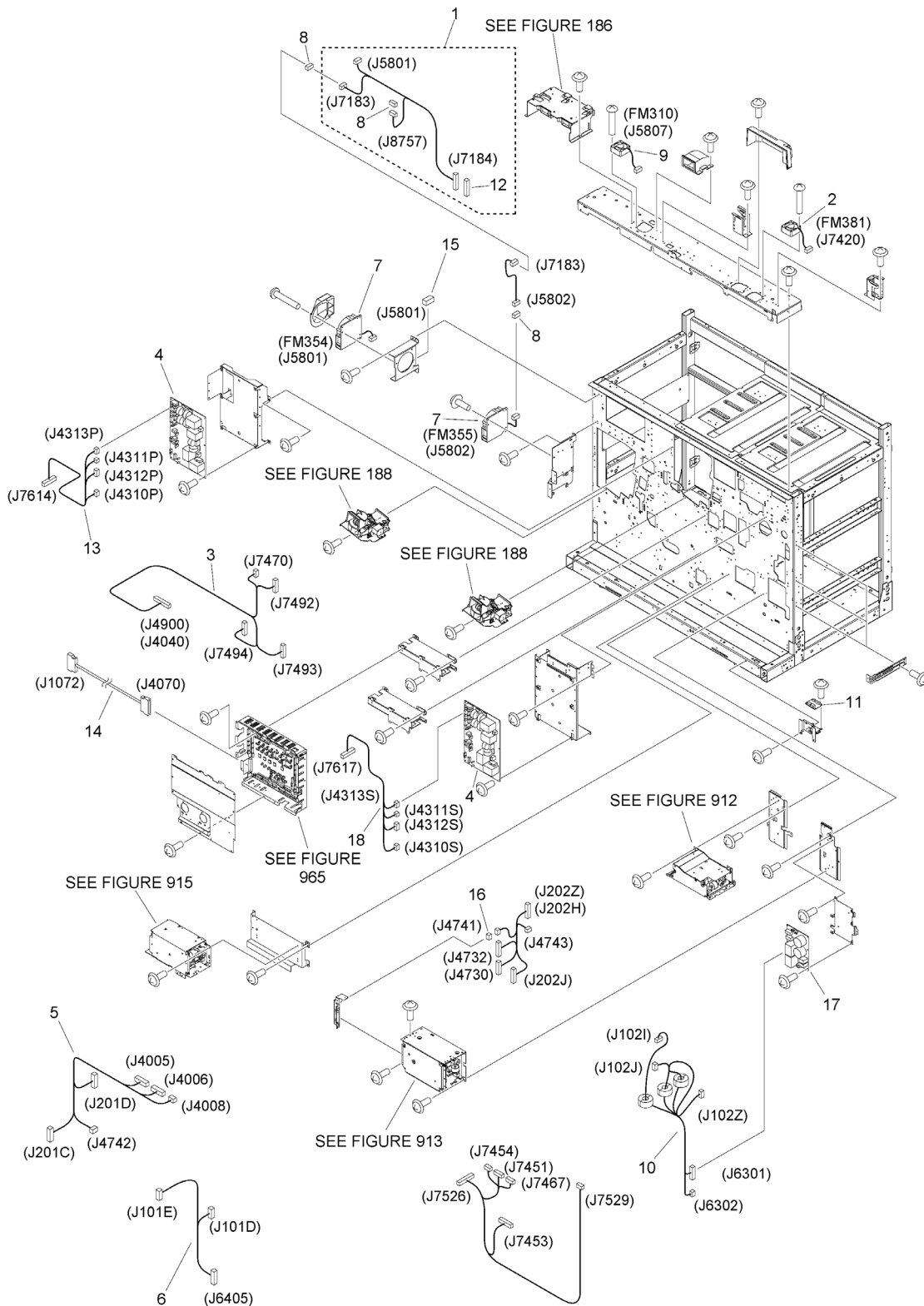


FIGURE & KEY NO.	PART NUMBER	RANK	QTY	DESCRIPTION	SERIAL NUMBER /REMARKS
116	NPN		RF	MACHINE REAR PLATE 2	Sub station
1	FM1-L841-000		1	CABLE, EXHAUST FAN	
2	FK2-3100-000		1	FAN	FM381
3	FM1-L958-000		1	CABLE, MOTOR	
4	FM1-A881-000		2	FIXING HEATER DRIVER PCB ASS'Y	
5	FM1-L884-000		1	CABLE, POWER/LIMITER 38V	
6	FM1-L885-000		1	CABLE, AC	
7	FK2-3098-010		2	FAN	FM354,FM355
8	VS1-7177-004		3	CONNECTOR, SNAP TIGHT, BK	
9	FK2-2064-000		1	FAN	FM310
10	FM1-L971-000		1	CABLE, FIXING POWER SUPPLY, AC	
11	FM0-4695-000		1	TRANSCEIVER PCB ASSEMBLY, CAN	
12	VS1-8412-013		1	CONNECTOR, SNAP TIGHT, BL	
13	FM1-L826-000		1	CABLE, FIRST FIXING DRAWER	
14	FK2-3122-000		1	CABLE, SERIAL	
15	VS1-7440-004		1	CONNECTOR, SNAP TIGHT	
16	VS1-7177-003		1	CONNECTOR, SNAP TIGHT, BK	
17	FM1-A886-000		1	FIXING AC RELAY PCB ASSEMBLY	
18	FM1-L827-000		1	CABLE, SECOND FIXING DRAWER	

Figure 120 POWER STATION COVER ASSEMBLY

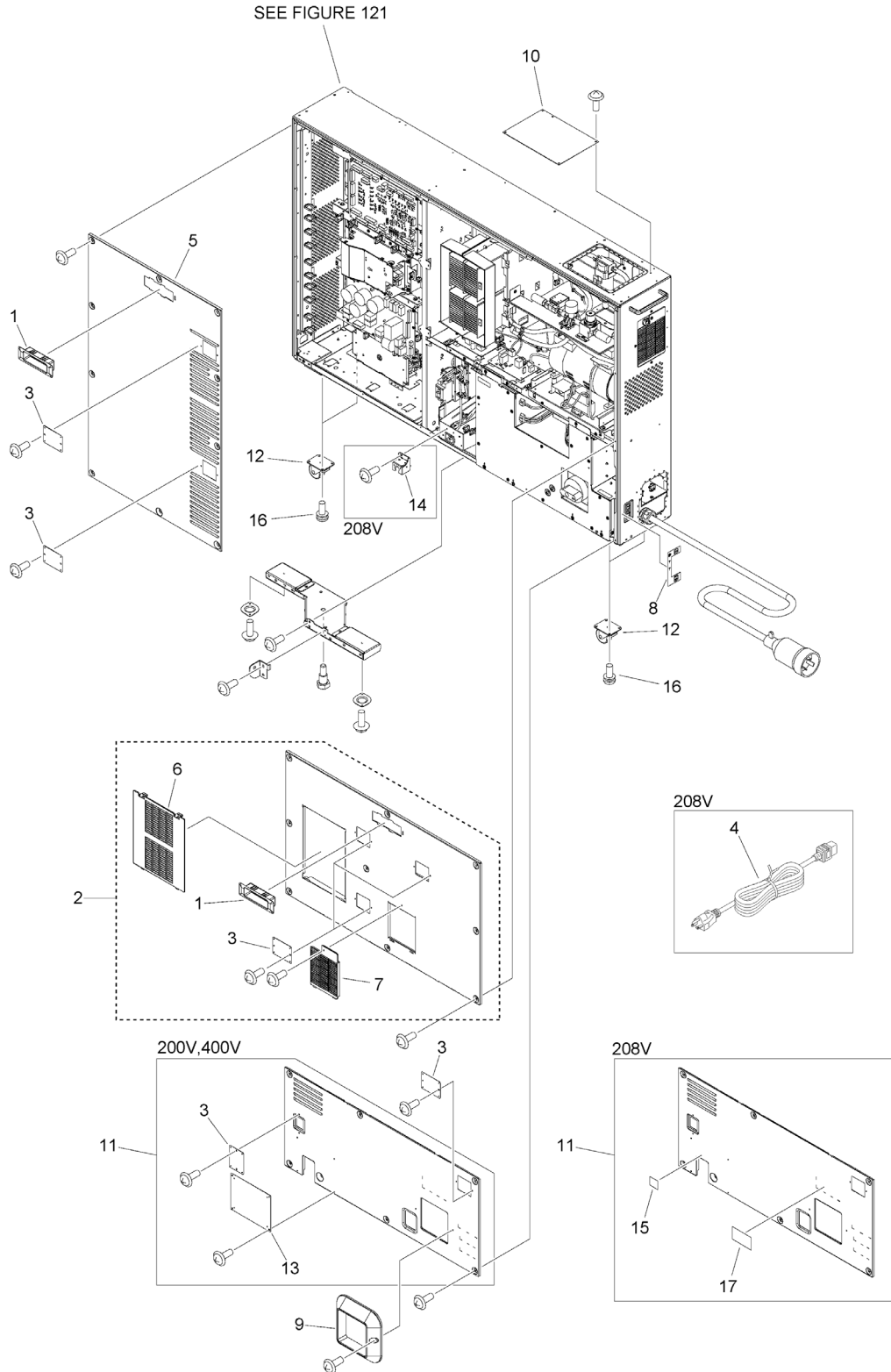


FIGURE & KEY NO.	PART NUMBER	RANK	QTY	DESCRIPTION	SERIAL NUMBER /REMARKS
120	NPN		RF	POWER STATION COVER ASSEMBLY	
1	FC6-8948-000		2	HANDLE	
2	FM1-A430-000		1	REAR COVER ASSEMBLY, 1	
3	FC7-4917-000		7	COVER, SWITCH	
4	FK3-3988-000		1	CORD, POWER SUPPLY	208V
5	FC7-2244-000		1	COVER, REAR,2	
6	FE3-1908-000		1	COVER, FILTER	
7	FE3-1909-000		1	COVER, FAN	
8	FC7-7030-010		1	LABEL, ENVIRONMENT SWITCH	
9	FC7-7043-000		1	PANEL, HANDLE PROTECTION	
10	FC7-0947-000		1	COVER, HDD	
11	FM1-H059-000		1	COVER, REAR,3	208V
11	FM1-K532-000		1	COVER, REAR,3	200V,400V
12	FM1-J255-000		4	CASTER	
13	FC5-2452-000		1	COVER, BLANKING, REAR	200V,400V
14	FL3-9168-000		1	COVER, PLUG	208V
15	FE8-1658-000		1	LABEL, SUB POWER SUPPLY CORD	208V
16	FE9-0290-000		16	SCREW, W/WASHER	
17	FU2-1740-000		1	LABEL, MULTI POWER CAUTION	208V

Figure 121 (2/2) POWER STATION ASSEMBLY

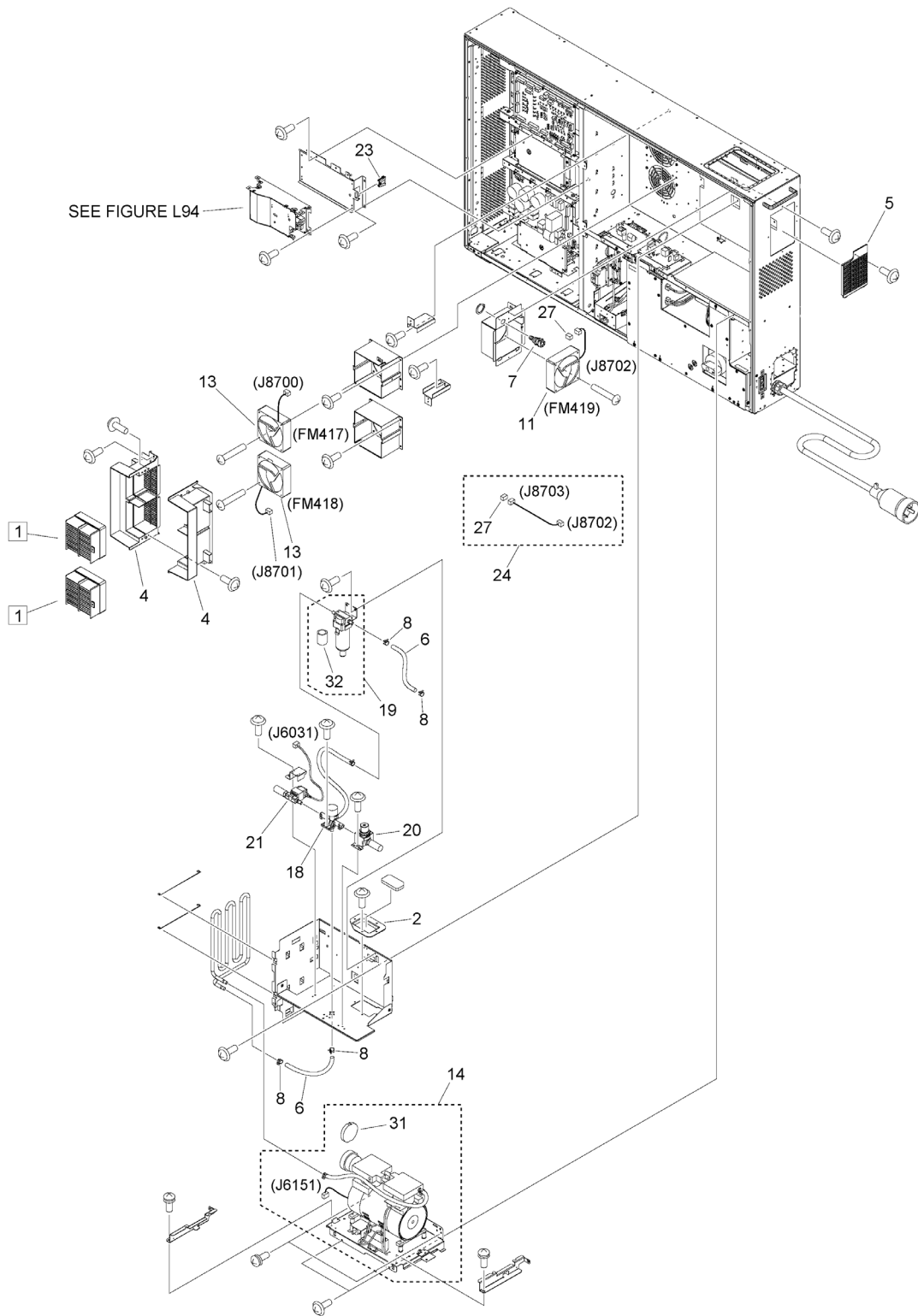


FIGURE & KEY NO.	PART NUMBER	RANK	QTY	DESCRIPTION	SERIAL NUMBER /REMARKS
121	NPN		RF	POWER STATION ASSEMBLY	
1	FC6-3483-000		2	FILTER, AIR	[DP]
2	FC7-1845-000		1	PLATE, REG. FRAME HANDLE FP	
3	FC7-9568-000		1	COVER, OUTLET	
4	FE3-1907-000		2	DUCT, EXHAUST, REAR	
5	FE3-1909-000		1	COVER, FAN	
6	FE3-2285-000		2	TUBE, AIR, 3	
7	FE3-7806-000		1	JOINT, TUBE, BRASS	
8	FE3-7808-000		4	CLAMP, TUBE	
9	FM1-L906-000		1	CABLE, POWER LIMITER MAIN	
10	FM1-L909-000		1	CABLE, PUMP UNIT	
11	FK2-3150-000		1	FAN	FM419
12	FK3-1997-000		1	ALL NIGHT POWER SUPPLY PCB	
13	FL3-9079-000		2	FAN	FM417, FM418
14	FM1-A438-000		1	PUMP UNIT	
15	FM1-A884-000		1	RELAY PCB ASSEMBLY	
16	FM1-A885-000		1	LIMITER PCB ASSEMBLY	
17	FM1-A891-000		1	PUMP DRIVER PCB ASSEMBLY	
18	FM1-D390-000		1	PRESSURE GAUGE UNIT	
19	FM1-D391-010		1	AIR FILTER UNIT	
20	FM1-D392-000		1	RELIEF VALVE UNIT	
21	FM1-D393-000		1	ELECTROMAGNETIC VALVE UNIT	
22	FM1-L904-000		1	CABLE, 24V POWER SUPPLY	
23	FM1-L905-000		1	CABLE, 38V POWER SUPPLY	
24	FM1-L949-000		1	CABLE, FAN	
25	FM4-6291-000		1	CABLE, AC, 12V	
26	FM4-6296-000		3	CABLE, POWER SUPPLY AC CONNECT	
27	VS1-7177-003		6	CONNECTOR, SNAP TIGHT, BK	
28	VS1-7177-004		2	CONNECTOR, SNAP TIGHT, BK	
29	FM1-L900-000		1	CABLE, POWER SUPPLY LIMITER	
30	FM1-L901-000		1	CABLE, AC INPUT	
31	FE8-2293-000		1	FILTER, AIR	
32	FE8-2294-000		1	FILTER, AIR	

Figure 140A POWER CORD TERMINAL ASSEMBLY (200V)

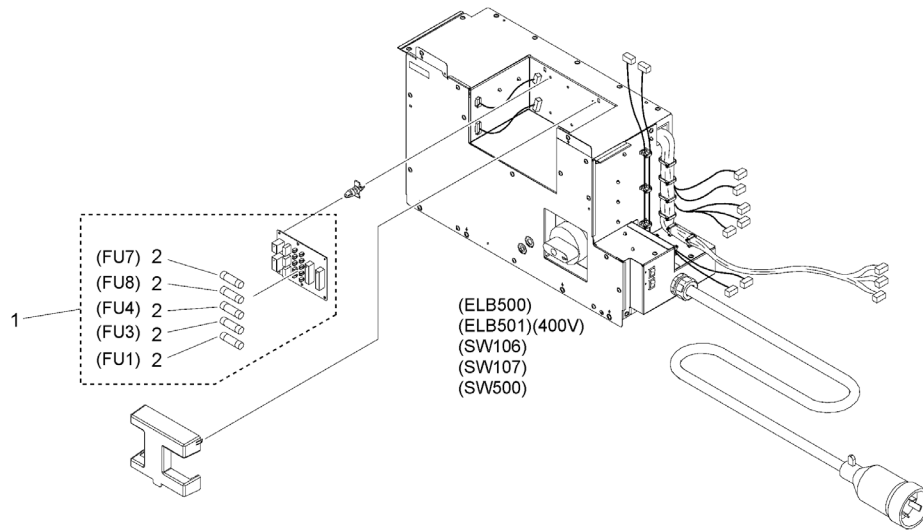


FIGURE & KEY NO.	PART NUMBER	RANK	QTY	DESCRIPTION	SERIAL NUMBER /REMARKS
140A	FM1-A458-000		1	POWER CORD TERMINAL ASSEMBLY	ELB500,SW106, SW107,SW500 200V
1	FM1-E983-000		1	HEATER CONNECTING PCB ASSEMBLY	
2	VD7-3502-001		5	FUSE, 2A, 250V	FU1,FU3,FU4, FU7,FU8

Figure 140B POWER CORD TERMINAL ASSEMBLY (208V)

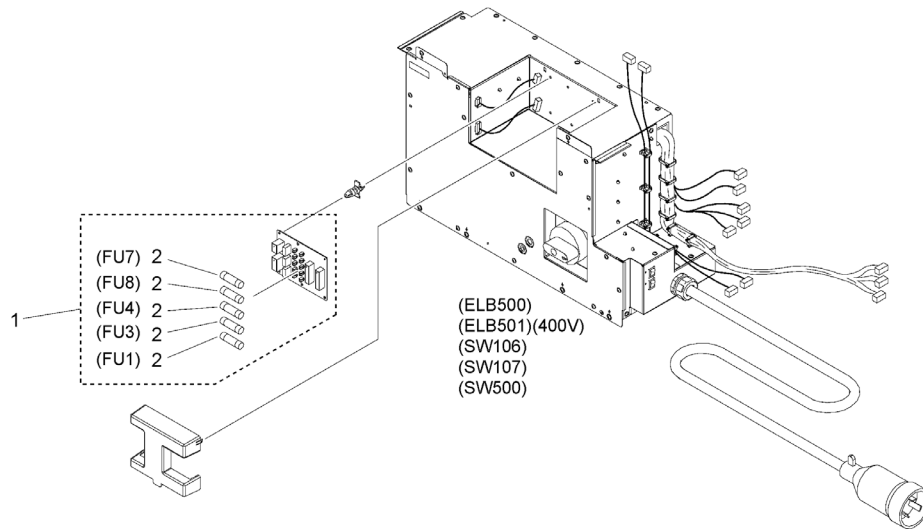


FIGURE & KEY NO.	PART NUMBER	RANK	QTY	DESCRIPTION	SERIAL NUMBER /REMARKS
140B	FM1-A457-000		1	POWER CORD TERMINAL ASSEMBLY	ELB500,SW106, SW107,SW500 208V
1	FM1-E983-000		1	HEATER CONNECTING PCB ASSEMBLY	
2	VD7-3502-001		5	FUSE, 2A, 250V	FU1,FU3,FU4, FU7,FU8

Figure 140C POWER CORD TERMINAL ASSEMBLY (400V
EUR, AU, SG, IN, KR, LTN)

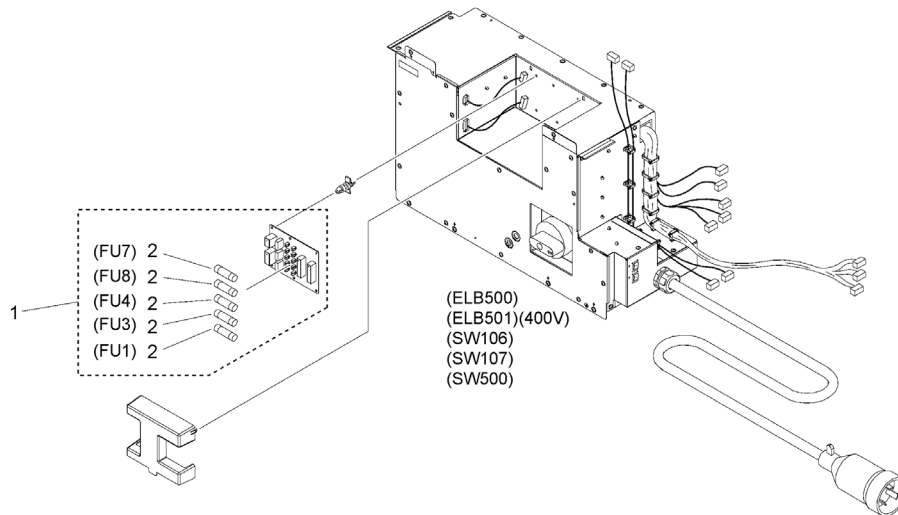


FIGURE & KEY NO.	PART NUMBER	RANK	QTY	DESCRIPTION	SERIAL NUMBER /REMARKS
140C	FM1-A459-000		1	POWER CORD TERMINAL ASSEMBLY	ELB500,ELB501, SW106,SW107, SW500 400V EUR,AU,SG, IN,KR,LTN
1	FM1-E983-000		1	HEATER CONNECTING PCB ASSEMBLY	
2	VD7-3502-001		5	FUSE, 2A, 250V	FU1,FU3,FU4, FU7,FU8

Figure 140D POWER CORD TERMINAL ASSEMBLY (400V CN)

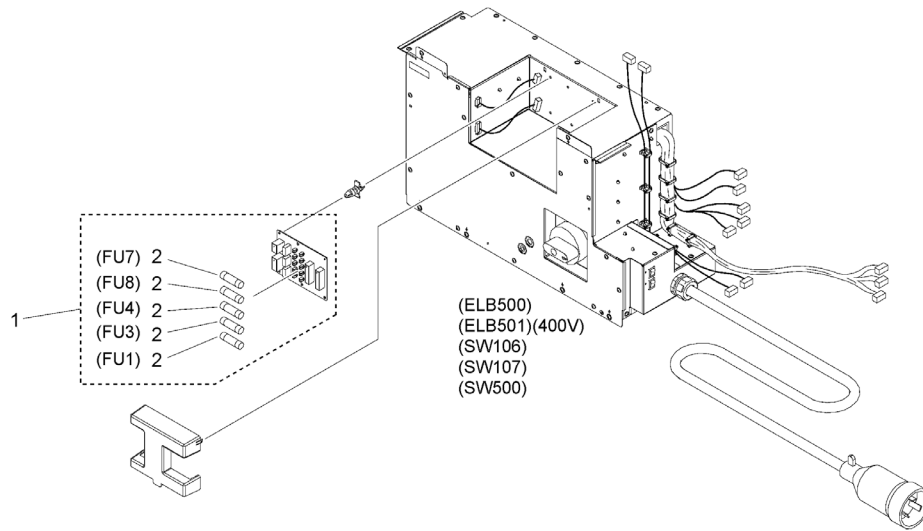


FIGURE & KEY NO.	PART NUMBER	RANK	QTY	DESCRIPTION	SERIAL NUMBER /REMARKS
140D	FM1-A460-000		1	POWER CORD TERMINAL ASSEMBLY	ELB500,ELB501, SW106,SW107, SW500 400V CN
1	FM1-E983-000		1	HEATER CONNECTING PCB ASSEMBLY	
2	VD7-3502-001		5	FUSE, 2A, 250V	FU1,FU3,FU4, FU7,FU8

Figure 141 POWER CORD TERMINAL ASSEMBLY (208V)

NOTE : This assembly includes the assembly shown in Figure 962*.

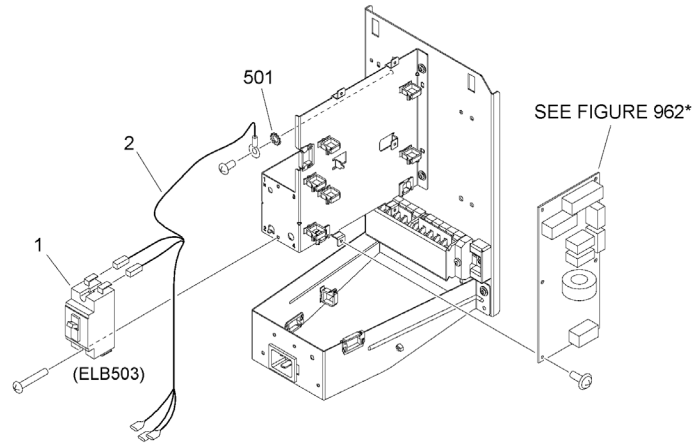


FIGURE & KEY NO.	PART NUMBER	RANK	QTY	DESCRIPTION	SERIAL NUMBER /REMARKS
141	FM1-H042-000		1	POWER CORD TERMINAL ASSEMBLY	208V
1	FK2-0014-000		1	BREAKER, ELECTRIC LEAKAGE	ELB503
2	FM1-T804-000		1	CABLE, INLET	
501	XD1-4200-602		1	WASHER, TOOTHED LOCK (SUS)	

Figure 181 COOLING FAN ASS'Y, 2

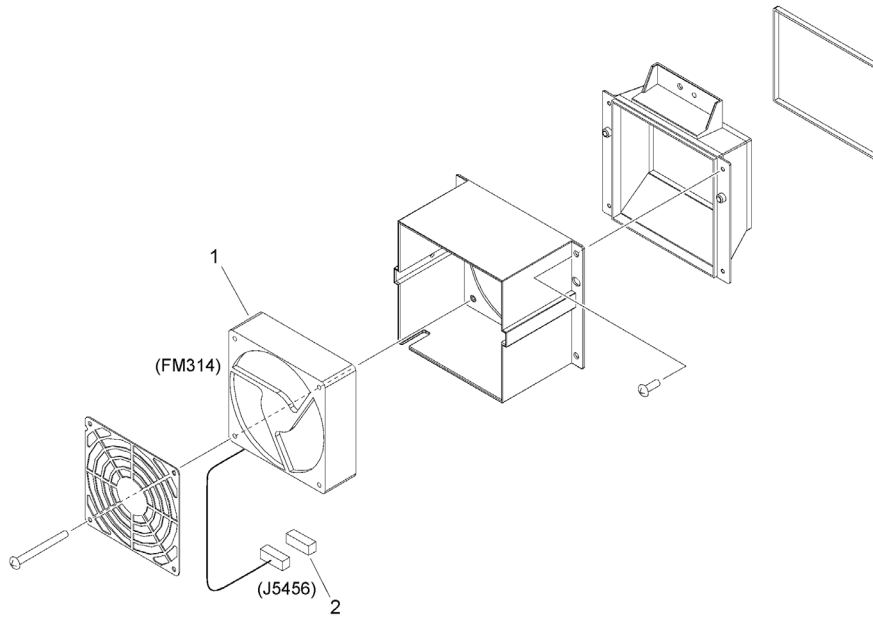


FIGURE & KEY NO.	PART NUMBER	RANK	QTY	DESCRIPTION	SERIAL NUMBER /REMARKS
181	FM2-2202-000		1	COOLING FAN ASS'Y, 2	
1	FK2-3150-000		1	FAN	FM314
2	VS1-7177-003		1	CONNECTOR, SNAP TIGHT, BK	

Figure 183 FIRST FIXING FAN ASSEMBLY

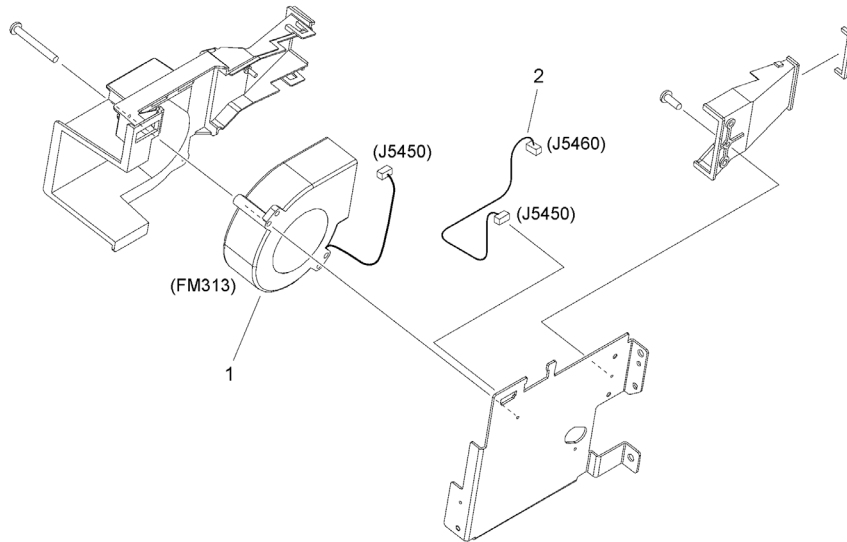


FIGURE & KEY NO.	PART NUMBER	RANK	QTY	DESCRIPTION	SERIAL NUMBER /REMARKS
183	FM1-D380-000		1	FIRST FIXING FAN ASSEMBLY	
1	FK4-1399-000		1	FAN	FM313
2	FM1-L899-000		1	CABLE, COOLING FAN	

Figure 184 SECOND FIXING FAN ASSEMBLY

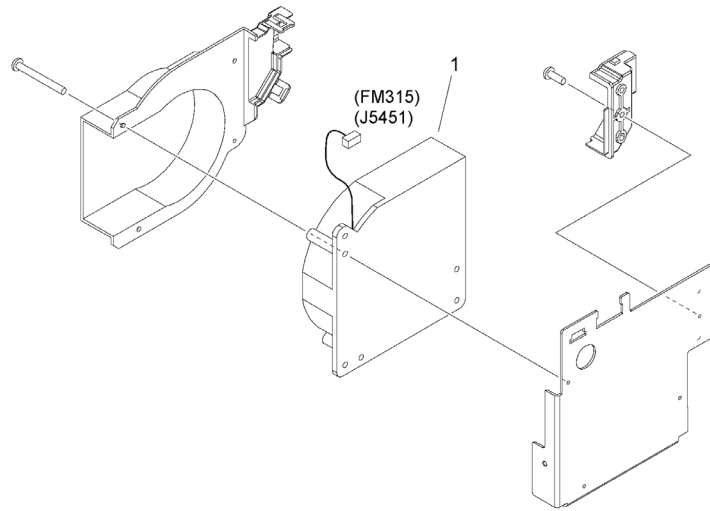


FIGURE & KEY NO.	PART NUMBER	R A N K	QTY	DESCRIPTION	SERIAL NUMBER /REMARKS
184	FM2-2214-010		1	SECOND FIXING FAN ASSEMBLY	
1	FK2-3098-010		1	FAN	FM315

Figure 185 FIRST EXHAUST DUCT ASSEMBLY

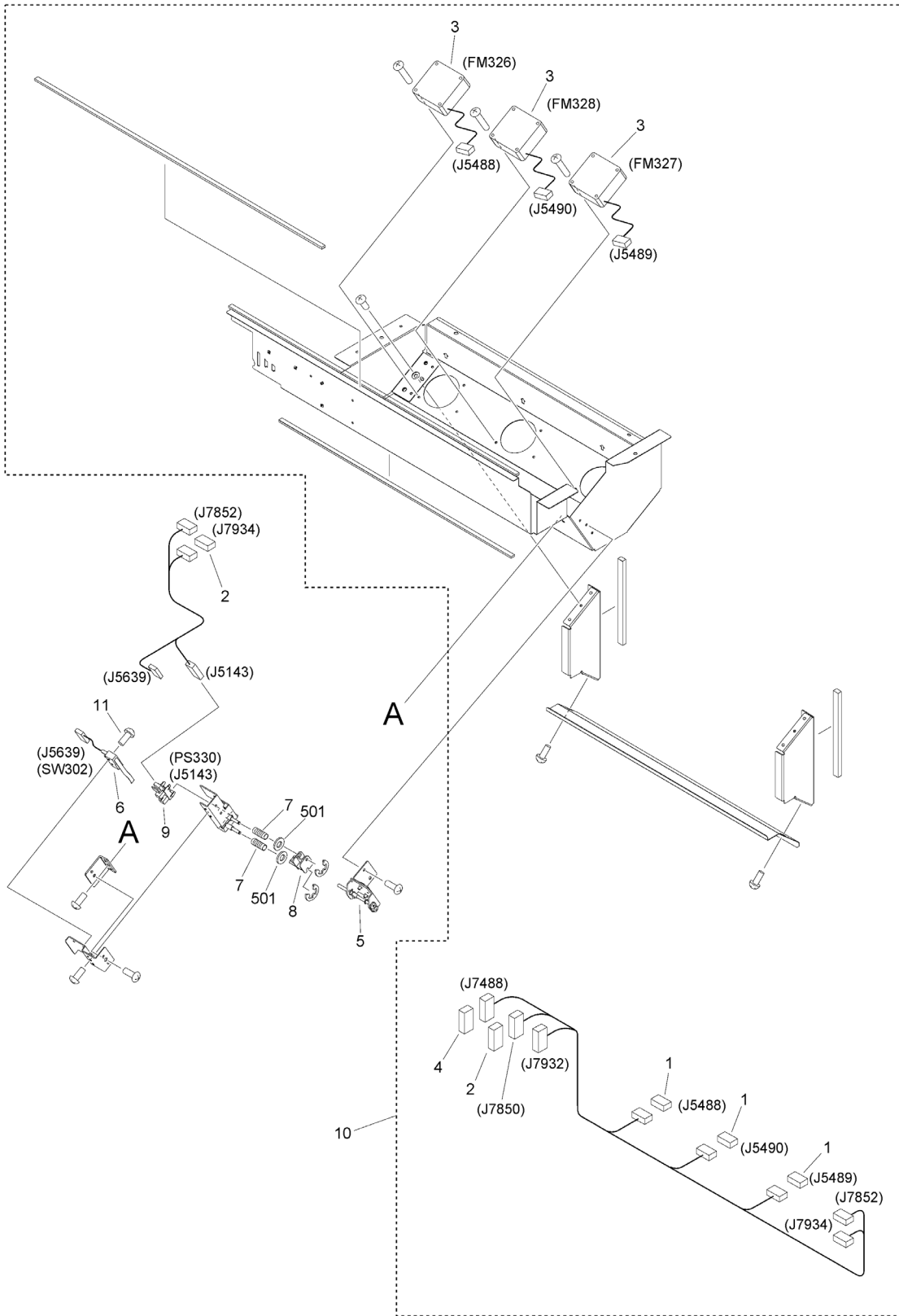


FIGURE & KEY NO.	PART NUMBER	RANK	QTY	DESCRIPTION	SERIAL NUMBER /REMARKS
185	NPN		RF	FIRST EXHAUST DUCT ASSEMBLY	
1	VS1-7177-004		3	CONNECTOR, SNAP TIGHT, BK	
2	VS1-7177-003		2	CONNECTOR, SNAP TIGHT, BK	
3	FK2-3100-000		3	FAN	FM326,FM327, FM328
4	VS1-8959-012		1	CONNECTOR, WIRE TO WIRE, 12P	
5	FM4-2552-000		1	INTERLOCK PUSH UNIT, LEFT	
6	RH7-6037-000		1	SWITCH, INTERLOCK	SW302
7	FU5-2954-000		2	SPRING, COMPRESSION	
8	FC6-3173-000		1	BUTTON, SWITCH	
9	WG8-5783-000		1	IC,PHOTO-INTERRUPTER,LG248NL1A	PS330
10	FM4-7443-000		1	FIRST EXHAUST DUCT UNIT	
11	XA9-0554-000		2	SCREW,MACH.,TRUSS HEAD	
501	XD1-1104-122		2	WASHER,COP	

Figure 186 FAN MOUNT ASSEMBLY, OUTER

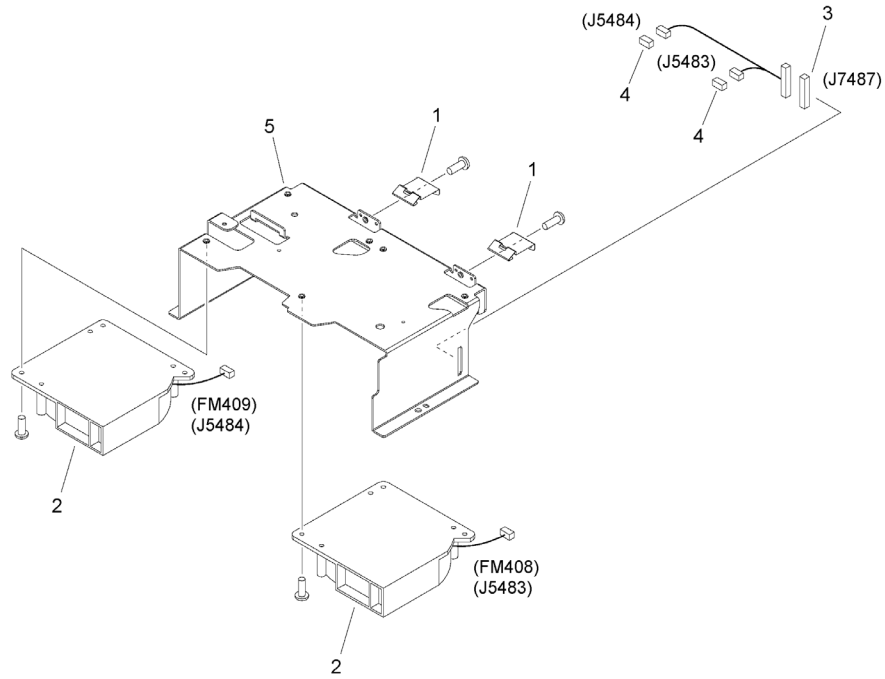


FIGURE & KEY NO.	PART NUMBER	RANK	QTY	DESCRIPTION	SERIAL NUMBER /REMARKS
186	NPN		RF	FAN MOUNT ASSEMBLY, OUTER	
1	FC6-3186-000		2	STOPPER, PRIMARY	
2	FK2-3098-010		2	FAN	FM408, FM409
3	VS1-8959-016		1	CONNECTOR, SNAP TIGHT, 16P, W	
4	VS1-7177-004		2	CONNECTOR, SNAP TIGHT, BK	
5	FC9-5763-010		1	MOUNT, EXHAUST FAN	

Figure 188 BELT COOLING FAN ASSEMBLY

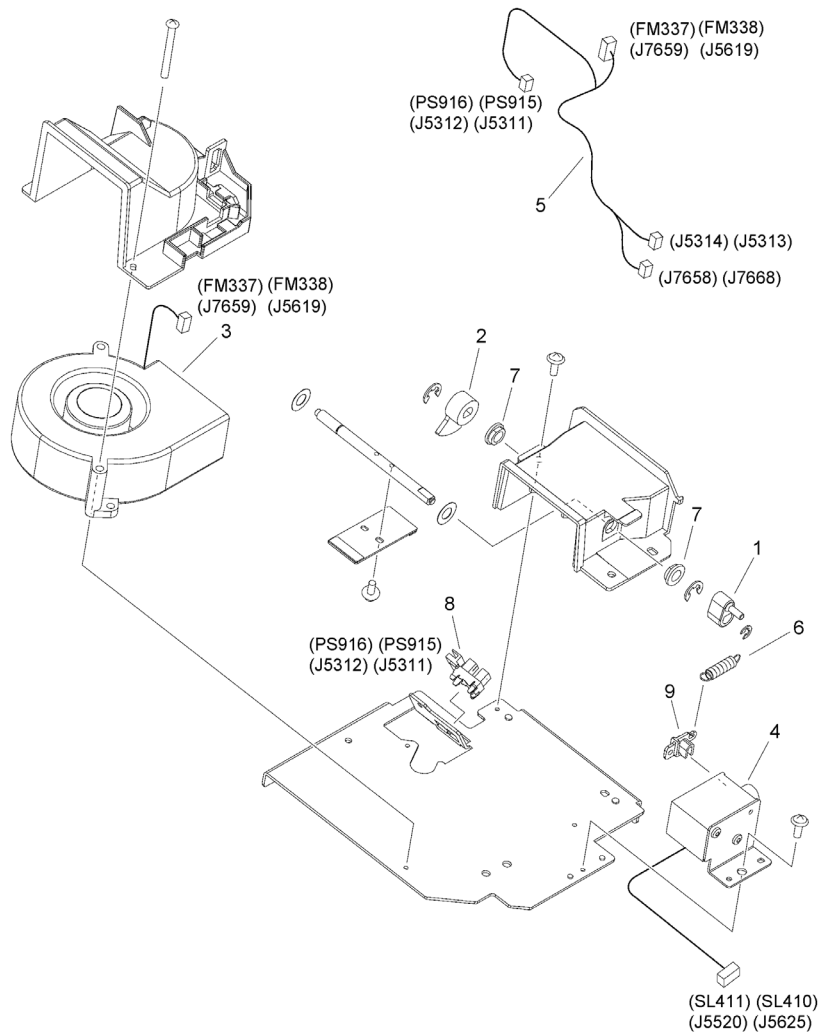


FIGURE & KEY NO.	PART NUMBER	RANK	QTY	DESCRIPTION	SERIAL NUMBER /REMARKS
188	NPN		RF	BELT COOLING FAN ASSEMBLY	
1	FC5-8142-000		1	LINK, ATTRACTION SHUTTER	
2	FC6-1350-000		1	FLAG, SENSOR	
3	FK4-1399-000		1	FAN	FM337,FM338
4	FM1-A393-000		1	SOLENOID UNIT	SL410,SL411
5	FM1-L881-000		1	CABLE, SENSOR, HOME POSITION	
6	FU2-0413-000		1	SPRING, TENSION	
7	RS5-1058-000		2	BUSHING	
8	WG8-5783-000		1	IC,PHOTO-INTERRUPTER,LG248NL1A	PS915,PS916
9	FC5-8124-000		1	LINK, SOLENOID	

FIGURE & KEY NO.	PART NUMBER	RANK	QTY	DESCRIPTION	SERIAL NUMBER /REMARKS
189	FM1-H069-000		1	PAPER DELIVERY FAN ASSEMBLY	
1	FK2-3098-010		3	FAN	FM318,FM319, FM320
2	VS1-7177-004		3	CONNECTOR, SNAP TIGHT, BK	

Figure 195 FIRST FIXING EXHAUST FAN ASS'Y

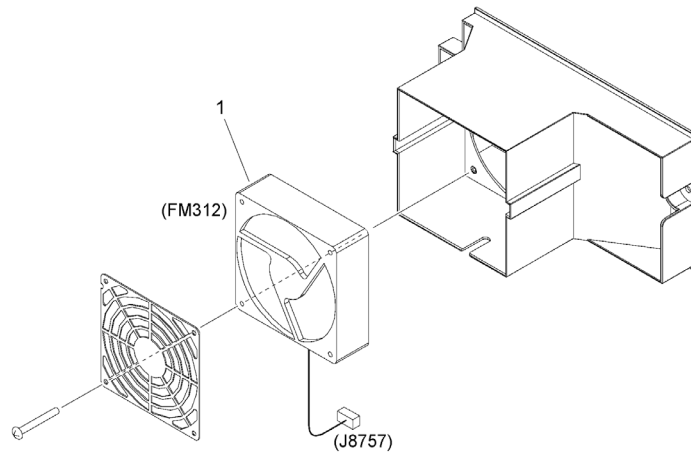


FIGURE & KEY NO.	PART NUMBER	R A N K	QTY	DESCRIPTION	SERIAL NUMBER /REMARKS
195	FM1-A375-000		1	FIRST FIXING EXHAUST FAN ASS'Y	
1	FL3-9079-000		1	FAN	FM312

Figure 280 1ST FIXING DRIVE ASSEMBLY

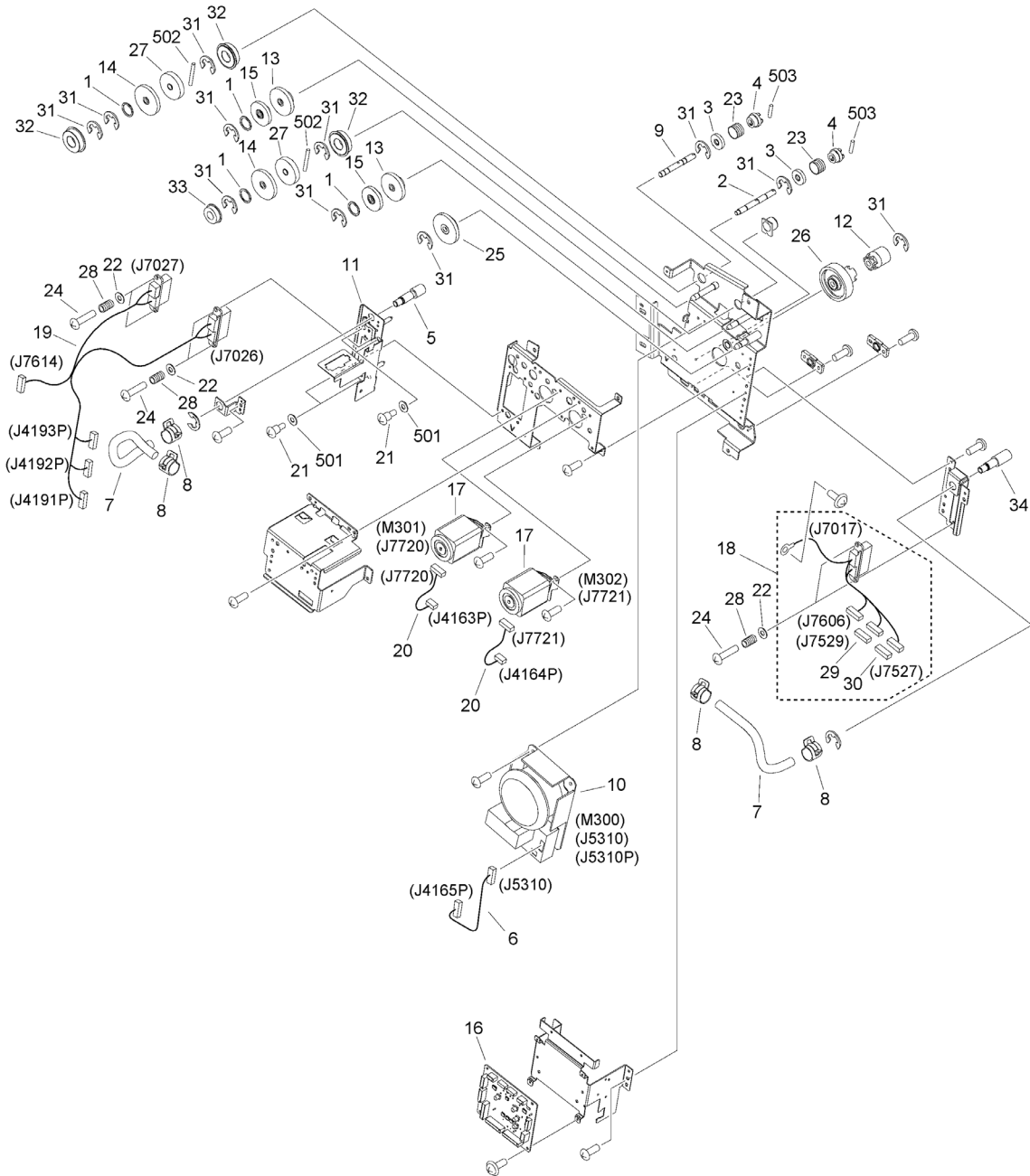


FIGURE & KEY NO.	PART NUMBER	RANK	QTY	DESCRIPTION	SERIAL NUMBER /REMARKS
280	FM1-A373-010		1	1ST FIXING DRIVE ASSEMBLY	
1	FC5-9014-000		4	WASHER	
2	FC5-9768-000		1	SHAFT, INPUT, ROLL	
3	FC7-3106-000		2	STOPPER, COUPLING	
4	FC7-7550-000		2	COUPLING, FIXING	
5	FE3-2058-000		1	JOINT, COUPLER	
6	FM1-L821-000		1	CABLE, MOTOR	
7	FE3-2285-000		2	TUBE, AIR, 3	
8	FE3-7808-000		4	CLAMP, TUBE	
9	FE3-7981-000		1	SHAFT, TRANSMISSION	
10	FK4-1406-000		1	MOTOR, DC	M300
11	FL0-0476-000		1	PLATE, DRAWER	
12	FM0-4210-000		1	GEAR, 22T	
13	FL3-7951-000		2	GEAR, 20T/42T	
14	FL3-7952-000		2	GEAR, 18T/45T	
15	FL3-7953-000		2	GEAR, 15T/36T	
16	FM1-A879-010		1	FIXING OUTER DRIVER PCB ASS'Y	
17	FM1-H030-000		2	MOTOR UNIT	M301,M302
18	FM1-L822-000		1	CABLE, DRAWER, 3	
19	FM1-L873-000		1	CABLE, DRAWER, 1	
20	FM2-8689-000		2	CABLE, MOTOR, 1	
21	FS1-9076-020		4	SCREW, STEPPED, M4	
22	FS5-6601-000		6	SPACER	
23	FU5-2840-000		2	SPRING, COMPRESSION	
24	FU5-9570-000		6	SCREW, STEPPED, M3X28	
25	FU6-0413-000		1	GEAR, 30T/46T	
26	FU6-0483-010		1	GEAR, 85T	
27	FU7-0828-010		2	GEAR, 40T	
28	FU7-2881-000		6	SPRING, COMPRESSION	
29	VS1-8412-017		1	CONNECTOR, SNAP TIGHT, BL	
30	VS1-8412-019		1	CONNECTOR, SNAP TIGHT, BL	
31	XD9-0137-010		11	RING, E	
32	XG9-0508-000		3	BEARING, BALL, F688ZZ	
33	XG9-0858-000		1	BEARING, BALL, MF126ZZX3A55	
34	FE3-2271-000		1	JOINT, COUPLER, 2	
501	XD1-1106-222		4	WASHER,COP	
502	XD3-2300-142		2	PIN, DOWEL	
503	XD3-2300-262		2	PIN,DOWEL	

Figure 281 2ND FIXING DRIVE ASSEMBLY

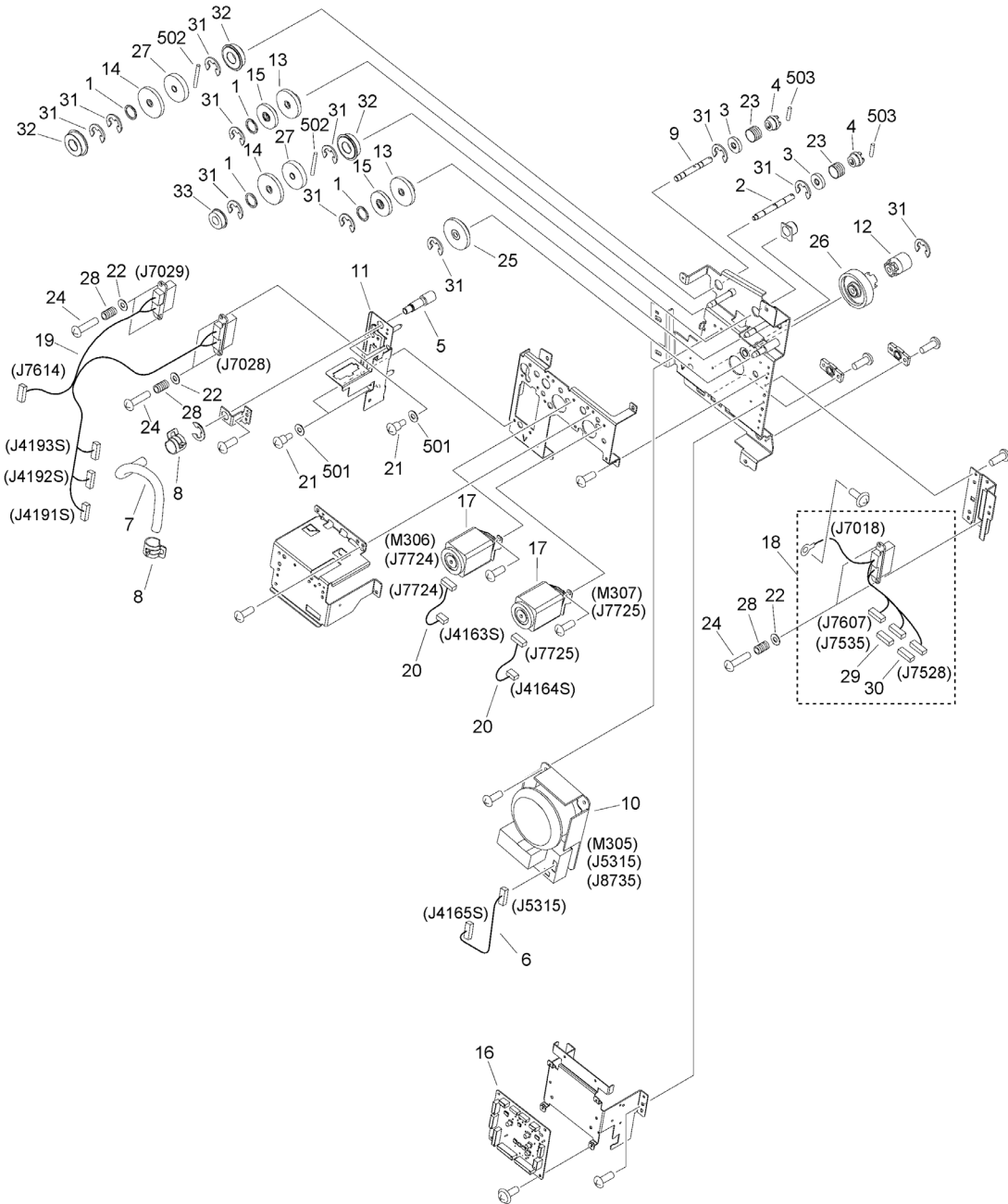


FIGURE & KEY NO.	PART NUMBER	RANK	QTY	DESCRIPTION	SERIAL NUMBER /REMARKS
281	FM1-A374-010		1	2ND FIXING DRIVE ASSEMBLY	
1	FC5-9014-000		4	WASHER	
2	FC5-9768-000		1	SHAFT, INPUT, ROLL	
3	FC7-3106-000		2	STOPPER, COUPLING	
4	FC7-7550-000		2	COUPLING, FIXING	
5	FE3-2058-000		1	JOINT, COUPLER	
6	FM1-L821-000		1	CABLE, MOTOR	
7	FE3-2285-000		1	TUBE, AIR, 3	
8	FE3-7808-000		2	CLAMP, TUBE	
9	FE3-7981-000		1	SHAFT, TRANSMISSION	
10	FK4-1406-000		1	MOTOR, DC	M305
11	FL0-0476-000		1	PLATE, DRAWER	
12	FM0-4210-000		1	GEAR, 22T	
13	FL3-7951-000		2	GEAR, 20T/42T	
14	FL3-7952-000		2	GEAR, 18T/45T	
15	FL3-7953-000		2	GEAR, 15T/36T	
16	FM1-A879-010		1	FIXING OUTER DRIVER PCB ASS'Y	
17	FM1-H030-000		2	MOTOR UNIT	M306,M307
18	FM1-L822-000		1	CABLE, DRAWER, 3	
19	FM1-L873-000		1	CABLE, DRAWER, 1	
20	FM2-8689-000		2	CABLE, MOTOR, 1	
21	FS1-9076-020		4	SCREW, STEPPED, M4	
22	FS5-6601-000		6	SPACER	
23	FU5-2840-000		2	SPRING, COMPRESSION	
24	FU5-9570-000		6	SCREW, STEPPED, M3X28	
25	FU6-0413-000		1	GEAR, 30T/46T	
26	FU6-0483-010		1	GEAR, 85T	
27	FU7-0828-010		2	GEAR, 40T	
28	FU7-2881-000		6	SPRING, COMPRESSION	
29	VS1-8412-017		1	CONNECTOR, SNAP TIGHT, BL	
30	VS1-8412-019		1	CONNECTOR, SNAP TIGHT, BL	
31	XD9-0137-010		11	RING, E	
32	XG9-0508-000		3	BEARING, BALL, F688ZZ	
33	XG9-0858-000		1	BEARING, BALL, MF126ZZX3A55	
501	XD1-1106-222		4	WASHER,COP	
502	XD3-2300-142		2	PIN, DOWEL	
503	XD3-2300-262		2	PIN,DOWEL	

Figure 283 WASTE TONER DRIVE ASSEMBLY

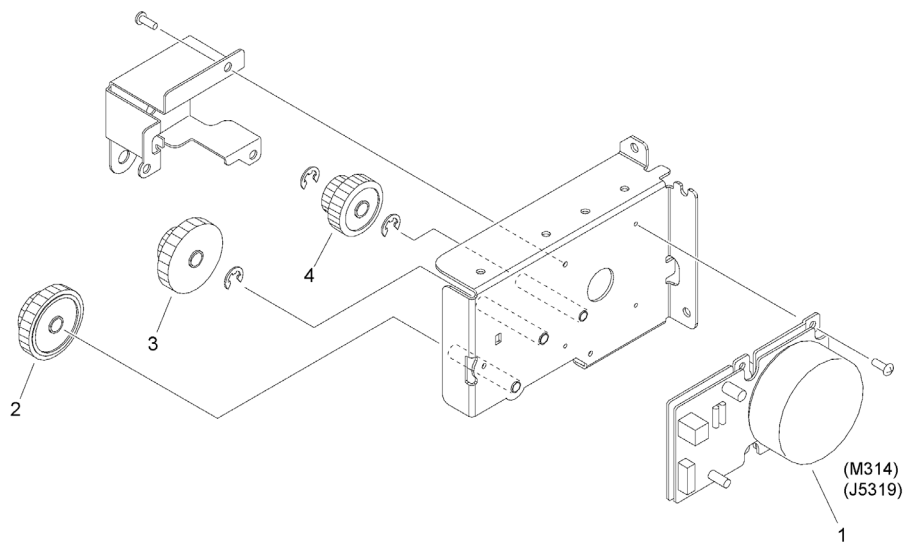


FIGURE & KEY NO.	PART NUMBER	RANK	QTY	DESCRIPTION	SERIAL NUMBER /REMARKS
283	FM1-H068-000		1	WASTE TONER DRIVE ASSEMBLY	
1	FK2-6469-000		1	MOTOR, DC	M314
2	FU6-0396-000		1	GEAR, 24T/40T	
3	FU6-0397-000		1	GEAR, 20T/40T	
4	FU6-0399-000		1	GEAR, 20T/50T	

Figure 284 DELIVERY DRIVE ASSEMBLY

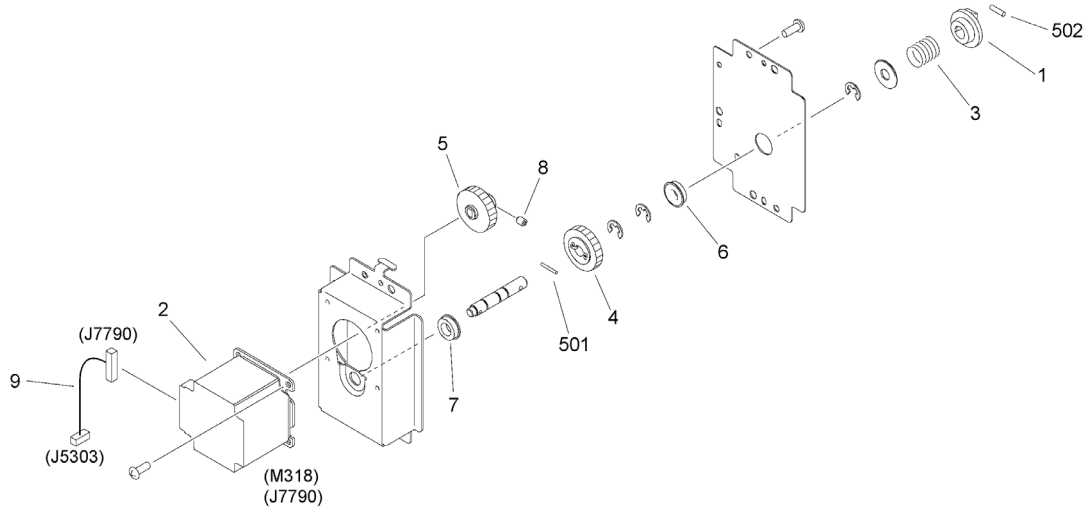


FIGURE & KEY NO.	PART NUMBER	RANK	QTY	DESCRIPTION	SERIAL NUMBER /REMARKS
284	FM2-2236-000		1	DELIVERY DRIVE ASSEMBLY	
1	FC6-8631-000		1	COUPLING, PAPER DELIVERY	
2	FK2-3132-010		1	MOTOR, STEPPING, DC	M318
3	FS5-2925-000		1	SPRING, TORSION	
4	FU6-0441-000		1	GEAR, 29T	
5	FU6-0442-000		1	GEAR, 29T	
6	XG9-0508-000		1	BEARING, BALL, F688ZZ	
7	XG9-0520-000		1	BEARING, BALL, MF106ZZS	
8	XA9-0934-000		1	SETSCREW,M3X6	
9	FM2-8691-000		1	CABLE, MOTOR	
501	XD3-2200-142		1	PIN, PARALLEL	
502	XD3-2300-122		1	PIN, PARALLEL 3X12	

FIGURE & KEY NO.	PART NUMBER	RANK	QTY	DESCRIPTION	SERIAL NUMBER /REMARKS
340	NPN		RF	FIXING/FEED ASSEMBLY, CENTER	
1	FU6-0352-000		1	GEAR, 62T	
2	FU5-4608-000		1	SHAFT, WIRE FIXED	
3	FS5-6488-000		1	WASHER	
4	WG8-5848-000		1	IC, PHOTO-INTERRUPTER	PS363
5	FC5-6232-000		1	SHEET, SENSOR PROTECTIVE	
6	FC6-8289-000		1	SPACER, DAMPER	
7	VS1-7177-009		1	CONNECTOR, WIRE TO WIRE, 9P	
8	FC5-9848-000		1	ROLLER, WIRE	
9	FL2-2139-000		2	HINGE, CROSSING, REAR	
10	FK2-0540-000		2	FAN	FM359,FM360
11	FC6-2111-000		1	WIRE, OPEN/CLOSE AUXILIARY	
12	FC7-5720-000		1	SPRING, TORSION	
13	VS1-7177-003		3	CONNECTOR, SNAP TIGHT, BK	
14	VS1-7177-012		1	CONNECTOR, SNAP TIGHT, BK	
15	VS1-7177-008		2	CONNECTOR, SNAP TIGHT, BK	
16	FL2-4135-000		1	DAMPER, ROTARY	
17	FM1-L965-000		1	CABLE, FEED MOTOR	

Figure 341 FIXING/FEED ASS'Y, CENTER LOW

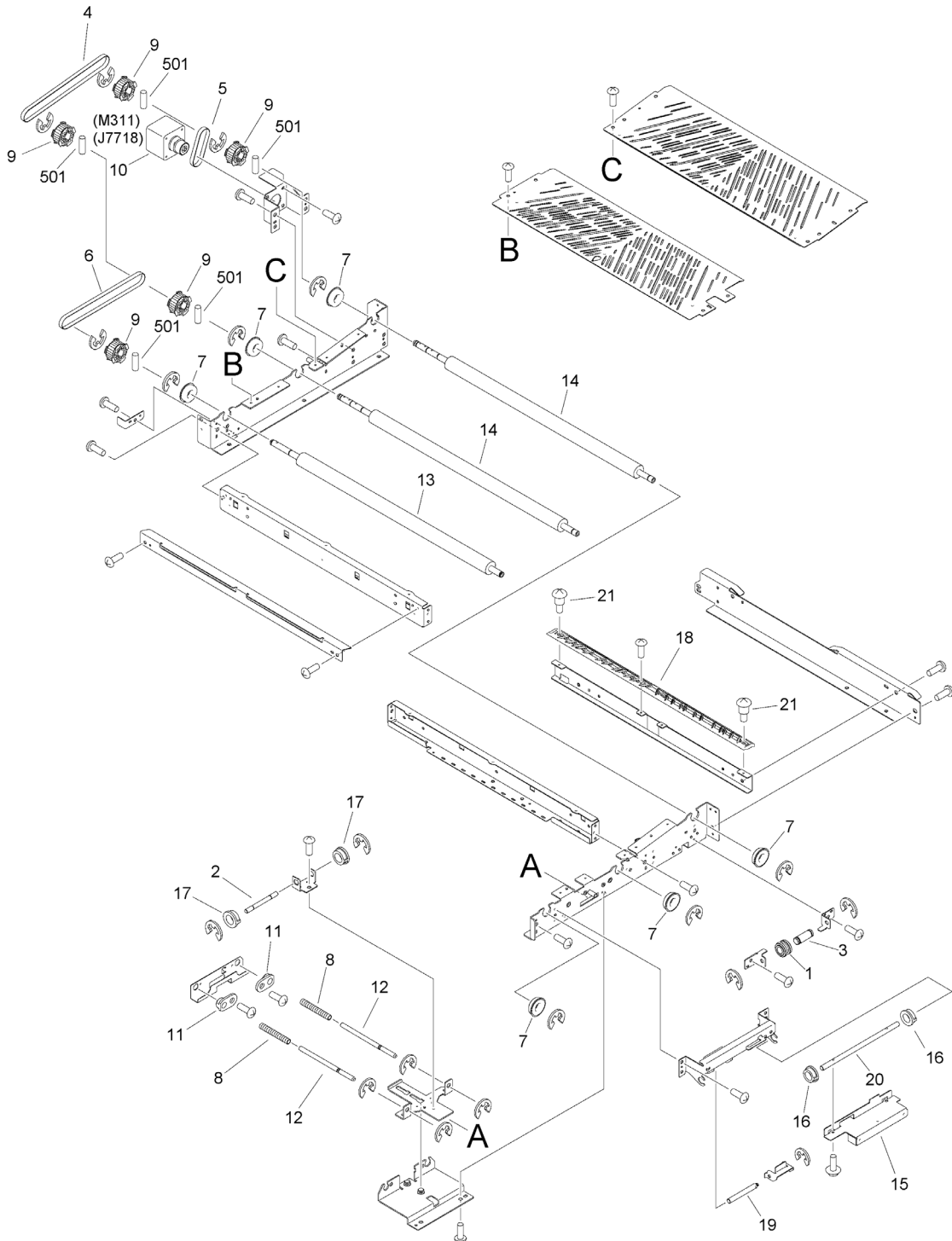


FIGURE & KEY NO.	PART NUMBER	RANK	QTY	DESCRIPTION	SERIAL NUMBER /REMARKS
341	FM1-K580-000		1	FIXING/FEED ASS'Y, CENTER LOW	
1	FC5-9848-000		1	ROLLER, WIRE	
2	FU5-4670-000		1	SHAFT, RELEASE GUIDE	
3	FU5-4608-000		1	SHAFT, WIRE FIXED	
4	XF2-3618-260		1	BELT, TIMING	
5	XF2-3607-060		1	BELT, TIMING	
6	XF2-3617-560		1	BELT, TIMING	
7	XG9-0779-000		6	BEARING, BALL, 688ZZNR D41	
8	FU6-2549-000		2	SPRING, COMPRESSION	
9	FU5-3441-000		5	PULLEY, 30T	
10	FM1-F316-000		1	MOTOR, STEPPING, DC	M311
11	FC6-8310-000		2	BUSHING, FIXED	
12	FC6-7842-000		2	PIN, GUIDE LOCK	
13	FE4-4456-000		1	ROLLER, PAPER FEED, C	
14	FE4-4455-000		2	ROLLER, PAPER FEED, A	
15	FC7-4589-000		1	MOUNT, BYPASS HANDLE	
16	FA9-2112-000		2	BUSHING, PL	
17	FS1-1569-000		2	BUSHING	
18	FC7-7064-000		1	GUIDE, PAPER FEED	
19	FC7-3514-000		1	SHAFT, LOCK RELEASE	
20	FU5-4672-000		1	SHAFT, HANDLE	
21	FS5-9438-030		2	SCREW, STEPPED	
501	XD3-2200-142		5	PIN, PARALLEL	

Figure 342 FIXING/FEED ASS'Y, CENTER UP

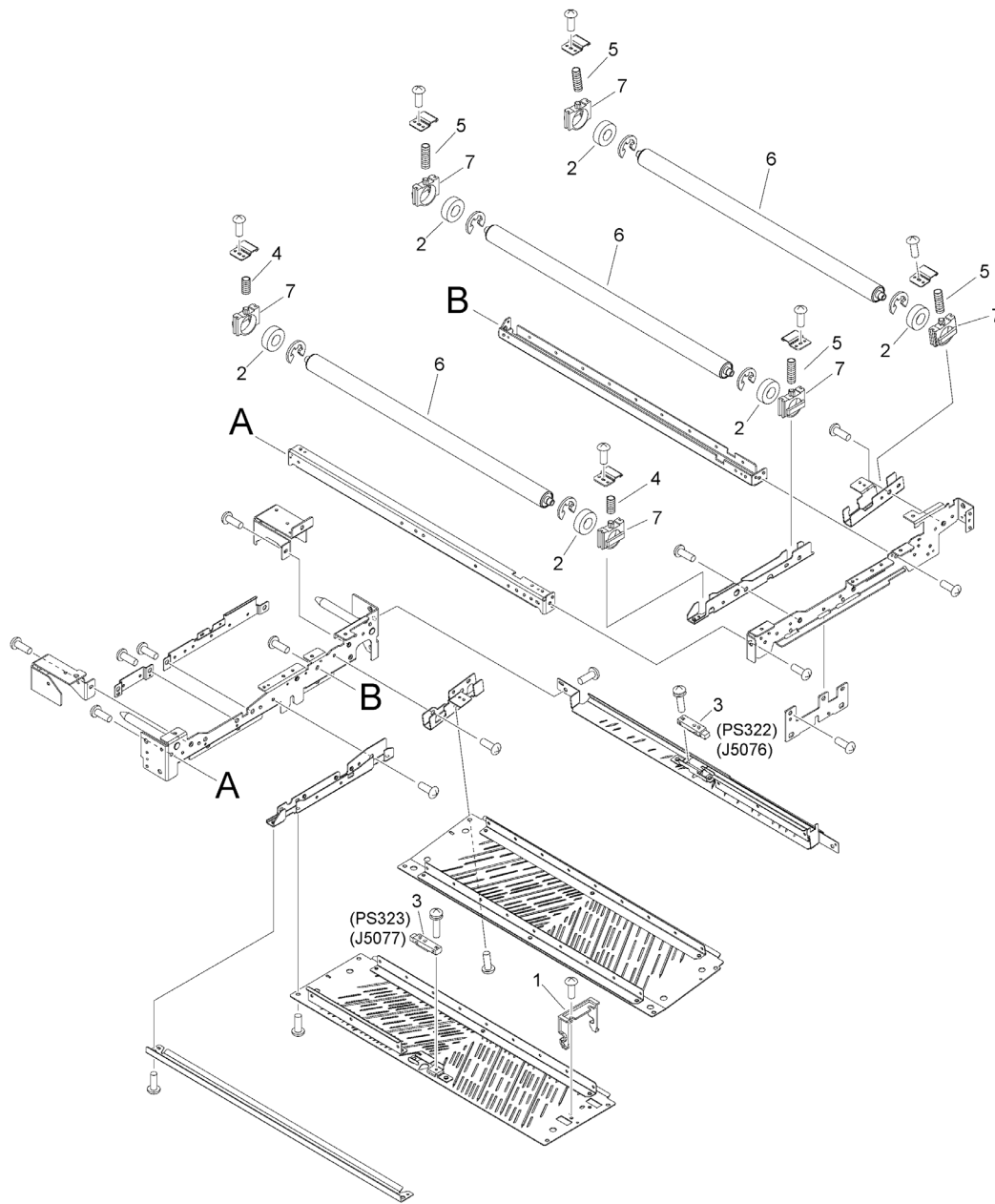


FIGURE & KEY NO.	PART NUMBER	RANK	QTY	DESCRIPTION	SERIAL NUMBER /REMARKS
342	FM1-L357-000		1	FIXING/FEED ASS'Y, CENTER UP	
1	FC7-4593-000		1	HOOK, GUIDE	
2	XG9-0511-000		6	BEARING, BALL	
3	WG8-5736-000		2	PHOTO SENSOR, OH-118-A5	PS322,PS323
4	FU5-2894-000		2	SPRING, COMPRESSION	
5	FU5-2893-000		4	SPRING, COMPRESSION	
6	FE8-1249-000		3	ROLLER, DRIVEN	
7	FC5-9918-000		6	HOLDER	

Figure 343 FIXING/FEED ASSEMBLY, LEFT

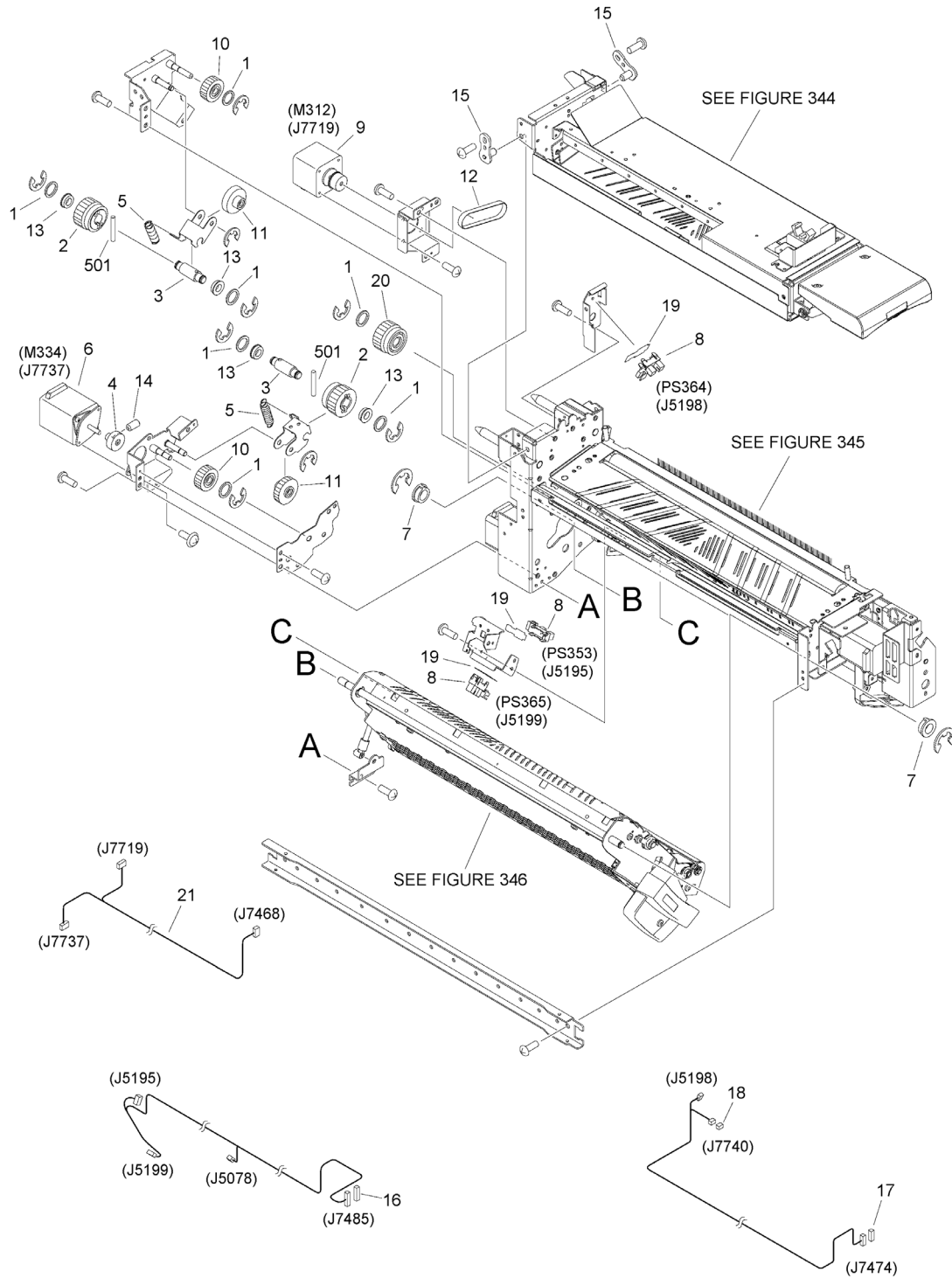


FIGURE & KEY NO.	PART NUMBER	RANK	QTY	DESCRIPTION	SERIAL NUMBER /REMARKS
343	NPN		RF	FIXING/FEED ASSEMBLY, LEFT	
1	FS5-6488-000		7	WASHER	
2	FU6-0376-000		2	GEAR, 20T	
3	FU5-4565-000		2	SHAFT, SWING GEAR	
4	FU6-0451-000		1	GEAR, 20T	
5	FU5-2896-000		2	SPRING, TENSION	
6	FK2-3136-010		1	MOTOR, STEPPING, DC	M334
7	FA9-2112-000		2	BUSHING, PL	
8	WG8-5848-000		3	IC, PHOTO-INTERRUPTER	PS353, PS364, PS365
9	FM1-F316-000		1	MOTOR, STEPPING, DC	M312
10	FL1-1833-000		2	GEAR, 20T	
11	FU6-0374-000		2	GEAR, 30T	
12	XF2-3608-560		1	BELT, TIMING	
13	XG9-0520-000		4	BEARING, BALL, MF106ZZS	
14	XA9-0934-000		1	SETSCREW,M3X6	
15	FL2-2139-000		2	HINGE, CROSSING, REAR	
16	VS1-7177-009		1	CONNECTOR, WIRE TO WIRE, 9P	
17	VS1-7177-006		1	CONNECTOR, SNAP TIGHT, BK	
18	VS1-7177-003		1	CONNECTOR, SNAP TIGHT, BK	
19	FC5-6232-000		3	SHEET, SENSOR PROTECTIVE	
20	FL3-2873-000		1	GEAR, 20T	
21	FM1-L966-000		1	CABLE, MOTOR	
501	XD3-2200-142		2	PIN, PARALLEL	

Figure 344 FIXING/FEED ASS'Y, LEFT UPPER

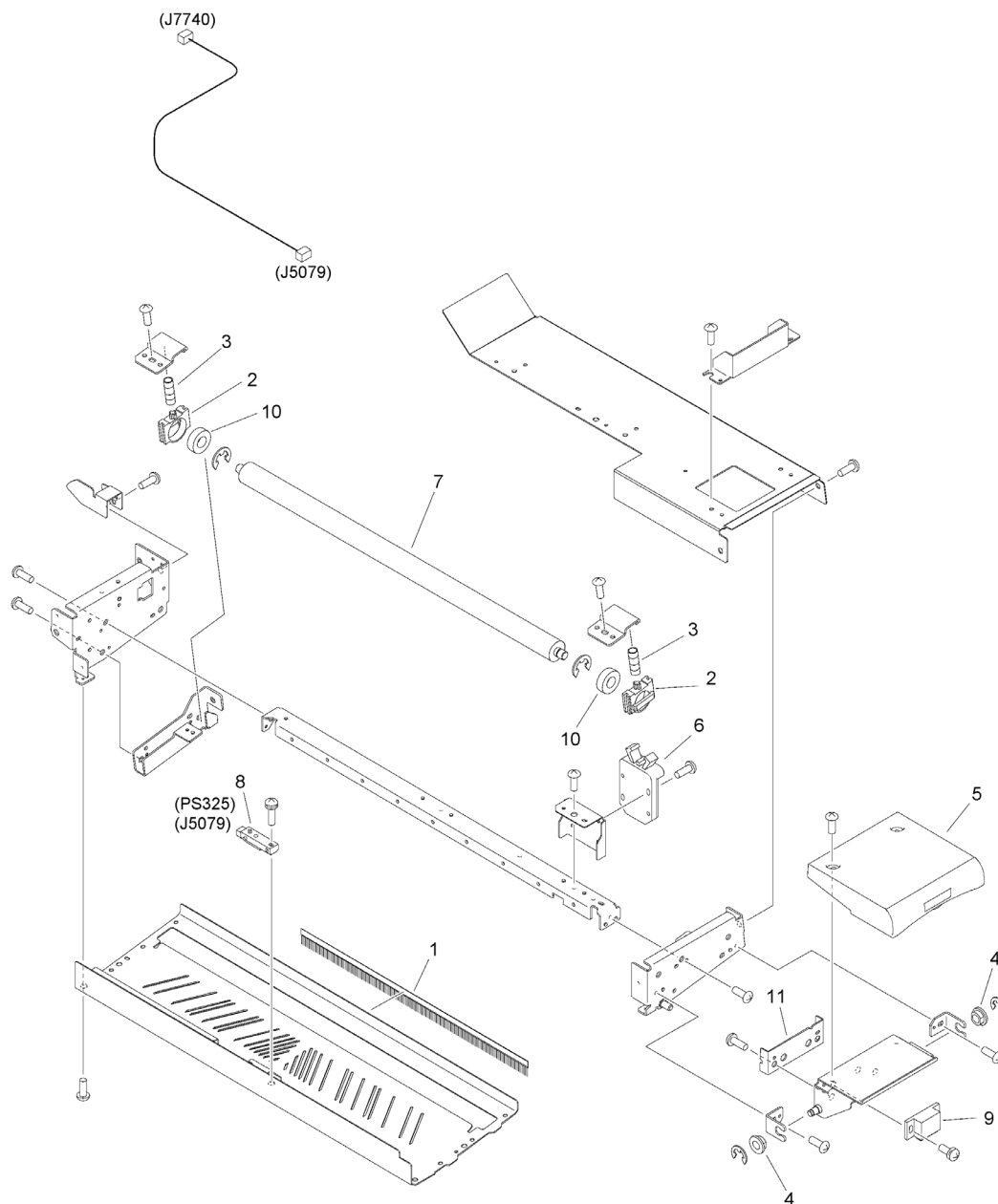


FIGURE & KEY NO.	PART NUMBER	RANK	QTY	DESCRIPTION	SERIAL NUMBER /REMARKS
344	FM1-A424-000		1	FIXING/FEED ASS'Y, LEFT UPPER	
1	FB5-4858-000		1	ELIMINATOR, STATIC CHARGE	
2	FC5-9918-000		2	HOLDER	
3	FU5-2893-000		2	SPRING, COMPRESSION	
4	FS1-1569-000		2	BUSHING	
5	FC6-2102-000		1	LEVER, GUIDE OPEN/CLOSE, UPPER	
6	FC7-4595-000		1	LATCH, PUSH	
7	FE8-1249-000		1	ROLLER, DRIVEN	
8	WG8-5736-000		1	PHOTO SENSOR, OH-118-A5	PS325
9	XZ9-0614-000		1	CATCH, MAGNET	
10	XG9-0780-000		2	BEARING, BALL, 688ZZ	
11	FC6-8258-000		1	MOUNT,MAGNET ADJUSTMENT	

Figure 345 FIXING/FEED ASS'Y, LEFT MIDDLE

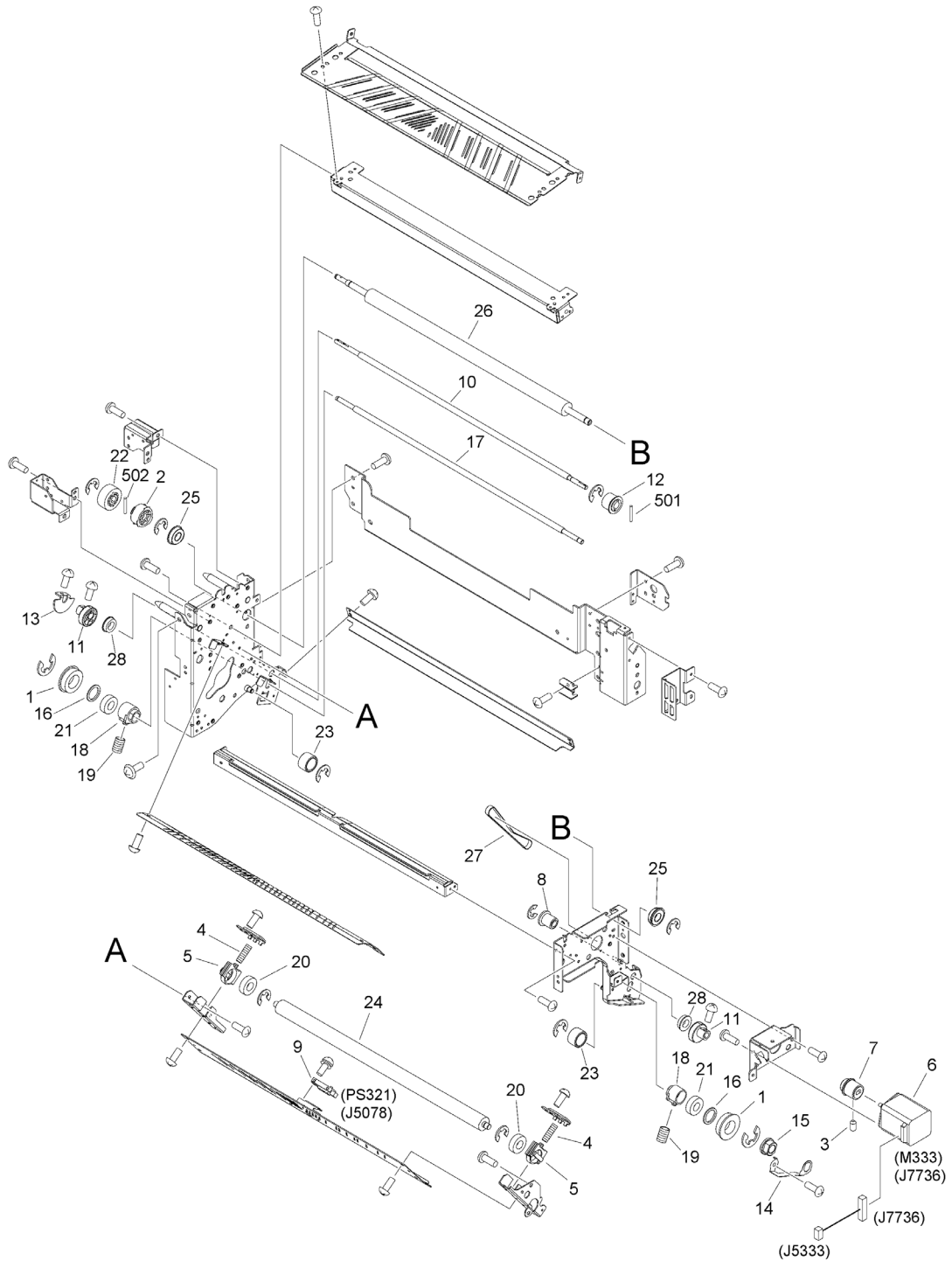


FIGURE & KEY NO.	PART NUMBER	RANK	QTY	DESCRIPTION	SERIAL NUMBER /REMARKS
345	FM1-H098-000		1	FIXING/FEED ASS'Y, LEFT MIDDLE	
1	FS5-1755-000		2	BUSHING	
2	FL3-2875-000		1	PULLEY, 30T	
3	FA9-2864-010		1	SETSCREW, M3X4	
4	FU5-2893-000		2	SPRING, COMPRESSION	
5	FC5-9918-000		2	HOLDER	
6	FK2-3136-010		1	MOTOR, STEPPING, DC	M333
7	FU5-3209-000		1	PULLEY, 20T	
8	FC7-4959-000		1	TENSIONER	
9	WG8-5736-000		1	PHOTO SENSOR, OH-118-A5	PS321
10	FC7-1532-000		1	SHAFT, DECURLER CAM	
11	FC7-1531-000		2	CAM, DECURLER	
12	FU5-3208-000		1	PULLEY, 20T	
13	FC5-9239-000		1	FLAG, SENSOR	
14	FC7-1603-000		1	PLATE, ROLLER GROUNDING, UP.	
15	FS5-1592-000		1	BUSHING	
16	FS5-6488-000		2	WASHER	
17	FC7-1569-010		1	ROLLER, DECURLER, UPPER	
18	FU5-1328-000		2	BUSHING, ROLLER	
19	FU5-2996-000		2	SPRING, COMPRESSION	
20	XG9-0780-000		2	BEARING, BALL, 688ZZ	
21	XG9-0497-000		2	BEARING, BALL, MR106ZZ,	
22	FC9-5899-000		1	GEAR, 20T	
23	FU5-6249-000		2	ROLLER	
24	FE8-1249-000		1	ROLLER, DRIVEN	
25	XG9-0779-000		2	BEARING, BALL, 688ZZNR D41	
26	FE4-5817-000		1	ROLLER, PAPER FEED	
27	XF2-3613-660		1	BELT, TIMING	
28	XG9-0520-000		2	BEARING, BALL, MF106ZZS	
501	XD3-2200-082		1	PIN, PARALLEL	
502	XD3-2200-142		2	PIN, PARALLEL	

Figure 346 FIXING/FEED ASS'Y, LEFT LOWER

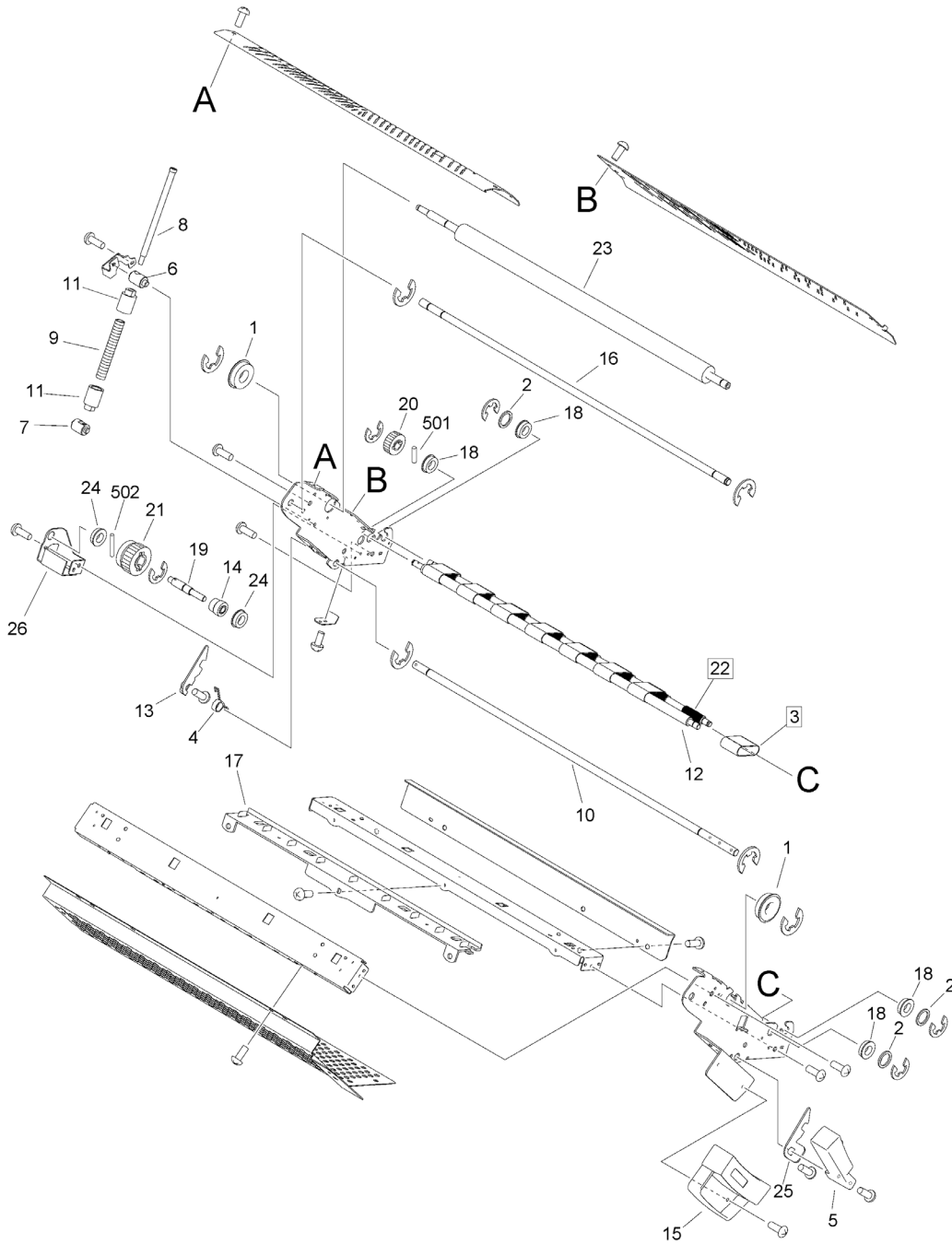


FIGURE & KEY NO.	PART NUMBER	RANK	QTY	DESCRIPTION	SERIAL NUMBER /REMARKS
346	FM1-K578-000		1	FIXING/FEED ASS'Y, LEFT LOWER	
1	XG9-0779-000		2	BEARING, BALL, 688ZZNR D41	
2	FS5-6488-000		3	WASHER	
3	FE4-5819-000		8	BELT, WIDTH PAPER FEED	[DP]
4	FU6-2003-000		1	SPRING, TORSION	
5	FC7-1595-000		1	LEVER, LATCH	
6	FU5-4658-000		1	SHAFT, TOGGLE, G	
7	FU5-4657-000		1	SHAFT, TOGGLE, FRONT	
8	FC7-1594-000		1	ROD	
9	FU6-2004-000		1	SPRING, COMPRESSION	
10	FC7-1589-000		1	SHAFT, LATCH	
11	FC7-1592-000		2	BUSHING	
12	FC7-1597-000		1	ROLLER, DECURLER DRIVE	
13	FC7-1588-000		1	LATCH,REAR	
14	FL3-2876-000		1	GEAR, 18T	
15	FC6-2215-000		1	GRIP, OPEN/CLOSE LEVER	
16	FC7-1584-000		1	SHAFT, GUIDE TURN, LOWER	
17	FC7-7026-000		1	GUIDE, BELT	
18	XG9-0856-000		4	BEARING, BALL, MF126ZZX3D41	
19	FC9-5905-000		1	SHAFT, SWING GEAR, MOVABLE	
20	FU6-0446-000		1	GEAR, 18T	
21	FU6-0376-000		1	GEAR, 20T	
22	FC7-1598-010		1	ROLLER, DRIVEN	[DP]
23	FE4-5818-000		1	ROLLER, PAPER FEED	
24	XG9-0520-000		2	BEARING, BALL, MF106ZZS	
25	FC7-1587-000		1	LATCH,FRONT	
26	FC7-1586-000		1	SUPPORT, BUSHING	
501	XD3-2200-102		2	PIN, PARALLEL	
502	XD3-2200-142		1	PIN, PARALLEL	

Figure 347 FIXING/FEED ASSEMBLY, RIGHT

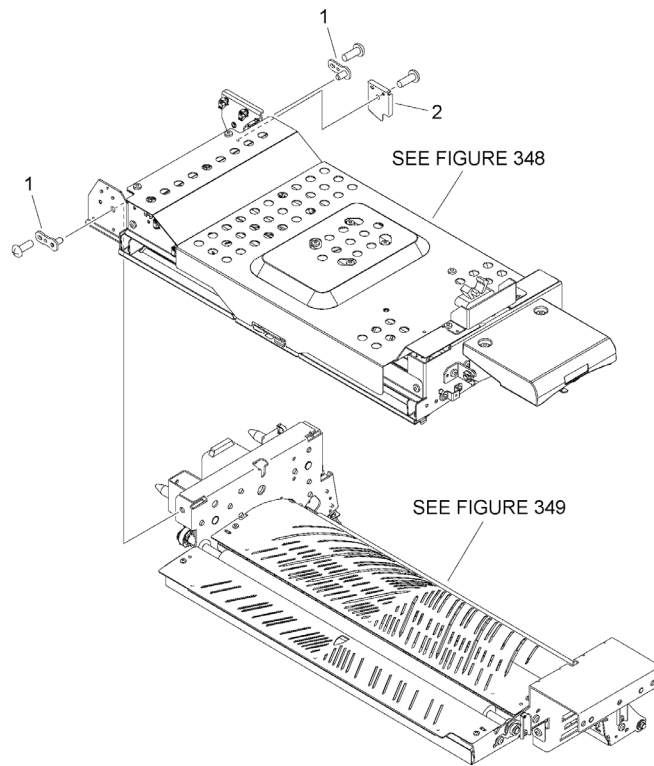


FIGURE & KEY NO.	PART NUMBER	RANK	QTY	DESCRIPTION	SERIAL NUMBER /REMARKS
347	NPN		RF	FIXING/FEED ASSEMBLY, RIGHT	
1	FL2-2139-000		2	HINGE, CROSSING, REAR	
2	FC6-8257-000		1	FLAG, OPEN/CLOSE SENSING	

Figure 348 FIXING/FEED ASS'Y, RIGHT UPPER

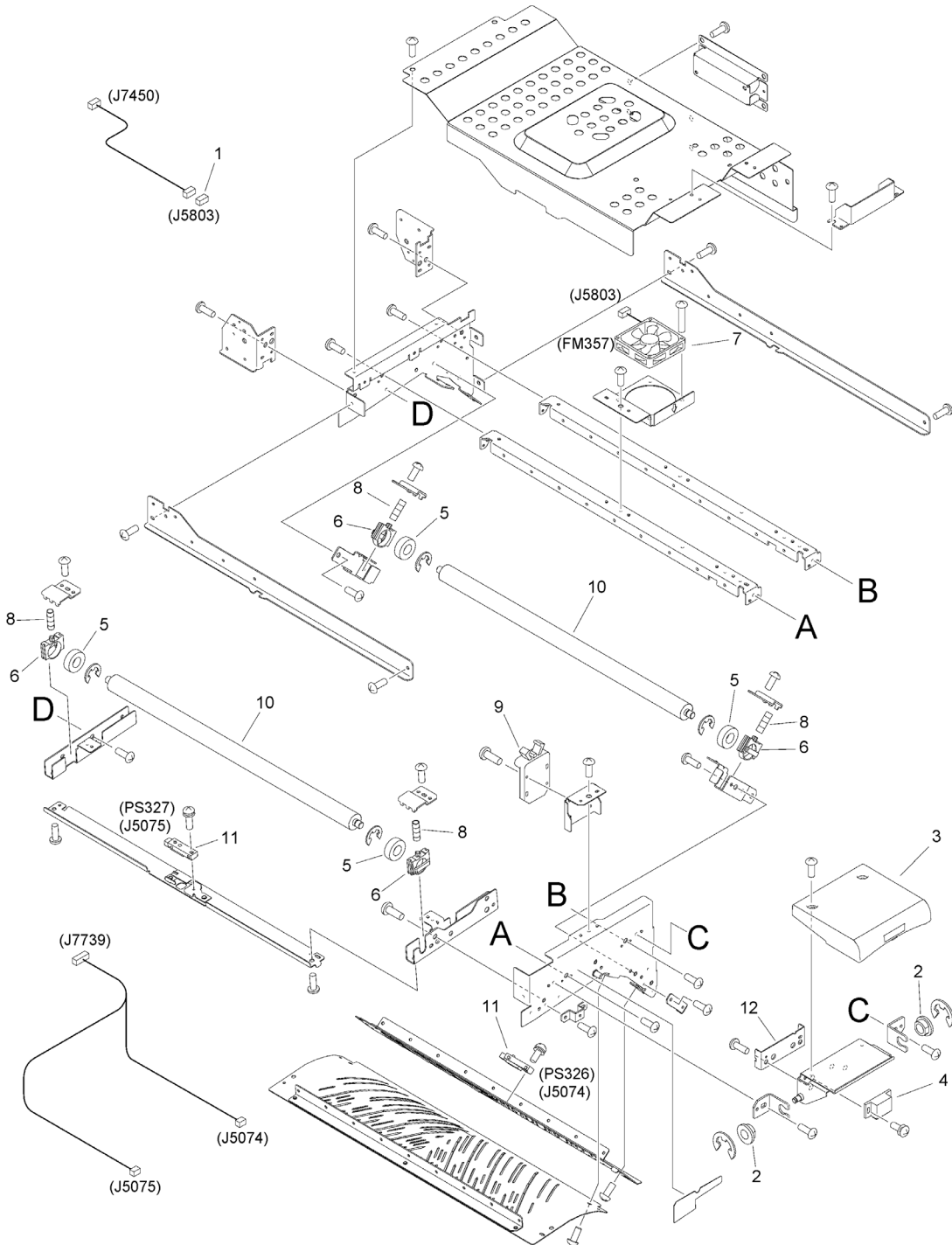


FIGURE & KEY NO.	PART NUMBER	RANK	QTY	DESCRIPTION	SERIAL NUMBER /REMARKS
348	FM1-K609-000		1	FIXING/FEED ASS'Y, RIGHT UPPER	
1	VS1-7177-004		1	CONNECTOR, SNAP TIGHT, BK	
2	FS1-1569-000		2	BUSHING	
3	FC6-2102-000		1	LEVER, GUIDE OPEN/CLOSE, UPPER	
4	XZ9-0614-000		1	CATCH, MAGNET	
5	XG9-0780-000		4	BEARING, BALL, 688ZZ	
6	FC5-9918-000		4	HOLDER	
7	FK2-3100-000		1	FAN	FM357
8	FU5-2893-000		4	SPRING, COMPRESSION	
9	FC7-4595-000		1	LATCH, PUSH	
10	FE8-1249-000		2	ROLLER, DRIVEN	
11	WG8-5736-000		2	PHOTO SENSOR, OH-118-A5	PS326,PS327
12	FC6-8258-000		1	MOUNT,MAGNET ADJUSTMENT	

Figure 349 FIXING/FEED ASS'Y, RIGHT LOWER

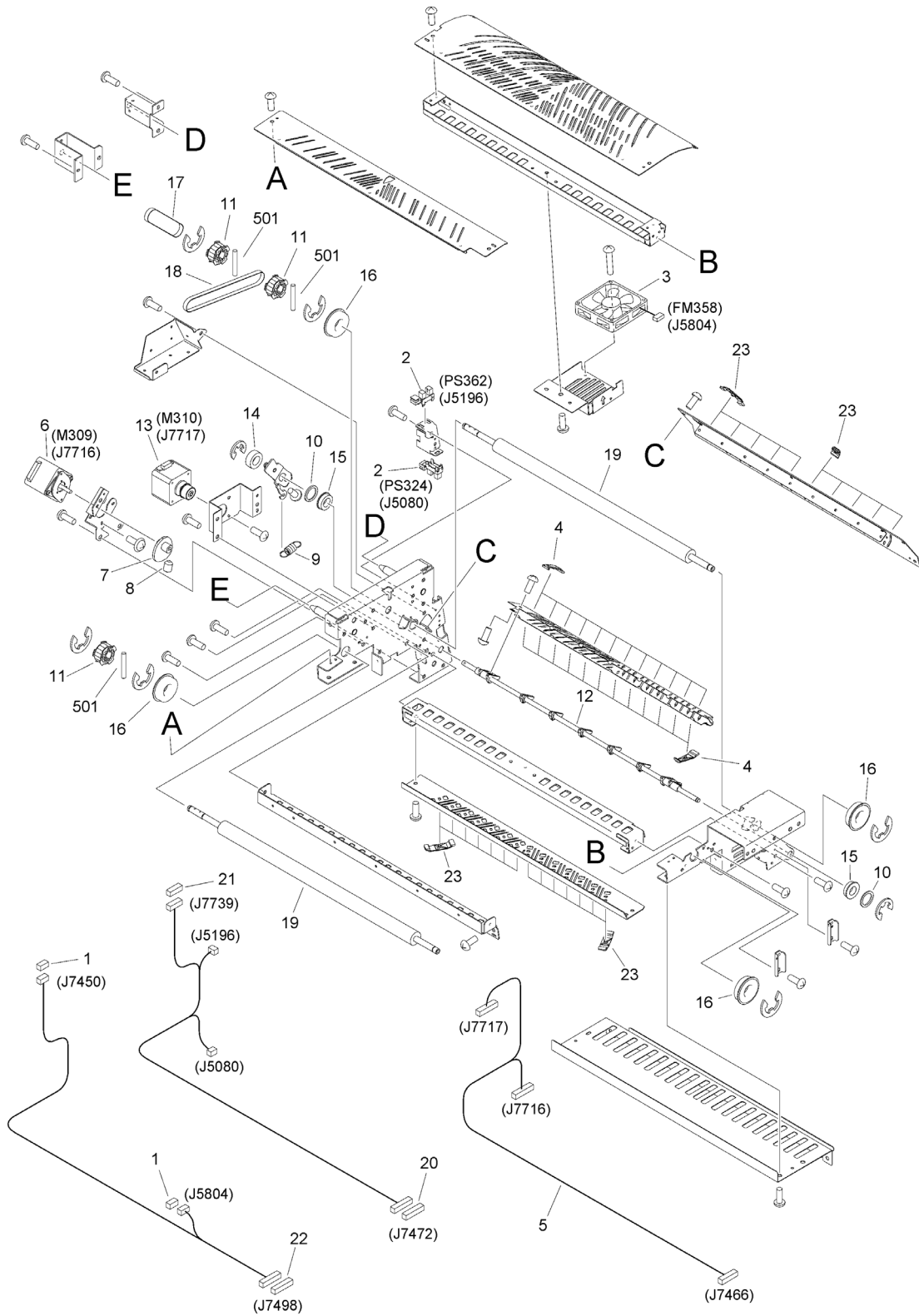


FIGURE & KEY NO.	PART NUMBER	RANK	QTY	DESCRIPTION	SERIAL NUMBER /REMARKS
349	FM1-K582-000		1	FIXING/FEED ASS'Y, RIGHT LOWER	
1	VS1-7177-004		2	CONNECTOR, SNAP TIGHT, BK	
2	WG8-5848-000		2	IC, PHOTO-INTERRUPTER	PS324, PS362
3	FK2-3100-000		1	FAN	FM358
4	FC7-9662-000		24	RIB, FLAPPER	
5	FM1-L964-000		1	CABLE, FEED MOTOR, 1	
6	FK2-3126-010		1	MOTOR, STEPPING, DC	M309
7	FC5-9869-000		1	CAM, FLAPPER DRIVE	
8	FA9-2864-010		1	SETSCREW, M3X4	
9	FU5-2960-000		1	SPRING, TENSION	
10	FS5-6488-000		2	WASHER	
11	FU5-3441-000		3	PULLEY, 30T	
12	FC7-4619-000		1	FLAPPER	
13	FM1-F316-000		1	MOTOR, STEPPING, DC	M310
14	XG9-0835-000		1	BEARING, BALL, DDL-740ZZH	
15	XG9-0520-000		2	BEARING, BALL, MF106ZZS	
16	XG9-0779-000		4	BEARING, BALL, 688ZZNR D41	
17	XF2-3610-060		1	BELT, TIMING	
18	XF2-3616-460		1	BELT, TIMING	
19	FE4-1199-000		2	ROLLER, PAPER FEED	
20	VS1-7177-012		1	CONNECTOR, SNAP TIGHT, BK	
21	VS1-7177-006		1	CONNECTOR, SNAP TIGHT, BK	
22	VS1-8959-008		1	CONNECTOR, SNAP TIGHT, 8P, W	
23	FC7-4645-000		24	RIB, PAPER DELIVERY, SMALL	
501	XD3-2200-142		3	PIN, PARALLEL	

Figure 350 REVERSE DELIVERY ASSEMBLY

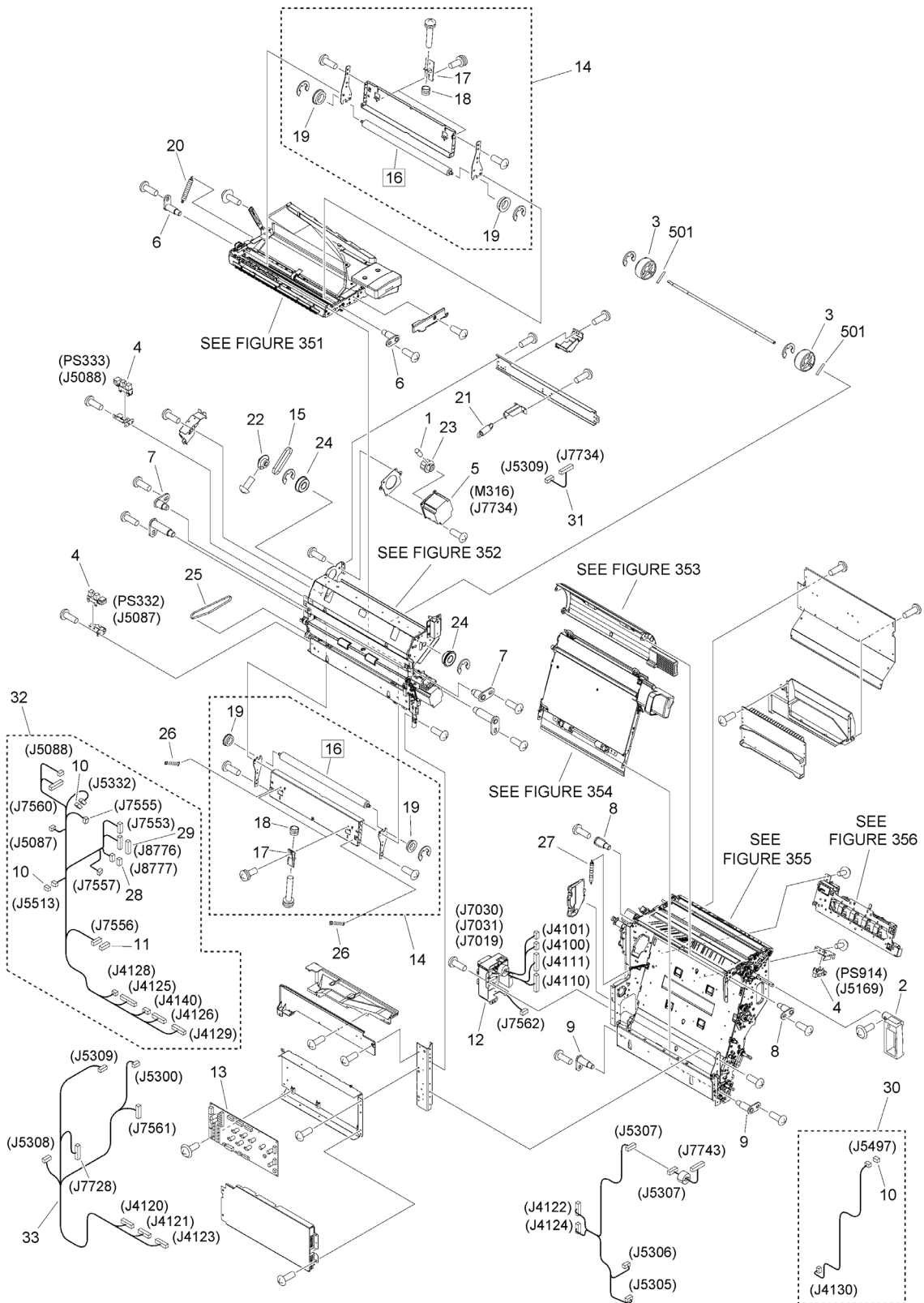


FIGURE & KEY NO.	PART NUMBER	RANK	QTY	DESCRIPTION	SERIAL NUMBER /REMARKS
350	NPN		RF	REVERSE DELIVERY ASSEMBLY	
1	FA9-2864-010		1	SETSCREW, M3X4	
2	FB2-3159-000		1	LEVER, LIFTER	
3	FC5-9907-000		2	CAM	
4	WG8-5848-000		3	IC, PHOTO-INTERRUPTER	PS332, PS333, PS914
5	FK2-3132-010		1	MOTOR, STEPPING, DC	M316
6	FL2-2257-000		2	PIN, MOUNTING, 1	
7	FL2-2261-000		2	PIN, PAPER DELIVERY GUIDE, UP.	
8	FL2-2274-000		2	PIN, GUIDE, 1	
9	FL2-4157-000		2	PIN, GUIDE, 2	
10	VS1-7177-003		3	CONNECTOR, SNAP TIGHT, BK	
11	VS1-7177-006		1	CONNECTOR, SNAP TIGHT, BK	
12	FM1-H071-000		1	CABLE, PAPER DELIVERY REVERSE	
13	FM1-A878-000		1	PAPER DELIVERY PCB ASSEMBLY	
14	FM2-9302-000		2	DECURLER ASSEMBLY	
15	XF2-3607-660		1	BELT, TIMING	
16	FC5-9904-000		2	ROLLER, SPONGE	[DP]
17	FC6-8469-000		4	ADJUSTER, DECURLER CAM	
18	FU6-2523-000		4	SPRING, COMPRESSION	
19	XG9-0668-000		4	BEARING, BALL, 12MM	
20	FU5-2905-000		1	SPRING, TENSION	
21	FU5-2953-000		1	SPRING, TENSION	
22	FU5-3201-000		1	PULLEY	
23	FU5-3204-000		1	PULLEY, 30T	
24	XG9-0779-000		2	BEARING, BALL, 688ZZNR D41	
25	XF2-3610-660		1	BELT, TIMING	
26	FU6-2543-000		2	SPRING, TENSION	
27	FU6-2548-010		1	SPRING, TENSION	
28	VS1-7177-004		1	CONNECTOR, SNAP TIGHT, BK	
29	VS1-7177-009		1	CONNECTOR, WIRE TO WIRE, 9P	
30	FM1-L835-000		1	CABLE, COOLING FAN	
31	FM2-8691-000		1	CABLE, MOTOR	
32	FM1-L845-000		1	CABLE, PAPER DELIVERY MOTOR, 1	
33	FM1-L836-000		1	CABLE, SENSOR	
501	XD3-2200-142		2	PIN, PARALLEL	

Figure 351 DELIVERY GUIDE ASSEMBLY, UPPER

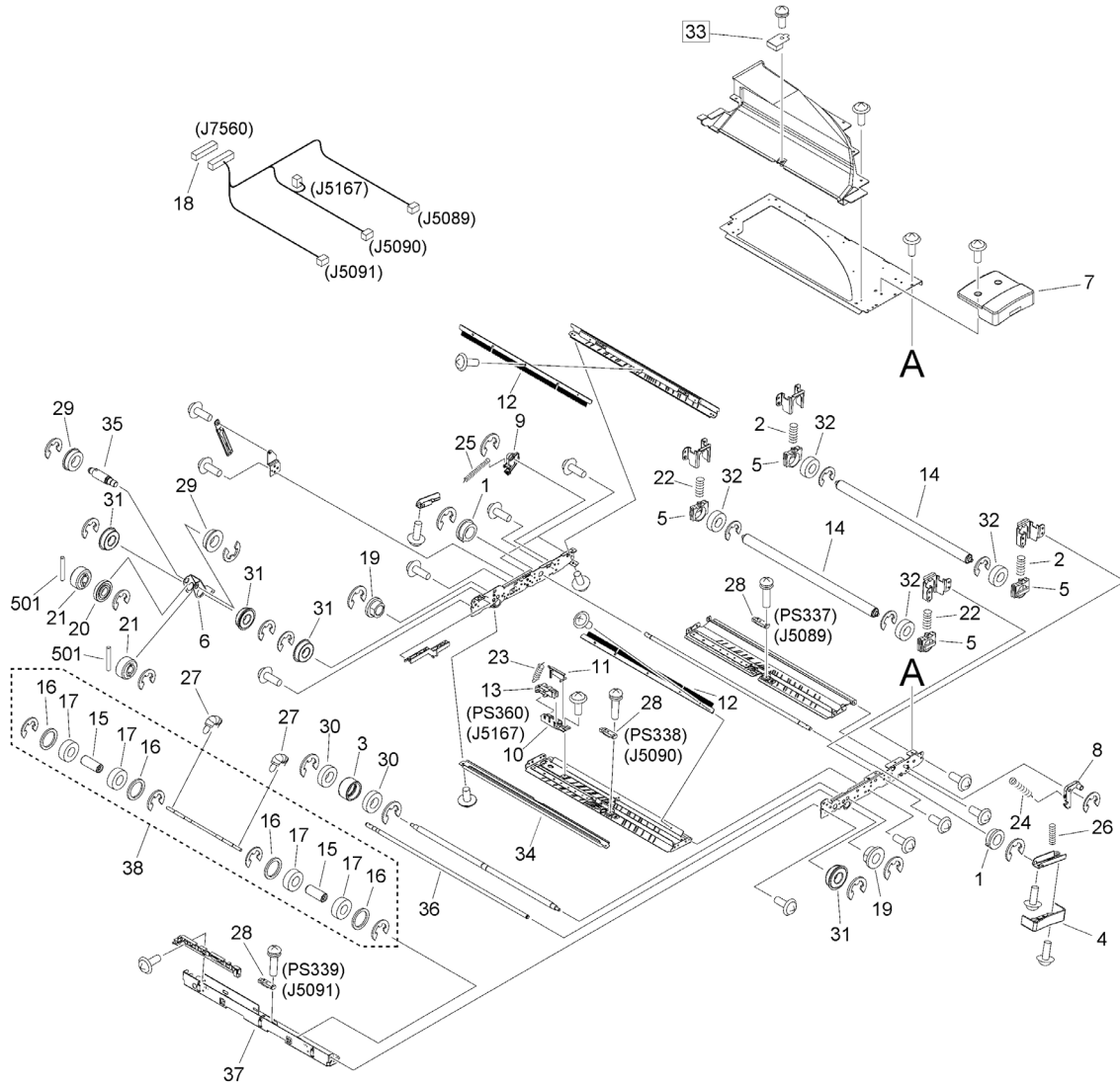


FIGURE & KEY NO.	PART NUMBER	RANK	QTY	DESCRIPTION	SERIAL NUMBER /REMARKS
351	FM1-H041-020		1	DELIVERY GUIDE ASSEMBLY, UPPER	
1	FA9-2112-000		2	BUSHING, PL	
2	FU2-0869-000		2	SPRING, COMPRESSION	
3	FE4-7787-000		1	ROLLER, BACK-UP	
4	FC5-9917-000		1	LEVER, PAPER DELIVERY GUIDE, 1	
5	FC5-9918-000		4	HOLDER	
6	FC5-9928-000		1	PLATE, DRIVE SWING	
7	FC5-9989-000		1	LEVER, PAPER DELIVERY GUIDE, 2	
8	FC6-8460-000		1	LOCK, DELIVERY GUIDE, FRONT	
9	FC6-8461-000		1	LOCK, DELIVERY GUIDE, READER	
10	FC6-8464-000		1	MOUNT, OPEN/CLOSE SENSOR	
11	FC6-8465-000		1	FLAG, OPEN/CLOSE DETECT	
12	FC6-8601-000		2	ELIMINATOR, STATIC CHARGE	
13	WG8-5848-000		1	IC, PHOTO-INTERRUPTER	PS360
14	FE8-1249-000		2	ROLLER, DRIVEN	
15	FC6-0111-000		2	ROLLER, FOLLOWER	
16	FS5-6488-000		4	WASHER	
17	XG9-0521-000		4	BEARING,BALL PO, 12MM BIBARIN	
18	VS1-7177-012		1	CONNECTOR, SNAP TIGHT, BK	
19	FS1-1569-000		2	BUSHING	
20	FS5-6248-000		1	ROLLER, PUSH-ON	
21	FU5-0266-000		2	GEAR, 20T	
22	FU5-2904-000		2	SPRING, COMPRESSION	
23	FU5-2947-000		1	SPRING, TENSION	
24	FU6-2529-000		1	SPRING, TENSION	
25	FU6-2530-000		1	SPRING, TENSION	
26	FU6-2531-000		1	SPRING, COMPRESSION	
27	FU6-2550-000		2	SPRING, TENSION	
28	WG8-5736-000		3	PHOTO SENSOR, OH-118-A5	PS337, PS338, PS339
29	XG9-0520-000		2	BEARING, BALL, MF106ZZS	
30	XG9-0592-000		2	BEARING, BALL, 2TS3-6801ZZV13	
31	XG9-0779-000		4	BEARING, BALL, 688ZZNR D41	
32	XG9-0780-000		4	BEARING, BALL, 688ZZ	
33	FL3-5095-000		1	SHEET, BRUSH BACK-UP, FL	[DP]
34	FL2-2269-000		1	GUIDE, PAPER DELIVERY, UPPER,2	
35	FC5-9920-010		1	SHAFT, TRANSMISSION	
36	FE8-3616-010		1	SHAFT, TRANSMISSION	
37	FL0-7063-000		1	GUIDE,PAPER DELIVERY,UPPER	
38	FM2-5108-000		1	ROLLER, FOLLOWER, LEFT	
501	XD3-2200-142		2	PIN, PARALLEL	

Figure 352 DELIVERY GUIDE ASSEMBLY, LOWER

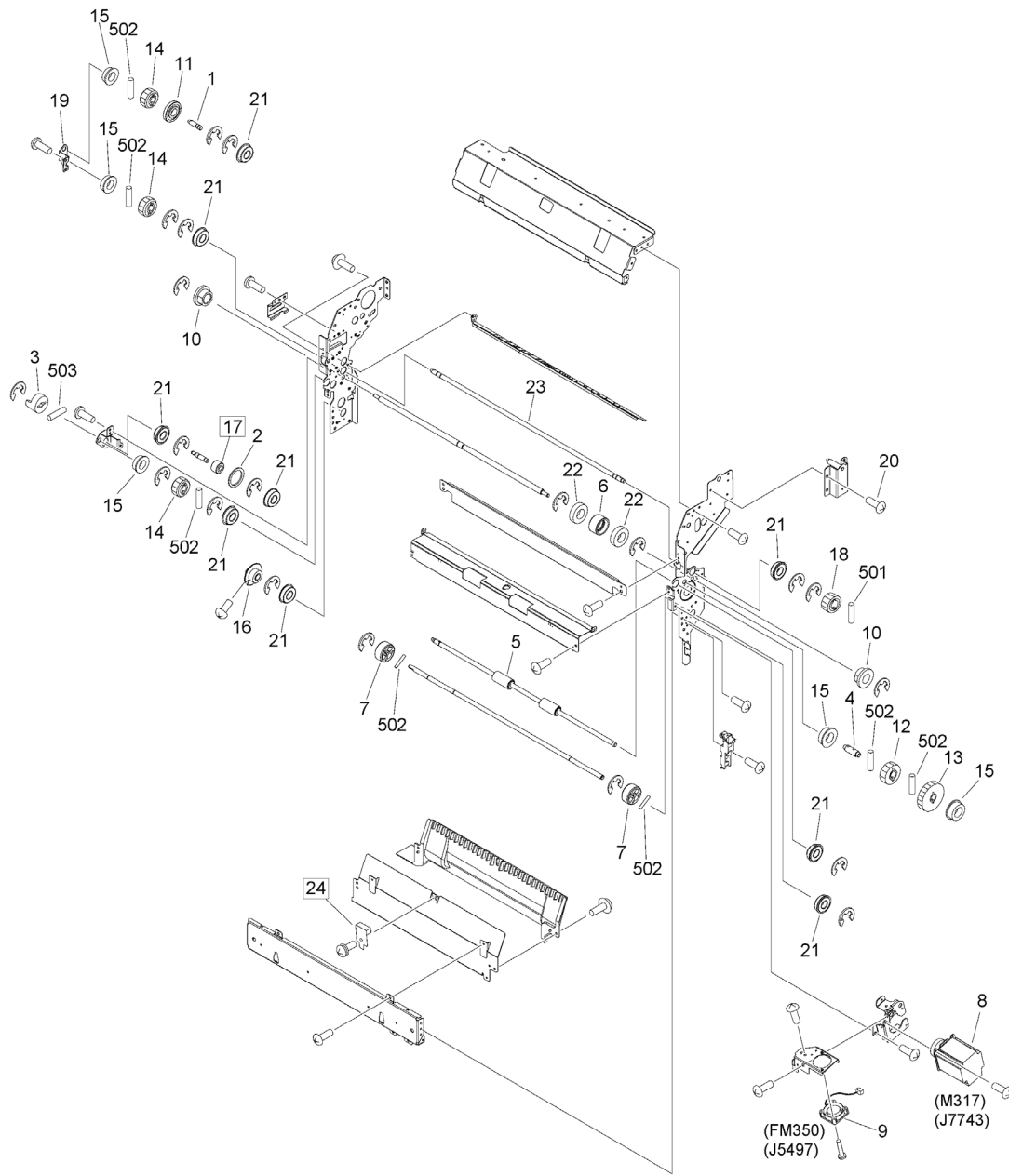


FIGURE & KEY NO.	PART NUMBER	RANK	QTY	DESCRIPTION	SERIAL NUMBER /REMARKS
352	FM1-H080-010		1	DELIVERY GUIDE ASSEMBLY, LOWER	
1	FC6-2447-010		1	SHAFT, TRANSMISSION	
2	FB2-6285-020		1	SHIM	
3	FB2-7540-000		1	BUSHING	
4	FC6-8472-010		1	SHAFT, TRANSMISSION	
5	FC5-9885-000		1	ROLLER, PAPER DELIVERY, 3	
6	FE4-7787-000		1	ROLLER, BACK-UP	
7	FC5-9907-000		2	CAM	
8	FK2-3135-010		1	MOTOR, STEPPING, DC	M317
9	FK2-6461-000		1	FAN	FM350
10	FS1-1569-000		2	BUSHING	
11	FS5-6248-000		1	ROLLER, PUSH-ON	
12	FU5-0161-000		1	GEAR, 26T	
13	FU5-0262-000		1	GEAR, 44T	
14	FU5-0266-000		3	GEAR, 20T	
15	XG9-0520-000		5	BEARING, BALL, MF106ZZS	
16	FU5-3201-000		1	PULLEY	
17	FU6-0378-000		1	COUPLING	[DP]
18	FU6-0463-000		1	GEAR, 18T	
19	FC5-9901-000		1	PLATE, DRIVE SWING, 2	
20	XA9-0892-000		4	SCREW,MACH.,TRUSS HEAD,M4X6	
21	XG9-0779-000		9	BEARING, BALL, 688ZZNR D41	
22	XG9-0592-000		2	BEARING, BALL, 2TS3-6801ZZV13	
23	FE8-3617-010		1	SHAFT, TRANSMISSION	
24	FL3-5095-000		1	SHEET, BRUSH BACK-UP, FL	[DP]
501	XD3-2200-102		1	PIN, PARALLEL	
502	XD3-2200-142		7	PIN, PARALLEL	
503	XD3-2300-122		1	PIN, PARALLEL 3X12	

Figure 353 REVERSE GUIDE ASSEMBLY, UPPER

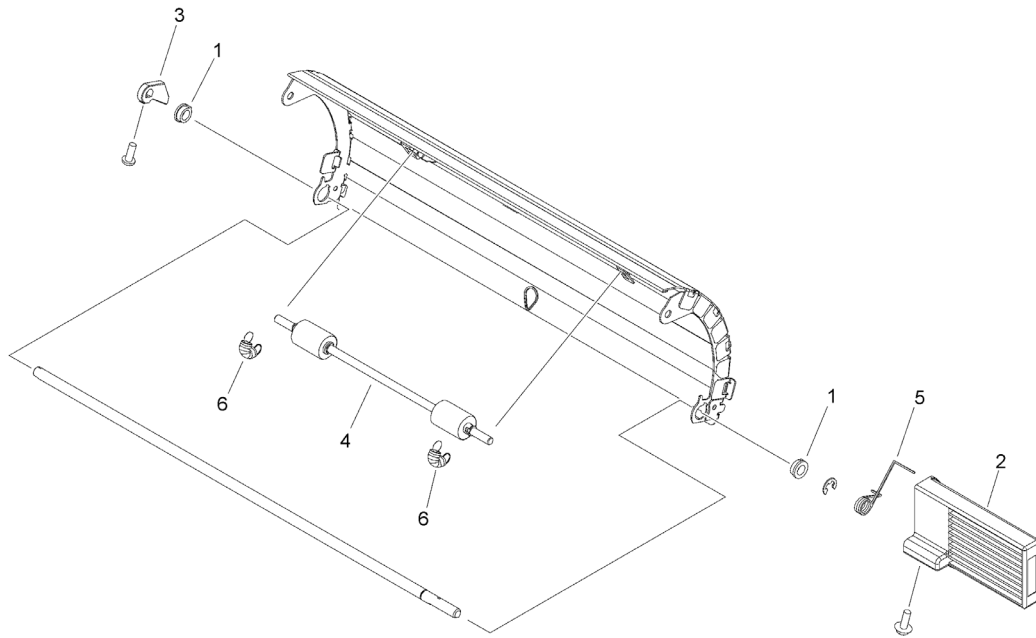


FIGURE & KEY NO.	PART NUMBER	RANK	QTY	DESCRIPTION	SERIAL NUMBER /REMARKS
353	FM2-2235-010		1	REVERSE GUIDE ASSEMBLY, UPPER	
1	FA9-2112-000		2	BUSHING, PL	
2	FC5-9939-000		1	LEVER, REVERSE GUIDE, LOWER 3	
3	FC6-8599-000		1	CAM, LEVER, 2	
4	FM1-F167-010		1	FOLLOWER ROLLER ASSEMBLY	
5	FU6-2007-000		1	SPRING, TORSION	
6	FU5-2839-000		2	SPRING, TENSION	

Figure 354 REVERSE GUIDE ASSEMBLY, LOWER

NOTE : This assembly does not include the part shown with key No. 8.

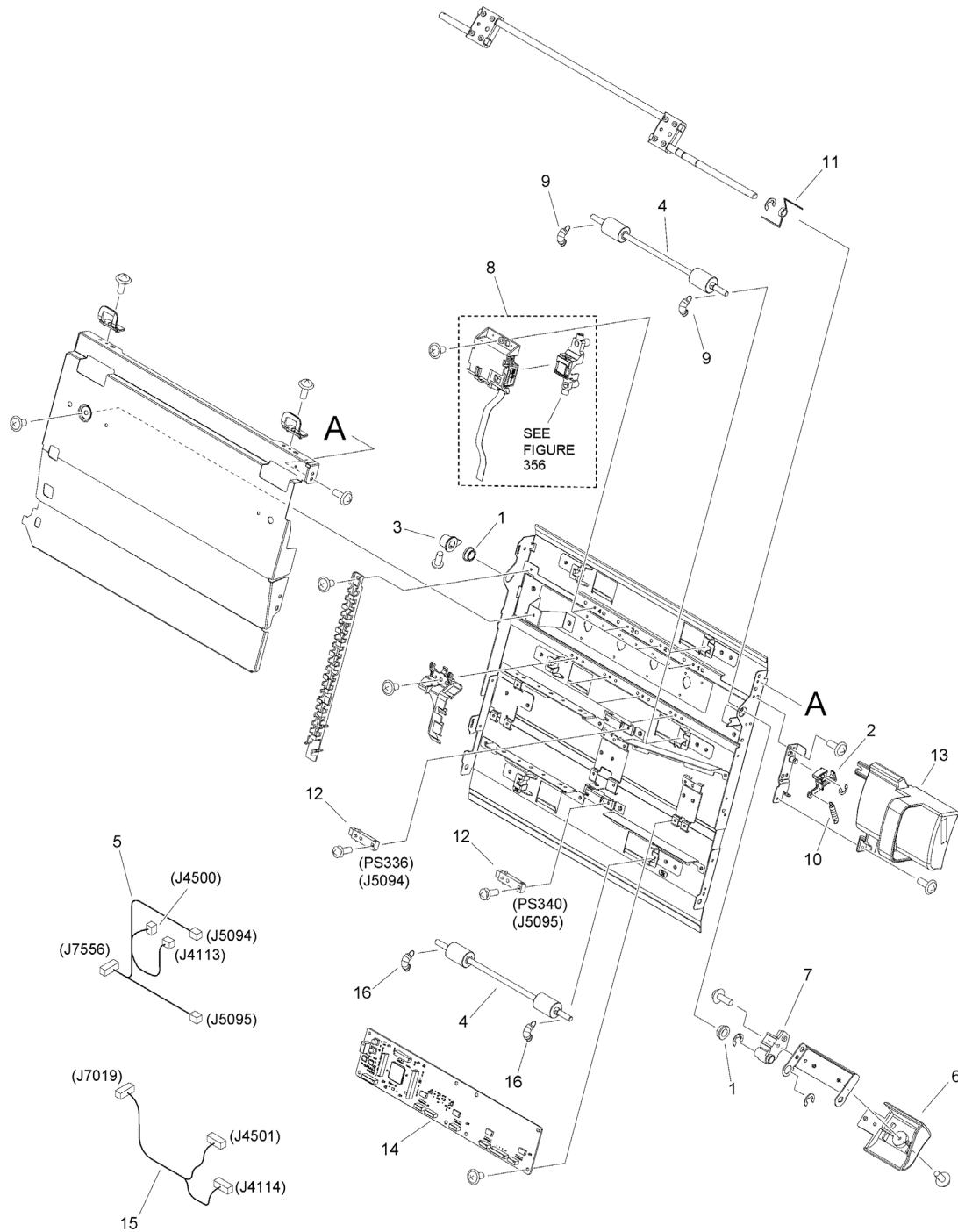


FIGURE & KEY NO.	PART NUMBER	RANK	QTY	DESCRIPTION	SERIAL NUMBER /REMARKS
354	FM1-A462-000		1	REVERSE GUIDE ASSEMBLY, LOWER	
1	FA9-2112-000		2	BUSHING, PL	
2	FC6-8596-000		1	HOOK, LEVER FRONT, 1	
3	FC6-8598-000		1	CAM, LEVER, 1	
4	FM1-F167-010		3	FOLLOWER ROLLER ASSEMBLY	
5	FM1-L846-000		1	CABLE, SENSOR POWER SUPPLY	
6	FC7-4040-000		1	LEVER, REVERSE GUIDE, 2	
7	FC7-4042-000		1	CAM, REVERSE GUIDE LEVER	
8	FM1-A312-000		4	SENSOR KIT, COLOR	SEE NOTE
9	FU5-2839-000		4	SPRING, TENSION	
10	FU5-2999-000		1	SPRING, TENSION	
11	FU6-2006-010		1	SPRING, TORSION	
12	WG8-5736-000		2	PHOTO SENSOR, OH-118-A5	PS340,PS336
13	FC6-2261-000		1	GUIDE, REVERSE	
14	FM1-V890-000		1	DRIVER PCB ASSEMBLY, IRIS	
15	FM1-L872-000		1	CABLE, COLLAR SENSOR DRAWER	
16	FU5-2833-000		2	SPRING, TENSION	

Figure 355 (1/3) REVERSE ASSEMBLY

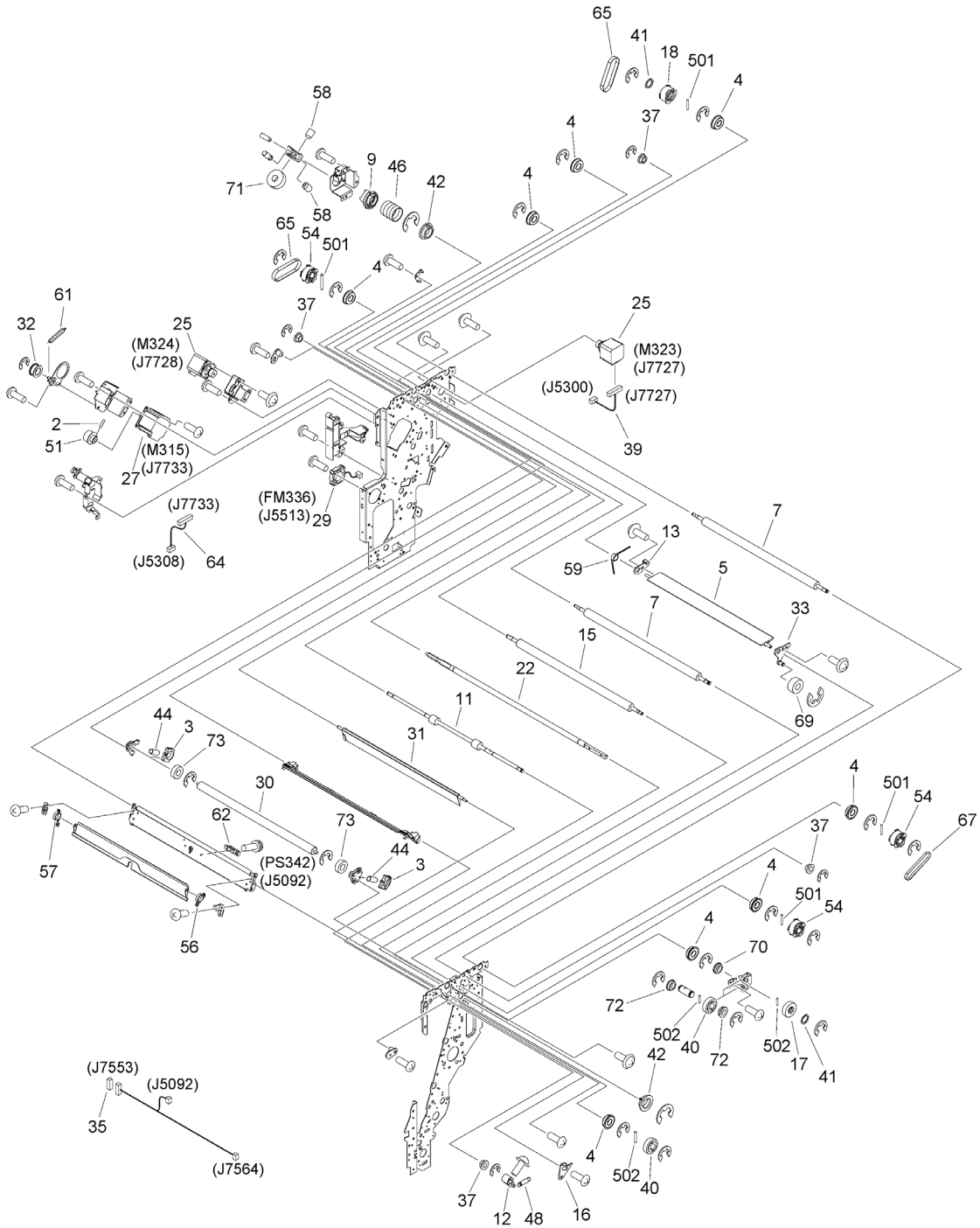


Figure 355 (3/3) REVERSE ASSEMBLY

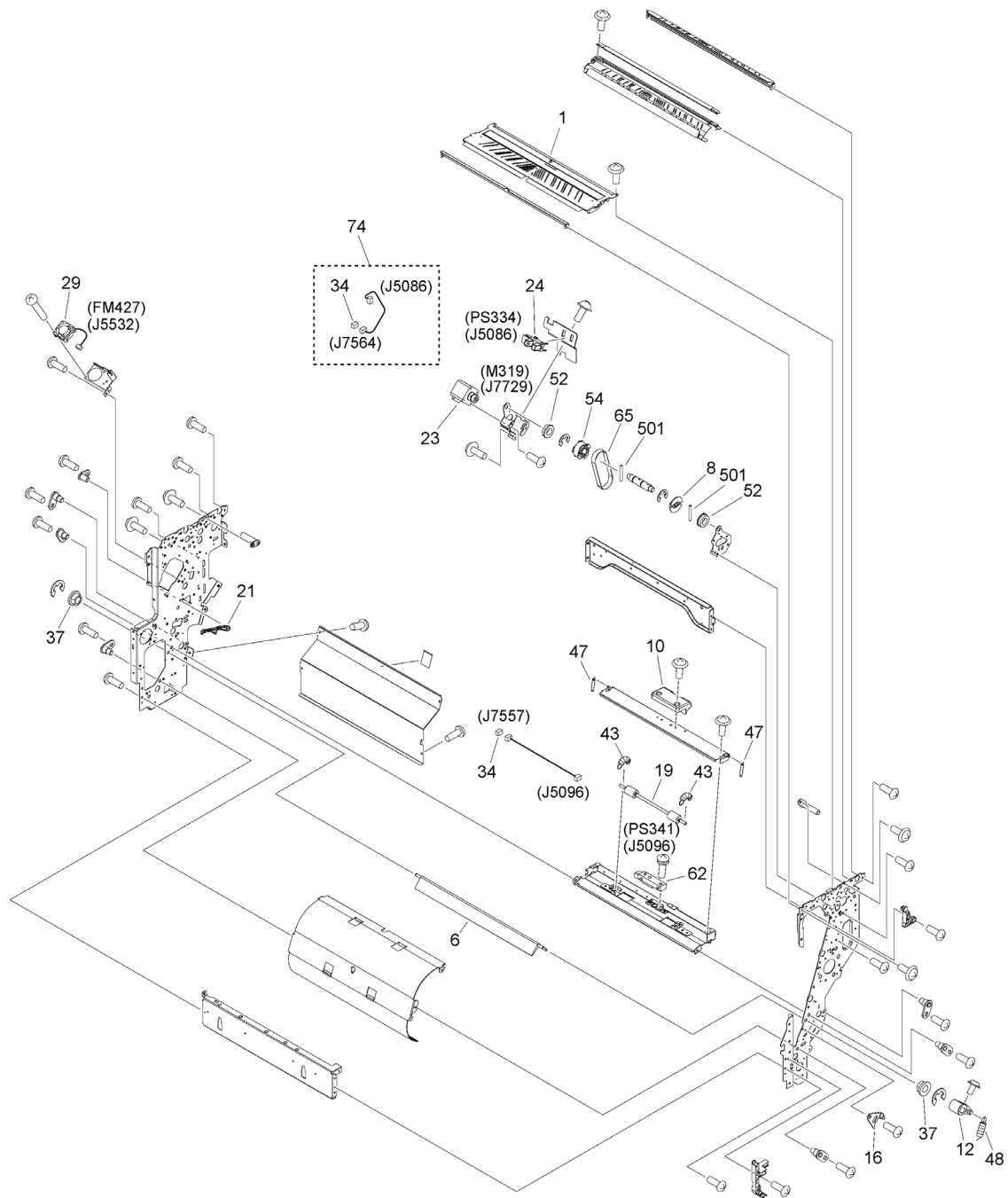


FIGURE & KEY NO.	PART NUMBER	RANK	QTY	DESCRIPTION	SERIAL NUMBER /REMARKS
355	FM1-A428-000		1	REVERSE ASSEMBLY	
1	FL2-2262-010		1	GUIDE, PAPER DELIVERY, LOWER,3	
2	FA9-2864-010		2	SETSCREW, M3X4	
3	FC5-9918-000		2	HOLDER	
4	XG9-0779-000		16	BEARING, BALL, 688ZZNR D41	
5	FC5-9935-000		1	FLAPPER, PAPER DELIVERY, 1	
6	FC5-9953-000		1	FLAPPER, REVERSE, 2	
7	FC9-5909-000		2	ROLLER, PAPER DELIVERY DRIVE,A	
8	FC6-2266-000		1	CAM, FLAPPER	
9	FC6-2272-000		1	LOCK, LEVER	
10	FC6-2277-000		1	LEVER, DUPLEXING ENTRANCE	
11	FE3-2353-000		3	ROLLER, REVERSE, 1	
12	FC6-2400-000		2	LEVER, FLAPPER, 1	
13	FC6-2451-000		1	PLATE, FLAPPER	
14	FC9-9464-000		2	ROLLER, DUPLEXING REVERSE	
15	FC9-5911-000		1	ROLLER, PAPER DELIVERY DRIVE,B	
16	FC6-8458-000		2	HOOK, SPRING	
17	FL3-2874-000		1	GEAR, 17T	
18	FL3-2875-000		1	PULLEY, 30T	
19	FM1-F167-010		1	FOLLOWER ROLLER ASSEMBLY	
20	FM1-L940-000		1	CABLE, MOTOR	
21	FC7-4901-010		1	LEVER, REVERSE GUIDE	
22	FC6-2271-000		1	SHAFT, TRANSMISSION	
23	FM1-F316-000		1	MOTOR, STEPPING, DC	M319
24	WG8-5848-000		3	IC, PHOTO-INTERRUPTER	PS334
25	FM1-F406-000		2	MOTOR, STEPPING, DC	M323, M324
26	FK2-3129-010		1	MOTOR, STEPPING, DC	M322
27	FK2-3132-010		2	MOTOR, STEPPING, DC	M315, M320
28	FM1-H079-000		1	MOTOR, STEPPING, DC	M321
29	FK2-6461-000		2	FAN	FM336, FM427
30	FE8-1249-000		1	ROLLER, DRIVEN	
31	FL2-2268-000		1	FLAPPER, REVERSE, 1	
32	FL2-5562-000		3	ROLLER, TENSIONER	
33	FL2-6237-000		1	PLATE, FLAPPER, 2	
34	VS1-7177-003		3	CONNECTOR, SNAP TIGHT, BK	
35	VS1-7177-006		1	CONNECTOR, SNAP TIGHT, BK	
36	FM1-L843-000		1	CABLE, SENSOR, HOME POSITION	
37	FS1-1569-000		6	BUSHING	
38	FS1-9003-020		1	SCREW STEPPED M4, SWCH	
39	FM1-L847-000		2	CABLE, MOTOR CONNECTING	
40	FS5-0688-000		3	GEAR, 17T	
41	FS5-6488-000		2	WASHER	
42	FU5-1319-000		2	BUSHING	
43	FU5-2839-000		2	SPRING, TENSION	

FIGURE & KEY NO.	PART NUMBER	RANK	QTY	DESCRIPTION	SERIAL NUMBER /REMARKS
44	FU2-0869-000		2	SPRING, COMPRESSION	
45	FU5-2911-000		1	SPRING, COMPRESSION	
46	FU5-2914-000		1	SPRING, COMPRESSION	
47	FU5-2918-000		2	SPRING, TENSION	
48	FU5-2947-000		2	SPRING, TENSION	
49	FS6-0081-000		1	GEAR, 20T	
50	FU2-0347-000		2	SPRING, COMPRESSION	
51	FU5-3204-000		2	PULLEY, 30T	
52	XG9-0520-000		2	BEARING, BALL, MF106ZZS	
53	FU5-3206-000		1	PULLEY, 20T	
54	FU5-3441-000		9	PULLEY, 30T	
55	FU5-3190-000		1	PULLEY, 30T	
56	FU6-2521-000		1	SPRING, TORSION	
57	FU6-2522-000		1	SPRING, TORSION	
58	XA9-0546-020		2	SET SCREW, M4 X 6	
59	FU6-2532-000		1	SPRING, TORSION	
60	XF2-1604-440		1	BELT, TIMING	
61	FU6-2539-000		3	SPRING, TENSION	
62	WG8-5736-000		3	PHOTO SENSOR, OH-118-A5	PS341, PS342, PS335
63	XZ9-0603-000		2	CATCH, MAGNET	
64	FM2-8691-000		2	CABLE, MOTOR	
65	XF2-3607-060		5	BELT, TIMING	
66	XF2-3608-460		1	BELT, TIMING	
67	XF2-3609-960		1	BELT, TIMING	
68	XF2-3614-860		1	BELT, TIMING	
69	XG9-0149-000		1	BEARING, BALL, 684AA1T12DZZ,	
70	XG9-0709-000		9	BEARING, BALL, MF128ZZ-3	
71	XG9-0724-000		1	BEARING, BALL, 608ZZ-SH44M	
72	XG9-0507-000		4	BEARING, BALL, MF128ZZ	
73	XG9-0780-000		2	BEARING, BALL, 688ZZ	
74	FM2-8820-000		1	CABLE, REVERSE FLAPPER	
501	XD3-2200-142		11	PIN, PARALLEL	
502	XD3-2200-102		6	PIN, PARALLEL	

Figure 356 WHITE PLATE MOUNT ASSEMBLY

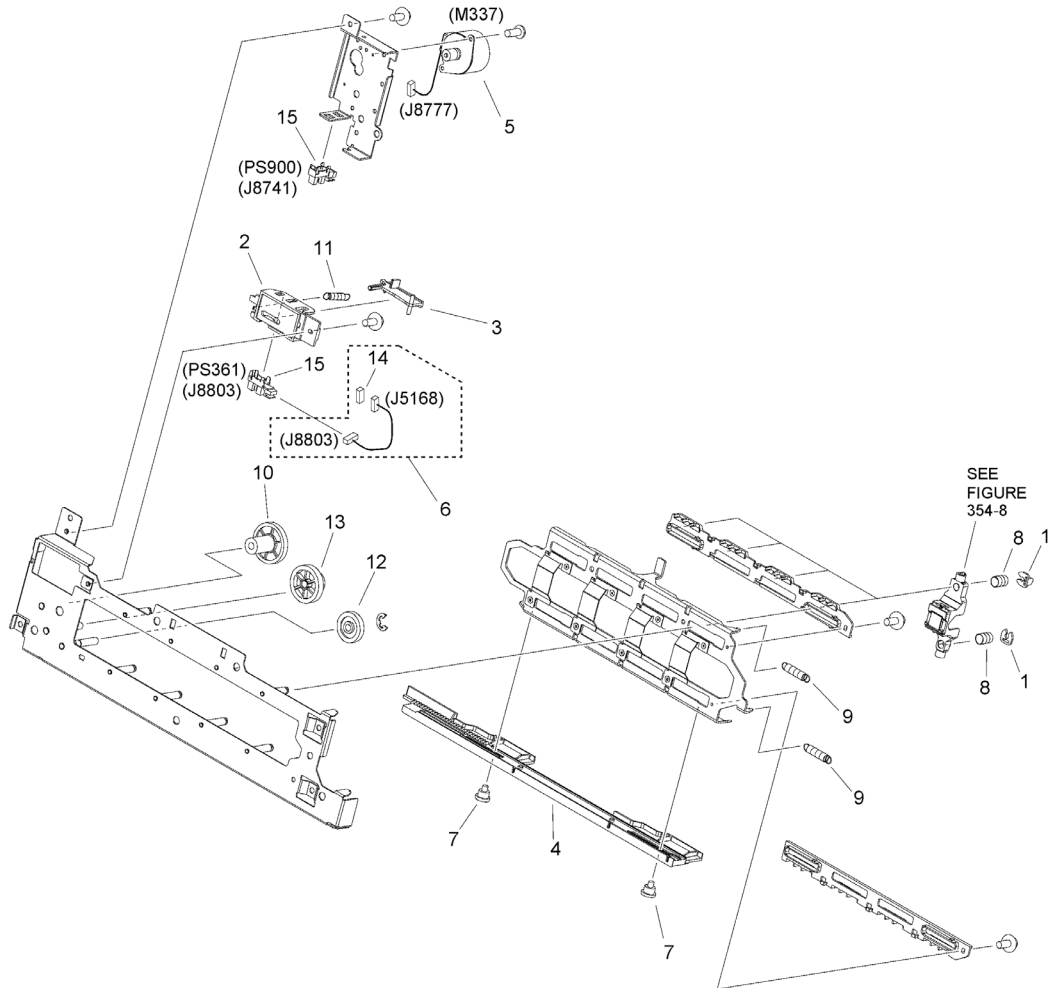


FIGURE & KEY NO.	PART NUMBER	RANK	QTY	DESCRIPTION	SERIAL NUMBER /REMARKS
356	NPN		RF	WHITE PLATE MOUNT ASSEMBLY	
1	FB4-2007-000		8	RING, RETAINING	
2	FC6-8464-000		1	MOUNT, OPEN/CLOSE SENSOR	
3	FC6-8465-000		1	FLAG, OPEN/CLOSE DETECT	
4	FE3-2031-000		1	RACK	
5	FK4-1409-000		1	MOTOR, STEPPING, DC	M337
6	FM1-L848-000		1	CABLE, OPEN/CLOSE SENSOR	
7	FS5-9715-000		2	SCREW, STEPPED, M3	
8	FU2-0345-000		8	SPRING, COMPRESSION	
9	FU2-0381-000		2	SPRING, TENSION	
10	FU2-1526-000		1	GEAR, 56T/12T	
11	FU5-2947-000		1	SPRING, TENSION	
12	FU6-0076-000		1	GEAR, 24T	
13	FU7-0836-000		1	GEAR, 17T/30T	
14	VS1-7177-003		1	CONNECTOR, SNAP TIGHT, BK	
15	WG8-5848-000		2	IC, PHOTO-INTERRUPTER	PS361, PS900

FIGURE & KEY NO.	PART NUMBER	RANK	QTY	DESCRIPTION	SERIAL NUMBER /REMARKS
357	NPN		RF	SPONGE ROLLER MOUNT ASSEMBLY	
1	FB6-6088-000		2	RING, RETAINING	
2	FE3-2028-000		1	ROLLER, SPONGE	[DP]
3	FL2-4030-000		1	GEAR, 24T	
4	FS6-0081-000		1	GEAR, 20T	
5	FU5-3077-000		1	PULLEY, 20T	
6	FU5-3377-000		1	PULLEY, 22T	
7	XF2-1605-740		1	BELT, TIMING	
8	XG9-0706-000		2	BEARING, BALL, MR126ZZ-1	
9	XG9-0707-000		2	BEARING, BALL, MF126ZZ-1	
10	XG9-0709-000		2	BEARING, BALL, MF128ZZ-3	
501	XD3-2200-102		3	PIN, PARALLEL	

Figure 370 (1/2) DUPLEXING DECURLER ASSEMBLY

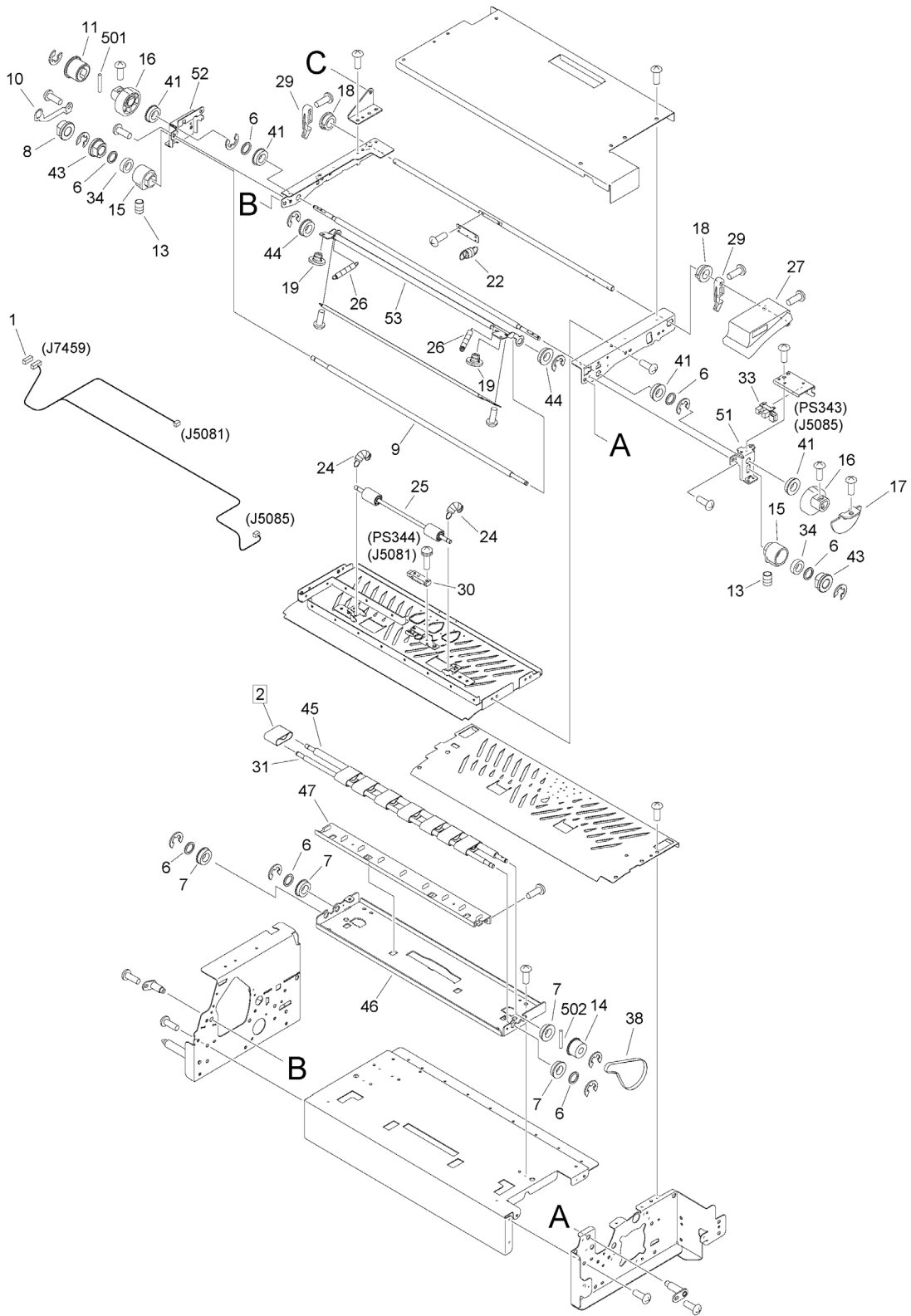


Figure 370 (2/2) DUPLEXING DECURLER ASSEMBLY

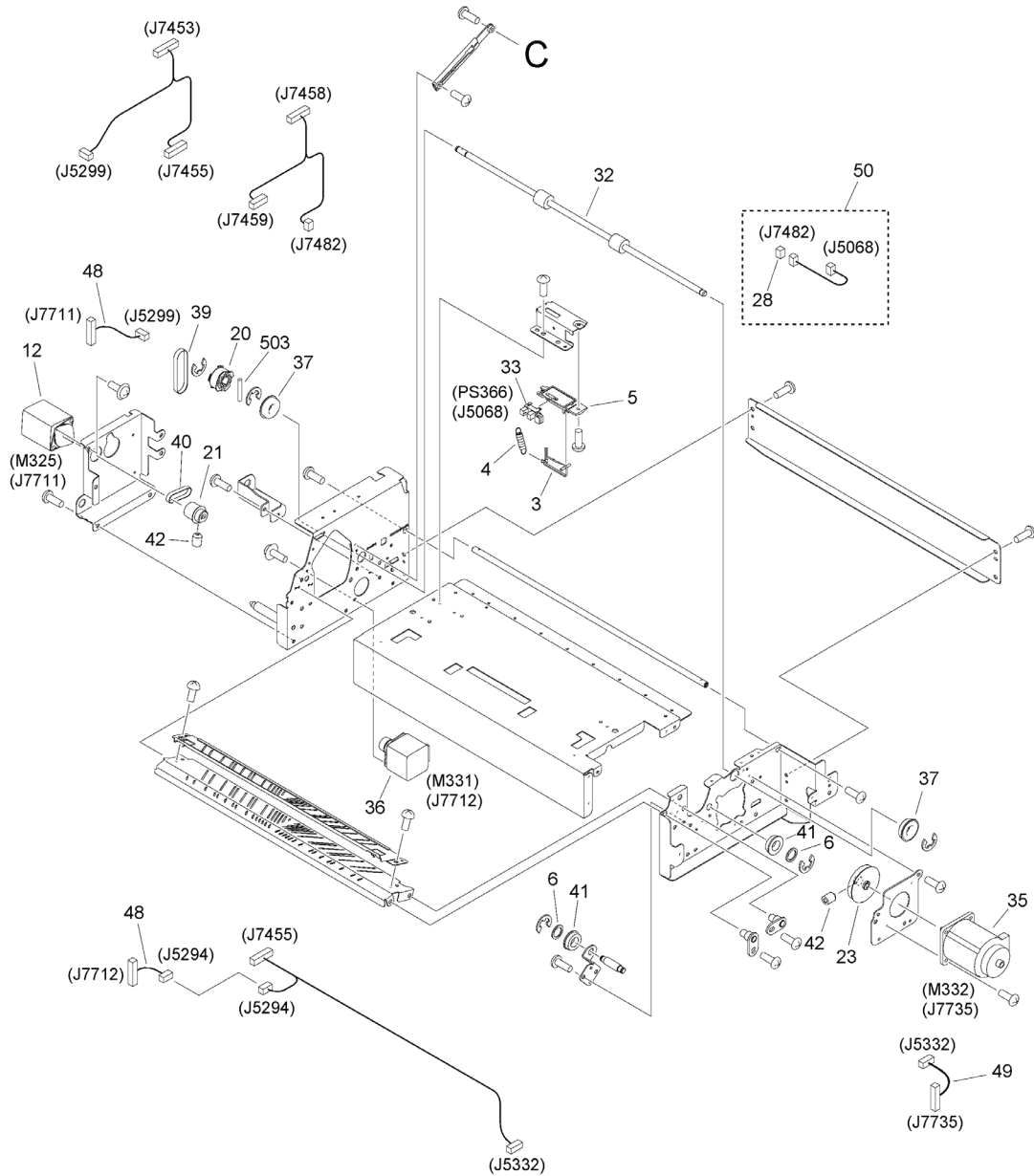


FIGURE & KEY NO.	PART NUMBER	RANK	QTY	DESCRIPTION	SERIAL NUMBER /REMARKS
370	FM1-H083-000		1	DUPLEXING DECURLER ASSEMBLY	
1	VS1-7177-006		1	CONNECTOR, SNAP TIGHT, BK	
2	FC7-4600-000		8	BELT, WIDTH PAPER FEED	[DP]
3	FC6-8465-000		1	FLAG, OPEN/CLOSE DETECT	
4	FU5-2947-000		1	SPRING, TENSION	
5	FC6-8464-000		1	MOUNT, OPEN/CLOSE SENSOR	
6	FS5-6488-000		9	WASHER	
7	XG9-0856-000		4	BEARING, BALL, MF126ZZX3D41	
8	FS5-1592-000		1	BUSHING	
9	FC7-1569-010		1	ROLLER, DECURLER, UPPER	
10	FC7-1603-000		1	PLATE, ROLLER GROUNDING, UP.	
11	FU5-3208-000		1	PULLEY, 20T	
12	FK2-3136-010		1	MOTOR, STEPPING, DC	M325
13	FU5-2996-000		2	SPRING, COMPRESSION	
14	FU5-3210-000		1	PULLEY, 23T	
15	FU5-1328-000		2	BUSHING, ROLLER	
16	FC7-1531-000		2	CAM, DECURLER	
17	FC5-9239-000		1	FLAG, SENSOR	
18	FA9-2112-000		2	BUSHING, PL	
19	FC5-0127-000		2	PIN, SLIDER	
20	FU5-3441-000		1	PULLEY, 30T	
21	FU5-3209-000		1	PULLEY, 20T	
22	FU6-2005-000		1	SPRING, TENSION	
23	FU5-3211-000		1	PULLEY, 81T	
24	FU5-2839-000		2	SPRING, TENSION	
25	FM1-F167-010		1	FOLLOWER ROLLER ASSEMBLY	
26	FU2-1524-000		2	SPRING, TENSION	
27	FC5-9976-000		1	LEVER, REVERSE GUIDE	
28	VS1-7177-003		1	CONNECTOR, SNAP TIGHT, BK	
29	FC7-1808-000		2	HOOK, RELEASE	
30	WG8-5736-000		1	PHOTO SENSOR, OH-118-A5	PS344
31	FC7-1598-010		1	ROLLER, DRIVEN	
32	FC9-9465-000		1	ROLLER, DUPLEXING, REAR	
33	WG8-5848-000		2	IC, PHOTO-INTERRUPTER	PS343, PS366
34	XG9-0497-000		2	BEARING, BALL, MR106ZZ,	
35	FK2-3152-010		1	MOTOR, STEPPING, DC	M332
36	FK2-3129-010		1	MOTOR, STEPPING, DC	M331
37	XG9-0779-000		2	BEARING, BALL, 688ZZNR D41	
38	XF2-3612-560		1	BELT, TIMING	
39	XF2-3608-060		1	BELT, TIMING	
40	XF2-3605-060		1	BELT, TIMING	
41	XG9-0520-000		6	BEARING, BALL, MF106ZZS	
42	FA9-2864-010		2	SETSCREW, M3X4	
43	FS5-1755-000		2	BUSHING	

FIGURE & KEY NO.	PART NUMBER	RANK	QTY	DESCRIPTION	SERIAL NUMBER /REMARKS
44	XG9-0705-000		2	BEARING, BALL, MF106ZZS	
45	FC7-4048-010		1	SHAFT, TRANSMISSION	
46	FC7-1625-010		1	FRAME,DUPLEX	
47	FC7-7026-000		1	GUIDE, BELT	
48	FM2-8689-000		2	CABLE, MOTOR, 1	
49	FM2-8691-000		1	CABLE, MOTOR	
50	FM2-8714-000		1	CABLE, DUPLEXING INLET SENSOR	
51	FC7-1806-000		1	SUPPORT, CAM, FRONT	
52	FC7-1807-000		1	SUPPORT, CAM, REAR	
53	FE4-8970-000		1	GUIDE, DOUBLE, SIDED	
501	XD3-2200-082		1	PIN, PARALLEL	
502	XD3-2200-102		1	PIN, PARALLEL	
503	XD3-2200-142		1	PIN, PARALLEL	

Figure 371 (1/2) DUPLEXING ASSEMBLY, RIGHT

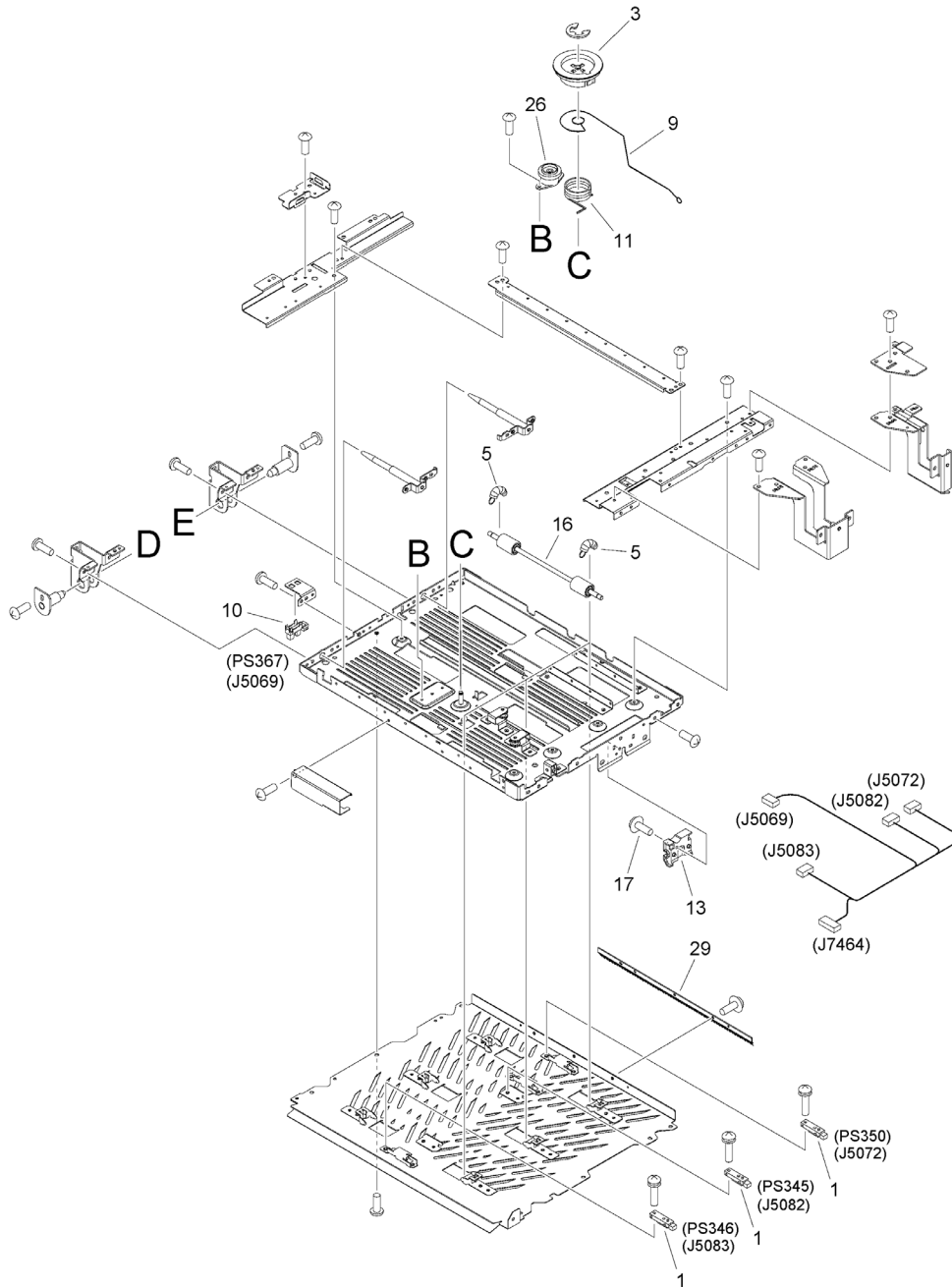


FIGURE & KEY NO.	PART NUMBER	RANK	QTY	DESCRIPTION	SERIAL NUMBER /REMARKS
371	FM2-2240-020		1	DUPLEXING ASSEMBLY, RIGHT	
1	WG8-5736-000		3	PHOTO SENSOR, OH-118-A5	PS345,PS346, PS350
2	FU6-2562-000		2	SPRING, COMPRESSION	
3	FU6-0352-000		1	GEAR, 62T	
4	FU5-3441-000		4	PULLEY, 30T	
5	FU5-2839-000		6	SPRING, TENSION	
6	FS5-1005-000		2	BUSHING, POLYESTER(R)	
7	FS2-1012-000		2	BUSHING	
8	FS1-1569-000		2	BUSHING	
9	FC6-8506-000		1	WIRE, DUPLEXING LIFTER	
10	WG8-5783-000		1	IC,PHOTO-INTERRUPTER,LG248NL1A	PS367
11	FC7-5720-000		1	SPRING, TORSION	
12	FC7-3514-000		1	SHAFT, LOCK RELEASE	
13	FC7-3512-000		1	HOOK, DUPLEXING GUIDE, RIGHT	
14	FC7-7487-000		1	LINK, LOCK RELEASE	
15	FC7-3506-000		2	HINGE, ADJUSTMENT, RIGHT	
16	FM1-F167-010		3	FOLLOWER ROLLER ASSEMBLY	
17	XA9-1469-000		1	SCREW, TP,M3X6	
18	FC6-8504-000		1	GRIP, DUPLEXING HANDLE, RIGHT	
19	FC7-7486-000		2	SHAFT, GUIDE LOCK	
20	FM1-L940-000		2	CABLE, MOTOR	
21	FA9-2112-000		2	BUSHING, PL	
22	XF2-3615-460		1	BELT, TIMING	
23	XF2-3611-560		2	BELT, TIMING	
24	XG9-0779-000		6	BEARING, BALL, 688ZZNR D41	
25	FM1-F316-000		2	MOTOR, STEPPING, DC	M328,M330
26	FL2-4135-000		1	DAMPER, ROTARY	
27	FC9-9471-000		2	ROLLER, PAPER FEED, LOWER	
28	FC9-9466-000		1	ROLLER, DUPLEXING PAPER FEED	
29	FB4-5093-020		1	PLATE, HORIZON. PATH GROUNDING	
501	XD3-2200-142		4	PIN, PARALLEL	

Figure 372 (1/2) DUPLEXING ASSEMBLY, LEFT

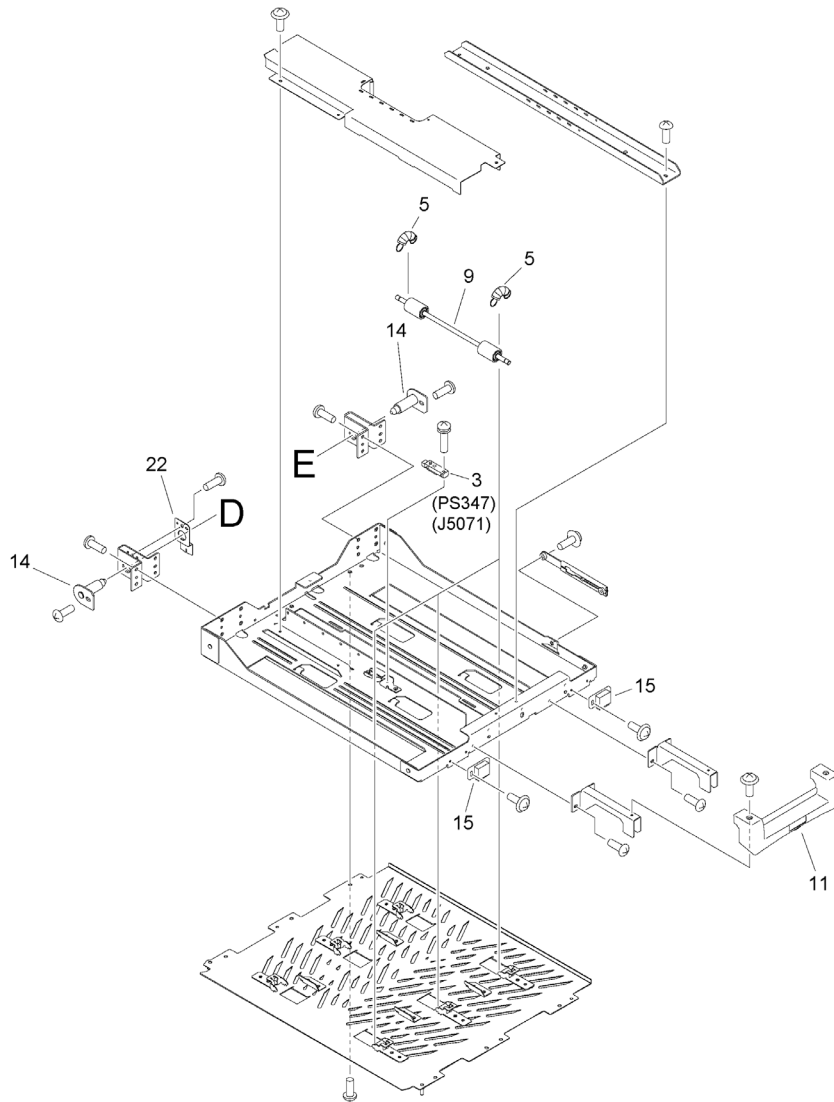


Figure 372 (2/2) DUPLEXING ASSEMBLY, LEFT

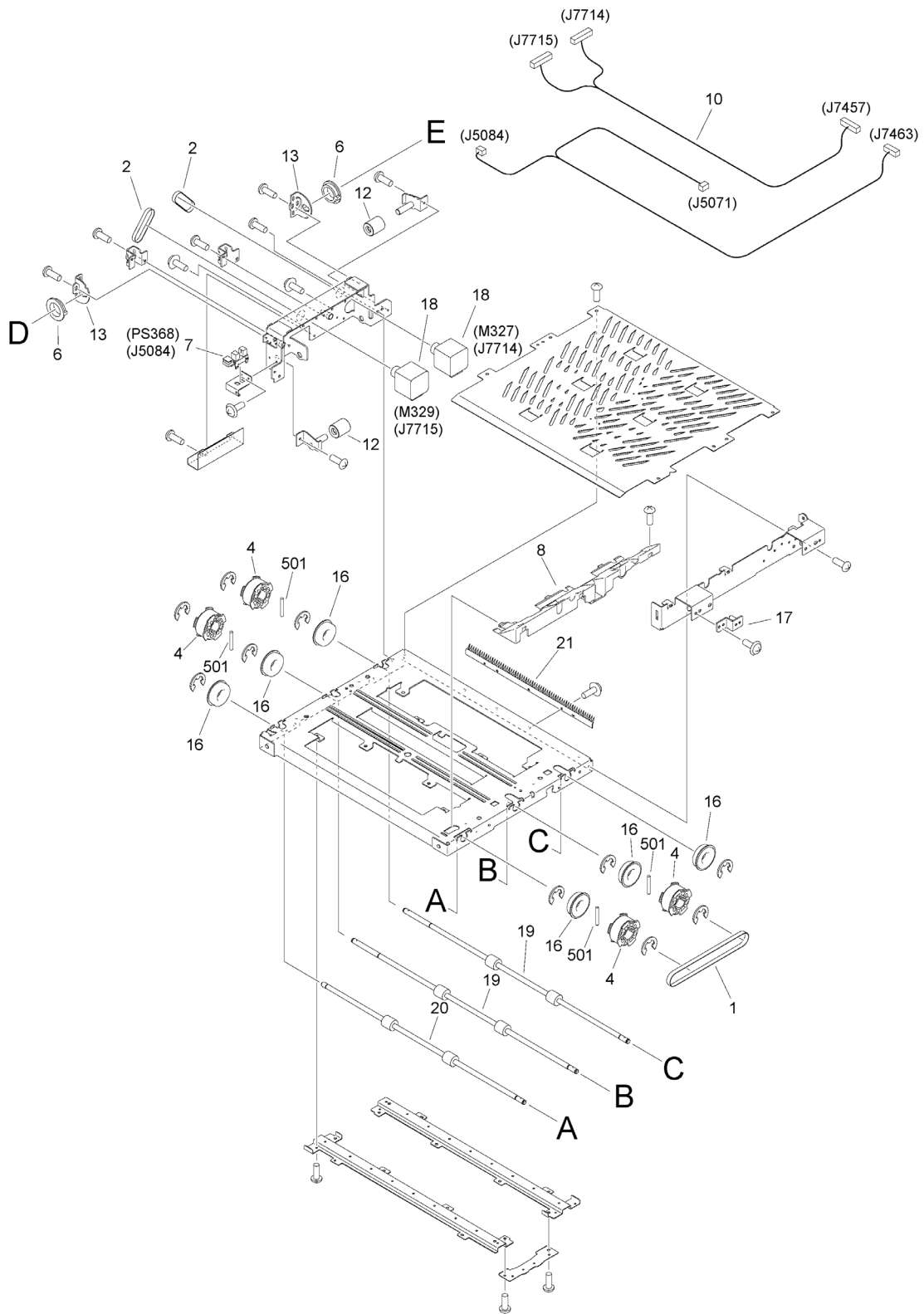


FIGURE & KEY NO.	PART NUMBER	RANK	QTY	DESCRIPTION	SERIAL NUMBER /REMARKS
372	FM2-2241-020		1	DUPLEXING ASSEMBLY, LEFT	
1	XF2-3615-460		1	BELT, TIMING	
2	XF2-3607-260		2	BELT, TIMING	
3	WG8-5736-000		1	PHOTO SENSOR, OH-118-A5	PS347
4	FU5-3441-000		4	PULLEY, 30T	
5	FU5-2839-000		6	SPRING, TENSION	
6	FS2-1012-000		2	BUSHING	
7	WG8-5783-000		1	IC,PHOTO-INTERRUPTER,LG248NL1A	PS368
8	FC7-4058-000		1	MOUNT, JUMP	
9	FM1-F167-010		3	FOLLOWER ROLLER ASSEMBLY	
10	FM1-L967-000		1	CABLE, MOTOR, 2	
11	FC6-8647-000		1	HANDLE, DUPLEXING, LEFT	
12	FC5-9668-000		2	ROLLER, FOLLOWER	
13	FC7-1879-000		2	HINGE, ADJUSTMENT, LEFT	
14	FL2-2140-000		2	HINGE, FEED, LOWER	
15	XZ9-0598-000		2	CATCH, MAGNET	
16	XG9-0779-000		6	BEARING, BALL, 688ZZNR D41	
17	FL2-2293-000		1	LOCK, PAPER FEED, LOWER	
18	FM1-F316-000		2	MOTOR, STEPPING, DC	M327,M329
19	FC9-9471-000		2	ROLLER, PAPER FEED, LOWER	
20	FC9-9466-000		1	ROLLER, DUPLEXING PAPER FEED	
21	FB4-5093-020		1	PLATE, HORIZON. PATH GROUNDING	
22	FC6-0090-000		1	FLAG, GUIDE OPEN/CLOSE DETECT	
501	XD3-2200-142		4	PIN, PARALLEL	

Figure 772 WASTE TONER PIPE ASSEMBLY

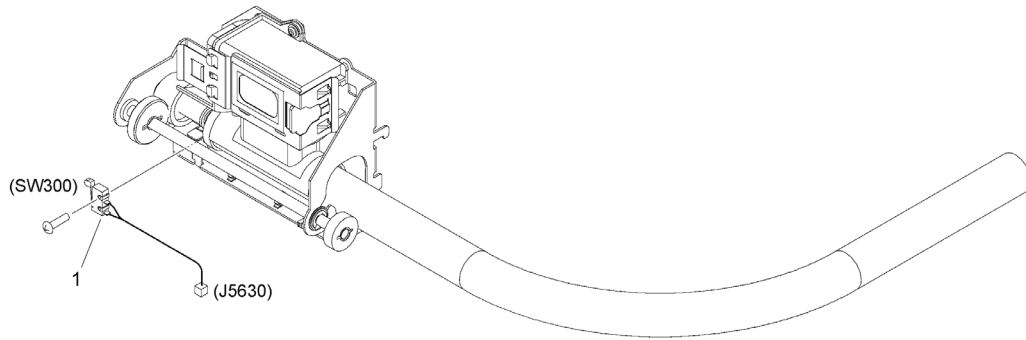


FIGURE & KEY NO.	PART NUMBER	RANK	QTY	DESCRIPTION	SERIAL NUMBER /REMARKS
772	FM1-H046-010		1	WASTE TONER PIPE ASSEMBLY	
1	FM1-L897-000		1	CABLE, SWITCH	SW300

Figure 773 WASTE TONER ASSEMBLY

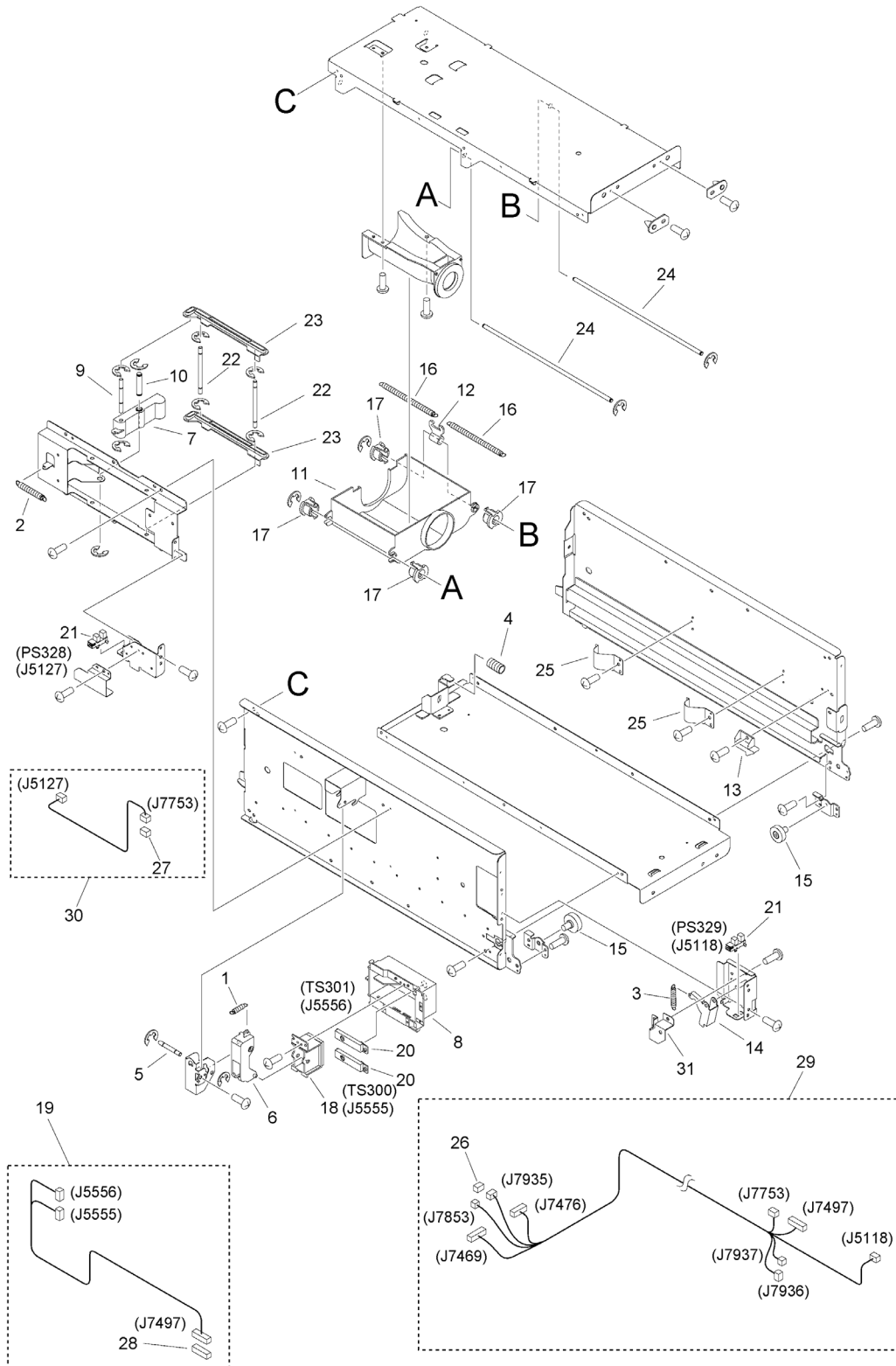


FIGURE & KEY NO.	PART NUMBER	RANK	QTY	DESCRIPTION	SERIAL NUMBER /REMARKS
773	NPN		RF	WASTE TONER ASSEMBLY	
1	FU6-2528-000		1	SPRING, TENSION	
2	FU6-2527-000		1	SPRING, TENSION	
3	FU6-2002-000		1	SPRING, TENSION	
4	FU6-2001-000		1	SPRING, COMPRESSION	
5	FC7-1614-000		1	SHAFT, SUPPORTING	
6	FC7-1568-000		1	ARM, PRESSURE	
7	FC7-1616-000		1	LEVER, BOTTLE DETECT	
8	FC7-1564-000		1	HOLDER, TONER SENSOR	
9	FC7-1562-000		1	SHAFT, HOOK	
10	FC7-1561-000		1	SHAFT, LEVER	
11	FL2-8401-000		1	COVER, PIPE	
12	FC7-1556-000		1	HOOK, COUPLING	
13	FC7-1553-000		1	HOOK	
14	FC7-1551-000		1	FLAG, DOOR SENSOR	
15	XG9-0302-000		2	STEEL BALL BEARING, A-19-B2	
16	FU6-2525-000		2	SPRING, TENSION	
17	FU5-1333-000		4	BUSHING, SLIDE	
18	FL2-1994-000		1	STOPPER, TONER SENSOR	
19	FM2-8817-000		1	CABLE, WASTE TONER FULL DETECT	
20	FK2-0591-000		2	SENSOR, TONER	TS300,TS301
21	WG8-5783-000		2	IC,PHOTO-INTERRUPTER,LG248NL1A	PS328,PS329
22	FC7-1560-000		2	SHAFT, CAM	
23	FC7-1559-000		2	CAM, SLIDE	
24	FC7-1555-000		2	SHAFT, GUIDE	
25	FC7-1549-000		2	STOPPER, SIDE	
26	VS1-7177-003		1	CONNECTOR, SNAP TIGHT, BK	
27	VS1-7177-004		1	CONNECTOR, SNAP TIGHT, BK	
28	VS1-7177-007		1	CONNECTOR, 7P, FEMALE, BK	
29	FM2-8790-000		1	CABLE, WASTE TONER	
30	FM2-8806-000		1	CABLE, BOTTLE SENSOR	
31	FC7-1552-000		1	STOPPER, FLAG	

Figure 774 WASTE TONER BOTTLE TRAY ASS'Y

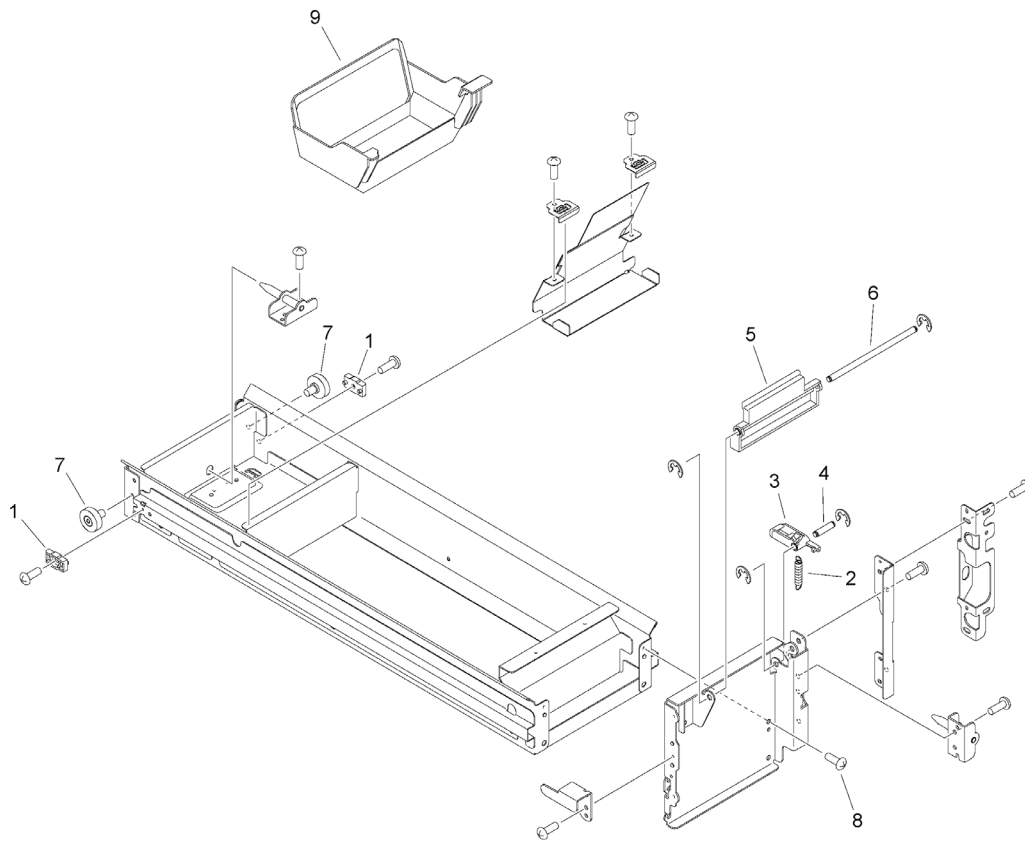


FIGURE & KEY NO.	PART NUMBER	RANK	QTY	DESCRIPTION	SERIAL NUMBER /REMARKS
774	FM2-2057-010		1	WASTE TONER BOTTLE TRAY ASSY	
1	FC7-2262-000		2	STOPPER, SIDE	
2	FU5-2998-000		1	SPRING, TENSION	
3	FC6-8565-000		1	ARM, LATCH	
4	FC6-8564-000		1	SHAFT, ARM	
5	FC6-8563-000		1	LEVER, OPEN/CLOSE	
6	FC6-8562-000		1	SHAFT, LEVER	
7	XG9-0302-000		2	STEEL BALL BEARING, A-19-B2	
8	XA9-0892-000		4	SCREW,MACH.,TRUSS HEAD,M4X6	
9	FL0-2692-000		1	WASTE TONER CATCH ASSEMBLY	

Figure 775 BOTTLE, WASTE TONER, WT-402

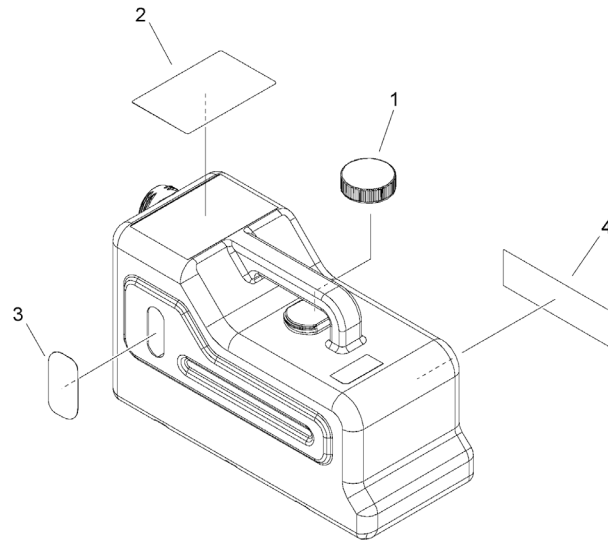


FIGURE & KEY NO.	PART NUMBER	RANK	QTY	DESCRIPTION	SERIAL NUMBER /REMARKS
775	FM2-2058-010		1	BOTTLE, WASTE TONER, WT-402	[DP]
1	FC6-3419-000		1	CAP, BOTTLE WASTE TONER	
2	FC7-9667-000		1	LABEL, TONER BOTTLE	
3	FC8-9141-000		1	SHEET, BOTTLE WINDOW	
4	FE8-8946-000		1	LABEL, CAUTION	

Figure 810A 1ST FIXING ASSEMBLY (200V, 208V)

NOTE : This assembly includes the assemblies shown in Figure 812, 813*, 814*, 830 and 840*.

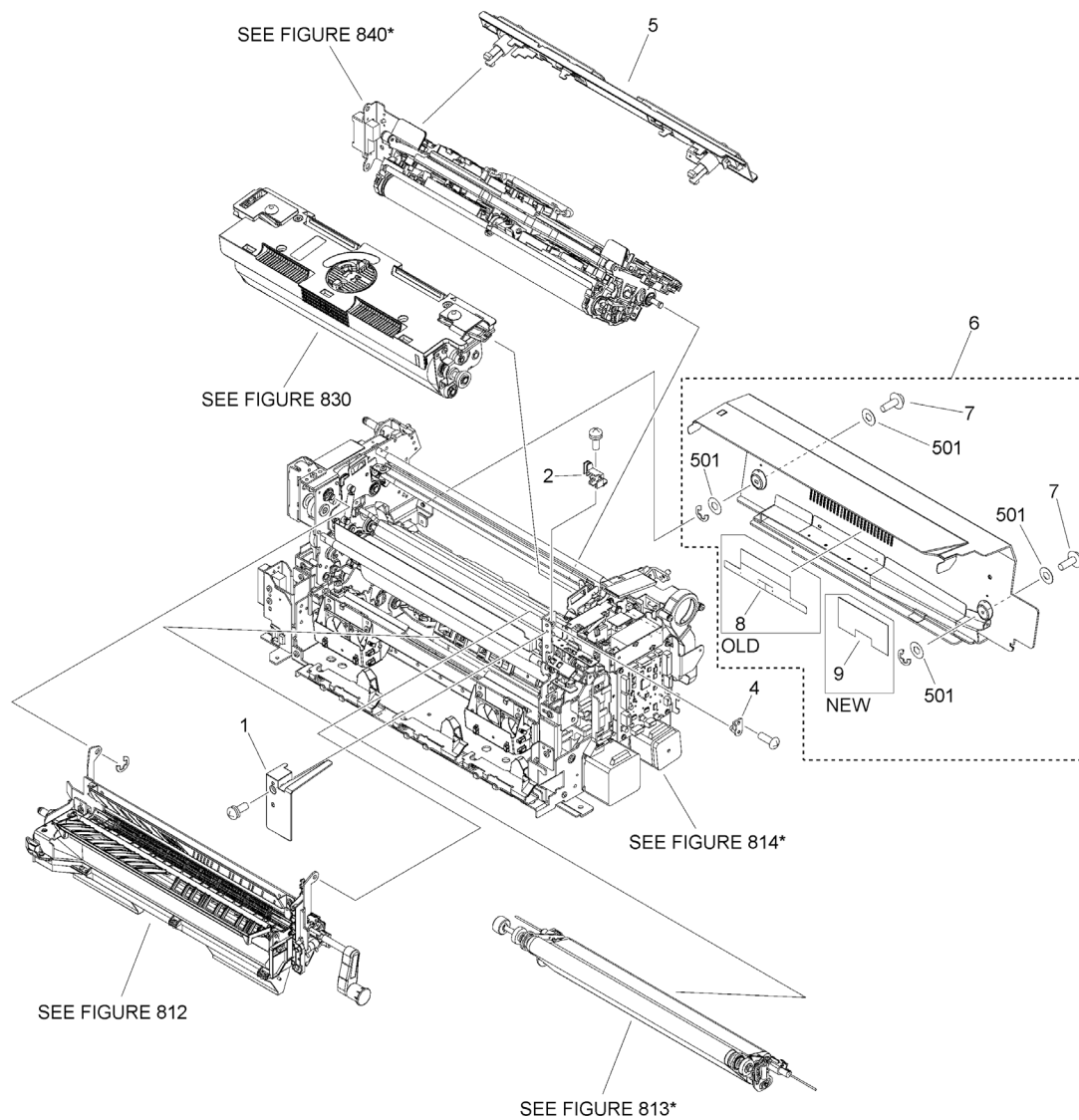


FIGURE & KEY NO.	PART NUMBER	RANK	QTY	DESCRIPTION	SERIAL NUMBER /REMARKS
810A	FM1-A376-030		1	1ST FIXING ASSEMBLY	200V, 208V SEE NOTE
1	FE3-2078-000		1	COVER, FRONT	
2	FE3-2373-000		1	GUIDE, CABLE, 1	
4	FL2-2169-000		1	PLATE	
5	FM1-A394-010		1	PRESSURE CROSSMEMBER ASSEMBLY	
6	FM1-A395-040		1	COVER, UPPER	
7	FC6-8524-000		2	SCREW, RETAINER, M4	
8	FL1-5536-000		1	SHEET, COVER	OLD For serial number WBE15243, WBF15238, WBG15013 and earlier
9	FL1-5548-000		1	SHEET, COVER	NEW For serial number WBE15244, WBF15239, WBG15014 and later
501	XD1-1104-131		4	WASHER,COP	

Figure 810B 1ST FIXING ASSEMBLY (400V)

NOTE : This assembly includes the assemblies shown in Figure 812, 813*, 814*, 830 and 840*.

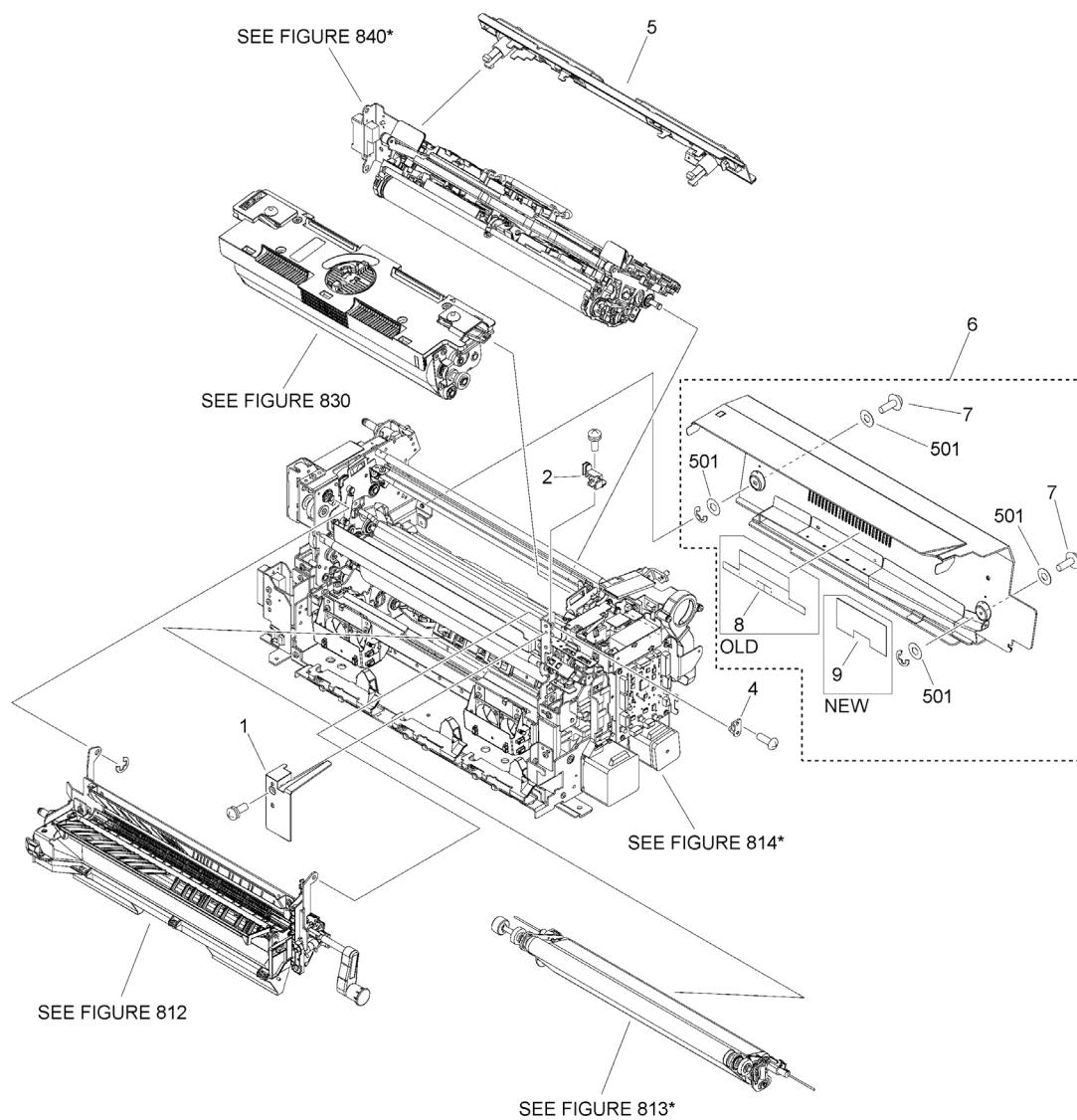


FIGURE & KEY NO.	PART NUMBER	RANK	QTY	DESCRIPTION	SERIAL NUMBER /REMARKS
810B	FM1-A467-050		1	1ST FIXING ASSEMBLY	400V SEE NOTE
1	FE3-2078-000		1	COVER, FRONT	
2	FE3-2373-000		1	GUIDE, CABLE, 1	
4	FL2-2169-000		1	PLATE	
5	FM1-A394-010		1	PRESSURE CROSSMEMBER ASSEMBLY	
6	FM1-A395-040		1	COVER, UPPER	
7	FC6-8524-000		2	SCREW, RETAINER, M4	
8	FL1-5536-000		1	SHEET, COVER	OLD For serial number WBE15243, WBF15238, WBG15013 and earlier
9	FL1-5548-000		1	SHEET, COVER	NEW For serial number WBE15244, WBF15239, WBG15014 and later
501	XD1-1104-131		4	WASHER,COP	

Figure 812 INNER PAPER DELIVERY ASS'Y, 1

NOTE : This assembly is included in the assembly shown in Figure 810*.

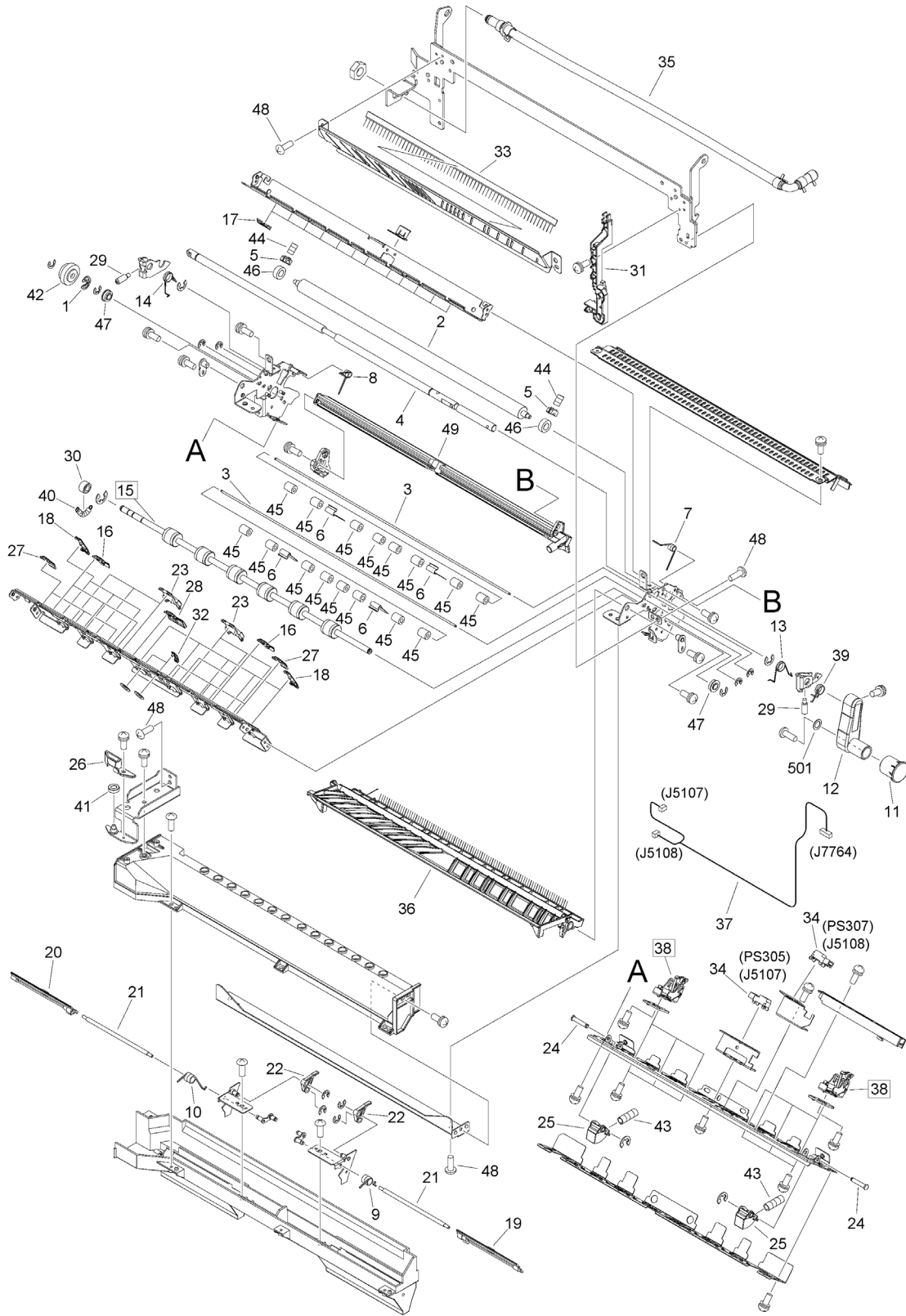


FIGURE & KEY NO.	PART NUMBER	RANK	QTY	DESCRIPTION	SERIAL NUMBER /REMARKS
812	FM1-A381-020		1	INNER PAPER DELIVERY ASSY, 1	SEE NOTE
1	FB6-6088-000		1	RING, RETAINING	
2	FC5-9775-000		1	ROLLER, INTERNAL DELIVERY, U.	
3	FC5-9785-000		2	SHAFT, ROLLER	
4	FC5-9791-010		1	SHAFT, OPEN/CLOSE	
5	FC5-9792-010		2	BUSHING, INNER PAPER DELIVERY	
6	FC6-8434-000		4	STOPPER, ROLLER SHAFT	
7	FC6-8574-000		1	SPRING, TORSION	
8	FC6-8575-000		1	SPRING, TORSION	
9	FC7-4062-000		1	SPRING, TORSION	
10	FC7-4063-000		1	SPRING	
11	FC7-4068-010		1	HANDLE, INNER PAPER DELIVERY	
12	FC7-4069-010		1	LEVER, FIRST OPEN/CLOSE	
13	FC7-4073-010		1	SPRING, TORSION	
14	FC7-4074-010		1	SPRING, TORSION	
15	FC7-4644-000		1	ROLLER,INNER DELIVERY, LW	[DP]
16	FC7-4646-000		5	RIB, PAPER DELIVERY, LARGE	
17	FC7-4647-000		12	RIB, INNER DELIVERY OUTER, UP.	
18	FC7-4649-000		8	RIB, INNER PAPER DELIVERY, S	
19	FC7-4650-000		1	SHUTTER, FRONT	
20	FC7-4651-000		1	SHUTTER, REAR	
21	FC7-4652-000		2	SHAFT, TURN	
22	FC7-4653-000		2	LEVER, OPEN/CLOSE	
23	FC7-7036-000		6	RIB, INNER PAPER DELIVERY, L	
24	FC7-7037-000		2	SHAFT, PUSH	
25	FC7-7038-000		2	PLATE, PUSHING, UPPER	
26	FC7-7040-000		1	PLATE, INSERT	
27	FC7-9740-000		6	RIB, PAPER DELIVERY, SMALL	
28	FC8-0999-000		1	RIB, PAPER DELIVERY, LARGE	
29	FC8-4438-000		2	SHAFT, SUPPORT	
30	FC9-9145-000		1	SPACER, INNER PAPER DELIVERY	
31	FE3-2214-000		1	GUIDE, CABLE, 1	
32	FE3-8001-000		2	RIB, INNER PAPER DELIVERY, C	
33	FE8-2128-000		1	ELIMINATOR, STATIC CHARGE	
34	FK2-6470-000		2	PHOTO-SENSOR, KUA0055C	PS305,PS307
35	FM1-D334-000		1	AIR TUBE UNIT	
36	FM1-H035-000		1	GUIDE, CONNECTION, LOWER UNIT	
37	FM1-L854-000		1	CABLE, FIRST INNER SENSOR	
38	FM3-2100-010		6	SEPARATION CLAW ASSEMBLY	[DP]
39	FU2-0415-000		1	SPRING, TORSION	
40	FU5-2138-000		1	SPRING, TENSION	
41	FU5-6260-000		1	ROLLER	
42	FU6-0306-000		1	GEAR, 22T	
43	FU6-2556-000		2	SPRING, COMPRESSION	

FIGURE & KEY NO.	PART NUMBER	RANK	QTY	DESCRIPTION	SERIAL NUMBER /REMARKS
44	FU6-2566-000		2	SPRING, COMPRESSION	
45	RB2-0493-000		16	ROLLER, PAPER SENSOR	
46	XG9-0835-000		2	BEARING, BALL, DDL-740ZZH	
47	XG9-0883-000		2	BEARING, BALL, MF126ZZWB5.	
48	XA9-1331-000		9	SCREW,MACH.,TRUSS HEAD,M4X4	
49	FL0-0491-000		1	NOZZLE, SEPARATION AIR	
501	XD1-1107-725		1	WASHER,COP	

FIGURE & KEY NO.	PART NUMBER	RANK	QTY	DESCRIPTION	SERIAL NUMBER /REMARKS
813A	FM1-A385-020		1	FIXING PRESSURE BELT ASSEMBLY	200V, 208V SEE NOTE [DP]
1	FK2-3094-010		1	THERMISTOR	THM300 [DP]
2	FE3-2080-000		1	ROLLER, SEPARATION	
3	FC6-1254-000		1	ROLLER, INLET	
4	FC6-0342-000		1	CASE, INLET HEATER, R	
5	FK2-3086-010		1	HEATER, HALOGEN	H305
6	FS5-6487-000		2	WASHER	
7	FE2-A267-000		2	WASHER, TOOTHED LOCK	
8	FU5-2878-000		2	SPRING, TENSION	
9	FU5-3196-000		1	PULLEY, 23T	
10	VS1-7462-001		2	CONNECTOR, 1P	
11	XG9-0519-000		2	BEARING, BALL, MR148ZZ	[DP]
12	XG9-0360-000		2	BEARING, BALL, DDL-1910ZZY05R	
13	XG9-0810-000		2	BEARING, BALL, LNR-1680KKR	[DP]
14	XG9-0407-000		2	BEARING, BALL, UGF106P12ZZD4ML	[DP]
15	FM1-N242-000		1	BEARING BUSHING KIT	[DP]
16	FL0-0358-000		1	BELT, FIXING	[DP]
17	FL1-0122-000		1	ROLLER, OIL	[DP]
18	FU5-9305-000		2	SCREW, STEPPED, M4	
19	FL2-6259-000		1	COVER, PAD	[DP]
20	FC5-9766-000		1	ROLLER, STEERING	[DP]
21	FC7-1842-000		1	PLATE, STOPPER	
22	FC6-0333-000		2	SLIDER, TENSION	
23	FC6-0335-000		1	SHAFT, TRANSMISSION	
24	FL2-2648-000		1	PAD, PRESSURE	[DP]
25	FE8-2702-000		2	SCREW, FIXED, M3X6	
26	FC7-0174-010		1	CASE, INLET HEATER, F	
27	FU2-1733-000		1	SPRING, PRESSURE, FRONT	
28	FU2-1734-000		1	SPRING, PRESSURE, REAR	
29	FC6-0334-000		1	PLATE, BELT TENSION, FRONT	
30	FC6-0364-000		1	PLATE, BELT TENSION, REAR	
501	XD1-1107-225		2	WASHER, PLAIN	
502	XD3-2200-122		3	PIN, DOWEL	

Figure 813B FIXING PRESSURE BELT ASSEMBLY (400V)

NOTE : This assembly is included in the assembly shown in Figure 810*.

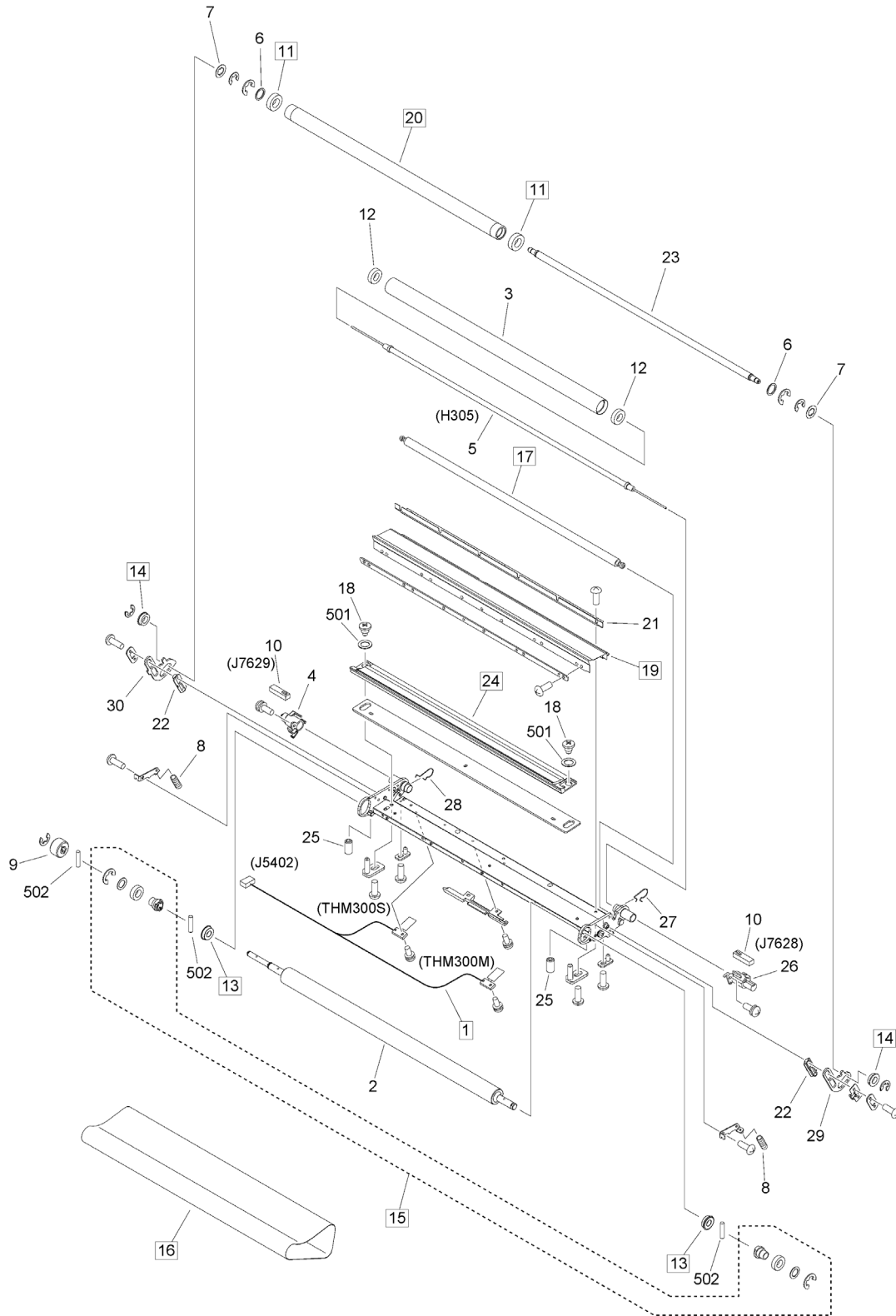


FIGURE & KEY NO.	PART NUMBER	RANK	QTY	DESCRIPTION	SERIAL NUMBER /REMARKS
813B	FM1-A409-030		1	FIXING PRESSURE BELT ASSEMBLY	400V SEE NOTE [DP]
1	FK2-3094-010		1	THERMISTOR	THM300 [DP]
2	FE3-2080-000		1	ROLLER, SEPARATION	
3	FC6-1254-000		1	ROLLER, INLET	
4	FC6-0342-000		1	CASE, INLET HEATER, R	
5	FK2-3087-010		1	HEATER, HALOGEN	H305
6	FS5-6487-000		2	WASHER	
7	FE2-A267-000		2	WASHER, TOOTHED LOCK	
8	FU5-2878-000		2	SPRING, TENSION	
9	FU5-3196-000		1	PULLEY, 23T	
10	VS1-7462-001		2	CONNECTOR, 1P	
11	XG9-0519-000		2	BEARING, BALL, MR148ZZ	[DP]
12	XG9-0360-000		2	BEARING, BALL, DDL-1910ZZY05R	
13	XG9-0810-000		2	BEARING, BALL, LNR-1680KKR	[DP]
14	XG9-0407-000		2	BEARING, BALL, UGF106P12ZZD4ML	[DP]
15	FM1-N242-000		1	BEARING BUSHING KIT	[DP]
16	FL0-0358-000		1	BELT, FIXING	[DP]
17	FL1-0122-000		1	ROLLER, OIL	[DP]
18	FU5-9305-000		2	SCREW, STEPPED, M4	
19	FL2-6259-000		1	COVER, PAD	[DP]
20	FC5-9766-000		1	ROLLER, STEERING	[DP]
21	FC7-1842-000		1	PLATE, STOPPER	
22	FC6-0333-000		2	SLIDER, TENSION	
23	FC6-0335-000		1	SHAFT, TRANSMISSION	
24	FL2-2648-000		1	PAD, PRESSURE	[DP]
25	FE8-2702-000		2	SCREW, FIXED, M3X6	
26	FC7-0174-010		1	CASE, INLET HEATER, F	
27	FU2-1733-000		1	SPRING, PRESSURE, FRONT	
28	FU2-1734-000		1	SPRING, PRESSURE, REAR	
29	FC6-0334-000		1	PLATE, BELT TENSION, FRONT	
30	FC6-0364-000		1	PLATE, BELT TENSION, REAR	
501	XD1-1107-225		2	WASHER, PLAIN	
502	XD3-2200-122		3	PIN, DOWEL	

Figure 814A FIXING INTERMEDIATE ASS'Y, 1 (200V, 208V)

NOTE 1 : This assembly is included in the assembly shown in Figure 810*. NOTE 2 : This assembly includes the assembly shown in Figure 818.

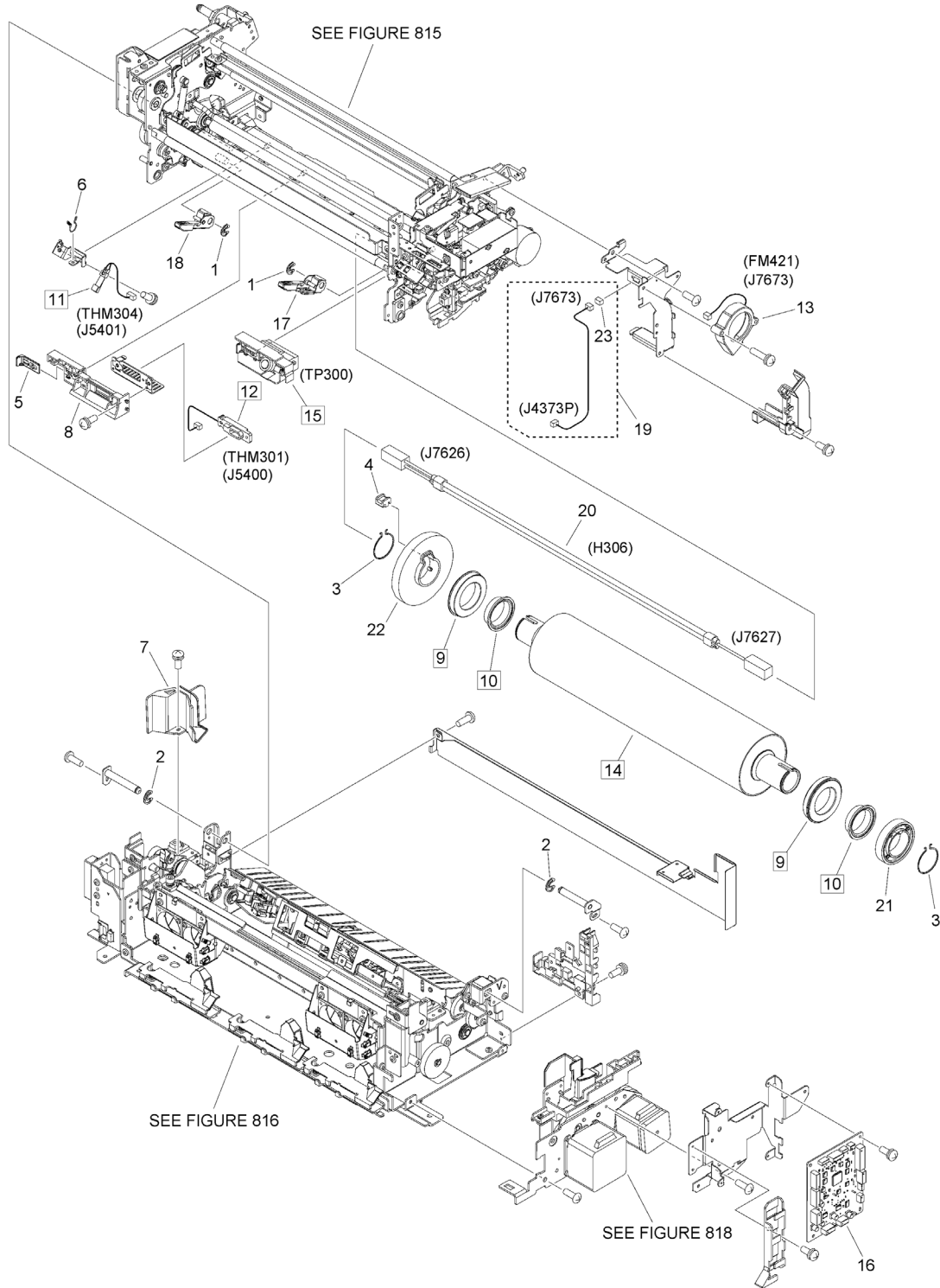


FIGURE & KEY NO.	PART NUMBER	RANK	QTY	DESCRIPTION	SERIAL NUMBER /REMARKS
814A	FM1-A398-030		1	FIXING INTERMEDIATE ASS'Y, 1	200V, 208V SEE NOTE 1, SEE NOTE 2
1	FB6-6088-000		2	RING, RETAINING	
2	FC5-2715-000		2	RING, RETAINING	
3	FC6-8516-000		2	RING, RETAINING	
4	FC7-0167-000		1	KEY, 73T GEAR	
5	FC7-8566-000		1	PLATE, LOCK	
6	FC8-1040-000		1	CLAMP, CABLE	
7	FE3-8131-000		1	GUIDE, HEATER CABLE, 1	
8	FE3-8755-000		1	COVER, NC	
9	XG9-0419-000		2	BEARING, BALL, 6907ZZNRS1CS37	[DP]
10	FE4-9405-000		2	BUSHING	[DP]
11	FK2-6478-000		1	THERMISTOR UNIT	THM304 [DP]
12	FK2-6479-000		1	THERMISTOR UNIT	THM301 [DP]
13	FK3-0827-000		1	FAN	FM421
14	FL1-1151-000		1	ROLLER, FIXING	[DP]
15	FM1-A391-000		1	THERMOSWITCH UNIT	TP300 [DP]
16	FM1-A880-000		1	FIXING INNER DRIVER PCB ASS'Y	
17	FM1-D352-000		1	BEARING RETAINING UNIT, FRONT	
18	FM1-D353-000		1	BEARING RETAINING UNIT, REAR	
19	FM1-L855-000		1	CABLE, NC SENSOR COOLING FAN	
20	FM1-U998-000		1	HEATER, HALOGEN	H306
21	FM4-7099-000		1	53T GEAR ASSEMBLY	
22	FU6-0336-020		1	GEAR, 86T	
23	VS1-7177-003		1	CONNECTOR, SNAP TIGHT, BK	

Figure 814B FIXING INTERMEDIATE ASS'Y, 1 (400V)

NOTE 1 : This assembly is included in the assembly shown in Figure 810*. NOTE 2 : This assembly includes the assembly shown in Figure 818.

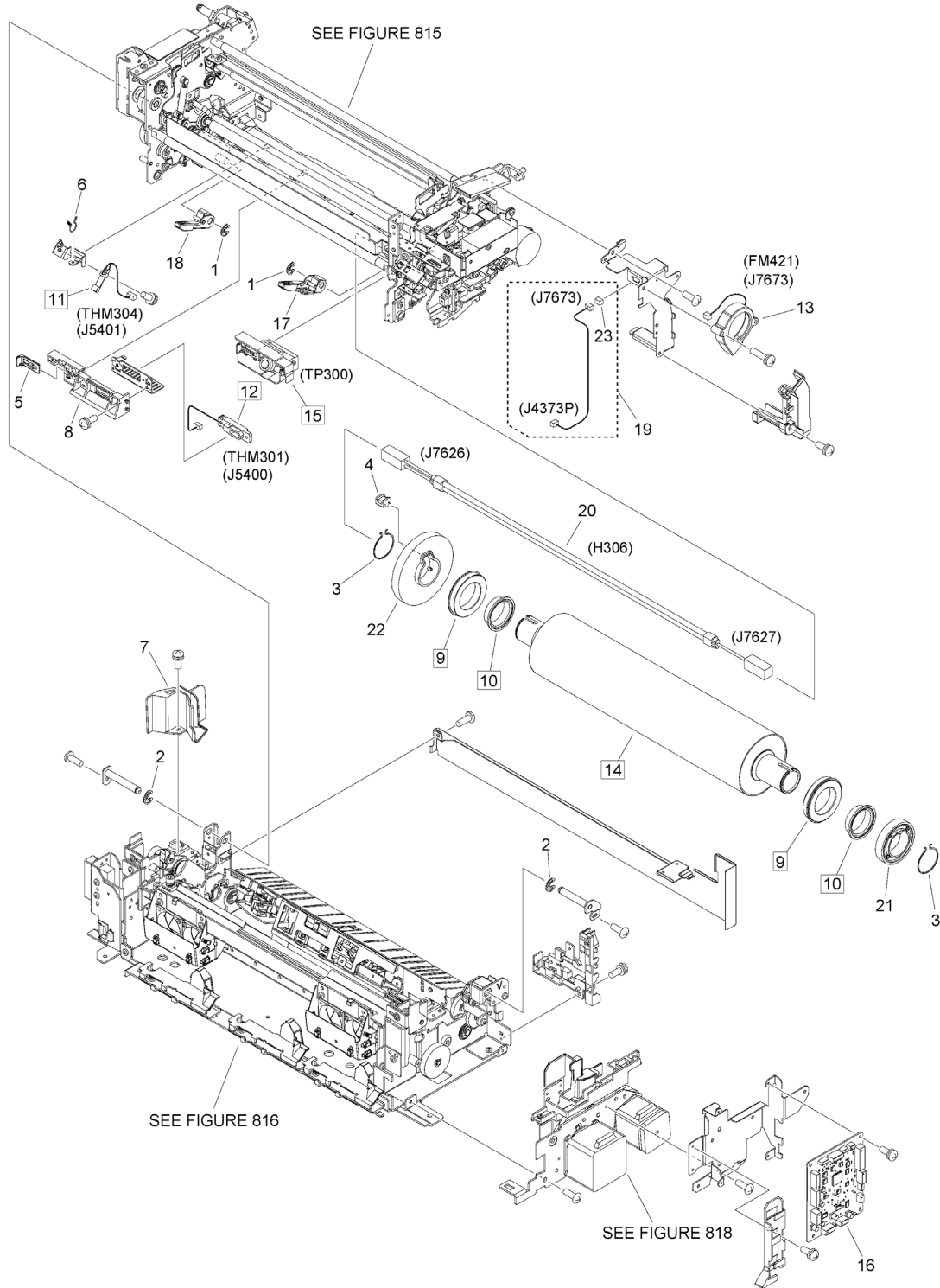


FIGURE & KEY NO.	PART NUMBER	RANK	QTY	DESCRIPTION	SERIAL NUMBER /REMARKS
814B	FM1-A399-040		1	FIXING INTERMEDIATE ASS'Y, 1	400V SEE NOTE 1, SEE NOTE 2
1	FB6-6088-000		2	RING, RETAINING	
2	FC5-2715-000		2	RING, RETAINING	
3	FC6-8516-000		2	RING, RETAINING	
4	FC7-0167-000		1	KEY, 73T GEAR	
5	FC7-8566-000		1	PLATE, LOCK	
6	FC8-1040-000		1	CLAMP, CABLE	
7	FE3-8131-000		1	GUIDE, HEATER CABLE, 1	
8	FE3-8755-000		1	COVER, NC	
9	XG9-0419-000		2	BEARING, BALL, 6907ZZNRS1CS37	[DP]
10	FE4-9405-000		2	BUSHING	[DP]
11	FK2-6478-000		1	THERMISTOR UNIT	THM304 [DP]
12	FK2-6479-000		1	THERMISTOR UNIT	THM301 [DP]
13	FK3-0827-000		1	FAN	FM421
14	FL1-1151-000		1	ROLLER, FIXING	[DP]
15	FM1-A391-000		1	THERMOSWITCH UNIT	TP300 [DP]
16	FM1-A880-000		1	FIXING INNER DRIVER PCB ASS'Y	
17	FM1-D352-000		1	BEARING RETAINING UNIT, FRONT	
18	FM1-D353-000		1	BEARING RETAINING UNIT, REAR	
19	FM1-L855-000		1	CABLE, NC SENSOR COOLING FAN	
20	FM1-U999-000		1	HEATER, HALOGEN	H306
21	FM4-7099-000		1	53T GEAR ASSEMBLY	
22	FU6-0336-020		1	GEAR, 86T	
23	VS1-7177-003		1	CONNECTOR, SNAP TIGHT, BK	

Figure 815 (1/2)FIRST FIXING ASSEMBLY, UPPER

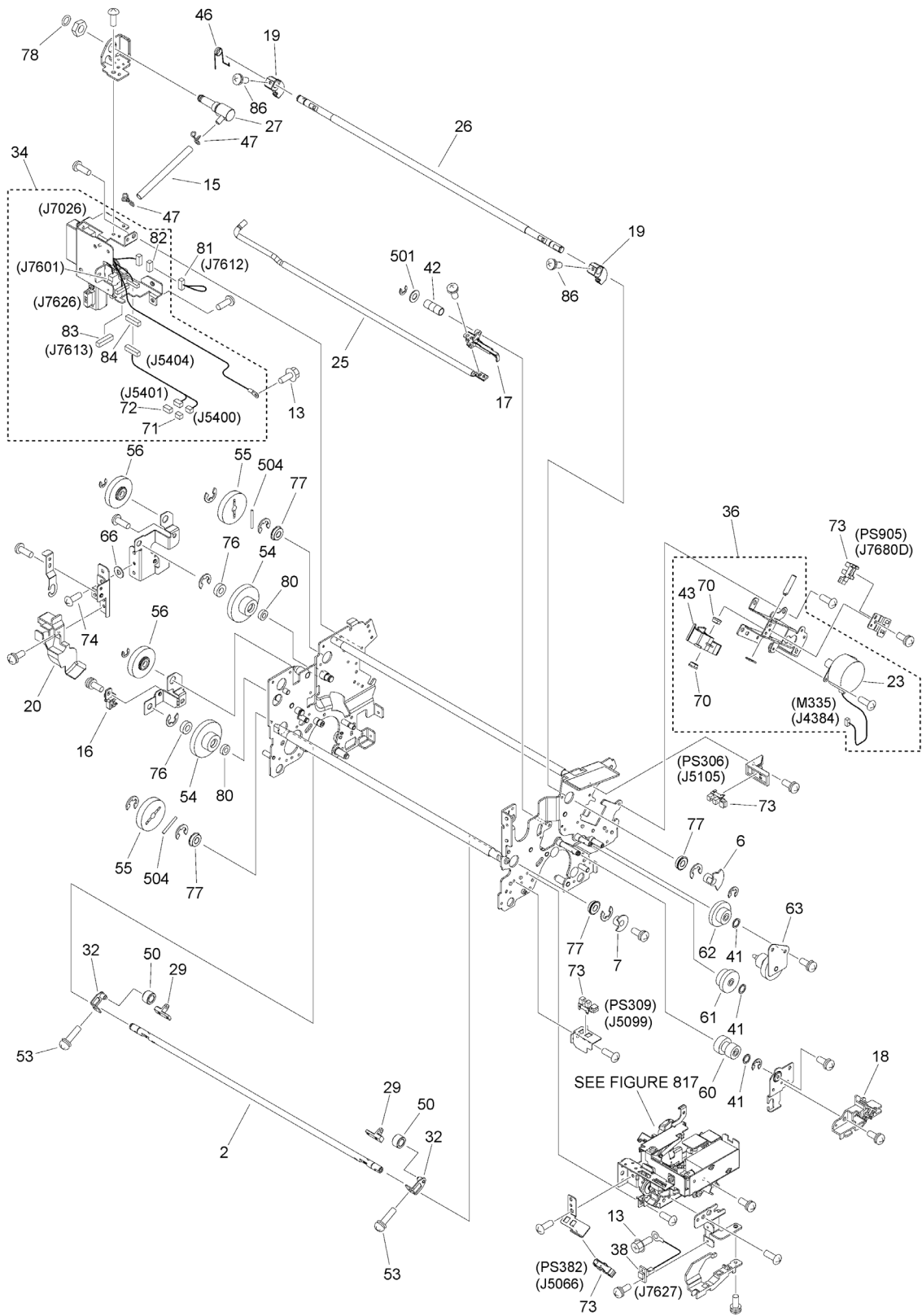


Figure 815 (2/2)FIRST FIXING ASSEMBLY, UPPER

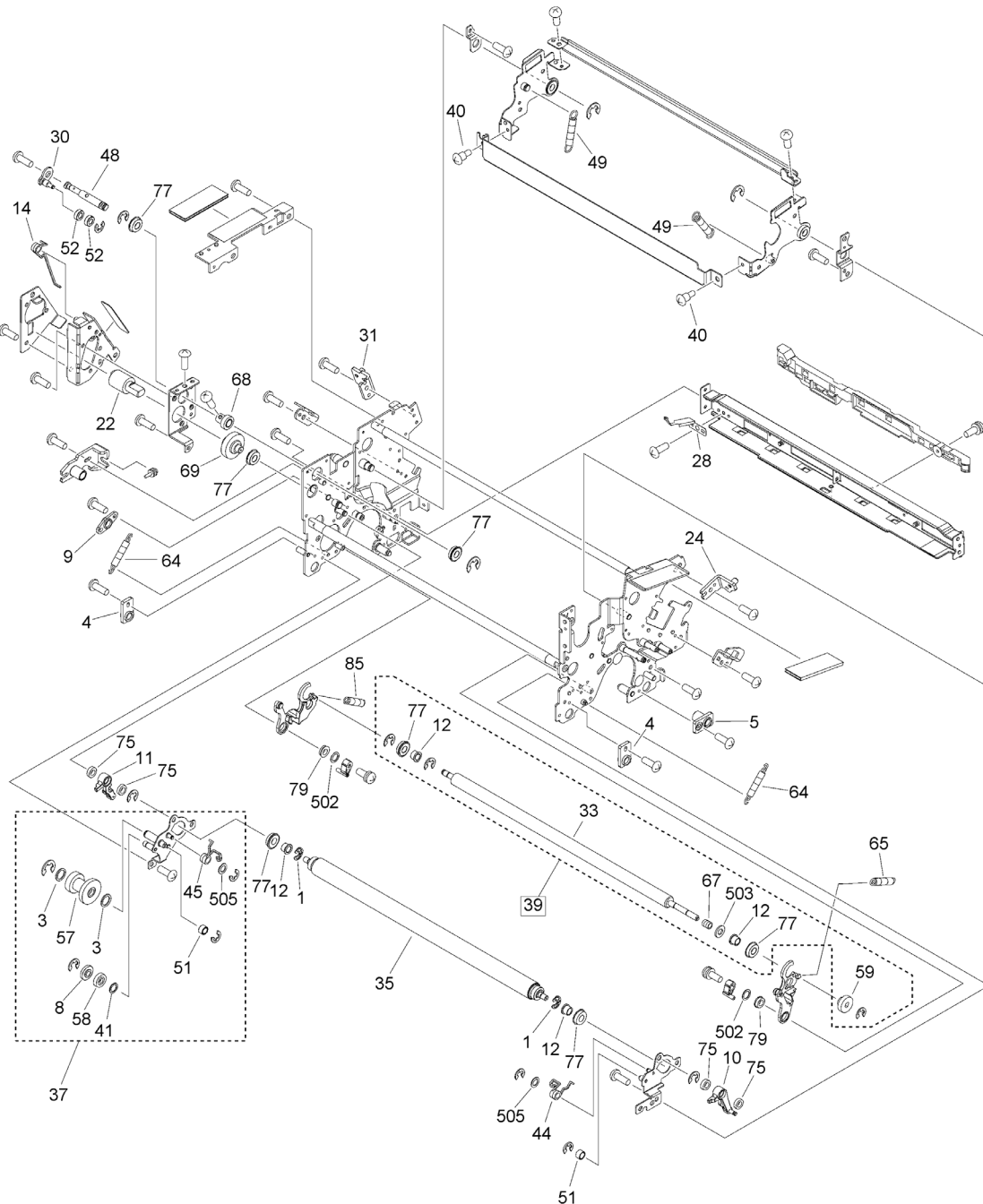


FIGURE & KEY NO.	PART NUMBER	RANK	QTY	DESCRIPTION	SERIAL NUMBER /REMARKS
815	NPN		RF	FIRST FIXING ASSEMBLY, UPPER	
1	FB6-6088-000		2	RING, RETAINING	
2	FC5-8932-020		1	SHAFT, ROLL PRESSURE	
3	FC5-9014-000		2	WASHER	
4	FC6-0201-000		2	HOLDER, PIN, LEFT	
5	FC6-0202-000		1	HOLDER, PIN, RIGHT	
6	FC6-0237-010		1	FLAG, HEATING SENSOR	
7	FC6-0255-000		1	FLAG, CLEAN ROLL, SENSOR	
8	FC6-1177-000		1	SPACER, PAPER DELIVERY	
9	FC6-2066-000		1	HOLDER, PIN	
10	FC6-2071-000		1	ARM, ROLLER ESTRANGEMENT, FR.	
11	FC6-2072-000		1	ARM, ROLLER ESTRANGEMENT, REAR	
12	FC7-0175-000		4	BUSHING	
13	FE4-0431-000		2	SCREW, W/WASHER, M3X6	
14	FC8-6861-000		1	SPRING, TORSION	
15	FE3-2065-000		1	TUBE, AIR	
16	FE3-2067-010		1	BUSHING	
17	FE3-2068-010		1	LEVER, CAM	
18	FE3-2077-000		1	GUIDE, MAIN HEATER, FRONT	
19	FE3-2128-000		2	CAM, DESORPTION	
20	FE3-8132-000		1	GUIDE, HEATER CABLE	
22	FE4-9621-000		1	DAMPER UNIT, ONE-WAY	
23	FK4-1410-000		1	MOTOR, STEPPING, DC	M335
24	FL0-0545-000		1	SUPPORT, CROSSMEMBER, FRONT	
25	FL0-0557-000		1	NOZZLE, AIR	
26	FL0-2348-000		1	SHAFT, HEATING, PRESSURE	
27	FL0-2351-000		1	PLUG, COUPLER	
28	FL1-1203-000		1	SPRING, LEAF	
29	FL0-2647-000		2	PLATE, ROLL RETAINING	
30	FL0-7474-000		1	PLATE, LOCK	
31	FL2-2200-000		1	SUPPORT, CROSSMEMBER, REAR	
32	FL2-2765-000		2	ARM, ROLLER	
33	FL1-4443-000		1	ROLLER, REFRESH	
34	FM1-A390-000		1	CABLE, DRAWER, 1	
35	FM1-D338-000		1	WASTE ROLLER ASSEMBLY	
36	FM1-D343-000		1	BELT CONTROL DRIVE ASSEMBLY	
37	FM1-H062-010		1	IDLER MOUNT ASSEMBLY, 1	
38	FM1-L978-000		1	CABLE, MAIN HEATER	
39	FM1-T299-000		1	ROLLER UNIT, REFRESH	[DP]
40	FS1-9078-020		2	SCREW, STEPPED, M4	
41	FS5-6488-000		4	WASHER	
42	FU2-0336-000		1	SPRING, COMPRESSION	
43	FU2-0378-000		1	GEAR, 8T	
44	FU2-0419-010		1	SPRING, TORSION	

FIGURE & KEY NO.	PART NUMBER	RANK	QTY	DESCRIPTION	SERIAL NUMBER /REMARKS
45	FU2-0420-010		1	SPRING, TORSION	
46	FU2-0859-000		1	SPRING, TORSION	
47	FU2-1522-000		2	CLIP, SWIC	
48	FU2-1529-000		1	SHAFT, TRANSMISSION	
49	FU5-2867-010		2	SPRING, TENSION	
50	FU5-6248-000		2	ROLLER	
51	FU5-6249-000		2	ROLLER	
52	FU5-6256-000		2	ROLLER	
53	FU5-9235-000		2	SCREW, W/WASHER, M4X14	
54	FU6-0335-010		2	GEAR, 20T/46T	
55	FU6-0358-010		2	GEAR, 40T	
56	FL1-1465-000		2	GEAR, 38T	
57	FU6-0452-000		1	GEAR, 21T/28T	
58	FU6-0453-000		1	GEAR, 14T	
59	FU6-0455-010		1	GEAR, 17T	
60	FL1-1461-000		1	GEAR, 16T/20T	
61	FL1-1462-000		1	GEAR, 20T/27T	
62	FL1-1463-000		1	GEAR, 17T/31T	
63	FM1-T019-000		1	IDLER GEAR UNIT	
64	FU6-2557-010		2	SPRING, TENSION	
65	FU6-2558-010		1	SPRING, TENSION	
66	FC2-2121-000		1	WASHER	
67	FU6-2560-000		1	SPRING, COMPRESSION	
68	FU7-0143-000		1	GEAR, 14T	
69	FU7-0144-000		1	GEAR, 28T	
70	RS1-1053-000		2	BUSHING	
71	VS1-7177-003		1	CONNECTOR, SNAP TIGHT, BK	
72	VS1-7177-004		1	CONNECTOR, SNAP TIGHT, BK	
73	WG8-5783-000		4	IC,PHOTO-INTERRUPTER,LG248NL1A	PS306,PS309, PS382, PS905
74	FU5-9224-000		1	SCREW, BH4X6(YELLOW)	
75	XG9-0242-000		4	BEARING, BALL, MR106ZZMC3D4ML	
76	XG9-0387-000		2	BEARING, BALL, L-1680HH LY13	
77	XG9-0508-000		11	BEARING, BALL, F688ZZ	
78	XG9-0518-000		1	RING, O	
79	XG9-0520-000		2	BEARING, BALL, MF106ZZS	
80	XG9-0691-000		2	BEARING,BALL, L1280ZZP0P25LY13	
81	FL2-8544-000		1	CONNECTOR, SHORT	200V, 208V
81	FL2-8546-000		1	CONNECTOR, SHORT	400V
82	VS1-7177-005		1	CONNECTOR, SNAP TIGHT, BK	
83	VS1-7177-007		1	CONNECTOR, 7P, FEMALE, BK	
84	VS1-7177-008		1	CONNECTOR, SNAP TIGHT, BK	
85	FU6-2559-010		1	SPRING, TENSION	
86	XA9-0961-000		2	SCREW, W/WASHER, M4X10	

FIGURE & KEY NO.	PART NUMBER	RANK	QTY	DESCRIPTION	SERIAL NUMBER /REMARKS
501	XD1-1104-135		1	WASHER,COP	
502	XD1-1106-215		2	WASHER,COP	
503	XD1-1106-239		1	WASHER,COP	
504	XD3-2300-262		2	PIN,DOWEL	
505	XD1-1104-122		2	WASHER,COP	

Figure 816 (1/2)FIRST FIXING ASSEMBLY, LOWER

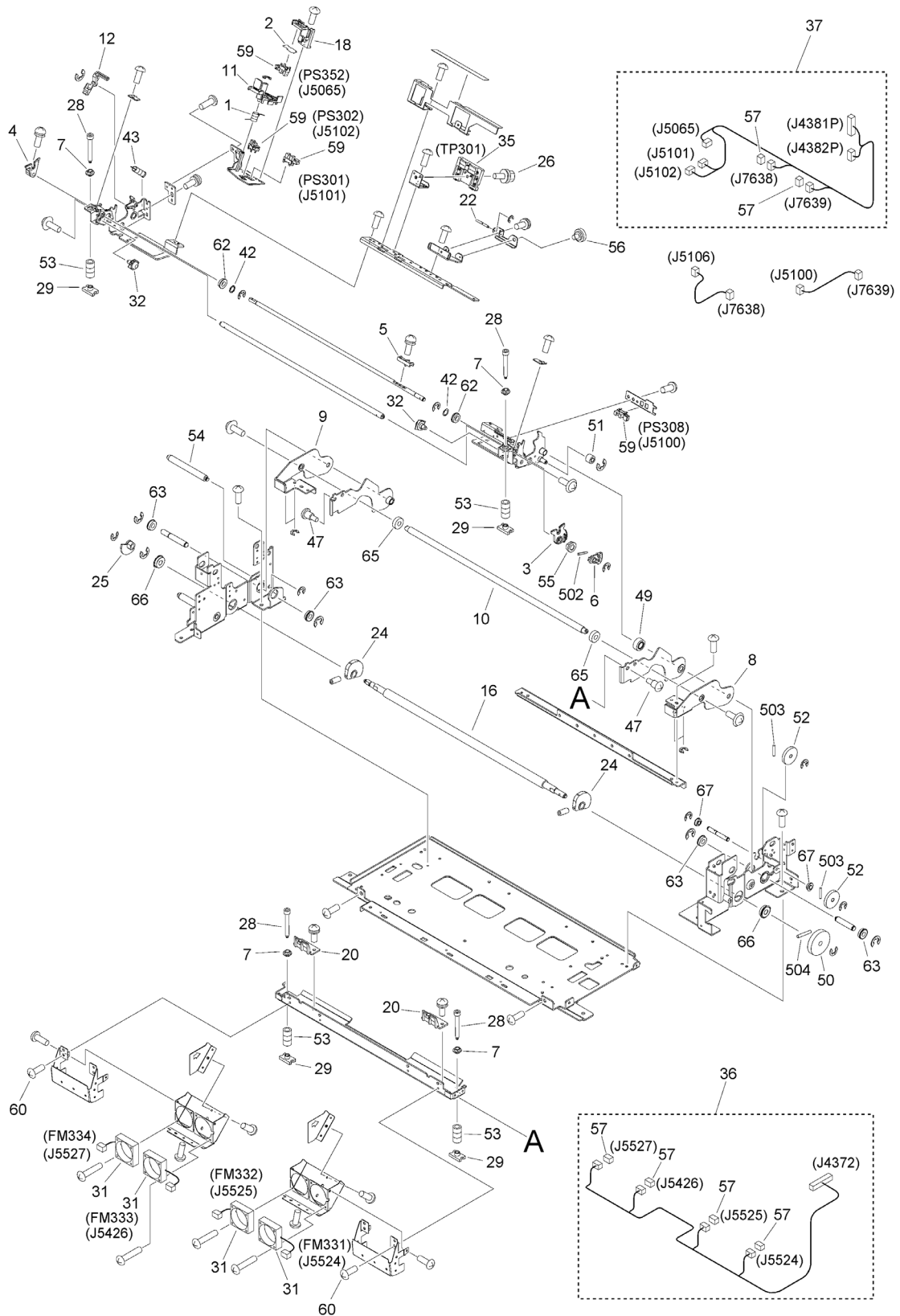


Figure 816 (2/2)FIRST FIXING ASSEMBLY, LOWER

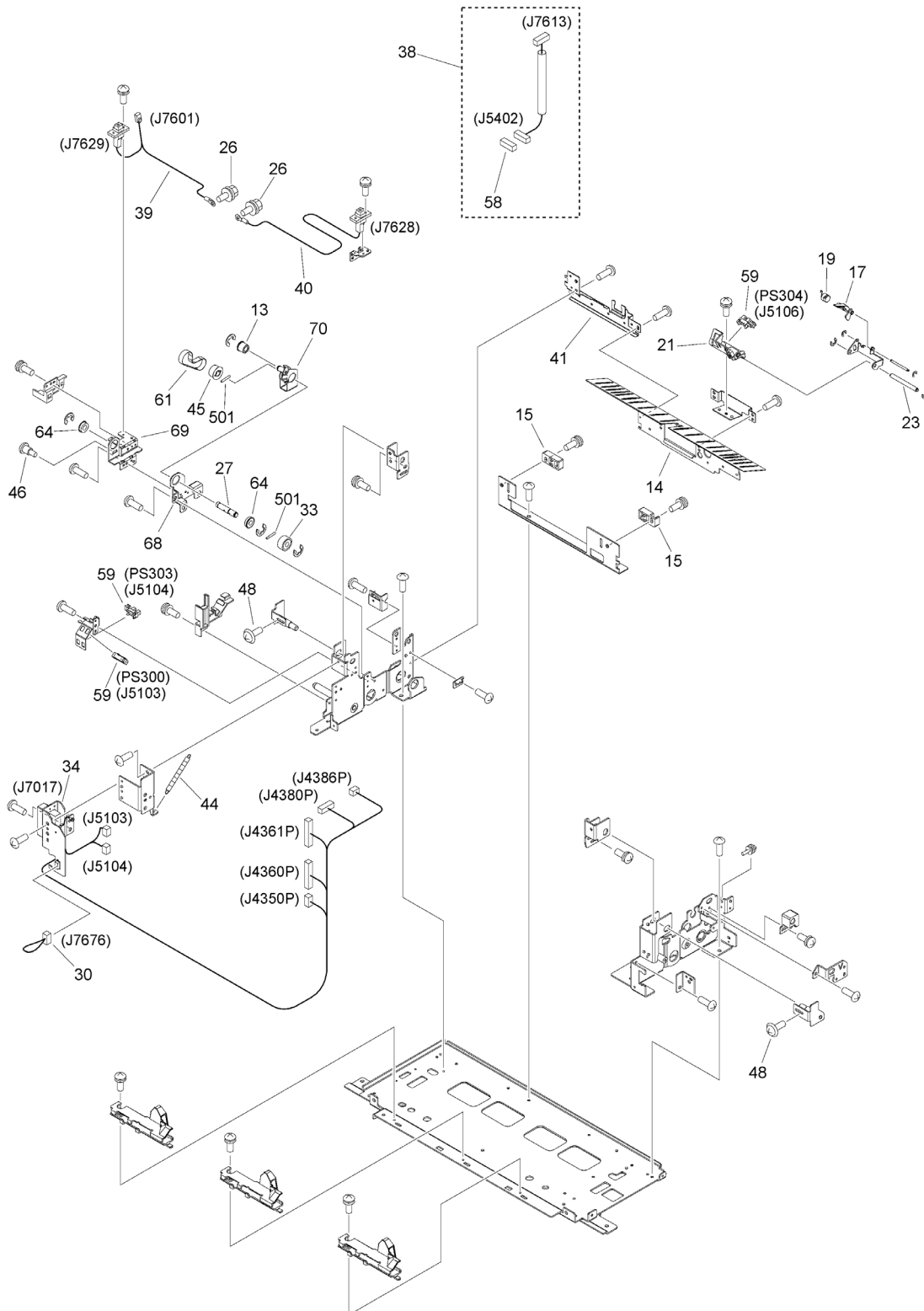


FIGURE & KEY NO.	PART NUMBER	RANK	QTY	DESCRIPTION	SERIAL NUMBER /REMARKS
816	NPN		RF	FIRST FIXING ASSEMBLY, LOWER	
1	FC0-2219-000		1	SPRING, TORSION	
2	FC5-6232-000		1	SHEET, SENSOR PROTECTIVE	
3	FC6-0291-000		1	ARM, STERRING, FRONT	
4	FC6-0292-000		1	ARM, STERRING, REAR	
5	FC6-0294-000		1	FLAG, STERRING, SENSOR	
6	FC6-0295-000		1	ARM, STERRING, DRIVER	
7	FC6-0297-000		4	SPACER, PRESSURE	
8	FC6-0298-000		1	PLATE, BELT PRESSURE, FRONT	
9	FC6-0299-000		1	PLATE, BELT PRESSURE, REAR	
10	FC6-0300-000		1	SHAFT, BELT PRESSURE	
11	FC6-0308-010		1	ARM, SENSOR	
12	FC6-0309-000		1	ARM, SENSOR	
13	FC6-0314-000		1	ROLLER, BELT TENSION	
14	FC6-0320-000		1	GUIDE, FIXING ENTRANCE	
15	FC6-0321-000		2	MOUNT, GUIDE	
16	FC6-0362-000		1	SHAFT, BELT PRESSURE CAM	
17	FC6-1224-010		1	FLAG, FIXING INLET SENSOR	
18	FC6-3412-010		1	GUIDE, DETECT SENSOR CABLE	
19	FC7-0936-000		1	SPRING, TORSION	
20	FC7-7039-000		2	PLATE, PUSHING, LOWER	
21	FC7-7514-000		1	MOUNT, SENSOR	
22	FC7-7517-000		1	SHAFT, SENSOR SWING ARM	
23	FC7-7519-000		1	SHAFT, FIXING ENTRANCE SENSOR	
24	FE3-2207-000		2	CAM, PRESSURE	
25	FE3-2208-000		1	FLAG, PRESSURE CAM DETECT	
26	FE4-0431-000		3	SCREW, W/WASHER, M3X6	
27	FE4-1203-010		1	SHAFT, TRANSMISSION	
28	FE4-9403-000		4	SCREW, ADJUSTMENT, M4	
29	FE4-9404-000		4	PLATE,PRESSURE ADJUSTING	
30	FL2-6335-000		1	CONNECTOR, SHORT	
31	FK2-3148-000		2	FAN	FM331, FM332, FM333, FM334
32	FL0-7407-000		2	SCREW, STEPPED, M3	
33	FU2-0424-000		1	GEAR, 19T	
34	FM1-A389-000		1	CABLE, DRAWER, 2	
35	FM1-D361-000		1	HOLDER, BELT, THERMOSWITCH	TP301
36	FM1-L851-000		1	CABLE, FIRST FUSER SPLIT FAN	
37	FM1-L852-000		1	CABLE, FUSER SENSOR,1	
38	FM1-L856-000		1	CABLE, THERMISTOR, RIGHT	
39	FM1-L863-000		1	CABLE, HEATER	
40	FM2-8693-000		1	CABLE, FIXING BELT HEATER	
41	FM4-7100-000		1	CORD GUIDE ASSEMBLY	
42	FS5-6488-000		2	WASHER	

FIGURE & KEY NO.	PART NUMBER	RANK	QTY	DESCRIPTION	SERIAL NUMBER /REMARKS
43	FU5-2875-000		1	SPRING, TENSION	
44	FU5-2877-000		1	SPRING, TENSION	
45	FU5-3197-000		1	PULLEY, 20T	
46	FU5-9215-000		1	SCREW, STEPPED, M3	
47	FU5-9220-000		4	SCREW, STEPPED, M4	
48	FU5-9230-000		2	SCREW, TP, M4X8(YELLOW)	
49	FU6-0339-000		1	GEAR, 22T	
50	FU6-0341-000		1	GEAR, 41T	
51	FU6-0342-000		1	GEAR, 14T	
52	FU6-0486-000		2	GEAR, 36T	
53	FU6-2553-000		4	SPRING, COMPRESSION	
54	FU6-5271-000		1	PIN, FIXING POSITIONING, 2	
55	RS1-1053-000		1	BUSHING	
56	RS5-9061-000		1	SCREW, STEPPED, M3X5.3	
57	VS1-7177-003		6	CONNECTOR, SNAP TIGHT, BK	
58	VS1-7177-006		1	CONNECTOR, SNAP TIGHT, BK	
59	WG8-5783-000		7	IC, PHOTO-INTERRUPTER, LG248NL1A	PS300, PS301, PS302, PS303, PS304, PS308, PS352
60	XA9-0892-000		4	SCREW, MACH., TRUSS HEAD, M4X6	
61	XF2-1805-280		1	BELT, TIMING	
62	XG9-0407-000		2	BEARING, BALL, UGF106P12ZZD4ML	
63	XG9-0508-000		4	BEARING, BALL, F688ZZ	
64	XG9-0810-000		2	BEARING, BALL, LNR-1680KKR	
65	XG9-0846-000		2	BEARING, BALL, R-1980KKR	
66	XG9-0585-000		2	BEARING, BALL, 698ZZ2NX2RX	
67	XG9-0883-000		2	BEARING, BALL, MF126ZZWB5.	
68	FE3-7866-000		1	MOUNT, SEPARATION DRIVE, 1	
69	FE3-7867-000		1	MOUNT, SEPARATION DRIVE, 2	
70	FL0-0569-000		1	PLATE, SEPARATION DRIVE	
501	XD3-2200-122		2	PIN, DOWEL	
502	XD3-1200-142		1	SPRING PIN	
503	XD3-2200-142		2	PIN, PARALLEL	
504	XD3-2300-202		1	PIN, PARALLEL	

Figure 817 CLEANER DRIVE ASSEMBLY

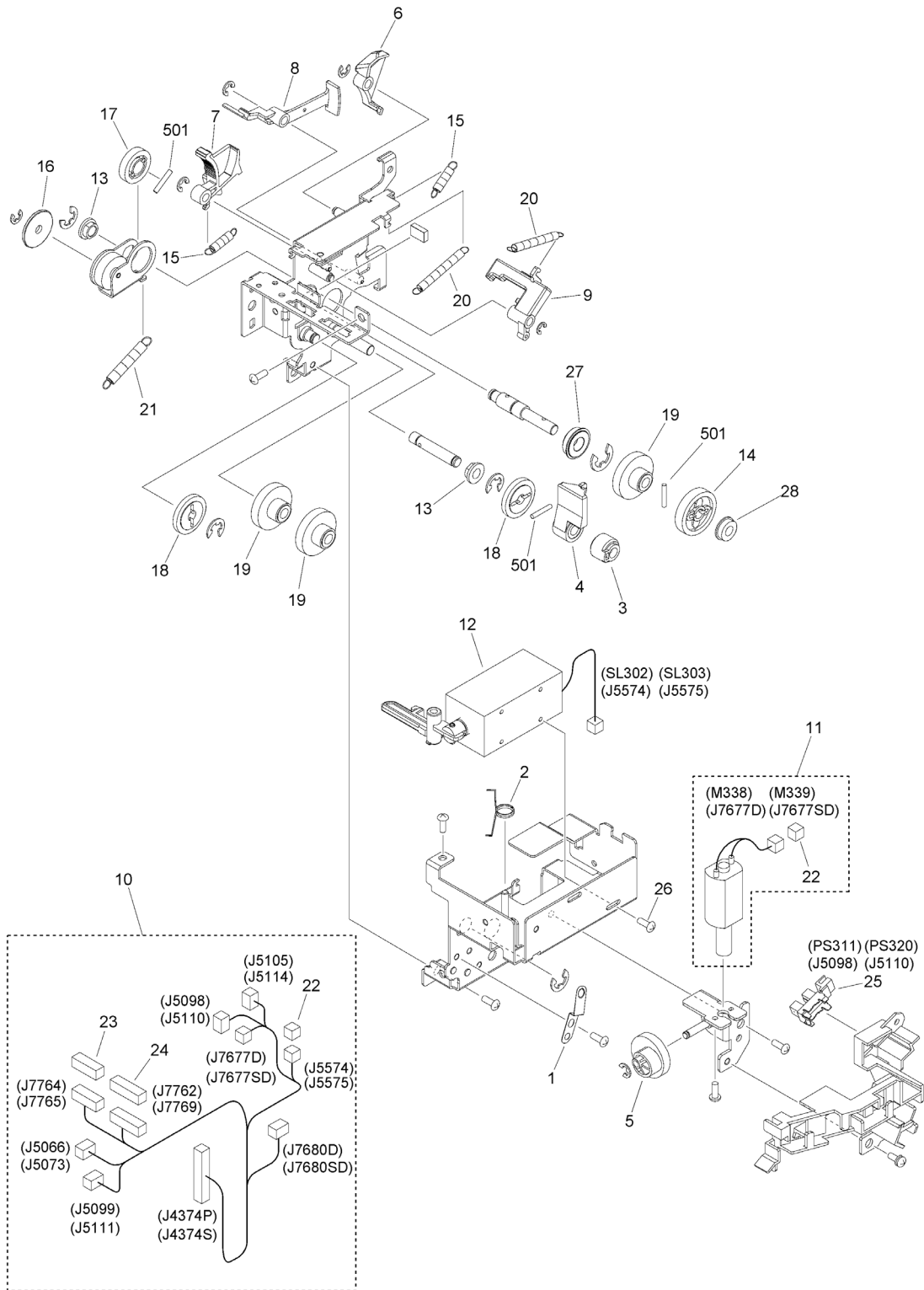


FIGURE & KEY NO.	PART NUMBER	RANK	QTY	DESCRIPTION	SERIAL NUMBER /REMARKS
817	FM1-A387-000		1	CLEANER DRIVE ASSEMBLY	
1	FC5-2597-020		1	SPRING, LEAF	
2	FC9-0204-000		1	SPRING, TORSION	
3	FC9-7208-000		1	BUSHING, ONE-WAY	
4	FC9-7209-000		1	ARM, ONE-WAY	
5	FE3-2082-000		1	CAM/GEAR, 40T	
6	FE3-7911-000		1	LEVER, STOPPER, RELEASE	
7	FE3-7912-000		1	LEVER, STOPPER	
8	FE3-7988-000		1	FLAG, REMNANT SENSOR	
9	FE4-4466-000		1	ARM, CLEANING ROLL FEEDER	
10	FM1-L869-000		1	CABLE, SENSOR UNIT	
11	FM1-U965-000		1	DC MOTOR UNIT	M338,M339
12	FM3-2134-010		1	CLEANER SOLENOID UNIT	SL302,SL303
13	FS1-1569-000		2	BUSHING	
14	FU2-0411-000		1	GEAR, 42T	
15	FU5-2969-000		2	SPRING, TENTION	
16	FU5-6259-000		1	ROLLER	
17	FU6-0457-010		1	GEAR, 18T	
18	FU6-0458-000		2	GEAR, 36T	
19	FU6-0460-000		3	GEAR, 42/18T	
20	FU6-2065-000		2	SPRING, TENTION	
21	FU6-2545-000		1	SPRING, TENTION	
22	VS1-7177-002		2	CONNECTOR, SNAP TIGHT, BK	
23	VS1-7177-006		1	CONNECTOR, SNAP TIGHT, BK	
24	VS1-7177-007		1	CONNECTOR, 7P, FEMALE, BK	
25	WG8-5783-000		1	IC,PHOTO-INTERRUPTER,LG248NL1A	PS311,PS320
26	XA9-1659-000		2	SCREW,M3X4	
27	XG9-0508-000		1	BEARING, BALL, F688ZZ	
28	XG9-0858-000		1	BEARING, BALL, MF126ZZX3A55	
501	XD3-2200-122		3	PIN, DOWEL	

Figure 818 FIXING BELT DRIVE ASS'Y

NOTE : This assembly is included in the assembly shown in Figure 814.

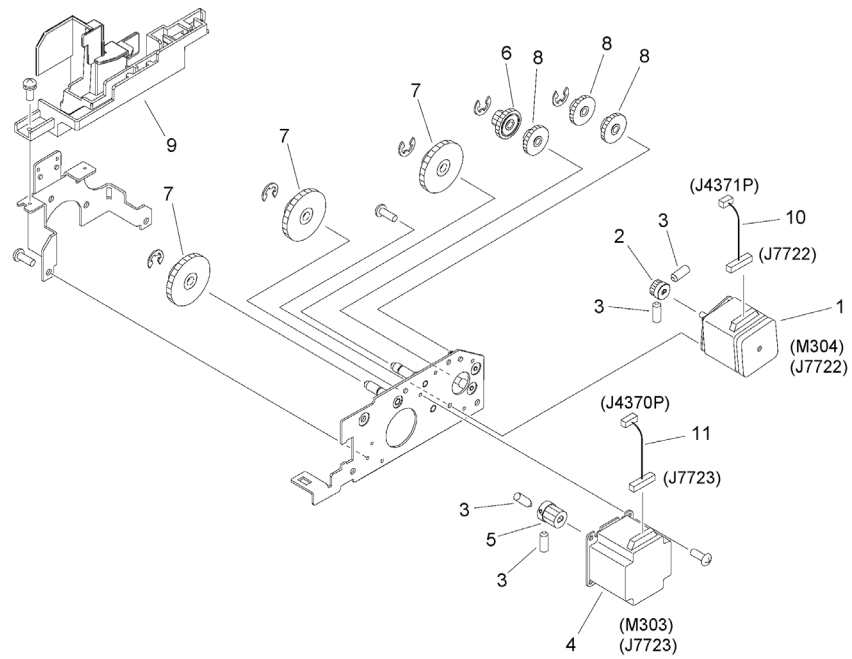


FIGURE & KEY NO.	PART NUMBER	RANK	QTY	DESCRIPTION	SERIAL NUMBER /REMARKS
818	FM1-D349-000		1	FIXING BELT DRIVE ASS'Y	SEE NOTE
1	FK2-3126-010		1	MOTOR, STEPPING, DC	M304
2	FU6-0348-000		1	GEAR, 16T	
3	XA9-0934-000		4	SETSCREW,M3X6	
4	FK2-3132-010		1	MOTOR, STEPPING, DC	M303
5	FU6-0356-000		1	GEAR, 14T	
6	FU6-0345-000		1	GEAR, 16T/32T	
7	FL1-1240-000		3	GEAR, 20T/46T	
8	FU6-0650-000		3	GEAR, 16T/32T	
9	FC0-2246-000		1	GUIDE, HEATER CABLE	
10	FM2-8689-000		1	CABLE, MOTOR, 1	
11	FM2-8691-000		1	CABLE, MOTOR	

Figure 830 FIXING CLEANER ASSEMBLY

NOTE : This assembly is included in the assemblies shown in Figure 810* and 850*.

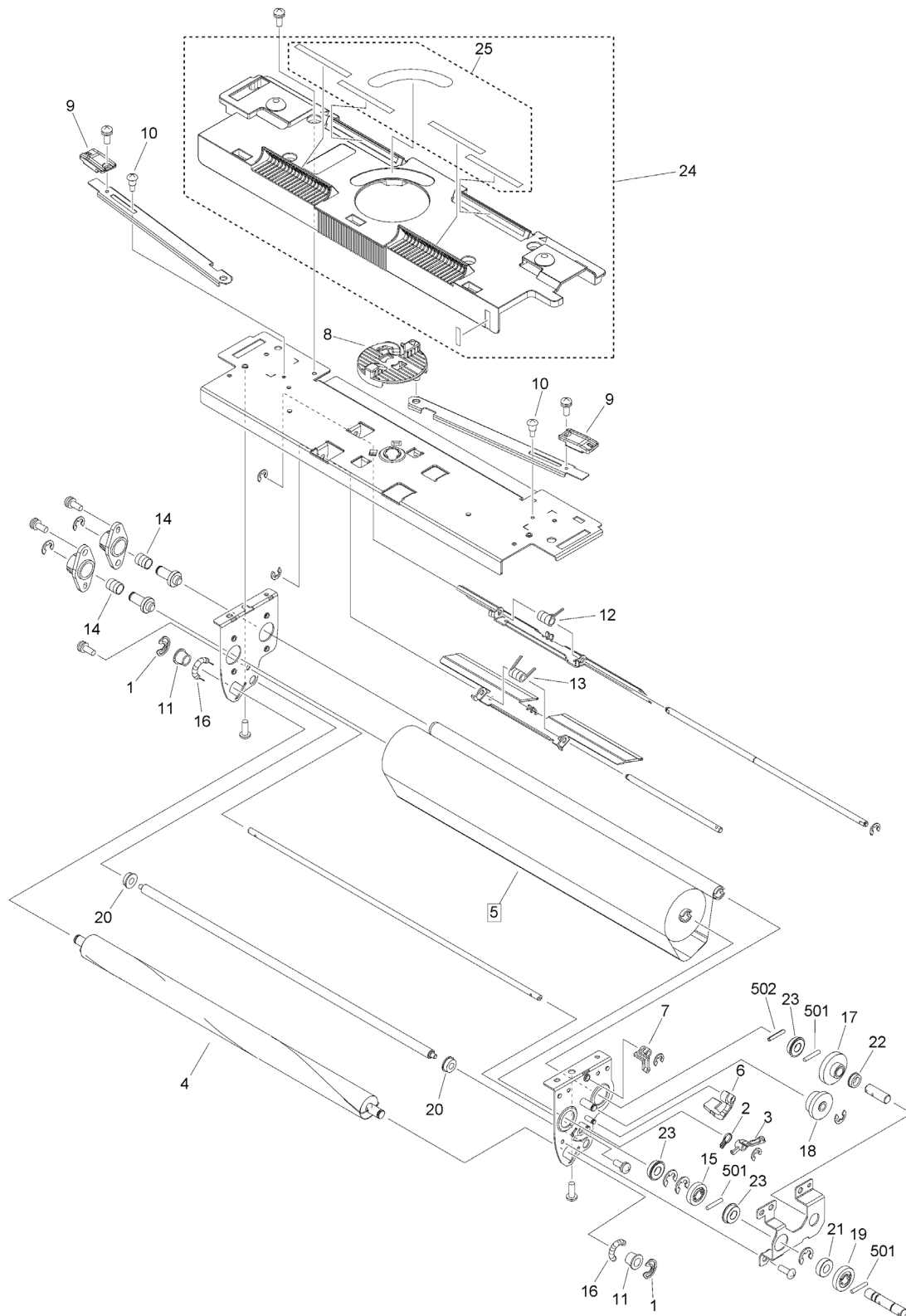


FIGURE & KEY NO.	PART NUMBER	RANK	QTY	DESCRIPTION	SERIAL NUMBER /REMARKS
830	FM1-A392-010		1	FIXING CLEANER ASSEMBLY	SEE NOTE
1	FC5-2715-000		2	RING, RETAINING	
2	FC7-0177-000		1	SPRING, TORSION	
3	FE3-2081-000		1	ARM, REMNANT DETECT, 1	
4	FE3-2343-000		1	ROLLER, CLEANING	
5	FE3-2344-000		1	ROLLER, CLEANING	[DP]
6	FE3-7861-000		1	ARM, REMNANT DETECT, 2	
7	FE3-7863-000		1	LEVER, FEED	
8	FE3-7907-000		1	KNOB, LOCK	
9	FE3-7908-000		2	KEY, LOCK	
10	FS1-9102-020		2	SCREW, STEPPED, M3	
11	FS2-1256-000		2	BUSHING	
12	FS5-2586-000		1	SPRING, TORSION	
13	FU2-1053-000		1	SPRING, TORSION	
14	FU5-2850-000		2	SPRING, COMPRESSION	
15	FU6-0457-010		1	GEAR, 18T	
16	FU2-1836-000		2	SPRING, TENSION	
17	FU7-0373-000		1	GEAR, 27T	
18	FU7-0374-000		1	GEAR, 17T/23T	
19	FU7-0375-000		1	GEAR, 20T	
20	XG9-0329-000		2	BALL BEARING,NSK,MF84ZZ ,P0	
21	XG9-0491-000		1	BEARING, BALL, NSK P0 16MM	
22	XG9-0507-000		1	BEARING, BALL, MF128ZZ	
23	XG9-0508-000		3	BEARING, BALL, F688ZZ	
24	FL0-4823-000		1	COVER, CLEANER	
25	FE4-9784-000		1	LABEL, CLEANER	
501	XD3-2200-122		3	PIN, DOWEL	
502	XD3-1200-122		1	SPRING PIN	

Figure 840A (1/2)EXTERNAL HEATING ASSEMBLY (200V, 208V)

NOTE : This assembly is included in the assemblies shown in Figure 810* and 850*.

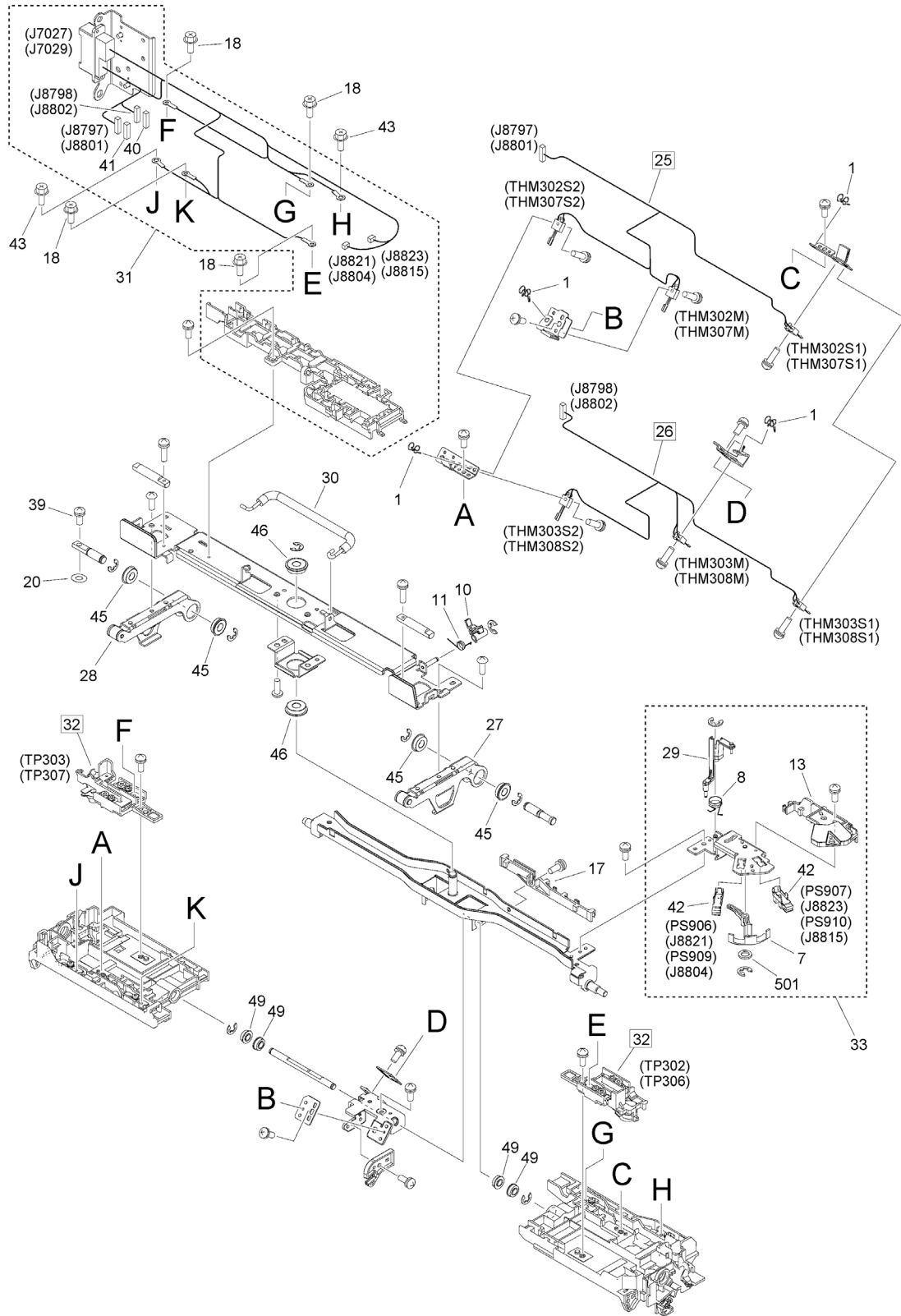


Figure 840A (2/2)EXTERNAL HEATING ASSEMBLY (200V, 208V)

NOTE : This assembly is included in the assemblies shown in Figure 810* and 850*.

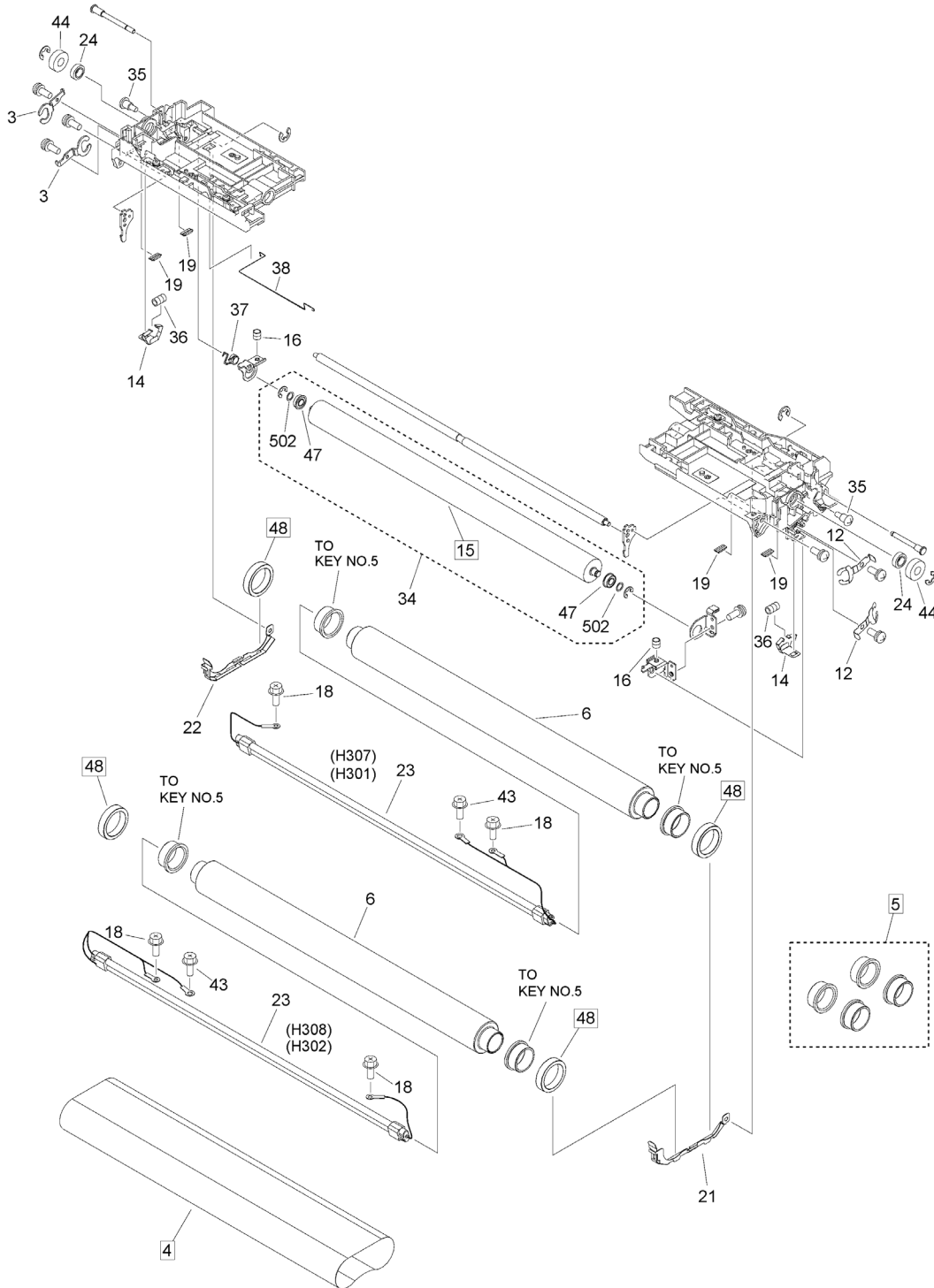


FIGURE & KEY NO.	PART NUMBER	RANK	QTY	DESCRIPTION	SERIAL NUMBER /REMARKS
840A	FM1-A377-080		1	EXTERNAL HEATING ASSEMBLY	200V, 208V SEE NOTE
1	FC0-2242-000		4	CLAMP, WIRE	
3	FC7-4935-000		2	PLATE, HEATER MOUNTING	
4	FE3-1881-010		1	BELT, FIXING EXTERNAL HEAT	[DP]
5	FM1-N365-000		1	BUSHING	[DP]
6	FE3-1886-000		2	ROLLER, HEATING	
7	FE3-2095-000		1	ARM, SENSOR SENSING	
8	FE3-2096-000		1	SPRING, TORSION	
10	FE3-2278-000		1	ARM, SENSOR	
11	FE3-2279-000		1	SPRING, TORSION	
12	FE3-6194-000		2	SPRING, HEATER MOUNTING	
13	FE3-7903-000		1	GUIDE, SENSOR CABLE, 1	
14	FE3-8022-000		2	SPRING, LEAF	
15	FE3-8031-000		1	ROLLER, CLEANING	[DP]
16	FE3-8032-000		2	SPRING, COMPRESSION	
17	FE3-8033-000		1	GUIDE, SENSOR CABLE, 2	
18	FE4-0431-000		8	SCREW, W/WASHER, M3X6	
19	FE4-6206-000		4	SPACER	
20	FE4-9545-000		1	WASHER, PLAIN	
21	FE8-1783-000		1	SUPPORT, BEARING, FRONT	
22	FE8-1784-000		1	SUPPORT, BEARING, REAR	
23	FK4-1400-000		2	HEATER, HALOGEN	H301, H302, H307, H308
24	XG9-0884-000		2	BEARING, BALL, MR148ZZWB5.	
25	FK4-1411-000		1	THERMISTOR	THM302, THM307 [DP]
26	FK4-1412-000		1	THERMISTOR	THM303, THM308 [DP]
27	FL0-0408-000		1	ARM,EXTERNAL HEAT,FRONT	
28	FL0-0409-000		1	ARM,EXTERNAL HEAT,REAR	
29	FL0-0547-000		1	ARM, SENSING	
30	FL0-2353-000		1	HANDLE	
31	FM1-V163-010		1	DRAWER CABLE HOLDER UNIT	
32	FM1-A379-010		2	THERMOSWITCH UNIT	TP302, TP303, TP306, TP307 [DP]
33	FM1-D333-000		1	SENSING ARM ASSEMBLY, PHOTO	
34	FM1-H034-000		1	CLEANING ROLLER ASSEMBLY	
35	FS2-9394-020		2	SCREW, STEPPED, M3X1.4	
36	FU2-0349-000		2	SPRING, COMPRESSION	
37	FU2-1047-000		1	SPRING, TORSION	
38	FU2-1048-000		1	SPRING, GROUNDING	
39	FU5-9225-000		1	SCREW, W/WASHER, M4X10(YELLOW)	
40	VS1-8959-008		1	CONNECTOR, SNAP TIGHT, 8P, W	

FIGURE & KEY NO.	PART NUMBER	RANK	QTY	DESCRIPTION	SERIAL NUMBER /REMARKS
41	VS1-8959-009		1	CONNECTOR, SNAP TIGHT, 9P, W	
42	WG8-5783-000		2	IC,PHOTO-INTERRUPTER,LG248NL1A	PS906, PS907, PS909, PS910
43	XA9-1933-000		4	SCREW, W/WASHER, M4X8	
44	XG9-0846-000		2	BEARING, BALL, R-1980KKR	
45	XG9-0508-000		4	BEARING, BALL, F688ZZ	
46	XG9-0585-000		2	BEARING, BALL, 698ZZ2NX2RX	
47	XG9-0756-000		2	BEARING, BALL, MF126ZZ MC4 U76	
48	XG9-0882-000		4	BEARING, BALL, 2TS4-SC05C93ZZC	[DP]
49	XG9-0883-000		4	BEARING, BALL, MF126ZZWB5.	
501	XD1-1104-128		1	WASHER,COP	
502	XD1-1106-214		2	WASHER,COP	

Figure 840B (2/2)EXTERNAL HEATING ASSEMBLY (400V)

NOTE : This assembly is included in the assemblies shown in Figure 810* and 850*.

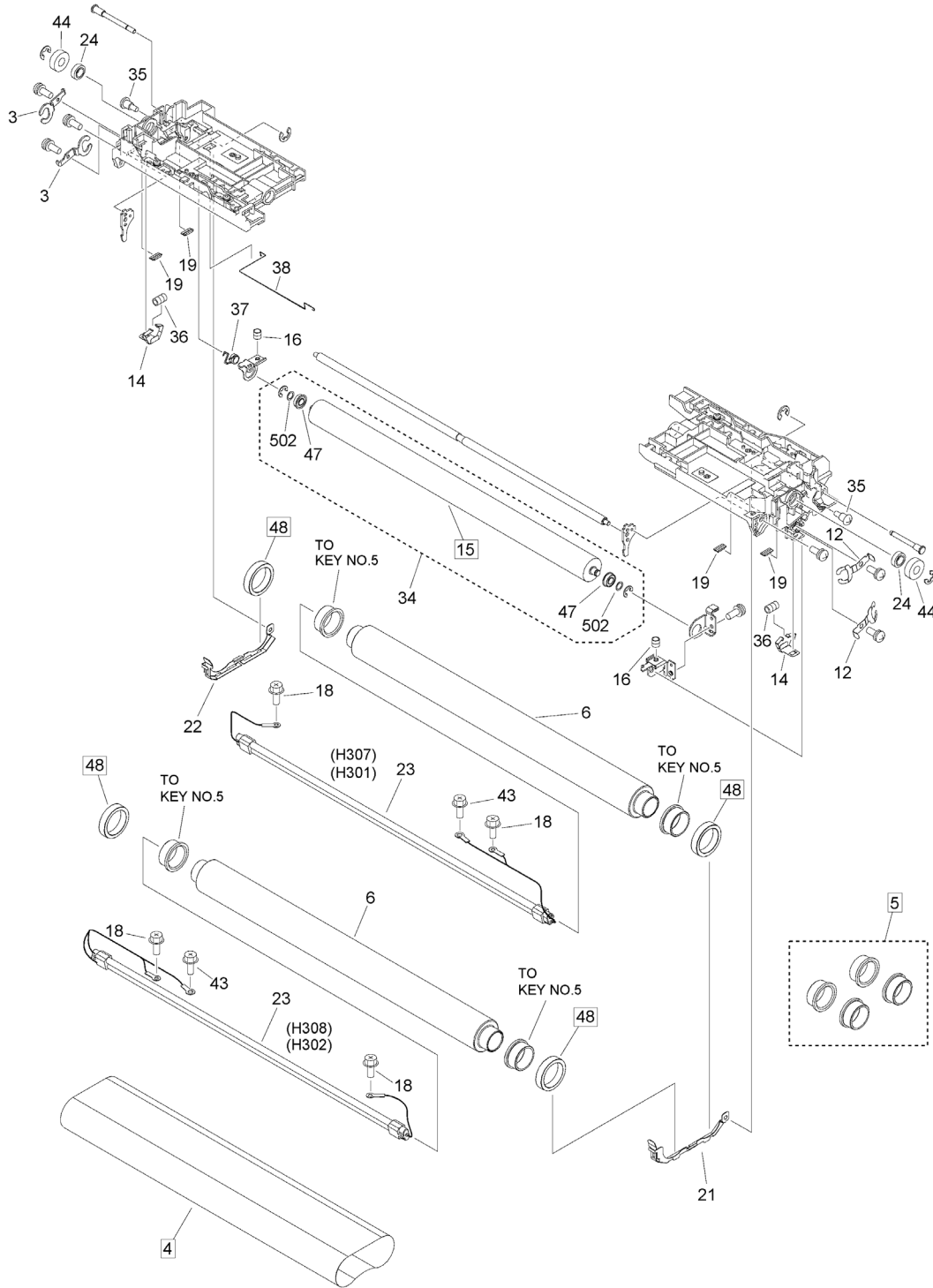


FIGURE & KEY NO.	PART NUMBER	RANK	QTY	DESCRIPTION	SERIAL NUMBER /REMARKS
840B	FM1-A411-060		1	EXTERNAL HEATING ASSEMBLY	400V SEE NOTE
1	FC0-2242-000		4	CLAMP, WIRE	
3	FC7-4935-000		2	PLATE, HEATER MOUNTING	
4	FE3-1881-010		1	BELT, FIXING EXTERNAL HEAT	[DP]
5	FM1-N365-000		1	BUSHING	[DP]
6	FE3-1886-000		2	ROLLER, HEATING	
7	FE3-2095-000		1	ARM, SENSOR SENSING	
8	FE3-2096-000		1	SPRING, TORSION	
10	FE3-2278-000		1	ARM, SENSOR	
11	FE3-2279-000		1	SPRING, TORSION	
12	FE3-6194-000		2	SPRING, HEATER MOUNTING	
13	FE3-7903-000		1	GUIDE, SENSOR CABLE, 1	
14	FE3-8022-000		2	SPRING, LEAF	
15	FE3-8031-000		1	ROLLER, CLEANING	[DP]
16	FE3-8032-000		2	SPRING, COMPRESSION	
17	FE3-8033-000		1	GUIDE, SENSOR CABLE, 2	
18	FE4-0431-000		8	SCREW, W/WASHER, M3X6	
19	FE4-6206-000		4	SPACER	
20	FE4-9545-000		1	WASHER, PLAIN	
21	FE8-1783-000		1	SUPPORT, BEARING, FRONT	
22	FE8-1784-000		1	SUPPORT, BEARING, REAR	
23	FK4-1401-000		2	HEATER, HALOGEN	H301, H302, H307, H308
24	XG9-0884-000		2	BEARING, BALL, MR148ZZWB5.	
25	FK4-1411-000		1	THERMISTOR	THM302, THM307 [DP]
26	FK4-1412-000		1	THERMISTOR	THM303, THM308 [DP]
27	FL0-0408-000		1	ARM,EXTERNAL HEAT,FRONT	
28	FL0-0409-000		1	ARM,EXTERNAL HEAT,REAR	
29	FL0-0547-000		1	ARM, SENSING	
30	FL0-2353-000		1	HANDLE	
31	FM1-V163-010		1	DRAWER CABLE HOLDER UNIT	
32	FM1-A379-010		2	THERMOSWITCH UNIT	TP302, TP303, TP306, TP307 [DP]
33	FM1-D333-000		1	SENSING ARM ASSEMBLY, PHOTO	
34	FM1-H034-000		1	CLEANING ROLLER ASSEMBLY	
35	FS2-9394-020		2	SCREW, STEPPED, M3X1.4	
36	FU2-0349-000		2	SPRING, COMPRESSION	
37	FU2-1047-000		1	SPRING, TORSION	
38	FU2-1048-000		1	SPRING, GROUNDING	
39	FU5-9225-000		1	SCREW, W/WASHER, M4X10(YELLOW)	
40	VS1-8959-008		1	CONNECTOR, SNAP TIGHT, 8P, W	

FIGURE & KEY NO.	PART NUMBER	RANK	QTY	DESCRIPTION	SERIAL NUMBER /REMARKS
41	VS1-8959-009		1	CONNECTOR, SNAP TIGHT, 9P, W	
42	WG8-5783-000		2	IC,PHOTO-INTERRUPTER,LG248NL1A	PS906, PS907, PS909, PS910
43	XA9-1933-000		4	SCREW, W/WASHER, M4X8	
44	XG9-0846-000		2	BEARING, BALL, R-1980KKR	
45	XG9-0508-000		4	BEARING, BALL, F688ZZ	
46	XG9-0585-000		2	BEARING, BALL, 698ZZ2NX2RX	
47	XG9-0756-000		2	BEARING, BALL, MF126ZZ MC4 U76	
48	XG9-0882-000		4	BEARING, BALL, 2TS4-SC05C93ZZC	[DP]
49	XG9-0883-000		4	BEARING, BALL, MF126ZZWB5.	
501	XD1-1104-128		1	WASHER,COP	
502	XD1-1106-214		2	WASHER,COP	

Figure 850A SECOND FIXING ASSEMBLY (200V, 208V)

NOTE : This assembly includes the assemblies shown in Figure 830, 840*, 852 and 854*.

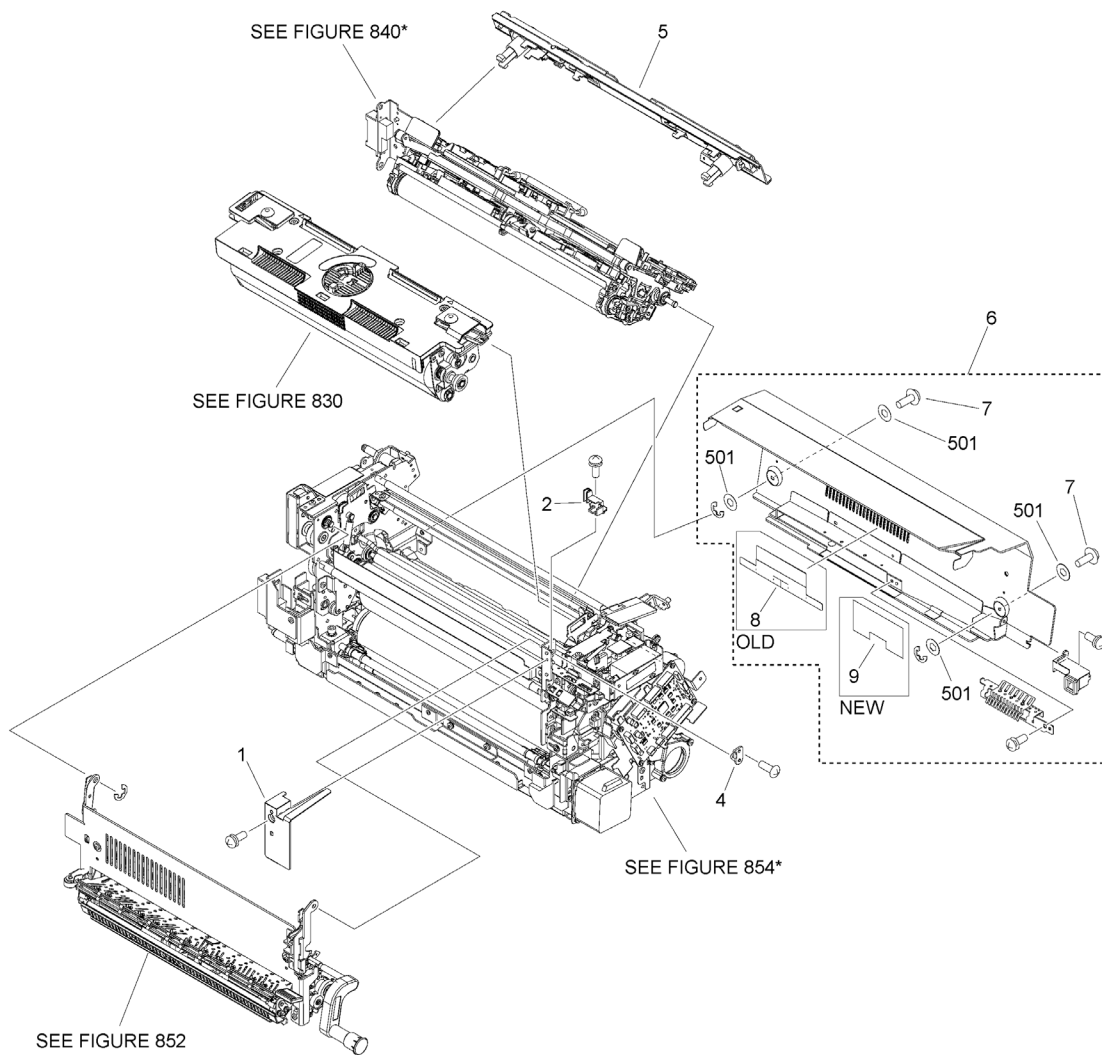


FIGURE & KEY NO.	PART NUMBER	RANK	QTY	DESCRIPTION	SERIAL NUMBER /REMARKS
850A	FM1-A396-030		1	SECOND FIXING ASSEMBLY	200V, 208V SEE NOTE
1	FE3-2078-000		1	COVER, FRONT	
2	FE3-2373-000		1	GUIDE, CABLE, 1	
4	FL2-2169-000		1	PLATE	
5	FM1-A413-010		1	PRESSURE CROSSMEMBER ASSEMBLY	
6	FM1-H038-010		1	COVER, UPPER	
7	FC6-8524-000		2	SCREW, RETAINER, M4	
8	FL1-5536-000		1	SHEET, COVER	OLD For serial number WBE15243, WBF15238, WBG15013 and earlier
9	FL1-5548-000		1	SHEET, COVER	NEW For serial number WBE15244, WBF15239, WBG15014 and later
501	XD1-1104-131		4	WASHER,COP	

Figure 850B SECOND FIXING ASSEMBLY (400V)

NOTE : This assembly includes the assemblies shown in Figure 830, 840*, 852 and 854*.

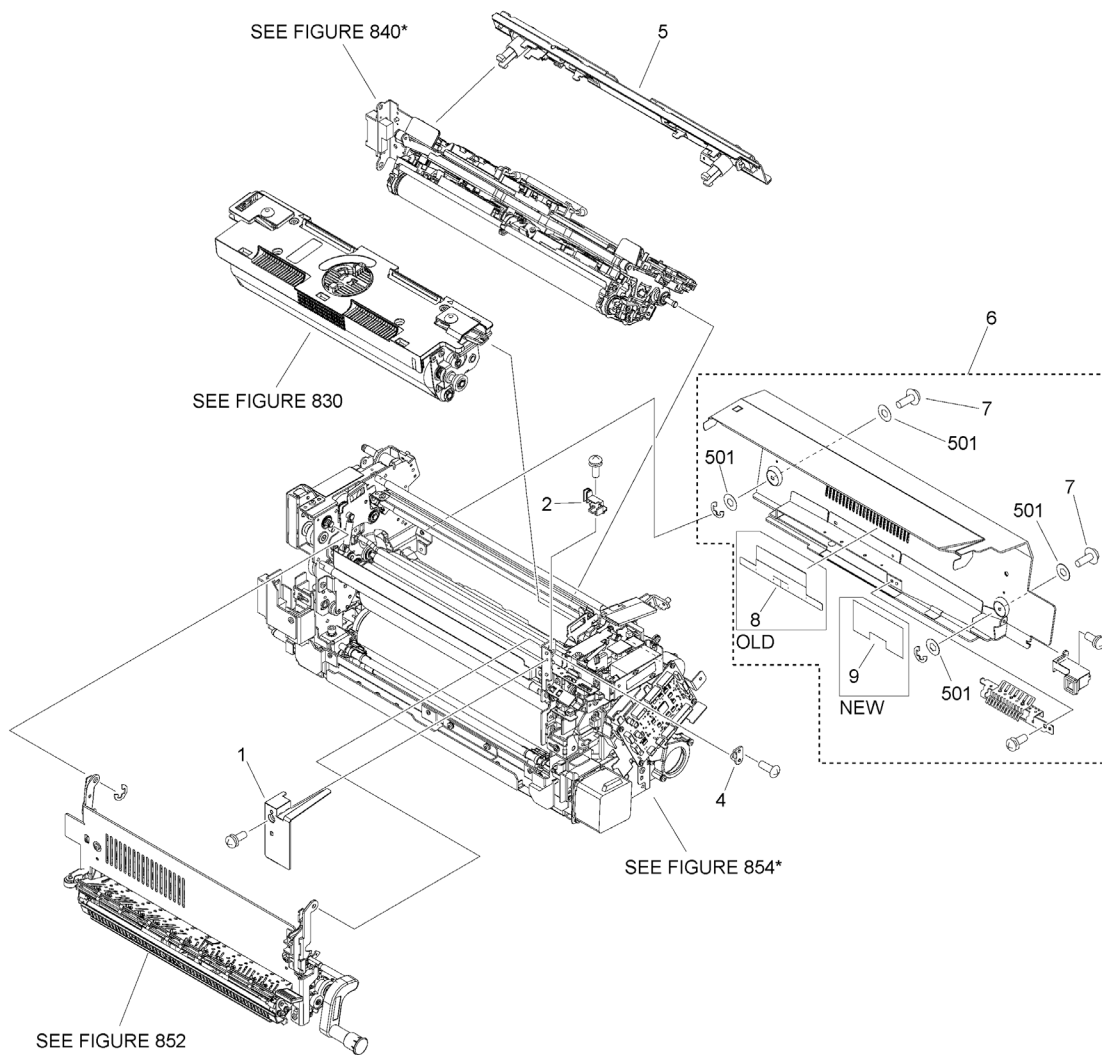


FIGURE & KEY NO.	PART NUMBER	RANK	QTY	DESCRIPTION	SERIAL NUMBER /REMARKS
850B	FM1-A468-040		1	SECOND FIXING ASSEMBLY	400V SEE NOTE
1	FE3-2078-000		1	COVER, FRONT	
2	FE3-2373-000		1	GUIDE, CABLE, 1	
4	FL2-2169-000		1	PLATE	
5	FM1-A413-010		1	PRESSURE CROSSMEMBER ASSEMBLY	
6	FM1-H038-010		1	COVER, UPPER	
7	FC6-8524-000		2	SCREW, RETAINER, M4	
8	FL1-5536-000		1	SHEET, COVER	OLD For serial number WBE15243, WBF15238, WBG15013 and earlier
9	FL1-5548-000		1	SHEET, COVER	NEW For serial number WBE15244, WBF15239, WBG15014 and later
501	XD1-1104-131		4	WASHER,COP	

Figure 852 INNER PAPER DELIVERY ASS'Y, 2

NOTE : This assembly is included in the assembly shown in Figure 850*.

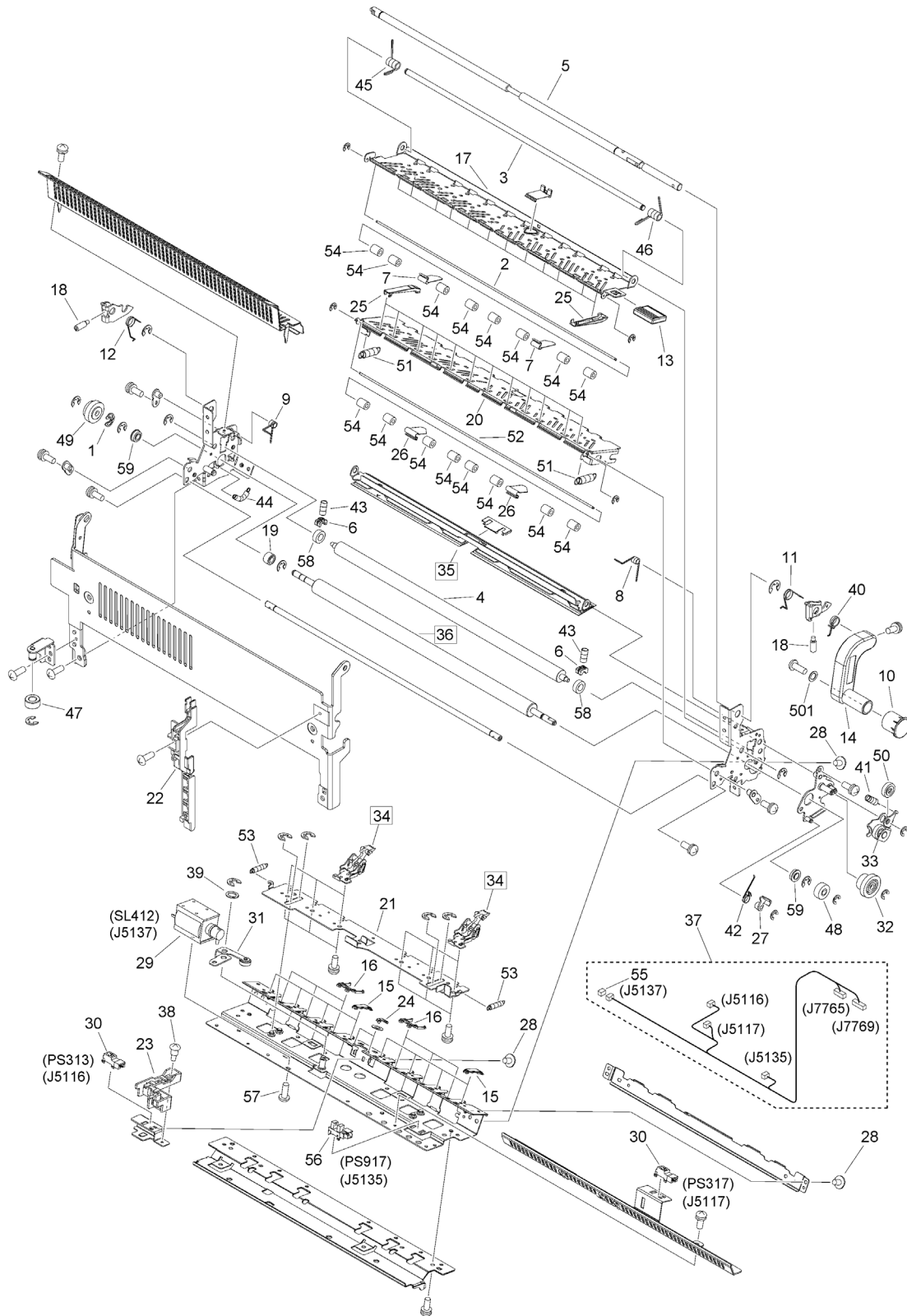


FIGURE & KEY NO.	PART NUMBER	RANK	QTY	DESCRIPTION	SERIAL NUMBER /REMARKS
852	FM1-A400-030		1	INNER PAPER DELIVERY ASS'Y, 2	SEE NOTE
1	FB6-6088-000		1	RING, RETAINING	
2	FC5-8945-000		1	SHAFT, ROLLER, SECOND UPPER	
3	FC5-8946-000		1	SHAFT, GUIDE OPEN/CLOSE	
4	FC5-9775-000		1	ROLLER, INTERNAL DELIVERY, U.	
5	FC5-9791-010		1	SHAFT, OPEN/CLOSE	
6	FC5-9792-010		2	BUSHING, INNER PAPER DELIVERY	
7	FC6-8434-000		2	STOPPER, ROLLER SHAFT	
8	FC6-8574-000		1	SPRING, TORSION	
9	FC6-8575-000		1	SPRING, TORSION	
10	FC7-4068-010		1	HANDLE, INNER PAPER DELIVERY	
11	FC7-4073-010		1	SPRING, TORSION	
12	FC7-4074-010		1	SPRING, TORSION	
13	FC7-4077-000		1	HANDLE, GUIDE	
14	FC7-4641-000		1	LEVER, SECOND OPEN/CLOSE	
15	FC7-4642-000		8	RIB, INNER DELIVERY, SMALL 2	
16	FC7-4643-000		6	RIB, INNER DELIVERY, LARGE 2	
17	FC7-8897-000		1	GUIDE, PAPER DELIVERY UP., 2	
18	FC8-4438-000		2	SHAFT, SUPPORT	
19	FC9-9145-000		1	SPACER, INNER PAPER DELIVERY	
20	FE3-2192-000		1	GUIDE, PAPER DELIVERY LW., 2	
21	FE3-2199-000		1	PLATE, SEPARATION CLAW ADJUST	
22	FE3-2374-000		1	GUIDE, CABLE, 2	
23	FE3-2375-000		1	GUIDE, CABLE, 3	
24	FE3-8001-000		2	RIB, INNER PAPER DELIVERY, C	
25	FE3-8009-000		24	RIB, GUIDE	
26	FE4-9620-000		2	STOPPER, ROLLER SHAFT	
27	FE4-9669-000		1	ARM, RELEASE	
28	FE8-0004-000		5	SCREW, MACH., FLAT HEAD, M3X4	
29	FK2-0831-000		1	SOLENOID	SL412
30	FK2-6470-000		2	PHOTO-SENSOR, KUA0055C	PS313,PS317
31	FL0-0517-000		1	ARM, LINK	
32	FL0-2700-000		1	GEAR, 24T/16T	
33	FL0-2732-000		1	SWING GEAR UNIT	
34	FM1-A401-010		6	SEPARATION CLAW ASSEMBLY, 2	[DP]
35	FM1-A402-000		1	PLATE, SEPARATION, SECOND	[DP]
36	FM1-K630-000		1	ROLLER, INTERNAL DELIVERY, L.	[DP]
37	FM1-L870-000		1	CABLE, SECOND INNER SENSOR	
38	FS1-9010-020		1	SCREW, STEPPED, M3	
39	FS5-6488-000		1	WASHER	
40	FU2-0415-000		1	SPRING, TORSION	
41	FU2-0895-000		1	SPRING, TENSION	
42	FU2-0896-000		1	SPRING, TORSION	
43	FU5-2135-000		2	SPRING, COMPRESSION	

FIGURE & KEY NO.	PART NUMBER	RANK	QTY	DESCRIPTION	SERIAL NUMBER /REMARKS
44	FU5-2138-000		1	SPRING, TENSION	
45	FU5-2884-000		1	SPRING, TORSION	
46	FU5-2885-000		1	SPRING, TORSION	
47	FU5-6262-000		1	ROLLER	
48	FU6-0023-000		1	GEAR, 15T	
49	FU6-0306-000		1	GEAR, 22T	
50	FU6-0453-000		1	GEAR, 14T	
51	FU6-5273-000		2	SPRING, TENSION	
52	FU6-5276-000		1	SHAFT, ROLLER, SECOND LOWER	
53	FU7-2684-000		2	SPRING, TENSION	
54	RB2-0493-000		16	ROLLER, PAPER SENSOR	
55	VS1-7177-003		1	CONNECTOR, SNAP TIGHT, BK	
56	WG8-5783-000		1	IC,PHOTO-INTERRUPTER,LG248NL1A	PS917
57	XA9-1659-000		2	SCREW,M3X4	
58	XG9-0835-000		2	BEARING, BALL, DDL-740ZZH	
59	XG9-0883-000		2	BEARING, BALL, MF126ZZWB5.	
501	XD1-1107-725		1	WASHER,COP	

Figure 854A FIXING INTERMEDIATE ASS'Y, 2 (200V, 208V)

NOTE : This assembly is included in the assembly shown in Figure 850*.

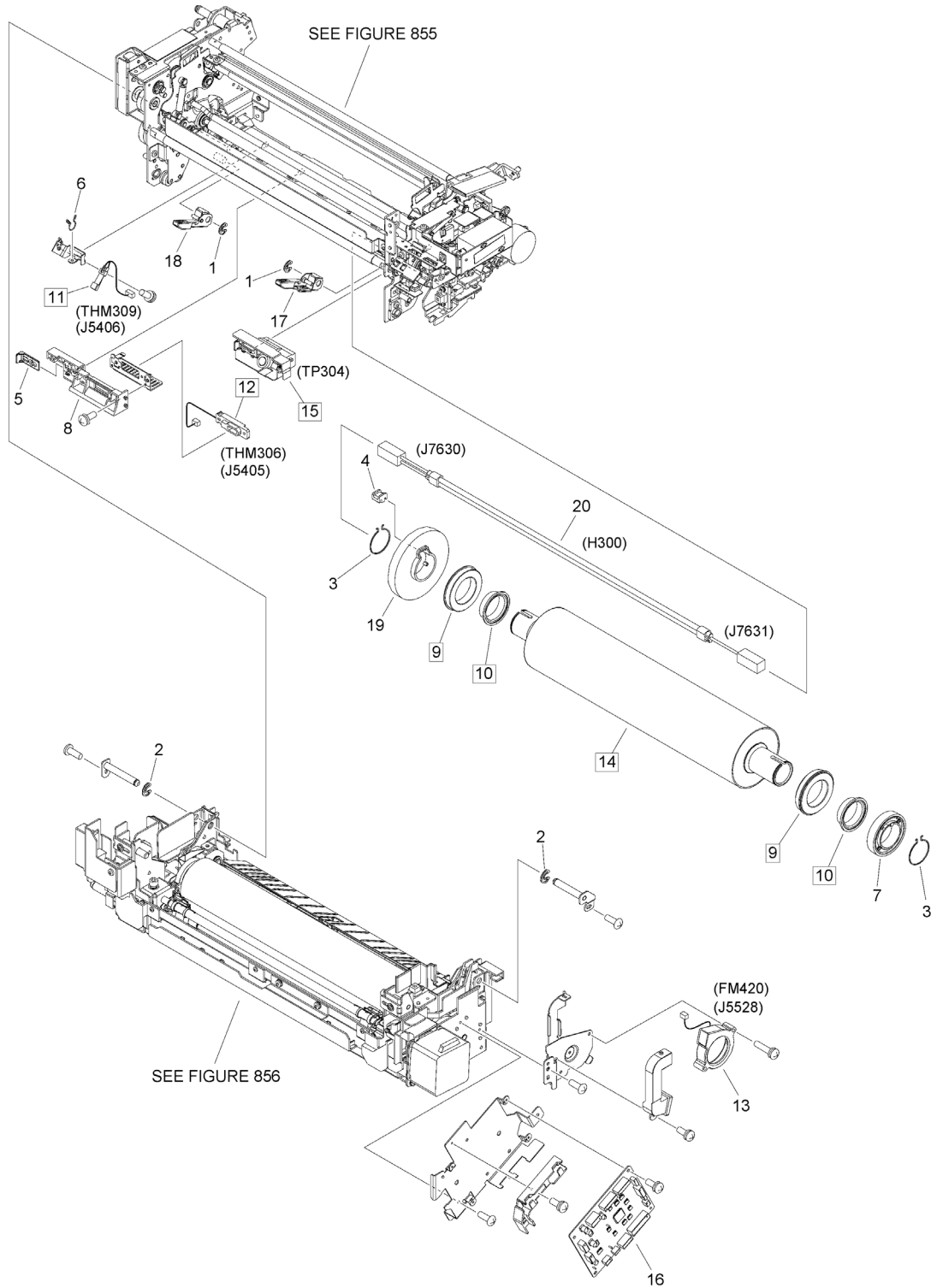


FIGURE & KEY NO.	PART NUMBER	RANK	QTY	DESCRIPTION	SERIAL NUMBER /REMARKS
854A	FM1-A404-030		1	FIXING INTERMEDIATE ASS'Y, 2	200V, 208V SEE NOTE
1	FB6-6088-000		2	RING, RETAINING	
2	FC5-2715-000		2	RING, RETAINING	
3	FC6-8516-000		2	RING, RETAINING	
4	FC7-0167-000		1	KEY, 73T GEAR	
5	FC7-8566-000		1	PLATE, LOCK	
6	FC8-1040-000		1	CLAMP, CABLE	
7	FM4-7099-000		1	53T GEAR ASSEMBLY	
8	FE3-8755-000		1	COVER, NC	
9	XG9-0419-000		2	BEARING, BALL, 6907ZZNRS1CS37	[DP]
10	FB4-3689-000		2	BUSHING	[DP]
11	FK2-6478-000		1	THERMISTOR UNIT	THM309 [DP]
12	FK2-6479-000		1	THERMISTOR UNIT	THM306 [DP]
13	FK3-0827-000		1	FAN	FM420
14	FL1-1152-000		1	ROLLER, FIXING	[DP]
15	FM1-A391-000		1	THERMOSWITCH UNIT	TP304 [DP]
16	FM1-A880-000		1	FIXING INNER DRIVER PCB ASS'Y	
17	FM1-D352-000		1	BEARING RETAINING UNIT, FRONT	
18	FM1-D353-000		1	BEARING RETAINING UNIT, REAR	
19	FU6-0336-020		1	GEAR, 86T	
20	FK4-0075-000		1	HEATER, HALOGEN	H300

Figure 854B FIXING INTERMEDIATE ASS'Y, 2 (400V)

NOTE : This assembly is included in the assembly shown in Figure 850*.

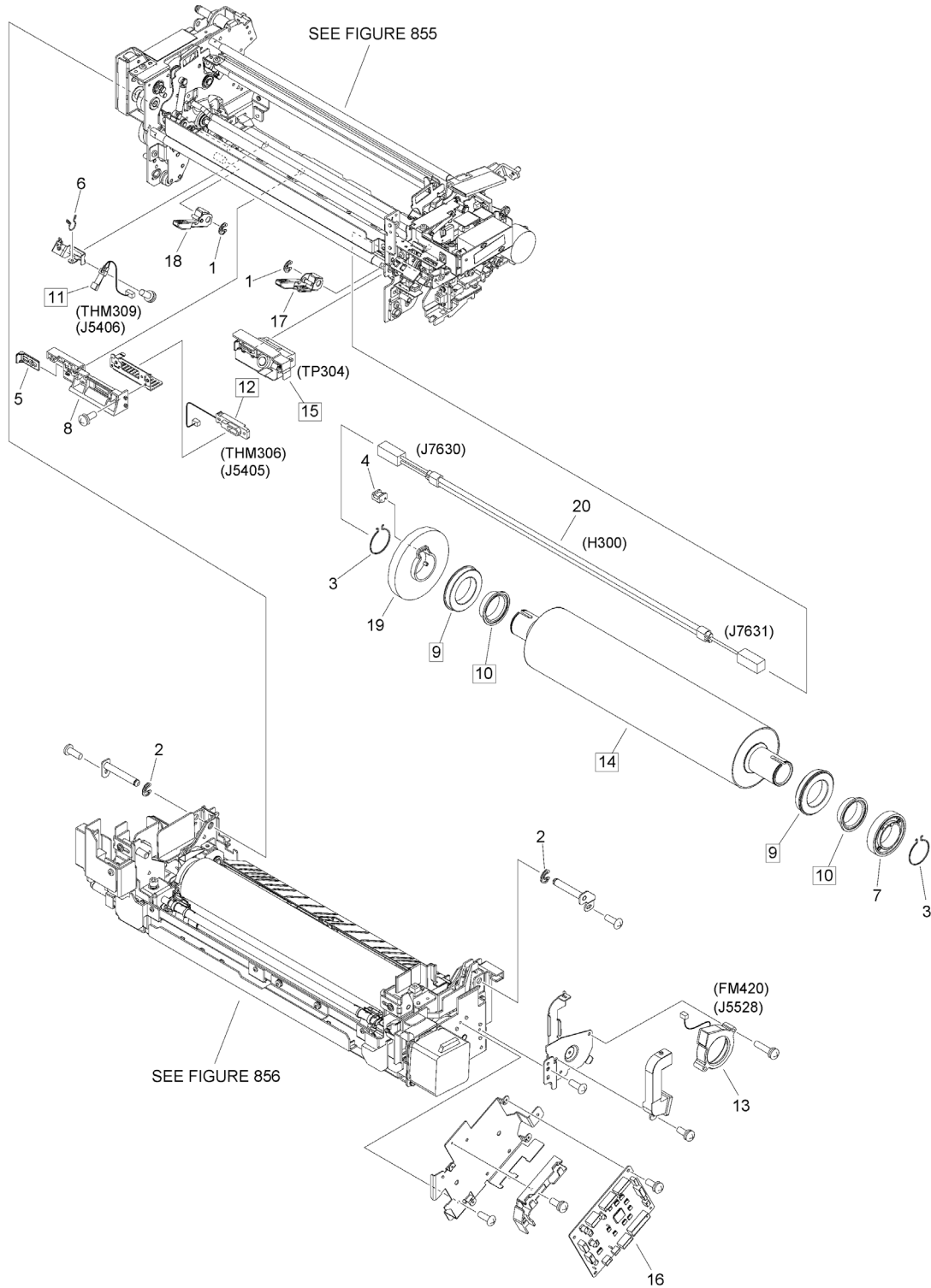


FIGURE & KEY NO.	PART NUMBER	RANK	QTY	DESCRIPTION	SERIAL NUMBER /REMARKS
854B	FM1-A406-030		1	FIXING INTERMEDIATE ASS'Y, 2	400V SEE NOTE
1	FB6-6088-000		2	RING, RETAINING	
2	FC5-2715-000		2	RING, RETAINING	
3	FC6-8516-000		2	RING, RETAINING	
4	FC7-0167-000		1	KEY, 73T GEAR	
5	FC7-8566-000		1	PLATE, LOCK	
6	FC8-1040-000		1	CLAMP, CABLE	
7	FM4-7099-000		1	53T GEAR ASSEMBLY	
8	FE3-8755-000		1	COVER, NC	
9	XG9-0419-000		2	BEARING, BALL, 6907ZZNRS1CS37	[DP]
10	FB4-3689-000		2	BUSHING	[DP]
11	FK2-6478-000		1	THERMISTOR UNIT	THM309 [DP]
12	FK2-6479-000		1	THERMISTOR UNIT	THM306 [DP]
13	FK3-0827-000		1	FAN	FM420
14	FL1-1152-000		1	ROLLER, FIXING	[DP]
15	FM1-A391-000		1	THERMOSWITCH UNIT	TP304 [DP]
16	FM1-A880-000		1	FIXING INNER DRIVER PCB ASS'Y	
17	FM1-D352-000		1	BEARING RETAINING UNIT, FRONT	
18	FM1-D353-000		1	BEARING RETAINING UNIT, REAR	
19	FU6-0336-020		1	GEAR, 86T	
20	FK4-0076-000		1	HEATER, HALOGEN	H300

Figure 855 (1/2) SECOND FIXING ASSEMBLY, UPPER

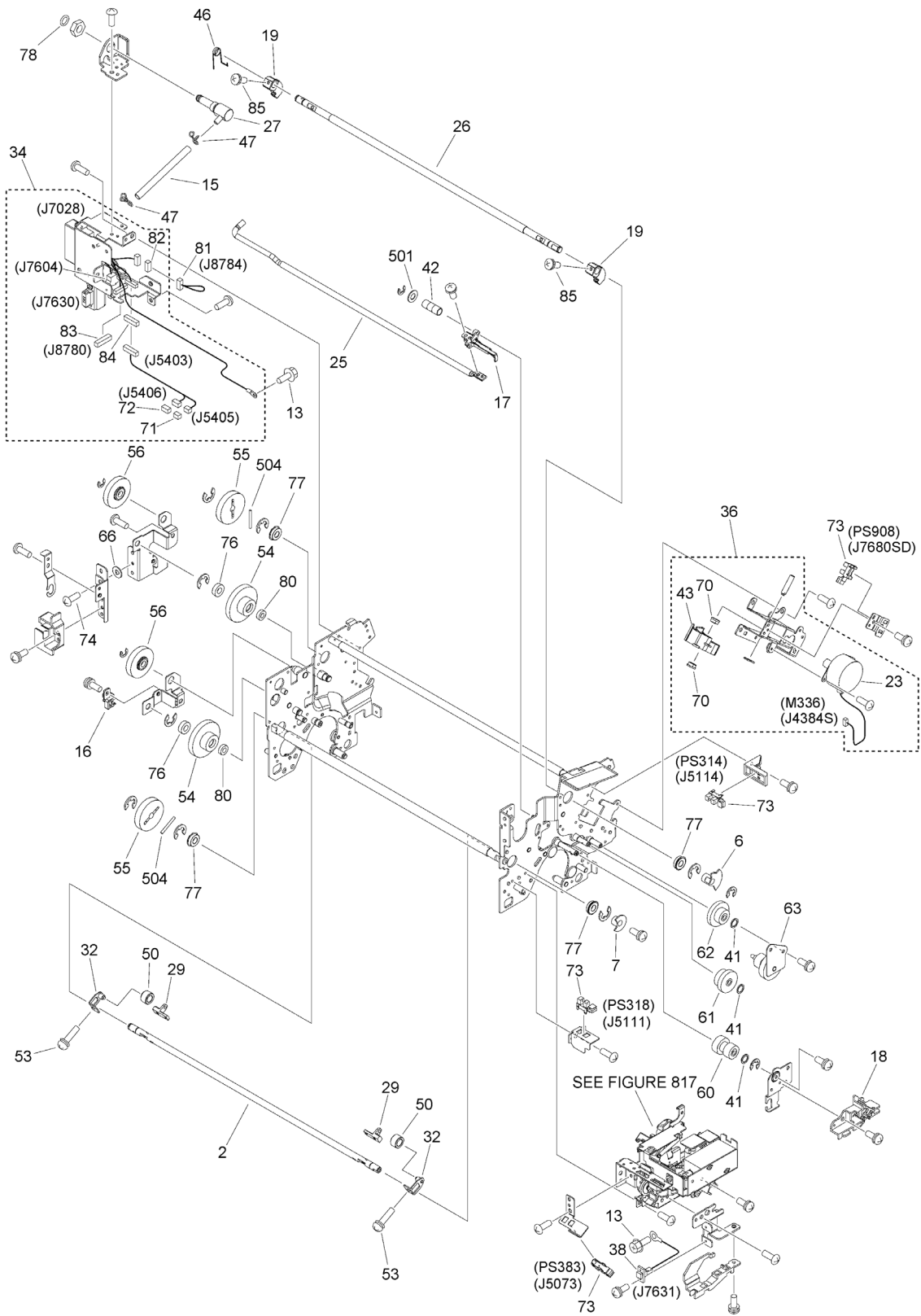


Figure 855 (2/2) SECOND FIXING ASSEMBLY, UPPER

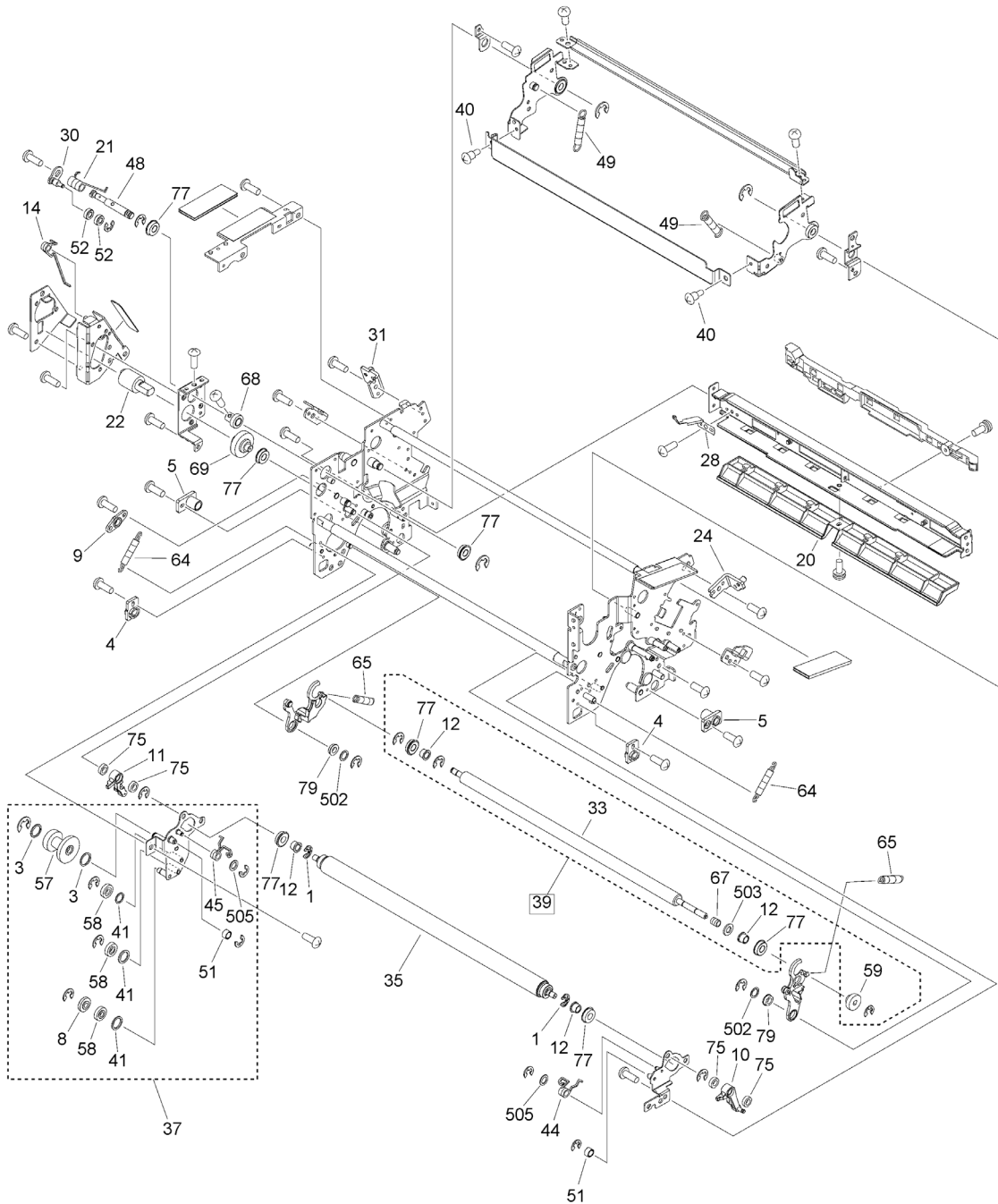


FIGURE & KEY NO.	PART NUMBER	RANK	QTY	DESCRIPTION	SERIAL NUMBER /REMARKS
855	NPN		RF	SECOND FIXING ASSEMBLY, UPPER	
1	FB6-6088-000		2	RING, RETAINING	
2	FC5-8932-020		1	SHAFT, ROLL PRESSURE	
3	FC5-9014-000		2	WASHER	
4	FC6-8440-000		2	HOLDER, PIN, 8 X 10	
5	FC6-0202-000		2	HOLDER, PIN, RIGHT	
6	FC6-0237-010		1	FLAG, HEATING SENSOR	
7	FC6-0255-000		1	FLAG, CLEAN ROLL, SENSOR	
8	FC6-1177-000		1	SPACER, PAPER DELIVERY	
9	FC6-2066-000		1	HOLDER, PIN	
10	FC6-2071-000		1	ARM, ROLLER ESTRANGEMENT, FR.	
11	FC6-2072-000		1	ARM, ROLLER ESTRANGEMENT, REAR	
12	FC7-0175-000		4	BUSHING	
13	FE4-0431-000		2	SCREW, W/WASHER, M3X6	
14	FC8-6861-000		1	SPRING, TORSION	
15	FE3-2065-000		1	TUBE, AIR	
16	FE3-2067-010		1	BUSHING	
17	FE3-2068-010		1	LEVER, CAM	
18	FE3-2077-000		1	GUIDE, MAIN HEATER, FRONT	
19	FE3-2128-000		2	CAM, DESORPTION	
20	FE3-7838-000		1	GUIDE, ENTRANCE UPPER, SMALL	
21	FE4-9619-000		1	SPRING, TORSION	
22	FE4-9621-000		1	DAMPER UNIT, ONE-WAY	
23	FK4-1410-000		1	MOTOR, STEPPING, DC	M336
24	FL0-0545-000		1	SUPPORT, CROSSMEMBER, FRONT	
25	FL0-0557-000		1	NOZZLE, AIR	
26	FL0-2348-000		1	SHAFT, HEATING, PRESSURE	
27	FL0-2351-000		1	PLUG, COUPLER	
28	FL1-1203-000		1	SPRING, LEAF	
29	FL0-2647-000		2	PLATE, ROLL RETAINING	
30	FL0-7474-000		1	PLATE, LOCK	
31	FL2-2200-000		1	SUPPORT, CROSSMEMBER, REAR	
32	FL2-2765-000		2	ARM, ROLLER	
33	FL1-4443-000		1	ROLLER, REFRESH	
34	FM1-A390-000		1	CABLE, DRAWER, 1	
35	FM1-D338-000		1	WASTE ROLLER ASSEMBLY	
36	FM1-D343-000		1	BELT CONTROL DRIVE ASSEMBLY	
37	FM1-H063-010		1	IDLER MOUNT ASSEMBLY, 2	
38	FM1-L862-000		1	CABLE, MAIN HEATER	
39	FM1-T299-000		1	ROLLER UNIT, REFRESH	[DP]
40	FS1-9078-020		2	SCREW, STEPPED, M4	
41	FS5-6488-000		6	WASHER	
42	FU2-0336-000		1	SPRING, COMPRESSION	
43	FU2-0378-000		1	GEAR, 8T	

FIGURE & KEY NO.	PART NUMBER	RANK	QTY	DESCRIPTION	SERIAL NUMBER /REMARKS
44	FU2-0419-010		1	SPRING, TORSION	
45	FU2-0420-010		1	SPRING, TORSION	
46	FU2-0859-000		1	SPRING, TORSION	
47	FU2-1522-000		2	CLIP, SWIC	
48	FU2-1529-000		1	SHAFT, TRANSMISSION	
49	FU5-2867-010		2	SPRING, TENSION	
50	FU5-6248-000		2	ROLLER	
51	FU5-6249-000		2	ROLLER	
52	FU5-6256-000		2	ROLLER	
53	FU5-9235-000		2	SCREW, W/WASHER, M4X14	
54	FU6-0335-010		2	GEAR, 20T/46T	
55	FU6-0358-010		2	GEAR, 40T	
56	FL1-1465-000		2	GEAR, 38T	
57	FU6-0332-000		1	GEAR, 22T/30T	
58	FU6-0453-000		3	GEAR, 14T	
59	FU6-0455-010		1	GEAR, 17T	
60	FL1-1461-000		1	GEAR, 16T/20T	
61	FL1-1462-000		1	GEAR, 20T/27T	
62	FL1-1463-000		1	GEAR, 17T/31T	
63	FM1-T019-000		1	IDLER GEAR UNIT	
64	FU6-2557-010		2	SPRING, TENSION	
65	FU2-1735-000		2	SPRING, TENSION	
66	FC2-2121-000		1	WASHER	
67	FU6-2560-000		1	SPRING, COMPRESSION	
68	FU7-0143-000		1	GEAR, 14T	
69	FU7-0144-000		1	GEAR, 28T	
70	RS1-1053-000		2	BUSHING	
71	VS1-7177-003		1	CONNECTOR, SNAP TIGHT, BK	
72	VS1-7177-004		1	CONNECTOR, SNAP TIGHT, BK	
73	WG8-5783-000		4	IC,PHOTO-INTERRUPTER,LG248NL1A	PS314, PS318, PS383, PS908
74	FU5-9224-000		1	SCREW, BH4X6(YELLOW)	
75	XG9-0242-000		4	BEARING, BALL, MR106ZZMC3D4ML	
76	XG9-0387-000		2	BEARING, BALL, L-1680HH LY13	
77	XG9-0508-000		11	BEARING, BALL, F688ZZ	
78	XG9-0518-000		1	RING, O	
79	XG9-0520-000		2	BEARING, BALL, MF106ZZS	
80	XG9-0691-000		2	BEARING,BALL, L1280ZZP0P25LY13	
81	FL2-8544-000		1	CONNECTOR, SHORT	200V, 208V
81	FL2-8546-000		1	CONNECTOR, SHORT	400V
82	VS1-7177-005		1	CONNECTOR, SNAP TIGHT, BK	
83	VS1-7177-007		1	CONNECTOR, 7P, FEMALE, BK	
84	VS1-7177-008		1	CONNECTOR, SNAP TIGHT, BK	
85	XA9-0961-000		2	SCREW, W/WASHER, M4X10	

FIGURE & KEY NO.	PART NUMBER	RANK	QTY	DESCRIPTION	SERIAL NUMBER /REMARKS
501	XD1-1104-135		1	WASHER,COP	
502	XD1-1106-215		2	WASHER,COP	
503	XD1-1106-239		1	WASHER,COP	
504	XD3-2300-262		2	PIN,DOWEL	
505	XD1-1104-122		2	WASHER,COP	

FIGURE & KEY NO.	PART NUMBER	RANK	QTY	DESCRIPTION	SERIAL NUMBER /REMARKS
856	NPN		RF	SECOND FIXING ASSEMBLY, LOWER	
1	FC0-2247-000		1	GUIDE, HEATER CABLE, 2 LW. FR.	
2	FC7-3480-000		1	WASHER, M3 RETAINING	
3	FC7-8558-000		1	ARM, FIXING ENTRANCE SENSOR	
4	FC8-9723-000		1	SUPPORT, HEATER, 2 LOWER FRONT	
5	FM0-4206-000		1	BUSHING	[DP]
6	FE3-2366-000		2	CAM, PRESSURE	
7	FE3-2367-000		2	CAM	
8	FE3-2368-000		1	SHAFT, PRESSURE CAM	
9	FE3-2369-000		1	FLAG, SENSOR	
10	FM1-L296-000		1	HEATER MOUNTING SPRING UNIT,	
11	FE3-8133-000		1	GUIDE, AC CABLE, 2	
12	FE4-0431-000		3	SCREW, W/WASHER, M3X6	
13	FK2-3132-010		1	MOTOR, STEPPING, DC	M308
14	FK2-6478-000		1	THERMISTOR UNIT	THM311 [DP]
15	FK2-6479-000		1	THERMISTOR UNIT	THM310 [DP]
16	FK4-0061-000		1	HEATER, HALOGEN	H303 200V, 208V
16	FK4-0062-000		1	HEATER, HALOGEN	H303 400V
17	FL0-0515-000		1	ROLLER, PRESSURE	[DP]
18	FL0-5521-000		1	ROLLER, CLEANING BRUSH	[DP]
19	FM1-D360-010		1	CABLE, DRAWER CONNECTOR, 2	
20	FM1-D361-000		1	HOLDER, BELT, THERMOSWITCH	TP305
21	FM1-L864-000		1	CABLE, FIXING BELT HEATER	
22	FM1-L865-000		1	CABLE, FIXING BELT HEATER	
23	FM1-L867-000		1	CABLE, ENTRANCE SENSOR	
24	FM3-2876-010		1	ROLLER, REFRESH ASSEMBLY	[DP]
25	FM3-2790-010		1	ENTRANCE GUIDE ASSEMBLY	
26	FS1-9010-020		3	SCREW, STEPPED, M3	
27	FU5-9224-000		2	SCREW, BH4X6(YELLOW)	
28	FU6-0354-010		3	GEAR, 53T/20T	
29	FU6-0356-000		1	GEAR, 14T	
30	FU6-0357-010		1	GEAR, 21T	
31	FU7-0842-000		1	GEAR, 51T	
32	FU7-2163-000		1	SPRING, TORSION	
33	VS1-7177-003		3	CONNECTOR, SNAP TIGHT, BK	
34	VS1-7177-004		1	CONNECTOR, SNAP TIGHT, BK	
35	VS1-7177-007		1	CONNECTOR, 7P, FEMALE, BK	
36	WG8-5783-000		3	IC,PHOTO-INTERRUPTER,LG248NL1A	PS312, PS315, PS316
37	XA9-0934-000		2	SETSCREW,M3X6	
38	XG9-0519-000		6	BEARING, BALL, MR148ZZ	

FIGURE & KEY NO.	PART NUMBER	RANK	QTY	DESCRIPTION	SERIAL NUMBER /REMARKS
39	FC7-8566-000		1	PLATE, LOCK	
40	XG9-0013-000		2	BALL BEARING, NSK 608ZZNRM3	
41	XG9-0477-000		2	BEARING, BALL,6807ZZL1NSS1C4	[DP]
42	FM2-8691-000		1	CABLE, MOTOR	
501	XD1-1108-215		3	WASHER,COP	

Figure 857 PRESSURE BEARING HOLDER ASS'Y

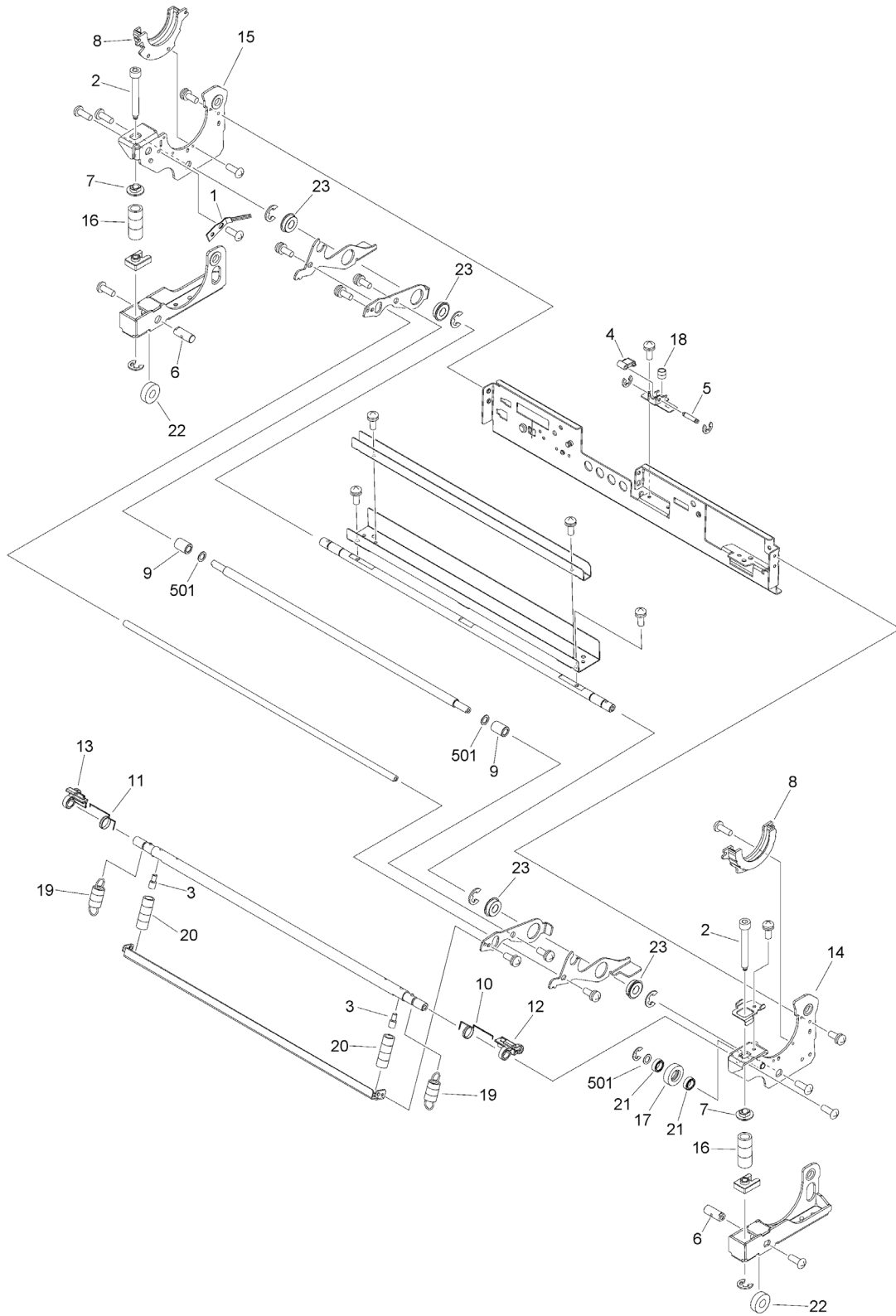


FIGURE & KEY NO.	PART NUMBER	RANK	QTY	DESCRIPTION	SERIAL NUMBER /REMARKS
857	NPN		RF	PRESSURE BEARING HOLDER ASS'Y	
1	FB3-7543-000		1	PLATE, STATIC CHARGE ELI.	
2	FC0-2217-000		2	SCREW, ADJUSTMENT, M6	
3	FC7-4064-000		2	BOLT, STOPPER	
4	FC7-8553-000		1	BLOCK, PRESSURE	
5	FC7-8555-000		1	SHAFT, SUPPORT	
6	FC7-8888-000		2	SHAFT, BEARING	
7	FC7-8893-000		2	SPACER, PRESSURE	
8	FC8-6489-000		2	HOLDER, PRESSURE BEARING, FR.	
9	FC9-7207-000		2	ROLLER	
10	FE3-2361-000		1	SPRING, TORSION	
11	FE3-2362-000		1	SPRING, TORSION	
12	FE3-2364-000		1	ARM, CLEANING ROLLER, FRONT	
13	FE3-2365-000		1	ARM, CLEANING ROLLER, REAR	
14	FL2-7654-010		1	HOLDER, BEARING, FRONT	
15	FL2-7655-000		1	HOLDER, BEARING, REAR	
16	FU2-0883-000		2	SPRING, COMPRESSION	
17	FU7-0843-000		1	GEAR, 18T	
18	FU7-2161-000		1	SPRING, COMPRESSION	
19	FU7-2878-000		2	SPRING, TENSION	
20	FU7-2879-000		2	SPRING, COMPRESSION	
21	XG9-0366-000		2	BEARING, BALL	
22	XG9-0487-000		2	BEARING, BALL P0	
23	XG9-0664-000		4	BALL BEARING, JMK-688ZZNR*D4ML	
501	XD1-1106-224		3	WASHER,COP	

Figure 890 FIRST FIXING MOUNT ASSEMBLY

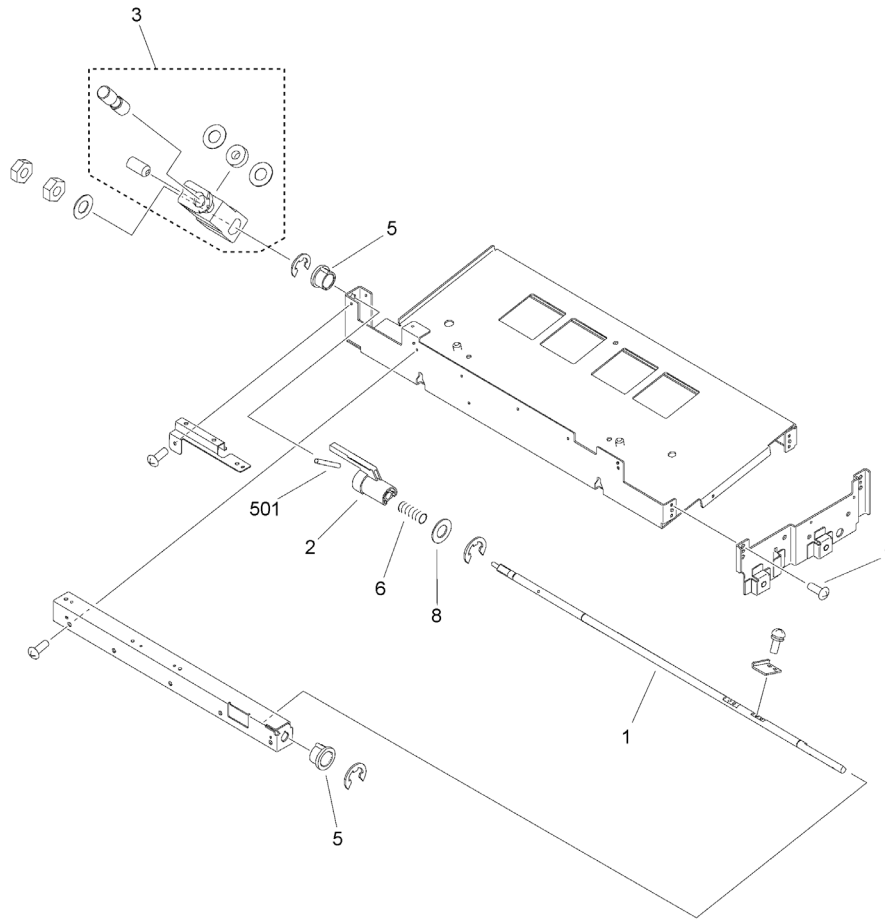


FIGURE & KEY NO.	PART NUMBER	RANK	QTY	DESCRIPTION	SERIAL NUMBER /REMARKS
890	FM1-H032-010		1	FIRST FIXING MOUNT ASSEMBLY	
1	FC6-0265-000		1	SHAFT, HANDLE, 1	
2	FC6-8190-000		1	GUIDE, HANDLE LOCK	
3	FM1-R788-000		1	FIXING EXTRACTION GUIDE UNIT	
5	FU5-1327-000		2	BUSHING	
6	FU5-2994-000		1	SPRING, COMPRESSION	
7	XA9-0892-000		3	SCREW,MACH.,TRUSS HEAD,M4X6	
8	XD9-0150-000		1	WASHER, PLAIN	
501	XD3-1300-252		1	PIN, SPRING D=3 L=25	

Figure 891 SECOND FIXING MOUNT ASSEMBLY

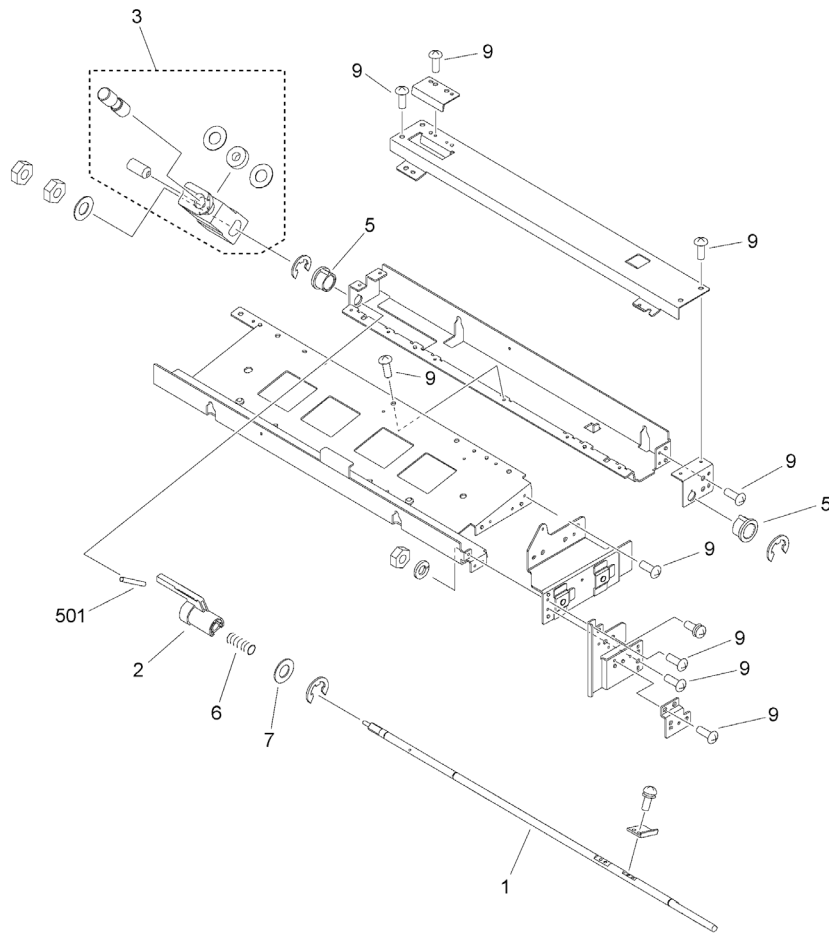


FIGURE & KEY NO.	PART NUMBER	RANK	QTY	DESCRIPTION	SERIAL NUMBER /REMARKS
891	FM1-H033-000		1	SECOND FIXING MOUNT ASSEMBLY	
1	FC6-0265-000		1	SHAFT, HANDLE, 1	
2	FC6-8190-000		1	GUIDE, HANDLE LOCK	
3	FM1-R788-000		1	FIXING EXTRACTION GUIDE UNIT	
5	FU5-1327-000		2	BUSHING	
6	FU5-2994-000		1	SPRING, COMPRESSION	
7	XD9-0150-000		1	WASHER, PLAIN	
9	XA9-0892-000		18	SCREW,MACH.,TRUSS HEAD,M4X6	
501	XD3-1300-252		1	PIN, SPRING D=3 L=25	

Figure 892 LOCK SENSING ASSEMBLY, 1

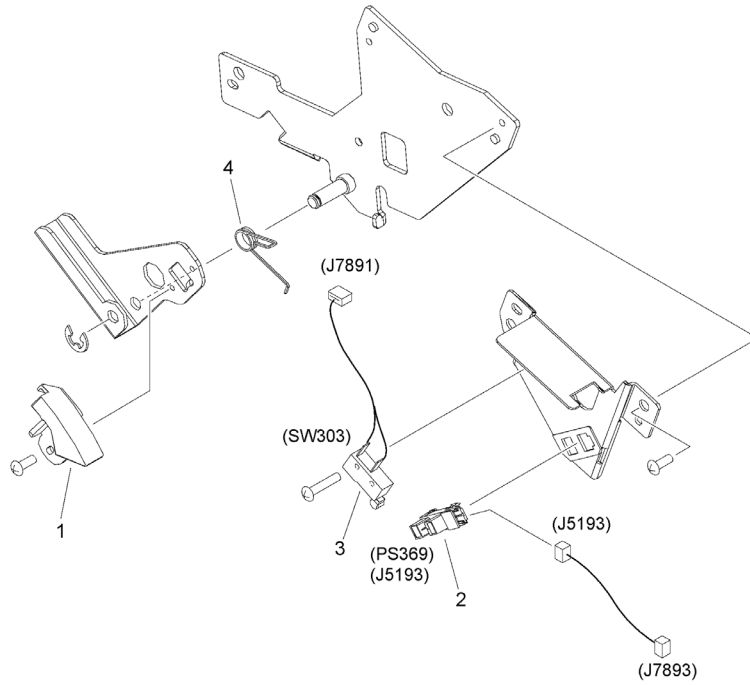


FIGURE & KEY NO.	PART NUMBER	RANK	QTY	DESCRIPTION	SERIAL NUMBER /REMARKS
892	FM2-2207-000		1	LOCK SENSING ASSEMBLY,1	
1	FC7-7057-000		1	FLAG, LOCK SENSOR	
2	WG8-5783-000		1	IC,PHOTO-INTERRUPTER,LG248NL1A	PS369
3	FM2-8509-000		1	CABLE, SWITCH	SW303
4	FC7-7063-000		1	SPRING, TORSION	

Figure 893 LOCK SENSING ASSEMBLY, 2

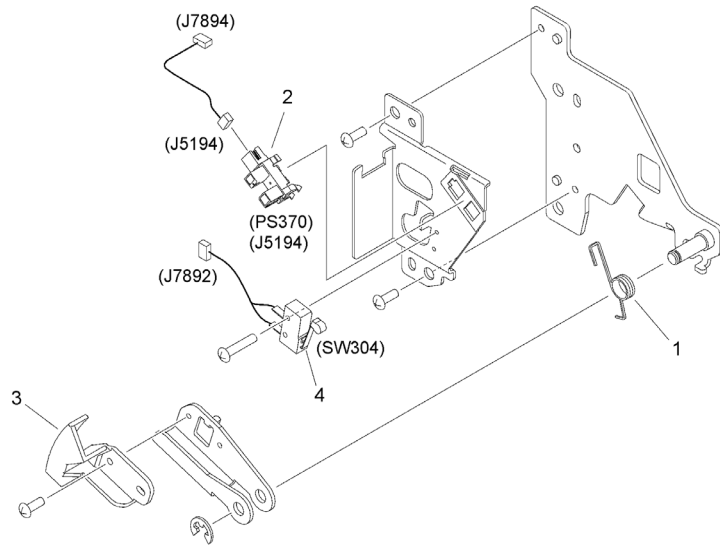


FIGURE & KEY NO.	PART NUMBER	RANK	QTY	DESCRIPTION	SERIAL NUMBER /REMARKS
893	FM2-2208-000		1	LOCK SENSING ASSEMBLY,2	
1	FC7-7499-000		1	SPRING, TORSION	
2	WG8-5783-000		1	IC,PHOTO-INTERRUPTER,LG248NL1A	PS370
3	FC7-7057-000		1	FLAG, LOCK SENSOR	
4	FM2-8509-000		1	CABLE, SWITCH	SW304

Figure 911 DC POWER SUPPLY ASS'Y, 12V

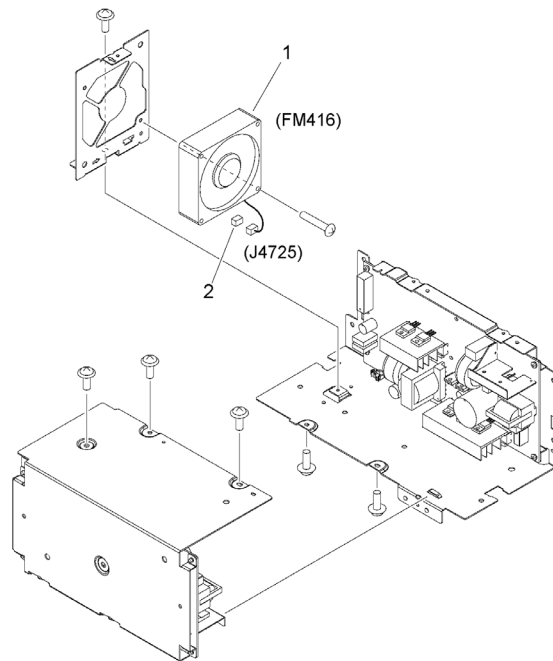


FIGURE & KEY NO.	PART NUMBER	RANK	QTY	DESCRIPTION	SERIAL NUMBER /REMARKS
911	FM4-2569-000		1	DC POWER SUPPLY ASSY, 12V	
1	FK2-0360-000		1	FAN	FM416
2	VS1-7177-003		1	CONNECTOR, SNAP TIGHT, BK	

Figure 912 DC POWER SUPPLY ASS'Y, 24V-1

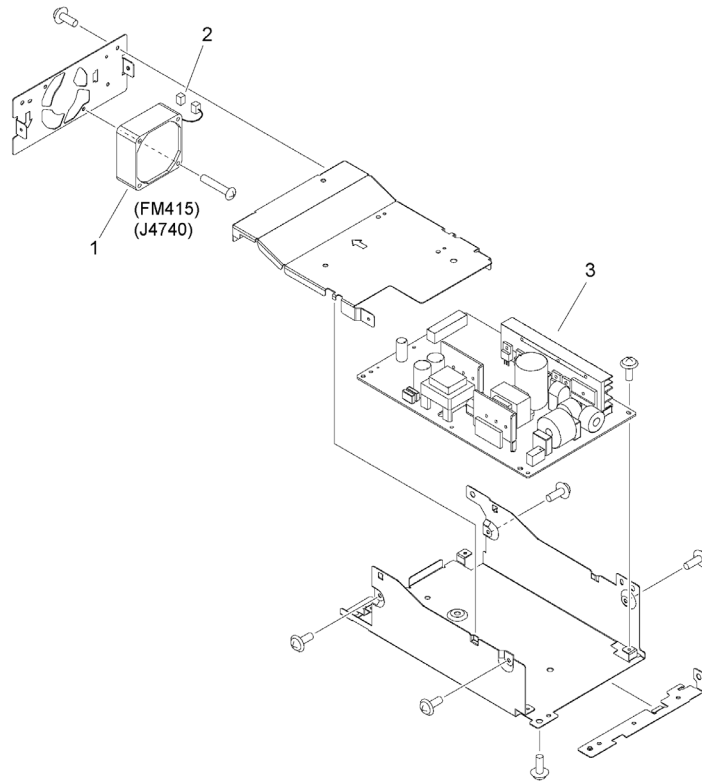


FIGURE & KEY NO.	PART NUMBER	RANK	QTY	DESCRIPTION	SERIAL NUMBER /REMARKS
912	FM4-2568-000		1	DC POWER SUPPLY ASSY, 24V-1	
1	FK2-6484-000		1	FAN	FM415
2	VS1-7177-003		1	CONNECTOR, SNAP TIGHT, BK	
3	FK2-6447-000		1	DC POWER SUPPLY PCB ASSEMBLY	

Figure 913 DC POWER SUPPLY ASS'Y, 24V-2

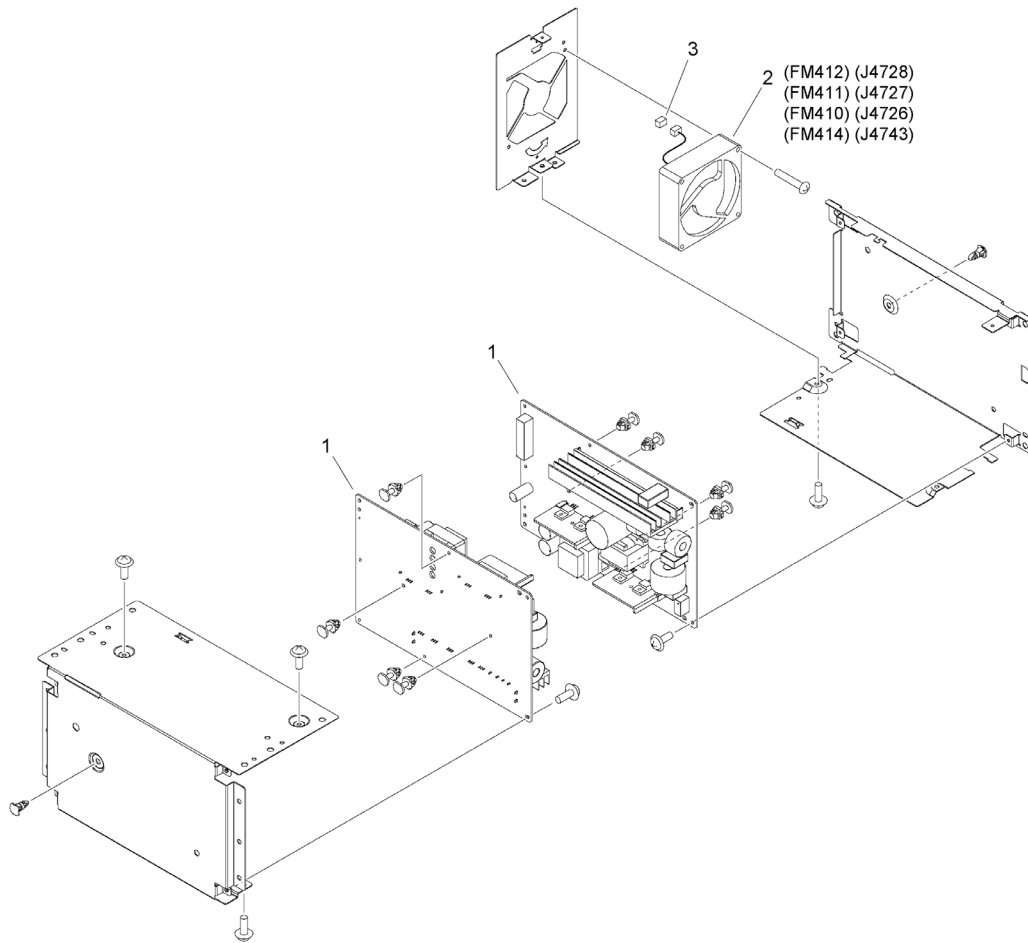


FIGURE & KEY NO.	PART NUMBER	RANK	QTY	DESCRIPTION	SERIAL NUMBER /REMARKS
913	FM3-2552-000		1	DC POWER SUPPLY ASSY, 24V-2	
1	FK2-6447-000		2	DC POWER SUPPLY PCB ASSEMBLY	
2	FK2-6818-000		1	FAN	FM410, FM411, FM412, FM414
3	VS1-7177-003		1	CONNECTOR, SNAP TIGHT, BK	

Figure 915 DC POWER SUPPLY ASS'Y, 38V

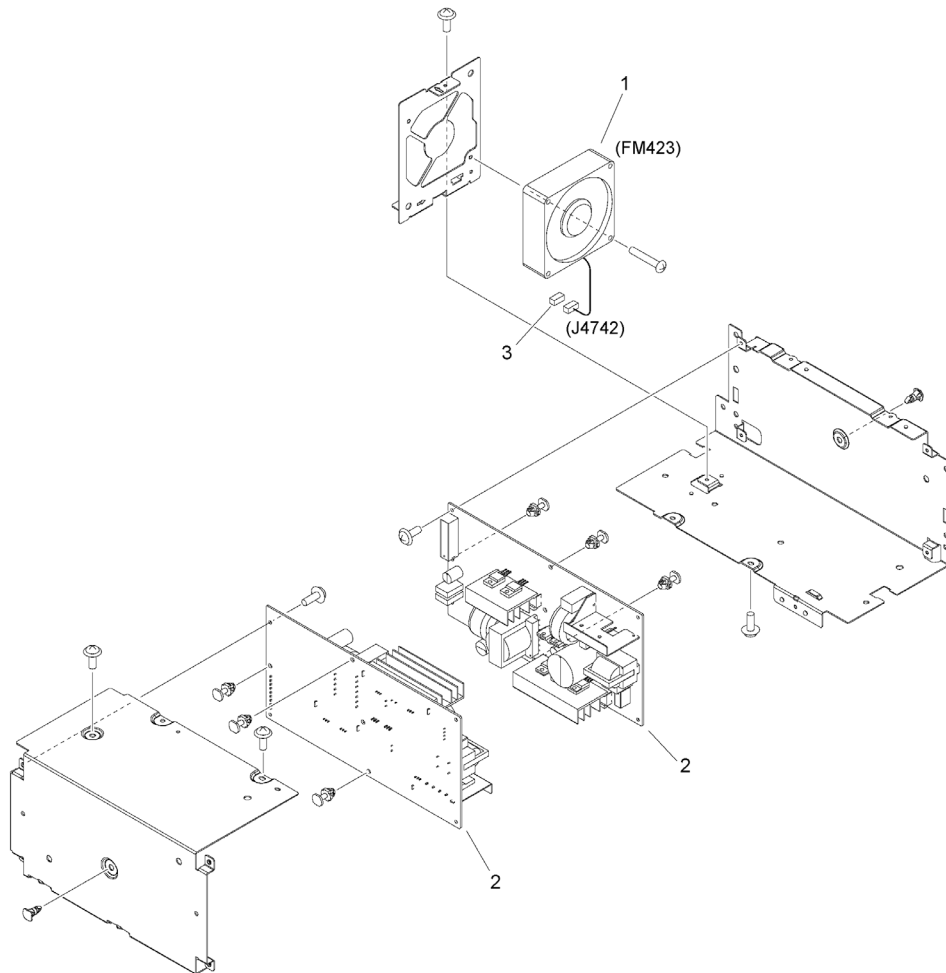


FIGURE & KEY NO.	PART NUMBER	RANK	QTY	DESCRIPTION	SERIAL NUMBER /REMARKS
915	FM1-A436-000		1	DC POWER SUPPLY ASSY, 38V	
1	FK2-0360-000		1	FAN	FM423
2	FK2-7512-000		2	POWER SUPPLY UNIT	
3	VS1-7177-003		1	CONNECTOR, SNAP TIGHT, BK	

Figure 962B NOISE FILTER PCB ASSEMBLY (208V, 230V)

NOTE : This assembly is included in the assembly shown in imageRUNNER ADVANCE 8500/6500 series:Figure 140. NOTE : This assembly is included in the assembly shown in imagePRESS C10000/C8000 series:Figure 140.

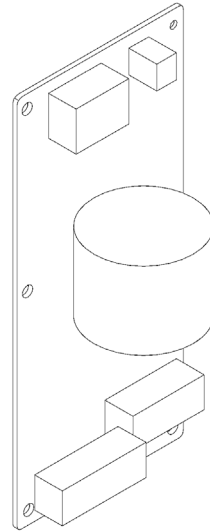


FIGURE & KEY NO.	PART NUMBER	RANK	QTY	DESCRIPTION	SERIAL NUMBER /REMARKS
962B	FM0-2959-000		1	NOISE FILTER PCB ASSEMBLY	208V,230V SEE NOTE
NF	FH3-0937-000		1	INDUCTOR	NF1

Figure 965 FEED DRIVER PCB ASSEMBLY

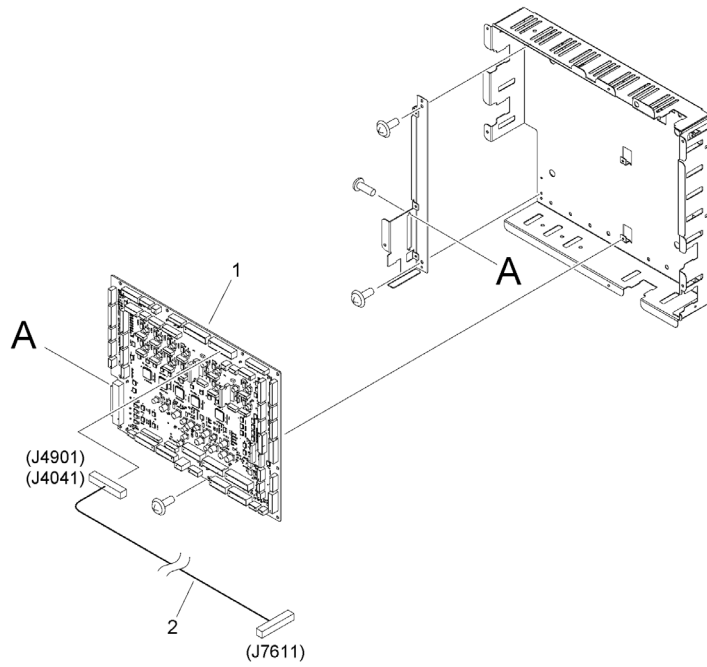


FIGURE & KEY NO.	PART NUMBER	RANK	QTY	DESCRIPTION	SERIAL NUMBER /REMARKS
965	NPN		RF	FEED DRIVER PCB ASSEMBLY	
1	FM1-A870-000		1	FIXING DUPLEX FEED PCB ASSY	
2	FM3-4696-000		1	CABLE, MOTOR, RIGHT	
IC	FK2-1773-000		5	IC,TC200GO2EFG-1031,GATE ARRAY	

Figure 999B (1/5) CABLE UNIT (Sub station)

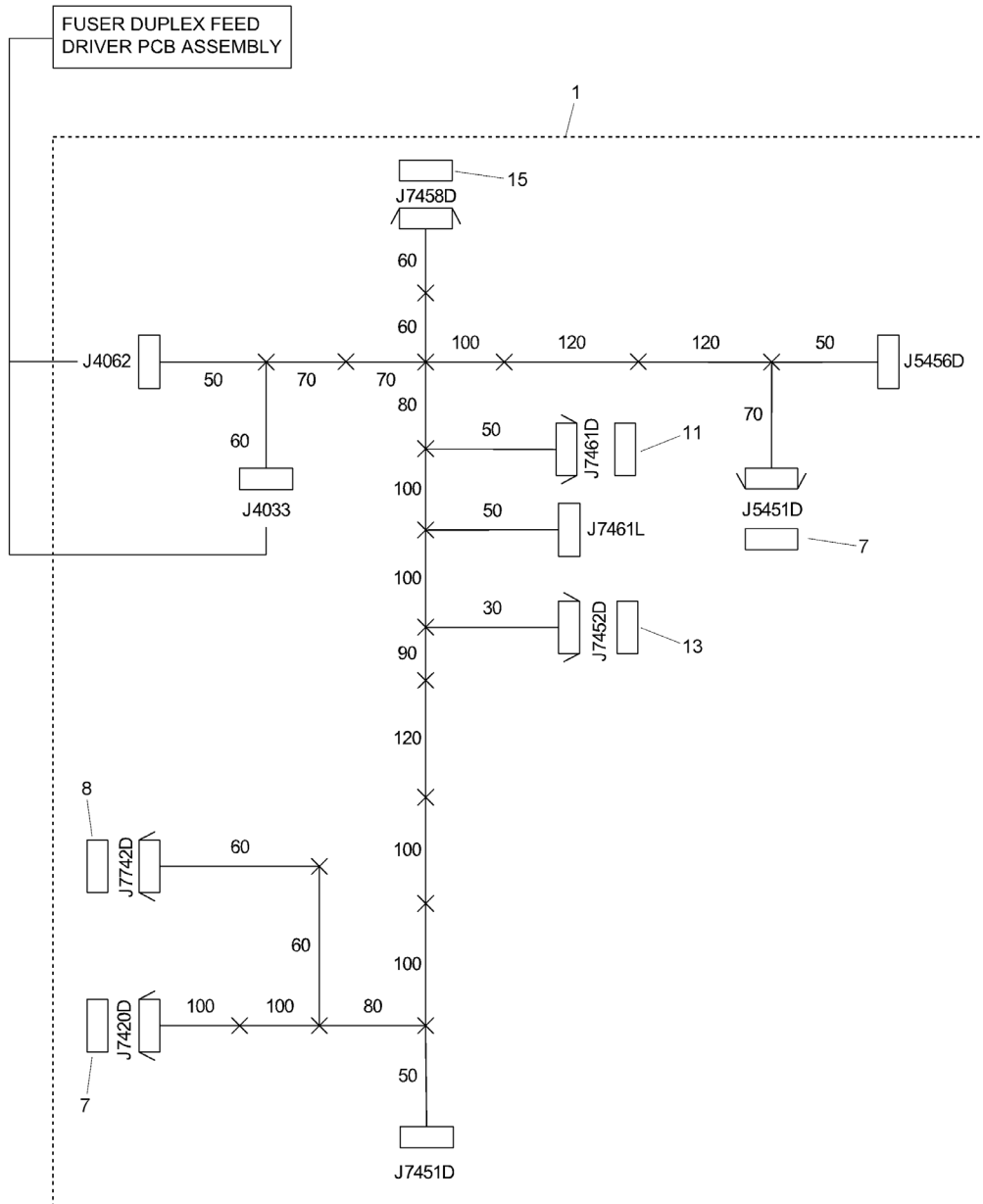


Figure 999B (2/5) CABLE UNIT (Sub station)

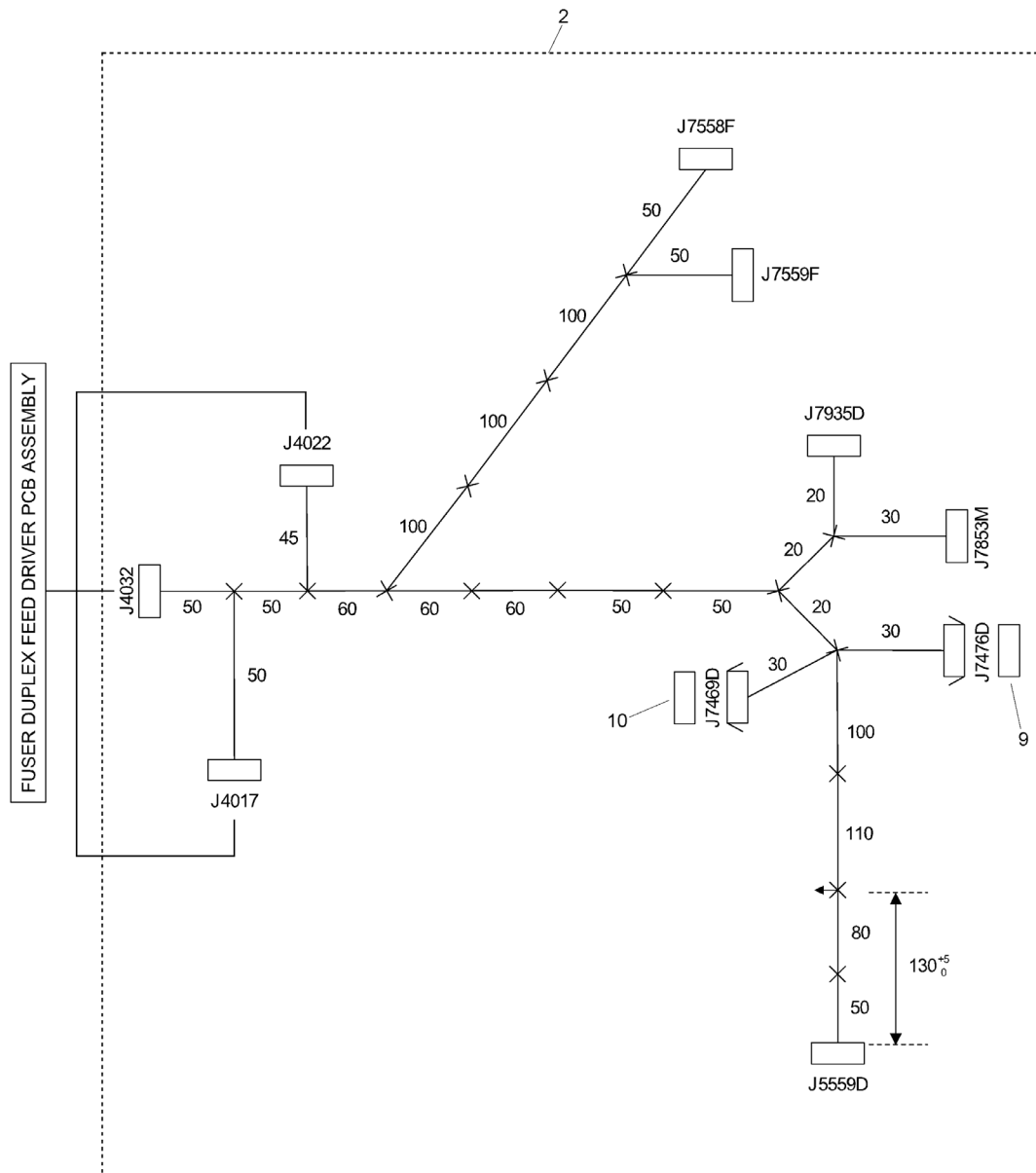


Figure 999B (3/5) CABLE UNIT (Sub station)

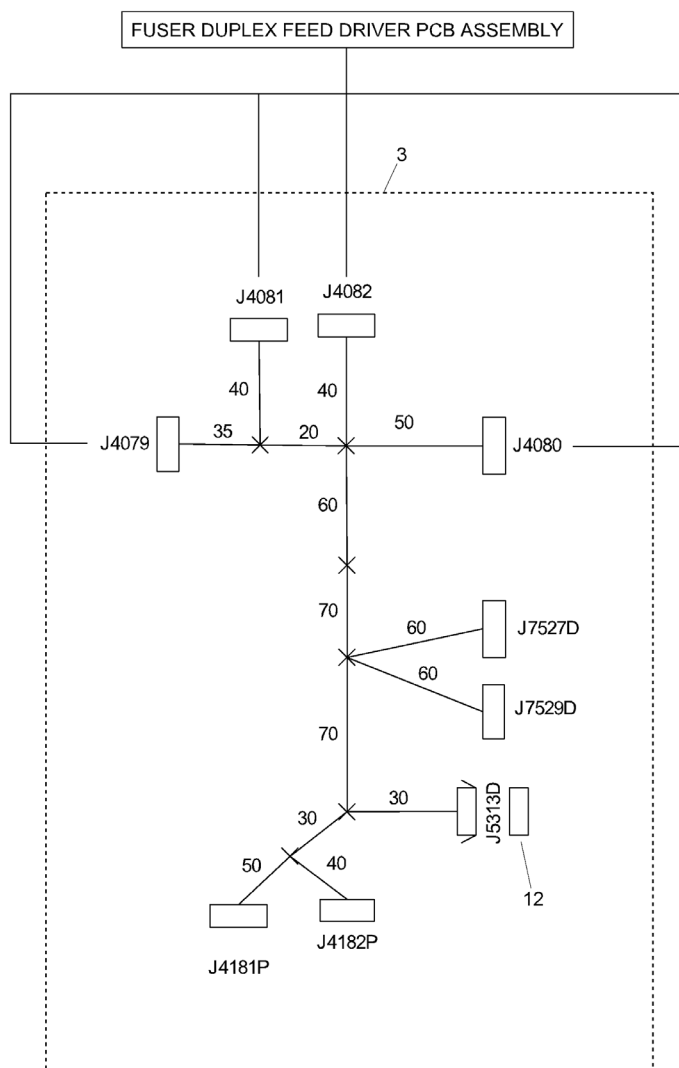


FIGURE & KEY NO.	PART NUMBER	RANK	QTY	DESCRIPTION	SERIAL NUMBER /REMARKS
999B	NPN		RF	CABLE UNIT	Sub station
1	FM1-L825-000		1	CABLE, FAN	
2	FM1-L828-000		1	CABLE, MAIN BODY, RIGHT	
3	FM1-L829-000		1	CABLE, FIXING DUPLEXING, RIGHT	
4	FM1-L842-000		1	CABLE, POWER LEFT, UPPER	
5	FM1-L878-000		1	CABLE, FIXING POWER SUPPLY	
6	VS1-7177-003		6	CONNECTOR, SNAP TIGHT, BK	
7	VS1-7177-004		2	CONNECTOR, SNAP TIGHT, BK	
8	VS1-7177-005		1	CONNECTOR, SNAP TIGHT, BK	
9	VS1-7177-006		1	CONNECTOR, SNAP TIGHT, BK	
10	VS1-7177-007		1	CONNECTOR, 7P, FEMALE, BK	
11	VS1-7177-012		1	CONNECTOR, SNAP TIGHT, BK	
12	VS1-8412-003		1	CONNECTOR, SNAP TIGHT, BL	
13	VS1-8412-013		1	CONNECTOR, SNAP TIGHT, BL	
14	VS1-8959-003		2	CONNECTOR, SNAP TIGHT, 3P, W	
15	VS1-8959-009		1	CONNECTOR, SNAP TIGHT, 9P, W	
16	VS1-8959-016		1	CONNECTOR, SNAP TIGHT, 16P, W	
17	VS1-9269-024		1	CONNECTOR, SNAP TIGHT	

Figure B02 ATTACHMENT PARTS (CN)

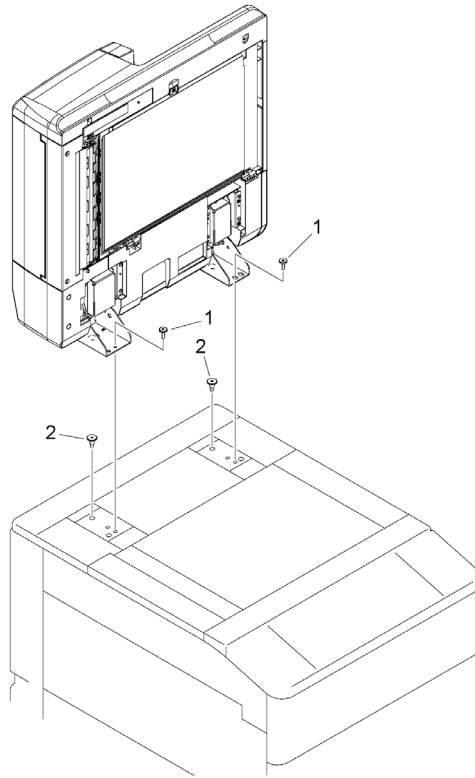


FIGURE & KEY NO.	PART NUMBER	RANK	QTY	DESCRIPTION	SERIAL NUMBER /REMARKS
B02	NPN		RF	ATTACHMENT PARTS	CN
1	FU5-9167-000		4	SCREW, FIXED, M4	
2	FU5-9168-000		2	SCREW, STEPPED, M5	

Figure B10 INTERNAL COMPONENTS 1 (ADF) (CN)

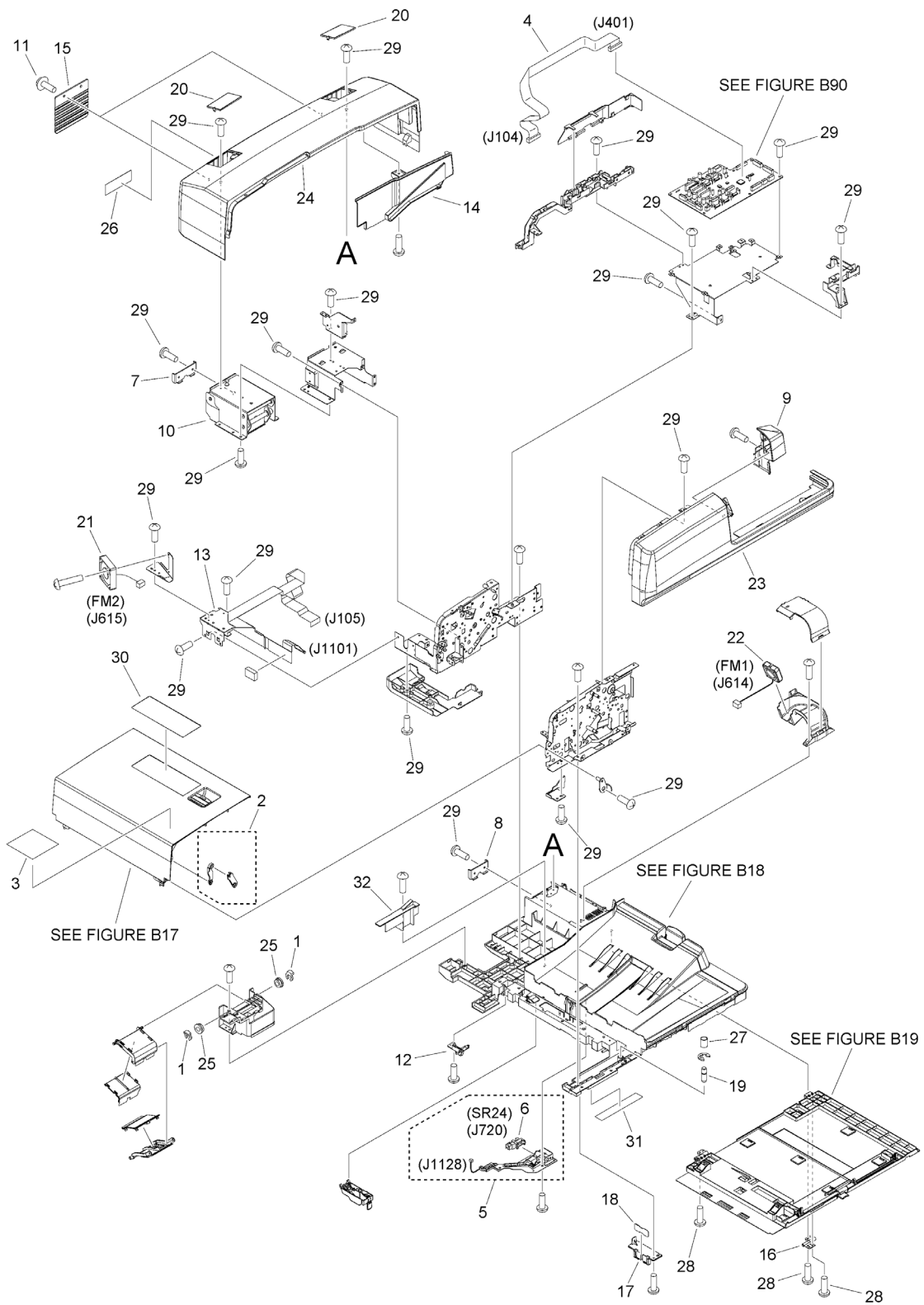


FIGURE & KEY NO.	PART NUMBER	RANK	QTY	DESCRIPTION	SERIAL NUMBER /REMARKS
B10	NPN		RF	INTERNAL COMPONENTS 1 (ADF)	CN
1	FC5-4424-000		2	CLIP	
2	FM1-G460-000		1	OPEN/CLOSE COVER STOPPER SET	
3	FE4-6291-000		1	LABEL, CLEANING	US, CA, EUR, LTN, CN
4	FK3-2269-000		1	CABLE, FLAT	
5	FM1-L581-000		1	PHOTO SENSOR UNIT	
6	WG8-5783-000		1	IC,PHOTO-INTERRUPTER,LG248NL1A	SR24
7	FC8-5831-000		1	STOPPER, HINGE, LEFT	
8	FC8-5832-000		1	STOPPER, HINGE, RIGHT	
9	FE4-6232-000		1	COVER, FRONT, B	
10	FC8-5777-000		1	HINGE, LEFT	
11	XA9-2019-000		4	SCREW, W/WASHER P, M3X8	
12	FE2-1387-000		1	COVER, STAMP CABLE	
13	FM0-0509-010		1	FLEXIBLE FLAT CABLE UNIT	
14	FE4-6237-000		1	COVER, REAR, B	
15	FE4-6250-000		2	COVER, HINGE	
16	FC8-5811-000		1	HINGE, PLATE	
17	FC8-5833-000		1	COVER, PAPER DEL. SENSOR, A	
18	FC8-5834-000		1	COVER, PAPER DEL. SENSOR, B	
19	FC8-5837-000		1	PIN	
20	FE4-6249-000		2	COVER, HINGE ADJUSTING	
21	FK2-6471-000		1	FAN	FM2
22	FL2-9591-000		1	FAN	FM1
23	FL0-7147-000		1	COVER, FRONT, A	
24	FL0-4601-000		1	COVER, REAR, S	
25	FS5-1372-000		2	BUSHING	
26	FE4-6288-000		1	LABEL, FINGER NIP CAUTION	EUR, CN
27	FU7-2560-000		1	SPRING, COMPRESSION	
28	XA9-2016-000		6	SCREW, W/WASHER, M3X12	
29	XA9-2014-000		23	SCREW, MACH. TRUSS HEAD, M4X6	
30	FE4-6264-000		1	LABEL, PROHIBITION DOCUMENT	US, CA, EUR, LTN, CN
31	FE4-6276-000		1	LABEL, CLEANING PROCESS	Portuguese
31	FE4-6277-000		1	LABEL, CLEANING PROCESS	Spanish
31	FE4-6278-000		1	LABEL, CLEANING PROCESS	US English
31	FE4-6282-000		1	LABEL, CLEANING, PROCEDURE	Simplified Chinese
31	FE4-6283-000		1	LABEL, CLEANING, PROCEDURE	Korean
31	FE4-6284-000		1	LABEL, CLEANING, PROCEDURE	Traditional Chinese
32	FE4-6238-000		1	COVER, BASE FRAME, C	

Figure B11 INTERNAL COMPONENTS 2 (ADF) (CN)

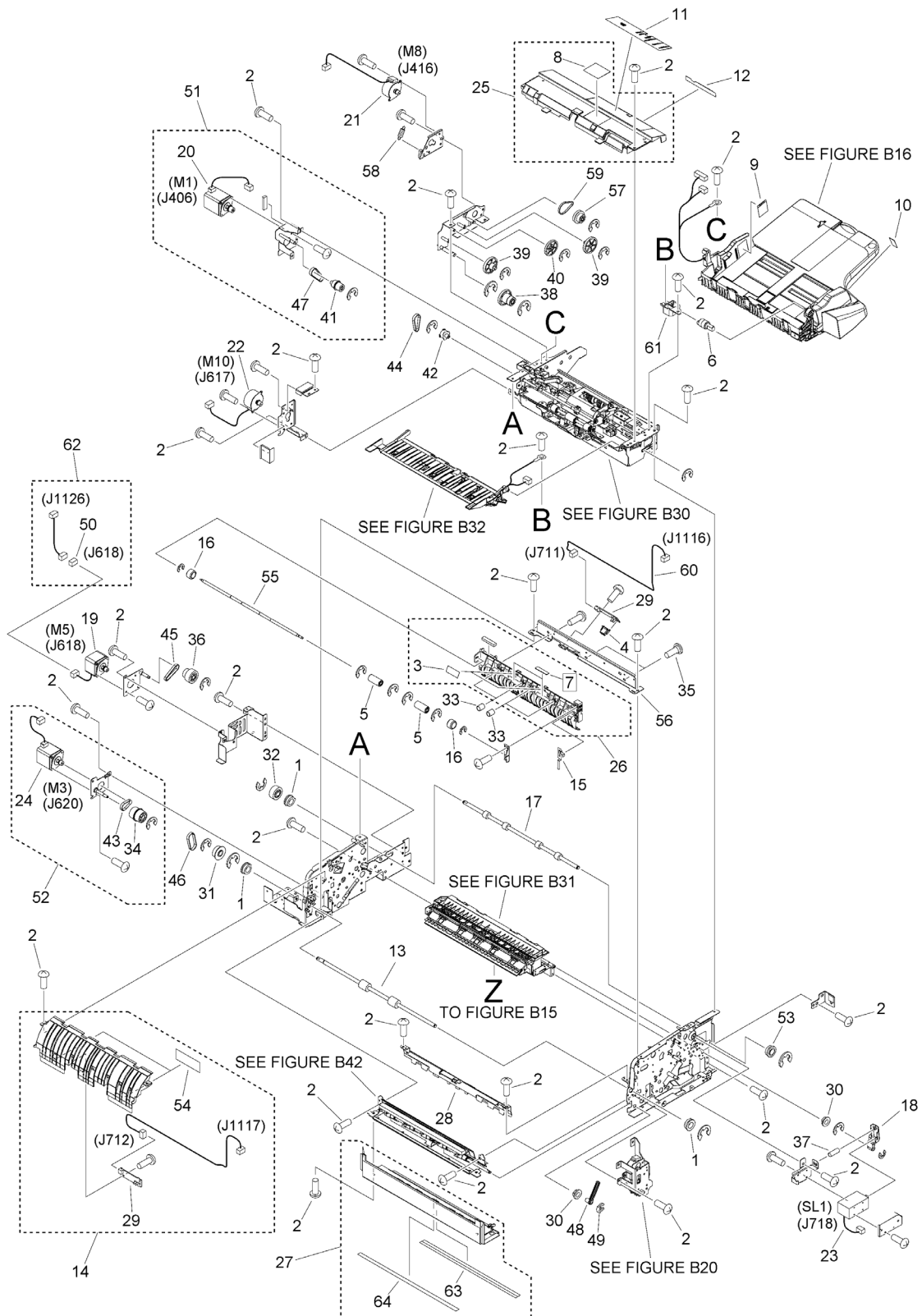


FIGURE & KEY NO.	PART NUMBER	RANK	QTY	DESCRIPTION	SERIAL NUMBER /REMARKS
B11	NPN		RF	INTERNAL COMPONENTS 2 (ADF)	CN
1	FA9-2112-000		3	BUSHING, PL	
2	XA9-2014-000		17	SCREW, MACH. TRUSS HEAD, M4X6	
3	FC5-2954-000		2	SCRAPER	
4	FC5-3131-000		1	HOLDER, SEPARATION SENSOR	
5	FC8-5636-000		2	ROLLER, REGISTRATION	
6	FL3-7438-000		1	DAMPER, DOCUMENT TRAY	
7	FC8-5633-000		2	SHEET, CLEANER DUST	[DP]
8	FC8-5657-000		1	LABEL, JAM CLEARING	
9	FE4-6273-000		1	LABEL, DOCUMENT HEIGHT	
10	FE4-6274-000		1	LABEL, DOCUMENT HEIGHT	
11	FE4-6268-000		1	LABEL, DOCUMENT SIZE	
12	FE4-6272-000		1	LABEL, DOCUMENT SIZE	
13	FC8-5680-000		1	ROLLER, REGISTRATION	
14	FM3-6194-010		1	PRE-REG. INNER GUIDE ASSEMBLY	
15	FC8-5739-000		1	SPRING, LEAF	
16	FC8-5776-000		2	ROLLER, PRESSURE	
17	FC8-5814-000		1	ROLLER, DELIVERY	
18	FC8-5828-000		1	LEVER, PAPER DELIVERY SOLENOID	
19	FK2-3714-000		1	MOTOR, STEPPING, DC	M5
20	FK2-7174-000		1	MOTOR, STEPPING, DC	M1
21	FK3-2270-000		1	MOTOR, STEPPING, DC	M8
22	FK2-7177-000		1	MOTOR, STEPPING, DC	M10
23	FK2-7179-000		1	SOLENOID	SL1
24	FK2-7181-000		1	MOTOR, STEPPING, DC	M3
25	FL1-0451-000		1	COVER, PAPER PICK-UP, UPPER	
26	FL2-9663-000		1	GUIDE, REG. INNER, LOWER	
27	FL0-4600-000		1	COVER, SIDE, LEFT	
28	FM1-L794-000		1	GUIDE, REGISTRATION	
29	FM2-1022-000		2	SENSOR PCB UNIT	
30	FS1-1569-000		2	BUSHING	
31	FU5-0338-000		1	PULLEY, 30T	
32	FU5-0340-000		1	GEAR, 24T	
33	FU5-2234-000		4	SPRING, COMPRESSION	
34	FU5-3534-000		1	PULLEY, 30T/30T(REG)	
35	FU5-9372-000		2	SCREW, STEPPED, M3X10	
36	FU7-0515-000		1	PULLEY, 24T/GEAR, 24T	
37	FU7-2559-000		1	SPRING, COMPRESSION	
38	FU8-0228-000		1	GEAR, 20T/48T	
39	FU8-0229-000		2	GEAR, 16T/50T	
40	FU8-0230-000		1	GEAR, 25T/48T	
41	FU8-0232-000		1	GEAR, 16T/PULLEY, 30T	
42	FU9-0921-000		1	PULLEY, 32T	
43	XF2-1604-360		1	BELT, TIMING	

FIGURE & KEY NO.	PART NUMBER	RANK	QTY	DESCRIPTION	SERIAL NUMBER /REMARKS
44	XF2-1605-640		1	BELT, TIMING	
45	XF2-1605-660		1	BELT, TIMING	
46	XF2-1606-260		1	BELT, TIMING, COGGED	
47	XF2-1606-560		1	BELT, TIMING	
48	FC5-2991-000		1	ARM, RELEASE	
49	FC5-4424-000		1	CLIP	
50	VS1-7177-006		1	CONNECTOR, SNAP TIGHT, BK	
51	FM3-6212-000		1	PAPER PICK-UP DRIVE ASSEMBLY	
52	FM3-6189-000		1	REGISTRATION DRIVE ASSEMBLY	
53	XG9-0709-000		1	BEARING, BALL, MF128ZZ-3	
54	FC8-5765-000		2	SHEET	
55	FC8-5637-000		1	SHAFT, REGISTRATION IDLER	
56	FC8-5735-000		1	SUPPORT, INNER GUIDE, REAR	
57	FU9-0920-000		1	GEAR/PULLEY, 48T/25T	
58	FU7-2580-000		1	SPRING, TENSION	
59	XF2-1606-040		1	BELT, TIMING	
60	FM3-7565-000		1	CABLE, READER SENSOR	
61	FC8-5622-000		1	HOLDER, DOCUMENT TRAY DAMPER	
62	FM3-8315-000		1	CABLE, CONNECTING	
63	FC8-5732-000		1	SHEET, SIDE COVER	
64	FC8-5733-000		1	SHEET, SIDE COVER BLANKING	

Figure B12 INTERNAL COMPONENTS 3 (ADF) (CN)

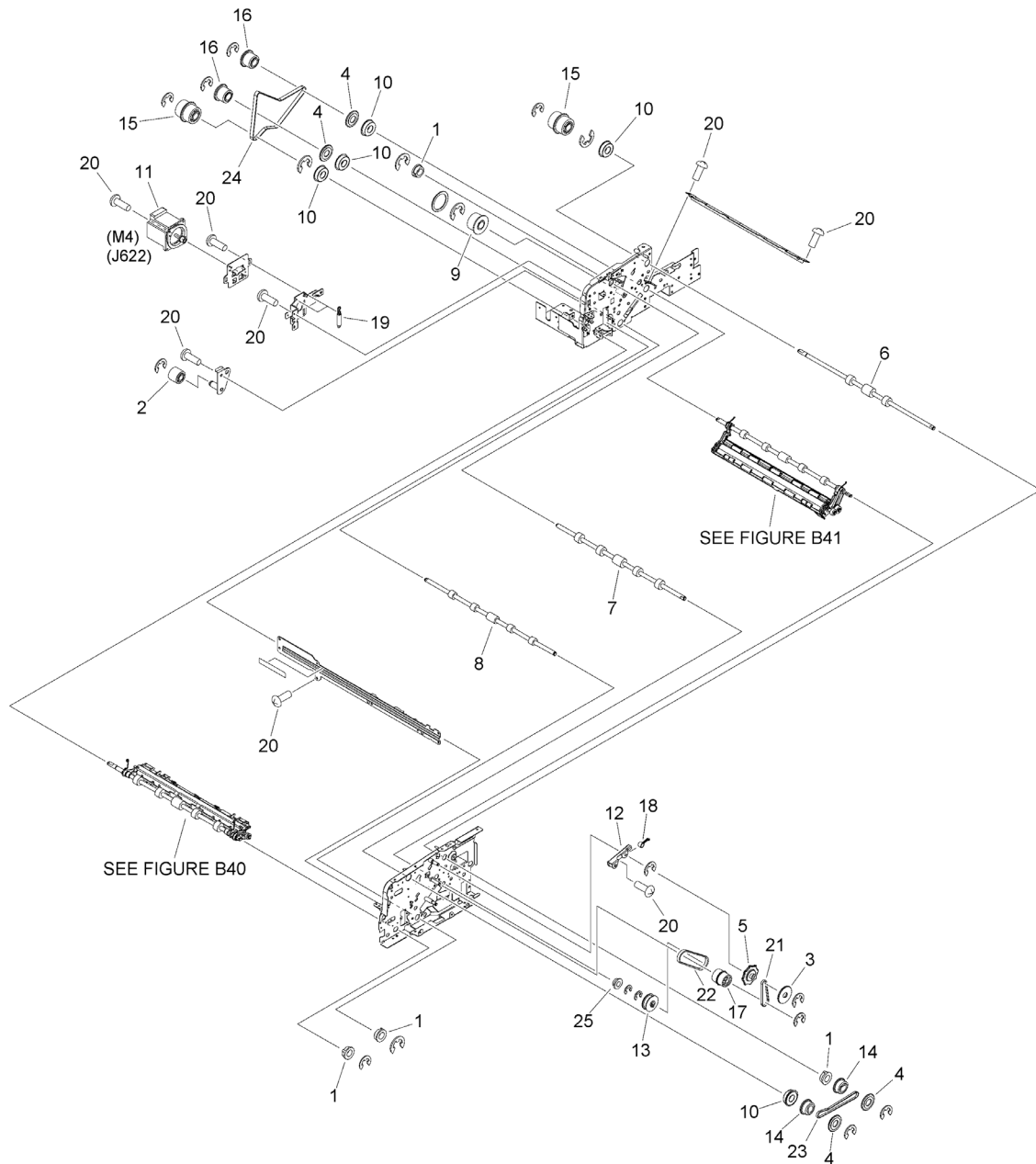


FIGURE & KEY NO.	PART NUMBER	RANK	QTY	DESCRIPTION	SERIAL NUMBER /REMARKS
B12	NPN		RF	INTERNAL COMPONENTS 3 (ADF)	CN
1	FA9-2112-000		4	BUSHING, PL	
2	FC7-0285-000		1	PULLEY, TENSION	
3	FC7-4185-000		1	STOPPER	
4	FC8-5484-000		4	FLANGE, PULLEY	
5	FC8-5530-000		1	DIAL, JAM CLEARING	
6	FC8-5580-000		1	ROLLER, EXTRACTION	
7	FC8-5679-000		1	ROLLER, FEED	
8	FC8-5682-000		1	ROLLER, READ, 2	
9	FC8-5725-000		1	PULLEY, IDLER	
10	XG9-0508-000		5	BEARING, BALL, F688ZZ	
11	FK2-7173-000		1	MOTOR, STEPPING, DC	M4
12	FL2-9573-000		1	TENSIONER ASSEMBLY, FRONT	
13	FS5-3989-000		1	PULLEY, 32T	
14	FU5-0339-000		2	PULLEY, 23T	
15	FU5-3530-000		2	PULLEY, 30T	
16	FU5-3531-000		2	PULLEY, 24T	
17	FU5-3534-000		1	PULLEY, 30T/30T(REG)	
18	FU7-2552-000		1	SPRING, TORSION	
19	FU7-2554-000		2	SPRING, TENSION	
20	XA9-2014-000		20	SCREW, MACH. TRUSS HEAD, M4X6	
21	XF2-1607-640		1	BELT, TIMING	
22	XF2-1607-940		1	BELT, TIMING	
23	XF2-1613-040		1	BELT, TIMING	
24	XF2-1623-080		1	BELT, TIMING	
25	FS1-1569-000		1	BUSHING	

Figure B13 INTERNAL COMPONENTS 4 (ADF) (CN)

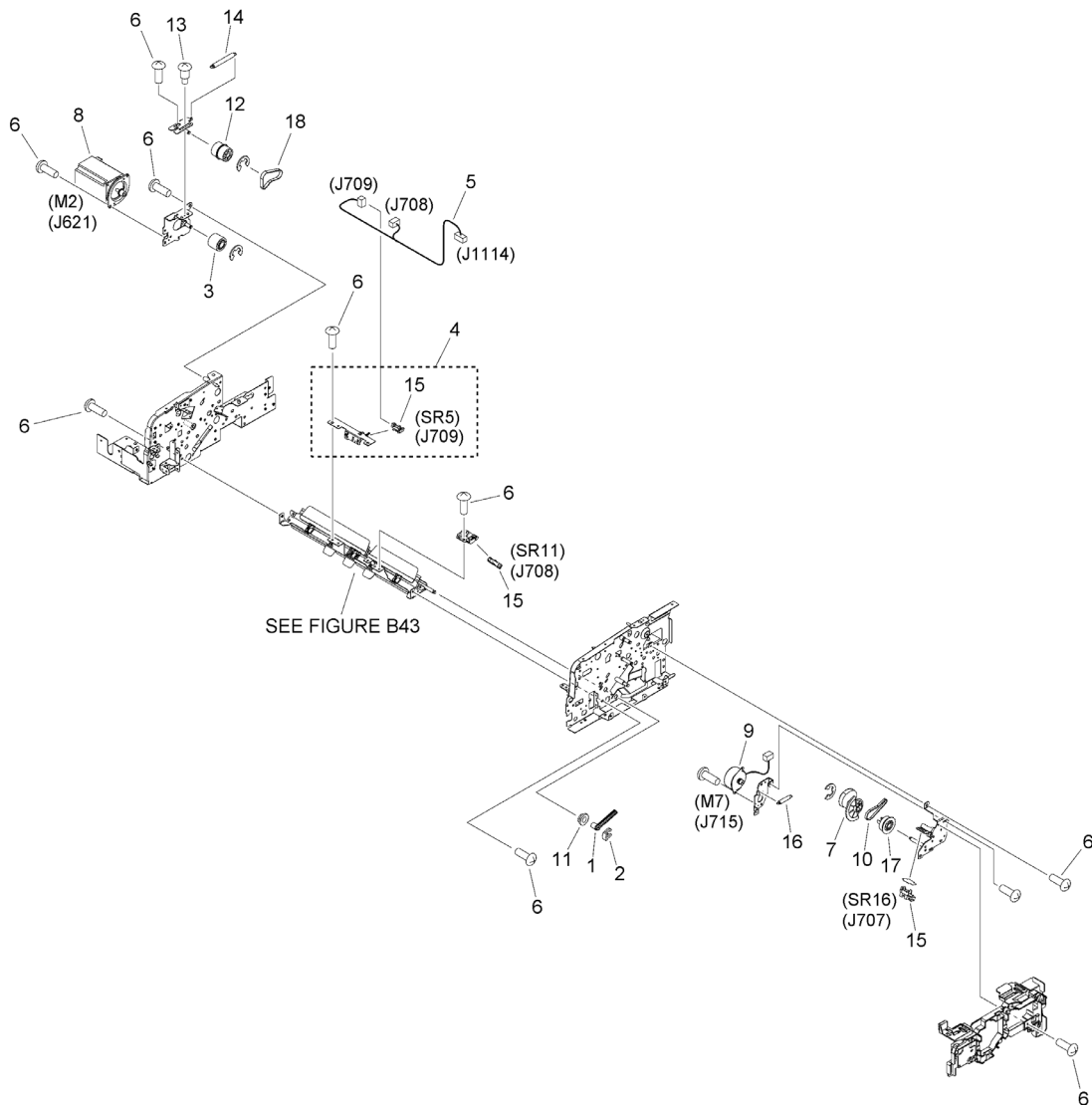


FIGURE & KEY NO.	PART NUMBER	RANK	QTY	DESCRIPTION	SERIAL NUMBER /REMARKS
B13	NPN		RF	INTERNAL COMPONENTS 4 (ADF)	CN
1	FC5-2991-000		1	ARM, RELEASE	
2	FC5-4424-000		1	CLIP	
3	FC7-0285-000		1	PULLEY, TENSION	
4	FM3-6184-000		1	PHOTO SENSOR ASSEMBLY	
5	FM3-7572-000		1	CABLE, READ 2 SENSOR	
6	XA9-2014-000		6	SCREW, MACH. TRUSS HEAD, M4X6	
7	FC8-5771-000		1	CAM, RELEASE, B	
8	FK2-7175-010		1	MOTOR, STEPPING, DC	M2
9	FK2-7646-000		1	MOTOR, STEPPING, DC	M7
10	XF2-1606-740		1	BELT, TIMING	
11	FS1-1569-000		1	BUSHING	
12	FU5-3534-000		1	PULLEY, 30T/30T(REG)	
13	FU5-9038-000		1	SCREW, STEPPED, M3	
14	FU7-2553-000		1	SPRING, TENSION	
15	WG8-5783-000		3	IC,PHOTO-INTERRUPTER,LG248NL1A	SR5, SR11, SR16
16	FU7-2564-000		1	SPRING, TENSION	
17	FU8-0239-000		1	PULLEY, 33T	
18	XF2-1607-660		1	BELT, TIMING	

Figure B14 INTERNAL COMPONENTS 5 (ADF) (CN)

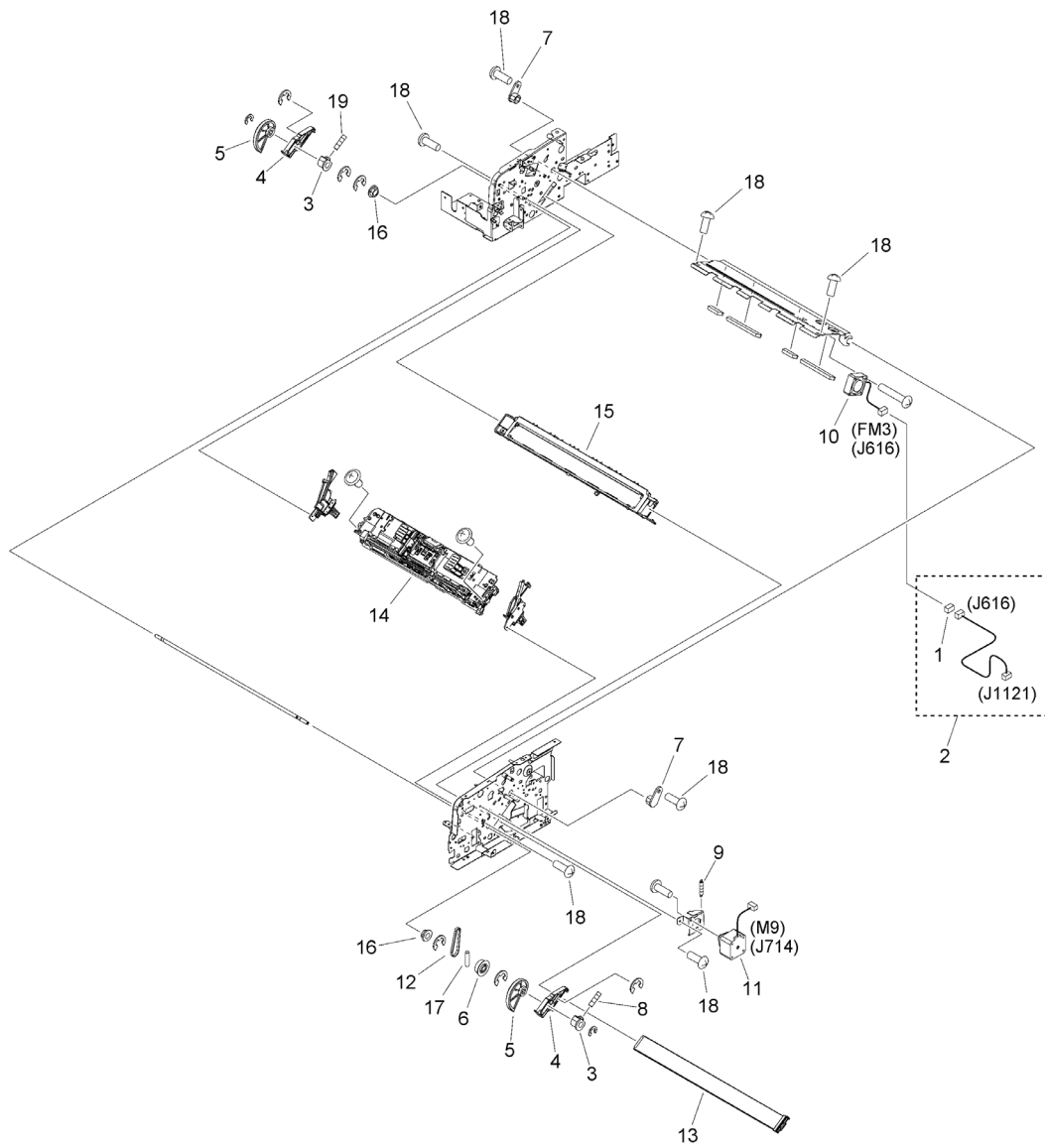


FIGURE & KEY NO.	PART NUMBER	RANK	QTY	DESCRIPTION	SERIAL NUMBER /REMARKS
B14	NPN		RF	INTERNAL COMPONENTS 5 (ADF)	CN
1	VS1-7177-003		1	CONNECTOR, SNAP TIGHT, BK	
2	FM0-0718-000		1	CABLE, FAN	
3	FC8-5513-000		2	BUSHING	
4	FC8-5514-000		2	SLIDER	
5	FC8-5516-000		2	CAM, GLASS SHIFT	
6	FU8-0240-000		1	PULLEY	
7	FC8-5538-000		2	PIN, FLOAT	
8	FU7-2551-010		1	SPRING, COMPRESSION	
9	FU7-2550-000		1	SPRING, TENSION	
10	FK2-8520-000		1	FAN	FM3
11	FK2-7178-000		1	MOTOR, STEPPING, DC	M9
12	XF2-1607-240		1	BELT, TIMING	
13	FL3-8423-000		1	GLASS, READER	
14	FM1-B002-000		1	SCANNER UNIT, ADF	
15	FM0-3131-000		1	GLASS HOLDER ASSEMBLY	
16	FS1-1569-000		2	BUSHING	
17	XD9-0289-000		1	PIN, PARALLEL	
18	XA9-2014-000		15	SCREW, MACH. TRUSS HEAD, M4X6	
19	FU7-2572-000		1	SPRING, COMPRESSION	

Figure B15 INTERNAL COMPONENTS 6 (ADF) (CN)

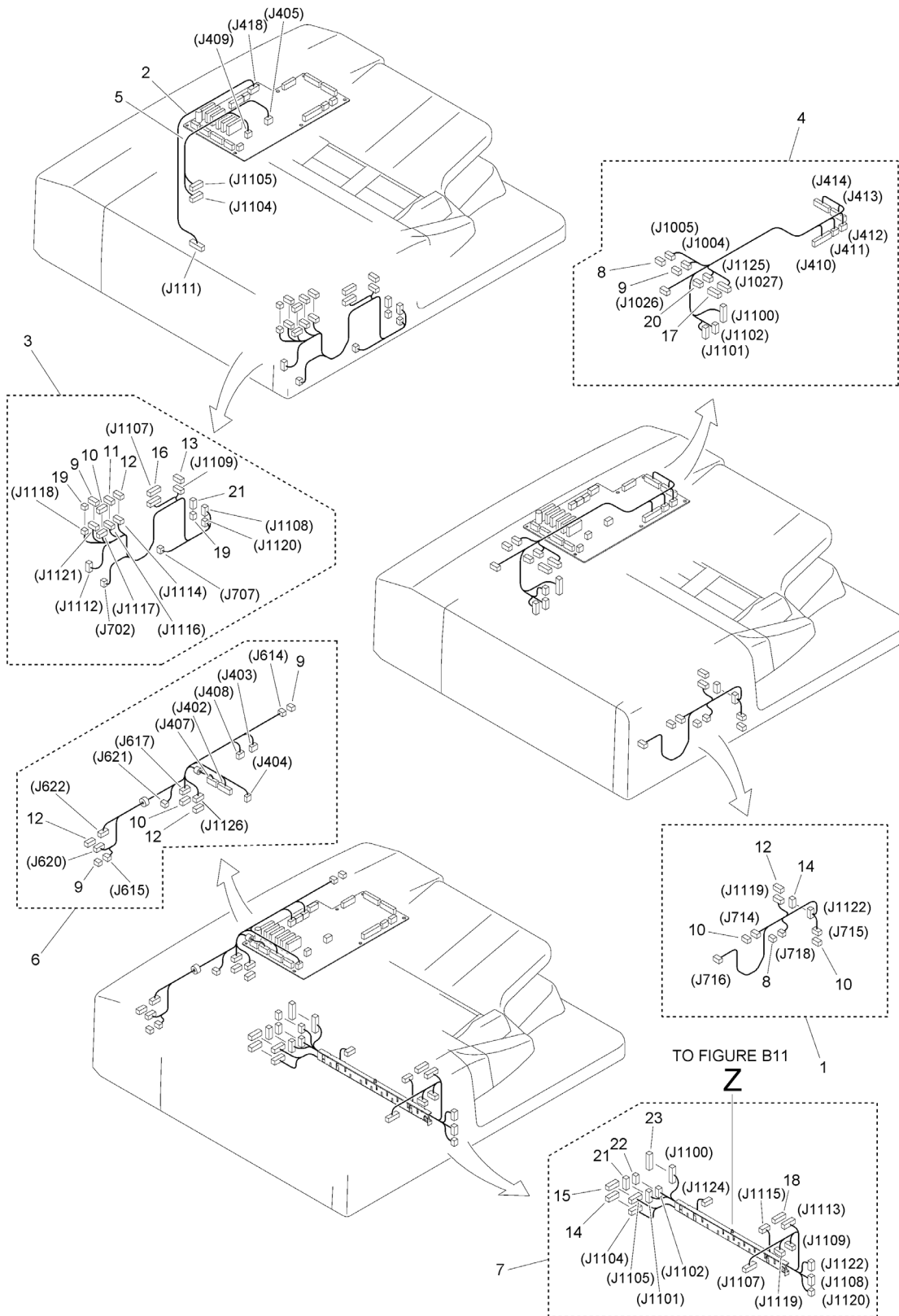


FIGURE & KEY NO.	PART NUMBER	RANK	QTY	DESCRIPTION	SERIAL NUMBER /REMARKS
B15	NPN		RF	INTERNAL COMPONENTS 6 (ADF)	CN
1	FM3-8309-000		1	CABLE, FRONT MOTOR	
2	FM3-8316-000		1	CABLE, ADF POWER SUPPLY	
3	FM3-8307-000		1	CABLE, SENSOR, FRONT	
4	FM0-0706-000		1	CABLE, MAIN SENSOR	
5	FM0-0707-000		1	CABLE, MOTOR	
6	FM0-2040-000		1	CABLE, REAR MOTOR, 2	
7	FM0-0510-000		1	CABLE GUIDE UNIT	
8	VS1-7177-002		2	CONNECTOR, SNAP TIGHT, BK	
9	VS1-7177-003		4	CONNECTOR, SNAP TIGHT, BK	
10	VS1-7177-004		4	CONNECTOR, SNAP TIGHT, BK	
11	VS1-7177-005		1	CONNECTOR, SNAP TIGHT, BK	
12	VS1-7177-006		4	CONNECTOR, SNAP TIGHT, BK	
13	VS1-7177-008		1	CONNECTOR, SNAP TIGHT, BK	
14	VS1-7177-009		2	CONNECTOR, WIRE TO WIRE, 9P	
15	VS1-7177-011		1	CONNECTOR, SNAP TIGHT, 11P, BK	
16	VS1-7177-012		1	CONNECTOR, SNAP TIGHT, BK	
17	VS1-7177-013		1	CONNECTOR, SNAP TIGHT	
18	VS1-7177-014		1	CONNECTOR, SNAP TIGHT, BK	
19	VS1-8412-003		2	CONNECTOR, SNAP TIGHT, BL	
20	VS1-8412-007		1	CONNECTOR, SNAP TIGHT, BL	
21	VS1-8412-009		2	CONNECTOR, SNAP TIGHT, BL	
22	VS1-8412-013		1	CONNECTOR, SNAP TIGHT, BL	
23	VS1-8412-027		1	CONNECTOR, SNAP TIGHT, BL	

FIGURE & KEY NO.	PART NUMBER	RANK	QTY	DESCRIPTION	SERIAL NUMBER /REMARKS
B16	FM1-L792-000		1	DOCUMENT TRAY ASSEMBLY	CN
1	FC5-3108-000		1	RACK	
2	FC5-3113-000		1	SPRING, LEAF	
3	XD9-0289-000		1	PIN, PARALLEL	
4	FE4-6225-000		2	RACK, DOCUMENT TRAY	
5	FE4-6226-000		1	TRAY, SLIDE	
6	FE4-6227-000		1	FLAG, TRAY DOCUMENT SENSOR	
7	FE4-6228-000		1	FLAG, DOCUMENT SET SENSOR	
8	FE8-1346-000		1	COVER, DOCUMENT TRAY	
9	FE4-6230-000		1	COVER, DOCUMENT TRAY, FRONT	
10	FC8-5616-000		1	WINDOW, DOCUMENT TRAY, UPPER	
11	FC8-5617-000		1	WINDOW, DOCUMENT TRAY, LOWER	
12	XA9-2014-000		13	SCREW, MACH. TRUSS HEAD, M4X6	
13	FC8-5625-000		1	SHEET, SEPARATION	
14	FC8-5627-000		3	PLATE, SEPARATION	
15	FC8-5841-000		2	ELIMINATOR, STATIC CHARGE	
16	FC8-5842-000		1	ELIMINATOR, STATIC CHARGE	
17	FC8-5846-000		1	PLATE, ELIMINATION	
18	FL2-9614-000		1	PLATE, DOCUMENT TRAY STOPPER	
19	FL1-0167-000		1	TRAY, DOCUMENT, LOWER	
20	FE4-6223-000		1	GUIDE, SIDE, FRONT	
21	FE4-6224-000		1	GUIDE, SIDE, REAR	
22	FM2-1024-000		1	VARIABLE RESISTOR UNIT	VR1
23	FM3-6211-000		1	HOLDER, VOLUME	
24	FU5-6078-000		2	ROLLER, PLATEN	
25	FU7-2541-000		1	SPRING, TORSION	
26	FU8-0237-000		1	GEAR, 70T	
27	FU8-0238-000		1	GEAR, 20T	
28	VS1-7177-003		1	CONNECTOR, SNAP TIGHT, BK	
29	WG8-5783-000		4	IC,PHOTO-INTERRUPTER,LG248NL1A	SR1,SR7,SR8,SR13
30	FC8-5773-000		1	SHEET	
31	FM3-6234-000		1	DOCUMENT GUIDE ASSEMBLY	
32	FC0-8359-000		1	COVER, LED ILLUMINATION	
33	FM0-0294-000		1	EJECT LIGHT LED PCB ASS'Y	
34	FM0-0700-000		1	CABLE, TRAY, LOWER	
35	FM3-7567-010		1	CABLE, TRAY, UPPER	

Figure B17 OPEN/CLOSE PANEL ASSEMBLY (CN)

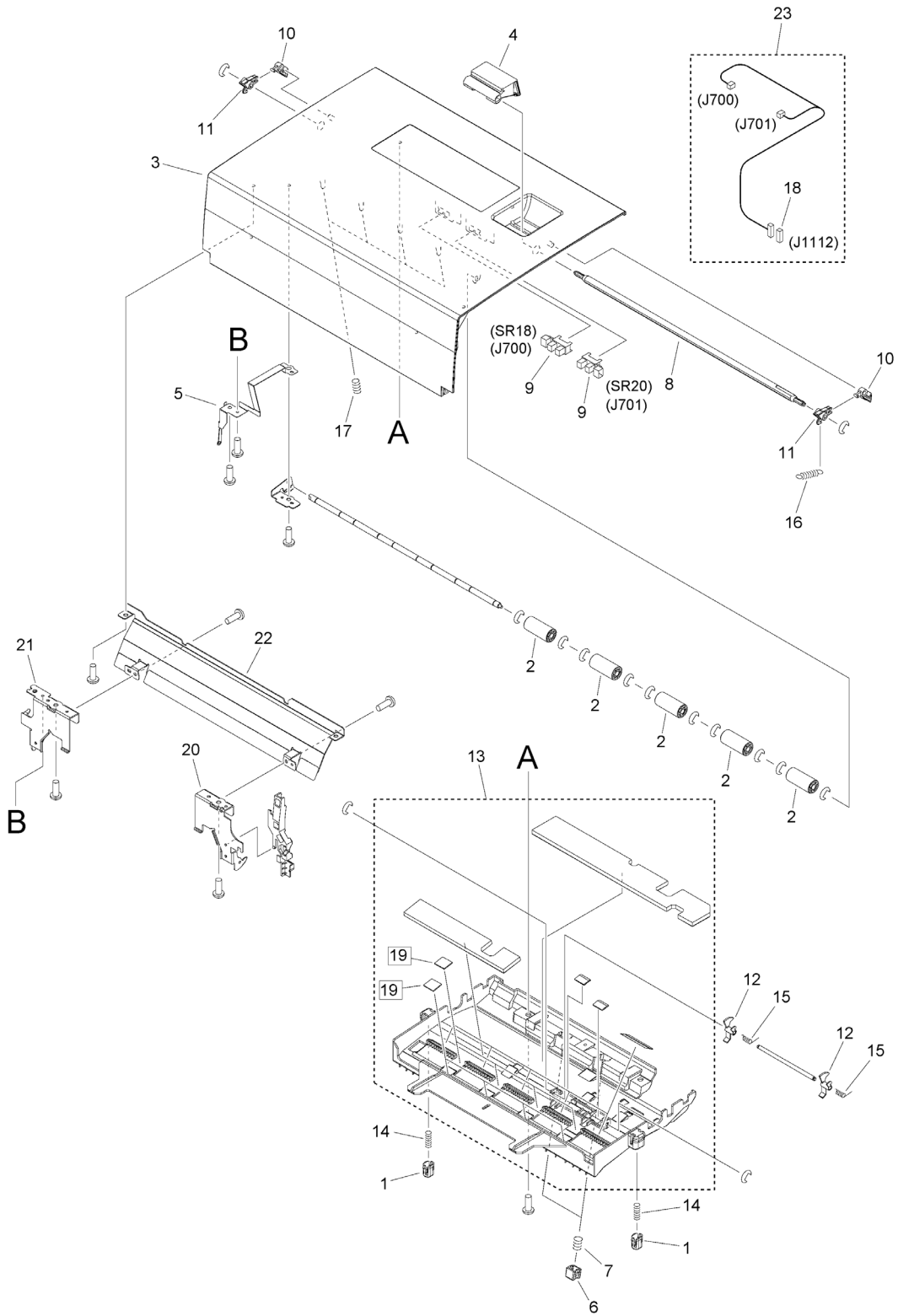


FIGURE & KEY NO.	PART NUMBER	RANK	QTY	DESCRIPTION	SERIAL NUMBER /REMARKS
B17	NPN		RF	OPEN/CLOSE PANEL ASSEMBLY	CN
1	FC5-2963-000		2	RETAINER, OPEN/CLOSE GUIDE	
2	FC7-4188-000		5	ROLLER, REGISTRATION	
3	FL0-4602-000		1	COVER, OPEN/CLOSE	
4	FE4-6248-000		1	LEVER, OPEN/CLOSE	
5	FC8-5706-000		1	SPRING, LEAF	
6	FC8-5713-000		2	RETAINER, ROLLER	
7	FU7-2566-000		2	SPRING, COMPRESSION	
8	FC8-5699-000		1	SHAFT, OPEN/CLOSE COVER LEVER	
9	WG8-5783-000		2	IC,PHOTO-INTERRUPTER,LG248NL1A	SR18,SR20
10	FC8-5743-000		2	RATCHET, OPEN/CLOSE COVER	
11	FC8-5744-000		2	ARM, OPEN/CLOSE COVER	
12	FC8-5751-000		2	FLAG, WIDTH SENSING, UPPER	
13	FL2-9650-000		1	GUIDE, OPEN/CLOSE COVER	
14	FU7-2568-000		2	SPRING, COMPRESSION	
15	FU7-2567-000		2	SPRING, TORSION	
16	FU6-2900-000		1	SPRING, TENSION	
17	FU7-2555-000		4	SPRING, COMPRESSION	
18	VS1-7177-006		1	CONNECTOR, SNAP TIGHT, BK	
19	FC8-5727-000		8	SHEET, CLEANER DUST	[DP]
20	FC8-5740-000		1	SUPPORT, ROLLER RELEASE, FRONT	
21	FC8-5741-000		1	SUPPORT, ROLLER RELEASE, REAR	
22	FL2-9657-000		1	GUIDE, LOOP	
23	FM3-7564-000		1	CABLE, OPEN/CLOSE COVER	

Figure B18 BASE FRAME ASSEMBLY (CN)

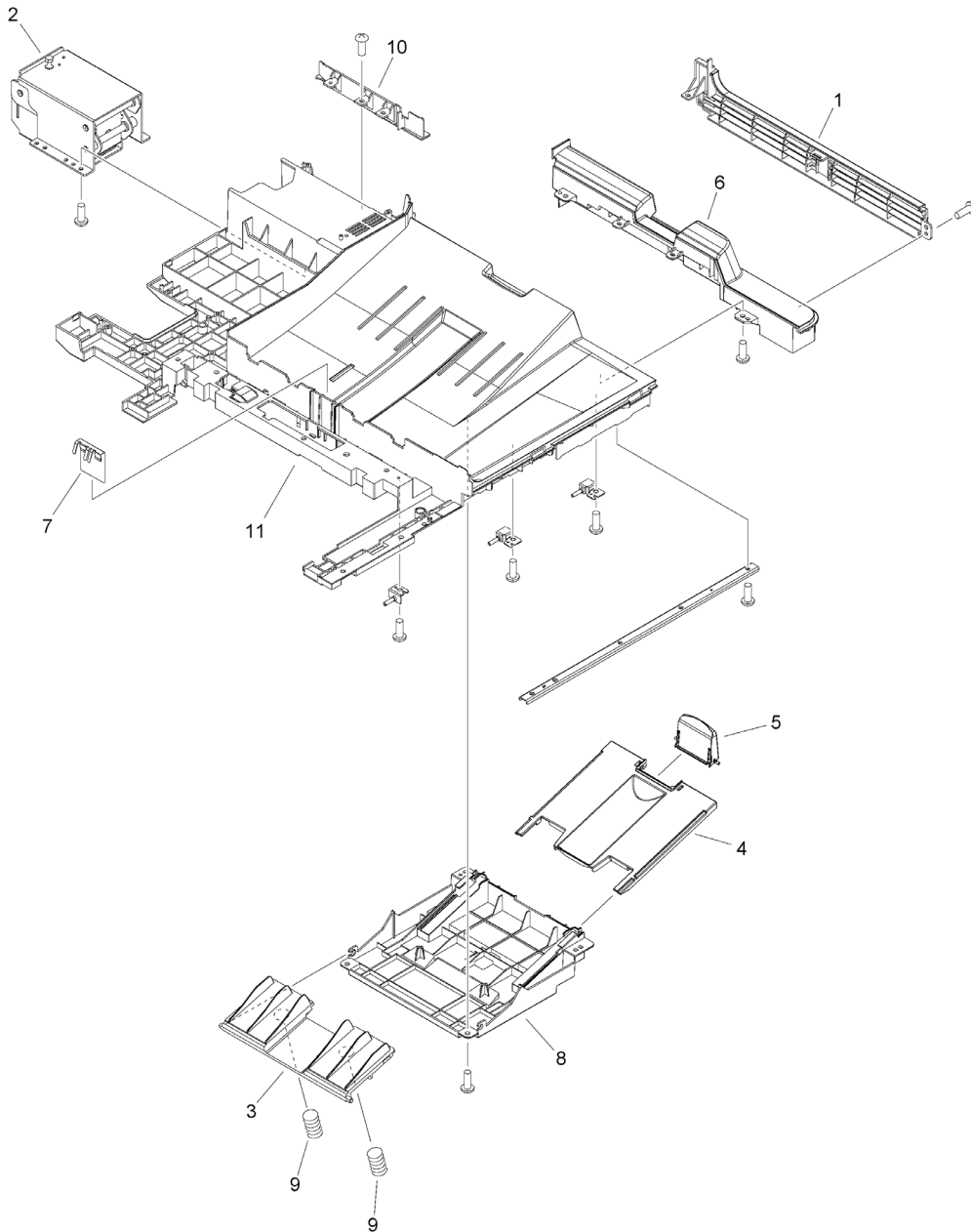


FIGURE & KEY NO.	PART NUMBER	RANK	QTY	DESCRIPTION	SERIAL NUMBER /REMARKS
B18	NPN		RF	BASE FRAME ASSEMBLY	CN
1	FE4-6245-000		1	COVER, SIDE, RIGHT	
2	FC8-5778-000		1	HINGE, RIGHT	
3	FE4-6239-000		1	STOPPER, PAPER DELIVERY	
4	FE4-6240-000		1	TRAY, PAPER DELIVERY AUXILIARY	
5	FE4-6242-000		1	TRAY, PAPER DELIVERY AUXILIARY	
6	FE4-6243-000		1	COVER, FRAME BASE, D	
7	FC8-5898-000		1	PLATE, DELIVERY GROUND	
8	FL2-9698-000		1	COVER, FRAME BASE, B	
9	FU7-2545-000		2	SPRING, COMPRESSION	
10	FE4-6244-000		1	COVER, FRAME BASE, E	
11	FE8-1912-000		1	FRAME, BASE	

Figure B19 WHITE PLATE ASSEMBLY (CN)

NOTE : This assembly does not include the parts shown with key No. 2 and 4.

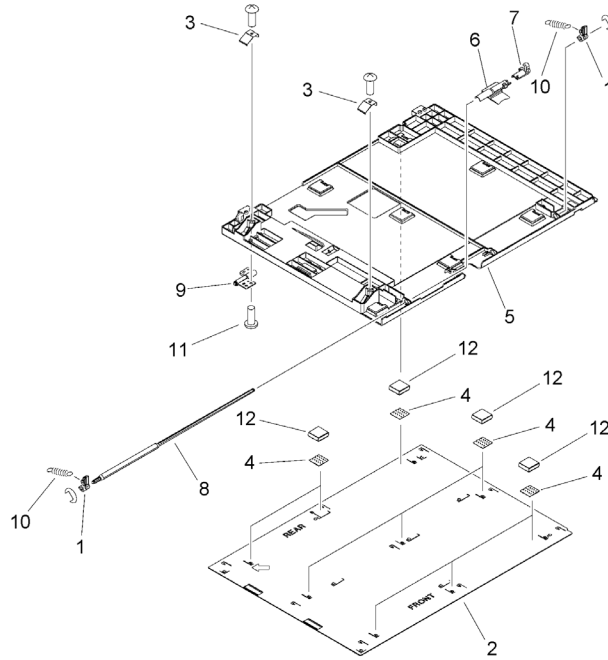


FIGURE & KEY NO.	PART NUMBER	RANK	QTY	DESCRIPTION	SERIAL NUMBER /REMARKS
B19	FM1-L580-000		1	WHITE PLATE ASSEMBLY	CN
1	FC5-2957-000		2	LEVER, LATCH	
2	FC0-1304-000		1	PANEL, COPYBOARD	SEE NOTE
3	FC7-3156-000		2	SPRING, LEAF	
4	FE4-4680-000		9	SPONGE, SHEET, WHITE	SEE NOTE
5	FE4-6258-000		1	SUPPORT, SHEET, WHITE	
6	FC8-5921-000		1	RATCHET, SHEET, WHITE A	
7	FC8-5920-000		1	RATCHET, SHEET, WHITE B	
8	FC8-5810-000		1	SHAFT, RATCHET ROTATION	
9	FC8-5811-000		1	HINGE, PLATE	
10	FU5-2235-020		2	SPRING, TENSION	
11	XA9-2016-000		2	SCREW, W/WASHER, M3X12	
12	FL0-5178-000		9	CUSHION	

Figure B20 ESTRANGEMENT DRIVE ASSEMBLY (CN)

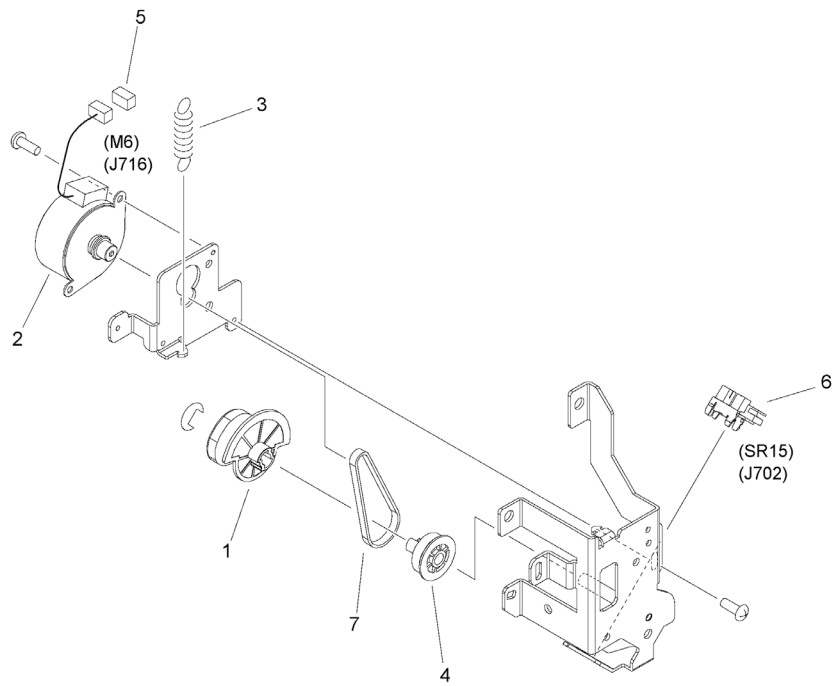


FIGURE & KEY NO.	PART NUMBER	RANK	QTY	DESCRIPTION	SERIAL NUMBER /REMARKS
B20	NPN		RF	ESTRANGEMENT DRIVE ASSEMBLY	CN
1	FC8-5770-000		1	CAM, RELEASE, A	
2	FK2-7646-000		1	MOTOR, STEPPING, DC	
3	FU7-2564-000		1	SPRING, TENSION	
4	FU8-0239-000		1	PULLEY, 33T	
5	VS1-7177-004		1	CONNECTOR, SNAP TIGHT, BK	
6	WG8-5783-000		1	IC,PHOTO-INTERRUPTER,LG248NL1A	SR15
7	XF2-1607-240		1	BELT, TIMING	

Figure B30 PAPER PICK-UP ASSEMBLY (CN)

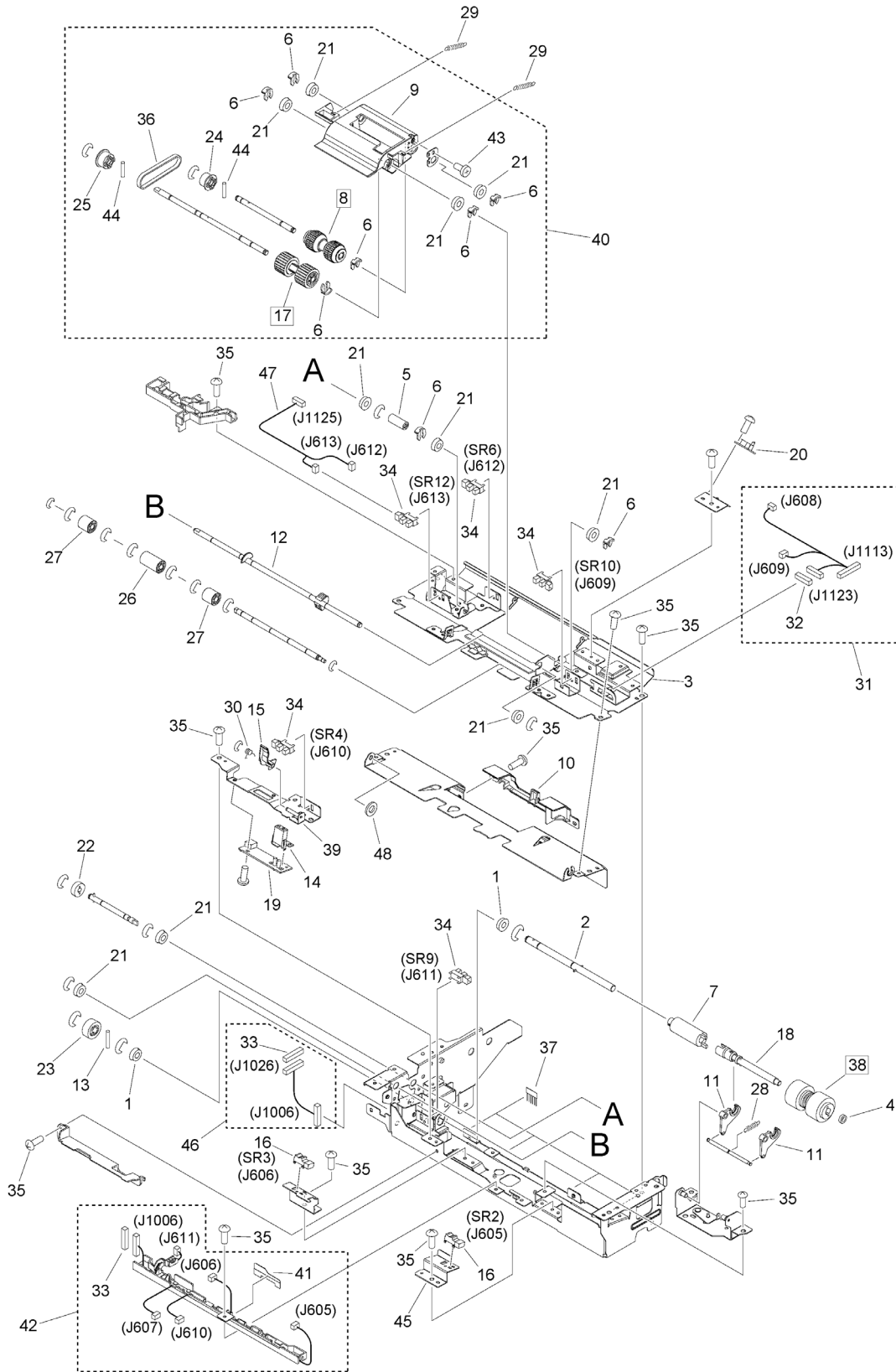


FIGURE & KEY NO.	PART NUMBER	RANK	QTY	DESCRIPTION	SERIAL NUMBER /REMARKS
B30	NPN		RF	PAPER PICK-UP ASSEMBLY	CN
1	FA9-2112-000		2	BUSHING, PL	
2	FL2-9615-000		1	SHAFT, TRANSMISSION	
3	FL2-9616-000		1	GUIDE, PAPER PICK-UP, UPPER	
4	XG9-0497-000		1	BEARING, BALL, MR106ZZ,	
5	FC5-3163-000		1	JOINT	
6	FC6-5046-000		8	RING, RETAINING	
7	FC8-5907-010		1	LIMITER, TORQUE	
8	FC8-5577-000		1	ROLLER, PAPER PICK-UP	[DP]
9	FC8-5583-000		1	ARM, PAPER PICK-UP ROLLER	
10	FC8-5586-000		1	GUIDE, PAPER PICK-UP LW., FEED	
11	FC8-5594-000		2	ROLLER, LEVER	
12	FL3-7267-000		1	SHAFT,ROLLER ARM DRIVE	
13	XD9-0289-000		1	PIN, PARALLEL	
14	FC8-5673-000		1	COVER, SENSOR	
15	FC8-5760-000		1	FLAG, DELAY SENSOR	
16	FK2-6470-000		2	PHOTO-SENSOR, KUA0055C	SR2,SR3
17	FL2-9608-000		1	ROLLER, PAPER FEED	[DP]
18	FL2-9623-000		1	SHAFT, ROLLER C DRIVE	
19	FM2-1022-000		1	SENSOR PCB UNIT	
20	FM0-0293-000		1	LED PCB ASSEMBLY	
21	FS1-1569-000		10	BUSHING	
22	FU3-0277-000		1	GEAR, 16T	
23	FU3-0313-000		1	GEAR, 20T	
24	FU5-3695-000		1	PULLEY, 22T	
25	FU5-3696-000		1	PULLEY, 25T	
26	FU5-6871-000		1	ROLLER	
27	FU5-6872-000		2	ROLLER	
28	FU7-2542-000		1	SPRING, TENSION	
29	FU7-2544-000		2	SPRING, TENSION	
30	FU7-2563-000		1	SPRING, TORSION	
31	FM3-7574-000		1	CABLE, PAPER PICK-UP, FRONT	
32	VS1-7177-009		1	CONNECTOR, WIRE TO WIRE, 9P	
33	VS1-8412-017		2	CONNECTOR, SNAP TIGHT, BL	
34	WG8-5783-000		5	IC,PHOTO-INTERRUPTER,LG248NL1A	
35	XA9-2014-000		19	SCREW, MACH. TRUSS HEAD, M4X6	
36	XF2-1606-640		1	TIMING, BELT	
37	FC8-5899-000		4	ELIMINATOR, STATIC CHARGE	
38	FB2-7777-020		1	ROLLER, SPONGE	[DP]
39	FL2-9617-000		1	SUPPORT, SEPARATION SENSOR	
40	FM3-6206-000		1	ARM ASSEMBLY	
41	FC8-5919-010		1	SHEET, CABLE PROTECTION	
42	FM3-6231-010		1	CABLE, PICK-UP, REAR LOWER	
43	XA9-1522-000		1	SCREW, M3X6	

FIGURE & KEY NO.	PART NUMBER	RANK	QTY	DESCRIPTION	SERIAL NUMBER /REMARKS
44	XD9-0288-000		2	PIN, DOWEL	
45	FC8-5588-000		1	PLATE, SENSOR SEPARATION, 1	
46	FM0-0703-000		1	CABLE, SENSOR JOINT	
47	FM3-7570-000		1	CABLE, PAPER PICK-UP REAR, UP.	
48	FC8-5908-000		1	SHEET	

Figure B31 PAPER DELIVERY ASSEMBLY (CN)

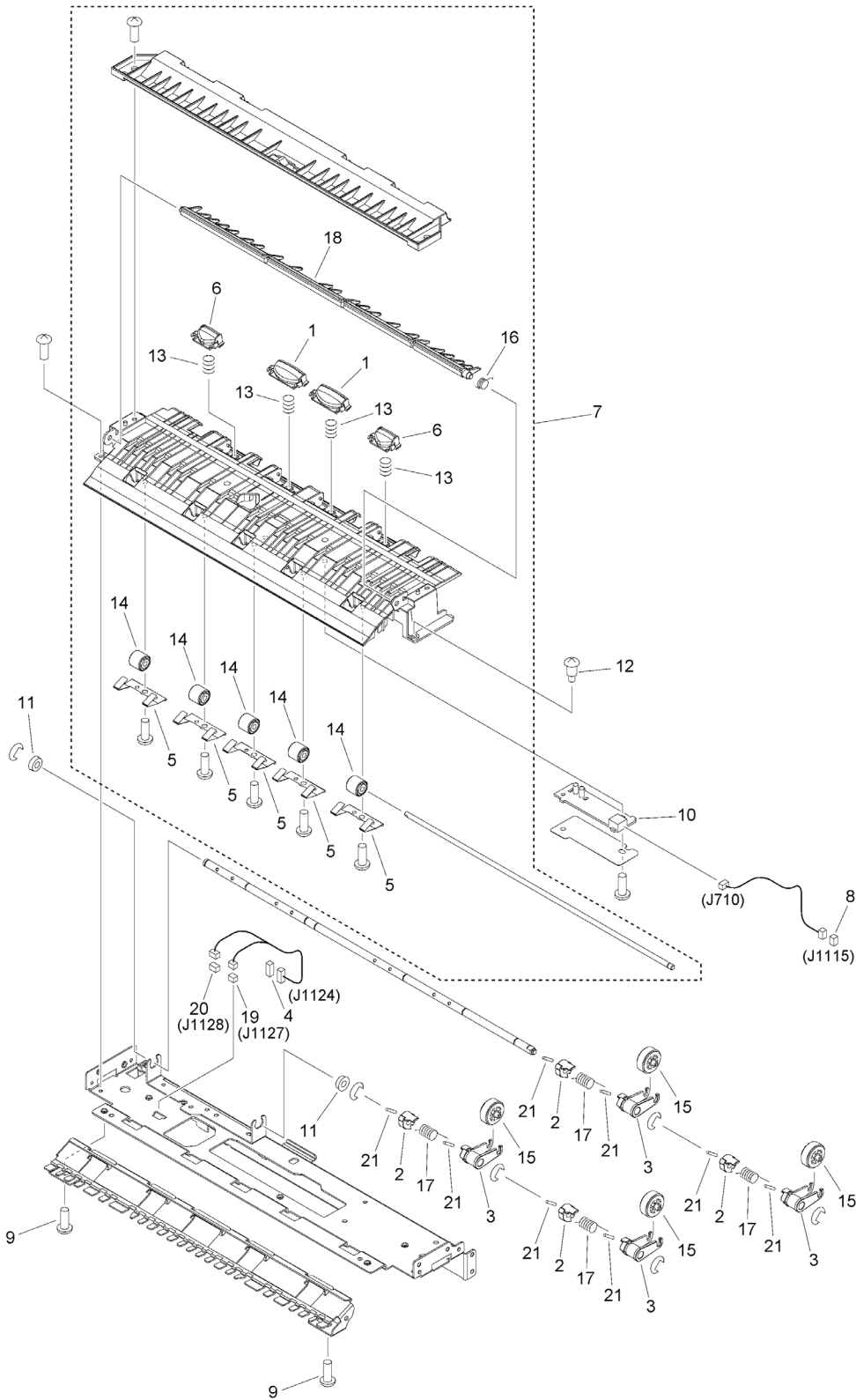


FIGURE & KEY NO.	PART NUMBER	RANK	QTY	DESCRIPTION	SERIAL NUMBER /REMARKS
B31	FM0-0501-000		1	PAPER DELIVERY ASSEMBLY	CN
1	FC5-2978-000		2	GUIDE, REFORM	
2	FC5-2988-000		4	RETAINER, ROLLER	
3	FC5-2989-000		4	HOLDER, PAPER DELIVERY ROLLER	
4	VS1-7177-005		1	CONNECTOR, SNAP TIGHT, BK	
5	FC8-5830-000		5	SPRING, LEAF	
6	FC8-5845-000		2	RIB, DELIVERY SHAPE	
7	FM3-6182-000		1	PAPER DELIVERY LW. GUIDE ASS'Y	
8	VS1-7177-004		1	CONNECTOR, SNAP TIGHT, BK	
9	XA9-2014-000		2	SCREW, MACH. TRUSS HEAD, M4X6	
10	FM2-1022-000		1	SENSOR PCB UNIT	
11	FS1-1569-000		2	BUSHING	
12	FS1-9009-020		1	TWO-STEP SCREW, M3	
13	FU5-2240-000		4	SPRING, COMPRESSION	
14	FU5-6073-000		5	ROLLER, FEED	
15	FU5-6077-000		4	ROLLER, PAPER DELIVERY	
16	FU6-2740-000		1	SPRING, TORSION	
17	FU7-2562-000		4	SPRING, TORSION	
18	FC8-5817-000		1	FLAPPER, REVERSE	
19	VS1-7177-002		1	CONNECTOR, SNAP TIGHT, BK	
20	VS1-7177-003		1	CONNECTOR, SNAP TIGHT, BK	
21	XD9-0289-000		8	PIN, PARALLEL	

Figure B32 OPEN/CLOSE GUIDE ASSEMBLY (CN)

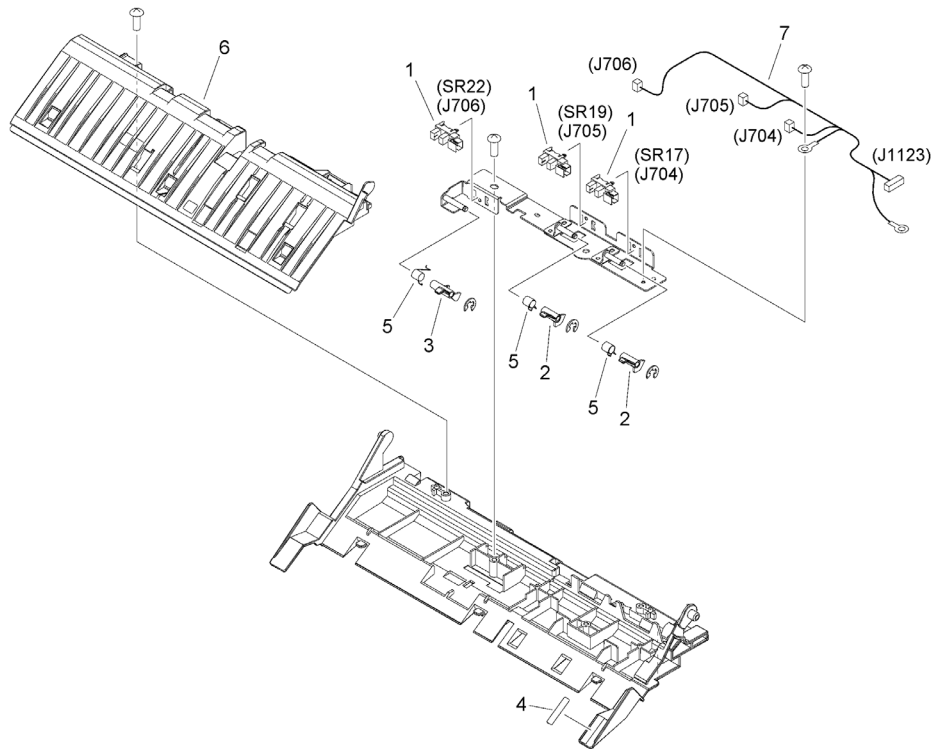


FIGURE & KEY NO.	PART NUMBER	RANK	QTY	DESCRIPTION	SERIAL NUMBER /REMARKS
B32	NPN		RF	OPEN/CLOSE GUIDE ASSEMBLY	CN
1	WG8-5783-000		3	IC,PHOTO-INTERRUPTER,LG248NL1A	SR17,SR19,SR22
2	FC8-5761-000		2	FLAG, WIDTH SENSOR, LOWER	
3	FC8-5762-000		1	FLAG, EDGE SENSING	
4	FC7-4890-000		1	LABEL, OPEN/CLOSE GUIDE	
5	FU7-2556-000		3	SPRING, TORSION	
6	FL2-9627-010		1	GUIDE, OPEN/CLOSE, UPPER	
7	FM3-7571-000		1	CABLE, OPEN/CLOSE GUIDE	

Figure B40 PLATEN ROLLER ASSEMBLY, 1 (CN)

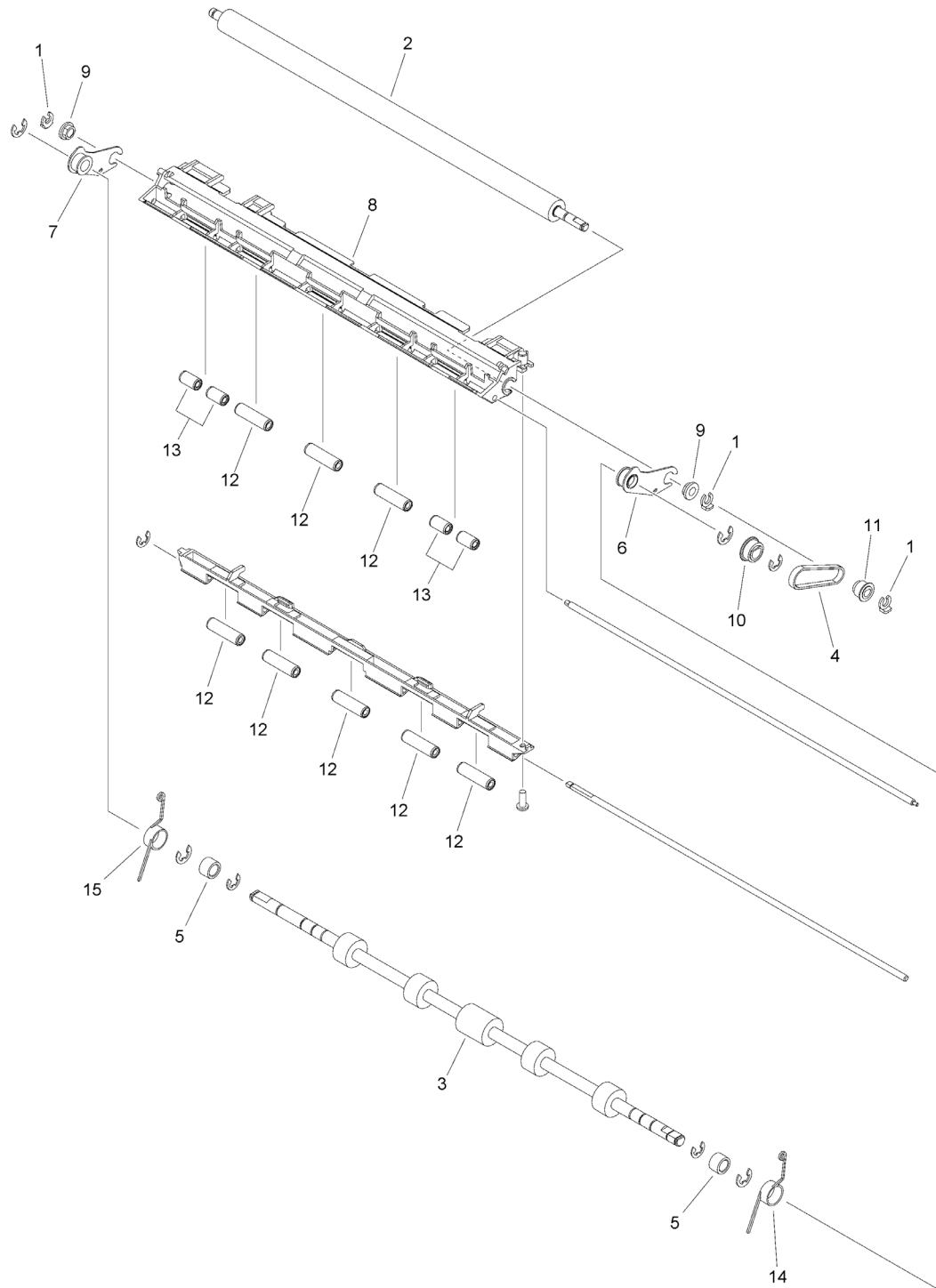


FIGURE & KEY NO.	PART NUMBER	RANK	QTY	DESCRIPTION	SERIAL NUMBER /REMARKS
B40	FM3-6176-000		1	PLATEN ROLLER ASSEMBLY, 1	CN
1	FC5-4424-000		3	CLIP	
2	FC8-5487-000		1	ROLLER, PLATEN, 1	
3	FC8-5681-000		1	ROLLER, READ, 1	
4	XF2-1605-740		1	BELT, TIMING	
5	FC8-5775-000		2	ROLLER, SUPPORT	
6	FL2-9568-000		1	SUPPORT, PLATEN ROLLER, FRONT	
7	FL2-9569-000		1	SUPPORT, PLATEN ROLLER, REAR	
8	FL2-9571-000		1	GUIDE, PLATEN, 1	
9	FS1-1569-000		2	BUSHING	
10	FU5-0339-000		1	PULLEY, 23T	
11	FU5-0341-000		1	PULLEY, 18T	
12	FU5-6078-000		8	ROLLER, PLATEN	
13	FU5-6080-000		4	ROLLER	
14	FU7-2546-000		1	SPRING, TORSION	
15	FU7-2547-000		1	SPRING, TORSION	

Figure B41 PLATEN ROLLER ASSEMBLY, 2 (CN)

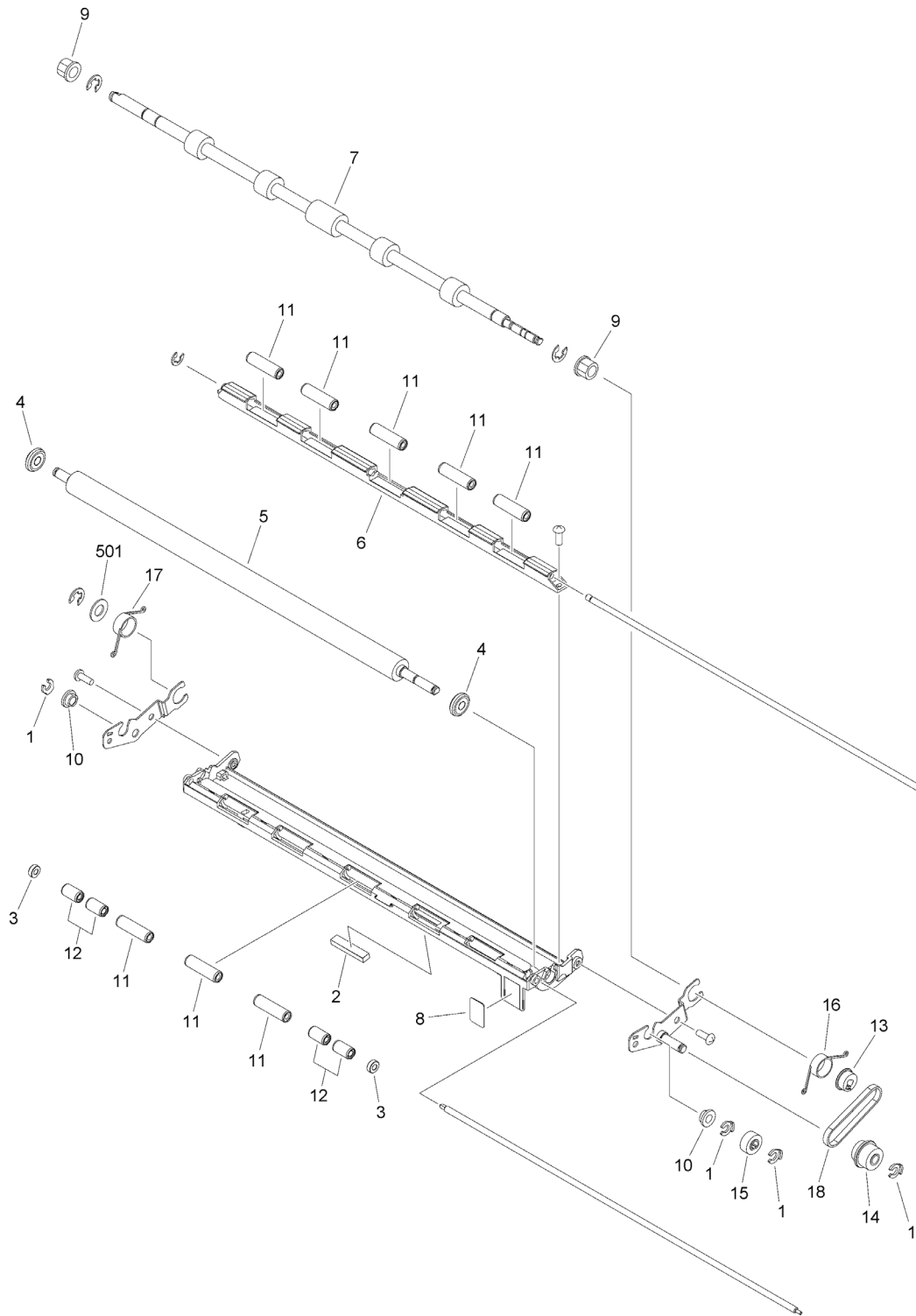


FIGURE & KEY NO.	PART NUMBER	RANK	QTY	DESCRIPTION	SERIAL NUMBER /REMARKS
B41	FM0-3134-000		1	PLATEN ROLLER ASSEMBLY, 2	CN
1	FC5-4424-000		4	CLIP	
2	FC7-4191-000		1	MAGNET	
3	FC8-5485-000		2	ROLLER	
4	FC8-5486-000		2	ROLLER	
5	FC8-5488-000		1	ROLLER, PLATEN, 2	
6	FC8-5490-000		1	GUIDE, PLATEN ROLLER, 2B	
7	FC8-5683-000		1	SHAFT, READ 3 ROLLER	
8	FC8-5545-000		1	LABEL, PLATEN KNOB	
9	FU6-1021-000		2	BUSHING	
10	FS1-1569-000		2	BUSHING	
11	FU5-6078-000		8	ROLLER, PLATEN	
12	FU5-6080-000		4	ROLLER	
13	FU7-0205-000		1	PULLEY, 21T	
14	FU7-0473-000		1	GEAR, 18T/PULLEY, 23T	
15	FU7-0514-000		1	GEAR, 16T	
16	FU7-2548-000		1	SPRING, TORSION	
17	FU7-2549-000		1	SPRING, TORSION	
18	XF2-1606-140		1	BELT, TIMING	
501	XD1-1108-239		1	WASHER,COP	

FIGURE & KEY NO.	PART NUMBER	RANK	QTY	DESCRIPTION	SERIAL NUMBER /REMARKS
B42	NPN		RF	PAPER FEED GUIDE ASSEMBLY, 1	CN
1	FC5-2988-000		5	RETAINER, ROLLER	
2	FC5-3021-000		3	SPRING, TORSION	
3	FC5-3026-000		2	SPRING, TORSION	
4	FC8-5520-000		5	SHAFT, READ 1 ROLLER	
5	FC8-5654-000		5	ROLLER, IDLER READ	
6	FL2-0741-000		5	HOLDER, PAPER FEEDER ROLLER	
7	FS1-1569-000		2	BUSHING	
8	FL0-4461-000		4	LABEL, FINGER NIP CAUTION	
9	FL0-4460-000		2	LABEL, FINGER NIP CAUTION	
10	FC8-5767-000		1	SHEET, GUIDE SIDE END FRONT	
11	FC8-5768-000		1	SHEET, GUIDE SIDE END REAR	
12	FC8-5860-000		1	SHEET, NOISE-PROOF	
13	FL2-9669-000		1	GUIDE, PAPER FEED	
14	XD9-0289-000		5	PIN, PARALLEL	

Figure B43 PAPER FEED GUIDE ASSEMBLY, 2 (CN)

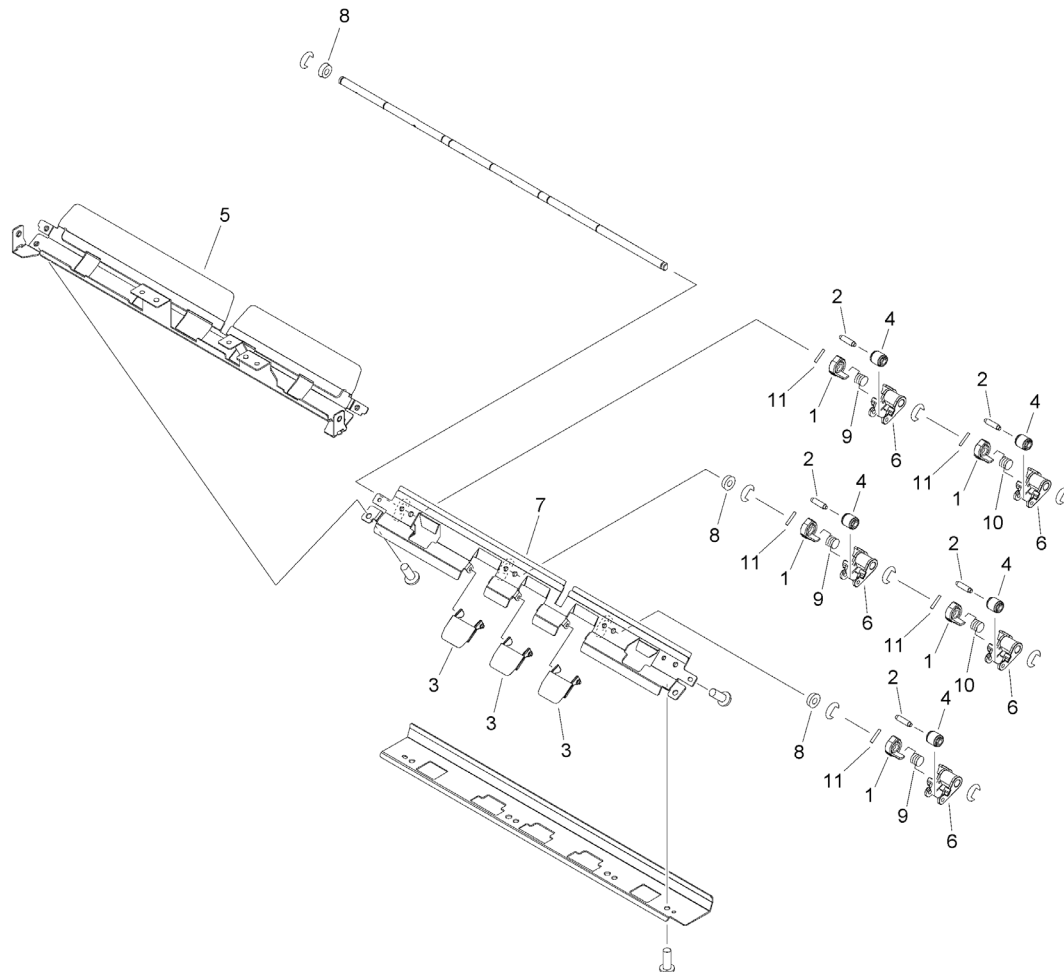


FIGURE & KEY NO.	PART NUMBER	R A N K	QTY	DESCRIPTION	SERIAL NUMBER /REMARKS
B43	NPN		RF	PAPER FEED GUIDE ASSEMBLY, 2	CN
1	FC8-5505-000		5	STOPPER, ROLLER	
2	FC8-5520-000		5	SHAFT, READ 1 ROLLER	
3	FL2-9667-000		3	GUIDE, READ 2 FEED SWING, LW.	
4	FC8-5654-000		5	ROLLER, IDLER READ	
5	FL3-8428-000		1	GUIDE, READ 2 FEED, UPPER	
6	FL2-9575-000		5	HOLDER, READ 2 ROLLER	
7	FL2-9586-000		1	GUIDE, READ 2 FEED, LOWER	
8	FS1-1569-000		3	BUSHING	
9	FU7-2557-000		3	SPRING, TORSION	
10	FU7-2558-000		2	SPRING, TORSION	
11	XD9-0289-000		5	PIN, PARALLEL	

Figure B90 DF DRIVER PCB ASSEMBLY (CN)

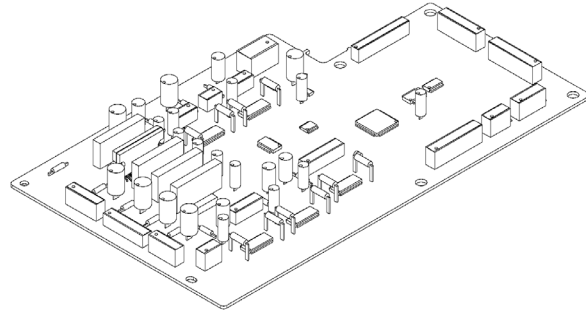


FIGURE & KEY NO.	PART NUMBER	RANK	QTY	DESCRIPTION	SERIAL NUMBER /REMARKS
B90	FM0-0717-000		1	DF DRIVER PCB ASSEMBLY	CN
IC	FK2-1773-000		1	IC,TC200GO2EFG-1031,GATE ARRAY	

Figure D10 EXTERNAL COVERS, PANELS, ETC. (CN)

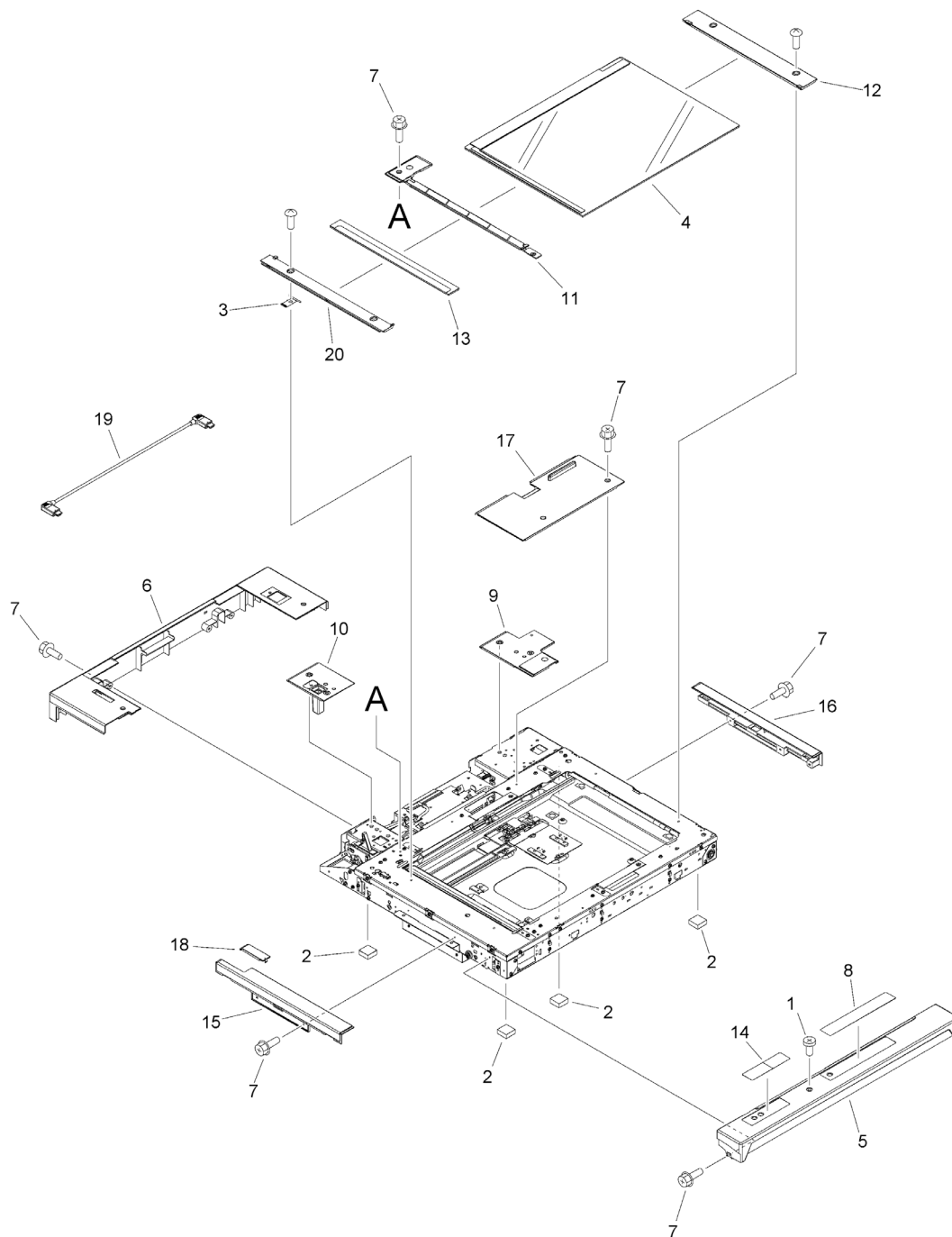


FIGURE & KEY NO.	PART NUMBER	RANK	QTY	DESCRIPTION	SERIAL NUMBER /REMARKS
D10	NPN		RF	EXTERNAL COVERS, PANELS, ETC.	CN
1	XA9-2017-000		1	SCREW, PANHEAD MACHINE M4X6	
2	FC6-5156-010		4	DAMPER	
3	FC7-1333-000		1	SPRING, GROUNDING	
4	FL1-5543-000		1	GLASS, COPYBOARD	
5	FE4-8194-000		1	COVER, FRONT	
6	FE4-8195-000		1	COVER, REAR UPPER	
7	XA9-1386-000		17	SCREW,RS,M3X8	
8	FE8-1915-000		1	LABEL, COPY INHIBITED	US English
8	FE8-1921-000		1	LABEL, COPY INHIBITED	Portuguese
8	FE8-1922-000		1	LABEL, COPY INHIBITED	Spanish
8	FE8-1927-000		1	LABEL, COPY INHIBITED	Simplified Chinese
8	FE8-1928-000		1	LABEL, COPY INHIBITED	Korean
8	FE8-1929-000		1	LABEL, COPY INHIBITED	Traditional Chinese
9	FE4-6251-000		1	COVER, DF MOUNT, RIGHT	
10	FE4-6252-000		1	COVER, DF MOUNT, LEFT	
11	FE4-6256-000		1	MOUNT, JUMP	
12	FL0-4598-000		1	COVER,RIGHT UPPER	
13	FL2-9620-000		1	GLASS, READER	
14	FE8-1916-000		1	LABEL, CLEANING POSITION	English, French, German, Spanish, Italian, Portuguese
14	FE8-1917-000		1	LABEL, CLEANING POSITION	Simplified Chinese
14	FE8-1918-000		1	LABEL, CLEANING POSITION	Korean
14	FE8-1919-000		1	LABEL, CLEANING POSITION	Traditional Chinese
15	FE4-6260-000		1	COVER, LEFT	
16	FE4-6257-000		1	COVER, RIGHT	
17	FL0-4597-000		1	COVER, CABLE	
18	FE4-6211-000		1	COVER, LEFT UPPER, SMALL	
19	FK3-2261-000		1	CABLE, INTERFACE	
20	FE4-6254-000		1	COVER, LEFT UPPER	

Figure D11 INTERNAL COMPONENTS 1 (READER) (CN)

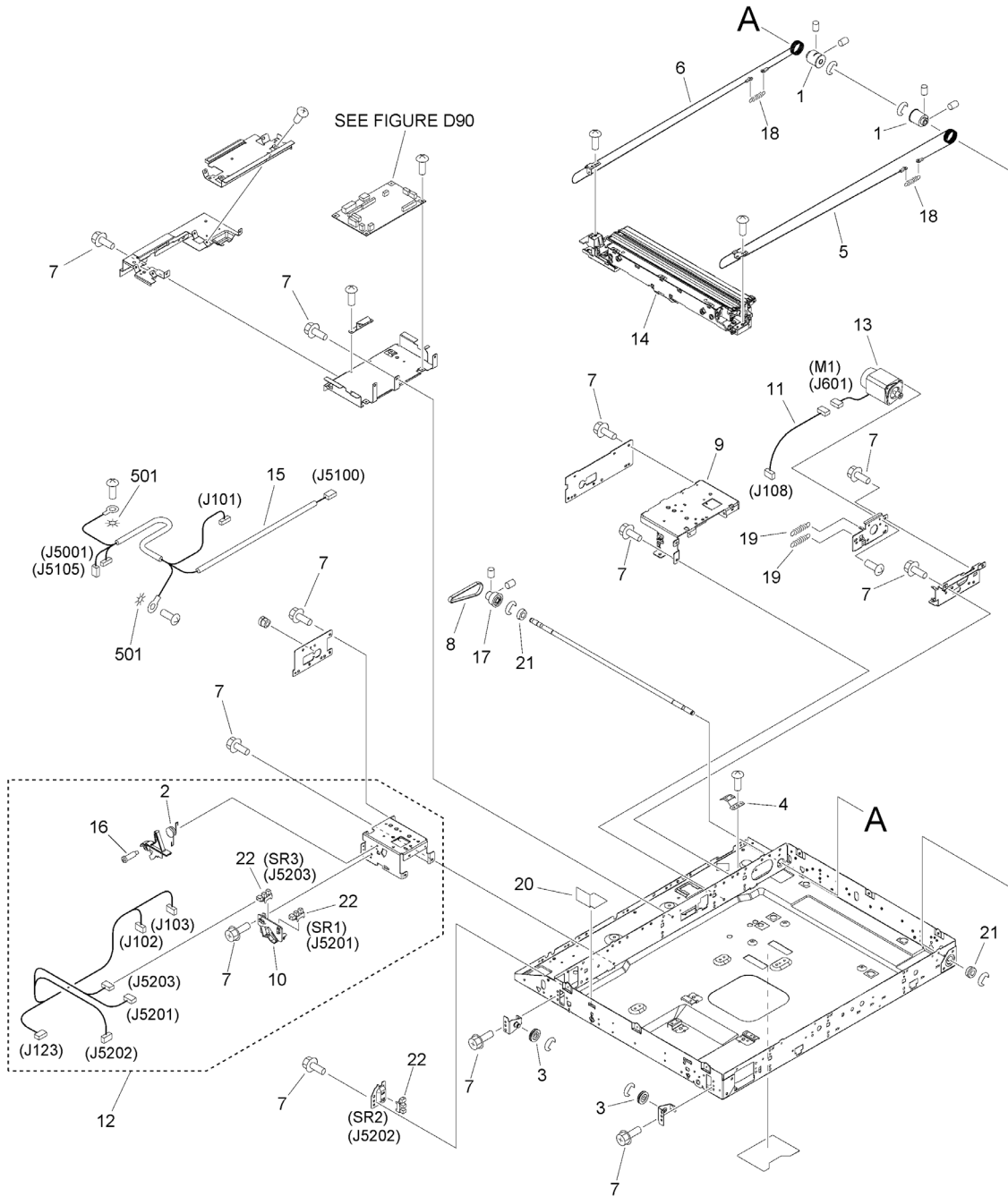


FIGURE & KEY NO.	PART NUMBER	RANK	QTY	DESCRIPTION	SERIAL NUMBER /REMARKS
D11	NPN		RF	INTERNAL COMPONENTS 1 (READER)	CN
1	FB5-3087-000		2	PULLEY	
2	FU7-2593-000		1	SPRING, TORSION	
3	FC7-1312-000		2	PULLEY	
4	FC8-6030-000		1	SPRING, LEAF	
5	FC0-8333-000		1	WIRE, FRONT	
6	FC8-6035-000		1	WIRE, REAR	
7	XA9-1386-000		18	SCREW,RS,M3X8	
8	XF9-0774-000		1	BELT, TIMING	
9	FC8-6014-000		1	MOUNT, DF, R	
10	FC8-6062-000		1	HOLDER, OPEN/CLOSE SENSOR	
11	FM3-8274-000		1	CABLE, MOTOR	
12	FM1-J651-000		1	DF MOUNT ASSEMBLY, L	
13	FK2-8503-010		1	MOTOR, STEPPING, DC	M1
14	FM1-B001-000		1	SCANNER UNIT, READER	
15	FM0-0689-000		1	CABLE, READER POWER SUPPLY	
16	FS5-9227-020		1	SCREW, STEPPED, M4	
17	FU5-3705-000		1	PULLEY, 52T	
18	FU7-2591-000		2	SPRING, TENSION	
19	FU8-8031-000		2	SPRING, TENSION	
20	FC8-3555-000		1	SHEET, FLEXIBLE FLAT CABLE	
21	XG9-0508-000		2	BEARING, BALL, F688ZZ	
22	WG8-5783-000		3	IC,PHOTO-INTERRUPTER,LG248NL1A	SR1, SR2, SR3
501	XD1-4200-402		2	WASHER, TOOTHED LOCK, M4	

Figure D12 INTERNAL COMPONENTS 2 (READER) (CN)

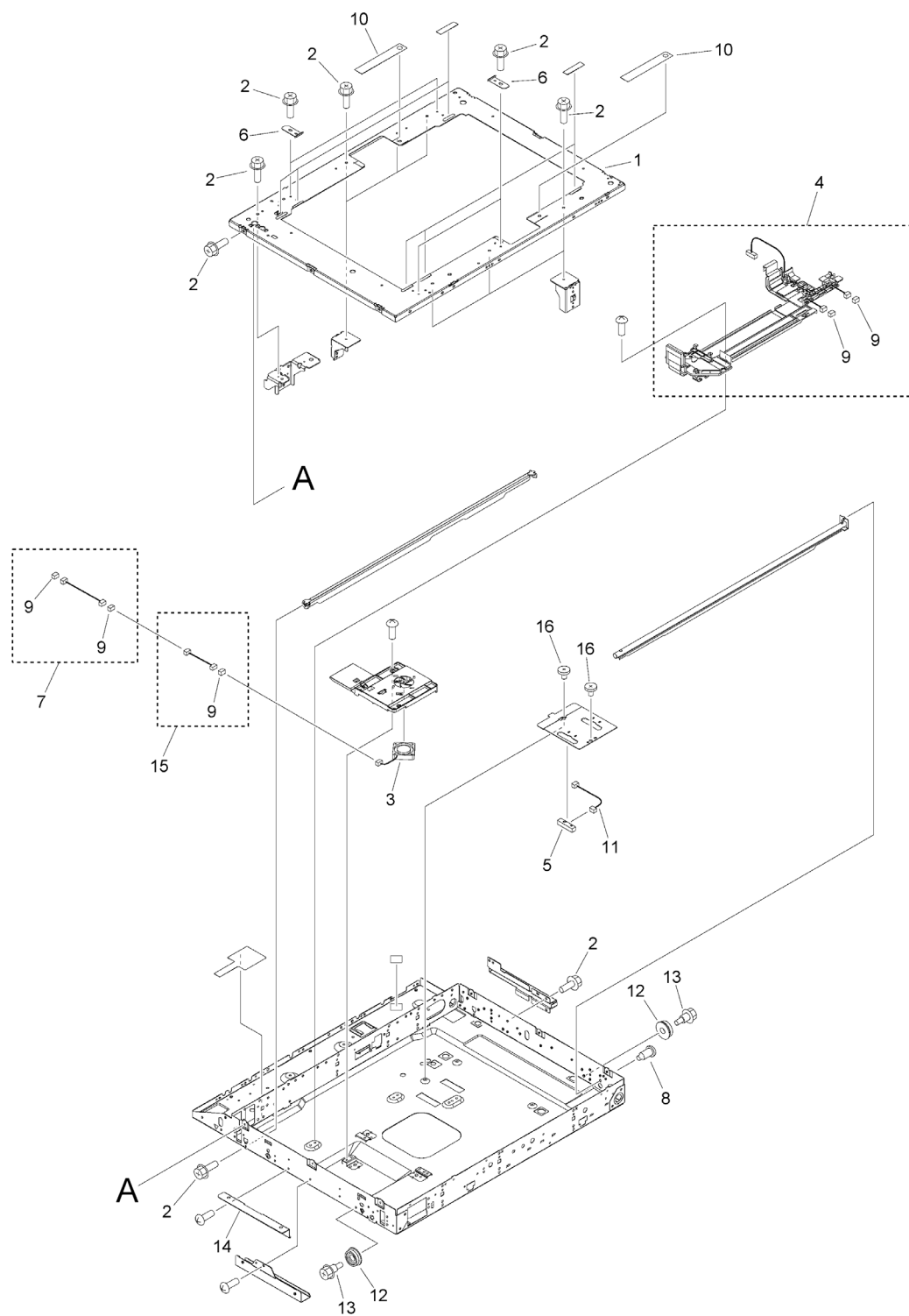


FIGURE & KEY NO.	PART NUMBER	RANK	QTY	DESCRIPTION	SERIAL NUMBER /REMARKS
D12	NPN		RF	INTERNAL COMPONENTS 2 (READER)	CN
1	FL2-9793-010		1	FRAME, UPPER	
2	XA9-1386-000		15	SCREW,RS,M3X8	
3	FK2-6459-000		1	FAN	
4	FM0-0482-000		1	FLAT CABLE UNIT	
5	FK2-7162-000		1	IC,PHOTO SENSOR, DOCUMENT SIZE	
6	FL2-4856-000		4	PLATE,GLASS SUPPORT	
7	FM3-8282-000		1	CABLE, FAN CONNECTING, 2	
8	FS1-9120-020		1	SCREW, STEPPED, M3	
9	VS1-7177-003		5	CONNECTOR, SNAP TIGHT, BK	
10	FC8-6056-000		2	SHEET, GLASS GAP	
11	FM3-7552-000		1	CABLE, SIZE DETECT	
12	FC8-6017-000		2	BUSH, RUBBER	
13	FS5-9343-000		2	SCREW, STEPPED, M4	
14	FC8-6028-000		1	PLATE, READER HANDLE, LEFT	
15	FM1-K806-000		1	CABLE, FAN	
16	XA9-2017-000		2	SCREW, PANHEAD MACHINE M4X6	

Figure D90 READER CONTROLLER PCB ASSEMBLY (CN)

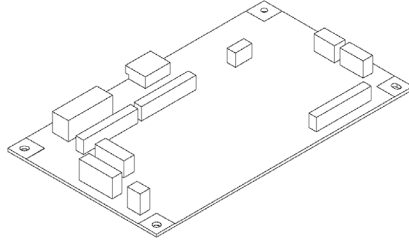


FIGURE & KEY NO.	PART NUMBER	R A N K	QTY	DESCRIPTION	SERIAL NUMBER /REMARKS
D90	FM0-2036-000		1	READER CONTROLLER PCB ASSEMBLY	CN
IC	FK3-0865-000		1	IC, MB8AA4220, STANDARD	IC12

Figure L94 DC POWER SUPPLY ASS'Y, 38V

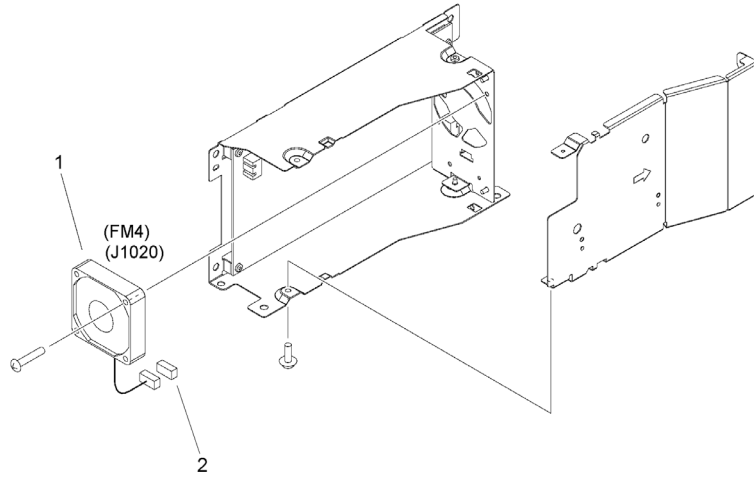


FIGURE & KEY NO.	PART NUMBER	RANK	QTY	DESCRIPTION	SERIAL NUMBER /REMARKS
L94	FM3-5850-000		1	DC POWER SUPPLY ASSY, 38V	
1	FK2-6484-000		1	FAN	FM4
2	VS1-7177-003		1	CONNECTOR, SNAP TIGHT, BK	

Figure ZZA MECHANICAL STANDARD PARTS (HOW TO USE)

Mechanical standard parts 機械標準部品

About a mechanical standard parts

A Mechanical standard parts is a mechanical part which not parts peculiar to a product.
They are parts which are common to a Canon product and are used, such as a screw and a washer.
The Fig No. and parts number of the mechanical standard parts are not listed in the product parts catalog.
Refer to the parts catalog of mechanical standard parts when checking the parts number for screw or washer etc. and identify them by part shape or size.

機械標準部品とは

機械標準部品とは、製品特有の部品ではなく、ねじやワッシャなどキヤノン製品共通で使用されている機械部品（メカ部品）のことです。
製品のパーツカタログには、機械標準部品のFig No.や部品番号は記載していません。
ねじや、ワッシャ等の部品番号を調べる時は、機械標準部品のパーツカタログを参照し、部品の形状や大きさから判断し、使用している部品を調べてください。

Material and surface treatment of a mechanical standard parts

Material and surface treatment of mechanical standard parts are assigned commonly for each part.
Refer to the Table 1 for the parts which material and surface treatment are assigned as numbers.

機械標準部品の材料および表面処理

機械標準部品の材料および表面処理については、各種部品共通で決められています。
材料および表面処理が番号で決められている部品については、表1を参照してください。

Table 1 Material and Surface treatment
表1 材料および表面処理

No. 番号	Material 材料	Surface treatment 表面処理	Color 色
1	Stainless steel ステンレス	Stainless steel black coloring (BC4) ステンレス黒着色(BC4)	Black 黒
2		not to be given なし	White 白
3	Brass 黄銅	Regular nickel plating (NL) 普通ニッケルメッキ(NL)	White 白
4		Black nickel plating (BN) 黒色ニッケルメッキ(BN)	Black 黒
5	Steel 鋼	White zinc trivalent chromate treating (ZC3) 白色亜鉛3価クロメート(ZC3)	White 白
6		Regular nickel chromium plating (NC) 普通ニッケルクロムメッキ(NC)	White 白
7		Regular nickel plating (NL) 普通ニッケルメッキ(NL)	White 白
8		Iron and steel phosphating (P1) 鉄鋼燐酸塩処理(P1)	Black 黒
9		Black zinc trivalent chromate treating (BZ3) 黒色亜鉛3価クロメート(BZ3)	Black 黒

Figure ZZB (1/7)MECHANICAL STANDARD PARTS (SCREWS)

1. Screws
ねじ

How to read Parts Numbers
部品番号の見方

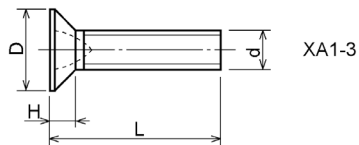
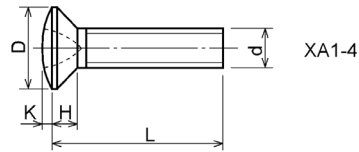
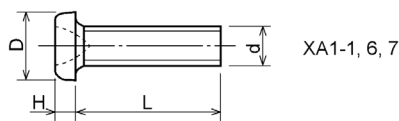
Screws
ねじ

XB1-2400-609

Type No.
類別番号
Normal designation (d)
ねじの呼び (d)
Length (L)
ねじの長さ (L)
Material and Surface treatment
材料および表面処理

XB1-2 expresses Binding head machine screw.
XB1-2は、バインドねじを表す
40 expresses M4.0.
40は、M4.0を表す
0-60 expresses a length of 6.0mm.
0-60は、6.0mmの長さを表す
9 expresses Steel (Black zinc trivalent chromate
treating) from Table 1.
9は、表1より鋼（黒色亜鉛3価クロメート）を表す

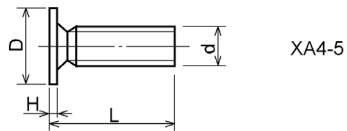
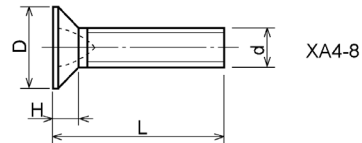
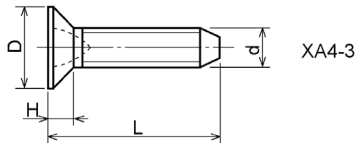
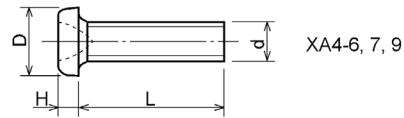
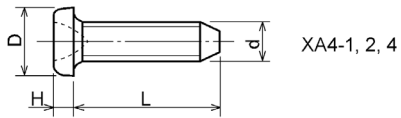
1-1. Cross Recessed Head Screws for Precision Equipments
精密機器用十字穴付き小ねじ



Type No. 類別番号	Type 類別	Head size (mm) 頭部寸法 (mm)						
		M1.4	M1.6	M1.7	M2	M2.5	M2.6	
XA1-1	Pan head Class 1 なべ1種	D	2	2.4	2.5	3	3.8	4
		H	0.5	0.55	0.5	0.6	0.9	0.8
XA1-3	Countersunk head Class 1 さら1種	D	2	2.4	2.5	3	3.8	4
		H	0.48	0.55	0.58	0.73	0.85	0.93
XA1-4	Oval countersunk head Class 1 丸さら1種	D	2	2.4	2.5	3	3.8	4
		H + K	0.68	0.8	0.88	1	1.25	1.3
XA1-6	Pan head Class 3 なべ3種	D	2.5	2.8	3	3.5	4.3	4.5
		H	0.8	0.85	0.9	1	1.3	1.2
XA1-7	Pan head Class 2 なべ2種	D	2.5	2.8	3	3.5	4.3	4.5
		H	0.5	0.55	0.5	0.6	0.9	0.8

Figure ZZB (2/7) MECHANICAL STANDARD PARTS (SCREWS)

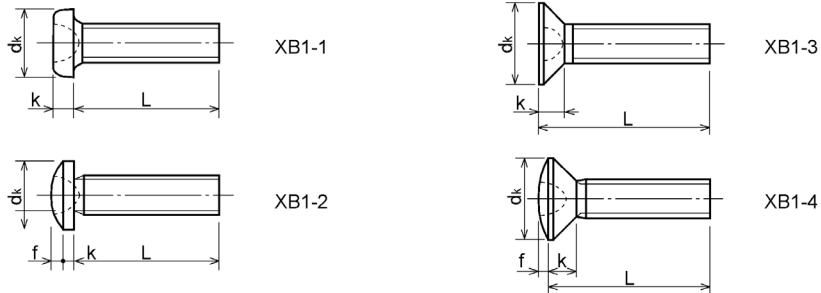
1-2. Precision Tapping Screws
精密用タッピンねじ



Type No. 類別番号	Type 類別	Head size (mm) 頭部寸法 (mm)						
		M1.4	M1.6	M1.7	M2	M2.5	M2.6	
XA4-1	With tapered end pan head Class 1 絞り-なべ1種	D XA4-1	2	2.4	2.5	3	3.8	4
		H XA4-1	0.5	0.55	0.5	0.6	0.9	0.8
XA4-2	With tapered end pan head Class 3 絞り-なべ3種	D XA4-2	2.5	2.8	3	3.5	4.3	4.5
		H XA4-2	0.8	0.85	0.9	1	1.3	1.2
XA4-3	With tapered end countersunk head 絞り-さら	D XA4-3	2	2.4	2.5	3	3.8	4
		H XA4-3	0.48	0.55	0.58	0.73	0.85	0.93
XA4-4	With tapered end pan head Class 2 絞り-なべ2種	D XA4-4	2.5	2.8	3	3.5	4.3	4.5
		H XA4-4	0.5	0.55	0.5	0.6	0.9	0.8
XA4-5	With parallel end ultra thin head ストレート-超薄頭	D XA4-5	2.5	2.8	3	-	-	-
		H XA4-5	0.2	0.2	0.2	-	-	-
XA4-6	With parallel end pan head Class 1 ストレート-なべ1種	D XA4-6	2	2.4	2.5	3	3.8	4
		H XA4-6	0.5	0.55	0.5	0.6	0.9	0.8
XA4-7	With parallel end pan head Class 3 ストレート-なべ3種	D XA4-7	2.5	2.8	3	3.5	4.3	4.5
		H XA4-7	0.8	0.85	0.9	1	1.3	1.2
XA4-8	With parallel end countersunk head ストレート-さら	D XA4-8	2	2.4	2.5	3	3.8	4
		H XA4-8	0.48	0.55	0.58	0.73	0.85	0.93
XA4-9	With parallel end pan head Class 2 ストレート-なべ2種	D XA4-9	2.5	2.8	3	3.5	4.3	4.5
		H XA4-9	0.5	0.55	0.5	0.6	0.9	0.8

Figure ZZB (3/7)MECHANICAL STANDARD PARTS (SCREWS)

1-3. Cross Recessed Head Screws
一般用十字穴付き小ねじ

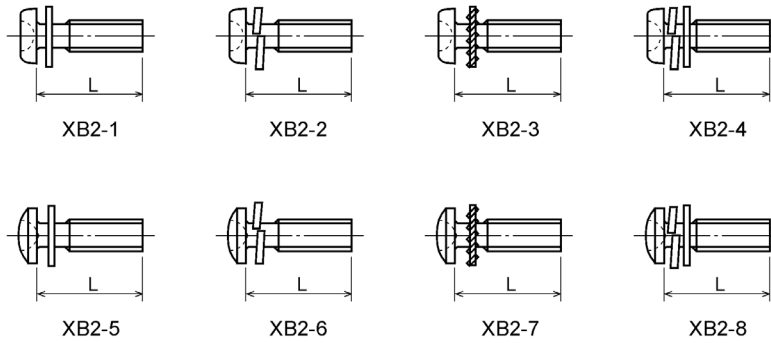


Type No. 類別番号	Type 類別
XB1-1	Pan head なべ
XB1-2	Binding head バインド
XB1-3	Countersunk head さら
XB1-4	Oval countersunk head 丸さら

		Head size (mm) 頭部寸法 (mm)					
		M2	M2.5	M2.6	M3	M4	M5
dk	XB1-1	3.5	4.5	4.5	5.5	7	9
k	XB1-1	1.3	1.7	1.7	2	2.6	3.3
dk	XB1-2	4.3	5.3	5.5	6.3	8.3	10.3
k+f	XB1-2	1.2	1.5	1.6	1.9	2.5	3.1
dk	XB1-3	4	5	-	6	8	10
k	XB1-3	1.2	1.45	-	1.75	2.3	2.8
dk	XB1-4	4	5	-	6	8	10
k+f	XB1-4	1.6	2	-	2.45	3.2	4
Screw part length ねじ部長さ b		8	12	12	12	16	20

Figure ZZB (4/7) MECHANICAL STANDARD PARTS (SCREWS)

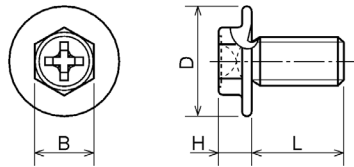
1-4. Cross Recessed Head Screws with Captive Washer
座金組込み十字穴付き小ねじ



Type No. 類別番号	Type 類別
XB2-1	Pan head + Plain washer (circular bright) なべねじ+平座金
XB2-2	Pan head + Spring washer なべねじ+ばね座金
XB2-3	Pan head + Toothed lock washer なべねじ+歯付座金
XB2-4	Pan head + Spring washer and plain washer (circular bright) なべねじ+(ばね+平)座金
XB2-5	Binding head + Plain washer (circular bright) バインドねじ+平座金
XB2-6	Binding head + Spring washer バインドねじ+ばね座金
XB2-7	Binding head + Toothed lock washer バインドねじ+歯付座金
XB2-8	Binding head + Spring washer and plain washer (circular bright) バインドねじ+(ばね+平)座金

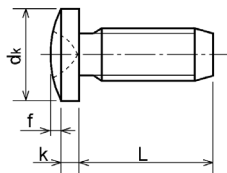
Figure ZZB (5/7) MECHANICAL STANDARD PARTS (SCREWS)

1-5. Hexagon Head Tapping Screws for Matallic Materials
 金属用六角タッピンねじ



Type No. 類別番号	Type 類別	Head size (mm) 頭部寸法 (mm)		
		M3	M4	
XB3-6	For metallic materials 金属用タッピン	D	8	10
		B	5.5	5.5
XB3-7	For metallic materials with clawed 金属用タッピン-つめ付き	H XB3-6	3.1	3.1
		H XB3-7	3.2	3.2

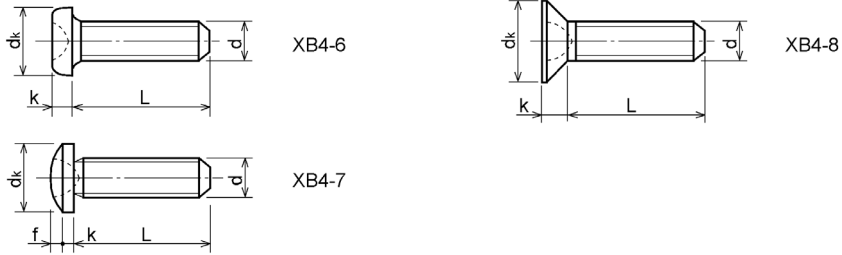
1-6. Special Tapping Screws
 特殊タッピンねじ



Type No. 類別番号	Type 類別	Head size (mm) 頭部寸法 (mm)		
		M3	M4	
XB4-5	Binding head バインド	dk	6.3	8.3
		k	1.3	1.7
		k+f	1.9	2.5

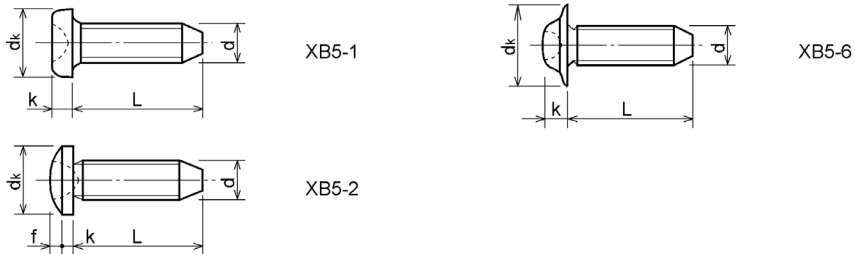
Figure ZZB (6/7) MECHANICAL STANDARD PARTS (SCREWS)

1-7. General Head Tapping Screws
一般用タッピンねじ



Type No. 類別番号	Type 類別	Head size (mm) 頭部寸法 (mm)						
		M2	M2.5	M2.6	M3	M4	M5	
XB4-6	Pan head なべ	dk	3.5	4.5	4.5	5.5	7	9
		k	1.3	1.7	1.7	2	2.6	3.3
XB4-7	Binding head バインド	dk	4.3	5.3	5.5	6.3	8.3	10.3
		k+f	1.2	1.5	1.6	1.9	2.5	3.1
XB4-8	Countersunk head さら	dk	4	5	5.2	6	8	10
		k	1.2	1.45	1.5	1.75	2.3	2.8

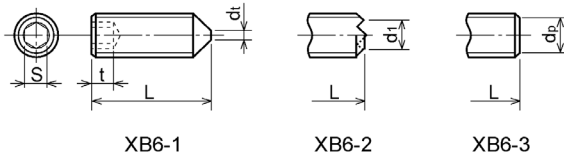
1-8. Tapping Screws for Metallic Materials
金属用タッピンねじ



Type No. 類別番号	Type 類別	Head size (mm) 頭部寸法 (mm)					
		M2.5	M2.6	M3	M4	M5	
XB5-1	Pan head なべ	dk	4.5	4.5	5.5	7	9
		k	1.7	1.7	2	2.6	3.3
XB5-2	Binding head バインド	dk	5.5	5.5	6.3	8.3	10.3
		k+f	1.6	1.6	1.9	2.5	3.1
XB5-6	Flanged pan head つば付きなべ	dk	6.5	6.5	8	10	12
		k	2.1	2.1	1.75	3.2	4

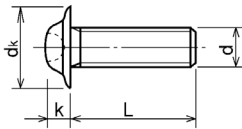
Figure ZZB (7/7)MECHANICAL STANDARD PARTS (SCREWS)

1-9. Hexagon Socket Set Screws
六角穴付き止めねじ



Type No. 類別番号	Type 類別	Head size (mm) 頭部寸法 (mm)						
		M1.6 M1.7	M2	M2.5 M2.6	M3	M5	M5	M6
	S	0.7	0.9	1.3	1.5	2	2.5	3
	t	1.5	1.7	2	2	2.5	3	3.5
	dt max XB6-1	0.4	0.5	0.65	0.75	1	1.25	1.5
	d1 max XB6-2	-	1.2	1.5	1.7	2.2	2.8	3.3
	d1 min XB6-2	-	1	1.2	1.4	1.9	2.4	2.9
	dp max XB6-3	0.8	1	1.5	2	2.5	3.5	4
	dp min XB6-3	0.55	0.75	1.25	1.75	2.25	3.2	3.7

1-10. Flanged Pan Head Machine Screws
つば付きなべ小ねじ



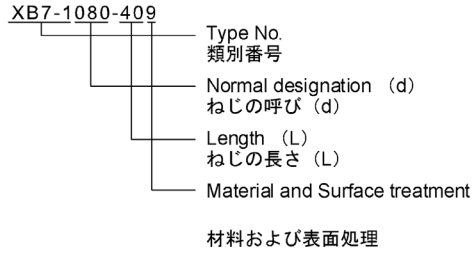
Type No. 類別番号	Type 類別	Head size (mm) 頭部寸法 (mm)				
		M2	M2.5 M2.6	M3	M5	M5
	dk	5	6.5	8	10	12
	k	1.7	2.1	2.5	3.2	4

Figure ZZC MECHANICAL STANDARD PARTS (BOLTS)

2. Bolts (Socket head cap screw)
ボルト

How to read Parts Numbers
部品番号の見方

Bolt (Socket head cap screw)
ボルト



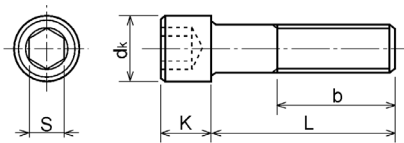
XB7-1 expresses Hexagon socket head cap screws.
XB7-1は、六角穴付きボルトを表す

080 expresses M8.0.
080は、M8.0を表す

40 expresses a length of 40mm.
40は、40mmの長さを表す

9 expresses Steel (Black zinc trivalent chromate treating) from Table 1.
9は、表1より鋼（黒色亜鉛3価クロメート）を表す

2-1. Hexagon socket head cap screws
六角穴付きボルト

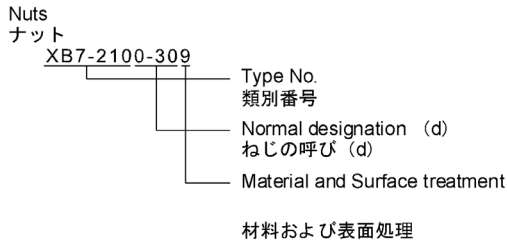


Type No. 類別番号	Type 類別	Head size (mm) 頭部寸法 (mm)						
		M3	M4	M5	M6	M8	M10	M12
S		2.5	3	4	5	6	8	10
dk		5.5	7	8.5	10	13	16	18
K		3	4	5	6	8	10	12
Screw part length ねじ部長さ b_{max}		18	20	22	24	28	32	36

Figure ZZD MECHANICAL STANDARD PARTS (NUTS)

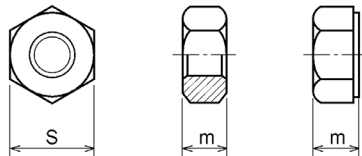
3. Nuts
ナット

How to read Parts Numbers
部品番号の見方



XB7-210 expresses Hexagon nut class 1.
XB7-210は、六角ナット1種を表す
0-30 expresses M3.0.
0-30は、M3.0を表す
9 expresses Steel (Black zinc trivalent chromate treating) from Table 1.
9は、表1より鋼（黒色亜鉛3価クロメート）を表す

3-1. Hexagon Nuts and Hexagon Thin Nuts
六角ナット



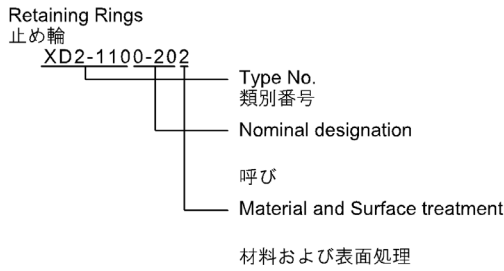
Type No. 類別番号	Type 類別
XB7-210	Hexagon nut Class 1 六角ナット-1種
XB7-220	Hexagon nut Class 3 六角ナット-3種
XB7-230	Hexagon nut Style 1 double chamfered 六角ナット-スタイル1-両面とり
XB7-231	Hexagon nut Style 1 washer faced 六角ナット-スタイル1-座付き
XB7-240	Hexagon nut Style 2 double chamfered 六角ナット-スタイル2-両面とり
XB7-241	Hexagon nut Style 2 washer faced 六角ナット-スタイル2-座付き
XB7-250	Hexagon nut 六角ナット
XB7-260	Hexagon thin nut double chamfered 六角低ナット-両面とり
XB7-270	Hexagon thin nut not chamfered 六角低ナット-面とり無し

	Head size (mm) 頭部寸法 (mm)						
	M2	M2.5	M3	M4	M5	M6	M8
S	4	5	5.5	7	8	10	13
m XB7-210	1.6	2	2.4	3.2	4	5	6.5
m XB7-220	1.2	1.6	1.8	2.4	3.2	3.6	5
m XB7-230, 231	1.6	2	2.4	3.2	4.7	5.2	6.8
m XB7-240, 241	-	-	-	-	5.1	5.7	7.5
m XB7-250	-	-	-	-	5.6	6.1	7.9
m XB7-260	1.2	1.6	1.8	2.2	2.7	3.2	4
m XB7-270	1.2	1.6	1.8	2.2	2.7	3.2	4

Figure ZZE (1/3)MECHANICAL STANDARD PARTS (RETAINING RINGS)

5. Retaining Rings
止め輪

How to read Parts Numbers
部品番号の見方

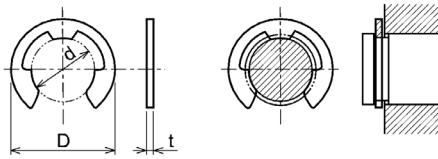


XD2-110 expresses retaining ring-E type (Type1).
XD2-110は、E形止め輪（1種）を表す

0-20 expresses a 020 of nominal designation.
(See Table 5)
0-20は、呼び020を表す（表5参照）

2 expresses Stainless steel (Surface treatment is not to be given) from Table 1.
2は、表1よりステンレス（表面処理なし）を表す

5-1. Retaining Rings - E type
E形止め輪



Type No. 類別番号	Type 類別
XD2-110	Retaining ring - E type (Type 1) E形止め輪（1種）
XD2-120	Retaining ring - E type (Type 2) E形止め輪（2種）

Table 5 表5

Type 種類	Nominal designation 呼び	d (mm)	D (mm)	t (mm)
Type 1 1種	007	0.65	2	0.2
	010	0.95	2.8	0.2
	013	1.25	3.3	0.3
	017	1.65	4.2	0.4
	020	1.95	4.6	0.5
	024	2.35	6	0.6
	028	2.74	6.5	0.6
	032	3.14	7.2	0.6
	037	3.64	8	0.7
	040	3.93	10	0.7
	042	4.13	10	0.7
	050	4.93	11	0.7
	058	5.73	12	0.7
	060	5.93	12.7	0.9
Type 2 2種	064	6.32	13.5	0.9
	074	7.31	15	0.9
	080	7.91	16.5	1
	008	0.8	2	0.2
	012	1.2	3	0.3
	015	1.5	4	0.4
	020	2	5	0.4
	025	2.5	6	0.4
	030	3	7	0.6
	040	4	9	0.6
	050	5	11	0.6
	060	6	12	0.8
	070	7	14	0.8
	080	8	16	0.8
090	9	18	0.8	
100	10	20	1	

Figure ZZE (2/3)MECHANICAL STANDARD PARTS (RETAINING RINGS)

5-2. Grip Rings
グリップ止め輪

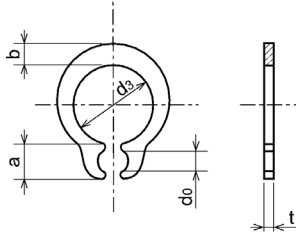


Table 5 表5

Nominal designation 呼び	d_3 (mm)	t (mm)	b (mm)	a (mm)	d_0 (mm)
020	1.9	0.5	1	1.8	0.8
025	2.35	0.5	1.2	1.9	0.9
030	2.85	0.6	1.4	1.9	0.9
035	3.3	0.6	1.6	2	0.9
040	3.8	0.8	1.8	2.8	1.2
045	4.25	0.8	2	2.9	1.3
050	4.75	0.8	2.2	2.9	1.3
060	5.7	1	2.4	3.1	1.4
070	6.7	1	2.7	3.3	1.4
080	7.7	1	3	3.5	1.4
090	8.65	1.2	3.3	4.7	1.5
100	9.65	1.2	3.5	4.7	2

Type No. 類別番号	Type 類別
XD2-210	Grip ring グリップ止め輪

5-3. Toothed Retaining Rings
歯付き形止め輪

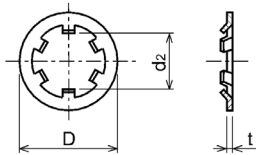


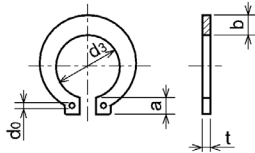
Table 5 表5

Nominal designation 呼び	d_2 (mm)	D (mm)	t (mm)	No of teeth 歯数
015	1.4	5.2	0.25	3
020	1.9	6	0.25	3
024	2.3	6.4	0.25	3
030	2.8	8	0.25	4
040	3.8	9	0.25	4
050	4.8	10	0.25	5
060	5.8	11	0.25	5
080	7.8	13	0.25	5
100	9.8	15.4	0.25	6

Type No. 類別番号	Type 類別
XD2-230	Toothed retaining ring 歯付き形止め輪

Figure ZZE (3/3)MECHANICAL STANDARD PARTS (RETAINING RINGS)

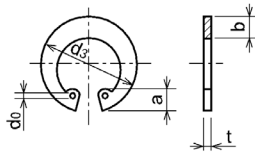
5-4. Retaining Rings - C Type
C形止め輪



Type No. 類別番号	Type 類別
XD2-310	Retaining ring - C type for shaft C形止め輪 軸用

Table 5 表5

Nominal designation 呼び	ds (mm)	t (mm)	b (mm)	a (mm)	do (mm)
010	9.3	1	1.6	3	1.2
012	11.1	1	1.8	3.2	1.5
014	12.9	1	2	3.4	1.7
015	13.8	1	2.1	3.5	1.7
016	14.7	1	2.2	3.6	1.7
017	15.7	1	2.2	3.7	1.7
018	16.5	1.2	2.6	3.8	1.7
020	18.5	1.2	2.7	3.9	2
022	20.5	1.2	2.7	4.1	2
025	23.2	1.2	3.1	4.3	2
028	25.9	1.5	3.1	4.6	2
030	27.9	1.5	3.5	4.8	2
032	29.6	1.5	3.5	5	2.5
035	32.2	1.5	4	5.4	2.5



Type No. 類別番号	Type 類別
XD2-320	Retaining ring - C type for hole C形止め輪 穴用

Table 5 表5

Nominal designation 呼び	ds (mm)	t (mm)	b (mm)	a (mm)	do (mm)
010	10.7	1	1.8	3.1	1.2
011	11.8	1	1.8	3.2	1.2
012	13	1	1.8	3.3	1.5
014	15.1	1	2	3.6	1.7
016	17.3	1	2	3.7	1.7
018	19.5	1	2.5	4	1.7
019	20.5	1	2.5	4	2
020	21.5	1	2.5	4	2
022	23.5	1	2.5	4.1	2
025	26.9	1.2	3	4.4	2
028	30.1	1.2	3	4.6	2
030	32.1	1.2	3	4.7	2
032	34.4	1.2	3.5	5.2	2.5
035	37.8	1.5	3.5	5.2	2.5
037	39.8	1.5	3.5	5.2	2.5
040	43.5	1.8	4	5.7	2.5
042	45.5	1.8	4	5.8	2.5
045	48.5	1.8	4.5	5.9	2.5
047	50.5	1.8	4.5	6.1	2.5
050	54.2	2	4.5	6.5	2.5
052	56.2	2	5.1	6.5	2.5
055	59.2	2	5.1	6.5	2.5
060	64.2	2	5.1	6.8	2.5
062	66.2	2	5.5	6.9	2.5
068	72.5	2.5	6	7.4	2.5
072	76.5	2.5	6.6	7.4	2.5
075	79.5	2.5	6.6	7.8	2.5
080	85.5	2.5	7	8	2.5
085	90.5	3	7	8	3
090	95.5	3	7.6	8.3	3
095	100.5	3	8	8.5	3