

PARTS CATALOG

imagePRESS C1/C1+

Canon

Jun 8 2009

PREFACE

This Parts Catalog contains listings of parts used

Diagrams are provided with the listings to aid the service technician in identifying clearly, the item to be ordered.

Whenever ordering parts, consult this Parts Catalog for all of the information pertaining to each item. Be sure to include, in the Parts Request, the full item description, the item part number, and the quantity.

COPYRIGHT (C) 1999 CANON INC.

Use of this manual should be strictly supervised to avoid disclosure of confidential information.

Contents

NUMERICAL INDEX

imagePRESS C1/C1+(Numerical Index)..... 1-1

imagePRESS C1/C1+(Parts Catalog)

A	ASSEMBLY LOCATION DIAGRAM	2-1
001	ACCESSORY	2-7
100	EXTERNAL COVERS, PANELS, ETC.	2-8
101	MACHINE FRONT PLATE	2-12
102	INTERNAL COMPONENTS 1	2-15
103	INTERNAL COMPONENTS 2	2-17
104	INTERNAL COMPONENTS 3	2-19
105	INTERNAL COMPONENTS 4	2-21
106	MACHINE REAR PLATE 1	2-23
107	MACHINE REAR PLATE 2	2-27
108	MACHINE BOTTOM PLATE	2-29
130	CONTROL PANEL ASSEMBLY	2-31
140	POWER CORD TERMINAL ASSEMBLY	2-34
141	OPTION POWER SUPPLY CASE ASS'Y	2-37
190	FIXING EXHAUST FAN ASSEMBLY	2-39
191	LEFT EXHAUST FAN ASSEMBLY	2-41
192	MAIN BODY EXHAUST FAN ASSEMBLY	2-43
193	DUCT ASSEMBLY	2-45
261	CASSETTE PICK-UP DRIVE ASS'Y	2-46
264	MULTI REGIST DRIVE ASSEMBLY	2-48
265	VERTICAL PATH DRIVE ASSEMBLY	2-50
270	DEVELOPING DRIVE ASSEMBLY	2-52
271	DRUM I.T.B. DRIVE ASSEMBLY	2-54
283	EXTERNAL DELIVERY DRIVE ASS'Y	2-56
290	SEC. TRANSFER DRIVE UNIT	2-58
300	CASSETTE ASSEMBLY	2-60
305	CASSETTE HEATER ASSEMBLY	2-63
311	PAPER PICK-UP ASSEMBLY	2-64
314	RIGHT DOOR ASSEMBLY	2-67
315	MULTI P. PICK-UP MOUNT ASS'Y	2-69
316	MULTI PAPER PICK-UP TRAY ASS'Y	2-72
320	FIXING FEEDER ASSEMBLY	2-74
325	REGISTRATION MOUNT ASS'Y (OLD TYPE)	2-81
326	REGISTRATION MOUNT ASS'Y (NEW TYPE)	2-83
330	PRE-FIXING FEEDER ASSEMBLY	2-85

Contents

350	EXTERNAL DELIVERY ASSEMBLY	2-87
355	REV PAPER DELIVERY UPPER ASS'Y	2-89
356	REV PAPER DELIVERY LOWER ASS'Y	2-93
357	BUFFER ASSEMBLY	2-96
360	DUPLEXING ASSEMBLY	2-102
375	INNER PAPER DELIVERY ASSEMBLY	2-105
530	SECONDARY TRANSFER MOUNT ASS'Y	2-108
535	I.T.B. POSITIONING ASSEMBLY	2-111
537	I.T.B. ASSEMBLY	2-113
538	TRANSFER CLEANER ASSEMBLY	2-118
550	PRIMARY CORONA ASSEMBLY	2-122
570	PRE-TRANSFER CORONA ASSEMBLY	2-125
600	P KIT ASSEMBLY	2-127
610	D KIT ASSEMBLY	2-133
620	HOPPER ASSEMBLY	2-136
621	SUB HOPPER ASSEMBLY	2-141
640	DEVELOPING ASSEMBLY	2-144
775	WASTE TONER PIPE ASSEMBLY	2-145
810	FIXING ASSEMBLY	2-146
830	FIXING CLEANER ASSEMBLY	2-153
840	FIXING BELT ASSEMBLY	2-155
850	FIXING BELT DRIVE ASSEMBLY	2-158
860	FIXING ROLLER DRIVE ASSEMBLY	2-160
870	OUT PRESSURE HEATER ASSEMBLY	2-162
880	CLEANING ROLL DRIVE ASSEMBLY	2-164
900	CONTROLLER BOX ASSEMBLY	2-166
910	DC POWER SUPPLY ASSEMBLY	2-169
930	DC CONTROLLER PCB ASSEMBLY	2-171
931	REAR DRIVER PCB ASSEMBLY	2-173
932	MAIN CONTROLLER PCB ASS'Y	2-174
961	PAPER FEED DRIVER PCB ASSEMBLY	2-175
962	COLOR SENSOR DRIVER PCB ASS'Y	2-176
963	FIXING DRIVER PCB ASSEMBLY	2-177
980	2ND TRANSFER CONTROL PCB ASS'Y	2-178
981	H.V PCB ASSEMBLY	2-180
982	HV2 PCB ASSEMBLY	2-182
983	HV4 PCB ASSEMBLY	2-183
984	HV5 PCB ASSEMBLY	2-184
985	HV6-2 PCB ASSEMBLY	2-185
986	HV6-1 PCB ASSEMBLY	2-186
987	HV9 PCB ASSEMBLY	2-187
D10	READER ASSEMBLY	2-188
D11	READER FRAME ASSEMBLY	2-191
D30	MIRROR ASSEMBLY 1	2-195
D31	MIRROR ASSEMBLY 2	2-197

Contents

D90	READER CONTROLLER PCB ASSEMBLY	2-199
D91	INTERFACE PCB ASSEMBLY	2-200
G10	DOCUMENT TRAY ASSEMBLY	2-201

NUMERICAL INDEX

imagePRESS C1/C1+(Numerical Index)

PARTS NUMBER	FIGURE & KEY NO.	PARTS NUMBER	FIGURE & KEY NO.	PARTS NUMBER	FIGURE & KEY NO.
97-5527-000	550 - 1	FB6-0432-000	100 - 67	FC5-2142-000	316 - 8
97-5527-000	570 - 1	FB6-0433-000	100 - 65	FC5-2143-000	316 - 9
FA2-7162-000	100 - 29	FB6-0439-020	100 - 41	FC5-2149-000	315 - 12
FA2-9309-000	538 - 2	FB6-0450-000	100 - 68	FC5-2150-000	314 - 2
FA3-0859-040	106 - 18	FB6-0577-000	357 - 73	FC5-2151-000	315 - 13
FA3-2127-000	570 - 2	FB6-3410-000	315 - 6	FC5-2153-000	315 - 14
FA3-9315-020	D10 - 1	FB6-3456-000	316 - 1	FC5-2156-020	315 - 19
FA4-1159-000	315 - 1	FB6-3457-000	316 - 2	FC5-2179-000	315 - 15
FA4-1864-000	570 - 3	FB6-3459-000	316 - 4	FC5-2190-000	314 - 14
FA4-8614-000	600 - 3	FB6-3463-000	315 - 7	FC5-2190-000	325 - 1
FA6-0745-000	100 - 30	FB6-3464-000	315 - 8	FC5-2190-000	326 - 1
FA6-8083-000	271 - 1	FB6-3466-000	315 - 9	FC5-2191-000	314 - 4
FA6-8304-000	283 - 1	FB6-3467-000	315 - 10	FC5-2193-000	100 - 1
FA9-2112-000	102 - 1	FB6-3478-000	300 - 30	FC5-2194-000	100 - 43
FA9-2112-000	261 - 1	FB6-3480-000	300 - 1	FC5-2195-000	325 - 2
FA9-2112-000	265 - 1	FB6-3481-000	300 - 2	FC5-2195-000	326 - 2
FA9-2112-000	283 - 2	FB6-3482-000	300 - 3	FC5-2197-000	325 - 3
FA9-2112-000	311 - 1	FB6-3483-000	300 - 31	FC5-2201-000	314 - 6
FA9-2112-000	320 - 1	FB6-3484-000	300 - 32	FC5-2206-000	320 - 6
FA9-2112-000	350 - 1	FB6-3488-000	300 - 4	FC5-2207-000	320 - 7
FA9-3832-000	320 - 2	FB6-3490-000	300 - 5	FC5-2224-000	355 - 1
FA9-3870-000	620 - 39	FB6-3508-000	316 - 5	FC5-2225-000	355 - 2
FB1-6833-000	880 - 1	FB6-3771-000	100 - 42	FC5-2226-000	355 - 3
FB1-8581-000	315 - 2	FB6-3771-000	D10 - 25	FC5-2233-000	375 - 1
FB2-2959-000	550 - 2	FB6-4937-000	316 - 6	FC5-2235-000	355 - 4
FB2-2960-000	550 - 3	FB6-5450-000	G10 - 1	FC5-2235-000	360 - 11
FB2-6285-020	357 - 15	FB6-5451-000	G10 - 2	FC5-2236-000	355 - 5
FB2-6310-000	D10 - 28	FC5-0127-000	D30 - 1	FC5-2236-000	360 - 12
FB2-6883-000	610 - 2	FC5-0127-000	D31 - 1	FC5-2237-000	355 - 6
FB2-6890-000	610 - 21	FC5-0136-000	D31 - 2	FC5-2237-000	360 - 13
FB2-7540-000	315 - 3	FC5-1146-000	108 - 4	FC5-2249-020	283 - 4
FB2-7551-000	314 - 1	FC5-1420-000	102 - 7	FC5-2250-000	283 - 5
FB2-7560-030	101 - 6	FC5-1422-020	300 - 6	FC5-2253-000	356 - 3
FB2-7755-000	356 - 1	FC5-1423-000	300 - 7	FC5-2254-000	356 - 4
FB2-7816-000	264 - 1	FC5-1424-030	300 - 8	FC5-2255-000	356 - 5
FB2-7841-000	283 - 3	FC5-1425-000	300 - 9	FC5-2261-000	356 - 6
FB2-7866-000	101 - 2	FC5-1619-000	104 - 5	FC5-2271-000	320 - 8
FB2-7867-030	101 - 3	FC5-1661-000	537 - 1	FC5-2276-000	283 - 6
FB2-8408-000	106 - 1	FC5-1671-000	537 - 2	FC5-2369-020	880 - 2
FB2-8506-020	108 - 2	FC5-1810-000	550 - 5	FC5-2377-000	870 - 1
FB3-7543-000	271 - 2	FC5-1810-000	570 - 5	FC5-2386-000	320 - 9
FB3-7543-000	810 - 19	FC5-1846-000	101 - 17	FC5-2394-000	360 - 5
FB4-1340-000	108 - 1	FC5-1889-000	620 - 37	FC5-2452-000	100 - 37
FB4-2007-000	311 - 2	FC5-2048-000	320 - 3	FC5-2498-000	910 - 1
FB4-3687-000	550 - 4	FC5-2049-000	320 - 23	FC5-2502-000	106 - 38
FB4-3687-000	570 - 4	FC5-2061-000	320 - 4	FC5-2515-000	107 - 2
FB4-3689-000	810 - 1	FC5-2067-000	330 - 1	FC5-2524-000	311 - 4
FB5-0873-000	315 - 4	FC5-2090-000	360 - 2	FC5-2535-000	311 - 9
FB5-2951-000	104 - 10	FC5-2108-000	320 - 5	FC5-2537-000	311 - 11
FB5-2957-020	104 - 11	FC5-2119-000	360 - 3	FC5-2538-000	311 - 12
FB5-3087-000	D11 - 6	FC5-2133-000	360 - 4	FC5-2540-000	311 - 43
FB5-3481-000	264 - 2	FC5-2141-000	316 - 7	FC5-2541-000	311 - 13

NUMERICAL INDEX

imagePRESS C1/C1+(Numerical Index)

PARTS NUMBER	FIGURE & KEY NO.	PARTS NUMBER	FIGURE & KEY NO.	PARTS NUMBER	FIGURE & KEY NO.
FC5-2542-000	311 - 14	FC5-6232-000	360 - 41	FC6-1164-000	810 - 23
FC5-2544-000	102 - 2	FC5-6232-000	810 - 92	FC6-1165-000	810 - 24
FC5-2545-000	103 - 11	FC5-6234-000	537 - 40	FC6-1171-000	810 - 89
FC5-2547-000	311 - 16	FC5-6234-000	600 - 4	FC6-1177-000	810 - 25
FC5-2548-000	311 - 17	FC5-6243-000	102 - 14	FC6-1183-000	870 - 17
FC5-2549-000	311 - 18	FC5-6247-000	103 - 1	FC6-1194-000	870 - 5
FC5-2551-030	300 - 11	FC5-6254-000	537 - 5	FC6-1201-000	810 - 51
FC5-2558-000	300 - 13	FC5-6260-000	311 - 27	FC6-1210-000	810 - 45
FC5-2559-000	300 - 14	FC5-6366-000	550 - 6	FC6-1224-000	810 - 52
FC5-2560-000	300 - 15	FC5-8829-000	610 - 22	FC6-1233-000	860 - 1
FC5-2564-000	300 - 17	FC5-8837-000	610 - 3	FC6-1247-000	810 - 93
FC5-2566-000	102 - 6	FC5-8838-000	610 - 4	FC6-1249-000	810 - 95
FC5-2567-000	300 - 18	FC5-8839-000	610 - 5	FC6-1251-000	840 - 2
FC5-2568-000	102 - 3	FC5-8840-000	610 - 6	FC6-1254-000	840 - 3
FC5-2573-000	311 - 19	FC5-8870-000	610 - 23	FC6-1260-000	356 - 8
FC5-2582-000	870 - 2	FC5-9761-000	830 - 1	FC6-1260-000	375 - 8
FC5-2592-000	870 - 3	FC5-9766-000	840 - 1	FC6-1292-000	880 - 7
FC5-2597-020	880 - 3	FC5-9775-000	375 - 3	FC6-1294-000	830 - 3
FC5-2640-000	311 - 22	FC5-9776-000	375 - 4	FC6-1295-000	830 - 4
FC5-2641-000	311 - 23	FC5-9777-000	870 - 4	FC6-1300-000	100 - 38
FC5-2642-000	311 - 24	FC5-9778-000	830 - 2	FC6-1301-000	100 - 5
FC5-2644-000	311 - 25	FC5-9792-000	350 - 2	FC6-1302-000	100 - 6
FC5-2662-000	356 - 7	FC5-9792-000	375 - 5	FC6-1304-000	100 - 7
FC5-2666-000	315 - 16	FC5-9795-000	375 - 6	FC6-1305-000	100 - 26
FC5-2668-000	314 - 7	FC6-0241-000	810 - 20	FC6-1306-000	100 - 27
FC5-2687-000	108 - 5	FC6-0255-000	810 - 21	FC6-1309-000	100 - 66
FC5-2703-000	102 - 9	FC6-0308-010	810 - 43	FC6-1312-000	100 - 8
FC5-2710-000	320 - 56	FC6-0309-000	810 - 44	FC6-1313-000	620 - 40
FC5-2710-000	357 - 72	FC6-0333-000	840 - 22	FC6-1316-000	100 - 31
FC5-2710-000	850 - 1	FC6-1025-000	610 - 7	FC6-1349-000	537 - 6
FC5-2712-000	265 - 2	FC6-1032-000	610 - 8	FC6-1350-000	538 - 3
FC5-2715-000	102 - 4	FC6-1033-000	610 - 9	FC6-1351-000	538 - 4
FC5-2719-000	100 - 20	FC6-1035-000	102 - 15	FC6-1362-000	600 - 63
FC5-2723-000	100 - 2	FC6-1035-000	610 - 10	FC6-1378-000	100 - 9
FC5-2724-000	100 - 3	FC6-1042-000	600 - 5	FC6-1379-000	100 - 10
FC5-2725-020	100 - 4	FC6-1043-000	600 - 6	FC6-1431-000	270 - 1
FC5-2726-000	107 - 10	FC6-1044-000	600 - 7	FC6-1436-000	270 - 2
FC5-2760-000	360 - 6	FC6-1051-000	550 - 7	FC6-1441-000	600 - 68
FC5-2760-000	375 - 2	FC6-1052-000	550 - 8	FC6-1441-000	600 - 68
FC5-5078-000	315 - 38	FC6-1056-000	550 - 9	FC6-1459-000	600 - 8
FC5-5081-000	320 - 41	FC6-1057-000	550 - 10	FC6-1466-000	600 - 34
FC5-5082-000	320 - 42	FC6-1058-000	550 - 11	FC6-1469-000	600 - 9
FC5-5083-000	320 - 43	FC6-1059-000	550 - 12	FC6-1487-000	600 - 10
FC5-5109-000	360 - 7	FC6-1060-000	550 - 13	FC6-1489-000	600 - 11
FC5-5149-000	320 - 11	FC6-1061-000	550 - 14	FC6-1492-000	600 - 12
FC5-5150-020	320 - 39	FC6-1079-000	570 - 6	FC6-1493-000	600 - 13
FC5-5158-000	314 - 5	FC6-1081-000	570 - 7	FC6-1495-000	600 - 14
FC5-5159-000	316 - 13	FC6-1083-000	570 - 8	FC6-1497-000	600 - 15
FC5-5160-000	316 - 3	FC6-1097-000	106 - 19	FC6-1498-000	600 - 16
FC5-5161-000	316 - 12	FC6-1104-000	106 - 20	FC6-1522-000	600 - 43
FC5-6211-000	311 - 26	FC6-1109-000	106 - 2	FC6-1524-000	600 - 58
FC5-6229-000	537 - 4	FC6-1163-000	810 - 22	FC6-1529-000	600 - 17

NUMERICAL INDEX

imagePRESS C1/C1+(Numerical Index)

PARTS NUMBER	FIGURE & KEY NO.	PARTS NUMBER	FIGURE & KEY NO.	PARTS NUMBER	FIGURE & KEY NO
FC6-1545-000	537 - 7	FC6-1776-000	355 - 7	FC6-3863-000	311 - 3
FC6-1546-000	538 - 28	FC6-1784-000	621 - 1	FC6-4003-000	D11 - 7
FC6-1547-000	538 - 37	FC6-1785-000	621 - 2	FC6-4598-000	D11 - 8
FC6-1549-000	537 - 8	FC6-1786-000	621 - 3	FC6-4599-000	D11 - 15
FC6-1550-000	537 - 9	FC6-1788-000	621 - 4	FC6-4600-000	D10 - 7
FC6-1553-000	537 - 11	FC6-1789-000	621 - 6	FC6-4866-010	810 - 4
FC6-1560-000	538 - 5	FC6-1790-000	621 - 7	FC6-4881-000	314 - 17
FC6-1576-000	538 - 6	FC6-1791-000	621 - 8	FC6-4881-000	315 - 27
FC6-1577-000	538 - 7	FC6-1792-000	621 - 9	FC6-4899-000	100 - 46
FC6-1578-000	538 - 8	FC6-1794-000	621 - 10	FC6-4906-000	538 - 16
FC6-1579-000	538 - 9	FC6-1798-000	621 - 11	FC6-4907-000	538 - 17
FC6-1580-000	538 - 10	FC6-1799-000	621 - 12	FC6-4910-000	538 - 32
FC6-1587-000	537 - 12	FC6-1801-000	620 - 1	FC6-4911-000	538 - 42
FC6-1590-000	537 - 13	FC6-1817-000	620 - 2	FC6-4921-000	537 - 22
FC6-1591-000	537 - 14	FC6-1822-000	620 - 3	FC6-4922-000	537 - 23
FC6-1592-000	537 - 15	FC6-1823-000	620 - 4	FC6-4929-000	320 - 16
FC6-1593-000	537 - 16	FC6-1831-000	620 - 29	FC6-4930-000	101 - 23
FC6-1605-000	538 - 29	FC6-1832-000	620 - 5	FC6-4934-000	320 - 17
FC6-1606-000	538 - 30	FC6-1840-000	620 - 38	FC6-4937-000	530 - 27
FC6-1607-000	538 - 39	FC6-1843-000	620 - 6	FC6-4938-000	530 - 28
FC6-1618-000	538 - 11	FC6-1845-000	620 - 7	FC6-4940-000	537 - 24
FC6-1621-000	538 - 12	FC6-1846-000	620 - 8	FC6-4941-000	130 - 21
FC6-1622-000	538 - 13	FC6-1847-000	620 - 30	FC6-4950-000	130 - 2
FC6-1623-000	538 - 14	FC6-1864-000	621 - 13	FC6-4951-000	130 - 3
FC6-1625-000	537 - 17	FC6-1868-000	620 - 31	FC6-4952-000	130 - 4
FC6-1626-000	537 - 18	FC6-1869-000	620 - 32	FC6-4954-000	130 - 5
FC6-1628-000	537 - 19	FC6-1900-000	105 - 1	FC6-4955-000	130 - 6
FC6-1629-000	537 - 20	FC6-1901-000	105 - 2	FC6-4957-000	130 - 20
FC6-1630-000	537 - 21	FC6-1904-000	105 - 3	FC6-4958-000	100 - 47
FC6-1633-000	538 - 15	FC6-1912-000	314 - 3	FC6-4959-000	100 - 48
FC6-1644-000	530 - 21	FC6-1913-000	314 - 12	FC6-4960-000	100 - 49
FC6-1645-000	530 - 22	FC6-1917-000	100 - 21	FC6-4961-000	100 - 50
FC6-1647-000	530 - 23	FC6-1923-000	102 - 5	FC6-5117-000	D11 - 19
FC6-1648-000	330 - 2	FC6-1936-000	355 - 8	FC6-5118-000	D11 - 20
FC6-1654-000	330 - 3	FC6-1946-000	355 - 9	FC6-5133-000	D10 - 8
FC6-1655-000	330 - 4	FC6-1949-000	355 - 10	FC6-5134-000	D10 - 9
FC6-1660-000	530 - 25	FC6-1955-000	355 - 11	FC6-5135-000	D10 - 10
FC6-1664-000	530 - 1	FC6-1956-000	355 - 12	FC6-5142-000	D10 - 11
FC6-1666-000	530 - 2	FC6-1965-000	356 - 9	FC6-5143-000	D10 - 12
FC6-1668-000	530 - 4	FC6-1966-000	356 - 10	FC6-5144-000	D10 - 13
FC6-1669-000	530 - 5	FC6-1968-000	356 - 11	FC6-5156-000	D11 - 9
FC6-1670-000	530 - 6	FC6-1969-000	356 - 12	FC6-5159-000	D10 - 14
FC6-1692-000	320 - 12	FC6-1970-000	356 - 13	FC6-5160-000	D10 - 15
FC6-1695-000	290 - 1	FC6-1975-000	320 - 15	FC6-5614-000	100 - 51
FC6-1708-000	530 - 26	FC6-1980-000	375 - 30	FC6-5716-000	100 - 52
FC6-1723-000	360 - 8	FC6-1990-000	320 - 34	FC6-5731-000	100 - 35
FC6-1725-000	360 - 14	FC6-2006-000	530 -	FC6-6824-000	100 - 53
FC6-1731-000	360 - 9	FC6-2008-000	530 -	FC6-6824-000	130 - 7
FC6-1733-000	360 - 15	FC6-2021-000	271 - 3	FC6-6859-000	530 - 7
FC6-1736-000	360 - 42	FC6-3002-000	357 - 63	FC6-6864-000	530 - 29
FC6-1740-000	320 - 13	FC6-3140-000	610 - 11	FC6-6865-000	620 - 9
FC6-1747-000	320 - 14	FC6-3482-000	193 - 2	FC6-6866-000	620 - 10

NUMERICAL INDEX

imagePRESS C1/C1+(Numerical Index)

PARTS NUMBER	FIGURE & KEY NO.	PARTS NUMBER	FIGURE & KEY NO.	PARTS NUMBER	FIGURE & KEY NO.
FC6-6867-000	620 - 11	FC7-0851-000	620 - 15	FC7-1177-000	357 - 6
FC6-6868-000	620 - 12	FC7-0852-000	621 - 14	FC7-1179-000	357 - 7
FC6-6874-000	537 - 25	FC7-0855-000	620 - 33	FC7-1191-000	357 - 11
FC6-6875-000	537 - 26	FC7-0857-000	621 - 15	FC7-1198-000	357 - 26
FC6-6877-000	537 - 27	FC7-0858-000	621 - 16	FC7-1204-000	357 - 8
FC6-6878-000	537 - 28	FC7-0863-000	530 - 30	FC7-1205-000	357 - 9
FC6-6884-000	537 - 30	FC7-0870-000	538 - 38	FC7-1209-000	357 - 22
FC6-6889-000	538 - 18	FC7-0871-000	530 - 24	FC7-1223-000	357 - 12
FC6-6890-000	538 - 19	FC7-0876-000	350 - 5	FC7-1227-000	357 - 34
FC6-6891-000	538 - 20	FC7-0877-000	350 - 6	FC7-1228-000	357 - 1
FC6-6892-000	103 - 13	FC7-0882-000	530 - 8	FC7-1229-000	357 - 59
FC6-8422-010	810 - 7	FC7-0886-000	840 -	FC7-1232-000	357 - 32
FC6-8516-000	810 - 8	FC7-0892-000	100 - 22	FC7-1240-000	357 - 62
FC6-9740-000	600 - 18	FC7-0904-000	810 - 12	FC7-1842-000	840 - 21
FC6-9741-000	103 - 8	FC7-0906-000	100 - 12	FC7-2025-000	300 - 29
FC6-9742-000	600 - 19	FC7-0913-000	100 - 54	FC7-2494-000	311 - 21
FC6-9744-000	103 - 14	FC7-0914-000	530 - 32	FC7-3068-000	100 - 45
FC6-9744-000	600 - 64	FC7-0916-000	550 - 19	FC7-3084-000	100 - 64
FC6-9745-000	600 - 20	FC7-0920-000	104 - 9	FC7-3085-000	100 - 63
FC6-9752-000	620 - 13	FC7-0928-000	537 - 31	FC7-4907-000	880 - 4
FC6-9753-000	620 - 14	FC7-0929-000	538 - 21	FC7-4908-000	880 - 5
FC6-9754-000	101 - 24	FC7-0931-000	538 - 22	FC7-4909-000	880 - 6
FC6-9781-000	355 - 13	FC7-0932-000	870 - 7	FC7-5009-000	315 - 39
FC6-9782-000	355 - 14	FC7-0936-000	810 - 53	FC7-5010-000	360 - 40
FC6-9783-000	355 - 15	FC7-0939-000	100 - 55	FC7-5022-000	101 - 22
FC6-9787-000	375 - 10	FC7-0940-000	100 - 56	FC7-5038-000	357 - 64
FC6-9789-000	375 - 11	FC7-0941-000	100 - 57	FC7-5042-000	810 - 58
FC6-9791-000	350 - 3	FC7-0947-000	100 - 39	FC7-5043-000	106 - 36
FC6-9817-000	191 - 2	FC7-0958-000	106 - 4	FC7-5044-000	130 - 1
FC6-9829-000	192 - 1	FC7-0959-000	375 - 12	FC7-5166-000	314 - 10
FC6-9832-000	192 - 2	FC7-0964-000	355 - 18	FC7-5167-000	315 - 30
FC7-0129-000	355 - 16	FC7-0964-000	360 - 16	FC7-5169-000	300 - 33
FC7-0130-000	355 - 17	FC7-0968-000	300 - 12	FC7-5756-000	108 - 8
FC7-0135-000	320 - 18	FC7-0982-000	810 - 13	FC7-5758-000	810 - 90
FC7-0154-000	311 - 5	FC7-0993-000	130 - 1	FC7-5760-000	810 - 91
FC7-0155-000	311 - 6	FC7-0994-000	130 - 1	FC7-5772-000	357 - 65
FC7-0166-000	810 - 46	FC7-1127-000	357 - 10	FC7-5781-000	D10 - 29
FC7-0167-000	810 - 9	FC7-1138-000	357 - 71	FC7-7036-000	375 - 26
FC7-0169-000	810 - 10	FC7-1139-000	357 - 29	FC7-7167-000	357 - 69
FC7-0173-000	870 - 6	FC7-1141-000	357 - 16	FC7-7168-000	357 - 70
FC7-0174-000	840 -	FC7-1143-000	357 - 17	FC7-7173-000	100 - 40
FC7-0175-000	810 - 11	FC7-1145-000	357 - 18	FC7-7183-000	357 - 2
FC7-0177-000	830 - 5	FC7-1146-000	357 - 19	FC7-7190-000	375 - 27
FC7-0183-000	100 - 32	FC7-1147-000	357 - 33	FC7-7191-000	375 - 29
FC7-0189-000	100 - 33	FC7-1154-000	357 - 48	FC7-7201-000	193 - 1
FC7-0223-000	100 - 61	FC7-1155-000	357 - 49	FC7-7207-000	100 - 19
FC7-0821-000	850 - 13	FC7-1168-000	104 - 18	FC7-7207-000	314 - 11
FC7-0822-000	550 - 15	FC7-1169-000	104 - 19	FC7-7207-000	315 - 5
FC7-0823-000	550 - 16	FC7-1170-000	357 - 3	FC7-7208-000	356 - 2
FC7-0824-000	550 - 17	FC7-1171-000	357 - 4	FC7-7208-000	360 - 1
FC7-0825-000	550 - 18	FC7-1173-000	357 - 57	FC7-7209-000	314 - 16
FC7-0834-000	600 - 67	FC7-1174-000	357 - 5	FC7-7209-000	315 - 24

NUMERICAL INDEX imagePRESS C1/C1+(Numerical Index)

PARTS NUMBER	FIGURE & KEY NO.	PARTS NUMBER	FIGURE & KEY NO.	PARTS NUMBER	FIGURE & KEY NO
FC8-1206-000	300 - 41	FH7-4725-000	106 - 22	FK2-0529-000	982 - T2
FC8-6454-000	100 - 11	FH7-4740-000	305 - 1	FK2-0530-000	984 - T101
FC8-6455-000	810 - 88	FH7-7600-010	316 - 11	FK2-0531-000	930 - IC270
FC8-6456-000	375 - 9	FK2-0009-000	192 - 3	FK2-0537-000	106 - 5
FC8-6457-000	106 - 42	FK2-0016-000	106 - 6	FK2-0538-000	330 - 5
FC8-6465-000	106 - 43	FK2-0033-000	270 - 3	FK2-0539-000	810 - 48
FC8-6466-000	270 - 22	FK2-0082-000	140 - 19	FK2-0541-000	141 - 1
FC8-7812-000	311 - 10	FK2-0100-000	600 - 57	FK2-0547-000	106 - 22
FC8-7813-000	311 - 15	FK2-0103-000	104 - 1	FK2-0561-000	870 - 8
FC8-8768-000	620 - 61	FK2-0103-000	193 - 3	FK2-0562-000	840 - 4
FC8-8796-000	326 - 3	FK2-0103-000	910 - 2	FK2-0564-000	271 - 4
FC8-8797-000	326 - 4	FK2-0104-000	930 - IC28	FK2-0566-000	270 - 4
FC8-8801-000	326 - 5	FK2-0115-000	315 - 18	FK2-0567-000	810 - 16
FC8-8802-000	326 - 6	FK2-0116-000	311 - 44	FK2-0568-000	860 - 4
FC8-8807-000	326 - 7	FK2-0124-000	103 - 7	FK2-0573-000	290 - 2
FC8-8814-000	106 - 3	FK2-0124-000	104 - 7	FK2-0574-000	535 - 1
FC8-8815-000	191 - 1	FK2-0124-000	105 - 7	FK2-0575-000	535 - 2
FC8-8816-000	190 - 1	FK2-0124-000	107 - 8	FK2-0576-000	850 - 2
FC8-8817-000	103 - 4	FK2-0124-000	320 - 29	FK2-0577-000	860 - 3
FC8-8818-000	107 - 9	FK2-0127-000	860 - 2	FK2-0578-000	290 - 3
FC8-8822-000	537 - 3	FK2-0134-000	930 - IC36	FK2-0579-000	860 - 5
FC8-8823-000	537 - 29	FK2-0134-000	D90 - IC1	FK2-0581-000	357 - 41
FC8-8825-000	860 - 10	FK2-0146-000	140 - 4	FK2-0582-000	357 - 40
FC8-8826-000	100 - 60	FK2-0148-000	140 - 5	FK2-0584-000	810 - 28
FC9-4290-000	311 - 40	FK2-0149-000	101 - 14	FK2-0589-000	325 - 5
FF2-2891-000	610 - 12	FK2-0149-000	105 - 5	FK2-0590-000	621 - 17
FF5-3172-000	106 - 29	FK2-0149-000	106 - 21	FK2-0591-000	106 - 34
FG3-3171-000	900 - 1	FK2-0149-000	107 - 1	FK2-0608-000	810 - 26
FG5-5794-000	106 - 10	FK2-0149-000	311 - 28	FK2-0609-000	810 - 74
FH3-0688-010	900 - L2	FK2-0149-000	314 - 15	FK2-0610-000	840 - 5
FH3-0725-000	931 - L1	FK2-0149-000	315 - 17	FK2-0611-000	840 - 6
FH3-0967-000	980 - T1	FK2-0149-000	316 - 10	FK2-0612-000	870 - 10
FH3-0967-000	980 - T200	FK2-0149-000	325 - 4	FK2-0613-000	870 - 11
FH3-0967-000	982 - T1	FK2-0149-000	326 - 8	FK2-0621-000	610 - 13
FH3-0967-000	984 - T201	FK2-0149-000	356 - 14	FK2-0622-000	981 - 1
FH3-0967-000	985 - T1	FK2-0149-000	357 - 13	FK2-0623-000	981 - 2
FH3-0967-000	986 - T1	FK2-0149-000	360 - 38	FK2-0636-000	357 - 66
FH3-0967-000	987 - T1	FK2-0149-000	530 - 10	FK2-0755-000	900 - 17
FH4-6204-000	961 - IC8	FK2-0149-000	538 - 23	FK2-0835-000	320 - 35
FH4-6204-000	963 - IC2	FK2-0149-000	550 - 20	FK2-0912-000	900 - IC2
FH4-6214-000	900 - IC1	FK2-0149-000	600 - 49	FK2-0970-000	930 - IC262
FH4-6235-000	900 - IC1	FK2-0149-000	620 - 16	FK2-1180-000	D11 - 11
FH4-6237-000	900 - IC1	FK2-0149-000	810 - 14	FK2-1182-000	D11 - 12
FH4-6239-000	900 - IC1	FK2-0149-000	860 - 3	FK2-1187-000	D11 - 13
FH4-6243-000	932 - IC1	FK2-0149-000	D11 - 10	FK2-1636-000	130 - 8
FH4-6247-000	900 - IC2	FK2-0157-000	100 - 25	FK2-1645-000	130 - 9
FH4-6248-000	900 - IC2	FK2-0161-000	537 - 44	FK2-1646-000	130 - 10
FH4-6260-000	900 - IC7	FK2-0238-000	D10 - 16	FK2-1773-000	930 - IC15
FH4-6274-000	900 - IC1	FK2-0248-000	D91 - IC6	FK2-1773-000	962 - IC14
FH4-6276-000	900 - IC35	FK2-0349-000	D90 - IC2	FK2-2529-000	900 - 6
FH4-6300-000	932 - IC2	FK2-0527-000	983 - T1	FK2-2660-000	141 - 2
FH4-6302-000	932 - IC3	FK2-0528-000	983 - T2	FK2-2661-000	141 - 2

NUMERICAL INDEX

imagePRESS C1/C1+(Numerical Index)

PARTS NUMBER	FIGURE & KEY NO.	PARTS NUMBER	FIGURE & KEY NO.	PARTS NUMBER	FIGURE & KEY NO.
FK2-2664-000	271 - 5	FL2-2568-000	537 - 33	FL2-2760-000	810 - 98
FK2-2665-000	106 - 23	FL2-2569-000	537 - 34	FL2-2788-010	840 - 8
FK2-2666-000	600 - 21	FL2-2570-000	537 - 35	FL2-2796-000	320 - 22
FK2-2674-000	810 - 15	FL2-2571-000	537 - 36	FL2-2822-000	325 - 7
FK2-2675-000	870 - 8	FL2-2572-000	538 - 24	FL2-2823-000	325 - 8
FK2-2676-000	840 - 4	FL2-2573-000	538 - 25	FL2-2824-000	325 - 9
FK2-2677-000	810 - 15	FL2-2577-000	538 - 26	FL2-2825-000	325 - 10
FK2-2678-000	870 - 8	FL2-2580-000	537 - 38	FL2-2839-000	360 - 10
FK2-2679-000	840 - 4	FL2-2584-000	537 - 37	FL2-2846-000	101 - 15
FK2-2680-000	810 - 15	FL2-2585-000	290 - 8	FL2-2853-000	106 - 35
FK2-2681-000	360 - 27	FL2-2586-000	271 - 12	FL2-2854-000	103 - 5
FK2-2902-000	932 - IC4	FL2-2601-000	538 - 31	FL2-2855-000	101 - 4
FK2-2987-000	140 - 17	FL2-2602-000	538 - 40	FL2-2857-000	100 - 13
FK2-3683-000	140 - 1	FL2-2603-000	538 - 41	FL2-2925-000	315 - 11
FK2-3684-000	140 - 1	FL2-2612-000	610 - 24	FL2-2930-000	271 - 7
FK2-3737-000	900 - 2	FL2-2615-000	130 - 11	FL2-3153-000	D11 - 16
FK2-4190-000	001 - 1	FL2-2616-000	130 - 12	FL2-3421-000	D10 - 17
FK2-4191-000	001 - 1	FL2-2620-000	265 - 3	FL2-3424-000	D11 - 5
FK2-4192-000	001 - 1	FL2-2623-000	261 - 3	FL2-4801-000	357 - 14
FK2-4236-000	001 - 1	FL2-2624-000	103 - 9	FL2-4810-000	357 - 23
FK2-4237-000	001 - 1	FL2-2632-000	360 - 28	FL2-5174-000	530 - 12
FK2-4238-000	001 - 1	FL2-2649-000	840 - 11	FL2-5175-000	537 - 39
FK2-4239-000	001 - 1	FL2-2675-010	600 - 62	FL2-5396-000	350 - 7
FK2-4241-000	001 - 1	FL2-2678-000	600 - 22	FL2-5398-000	100 - 14
FK2-4242-000	001 - 1	FL2-2679-000	600 - 23	FL2-5399-000	100 - 15
FK2-4243-000	001 - 1	FL2-2680-000	600 - 24	FL2-5400-000	100 - 16
FK2-4244-000	001 - 1	FL2-2681-000	600 - 25	FL2-5401-000	100 - 17
FK2-7408-000	130 - 10	FL2-2682-000	600 - 26	FL2-5402-000	320 - 10
FL2-0390-000	104 - 3	FL2-2686-000	600 - 69	FL2-5410-000	355 - 19
FL2-0431-000	600 - 1	FL2-2687-000	600 - 27	FL2-5411-000	264 - 3
FL2-0439-000	104 - 4	FL2-2689-000	600 - 28	FL2-5417-000	530 - 13
FL2-0462-020	550 - 21	FL2-2690-000	600 - 29	FL2-5418-000	530 - 14
FL2-0462-020	570 - 9	FL2-2691-000	600 - 35	FL2-5425-000	300 - 10
FL2-0493-000	315 - 20	FL2-2693-000	600 - 38	FL2-5426-000	350 - 8
FL2-0560-010	300 - 19	FL2-2703-000	530 - 11	FL2-5435-000	190 - 2
FL2-0563-000	300 - 21	FL2-2704-000	610 - 14	FL2-5436-000	191 - 3
FL2-0565-000	300 - 36	FL2-2707-010	610 - 15	FL2-5437-000	191 - 4
FL2-0578-000	325 - 6	FL2-2708-010	610 - 16	FL2-5445-000	550 - 24
FL2-0578-000	326 - 9	FL2-2709-000	610 - 17	FL2-5451-000	106 - 30
FL2-0579-000	314 - 13	FL2-2711-000	610 - 29	FL2-5453-000	840 - 10
FL2-0599-000	320 - 19	FL2-2713-000	610 - 25	FL2-5454-000	610 - 18
FL2-0600-000	320 - 20	FL2-2714-000	610 - 26	FL2-5456-010	100 - 59
FL2-0631-000	D11 - 14	FL2-2720-000	550 - 23	FL2-5483-000	600 - 30
FL2-0647-000	D31 - 3	FL2-2720-000	570 - 11	FL2-5484-000	600 - 31
FL2-0982-000	140 - 2	FL2-2721-000	570 - 12	FL2-5485-000	600 - 32
FL2-0983-000	140 - 3	FL2-2732-000	620 - 17	FL2-5486-000	600 - 33
FL2-0991-000	550 - 22	FL2-2733-000	620 - 18	FL2-5487-000	537 - 10
FL2-0991-000	570 - 10	FL2-2737-000	620 - 19	FL2-5488-000	610 - 19
FL2-1175-000	320 - 21	FL2-2738-000	620 - 60	FL2-6048-000	810 - 18
FL2-1185-000	320 - 33	FL2-2740-000	621 - 18	FL2-6529-000	350 - 4
FL2-1198-000	537 - 32	FL2-2741-000	621 - 19	FL2-6530-000	840 - 7
FL2-1401-000	311 - 20	FL2-2743-000	270 - 21	FL2-6534-000	375 - 23

NUMERICAL INDEX

imagePRESS C1/C1+(Numerical Index)

PARTS NUMBER	FIGURE & KEY NO.	PARTS NUMBER	FIGURE & KEY NO.	PARTS NUMBER	FIGURE & KEY NO.
FL2-6550-000	311 - 7	FM2-2516-000	350 -	FM2-2716-000	320 - 30
FL2-6942-000	530 - 9	FM2-2517-000	283 -	FM2-2718-000	320 - 31
FL2-6943-000	100 - 44	FM2-2518-000	355 -	FM2-2719-000	320 - 32
FL3-0867-000	600 - 65	FM2-2519-000	356 -	FM2-2725-000	320 - 38
FL3-0868-000	600 - 66	FM2-2527-000	270 -	FM2-2726-000	356 - 16
FL3-0870-000	620 - 6	FM2-2528-010	600 -	FM2-2730-000	775 -
FL3-0888-000	100 - 59	FM2-2541-000	621 -	FM2-3920-000	D10 - 19
FL3-0893-000	810 - 3	FM2-2550-000	271 -	FM2-3921-000	D10 - 20
FL3-1063-000	130 - 12	FM2-2557-000	360 -	FM2-3922-000	D30 -
FL3-2254-000	311 - 8	FM2-2597-000	104 - 8	FM2-3927-000	D30 - 2
FM2-0469-000	316 -	FM2-2598-000	104 - 8	FM2-3929-000	D11 - 23
FM2-0486-000	356 - 15	FM2-2613-000	140 -	FM2-3930-000	D11 - 24
FM2-0849-000	102 - 8	FM2-2614-000	140 -	FM2-3931-000	D11 - 25
FM2-0850-000	325 - 11	FM2-2615-000	610 - 46	FM2-3932-000	D90 -
FM2-0850-000	326 - 10	FM2-2619-000	620 - 27	FM2-3936-000	D31 -
FM2-0851-000	325 - 12	FM2-2620-000	810 - 72	FM2-4660-000	D11 - 17
FM2-0851-000	326 - 11	FM2-2621-000	320 - 73	FM2-4662-000	D91 -
FM2-0893-000	140 - 16	FM2-2622-000	320 - 24	FM2-5439-000	130 - 15
FM2-0922-000	140 - 6	FM2-2623-000	320 - 26	FM2-5440-000	130 - 16
FM2-0938-000	106 - 11	FM2-2627-000	106 - 7	FM2-5441-000	130 - 17
FM2-0952-000	101 - 7	FM2-2629-000	104 - 8	FM2-5461-000	130 - 18
FM2-0956-000	101 - 9	FM2-2633-000	106 - 39	FM2-5462-000	130 - 19
FM2-0963-000	311 - 45	FM2-2639-000	910 -	FM2-5463-000	130 - 14
FM2-0992-000	107 - 3	FM2-2640-000	910 -	FM2-5898-000	900 - 10
FM2-0999-000	102 - 12	FM2-2641-000	106 - 26	FM2-5919-000	900 - 8
FM2-1106-000	D10 - 18	FM2-2642-000	104 - 15	FM2-6040-000	900 - 9
FM2-1207-000	105 - 4	FM2-2644-000	375 - 14	FM2-6049-010	106 - 27
FM2-2450-010	538 -	FM2-2647-010	300 -	FM2-6066-010	104 - 14
FM2-2453-000	620 - 20	FM2-2649-000	283 - 7	FM2-6300-000	106 - 28
FM2-2455-000	538 - 27	FM2-2650-000	600 - 44	FM2-6451-000	357 - 27
FM2-2456-000	538 - 36	FM2-2651-000	600 - 45	FM2-6455-000	357 -
FM2-2457-010	537 -	FM2-2654-000	600 - 48	FM2-7188-000	982 -
FM2-2458-010	537 -	FM2-2662-000	103 - 15	FM2-7189-000	980 - 1
FM2-2469-000	101 - 16	FM2-2663-000	103 - 12	FM2-7190-010	983 -
FM2-2473-000	830 -	FM2-2667-000	537 - 43	FM2-7191-000	984 -
FM2-2475-000	840 -	FM2-2671-000	537 - 46	FM2-7192-000	985 -
FM2-2476-020	860 -	FM2-2672-000	537 - 46	FM2-7193-000	980 - 2
FM2-2478-010	850 -	FM2-2680-000	610 - 27	FM2-7194-000	987 -
FM2-2480-000	840 -	FM2-2683-000	101 - 37	FM2-7196-000	530 - 15
FM2-2481-000	840 -	FM2-2687-000	620 - 28	FM2-7196-000	537 - 47
FM2-2485-010	530 -	FM2-2691-000	620 - 41	FM2-7197-000	981 - 3
FM2-2487-000	330 -	FM2-2692-000	620 - 21	FM2-7198-000	980 - 3
FM2-2491-020	610 -	FM2-2693-000	620 - 22	FM2-7199-000	106 - 15
FM2-2493-010	610 - 20	FM2-2694-000	620 - 23	FM2-7200-000	106 - 15
FM2-2494-000	610 - 31	FM2-2695-000	106 - 17	FM2-7202-010	986 -
FM2-2495-000	570 -	FM2-2697-000	535 - 3	FM2-7210-000	810 - 55
FM2-2496-000	550 -	FM2-2700-000	810 - 75	FM2-7217-000	810 - 96
FM2-2499-000	535 -	FM2-2701-000	880 -	FM2-7218-000	810 - 49
FM2-2503-000	314 -	FM2-2702-000	810 - 27	FM2-7219-000	810 - 56
FM2-2506-000	265 -	FM2-2706-000	870 - 9	FM2-7221-000	600 - 56
FM2-2507-000	100 - 18	FM2-2713-000	320 - 27	FM2-7222-000	600 - 46
FM2-2515-000	375 -	FM2-2714-000	320 - 28	FM2-7223-000	600 - 51

NUMERICAL INDEX

imagePRESS C1/C1+(Numerical Index)

PARTS NUMBER	FIGURE & KEY NO.	PARTS NUMBER	FIGURE & KEY NO.	PARTS NUMBER	FIGURE & KEY NO
FM2-7228-000	535 - 5	FM2-7303-000	106 - 16	FM2-8068-000	311 -
FM2-7229-000	537 - 48	FM2-7304-000	104 - 16	FM2-8070-010	530 - 20
FM2-7233-000	101 - 31	FM2-7308-000	141 - 3	FM2-8075-000	900 - 15
FM2-7234-000	620 - 26	FM2-7311-000	141 - 4	FM2-8076-000	375 - 13
FM2-7235-000	620 - 24	FM2-7312-000	141 - 6	FM2-8148-000	930 - 2
FM2-7236-000	621 - 20	FM2-7318-000	357 - 37	FM2-8149-000	930 - 2
FM2-7240-000	530 - 16	FM2-7320-000	357 - 52	FM2-8150-000	930 - 2
FM2-7242-000	356 - 17	FM2-7321-000	810 - 59	FM2-8153-000	357 - 24
FM2-7250-000	140 - 9	FM2-7322-000	870 - 12	FM2-8158-000	140 - 12
FM2-7253-000	981 - 4	FM2-7326-000	621 - 23	FM2-8159-000	600 - 60
FM2-7254-000	981 - 5	FM2-7331-000	620 - 34	FM2-8161-000	930 - 1
FM2-7255-000	981 - 6	FM2-7336-000	101 - 31	FM2-8163-000	537 - 51
FM2-7256-000	106 - 41	FM2-7349-010	932 -	FM2-8164-000	193 - 5
FM2-7257-000	101 - 27	FM2-7352-000	900 - 12	FM2-8165-000	357 - 67
FM2-7258-000	101 - 36	FM2-7353-000	900 - 13	FM2-8257-000	900 - 7
FM2-7259-000	537 - 49	FM2-7354-000	900 - 14	FM2-8258-000	900 - 5
FM2-7260-000	106 - 8	FM2-7362-000	900 - 11	FM2-9253-010	900 - 10
FM2-7261-000	101 - 28	FM2-7377-000	900 - 13	FM2-9318-000	D10 - 26
FM2-7262-000	101 - 1	FM2-7378-000	900 - 14	FM2-9319-000	D10 - 2
FM2-7262-000	101 - 13	FM2-7726-000	107 - 6	FM2-9320-000	D10 - 3
FM2-7263-000	537 - 50	FM2-7728-010	961 - 1	FM2-9322-000	D10 - 6
FM2-7264-000	981 - 7	FM2-7729-010	963 - 1	FM3-0045-000	375 - 7
FM2-7265-000	101 - 29	FM2-7730-000	104 - 13	FM3-0059-010	810 -
FM2-7266-000	981 - 8	FM2-7731-000	104 - 13	FM3-0060-010	810 -
FM2-7267-000	101 - 30	FM2-7732-010	931 - 1	FM3-0061-010	810 -
FM2-7268-000	600 - 52	FM2-7733-000	962 -	FM3-1180-000	315 -
FM2-7269-000	538 - 47	FM2-7735-000	140 - 15	FM3-1198-000	810 - 17
FM2-7270-000	140 - 10	FM2-7736-000	140 - 15	FM3-1210-000	290 -
FM2-7272-000	105 - 9	FM2-7737-000	140 - 7	FM3-1211-000	640 -
FM2-7273-000	106 - 31	FM2-7739-000	910 - 3	FM3-1212-000	640 -
FM2-7275-000	106 - 24	FM2-7740-000	357 - 50	FM3-1213-000	640 -
FM2-7277-000	140 - 11	FM2-7741-000	620 - 24	FM3-1214-000	640 -
FM2-7279-000	140 - 12	FM2-7742-000	620 - 26	FM3-1217-000	840 - 11
FM2-7280-000	140 - 13	FM2-7743-000	140 - 8	FM3-1218-000	860 - 7
FM2-7281-000	140 - 14	FM2-7744-000	140 - 8	FM3-1521-000	D10 - 21
FM2-7284-000	106 - 9	FM2-7977-000	102 - 16	FM3-3349-000	900 - 3
FM2-7285-000	101 - 25	FM2-7978-000	810 - 60	FM3-5206-000	130 -
FM2-7286-000	537 - 51	FM2-7979-000	107 - 5	FM3-5207-000	130 -
FM2-7287-000	810 - 57	FM2-7981-000	106 - 17	FM3-5208-000	130 -
FM2-7288-000	810 - 32	FM2-7983-000	810 - 94	FM3-8348-000	600 -
FM2-7289-000	106 - 14	FM2-7984-010	360 - 26	FM3-8349-000	620 - 62
FM2-7290-000	104 - 6	FM2-8007-000	106 - 33	FM3-8353-000	326 -
FM2-7291-000	103 - 10	FM2-8017-000	264 -	FM3-8357-000	930 - 1
FM2-7292-000	980 - 4	FM2-8018-000	261 -	FM3-8360-000	640 -
FM2-7293-000	980 - 5	FM2-8019-000	140 -	FM4-3305-000	140 -
FM2-7294-000	980 - 6	FM2-8023-000	191 -	FM4-3308-000	104 - 8
FM2-7295-000	980 - 7	FM2-8042-000	100 - 28	FS1-1508-000	283 - 8
FM2-7296-000	980 - 8	FM2-8045-000	100 - 36	FS1-1508-000	320 - 51
FM2-7297-000	530 - 18	FM2-8047-000	105 - 11	FS1-1508-000	360 - 17
FM2-7298-000	980 - 9	FM2-8055-000	320 - 50	FS1-1509-000	357 - 68
FM2-7299-000	530 - 19	FM2-8063-000	355 - 20	FS1-1569-000	311 - 29
FM2-7300-000	900 - 3	FM2-8064-000	355 - 23	FS1-1569-000	315 - 22

NUMERICAL INDEX

imagePRESS C1/C1+(Numerical Index)

PARTS NUMBER	FIGURE & KEY NO.	PARTS NUMBER	FIGURE & KEY NO.	PARTS NUMBER	FIGURE & KEY NO.
FS1-1569-000	355 - 24	FS5-9215-000	D10 - 27	FU5-0265-000	283 - 13
FS1-1569-000	880 - 8	FS5-9216-020	101 - 12	FU5-0266-000	261 - 2
FS1-9003-020	330 - 6	FS5-9594-000	356 - 26	FU5-0268-000	550 - 26
FS1-9009-020	550 - 25	FS5-9594-000	357 - 26	FU5-0268-000	570 - 13
FS1-9009-020	600 - 55	FS5-9772-020	D11 - 27	FU5-1046-000	355 - 29
FS1-9010-020	610 - 35	FS6-0042-000	320 - 58	FU5-1382-000	270 - 6
FS1-9076-020	810 - 83	FS6-0065-020	261 - 4	FU5-1383-000	600 - 40
FS1-9078-000	810 - 70	FS6-0125-000	610 - 36	FU5-1384-000	320 - 63
FS1-9167-000	320 - 52	FS6-0557-000	360 - 29	FU5-1385-000	620 - 43
FS1-9169-000	320 - 53	FS6-1058-000	315 - 26	FU5-1387-000	620 - 44
FS2-1256-000	830 - 6	FS6-2826-000	100 - 24	FU5-1389-000	620 - 45
FS2-9267-020	810 - 61	FS6-8116-000	300 - 16	FU5-1390-000	621 - 24
FS3-0942-000	283 - 9	FS6-8400-000	107 - 7	FU5-2121-000	610 - 30
FS5-0677-000	320 - 54	FS7-0641-000	102 - 10	FU5-2126-000	300 - 25
FS5-0688-000	283 - 10	FS7-0652-000	102 - 11	FU5-2127-000	300 - 26
FS5-0742-000	538 - 49	FS7-0652-000	264 - 5	FU5-2135-000	375 - 17
FS5-0748-000	265 - 4	FS7-0652-000	265 - 6	FU5-2138-000	375 - 18
FS5-1142-000	355 - 25	FS7-0885-000	535 - 6	FU5-2139-040	355 - 30
FS5-1209-000	315 - 23	FS7-2326-000	314 - 8	FU5-2140-000	355 - 31
FS5-1220-000	101 - 18	FU3-0293-000	300 - 22	FU5-2141-000	357 - 35
FS5-1372-000	538 - 33	FU3-0296-000	315 - 32	FU5-2146-000	320 - 36
FS5-1377-000	620 - 42	FU3-0297-000	315 - 33	FU5-2148-000	104 - 12
FS5-1474-000	320 - 55	FU3-0298-000	315 - 34	FU5-2149-000	360 - 30
FS5-1595-000	100 - 23	FU5-0157-000	315 - 35	FU5-2160-000	355 - 32
FS5-1597-000	315 - 25	FU5-0158-000	315 - 36	FU5-2162-000	311 - 37
FS5-2586-000	830 - 8	FU5-0160-000	325 - 16	FU5-2163-000	311 - 38
FS5-2906-000	325 - 13	FU5-0160-000	326 - 13	FU5-2166-000	356 - 23
FS5-2921-000	356 - 18	FU5-0161-000	264 - 6	FU5-2170-000	270 - 7
FS5-2925-000	264 - 4	FU5-0172-000	538 - 50	FU5-2172-000	104 - 17
FS5-2957-000	283 - 11	FU5-0175-000	535 - 7	FU5-2174-000	320 - 65
FS5-2958-000	101 - 10	FU5-0183-000	311 - 30	FU5-2179-000	314 - 9
FS5-3805-000	265 - 5	FU5-0184-000	311 - 31	FU5-2180-000	300 - 20
FS5-6322-000	325 - 14	FU5-0185-000	311 - 32	FU5-2284-000	D11 - 28
FS5-6487-000	271 - 8	FU5-0186-000	311 - 33	FU5-2599-000	300 - 27
FS5-6487-000	325 - 15	FU5-0187-000	311 - 34	FU5-2600-000	300 - 28
FS5-6487-000	326 - 12	FU5-0188-000	311 - 35	FU5-2824-000	610 - 28
FS5-6487-000	356 - 19	FU5-0189-000	300 - 23	FU5-2850-000	830 - 9
FS5-6487-000	537 - 52	FU5-0190-000	300 - 24	FU5-2861-000	860 - 6
FS5-6487-000	810 - 77	FU5-0191-000	355 - 27	FU5-2867-000	810 - 33
FS5-6487-000	840 - 12	FU5-0194-000	283 - 12	FU5-2875-000	810 - 63
FS5-6488-000	320 - 57	FU5-0204-000	261 - 5	FU5-2876-000	810 - 64
FS5-6488-000	355 - 26	FU5-0207-000	350 - 9	FU5-2877-000	810 - 84
FS5-6488-000	356 - 20	FU5-0208-000	535 - 8	FU5-2878-000	840 - 14
FS5-6488-000	357 - 42	FU5-0224-000	270 - 5	FU5-2959-000	375 - 15
FS5-6488-000	360 - 18	FU5-0244-000	355 - 28	FU5-2969-000	880 - 9
FS5-6488-000	375 - 16	FU5-0256-000	315 - 37	FU5-2992-000	810 - 34
FS5-6488-000	530 - 33	FU5-0257-000	320 - 61	FU5-2993-000	810 - 35
FS5-6488-000	810 - 62	FU5-0259-000	356 - 21	FU5-3040-000	270 - 8
FS5-6488-000	840 - 13	FU5-0260-000	356 - 22	FU5-3196-000	840 - 15
FS5-6488-000	850 - 4	FU5-0261-000	320 - 62	FU5-3197-000	810 - 78
FS5-6488-000	850 - 4	FU5-0262-000	264 - 7	FU5-3505-000	357 - 43
FS5-9166-020	101 - 11	FU5-0263-000	311 - 36	FU5-3506-000	357 - 44

NUMERICAL INDEX

imagePRESS C1/C1+(Numerical Index)

PARTS NUMBER	FIGURE & KEY NO.	PARTS NUMBER	FIGURE & KEY NO.	PARTS NUMBER	FIGURE & KEY NO.
FU5-3507-000	357 - 53	FU6-0525-000	538 - 34	FU6-0613-000	810 - 29
FU5-3508-000	357 - 54	FU6-0526-000	538 - 35	FU6-0614-000	810 - 30
FU5-3509-000	357 - 55	FU6-0527-000	538 - 51	FU6-0615-000	810 - 41
FU5-4719-000	101 - 21	FU6-0528-000	538 - 46	FU6-0617-000	610 - 37
FU5-5133-000	311 - 39	FU6-0529-000	538 - 52	FU6-0618-000	610 - 38
FU5-5135-000	311 - 47	FU6-0530-000	538 - 53	FU6-0619-000	610 - 39
FU5-5969-000	355 - 33	FU6-0531-000	535 - 9	FU6-0620-000	610 - 40
FU5-6246-000	870 - 13	FU6-0532-000	535 - 10	FU6-0622-000	850 - 7
FU5-6248-000	810 - 36	FU6-0533-000	320 - 67	FU6-0625-000	860 - 8
FU5-6259-000	880 - 10	FU6-0536-000	530 - 34	FU6-0630-000	840 - 16
FU5-6402-000	360 - 39	FU6-0537-000	530 - 35	FU6-0632-000	320 - 69
FU5-6414-000	530 - 43	FU6-0538-000	290 - 9	FU6-0634-000	360 - 19
FU5-8091-000	316 - 14	FU6-0539-000	290 - 5	FU6-0635-000	356 - 24
FU5-8094-000	300 - 39	FU6-0543-000	106 - 25	FU6-0637-000	320 - 70
FU5-8095-000	300 - 40	FU6-0545-000	271 - 9	FU6-0638-000	360 - 31
FU5-8100-000	316 - 14	FU6-0546-000	271 - 10	FU6-0639-000	360 - 32
FU5-8101-000	316 - 14	FU6-0547-000	271 - 11	FU6-0640-000	360 - 33
FU5-8530-000	300 - 35	FU6-0549-000	271 - 13	FU6-0641-000	360 - 34
FU5-8532-000	320 - 44	FU6-0550-000	271 - 14	FU6-0642-000	320 - 60
FU5-8533-010	320 - 45	FU6-0551-000	271 - 15	FU6-0645-000	810 - 31
FU5-8539-000	105 - 6	FU6-0554-000	640 - 1	FU6-0646-000	810 - 80
FU5-8539-000	320 - 46	FU6-0560-000	270 - 9	FU6-0648-000	620 - 53
FU5-8540-000	300 - 37	FU6-0562-000	270 - 10	FU6-0649-000	620 - 54
FU5-8541-000	810 - 5	FU6-0563-000	270 - 11	FU6-0650-000	850 - 8
FU5-8542-000	300 - 38	FU6-0564-000	270 - 12	FU6-0651-000	810 - 85
FU5-8543-000	316 - 14	FU6-0565-000	270 - 13	FU6-0652-000	850 - 9
FU5-8544-000	300 - 38	FU6-0566-000	270 - 14	FU6-0657-000	535 - 11
FU5-8545-000	300 - 38	FU6-0567-000	270 - 15	FU6-0658-000	537 - 53
FU5-8635-000	D10 - 22	FU6-0568-000	270 - 16	FU6-0659-000	538 - 54
FU5-8636-000	D10 - 23	FU6-0569-000	600 - 41	FU6-0660-000	538 - 55
FU5-8890-000	D10 - 4	FU6-0570-000	600 - 61	FU6-0662-000	538 - 56
FU5-8995-000	D10 - 5	FU6-0571-000	600 - 42	FU6-0663-000	538 - 57
FU5-9035-000	320 - 66	FU6-0573-000	610 - 44	FU6-0664-000	320 - 59
FU5-9215-000	810 - 65	FU6-0575-000	610 - 45	FU6-0671-000	621 - 29
FU5-9302-000	530 - 44	FU6-0577-000	620 - 46	FU6-2041-000	537 - 54
FU5-9351-000	810 - 97	FU6-0578-000	620 - 47	FU6-2042-000	537 - 55
FU5-9370-000	D11 - 21	FU6-0580-000	620 - 48	FU6-2043-000	538 - 43
FU5-9371-000	D10 - 24	FU6-0581-000	620 - 49	FU6-2045-000	538 - 48
FU6-0306-000	375 - 19	FU6-0582-000	620 - 50	FU6-2046-000	537 - 56
FU6-0333-000	810 - 37	FU6-0583-000	620 - 51	FU6-2047-000	360 - 35
FU6-0334-000	810 - 38	FU6-0584-000	620 - 52	FU6-2048-000	360 - 20
FU6-0340-000	810 - 66	FU6-0584-000	621 - 25	FU6-2051-000	270 - 17
FU6-0341-000	810 - 67	FU6-0585-000	621 - 26	FU6-2052-000	270 - 18
FU6-0345-000	850 - 5	FU6-0586-000	621 - 27	FU6-2053-000	600 - 36
FU6-0347-000	850 - 6	FU6-0587-000	101 - 19	FU6-2054-000	600 - 53
FU6-0457-000	880 - 11	FU6-0593-000	621 - 28	FU6-2059-000	550 - 27
FU6-0458-000	880 - 12	FU6-0594-000	290 - 6	FU6-2061-000	870 - 14
FU6-0459-000	880 - 13	FU6-0595-000	290 - 7	FU6-2062-000	850 - 10
FU6-0460-000	880 - 14	FU6-0601-000	320 - 68	FU6-2065-000	880 - 16
FU6-0461-000	880 - 15	FU6-0607-000	810 - 39	FU6-2066-000	600 - 54
FU6-0523-000	538 - 44	FU6-0608-000	810 - 40	FU6-2068-000	360 - 21
FU6-0524-000	538 - 45	FU6-0609-000	810 - 79	FU6-2069-000	320 - 64

NUMERICAL INDEX

imagePRESS C1/C1+(Numerical Index)

PARTS NUMBER	FIGURE & KEY NO.	PARTS NUMBER	FIGURE & KEY NO.	PARTS NUMBER	FIGURE & KEY NO.
FU6-2070-000	530 - 36	NPN	107 -	VS1-7177-003	320 - 48
FU6-2071-000	350 - 10	NPN	108 -	VS1-7177-003	357 - 38
FU6-2075-000	356 - 25	NPN	141 -	VS1-7177-003	360 - 25
FU6-2076-000	101 - 20	NPN	190 -	VS1-7177-003	600 - 39
FU6-2077-000	621 - 30	NPN	192 -	VS1-7177-003	610 - 34
FU6-2078-000	375 - 20	NPN	193 -	VS1-7177-003	810 - 50
FU6-2079-000	375 - 21	NPN	305 -	VS1-7177-003	900 - 16
FU6-2081-000	375 - 22	NPN	320 -	VS1-7177-004	103 - 6
FU6-2085-000	360 - 36	NPN	325 -	VS1-7177-004	106 - 32
FU6-2086-000	355 - 34	NPN	620 -	VS1-7177-005	621 - 22
FU6-2087-000	355 - 35	NPN	870 -	VS1-7177-006	106 - 12
FU6-2090-000	620 - 35	NPN	900 -	VS1-7177-006	107 - 4
FU6-2137-000	D11 - 29	NPN	930 -	VS1-7177-006	320 - 49
FU6-2363-000	D11 - 22	NPN	931 -	VS1-7177-006	357 - 39
FU6-2545-000	880 - 17	NPN	961 -	VS1-7177-006	530 - 17
FU6-2569-010	830 - 7	NPN	963 -	VS1-7177-006	600 - 50
FU6-2751-000	357 - 45	NPN	980 -	VS1-7177-006	D11 - 26
FU6-2752-000	357 - 30	NPN	981 -	VS1-7177-008	106 - 13
FU6-2753-000	357 - 20	NPN	D10 -	WC4-5262-000	620 - 36
FU6-2754-000	357 - 58	NPN	D11 -	WC4-5263-000	621 - 31
FU6-2756-000	357 - 46	NPN	G10 -	WC4-5270-000	775 - 1
FU6-2924-000	100 - 58	RS1-9025-010	320 - 40	WE8-5689-000	001 - 2
FU6-2925-000	315 - 28	RS5-1567-000	315 - 21	WG8-5749-000	357 - 25
FU6-2926-000	315 - 29	VD7-0461-502	910 - FU101	WG8-5749-000	530 - 31
FU6-2927-000	315 - 31	VD7-2896-301	910 - FU101	WP2-5226-000	101 - 26
FU6-2953-000	325 - 18	VS1-7164-016	101 - 32	XA9-0228-000	550 - 29
FU7-0357-000	360 - 22	VS1-7164-018	311 - 41	XA9-0265-010	D11 - 18
FU7-0362-000	610 - 41	VS1-7164-020	101 - 33	XA9-0679-000	620 - 56
FU7-0363-000	610 - 42	VS1-7173-005	101 - 34	XA9-0687-000	375 - 28
FU7-0364-000	610 - 43	VS1-7173-006	101 - 38	XA9-0732-000	100 - 34
FU7-0365-000	265 - 7	VS1-7173-006	320 - 25	XA9-0732-000	101 - 5
FU7-0368-000	530 - 37	VS1-7173-006	810 - 86	XA9-0732-000	620 - 57
FU7-0369-000	530 - 38	VS1-7173-008	101 - 39	XA9-0894-010	620 - 58
FU7-0370-000	530 - 39	VS1-7173-010	101 - 40	XA9-0940-000	130 - 13
FU7-0373-000	830 - 11	VS1-7173-011	980 - 10	XA9-0944-000	102 - 13
FU7-0374-000	830 - 12	VS1-7173-012	810 - 87	XA9-0944-000	775 - 2
FU7-0375-000	830 - 10	VS1-7173-018	610 - 32	XA9-0949-000	193 - 4
FU7-0376-000	810 - 69	VS1-7177-002	141 - 5	XA9-0994-000	355 - 36
FU7-0377-000	810 - 42	VS1-7177-002	311 - 46	XA9-1031-000	305 - 2
FU7-0378-000	290 - 10	VS1-7177-002	320 - 47	XA9-1156-000	621 - 32
FU7-0919-000	290 - 4	VS1-7177-002	550 - 28	XA9-1301-000	G10 - 3
FU7-2838-000	326 - 14	VS1-7177-002	600 - 47	XA9-1375-000	530 - 45
FU7-2839-000	326 - 15	VS1-7177-002	610 - 33	XA9-1415-000	D11 - 4
HS5-1042-000	620 - 55	VS1-7177-002	620 - 25	XA9-1491-000	106 - 40
NPN	001 -	VS1-7177-002	621 - 21	XA9-1496-000	900 - 18
NPN	100 -	VS1-7177-002	810 - 73	XA9-1521-000	D11 - 1
NPN	101 -	VS1-7177-002	900 - 4	XA9-1659-000	320 - 37
NPN	102 -	VS1-7177-003	101 - 8	XA9-1659-000	600 - 59
NPN	103 -	VS1-7177-003	105 - 10	XA9-1659-000	860 - 9
NPN	104 -	VS1-7177-003	192 - 4	XB1-1400-809	357 - 511
NPN	105 -	VS1-7177-003	193 - 6	XB1-1400-809	357 - 517
NPN	106 -	VS1-7177-003	314 - 18	XB1-1402-005	140 - 501

NUMERICAL INDEX

imagePRESS C1/C1+(Numerical Index)

PARTS NUMBER	FIGURE & KEY NO.	PARTS NUMBER	FIGURE & KEY NO.	PARTS NUMBER	FIGURE & KEY NO
XB1-2230-809	101 - 505	XB1-2400-607	261 - 501	XB2-8300-607	356 - 502
XB1-2231-007	620 - 501	XB1-2400-607	264 - 501	XB2-8300-607	375 - 502
XB1-2231-007	621 - 501	XB1-2400-607	265 - 501	XB2-8300-607	530 - 501
XB1-2260-407	140 - 502	XB1-2400-607	271 - 501	XB2-8300-607	537 - 502
XB1-2260-806	D11 - 501	XB1-2400-607	283 - 501	XB2-8300-607	810 - 503
XB1-2260-807	900 - 502	XB1-2400-607	315 - 502	XB2-8300-607	840 - 503
XB1-2300-407	320 - 507	XB1-2400-607	320 - 503	XB2-8300-607	870 - 503
XB1-2300-407	350 - 501	XB1-2400-607	330 - 501	XB2-8300-607	963 - 501
XB1-2300-407	355 - 501	XB1-2400-607	360 - 507	XB2-8300-607	D30 - 501
XB1-2300-407	356 - 501	XB1-2400-607	620 - 505	XB2-8300-607	D31 - 501
XB1-2300-407	360 - 505	XB1-2400-607	810 - 502	XB2-8301-007	538 - 504
XB1-2300-407	375 - 501	XB1-2400-607	850 - 502	XB2-8301-007	810 - 507
XB1-2300-407	535 - 501	XB1-2400-607	860 - 502	XB2-8301-007	870 - 501
XB1-2300-407	570 - 501	XB1-2400-607	880 - 501	XB2-8301-207	537 - 503
XB1-2300-407	600 - 502	XB1-2400-607	910 - 501	XB2-8400-807	130 - 501
XB1-2300-605	325 - 501	XB1-2400-607	981 - 501	XB2-8400-807	270 - 501
XB1-2300-605	326 - 501	XB1-2400-805	100 - 507	XB2-8400-807	311 - 42
XB1-2300-606	D11 - 505	XB1-2400-805	357 - 501	XB2-8400-807	320 - 511
XB1-2300-607	104 - 503	XB1-2400-807	102 - 504	XB2-8400-807	355 - 502
XB1-2300-607	106 - 503	XB1-2400-807	105 - 505	XB2-8400-807	360 - 508
XB1-2300-607	290 - 501	XB1-2400-807	311 - 501	XB2-8400-807	810 - 504
XB1-2300-607	315 - 501	XB1-2400-807	600 - 507	XB2-8400-807	830 - 502
XB1-2300-607	320 - 508	XB1-2400-807	610 - 503	XB2-8401-207	810 - 505
XB1-2300-607	357 - 506	XB1-2400-807	860 - 503	XB2-8401-209	357 - 515
XB1-2300-607	360 - 501	XB1-2400-809	600 - 506	XB2-8401-407	106 - 507
XB1-2300-607	530 - 507	XB1-2401-207	320 - 509	XB2-8401-407	106 - 512
XB1-2300-607	537 - 501	XB1-2401-607	193 - 501	XB2-8401-407	271 - 507
XB1-2300-607	538 - 501	XB1-2401-609	100 - 506	XB2-8402-007	130 - 504
XB1-2300-607	550 - 501	XB1-2401-807	141 - 501	XB2-8502-007	106 - 511
XB1-2300-607	610 - 501	XB1-2402-507	330 - 502	XB3-6300-805	271 - 502
XB1-2300-607	620 - 503	XB1-2403-005	357 - 514	XB3-6400-805	102 - 506
XB1-2300-607	810 - 501	XB1-2403-007	900 - 503	XB3-6400-805	103 - 501
XB1-2300-607	840 - 501	XB1-2403-507	320 - 502	XB3-6400-805	104 - 504
XB1-2300-607	850 - 501	XB1-2404-007	103 - 503	XB3-6400-805	105 - 504
XB1-2300-607	860 - 501	XB1-2404-007	104 - 501	XB3-6400-805	106 - 502
XB1-2300-607	870 - 502	XB1-2404-007	105 - 503	XB3-6400-805	107 - 501
XB1-2300-809	538 - 503	XB1-2404-007	107 - 503	XB3-6400-805	140 - 506
XB1-2301-005	357 - 505	XB1-2404-007	320 - 501	XB3-6400-805	261 - 502
XB1-2301-209	600 - 508	XB1-2500-605	140 - 504	XB3-6400-805	264 - 502
XB1-2302-003	550 - 502	XB1-3301-207	300 - 506	XB3-6400-805	265 - 502
XB1-2303-003	570 - 502	XB1-3400-807	D10 - 502	XB3-6400-805	270 - 502
XB1-2400-407	100 - 504	XB1-3402-007	550 - 503	XB3-6400-805	271 - 503
XB1-2400-407	610 - 502	XB1-8300-607	961 - 501	XB3-6400-805	283 - 502
XB1-2400-407	830 - 501	XB2-4300-807	140 - 505	XB3-6400-805	290 - 502
XB1-2400-505	D10 - 503	XB2-4300-807	910 - 502	XB3-6400-805	311 - 503
XB1-2400-603	140 - 503	XB2-4404-005	106 - 501	XB3-6400-805	314 - 502
XB1-2400-607	101 - 501	XB2-5300-607	550 - 504	XB3-6400-805	320 - 505
XB1-2400-607	103 - 504	XB2-5301-007	530 - 508	XB3-6400-805	357 - 507
XB1-2400-607	104 - 502	XB2-5301-407	900 - 504	XB3-6400-805	535 - 502
XB1-2400-607	105 - 502	XB2-7400-607	357 - 512	XB3-6400-805	D10 - 501
XB1-2400-607	106 - 506	XB2-8300-607	300 - 501	XB3-6400-805	D11 - 502
XB1-2400-607	140 - 508	XB2-8300-607	320 - 510	XB3-6400-807	360 - 502

NUMERICAL INDEX

imagePRESS C1/C1+(Numerical Index)

PARTS NUMBER	FIGURE & KEY NO.	PARTS NUMBER	FIGURE & KEY NO.	PARTS NUMBER	FIGURE & KEY NO
XB3-6401-005	100 - 503	XB6-7300-607	300 - 505	XD2-1100-402	271 - 504
XB3-6401-005	101 - 504	XB6-7300-607	355 - 503	XD2-1100-402	320 - 506
XB3-6401-005	102 - 505	XB6-7300-607	600 - 501	XD2-1100-402	538 - 502
XB3-6401-005	103 - 502	XB6-7300-607	900 - 501	XD2-1100-502	101 - 502
XB3-6401-005	104 - 505	XB6-7300-607	910 - 503	XD2-1100-502	270 - 504
XB3-6401-005	105 - 501	XB6-7300-607	930 - 501	XD2-1100-502	283 - 507
XB3-6401-005	106 - 504	XB6-7300-607	931 - 501	XD2-1100-502	290 - 504
XB3-6401-005	107 - 504	XB6-7300-607	D11 - 506	XD2-1100-502	311 - 507
XB3-6401-005	108 - 501	XB6-7300-609	G10 - 501	XD2-1100-502	315 - 504
XB3-6401-005	320 - 513	XB6-7400-605	D11 - 508	XD2-1100-502	320 - 519
XB4-2400-607	D11 - 507	XB6-7400-807	320 - 516	XD2-1100-502	350 - 502
XB4-5300-609	538 - 505	XB6-7400-807	840 - 504	XD2-1100-502	355 - 505
XB4-5300-807	300 - 502	XB6-7400-809	600 - 504	XD2-1100-502	356 - 504
XB4-5300-807	315 - 503	XB6-7403-007	910 - 504	XD2-1100-502	360 - 503
XB4-5300-807	325 - 502	XB7-1030-106	311 - 505	XD2-1100-502	375 - 503
XB4-5300-807	326 - 502	XB7-2100-407	D11 - 509	XD2-1100-502	530 - 505
XB4-5300-807	537 - 504	XD1-1104-112	290 - 505	XD2-1100-502	535 - 504
XB4-5300-807	980 - 501	XD1-1104-133	870 - 504	XD2-1100-502	537 - 508
XB4-5300-809	530 - 502	XD1-1104-135	300 - 504	XD2-1100-502	538 - 507
XB4-5301-007	106 - 510	XD1-1106-213	870 - 505	XD2-1100-502	600 - 505
XB4-5301-007	130 - 502	XD1-1106-238	316 - 502	XD2-1100-502	610 - 505
XB4-5400-807	100 - 501	XD1-1108-239	G10 - 502	XD2-1100-502	620 - 507
XB4-5400-807	314 - 501	XD1-1110-225	320 - 517	XD2-1100-502	621 - 504
XB4-5400-807	316 - 501	XD1-2100-502	600 - 509	XD2-1100-502	810 - 509
XB4-5400-807	357 - 513	XD1-3100-502	600 - 510	XD2-1100-502	830 - 504
XB4-5400-807	620 - 504	XD1-3100-805	108 - 502	XD2-1100-502	840 - 505
XB4-5400-809	610 - 504	XD1-4200-402	140 - 507	XD2-1100-502	850 - 503
XB4-5401-007	100 - 502	XD1-4200-502	140 - 510	XD2-1100-502	870 - 507
XB4-5401-007	100 - 505	XD2-1100-242	102 - 507	XD2-1100-502	880 - 503
XB4-5401-007	190 - 501	XD2-1100-242	311 - 506	XD2-1100-642	102 - 502
XB4-5404-007	193 - 502	XD2-1100-242	810 - 511	XD2-1100-642	261 - 503
XB4-7300-607	550 - 505	XD2-1100-322	290 - 503	XD2-1100-642	264 - 503
XB4-7300-805	621 - 502	XD2-1100-322	320 - 518	XD2-1100-642	265 - 503
XB4-7300-807	320 - 514	XD2-1100-322	355 - 504	XD2-1100-642	270 - 505
XB4-7300-807	360 - 510	XD2-1100-322	356 - 503	XD2-1100-642	271 - 505
XB4-7301-207	360 - 506	XD2-1100-322	357 - 503	XD2-1100-642	283 - 503
XB4-7400-807	300 - 503	XD2-1100-322	357 - 504	XD2-1100-642	311 - 508
XB4-7400-807	320 - 515	XD2-1100-322	360 - 509	XD2-1100-642	320 - 520
XB4-7400-807	360 - 511	XD2-1100-322	530 - 504	XD2-1100-642	325 - 503
XB4-7400-807	550 - 506	XD2-1100-322	535 - 503	XD2-1100-642	326 - 503
XB4-7400-809	311 - 504	XD2-1100-322	537 - 507	XD2-1100-642	330 - 503
XB4-7403-507	192 - 501	XD2-1100-322	538 - 506	XD2-1100-642	350 - 503
XB6-2400-408	270 - 503	XD2-1100-322	600 - 511	XD2-1100-642	355 - 506
XB6-2400-408	537 - 506	XD2-1100-322	610 - 506	XD2-1100-642	356 - 505
XB6-2400-508	D11 - 503	XD2-1100-322	620 - 506	XD2-1100-642	357 - 502
XB6-2401-008	106 - 508	XD2-1100-322	621 - 503	XD2-1100-642	530 - 506
XB6-7300-607	100 - 508	XD2-1100-322	810 - 508	XD2-1100-642	535 - 505
XB6-7300-607	106 - 505	XD2-1100-322	830 - 503	XD2-1100-642	537 - 509
XB6-7300-607	107 - 502	XD2-1100-322	840 - 508	XD2-1100-642	810 - 510
XB6-7300-607	130 - 503	XD2-1100-322	860 - 504	XD2-1100-642	830 - 505
XB6-7300-607	140 - 509	XD2-1100-322	870 - 506	XD2-1100-642	840 - 506
XB6-7300-607	141 - 502	XD2-1100-322	880 - 502	XD2-1100-642	850 - 504

NUMERICAL INDEX

imagePRESS C1/C1+(Numerical Index)

PARTS NUMBER	FIGURE & KEY NO.	PARTS NUMBER	FIGURE & KEY NO.	PARTS NUMBER	FIGURE & KEY NO
XD2-1100-642	860 - 506	XD3-2300-122	315 - 506	XG9-0506-000	271 - 17
XD2-1100-642	D11 - 504	XD3-2300-142	283 - 506	XG9-0506-000	537 - 42
XD2-1100-642	D31 - 502	XD3-2300-142	311 - 511	XG9-0507-000	325 - 17
XD2-1100-802	101 - 503	XD3-2300-202	810 - 506	XG9-0507-000	326 - 16
XD2-1100-802	330 - 505	XD3-2300-282	357 - 516	XG9-0507-000	356 - 29
XD2-1100-802	357 - 508	XD9-0169-000	271 - 16	XG9-0507-000	830 - 15
XD2-2300-402	600 - 503	XF2-1108-860	357 - 60	XG9-0508-000	320 - 71
XD2-3100-122	537 - 510	XF2-1112-440	265 - 8	XG9-0508-000	330 - 7
XD2-3100-202	106 - 509	XF2-1113-440	360 - 37	XG9-0508-000	D11 - 2
XD3-1200-122	311 - 509	XF2-1305-280	810 - 81	XG9-0520-000	538 - 1
XD3-1200-122	830 - 506	XF2-1307-460	357 - 28	XG9-0538-000	600 - 37
XD3-1250-142	311 - 510	XF2-1607-640	357 - 36	XG9-0544-000	535 - 4
XD3-1300-102	311 - 502	XF2-1806-860	357 - 51	XG9-0546-000	357 - 21
XD3-1300-102	320 - 504	XF2-4113-230	356 - 27	XG9-0549-000	357 - 47
XD3-1300-122	860 - 505	XF2-4119-740	106 - 37	XG9-0561-000	600 - 2
XD3-1300-202	320 - 521	XF2-4610-840	D11 - 3	XG9-0584-000	870 - 16
XD3-2200-082	355 - 507	XG3-6012-405	357 - 61	XG9-0585-000	810 - 71
XD3-2200-082	356 - 506	XG3-6012-405	360 - 23	XG9-0585-000	840 - 18
XD3-2200-102	102 - 503	XG9-0111-000	621 - 33	XG9-0593-000	840 - 9
XD3-2200-102	264 - 504	XG9-0177-000	840 - 17	XG9-0601-000	537 - 57
XD3-2200-102	265 - 504	XG9-0208-000	270 - 19	XG9-0613-000	530 - 42
XD3-2200-102	283 - 504	XG9-0217-000	810 - 6	XG9-0614-000	530 - 40
XD3-2200-102	538 - 508	XG9-0251-000	621 - 5	XG9-0615-000	537 - 45
XD3-2200-102	620 - 502	XG9-0286-000	810 - 82	XG9-0628-000	850 - 12
XD3-2200-102	621 - 505	XG9-0291-000	355 - 21	XZ1-1400-305	300 - 34
XD3-2200-122	265 - 505	XG9-0291-000	375 - 24	XZ1-1800-405	271 - 506
XD3-2200-122	320 - 522	XG9-0291-000	530 - 3	XZ9-0367-000	108 - 3
XD3-2200-122	357 - 509	XG9-0291-000	810 - 68	XZ9-0566-000	103 - 2
XD3-2200-122	360 - 504	XG9-0291-000	870 - 15	XZ9-0566-000	105 - 8
XD3-2200-122	535 - 506	XG9-0291-000	880 - 18	XZ9-0567-000	103 - 3
XD3-2200-122	810 - 512	XG9-0306-000	270 - 20	XZ9-0581-000	357 - 31
XD3-2200-122	830 - 507	XG9-0360-000	840 - 20	XZ9-0603-000	620 - 59
XD3-2200-122	840 - 507	XG9-0362-000	810 - 76	XZ9-0672-000	108 - 7
XD3-2200-122	850 - 505	XG9-0365-000	810 - 47	XZ9-0673-000	108 - 6
XD3-2200-122	880 - 504	XG9-0365-000	830 - 13		
XD3-2200-142	102 - 501	XG9-0365-000	880 - 19		
XD3-2200-142	261 - 504	XG9-0384-000	320 - 72		
XD3-2200-142	264 - 505	XG9-0407-000	283 - 14		
XD3-2200-142	283 - 505	XG9-0407-000	355 - 22		
XD3-2200-142	315 - 505	XG9-0407-000	356 - 28		
XD3-2200-142	320 - 523	XG9-0407-000	360 - 24		
XD3-2200-142	325 - 504	XG9-0407-000	840 - 19		
XD3-2200-142	326 - 504	XG9-0407-000	850 - 11		
XD3-2200-142	356 - 507	XG9-0419-000	810 - 2		
XD3-2200-142	357 - 510	XG9-0472-000	530 - 41		
XD3-2200-142	530 - 503	XG9-0484-000	350 - 11		
XD3-2200-162	320 - 512	XG9-0484-000	375 - 25		
XD3-2200-162	537 - 505	XG9-0491-000	610 - 1		
XD3-2200-182	270 - 506	XG9-0491-000	810 - 54		
XD3-2200-182	330 - 504	XG9-0491-000	830 - 14		
XD3-2250-202	538 - 509	XG9-0492-000	283 - 15		
XD3-2300-122	264 - 506	XG9-0505-000	537 - 41		

imagePRESS C1/C1+(Parts Catalog)

imagePRESS C1

100V JP	F14-6211-000	TKU
120V UL	F14-6231-000	TKW
230V ASIA	F14-6241-000	TKY
220V CN	F14-6251-000	TLB
230V AU	F14-6261-000	TKZ
230V EUR	F14-6291-000	TKX

imagePRESS C1 V2

100V JP	F15-4911-000	CUE
120V UL	F15-4931-000	CUF
230V ASIA	F15-4941-000	CUL
220V CN	F15-4951-000	CUN
230V AU	F15-4961-000	CUM
230V EUR	F15-4991-000	CUH

imagePRESS C1+

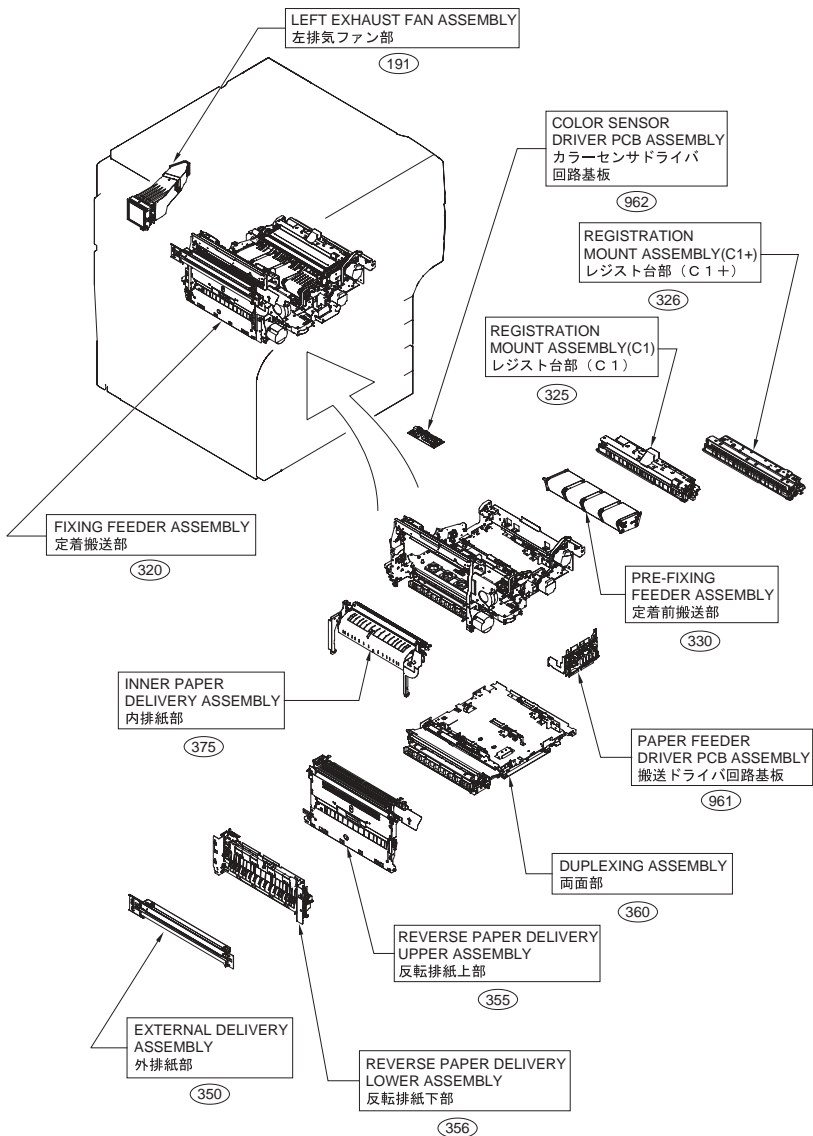
100V JP	F15-5911-000	EPQ
120V BR	F15-5921-000	FMV
120V UL	F15-5931-000	ENS
230V ASIA	F15-5941-000	EPJ
220V CN	F15-5951-000	EPM
230V AU	F15-5961-000	EPL
230V EUR	F15-5991-000	ENW

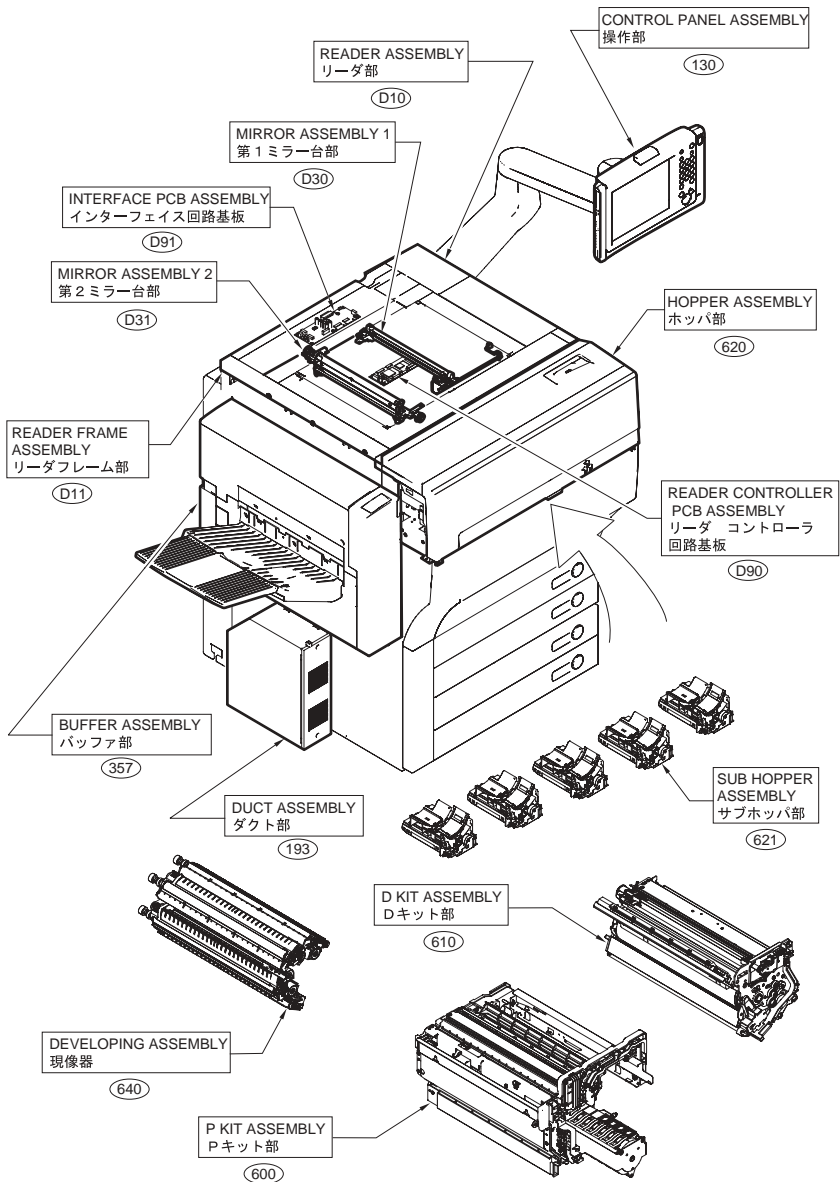
Contents

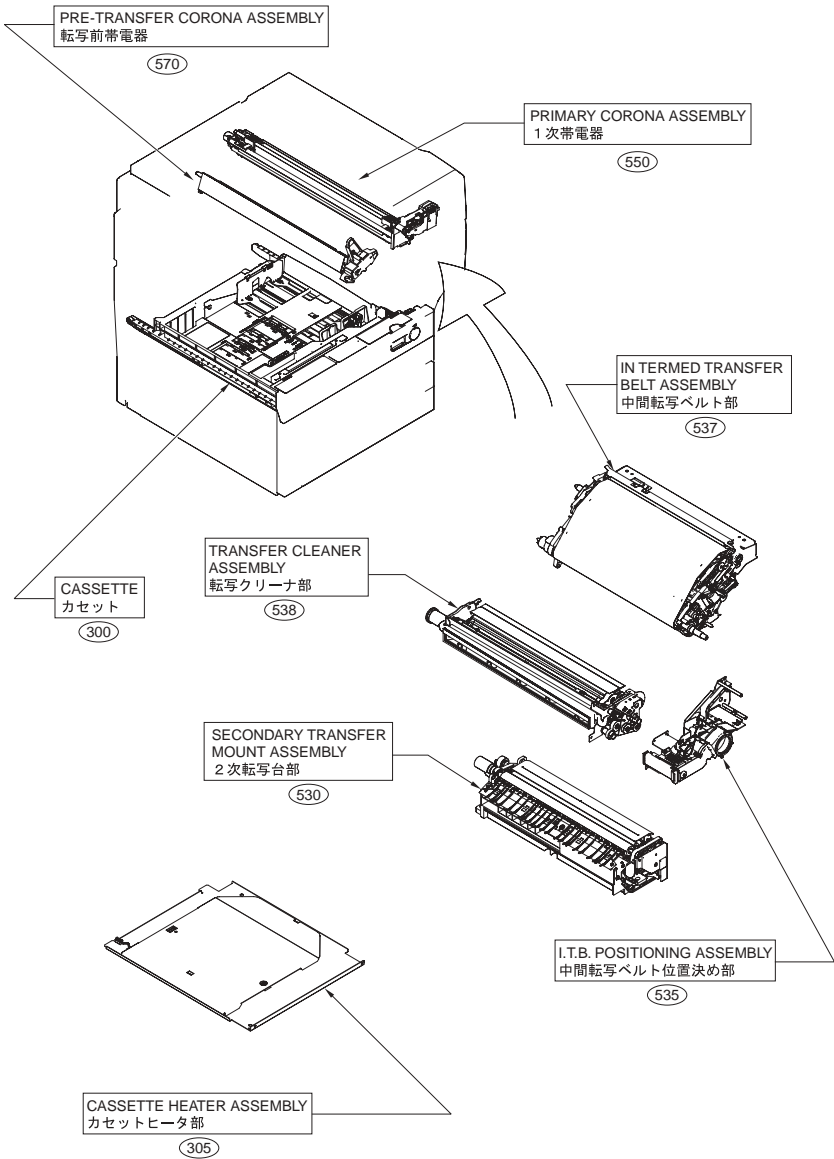
A	ASSEMBLY LOCATION DIAGRAM	2-1
001	ACCESSORY	2-7
100	EXTERNAL COVERS, PANELS, ETC.	2-8
101	MACHINE FRONT PLATE	2-12
102	INTERNAL COMPONENTS 1	2-15
103	INTERNAL COMPONENTS 2	2-17
104	INTERNAL COMPONENTS 3	2-19
105	INTERNAL COMPONENTS 4	2-21
106	MACHINE REAR PLATE 1	2-23
107	MACHINE REAR PLATE 2	2-27
108	MACHINE BOTTOM PLATE	2-29
130	CONTROL PANEL ASSEMBLY	2-31
140	POWER CORD TERMINAL ASSEMBLY	2-34
141	OPTION POWER SUPPLY CASE ASS'Y	2-37
190	FIXING EXHAUST FAN ASSEMBLY	2-39
191	LEFT EXHAUST FAN ASSEMBLY	2-41
192	MAIN BODY EXHAUST FAN ASSEMBLY	2-43
193	DUCT ASSEMBLY	2-45
261	CASSETTE PICK-UP DRIVE ASS'Y	2-46
264	MULTI REGIST DRIVE ASSEMBLY	2-48
265	VERTICAL PATH DRIVE ASSEMBLY	2-50
270	DEVELOPING DRIVE ASSEMBLY	2-52
271	DRUM I.T.B. DRIVE ASSEMBLY	2-54
283	EXTERNAL DELIVERY DRIVE ASS'Y	2-56
290	SEC. TRANSFER DRIVE UNIT	2-58
300	CASSETTE ASSEMBLY	2-60
305	CASSETTE HEATER ASSEMBLY	2-63
311	PAPER PICK-UP ASSEMBLY	2-64
314	RIGHT DOOR ASSEMBLY	2-67
315	MULTI P. PICK-UP MOUNT ASS'Y	2-69
316	MULTI PAPER PICK-UP TRAY ASS'Y	2-72
320	FIXING FEEDER ASSEMBLY	2-74
325	REGISTRATION MOUNT ASS'Y (OLD TYPE)	2-81
326	REGISTRATION MOUNT ASS'Y (NEW TYPE)	2-83
330	PRE-FIXING FEEDER ASSEMBLY	2-85
350	EXTERNAL DELIVERY ASSEMBLY	2-87
355	REV PAPER DELIVERY UPPER ASS'Y	2-89
356	REV PAPER DELIVERY LOWER ASS'Y	2-93
357	BUFFER ASSEMBLY	2-96
360	DUPLEXING ASSEMBLY	2-102
375	INNER PAPER DELIVERY ASSEMBLY	2-105
530	SECONDARY TRANSFER MOUNT ASS'Y	2-108
535	I.T.B. POSITIONING ASSEMBLY	2-111
537	I.T.B. ASSEMBLY	2-113
538	TRANSFER CLEANER ASSEMBLY	2-118

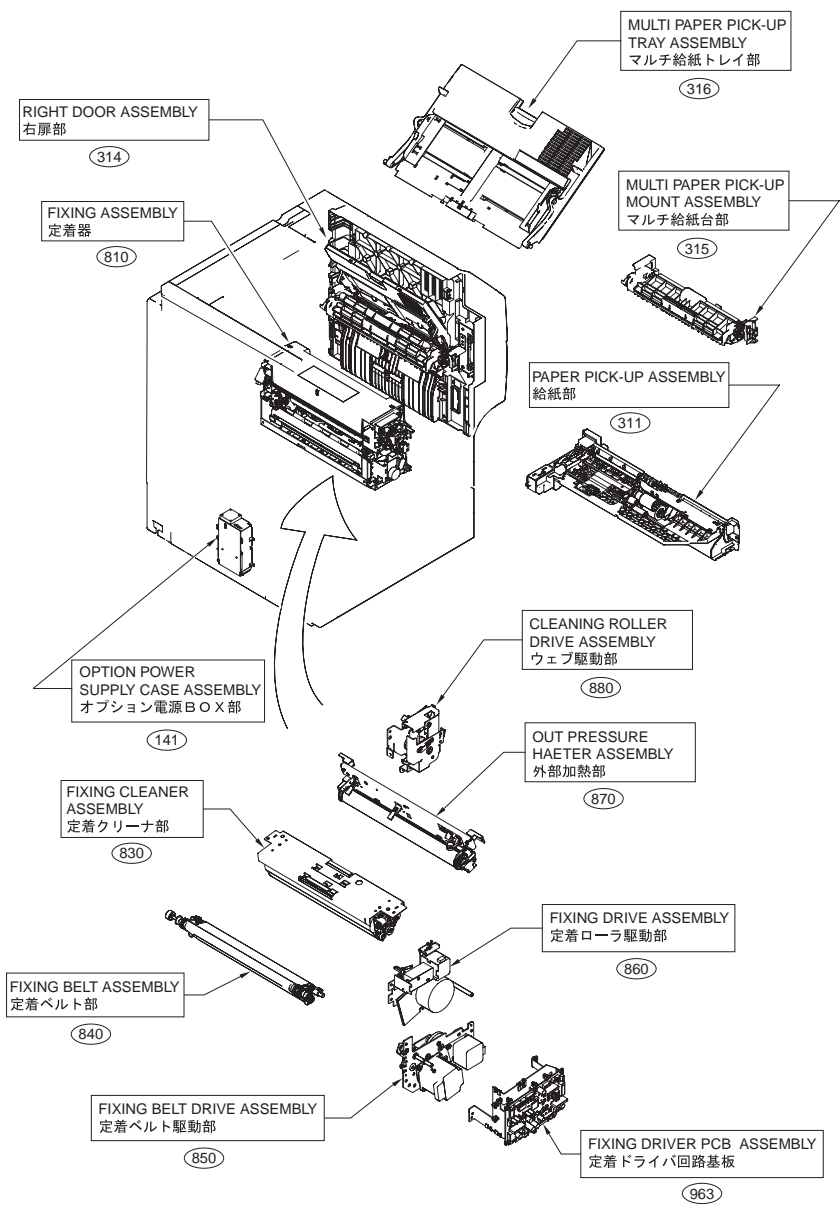
550	PRIMARY CORONA ASSEMBLY	2-122
570	PRE-TRANSFER CORONA ASSEMBLY	2-125
600	P KIT ASSEMBLY	2-127
610	D KIT ASSEMBLY	2-133
620	HOPPER ASSEMBLY	2-136
621	SUB HOPPER ASSEMBLY	2-141
640	DEVELOPING ASSEMBLY	2-144
775	WASTE TONER PIPE ASSEMBLY	2-145
810	FIXING ASSEMBLY	2-146
830	FIXING CLEANER ASSEMBLY	2-153
840	FIXING BELT ASSEMBLY	2-155
850	FIXING BELT DRIVE ASSEMBLY	2-158
860	FIXING ROLLER DRIVE ASSEMBLY	2-160
870	OUT PRESSURE HEATER ASSEMBLY	2-162
880	CLEANING ROLL DRIVE ASSEMBLY	2-164
900	CONTROLLER BOX ASSEMBLY	2-166
910	DC POWER SUPPLY ASSEMBLY	2-169
930	DC CONTROLLER PCB ASSEMBLY	2-171
931	REAR DRIVER PCB ASSEMBLY	2-173
932	MAIN CONTROLLER PCB ASS'Y	2-174
961	PAPER FEED DRIVER PCB ASSEMBLY	2-175
962	COLOR SENSOR DRIVER PCB ASS'Y	2-176
963	FIXING DRIVER PCB ASSEMBLY	2-177
980	2ND TRANSFER CONTROL PCB ASS'Y	2-178
981	H.V PCB ASSEMBLY	2-180
982	HV2 PCB ASSEMBLY	2-182
983	HV4 PCB ASSEMBLY	2-183
984	HV5 PCB ASSEMBLY	2-184
985	HV6-2 PCB ASSEMBLY	2-185
986	HV6-1 PCB ASSEMBLY	2-186
987	HV9 PCB ASSEMBLY	2-187
D10	READER ASSEMBLY	2-188
D11	READER FRAME ASSEMBLY	2-191
D30	MIRROR ASSEMBLY 1	2-195
D31	MIRROR ASSEMBLY 2	2-197
D90	READER CONTROLLER PCB ASSEMBLY	2-199
D91	INTERFACE PCB ASSEMBLY	2-200
G10	DOCUMENT TRAY ASSEMBLY	2-201

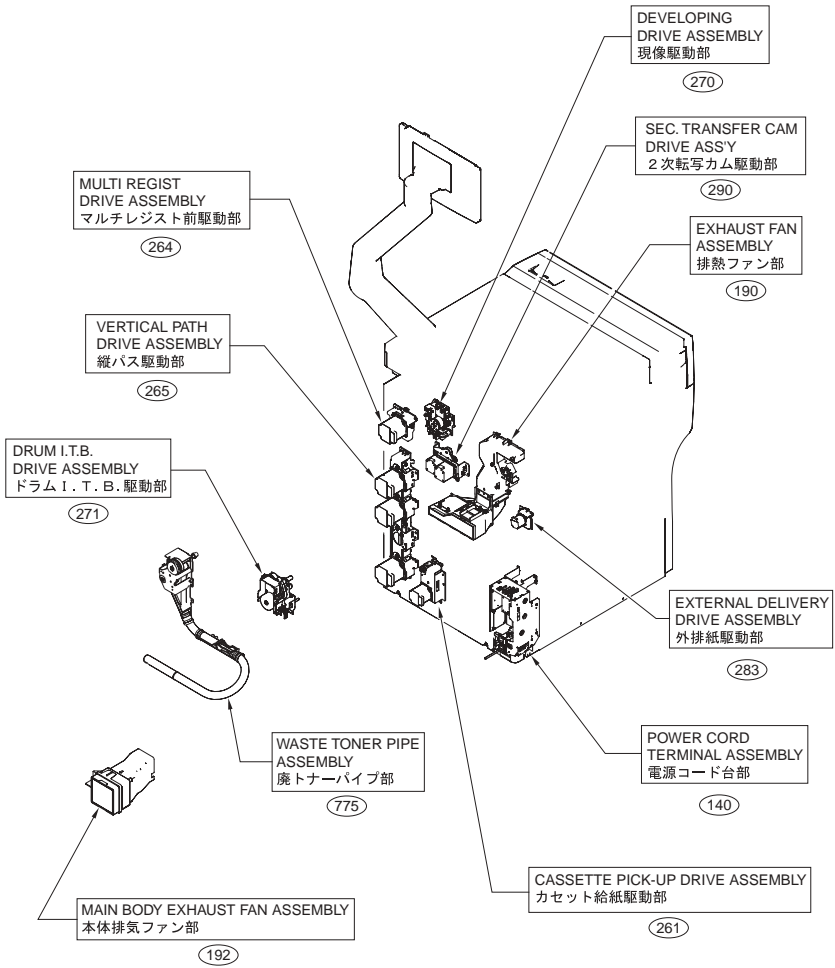
FIGURE A ASSEMBLY LOCATION DIAGRAM











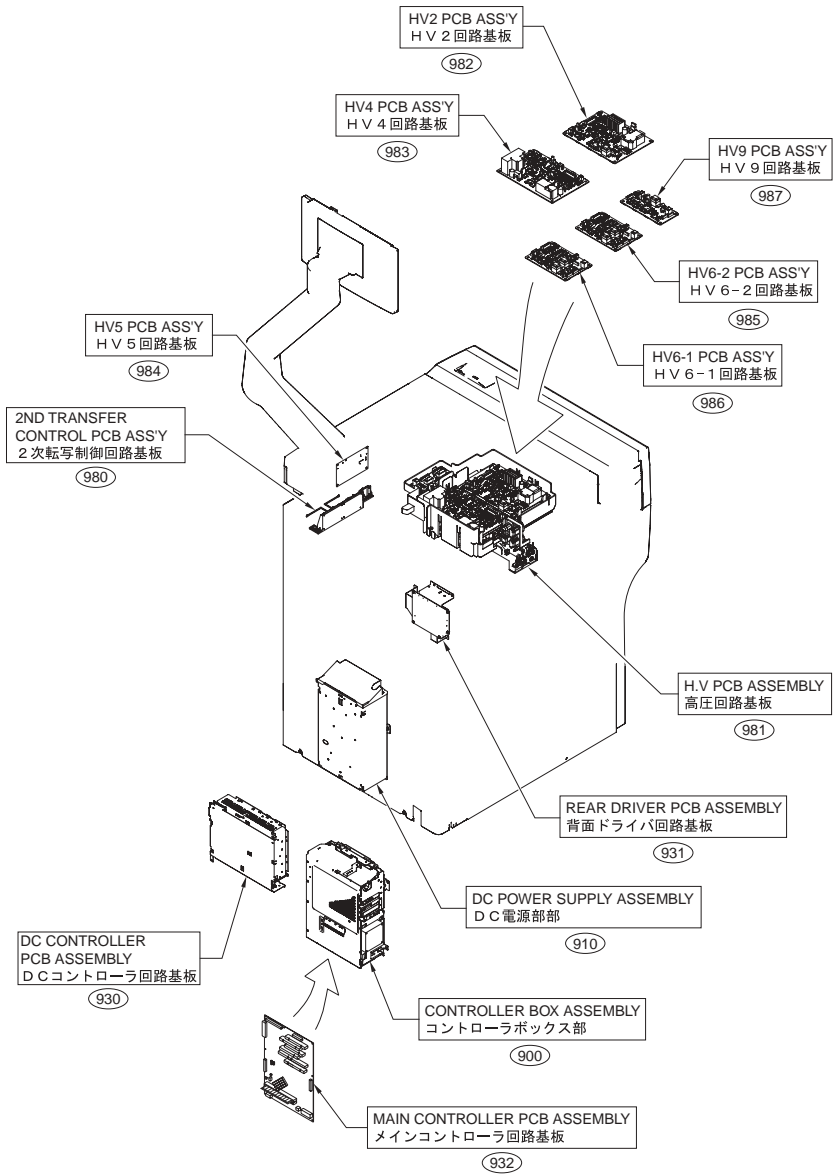


FIGURE 001 ACCESSORY

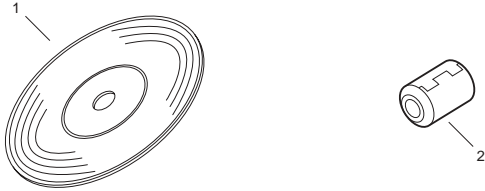


FIGURE & KEY NO.	PARTS NUMBER	RANK	Q'TY	DESCRIPTION	SERIAL NUMBER/REMARKS	SVC
Fig.001	NPN		RF	ACCESSORY		
1	FK2-4190-000		1	CD-ROM, MEAP SOFTWARE	C1Japanese	
1	FK2-4191-000		1	CD-ROM, MEAP SOFTWARE	C1US English	
1	FK2-4192-000		1	CD-ROM, MEAP SOFTWARE	C1UK English/French/ Italian/German	
1	FK2-4236-000		1	CD-ROM, SOFTWARE FOR MEAP	V2Japanese	
1	FK2-4237-000		1	CD-ROM, SOFTWARE FOR MEAP	V2US English	
1	FK2-4238-000		1	CD-ROM, SOFTWARE FOR MEAP	V2UK English/French/ Italian/German	
1	FK2-4239-000		1	CD-ROM, SOFTWARE FOR MEAP	V2Simplified Chinese	
1	FK2-4241-000		1	CD-ROM, SOFTWARE FOR MEAP	C1+Japanese	
1	FK2-4242-000		1	CD-ROM, SOFTWARE FOR MEAP	C1+US English	
1	FK2-4243-000		1	CD-ROM, SOFTWARE FOR MEAP	C1+UK English/French/ Italian/German	
1	FK2-4244-000		1	CD-ROM, SOFTWARE FOR MEAP	C1+Simplified Chinese	
2	WE8-5689-000		1	FILTER, NOISE(RING CORE)		

FIGURE 100 EXTERNAL COVERS, PANELS, ETC.

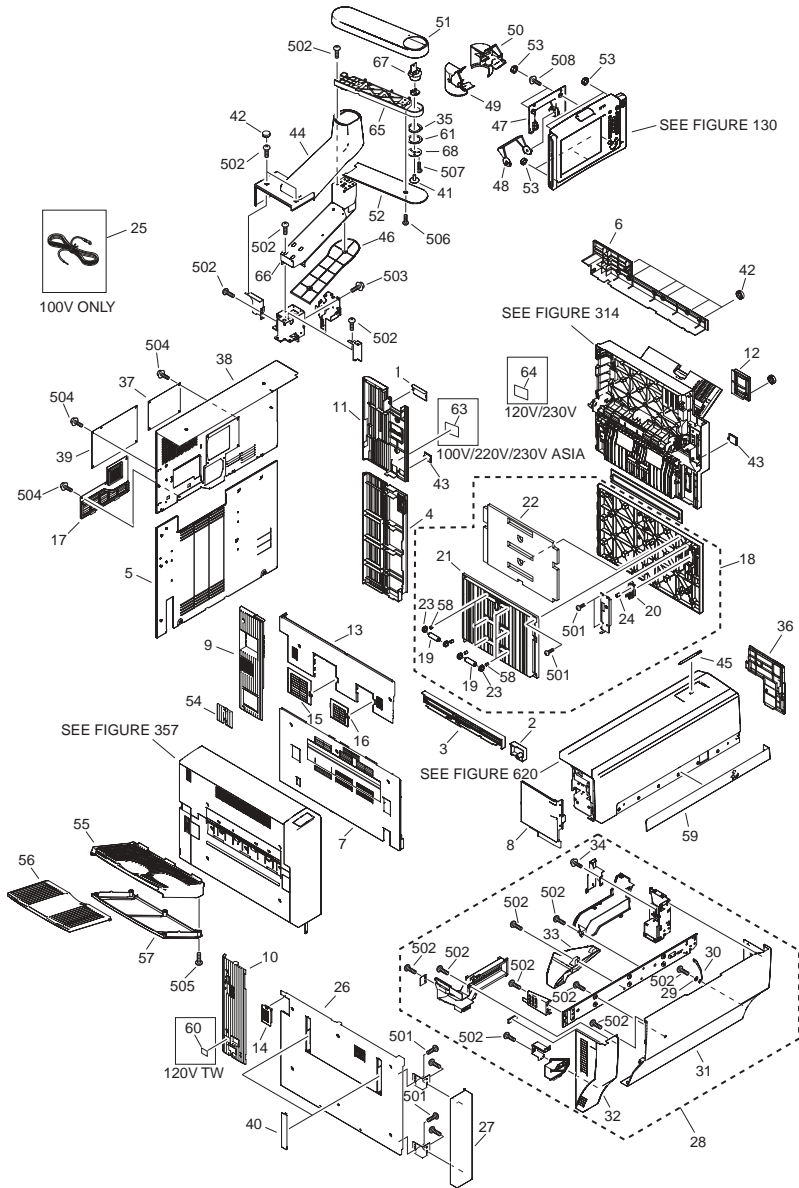


FIGURE & KEY NO.	PARTS NUMBER	R A N K	Q'TY	DESCRIPTION	SERIAL NUMBER/ REMARKS	S V C
Fig.100	NPN		RF	EXTERNAL COVERS, PANELS, ETC.		
1	FC5-2193-000		1	COVER, FAN DUCT		
2	FC5-2723-000		1	COVER, RIGHT LOWER, FRONT		
3	FC5-2724-000		1	PANEL, RIGHT LOWER, MIDDLE		
4	FC5-2725-020		1	PANEL, RIGHT LOWER, REAR		
5	FC6-1301-000		1	PANEL, REAR LOWER		
6	FC6-1302-000		1	PANEL, UPPER, RIGHT		
7	FC6-1304-000		1	PANEL, UPPER, LEFT		
8	FC6-1312-000		1	COVER, HOPPER, LEFT		
9	FC6-1378-000		1	PANEL, LEFT UPPER, REAR		
10	FC6-1379-000		1	PANEL, LEFT LOWER, REAR		
11	FC8-6454-000		1	PANEL, RIGHT UPPER, REAR		
12	FC7-0906-000		1	COVER, DOOR, RIGHT		
13	FL2-2857-000		1	COVER, UPPER, LEFT		
14	FL2-5398-000		1	COVER, FIXING EXHAUST, RR. LW		
15	FL2-5399-000		1	COVER, EXHAUST, LEFT		
16	FL2-5400-000		1	COVER, FIXING EXHAUST, UPPER		
17	FL2-5401-000		1	COVER, FILTER, REAR		
18	FM2-2507-000		1	VERTICAL PATH DOOR ASSEMBLY		
19	FC7-7207-000		6	ROLLER, DRIVEN, B		
20	FC5-2719-000		1	HANDLE, RIGHT DOOR		
21	FC6-1917-000		1	GUIDE, VERT. PATH PAPER FEED		
22	FC7-0892-000		1	SPONGE		
23	FS5-1595-000		12	BUSHING, VERTICAL ROLLER		
24	FS6-2826-000		1	SPRING, COMPRESSION		
25	FK2-0157-000		1	CABLE, GROUNDING	100V ONLY	
26	FC6-1305-000		1	COVER, LEFT, LOWER		
27	FC6-1306-000		1	COVER, FRONT LOWER		
28	FM2-8042-000		1	FRONT COVER UNIT		
29	FA2-7162-000		1	WASHER (SUS)		
30	FA6-0745-000		1	TAPE, DOOR		
31	FC6-1316-000		1	COVER, FRONT, 1		

FIGURE & KEY NO.	PARTS NUMBER	R A N K	Q'TY	DESCRIPTION	SERIAL NUMBER/ REMARKS	S V C
32	FC7-0183-000		1	COVER, FRONT, 2		
33	FC7-0189-000		1	MOUNT, FIXING/FEEDER, LEVER		
34	XA9-0732-000		11	SCREW,RS,M4		
35	FC6-5731-000		1	WASHER,WAVE		
36	FM2-8045-000		1	RIGHT HOPPER COVER UNIT		
37	FC5-2452-000		1	COVER, BLANKING, REAR		
38	FC6-1300-000		1	COVER, REAR, UNDER		
39	FC7-0947-000		1	COVER, HDD		
40	FC7-7173-000		2	COVER, HANDLE		
41	FB6-0439-020		1	SCREW,M4		
42	FB6-3771-000		8	COVER, RUBBER		
43	FC5-2194-000		2	COVER, HANDLE		
44	FL2-6943-000		1	COVER, ARM, 2		
45	FC7-3068-000		1	PEN, TOUCH PANEL		
46	FC6-4899-000		1	COVER, ARM, 3		
47	FC6-4958-000		1	COVER, HINGE		
48	FC6-4959-000		1	COVER, SLIDE		
49	FC6-4960-000		1	COVER, HINGE, LEFT		
50	FC6-4961-000		1	COVER, HINGE, RIGHT		
51	FC6-5614-000		1	COVER, ARM, 1		
52	FC6-5716-000		1	COVER, ARM, 4		
53	FC6-6824-000		7	RUBBER, COVER		
54	FC7-0913-000		1	COVER, PANEL, MOUNT		
55	FC7-0939-000		1	TRAY, COPY, 1		
56	FC7-0940-000		1	TRAY, COPY, 2		
57	FC7-0941-000		1	COVER, COPY, TRY		
58	FU6-2924-000		12	SPRING, COMPRESSION		
59	FL2-5456-010		1	BASE, EMBLEM	C1	
59	FL3-0888-000		1	BASE, EMBLEM	C1+	
60	FC8-8826-000		1	LABEL, SUBPOWER SUPPLY	120V TW	
61	FC7-0223-000		1	SHEET		
63	FC7-3085-000		1	LABEL, SHUT, DOWN B	100V/220V/230V ASIA	

FIGURE & KEY NO.	PARTS NUMBER	R A N K	Q'TY	DESCRIPTION	SERIAL NUMBER/ REMARKS	S V C
64	FC7-3084-000		1	LABEL, SHUT, DOWN A	120V/230V AU/EUR	
65	FB6-0433-000		1	ARM		
66	FC6-1309-000		1	ARM, CONTROL, PANEL		
67	FB6-0432-000		1	SUPPORT, SHAFT		
68	FB6-0450-000		1	WASHER		
501	XB4-5400-807		AR	SCREW,P,M4X8		
502	XB4-5401-007		AR	SCREW, M4X10		
503	XB3-6401-005		AR	SCREW,RS,M4X10		
504	XB1-2400-407		AR	SCREW,MACH.,TRUSS HEAD,M4X4		
505	XB4-5401-007		5	SCREW,P,M4X10		
506	XB1-2401-609		AR	SCREW, MACH.,TRUSS HEAD, M4X16		
507	XB1-2400-805		AR	SCREW, MACHINE M4X8 (S)		
508	XB6-7300-607		AR	SCREW,TP,M3X6		

FIGURE 101 MACHINE FRONT PLATE

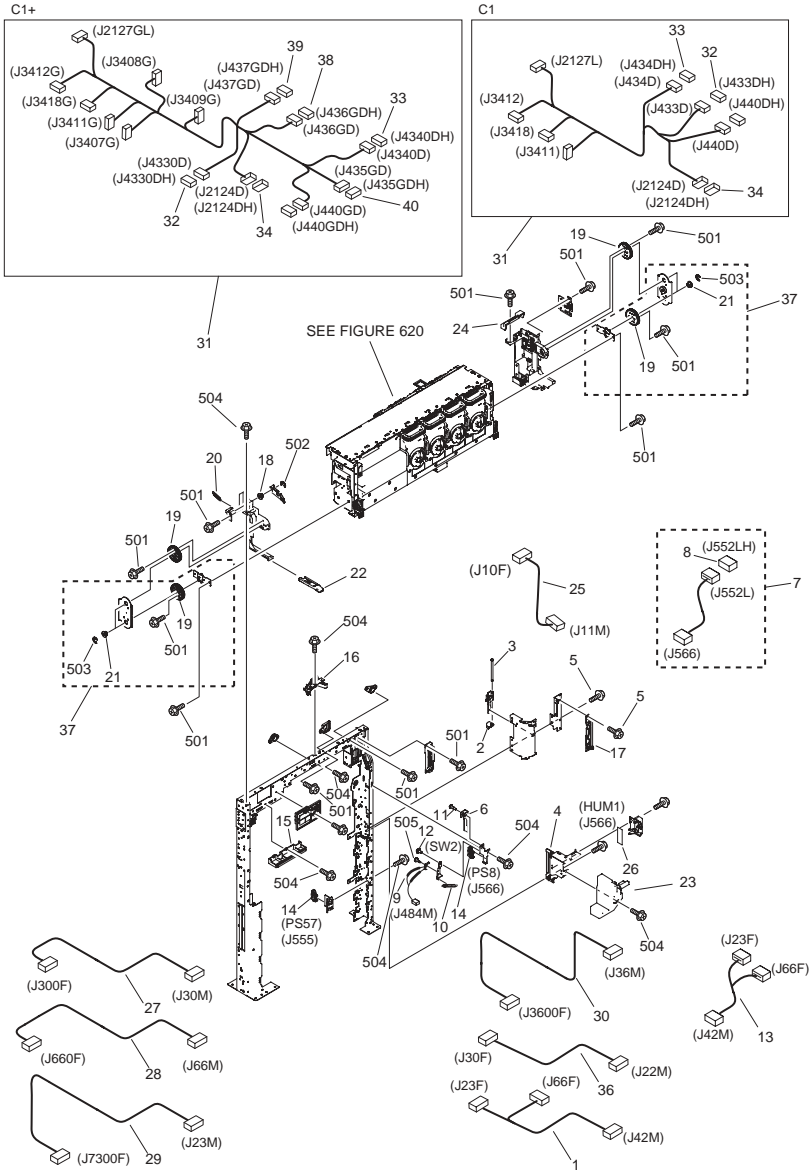


FIGURE & KEY NO.	PARTS NUMBER	R A N K	Q'TY	DESCRIPTION	SERIAL NUMBER/ REMARKS	S V C
Fig.101	NPN		RF	MACHINE FRONT PLATE		
1	FM2-7262-000		1	CABLE, HI-V. CONNECT, ROLLER		
2	FB2-7866-000		1	STOP, HINGE		
3	FB2-7867-030		1	SHAFT, HINGE		
4	FL2-2855-000		1	HINGE, FRONT COVER, LOWER		
5	XA9-0732-000		9	SCREW,RS,M4		
6	FB2-7560-030		1	COVER, SWITCH		
7	FM2-0952-000		1	CABLE, MULTI DOOR SENSOR	J552L,556	
8	VS1-7177-003		1	CONNECTOR, SNAP TIGHT, BK	J552LH	
9	FM2-0956-000		1	CABLE, MULTI DOOR SWITCH		
10	FS5-2958-000		1	SPRING, TENSION		
11	FS5-9166-020		1	SCREW, STEPPED, M4		
12	FS5-9216-020		1	SCREW, STEPPED, M4X6		
13	FM2-7262-000		1	CABLE, HI-V. CONNECT, ROLLER	J23F,42M,66F	
14	FK2-0149-000		2	PHOTO-INTERRUPTER, TLP1253(C6)		
15	FL2-2846-000		1	PLATE, HOPPER, INSULATING, B		
16	FM2-2469-000		1	LASER SHUTTER UNIT		
17	FC5-1846-000		1	HOOK, RIGHT DOOR		
18	FS5-1220-000		1	BUSHING		
19	FU6-0587-000		4	GEAR, 40T		
20	FU6-2076-000		1	SPRING, TENSION		
21	FU5-4719-000		4	BUSHING		
22	FC7-5022-000		1	GUIDE, DOOR, FRONT		
23	FC6-4930-000		1	COVER, HINGE INTERNAL		
24	FC6-9754-000		1	COVER, SUB FRAME		
25	FM2-7285-000		1	CABLE, HEATER CONNECTING, 1		
26	WP2-5226-000		1	SENSOR, HUMIDITY		
27	FM2-7257-000		1	CABLE, PRI.TRANS. H.V. CONNECT	J30M,300F	
28	FM2-7261-000		1	CABLE, PRI.TRANS. H.V. CONNECT	J66M,660F	
29	FM2-7265-000		1	CABLE, ROLLER, H.V CONEKUT	J23M,7300F	
30	FM2-7267-000		1	CABLE, CLN H.V TRANSFER BELT 1	J36M,3600F	

FIGURE & KEY NO.	PARTS NUMBER	RANK	Q'TY	DESCRIPTION	SERIAL NUMBER/REMARKS	SVC
31	FM2-7233-000		1	CABLE, SIDE HOPPER, CONNECT	C1J433D,434D,440D,2124D,2127L,3411,3412,3418	
31	FM2-7336-000		1	CABLE, SIDE HOPPER, CONNECT	C1+J433D,434D,440D,2124D,2127L,3411,3412,3418	
32	VS1-7164-016		1	CONNECTOR, SNAP TIGHT	J433DH	
33	VS1-7164-020		1	CONNECTOR, SNAP TIGHT, 20P, W	J434DH	
34	VS1-7173-005		1	CONNECTOR, SNAP TIGHT	J2124DH	
36	FM2-7258-000		1	CABLE, HIGH VOLTAGE CONNECT, 2	J22M,30F	
37	FM2-2683-000		2	HINGE ARM ASSEMBLY		
38	VS1-7173-006		1	CONNECTOR, SNAP TIGHT	C1+J436GDH	
39	VS1-7173-008		1	CONNECTOR, SNAP TIGHT	C1+J437GDH	
40	VS1-7173-010		1	CONNECTOR, SNAP TIGHT	C1+J435GDH	
501	XB1-2400-607		AR	SCREW, CROSS-RECESS, FCH		
502	XD2-1100-502		AR	RETAINING RING (E-TYPE)		
503	XD2-1100-802		AR	RING, E		
504	XB3-6401-005		AR	SCREW,RS,M4X10		
505	XB1-2230-809		AR	SCREW,MACH,TRUSS HEAD,M2.3X8		

FIGURE 102 INTERNAL COMPONENTS 1

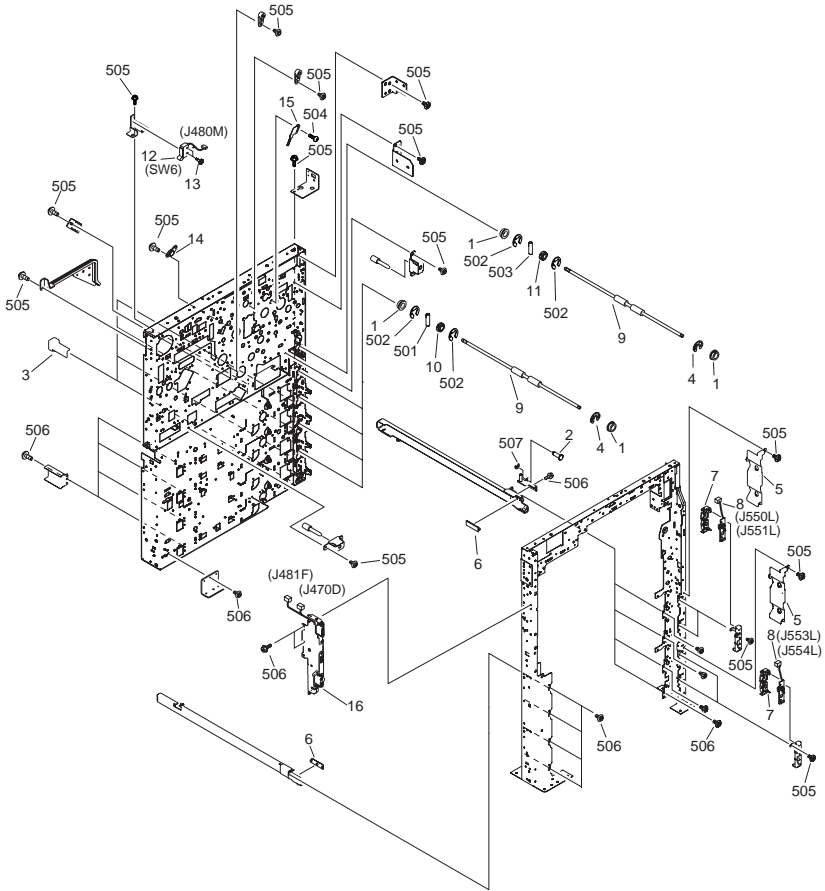


FIGURE & KEY NO.	PARTS NUMBER	RANK	Q'TY	DESCRIPTION	SERIAL NUMBER/REMARKS	SVC
Fig.102	NPN		RF	INTERNAL COMPONENTS 1		
1	FA9-2112-000		10	BUSHING, PL		
2	FC5-2544-000		4	SCREW, ADJUSTMENT, M6X16		
3	FC5-2568-000		4	COVER, RAIL		
4	FC5-2715-000		5	RING, RETAINING		
5	FC6-1923-000		2	PANEL, INTERNAL, RIGHT LOWER		
6	FC5-2566-000		8	BLOCK, SIDE SLIDE		
7	FC5-1420-000		4	HOLDER, SIZE DETECT		
8	FM2-0849-000		4	CST. SIZE SENSOR PCB ASSEMBLY	J550L,551L,553L,554L	
9	FC5-2703-000		5	ROLLER, PAPER FEEDER		
10	FS7-0641-000		4	GEAR, 24T		
11	FS7-0652-000		1	GEAR, 18T		
12	FM2-0999-000		1	CABLE, HANDLE SWITCH	SW6 J480M	
13	XA9-0944-000		2	SCREW, STEPPED, M2		
14	FC5-6243-000		1	BUSHING		
15	FC6-1035-000		1	BRUSH, STATIC CHARGE		
16	FM2-7977-000		1	DOOR SWITCH UNIT	J470D,481F	
501	XD3-2200-142		AR	PIN, PARALLEL		
502	XD2-1100-642		AR	RING, E		
503	XD3-2200-102		AR	PIN, PARALLEL		
504	XB1-2400-807		AR	SCREW, M4X8		
505	XB3-6401-005		AR	SCREW, RS, M4X10		
506	XB3-6400-805		AR	SCREW, RS, M4X8		
507	XD2-1100-242		AR	WASHER, RETAINING		

FIGURE 103 INTERNAL COMPONENTS 2

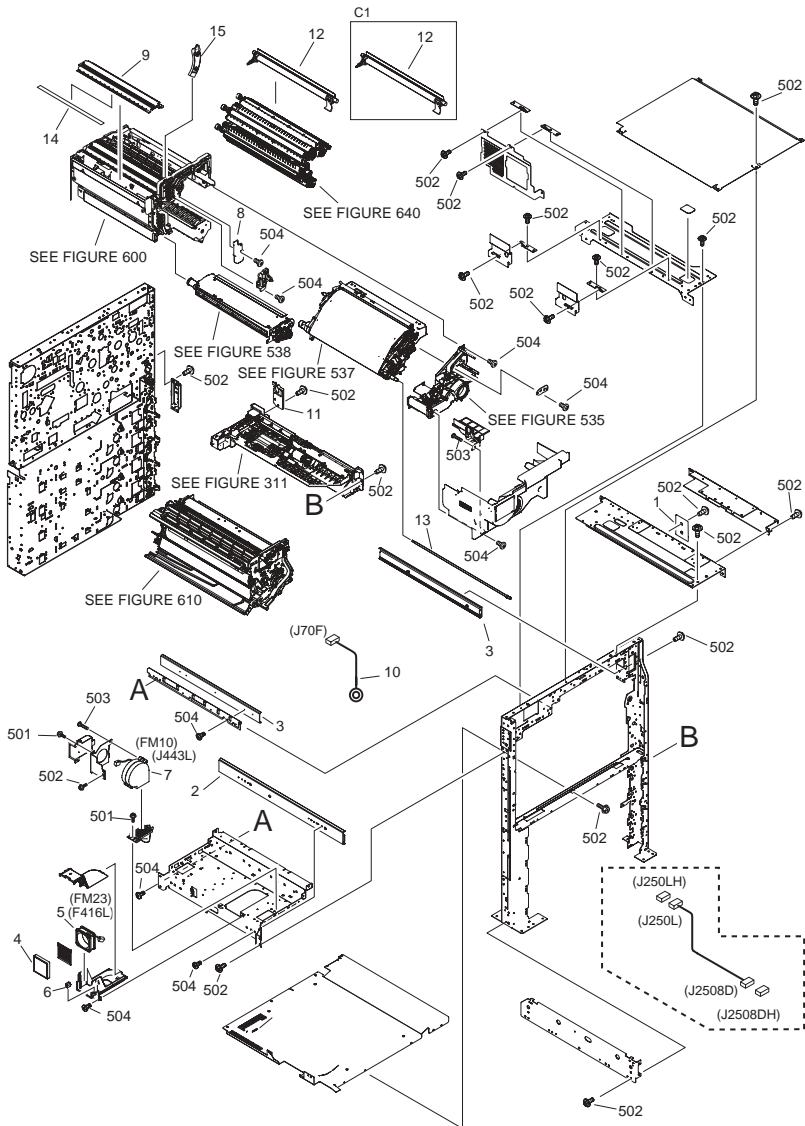


FIGURE & KEY NO.	PARTS NUMBER	RANK	Q'TY	DESCRIPTION	SERIAL NUMBER/REMARKS	SVC
Fig.103	NPN		RF	INTERNAL COMPONENTS 2		
1	FC5-6247-000		1	PLATE, GROUNDING		
2	XZ9-0566-000		1	RAIL, FRAME		
3	XZ9-0567-000		2	RAIL, SLIDE, LEFT		
4	FC8-8817-000		1	FILTER, AIR, 2		
5	FL2-2854-000		1	FAN	FM23 J416L	
6	VS1-7177-004		1	CONNECTOR, SNAP TIGHT, BK		
7	FK2-0124-000		1	FAN	FM10 J443L	
8	FC6-9741-000		1	COVER, DEVELOPING BIAS		
9	FL2-2624-000		1	COVER, PROCESSOR KIT, UPPER		
10	FM2-7291-000		1	CABLE, HI-V. DEVELOPMENT BIAS	J70F	
11	FC5-2545-000		4	COVER, CABLE		
12	FM2-2663-000		2	DUMMY DEVELOPING ASSEMBLY		
13	FC6-6892-000		1	SHAFT, I.T.B. FIXED		
14	FC6-9744-000		1	SEAL_PROCEESSOR KIT COVER		
15	FM2-2662-000		1	DEVELOPING BIAS INPUT ASSEMBLY		
501	XB3-6400-805		AR	SCREW,RS,M4X8		
502	XB3-6401-005		AR	SCREW,RS,M4X10		
503	XB1-2404-007		AR	SCREW,MACH.,TRUSS HEAD,M4X40		
504	XB1-2400-607		AR	SCREW,MACH.,TRUSS HEAD,M4X6		

FIGURE 104 INTERNAL COMPONENTS 3

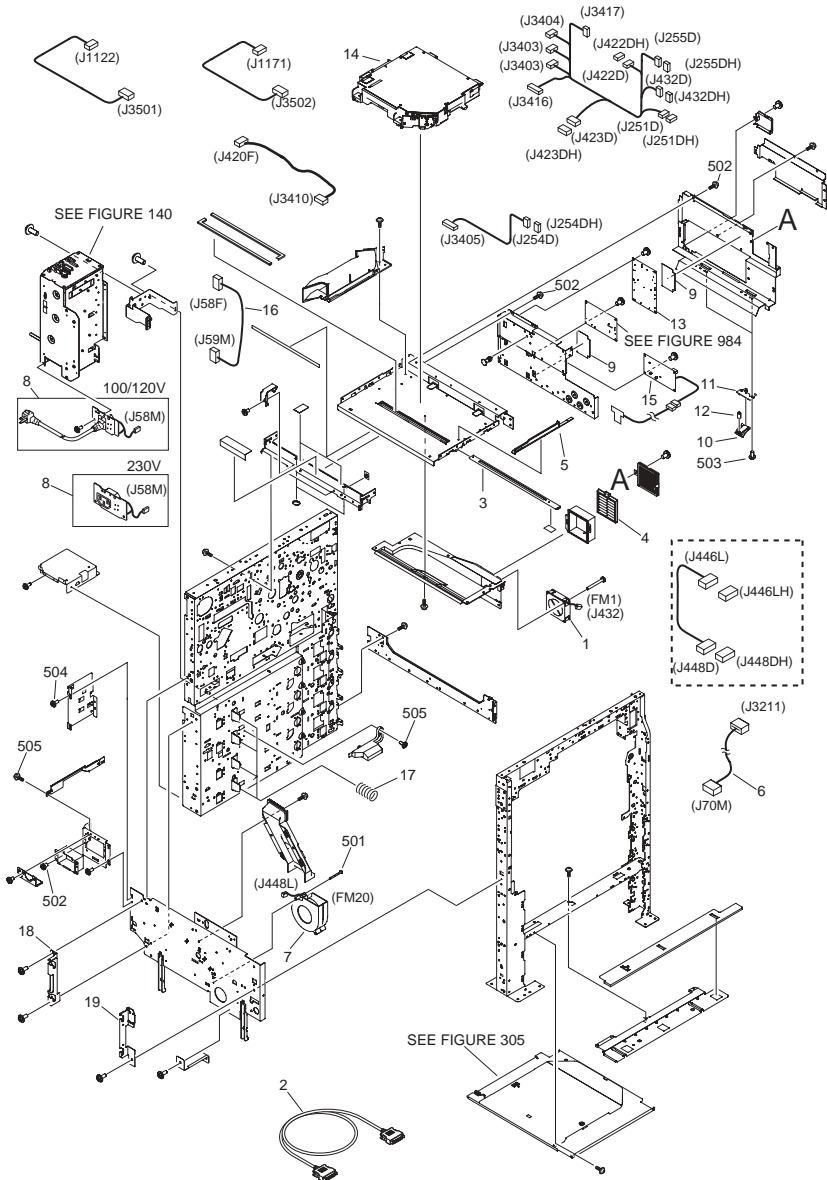


FIGURE & KEY NO.	PARTS NUMBER	R A N K	Q'TY	DESCRIPTION	SERIAL NUMBER/ REMARKS	S V C
Fig.104	NPN		RF	INTERNAL COMPONENTS 3		
1	FK2-0103-000		1	FAN	FM1 J432L	
3	FL2-0390-000		1	GLASS, DUST-PROOF		
4	FL2-0439-000		1	FILTER, DUST		
5	FC5-1619-000		1	RAIL, SCANNER		
6	FM2-7290-000		1	CABLE, HI-V. DEVELOPMENT BIAS	J70M,3211	
7	FK2-0124-000		1	FAN	FM20 J448L	
8	FM2-2629-000		1	AC POWER SUPPLY CABLE ASS'Y	100V	
8	FM2-2597-000		1	AC POWER SUPPLY CABLE ASS'Y	120V	
8	FM4-3308-000		1	AC POWER SUPPLY CABLE ASS'Y	120V BR	
8	FM2-2598-000		1	AC POWER SUPPLY CABLE ASS'Y	220V/230V	
9	FC7-0920-000		2	SHEET, INSULATING		
10	FB5-2951-000		2	BLOCK, GUIDE PRESSURE, 1		
11	FB5-2957-020		2	BLOCK, GUIDE PRESSURE, 2		
12	FU5-2148-000		2	SPRING, COMPRESSION		
13	FM2-7730-000		1	SIDE DRIVER PCB ASS'Y	C1	
13	FM2-7731-000		1	SIDE DRIVER PCB ASS'Y	C1+	
14	FM2-6066-010		1	LASER SCANNER ASSEMBLY		
15	FM2-2642-000		1	POTENTIAL SENSOR PCB ASSEMBLY	J452	
16	FM2-7304-000		1	CABLE, OPTION AC, 2	J58F,59M	
17	FU5-2172-000		4	SPRING, COMPRESSION		
18	FC7-1168-000		1	PLATE,BUFFER MOUNTING,REAR		
19	FC7-1169-000		1	PLATE,BUFFER MOUNTING,FRONT		
501	XB1-2404-007		AR	SCREW,MACH,TRUSS HEAD,M4X40		
502	XB1-2400-607		AR	SCREW,CROSS-RECESS,FCH		
503	XB1-2300-607		AR	SCREW, BH3X6(S)		
504	XB3-6400-805		AR	SCREW,RS,M4X8		
505	XB3-6401-005		AR	SCREW, RS, M4X10		

FIGURE & KEY NO.	PARTS NUMBER	R A N K	Q'TY	DESCRIPTION	SERIAL NUMBER/REMARKS	S V C
Fig.105	NPN		RF	INTERNAL COMPONENTS 4		
1	FC6-1900-000		1	GUIDE, PRE-REGISTRATION 1		
2	FC6-1901-000		1	GUIDE_,PRE-REGISTRATION 2		
3	FC6-1904-000		1	GUIDE, INTERMEDIATE		
4	FM2-1207-000		1	PRE-REGISTRATION SENSOR UNIT		
5	FK2-0149-000		1	PHOTO-INTERRUPTER, TLP1252(C6)	PS27 J462	
6	FU5-8539-000		1	LABEL, OPERATION		
7	FK2-0124-000		1	FAN	FM19 J499L	
8	XZ9-0566-000		1	RAIL, FRAME		
9	FM2-7272-000		1	CABLE, CROSSING SENSOR	J461L,462	
10	VS1-7177-003		1	CONNECTOR, SNAP TIGHT, BK	J461LH	
11	FM2-8047-000		1	COVER, FIXING, FRONT		
501	XB3-6401-005		AR	SCREW,RS,M4X10		
502	XB1-2400-607		AR	SCREW, CROSS-RECESS, FCH		
503	XB1-2404-007		AR	SCREW,MACH.,TRUSS HEAD,M4X40		
504	XB3-6400-805		AR	SCREW,RS,M4X8		
505	XB1-2400-807		AR	SCREW,MACH.,TRUSS HEAD,M4X8		

FIGURE 106 MACHINE REAR PLATE 1

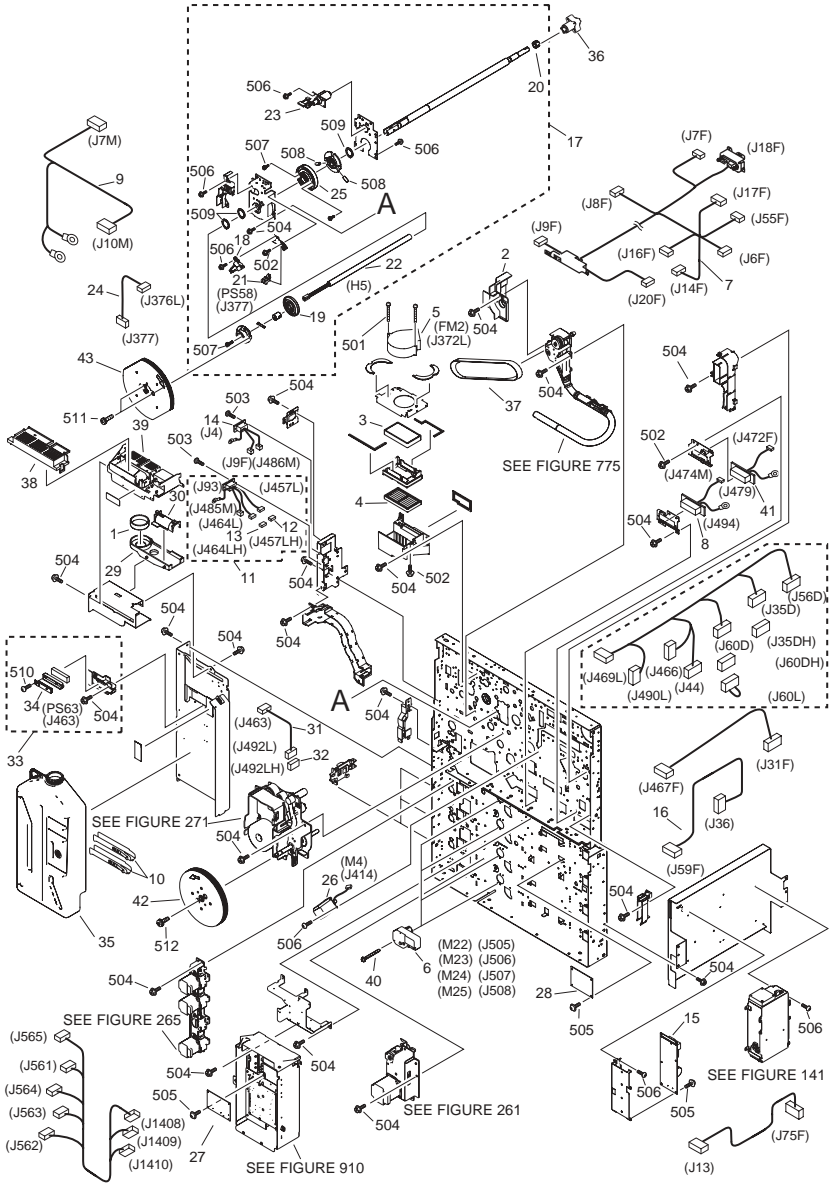


FIGURE & KEY NO.	PARTS NUMBER	RANK	Q'TY	DESCRIPTION	SERIAL NUMBER/REMARKS	SVC
Fig.106	NPN		RF	MACHINE REAR PLATE 1		
1	FB2-8408-000		1	CAP, WASTE TONER		
2	FC6-1109-000		1	COVER, WASTE TONER, DRIVE		
3	FC8-8814-000		1	FILTER, OZONE, RIGHT		
4	FC7-0958-000		1	FILTER, TONER		
5	FK2-0537-000		1	FAN	FM2 J372L	
6	FK2-0016-000		4	MOTOR, DC	M22-25 J505-508	
7	FM2-2627-000		1	AC DRIVER CABLE ASS'Y		
8	FM2-7260-000		1	DRAWER HARNESS ASSEMBLY, 2		
9	FM2-7284-000		1	CABLE, I.T.B HEATER, CONECT	J7M,10M	
10	FG5-5794-000		1	HANDLE, MAIN BODY		
11	FM2-0938-000		1	CABLE, 3.5K POWER SUPPLY	J457L,464L,485M	
12	VS1-7177-006		1	CONNECTOR, SNAP TIGHT, BK	J457LH	
13	VS1-7177-008		1	CONNECTOR, SNAP TIGHT, BK	J464LH	
14	FM2-7289-000		1	CABLE, READER, POWER SUPPLY		
15	FM2-7199-000		1	NOISE FILTER PCB ASSEMBLY	100V/120V	
15	FM2-7200-000		1	NOISE FILTER PCB ASSEMBLY	220V/230V	
16	FM2-7303-000		1	CABLE, AC POWER SUPPLY		
17	FM2-2695-000		1	DRUM SHFT UNIT	100V/120V	
17	FM2-7981-000		1	DRUM SHFT UNIT	220V/230V	
18	FA3-0859-040		1	BRUSH, ELECTRODE CONTACT		
19	FC6-1097-000		1	TERMINAL, DRUM CONTACT		
20	FC6-1104-000		1	COLLAR, DRUM, SHAFT		
21	FK2-0149-000		1	PHOTO-INTERRUPTER, TLP1252(C6)	PS58 J377	
22	FK2-0547-000		1	HEATER, DRUM	100V/120VH5	
22	FH7-4725-000		1	HEATER, DRUM	220V/230VH5	
23	FK2-2665-000		1	CONNECTOR, 1ST, HIGH VOLTAGE		
24	FM2-7275-000		1	CABLE, DRUM HP, SENSOR		
25	FU6-0543-000		1	GEAR, 90T		
26	FM2-2641-000		1	ROTARY MOTOR UNIT	M4 J414	
27	FM2-6049-010		1	DC DC CONVERTER PCB ASSEMBLY 1		
28	FM2-6300-000		1	DC DC CONVERTER PCB ASSEMBLY		

FIGURE & KEY NO.	PARTS NUMBER	R A N K	Q'TY	DESCRIPTION	SERIAL NUMBER/ REMARKS	S V C
29	FF5-3172-000		1	CAP, BOTTLE, 1		
30	FL2-5451-000		1	CAP, BOTTLE, 2		
31	FM2-7273-000		1	CABLE, WASTE TONER	J463,492L	
32	VS1-7177-004		1	CONNECTOR, SNAP TIGHT, BK	J492LH	
33	FM2-8007-000		1	SENSOR, WASTE TONER		
34	FK2-0591-000		1	SENSOR , TONER	PS63 J463	
35	FL2-2853-000		1	BOTTLE, WASTE TONER		
36	FC7-5043-000		1	KNOB, DRUM		
37	XF2-4119-740		1	BELT, TIMING		
38	FC5-2502-000		1	COVER, HIGH VOLTAGE PCB, UPPER		
39	FM2-2633-000		1	COVER, HIGH VOLTAGE PCB, UPPER		
40	XA9-1491-000		12	SCREW,WASHER PAN HEAD,M3X30		
41	FM2-7256-000		1	DRAWER HARNESS ASSEMBLY, 1		
42	FC8-6457-000		1	FLYWHEEL		
43	FC8-6465-000		1	FLYWHEEL		
501	XB2-4404-005		AR	SCREW,W/WASHER,M4X40		
502	XB3-6400-805		AR	SCREW,RS,M4X8		
503	XB1-2300-607		AR	SCREW, BH3X6(S)		
504	XB3-6401-005		AR	SCREW,RS,M4X10		
505	XB6-7300-607		AR	SCREW, CROOSS-RECESS, FCH		
506	XB1-2400-607		AR	SCREW, CROSS-RECESS, FCH		
507	XB2-8401-407		AR	SCREW,W/WASHER,M4X14		
508	XB6-2401-008		AR	SETSCREW, M4X10		
509	XD2-3100-202		AR	C RING		
510	XB4-5301-007		AR	SCREW,P,M3X10		
511	XB2-8502-007		AR	SCREW, W/WASHER, M5*20		
512	XB2-8401-407		AR	SCREW,W/WASHER,M4X14		

FIGURE 107 MACHINE REAR PLATE 2

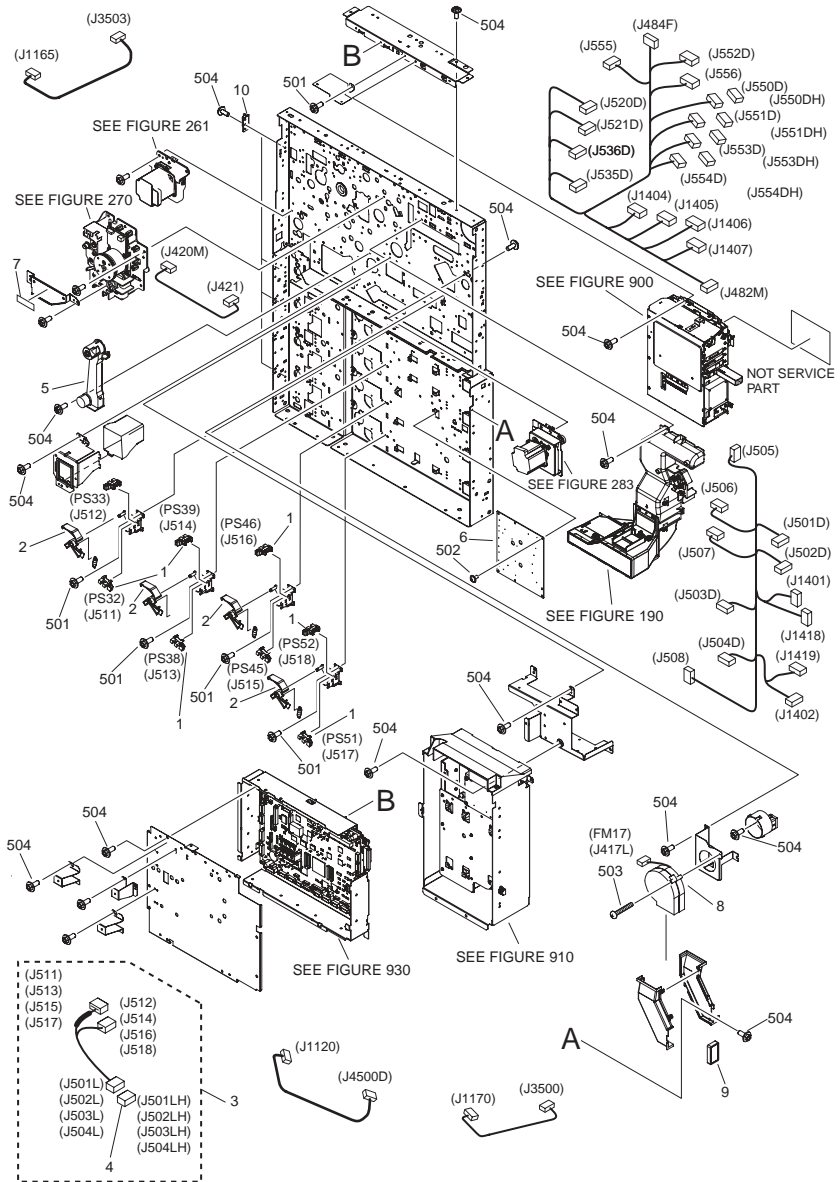


FIGURE & KEY NO.	PARTS NUMBER	R A N K	Q'TY	DESCRIPTION	SERIAL NUMBER/REMARKS	S V C
Fig.107	NPN		RF	MACHINE REAR PLATE 2		
1	FK2-0149-000		8	PHOTO-INTERRUPTER, TLP1253(C6)	PS32,33,38,39,45,46,51,52 J511-518	
2	FC5-2515-000		4	ARM, CASSETTE PAPER SENSOR		
3	FM2-0992-000		4	CABLE, CASSETTE REMNANT SENSOR	PS32,33,38,39,45,46,51,52 J511-518,501-504	
4	VS1-7177-006		4	CONNECTOR, SNAP TIGHT, BK	J501-504	
5	FM2-7979-000		1	JOINT PIPE UNIT		
6	FM2-7726-000		1	PAPER PICK-UP DRIVER PCB ASS'Y		
7	FS6-8400-000		1	LABEL,GREASE TYPE CAUTION		
8	FK2-0124-000		1	FAN	FM17 J417L	
9	FC8-8818-000		1	FILTER, AIR, 3		
10	FC5-2726-000		4	HINGE, VERTICAL PATH DOOR		
501	XB3-6400-805		AR	SCREW,RS,M4X8		
502	XB6-7300-607		AR	SCREW, CROSS-RECESS, FCH		
503	XB1-2404-007		AR	SCREW,MACH.,TRUSS HEAD,M4X40		
504	XB3-6401-005		AR	SCREW,RS,M4X10		

FIGURE 108 MACHINE BOTTOM PLATE

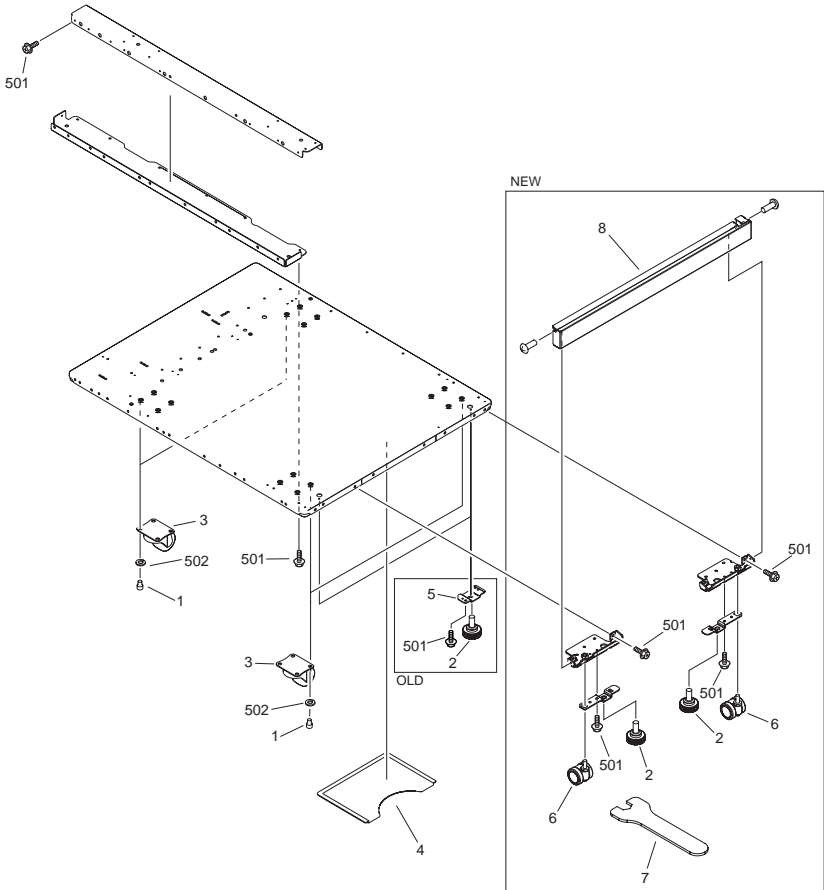


FIGURE & KEY NO.	PARTS NUMBER	R A N K	Q'TY	DESCRIPTION	SERIAL NUMBER/ REMARKS	S V C
Fig.108	NPN		RF	MACHINE BOTTOM PLATE		
1	FB4-1340-000		16	SCREW,ALLEN HEAD,M8X10		
2	FB2-8506-020		2	ADJUSTER		
3	XZ9-0367-000		4	CASTER		
4	FC5-1146-000		1	HOLDER, BOOK, SERVICE		
5	FC5-2687-000		2	PLATE, ADJUSTER MOUNTING		
6	XZ9-0673-000		2	AUXILIARY CASTER		
7	XZ9-0672-000		1	SPANNER, 16		
8	FC7-5756-000		1	COVER, ADJUSTER		
501	XB3-6401-005		AR	SCREW,RS,M4X10		
502	XD1-3100-805		AR	WASHER,SPRING		

FIGURE 130 CONTROL PANEL ASSEMBLY

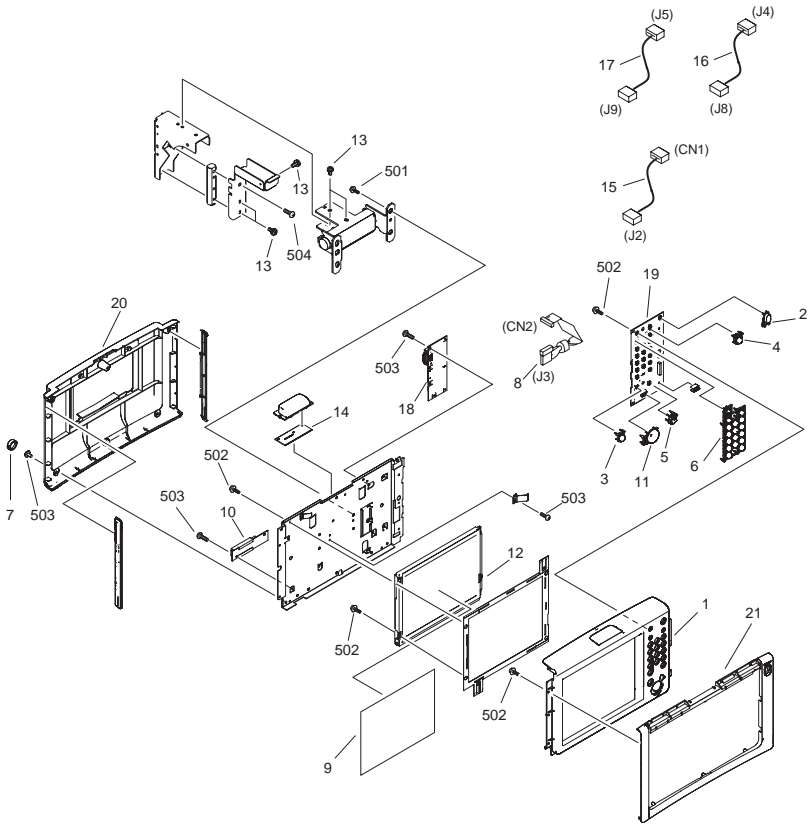


FIGURE & KEY NO.	PARTS NUMBER	R A N K	Q'TY	DESCRIPTION	SERIAL NUMBER/ REMARKS	S V C
Fig.130	FM3-5206-000		1	CONTROL PANEL ASSEMBLY	100V	
Fig.130	FM3-5207-000		1	CONTROL PANEL ASSEMBLY	120V/230V ASIA/AU	
Fig.130	FM3-5208-000		1	CONTROL PANEL ASSEMBLY	EUR/ CN	
1	FC7-0993-000		1	PANEL, CONTROL	100V	
1	FC7-0994-000		1	PANEL, CONTROL	120V/230V ASIA/AU	
1	FC7-5044-000		1	PANEL, CONTROL	220V/230V EUR	
2	FC6-4950-000		1	KEY TOP, POWER		
3	FC6-4951-000		1	KEY TOP, RESET		
4	FC6-4952-000		1	KEY TOP, ENERGY SAVING		
5	FC6-4954-000		1	KEY TOP, STOP		
6	FC6-4955-000		1	KEY TOP, NUMBERS		
7	FC6-6824-000		5	RUBBER, COVER		
8	FK2-1636-000		1	CABLE, LCD	J3,CN2	
9	FK2-1645-000		1	PANEL, TOUCH		
10	FK2-1646-000		1	INVERTER PCB ASSEMBLY	EXCPT JP, USJP, US (OLD)	
10	FK2-7408-000		1	INVERTER PCB ASSEMBLY	JP, US (NEW)	
11	FL2-2615-000		1	START KEY ASSEMBLY		
12	FL2-2616-000		1	LCD CONTROL PANEL UNIT	EXCEPT JP, US	
12	FL3-1063-000		1	LCD CONT PANEL/ INVERTER UNIT	JP, US	
13	XA9-0940-000		8	SCREW,W/WASHER,M4X12		
14	FM2-5463-000		1	TALLY PCB ASSEMBLY		
15	FM2-5439-000		1	CABLE, INVERTER	J2,CN1	
16	FM2-5440-000		1	CABLE, KEY	J4,8	
17	FM2-5441-000		1	CABLE, TALLY	J5,9	
18	FM2-5461-000		1	CPU PCB ASSEMBLY		
19	FM2-5462-000		1	KEY PCB ASSEMBLY		
20	FC6-4957-000		1	COVER, REAR		
21	FC6-4941-000		1	COVER, FRONT		
501	XB2-8400-807		AR	SCREW,W/WASHER,M4X8		
502	XB4-5301-007		AR	SCREW,P,M3X10		
503	XB6-7300-607		AR	SCREW,TP,M3X6		

FIGURE & KEY NO.	PARTS NUMBER	R A N K	Q'TY	DESCRIPTION	SERIAL NUMBER/ REMARKS	S V C
504	XB2-8402-007		AR	SCREW,W/WASHER,M4X20		

FIGURE & KEY NO.	PARTS NUMBER	R A N K	Q'TY	DESCRIPTION	SERIAL NUMBER/ REMARKS	S V C
Fig.140	FM2-8019-000		1	POWER CORD TERMINAL ASSEMBLY	100V	
Fig.140	FM2-2613-000		1	POWER CORD TERMINAL ASSEMBLY	120V	
Fig.140	FM4-3305-000		1	POWER CORD TERMINAL ASSEMBLY	120V BR	
Fig.140	FM2-2614-000		1	POWER CORD TERMINAL ASSEMBLY	220V/230V	
1	FK2-3683-000		1	EVERYNIGHT POWER PCB ASSEMBLY	100V/120V	
1	FK2-3684-000		1	EVERYNIGHT POWER PCB ASSEMBLY	220V/230V	
2	FL2-0982-000		1	CORD, POWER SUPPLY	100V P1	
3	FL2-0983-000		1	CORD, POWER SUPPLY	120V P2	
4	FK2-0146-000		1	CORD, POWER SUPPLY	230V ASIA/EUR P1 J3	
5	FK2-0148-000		1	CORD, POWER SUPPLY	230V AU P1J3	
6	FM2-0922-000		1	CABLE, AC POWER SUPPLY	J1801	
7	FM2-7737-000		1	DRUM HEATER SW PCB ASS'Y		
8	FM2-7743-000		1	AC DRIVER PCB ASSEMBLY	100V/120V	
8	FM2-7744-000		1	AC DRIVER PCB ASSEMBLY	220V/230V	
9	FM2-7250-000		1	CABLE, DC MOUNT, POWER CORD	J38L,40,84D,97M,98,115	
10	FM2-7270-000		1	CABLE, AC DRIVER, SUB CONNECT	J38M,39,455L,1810	
11	FM2-7277-000		1	CABLE, TEMP, CONTROL SW	J52,57	
12	FM2-7279-000		1	CABLE, AC MOUNT, POWER CORD, 1	100V/120V J2,4F,5F,6M,14M,16M,48 F,55M,1802,1805,1806,18 07,1812,1813	
12	FM2-8158-000		1	CABLE, AC MOUNT, POWER CORD, 1	220V/230V 2G,4GF,5GF,6GM,14GM, 16GM,48GF,55GM,1802G ,1805G,1806G,1807G,181 2G,1813G	
13	FM2-7280-000		1	CABLE, AC MOUNT, POWER CORD, 2	J17M,1803,1804	
14	FM2-7281-000		1	CABLE, ALL NIGHT POWER SUPPLY	J3,15F	
15	FM2-7735-000		1	DRUM HEATER DRIVE PCB ASS'Y	100V/120V	
15	FM2-7736-000		1	DRUM HEATER DRIVE PCB ASS'Y	220V/230V	
16	FM2-0893-000		1	CABLE, SOCKET	220V/230V J3	
17	FK2-2987-000		1	CORD, POWER SUPPLY	220V CN	
19	FK2-0082-000		1	CORD, POWER SUPPLY	120V BR	
501	XB1-1402-005		AR	SCREW,MACH.,PAN HEAD,M4X20		
502	XB1-2260-407		AR	SCREW BH 2.6X4		

FIGURE & KEY NO.	PARTS NUMBER	R A N K	Q'TY	DESCRIPTION	SERIAL NUMBER/ REMARKS	S V C
503	XB1-2400-603		AR	SCREW,MACH.,TRUSS HEAD,M4X6		
504	XB1-2500-605		AR	SCREW,MACH.,TRUSS HEAD,M5X6		
505	XB2-4300-807		AR	SCREW,W/WASHER,M3X8		
506	XB3-6400-805		AR	SCREW,RS,M4X8		
507	XD1-4200-402		AR	WASHER,TOOTHED LOCK		
508	XB1-2400-607		AR	SCREW,MACH.,TRUSS HEAD,M4X6		
509	XB6-7300-607		AR	SCREW,TP,M3X6		
510	XD1-4200-502		AR	WASHER,TOOTHED LOCK		

FIGURE 141
OPTION POWER SUPPLY CASE ASS'Y

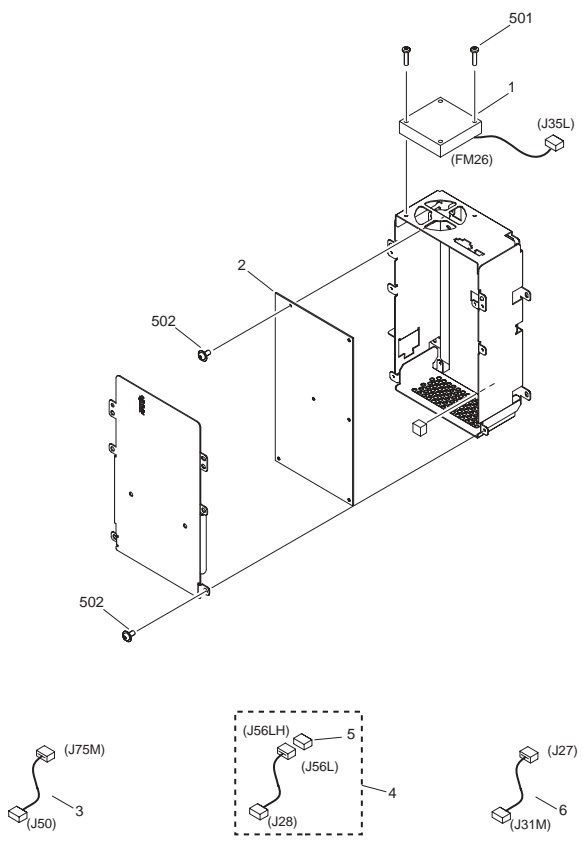


FIGURE & KEY NO.	PARTS NUMBER	RANK	Q'TY	DESCRIPTION	SERIAL NUMBER/REMARKS	SVC
Fig.141	NPN		RF	OPTION POWER SUPPLY CASE ASS'Y		
1	FK2-0541-000		1	FAN	FM26 J35L	
2	FK2-2660-000		1	REGULATOR, SWITCHING	100V/120V	
2	FK2-2661-000		1	REGULATOR, SWITCHING	220V/230V	
3	FM2-7308-000		1	CABLE, IN, OPTION POWER SUPPLY	J50,75M	
4	FM2-7311-000		1	CABLE, R.M.T, OP POWER SUPPLY	J28,56L	
5	VS1-7177-002		1	CONNECTOR, SNAP TIGHT, BK		
6	FM2-7312-000		1	CABLE, OPTION POWER SUPPLY	J32,34M	
501	XB1-2401-807		2	SCREW,MACH.,TRUSS HEAD,M4X18		
502	XB6-7300-607		12	SCREW,TP,M3X6		

FIGURE 190 FIXING EXHAUST FAN ASSEMBLY

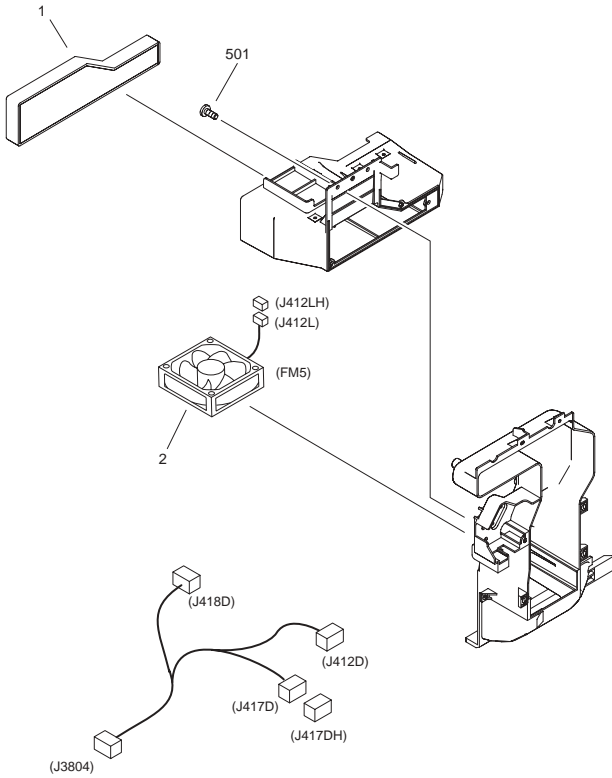


FIGURE & KEY NO.	PARTS NUMBER	RANK	Q'TY	DESCRIPTION	SERIAL NUMBER/REMARKS	SVC
Fig.190	NPN		RF	FIXING EXHAUST FAN ASSEMBLY		
1	FC8-8816-000		1	FILTER, AIR, 1		
2	FL2-5435-000		1	FAN	FM5 J412L	
501	XB4-5401-007		4	SCREW, M4X10		

FIGURE 191 LEFT EXHAUST FAN ASSEMBLY

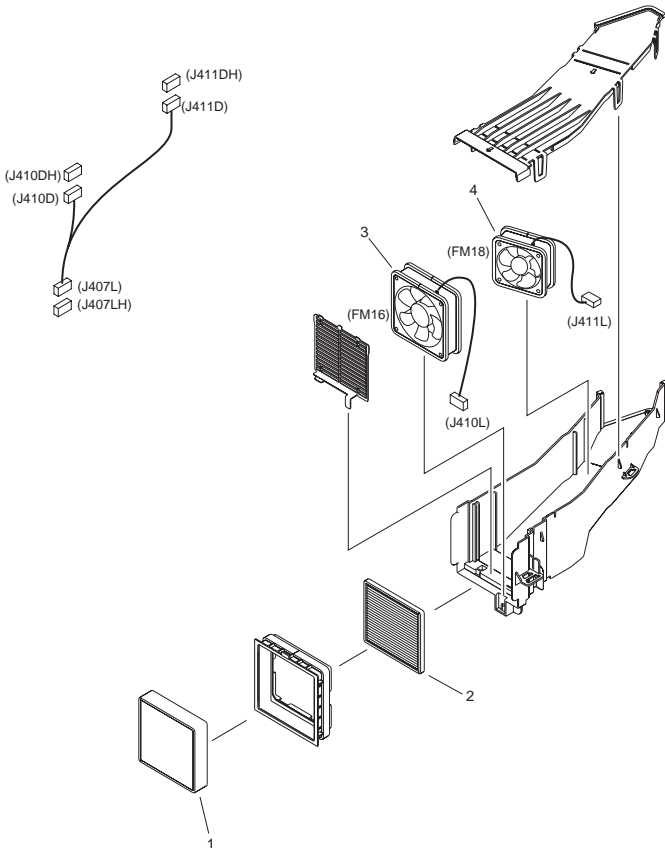


FIGURE & KEY NO.	PARTS NUMBER	RANK	Q'TY	DESCRIPTION	SERIAL NUMBER/REMARKS	SVC
Fig.191	FM2-8023-000		1	LEFT EXHAUST FAN ASSEMBLY		
1	FC8-8815-000		1	FILTER, OZONE, LEFT		
2	FC6-9817-000		1	FILTER, TONER, LEFT		
3	FL2-5436-000		1	FAN	FM16 J410L	
4	FL2-5437-000		1	FAN	FM18 J411L	

FIGURE 192 MAIN BODY EXHAUST FAN ASSEMBLY

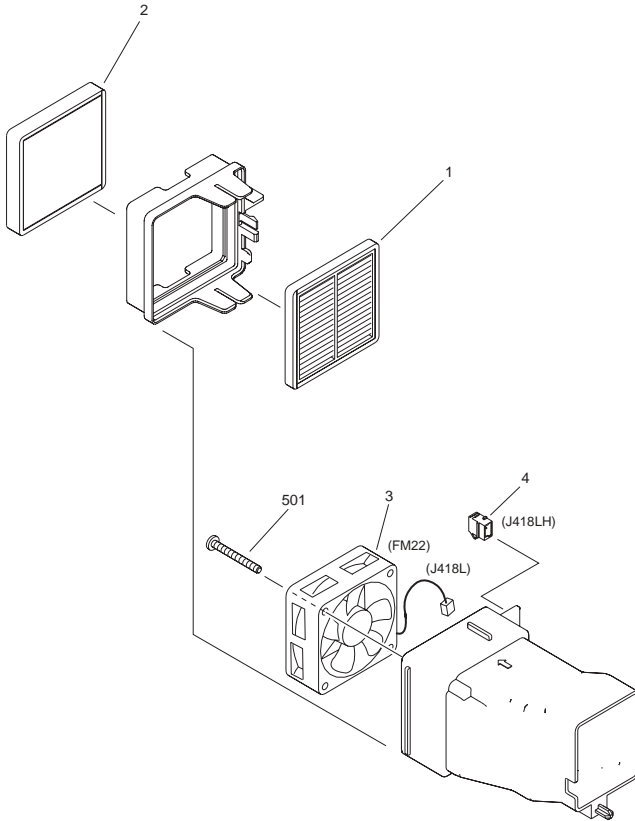


FIGURE & KEY NO.	PARTS NUMBER	RANK	Q'TY	DESCRIPTION	SERIAL NUMBER/REMARKS	SVC
Fig.192	NPN		RF	MAIN BODY EXHAUST FAN ASSEMBLY		
1	FC6-9829-000		1	FILTER		
2	FC6-9832-000		1	FILTER, 2		
3	FK2-0009-000		1	FAN	FM22 J418	
4	VS1-7177-003		1	CONNECTOR, SNAP TIGHT, BK	J418LH	
501	XB4-7403-507		2	SCREW,TAPPING,TRUSS HEAD,M4X35		

FIGURE 193 DUCT ASSEMBLY

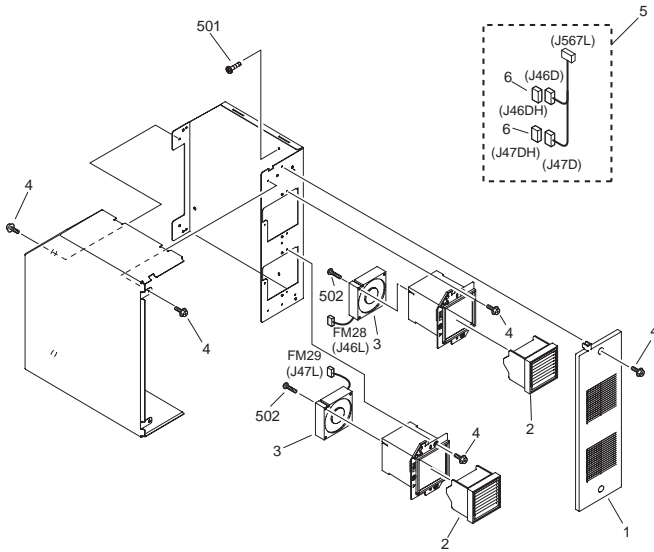


FIGURE & KEY NO.	PARTS NUMBER	RANK	QTY	DESCRIPTION	SERIAL NUMBER/REMARKS	SVC
Fig.193	NPN		RF	DUCT ASSEMBLY	100V	
1	FC7-7201-000		1	COVER, DUCT, FRONT		
2	FC6-3482-000		2	FILTER, AIR		
3	FK2-0103-000		1	FAN	FM28,29J46L,47L	
4	XA9-0949-000		12	SCREW, RS, M4X10		
5	FM2-8164-000		1	CABLE, FAN, AIR INTAKE	J46D,47D,567L	
6	VS1-7177-003		1	CONNECTOR, SNAP TIGHT, BK	J46DH,47DH	
501	XB1-2401-607		3	SCREW,MACH.,TRUSS HEAD,M4X16		
502	XB4-5404-007		4	SCREW,P,M4X40		

FIGURE 261
CASSETTE PICK-UP DRIVE ASS'Y

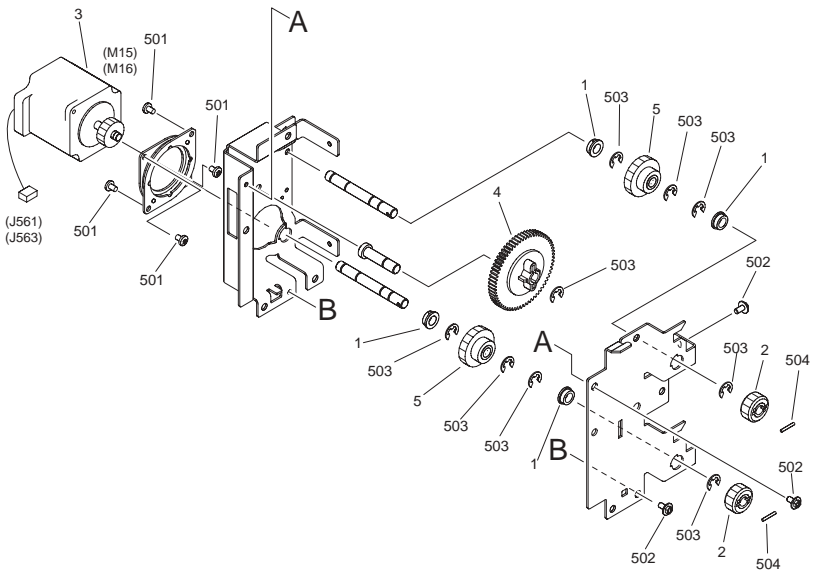


FIGURE & KEY NO.	PARTS NUMBER	RANK	Q'TY	DESCRIPTION	SERIAL NUMBER/REMARKS	SVC
Fig.261	FM2-8018-000		2	CASSETTE PICK-UP DRIVE ASS'Y		
1	FA9-2112-000		4	BUSHING, PL		
2	FU5-0266-000		2	GEAR, 20T		
3	FL2-2623-000		1	MOTOR, STEPPING, DC	M15,16 J561,563	
4	FS6-0065-020		1	GEAR,64T		
5	FU5-0204-000		2	GEAR, 30T		
501	XB1-2400-607		4	SCREW,NACH.,TRUSS HEAD,M4X6		
502	XB3-6400-805		4	SCREW,RS,M4X8		
503	XD2-1100-642		9	RING,E		
504	XD3-2200-142		2	PIN, PARALLEL		

FIGURE 264 MULTI REGIST DRIVE ASSEMBLY

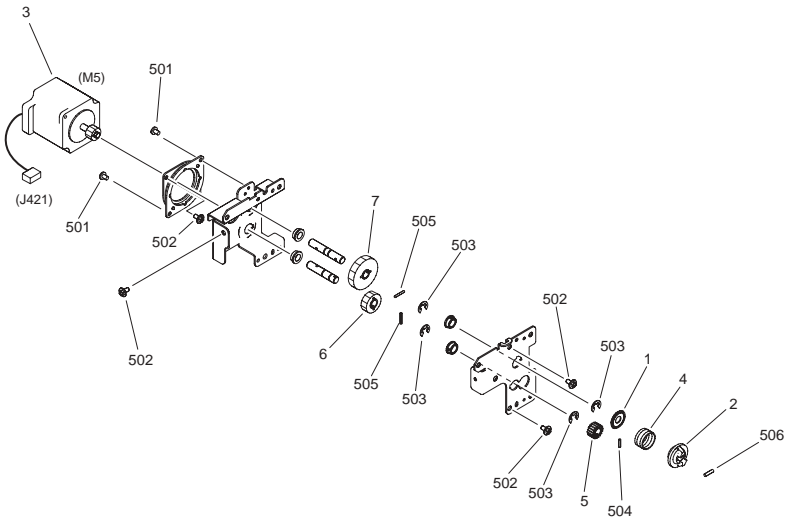


FIGURE & KEY NO.	PARTS NUMBER	R A N K	Q'TY	DESCRIPTION	SERIAL NUMBER/ REMARKS	S V C
Fig.264	FM2-8017-000		1	MULTI REGIST DRIVE ASSEMBLY	M5 J421	
1	FB2-7816-000		1	HOLDER, SPRING		
2	FB5-3481-000		1	COUPLING		
3	FL2-5411-000		1	MOTOR, STEPPING		
4	FS5-2925-000		1	SPRING, COMPRESSION		
5	FS7-0652-000		1	GEAR, 18T		
6	FU5-0161-000		1	GEAR, 26T		
7	FU5-0262-000		1	GEAR, 44T		
501	XB1-2400-607		2	SCREW, CROSS-RECESS, FCH		
502	XB3-6400-805		3	SCREW,RS,M4X8		
503	XD2-1100-642		4	RING,E		
504	XD3-2200-102		1	PIN, PARALLEL		
505	XD3-2200-142		2	PIN, PARALLEL		
506	XD3-2300-122		1	PIN, PARALLEL 3X12		

FIGURE 265 VERTICAL PATH DRIVE ASSEMBLY

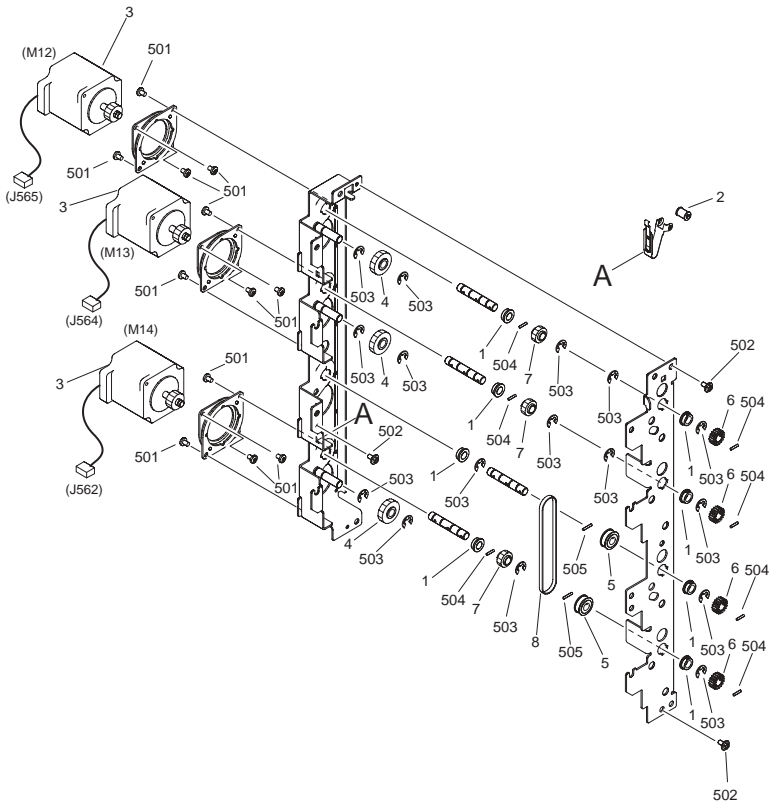


FIGURE & KEY NO.	PARTS NUMBER	RANK	Q'TY	DESCRIPTION	SERIAL NUMBER/REMARKS	SVC
Fig.265	FM2-2506-000		1	VERTICAL PATH DRIVE ASSEMBLY		
1	FA9-2112-000		8	BUSHING, PL		
2	FC5-2712-000		1	ROLLER, TENSION		
3	FL2-2620-000		3	VERTICAL PATH MOTOR UNIT	M12,13,14J565,564,562	
4	FS5-0748-000		3	GEAR, IDLER, 30T		
5	FS5-3805-000		2	PULLEY, 28T		
6	FS7-0652-000		4	GEAR, 18T		
7	FU7-0365-000		3	GEAR, 18T		
8	XF2-1112-440		1	BELT, TIMING, COGGED		
501	XB1-2400-607		12	SCREW,NACH.,TRUSS HEAD,M4X6		
502	XB3-6400-805		3	SCREW,RS,M4X8		
503	XD2-1100-642		16	RING,E		
504	XD3-2200-102		7	PIN, PARALLEL		
505	XD3-2200-122		2	PIN, DOWEL		

FIGURE 270 DEVELOPING DRIVE ASSEMBLY

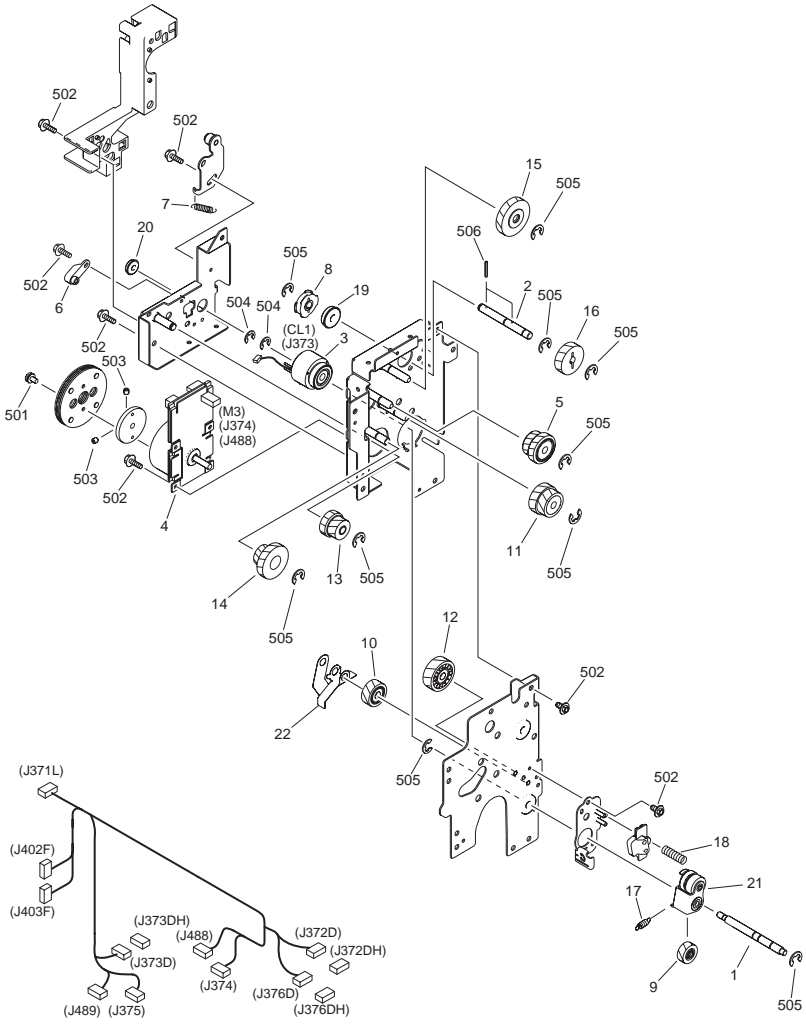


FIGURE & KEY NO.	PARTS NUMBER	R A N K	Q'TY	DESCRIPTION	SERIAL NUMBER/ REMARKS	S V C
Fig.270	FM2-2527-000		1	DEVELOPING DRIVE ASSEMBLY		
1	FC6-1431-000		1	SHAFT, DEVELOPING DRIVE		
2	FC6-1436-000		1	SHAFT, BELT DRIVE		
3	FK2-0033-000		1	CLUTCH, ELECTROMAGNETIC	CL1 J373	
4	FK2-0566-000		1	MOTOR, DC	M3 J374,488	
5	FU5-0224-000		1	GEAR, 30T/50T		
6	FU5-1382-000		1	BUSHING, SCREW		
7	FU5-2170-000		1	SPRING, TENSION		
8	FU5-3040-000		1	PULLEY, 20T		
9	FU6-0560-000		1	GEAR, 23T		
10	FU6-0562-000		1	GEAR, 30T		
11	FU6-0563-000		1	GEAR, 32T/50T		
12	FU6-0564-000		1	GEAR, 40T		
13	FU6-0565-000		1	GEAR, 25T/26T		
14	FU6-0566-000		1	GEAR, 44T/25T		
15	FU6-0567-000		1	GEAR, 48T		
16	FU6-0568-000		1	GEAR, 38T		
17	FU6-2051-000		1	SPRING, TENSION		
18	FU6-2052-000		1	SPRING, COMPRESSION		
19	XG9-0208-000		1	BEARING, BALL		
20	XG9-0306-000		1	BEARING, BALL		
21	FL2-2743-000		1	PLATE, DEVELOPING DRIVE		
22	FC8-6466-000		1	COVER, CLUTCH		
501	XB2-8400-807		2	SCREW, W/WASHER, M4X8		
502	XB3-6400-805		AR	SCREW, RS, M4X8		
503	XB6-2400-408		2	SETSCREW, M4X4		
504	XD2-1100-502		2	RING, E		
505	XD2-1100-642		AR	RING, E		
506	XD3-2200-182		2	PIN, DOWEL		

FIGURE 271 DRUM I.T.B. DRIVE ASSEMBLY

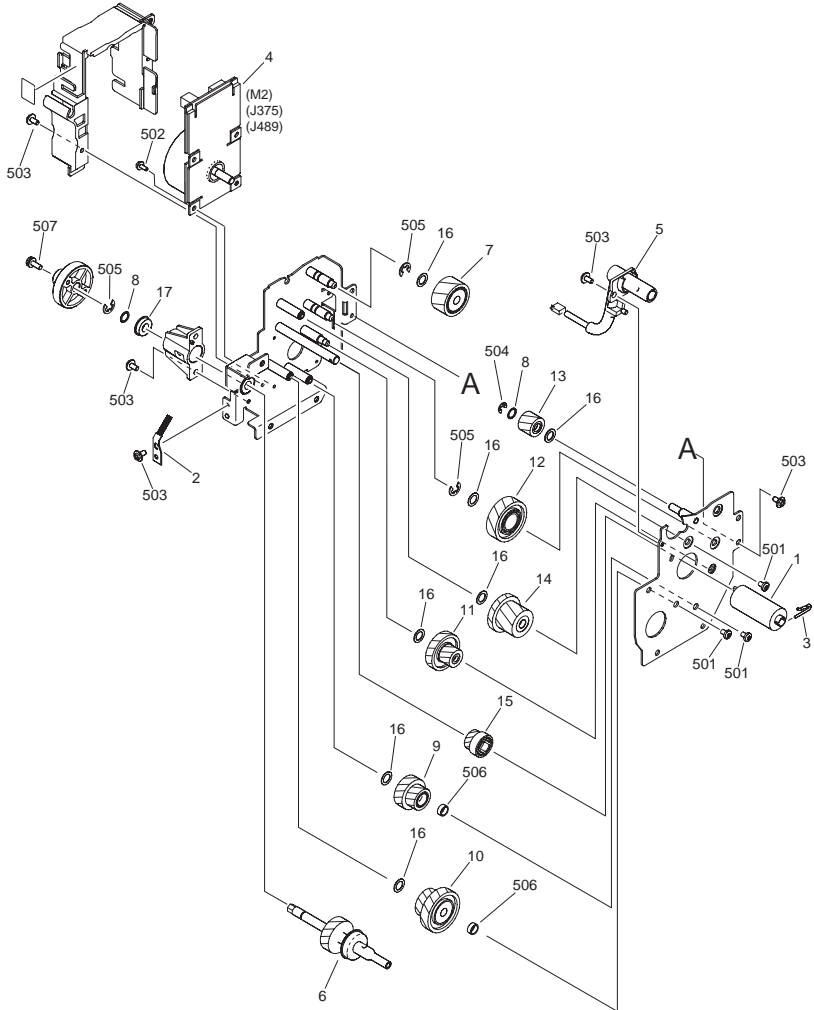


FIGURE & KEY NO.	PARTS NUMBER	R A N K	Q'TY	DESCRIPTION	SERIAL NUMBER/ REMARKS	S V C
Fig.271	FM2-2550-000		1	DRUM I.T.B. DRIVE ASSEMBLY		
1	FA6-8083-000		1	JOINT, ROLLER		
2	FB3-7543-000		1	PLATE, STATIC CHARGE ELI.		
3	FC6-2021-000		1	PIN, RETAINING		
4	FK2-0564-000		1	BRUSHLESS DC MOTOR	M2 J375,489	
5	FK2-2664-000		1	CONNECTOR, POST HIGH VOLTAGE		
7	FL2-2930-000		1	GEAR, 36T		
8	FS5-6487-000		2	WASHER		
9	FU6-0545-000		1	GEAR, 23T/45T		
10	FU6-0546-000		1	GEAR, 35T/46T		
11	FU6-0547-000		1	GEAR, 18T/54T		
12	FL2-2586-000		1	GEAR, 45T		
13	FU6-0549-000		1	GEAR, 20T		
14	FU6-0550-000		1	GEAR, 30T/40T		
15	FU6-0551-000		1	GEAR, 20T		
16	XD9-0169-000		7	WASHER,WAVE		
17	XG9-0506-000		1	BEARING, BALL, 688AZZ1NR MC3		
501	XB1-2400-607		3	SCREW,MACH.,TRUSS HEAD,M4X6		
502	XB3-6300-805		3	SCREW,RS,M3X8		
503	XB3-6400-805		7	SCREW,RS,M4X8		
504	XD2-1100-402		1	RING,E		
505	XD2-1100-642		3	RING,E		
506	XZ1-1800-405		2	COLLAR		
507	XB2-8401-407		1	SCREW,W/WASHER,M4X14		

FIGURE 283 EXTERNAL DELIVERY DRIVE ASS'Y

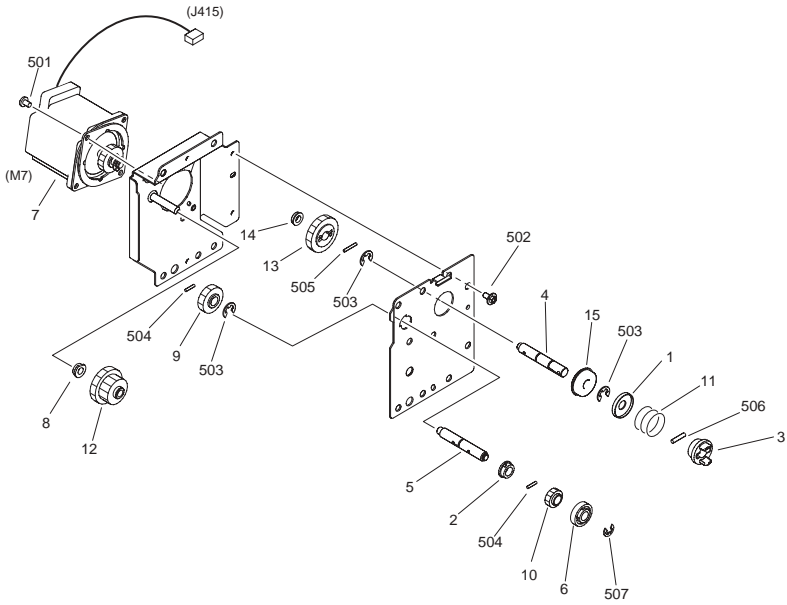


FIGURE & KEY NO.	PARTS NUMBER	R A N K	Q'TY	DESCRIPTION	SERIAL NUMBER/ REMARKS	S V C
Fig.283	FM2-2517-000		1	EXTERNAL DELIVERY DRIVE ASSY		
1	FA6-8304-000		1	WASHER, SPRING		
2	FA9-2112-000		1	BUSHING		
3	FB2-7841-000		1	COUPLING, REGISTRATION		
4	FC5-2249-020		1	SHAFT, DRIVE, 1		
5	FC5-2250-000		1	SHAFT, DRIVE, 2		
6	FC5-2276-000		1	ROLLER, PUSH-ON		
7	FM2-2649-000		1	MOTOR, STEPPING, DC	M7 J415	
8	FS1-1508-000		1	BUSHING		
9	FS3-0942-000		1	GEAR, 24T		
10	FS5-0688-000		1	GEAR, 17T		
11	FS5-2957-000		1	SPRING, COMPRESSION		
12	FU5-0194-000		1	GEAR, 21T/29T		
13	FU5-0265-000		1	GEAR, 29T		
14	XG9-0407-000		1	BEARING, BALL, UGF106P12ZZD4ML		
15	XG9-0492-000		1	BEARING, BALL, 608ZZ		
501	XB1-2400-607		2	SCREW,MACH.,TRUSS HEAD,M4X6		
502	XB3-6400-805		4	SCREW,RS,M4X8		
503	XD2-1100-642		3	RING,E		
504	XD3-2200-102		2	PIN,DOWEL		
505	XD3-2200-142		1	PIN,DOWEL		
506	XD3-2300-142		1	PIN,DOWEL		
507	XD2-1100-502		1	RETAINING RING (E-TYPE)		

FIGURE 290 SEC. TRANSFER DRIVE UNIT

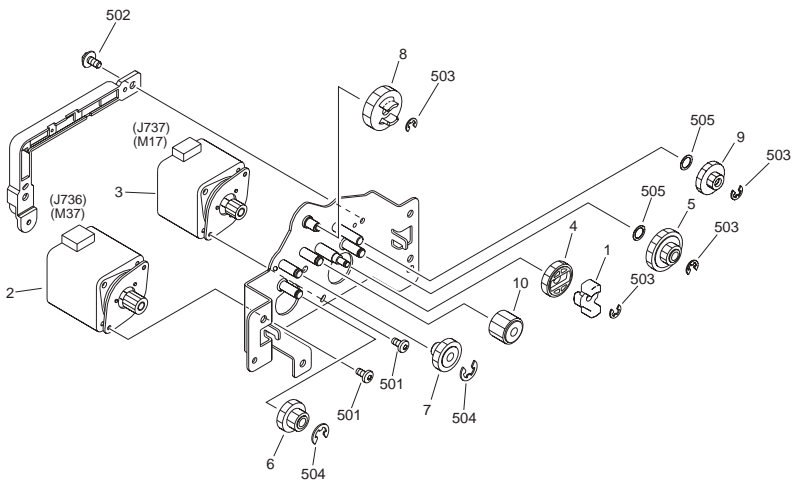
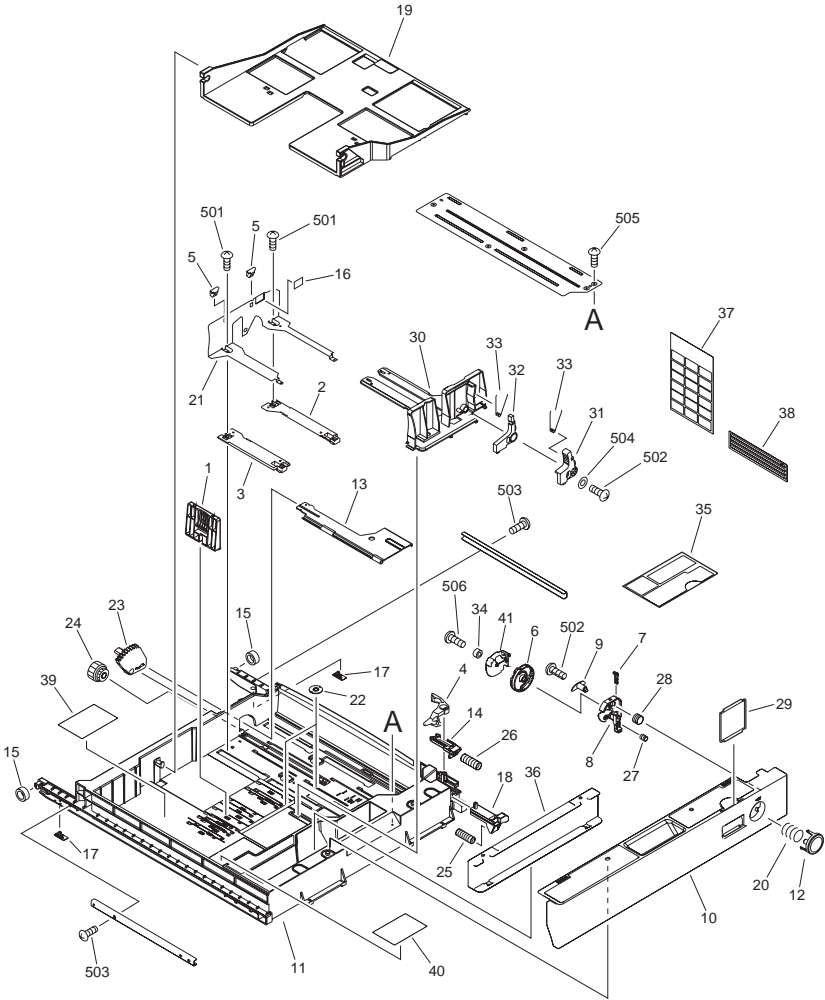


FIGURE & KEY NO.	PARTS NUMBER	R A N K	Q'TY	DESCRIPTION	SERIAL NUMBER/ REMARKS	S V C
Fig.290	FM3-1210-000		1	SEC. TRANSFER DRIVE UNIT		
1	FC6-1695-000		1	COUPLING, SWING INPUT		
2	FK2-0573-000		1	MOTOR, STEPPING, DC	M17 J736	
3	FK2-0578-000		1	MOTOR, STEPPING	M3 J737	
4	FU7-0919-000		1	GEAR, 46T		
5	FU6-0539-000		1	GEAR, 25T/54T		
6	FU6-0594-000		1	GEAR, 24T/40T		
7	FU6-0595-000		1	GEAR, 40T		
8	FL2-2585-000		1	GEAR, 54T		
9	FU6-0538-000		1	GEAR, 23T/50T		
10	FU7-0378-000		1	GEAR, 34T		
501	XB1-2300-607		4	SCREW, M3X6		
502	XB3-6400-805		2	SCREW,RS,M4X8		
503	XD2-1100-322		4	RING,E		
504	XD2-1100-502		2	RING,E		
505	XD1-1104-112		2	WASHER,COP		

FIGURE 300 CASSETTE ASSEMBLY



NOTE : This assembly does not include the part shown with key No.36,37,38,39 and 40.
 注 : このユニットにKey No. 36, 37, 38, 39, 40の部品は含まれません。

FIGURE & KEY NO.	PARTS NUMBER	R A N K	Q'TY	DESCRIPTION	SERIAL NUMBER/ REMARKS	S V C
Fig.300	FM2-2647-010		4	CASSETTE ASSEMBLY		
1	FB6-3480-000		1	PLATE, END GUIDE		
2	FB6-3481-000		1	RACK, 1		
3	FB6-3482-000		1	RACK, 2		
4	FB6-3488-000		1	ARM, LOCK		
5	FB6-3490-000		2	CLAW, SIDE PLATE GUIDE		
6	FC5-1422-020		1	DIAL, SIZE DETECT		
7	FC5-1423-000		1	SLIDER, CONVERT		
8	FC5-1424-030		1	HOLDER, DIAL		
9	FC5-1425-000		1	PIN, FLOAT GUIDE		
10	FL2-5425-000		1	COVER, CASSETTE FRONT		
11	FC5-2551-030		1	BODY, CASSETTE		
12	FC7-0968-000		1	BUTTON, PUSH		
13	FC5-2558-000		1	PLATE, LIFTER		
14	FC5-2559-000		1	LINK, RELEASE		
15	FC5-2560-000		2	ROLLER, CASSETTE SWING		
16	FS6-8116-000		1	LABEL, 'PAPER HEIGHT'		
17	FC5-2564-000		2	SLIDER, CASSETTE		
18	FC5-2567-000		1	LINK, BUTTON		
19	FL2-0560-010		1	PLATE, LIFTING		
20	FU5-2180-000		1	SPRING, COMPRESSION		
21	FL2-0563-000		1	PLATE, SIDE GUIDE, REAR		
22	FU3-0293-000		2	GEAR, 16T		
23	FU5-0189-000		1	GEAR, 50T		
24	FU5-0190-000		1	GEAR, 10T		
25	FU5-2126-000		1	SPRING, COMPRESSION		
26	FU5-2127-000		1	SPRING, COMPRESSION		
27	FU5-2599-000		1	SPRING, COMPRESSION		
28	FU5-2600-000		1	SPRING, COMPRESSION		
29	FC7-2025-000		1	PLATE, SIZE		
30	FB6-3478-000		1	PLATE, SIDE GUIDE, FRONT		
31	FB6-3483-000		1	KNOB, SIDE GUIDE PLATE, 1		

FIGURE & KEY NO.	PARTS NUMBER	R A N K	Q'TY	DESCRIPTION	SERIAL NUMBER/REMARKS	S V C
32	FB6-3484-000		1	KNOB, SIDE GUIDE PLATE, 2		
33	FC7-5169-000		2	SPRING, TORSION		
34	XZ1-1400-305		1	SPACER		
35	FU5-8530-000		1	LABEL, PAPER SET		
36	FL2-0565-000		1	PLATE, TAB BACK END LIMIT	SEE NOTE	
37	FU5-8540-000		1	LABEL, PAPER, SIZE	SEE NOTE	
38	FU5-8545-000		1	LABEL, DIAL	SEE NOTECN/AU	
38	FU5-8542-000		1	LABEL, DIAL	SEE NOTEJP/ASIA/EUR	
38	FU5-8544-000		1	LABEL, DIAL	SEE NOTEUL	
39	FU5-8094-000		1	LABEL, TAB PAPER SET, 1	SEE NOTE	
40	FU5-8095-000		1	LABEL, TAB PAPER SET, 2	SEE NOTE	
41	FC8-1206-000		1	PROTECTOR,DIAL		
501	XB2-8300-607		AR	SCREW, M3X6, S		
502	XB4-5300-807		1	SCREW,P,M3X8		
503	XB4-7400-807		AR	SCREW,TAPPING,TRUSS HEAD,M4X8		
504	XD1-1104-135		AR	WASHER,COP		
505	XB6-7300-607		AR	SCREW,TP,M3X6		
506	XB1-3301-207		1	SCREW,NL,M3X12		

FIGURE 305 CASSETTE HEATER ASSEMBLY

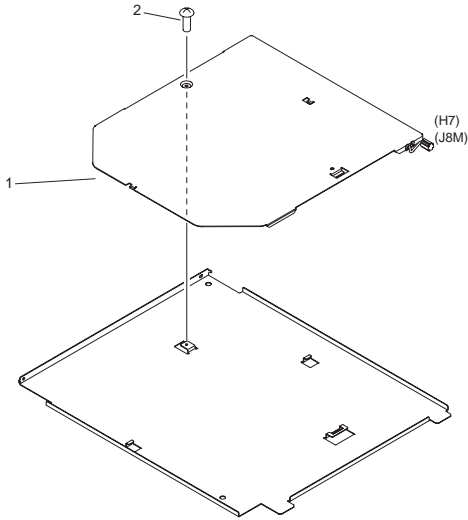


FIGURE & KEY NO.	PARTS NUMBER	RANK	QTY	DESCRIPTION	SERIAL NUMBER/REMARKS	SVC
Fig.305	NPN		RF	CASSETTE HEATER ASSEMBLY	100V	
1	FH7-4740-000		1	HEATER, CASSETTE	H7 J8M	
2	XA9-1031-000		1	SCREW, MACH. TRUSS HEAD, M4X6		

FIGURE 311 PAPER PICK-UP ASSEMBLY

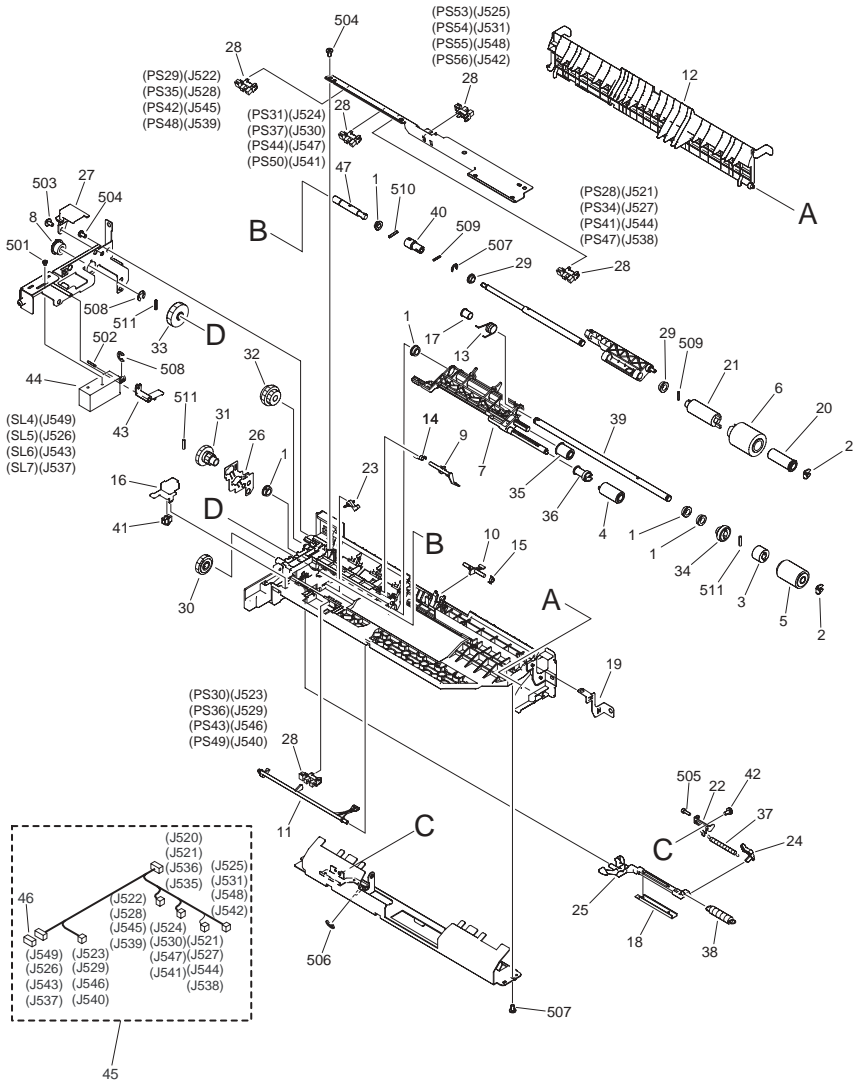
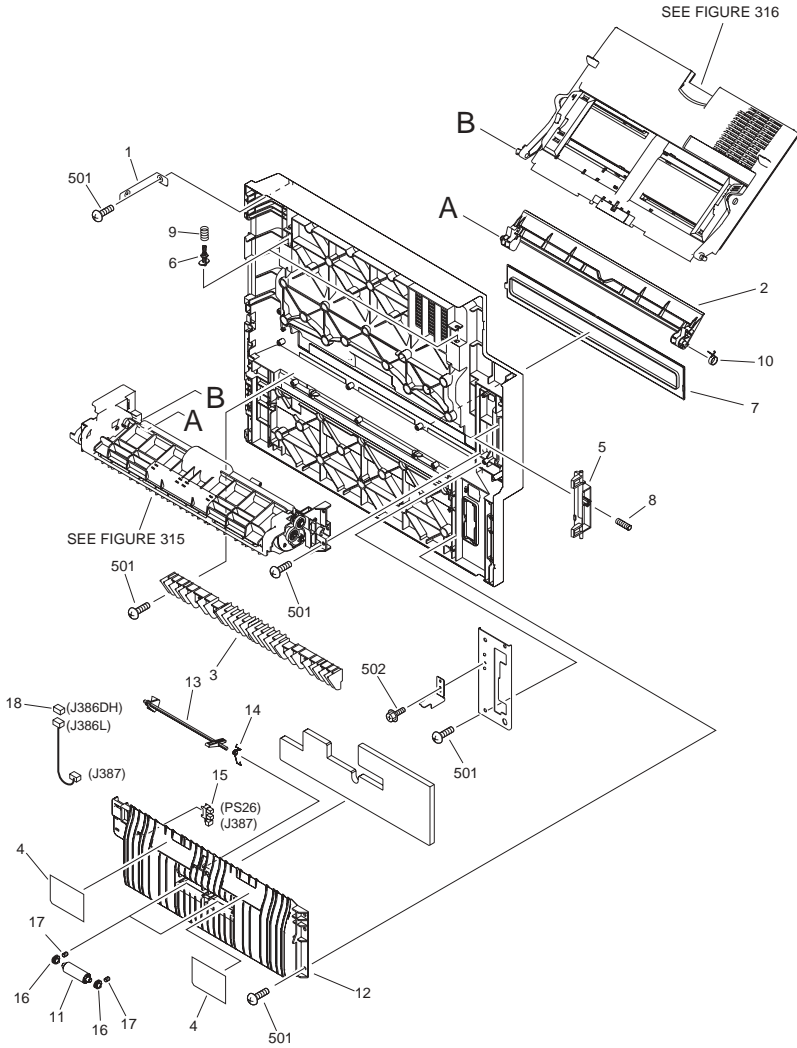


FIGURE & KEY NO.	PARTS NUMBER	R A N K	Q'TY	DESCRIPTION	SERIAL NUMBER/ REMARKS	S V C
Fig.311	FM2-8068-000		4	PAPER PICK-UP ASSEMBLY		
1	FA9-2112-000		5	BUSHING, PL		
2	FB4-2007-000		2	RING, RETAINING		
3	FC6-3863-000		1	CLUTCH, ONE-WAY		
4	FC5-2524-000		1	ROLLER, PAPER PICK-UP		
5	FC7-0154-000		1	ROLLER, PAPER FEEDER		
6	FC7-0155-000		1	ROLLER, SEPARATION		
7	FL2-6550-000		1	HOLDER, ROLLER SUPPORT		
8	FL3-2254-000		1	CLUTCH, ONE-WAY		
9	FC5-2535-000		1	FLAG, PAPER PICK-UP SENSOR		
10	FC8-7812-000		1	FLAG, VERTICAL PATH SENSOR		
11	FC5-2537-000		1	LEVER, PAPER SENSOR		
12	FC5-2538-000		1	GUIDE, SWING		
13	FC5-2541-000		1	SPRING, TORSION		
14	FC5-2542-000		1	SPRING, TORSION		
15	FC8-7813-000		1	SPRING, TORSION		
16	FC5-2547-000		1	COVER, SOLENOID CABLE		
17	FC5-2548-000		1	COLLAR, SPRING		
18	FC5-2549-000		1	SLIDER, LINK		
19	FC5-2573-000		1	PLATE, GROUNDING		
20	FL2-1401-000		1	HOLDER, BEARING		
21	FC7-2494-000		1	TORQUE LIMITER		
22	FC5-2640-000		1	PLATE, PRESSURE ADJUST, SEP.		
23	FC5-2641-000		1	ARM, RELEASE, PAPER PICK-UP		
24	FC5-2642-000		1	ARM, PRESSURE, SEPARATION		
25	FC5-2644-000		1	ARM, RELEASE		
26	FC5-6211-000		1	PLATE, SHAFT GROUNDING, FEEDER		
27	FC5-6260-000		1	COVER, CONNECTOR		
28	FK2-0149-000		5	PHOTO-INTERRUPTER, TLP1253(C6)	PS28,29,30,31,34,35,36,37,41,42,43,44,47,48,49,50,53,54,55,56	
29	FS1-1569-000		2	BUSHING		
30	FU5-0183-000		1	GEAR, 30T		

FIGURE & KEY NO.	PARTS NUMBER	R A N K	Q'TY	DESCRIPTION	SERIAL NUMBER/ REMARKS	S V C
31	FU5-0184-000		1	GEAR, 16T/25T	SL4,5,6,7	
32	FU5-0185-000		1	GEAR, 18T/32T		
33	FU5-0186-000		1	GEAR, 24T		
34	FU5-0187-000		1	GEAR, 50T		
35	FU5-0188-000		1	GEAR, 34T		
36	FU5-0263-000		1	GEAR, 32T		
37	FU5-2162-000		1	SPRING, TENSION		
38	FU5-2163-000		1	SPRING, TENSION		
39	FU5-5133-000		1	SHAFT, PAPER FEED		
40	FC9-4290-000		1	JOINT, RETARD		
41	VS1-7164-018		1	CONNECTOR, SNAP TIGHT, 18P, W		
42	XB2-8400-807		1	SCREW,W/WASHER,M4X8		
43	FC5-2540-000		1	ARM, PICK-UP		
44	FK2-0116-000		1	SOLENOID		
45	FM2-0963-000		1	CABLE, DECK PICK-UP, RIGHT		
46	VS1-7177-002		1	CONNECTOR, SNAP TIGHT, BK		
47	FU5-5135-000		1	SHAFT, DRIVE, SEPARATION		
501	XB1-2400-807		1	SCREWCROSS RECESSED HEAD SCREW		
502	XD3-1300-102		1	PIN, SPRING		
503	XB3-6400-805		2	SCREW,RS,M4X8		
504	XB4-7400-809		10	SCREW,TAPPING,TRUISS HEAD,M4X8		
505	XB7-1030-106		1	SCREW,ALLEN HEAD,M3X10		
506	XD2-1100-242		1	RING,E		
507	XD2-1100-502		1	RETAINING RING (E-TYPE)		
508	XD2-1100-642		1	RING,E		
509	XD3-1200-122		2	SPRING PIN		
510	XD3-1250-142		1	PIN,SPRING		
511	XD3-2300-142		3	PIN, DOWEL		

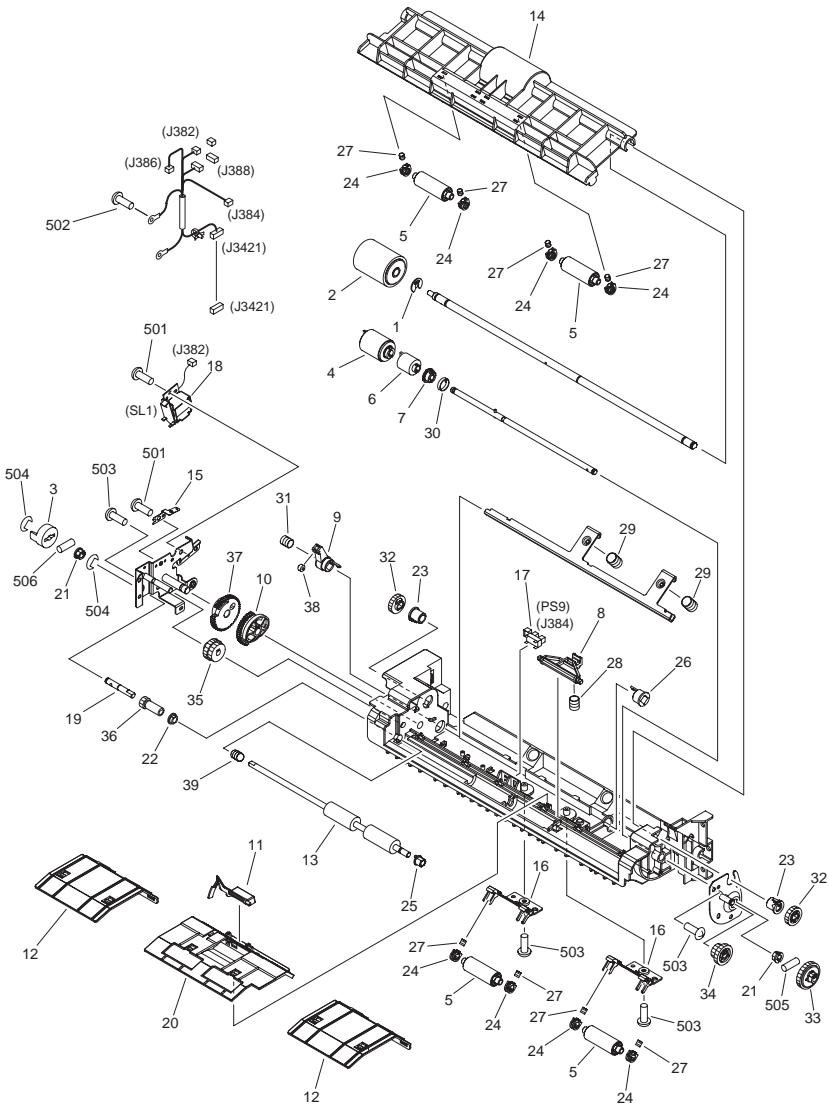
FIGURE 314 RIGHT DOOR ASSEMBLY



NOTE : This assembly includes the assemblies shown in Figure 315 and 316.
 注 : このユニットはFigure 315, 316のユニットを含みます。

FIGURE & KEY NO.	PARTS NUMBER	R A N K	Q'TY	DESCRIPTION	SERIAL NUMBER/ REMARKS	S V C
Fig.314	FM2-2503-000		1	RIGHT DOOR ASSEMBLY	SEE NOTE	
1	FB2-7551-000		1	TAPE, SUPPORT		
2	FC5-2150-000		1	COVER, SUB		
3	FC6-1912-000		1	GUIDE, CROSSING, LOWER		
4	FC5-2191-000		2	SHEET, CROSSING		
5	FC5-5158-000		1	HANDLE, RIGHT DOOR		
6	FC5-2201-000		2	LEVER, MULTI TRAY		
7	FC5-2668-000		1	COVER, DECK		
8	FS7-2326-000		1	SPRING, COMPRESSION		
9	FU5-2179-000		2	SPRING, COMPRESSION		
10	FC7-5166-000		1	SPRING, TORSION		
11	FC7-7207-000		2	ROLLER, DRIVEN, B		
12	FC6-1913-000		1	GUIDE, CROSSING, UPPER		
13	FL2-0579-000		1	FLAG, RIGHT DOOR SENSOR		
14	FC5-2190-000		1	SPRING, TORSION		
15	FK2-0149-000		1	PHOTO-INTERRUPTER, TLP1253(C6)	PS26 J387	
16	FC7-7209-000		4	BUSHING, VERTICAL ROLLER		
17	FC6-4881-000		4	SPRING, COMPRESSION		
18	VS1-7177-003		1	CONNECTOR, SNAP TIGHT, BK	J386DH	
501	XB4-5400-807		AR	SCREW,P,M4X8		
502	XB3-6400-805		1	SCREW,RS,M4X8		

FIGURE 315 MULTI P. PICK-UP MOUNT ASS'Y

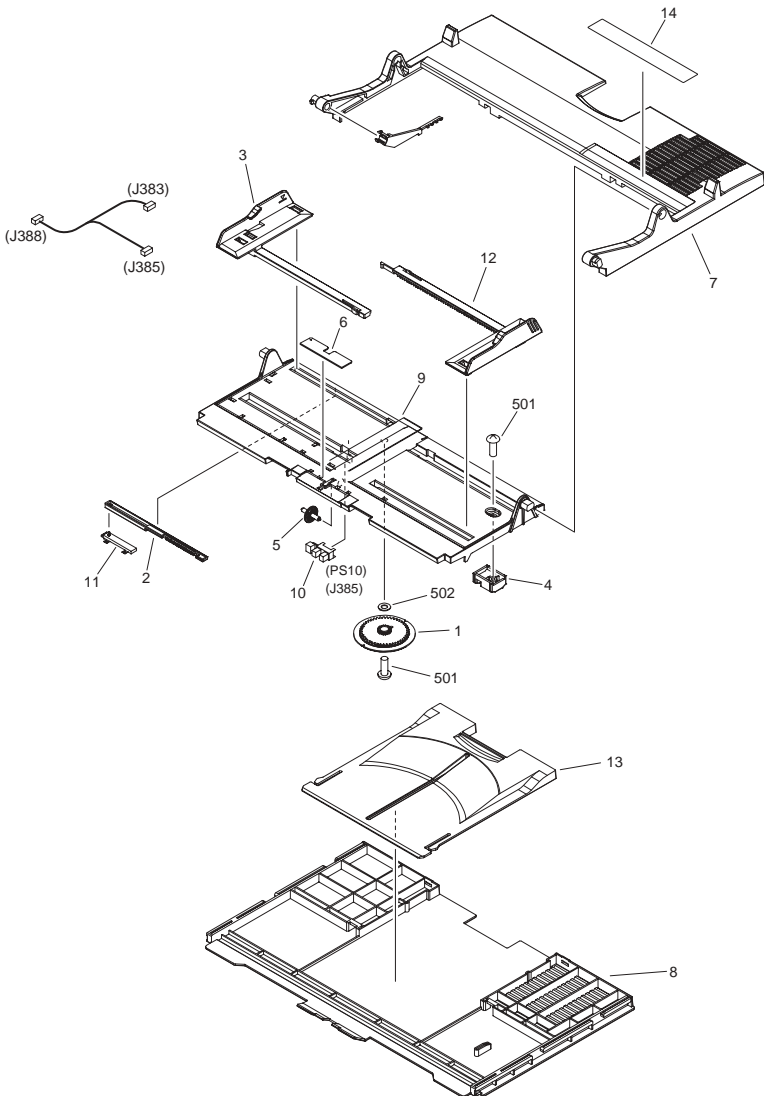


NOTE : This assembly is included in the assembly shown in Figure 314.
 注 : このユニットはFigure 314のユニットに含まれます。

FIGURE & KEY NO.	PARTS NUMBER	R A N K	Q'TY	DESCRIPTION	SERIAL NUMBER/ REMARKS	S V C
Fig.315	FM3-1180-000		1	MULTI P. PICK-UP MOUNT ASS'Y	SEE NOTE	
1	FA4-1159-000		1	RING, RETAINING		
2	FB1-8581-000		1	ROLLER, PAPER PICK-UP		
3	FB2-7540-000		1	BUSHING		
4	FB5-0873-000		1	ROLLER, SEPARATION		
5	FC7-7207-000		4	ROLLER, DRIVEN, B		
6	FB6-3410-000		1	LIMITER, TORQUE		
7	FB6-3463-000		1	CLUTCH		
8	FB6-3464-000		1	HOLDER, SEPARATION ROLLER		
9	FB6-3466-000		1	CAM, JOINT		
10	FB6-3467-000		1	GEAR, 27T		
11	FL2-2925-000		1	FLAG, PAPER SENSOR		
12	FC5-2149-000		2	GUIDE, PAPER FEED, OUTER		
13	FC5-2151-000		1	ROLLER, PRE-REGISTRATION, U.		
14	FC5-2153-000		1	GUIDE, MULTI PAPER PICK-UP		
15	FC5-2179-000		1	PLATE, M.P. GROUNDING, REAR		
16	FC5-2666-000		2	HOLDER, ROLLER		
17	FK2-0149-000		1	PHOTO-INTERRUPTER, TLP1253(C6)	PS9 J384	
18	FK2-0115-000		1	SOLENOID	SL1 J382	
19	FC5-2156-020		1	SHAFT, MULTI PAPER PICK-UP		
20	FL2-0493-000		1	GUIDE, PAPER FEED, MIDDLE		
21	RS5-1567-000		2	BUSHING		
22	FS1-1569-000		1	BUSHING		
23	FS5-1209-000		2	BUSHING		
24	FC7-7209-000		8	BUSHING, ROLLER		
25	FS5-1597-000		1	BUSHING		
26	FS6-1058-000		1	BUSHING		
27	FC6-4881-000		8	SPRING, COMPRESSION		
28	FU6-2925-000		1	SPRING, COMPRESSION		
29	FU6-2926-000		2	SPRING, COMPRESSION		
30	FC7-5167-000		1	SPRING, TORSION		
31	FU6-2927-000		1	SPRING, COMPRESSION		

FIGURE & KEY NO.	PARTS NUMBER	R A N K	Q'TY	DESCRIPTION	SERIAL NUMBER/REMARKS	S V C
32	FU3-0296-000		2	GEAR, 24T		
33	FU3-0297-000		1	GEAR, 36T		
34	FU3-0298-000		1	GEAR, 27T/18T		
35	FU5-0157-000		1	GEAR, 27T/24T		
36	FU5-0158-000		1	GEAR, 13T		
37	FU5-0256-000		1	GEAR, 48T		
38	FC5-5078-000		1	ROLLER, ARM		
39	FC7-5009-000		1	SPRING, COMPRESSION		
501	XB1-2300-607		AR	SCREW, BH3X6(S)		
502	XB1-2400-607		AR	SCREW, CROSS-RECESS, FCH		
503	XB4-5300-807		AR	SCREW, P, M3X8		
504	XD2-1100-502		AR	RETAINING RING (E-TYPE)		
505	XD3-2200-142		AR	PIN, PARALLEL		
506	XD3-2300-122		AR	PIN, PARALLEL 3X12		

FIGURE 316 MULTI PAPER PICK-UP TRAY ASS'Y



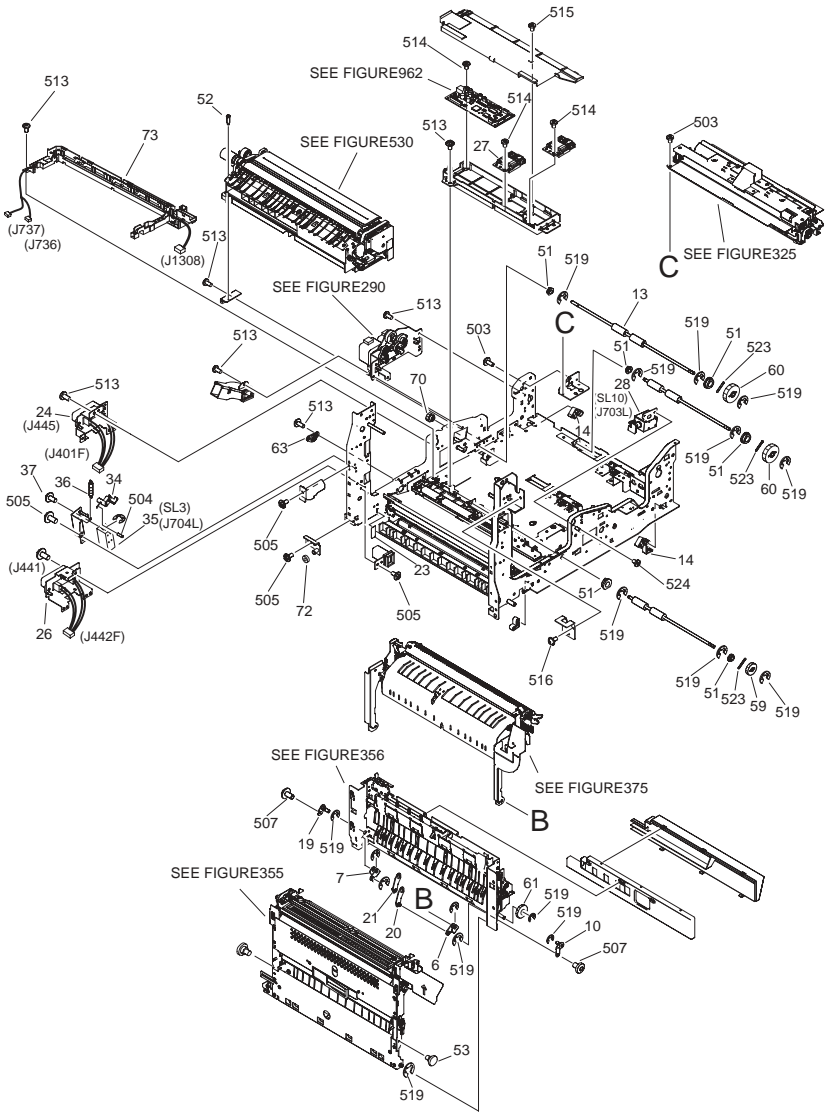
NOTE 1 : This assembly is included in the assembly shown in Figure 314.

NOTE 2 : This assembly does not include the part shown with key No. 14.

注1 : このユニットはFigure 314のユニットに含まれます。

注2 : このユニットにkey No. 14の部品は含まれません。

FIGURE & KEY NO.	PARTS NUMBER	R A N K	Q'TY	DESCRIPTION	SERIAL NUMBER/ REMARKS	S V C
Fig.316	FM2-0469-000		1	MULTI PAPER PICK-UP TRAY ASSY	SEE NOTE	
1	FB6-3456-000		1	GEAR, 46T/20T		
2	FB6-3457-000		1	RACK		
3	FC5-5160-000		1	PLATE, PAPER SIDE END, REAR		
4	FB6-3459-000		1	BLOCK, SIDE REGIST. ADJUSTING		
5	FB6-3508-000		1	ROLLER, PAPER DETECT		
6	FB6-4937-000		1	SHEET, SEPARATION		
7	FC5-2141-000		1	PANEL, MULTI TRAY, UPPER		
8	FC5-2142-000		1	PANEL, MULTI TRAY, LOWER		
9	FC5-2143-000		1	PLATE, PAPER LIFTING		
10	FK2-0149-000		1	PHOTO-INTERRUPTER, TLP1253(C6)		
11	FH7-7600-010		1	SLIDE VOLUME SENSOR UNIT		
12	FC5-5161-000		1	PLATE, PAPER SIDE END, FRONT		
13	FC5-5159-000		1	TRAY, AUXILIARY		
14	FU5-8091-000		1	LABEL, MANUAL FEED SIZE	100V JPSEE NOTE2	
14	FU5-8100-000		1	LABEL, MANUAL FEED SIZE	120V ULSEE NOTE2	
14	FU5-8101-000		1	LABEL, MANUAL FEED SIZE	230V EURSEE NOTE2	
14	FU5-8543-000		1	LABEL, MANUAL FEED SIZE	230V ASIA/AU,220V CN SEE NOTE2	
501	XB4-5400-807		2	SCREW,P,M4X8		
502	XD1-1106-238		1	WASHER,COP		



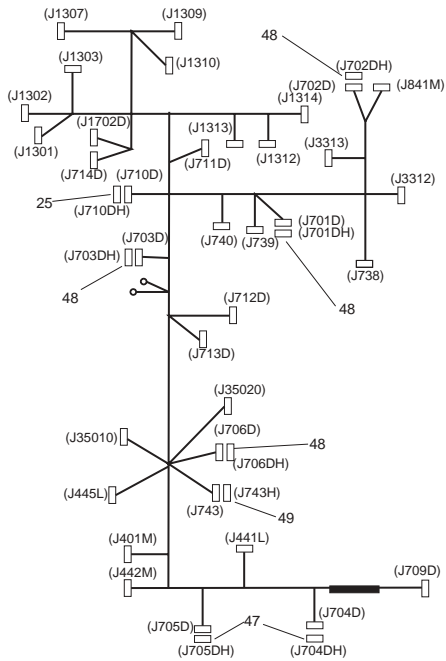
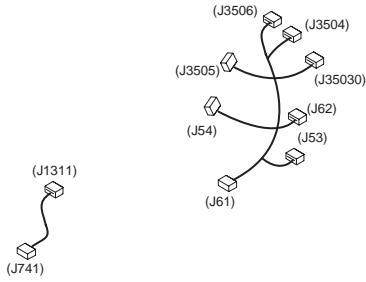


FIGURE & KEY NO.	PARTS NUMBER	R A N K	Q'TY	DESCRIPTION	SERIAL NUMBER/ REMARKS	S V C
Fig.320	NPN		RF	FIXING FEEDER ASSEMBLY		
1	FA9-2112-000		2	BUSHING, PL		
2	FA9-3832-000		1	BUSHING		
3	FC5-2048-000		1	SPRING, COMPRESSION		
4	FC5-2061-000		1	SUPPORT, LOCK		
5	FC5-2108-000		2	CAM, PRESSURE		
6	FC5-2206-000		1	LINK, FRONT		
7	FC5-2207-000		1	LINK, REAR		
8	FC5-2271-000		2	BUSHING		
9	FC5-2386-000		1	HANDLE, TRANSFER FRAME, LOWER		
10	FL2-5402-000		1	SHAFT,PAPER DELIVERY DOOR,F.		
11	FC5-5149-000		1	WIRE, LIFT		
12	FC6-1692-000		1	FLAG, INTERLOCK		
13	FC6-1740-000		1	ROLLER, DUPLEXING, CENTER		
14	FC6-1747-000		2	BLOCK, INSTALLATION, RIGHT		
15	FC6-1975-000		1	COVER, LIFT WIRE SPRING		
16	FC6-4929-000		1	COVER, FEED DRIVER, UPPER		
17	FC6-4934-000		1	SPRING, TENSION		
18	FC7-0135-000		1	MOUNT, INTERNAL COVER		
19	FL2-0599-000		1	SUPPORT, DELIVERY DOOR, REAR		
20	FL2-0600-000		1	LINK, FRONT		
21	FL2-1175-000		1	LINK, REAR		
22	FL2-2796-000		1	ARM, RELEASE		
23	FC5-2049-000		4	SHEET, PUSH		
24	FM2-2622-000		1	CABLE, DRAWER, 2	J401F,445L	
25	VS1-7173-006		1	CONNECTOR, SNAP TIGHT, 6P, W	J710DH	
26	FM2-2623-000		1	CABLE, DRAWER, 1	J441L,442F	
27	FM2-2713-000		2	COLOR SENSOR UNIT		
28	FM2-2714-000		1	SOLENOID, ROLLER ESTRANGEMENT	SL10 J703L	
29	FK2-0124-000		1	FAN	FM15 J702L	
30	FM2-2716-000		1	REVERSE MOTOR UNIT	M8 J738	
31	FM2-2718-000		1	DUPLEXING LEFT MOTOR UNIT	M9,46 J739,740	

FIGURE & KEY NO.	PARTS NUMBER	R A N K	Q'TY	DESCRIPTION	SERIAL NUMBER/ REMARKS	S V C
32	FM2-2719-000		1	DUPLEXING RIGHT MOTOR UNIT	M11 J741	
33	FL2-1185-000		1	FAN	FM6 J701L	
34	FC6-1990-000		1	ARM, SOLENOID		
35	FK2-0835-000		1	SOLENOID	SL3 J704L	
36	FU5-2146-000		1	SPRING, TENSION		
37	XA9-1659-000		2	SCREW,M3X4		
38	FM2-2725-000		1	COOLING FAN UNIT		
39	FC5-5150-020		1	PULLEY		
40	RS1-9025-010		4	SCREW, STEPPED, M3		
41	FC5-5081-000		1	SPRING, COMPRESSION		
42	FC5-5082-000		1	SUPPORT, PUSHING		
43	FC5-5083-000		1	BUTTON, PUSHING		
44	FU5-8532-000		1	LABEL, JAM CLEARING		
45	FU5-8533-010		1	LABEL, FIXING/FEEDER HANDLE		
46	FU5-8539-000		1	LABEL, OPERATION		
47	VS1-7177-002		2	CONNECTOR, SNAP TIGHT, BK	J704DH,705DH	
48	VS1-7177-003		4	CONNECTOR, SNAP TIGHT, BK	J701DH-703DH,706DH	
49	VS1-7177-006		1	CONNECTOR, SNAP TIGHT, BK	J743H	
50	FM2-8055-000		1	REGISTRATION MOTOR UNIT	M6 J730	
51	FS1-1508-000		6	BUSHING		
52	FS1-9167-000		2	STEPPED SCREW		
53	FS1-9169-000		2	SCREW, STEPPED		
54	FS5-0677-000		1	GEAR, 26T		
55	FS5-1474-000		2	BUSHING COP		
56	FC5-2710-000		1	DAMPER, MOTOR, 2		
57	FS5-6488-000		1	WASHER		
58	FS6-0042-000		1	GEAR, 26T		
59	FU6-0664-000		1	GEAR, 34T		
60	FU6-0642-000		2	GEAR, 28T		
61	FU5-0257-000		1	GEAR, 28T		
62	FU5-0261-000		1	GEAR, 18T		
63	FU5-1384-000		1	BUSHING		

FIGURE & KEY NO.	PARTS NUMBER	R A N K	Q'TY	DESCRIPTION	SERIAL NUMBER/ REMARKS	S V C
64	FU6-2069-000		1	SPRING, COMPRESSION		
65	FU5-2174-000		1	SPRING, TENSION		
66	FU5-9035-000		1	SCREW, STEPPED, M3X3		
67	FU6-0533-000		1	GEAR, 21T		
68	FU6-0601-000		1	GEAR, 27T		
69	FU6-0632-000		1	GEAR, 20T		
70	FU6-0637-000		1	GEAR, 16T		
71	XG9-0508-000		2	BALL BEARING, 688AZZNR*MC3D4M		
72	XG9-0384-000		2	BEARING, BALL		
73	FM2-2621-000		1	MOTOR CABLE UNIT		
501	XB1-2404-007		1	SCREW,MACH.,TRUSS HEAD,M4X40		
502	XB1-2403-507		2	SCREW, M4X35		
503	XB1-2400-607		AR	SCREW,NACH.,TRUSS HEAD,M4X6		
504	XD3-1300-102		1	PIN, SPRING		
505	XB3-6400-805		AR	SCREW,RS,M4X8		
506	XD2-1100-402		1	RETAINING RING (E-TYPE)		
507	XB1-2300-407		2	SCREW, BH3X4 (S)		
508	XB1-2300-607		2	SCREW, M3X6		
509	XB1-2401-207		3	SCREW, MACHINE M4X12		
510	XB2-8300-607		1	SCREW, M3X6		
511	XB2-8400-807		1	SCREW,W/WASHER,M4X8		
512	XD3-2200-162		1	PIN, PARALLEL		
513	XB3-6401-005		4	SCREW,RS,M4X10		
514	XB4-7300-807		AR	SCREW, TAP, BINDING HEAD, M3X8		
515	XB4-7400-807		2	SCREW,TAPPING,TRUISS HEAD,M4X8		
516	XB6-7400-807		2	SCREW, TP, PH M4X8		
517	XD1-1110-225		2	WASHER,PLATE		
518	XD2-1100-322		2	RETAINING RING (E-TYPE)		
519	XD2-1100-502		AR	RETAINING RING (E-TYPE)		
520	XD2-1100-642		AR	RING,E		
521	XD3-1300-202		1	PIN, SPRING		
522	XD3-2200-122		2	PIN, DOWEL		

FIGURE & KEY NO.	PARTS NUMBER	R A N K	Q'TY	DESCRIPTION	SERIAL NUMBER/ REMARKS	S V C
523	XD3-2200-142		4	PIN, PARALLEL		

FIGURE 325 REGISTRATION MOUNT ASS'Y (OLD TYPE)

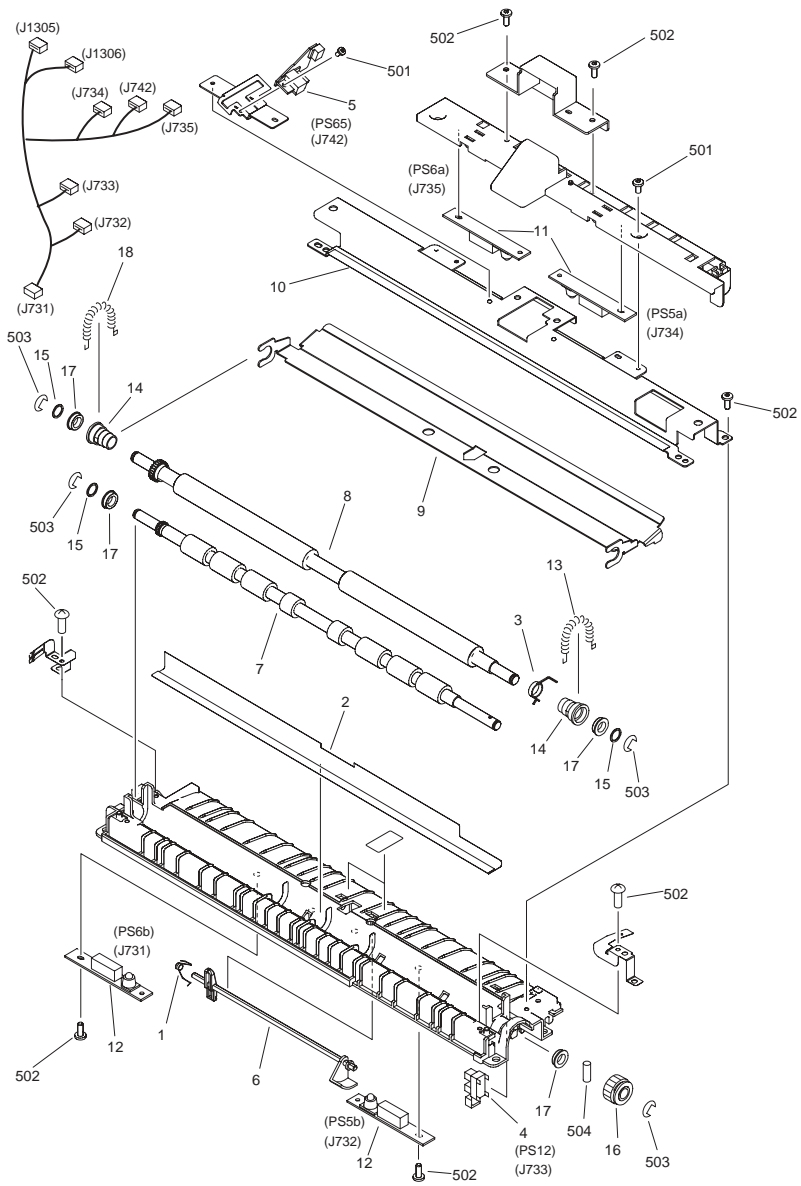


FIGURE & KEY NO.	PARTS NUMBER	R A N K	Q'TY	DESCRIPTION	SERIAL NUMBER/ REMARKS	S V C
Fig.325	NPN		1	REGISTRATION MOUNT ASSEMBLY	OLD TYPE	
1	FC5-2190-000		1	SPRING, TORSION		
2	FC5-2195-000		1	SHEET, REGISTRATION		
3	FC5-2197-000		1	SPRING, TORSION		
4	FK2-0149-000		1	PHOTO-INTERRUPTER, TLP1253(C6)	PS12 J733	
5	FK2-0589-000		1	SENSOR, PAPER SENSING	PS65 J742	
6	FL2-0578-000		1	FLAG, REGISTRATION SENSOR		
7	FL2-2822-000		1	ROLLER, REGISTRATION, LOWER		
8	FL2-2823-000		1	ROLLER, REGISTRATION, UPPER		
9	FL2-2824-000		1	GUIDE, REGISTRATION, RT. UP.		
10	FL2-2825-000		1	GUIDE, REGISTRATION, LF. UP.		
11	FM2-0850-000		2	OHP SENSOR PCB ASSEMBLY	PS5a,6a J734,735	
12	FM2-0851-000		2	OHP SENSOR PCB ASSEMBLY	PS5b,6b J732,731	
13	FS5-2906-000		1	SPRING, TENSION		
14	FS5-6322-000		2	BUSHING		
15	FS5-6487-000		3	WASHER		
16	FU5-0160-000		1	GEAR, 21T		
17	XG9-0507-000		4	BEARING, BALL, MF128ZZ		
18	FU6-2953-000		1	SPRING, TENSION		
501	XB1-2300-605		4	SCREW, MACHINE M3X6		
502	XB4-5300-807		10	SCREW,P,M3X8		
503	XD2-1100-642		4	RING,E		
504	XD3-2200-142		1	PIN, PARALLEL		

FIGURE 326
REGISTRATION MOUNT ASS'Y (NEW TYPE)

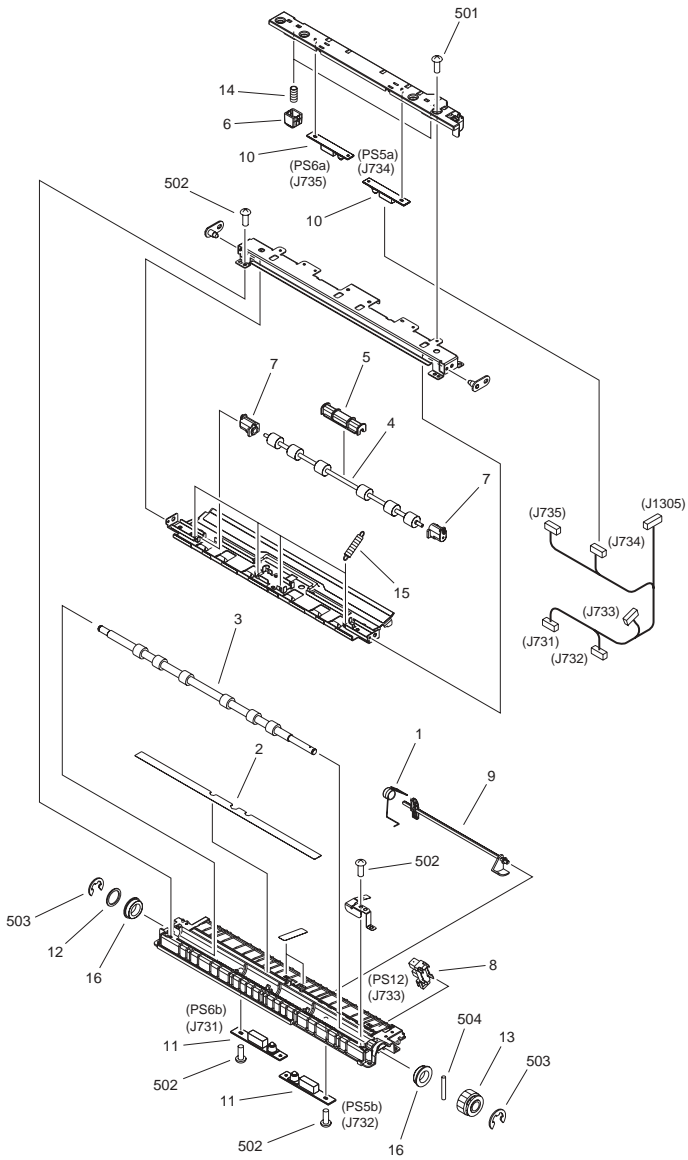


FIGURE & KEY NO.	PARTS NUMBER	R A N K	Q'TY	DESCRIPTION	SERIAL NUMBER/ REMARKS	S V C
Fig.326	FM3-8353-000		1	REGISTRATION MOUNT ASS'Y	NEW TYPE	
1	FC5-2190-000		1	SPRING, TORSION		
2	FC5-2195-000		1	SHEET, REGISTRATION		
3	FC8-8796-000		1	ROLLER, REGISTRATION, LOWER		
4	FC8-8797-000		1	ROLLER, REGISTRATION, UPPER		
5	FC8-8801-000		1	BUSHING		
6	FC8-8802-000		2	BLOCK, PUSHING		
7	FC8-8807-000		2	BUSHING		
8	FK2-0149-000		1	PHOTO-INTERRUPTER, TLP1253(C6)	PS12 J733	
9	FL2-0578-000		1	FLAG, REGISTRATION SENSOR		
10	FM2-0850-000		2	OHP SENSOR PCB ASSEMBLY	PS5a,6a J734,735	
11	FM2-0851-000		2	OHP SENSOR PCB ASSEMBLY	PS5b,6b J732,731	
12	FS5-6487-000		1	WASHER		
13	FU5-0160-000		1	GEAR, 21T		
14	FU7-2838-000		2	SPRING, TORSION		
15	FU7-2839-000		4	SPRING, TENSION		
16	XG9-0507-000		2	BEARING, BALL, MF128ZZ		
501	XB1-2300-605		4	SCREW, MACHINE M3X6		
502	XB4-5300-807		8	SCREW,P,M3X8		
503	XD2-1100-642		2	RING,E		
504	XD3-2200-142		1	PIN, PARALLEL		

FIGURE 330
PRE-FIXING FEEDER ASSEMBLY

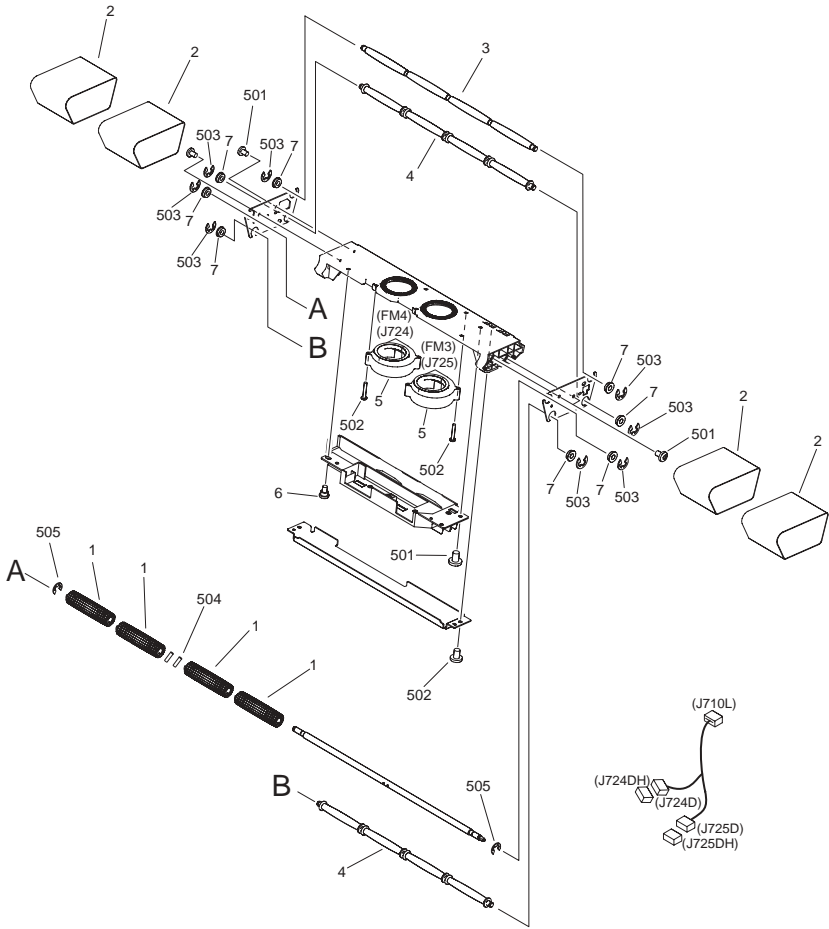


FIGURE & KEY NO.	PARTS NUMBER	R A N K	Q'TY	DESCRIPTION	SERIAL NUMBER/ REMARKS	S V C
Fig.330	FM2-2487-000		1	PRE-FIXING FEEDER ASSEMBLY		
1	FC5-2067-000		4	ROLLER, DRIVE		
2	FC6-1648-000		4	BELT, PAPER FEED		
3	FC6-1654-000		1	ROLLER, DRIVEN, UPPER		
4	FC6-1655-000		2	ROLLER, DRIVEN, LOWER		
5	FK2-0538-000		2	MOTOR, FAN	FM3,4J725,724	
6	FS1-9003-020		1	SCREW,STEPPED,M4		
7	XG9-0508-000		8	BALL BEARING, 688AZZNR*MC3D4M		
501	XB1-2400-607		8	SCREW,MACH.,TRUSS HEAD,M4X6		
502	XB1-2402-507		4	SCREW, MACHINE M4X25		
503	XD2-1100-642		10	RING,E		
504	XD3-2200-182		2	PIN,DOWEL		
505	XD2-1100-802		2	RING,E		

FIGURE 350 EXTERNAL DELIVERY ASSEMBLY

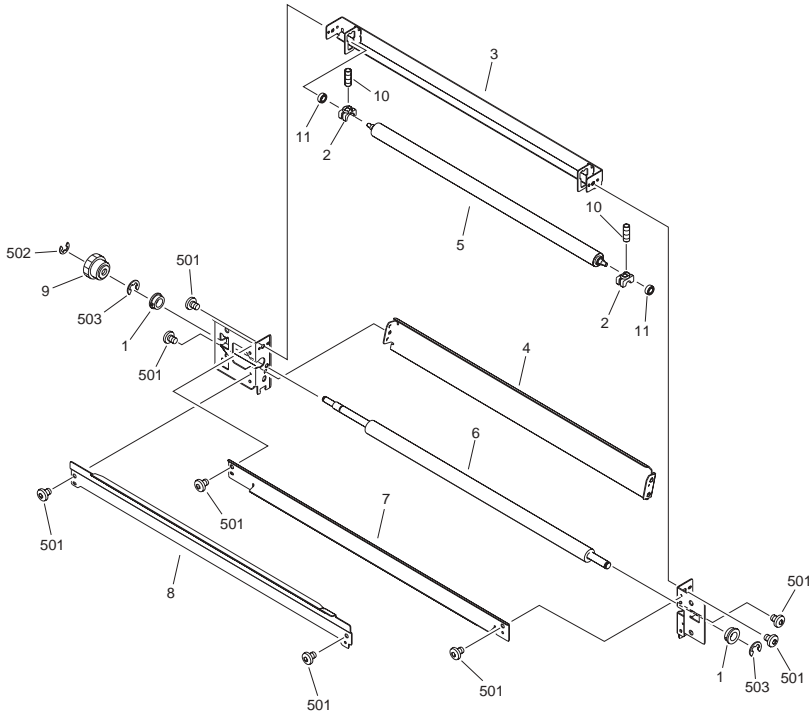
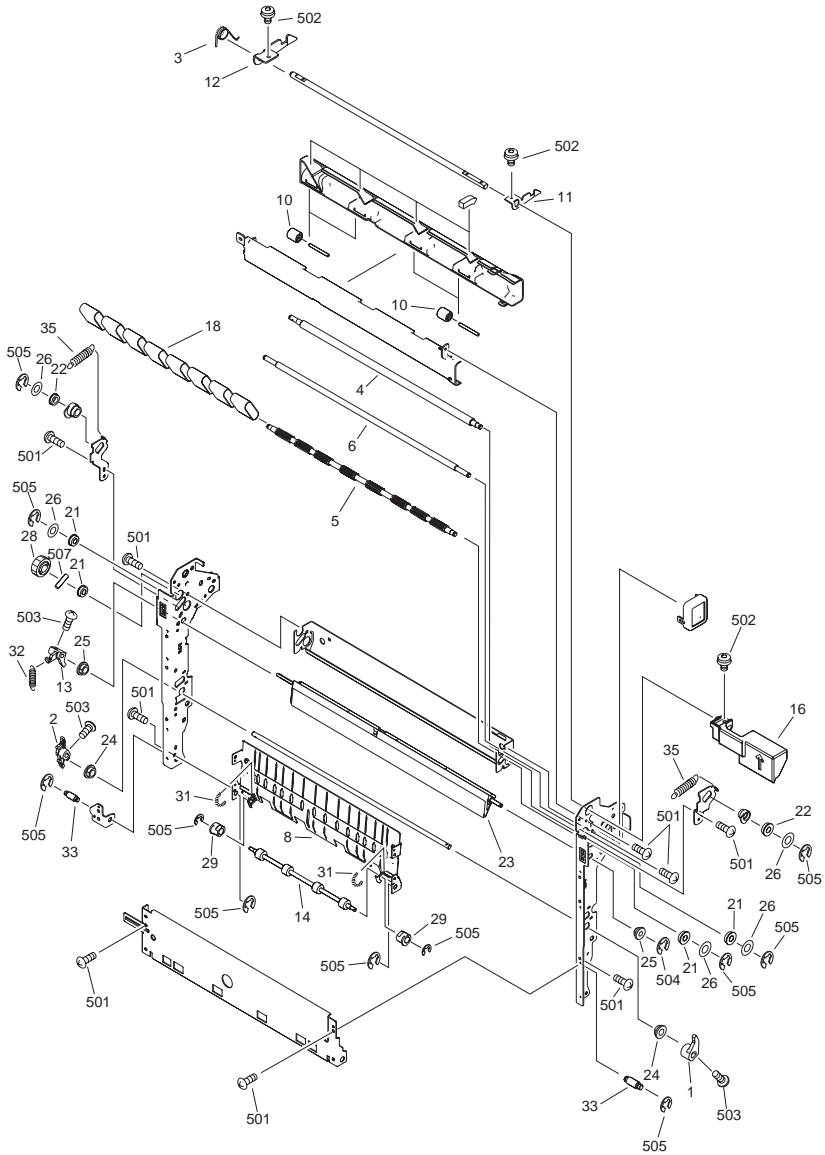


FIGURE & KEY NO.	PARTS NUMBER	R A N K	Q'TY	DESCRIPTION	SERIAL NUMBER/ REMARKS	S V C
Fig.350	FM2-2516-000		1	EXTERNAL DELIVERY ASSEMBLY		
1	FA9-2112-000		2	BUSHING, PL		
2	FC5-9792-000		2	BUSHING, INNER PAPER DELIVERY		
3	FC6-9791-000		1	GUIDE, EXTERNAL DELIVERY, U		
4	FL2-6529-000		1	GUIDE, EXTERNAL DELIVERY, L		
5	FC7-0876-000		1	ROLLER, DRIVEN		
6	FC7-0877-000		1	ROLLER, EXTERNAL DELIVERY		
7	FL2-5396-000		1	GUIDE, DELIVERY EXIT, UPPER		
8	FL2-5426-000		1	GUIDE, DELIVERY EXIT, LOWER		
9	FU5-0207-000		1	GEAR, 19T		
10	FU6-2071-000		2	SPRING, COMPRESSION		
11	XG9-0484-000		2	BEARING, BALL, 688AZZ1NR MC3		
501	XB1-2300-407		8	SCREW, BH3X4 (S)		
502	XD2-1100-502		1	RETAINING RING (E-TYPE)		
503	XD2-1100-642		2	RING,E		

FIGURE 355 REV PAPER DELIVERY UPPER ASS'Y



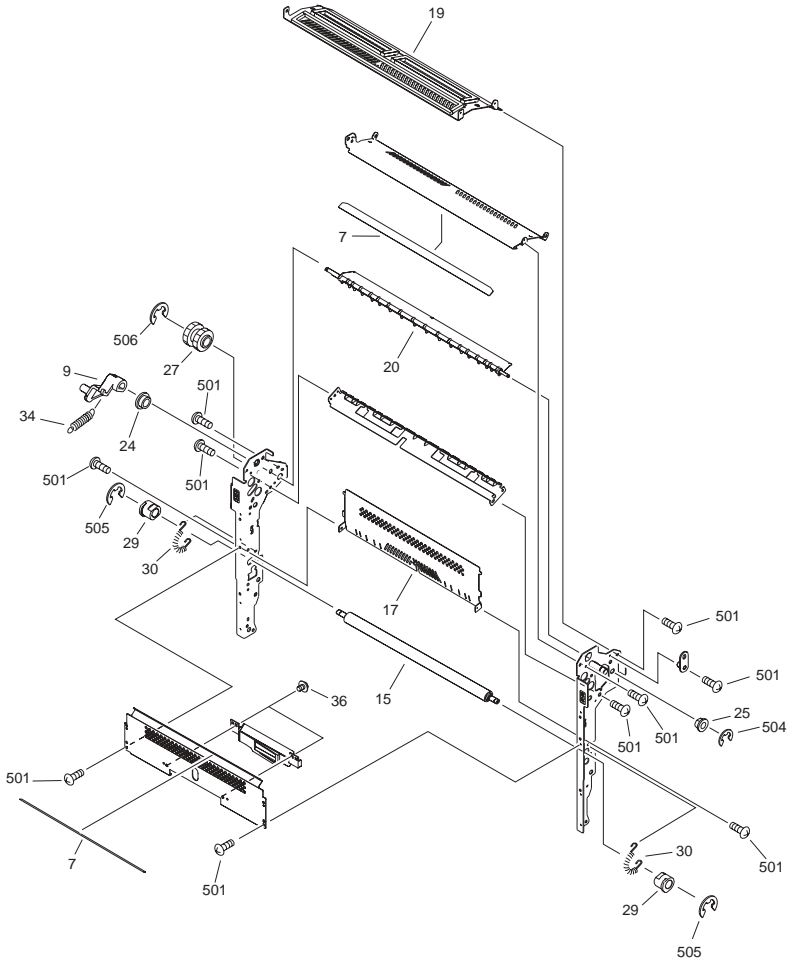


FIGURE & KEY NO.	PARTS NUMBER	R A N K	Q'TY	DESCRIPTION	SERIAL NUMBER/ REMARKS	S V C
Fig.355	FM2-2518-000		1	REV PAPER DELIVERY UPPER ASS'Y		
1	FC5-2224-000		1	ARM, ROLLER ESTRANGE, FRONT		
2	FC5-2225-000		1	ARM, ROLLER ESTRANGE, REAR		
3	FC5-2226-000		1	SPRING, TORSION		
4	FC5-2235-000		1	ROLLER, DRIVE		
5	FC5-2236-000		1	SHAFT, PULLEY		
6	FC5-2237-000		1	ROLLER, PRESSURE		
7	FC6-1776-000		2	SHEET, PATH		
8	FC6-1936-000		1	GUIDE, REVERSE VERTICAL PATH		
9	FC6-1946-000		1	ARM, FLAPPER		
10	FC6-1949-000		4	ROLLER, REVERSE GUIDE		
11	FC6-1955-000		1	HOOK, FRONT		
12	FC6-1956-000		1	HOOK, REAR		
13	FC6-9781-000		1	ARM, CROSSING FLAPPER		
14	FC6-9782-000		1	ROLLER, REVERSE DRIVEN, LOWER		
15	FC6-9783-000		1	ROLLER, REVERSE DRIVEN		
16	FC7-0129-000		1	HANDLE, REVERSE DOOR		
17	FC7-0130-000		1	GUIDE, REVERSE OUTER, UPPER		
18	FC7-0964-000		8	BELT, DECURL		
19	FL2-5410-000		1	GUIDE, PAPER DELIVERY, UPPER		
20	FM2-8063-000		1	FLAPPER, REVERSE DELIVERY		
21	XG9-0291-000		4	BEARING, BALL, LOWER ROLLER		
22	XG9-0407-000		2	BEARING, BALL, UGF106P12ZZD4ML		
23	FM2-8064-000		1	FLAPPER, CROSSING		
24	FS1-1569-000		3	BUSHING		
25	FS5-1142-000		3	BUSHING		
26	FS5-6488-000		5	WASHER		
27	FU5-0191-000		1	GEAR, 22T/18T		
28	FU5-0244-000		1	GEAR, 16T		
29	FU5-1046-000		4	BUSHING		
30	FU5-2139-040		2	SPRING, TENSION		
31	FU5-2140-000		2	SPRING, TENSION		

FIGURE & KEY NO.	PARTS NUMBER	R A N K	Q'TY	DESCRIPTION	SERIAL NUMBER/ REMARKS	S V C
32	FU5-2160-000		1	SPRING, TENSION		
33	FU5-5969-000		2	SHAFT, DOOR SUPPORT, FRONT		
34	FU6-2086-000		1	SPRING, TENSION		
35	FU6-2087-000		2	SPRING, TENSION		
36	XA9-0994-000		2	SCREW, TP, M4X6		
501	XB1-2300-407		AR	SCREW, BH3X4 (S)		
502	XB2-8400-807		AR	SCREW,W/WASHER,M4X8		
503	XB6-7300-607		AR	SCREW, CROSS-RECESS, FCH		
504	XD2-1100-322		AR	RING,E		
505	XD2-1100-502		AR	RETAINING RING (E-TYPE)		
506	XD2-1100-642		AR	RING,E		
507	XD3-2200-082		AR	PIN, PARALLEL		

FIGURE 356 REV PAPER DELIVERY LOWER ASS'Y

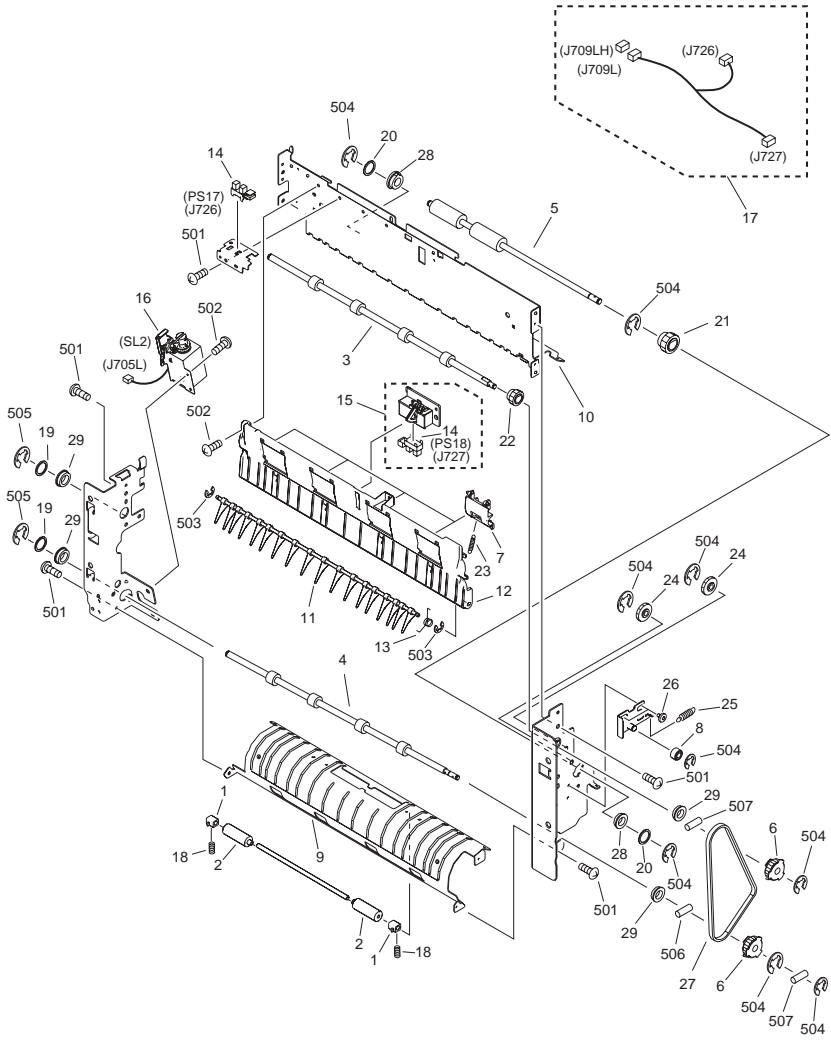
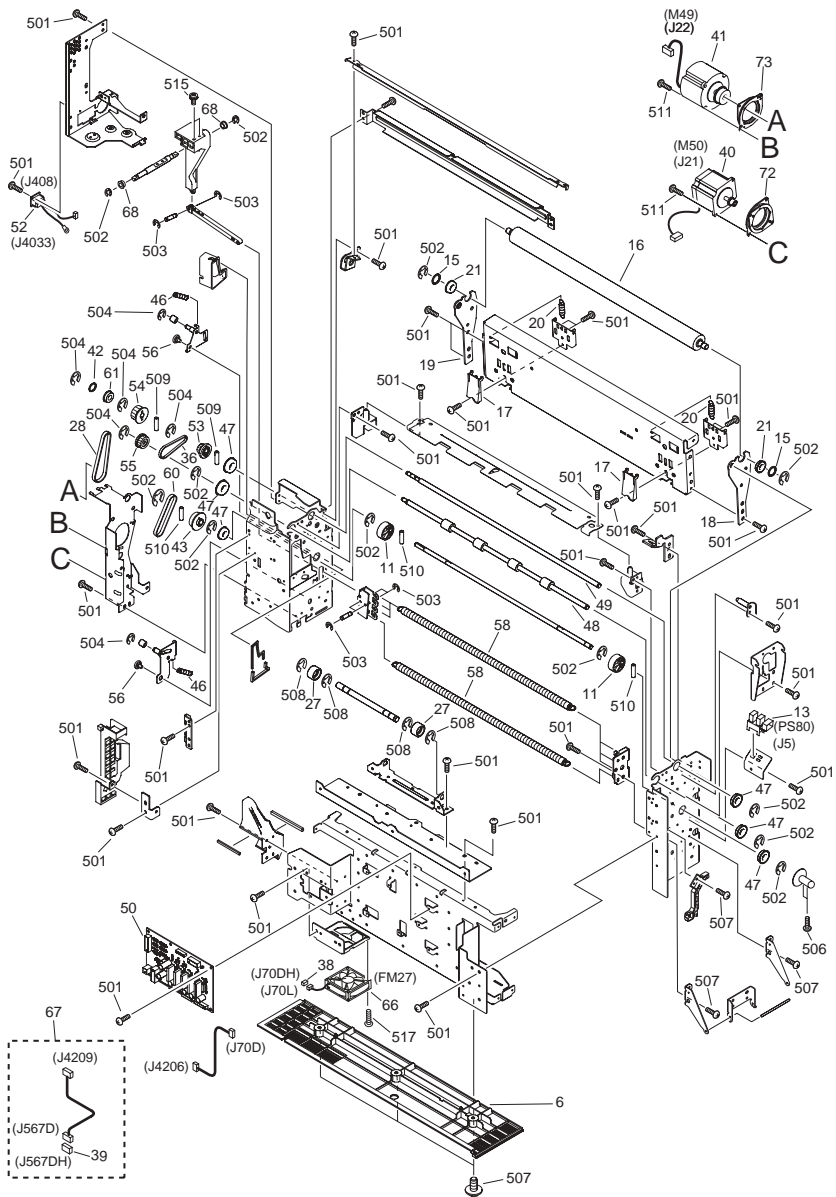


FIGURE & KEY NO.	PARTS NUMBER	R A N K	Q'TY	DESCRIPTION	SERIAL NUMBER/ REMARKS	S V C
Fig.356	FM2-2519-000		1	REV PAPER DELIVERY LOWER ASSY		
1	FB2-7755-000		2	BUSHING		
2	FC7-7208-000		2	ROLLER, DRIVEN		
3	FC5-2253-000		1	ROLLER, INVERTER DRIVE, UPPER		
4	FC5-2254-000		1	ROLLER, INVERTER DRIVE, LOWER		
5	FC5-2255-000		1	ROLLER, DUPLEX INLET DRIVE		
6	FC5-2261-000		2	PULLEY, 29T		
7	FC5-2662-000		4	FLAPPER, REVERSE ROLLER, FRONT		
8	FC6-1260-000		1	SPACER, INNER PAPER DELIVERY		
9	FC6-1965-000		1	GUIDE, DUPLEXING ENTRANCE, LW.		
10	FC6-1966-000		1	GUIDE, DUPLEXING ENTRANCE, UP.		
11	FC6-1968-000		1	FLAPPER, DUPLEXING REVERSE		
12	FC6-1969-000		1	GUIDE, VERTICAL PATH, RIGHT		
13	FC6-1970-000		1	SPRING, TORSION		
14	FK2-0149-000		2	PHOTO-INTERRUPTER, TLP1252(C6)	PS17,18 J726,727	
15	FM2-0486-000		1	REV. VERT. PATH SENSOR ASSY		
16	FM2-2726-000		1	ESTRANGEMENT SOLENOID ASSEMBLY	SL2 J705L	
17	FM2-7242-000		1	CABLE, REVERSE SENSOR	J709L,726,727	
18	FS5-2921-000		2	SPRING, COMPRESSION		
19	FS5-6487-000		2	WASHER		
20	FS5-6488-000		2	WASHER		
21	FU5-0259-000		2	GEAR, 16T		
22	FU5-0260-000		1	GEAR, 16T		
23	FU5-2166-000		4	SPRING, TENSION		
24	FU6-0635-000		2	GEAR, 24T		
25	FU6-2075-000		1	SPRING, TENSION		
26	FS5-9594-000		2	SCREW, STEPPED, M3		
27	XF2-4113-230		1	BELT, TIMING		
28	XG9-0407-000		2	BEARING, BALL, UGF106P12ZZD4ML		
29	XG9-0507-000		4	BEARING, BALL, MF128ZZ		
501	XB1-2300-407		14	SCREW, BH3X4 (S)		

FIGURE & KEY NO.	PARTS NUMBER	R A N K	Q'TY	DESCRIPTION	SERIAL NUMBER/ REMARKS	S V C
502	XB2-8300-607		3	SCREW, M3X6, S		
503	XD2-1100-322		2	RING,E		
504	XD2-1100-502		8	RING,E		
505	XD2-1100-642		2	RING,E		
506	XD3-2200-082		1	PIN, PARALLEL		
507	XD3-2200-142		2	PIN, PARALLEL		



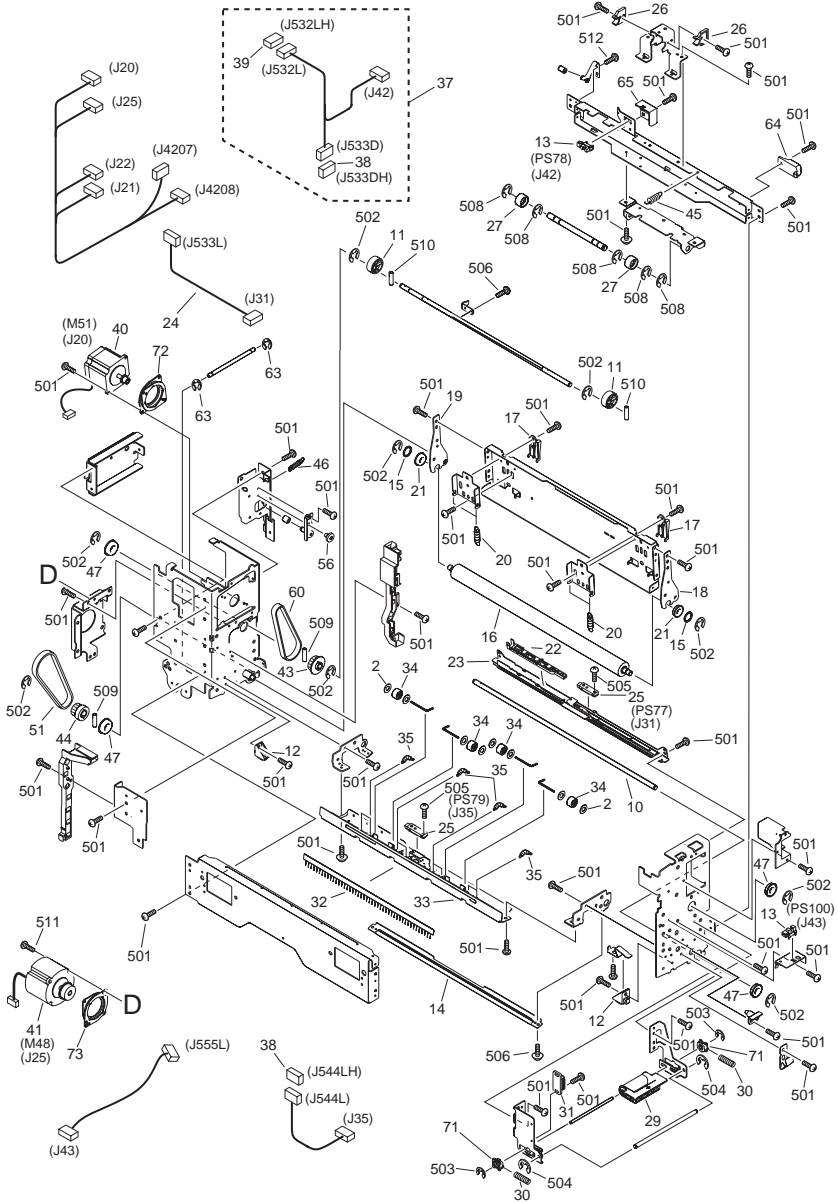


FIGURE & KEY NO.	PARTS NUMBER	R A N K	Q'TY	DESCRIPTION	SERIAL NUMBER/ REMARKS	S V C
Fig.357	FM2-6455-000		1	BUFFER ASSEMBLY		
1	FC7-1228-000		1	COVER, UPPER, REAR		
2	FC7-7183-000		8	WASHER		
3	FC7-1170-000		1	COVER, UPPER, LEFT	SEE NOTE	
4	FC7-1171-000		1	COVER, LEFT		
5	FC7-1174-000		1	COVER, REAR		
6	FC7-1177-000		1	COVER, BOTTOM		
7	FC7-1179-000		2	BUSHING, HINGE		
8	FC7-1204-000		1	COVER, INNER, UPPER		
9	FC7-1205-000		1	COVER, INNER, LOWER		
10	FC7-1127-000		1	ROLLER, PAPER FEEDER, UPPER		
11	FC7-1191-000		4	CAM		
12	FC7-1223-000		2	BUSHING		
13	FK2-0149-000		3	PHOTO-INTERRUPTER, TLP1252(C6)	PS78,80,100 J5,42,43	
14	FL2-4801-000		1	GUIDE, SHORT, UPPER		
15	FB2-6285-020		4	SHIM		
16	FC7-1141-000		2	ROLLER, SPONGE		
17	FC7-1143-000		4	MOUNT, CAM, POSITION		
18	FC7-1145-000		2	HOLDER, ROLLER, FRONT		
19	FC7-1146-000		2	HOLDER,ROLLER, REAR		
20	FU6-2753-000		8	SPRING, TENSION		
21	XG9-0546-000		4	BALL BEARING, SH44M		
22	FC7-1209-000		1	GUIDE, CABLE, INLET SENSOR		
23	FL2-4810-000		1	GUIDE, ENTRANCE		
24	FM2-8153-000		1	CABLE, ENTRANCE, SENSOR	J31,533L	
25	WG8-5749-000		2	PHOTOSENSOR	PS77,79 J31,35	
26	FC7-1198-000		2	BUSHING, SHAFT, CAM		
27	FM2-6451-000		4	ROLLER, BACK-UP		
28	XF2-1307-460		1	BELT, TIMING		
29	FC7-1139-000		1	KNOB, RELEASE		
30	FU6-2752-000		2	SPRING, COMPRESSION		
31	XZ9-0581-000		1	CATCH, MAGNET		

FIGURE & KEY NO.	PARTS NUMBER	R A N K	Q'TY	DESCRIPTION	SERIAL NUMBER/ REMARKS	S V C
32	FC7-1232-000		1	ELIMINATOR, STATIC CHARGE		
33	FC7-1147-000		1	GUIDE, PAPER DELIVERY, UPPER		
34	FC7-1227-000		4	ROLLER		
35	FU5-2141-000		8	SPRING, TENSION		
36	XF2-1607-640		1	BELT, TIMING		
37	FM2-7318-000		1	CABLE, BF. DECURRER, SENSOER	J42,532L,533D	
38	VS1-7177-003		3	CONNECTOR, SNAP TIGHT, BK	J533DH,544LH,70DH	
39	VS1-7177-006		2	CONNECTOR, SNAP TIGHT, BK	J532LH,567DH	
40	FK2-0582-000		2	MOTOR, CONTROL, 1	M50,51 J20,21	
41	FK2-0581-000		2	MOTOR, PAPER FEEDER 1/2	M48,49 J22,25	
42	FS5-6488-000		2	WASHER		
43	FU5-3505-000		2	PULLEY, 36T		
44	FU5-3506-000		1	PULLEY, 18T		
45	FU6-2751-000		1	SPRING, TENSION		
46	FU6-2756-000		3	SPRING, TENSION		
47	XG9-0549-000		10	BEARING,BALL		
48	FC7-1154-000		1	ROLLER, DELIVERY		
49	FC7-1155-000		1	ROLLER, FEED, LOWER		
50	FM2-7740-000		1	BUFFER, DRIVER ASSEMBLY		
51	XF2-1806-860		1	BELT, TIMING		
52	FM2-7320-000		1	CABLE, FINISHER, LATTICE	J408,4033	
53	FU5-3507-000		1	PULLEY, 18T		
54	FU5-3508-000		1	PULLEY, 18T		
55	FU5-3509-000		1	PULLEY, 36T		
56	FS5-9594-000		3	SCREW, STEPPED, M3X5.3		
57	FC7-1173-000		1	COVER, FRONT		
58	FU6-2754-000		4	SPRING, TENSION		
59	FC7-1229-000		1	COVER, UPPER	SEE NOTE	
60	XF2-1108-860		2	BELT,TIMING,COGGED		
61	XG3-6012-405		1	BALL BEARING, NSK MF126ZZ		
62	FC7-1240-000		1	LABEL, JAM CLEARING		
63	FC6-3002-000		2	RING, RESIN, RETAINING		

FIGURE & KEY NO.	PARTS NUMBER	R A N K	Q'TY	DESCRIPTION	SERIAL NUMBER/ REMARKS	S V C
64	FC7-5038-000		1	BOSS, OPEN, CLOSE		
65	FC7-5772-000		2	COVER, SENSOR		
66	FK2-0636-000		1	FAN	FM27 J70L	
67	FM2-8165-000		1	CABLE, FAN, CONNECTING	J567D,4209SEE NOTE	
68	FS1-1509-000		AR	BUSHING, 8,6 (COP)		
69	FC7-7167-000		3	SPACER, COVER, 1		
70	FC7-7168-000		1	SPACER, COVER, 2		
71	FC7-1138-000		2	BUSHING		
72	FC5-2710-000		2	DAMPER, MOTOR, 2		
73	FB6-0577-000		2	MOUNT, MOTOR		
501	XB1-2400-805		AR	SCREW, MACHINE M4X8 (S)		
502	XD2-1100-642		AR	RING,E		
503	XD2-1100-322		AR	RETAINING RING (E-TYPE)		
504	XD2-1100-322		AR	RETAINING RING (E-TYPE)		
505	XB1-2301-005		AR	SCREW, MACHINE M3X10		
506	XB1-2300-607		AR	SCREW, BH3X6(S)		
507	XB3-6400-805		AR	SCREW,RS,M4X8		
508	XD2-1100-802		AR	RETAINING RING (E-TYPE)		
509	XD3-2200-122		AR	PIN, DOWEL		
510	XD3-2200-142		AR	PIN, PARALLEL		
511	XB1-1400-809		AR	SCREW, MACHINE M4X8		
512	XB2-7400-607		AR	SCREW, TOOTHED WASHER, M4X6		
513	XB4-5400-807		AR	SCREW,P,M4X8		
514	XB1-2403-005		AR	SCREW, BH4X30(S)		
515	XB2-8401-209		AR	SCREW,W/WASHER,M4X12		
516	XD3-2300-282		AR	PIN		
517	XB1-1400-809		4	SCREW, MACHINE M4X8		

FIGURE 360 DUPLEXING ASSEMBLY

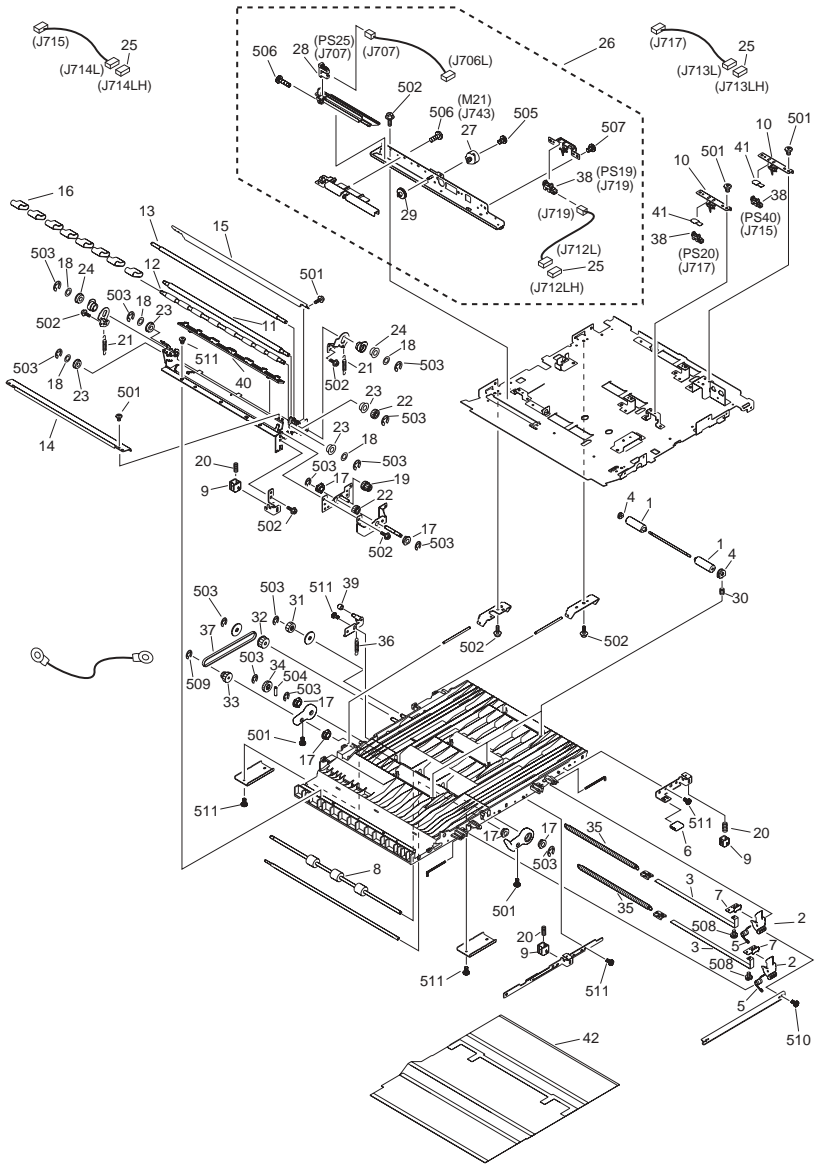


FIGURE & KEY NO.	PARTS NUMBER	R A N K	Q'TY	DESCRIPTION	SERIAL NUMBER/ REMARKS	S V C
Fig.360	FM2-2557-000		1	DUPLEXING ASSEMBLY		
1	FC7-7208-000		6	ROLLER, DRIVEN		
2	FC5-2090-000		2	ARM, GUIDE RELEASE		
3	FC5-2119-000		2	TAPE, SUPPORT		
4	FC5-2133-000		6	BUSHING		
5	FC5-2394-000		2	SPRING, TORSION		
6	FC5-2760-000		1	HANDLE, INTERNAL DELIVERY		
7	FC5-5109-000		2	SLIDER, RIGHT		
8	FC6-1723-000		1	ROLLER		
9	FC6-1731-000		3	BLOCK, PUSHING		
10	FL2-2839-000		2	SENSOR, PAPER DELIVERY		
11	FC5-2235-000		1	ROLLER, DRIVE		
12	FC5-2236-000		1	SHAFT, PULLEY		
13	FC5-2237-000		1	ROLLER, PRESSURE		
14	FC6-1725-000		1	GUIDE, ENTRANCE, LOWER		
15	FC6-1733-000		1	GUIDE, ENTRANCE, UPPER		
16	FC7-0964-000		8	BELT, DECURL		
17	FS1-1508-000		6	BUSHING		
18	FS5-6488-000		5	WASHER		
19	FU6-0634-000		1	GEAR, 20T/16T		
20	FU6-2048-000		3	SPRING, COMPRESSION		
21	FU6-2068-000		2	SPRING, TENSION		
22	FU7-0357-000		2	GEAR, 18T		
23	XG3-6012-405		4	BALL BEARING, NSK MF126ZZ		
24	XG9-0407-000		2	BEARING, BALL, UGF106P12ZZD4ML		
25	VS1-7177-003		3	CONNECTOR, SNAP TIGHT, BK	J712-714	
26	FM2-7984-010		1	SIDE REGISTRATION ASSEMBLY		
27	FK2-2681-000		1	MOTOR, STEPPING	M21 J743	
28	FL2-2632-000		1	SIDE REGIST.PHOTO SENSOR UNIT	PS25 J707	
29	FS6-0557-000		1	GEAR, 12T/36T		
30	FU5-2149-000		6	SPRING, COMPRESSION		
31	FU6-0638-000		1	GEAR, 18T		

FIGURE & KEY NO.	PARTS NUMBER	R A N K	Q'TY	DESCRIPTION	SERIAL NUMBER/REMARKS	S V C
32	FU6-0639-000		1	GEAR, 20T/PULLEY, 22T	PS19,20,40 J715,717,719	
33	FU6-0640-000		1	GEAR, 24T/PULLEY, 22T		
34	FU6-0641-000		1	GEAR, 24T		
35	FU6-2047-000		2	SPRING, TENSION		
36	FU6-2085-000		1	SPRING, TENSION		
37	XF2-1113-440		1	BELT, TIMING		
38	FK2-0149-000		3	PHOTO-INTERRUPTER, TLP1253(C6)		
39	FU5-6402-000		1	ROLLER		
40	FC7-5010-000		1	PLATE, BELT, STOPPER		
41	FC5-6232-000		2	SHEET, SENSOR PROTECTIVE		
42	FC6-1736-000		1	SHEET, DUPLEXING GUIDE,LOWER		
501	XB1-2300-607		AR	SCREW, M3X6		
502	XB3-6400-807		AR	SCREW,RS,M4X8		
503	XD2-1100-502		AR	RETAINING RING (E-TYPE)		
504	XD3-2200-122		AR	PIN, DOWEL		
505	XB1-2300-407		AR	SCREW, MACHINE M3X4		
506	XB4-7301-207		AR	SCREW, SELF-TAPPING		
507	XB1-2400-607		AR	SCREW,MACH.,TRUSS HEAD,M4X6		
508	XB2-8400-807		AR	SCREW WITH WASHER		
509	XD2-1100-322		AR	RETAINING RING (E-TYPE)		
510	XB4-7300-807		AR	SCREW, TAP, BINDING HEAD, M3X8		
511	XB4-7400-807		AR	SCREW,TAPPING,TRUISS HEAD,M4X8		

FIGURE 375 INNER PAPER DELIVERY ASSEMBLY

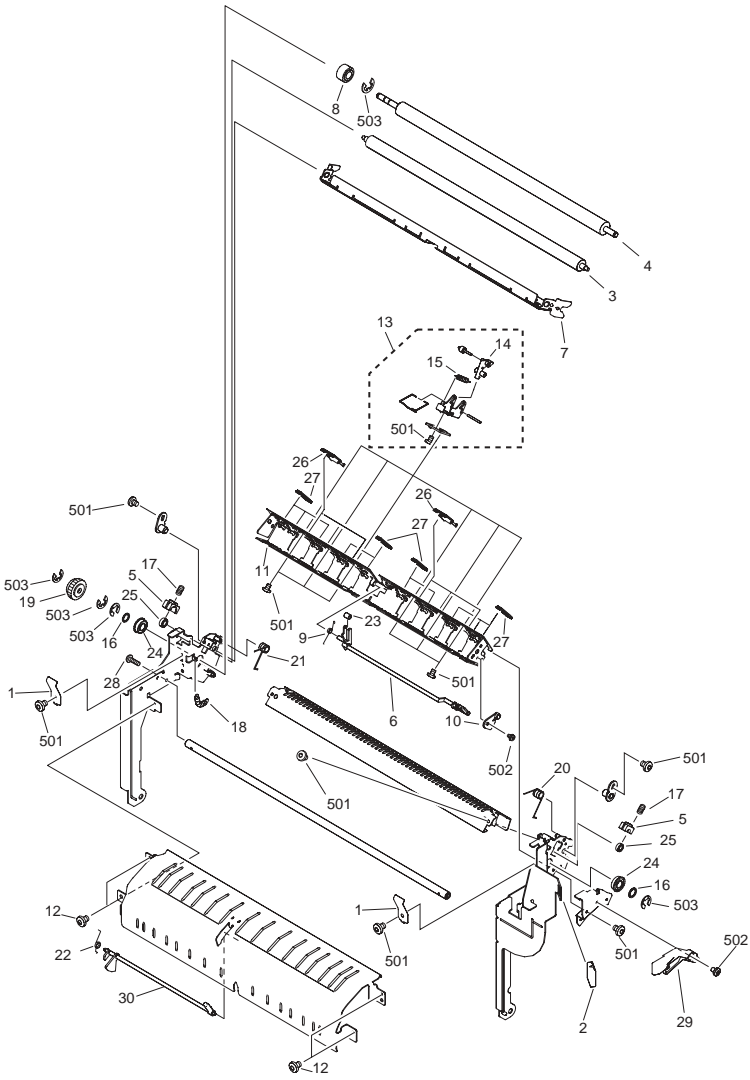


FIGURE & KEY NO.	PARTS NUMBER	R A N K	Q'TY	DESCRIPTION	SERIAL NUMBER/ REMARKS	S V C
Fig.375	FM2-2515-000		1	INNER PAPER DELIVERY ASSEMBLY		
1	FC5-2233-000		2	PLATE, PRESSURE		
2	FC5-2760-000		1	HANDLE, INTERNAL DELIVERY		
3	FC5-9775-000		1	ROLLER, INTERNAL DELIVERY, U.		
4	FC5-9776-000		1	ROLLER, INTERNAL DELIVERY, L.		
5	FC5-9792-000		2	BUSHING, INNER PAPER DELIVERY		
6	FC5-9795-000		1	FLAG, SENSOR		
7	FM3-0045-000		1	SEPARATION PLATE UNIT		
8	FC6-1260-000		1	SPACER, INNER PAPER DELIVERY		
9	FC8-6456-000		1	SPRING, TORSION		
10	FC6-9787-000		1	HOLDER, PAPER DELIVERY SENSOR		
11	FC6-9789-000		1	GUIDE, INTERNAL DELIVERY, L.		
12	FC7-0959-000		4	SCREW,RS,M3X4,NYROK		
13	FM2-8076-000		6	SEPARATION CLAW UNIT		
14	FM2-2644-000		6	CLAW, SEPARATION		
15	FU5-2959-000		6	SPRING, TENSION		
16	FS5-6488-000		2	WASHER		
17	FU5-2135-000		2	SPRING, COMPRESSION		
18	FU5-2138-000		1	SPRING, TENSION		
19	FU6-0306-000		1	GEAR, 22T		
20	FU6-2078-000		1	SPRING, TORSION		
21	FU6-2079-000		1	SPRING, TORSION		
22	FU6-2081-000		1	SPRING, REVERSE SENSOR		
23	FL2-6534-000		1	ROLLER, PAPER SENSOR		
24	XG9-0291-000		2	BEARING, BALL, LOWER ROLLER		
25	XG9-0484-000		2	BEARING, BALL, 688AZZ1NR MC3		
26	FC7-7036-000		6	RIB, INNER PAPER DELIVERY, L		
27	FC7-7190-000		8	RIB, INNER PAPER DELIVERY, S		
28	XA9-0687-000		2	SCREW, TP, M4X6		
29	FC7-7191-000		1	BOSS, OPEN, CLOSE		
30	FC6-1980-000		1	LEVER, REVERSE SENSOR		
501	XB1-2300-407		AR	SCREW, BH3X4 (S)		

FIGURE & KEY NO.	PARTS NUMBER	R A N K	Q'TY	DESCRIPTION	SERIAL NUMBER/ REMARKS	S V C
502	XB2-8300-607		AR	SCREW, M3X6, S		
503	XD2-1100-502		AR	RETAINING RING (E-TYPE)		

FIGURE 530 SECONDARY TRANSFER MOUNT ASS'Y

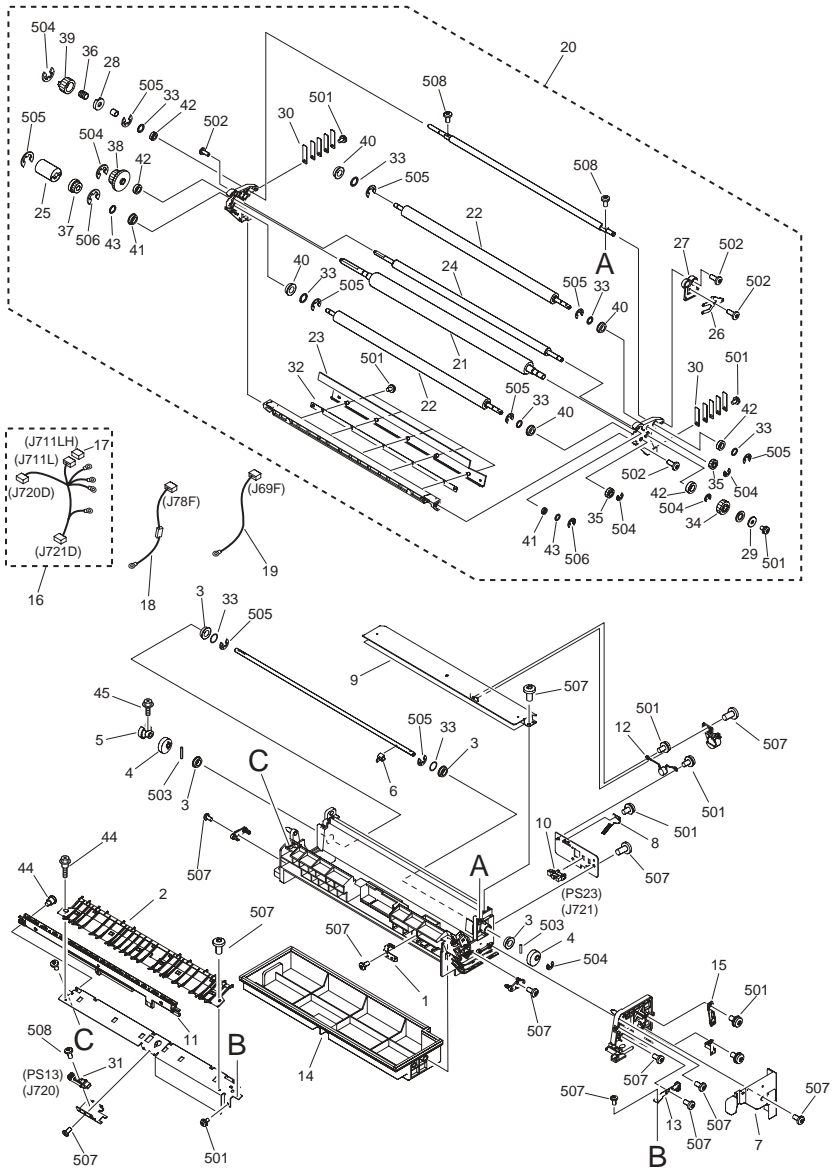


FIGURE & KEY NO.	PARTS NUMBER	R A N K	Q'TY	DESCRIPTION	SERIAL NUMBER/REMARKS	S V C
Fig.530	FM2-2485-010		1	SECONDARY TRANSFER MOUNT ASSY		
1	FC6-1664-000		1	PLATE, ELIM. POWER DISPATCHING		
2	FC6-1666-000		1	RIB, 2ND TRNSFR. GUIDE, REAR		
3	XG9-0291-000		4	BEARING, BALL		
4	FC6-1668-000		2	CAM, SWING		
5	FC6-1669-000		1	COUPLING		
6	FC6-1670-000		1	FLAG, SWING		
7	FC6-6859-000		1	COVER, SECONDARY TRANSFER		
8	FC7-0882-000		1	PLATE, STATIC CHARGE		
9	FL2-6942-000		1	GUIDE, 2ND TRNSFR. FRONT, L.		
10	FK2-0149-000		1	PHOTO-INTERRUPTER, TLP1253(C6)	PS23 J721	
11	FL2-2703-000		1	HOLDER, 2ND TRNSFR. ELIM.		
12	FL2-5174-000		1	VARISTOR		
13	FL2-5417-000		1	PLATE, GROUNDING, 3		
14	FL2-5418-000		1	BOX, WASTE TONER		
15	FM2-7196-000		1	HVR		
16	FM2-7240-000		1	CABLE, SENSOR	J711L,720D,721D	
17	VS1-7177-006		1	CONNECTOR, SNAP TIGHT, BK	J711LH	
18	FM2-7297-000		1	CABLE, STATIC CHARGE H.V.	J78F	
19	FM2-7299-000		1	CABLE, ROLLER HIGH VOLTAGE	J69F	
20	FM2-8070-010		1	2ND TRNSFR. CLEANING UNIT		
21	FC6-1644-000		1	ROLLER, TRANSFER, B3		
22	FC6-1645-000		2	BRUSH, CLEANING		
23	FC6-1647-000		1	BLADE, CLEANING		
24	FC7-0871-000		1	ROLLER, BIAS		
25	FC6-1660-000		1	LIMITTER, TORQUE		
26	FC6-1708-000		1	PLATE, POWER DISPATCHING		
27	FC6-4937-000		1	HOLDER, HIGH VOLTAGE		
28	FC6-4938-000		1	HOLDER, SPRING		
29	FC6-6864-000		1	PLATE, H.V. POWER DISPATCHING		
30	FC7-0863-000		10	PLATE, PRESSURE		
31	WG8-5749-000		1	PHOTOSENSOR	PS13 J720	

FIGURE & KEY NO.	PARTS NUMBER	RANK	Q'TY	DESCRIPTION	SERIAL NUMBER/REMARKS	SVC
32	FC7-0914-000		1	PLATE, ADJUSTMENT		
33	FS5-6488-000		8	WASHER		
34	FU6-0536-000		1	GEAR, 16T		
35	FU6-0537-000		2	GEAR, 17T		
36	FU6-2070-000		1	SPRING, COMPRESSION		
37	FU7-0368-000		1	GEAR, 25T		
38	FU7-0369-000		1	GEAR, 25T/55T		
39	FU7-0370-000		1	GEAR, 25T		
40	XG9-0614-000		4	BEARING, BALL, 12ZZ,NSK,P0,11M		
41	XG9-0472-000		2	BALL BEARING, MF128ZZ1MC3EECZZ		
42	XG9-0613-000		6	BEARING, BALL,12ZZ,NSK,P0,10MM		
43	FU5-6414-000		2	WASHER		
44	FU5-9302-000		3	SCREW, STEPPED, M3		
45	XA9-1375-000		1	SCREW, BP3X8, N		
501	XB2-8300-607		AR	SCREW,W/WASHER,M3X6		
502	XB4-5300-809		AR	SCREW,P,M3X8		
503	XD3-2200-142		AR	PIN,DOWEL		
504	XD2-1100-322		AR	RING,E		
505	XD2-1100-502		AR	RING,E		
506	XD2-1100-642		AR	RING,E		
507	XB1-2300-607		AR	SCREW,MACH.,TRUSS HEAD,M3X6		
508	XB2-5301-007		AR	SCREW,W/WASHER,M3X10		
	FC6-2006-000		1	FRAME, SWING, FRONT		
	FC6-2008-000		1	FRAME, SWING, REAR		

FIGURE 535 I.T.B. POSITIONING ASSEMBLY

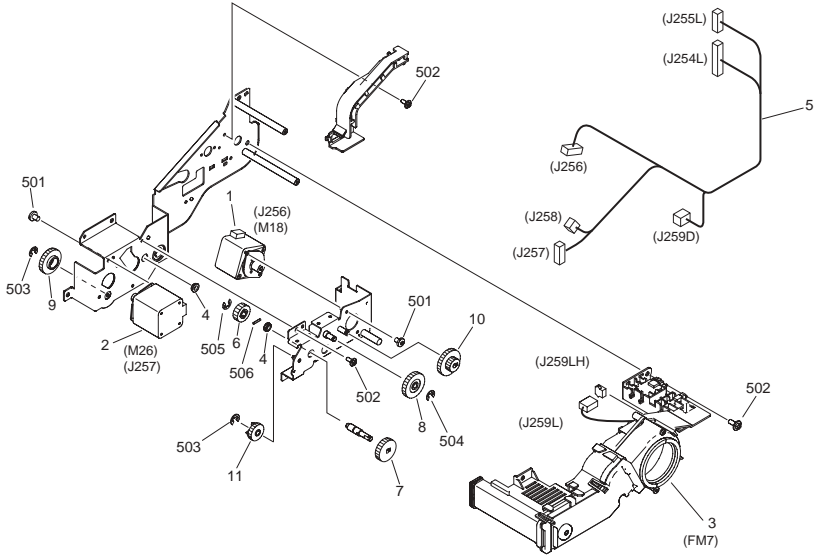
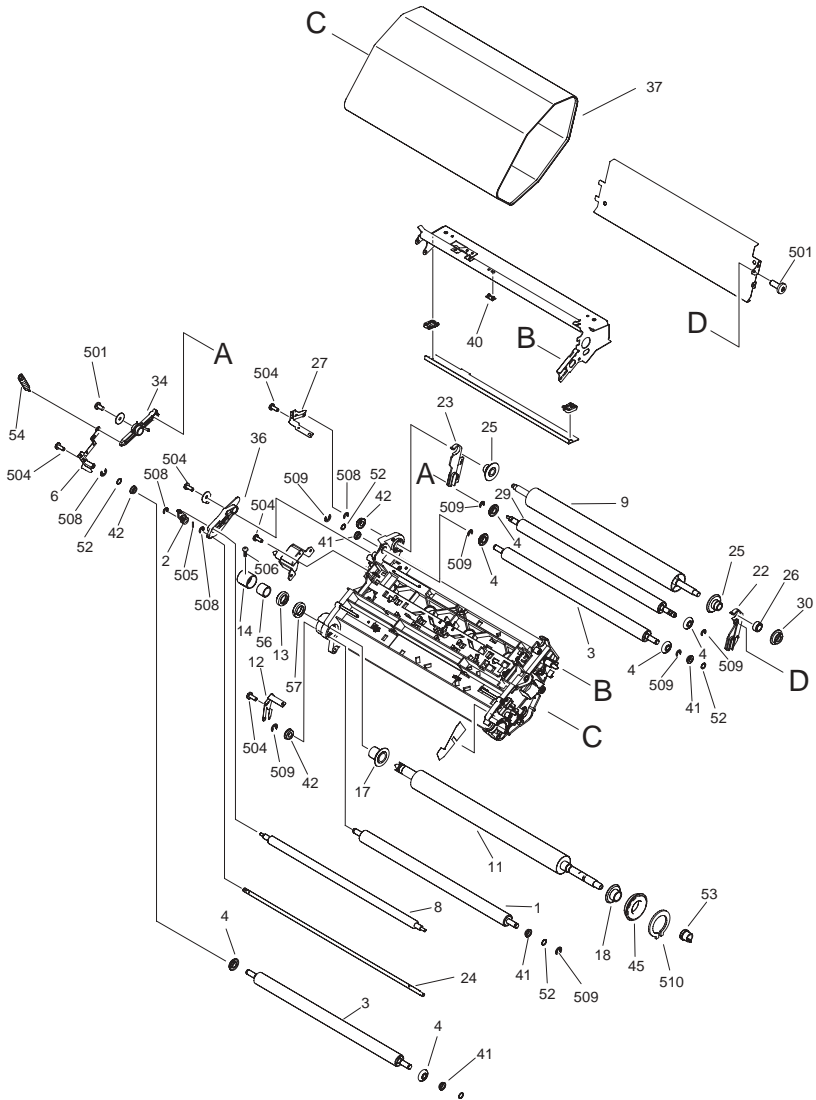


FIGURE & KEY NO.	PARTS NUMBER	RANK	QTY	DESCRIPTION	SERIAL NUMBER/REMARKS	SVC
Fig.535	FM2-2499-000		1	I.T.B. POSITIONING ASSEMBLY		
1	FK2-0574-000		1	MOTOR, STEPPING, DC	M18,J256	
2	FK2-0575-000		1	MOTOR, STEPPING	M26,J257	
3	FM2-2697-000		1	TRA. CLEANER COOLING FAN ASS'Y		
4	XG9-0544-000		2	BEARING, BALL, 8H44M		
5	FM2-7228-000		1	CABLE, CLEANER DRIVE	J254L,255L,256,257,258,259D	
6	FS7-0885-000		1	GEAR, 20T		
7	FU5-0175-000		1	GEAR, 56T		
8	FU5-0208-000		1	GEAR, 64T		
9	FU6-0531-000		1	GEAR, 63T		
10	FU6-0532-000		1	GEAR, 64T/32T		
11	FU6-0657-000		1	GEAR, 20T		
501	XB1-2300-407		4	SCREW,MACH.,TRUSS HEAD,M3X4		
502	XB3-6400-805		6	SCREW,RS,M4X8		

FIGURE & KEY NO.	PARTS NUMBER	R A N K	Q'TY	DESCRIPTION	SERIAL NUMBER/ REMARKS	S V C
503	XD2-1100-322		2	RING,E		
504	XD2-1100-502		1	RING,E		
505	XD2-1100-642		1	RING,E		
506	XD3-2200-122		1	PIN, DOWEL		

FIGURE 537
I.T.B. ASSEMBLY



NOTE : This assembly includes the assembly shown in Figure 538.

注：このユニットはFigure 538のユニットを含みます。

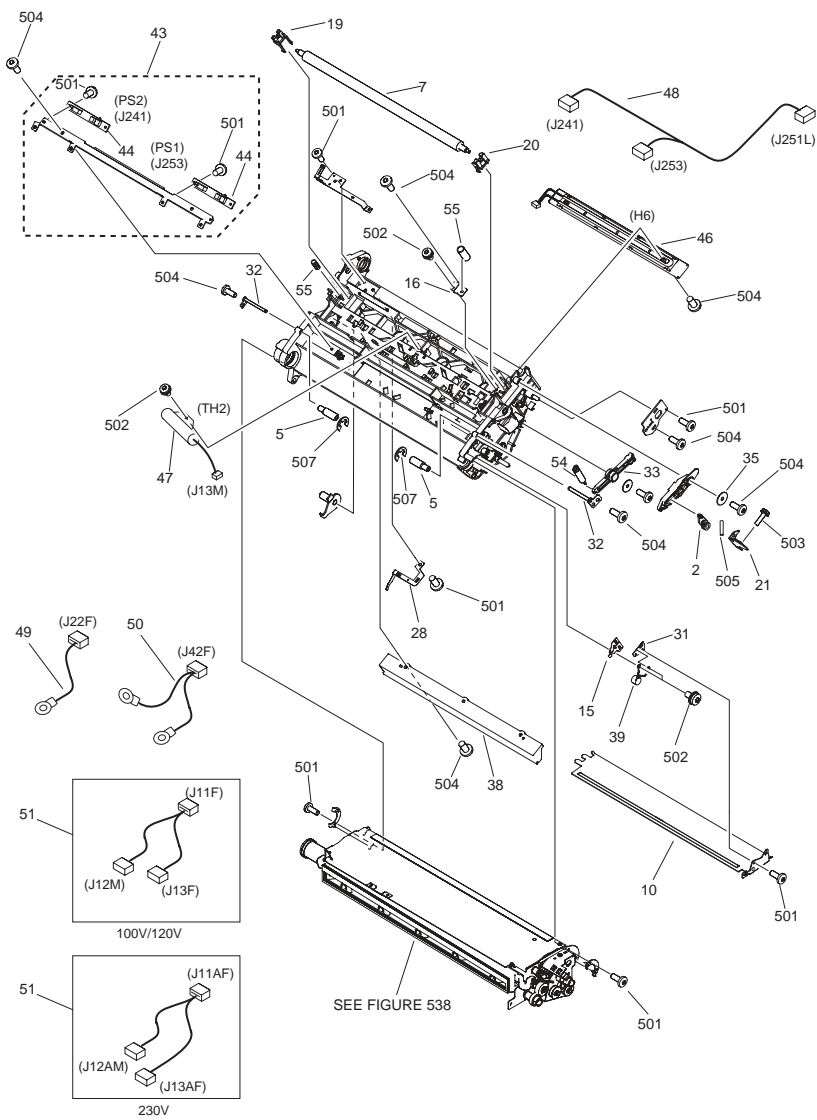
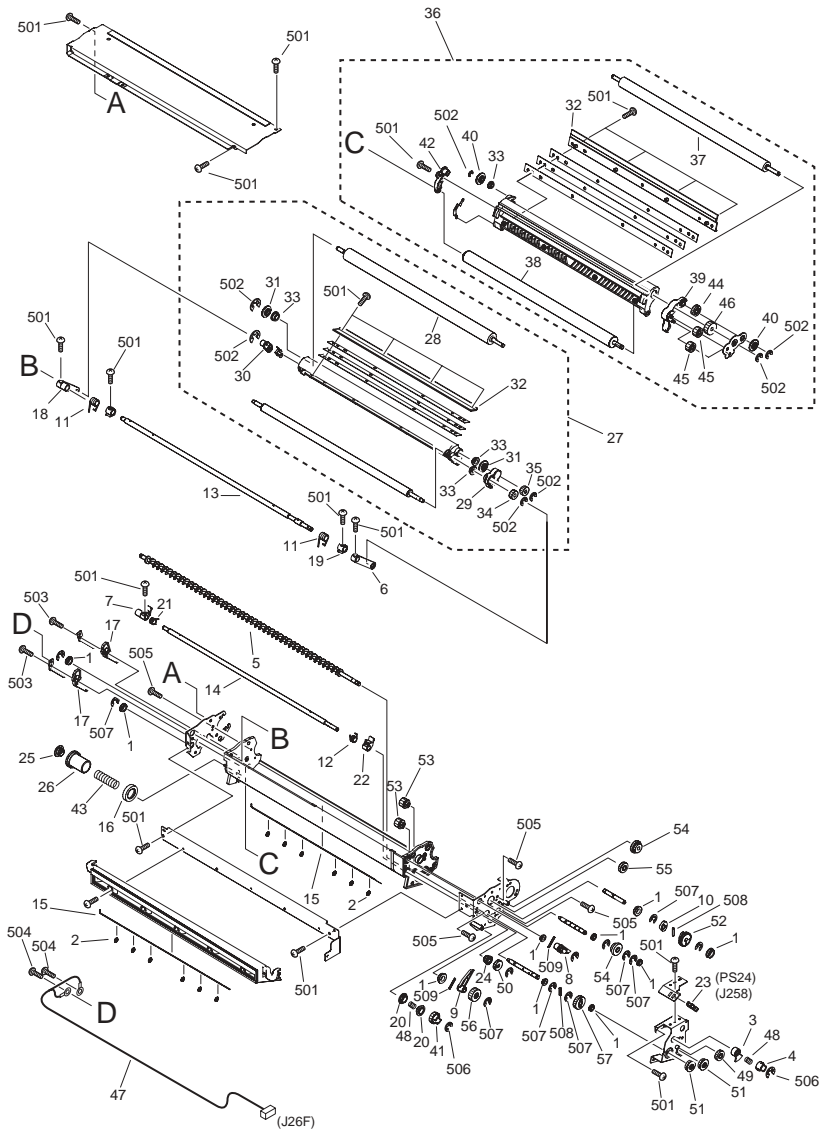


FIGURE & KEY NO.	PARTS NUMBER	R A N K	Q'TY	DESCRIPTION	SERIAL NUMBER/ REMARKS	S V C
Fig.537	FM2-2457-010		1	I.T.B. ASSEMBLY	100V/120VSEE NOTE	
Fig.537	FM2-2458-010		1	I.T.B. ASSEMBLY	220V/230VSEE NOTE	
1	FC5-1661-000		1	ROLLER, TRANSFER, 2		
2	FC5-1671-000		2	CAM, RELEASE		
3	FC8-8822-000		2	ROLLER, PUSH-DOWN		
4	FC5-6229-000		6	COLLAR		
5	FC5-6254-000		2	ROLLER, BACK-UP		
6	FC6-1349-000		1	PLATE, ROLLER GROUNDING		
7	FC6-1545-000		1	ROLLER, TRANSFER, 1		
8	FC6-1549-000		1	ROLLER, AUXILIARY, 1		
9	FC6-1550-000		1	ROLLER, IDLE		
10	FL2-5487-000		1	GUIDE, PRE-TRANSFER		
11	FC6-1553-000		1	ROLLER, DRIVE		
12	FC6-1587-000		1	PLATE, T2 ELECTRODE		
13	FC6-1590-000		1	WASHER		
14	FC6-1591-000		1	COVER, SPRING		
15	FC6-1592-000		1	PLATE, GROUNDING, FRONT		
16	FC6-1593-000		1	PLATE, T1 ELECTRODE		
17	FC6-1625-000		1	COLLAR, LIMITER		
18	FC6-1626-000		1	COLLAR, LIMITER		
19	FC6-1628-000		1	BUSHING		
20	FC6-1629-000		1	BUSHING		
21	FC6-1630-000		1	LEVER, T1 RELEASE		
22	FC6-4921-000		1	ARM, POTENTIAL LIMIT, FRONT		
23	FC6-4922-000		1	ARM, POTENTIAL LIMIT, REAR		
24	FC6-4940-000		1	SHAFT, T1 RELEASE		
25	FC6-6874-000		2	COLLAR, LIMIT		
26	FC6-6875-000		1	SPACER, LIMIT COLLAR		
27	FC6-6877-000		1	PLATE, CONTACT		
28	FC6-6878-000		1	PLATE, CONTACT		
29	FC8-8823-000		1	ROLLER, TENSION		
30	FC6-6884-000		1	BUSHING		

FIGURE & KEY NO.	PARTS NUMBER	R A N K	Q'TY	DESCRIPTION	SERIAL NUMBER/ REMARKS	S V C
31	FC7-0928-000		1	PLATE, PRE-TRANSFER GUIDE		
32	FL2-1198-000		2	SUPPORT, BACK-UP ROLLER		
33	FL2-2568-000		1	ARM, TENSION, FRONT		
34	FL2-2569-000		1	ARM, TENSION, REAR		
35	FL2-2570-000		1	ARM, T1 RELEASE, FRONT		
36	FL2-2571-000		1	ARM, T1 RELEASE, REAR		
37	FL2-2584-000		1	BELT, TRANSFER		
38	FL2-2580-000		1	SCRAPER, BELT INTERNAL		
39	FL2-5175-000		1	VARISTOR		
40	FC5-6234-000		1	STOPPER		
41	XG9-0505-000		4	BEARING, BALL, MF128ZZ1 MC3		
42	XG9-0506-000		3	BEARING, BALL, 688AZZ1NR MC3		
43	FM2-2667-000		1	TOP SENSOR UNIT		
44	FK2-0161-000		2	SENSOR UNIT, EE-SY133-P18	PS1,2 J253,241	
45	XG9-0615-000		1	BEARING, BALL		
46	FM2-2671-000		1	HEATER CABLE UNIT	100V/120V H6	
46	FM2-2672-000		1	HEATER CABLE UNIT	220V/230V H6	
47	FM2-7196-000		1	HVR	TH2 J13M	
48	FM2-7229-000		1	CABLE, SENSOR, TOP	J241,251L,253	
49	FM2-7259-000		1	CABLE, SECONDARY TRANSFER H.V.	J22F	
50	FM2-7263-000		1	CABLE, PRIMARY TRANSFER H.V.	J42F	
51	FM2-7286-000		1	CABLE, I.T.B. CONNECTING, 2	100V/120VJ11F,12M,13F	
51	FM2-8163-000		1	CABLE, I.T.B. CONNECTING, 2	220V/ 230VJ11AF,12AM,13AF	
52	FS5-6487-000		5	WASHER		
53	FU6-0658-000		1	GEAR, 28T		
54	FU6-2041-000		2	SPRING, TENSION		
55	FU6-2042-000		2	SPRING, COMPRESSION		
56	FU6-2046-000		1	SPRING, COMPRESSION		
57	XG9-0601-000		1	BEARING, BALL		
501	XB1-2300-607		AR	SCREW, BH3X6(S)		
502	XB2-8300-607		AR	SCREW, M3X6, S		

FIGURE & KEY NO.	PARTS NUMBER	R A N K	Q'TY	DESCRIPTION	SERIAL NUMBER/ REMARKS	S V C
503	XB2-8301-207		AR	SCREW, W/WASHER, M3X12		
504	XB4-5300-807		AR	SCREW, P, M3X8		
505	XD3-2200-162		AR	PIN,DOWEL		
506	XB6-2400-408		AR	SETSCREW,M4X4		
507	XD2-1100-322		AR	RING,E		
508	XD2-1100-502		AR	RING,E		
509	XD2-1100-642		AR	RING,E		
510	XD2-3100-122		AR	RING,C,EXTERNAL		

FIGURE 538 TRANSFER CLEANER ASSEMBLY



NOTE : This assembly is included in the assembly shown in Figure 537.
 注 : このユニットはFigure 537のユニットに含まれます。

FIGURE & KEY NO.	PARTS NUMBER	R A N K	Q'TY	DESCRIPTION	SERIAL NUMBER/ REMARKS	S V C
Fig.538	FM2-2450-010		1	TRANSFER CLEANER ASSEMBLY	SEE NOTE	
1	XG9-0520-000		10	BALL BEARING, NMB DDLF-1060ZZH		
2	FA2-9309-000		12	ROLLER		
3	FC6-1350-000		1	FLAG, SENSOR		
4	FC6-1351-000		1	COUPLING		
5	FC6-1560-000		1	FEEDSCREW, TRANSFER CLEANER		
6	FC6-1576-000		1	LEVER, 1 RELEASE, FRONT		
7	FC6-1577-000		1	LEVER, 2 RELEASE, REAR		
8	FC6-1578-000		1	LINK, 1 RELEASE		
9	FC6-1579-000		1	LINK, 2 RELEASE		
10	FC6-1580-000		1	CAM, RELEASE		
11	FC6-1618-000		2	SPRING, TORSION		
12	FC6-1621-000		1	SPRING, TORSION		
13	FC6-1622-000		1	SHAFT, 1 LINK		
14	FC6-1623-000		1	SHAFT, 2 LINK		
15	FC6-1633-000		2	WIRE, ROWEL		
16	FC6-4906-000		1	MOUNT, SHUTTER, SPRING		
17	FC6-4907-000		2	CASE, H.V. POWER DISPATCHING		
18	FC6-6889-000		1	LEVER, 1 RELEASE, REAR		
19	FC6-6890-000		1	HOOK, 1 SPRING		
20	FC6-6891-000		2	CATCH, SPRING		
21	FC7-0929-000		1	SPRING, TORSION		
22	FC7-0931-000		1	LEVER, 2 RELEASE, FRONT		
23	FK2-0149-000		1	PHOTO-INTERRUPTER, TLP1252(C6)	PS24 J258	
24	FL2-2572-000		1	BUSHING		
25	FL2-2573-000		1	BUSHING		
26	FL2-2577-000		1	SHUTTER		
27	FM2-2455-000		1	CLEANER ASSEMBLY 1		
28	FC6-1546-000		1	BRUSH		
29	FC6-1605-000		1	BUSHING, 1, FRONT		
30	FC6-1606-000		1	BUSHING, 1, REAR		
31	FL2-2601-000		1	ROLLER, 1		

FIGURE & KEY NO.	PARTS NUMBER	R A N K	Q'TY	DESCRIPTION	SERIAL NUMBER/ REMARKS	S V C
32	FC6-4910-000		2	BLADE, 1		
33	FS5-1372-000		4	BUSHING		
34	FU6-0525-000		1	GEAR, 16T		
35	FU6-0526-000		1	GEAR, 17T		
36	FM2-2456-000		1	CLEANER ASSEMBLY 2		
37	FC6-1547-000		1	BRUSH		
38	FC7-0870-000		1	ROLLER, BIAS		
39	FC6-1607-000		1	BUSHING, 2, FRONT		
40	FL2-2602-000		2	ROLLER, 2		
41	FL2-2603-000		1	GEAR, 22T		
42	FC6-4911-000		1	BUSHING, 2, REAR		
43	FU6-2043-000		1	SPRING, COMPRESSION		
44	FU6-0523-000		1	GEAR, 21T		
45	FU6-0524-000		2	GEAR, 18T		
46	FU6-0528-000		1	GEAR, 25T		
47	FM2-7269-000		1	CABLE, TRANSFER BELT	J26F	
48	FU6-2045-000		2	SPRING, COMPRESSION		
49	FS5-0742-000		1	GEAR, 20T		
50	FU5-0172-000		1	GEAR, 27T		
51	FU6-0527-000		2	GEAR, 20T		
52	FU6-0529-000		1	GEAR, 28T		
53	FU6-0530-000		2	GEAR, 16T		
54	FU6-0659-000		2	GEAR, 34T/24T		
55	FU6-0660-000		1	GEAR, 24T		
56	FU6-0662-000		1	GEAR, 25T		
57	FU6-0663-000		1	GEAR, 27T		
501	XB1-2300-607		AR	SCREW, BH3X6(S)		
502	XD2-1100-402		7	RETAINING RING (E-TYPE)		
503	XB1-2300-809		2	SCREW, MACHINE M3X8		
504	XB2-8301-007		2	SCREW, W/WASHER, M3X10		
505	XB4-5300-609		AR	SCREW,P,M3X6		
506	XD2-1100-322		2	RETAINING RING (E-TYPE)		

FIGURE & KEY NO.	PARTS NUMBER	R A N K	Q'TY	DESCRIPTION	SERIAL NUMBER/ REMARKS	S V C
507	XD2-1100-502		AR	RETAINING RING (E-TYPE)		
508	XD3-2200-102		2	PIN, PARALLEL		
509	XD3-2250-202		2	PIN, PARALLEL		

FIGURE 550 PRIMARY CORONA ASSEMBLY

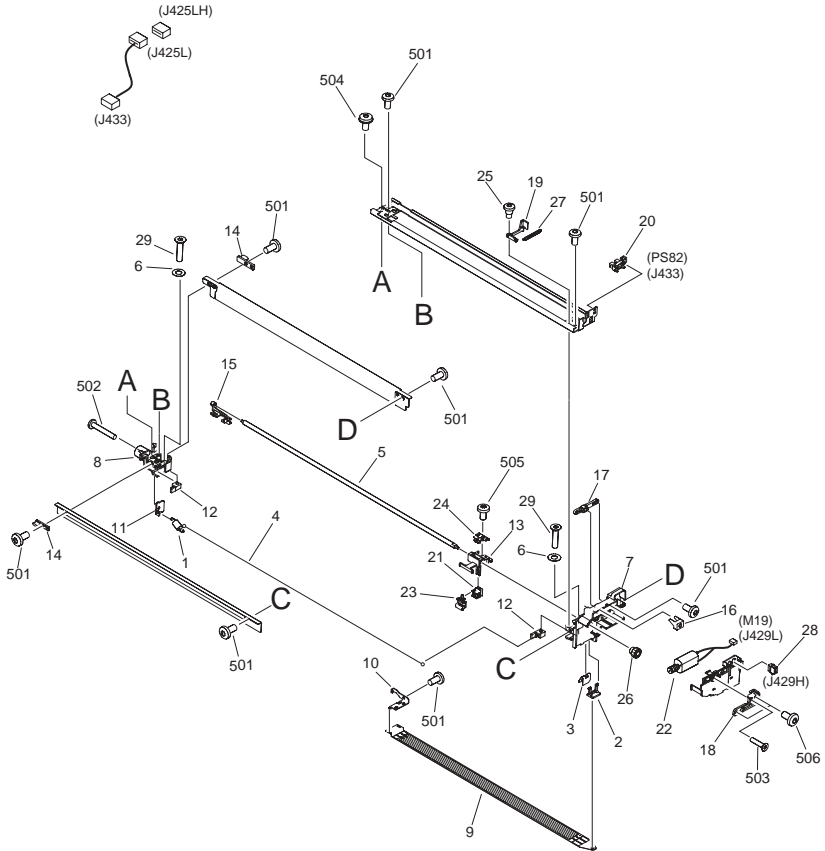


FIGURE & KEY NO.	PARTS NUMBER	R A N K	Q'TY	DESCRIPTION	SERIAL NUMBER/ REMARKS	S V C
Fig.550	FM2-2496-000		1	PRIMARY CORONA ASSEMBLY		
1	97-5527-000		1	SPRING, TENSION		
2	FB2-2959-000		1	LEVER, GRID		
3	FB2-2960-000		1	SPRING, LEAF		
4	FB4-3687-000		AR	WIRE, CORONA, 0.06MM (20M)		
5	FC5-1810-000		1	SCREW, LEAD		
6	FC5-6366-000		2	WASHER, SHEET		
7	FC6-1051-000		1	BLOCK, PRIMARY CORONA, FRONT		
8	FC6-1052-000		1	BLOCK, PRIMARY CORONA, REAR		
9	FC6-1056-000		1	PLATE, GRID		
10	FC6-1057-000		1	PLATE, POWER DISPATCHING		
11	FC6-1058-000		1	PLATE, WIRE POWER DISPATCHING		
12	FC6-1059-000		2	BLOCK, WIRE POSITIONING		
13	FC6-1060-000		1	MOUNT, PAD HOLDER		
14	FC6-1061-000		2	BLOCK, GUIDE		
15	FC7-0822-000		1	BUSHING		
16	FC7-0823-000		1	BLOCK, PRIMARY POSITIONING		
17	FC7-0824-000		1	SUPPORT, PRIMARY POSITIONING		
18	FC7-0825-000		1	SUPPORT, SCREW RETAINING		
19	FC7-0916-000		1	FLAG, DETECT		
20	FK2-0149-000		1	PHOTO-INTERRUPTER, TLP1253(C6)	PS82 J433	
21	FL2-0462-020		1	BLOCK, WIRE CLEANING PAD		
22	FL2-0991-000		1	DC MOTOR UNIT	M19,J429L	
23	FL2-2720-000		1	HOLDER, WIRE CLEANING PAD		
24	FL2-5445-000		1	PIN, SLIDER		
25	FS1-9009-020		1	SCREW, STEPPED, M3		
26	FU5-0268-000		1	GEAR, 18T		
27	FU6-2059-000		1	SPRING, TENSION		
28	VS1-7177-002		1	CONNECTOR, SNAP TIGHT, BK	J429H	
29	XA9-0228-000		2	SCREW, INSUL., C.S. HEAD, M4X18		
501	XB1-2300-607		11	SCREW, MACH., TRUSS HEAD, M3X6		
502	XB1-2302-003		1	SCREW, MACH., TRUSS HEAD, M3X20		

FIGURE & KEY NO.	PARTS NUMBER	R A N K	Q'TY	DESCRIPTION	SERIAL NUMBER/ REMARKS	S V C
503	XB1-3402-007		1	SCREW,MACH.,C.S. HEAD,M4X20		
504	XB2-5300-607		1	SCREW		
505	XB4-7300-607		1	SCREW,TAPPING,TRUSS HEAD,M3X6		
506	XB4-7400-807		2	SCREW,TAPPING,TRUSS HEAD,M4X8		

FIGURE 570 PRE-TRANSFER CORONA ASSEMBLY

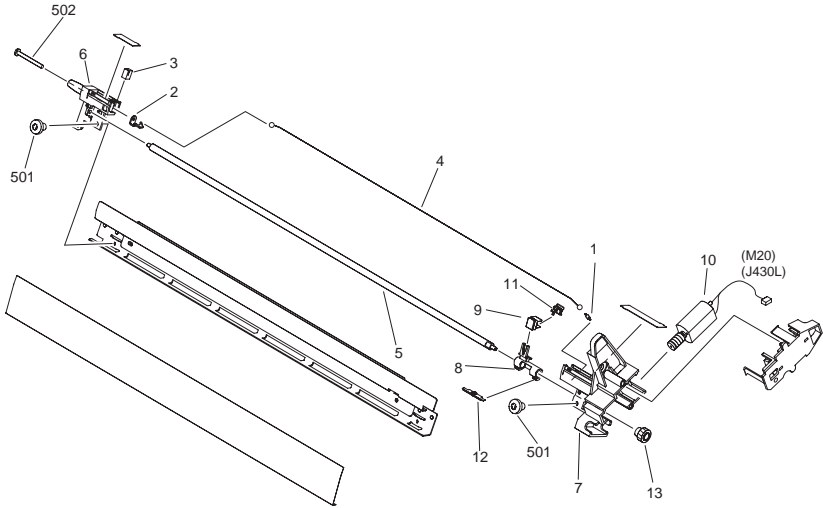
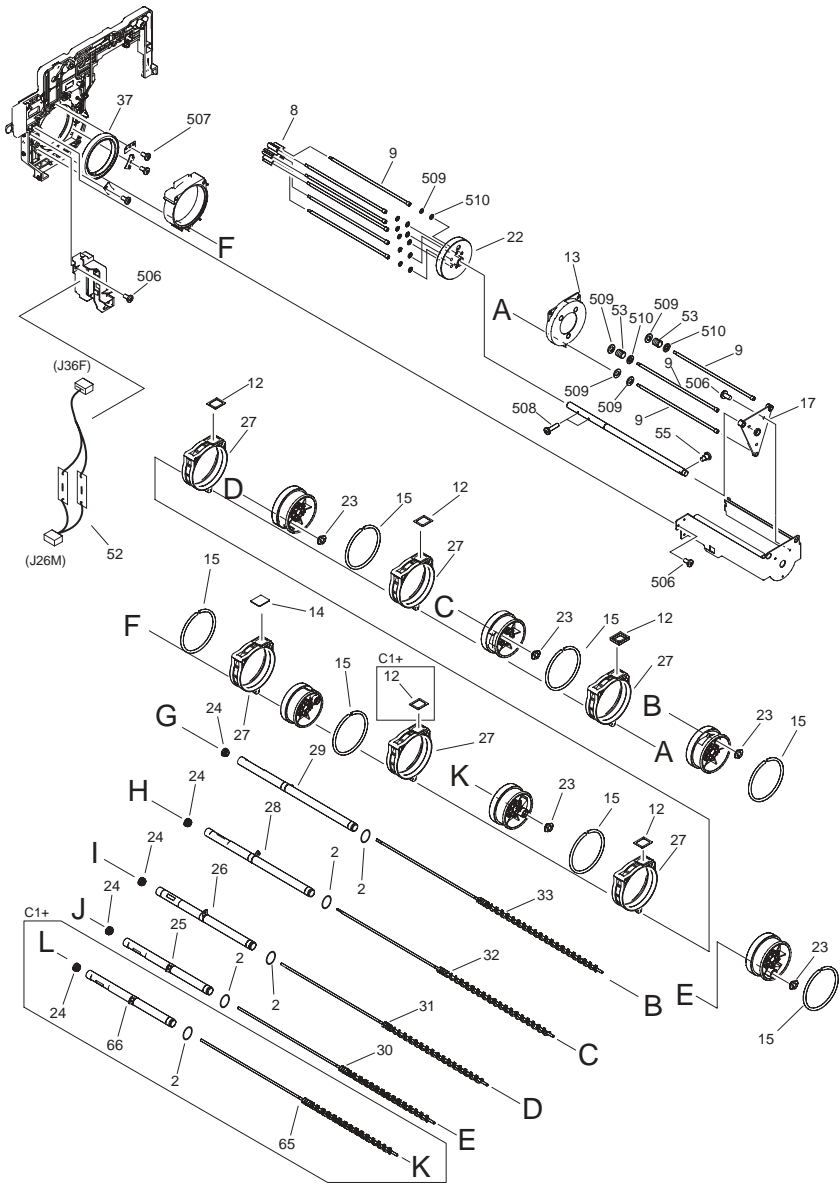


FIGURE & KEY NO.	PARTS NUMBER	RANK	Q'TY	DESCRIPTION	SERIAL NUMBER/REMARKS	SVC
Fig.570	FM2-2495-000		1	PRE-TRANSFER CORONA ASSEMBLY		
1	97-5527-000		1	SPRING, TENSION		
2	FA3-2127-000		1	TERMINAL, CORONA WIRE		
3	FA4-1864-000		1	DAMPER		
4	FB4-3687-000		AR	WIRE, CORONA, 0.06MM (20M)		
5	FC5-1810-000		1	SCREW, LEAD		
6	FC6-1079-000		1	BLOCK, CORONA, REAR		
7	FC6-1081-000		1	BLOCK, CORONA, FRONT		
8	FC6-1083-000		1	HOLDER, FELT		
9	FL2-0462-020		1	BLOCK, WIRE CLEANING PAD		
10	FL2-0991-000		1	DC MOTOR UNIT	M20,J430L	
11	FL2-2720-000		1	HOLDER, WIRE CLEANING PAD		
12	FL2-2721-000		1	SPRING, TORSION		
13	FU5-0268-000		1	GEAR, 18T		
501	XB1-2300-407		2	SCREW,MACH.,TRUSS HEAD,M3X4		
502	XB1-2303-003		1	SCREW,MACH.,TRUSS HEAD,M3X30		

FIGURE 600 P KIT ASSEMBLY



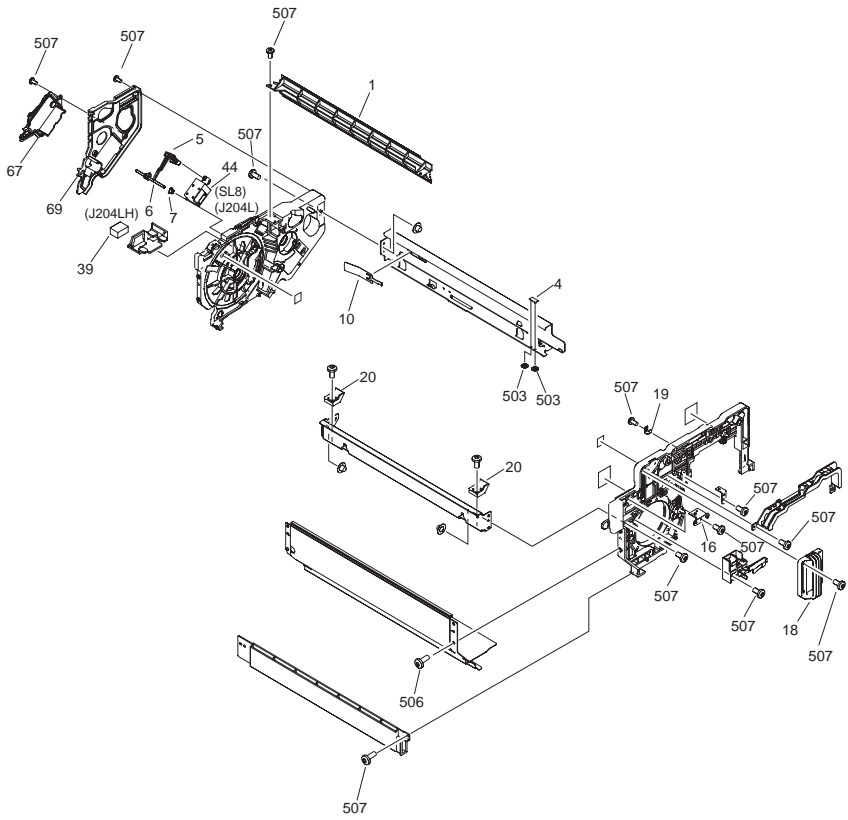
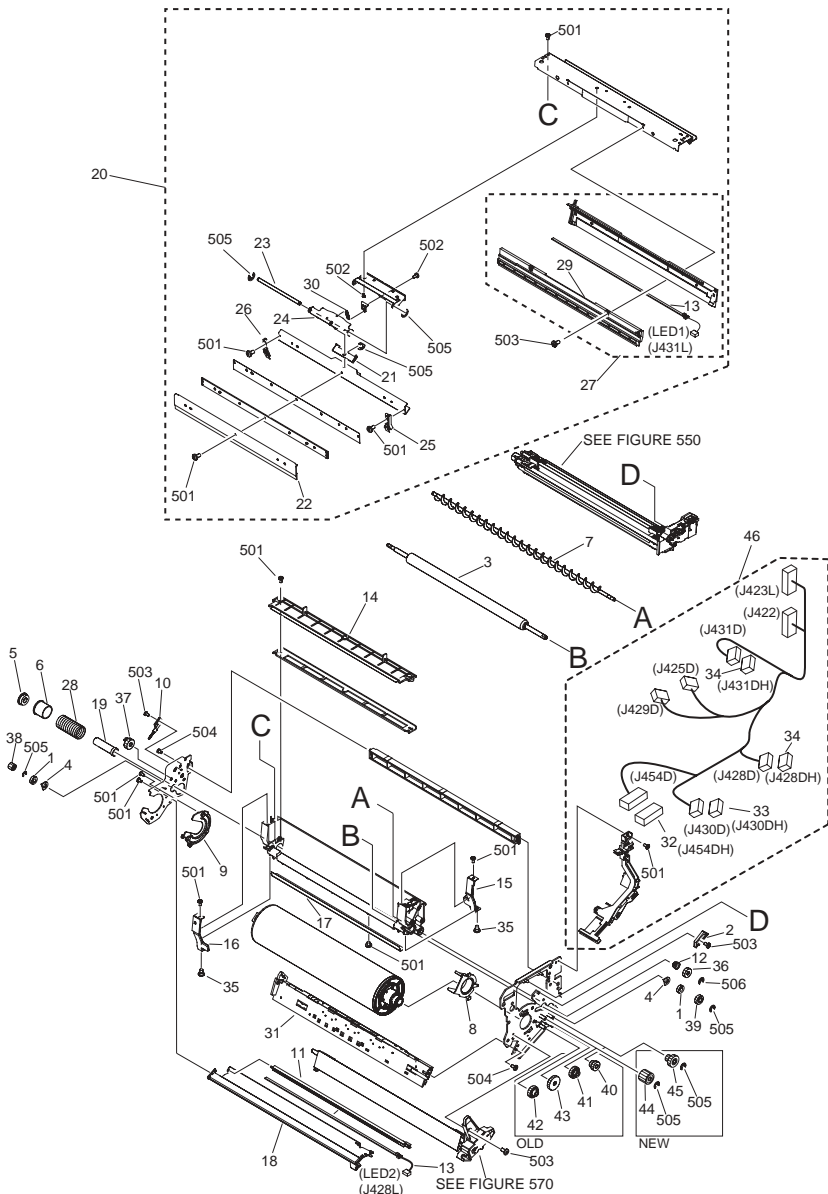


FIGURE & KEY NO.	PARTS NUMBER	R A N K	Q'TY	DESCRIPTION	SERIAL NUMBER/ REMARKS	S V C
Fig.600	FM2-2528-010		1	P KIT ASSEMBLY	C1	
Fig.600	FM3-8348-000		1	PROCESS ASSEMBLY	C1+	
1	FL2-0431-000		1	RAIL, 1ST, LEFT		
2	XG9-0561-000		5	RING, O		
3	FA4-8614-000		1	HOLDER,THERMISTOR		
4	FC5-6234-000		1	STOPPER		
5	FC6-1042-000		1	LEVER		
6	FC6-1043-000		1	ROD, SLIDE		
7	FC6-1044-000		1	BUSHING		
8	FC6-1459-000		1	SPACER, ROTARY		
9	FC6-1469-000		9	SCREW, ROTARY FIXED		
10	FC6-1487-000		1	RETAINER, DRUM		
11	FC6-1489-000		2	WASHER		
12	FC6-1492-000		5	SEAL, HOPPER		
13	FC6-1493-000		1	COVER, TONER SEAL		
14	FC6-1495-000		2	COVER, TONER SUPPLY		
15	FC6-1497-000		7	SPACER, TONER SEAL		
16	FC6-1498-000		1	HOLDER, CROSSMEMBER		
17	FC6-1529-000		1	BLOCK, ROTARY SHAFT		
18	FC6-9740-000		1	HANDLE, P-KIT		
19	FC6-9742-000		1	PLATE, CORONA GROUNDING		
20	FC6-9745-000		2	COVER, ROTARY		
21	FK2-2666-000		1	THERMISTOR UNIT, DRUM	THM8 J51L	
22	FL2-2678-000		1	COVER, TONER		
23	FL2-2679-000		5	HOLDER, TONER PIPE BUSHING		
24	FL2-2680-000		5	HOLDER, TONER PIPE BUSHING		
25	FL2-2681-000		1	TONER PIPE UNIT, 3		
26	FL2-2682-000		1	TONER PIPE UNIT, 4		
27	FL2-2687-000		6	HOLDER, TONER SEAL		
28	FL2-2689-000		1	TONER SUPPLY PIPE UNIT, 5		
29	FL2-2690-000		1	TONER SUPPLY PIPE UNIT, 6		
30	FL2-5483-000		1	FEEDSCREW, 3		

FIGURE & KEY NO.	PARTS NUMBER	R A N K	Q'TY	DESCRIPTION	SERIAL NUMBER/ REMARKS	S V C
31	FL2-5484-000		1	FEEDSCREW, 4		
32	FL2-5485-000		1	FEEDSCREW, 5		
33	FL2-5486-000		1	FEEDSCREW, 6		
34	FC6-1466-000		12	BLOCK, ADJUSTER		
35	FL2-2691-000		6	RETAINER, CYLINDER, FRONT		
36	FU6-2053-000		12	SPRING, COMPRESSION		
37	XG9-0538-000		1	BALL BEARING, 6815ZZ/4M		
38	FL2-2693-000		6	RETAINER, CYLINDER, REAR		
39	VS1-7177-003		1	CONNECTOR, SNAP TIGHT, BK	J204LH	
40	FU5-1383-000		5	BUSHING, TONER SCREW		
41	FU6-0569-000		1	GEAR, 168T		
42	FU6-0571-000		5	GEAR, 28T		
43	FC6-1522-000		1	BRACKET, ATR		
44	FM2-2650-000		1	MOUNT, SOLENOID	SL8 J204L	
45	FM2-2651-000		1	THERMOSENSOR UNIT	THM7 J79	
46	FM2-7222-000		1	CABLE, P-KIT, 2	J45D,79,92L	
47	VS1-7177-002		1	CONNECTOR, SNAP TIGHT, BK	J45DH	
48	FM2-2654-000		1	PIPE, WASTE TONER CARRIER		
49	FK2-0149-000		1	PHOTO-INTERRUPTER, TLP1252(C6)	PS21 J208	
50	VS1-7177-006		2	CONNECTOR, SNAP TIGHT, BK	J201DH	
51	FM2-7223-000		1	CABLE, P-KIT, 3	J201L,204D,208	
52	FM2-7268-000		1	CABLE, BELT HIGH VOLTAGE, 2	J26M,36F	
53	FU6-2054-000		2	SPRING, COMPRESSION		
54	FU6-2066-000		1	SPRING, TENSION		
55	FS1-9009-020		1	SCREW, STEPPED, M3		
56	FM2-7221-000		1	CABLE, P-KIT, 2	J201D,203D,203DH,206D, 405L	
57	FK2-0100-000		1	SOLENOID	SL9 J203L	
58	FC6-1524-000		1	SHUTTER, ATR		
59	XA9-1659-000		2	SCREW.M3X4		
60	FM2-8159-000		1	LIGHT ATR SENSOR UNIT	PS7 J209	
61	FU6-0570-000		5	GEAR, 21T		

FIGURE & KEY NO.	PARTS NUMBER	R A N K	Q'TY	DESCRIPTION	SERIAL NUMBER/ REMARKS	S V C
62	FL2-2675-010		1	DUCT, POST		
63	FC6-1362-000		1	SHEET, ATR CROSSMEMBER		
64	FC6-9744-000		1	SEAL_PROCEESSOR KIT COVER		
65	FL3-0867-000		1	FEEDSCREW, 2	C1+	
66	FL3-0868-000		1	TONER SUPPLY PIPE UNIT, 2	C1+	
67	FC7-0834-000		1	COVER, SORENOID		
68	FC6-1441-000		8	SEAL, WASTE CARRIER FEED GUIDE	C1	
68	FC6-1441-000		10	SEAL, WASTE CARRIER FEED GUIDE	C1+	
69	FL2-2686-000		1	DUCT, INTERMEDIATE		
501	XB6-7300-607		AR	SCREW, CROOSS-RECESS, FCH		
502	XB1-2300-407		AR	SCREW,MACH.,TRUSS HEAD,M3X4		
503	XD2-2300-402		AR	SE RING SUS		
504	XB6-7400-809		AR	SCREW,TP,M4X8		
505	XD2-1100-502		AR	RETAINING RING (E-TYPE)		
506	XB1-2400-809		AR	SCREW, MACHINE M4X8		
507	XB1-2400-807		AR	SCREW, M4X8		
508	XB1-2301-209		AR	SCREW, MACHINE M3X12		
509	XD1-2100-502		AR	WASHER, PLAIN		
510	XD1-3100-502		AR	SPRING, LOCK WASHER, (FQA)		
511	XD2-1100-322		AR	RETAINING RING (E-TYPE)		

FIGURE 610 D KIT ASSEMBLY



NOTE 2 : This assembly includes the assemblies shown in Figure 550, and 570.
 注 2 : このユニットはFigure 550, 570のユニットを含みます。

FIGURE & KEY NO.	PARTS NUMBER	R A N K	Q'TY	DESCRIPTION	SERIAL NUMBER/ REMARKS	S V C
Fig.610	FM2-2491-020		1	D KIT ASSEMBLY	SEE NOTE	
1	XG9-0491-000		2	BEARING, BALL, NSK P0 16MM		
2	FB2-6883-000		1	PLATE, STOP, PRE/TR.CORONA		
3	FC5-8837-000		1	HOLDER, CLEANER		
4	FC5-8838-000		2	SEAL, FELT		
5	FC5-8839-000		1	BUSHING, SCREW		
6	FC5-8840-000		1	SHUTTER, WASTE TONER		
7	FC6-1025-000		1	SCREW, CLEANER		
8	FC6-1032-000		1	GUIDE, DRUM, FRONT		
9	FC6-1033-000		1	GUIDE, DRUM, REAR		
10	FC6-1035-000		1	BRUSH, STATIC CHARGE		
11	FC6-3140-000		1	HOLDER, PRECONDITIONING		
12	FF2-2891-000		1	BUSHING, 1 (POM)		
13	FK2-0621-000		2	LED ARRAY	LED1,2J431L,428L	
14	FL2-2704-000		1	PLATE, PARTITION, CENTER		
15	FL2-2707-010		1	SEAL, PLATE, FRONT		
16	FL2-2708-010		1	SEAL, PLATE, REAR		
17	FL2-2709-000		1	SHEET, SCRAPER		
18	FL2-5454-000		1	PLATE, POTENTIAL LIMIT, A		
19	FL2-5488-000		1	CASE, CLEANER		
20	FM2-2493-010		1	CLEANER		
21	FB2-6890-000		1	SPRING, LEAF		
22	FC5-8829-000		1	BLADE, CLEANER		
23	FC5-8870-000		1	SHAFT, SWING		
24	FL2-2612-000		1	PLATE, BLADE SWING		
25	FL2-2713-000		1	SEAL, FRONT		
26	FL2-2714-000		1	SEAL, REAR		
27	FM2-2680-000		1	PRE-CONDITIONING UNIT		
28	FU5-2824-000		1	SPRING, COMPRESSION		
29	FL2-2711-000		1	RAIL, 1ST, RIGHT		
30	FU5-2121-000		1	SPRING, TENSION		
31	FM2-2494-000		1	PATCH SENSING SENSOR UNIT	PS3,4,76 J426,425,427	

FIGURE & KEY NO.	PARTS NUMBER	R A N K	Q'TY	DESCRIPTION	SERIAL NUMBER/ REMARKS	S V C
32	VS1-7173-018		1	CONNECTOR, SNAP TIGHT	J454DH	
33	VS1-7177-002		1	CONNECTOR, SNAP TIGHT, BK	J430DH	
34	VS1-7177-003		2	CONNECTOR, SNAP TIGHT, BK	J428DH,431DH	
35	FS1-9010-020		2	SCREW, STEPPED, M3		
36	FS6-0125-000		1	GEAR, 30T		
37	FU6-0617-000		1	GEAR, 38T		
38	FU6-0618-000		1	GEAR, 22T		
39	FU6-0619-000		1	GEAR, 20T		
40	FU6-0620-000		1	GEAR, 21T/30T	OLD	
41	FU7-0362-000		1	GEAR, 18T/26T	OLD	
42	FU7-0363-000		1	GEAR, 18T/36T	OLD	
43	FU7-0364-000		1	GEAR, 18T/48T	OLD	
44	FU6-0573-000		1	GEAR, 26T	NEW	
45	FU6-0575-000		1	GEAR, 21T/27T	NEW	
46	FM2-2615-000		1	D KIT HARNESS ASSEMBLY		
501	XB1-2300-607		AR	SCREW,MACH.,TRUSS HEAD,M3X6		
502	XB1-2400-407		AR	SCREW,MACH.,TRUSS HEAD,M4X4		
503	XB1-2400-807		AR	SCREW,MACH.,TRUSS HEAD,M4X8		
504	XB4-5400-809		AR	SCREW,P,M4X8		
505	XD2-1100-502		AR	RETAINING RING (E-TYPE)		
506	XD2-1100-322		AR	RING,E		

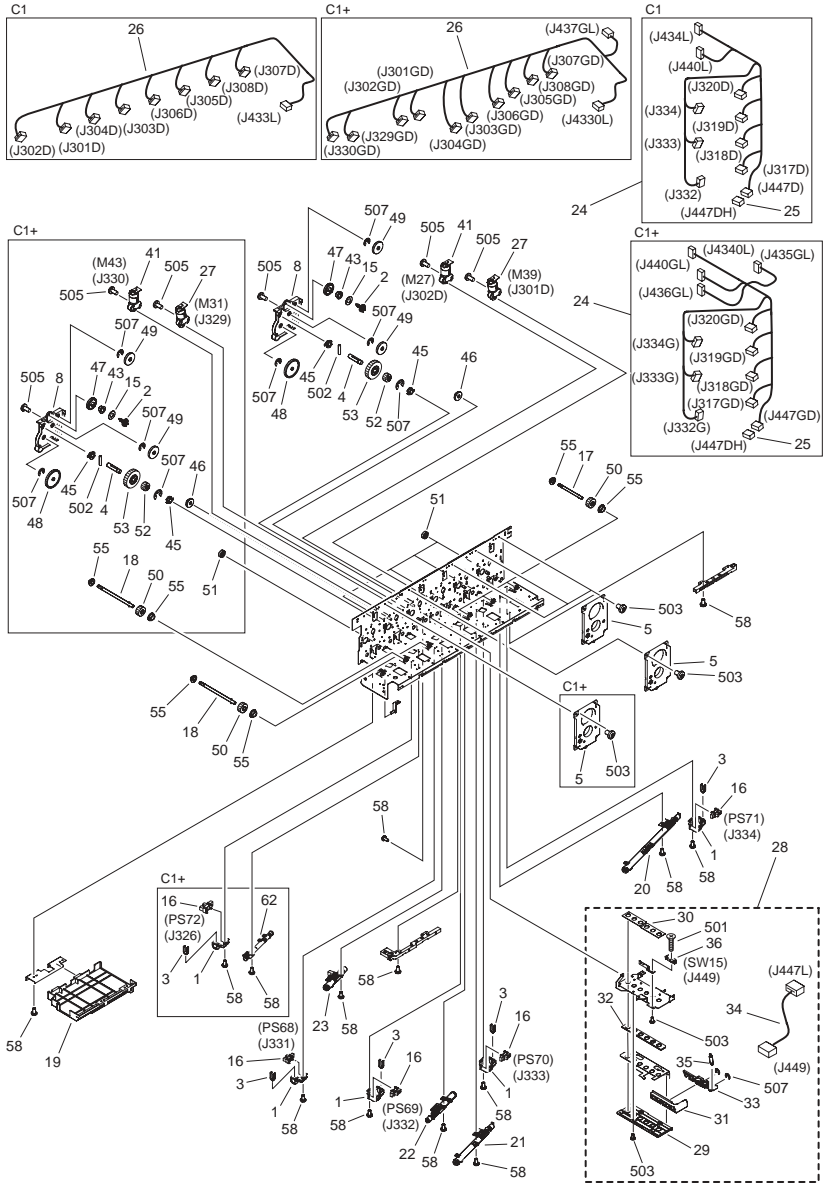


FIGURE & KEY NO.	PARTS NUMBER	R A N K	Q'TY	DESCRIPTION	SERIAL NUMBER/ REMARKS	S V C
Fig.620	NPN		RF	HOPPER ASSEMBLY		
1	FC6-1801-000		5	HOLDER, SENSOR		
2	FC6-1817-000		5	COUPLING		
3	FC6-1822-000		5	BUSHING		
4	FC6-1823-000		5	SHAFT, ONE-WAY		
5	FC6-1832-000		5	COVER, CARTRIDGE DRIVE		
6	FC6-1843-000		1	COVER, HOPPER INTERNAL, B	C1	
6	FL3-0870-000		1	COVER, HOPPER INTERNAL, B	C1+	
7	FC6-1845-000		3	COVER, HOPPER GEAR, A		
8	FC6-1846-000		2	COVER, HOPPER GEAR, B		
9	FC6-6865-000		1	BLOCK, NOT COMPATIBLE, BK		
10	FC6-6866-000		1	BLOCK, NOT COMPATIBLE, C		
11	FC6-6867-000		1	BLOCK, NOT COMPATIBLE, M		
12	FC6-6868-000		1	BLOCK, NOT COMPATIBLE, Y		
13	FC6-9752-000		1	COVER, HOPPER, REAR RIGHT		
14	FC6-9753-000		1	COVER, HOPPER, REAR LEFT		
15	FC7-0851-000		5	WASHER		
16	FK2-0149-000		6	PHOTO-INTERRUPTER, TLP1253(C6)	PS68,69,70,71,72,74J326, J331,332,333,334,335	
17	FL2-2732-000		3	SHAFT, DRIVE INPUT, A		
18	FL2-2733-000		2	SHAFT, DRIVE INPUT, B		
19	FL2-2737-000		1	PLATE,HOPPER HEAT INSULATING,A		
20	FM2-2453-000		1	TONER FEED UNIT A		
21	FM2-2692-000		1	TONER FEED UNIT B		
22	FM2-2693-000		1	TONER FEED UNIT C		
23	FM2-2694-000		1	TONER FEED UNIT D		
24	FM2-7235-000		1	CABLE, HOPPER SENSOR	C1 J317D,318D,319D,320D,3 31,332,333,334,335,440L, 447D	
24	FM2-7741-000		1	CABLE, HOPPER SENSOR	C1+ J317GD,318GD,319GD,3 20GD,326G,331G,332G,3 33G,334G,335G,435GL,4 36GL,438GL,440GL,447G D	

FIGURE & KEY NO.	PARTS NUMBER	R A N K	Q'TY	DESCRIPTION	SERIAL NUMBER/REMARKS	S V C
25	VS1-7177-002		1	CONNECTOR, SNAP TIGHT, BK		
26	FM2-7234-000		1	CABLE, HOPPER MOTOR	C1 J301D,302D,303D,304D,305D,306D,307D,433L	
26	FM2-7742-000		1	CABLE, HOPPER MOTOR	C1+ J301GD,302GD,303GD,304GD,305GD,306GD,307GD,326GD,330GD,437GL,4330L	
27	FM2-2619-000		5	HOPPER MOTOR UNIT	M39,40,41,42,43J301D,303D,305D,307D,330GD	
28	FM2-2687-000		1	HOPPER SHUTTER UNIT		
29	FC6-1831-000		1	COVER, SUPPLY SHUTTER		
30	FC6-1847-000		2	SEAL, SHUTTER SUPPORT		
31	FC6-1868-000		1	KNOB, SHUTTER		
32	FC6-1869-000		1	SEAL, SLIDE		
33	FC7-0855-000		1	LEVER, SHUTTER		
34	FM2-7331-000		1	CABLE, SHUTTER SWITCH	J447L,449	
35	FU6-2090-000		1	SPRING, TENSION		
36	WC4-5262-000		1	MICROSWITCH	SW15 J449	
37	FC5-1889-000		2	SHAFT, DOOR		
38	FC6-1840-000		2	ARM, HOPPER DOOR		
39	FA9-3870-000		1	CATCH, MAGNET		
40	FC6-1313-000		1	DOOR, HOPPER		
41	FM2-2691-000		5	CRG. DRIVE MOTOR UNIT	M27,28,29,30,31J302D,304D,306D,308D,329GD	
42	FS5-1377-000		5	BUSHING		
43	FU5-1385-000		5	BUSHING		
44	FU5-1387-000		1	BUSHING		
45	FU5-1389-000		10	BUSHING		
46	FU6-0577-000		5	GEAR, 48T/22T		
47	FU6-0578-000		5	GEAR, 60T		
48	FU6-0580-000		5	GEAR, 72T		
49	FU6-0581-000		10	GEAR, 40T		
50	FU6-0582-000		5	GEAR, 24T		
51	FU6-0583-000		5	GEAR, 16T		

FIGURE & KEY NO.	PARTS NUMBER	R A N K	Q'TY	DESCRIPTION	SERIAL NUMBER/ REMARKS	S V C
52	FU6-0584-000		5	GEAR, 18T		
53	FU6-0648-000		5	GEAR, 36T		
54	FU6-0649-000		10	GEAR, 30T		
55	HS5-1042-000		10	BUSHING		
56	XA9-0679-000		5	SCREW, MACH., FLAT HEAD, M3X4		
57	XA9-0732-000		10	SCREW,RS,M4		
58	XA9-0894-010		25	SCREW,M3X6		
59	XZ9-0603-000		1	CATCH, MAGNET		
60	FL2-2738-000		1	COVER, HOPPER, UPPER		
61	FC8-8768-000		1	BLOCK, NOT COMPATIBLE, CL	C1+	
62	FM3-8349-000		1	TONER FEED UNIT E	C1+	
501	XB1-2231-007		AR	SCREW,MACH.,TRUSS HEAD,M2.3X10		
502	XD3-2200-102		AR	PIN, PARALLEL		
503	XB1-2300-607		AR	SCREW, BH3X6(S)		
504	XB4-5400-807		AR	SCREW,P,M4X8		
505	XB1-2400-607		AR	SCREW, CROSS-RECESS, FCH		
506	XD2-1100-322		AR	RETAINING RING (E-TYPE)		
507	XD2-1100-502		AR	RETAINING RING (E-TYPE)		

FIGURE 621 SUB HOPPER ASSEMBLY

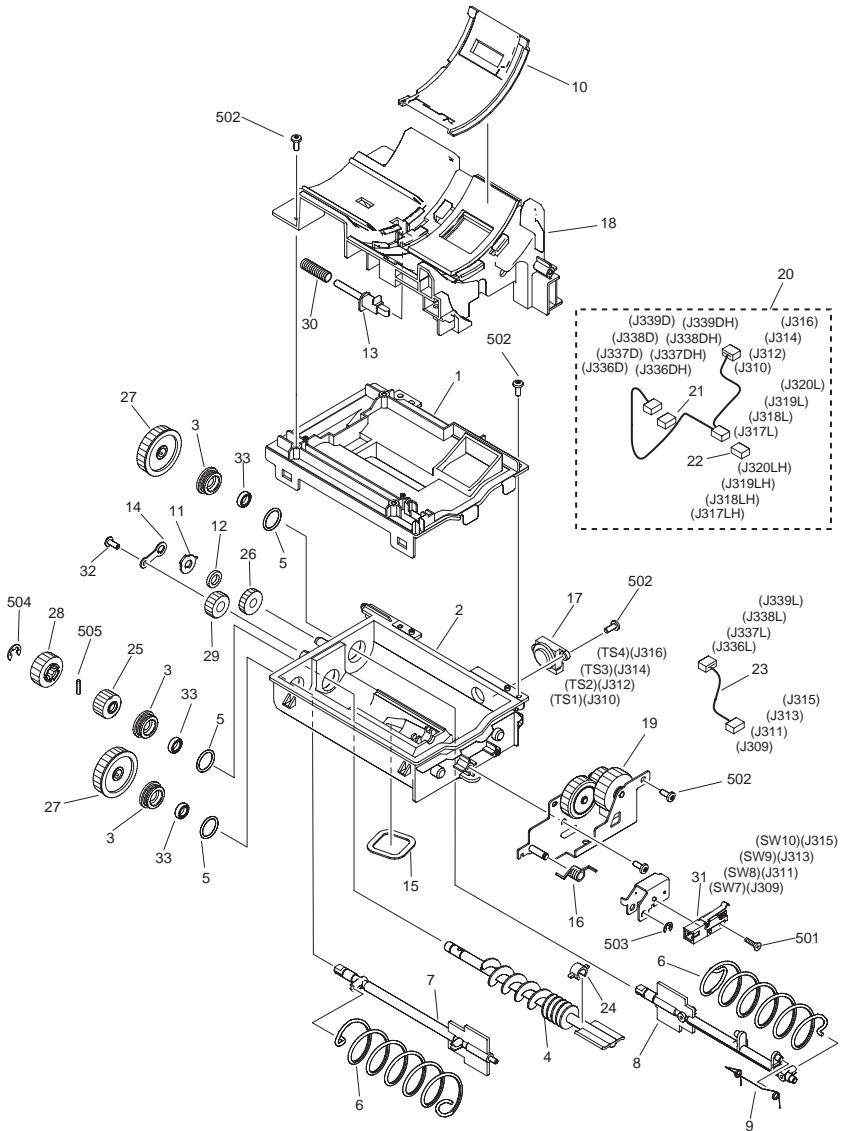


FIGURE & KEY NO.	PARTS NUMBER	R A N K	Q'TY	DESCRIPTION	SERIAL NUMBER/ REMARKS	S V C
Fig.621	FM2-2541-000		5	SUB HOPPER ASSEMBLY		
1	FC6-1784-000		1	COVER, BUFFER		
2	FC6-1785-000		1	CASE, BUFFER		
3	FC6-1786-000		3	BUSHING		
4	FC6-1788-000		1	FEEDSCREW		
5	XG9-0251-000		3	RING, O		
6	FC6-1789-000		2	SPRING, STIRRING SCREW		
7	FC6-1790-000		1	SHAFT, STIRRING SCREW, LEFT		
8	FC6-1791-000		1	SHAFT, STIRRING SCREW, RIGHT		
9	FC6-1792-000		1	SPRING, CLEANING		
10	FC6-1794-000		1	SHUTTER, HOPPER		
11	FC6-1798-000		1	LEVER, ONE-WAY		
12	FC6-1799-000		1	SPONGE, ONE-WAY LEVER		
13	FC6-1864-000		1	STOPPER, SHUTTER		
14	FC7-0852-000		1	STOPPER, GEAR		
15	FC7-0857-000		1	SEAL, BUFFER CASE		
16	FC7-0858-000		1	SPRING, TORSION		
17	FK2-0590-000		1	TONER SENSOR UNIT	TS1 J310TS2 J312TS3 J314TS4 J316	
18	FL2-2740-000		1	MOUNT, HOPPER		
19	FL2-2741-000		1	SUPPORT, SET ON GEAR		
20	FM2-7236-000		1	CABLE, HOPPER BUFFER	J310,317L,336DJ312,318 L,337DJ314,319L,338DJ3 16,320L,339D	
21	VS1-7177-002		1	CONNECTOR, SNAP TIGHT, BK	J336DHJ337DHJ338DHJ3 39DH	
22	VS1-7177-005		1	CONNECTOR, SNAP TIGHT, BK	J317LHJ318LHJ319LHJ3 20LH	
23	FM2-7326-000		1	CABLE, BUFFER SWITCH	J309,336LJ311,337LJ313, 338LJ315,339L	
24	FU5-1390-000		1	BUSHING		
25	FU6-0584-000		1	GEAR, 18T		
26	FU6-0585-000		1	GEAR, 18T		
27	FU6-0586-000		2	GEAR, 36T		
28	FU6-0593-000		1	GEAR, 24T		

FIGURE & KEY NO.	PARTS NUMBER	RANK	Q'TY	DESCRIPTION	SERIAL NUMBER/REMARKS	SVC
29	FU6-0671-000		1	GEAR, 18T	SW7 J309SW8 J311SW9 J313SW10 J315	
30	FU6-2077-000		1	SPRING, COMPRESSION		
31	WC4-5263-000		1	MICROSWITCH		
32	XA9-1156-000		1	SCREW,B,M3X8		
33	XG9-0111-000		3	SEAL, OIL		
501	XB1-2231-007		1	SCREW,MACH.,TRUSS HEAD,M2.3X10		
502	XB4-7300-805		9	SCREW, TP, BH3X8, S		
503	XD2-1100-322		1	RETAINING RING (E-TYPE)		
504	XD2-1100-502		1	RETAINING RING (E-TYPE)		
505	XD3-2200-102		1	PIN, PARALLEL		

FIGURE 640 DEVELOPING ASSEMBLY

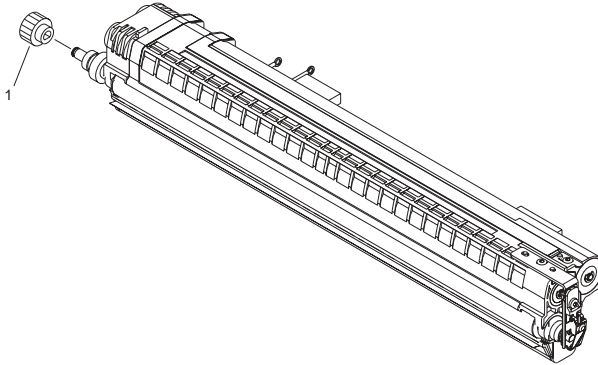


FIGURE & KEY NO.	PARTS NUMBER	RANK	Q'TY	DESCRIPTION	SERIAL NUMBER/REMARKS	S V C
Fig.640	FM3-1214-000		1	DEVELOPING ASSEMBLY	BLACK	
Fig.640	FM3-1213-000		1	DEVELOPING ASSEMBLY	CYAN	
Fig.640	FM3-1212-000		1	DEVELOPING ASSEMBLY	MAGENTA	
Fig.640	FM3-1211-000		1	DEVELOPING ASSEMBLY	YELLOW	
Fig.640	FM3-8360-000		1	DEVELOPING ASSEMBLY, CL	CLEAR	
1	FU6-0554-000		1	GEAR, 18T		

FIGURE 775 WASTE TONER PIPE ASSEMBLY

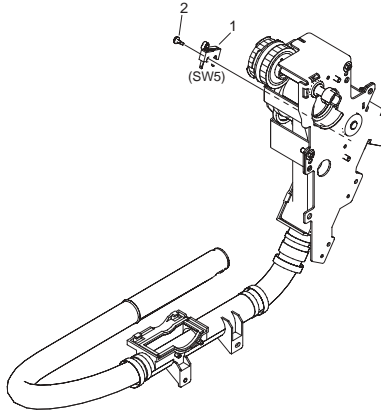
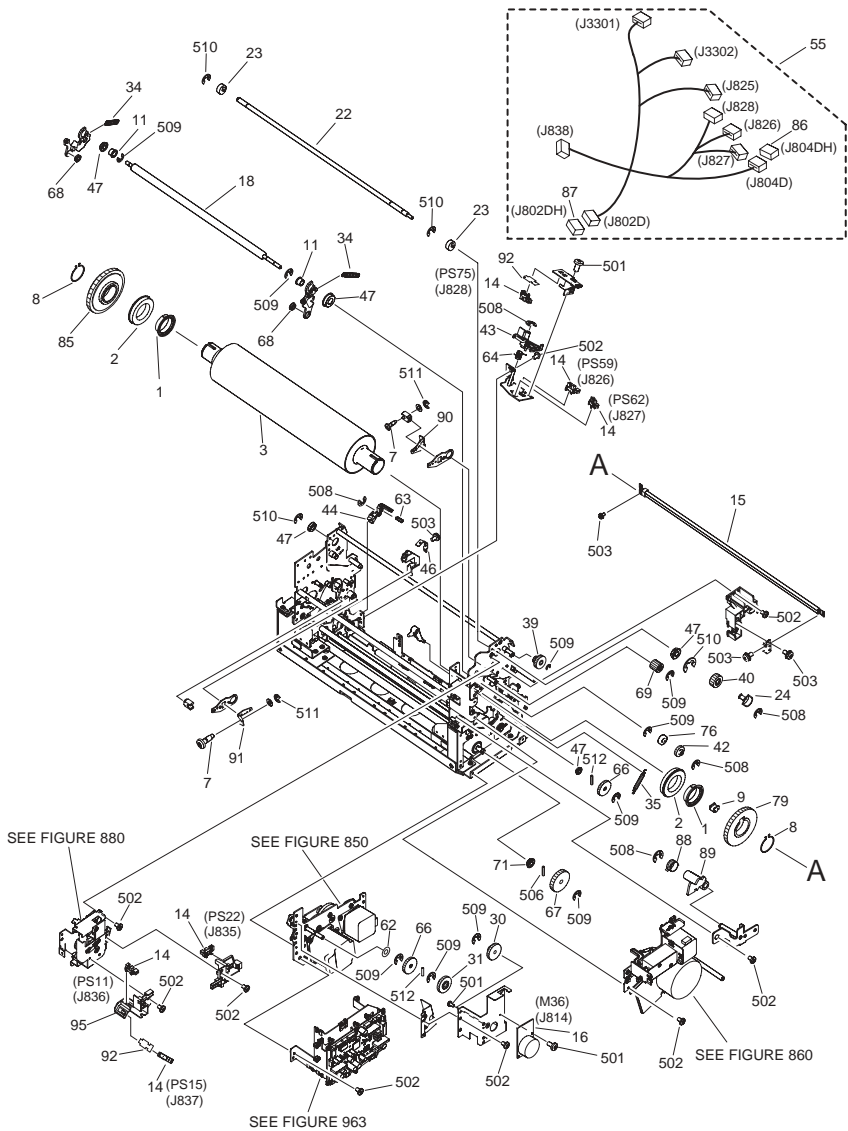
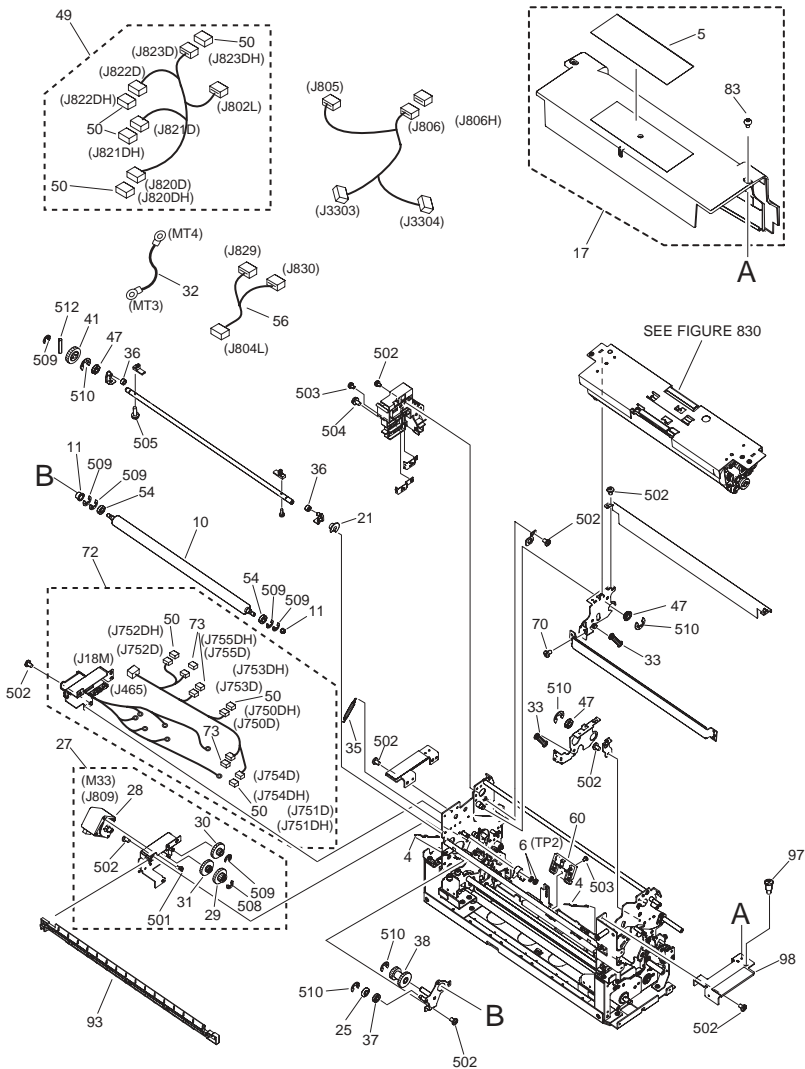


FIGURE & KEY NO.	PARTS NUMBER	RANK	QTY	DESCRIPTION	SERIAL NUMBER/REMARKS	SVC
Fig.775	FM2-2730-000		1	WASTE TONER PIPE ASSEMBLY		
1	WC4-5270-000		1	MICROSWITCH	SW5	
2	XA9-0944-000		1	SCREW, STEPPED, M2		

FIGURE 810 FIXING ASSEMBLY



NOTE 1 : This assembly does not include the parts shown with key No. 17
 NOTE 2 : This assembly includes the assemblies shown in Figure 840, 850, 860, and 870.
 注 1 : このユニットにKey No. 17の部品は含まれません。
 注 2 : このユニットはFigure 840, 850, 860, 870, 880のユニットを含みます。



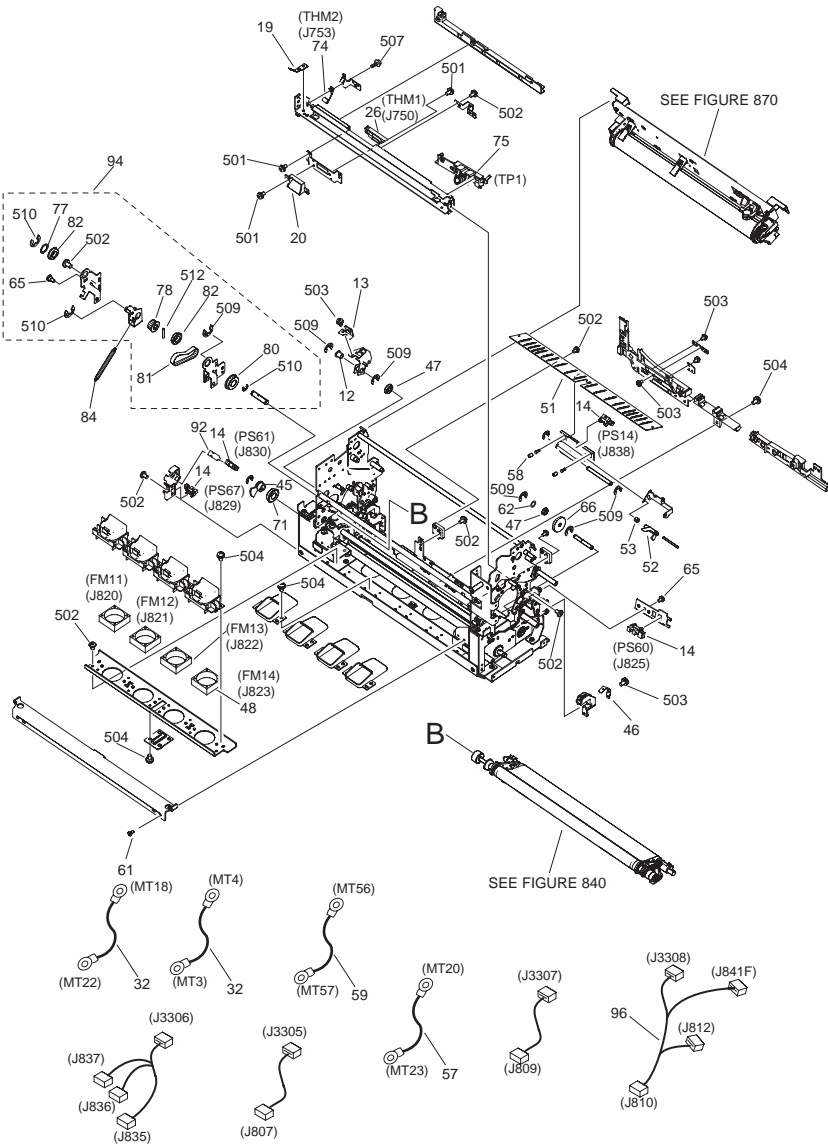


FIGURE & KEY NO.	PARTS NUMBER	R A N K	Q'TY	DESCRIPTION	SERIAL NUMBER/ REMARKS	S V C
Fig.810	FM3-0059-010		1	FIXING ASSEMBLY	100VSEE NOTE 2	
Fig.810	FM3-0060-010		1	FIXING ASSEMBLY	120VSEE NOTE 2	
Fig.810	FM3-0061-010		1	FIXING ASSEMBLY	230VSEE NOTE 2	
1	FB4-3689-000		2	BUSHING		
2	XG9-0419-000		2	BEARING, BALL, 6907ZZNRS1CS37		
3	FL3-0893-000		1	ROLLER, FIXING		
4	FC6-4866-010		2	SPRING		
5	FU5-8541-000		1	LABEL, CAUTION		
6	XG9-0217-000		4	BALL BEARING, NSK MR106ZZ1MC4E		
7	FC6-8422-010		2	SCREW, FIXED, M4		
8	FC6-8516-000		2	RING, RETAINING		
9	FC7-0167-000		1	KEY, 73T GEAR		
10	FC7-0169-000		1	ROLLER		
11	FC7-0175-000		4	BUSHING		
12	FC7-0904-000		1	BUSHING		
13	FC7-0982-000		1	GUIDE, THERMISTOR		
14	FK2-0149-000		10	PHOTO-INTERRUPTER, TLP1253(C6)	PS11,14,15,22,59,60,61,6 2,67,75J836,838,837,835, 826,825,830,827,828,829	
15	FK2-2674-000		1	HEATER, HALOGEN	100V	
15	FK2-2680-000		1	HEATER, HALOGEN	120V	
15	FK2-2677-000		1	HEATER, HALOGEN	220V/230V	
16	FK2-0567-000		1	MOTOR, DC	M36 J814	
17	FM3-1198-000		1	FIXING TOP COVER UNIT	SEE NOTE 1	
18	FL2-6048-000		1	ROLLER, REFLESH		
19	FB3-7543-000		1	PLATE, STATIC CHARGE ELI.		
20	FC6-0241-000		1	COVER, NC		
21	FC6-0255-000		1	FLAG, CLEAN ROLL, SENSOR		
22	FC6-1163-000		1	SHAFT, HEATING, PRESSURE		
23	FC6-1164-000		2	CAM, DESORPTION		
24	FC6-1165-000		1	FLAG, HEATING SENSOR		
25	FC6-1177-000		1	SPACER, PAPER DELIVERY		
26	FK2-0608-000		1	THERMISTOR UNIT	THM1 J750	

FIGURE & KEY NO.	PARTS NUMBER	R A N K	Q'TY	DESCRIPTION	SERIAL NUMBER/ REMARKS	S V C
27	FM2-2702-000		1	CLEANING ROLL DRIVE UNIT		
28	FK2-0584-000		1	MOTOR, STEPPING	M33 J809	
29	FU6-0613-000		1	GEAR, 14T/36T		
30	FU6-0614-000		2	GEAR, 14T/36T		
31	FU6-0645-000		2	GEAR, 14T/59T		
32	FM2-7288-000		2	CABLE, FIXING HEATER, CONNECT	MT3,4	
33	FU5-2867-000		2	SPRING, TENTION		
34	FU5-2992-000		2	SPRING, TENTION		
35	FU5-2993-000		2	SPRING, TENTION		
36	FU5-6248-000		2	ROLLER		
37	FU6-0333-000		1	GEAR, 14T		
38	FU6-0334-000		1	GEAR, 21T/28T		
39	FU6-0607-000		1	GEAR, 14T/40T		
40	FU6-0608-000		1	GEAR, 28T		
41	FU6-0615-000		1	GEAR, 30T		
42	FU7-0377-000		1	GEAR, 18T		
43	FC6-0308-010		1	ARM, SENSOR		
44	FC6-0309-000		1	ARM, SENSOR		
45	FC6-1210-000		1	FLAG, PRESSURE CAM, SENSOR		
46	FC7-0166-000		2	ELECTRODE, BELT, HEATER		
47	XG9-0365-000		10	BEARING, BALL		
48	FK2-0539-000		4	FAN	FM11,12,13,14J820,821,822,823	
49	FM2-7218-000		1	CABLE, FIX BELT, COOLING FAN	J802L,820D,821D,822D823D	
50	VS1-7177-003		7	CONNECTOR, SNAP TIGHT, BK	J750DH,751DH,752DH,820DH,821DH,822DH,823DH	
51	FC6-1201-000		1	GUIDE, INLET		
52	FC6-1224-000		1	FLAG, FIXING INLET SENSOR		
53	FC7-0936-000		1	SPRING, TORSION		
54	XG9-0491-000		2	BEARING, BALL, NSK P0 16MM		
55	FM2-7210-000		1	CABLE, DC, FIXING	J802D,804D,825,826,827,828,838,3301,3302	

FIGURE & KEY NO.	PARTS NUMBER	R A N K	Q'TY	DESCRIPTION	SERIAL NUMBER/ REMARKS	S V C
56	FM2-7219-000		1	CABLE, FIXING BELT, SENSOR	J804L,829.830	
57	FM2-7287-000		1	CABLE, FIXING BELT, HEATER 1	MT20,23	
58	FC7-5042-000		2	SPRING, COMPRESSION		
59	FM2-7321-000		1	CABLE, FIXING BELT, HEATER 2	MT56,57	
60	FM2-7978-000		1	HOLDER, BELT, THERMOSWITCH	TP2	
61	FS2-9267-020		4	SCREW, STEPPED M4		
62	FS5-6488-000		3	WASHER		
63	FU5-2875-000		1	SPRING, TENSION		
64	FU5-2876-000		1	SPRING, TORSION		
65	FU5-9215-000		2	SCREW,STEPPED,M3		
66	FU6-0340-000		3	GEAR, 36T		
67	FU6-0341-000		1	GEAR, 41T		
68	XG9-0291-000		4	BEARING, BALL, LOWER ROLLER		
69	FU7-0376-000		1	GEAR, 15T		
70	FS1-9078-000		2	SCREW,STEPPED,M4		
71	XG9-0585-000		2	BEARING, BALL		
72	FM2-2620-000		1	FIXING HEATER CABLE UNIT	J18M,465,750D,751D,752 D,753D,754D,755D	
73	VS1-7177-002		4	CONNECTOR, SNAP TIGHT, BK	J753DH,754DH,755DH	
74	FK2-0609-000		1	THERMISTOR	THM2 J753	
75	FM2-2700-000		1	FIXING THERMOSWITCH UNIT	TP1	
76	XG9-0362-000		1	BEARING,BALL		
77	FS5-6487-000		1	WASHER		
78	FU5-3197-000		1	PULLEY, 20T		
79	FU6-0609-000		1	GEAR, 73T		
80	FU6-0646-000		1	GEAR, 19T		
81	XF2-1305-280		1	BELT, TIMING		
82	XG9-0286-000		2	BALL BEARING, MR148ZZNRC4ENSL		
83	FS1-9076-020		2	SCREW, STEPPED, M4		
84	FU5-2877-000		1	SPRING, TENSION		
85	FU6-0651-000		1	GEAR, 86T		
86	VS1-7173-006		1	CONNECTOR, SNAP TIGHT, 6P, W	J804DH	

FIGURE & KEY NO.	PARTS NUMBER	R A N K	Q'TY	DESCRIPTION	SERIAL NUMBER/ REMARKS	S V C
87	VS1-7173-012		1	CONNECTOR, SNAP TIGHT, 12P, W	J802DH	
88	FC8-6455-000		1	SPRING, TORSION		
89	FC6-1171-000		1	FLAG, PAPER DELIVERY, SENSOR		
90	FC7-5758-000		1	RETAINER, BEARING, FRONT, 2		
91	FC7-5760-000		1	RETAINER, BEARING, REAR, 2		
92	FC5-6232-000		3	SHEET, SENSOR PROTECTIVE		
93	FC6-1247-000		1	GUIDE, MOTOR, CABLE		
94	FM2-7983-000		1	MOUNT, SEP. DRIVE		
95	FC6-1249-000		1	GUIDE, SENSOR CABLE		
96	FM2-7217-000		1	CABLE, FIXER WEB MOTOR		
97	FU5-9351-000		1	SCREW, STEPPED		
98	FL2-2760-000		1	HANDLE, FIXING		
501	XB1-2300-607		AR	SCREW, M3X6		
502	XB1-2400-607		AR	SCREW,MACH.,TRUSS HEAD,M4X6		
503	XB2-8300-607		AR	SCREW, M3X6, S		
504	XB2-8400-807		AR	SCREW,W/WASHER,M4X8		
505	XB2-8401-207		AR	SCREW,W/WASHER,M4X12		
506	XD3-2300-202		AR	PIN, PARALLEL		
507	XB2-8301-007		AR	SCREW,W/WASHER,M3X10		
508	XD2-1100-322		AR	RETAINING RING (E-TYPE)		
509	XD2-1100-502		AR	RETAINING RING (E-TYPE)		
510	XD2-1100-642		AR	RING,E		
511	XD2-1100-242		AR	RING,E		
512	XD3-2200-122		AR	PIN, DOWEL		

FIGURE 830 FIXING CLEANER ASSEMBLY

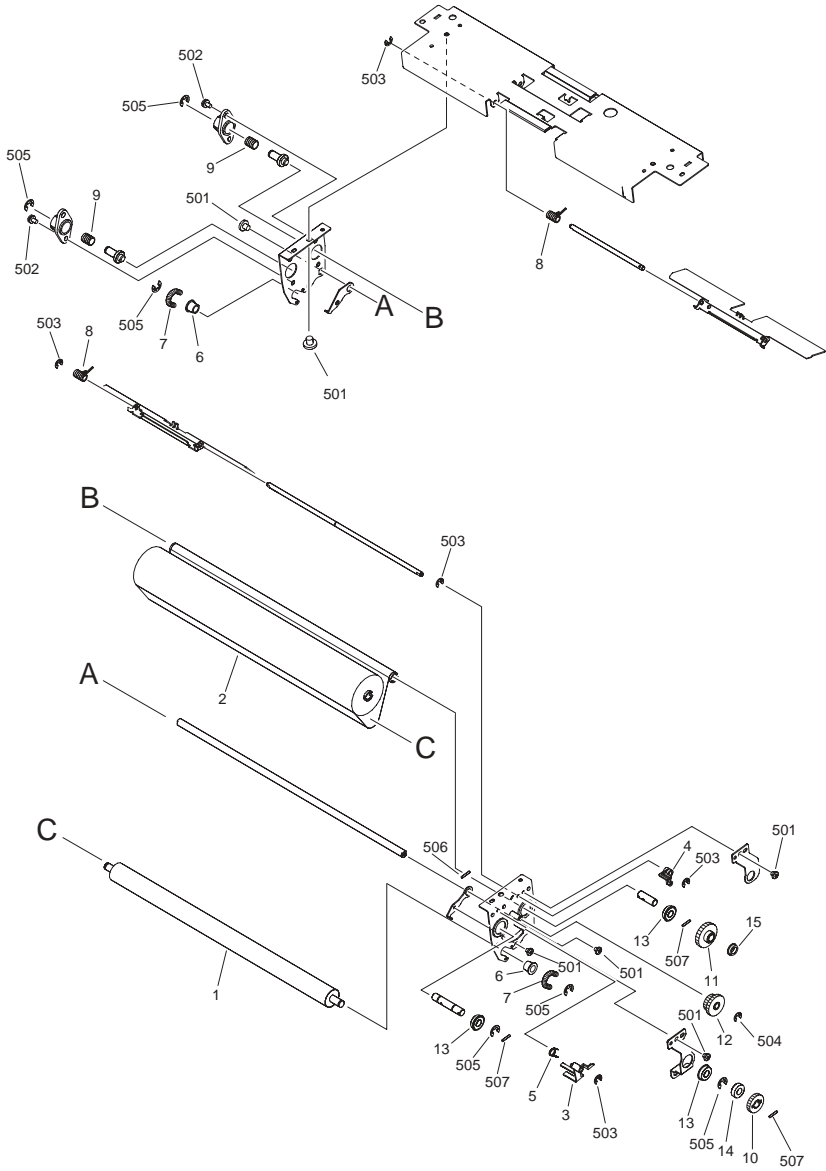
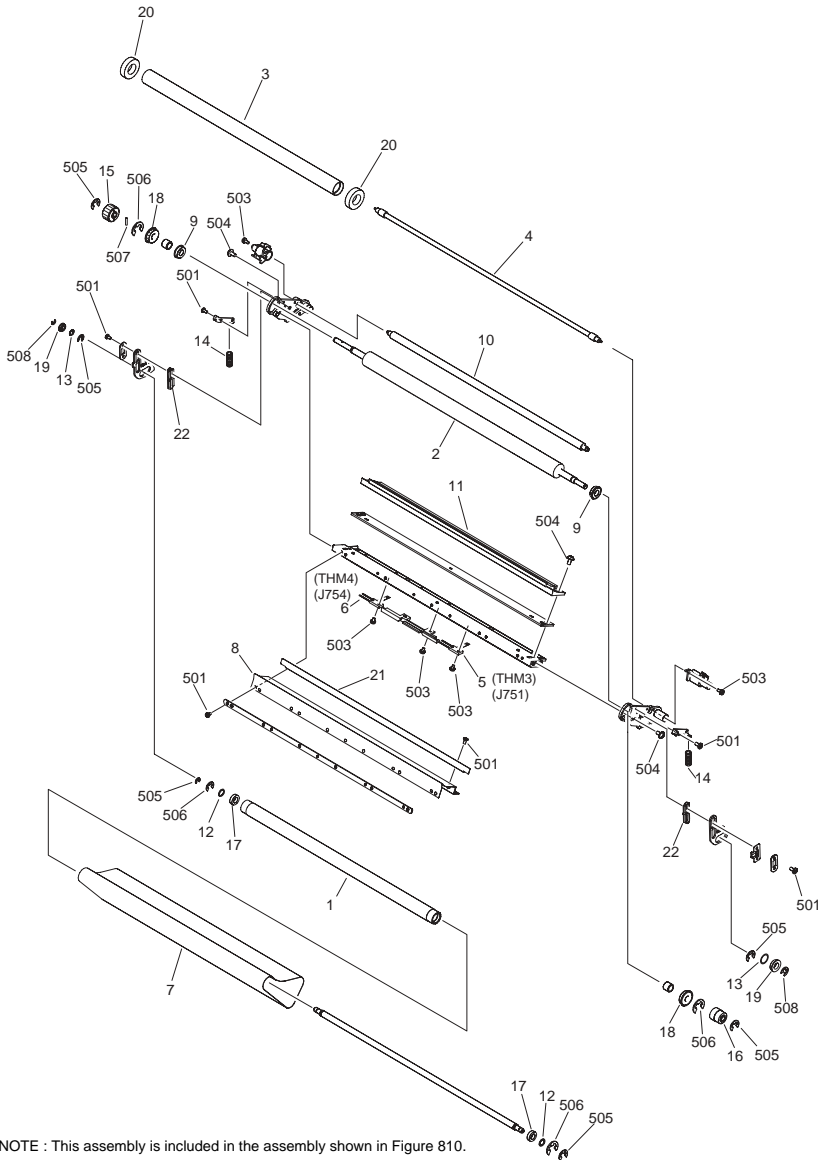


FIGURE & KEY NO.	PARTS NUMBER	R A N K	Q'TY	DESCRIPTION	SERIAL NUMBER/ REMARKS	S V C
Fig.830	FM2-2473-000		1	FIXING CLEANER ASSEMBLY	null	
1	FC5-9761-000		1	CLEANING ROLLER		
2	FC5-9778-000		1	CLEANING ROLL		
3	FC6-1294-000		1	ARM, REMNANT SENSOR		
4	FC6-1295-000		1	ARM, CLEANING ROLL FEEDER		
5	FC7-0177-000		1	SPRING, TORSION		
6	FS2-1256-000		2	BUSHING		
7	FU6-2569-010		2	SPRING, TENSION		
8	FS5-2586-000		2	SPRING, TORSION		
9	FU5-2850-000		2	SPRING, COMPRESSION		
10	FU7-0375-000		1	GEAR, 20T		
11	FU7-0373-000		1	GEAR, 27T		
12	FU7-0374-000		1	GEAR, 17T/23T		
13	XG9-0365-000		3	BEARING, BALL		
14	XG9-0491-000		1	BEARING, BALL		
15	XG9-0507-000		1	BEARING, BALL, MF128ZZ		
501	XB1-2400-407		8	SCREW,MACH.,TRUSS HEAD,M4X4		
502	XB2-8400-807		4	SCREW,V/WASHER,M4X8		
503	XD2-1100-322		5	RETAINING RING (E-TYPE)		
504	XD2-1100-502		1	RETAINING RING (E-TYPE)		
505	XD2-1100-642		6	RING,E		
506	XD3-1200-122		1	SPRING PIN		
507	XD3-2200-122		5	PIN, DOWEL		

FIGURE 840 FIXING BELT ASSEMBLY



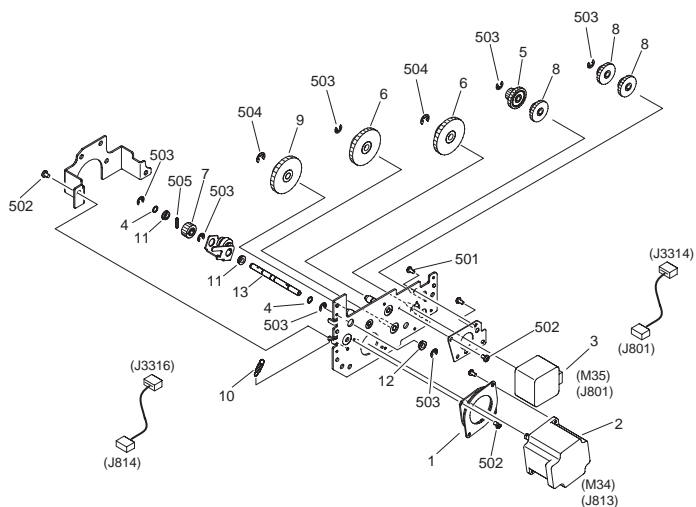
NOTE : This assembly is included in the assembly shown in Figure 810.

注：このユニットはFigure 810のユニットに含まれます。

FIGURE & KEY NO.	PARTS NUMBER	R A N K	Q'TY	DESCRIPTION	SERIAL NUMBER/ REMARKS	S V C
Fig.840	FM2-2475-000		1	FIXING BELT ASSEMBLY	100V/SEE NOTE	
Fig.840	FM2-2480-000		1	FIXING BELT ASSEMBLY	120V/SEE NOTE	
Fig.840	FM2-2481-000		1	FIXING BELT ASSEMBLY	220V/230V/SEE NOTE	
1	FC5-9766-000		1	ROLLER, STERERING		
2	FC6-1251-000		1	ROLLER, SEPARATION		
3	FC6-1254-000		1	ROLLER, INLET		
4	FK2-2676-000		1	HEATER, HALOGEN	100V	
4	FK2-0562-000		1	HEATER, HALOGEN	120V	
4	FK2-2679-000		1	HEATER, HALOGEN	220V/230V	
5	FK2-0610-000		1	THERMISTOR UNIT	THM3 J751	
6	FK2-0611-000		1	THERMISTOR UNIT	THM4 J754	
7	FL2-6530-000		1	BELT, FIXING		
8	FL2-2788-010		1	COVER, PAD		
9	XG9-0593-000		2	BEARING, BALL		
10	FL2-5453-000		1	ROLLER, OIL		
11	FM3-1217-000		1	PRESSURE PAD ASS'Y	C1	
11	FL2-2649-000		1	PAD, PRESSURE	C1+	
12	FS5-6487-000		2	WASHER		
13	FS5-6488-000		2	WASHER		
14	FU5-2878-000		2	SPRING, TENSION		
15	FU5-3196-000		1	PULLEY, 23T		
16	FU6-0630-000		1	GEAR, 14T		
17	XG9-0177-000		2	BALL BEARING, NMB DDL-1480ZZR		
18	XG9-0585-000		2	BEARING, BALL		
19	XG9-0407-000		2	BEARING, BALL, UGF106P12ZZD4ML		
20	XG9-0360-000		2	BEARING, BALL, 1910ZZY05R POP		
21	FC7-1842-000		1	PLATE, STOPPER		
22	FC6-0333-000		2	SLIDER, TENSION		
501	XB1-2300-607		AR	SCREW, BH3X6(S)		
503	XB2-8300-607		AR	SCREW, M3X6, S		
504	XB6-7400-807		AR	SCREW, TP, PH M4X8		
505	XD2-1100-502		AR	RETAINING RING (E-TYPE)		

FIGURE & KEY NO.	PARTS NUMBER	RANK	Q'TY	DESCRIPTION	SERIAL NUMBER/REMARKS	SVC
506	XD2-1100-642		AR	RING,E		
507	XD3-2200-122		AR	PIN,DOWEL		
508	XD2-1100-322		2	RING,E		
	FC7-0174-000		1	CASE, INLET HEATER, F		
	FC7-0886-000		1	CASE, INLET HEATER, R		

FIGURE 850 FIXING BELT DRIVE ASSEMBLY

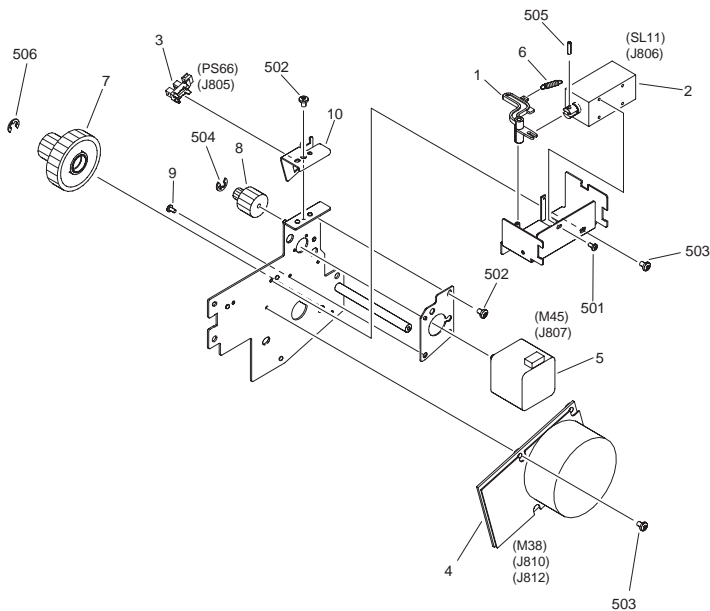


NOTE : This assembly is included in the assembly shown in Figure 810.

注 : このユニットはFigure 810のユニットに含まれます。

FIGURE & KEY NO.	PARTS NUMBER	R A N K	Q'TY	DESCRIPTION	SERIAL NUMBER/ REMARKS	S V C
Fig.850	FM2-2478-010		1	FIXING BELT DRIVE ASSEMBLY	SEE NOTE	
1	FC5-2710-000		1	DAMPER, MOTOR, 2		
2	FK2-0576-000		1	MOTOR, STEPPING	M34 J813	
3	FK2-0577-000		1	MOTOR, STEPPING	M35 J801	
4	FS5-6488-000		3	WASHER		
4	FS5-6488-000		3	WASHER		
5	FU6-0345-000		1	GEAR, 16T/32T		
6	FU6-0347-000		2	GEAR, 20T/46T		
7	FU6-0622-000		1	GEAR, 15T		
8	FU6-0650-000		3	GEAR, 16T/32T		
9	FU6-0652-000		1	GEAR, 20T/46T		
10	FU6-2062-000		1	SPRING, COMPRESSION		
11	XG9-0407-000		2	BEARING, BALL, UGF106P12ZZD4ML		
12	XG9-0628-000		1	BEARING, BALL, F686ZZ		
13	FC7-0821-000		1	SHAFT, TRANSMISSION		
501	XB1-2300-607		2	SCREW, M3X6		
502	XB1-2400-607		8	SCREW,MACH.,TRUSS HEAD,M4X6		
503	XD2-1100-502		7	RING,E		
504	XD2-1100-642		2	RING,E		
505	XD3-2200-122		1	PIN,DOWEL		

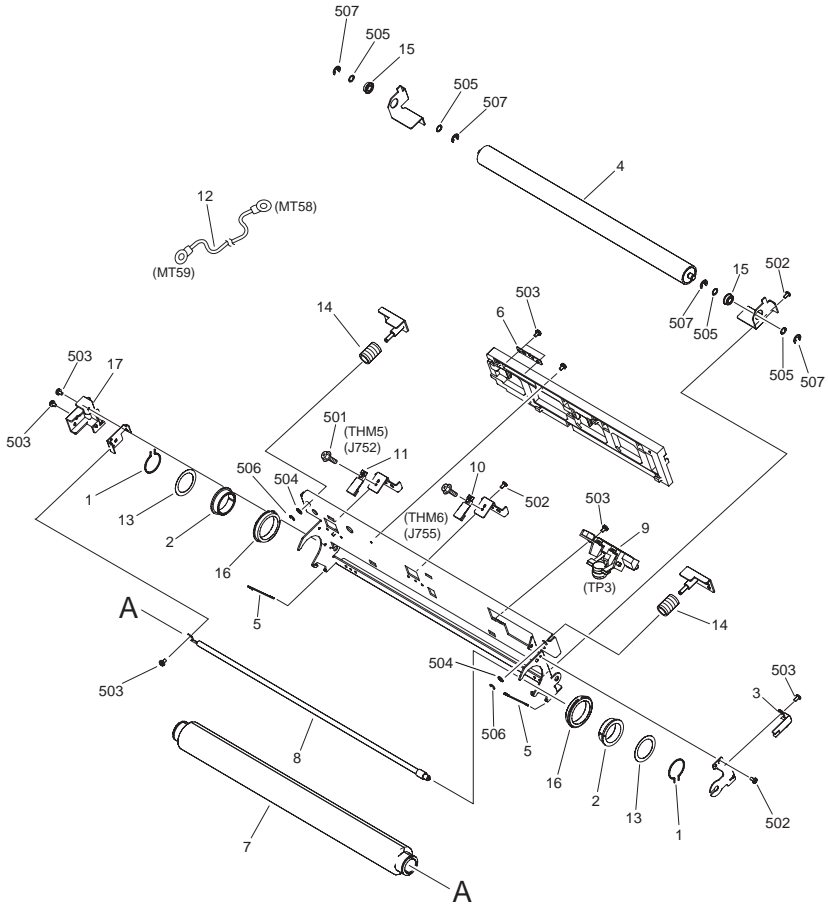
FIGURE 860 FIXING ROLLER DRIVE ASSEMBLY



NOTE : This assembly is included in the assembly shown in Figure 810.
注：このユニットはFigure 810のユニットに含まれます。

FIGURE & KEY NO.	PARTS NUMBER	R A N K	Q'TY	DESCRIPTION	SERIAL NUMBER/ REMARKS	S V C
Fig.860	FM2-2476-020		1	FIXING ROLLER DRIVE ASSEMBLY	SEE NOTE	
1	FC6-1233-000		1	ARM, SOLENOID		
2	FK2-0127-000		1	SOLENOID	SL11 J806	
3	FK2-0149-000		1	PHOTO-INTERRUPTER, TLP1253(C6)	PS66 J805	
4	FK2-0568-000		1	MOTOR, BRUSHLESS, DC	M38 J810,812	
5	FK2-0579-000		1	MOTOR, STEPPING, DC	M45 J807	
6	FU5-2861-000		1	SPRING, TENSION		
7	FM3-1218-000		1	GEAR, 22T/85T		
8	FU6-0625-000		1	GEAR, 16T/44T		
9	XA9-1659-000		2	SCREW,M3X4		
10	FC8-8825-000		1	MOUNT, EXTERNALHEATING SENSOR		
501	XB1-2300-607		2	SCREW, BH3X6(S)		
502	XB1-2400-607		5	SCREW,NACH.,TRUSS HEAD,M4X6		
503	XB1-2400-807		3	SCREW,MACH.,TRUSS HEAD,M4X8		
504	XD2-1100-322		1	RETAINING RING (E-TYPE)		
505	XD3-1300-122		1	PIN, SPRING		
506	XD2-1100-642		1	RING,E		

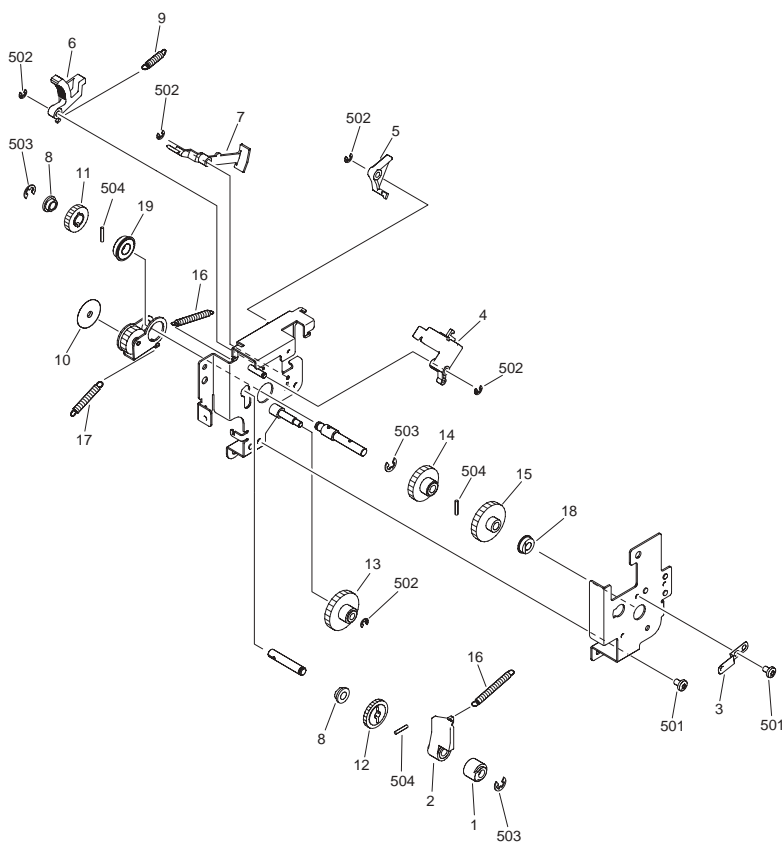
FIGURE 870 OUT PRESSURE HEATER ASSEMBLY



NOTE : This assembly is included in the assembly shown in Figure 810.
 注 : このユニットはFigure 810のユニットに含まれます。

FIGURE & KEY NO.	PARTS NUMBER	R A N K	Q'TY	DESCRIPTION	SERIAL NUMBER/ REMARKS	S V C
Fig.870	NPN		RF	OUT PRESSURE HEATER ASSEMBLY	SEE NOTE	
1	FC5-2377-000		2	RING, STOPPER		
2	FC5-2582-000		2	BUSHING		
3	FC5-2592-000		1	COVER, HEATER CABLE		
4	FC5-9777-000		1	ROLLER. CLEANING		
5	FC6-1194-000		2	SPRING, ROLLER, SUPPORT		
6	FC7-0173-000		1	MOUNT, RELEASE, CONNECT REAR		
7	FC7-0932-000		1	ROLLER, HEATING		
8	FK2-2675-000		1	HEATER, HALOGEN	100V	
8	FK2-0561-000		1	HEATER, HALOGEN	120V	
8	FK2-2678-000		1	HEATER, HALOGEN	230V	
9	FM2-2706-000		1	THERMOSWITCH UNIT	TP3	
10	FK2-0612-000		1	THERMISTOR	THM6 J755	
11	FK2-0613-000		1	THERMISTOR	THM5 J752	
12	FM2-7322-000		1	CABLE, PRESSURE HEATER	MT58,59	
13	FU5-6246-000		2	SPACER		
14	FU6-2061-000		2	SPRING, COMPRESSON		
15	XG9-0291-000		2	BEARING, BALL, LOWER ROLLER		
16	XG9-0584-000		2	BALL BEARING, LY0691Y NTN		
17	FC6-1183-000		1	HOLDER, HEATER, R		
501	XB2-8301-007		2	SCREW,V/WASHER,M3X10		
502	XB1-2300-607		5	SCREW, BH3X6(S)		
503	XB2-8300-607		11	SCREW, M3X6, S		
504	XD1-1104-133		2	WASHER,COP		
505	XD1-1106-213		4	WASHER,COP		
506	XD2-1100-322		2	RETAINING RING (E-TYPE)		
507	XD2-1100-502		4	RETAINING RING (E-TYPE)		

FIGURE 880 CLEANING ROLL DRIVE ASSEMBLY



NOTE : This assembly is included in the assembly shown in Figure 810.
注 : このユニットはFigure 810のユニットに含まれます。

FIGURE & KEY NO.	PARTS NUMBER	R A N K	Q'TY	DESCRIPTION	SERIAL NUMBER/ REMARKS	S V C
Fig.880	FM2-2701-000		1	CLEANING ROLL DRIVE ASSEMBLY	SEE NOTE	
1	FB1-6833-000		1	BUSHING		
2	FC5-2369-020		1	ARM, ONE-WAY		
3	FC5-2597-020		1	SPRING, LEAF		
4	FC7-4907-000		1	ARM, CLEANING ROLL FEEDER		
5	FC7-4908-000		1	LEVER, STOPPER, RELEASE		
6	FC7-4909-000		1	LEVER, STOPPER		
7	FC6-1292-000		1	FLAG, REMNANT SENSOR		
8	FS1-1569-000		2	BUSHING		
9	FU5-2969-000		1	SPRING, TENTION		
10	FU5-6259-000		1	ROLLER		
11	FU6-0457-000		1	GEAR, 18T		
12	FU6-0458-000		1	GEAR, 36T		
13	FU6-0459-000		1	GEAR, 48T/18T		
14	FU6-0460-000		1	GEAR, 42T/18T		
15	FU6-0461-000		1	GEAR, 48T		
16	FU6-2065-000		2	SPRING, TENTION		
17	FU6-2545-000		1	SPRING, TENTION		
18	XG9-0291-000		1	BEARING, BALL, LOWER ROLLER		
19	XG9-0365-000		1	BEARING, BALL		
501	XB1-2400-607		4	SCREW, CROSS-RECESS, FCH		
502	XD2-1100-322		5	RETAINING RING (E-TYPE)		
503	XD2-1100-502		3	RETAINING RING (E-TYPE)		
504	XD3-2200-122		3	PIN, DOWEL		

FIGURE 900 CONTROLLER BOX ASSEMBLY

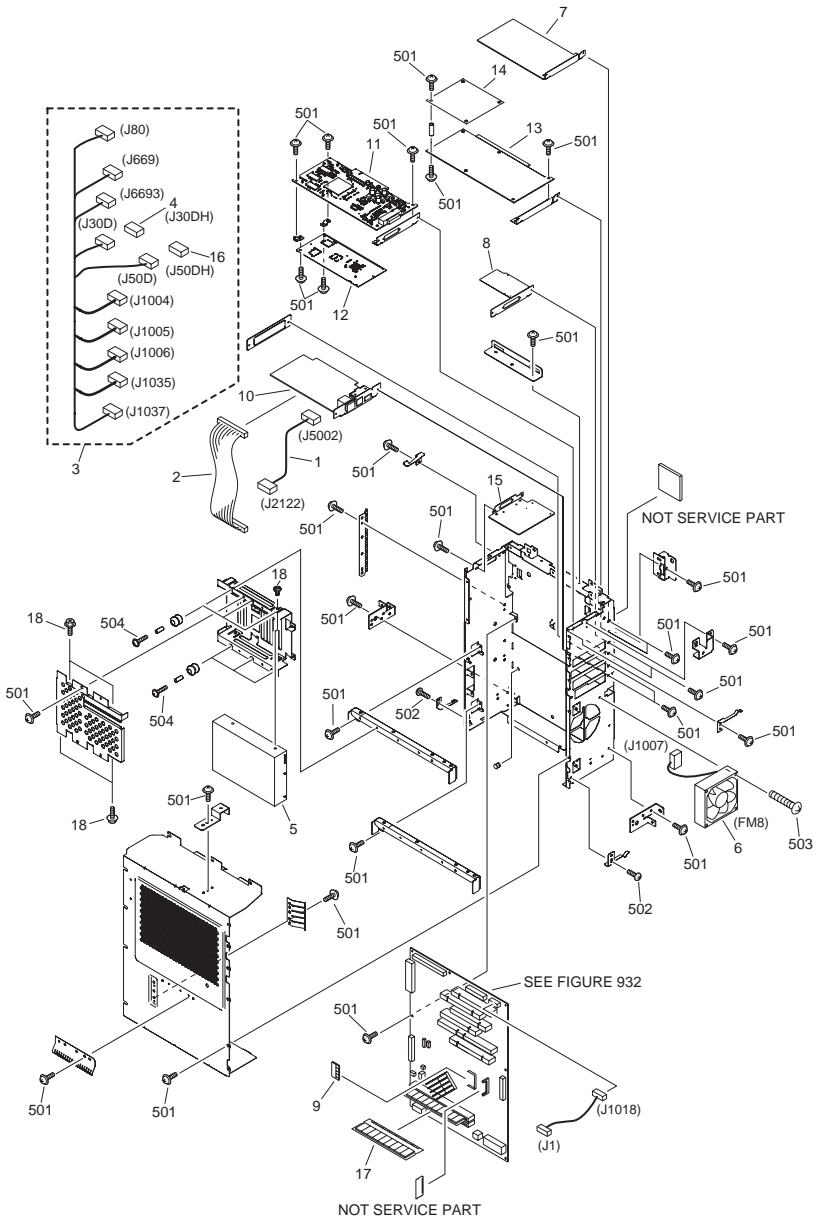


FIGURE & KEY NO.	PARTS NUMBER	R A N K	Q'TY	DESCRIPTION	SERIAL NUMBER/ REMARKS	S V C
Fig.900	NPN		RF	CONTROLLER BOX ASSEMBLY		
1	FG3-3171-000		1	CABLE, HARD DISK POWER SUPPLY	J2122,5002	
2	FK2-3737-000		1	FLAT CABLE, HDD		
3	FM2-7300-000		1	CABLE, CL2 POWER SUPPLY	OLD J30D,J30DH,J50D,J50DH, J669,J6693,J1004,J1005, J1006,J1035,J1037	
3	FM3-3349-000		1	CABLE, CL2 POWER SUPPLY	NEW	
4	VS1-7177-002		1	CONNECTOR, SNAP TIGHT, BK		
5	FM2-8258-000		1	HARD DISK DRIVE, S728080PLAT20		
6	FK2-2529-000		1	FAN	FM8 J1007	
7	FM2-8257-000		1	MAIN CONTROLLER PCB ASS'Y,R-A		
8	FM2-5919-000		1	GU-SHORT PCB ASSEMBLY		
9	FM2-6040-000		1	SRAM BOARD PCB ASSEMBLY		
10	FM2-5898-000		1	MAIN CONTROLLER PCB ASS'Y 1		
10	FM2-9253-010		1	MAIN CONTROLLER PCB ASS'Y 1	V2	
11	FM2-7362-000		1	S-B BOARD PCB ASSEMBLY		
12	FM2-7352-000		1	ZJ-A BOARD		
13	FM2-7353-000		1	PF-A BOARD UNIT	C1	
13	FM2-7377-000		1	PF-A BOARD UNIT	C1+	
14	FM2-7354-000		1	DE-A BOARD	C1	
14	FM2-7378-000		1	DQE-A PCB ASSEMBLY	C1+	
15	FM2-8075-000		1	TFT-CONV UNIT		
16	VS1-7177-003		1	CONNECTOR, SNAP TIGHT, BK		
17	FK2-0755-000		1	DIMM, DDR SDRAM, 1GB		
18	XA9-1496-000		4	SCREW,M3X6.4		
501	XB6-7300-607		AR	SCREW,TP,M3X6		
502	XB1-2260-807		AR	SCREW,MACH.,TRUSS HEAD,M2.6X8		
503	XB1-2403-007		AR	SCREW, BH 4X30 (S)		
504	XB2-5301-407		AR	SCREW,W/WASHER,M3X14		
L2	FH3-0688-010		1	COIL, CHOKE	PF-A BOARD	
IC1	FH4-6214-000		1	IC, TC240E4804AF-42,GATE ARRAY	MAIN CONTROLLER PCB ASS'Y 1	
IC1	FH4-6235-000		2	PERNAND, UPD800606S1-011-F6-A	PF-A BOARD	

FIGURE & KEY NO.	PARTS NUMBER	RANK	Q'TY	DESCRIPTION	SERIAL NUMBER/REMARKS	SVC
IC1	FH4-6237-000		1	IC, UPD800607S1-011B6A	MAIN CONTROLLER PCB ASSY,R-A	
IC1	FH4-6239-000		1	IC, UPD800008S1-011-F6-A	S-B BOARD PCB ASSEMBLY	
IC1	FH4-6274-000		1	IC,HG76CS033BPV,STANDARD CELL	DE-A BOARD	
IC2	FH4-6247-000		2	IC, FUAA119AA, STANDARD CELL	ZJ-A BOARD	
IC2	FH4-6248-000		1	ECHINUS, HG76C026HFV	DE-A BOARD	
IC2	FK2-0912-000		1	IC, HG76CS037AHFV	PF-A BOARD	
IC7	FH4-6260-000		1	IC, M66446FP, STANDARD CELL	ZJ-A BOARD	
IC35	FH4-6276-000		1	IC,HG76CS040BPV,STANDARD CELL	ZJ-A BOARD	

FIGURE 910 DC POWER SUPPLY ASSEMBLY

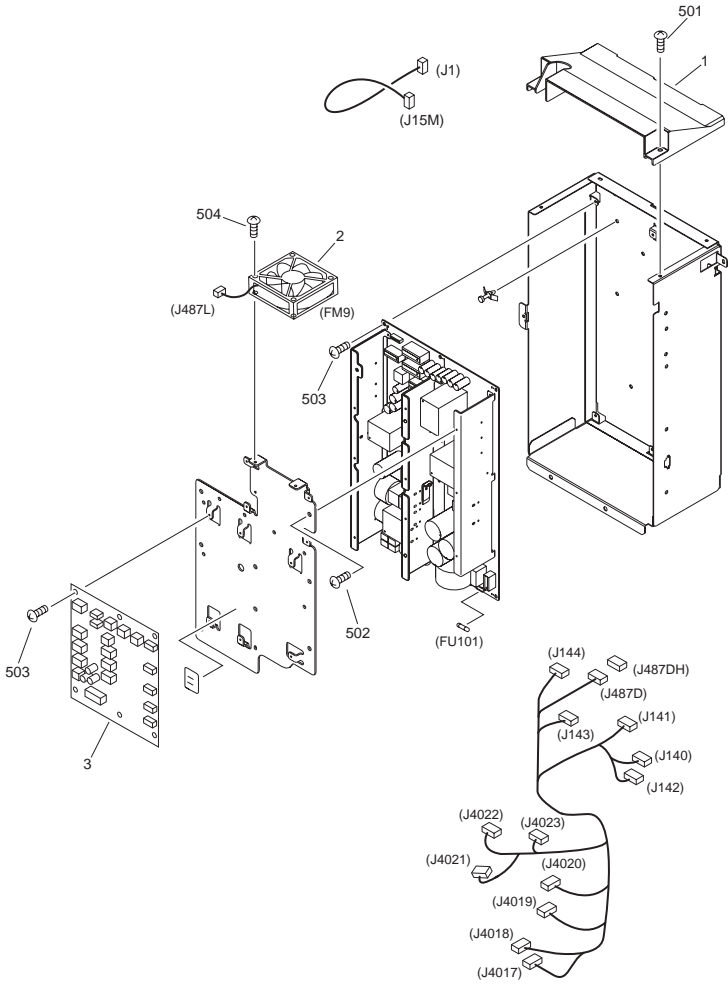


FIGURE & KEY NO.	PARTS NUMBER	RANK	Q'TY	DESCRIPTION	SERIAL NUMBER/REMARKS	SVC
Fig.910	FM2-2639-000		1	DC POWER SUPPLY ASSEMBLY	100V/120V	
Fig.910	FM2-2640-000		1	DC POWER SUPPLY ASSEMBLY	220V/230V	
1	FC5-2498-000		1	COVER, P. SUPPLY PCB HEATSINK		
2	FK2-0103-000		1	FAN	FM9 J487L	
3	FM2-7739-000		1	RELAY PCB ASSEMBLY		
501	XB1-2400-607		AR	SCREW,MACH.,TRUSS HEAD,M4X6		
502	XB2-4300-807		AR	SCREW,W/WASHER,M3X8		
503	XB6-7300-607		AR	SCREW,TP,M3X6		
504	XB6-7403-007		AR	SCREW,TP,M4X30		
FU101	VD7-0461-502		1	FUSE, AC125V 15A	100V/120V	
FU101	VD7-2896-301		1	FUSE	220V/230V	

FIGURE 930 DC CONTROLLER PCB ASSEMBLY

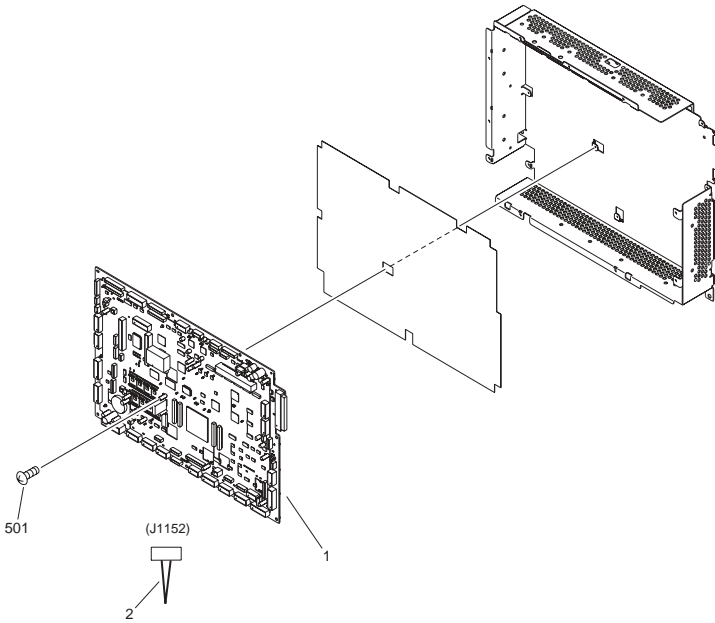


FIGURE & KEY NO.	PARTS NUMBER	R A N K	Q'TY	DESCRIPTION	SERIAL NUMBER/ REMARKS	S V C
Fig.930	NPN		RF	DC CONTROLLER PCB ASSEMBLY		
1	FM2-8161-000		1	DC CONTROLLER PCB ASSEMBLY	C1	
1	FM3-8357-000		1	DC CONTROLLER PCB ASSEMBLY	C1+	
2	FM2-8148-000		1	CABLE, D-CON, SHORT BAR	100V J1152	
2	FM2-8149-000		1	CABLE, D-CON, SHORT BAR	120V J1152A	
2	FM2-8150-000		1	CABLE, D-CON, SHORT BAR	220V/230V J1152B	
501	XB6-7300-607		AR	SCREW,TP,M3X6		
IC15	FK2-1773-000		5	IC,TC200G02EFG1031,GATE-ARRAY		
IC28	FK2-0104-000		2	IC, PM1100G, PWM		
IC36	FK2-0134-000		1	IC, HD6432323VF20, MPU		
IC262	FK2-0970-000		1	IC, MB87Q1281PB-GE1		
IC270	FK2-0531-000		1	IC, MB87L8610		

FIGURE 931 REAR DRIVER PCB ASSEMBLY

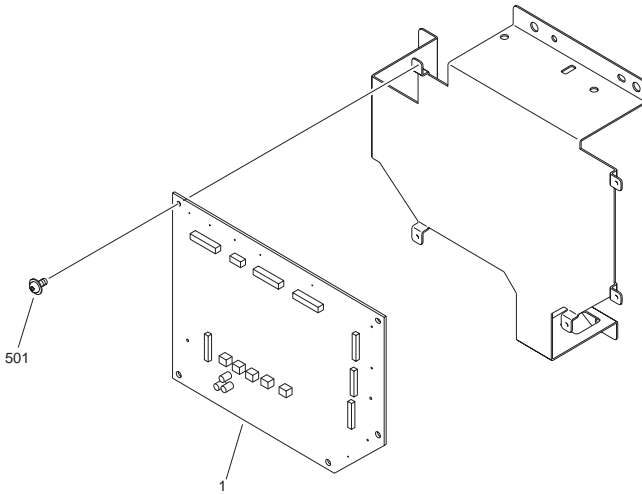


FIGURE & KEY NO.	PARTS NUMBER	RANK	QTY	DESCRIPTION	SERIAL NUMBER/REMARKS	SVC
Fig.931	NPN		RF	REAR DRIVER PCB ASSEMBLY		
1	FM2-7732-010		1	DRIVER PCB ASSEMBLY, REAR		
501	XB6-7300-607		5	SCREW,TP,M3X6		
L1	FH3-0725-000		1	COIL, CHOKE		

FIGURE 932 MAIN CONTROLLER PCB ASS'Y

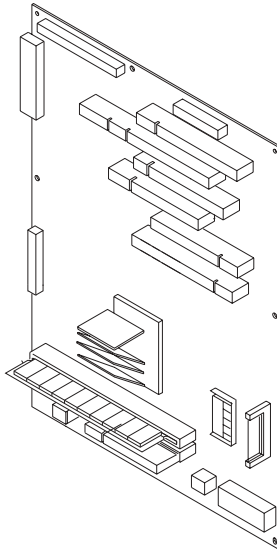


FIGURE & KEY NO.	PARTS NUMBER	RANK	Q'TY	DESCRIPTION	SERIAL NUMBER/REMARKS	S V C
Fig.932	FM2-7349-010		1	MAIN CONTROLLER PCB ASSY		
IC1	FH4-6243-000		1	IC, L7A1860		
IC2	FH4-6300-000		1	IC, M38871M2-010GP, MPU		
IC3	FH4-6302-000		1	IC, S1L50552F32L000-01		
IC4	FK2-2902-000		1	IC, T8K21DXBG-6, STANDARD CELL		

FIGURE 961 PAPER FEED DRIVER PCB ASSEMBLY

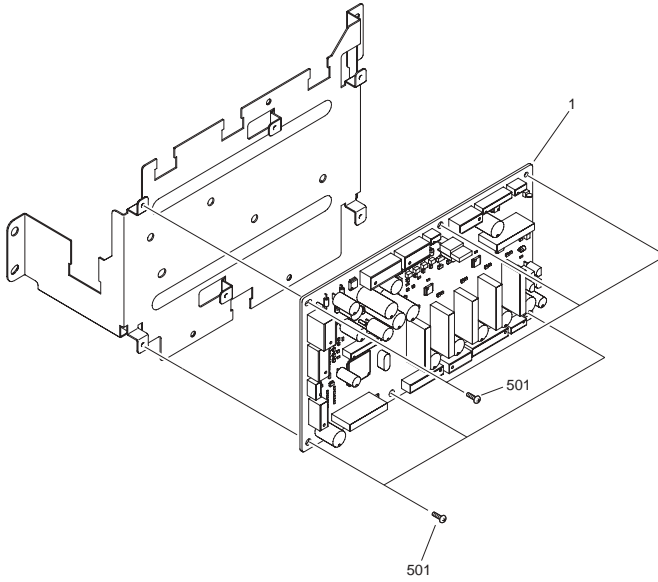


FIGURE & KEY NO.	PARTS NUMBER	RANK	QTY	DESCRIPTION	SERIAL NUMBER/REMARKS	SVC
Fig.961	NPN		RF	PAPER FEED DRIVER PCB ASSEMBLY		
1	FM2-7728-010		1	PAPER FEED DRIVER PCB ASSEMBLY		
501	XB1-8300-607		6	SCREW, M3X6, S		
IC8	FH4-6204-000		1	IC, S1L50993F22H000,GATE-ARRAY		

FIGURE 962 COLOR SENSOR DRIVER PCB ASS'Y

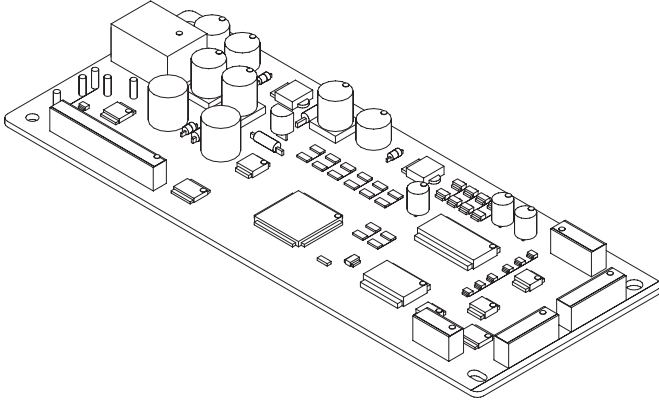


FIGURE & KEY NO.	PARTS NUMBER	RANK	Q'TY	DESCRIPTION	SERIAL NUMBER/REMARKS	SVC
Fig.962	FM2-7733-000		1	COLOR SENSOR DRIVER PCB ASS'Y		
IC14	FK2-1773-000		1	IC,TC200GO2EFG-1031,GATE ARREY		

FIGURE 963 FIXING DRIVER PCB ASSEMBLY

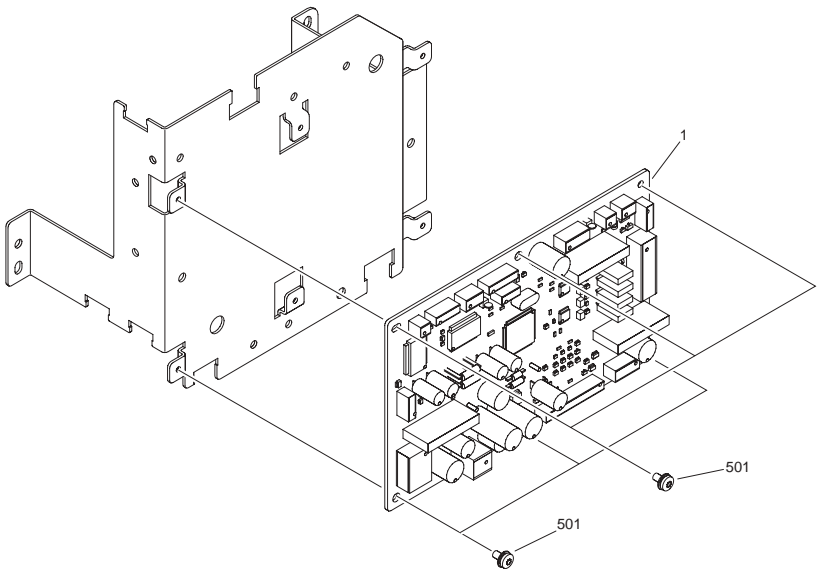


FIGURE & KEY NO.	PARTS NUMBER	RANK	QTY	DESCRIPTION	SERIAL NUMBER/REMARKS	SVC
Fig.963	NPN		RF	FIXING DRIVER PCB ASSEMBLY	null	
1	FM2-7729-010		1	FIXING DRIVER PCB ASSEMBLY		
501	XB2-8300-607		6	SCREW, M3X6, S		
IC2	FH4-6204-000		1	IC, S1L50993F22H000,GATE-ARRAY		

FIGURE 980 2ND TRANSFER CONTROL PCB ASS'Y

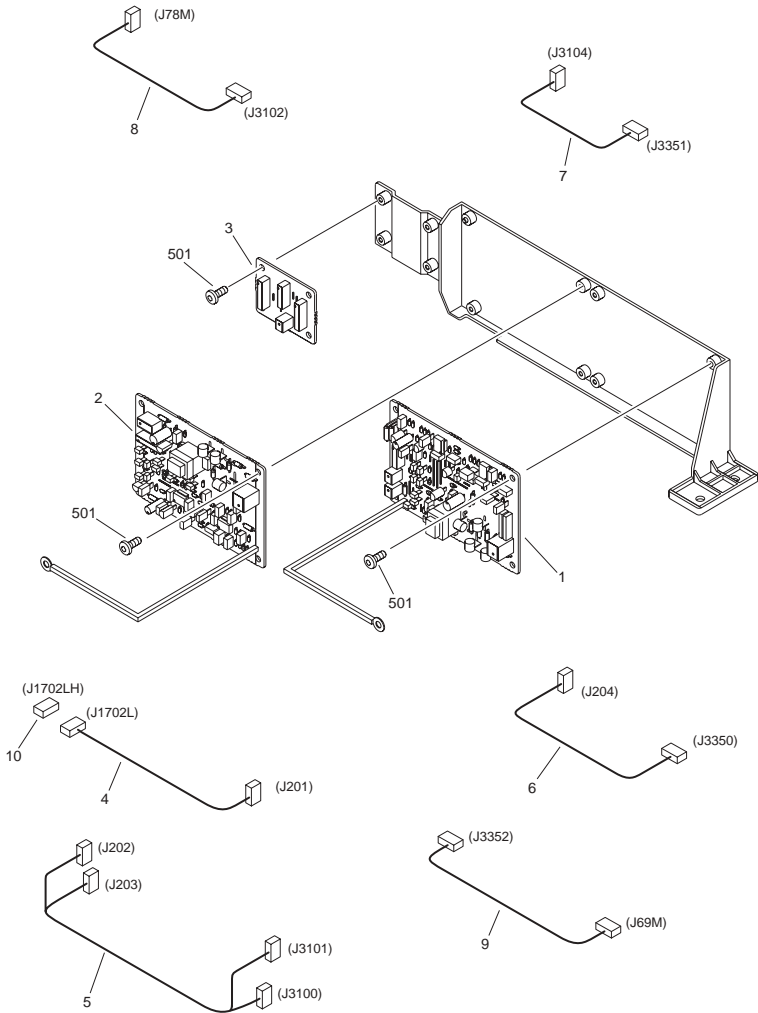


FIGURE & KEY NO.	PARTS NUMBER	R A N K	Q'TY	DESCRIPTION	SERIAL NUMBER/ REMARKS	S V C
Fig.980	NPN		RF	2ND TRANSFER CONTROL PCB ASS'Y		
1	FM2-7189-000		1	HV3 PCB ASSEMBLY		
2	FM2-7193-000		1	HV8 PCB ASSEMBLY		
3	FM2-7198-000		1	HV3 SUB PCB ASSEMBLY		
4	FM2-7292-000		1	CABEL, INVERTER SUB, 3	J1702L,201	
5	FM2-7293-000		1	CABEL, INVERTER, 3	J202,203,3101,3100	
6	FM2-7294-000		1	CABEL, INVERTER, 8	J204,3350	
7	FM2-7295-000		1	CABEL, INVERTER	J3104,3351	
8	FM2-7296-000		1	CABLE, STATIC CHARGE H.V.	J78M,3102	
9	FM2-7298-000		1	CABLE, ROLLER HIGH VOLTAGE	J69M,3352	
10	VS1-7173-011		1	CONNECTOR, SNAP TIGHT, 11P, W	J1702LH	
501	XB4-5300-807		12	SCREW,P,M3X8		
T1	FH3-0967-000		1	TRANSFORMER, INVERTER		
T200	FH3-0967-000		1	TRANSFORMER, INVERTER		

FIGURE 981 H.V PCB ASSEMBLY

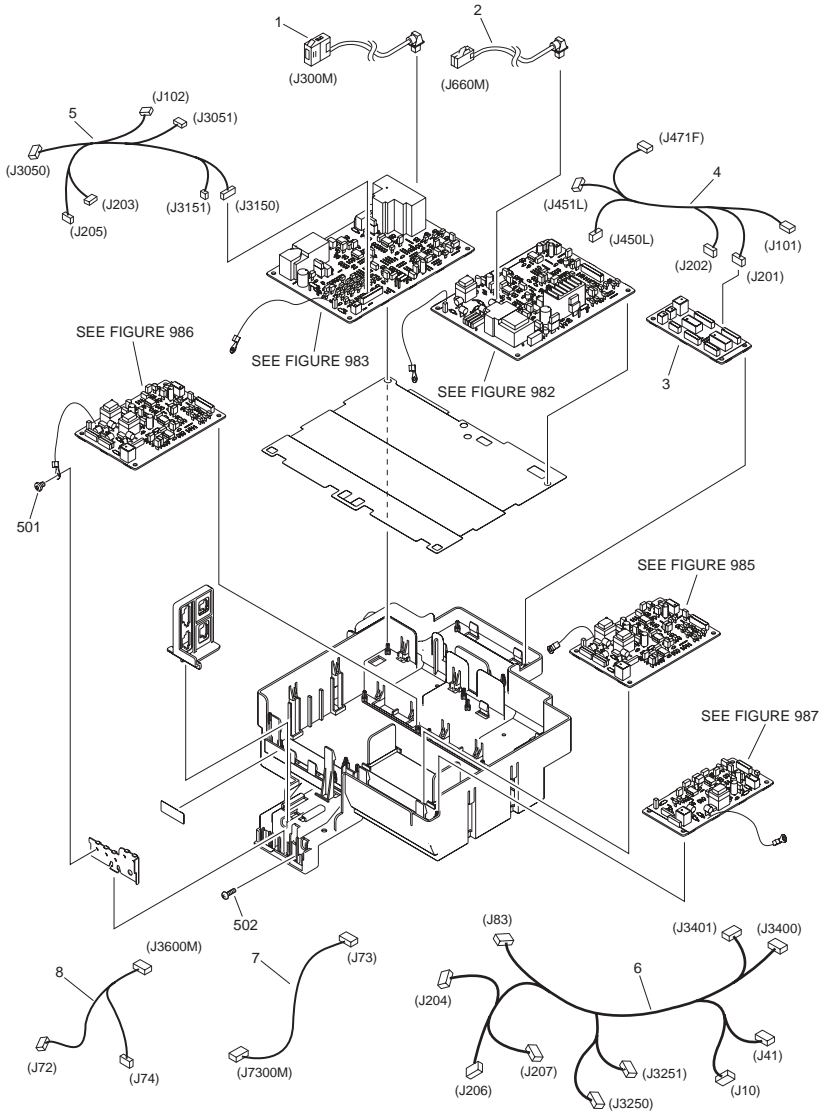


FIGURE & KEY NO.	PARTS NUMBER	RANK	Q'TY	DESCRIPTION	SERIAL NUMBER/REMARKS	SVC
Fig.981	NPN		RF	H.V PCB ASSEMBLY		
1	FK2-0622-000		1	CABLE, PRI.TRANS. H.V., 2	J300M	
2	FK2-0623-000		1	CABLE, PRI.TRANS. H.V., 1	J660M	
3	FM2-7197-000		1	HV2 SUB PCB ASSEMBLY		
4	FM2-7253-000		1	CABLE, H.V.2, SUB	J101,201,202,450L,451L,471F	
5	FM2-7254-000		1	CABLE, H.V.2/4	J102,203,205,3050,3051,3150,3151	
6	FM2-7255-000		1	CABLE, H.V.6/9	J10,41,83,204,206,207,3250,3251,3400,3401	
7	FM2-7264-000		1	CABLE, ROLLER H.V.	J73,7300M	
8	FM2-7266-000		1	CABLE, PRE-TRANSFER BELT H.V.	J72,74,3600M	
501	XB1-2400-607		5	SCREW,MACH.,TRUSS HEAD,M4X6		

FIGURE 982 HV2 PCB ASSEMBLY

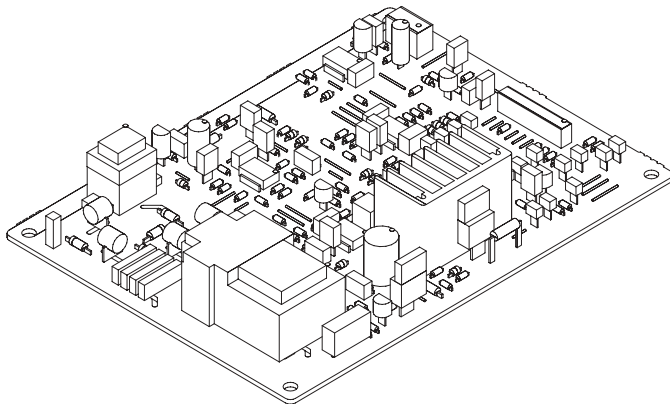


FIGURE & KEY NO.	PARTS NUMBER	RANK	Q'TY	DESCRIPTION	SERIAL NUMBER/REMARKS	SVC
Fig.982	FM2-7188-000		1	HV2 PCB ASSEMBLY		
T1	FH3-0967-000		1	TRANSFORMER, INVERTER		
T2	FK2-0529-000		1	TRANSFORMER, H.V.		

FIGURE 983 HV4 PCB ASSEMBLY

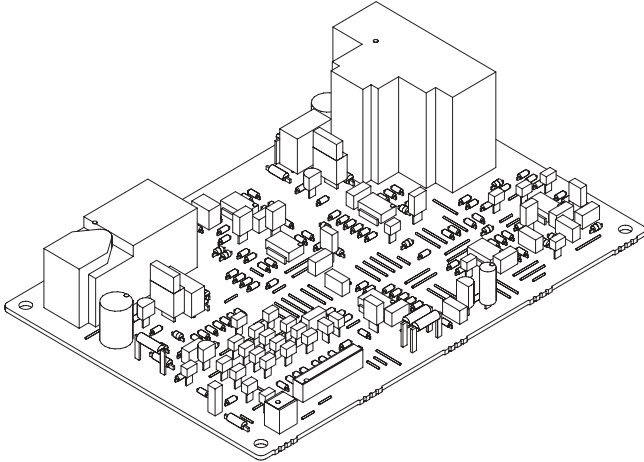


FIGURE & KEY NO.	PARTS NUMBER	RANK	QTY	DESCRIPTION	SERIAL NUMBER/REMARKS	SVC
Fig.983	FM2-7190-010		1	HV4 PCB ASSEMBLY		
T1	FK2-0527-000		1	TRANSFORMER		
T2	FK2-0528-000		1	TRANSFORMER		

FIGURE 984 HV5 PCB ASSEMBLY

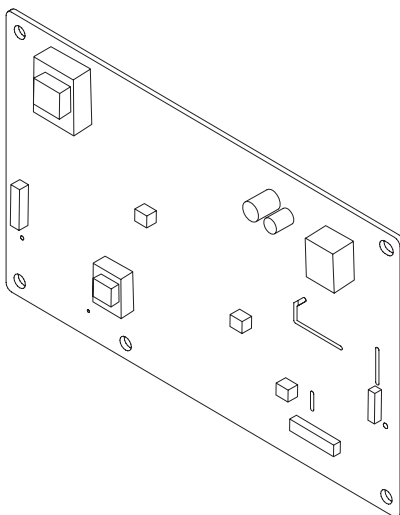


FIGURE & KEY NO.	PARTS NUMBER	RANK	Q'TY	DESCRIPTION	SERIAL NUMBER/REMARKS	SVC
Fig.984	FM2-7191-000		1	HV5 PCB ASSEMBLY		
T101	FK2-0530-000		1	TRANSFORMER, INVERTER		
T201	FH3-0967-000		1	TRANSFORMER, INVERTER		

FIGURE 985 HV6-2 PCB ASSEMBLY

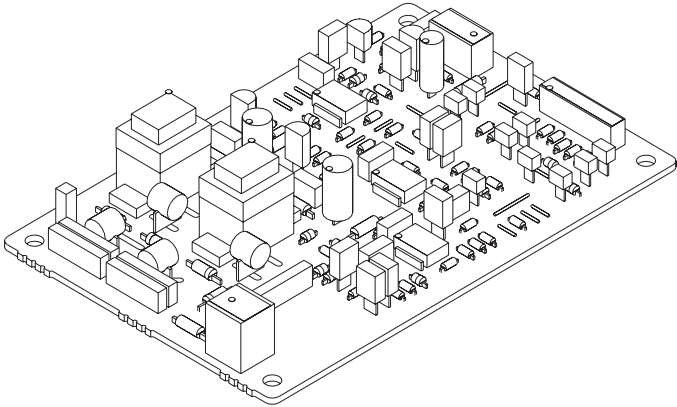


FIGURE & KEY NO.	PARTS NUMBER	RANK	QTY	DESCRIPTION	SERIAL NUMBER/REMARKS	SVC
Fig.985	FM2-7192-000		1	HV6-2 PCB ASSEMBLY		
T1	FH3-0967-000		1	TRANSFORMER, INVERTER		

FIGURE 986 HV6-1 PCB ASSEMBLY

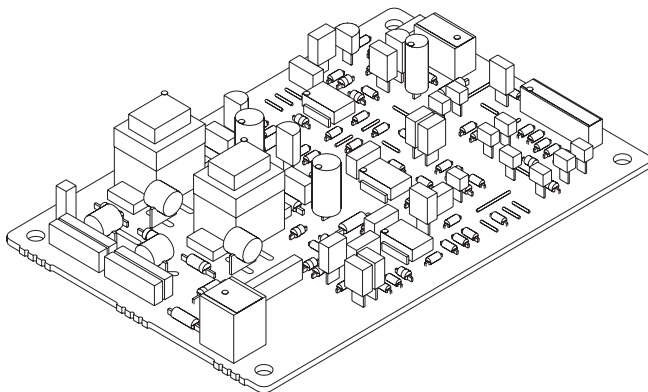


FIGURE & KEY NO.	PARTS NUMBER	RANK	Q'TY	DESCRIPTION	SERIAL NUMBER/REMARKS	SVC
Fig.986	FM2-7202-010		1	HV6-1 PCB ASSEMBLY		
T1	FH3-0967-000		1	TRANSFORMER, INVERTER		

FIGURE 987 HV9 PCB ASSEMBLY

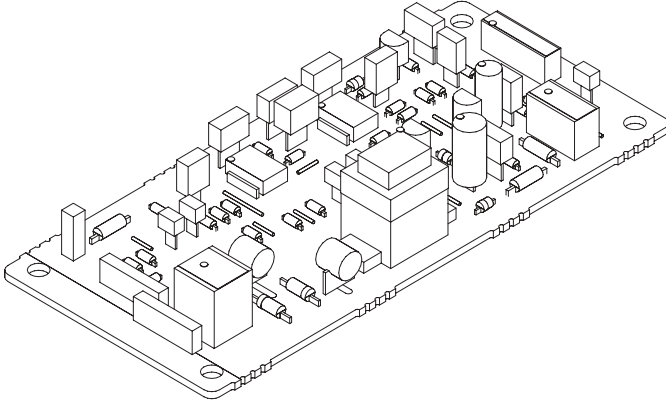


FIGURE & KEY NO.	PARTS NUMBER	RANK	QTY	DESCRIPTION	SERIAL NUMBER/REMARKS	SVC
Fig.987	FM2-7194-000		1	HV9 PCB ASSEMBLY		
T1	FH3-0967-000		1	TRANSFORMER, INVERTER		

FIGURE D10 READER ASSEMBLY

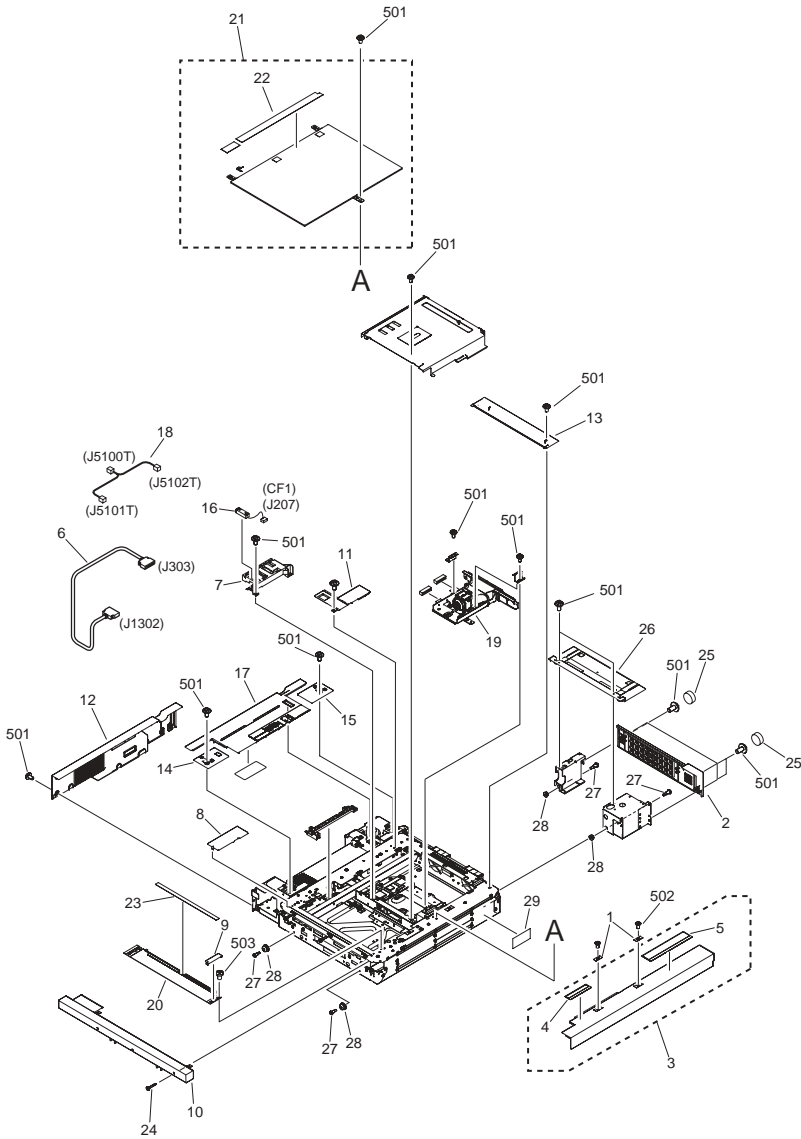
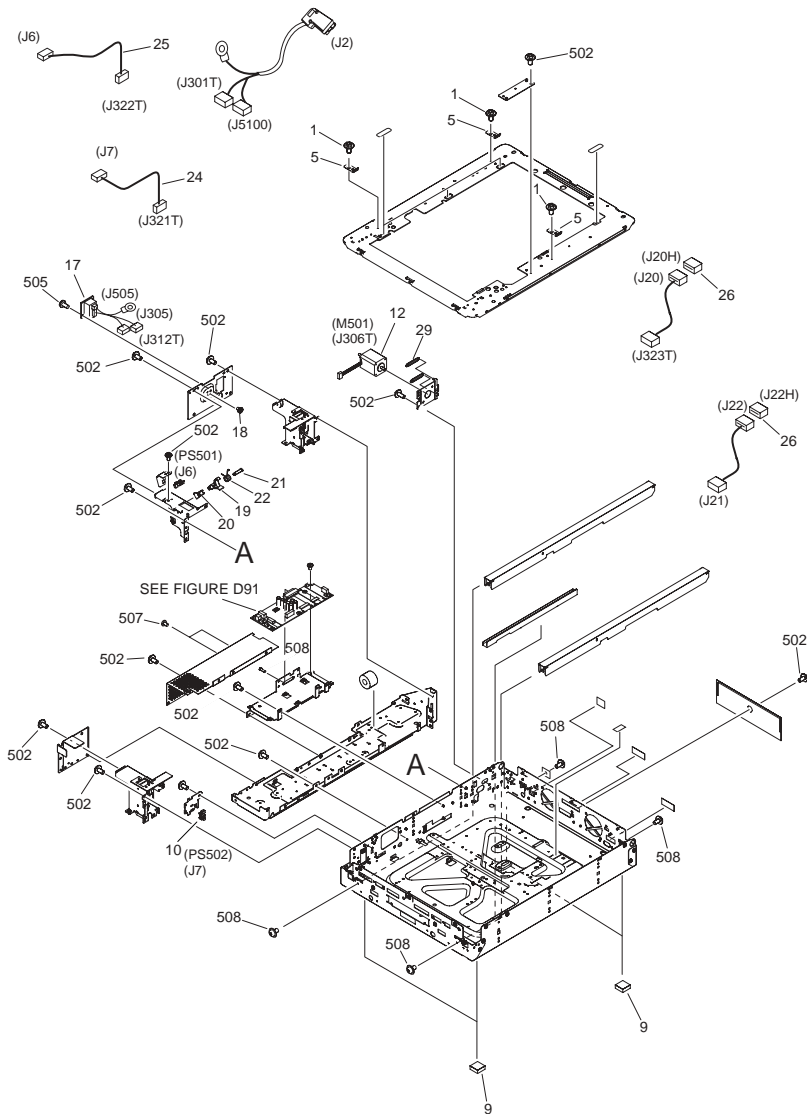


FIGURE & KEY NO.	PARTS NUMBER	R A N K	Q'TY	DESCRIPTION	SERIAL NUMBER/ REMARKS	S V C
Fig.D10	NPN		RF	READER ASSEMBLY	100V	
1	FA3-9315-020		2	PLATE,COVER		
2	FM2-9319-000		1	PANEL, RIGHT		
3	FM2-9320-000		1	COVER, FRONT		
4	FU5-8890-000		1	LABEL, LAMP CAUTION		
5	FU5-8995-000		1	LABEL, COPY PROHIBITION		
6	FM2-9322-000		1	CABLE, DDI-S SERIAL	J303,1302	
7	FC6-4600-000		1	MOUNT, LENGTH SIZE SENSOR		
8	FC6-5133-000		1	COVER, SMALL		
9	FC6-5134-000		1	COVER, SMALL		
10	FC6-5135-000		1	COVER, LEFT		
11	FC6-5142-000		1	COVER, SMALL		
12	FC6-5143-000		1	COVER, REAR		
13	FC6-5144-000		1	RETAINER, GLASS, RIGHT		
14	FC6-5159-000		1	COVER, POCKET, LEFT		
15	FC6-5160-000		1	COVER, POCKET, RIGHT		
16	FK2-0238-000		1	DOCUMENT SIZE SENSOR UNIT	CF1 J207	
17	FL2-3421-000		1	COVER, REAR UPPER		
18	FM2-1106-000		1	CABLE, HEATER CONNECTING	J5100T,5101T,5102T	
19	FM2-3920-000		1	CCD UNIT		
20	FM2-3921-000		1	GLASS RETAINING UNIT, LEFT		
21	FM3-1521-000		1	GLASS, COPYBOARD		
22	FU5-8635-000		1	PLATE, LENGTH SIZE		
23	FU5-8636-000		1	PLATE, SIZE INDEX		
24	FU5-9371-000		3	SCREW, FIXED		
25	FB6-3771-000		3	COVER, RUBBER		
26	FM2-9318-000		1	COVER, RIGHT UPPER		
27	FS5-9215-000		4	SCREW,STEPPED		
28	FB2-6310-000		4	BUSHING, RUBBER		
29	FC7-5781-000		1	LABEL, SERVICEMAN CAUTION		
501	XB3-6400-805		AR	SCREW,RS,M4X8		
502	XB1-3400-807		2	SCREW,MACHINE,M4X8		

FIGURE & KEY NO.	PARTS NUMBER	R A N K	Q'TY	DESCRIPTION	SERIAL NUMBER/ REMARKS	S V C
503	XB1-2400-505		4	SCREW, BH4X5 (S)		

FIGURE D11 READER FRAME ASSEMBLY



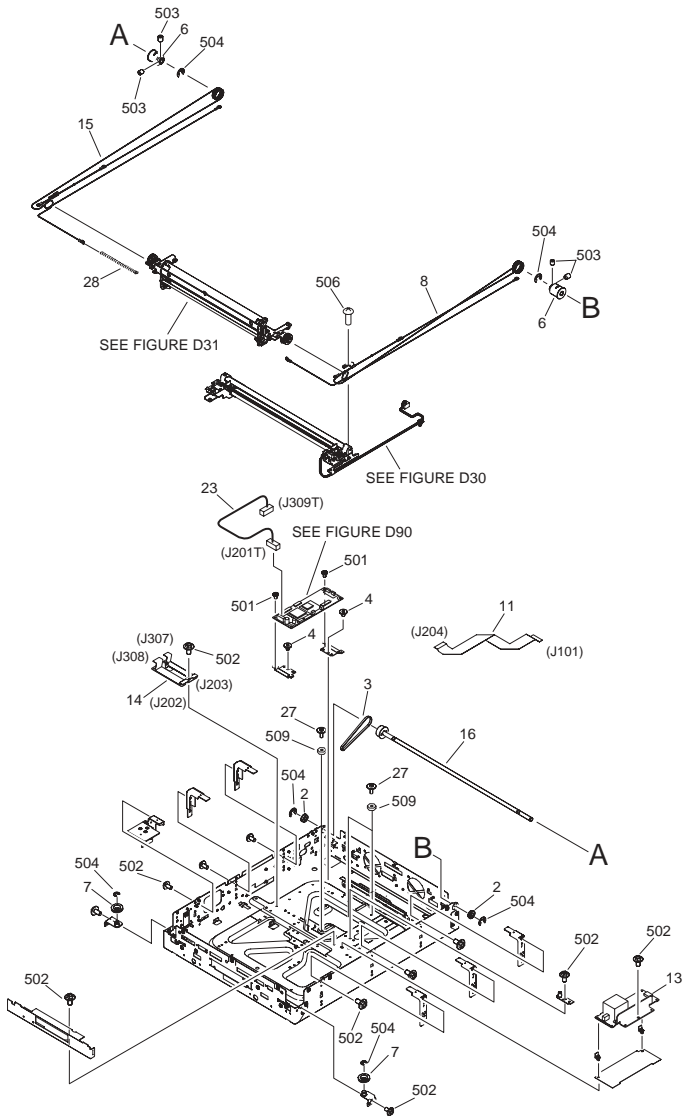


FIGURE & KEY NO.	PARTS NUMBER	R A N K	Q'TY	DESCRIPTION	SERIAL NUMBER/ REMARKS	S V C
Fig.D11	NPN		RF	READER FRAME ASSEMBLY	100V	
1	XA9-1521-000		7	SCREW,RS,M3X6		
2	XG9-0508-000		2	BEARING, BALL, F688ZZ		
3	XF2-4610-840		1	BELT, TIMING		
4	XA9-1415-000		2	SCREW, FLAT HEAD, M4		
5	FL2-3424-000		3	PLATE, GLASS POSITIONING		
6	FB5-3087-000		2	PULLEY		
7	FC6-4003-000		2	PULLEY		
8	FC6-4598-000		1	WIRE, FRONT		
9	FC6-5156-000		4	DAMPER		
10	FK2-0149-000		2	PHOTO-INTERRUPTER, TLP1252(C6)	PS501,502 J6,7	
11	FK2-1180-000		1	CABLE, FLAT		
12	FK2-1182-000		1	MOTOR, STEPPING, DC	M501 J306T	
13	FK2-1187-000		1	INVERTER PCB ASSEMBLY		
14	FL2-0631-000		1	CABLE, FLEXIBLE FLAT		
15	FC6-4599-000		1	WIRE, RIGHT		
16	FL2-3153-000		1	SHAFT, DRIVE		
17	FM2-4660-000		1	CABLE, ADF LATTICE	J305,312T,505	
18	XA9-0265-010		2	SCREW, WWASHER, TRUSS HEAD		
19	FC6-5117-000		1	LEVER, SENSOR, 1		
20	FC6-5118-000		1	LEVER, SENSOR, 2		
21	FU5-9370-000		1	SCREW,STEPPED,M4		
22	FU6-2363-000		1	SPRING, TORSION		
23	FM2-3929-000		1	CABLE, READER CONTROLLER POWER	J201T,309T	
24	FM2-3930-000		1	CABLE, SENSOR, HP	J7,321T	
25	FM2-3931-000		1	CABLE, LID	J6,322T	
26	VS1-7177-006		2	CONNECTOR, SNAP TIGHT, BK	J20,22	
27	FS5-9772-020		3	SCREW, HEIGHT ADJUSTING		
28	FU5-2284-000		1	SPRING, TENSION		
29	FU6-2137-000		2	SPRING		
501	XB1-2260-806		2	SCREW,MACH.TRUSS HEAD M2.6X8		
502	XB3-6400-805		5	SCREW,RS,M4X8		

FIGURE & KEY NO.	PARTS NUMBER	RANK	Q'TY	DESCRIPTION	SERIAL NUMBER/REMARKS	SVC
503	XB6-2400-508		4	SETSCREW, HEX SKT. M4X5		
504	XD2-1100-642		6	RING,E		
505	XB1-2300-606		4	SCREW, MACHINE M3X6		
506	XB6-7300-607		2	SCREW, CROOSS-RECESS, FCH		
507	XB4-2400-607		2	SCREW,MACH.,TRUSS HEAD,M4X6		
508	XB6-7400-605		AR	SCREW, BH4X6		
509	XB7-2100-407		3	NUT M4		

FIGURE D30 MIRROR ASSEMBLY 1

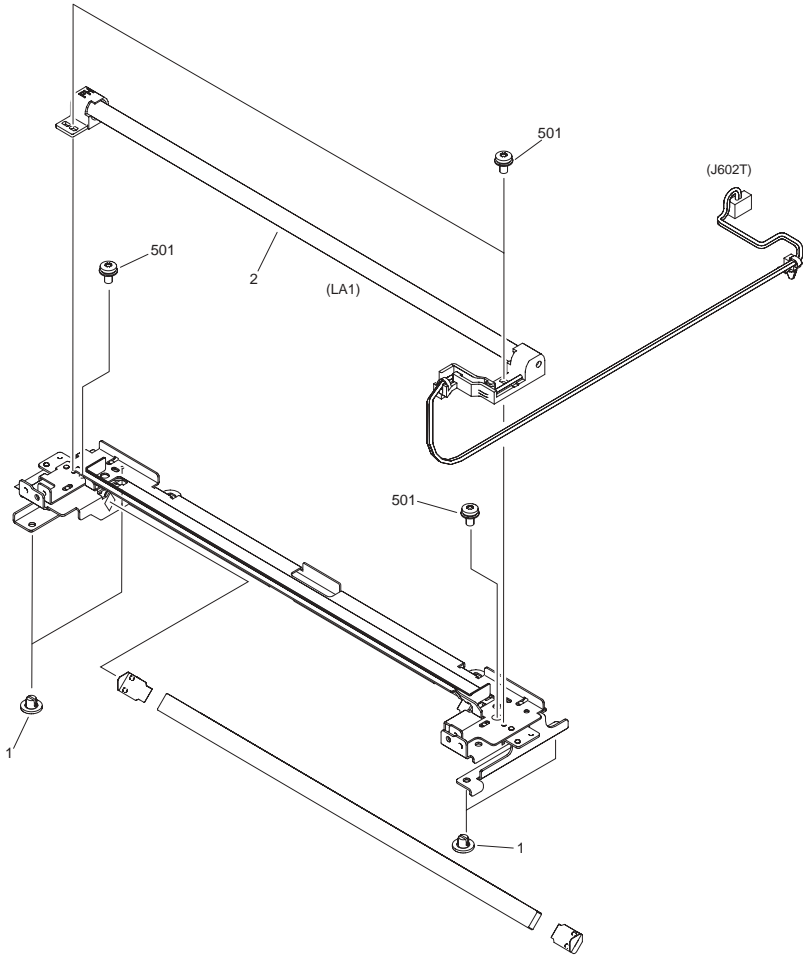


FIGURE & KEY NO.	PARTS NUMBER	RANK	Q'TY	DESCRIPTION	SERIAL NUMBER/REMARKS	SVC
Fig.D30	FM2-3922-000		1	MIRROR ASSEMBLY 1	100V	
1	FC5-0127-000		4	PIN, SLIDER		
2	FM2-3927-000		1	XENON LAMP UNIT		
501	XB2-8300-607		4	SCREW, M3X6, S		

FIGURE D31 MIRROR ASSEMBLY 2

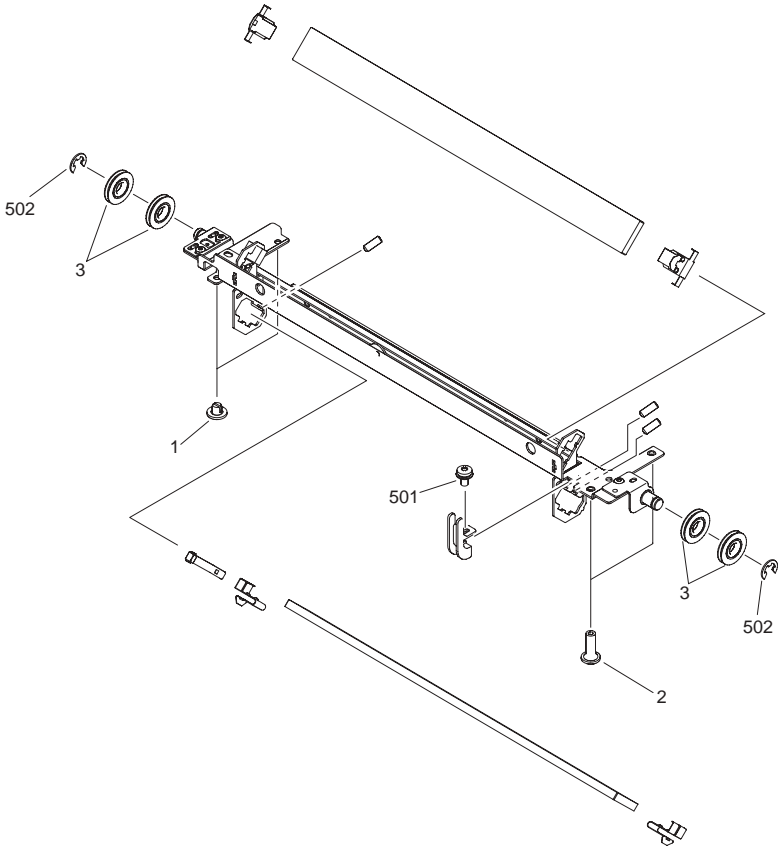


FIGURE & KEY NO.	PARTS NUMBER	RANK	Q'TY	DESCRIPTION	SERIAL NUMBER/REMARKS	SVC
Fig.D31	FM2-3936-000		1	MIRROR ASSEMBLY 2		
1	FC5-0127-000		2	PIN, SLIDER		
2	FC5-0136-000		2	PIN, SLIDER		
3	FL2-0647-000		4	PULLEY		
501	XB2-8300-607		1	SCREW, M3X6, S		
502	XD2-1100-642		2	RING,E		

FIGURE D90 READER CONTROLLER PCB ASSEMBLY

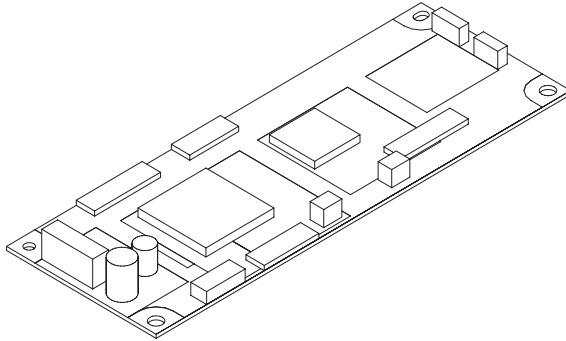


FIGURE & KEY NO.	PARTS NUMBER	RANK	QTY	DESCRIPTION	SERIAL NUMBER/REMARKS	SVC
Fig.D90	FM2-3932-000		1	READER CONTROLLER PCB ASSEMBLY	100V	
IC1	FK2-0134-000		1	IC, HD6432323VF20, MPU		
IC2	FK2-0349-000		1	IC, MB87M4430, ASIC		

FIGURE D91 INTERFACE PCB ASSEMBLY

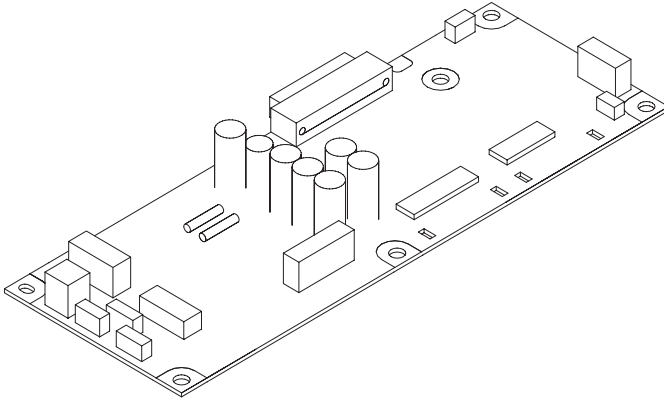


FIGURE & KEY NO.	PARTS NUMBER	RANK	Q'TY	DESCRIPTION	SERIAL NUMBER/REMARKS	SVC
Fig.D91	FM2-4662-000		1	INTERFACE PCB ASSEMBLY		
IC6	FK2-0248-000		1	IC, SLA7044MCRP, MOTOR DRIVER		

FIGURE G10 DOCUMENT TRAY ASSEMBLY

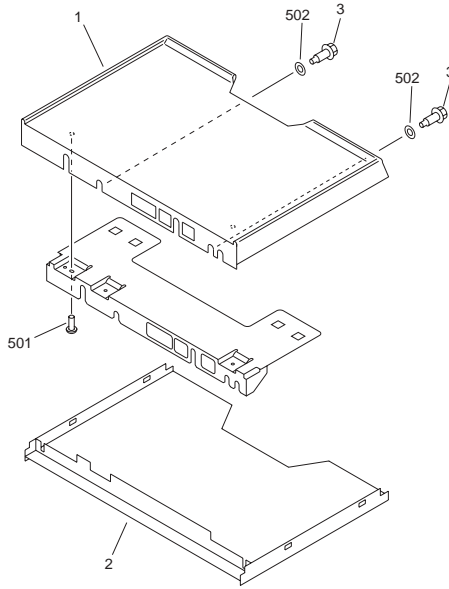


FIGURE & KEY NO.	PARTS NUMBER	RANK	QTY	DESCRIPTION	SERIAL NUMBER/REMARKS	SVC
Fig.G10	NPN		RF	DOCUMENT TRAY ASSEMBLY	120V	
1	FB6-5450-000		1	TRAY, DOCUMENT, UPPER		
2	FB6-5451-000		1	TRAY, DOCUMENT, LOWER		
3	XA9-1301-000		2	SCREW, RS STEPPED, M4		
501	XB6-7300-609		2	SCREW,TAPPING,TRUSS HEAD,M3X6		
502	XD1-1108-239		2	SHIM		

Prepared by
OIP Service Management Center
CANON INC.

Canon