

PARTS CATALOG

**imagePRESS
1135/1125/1110**



Canon

MARCH 3, 2009

PREFACE

This Parts Catalog contains listings of parts used

Diagrams are provided with the listings to aid the service technician in identifying clearly, the item to be ordered.

Whenever ordering parts, consult this Parts Catalog for all of the information pertaining to each item. Be sure to include, in the Parts Request, the full item description, the item part number, and the quantity.

COPYRIGHT (C) 1999 CANON INC.

Use of this manual should be strictly supervised to avoid disclosure of confidential information.

Contents

NUMERICAL INDEX

imagePRESS 1135/1125/1110(Numerical Index) 1-1

imagePRESS 1135/1125/1110(Parts Catalog)

A1	ASSEMBLY LOCATION DIAGRAM	2-1
A2	OPTION PARTS CATALOG LIST	2-9
001	ACCESSORIES	2-10
002	LABEL LOCATION DIAGRAM	2-13
100	EXTERNAL COVERS, PANELS, ETC.	2-16
101	INTERNAL COMPONENTS 1	2-19
102	INTERNAL COMPONENTS 2	2-22
103	INTERNAL COMPONENTS 3	2-25
104	INTERNAL COMPONENTS 4	2-27
105	INTERNAL COMPONENTS 5	2-29
106	INTERNAL COMPONENTS 6	2-31
107	MACHINE REAR PLATE 1	2-33
108	MACHINE REAR PLATE 2	2-35
109	MACHINE REAR PLATE 3	2-37
110	MACHINE REAR PLATE 4	2-39
111	MACHINE REAR PLATE 5	2-41
112	MACHINE REAR PLATE 6	2-43
125	INTERLOCK SWITCH ASSEMBLY	2-45
130	CONTROL PANEL ASSEMBLY	2-47
140	POWER CORD TERMINAL ASSEMBLY	2-49
190	FAN MOUNT ASSEMBLY	2-51
191	FAN DUCT ASSEMBLY	2-53
251	DRUM DRIVE ASSEMBLY	2-54
260	PAPER PICK-UP DRIVE ASS'Y	2-56
261	SHIFT DRIVE ASSEMBLY	2-58
280	FIXING DRIVE ASSEMBLY	2-60
300	PAPER STOCK ASSEMBLY	2-62
310	PAPER PICK-UP ASSEMBLY	2-69
318	PRE-REG. GUIDE ASSEMBLY	2-73
320	REGIST.PAPER FEEDER ASSEMBLY	2-75
321	PRE-REGISTRATION FEED ASSEMBLY	2-81
322	ESTRANGEMENT GUIDE ASSEMBLY	2-89
325	SECONDARY TRANSFER ASSEMBLY	2-91
330	FIXING/FEEDER FRAME ASSEMBLY	2-93
331	DUPLEXING FEEDER ASSEMBLY	2-98

Contents

332	PRE-FIXING PAPER FEED ASS'Y	2-102
333	ESCAPE ASSEMBLY	2-104
340	REVERSE ASSEMBLY	2-108
341	REVERSE GUIDE ASSEMBLY	2-110
342	REVERSE ESTRANGEMENT ASSEMBLY	2-112
349	EXTERNAL DELIVERY ASSEMBLY	2-114
350	PAPER DELIVERY ASSEMBLY	2-116
351	DELIVERY GUIDE ASSEMBLY, UPPER	2-117
352	DELIVERY BUFFER ASSEMBLY	2-120
353	BELT DECURLER ASSEMBLY, 1	2-124
354	PRESSURE DECURLER ASSEMBLY, 1	2-126
355	BELT DECURLER ASSEMBLY, 2	2-128
356	PRESSURE DECURLER ASSEMBLY, 2	2-130
357	FRONT DELIVERY BUFFER ASSEMBLY	2-132
358	DELIVERY INNER DOOR ASSEMBLY	2-136
359	DELIVERY OUTER DOOR ASSEMBLY	2-138
460	SCANNER ASSEMBLY	2-140
530	I.T.B. ASSEMBLY	2-141
531	I.T.B. CLEANER ASSEMBLY	2-147
532	PRE-TRANSFER CORONA ASSEMBLY	2-148
550	PRIMARY CORONA ASSEMBLY	2-150
600	PROCESSOR KIT ASSEMBLY	2-152
620	HOPPER ASSEMBLY	2-157
621	HOPPER BUFFER ASSEMBLY	2-160
625	SUPPLY PIPE ASSEMBLY	2-162
640	DEVELOPING ASSEMBLY	2-163
710	DRUM CLEANER ASSEMBLY	2-165
770	WASTE TONER FEEDER ASSEMBLY	2-166
771	WASTE TONER BOTTLE TRAY ASS'Y	2-167
772	WASTE TONER DRIVE ASSEMBLY	2-169
810	FIXING ASSEMBLY	2-171
811	FIXING FRAME ASSEMBLY, MAIN	2-173
812	FIXING UPPER ASSEMBLY	2-175
813	FIXING LOWER ASSEMBLY	2-179
814	INNER PAPER DELIVERY ASS'Y	2-184
830	FIXING CLEANER ASSEMBLY	2-188
840	EXTERNAL HEATING ASSEMBLY	2-190
850	CLEANER DRIVE ASSEMBLY	2-193
900	CONTROLLER BOX ASSEMBLY	2-195
910	DC POWER SUPPLY ASS'Y, 12V	2-197
911	DC POWER SUPPLY ASS'Y, 1(24V)	2-198
912	DC POWER SUPPLY ASS'Y, 2(24V)	2-199
913	DC POWER SUPPLY ASS'Y, 3(24V)	2-200
930	MAIN CONTROLLER PCB ASS'Y, 2	2-201
931	DC CONTROLLER PCB ASSEMBLY	2-202

Contents

940	LASER INTERFACE PCB ASSEMBLY	2-203
960	PAPER PICK-UP DRIVER PCB ASS'Y	2-204
961	BUFFER DRIVER PCB ASSEMBLY	2-205
962	ACTIVE DRIVER PCB ASSEMBLY	2-206
963	P-KIT DRIVER PCB ASS'Y	2-207
964	I.T.B. DRIVER PCB ASSEMBLY	2-208
965	REVERSE DRIVER PCB ASSEMBLY	2-209
966	FIXING MAIN DRIVER PCB ASS'Y	2-210
980	HIGH VOLTAGE PCB ASSEMBLY	2-211
981	DEV. HIGH VOLTAGE PCB ASSEMBLY	2-213
982	FIRST CORONA H.V. PCB ASSEMBLY	2-214
983	POST HIGH VOLTAGE PCB ASS'Y	2-215
984	2ND TRNSFR. H.V. PCB ASS'Y	2-216
985	FIXING HIGH VOLTAGE PCB ASS'Y	2-217
ZZA	MECHANICAL STANDARD PARTS (HOW TO USE)	2-218
ZZB	MECHANICAL STANDARD PARTS (SCREWS)	2-219
ZZC	MECHANICAL STANDARD PARTS (BOLTS)	2-226
ZZD	MECHANICAL STANDARD PARTS (NUTS)	2-227
ZZE	MECHANICAL STANDARD PARTS (RETAINING RINGS)	2-228

NUMERICAL INDEX

imagePRESS 1135/1125/1110(Numerical Index)

PARTS NUMBER	FIGURE & KEY NO.	PARTS NUMBER	FIGURE & KEY NO.	PARTS NUMBER	FIGURE & KEY NO.
FA3-2128-000	532 - 1	FB5-9104-010	355 - 1	FC5-8146-000	310 - 14
FA3-2764-020	814 - 1	FB5-9104-010	356 - 1	FC5-8147-000	310 - 15
FA6-8257-000	300 - 1	FB5-9104-010	357 - 2	FC5-8149-000	310 - 16
FA9-2112-000	102 - 1	FB6-0432-000	101 - 20	FC5-8153-000	310 - 17
FA9-2112-000	106 - 1	FB6-0439-020	101 - 37	FC5-8154-000	310 - 18
FA9-2112-000	300 - 2	FB6-0450-000	101 - 21	FC5-8165-000	102 - 3
FA9-2112-000	310 - 1	FB6-0599-000	814 - 5	FC5-8171-000	310 - 19
FA9-2112-000	320 - 1	FB6-2373-000	352 - 2	FC5-8205-000	300 - 8
FA9-2112-000	321 - 1	FB6-2954-000	330 - 4	FC5-8206-000	300 - 9
FA9-2112-000	330 - 1	FB6-3150-000	332 - 2	FC5-8207-000	300 - 10
FA9-2112-000	331 - 1	FB6-3771-000	100 - 2	FC5-8221-000	321 - 5
FA9-2112-000	340 - 1	FB6-3953-000	130 - 1	FC5-8246-000	300 - 11
FA9-2112-000	349 - 1	FB6-6088-000	330 - 5	FC5-8247-000	300 - 3
FA9-2112-000	352 - 1	FC2-2121-000	530 - 2	FC5-8265-000	310 - 20
FA9-2112-000	357 - 1	FC2-2121-000	811 - 1	FC5-8293-000	300 - 12
FA9-2112-000	358 - 1	FC2-2121-000	812 - 2	FC5-8294-000	300 - 13
FA9-2112-000	359 - 1	FC2-2121-000	813 - 2	FC5-8295-000	300 - 14
FA9-2112-000	530 - 1	FC2-5100-000	351 - 2	FC5-8296-000	300 - 15
FB1-9860-000	330 - 2	FC5-0127-000	620 - 1	FC5-8338-000	331 - 4
FB1-9860-000	332 - 1	FC5-1146-000	103 - 21	FC5-8467-000	321 - 6
FB2-0037-000	100 - 1	FC5-1904-000	620 - 2	FC5-8538-000	300 - 16
FB2-1019-000	318 - 1	FC5-1945-000	620 - 3	FC5-8539-000	300 - 17
FB2-1019-000	320 - 2	FC5-2067-000	332 - 3	FC5-8542-000	300 - 18
FB2-3159-000	330 - 3	FC5-2161-000	325 - 2	FC5-8561-000	300 - 19
FB2-7168-000	814 - 2	FC5-2162-000	325 - 3	FC5-8579-000	190 - 1
FB2-7169-000	814 - 3	FC5-2199-000	330 - 6	FC5-8746-000	621 - 2
FB2-7240-000	812 - 1	FC5-2369-020	850 - 1	FC5-8747-000	621 - 3
FB2-7755-000	310 - 2	FC5-2437-000	107 - 1	FC5-8748-000	621 - 4
FB2-7755-000	333 - 1	FC5-2582-000	840 - 1	FC5-8755-000	620 - 5
FB2-8010-000	359 - 2	FC5-2669-000	325 - 4	FC5-8771-000	621 - 6
FB2-8192-000	830 - 1	FC5-2715-000	321 - 4	FC5-8863-000	102 - 4
FB2-8499-000	342 - 1	FC5-2715-000	330 - 7	FC5-9014-000	280 - 1
FB3-3834-000	102 - 2	FC5-2715-000	352 - 3	FC5-9014-000	812 - 4
FB3-7543-000	251 - 1	FC5-2715-000	811 - 2	FC5-9121-000	530 - 5
FB3-7543-000	320 - 3	FC5-2760-000	358 - 2	FC5-9141-000	530 - 6
FB3-7543-000	813 - 1	FC5-4765-020	331 - 2	FC5-9144-000	530 - 7
FB3-8414-000	814 - 4	FC5-5077-000	325 - 5	FC5-9145-000	530 - 8
FB3-9241-000	300 - 4	FC5-5167-000	331 - 3	FC5-9559-000	320 - 4
FB3-9243-000	300 - 5	FC5-7733-000	530 - 3	FC5-9559-000	321 - 7
FB3-9244-000	300 - 6	FC5-8003-000	621 - 1	FC5-9559-000	331 - 5
FB3-9319-000	300 - 7	FC5-8003-000	640 - 1	FC5-9559-000	340 - 2
FB4-1494-000	930 - 1	FC5-8112-000	105 - 1	FC5-9559-000	349 - 2
FB4-1494-000	931 - 1	FC5-8115-000	310 - 3	FC5-9559-000	357 - 3
FB4-1806-000	321 - 2	FC5-8116-010	310 - 4	FC5-9559-000	358 - 3
FB4-2007-000	325 - 1	FC5-8120-000	310 - 5	FC5-9559-000	530 - 10
FB4-3687-000	532 - 18	FC5-8121-000	310 - 6	FC5-9619-000	320 - 5
FB4-3687-000	550 - 22	FC5-8122-000	310 - 7	FC5-9641-000	261 - 1
FB4-8940-020	321 - 3	FC5-8126-000	310 - 8	FC5-9643-000	261 - 2
FB4-9525-000	600 - 2	FC5-8127-000	310 - 9	FC5-9668-000	322 - 1
FB5-9104-010	351 - 1	FC5-8133-000	310 - 10	FC5-9775-000	814 - 8
FB5-9104-010	353 - 1	FC5-8142-000	310 - 11	FC5-9792-000	814 - 10
FB5-9104-010	354 - 1	FC5-8144-000	310 - 13	FC5-9810-000	840 - 2

NUMERICAL INDEX

imagePRESS 1135/1125/1110(Numerical Index)

PARTS NUMBER	FIGURE & KEY NO.	PARTS NUMBER	FIGURE & KEY NO.	PARTS NUMBER	FIGURE & KEY NO
FC5-9811-000	840 - 3	FC6-5732-000	100 - 3	FC7-1199-000	356 - 2
FC5-9826-000	840 - 4	FC6-6250-000	358 - 5	FC7-1551-000	102 - 6
FC5-9918-000	321 - 8	FC6-6361-000	102 - 5	FC7-1552-000	102 - 7
FC6-0416-000	813 - 3	FC6-6824-000	101 - 34	FC7-1553-000	102 - 8
FC6-1260-000	814 - 11	FC6-6824-000	130 - 14	FC7-1559-000	102 - 9
FC6-1292-000	850 - 2	FC6-7819-000	530 - 11	FC7-1564-000	102 - 12
FC6-1664-000	325 - 6	FC6-8073-000	330 - 9	FC7-1568-000	102 - 13
FC6-1731-000	331 - 6	FC6-8139-000	620 - 19	FC7-1616-000	102 - 15
FC6-1731-000	359 - 3	FC6-8219-000	321 - 9	FC7-2431-000	300 - 31
FC6-2035-000	101 - 1	FC6-8306-000	320 - 6	FC7-2432-000	300 - 32
FC6-2056-000	814 - 7	FC6-8306-000	322 - 2	FC7-2436-000	300 - 113
FC6-2058-000	814 - 9	FC6-8306-000	342 - 2	FC7-2439-000	300 - 33
FC6-2266-000	352 - 4	FC6-8307-000	320 - 7	FC7-2450-000	300 - 34
FC6-2272-000	330 - 8	FC6-8422-010	812 - 7	FC7-2465-000	105 - 2
FC6-2294-000	620 - 6	FC6-8502-000	320 - 8	FC7-2638-000	105 - 3
FC6-2301-000	620 - 7	FC6-8502-000	322 - 3	FC7-3068-000	001 - 2
FC6-2303-000	620 - 8	FC6-8502-000	342 - 3	FC7-3106-000	280 - 3
FC6-2313-000	620 - 9	FC6-8504-000	331 - 8	FC7-3130-000	322 - 4
FC6-2314-000	620 - 10	FC6-8524-000	810 - 1	FC7-3130-000	342 - 4
FC6-2317-000	620 - 11	FC6-8563-000	771 - 1	FC7-3330-000	321 - 12
FC6-2335-000	621 - 7	FC6-8565-000	771 - 2	FC7-3427-000	811 - 3
FC6-2336-000	621 - 8	FC6-8576-000	812 - 10	FC7-3441-000	813 - 4
FC6-2339-000	620 - 13	FC6-8601-000	349 - 3	FC7-3480-000	813 - 5
FC6-2342-000	620 - 14	FC6-8948-000	100 - 4	FC7-4017-000	300 - 37
FC6-2346-000	620 - 15	FC6-9029-000	600 - 4	FC7-4024-000	300 - 38
FC6-2347-000	620 - 16	FC6-9945-000	300 - 20	FC7-4027-000	300 - 39
FC6-2501-000	108 - 1	FC6-9946-000	300 - 21	FC7-4035-000	530 - 12
FC6-3160-000	100 - 48	FC6-9959-000	300 - 22	FC7-4043-000	106 - 9
FC6-3173-000	125 - 1	FC6-9960-000	300 - 23	FC7-4064-000	813 - 6
FC6-3188-000	532 - 2	FC6-9961-000	300 - 24	FC7-4064-000	814 - 12
FC6-3188-000	550 - 1	FC6-9965-000	300 - 25	FC7-4068-010	814 - 13
FC6-4943-000	130 - 2	FC6-9966-000	300 - 26	FC7-4073-000	814 - 14
FC6-4945-000	130 - 3	FC6-9967-000	300 - 27	FC7-4074-000	814 - 15
FC6-4946-000	130 - 4	FC6-9969-000	300 - 28	FC7-4076-000	814 - 16
FC6-4947-000	130 - 5	FC6-9969-000	321 - 10	FC7-4077-000	814 - 17
FC6-4949-000	130 - 6	FC6-9972-000	300 - 29	FC7-4299-000	331 - 10
FC6-4950-000	130 - 7	FC6-9980-000	300 - 81	FC7-4394-000	102 - 16
FC6-4951-000	130 - 8	FC6-9982-000	300 - 30	FC7-4577-000	840 - 9
FC6-4952-000	130 - 9	FC6-9992-000	001 - 3	FC7-4595-000	351 - 5
FC6-4954-000	130 - 10	FC7-0027-000	321 - 11	FC7-4600-000	353 - 2
FC6-4955-000	130 - 11	FC7-0027-000	331 - 9	FC7-4600-000	355 - 2
FC6-4956-000	130 - 12	FC7-0027-000	333 - 2	FC7-4615-000	812 - 11
FC6-4957-000	130 - 13	FC7-0027-000	341 - 2	FC7-4641-000	814 - 18
FC6-4958-000	101 - 29	FC7-0027-000	358 - 6	FC7-4642-000	814 - 19
FC6-4959-000	101 - 30	FC7-0027-000	359 - 5	FC7-4646-000	814 - 20
FC6-4960-000	101 - 31	FC7-0177-000	830 - 2	FC7-4913-000	812 - 12
FC6-4961-000	101 - 32	FC7-0222-000	101 - 23	FC7-4915-000	840 - 10
FC6-5481-000	620 - 17	FC7-0223-000	101 - 24	FC7-4935-000	840 - 11
FC6-5482-000	620 - 18	FC7-0616-000	108 - 2	FC7-4936-000	840 - 12
FC6-5614-000	101 - 33	FC7-0617-000	108 - 3	FC7-4941-000	106 - 2
FC6-5681-000	600 - 3	FC7-1138-000	351 - 4	FC7-4958-000	810 - 3
FC6-5731-000	101 - 22	FC7-1199-000	354 - 2	FC7-5044-000	130 - 16

NUMERICAL INDEX

imagePRESS 1135/1125/1110(Numerical Index)

PARTS NUMBER	FIGURE & KEY NO.	PARTS NUMBER	FIGURE & KEY NO.	PARTS NUMBER	FIGURE & KEY NO.
FC7-5100-000	190 - 2	FC7-8115-000	100 - 18	FC7-8501-000	354 - 3
FC7-5560-000	330 - 10	FC7-8130-000	100 - 49	FC7-8501-000	356 - 3
FC7-5560-000	352 - 5	FC7-8144-000	331 - 11	FC7-8502-000	354 - 4
FC7-5565-000	300 - 85	FC7-8145-000	331 - 12	FC7-8502-000	356 - 4
FC7-5571-000	300 - 35	FC7-8148-000	331 - 13	FC7-8503-000	354 - 5
FC7-5573-000	300 - 36	FC7-8164-000	320 - 80	FC7-8503-000	356 - 5
FC7-5584-000	300 - 40	FC7-8171-000	320 - 9	FC7-8505-000	354 - 7
FC7-5585-000	300 - 41	FC7-8173-000	320 - 10	FC7-8505-000	356 - 7
FC7-5590-000	300 - 42	FC7-8183-000	320 - 11	FC7-8511-000	353 - 3
FC7-5591-000	300 - 43	FC7-8187-000	320 - 14	FC7-8511-000	355 - 3
FC7-5592-000	105 - 5	FC7-8188-000	320 - 15	FC7-8530-000	351 - 7
FC7-5757-000	812 - 13	FC7-8195-000	320 - 16	FC7-8531-000	351 - 8
FC7-5758-000	812 - 14	FC7-8196-000	320 - 17	FC7-8545-000	331 - 15
FC7-5759-000	812 - 15	FC7-8201-000	318 - 2	FC7-8545-000	351 - 9
FC7-5760-000	812 - 16	FC7-8201-000	320 - 18	FC7-8545-000	357 - 15
FC7-7549-000	840 - 14	FC7-8205-000	320 - 81	FC7-8548-000	354 - 8
FC7-7550-000	280 - 4	FC7-8206-000	320 - 19	FC7-8548-000	356 - 8
FC7-7573-000	850 - 3	FC7-8207-000	320 - 39	FC7-8553-000	813 - 7
FC7-7694-000	300 - 44	FC7-8216-000	320 - 21	FC7-8555-000	813 - 27
FC7-7699-000	300 - 45	FC7-8217-000	320 - 22	FC7-8558-000	813 - 8
FC7-7715-000	105 - 6	FC7-8239-000	318 - 3	FC7-8571-000	357 - 16
FC7-7715-000	300 - 46	FC7-8240-000	318 - 4	FC7-8577-000	359 - 9
FC7-7716-000	105 - 7	FC7-8243-000	320 - 24	FC7-8606-000	352 - 9
FC7-7930-000	107 - 3	FC7-8272-000	321 - 13	FC7-8627-000	321 - 14
FC7-8000-000	101 - 2	FC7-8272-000	331 - 14	FC7-8627-000	333 - 3
FC7-8003-000	101 - 3	FC7-8272-000	340 - 3	FC7-8628-000	333 - 4
FC7-8028-000	105 - 8	FC7-8272-000	349 - 4	FC7-8637-000	321 - 15
FC7-8042-000	100 - 5	FC7-8272-000	357 - 5	FC7-8638-000	321 - 16
FC7-8057-000	100 - 6	FC7-8272-000	358 - 7	FC7-8639-000	321 - 17
FC7-8058-000	100 - 7	FC7-8276-000	320 - 25	FC7-8654-000	321 - 18
FC7-8059-000	100 - 8	FC7-8282-000	104 - 3	FC7-8662-000	333 - 5
FC7-8065-000	100 - 10	FC7-8290-000	330 - 11	FC7-8685-000	333 - 6
FC7-8066-000	100 - 11	FC7-8322-000	102 - 20	FC7-8686-000	333 - 7
FC7-8069-000	100 - 12	FC7-8323-000	102 - 21	FC7-8688-000	321 - 94
FC7-8070-000	100 - 13	FC7-8353-000	322 - 25	FC7-8692-000	359 - 10
FC7-8077-000	100 - 14	FC7-8388-000	349 - 5	FC7-8693-000	359 - 11
FC7-8080-000	100 - 15	FC7-8406-000	357 - 6	FC7-8708-000	322 - 5
FC7-8082-000	100 - 16	FC7-8407-000	357 - 7	FC7-8729-000	321 - 19
FC7-8086-000	100 - 17	FC7-8408-000	357 - 8	FC7-8730-000	321 - 20
FC7-8090-000	105 - 9	FC7-8409-000	357 - 9	FC7-8731-000	330 - 13
FC7-8091-000	105 - 10	FC7-8420-000	358 - 9	FC7-8733-000	325 - 7
FC7-8092-000	104 - 1	FC7-8421-000	358 - 10	FC7-8739-000	850 - 4
FC7-8094-000	104 - 2	FC7-8432-000	357 - 47	FC7-8740-000	325 - 8
FC7-8095-000	106 - 3	FC7-8433-000	357 - 11	FC7-8743-000	322 - 6
FC7-8096-000	106 - 4	FC7-8440-000	357 - 12	FC7-8744-000	321 - 21
FC7-8097-000	106 - 5	FC7-8441-000	357 - 13	FC7-8751-000	332 - 5
FC7-8102-000	106 - 6	FC7-8441-000	358 - 11	FC7-8752-000	332 - 6
FC7-8103-000	102 - 17	FC7-8442-000	357 - 14	FC7-8764-000	330 - 14
FC7-8104-000	102 - 18	FC7-8442-000	358 - 12	FC7-8765-000	330 - 15
FC7-8105-000	102 - 19	FC7-8467-000	359 - 6	FC7-8767-000	332 - 7
FC7-8108-000	101 - 4	FC7-8468-000	359 - 7	FC7-8768-000	332 - 8
FC7-8112-000	101 - 5	FC7-8477-000	106 - 8	FC7-8770-000	332 - 10

NUMERICAL INDEX

imagePRESS 1135/1125/1110(Numerical Index)

PARTS NUMBER	FIGURE & KEY NO.	PARTS NUMBER	FIGURE & KEY NO.	PARTS NUMBER	FIGURE & KEY NO
FC7-8774-000	325 - 10	FC7-9183-000	532 - 3	FC7-9539-000	300 - 49
FC7-8775-000	325 - 11	FC7-9184-000	532 - 4	FC7-9540-000	300 - 50
FC7-8776-000	325 - 12	FC7-9185-000	532 - 5	FC7-9569-000	105 - 27
FC7-8783-000	325 - 13	FC7-9185-000	550 - 2	FC7-9726-000	300 - 51
FC7-8792-000	325 - 14	FC7-9200-000	532 - 6	FC7-9740-000	814 - 26
FC7-8794-000	322 - 7	FC7-9202-000	532 - 7	FC8-1119-000	102 - 23
FC7-8795-000	321 - 22	FC7-9209-000	532 - 8	FC8-1119-000	530 - 41
FC7-8836-000	812 - 17	FC7-9210-000	550 - 3	FC8-1648-000	300 - 52
FC7-8838-000	812 - 19	FC7-9212-000	550 - 4	FC8-1655-000	300 - 53
FC7-8844-000	812 - 20	FC7-9213-000	550 - 5	FC8-3309-000	130 - 15
FC7-8845-000	812 - 21	FC7-9215-000	550 - 7	FC8-3310-000	130 - 15
FC7-8849-000	813 - 11	FC7-9216-000	550 - 8	FC8-3311-000	130 - 15
FC7-8851-000	811 - 4	FC7-9217-000	550 - 9	FC8-3312-000	130 - 16
FC7-8856-000	811 - 5	FC7-9223-000	550 - 10	FC8-3313-000	130 - 16
FC7-8857-000	811 - 6	FC7-9224-000	550 - 11	FC8-3870-000	102 - 24
FC7-8858-000	814 - 21	FC7-9226-000	600 - 17	FC8-3881-000	300 - 54
FC7-8859-000	814 - 22	FC7-9228-000	600 - 18	FC8-3886-000	300 - 55
FC7-8871-000	812 - 22	FC7-9230-000	600 - 19	FC8-3889-000	300 - 56
FC7-8872-000	812 - 23	FC7-9252-000	530 - 13	FC8-3892-000	300 - 57
FC7-8877-000	813 - 12	FC7-9253-000	530 - 14	FC8-3895-000	300 - 58
FC7-8888-000	813 - 13	FC7-9254-000	530 - 15	FC8-3900-000	300 - 59
FC7-8889-000	813 - 14	FC7-9255-000	530 - 16	FC8-6481-000	813 - 17
FC7-8893-000	813 - 16	FC7-9260-000	530 - 17	FC8-6486-000	811 - 8
FC7-8899-000	830 - 3	FC7-9261-000	530 - 18	FC8-6487-000	814 - 29
FC7-8905-000	830 - 4	FC7-9262-000	530 - 19	FC8-6488-000	830 - 6
FC7-8910-000	810 - 4	FC7-9263-000	530 - 20	FC8-6489-000	813 - 18
FC7-8913-000	850 - 5	FC7-9264-000	530 - 21	FC8-6501-000	600 - 42
FC7-8919-000	812 - 24	FC7-9265-000	530 - 22	FC8-6511-000	330 - 17
FC7-8920-000	812 - 25	FC7-9266-000	530 - 23	FC8-6529-000	107 - 4
FC7-8926-000	814 - 24	FC7-9267-000	530 - 24	FC8-6537-000	357 - 17
FC7-8928-000	814 - 25	FC7-9274-000	530 - 26	FC8-6540-000	351 - 11
FC7-8940-000	621 - 9	FC7-9277-000	530 - 27	FC8-6540-000	352 - 10
FC7-8966-000	640 - 2	FC7-9292-000	530 - 28	FC8-6546-000	357 - 18
FC7-8972-000	640 - 3	FC7-9293-000	530 - 29	FC8-6546-000	358 - 13
FC7-9020-000	107 - 2	FC7-9294-000	530 - 30	FC8-6547-000	351 - 12
FC7-9034-000	102 - 22	FC7-9295-000	530 - 31	FC8-6547-000	357 - 19
FC7-9040-000	600 - 5	FC7-9298-000	530 - 32	FC8-6547-000	358 - 14
FC7-9041-000	600 - 6	FC7-9298-000	600 - 20	FC8-6555-000	321 - 23
FC7-9042-000	251 - 2	FC7-9299-000	530 - 33	FC8-6555-000	333 - 8
FC7-9056-000	600 - 7	FC7-9299-000	600 - 21	FC8-6556-000	321 - 24
FC7-9057-000	600 - 8	FC7-9308-000	530 - 34	FC8-6557-000	321 - 25
FC7-9058-000	600 - 9	FC7-9311-000	530 - 35	FC8-6557-000	331 - 16
FC7-9060-000	103 - 1	FC7-9312-000	103 - 3	FC8-6557-000	341 - 3
FC7-9065-000	600 - 10	FC7-9319-000	530 - 36	FC8-6557-000	342 - 7
FC7-9078-000	103 - 2	FC7-9320-000	530 - 37	FC8-6557-000	349 - 9
FC7-9087-000	600 - 12	FC7-9321-000	530 - 4	FC8-6557-000	357 - 21
FC7-9088-000	600 - 13	FC7-9324-000	530 - 38	FC8-6557-000	358 - 16
FC7-9129-000	600 - 15	FC7-9325-000	530 - 39	FC8-6557-000	359 - 12
FC7-9130-000	600 - 16	FC7-9326-000	530 - 40	FC8-6559-000	353 - 4
FC7-9145-000	531 - 1	FC7-9327-000	103 - 22	FC8-6559-000	355 - 4
FC7-9145-000	710 - 1	FC7-9534-000	300 - 47	FC8-6648-000	640 - 4
FC7-9160-000	600 - 1	FC7-9536-000	300 - 48	FC8-6662-000	900 - 12

NUMERICAL INDEX

imagePRESS 1135/1125/1110(Numerical Index)

PARTS NUMBER	FIGURE & KEY NO.	PARTS NUMBER	FIGURE & KEY NO.	PARTS NUMBER	FIGURE & KEY NO
FC8-6675-000	600 - 22	FC8-9738-000	814 - 31	FC9-7233-000	322 - 16
FC8-6676-000	600 - 23	FC9-0170-000	100 - 20	FC9-7237-000	840 - 27
FC8-6677-000	600 - 24	FC9-0177-000	100 - 21	FC9-7239-000	840 - 5
FC8-6678-000	332 - 11	FC9-0189-000	811 - 9	FC9-7240-000	102 - 52
FC8-6687-000	530 - 43	FC9-0204-000	850 - 23	FC9-8165-000	140 - 11
FC8-6689-000	530 - 45	FC9-0218-000	002 - 1	FF3-4135-000	550 - 12
FC8-6697-000	321 - 26	FC9-0219-000	002 - 2	FF5-2930-000	105 - 12
FC8-6698-000	321 - 27	FC9-0220-000	002 - 3	FG6-6894-020	600 - 27
FC8-6699-000	333 - 9	FC9-0221-000	002 - 4	FG6-9015-000	125 - 2
FC8-6713-000	354 - 9	FC9-0222-000	002 - 5	FG6-9259-020	333 - 10
FC8-6713-000	356 - 9	FC9-0223-000	002 - 4	FH3-0893-010	981 - T
FC8-6735-000	357 - 23	FC9-0225-000	002 - 4	FH3-0967-000	983 - T
FC8-6737-000	357 - 24	FC9-0226-000	002 - 5	FH3-0967-000	985 - T
FC8-6743-000	814 - 30	FC9-0227-000	002 - 4	FH4-6300-000	931 - IC
FC8-7654-000	300 - 60	FC9-0228-000	002 - 5	FH6-1543-020	640 - 5
FC8-7655-000	300 - 61	FC9-0231-000	001 - 9	FH7-7626-000	140 - 1
FC8-7659-000	300 - 62	FC9-0232-000	001 - 10	FK2-0009-000	330 - 18
FC8-7663-000	300 - 63	FC9-0233-000	001 - 11	FK2-0009-000	357 - 25
FC8-7665-000	300 - 64	FC9-0234-000	001 - 12	FK2-0014-000	140 - 2
FC8-7668-000	001 - 8	FC9-0235-000	001 - 13	FK2-0015-000	620 - 21
FC8-7672-000	105 - 11	FC9-0236-000	001 - 14	FK2-0104-000	940 - IC
FC8-7675-000	105 - 4	FC9-0237-000	001 - 14	FK2-0105-000	980 - 1
FC8-7678-000	300 - 88	FC9-0238-000	340 - 4	FK2-0149-000	105 - 13
FC8-7679-000	300 - 65	FC9-0239-000	530 - 47	FK2-0149-000	300 - 66
FC8-7687-000	105 - 4	FC9-0241-000	530 - 48	FK2-0149-000	620 - 22
FC8-9074-000	320 - 26	FC9-0245-000	001 - 14	FK2-0149-000	812 - 26
FC8-9075-000	320 - 27	FC9-0246-000	001 - 14	FK2-0149-000	850 - 6
FC8-9082-000	321 - 28	FC9-0247-000	001 - 14	FK2-0170-000	191 - 1
FC8-9084-000	321 - 29	FC9-0248-000	001 - 14	FK2-0484-020	530 - 49
FC8-9085-000	321 - 30	FC9-0249-000	001 - 14	FK2-0527-000	984 - T
FC8-9090-000	321 - 31	FC9-0252-000	325 - 15	FK2-0528-000	984 - T
FC8-9112-000	530 - 46	FC9-0260-000	600 - 26	FK2-0590-000	621 - 10
FC8-9117-000	600 - 25	FC9-0264-000	100 - 22	FK2-0590-000	640 - 6
FC8-9134-000	620 - 20	FC9-0264-000	349 - 9	FK2-0591-000	102 - 28
FC8-9141-000	102 - 25	FC9-0267-000	102 - 27	FK2-0591-000	772 - 1
FC8-9143-000	101 - 25	FC9-4832-000	321 - 32	FK2-0668-000	930 - IC
FC8-9144-000	101 - 26	FC9-4832-000	331 - 7	FK2-0831-000	814 - 32
FC8-9145-000	101 - 27	FC9-4832-000	341 - 1	FK2-0999-000	321 - 33
FC8-9146-000	101 - 28	FC9-4832-000	342 - 9	FK2-1773-000	931 - IC
FC8-9148-000	107 - 5	FC9-4832-000	349 - 10	FK2-1773-000	960 - IC
FC8-9153-000	100 - 51	FC9-4832-000	351 - 3	FK2-1773-000	961 - IC
FC8-9158-000	771 - 6	FC9-4832-000	357 - 4	FK2-1773-000	962 - IC
FC8-9693-000	813 - 19	FC9-4832-000	358 - 4	FK2-1773-000	963 - IC
FC8-9695-000	813 - 20	FC9-4832-000	359 - 4	FK2-1773-000	964 - IC
FC8-9696-000	813 - 21	FC9-4837-000	107 - 6	FK2-1773-000	965 - IC
FC8-9708-000	830 - 7	FC9-4852-000	830 - 5	FK2-1773-000	966 - IC
FC8-9709-000	830 - 8	FC9-7031-000	103 - 6	FK2-2046-000	940 - IC
FC8-9715-000	830 - 9	FC9-7203-000	840 - 6	FK2-2064-000	330 - 20
FC8-9716-000	830 - 10	FC9-7204-000	840 - 7	FK2-2064-000	351 - 14
FC8-9731-000	530 - 68	FC9-7217-000	840 - 8	FK2-2064-000	352 - 12
FC8-9734-000	100 - 19	FC9-7219-000	814 - 27	FK2-2509-000	333 - 25
FC8-9737-000	813 - 15	FC9-7231-000	980 - 9	FK2-2728-000	620 - 23

NUMERICAL INDEX

imagePRESS 1135/1125/1110(Numerical Index)

PARTS NUMBER	FIGURE & KEY NO.	PARTS NUMBER	FIGURE & KEY NO.	PARTS NUMBER	FIGURE & KEY NO
FK2-2869-000	318 - 5	FK2-6474-000	330 - 24	FK2-8552-000	325 - 21
FK2-2972-000	300 - 67	FK2-6476-000	962 - IC	FK2-8552-000	331 - 18
FK2-2973-000	300 - 112	FK2-6477-000	101 - 6	FK2-8552-000	333 - 12
FK2-2975-000	300 - 68	FK2-6477-000	600 - 32	FK2-8552-000	340 - 6
FK2-2978-000	105 - 25	FK2-6478-000	811 - 10	FK2-8552-000	342 - 11
FK2-2979-000	105 - 26	FK2-6478-000	813 - 23	FK2-8552-000	351 - 17
FK2-2984-000	300 - 69	FK2-6479-000	811 - 11	FK2-8552-000	352 - 16
FK2-2989-000	190 - 4	FK2-6479-000	813 - 24	FK2-8552-000	356 - 10
FK2-3098-000	108 - 4	FK2-6480-000	840 - 15	FK2-8552-000	357 - 27
FK2-3130-000	260 - 1	FK2-6481-000	840 - 16	FK2-8552-000	359 - 14
FK2-3132-000	813 - 22	FK2-6482-000	811 - 12	FK2-8553-000	191 - 2
FK2-3137-000	260 - 2	FK2-6483-000	813 - 25	FK2-8553-000	600 - 33
FK2-3154-000	280 - 5	FK2-6484-000	910 - 1	FK2-8554-000	600 - 28
FK2-3218-000	930 - IC	FK2-6484-000	911 - 1	FK2-8826-000	001 - 1
FK2-4903-000	930 - IC	FK2-6484-000	913 - 1	FK2-8827-000	001 - 1
FK2-5337-000	900 - 1	FK2-6818-000	912 - 1	FK2-8828-000	001 - 1
FK2-5758-000	930 - IC	FK2-7233-000	251 - 3	FL2-0434-000	532 - 9
FK2-6325-000	108 - 5	FK2-7234-000	530 - 53	FL2-0434-000	550 - 13
FK2-6438-000	530 - 51	FK2-7240-000	101 - 39	FL2-0439-000	600 - 34
FK2-6439-000	600 - 30	FK2-7241-000	321 - 35	FL2-1775-000	260 - 3
FK2-6440-000	352 - 13	FK2-7243-000	101 - 7	FL2-1777-000	300 - 70
FK2-6443-000	931 - IC	FK2-7250-000	840 - 15	FL2-1780-000	105 - 14
FK2-6444-000	103 - 7	FK2-7251-000	840 - 16	FL2-1785-000	310 - 22
FK2-6445-000	103 - 8	FK2-7252-000	811 - 12	FL2-1805-000	300 - 71
FK2-6446-000	103 - 9	FK2-7253-000	813 - 25	FL2-1810-000	300 - 72
FK2-6450-000	931 - IC	FK2-7254-000	980 - 2	FL2-1813-000	300 - 73
FK2-6451-000	620 - 24	FK2-7255-000	982 - T	FL2-1817-000	300 - 74
FK2-6452-000	640 - 7	FK2-7256-000	981 - T	FL2-1824-000	321 - 39
FK2-6453-000	280 - 6	FK2-7259-000	140 - 4	FL2-1826-000	106 - 10
FK2-6455-000	330 - 21	FK2-7260-000	140 - 5	FL2-1829-000	321 - 40
FK2-6456-000	320 - 29	FK2-7263-000	931 - IC	FL2-1829-000	333 - 13
FK2-6456-000	322 - 9	FK2-7270-000	318 - 7	FL2-1837-000	106 - 11
FK2-6456-000	330 - 22	FK2-7277-000	814 - 33	FL2-1837-000	320 - 34
FK2-6456-000	342 - 10	FK2-7278-000	140 - 17	FL2-1944-000	530 - 54
FK2-6456-000	357 - 26	FK2-7282-000	840 - 17	FL2-1994-000	102 - 29
FK2-6458-000	530 - 64	FK2-7405-000	101 - 38	FL2-2163-000	814 - 34
FK2-6460-000	530 - 52	FK2-7407-000	130 - 17	FL2-2168-000	811 - 26
FK2-6462-000	321 - 34	FK2-7408-000	130 - 18	FL2-2169-000	810 - 5
FK2-6462-000	333 - 11	FK2-7537-000	190 - 5	FL2-2181-000	813 - 34
FK2-6462-000	340 - 5	FK2-8542-000	352 - 17	FL2-2182-000	813 - 52
FK2-6462-000	349 - 11	FK2-8543-000	100 - 23	FL2-2184-000	813 - 53
FK2-6462-000	352 - 14	FK2-8543-000	349 - 12	FL2-2200-000	812 - 27
FK2-6464-000	320 - 30	FK2-8545-000	107 - 7	FL2-2201-000	812 - 28
FK2-6464-000	351 - 16	FK2-8546-000	811 - 20	FL2-2257-000	340 - 7
FK2-6464-000	352 - 15	FK2-8548-000	332 - 12	FL2-2374-000	621 - 11
FK2-6465-000	103 - 10	FK2-8549-000	101 - 8	FL2-2375-000	621 - 12
FK2-6465-000	625 - 1	FK2-8550-000	321 - 36	FL2-2382-000	101 - 35
FK2-6467-000	140 - 3	FK2-8550-000	330 - 23	FL2-2383-000	621 - 13
FK2-6468-000	600 - 31	FK2-8551-000	321 - 37	FL2-2384-000	621 - 14
FK2-6469-000	772 - 2	FK2-8552-000	318 - 6	FL2-2390-000	620 - 25
FK2-6472-000	320 - 32	FK2-8552-000	320 - 31	FL2-2615-000	130 - 19
FK2-6474-000	320 - 33	FK2-8552-000	321 - 38	FL2-5562-000	260 - 4

NUMERICAL INDEX

imagePRESS 1135/1125/1110(Numerical Index)

PARTS NUMBER	FIGURE & KEY NO.	PARTS NUMBER	FIGURE & KEY NO.	PARTS NUMBER	FIGURE & KEY NO
FL2-5562-000	340 - 8	FL2-7499-000	357 - 28	FL2-7750-000	550 - 15
FL2-5562-000	352 - 18	FL2-7512-000	321 - 43	FL2-7765-000	640 - 27
FL2-5573-000	300 - 75	FL2-7528-000	321 - 44	FL2-7766-000	101 - 19
FL2-5804-000	530 - 56	FL2-7529-000	321 - 45	FL2-7770-000	600 - 35
FL2-6470-000	300 - 76	FL2-7534-000	333 - 14	FL2-7776-000	530 - 9
FL2-6474-000	300 - 77	FL2-7535-000	321 - 46	FL2-7781-000	107 - 9
FL2-7292-000	103 - 11	FL2-7546-000	357 - 29	FL2-7781-000	251 - 4
FL2-7292-000	104 - 5	FL2-7549-000	102 - 31	FL2-9098-000	325 - 17
FL2-7301-000	101 - 9	FL2-7549-000	106 - 12	FL2-9099-000	140 - 7
FL2-7302-000	101 - 10	FL2-7550-000	340 - 9	FL2-9100-000	140 - 7
FL2-7303-000	100 - 24	FL2-7551-000	340 - 10	FL2-9101-000	140 - 8
FL2-7304-000	100 - 25	FL2-7554-000	354 - 10	FL2-9102-000	140 - 9
FL2-7307-000	100 - 26	FL2-7555-000	354 - 11	FL2-9103-000	140 - 10
FL2-7308-000	100 - 27	FL2-7557-000	352 - 19	FL2-9438-000	310 - 23
FL2-7309-000	103 - 4	FL2-7557-000	358 - 18	FL2-9454-000	300 - 78
FL2-7310-000	101 - 11	FL2-7557-000	359 - 15	FL2-9455-000	300 - 79
FL2-7314-000	100 - 28	FL2-7562-000	331 - 19	FL3-0551-000	280 - 7
FL2-7315-000	103 - 12	FL2-7563-000	331 - 17	FL3-1062-000	130 - 20
FL2-7316-000	103 - 13	FL2-7565-000	351 - 18	FL3-2396-000	104 - 6
FL2-7317-000	100 - 29	FL2-7565-000	357 - 30	FM2-0956-000	620 - 27
FL2-7321-000	321 - 41	FL2-7566-000	352 - 20	FM2-2000-000	105 - 16
FL2-7325-000	325 - 22	FL2-7569-000	358 - 19	FM2-2006-000	300 - 80
FL2-7327-000	100 - 30	FL2-7584-000	353 - 5	FM2-4356-000	321 - 48
FL2-7328-000	100 - 31	FL2-7584-000	355 - 5	FM2-4358-000	108 - 6
FL2-7329-000	100 - 32	FL2-7585-000	353 - 6	FM2-5462-000	130 - 21
FL2-7335-000	100 - 29	FL2-7585-000	355 - 6	FM2-5463-000	130 - 22
FL2-7336-000	100 - 29	FL2-7586-000	356 - 11	FM2-7196-000	325 - 18
FL2-7338-000	105 - 15	FL2-7587-000	351 - 19	FM2-7196-000	813 - 28
FL2-7340-000	101 - 12	FL2-7589-000	321 - 47	FM2-7635-000	105 - 17
FL2-7345-000	811 - 13	FL2-7591-000	340 - 11	FM2-7640-000	321 - 49
FL2-7356-000	103 - 14	FL2-7595-000	814 - 35	FM2-7698-000	620 - 28
FL2-7359-000	100 - 35	FL2-7601-000	318 - 8	FM2-8488-000	621 - 15
FL2-7362-000	104 - 4	FL2-7609-000	320 - 37	FM2-8489-000	621 - 16
FL2-7364-000	100 - 9	FL2-7609-000	351 - 20	FM2-8489-000	640 - 10
FL2-7378-000	530 - 85	FL2-7609-000	357 - 31	FM2-8629-000	310 - 38
FL2-7384-000	357 - 20	FL2-7611-000	352 - 8	FM2-9409-000	300 - 82
FL2-7387-000	325 - 24	FL2-7612-000	351 - 15	FM3-1647-000	840 - 18
FL2-7388-000	814 - 60	FL2-7626-000	330 - 27	FM3-2089-000	310 - 26
FL2-7395-000	811 - 7	FL2-7635-000	330 - 16	FM3-2134-000	850 - 7
FL2-7400-000	600 - 14	FL2-7650-000	813 - 26	FM3-2403-000	251 -
FL2-7446-000	550 - 6	FL2-7652-000	814 - 36	FM3-2404-000	625 -
FL2-7449-000	102 - 30	FL2-7677-000	814 - 37	FM3-2419-000	913 -
FL2-7455-000	530 - 57	FL2-7678-000	814 - 38	FM3-2421-000	912 -
FL2-7459-000	532 - 10	FL2-7685-000	530 - 59	FM3-2422-000	910 -
FL2-7469-000	530 - 58	FL2-7686-000	530 - 60	FM3-2423-000	911 -
FL2-7476-000	621 - 23	FL2-7710-000	640 - 8	FM3-2434-000	140 -
FL2-7477-000	620 - 26	FL2-7711-000	640 - 9	FM3-2450-000	100 - 36
FL2-7481-000	320 - 35	FL2-7735-000	532 - 11	FM3-2451-000	100 - 37
FL2-7485-000	320 - 36	FL2-7735-000	550 - 14	FM3-2452-000	105 - 18
FL2-7492-000	330 - 25	FL2-7740-000	532 - 19	FM3-2456-000	100 - 38
FL2-7493-000	330 - 26	FL2-7744-000	625 - 2	FM3-2457-000	100 - 39
FL2-7497-000	321 - 42	FL2-7750-000	532 - 12	FM3-2458-000	771 - 3

NUMERICAL INDEX

imagePRESS 1135/1125/1110(Numerical Index)

PARTS NUMBER	FIGURE & KEY NO.	PARTS NUMBER	FIGURE & KEY NO.	PARTS NUMBER	FIGURE & KEY NO
FM3-2459-000	100 - 40	FM3-2790-000	813 - 63	FM3-5241-000	982 -
FM3-2460-000	100 - 41	FM3-2791-000	280 -	FM3-5243-000	620 - 29
FM3-2473-000	140 -	FM3-2792-000	813 - 32	FM3-5246-000	320 - 44
FM3-2474-000	140 -	FM3-2794-000	811 -	FM3-5247-000	900 - 2
FM3-2482-000	100 - 42	FM3-2796-000	814 -	FM3-5249-000	108 - 10
FM3-2483-000	100 - 43	FM3-2798-000	850 -	FM3-5251-000	600 - 43
FM3-2488-000	140 -	FM3-2799-000	830 -	FM3-5252-000	931 -
FM3-2489-000	140 -	FM3-2805-000	530 - 61	FM3-5253-000	985 -
FM3-2500-000	813 - 29	FM3-2806-000	530 - 62	FM3-5254-000	983 -
FM3-2516-000	001 - 6	FM3-2807-000	530 - 63	FM3-5255-000	984 -
FM3-2539-000	322 - 8	FM3-2809-000	531 -	FM3-5258-000	103 - 5
FM3-2602-000	351 -	FM3-2810-000	640 -	FM3-5259-000	813 - 48
FM3-2603-000	349 -	FM3-2813-000	600 - 36	FM3-5260-000	840 - 21
FM3-2604-000	340 -	FM3-2814-000	550 -	FM3-5286-000	111 - 2
FM3-2607-000	358 -	FM3-2815-000	532 -	FM3-5287-000	111 - 3
FM3-2608-000	359 -	FM3-2816-000	710 -	FM3-5288-000	140 - 14
FM3-2610-000	106 - 17	FM3-2817-000	620 -	FM3-5290-000	140 - 16
FM3-2611-000	353 -	FM3-2818-000	770 -	FM3-5291-000	108 - 16
FM3-2612-000	354 -	FM3-2819-000	102 - 32	FM3-5292-000	107 - 15
FM3-2613-000	355 -	FM3-2823-000	600 - 37	FM3-5293-000	912 - 3
FM3-2614-000	356 -	FM3-2824-000	772 -	FM3-5294-000	107 - 8
FM3-2618-000	341 -	FM3-2827-000	107 - 10	FM3-5295-000	110 - 1
FM3-2624-000	108 - 7	FM3-2832-000	621 -	FM3-5301-000	107 - 12
FM3-2628-000	106 - 13	FM3-2834-000	103 - 15	FM3-5307-000	280 - 9
FM3-2630-000	320 - 38	FM3-2835-000	103 - 16	FM3-5321-000	600 - 44
FM3-2631-000	261 -	FM3-2836-000	107 - 11	FM3-5324-000	640 - 12
FM3-2632-000	320 - 40	FM3-2840-000	530 - 65	FM3-5888-000	460 -
FM3-2634-000	318 -	FM3-2849-000	640 - 11	FM3-5904-000	310 -
FM3-2646-000	322 -	FM3-2850-000	600 - 38	FM3-5906-000	300 -
FM3-2651-000	342 -	FM3-2852-000	600 - 39	FM3-5908-000	300 - 83
FM3-2701-000	320 -	FM3-2854-000	600 - 40	FM3-5910-000	260 -
FM3-2702-000	320 - 41	FM3-2863-000	600 - 41	FM3-5912-000	190 -
FM3-2703-000	320 - 42	FM3-2867-000	530 - 66	FM3-7672-000	330 - 30
FM3-2706-000	320 - 28	FM3-2868-000	530 - 67	FM3-7673-000	330 - 31
FM3-2710-000	331 -	FM3-2873-000	100 - 44	FM3-7675-000	330 - 55
FM3-2720-000	320 - 43	FM3-2874-000	550 - 16	FM3-7677-000	330 - 56
FM3-2720-000	321 - 50	FM3-2875-000	532 - 13	FM3-7684-000	325 - 23
FM3-2750-000	332 -	FM3-2875-000	550 - 17	FM3-7685-000	333 - 32
FM3-2751-000	325 -	FM3-2876-000	813 - 30	FM3-7701-000	280 - 10
FM3-2769-000	814 - 6	FM3-2878-000	814 - 23	FM3-7724-000	352 - 22
FM3-2773-000	840 -	FM3-5229-000	961 -	FM3-7735-000	102 - 33
FM3-2774-000	811 -	FM3-5230-000	962 -	FM3-7736-000	772 - 3
FM3-2776-000	814 - 39	FM3-5231-000	963 -	FM3-7737-000	772 - 4
FM3-2777-000	830 - 11	FM3-5232-000	964 -	FM3-7738-000	770 - 1
FM3-2778-000	840 - 19	FM3-5233-000	965 -	FM3-7739-000	102 - 34
FM3-2779-000	840 - 20	FM3-5234-000	966 -	FM3-7740-000	102 - 35
FM3-2780-000	811 - 14	FM3-5235-000	811 - 16	FM3-7741-000	772 - 5
FM3-2781-000	811 - 15	FM3-5236-000	280 - 8	FM3-7745-000	530 - 69
FM3-2784-000	813 - 31	FM3-5237-000	940 -	FM3-7760-000	813 - 10
FM3-2785-000	840 -	FM3-5238-000	108 - 8	FM3-7761-000	104 - 12
FM3-2786-000	810 - 6	FM3-5239-000	108 - 9	FM3-7765-000	813 - 9
FM3-2788-000	810 - 7	FM3-5240-000	981 -	FM3-7766-000	812 - 38

NUMERICAL INDEX

imagePRESS 1135/1125/1110(Numerical Index)

PARTS NUMBER	FIGURE & KEY NO.	PARTS NUMBER	FIGURE & KEY NO.	PARTS NUMBER	FIGURE & KEY NO
FM3-7770-000	625 - 3	FS1-9078-020	103 - 23	FU5-0161-000	320 - 47
FM3-7778-000	980 - 7	FS1-9078-020	840 - 22	FU5-0161-000	321 - 56
FM3-7779-000	980 - 8	FS1-9194-020	321 - 52	FU5-0161-000	352 - 27
FM3-7781-000	333 - 31	FS1-9199-000	600 - 45	FU5-0161-000	357 - 33
FM3-7785-000	108 - 11	FS1-9253-020	100 - 45	FU5-0183-000	321 - 57
FM3-7786-000	108 - 17	FS2-0768-000	640 - 13	FU5-0268-000	550 - 18
FM3-8325-000	900 - 4	FS2-1014-000	640 - 14	FU5-0336-000	321 - 58
FM3-8330-000	130 -	FS2-1256-000	830 - 12	FU5-0338-000	310 - 28
FM3-8331-000	130 -	FS2-9001-020	100 - 46	FU5-0364-000	102 - 42
FM3-8332-000	130 -	FS2-9015-020	330 - 33	FU5-0427-000	640 - 18
FM3-8339-000	130 - 23	FS2-9015-020	331 - 20	FU5-1280-000	300 - 89
FM3-8481-000	960 -	FS2-9267-020	104 - 8	FU5-1280-000	331 - 23
FM3-8482-000	300 - 84	FS2-9461-020	353 - 7	FU5-1280-000	357 - 34
FM3-8508-000	190 - 7	FS2-9461-020	355 - 7	FU5-1280-000	358 - 21
FM3-9046-000	109 - 1	FS2-9482-000	108 - 12	FU5-1319-000	330 - 35
FM3-9047-000	109 - 1	FS5-0677-000	106 - 14	FU5-1323-000	620 - 30
FM3-9048-000	109 - 1	FS5-0677-000	321 - 53	FU5-1326-000	322 - 12
FM3-9049-000	111 - 1	FS5-0677-000	340 - 13	FU5-1925-000	620 - 31
FM3-9050-000	111 - 1	FS5-0742-000	102 - 37	FU5-2138-000	814 - 44
FM3-9051-000	111 - 1	FS5-0742-000	352 - 25	FU5-2717-000	530 - 75
FM3-9053-000	621 - 17	FS5-0748-000	352 - 26	FU5-2781-000	310 - 29
FM3-9061-000	140 - 15	FS5-0748-000	640 - 15	FU5-2783-000	310 - 30
FM4-1250-000	900 - 5	FS5-0856-000	530 - 71	FU5-2784-000	310 - 31
FM4-1251-000	900 - 5	FS5-0873-000	320 - 46	FU5-2785-000	310 - 32
FM4-1252-000	900 - 5	FS5-1438-000	331 - 21	FU5-2785-000	333 - 16
FM4-1255-000	900 - 6	FS5-1592-000	530 - 72	FU5-2791-000	105 - 19
FM4-1256-000	930 -	FS5-1805-000	640 - 16	FU5-2792-000	300 - 90
FS1-1213-000	300 - 86	FS5-2586-000	830 - 13	FU5-2796-000	352 - 28
FS1-1213-000	325 - 19	FS5-2958-000	108 - 13	FU5-2799-000	340 - 14
FS1-1341-000	320 - 45	FS5-3332-000	102 - 38	FU5-2803-000	300 - 91
FS1-1401-000	814 - 40	FS5-3805-000	621 - 18	FU5-2814-000	300 - 93
FS1-1508-000	333 - 15	FS5-6487-000	310 - 27	FU5-2825-000	621 - 19
FS1-1528-000	357 - 35	FS5-6488-000	814 - 41	FU5-2840-000	280 - 13
FS1-1528-000	358 - 22	FS5-6601-000	190 - 8	FU5-2850-000	830 - 14
FS1-1569-000	102 - 36	FS5-6601-000	280 - 12	FU5-2857-000	840 - 23
FS1-1569-000	342 - 12	FS5-9223-000	322 - 11	FU5-2883-000	530 - 77
FS1-1569-000	352 - 23	FS5-9224-020	321 - 54	FU5-2914-000	330 - 36
FS1-1569-000	358 - 20	FS5-9619-020	331 - 22	FU5-2945-000	322 - 13
FS1-1569-000	850 - 8	FS5-9758-020	190 - 9	FU5-2947-000	357 - 36
FS1-9002-010	340 - 12	FS6-0093-000	102 - 39	FU5-2947-000	358 - 23
FS1-9002-010	351 - 21	FS6-0857-000	640 - 17	FU5-2954-000	125 - 3
FS1-9002-010	352 - 24	FS6-2749-000	600 - 46	FU5-2977-000	620 - 32
FS1-9002-010	357 - 32	FS7-0001-000	102 - 40	FU5-2978-000	620 - 33
FS1-9009-020	321 - 51	FS7-0340-000	102 - 41	FU5-2979-000	620 - 34
FS1-9009-020	322 - 10	FS7-0712-000	600 - 47	FU5-2998-000	771 - 4
FS1-9010-020	532 - 14	FS7-2319-000	814 - 42	FU5-3021-000	333 - 17
FS1-9010-020	813 - 33	FS7-2782-000	530 - 73	FU5-3188-000	260 - 7
FS1-9053-020	530 - 70	FS7-2784-000	330 - 34	FU5-3189-000	260 - 8
FS1-9073-020	104 - 11	FS7-2796-000	190 - 10	FU5-3204-000	261 - 3
FS1-9076-020	280 - 11	FS7-8107-000	900 - 10	FU5-3410-000	300 - 94
FS1-9076-020	300 - 87	FU3-0315-000	530 - 74	FU5-3441-000	320 - 48
FS1-9078-020	102 - 26	FU5-0071-000	321 - 55	FU5-3441-000	321 - 59

NUMERICAL INDEX

imagePRESS 1135/1125/1110(Numerical Index)

PARTS NUMBER	FIGURE & KEY NO.	PARTS NUMBER	FIGURE & KEY NO.	PARTS NUMBER	FIGURE & KEY NO
FU5-3441-000	322 - 14	FU6-0187-000	300 - 96	FU7-0798-000	812 - 9
FU5-3441-000	330 - 37	FU6-0193-000	300 - 97	FU7-0800-000	813 - 41
FU5-3441-000	331 - 24	FU6-0194-000	300 - 98	FU7-0801-000	813 - 42
FU5-3441-000	332 - 13	FU6-0195-010	300 - 99	FU7-0803-000	813 - 43
FU5-3441-000	340 - 15	FU6-0306-000	814 - 46	FU7-0805-000	251 - 5
FU5-3441-000	342 - 13	FU6-0335-000	812 - 31	FU7-0812-000	814 - 48
FU5-3441-000	349 - 13	FU6-0356-000	813 - 38	FU7-0813-000	600 - 48
FU5-3441-000	352 - 29	FU6-0357-000	813 - 39	FU7-0819-000	600 - 49
FU5-3441-000	354 - 12	FU6-0358-000	812 - 32	FU7-0822-000	332 - 14
FU5-3441-000	356 - 12	FU6-0358-000	813 - 40	FU7-0823-000	532 - 16
FU5-3441-000	357 - 37	FU6-0409-000	812 - 33	FU7-0824-000	600 - 50
FU5-3441-000	358 - 24	FU6-0410-000	280 - 15	FU7-0827-000	600 - 51
FU5-3508-000	353 - 8	FU6-0411-000	280 - 16	FU7-0828-000	280 - 20
FU5-3508-000	355 - 8	FU6-0412-000	280 - 17	FU7-0832-000	811 - 22
FU5-3634-000	320 - 49	FU6-0413-000	280 - 18	FU7-0833-000	640 - 20
FU5-3635-000	320 - 50	FU6-0428-000	620 - 38	FU7-0834-000	600 - 52
FU5-5771-000	620 - 35	FU6-0429-000	620 - 39	FU7-0835-000	330 - 38
FU5-6249-000	812 - 30	FU6-0430-000	621 - 20	FU7-0836-000	330 - 39
FU5-6255-000	813 - 35	FU6-0431-000	621 - 21	FU7-0837-000	330 - 40
FU5-6259-000	850 - 9	FU6-0432-000	621 - 22	FU7-0839-000	530 - 80
FU5-6262-000	814 - 45	FU6-0433-000	621 - 5	FU7-0840-000	620 - 42
FU5-6263-000	840 - 25	FU6-0434-000	620 - 40	FU7-0841-000	620 - 43
FU5-6781-000	530 - 78	FU6-0435-000	620 - 41	FU7-0842-000	813 - 44
FU5-6782-000	320 - 51	FU6-0457-000	850 - 10	FU7-0843-000	813 - 45
FU5-9223-000	550 - 19	FU6-0483-000	280 - 19	FU7-2116-000	814 - 49
FU5-9223-000	810 - 8	FU6-0533-000	640 - 19	FU7-2117-000	814 - 50
FU5-9224-000	810 - 9	FU6-2001-000	102 - 43	FU7-2118-000	850 - 16
FU5-9224-000	811 - 21	FU6-2002-000	102 - 44	FU7-2119-000	813 - 46
FU5-9224-000	813 - 37	FU6-2088-000	532 - 15	FU7-2120-000	640 - 21
FU5-9225-000	104 - 10	FU6-2088-000	550 - 20	FU7-2122-000	320 - 55
FU5-9225-000	813 - 36	FU6-2527-000	102 - 45	FU7-2123-000	320 - 56
FU5-9228-000	810 - 2	FU6-2528-000	102 - 46	FU7-2124-000	261 - 4
FU5-9230-000	100 - 33	FU6-2536-000	101 - 13	FU7-2125-000	320 - 57
FU5-9230-000	103 - 20	FU6-2545-000	850 - 11	FU7-2126-000	320 - 58
FU5-9230-000	105 - 28	FU6-2551-000	812 - 34	FU7-2127-000	359 - 17
FU5-9230-000	106 - 16	FU6-2566-000	814 - 43	FU7-2128-000	320 - 59
FU5-9230-000	320 - 53	FU6-2569-000	830 - 15	FU7-2129-000	320 - 60
FU5-9230-000	351 - 22	FU6-2570-000	814 - 28	FU7-2130-000	318 - 9
FU5-9230-000	352 - 30	FU6-2752-000	351 - 23	FU7-2131-000	320 - 61
FU5-9230-000	530 - 96	FU6-4418-000	350 - 1	FU7-2135-000	532 - 17
FU5-9231-000	325 - 9	FU6-4419-000	350 - 2	FU7-2136-000	812 - 18
FU5-9231-000	814 - 61	FU6-4442-000	359 - 16	FU7-2137-000	600 - 53
FU5-9302-000	325 - 20	FU6-8216-000	001 - 7	FU7-2138-000	600 - 54
FU5-9569-000	320 - 52	FU6-8308-000	100 - 52	FU7-2143-000	530 - 81
FU5-9570-000	280 - 14	FU7-0143-000	812 - 35	FU7-2144-000	322 - 15
FU5-9571-000	103 - 17	FU7-0144-000	812 - 36	FU7-2145-000	321 - 61
FU5-9571-000	104 - 7	FU7-0149-000	812 - 37	FU7-2148-000	354 - 13
FU5-9572-000	103 - 19	FU7-0375-000	830 - 16	FU7-2148-000	356 - 13
FU5-9573-000	321 - 60	FU7-0794-000	850 - 12	FU7-2150-000	351 - 24
FU6-0072-000	352 - 31	FU7-0795-000	850 - 13	FU7-2150-000	352 - 32
FU6-0150-000	530 - 79	FU7-0796-000	850 - 14	FU7-2153-000	359 - 18
FU6-0178-000	300 - 95	FU7-0797-000	850 - 15	FU7-2154-000	331 - 25

NUMERICAL INDEX

imagePRESS 1135/1125/1110(Numerical Index)

PARTS NUMBER	FIGURE & KEY NO.	PARTS NUMBER	FIGURE & KEY NO.	PARTS NUMBER	FIGURE & KEY NO
FU7-2155-000	331 - 26	NPN	111 -	VS1-7177-003	332 - 15
FU7-2156-000	331 - 27	NPN	112 -	VS1-7177-003	333 - 26
FU7-2157-000	331 - 28	NPN	125 -	VS1-7177-003	342 - 15
FU7-2160-000	357 - 38	NPN	191 -	VS1-7177-003	349 - 15
FU7-2161-000	813 - 47	NPN	321 -	VS1-7177-003	351 - 26
FU7-2163-000	813 - 49	NPN	330 -	VS1-7177-003	352 - 35
FU7-2432-000	260 - 6	NPN	333 -	VS1-7177-003	354 - 14
FU7-2433-000	300 - 92	NPN	350 -	VS1-7177-003	357 - 41
FU7-2677-000	355 - 9	NPN	352 -	VS1-7177-003	600 - 58
FU7-2678-000	321 - 62	NPN	357 -	VS1-7177-003	620 - 36
FU7-2678-000	331 - 29	NPN	530 -	VS1-7177-003	625 - 4
FU7-2678-000	341 - 5	NPN	600 -	VS1-7177-003	811 - 25
FU7-2678-000	349 - 14	NPN	771 -	VS1-7177-003	813 - 55
FU7-2678-000	357 - 39	NPN	810 -	VS1-7177-003	814 - 53
FU7-2678-000	358 - 8	NPN	812 -	VS1-7177-003	900 - 7
FU7-2678-000	359 - 19	NPN	813 -	VS1-7177-003	910 - 2
FU7-2679-000	321 - 63	NPN	900 -	VS1-7177-003	911 - 2
FU7-2679-000	342 - 14	NPN	980 -	VS1-7177-003	912 - 2
FU7-2679-000	351 - 25	RB2-0493-000	814 - 52	VS1-7177-003	913 - 2
FU7-2679-000	357 - 40	RC1-4585-000	320 - 62	VS1-7177-004	110 - 3
FU7-2679-000	358 - 15	RS1-9025-010	321 - 66	VS1-7177-004	111 - 4
FU7-2680-000	352 - 33	RS5-1058-000	260 - 9	VS1-7177-004	112 - 2
FU7-2681-000	600 - 55	RS5-1058-000	310 - 33	VS1-7177-004	190 - 12
FU7-2684-000	814 - 51	RS5-1058-000	354 - 16	VS1-7177-004	310 - 36
FU7-2685-000	620 - 44	RS5-1058-000	356 - 17	VS1-7177-004	333 - 27
FU7-2878-000	813 - 50	RS5-1058-000	530 - 95	VS1-7177-004	349 - 16
FU7-2879-000	813 - 51	VD7-2892-001	108 - 14	VS1-7177-004	530 - 83
FU7-2880-000	321 - 64	VS1-7164-024	109 - 2	VS1-7177-004	811 - 17
FU7-2881-000	280 - 21	VS1-7164-038	109 - 3	VS1-7177-004	813 - 56
FU7-2883-000	600 - 56	VS1-7173-006	102 - 47	VS1-7177-005	109 - 5
FU7-2884-000	850 - 17	VS1-7173-013	109 - 4	VS1-7177-005	640 - 25
FU7-2885-000	530 - 76	VS1-7177-002	300 - 100	VS1-7177-005	811 - 18
FU7-4276-000	840 - 24	VS1-7177-002	310 - 34	VS1-7177-006	112 - 3
FU8-0496-000	321 - 65	VS1-7177-002	321 - 67	VS1-7177-006	300 - 101
FU8-0498-000	640 - 22	VS1-7177-002	530 - 82	VS1-7177-006	320 - 54
FU8-0499-000	352 - 34	VS1-7177-002	600 - 57	VS1-7177-006	321 - 69
FU8-0500-000	813 - 54	VS1-7177-002	620 - 45	VS1-7177-006	322 - 26
FY1-0883-000	550 - 21	VS1-7177-002	640 - 24	VS1-7177-006	330 - 42
MB4-8201-000	640 - 23	VS1-7177-002	772 - 6	VS1-7177-006	340 - 16
NPN	001 -	VS1-7177-002	850 - 18	VS1-7177-006	342 - 16
NPN	002 -	VS1-7177-003	100 - 34	VS1-7177-006	352 - 36
NPN	100 -	VS1-7177-003	101 - 18	VS1-7177-006	600 - 59
NPN	101 -	VS1-7177-003	102 - 48	VS1-7177-007	111 - 5
NPN	102 -	VS1-7177-003	105 - 20	VS1-7177-007	321 - 70
NPN	103 -	VS1-7177-003	110 - 2	VS1-7177-007	813 - 57
NPN	104 -	VS1-7177-003	112 - 1	VS1-7177-008	190 - 6
NPN	105 -	VS1-7177-003	190 - 11	VS1-7177-008	772 - 7
NPN	106 -	VS1-7177-003	191 - 3	VS1-7177-009	332 - 16
NPN	107 -	VS1-7177-003	300 - 111	VS1-7177-012	321 - 71
NPN	108 -	VS1-7177-003	310 - 35	VS1-7177-012	620 - 37
NPN	109 -	VS1-7177-003	321 - 68	VS1-7177-012	811 - 19
NPN	110 -	VS1-7177-003	330 - 41	VS1-7177-015	850 - 19

NUMERICAL INDEX

imagePRESS 1135/1125/1110(Numerical Index)

PARTS NUMBER	FIGURE & KEY NO.	PARTS NUMBER	FIGURE & KEY NO.	PARTS NUMBER	FIGURE & KEY NO
VS1-7207-003	530 - 84	VS1-8412-019	772 - 9	XA9-0465-000	900 - 9
VS1-7507-012	109 - 6	VS1-8412-021	105 - 21	XA9-0546-020	330 - 50
VS1-7887-014	600 - 60	VS1-8412-021	321 - 79	XA9-0594-000	105 - 22
VS1-8412-003	107 - 13	VS1-8412-023	330 - 47	XA9-0679-000	812 - 5
VS1-8412-003	320 - 63	VS1-8412-023	600 - 63	XA9-0679-000	814 - 56
VS1-8412-003	321 - 72	VS1-8412-025	330 - 48	XA9-0739-000	101 - 41
VS1-8412-003	333 - 30	VS1-8412-027	109 - 13	XA9-0739-000	140 - 12
VS1-8412-005	107 - 14	VS1-8412-027	980 - 6	XA9-0854-000	530 - 92
VS1-8412-005	320 - 64	VS1-8553-014	640 - 26	XA9-0922-000	321 - 81
VS1-8412-005	321 - 73	VT2-5177-007	930 - 2	XA9-0922-000	333 - 18
VS1-8412-005	600 - 61	VT2-5177-030	900 - 11	XA9-0934-000	813 - 59
VS1-8412-007	109 - 7	WA7-5269-000	900 - 13	XA9-0940-000	101 - 36
VS1-8412-007	112 - 4	WA7-5320-000	900 - 8	XA9-1013-000	300 - 103
VS1-8412-007	318 - 10	WC1-5179-000	140 - 6	XA9-1031-000	300 - 104
VS1-8412-007	321 - 74	WC2-5597-000	101 - 15	XA9-1031-000	349 - 17
VS1-8412-007	330 - 43	WC4-5153-000	108 - 15	XA9-1038-000	814 - 57
VS1-8412-007	333 - 28	WE8-5183-000	109 - 14	XA9-1063-000	320 - 67
VS1-8412-007	352 - 37	WE8-5183-000	111 - 6	XA9-1249-010	102 - 50
VS1-8412-007	356 - 14	WE8-5184-000	107 - 16	XA9-1249-010	105 - 23
VS1-8412-007	357 - 42	WE8-5741-000	100 - 50	XA9-1249-010	106 - 18
VS1-8412-007	530 - 86	WE8-5928-000	109 - 15	XA9-1249-010	300 - 105
VS1-8412-009	101 - 14	WE8-5929-000	130 - 24	XA9-1249-010	320 - 68
VS1-8412-009	109 - 8	WE8-5961-000	101 - 40	XA9-1249-010	321 - 82
VS1-8412-009	330 - 44	WE8-6152-000	110 - 4	XA9-1249-010	322 - 18
VS1-8412-009	333 - 29	WE8-6152-000	330 - 57	XA9-1249-010	331 - 31
VS1-8412-009	340 - 17	WE8-6550-000	140 - 13	XA9-1249-010	333 - 19
VS1-8412-009	351 - 27	WG8-5736-000	310 - 37	XA9-1249-010	340 - 19
VS1-8412-011	109 - 9	WG8-5749-000	814 - 54	XA9-1249-010	341 - 4
VS1-8412-011	321 - 75	WG8-5783-000	102 - 49	XA9-1249-010	342 - 18
VS1-8412-011	340 - 18	WG8-5783-000	125 - 4	XA9-1249-010	350 - 3
VS1-8412-011	352 - 38	WG8-5783-000	190 - 3	XA9-1249-010	351 - 28
VS1-8412-011	980 - 3	WG8-5783-000	300 - 102	XA9-1249-010	352 - 42
VS1-8412-013	320 - 65	WG8-5783-000	320 - 66	XA9-1249-010	356 - 16
VS1-8412-013	321 - 76	WG8-5783-000	321 - 80	XA9-1249-010	357 - 43
VS1-8412-013	330 - 45	WG8-5783-000	322 - 17	XA9-1249-010	358 - 17
VS1-8412-013	352 - 39	WG8-5783-000	325 - 16	XA9-1249-010	359 - 8
VS1-8412-013	359 - 20	WG8-5783-000	330 - 49	XA9-1249-010	770 - 2
VS1-8412-013	600 - 62	WG8-5783-000	332 - 17	XA9-1249-010	771 - 5
VS1-8412-015	109 - 10	WG8-5783-000	342 - 17	XA9-1249-010	772 - 10
VS1-8412-015	321 - 77	WG8-5783-000	352 - 41	XA9-1249-010	812 - 6
VS1-8412-015	330 - 46	WG8-5783-000	354 - 15	XA9-1249-010	813 - 60
VS1-8412-015	530 - 87	WG8-5783-000	356 - 15	XA9-1331-000	102 - 10
VS1-8412-015	980 - 4	WG8-5783-000	530 - 89	XA9-1377-000	106 - 15
VS1-8412-017	109 - 11	WG8-5783-000	600 - 64	XA9-1415-000	300 - 106
VS1-8412-017	321 - 78	WG8-5783-000	813 - 58	XA9-1659-000	300 - 107
VS1-8412-017	331 - 30	WG8-5783-000	814 - 55	XA9-1659-000	310 - 24
VS1-8412-017	530 - 88	WG8-5830-000	530 - 90	XA9-1659-000	321 - 83
VS1-8412-017	772 - 8	WG8-5848-000	310 - 21	XA9-1659-000	530 - 93
VS1-8412-017	980 - 5	WP2-5276-000	102 - 51	XA9-1659-000	814 - 58
VS1-8412-019	109 - 12	WP2-5276-000	530 - 91	XA9-1659-000	850 - 20
VS1-8412-019	112 - 5	WS6-5200-000	001 - 4	XA9-1788-000	103 - 18
VS1-8412-019	352 - 40	WS6-5201-000	001 - 5	XA9-1788-000	104 - 9

NUMERICAL INDEX

imagePRESS 1135/1125/1110(Numerical Index)

PARTS NUMBER	FIGURE & KEY NO.	PARTS NUMBER	FIGURE & KEY NO.	PARTS NUMBER	FIGURE & KEY NO
XA9-1788-000	105 - 24	XD3-2200-142	330 - 501	XF2-1114-060	321 - 86
XA9-1788-000	106 - 7	XD3-2200-142	331 - 502	XF2-1115-060	357 - 46
XA9-1788-000	600 - 11	XD3-2200-142	332 - 501	XF2-1115-560	333 - 20
XA9-1813-000	261 - 5	XD3-2200-142	340 - 501	XF2-1117-060	333 - 21
XD1-1104-113	300 - 501	XD3-2200-142	342 - 502	XF2-1117-060	358 - 25
XD1-1104-113	310 - 501	XD3-2200-142	349 - 502	XF2-1120-060	333 - 22
XD1-1104-119	320 - 501	XD3-2200-142	351 - 501	XF2-1308-560	352 - 7
XD1-1104-122	125 - 501	XD3-2200-142	352 - 501	XF2-1310-560	351 - 10
XD1-1104-129	811 - 501	XD3-2200-142	354 - 501	XF2-1310-560	352 - 11
XD1-1104-129	813 - 501	XD3-2200-142	356 - 501	XF2-3106-440	330 - 52
XD1-1104-129	840 - 501	XD3-2200-142	357 - 502	XF2-3107-660	330 - 53
XD1-1104-131	810 - 501	XD3-2200-142	358 - 502	XF2-3109-060	330 - 54
XD1-1106-213	621 - 501	XD3-2200-142	850 - 502	XF2-3110-160	330 - 29
XD1-1106-214	840 - 502	XD3-2200-162	620 - 501	XF2-3112-560	332 - 18
XD1-1106-222	280 - 501	XD3-2200-162	621 - 504	XF2-3117-260	330 - 12
XD1-1106-224	813 - 502	XD3-2200-182	332 - 502	XF2-3118-560	331 - 32
XD1-1106-225	102 - 502	XD3-2200-182	340 - 502	XF2-3614-560	260 - 10
XD1-1106-225	322 - 501	XD3-2200-182	530 - 501	XF2-3615-560	260 - 11
XD1-1106-233	321 - 501	XD3-2200-262	620 - 502	XG9-0177-000	813 - 61
XD1-1108-213	621 - 502	XD3-2250-142	530 - 502	XG9-0249-000	813 - 62
XD1-1108-215	251 - 501	XD3-2250-142	620 - 503	XG9-0291-000	814 - 59
XD1-1108-215	813 - 503	XD3-2300-142	280 - 503	XG9-0291-000	850 - 51
XD1-4200-402	107 - 502	XD3-2300-182	300 - 504	XG9-0304-000	330 - 21
XD1-4200-402	140 - 501	XD3-2300-262	280 - 504	XG9-0304-000	332 - 9
XD1-4200-402	280 - 502	XD3-2300-262	812 - 501	XG9-0329-000	830 - 17
XD1-4200-502	140 - 502	XD3-2300-262	813 - 504	XG9-0366-000	812 - 8
XD2-3100-152	107 - 501	XD3-4200-142	300 - 502	XG9-0366-000	813 - 64
XD3-2160-142	310 - 502	XD9-0179-000	811 - 23	XG9-0387-000	530 - 94
XD3-2200-102	321 - 502	XD9-0212-000	101 - 16	XG9-0415-000	812 - 29
XD3-2200-102	331 - 501	XF2-1106-160	320 - 69	XG9-0421-000	811 - 24
XD3-2200-102	341 - 501	XF2-1106-260	322 - 19	XG9-0477-000	813 - 65
XD3-2200-102	342 - 501	XF2-1106-260	340 - 20	XG9-0484-000	300 - 109
XD3-2200-102	349 - 501	XF2-1106-260	342 - 19	XG9-0484-000	814 - 47
XD3-2200-102	352 - 502	XF2-1106-560	320 - 70	XG9-0487-000	813 - 66
XD3-2200-102	357 - 501	XF2-1106-760	352 - 43	XG9-0491-000	830 - 18
XD3-2200-102	358 - 501	XF2-1107-260	261 - 6	XG9-0492-000	260 - 5
XD3-2200-102	359 - 501	XF2-1107-260	320 - 71	XG9-0493-000	320 - 74
XD3-2200-102	640 - 501	XF2-1107-560	352 - 44	XG9-0493-000	321 - 87
XD3-2200-122	102 - 501	XF2-1108-460	351 - 6	XG9-0493-000	359 - 13
XD3-2200-122	260 - 501	XF2-1108-460	352 - 45	XG9-0503-000	300 - 110
XD3-2200-122	300 - 503	XF2-1108-560	349 - 6	XG9-0503-000	321 - 88
XD3-2200-122	310 - 503	XF2-1108-940	101 - 17	XG9-0507-000	310 - 25
XD3-2200-122	333 - 501	XF2-1109-260	357 - 44	XG9-0508-000	260 - 12
XD3-2200-122	353 - 501	XF2-1109-560	321 - 84	XG9-0508-000	261 - 7
XD3-2200-122	355 - 501	XF2-1109-560	340 - 21	XG9-0508-000	310 - 12
XD3-2200-122	621 - 503	XF2-1109-560	352 - 46	XG9-0508-000	320 - 75
XD3-2200-122	830 - 501	XF2-1109-660	102 - 11	XG9-0508-000	321 - 89
XD3-2200-122	850 - 501	XF2-1111-060	352 - 6	XG9-0508-000	322 - 20
XD3-2200-142	106 - 501	XF2-1111-060	357 - 45	XG9-0508-000	330 - 19
XD3-2200-142	320 - 502	XF2-1111-080	320 - 72	XG9-0508-000	331 - 33
XD3-2200-142	321 - 503	XF2-1112-060	321 - 85	XG9-0508-000	332 - 4
XD3-2200-142	322 - 502	XF2-1113-280	320 - 73	XG9-0508-000	340 - 22

NUMERICAL INDEX

imagePRESS 1135/1125/1110(Numerical Index)

PARTS NUMBER	FIGURE & KEY NO.	PARTS NUMBER	FIGURE & KEY NO.	PARTS NUMBER	FIGURE & KEY NO
XG9-0508-000	342 - 5	XZ9-0602-000	125 - 5		
XG9-0508-000	349 - 8	XZ9-0603-000	100 - 47		
XG9-0508-000	357 - 10	XZ9-0603-000	320 - 23		
XG9-0508-000	358 - 26	XZ9-0603-000	322 - 24		
XG9-0560-000	320 - 76	XZ9-0603-000	620 - 4		
XG9-0594-000	321 - 90				
XG9-0664-000	280 - 2				
XG9-0664-000	300 - 108				
XG9-0664-000	530 - 55				
XG9-0664-000	812 - 3				
XG9-0664-000	813 - 67				
XG9-0664-000	830 - 19				
XG9-0664-000	840 - 26				
XG9-0664-000	850 - 22				
XG9-0668-000	530 - 44				
XG9-0682-000	320 - 77				
XG9-0688-000	530 - 42				
XG9-0689-000	330 - 28				
XG9-0690-000	320 - 78				
XG9-0690-000	322 - 21				
XG9-0690-000	342 - 6				
XG9-0693-000	530 - 25				
XG9-0694-000	321 - 91				
XG9-0704-000	320 - 79				
XG9-0705-000	320 - 12				
XG9-0705-000	354 - 17				
XG9-0705-000	356 - 18				
XG9-0705-000	357 - 22				
XG9-0706-000	261 - 8				
XG9-0706-000	322 - 22				
XG9-0706-000	354 - 18				
XG9-0706-000	356 - 19				
XG9-0707-000	320 - 13				
XG9-0707-000	322 - 23				
XG9-0707-000	342 - 8				
XG9-0707-000	352 - 21				
XG9-0709-000	320 - 20				
XG9-0709-000	330 - 32				
XG9-0709-000	354 - 6				
XG9-0709-000	356 - 6				
XG9-0712-000	530 - 50				
XG9-0712-000	600 - 29				
XG9-0750-000	840 - 28				
XG9-0756-000	840 - 13				
XH9-0137-000	620 - 12				
XZ9-0565-000	102 - 14				
XZ9-0581-000	321 - 92				
XZ9-0581-000	333 - 23				
XZ9-0593-000	321 - 93				
XZ9-0593-000	333 - 24				
XZ9-0593-000	340 - 23				
XZ9-0593-000	351 - 13				

imagePRESS 1135/1125/1110(Parts Catalog)

imagePRESS 1135

200V	F15-1611-000	DTU
208V	F15-1631-000	DTV
230V	F15-1641-000	DTY
230V GB	F15-1651-000	DTX
230V AU	F15-1661-000	DTZ
230V EUR	F15-1691-000	DTW

imagePRESS 1125

200V	F15-1612-000	DUJ
208V	F15-1632-000	DUK
230V	F15-1642-000	DUN
230V GB	F15-1652-000	DUM
230V AU	F15-1662-000	DUQ
230V EUR	F15-1692-000	DUL

imagePRESS 1110

200V	F15-1613-000	DUS
208V	F15-1633-000	DUU
230V	F15-1643-000	DUX
230V GB	F15-1653-000	DUW
230V AU	F15-1663-000	DUY
230V EUR	F15-1693-000	DUV

Contents

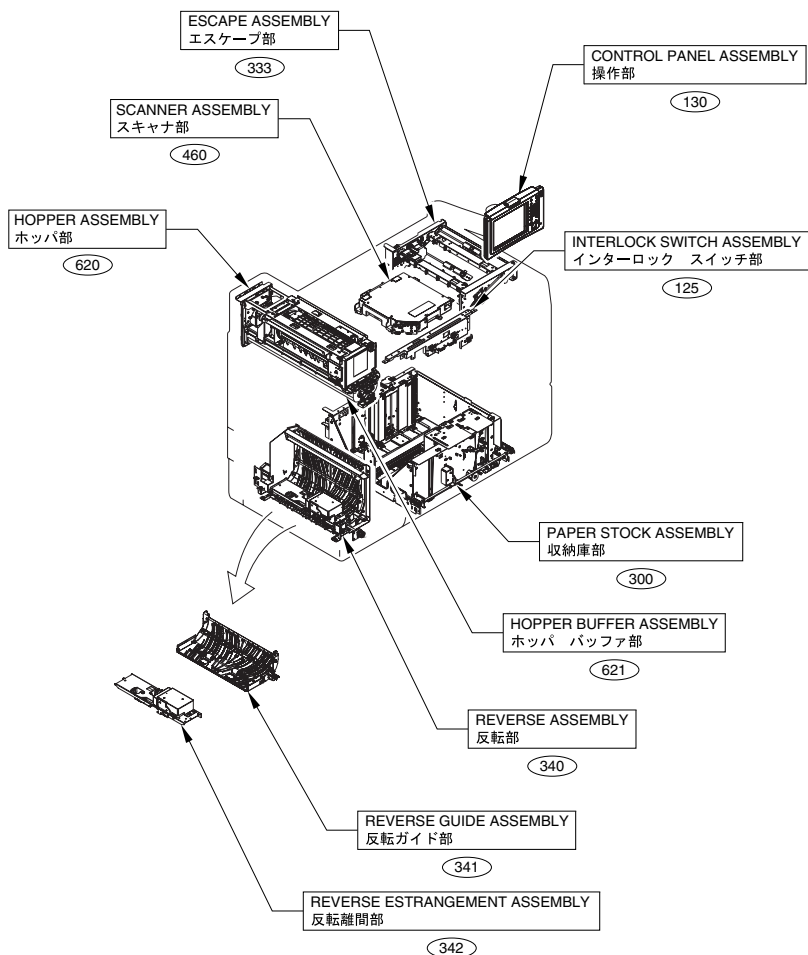
A1	ASSEMBLY LOCATION DIAGRAM	2-1
A2	OPTION PARTS CATALOG LIST	2-9
001	ACCESSORIES	2-10
002	LABEL LOCATION DIAGRAM.....	2-13
100	EXTERNAL COVERS, PANELS, ETC.	2-16
101	INTERNAL COMPONENTS 1	2-19
102	INTERNAL COMPONENTS 2	2-22
103	INTERNAL COMPONENTS 3	2-25
104	INTERNAL COMPONENTS 4	2-27
105	INTERNAL COMPONENTS 5	2-29
106	INTERNAL COMPONENTS 6	2-31
107	MACHINE REAR PLATE 1	2-33
108	MACHINE REAR PLATE 2	2-35
109	MACHINE REAR PLATE 3	2-37
110	MACHINE REAR PLATE 4	2-39
111	MACHINE REAR PLATE 5	2-41
112	MACHINE REAR PLATE 6	2-43
125	INTERLOCK SWITCH ASSEMBLY	2-45
130	CONTROL PANEL ASSEMBLY	2-47
140	POWER CORD TERMINAL ASSEMBLY	2-49
190	FAN MOUNT ASSEMBLY	2-51
191	FAN DUCT ASSEMBLY	2-53
251	DRUM DRIVE ASSEMBLY	2-54
260	PAPER PICK-UP DRIVE ASS'Y	2-56
261	SHIFT DRIVE ASSEMBLY	2-58
280	FIXING DRIVE ASSEMBLY	2-60
300	PAPER STOCK ASSEMBLY	2-62
310	PAPER PICK-UP ASSEMBLY	2-69
318	PRE-REG. GUIDE ASSEMBLY	2-73
320	REGIST.PAPER FEEDER ASSEMBLY	2-75
321	PRE-REGISTRATION FEED ASSEMBLY	2-81
322	ESTRANGEMENT GUIDE ASSEMBLY	2-89
325	SECONDARY TRANSFER ASSEMBLY	2-91
330	FIXING/FEEDER FRAME ASSEMBLY	2-93
331	DUPLEXING FEEDER ASSEMBLY	2-98
332	PRE-FIXING PAPER FEED ASS'Y	2-102
333	ESCAPE ASSEMBLY	2-104
340	REVERSE ASSEMBLY	2-108
341	REVERSE GUIDE ASSEMBLY	2-110
342	REVERSE ESTRANGEMENT ASSEMBLY	2-112
349	EXTERNAL DELIVERY ASSEMBLY	2-114
350	PAPER DELIVERY ASSEMBLY	2-116
351	DELIVERY GUIDE ASSEMBLY, UPPER	2-117
352	DELIVERY BUFFER ASSEMBLY	2-120
353	BELT DECURLER ASSEMBLY, 1	2-124

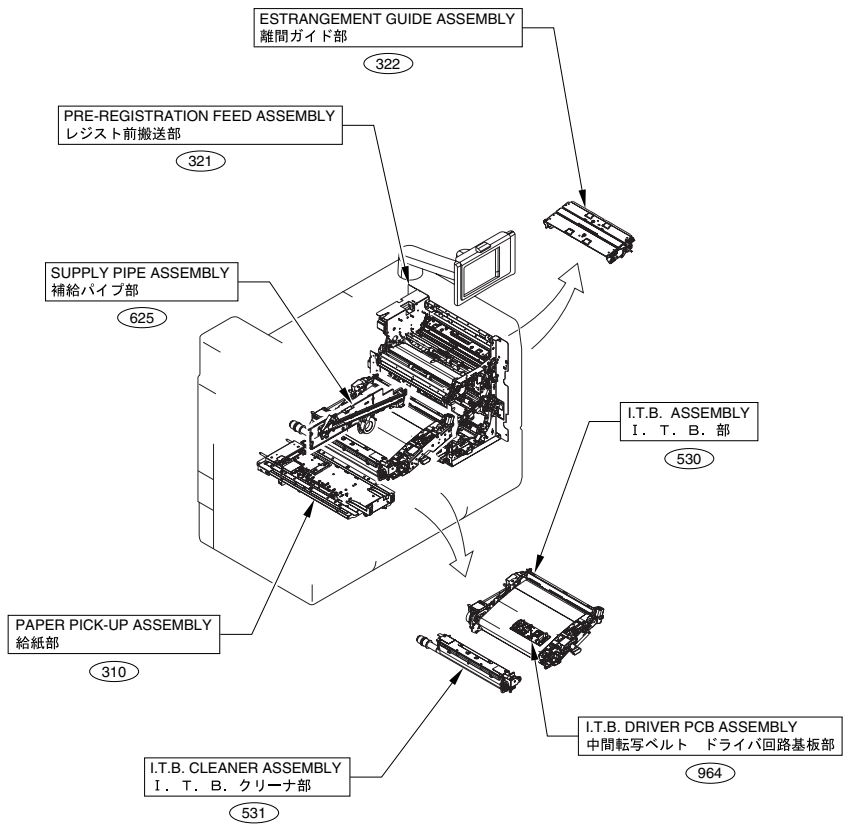
354	PRESSURE DECURLER ASSEMBLY, 1	2-126
355	BELT DECURLER ASSEMBLY, 2	2-128
356	PRESSURE DECURLER ASSEMBLY, 2	2-130
357	FRONT DELIVERY BUFFER ASSEMBLY	2-132
358	DELIVERY INNER DOOR ASSEMBLY	2-136
359	DELIVERY OUTER DOOR ASSEMBLY	2-138
460	SCANNER ASSEMBLY	2-140
530	I.T.B. ASSEMBLY	2-141
531	I.T.B. CLEANER ASSEMBLY	2-147
532	PRE-TRANSFER CORONA ASSEMBLY	2-148
550	PRIMARY CORONA ASSEMBLY	2-150
600	PROCESSOR KIT ASSEMBLY	2-152
620	HOPPER ASSEMBLY	2-157
621	HOPPER BUFFER ASSEMBLY	2-160
625	SUPPLY PIPE ASSEMBLY	2-162
640	DEVELOPING ASSEMBLY	2-163
710	DRUM CLEANER ASSEMBLY	2-165
770	WASTE TONER FEEDER ASSEMBLY	2-166
771	WASTE TONER BOTTLE TRAY ASS'Y	2-167
772	WASTE TONER DRIVE ASSEMBLY	2-169
810	FIXING ASSEMBLY	2-171
811	FIXING FRAME ASSEMBLY, MAIN	2-173
812	FIXING UPPER ASSEMBLY	2-175
813	FIXING LOWER ASSEMBLY	2-179
814	INNER PAPER DELIVERY ASS'Y	2-184
830	FIXING CLEANER ASSEMBLY	2-188
840	EXTERNAL HEATING ASSEMBLY	2-190
850	CLEANER DRIVE ASSEMBLY	2-193
900	CONTROLLER BOX ASSEMBLY	2-195
910	DC POWER SUPPLY ASS'Y, 12V	2-197
911	DC POWER SUPPLY ASS'Y, 1(24V)	2-198
912	DC POWER SUPPLY ASS'Y, 2(24V)	2-199
913	DC POWER SUPPLY ASS'Y, 3(24V)	2-200
930	MAIN CONTROLLER PCB ASS'Y, 2	2-201
931	DC CONTROLLER PCB ASSEMBLY	2-202
940	LASER INTERFACE PCB ASSEMBLY	2-203
960	PAPER PICK-UP DRIVER PCB ASS'Y	2-204
961	BUFFER DRIVER PCB ASSEMBLY	2-205
962	ACTIVE DRIVER PCB ASSEMBLY	2-206
963	P-KIT DRIVER PCB ASS'Y	2-207
964	I.T.B. DRIVER PCB ASSEMBLY	2-208
965	REVERSE DRIVER PCB ASSEMBLY	2-209
966	FIXING MAIN DRIVER PCB ASS'Y	2-210
980	HIGH VOLTAGE PCB ASSEMBLY	2-211
981	DEV. HIGH VOLTAGE PCB ASSEMBLY	2-213

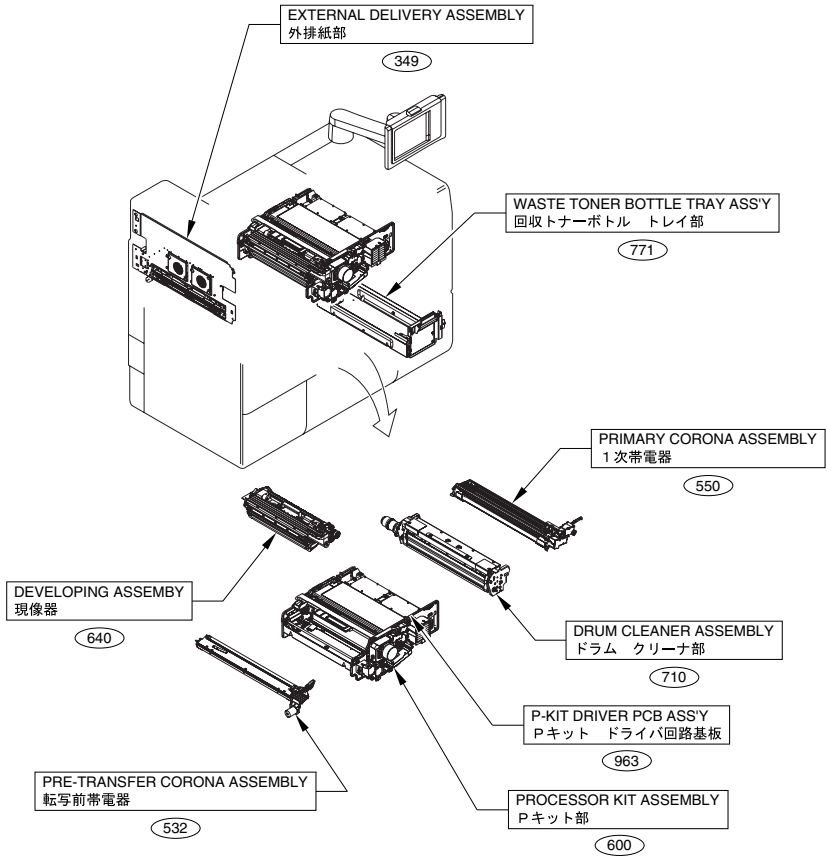
Contents

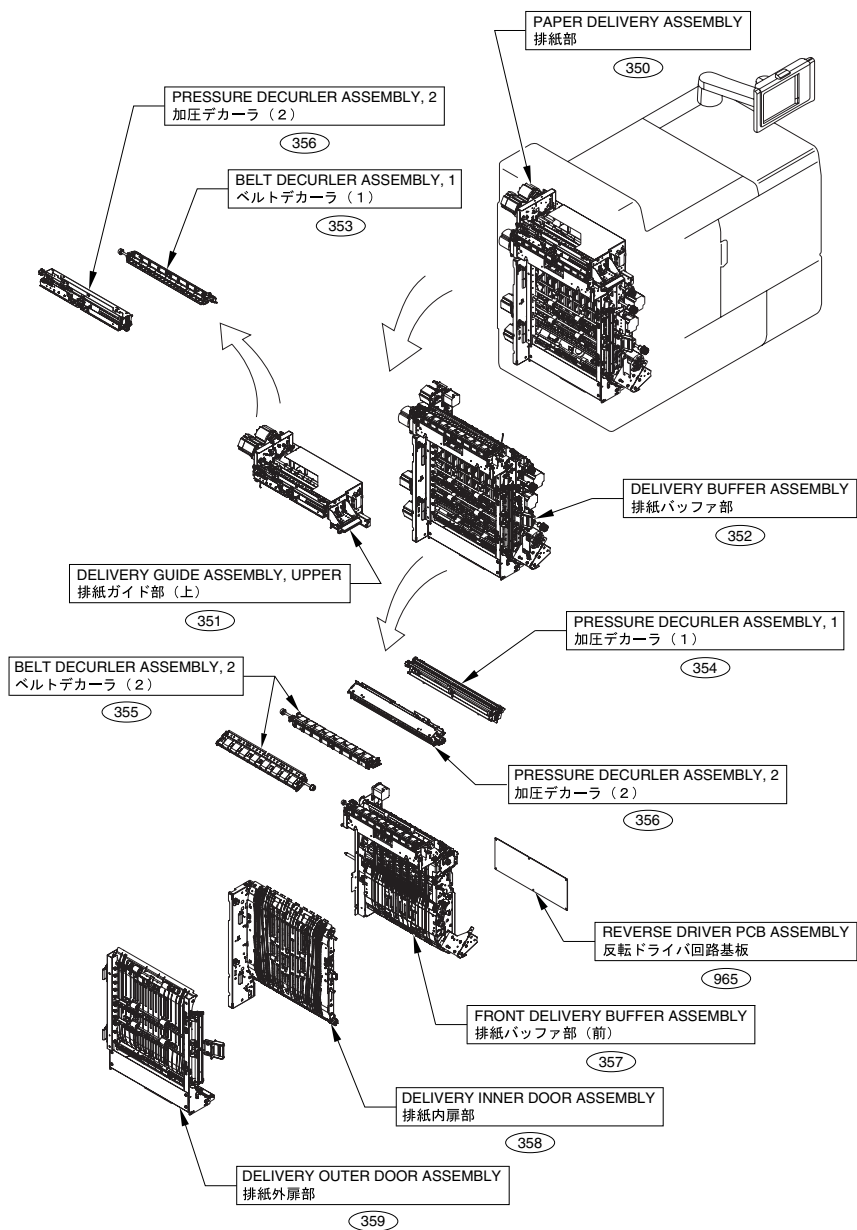
982	FIRST CORONA H.V. PCB ASSEMBLY	2-214
983	POST HIGH VOLTAGE PCB ASS'Y.....	2-215
984	2ND TRANSFR. H.V. PCB ASS'Y.....	2-216
985	FIXING HIGH VOLTAGE PCB ASS'Y	2-217
ZZA	MECHANICAL STANDARD PARTS (HOW TO USE)	2-218
ZZB	MECHANICAL STANDARD PARTS (SCREWS).....	2-219
ZZC	MECHANICAL STANDARD PARTS (BOLTS).....	2-226
ZZD	MECHANICAL STANDARD PARTS (NUTS).....	2-227
ZZE	MECHANICAL STANDARD PARTS (RETAINING RINGS)	2-228

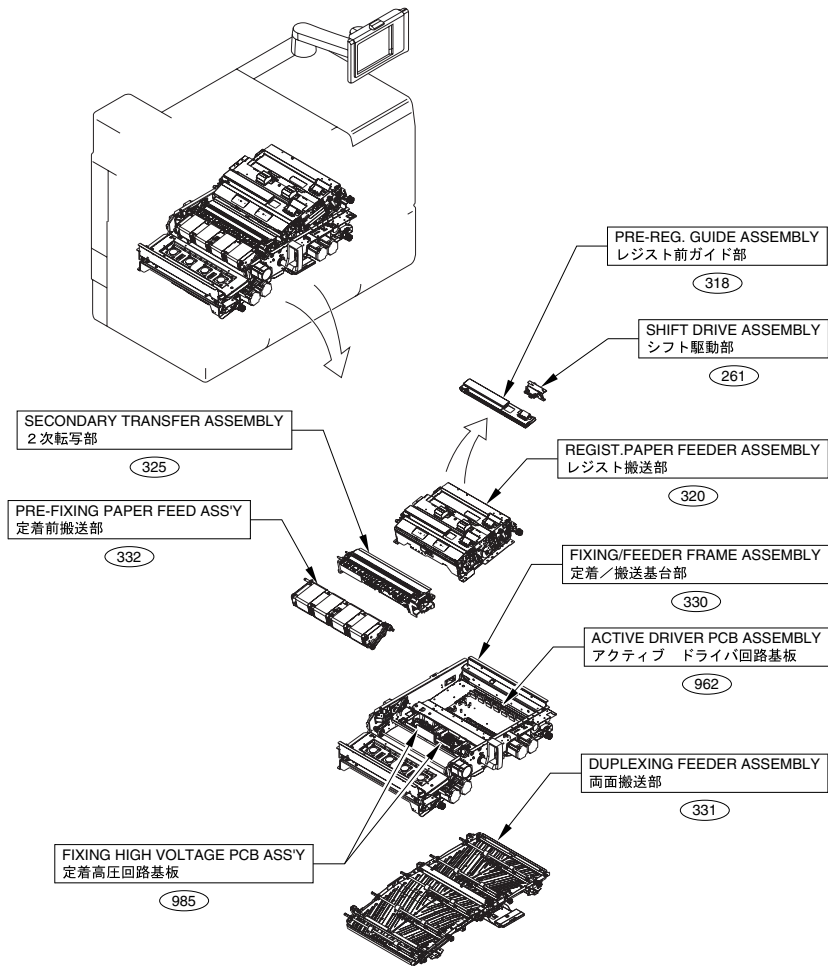
FIGURE A1 ASSEMBLY LOCATION DIAGRAM

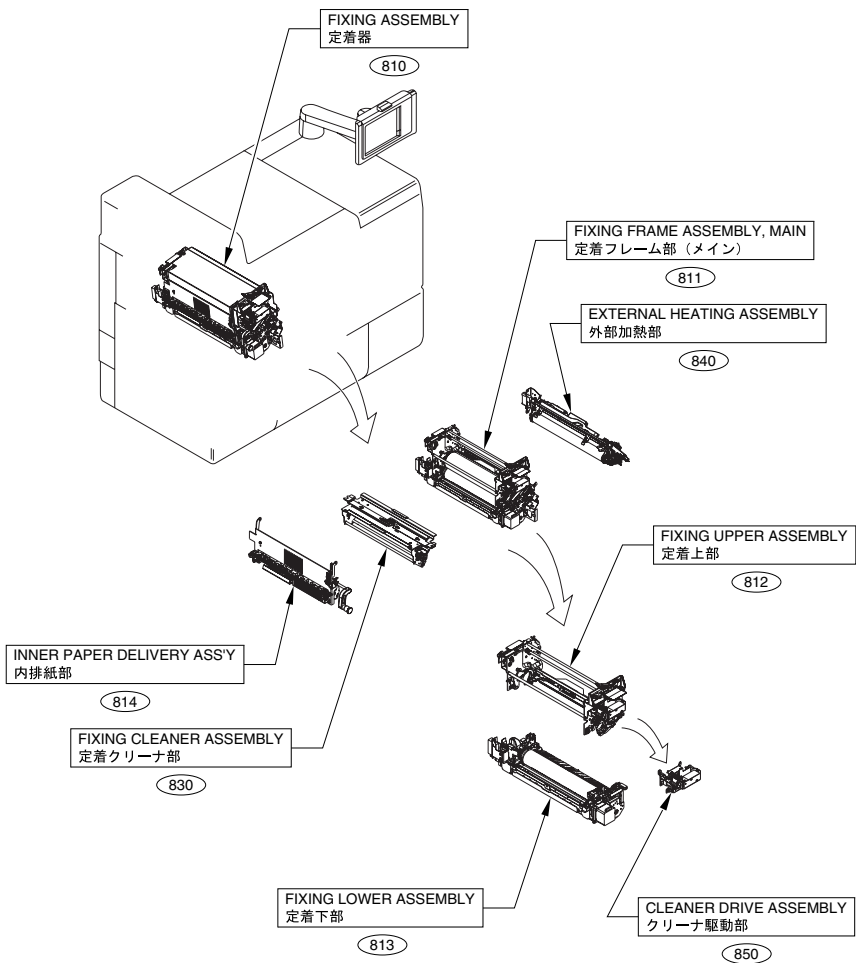


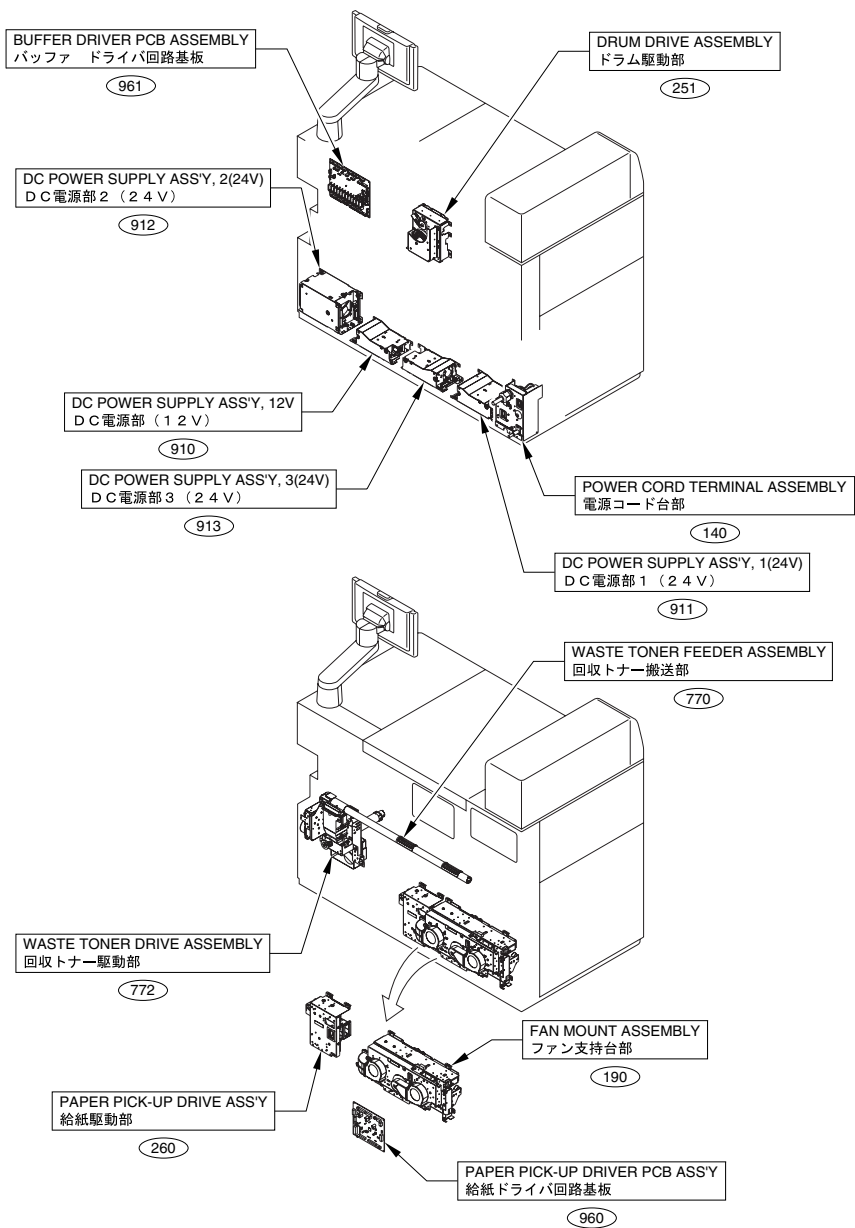












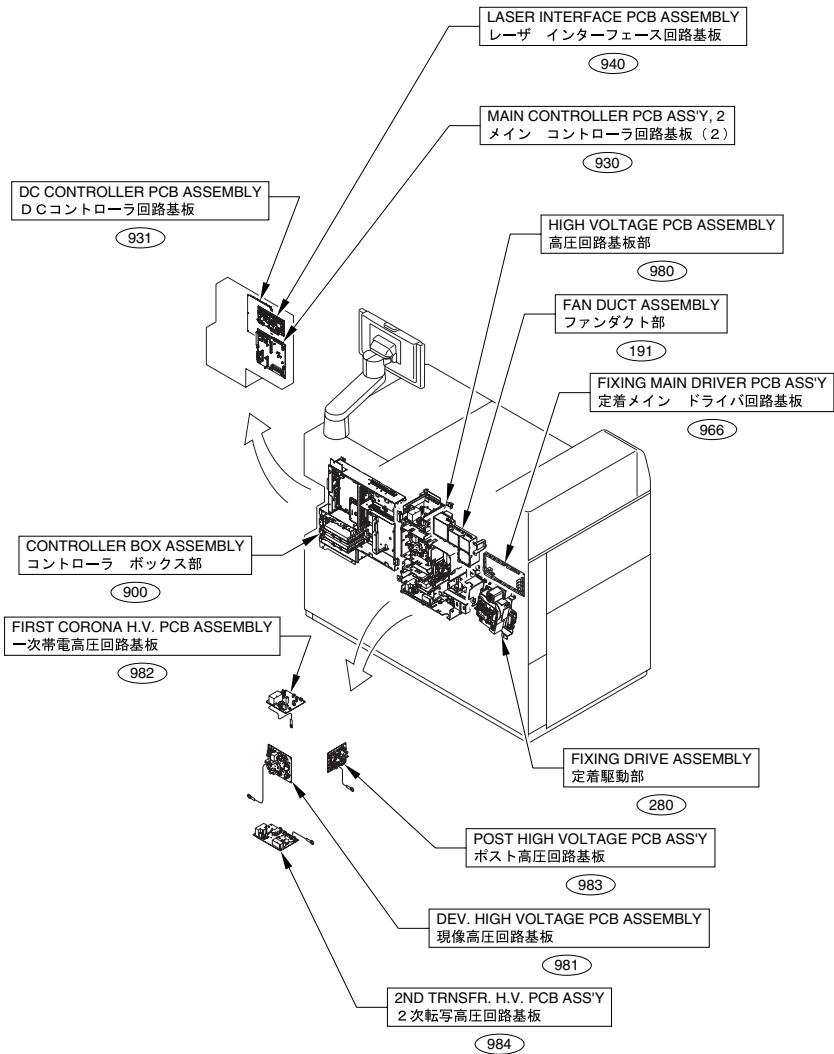


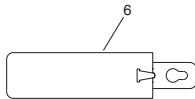
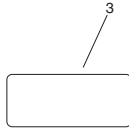
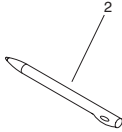
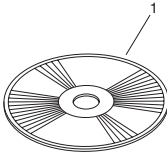
FIGURE A2

OPTION PARTS CATALOG LIST

This is the table of the machine's options whose parts catalog is issued.
 本機のオプションで、パーツカタログが発行されている機種の一覧である。

No.	Model Name(English)	Model Name(Japanese)
1	Document Insertion Unit-F1	インサーター・F1
2	Paper Folding Unit-F1	ペーパーフォールディングユニット・F1
3	High Capacity Stacker-E1	大容量スタッカー・E1
4	Perfect Binder-C1	パーフェクトバインダー・C1
5	Side Paper Deck-AF1(Multi Drawer)	サイドペーパーデッキ・AF1
6	Finisher-AG1/ Saddle Finisher-AG2	フィニッシャー・AG1/ サドルフィニッシャー・AG2
7	Puncher Unit-BF1/BG1/BH1	パンチャーユニット・BF1/BG1/BH1
8	Inner Booklet Trimmer-A1	インナートリマー・A1
9	Tab Feeding Attachment-E1	インデックス紙アタッチメント・E1
10	Color Image Reader-L1	カラーイメージリーダー・L1
11	POD Deck-C1/Secondary POD Deck-C1	PODデッキ・C1/重連用PODデッキ・C1
12	Finisher-AF1/ Saddle Finisher-AF2	フィニッシャー・AF1/ サドルフィニッシャー・AF2
13	Puncher Unit-BA1/BB1/BC1/BD1	パンチャーユニット・BA1/BB1/BC1/BD
14	Multi Drawer Document Insertion Unit-A1	マルチインサーター・A1
15	Professional Puncher-B1	プロフェッショナルパンチャー・B1
16	Professional Puncher Integration Unit-A1	インテグレーションユニット・A1
17	Booklet Trimmer-D1	トリマー・D1
18	Two-Knife Booklet Trimmer-A1	天地トリマー・A1
19	Reader Heater Unit-G1	リーダーヒーターキット・G1
20	Cassette Heater Unit-31/32	カセットヒーターユニット31/32
21	CARD READER-C1_D1	カードリーダー-C1_D1
22	Card Reader Attachment Kit-G1	カードリーダー取付キット・G1
23	Voice Guidance Kit-E1	音声ガイダンスキット・E1
24	HDD Data Encryption Kit-B7	HDDデータ暗号化キット・B7
25	Expansion Bus-F1	PCIバス拡張キット・F1
26	IPSec Board-B1	IPSecセキュリティボード・B1
27	Removable Hard Disc Kit-AA1	リムーバブルHDDキット・AA1
28	IPR SERVER J100	imagePRESS Server J100
29	IPR SERVER J200	imagePRESS Server J200

FIGURE 001 ACCESSORIES



1 Some paper sizes cannot be cut, depending on the machine brand.
2 Standard format paper is measured from the outside edges, which is listed as its weight.
3 The names for the PaperTronic colours are, for all the languages in German: Rastrol.
4 The 16 standard paper sizes listed below are, in general, all standard sizes.
5 There are 16 standard paper sizes with dimensions in millimeters, representing the standard Rastrol.
6 PaperTronic colour: Rastrol.
7 Number the copies in the 40 copies number box on page 1.
8 Number the pages in the 40 copies number box on page 1.

A3	390,2x482,5mm	13x19	
A4	320x460mm (EN64)	12,69x17,25	
A4R	304,8x457,2mm	12x18	
7,25x10,5 EXEC		11x17	FLSCP
6,5x14 LEGAL		B4	FOLIO
6,5x11 LTR		B5	OFICIO
6,5x11 LTR		B5B	8K
7,25x10,5 EXEC		16K	

<p>1 Choose the paper size. 2 Select the paper tray. 3 Check loading the paper. 4 Make sure the paper is correctly loaded in the tray. 5 Make sure the paper is correctly loaded in the tray. 6 Make sure the paper is correctly loaded in the tray. 7 Make sure the paper is correctly loaded in the tray. 8 Make sure the paper is correctly loaded in the tray.</p> <p>1 Paper tray guide. 2 Paper tray guide. 3 Paper tray guide. 4 Paper tray guide. 5 Paper tray guide. 6 Paper tray guide. 7 Paper tray guide. 8 Paper tray guide.</p>	<p>1 Choose the paper size. 2 Select the paper tray. 3 Check loading the paper. 4 Make sure the paper is correctly loaded in the tray. 5 Make sure the paper is correctly loaded in the tray. 6 Make sure the paper is correctly loaded in the tray. 7 Make sure the paper is correctly loaded in the tray. 8 Make sure the paper is correctly loaded in the tray.</p> <p>1 Paper tray guide. 2 Paper tray guide. 3 Paper tray guide. 4 Paper tray guide. 5 Paper tray guide. 6 Paper tray guide. 7 Paper tray guide. 8 Paper tray guide.</p>	<p>1 Choose the paper size. 2 Select the paper tray. 3 Check loading the paper. 4 Make sure the paper is correctly loaded in the tray. 5 Make sure the paper is correctly loaded in the tray. 6 Make sure the paper is correctly loaded in the tray. 7 Make sure the paper is correctly loaded in the tray. 8 Make sure the paper is correctly loaded in the tray.</p> <p>1 Paper tray guide. 2 Paper tray guide. 3 Paper tray guide. 4 Paper tray guide. 5 Paper tray guide. 6 Paper tray guide. 7 Paper tray guide. 8 Paper tray guide.</p>
<p>1 Choose the paper size. 2 Select the paper tray. 3 Check loading the paper. 4 Make sure the paper is correctly loaded in the tray. 5 Make sure the paper is correctly loaded in the tray. 6 Make sure the paper is correctly loaded in the tray. 7 Make sure the paper is correctly loaded in the tray. 8 Make sure the paper is correctly loaded in the tray.</p> <p>1 Paper tray guide. 2 Paper tray guide. 3 Paper tray guide. 4 Paper tray guide. 5 Paper tray guide. 6 Paper tray guide. 7 Paper tray guide. 8 Paper tray guide.</p>	<p>1 Choose the paper size. 2 Select the paper tray. 3 Check loading the paper. 4 Make sure the paper is correctly loaded in the tray. 5 Make sure the paper is correctly loaded in the tray. 6 Make sure the paper is correctly loaded in the tray. 7 Make sure the paper is correctly loaded in the tray. 8 Make sure the paper is correctly loaded in the tray.</p> <p>1 Paper tray guide. 2 Paper tray guide. 3 Paper tray guide. 4 Paper tray guide. 5 Paper tray guide. 6 Paper tray guide. 7 Paper tray guide. 8 Paper tray guide.</p>	<p>1 Choose the paper size. 2 Select the paper tray. 3 Check loading the paper. 4 Make sure the paper is correctly loaded in the tray. 5 Make sure the paper is correctly loaded in the tray. 6 Make sure the paper is correctly loaded in the tray. 7 Make sure the paper is correctly loaded in the tray. 8 Make sure the paper is correctly loaded in the tray.</p> <p>1 Paper tray guide. 2 Paper tray guide. 3 Paper tray guide. 4 Paper tray guide. 5 Paper tray guide. 6 Paper tray guide. 7 Paper tray guide. 8 Paper tray guide.</p>
<p>1 Choose the paper size. 2 Select the paper tray. 3 Check loading the paper. 4 Make sure the paper is correctly loaded in the tray. 5 Make sure the paper is correctly loaded in the tray. 6 Make sure the paper is correctly loaded in the tray. 7 Make sure the paper is correctly loaded in the tray. 8 Make sure the paper is correctly loaded in the tray.</p> <p>1 Paper tray guide. 2 Paper tray guide. 3 Paper tray guide. 4 Paper tray guide. 5 Paper tray guide. 6 Paper tray guide. 7 Paper tray guide. 8 Paper tray guide.</p>	<p>1 Choose the paper size. 2 Select the paper tray. 3 Check loading the paper. 4 Make sure the paper is correctly loaded in the tray. 5 Make sure the paper is correctly loaded in the tray. 6 Make sure the paper is correctly loaded in the tray. 7 Make sure the paper is correctly loaded in the tray. 8 Make sure the paper is correctly loaded in the tray.</p> <p>1 Paper tray guide. 2 Paper tray guide. 3 Paper tray guide. 4 Paper tray guide. 5 Paper tray guide. 6 Paper tray guide. 7 Paper tray guide. 8 Paper tray guide.</p>	<p>1 Choose the paper size. 2 Select the paper tray. 3 Check loading the paper. 4 Make sure the paper is correctly loaded in the tray. 5 Make sure the paper is correctly loaded in the tray. 6 Make sure the paper is correctly loaded in the tray. 7 Make sure the paper is correctly loaded in the tray. 8 Make sure the paper is correctly loaded in the tray.</p> <p>1 Paper tray guide. 2 Paper tray guide. 3 Paper tray guide. 4 Paper tray guide. 5 Paper tray guide. 6 Paper tray guide. 7 Paper tray guide. 8 Paper tray guide.</p>

FC8-7668-000 □

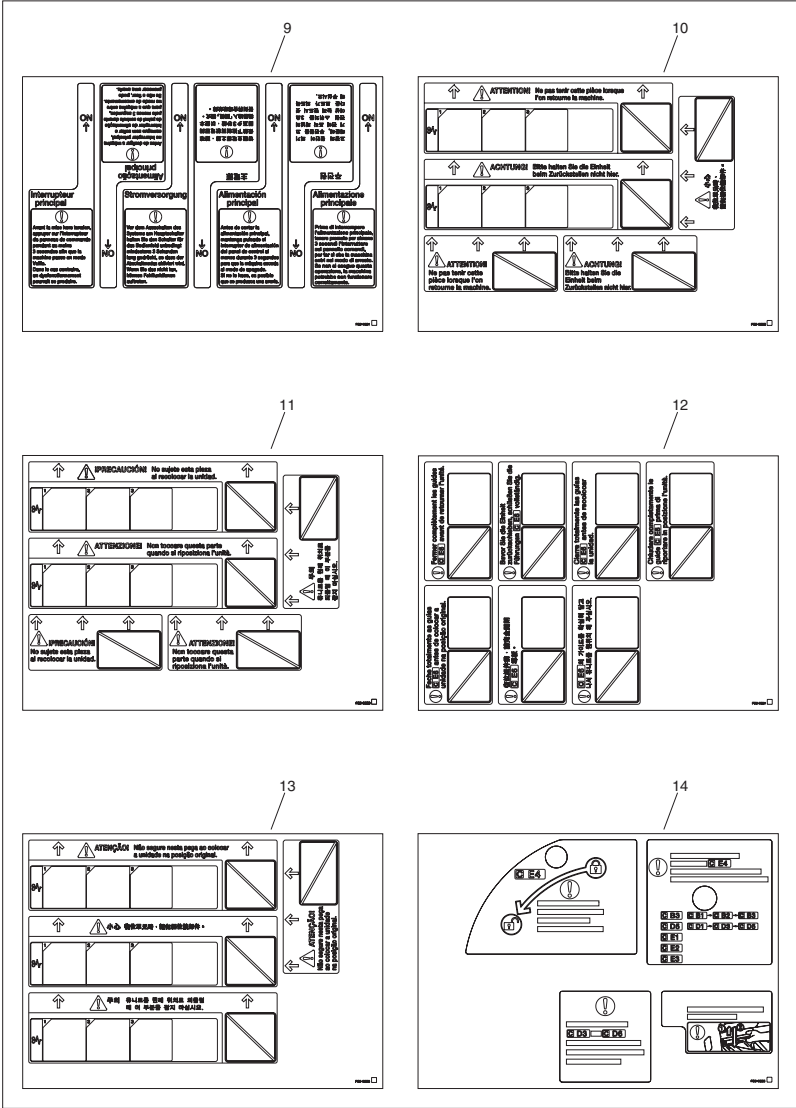
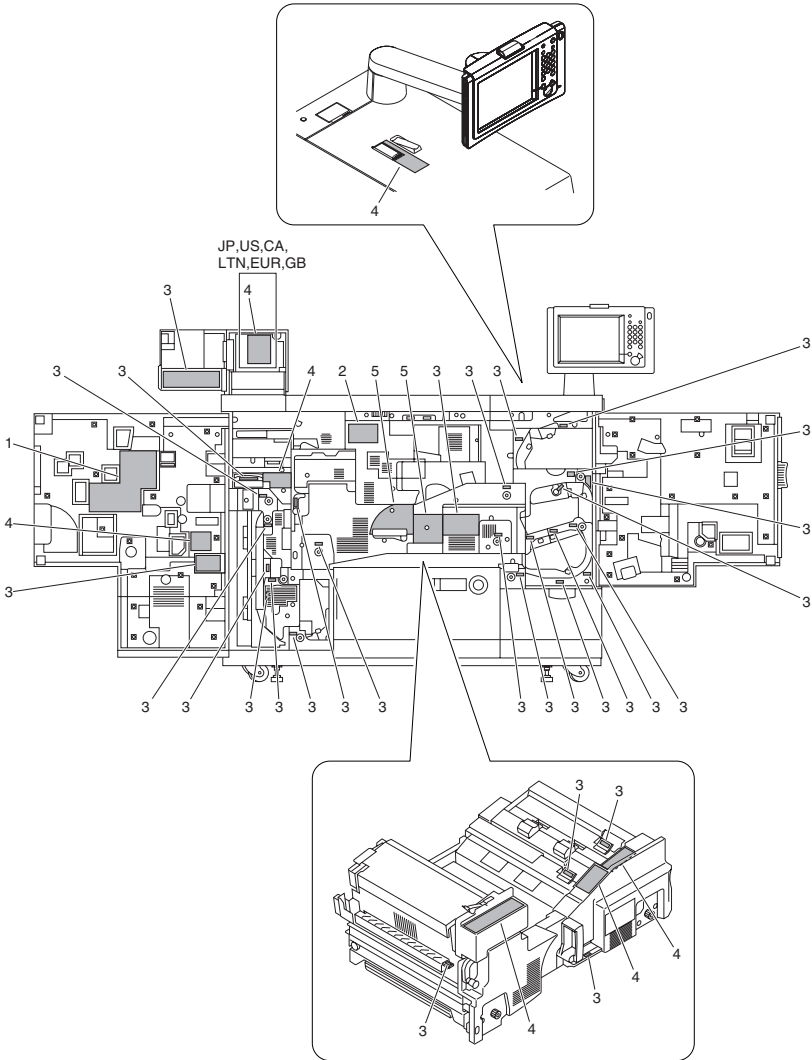


FIGURE & KEY NO.	PARTS NUMBER	RANK	Q'TY	DESCRIPTION	SERIAL NUMBER/REMARKS	SVC
Fig.001	NPN		RF	ACCESSORIES		
1	FK2-8826-000		1	CD-ROM, SOFTWARE FOR MEAP	JP	
1	FK2-8827-000		1	CD-ROM, SOFTWARE FOR MEAP	US,CA,LTN	
1	FK2-8828-000		1	CD-ROM, SOFTWARE FOR MEAP	EXCEPT JP,US,CA,LTN	
2	FC7-3068-000		1	PEN, TOUCH PANEL		
3	FC6-9992-000		1	PLATE, MEDIA INDICATION		
4	WS6-5200-000		1	CONNECTOR		
5	WS6-5201-000		1	TERMINATOR		
6	FM3-2516-000		1	CLEANING SHEET UNIT		
7	FU6-8216-000		1	LABEL, PAPER SIZE		
8	FC8-7668-000		1	LABEL, SIZE CHANGE PROCESS		
9	FC9-0231-000		1	LABEL, SHUT,DOWN	EXCEPT JP	
10	FC9-0232-000		1	LABEL, E7 , E8 CAUTION, 1	EXCEPT JP	
11	FC9-0233-000		1	LABEL, E7 , E8 CAUTION, 2	EXCEPT JP	
12	FC9-0234-000		1	LABEL, E6 CAUTION	EXCEPT JP	
13	FC9-0235-000		1	LABEL, E7 , E8 CAUTION, 3	EXCEPT JP	
14	FC9-0236-000		1	LABEL, LANGUAGE	French	
14	FC9-0237-000		1	LABEL, LANGUAGE	German	
14	FC9-0245-000		1	LABEL, LANGUAGE	Spanish	
14	FC9-0246-000		1	LABEL, LANGUAGE	Italian	
14	FC9-0247-000		1	LABEL, LANGUAGE	Portuguese	
14	FC9-0248-000		1	LABEL, LANGUAGE	Traditional Chinese	
14	FC9-0249-000		1	LABEL, LANGUAGE	Korean	

FIGURE 002
LABEL LOCATION DIAGRAM



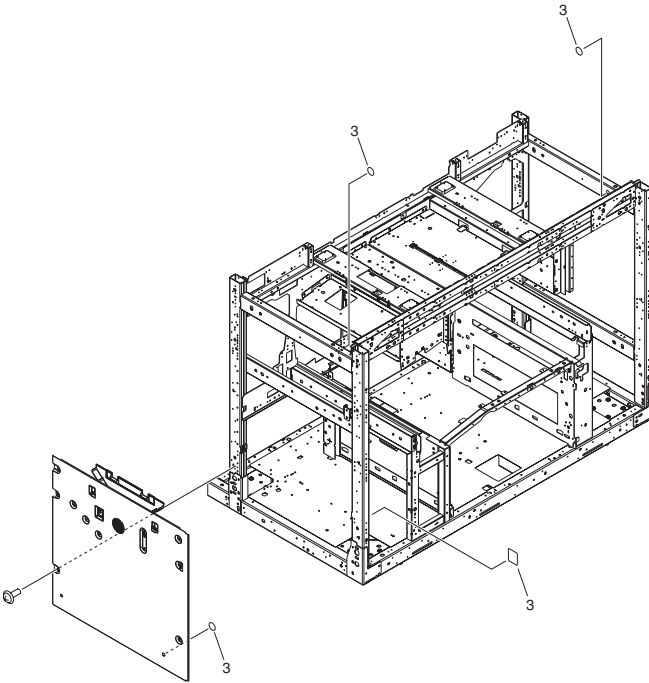


FIGURE & KEY NO.	PARTS NUMBER	RANK	Q'TY	DESCRIPTION	SERIAL NUMBER/REMARKS	SVC
Fig.002	NPN		RF	LABEL LOCATION DIAGRAM		
1	FC9-0218-000		1	LABEL, MAP		
2	FC9-0219-000		1	LABEL, LASER CAUTION		
3	FC9-0220-000		1	LABEL, UNIVERSAL		
4	FC9-0221-000		1	LABEL, OPERATION, 1	JP	
4	FC9-0223-000		1	LABEL, OPERATION, 1	US,CA,LTN	
4	FC9-0225-000		1	LABEL, OPERATION, 1	EUR,GB	
4	FC9-0227-000		1	LABEL, OPERATION, 1	EXCEPT JP,US,CA,LTN,EUR,GB	
5	FC9-0222-000		1	LABEL, OPERATION, 2	JP	
5	FC9-0226-000		1	LABEL, OPERATION, 2	EXCEPT JP,EUR,GB	
5	FC9-0228-000		1	LABEL, OPERATION, 2	EUR,GB	

FIGURE 100 EXTERNAL COVERS, PANELS, ETC.

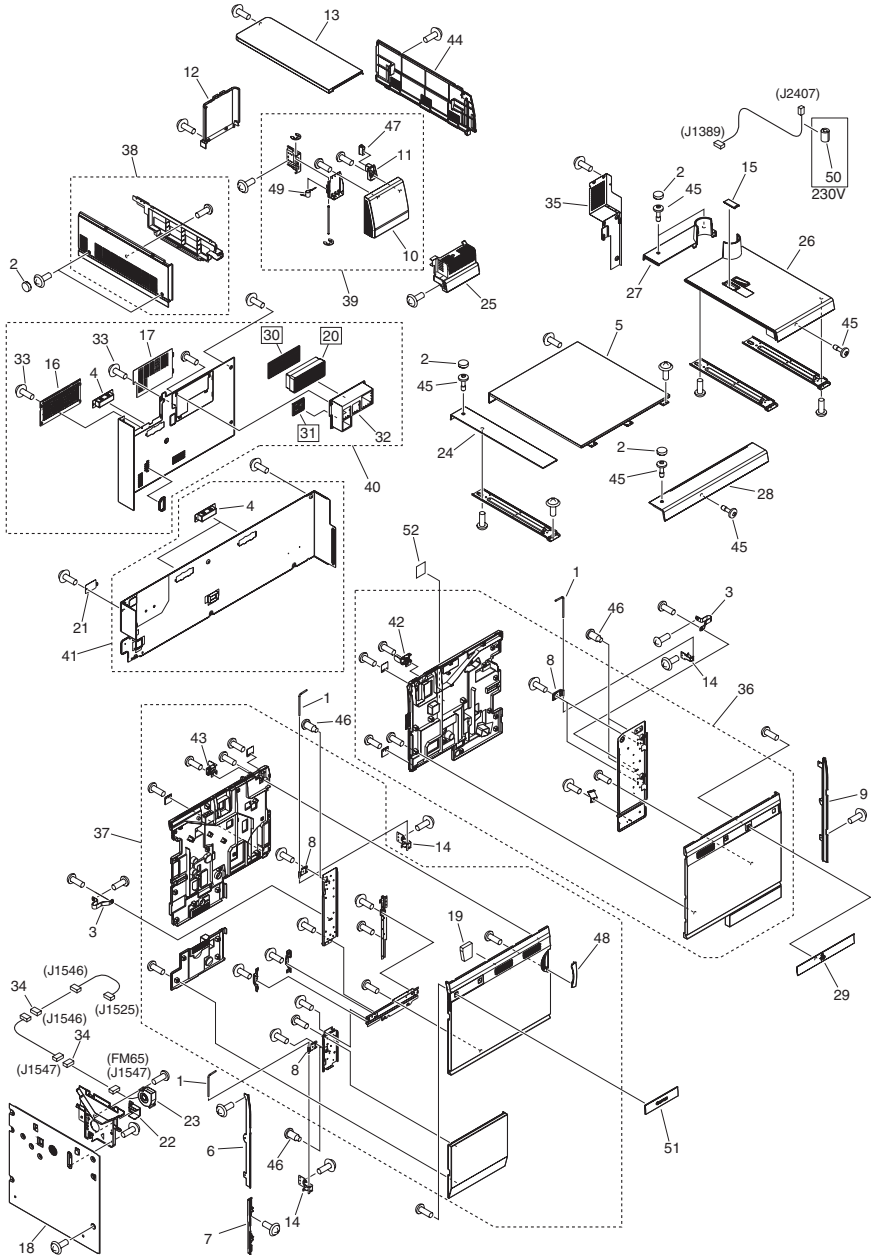


FIGURE & KEY NO.	PARTS NUMBER	R A N K	Q'TY	DESCRIPTION	SERIAL NUMBER/ REMARKS	S V C
Fig.100	NPN		RF	EXTERNAL COVERS, PANELS, ETC.		
1	FB2-0037-000		4	PIN, HINGE		
2	FB6-3771-000		6	COVER, RUBBER		
3	FC6-5732-000		2	BELT,STOPPER		
4	FC6-8948-000		3	HANDLE		
5	FC7-8042-000		1	COVER, UPPER		
6	FC7-8057-000		1	COVER, BLANKING, LEFT UPPER		
7	FC7-8058-000		1	COVER, BLANKING, LEFT LOWER		
8	FC7-8059-000		4	HINGE		
9	FL2-7364-000		1	COVER, BLANKING, RIGHT UPPER		
10	FC7-8065-000		1	COVER, HOPPER, FRONT		
11	FC7-8066-000		1	MOUNT, MAGNET CATCH		
12	FC7-8069-000		1	COVER, HOPPER, REAR		
13	FC7-8070-000		1	COVER, HOPPER, UPPER		
14	FC7-8077-000		4	PLATE, HINGE		
15	FC7-8080-000		1	COVER, POWER SUPPLY SWITCH		
16	FC7-8082-000		1	COVER, DUCT, 1		
17	FC7-8086-000		1	COVER, DUCT, 2		
18	FC7-8115-000		1	COVER, LEFT, LOWER		
19	FC8-9734-000		1	FILTER, AIR		
20	FC9-0170-000		1	FILTER, OZONE	[DP]	
21	FC9-0177-000		1	PLATE, CONNECTOR COVER		
22	FC9-0264-000		1	COVER, CONNECTOR		
23	FK2-8543-000		1	FAN	FM65	
24	FL2-7303-000		1	COVER, UPPER LEFT, 2		
25	FL2-7304-000		1	COVER, UPPER LEFT, 1		
26	FL2-7307-000		1	COVER, UPPER RIGHT, 1		
27	FL2-7308-000		1	COVER, UPPER RIGHT, 2		
28	FL2-7314-000		1	COVER, UPPER FRONT		
29	FL2-7317-000		1	EMBLEM	imagePRESS 1135	
29	FL2-7335-000		1	EMBLEM	imagePRESS 1125	
29	FL2-7336-000		1	EMBLEM	imagePRESS 1110	

FIGURE & KEY NO.	PARTS NUMBER	R A N K	Q'TY	DESCRIPTION	SERIAL NUMBER/REMARKS	S V C
30	FL2-7327-000		1	FILTER, AIR, 1	[DP]	
31	FL2-7328-000		1	FILTER, AIR, 2	[DP]	
32	FL2-7329-000		1	FILTER CASE ASSEMBLY		
33	FU5-9230-000		2	SCREW, TP, M4X8(YELLOW)		
34	VS1-7177-003		2	CONNECTOR, SNAP TIGHT, BK		
35	FL2-7359-000		1	COVER, REAR, LEFT UPPER		
36	FM3-2450-000		1	FRONT COVER ASSEMBLY, RIGHT		
37	FM3-2451-000		1	FRONT COVER ASSEMBLY, LEFT		
38	FM3-2456-000		1	HOPPER LEFT COVER ASSEMBLY		
39	FM3-2457-000		1	HOPPER FRONT COVER ASSEMBLY		
40	FM3-2459-000		1	REAR COVER ASSEMBLY, RIGHT		
41	FM3-2460-000		1	REAR COVER ASSEMBLY, LOWER		
42	FM3-2482-000		1	INTERLOCK PUSH UNIT, LEFT		
43	FM3-2483-000		1	INTERLOCK PUSH UNIT, RIGHT		
44	FM3-2873-000		1	HOPPER PANEL ASSEMBLY, RIGHT		
45	FS1-9253-020		8	SCREW, STEPPED M4X8		
46	FS2-9001-020		4	SCREW,STEPPED,M4		
47	XZ9-0603-000		1	CATCH, MAGNET		
48	FC6-3160-000		1	HANDLE		
49	FC7-8130-000		1	SPRING, TORSION		
50	WE8-5741-000		1	CORE, FERRITE	230V	
51	FC8-9153-000		1	COVER, LEFT FRONT		
52	FU6-8308-000		1	LABEL, WIRE HEIGHT		

FIGURE 101 INTERNAL COMPONENTS 1

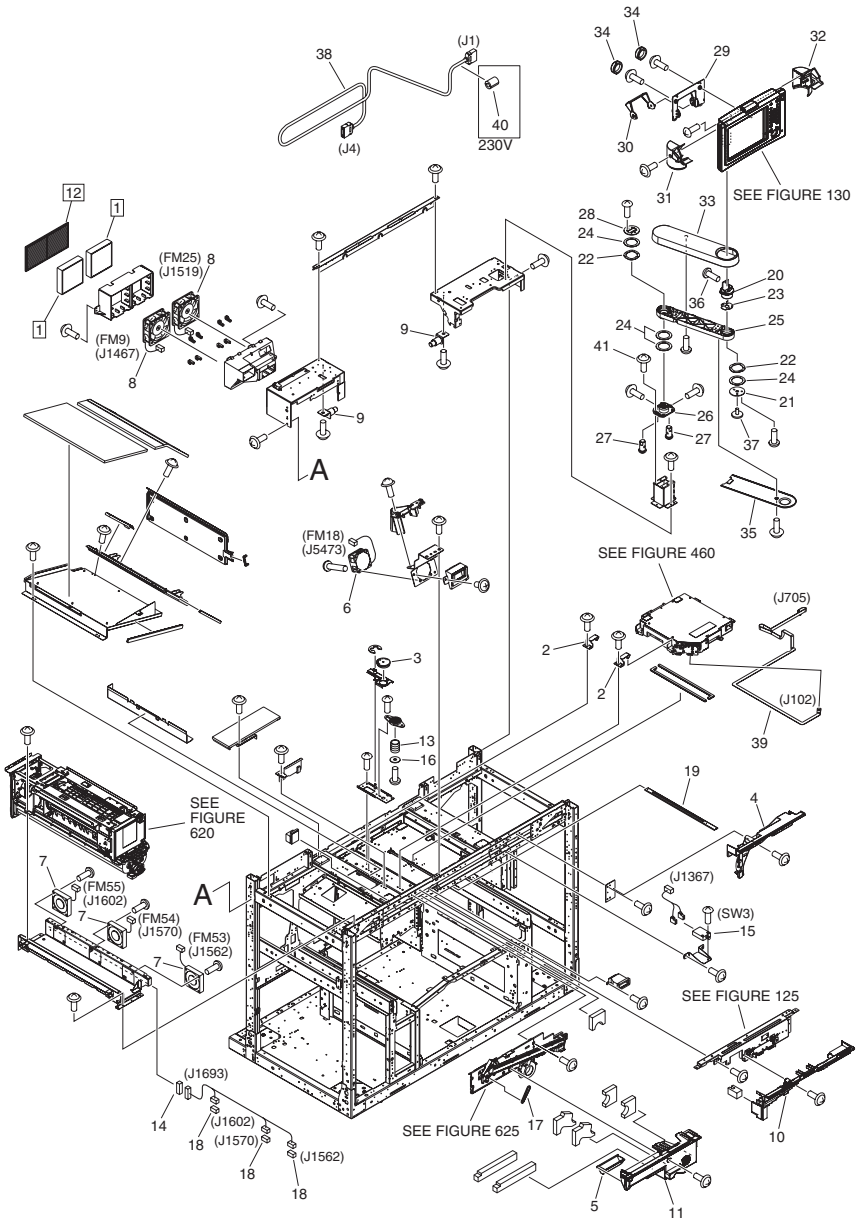


FIGURE & KEY NO.	PARTS NUMBER	RANK	Q'TY	DESCRIPTION	SERIAL NUMBER/REMARKS	SVC
Fig.101	NPN		RF	INTERNAL COMPONENTS 1		
1	FC6-2035-000		2	FILTER, OZONE	[DP]	
2	FC7-8000-000		2	SPRING, LEAF		
3	FC7-8003-000		1	DIAL, ADJUST		
4	FC7-8108-000		1	COVER, INNER, RIGHT		
5	FC7-8112-000		1	COVER, PROTECTIVE		
6	FK2-6477-000		1	FAN	FM18	
7	FK2-7243-000		3	FAN	FM53,FM54,FM55	
8	FK2-8549-000		2	FAN	FM9,FM25	
9	FL2-7301-000		2	STAY, READER SHAFT, REAR		
10	FL2-7302-000		1	COVER, INNER, CENTER		
11	FL2-7310-000		1	COVER, INNER, LEFT		
12	FL2-7340-000		1	FILTER, AIR, 3	[DP]	
13	FU6-2536-000		1	SPRING, COMPRESSION		
14	VS1-8412-009		1	CONNECTOR, SNAP TIGHT, BL		
15	WC2-5597-000		1	SWITCH, PUSHING BUTTON	SW3	
16	XD9-0212-000		1	WASHER, M3 FOR PLAIN		
17	XF2-1108-940		1	BELT, TIMING, COGGED		
18	VS1-7177-003		3	CONNECTOR, SNAP TIGHT, BK		
19	FL2-7766-000		1	GLASS UNIT, DUST-PROOF		
20	FB6-0432-000		1	SUPPORT, SHAFT		
21	FB6-0450-000		1	WASHER		
22	FC6-5731-000		2	WASHER,WAVE		
23	FC7-0222-000		1	SPACER		
24	FC7-0223-000		4	SHEET		
25	FC8-9143-000		1	ARM		
26	FC8-9144-000		1	SUPPORT, SHAFT		
27	FC8-9145-000		2	PIN, STOPPER		
28	FC8-9146-000		1	WASHER		
29	FC6-4958-000		1	COVER, HINGE		
30	FC6-4959-000		1	COVER, SLIDE		
31	FC6-4960-000		1	COVER, HINGE, LEFT		

FIGURE & KEY NO.	PARTS NUMBER	RANK	Q'TY	DESCRIPTION	SERIAL NUMBER/REMARKS	SVC
32	FC6-4961-000		1	COVER, HINGE, RIGHT		
33	FC6-5614-000		1	COVER, ARM, 1		
34	FC6-6824-000		2	RUBBER, COVER		
35	FL2-2382-000		1	COVER, ARM, LOWER		
36	XA9-0940-000		1	SCREW, WWASHER, M4X12		
37	FB6-0439-020		1	SCREW,M4		
38	FK2-7405-000		1	CABLE, USER INTERFACE		
39	FK2-7240-000		1	CABLE, FLAT		
40	WE8-5961-000		1	CORE, FERRITE	230V	
41	XA9-0739-000		4	SCREW, TP, M4X8		

FIGURE 102 INTERNAL COMPONENTS 2

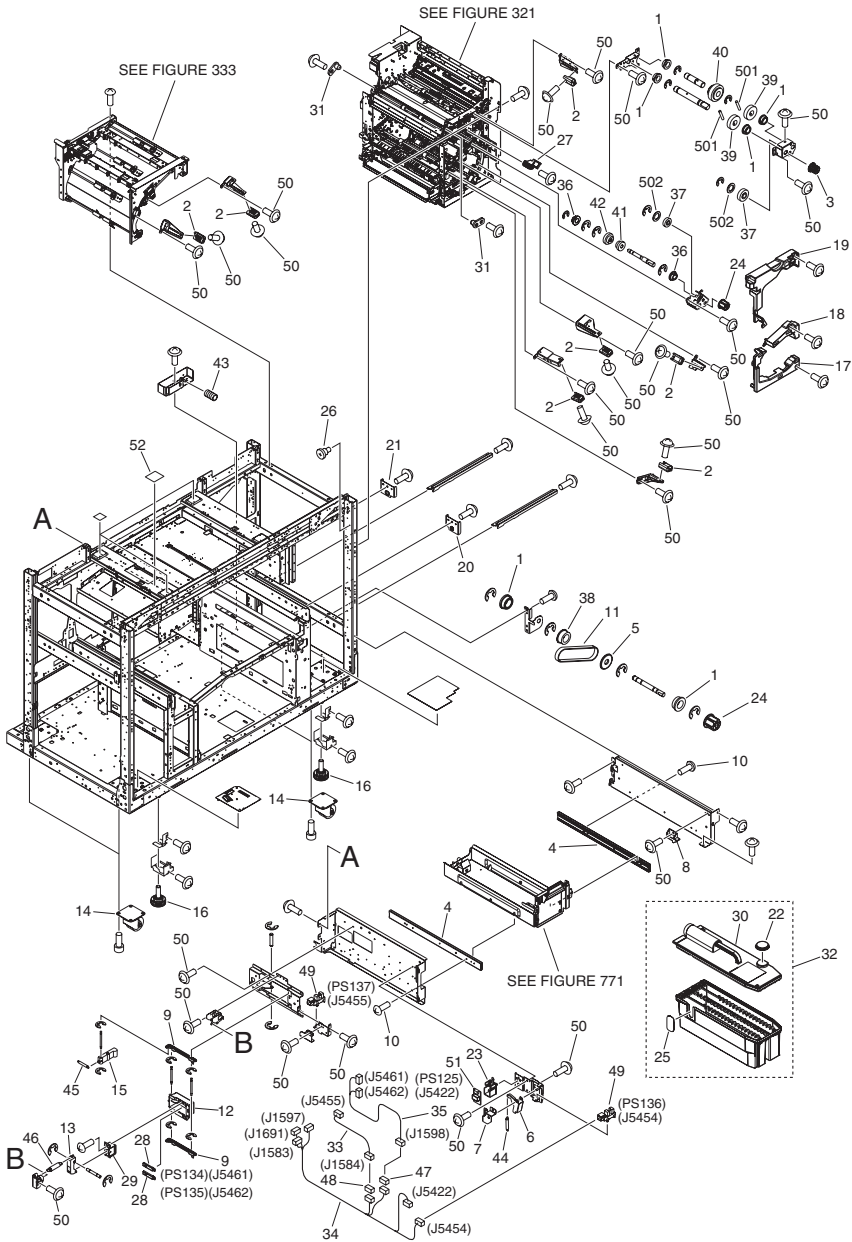


FIGURE & KEY NO.	PARTS NUMBER	RANK	Q'TY	DESCRIPTION	SERIAL NUMBER/REMARKS	SVC
Fig.102	NPN		RF	INTERNAL COMPONENTS 2		
1	FA9-2112-000		6	BUSHING, PL		
2	FB3-3834-000		7	KNOB		
3	FC5-8165-000		1	KNOB, EXTRACTION		
4	FC5-8863-000		2	RAIL, SLIDE		
5	FC6-6361-000		1	GUIDE, PULLEY		
6	FC7-1551-000		1	FLAG, DOOR SENSOR		
7	FC7-1552-000		1	STOPPER, FLAG		
8	FC7-1553-000		1	HOOK		
9	FC7-1559-000		2	CAM, SLIDE		
10	XA9-1331-000		6	SCREW,MACH.,TRUSS HEAD,M4X4		
11	XF2-1109-660		1	BELT, TIMING, COGGED		
12	FC7-1564-000		1	HOLDER, TONER SENSOR		
13	FC7-1568-000		1	ARM, PRESSURE		
14	XZ9-0565-000		4	CASTER		
15	FC7-1616-000		1	LEVER, BOTTLE DETECT		
16	FC7-4394-000		2	ADJUSTER		
17	FC7-8103-000		1	COVER, REGISTRATION, LOWER		
18	FC7-8104-000		1	COVER, REGISTRATION, CENTER		
19	FC7-8105-000		1	COVER, REGISTRATION, UPPER		
20	FC7-8322-000		1	PLATE, POSITIONING, FRONT		
21	FC7-8323-000		1	PLATE, POSITIONING, REAR		
22	FC7-9034-000		1	CAP, WASTE TONER BOX		
23	FC8-1119-000		1	MOUNT, ENVIRONMENT SENSOR		
24	FC8-3870-000		2	KNOB, EXTRACTION		
25	FC8-9141-000		1	SHEET, BOTTLE WINDOW		
26	FS1-9078-020		1	SCREW,STEPPED,M4		
27	FC9-0267-000		1	HANDLE		
28	FK2-0591-000		2	SENSOR, TONER	PS134,PS135	
29	FL2-1994-000		1	STOPPER, TONER SENSOR		
30	FL2-7449-000		1	LID, WASTE TONER BOX		
31	FL2-7549-000		2	PIN, POSITIONING		

FIGURE & KEY NO.	PARTS NUMBER	RANK	Q'TY	DESCRIPTION	SERIAL NUMBER/REMARKS	SVC
32	FM3-2819-000		1	WASTE TONER BOX ASSEMBLY		
33	FM3-7735-000		1	CABLE, BOX SENSING		
34	FM3-7739-000		1	CABLE, WASTE TONER SENSOR		
35	FM3-7740-000		1	CABLE, WASTE TONER SENSOR		
36	FS1-1569-000		2	BUSHING		
37	FS5-0742-000		2	GEAR, 20T		
38	FS5-3332-000		1	PULLEY, 30T		
39	FS6-0093-000		2	GEAR, 24T		
40	FS7-0001-000		1	GEAR, 23T		
41	FS7-0340-000		1	GEAR, 21T		
42	FU5-0364-000		1	GEAR, 20T		
43	FU6-2001-000		1	SPRING, COMPRESSION		
44	FU6-2002-000		1	SPRING, TENSION		
45	FU6-2527-000		1	SPRING, TENSION		
46	FU6-2528-000		1	SPRING, TENSION		
47	VS1-7173-006		1	CONNECTOR, SNAP TIGHT, 6P, W		
48	VS1-7177-003		1	CONNECTOR, SNAP TIGHT, BK		
49	WG8-5783-000		2	IC,PHOTO-INTERRUPTER,LG248NL1A	PS136,PS137	
50	XA9-1249-010		AR	SCREW,TP M4X8		
51	WP2-5276-000		1	SENSOR, HUMIDITY	PS125	
52	FC9-7240-000		1	LABEL, WIRE CAUTION		
501	XD3-2200-122		2	PIN, DOWEL		
502	XD1-1106-225		2	WASHER,COP		

FIGURE 103 INTERNAL COMPONENTS 3

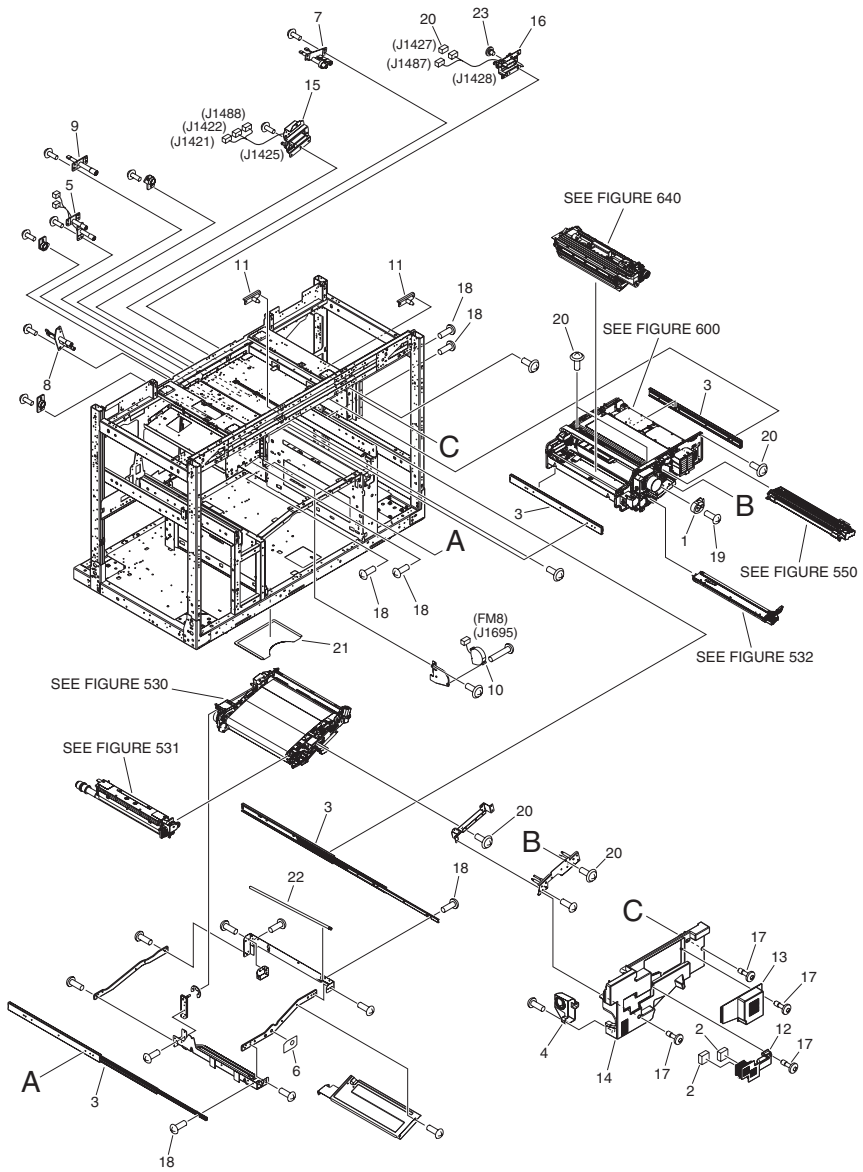


FIGURE & KEY NO.	PARTS NUMBER	R A N K	Q'TY	DESCRIPTION	SERIAL NUMBER/ REMARKS	S V C
Fig.103	NPN		RF	INTERNAL COMPONENTS 3		
1	FC7-9060-000		1	FLAG, CAM		
2	FC7-9078-000		2	FILTER, AIR		
3	FC7-9312-000		4	RAIL, I.T.B.		
4	FL2-7309-000		1	COVER, I.T.B. INNER DUCT		
5	FM3-5258-000		1	TRANSFER H.V. CONNECTOR UNIT		
6	FC9-7031-000		1	LABEL, DESORPTION CAUTION		
7	FK2-6444-000		1	CONNECTOR, 1ST, HIGH VOLTAGE		
8	FK2-6445-000		1	CONNECTOR, POST HIGH VOLTAGE		
9	FK2-6446-000		1	CONNECTOR, DEVELOPING H.V.		
10	FK2-6465-000		1	FAN	FM8	
11	FL2-7292-000		2	PIN, POSITIONING		
12	FL2-7315-000		1	COVER, I.T.B., 1		
13	FL2-7316-000		1	COVER, I.T.B., 2		
14	FL2-7356-000		1	COVER, I.T.B. INNER, CENTER		
15	FM3-2834-000		1	I.T.B. DRAWER CABLE ASS'Y		
16	FM3-2835-000		1	P- KIT DRAWER CABLE ASS'Y		
17	FU5-9571-000		4	SCREW, STEPPED M4X8(YELLOW)		
18	XA9-1788-000		AR	SCREW, MACH., TRUSS HEAD, M4X6		
19	FU5-9572-000		1	SCREW, W/WASHER, M5X20(YELLOW)		
20	FU5-9230-000		8	SCREW, TP, M4X8(YELLOW)		
21	FC5-1146-000		1	HOLDER, SERVICE BOOK		
22	FC7-9327-000		1	SHAFT, TURN STOPPER		
23	FS1-9078-020		3	SCREW, STEPPED, M4		

FIGURE 104 INTERNAL COMPONENTS 4

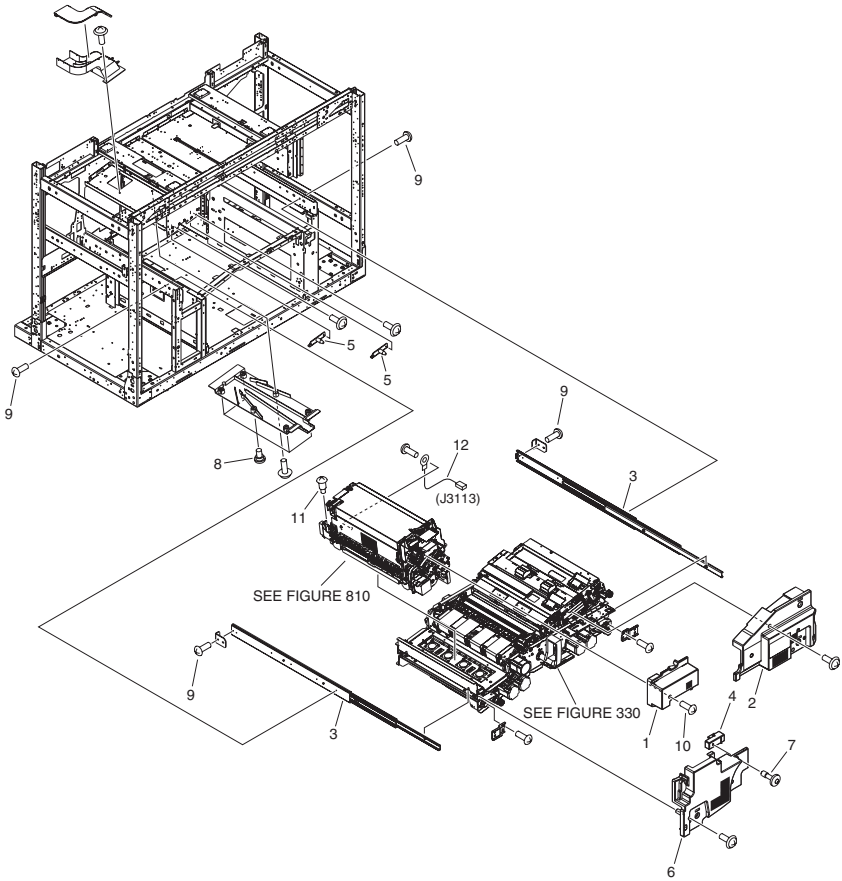
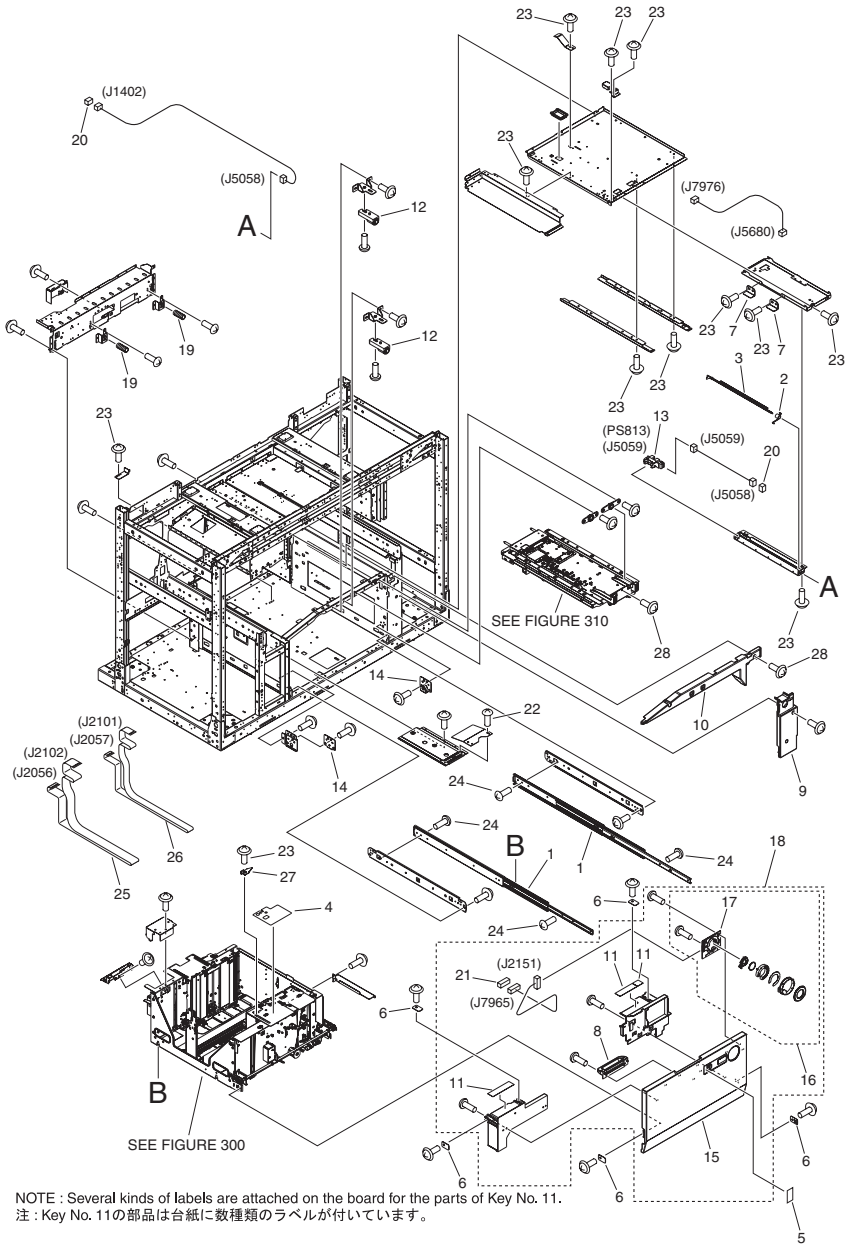


FIGURE & KEY NO.	PARTS NUMBER	R A N K	Q'TY	DESCRIPTION	SERIAL NUMBER/ REMARKS	S V C
Fig.104	NPN		RF	INTERNAL COMPONENTS 4		
1	FC7-8092-000		1	COVER, FIXING/FEEDER, UPPER		
2	FC7-8094-000		1	COVER, FIXING/FEEDER, RIGHT		
3	FC7-8282-000		2	RAIL, SLIDE		
4	FL2-7362-000		1	COVER, FIXING/FEED, LW. SMALL		
5	FL2-7292-000		2	PIN, POSITIONING		
6	FL3-2396-000		1	COVER, FIXING/FEEDER, LOWER		
7	FU5-9571-000		1	SCREW, STEPPED M4X8(YELLOW)		
8	FS2-9267-020		5	SCREW, STEPPED, M4		
9	XA9-1788-000		AR	SCREW, MACH.,TRUSS HEAD,M4X6		
10	FU5-9225-000		2	SCREW, WWASHER, M4X10(YELLOW)		
11	FS1-9073-020		1	SCREW,STEPPED,M4		
12	FM3-7761-000		1	CABLE, FIXING BIAS, 2		

FIGURE 105 INTERNAL COMPONENTS 5



NOTE : Several kinds of labels are attached on the board for the parts of Key No. 11.
注 : Key No. 11の部品は台紙に数種類のラベルが付いています。

FIGURE & KEY NO.	PARTS NUMBER	RANK	Q'TY	DESCRIPTION	SERIAL NUMBER/REMARKS	SVC
Fig.105	NPN		RF	INTERNAL COMPONENTS 5		
1	FC5-8112-000		2	RAIL, STOCK SLIDE		
2	FC7-2465-000		1	SPRING, TORSION		
3	FC7-2638-000		1	FLAG, SENSOR		
4	FC8-7675-000		1	LABEL, WIDTH SIZE	A/B/K SIZE	
4	FC8-7687-000		1	LABEL, WIDTH SIZE, INCH	INCH SIZE	
5	FC7-5592-000		1	LABEL, DECK NUMBER		
6	FC7-7715-000		5	WASHER		
7	FC7-7716-000		2	STOPPER, SENSOR		
8	FC7-8028-000		1	HANDLE		
9	FC7-8090-000		1	COVER, DECK, LOWER		
10	FC7-8091-000		1	COVER, DECK, UPPER		
11	FC8-7672-000		1	LABEL, PAPER SUPPLY	SEE NOTE	
12	FF5-2930-000		2	MOUNT, MAGNET		
13	FK2-0149-000		1	PHOTO-INTERRUPTER, TLP1252(C6)	PS813	
14	FL2-1780-000		2	ROLLER, LATCH		
15	FL2-7338-000		1	COVER, DECK, FRONT		
16	FM2-2000-000		1	STOCK INDICATION ASSEMBLY		
17	FM2-7635-000		1	INDICATOR DRIVER PCB ASSEMBLY		
18	FM3-2452-000		1	DECK FRONT COVER ASSEMBLY		
19	FU5-2791-000		2	SPRING, COMPRESSION		
20	VS1-7177-003		2	CONNECTOR, SNAP TIGHT, BK		
21	VS1-8412-021		1	CONNECTOR, SNAP TIGHT, BL		
22	XA9-0594-000		2	SCREW, M4		
23	XA9-1249-010		AR	SCREW,TP M4X8		
24	XA9-1788-000		AR	SCREW, MACH.,TRUSS HEAD,M4X6		
25	FK2-2978-000		1	CABLE, FLAT, 1		
26	FK2-2979-000		1	CABLE, FLAT, 2		
27	FC7-9569-000		1	PLATE, SIZE DISPLAY		
28	FU5-9230-000		3	SCREW, TP, M4X8(YELLOW)		

FIGURE 106 INTERNAL COMPONENTS 6

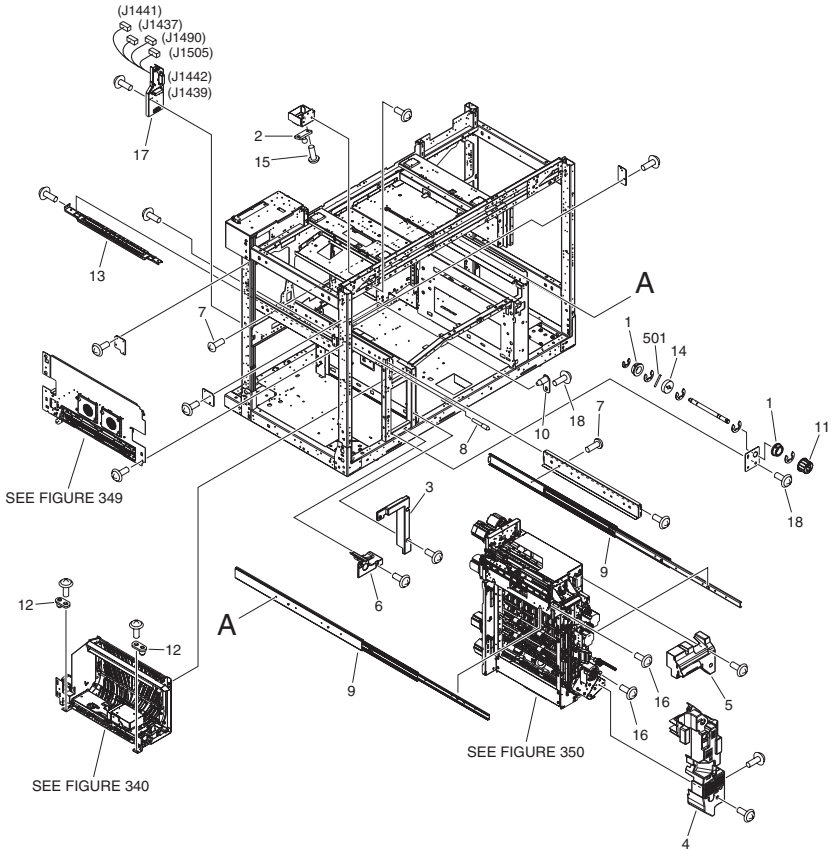


FIGURE & KEY NO.	PARTS NUMBER	R A N K	Q'TY	DESCRIPTION	SERIAL NUMBER/ REMARKS	S V C
Fig.106	NPN		RF	INTERNAL COMPONENTS 6		
1	FA9-2112-000		2	BUSHING, PL		
2	FC7-4941-000		1	LATCH, PUSH		
3	FC7-8095-000		1	COVER, PAPER DELIVERY, RIGHT		
4	FC7-8096-000		1	PANEL, PAPER DELIVERY, CENTER		
5	FC7-8097-000		1	COVER, PAPER DELIVERY, UPPER		
6	FC7-8102-000		1	COVER, PAPER DELIVERY, LOWER		
7	XA9-1788-000		AR	SCREW, MACH., TRUSS HEAD, M4X6		
8	FC7-8477-000		1	PIN, POSITIONING		
9	FC7-4043-000		2	RAIL, PAPER DELIVERY SLIDE, 1		
10	FL2-1826-000		2	PIN, POSITIONING		
11	FL2-1837-000		1	KNOB, EXTRACTION, UPPPER		
12	FL2-7549-000		2	PIN, POSITIONING		
13	FM3-2628-000		1	DUPLEXING ENTRANCE GUIDE UNIT		
14	FS5-0677-000		1	GEAR, 26T		
15	XA9-1377-000		2	SCREW, MACH., TRUSS HEAD, M3X8, N		
16	FU5-9230-000		2	SCREW, TP, M4X8(YELLOW)		
17	FM3-2610-000		1	PAPER DELIVERY DRAWER ASS'Y		
18	XA9-1249-010		AR	SCREW, TP M4X8		
501	XD3-2200-142		1	PIN, PARALLEL		

FIGURE 107 MACHINE REAR PLATE 1

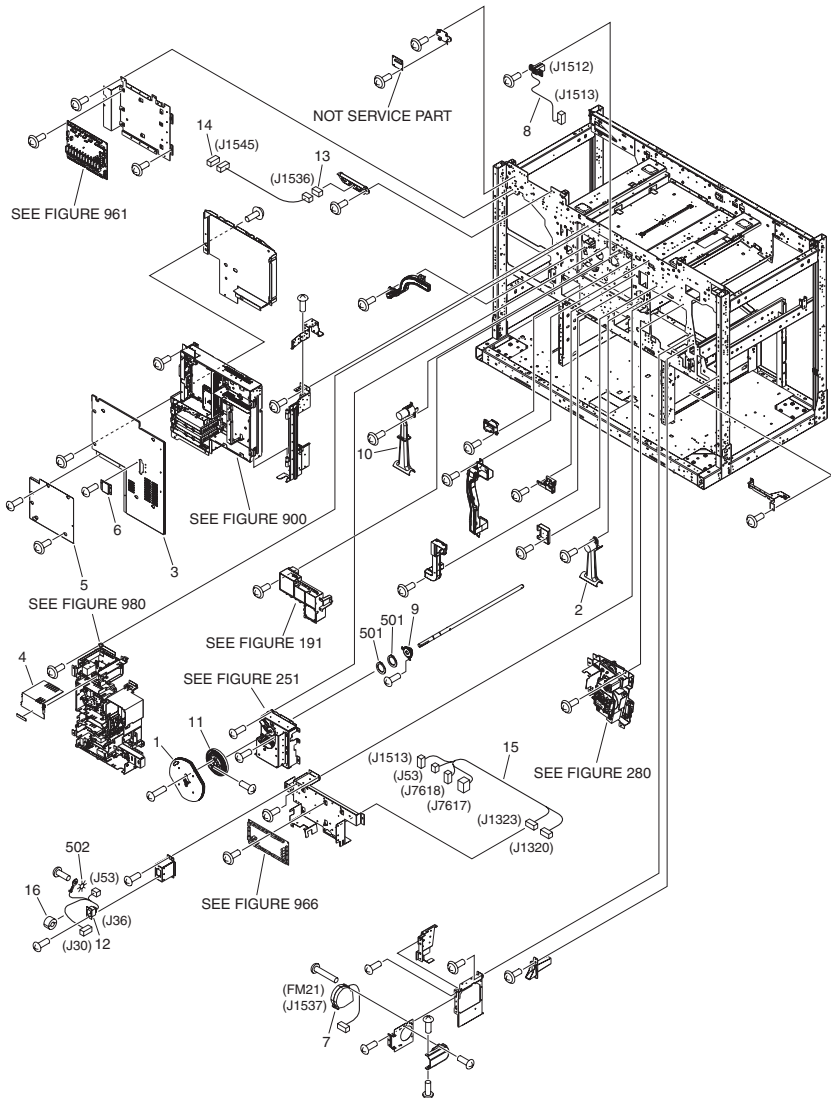


FIGURE & KEY NO.	PARTS NUMBER	R A N K	Q'TY	DESCRIPTION	SERIAL NUMBER/ REMARKS	S V C
Fig.107	NPN		RF	MACHINE REAR PLATE 1		
1	FC5-2437-000		1	FLYWHEEL		
2	FC7-9020-000		1	PIPE, UPPER		
3	FC7-7930-000		1	COVER, CONTROLLER, OUTER		
4	FC8-6529-000		1	COVER, HIGH VOLTAGE, UPPER		
5	FC8-9148-000		1	PANEL, CONTROLLER, SMALL		
6	FC9-4837-000		1	COVER, CONNECTOR		
7	FK2-8545-000		1	FAN	FM21	
8	FM3-5294-000		1	CABLE, DRUM HEATER, OUTER		
9	FL2-7781-000		1	FLANGE, BEARING		
10	FM3-2827-000		1	PIPE, WASTE TONER		
11	FM3-2836-000		1	GEAR UNIT		
12	FM3-5301-000		1	CABLE, READER LATTICE		
13	VS1-8412-003		1	CONNECTOR, SNAP TIGHT, BL		
14	VS1-8412-005		1	CONNECTOR, SNAP TIGHT, BL		
15	FM3-5292-000		1	CABLE, DRUM HEATER, INNER		
16	WE8-5184-000		1	FERRITE CORE		
501	XD2-3100-152		2	RETAINING RING (C-TYPE)		
502	XD1-4200-402		1	WASHER, TOOTHED LOCK, M4		

FIGURE 108 MACHINE REAR PLATE 2

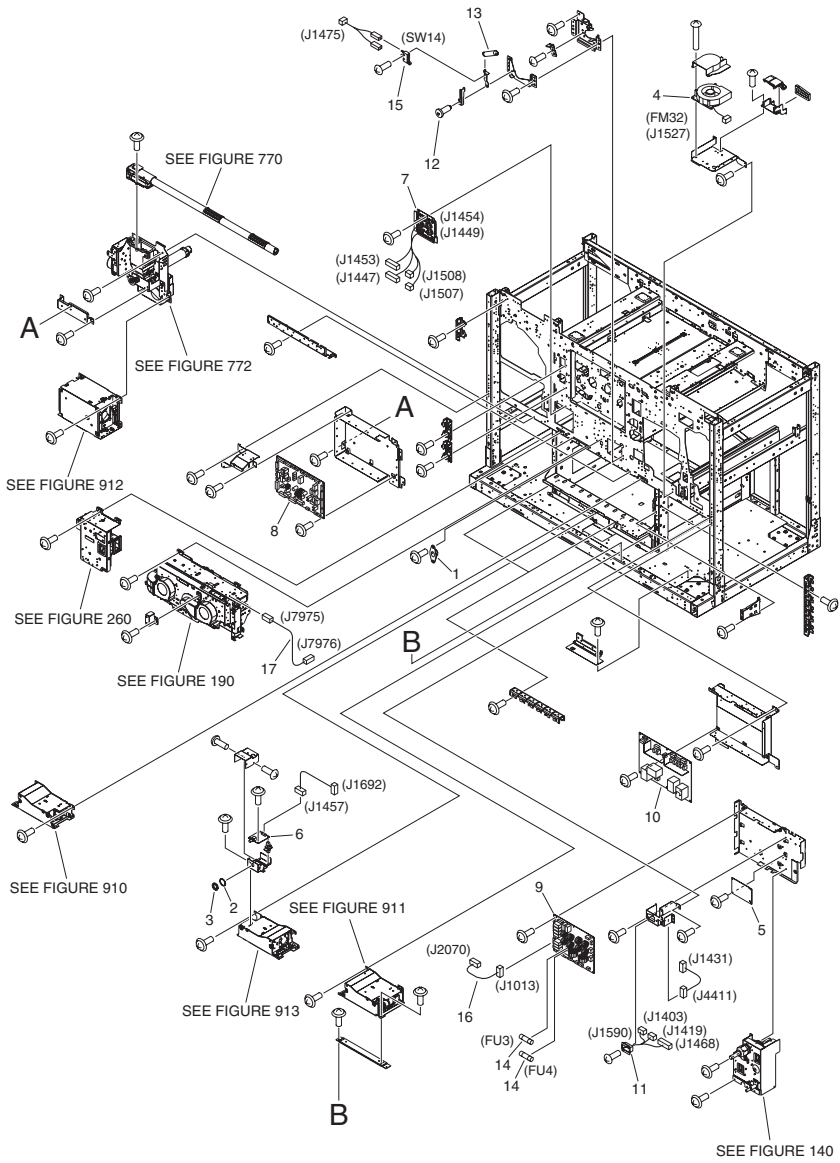


FIGURE & KEY NO.	PARTS NUMBER	R A N K	Q'TY	DESCRIPTION	SERIAL NUMBER/ REMARKS	S V C
Fig.108	NPN		RF	MACHINE REAR PLATE 2		
1	FC6-2501-000		1	BUSHING		
2	FC7-0616-000		1	WASHER, TOOTHED LOCK		
3	FC7-0617-000		1	NUT		
4	FK2-3098-000		1	FAN	FM32	
5	FK2-6325-000		1	EVERYNIGHT POWER PCB ASSEMBLY		
6	FM2-4358-000		1	INTERFACE PCB ASSEMBLY		
7	FM3-2624-000		1	ACTIVE REG. DRAWER CABLE ASS'Y		
8	FM3-5238-000		1	POWER CONNECTING PCB ASS'Y		
9	FM3-5239-000		1	AC DRIVER PCB ASSEMBLY		
10	FM3-5249-000		1	FIXING HEATER DRIVER PCB ASS'Y		
11	FM3-7785-000		1	CABLE, FINISHER LATTICE		
12	FS2-9482-000		1	SCREW, STEPPED, M3X11.5		
13	FS5-2958-000		1	SPRING, TENSION		
14	VD7-2892-001		2	FUSE, 2A, 250V	FU3, FU4	
15	WC4-5153-000		1	MICRO SWITCH	SW14	
16	FM3-5291-000		1	CABLE, DECK HEATER		
17	FM3-7786-000		1	CABLE, CASSETTE HEATER		

FIGURE 109
MACHINE REAR PLATE 3

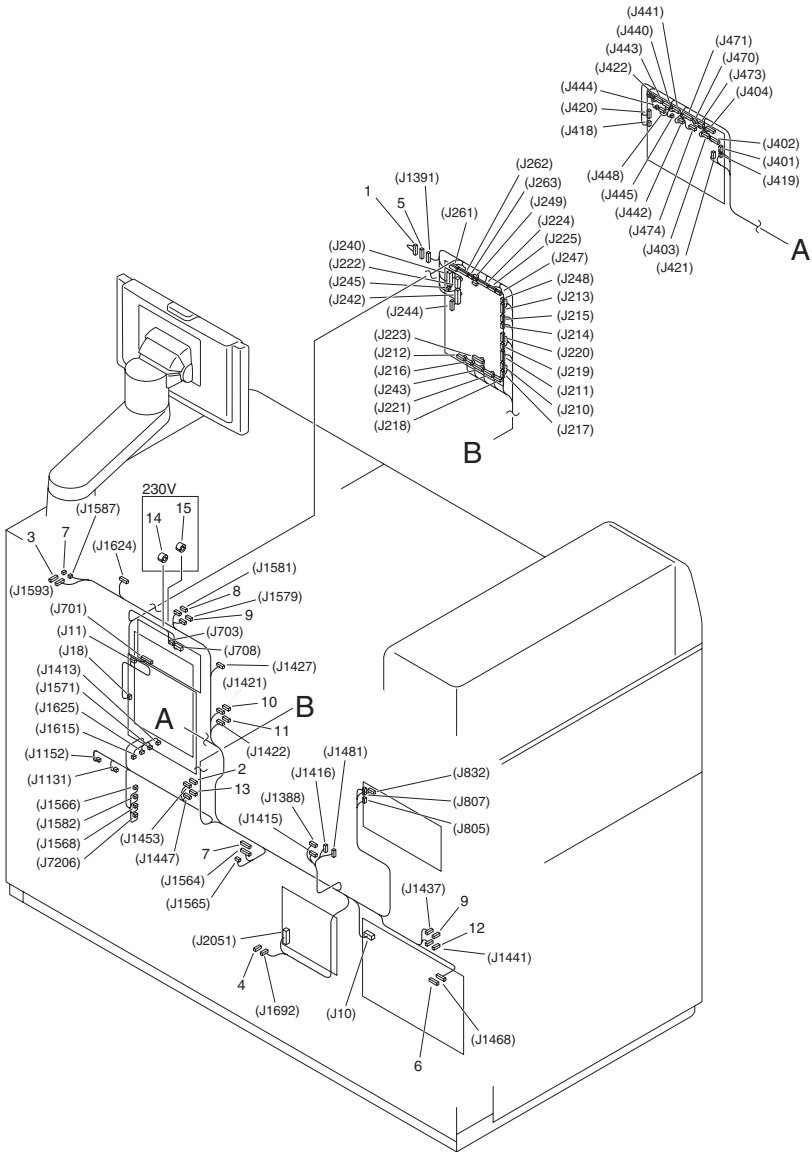


FIGURE & KEY NO.	PARTS NUMBER	R A N K	Q'TY	DESCRIPTION	SERIAL NUMBER/ REMARKS	S V C
Fig.109	NPN		RF	MACHINE REAR PLATE 3		
1	FM3-9046-000		1	CONNECTOR, SHORT, 1	imagePRESS 1110	
1	FM3-9047-000		1	CONNECTOR, SHORT, 2	imagePRESS 1125	
1	FM3-9048-000		1	CONNECTOR, SHORT, 3	imagePRESS 1135	
2	VS1-7164-024		1	CONNECTOR, SNAP TIGHT, 24P, W		
3	VS1-7164-038		1	CONNECTOR, SNAP TIGHT, 38P, W		
4	VS1-7173-013		1	CONNECTOR, SNAP TIGHT, 13P, W		
5	VS1-7177-005		1	CONNECTOR, SNAP TIGHT, BK		
6	VS1-7507-012		1	CONNECTOR, SNAP TIGHT		
7	VS1-8412-007		2	CONNECTOR, SNAP TIGHT, BL		
8	VS1-8412-009		1	CONNECTOR, SNAP TIGHT, BL		
9	VS1-8412-011		2	CONNECTOR, SNAP TIGHT, BL		
10	VS1-8412-015		1	CONNECTOR, SNAP TIGHT, BL		
11	VS1-8412-017		1	CONNECTOR, SNAP TIGHT, BL		
12	VS1-8412-019		1	CONNECTOR, SNAP TIGHT, BL		
13	VS1-8412-027		1	CONNECTOR, SNAP TIGHT, BL		
14	WE8-5183-000		1	FERRITE CORE	230V	
15	WE8-5928-000		1	CORE, FERRITE	230V	

FIGURE 110
MACHINE REAR PLATE 4

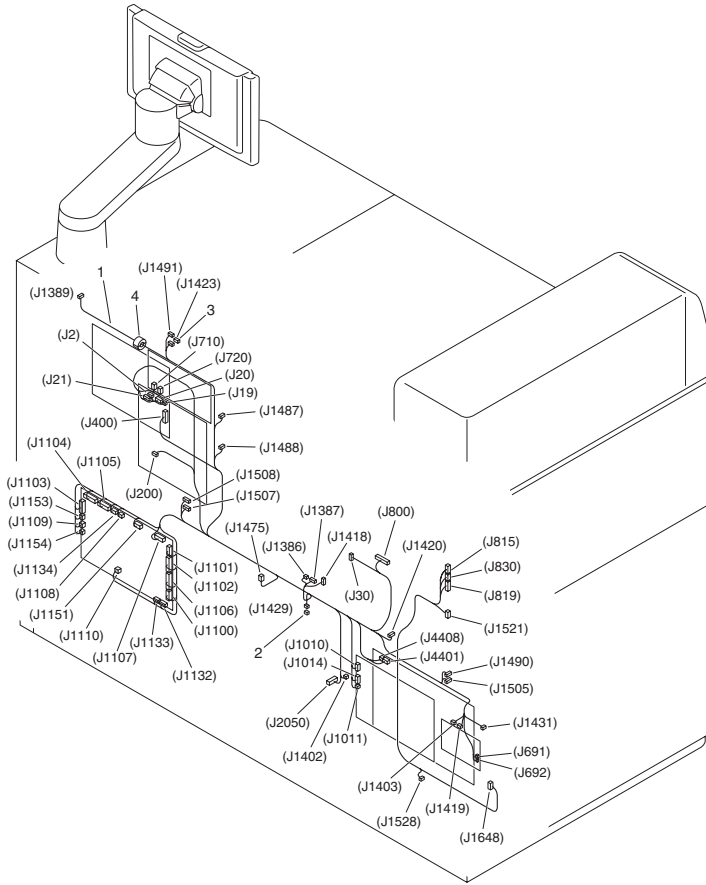


FIGURE & KEY NO.	PARTS NUMBER	RANK	Q'TY	DESCRIPTION	SERIAL NUMBER/REMARKS	SVC
Fig.110	NPN		RF	MACHINE REAR PLATE 4		
1	FM3-5295-000		1	CABLE, POWER SUPPLY OUTPUT, 2		
2	VS1-7177-003		1	CONNECTOR, SNAP TIGHT, BK		
3	VS1-7177-004		1	CONNECTOR, SNAP TIGHT, BK		
4	WE8-6152-000		1	FERRITE CORE, RING TYPE		

FIGURE 111 MACHINE REAR PLATE 5

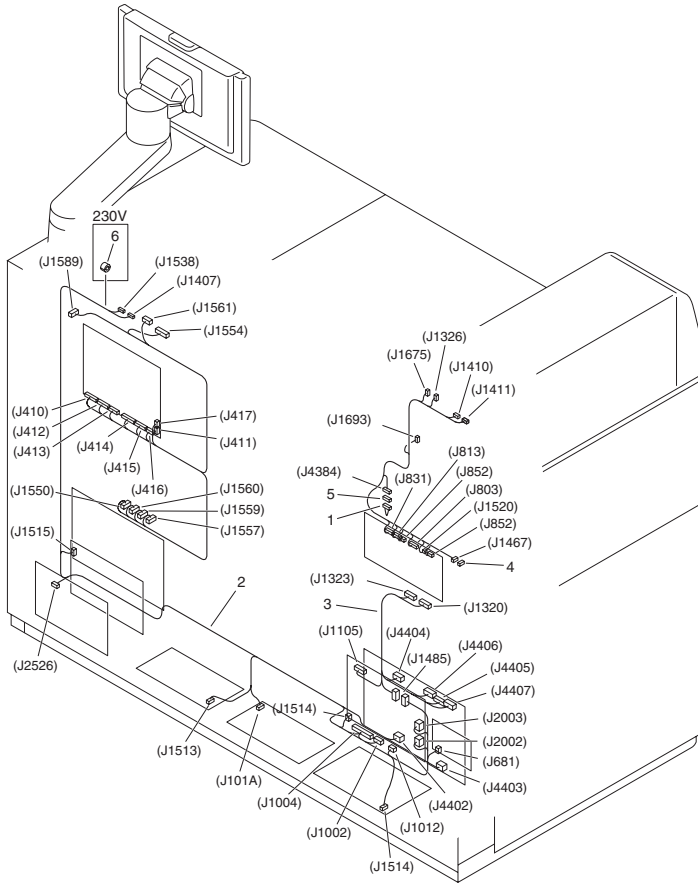


FIGURE & KEY NO.	PARTS NUMBER	RANK	Q'TY	DESCRIPTION	SERIAL NUMBER/REMARKS	SVC
Fig.111	NPN		RF	MACHINE REAR PLATE 54		
1	FM3-9049-000		1	CONNECTOR, SHORT, 11	imagePRESS 1110	
1	FM3-9050-000		1	CONNECTOR, SHORT, 12	imagePRESS 1125	
1	FM3-9051-000		1	CONNECTOR, SHORT, 13	imagePRESS 1135	
2	FM3-5286-000		1	CABLE, AC OUTPUT, 1		
3	FM3-5287-000		1	CABLE, AC OUTPUT, 2		
4	VS1-7177-004		1	CONNECTOR, SNAP TIGHT, BK		
5	VS1-7177-007		1	CONNECTOR, 7P, FEMALE, BK		
6	WE8-5183-000		1	FERRITE CORE	230V	

FIGURE 112
MACHINE REAR PLATE 6

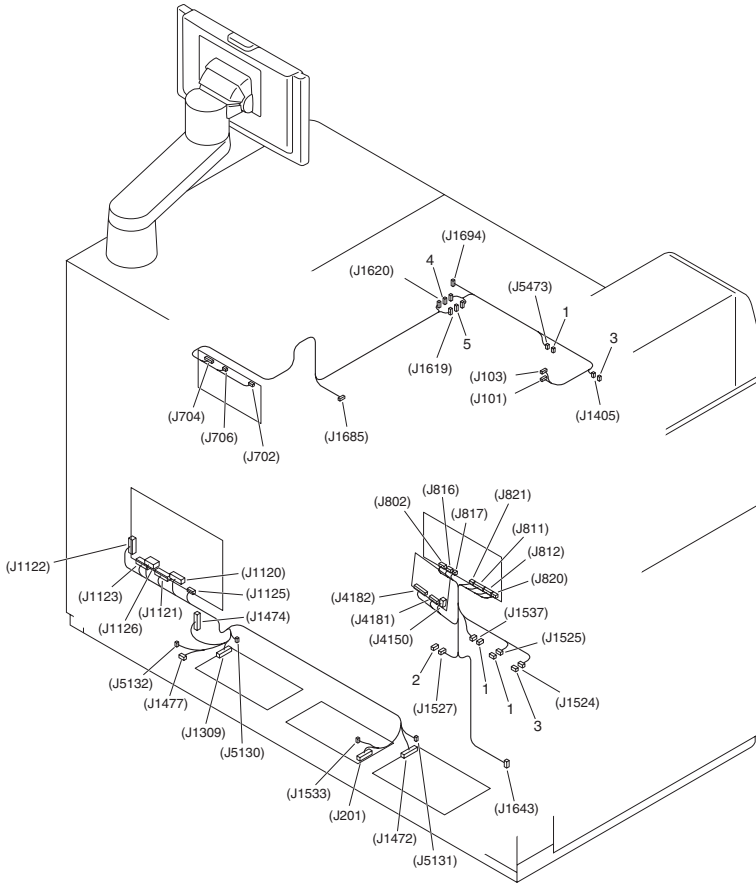


FIGURE & KEY NO.	PARTS NUMBER	RANK	Q'TY	DESCRIPTION	SERIAL NUMBER/REMARKS	SVC
Fig.112	NPN		RF	MACHINE REAR PLATE 6		
1	VS1-7177-003		3	CONNECTOR, SNAP TIGHT, BK		
2	VS1-7177-004		1	CONNECTOR, SNAP TIGHT, BK		
3	VS1-7177-006		2	CONNECTOR, SNAP TIGHT, BK		
4	VS1-8412-007		1	CONNECTOR, SNAP TIGHT, BL		
5	VS1-8412-019		1	CONNECTOR, SNAP TIGHT, BL		

FIGURE 125 INTERLOCK SWITCH ASSEMBLY

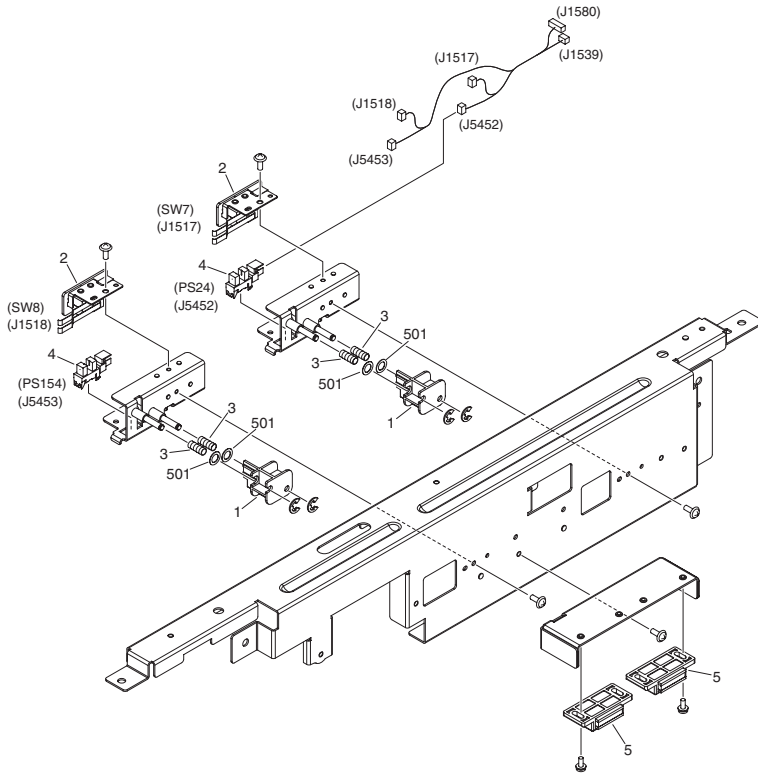


FIGURE & KEY NO.	PARTS NUMBER	RANK	Q'TY	DESCRIPTION	SERIAL NUMBER/REMARKS	SVC
Fig.125	NPN		RF	INTERLOCK SWITCH ASSEMBLY		
1	FC6-3173-000		2	BUTTON, SWITCH		
2	FG6-9015-000		2	DOUBLE SWITCH PCB ASSEMBLY	SW7,SW8	
3	FU5-2954-000		4	SPRING, COMPRESSION		
4	WG8-5783-000		2	IC,PHOTO-INTERRUPTER,LG248NL1A	PS24,PS154	
5	XZ9-0602-000		2	CATCH,MAGNET		
501	XD1-1104-122		4	WASHER,COP		

FIGURE 130 CONTROL PANEL ASSEMBLY

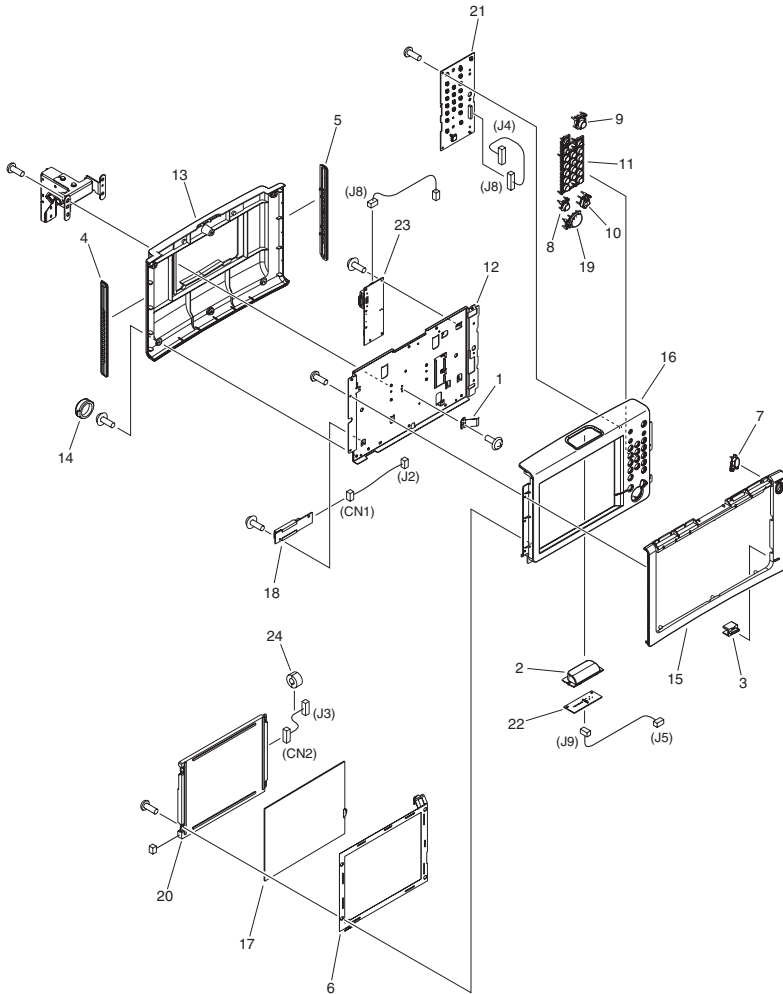
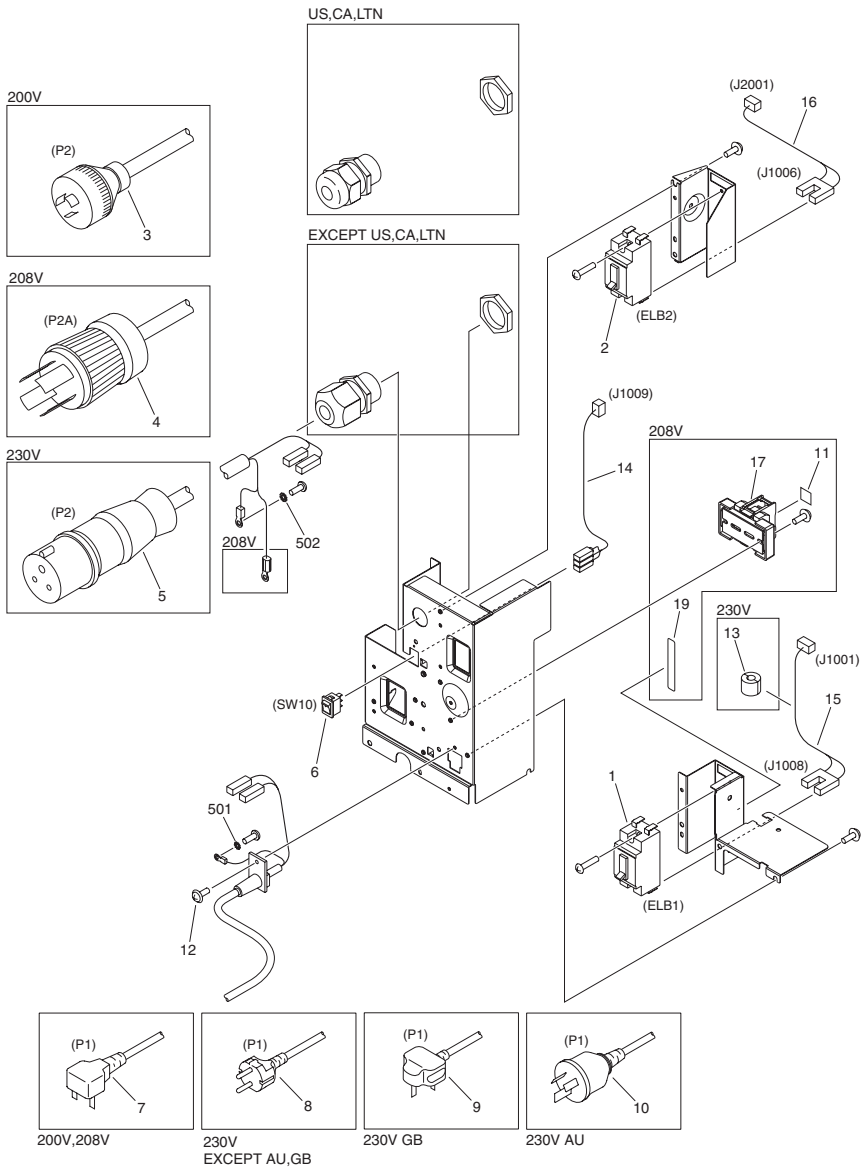


FIGURE & KEY NO.	PARTS NUMBER	R A N K	Q'TY	DESCRIPTION	SERIAL NUMBER/ REMARKS	S V C
Fig.130	FM3-8330-000		1	CONTROL PANEL ASSEMBLY	JP	
Fig.130	FM3-8331-000		1	CONTROL PANEL ASSEMBLY	EXCEPT JP, EUR, GB	
Fig.130	FM3-8332-000		1	CONTROL PANEL ASSEMBLY	EUR, GB	
1	FB6-3953-000		1	PLATE, GROUNDING		
2	FC6-4943-000		1	COVER, INDICATOR LAMP		
3	FC6-4945-000		1	COVER, POWER LAMP		
4	FC6-4946-000		1	COVER, SIDE, LEFT		
5	FC6-4947-000		1	COVER, SIDE, RIGHT		
6	FC6-4949-000		1	SHEET, ELECTROSTATIC		
7	FC6-4950-000		1	KEY TOP, POWER		
8	FC6-4951-000		1	KEY TOP, RESET		
9	FC6-4952-000		1	KEY TOP, ENERGY SAVING		
10	FC6-4954-000		1	KEY TOP, STOP		
11	FC6-4955-000		1	KEY TOP, NUMBERS		
12	FC6-4956-000		1	STAY, CONTROL PANEL ASSEMBLY		
13	FC6-4957-000		1	COVER, REAR		
14	FC6-6824-000		5	RUBBER, COVER		
15	FC8-3309-000		1	COVER, FRONT	JP	
15	FC8-3310-000		1	COVER, FRONT	EXCEPT JP, EUR, GB	
15	FC8-3311-000		1	COVER, FRONT	EUR, GB	
16	FC8-3312-000		1	PANEL, CONTROL	JP	
16	FC8-3313-000		1	PANEL, CONTROL	EXCEPT JP, EUR, GB	
16	FC7-5044-000		1	PANEL, CONTROL	EUR, GB	
17	FK2-7407-000		1	PANEL, TOUCH		
18	FK2-7408-000		1	INVERTER PCB ASSEMBLY		
19	FL2-2615-000		1	START KEY ASSEMBLY		
20	FL3-1062-000		1	LCD CONTROL PANEL UNIT		
21	FM2-5462-000		1	KEY PCB ASSEMBLY		
22	FM2-5463-000		1	TALLY PCB ASSEMBLY		
23	FM3-8339-000		1	CPU PCB ASSEMBLY		
24	WE8-5929-000		1	CORE, FERRITE		

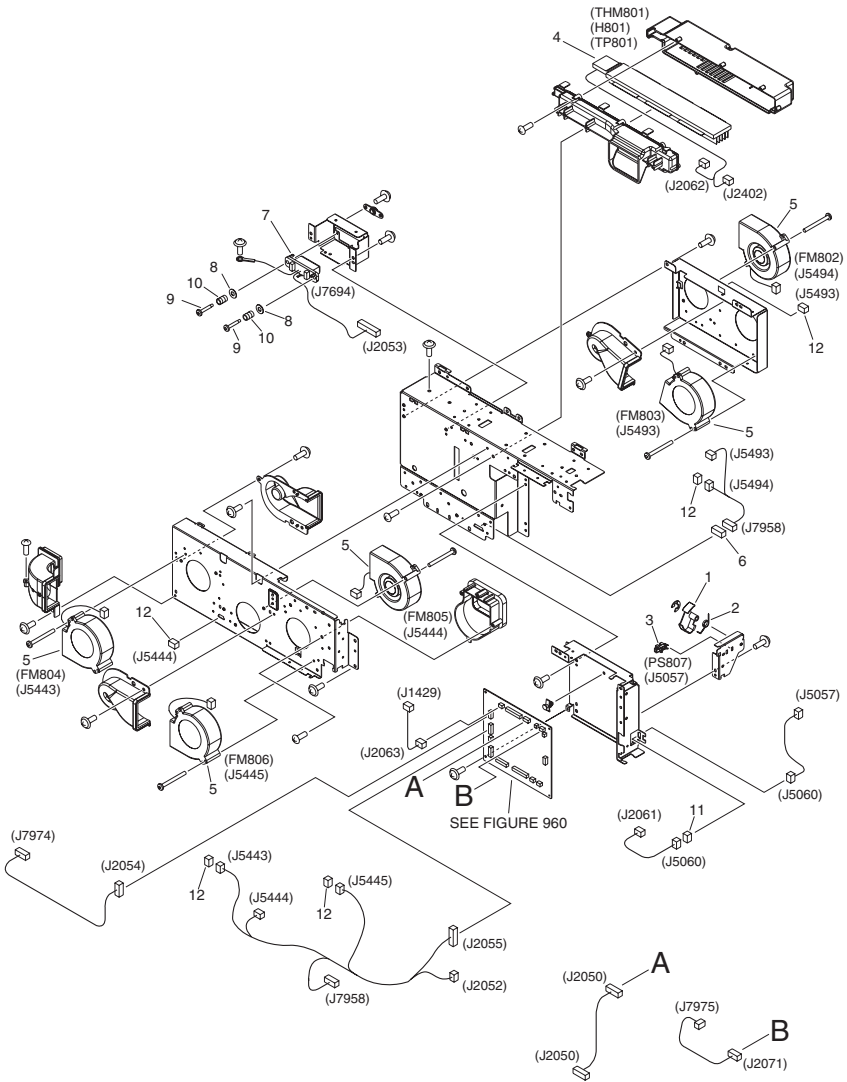
FIGURE 140 POWER CORD TERMINAL ASSEMBLY



NOTE : Several kinds of labels are attached on the board for the parts of Key No. 19.
注 : Key No. 19の部品は台紙に数種類のラベルが付いています。

FIGURE & KEY NO.	PARTS NUMBER	R A N K	Q'TY	DESCRIPTION	SERIAL NUMBER/ REMARKS	S V C
Fig.140	FM3-2434-000		1	POWER CORD TERMINAL ASSEMBLY	200V	
Fig.140	FM3-2473-000		1	POWER CORD TERMINAL ASSEMBLY	208V	
Fig.140	FM3-2474-000		1	POWER CORD TERMINAL ASSEMBLY	230V EXCEPT AU,GB	
Fig.140	FM3-2488-000		1	POWER CORD TERMINAL ASSEMBLY	230V GB	
Fig.140	FM3-2489-000		1	POWER CORD TERMINAL ASSEMBLY	230V AU	
1	FH7-7626-000		1	BREAKER, ELECTRIC LEAKAGE	ELB1	
2	FK2-0014-000		1	BREAKER, ELECTRIC LEAKAGE	ELB2	
3	FK2-6467-000		1	CORD, POWER SUPPLY	200V P2	
4	FK2-7259-000		1	CORD, POWER SUPPLY	208V P2A	
5	FK2-7260-000		1	CORD, POWER SUPPLY	230V P2	
6	WC1-5179-000		1	SWITCH,TOGGLE	SW10	
7	FL2-9099-000		1	CORD, POWER SUPPLY	200V P1	
7	FL2-9100-000		1	CORD, POWER SUPPLY	208V P1	
8	FL2-9101-000		1	CORD, POWER SUPPLY	230V EXCEPT AU,GB P1	
9	FL2-9102-000		1	CORD, POWER SUPPLY	230V GB P1	
10	FL2-9103-000		1	CORD, POWER SUPPLY	230V AU P1	
11	FC9-8165-000		1	LABEL, N MARK	SEE NOTE 208V	
12	XA9-0739-000		1	SCREW, TP, M4X8		
13	WE8-6550-000		1	CORE, FERRITE	230V	
14	FM3-5288-000		1	CABLE, ENVIRONMENT SWITCH		
15	FM3-9061-000		1	CABLE, BREAKER, 1		
16	FM3-5290-000		1	CABLE, BREAKER, 2		
17	FK2-7278-000		1	MOUNT, TERMINAL	208V	
501	XD1-4200-402		1	WASHER, TOOTHED LOCK, M4		
502	XD1-4200-502		1	WASHER, TOOTHED LOCK		

FIGURE 190 FAN MOUNT ASSEMBLY



NOTE : This assembly includes the assembly shown in Figure 960.
 注 : このユニットはFigure 960のユニットを含みます。

FIGURE & KEY NO.	PARTS NUMBER	R A N K	Q'TY	DESCRIPTION	SERIAL NUMBER/ REMARKS	S V C
Fig.190	FM3-5912-000		1	FAN MOUNT ASSEMBLY	SEE NOTE	
1	FC5-8579-000		1	FLAG, DOOR, FRONT		
2	FC7-5100-000		1	SPRING, TORSION		
3	WG8-5783-000		1	IC,PHOTO-INTERRUPTER,LG248NL1A	PS807	
4	FK2-2989-000		1	HEATER	H801,TP801,THM801	
5	FK2-7537-000		5	FAN	FM802,FM803,FM804,FM805,FM806	
6	VS1-7177-008		1	CONNECTOR, SNAP TIGHT, BK		
7	FM3-8508-000		1	CABLE, AIR PICK-UP DRAWER		
8	FS5-6601-000		2	SPACER		
9	FS5-9758-020		2	SCREW,STEPPE,M3		
10	FS7-2796-000		2	SPRING, COMPRESSION		
11	VS1-7177-003		1	CONNECTOR, SNAP TIGHT, BK		
12	VS1-7177-004		5	CONNECTOR, SNAP TIGHT, BK		

FIGURE 191 FAN DUCT ASSEMBLY

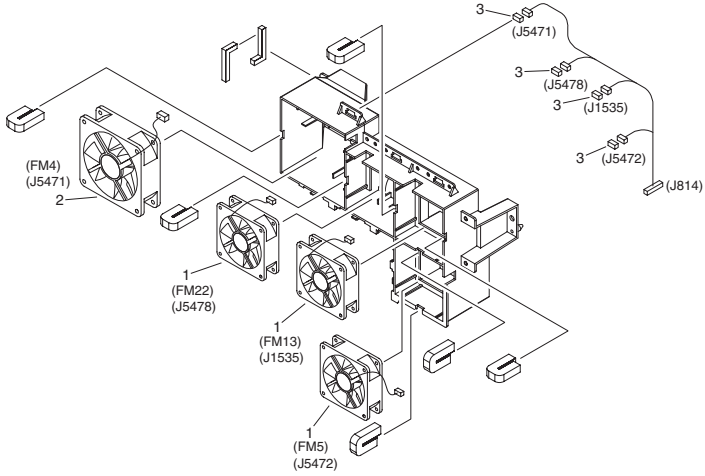


FIGURE & KEY NO.	PARTS NUMBER	RANK	Q'TY	DESCRIPTION	SERIAL NUMBER/REMARKS	SVC
Fig.191	NPN		RF	FAN DUCT ASSEMBLY		
1	FK2-0170-000		3	FAN	FM5,FM13,FM22	
2	FK2-8553-000		1	FAN	FM4	
3	VS1-7177-003		4	CONNECTOR, SNAP TIGHT, BK		

FIGURE 251 DRUM DRIVE ASSEMBLY

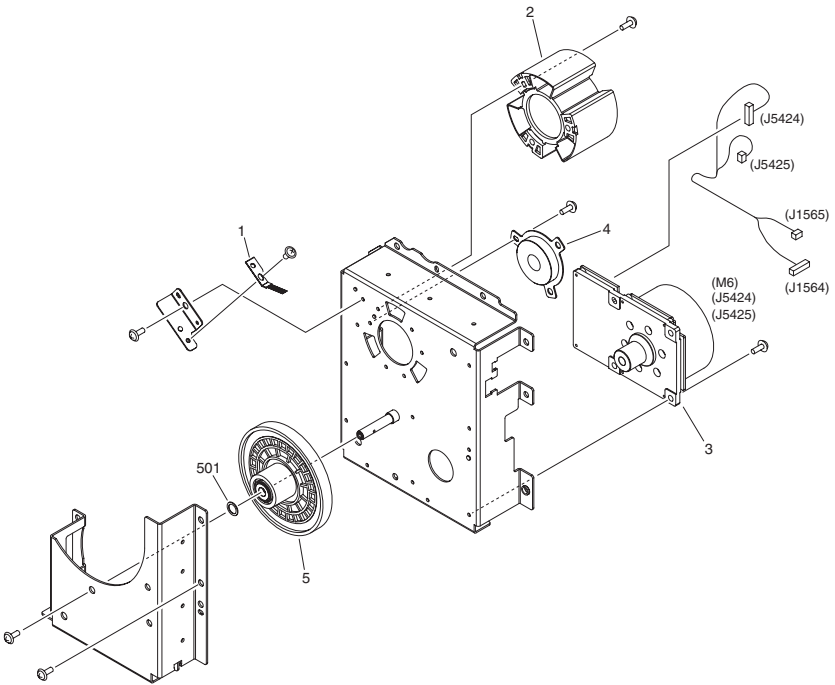


FIGURE & KEY NO.	PARTS NUMBER	RANK	Q'TY	DESCRIPTION	SERIAL NUMBER/REMARKS	SVC
Fig.251	FM3-2403-000		1	DRUM DRIVE ASSEMBLY	M6	
1	FB3-7543-000		1	PLATE, STATIC CHARGE ELI.		
2	FC7-9042-000		1	BLOCK, SUPPORT		
3	FK2-7233-000		1	MOTOR, DC		
4	FL2-7781-000		1	FLANGE, BEARING		
5	FU7-0805-000		1	GEAR, 35T/189T		
501	XD1-1108-215		1	WASHER,COP		

FIGURE 260
PAPER PICK-UP DRIVE ASS'Y

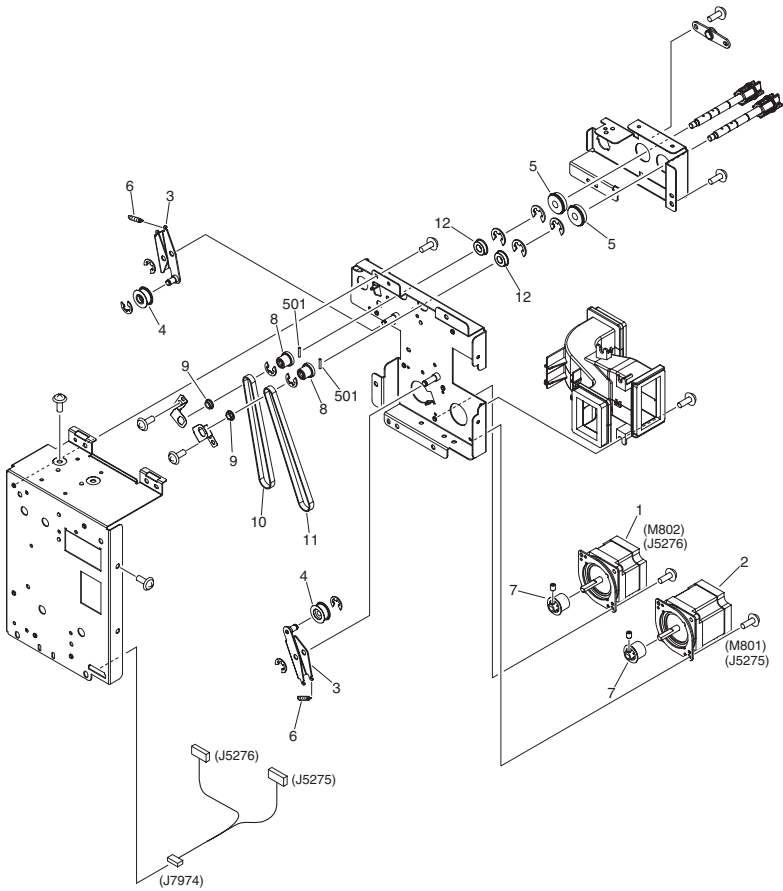
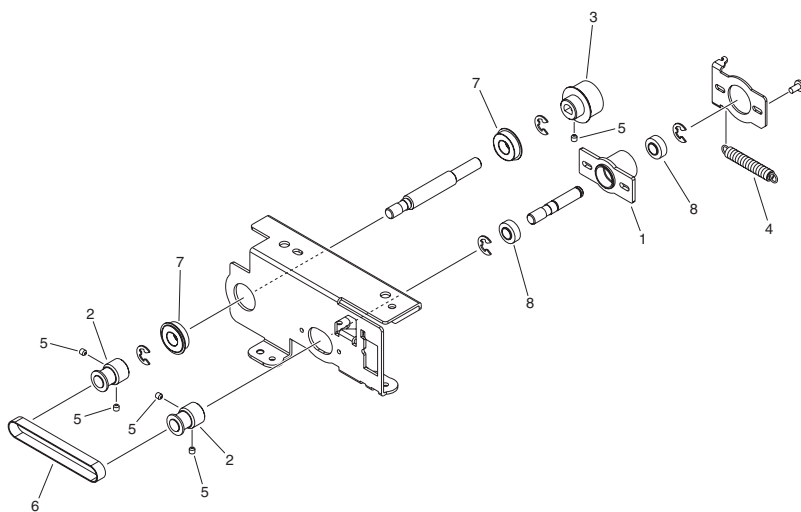


FIGURE & KEY NO.	PARTS NUMBER	R A N K	Q'TY	DESCRIPTION	SERIAL NUMBER/ REMARKS	S V C
Fig.260	FM3-5910-000		1	PAPER PICK-UP DRIVE ASS'Y		
1	FK2-3130-000		1	MOTOR, STEPPING, DC	M802	
2	FK2-3137-000		1	MOTOR, STEPPING, DC	M801	
3	FL2-1775-000		2	ARM, TENSIONER		
4	FL2-5562-000		2	ROLLER, TENSIONER		
5	XG9-0492-000		2	BEARING, BALL		
6	FU7-2432-000		2	SPRING, TENSION		
7	FU5-3188-000		2	PULLEY, 28T		
8	FU5-3189-000		2	PULLEY, 20T		
9	RS5-1058-000		2	BUSHING		
10	XF2-3614-560		1	BELT, TIMING		
11	XF2-3615-560		1	BELT, TIMING		
12	XG9-0508-000		2	BEARING, BALL, F688ZZ		
501	XD3-2200-122		2	PIN, DOWEL		

FIGURE 261 SHIFT DRIVE ASSEMBLY



NOTE : This assembly is included in the assembly shown in Figure 320.
注 : このユニットはFigure 320のユニットに含まれます。

FIGURE & KEY NO.	PARTS NUMBER	RANK	Q'TY	DESCRIPTION	SERIAL NUMBER/REMARKS	SVC
Fig.261	FM3-2631-000		1	SHIFT DRIVE ASSEMBLY	SEE NOTE	
1	FC5-9641-000		1	MOUNT, PULLEY		
2	FC5-9643-000		2	PULLEY, 15T		
3	FU5-3204-000		1	PULLEY, 30T		
4	FU7-2124-000		1	SPRING, TENSION		
5	XA9-1813-000		5	SET SCREW, HEX.SKT.HEAD, M3X3		
6	XF2-1107-260		1	BELT, TIMING		
7	XG9-0508-000		2	BEARING, BALL, F688ZZ		
8	XG9-0706-000		2	BEARING, BALL, MR126ZZ-1		

FIGURE 280 FIXING DRIVE ASSEMBLY

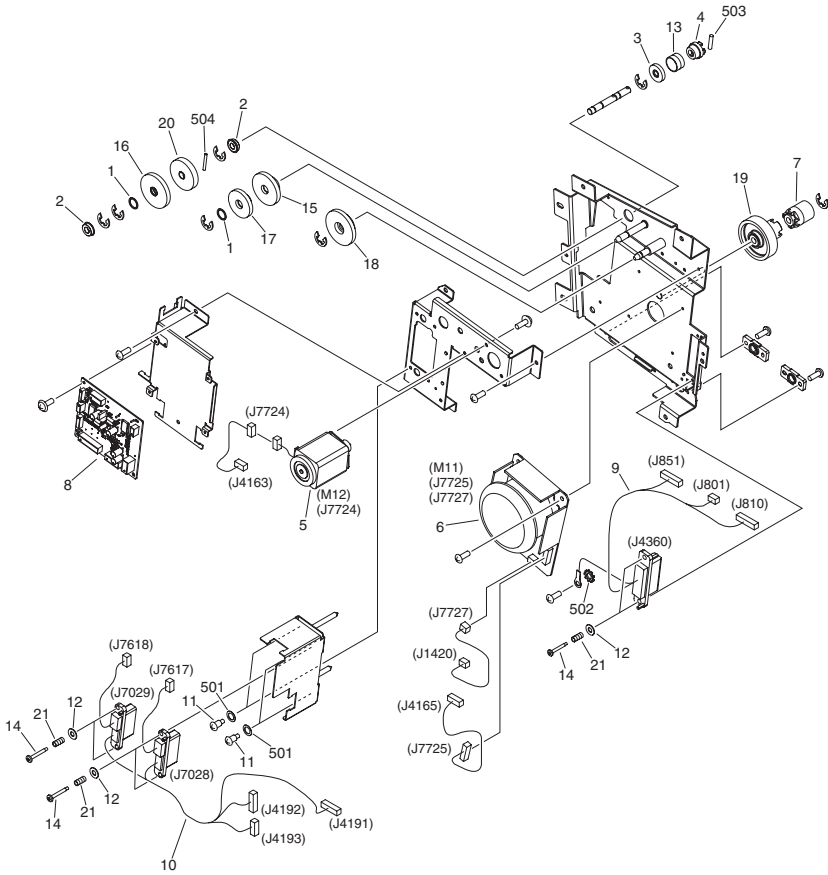
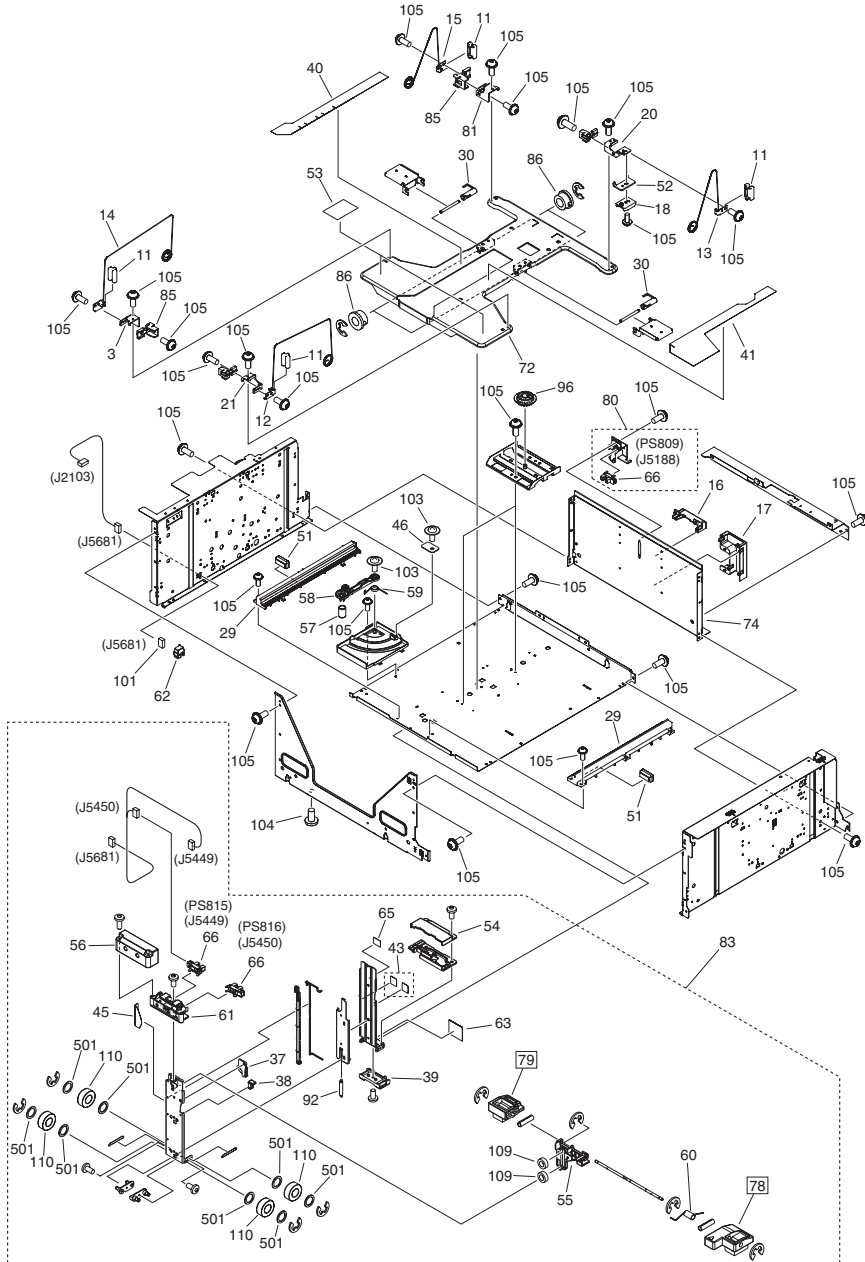
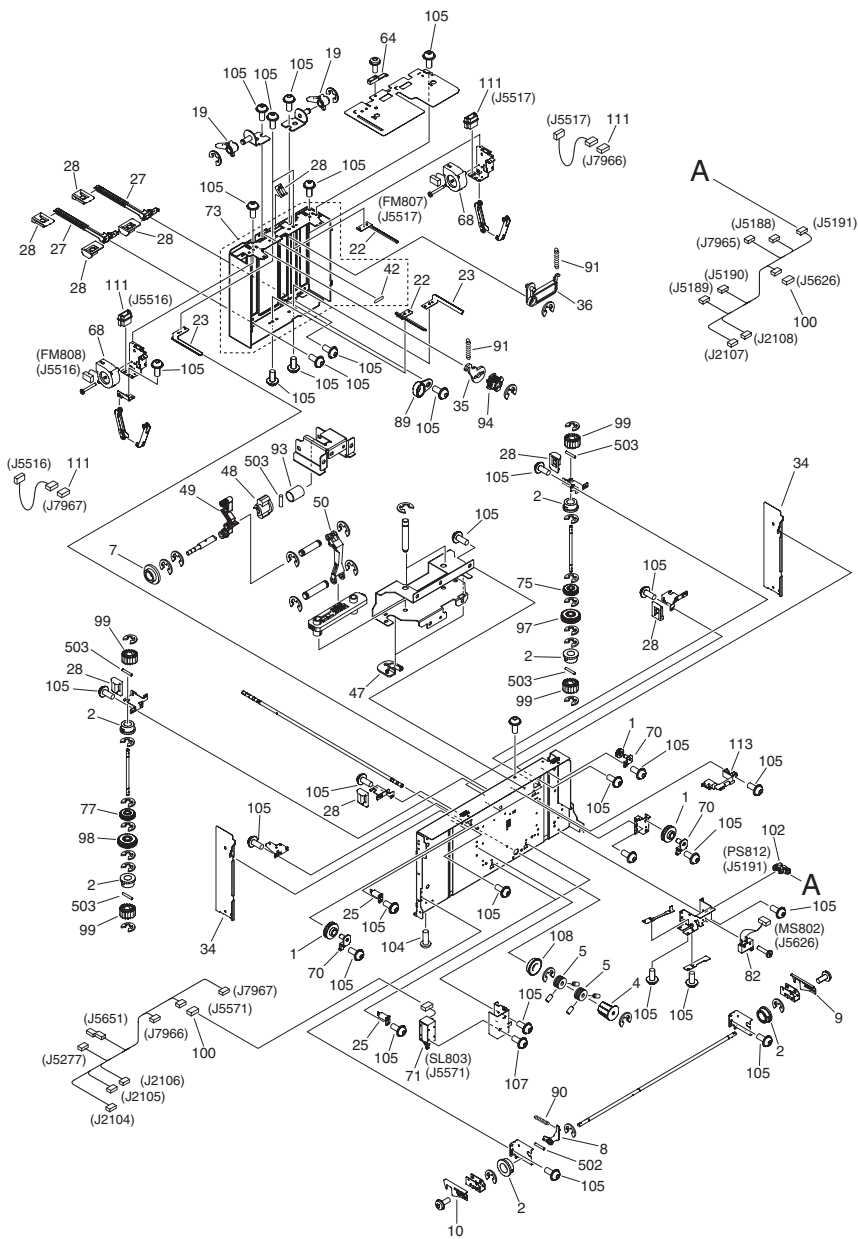


FIGURE & KEY NO.	PARTS NUMBER	R A N K	Q'TY	DESCRIPTION	SERIAL NUMBER/ REMARKS	S V C
Fig.280	FM3-2791-000		1	FIXING DRIVE ASSEMBLY		
1	FC5-9014-000		2	WASHER		
2	XG9-0664-000		2	BALL BEARING, JMK-688ZZNR*D4ML		
3	FC7-3106-000		1	STOPPER, COUPLING		
4	FC7-7550-000		1	COUPLING, FIXING		
5	FK2-3154-000		1	MOTOR, STEPPING, DC	M12	
6	FK2-6453-000		1	MOTOR,DC BRUSHLESS	M11	
7	FL3-0551-000		1	GEAR, 22T		
8	FM3-5236-000		1	FIXING SUB DRIVER PCB ASS'Y, 2		
9	FM3-5307-000		1	CABLE, FIXING DRAWER, 2		
10	FM3-7701-000		1	CABLE, FIXING DRAWER, 1		
11	FS1-9076-020		4	SCREW, STEPPED, M4		
12	FS5-6601-000		6	SPACER		
13	FU5-2840-000		1	SPRING, COMPRESSION		
14	FU5-9570-000		6	SCREW, STEPPED, M3X28		
15	FU6-0410-000		1	GEAR, 20T/42T		
16	FU6-0411-000		1	GEAR, 18T/45T		
17	FU6-0412-000		1	GEAR, 15T/36T		
18	FU6-0413-000		1	GEAR, 30T/46T		
19	FU6-0483-000		1	GEAR, 85T		
20	FU7-0828-000		1	GEAR, 40T		
21	FU7-2881-000		6	SPRING, COMPRESSION		
501	XD1-1106-222		4	WASHER,COP		
502	XD1-4200-402		1	WASHER, TOOTHED LOCK, M4		
503	XD3-2300-142		1	PIN, DOWEL		
504	XD3-2300-262		1	PIN,DOWEL		

FIGURE 300 PAPER STOCK ASSEMBLY





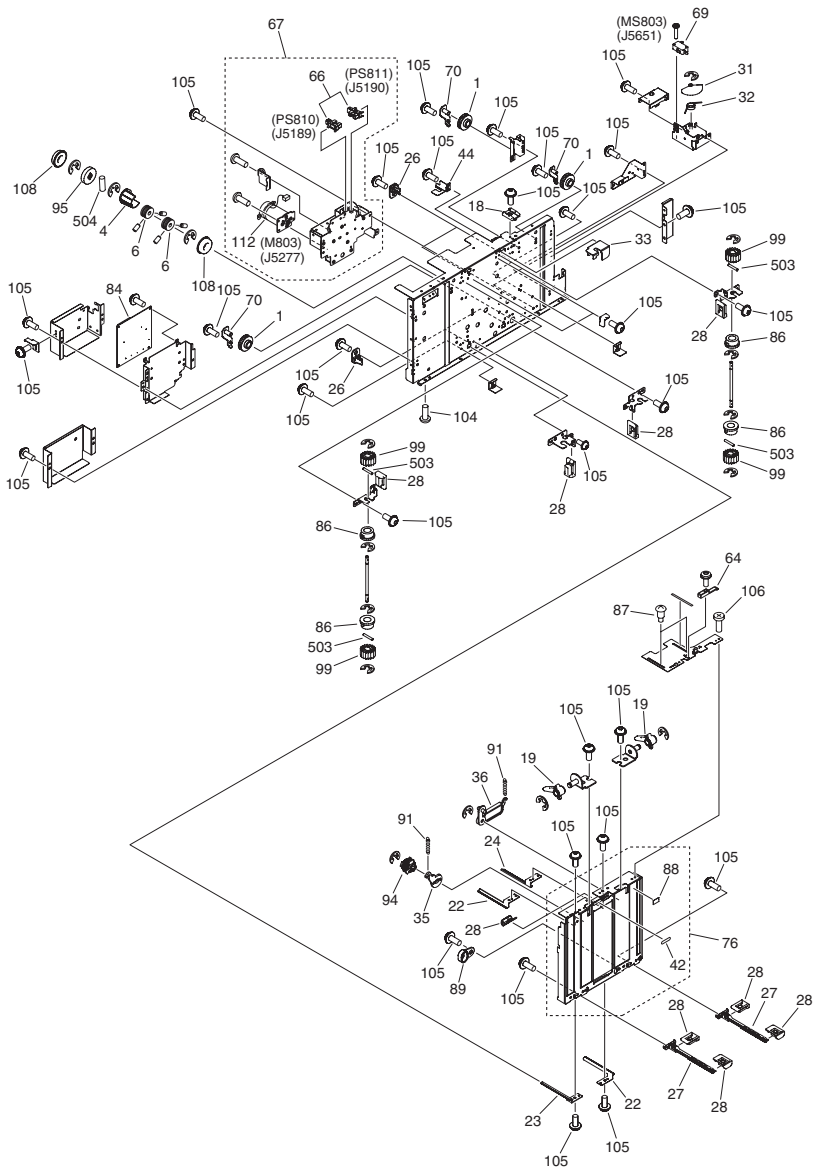


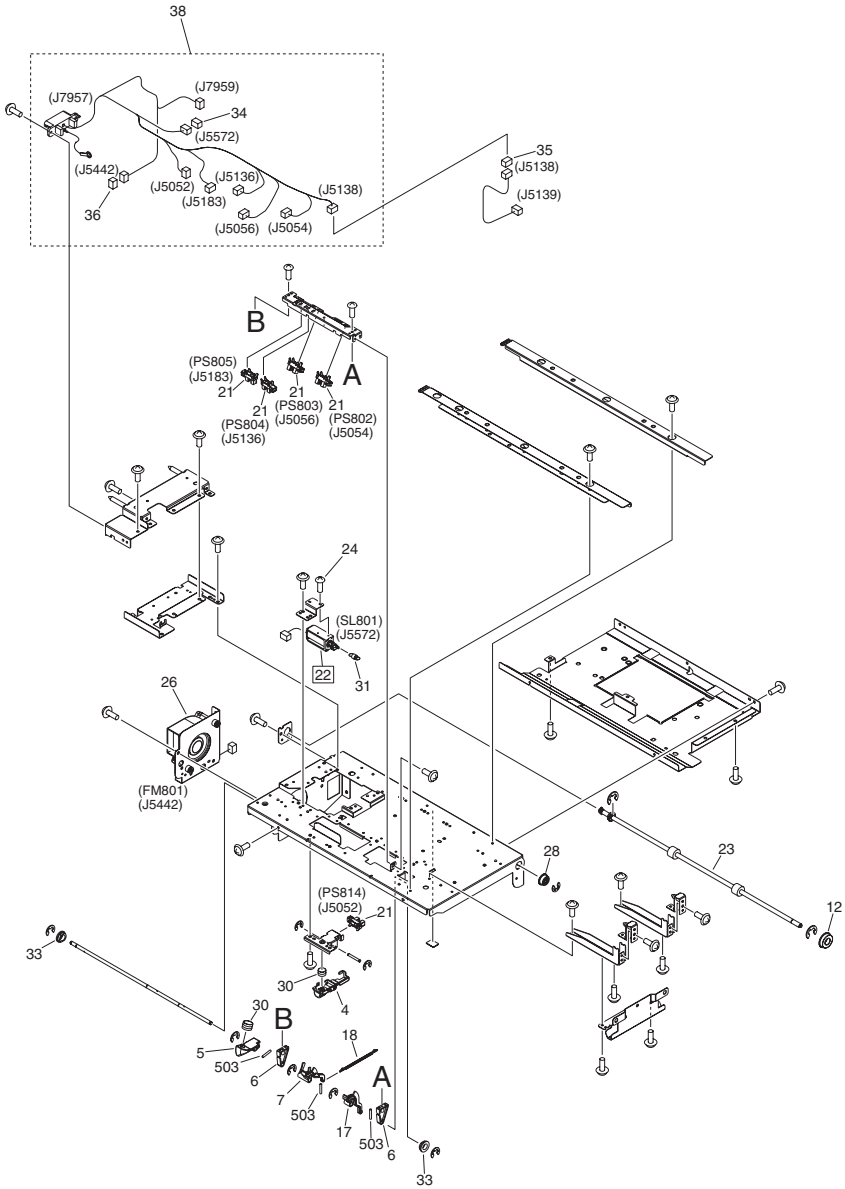
FIGURE & KEY NO.	PARTS NUMBER	R A N K	Q'TY	DESCRIPTION	SERIAL NUMBER/ REMARKS	S V C
Fig.300	FM3-5906-000		1	PAPER STOCK ASSEMBLY		
1	FA6-8257-000		6	PULLEY		
2	FA9-2112-000		6	BUSHING, PL		
3	FC5-8247-000		1	PLATE, WIRE FIXED RL		
4	FB3-9241-000		2	GUIDE, PULLEY, FRONT		
5	FB3-9243-000		2	PULLEY, DRIVE, FRONT		
6	FB3-9244-000		2	PULLEY, DRIVE, REAR		
7	FB3-9319-000		1	BUSHING		
8	FC5-8205-000		1	LEVER, OPEN		
9	FC5-8206-000		1	CLAW, LATCH, RIGHT		
10	FC5-8207-000		1	CLAW, LATCH, LEFT		
11	FC5-8246-000		4	GUIDE, WIRE		
12	FC5-8293-000		1	WIRE, LIFTER, FRONT. LEFT		
13	FC5-8294-000		1	WIRE, LIFTER, FRONT. RIGHT		
14	FC5-8295-000		1	WIRE, LIFTER, REAR. LEFT		
15	FC5-8296-000		1	WIRE, LIFTER, REAR. RIGHT		
16	FC5-8538-000		1	COVER, PAPER SUPPLY SENSOR		
17	FC5-8539-000		1	COVER, PAPER SUPPLY CORD		
18	FC5-8542-000		2	SLIDER, PAPER PICK-UP HEAD		
19	FC5-8561-000		4	CLAW, SHEET RETAINER		
20	FC6-9945-000		1	PLATE, WIRE FIXED, 1		
21	FC6-9946-000		1	PLATE, WIRE FIXED, 2		
22	FC6-9959-000		4	RACK, SIDE, 1		
23	FC6-9960-000		3	RACK, SIDE, 2		
24	FC6-9961-000		1	RACK, SIDE, 3		
25	FC6-9965-000		4	BUSHING, SLIDER, FRONT		
26	FC6-9966-000		4	BUSHING, SLIDER, REAR		
27	FC6-9967-000		4	RACK, CENTER		
28	FC6-9969-000		18	SLIDER, RACK		
29	FC6-9972-000		2	RAIL, BACK END LIMIT		
30	FC6-9982-000		2	SPRING, TORSION		
31	FC7-2431-000		1	FLAG, SWITCH		

FIGURE & KEY NO.	PARTS NUMBER	RANK	Q'TY	DESCRIPTION	SERIAL NUMBER/REMARKS	SVC
32	FC7-2432-000		1	SPRING, TORSION		
33	FC7-2439-000		1	COVER, GEAR		
34	FC7-2450-000		2	COVER, SIDE		
35	FC7-5571-000		2	PLATE, ADJUSTING		
36	FC7-5573-000		2	PLATE, ADJUSTING, RIGHT		
37	FC7-4017-000		1	KNOB, BACK END LIMIT, FRONT		
38	FC7-4024-000		1	BUSHING, EDGE PROTECTIVE		
39	FC7-4027-000		1	STOPPER, BACK END		
40	FC7-5584-000		1	LABEL, LENGTH SIZE, INCH		
41	FC7-5585-000		1	LABEL, LENGTH SIZE, AB		
42	FC7-5590-000		2	LABEL, PAPER SIDE END CONTROL		
43	FC7-5591-000		1	LABEL, BACK END INDEX		
44	FC7-7694-000		1	COVER, GEAR		
45	FC7-7699-000		1	LABEL, BACK END KNOB		
46	FC7-7715-000		1	WASHER		
47	FC7-9534-000		2	BUSHING		
48	FC7-9536-000		1	BLOCK, LOCK		
49	FC7-9539-000		1	LEVER		
50	FC7-9540-000		1	LINK		
51	FC7-9726-000		2	STOPPER, RAIL		
52	FC8-1648-000		1	SPACER, SLIDER		
53	FC8-1655-000		2	LABEL, HAND STUCK WARNING		
54	FC8-3881-000		1	COVER, CABLE GUIDE, BACK END		
55	FC8-3886-000		1	SLIDER, BACK END		
56	FC8-3889-000		1	COVER, SENSOR		
57	FC8-3892-000		1	ROLLER, CABLE GUIDE		
58	FC8-3895-000		1	ARM, CABLE GUIDE		
59	FC8-3900-000		1	SPRING, TORSION		
60	FC8-7654-000		1	SPRING, TORSION		
61	FC8-7655-000		1	BRACKET, SENSOR		
62	FC8-7659-000		1	COVER, CABLE		
63	FC8-7663-000		1	ELIMINATOR, STATIC CHARGE		

FIGURE & KEY NO.	PARTS NUMBER	R A N K	Q'TY	DESCRIPTION	SERIAL NUMBER/ REMARKS	S V C
64	FC8-7665-000		2	KNOB, SIDE GUIDE		
65	FC8-7679-000		1	LABEL, MAXIMUM LOAD, BACK END		
66	FK2-0149-000		5	PHOTO-INTERRUPTER, TLP1252(C6)	PS809,PS810,PS811,PS815,PS816	
67	FK2-2972-000		1	MOTOR, DC		
68	FK2-2975-000		2	FAN	FM807,FM808	
69	FK2-2984-000		1	SWITCH, MICRO	MS803	
70	FL2-1777-000		6	MOUNT, FIXED PULLEY		
71	FL2-1805-000		1	SOLENOID	SL803	
72	FL2-1810-000		1	PLATE, LIFTER		
73	FL2-1813-000		1	PLATE, PAPER SIDE END, FRONT		
74	FL2-1817-000		1	PLATE, FRONT END LIMIT		
75	FL2-5573-000		1	GEAR, 24T		
76	FL2-6470-000		1	PLATE, PAPER SIDE END, REAR		
77	FL2-6474-000		1	GEAR, 24T		
78	FL2-9454-000		1	PAD, SEPARATION, LEFT	[DP]	
79	FL2-9455-000		1	PAD, SEPARATION, RIGHT	[DP]	
80	FM2-2006-000		1	PAPER SUPPLY SENSOR UNIT		
81	FC6-9980-000		1	PLATE, WIRE FIXED RR		
82	FM2-9409-000		1	CABLE, SWITCH	MS802	
83	FM3-5908-000		1	BACK END LIMIT ASSEMBLY		
84	FM3-8482-000		1	DECK DRIVER PCB ASSEMBLY		
85	FC7-5565-000		2	GUIDE, LIFTER PLATE, REAR		
86	FS1-1213-000		8	BUSHING		
87	FS1-9076-020		2	SCREW, STEPPED, M4		
88	FC8-7678-000		1	LABEL, MAXIMUM LOAD, SIDE		
89	FU5-1280-000		2	BUSHING		
90	FU5-2792-000		1	SPRING, TENSION		
91	FU5-2803-000		4	SPRING, TENSION		
92	FU7-2433-000		1	SPRING, TENSION		
93	FU5-2814-000		1	SPRING, COMPRESSION		
94	FU5-3410-000		2	PULLEY, 20T		

FIGURE & KEY NO.	PARTS NUMBER	R A N K	Q'TY	DESCRIPTION	SERIAL NUMBER/REMARKS	S V C
95	FU6-0178-000		1	GEAR, 42T		
96	FU6-0187-000		2	GEAR, 20T		
97	FU6-0193-000		1	GEAR, T30		
98	FU6-0194-000		1	GEAR, T30		
99	FU6-0195-010		8	GEAR, 18T		
100	VS1-7177-002		2	CONNECTOR, SNAP TIGHT, BK		
101	VS1-7177-006		1	CONNECTOR, SNAP TIGHT, BK		
102	WG8-5783-000		1	IC,PHOTO-INTERRUPTER,LG248NL1A	PS812	
103	XA9-1013-000		2	SCREW, M3X8		
104	XA9-1031-000		AR	SCREW, MACH. TRUSS HEAD, M4X6		
105	XA9-1249-010		AR	SCREW,TP M4X8		
106	XA9-1415-000		3	SCREW, FLAT HEAD, M4		
107	XA9-1659-000		2	SCREW,M3X4		
108	XG9-0664-000		3	BALL BEARING, JMK-688ZZNR*D4ML		
109	XG9-0484-000		2	BEARING, BALL, DDL-740ZZH		
110	XG9-0503-000		4	BEARING,BALL, MR84T12ZZMC3		
111	VS1-7177-003		4	CONNECTOR, SNAP TIGHT, BK		
112	FK2-2973-000		1	MOTOR, DC	M803	
113	FC7-2436-000		1	GUIDE, WIRE		
501	XD1-1104-113		8	WASHER,COP		
502	XD3-4200-142		1	PIN, STRAIGHT (SUS)		
503	XD3-2200-122		9	PIN, DOWEL		
504	XD3-2300-182		1	PIN, DOWEL		

FIGURE 310 PAPER PICK-UP ASSEMBLY



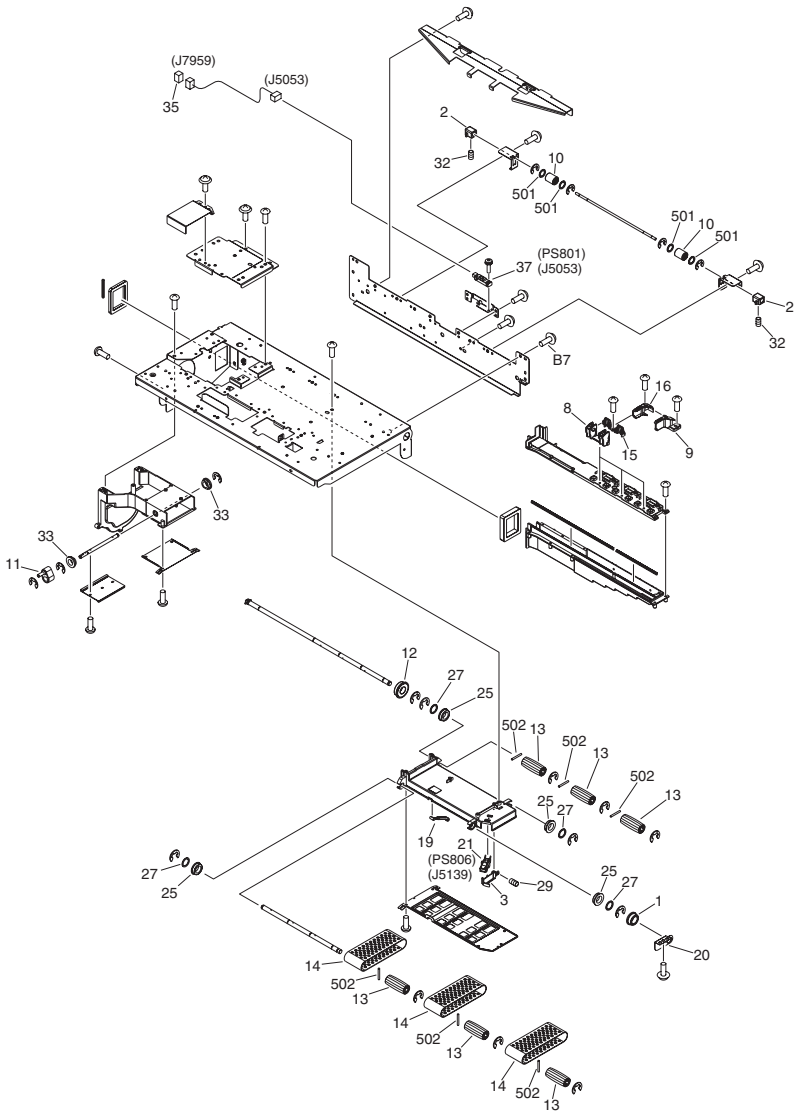
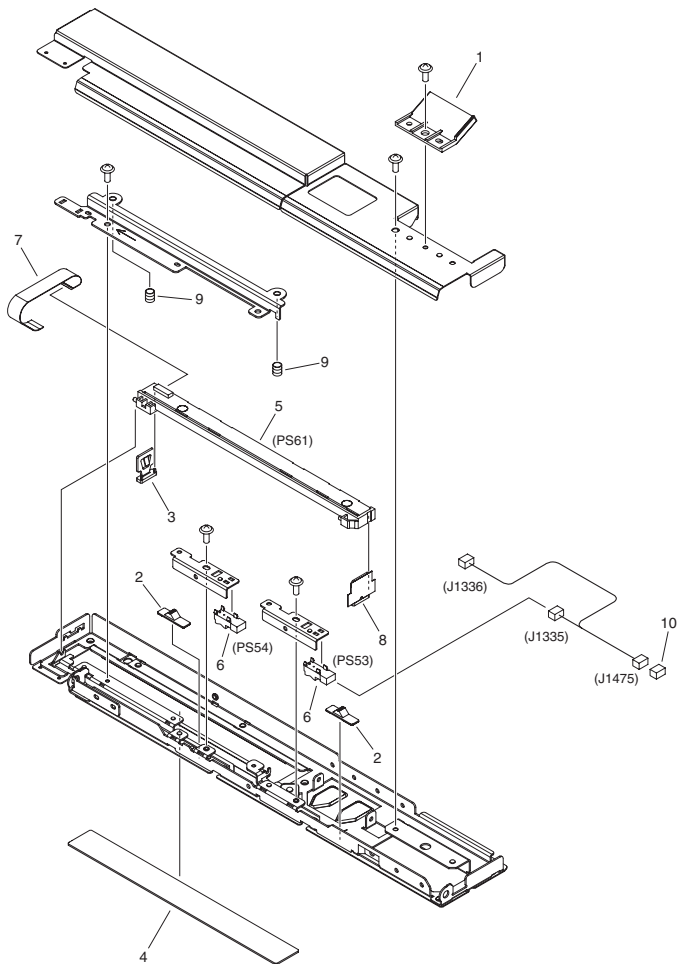


FIGURE & KEY NO.	PARTS NUMBER	R A N K	Q'TY	DESCRIPTION	SERIAL NUMBER/ REMARKS	S V C
Fig.310	FM3-5904-000		1	PAPER PICK-UP ASSEMBLY		
1	FA9-2112-000		1	BUSHING, PL		
2	FB2-7755-000		2	BUSHING		
3	FC5-8115-000		1	FLAG, ATTRACTION		
4	FC5-8116-010		1	BUTTON, UPPER LIMIT SWITCH		
5	FC5-8120-000		1	CAM		
6	FC5-8121-000		2	HOLDER, PAPER SENSOR SHAFT		
7	FC5-8122-000		1	FLAG, PAPER SENSOR		
8	FC5-8126-000		3	NOZZLE, SEPARATION		
9	FC5-8127-000		3	NOZZLE, FRONT		
10	FC5-8133-000		2	ROLLER, DRIVEN		
11	FC5-8142-000		1	LINK, ATTRACTION SHUTTER		
12	XG9-0508-000		2	BEARING, BALL, F688ZZ		
13	FC5-8144-000		6	ROLLER, BELT DRIVE		
14	FC5-8146-000		3	BELT, ATTRACTION		
15	FC5-8147-000		3	COVER, SEPARATION NOZZLE		
16	FC5-8149-000		3	NOZZLE, REAR		
17	FC5-8153-000		1	FLAG, PAPER PRESENCE SENSOR		
18	FC5-8154-000		1	LINK, PAPER		
19	FC5-8171-000		1	ARM, PAPER DETECT		
20	FC5-8265-000		1	PLATE, GROUNDING		
21	WG8-5848-000		6	PHOTO-INTERRUPTER,GP1A173LCS0F	PS802,PS803,PS804,PS805,PS806,PS814	
22	FL2-1785-000		1	SOLENOID, PAPER PICK-UP	SL801 [DP]	
23	FL2-9438-000		1	EXTRACTION ROLLER UNIT		
24	XA9-1659-000		2	SCREW,M3X4		
25	XG9-0507-000		4	BEARING, BALL, MF128ZZ		
26	FM3-2089-000		1	FAN UNIT	FM801	
27	FS5-6487-000		4	WASHER		
28	FU5-0338-000		1	PULLEY, 30T		
29	FU5-2781-000		1	SPRING, COMPRESSION		
30	FU5-2783-000		2	SPRING, COMPRESSION		

FIGURE & KEY NO.	PARTS NUMBER	RANK	Q'TY	DESCRIPTION	SERIAL NUMBER/REMARKS	SVC
31	FU5-2784-000		1	SPRING, TENSION	PS801	
32	FU5-2785-000		2	SPRING, COMPRESSION		
33	RS5-1058-000		4	BUSHING		
34	VS1-7177-002		1	CONNECTOR, SNAP TIGHT, BK		
35	VS1-7177-003		2	CONNECTOR, SNAP TIGHT, BK		
36	VS1-7177-004		1	CONNECTOR, SNAP TIGHT, BK		
37	WG8-5736-000		1	PHOTO SENSOR UNIT		
38	FM2-8629-000		1	CABLE, AIR PAPER PICK-UP		
501	XD1-1104-113		4	WASHER,COP		
502	XD3-2160-142		6	PIN, DOWEL		
503	XD3-2200-122		3	PIN, DOWEL		

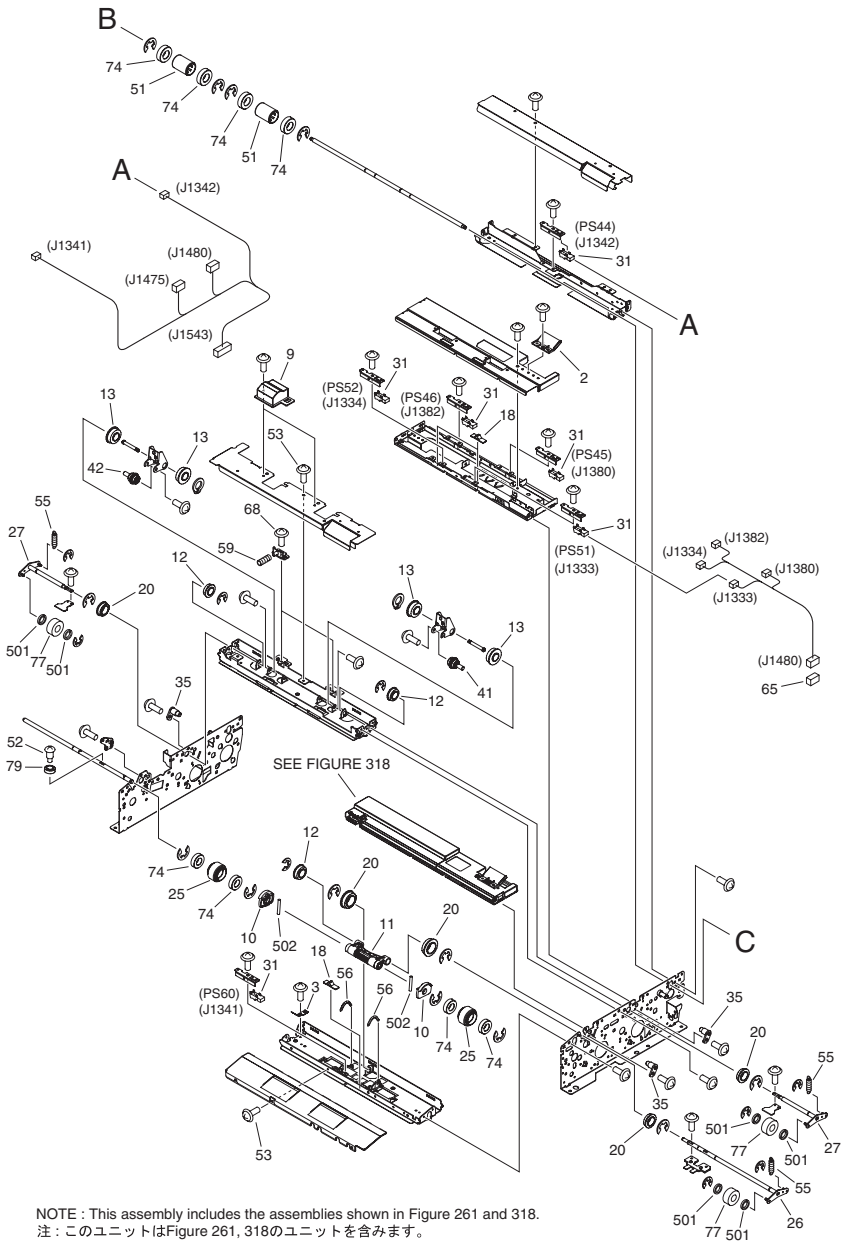
FIGURE 318 PRE-REG. GUIDE ASSEMBLY

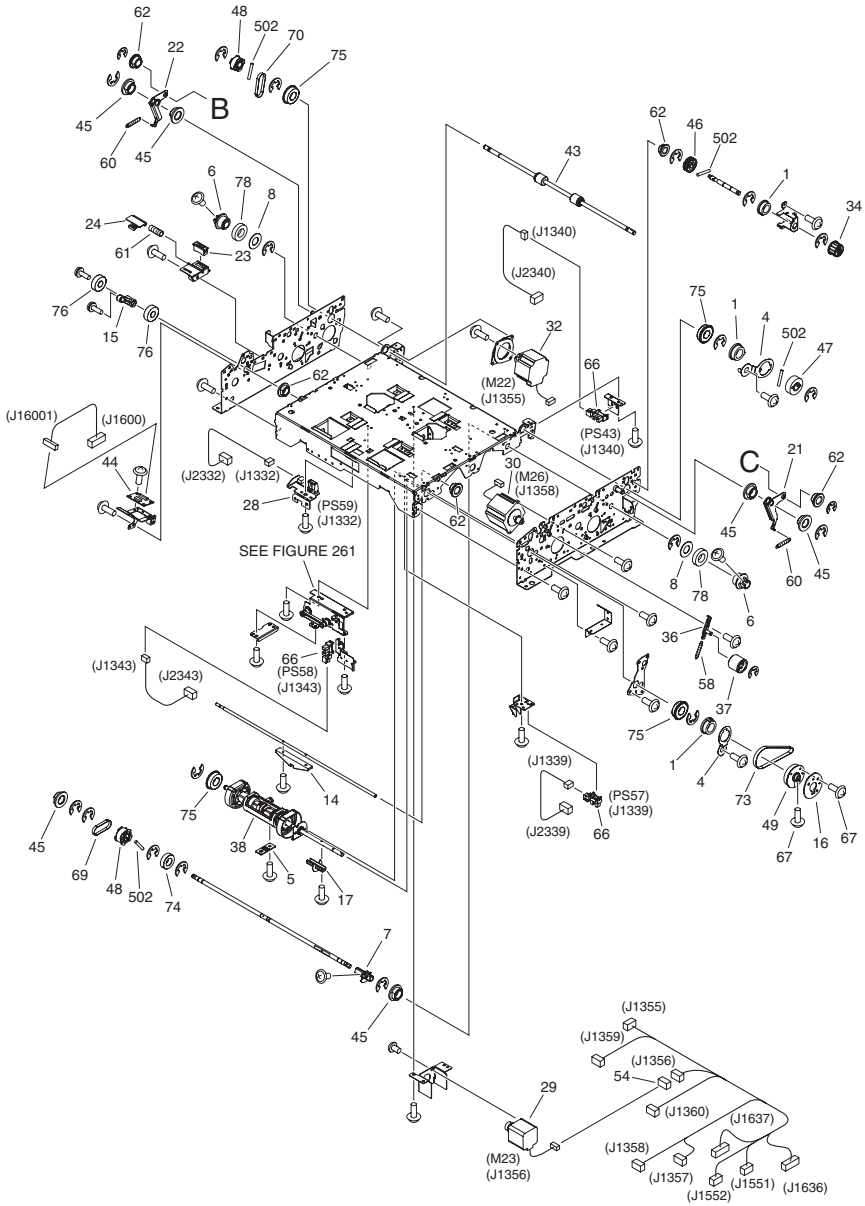


NOTE : This assembly is included in the assembly shown in Figure 320.
注 : このユニットはFigure 320のユニットに含まれます。

FIGURE & KEY NO.	PARTS NUMBER	RANK	Q'TY	DESCRIPTION	SERIAL NUMBER/REMARKS	SVC
Fig.318	FM3-2634-000		1	PRE-REG. GUIDE ASSEMBLY	SEE NOTE	
1	FB2-1019-000		1	GRIP, GUIDE		
2	FC7-8201-000		2	PRISM		
3	FC7-8239-000		1	SPACER		
4	FC7-8240-000		1	GLASS, C.I.S.		
5	FK2-2869-000		1	CONTACT IMAGE SENSOR UNIT	PS61	
6	FK2-8552-000		2	PHOTO-SENSOR, KUA0079C	PS53,PS54	
7	FK2-7270-000		1	CABLE, FLAT		
8	FL2-7601-000		1	SPACER		
9	FU7-2130-000		2	SPRING, COMPRESSION		
10	VS1-8412-007		1	CONNECTOR, SNAP TIGHT, BL		

FIGURE 320 REGIST.PAPER FEEDER ASSEMBLY





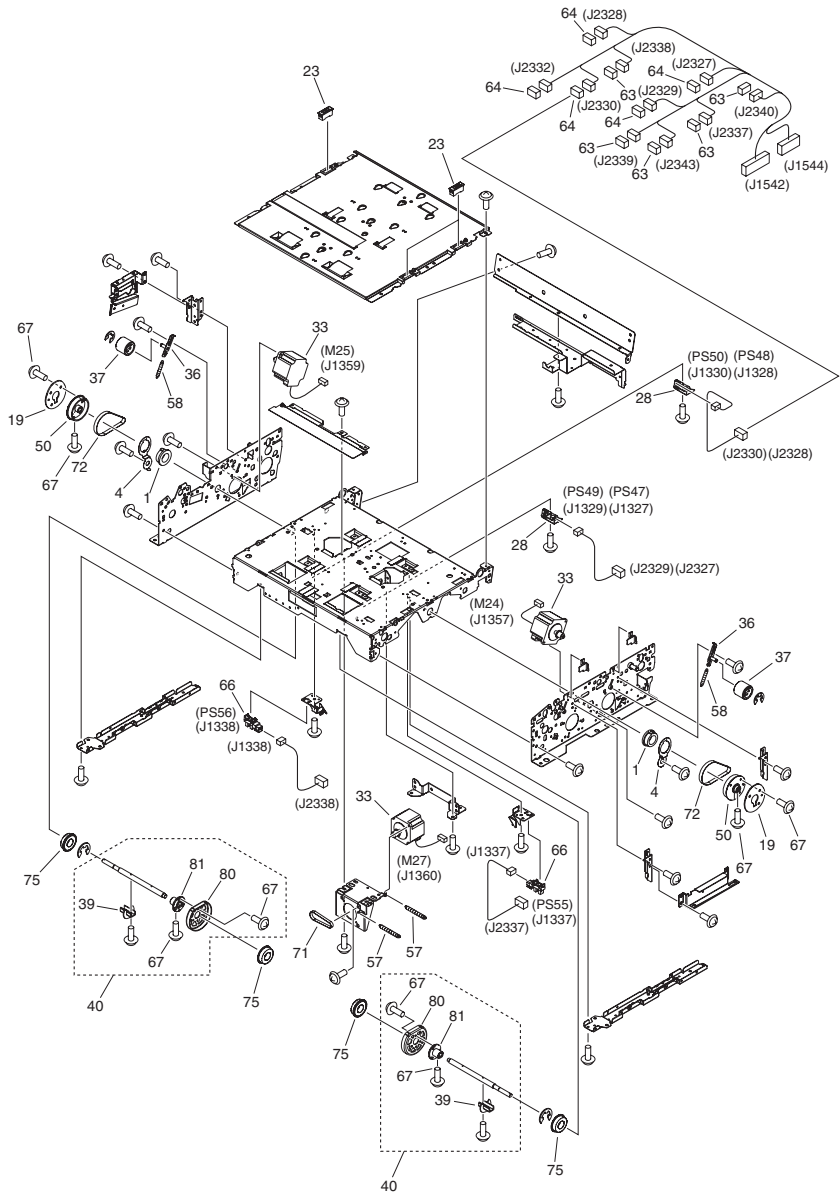
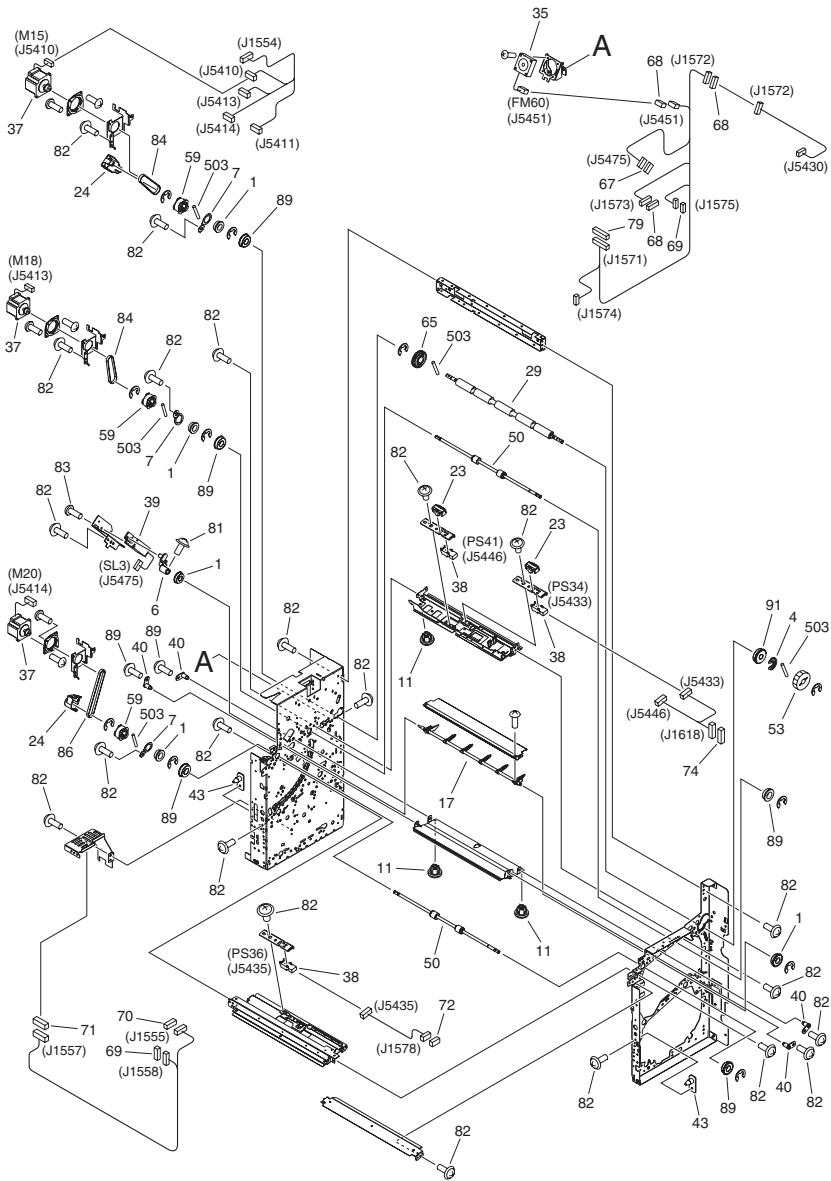


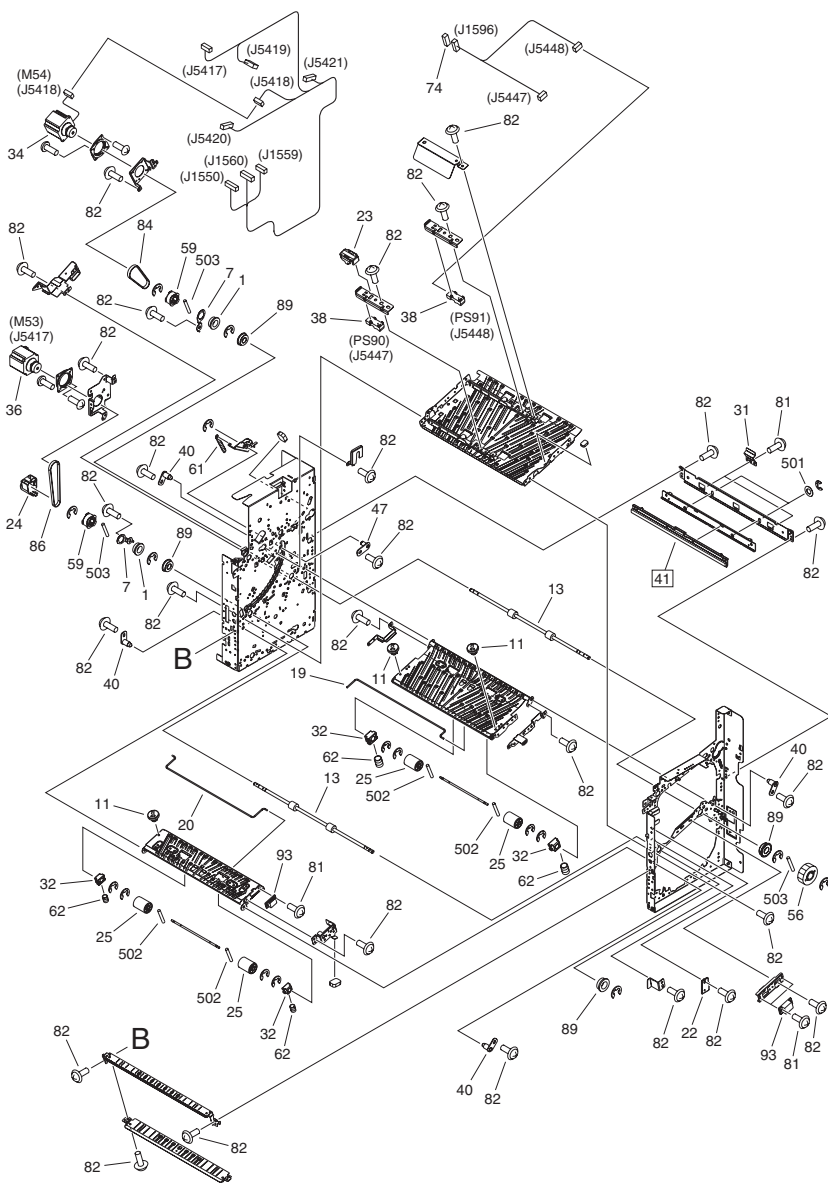
FIGURE & KEY NO.	PARTS NUMBER	R A N K	Q'TY	DESCRIPTION	SERIAL NUMBER/ REMARKS	S V C
Fig.320	FM3-2701-000		1	REGIST.PAPER FEEDER ASSEMBLY	SEE NOTE	
1	FA9-2112-000		5	BUSHING, PL		
2	FB2-1019-000		1	GRIP, GUIDE		
3	FB3-7543-000		1	PLATE, STATIC CHARGE ELI.		
4	FC5-9559-000		4	PLATE, ROLLER GROUNDING		
5	FC5-9619-000		1	STOPPER, BELT		
6	FC6-8306-000		2	CAM, REGISTRATION RELEASE		
7	FC6-8307-000		1	FLAG, SENSOR UNIT, H.P.		
8	FC6-8502-000		2	RETAINER, THRUST		
9	FC7-8171-000		2	COVER, DRIVEN ROLLER		
10	FC7-8173-000		2	GUARD, ROLLER		
11	FC7-8183-000		1	HOLDER, PRESSURE		
12	XG9-0705-000		3	BEARING, BALL, MF106ZZS		
13	XG9-0707-000		4	BEARING, BALL, MF126ZZ-1		
14	FC7-8187-000		1	JOINT, SHIFT DRIVE, 1		
15	FC7-8188-000		1	JOINT, SHIFT DRIVE, 2		
16	FC7-8195-000		1	CAM, REG. ESTRANGEMENT		
17	FC7-8196-000		1	FLAG, HOME POSITION SENSOR		
18	FC7-8201-000		3	PRISM		
19	FC7-8206-000		2	CAM, ESTRANGEMENT		
20	XG9-0709-000		5	BEARING, BALL, MF128ZZ-3		
21	FC7-8216-000		1	ARM, PRESSURE, FRONT		
22	FC7-8217-000		1	ARM, PRESSURE, REAR		
23	XZ9-0603-000		4	CATCH, MAGNET		
24	FC7-8243-000		1	FLAG		
25	FC7-8276-000		2	ROLLER, RUBBER		
26	FC8-9074-000		1	ARM, ESTRANGEMENT DRIVE		
27	FC8-9075-000		2	ARM, ESTRANGEMENT DRIVE		
28	FM3-2706-000		5	SENSOR UNIT, OPTICAL	PS47,PS48,PS49,PS50, PS59	
29	FK2-6456-000		1	MOTOR, STEPPING, DC	M23	
30	FK2-6464-000		1	MOTOR, STEPPING, DC	M26	

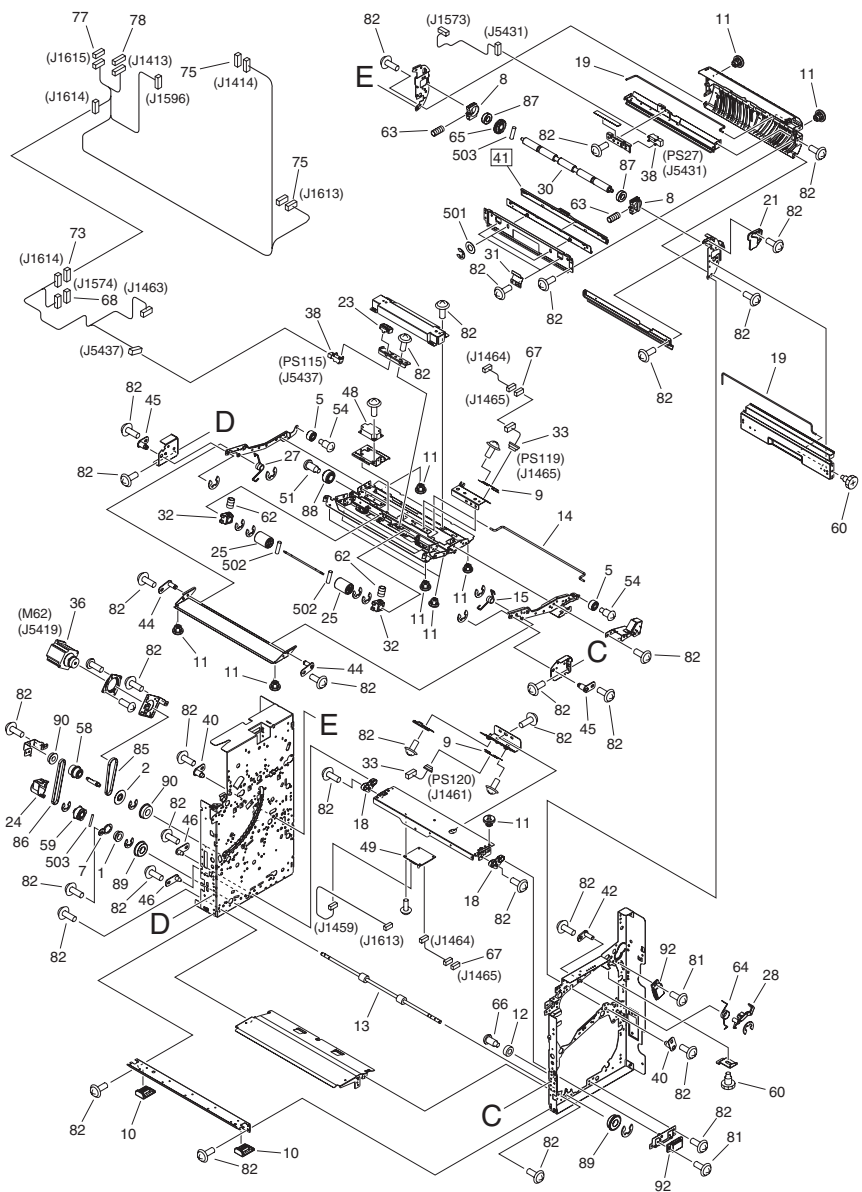
FIGURE & KEY NO.	PARTS NUMBER	R A N K	Q'TY	DESCRIPTION	SERIAL NUMBER/ REMARKS	S V C
31	FK2-8552-000		6	PHOTO-SENSOR, KUA0079C	PS44,PS45,PS46,PS51,PS52,PS60	
32	FK2-6472-000		1	MOTOR, STEPPING, DC	M22	
33	FK2-6474-000		3	MOTOR, STEPPING, DC	M24,M25,M27	
34	FL2-1837-000		1	KNOB, EXTRACTION, UPPPER		
35	FL2-7481-000		3	HINGE, GUIDE		
36	FL2-7485-000		3	PLATE, TENSIONER FIXED		
37	FL2-7609-000		3	ROLLER, TENSIONER		
38	FM3-2630-000		1	SLIDE DRIVE ASSEMBLY		
39	FC7-8207-000		2	FLAG, SENSOR		
40	FM3-2632-000		2	DESKEW ROLLER ASS'Y		
41	FM3-2702-000		1	COMPENSATION ROLLER ASS'Y, FR.		
42	FM3-2703-000		1	COMPENSATION ROLLER ASS'Y, RR.		
43	FM3-2720-000		1	PAPER FEED ROLLER ASS'Y		
44	FM3-5246-000		1	CONNECTING PCB ASSEMBLY		
45	FS1-1341-000		6	BUSHING, OILLESS METAL		
46	FS5-0873-000		1	GEAR, 30T		
47	FU5-0161-000		1	GEAR, 26T		
48	FU5-3441-000		2	PULLEY, 30T		
49	FU5-3634-000		1	PULLEY, 75T		
50	FU5-3635-000		2	PULLEY, 82T		
51	FU5-6782-000		2	ROLLER, DRIVEN		
52	FU5-9569-000		1	SCREW, STEPPED, M6X9.5		
53	FU5-9230-000		3	SCREW, TP, M4X8(YELLOW)		
54	VS1-7177-006		1	CONNECTOR, SNAP TIGHT, BK		
55	FU7-2122-000		3	SPRING, TENSION		
56	FU7-2123-000		2	SPRING, TENSION		
57	FU7-2125-000		2	SPRING, TENSION		
58	FU7-2126-000		3	SPRING, TENSION		
59	FU7-2128-000		2	SPRING, COMPRESSION		
60	FU7-2129-000		2	SPRING, TENSION		
61	FU7-2131-000		1	SPRING, COMPRESSION		

FIGURE & KEY NO.	PARTS NUMBER	RANK	Q'TY	DESCRIPTION	SERIAL NUMBER/REMARKS	SVC
62	RC1-4585-000		5	BUSHING		
63	VS1-8412-003		5	CONNECTOR, SNAP TIGHT, BL		
64	VS1-8412-005		5	CONNECTOR, SNAP TIGHT, BL		
65	VS1-8412-013		1	CONNECTOR, SNAP TIGHT, BL		
66	WG8-5783-000		5	IC,PHOTO-INTERRUPTER,LG248NL1A	PS43,PS55,PS56,PS57,P S58	
67	XA9-1063-000		AR	SCREW,TP,M3X8		
68	XA9-1249-010		2	SCREW,TP M4X8		
69	XF2-1106-160		1	BELT, TIMING		
70	XF2-1106-560		1	BELT, TIMING, COGGED		
71	XF2-1107-260		1	BELT, TIMING		
72	XF2-1111-080		2	BELT, TIMING, COGGED		
73	XF2-1113-280		1	BELT, TIMING, COGGED		
74	XG9-0493-000		9	BEARING, BALL, 688ZZ		
75	XG9-0508-000		8	BEARING, BALL, F688ZZ		
76	XG9-0560-000		2	BEARING, BALL		
77	XG9-0682-000		3	BEARING, BALL, 684-2Z.00		
78	XG9-0690-000		2	BEARING, BALL, 6902-2Z.00		
79	XG9-0704-000		1	BEARING, BALL		
80	FC7-8164-000		2	ROLLER, PAPER FEED		
81	FC7-8205-000		2	HOLDER, ROLLER		
501	XD1-1104-119		6	WASHER,COP		
502	XD3-2200-142		6	PIN, PARALLEL		

FIGURE 321
PRE-REGISTRATION FEED ASSEMBLY







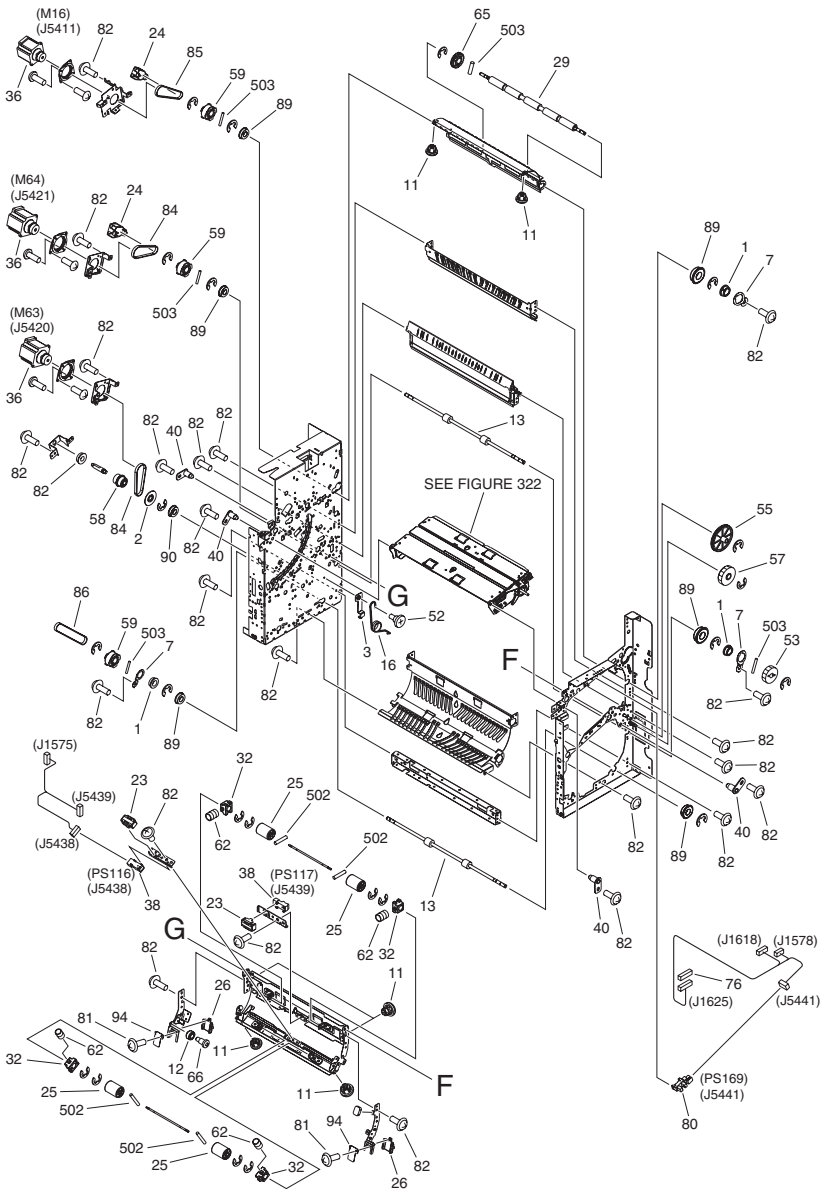


FIGURE & KEY NO.	PARTS NUMBER	R A N K	Q'TY	DESCRIPTION	SERIAL NUMBER/ REMARKS	S V C
Fig.321	NPN		RF	PRE-REGISTRATION FEED ASSEMBLY		
1	FA9-2112-000		11	BUSHING, PL		
2	FB4-1806-000		2	FLANGE		
3	FB4-8940-020		1	HOLDER, SPRING		
4	FC5-2715-000		1	RING, RETAINING		
5	FC5-8221-000		2	ROLLER, LATCH		
6	FC5-8467-000		1	ARM, FLAPPER		
7	FC5-9559-000		9	PLATE, ROLLER GROUNDING		
8	FC5-9918-000		2	HOLDER		
9	FC6-8219-000		2	PLATE, RETAINING		
10	FC6-9969-000		2	SLIDER, RACK		
11	FC7-0027-000		23	SPACER, GUIDE		
12	FC7-3330-000		2	ROLLER, SWING		
13	FC7-8272-000		5	ROLLER, PAPER FEED		
14	FC7-8627-000		1	ROD, TORSION, 1		
15	FC7-8637-000		1	SPRING, TORSION		
16	FC7-8638-000		1	SPRING, TORSION		
17	FC7-8639-000		1	FLAPPER		
18	FC7-8654-000		2	BUSHING		
19	FC7-8729-000		3	ROD, TORSION, 2		
20	FC7-8730-000		1	ROD, TORSION, 3		
21	FC7-8744-000		1	GUIDE, FRONT		
22	FC7-8795-000		1	PLATE, HOOK CATCH		
23	FC8-6555-000		6	COVER, SENSOR		
24	FC8-6556-000		6	COVER, PULLEY		
25	FC8-6557-000		10	ROLLER, DRIVEN		
26	FC8-6697-000		2	COVER, PROTECTION		
27	FC8-6698-000		1	SPRING, TORSION		
28	FC8-9082-000		1	FLAG, OPEN/CLOSE SENSOR		
29	FC8-9084-000		2	ROLLER, DRIVE		
30	FC8-9085-000		1	ROLLER, DRIVEN		
31	FC8-9090-000		4	SPRING, LEAF		

FIGURE & KEY NO.	PARTS NUMBER	R A N K	Q'TY	DESCRIPTION	SERIAL NUMBER/ REMARKS	S V C
32	FC9-4832-000		10	BUSHING		
33	FK2-0999-000		2	SENSOR	PS119,PS120	
34	FK2-6462-000		1	MOTOR, STEPPING, DC	M54	
35	FK2-7241-000		1	FAN	FM60	
36	FK2-8550-000		5	MOTOR, STEPPING, DC	M16,M53,M62,M63,M64	
37	FK2-8551-000		3	MOTOR, STEPPING, DC	M15,M18,M20	
38	FK2-8552-000		9	PHOTO-SENSOR, KUA0079C	PS27,PS34,PS36,PS41,P S90,PS91,PS115,PS116, PS117	
39	FL2-1824-000		1	SOLENOID	SL3	
40	FL2-1829-000		14	HINGE, GUIDE		
41	FL2-7321-000		2	CLEANING BRUSH UNIT	[DP]	
42	FL2-7497-000		1	PIN, POSITIONING		
43	FL2-7512-000		2	PIN, POSITIONING		
44	FL2-7528-000		2	PIN, POSITIONING		
45	FL2-7529-000		2	HINGE, GUIDE		
46	FL2-7535-000		2	PIN, POSITIONING		
47	FL2-7589-000		1	HINGE, CAM		
48	FM2-4356-000		1	TRANSMISSION PCB ASSEMBLY		
49	FM2-7640-000		1	RECEPTION PCB ASSEMBLY		
50	FM3-2720-000		2	PAPER FEED ROLLER ASS'Y		
51	FS1-9009-020		1	SCREW,STEPPED,M3		
52	FS1-9194-020		1	SCREW, STEPPED, M4		
53	FS5-0677-000		2	GEAR, 26T		
54	FS5-9224-020		2	SCREW,STEPPED,M4		
55	FU5-0071-000		1	GEAR, 54T		
56	FU5-0161-000		1	GEAR, 26T		
57	FU5-0183-000		1	GEAR, 30T		
58	FU5-0336-000		2	PULLEY, 30T		
59	FU5-3441-000		9	PULLEY, 30T		
60	FU5-9573-000		2	SCREW, FIXED(YELLOW)		
61	FU7-2145-000		1	SPRING, TENSION		
62	FU7-2678-000		10	SPRING, COMPRESSION		

FIGURE & KEY NO.	PARTS NUMBER	R A N K	Q'TY	DESCRIPTION	SERIAL NUMBER/ REMARKS	S V C
63	FU7-2679-000		2	SPRING, COMPRESSION		
64	FU7-2880-000		1	SPRING, TORSION		
65	FU8-0496-000		3	GEAR, 25T		
66	RS1-9025-010		2	SCREW, STEPPED, M3		
67	VS1-7177-002		3	CONNECTOR, SNAP TIGHT, BK		
68	VS1-7177-003		4	CONNECTOR, SNAP TIGHT, BK		
69	VS1-7177-006		2	CONNECTOR, SNAP TIGHT, BK		
70	VS1-7177-007		1	CONNECTOR, 7P, FEMALE, BK		
71	VS1-7177-012		1	CONNECTOR, SNAP TIGHT, BK		
72	VS1-8412-003		1	CONNECTOR, SNAP TIGHT, BL		
73	VS1-8412-005		1	CONNECTOR, SNAP TIGHT, BL		
74	VS1-8412-007		2	CONNECTOR, SNAP TIGHT, BL		
75	VS1-8412-011		2	CONNECTOR, SNAP TIGHT, BL		
76	VS1-8412-013		1	CONNECTOR, SNAP TIGHT, BL		
77	VS1-8412-015		1	CONNECTOR, SNAP TIGHT, BL		
78	VS1-8412-017		1	CONNECTOR, SNAP TIGHT, BL		
79	VS1-8412-021		1	CONNECTOR, SNAP TIGHT, BL		
80	WG8-5783-000		1	IC,PHOTO-INTERRUPTER,LG248NL1A	PS169	
81	XA9-0922-000		AR	SCREW, TP, M3X8		
82	XA9-1249-010		AR	SCREW,TP M4X8		
83	XA9-1659-000		2	SCREW,M3X4		
84	XF2-1109-560		5	BELT, TIMING, COGGED		
85	XF2-1112-060		2	BELT, TIMING		
86	XF2-1114-060		4	BELT, TIMING, COGGED		
87	XG9-0493-000		2	BEARING, BALL, 688ZZ		
88	XG9-0503-000		1	BEARING,BALL, MR84T12ZZMC3		
89	XG9-0508-000		AR	BEARING, BALL, F688ZZ		
90	XG9-0594-000		4	BEARING, BALL, MF126ZZ		
91	XG9-0694-000		1	BEARING, BALL		
92	XZ9-0581-000		2	CATCH,MAGNET		
93	XZ9-0593-000		3	CATCH, MAGNET		
94	FC7-8688-000		2	SPRING, LEAF		

FIGURE & KEY NO.	PARTS NUMBER	R A N K	Q'TY	DESCRIPTION	SERIAL NUMBER/ REMARKS	S V C
501	XD1-1106-233		4	WASHER,COP		
502	XD3-2200-102		AR	PIN, PARALLEL		
503	XD3-2200-142		AR	PIN, PARALLEL		

FIGURE 322 ESTRANGEMENT GUIDE ASSEMBLY

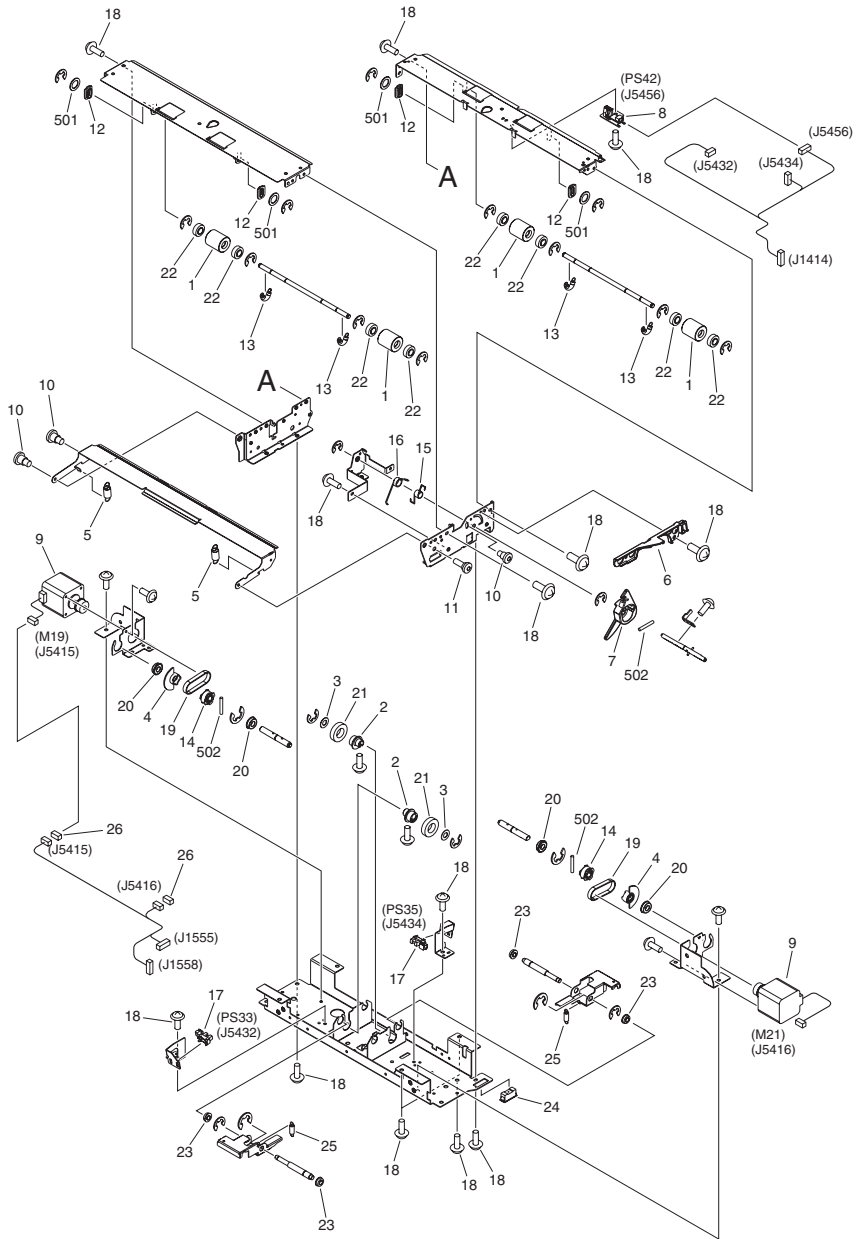


FIGURE & KEY NO.	PARTS NUMBER	RANK	Q'TY	DESCRIPTION	SERIAL NUMBER/REMARKS	SVC
Fig.322	FM3-2646-000		1	ESTRANGEMENT GUIDE ASSEMBLY		
1	FC5-9668-000		4	ROLLER, FOLLOWER		
2	FC6-8306-000		2	CAM, REGISTRATION RELEASE		
3	FC6-8502-000		2	RETAINER, THRUST		
4	FC7-3130-000		2	FLAG, CAM SENSOR, FRONT		
5	FC7-8708-000		2	SPRING, TENSION		
6	FC7-8743-000		1	GUIDE, SLIDE		
7	FC7-8794-000		1	HOOK, ESTRANGEMENT		
8	FM3-2539-000		1	SENSOR UNIT, OPTICAL	PS42	
9	FK2-6456-000		2	MOTOR, STEPPING, DC	M19,M21	
10	FS1-9009-020		3	SCREW,STEPPED,M3		
11	FS5-9223-000		1	SCREW, STEPPED, M4		
12	FU5-1326-000		4	BUSHING, FOLLOWER ROLLER		
13	FU5-2945-000		4	SPRING, TENSION		
14	FU5-3441-000		2	PULLEY, 30T		
15	FU7-2144-000		1	SPRING, TORSION		
16	FC9-7233-000		1	SPRING, TORSION		
17	WG8-5783-000		2	IC,PHOTO-INTERRUPTER,LG248NL1A	PS33,PS35	
18	XA9-1249-010		AR	SCREW,TP M4X8		
19	XF2-1106-260		2	BELT, TIMING		
20	XG9-0508-000		4	BEARING, BALL, F688ZZ		
21	XG9-0690-000		2	BEARING, BALL, 6902-2Z.00		
22	XG9-0706-000		8	BEARING, BALL, MR126ZZ-1		
23	XG9-0707-000		4	BEARING, BALL, MF126ZZ-1		
24	XZ9-0603-000		1	CATCH, MAGNET		
25	FC7-8353-000		2	SPRING, TENSION		
26	VS1-7177-006		2	CONNECTOR, SNAP TIGHT, BK		
501	XD1-1106-225		4	WASHER,COP		
502	XD3-2200-142		3	PIN, PARALLEL		

FIGURE 325 SECONDARY TRANSFER ASSEMBLY

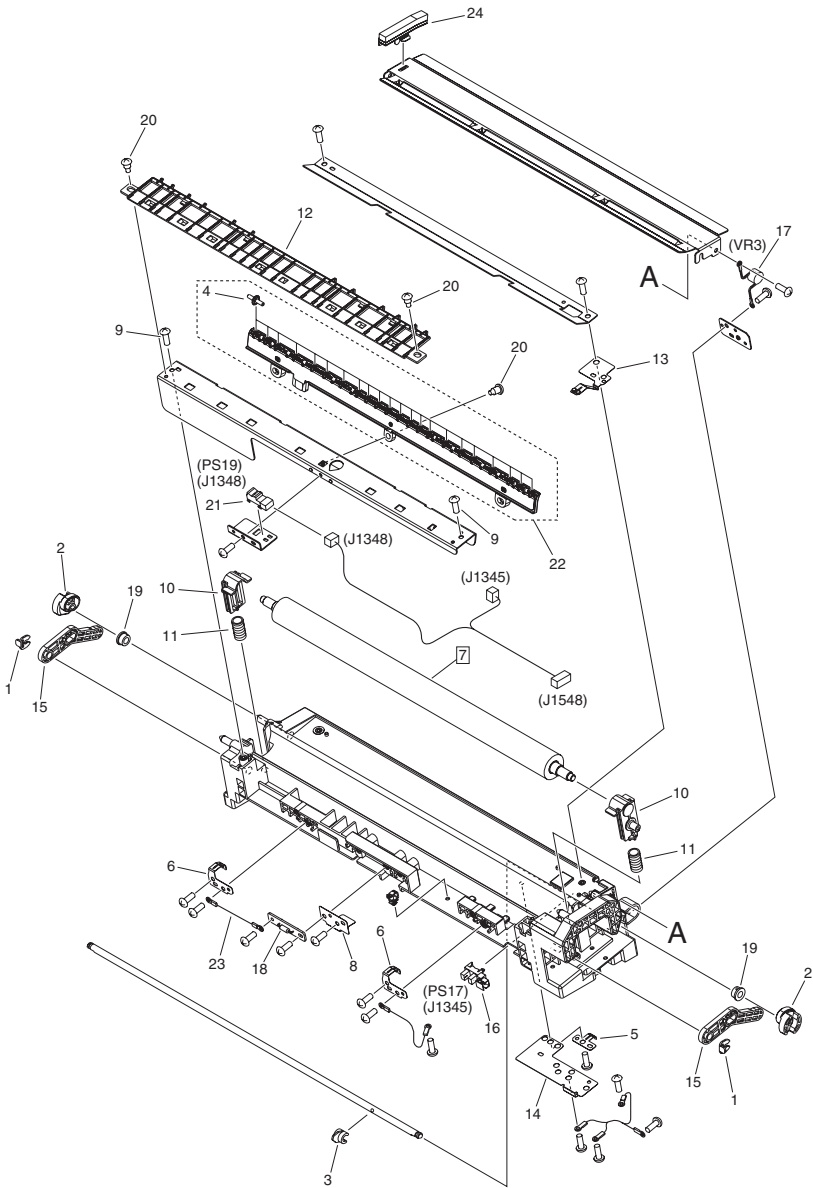
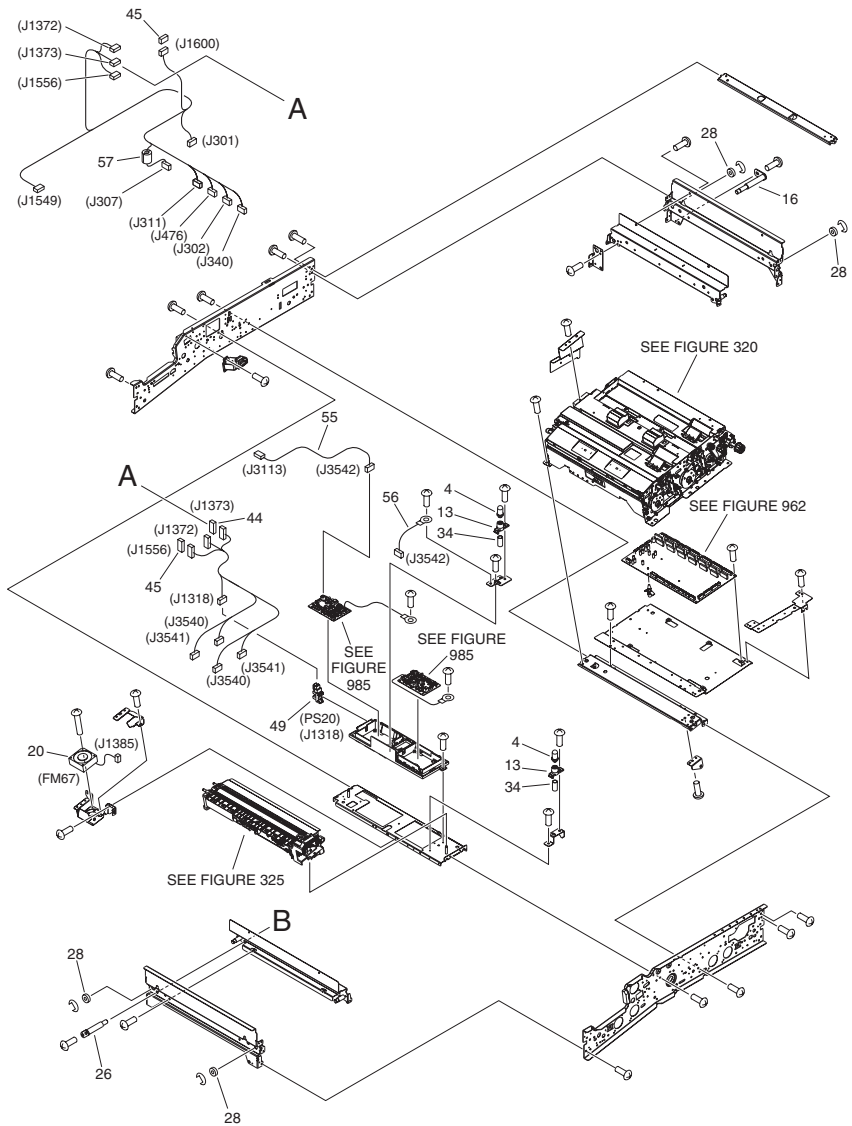


FIGURE & KEY NO.	PARTS NUMBER	R A N K	Q'TY	DESCRIPTION	SERIAL NUMBER/ REMARKS	S V C
Fig.325	FM3-2751-000		1	SECONDARY TRANSFER ASSEMBLY		
1	FB4-2007-000		2	RING, RETAINING		
2	FC5-2161-000		2	CAM, SWING		
3	FC5-2162-000		1	FLAG, SWING CAM SENSOR		
4	FC5-2669-000		22	ROWEL		
5	FC5-5077-000		1	PLATE, CAM SHAFT GROUNDING		
6	FC6-1664-000		2	PLATE, ELIM. POWER DISPATCHING		
7	FC7-8733-000		1	ROLLER, 2ND TRNSFR.	[DP]	
8	FC7-8740-000		1	SPRING, HIGH VOLTAGE CONTACT		
9	FU5-9231-000		2	SCREW, W/WASHER, M3X6(YELLOW)		
10	FC7-8774-000		2	HOLDER, 2ND TRNSFR. ROLLER		
11	FC7-8775-000		2	SPRING, COMPRESSION		
12	FC7-8776-000		1	RIB, 2ND TRNSFR. OUTLET GUIDE		
13	FC7-8783-000		1	SPRING, LEAF		
14	FC7-8792-000		1	SPRING, LEAF		
15	FC9-0252-000		2	ARM, SECONDARY TRANSFER		
16	WG8-5783-000		1	IC,PHOTO-INTERRUPTER,LG248NL1A	PS17	
17	FL2-9098-000		1	VARISTOR	VR3	
18	FM2-7196-000		1	HVR PCB ASSEMBLY		
19	FS1-1213-000		2	BUSHING		
20	FU5-9302-000		5	SCREW, STEPPED, M3		
21	FK2-8552-000		1	PHOTO-SENSOR, KUA0079C	PS19	
22	FL2-7325-000		1	ELIMINATOR, STATIC CHARGE		
23	FM3-7684-000		1	CABLE, TRANSFER H.V., 2		
24	FL2-7387-000		1	BRUSH, CLEANING		

FIGURE 330 FIXING/FEEDEE FRAME ASSEMBLY



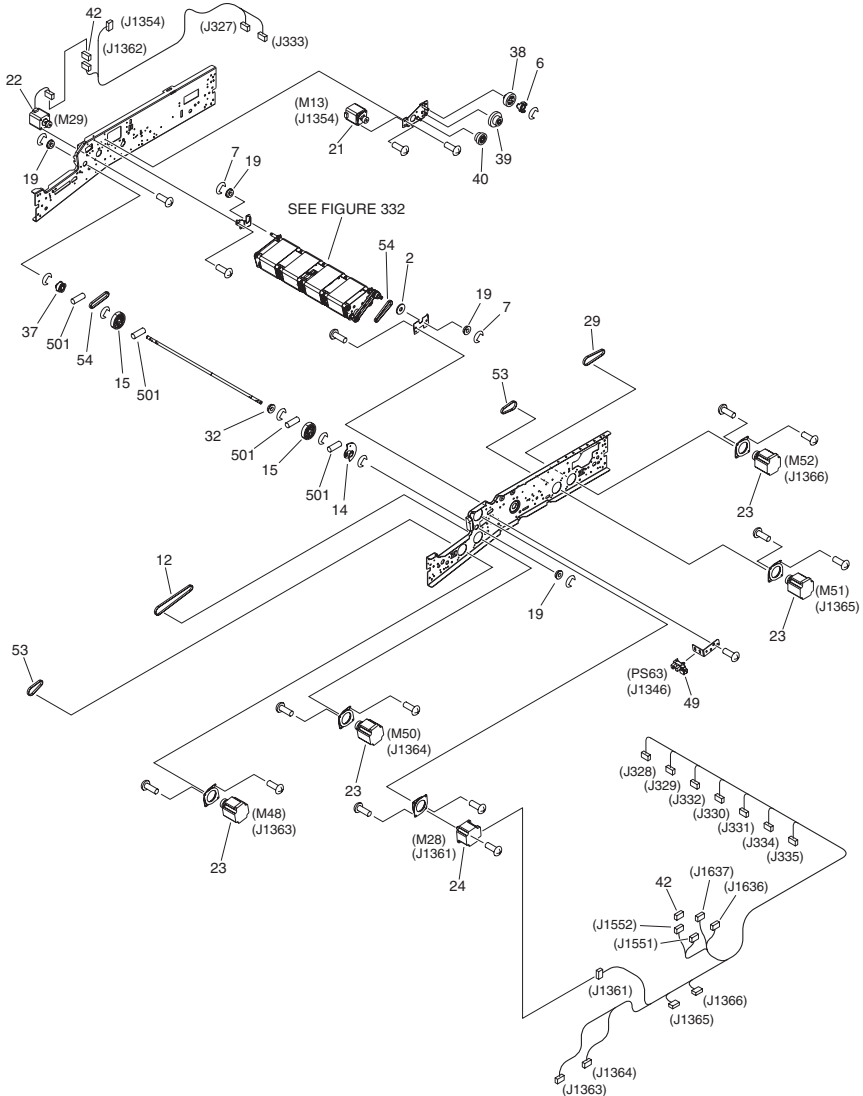
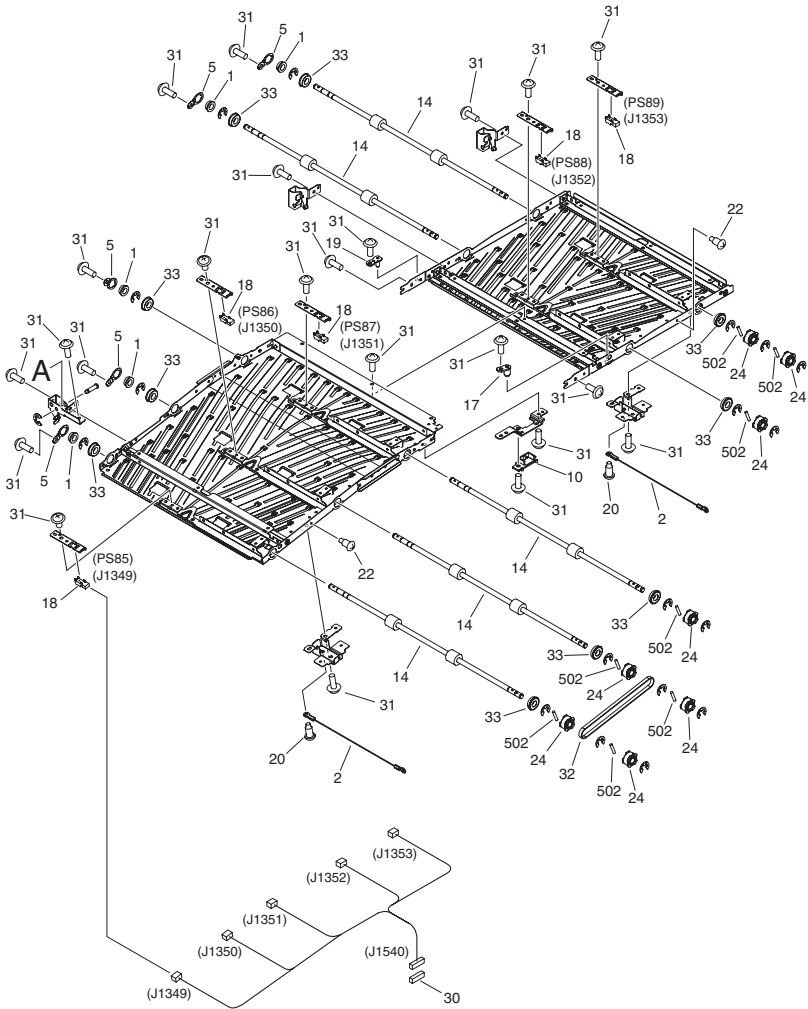


FIGURE & KEY NO.	PARTS NUMBER	R A N K	Q'TY	DESCRIPTION	SERIAL NUMBER/ REMARKS	S V C
Fig.330	NPN		RF	FIXING/FEEDER FRAME ASSEMBLY		
1	FA9-2112-000		4	BUSHING, PL		
2	FB1-9860-000		1	FLANGE		
3	FB2-3159-000		1	LEVER, LIFTER		
4	FB6-2954-000		2	CONTACT		
5	FB6-6088-000		1	RING, RETAINING		
6	FC5-2199-000		1	COUPLING, CAM		
7	FC5-2715-000		2	RING, RETAINING		
8	FC6-2272-000		1	LOCK, LEVER		
9	FC6-8073-000		1	SHAFT, PULL		
10	FC7-5560-000		2	KNOB,EXTRACTION		
11	FC7-8290-000		1	PIN, POSITIONING		
12	XF2-3117-260		1	BELT, TIMING, COGGED		
13	FC7-8731-000		2	MOUNT, CONTACT		
14	FC7-8764-000		1	FLAG, SENSOR		
15	FC7-8765-000		2	CAM, PRE-FIXING FEED LIFT		
16	FL2-7635-000		1	PIN, POSITIONING		
17	FC8-6511-000		1	FLAG, INTERLOCK		
18	FK2-0009-000		1	FAN	FM27	
19	XG9-0508-000		4	BEARING, BALL, F688ZZ		
20	FK2-2064-000		5	FAN	FM28,FM29,FM30,FM31, FM67	
21	FK2-6455-000		1	MOTOR, STEPPING, DC	M13	
22	FK2-6456-000		1	MOTOR, STEPPING, DC	M29	
23	FK2-8550-000		4	MOTOR, STEPPING, DC	M48,M50,M51,M52	
24	FK2-6474-000		1	MOTOR, STEPPING, DC	M28	
25	FL2-7492-000		3	PIN, CENTER		
26	FL2-7493-000		1	PIN, HINGE		
27	FL2-7626-000		2	HOLDER, GUIDE		
28	XG9-0689-000		4	BEARING, BALL, 6000ZZ		
29	XF2-3110-160		1	BELT, TIMING, COGGED		
30	FM3-7672-000		1	CABLE, ACTIVE REG. DRAWER, 2		

FIGURE & KEY NO.	PARTS NUMBER	R A N K	Q'TY	DESCRIPTION	SERIAL NUMBER/ REMARKS	S V C
31	FM3-7673-000		1	CABLE, ACTIVE REG. DRAWER, 1		
32	XG9-0709-000		1	BEARING, BALL, MF128ZZ-3		
33	FS2-9015-020		2	SCREW, STEPPED, M4		
34	FS7-2784-000		2	SPRING, COMPRESSION		
35	FU5-1319-000		2	BUSHING		
36	FU5-2914-000		1	SPRING, COMPRESSION		
37	FU5-3441-000		3	PULLEY, 30T		
38	FU7-0835-000		1	GEAR, 26T		
39	FU7-0836-000		1	GEAR, 17T/30T		
40	FU7-0837-000		1	GEAR, 17T/22T		
41	VS1-7177-003		6	CONNECTOR, SNAP TIGHT, BK		
42	VS1-7177-006		2	CONNECTOR, SNAP TIGHT, BK		
43	VS1-8412-007		1	CONNECTOR, SNAP TIGHT, BL		
44	VS1-8412-009		1	CONNECTOR, SNAP TIGHT, BL		
45	VS1-8412-013		3	CONNECTOR, SNAP TIGHT, BL		
46	VS1-8412-015		1	CONNECTOR, SNAP TIGHT, BL		
47	VS1-8412-023		1	CONNECTOR, SNAP TIGHT, BL		
48	VS1-8412-025		1	CONNECTOR, SNAP TIGHT, BL		
49	WG8-5783-000		2	IC,PHOTO-INTERRUPTER,LG248NL1A	PS20,PS63	
50	XA9-0546-020		3	SET SCREW, M4 X 6		
51	XG9-0304-000		1	BALL BEARING,NMB		
52	XF2-3106-440		2	BELT, TIMING, COGGED		
53	XF2-3107-660		2	BELT, TIMING, COGGED		
54	XF2-3109-060		2	BELT, TIMING, COGGED		
55	FM3-7675-000		1	CABLE, FIXING BIAS		
56	FM3-7677-000		1	CABLE, SECONDARY TRANSFER H.V.		
57	WE8-6152-000		1	FERRITE CORE, RING TYPE		
501	XD3-2200-142		6	PIN, PARALLEL		

FIGURE 331 DUPLEXING FEEDER ASSEMBLY



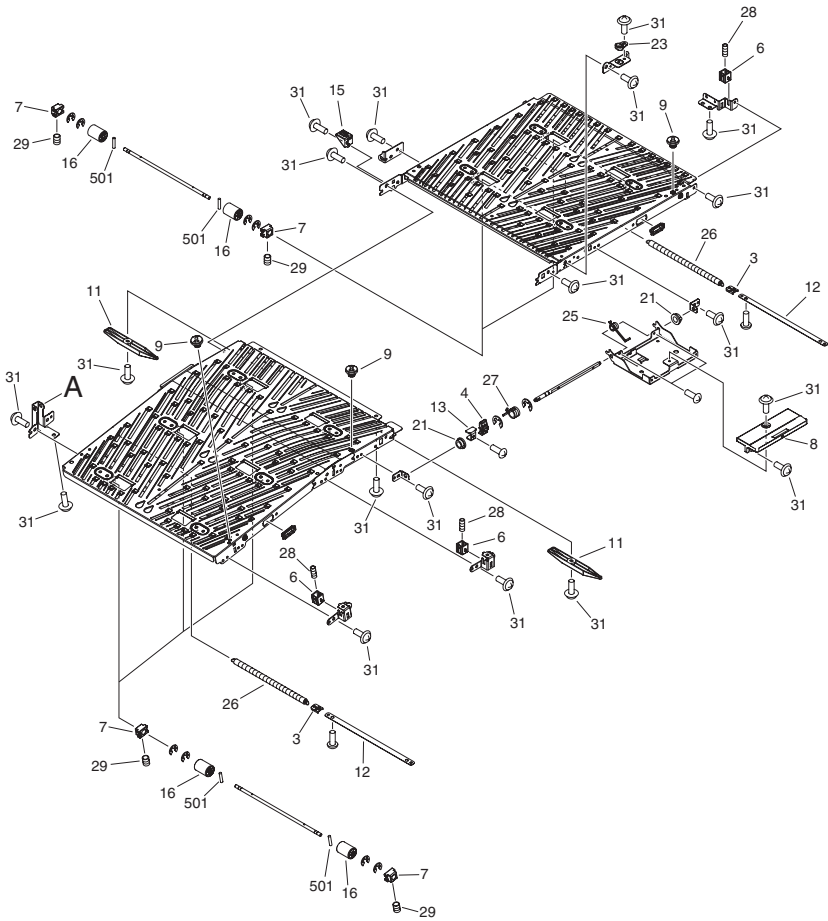


FIGURE & KEY NO.	PARTS NUMBER	R A N K	Q'TY	DESCRIPTION	SERIAL NUMBER/ REMARKS	S V C
Fig.331	FM3-2710-000		1	DUPLEXING FEEDER ASSEMBLY		
1	FA9-2112-000		5	BUSHING, PL		
2	FC5-4765-020		2	WIRE, GUIDE		
3	FC5-5167-000		2	MOUNT, TAPE		
4	FC5-8338-000		1	HOOK, HANDLE		
5	FC5-9559-000		5	PLATE, ROLLER GROUNDING		
6	FC6-1731-000		3	BLOCK, PUSHING		
7	FC9-4832-000		10	BUSHING		
8	FC6-8504-000		1	GRIP, DUPLEXING HANDLE, RIGHT		
9	FC7-0027-000		3	SPACER, GUIDE		
10	FC7-4299-000		1	HOOK, DOOR		
11	FC7-8144-000		2	RAIL, PRESSURE		
12	FC7-8145-000		2	TAPE, GUIDE SUPPORT		
13	FC7-8148-000		1	PLATE, LATCH RELEASE		
14	FC7-8272-000		5	ROLLER, PAPER FEED		
15	FC7-8545-000		1	BLOCK, POSITIONING		
16	FC8-6557-000		10	ROLLER, DRIVEN		
17	FL2-7563-000		1	PIN, POSITIONING		
18	FK2-8552-000		5	PHOTO-SENSOR, KUA0079C	PS85,PS86,PS87,PS88,P S89	
19	FL2-7562-000		1	PIN, POSITIONING		
20	FS2-9015-020		2	SCREW, STEPPED, M4		
21	FS5-1438-000		2	BUSHING		
22	FS5-9619-020		2	SCREW,STEPPED,M3		
23	FU5-1280-000		1	BUSHING		
24	FU5-3441-000		8	PULLEY, 30T		
25	FU7-2154-000		1	SPRING, TORSION		
26	FU7-2155-000		2	SPRING, TENSION		
27	FU7-2156-000		1	SPRING, TORSION		
28	FU7-2157-000		3	SPRING, COMPRESSION		
29	FU7-2678-000		10	SPRING, COMPRESSION		
30	VS1-8412-017		1	CONNECTOR, SNAP TIGHT, BL		

FIGURE & KEY NO.	PARTS NUMBER	R A N K	Q'TY	DESCRIPTION	SERIAL NUMBER/ REMARKS	S V C
31	XA9-1249-010		AR	SCREW,TP M4X8		
32	XF2-3118-560		1	BELT, TIMING, COGGED		
33	XG9-0508-000		AR	BEARING, BALL, F688ZZ		
501	XD3-2200-102		AR	PIN, PARALLEL		
502	XD3-2200-142		8	PIN, PARALLEL		

FIGURE 332 PRE-FIXING PAPER FEED ASS'Y

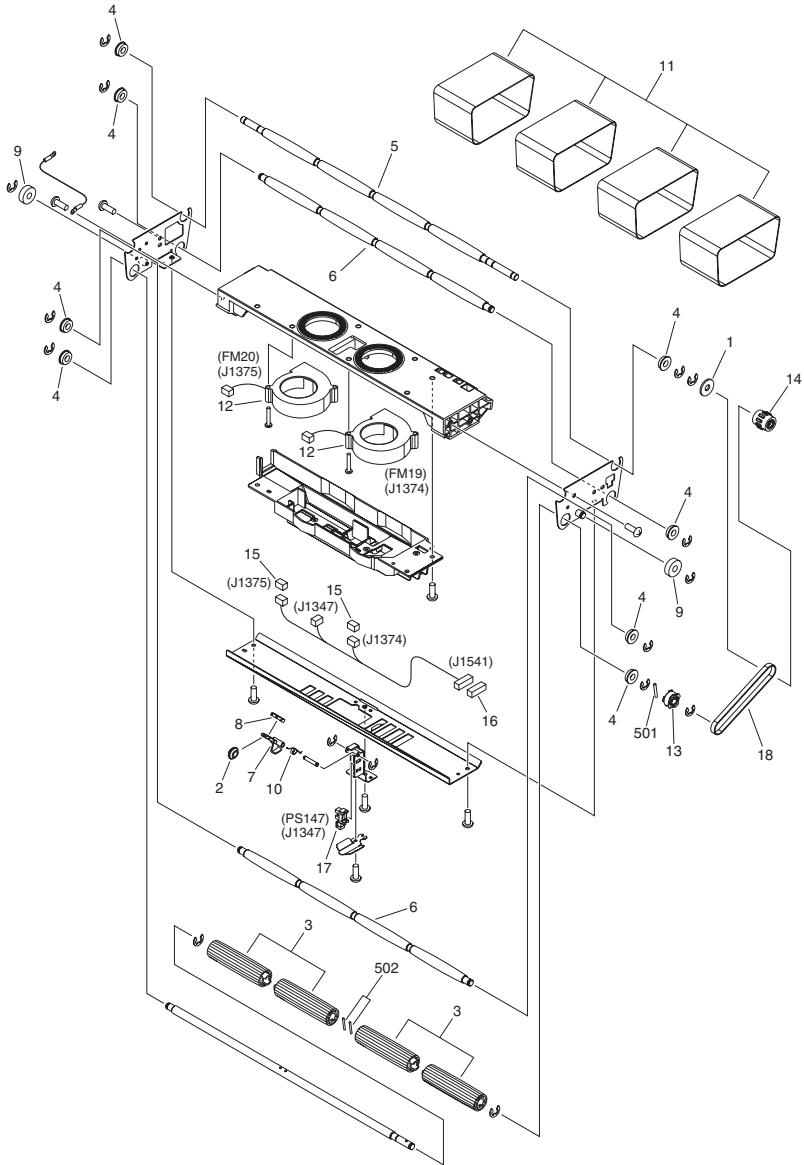
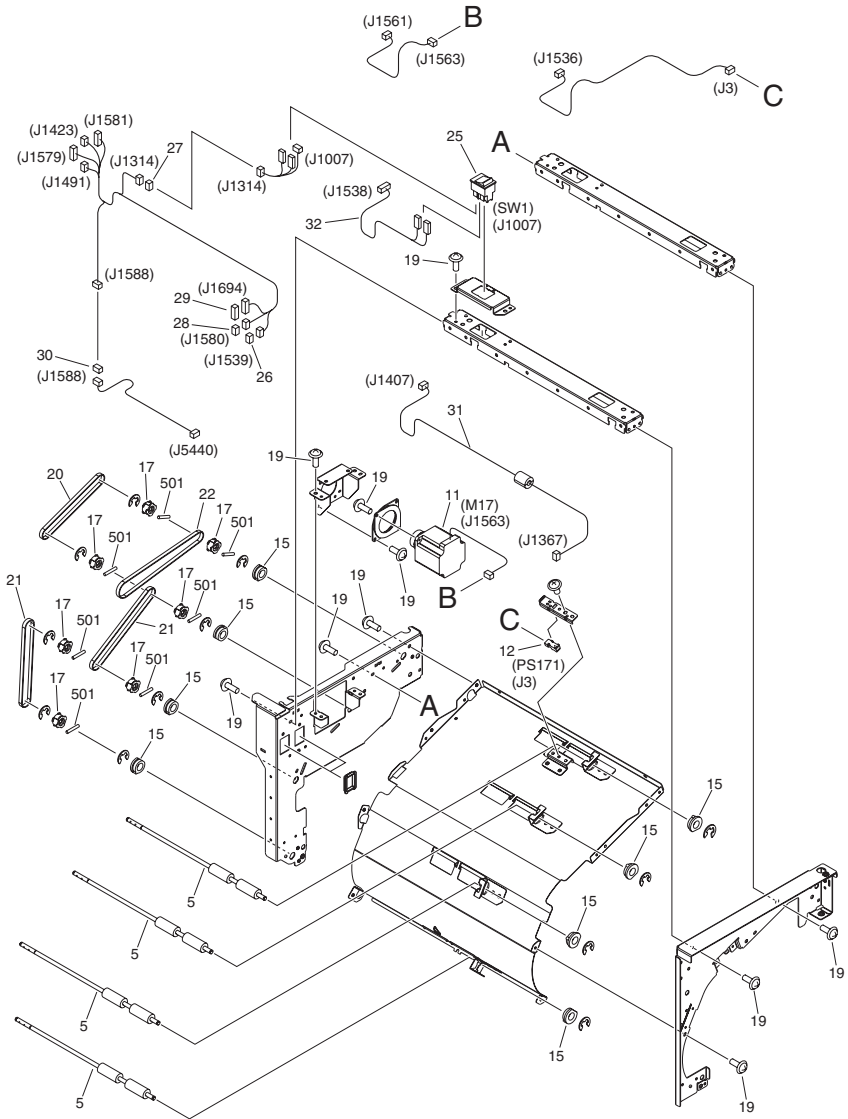


FIGURE & KEY NO.	PARTS NUMBER	R A N K	Q'TY	DESCRIPTION	SERIAL NUMBER/ REMARKS	S V C
Fig.332	FM3-2750-000		1	PRE-FIXING PAPER FEED ASS'Y		
1	FB1-9860-000		1	FLANGE		
2	FB6-3150-000		1	ROLLER, TRANSFER SENSOR		
3	FC5-2067-000		4	ROLLER, DRIVE		
4	XG9-0508-000		8	BEARING, BALL, F688ZZ		
5	FC7-8751-000		1	ROLLER, BELT DRIVE 1		
6	FC7-8752-000		2	ROLLER, BELT DRIVE 2		
7	FC7-8767-000		1	FLAG, LOOP SENSOR		
8	FC7-8768-000		1	SUPPORT, LOOP SENSOR FLAG		
9	XG9-0304-000		2	BALL BEARING,NMB		
10	FC7-8770-000		1	SPRING, TORSION		
11	FC8-6678-000		4	BELT, PAPER FEED,		
12	FK2-8548-000		2	FAN	FM19,FM20	
13	FU5-3441-000		1	PULLEY, 30T		
14	FU7-0822-000		1	PULLEY, 30T/30T		
15	VS1-7177-003		2	CONNECTOR, SNAP TIGHT, BK		
16	VS1-7177-009		1	CONNECTOR, 9P		
17	WG8-5783-000		1	IC,PHOTO-INTERRUPTER,LG248NL1A	PS147	
18	XF2-3112-560		1	BELT, TIMING, COGGED		
501	XD3-2200-142		1	PIN, PARALLEL		
502	XD3-2200-182		2	PIN, DOWEL		

FIGURE 333 ESCAPE ASSEMBLY



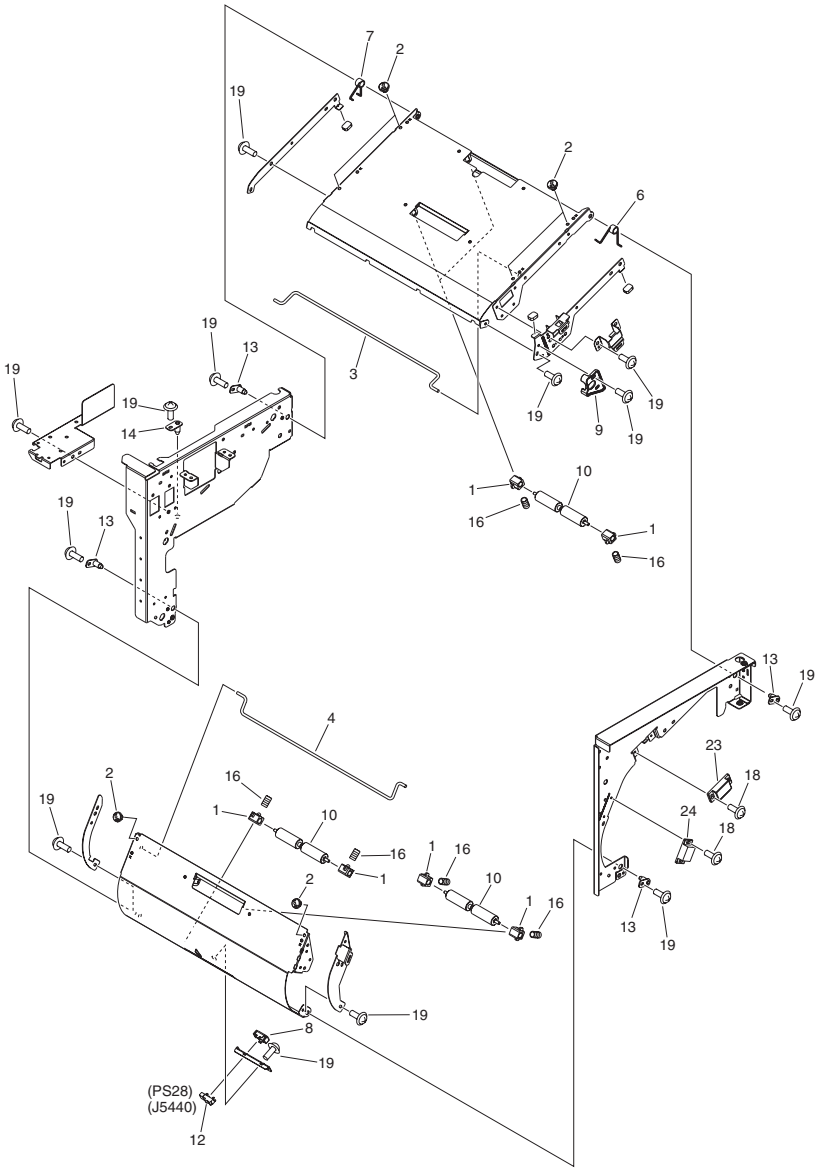
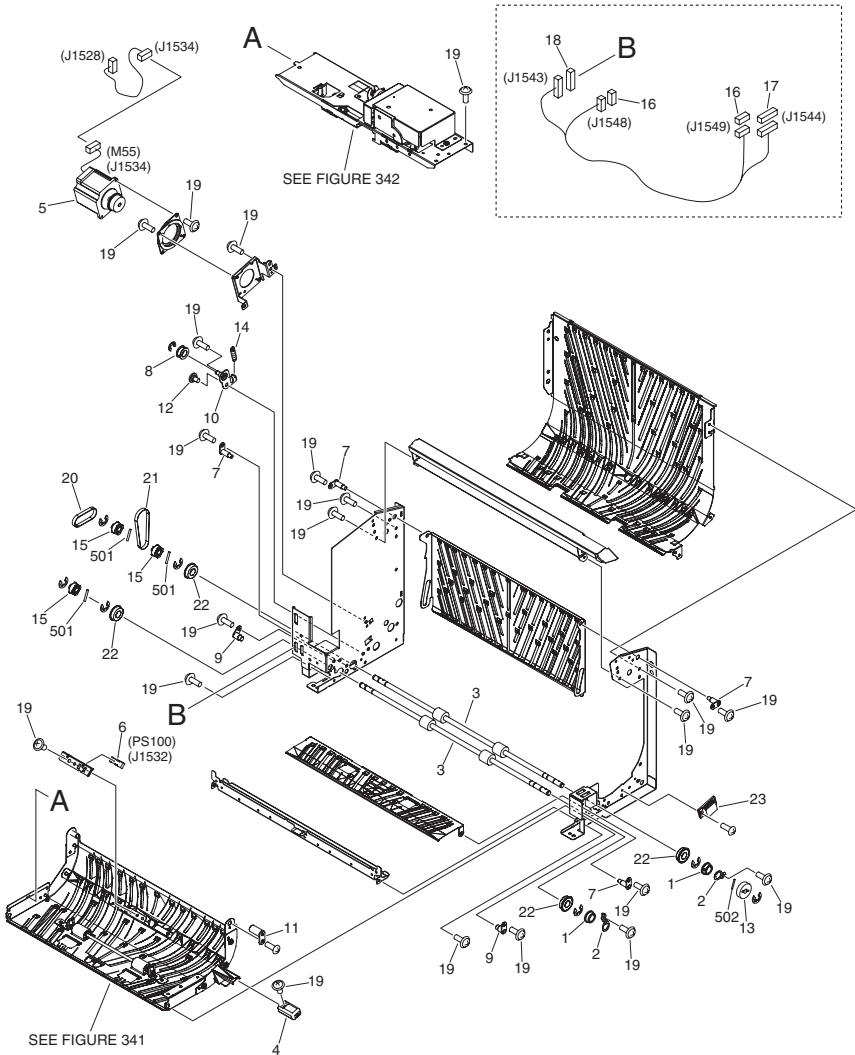


FIGURE & KEY NO.	PARTS NUMBER	R A N K	Q'TY	DESCRIPTION	SERIAL NUMBER/ REMARKS	S V C
Fig.333	NPN		RF	ESCAPE ASSEMBLY		
1	FB2-7755-000		8	BUSHING		
2	FC7-0027-000		6	SPACER, GUIDE		
3	FC7-8627-000		1	ROD, TORSION, 1		
4	FC7-8628-000		1	ROD, TORSION, 4		
5	FC7-8662-000		4	ROLLER, ESCAPE		
6	FC7-8685-000		1	SPRING, TORSION		
7	FC7-8686-000		1	SPRING, TORSION		
8	FC8-6555-000		1	COVER, SENSOR		
9	FC8-6699-000		1	GUIDE		
10	FG6-9259-020		4	ROLLER		
11	FK2-6462-000		1	MOTOR, STEPPING, DC	M17	
12	FK2-8552-000		2	PHOTO-SENSOR, KUA0079C	PS28,PS171	
13	FL2-1829-000		4	HINGE, GUIDE		
14	FL2-7534-000		1	PIN, POSITIONING		
15	FS1-1508-000		8	BUSHING		
16	FU5-2785-000		8	SPRING, COMPRESSION		
17	FU5-3021-000		7	PULLEY, 30T		
18	XA9-0922-000		4	SCREW, TP, M3X8		
19	XA9-1249-010		AR	SCREW,TP M4X8		
20	XF2-1115-560		1	BELT, TIMING, COGGED		
21	XF2-1117-060		2	BELT, TIMING, COGGED		
22	XF2-1120-060		1	BELT, TIMING, COGGED		
23	XZ9-0581-000		1	CATCH,MAGNET		
24	XZ9-0593-000		1	CATCH, MAGNET		
25	FK2-2509-000		1	SWITCH, MAIN	SW1	
26	VS1-7177-003		1	CONNECTOR, SNAP TIGHT, BK		
27	VS1-7177-004		1	CONNECTOR, SNAP TIGHT, BK		
28	VS1-8412-007		1	CONNECTOR, SNAP TIGHT, BL		
29	VS1-8412-009		1	CONNECTOR, SNAP TIGHT, BL		
30	VS1-8412-003		1	CONNECTOR, SNAP TIGHT, BL		
31	FM3-7781-000		1	CABLE, HEATER INTERLOCK, 2		

FIGURE & KEY NO.	PARTS NUMBER	R A N K	Q'TY	DESCRIPTION	SERIAL NUMBER/ REMARKS	S V C
32	FM3-7685-000		1	CABLE, MAIN SWITCH		
501	XD3-2200-122		7	PIN, DOWEL		

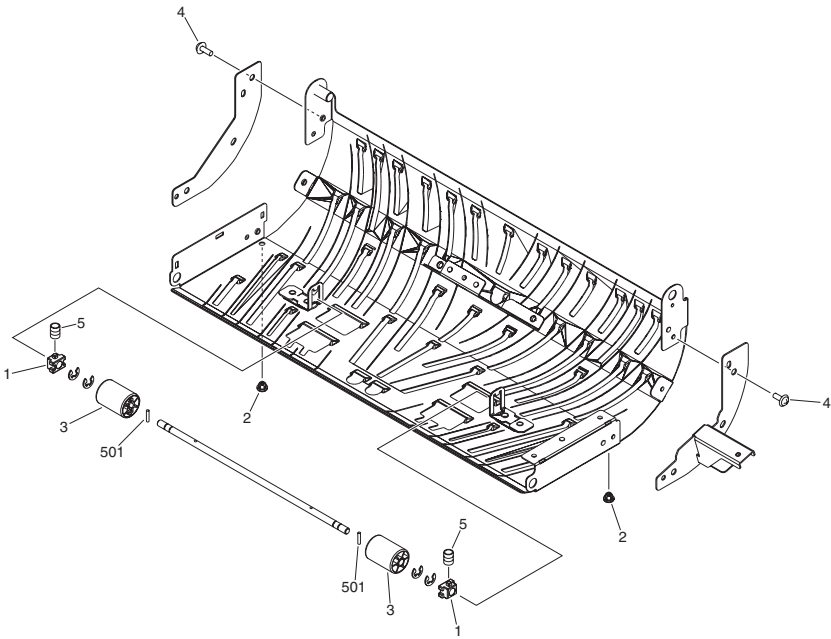
FIGURE 340 REVERSE ASSEMBLY



NOTE : This assembly includes the assemblies shown in Figure 341 and 342.
 注 : このユニットはFigure 341, 342のユニットを含みます。

FIGURE & KEY NO.	PARTS NUMBER	R A N K	Q'TY	DESCRIPTION	SERIAL NUMBER/ REMARKS	S V C
Fig.340	FM3-2604-000		1	REVERSE ASSEMBLY	SEE NOTE	
1	FA9-2112-000		2	BUSHING, PL		
2	FC5-9559-000		2	PLATE, ROLLER GROUNDING		
3	FC7-8272-000		2	ROLLER, PAPER FEED		
4	FC9-0238-000		1	KNOB		
5	FK2-6462-000		1	MOTOR, STEPPING, DC	M55	
6	FK2-8552-000		1	PHOTO-SENSOR, KUA0079C	PS100	
7	FL2-2257-000		4	PIN, MOUNTING, 1		
8	FL2-5562-000		1	ROLLER, TENSIONER		
9	FL2-7550-000		2	PIN, GUIDE FIXED		
10	FL2-7551-000		1	TENSIONER, REVERSE		
11	FL2-7591-000		1	PIN, GUIDE FIXED		
12	FS1-9002-010		1	SCREW,STEPPED,M4X5		
13	FS5-0677-000		1	GEAR, 26T		
14	FU5-2799-000		1	SPRING, TENSION		
15	FU5-3441-000		3	PULLEY, 30T		
16	VS1-7177-006		2	CONNECTOR, SNAP TIGHT, BK		
17	VS1-8412-009		1	CONNECTOR, SNAP TIGHT, BL		
18	VS1-8412-011		1	CONNECTOR, SNAP TIGHT, BL		
19	XA9-1249-010		AR	SCREW,TP M4X8		
20	XF2-1106-260		1	BELT, TIMING		
21	XF2-1109-560		1	BELT, TIMING, COGGED		
22	XG9-0508-000		4	BEARING, BALL, F688ZZ		
23	XZ9-0593-000		1	CATCH, MAGNET		
501	XD3-2200-142		3	PIN, PARALLEL		
502	XD3-2200-182		1	PIN, DOWEL		

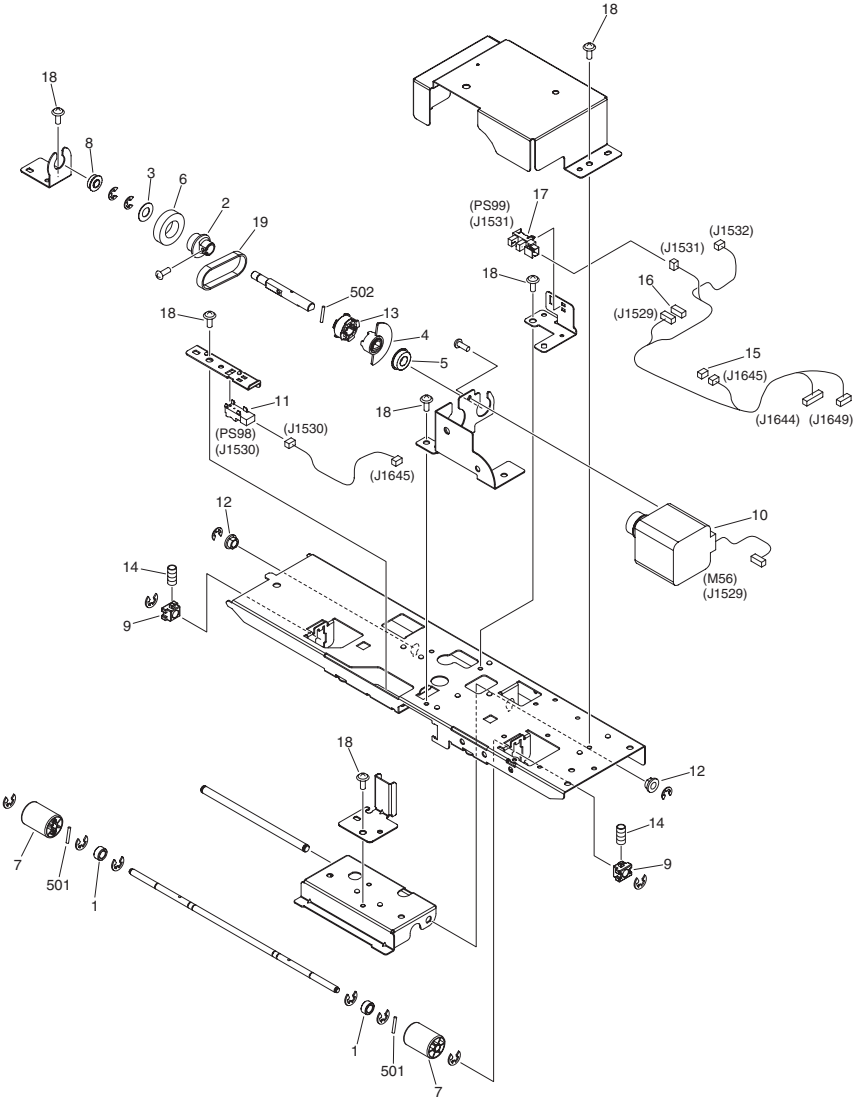
FIGURE 341 REVERSE GUIDE ASSEMBLY



NOTE : This assembly is included in the assembly shown in Figure 340.
注 : このユニットはFigure 340のユニットに含まれます。

FIGURE & KEY NO.	PARTS NUMBER	RANK	Q'TY	DESCRIPTION	SERIAL NUMBER/REMARKS	SVC
Fig.341	FM3-2618-000		1	REVERSE GUIDE ASSEMBLY	SEE NOTE	
1	FC9-4832-000		2	BUSHING		
2	FC7-0027-000		2	SPACER, GUIDE		
3	FC8-6557-000		2	ROLLER, DRIVEN		
4	XA9-1249-010		6	SCREW,TP M4X8		
5	FU7-2678-000		2	SPRING, COMPRESSION		
501	XD3-2200-102		2	PIN, PARALLEL		

FIGURE 342 REVERSE ESTRANGEMENT ASSEMBLY



NOTE : This assembly is included in the assembly shown in Figure 340.
 注 : このユニットはFigure 340のユニットに含まれます。

FIGURE & KEY NO.	PARTS NUMBER	R A N K	Q'TY	DESCRIPTION	SERIAL NUMBER/ REMARKS	S V C
Fig.342	FM3-2651-000		1	REVERSE ESTRANGEMENT ASSEMBLY	SEE NOTE	
1	FB2-8499-000		2	BUSHING		
2	FC6-8306-000		1	CAM, REGISTRATION RELEASE		
3	FC6-8502-000		1	RETAINER, THRUST		
4	FC7-3130-000		1	FLAG, CAM SENSOR, FRONT		
5	XG9-0508-000		1	BEARING, BALL, F688ZZ		
6	XG9-0690-000		1	BEARING, BALL, 6902-2Z.00		
7	FC8-6557-000		2	ROLLER, DRIVEN		
8	XG9-0707-000		1	BEARING, BALL, MF126ZZ-1		
9	FC9-4832-000		2	BUSHING		
10	FK2-6456-000		1	MOTOR, STEPPING, DC	M56	
11	FK2-8552-000		1	PHOTO-SENSOR, KUA0079C	PS98	
12	FS1-1569-000		2	BUSHING		
13	FU5-3441-000		1	PULLEY, 30T		
14	FU7-2679-000		2	SPRING, COMPRESSION		
15	VS1-7177-003		1	CONNECTOR, SNAP TIGHT, BK		
16	VS1-7177-006		1	CONNECTOR, SNAP TIGHT, BK		
17	WG8-5783-000		1	IC,PHOTO-INTERRUPTER,LG248NL1A	PS99	
18	XA9-1249-010		8	SCREW,TP M4X8		
19	XF2-1106-260		1	BELT, TIMING		
501	XD3-2200-102		2	PIN, PARALLEL		
502	XD3-2200-142		1	PIN, PARALLEL		

FIGURE 349 EXTERNAL DELIVERY ASSEMBLY

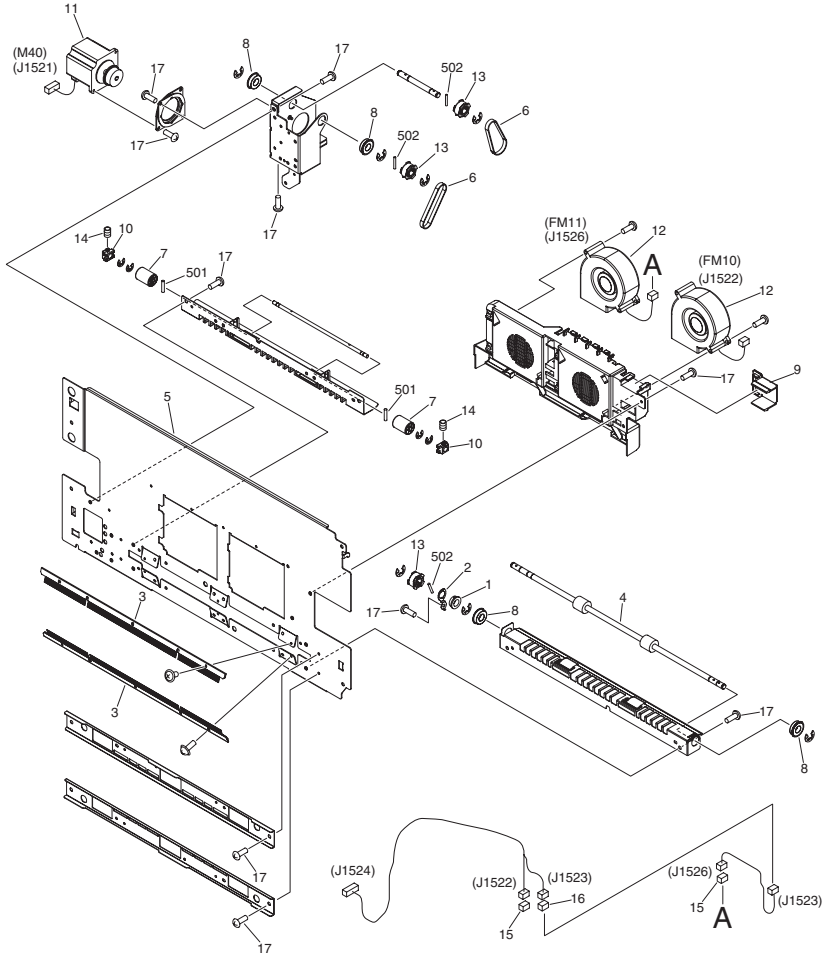


FIGURE & KEY NO.	PARTS NUMBER	R A N K	Q'TY	DESCRIPTION	SERIAL NUMBER/ REMARKS	S V C
Fig.349	FM3-2603-000		1	EXTERNAL DELIVERY ASSEMBLY		
1	FA9-2112-000		1	BUSHING, PL		
2	FC5-9559-000		1	PLATE, ROLLER GROUNDING		
3	FC6-8601-000		2	ELIMINATOR, STATIC CHARGE		
4	FC7-8272-000		1	ROLLER, PAPER FEED		
5	FC7-8388-000		1	COVER, LEFT UPPER		
6	XF2-1108-560		2	BELT, TIMING		
7	FC8-6557-000		2	ROLLER, DRIVEN		
8	XG9-0508-000		4	BEARING, BALL, F688ZZ		
9	FC9-0264-000		1	COVER, CONNECTOR		
10	FC9-4832-000		2	BUSHING		
11	FK2-6462-000		1	MOTOR, STEPPING, DC	M40	
12	FK2-8543-000		2	FAN	FM10,FM11	
13	FU5-3441-000		3	PULLEY, 30T		
14	FU7-2678-000		2	SPRING, COMPRESSION		
15	VS1-7177-003		2	CONNECTOR, SNAP TIGHT, BK		
16	VS1-7177-004		1	CONNECTOR, SNAP TIGHT, BK		
17	XA9-1031-000		AR	SCREW, MACH. TRUSS HEAD, M4X6		
501	XD3-2200-102		2	PIN, PARALLEL		
502	XD3-2200-142		3	PIN, PARALLEL		

FIGURE 350 PAPER DELIVERY ASSEMBLY

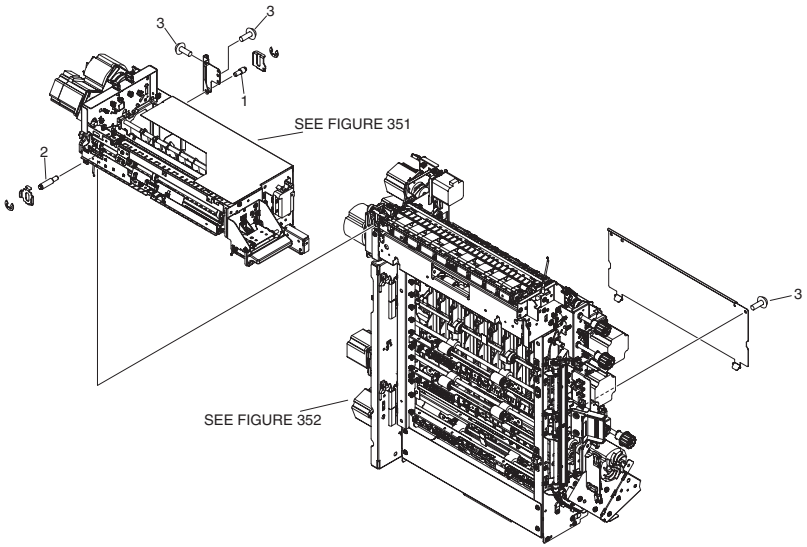
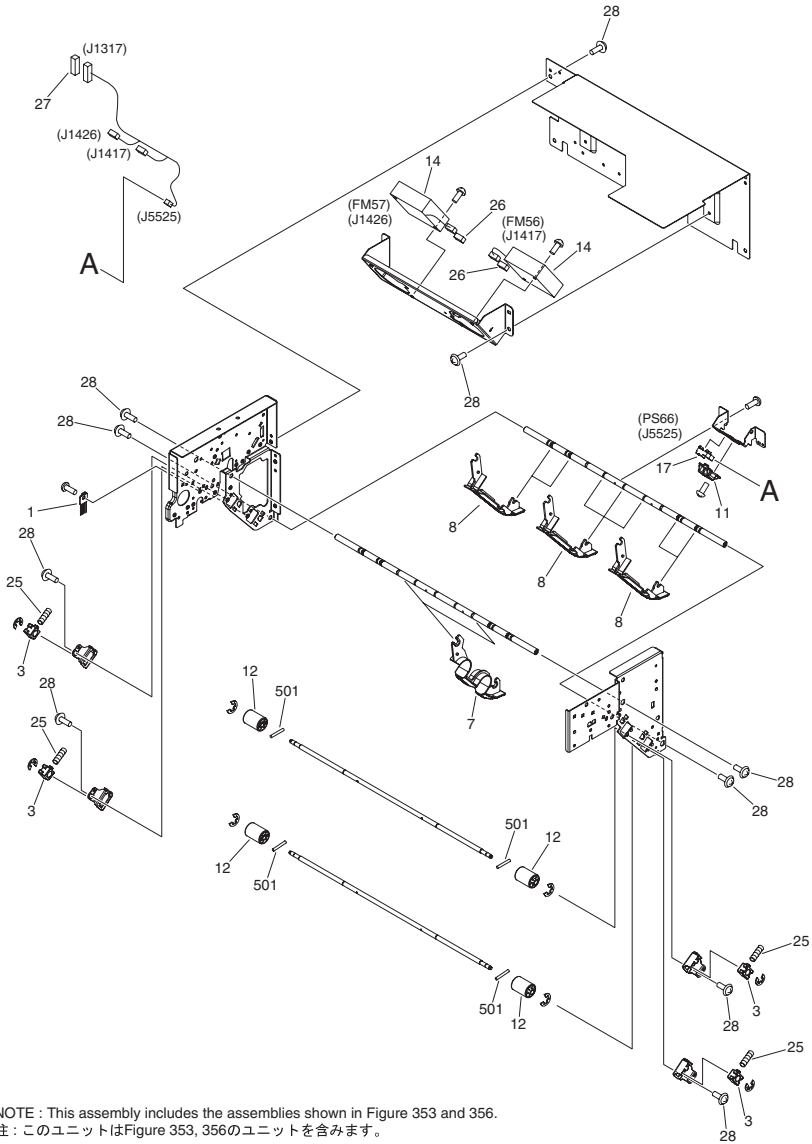


FIGURE & KEY NO.	PARTS NUMBER	RANK	QTY	DESCRIPTION	SERIAL NUMBER/REMARKS	SVC
Fig.350	NPN		RF	PAPER DELIVERY ASSEMBLY		
1	FU6-4418-000		1	SHAFT, PAPER DELIVERY HINGE, 1		
2	FU6-4419-000		1	SHAFT, PAPER DELIVERY HINGE, 2		
3	XA9-1249-010		4	SCREW,TP M4X8		

FIGURE 351 DELIVERY GUIDE ASSEMBLY, UPPER



NOTE : This assembly includes the assemblies shown in Figure 353 and 356.
 注 : このユニットはFigure 353, 356のユニットを含みます。

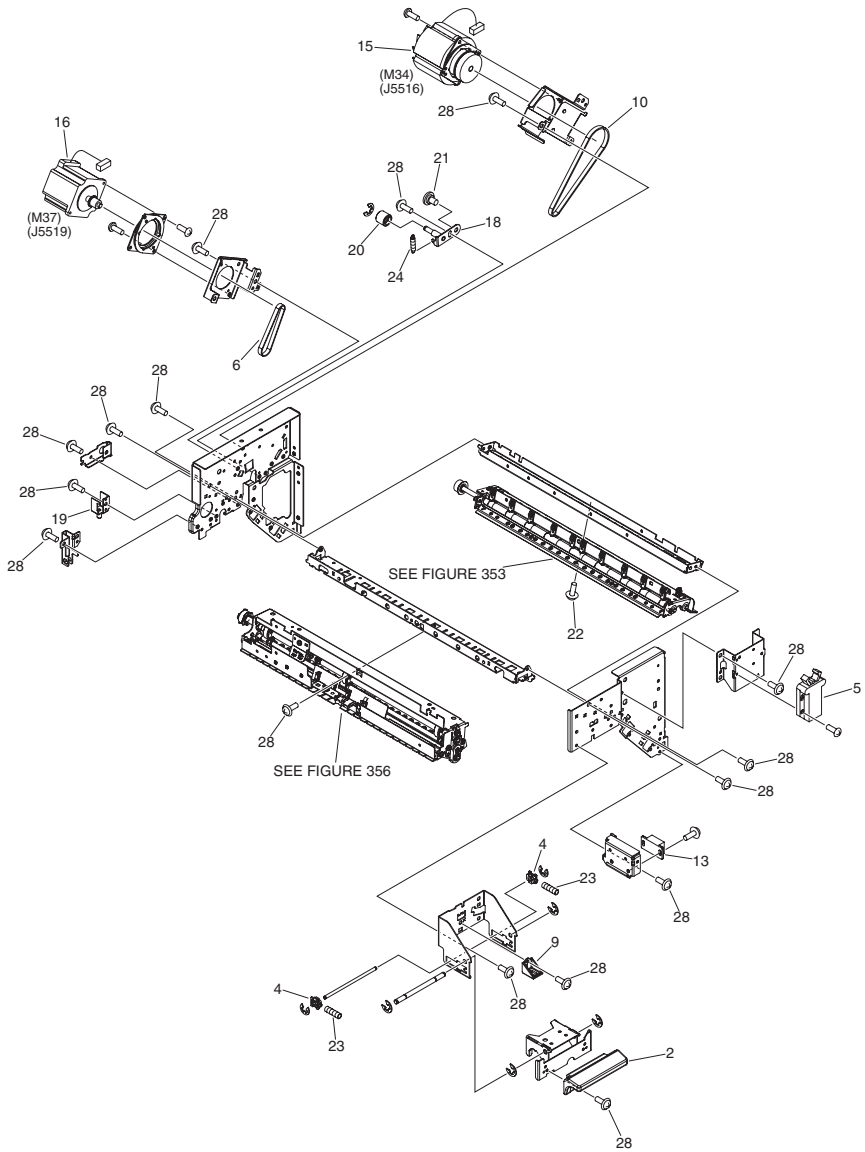
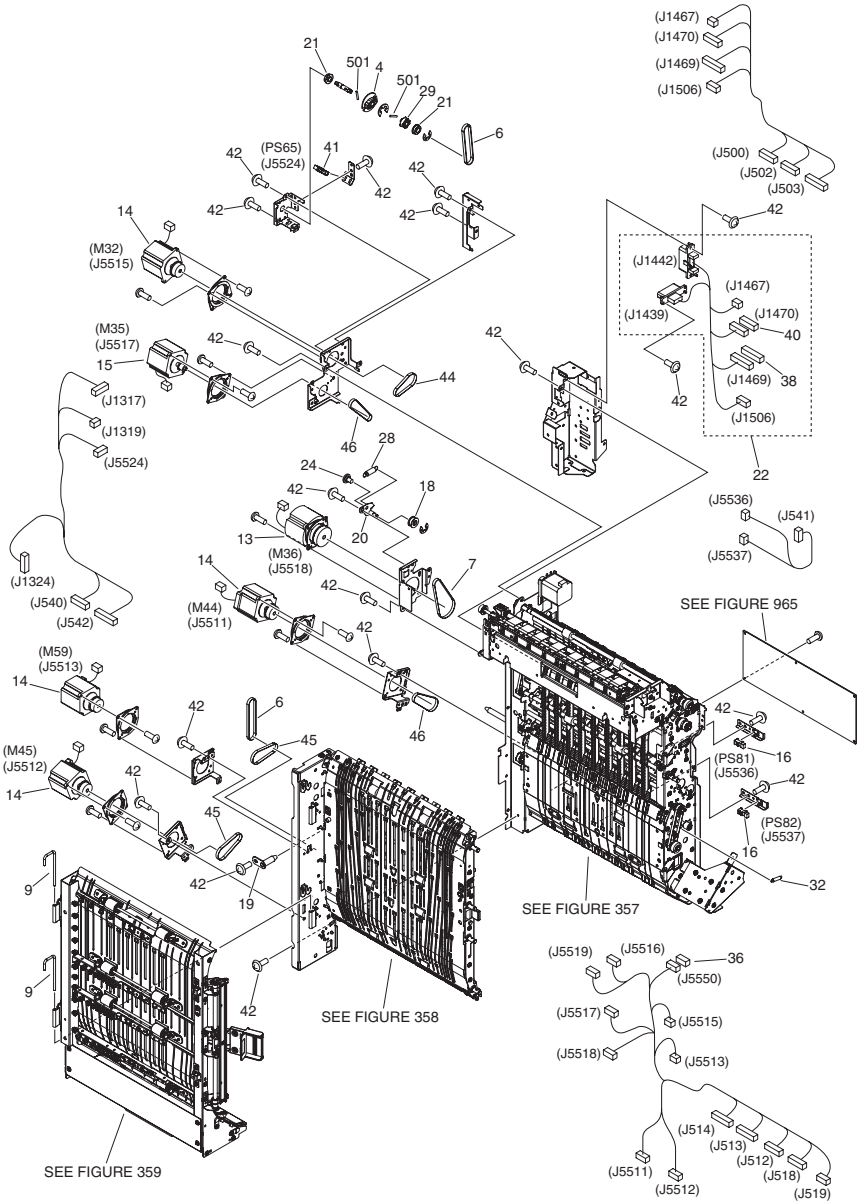


FIGURE & KEY NO.	PARTS NUMBER	R A N K	Q'TY	DESCRIPTION	SERIAL NUMBER/ REMARKS	S V C
Fig.351	FM3-2602-000		1	DELIVERY GUIDE ASSEMBLY, UPPER	SEE NOTE	
1	FB5-9104-010		1	ELIMINATOR, STATIC CHARGE		
2	FC2-5100-000		1	KNOB		
3	FC9-4832-000		4	BUSHING		
4	FC7-1138-000		2	BUSHING		
5	FC7-4595-000		1	LATCH, PUSH		
6	XF2-1108-460		1	BELT, TIMING, COGGED		
7	FC7-8530-000		2	GUIDE, UPPER ROD, RIGHT		
8	FC7-8531-000		7	GUIDE, UPPER ROD, LEFT		
9	FC7-8545-000		1	BLOCK, POSITIONING		
10	XF2-1310-560		1	BELT, TIMING, COGGED		
11	FC8-6540-000		1	COVER, SENSOR		
12	FC8-6547-000		4	ROLLER, DRIVEN		
13	XZ9-0593-000		1	CATCH, MAGNET		
14	FK2-2064-000		2	FAN	FM56,FM57	
15	FL2-7612-000		1	STEPPING DC MOTOR UNIT	M34	
16	FK2-6464-000		1	MOTOR, STEPPING, DC	M37	
17	FK2-8552-000		1	PHOTO-SENSOR, KUA0079C	PS66	
18	FL2-7565-000		1	SUPPORT, TENSIONER SHAFT		
19	FL2-7587-000		1	PIN, POSITIONING, REAR		
20	FL2-7609-000		1	ROLLER, TENSIONER		
21	FS1-9002-010		1	SCREW, STEPPED, M4X5		
22	FU5-9230-000		1	SCREW, TP, M4X8(YELLOW)		
23	FU6-2752-000		2	SPRING, COMPRESSION		
24	FU7-2150-000		1	SPRING, TENSION		
25	FU7-2679-000		4	SPRING, COMPRESSION		
26	VS1-7177-003		2	CONNECTOR, SNAP TIGHT, BK		
27	VS1-8412-009		1	CONNECTOR, SNAP TIGHT, BL		
28	XA9-1249-010		AR	SCREW, TP M4X8		
501	XD3-2200-142		4	PIN, PARALLEL		

FIGURE 352 DELIVERY BUFFER ASSEMBLY



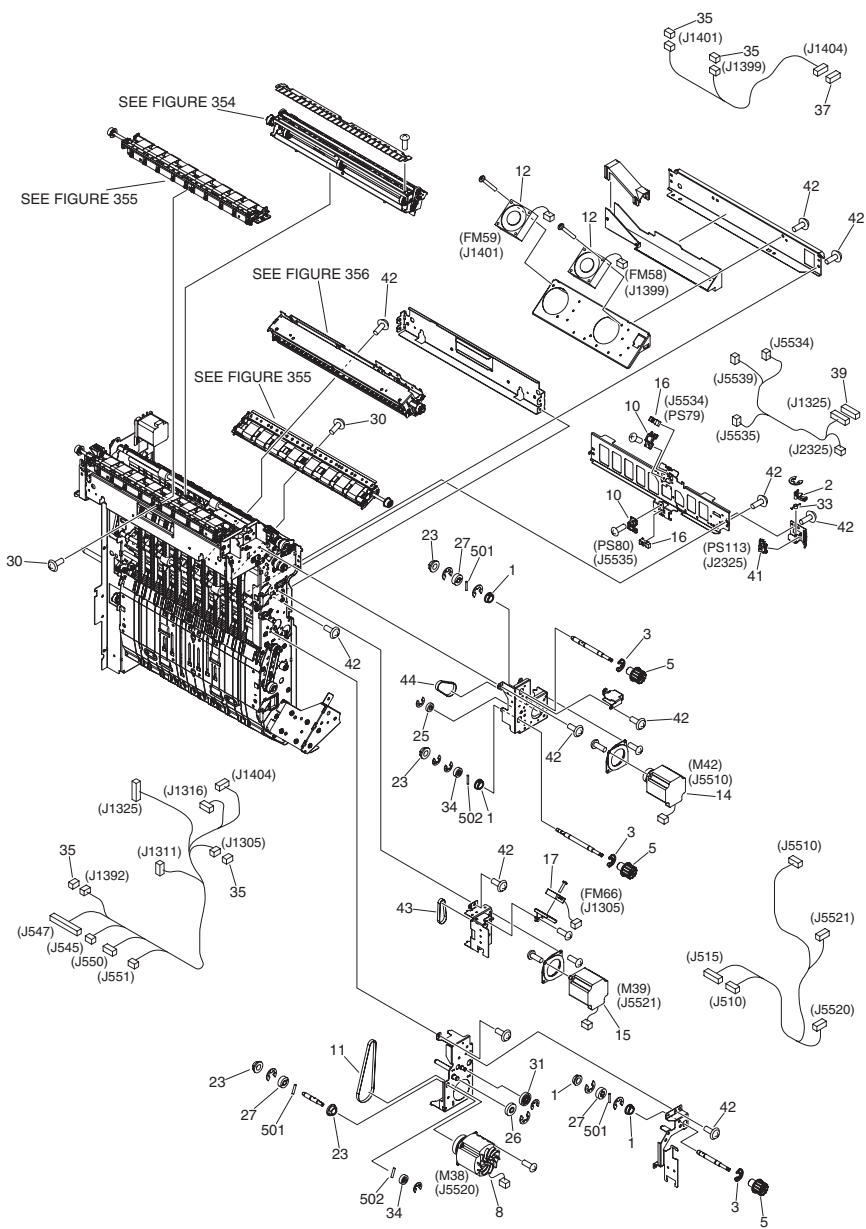
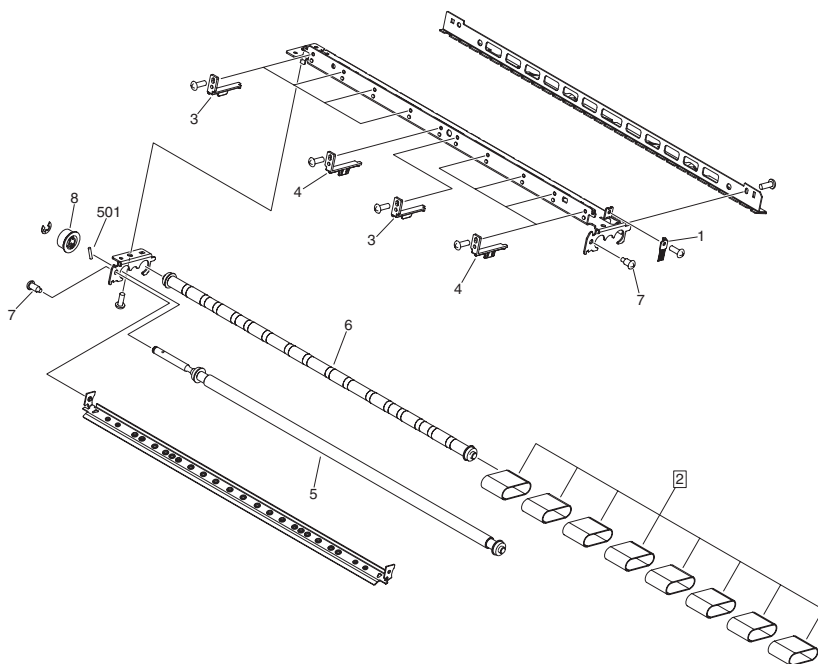


FIGURE & KEY NO.	PARTS NUMBER	R A N K	Q'TY	DESCRIPTION	SERIAL NUMBER/ REMARKS	S V C
Fig.352	NPN		RF	DELIVERY BUFFER ASSEMBLY		
1	FA9-2112-000		4	BUSHING, PL		
2	FB6-2373-000		1	FLAG, SENSOR		
3	FC5-2715-000		3	RING, RETAINING		
4	FC6-2266-000		1	CAM, FLAPPER		
5	FC7-5560-000		3	KNOB,EXTRACTION		
6	XF2-1111-060		2	BELT, TIMING		
7	XF2-1308-560		1	BELT, TIMING, COGGED		
8	FL2-7611-000		1	STEPPING DC MOTOR UNIT	M38	
9	FC7-8606-000		2	PIN, HINGE		
10	FC8-6540-000		2	COVER, SENSOR		
11	XF2-1310-560		1	BELT, TIMING, COGGED		
12	FK2-2064-000		2	FAN	FM58,FM59	
13	FK2-6440-000		1	MOTOR, STEPPING, DC	M36	
14	FK2-6462-000		5	MOTOR, STEPPING, DC	M32,M42,M44,M45,M59	
15	FK2-6464-000		2	MOTOR, STEPPING, DC	M35,M39	
16	FK2-8552-000		4	PHOTO-SENSOR, KUA0079C	PS79,PS80,PS81,PS82	
17	FK2-8542-000		1	FAN	FM66	
18	FL2-5562-000		1	ROLLER, TENSIONER		
19	FL2-7557-000		1	PIN, DOOR POSITIONING		
20	FL2-7566-000		1	SUPPORT, TENSIONER SHAFT, 2		
21	XG9-0707-000		2	BEARING, BALL, MF126ZZ-1		
22	FM3-7724-000		1	CABLE, REVERSE DRAWER		
23	FS1-1569-000		4	BUSHING		
24	FS1-9002-010		1	SCREW,STEPPED,M4X5		
25	FS5-0742-000		1	GEAR, 20T		
26	FS5-0748-000		1	GEAR, IDLER, 30T		
27	FU5-0161-000		3	GEAR, 26T		
28	FU5-2796-000		1	SPRING, TENSION		
29	FU5-3441-000		1	PULLEY, 30T		
30	FU5-9230-000		2	SCREW, TP, M4X8(YELLOW)		
31	FU6-0072-000		1	GEAR, 32T		

FIGURE & KEY NO.	PARTS NUMBER	R A N K	Q'TY	DESCRIPTION	SERIAL NUMBER/ REMARKS	S V C
32	FU7-2150-000		1	SPRING, TENSION	PS65,PS113	
33	FU7-2680-000		1	SPRING, TORSION		
34	FU8-0499-000		2	GEAR, 22T		
35	VS1-7177-003		4	CONNECTOR, SNAP TIGHT, BK		
36	VS1-7177-006		1	CONNECTOR, SNAP TIGHT, BK		
37	VS1-8412-007		1	CONNECTOR, SNAP TIGHT, BL		
38	VS1-8412-011		1	CONNECTOR, SNAP TIGHT, BL		
39	VS1-8412-013		1	CONNECTOR, SNAP TIGHT, BL		
40	VS1-8412-019		1	CONNECTOR, SNAP TIGHT, BL		
41	WG8-5783-000		2	IC,PHOTO-INTERRUPTER,LG248NL1A		
42	XA9-1249-010	AR		SCREW,TP M4X8		
43	XF2-1106-760		1	BELT, TIMING, COGGED		
44	XF2-1107-560		2	BELT, TIMING, COGGED		
45	XF2-1108-460		2	BELT, TIMING, COGGED		
46	XF2-1109-560		2	BELT, TIMING, COGGED		
501	XD3-2200-142		5	PIN, PARALLEL		
502	XD3-2200-102		2	PIN, PARALLEL		

FIGURE 353 BELT DECURLER ASSEMBLY, 1



NOTE : This assembly is included in the assembly shown in Figure 351.
注 : このユニットはFigure 351のユニットに含まれます。

FIGURE & KEY NO.	PARTS NUMBER	RANK	Q'TY	DESCRIPTION	SERIAL NUMBER/REMARKS	SVC
Fig.353	FM3-2611-000		1	BELT DECURLER ASSEMBLY, 1	SEE NOTE	
1	FB5-9104-010		1	ELIMINATOR, STATIC CHARGE		
2	FC7-4600-000		8	BELT, WIDTH PAPER FEED	[DP]	
3	FC7-8511-000		5	STOPPER, BELT, 1		
4	FC8-6559-000		5	STOPPER, BELT, 2		
5	FL2-7584-000		1	ROLLER, DECURLER, OUTLET		
6	FL2-7585-000		1	ROLLER, DECURLER, INLET		
7	FS2-9461-020		2	SCREW, STEPPED, M3		
8	FU5-3508-000		1	PULLEY, 18T		
501	XD3-2200-122		1	PIN, DOWEL		

FIGURE 354
PRESSURE DECURLER ASSEMBLY, 1

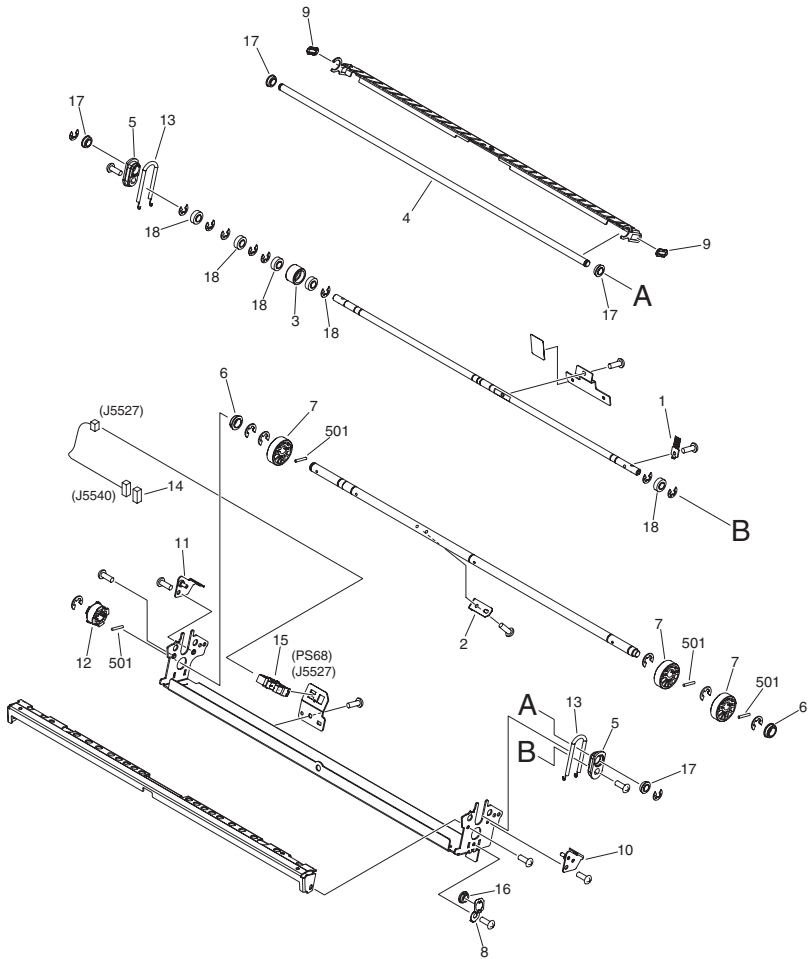


FIGURE & KEY NO.	PARTS NUMBER	R A N K	Q'TY	DESCRIPTION	SERIAL NUMBER/ REMARKS	S V C
Fig.354	FM3-2612-000		1	PRESSURE DECURLER ASSEMBLY, 1		
1	FB5-9104-010		1	ELIMINATOR, STATIC CHARGE		
2	FC7-1199-000		1	FLAG, SENSOR, UPPER		
3	FC7-8501-000		1	ROLLER, BACK-UP		
4	FC7-8502-000		1	ROLLER, DECURLER		
5	FC7-8503-000		2	BUSHING		
6	XG9-0709-000		2	BEARING, BALL, MF128ZZ-3		
7	FC7-8505-000		3	CAM, DECURLER		
8	FC7-8548-000		1	PLATE, ROLLER GROUNDING		
9	FC8-6713-000		2	COLLAR, ENTRANCE GUIDE		
10	FL2-7554-000		1	PLATE, POSITIONING, FRONT		
11	FL2-7555-000		1	PLATE, POSITIONING, REAR		
12	FU5-3441-000		1	PULLEY, 30T		
13	FU7-2148-000		2	SPRING, TENSION		
14	VS1-7177-003		1	CONNECTOR, SNAP TIGHT, BK		
15	WG8-5783-000		1	IC,PHOTO-INTERRUPTER,LG248NL1A	PS68	
16	RS5-1058-000		1	BUSHING		
17	XG9-0705-000		4	BEARING, BALL, MF106ZZS		
18	XG9-0706-000		5	BEARING, BALL, MR126ZZ-1		
501	XD3-2200-142		4	PIN, PARALLEL		

FIGURE 355 BELT DECURLER ASSEMBLY, 2

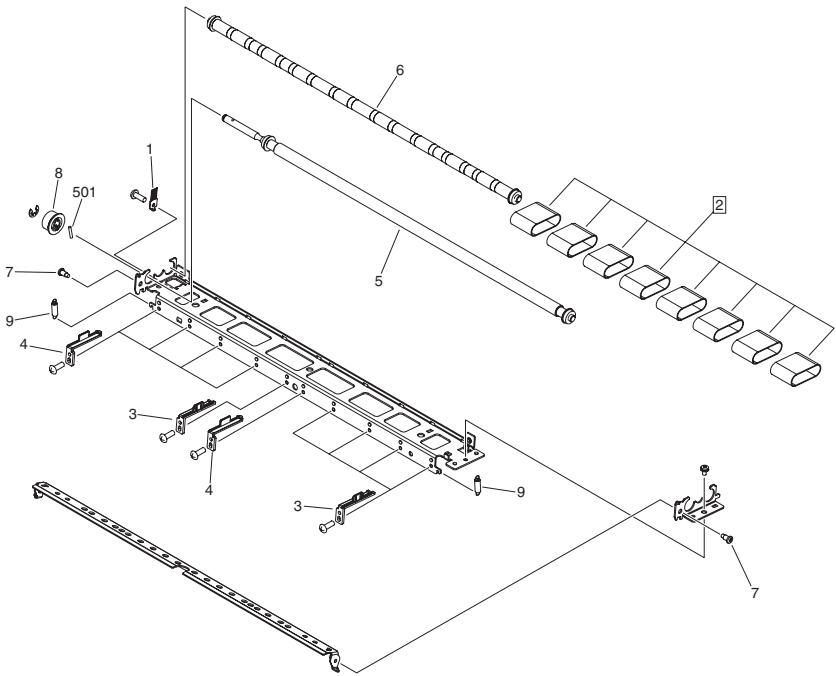
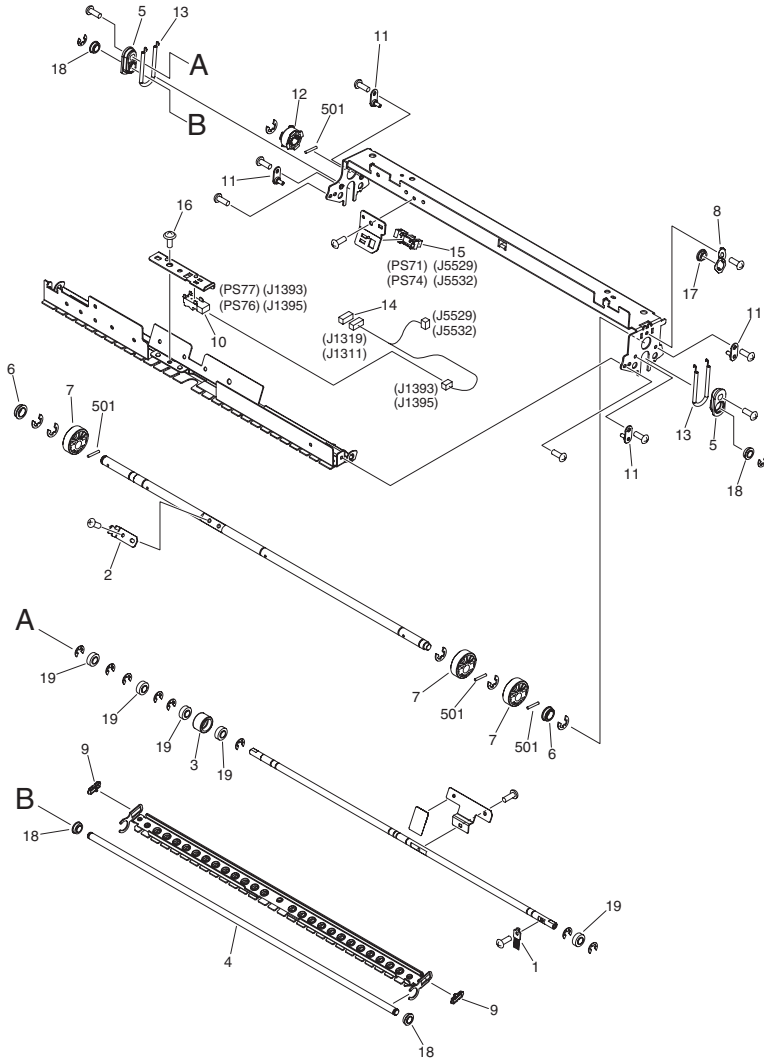


FIGURE & KEY NO.	PARTS NUMBER	RANK	Q'TY	DESCRIPTION	SERIAL NUMBER/REMARKS	SVC
Fig.355	FM3-2613-000		2	BELT DECURLER ASSEMBLY, 2		
1	FB5-9104-010		1	ELIMINATOR, STATIC CHARGE		
2	FC7-4600-000		8	BELT, WIDTH PAPER FEED	[DP]	
3	FC7-8511-000		5	STOPPER, BELT, 1		
4	FC8-6559-000		5	STOPPER, BELT, 2		
5	FL2-7584-000		1	ROLLER, DECURLER, OUTLET		
6	FL2-7585-000		1	ROLLER, DECURLER, INLET		
7	FS2-9461-020		2	SCREW, STEPPED, M3		
8	FU5-3508-000		1	PULLEY, 18T		
9	FU7-2677-000		2	SPRING, TENSION		
501	XD3-2200-122		1	PIN, DOWEL		

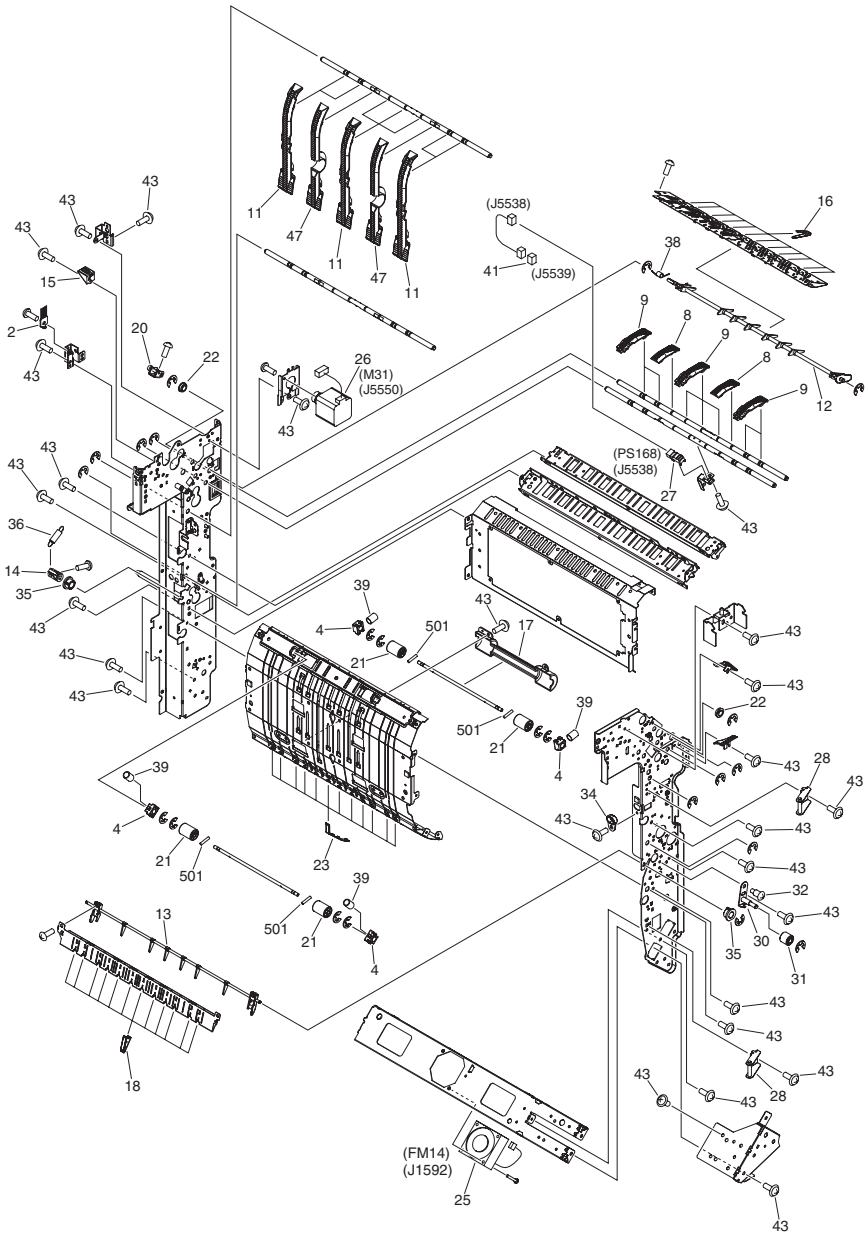
FIGURE 356 PRESSURE DECURLER ASSEMBLY, 2



NOTE : This assembly is included in the assembly shown in Figure 351.
 注 : このユニットはFigure 351のユニットに含まれます。

FIGURE & KEY NO.	PARTS NUMBER	R A N K	Q'TY	DESCRIPTION	SERIAL NUMBER/ REMARKS	S V C
Fig.356	FM3-2614-000		2	PRESSURE DECURLER ASSEMBLY, 2	SEE NOTE	
1	FB5-9104-010		1	ELIMINATOR, STATIC CHARGE		
2	FC7-1199-000		1	FLAG, SENSOR, UPPER		
3	FC7-8501-000		1	ROLLER, BACK-UP		
4	FC7-8502-000		1	ROLLER, DECURLER		
5	FC7-8503-000		2	BUSHING		
6	XG9-0709-000		2	BEARING, BALL, MF128ZZ-3		
7	FC7-8505-000		3	CAM, DECURLER		
8	FC7-8548-000		1	PLATE, ROLLER GROUNDING		
9	FC8-6713-000		2	COLLAR, ENTRANCE GUIDE		
10	FK2-8552-000		1	PHOTO-SENSOR, KUA0079C	PS76,PS77	
11	FL2-7586-000		4	PIN, GUIDE POSITIONING		
12	FU5-3441-000		1	PULLEY, 30T		
13	FU7-2148-000		2	SPRING, TENSION		
14	VS1-8412-007		1	CONNECTOR, SNAP TIGHT, BL		
15	WG8-5783-000		1	IC,PHOTO-INTERRUPTER,LG248NL1A	PS71,PS74	
16	XA9-1249-010		1	SCREW,TP M4X8		
17	RS5-1058-000		1	BUSHING		
18	XG9-0705-000		4	BEARING, BALL, MF106ZZS		
19	XG9-0706-000		5	BEARING, BALL, MR126ZZ-1		
501	XD3-2200-142		4	PIN, PARALLEL		

FIGURE 357 FRONT DELIVERY BUFFER ASSEMBLY



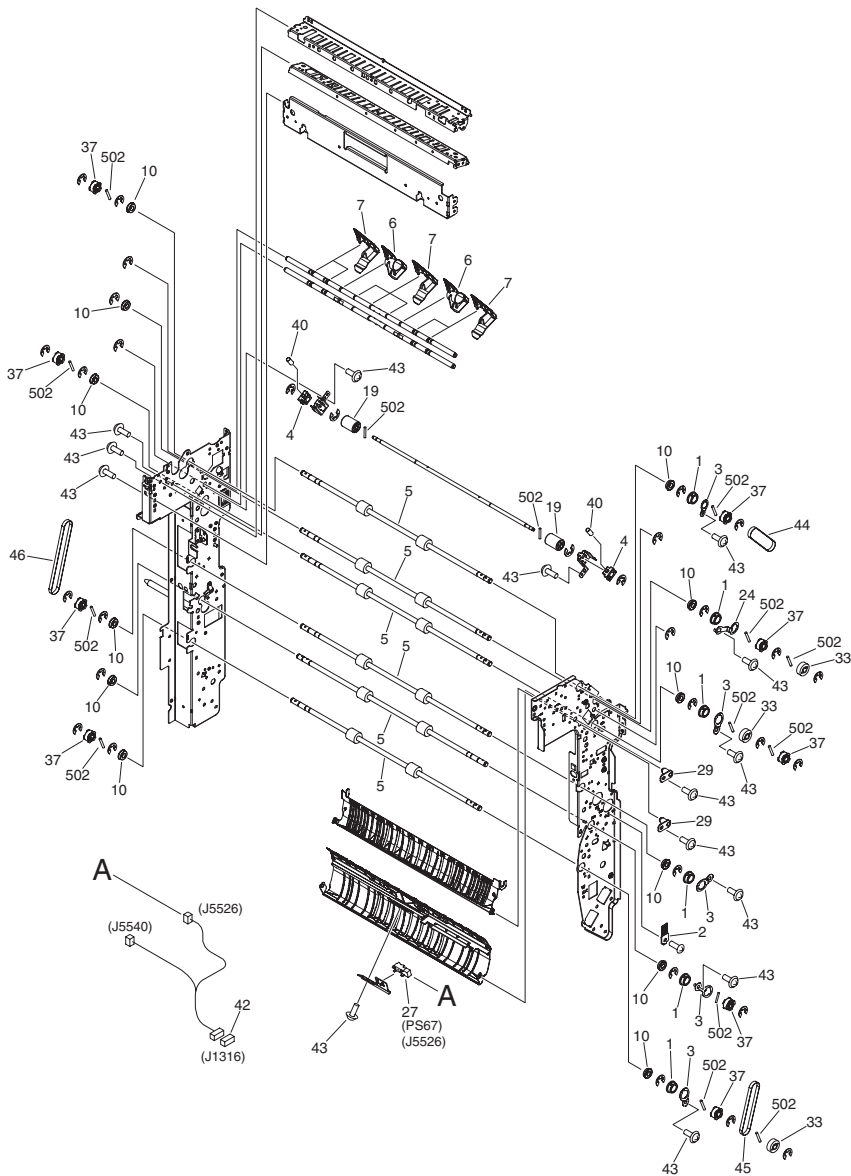


FIGURE & KEY NO.	PARTS NUMBER	R A N K	Q'TY	DESCRIPTION	SERIAL NUMBER/ REMARKS	S V C
Fig.357	NPN		RF	FRONT DELIVERY BUFFER ASSEMBLY		
1	FA9-2112-000		6	BUSHING, PL		
2	FB5-9104-010		2	ELIMINATOR, STATIC CHARGE		
3	FC5-9559-000		5	PLATE, ROLLER GROUNDING		
4	FC9-4832-000		6	BUSHING		
5	FC7-8272-000		6	ROLLER, PAPER FEED		
6	FC7-8406-000		2	GUIDE, 3 CORNER, REAR		
7	FC7-8407-000		7	GUIDE, 3 CORNER		
8	FC7-8408-000		2	GUIDE, FLAPPER, 1		
9	FC7-8409-000		7	GUIDE, FLAPPER, 2		
10	XG9-0508-000		AR	BEARING, BALL, F688ZZ		
11	FC7-8433-000		7	GUIDE, VERTICAL PATH ROD, LW.		
12	FC7-8440-000		1	FLAPPER, PAPER DELIVERY		
13	FC7-8441-000		1	FLAPPER, REVERSE DUPLEXING		
14	FC7-8442-000		1	ARM, CROSSING FLAPPER		
15	FC7-8545-000		1	BLOCK, POSITIONING		
16	FC7-8571-000		12	RIB, PAPER DELIVERY FLAPPER		
17	FC8-6537-000		1	COVER, DRIVEN ROLLER		
18	FC8-6546-000		12	RIB, PAPER DELIVERY FLAPPER, 2		
19	FC8-6547-000		2	ROLLER, DRIVEN		
20	FL2-7384-000		1	SUPPORT, FLAPPER		
21	FC8-6557-000		4	ROLLER, DRIVEN		
22	XG9-0705-000		2	BEARING, BALL, MF106ZZS		
23	FC8-6735-000		12	RIB, PAPER DELIVERY GUIDE		
24	FC8-6737-000		1	PLATE, ROLLER GROUNDING		
25	FK2-0009-000		1	FAN	FM14	
26	FK2-6456-000		1	MOTOR, STEPPING, DC	M31	
27	FK2-8552-000		2	PHOTO-SENSOR, KUA0079C	PS67,PS168	
28	FL2-7499-000		2	SUPPORT, DOOR GRIP SHAFT		
29	FL2-7546-000		2	PIN, POSITIONING		
30	FL2-7565-000		1	SUPPORT, TENSIONER SHAFT		
31	FL2-7609-000		1	ROLLER, TENSIONER		

FIGURE & KEY NO.	PARTS NUMBER	R A N K	Q'TY	DESCRIPTION	SERIAL NUMBER/ REMARKS	S V C
32	FS1-9002-010		1	SCREW, STEPPED, M4X5		
33	FU5-0161-000		3	GEAR, 26T		
34	FU5-1280-000		1	BUSHING		
35	FS1-1528-000		2	BUSHING		
36	FU5-2947-000		1	SPRING, TENSION		
37	FU5-3441-000		9	PULLEY, 30T		
38	FU7-2160-000		1	SPRING, TORSION		
39	FU7-2678-000		4	SPRING, COMPRESSION		
40	FU7-2679-000		2	SPRING, COMPRESSION		
41	VS1-7177-003		1	CONNECTOR, SNAP TIGHT, BK		
42	VS1-8412-007		1	CONNECTOR, SNAP TIGHT, BL		
43	XA9-1249-010		AR	SCREW, TP M4X8		
44	XF2-1109-260		1	BELT, TIMING, COGGED		
45	XF2-1111-060		1	BELT, TIMING		
46	XF2-1115-060		1	BELT, TIMING, COGGED		
47	FC7-8432-000		2	GUIDE, VERTICAL PATH, RIGHT		
501	XD3-2200-102		4	PIN, PARALLEL		
502	XD3-2200-142		AR	PIN, PARALLEL		

FIGURE 358 DELIVERY INNER DOOR ASSEMBLY

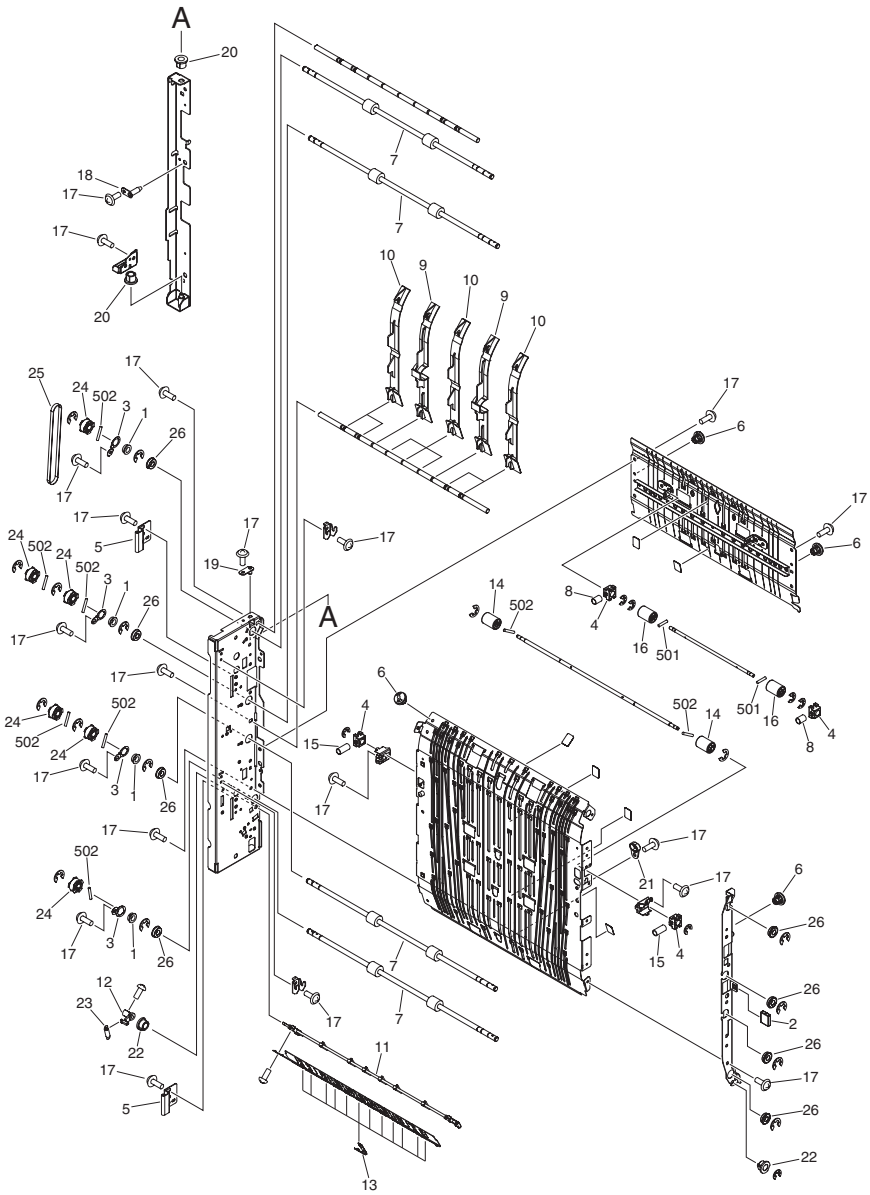


FIGURE & KEY NO.	PARTS NUMBER	R A N K	Q'TY	DESCRIPTION	SERIAL NUMBER/ REMARKS	S V C
Fig.358	FM3-2607-000		1	DELIVERY INNER DOOR ASSEMBLY		
1	FA9-2112-000		4	BUSHING, PL		
2	FC5-2760-000		1	HANDLE, INTERNAL DELIVERY		
3	FC5-9559-000		4	PLATE, ROLLER GROUNDING		
4	FC9-4832-000		4	BUSHING		
5	FC6-6250-000		2	MOUNT, HINGE		
6	FC7-0027-000		4	SPACER, GUIDE		
7	FC7-8272-000		4	ROLLER, PAPER FEED		
8	FU7-2678-000		2	SPRING, COMPRESSION		
9	FC7-8420-000		2	GUIDE, DOOR ROD, 1		
10	FC7-8421-000		7	GUIDE, DOOR ROD, 2		
11	FC7-8441-000		1	FLAPPER, REVERSE DUPLEXING		
12	FC7-8442-000		1	ARM, CROSSING FLAPPER		
13	FC8-6546-000		12	RIB, PAPER DELIVERY FLAPPER, 2		
14	FC8-6547-000		2	ROLLER, DRIVEN		
15	FU7-2679-000		2	SPRING, COMPRESSION		
16	FC8-6557-000		2	ROLLER, DRIVEN		
17	XA9-1249-010		AR	SCREW,TP M4X8		
18	FL2-7557-000		1	PIN, DOOR POSITIONING		
19	FL2-7569-000		1	PIN, DOOR POSITIONING, 2		
20	FS1-1569-000		2	BUSHING		
21	FU5-1280-000		1	BUSHING		
22	FS1-1528-000		2	BUSHING		
23	FU5-2947-000		1	SPRING, TENSION		
24	FU5-3441-000		6	PULLEY, 30T		
25	XF2-1117-060		1	BELT, TIMING, COGGED		
26	XG9-0508-000		8	BEARING, BALL, F688ZZ		
501	XD3-2200-102		2	PIN, PARALLEL		
502	XD3-2200-142		8	PIN, PARALLEL		

FIGURE 359 DELIVERY OUTER DOOR ASSEMBLY

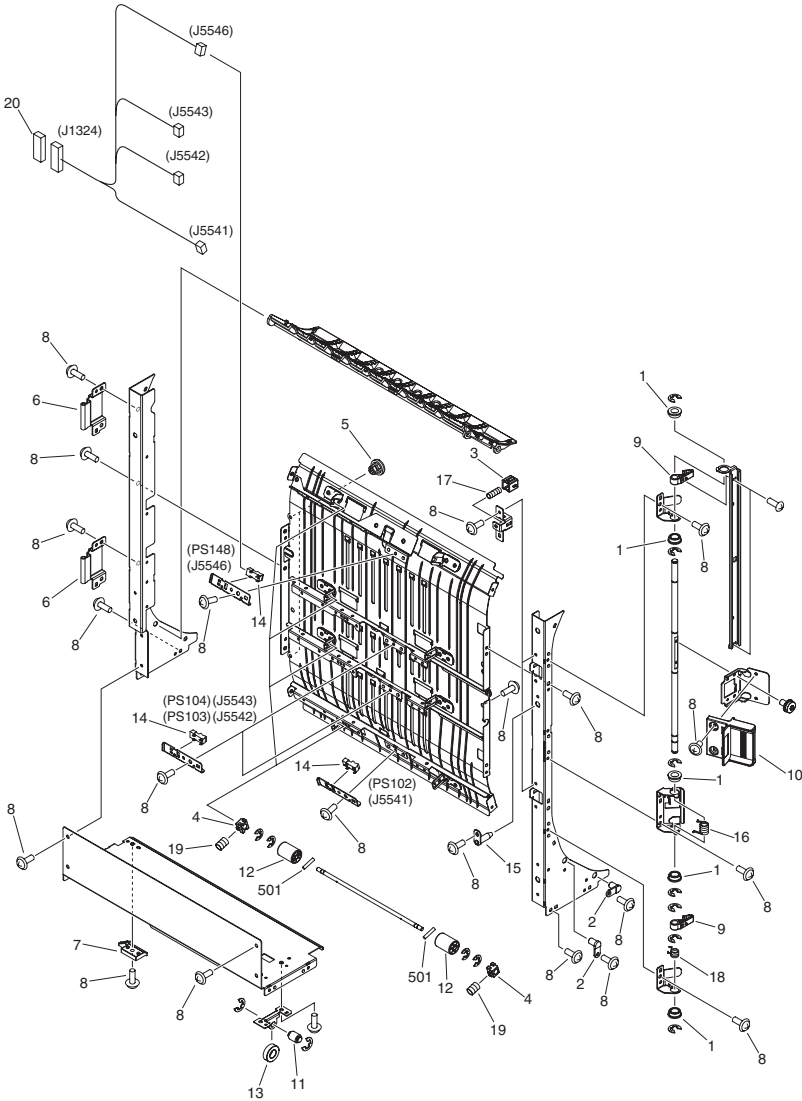


FIGURE & KEY NO.	PARTS NUMBER	R A N K	Q'TY	DESCRIPTION	SERIAL NUMBER/ REMARKS	S V C
Fig.359	FM3-2608-000		1	DELIVERY OUTER DOOR ASSEMBLY		
1	FA9-2112-000		5	BUSHING, PL		
2	FB2-8010-000		2	PIN, GUIDE, POSITIONING		
3	FC6-1731-000		2	BLOCK, PUSHING		
4	FC9-4832-000		8	BUSHING		
5	FC7-0027-000		2	SPACER, GUIDE		
6	FC7-8467-000		2	HINGE, DOOR		
7	FC7-8468-000		1	GUIDE, SUB		
8	XA9-1249-010		AR	SCREW,TP M4X8		
9	FC7-8577-000		2	HOOK		
10	FC7-8692-000		1	GRIP, OUTER DOOR		
11	FC7-8693-000		1	SHAFT, ROLLER		
12	FC8-6557-000		8	ROLLER, DRIVEN		
13	XG9-0493-000		1	BEARING, BALL, 688ZZ		
14	FK2-8552-000		4	PHOTO-SENSOR, KUA0079C	PS102,PS103,PS104,PS148	
15	FL2-7557-000		1	PIN, DOOR POSITIONING		
16	FU6-4442-000		1	SPRING, TORSION		
17	FU7-2127-000		2	SPRING, COMPRESSION		
18	FU7-2153-000		1	SPRING, TORSION		
19	FU7-2678-000		8	SPRING, COMPRESSION		
20	VS1-8412-013		1	CONNECTOR, SNAP TIGHT, BL		
501	XD3-2200-102		8	PIN, PARALLEL		

FIGURE 460 SCANNER ASSEMBLY

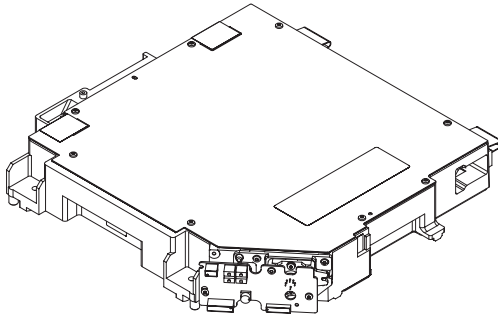
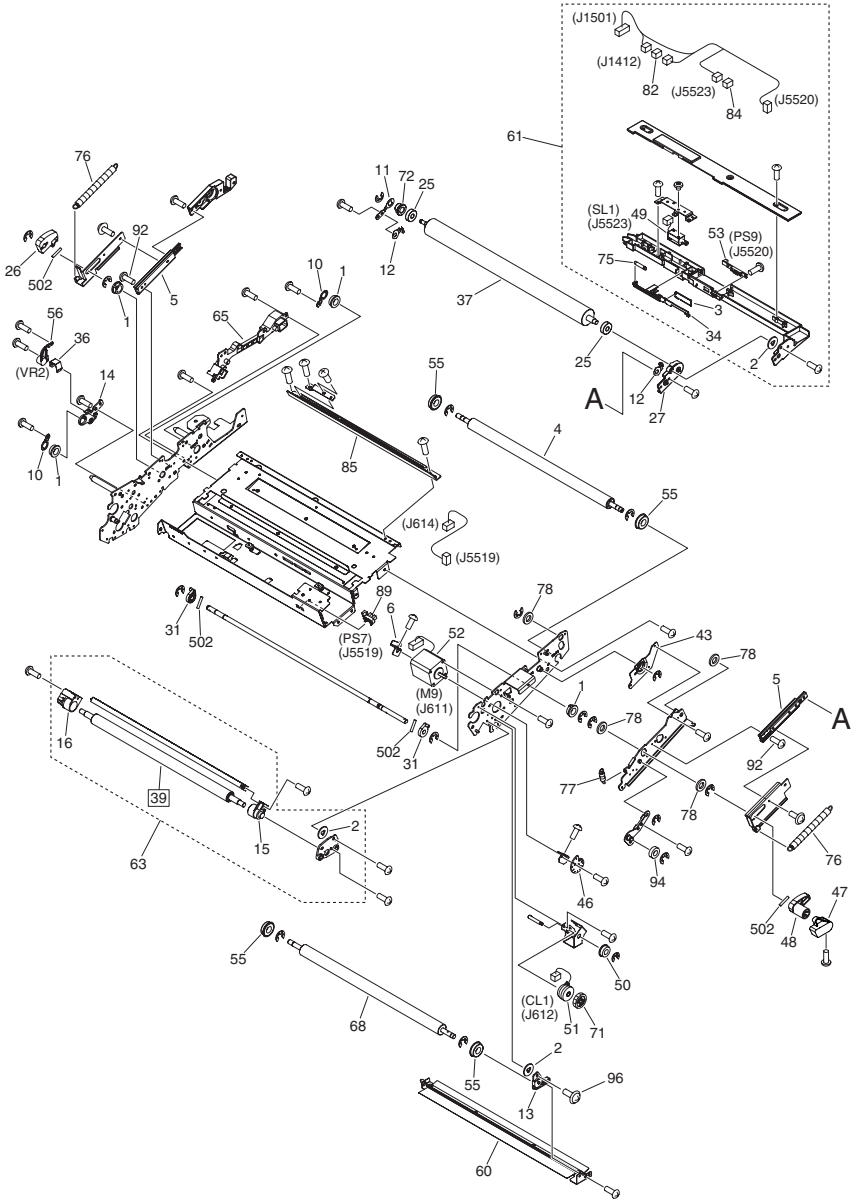


FIGURE & KEY NO.	PARTS NUMBER	RANK	QTY	DESCRIPTION	SERIAL NUMBER/REMARKS	SVC
Fig.460	FM3-5888-000		1	SCANNER ASSEMBLY		

FIGURE 530
I.T.B. ASSEMBLY



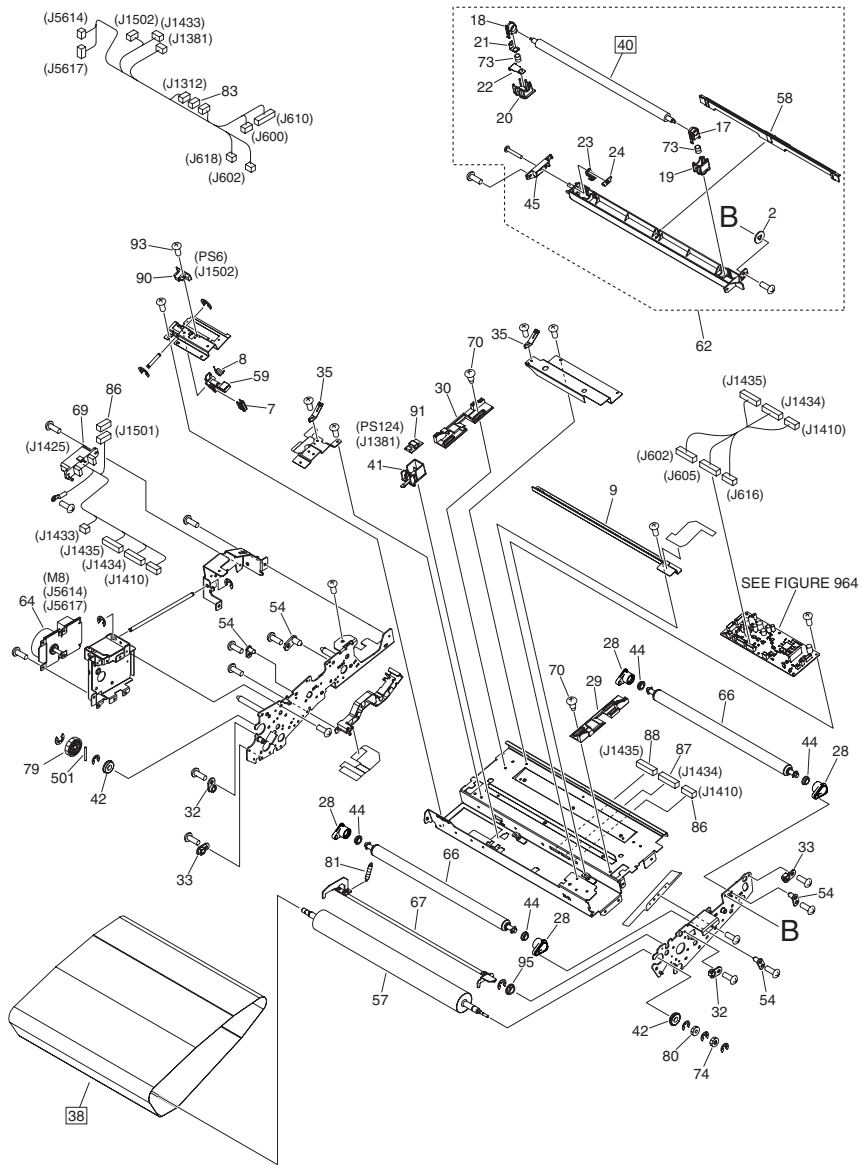


FIGURE & KEY NO.	PARTS NUMBER	R A N K	Q'TY	DESCRIPTION	SERIAL NUMBER/ REMARKS	S V C
Fig.530	NPN		RF	I.T.B. ASSEMBLY		
1	FA9-2112-000		4	BUSHING, PL		
2	FC2-2121-000		4	WASHER		
3	FC5-7733-000		1	SHUTTER		
4	FC7-9321-000		1	ROLLER, IDLER		
5	FC5-9121-000		2	RAIL, SLIDE		
6	FC5-9141-000		1	PLATE, HOME POSITION		
7	FC5-9144-000		1	PLATE, EDGE		
8	FC5-9145-000		1	SPRING, TORSION		
9	FL2-7776-000		1	ELIMINATOR, STATIC CHARGE		
10	FC5-9559-000		2	PLATE, ROLLER GROUNDING		
11	FC6-7819-000		1	PLATE, GROUNDING		
12	FC7-4035-000		2	PLATE, GROUNDING		
13	FC7-9252-000		1	HOLDER, ENTRANCE UPPER, FRONT		
14	FC7-9253-000		1	HOLDER, ENTRANCE UPPER, REAR		
15	FC7-9254-000		1	BUSHING, 2ND TRNSFR., FRONT		
16	FC7-9255-000		1	BUSHING, 2ND TRNSFR., REAR		
17	FC7-9260-000		1	BUSHING, PRIMARY TRANSFER, FR.		
18	FC7-9261-000		1	BUSHING, PRIMARY TRANSFER, RR.		
19	FC7-9262-000		1	HOLDER, BUSHING, FRONT		
20	FC7-9263-000		1	HOLDER, BUSHING, REAR		
21	FC7-9264-000		1	SPRING, LEAF		
22	FC7-9265-000		1	SPRING, LEAF		
23	FC7-9266-000		1	SPRING, LEAF		
24	FC7-9267-000		1	SPRING, LEAF		
25	XG9-0693-000		2	BEARING, BALL, 608ZZM3SMY13		
26	FC7-9274-000		1	CAM, RELEASE, REAR		
27	FC7-9277-000		1	HOLDER, BUSHING, FRONT		
28	FC7-9292-000		4	HOLDER, ROLLER		
29	FC7-9293-000		1	RACK, SLIDE, FRONT		
30	FC7-9294-000		1	RACK, SLIDE, REAR		
31	FC7-9295-000		2	CAM, PRESSURE		

FIGURE & KEY NO.	PARTS NUMBER	R A N K	Q'TY	DESCRIPTION	SERIAL NUMBER/REMARKS	S V C
32	FC7-9298-000		2	BUSHING		
33	FC7-9299-000		2	BUSHING		
34	FC7-9308-000		1	LINK, SHUTTER		
35	FC7-9311-000		2	SPRING, LEAF		
36	FC7-9319-000		1	SPRING, LEAF		
37	FC7-9320-000		1	ROLLER, STEERING		
38	FC7-9324-000		1	BELT, TRANSFER	[DP]	
39	FC7-9325-000		1	ROLLER, TRANSFER, 2	[DP]	
40	FC7-9326-000		1	ROLLER, TRANSFER, 1	[DP]	
41	FC8-1119-000		1	MOUNT, ENVIRONMENT SENSOR		
42	XG9-0688-000		2	BEARING, BALL, 6900DDNR		
43	FC8-6687-000		1	PLATE, ARM AUXILIARY		
44	XG9-0668-000		4	BEARING, BALL, 12MM		
45	FC8-6689-000		1	PLATE, HOLDER POSITIONING		
46	FC8-9112-000		1	CAM, STEERING		
47	FC9-0239-000		1	LEVER, RELEASE		
48	FC9-0241-000		1	CAM, RELEASE, FRONT		
49	FK2-0484-020		1	SOLENOID	SL1	
50	XG9-0712-000		1	BEARING, BALL, MF84-2ZA15-13		
51	FK2-6438-000		1	CLUTCH, ELECTROMAGNETIC	CL1	
52	FK2-6460-000		1	MOTOR, STEPPING, DC	M9	
53	FK2-7234-000		1	SENSOR UNIT, PATCH SENSING	PS9	
54	FL2-1944-000		4	SUPPORT, PIN, FRONT		
55	XG9-0664-000		4	BALL BEARING, JMK-688ZZNR*D4ML		
56	FL2-5804-000		1	CABLE, VARISTOR	VR2	
57	FL2-7455-000		1	ROLLER, DRIVE		
58	FL2-7469-000		1	ELIMINATOR, STATIC CHARGE		
59	FL2-7685-000		1	ARM, EDGE SENSOR		
60	FL2-7686-000		1	GUIDE, 2ND TRNSFR. INLET, UP.		
61	FM3-2805-000		1	PATCH SENSING SENSOR UNIT		
62	FM3-2806-000		1	PRIMARY TRANSFER ROLLER ASS'Y		
63	FM3-2807-000		1	2ND TRNSFR. INNER ROLLER ASS'Y		

FIGURE & KEY NO.	PARTS NUMBER	R A N K	Q'TY	DESCRIPTION	SERIAL NUMBER/ REMARKS	S V C
64	FK2-6458-000		1	MOTOR,DC BRUSHLESS	M8	
65	FM3-2840-000		1	2ND TRNSFR. CONTACT GUIDE UNIT		
66	FM3-2867-000		2	IDLER ROLLER ASSEMBLY		
67	FM3-2868-000		1	HOOK SHAFT UNIT		
68	FC8-9731-000		1	ROLLER, IDLER		
69	FM3-7745-000		1	CABLE, I.T.B. DRAWER		
70	FS1-9053-020		4	SCREW,STEPPED,M4		
71	FS5-0856-000		1	GEAR, 26T		
72	FS5-1592-000		1	BUSHING		
73	FS7-2782-000		2	SPRING, COMPRESSION		
74	FU3-0315-000		1	GEAR, 15T		
75	FU5-2717-000		1	SPRING		
76	FU7-2885-000		2	SPRING, TENSION		
77	FU5-2883-000		1	SPRING, TENSION		
78	FU5-6781-000		4	COLLAR, SLIDE		
79	FU6-0150-000		1	GEAR, 64T		
80	FU7-0839-000		1	GEAR, 15T		
81	FU7-2143-000		1	SPRING, TENSION		
82	VS1-7177-002		1	CONNECTOR, SNAP TIGHT, BK		
83	VS1-7177-004		1	CONNECTOR, SNAP TIGHT, BK		
84	VS1-7207-003		1	CONNECTOR, SNAP TIGHT, BK		
85	FL2-7378-000		1	ELIMINATOR, STATIC CHARGE		
86	VS1-8412-007		2	CONNECTOR, SNAP TIGHT, BL		
87	VS1-8412-015		1	CONNECTOR, SNAP TIGHT, BL		
88	VS1-8412-017		1	CONNECTOR, SNAP TIGHT, BL		
89	WG8-5783-000		1	IC,PHOTO-INTERRUPTER,LG248NL1A	PS7	
90	WG8-5830-000		1	SENSOR UNIT,MICRO DISPLACEMENT	PS6	
91	WP2-5276-000		1	SENSOR, HUMIDITY	PS124	
92	XA9-0854-000		4	SCREW,MACH.,TRUSS HEAD,M3X6		
93	XA9-1659-000		2	SCREW,M3X4		
94	XG9-0387-000		1	BEARING, BALL, L-1680HH LY13		
95	RS5-1058-000		1	BUSHING		

FIGURE & KEY NO.	PARTS NUMBER	R A N K	Q'TY	DESCRIPTION	SERIAL NUMBER/ REMARKS	S V C
96	FU5-9230-000		1	SCREW, TP, M4X8(YELLOW)		
501	XD3-2200-182		1	PIN, DOWEL		
502	XD3-2250-142		4	PIN, NECKSTRAP		

FIGURE 531 I.T.B. CLEANER ASSEMBLY

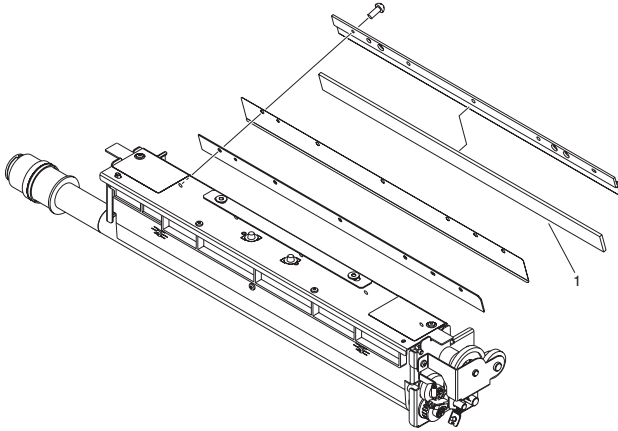


FIGURE & KEY NO.	PARTS NUMBER	RANK	Q'TY	DESCRIPTION	SERIAL NUMBER/REMARKS	SVC
Fig.531	FM3-2809-000		1	I.T.B. CLEANER ASSEMBLY		
1	FC7-9145-000		1	BLADE, CLEANING	[DP]	

FIGURE 532
 PRE-TRANSFER CORONA ASSEMBLY

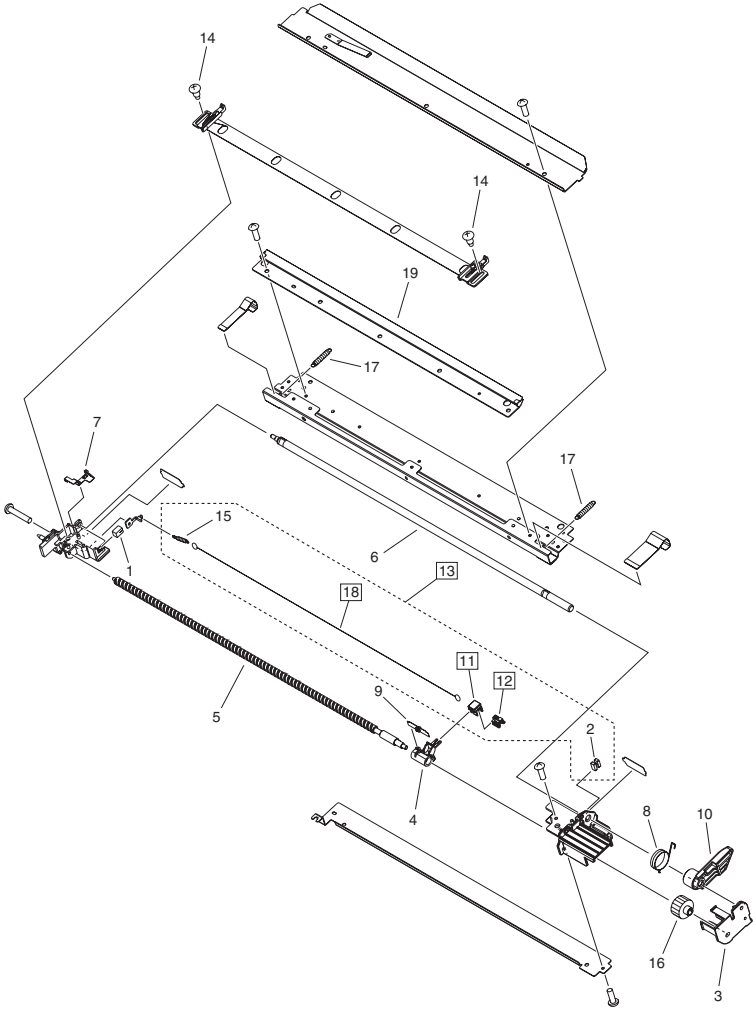


FIGURE & KEY NO.	PARTS NUMBER	R A N K	Q'TY	DESCRIPTION	SERIAL NUMBER/ REMARKS	S V C
Fig.532	FM3-2815-000		1	PRE-TRANSFER CORONA ASSEMBLY	[DP]	
1	FA3-2128-000		1	DAMPER (SPONGE RUBBER)		
2	FC6-3188-000		1	HOLDER, PRIMARY WIRE, FRONT		
3	FC7-9183-000		1	COVER, GEAR		
4	FC7-9184-000		1	ARM, CLEANING		
5	FC7-9185-000		1	SCREW, LEAD		
6	FC7-9200-000		1	ROLLER, DUST COLLECTING		
7	FC7-9202-000		1	SPRING, CONTACT		
8	FC7-9209-000		1	SPRING, TORSION		
9	FL2-0434-000		1	SPRING, LEAF		
10	FL2-7459-000		1	ARM, POST BIAS		
11	FL2-7735-000		1	HOLDER, PAD	[DP]	
12	FL2-7750-000		1	SLIDER, PAD	[DP]	
13	FM3-2875-000		1	PRIMARY CORONA ASSEMBLY, LEFT	[DP]	
14	FS1-9010-020		4	SCREW, STEPPED, M3		
15	FU6-2088-000		1	SPRING, TENSION		
16	FU7-0823-000		1	GEAR, 20T		
17	FU7-2135-000		2	SPRING, TENSION		
18	FB4-3687-000		1	WIRE, CORONA, 0.06MM (20M)	[DP]	
19	FL2-7740-000		1	SCRAPER		

FIGURE 550 PRIMARY CORONA ASSEMBLY

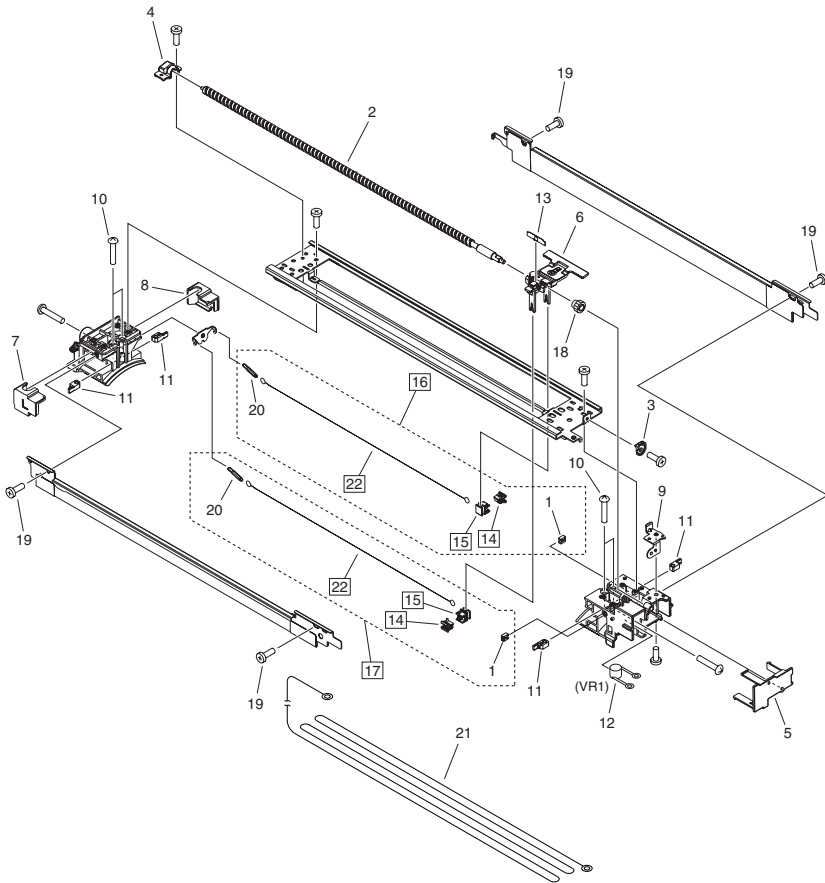
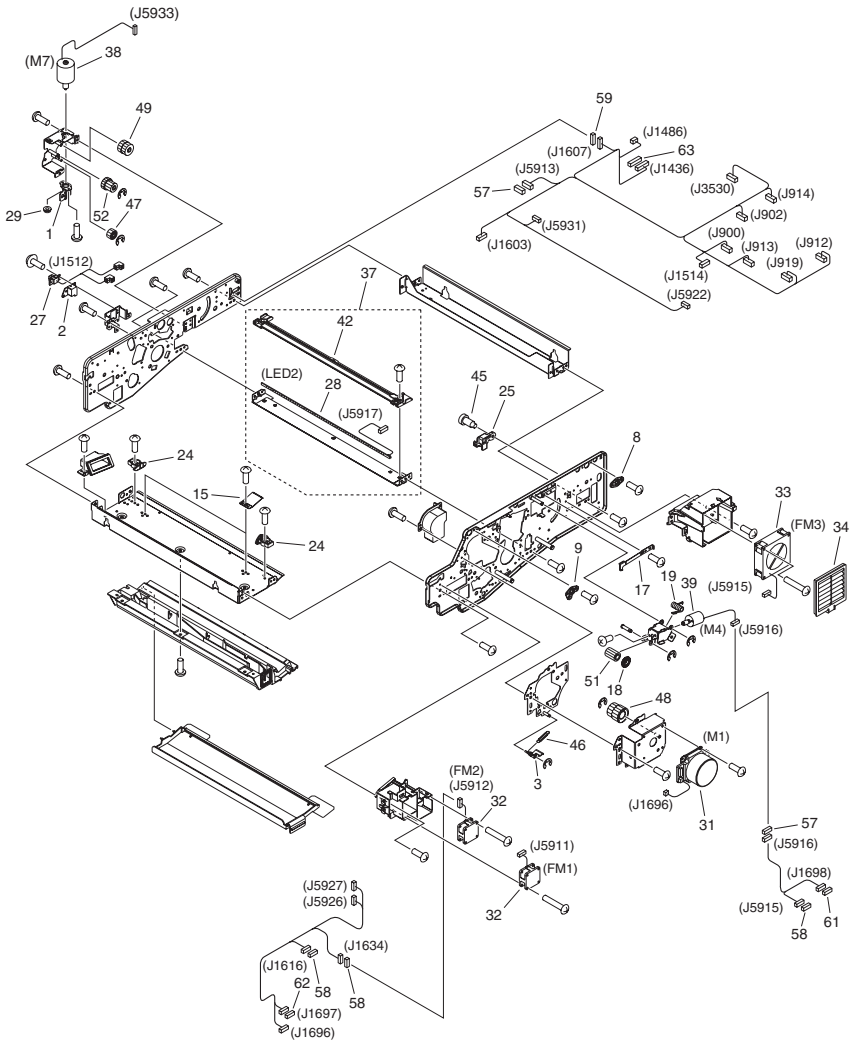


FIGURE & KEY NO.	PARTS NUMBER	R A N K	Q'TY	DESCRIPTION	SERIAL NUMBER/ REMARKS	S V C
Fig.550	FM3-2814-000		1	PRIMARY CORONA ASSEMBLY	[DP]	
1	FC6-3188-000		2	HOLDER, PRIMARY WIRE, FRONT		
2	FC7-9185-000		1	SCREW, LEAD		
3	FC7-9210-000		1	STOPPER, THRUST		
4	FC7-9212-000		1	BUSHING		
5	FC7-9213-000		1	COVER, GEAR		
6	FL2-7446-000		1	ARM, CLEANING		
7	FC7-9215-000		1	COVER, REAR BLOCK, LEFT		
8	FC7-9216-000		1	COVER, REAR BLOCK, RIGHT		
9	FC7-9217-000		1	PLATE, GROUNDING		
10	FC7-9223-000		4	SCREW, INSUL.,C.S.HEAD, M4X25		
11	FC7-9224-000		4	BLOCK, GUIDE		
12	FF3-4135-000		1	VARISTOR UNIT	VR1	
13	FL2-0434-000		1	SPRING, LEAF		
14	FL2-7735-000		2	HOLDER, PAD	[DP]	
15	FL2-7750-000		2	SLIDER, PAD	[DP]	
16	FM3-2874-000		1	PRIMARY CORONA ASSEMBLY, RIGHT	[DP]	
17	FM3-2875-000		1	PRIMARY CORONA ASSEMBLY, LEFT	[DP]	
18	FU5-0268-000		1	GEAR, 18T		
19	FU5-9223-000		4	SCREW, BH3X6(YELLOW)		
20	FU6-2088-000		2	SPRING, TENSION		
21	FY1-0883-000		1	CORONA WIRE ROLL (100M)		
22	FB4-3687-000		2	WIRE, CORONA, 0.06MM (20M)	[DP]	

FIGURE 600 PROCESSOR KIT ASSEMBLY



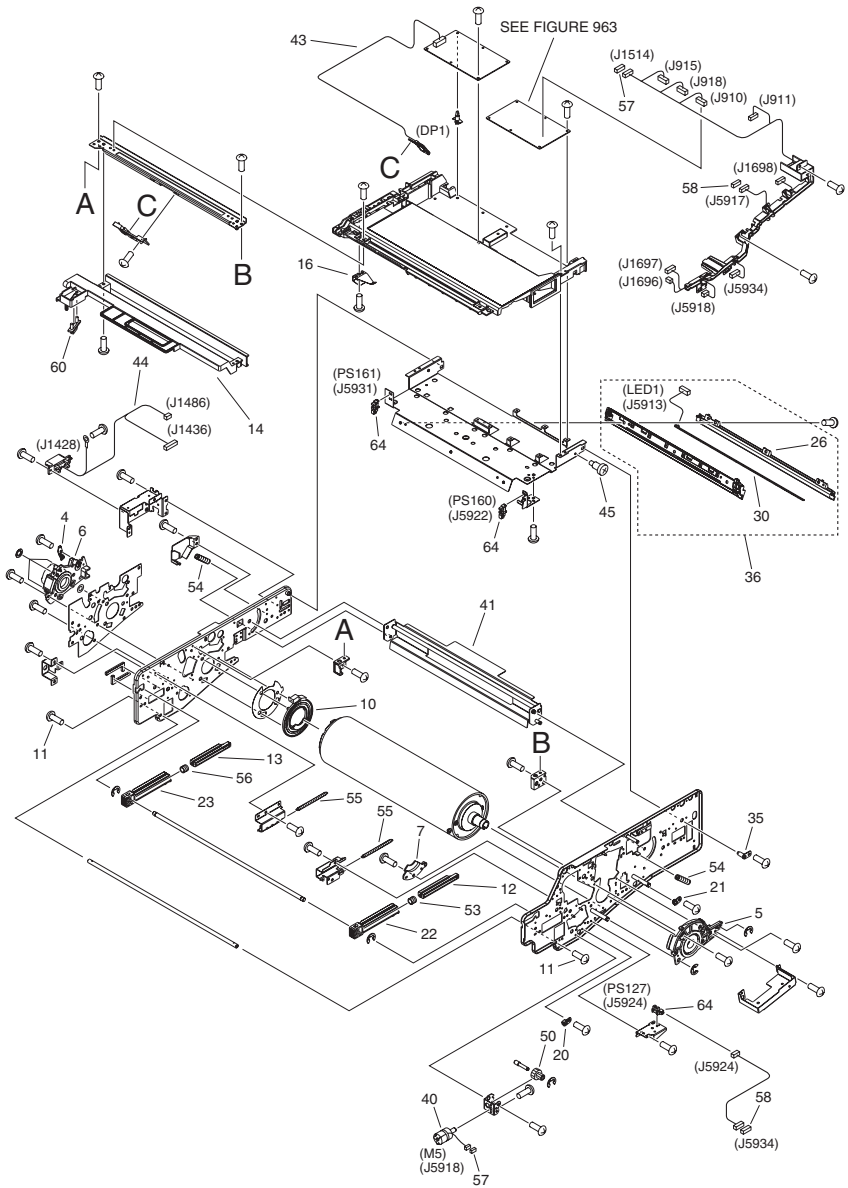
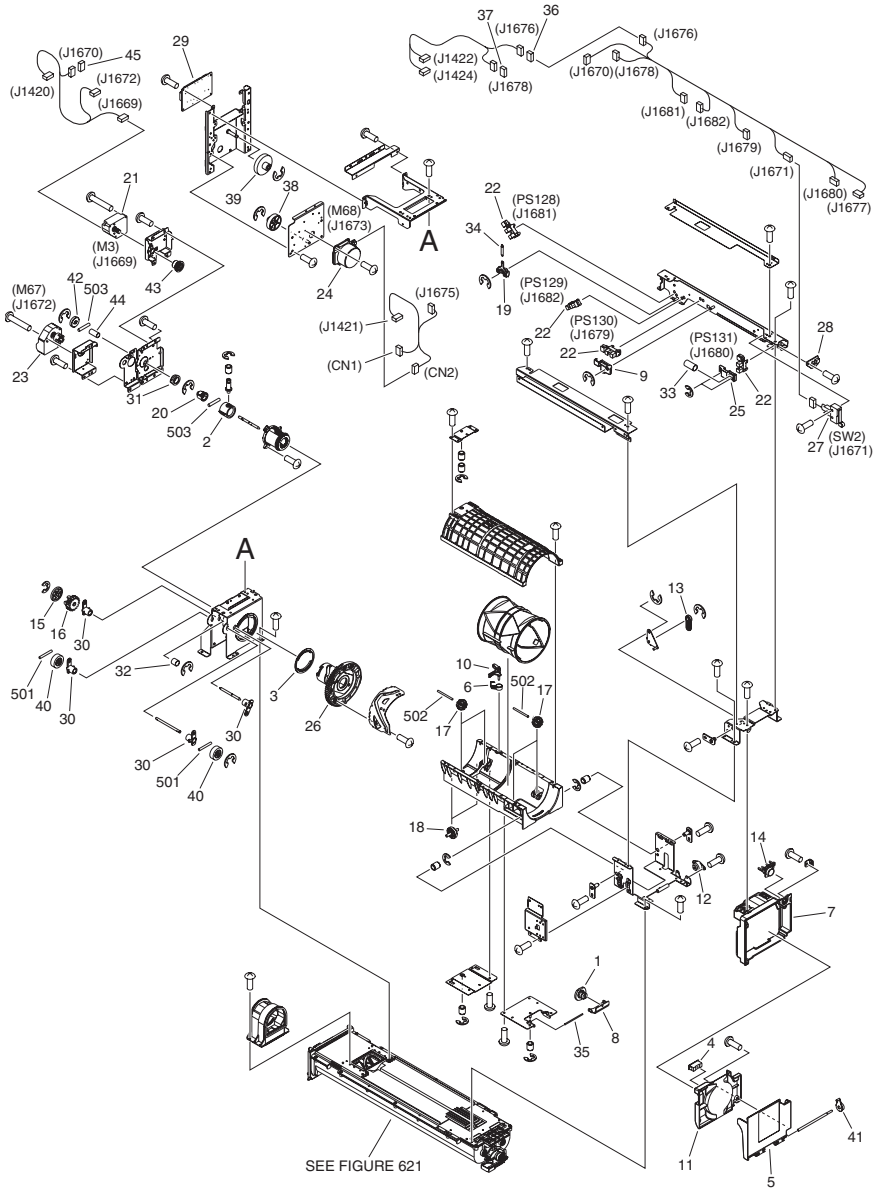


FIGURE & KEY NO.	PARTS NUMBER	R A N K	Q'TY	DESCRIPTION	SERIAL NUMBER/ REMARKS	S V C
Fig.600	NPN		RF	PROCESSOR KIT ASSEMBLY		
1	FC7-9160-000		1	HOLDER, GEAR		
2	FB4-9525-000		1	HOLDER, CONNECTOR		
3	FC6-5681-000		1	CLAMP, CHARGE		
4	FC6-9029-000		1	BRUSH, GROUNDING		
5	FC7-9040-000		1	GUIDE, DRUM, FRONT		
6	FC7-9041-000		1	GUIDE, DRUM, REAR		
7	FC7-9056-000		1	MOUNT, DRUM		
8	FC7-9057-000		1	BUSHING		
9	FC7-9058-000		1	BUSHING		
10	FC7-9065-000		1	RING, DRUM SIDE		
11	XA9-1788-000		2	SCREW, MACH., TRUSS HEAD, M4X6		
12	FC7-9087-000		1	BLOCK, PRESSURE, FRONT		
13	FC7-9088-000		1	BLOCK, PRESSURE, REAR		
14	FL2-7400-000		1	COVER, PROCESSOR KIT, SMALL		
15	FC7-9129-000		2	SPRING, LEAF		
16	FC7-9130-000		1	SPRING, LEAF		
17	FC7-9226-000		1	SPRING, LEAF		
18	FC7-9228-000		1	ROLLER		
19	FC7-9230-000		1	SPRING, TORSION		
20	FC7-9298-000		1	BUSHING		
21	FC7-9299-000		1	BUSHING		
22	FC8-6675-000		1	HOLDER, PRESSURE BLOCK, FRONT		
23	FC8-6676-000		1	HOLDER, PRESSURE BLOCK, REAR		
24	FC8-6677-000		2	GUIDE, PRESSURE		
25	FC8-9117-000		1	BLOCK, ROTATION RETAINER		
26	FC9-0260-000		1	COVER, PRE-EXPOSURE, A		
27	FG6-6894-020		1	CABLE, DRUM HEATER		
28	FK2-8554-000		1	LED ARRAY	LED2	
29	XG9-0712-000		1	BEARING, BALL, MF84-2ZA15-13		
30	FK2-6439-000		1	LED UNIT	LED1	
31	FK2-6468-000		1	MOTOR, DC	M1	

FIGURE & KEY NO.	PARTS NUMBER	R A N K	Q'TY	DESCRIPTION	SERIAL NUMBER/ REMARKS	S V C
32	FK2-6477-000		2	FAN	FM1,FM2	
33	FK2-8553-000		1	FAN	FM3	
34	FL2-0439-000		1	FILTER, DUST		
35	FL2-7770-000		1	PIN, FIXED		
36	FM3-2813-000		1	PRE-EXPOSURE UNIT		
37	FM3-2823-000		1	EXPOSURE ASSEMBLY		
38	FM3-2850-000		1	MOTOR, DC	M7	
39	FM3-2852-000		1	DC MOTOR UNIT	M4	
40	FM3-2854-000		1	DC MOTOR UNIT	M5	
41	FM3-2863-000		1	CLEANER PRESSURE ASSEMBLY		
42	FC8-6501-000		1	COVER, PRE-EXPOSURE		
43	FM3-5251-000		1	POTENTIAL SENSOR PCB ASSEMBLY	DP1	
44	FM3-5321-000		1	CABLE, PROCESSOR KIT DRAWER		
45	FS1-9199-000		2	SCREW, M4		
46	FS6-2749-000		1	SPRING, TENSION		
47	FS7-0712-000		1	GEAR, 18T		
48	FU7-0813-000		1	GEAR, 33T/60T		
49	FU7-0819-000		1	GEAR, 23T/24T		
50	FU7-0824-000		1	GEAR, 20T/18T		
51	FU7-0827-000		1	GEAR, 18T		
52	FU7-0834-000		1	GEAR, 18T/23T		
53	FU7-2137-000		1	SPRING, COMPRESSION		
54	FU7-2138-000		2	SPRING, TENSION		
55	FU7-2681-000		2	SPRING, TENSION		
56	FU7-2883-000		1	SPRING, COMPRESSION		
57	VS1-7177-002		4	CONNECTOR, SNAP TIGHT, BK		
58	VS1-7177-003		5	CONNECTOR, SNAP TIGHT, BK		
59	VS1-7177-006		1	CONNECTOR, SNAP TIGHT, BK		
60	VS1-7887-014		1	CONNECTOR, SNAP TIGHT, BK		
61	VS1-8412-005		1	CONNECTOR, SNAP TIGHT, BL		
62	VS1-8412-013		1	CONNECTOR, SNAP TIGHT, BL		
63	VS1-8412-023		1	CONNECTOR, SNAP TIGHT, BL		

FIGURE & KEY NO.	PARTS NUMBER	R A N K	Q'TY	DESCRIPTION	SERIAL NUMBER/ REMARKS	S V C
64	WG8-5783-000		3	IC.PHOTO-INTERRUPTER,LG248NL1A	PS127,PS160,PS161	

FIGURE 620 HOPPER ASSEMBLY

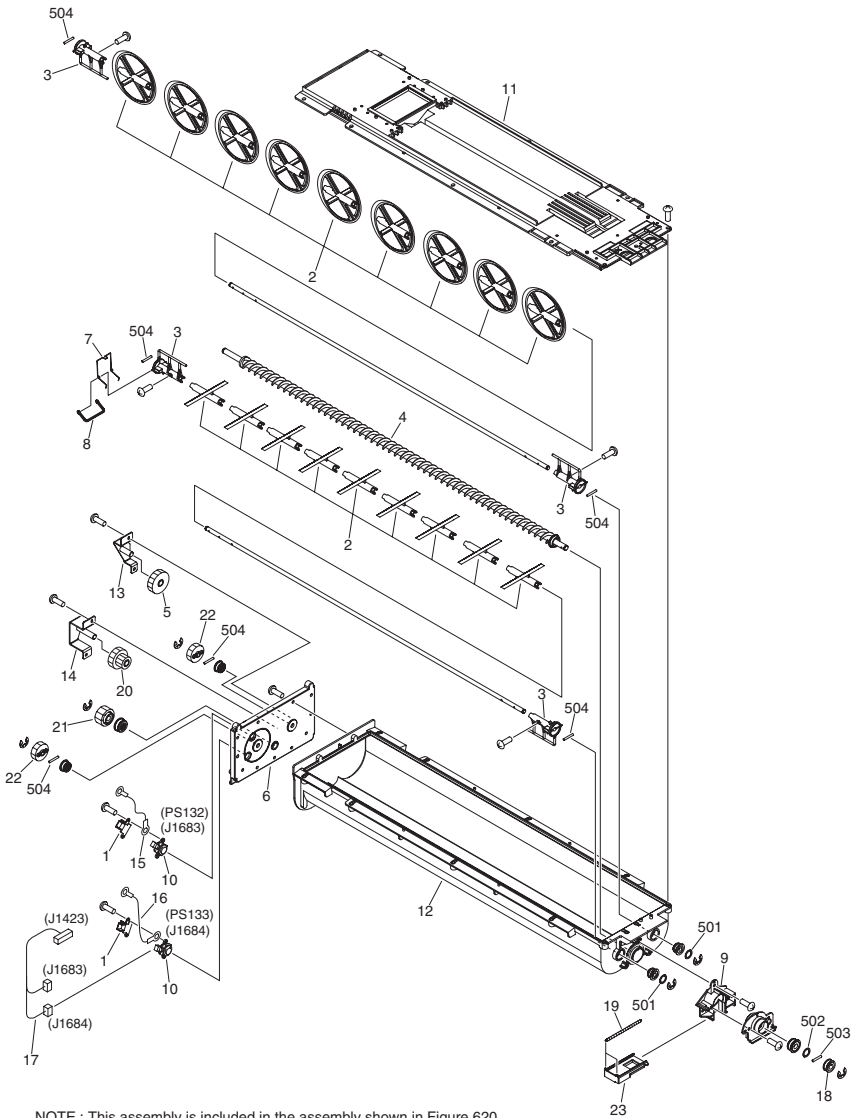


NOTE : This assembly includes the assemblies shown in Figure 621.
 注 : このユニットはFigure 621のユニットを含みます。

FIGURE & KEY NO.	PARTS NUMBER	R A N K	Q'TY	DESCRIPTION	SERIAL NUMBER/ REMARKS	S V C
Fig.620	FM3-2817-000		1	HOPPER ASSEMBLY	SEE NOTE	
1	FC5-0127-000		1	PIN, SLIDER		
2	FC5-1904-000		1	GUIDE, RELEASE		
3	FC5-1945-000		1	HOLDER, RING		
4	XZ9-0603-000		1	CATCH, MAGNET		
5	FC5-8755-000		1	DOOR, CARTRIDGE INNER		
6	FC6-2294-000		1	SPRING, TORSION		
7	FC6-2301-000		1	COVER, CARTRIDGE INNER		
8	FC6-2303-000		1	STOPPER, CARTRIDGE		
9	FC6-2313-000		1	FLAG, SENSOR, CARTRIDGE SWING		
10	FC6-2314-000		1	FLAG, CARTRIDGE SENSOR		
11	FC6-2317-000		1	GUIDE, BOTTLE		
12	XH9-0137-000		1	DAMPER, ROTARY		
13	FC6-2339-000		1	CATCH, COVER		
14	FC6-2342-000		1	SWITCH, OPEN		
15	FC6-2346-000		1	LINK, RELEASE		
16	FC6-2347-000		1	COUPLING, TRAY DRIVE		
17	FC6-5481-000		4	ROLLER		
18	FC6-5482-000		2	ROLLER		
19	FC6-8139-000		1	FLAG, SLIDE SENSOR		
20	FC8-9134-000		1	CAP, DOCKING		
21	FK2-0015-000		1	MOTOR, DC24V	M3	
22	FK2-0149-000		4	PHOTO-INTERRUPTER, TLP1252(C6)	PS128,PS129,PS130,PS131	
23	FK2-2728-000		1	MOTOR, DC	M67	
24	FK2-6451-000		1	MOTOR, DC	M68	
25	FL2-2390-000		1	FLAG, SENSOR, INNER COVER		
26	FL2-7477-000		1	CAM, CAP MOVE		
27	FM2-0956-000		1	CABLE, MULTI DOOR SWITCH	SW2	
28	FM2-7698-000		1	HOPPER SWITCH PCB ASSEMBLY		
29	FM3-5243-000		1	HOPPER DRIVER PCB ASSEMBLY		
30	FU5-1323-000		4	BUSHING		

FIGURE & KEY NO.	PARTS NUMBER	R A N K	Q'TY	DESCRIPTION	SERIAL NUMBER/ REMARKS	S V C
31	FU5-1925-000		1	BUSHING		
32	FU5-2977-000		1	SPRING, COMPRESSION		
33	FU5-2978-000		1	SPRING, COMPRESSION		
34	FU5-2979-000		1	SPRING, TENSION		
35	FU5-5771-000		1	PIN, STOPPER		
36	VS1-7177-003		1	CONNECTOR, SNAP TIGHT, BK		
37	VS1-7177-012		1	CONNECTOR, SNAP TIGHT, BK		
38	FU6-0428-000		1	GEAR, 26T/86T		
39	FU6-0429-000		1	GEAR, 18T/120T		
40	FU6-0434-000		2	GEAR, 14T		
41	FU6-0435-000		1	GEAR, 12T		
42	FU7-0840-000		1	GEAR, 29T		
43	FU7-0841-000		1	GEAR, 28T		
44	FU7-2685-000		1	SPRING, COMPRESSION		
45	VS1-7177-002		1	CONNECTOR, SNAP TIGHT, BK		
501	XD3-2200-162		2	PIN, PARALLEL		
502	XD3-2200-262		4	PIN, DOWEL		
503	XD3-2250-142		2	PIN, NECKSTRAP		

FIGURE 621 HOPPER BUFFER ASSEMBLY



NOTE : This assembly is included in the assembly shown in Figure 620.
 注 : このユニットはFigure 620のユニットに含まれます。

FIGURE & KEY NO.	PARTS NUMBER	R A N K	Q'TY	DESCRIPTION	SERIAL NUMBER/ REMARKS	S V C
Fig.621	FM3-2832-000		1	HOPPER BUFFER ASSEMBLY	SEE NOTE	
1	FC5-8003-000		2	COVER, CONNECTOR		
2	FC5-8746-000		18	BLADE, STIRRING		
3	FC5-8747-000		4	ROD, STIRRING		
4	FC5-8748-000		1	SCREW, FEED		
5	FU6-0433-000		1	GEAR, 34T		
6	FC5-8771-000		1	LID, HOPPER BACK		
7	FC6-2335-000		1	WIPER		
8	FC6-2336-000		1	HOLDER, WIPER		
9	FC7-8940-000		1	GUIDE, TONER EJECT		
10	FK2-0590-000		2	TONER SENSOR UNIT	PS132,PS133	
11	FL2-2374-000		1	LID, HOPPER, UPPER		
12	FL2-2375-000		1	CASE, HOPPER		
13	FL2-2383-000		1	HOLDER, GEAR, 1		
14	FL2-2384-000		1	HOLDER, GEAR, 2		
15	FM2-8488-000		1	CABLE, HOPPER GROUNDING, 1		
16	FM2-8489-000		1	CABLE, HOPPER GROUNDING, 2		
17	FM3-9053-000		1	CABLE, HOPPER SENSOR		
18	FS5-3805-000		1	PULLEY, 28T		
19	FU5-2825-000		2	SPRING, TENSION		
20	FU6-0430-000		1	GEAR, 18T/30T		
21	FU6-0431-000		1	GEAR, 26T		
22	FU6-0432-000		2	GEAR, 26T		
23	FL2-7476-000		1	SHUTTER, HOPPER		
501	XD1-1106-213		2	WASHER,COP		
502	XD1-1108-213		1	WASHER,COP		
503	XD3-2200-122		1	PIN, DOWEL		
504	XD3-2200-162		6	PIN, PARALLEL		

FIGURE 625 SUPPLY PIPE ASSEMBLY

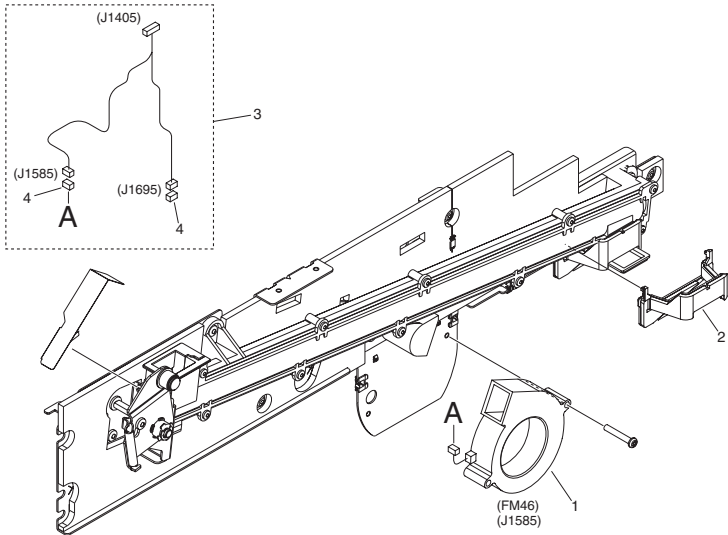


FIGURE & KEY NO.	PARTS NUMBER	R A N K	Q'TY	DESCRIPTION	SERIAL NUMBER/ REMARKS	S V C
Fig.625	FM3-2404-000		1	SUPPLY PIPE ASSEMBLY		
1	FK2-6465-000		1	FAN	FM46	
2	FL2-7744-000		1	SEAL, PIPE SUB		
3	FM3-7770-000		1	CABLE, FAN		
4	VS1-7177-003		2	CONNECTOR, SNAP TIGHT, BK		

FIGURE 640 DEVELOPING ASSEMBLY

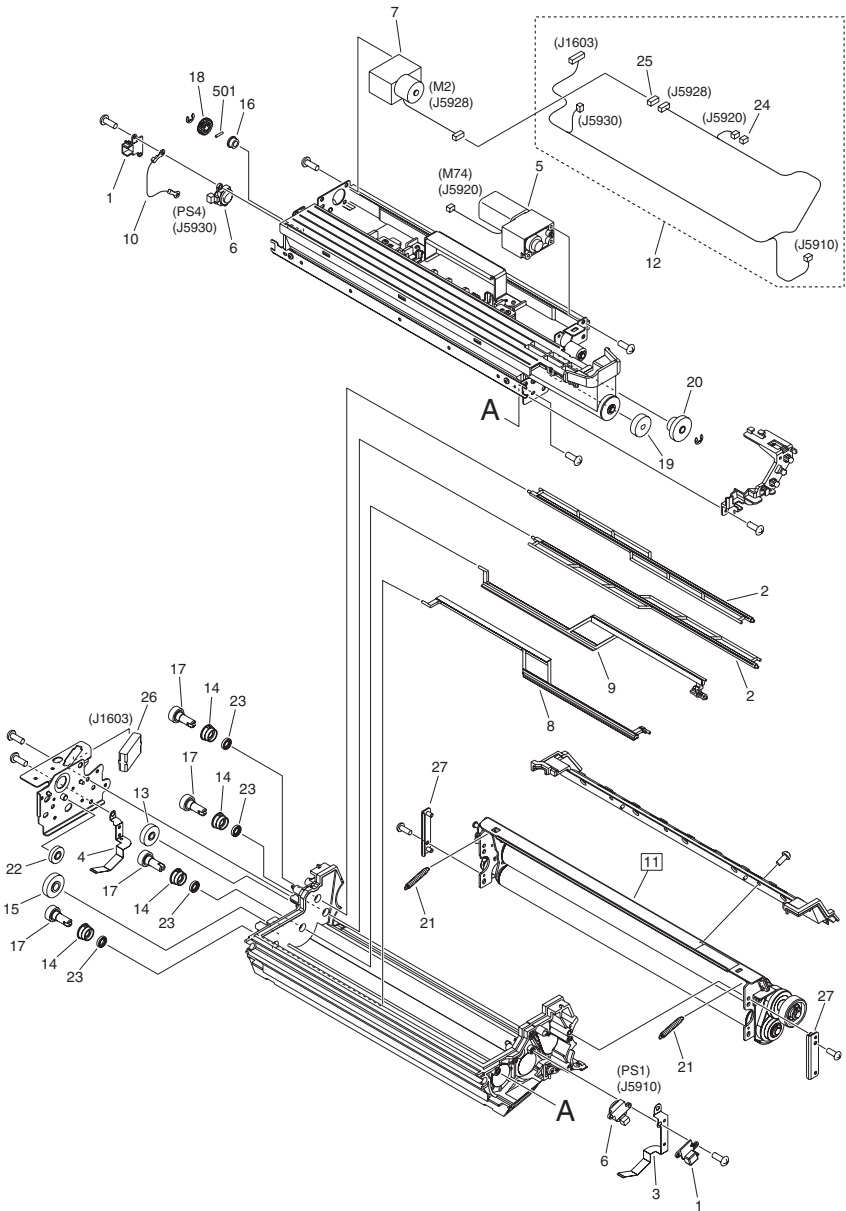


FIGURE & KEY NO.	PARTS NUMBER	R A N K	Q'TY	DESCRIPTION	SERIAL NUMBER/ REMARKS	S V C
Fig.640	FM3-2810-000		1	DEVELOPING ASSEMBLY	[DP]	
1	FC5-8003-000		2	COVER, CONNECTOR		
2	FC7-8966-000		2	ROD, STIRRING, 3		
3	FC7-8972-000		1	PLATE, GROUNDING		
4	FC8-6648-000		1	PLATE, GROUNDING, 2		
5	FH6-1543-020		1	MOTOR, DC 16.8W	M74	
6	FK2-0590-000		2	TONER SENSOR UNIT	PS1,PS4	
7	FK2-6452-000		1	MOTOR, DC	M2	
8	FL2-7710-000		1	ROD, STIRRING, 1		
9	FL2-7711-000		1	ROD, STIRRING, 2		
10	FM2-8489-000		1	CABLE, HOPPER GROUNDING, 2		
11	FM3-2849-000		1	DEVELOPING SLEEVE UNIT	[DP]	
12	FM3-5324-000		1	CABLE, TONER SENSOR		
13	FS2-0768-000		1	GEAR, 26T		
14	FS2-1014-000		4	BUSHING, PL		
15	FS5-0748-000		1	GEAR, IDLER, 30T		
16	FS5-1805-000		1	BUSHING		
17	FS6-0857-000		4	GEAR, 20T		
18	FU5-0427-000		1	GEAR, 20T		
19	FU6-0533-000		1	GEAR, 21T		
20	FU7-0833-000		1	GEAR, 17T/32T		
21	FU7-2120-000		2	SPRING, TENSION		
22	FU8-0498-000		1	GEAR, 21T		
23	MB4-8201-000		4	SEAL, OIL		
24	VS1-7177-002		1	CONNECTOR, SNAP TIGHT, BK		
25	VS1-7177-005		1	CONNECTOR, SNAP TIGHT, BK		
26	VS1-8553-014		1	CONNECTOR, SNAP TIGHT, BK		
27	FL2-7765-000		2	PLATE, POSITIONING		
501	XD3-2200-102		1	PIN, PARALLEL		

FIGURE 710 DRUM CLEANER ASSEMBLY

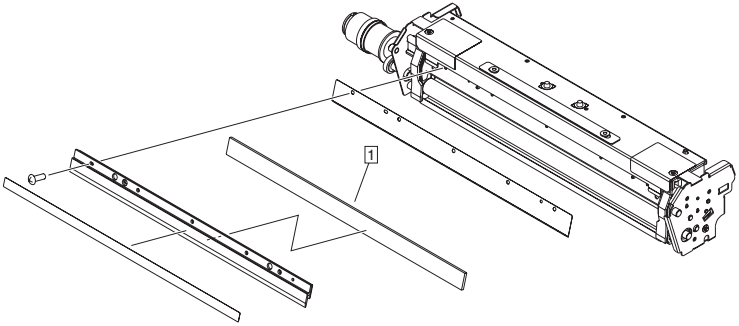


FIGURE & KEY NO.	PARTS NUMBER	RANK	Q'TY	DESCRIPTION	SERIAL NUMBER/REMARKS	SVC
Fig.710	FM3-2816-000		1	DRUM CLEANER ASSEMBLY	[DP]	
1	FC7-9145-000		1	BLADE, CLEANING	[DP]	

FIGURE 770 WASTE TONER FEEDER ASSEMBLY

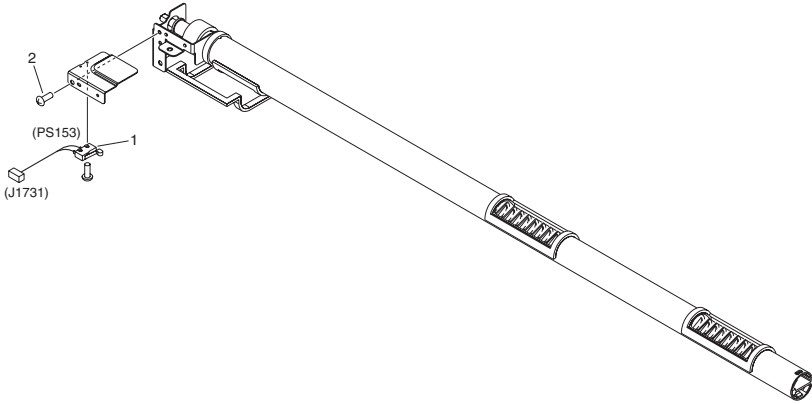


FIGURE & KEY NO.	PARTS NUMBER	RANK	QTY	DESCRIPTION	SERIAL NUMBER/REMARKS	SVC
Fig.770	FM3-2818-000		1	WASTE TONER FEEDER ASSEMBLY		
1	FM3-7738-000		1	SWITCH UNIT	PS153	
2	XA9-1249-010		1	SCREW,TP M4X8		

FIGURE 771
WASTE TONER BOTTLE TRAY ASS'Y

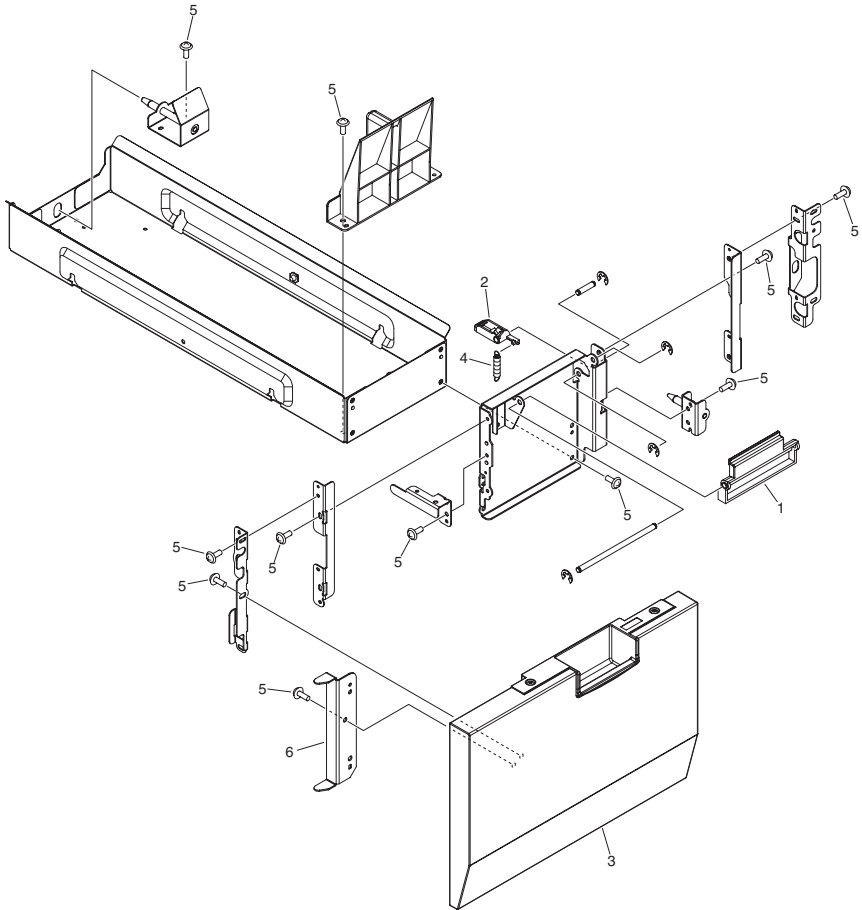


FIGURE & KEY NO.	PARTS NUMBER	RANK	Q'TY	DESCRIPTION	SERIAL NUMBER/REMARKS	SVC
Fig.771	NPN		RF	WASTE TONER BOTTLE TRAY ASS'Y		
1	FC6-8563-000		1	LEVER, OPEN/CLOSE		
2	FC6-8565-000		1	ARM, LATCH		
3	FM3-2458-000		1	WASTE TONER COVER UNIT		
4	FU5-2998-000		1	SPRING, TENSION		
5	XA9-1249-010		AR	SCREW,TP M4X8		
6	FC8-9158-000		1	PLATE, SENSOR PUSH		

FIGURE & KEY NO.	PARTS NUMBER	R A N K	Q'TY	DESCRIPTION	SERIAL NUMBER/ REMARKS	S V C
Fig.772	FM3-2824-000		1	WASTE TONER DRIVE ASSEMBLY		
1	FK2-0591-000		1	SENSOR, TONER	PS152	
2	FK2-6469-000		2	MOTOR, DC	M69,M76	
3	FM3-7736-000		1	CABLE, SCREW MOTOR		
4	FM3-7737-000		1	CABLE, WASTE TONER MOTOR		
5	FM3-7741-000		1	CABLE, BUFFER FULL DETECT		
6	VS1-7177-002		2	CONNECTOR, SNAP TIGHT, BK		
7	VS1-7177-008		1	CONNECTOR, SNAP TIGHT, BK		
8	VS1-8412-017		1	CONNECTOR, SNAP TIGHT, BL		
9	VS1-8412-019		1	CONNECTOR, SNAP TIGHT, BL		
10	XA9-1249-010		8	SCREW,TP M4X8		

FIGURE 810 FIXING ASSEMBLY

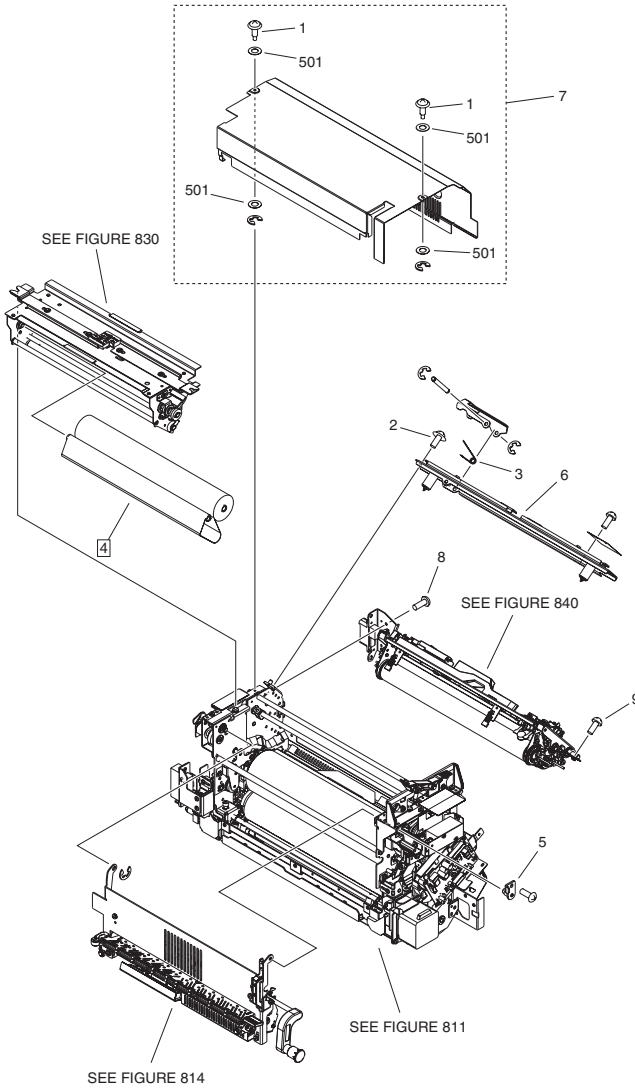


FIGURE & KEY NO.	PARTS NUMBER	RANK	Q'TY	DESCRIPTION	SERIAL NUMBER/REMARKS	SVC
Fig.810	NPN		RF	FIXING ASSEMBLY		
1	FC6-8524-000		2	SCREW, RETAINER, M4		
2	FU5-9228-000		2	SCREW, TP, M5X14(YELLOW)		
3	FC7-4958-000		1	SPRING, TORSION		
4	FC7-8910-000		1	ROLLER, CLEANING	[DP]	
5	FL2-2169-000		1	SUPPORT, TURN SHAFT		
6	FM3-2786-000		1	PRESSURE CROSSMEMBER ASS'Y		
7	FM3-2788-000		1	FIXING UPPER COVER UNIT		
8	FU5-9223-000		2	SCREW, BH3X6(YELLOW)		
9	FU5-9224-000		4	SCREW, BH4X6(YELLOW)		
501	XD1-1104-131		4	WASHER,COP		

FIGURE 811 FIXING FRAME ASSEMBLY, MAIN

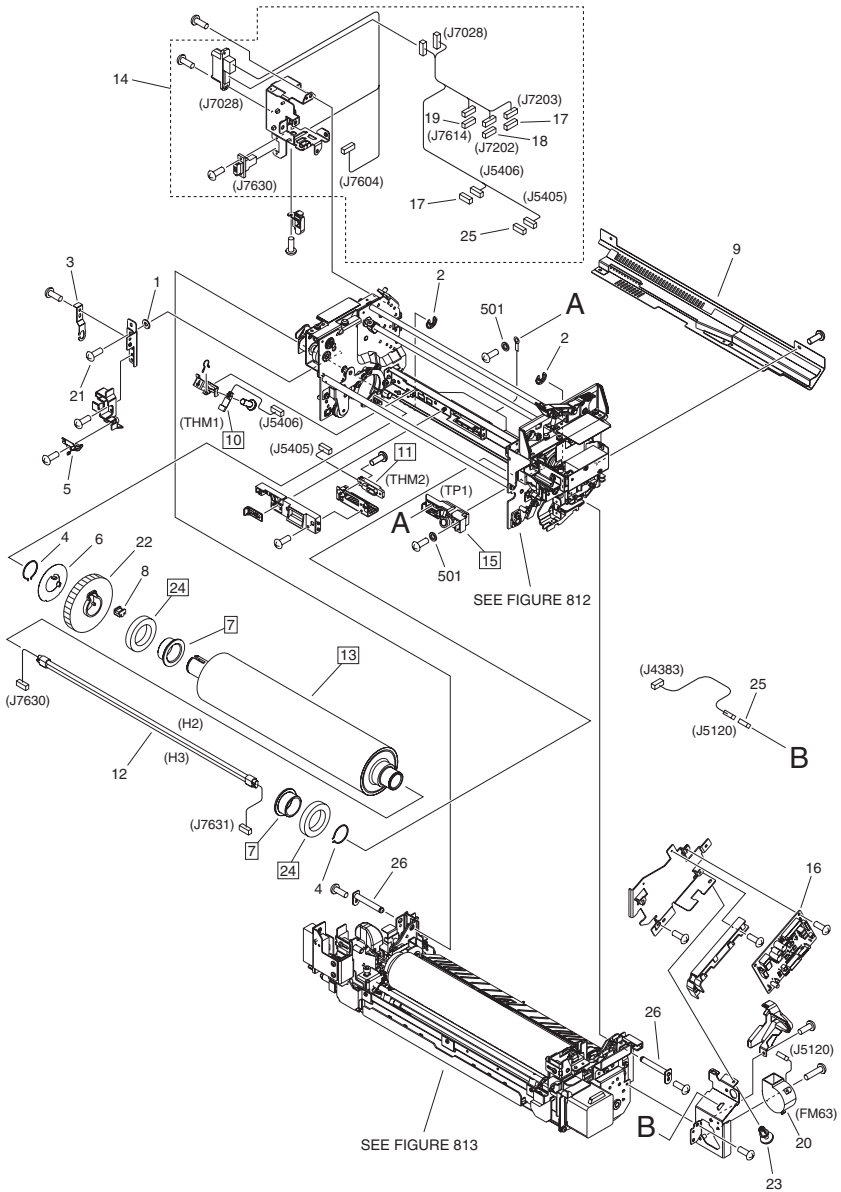
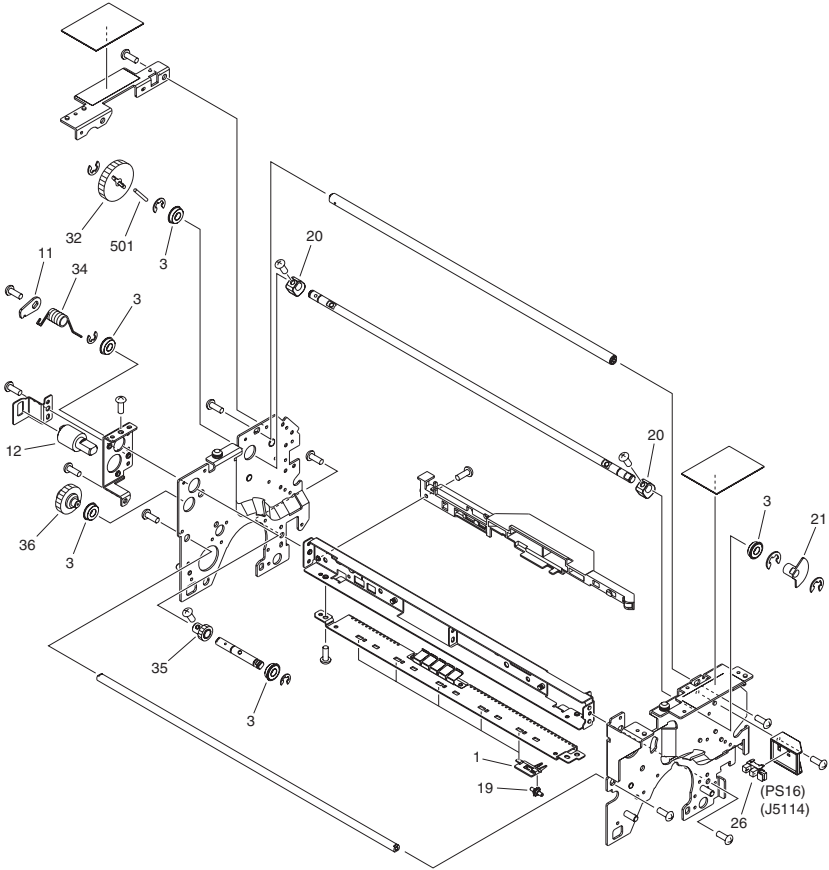


FIGURE & KEY NO.	PARTS NUMBER	R A N K	Q'TY	DESCRIPTION	SERIAL NUMBER/ REMARKS	S V C
Fig.811	FM3-2794-000		1	FIXING FRAME ASSEMBLY, MAIN	200V,208V	
Fig.811	FM3-2774-000		1	FIXING FRAME ASSEMBLY, MAIN	230V	
1	FC2-2121-000		1	WASHER		
2	FC5-2715-000		2	RING, RETAINING		
3	FC7-3427-000		1	PLATE, HEATER MOUNTING, UPPER		
4	FC7-8851-000		2	RING, RETAINING		
5	FC7-8856-000		1	TERMINAL, BIAS		
6	FC7-8857-000		1	RING, BIAS		
7	FL2-7395-000		2	BUSHING	[DP]	
8	FC8-6486-000		1	KEY, 86Z GEAR		
9	FC9-0189-000		1	COVER, FIXING, RIGHT		
10	FK2-6478-000		1	THERMISTOR	THM1 [DP]	
11	FK2-6479-000		1	THERMISTOR	THM2 [DP]	
12	FK2-6482-000		1	HEATER, HALOGEN	200V,208V H2,H3	
12	FK2-7252-000		1	HEATER, HALOGEN	230V H2,H3	
13	FL2-7345-000		1	ROLLER, FIXING	[DP]	
14	FM3-2780-000		1	DRAWER ASSEMBLY, 1		
15	FM3-2781-000		1	THERMOSWITCH, FIXING ROLLER	TP1 [DP]	
16	FM3-5235-000		1	FIXING SUB DRIVER PCB ASS'Y, 1		
17	VS1-7177-004		2	CONNECTOR, SNAP TIGHT, BK		
18	VS1-7177-005		1	CONNECTOR, SNAP TIGHT, BK		
19	VS1-7177-012		1	CONNECTOR, SNAP TIGHT, BK		
20	FK2-8546-000		1	FAN	FM63	
21	FU5-9224-000		1	SCREW, BH4X6(YELLOW)		
22	FU7-0832-000		1	GEAR, 86T		
23	XD9-0179-000		1	RIVET		
24	XG9-0421-000		2	BEARING, BALL	[DP]	
25	VS1-7177-003		2	CONNECTOR, SNAP TIGHT, BK		
26	FL2-2168-000		2	PIN, POSITIONING		
501	XD1-1104-129		2	WASHER,COP		

FIGURE 812 FIXING UPPER ASSEMBLY



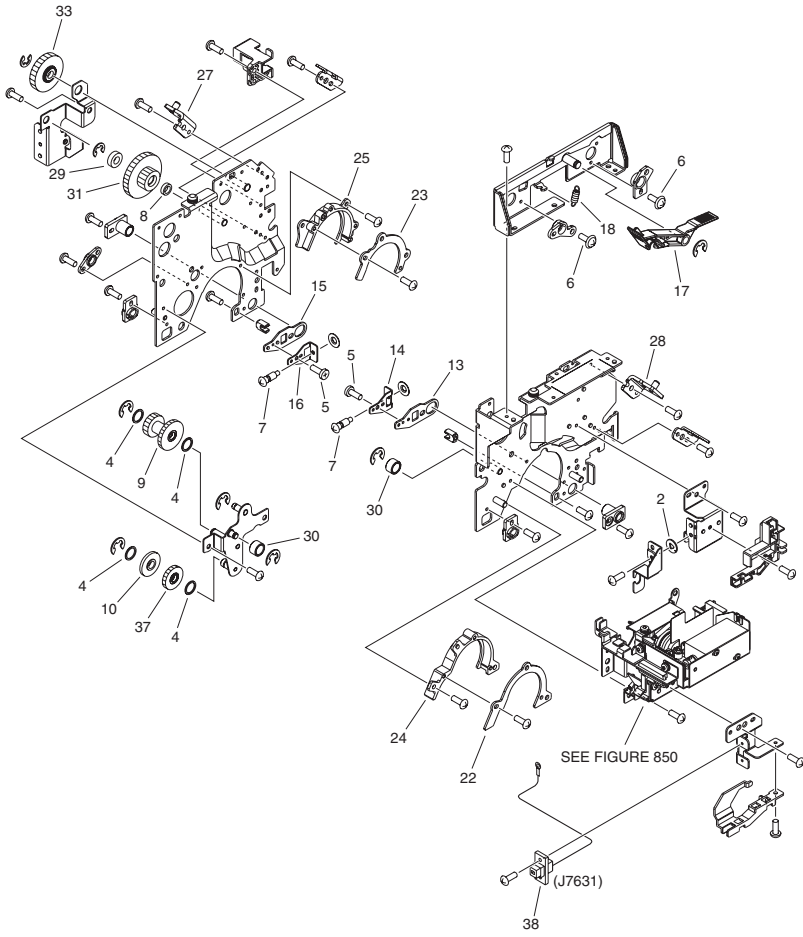
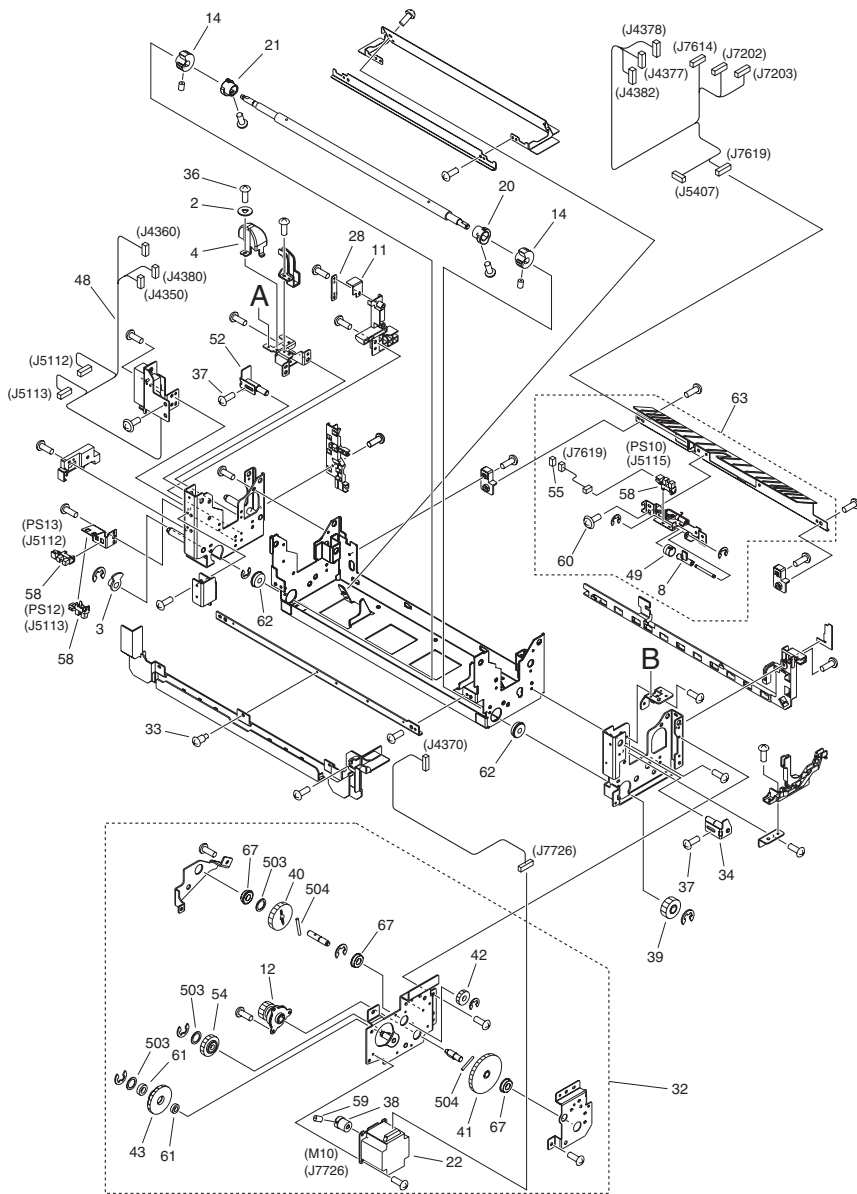


FIGURE & KEY NO.	PARTS NUMBER	R A N K	Q'TY	DESCRIPTION	SERIAL NUMBER/ REMARKS	S V C
Fig.812	NPN		RF	FIXING UPPER ASSEMBLY		
1	FB2-7240-000		5	MOUNT, DOWEL		
2	FC2-2121-000		1	WASHER		
3	XG9-0664-000		5	BALL BEARING, JMK-688ZZNR*D4ML		
4	FC5-9014-000		4	WASHER		
5	XA9-0679-000		2	SCREW, MACH., FLAT HEAD, M3X4		
6	XA9-1249-010		4	SCREW,TP M4X8		
7	FC6-8422-010		2	SCREW, FIXED, M4		
8	XG9-0366-000		1	BEARING, BALL		
9	FU7-0798-000		1	GEAR, 21T/30T		
10	FC6-8576-000		1	SPACER, INNER DELIVERY, SECOND		
11	FC7-4615-000		1	SUPPORT, DAMPER SPRING		
12	FC7-4913-000		1	DAMPER, ONE-WAY		
13	FC7-5757-000		1	RETAINER, BEARING, FRONT,1		
14	FC7-5758-000		1	RETAINER, BEARING, FRONT, 2		
15	FC7-5759-000		1	RETAINER, BEARING, REAR,1		
16	FC7-5760-000		1	RETAINER, BEARING, REAR, 2		
17	FC7-8836-000		1	ARM, INNER PAPER DELIVERY LOCK		
18	FU7-2136-000		1	SPRING, TENSION		
19	FC7-8838-000		5	ROWEL		
20	FC7-8844-000		2	CAM, DESORPTION		
21	FC7-8845-000		1	FLAG, SENSOR		
22	FC7-8871-000		1	PLATE, BEARING HOLDER, FRONT		
23	FC7-8872-000		1	PLATE, BEARING HOLDER, REAR		
24	FC7-8919-000		1	HOLDER, BEARING, FRONT		
25	FC7-8920-000		1	HOLDER, BEARING, REAR		
26	FK2-0149-000		1	PHOTO-INTERRUPTER, TLP1252(C6)	PS16	
27	FL2-2200-000		1	SUPPORT, CROSSMEMBER, REAR		
28	FL2-2201-000		1	SUPPORT, CROSSMEMBER, FRONT		
29	XG9-0415-000		1	BEARING,BALL,688AZZ1*MC3JD4ML		
30	FU5-6249-000		2	ROLLER		
31	FU6-0335-000		1	GEAR, 20T/46T		

FIGURE & KEY NO.	PARTS NUMBER	RANK	Q'TY	DESCRIPTION	SERIAL NUMBER/REMARKS	SVC
32	FU6-0358-000		1	GEAR, 40T		
33	FU6-0409-000		1	GEAR, 38T		
34	FU6-2551-000		1	SPRING, TORSION		
35	FU7-0143-000		1	GEAR, 14T		
36	FU7-0144-000		1	GEAR, 28T		
37	FU7-0149-000		1	GEAR, 23T		
38	FM3-7766-000		1	CABLE, FIXING HEATER		
501	XD3-2300-262		1	PIN,DOWEL		

FIGURE 813 FIXING LOWER ASSEMBLY



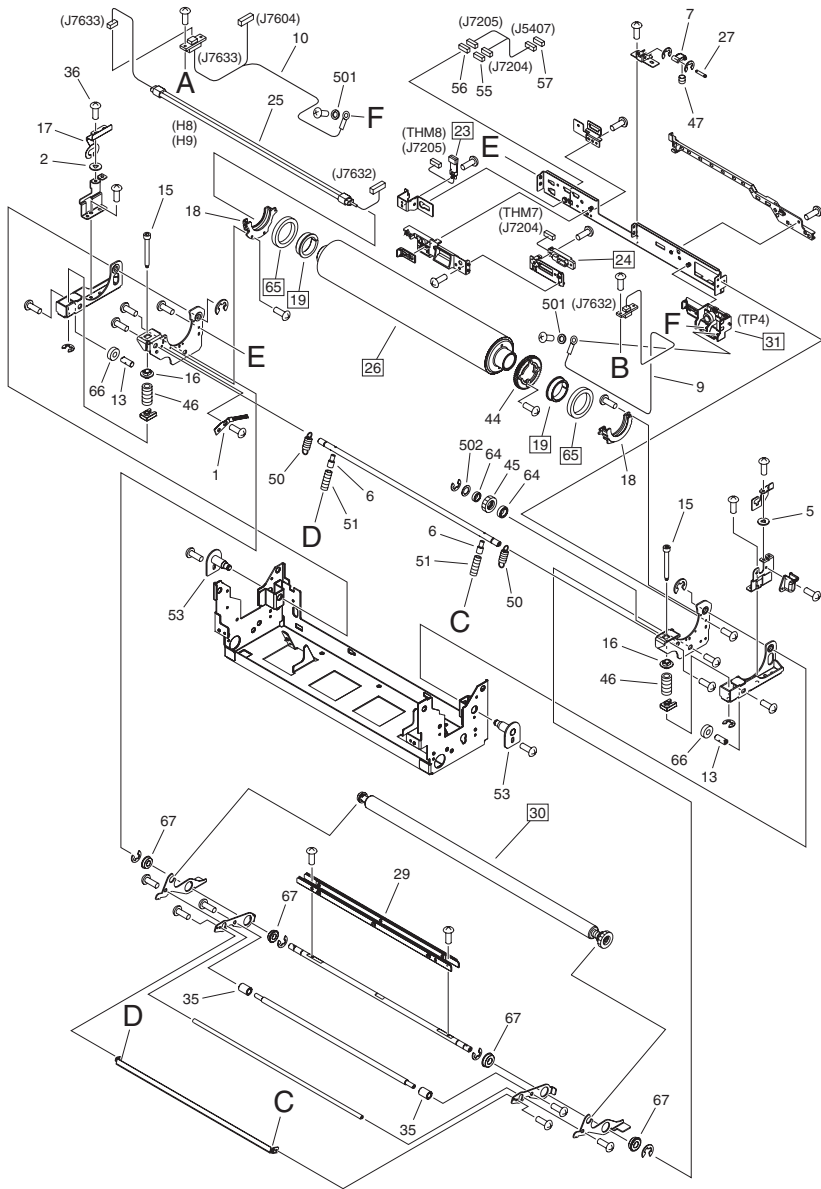
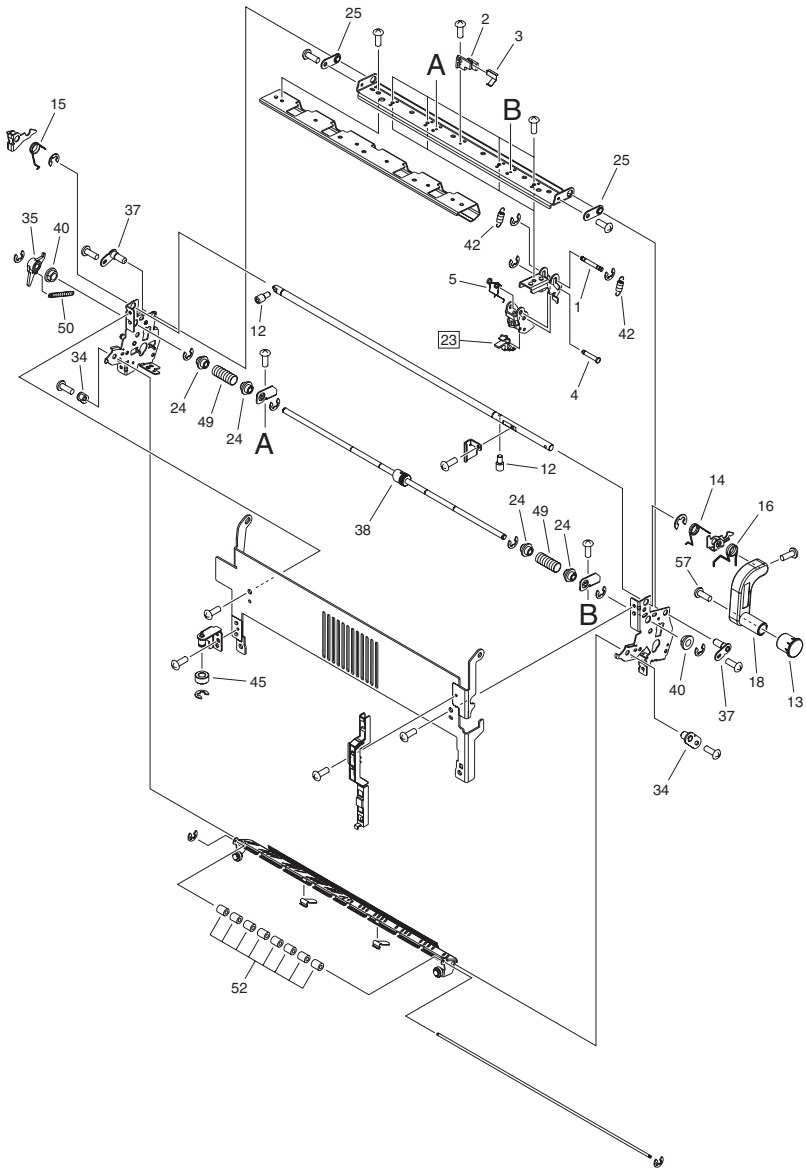


FIGURE & KEY NO.	PARTS NUMBER	R A N K	Q'TY	DESCRIPTION	SERIAL NUMBER/ REMARKS	S V C
Fig.813	NPN		RF	FIXING LOWER ASSEMBLY		
1	FB3-7543-000		1	PLATE, STATIC CHARGE ELI.		
2	FC2-2121-000		2	WASHER		
3	FC6-0416-000		1	FLAG, PRESSURE CAM DETECT, 2		
4	FC7-3441-000		1	COVER, CONNECTOR, 2 LOWER REAR		
5	FC7-3480-000		1	WASHER, M3 RETAINING		
6	FC7-4064-000		2	BOLT, STOPPER		
7	FC7-8553-000		1	BLOCK, PRESSURE		
8	FC7-8558-000		1	ARM, FIXING ENTRANCE SENSOR		
9	FM3-7765-000		1	CABLE, PRESSURE HEATER		
10	FM3-7760-000		1	CABLE, FIXING ROLLER HEATER		
11	FC7-8849-000		1	PLATE, BIAS ELECTRODE		
12	FC7-8877-000		1	GEAR, 24T		
13	FC7-8888-000		2	SHAFT, BEARING		
14	FC7-8889-000		2	CAM, PRESSURE		
15	FC8-9737-000		2	SCREW, ADJUSTING		
16	FC7-8893-000		2	SPACER, PRESSURE		
17	FC8-6481-000		1	SPRING, HEATER MOUNTING, RR.		
18	FC8-6489-000		2	HOLDER, PRESSURE BEARING, FR.		
19	FC8-9693-000		2	BUSHING	[DP]	
20	FC8-9695-000		1	CAM, RF, FRONT		
21	FC8-9696-000		1	CAM, RF, REAR		
22	FK2-3132-000		1	MOTOR, STEPPING, DC	M10	
23	FK2-6478-000		1	THERMISTOR	THM8 [DP]	
24	FK2-6479-000		1	THERMISTOR	THM7 [DP]	
25	FK2-6483-000		1	HEATER, HALOGEN	200V,208V H8,H9	
25	FK2-7253-000		1	HEATER, HALOGEN	230V H8,H9	
26	FL2-7650-000		1	ROLLER, PRESSURE	[DP]	
27	FC7-8555-000		1	SHAFT, SUPPORT		
28	FM2-7196-000		1	HVR PCB ASSEMBLY		
29	FM3-2500-000		1	STATIC CHARGE ELIMINATOR UNIT		
30	FM3-2876-000		1	REFRESH ROLLER ASSEMBLY	[DP]	

FIGURE & KEY NO.	PARTS NUMBER	R A N K	Q'TY	DESCRIPTION	SERIAL NUMBER/ REMARKS	S V C
31	FM3-2784-000		1	THERMOSWITCH, PRESSURE ROLLER	TP4 [DP]	
32	FM3-2792-000		1	ROLLER PRESSURE DRIVE ASSEMBLY		
33	FS1-9010-020		3	SCREW, STEPPED, M3		
34	FL2-2181-000		1	PIN, POSITIONING		
35	FU5-6255-000		2	ROLLER		
36	FU5-9225-000		2	SCREW, W/WASHER, M4X10(YELLOW)		
37	FU5-9224-000		2	SCREW, BH4X6(YELLOW)		
38	FU6-0356-000		1	GEAR, 14T		
39	FU6-0357-000		1	GEAR, 21T		
40	FU6-0358-000		1	GEAR, 40T		
41	FU7-0800-000		1	GEAR, 60T		
42	FU7-0801-000		1	GEAR, 20T		
43	FU7-0803-000		1	GEAR, 20T/43T		
44	FU7-0842-000		1	GEAR, 51T		
45	FU7-0843-000		1	GEAR, 18T		
46	FU7-2119-000		2	SPRING, COMPRESSION		
47	FU7-2161-000		1	SPRING, COMPRESSION		
48	FM3-5259-000		1	FIXING DRAWER CABLE ASS'Y, LW.		
49	FU7-2163-000		1	SPRING, TORSION		
50	FU7-2878-000		2	SPRING, TENSION		
51	FU7-2879-000		2	SPRING, COMPRESSION		
52	FL2-2182-000		1	PIN, POSITIONING		
53	FL2-2184-000		2	PIN, POSITIONING		
54	FU8-0500-000		1	GEAR, 30T		
55	VS1-7177-003		2	CONNECTOR, SNAP TIGHT, BK		
56	VS1-7177-004		1	CONNECTOR, SNAP TIGHT, BK		
57	VS1-7177-007		1	CONNECTOR, 7P, FEMALE, BK		
58	WG8-5783-000		3	IC,PHOTO-INTERRUPTER,LG248NL1A		PS10,PS12,PS13
59	XA9-0934-000		2	SETSCREW,M3X6		
60	XA9-1249-010		2	SCREW,TP M4X8		
61	XG9-0177-000		2	BALL BEARING, NMB DDL-1480ZZR		
62	XG9-0249-000		2	BALL BEARING,608Z, NMB		

FIGURE & KEY NO.	PARTS NUMBER	RANK	Q'TY	DESCRIPTION	SERIAL NUMBER/REMARKS	SVC
63	FM3-2790-000		1	ENTRANCE GUIDE ASSEMBLY	[DP]	
64	XG9-0366-000		2	BEARING, BALL		
65	XG9-0477-000		2	BEARING, BALL,6807ZZL1NSS1C4		
66	XG9-0487-000		2	BEARING, BALL P0		
67	XG9-0664-000		7	BALL BEARING, JMK-688ZZNR*D4ML		
501	XD1-1104-129		2	WASHER,COP		
502	XD1-1106-224		1	WASHER,COP		
503	XD1-1108-215		3	WASHER,COP		
504	XD3-2300-262		2	PIN,DOWEL		

FIGURE 814 INNER PAPER DELIVERY ASS'Y



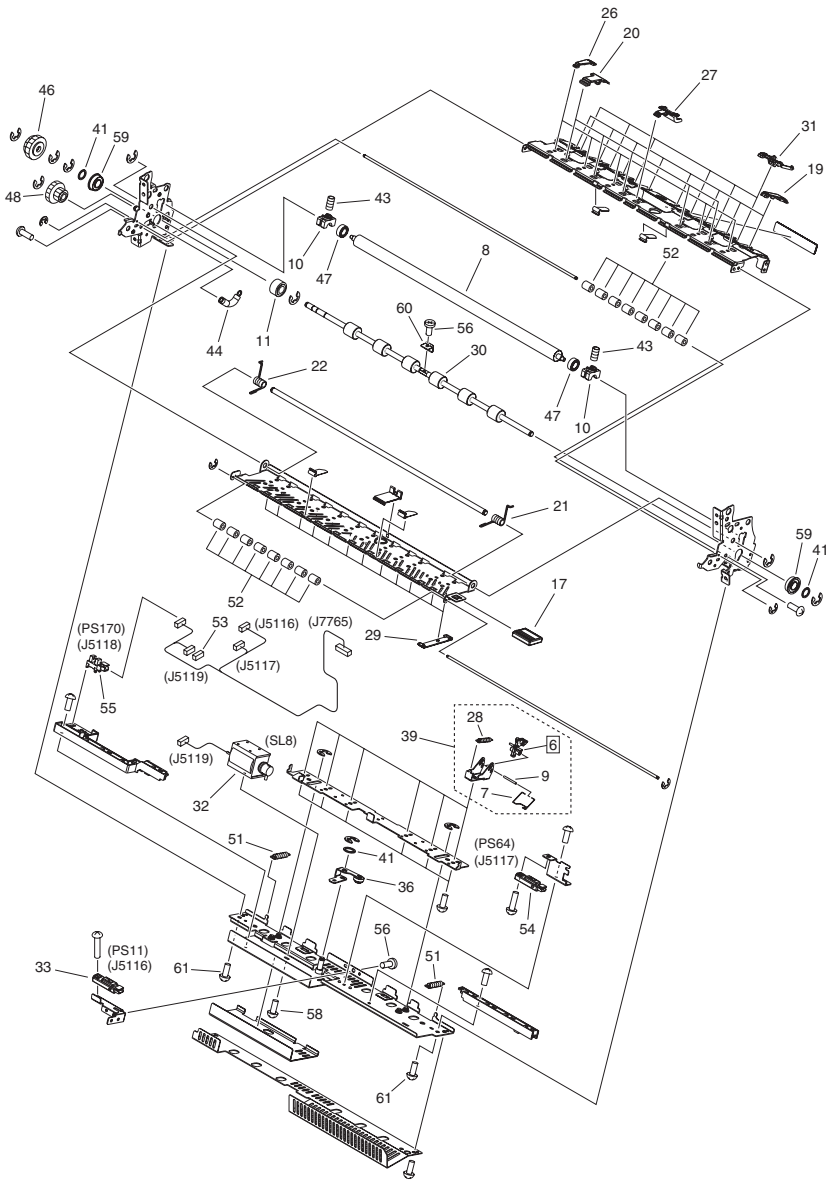


FIGURE & KEY NO.	PARTS NUMBER	R A N K	Q'TY	DESCRIPTION	SERIAL NUMBER/ REMARKS	S V C
Fig.814	FM3-2796-000		1	INNER PAPER DELIVERY ASS'Y		
1	FA3-2764-020		4	ROD 2, SEPARATION CLAW, UPPER		
2	FB2-7168-000		1	MOUNT, PIN		
3	FB2-7169-000		1	PLATE, RATCHET		
4	FB3-8414-000		4	ROD 1, SEPARATION CLAW, UPPER		
5	FB6-0599-000		4	SPRING, TORSION		
6	FM3-2769-000		6	SEPARATION CLAW UNIT	[DP]	
7	FC6-2056-000		6	SPRING, CLAMP, CLAW		
8	FC5-9775-000		1	ROLLER, INTERNAL DELIVERY, U.		
9	FC6-2058-000		6	SHAFT, SUPPORT		
10	FC5-9792-000		2	BUSHING, INNER PAPER DELIVERY		
11	FC6-1260-000		1	SPACER, INNER PAPER DELIVERY		
12	FC7-4064-000		2	BOLT, STOPPER		
13	FC7-4068-010		1	HANDLE, INNER PAPER DELIVERY		
14	FC7-4073-000		1	SPRING, TORSION		
15	FC7-4074-000		1	SPRING, TORSION		
16	FC7-4076-000		1	SPRING, TORSION		
17	FC7-4077-000		1	HANDLE, GUIDE		
18	FC7-4641-000		1	LEVER, SECOND OPEN/CLOSE		
19	FC7-4642-000		8	RIB, INNER DELIVERY, SMALL 2		
20	FC7-4646-000		5	RIB, PAPER DELIVERY, LARGE		
21	FC7-8858-000		1	SPRING, TORSION		
22	FC7-8859-000		1	SPRING, TORSION		
23	FM3-2878-000		4	SEPARATION CLAW UNIT, UPPER	[DP]	
24	FC7-8926-000		4	BUSHING		
25	FC7-8928-000		2	BUSHING		
26	FC7-9740-000		5	RIB, PAPER DELIVERY, SMALL		
27	FC9-7219-000		1	RIB, PAPER DELIVERY, LARGE		
28	FU6-2570-000		6	SPRING, TENSION		
29	FC8-6487-000		12	RIB, INNER DELIVERY OUTER, UP.		
30	FC8-6743-000		1	ROLLER, INNER PAPER DELIVERY		
31	FC8-9738-000		6	RIB, INNER DELIVERY, LARGE 2		

FIGURE & KEY NO.	PARTS NUMBER	R A N K	Q'TY	DESCRIPTION	SERIAL NUMBER/REMARKS	S V C
32	FK2-0831-000		1	SOLENOID	SL8	
33	FK2-7277-000		1	PHOTO-SENSOR, OH-CN13-01	PS11	
34	FL2-2163-000		2	PIN, SEPARATION PLATE FIXED		
35	FL2-7595-000		1	LEVER, CLAW RECIPROCATING		
36	FL2-7652-000		1	ARM, LINK		
37	FL2-7677-000		2	PIN, POSITIONING		
38	FL2-7678-000		1	SHAFT, RECIPROCATING, CAM		
39	FM3-2776-000		6	SEPARATION CLAW ASS'Y, LOWER		
40	FS1-1401-000		2	BUSHING, PL		
41	FS5-6488-000		3	WASHER		
42	FS7-2319-000		8	SPRING,TENSION		
43	FU6-2566-000		2	SPRING, COMPRESSION		
44	FU5-2138-000		1	SPRING, TENSION		
45	FU5-6262-000		1	ROLLER		
46	FU6-0306-000		1	GEAR, 22T		
47	XG9-0484-000		2	BEARING, BALL, DDL-740ZZH		
48	FU7-0812-000		1	GEAR, 20T CAM		
49	FU7-2116-000		2	SPRING, COMPRESSION		
50	FU7-2117-000		1	SPRING, TENSION		
51	FU7-2684-000		2	SPRING, TENSION		
52	RB2-0493-000		24	ROLLER, PAPER SENSOR		
53	VS1-7177-003		1	CONNECTOR, SNAP TIGHT, BK		
54	WG8-5749-000		1	PHOTOSENSOR	PS64	
55	WG8-5783-000		1	IC,PHOTO-INTERRUPTER,LG248NL1A	PS170	
56	XA9-0679-000		2	SCREW, MACH., FLAT HEAD, M3X4		
57	XA9-1038-000		1	SCREW,P,M4X10		
58	XA9-1659-000		2	SCREW,M3X4		
59	XG9-0291-000		2	BEARING, BALL, LOWER ROLLER		
60	FL2-7388-000		1	FIN		
61	FU5-9231-000		2	SCREW, W/WASHER, M3X6(YELLOW)		

FIGURE 830 FIXING CLEANER ASSEMBLY

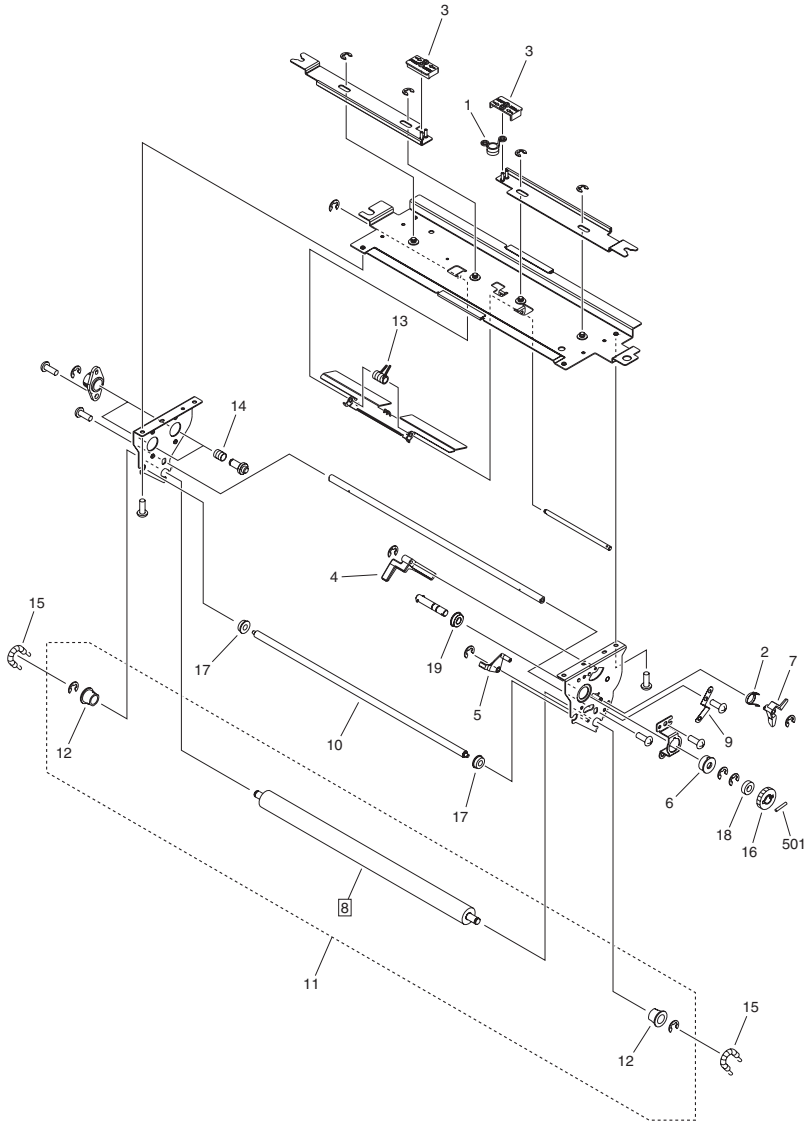


FIGURE & KEY NO.	PARTS NUMBER	R A N K	Q'TY	DESCRIPTION	SERIAL NUMBER/ REMARKS	S V C
Fig.830	FM3-2799-000		1	FIXING CLEANER ASSEMBLY		
1	FB2-8192-000		1	SPRING, TORSION		
2	FC7-0177-000		1	SPRING, TORSION		
3	FC7-8899-000		2	LEVER, DESORPTION		
4	FC7-8905-000		1	ARM, CLEANING ROLL FEEDER		
5	FC9-4852-000		1	ARM, REMNANT SENSOR		
6	FC8-6488-000		1	BUSHING		
7	FC8-9708-000		1	ARM, LINK		
8	FC8-9709-000		1	ROLLER, CLEANING	[DP]	
9	FC8-9715-000		1	PLATE, STATIC CHARGE		
10	FC8-9716-000		1	ROLLER, CLEANING GUIDE		
11	FM3-2777-000		1	ROLLER, CLEANING		
12	FS2-1256-000		2	BUSHING		
13	FS5-2586-000		1	SPRING, TORSION		
14	FU5-2850-000		2	SPRING, COMPRESSION		
15	FU6-2569-000		2	SPRING, TENSION		
16	FU7-0375-000		1	GEAR, 20T		
17	XG9-0329-000		2	BALL BEARING,NSK,MF84ZZ ,P0		
18	XG9-0491-000		1	BEARING, BALL, NSK P0 16MM		
19	XG9-0664-000		1	BALL BEARING, JMK-688ZZNR*D4ML		
501	XD3-2200-122		1	PIN, DOWEL		

FIGURE 840 EXTERNAL HEATING ASSEMBLY

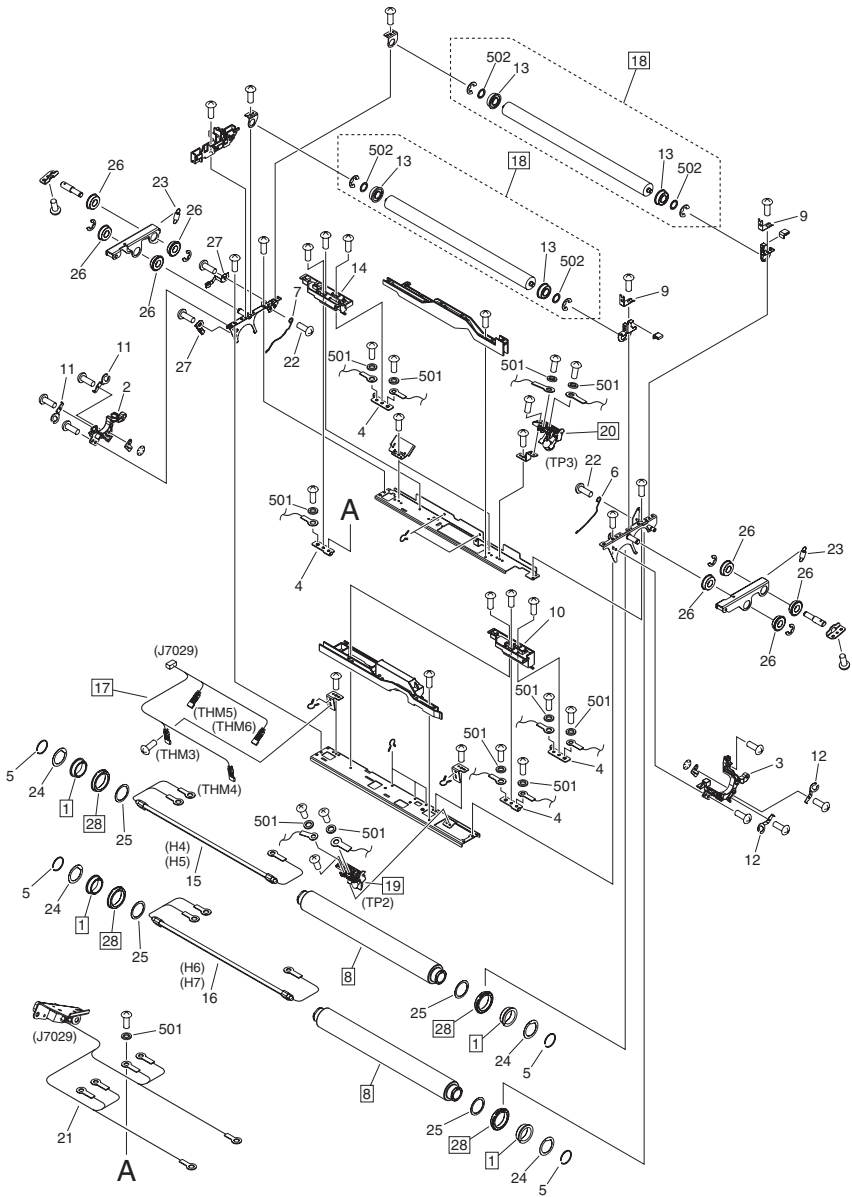


FIGURE & KEY NO.	PARTS NUMBER	R A N K	Q'TY	DESCRIPTION	SERIAL NUMBER/ REMARKS	S V C
Fig.840	FM3-2785-000		1	EXTERNAL HEATING ASSEMBLY	200V,208V [DP]	
Fig.840	FM3-2773-000		1	EXTERNAL HEATING ASSEMBLY	230V [DP]	
1	FC5-2582-000		4	BUSHING	[DP]	
2	FC5-9810-000		1	HOLDER, HEATER, REAR		
3	FC5-9811-000		1	HOLDER, HEATER, FRONT		
4	FC5-9826-000		4	PLATE,SW.HEATER ELECTRODE,R		
5	FC9-7239-000		4	RING, RETAINING		
6	FC9-7203-000		1	CLAMP, ROLLER, FRONT		
7	FC9-7204-000		1	CLAMP, ROLLER, REAR		
8	FC9-7217-000		2	ROLLER, HEATING	[DP]	
9	FC7-4577-000		2	PLATE, RETAINING		
10	FC7-4915-000		1	MOUNT, HEATER TERMINAL		
11	FC7-4935-000		2	PLATE, HEATER MOUNTING		
12	FC7-4936-000		2	SPRING, HEATER MOUNTING		
13	XG9-0756-000		4	BEARING, BALL, MF126ZZ MC4 U76		
14	FC7-7549-000		1	MOUNT, HEATER TERMINAL, FEED		
15	FK2-6480-000		1	HEATER, HALOGEN	200V,208V H4,H5	
15	FK2-7250-000		1	HEATER, HALOGEN	230V H4,H5	
16	FK2-6481-000		1	HEATER, HALOGEN	200V,208V H6,H7	
16	FK2-7251-000		1	HEATER, HALOGEN	230V H6,H7	
17	FK2-7282-000		1	THERMISTOR	THM3,THM4,THM5,THM6 [DP]	
18	FM3-1647-000		2	CLEANING ROLLER ASSEMBLY	[DP]	
19	FM3-2778-000		1	THERMOSWITCH HOLDER UNIT, 1	TP2 [DP]	
20	FM3-2779-000		1	THERMOSWITCH HOLDER UNIT, 2	TP3 [DP]	
21	FM3-5260-000		1	CABLE, OUTER HEAT DRAWER		
22	FS1-9078-020		2	SCREW,STEPPED,M4		
23	FU5-2857-000		2	SPRING, TENSION		
24	FU7-4276-000		4	SPACER		
25	FU5-6263-000		4	WASHER, PLAIN		
26	XG9-0664-000		8	BALL BEARING, JMK-688ZZNR*D4ML		
27	FC9-7237-000		2	PLATE, GROUNDING		

FIGURE & KEY NO.	PARTS NUMBER	RANK	Q'TY	DESCRIPTION	SERIAL NUMBER/REMARKS	SVC
28	XG9-0750-000		4	BEARING, BALL, NTN, 37MM	[DP]	
501	XD1-1104-129		AR	WASHER,COP		
502	XD1-1106-214		4	WASHER,COP		

FIGURE 850 CLEANER DRIVE ASSEMBLY

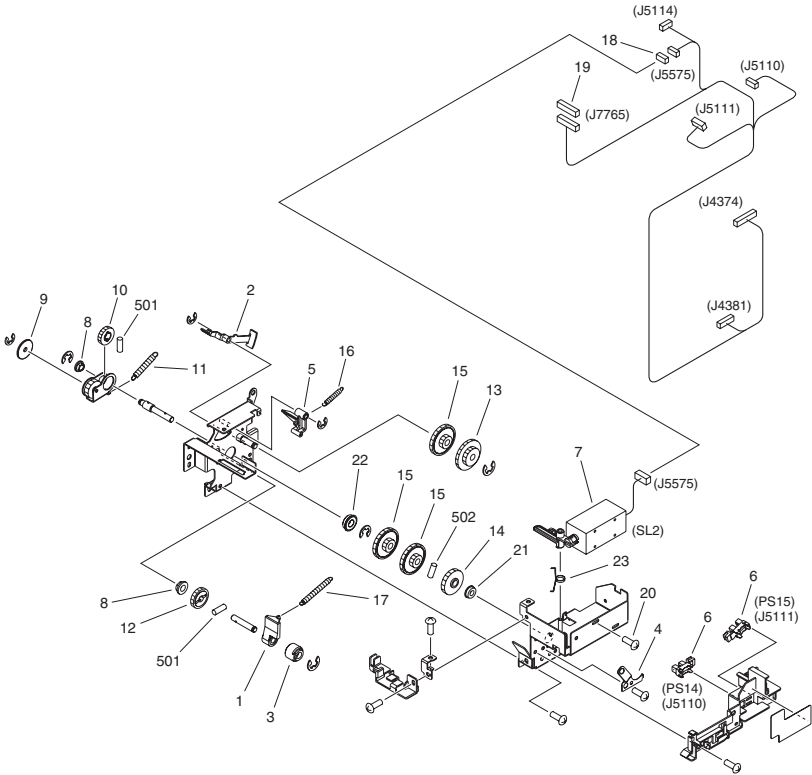


FIGURE & KEY NO.	PARTS NUMBER	R A N K	Q'TY	DESCRIPTION	SERIAL NUMBER/ REMARKS	S V C
Fig.850	FM3-2798-000		1	CLEANER DRIVE ASSEMBLY		
1	FC5-2369-020		1	ARM, ONE-WAY		
2	FC6-1292-000		1	FLAG, REMNANT SENSOR		
3	FC7-7573-000		1	BUSHING, ONE-WAY		
4	FC7-8739-000		1	SPRING, LEAF		
5	FC7-8913-000		1	LEVER, STOPPER		
6	FK2-0149-000		2	PHOTO-INTERRUPTER, TLP1252(C6)	PS14,PS15	
7	FM3-2134-000		1	CLEANER SOLENOID UNIT	SL2	
8	FS1-1569-000		2	BUSHING		
9	FU5-6259-000		1	ROLLER		
10	FU6-0457-000		1	GEAR, 18T		
11	FU6-2545-000		1	SPRING, TENTION		
12	FU7-0794-000		1	GEAR, 36T		
13	FU7-0795-000		1	GEAR, 34T/58T		
14	FU7-0796-000		1	GEAR, 47T		
15	FU7-0797-000		3	GEAR, 23T/58T		
16	FU7-2118-000		1	SPRING, TENSION		
17	FU7-2884-000		1	SPRING, TENSION		
18	VS1-7177-002		1	CONNECTOR, SNAP TIGHT, BK		
19	VS1-7177-015		1	CONNECTOR, SNAP TIGHT, BK		
20	XA9-1659-000		2	SCREW,M3X4		
21	XG9-0291-000		1	BEARING, BALL, LOWER ROLLER		
22	XG9-0664-000		1	BALL BEARING, JMK-688ZZNR*D4ML		
23	FC9-0204-000		1	SPRING, TORSION		
501	XD3-2200-122		2	PIN, DOWEL		
502	XD3-2200-142		1	PIN, PARALLEL		

FIGURE 900 CONTROLLER BOX ASSEMBLY

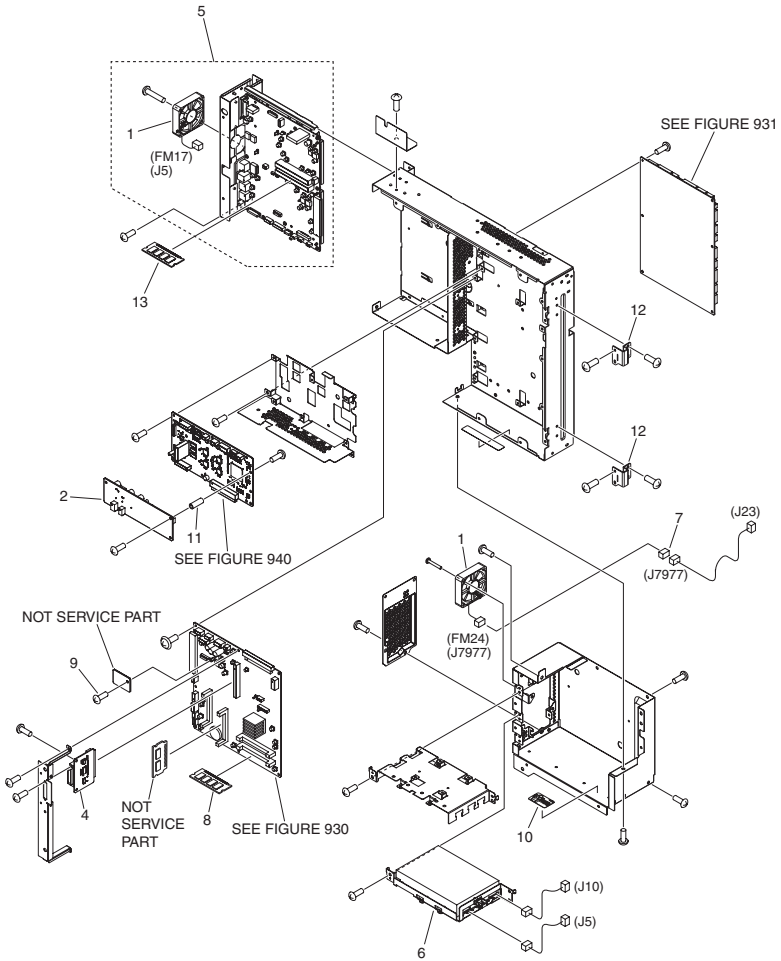


FIGURE & KEY NO.	PARTS NUMBER	RANK	Q'TY	DESCRIPTION	SERIAL NUMBER/REMARKS	SVC
Fig.900	NPN		RF	CONTROLLER BOX ASSEMBLY		
1	FK2-5337-000		2	FAN	FM17,FM24	
2	FM3-5247-000		1	PROCESS UNIT DRIVER PCB ASS'Y		
4	FM3-8325-000		1	READER INTERFACE PCB ASSEMBLY		
5	FM4-1250-000		1	MAIN CONTROLLER PCB ASS'Y, 1	imagePRESS 1135	
5	FM4-1251-000		1	MAIN CONTROLLER PCB ASS'Y, 1	imagePRESS 1125	
5	FM4-1252-000		1	MAIN CONTROLLER PCB ASS'Y, 1	imagePRESS 1110	
6	FM4-1255-000		1	HARD DISK DRIVE UNIT		
7	VS1-7177-003		1	CONNECTOR, SNAP TIGHT, BK		
8	WA7-5320-000		1	DIMM, DN4333-D512HDJ, 512MB		
9	XA9-0465-000		1	SCREW, WWASHER, M3X4		
10	FS7-8107-000		1	LABEL, HD WARNING		
11	VT2-5177-030		3	SPACER, COP		
12	FC8-6662-000		2	HINGE		
13	WA7-5269-000		1	DIMM, D2N667C-X512MEJ		

FIGURE 910 DC POWER SUPPLY ASS'Y, 12V

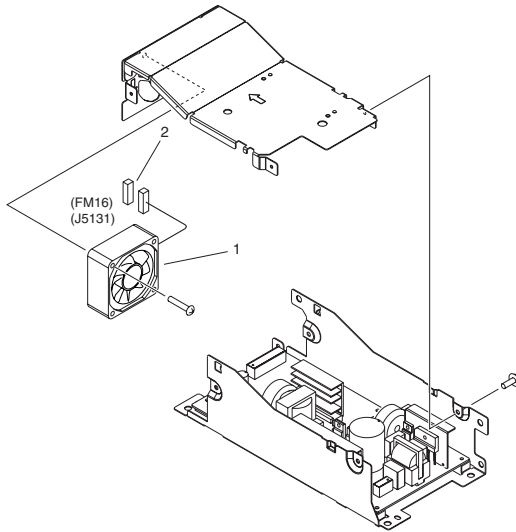


FIGURE & KEY NO.	PARTS NUMBER	RANK	Q'TY	DESCRIPTION	SERIAL NUMBER/REMARKS	SVC
Fig.910	FM3-2422-000		1	DC POWER SUPPLY ASS'Y, 12V		
1	FK2-6484-000		1	FAN	FM16	
2	VS1-7177-003		1	CONNECTOR, SNAP TIGHT, BK		

FIGURE 911 DC POWER SUPPLY ASS'Y, 1(24V)

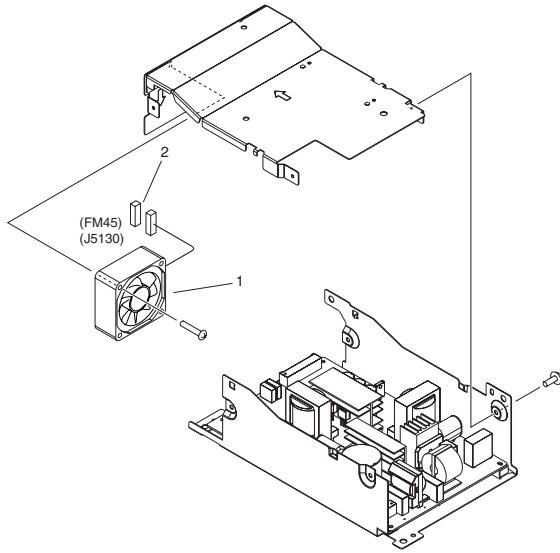


FIGURE & KEY NO.	PARTS NUMBER	RANK	QTY	DESCRIPTION	SERIAL NUMBER/REMARKS	SVC
Fig.911	FM3-2423-000		1	DC POWER SUPPLY ASS'Y, 1(24V)		
1	FK2-6484-000		1	FAN	FM45	
2	VS1-7177-003		1	CONNECTOR, SNAP TIGHT, BK		

FIGURE 912 DC POWER SUPPLY ASS'Y, 2(24V)

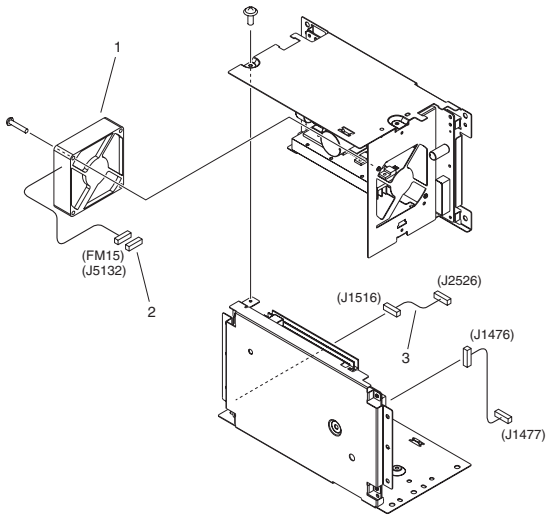


FIGURE & KEY NO.	PARTS NUMBER	R A N K	Q'TY	DESCRIPTION	SERIAL NUMBER/ REMARKS	S V C
Fig.912	FM3-2421-000		1	DC POWER SUPPLY ASS'Y, 2(24V)		
1	FK2-6818-000		1	FAN	FM15	
2	VS1-7177-003		1	CONNECTOR, SNAP TIGHT, BK		
3	FM3-5293-000		1	CABLE, POWER SUPPLY RELAY AC		

FIGURE 913 DC POWER SUPPLY ASS'Y, 3(24V)

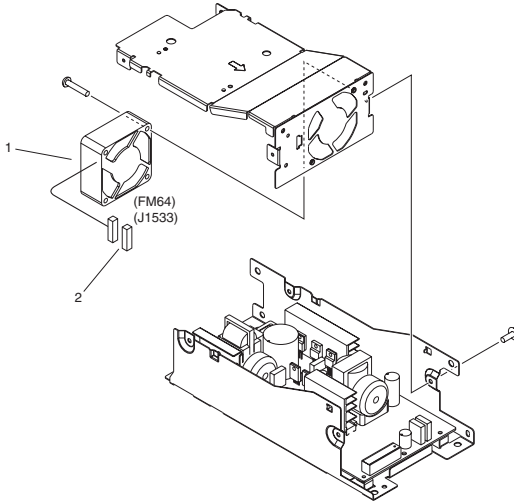


FIGURE & KEY NO.	PARTS NUMBER	RANK	QTY	DESCRIPTION	SERIAL NUMBER/REMARKS	SVC
Fig.913	FM3-2419-000		1	DC POWER SUPPLY ASS'Y, 3(24V)		
1	FK2-6484-000		1	FAN	FM64	
2	VS1-7177-003		1	CONNECTOR, SNAP TIGHT, BK		

FIGURE 930 MAIN CONTROLLER PCB ASS'Y, 2

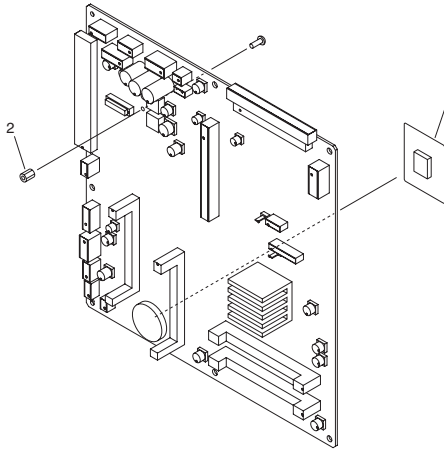


FIGURE & KEY NO.	PARTS NUMBER	RANK	Q'TY	DESCRIPTION	SERIAL NUMBER/REMARKS	SVC
Fig.930	FM4-1256-000		1	MAIN CONTROLLER PCB ASS'Y, 2		
1	FB4-1494-000		1	SHEET, PROTECTIVE		
2	VT2-5177-007		1	SPACER		
IC	FK2-0668-000		1	IC, MB87S1100, ASIC	IC6	
IC	FK2-3218-000		1	IC, MB87L8650, GATE ARRAY	IC31	
IC	FK2-4903-000		1	IC, MB87S4030, ASIC, FUJITSU	IC7	
IC	FK2-5758-000		1	IC, UPD 808000F1-641-RN4-A	IC54	

FIGURE 931 DC CONTROLLER PCB ASSEMBLY

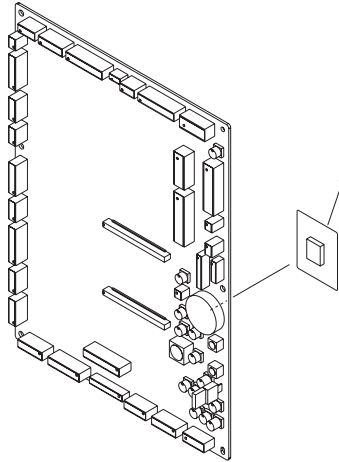


FIGURE & KEY NO.	PARTS NUMBER	RANK	Q'TY	DESCRIPTION	SERIAL NUMBER/REMARKS	SVC
Fig.931	FM3-5252-000		1	DC CONTROLLER PCB ASSEMBLY		
1	FB4-1494-000		1	SHEET, PROTECTIVE		
IC	FH4-6300-000		1	IC, M38871M2-010GP, MCU	IC88	
IC	FK2-1773-000		1	IC,TC200GO2EFG-1031,GATE ARRAY	IC51	
IC	FK2-6443-000		1	IC, FLASH MEMORY, SPANSION	IC1	
IC	FK2-6450-000		3	IC, FSA0AC211AA	IC94,IC95,IC96	
IC	FK2-7263-000		1	IC, R5F61638N50FPV-FK27263	IC86	

FIGURE 940 LASER INTERFACE PCB ASSEMBLY

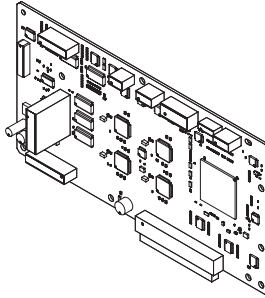
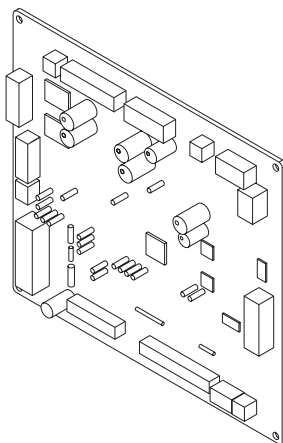


FIGURE & KEY NO.	PARTS NUMBER	RANK	Q'TY	DESCRIPTION	SERIAL NUMBER/REMARKS	SVC
Fig.940	FM3-5237-000		1	LASER INTERFACE PCB ASSEMBLY		
IC	FK2-0104-000		4	IC, PM1100G, PWM	IC20,IC21,IC22,IC28	
IC	FK2-2046-000		1	IC, MB87Q1282PB-GE1,	IC27	

FIGURE 960 PAPER PICK-UP DRIVER PCB ASS'Y



NOTE : This assembly is included in the assembly shown in Figure 190.
注 : このユニットはFigure 190のユニットに含まれます。

FIGURE & KEY NO.	PARTS NUMBER	RANK	QTY	DESCRIPTION	SERIAL NUMBER/REMARKS	SVC
Fig.960	FM3-8481-000		1	PAPER PICK-UP DRIVER PCB ASS'Y	SEE NOTE	
IC	FK2-1773-000		1	IC.TC200GO2EFG-1031,GATE ARRAY	IC104	

FIGURE 961 BUFFER DRIVER PCB ASSEMBLY

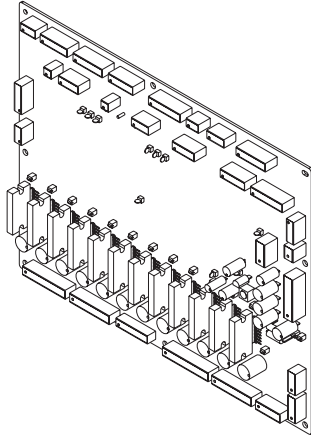


FIGURE & KEY NO.	PARTS NUMBER	RANK	Q'TY	DESCRIPTION	SERIAL NUMBER/REMARKS	SVC
Fig.961	FM3-5229-000		1	BUFFER DRIVER PCB ASSEMBLY		
IC	FK2-1773-000		2	IC,TC200GO2EFG-1031,GATE ARRAY	IC45,IC46	

FIGURE 962 ACTIVE DRIVER PCB ASSEMBLY

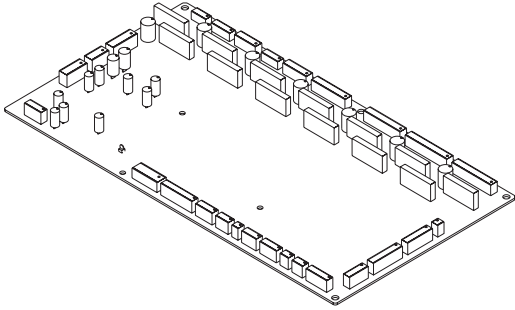


FIGURE & KEY NO.	PARTS NUMBER	RANK	Q'TY	DESCRIPTION	SERIAL NUMBER/REMARKS	SVC
Fig.962	FM3-5230-000		1	ACTIVE DRIVER PCB ASSEMBLY		
IC	FK2-1773-000		2	IC.TC200GO2EFG-1031,GATE ARRAY	IC46,IC47	
IC	FK2-6476-000		1	IC, CNT001S25FL008A0LMFI00	IC7	

FIGURE 963 P-KIT DRIVER PCB ASS'Y

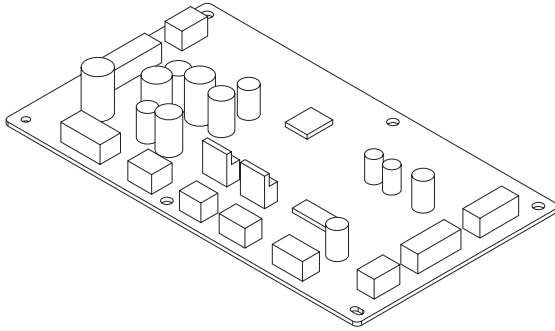


FIGURE & KEY NO.	PARTS NUMBER	RANK	Q'TY	DESCRIPTION	SERIAL NUMBER/REMARKS	SVC
Fig.963	FM3-5231-000		1	P-KIT DRIVER PCB ASS'Y		
IC	FK2-1773-000		1	IC,TC200GO2EFG-1031,GATE ARRAY	IC3	

FIGURE 964

I.T.B. DRIVER PCB ASSEMBLY

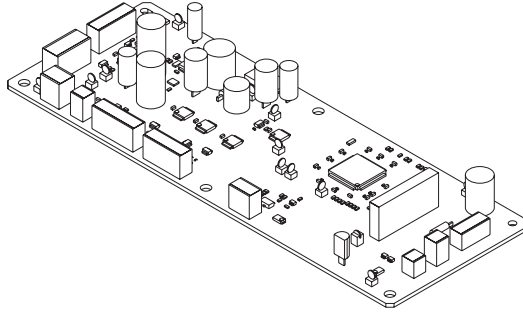


FIGURE & KEY NO.	PARTS NUMBER	RANK	QTY	DESCRIPTION	SERIAL NUMBER/REMARKS	SVC
Fig.964	FM3-5232-000		1	I.T.B. DRIVER PCB ASSEMBLY		
IC	FK2-1773-000		1	IC.TC200GO2EFG-1031,GATE ARRAY	IC301	

FIGURE 965 REVERSE DRIVER PCB ASSEMBLY

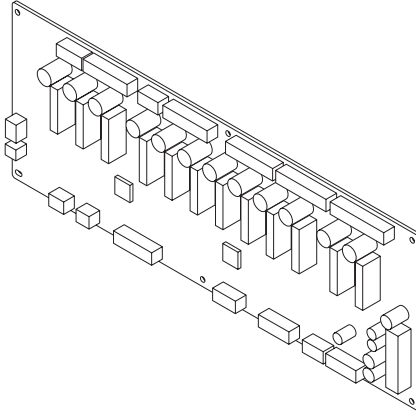


FIGURE & KEY NO.	PARTS NUMBER	RANK	Q'TY	DESCRIPTION	SERIAL NUMBER/REMARKS	SVC
Fig.965	FM3-5233-000		1	REVERSE DRIVER PCB ASSEMBLY		
IC	FK2-1773-000		2	IC,TC200GO2EFG-1031,GATE ARRAY	IC32,IC33	

FIGURE 966 FIXING MAIN DRIVER PCB ASS'Y

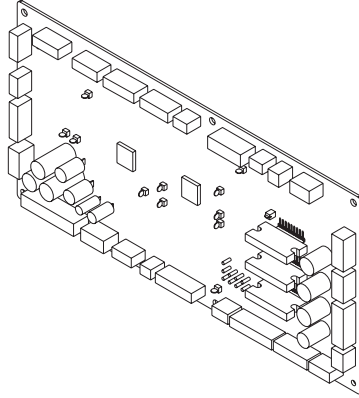


FIGURE & KEY NO.	PARTS NUMBER	RANK	Q'TY	DESCRIPTION	SERIAL NUMBER/REMARKS	SVC
Fig.966	FM3-5234-000		1	FIXING MAIN DRIVER PCB ASS'Y		
IC	FK2-1773-000		2	IC.TC200GO2EFG-1031,GATE ARRAY	IC24,IC25	

FIGURE 980 HIGH VOLTAGE PCB ASSEMBLY

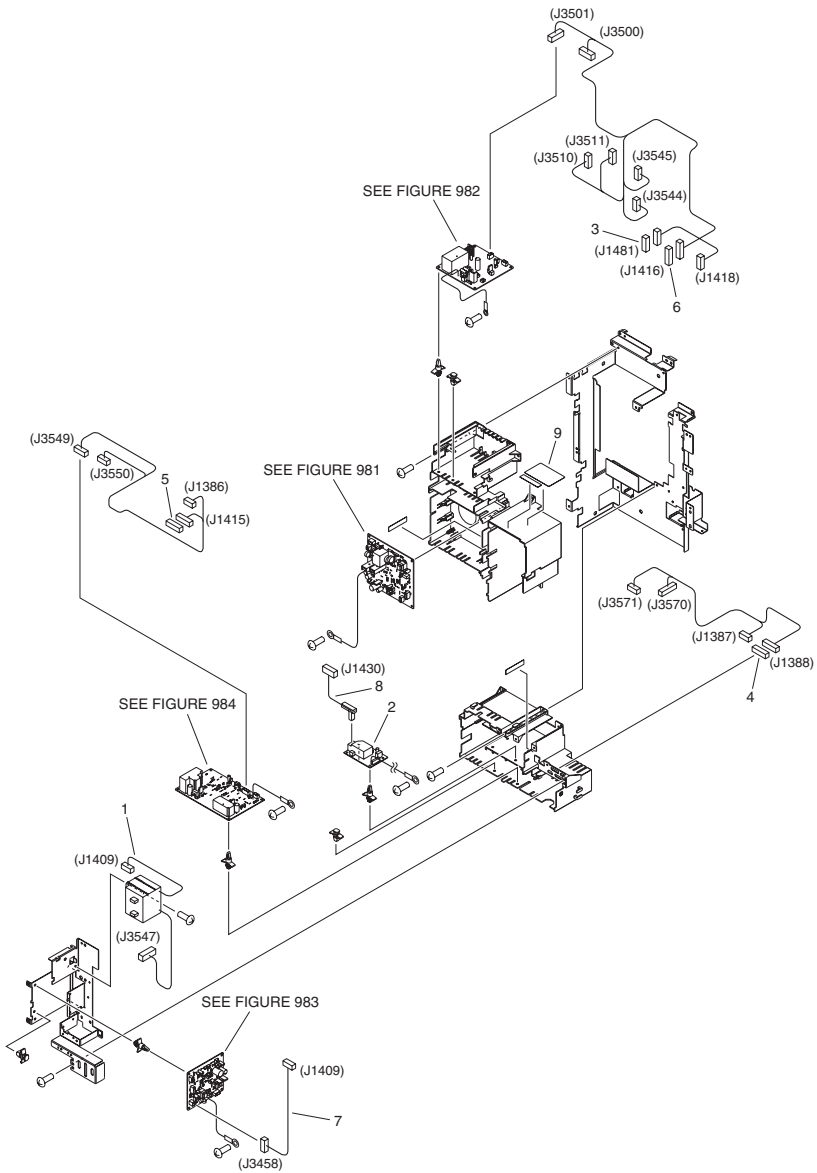


FIGURE & KEY NO.	PARTS NUMBER	RANK	Q'TY	DESCRIPTION	SERIAL NUMBER/REMARKS	SVC
Fig.980	NPN		RF	HIGH VOLTAGE PCB ASSEMBLY		
1	FK2-0105-000		1	TRANSFORMER, H.V.		
2	FK2-7254-000		1	HIGH VOLTAGE PCB ASSEMBLY		
3	VS1-8412-011		1	CONNECTOR, SNAP TIGHT, BL		
4	VS1-8412-015		1	CONNECTOR, SNAP TIGHT, BL		
5	VS1-8412-017		1	CONNECTOR, SNAP TIGHT, BL		
6	VS1-8412-027		1	CONNECTOR, SNAP TIGHT, BL		
7	FM3-7778-000		1	CABLE, DRUM POST		
8	FM3-7779-000		1	CABLE, PRIMARY TRANSFER H.V.		
9	FC9-7231-000		1	LABEL, FAN DIRECTION		

FIGURE 981 DEV. HIGH VOLTAGE PCB ASSEMBLY

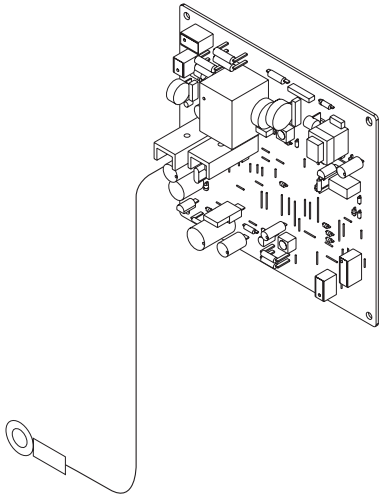


FIGURE & KEY NO.	PARTS NUMBER	RANK	Q'TY	DESCRIPTION	SERIAL NUMBER/REMARKS	SVC
Fig.981	FM3-5240-000		1	DEV. HIGH VOLTAGE PCB ASSEMBLY		
T	FH3-0893-010		1	TRANSFORMER	T300	
T	FK2-7256-000		1	TRANSFORMER, POWER	T200	

FIGURE 982 FIRST CORONA H.V. PCB ASSEMBLY

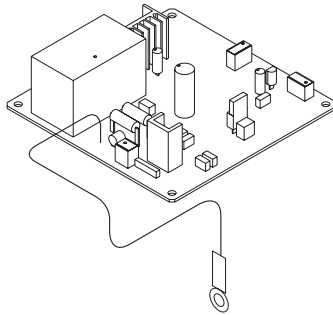


FIGURE & KEY NO.	PARTS NUMBER	RANK	QTY	DESCRIPTION	SERIAL NUMBER/REMARKS	SVC
Fig.982	FM3-5241-000		1	FIRST CORONA H.V. PCB ASSEMBLY		
T	FK2-7255-000		1	TRANSFORMER, POWER	T1	

FIGURE 983 POST HIGH VOLTAGE PCB ASS'Y

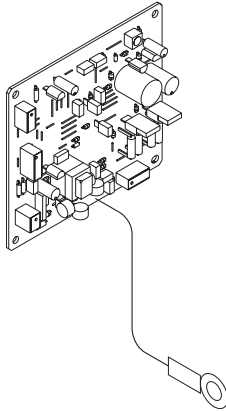


FIGURE & KEY NO.	PARTS NUMBER	RANK	Q'TY	DESCRIPTION	SERIAL NUMBER/REMARKS	SVC
Fig.983	FM3-5254-000		1	POST HIGH VOLTAGE PCB ASS'Y		
T	FH3-0967-000		1	TRANSFORMER, INVERTER	T301	

FIGURE 984 2ND TRNSFR. H.V. PCB ASS'Y

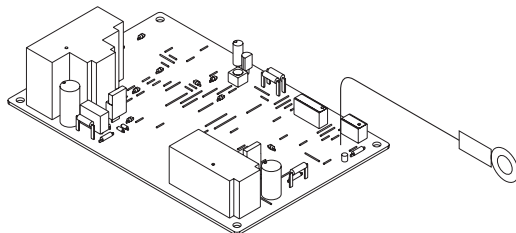


FIGURE & KEY NO.	PARTS NUMBER	RANK	QTY	DESCRIPTION	SERIAL NUMBER/REMARKS	SVC
Fig.984	FM3-5255-000		1	2ND TRNSFR. H.V. PCB ASS'Y		
T	FK2-0527-000		1	TRANSFORMER	T200	
T	FK2-0528-000		1	TRANSFORMER	T300	

FIGURE 985 FIXING HIGH VOLTAGE PCB ASS'Y

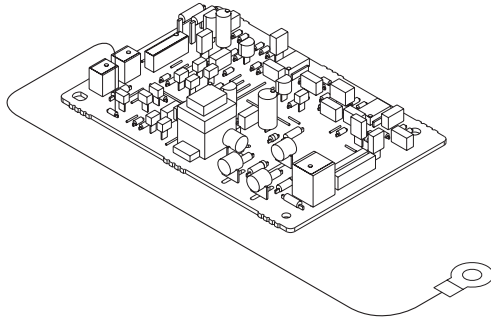


FIGURE & KEY NO.	PARTS NUMBER	RANK	Q'TY	DESCRIPTION	SERIAL NUMBER/REMARKS	SVC
Fig.985	FM3-5253-000		2	2ND TRNSFR./FIXING H.V. PCB		
T	FH3-0967-000		1	TRANSFORMER, INVERTER	T200	

FIGURE ZZA

MECHANICAL STANDARD PARTS (HOW TO USE)

Mechanical standard parts

機械標準部品

About a mechanical standard parts

A Mechanical standard parts is a mechanical part which not parts peculiar to a product. They are parts which are common to a Canon product and are used, such as a screw and a washer. The Fig No. and parts number of the mechanical standard parts are not listed in the product parts catalog. Refer to the parts catalog of mechanical standard parts when checking the parts number for screw or washer etc. and identify them by part shape or size.

機械標準部品とは

機械標準部品とは、製品特有の部品ではなく、ねじやワッシャなどキヤノン製品共通で使用されている機械部品(メカ部品)のことです。
製品のパーツカタログには、機械標準部品のFig No.や部品番号は記載しておりません。
ねじや、ワッシャ等の部品番号を調べるときは、機械標準部品のパーツカタログを参照し、部品の形状や大きさから判断し、使用している部品を調べてください。

Material and surface treatment of a mechanical standard parts

Material and surface treatment of mechanical standard parts are assigned commonly for each part. Refer to the Table 1 for the parts which material and surface treatment are assigned as numbers.

機械標準部品の材料および表面処理

機械標準部品の材料および表面処理については、各種部品共通で決められています。
材料および表面処理が番号で決められている部品については、表1を参照してください。

Table 1 Material and Surface treatment

表1 材料および表面処理

No. 番号	Material 材料	Surface treatment 表面処理	Color 色
1	Stainless steel ステンレス	Stainless steel black coloring (BC4) ステンレス黒着色(BC4)	Black 黒
2		not to be given なし	White 白
3	Brass 黄銅	Regular nickel plating (NL) 普通ニッケルメッキ(NL)	White 白
4		Black nickel plating (BN) 黒色ニッケルメッキ(BN)	Black 黒
5	Steel 鋼	White zinc trivalent chromate treating (ZC3) 白色亜鉛3価クロメート(ZC3)	White 白
6		Regular nickel chromium plating (NC) 普通ニッケルクロムメッキ(NC)	White 白
7		Regular nickel plating (NL) 普通ニッケルメッキ(NL)	White 白
8		Iron and steel phosphating (P1) 鉄鋼磷酸塩処理(P1)	Black 黒
9		Black zinc trivalent chromate treating (BZ3) 黒色亜鉛3価クロメート(BZ3)	Black 黒

FIGURE ZZB MECHANICAL STANDARD PARTS (SCREWS)

1. Screws ねじ

How to read Parts Numbers
部品番号の見方

Screws
ねじ

XB1-2400-609

Type No.
類別番号

Normal designation (d)
ねじの呼び(d)

Length (L)
ねじの長さ(L)

Material and Surface treatment
材料および表面処理

XB1-2 expresses Binding head machine screw.
XB1-2は、バインドねじを表す

40 expresses M4.0.
40は、M4.0を表す

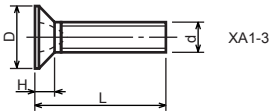
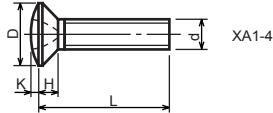
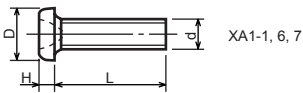
0-60 expresses a length of 6.0mm.
0-60は、6.0mmの長さを表す

9 expresses Steel (Black zinc trivalent chromate
treating) from Table 1.

9は、表1より鋼(黒色亜鉛3価クロメート)を表す

1-1. Cross Recessed Head Screws for Precision Equipments

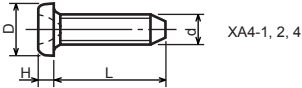
精密機器用十字穴付き小ねじ



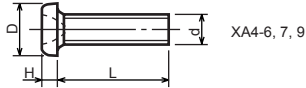
Type No. 類別番号	Type 類別
XA1-1	Pan head Class 1 なべ1種
XA1-3	Countersunk head Class 1 さら1種
XA1-4	Oval countersunk head Class 1 丸さら1種
XA1-6	Pan head Class 3 なべ3種
XA1-7	Pan head Class 2 なべ2種

		Head size (mm) 頭部寸法 (mm)					
		M1.4	M1.6	M1.7	M2	M2.5	M2.6
D	XA1-1	2	2.4	2.5	3	3.8	4
H	XA1-1	0.5	0.55	0.5	0.6	0.9	0.8
D	XA1-3	2	2.4	2.5	3	3.8	4
H	XA1-3	0.48	0.55	0.58	0.73	0.85	0.93
D	XA1-4	2	2.4	2.5	3	3.8	4
H + K	XA1-4	0.68	0.8	0.88	1	1.25	1.3
D	XA1-6	2.5	2.8	3	3.5	4.3	4.5
H	XA1-6	0.8	0.85	0.9	1	1.3	1.2
D	XA1-7	2.5	2.8	3	3.5	4.3	4.5
H	XA1-7	0.5	0.55	0.5	0.6	0.9	0.8

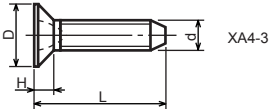
1-2. Precision Tapping Screws
精密用タッピンねじ



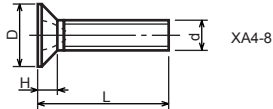
XA4-1, 2, 4



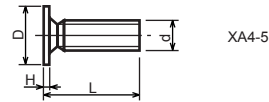
XA4-6, 7, 9



XA4-3



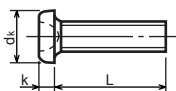
XA4-8



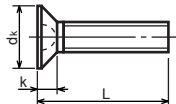
XA4-5

Type No. 類別番号	Type 類別	Head size (mm) 頭部寸法 (mm)						
		M1.4	M1.6	M1.7	M2	M2.5	M2.6	
XA4-1	With tapered end pan head Class 1 絞りなべ1種	D XA4-1	2	2.4	2.5	3	3.8	4
		H XA4-1	0.5	0.55	0.5	0.6	0.9	0.8
XA4-2	With tapered end pan head Class 3 絞りなべ3種	D XA4-2	2.5	2.8	3	3.5	4.3	4.5
		H XA4-2	0.8	0.85	0.9	1	1.3	1.2
XA4-3	With tapered end countersunk head 絞り-さら	D XA4-3	2	2.4	2.5	3	3.8	4
		H XA4-3	0.48	0.55	0.58	0.73	0.85	0.93
XA4-4	With tapered end pan head Class 2 絞りなべ2種	D XA4-4	2.5	2.8	3	3.5	4.3	4.5
		H XA4-4	0.5	0.55	0.5	0.6	0.9	0.8
XA4-5	With parallel end ultra thin head ストレート-超薄頭	D XA4-5	2.5	2.8	3	-	-	-
		H XA4-5	0.2	0.2	0.2	-	-	-
XA4-6	With parallel end pan head Class 1 ストレートなべ1種	D XA4-6	2	2.4	2.5	3	3.8	4
		H XA4-6	0.5	0.55	0.5	0.6	0.9	0.8
XA4-7	With parallel end pan head Class 3 ストレートなべ3種	D XA4-7	2.5	2.8	3	3.5	4.3	4.5
		H XA4-7	0.8	0.85	0.9	1	1.3	1.2
XA4-8	With parallel end countersunk head ストレート-さら	D XA4-8	2	2.4	2.5	3	3.8	4
		H XA4-8	0.48	0.55	0.58	0.73	0.85	0.93
XA4-9	With parallel end pan head Class 2 ストレートなべ2種	D XA4-9	2.5	2.8	3	3.5	4.3	4.5
		H XA4-9	0.5	0.55	0.5	0.6	0.9	0.8

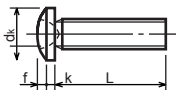
1-3. Cross Recessed Head Screws
 一般用十字穴付き小ねじ



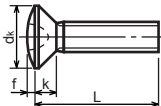
XB1-1



XB1-3



XB1-2

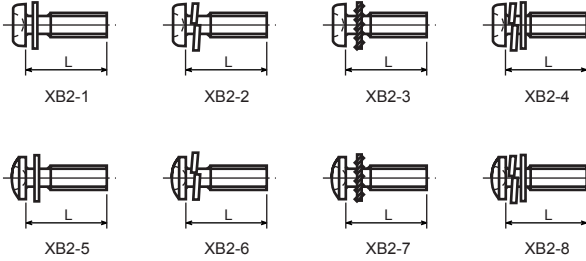


XB1-4

Type No. 類別番号	Type 類別
XB1-1	Pan head なべ
XB1-2	Binding head バインド
XB1-3	Countersunk head さら
XB1-4	Oval countersunk head 丸さら

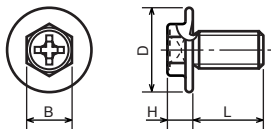
		Head size (mm) 頭部寸法 (mm)					
		M2	M2.5	M2.6	M3	M4	M5
dk	XB1-1	3.5	4.5	4.5	5.5	7	9
k	XB1-1	1.3	1.7	1.7	2	2.6	3.3
dk	XB1-2	4.3	5.3	5.5	6.3	8.3	10.3
k+f	XB1-2	1.2	1.5	1.6	1.9	2.5	3.1
dk	XB1-3	4	5	-	6	8	10
k	XB1-3	1.2	1.45	-	1.75	2.3	2.8
dk	XB1-4	4	5	-	6	8	10
k+f	XB1-4	1.6	2	-	2.45	3.2	4
Screw part length ねじ部長さ b		8	12	12	12	16	20

1-4. Cross Recessed Head Screws with Captive Washer
座金組込み十字穴付き小ねじ



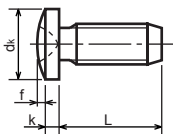
Type No. 類別番号	Type 類別
XB2-1	Pan head + Plain washer (circular bright) なべねじ+平座金
XB2-2	Pan head + Spring washer なべねじ+ばね座金
XB2-3	Pan head + Toothed lock washer なべねじ+歯付座金
XB2-4	Pan head + Spring washer and plain washer (circular bright) なべねじ+(ばね+平)座金
XB2-5	Binding head + Plain washer (circular bright) バインドねじ+平座金
XB2-6	Binding head + Spring washer バインドねじ+ばね座金
XB2-7	Binding head + Toothed lock washer バインドねじ+歯付座金
XB2-8	Binding head + Spring washer and plain washer (circular bright) バインドねじ+(ばね+平)座金

1-5. Hexagon Head Tapping Screws for Metallic Materials
 金属用六角タッピンねじ



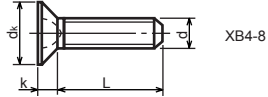
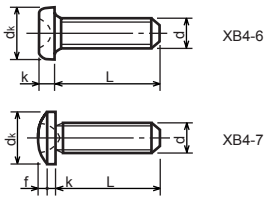
Type No. 類別番号	Type 類別	Head size (mm) 頭部寸法 (mm)	
		M3	M4
XB3-6	For metallic materials 金属用タッピン	D	8 10
		B	5.5 5.5
XB3-7	For metallic materials with clawed 金属用タッピン-つめ付き	H XB3-6	3.1 3.1
		H XB3-7	3.2 3.2

1-6. Special Tapping Screws
 特殊タッピンねじ



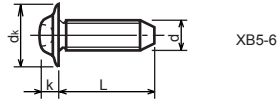
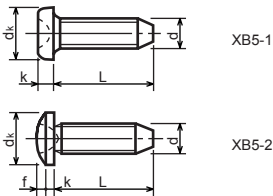
Type No. 類別番号	Type 類別	Head size (mm) 頭部寸法 (mm)	
		M3	M4
XB4-5	Binding head バインド	d _k	6.3 8.3
		k	1.3 1.7
		k+f	1.9 2.5

1-7. General Head Tapping Screws
一般用タッピンねじ



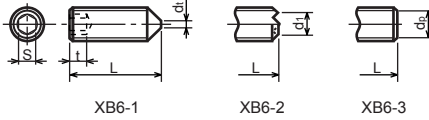
Type No. 類別番号	Type 類別	Head size (mm) 頭部寸法 (mm)						
		M2	M2.5	M2.6	M3	M4	M5	
XB4-6	Pan head なべ	d_k XB4-6	3.5	4.5	4.5	5.5	7	9
		k XB4-6	1.3	1.7	1.7	2	2.6	3.3
XB4-7	Binding head バインド	d_k XB4-7	4.3	5.3	5.5	6.3	8.3	10.3
		$k+f$ XB4-7	1.2	1.5	1.6	1.9	2.5	3.1
XB4-8	Countersunk head さら	d_k XB4-8	4	5	5.2	6	8	10
		k XB4-8	1.2	1.45	1.5	1.75	2.3	2.8

1-8. Tapping Screws for Metallic Materials
金属用タッピンねじ



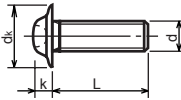
Type No. 類別番号	Type 類別	Head size (mm) 頭部寸法 (mm)					
		M2.5	M2.6	M3	M4	M5	
XB5-1	Pan head なべ	d_k XB5-1	4.5	4.5	5.5	7	9
		k XB5-1	1.7	1.7	2	2.6	3.3
XB5-2	Binding head バインド	d_k XB5-2	5.5	5.5	6.3	8.3	10.3
		$k+f$ XB5-2	1.6	1.6	1.9	2.5	3.1
XB5-6	Flanged pan head つば付きなべ	d_k XB5-6	6.5	6.5	8	10	12
		k XB5-6	2.1	2.1	1.75	3.2	4

1-9. Hexagon Socket Set Screws
六角穴付止めねじ



Type No. 類別番号	Type 類別	Head size (mm) 頭部寸法 (mm)							
		M1.6 M1.7	M2	M2.5 M2.6	M3	M5	M5	M6	
XB6-1	Cone point とがり先	S	0.7	0.9	1.3	1.5	2	2.5	3
		t	1.5	1.7	2	2	2.5	3	3.5
		d _{t max} XB6-1	0.4	0.5	0.65	0.75	1	1.25	1.5
		d _{l max} XB6-2	-	1.2	1.5	1.7	2.2	2.8	3.3
		d _{l min} XB6-2	-	1	1.2	1.4	1.9	2.4	2.9
		d _{p max} XB6-3	0.8	1	1.5	2	2.5	3.5	4
		d _{p min} XB6-3	0.55	0.75	1.25	1.75	2.25	3.2	3.7

1-10. Flanged Pan Head Machine Screws
つば付きなべ小ねじ



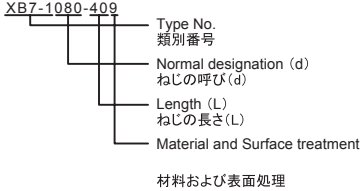
Type No. 類別番号	Type 類別	Head size (mm) 頭部寸法 (mm)					
		M2	M2.5 M2.6	M3	M5	M5	
XB6-7	Flanged pan head つば付きなべ	d _k	5	6.5	8	10	12
		k	1.7	2.1	2.5	3.2	4

FIGURE Z2C MECHANICAL STANDARD PARTS (BOLTS)

2. Bolts (Socket head cap screw) ボルト

How to read Parts Numbers
部品番号の見方

Bolt (Socket head cap screw)
ボルト



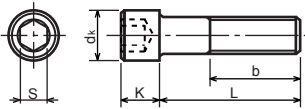
XB7-1 expresses Hexagon socket head cap screws.
XB7-1は、六角穴付きボルトを表す

080 expresses M8.0.
080は、M8.0を表す

40 expresses a length of 40mm.
40は、40mmの長さを表す

9 expresses Steel (Black zinc trivalent chromate treating) from Table 1.
9は、表1より鋼(黒色亜鉛3価クロメート)を表す

2-1. Hexagon socket head cap screws 六角穴付きボルト



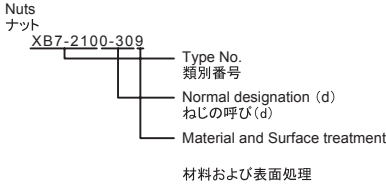
Type No. 類別番号	Type 類別
XB7-1	Hexagon socket head cap screws 六角穴付きボルト

	Head size (mm) 頭部寸法 (mm)						
	M3	M4	M5	M6	M8	M10	M12
S	2.5	3	4	5	6	8	10
d _k	5.5	7	8.5	10	13	16	18
K	3	4	5	6	8	10	12
Screw part length ねじ部長さ b _{max}	18	20	22	24	28	32	36

FIGURE ZZD MECHANICAL STANDARD PARTS (NUTS)

3. Nuts ナット

How to read Parts Numbers
部品番号の見方

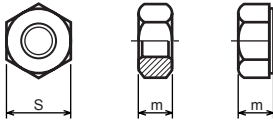


XB7-210 expresses Hexagon nut class 1.
XB7-210は、六角ナット1種を表す

0-30 expresses M3.0.
0-30は、M3.0を表す

9 expresses Steel (Black zinc trivalent chromate treating) from Table 1.
9は、表1より鋼(黒色亜鉛3価クロメート)を表す

3-1. Hexagon Nuts and Hexagon Thin Nuts 六角ナット



Type No. 類別番号	Type 類別
XB7-210	Hexagon nut Class 1 六角ナット-1種
XB7-220	Hexagon nut Class 3 六角ナット-3種
XB7-230	Hexagon nut Style 1 double chamfered 六角ナット-スタイル1-両面とり
XB7-231	Hexagon nut Style 1 washer faced 六角ナット-スタイル1-座付き
XB7-240	Hexagon nut Style 2 double chamfered 六角ナット-スタイル2-両面とり
XB7-241	Hexagon nut Style 2 washer faced 六角ナット-スタイル2-座付き
XB7-250	Hexagon nut 六角ナット
XB7-260	Hexagon thin nut double chamfered 六角低ナット-両面とり
XB7-270	Hexagon thin nut not chamfered 六角低ナット-面とり無し

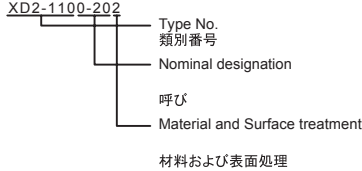
	Head size (mm) 頭部寸法 (mm)						
	M2	M2.5	M3	M4	M5	M6	M8
S	4	5	5.5	7	8	10	13
m XB7-210	1.6	2	2.4	3.2	4	5	6.5
m XB7-220	1.2	1.6	1.8	2.4	3.2	3.6	5
m XB7-230, 231	1.6	2	2.4	3.2	4.7	5.2	6.8
m XB7-240, 241	-	-	-	-	5.1	5.7	7.5
m XB7-250	-	-	-	-	5.6	6.1	7.9
m XB7-260	1.2	1.6	1.8	2.2	2.7	3.2	4
m XB7-270	1.2	1.6	1.8	2.2	2.7	3.2	4

FIGURE ZZE MECHANICAL STANDARD PARTS (RETAINING RINGS)

5. Retaining Rings 止め輪

How to read Parts Numbers
部品番号の見方

Retaining Rings 止め輪



XD2-110 expresses retaining ring-E type (Type1).
XD2-110は、E形止め輪(1種)を表す

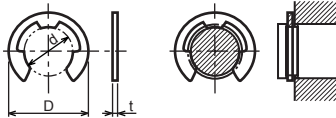
0-20 expresses a 020 of nominal designation.
(See Table 5)

0-20は、呼び020を表す(表5参照)

2 expresses Stainless steel (Surface treatment is not to be given) from Table 1.

2は、表1よりステンレス(表面処理なし)を表す

5-1. Retaining Rings - E type E形止め輪

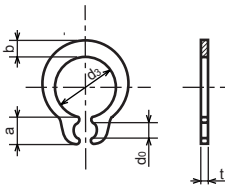


Type No. 類別番号	Type 類別
XD2-110	Retaining ring - E type (Type 1) E形止め輪(1種)
XD2-120	Retaining ring - E type (Type 2) E形止め輪(2種)

Table 5 表5

Type 種類	Nominal designation 呼び	d (mm)	D (mm)	t (mm)
Type 1 1種	007	0.65	2	0.2
	010	0.95	2.8	0.2
	013	1.25	3.3	0.3
	017	1.65	4.2	0.4
	020	1.95	4.6	0.5
	024	2.35	6	0.6
	028	2.74	6.5	0.6
	032	3.14	7.2	0.6
	037	3.64	8	0.7
	040	3.93	10	0.7
	042	4.13	10	0.7
	050	4.93	11	0.7
	058	5.73	12	0.7
	060	5.93	12.7	0.9
	064	6.32	13.5	0.9
	074	7.31	15	0.9
	080	7.91	16.5	1
Type 2 2種	008	0.8	2	0.2
	012	1.2	3	0.3
	015	1.5	4	0.4
	020	2	5	0.4
	025	2.5	6	0.4
	030	3	7	0.6
	040	4	9	0.6
	050	5	11	0.6
	060	6	12	0.8
	070	7	14	0.8
	080	8	16	0.8
	090	9	18	0.8
	100	10	20	1

5-2. Grip Rings
グリップ止め輪

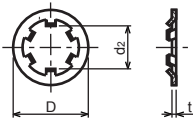


Type No. 類別番号	Type 類別
XD2-210	Grip ring グリップ止め輪

Table 5 表5

Nominal designation 呼び	d ₃ (mm)	t (mm)	b (mm)	a (mm)	d ₀ (mm)
020	1.9	0.5	1	1.8	0.8
025	2.35	0.5	1.2	1.9	0.9
030	2.85	0.6	1.4	1.9	0.9
035	3.3	0.6	1.6	2	0.9
040	3.8	0.8	1.8	2.8	1.2
045	4.25	0.8	2	2.9	1.3
050	4.75	0.8	2.2	2.9	1.3
060	5.7	1	2.4	3.1	1.4
070	6.7	1	2.7	3.3	1.4
080	7.7	1	3	3.5	1.4
090	8.65	1.2	3.3	4.7	1.5
100	9.65	1.2	3.5	4.7	2

5-3. Toothed Retaining Rings
歯付き形止め輪



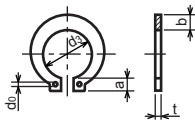
Type No. 類別番号	Type 類別
XD2-230	Toothed retaining ring 歯付き形止め輪

Table 5 表5

Nominal designation 呼び	d _z (mm)	D (mm)	t (mm)	No of teeth 歯数
015	1.4	5.2	0.25	3
020	1.9	6	0.25	3
024	2.3	6.4	0.25	3
030	2.8	8	0.25	4
040	3.8	9	0.25	4
050	4.8	10	0.25	5
060	5.8	11	0.25	5
080	7.8	13	0.25	5
100	9.8	15.4	0.25	6

5-4. Retaining Rings - C Type

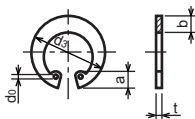
C形止め輪



Type No. 類別番号	Type 類別
XD2-310	Retaining ring - C type for shaft C形止め輪 軸用

Table 5 表5

Nominal designation 呼び	d ₃ (mm)	t (mm)	b (mm)	a (mm)	d ₀ (mm)
010	9.3	1	1.6	3	1.2
012	11.1	1	1.8	3.2	1.5
014	12.9	1	2	3.4	1.7
015	13.8	1	2.1	3.5	1.7
016	14.7	1	2.2	3.6	1.7
017	15.7	1	2.2	3.7	1.7
018	16.5	1.2	2.6	3.8	1.7
020	18.5	1.2	2.7	3.9	2
022	20.5	1.2	2.7	4.1	2
025	23.2	1.2	3.1	4.3	2
028	25.9	1.5	3.1	4.6	2
030	27.9	1.5	3.5	4.8	2
032	29.6	1.5	3.5	5	2.5
035	32.2	1.5	4	5.4	2.5



Type No. 類別番号	Type 類別
XD2-320	Retaining ring - C type for hole C形止め輪 穴用

Table 5 表5

Nominal designation 呼び	d ₃ (mm)	t (mm)	b (mm)	a (mm)	d ₀ (mm)
010	10.7	1	1.8	3.1	1.2
011	11.8	1	1.8	3.2	1.2
012	13	1	1.8	3.3	1.5
014	15.1	1	2	3.6	1.7
016	17.3	1	2	3.7	1.7
018	19.5	1	2.5	4	1.7
019	20.5	1	2.5	4	2
020	21.5	1	2.5	4	2
022	23.5	1	2.5	4.1	2
025	26.9	1.2	3	4.4	2
028	30.1	1.2	3	4.6	2
030	32.1	1.2	3	4.7	2
032	34.4	1.2	3.5	5.2	2.5
035	37.8	1.5	3.5	5.2	2.5
037	39.8	1.5	3.5	5.2	2.5
040	43.5	1.8	4	5.7	2.5
042	45.5	1.8	4	5.8	2.5
045	48.5	1.8	4.5	5.9	2.5
047	50.5	1.8	4.5	6.1	2.5
050	54.2	2	4.5	6.5	2.5
052	56.2	2	5.1	6.5	2.5
055	59.2	2	5.1	6.5	2.5
060	64.2	2	5.1	6.8	2.5
062	66.2	2	5.5	6.9	2.5
068	72.5	2.5	6	7.4	2.5
072	76.5	2.5	6.6	7.4	2.5
075	79.5	2.5	6.6	7.8	2.5
080	85.5	2.5	7	8	2.5
085	90.5	3	7	8	3
090	95.5	3	7.6	8.3	3
095	100.5	3	8	8.5	3

Prepared by
OIP HFE Promotion Center
CANON INC.

Canon