

imagePASS-A1

PARTS CATALOG



Canon

September 15, 2009
Rev. 0

PREFACE

This Parts Catalog contains listings of parts used

Diagrams are provided with the listings to aid the service technician in identifying clearly, the item to be ordered.

Whenever ordering parts, consult this Parts Catalog for all of the information pertaining to each item. Be sure to include, in the Parts Request, the full item description, the item part number, and the quantity.

COPYRIGHT (C) 1999 CANON INC.

Use of this manual should be strictly supervised to avoid disclosure of confidential information.

Contents

NUMERICAL INDEX

imagePASS-A1(Numerical Index) 1-1

imagePASS-A1(Parts Catalog)

001 ACCESSORIES2-1
101 INTERNAL COMPONENTS2-3

NUMERICAL INDEX

imagePASS-A1(Numerical Index)

PARTS NUMBER	FIGURE & KEY NO.	PARTS NUMBER	FIGURE & KEY NO.	PARTS NUMBER	FIGURE & KEY NO
FC9-4090-000	001 - 10				
FC9-8875-000	101 - 15				
FH9-0801-000	101 - 14				
FK2-2193-000	101 - 11				
FK2-2281-000	001 - 6				
FK2-3352-000	101 - 13				
FK2-8679-000	101 - 9				
FK2-8684-000	101 - 10				
FK2-9351-000	101 - U5305				
FK2-9390-000	101 - U6001				
FK2-9401-000	101 - 12				
FK2-9402-000	101 - 8				
FK2-9543-000	001 - 5				
FK3-0614-000	001 - 7				
FK3-0684-000	001 - 12				
FK3-0685-000	001 - 12				
FL3-4316-000	101 - 7				
FL3-4317-000	101 - 7				
FM2-6746-000	101 - 4				
FM2-6747-000	101 - 5				
FM4-0728-000	001 - 8				
FM4-2111-000	101 - 6				
FM4-2112-000	101 - 6				
FM4-2121-000	001 - 9				
FM4-5790-000	001 - 11				
FM4-5792-000	001 - 11				
FM4-5793-000	001 - 11				
FS1-9053-020	001 - 13				
FS5-9592-000	001 - 15				
NPN	001 -				
NPN	101 -				
RH2-5145-000	001 - 1				
RH2-5312-000	001 - 2				
RH2-5313-000	001 - 3				
WM2-5242-000	101 - 1				
WT3-5189-000	001 - 4				
XA9-1116-030	101 - 16				
XA9-1496-000	101 - 17				
XA9-1952-000	001 - 14				
XH9-0132-000	101 - 2				
XZ1-1301-005	101 - 3				

imagePASS-A1(Parts Catalog)

imagePASS-A1

JP **F62-7901-000**

US **F62-7911-000**

EUR **F62-7921-000**

Contents

001	ACCESSORIES	2-1
101	INTERNAL COMPONENTS	2-3

FIGURE 001 ACCESSORIES

FIGURE 001 ACCESSORIES
同梱品

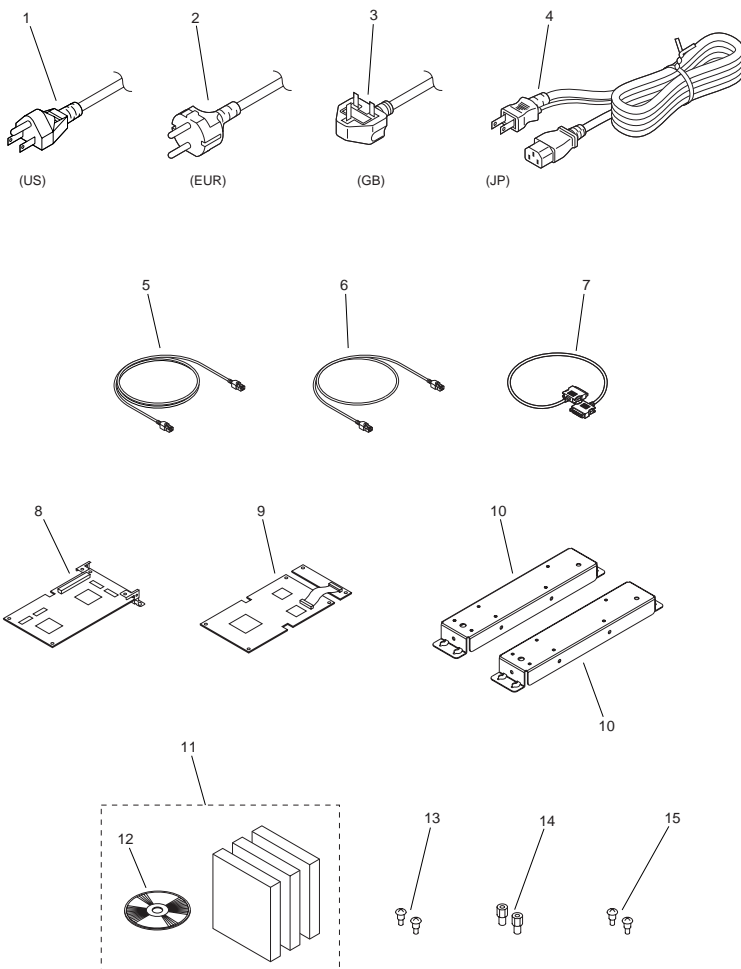
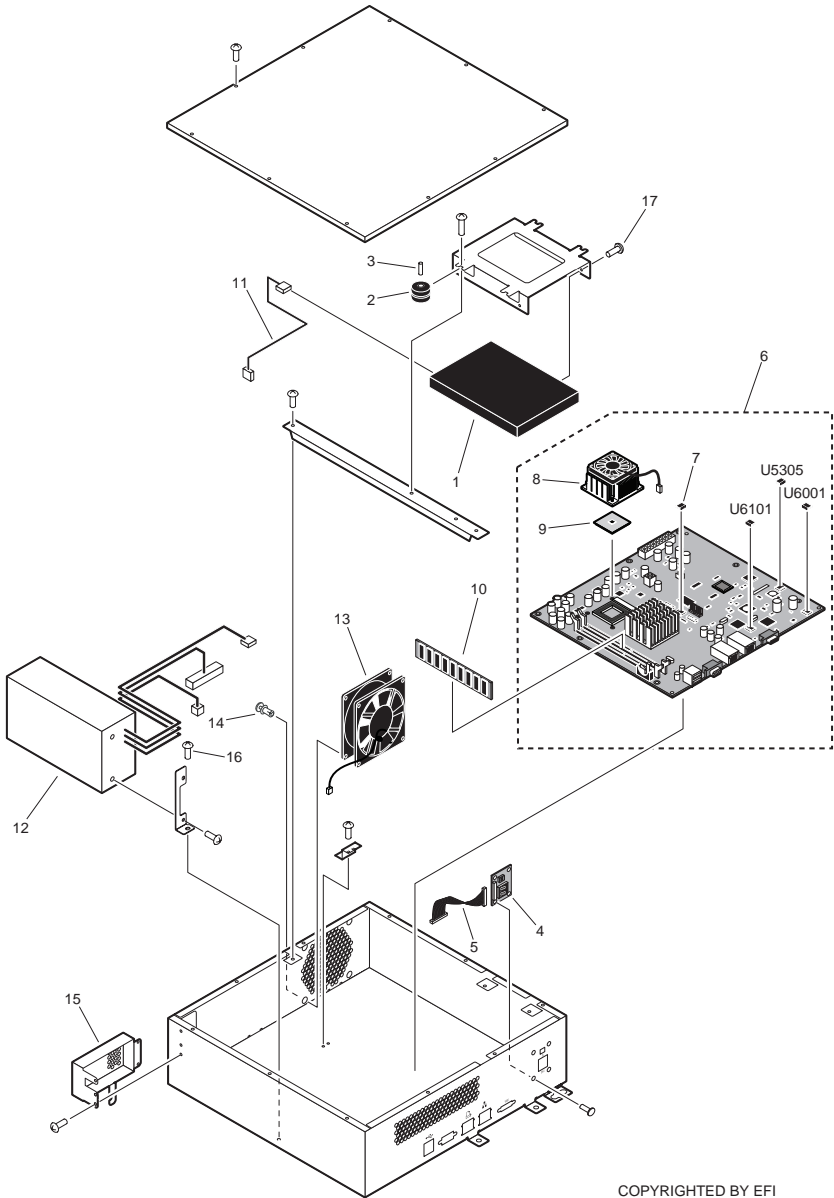


FIGURE & KEY NO.	PARTS NUMBER	R A N K	Q'TY	DESCRIPTION	SERIAL NUMBER/REMARKS	S V C
Fig.001	NPN		RF	ACCESSORIES		
1	RH2-5145-000		1	POWER CORD, 120V	120V US	
2	RH2-5312-000		1	POWER CORD, 230V, EUR	230V EUR	
3	RH2-5313-000		1	POWER CORD, 230V, UK	230V GB	
4	WT3-5189-000		1	POWER CORD, 100V	100V JP	
5	FK2-9543-000		1	CABLE,CROSSOVER		
6	FK2-2281-000		1	CABLE, ETHERNET STRAIGHT		
7	FK3-0614-000		1	CABLE, OPEN INTERFACE		
8	FM4-0728-000		1	OPEN INTERFACE BOARD PCB ASS'Y		
9	FM4-2121-000		1	MAIN BOARD PCB ASSEMBLY		
10	FC9-4090-000		2	PLATE, MOUNTING		
11	FM4-5790-000		1	CD-ROM, MEDIA PACK, USE	US English	
11	FM4-5792-000		1	CD-ROM, MEDIA PACK, UKEFIGS	UK English,French,Italian,German,Spanish	
11	FM4-5793-000		1	CD-ROM, MEDIA PACK, JP	Japanese	
12	FK3-0684-000		1	DVD, SYSTEM S/W , ROMAN	English,French,Italian,German,Spanish	
12	FK3-0685-000		1	DVD, SYSTEM S/W, JP	Japanese	
13	FS1-9053-020		2	SCREW,STEPPED,M4		
14	XA9-1952-000		6	SCREW, HEXAGON		
15	FS5-9592-000		2	SCREW, STEPPED, M3		

FIGURE 101 INTERNAL COMPONENTS



COPYRIGHTED BY EFI

FIGURE & KEY NO.	PARTS NUMBER	RANK	Q'TY	DESCRIPTION	SERIAL NUMBER/REMARKS	SVC
Fig.101	NPN		RF	INTERNAL COMPONENTS		
1	WM2-5242-000		1	HDD, HDS721680PLA380		
2	XH9-0132-000		4	DAMPER, CUSHION		
3	XZ1-1301-005		4	SPACER		
4	FM2-6746-000		1	7-SEGMENT LED UNIT		
5	FM2-6747-000		1	CABLE, MB-LED		
6	FM4-2112-000		1	MOTHERBOARD PCB ASS'Y	EXCEPT JP	
6	FM4-2111-000		1	MOTHERBOARD PCB ASS'Y	JP	
7	FL3-4316-000		1	IC, AT88SC0808C, EEP-ROM	EXCEPT JP	
7	FL3-4317-000		1	IC, AT88SC0808C, EEP-ROM	JP	
8	FK2-9402-000		1	FAN, HEATSINK		
9	FK2-8679-000		1	IC, MPU, LF80539GF0412M S L9EH		
10	FK2-8684-000		1	DIMM ASS'Y, 512MB		
11	FK2-2193-000		1	CABLE, HDD SATA		
12	FK2-9401-000		1	POWER SUPPLY UNIT		
13	FK2-3352-000		1	FAN		
14	FH9-0801-000		4	SNAP		
15	FC9-8875-000		1	COVER, DUCT		
16	XA9-1116-030		1	SCREW,M3X5		
17	XA9-1496-000		9	SCREW,M3X6.4		
U5305	FK2-9351-000		1	IC, AT25640A-10PU-2.7, EEP-ROM		
U6001	FK2-9390-000		2	IC, AT25010A-10PU-2.7, EEP-ROM		

Prepared by
OIP Service Management Center
CANON INC.

Canon