

DR-2580C

SERVICE MANUAL

FIRST EDITION

Canon

APR. 2005

MY8-13A5-000

COPYRIGHT © 2005 CANON ELECTRONICS INC.

Use of this manual should be strictly supervised to avoid disclosure of confidential information.

This Service Manual describes necessary basic information for field service and maintenance for maintaining the product quality and functions of the DR-2580C.

Contents

Chapter 1: General description

Features, specifications, name of parts, operation method

Chapter 2: Functions and operation

Description of operation of machine system and electrical system by function

Chapter 3: Disassembly and reassembly

Disassembly method, reassembly method

Chapter 4: Installation and maintenance

Installation method, maintenance method

Chapter 5: Troubleshooting

Service modes and troubleshooting

Appendix: General circuit diagrams, etc.

Information in this manual is subject to change. Notification of such changes will be given in Service Information Bulletins.

Thoroughly read the information contained in this Service Manual and the Service Information Bulletins to gain a correct and deeper understanding of the machine. This is one way of fostering response for ensuring prolonged quality and function, and for investigating the cause of trouble during troubleshooting.

Quality Assurance Center
Canon Electronics Inc.

CONTENTS

CHAPTER 1 GENERAL DESCRIPTION

I. FEATURES	1-1	IV. NAME OF PARTS.....	1-7
II. SPECIFICATIONS.....	1-2	V. USER OPERATION.....	1-10
III. PRECAUTIONS	1-6	VI. USER MAINTENANCE	1-12

CHAPTER 2 FUNCTIONS & OPERATION

I. OUTLINE.....	2-1	VI. POWER SUPPLY	2-30
II. READING SYSTEM	2-5	VII. FLATBED UNIT	2-31
III. FEED SYSTEM.....	2-8	VIII. ELECTRICAL PARTS LAYOUT	2-35
IV. CONTROL SYSTEM	2-11	IX. PARTS LAYOUT OF EACH PCB	2-37
V. IMAGE PROCESSING.....	2-14		

CHAPTER 3 DISASSEMBLY & REASSEMBLY

I. EXTERNAL COVERS	3-1	III. LOWER UNIT	3-10
II. UPPER UNIT.....	3-4	IV. FLATBED.....	3-21

CHAPTER 4 INSTALLATION & MAINTENANCE

- I. INSTALLATION..... 4-1
- II. PERIODICALLY REPLACED PARTS..... 4-5
- III. CONSUMABLE PARTS..... 4-6
- IV. LIST OF PERIODIC MAINTENANCE ITEMS 4-7

CHAPTER 5 TROUBLESHOOTING

- I. ERROR DISPLAY..... 5-1
- II. SERVICE MODE 5-2
- III. IMAGE TROUBLESHOOTING..... 5-13
- IV. OPERATION TROUBLESHOOTING..... 5-16
- V. AFTER REPLACING PARTS 5-19

APPENDIX

- I. GENERAL DIAGRAM.....A-1

CHAPTER 1

GENERAL DESCRIPTION

I. FEATURES	1-1	IV. NAME OF PARTS	1-7
II. SPECIFICATIONS.....	1-2	V. USER OPERATION	1-10
III. PRECAUTIONS	1-6	VI. USER MAINTENANCE	1-12

I. FEATURES

1. Compact design (small, light)

Dimensions (Tray closed): 304 (W) × 169 (D) × 81.5 (H) mm

Wight: 1.9 Kg

2. High-speed scanning

Black & White, Grayscale: Simplex 25 ppm, Duplex 50 ipm (200 dpi, A4 size)

Color: Simplex 13 ppm, Duplex 26 ipm (200 dpi, A4 size)

3. Dual-path mechanism (U-turn/Straight path)

Straight path is provided for thicker documents and cards.

4. Flatbed scanner for option

It can be attached and detached by users.

5. Installation and replacing of consumable parts by users

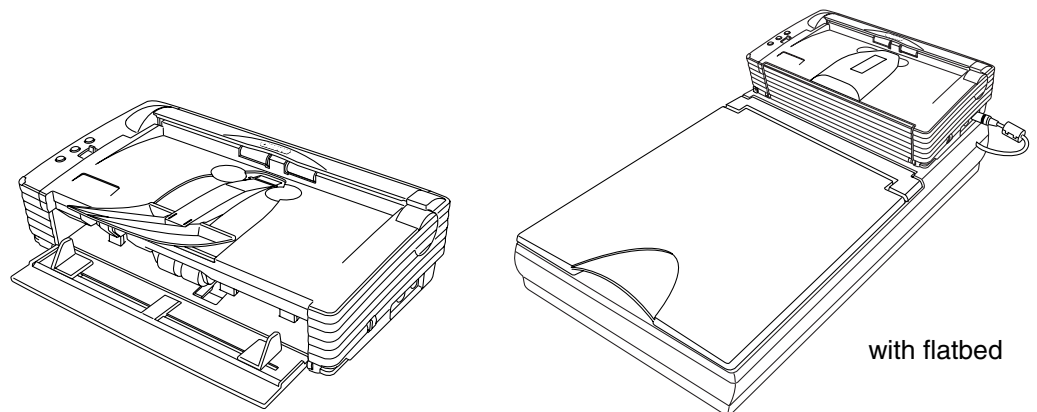


Figure 1-101

“Windows” is a trademark of Microsoft Corporation in the U.S. and other countries.

Other company names and product names mentioned in this document are registered trademarks or trademarks of the respective companies.

II. SPECIFICATIONS

1. Appearance / Installation

No.	Item	Specifications
1	Type	Desktop type sheet-fed scanner
2	Product models	1) 100 V model: 100 VAC, 50/60 Hz 2) 120 V model: 120 VAC, 60 Hz 3) 220-240 V model: 220-240 VAC, 50/60 Hz
3	Rating power	1) Main body All mode: 16VDC, 1.4A *Packaged AC adapter must be used *Energy Star conformity 2) Packaged AC adapter Input: 100-240 VAC, 50/60 Hz, 0.65-0.34 A (65-82 VA) Output: 16 VDC, 1.8 A
4	Operating environment	10 to 32.5°C (50 to 90.5°F) 20 to 80%RH *No condensation allowed.
5	Noise	1) Sound power level In standby mode: 40 dB or less In operating mode: 66 dB or less 2) Sound pressure level: Bystanders (reference) In operating mode: 57 dB or less
6	Dimensions	Tray closed: 302 (W) × 171 (D) × 81 (H) mm
7	Weight	Approx. 1.9 kg
8	Output interface	1) USB2.0 (Hi-speed) 2) Flatbed's interface
9	Expected product life (in-house information)	One of the following two items, whichever comes first. 1) 5 years 2) Sheets fed: 500,000 sheets (A4 size) *There are parts needed to replace.
10	Estimated duty cycle	750 sheets/day
11	Installation	By users
12	Bundle software	ISIS/TWAIN driver, CapturePerfect 3.0, Acrobat 7.0
13	Option	1) Flatbed unit 2) Barcode module
14	Consumable parts (commercial goods)	Exchange roller kit (roller unit, retard roller)

Table 1-201

2. Documents Feed

No.	Item	Specifications			
			U-turn path	Straight path	
1	Document size				
		1) Width	53 to 216 mm		
		2) Length	70 to 297 mm *Up to 355.5 mm for single sheet feed only include LGL size.		
2	Document weight (converted thickness)	1) Separation-feed	52 to 128 g/m ² (0.06 to 0.15 mm)	42 to 157 g/m ² (0.05 to 0.20 mm)	
		2) Non-Separation	42 to 157 g/m ² (0.05 to 0.20 mm) *No guarantee for 0.20 mm if feeding can be done at straight path.		
3	International standard card	Available at straight path with non-separation feed only. Width: 53.9 mm, Length: 85.5 mm, Thickness: 0.76 mm *No embossment is permitted.			
4	Document requirements	1) Pressure-sensitive paper: Can be fed with limitation of direction. 2) Carbon-backed paper: Cannot be fed. 3) Perforated paper for binder: Can be fed with limitation of holes. 4) Curled paper: Can be fed only if curl is 5 mm or less. 5) Creased paper: Can be fed, but crease must be straightened before being fed.			
5	Document storage		U-turn path	Straight path	
		1) Pickup	5 mm or less including curls, or 50 sheets with 80 g/m ² at max. *Special sheets whose pickup performance is poor are 10 sheets or less		
		2) Ejection	Same as pickup	1 sheet	
		3) Ejection face direction	Face down	Face up	
6	Feeding speed	Resolution	Binary	Grayscale	Color
		100 dpi	156 mm/sec		
		200 dpi	156 mm/sec		
		300 dpi	78 mm/sec		
		400 dpi	52 mm/sec		
		400 dpi	58 mm/sec	19 mm/sec	
		600 dpi	39 mm/sec	13 mm/sec	
*For big size of image data like A4/600dpi/color mode, document is fed with intermittence.					

Table 1-202

3. Document Reading *using bundle software CapturePerfect 3.0

No.	Item	Specifications			
1	Type of sensor	Contact Image Sensor (CIS)			
2	Picture element	Density of element: 600 dpi, Effective elements: 5104 (216 mm)			
3	Light source	3-color (RGB) LEDs R: 620 nm, G: 530 nm, B: 467 nm			
4	Color dropout	Available: R/G/B, front/back each side *Color emphasize modes are available also.			
5	Reading side	Simplex/Duplex/Blank skip/Folio/Auto/Flatbed **"Auto, flatbed" are good for connected flatbed unit only.			
6	Reading size	1) Typical: A4/A5/A5-R/A6/A6-R, B5/B6/B6-R, LGL/LTR 2) Auto size detection 3) Maximum size (216 × 355 mm) 4) User setting			
7	Output mode	1) Binary (Black & White/Error diffusion/Advanced text enhancement) 2) Grayscale (8 bit) 3) Color (24 bit)			
8	Output resolution	100 × 100 dpi, 150 × 150 dpi, 200 × 200 dpi, 240 × 240 dpi, 300 × 300 dpi, 400 × 400 dpi, 600 × 600 dpi,			
9	Reading speed	A4 size documents			
		Mode	Resolution	Single	Double
		Black & White /Grayscale	200 dpi	25 ppm	50 ipm
			300 dpi	25 ppm	50 ipm
			600 dpi	6 ppm	12 ipm
		Color	200 dpi	13 ppm	26 ipm
			300 dpi	8 ppm	16 ipm
			600 dpi	2 ppm	4 ipm
		*Settings of reading are default. The numbers above may differ depending on the computer, the function settings and other conditions. For big size of image data, document is fed with intermittence.			

Table 1-203

4. Image Processing/Other Functions *using bundle software CapturePerfect 3.0

No.	Item	Specifications
1	Brightness adjustment	255 steps, back side individual setting
2	Contrast adjustment	7 steps, back side individual setting
3	Gamma correction	Grayscale/R/B/G individual color, each side setting
4	Edge emphasize	5 steps
5	Shading correction	Automatic operation at each batch
6	Skew correction (deskew)	Performed by image processing
7	Double feed detection	Length detection sensor
8	Other image processing	Black border removal, Binder hole removal, Image rotation, Text orientation
9	Counter	Total fed counts (memorize in scanner)
10	Operation buttons (job buttons)	3 buttons (available registering the functions)

Table 1-204

5 Flatbed Unit (option)

No.	Item	Specifications
1	Type	Desktop type flatbed scanner *No operation without main body DR-2580C
2	Dimensions (tray closed)	Flatbed itself: 315 (W) × 545 (D) × 82.5 (H) mm With DR-2580C: 315 (W) × 557 (D) × 155 (H) mm
3	Weight	Approx. 3.8 kg (with DR-2580C: Approx. 5.7 kg)
4	Type of sensor	CCD: 600 dpi, 5104 pixels (216 mm), Grayscale/RGB output
5	Light source	Xenon lamp (white)
6	Reading size	216 × 297 mm maximum
7	Expected product life (in-house information)	One of the following two items, whichever comes first. 1) 5 years 2) Sheets scanned: 20,000 sheets (A4 size)
8	Installation	By users *Include detach/attachment with main body DR-2580C

Table 1-205

The specifications above are subject to change for improvement of the product.

III. PRECAUTIONS

This section describes items that require particular care, for example, regarding human safety. These precautions must be observed. Explain to the user items that relate to user safety, and instruct the user to take appropriate actions.

1. Power OFF in Emergency

When such abnormalities as abnormal noise, smoke, heat and odor occur, turn the power switch OFF and unplug the power cord immediately.

As it may cause injury, be careful not to get clothing (ties, long hair, etc.) caught in the machine. If this happens, unplug the power cord immediately. Also, do not insert your fingers in the feed section while feeding documents.

2. Prohibition of Modify

Do not change nor modify this machine. If this has been carried out, its use may be forcibly discontinued on site.

If this machine's specifications shall be changed, or the machine shall be disassembled and reassembled, follow the instructions described in this manual or in service information.

3. Electromagnetic Wave Interference Countermeasures

This machine complies with the electromagnetic wave interference standards (VCCI, FCC, etc.). However, the user might have to carry out countermeasures if the machine causes electromagnetic wave interference.

4. User Manual

Read the user manual thoroughly before using this machine.

5. Disposal

Following local regulations when disposing of the product and parts.

IV. NAME OF PARTS

1. Front

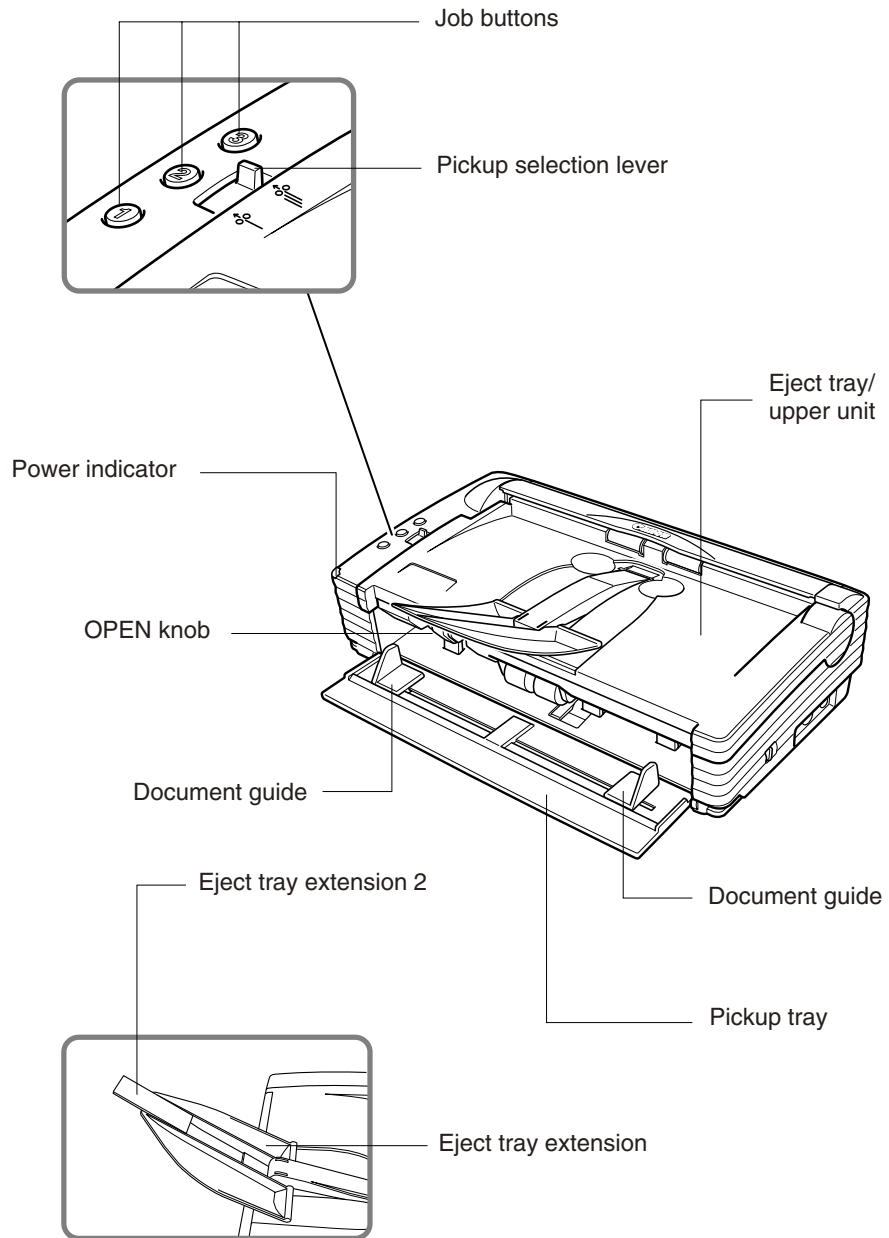


Figure 1-401

2. Rear

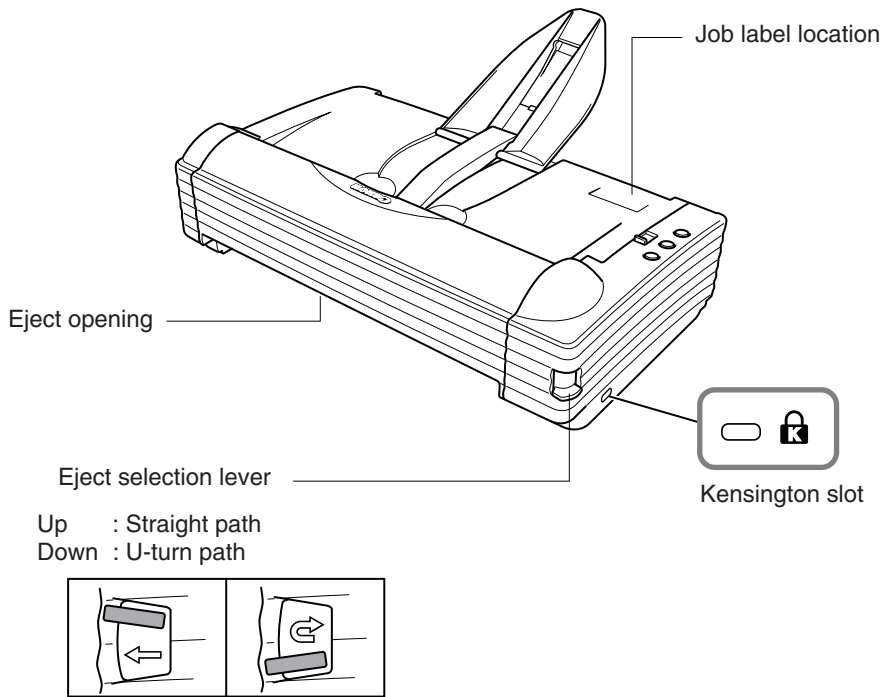


Figure 1-402

3. Side (interface)

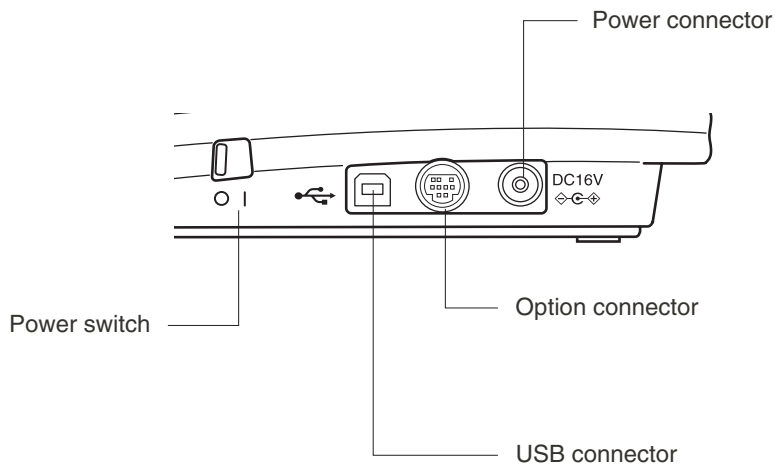


Figure 1-403

4. Flatbed unit (option)

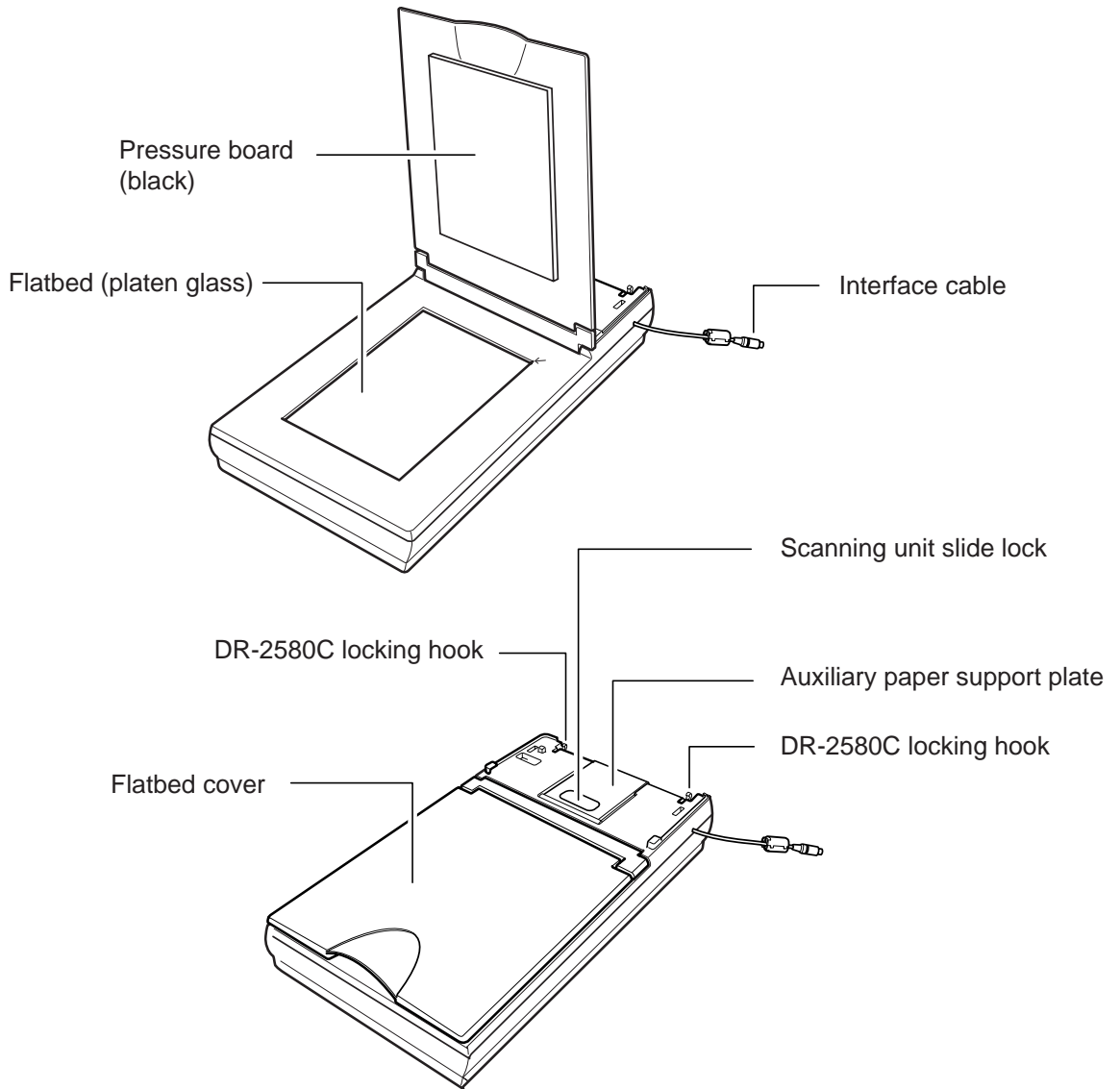


Figure 1-404

V. USER OPERATION

Refer to the user manuals for this machine and software to be used for details.

1. Installation

This machine is installed by the user. Unpacking and installation are performed by the user. If they are performed by a service technician, refer to the user manual. "CHAPTER 4 INSTALLATION & MAINTENANCE," in this manual provides an overview. However, the next section "USER MAINTENANCE" shows how to install the roller unit and retard roller.

2. Operation Screen

Basic operation screens if CapturePerfect 3.0 is used are shown for reference. CapturePerfect 3.0 uses an ISIS driver.

1) Main screen

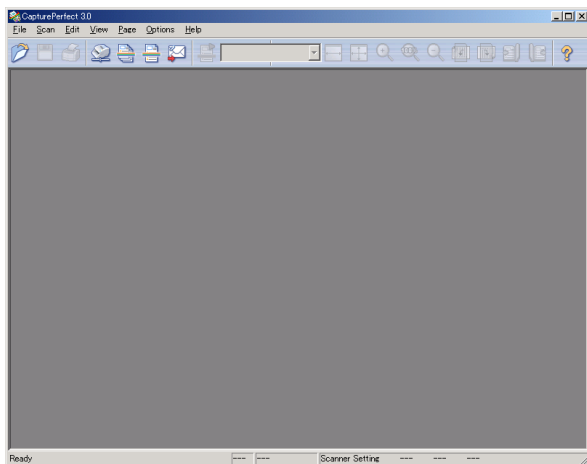


Figure 1-501

2) Basic settings

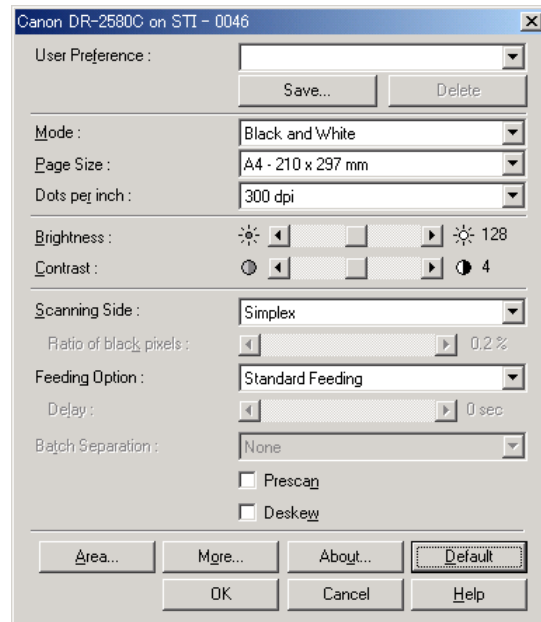


Figure 1-502

3) Detailed settings

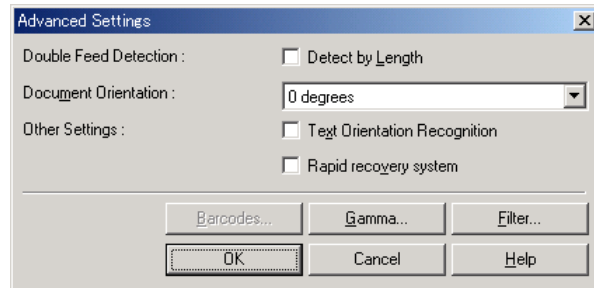


Figure 1-503

4) Filter

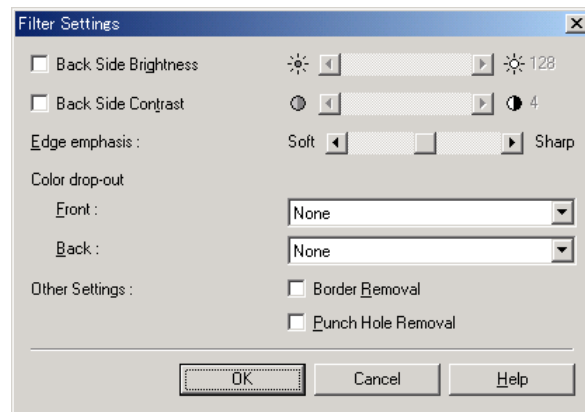


Figure 1-504

3. Clearing Jams

- 1) Remove documents left on the eject tray and then close the eject tray extension.

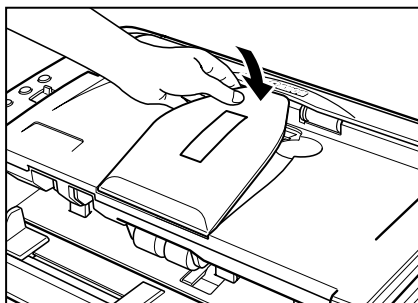


Figure 1-505

- 2) Open the rear cover by pressing the both sides.

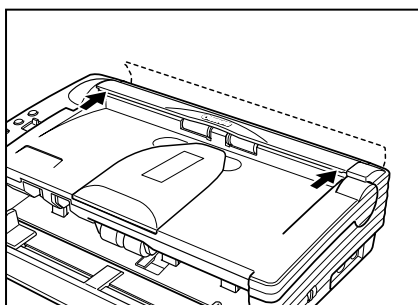


Figure 1-506

- 3) Push the OPEN knob from both sides and open the upper unit slowly.

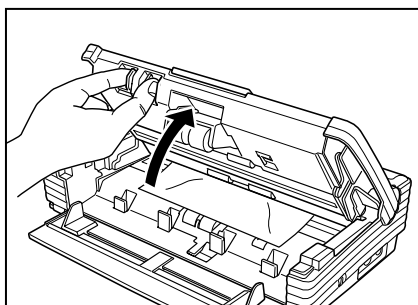


Figure 1-507

- 4) Remove the jammed document carefully.

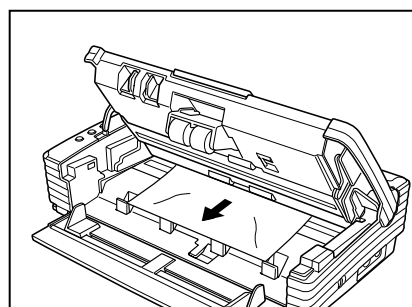


Figure 1-508

- 5) Close the upper unit slowly.

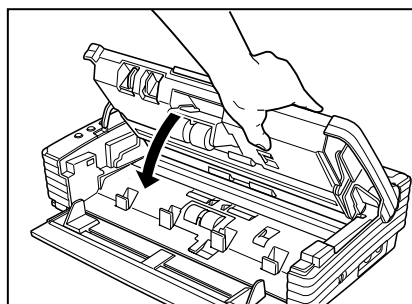


Figure 1-509

- 6) Close the rear cover by pressing the both sides.

VI. USER MAINTENANCE

Refer to the user manual for this machine for details.

1. Cleaning

Daily cleaning items are shown below.

- 1) Main unit exterior
- 2) Main unit interior (feed path)
- 3) Rollers
- 4) Reading glass
- 5) Shading plates

2. Roller Replacement

The roller unit and retard rollers are consumables. They should be replaced when 100,000 sheets are fed as a guide. They are replaced by the user.

The roller unit has the pickup roller and retard roller.

a. Replacement message

When the number of sheets fed exceeds 100,000, a "roller replacement message" is displayed on the display when the computer is started.

Note: The message is not displayed when the operating system is Windows NT.

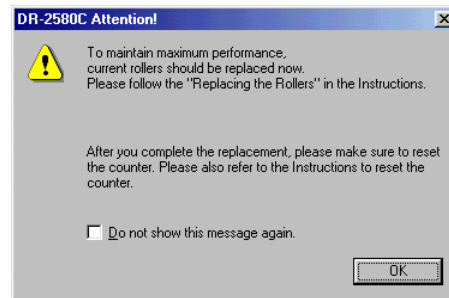


Figure 1-601

When the rollers are replaced, the counter must be reset.

To reset the counter, select “Start → Settings → Control Panel → Scanner and Camera” to display the “Properties” screen for this machine, and click the “Reset” button for the counter.

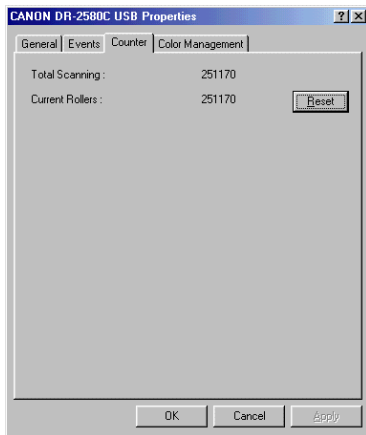


Figure 1-602

b. Roller unit

- Removal

- 1) Push the OPEN knob from both sides and open the upper unit slowly.

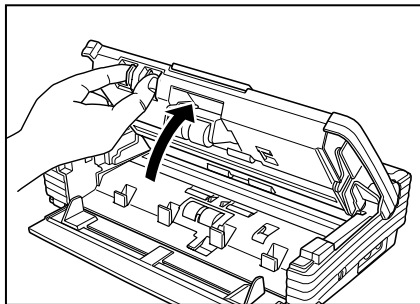


Figure 1-603

- 2) Raise the roller locking lever.

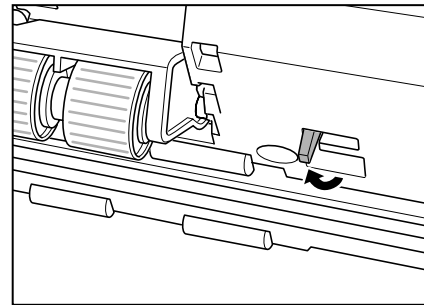


Figure 1-604

- 3) Hold the roller unit with your fingers and slide the locking lever to the right.

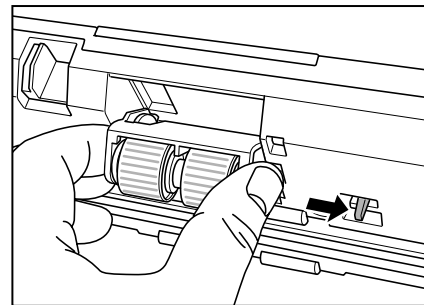


Figure 1-605

- 4) Detach the right side of the roller unit first and remove the roller unit.

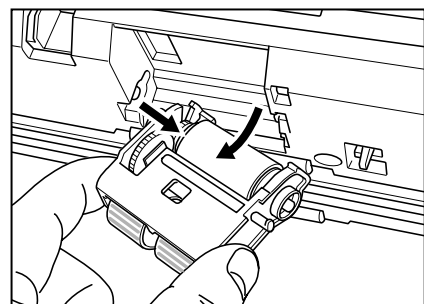


Figure 1-606

• Reinstallation

- 1) Push the OPEN knob from both sides and open the upper unit slowly.
- 2) Raise the roller locking lever and slide it to the right.
- 3) Set the roller unit on the shaft of the main body.

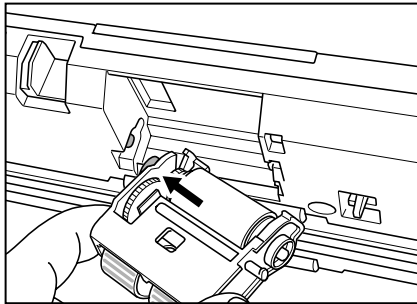


Figure 1-607

- 4) Insert the projection on the roller unit into the groove in the main body and lift the roller unit.

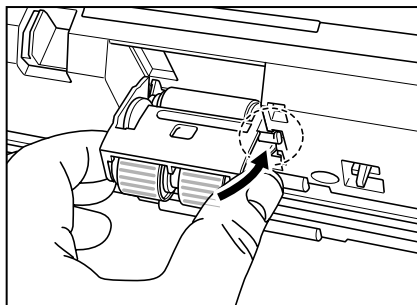


Figure 1-608

- 5) Slide the roller locking lever to the left and then push it backward to secure the roller unit.

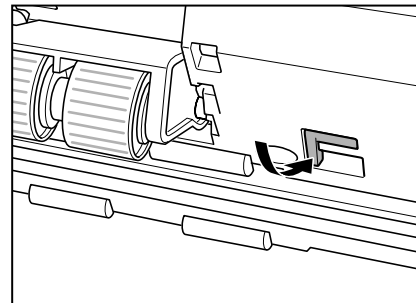
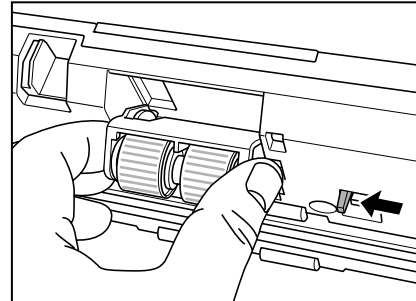


Figure 1-609

c. Retard roller

• Removal

- 1) Push the OPEN knob from both sides and open the upper unit slowly.

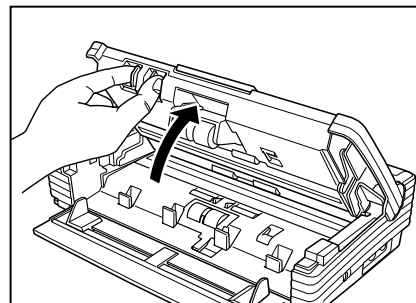


Figure 1-610

- 2) Remove the roller cover.

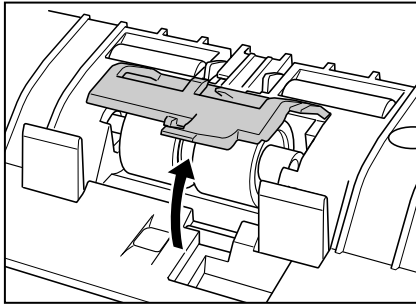


Figure 1-611

- 3) Raise the roller locking lever and slide it to the right.

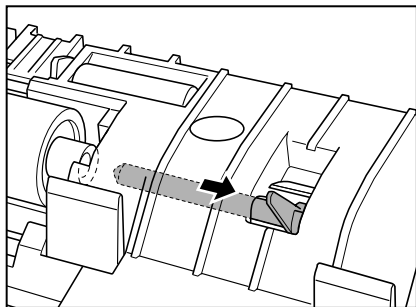


Figure 1-612

- 4) Move the retard roller to the right and remove it.

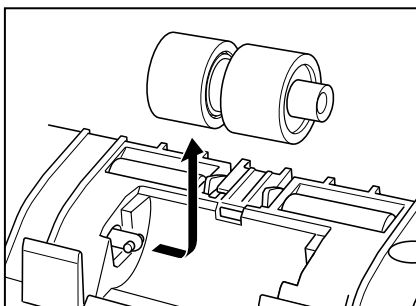


Figure 1-613

• Reinstallation

- 1) Push the OPEN knob from both sides and open the upper unit.
- 2) Remove the roller cover.
- 3) Raise the roller locking lever and slide it to the right.
- 4) Align the notch in the retard roller with the shaft of the main body and set it.

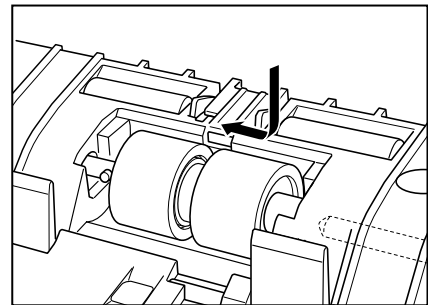


Figure 1-614

- 5) Slide the roller locking lever to the left, fit it into the hole in the retard roller and push the lever backward to secure the retard roller.

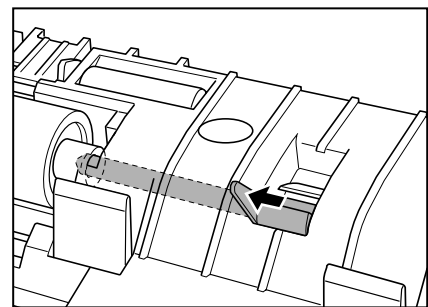


Figure 1-615

6) Install the roller cover.

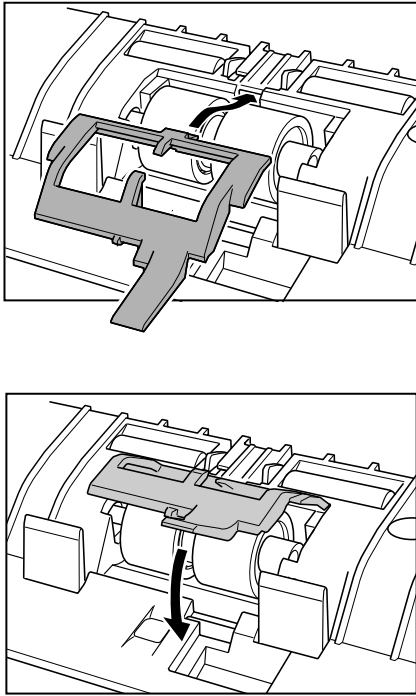


Figure 1-616

CHAPTER 2

FUNCTIONS & OPERATION

I. OUTLINE.....	2-1	VI. POWER SUPPLY	2-30
II. READING SYSTEM	2-5	VII. FLATBED UNIT	2-31
III. FEED SYSTEM.....	2-8	VIII. ELECTRICAL PARTS LAYOUT	2-35
IV. CONTROL SYSTEM.....	2-11	IX. PARTS LAYOUT OF EACH PCB	2-37
V. IMAGE PROCESSING.....	2-14		

I. OUTLINE

1. Basic Configuration

Figure 2-101 shows the configuration of this machine.

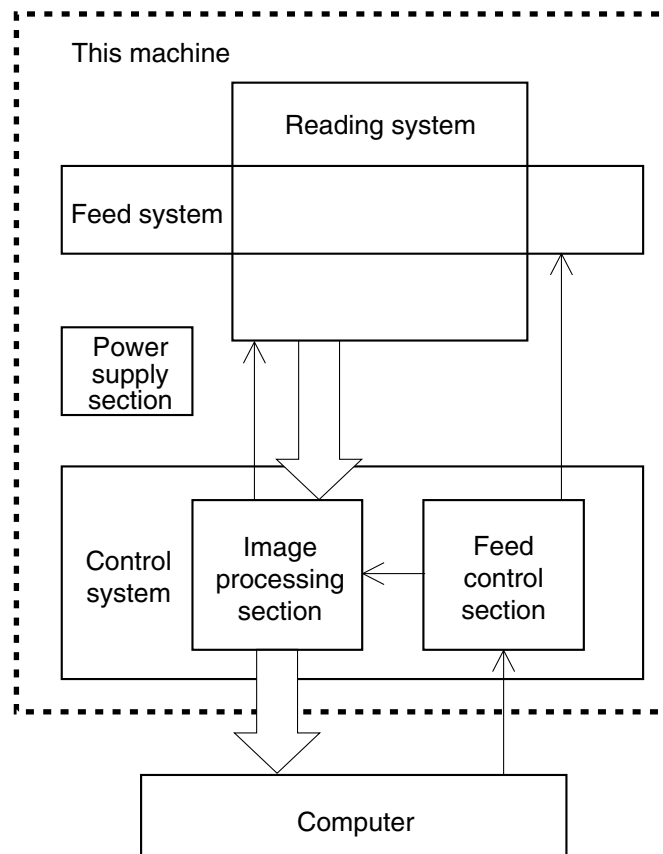


Figure 2-101

- | | |
|-------------------------------------------------------------------------------------------------------------------------|-------------------------------------------------------------------------------------------------------------------------------------------------------------------------------------------------------|
| <p>1) Reading System
This system reads image data from image sensors.</p> | <p>The image processing section controls the reading system, processes the read image data, and outputs it to the computer. However, the image data processing is also performed by the computer.</p> |
| <p>2) Feed System
This system performs from document pickup to document ejection.</p> | <p>The feed control section controls the feed system.</p> |
| <p>3) Control System
This system is comprised of an image processing section and a feed control section.</p> | <p>4) Power Supply Section
This section converts the AC power into the DC power by a supplied AC adapter and supplies it to the control PCB in the main body.</p> |

2. Motor Drive

This machine has a pickup motor (M1) and a carry motor (M2) for feeding the document.

These motors drive the stopper and the reading unit.

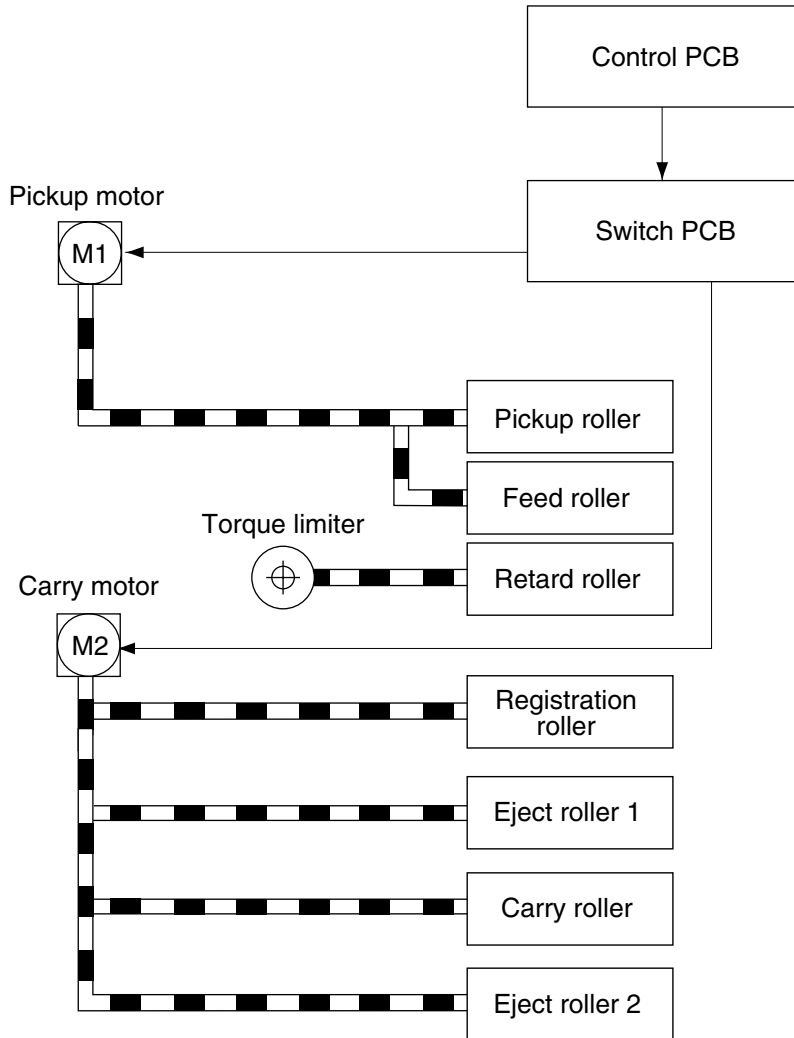


Figure 2-102

3. Electrical Circuits

Figure 2-103 shows an overview of the electrical circuits block diagram of this machine.

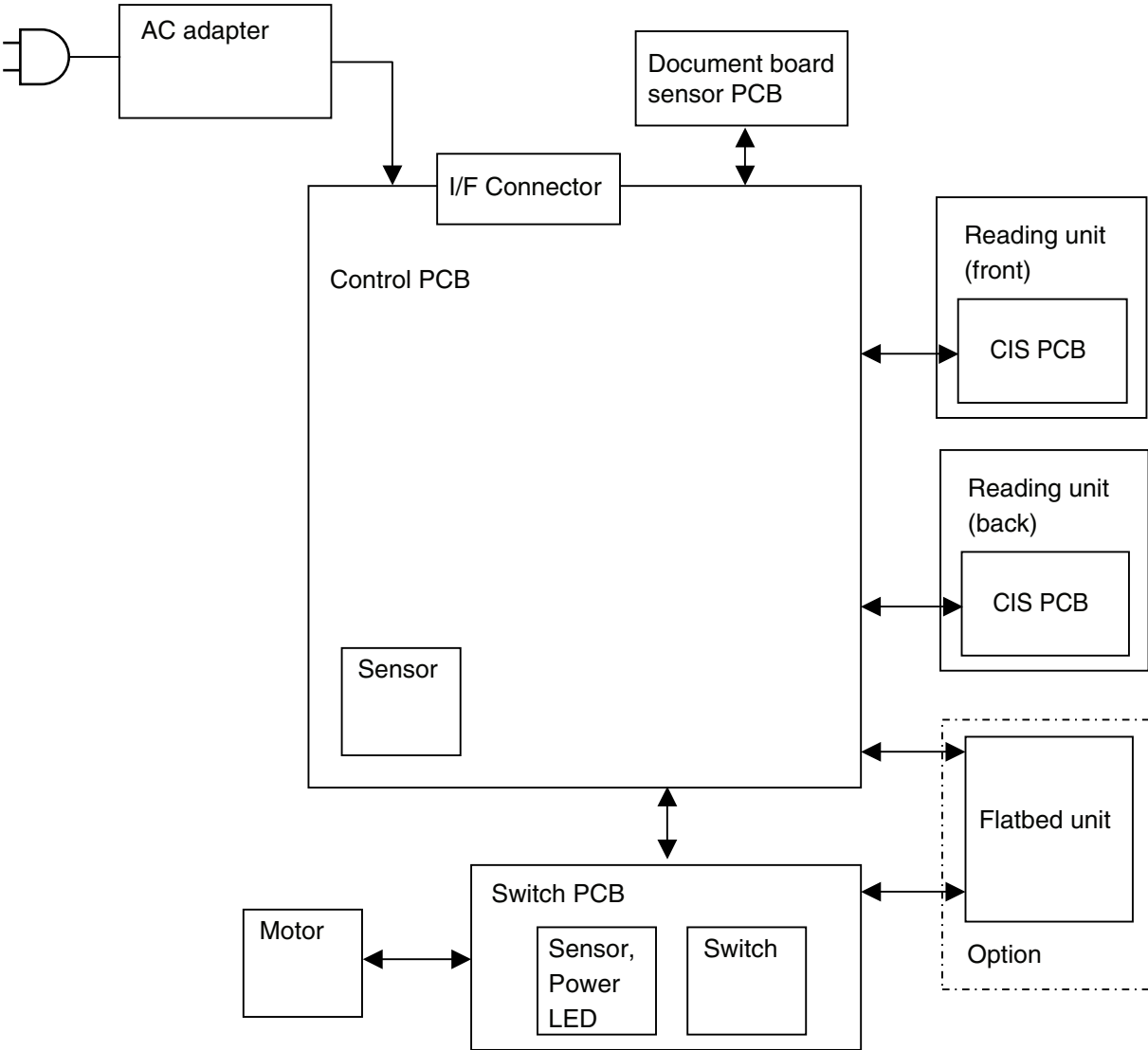


Figure 2-103

4. Timing Chart

Figure 2-104 describes the timing chart when you separately feed two sheets of document without temporarily suspending the machine.

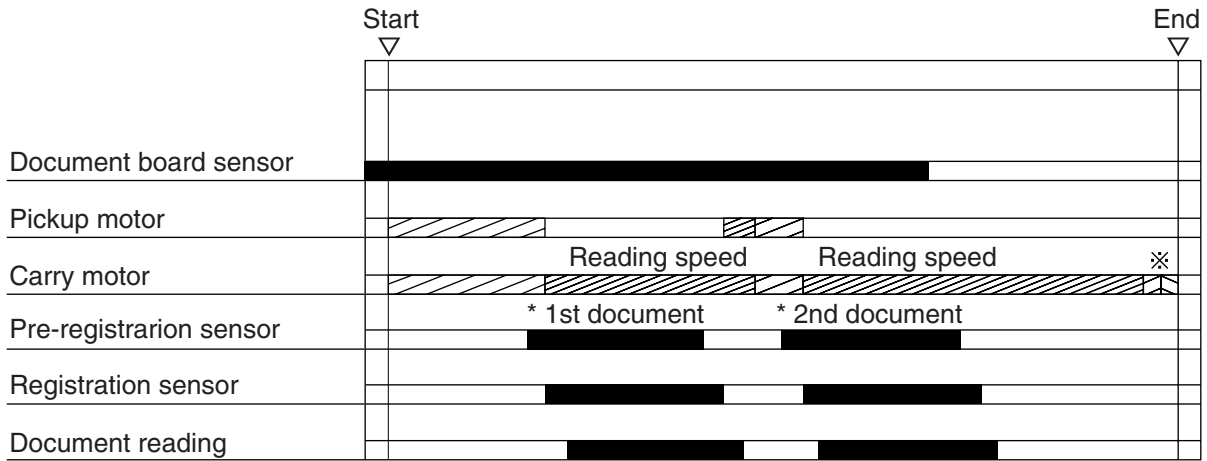


Figure 2-104

II. READING SYSTEM

1. Outline

Figure 2-201 shows the configuration of the reading system.

The reading unit (upper) reads the front side of the documents and the reading unit (lower) reads the back side of the documents. This configuration enables the unit to read both the front and back sides of a document using a single scan.

The image data read are sent to the image processing section of the control PCB.

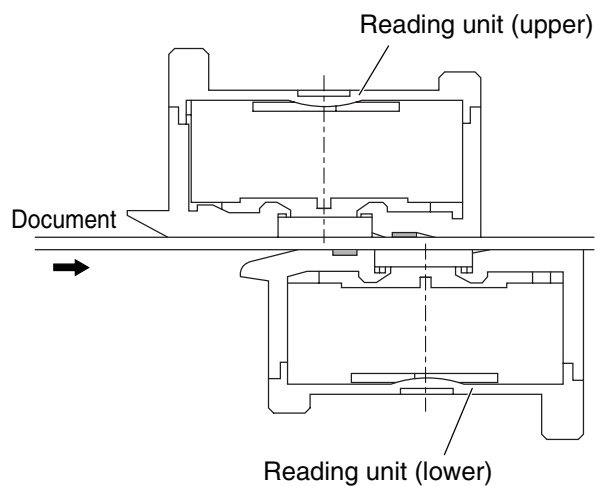


Figure 2-201

2. Reading Unit

Figure 2-202 shows the sectional diagram of the reading unit.

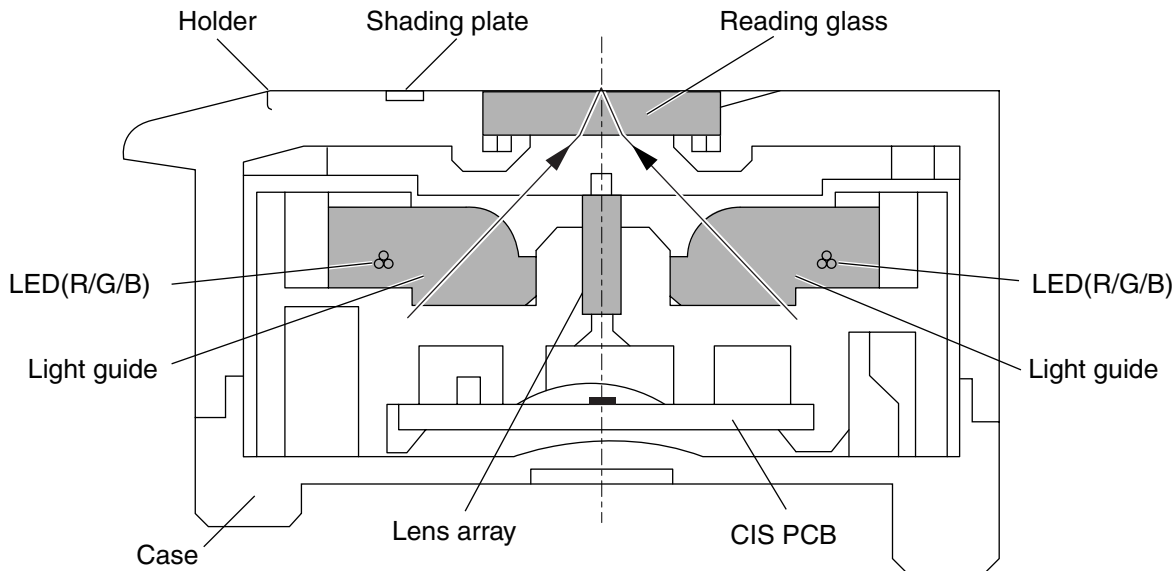


Figure 2-202

The reading unit consists of CIS unit, holder, and lid. The CIS unit consists of CIS PCB, lens array, LED (R/G/B), light guide, and case. The reading glass and 2-mm width shading plate are mounted on the holder.

Photosensitive pixels are mounted on the CIS PCB with a density of 600 dpi. Effective reading width is 216 mm, and the number of effective picture elements is 5104.

Two sets of three basic color LEDs, red, green, and blue (RGB), are mounted in the CIS unit. In the binary or grayscale modes, image data are read with composite light generated by lighting the RGB LEDs simultaneously. In the color mode, the LED is successively lit, and reads image data with each color. As documents are being fed at regular speed while image data are read, the reading positions of RGB are shifted slightly.

In the color dropout mode, only the LED of

a designated color lights. In the color emphasis mode, the LED of a color other than a designated color lights.

The LED light illuminates the document through the light guide.

The reflected light from the document enters photosensitive pixels through the lens array, and converted into analog signals corresponding to the density of each picture element.

3. Shading

This section describes how the reading unit (lower) mechanically works when a shading correction value is determined.

The reading unit is usually set up so that the background color becomes black. When a shading correction value is determined, the data on a shading plate need to be read. Thus, the reading unit (lower) is moved about 2 mm to the document pickup side.

Figure 2-204 describes the structural drawing of that part. If the carry motor is rotated opposite to the feed direction, the mechanical clutch which is installed on the shaft of the eject roller 1 rotates. At this point in time, the coupling plate starts rotating by the head of the coil spring and the reading unit moves horizontally.

When such motor normally rotates, the reading unit returns again to its original position.

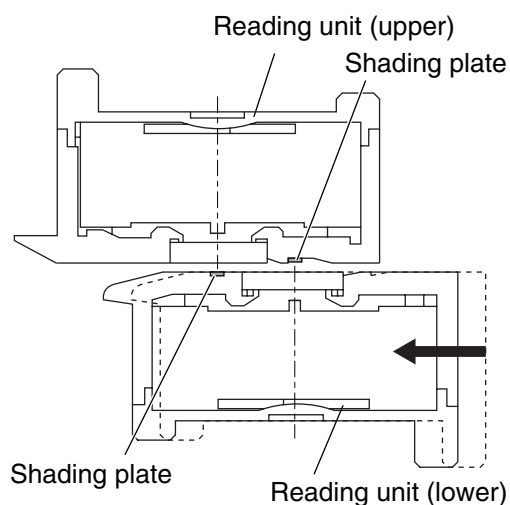


Figure 2-203

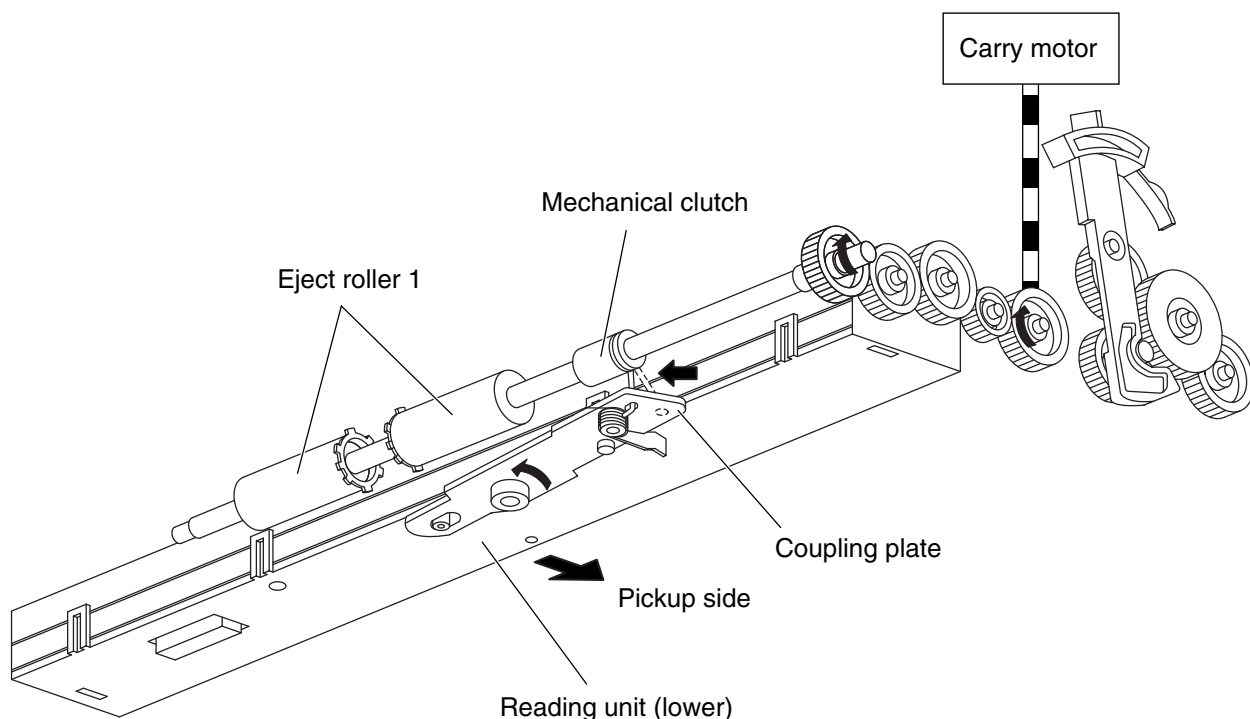
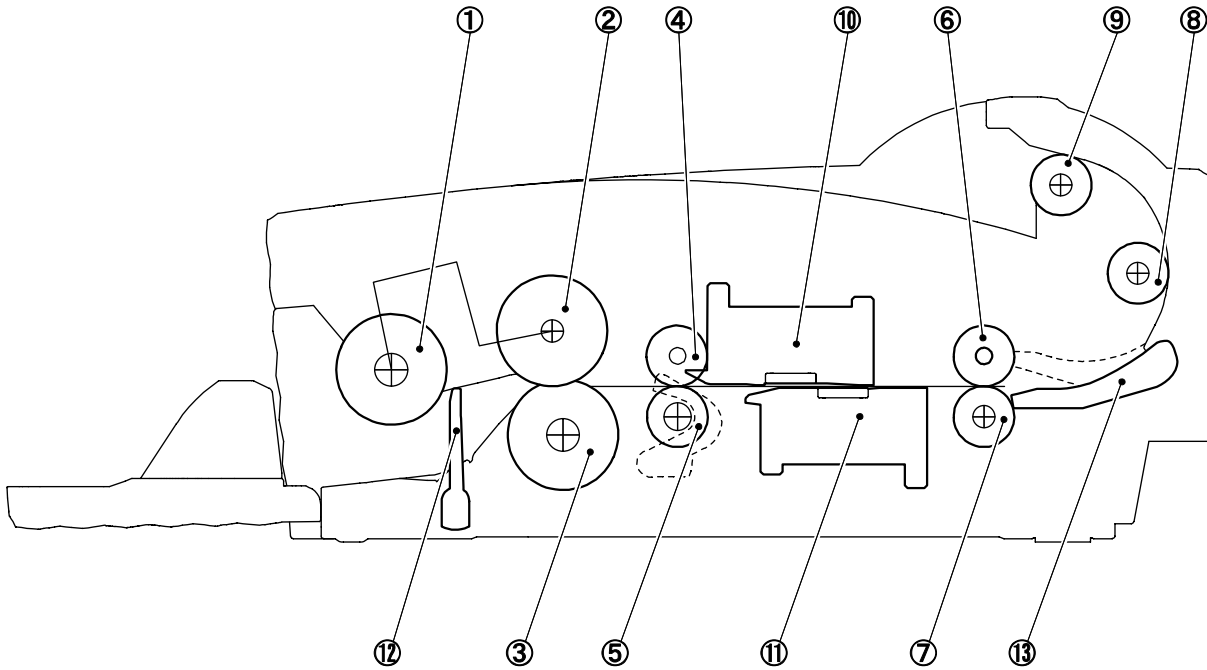


Figure 2-204

III. FEED SYSTEM

1. Outline

Figure 2-301 is a sectional diagram of the feed system.



- | | |
|-----------------------|------------------------|
| ① Pickup roller* | ⑧ Carry roller |
| ② Feed roller* | ⑨ Eject roller 2 |
| ③ Retard roller | ⑩ Reading unit (upper) |
| ④ Follower roller | ⑪ Reading unit (lower) |
| ⑤ Registration roller | ⑫ Stopper |
| ⑥ Follower roller | ⑬ Flapper |
| ⑦ Eject roller 1 | |

Figure 2-301

Note:The pickup roller and the feed roller make up a single unit called a roller unit.

2. Feed Mechanism

1) Document pickup

The pickup section has a document stopper. (Figure 2-301)

The stopper opens and starts picking up a document when a scan start instruction is given. The carry motor opens and closes the stopper.

This machine picks up a document by lowering the pickup roller not by lifting and lowering the document board.

The lifting and lowering of the pickup roller synchronizes with the opening and closing of the stopper.

2) Document separation

Separation of this machine is performed by the retard roller.

The torque limiter is built in the retard roller. When the outside pressure on the roller exceeds the specified value into the feed direction, the roller begins to rotate in the same direction.

As shown in Figure 2-302-a, when overlapped documents enter into the clearance between the feed roller and the retard roller, the document in contact with the feed roller is fed in the feed direction, and the retard roller does not rotate so that the document in contact with the retard roller is not pushed in.

As shown in Figure 2-302-b, once a single document remains, the retard roller rotates in conjunction with the feed roller and the document to feed the document. If non-separation is selected, the retard roller rotation becomes free and the separation function becomes invalid.

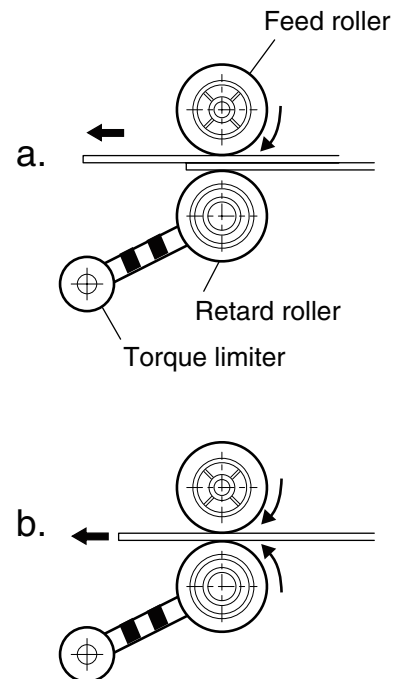


Figure 2-302

3) Document ejection

The U-turn path or the straight path can be selected for the document ejection. The lever makes the flapper change the feed path. The flapper is behind the eject roller 1. (Figure 2-301)

The straight path is very useful when the thicker documents or cards are scanned.

3. Feed Error Detection

There are three types of document sensors in this machine: a document board sensor and two registration sensors.

The document board sensor detects whether or not a document is present in the document pickup opening, and the pre-registration and registration sensors detect it in the registration roller section.

The pre-registration and registration sensors detect a document feed error.

- 1) Delay jam (document pickup error)
When the registration sensors do not detect the leading edge of the document, even after the motor drives the specified length.
- 2) Residual jam
When the registration sensors do not detect the trailing edge of the document after the leading edge of the document is detected, although the motor drives the specified length (about 365 mm).
- 3) Early start jam
When the registration sensors detect the trailing edge of the document after the leading edge of the document is detected before the motor drives the specified length (about 40 mm).
- 4) Non-removable jam
When the registration sensors detect the presence of the document when the power is ON or after the upper unit opens and closes.
- 5) Double feed detection
This machine checks the double feed by detecting the document length by the registration sensors. The detection process is the same as the above the residual jam. The specified length is determined by the user set document size.

4. Mechanical Feed Mode

Feed status can be checked without the computer in this mode. This mode should not be open to users.

The mechanical feed mode can be activated by pressing the job buttons on the operation panel, as follows:

- i) Turn ON the power switch with the job button No.1 pressed.
- ii) Keep pressing the job button No.1. For about one second later, the power indicator blinks. Then, press the job button No.2 immediately.
- iii) Press off the both buttons. When it is in the mechanical feed mode, the power indicator keeps blinking.

Set the document and push the job button No.1. The document will begin feeding. The feeding speed is the same as for the black and white setting of 200 dpi. To cancel, turn the power switch OFF.

IV. CONTROL SYSTEM

1. Control PCB

Control of this machine is performed by the control PCB.

Figure 2-401 shows the block diagram of the control PCB.

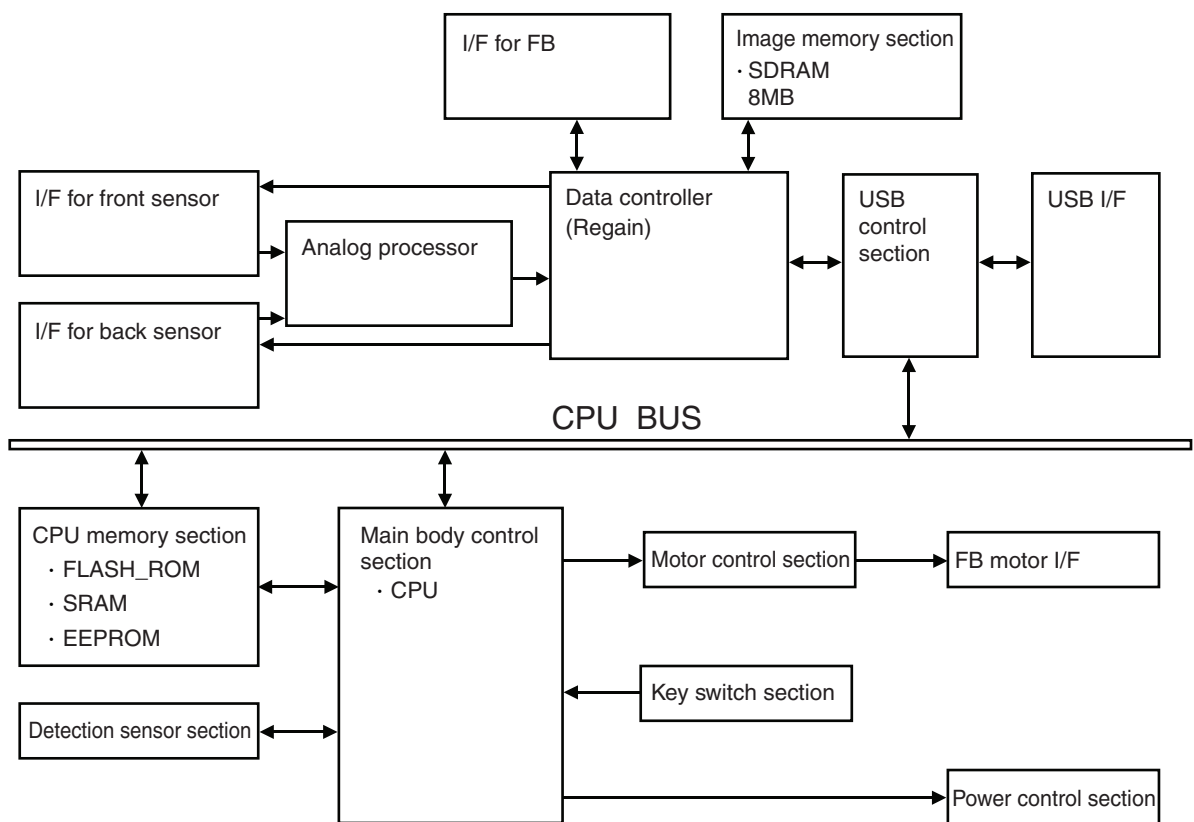


Figure 2-401

2. Image Processing Control

Figure 2-402 shows the block diagram of the image processing in the main body.

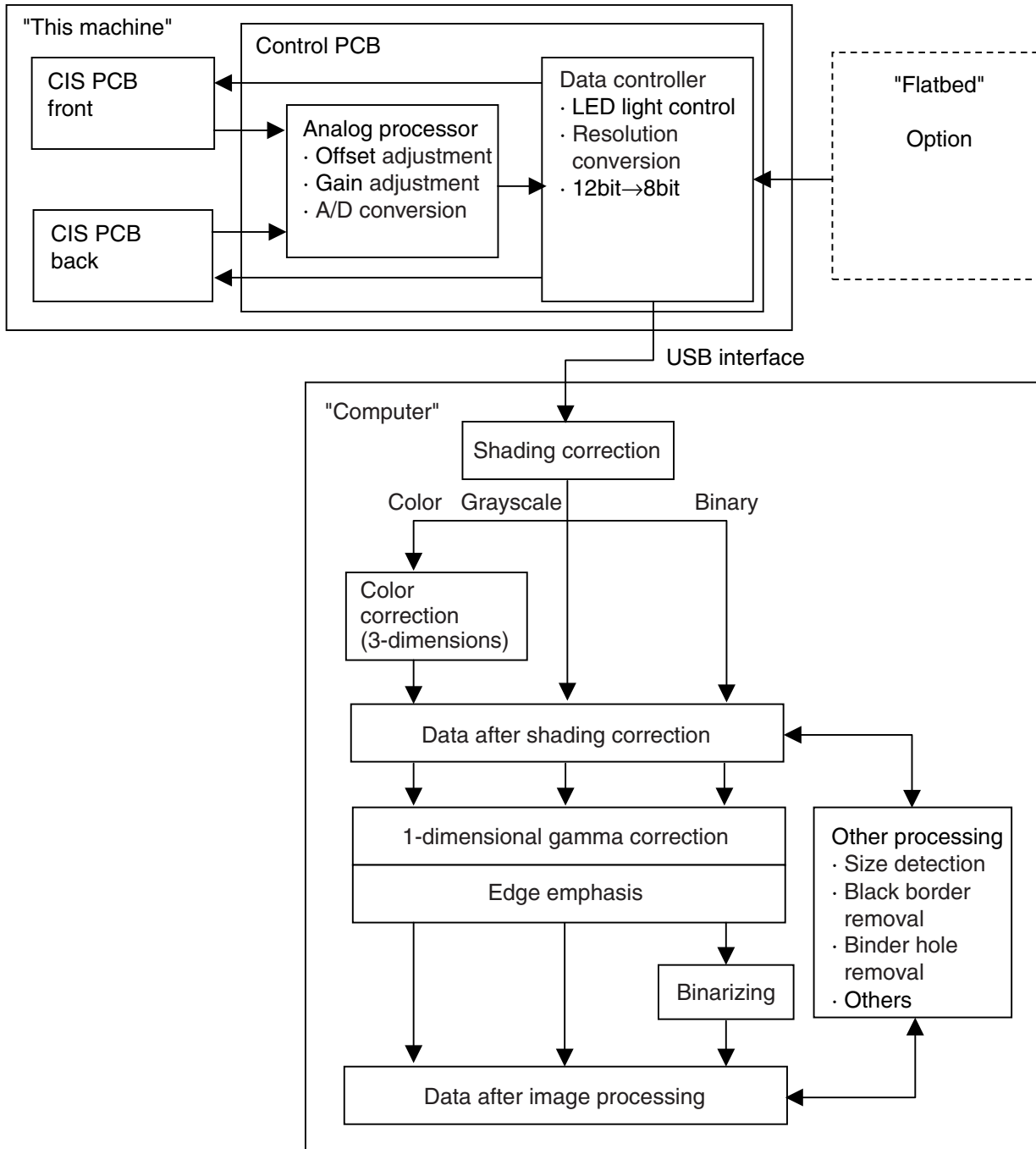


Figure 2-402

Analog signals proportionate to the density of each picture element are output to the analog processor on the control PCB from the CIS PCB.

The analog processor carries out offset adjustment, gain adjustment, and A/D conversion. Analog signals are converted into 12bit digital signals in the analog processor. Then the image data is transferred to the data controller and the resolution is converted from 12 bits to 8 bits.

After that, the image data is output to the computer through an USB interface.

All the image processing carried out in this machine are described above. Other image processing are carried out inside the computer.

The computer performs the image processing according to the user settings after the shading correction.

V. IMAGE PROCESSING

Note: The principle of the image processing is described simply in this section so that you can easily understand it. In actual cases, the procedure may be somewhat complicated.

1. Image Processing in Main Body

1) Offset adjustment

Offset adjustment is carried out on analog signals for the whole image sensor. Black correction is adjusted so that the minimum output value of the overall black level matches the specified value.

2) Gain adjustment

Gain adjustment is carried out on analog signals for the whole image sensor. White correction is adjusted so that the maximum output value of the overall white level matches the specified value.

Note: Offset and gain adjustment are used to perform A/D conversion properly.

3) A/D conversion

This processing converts analog signals into digital signals. The analog processor unique to this machine converts analog signals into 12bit digital signals. However, 12bit data is converted to 8bit data during the resolution conversion described later.

Note: Shading correction for digital signals is carried out in a computer, however, correction values are stored in the flash memory of the control PCB. The correction values are output to the computer.

4) Image Resolution Conversion

a) Main-Scanning Direction

This machine enables outputs from the CIS PCB to be converted into 600dpi or 300dpi data. In case that the resolution selected is the 600/400dpi mode, it produces 600dpi outputs. On the other hand, in case that the resolution is set at 300dpi or less, 300dpi outputs are produced.

When 600 or 300dpi data are produced, this machine can convert the resolutions of those data by averaging them. The image resolution conversion by averaging is sometimes called "smoothing."

Averaging method conversion enables the data to be smoothly transformed much better than that by thinning-out method, resulting in reducing the occurrence of Moire patterns.

Averaging is especially useful for low-resolution photographs.

The data are averaged according to the resolution applied when the basic data of each picture element are converted.

Figure 2-501 shows the aspects of 300dpi image data and the image data averaged to 150dpi data.

• 300 dpi

1st line	A	B	C	D	E	F	G	H
2nd line	A	B	C	D	E	F	G	H
3rd line	A	B	C	D	E	F	G	H
4th line	A	B	C	D	E	F	G	H
5th line	A	B	C	D	E	F	G	H
6th line	A	B	C	D	E	F	G	H



• 150 dpi

1st line	$(A+B)/2$	$(C+D)/2$	$(E+F)/2$	$(G+H)/2$
2nd line	$(A+B)/2$	$(C+D)/2$	$(E+F)/2$	$(G+H)/2$
3rd line	$(A+B)/2$	$(C+D)/2$	$(E+F)/2$	$(G+H)/2$

Figure 2-501

b) Sub-Scanning Direction

The document is scanned in the sub-scanning direction basically by changing the feeding speed.

In the case of 200 dpi, feeding speed is 1.5 times as fast as 300 dpi. In the case of 150 dpi, it is twice the speed, and in the case of 100 dpi, three times the speed used for 300 dpi.

If the timing for reading the data from the image sensor is the same, the resolution in the sub-scanning direction can be converted by changing the feeding speed. (Figure 2-502)

However, the feeding speed is limited depending on the specifications of carry motor. If the feeding speed cannot be increased, the read timing interval is widened. (Figure 2-503)

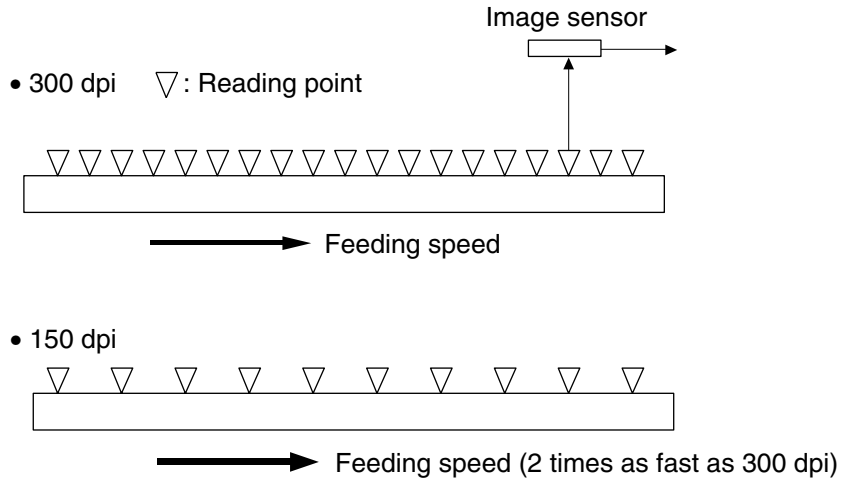


Figure 2-502

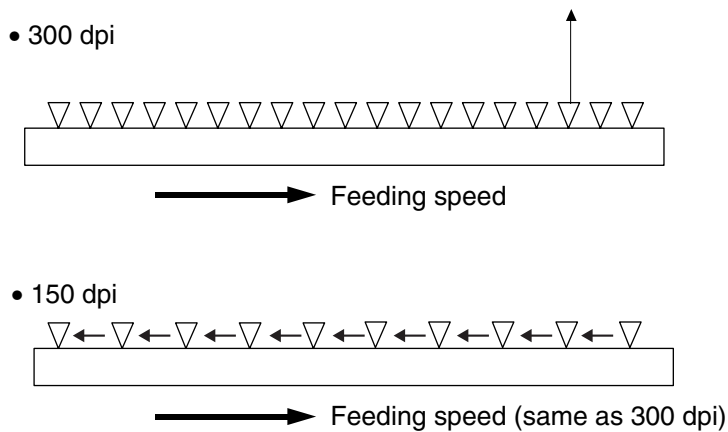


Figure 2-503

2. Image Processing in the Computer

1) Shading Correction

Even if the image brightness is consistent, the values output from the image sensor are not necessarily consistent because the sensitivities of each element of the image sensor and the performance of each reading system would vary. In the shading correction, the variations of each element are compensated. This processing is done for the digital signals after A/D conversion.

The correction values of each element are calculated in advance and stored in a memory.

There are two types of correction values: black and white correction values. For black correction value, readout indicated when an LED does not illuminate, in other words, when a black image is read (intense black) is set as a target value. For white correction value, readout of standard shading plate is set as a target value (pure white).

The data of each element which have been converted into digital signals are compensated in accordance with the corresponding values.

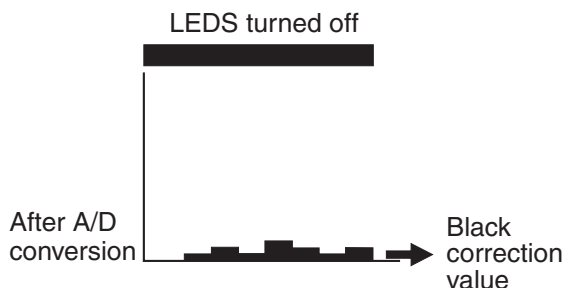


Figure 2-504

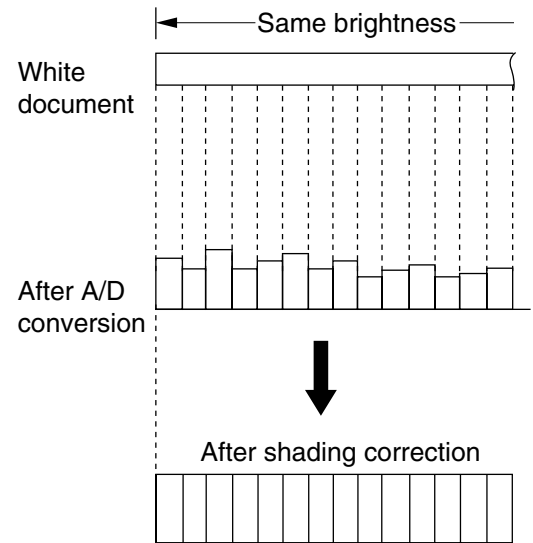


Figure 2-505

This machine prepares a thin long shading plate near the reading glass instead of a standard shading plate in order to calculate correction values. Thus, correction values can be automatically calculated during normal operation.

2) Color Correction

To improve the reproducibility of color images, the 3-dimensional gamma conversion is performed on the color data after the shading correction. A 3-dimensional conversion table that suits the characteristics of this machine is provided to convert RGB values.

3) Gamma Correction (1-dimension)

To improve the reproducibility of documents or modify the acquired image as required by the user, it is possible to convert the document image data using conversion tables.

This machine provides various conversion tables adjusted for image mode and setting value.

However, there are several adjustment items not available for image mode and other conditions. For details, refer to the driver software "Help" function.

The conversion tables below are for fundamental items and may be different from actual items.

a) Brightness Adjustment

This adjusts the overall brightness of the scanned image. The image brightness increases as the setting value becomes larger, and decreases as the value becomes smaller.

For brightness adjustment in black and white mode, refer to the "Binarizing" section.

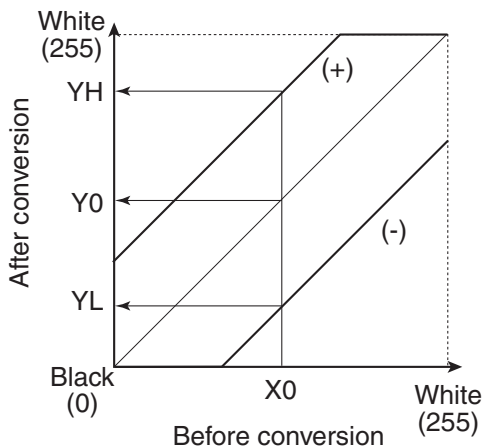


Figure 2-506

b) Contrast Adjustment

This adjusts the contrast of the scanned image. The image contrast increases as the setting value becomes larger, and decreases as the value becomes smaller.

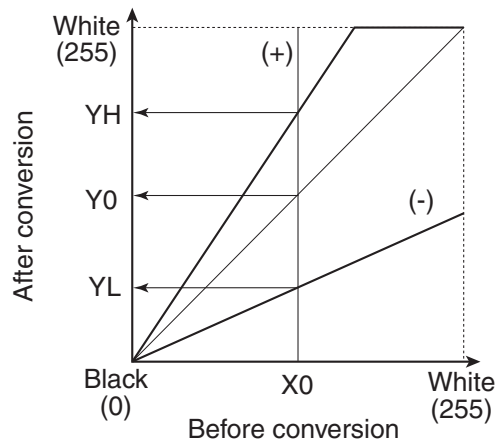


Figure 2-507

c) Custom Adjustment

This is used when data conversion other than brightness and contrast adjustments is required.

It is possible for the user to use a custom conversion table for converting the gamma curve to the document image data. In this case, the brightness and contrast adjustments become invalid, and the unique gamma curve is given priority.

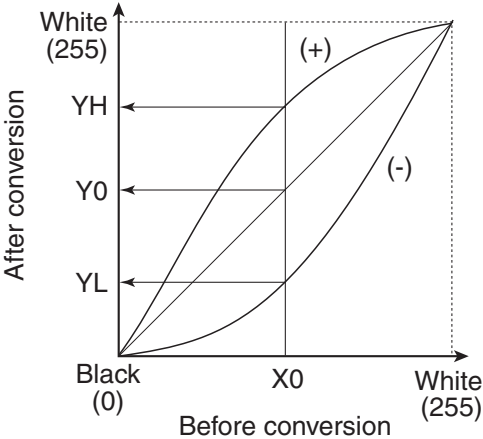


Figure 2-508

4) Edge Emphasis

Edge emphasis is a kind of processing which emphasizes the brightness change in order to make the image appear sharp. (Figure 2-509)

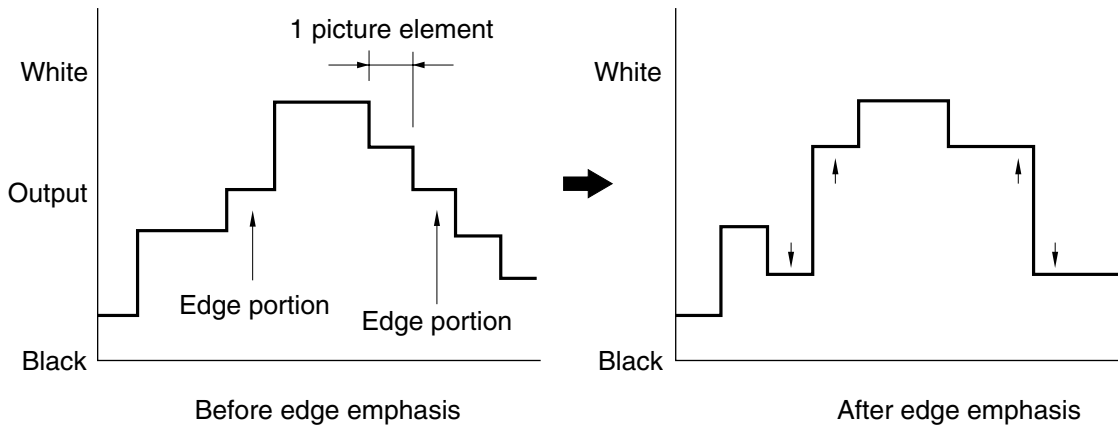


Figure 2-509

The processing is performed by comparing the data in the conversion table provided for performing edge emphasis, with the target picture element data (a). (Figure 2-510)

The stages in edge emphasis can be changed by changing the conversion table and reproduction ratio (B) of the conversion table.

For example, if the target picture element data is increased fourfold and the other four points multiplied by -1, the overall brightness will remain unchanged.

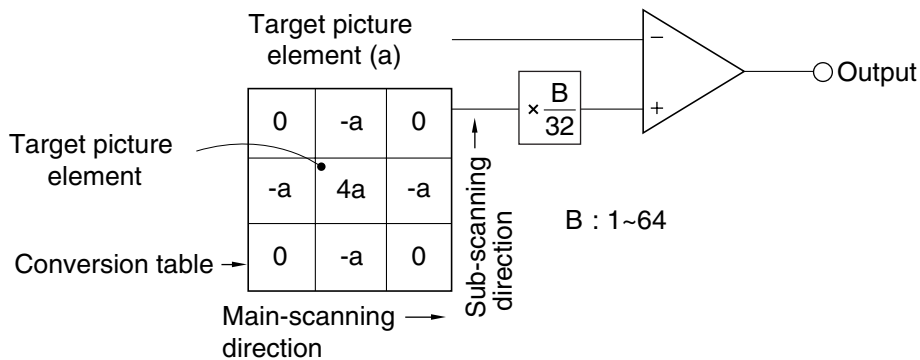


Figure 2-510

5) Binarizing

a) Simple Binarizing

Binary image data can only express picture elements as either “black” or “white.”

In order to separate the picture elements into black and white, signals corresponding to the image brightness must be cut off at a certain level, so that anything above that level is judged as “white” and anything below as “black.” This is called simple binarizing. This is useful for text documents. Simple binarizing for this machine is called “Black and White” mode.

The level at which picture elements are to be divided into white or black is called the “slice level.” The image brightness is adjusted by changing this slice level.

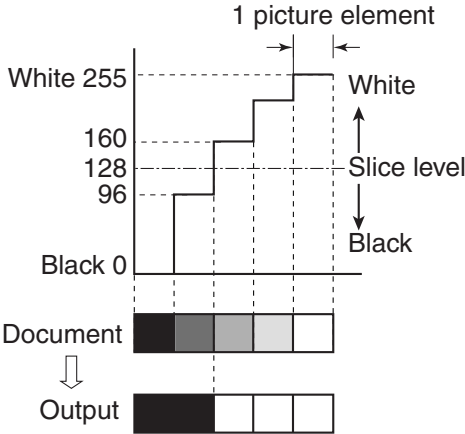


Figure 2-511

b) Error Diffusion

Error diffusion processing is used to binarize documents containing gray levels, such as pictures and photos.

A sample case is shown below, where the output is set to four bits and the slice level is set to "8."

The value of 1 picture element of input image data is compared with the slice level. When it is smaller than the slice level, it is output as "0" and when it is

bigger than the slice level, it is output as "15." The difference between the values of the input and output picture elements is then added to the next picture element to be processed.

First, when processing the first low of Line 1, since the data "12" is larger than the slice level "8," the output data becomes "15," and the resultant error becomes -3 (=12-15). (Figure 2-512)

First row of line 1

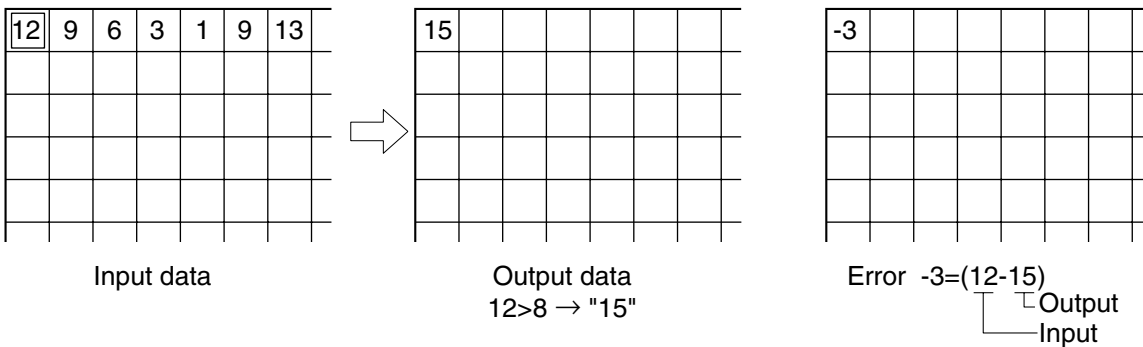


Figure 2-512

Next, when processing the second row of Line 1, since the error is diffused to the right, the data of the picture element of the second row of Line 1 becomes "6" (=9-3).

As this value is smaller than the slice

level, the output data is "0" and the error becomes "+6" [(9-3)-0]. (Figure 2-513)

The third row of Line 1 and later are processed similarly.

Second row of line 1

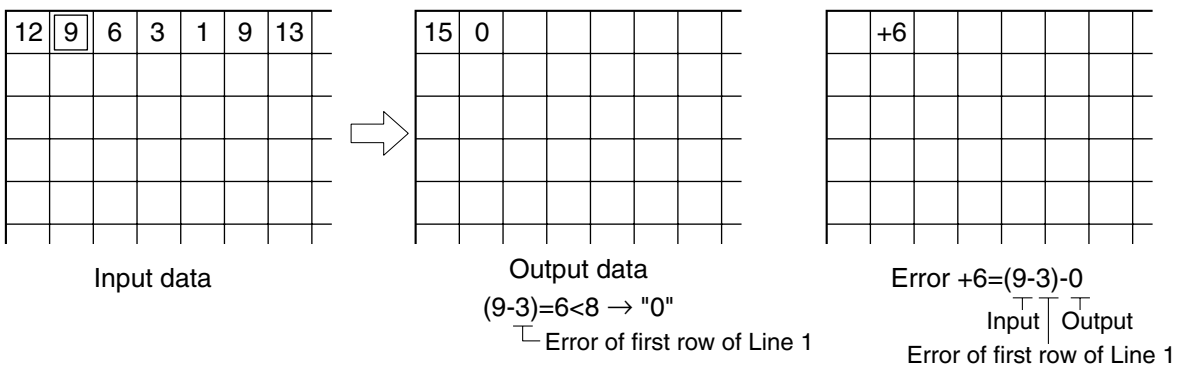


Figure 2-513

Line 2 is processed using the first row of Line 2 as a reference. If the rest is processed similarly, the data becomes as shown in Figure 2-514.

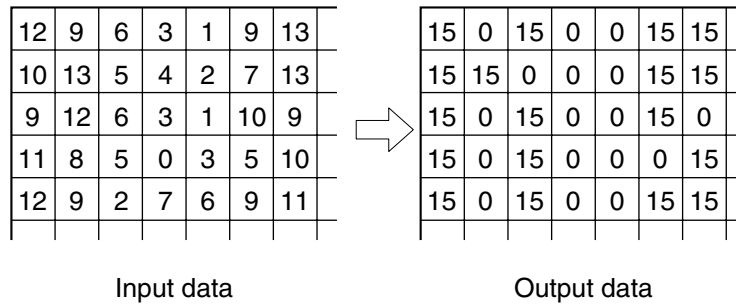


Figure 2-514

Figure 2-515 shows a comparison of binarizing with error diffusion processing, and binarizing without error diffusion processing (simple binarizing).

The brightness adjustment for error diffusion is done by using the data conversion table. The slice level is always set at median.

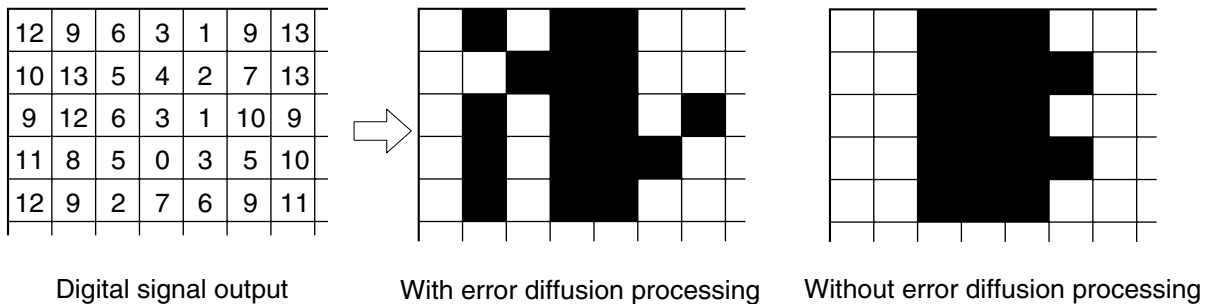


Figure 2-515

c) Advanced Text Enhancement

In this mode, a histogram of brightness level for each block within the scanned data is calculated, and an optimum slice level is determined to binarize the picture elements.

Binarizing in this way removes the background, for example, from behind text printed on a background.

For example, as shown in the image in Figure 2-516, a histogram for each block is calculated, and the optimum slice level is determined to binarize the picture elements.

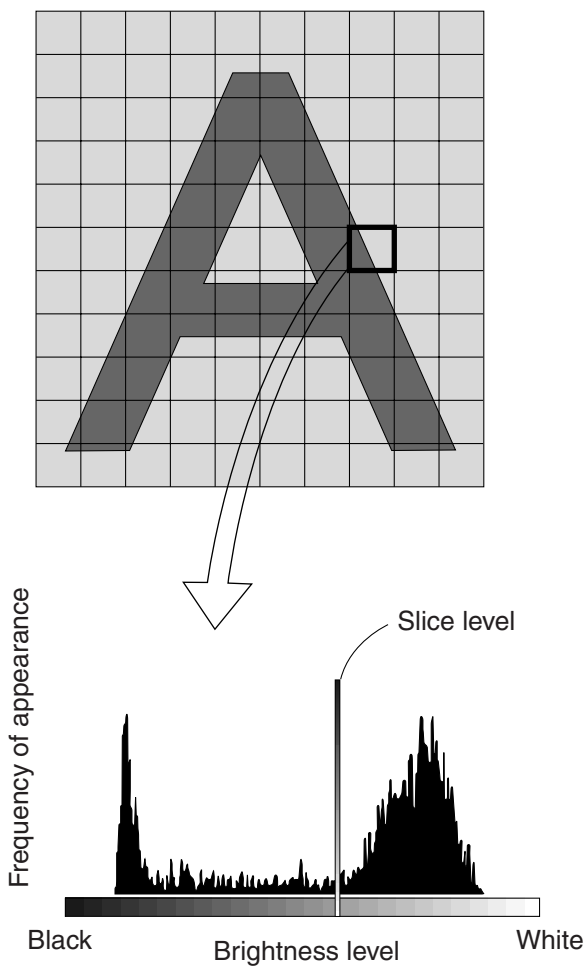


Figure 2-516

6) Automatic Size Detection

In case that the automatic size detection mode is selected, an image data with the maximum width and the length detected by the registration sensors in the feed direction is read.

The maximum outside frame is detected from the image data which has been read. The inside of the data is defined as the document size and the margins are removed.

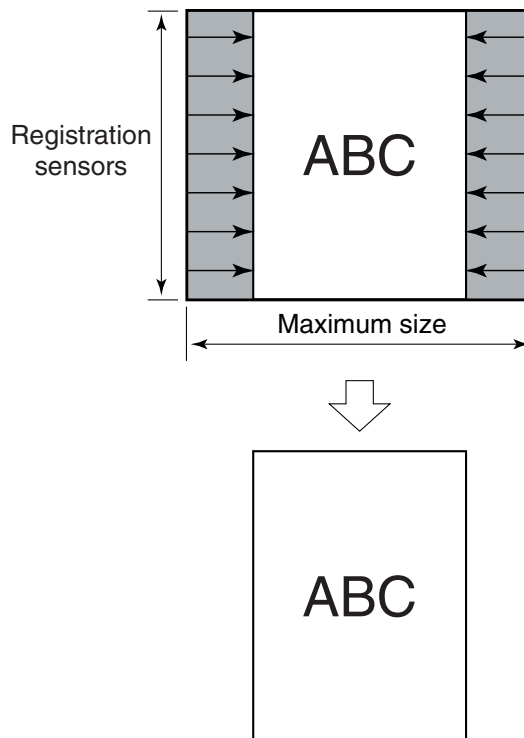


Figure 2-517

If a document skews when you select automatic size detection, but do not select skew correction, parts of leading and trailing edges of the image will be missing.

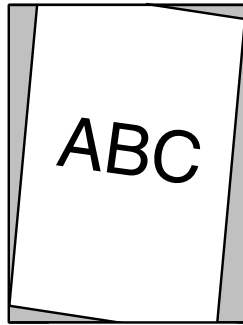


Figure 2-518

Note: In case that part of circumference of document is dark or brightness level is not appropriately set, this function may not successfully work. This may also happen when the skew correction or black frame removal described later is performed.

7) Skew Correction (Deskew)

If the skew correction is selected, the size of document read is broadened by 10 mm compared with the user-specified size. The skew is detected based on the data read to compensate the skew.

The image data is then restored to the user-specified image size.

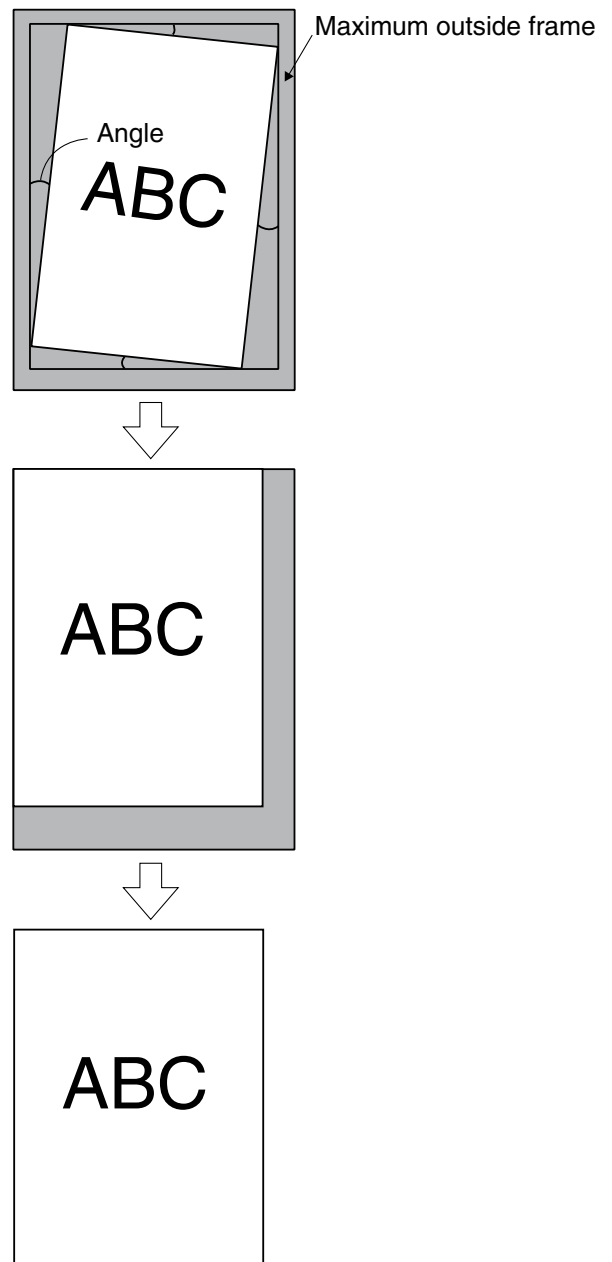


Figure 2-519

8) Black Border Removal

When the black border removal is selected, the image data is read with the specified read size.

The frame of document is detected based on this image data and the outside of the frame is converted into the white data. (Figure 2-520)

The conventional black border removal may vanish the letters if there are some letters on the edge of document and the document is skewed to much. This machine extracts the outer shape of document without dent after extracting the frame. Thus, no letters vanish. (Figure 2-521)

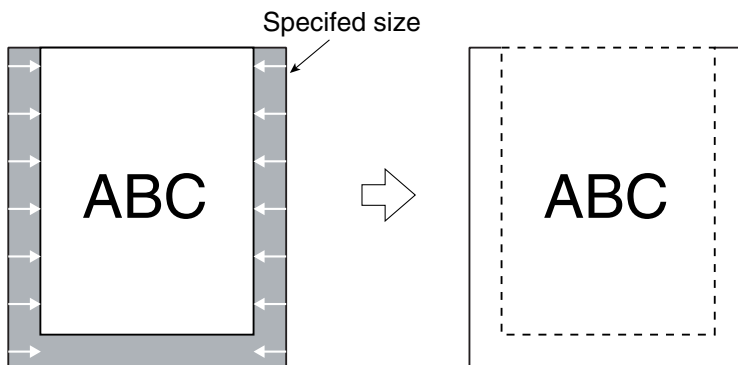


Figure 2-520

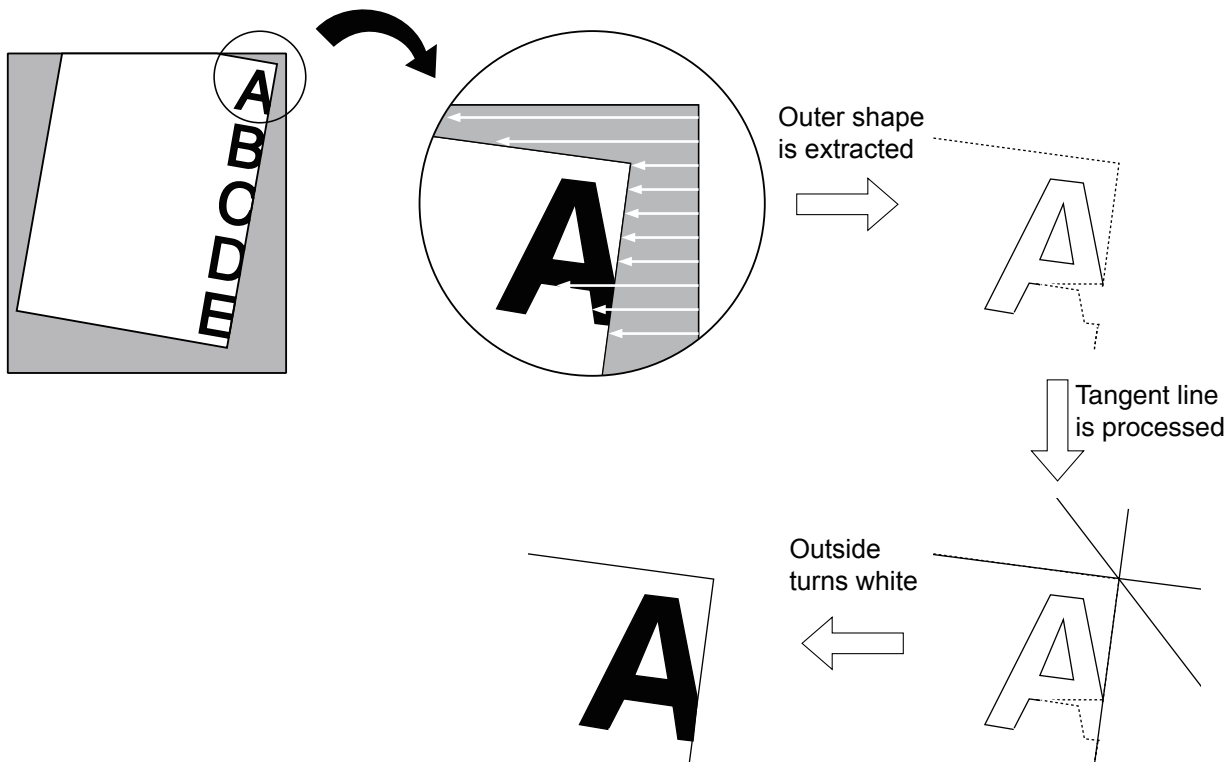
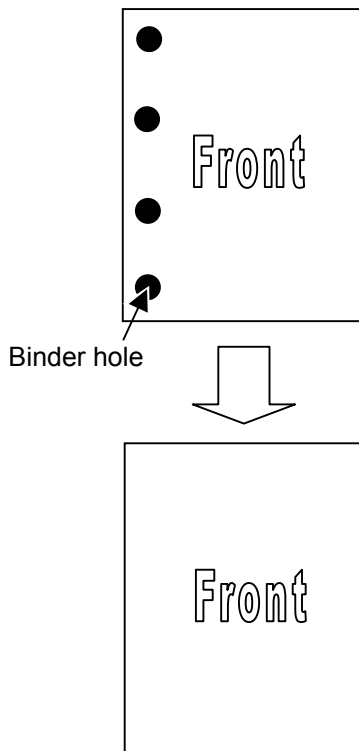


Figure 2-521

9) Binder Hole Removal

When a document in which holes are punched is scanned, this function removes those holes by using the front and back sides of an image.



The procedures and principle are described below.

Note: If the scan area is specified and the optional flatbed unit is attached to this machine, the processing is different from this processing to perform the only simplex scanning.

- i) The front and back sides of document are read.

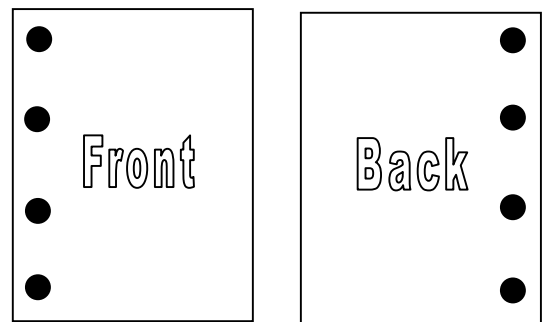


Figure 2-523

- ii) The image of the back side is reversed.

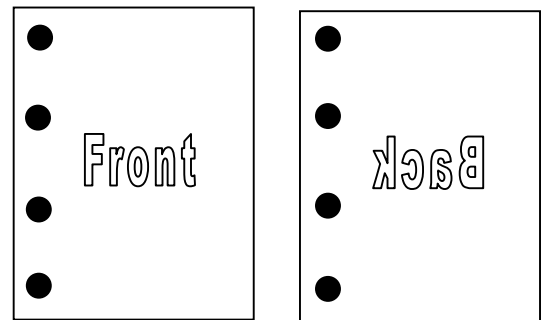


Figure 2-524

- iii) The front side of a document is overlaid on the back. And the part of the overlapping images, in which the black points of the front and back sides overlap one another, is extracted from the target image area (margins with the width of 20 mm). And then, an image data is created. This image is called hole pattern image. If there are some binder holes, a hole pattern image is created.

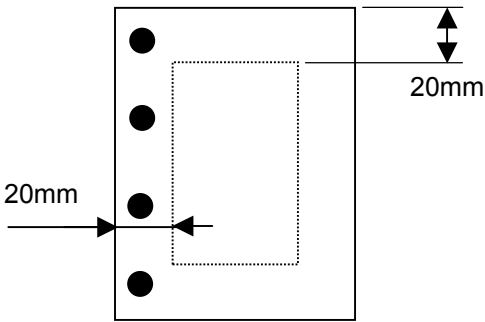


Figure 2-525

- iv) In case that both the front and back side images have some black objects (which are not binder holes) on the same spots in the previous step, those should be determined as holes and a hole pattern image should be created. Thus, some black objects other than those binder holes will be deleted as well. In this case, the low-pass filter processing should be done to handle and delete small objects.
- v) The shapes (such as area, circumference, and center of balance) of the binder holes of the hole pattern, front and back side images are compared. If they are the same, those black objects are determined as binder holes. And then, they are removed from the front image.

- vi) In case that both sides of document are scanned, after the binder holes on the front image are removed, those on the back side image are removed as well.

The binder hole removal function does not successfully work under the following conditions.

- In case that a binder hole and figure or character overlap one another, the binder hole is not removed because the shape of the hole on the front should be different from that on the back. However, if the object which overlaps a binder hole is a thin line which can be deleted by the low-pass filter processing, the hole is successfully removed.

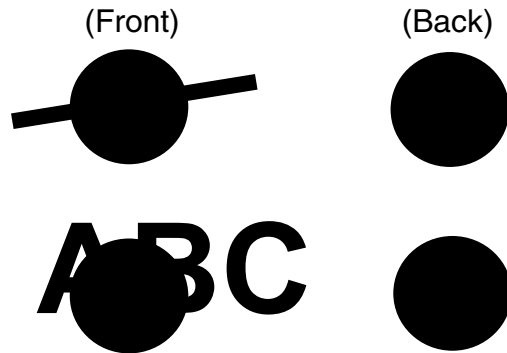


Figure 2-526

- Processing only by single image data
In case of scan area specification, the front area is different from the back area. In case of the flatbed, only one side exists. Thus, binder holes are removed as follows.
This machine determines the objects as binder holes and deletes those if the degrees of circularity* of such objects which exist in a target image area (20 mm around) exceed 0.8.

However, the objects whose area is 10 mm² or less are excluded.

- * Degree of circularity = $(\text{area} \times 4\pi) / (\text{circumference})^2$

10) Blank Skip

Judgment as to whether or not to record a document is determined by comparing the actual number of picture elements of the document with the user-preset percentage (0% to 20%) of number of black picture elements.

However, the margin of an image data (10% of lengths of each side edge) is excluded. Thus, the number of black picture elements in the central area is compared with the user-defined number of black picture elements. If the number of black picture elements in this target area exceeds the predefined number, the data are recorded. If not, the data are not recorded.

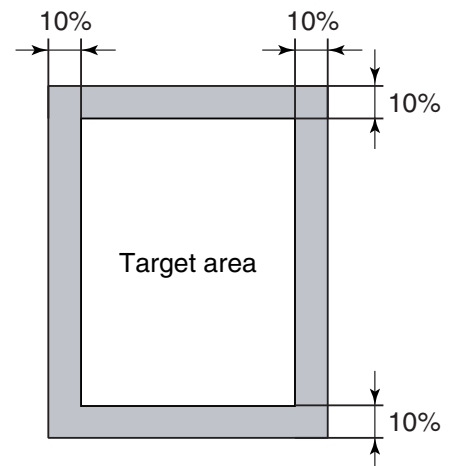


Figure 2-527

VI. POWER SUPPLY

1. Power Supply

The AC adapter is used for the power supply of this machine. The values of AC input and output power are 100-240V 50/60Hz and +16VDC, respectively.

Use the AC adapter which is enclosed with this machine.

The output power is input to the control PCB. And then, +3.3V and +5V are generated there.

+3.3V, +5V and +16V are supplied for each IC including the CPU, for CIS LED and ICs including the analog processor, and for driving the motors, respectively.

The power for the optional flatbed unit is

supplied by this machine.

The AC adapter has the overload protection function to automatically block the power output in the event of a failure such as short circuit on the load side of the AC adapter.

This machine will shift into the power saving mode if such states as no document feeding and no USB interface communication continue. In the power saving mode, the electrical circuits enter the sleep state. The CPU, however, does not shift into the sleep state.

The machine returns to the standby mode from the power saving mode when any communication is carried out on the computer side or when any job button is pressed.

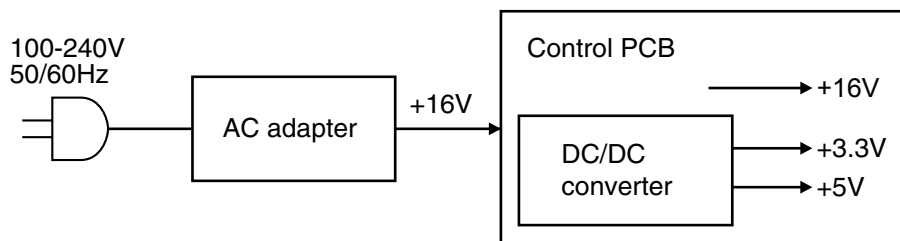


Figure 2-601

VII. FLATBED UNIT

1. Outline

The flatbed unit is prepared for DR-2580C as an option. In case that a document which cannot be fed, for example, a book, needs to be scanned, this unit should be used. The power and driving signals are supplied for the

unit from the main body of DR-2580C. Therefore, it does not work independently.

The CCD is used as an image reading sensor. The optical unit including the CCD is moved by the motor and timing belt to read images.

Table 2-701 includes the key specifications of the flatbed unit.

No.	Item	Specifications
1	Type	Desktop type flatbed scanner *No operation without main body DR-2580C
2	Dimensions (tray closed)	Flatbed itself: 315 (W) × 545 (D) × 82.5 (H) mm With DR-2580C: 315 (W) × 557 (D) × 155 (H) mm
3	Weight	Approx. 3.8 kg (with DR-2580C: Approx. 5.7 kg)
4	Type of sensor	CCD: 5340 picture elements × 4 lines (RGB/Grayscale)
5	Effective picture element	600 dpi, 5104 picture elements (216 mm)
6	Light source	Xenon lamp (white)
7	Reading size	216 × 297 mm maximum
8	Expected product life (in-house information)	One of the following two items, whichever comes first. 1) 5 years 2) Sheets scanned: 20,000 sheets (A4 size)
9	Installation	By users *Include detach/attachment with main body DR-2580C

Table 2-701

2. Configuration

1) Reading System

The color CCD sensor with 5340 picture elements \times 4 lines is used as an image sensor. The size of a picture element is $7\mu\text{m} \times 7\mu\text{m}$. And the picture elements are arranged with $7\mu\text{m}$ pitches. The length of a line is about 37.4 mm.

* CCD sensor

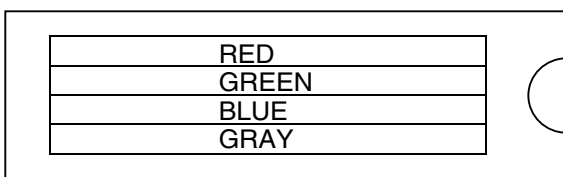


Figure 2-701

The unit, which consists of the CCD PCB with the CCD sensor, 4 mirrors, lens, and xenon lamp as a light source, is called "optical unit." Since this unit is adjusted before the shipment from a plant, do not disassemble the unit except for the lamp in the field.

The images of a document are reduced by the optical unit. And then, the 600dpi image data with 5104 effective picture elements (length: 210 mm) are output from the CCD sensor.

The shading plate for shading correction is slipped between the document board glass and cover.

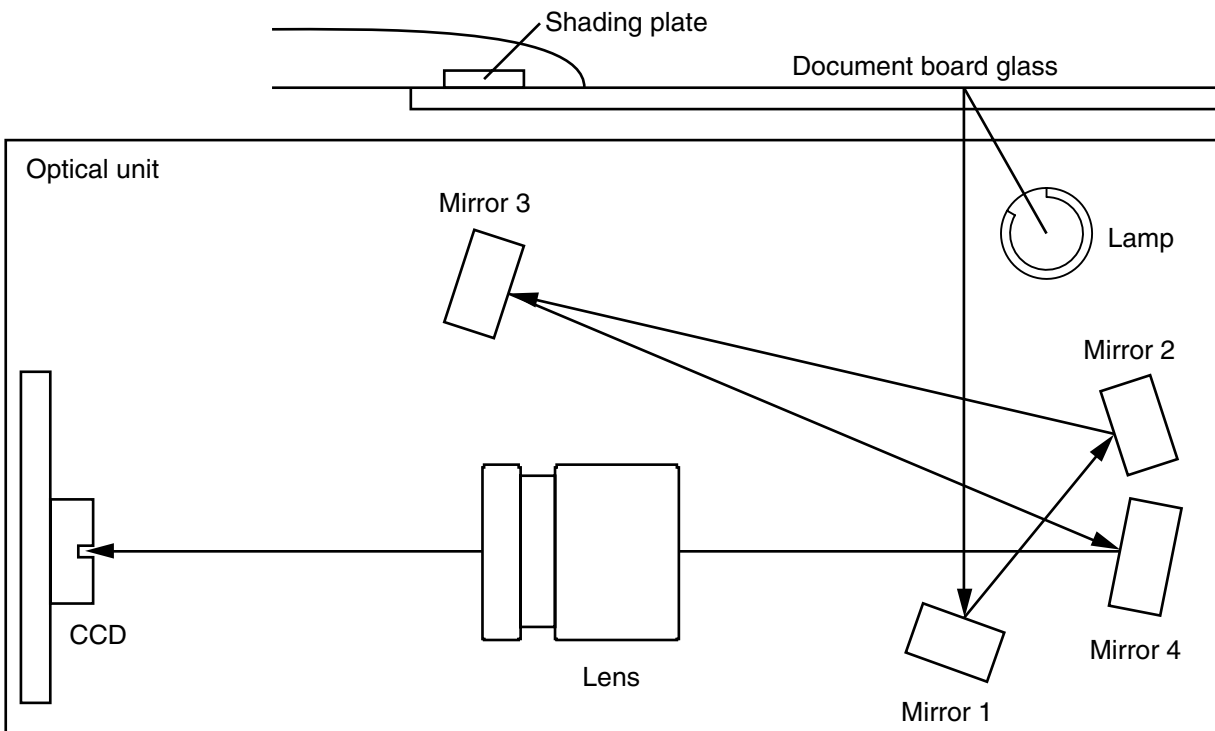


Figure 2-702

2) Drive System

Image data can be read in the sub-scanning direction by moving the optical unit horizontally.

A timing belt is fixed to the optical unit. The rotations of the stepping motors run the timing belt to move the optical unit. A shaft is installed as a guide for the unit movement.

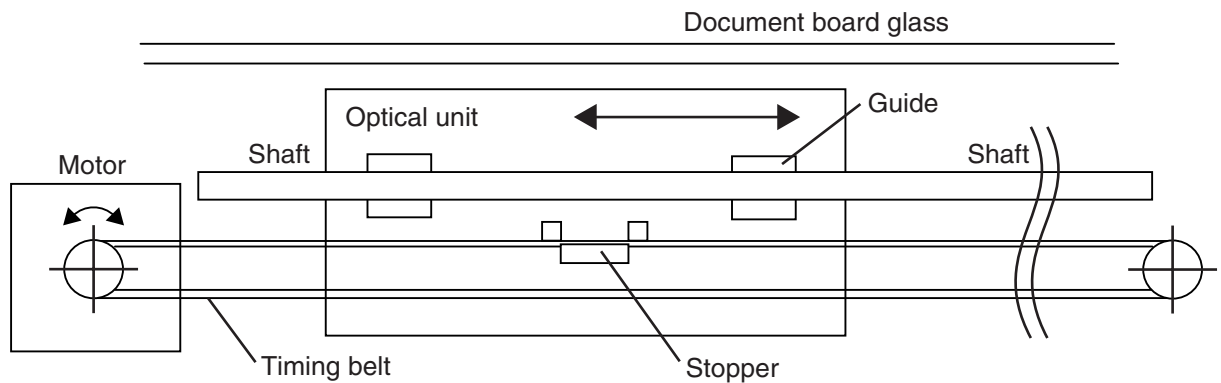


Figure 2-703

3) Control System

Driving signals for the CCD and motors are supplied from the main body of DR-2580C. After analog image data are converted into digital data in the optical CCD PCB, those data are output to the main body of DR-2580C.

Figures 2-704 and 2-705 describe the electric circuit block diagram and image processing block diagram, respectively.

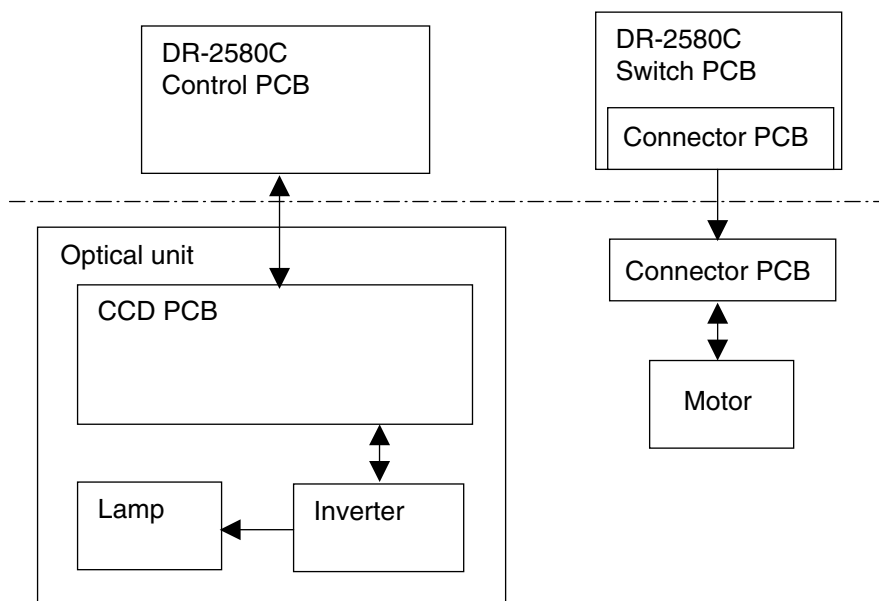


Figure 2-704

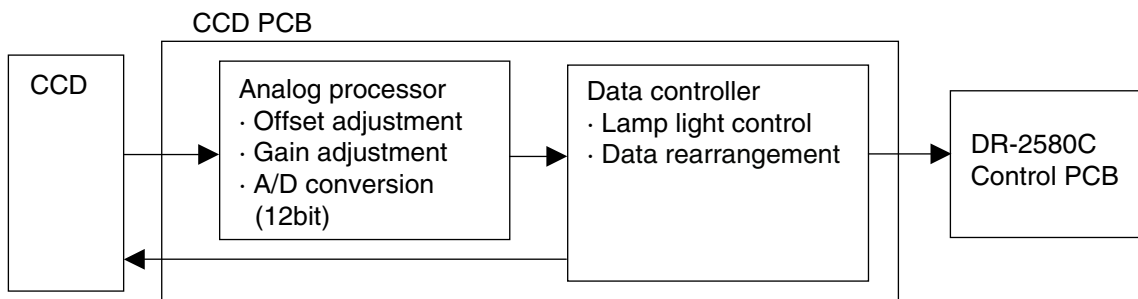


Figure 2-705

VIII. ELECTRICAL PARTS LAYOUT

1. Main Body

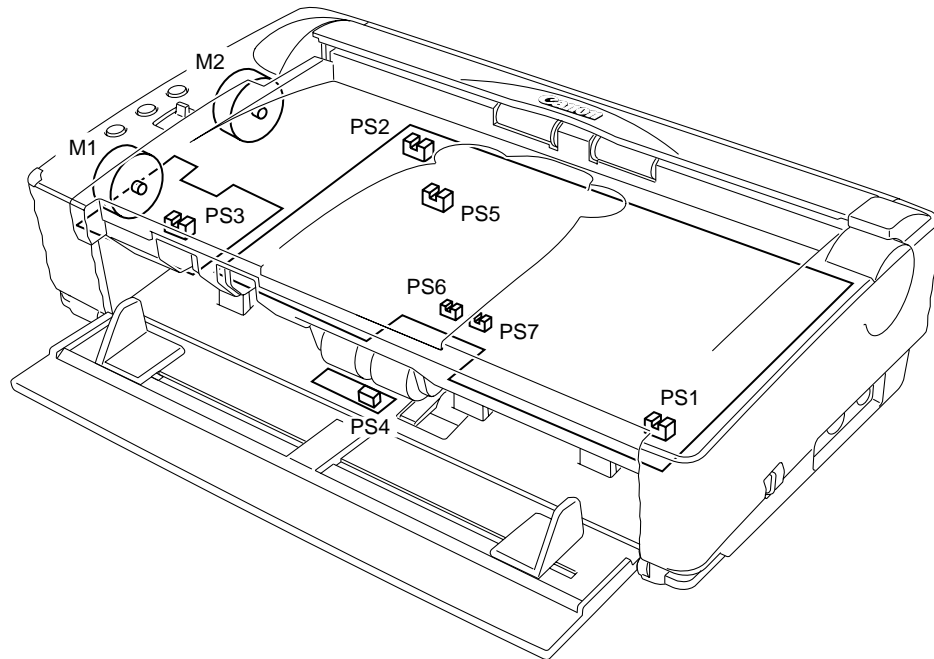


Figure 2-801

Category	Name	Symbol
Sensor	Power supply sensor	PS1
	Rear cover sensor	PS2
	Upper opening sensor	PS3
	Document board sensor	PS4
	Shading sensor	PS5
	Pre-registration sensor	PS6
	Registration sensor	PS7
Motor	Pickup motor	M1
	Carry motor	M2

Table 2-801

2. Flatbed

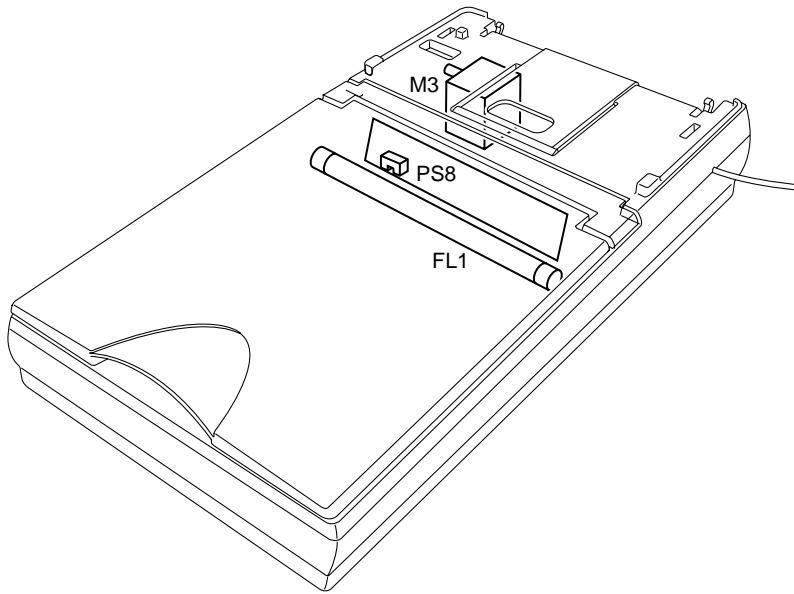


Figure 2-802

Category	Name	Symbol
Sensor	Optical unit sensor	PS8
Motor	Optical motor	M3
Lamp	Light source lamp	FL1

Table 2-802

IX. PARTS LAYOUT OF EACH PCB

Items that are not listed in the lists and items that are specified as usage prohibited must not be procured in the field.

1. Controller PCB

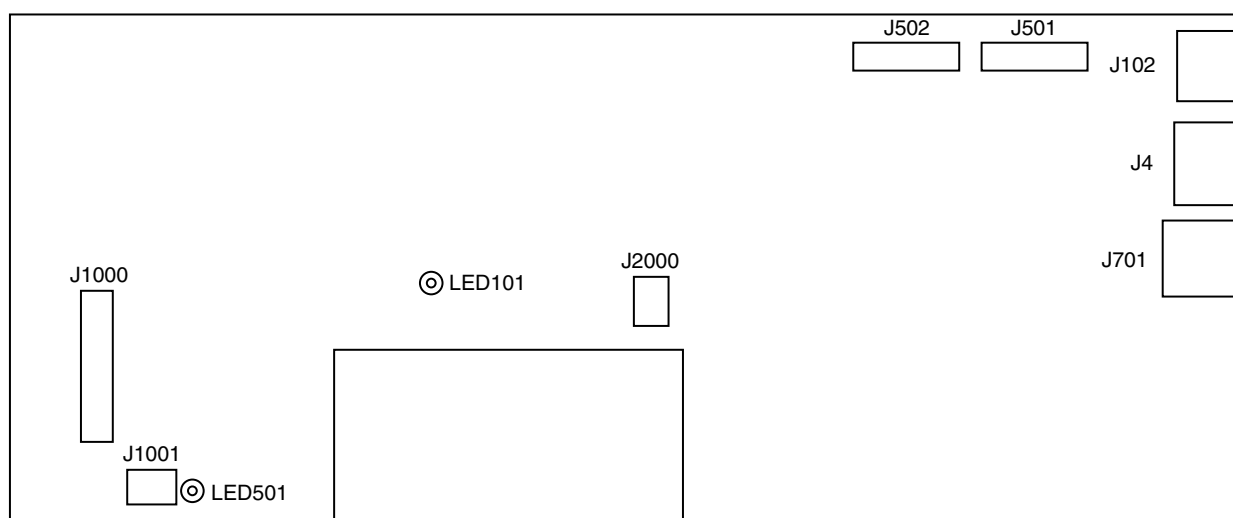


Figure 2-901

Connector		Description
J4	9P	Flatbed
J102	2P	AC adapter (16 VDC)
J501	16P	CIS PCB (front)
J502	16P	CIS PCB (back)
J701	5P	USB I/F
J1000	19P	Switch PCB
J1001	4P	Document board PCB
J2000	7P	Ultrasonic sensor PCB

Table 2-901

LED	Description
LED101	Blinking: CPU normal operation
LED501	Lighting: Normal power supply

Table 2-902

2. DC Control PCB

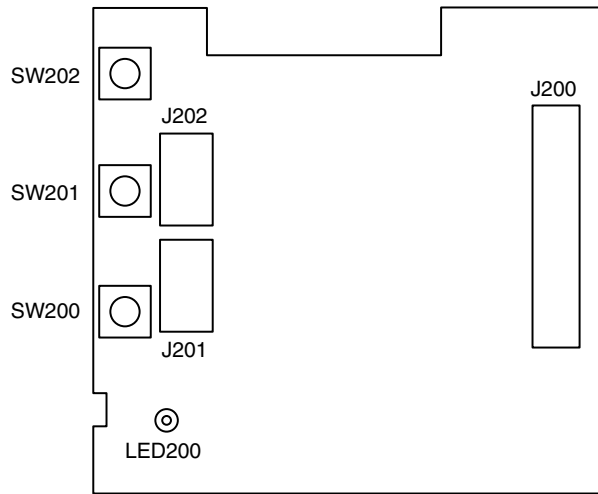


Figure 2-902

Connector		Description
J200	19P	Control PCB
J201	4P	Pickup motor
J202	4P	Carry motor

Table 2-903

LED	Description
LED200	Lighting: Normal Blinking: Scanner abnormal (jams and so on)

Table 2-904

CHAPTER 3

DISASSEMBLY & REASSEMBLY

I. EXTERNAL COVERS	3-1	III. LOWER UNIT	3-10
II. UPPER UNIT.....	3-4	IV. FLATBED.....	3-21

*** Notes on disassembly and assembly**

- 1) The upper unit sometimes closes while working. Thus, be careful not to get your fingers caught in the unit.
- 2) Many of parts are fixed with the fitting parts instead of screws or E rings. Do not deform such parts too much while working because they would be damaged. However, do not leave a gap between the parts when installing them.
- 3) Prepare a thin and flat head tool such as precision driver because it is necessary to unhook some fitting parts.

I. EXTERNAL COVERS

1. Rear Cover

- 1) Fully open the rear cover.
- 2) Bend the left or right arm ①, unhook the fitting parts, and remove the rear cover ②.

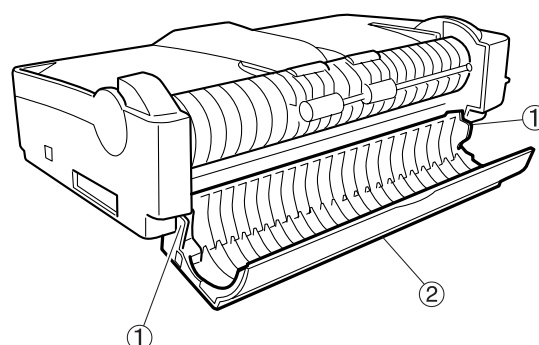


Figure 3-101

*** Notes on assembly**

Do not deform the grounding plate which is put on one of the fitting parts.

2. Right Cover

- 1) Remove the rear cover and fully open the pickup tray and upper unit.
- 2) Unhook the 5 fitting parts ① (one of them on the back side) and remove the right cover ②. At this time, the pickup tray ③ also comes off.

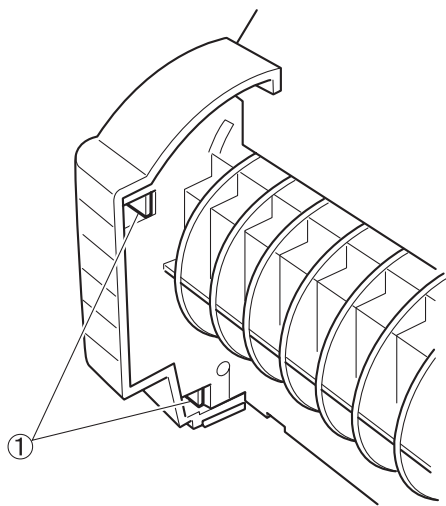
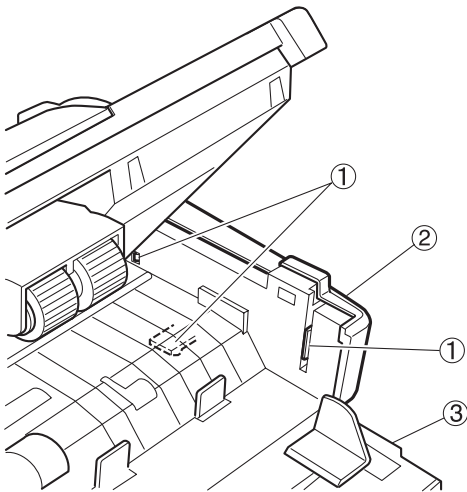


Figure 3-102

* Notes on assembly

Do not pinch the cable. In case that the power switching lever comes off, be sure to put it back.

3. Left Cover

- 1) Remove the rear cover and fully open the pickup tray and upper unit.
- 2) Unhook the 4 fitting parts ① (one of them on the back side) and remove the left cover ②. At this time, the pickup tray ③ also comes off.

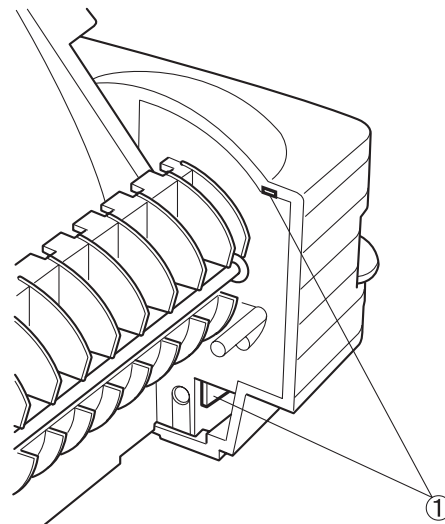
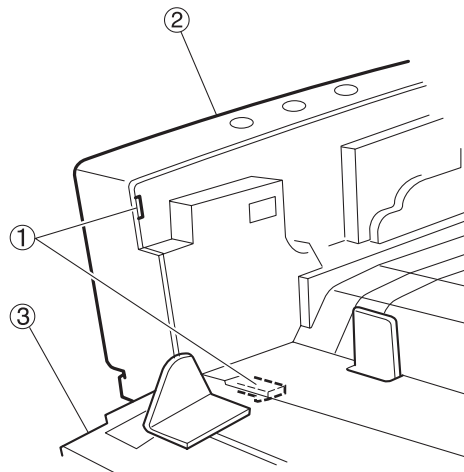


Figure 3-103

* Notes on assembly

Set the rear fitting parts and the edge of the eject selection lever in the mounting positions indicated on the main frame.

4. Pickup Tray

- 1) When the right cover or the left cover is removed, the pickup tray comes off.

5. Upper Cover

- 1) Remove the right cover.
- 2) After unhooking the 6 fitting parts ①, close the upper unit and remove the upper cover assembly ②.

Note:The arm ③ of the left and right reading units would come off after removing the upper cover assembly.

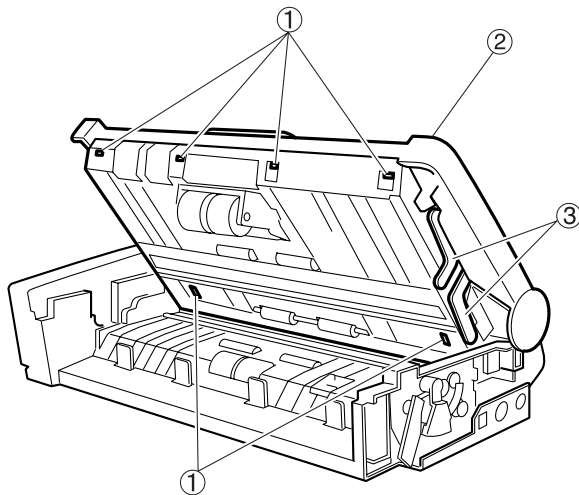


Figure 3-104

- 3) After opening the eject tray extension assembly ①, rotate it and remove the upper cover ②.

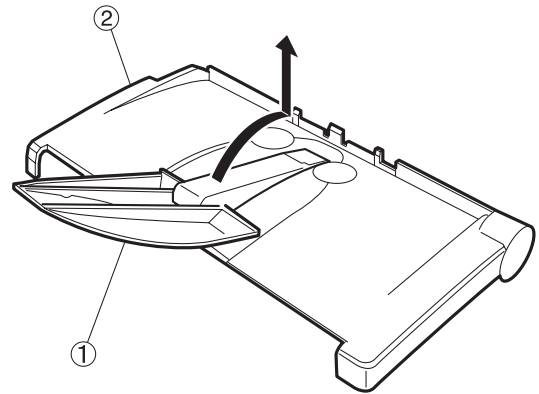


Figure 3-105

- * **Notes on assembly**
Do not pinch the cable.

II. UPPER UNIT

1. Upper Unit

- 1) Remove the right cover, left cover and upper cover assembly.
- 2) Disconnect the cable ② which is connected to the PCB ①.

Note:After removing the reading unit, disconnect the cable for the reading unit.

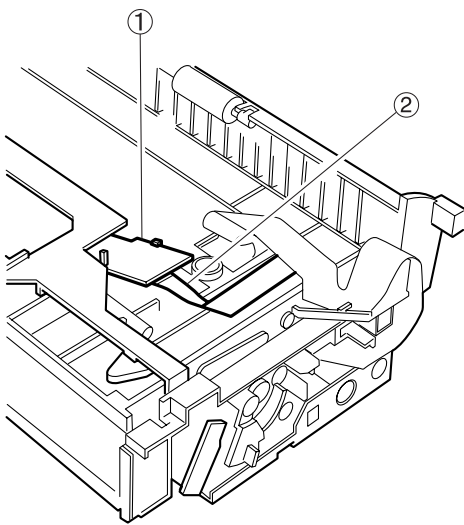


Figure 3-201

- 3) After further opening the upper unit, slide it to the left, unhook the right fitting parts ①, and remove the upper unit.

Note:Do not pull the upper unit too hard because the cable ② is connected to it.

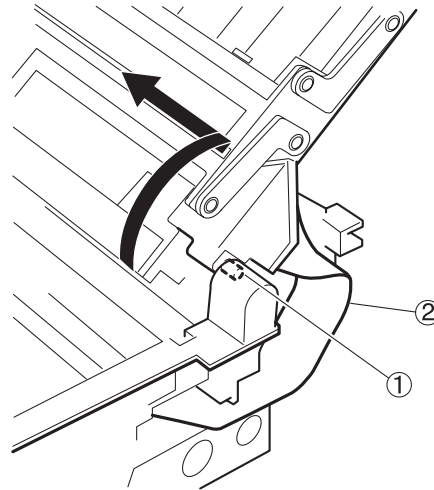


Figure 3-202

- 4) After unhooking the fitting parts ② which are put on the base of the reading unit arms ①, rotate the arms and unhook the fitting parts ③ which are put on the reading unit. Remove the arm "A" first. There are 4 arms installed in the right and left sides.

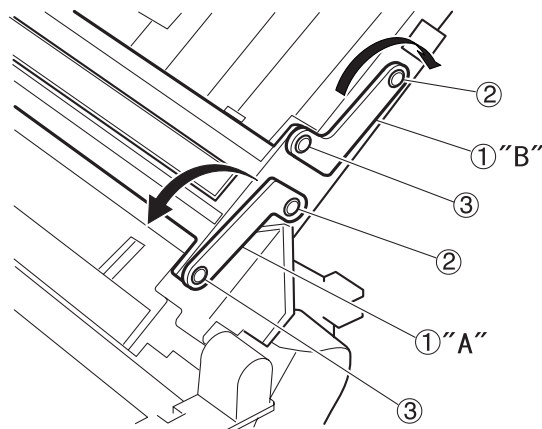


Figure 3-203

- 5) Rotate the follower roller shaft (ahead) ① to bring the flat part which contacts the coil spring ② to the front. Apply a flat head tool to a flat part of the roller shaft and rotate it.

Push the roller shaft downwards to slide it, unhook the right or left fitting parts ③, and remove the roller and roller shaft.

Note:The roller, roller shaft and coil spring would jump out when removing them. Do not mix up the coil spring for the follower roller (ahead) with the one for the follower roller (behind) because they are different. The coil spring for the follower roller (behind) is white.

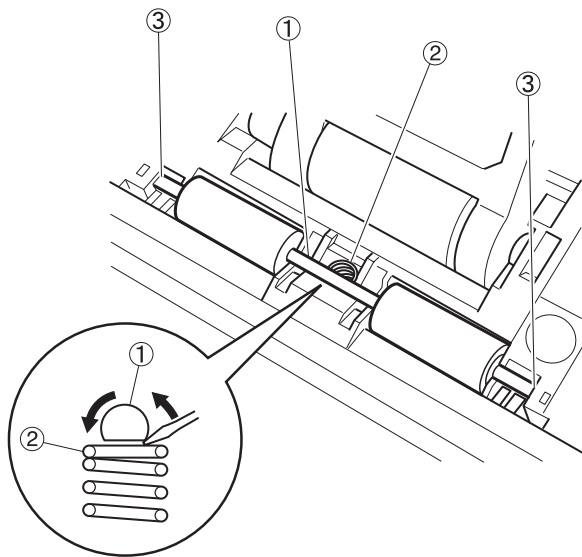


Figure 3-204

- 6) Remove the reading unit ① and disconnect the cable ② which is connected to its back side.

Note:In case that the cable which is connected to the lower unit are disconnected, it is not necessary to disconnect the cable.

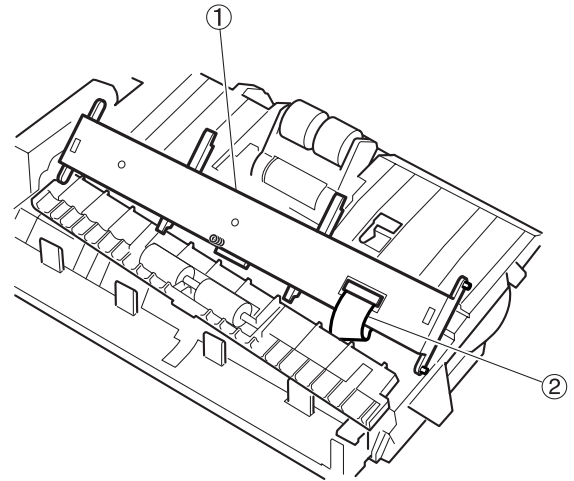


Figure 3-205

* **Notes on assembly 1**

When installing the upper cover, put the cable ① in the 2 cable holders ② to prevent them from being caught in the upper cover.

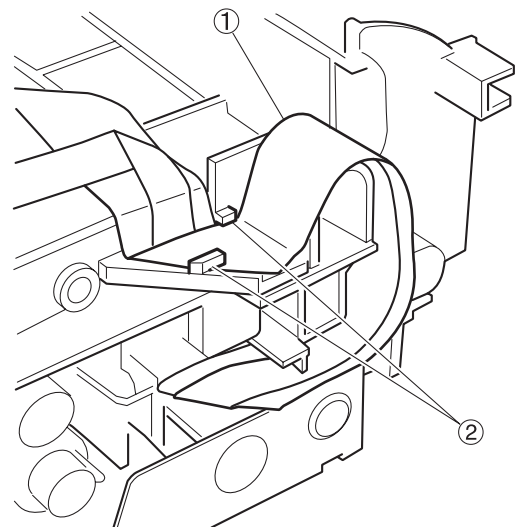


Figure 3-206

*** Notes on assembly 2**

Install the reading unit so that the coil spring on its back side can contact the grounding plate.

2. Follower Roller (Ahead)

- 1) Fully open the upper unit.
- 2) Rotate the roller shaft ① to bring the flat part which contacts the coil spring ② to the front. Apply a flat head tool to a flat part of the roller shaft and rotate it. Push the roller shaft downwards to slide it, unhook the right or left fitting parts ③, and remove the roller and roller shaft.

Note:The roller, roller shaft and coil spring would jump out when removing them. The coil spring for the follower roller (ahead) is metallic color.

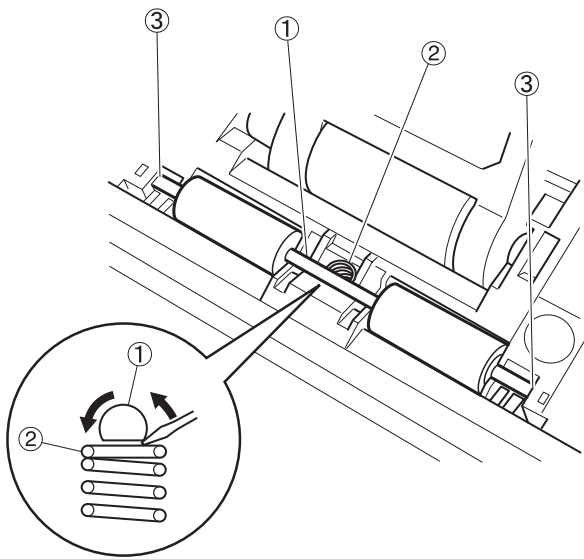


Figure 3-207

3. Follower Roller (Behind)

- 1) Fully open the upper unit.

Note:In case that there is not enough room to disassemble the follower roller (behind), remove the right cover, left cover and upper cover assembly to further open the upper unit.

- 2) Rotate the roller shaft ① to bring the flat part which contacts the coil spring ② to the front. Apply a flat head tool to a flat part of the roller shaft and rotate it. Push the roller shaft downwards to slide it, unhook the right or left fitting parts ③, and remove the roller and roller shaft.

Note:The roller, roller shaft and coil spring would jump out when removing them. The coil spring for the follower roller (behind) is white.

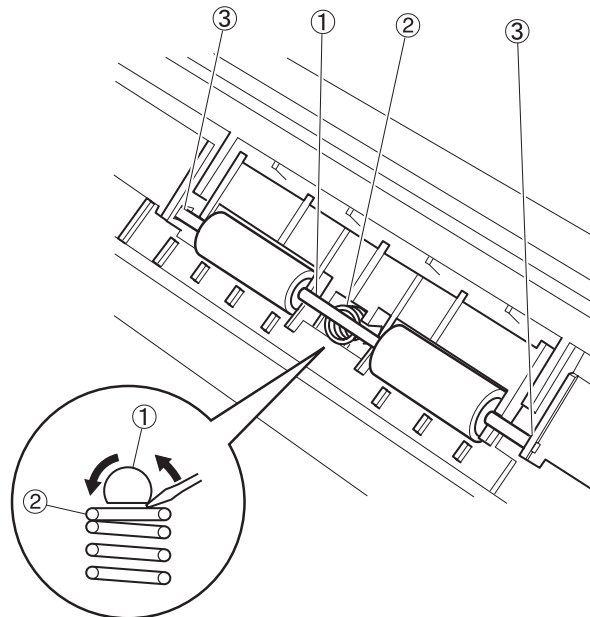


Figure 3-208

4. Roller Drive Shaft

- 1) Remove the roller unit.
- 2) Remove the right cover and upper cover assembly.
- 3) Remove the open/close knob ①.

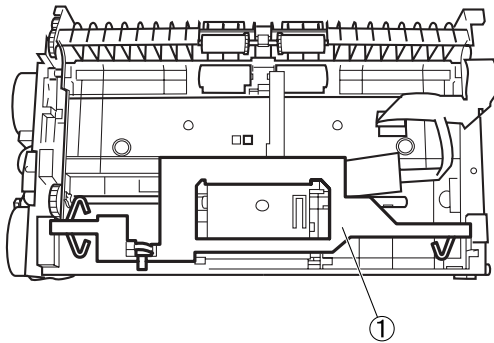


Figure 3-209

- 5) Unhook the fitting parts ① and rotate the bearing ② 90 degrees. After that, slide the roller drive shaft ③ to remove it.

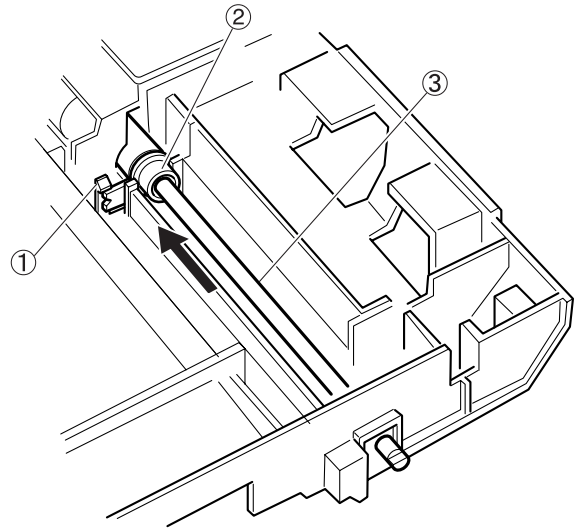


Figure 3-211

- 4) Unhook the fitting parts ① with a thin and flat head tool and remove the drive gear ②.

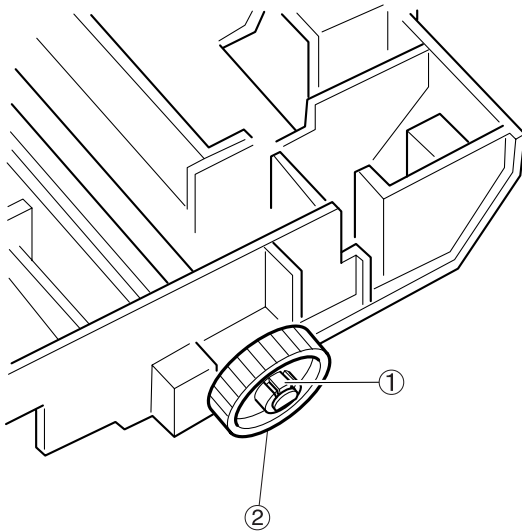


Figure 3-210

5. Reading Unit

- 1) Remove the right cover, left cover and upper cover assembly, and fully open the upper unit.
- 2) Refer to the procedure for "Upper Unit" to remove the 4 arms ① of the reading unit and follower roller (ahead) ②.

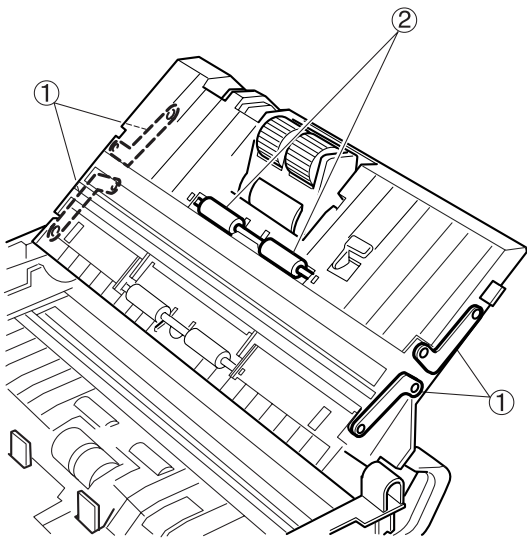


Figure 3-212

- 3) Remove the reading unit ① and disconnect the cable ② which is connected to its back side.

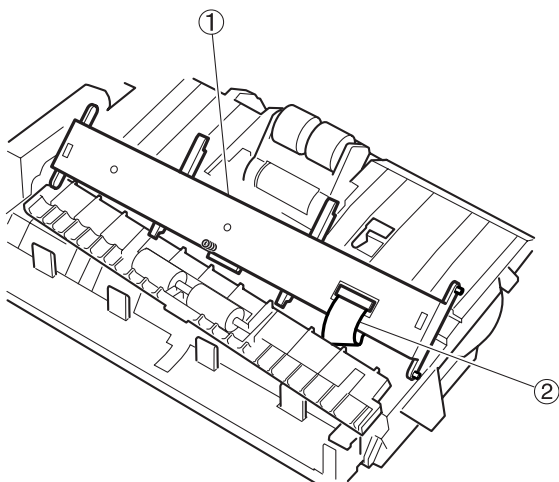


Figure 3-213

* Notes on assembly

Install the reading unit so that the coil spring on its back side can contact the grounding plate.

6. Reading Holder (with Glass)

- 1) Remove the reading unit.
- 2) Unhook the 8 fitting parts ① with a thin and flat head tool and remove the cover ②.

Note: Since the fitting part is bent easily, unhook it carefully.

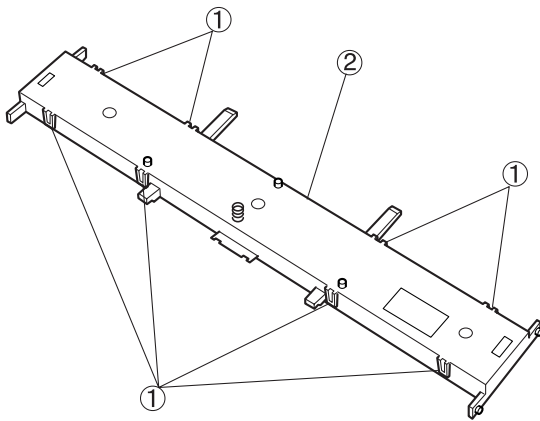


Figure 3-214

- 3) Draw the CIS unit ② out of the reading holder ①.

Note: Prevent scraps of paper or other foreign particles from getting into the CIS unit.

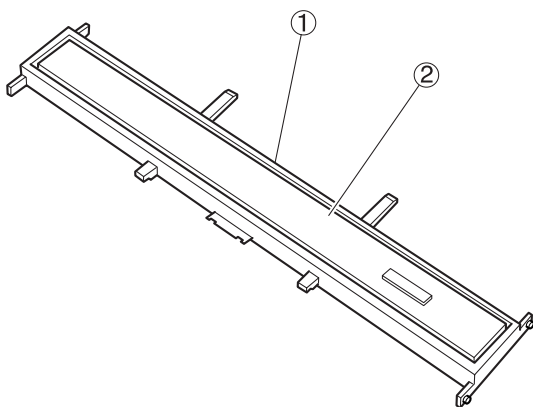


Figure 3-215

* Notes on assembly 1

Remove scraps of paper or other foreign particles out of the CIS unit with a tool such as blower. Install it after cleaning its inside including the glass which is put on the reading holder. And make sure that the coil spring is put in the cover.

* Notes on assembly 2

Do not stain or damage the shading plate installed on the reading holder. If it is stained, clean it and if it is damaged, replace the reading holder.

* Notes on assembly 3

The reading unit cover and CIS unit are the same as those for the upper unit. On the other hand, their reading holders are different in shape.

III. LOWER UNIT

A. Common

1. PCB Unit

- 1) Remove the right cover and left cover.
- 2) Remove the screw ① on the left and the 2 connectors ②.

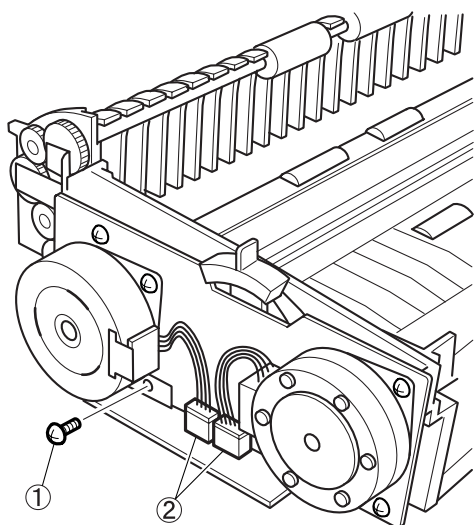


Figure 3-301

- 3) Insert a thin and flat head tool into the hole ① on the back side to remove the plate ②. Then, unhook the 2 fitting parts ③ and open the plate to the direction of the arrow. Be aware that the cable is connected to the inside of the unit.

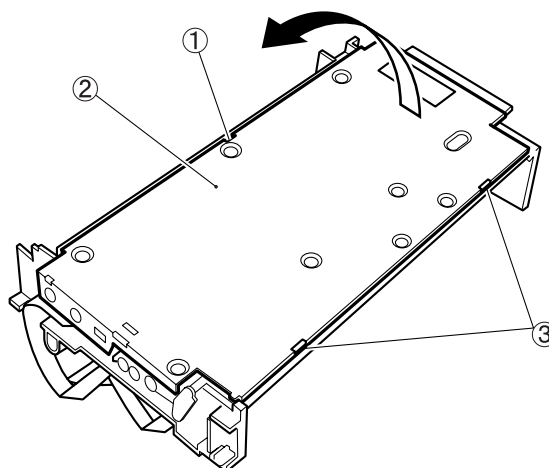


Figure 3-302

- 4) Disconnect the 3 cables ① which are connected to the PCB unit and remove the PCB unit ②.

Note: Be careful not to lose the sensor cover ③ because it comes off.

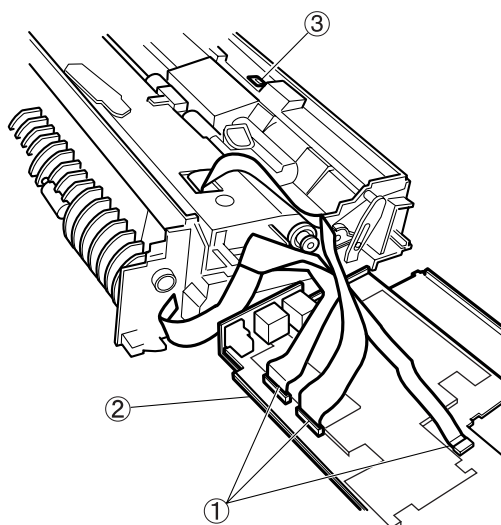


Figure 3-303

*** Notes on assembly 1**

Make sure that the cables for the upper and lower reading units are appropriately connected. The reinforcing plate for the contacts of the cable ① which is connected to the lower unit is blue, and this cable should be connected to the connector J502. The cable ② which is connected to the upper unit is aluminum shielded, and it should be connected to the connector J501.

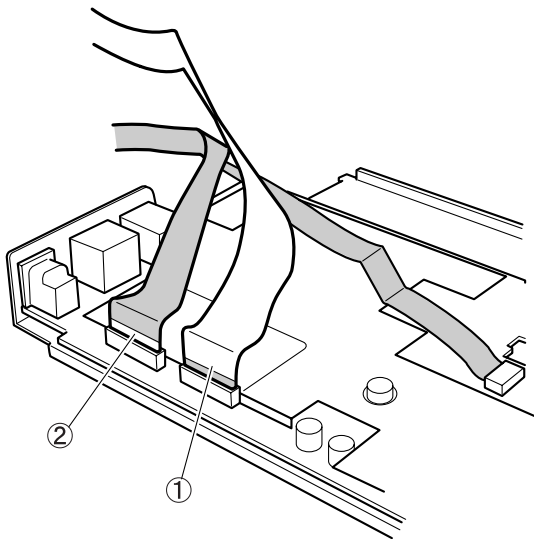


Figure 3-304

*** Notes on assembly 2**

Do not pinch the cables. Put the 2 cables ①, which are connected to the upper unit, in the 2 cable holders ②.

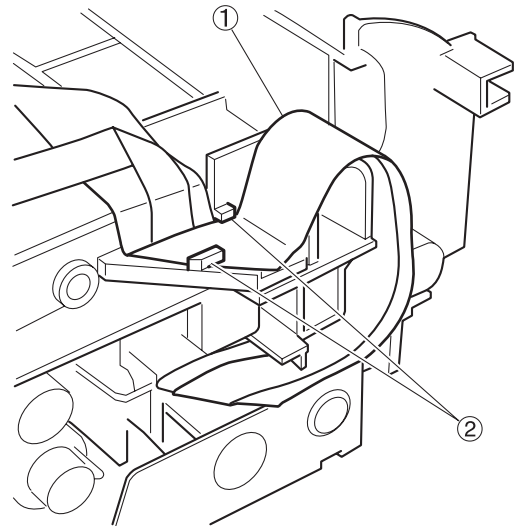


Figure 3-305

B. Feed System (Roller and Others)

1. Registration Roller

- 1) Remove the retard roller.
- 2) Remove the right cover, left cover and PCB unit.
- 3) Remove the retard roller shaft unit ①. For more details, refer to the section "Retard Roller Shaft Unit."

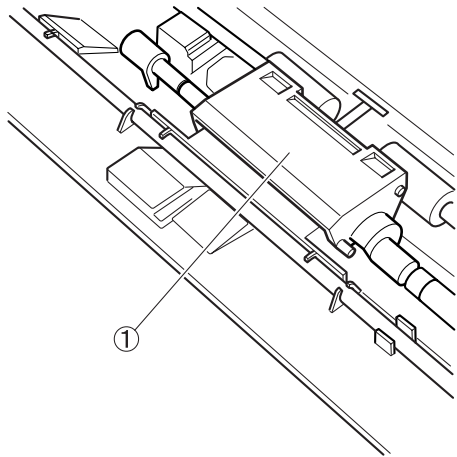


Figure 3-306

- 4) Remove the motor drive unit. For more details, refer to the section "Drive Unit."

- 5) Remove the gear ①, clutch gear ② and 2 ball bearings ③.

Note: Unhook the fitting parts mounted on the edge of the gear to pull the gear out.

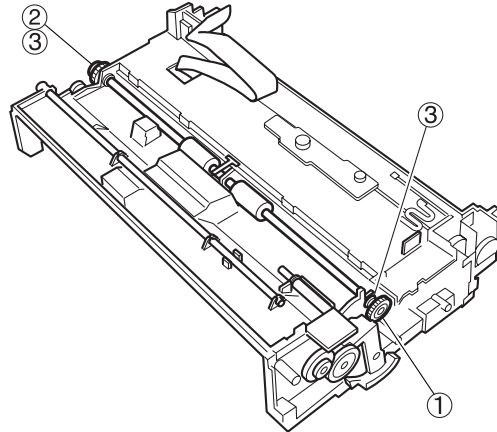


Figure 3-307

- 6) Pull the leaf spring ① out of the fitting parts. And then, pull the sensor lever ② out of the fitting parts. Finally, remove the registration roller ③.

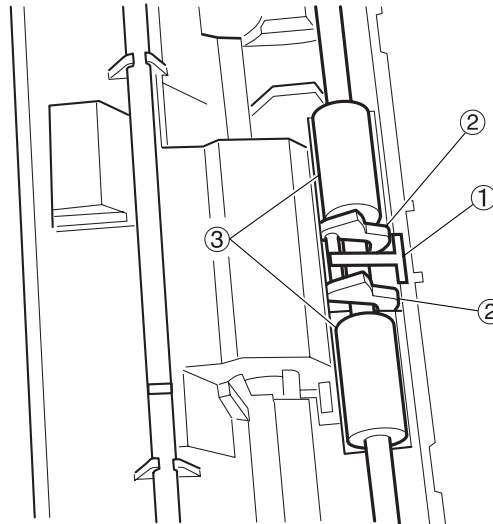


Figure 3-308

* Notes on assembly

Make sure if the registration roller smoothly rotates after the completion of assembly.

2. Retard Roller Shaft Unit

- 1) Remove the retard roller.
- 2) Remove the right cover, left cover and PCB unit.
- 3) Insert thin and flat head tools into the 2 fitting parts ① and remove the roller cover ②.

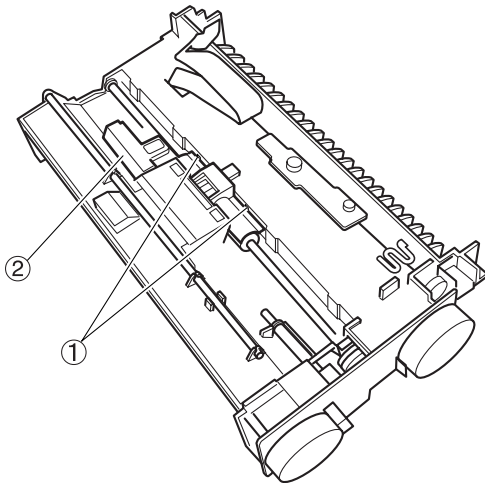


Figure 3-309

- 4) Insert thin and flat head tools into the small hole ② of the 2 C shaped collars ① and pull them out.

Note: Slightly press the C shaped collars when pulling it out to prevent it from being blown away.

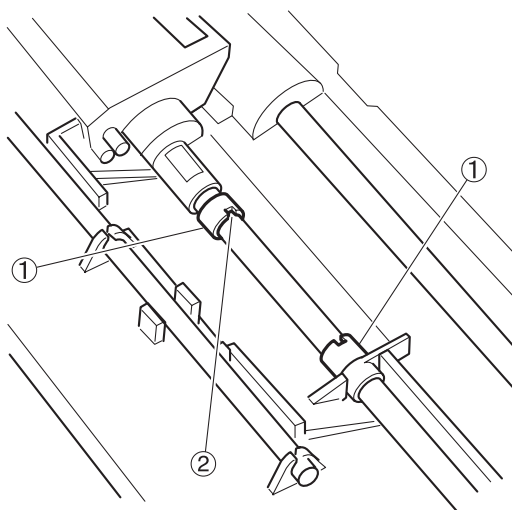


Figure 3-310

- 5) Push and rotate the right and left shafts ① to insert their edges into the inside of the frame.

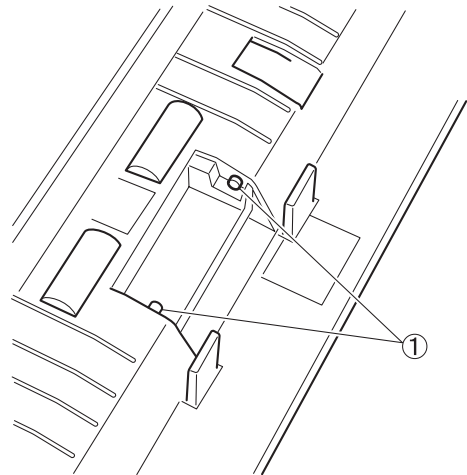


Figure 3-311

- 6) Rotate the retard roller shaft unit ① and unhook the left and right fitting parts ②.

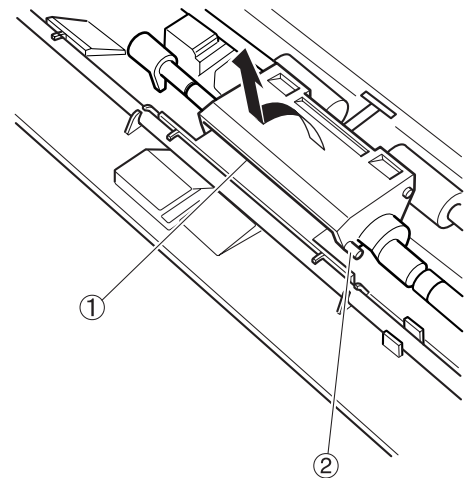


Figure 3-312

* Notes on assembly

Make sure if the retard roller smoothly rotates after the completion of assembly.

3. Eject Roller 1

- 1) Remove the right cover, left cover and PCB unit.
- 2) Remove the torsion spring ①. And bend the moving arm ② to unhook the 3 fitting parts ③ and remove the moving arm. And also, remove the edge ④ of the spring clutch.

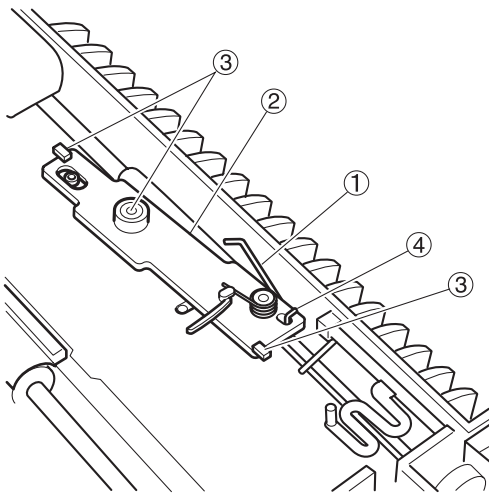


Figure 3-313

- 3) Insert thin and flat head tools into the 2 fitting parts ① and remove the roller cover ②.

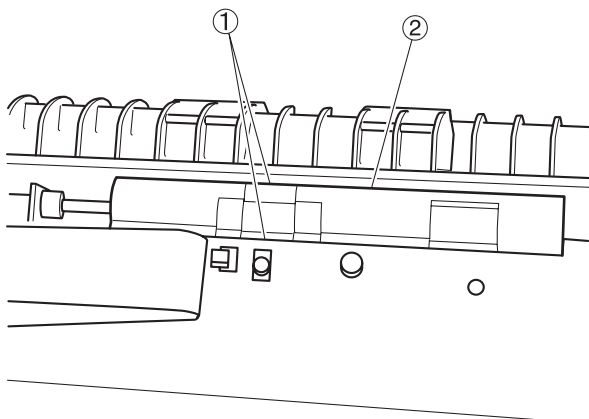


Figure 3-314

- 4) Remove the gear ①, right and left bearing stoppers ② and ③. Remove the eject roller 1 ④. And then, remove the mechanical clutch ⑤ out of the eject roller.

Note: Unhook the fitting parts mounted on the edge of the gear to pull the gear out.

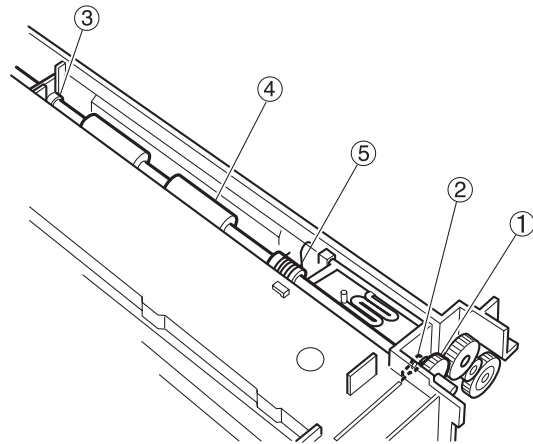


Figure 3-315

4. Eject Roller 2

- 1) Remove the left cover. Fully open the upper unit and rear cover.
- 2) Remove the gear ①, right and left bearing stoppers ② and ③. And remove the eject roller 2 ④.

Note: Unhook the fitting parts mounted on the edge of the gear to pull the gear out. Unhook the fitting parts to remove the bearing stopper ③.

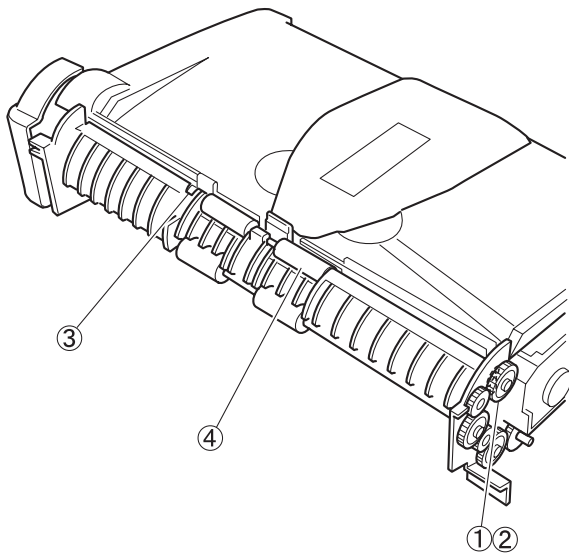


Figure 3-316

5. Carry Roller

- 1) Remove the left cover. Fully open the rear cover.
- 2) Remove the gear ①, right and left bearing stoppers ② and ③. And remove the carry roller ④.

Note: Unhook the fitting parts mounted on the edge of the gear to pull the gear out. Pull the bearing stopper ③ out and unhook the fitting parts mounted on the back side.

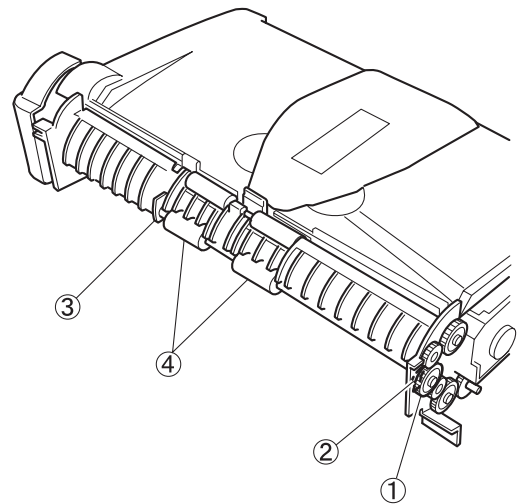


Figure 3-317

C. Drive System (Motor and Others)

1. Carry Motor

- 1) Remove the left cover.
- 2) Remove the connector ① and 2 screws ②. And slide the carry motor ③ to the right to remove it.

Note: The left side connector in the figure is for the carry motor.

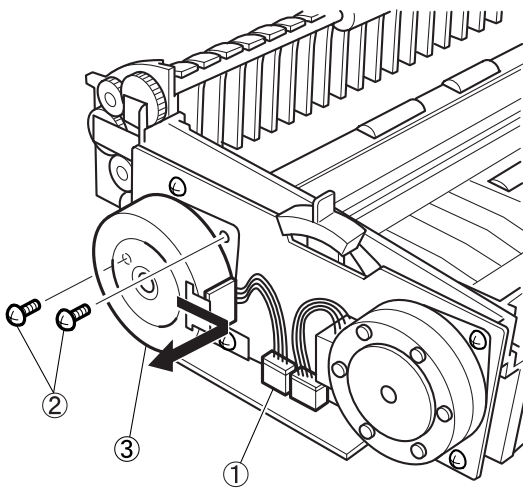


Figure 3-318

* Notes on assembly

Reeve the timing belt on the gear of the carry motor. If it is hard to do it, remove the motor mounting plate. For more details, refer to the section "Drive Unit."

2. Pickup Motor

- 1) Remove the left cover.
- 2) Remove the connector ① and 2 screws ②. And remove the carry motor ③.

Note: The right side connector in the figure is for the pickup motor.

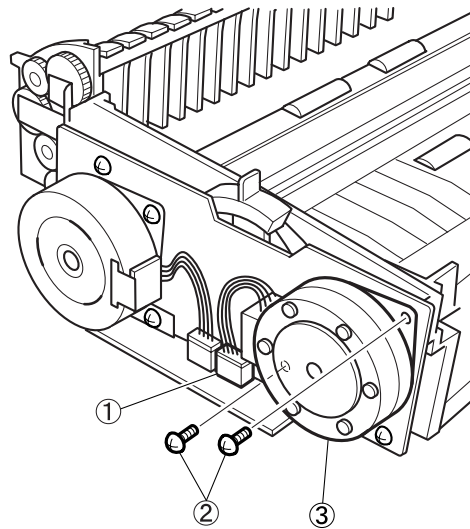


Figure 3-319

3. Drive Unit

- 1) Remove the right cover, left cover and PCB unit.
- 2) Remove the 2 screws ①. And remove the drive unit ②.

Note: The gear or something would drop when removing the drive unit.

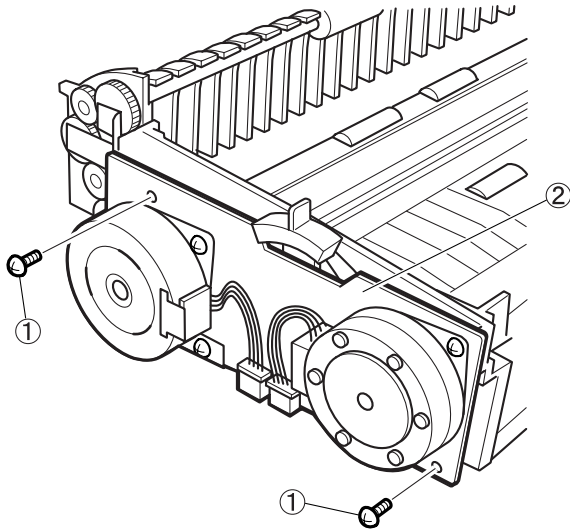


Figure 3-320

* Notes on assembly

Before installing the drive unit, install the gear, grounding plate and lever in the appropriate positions.

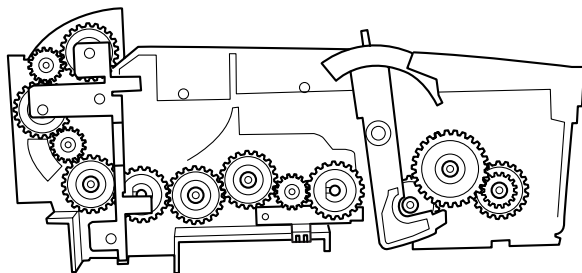


Figure 3-321

D. Reading System

1. Reading Unit

- 1) Remove the upper unit. For more details, refer to the section "Upper Unit."
- 2) Insert a flat head tool into the slit ① on the left and slightly lift the reading unit ② to remove it.

Note: The cable is connected to the right back side.

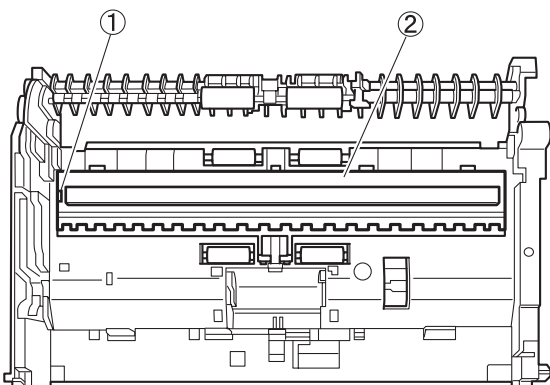


Figure 3-322

- 3) Disconnect the cable ① and remove the reading unit ②.

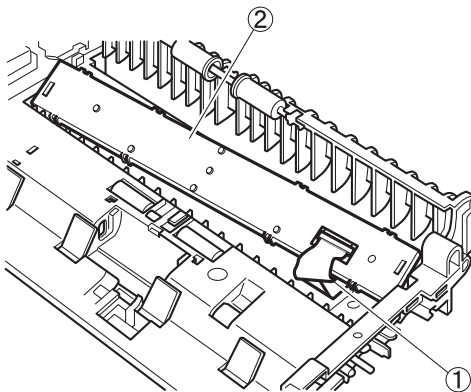


Figure 3-323

2. Reading Holder (with Glass)

- 1) Remove the reading unit.
- 2) Unhook the 8 fitting parts ① with a thin and flat head tool and remove the cover ②.

Note: Since the fitting part is bent easily, unhook it carefully.

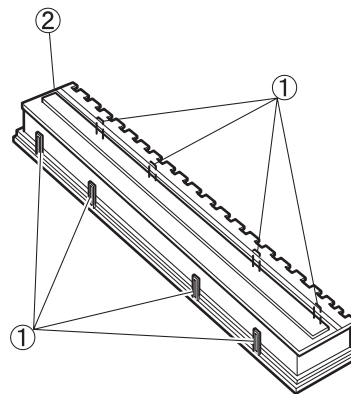


Figure 3-324

- 3) Draw the CIS unit ② out of the reading holder ①.

Note: Prevent scraps of paper or other foreign particles from getting into the CIS unit.

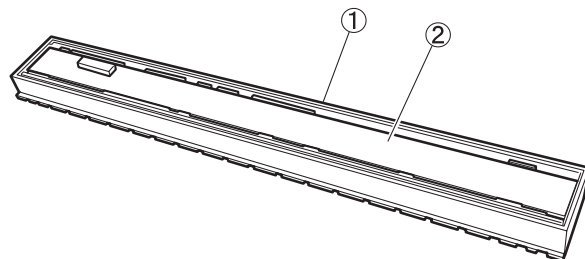


Figure 3-325

* **Notes on assembly 1**

Remove scraps of paper or other foreign particles out of the CIS unit with a tool such as blower. Install it after cleaning its inside including the glass which is put on the reading holder.

* **Notes on assembly 2**

Do not stain or damage the shading plate installed on the reading holder. If it is stained, clean it and if it is damaged, replace the reading holder.

* **Notes on assembly 3**

The reading unit cover and CIS unit are the same as those for the upper unit. On the other hand, their reading holders are different in shape. And no coil spring is included in the cover of the lower unit.

E. Electrical System (PCB and Others)

1. Control PCB

- 1) Remove the PCB unit.
- 2) Remove the connectors A ① and B ②.

Note:The connector A which should be removed is mounted on the switch PCB as indicated in the figure. The connector mounted on the other side (on the control PCB) cannot be removed.

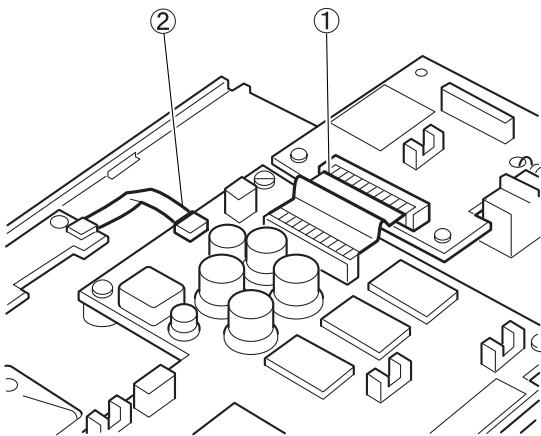


Figure 3-326

- 3) Remove the 8 screws ① and remove the control PCB ②.

Note:The screws on the USB connector are M3 and the others are M2.5.

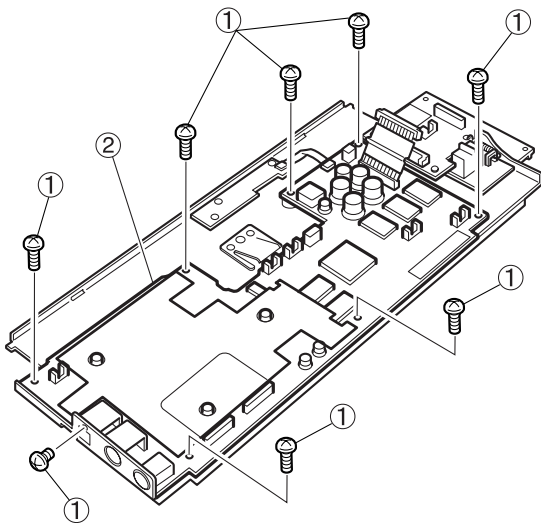


Figure 3-327

2. Switch PCB

- 1) Remove the PCB unit.
- 2) Remove the connector ① and spring ②. And remove the 2 screws ③ and remove the switch PCB ④.

Note:The connector which should be removed is mounted on the switch PCB as indicated in the figure. The connector mounted on the other side (on the control PCB) cannot be removed.

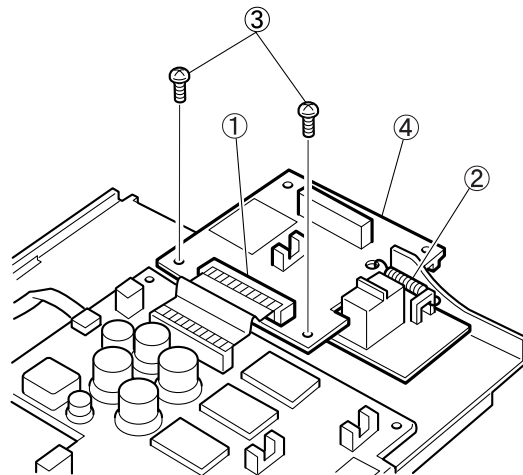


Figure 3-328

* Notes on assembly

Before installing the switch PCB, install the contact cover.

IV. FLATBED

A. Upper Unit

1. Upper Unit

- 1) Unlock the optical unit (reading unit).
- 2) Unhook the 2 fitting parts ① and slightly slide the upper unit ② backwards to remove it.

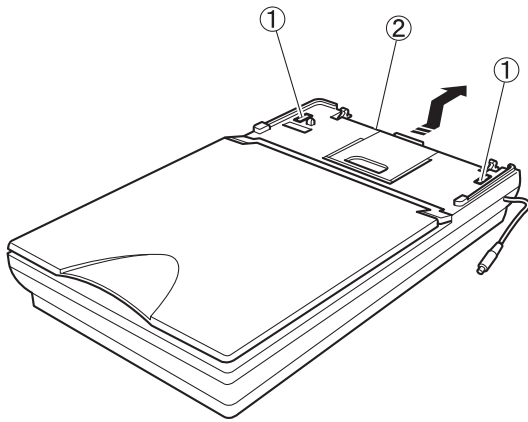


Figure 3-401

* Notes on assembly

Before installing the upper unit, clean the inner surface of the glass. And remove the dust if there is inside the unit.

2. Flatbed Cover Assembly

- 1) Fully open the flatbed cover.
- 2) Bend the stopper ①, insert a tool into the gap of the shaft ②, and slide the flatbed cover assembly ③ until it is removed.

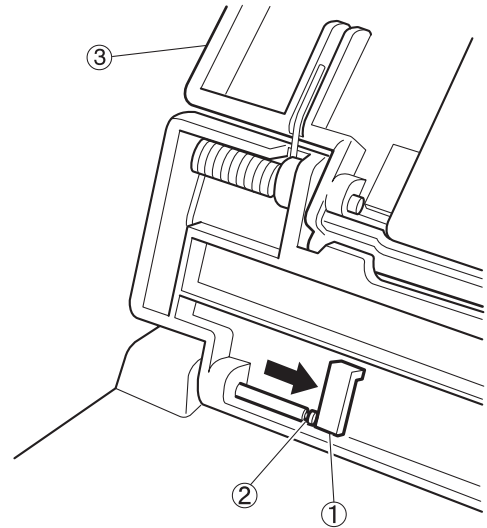


Figure 3-402

* Notes on part replacement

A black pressure board needs to be put on the position on which the document board glass is actually mounted. Thus, when replacing a part, prepare a flatbed cover without black pressure board and a black pressure board, and install them according to the following procedure.

- 1) Install the flatbed cover without black pressure board.

- Remove the release papers of the adhesive tapes which are stuck on the back side of the black pressure board. Put it along the origin point mark indicated in the figure of the document board glass. It is included to prevent light from pouring from a gap.

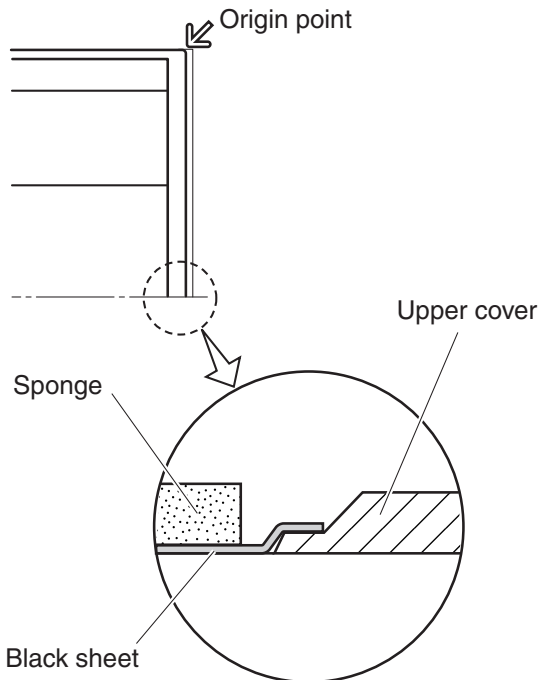
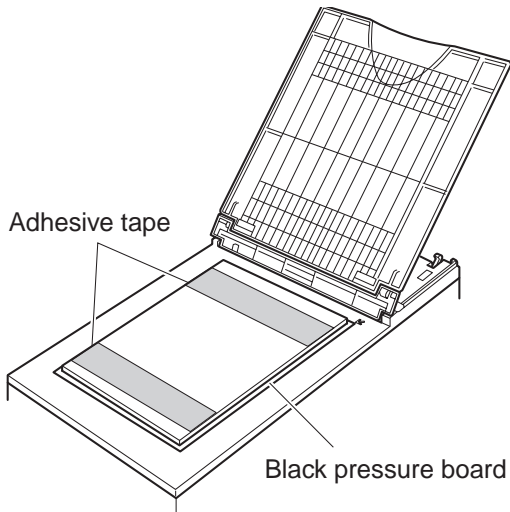


Figure 3-403

- Slowly close the flatbed cover so that the black pressure board does not shift. And gently press the cover to stick the black pressure board to it.

3. Eject Tray

- Slightly lift the edge of the eject tray ①, put it on the outer frame to remove it.

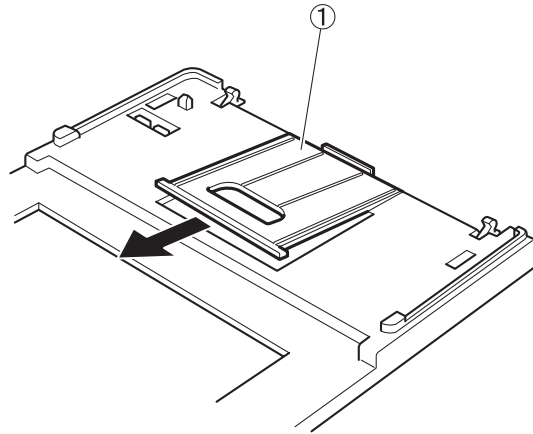


Figure 3-404

4. Lock Board (for Optical Unit)

- Remove the upper unit. And fully open or remove the eject tray.
- Bend the stopper ① mounted on the back side of the upper unit, and slide the lock plate ② until it is removed.

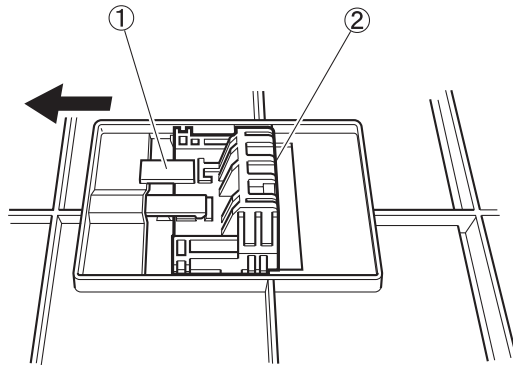


Figure 3-405

5. Hook (for Main Body)

- 1) Remove the upper unit.
- 2) Bend the 2 stoppers ① mounted on the back side of the upper unit and remove the hook ②.

Note:The same procedure applies to the disassemblies of both right and left hooks.

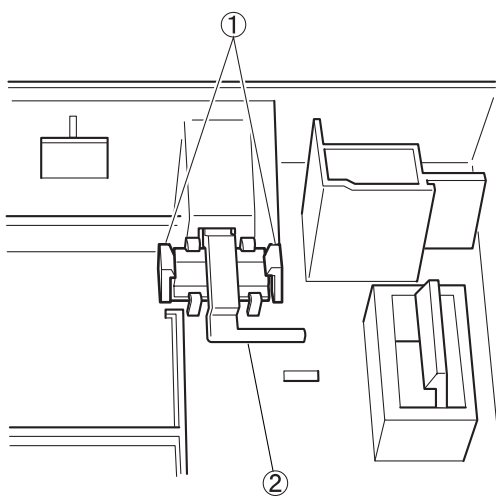


Figure 3-406

B. Lower Unit

Note:When moving the optical unit, move the timing belt by hand. Power cannot be evenly transmitted if using the rail mounted on the other side to move the optical unit.

1. Optical Unit

- 1) Remove the upper unit.
- 2) Lift the contact assembly ① to remove it. And disconnect the cable ② from the PCB and pull the main shaft ③ out of the optical unit ④.

Note:When disconnecting the cable from the connectors, press those connectors by hand to prevent the PCB from being damaged.

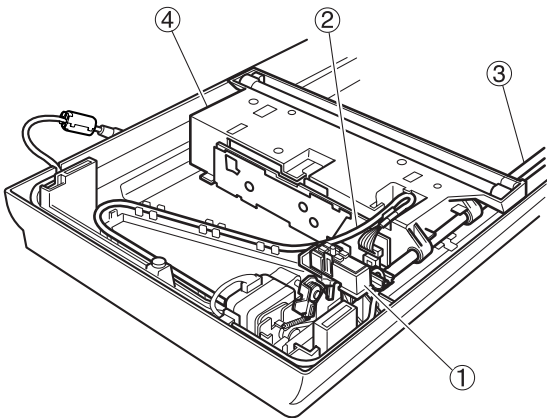


Figure 3-407

- 3) Remove the timing belt ① and cable guide ② out of the optical unit ③.

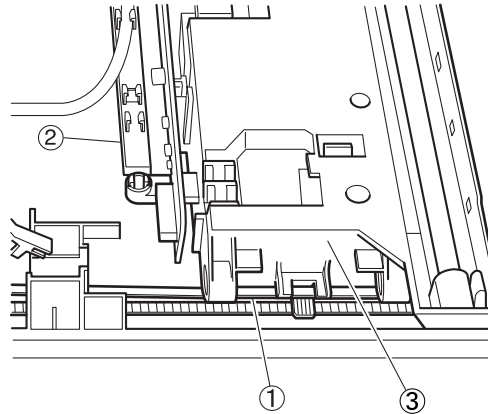


Figure 3-408

Note:Do not remove the cover of the optical unit. Do not touch the glass tube of the lamp.

* Notes on assembly

When assembling the contact assembly, hook the end of the lever ① on the projection ② of the contact assembly. Hold the cable with the 2 cable holders ③.

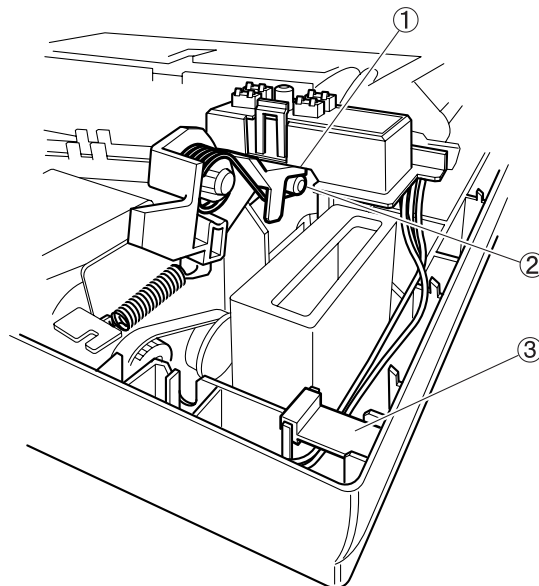


Figure 3-409

2. Lamp

- 1) Remove the upper unit.
- 2) Slightly tilt the optical unit ① and remove the connector ② (with lock). Unhook the 2 fitting parts ③ and remove the lamp ④.

Note: Do not touch the glass tube of the lamp.
Be sure to turn the power OFF since the high voltage is applied to the lamp.

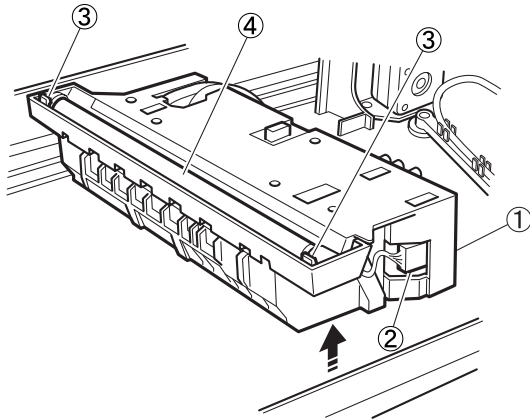


Figure 3-410

3. Motor Unit

- 1) Remove the upper unit.
- 2) Remove the contact assembly.
- 3) Remove the 2 screws ① and remove the motor unit ②.

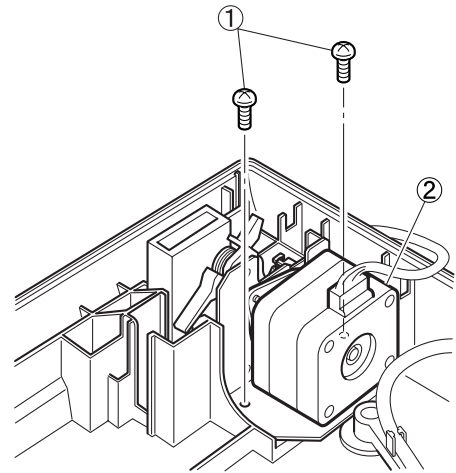


Figure 3-411

* Notes on assembly

Reeve the belt for the optical unit on the pulley.

* Tension adjustment for belt

If the tension of the belt for the optical unit needs to be adjusted, use the tension adjustment plate which is mounted on the other side of the motor.

Adjust the belt tension so that teeth are not skipped. If it is too tight, vibration becomes excessive and it is not good.

CHAPTER 4

INSTALLATION & MAINTENANCE

I. INSTALLATION	4-1	IV. LIST OF PERIODIC MAINTENANCE	
II. PERIODICALLY REPLACED PARTS	4-5	ITEMS.....	4-7
III. CONSUMABLE PARTS	4-6		

I. INSTALLATION

1. Unpacking

Open the outer packaging box and take out the main body and other items packed with it. Check that there are no missing items. The unpacking procedure is indicated on the box.

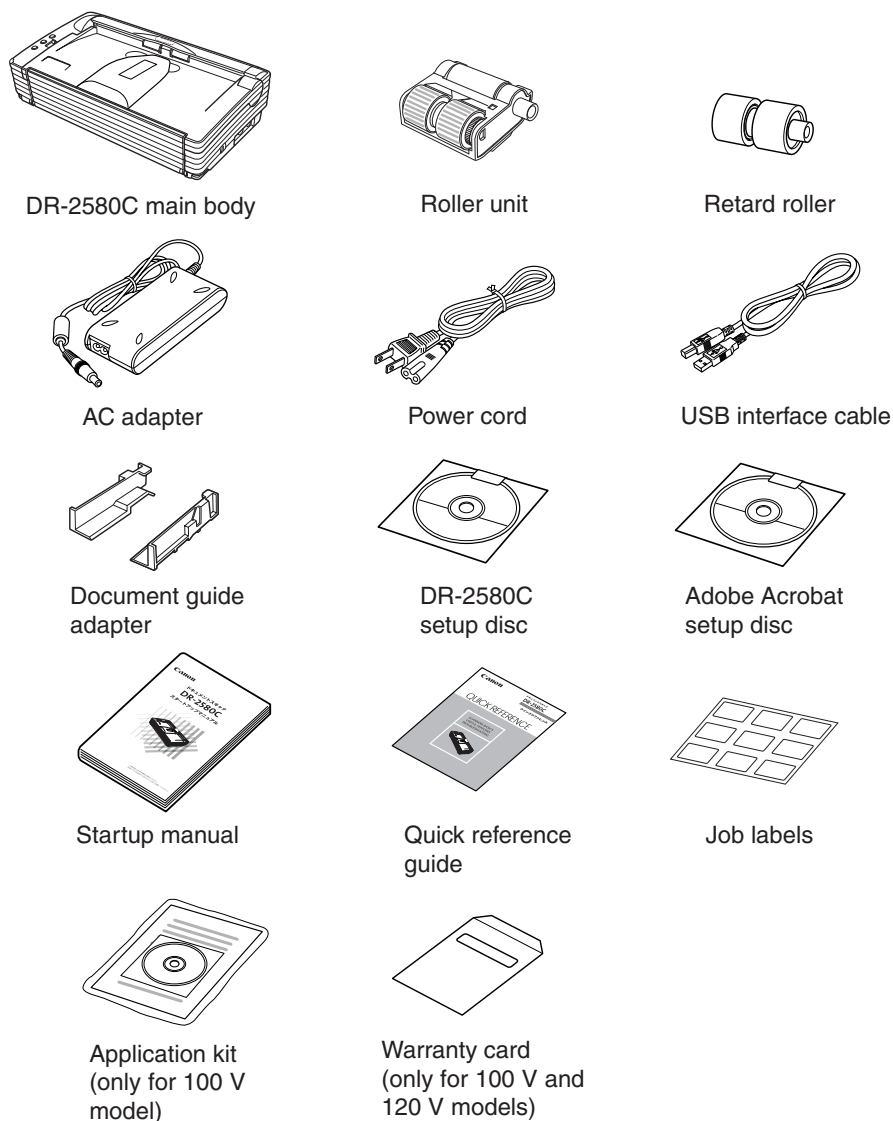


Figure 4-101

- The DR-2580C setup disk is inserted in the startup manual.
- Retain the outer packaging box and packing materials because they are required to store and transport this machine.

2. Protection Material Removal

- 1) Remove the protection tape from the main body.

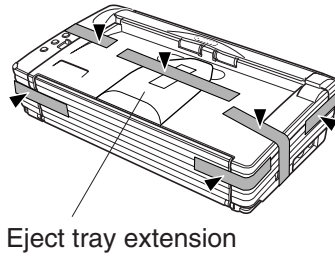


Figure 4-102

Note:When removing the protection tape holding the eject tray extension, remove it while holding the eject tray extension by hand.

- 2) Push both sides of the rear cover, open it backward, and remove the protection sheet.

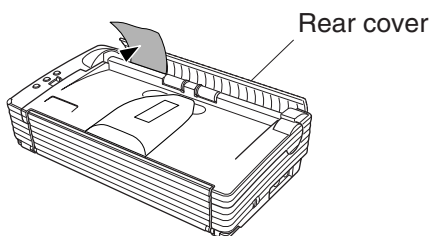


Figure 4-103

- 3) Push both sides of the rear cover and close it.

- 4) Open the pickup tray forward.

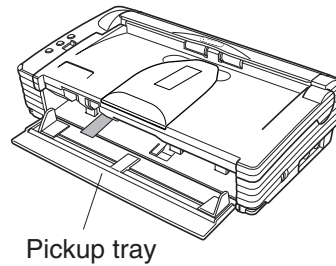


Figure 4-104

- 5) Push the OPEN knob from both sides, open the upper unit slowly, and remove the protection tape and protection sheet.

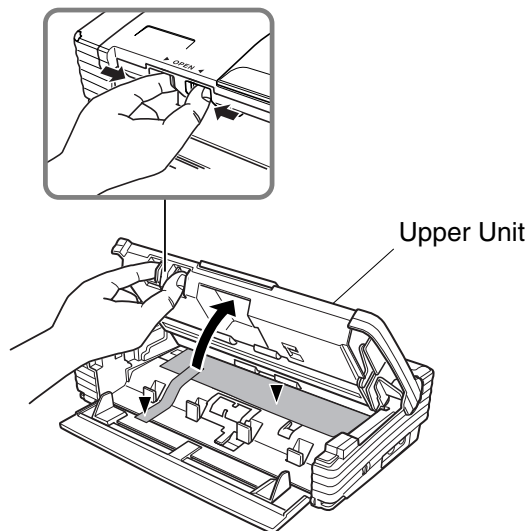


Figure 4-105

- 6) Close the upper unit slowly. Then push both sides of the upper unit with both hands and close it.

3. Roller Installation

Install the supplied “roller unit” and “retard roller” on the main body. For the installation method, refer to the user manual or “CHAPTER 1 INTRODUCTION, VI. User Maintenance” of this manual.

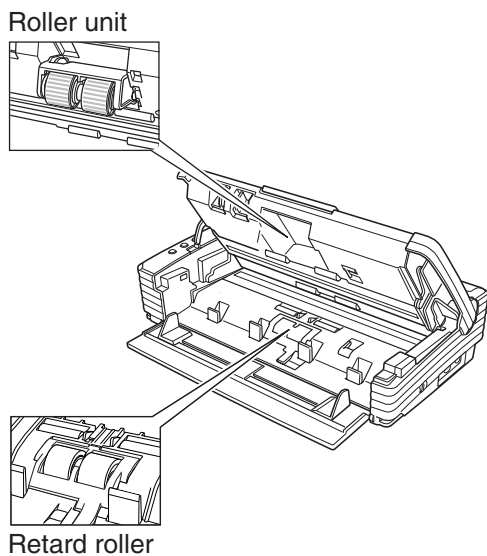


Figure 4-106

4. Connection to the computer

- 1) Check whether the computer has an I/F card and install one if necessary.
- 2) Connect an USB interface cable.
- 3) Connect the supplied AC adapter and power cord. Be sure to use the supplied power cord.
- 4) Switch this machine ON and then turn the computer ON.
- 5) Let the computer to recognize this machine (scanner).
- 6) Install software (drivers and applications) necessary for the computer.
- 7) Restart the computer as required.

5. Operation Check

- 1) Install the supplied document guide adapters as required.
- 2) Set documents.
- 3) Run the application software according to the operation procedure.
- 4) Check operation results.

6. Flatbed Unit Installation

This unit is installed by the user. For details, refer to the user manual supplied with the unit.

Switch the DR-2580C OFF when installing the unit.

1) Unlocking

Move the locking plate located under the eject tray extension and unlock the reading unit (optical unit).

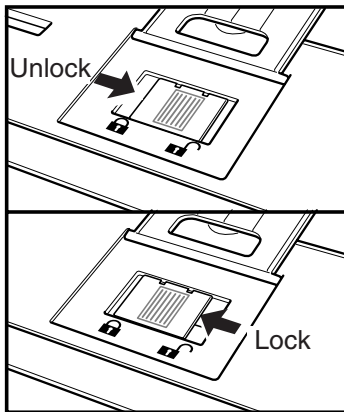


Figure 4-107

2) DR-2580C installation

Set the DR-2580C so that the projection on this unit is inserted into the hole in the bottom of the DR-2580C (①) and slide it forward (②).

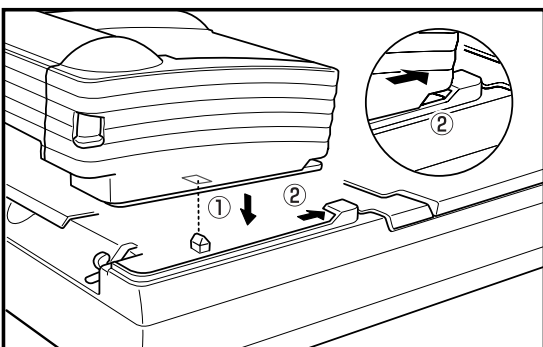


Figure 4-108

3) Scanner fixing

Hang the locking hooks on this unit on the scanner and fix them.

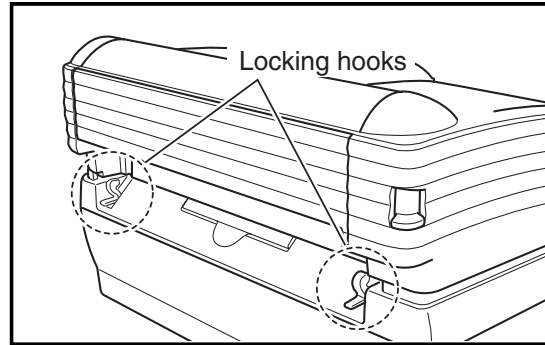


Figure 4-109

4) Connection

Connect the interface cord so that the arrow on the plug of the interface cord faces up.

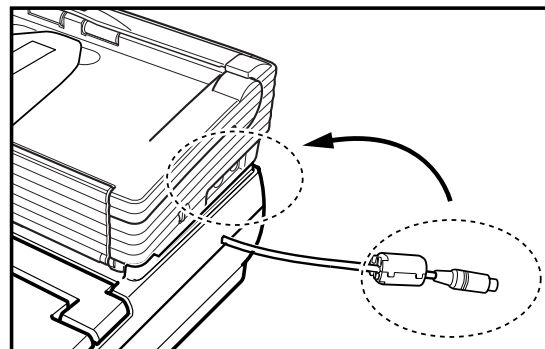


Figure 4-110

II. PERIODICALLY REPLACED PARTS

This machine has no periodically replaced parts, but it has consumable parts.

Reference: Differences periodically replaced parts and consumable parts

1. Periodically replaced parts shall be replaced when becoming at appointed time, and which are usually replaced by service technicians and assigned as service parts. However, if the storage period is limited, parts are assigned as commercially available products.
2. Consumable parts shall be replaced when becoming no good by users or service technicians, and which are assigned as service parts and/or commercially available products.

III. CONSUMABLE PARTS

No.	Part name	Part number	Expected life	Remarks
1	Roller unit	MG1-3720-000	100,000 sheets	It should be replaced when a roller is worn and the pickup failures or document jams are occurred after roller cleaning. Replacement is done by users.
2	Retard roller	MA2-7326-000		

Table 4-301

Note: Each roller is assigned as service parts and also assigned as commercially available products for a set named an exchange roller kit.

IV. LIST OF PERIODIC MAINTENANCE ITEMS

This machine has no items for the periodic maintenance by service technicians.

If service technicians visit users, check the rollers and reading glass and direct "User's Maintenance" if they are very dirty.

Reference:

List of User's Maintenance Items

[△: Cleaning, ●: Replace, ☆: Lubricate, □: Adjust, ◎: Check]

Unit name	Location/Parts	Intervals (sheets)			Remarks
		As necessary	100,000		
Feed section	Roller unit	△	●		Wipe with cloth slightly moistened with water, then wipe dry.
	Retard roller	△	●		
	Registration roller	△			
Reading section	Reading glass	△			
	Shading plate	△			

Table 4-401

Remove the paper dust and other dust on the feed section including document detection sensors as required.

CHAPTER 5

TROUBLESHOOTING

I. ERROR DISPLAY	5-1	IV. OPERATION TROUBLESHOOTING	5-16
II. SERVICE MODE.....	5-2	V. AFTER REPLACING PARTS	5-19
III. IMAGE TROUBLESHOOTING	5-13		

I. ERROR DISPLAY

1. Power Indicator

The DR-2580C does not have an error display area, but some errors are indicated by the power indicator on the operation panel of the main body.

If the DR-2580C operates normally, the power indicator lights. The power indicator blinks if it can not scan the document in case that the upper unit opens or the document jam occurs, etc.

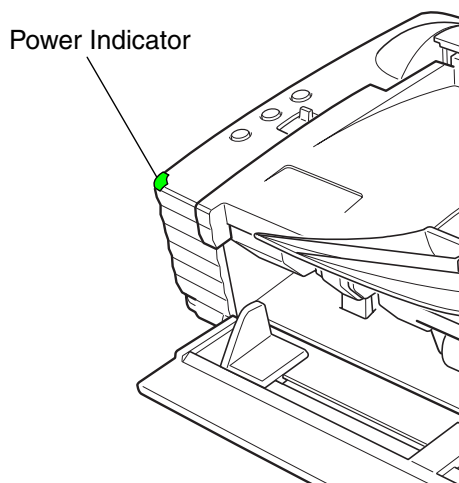


Figure 5-101

2. Error Messages

Error messages are displayed on the display connected to the computer.

The contents of the error message differ depending on the software that is used.

Most error messages are related to improper user operation and document jams. The user shall perform the remedy according to the error message. If the “motor abnormality,” etc. occur, the matter must be referred to a service technician.

The followings show the main error messages displayed when the “CapturePerfect 3.0” is used.

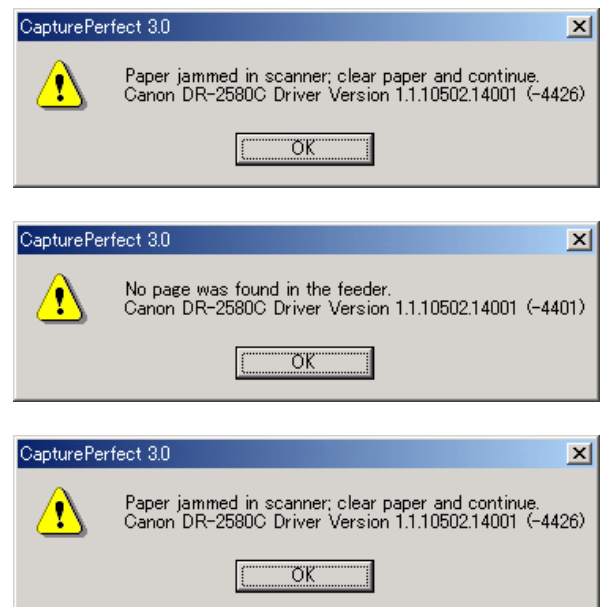


Figure 5-102

II. SERVICE MODE

1. Outline

The service mode of the DR-2580C can be executed by installing on the computer for servicing the service mode software located in the setup disk provided with the DR-2580C.

The system conditions for the computer to be used are the same as those described in the user manual. If the CPU performance or memory capacity is lower, the processing time might be longer, but the service mode can still be used.

Figure 5-201 shows the service screen.

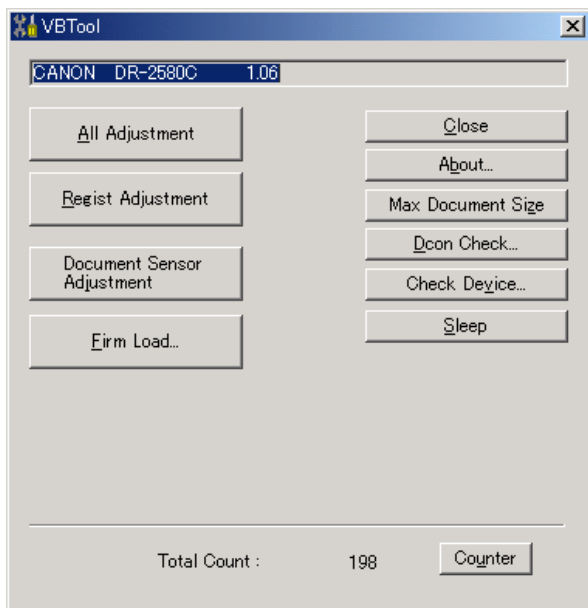


Figure 5-201

The service screen displays the buttons for selecting the various modes. Each service mode is performed from this screen.

Table 5-201 shows the list of the service modes.

No.	Button name/Functions
1	All Adjustment Perform all adjustments related to image reading.
2	Regist Adjustment Perform the registration adjustments.
3	Document Sensor Adjustment Perform the document board sensor adjustments.
4	Firm Load Change the firmware.
5	About Display this service mode version.
6	Max. Document Size Set the long document mode.
7	Dcon Check Check the operation of the hardware such as operation buttons, sensors, motors, etc.
8	Check Device Display the version of the internal devices of the DR-2580C.
9	Sleep Set the sleep mode.
10	Counter Display and change the total count (cumulative number of sheets fed) and the number of document jam.

Table 5-201

2. Installation Procedure

The service mode software installation procedure is described below. Do not install it on the user's computer.

- 1) Power ON the computer for servicing and start up the OS (Windows).
- 2) Set the DR-2580C setup disk supplied with this machine.
- 3) Copy the "\Driver\Tools" folder in the setup disk to one of the drives of the computer for servicing.

Note: For how to install the software provided with the DR-2580C, refer to the user manual.

However, for the specifications, such as the maximum number of documents that can be scanned at one time, see the computer system conditions described in the user manual.

3. Starting Up and Exiting Service Mode

The procedure for starting up the service mode is described below.

- 1) Connect the computer for servicing with the DR-2580C using a USB interface cable.
- 2) After powering ON the DR-2580C, power ON the computer.
- 3) Open the installed "Tools" folder and start up the "VBTool.exe" file. (See Figure 5-202.)
- 4) The password screen is displayed, so after inputting the six characters "market," select [OK]. (See Figure 5-203.)
- 5) The service screen is displayed.

To exit the service mode, select [Close] in the service screen.

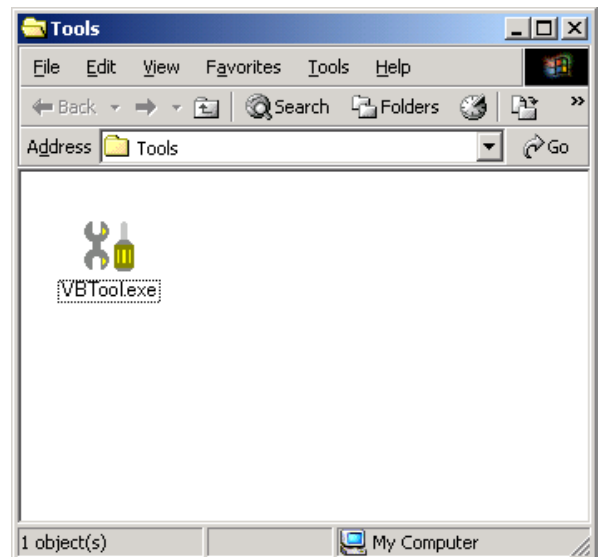


Figure 5-202



Figure 5-203

Note: After the DR-2580C is connected to the computer and the computer is powered ON for the first time, a screen requesting installation of “New Hardware” or a “Device Driver” is displayed. In this case, perform the “Scanner Recognition” according to the user manual.

Note: To execute the service mode with the user's computer, start up “VBTool.exe” on the setup disk supplied with the DR-2580C. Do not copy this program to the user's computer. Do not let the user know the folder name and password to be used.

4. All Adjustment

This mode is used to adjust all image reading adjustments at the same time. Since the adjustment value is saved on the control PCB, be sure to execute this mode after the control PCB have been replaced.

This mode consists of two individual adjustment items: “Regist Adjustment” and “Document Sensor Adjustment.”

- Operating Procedure

- 1) Clean the document board sensor window, the shading plate and the reading glass.
- 2) Set a piece of regular white copy paper (A4/LTR). The paper can be set both vertically and horizontally. Set the document guide position to the paper. This paper is used to perform “Regist Adjustment.”
- 3) Select [All Adjustment] on the service screen.

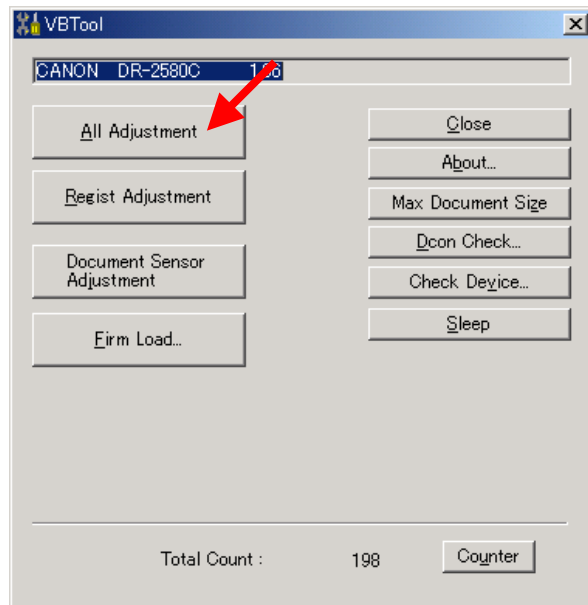


Figure 5-204

- 4) The adjustment starts automatically. The progress screen appears on the display. An example of display is shown below.

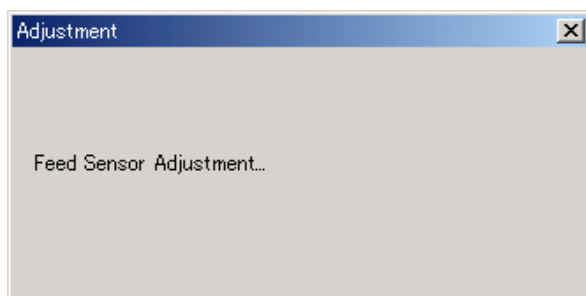
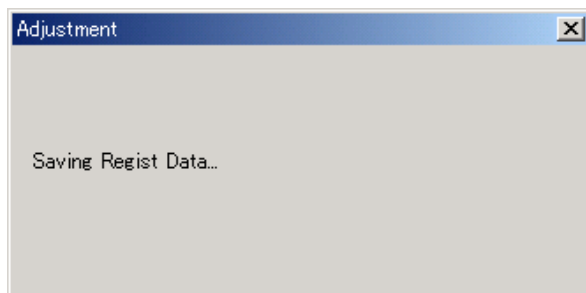
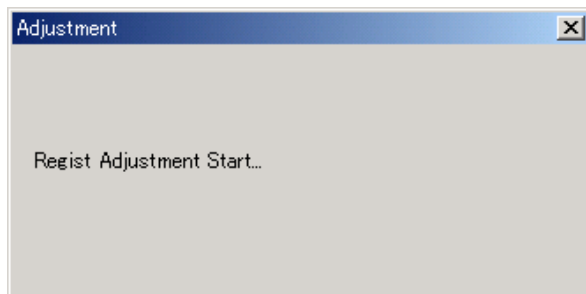
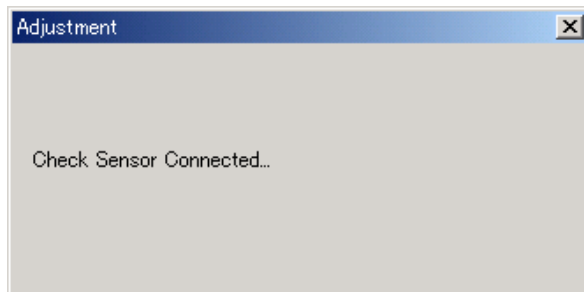


Figure 5-205

- 5) When the adjustment is finished, the progress screen disappears and the service screen appears.

It takes approx. 10 seconds to finish.

- Errors

If an adjustment value failure occurs in the while executing this mode, an error screen is displayed, and adjustment is interrupted. If an error screen is displayed, select [OK] in the screen to stop adjustment. Then after checking the operating procedure, perform adjustment again. If adjustment is interrupted, the adjustment value remains the value prior to adjustment.

Sample error screens are shown below.

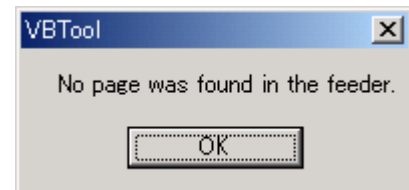


Figure 5-206

5. Individual Adjustments

This section describes the following individual adjustment items. If all the two adjustments are performed, use [All Adjustment].

- [Regist Adjustment]
- [Document Sensor Adjustment]

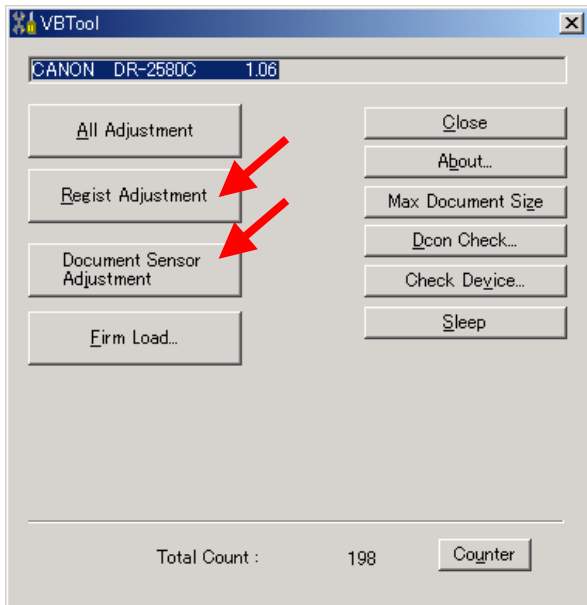


Figure 5-207

a. Regist Adjustment

The reading position is adjusted in this mode. Execute this mode if the leading edge and trailing edge of a read image are faulty.

- Operating Procedure

- 1) Set a piece of regular white copy paper (A4/LTR). Set the document guide position to the paper.
- 2) Select [Regist Adjustment] on the service screen.
- 3) The adjustment starts automatically. The progress screen appears on the display.
- 4) When the adjustment is finished, the progress screen disappears and the service screen appears.

b. Document Sensor Adjustment

The detection level of the document board sensor is adjusted in this mode. Execute this mode if there is a problem with document detection when a document is set.

Since this sensor is affected by stain on the sensor window and the external light, the sensor window should be cleaned and external light should be adjusted to the using state when executing this mode.

- Operating Procedure

- 1) Clean the document board sensor window.
- 2) Select [Document Sensor Adjustment] on the service screen.
- 3) The adjustment starts automatically. The progress screen appears on the display.
- 4) When the adjustment is finished, the progress screen disappears and the service screen appears.

6. Dcon Check

This mode is used when checking the operation of the hardware controlled with the control PCB.

- Operation screen

When [Dcon Check] is selected on the service screen, the operation screen is displayed.

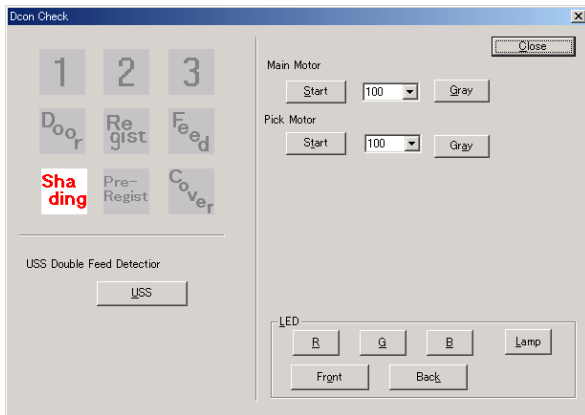


Figure 5-208

- a. Job buttons

When the job button is pressed, the corresponding mark lights.



Figure 5-209

- b. Sensors

When sensors enter the detection state, the corresponding mark lights. The case where the shading sensor enters the detection state is shown below.

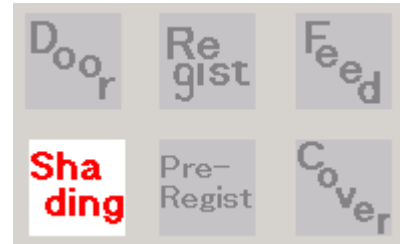


Figure 5-210

Note 1: If the upper unit or the rear cover is open, the registration sensor function is invalid and its display is not correct.

Note 2: “USS Double Feed Detection” at the lower left side of the screen does not need to be used until the ultrasonic sensor is installed.

The contents of marks are shown below.

Mark	Sensor name	Lighting state
Door	Upper opening sensor	The upper unit is open.
Re gist	Registration sensor	The registration sensor detects a document.
Feed	Document board sensor	A document is set.
Sha ding	Shading sensor	The reading unit (lower) is at the shading position.
Pre-Regist	Pre-registration sensor	The pre-registration sensor detects a document.
Cover	Rear cover sensor	The rear cover is open.

Table 5-202

c. Motor

This section describes the operation check of the carry motor (main motor) and the eject motor (pick motor).

When the reading mode and resolution corresponding to each motor are selected and the [Start] button is selected, the motor runs at the speed that meets the conditions. When the button is selected again, the motor stops.

The operation screen is shown below.

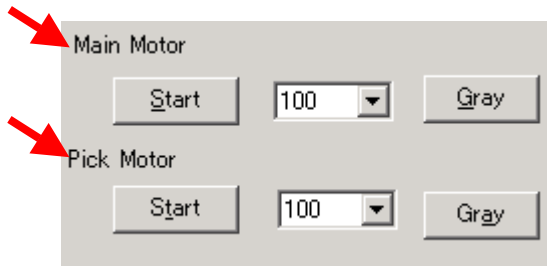


Figure 5-211

d. LED and lamp

The confirmation of the lighting of the lamp of the CIS unit LED and optional flatbed unit is shown.

When the corresponding button is selected, the lamp lights.

However, in case of the CIS unit LED, the lamp does not light unless the upper opening sensor is turned "ON." Open the upper unit, insert a piece of paper like folded thick paper into an opening of the upper opening sensor and hold it. Refer to Figure 5-212. When the sensor is "ON," the power indicator lights.

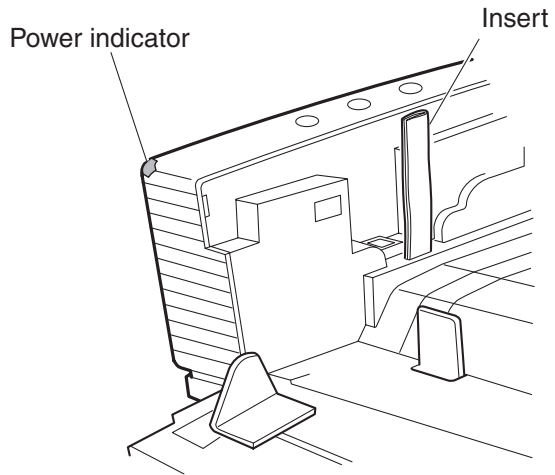


Figure 5-212

Select a reading surface (front, back) in addition to a color (R, G, B). In case of the flatbed unit lamp, select the [Lamp] button. When the button is selected again, it turns "OFF."

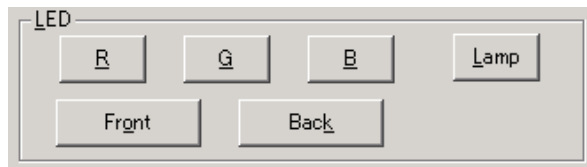


Figure 5-213

7. Max Document Size

This mode is used to set the long document mode. However, the long document mode is not standard specification, so it is used for special users only. Do not use it for general users.

When the long document mode is set, the document length is 1000 mm at the maximum, but there are restrictions shown below:

- Document size: "Automatic detection" only
- Feed: Feed a sheet of paper. Performance of paper pickup/eject is not guaranteed.

When [Max Document Size] is selected on the service screen, the setting screen is displayed. To set the long document mode, change the setting to [1000.0(mm)] and press the [OK] button.

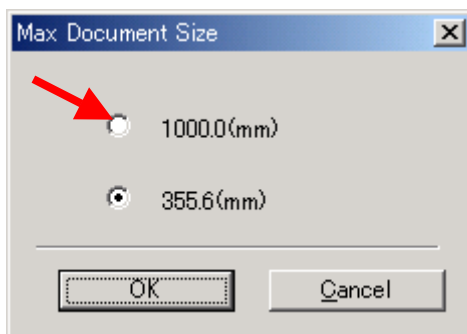


Figure 5-214

8. Sleep

This mode is used to set so that the sleep mode is not effective. However, the sleep mode OFF is not the standard specification, so it is used for special users only. Do not use it for general users.

When [Sleep] is selected on the service screen, the setting screen is displayed. To set the sleep mode OFF, change the setting to [Sleep Mode Off] and press the [OK] button.

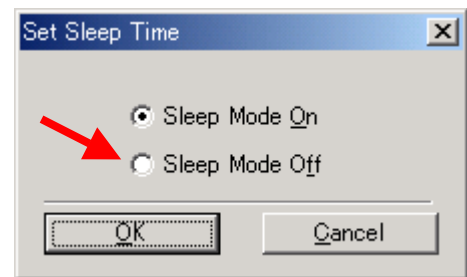


Figure 5-215

9. Check Device

This mode is used to check the versions of the internal devices of the DR-2580C.

When [Check Device] is selected on the service screen, the version screen is displayed.

[MAIN] indicates the version number of the firmware of the control PCB.

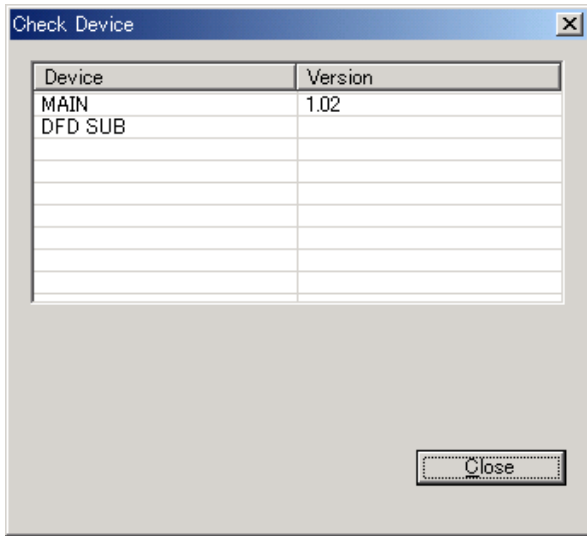


Figure 5-216

10. About

This mode is used to check the version of the software for this service mode.

When [About] is selected on the service screen, the version screen is displayed.

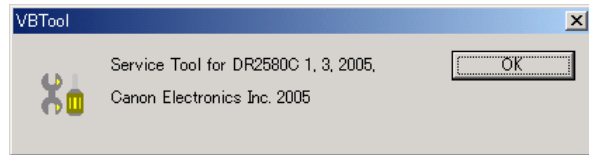


Figure 5-217

11. Counter

This mode is used to display/change total count (cumulative number of feed sheet) and display/change the number of document jams.

When [Counter] is selected on the service screen, the counter screen is displayed.

These values might be changed if the control PCB is replaced. Therefore, inputting the values again is required after the replacement. If the values before the replacement are not clear, it is better to input the recommended values.

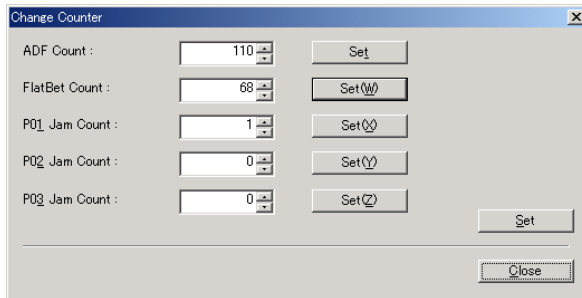


Figure 5-218

The contents of display are as follows:

- ADF Count
Indicates total count of the main unit.
- FlatBed Count
Indicates the number of scan of the flatbed unit.
- P01_Jam Count
Indicates the number of early reach jams.
- P02_Jam Count
Indicates the number of residual jams.
- P03_Jam Count
Indicates the number of fast feed jams.

The “Total Count” shown at the bottom of the service screen is the total of “ADF Count” and “FlatBed Count”.

When the [Set] button on the right or the [Set] on the lower right of the screen is selected after the value is changed, the changed value is determined.

To close the screen, press the [Close] button.

12. Firm Load

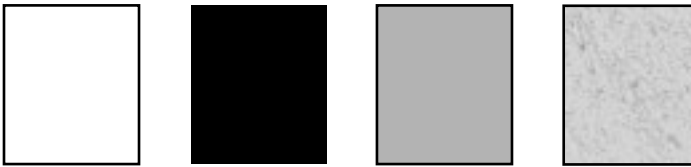
This mode is used to change the firmware of the DR-2580C. For details, refer to the service information issued during firmware changes. Be careful not to execute this mode by mistake.

- Operation procedure outline
 - 1) Select [Firm Load] in the service screen.
 - 2) The screen for selecting the file in which the firmware is saved is displayed.
 - 3) Select and open the file.
 - 4) The firmware is loaded to the DR-2580C.

III. IMAGE TROUBLESHOOTING

There are times when, depending on the type of image and settings, document reproducibility becomes poor. In such case, the image may be improved by changing the settings.

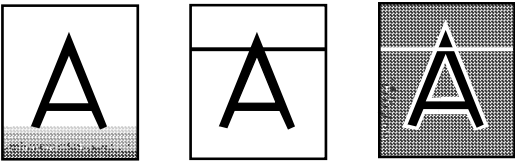
1	No image is output (completely white, completely black, completely gray, mottled)
----------	------------------------------------------------------------------------------------------



Cause/Faulty location	Step	Check Item	Result	Action
"Brightness" setting	1	Is the "Brightness" setting appropriate?	NO	Change the setting. Also change "Contrast" if necessary.
Reading glass	2	Is the reading glass clean?	NO	Clean it. If necessary, clean the roller too.
Shading plate	3	Is the shading plate clean?	NO	Clean it.
	4	Does the reading unit (lower) move when the power is turned ON?	NO	Check the mechanism related to the movement of the reading unit (lower).
Connection of reading unit	5	Are the reading related cables connected properly?	NO	Connect them properly.
Reading unit	6	Is the problem solved when the reading unit is replaced?	YES	End.
Control PCB	7	Is the problem solved when the control PCB is replaced?	YES	End.

Table 5-301

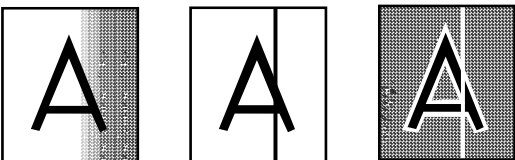
2 Uneven density, streaks (main-scanning direction)



Cause/Faulty location	Step	Check Item	Result	Action
Roller	1	Are the roller unit and retard roller properly installed?	NO	Install them properly.
	2	Are they dirty or deformed?	NO	Clean or replace them.
Gear, belt	3	Does it turn smoothly?	NO	Adjust assembling or replace parts.
Motor (M1, M2)	4	Is the problem solved when the motor is replaced?	YES	End.
Reading unit	5	Is the problem solved when the reading unit is replaced?	YES	End.
Control PCB	6	Is the problem solved when the control PCB is replaced?	YES	End.

Table 5-302

3 Uneven density, streaks (sub-scanning direction)



Cause/Faulty location	Step	Check Item	Result	Action
Reading glass	1	Is the reading glass clean?	NO	Clean it. If necessary, clean the roller too.
Shading plate	2	Is the shading plate clean?	NO	Clean it.
	3	Does the reading unit (lower) move when the power is turned ON?	NO	Check the mechanism related to the movement of the reading unit (lower).
Reading unit	4	Is the problem solved when the reading unit is replaced?	YES	End.
Control PCB	5	Is the problem solved when the control PCB is replaced?	YES	End.

Table 5-303

4	Faulty images of flatbed unit
----------	--------------------------------------

Cause/Faulty location	Step	Check Item	Result	Action
Document board glass	1	Is the document board glass clean?	NO	Clean it. Clean the inside glass surface if necessary.
Gear, belt, guide shaft	2	Does the optical unit move smoothly?	NO	Adjust assembling. (It includes the belt tension adjustment.) Replace parts.
Motor (M3)	3	Is the problem solved when the optical motor is replaced?	YES	End.
Optical unit	4	Is the problem solved when the optical unit is replaced?	YES	End.

Table 5-303

IV. OPERATION TROUBLESHOOTING

When an operation problem occurs, first check for an “Error Messages” on the display connected to the computer. In addition, check the operation of the various sensors, motors using the “Service Modes.”

1	No power
----------	-----------------

Note: The machine power indicator does not light.

Cause/Faulty location	Step	Check Item	Result	Action
Connection of power cord	1	Are the power cord and AC adapter connected?	NO	Connect it properly.
AC power supply voltage	2	Is the specified voltage supplied at the outlet?	NO	Explain to the user that the trouble is not with the machine.
Power switch	3	Is the power switch turned ON?	NO	Turn the power switch ON.
PCB unit (connection)	4	Is the control PCB connected to the switch PCB connect?	NO	Connect it properly.
	5	Connect the power code and turn the power lever sensor ON. Does the LED of the control PCB light or blink properly?	YES	The power is supplied properly. Find out the other causes such as sensors, motors, etc.
	6	Is the problem solved when the switch PCB or control PCB is replaced?	YES	End.

Table 5-401

2	Computer does not recognize the machine
----------	------------------------------------------------

Cause/Faulty location	Step	Check Item	Result	Action
Power supply	1	Is the power supplied to the machine?	NO	Perform the actions in section 1: "No power."
Connection of USB interface cable	2	Is the USB interface cable properly connected?	NO	Connect it properly.
Computer, I/F card	5	Are the computer and I/F card set properly?	NO	Use them properly.

Table 5-402

3	Motors do not operate
----------	------------------------------

Cause/Faulty location	Step	Check Item	Result	Action
Power supply	1	Is the power supplied to the machine?	NO	Perform the actions in section 1: "No power."
Connectors	2	Are the connectors for the motor connected properly?	NO	Connect them properly.
Transmission system load	3	Is the transmission system driven by the motor normal? Are such parts as gears and belts normal?	NO	Remove the abnormal load. Replace needed parts.
Sensor	4	Is the operation normal when checking the sensor detection display in the service mode?	NO	Replace the sensor.
	5	Is the problem solved when performing "Document Sensor Adjustment" in the service mode?	YES	End.
Motor	6	Is the operation normal when checking the operation in the service mode?	NO	Replace the motor.
Control PCB	7	Is the problem solved when the control PCB is replaced?	YES	End.

Table 5-403

4 Faulty document feeding (jam/double feed/wrinkles)

Cause/Faulty location	Step	Check Item	Result	Action
Document	1	Is the document within the specifications (thickness, dimensions, fold, curl, etc.)?	NO	Ask the user to use documents within the specifications.
Roller	2	Are the roller unit and retard roller properly installed?	NO	Install them properly.
	3	Are they dirty or deformed?	NO	Clean or replace them.
Parts in feed path	4	Are all parts that the documents contact properly installed (not loose or tilted)?	NO	Install them properly.
	5	Is the surface in contact with the document smooth (not scratched, no burrs)?	NO	Replace faulty parts.
Drive transmission system	6	Is any abnormal noise emitted when feeding documents? Are any gears broken or is the belt tension failed?	YES	Replace faulty parts. Adjust the belt tension.

Table 5-404

5 Flatbed unit does not operate

Cause/Faulty location	Step	Check Item	Result	Action
Installation	1	Are the I/F cable connection, unlocking, and fixing to the main body correct?	NO	Set it properly.
“Reading side” setting	2	Is the “Reading side” set to “Flatbed”?	NO	Change the settings.
Motor (M3)	3	Is the problem solved if the optical motor is replaced?	YES	End.

Table 5-405

V. AFTER REPLACING PARTS

Some of the parts used in this machine require adjustments and settings after being replaced or disassembled/reassembled.

Check document feed and images after the replacement or disassembly/reassembly of the parts.

1. Control PCB

- 1) Perform “All Adjustment” and “Counter” in the service mode.
- 2) Perform the following service mode settings if required.
 - “Max Document Size”
 - “Sleep”

2. Registration Adjustment

Perform “Regist Adjustment” in the service mode when failures occur on the leading edge or trailing edge of scanned images after replacing or reassembling parts related to registration such as a registration sensor lever.

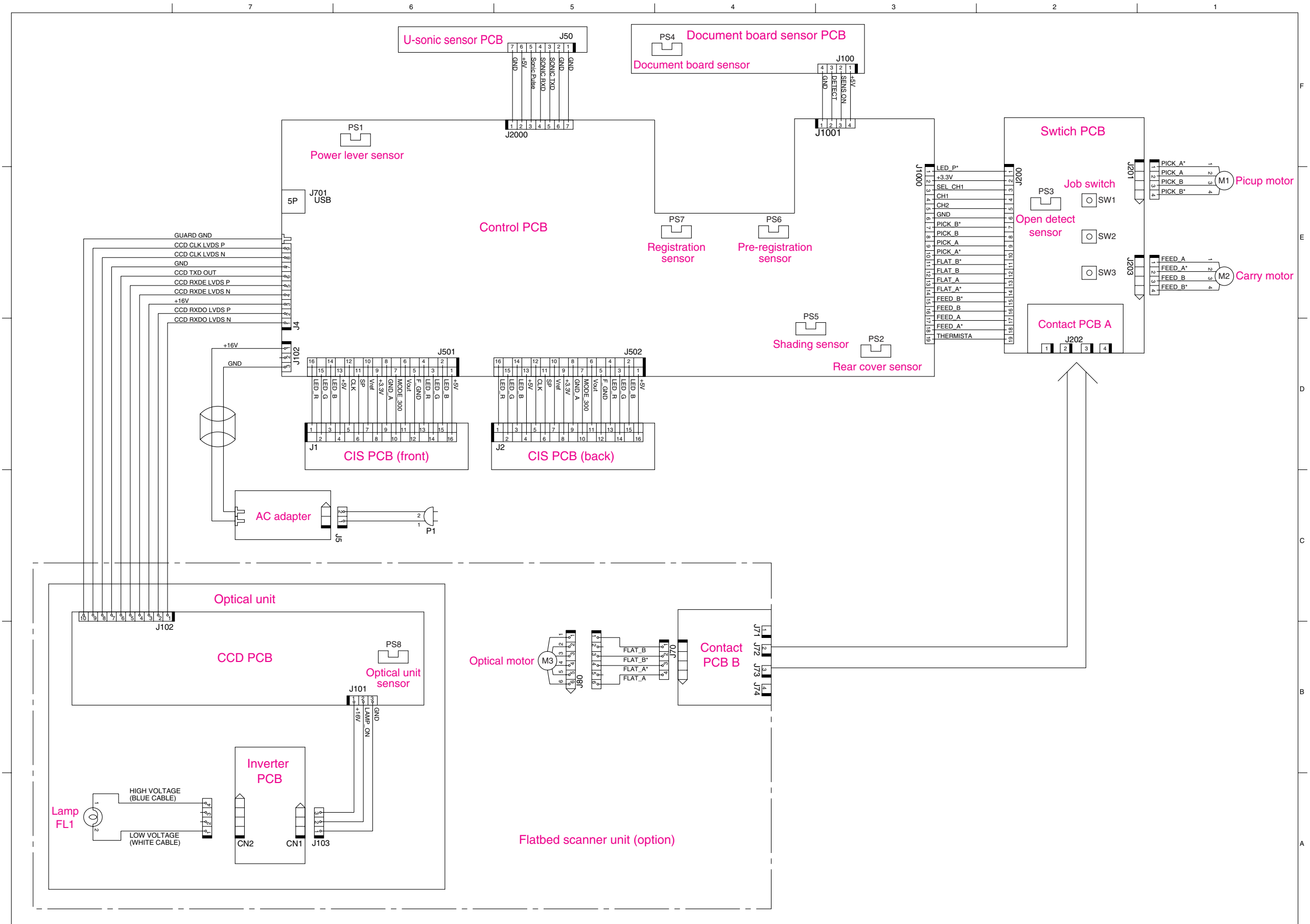
3. Document Board Sensor, Document Board Window, etc.

Perform “Document Sensor Adjustment” in the service mode when the document detection failures occur after replacing or reassembling parts related to the document board sensor.

APPENDIX

I. GENERAL DIAGRAM	A-1
--------------------------	-----

I. GENERAL DIAGRAM



Prepared by

**Quality Assurance Center
Canon Electronics Inc.**

**3-17-7 Shibaura, Minato-ku
Tokyo 108-0023, Japan**

FIRST EDITION (APR. 2005) [63999]

Canon

DR-2580C

PARTS CATALOG

FIRST EDITION

DR-2580C	100V	M11-0521
	120V	M11-0523
	220-240V	M11-0524
	220-240V CA	M11-0525
	220-240V KR	M11-0526
	220-240V CN	M11-0529

F/B UNIT	100V	M18-0831
	120V/220-240V	M18-083A

Canon

APR. 2005

MY8-31A4-000

序

このパーツ・カタログは、DR-2580Cに対するサービス部品調達の手引として発行します。
サービス部品の要求は、キヤノン販売営業所にお問い合わせください。
製品に大きな変更がある場合は、改訂版のパーツ・カタログを発行しますが、その他の場合は随時新しい情報をお届けします。
このパーツ・カタログは当社品質保証部品質推進課が発行管理を行っています。

キヤノン電子株式会社
品質保証部 品質推進課

PREFACE

This Parts Catalog contains listings of parts used in the DR-2580 C .
Diagrams are provided with the listings to aid the service technician in identifying clearly, the item to be ordered.

Whenever ordering parts, consult this Parts Catalog for all of the information pertaining to each item. Be sure to include in the Parts Request, the full item description, the item part number and the quantity.

Quality Assurance Center
Canon Electronics Inc.

版權所有，無斷轉載，引用を禁ず。
Copyright © 2005 Canon Electronics Inc

本マニュアルについては、機密保持等その取扱には十分注意して下さい。
万一取扱を誤りますと法律で処罰されることがあります。

Use of this manual should be strictly supervised to avoid disclosure of confidential information.

目 次

A 主要部品配置図-1, 2

B イラスト索引

100 外装カバー部

200 上部ユニット

300 上下読取部

400 下部ユニット-1

410 下部ユニット-2

420 下部ユニット-3

500 電装部

600 フラットベッド・スキャナ・
ユニット(オプション)

部品索引表

CONTENTS

A ASSEMBLY LOCATION DIAGRAM-1, 2

B ILLUSTRATION INDEX

100 EXTERNAL COVERS

200 UPPER UNIT

300 READING UNIT, UPPER/LOWER

400 LOWER UNIT-1

410 LOWER UNIT-2

420 LOWER UNIT-3

500 ELECTRICAL COMPONENTS ASSEMBLY



600 FLATBED SCANNER UNIT (OPTION)

NUMERICAL INDEX

パーツカタログの見方

主要部品配置図について

部品図番号 (Figure No.) および各アセンブリの位置を捜すとき、主要部品配置図を用います。

図中  内は部品図名称,  内は部品図番号を示しています。

また、「イラスト索引」からも検索できます。

部品番号の探し方

どのアセンブリに使用されている部品かを、主要部品配置図またはイラスト索引で調べその部品図番号 (Figure No.) のページをめくります。

部品図の中からその部品を見つけ、そのキーNo.を部品番号リストの中から探し出せば、部品番号・部品名称を知ることができます。

注： 電源電圧・周波数等の仕様が異なる場合は、同一のキーNo.に複数の部品番号が記されているので“REMARKS”欄を注意して見るようにしてください。

部品番号リストについて

部品番号リストの内容項目は次のとおりです。

(1) 部品図番号およびキーNo. (FIGURE & KEY No.)

部品図番号は、各部品番号リスト欄の左上に示してあり、各部品図に対応しています。

また、キーNo. は、部品図中に示してある個々の部品に対応します。

(2) 部品番号 (PART NUMBER)

リストの2番目の欄には、部品番号が示してあります。部品を発注する際は、必ずこの番号を明示してください。NPNと記載されている部品はサービスパーツに設定されていません。

注： 部品番号の末尾3桁を訂番といいます。部品改良等の目的で部品の一部が変更になった場合、訂番が変わることがあります。これらの変更については、技術情報 (Service Information) で随時連絡されますので、常にこれらの情報も注意深く読むよう心がけてください。

(3) ランク (RANK)

Nと記載されている部品はサービスパーツに設定されていますが、在庫はされていません。注文を受けてからの受注生産になります。

(4) 使用個数 (Q'TY)

4番目の使用個数欄に示してある数字は、各部品図中における各部品の使用数量を示しています。

使用個数欄には数字の他に以下のアルファベット文字も表示されています。

AR 数量を限定せず、組立時に必要に応じた数量を使用するもの、および個数の明記できないもの

(5) 部品名称 (DESCRIPTION)

個々の部品の名称が英文と和文で記されています。

部品発注の際、部品名称も必ず明示してください。

電気部品等の主な仕様・型番は、英文の末尾に記しているものもあります。

(6) 備考 (REMARKS)

電源電圧・周波数等の仕様の違いがある場合に、表示しています。

これらの表示のないものについてはすべての機械に適用できます。

部品索引表 (NUMERICAL INDEX)

部品番号の索引が巻末にあります。



部品番号がわかっていて、使用場所を調べる場合に活用できます。

索引表の左の欄が部品番号 (PART No.)、中央の欄が部品図番号 (FIGURE No.) とキーNo. (KEY No.)、右の欄が使用個数 (Q'TY) を示しています。

HOW TO USE PARTS CATALOG

Assembly Location Diagrams

These diagrams show Figure Number and the locations of major assemblies of the machine.

Figure names are identified in rectangular boxes , and Figure numbers are identified in elliptic boxes . Also, it is possible to be found out by "Illustration Index".

Finding a Parts Number

Refer to the Assembly Location Diagrams or Illustration Index, and find out the Figure Number. Turn to the page (s), and find its Key Number. Refer to the Parts List, and find the Key Number, Part Number and Description.

Note : While looking for a Part Number, pay particular attention to the voltage listed in the "REMARKS" column to ensure that the Part Number selected is for your type of machine.

Part List pages

The Parts List pages contain the following columns and information.

(1) Figure and Key Number.

The first column shows the Figure Number of the illustration corresponding to the Parts List, and the Key Number that identifies the part on the illustration.

(2) Part Number.

The second column shows the Part Number for the part. This Number must be used when ordering replacement parts or assemblies. Parts marked "NPN" are not service parts.

Note : The last three digits (suffix) of the Parts Number are called the Revision Number. The Revision Number is changed of the part is modified. Information regarding such changes will be provided by Service Information Bulletins. These Bulletins should be read carefully.

(3) Rank.

Parts marked "N" are service parts, but are not stock items. They are produced on a special-order basis.

(4) Quantity (Q'ty).

The quantity shown in this column is the number of parts used in the figure.

This column indicates the following alphabets as well as numeric characters.

AR This indicates that the quantity of a part is not specified, allowing the use of the number of parts needed for assembly and that the quantity cannot be mentioned clearly.

(5) Description.

The Description column lists the description in Japanese and in English. When ordering the part, such description should be use as well as the part number. Some major specifications and type numbers are described at the end of the description in English.

(6) Remarks.

When there are differences in the specifications of power supply voltage or others, the differences are described in this column.

If there are not such differences, the part is available for all machines.

Numerical Index

There is a Numerical Index at the end of this catalog. It can be used when looking for the location where the part is used, if you know the part number.

The first column shows the Part Number, the second column lists the Figure and Key Number and the third column shows the used quantities.

FIGURE A-1

ASSEMBLY LOCATION DIAGRAM-1 主要部品配置図-1

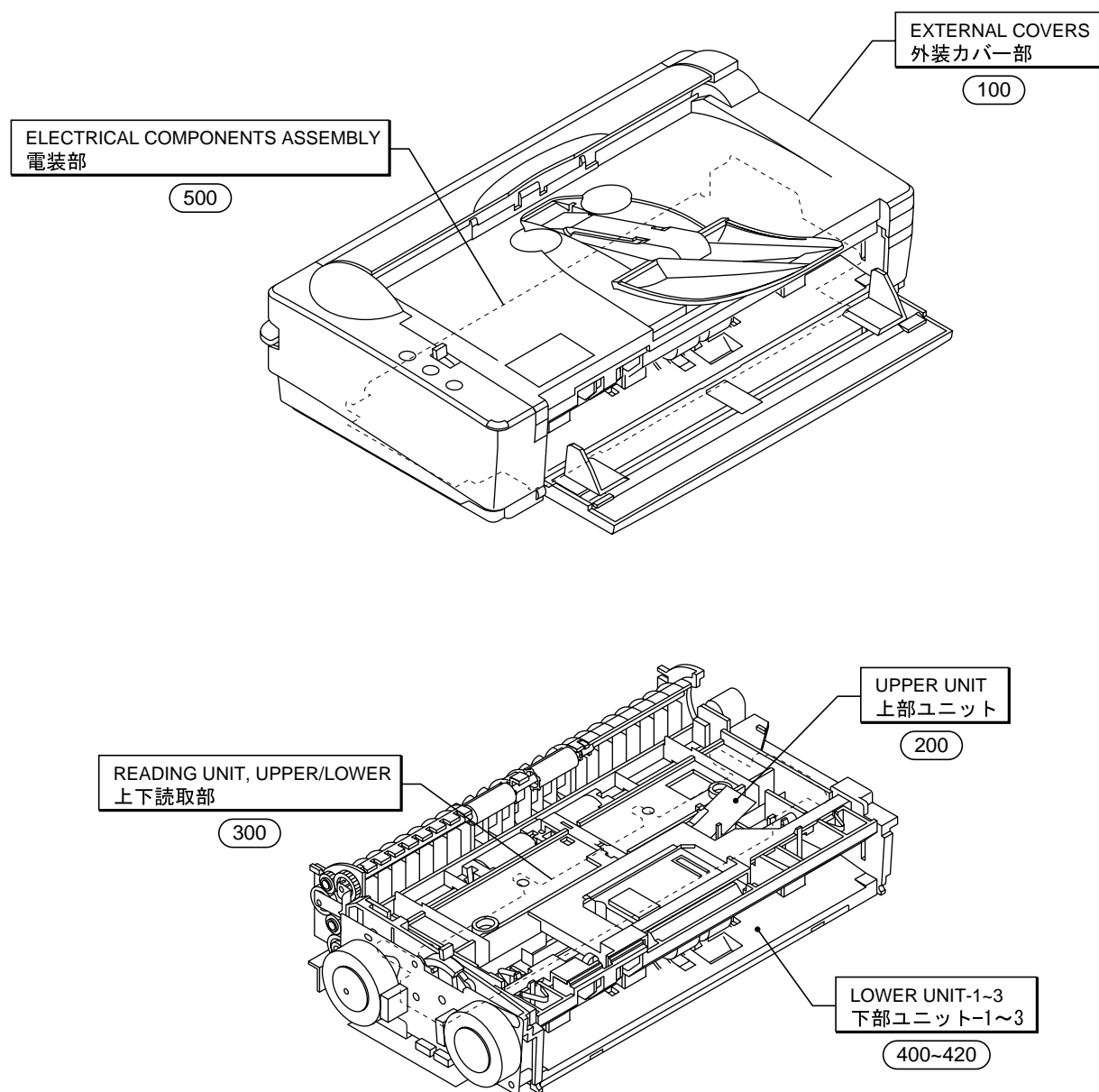


FIGURE A-2

ASSEMBLY LOCATION DIAGRAM-2 主要部品配置図-2

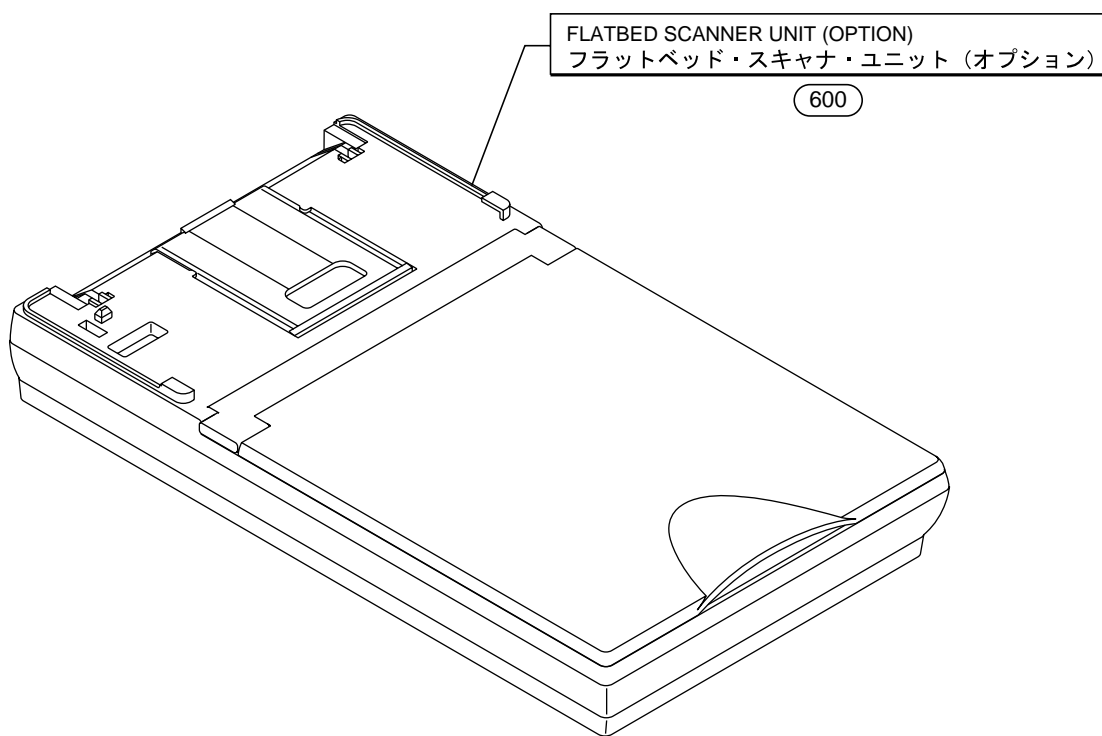


FIGURE B ILLUSTRATION INDEX

イラスト索引

FIGURE 100

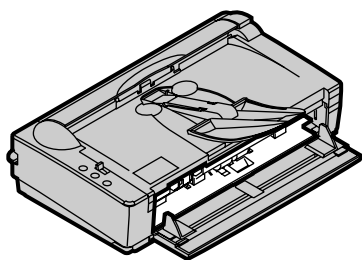


FIGURE 200

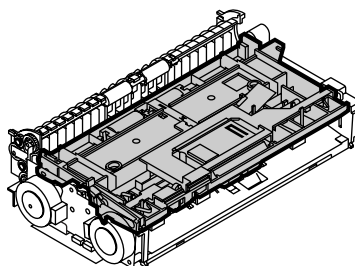


FIGURE 300

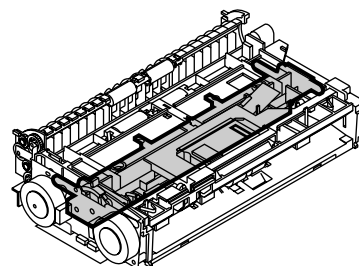


FIGURE 400

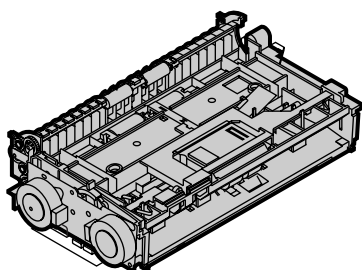


FIGURE 410

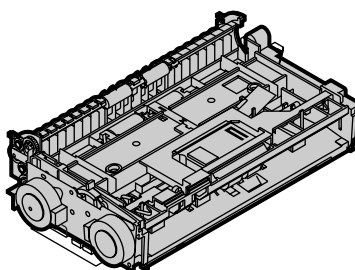


FIGURE 420

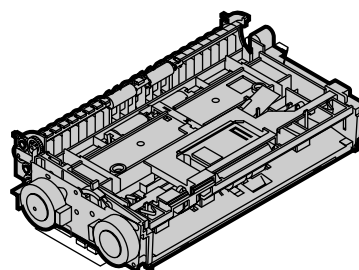


FIGURE 500

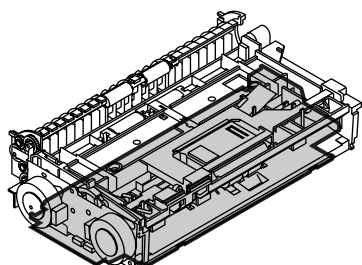


FIGURE 600

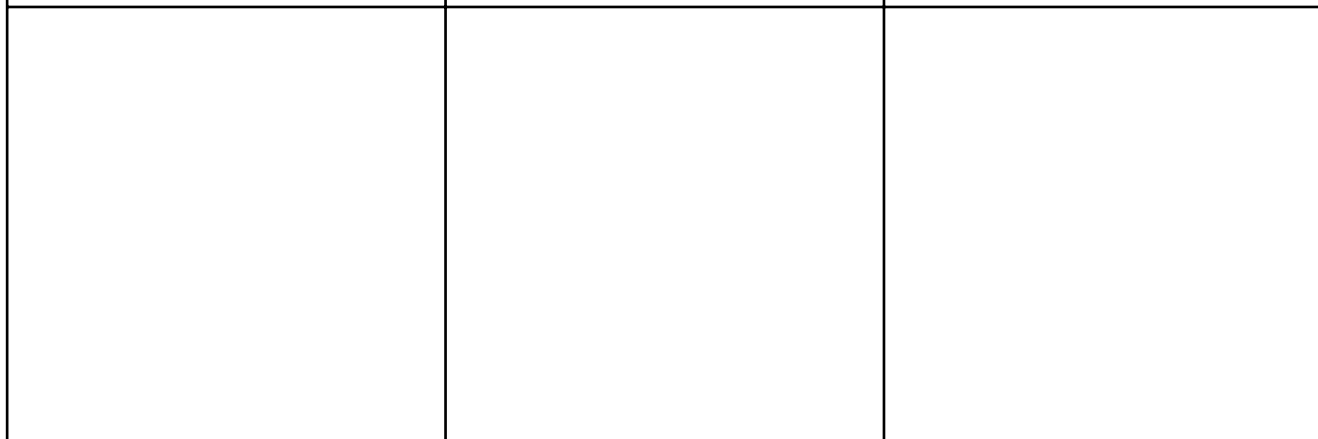
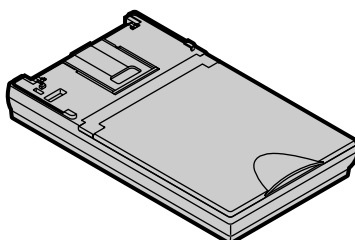


FIGURE 100 EXTERNAL COVERS 外装カバー部

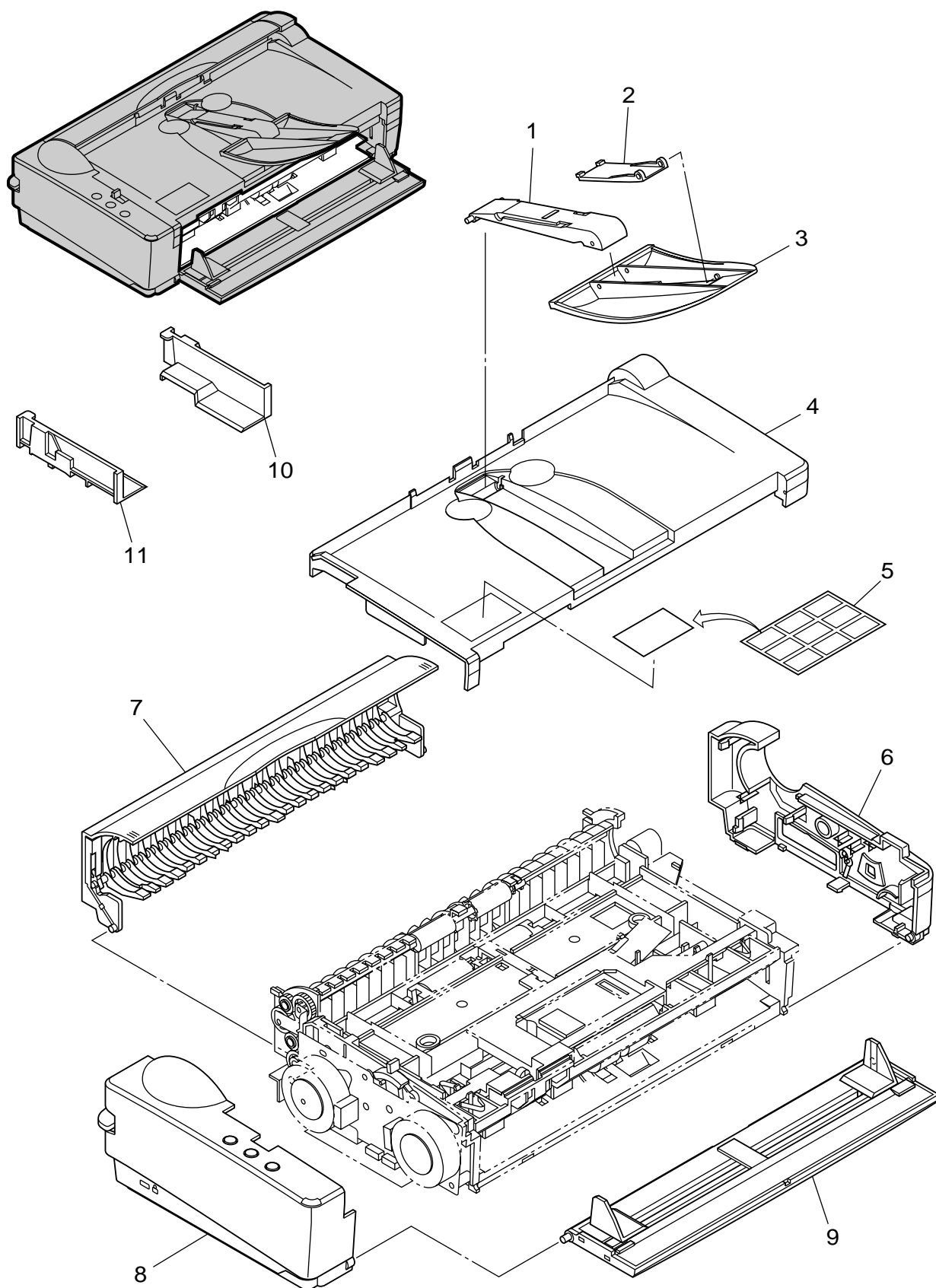


FIGURE & KEY NO.	PART NUMBER	R A N K	Q' T Y	DESCRIPTION	REMARKS	
100 -	1	MA2-7243-000	N	1	CONNECTOR, EJECT TRAY (MECH) ハイシ レンケツ ブザイ	
	2	MA2-7315-000	N	1	TRAY, EJECT 2 ハイシ トレイ 2	
	3	MA2-7242-000		1	TRAY, EJECT 1 ハイシ トレイ 1	
	4	MA2-7239-000		1	COVER, UPPER ウエ カバー	
	5	MA2-7390-000	N	1	LABEL, JOB JOB ボタン シール	
	6	MF1-4321-000		1	COVER, RIGHT ミギ カバー	
	7	MG1-3703-000		1	COVER, U-TURN Uターン カバー クミタテ	
	8	MG1-3704-000		1	COVER, LEFT ヒダリ カバー クミタテ	
	9	MG1-3705-000		1	TRAY, PICKUP キューシ トレイ クミタテ	
	10	MA2-7391-000	N	1	GUIDE, DOCUMENT, EXTENSION R エンチョウ ガイド R	
	11	MA2-7392-000	N	1	GUIDE, DOCUMENT, EXTENSION L エンチョウ ガイド L	

FIGURE 200 UPPER UNIT
上部ユニット

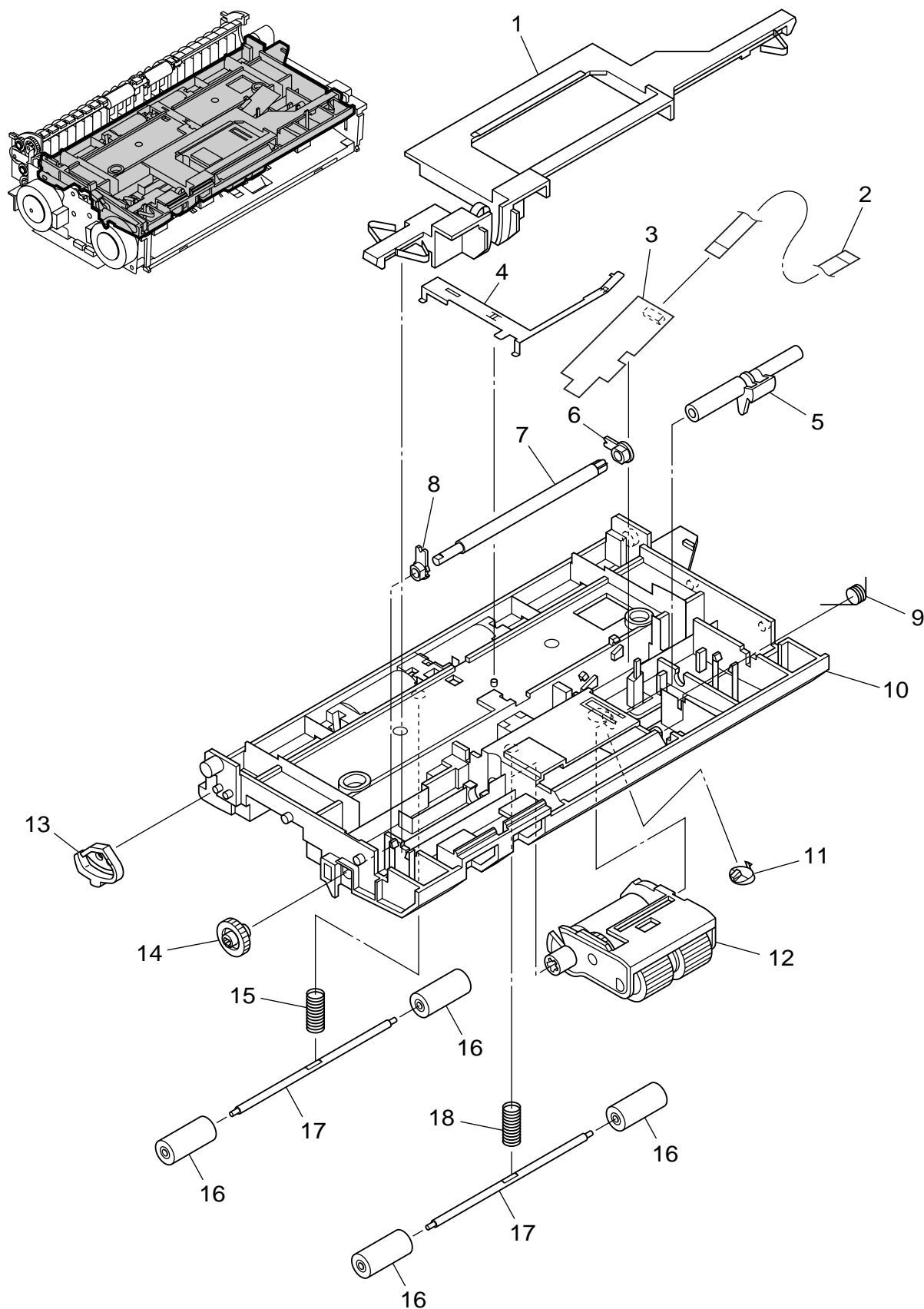


FIGURE & KEY NO.	PART NUMBER	R A N K	Q' T Y	DESCRIPTION	REMARKS
200 -	1 MA2-7246-000	N	1	KNOB, OPEN/CLOSE カイヘイ ロック	
	2 MH2-5331-020		1	CABLE, FFC, U-SONIC SENSOR チョウオンパ センサ FFC	
	3 MG1-3829-000		1	PCB ASSEMBLY, U-SONIC SENSOR チョウオンパ センサ ユニット	
	4 MA2-7299-000	N	1	PLATE, GROUNDING, UPPER ジョウブ ユニット アース バン	
	5 MA2-7250-000	N	1	SHAFT, FEED SUPPORT フィード シジ ジク	
6 MA2-7297-000	N	1	SUPPORT, SHAFT 5 ジクウケ		
7 MA2-7249-000	N	1	SHAFT, FEED DRIVE フィード クドウ ジク		
8 MA2-7277-000	N	1	SUPPORT, SHAFT 4 ジクウケ		
9 MA2-7306-000		1	SPRING, TORSION キュウシ オウアツ バネ		
10 MA2-7236-000	N	1	FRAME, UPPER ウエ フレーム		
11 MA2-7301-000	N	1	COVER, DFD UPPER DFD フタ ウエ		
12 MG1-3720-000		1	UPPER ROLLER UNIT ジョウブ キュウシ ローラ		
13 MA2-7304-000	N	1	STOPPER, ROTATION カイトン ロック ブザイ		
14 MS2-0128-000		1	GEAR, G25 ギア		
15 MS1-2500-000		1	SPRING, COMPRESSION ジュウドウ コロ バネ レジスト		
16 MA2-6476-000		4	ROLLER, FOLLOWER ジュウドウ ローラ		
17 MA2-7248-000	N	2	SHAFT, FOLLOWER ジュウドウ コロジク		
18 MS1-2502-000		1	SPRING, COMPRESSION ジュウドウ コロ バネ ハイシ 1		

FIGURE 300

READING UNIT, UPPER/LOWER 上下読取部

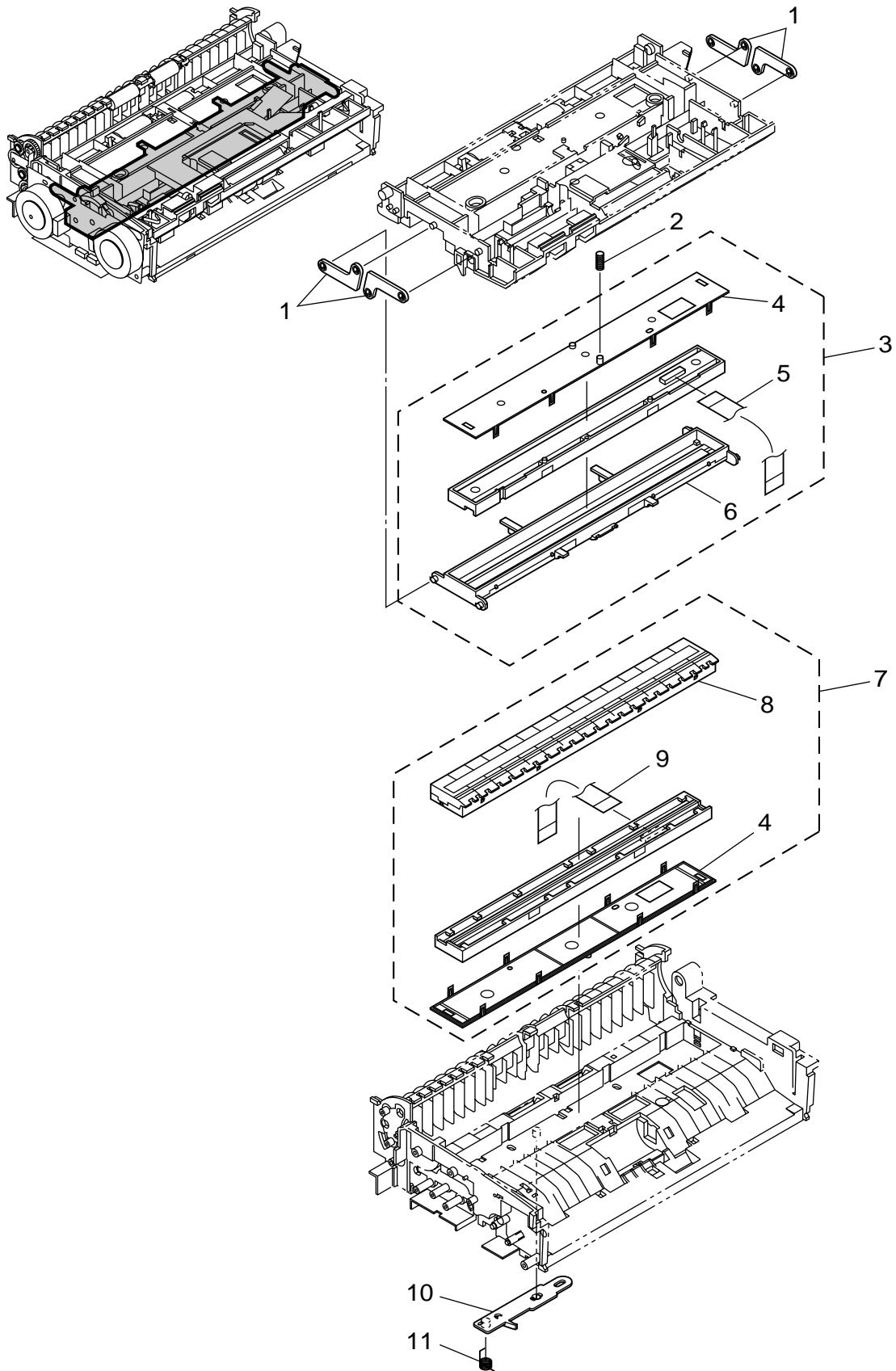


FIGURE & KEY NO.	PART NUMBER	R A N K	Q' T Y	DESCRIPTION	REMARKS	
300 -	1	MA2-7247-000	N	4	ARM, READING ヨミトリ ヨウドウ アーム	
	2	MS1-2501-000		1	SPRING, COMPRESSION アッシュク バネ ヨミトリウエ	
	3	MG1-8265-000		1	READING UNIT, UPPER ヨミトリ ユニット ウエ	
	4	MA2-7295-000	N	2	COVER, READING UNIT ヨミトリ ユニット フタ	
	5	MH2-5323-020		1	CABLE, FFC, CIS FRONT CIS オモテメン FFC	
6	MF1-4327-000	N	1	HOLDER, READING UPPER ヨミトリ ホルダー ウエ		
7	MG1-8264-000		1	READING UNIT, LOWER ヨミトリ ユニット シタ		
8	MF1-4326-000	N	1	HOLDER, READING LOWER ヨミトリ ホルダー シタ		
9	MH2-5324-000		1	CABLE, FFC, CIS BACK CIS ウラメン FFC		
10	MA2-7263-000	N	1	ARM, READING LOWER ヨミトリ シタ イドウ アーム		
11	MA2-7264-000		1	SPRING, TORSION トーション バネ ヨミトリ シタ		

FIGURE 400 LOWER UNIT-1 下部ユニット-1

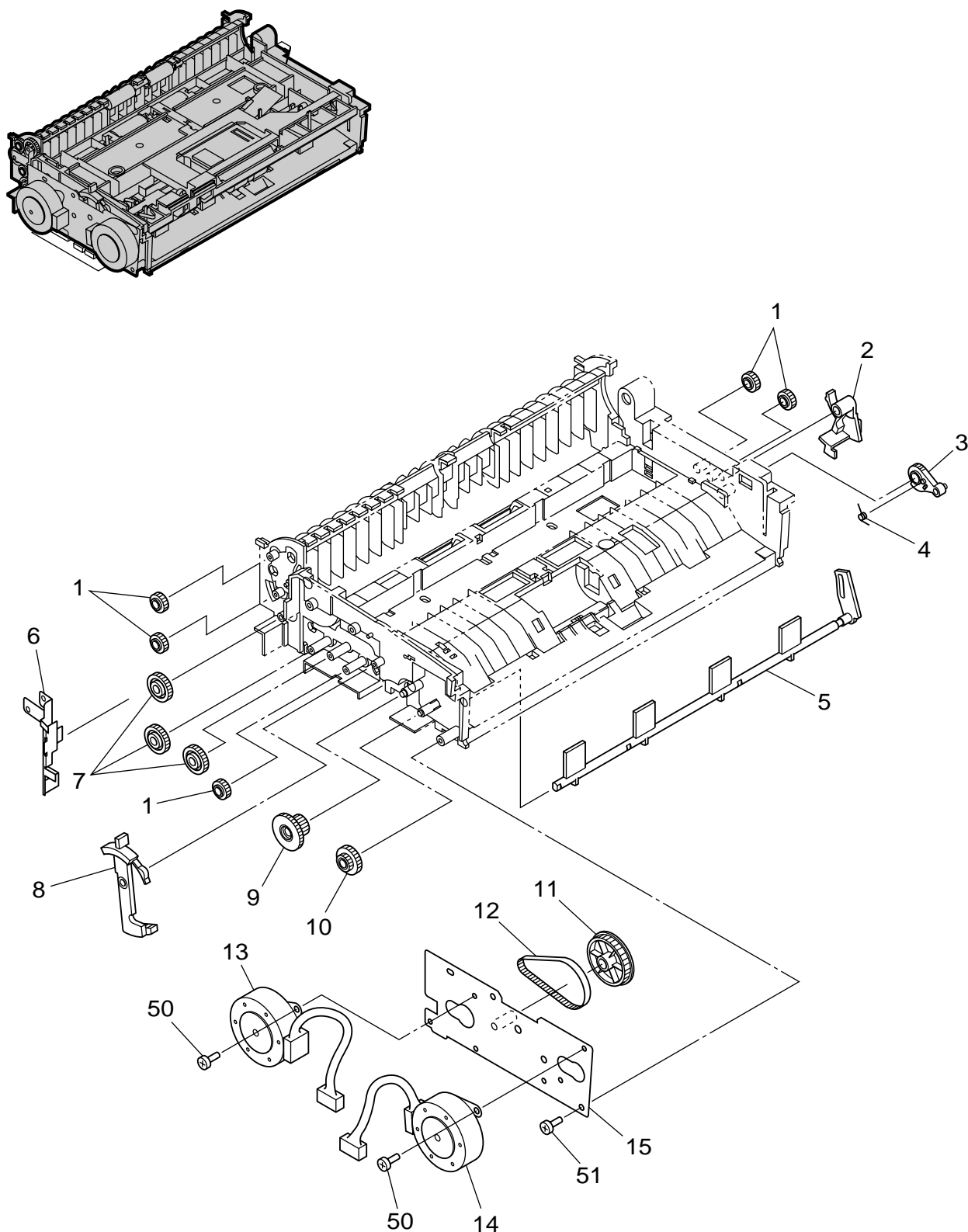


FIGURE & KEY NO.	PART NUMBER	R A N K	Q' T Y	DESCRIPTION	REMARKS
400 -	1 MS2-0126-000		5	GEAR, G20 ギア	
	2 MA2-7280-000	N	1	LEVER, POWER デンゲン レバー	
	3 MA2-7283-000		1	GEAR, ARM アーム ギア	
	4 MA2-7317-000		1	SPRING, TORSION セキサイ リターン スプリング	
	5 MA2-7282-000	N	1	STOPPER, PICKUP キュウシ セキサイ ストッパー	
6 MA2-7298-000	N	1	PLATE, GROUNDING, LOWER カブ ユニット アース パン		
7 MS2-0127-000		3	GEAR, G31 ギア		
8 MA2-7259-000	N	1	LEVER, SEPARATION ブンリ レバー		
9 MS2-0130-000		1	GEAR, G41-18 ギア		
10 MS2-0129-000		1	GEAR, G31-18 ギア		
11 MS1-3198-000			1	PULLY, P47 G18 プーリー	
12 XF2-1606-740			1	BELT, TIMING 67T タイミング ベルト	
13 MF1-4324-000			1	MOTOR, STEPPING, PICKUP キュウシ モータ	
14 MF1-4323-000			1	MOTOR, STEPPING, CARRY ハンソウ モータ	
15 MF1-4322-000	N	1	PLATE, MOTOR モータ プレート		
50 XB1-2300-405			4	SCREW, BH M3x4 バインド ネジ M3 L4	
51 XB4-7300-605			2	SCREW, TAP, BH M3x6 B タイト ネジ M3 L6	

FIGURE 410

LOWER UNIT-2 下部ユニット-2

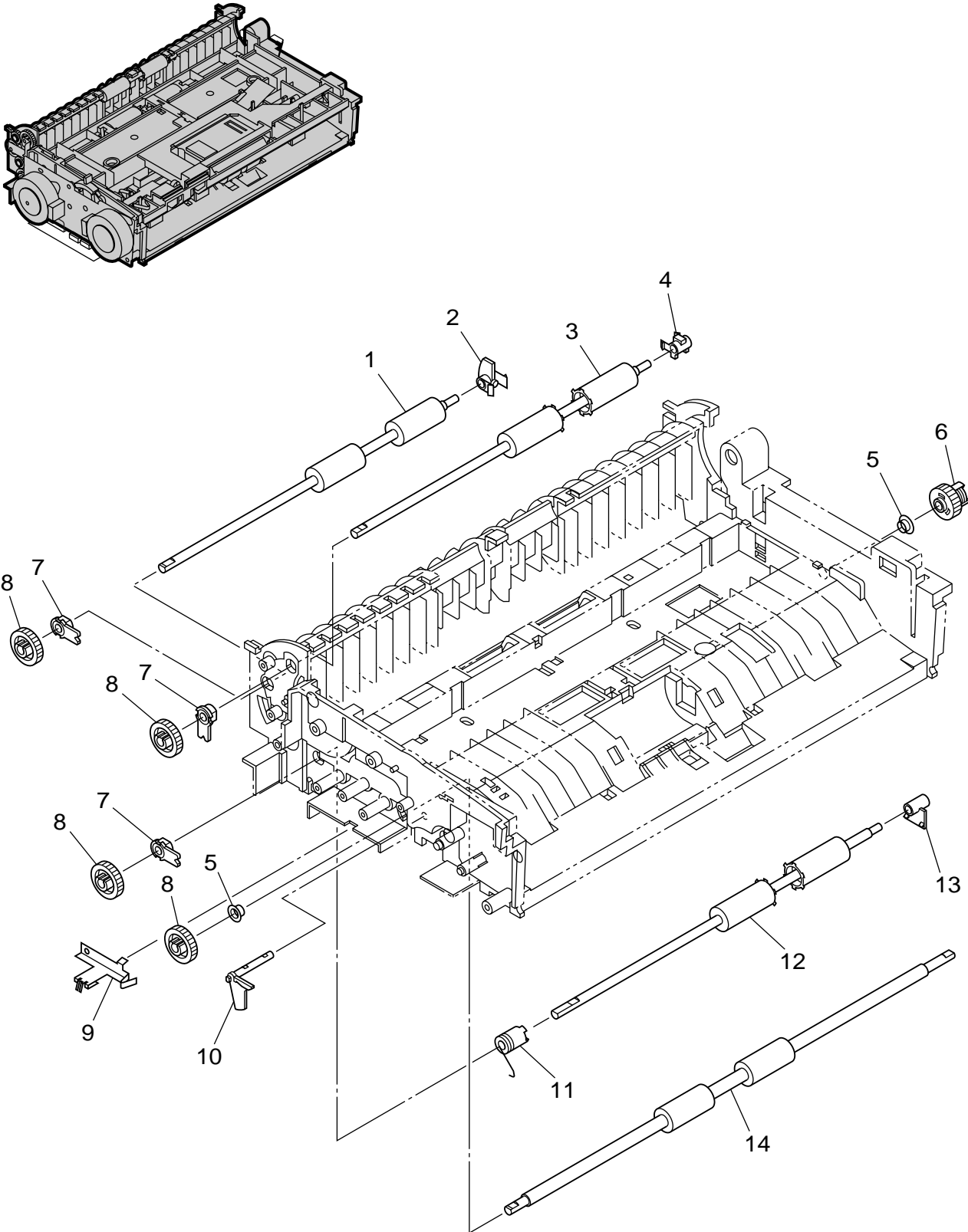


FIGURE & KEY NO.	PART NUMBER	R A N K	Q' T Y	DESCRIPTION	REMARKS
410 -	1 MA2-7322-000		1	ROLLER, CARRY ハンソウ ローラ	
	2 MA2-7308-000	N	1	SUPPORT, CARRY ROLLER ハンソウ ローラ ジクウケ	
	3 MA2-7323-000		1	ROLLER, EJECT 2 ハイシ ローラ 2	
	4 MA2-7309-000	N	1	SUPPORT, EJECT ROLLER 2 ハイシ ローラ 2 ジクウケ	
	5 XG9-0568-000		2	BALL BEARING ベアリング	
6	MG1-3711-000	N	1	CLUTCH, STOPPER セキサイ ストップ クラッチ	
7	MA2-7277-000	N	3	SUPPORT, SHAFT 4 ジクウケ	
8	MS2-0125-000		4	GEAR, G30 ギア	
9	MA2-7540-000		1	PLATE, GROUNDING レジスト アース パン 2	
10	MA2-7310-000	N	1	LEVER, OPEN/CLOSE カイヘイ ケンチ レバー	
11	MG1-3710-000	N	1	CLUTCH, READING ヨミトリ イドウ クラッチ	
12	MA2-7321-000		1	ROLLER, EJECT 1 ハイシ ローラ 1	
13	MA2-7307-000	N	1	SUPPORT, EJECT ROLLER 1 ハイシ ローラ 1 ジクウケ	
14	MA2-7320-000		1	ROLLER, REGISTRATION レジスト ローラ	

FIGURE 420

LOWER UNIT-3
下部ユニット-3

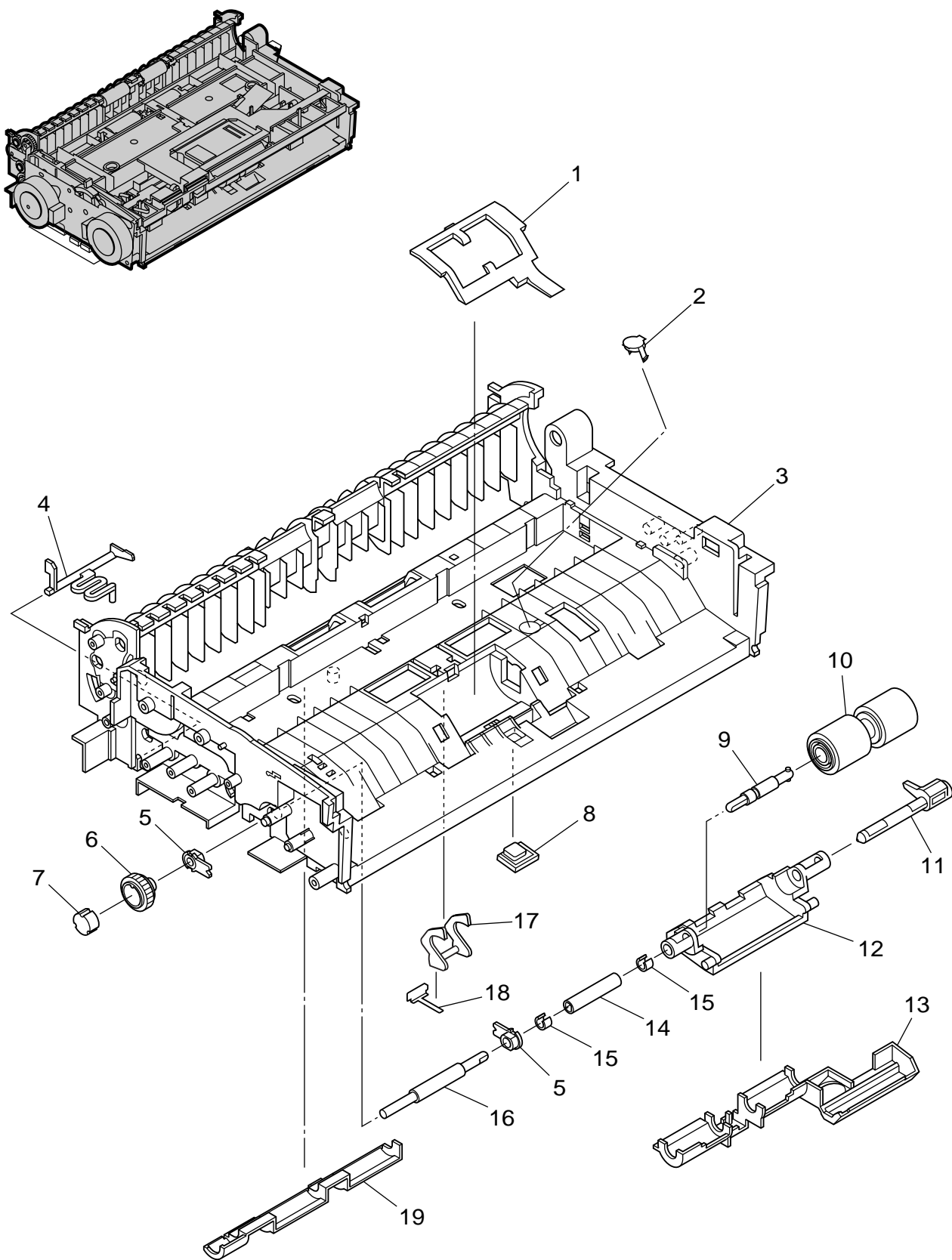


FIGURE & KEY NO.	PART NUMBER	R A N K	Q' T Y	DESCRIPTION	REMARKS
420 -	1 MA2-7261-000	N	1	COVER, RETARD ROLLER キュウシグチ ガイド	
	2 MA2-7302-000	N	1	COVER, DFD LOWER DFD フタ シタ	
	3 MA2-7235-000	N	1	FRAME, LOWER シタ フレーム	
	4 MA2-7267-000	N	1	LEVER, U-TURN COVER ユーターン パス カイヘイ ケンチ レバー	
	5 MA2-7277-000	N	2	SUPPORT, SHAFT 4 ジクウケ	
6	MS2-0131-000		1	GEAR, G31 ブンリ ギア	
7	XG9-0567-000		1	CLUTCH, ONE-WAY ワンウェイ クラッチ	
8	MA2-7262-000	N	1	COVER, SENSOR ゲンコウ ケンチ マド	
9	MA2-7272-000	N	1	SHAFT, RETARD, CONNECTION リタード ローラ レンケツ ジク	
10	MA2-7326-000		1	RETARD ROLLER リタード ローラ	
11	MA2-7271-000	N	1	SHAFT, RETARD, SUPPORT リタード ローラ シジ ジク	
12	MA2-7268-000	N	1	CASE, RETARD SWING リタード ローラ ヨウドウ ケース	
13	MA2-7278-000	N	1	COVER, DUST 1 ボウジン カバー 1	
14	MA2-7270-000	N	1	SHAFT, RETARD, DRIVE 2 リタード ローラ クドウ ジク 2	
15	MA2-7314-000	N	2	STOPPER, C C クリップ	
16	MA2-7269-000	N	1	SHAFT, RETARD, DRIVE 1 リタード ローラ クドウ ジク 1	
17	MA2-7265-000	N	1	LEVER, REGISTRATION レジスト ケンチ レバー	
18	MA2-7266-000	N	1	PLATE, REGISTRATION レジスト ケンチ レバー バネ	
19	MA2-7279-000	N	1	COVER, DUST 2 ボウジン カバー 2	

FIGURE 500

ELECTRICAL COMPONENTS ASSEMBLY 電装部

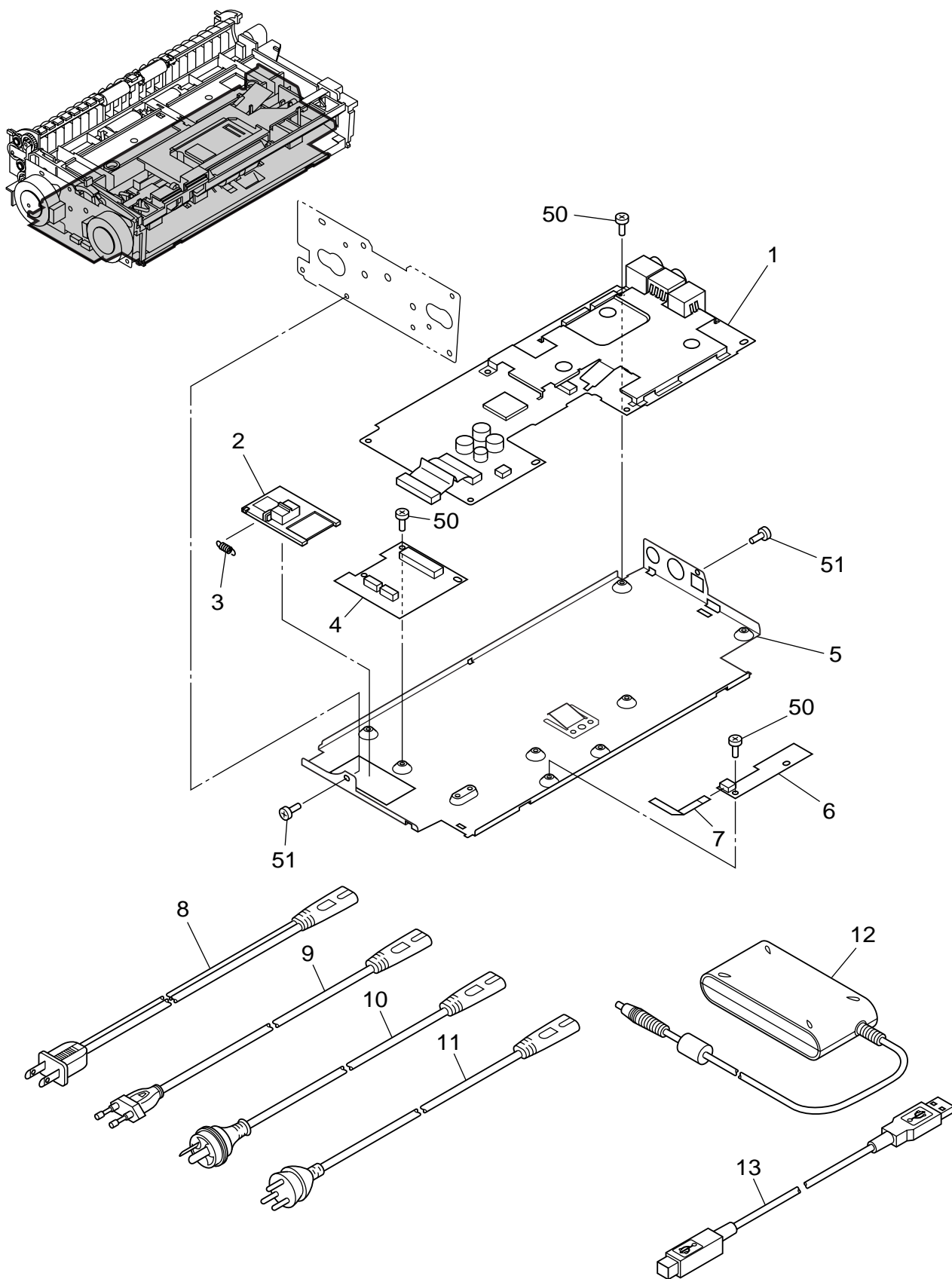


FIGURE & KEY NO.	PART NUMBER	RANK	QTY	DESCRIPTION	REMARKS
500 -	1 MG1-3732-000	N	1	PCB ASSEMBLY, CONTROL DCON カイロ キバン	
	2 MA2-7281-000		1	COVER, CONTACT セッテン カバー	
	3 MS1-2498-000		1	SPRING, TENSION ヒツパリ バネ セッテン カバー	
	4 MG1-3733-000		1	PCB ASSEMBLY, SWITCH スイッチ カイロ キバン	
	5 MF1-4330-000		1	PLATE, DCON DCON プレート クミタテ	
6 MG1-3734-000		1	PCB ASSEMBLY, DOCUMENT SENSOR ゲンコウ センサ カイロ キバン		
7 MH2-5327-000		1	CABLE, FFC, DOCUMENT SENSOR ゲンコウ センサ FFC		
8 WT3-5118-000		1	CORD, POWER, 100/120 デンゲン コード (100/120V)		100V, 120V
9 MH2-5309-000		1	CORD, POWER, 200 デンゲン コード (220-240V)		220-240V
10 MH2-5310-000		1	CORD, POWER, AUSTRALIA デンゲン コード (220-240V CA)		220-240V CA
11 WT3-5085-000		1	CORD, POWER, CHINA デンゲン コード (220-240V CN)	220-240V CN	
12 MG1-3607-040		1	ADAPTOR, AC, 100-240V AC アダプタ		
13 MH2-5313-000		1	CABLE, USB USB ケーブル		
50 XB1-2250-405		11	SCREW, BH M2.5x4 バインド ネジ M2.5 L4		
51 XB1-2300-405		2	SCREW, BH M3x4 バインド ネジ M3 L4		

FIGURE 600

FLATBED SCANNER UNIT (OPTION) フラットベッド・スキャナ・ユニット(オプション)

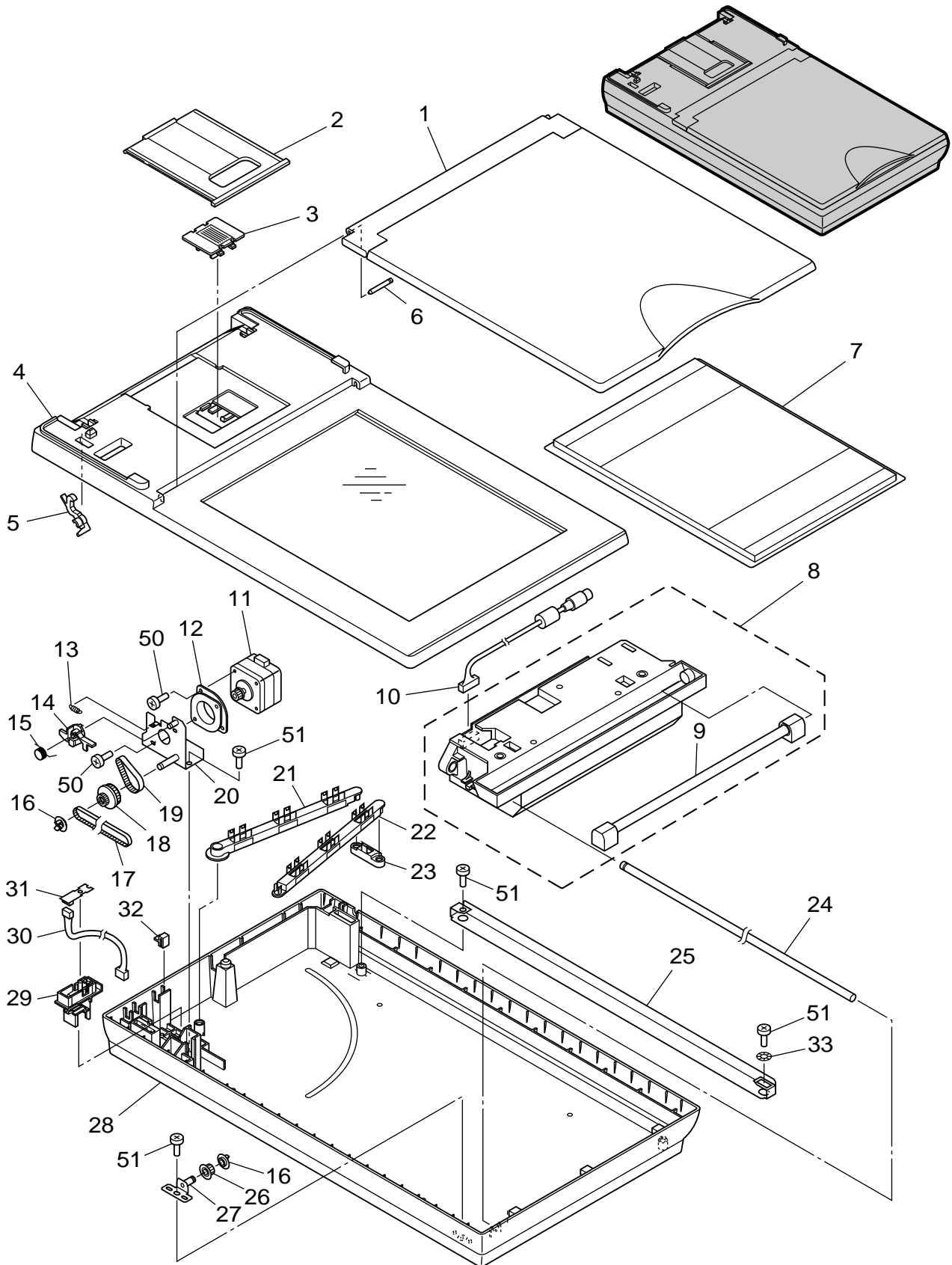


FIGURE & KEY NO.	PART NUMBER	R A N K	Q' T Y	DESCRIPTION	REMARKS
600 -	1		1	LID ASSEMBLY フタ ユニット	
	2	N	1	TRAY, EJECT ハイシトレイ	
	3	N	1	STOPPER, OPTICAL UNIT ユソウ ストッパー	
	4		1	COVER, UPPER ウエ カバー クミタテ	
	5	N	2	HOOK フック	
6	MA2-7367-000	N	1	SHAFT, ASSEMBLE ジク	
7	MA2-7348-000	N	1	PLATE, PRESSURE, BLACK クロ アッパン	
8	MG1-3745-020		1	OPTICAL UNIT コウガク ユニット	
9	MH7-3048-000		1	LAMP, XENON ランプ	
10	MH2-5325-000		1	CABLE ASSEMBLY, LVDS LVDS ケーブル	
11	MF1-4334-000		1	MOTOR, STEPPING モータ ユニット	
12	FB3-2195-000	N	1	MOUNT, RUBBER, MOTOR モータ ポウシン マウント	
13	MS1-2503-000		1	SPRING, TENSION ヒツパリ バネ	
14	MA2-7339-000	N	1	LEVER レバー	
15	MA2-7340-000		1	SPRING, TORSION ネジリ バネ 1	
16	MA2-7335-000	N	2	FLANGE フランジ	
17	XF2-1145-540		1	BELT, TIMING 455T タイミング ベルト	
18	MS1-3200-000		1	PULLY, 20-35 プーリー	
19	XF2-1105-040		1	BELT, TIMING 50T タイミング ベルト	
20	MF1-4333-000	N	1	PLATE, MOTOR モータ プレート	
21	MA2-7342-000	N	1	ARM, 1 アーム 1	
22	MA2-7343-000	N	1	ARM, 2 アーム 2	
23	MA2-7344-000	N	1	ARM, 3 アーム 3	
24	MA2-7333-000	N	1	SHAFT, MAIN メイン シャフト	
25	MA2-7537-000	N	1	PLATE, RAIL レール	
26	MA2-7334-000	N	1	ROLLER, IDLER アイドラ	
27	MF1-4331-000	N	1	PLATE, IDLER SHAFT アイドラ ジク クミタテ	
28	MF1-4332-000		1	COVER, LOWER シタ カバー クミタテ	
29	MA2-7332-000	N	1	HOLDER, CONNECT PCB セッテン フザイ	
30	MG1-3739-000		1	CABLE ASSEMBLY, MOTOR モータ ケーブル	
31	MG1-3738-000		1	PCB ASSEMBLY, FB CONNECT セツゾク カイロ キパン	
32	MA2-6761-000	N	2	STOPPER, CABLE タバセンドメ	
33	X71-9773-000		1	WASHER, WAVE ナミ ワッシャ	
50	XB1-2300-609		4	SCREW, BH M3x6 バインド ネジ M3 L6	
51	XB4-7400-809		5	SCREW, TAP, BH M4x8 B タイト ネジ M4 L8	

NUMERICAL INDEX-1
部品索引表-1

PART NO.	FIGURE & KEY NUMBER	QTY	PART NO.	FIGURE & KEY NUMBER	QTY	PART NO.	FIGURE & KEY NUMBER	QTY
FB3-2195-000	600-12	1	MA2-7304-000	200-13	1	MF1-4332-000	600-28	1
			MA2-7306-000	200-09	1	MF1-4333-000	600-20	1
MA2-6476-000	200-16	4	MA2-7307-000	410-13	1	MF1-4334-000	600-11	1
MA2-6761-000	600-32	2	MA2-7308-000	410-02	1	MF1-4335-000	600-04	1
MA2-7235-000	420-03	1	MA2-7309-000	410-04	1			
MA2-7236-000	200-10	1	MA2-7310-000	410-10	1	MG1-3607-040	500-12	1
MA2-7239-000	100-04	1	MA2-7314-000	420-15	2	MG1-3703-000	100-07	1
MA2-7242-000	100-03	1	MA2-7315-000	100-02	1	MG1-3704-000	100-08	1
MA2-7243-000	100-01	1	MA2-7317-000	400-04	1	MG1-3705-000	100-09	1
MA2-7246-000	200-01	1	MA2-7320-000	410-14	1	MG1-3710-000	410-11	1
MA2-7247-000	300-01	4	MA2-7321-000	410-12	1	MG1-3711-000	410-06	1
MA2-7248-000	200-17	2	MA2-7322-000	410-01	1	MG1-3720-000	200-12	1
MA2-7249-000	200-07	1	MA2-7323-000	410-03	1	MG1-3732-000	500-01	1
MA2-7250-000	200-05	1	MA2-7326-000	420-10	1	MG1-3733-000	500-04	1
MA2-7259-000	400-08	1	MA2-7332-000	600-29	1	MG1-3734-000	500-06	1
MA2-7261-000	420-01	1	MA2-7333-000	600-24	1	MG1-3738-000	600-31	1
MA2-7262-000	420-08	1	MA2-7334-000	600-26	1	MG1-3739-000	600-30	1
MA2-7263-000	300-10	1	MA2-7335-000	600-16	2	MG1-3743-000	600-01	1
MA2-7264-000	300-11	1	MA2-7339-000	600-14	1	MG1-3745-020	600-08	1
MA2-7265-000	420-17	1	MA2-7340-000	600-15	1	MG1-3829-000	200-03	1
MA2-7266-000	420-18	1	MA2-7342-000	600-21	1	MG1-8264-000	300-07	1
MA2-7267-000	420-04	1	MA2-7343-000	600-22	1	MG1-8265-000	300-03	1
MA2-7268-000	420-12	1	MA2-7344-000	600-23	1			
MA2-7269-000	420-16	1	MA2-7348-000	600-07	1	MH2-5309-000	500-09	1
MA2-7270-000	420-14	1	MA2-7354-000	600-03	1	MH2-5310-000	500-10	1
MA2-7271-000	420-11	1	MA2-7355-000	600-05	2	MH2-5313-000	500-13	1
MA2-7272-000	420-09	1	MA2-7357-000	600-02	1	MH2-5323-020	300-05	1
MA2-7277-000	200-08	1	MA2-7367-000	600-06	1	MH2-5324-000	300-09	1
↓	410-07	3	MA2-7390-000	100-05	1	MH2-5325-000	600-10	1
↓	420-05	2	MA2-7391-000	100-10	1	MH2-5327-000	500-07	1
MA2-7278-000	420-13	1	MA2-7392-000	100-11	1	MH2-5331-020	200-02	1
MA2-7279-000	420-19	1	MA2-7537-000	600-25	1			
MA2-7280-000	400-02	1	MA2-7540-000	410-09	1	MH7-3048-000	600-09	1
MA2-7281-000	500-02	1						
MA2-7282-000	400-05	1	MF1-4321-000	100-06	1	MS1-2498-000	500-03	1
MA2-7283-000	400-03	1	MF1-4322-000	400-15	1	MS1-2500-000	200-15	1
MA2-7295-000	300-04	2	MF1-4323-000	400-14	1	MS1-2501-000	300-02	1
MA2-7297-000	200-06	1	MF1-4324-000	400-13	1	MS1-2502-000	200-18	1
MA2-7298-000	400-06	1	MF1-4326-000	300-08	1	MS1-2503-000	600-13	1
MA2-7299-000	200-04	1	MF1-4327-000	300-06	1	MS1-3198-000	400-11	1
MA2-7301-000	200-11	1	MF1-4330-000	500-05	1	MS1-3200-000	600-18	1
MA2-7302-000	420-02	1	MF1-4331-000	600-27	1			

NUMERICAL INDEX-2

部品索引表-2

PART NO.	FIGURE & KEY NUMBER	Q'TY	PART NO.	FIGURE & KEY NUMBER	Q'TY	PART NO.	FIGURE & KEY NUMBER	Q'TY
MS2-0125-000	410-08	4						
MS2-0126-000	400-01	5						
MS2-0127-000	400-07	3						
MS2-0128-000	200-14	1						
MS2-0129-000	400-10	1						
MS2-0130-000	400-09	1						
MS2-0131-000	420-06	1						
WT3-5085-000	500-11	1						
WT3-5118-000	500-08	1						
X71-9773-000	600-33	1						
XB1-2250-405	500-50	11						
XB1-2300-405	400-50	4						
↓	500-51	2						
XB1-2300-609	600-50	4						
XB4-7300-605	400-51	2						
XB4-7400-809	600-51	5						
XF2-1105-040	600-19	1						
XF2-1145-540	600-17	1						
XF2-1606-740	400-12	1						
XG9-0567-000	420-07	1						
XG9-0568-000	410-05	2						

〒108-0023

東京都港区芝浦3-17-7

キヤノン電子株式会社

品質保証部 品質推進課

2005年 4月 第1版発行

Prepared by

QUALITY ASSURANCE CENTER

CANON ELECTRONICS INC.

3-17-7 Shibaura, Minato-ku, Tokyo 108-0023, Japan

FIRST EDITION (APR. 2005)

Canon

Flatbed Scanner Unit for DR-2580C

Instructions

Thank you for purchasing the Flatbed Scanner Unit for DR-2580C (hereafter referred to as “the scanner unit”).

This scanner unit was developed exclusively for use with the Canon DR-2580C Document Scanner. To ensure that you get the most out of the scanner unit, be sure to read these instructions before attempting to use it for the first time, and keep them with the DR-2580C Startup Manual in a safe place for future reference.

Contents

Handling	2
Specifications	3
Part Names	3
Installing the DR-2580C	4
Removing the DR-2580C	6
Using the Flatbed	7
Cleaning	8

Safe Operation



WARNING

Note the following precautions whenever using the scanner unit. Failure to do so creates the risk of fire or electrical shock.

- Never try to take the scanner unit apart or modify it in any way.
- Do not use flammable aerosol products near the scanner unit.
- Moisten a cloth with plain water, wring out the excess water, and then wipe the exterior of the scanner unit to clean it. Never use alcohol, benzene, thinner, or any other flammable substances.
- In the case of a scanner unit malfunction, such as mechanical failure when it is powered up, immediately turn OFF the DR-2580C and contact the Canon dealer or service representative.
- Do not drop the scanner unit, or subject it to impact or strong shock. Should the scanner unit ever become damaged, immediately turn OFF the DR-2580C and contact the Canon dealer or service representative.



CAUTION

- Do not locate the scanner unit on a surface that is unstable or tilted, or in an area subjected to strong vibration. Such conditions might cause the scanner unit to fall and create the risk of personal injury.
- Never store the the scanner unit by hanging it on a wall in an upright configuration. Doing so might cause the scanner unit to fall and become damaged.
- Never touch the connector pins or contacts of the scanner unit with your fingers. Doing so might result in malfunction.
- Never press down on the flatbed cover with excessive force while scanning a book or other thick object on the flatbed. Doing so might damage the glass and create the risk of malfunction or personal injury.
- Never place any object other than documents to be scanned onto the scanner unit's flatbed glass. Doing so might result in malfunction.
- Never place anything on top of the scanner unit. Such objects may tip or fall over and create the risk of personal injury.
- Be sure to grip the plugs when connecting the cord. Holding the cord might break the core leads.
- Before moving the DR-2580C with the scanner unit attached, always disconnect the interface cable connected to the DR-2580C and the AC adaptor first. Moving the DR-2580C with cables attached might cause damage to the plugs and connectors due to excessive force applied to them during movement.
- Hang the scanner never upright standing to the wall. The scanner could fall down to cause the damage.
- The ferrite core attached to the scanner unit is required to comply with electromagnetic interference regulations. Do not remove the ferrite core.

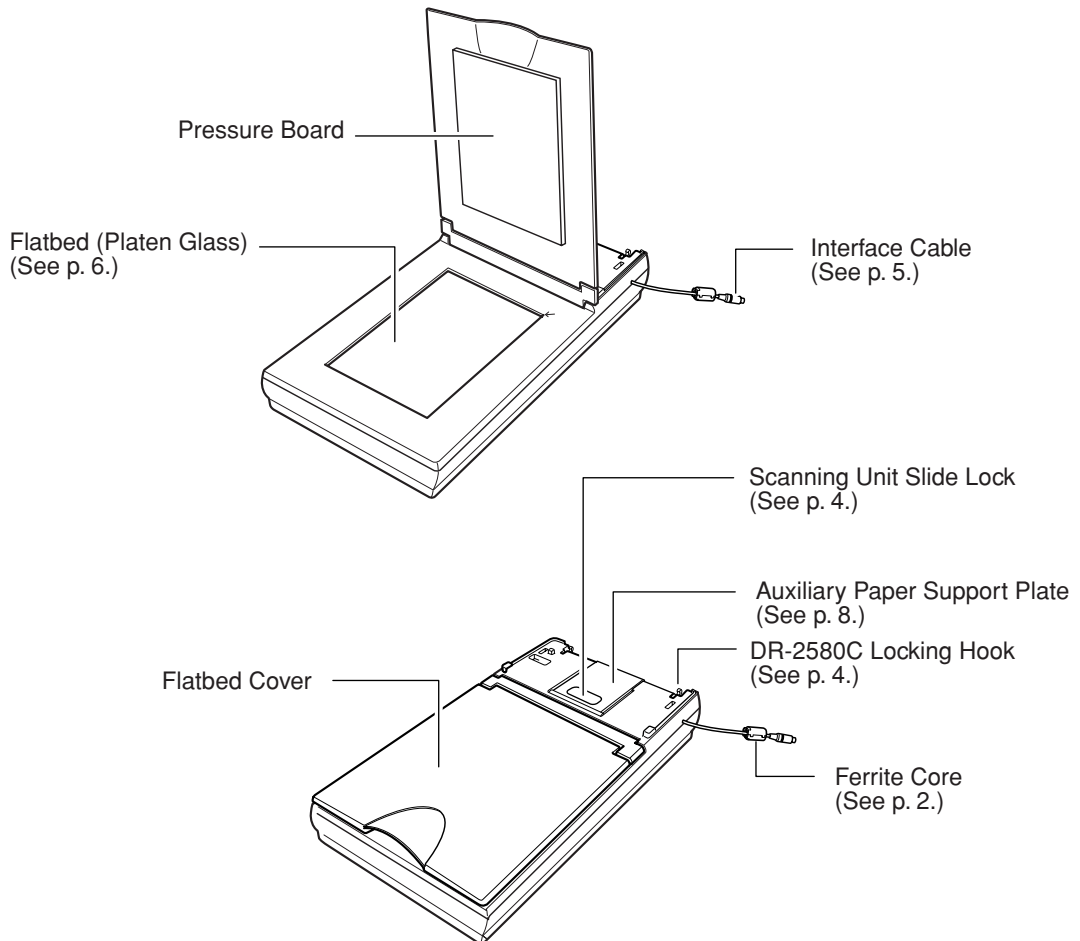
Specifications

Type	Flatbed scanner
Maximum Document Size	216 mm x 297 mm (W x L)
Scanning sensor	CCD(*)
Light Source	External gas fluorescence lamp(*)
Scanning Resolution	600 dpi
Dimensions	12.4" x 3.2" x 21.5" (W x H x D) 315 mm x 82.5 mm x 545 mm (W x H x D)
Dimensions (with DR-2580C)	12.4" x 6.1" x 21.5" (W x H x D) 315 mm x 155 mm x 545 mm (W x H x D)
Weight	8.4 lb (3.8 kg)
Weight (with DR-2580C)	12.6 lb (5.7 kg)
Power Requirement	Supplied from DR-2580C

(*) Because the scanning sensor and light source differ from the scanning sensor (CIS) and light source (LED) of the DR-2580C main unit, tones of scanned images may differ slightly.

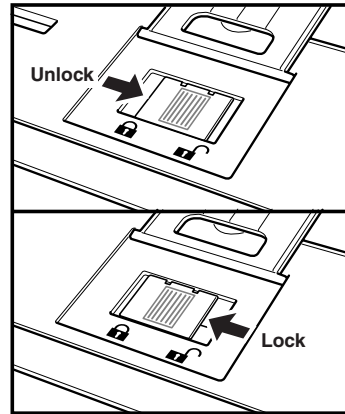
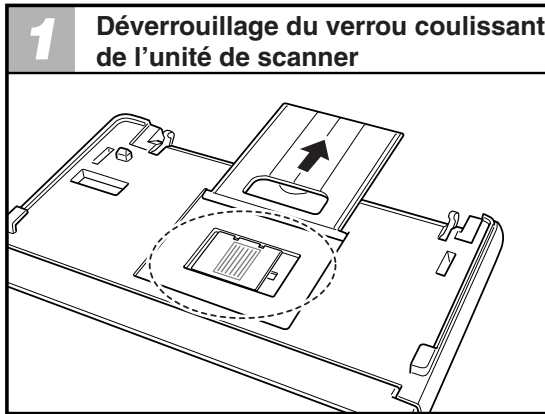
Specifications are subject to change without notice.

Part Names



Installing the DR-2580C

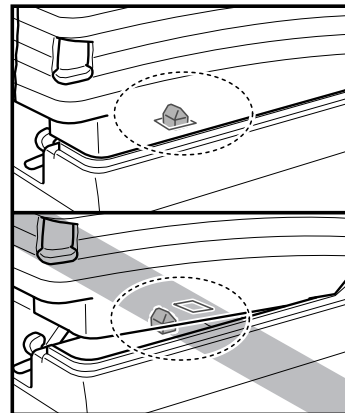
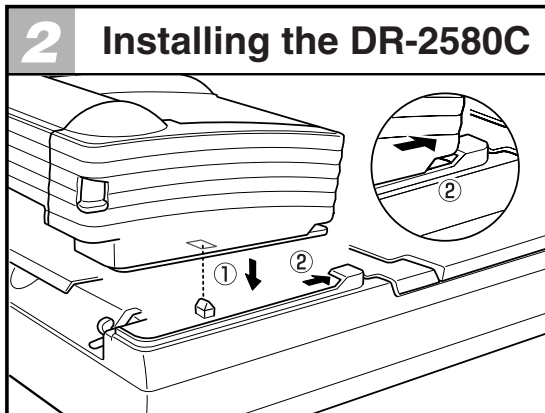
Use the procedure below to install the DR-2580C on the scanner unit.



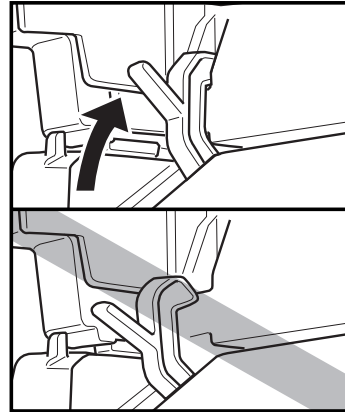
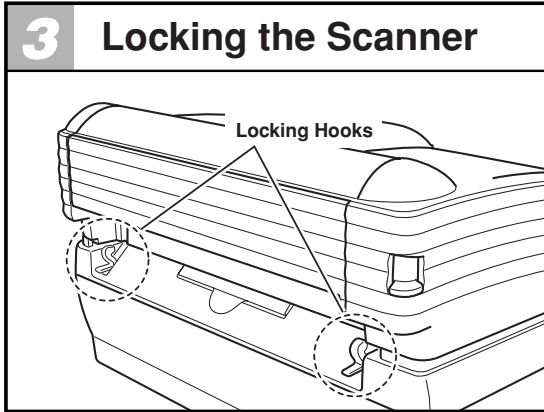
The scanner mechanism inside the scanner unit is locked to avoid movement during transport. Before setting the DR-2580C on the scanner unit, be sure to unlock the scanning unit slide lock.

⚠ CAUTION

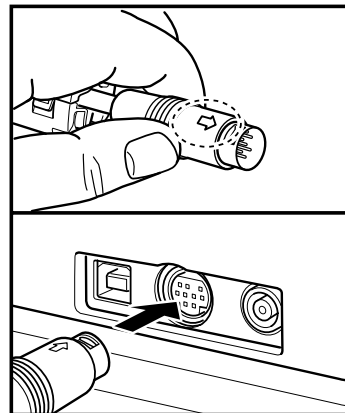
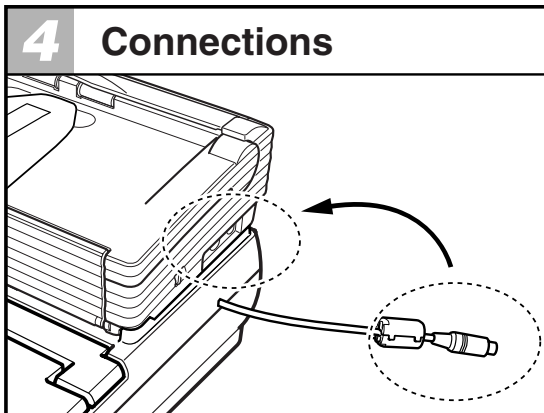
- Turning the power ON without unlocking the scanning unit slide lock might result in malfunction of the scanner unit.
- Never touch the connector pins or contacts of the scanner unit with your fingers. Doing so might result in malfunction.
- When relocking the scanning unit slide lock, make sure it is in the home position (the position it reaches at the end of a scan) before locking it.



Positioning the DR-2580C on its protrusions to enter the holes in the bottom of the DR-2580C ①, and then slide the scanner unit forward into place ②.



Check to make sure that the DR-2580C is not loose, and that the hooks on the left and right of the scanner unit secure the DR-2580C in place. Check to make sure that the hooks are fully engaged.

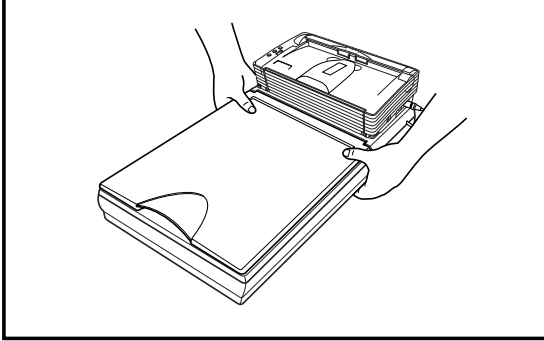


Making sure the arrow on the plug is on top, insert the plug into the connector as far as it will go.

⚠ CAUTION

- Be sure to grip the plugs when connecting the cord. Holding the cord might break the core leads.
- Incorrect DR-2580C installation will cause scanning errors and make scanning with the scanner unit and DR-2580C impossible.
- Do not disconnect the plug or operate the locking hooks while the DR-2580C power is turned ON. Doing so might cause malfunction of the scanner unit and the DR-2580C.

5 Configuring Flatbed Settings



Whenever moving the scanner unit, grip it with both hands to keep it from falling. The scanner unit weighs approximately 8.4lb (3.8 kg) alone, while the DR-2580C and scanner unit together weigh approximately 12.6 lb (5.7 kg).

! WARNING

Do not drop the scanner unit, or subject it to impact or strong shock. Should the scanner unit ever become damaged, immediately turn OFF the DR-2580C and contact your local authorized Canon dealer or service representative.

! CAUTION

- Before moving the DR-2580C while it is installed on the scanner unit, first make sure that the scanner unit is secured by the hooks. Moving the unit while the hooks are released might cause the scanner unit to drop and become damaged.
- Before moving the DR-2580C while it is installed on the scanner unit, always disconnect the interface cable connected to the DR-2580C and the AC adaptor first. Moving the DR-2580C with cables attached might cause damage to the plugs and connectors due to excessive force applied to them during movement.
- Do not locate the scanner unit on a surface that is unstable or tilted, or in an area subjected to strong vibration. Such conditions might cause the scanner unit to fall and create the risk of personal injury.

Removing the DR-2580C

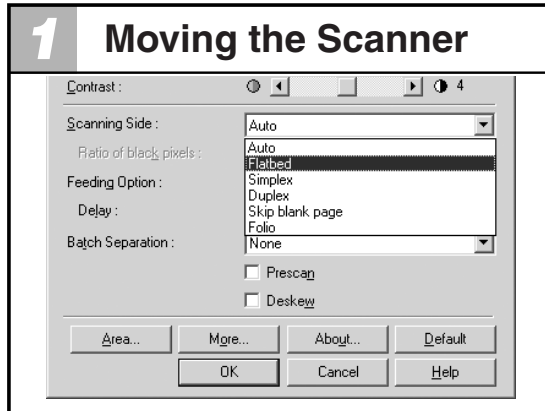
To remove the DR-2580C, first release the locking hooks, and then lift up on the back of the DR-2580C to remove it.

! CAUTION

Never store the scanner unit by hanging it on a wall in an upright configuration. Doing so might cause the scanner unit to fall and become damaged.

Using the Flatbed

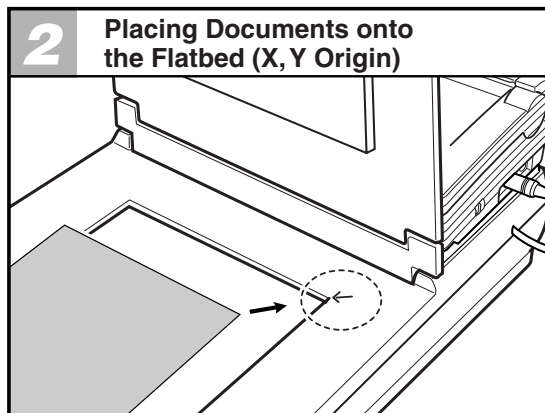
Use the flatbed as described below.



When using the flatbed scanner, select either [Flatbed] or [Auto] for the ISIS/TWAIN driver [Scanning side] setting. Refer to Help for the ISIS/TWAIN driver for information about the ISIS/TWAIN driver settings.

CAUTION

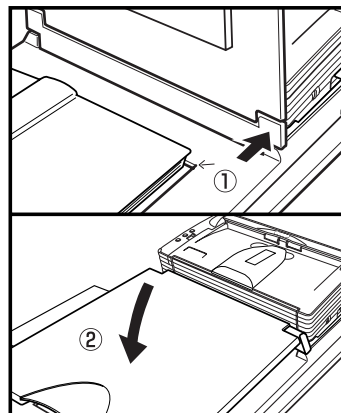
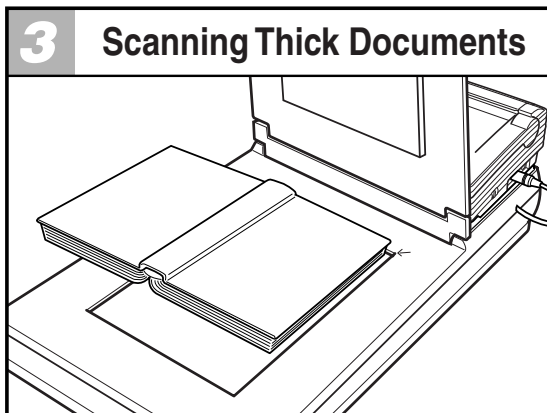
Unless the DR-2580C is correctly installed, scan errors will be generated when attempting to scan, and scanning from the Flatbed scanner and the DR-2580C will not be possible. Make sure the DR-2580C is correctly installed before starting to scan.



The upper right corner of the flatbed (platen glass) is the origin (0, 0) of the X, Y coordinates.

CAUTION

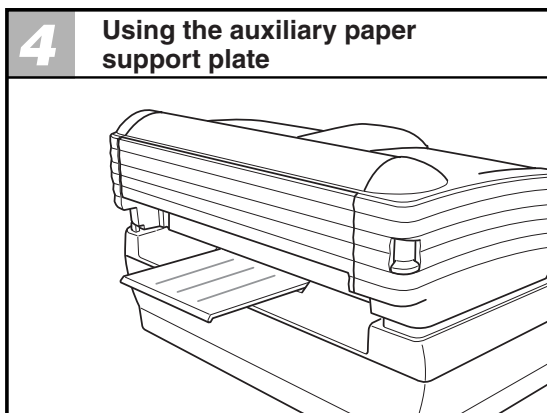
- Never place any object other than documents to be scanned onto the scanner unit's flatbed glass. Doing so might result in malfunction.
- Do not allow the scanner unit to be subjected to vibration while it is operating. Vibration might cause scanning errors.



When scanning a book or other thick document, open the flatbed cover. Align the book or other thick document with the upper right corner of the platen glass by the arrow ①, and then close the flatbed cover ②.

CAUTION

Never press down on the flatbed cover with excessive force while scanning a book or other thick object on the flatbed. Doing so might damage the flatbed glass and create the risk of malfunction or personal injury.



Extend the auxiliary paper support plate on the back of the scanner unit when performing Straight Path scanning with the DR-2580C. Pulling out the auxiliary paper support plate when cards and other originals are output during Straight Path scanning will keep the output documents from falling from the scanner unit.

Cleaning

Moisten a cloth with plain water, wring out the excess water, and then wipe the exterior of the scanner unit to clean it.

CAUTION

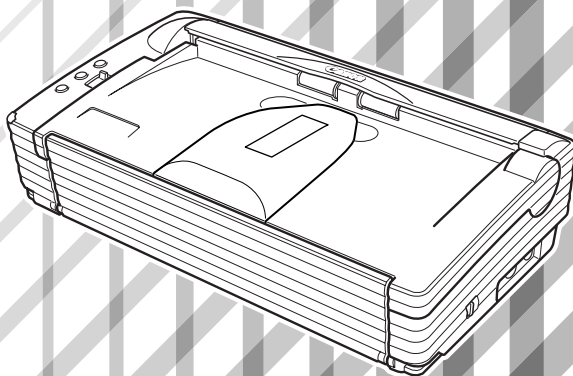
Do not apply excessive force when wiping the flatbed (platen glass). Doing so might damage the glass and create the risk of malfunction or personal injury.

Canon

Document Scanner **DR-2580C**

Startup Manual

ENGLISH



Please read this manual before operating this unit. After you finish reading this manual, store it in a safe place for future reference.

International ENERGY STAR® Office Equipment Program



As an ENERGY STAR® Partner, Canon Electronics Inc., has determined that this machine meets the ENERGY STAR® Program guidelines for energy efficiency.

The International ENERGY STAR® Office Equipment Program is an international program that promotes energy saving through the use of computers and other office equipment. The program backs the development and dissemination of products with functions that effectively reduce energy consumption. It is an open system in which business proprietors can participate voluntarily. The targeted products are office equipment, such as computers, monitors, printers, fax, machine, copiers, and scanners. The standards and logos are uniform among participating nations.

Trademarks

- Canon and the Canon logo are trademark of Canon Inc.
- Microsoft and Windows are registered trademarks of Microsoft Corporation in the United States and other countries.
- ISIS is a trademark of Pixel Translations, a division of Captiva Software Corporation, in the United States.
- Intel and Pentium are registered trademarks of Intel Corporation.
- ENERGY STAR® is a U.S. registered mark.
- Adobe is the registered trademark of Adobe Systems Incorporated in the United States and/or other countries.
- Adaptec is registered trademark of Adaptec Inc.
- Other product and company names here in may be the trademarks of their respective owners.

Copyright

Copyright 2005 by CANON ELECTRONICS INC. All rights reserved. No part of this publication may be reproduced or transmitted, in any form or by any means, electronic or mechanical, including photocopying and recording, or by any information storage or retrieval system without the prior written permission of CANON ELECTRONICS INC.

Disclaimers

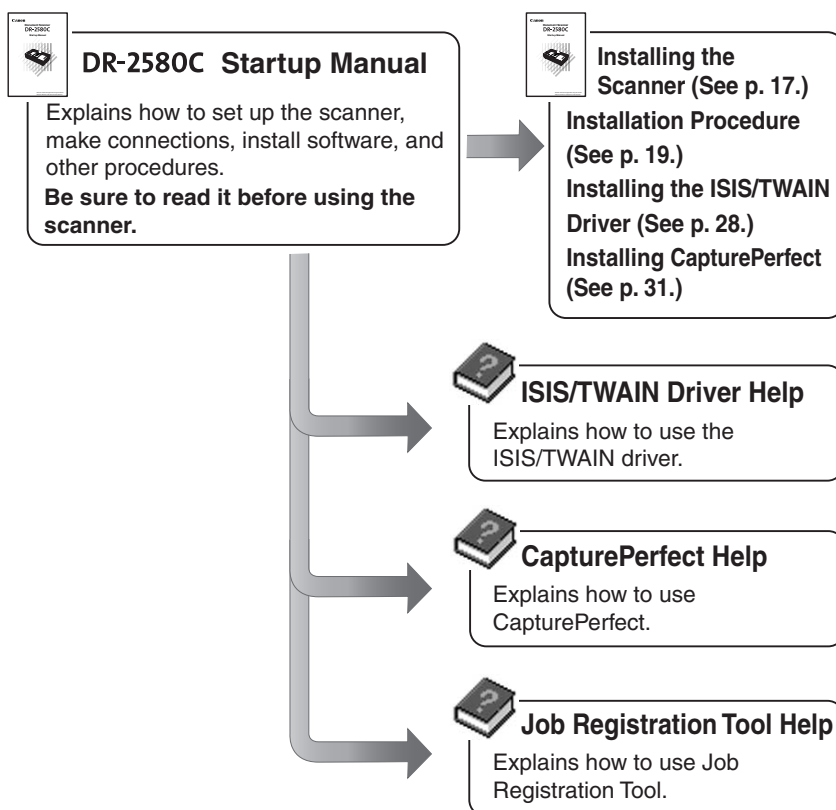
The information in this document is subject to change without notice.
CANON ELECTRONICS INC. MAKES NO WARRANTY OF ANY KIND WITH REGARD TO THIS MATERIAL, EITHER EXPRESS OR IMPLIED, EXCEPT AS PROVIDED HERE IN, INCLUDING WITHOUT LIMITATION, THERE OF, WARRANTIES AS TO MARKETABILITY, MERCHANTABILITY, FITNESS FOR A PARTICULAR PURPOSE OF USE OR AGAINST INFRINGEMENT OF ANY PATENT. CANON ELECTRONICS INC. SHALL NOT BE LIABLE FOR ANY DIRECT, INCIDENTAL, OR CONSEQUENTIAL DAMAGES OF ANY NATURE, OR LOSSES OR EXPENSES RESULTING FROM THE USE OF THIS MATERIAL.

INTRODUCTION

Thank you for purchasing the Canon DR-2580C scanner. Please read this manual thoroughly before using the machine to familiarize yourself with its capabilities, and to make the most of its many functions. After reading this manual, store it in a safe place for future reference.

Manuals for the Scanner

The DR-2580C scanner has a Startup Manual (this manual) and online help. Please refer to the Startup Manual regarding the handling of the scanner, such as installation of software and setting up the scanner. The online help explains how to use the ISIS/TWAIN driver and the enclosed software, CapturePerfect.



Conventions

This manual uses the following symbols and indications.

Before you start reading this manual, read the following and familiarize yourself with their meanings.



WARNING

Indicates a warning concerning operations that may lead to death or injury to persons if not performed correctly. In order to use the machine safely, always pay attention to these warnings.



CAUTION

Indicates a caution concerning operations that may lead to injury to persons, or damage to property if not performed correctly. In order to use the machine safely, always pay attention to these cautions.



IMPORTANT

Indicates operational requirements and restrictions. Be sure to read these items carefully in order to operate the machine correctly, and to avoid damage to the machine.



Note

Indicates a clarification of an operation, or contains additional explanations for a procedure. Reading these notes is highly recommended.

Contents

INTRODUCTION	1
Manuals for the Scanner	1
Conventions	2
Before Using the Scanner	4
Safe Operation	4
Installation Location	4
Power	5
Moving the Scanner	5
Normal Handling	6
Disposal	7
Features of the DR-2580C	8
Checking the Packing List	10
Removing the Protective Packing Materials	12
Names and Functions of Parts	15
Installing the Scanner	17
Installation Requirements	17
Installation Procedure	19
Interface Cards	20
Connecting the Power Cord	21
Connecting the Scanner to Your PC	22
Turning the Power ON/OFF	23
Turning the Power ON	23
Recognizing the Scanner	24
Turning the Power OFF	26
Installing the Software	27
Installing the ISIS/TWAIN Driver	28
Installing CapturePerfect	31
Uninstalling Software	34
Using the Software	37
Using the ISIS/TWAIN Driver	37
Using Job Tools	38
Starting Job Registration Tool	38
Using CapturePerfect	40
Starting CapturePerfect	40
Using the Scanner	43
Documents	43
Preparing the Trays	45
Setting Up the Document Feed Tray	45
Document Eject Tray	47
Placing a Document for Scanning	50
How to Feed with the Page Separation Mode	50
How to Feed with the Bypass Mode	53
Clearing a Paper Jam	55
Other Functions	58
Regular Maintenance	60
Cleaning the Scanner	60
Cleaning Inside the Scanner	60
Cleaning the Sensor Glass, Shading Boards, and the Rollers	61
Removing and Attaching the Rollers	64
Roller Replacement Cycle	64
Resetting the Counter	65
Removing and Attaching the Roller Unit	67
Removing and Attaching the Retard Roller	71
Troubleshooting	75
Specifications	80
Index	84

Before Using the Scanner

Safe Operation

In order to ensure safe operation, be certain to read the cautions described below.

Installation Location

The performance of this scanner is affected by the environment in which it is installed. Make sure that the location where the scanner is installed meets the following environmental requirements:

- Provide adequate space around the scanner for operation and maintenance.
- Provide adequate space behind the scanner in order to eject scanned documents to the back of the scanner. (See “Document Eject Tray,” on p. 47.)
- Avoid locations exposed to direct sunlight. If the scanner must be placed in such a spot, hang a heavy curtain, or similar object to shade the scanner.
- Avoid dusty locations. Dust can get inside of the scanner and cause problems.
- Avoid warm or humid locations, such as in the vicinity of a water faucet, water heater, or humidifier, and avoid locations where the fumes from ammonia, paint thinner, or other volatile chemicals may be present.
- Avoid unstable surfaces and locations subject to vibration.
- Avoid locations that are subject to rapid temperature changes.

Condensation inside of the scanner can result in inferior image quality. Use this scanner under the following environmental conditions:

Temperature: 10°C to 32.5°C

Humidity: 20% to 80% RH

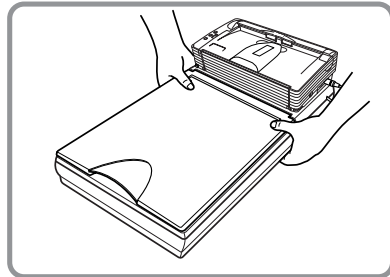
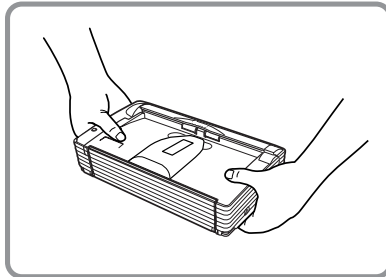
- Avoid locating the scanner near equipment that generates electromagnetic fields, including speakers, televisions, and radios.

Power

- Connect only to a power outlet of the rated voltage and power supply frequency. (220-240 V, 50/60 Hz).
- Do not connect to power outlets with other electrical devices. Also, when using an extension cord, make sure that the extension cord is rated for the current requirements of the scanner.
- Disassembling and/or reassembling the AC adapter is extremely dangerous and should not be attempted under any circumstances.
- Do not place heavy objects on the AC adapter or Power Cord. Do not place the adapter or cords in an area where they are likely to be stepped on.
- Do not use the Power Cord while it is bundled.
- Never pull directly on the Power Cord. To remove the plug from the outlet, grasp the plug directly and remove it from the outlet.
- Keep the area around the power plug clear of articles so that the power plug can be disconnected in an emergency.
- Use only the AC adapter provided with the product. Do not use the scanner's AC adapter with any other product.
Model: MG1-3607
- If you have any questions about the AC adapter, contact your local authorized Canon dealer or service representative for further information.

Moving the Scanner

- When moving the scanner, always hold it with both hands to avoid dropping it. The scanner weighs approximately 1.9 kg alone, and approximately 5.7 kg with the optional flatbed scanner unit installed.



With Optional Flatbed Scanner Unit Installed

- Make sure that the flatbed scanner unit is correctly attached to the DR-2580C scanner before moving the scanner.
- Make sure to disconnect the interface cable and Power Cord. If the scanner is transported with these items plugged in, the plugs and connectors may be damaged due to physical shock.

Normal Handling

WARNING

To avoid fire and electric shock, always observe the following warnings when using this scanner.

- Do not place flammable chemicals, such as alcohol or paint thinner, near the scanner.
- Do not cut, damage, or modify the Power Cord. Do not place heavy objects on the Power Cord, do not pull on the Power Cord, and do not bend the Power Cord sharply.
- Do not plug in or unplug the Power Cord with wet hands.
- Do not use multioutlet adapters to connect multiple devices to one outlet.
- Do not tie up or bundle the Power Cord. Push the plug in as far as it will go when plugging in the Power Cord.
- Only use the Power Cord that was provided with this scanner.
- Do not attempt to disassemble or modify this scanner.
- Do not use flammable sprays near this scanner.
- Always turn the scanner OFF and unplug the Power Cord before cleaning this scanner.
- To clean this scanner, dampen a cloth in a mild detergent solution and then wring the cloth out thoroughly. Do not use flammable liquids to clean the scanner, including alcohol, benzene, or paint thinner.
- If the scanner ever makes a strange noise, emits smoke or a strange odor, becomes hot, or if the scanner does not operate at all even though the power is ON, immediately turn the scanner OFF and unplug the Power Cord. Contact your local authorized Canon dealer or service representative to have the scanner serviced.
- Do not drop, kick, or otherwise strike the scanner. If the scanner does somehow become damaged, immediately turn the scanner OFF and unplug the Power Cord. Contact your local authorized Canon dealer or service representative to have the scanner serviced.
- Always turn the scanner OFF and unplug the Power Cord before moving the scanner.

CAUTION

- Do not set the scanner up on a wobbly platform, a sloped surface, or any other type of unstable location. Do not set up the scanner in a location that is subject to vibration. The scanner could injure someone if it falls or tips over.
- Do not block the ventilation openings. Doing so could cause the scanner to overheat, creating a risk of fire.

-
- Do not place paper clips, staples, necklaces, or any other metallic objects on top of the scanner. Liquids or small metallic objects that get inside of the scanner create a risk of fire or electrical shock. If such foreign matter does get inside of the scanner, unplug the Power Cord immediately, and then contact your local authorized Canon dealer or service representative for assistance.
 - Do not set up the scanner in a dusty or humid location. Doing so creates a risk of fire or electrical shock.
 - Do not place objects on top of the scanner. The object could injure someone if it falls or tips over.
 - To prevent any risk of fire or electrical shock, be sure that the power source meets the power requirements of the scanner.
 - When unplugging the Power Cord, always grasp the plug. Pulling on the cord itself could expose or break the wires in the Power Cord, damaging the cord and creating a risk of fire or electrical shock.
 - To allow you to easily unplug the Power Cord at any time, do not place other objects around the power outlet. Such obstacles could prevent you from unplugging the Power Cord quickly in an emergency.
 - Do not spill liquids or flammable chemicals (such as alcohol, paint thinner, or benzene) on the scanner. Doing so creates a risk of fire or electrical shock.
 - If the scanner will not be used for an extended period of time, unplug the Power Cord for safety's sake.
 - When operating this scanner, avoid wearing loose fitting clothing, dangling jewelry, or other material that could get pulled into the scanner. Injury could result. Be especially careful if you are wearing a necktie or have long hair. In the event that some article or clothing does get caught in the scanner, turn the power OFF immediately.
 - Be careful when placing paper in the scanner and when removing jammed paper. It is possible to cut your hand on the edge of a sheet of paper.

Disposal

- When disposing of this scanner, be sure to follow all local ordinances and laws or consult with the retailer who sold you the scanner.

Features of the DR-2580C

The main features of the DR-2580C scanner are listed below.

■ **Fast Document Feeding**

The scanner can scan a maximum of 25 documents per minute in a range of sizes from business cards to A4 size. (Scanning conditions: Black and white, A4 size portrait, two sided, 200 dpi.)

■ **USB 2.0 Interface**

Connecting to a computer is done with Hi-Speed USB 2.0 protocol.

■ **Waiting Time Is “0”**

The DR-2580C is ready to scan after the power is turned ON without a waiting time.

■ **Color/Grayscale Support**

Documents can be scanned in 24-bit color or 256-level grayscale.

■ **Supports a Variety of Scanning Modes**

The scanner supports the following scanning modes, depending on the document type:

- Single-sided/double-sided mode
- Single sheet/dual feeding path

■ **U-Turn Path**

Documents are fed and ejected from the front of the scanner. (See p. 47.)

■ **Straight Path**

Documents are ejected to the back of the scanner. Note, the ejected documents are stacked in reverse order to how they were fed. (See p. 47.)

■ **Paper Size Detection**

The scanner automatically detects the size of a scanned document and eliminates any unnecessary space around the edges of the image when storing it, even when storing a document of irregular size.

■ **Card Scan**

It is possible to scan business card. (See p. 43.)

■ **Folio Scan**

A folio (folded in half) document can be set for scanning as it is, and the scanned images of both sides are combined as a single image. (See p. 59.)

■ **Deskew**

The Deskew function automatically straightens an image if the document was loaded askew.

■ **Character Orientation Detector**

Identifies the orientation of characters in a document, and rotates the image so the orientation of the scanned characters is straight.

■ **Advanced Text Enhancement**

The scanner is equipped with an Advanced Text Enhancement mode that allows you to clearly scan text printed on a dark background, and text that is written in faint pencil.

■ Dropout Color

The scanner is equipped with a Dropout Color function that allows you to specify a color for the scanner to omit from scanned images.

■ Skip Blank Page Function

The scanner is equipped with a Skip Blank Page function that allows it to scan a document regardless of whether every document is two-sided or one-sided.

■ Prescan Function

The scanner is equipped with a Prescan function that allows you to adjust the contrast and brightness of a prescanned image and then send the adjusted image to the application software, without needing to scan the document again.

■ Remove Binder Holes

Deletes black spots left when scanning documents that have had holes punched in them to be stored in a binder.

■ Auto Start

The scanner is equipped with an Auto Start function that automatically initiates scanning when a document is placed in the document feed tray.

■ Compatible with Carbonless Duplicating Paper

The scanner is able to scan carbonless duplicating paper.

■ Job Function

Executing a scan with one of the scanner's job buttons automatically performs the specified process (save, print, mail attachment). (See p. 58.)

■ Flatbed Scanner Unit (Option)

The Flatbed Scanner Unit can be attached to and used with the DR-2580C scanner. Contact your local authorized Canon dealer for more detailed information. (See p. 59.)

■ Power Saving Feature

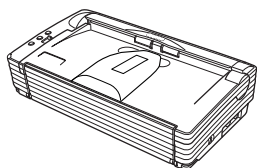
The scanner has a power saving feature that puts the scanner in low power mode after it has been idle for a certain period of time.

**Note**

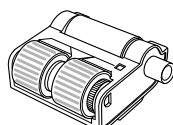
Some functions may not be available depending on the software you are using.

Checking the Packing List

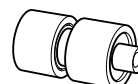
The contents of the carton in which this scanner is shipped are described below. If anything is missing or damaged, contact your local authorized Canon dealer or service representative.



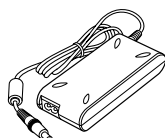
DR-2580C
Scanner



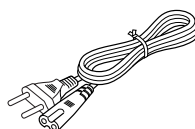
Roller Unit



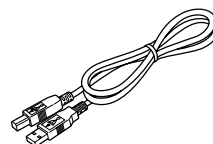
Retard Roller



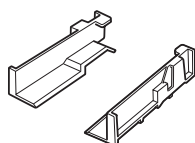
AC Adapter



Power Cord



USB Interface Cable



Document Guide
Adapter



DR-2580C
Setup Disc
(CD-ROM)



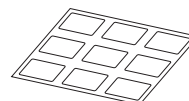
Adobe Acrobat
Setup Disc
(CD-ROM)



Startup Manual
(This Manual)



Quick Reference
Guide

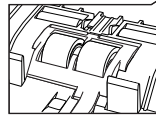
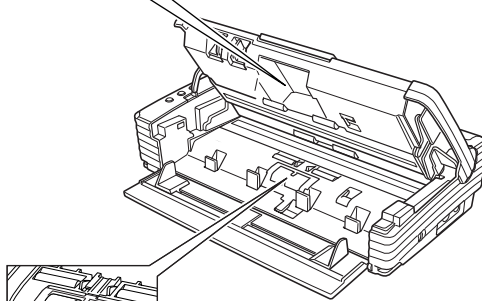
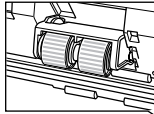


Job Labels

**Note**

- Remove all of the protective tape and protective sheets from the DR-2580C. (Refer to “Removing the Protective Packing Materials” page 12.)
- To use the “roller unit” and the “retard roller” install them to the DR-2580C. Refer to “Removing and Attaching the Roller Unit” (see p. 67.) and “Removing and Attaching the Retard Roller” (see p. 71.) for information about installing the rollers.

Roller Unit



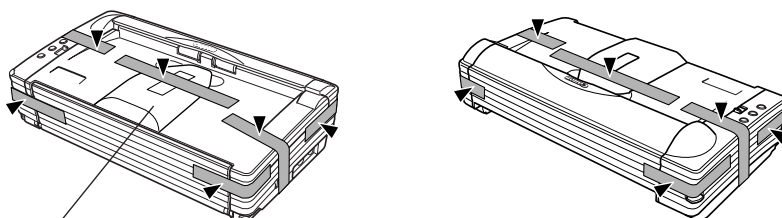
Retard Roller

- The DR-2580C Setup Disc is in the Startup Manual (this manual).
- Items included in this package may change without notice.
- You need to keep the machine's packaging and packing materials for storing or transporting the machine.
- The power cord varies according to country of purchase.

Removing the Protective Packing Materials

Remove all of the protective packing materials before using the scanner.

- 1 Remove the protective tape (indicated by the ▼) from the scanner.

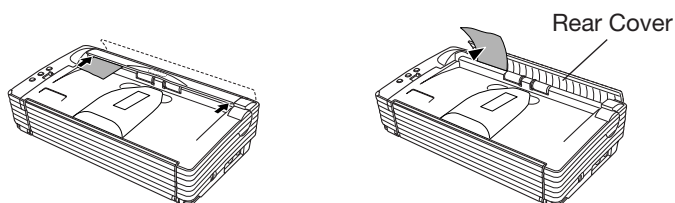


Document Eject Tray Extension

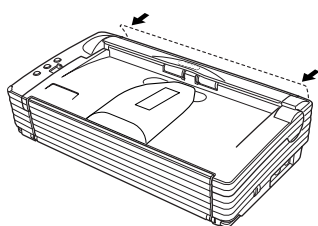
IMPORTANT

When peeling off the protective tape fastening the Document Eject Tray Extension, hold the Document Eject Tray Extension firmly in place with your hand.

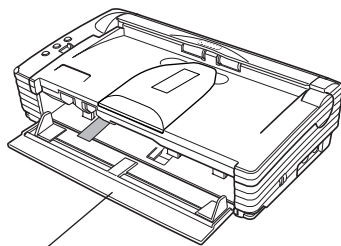
- 2 Press on both sides of the rear cover to open it towards the rear, and remove the protective sheet.



- 3 Press on both sides of the rear cover to close.

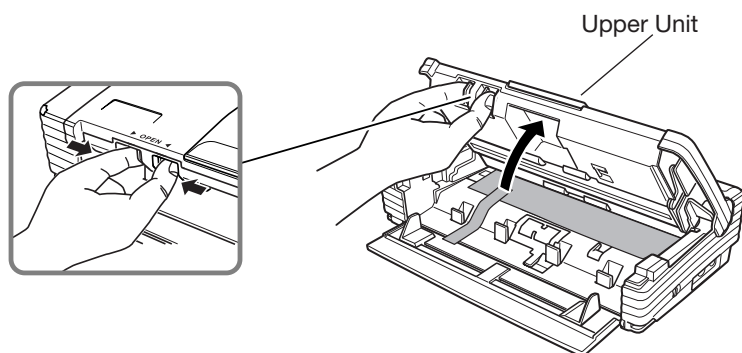


- 4** Open the Document Feed Tray towards you.

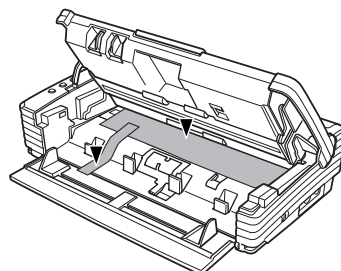


Document Feed Tray

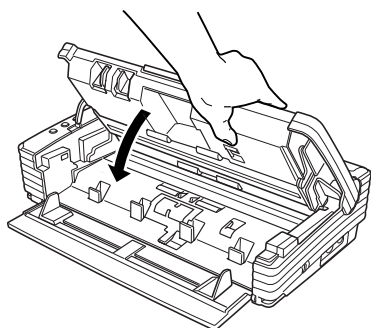
- 5** Pressing the OPEN knob from both sides, raise the Upper Unit.



- 6** Remove the protective tape (indicated by ▼) and protective sheet.



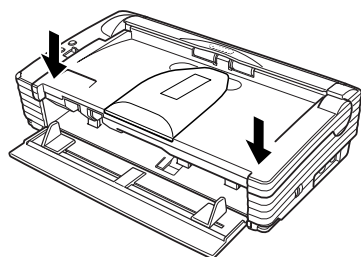
7 Close the Upper Unit slowly.



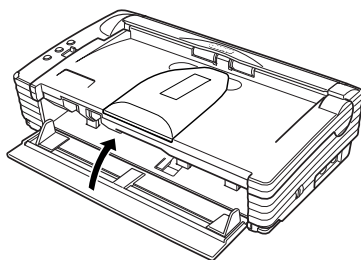
IMPORTANT

Do not force the Upper Unit to close. Doing so can damage the scanner.

8 Be sure that the Upper Unit is completely closed by pushing on both edges with both hands until you hear a click.



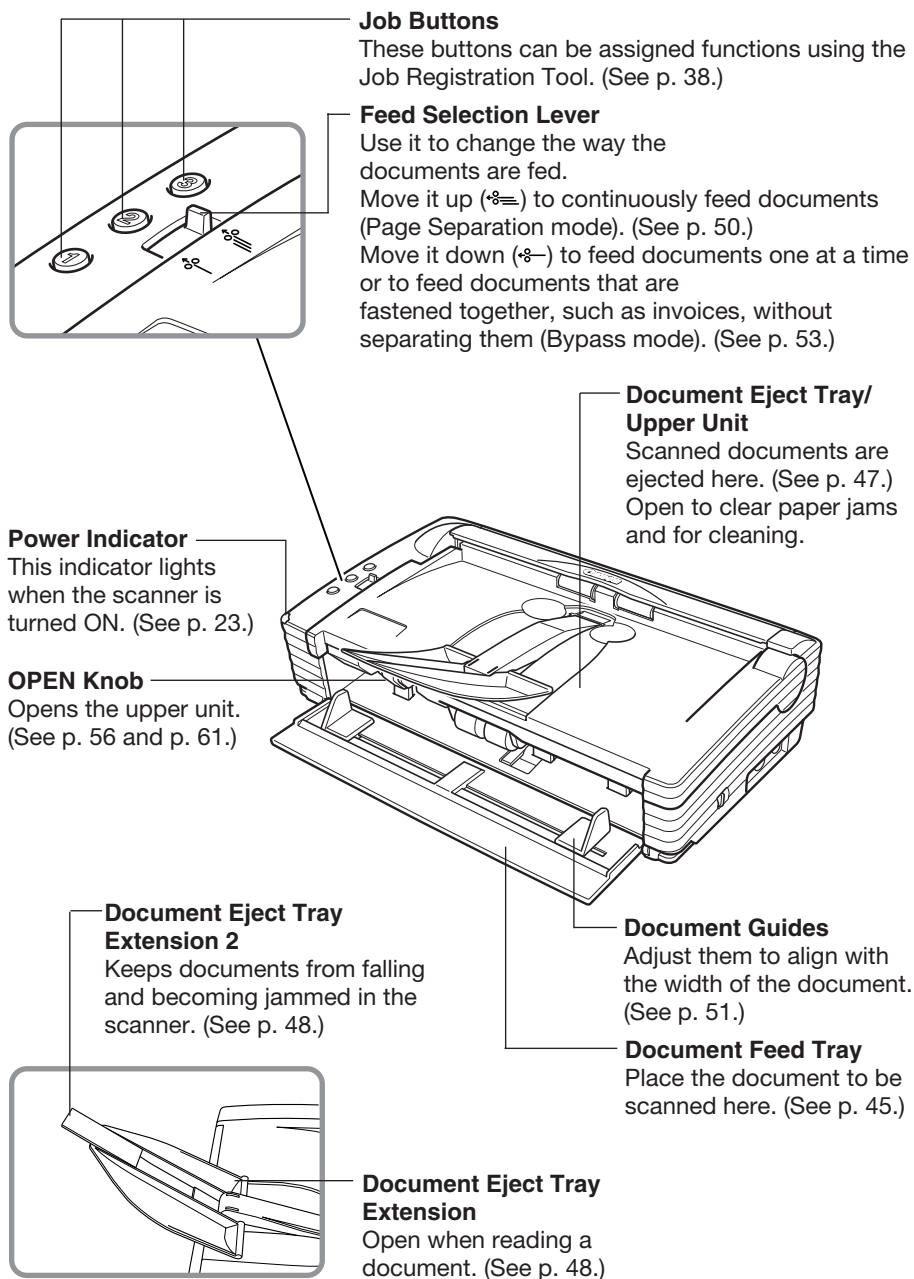
9 Close the Document Feed Tray.



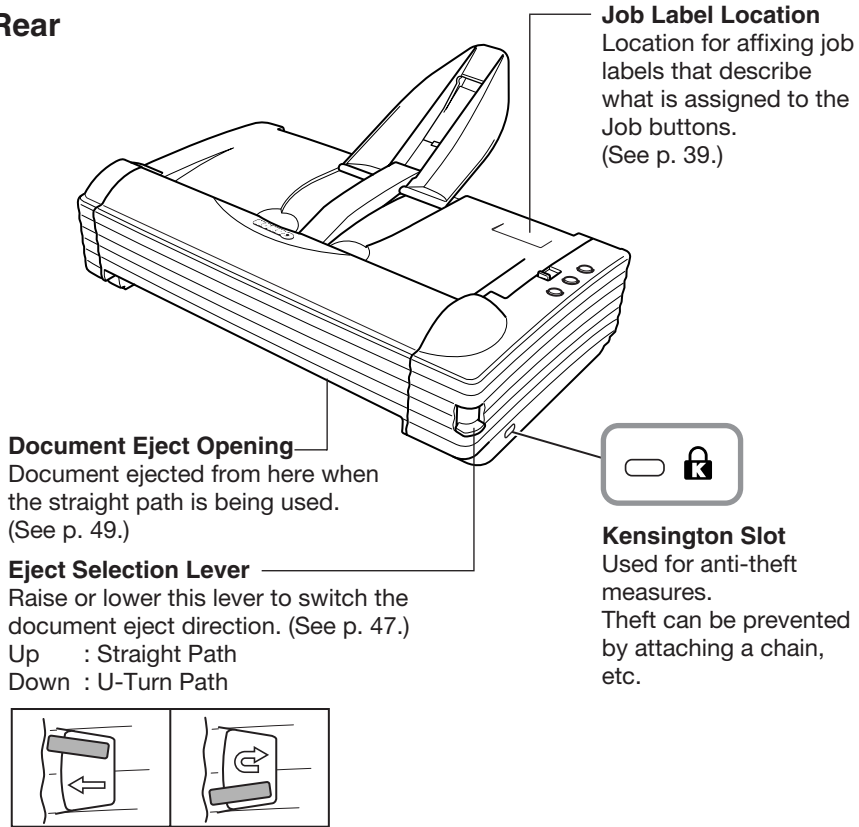
Names and Functions of Parts

This section explains the name and function of each part. Familiarize yourself with the parts before connecting the scanner.

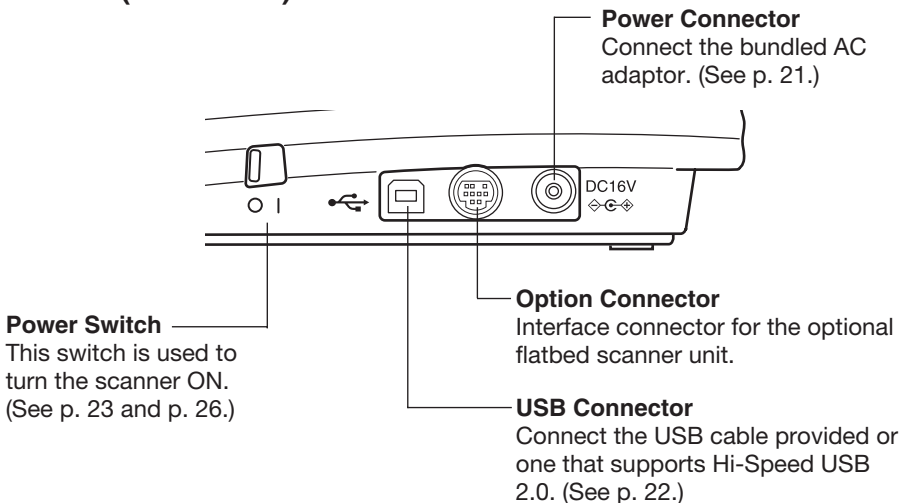
■ Front



■ Rear



■ Side (Interfaces)



Note

Do not touch the connector's pins or contacts. Doing so may damage the scanner.

Installing the Scanner

Installation Requirements

In order to use the DR-2580C, your computer must satisfy the following system requirements:

- A computer that meets the following specifications:
 - CPU: Pentium 4 (1.5 GHz or higher)
 - Memory: 512 MB or more (1 GB or more recommended)
 - Hard disk: 1 GB or more available space
 - CD-ROM drive
 - Hi-Speed USB 2.0 interface
 - Extension slot: PCI or CardBus (for interface cards)
 - Monitor: Resolution of 1024 x 768 (XGA) or better recommended
- The Hi-Speed USB 2.0 interface is standard equipment on some computers and is supported on the scanner with the Hi-Speed USB 2.0 interface card (See “Interface Cards” on p. 20.)
- One of the following operating systems:
 - Microsoft Windows 98SE
 - Microsoft Windows Me
 - Microsoft Windows 2000 Professional SP3 or later
 - Microsoft Windows XP Professional SP1 or later
 - Microsoft Windows XP Home Edition SP1 or later
- ISIS compatible or TWAIN compatible application software that runs on your operating system



IMPORTANT

- Use the most recently available USB 2.0 driver when using the DR-2580C. Contact your local authorized Canon dealer or service representative for more detailed information.
- If the Hi-Speed USB 2.0 interface is standard equipment on your computer, then all computer operations are not guaranteed. If the standard Hi-Speed USB 2.0 interface does not operate normally sometimes, then use the recommended Hi-Speed USB 2.0 interface card. Contact your local authorized Canon dealer or service representative for more detailed information.
- If the CPU, memory, interface card, and other specifications do not satisfy those recommended, the scanning speed may be greatly reduced and transmission may take a long time.
- Even if the computer satisfies the recommended specifications, the scanning speed may be slow depending on the scan settings.

**Note**

- Make sure that enough virtual memory is set on your Windows system. Virtual memory settings vary according to the Windows system. For more information, refer to the Windows manual or the online help.
- The USB cable you are using should be the one originally bundled with the scanner or a Hi-Speed USB 2.0 compatible cable.
- Depending on the application software that you are using, the device driver provided may not operate, or you may not be able to use the functions described in this guide.
- Make sure that the device driver and application software that you will be using are compatible with your PC, the system configuration, and the type of interface card that you are using.
- The ISIS/TWAIN driver provided with the scanner is not necessarily compatible with all ISIS compatible or TWAIN compatible application software. For details, contact your local authorized Canon dealer or service representative.

Installation Procedure

The procedure for installing the scanner is outlined below. (For a detailed outline of this procedure, see “Connecting the Scanner to Your PC,” on p. 22.)

1. Check the interface card in your computer.
(See “Interface Cards,” on p. 20.)
2. Connect the Power Cord to the scanner.
(See “Connecting the Power Cord,” on p. 21.)
3. Connect the scanner to the PC.
(See “Connecting the Scanner to Your PC,” on p. 22.)
4. Turn ON the scanner.
(See “Turning the Power ON,” on p. 23.)
5. Let the PC recognize the Scanner.
(See “Recognizing the Scanner,” on p. 24.)
6. Turn the scanner OFF.
(See “Turning the Power OFF,” on p. 26.)

Interface Cards

The recommended USB 2.0 interface card for this machine is noted below.

Recommended USB 2.0 Interface Cards

(for PCI Bus)

Manufacturer: Adaptec
Models: USB 2 connect 2000LP (AUA-2000)
USB 2 connect 3100 (AUA-3100LP)
USB 2 connect 5100 (AUA-5100)

(for Card Bus)

Manufacturer: Adaptec
Models: USB 2 connect for Notebooks (AUA-1420)



IMPORTANT

- Follow the instructions in your computer's and the USB 2.0 interface card's manuals to install the USB 2.0 interface card into your computer.
- Use the most recent version of the USB 2.0 driver provided by Microsoft.



Note

If the USB 2.0 interface is not compatible with Hi-Speed USB 2.0, scanning speed is reduced.

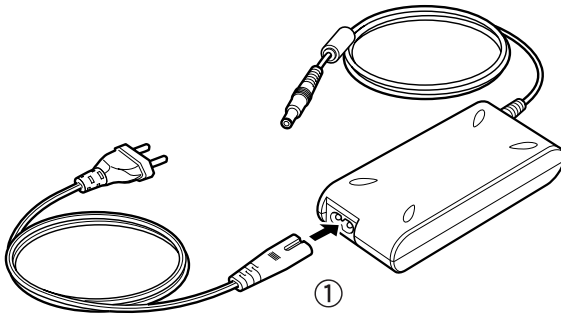
Connecting the Power Cord

Perform the following steps to connect the Power Cord.

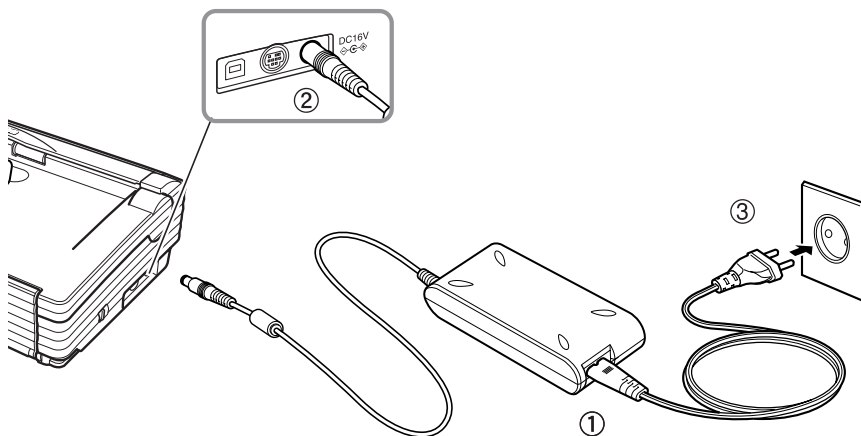
! WARNING

- Be sure to use the Power Cord and AC adaptor provided with the scanner.
- Be sure the scanner is turned OFF when performing this operation.

1 Connect the bundled Power Cord ① to the AC adaptor.



2 Plug the AC adaptor Power Cord into the power connector ② on the right side of the scanner, and plug the power plug into a power outlet ③.



Connecting the Scanner to Your PC

Connecting the scanner to a computer using a USB connection.

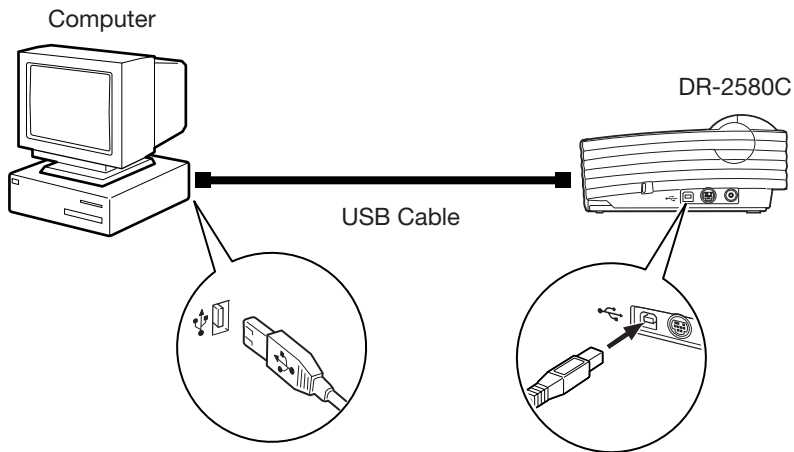


IMPORTANT

- When the application is running, do not turn the scanner OFF or unplug the interface cable.
- Do not connect multiple DR-2580C scanners to one (1) computer.

USB Interface Connection

- Be sure to use the USB cable bundled with the scanner or a Hi-Speed USB 2.0 compatible cable.
- When using a USB extension card that supports Hi-Speed USB 2.0, be sure to choose one verified for use with the scanner. (See p. 20.)



IMPORTANT

When using a USB hub, be sure to use one compatible with USB 2.0.



Note

- The DR-2580C passed the Hi-Speed USB 2.0 certification test. However, when you use the scanner with a personal computer equipped with USB 2.0 as standard, the scanner may not always operate normally.
- If the interface is not Hi-Speed USB 2.0 compatible, the scanning speed will slow down.

Turning the Power ON/OFF

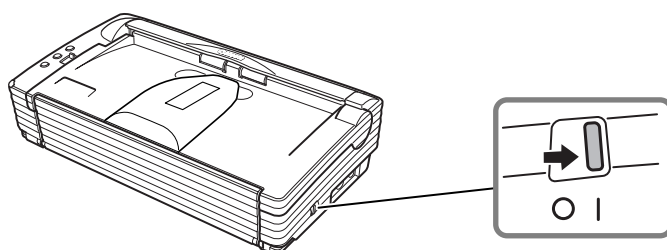
Follow the procedures described below when turning the power ON or OFF.

Turning the Power ON

- 1 Turn ON the scanner.

The power switch is on the right side of the scanner.

Push the power switch to turn ON the scanner. The power lamp lights green when the power is ON.



- 2 Turn ON the PC.

! WARNING

If the scanner ever makes a strange noise, emits smoke or a strange odor, becomes hot, or if the scanner does not operate at all even though the power is ON, immediately turn the scanner OFF and unplug the Power Cord. Contact your local authorized Canon dealer or service representative to have the scanner serviced.

- 3 Log on to Windows.

! IMPORTANT

If you are using Windows 2000 Professional or Windows XP, be sure to log on as a user with administrator privileges.

Recognizing the Scanner

When the computer recognizes the scanner, Windows Plug And Play displays the scanner driver's installation screen. Follow the instructions that appear on the screen to install the driver.

- If you are using Windows 98SE, the [Add New Hardware Wizard] dialog box appears.
 1. Click the [Next] button.
 2. Select [Search for the best driver for your device. (Recommended)], and then click the [Next] button.
 3. Insert the setup disc into the computer's CD-ROM drive.
 4. Select [Specify a location], enter "D:\INF" (assuming that "D" is the letter assigned to your CD-ROM drive), and then click the [Next] button.
 5. Click the [Next] button.
 6. Click the [Finish] button.

- If you are using Windows Me, the [Add New Hardware Wizard] dialog box appears.
 1. Select [Specify the location of the driver (Advanced)], and then click the [Next] button.
 2. Insert the setup disc into the computer's CD-ROM drive.
 3. Select [Search for the best driver for your device. (Recommended)], and then select [Specify a location]. Enter "D:\INF" (assuming that "D" is the letter assigned to your CD-ROM drive), and then click the [Next] button.
 4. Click the [Next] button.
 5. Click the [Finish] button.

- If you are using Windows 2000 Professional, the [Found New Hardware Wizard] dialog box appears.
 1. Click the [Next] button to proceed to the Install Hardware Device Drivers screen.
 2. Select [Search for a suitable driver for my device (Recommended)], and then click the [Next] button to proceed to the Locate Driver Files screen.
 3. Select [Specify a location], and then click the [Next] button.
 4. Insert the setup disc into the computer's CD-ROM drive.
 5. Enter "D:\INF" (assuming that "D" is the letter assigned to your CD-ROM drive), and then click the [OK] button.
 6. On the Driver Files Search Results screen, click the [Next] button.
 7. If the message "Digital Signature Not Found" appears, click [Yes] to continue installation.
 8. On the Completing the Found New Hardware Wizard screen, click the [Finish] button.

-
- If you are using Windows XP, the [Found New Hardware Wizard] dialog box appears.
 1. Insert the setup disc into the computer's CD-ROM drive.
 2. On the Welcome to the Found New Hardware Wizard screen, select [Install from a list or specific location (Advanced)], and then click the [Next] button.
 3. Select [Search for the best driver in these locations], and then clear the [Search removable media (floppy, CD-ROM...)] check box. Select [Include this location in the search], enter "D:\INF" (assuming that "D" is the letter assigned to your CD-ROM drive), and then click the [Next] button.
 4. Although a message appears indicating that the driver "has not passed Windows logo testing", click the [Continue Anyway] button in the [Hardware Installation] dialog box.
 5. Click the [Finish] button on the Completing the Found New Hardware Wizard screen.

**Note**

The DR-2580C is registered as "CANON DR-2580C USB" in the Imaging Device directory.

**IMPORTANT**

The job function will no longer be available if scanner recognition is cancelled part way through (see "Job Function," on p. 58.). Be sure to perform the scanner recognition procedure all the way to the end.

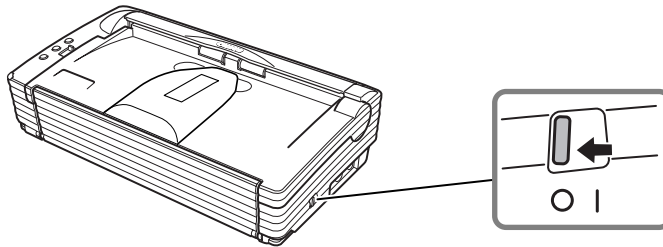
Turning the Power OFF

⚠ CAUTION

If the scanner will not be used for an extended period of time, unplug the Power Cord for safety's sake.

- 1** Exit the application.
- 2** Turn OFF the scanner.

The power switch is located on the lower right front corner of the scanner. To turn the scanner OFF, press the power switch. When the power indicator turns OFF, the scanner is OFF.



📄 Note

- Make sure you exit the application before turning OFF the scanner. Turning OFF the scanner before exiting the application can cause unstable operation of the computer.
- Wait at least 10 seconds before turning the scanner back ON after it has been turned OFF.

⚠ WARNING

If the scanner ever makes a strange noise, emits smoke or a strange odor, becomes hot, or if the scanner does not operate at all even though the power is ON, immediately turn the scanner OFF and unplug the Power Cord. Contact your local authorized Canon dealer or service representative to have the scanner serviced.

Installing the Software



IMPORTANT

The DR-2580C setup disc contains the software listed below. Be sure to read the contents of the Readme.txt file before installing the software.

- **ISIS/TWAIN Driver**

This driver allows this scanner to be used with ISIS compatible application software or TWAIN compatible application software. The driver must be installed to be able to use the scanner.

- **Job Tool**

The job tool TWAIN-compatible application software is installed together with the ISIS/TWAIN driver.

The job tool comprises a “Job Registration Tool” and a “Job Execution Tool.” The Job Registration Tool is for assigning the job button functions on the scanner, and the Job Execution Tool is for executing scanning from job buttons. (See “Using Job Tools” on p. 38.)

- **CapturePerfect**

CapturePerfect is software for scanning images that is ISIS compatible.

You need to install the ISIS/TWAIN driver before installing CapturePerfect.

For information about installing the bundled Adobe Acrobat, see the “How To Install” file on the Adobe Acrobat setup disc.

Installing the ISIS/TWAIN Driver

The ISIS/TWAIN driver setup program installs the ISIS/TWAIN driver and the job tool. Follow the procedure below to install the ISIS/TWAIN driver.

1 Turn ON your PC. Windows starts.



IMPORTANT

- If you are using Windows 2000 Professional or Windows XP, be sure to log on as a user with administrator privileges.
- If another ISIS compatible driver is already installed in your PC, you must back up the files listed below. These files may be overwritten when you install this ISIS/TWAIN driver.

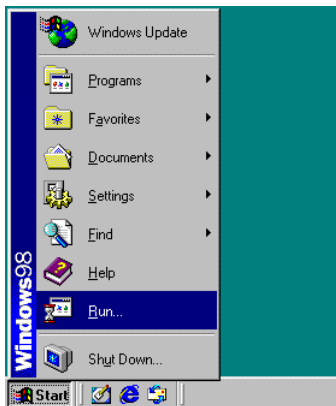
C:\Windows\System\pix*.dll

C:\Windows\PixTran*.*

- The name of the “\Windows” and “\Windows\System” folder varies, depending on which version of Windows you are using. Substitute the above folder names with the relevant folder names for Windows used in your system.

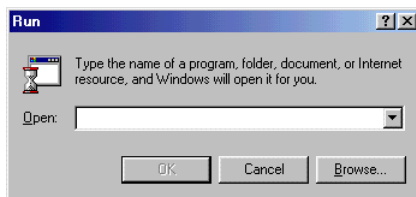
2 Insert the setup disc in the PC’s CD-ROM drive.

3 Click the [Start] button, and then select [Run].



The [Run] dialog box appears.

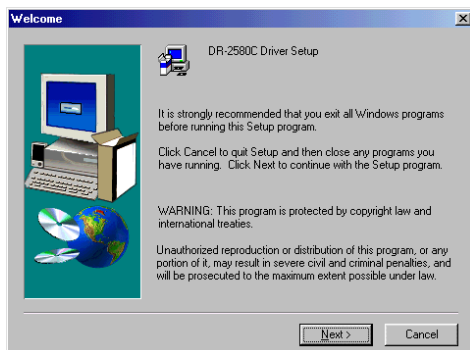
4 In the Open box, enter “D:\Driver\Setup.exe” (assuming that “D” is the letter assigned to your CD-ROM drive), and then click the [OK] button.



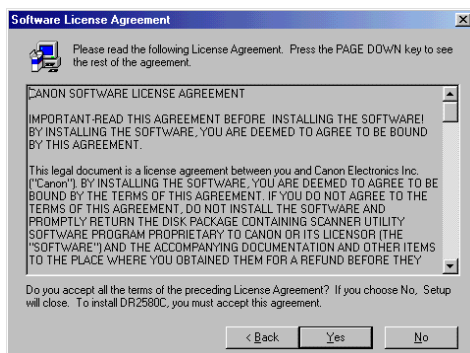
The installer starts.

5 Follow the instructions that appear on the screen to install the software.

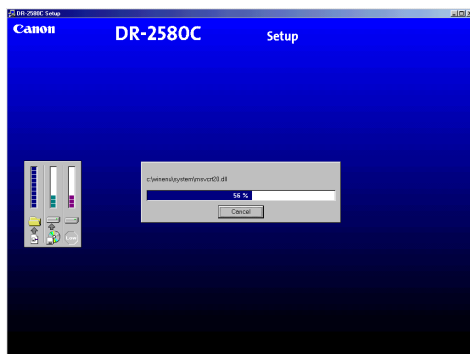
1. Read the Welcome text, and then click [Next].



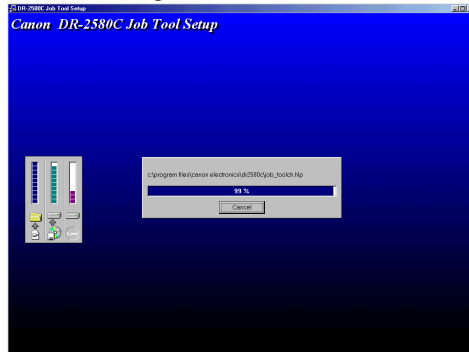
2. Read the License Agreement text, and then click [Yes].



3. Start installation of the ISIS/TWAIN driver.



4. After installing the ISIS/TWAIN driver, start installation of the job tool.



5. This completes the installation.

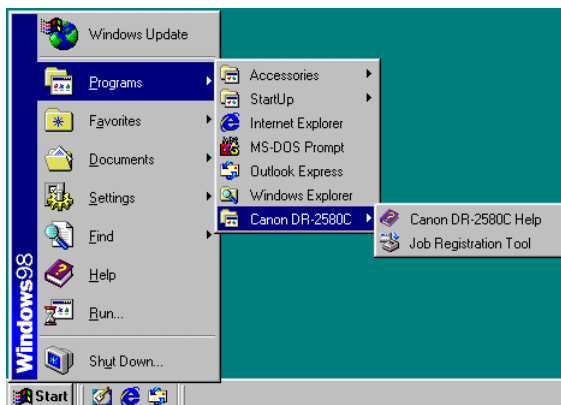


- 6 After installation is complete, click the [Finish] button to exit the installer.



Note

When the ISIS/TWAIN driver is installed, Canon DR-2580C Help (see “Using the ISIS/TWAIN Driver” on p. 37.) and the Job Registration Tool (see “Using Job Tools” on p. 38.) icons are registered to the Start menu.



Installing CapturePerfect

CapturePerfect is ISIS compatible application software. You need to install the ISIS/TWAIN driver before installing CapturePerfect. Follow the procedure below to install CompturePerfect.

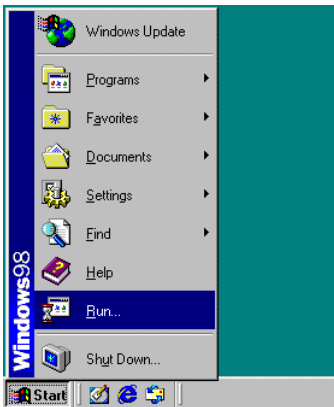
- 1 Turn ON your PC. Windows starts.



IMPORTANT

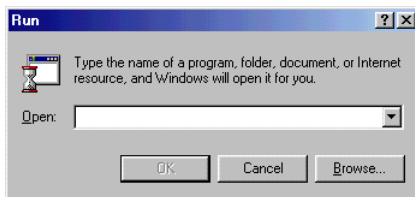
If you are using Windows 2000 Professional or Windows XP, be sure to log on as a user with administrator privileges.

- 2 Insert the setup disc in the PC's CD-ROM drive.
- 3 Click the [Start] button, and then select [Run].



The [Run] dialog box appears.

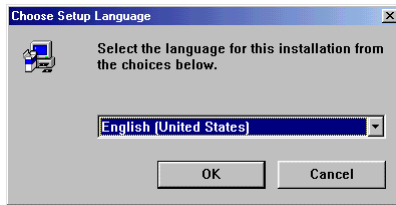
- 4 In the Open box, enter “D:\CapturePerfect\Setup.exe” (assuming that “D” is the letter assigned to your CD-ROM drive), and then click the [OK] button.



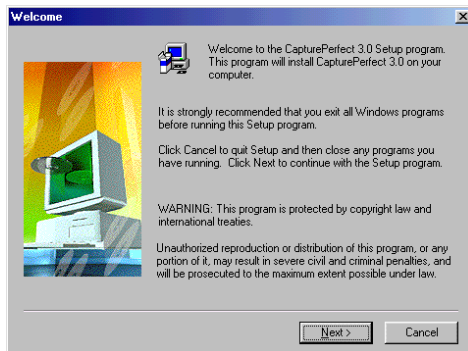
The installer starts.

5 Follow the instructions that appear on the screen to install the software.

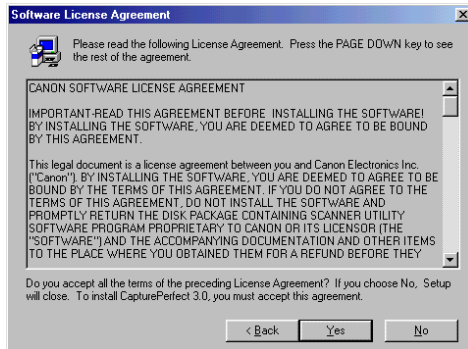
1. Select the installation language.



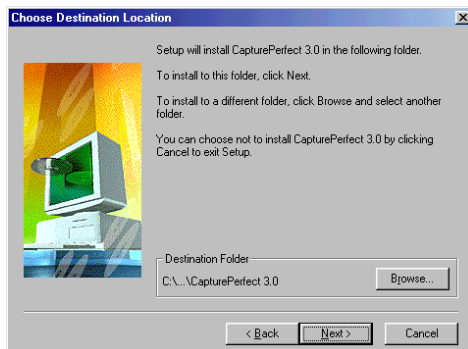
2. Read the Welcome text, and then click [Next].



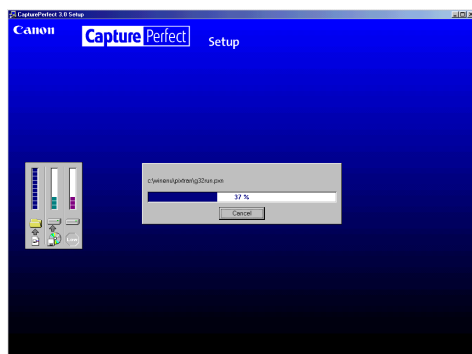
3. Read the License Agreement text, and then click [Yes].



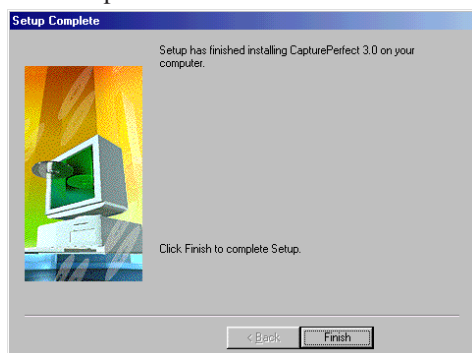
4. Read the Choose Destination Location text, and then click [Next].



5. This starts the installer.



6. This completes the installation.

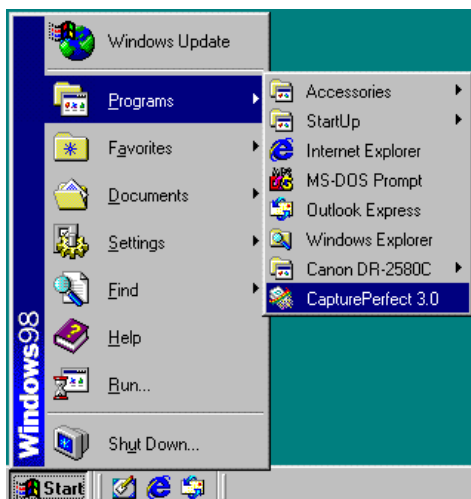


6 After installation is complete, click the [Finish] button to exit the installer.



Note

Installing CapturePerfect will put a CapturePerfect icon on your Windows Start Menu. (See “Using CapturePerfect,” on p. 40.)



Uninstalling Software

Follow the procedure described below to uninstall the ISIS/TWAIN driver, Job Tools, and CapturePerfect.



IMPORTANT

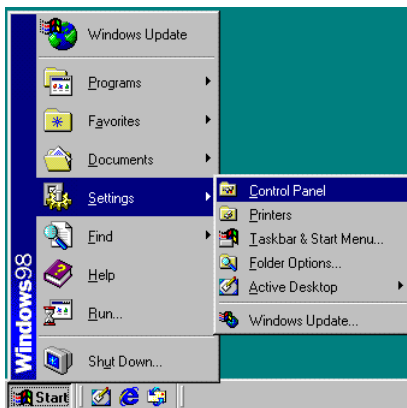
Uninstall the ISIS/TWAIN driver and job tool separately.

- 1 Click the [Start] button, point to [Settings], and then click [Control Panel].



Note

If you are using Windows XP, on the Start menu, click [Control Panel].



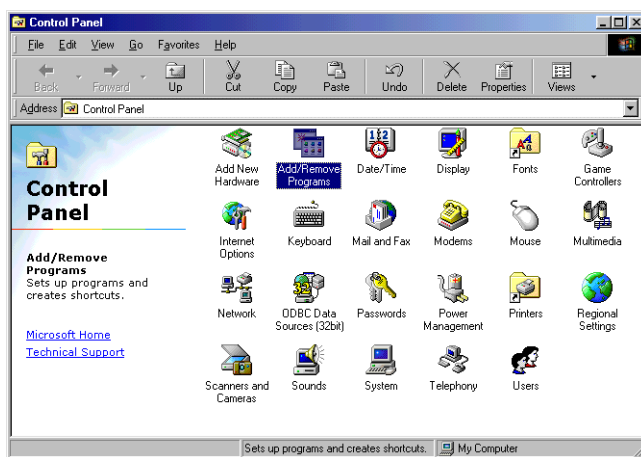
The [Control Panel] window is displayed.

- 2 Double-click the [Add/Remove Programs] icon.



Note

If you are using Windows XP, double-click the [Add or Remove Programs] icon.



The [Add/Remove Programs Properties] dialog box is displayed.



Note

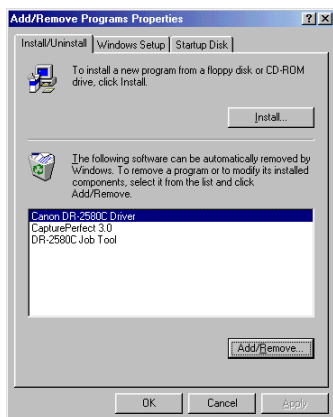
If you are using Windows XP, the [Add or Remove Programs] dialog box is displayed.

- 3 On the list in the dialog box, select the application you want to delete, and then click [Add/Remove].



Note

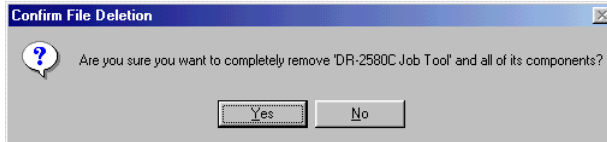
If you are using Windows XP, click the [Change/Remove] button.



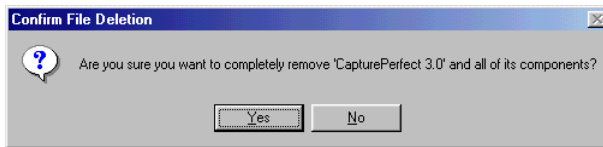
4 The [Confirm File Deletion] dialog box appears.



When [Canon DR-2580C Driver] is selected.

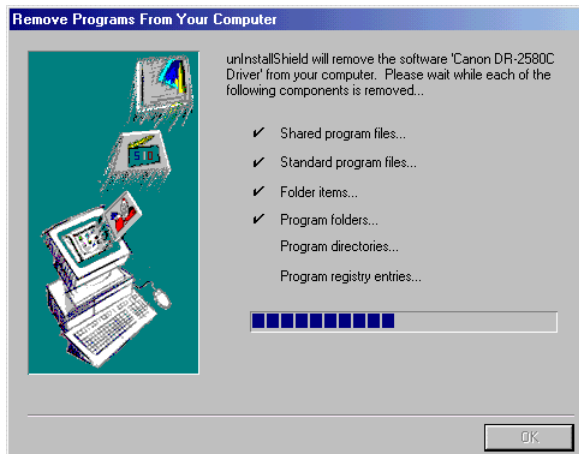


When [DR-2580C Job Tool] is selected.



When [CapturePerfect] is selected.

5 Click the [Yes] button to start the uninstaller.



6 After uninstall is complete, click the [OK] button to exit the uninstaller.

Using the Software

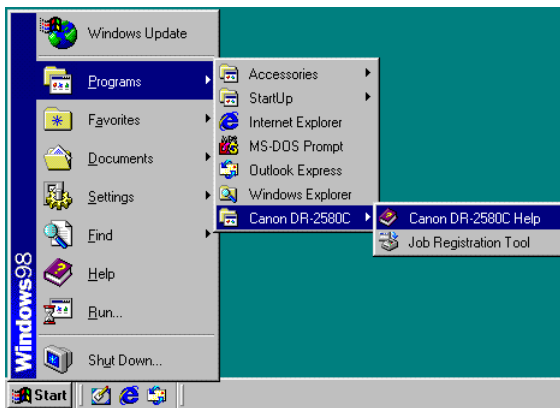


Note

- This section provides only the basic procedures for using installed software. Software applications also have their own help. See the applicable help for details about using each software application.
- For information about the bundled Adobe Acrobat, see Adobe Acrobat help.

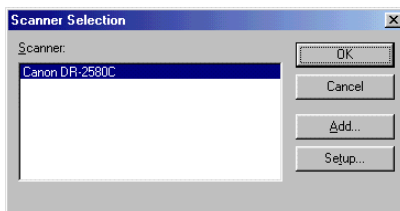
Using the ISIS/TWAIN Driver

The ISIS/TWAIN driver help describes how to use the ISIS/TWAIN driver. To access ISIS/TWAIN driver help, click the [Start] button, point to [Programs] (when using Windows XP, point to [All Programs]) - [Canon DR-2580C], and then click [Canon DR-2580C Help], or click the [Help] button displayed in the dialog box.



Note

Before using the ISIS/TWAIN Driver, select the scanner [Canon DR-2580C] with the software. For more information, refer to [Canon DR-2580C Help] and the manual for the software you are using.



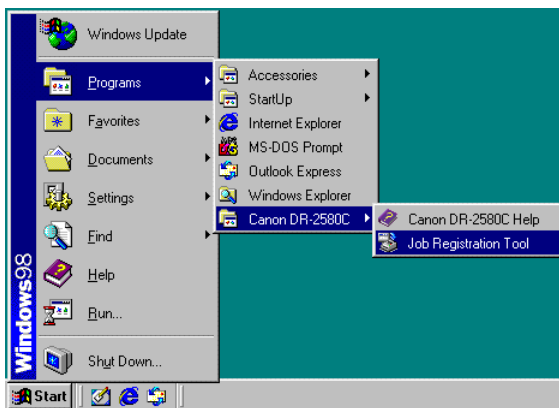
Using Job Tools

This section explains how to start up Job Registration Tool. Details about configuring Job Registration Tool settings can be found in Job Registration Tool help.

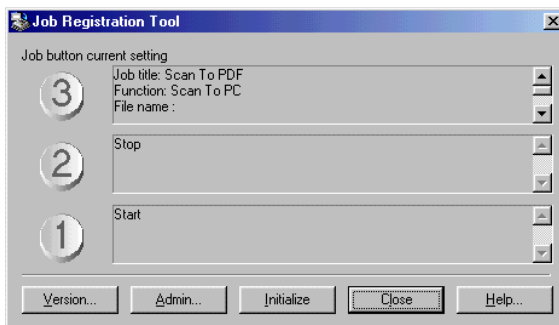
To view information about settings, click the [Help] button on the Job Registration Tool main screen.

Starting Job Registration Tool

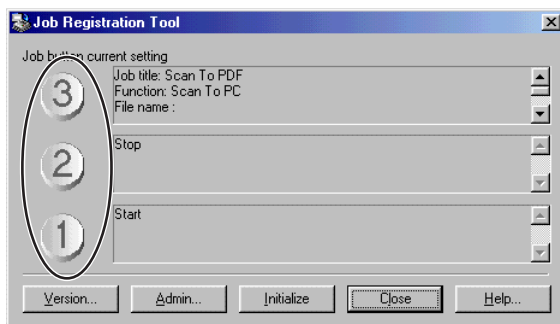
- 1 Turn ON the scanner.
- 2 Turn ON your computer. Windows starts.
- 3 Click the [Start] button, point to [Programs] (when using Windows XP, point to [All Programs]) - [Canon DR-2580C], and then click [Job Registration Tool].



Job Registration Tool starts.



- 4 Press a Job button, and then configure the Job Registration Tool settings.

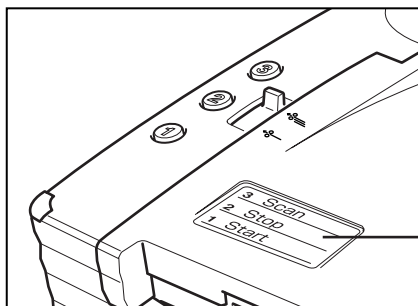
**Note**

For details about configuring Job Registration Tool settings, click the [Help] button.

- 5 After configuring the settings, click the [Close] button to exit Job Registration Tool.

**Note**

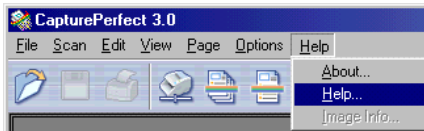
Fill in the Job Registration Tool settings on the included job label, and affix the job label to the scanner.



Job Label

Using CapturePerfect

This section explains the basic procedures to start and exit CapturePerfect. Details about actually using CapturePerfect can be found in CapturePerfect help. To view information about using CapturePerfect, click [Help] on the CapturePerfect menu bar.

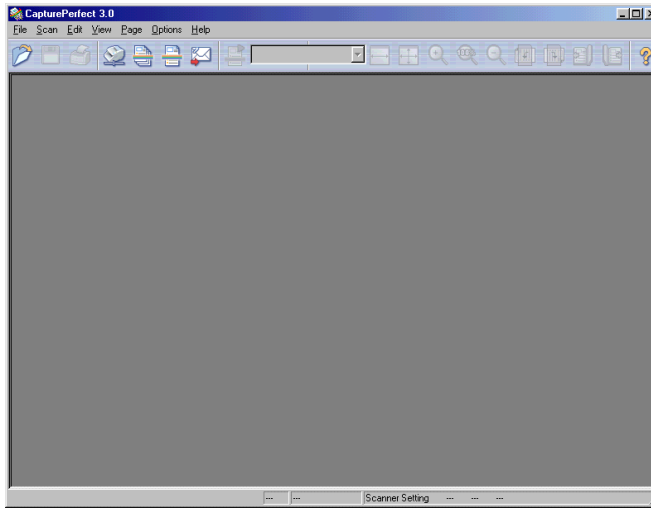


Starting CapturePerfect

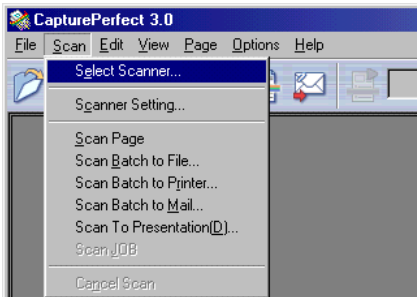
- 1 Turn ON the scanner.
- 2 Turn ON your computer. Windows starts.
- 3 Click the [Start] button, point to [Programs] (when using Windows XP, point to All Programs), and then click [CapturePerfect].



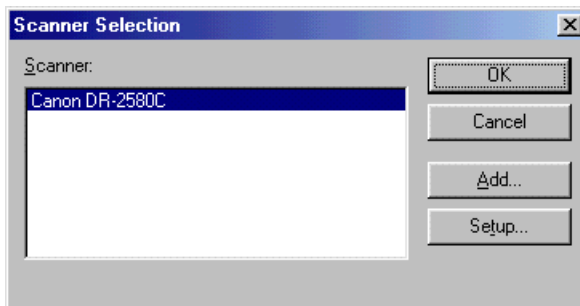
CapturePerfect starts.



- 4 On the [Scan] menu, click [Select Scanner].



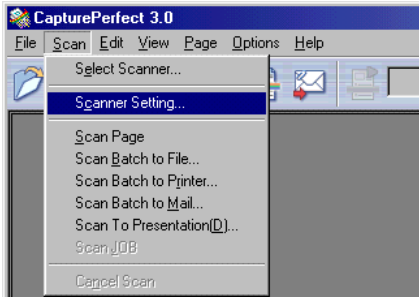
- 5 Select [Canon DR-2580C], and then click the [OK] button.



Note

If [Canon DR-2580C] is not displayed in the list of scanners, reinstall the ISIS/TWAIN driver. (See “Installing the ISIS/TWAIN Driver,” on p. 28.)

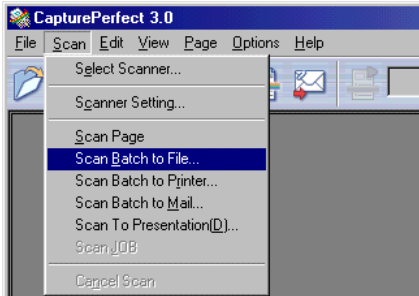
- 6 On the [Scan] menu, click [Scanner Setting], and then configure the scanning parameters.



 **Note**

For details about how to configure scanning parameters, see ISIS/TWAIN driver help. (See p. 37.)

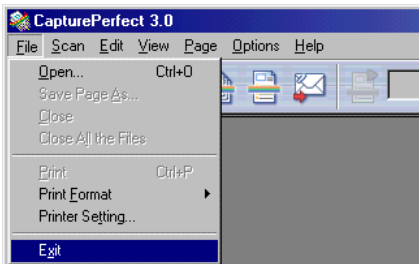
- 7 Execute the scan operation from the [Scan] menu.



 **Note**

Details about actually using CapturePerfect can be found in CapturePerfect help. To view information about using CapturePerfect, click [Help] on the menu bar.

- 8 After scanning is complete, select [Exit] on the [File] menu to quit CapturePerfect.



CapturePerfect closes.

Using the Scanner

Documents

This scanner can scan documents ranging in size from business cards and checks to A4 size documents. The size of documents that can be scanned is shown below.

Eject Direction (*1)	U-Turn Path	Straight Path
Width	53 mm to 216 mm	53 mm to 216 mm
Length	70 mm to 355.5 mm (*2)	70 mm to 355.5 mm
Weight (*3) Feeding documents are separated	52 to 128g/m ² 0.06 mm to 0.15 mm	42 to 157g/m ² 0.05 mm to 0.20 mm
Feeding documents are not separated	42 to 157g/m ² 0.05 mm to 0.20 mm	42 to 157g/m ² 0.05 mm to 0.20 mm
Business Cards	Cannot be scanned	Can be scanned (not separated) Size: 53.9 mm x 85.5 mm Thickness: 0.76 ± 0.08 mm without embossing

(*1) For information about the output directions, see “Document Eject Tray,” on p. 47.

(*2) If the document is longer than 297 mm, use the Bypass mode with Feed Selection Lever for document scanning (See p. 53.).

(*3) For information about feeding a document, see “Placing a Document for Scanning,” on p. 50.



IMPORTANT

A document must meet the following criteria to be scannable:

- When scanning a multipage document, pages must be grouped together so that they have the same size, thickness, and weight. Scanning different types of paper at one time can cause the scanner to jam.
- When using the U-turn path to scan a document that is longer than 297 mm, use the Bypass mode and feed pages one at a time. Attempting to use the U-turn path for continuous feed scanning of a document that is longer than 297 mm can cause the document pages to fall onto the feed tray and become jammed in the scanner.
- Scanning documents before the ink is dry can cause problems with the scanner. Always make sure that the ink on a document is dry before scanning it.

- Scanning documents that are written in pencil or similar material can make the rollers dirty, which can then transfer the dirt to subsequent documents. Always clean the rollers after scanning a document written in pencil.
- When scanning a two-sided document that is printed on thin paper, the image on the opposite side of each page may show through. Adjust the scanning intensity in the application software before scanning the document.
- Scanning the following types of documents can cause a paper jam or malfunction. To scan such a document, make a photocopy of the document and then scan the photocopy.



Wrinkled or creased documents



Documents with paper clips or staples



Extremely thin, translucent paper



Curled documents



Carbon paper



Torn documents

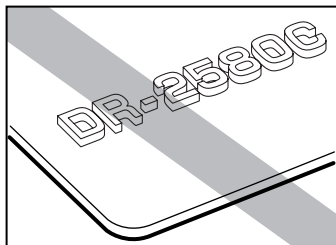


Coated paper

- Note that glossy originals or card originals sometimes cannot be scanned correctly, or functions such as Paper Size Detection and Deskew do not function properly due to reflected light.
- When scanning business cards, make sure to select the nonseparation feed and straight path.

⚠ CAUTION

The results of scanning embossed cards are not guaranteed. Note that scanning embossed cards may scratch the sensor glass.



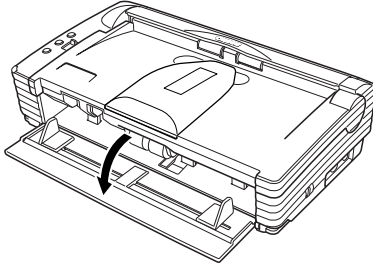
Embossed Card

Preparing the Trays

Prepare the Document Feed Tray and Document Eject Tray according to the paper size and feed/eject method.

Setting Up the Document Feed Tray

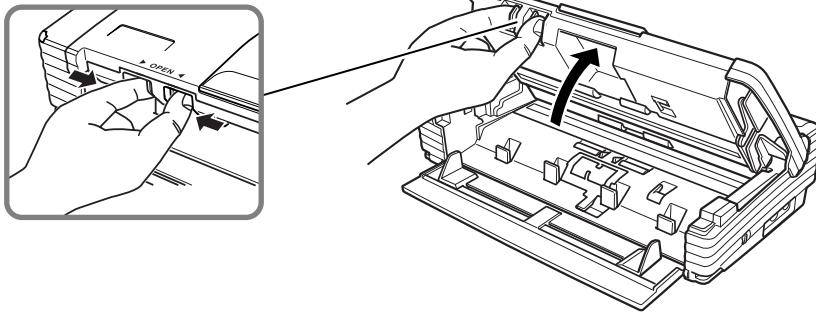
Pull the Document Feed Tray towards you to open it.



When Documents Are Skewed

If fed documents are skewed, follow the procedure described below to install the Document Guide Adapters.

- 1 Pressing the OPEN Knob from both sides, raise the Upper Unit.

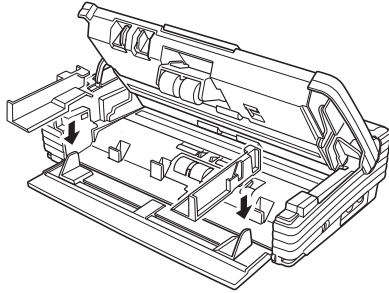


2 Set the Document Guide Adapters onto the Document Guides.

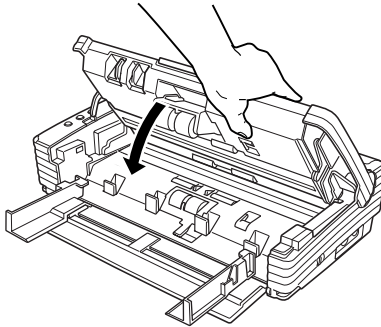


Note

Cover the Document Guides from above with the Document Guide Adapters, and insert them as far as they will go, until they click into place.



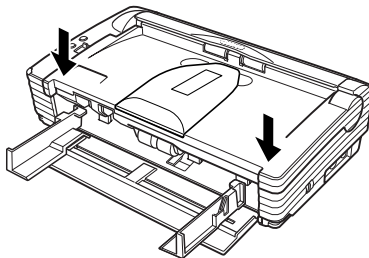
3 Carefully close the Upper Unit.



IMPORTANT

Do not force the Upper Unit to close. Doing so can damage the scanner.

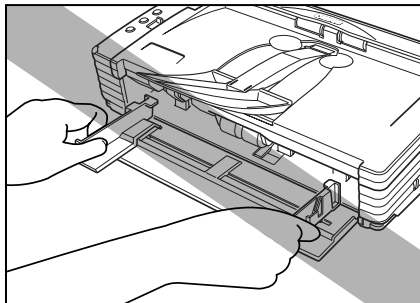
4 Be sure that the Upper Unit is completely closed by pushing on both edges with both hands until you hear a click.





IMPORTANT

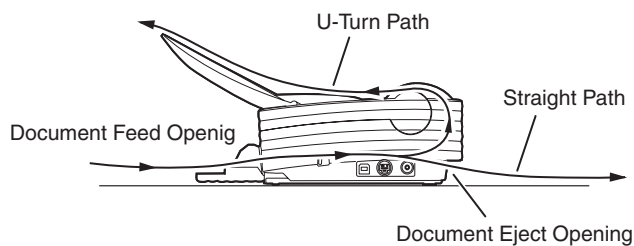
- Do not hold the tips of the Document Guide Adaptors when moving them. Doing so can damage the document tray.



- Before removing the Document Guide Adaptors, be sure to open the upper unit first. Using undue force when removing the Document Guide Adaptors can damage the document tray.

Document Eject Tray

The scanner has two eject methods: documents can be ejected to the front of the scanner in a U-Turn Path, or to the back of the scanner in a Straight Path. The eject method can be switched by moving the Eject Selection Lever up and down. Select the eject method according to what you need to do.



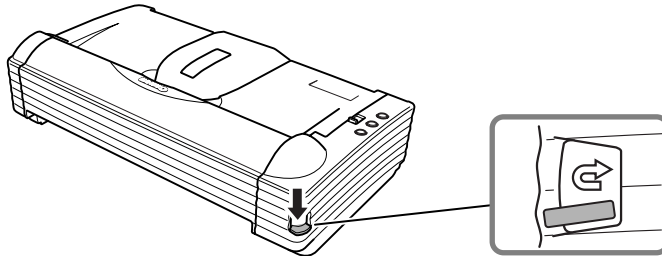
Note

The Straight Path can be used to scan thick paper, thin paper, and business cards.

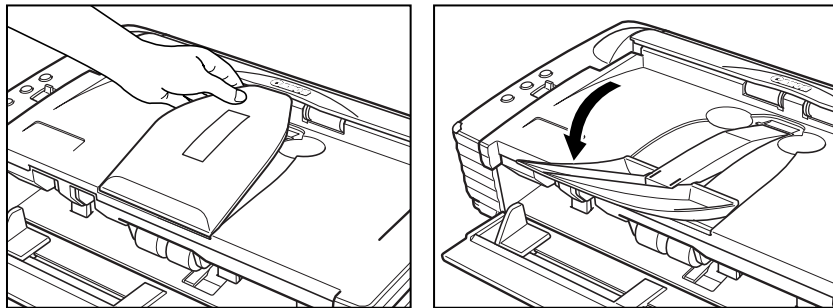
Using the U-Turn Path

1 Lower the Eject Selection Lever.

Scanned documents will be ejected to the Document Eject Tray.

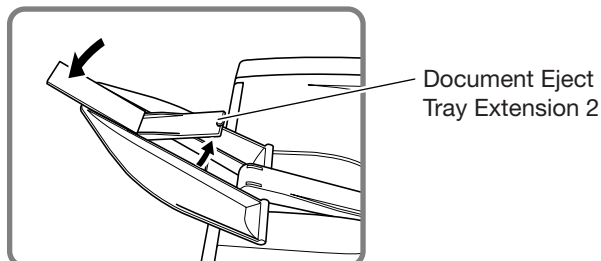


2 Pull the Document Eject Tray Extension towards you to open it.



IMPORTANT

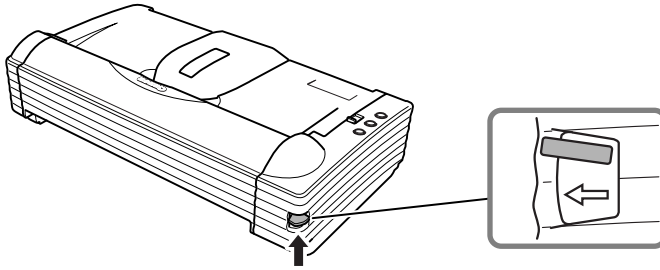
- Be careful when opening the Document Eject Tray Extension. Forcing it open can damage it.
- Never try to raise the Document Eject Tray Extension more than necessary. Doing so can damage it.
- Do not place anything other than documents on the Document Eject Tray Extension. Doing so can damage it.
- Make sure the Document Eject Tray Extension is open when using the scanner. If the Document Eject Tray Extension is not opened, ejected documents can fall from the tray and become jammed in the scanner.
- If it appears that the document may fall from the Document Eject Tray Extension and become jammed in the scanner, open the Document Eject Tray Extension 2.



Using the Straight Path

1 Raise the Eject Selection Lever.

Scanned documents will be ejected to the back of the scanner.



Note

When using the Straight Path, the ejected documents are stacked in reverse order to how they were fed.



IMPORTANT

- Be sure there is enough space for documents that are ejected behind the scanner when using the Straight Path. If there is not enough space for ejected documents, the documents may be damaged or a paper jam may occur.
- Switch the position of the Eject Selection Lever before you start scanning. Changing the lever position while scanning is being performed can cause jamming.

Placing a Document for Scanning

There are two methods for paper separation, called the Page Separation mode and Bypass mode for feeding documents. Feeding documents continuously from a stack of documents placed in the feed tray is called the Page Separation mode. Feeding documents one sheet at a time by hand or feeding multiple sheet documents, such as invoices that are attached at one end, is called the Bypass mode. The document feed method can be switched by moving the Feed Selection Lever.

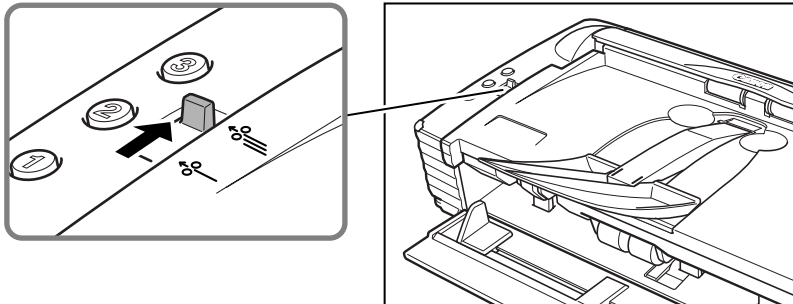


IMPORTANT

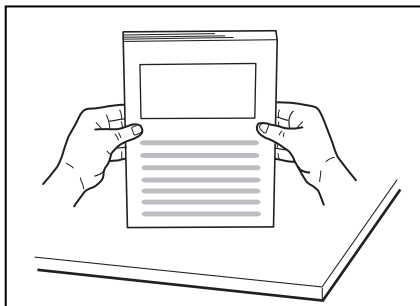
- When placing a document for scanning, be careful to remove all paper clips, staples, etc., from the document. During the scanning process, such objects can tear the document, cause a paper jam, and damage the scanner.
- Do not wear loose clothing or jewelry that may get caught in the scanner while you are operating it. If they get caught in the scanner it may cause an injury. Be extra careful of neckties and long hair. If anything gets caught in the scanner, quickly unplug the scanner to stop it.
- If the leading edge of the documents are curled, they may cause a paper jam. If the curls are large, straighten them out before scanning.

How to Feed with the Page Separation Mode

- 1 Move the feed selection lever to the page separation (☰) side.



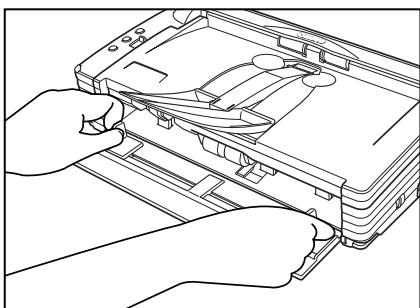
- 2** Straighten the edges of the stack of documents to be scanned.



! CAUTION

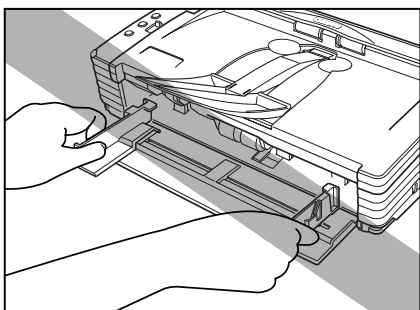
- Do not place the documents on top of the scanner to align them. Doing so may cause a malfunction.
- Be careful when placing a document in the scanner. It is possible to cut your hand on the edge of a sheet of paper.

- 3** Set the Document Guides so they are wider than the document to be scanned.

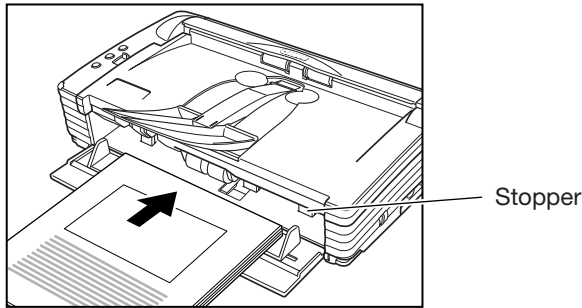


! IMPORTANT

Do not hold the tips of the Document Guide Adaptors when moving them. Doing so can damage the Document Tray.

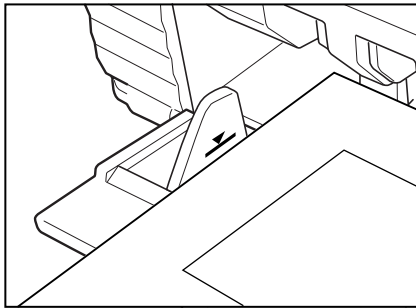


-
- 4** Place the documents face up into the feed tray, so that they touch the stoppers.

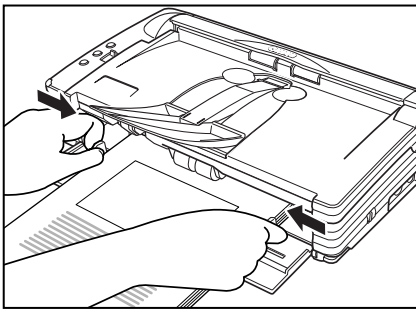


IMPORTANT

There is a load limit mark (▼) on the Document Guides. Do not stack documents higher than this mark (approximately 50 sheets of 80g/m² paper). Doing so may cause a paper jam.



- 5** Adjust the Document Guides so they match the width of the document.



Note

Before starting a scan, make sure that the document is loaded in the scanner correctly. Scanning a curled document or a creased document can damage the document.

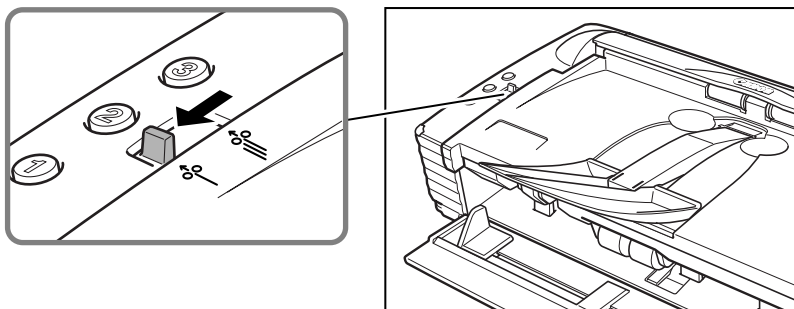
- 6** Start scanning from the application.

**Note**

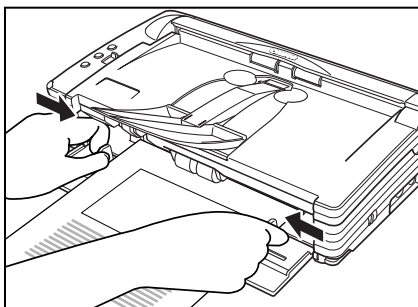
- If the paper feed operation stops due to a system error or a paper jam while the scanner is scanning, resolve the problem, make sure that the scanned image of the last page that was fed has been stored, and then resume the scanning operation.
- Note that documents that are printed on thin paper may fall out of the Document Eject Tray.
- After you finish scanning, close the Document Feed Tray and the Document Eject Tray Extension to prevent damage to the scanner while it is not being used.

How to Feed with the Bypass Mode

- 1** Move the Feed Selection Lever to the nonseparated document (←) side.

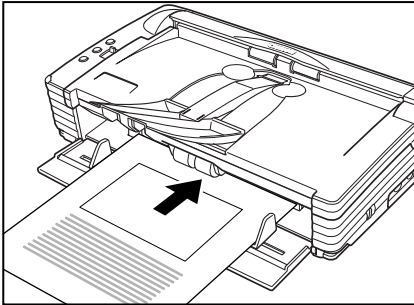


- 2** Place the document into the Document Feed Tray one sheet at a time, so that it touches the stoppers, and adjust the position of the Document Guides.



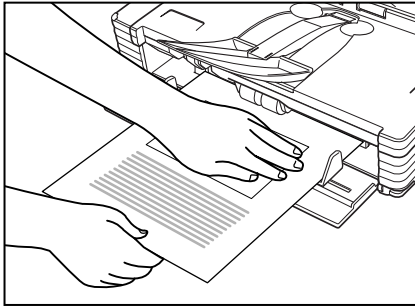
- 3** Start scanning from the application.

-
- 4** The document is pushed against the document feed slot and is fed into the scanner.



IMPORTANT

- When scanning documents that are fastened together, such as invoices, set the edge that is fastened together as the leading edge.
- Note that when scanning with nonseparated feed, if you place several documents that are not fastened together on the feed tray at one time, they will be fed together.
- In particular, very thin or curled documents will not be fed very well. In this case, lightly press on the leading edge of the documents as you feed them.



- After you finish scanning, close the Document Feed Tray and the Document Eject Tray Extension to prevent damage to the scanner while it is not being used.

Clearing a Paper Jam

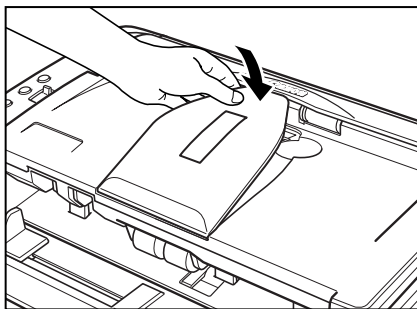
When paper jams occur during scanning, use the following procedure to clear them.



CAUTION

Be careful when removing jammed paper. It is possible to cut your hand on the edge of a sheet of paper.

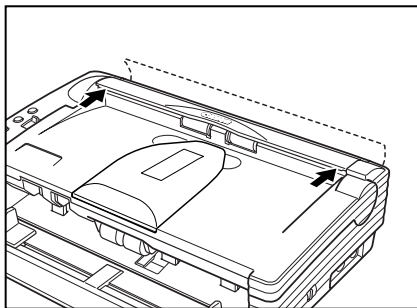
- 1 Remove any documents that have been left in the eject tray.
- 2 Close the Document Eject Tray Extension.



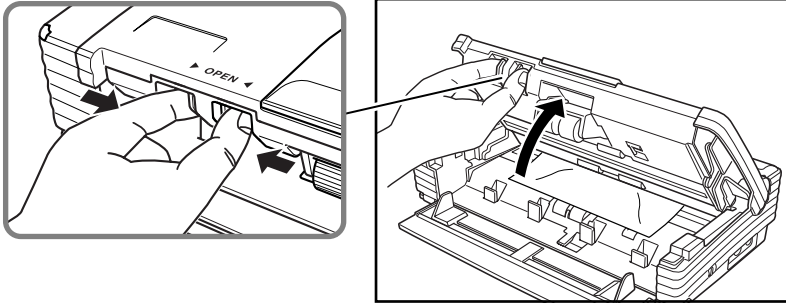
IMPORTANT

If document ejection is stopped part way, perform this operation with the Document Eject Tray Extension open. Attempting to force the Document Eject Tray Extension closed can crease the document.

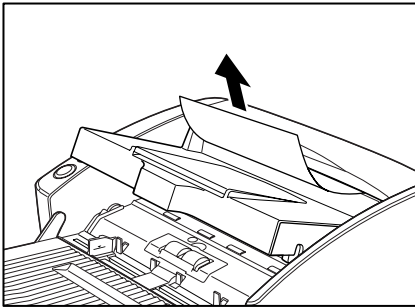
- 3 Press on both sides of the back cover to open it.



-
- 4** Pressing the OPEN Knob from both sides, raise the Upper Unit.



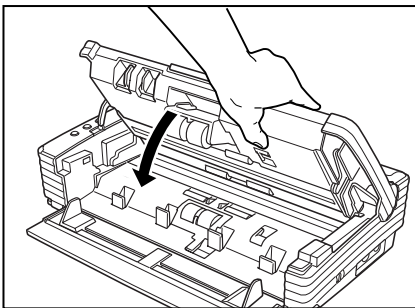
- 5** Remove the jammed document.



 **IMPORTANT**

Be sure to pull the document out carefully, without applying too much force. Should the document tear, be sure to remove any part remaining in the scanner.

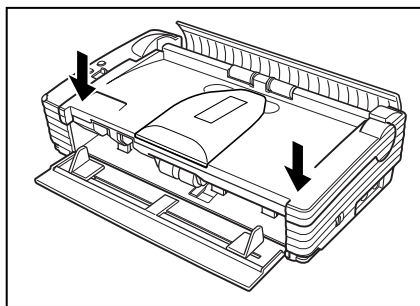
- 6** Close the Upper Unit slowly.



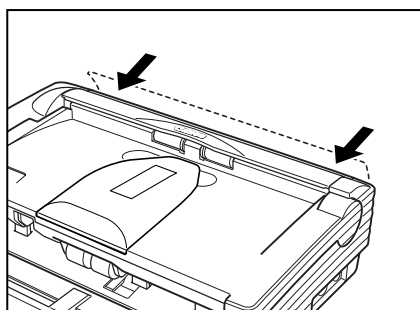
 **IMPORTANT**

Do not force the Upper Unit to close. Doing so may damage the scanner.

- 7 Be sure that the upper unit is completely closed by pushing on both edges with both hands until you hear a click.



- 8 Press on both sides of the back cover to close it.



 **IMPORTANT**

Be sure to press on both sides of the upper unit and back cover to ensure that they are securely closed. Feeding errors will occur if only one side is closed.

 **Note**

After removing the jammed paper, check to see if the last page was scanned, and then continue scanning.

Other Functions

This scanner also supports the scanning functions described below.

Job Function

Job Registration Tool can be used to assign a scan function to one of the scanner's Job buttons.

Placing a document on the scanner and pressing the applicable Job button will perform scanning in accordance with the parameters configured using Job Registration Tool.

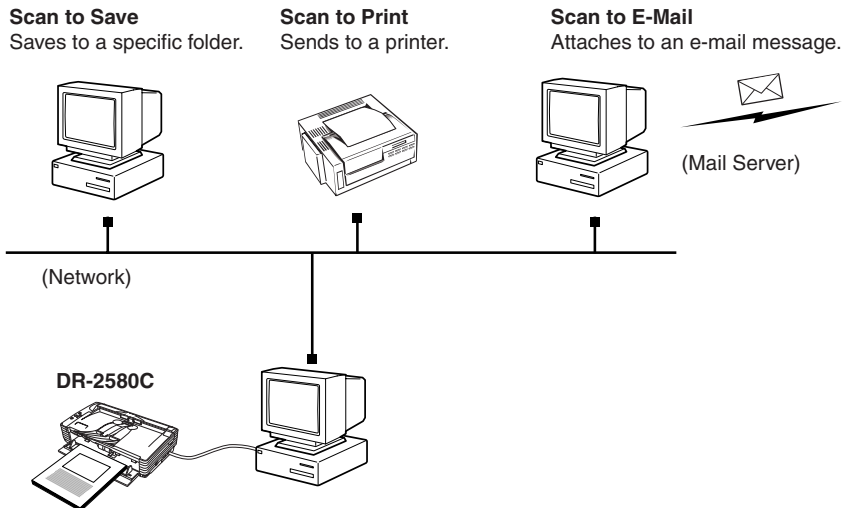
The following functions can be assigned using Job Registration Tool for automatic processing of scanned images:

- **Scan to Save:** Saves the scanned image to a shared folder or other folder.
- **Scan to Print:** Sends the scanned image to a specific printer.
- **Scan to E-Mail:** Attaches the scanned image to an e-mail message.



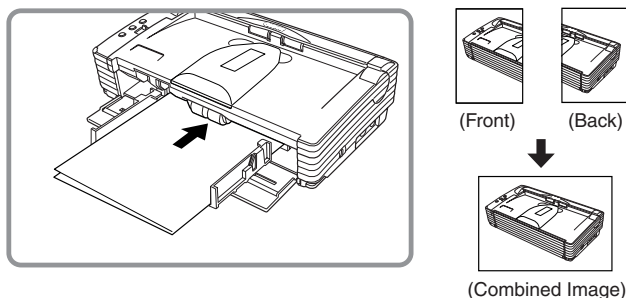
Note

See Job Registration Tool help for details about how to use it. (See “Using Job Tools,” on p. 38.)



Scanning Folio (Folded Document)

The scanner uses a folio scanning method to scan documents that are bigger than A4 size (maximum A3 size). To do folio scanning, fold the document in half and place it on the scanner. Both sides of the folded document are scanned and combined into a single image.



IMPORTANT

- Attach the Document Guide Adaptors to prevent documents from skewing when doing folio scan. (See p. 46.)
- Use nonseparated document scanning when doing folio scan.
- Firmly set the fold in the document. The fold in the document may cause paper jams or misaligned images.

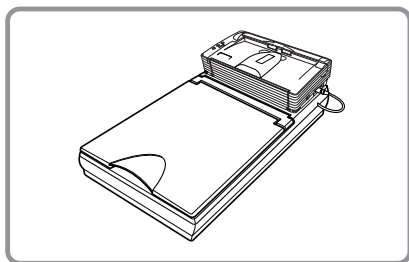


Note

- Folio scanning is set in the ISIS/TWAIN driver.
- The image on the front of the folded document appears as the left side of the image.
- Combined images can be a maximum of A3 size.
- A seam may appear where the images are combined if the document or the fold in the document is crooked.

Flatbed Scanner Unit (Option)

An optional flatbed scanner unit is available for the DR-2580C as an option. The flatbed scanner unit can be used to scan thick documents, books, and other originals that cannot pass through the feeder.



Note

The flatbed scanner unit cannot operate in a stand-alone configuration. Contact your local authorized Canon dealer or service representative for more detailed information.

Regular Maintenance

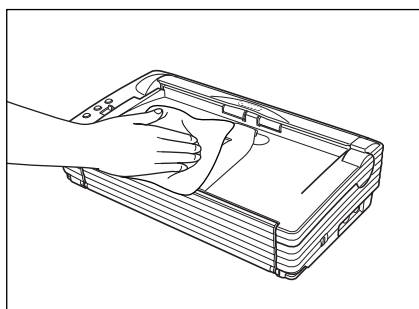
Clean the scanner on a regular basis as described below to maintain peak scanning quality.

CAUTION

- **When cleaning the scanner or inside of the scanner, turn OFF the power switch and unplug the Power Cord from the outlet.**
- **Do not use excessive force when removing or attaching the rollers. Doing so may damage them.**
- **Never use paint thinner, alcohol, or other organic solvents to clean the scanner. Such solvents can damage or discolor the exterior of the scanner. They also create a risk of fire or electrical shock.**

Cleaning the Scanner

To clean the exterior of the scanner, dampen a cloth with water or a mild detergent, wring the cloth out thoroughly, and then wipe the dirt away. Then use a dry, soft cloth to wipe away any moisture.



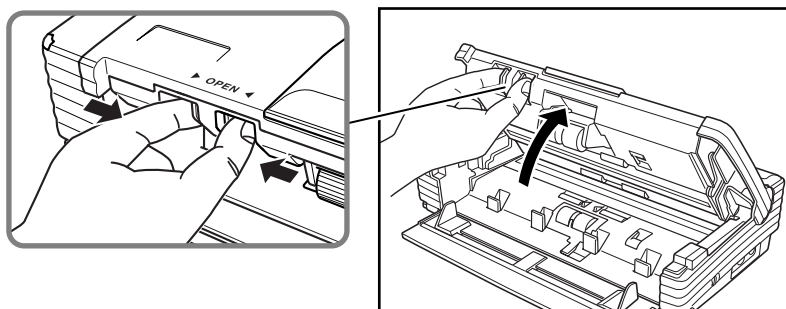
Cleaning Inside the Scanner

Dust or paper particles inside the scanner can cause lines in scanned images. Use a blower for regular cleaning of dust and paper particles from inside the scanner. After finishing a large scanning job, you should turn OFF the scanner and then clean any paper particles that are remaining.

Cleaning the Sensor Glass, Shading Boards, and the Rollers

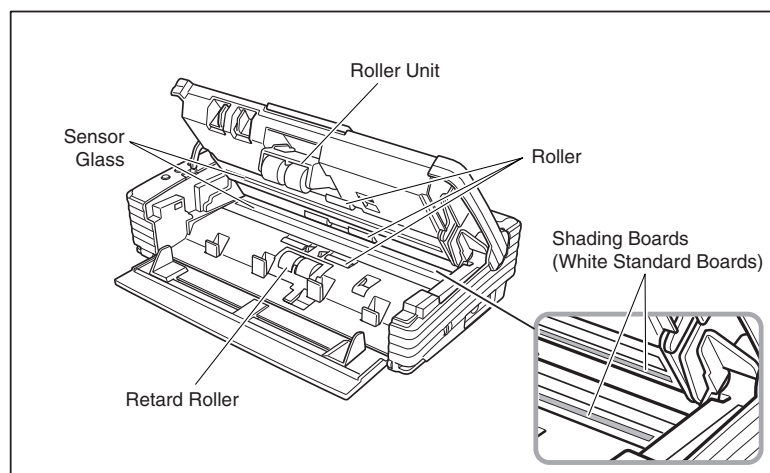
If scanned images have extraneous marks, or if the scanned documents are dirty, then the sensor glass or rollers inside the scanner may be dirty. Clean them periodically.

- 1 Pressing the OPEN Knob from both sides, raise the Upper Unit.

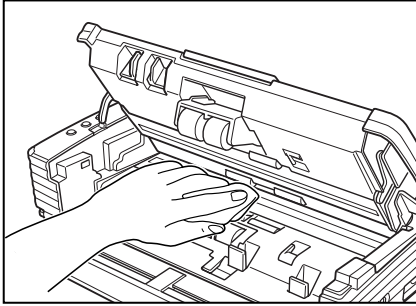


Note

- The location of the sensor glass and various rollers are shown below.
- The scanner has white, 2mm wide shading boards located at the front and back of the upper and lower sensor glasses. The scanner uses the shading boards to determine white standards during scanning. Dirty shading boards can cause stripes in scanned images. Periodically clean them to ensure good scanning results.



-
- 2 Use a blower to keep the interior of the scanner free of dust and paper particles.
 - 3 Use a clean dry cloth to wipe dirt off the sensor glass.
Wipe both the top and bottom sensor glasses.



⚠ CAUTION

Do not use spray type cleaners to clean the scanner. Precision mechanisms, such as the light source, may get wet which will cause a malfunction.

🛠 IMPORTANT

Scratches on the sensor glass may cause marks on the images and could cause feeding errors. If there are scratches on the sensor glass, contact your local authorized Canon dealer or service representative.

- 4 Use a commercially available cotton swab to clean off any dirt from the shading boards at the front and back of the sensor glasses.

🛠 IMPORTANT

Wipe both the top and bottom shading boards.

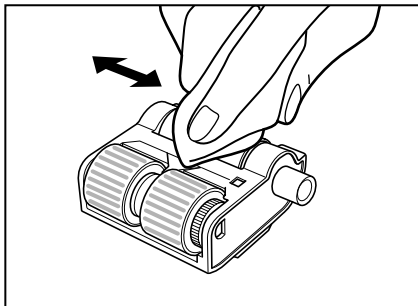
- 5 Wipe the rollers with a firmly wrung cloth moistened with water.

🛠 IMPORTANT

- Do not use detergent to clean the rollers, since any detergent on the rollers could cause a feeding error.
- If you cannot freely rotate the rollers, do not force them to rotate. Just clean the part that you can see. Forcing the rollers to rotate may cause a feeding error.

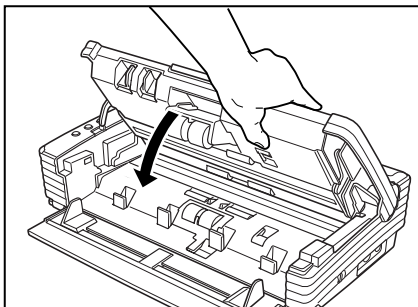
- 6 Remove the roller unit and retard roller. (See “Removing and Attaching the Roller Unit,” on p. 67.)

- 7** Wipe the removed rollers with a firmly wrung cloth moistened with water.



- 8** Attach the rollers that were removed. (See “Removing and Attaching the Roller Unit,” on p. 67.)

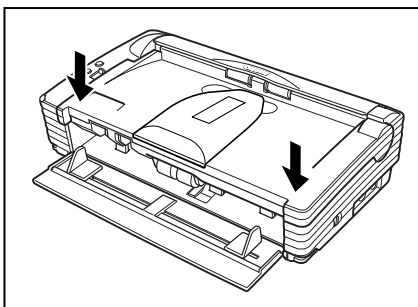
- 9** Close the Upper Unit slowly.



IMPORTANT

Do not force the Upper Unit to close. Doing so may damage the scanner.

- 10** Be sure that the Upper Unit is completely closed by pushing on both edges with both hands until you hear a click.



Removing and Attaching the Rollers

Follow the relevant procedure to remove and attach the roller unit and retard roller when you clean or replace them.



IMPORTANT

Feed rollers are consumable parts. When the rollers start to wear out, paper jams and misfeeds may occur more often. When this happens, buy an exchange roller kit, and replace the roller unit and the retard roller.

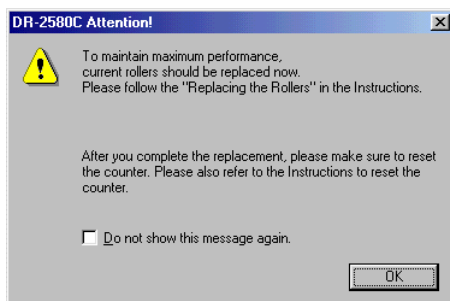


CAUTION

Do not use excessive force when removing or attaching the rollers. Doing so may damage them.

Roller Replacement Cycle

When the number of pages scanned exceeds 100,000, a roller replacement message will appear when the computer is started. Buy an exchange roller kit, and replace the roller unit and the retard roller.



IMPORTANT

- If misfeeds happen often, check the rollers for wear, and replace them if necessary before the message is displayed.
- Be sure to reset the counter after replacing the rollers. (See “Resetting the Counter,” on p. 65.)
- Contact your local authorized Canon dealer or service representative for information about the exchange roller kit (roller unit and retard roller).

Resetting the Counter

After replacing the feed rollers, reset the counter according to the following procedure.

- 1 Click the [Start] button, point to [Settings], and then click [Control Panel].



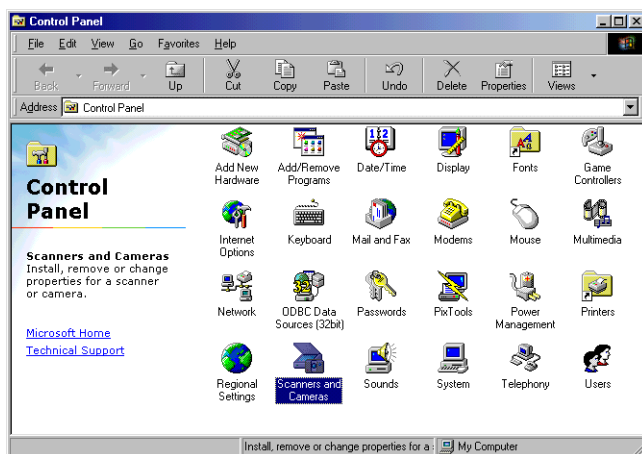
Note

If you are using Windows XP, on the Start menu, click [Control Panel].



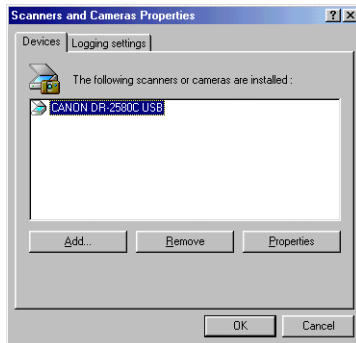
The [Control Panel] window is displayed.

- 2 Double-click the [Scanners and Cameras] icon.



The [Scanners and Cameras Properties] dialog box is displayed.

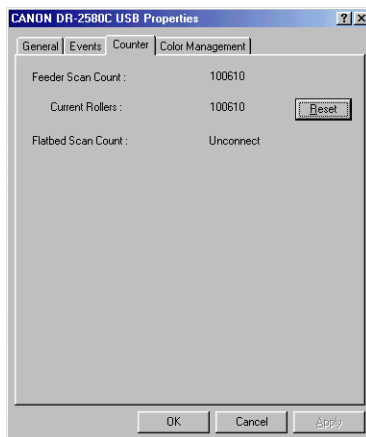
3 Click on [Properties] for the scanner you are using.



4 Click the [Counter] tab.



5 Press the [Reset] button, and then make sure that the counter for the roller being used is set to 0.



Removing and Attaching the Roller Unit

Follow the procedure below to remove and attach the roller unit for cleaning or replacement.



Note

When attaching the Roller Unit during installation, operate the roller fastening lever according to the removal procedure and then attach the Roller Unit.

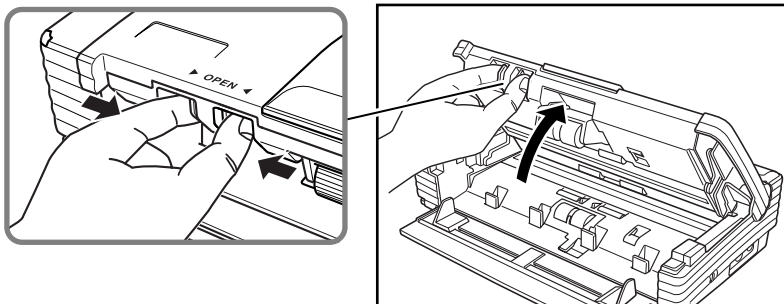


CAUTION

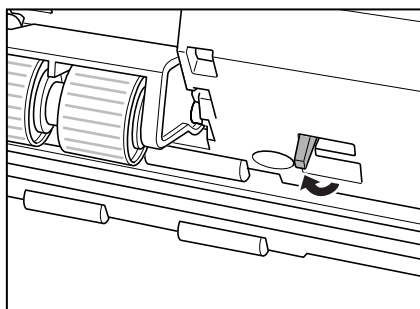
Do not use excessive force when removing or attaching the rollers. Doing so may damage them.

Removing the Roller Unit

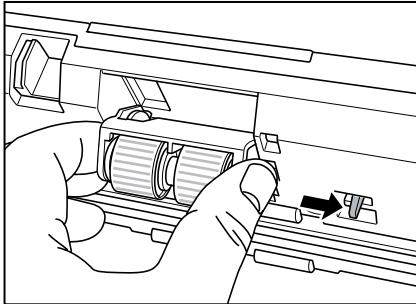
- 1 Pressing the OPEN Knob from both sides, raise the Upper Unit.



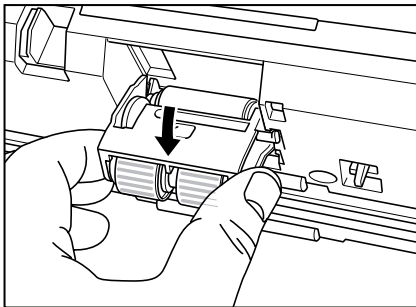
- 2 Move the roller lock lever towards you.



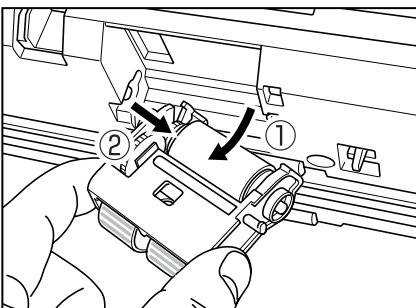
-
- 3** Supporting the roller unit with your hand, slide the roller lock lever to the right.



- 4** Lower the roller unit.

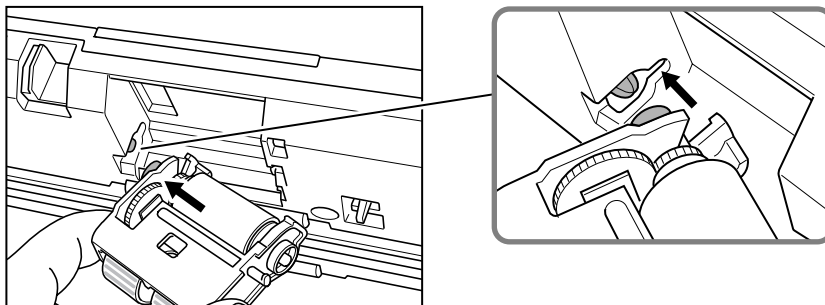


- 5** First detach the right side of the roller unit (①), and then remove the roller unit (②).

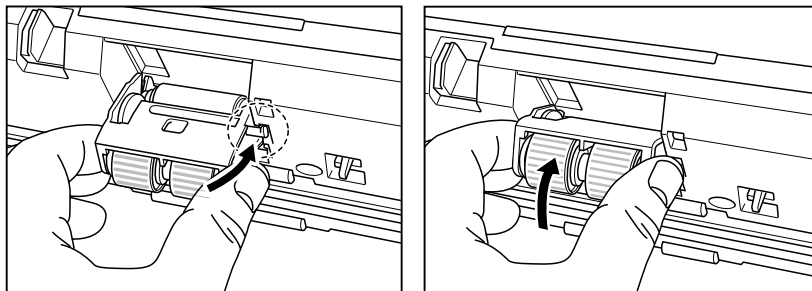


Attaching the Roller Unit

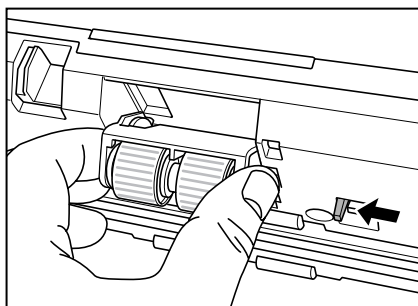
- 1 Set the roller unit onto the scanner's shaft.



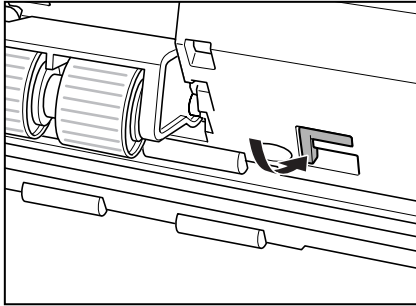
- 2 Insert the protrusion of the roller unit into the groove in the scanner, and then lift the roller unit.



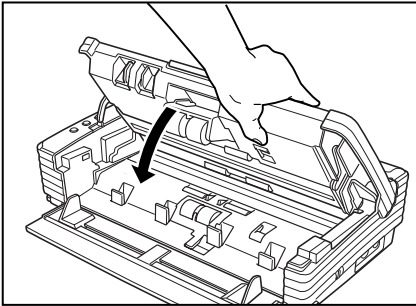
- 3 Slide the roller lock lever to the left.



-
- 4** Push the roller lock lever towards the back of the scanner to lock the roller unit in place.



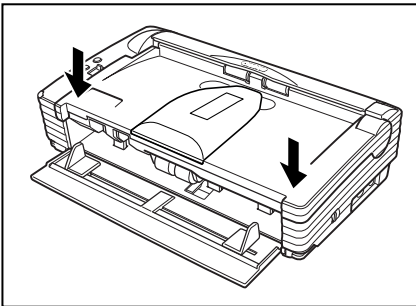
- 5** Close the Upper Unit slowly.



 **IMPORTANT**

Do not force the Upper Unit to close. Doing so may damage the scanner.

- 6** Be sure that the Upper Unit is completely closed by pushing on both edges with both hands until you hear a click.



Removing and Attaching the Retard Roller

Follow the procedure below to remove and attach the retard roller for cleaning or replacement.



Note

When attaching the Retard Roller during installation, operate the roller fastening lever according to the removal procedure and then attach the Roller Unit.

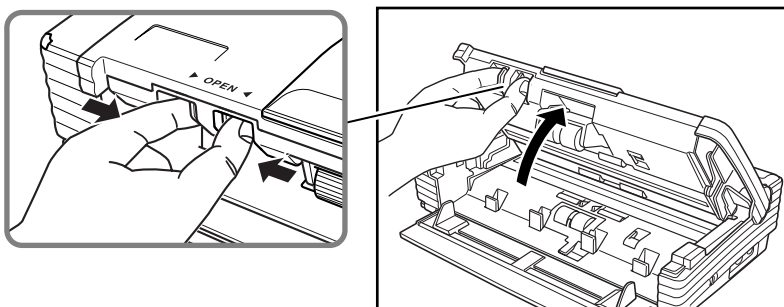


CAUTION

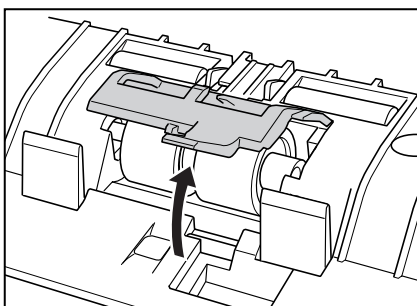
Do not use excessive force when removing or attaching the rollers. Doing so may damage them.

Removing the Retard Roller

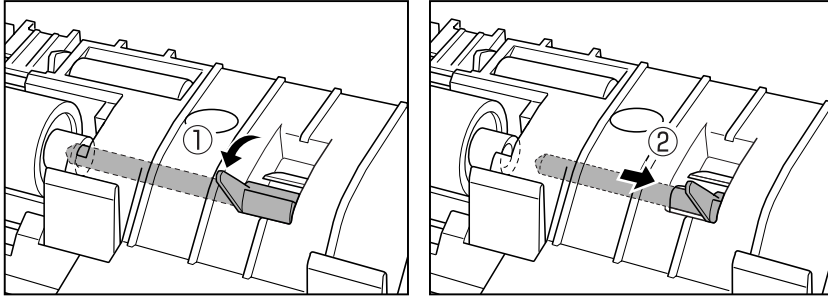
- 1 Pressing the OPEN Knob from both sides, raise the Upper Unit.



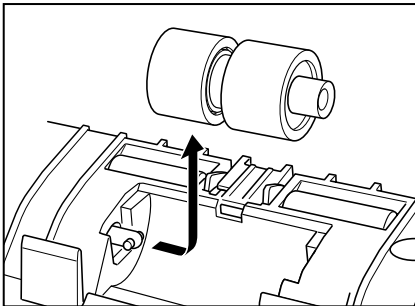
- 2 Remove the roller cover.



-
- 3** Move the roller lock lever upward (①), and then slide it to the right (②).

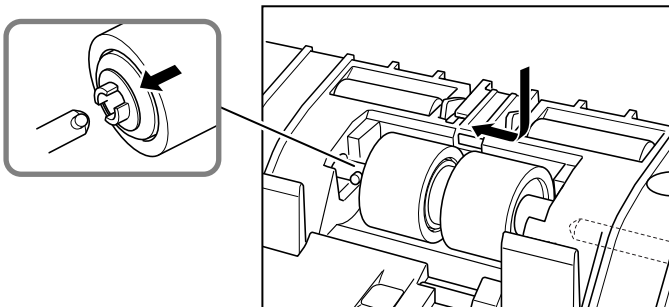


- 4** Shift the retard roller to the right to remove it.

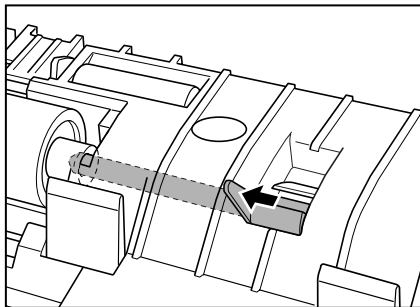


Attaching the Retard Roller

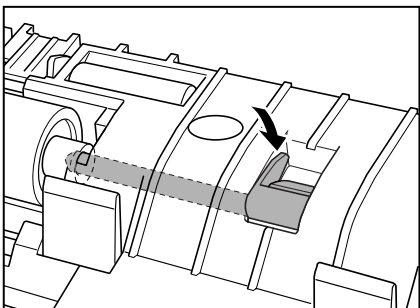
- 1** Position the retard roller so the notch in the roller is facing the scanner's shaft.



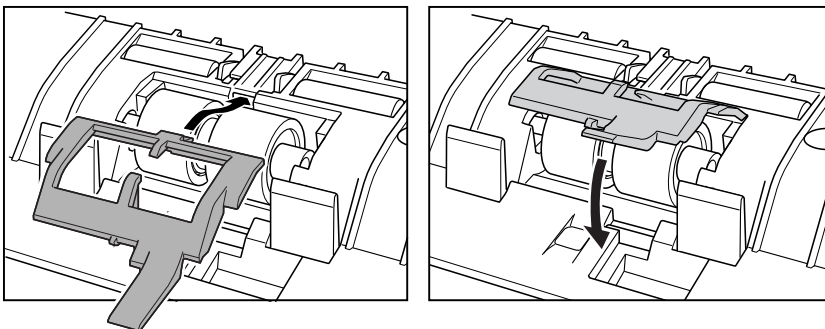
- 2** Slide the roller lock lever to the left, and insert it into the retard roller hole.



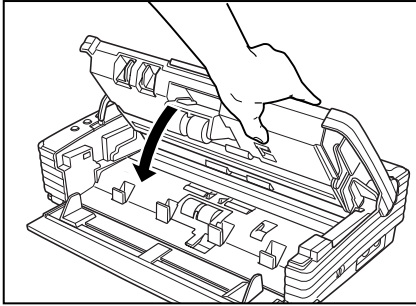
- 3** Push the roller lock lever towards the back of the scanner to lock the retard roller in place.



- 4** Attach the roller cover.



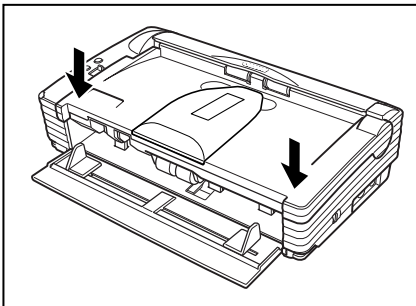
-
- 5** Close the Upper Unit slowly.



IMPORTANT

Do not force the Upper Unit to close. Doing so may damage the scanner.

- 6** Be sure that the Upper Unit is completely closed by pushing on both edges with both hands until you hear a click.



Troubleshooting

This section describes common problems that may occur while you are using the scanner, and how to resolve them.

Refer to the troubleshooting section related to the problem that you have encountered.

The Scanner Does Not Turn ON	p. 75
The PC Does Not Recognize the Scanner	p. 76
Scanning Is Slow	p. 76
Images Are Not Scanned	p. 77
Documents Do Not Feed Properly	p. 77
Resulting Scanned Images Are Not Correct	p. 78
The Flatbed Scanner (Option) Does Not Work	p. 79

If after consulting the above section you still cannot resolve the problem, contact your local authorized Canon dealer or your service representative.

The Scanner Does Not Turn ON

Check the following:

- Is the power switch in the ON position? (See p. 23.)
- Is the Power Cord plugged into an outlet? (See p. 21.)

The PC Does Not Recognize the Scanner

The following are possible causes of the PC failing to recognize the scanner. Check each possible cause.

Cause	The scanner is not connected correctly.
Remedy	Check the USB cable connections between the scanner and the PC. (See p. 22.)

Cause	The USB 2.0 interface card is not inserted in the PC correctly.
Remedy	Reseat the USB 2.0 interface card in the PC correctly, referring to the instruction manual for the USB 2.0 interface card. Also, confirm whether the USB interface card is recognized by the operating system you are using.

Cause	The scanner is not ON.
Remedy	Refer to “The Scanner Does Not Turn On,” on p. 75 and make sure that the scanner is turned ON. If the scanner is not turned ON, turn it ON. (See p. 23.)

Cause	The USB 2.0 interface card does not support the scanner.
Remedy	Use the recommended USB 2.0 interface card. (See p. 20.)

Cause	The scanner does not support the USB cable.
Remedy	Use the USB cable provided with the scanner. (See p. 22.)

Cause	The scanner does not support the USB HUB.
Remedy	Remove the USB HUB to use the scanner. (See p. 22.)

Scanning Is Slow

The following problems might cause the scanner to be slow. Try the solutions according to the problem.

Cause	The USB 2.0 interface card does not support Hi-Speed 2.0.
Remedy	Use the recommended USB 2.0 interface card. (See p. 20.)

Cause	The USB 2.0 interface cable does not support Hi-Speed 2.0.
Remedy	Use the USB cable provided with the scanner. (See p. 22.)

Cause	The USB HUB does not support Hi-Speed 2.0.
Remedy	Remove the HUB or replace it with one that supports HI-Speed 2.0. (See p. 22.)

Images Are Not Scanned

Check the following if the scanner does not scan an image even though the scanning operation is being performed:

- Is the scanner correctly connected to the PC?
- Has the scanner driver been installed?
- Has the application software been installed correctly? Has the application software been set up correctly?
- Is there a problem in the PC system?
- Is the flatbed scanner unit (option) correctly attached?



Note

- When system errors result in the scanner not functioning at all, turn OFF the scanner and wait at least ten seconds before turning it back ON.
- Make sure that the last document scanned was scanned correctly when scanning continues.
- When using the flatbed scanner unit (option), make sure that the flatbed scanner unit is correctly attached to the DR-2580C before scanning. Scanning cannot be done if the flatbed scanner unit is not correctly attached to the DR-2580C.

Documents Do Not Feed Properly

The following are possible causes of a document failing to feed properly. Check each possible cause.

Cause	Attempting to scan a document of a size, thickness, or weight that the scanner cannot scan.
Remedy	Check the size, thickness, and weight of the document. For precautions concerning documents, see “Documents,” on p. 43.
Cause	The rollers inside the scanner are dirty or worn.
Remedy	Refer to page 61 and clean the rollers. If the rollers are worn, then they need to be replaced. Contact your local authorized Canon dealer or service representative to purchase a roller replacement kit.

For details on how to clear jammed paper, see “Clearing a Paper Jam,” on p. 55.

Resulting Scanned Images Are Not Correct

If the resulting scanned images are not crisp, if there are lines or spots on the images, or if there is some other problem with scanned images, likely causes are listed below. Check each item and take the appropriate action.

Cause The sensor glass or the rollers inside the scanner are dirty.

Remedy Clean the sensor glass and rollers as described on p. 61.

Cause The scanner's internal platen glass is scratched.

Remedy Contact your local authorized Canon dealer or service representative.

Cause The application software is not set up properly for scanning.

Remedy Check the scanning related settings, such as brightness in the application software.

For example, if the document cannot be scanned at all, it is possible that the brightness setting is too high. If the resulting scanned images are too dark, it is possible that the brightness setting is too low.

Cause The scanner driver or application software is not running normally.

Remedy If the software is set properly for scanning and scanning is still not possible, it is possible that the scanner driver or the application software is not running normally. Reinstall the scanning driver or the application software. For details on how to install the scanner driver, see "Installing the ISIS/TWAIN Driver," on p. 28. For details on how to install the application software, refer to the application software instruction manual.

Cause Attempting to use a function of the DR-2580C that is not supported by the application software.

Remedy Some application software may not support certain functions, such as automatically detecting the paper size or changing the scanning mode/resolution through the scan panel. Using such application software for scanning may yield abnormal scanning results. Try scanning without using functions such as automatic paper size detection or margins settings.

If problems with the scanned images persist even after trying these solutions, then contact your local authorized Canon dealer or service representative.

The Flatbed Scanner (Option) Does Not Work

Operational failure of the optional flatbed scanner unit can be caused by any of the reasons described below. Try the solution according to the problem.

Cause	The ISIS/TWAIN scanner is set to something other than Flatbed.
Remedy	Set the ISIS/TWAIN driver to Flatbed. Refer to Help for the ISIS/TWAIN Driver for information about the ISIS/TWAIN Driver settings.

Cause	The interface connector is not connected.
Remedy	Check the connections between the DR-2580C and the flatbed scanner unit.

Cause	The DR-2580C is not installed correctly.
Remedy	Check the document size, thickness, and paper type. Remove the DR-2580C scanner and then reinstall it correctly.

Cause	The hook is not correctly attached to the DR-2580C.
Remedy	Remove the DR-2580C scanner and then reinstall it correctly.

Cause	The DR-2580C scanner was installed without removing the transport locks.
Remedy	Remove the DR-2580C scanner and remove the transport locks.

For information about removing the flatbed scanner unit, see the manual that comes with it.

Specifications

Type	Desktop sheetfed scanner	
Scanning Document Specifications		
Width:	53 mm to 216 mm	
Length:	70 mm to 355.5 mm	
Weight: Using the U-Turn Path		
(separated documents)	52 to 128 g/m ²	(0.06 mm to 0.15 mm)
(nonseparated documents)	42 to 157 g/m ²	(0.05 mm to 0.2 mm)
Weight: Using the Straight Path		
(separated documents)	42 to 157 g/m ²	(0.05 mm to 0.2 mm)
(nonseparated documents)	42 to 157 g/m ²	(0.05 mm to 0.2 mm)
Business cards are supported (excluding embossed cards).		
Size:	53.9 mm x 85.5 mm	
Thickness:	0.76 ± 0.08 mm	
Document Feeding Method	Automatic/Manual	
Scanning Method	Contact image sensor	
Light Source	LED	
Scanning Side	Simplex/Duplex/flatbed (option)	
Scanning Modes	Black and white, Advanced text enhancement, Error diffusion, 256-level grayscale, 24 bit color	
Scanning Resolution	100 x 100 dpi, 150 x 150 dpi, 200 x 200 dpi	
(Primary Scan Lines x Secondary Scan Lines)	240 x 240 dpi, 300 x 300 dpi, 400 x 400 dpi	
	600 x 600 dpi	
Scanning Speed		
Black and White	Simplex	A4
	200 x 200 dpi	25 pages/minute
	300 x 300 dpi	25 pages/minute
	600 x 600 dpi	6 pages/minute
	Duplex	
	200 x 200 dpi	50 images/minute
	300 x 300 dpi	50 images/minute
	600 x 600 dpi	12 images/minute
256-level Gray	Simplex	
	200 x 200 dpi	25 pages/minute
	300 x 300 dpi	25 pages/minute
	600 x 600 dpi	6 pages/minute
	Duplex	
	200 x 200 dpi	50 images/minute
	300 x 300 dpi	50 images/minute
	600 x 600 dpi	12 images/minute

24-bit Color	Simplex	200 x 200 dpi	13 pages/minute
		300 x 300 dpi	8 pages/minute
		600 x 600 dpi	2 pages/minute
	Duplex	200 x 200 dpi	26 images/minute
		300 x 300 dpi	16 images/minute
		600 x 600 dpi	4 images/minute
Amount of paper that can be stacked in automatic feeder	5 mm stack, maximum (50 sheets of 80 g/m ²)		
Interface	Hi-Speed USB 2.0		
Other Functions	Blank page skip, job function, folio scan		
Dimensions (with trays close)	81 mm x 302mm x 171 mm (W x D x H)		
Dimensions (with trays open)	136 mm x 302 mm x 267 mm (W x D x H)		
Weight	Approximately 1.9 kg 5.7 kg with flatbed scanner unit		
Power Supply	DC 16 V 1.4 A		
Power Consumption	Scanning:	19 W maximum 27 W maximum (with Flatbed Scanner Unit)	
	Standby:	6 W	
	Power SW OFF:	0.5 W	
Noise	Not more than 66 dB		
Operating Environment	Temperature:	10° C to 32.5° C	
	Humidity:	20 % to 80 % RH	

AC Adaptor (100 - 240V)

Model	MG1-3607
Input	AC 100-240 V 50/60 Hz 0.65-0.34 A
Output	DC 16 V 1.8 A
Power Supply	0.5 W max. (separate AC adaptor)
Weight	Approximately 0.3 kg (including Power Cord)

Options

Flatbed Scanner Unit (Model: 0106B001)

Flatbed Scanner Unit for the DR-2580C scanner.

Bar code module (product code: 0434B003)

Additional software to allow the ISIS/TWAIN driver to recognize bar codes.

- Contact your local authorized Canon dealer or service representative for detailed information about the options.

Replacement Parts

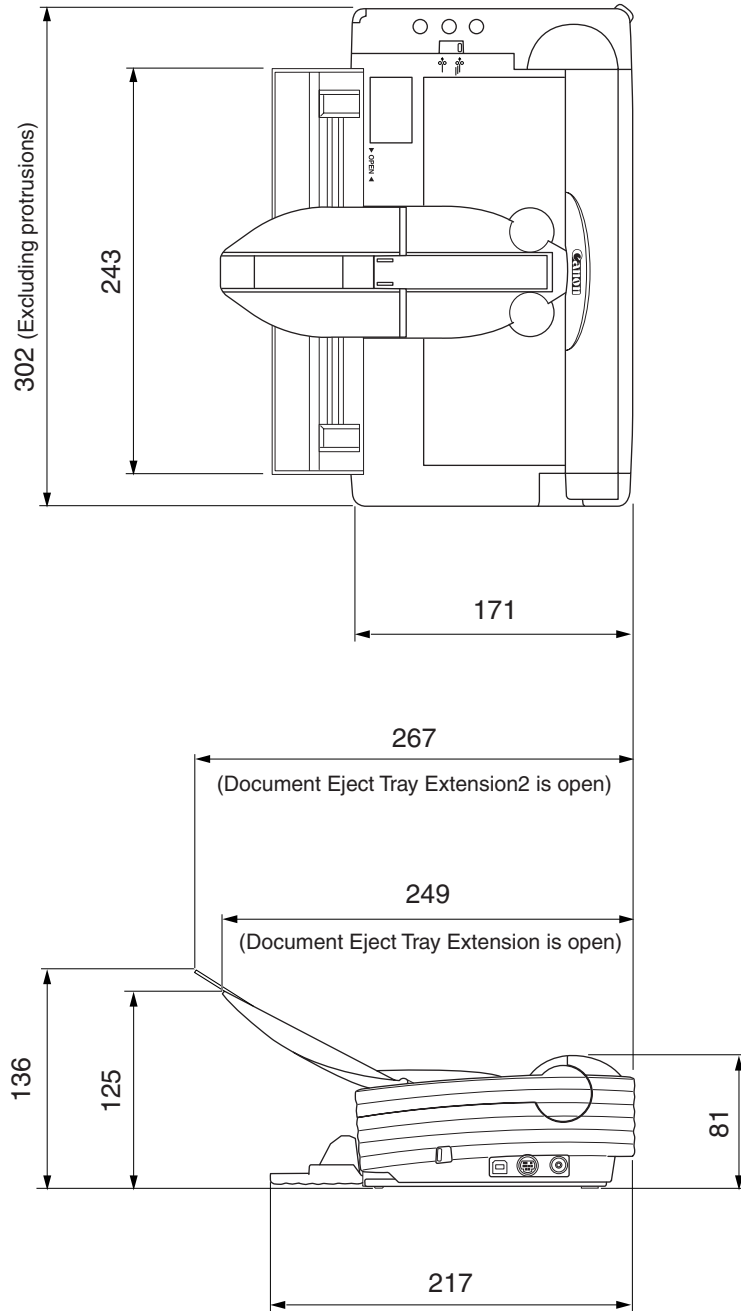
Roller replacement kit (product code: 0106B002)

Kit to replace the feed rollers (roller unit and retard roller).

- Refer to “Removing and Attaching the Rollers,” on p. 65 for information about replacing the rollers.
- Contact your local authorized Canon dealer or service representative for detailed information about the replacement parts.

External Dimensions

Units: millimeters



Index

A

AC adapter 5

C

CaptuerPerfect

 Install 31

 Uninstall 34

 Using 40

Checking the Packing List 10

Cleaning

 Glass 61

 Inside 60

 Scanner 60

D

Document Eject Opening 16

Document Eject Tray 15, 47

Document Eject Tray Extension 15, 48

Document Eject Tray Extension2 15, 48

Document Feed Tray 15, 45

Document Guide Adapter 46

Document Guides 15

Documents 43

E

Eject Selection Lever 16, 48

F

Features 8

Feed Selection Lever 15

Feed with the Bypass mode 53

Feed with the Page Separation mode 50

Flatbed Scanner Unit 59

I

Installation Requirements 17

Interface Cards 20

ISIS/TWAIN Driver

 Install 28

 Uninstall 34

 Using 37

J

Job Buttons 15

Job Function 58

Job Label 16, 39

Job Tool

 Using 38

K

Kensington Slot 16

N

Names of Parts 15

Notes Concerning Disposal 7

Notes on Normal Handling 6

O

OPEN Knob 15

Option Connector 16

P

Paper Jam 55

Placing a Document for Scanning 50

Power connector 16

Power Indicator 15

Power Switch 16

R

Regular Maintenance 60

Retard Roller 71

Roller

 Replacement Cycle 64

 Resetting the Counter 65

Roller Unit 67

S

Scanner

 Preparation 45

 Installation Procedure 19

 Recognizing 24

Straight Path 49

Scanning Folio 59

Specifications 80

 AC Adaptor 81

 External Dimensions 83

 Options 82

 Replacement Parts 82

 Scanner 80

T

Troubleshooting 75

U

Upper Unit 15

USB Connector 16

U-Turn Path 48