

Color **imageCLASS** **MF8580Cdw**

PARTS CATALOG



Canon

February 12, 2013
Rev. 0

PREFACE

This Parts Catalog contains listings of parts used

Diagrams are provided with the listings to aid the service technician in identifying clearly, the item to be ordered.

Whenever ordering parts, consult this Parts Catalog for all of the information pertaining to each item. Be sure to include, in the Parts Request, the full item description, the item part number, and the quantity.

COPYRIGHT (C) 1999 CANON INC.

Use of this manual should be strictly supervised to avoid disclosure of confidential information.

Contents

NUMERICAL INDEX

MF8580Cdw/MF8550Cd/MF8540Cdn Series(Numerical Index) 1-1

MF8580Cdw/MF8550Cd/MF8540Cdn Series(Parts Catalog)

A1	ASSEMBLY LOCATION DIAGRAM	2-1
A2	OPTION PARTS CATALOG LIST	2-3
001	ACCESSORIES	2-4
100	EXTERNAL COVERS, PANELS, ETC.	2-6
101	INTERNAL COMPONENTS 1	2-8
102	INTERNAL COMPONENTS 2	2-10
103	INTERNAL COMPONENTS 3	2-12
104	INTERNAL COMPONENTS 4	2-14
105	INTERNAL COMPONENTS 5	2-16
106	INTERNAL COMPONENTS 6	2-18
107	INTERNAL COMPONENTS 7	2-20
160	READER/ADF ASSEMBLY	2-22
162	PAPER FEEDER ASSEMBLY	2-25
300	CASSETTE	2-28
400	READER ASSEMBLY	2-29
460	LASER SCANNER ASS'Y	2-31
530	INTERMEDIATE TRANS. BELT ASS'Y	2-32
810	FIXING ASS'Y	2-33
900	MAIN CONTROLLER PCB ASSEMBLY	2-35
ZZA	MECHANICAL STANDARD PARTS (HOW TO USE)	2-36
ZZB	MECHANICAL STANDARD PARTS (SCREWS)	2-37
ZZC	MECHANICAL STANDARD PARTS (BOLTS)	2-44
ZZD	MECHANICAL STANDARD PARTS (NUTS)	2-45
ZZE	MECHANICAL STANDARD PARTS (RETAINING RINGS)	2-46

NUMERICAL INDEX

MF8580Cdw/MF8550Cd/MF8540Cdn Series(Numerical Index)

PARTS NUMBER	FIGURE & KEY NO.	PARTS NUMBER	FIGURE & KEY NO.	PARTS NUMBER	FIGURE & KEY NO
FC0-3943-000	103 - 18	FE2-2409-000	001 - 3	FM0-4673-000	900 -
FC0-3944-000	103 - 19	FE2-2443-000	160 - 33	FM0-4675-000	900 -
FC0-4435-000	160 - 11	FE2-2444-000	160 - 33	FM0-4682-000	107 - 14
FC7-6052-010	162 - 1	FE2-2445-000	160 - 33	FM0-4752-000	104 - 3
FC7-6182-000	162 - 32	FE2-3429-000	100 - 13	FM0-4753-000	104 - 3
FC7-6189-000	160 - 1	FE2-3484-000	160 - 13	FM0-4754-000	104 - 2
FC7-6278-000	162 - 33	FE2-3485-000	160 - 13	FM0-4855-000	160 - 22
FC7-6281-000	162 - 34	FE2-3486-000	160 - 13	FM0-4857-000	162 -
FC7-6297-000	162 - 2	FH2-7080-000	104 - 29	FM0-4859-000	162 - 14
FC7-6299-000	162 - 3	FH2-7082-000	104 - 28	FM0-5003-000	100 - 9
FC7-6300-000	162 - 4	FK2-3531-000	001 - 12	FM0-5004-000	100 - 9
FC7-6320-000	160 - 2	FK2-5242-000	400 - 16	FM0-5005-000	100 - 9
FC7-6321-000	160 - 3	FK2-5274-000	001 - 13	FM0-5009-000	100 - 9
FC7-6322-000	160 - 4	FK2-5275-000	001 - 6	FM0-5012-000	100 - 9
FC8-8715-000	103 - 1	FK2-7852-000	900 - IC	FM3-9538-000	160 - 23
FC8-8730-000	106 - 7	FK2-8767-000	107 - 6	FM3-9541-000	162 - 35
FC8-8742-000	100 - 2	FK2-9583-000	104 - 27	FM3-9542-000	162 - 13
FC8-8748-000	103 - 2	FK2-9878-000	107 - 8	FM3-9543-000	162 - 36
FC9-1503-000	160 - 5	FK3-1800-000	900 - IC	FM4-1493-000	100 - 8
FC9-1512-000	162 - 5	FK3-1884-000	400 - 6	FM4-1873-000	162 - 31
FC9-1523-000	162 - 6	FK3-1894-000	107 - 2	FM4-1885-000	162 - 11
FC9-1526-000	162 - 7	FK3-1951-000	107 - 10	FM4-3062-000	810 - 1
FC9-1534-000	160 - 8	FK3-3266-000	107 - 12	FM4-3063-000	810 - 1
FC9-1535-000	160 - 9	FK3-3940-000	107 - 3	FM4-3359-000	460 -
FC9-1650-000	400 - 1	FK3-3942-000	400 - 7	FM4-3653-000	400 - 9
FC9-2101-000	400 - 2	FK4-0887-000	001 - 1	FM4-3796-000	107 - 5
FC9-4507-000	107 - 1	FK4-0889-000	001 - 1	FM4-3800-000	104 - 17
FC9-4510-000	001 - 14	FK4-0890-000	001 - 1	FM4-3803-000	105 - 6
FC9-4541-000	100 - 3	FK4-0891-000	001 - 1	FM4-4279-000	300 -
FC9-4545-000	100 - 4	FK4-0893-000	001 - 1	FM4-4284-000	106 - 3
FC9-4546-000	106 - 1	FK4-0935-000	001 - 1	FM4-4285-000	100 - 10
FC9-4547-000	106 - 2	FK4-0936-000	001 - 1	FM4-4286-010	105 - 1
FC9-4551-000	100 - 5	FK4-0937-000	001 - 1	FM4-4287-000	100 - 11
FC9-4579-000	100 - 6	FK4-0939-000	001 - 1	FM4-4290-000	810 -
FC9-4584-000	100 - 16	FL0-1992-000	160 - 10	FM4-4291-000	810 -
FC9-4589-000	400 - 3	FL2-6637-000	160 - 19	FM4-4301-000	400 - 10
FC9-4590-000	400 - 4	FL3-1431-000	162 - 9	FM4-8513-000	103 - 3
FC9-5654-000	162 - 8	FL3-1437-000	162 - 10	FM4-8514-000	103 - 4
FC9-5655-000	160 - 14	FL3-2453-000	160 - 20	FM4-8968-000	107 - 4
FC9-5656-000	160 - 15	FL3-2458-000	162 - 12	FM4-9076-000	400 - 11
FC9-5657-000	160 - 16	FL3-3539-000	160 - 21	FM4-9831-000	107 - 11
FC9-7562-000	160 - 17	FL3-9295-000	160 - 7	FU5-6992-000	162 - 15
FC9-7563-000	160 - 17	FL3-9296-000	160 - 6	FU6-2998-000	162 - 16
FC9-7564-000	160 - 17	FM0-3571-000	103 - 10	FU6-2999-000	162 - 17
FC9-7566-000	160 - 18	FM0-3590-000	400 -	FU6-8345-000	001 - 2
FC9-7567-000	160 - 18	FM0-3591-000	400 - 8	FU7-0667-000	162 - 18
FC9-7568-000	160 - 18	FM0-3915-000	107 - 13	FU7-0668-000	162 - 19
FC9-7571-000	400 - 5	FM0-3917-000	104 - 7	FU7-0669-000	162 - 20
FC9-7573-000	400 - 5	FM0-4655-000	107 - 9	FU7-0671-000	162 - 21
FC9-7574-000	400 - 5	FM0-4657-000	107 - 7	FU7-0672-000	160 - 25
FE2-1399-000	100 - 5	FM0-4658-000	107 - 7	FU7-0676-000	162 - 22
FE2-2353-000	160 - 12	FM0-4672-000	900 -	FU7-0678-000	162 - 23

NUMERICAL INDEX

MF8580Cdw/MF8550Cd/MF8540Cdn Series(Numerical Index)

PARTS NUMBER	FIGURE & KEY NO.	PARTS NUMBER	FIGURE & KEY NO.	PARTS NUMBER	FIGURE & KEY NO
FU7-2016-000	162 - 24	RK2-2276-000	105 - 8	XA9-0476-000	100 - 15
FU7-2018-000	160 - 26	RK2-2276-000	106 - 8	XA9-0476-000	160 - 32
FU7-2021-000	162 - 26	RK2-2302-000	104 - 4	XA9-0476-000	400 - 15
FU7-8108-000	106 - 16	RK2-3267-000	101 - 1	XA9-0679-000	104 - 19
FU7-8109-000	100 - 12	RL1-1785-000	103 - 7	XA9-0831-000	160 - 24
FU7-8111-000	810 - 2	RL1-1800-000	104 - 5	XA9-1418-000	104 - 20
FU7-8406-000	160 - 27	RL1-1802-000	102 - 1	XA9-1418-000	105 - 9
FU7-8407-000	160 - 27	RL1-3053-000	104 - 1	XA9-1418-000	810 - 5
FU7-8411-000	001 - 4	RM1-4836-000	101 - 2	XA9-1420-000	101 - 7
FU7-8413-000	001 - 5	RM1-4838-000	106 - 9	XA9-1420-000	104 - 22
FU8-0895-000	160 - 28	RM1-4840-000	103 - 9	XA9-1420-000	105 - 7
FU8-2007-000	160 - 29	RM1-4850-000	102 - 2	XA9-1420-000	810 - 6
FU8-2008-000	162 - 25	RM1-4852-000	530 -	XA9-1671-000	100 - 7
HB1-5537-000	100 - 14	RM1-4876-000	106 - 10	XA9-1671-000	101 - 9
HC1-0586-000	160 - 30	RM1-4877-000	106 - 11	XA9-1671-000	102 - 3
HC1-0586-000	162 - 27	RM1-4879-000	106 - 12	XA9-1671-000	103 - 13
HU1-1022-000	160 - 31	RM1-4880-000	106 - 13	XA9-1671-000	104 - 21
HU1-1022-000	162 - 28	RM1-4881-000	102 - 7	XA9-1671-000	105 - 11
NPN	001 -	RM1-4896-000	105 - 2	XA9-1671-000	106 - 15
NPN	100 -	RM1-5293-000	104 - 8	XA9-1835-000	101 - 8
NPN	101 -	RM1-5294-050	101 - 3	XA9-1835-000	103 - 14
NPN	102 -	RM1-5385-000	104 - 9	XA9-1835-000	104 - 23
NPN	103 -	RM1-5393-000	104 - 10	XA9-1835-000	105 - 10
NPN	104 -	RM1-5394-000	104 - 11	XA9-1835-000	810 - 7
NPN	105 -	RM1-5395-000	104 - 12	XD9-0235-000	810 - 8
NPN	106 -	RM1-5397-000	106 - 14		
NPN	107 -	RM1-5398-000	101 - 4		
NPN	160 -	RM1-5399-000	101 - 5		
QK1-6441-000	001 - 8	RM1-5400-000	104 - 13		
QK1-6443-000	001 - 9	RM1-5419-000	105 - 4		
QK1-6446-000	001 - 10	RM1-5420-000	102 - 4		
QK1-6449-000	001 - 11	RM1-5428-000	103 - 11		
QK1-6455-000	001 - 7	RM1-5433-000	105 - 5		
RC2-0062-000	100 - 1	RM1-5434-000	104 - 14		
RC2-2014-000	103 - 6	RM1-5435-000	104 - 15		
RC2-3136-000	105 - 12	RM1-5438-000	104 - 16		
RC2-3220-000	104 - 24	RM1-7355-000	105 - 3		
RC2-3221-000	104 - 25	RM1-8042-010	104 - 6		
RC2-3222-000	104 - 26	RM1-8047-030	103 - 8		
RC2-3367-000	810 - 3	RU5-8126-000	101 - 12		
RC2-3386-000	103 - 16	RU6-2174-000	103 - 20		
RC2-3387-000	103 - 17	VS1-7177-002	162 - 37		
RC2-3388-000	103 - 5	VS1-7177-003	400 - 12		
RC2-3395-000	102 - 5	VS1-7177-004	400 - 13		
RC2-3396-000	102 - 6	VS1-7207-003	101 - 13		
RC2-3509-000	103 - 21	VS1-7207-004	162 - 29		
RC2-3555-000	103 - 15	WG8-5696-000	101 - 6		
RC2-3750-000	106 - 4	WG8-5696-000	103 - 12		
RC2-3752-000	106 - 5	WG8-5696-000	104 - 18		
RC2-3774-000	106 - 6	WG8-5696-000	162 - 30		
RC2-3800-000	101 - 10	WG8-5696-000	400 - 14		
RC2-3801-000	101 - 11	WG8-5696-000	810 - 4		

MF8580Cdw/MF8550Cd/MF8540Cdn Series(Parts Catalog)

imageCLASS MF8580Cdw

120V US	F16-4835-000	PXF	FAX/WIRELESS model
120V CA,LTN	F16-4835-000	PXK	FAX/WIRELESS model
230V AU	F16-4845-000	PXM	FAX/WIRELESS model
230V SG,HK,LTN	F16-4885-000	PXL	FAX/WIRELESS model

i-SENSYS MF8580Cdw

230V EUR	F16-4895-000	PXG	FAX/WIRELESS model
230V EUR	F16-4895-000	PXH	FAX/WIRELESS model
230V EUR	F16-4895-000	PXJ	FAX/WIRELESS model

i-SENSYS MF8550Cd

230V EUR	F16-4893-000	PXS	FAX model
230V EUR	F16-4893-000	PXT	FAX model
230V EUR	F16-4893-000	PXU	FAX model

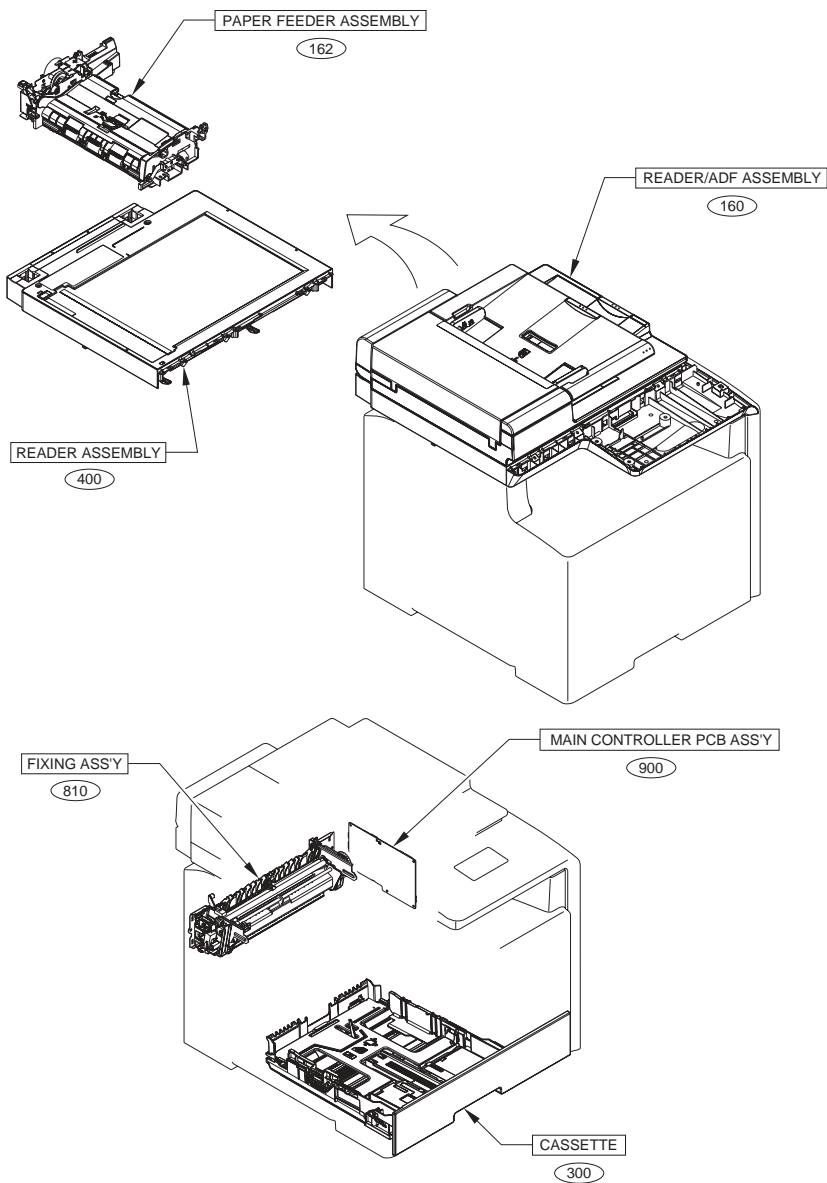
i-SENSYS MF8540Cdn

230V EUR	F16-4892-000	PXW	
-----------------	---------------------	------------	--

Contents

A1	ASSEMBLY LOCATION DIAGRAM	2-1
A2	OPTION PARTS CATALOG LIST	2-3
001	ACCESSORIES	2-4
100	EXTERNAL COVERS, PANELS, ETC.	2-6
101	INTERNAL COMPONENTS 1	2-8
102	INTERNAL COMPONENTS 2	2-10
103	INTERNAL COMPONENTS 3	2-12
104	INTERNAL COMPONENTS 4	2-14
105	INTERNAL COMPONENTS 5	2-16
106	INTERNAL COMPONENTS 6	2-18
107	INTERNAL COMPONENTS 7	2-20
160	READER/ADF ASSEMBLY	2-22
162	PAPER FEEDER ASSEMBLY	2-25
300	CASSETTE	2-28
400	READER ASSEMBLY	2-29
460	LASER SCANNER ASS'Y	2-31
530	INTERMEDIATE TRANS. BELT ASS'Y	2-32
810	FIXING ASS'Y	2-33
900	MAIN CONTROLLER PCB ASSEMBLY	2-35
ZZA	MECHANICAL STANDARD PARTS (HOW TO USE)	2-36
ZZB	MECHANICAL STANDARD PARTS (SCREWS).....	2-37
ZZC	MECHANICAL STANDARD PARTS (BOLTS).....	2-44
ZZD	MECHANICAL STANDARD PARTS (NUTS).....	2-45
ZZE	MECHANICAL STANDARD PARTS (RETAINING RINGS)	2-46

FIGURE A1 ASSEMBLY LOCATION DIAGRAM



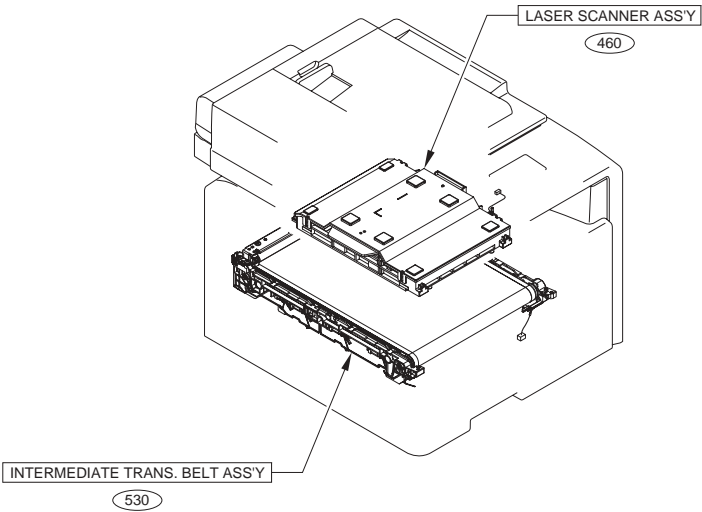


FIGURE A2 OPTION PARTS CATALOG LIST

This is the table of the machine's options whose parts catalog is issued.
本機のオプションで、パーツカタログが発行されている機種の一覧である。

No.	Model Name(English)	Model Name(Japanese)
1	Cassette Feeding Module-V1	1 段カセットユニット・V1
2	HANDSET KIT 3 Long cord	(日本仕向けなし)
3	TELEPHONE 6 KIT Long cord	(日本仕向けなし)

FIGURE 001 ACCESSORIES

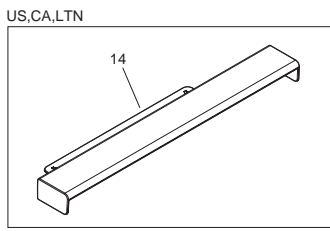
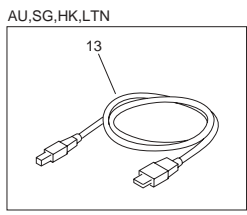
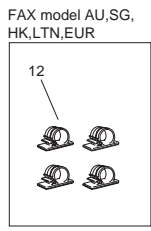
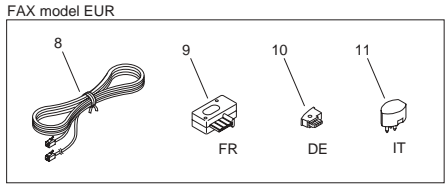
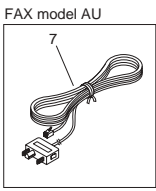
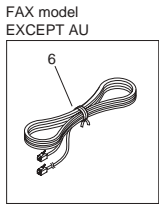
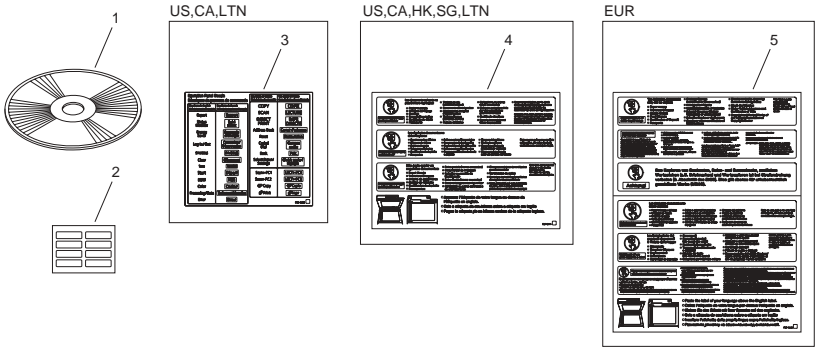


FIGURE & KEY NO.	PARTS NUMBER	R A N K	Q'TY	DESCRIPTION	SERIAL NUMBER/ REMARKS	S V C
Fig.001	NPN		RF	ACCESSORIES		
1	FK4-0893-000		1	CD-ROM, USER SOFTWARE	US English, Spanish Windows	
1	FK4-0887-000		1	CD-ROM, USER SOFTWARE	US English, French Windows	
1	FK4-0935-000		1	CD-ROM, USER SOFTWARE	Spanish, Brazilian Portuguese Windows	
1	FK4-0939-000		1	CD-ROM, USER SOFTWARE	US English Macintosh	
1	FK4-0891-000		1	CD-ROM, USER SOFTWARE	UK English Windows	
1	FK4-0889-000		1	CD-ROM, USER SOFTWARE	UK English, French Windows	
1	FK4-0890-000		1	CD-ROM, USER SOFTWARE	Italian, German Windows	
1	FK4-0936-000		1	CD-ROM, USER SOFTWARE	Spanish, Russian Windows	
1	FK4-0937-000		1	CD-ROM, USER SOFTWARE	Dutch, Polish Windows	
2	FU6-8345-000		1	LABEL, SHORTCUT		
3	FE2-2409-000		1	LABEL, OPTION, FRENCH	US, CA, LTN	
4	FU7-8411-000		1	LABEL, COPY PROHIBITION	US, CA, HK, SG, LTN	
5	FU7-8413-000		1	LABEL, COPY PROHIBITION	EUR	
6	FK2-5275-000		1	CORD, MODULAR	FAX model EXCEPT AU	
7	QK1-6455-000		1	CORD, MODULAR	FAX model AU	
8	QK1-6441-000		1	CORD, MODULER	FAX model EUR	
9	QK1-6443-000		1	PLUG	FAX model EUR	
10	QK1-6446-000		1	PLUG	FAX model EUR	
11	QK1-6449-000		1	PLUG	FAX model EUR	
12	FK2-3531-000		4	CLAMP, CABLE	FAX model AU, SG, HK, LTN, EUR	
13	FK2-5274-000		1	CABLE, USB	AU, SG, HK, LTN	
14	FC9-4510-000		1	COVER, DUST	US, CA, LTN	

FIGURE 100 EXTERNAL COVERS, PANELS, ETC.

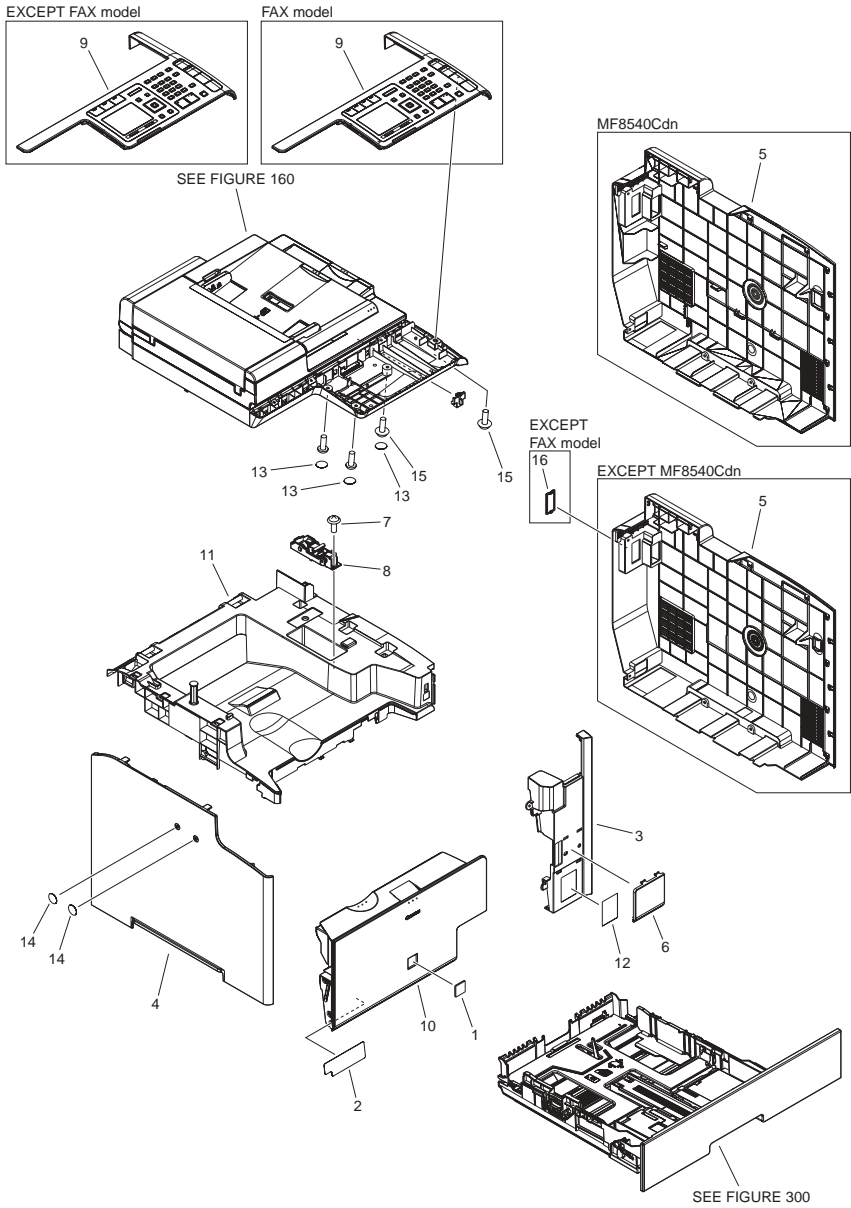


FIGURE & KEY NO.	PARTS NUMBER	R A N K	Q'TY	DESCRIPTION	SERIAL NUMBER/ REMARKS	S V C
Fig.100	NPN		RF	EXTERNAL COVERS, PANELS, ETC.		
1	RC2-0062-000		1	EMBLEM		
2	FC8-8742-000		1	LABEL, PAPER SIZE		
3	FC9-4541-000		1	COVER, RIGHT FRONT		
4	FC9-4545-000		1	COVER, LEFT		
5	FE2-1399-000		1	COVER, RIGHT, L6	MF8540Cdn	
5	FC9-4551-000		1	COVER, RIGHT	EXCEPT MF8540Cdn	
6	FC9-4579-000		1	COVER, SUB, FRONT		
7	XA9-1671-000		AR	SCREW, D, M3X8		
8	FM4-1493-000		1	HINGE ASSEMBLY		
9	FM0-5003-000		1	CONTROL PANEL ASSEMBLY	imageCLASS MF8580Cdw US,CA,LTN	
9	FM0-5004-000		1	CONTROL PANEL ASSEMBLY	imageCLASS MF8580Cdw AU,SG,HK,LTN	
9	FM0-5005-000		1	CONTROL PANEL ASSEMBLY	i-SENSYS MF8580Cdw	
9	FM0-5009-000		1	CONTROL PANEL ASSEMBLY	i-SENSYS MF8550Cd	
9	FM0-5012-000		1	CONTROL PANEL ASSEMBLY	i-SENSYS MF8540Cdn	
10	FM4-4285-000		1	FRONT DOOR ASS'Y		
11	FM4-4287-000		1	COVER, TOP		
12	FU7-8109-000		1	LABEL, JAM		
13	FE2-3429-000		3	SHEET, BLANKING		
14	HB1-5537-000		2	SHEET, BLANKING		
15	XA9-0476-000		4	SCREW, TP M3X8		
16	FC9-4584-000		1	COVER, MODULAR	EXCEPT FAX model	

FIGURE 101 INTERNAL COMPONENTS 1

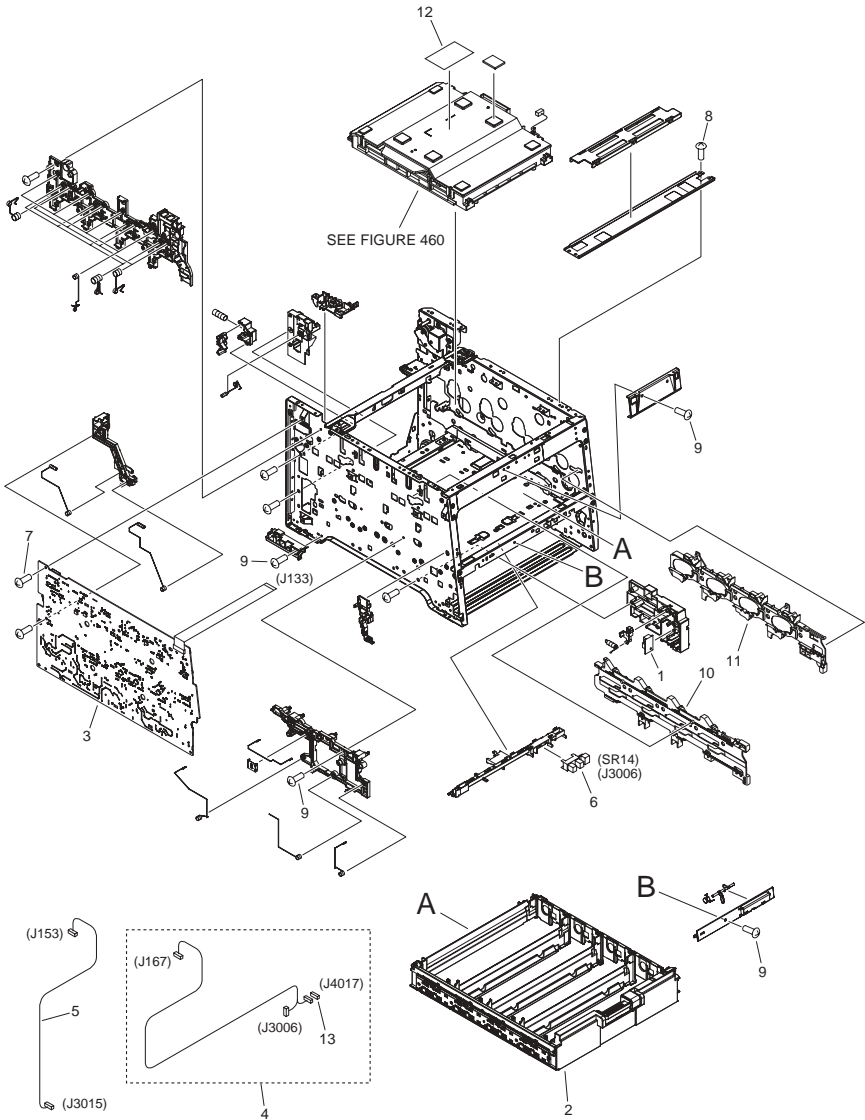


FIGURE & KEY NO.	PARTS NUMBER	R A N K	Q'TY	DESCRIPTION	SERIAL NUMBER/ REMARKS	S V C
Fig.101	NPN		RF	INTERNAL COMPONENTS 1		
1	RK2-3267-000		1	TEMPERATURE SENSOR UNIT		
2	RM1-4836-000		1	CARTRIDGE TRAY ASS'Y		
3	RM1-5294-050		1	H. V. POWER SUPPLY PCB ASS'Y		
4	RM1-5398-000		1	SENSOR CABLE ASS'Y		
5	RM1-5399-000		1	ENV. SENSOR CABLE ASS'Y		
6	WG8-5696-000		1	PHOTO INTERRUPTER, TLP1243	SR14	
7	XA9-1420-000		AR	SCREW, WWASHER, M3X8		
8	XA9-1835-000		AR	SCREW, D, M3X6		
9	XA9-1671-000		AR	SCREW, D, M3X8		
10	RC2-3800-000		1	RAIL, LEFT		
11	RC2-3801-000		1	RAIL, RIGHT		
12	RU5-8126-000		1	LABEL, WARNING LASER		
13	VS1-7207-003		1	CONNECTOR, SNAP TIGHT, BK		

FIGURE 102 INTERNAL COMPONENTS 2

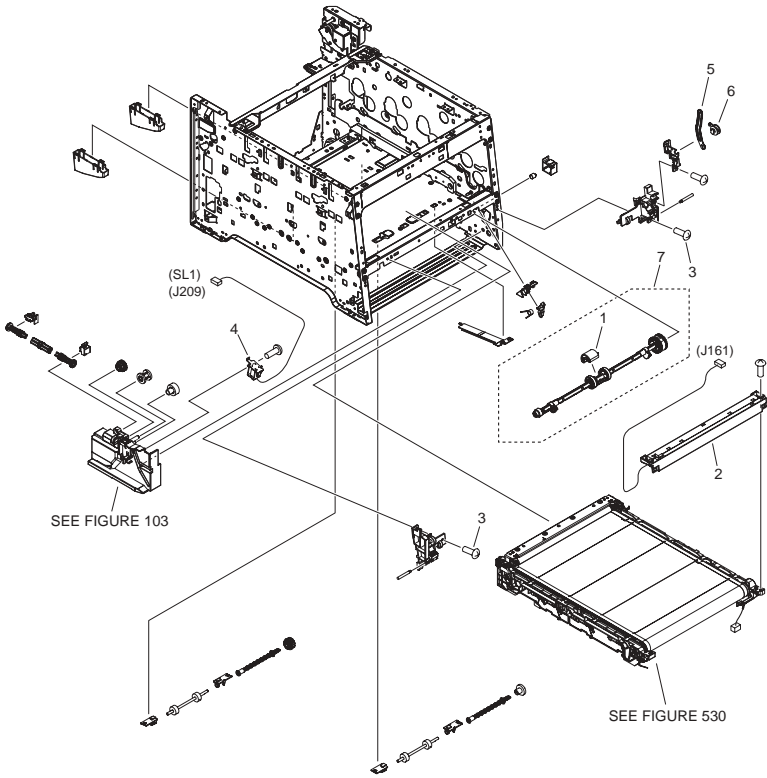


FIGURE & KEY NO.	PARTS NUMBER	RANK	Q'TY	DESCRIPTION	SERIAL NUMBER/REMARKS	SVC
Fig.102	NPN		RF	INTERNAL COMPONENTS 2		
1	RL1-1802-000		1	ROLLER, PAPER PICK-UP		
2	RM1-4850-000		1	COLOR MISREGIST. SENSOR ASS'Y		
3	XA9-1671-000		AR	SCREW, D, M3X8		
4	RM1-5420-000		1	MP SOLENOID ASS'Y	SL1	
5	RC2-3395-000		1	HINGE, MULTI-PURPOSE COVER		
6	RC2-3396-000		1	BUSHING		
7	RM1-4881-000		1	MP PAPER PICK-UP ROLLER ASS'Y		

FIGURE 103 INTERNAL COMPONENTS 3

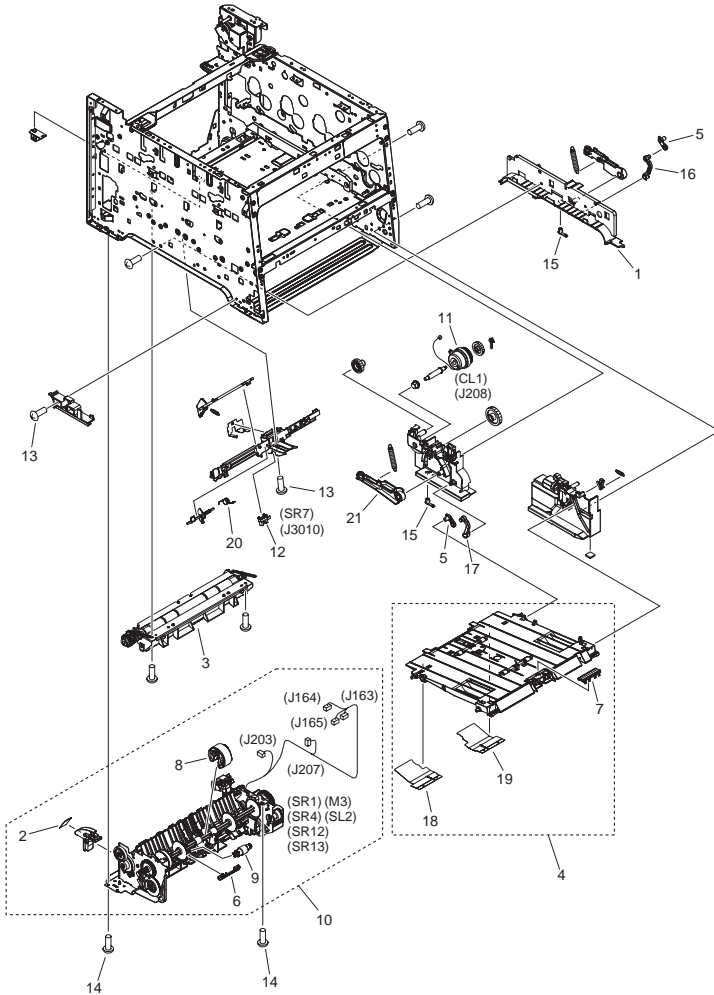


FIGURE & KEY NO.	PARTS NUMBER	R A N K	Q'TY	DESCRIPTION	SERIAL NUMBER/ REMARKS	S V C
Fig.103	NPN		RF	INTERNAL COMPONENTS 3		
1	FC8-8715-000		1	HANDLE, LEFT		
2	FC8-8748-000		1	LABEL, MOTOR CAUTION		
3	FM4-8513-000		1	REGISTRATION ASS'Y		
4	FM4-8514-000		1	MP PAPER PICK-UP ASS'Y		
5	RC2-3388-000		2	ARM, TRAY		
6	RC2-2014-000		1	COVER, HOLDER		
7	RL1-1785-000		1	PAD, SEPARATION		
8	RM1-8047-030		1	PICK-UP ROLLER ASS'Y		
9	RM1-4840-000		1	SEPARATION ROLLER ASS'Y		
10	FMO-3571-000		1	PAPER PICK-UP ASS'Y	SR1,SR4,SR12,SR13,M3, SL2	
11	RM1-5428-000		1	MP CLUTCH ASS'Y	CL1	
12	WG8-5696-000		1	PHOTO INTERRUPTER, TLP1243	SR7	
13	XA9-1671-000		AR	SCREW, D, M3X8		
14	XA9-1835-000		AR	SCREW, D, M3X6		
15	RC2-3555-000		2	STOPPER, ARM		
16	RC2-3386-000		1	ARM, TRAY, LEFT		
17	RC2-3387-000		1	ARM, TRAY, RIGHT		
18	FC0-3943-000		1	SHEET, GUIDE, LEFT		
19	FC0-3944-000		1	SHEET, GUIDE, RIGHT		
20	RU6-2174-000		1	SPRING, TORSION		
21	RC2-3509-000		1	ARM, PRESSURE, RIGHT		

FIGURE 104 INTERNAL COMPONENTS 4

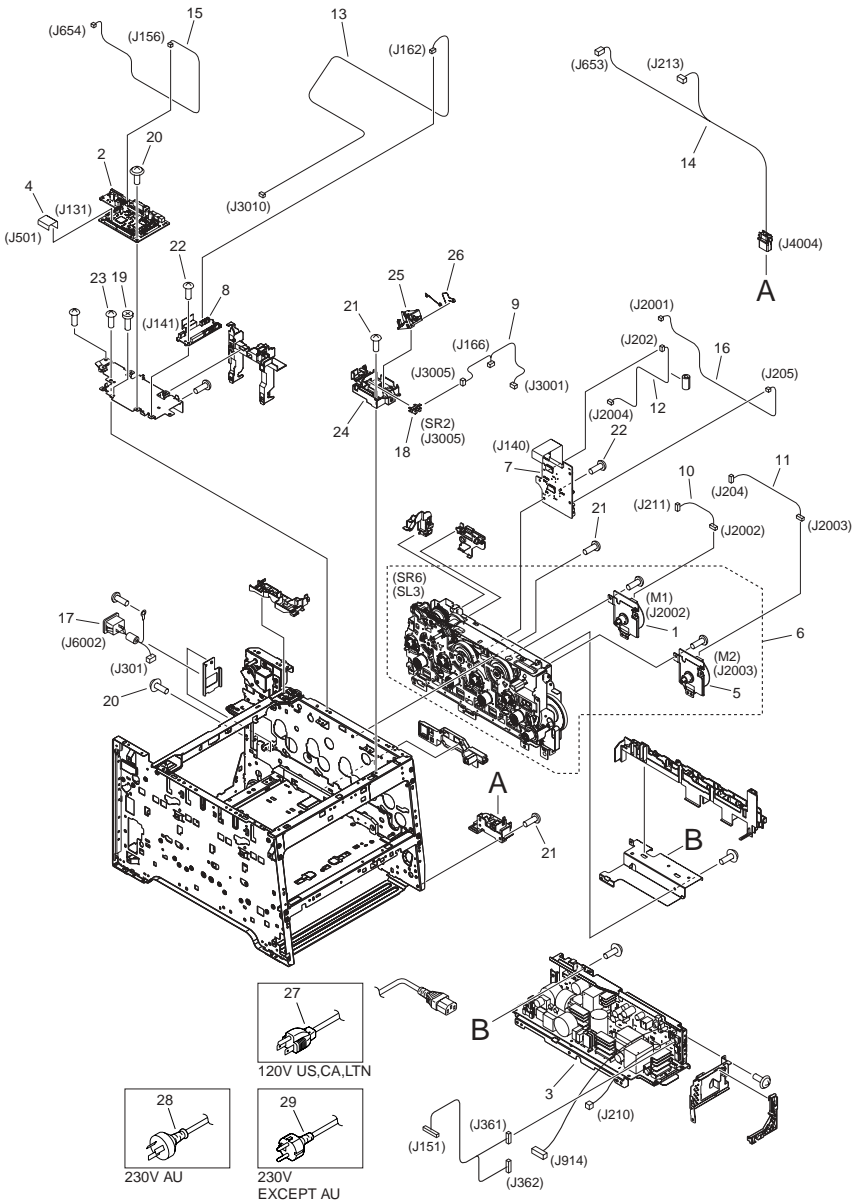


FIGURE & KEY NO.	PARTS NUMBER	R A N K	Q'TY	DESCRIPTION	SERIAL NUMBER/ REMARKS	S V C
Fig.104	NPN		RF	INTERNAL COMPONENTS 4		
1	RL1-3053-000		1	MOTOR, DC	M1	
2	FM0-4754-000		1	DC CONTROLLER PCB ASS'Y		
3	FM0-4752-000		1	POWER SUPPLY ASS'Y	120V	
3	FM0-4753-000		1	POWER SUPPLY ASS'Y	230V	
4	RK2-2302-000		1	CABLE, FLAT		
5	RL1-1800-000		1	MOTOR, DC	M2	
6	RM1-8042-010		1	MAIN DRIVE ASS'Y	SR6,SL3	
7	FM0-3917-000		1	DRIVER PCB ASS'Y		
8	RM1-5293-000		1	RELAY PCB ASS'Y		
9	RM1-5385-000		1	SENSOR CABLE ASS'Y		
10	RM1-5393-000		1	DRAM MOTOR CABLE ASS'Y		
11	RM1-5394-000		1	DEVELOPING MOTOR CABLE ASS'Y		
12	RM1-5395-000		1	FEED MOTOR CABLE ASS'Y		
13	RM1-5400-000		1	SENSOR CABLE ASS'Y		
14	RM1-5434-000		1	OPTION CABLE ASS'Y		
15	RM1-5435-000		1	RLD CABLE ASS'Y		
16	RM1-5438-000		1	FIXING MOTOR CABLE ASS'Y		
17	FM4-3800-000		1	CORD, POWER SUPPLY		
18	WG8-5696-000		1	PHOTO INTERRUPTER, TLP1243	SR2	
19	XA9-0679-000		1	SCREW, MACH., FLAT HEAD, M3X4		
20	XA9-1418-000		AR	SCREW, TP, M3X6		
21	XA9-1671-000		AR	SCREW, D, M3X8		
22	XA9-1420-000		AR	SCREW, W/WASHER, M3X8		
23	XA9-1835-000		AR	SCREW, D, M3X6		
24	RC2-3220-000		1	HOLDER, CARTRIDGE DOOR SENSOR		
25	RC2-3221-000		1	ARM, DOOR SENSOR		
26	RC2-3222-000		1	SPRING, TORSION		
27	FK2-9583-000		1	CORD, POWER	120V US,CA,LTN	
28	FH2-7082-000		1	CORD, POWER	230V AU	
29	FH2-7080-000		1	CORD, POWER, 230V	230V EXCEPT AU,CN	

FIGURE 105 INTERNAL COMPONENTS 5

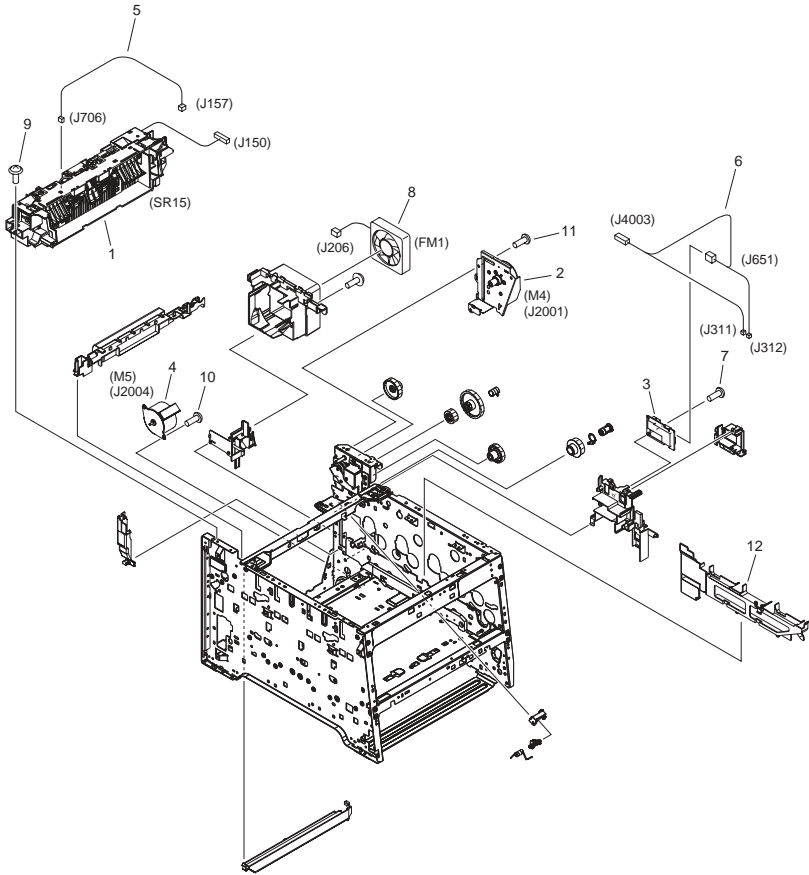


FIGURE & KEY NO.	PARTS NUMBER	R A N K	Q'TY	DESCRIPTION	SERIAL NUMBER/ REMARKS	S V C
Fig.105	NPN		RF	INTERNAL COMPONENTS 5		
1	FM4-4286-010		1	PAPER DELIVERY ASS'Y	SR15	
2	RM1-4896-000		1	FIXING MOTOR UNIT	M4	
3	RM1-7355-000		1	POWER SUPPLY SUB PCB ASS'Y		
4	RM1-5419-000		1	FEED MOTOR ASS'Y	M5	
5	RM1-5433-000		1	THERMISTOR CABLE ASS'Y		
6	FM4-3803-000		1	CABLE, FIXING		
7	XA9-1420-000		AR	SCREW, WWASHER, M3X8		
8	RK2-2276-000		1	FAN	FM1	
9	XA9-1418-000		AR	SCREW, TP, M3X6		
10	XA9-1835-000		AR	SCREW, D, M3X6		
11	XA9-1671-000		AR	SCREW, D, M3X8		
12	RC2-3136-000		1	DUCT, 5		

FIGURE 106 INTERNAL COMPONENTS 6

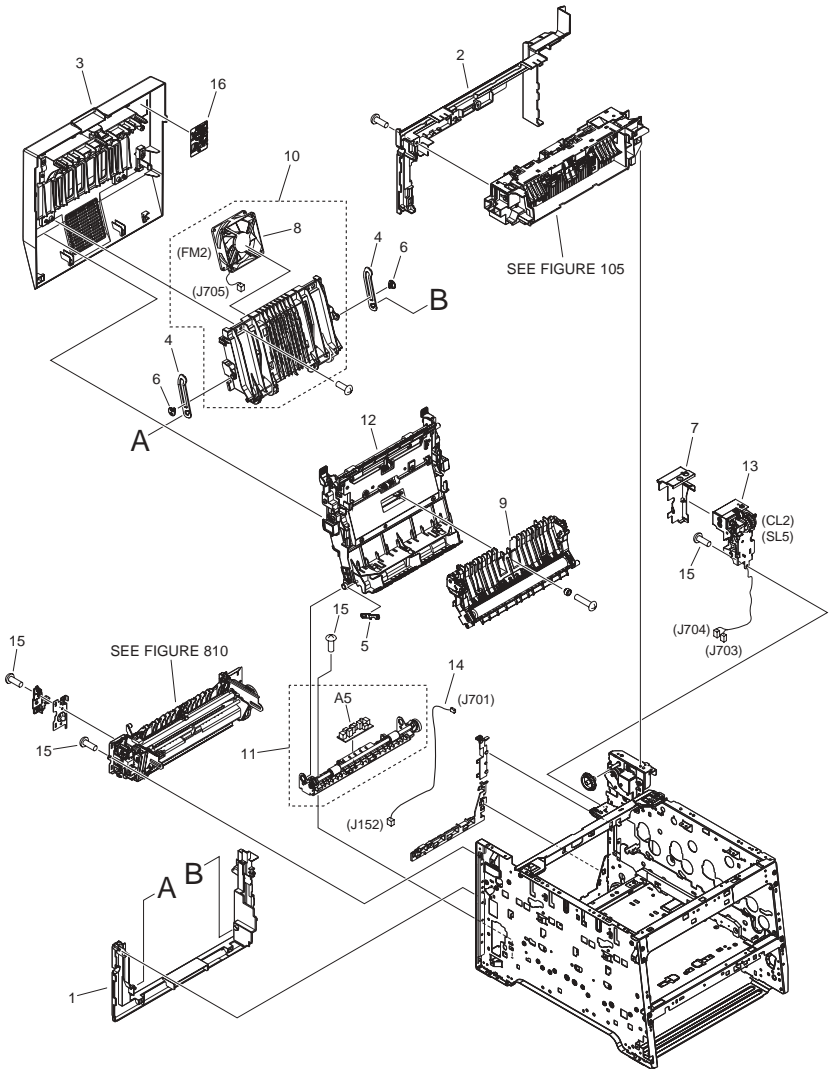


FIGURE & KEY NO.	PARTS NUMBER	R A N K	Q'TY	DESCRIPTION	SERIAL NUMBER/ REMARKS	S V C
Fig.106	NPN		RF	INTERNAL COMPONENTS 6		
1	FC9-4546-000		1	COVER, REAR LOWER		
2	FC9-4547-000		1	COVER, REAR UPPER		
3	FM4-4284-000		1	REAR DOOR ASS'Y		
4	RC2-3750-000		2	LINK, DOOR		
5	RC2-3752-000		1	LINK, GUIDE		
6	RC2-3774-000		2	CAP, LINK		
7	FC8-8730-000		1	COVER, REVERSE		
8	RK2-2276-000		1	FAN	FM2	
9	RM1-4838-000		1	PAPER FEED GUIDE ASS'Y		
10	RM1-4876-000		1	REAR DOOR RIB ASS'Y		
11	RM1-4877-000		1	PAPER RE-PICK UP GUIDE ASS'Y		
12	RM1-4879-000		1	DUPLEXING FEED GUIDE ASS'Y		
13	RM1-4880-000		1	REVERSE DRIVE ASS'Y	CL2,SL5	
14	RM1-5397-000		1	DUPLEX CABLE ASS'Y		
15	XA9-1671-000		AR	SCREW, D, M3X8		
16	FU7-8108-000		1	LABEL, DUPLEX JAM		

FIGURE 107 INTERNAL COMPONENTS 7

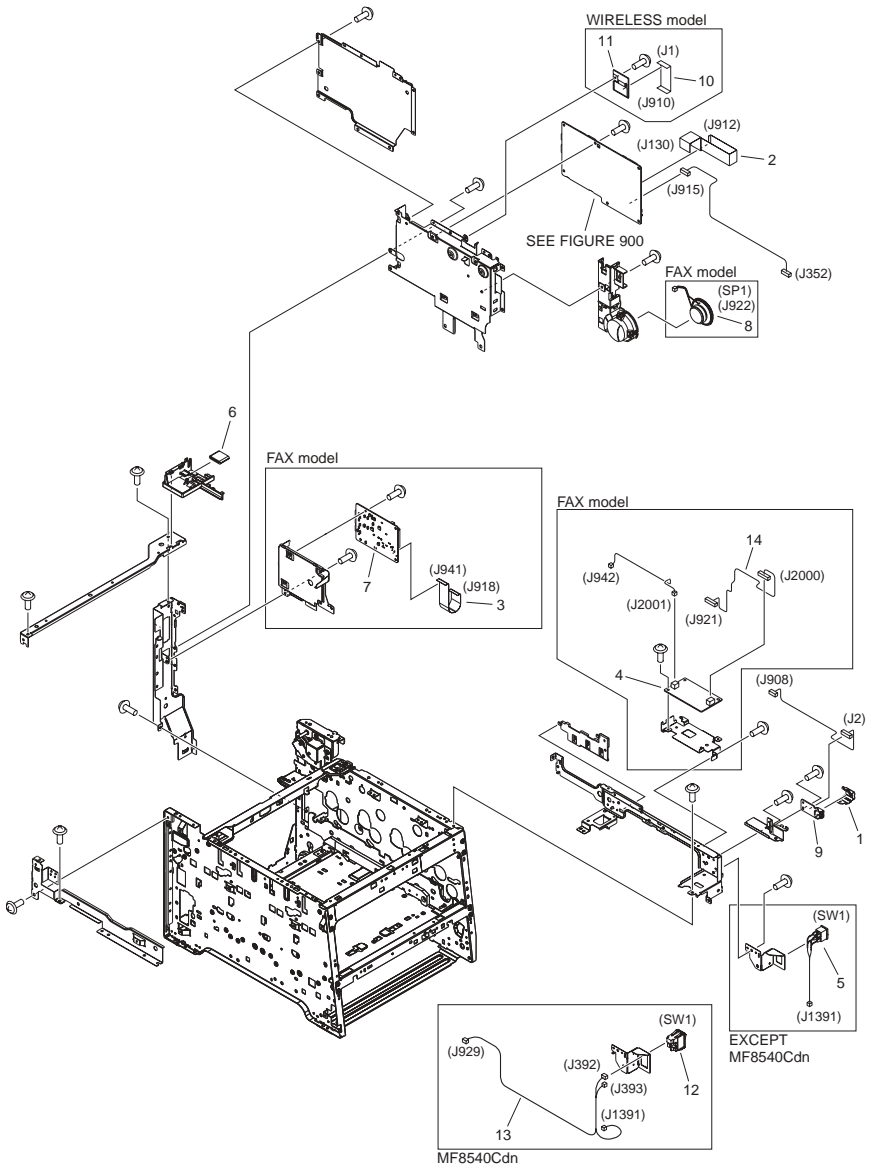


FIGURE & KEY NO.	PARTS NUMBER	RANK	Q'TY	DESCRIPTION	SERIAL NUMBER/REMARKS	SVC
Fig.107	NPN		RF	INTERNAL COMPONENTS 7		
1	FC9-4507-000		1	PLATE, USB GROUNDING		
2	FK3-1894-000		1	CABLE, FLAT		
3	FK3-3940-000		1	CABLE, FLAT	FAX model	
4	FM4-8968-000		1	OFFHOOK PCB ASSEMBLY	FAX model EXCEPT JP	
5	FM4-3796-000		1	CABLE, MAIN SWITCH	EXCEPT MF8540Cdn SW1	
6	FK2-8767-000		1	CORE, FERRITE		
7	FM0-4658-000		1	FAX-NCU PCB ASSEMBLY	FAX model EUR	
7	FM0-4657-000		1	FAX-NCU PCB ASSEMBLY	FAX model EXCEPT JP, EUR	
8	FK2-9878-000		1	SPEAKER ASSEMBLY	FAX model SP1	
9	FM0-4655-000		1	USB PCB ASSEMBLY		
10	FK3-1951-000		1	CABLE, FLAT	WIRELESS model	
11	FM4-9831-000		1	WIRELESS LAN PCB ASSEMBLY	WIRELESS model	
12	FK3-3266-000		1	SWITCH, POWER SUPPLY	MF8540Cdn SW1	
13	FM0-3915-000		1	CABLE, MAIN SWITCH	MF8540Cdn	
14	FM0-4682-000		1	CABLE, OFFHOOK	FAX model EXCEPT JP	

FIGURE 160 READER/ADF ASSEMBLY

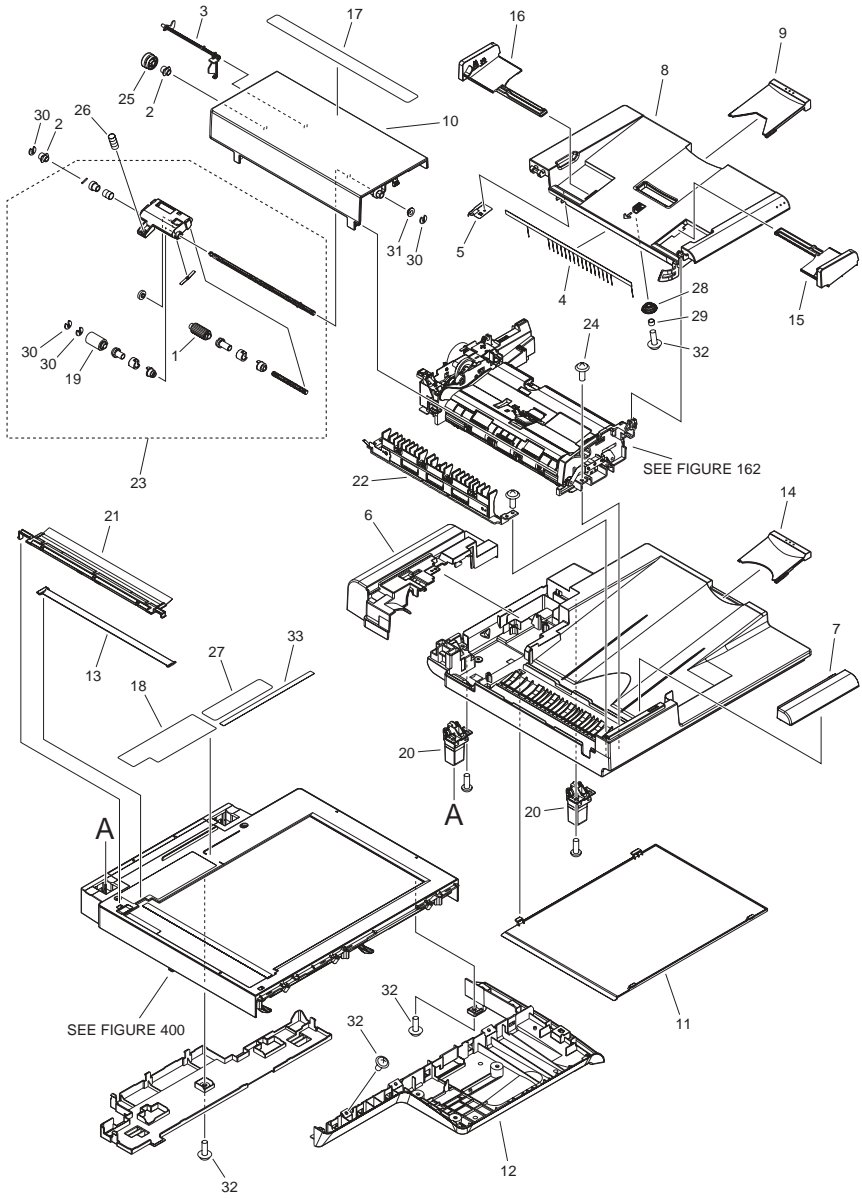


FIGURE & KEY NO.	PARTS NUMBER	R A N K	Q'TY	DESCRIPTION	SERIAL NUMBER/ REMARKS	S V C
Fig.160	NPN		RF	READER/ADF ASSEMBLY		
1	FC7-6189-000		1	ROLLER, PICK-UP		
2	FC7-6320-000		2	BUSHING		
3	FC7-6321-000		1	FLAG, DOCUMENT SCANNER		
4	FC7-6322-000		1	ELIMINATOR, STATIC CHARGE		
5	FC9-1503-000		1	PLATE, GROUNDING		
6	FL3-9296-000		1	COVER, REAR		
7	FL3-9295-000		1	COVER, FRONT UPPER		
8	FC9-1534-000		1	TRAY, DOCUMENT		
9	FC9-1535-000		1	TRAY, SUB DOCUMENT		
10	FL0-1992-000		1	PANEL, OPEN/CLOSE		
11	FC0-4435-000		1	SHEET, WHITE		
12	FE2-2353-000		1	COVER, BASE		
13	FE2-3484-000		1	PLATE, PAPER SIZE	A/INCH SIZE	
13	FE2-3486-000		1	PLATE, PAPER SIZE	AB/K/INCH SIZE	
13	FE2-3485-000		1	PLATE, PAPER SIZE	A SIZE	
14	FC9-5655-000		1	TRAY, SUB		
15	FC9-5656-000		1	GUIDE, DOCUMENT, FRONT		
16	FC9-5657-000		1	GUIDE, DOCUMENT, REAR		
17	FC9-7562-000		1	LABEL, SIZE INDEX	A/INCH SIZE	
17	FC9-7564-000		1	LABEL, SIZE INDEX	AB/K/INCH SIZE	
17	FC9-7563-000		1	LABEL, SIZE INDEX	A SIZE	
18	FC9-7566-000		1	LABEL, GLASS CLEANING	US,CA,LTN	
18	FC9-7568-000		1	LABEL, GLASS CLEANING	AU,SG,HK,LTN	
18	FC9-7567-000		1	LABEL, GLASS CLEANING	EUR	
19	FL2-6637-000		1	ROLLER, SEPARATION		
20	FL3-2453-000		2	HINGE, ADF		
21	FL3-3539-000		1	HOLDER, DOCUMENT,RELEASE SHEET		
22	FM0-4855-000		1	PAPER FEED GUIDE ASSEMBLY		
23	FM3-9538-000		1	SEPARATION ROLLER ASSEMBLY		
24	XA9-0831-000		5	SCREW,M3X10		
25	FU7-0672-000		1	GEAR, 24T		

FIGURE & KEY NO.	PARTS NUMBER	R A N K	Q'TY	DESCRIPTION	SERIAL NUMBER/ REMARKS	S V C
26	FU7-2018-000		1	SPRING, COMPRESSION		
27	FU7-8406-000		1	LABEL, COPY PROHIBITION	US,CA,AU,SG,HK,LTN	
27	FU7-8407-000		1	LABEL, COPY PROHIBITION	EUR	
28	FU8-0895-000		1	GEAR, 18T		
29	FU8-2007-000		1	SPRING, COMPRESSION		
30	HC1-0586-000		4	RETAINING RING		
31	HU1-1022-000		1	BUSHING		
32	XA9-0476-000		9	SCREW,TP M3X8		
33	FE2-2443-000		1	LABEL, SIZE INDEX	A/INCH SIZE	
33	FE2-2445-000		1	LABEL, SIZE INDEX	AB/K/INCH SIZE	
33	FE2-2444-000		1	LABEL, SIZE INDEX	A SIZE	

FIGURE & KEY NO.	PARTS NUMBER	R A N K	Q'TY	DESCRIPTION	SERIAL NUMBER/ REMARKS	S V C
Fig.162	FM0-4857-000		1	PAPER FEEDER ASSEMBLY		
1	FC7-6052-010		1	RATCHET, PAPER FEED ROLLER		
2	FC7-6297-000		1	PAD, SEPARATION		
3	FC7-6299-000		1	HOLDER, SEPARATION PAD		
4	FC7-6300-000		1	CLAMP, SEPARATION PAD		
5	FC9-1512-000		1	LEVER, RELEASE		
6	FC9-1523-000		1	PLATE, ROLLER GROUNDING		
7	FC9-1526-000		1	GUIDE, PAPER DELIVERY		
8	FC9-5654-000		1	SHEET, SEPARATION PAD		
9	FL3-1431-000		1	ARM, SEPARATION SWING		
10	FL3-1437-000		1	GUIDE LOWER ASSEMBLY		
11	FM4-1885-000		1	PAPER FEED ROLLER ASSEMBLY		
12	FL3-2458-000		1	PAPER DELIVERY ROLLER ASSY		
13	FM3-9542-000		1	DRIVE PLATE ASSEMBLY		
14	FM0-4859-000		1	MOTOR DRIVE ASSY	M721	
15	FU5-6992-000		3	ROLLER, AUXILIARY		
16	FU6-2998-000		1	SPRING, COMPRESSION		
17	FU6-2999-000		1	SPRING, TENSION		
18	FU7-0667-000		1	GEAR, 20T		
19	FU7-0668-000		1	GEAR, 54T		
20	FU7-0669-000		1	GEAR, 46T/23T		
21	FU7-0671-000		1	GEAR, 36T		
22	FU7-0676-000		1	GEAR, 21T/42T		
23	FU7-0678-000		1	GEAR, 51T/17T		
24	FU7-2016-000		1	SPRING, COMPRESSION		
25	FU8-2008-000		3	SPRING, COMPRESSION		
26	FU7-2021-000		1	SPRING, COMPRESSION		
27	HC1-0586-000		5	RETAINING RING		
28	HU1-1022-000		4	BUSHING		
29	VS1-7207-004		1	CONNECTOR, SNAP TIGHT, BK		
30	WG8-5696-000		2	PHOTO INTERRUPTER, TLP1243	PS702,PS703	
31	FM4-1873-000		1	GUIDE ASSEMBLY, UPPER		

FIGURE & KEY NO.	PARTS NUMBER	RANK	Q'TY	DESCRIPTION	SERIAL NUMBER/REMARKS	SVC
32	FC7-6182-000		1	LEVER, ROLLER RELEASE		
33	FC7-6278-000		1	FLAPPER, PAPER DELIVERY		
34	FC7-6281-000		1	SPRING, ARM		
35	FM3-9541-000		1	PAPER DELIVERY ASSEMBLY		
36	FM3-9543-000		1	SOLENOID ASSEMBLY	SL4	
37	VS1-7177-002		1	CONNECTOR, SNAP TIGHT, BK		

FIGURE 300 CASSETTE

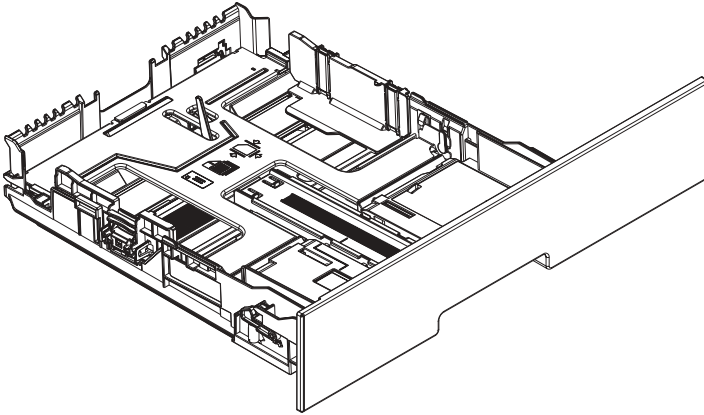
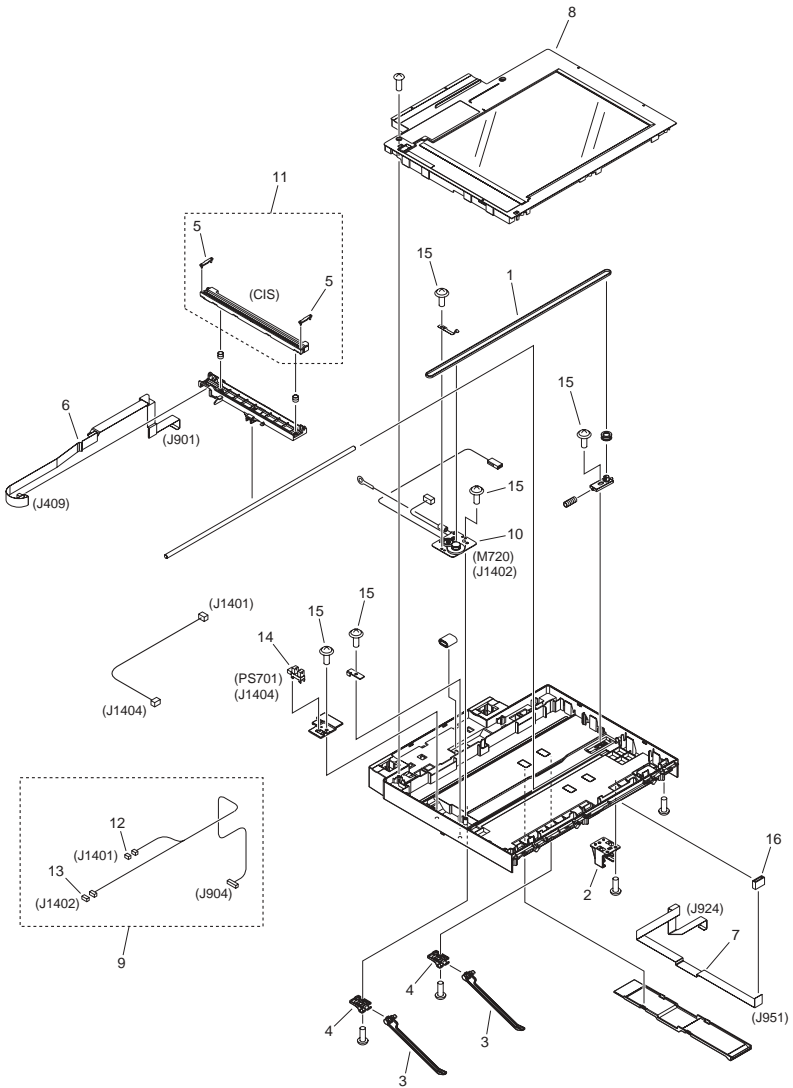


FIGURE & KEY NO.	PARTS NUMBER	RANK	QTY	DESCRIPTION	SERIAL NUMBER/REMARKS	SVC
Fig.300	FM4-4279-000		1	CASSETTE		

FIGURE 400 READER ASSEMBLY



NOTE : This assembly does not include the part shown with key No. 16.

注 : このユニットにKey No. 16の部品は含まれません。

FIGURE & KEY NO.	PARTS NUMBER	RANK	Q'TY	DESCRIPTION	SERIAL NUMBER/REMARKS	SVC
Fig.400	FM0-3590-000		1	READER ASSEMBLY		
1	FC9-1650-000		1	BELT, TIMING		
2	FC9-2101-000		1	MOUNT, SUPPORTER		
3	FC9-4589-000		2	LEVER, FACE-DOWN		
4	FC9-4590-000		2	HOLDER, FACE-DOWN LEVER		
5	FC9-7573-000		2	SPACER, CIS	RANK_A	
5	FC9-7571-000		2	SPACER, CIS	RANK_B	
5	FC9-7574-000		2	SPACER, CIS	RANK_C	
6	FK3-1884-000		1	CABLE, FLAT		
7	FK3-3942-000		1	CABLE, FLAT		
8	FM0-3591-000		1	READER COVER UNIT		
9	FM4-3653-000		1	CABLE, READER		
10	FM4-4301-000		1	DC MOTOR ASSEMBLY	M720	
11	FM4-9076-000		1	CONTACT IMAGE SENSOR ASS'Y	CIS	
12	VS1-7177-003		1	CONNECTOR, SNAP TIGHT, BK		
13	VS1-7177-004		1	CONNECTOR, SNAP TIGHT, BK		
14	WG8-5696-000		1	PHOTO INTERRUPTER, TLP1243	PS701	
15	XA9-0476-000		AR	SCREW,TP M3X8		
16	FK2-5242-000		1	CORE	SEE NOTE	

FIGURE 460 LASER SCANNER ASS'Y

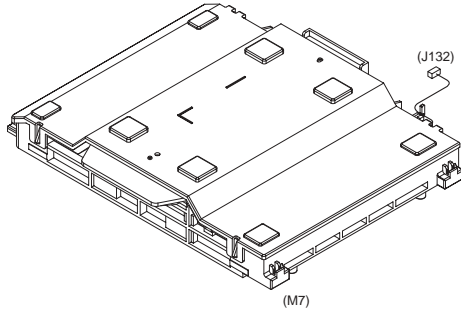


FIGURE & KEY NO.	PARTS NUMBER	RANK	QTY	DESCRIPTION	SERIAL NUMBER/REMARKS	SVC
Fig.460	FM4-3359-000		1	LASER SCANNER ASS'Y	M7	

FIGURE 530 INTERMEDIATE TRANS. BELT ASS'Y

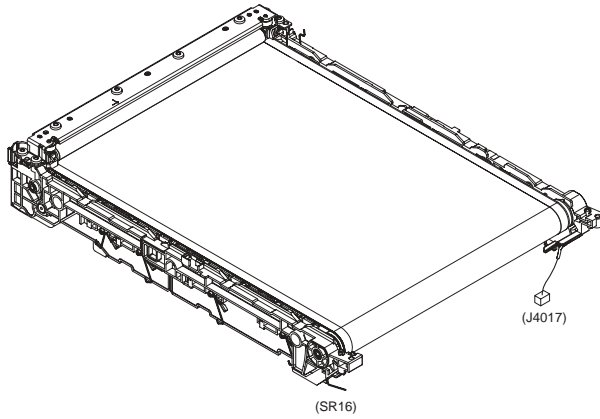


FIGURE & KEY NO.	PARTS NUMBER	RANK	QTY	DESCRIPTION	SERIAL NUMBER/REMARKS	SVC
Fig.530	RM1-4852-000		1	INTERMEDIATE TRANS. BELT ASS'Y	SR16	

FIGURE 810
FIXING ASS'Y

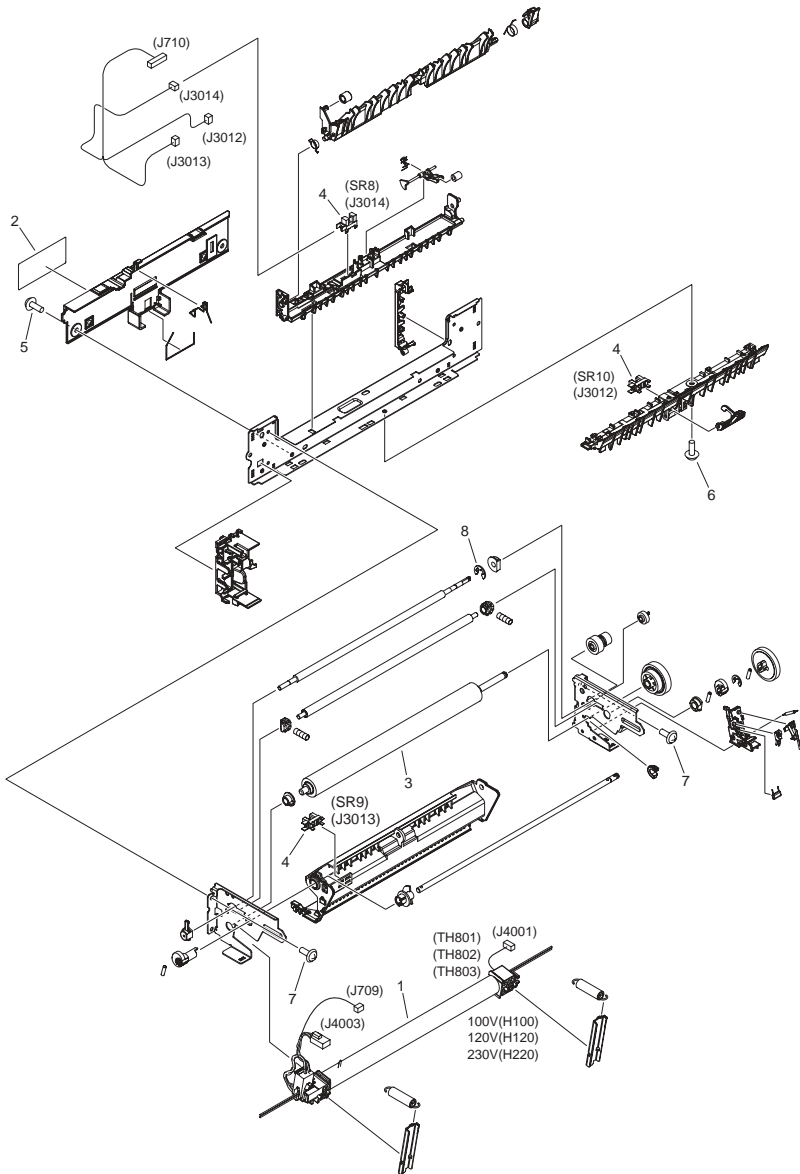


FIGURE & KEY NO.	PARTS NUMBER	R A N K	Q'TY	DESCRIPTION	SERIAL NUMBER/ REMARKS	S V C
Fig.810	FM4-4290-000		1	FIXING ASS'Y	120V	
Fig.810	FM4-4291-000		1	FIXING ASS'Y	230V	
1	FM4-3062-000		1	FIXING FILM ASSEMBLY	120V H120,TH801,TH802,TH803	
1	FM4-3063-000		1	FIXING FILM ASSEMBLY	230V H220,TH801,TH802,TH803	
2	FU7-8111-000		1	LABEL, CAUTION		
3	RC2-3367-000		1	ROLLER, PRESSURE		
4	WG8-5696-000		3	PHOTO INTERRUPTER, TLP1243	SR8,SR9,SR10	
5	XA9-1418-000		2	SCREW, TP, M3X6		
6	XA9-1420-000		1	SCREW, WWASHER, M3X8		
7	XA9-1835-000		4	SCREW, D, M3X6		
8	XD9-0235-000		1	RING, E		

FIGURE 900 MAIN CONTROLLER PCB ASSEMBLY

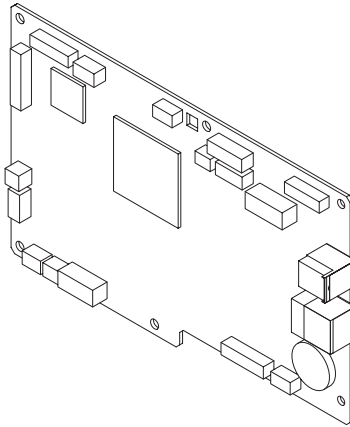


FIGURE & KEY NO.	PARTS NUMBER	RANK	QTY	DESCRIPTION	SERIAL NUMBER/REMARKS	SVC
Fig.900	FM0-4675-000		1	MAIN CONTROLLER PCB ASSEMBLY	MF8580Cdw	
Fig.900	FM0-4673-000		1	MAIN CONTROLLER PCB ASSEMBLY	MF8550Cd	
Fig.900	FM0-4672-000		1	MAIN CONTROLLER PCB ASSEMBLY	MF8540Cdn	
IC	FK2-7852-000		1	IC, T6TH5EFG-0002(0), STANDARD	IC18	
IC	FK3-1800-000		1	IC, ASIC, MB8AA4241EPBH-GE1	IC14	

FIGURE ZZA

MECHANICAL STANDARD PARTS (HOW TO USE)

Mechanical standard parts

機械標準部品

About a mechanical standard parts

A Mechanical standard parts is a mechanical part which not parts peculiar to a product. They are parts which are common to a Canon product and are used, such as a screw and a washer. The Fig No. and parts number of the mechanical standard parts are not listed in the product parts catalog. Refer to the parts catalog of mechanical standard parts when checking the parts number for screw or washer etc. and identify them by part shape or size.

機械標準部品とは

機械標準部品とは、製品特有の部品ではなく、ねじやワッシャなどキヤノン製品共通で使用されている機械部品(メカ部品)のことです。
製品のパーツカタログには、機械標準部品のFig No.や部品番号は記載しておりません。
ねじや、ワッシャ等の部品番号を調べるときは、機械標準部品のパーツカタログを参照し、部品の形状や大きさから判断し、使用している部品を調べてください。

Material and surface treatment of a mechanical standard parts

Material and surface treatment of mechanical standard parts are assigned commonly for each part. Refer to the Table 1 for the parts which material and surface treatment are assigned as numbers.

機械標準部品の材料および表面処理

機械標準部品の材料および表面処理については、各種部品共通で決められています。
材料および表面処理が番号で決められている部品については、表1を参照してください。

Table 1 Material and Surface treatment
表1 材料および表面処理

No. 番号	Material 材料	Surface treatment 表面処理	Color 色
1	Stainless steel ステンレス	Stainless steel black coloring (BC4) ステンレス黒着色(BC4)	Black 黒
2		not to be given なし	White 白
3	Brass 黄銅	Regular nickel plating (NL) 普通ニッケルメッキ(NL)	White 白
4		Black nickel plating (BN) 黒色ニッケルメッキ(BN)	Black 黒
5	Steel 鋼	White zinc trivalent chromate treating (ZC3) 白色亜鉛3価クロメート(ZC3)	White 白
6		Regular nickel chromium plating (NC) 普通ニッケルクロムメッキ(NC)	White 白
7		Regular nickel plating (NL) 普通ニッケルメッキ(NL)	White 白
8		Iron and steel phosphating (P1) 鉄鋼磷酸塩処理(P1)	Black 黒
9		Black zinc trivalent chromate treating (BZ3) 黒色亜鉛3価クロメート(BZ3)	Black 黒

FIGURE ZZB MECHANICAL STANDARD PARTS (SCREWS)

1. Screws ねじ

How to read Parts Numbers
部品番号の見方

Screws
ねじ

XB1-2400-609

Type No.
類別番号

Normal designation (d)
ねじの呼び(d)

Length (L)
ねじの長さ(L)

Material and Surface treatment
材料および表面処理

XB1-2 expresses Binding head machine screw.
XB1-2は、バインドねじを表す

40 expresses M4.0.
40は、M4.0を表す

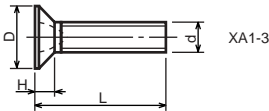
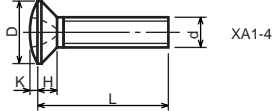
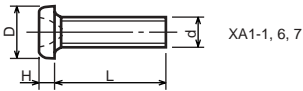
0-60 expresses a length of 6.0mm.
0-60は、6.0mmの長さを表す

9 expresses Steel (Black zinc trivalent chromate
treating) from Table 1.

9は、表1より鋼(黒色亜鉛3価クロメート)を表す

1-1. Cross Recessed Head Screws for Precision Equipments

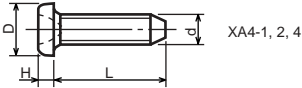
精密機器用十字穴付き小ねじ



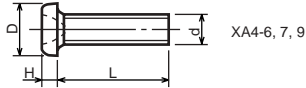
Type No. 類別番号	Type 類別
XA1-1	Pan head Class 1 なべ1種
XA1-3	Countersunk head Class 1 さら1種
XA1-4	Oval countersunk head Class 1 丸さら1種
XA1-6	Pan head Class 3 なべ3種
XA1-7	Pan head Class 2 なべ2種

		Head size (mm) 頭部寸法 (mm)					
		M1.4	M1.6	M1.7	M2	M2.5	M2.6
D	XA1-1	2	2.4	2.5	3	3.8	4
H	XA1-1	0.5	0.55	0.5	0.6	0.9	0.8
D	XA1-3	2	2.4	2.5	3	3.8	4
H	XA1-3	0.48	0.55	0.58	0.73	0.85	0.93
D	XA1-4	2	2.4	2.5	3	3.8	4
H + K	XA1-4	0.68	0.8	0.88	1	1.25	1.3
D	XA1-6	2.5	2.8	3	3.5	4.3	4.5
H	XA1-6	0.8	0.85	0.9	1	1.3	1.2
D	XA1-7	2.5	2.8	3	3.5	4.3	4.5
H	XA1-7	0.5	0.55	0.5	0.6	0.9	0.8

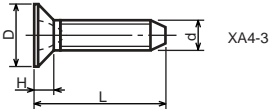
1-2. Precision Tapping Screws
精密用タッピンねじ



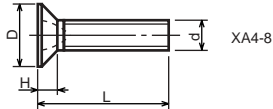
XA4-1, 2, 4



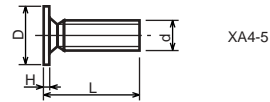
XA4-6, 7, 9



XA4-3



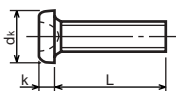
XA4-8



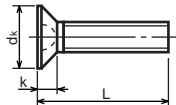
XA4-5

Type No. 類別番号	Type 類別	Head size (mm) 頭部寸法 (mm)						
		M1.4	M1.6	M1.7	M2	M2.5	M2.6	
XA4-1	With tapered end pan head Class 1 絞りなべ1種	D XA4-1	2	2.4	2.5	3	3.8	4
		H XA4-1	0.5	0.55	0.5	0.6	0.9	0.8
XA4-2	With tapered end pan head Class 3 絞りなべ3種	D XA4-2	2.5	2.8	3	3.5	4.3	4.5
		H XA4-2	0.8	0.85	0.9	1	1.3	1.2
XA4-3	With tapered end countersunk head 絞り-さら	D XA4-3	2	2.4	2.5	3	3.8	4
		H XA4-3	0.48	0.55	0.58	0.73	0.85	0.93
XA4-4	With tapered end pan head Class 2 絞りなべ2種	D XA4-4	2.5	2.8	3	3.5	4.3	4.5
		H XA4-4	0.5	0.55	0.5	0.6	0.9	0.8
XA4-5	With parallel end ultra thin head ストレート-超薄頭	D XA4-5	2.5	2.8	3	-	-	-
		H XA4-5	0.2	0.2	0.2	-	-	-
XA4-6	With parallel end pan head Class 1 ストレートなべ1種	D XA4-6	2	2.4	2.5	3	3.8	4
		H XA4-6	0.5	0.55	0.5	0.6	0.9	0.8
XA4-7	With parallel end pan head Class 3 ストレートなべ3種	D XA4-7	2.5	2.8	3	3.5	4.3	4.5
		H XA4-7	0.8	0.85	0.9	1	1.3	1.2
XA4-8	With parallel end countersunk head ストレート-さら	D XA4-8	2	2.4	2.5	3	3.8	4
		H XA4-8	0.48	0.55	0.58	0.73	0.85	0.93
XA4-9	With parallel end pan head Class 2 ストレートなべ2種	D XA4-9	2.5	2.8	3	3.5	4.3	4.5
		H XA4-9	0.5	0.55	0.5	0.6	0.9	0.8

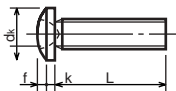
1-3. Cross Recessed Head Screws
 一般用十字穴付き小ねじ



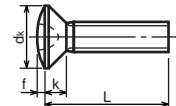
XB1-1



XB1-3



XB1-2

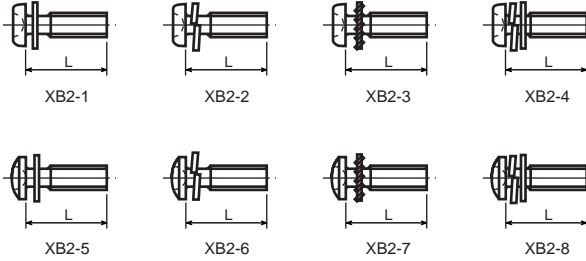


XB1-4

Type No. 類別番号	Type 類別
XB1-1	Pan head なべ
XB1-2	Binding head バインド
XB1-3	Countersunk head さら
XB1-4	Oval countersunk head 丸さら

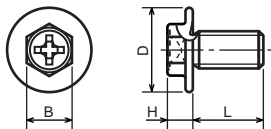
		Head size (mm) 頭部寸法 (mm)					
		M2	M2.5	M2.6	M3	M4	M5
dk	XB1-1	3.5	4.5	4.5	5.5	7	9
k	XB1-1	1.3	1.7	1.7	2	2.6	3.3
dk	XB1-2	4.3	5.3	5.5	6.3	8.3	10.3
k+f	XB1-2	1.2	1.5	1.6	1.9	2.5	3.1
dk	XB1-3	4	5	-	6	8	10
k	XB1-3	1.2	1.45	-	1.75	2.3	2.8
dk	XB1-4	4	5	-	6	8	10
k+f	XB1-4	1.6	2	-	2.45	3.2	4
Screw part length ねじ部長さ b		8	12	12	12	16	20

1-4. Cross Recessed Head Screws with Captive Washer
座金組み込み十字穴付き小ねじ



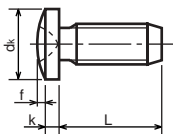
Type No. 類別番号	Type 類別
XB2-1	Pan head + Plain washer (circular bright) なべねじ+平座金
XB2-2	Pan head + Spring washer なべねじ+ばね座金
XB2-3	Pan head + Toothed lock washer なべねじ+歯付座金
XB2-4	Pan head + Spring washer and plain washer (circular bright) なべねじ+(ばね+平)座金
XB2-5	Binding head + Plain washer (circular bright) バインドねじ+平座金
XB2-6	Binding head + Spring washer バインドねじ+ばね座金
XB2-7	Binding head + Toothed lock washer バインドねじ+歯付座金
XB2-8	Binding head + Spring washer and plain washer (circular bright) バインドねじ+(ばね+平)座金

1-5. Hexagon Head Tapping Screws for Metallic Materials
 金属用六角タッピンねじ



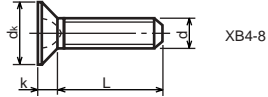
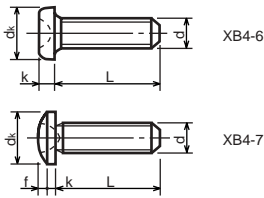
Type No. 類別番号	Type 類別	Head size (mm) 頭部寸法 (mm)	
		M3	M4
XB3-6	For metallic materials 金属用タッピン	D	8 10
		B	5.5 5.5
XB3-7	For metallic materials with clawed 金属用タッピン-つめ付き	H XB3-6	3.1 3.1
		H XB3-7	3.2 3.2

1-6. Special Tapping Screws
 特殊タッピンねじ



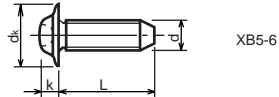
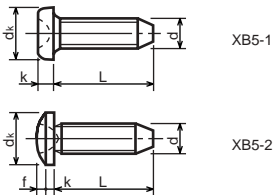
Type No. 類別番号	Type 類別	Head size (mm) 頭部寸法 (mm)	
		M3	M4
XB4-5	Binding head バインド	dk	6.3 8.3
		k	1.3 1.7
		k+f	1.9 2.5

1-7. General Head Tapping Screws
一般用タッピンねじ



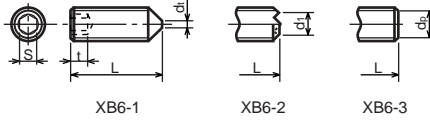
Type No. 類別番号	Type 類別	Head size (mm) 頭部寸法 (mm)						
		M2	M2.5	M2.6	M3	M4	M5	
XB4-6	Pan head なべ	d _k XB4-6	3.5	4.5	4.5	5.5	7	9
		k XB4-6	1.3	1.7	1.7	2	2.6	3.3
XB4-7	Binding head バインド	d _k XB4-7	4.3	5.3	5.5	6.3	8.3	10.3
		k+f XB4-7	1.2	1.5	1.6	1.9	2.5	3.1
XB4-8	Countersunk head さら	d _k XB4-8	4	5	5.2	6	8	10
		k XB4-8	1.2	1.45	1.5	1.75	2.3	2.8

1-8. Tapping Screws for Metallic Materials
金属用タッピンねじ



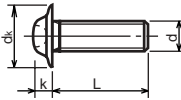
Type No. 類別番号	Type 類別	Head size (mm) 頭部寸法 (mm)					
		M2.5	M2.6	M3	M4	M5	
XB5-1	Pan head なべ	d _k XB5-1	4.5	4.5	5.5	7	9
		k XB5-1	1.7	1.7	2	2.6	3.3
XB5-2	Binding head バインド	d _k XB5-2	5.5	5.5	6.3	8.3	10.3
		k+f XB5-2	1.6	1.6	1.9	2.5	3.1
XB5-6	Flanged pan head つば付きなべ	d _k XB5-6	6.5	6.5	8	10	12
		k XB5-6	2.1	2.1	1.75	3.2	4

1-9. Hexagon Socket Set Screws
六角穴付止めねじ



Type No. 類別番号	Type 類別	Head size (mm) 頭部寸法 (mm)							
		M1.6 M1.7	M2	M2.5 M2.6	M3	M5	M5	M6	
XB6-1	Cone point とがり先	S	0.7	0.9	1.3	1.5	2	2.5	3
		t	1.5	1.7	2	2	2.5	3	3.5
		$d_{t \max}$ XB6-1	0.4	0.5	0.65	0.75	1	1.25	1.5
		$d_{l \max}$ XB6-2	-	1.2	1.5	1.7	2.2	2.8	3.3
		$d_{l \min}$ XB6-2	-	1	1.2	1.4	1.9	2.4	2.9
XB6-3	Flat point 平先	$d_{p \max}$ XB6-3	0.8	1	1.5	2	2.5	3.5	4
		$d_{p \min}$ XB6-3	0.55	0.75	1.25	1.75	2.25	3.2	3.7

1-10. Flanged Pan Head Machine Screws
つば付きなべ小ねじ



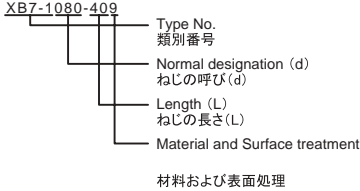
Type No. 類別番号	Type 類別	Head size (mm) 頭部寸法 (mm)					
		M2	M2.5 M2.6	M3	M5	M5	
XB6-7	Flanged pan head つば付きなべ	d_k	5	6.5	8	10	12
		k	1.7	2.1	2.5	3.2	4

FIGURE ZZC MECHANICAL STANDARD PARTS (BOLTS)

2. Bolts (Socket head cap screw) ボルト

How to read Parts Numbers
部品番号の見方

Bolt (Socket head cap screw)
ボルト



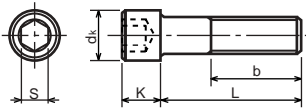
XB7-1 expresses Hexagon socket head cap screws.
XB7-1は、六角穴付きボルトを表す

080 expresses M8.0.
080は、M8.0を表す

40 expresses a length of 40mm.
40は、40mmの長さを表す

9 expresses Steel (Black zinc trivalent chromate treating) from Table 1.
9は、表1より鋼(黒色亜鉛3価クロメート)を表す

2-1. Hexagon socket head cap screws 六角穴付きボルト



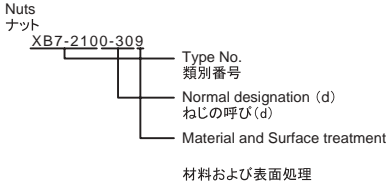
Type No. 類別番号	Type 類別
XB7-1	Hexagon socket head cap screws 六角穴付きボルト

	Head size (mm) 頭部寸法 (mm)						
	M3	M4	M5	M6	M8	M10	M12
S	2.5	3	4	5	6	8	10
d_k	5.5	7	8.5	10	13	16	18
K	3	4	5	6	8	10	12
Screw part length b_{max} ねじ部長さ b_{max}	18	20	22	24	28	32	36

FIGURE ZZD MECHANICAL STANDARD PARTS (NUTS)

3. Nuts ナット

How to read Parts Numbers
部品番号の見方

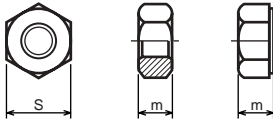


XB7-210 expresses Hexagon nut class 1.
XB7-210は、六角ナット1種を表す

0-30 expresses M3.0.
0-30は、M3.0を表す

9 expresses Steel (Black zinc trivalent chromate treating) from Table 1.
9は、表1より鋼(黒色亜鉛3価クロメート)を表す

3-1. Hexagon Nuts and Hexagon Thin Nuts 六角ナット



Type No. 類別番号	Type 類別
XB7-210	Hexagon nut Class 1 六角ナット-1種
XB7-220	Hexagon nut Class 3 六角ナット-3種
XB7-230	Hexagon nut Style 1 double chamfered 六角ナット-スタイル1-両面とり
XB7-231	Hexagon nut Style 1 washer faced 六角ナット-スタイル1-座付き
XB7-240	Hexagon nut Style 2 double chamfered 六角ナット-スタイル2-両面とり
XB7-241	Hexagon nut Style 2 washer faced 六角ナット-スタイル2-座付き
XB7-250	Hexagon nut 六角ナット
XB7-260	Hexagon thin nut double chamfered 六角低ナット-両面とり
XB7-270	Hexagon thin nut not chamfered 六角低ナット-面とり無し

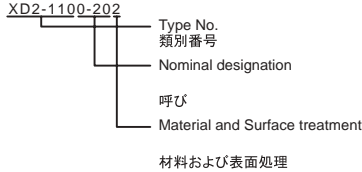
	Head size (mm) 頭部寸法 (mm)						
	M2	M2.5	M3	M4	M5	M6	M8
S	4	5	5.5	7	8	10	13
m XB7-210	1.6	2	2.4	3.2	4	5	6.5
m XB7-220	1.2	1.6	1.8	2.4	3.2	3.6	5
m XB7-230, 231	1.6	2	2.4	3.2	4.7	5.2	6.8
m XB7-240, 241	-	-	-	-	5.1	5.7	7.5
m XB7-250	-	-	-	-	5.6	6.1	7.9
m XB7-260	1.2	1.6	1.8	2.2	2.7	3.2	4
m XB7-270	1.2	1.6	1.8	2.2	2.7	3.2	4

FIGURE ZZE MECHANICAL STANDARD PARTS (RETAINING RINGS)

5. Retaining Rings 止め輪

How to read Parts Numbers
部品番号の見方

Retaining Rings 止め輪



XD2-110 expresses retaining ring-E type (Type1).
XD2-110は、E形止め輪(1種)を表す

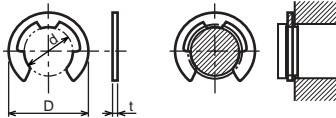
0-20 expresses a 020 of nominal designation.
(See Table 5)

0-20は、呼び020を表す(表5参照)

2 expresses Stainless steel (Surface treatment is not to be given) from Table 1.

2は、表1よりステンレス(表面処理なし)を表す

5-1. Retaining Rings - E type E形止め輪

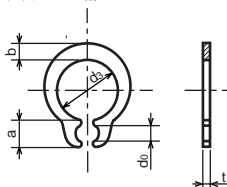


Type No. 類別番号	Type 類別
XD2-110	Retaining ring - E type (Type 1) E形止め輪(1種)
XD2-120	Retaining ring - E type (Type 2) E形止め輪(2種)

Table 5 表5

Type 種類	Nominal designation 呼び	d (mm)	D (mm)	t (mm)
Type 1 1種	007	0.65	2	0.2
	010	0.95	2.8	0.2
	013	1.25	3.3	0.3
	017	1.65	4.2	0.4
	020	1.95	4.6	0.5
	024	2.35	6	0.6
	028	2.74	6.5	0.6
	032	3.14	7.2	0.6
	037	3.64	8	0.7
	040	3.93	10	0.7
	042	4.13	10	0.7
	050	4.93	11	0.7
	058	5.73	12	0.7
	060	5.93	12.7	0.9
	064	6.32	13.5	0.9
	074	7.31	15	0.9
	080	7.91	16.5	1
Type 2 2種	008	0.8	2	0.2
	012	1.2	3	0.3
	015	1.5	4	0.4
	020	2	5	0.4
	025	2.5	6	0.4
	030	3	7	0.6
	040	4	9	0.6
	050	5	11	0.6
	060	6	12	0.8
	070	7	14	0.8
	080	8	16	0.8
	090	9	18	0.8
	100	10	20	1

5-2. Grip Rings
グリップ止め輪

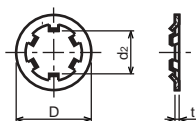


Type No. 類別番号	Type 類別
XD2-210	Grip ring グリップ止め輪

Table 5 表5

Nominal designation 呼び	d ₃ (mm)	t (mm)	b (mm)	a (mm)	d ₀ (mm)
020	1.9	0.5	1	1.8	0.8
025	2.35	0.5	1.2	1.9	0.9
030	2.85	0.6	1.4	1.9	0.9
035	3.3	0.6	1.6	2	0.9
040	3.8	0.8	1.8	2.8	1.2
045	4.25	0.8	2	2.9	1.3
050	4.75	0.8	2.2	2.9	1.3
060	5.7	1	2.4	3.1	1.4
070	6.7	1	2.7	3.3	1.4
080	7.7	1	3	3.5	1.4
090	8.65	1.2	3.3	4.7	1.5
100	9.65	1.2	3.5	4.7	2

5-3. Toothed Retaining Rings
歯付き形止め輪



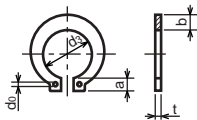
Type No. 類別番号	Type 類別
XD2-230	Toothed retaining ring 歯付き形止め輪

Table 5 表5

Nominal designation 呼び	d _z (mm)	D (mm)	t (mm)	No of teeth 歯数
015	1.4	5.2	0.25	3
020	1.9	6	0.25	3
024	2.3	6.4	0.25	3
030	2.8	8	0.25	4
040	3.8	9	0.25	4
050	4.8	10	0.25	5
060	5.8	11	0.25	5
080	7.8	13	0.25	5
100	9.8	15.4	0.25	6

5-4. Retaining Rings - C Type

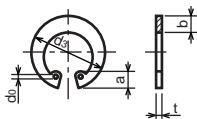
C形止め輪



Type No. 類別番号	Type 類別
XD2-310	Retaining ring - C type for shaft C形止め輪 軸用

Table 5 表5

Nominal designation 呼び	d ₃ (mm)	t (mm)	b (mm)	a (mm)	d ₀ (mm)
010	9.3	1	1.6	3	1.2
012	11.1	1	1.8	3.2	1.5
014	12.9	1	2	3.4	1.7
015	13.8	1	2.1	3.5	1.7
016	14.7	1	2.2	3.6	1.7
017	15.7	1	2.2	3.7	1.7
018	16.5	1.2	2.6	3.8	1.7
020	18.5	1.2	2.7	3.9	2
022	20.5	1.2	2.7	4.1	2
025	23.2	1.2	3.1	4.3	2
028	25.9	1.5	3.1	4.6	2
030	27.9	1.5	3.5	4.8	2
032	29.6	1.5	3.5	5	2.5
035	32.2	1.5	4	5.4	2.5



Type No. 類別番号	Type 類別
XD2-320	Retaining ring - C type for hole C形止め輪 穴用

Table 5 表5

Nominal designation 呼び	d ₃ (mm)	t (mm)	b (mm)	a (mm)	d ₀ (mm)
010	10.7	1	1.8	3.1	1.2
011	11.8	1	1.8	3.2	1.2
012	13	1	1.8	3.3	1.5
014	15.1	1	2	3.6	1.7
016	17.3	1	2	3.7	1.7
018	19.5	1	2.5	4	1.7
019	20.5	1	2.5	4	2
020	21.5	1	2.5	4	2
022	23.5	1	2.5	4.1	2
025	26.9	1.2	3	4.4	2
028	30.1	1.2	3	4.6	2
030	32.1	1.2	3	4.7	2
032	34.4	1.2	3.5	5.2	2.5
035	37.8	1.5	3.5	5.2	2.5
037	39.8	1.5	3.5	5.2	2.5
040	43.5	1.8	4	5.7	2.5
042	45.5	1.8	4	5.8	2.5
045	48.5	1.8	4.5	5.9	2.5
047	50.5	1.8	4.5	6.1	2.5
050	54.2	2	4.5	6.5	2.5
052	56.2	2	5.1	6.5	2.5
055	59.2	2	5.1	6.5	2.5
060	64.2	2	5.1	6.8	2.5
062	66.2	2	5.5	6.9	2.5
068	72.5	2.5	6	7.4	2.5
072	76.5	2.5	6.6	7.4	2.5
075	79.5	2.5	6.6	7.8	2.5
080	85.5	2.5	7	8	2.5
085	90.5	3	7	8	3
090	95.5	3	7.6	8.3	3
095	100.5	3	8	8.5	3

Prepared by
OIP Business Support Group
CANON INC.

Canon