

PARTS CATALOG

Color imageCLASS
MF 8170 / 8180 c /
Colour Laser Base
MF8180C/imageCLASS
MF8180C

Canon

Apr 21 2006

PREFACE

This Parts Catalog contains listings of parts used

Diagrams are provided with the listings to aid the service technician in identifying clearly, the item to be ordered.

Whenever ordering parts, consult this Parts Catalog for all of the information pertaining to each item. Be sure to include, in the Parts Request, the full item description, the item part number, and the quantity.

COPYRIGHT (C) 1999 CANON INC.

Use of this manual should be strictly supervised to avoid disclosure of confidential information.

Contents

NUMERICAL INDEX

Color imageCLASS MF8170/8180c/ColourLaserBasa MF8180C/ imageCLASS MF8180C	1-1
--	-----

Color imageCLASS MF8170/8180c/ColourLaserBasa MF8180C/ imageCLASS MF8180C

A	ASSEMBLY LOCATION DIAGRAMS	2-1
001	PACKAGE COMPONENTS	2-3
100	EXTERNAL COVERS, PANELS, ETC.	2-4
101	FRONT FRAME ASS'Y	2-6
102	INTERNAL COMPONENTS 1	2-10
103	INTERNAL COMPONENTS 2	2-13
104	TOP COVER ASS'Y	2-15
105	REAR FRAME ASS'Y	2-17
106	MIDDLE FRAME ASS'Y	2-19
110	POWER SUPPLY BASE ASS'Y	2-22
111	POWER SUPPLY BASE ASS'Y	2-24
210	SCANNER ASS'Y	2-26
211	DOCUMENT FEED ASS'Y	2-29
250	MAIN DRIVE ASS'Y(MF8170)	2-32
250A	MAIN DRIVE ASS'Y(MF8180)	2-34
251	ROTARY DRIVE ASS'Y	2-36
300	PAPER FEED SYSTEM	2-38
301	CASSETTE	2-40
310	CASSETTE CENTER FRAME ASS'Y	2-42
311	RIGHT COVER ASS'Y	2-44
530	ROTARY ASS'Y	2-46
810	FIXING ASS'Y(MF8170)	2-48
810A	FIXING ASS'Y(MF8180)	2-50
950	BOARD ASS'Y	2-53

NUMERICAL INDEX

Color imageCLASS MF8170/8180c/ColourLaserBasa MF8180C/imageCLAS

PARTS NUMBER	FIGURE & KEY NO.	PARTS NUMBER	FIGURE & KEY NO.	PARTS NUMBER	FIGURE & KEY NO
FC5-5256-000	101 - 54	FY1-1219-000	210 - 15	FY6-0431-000	211 -
FC7-1528-000	104 - 10	FY1-1220-000	211 - 8	FY6-0432-000	211 -
FC7-2396-000	210 - 16	FY1-1241-000	210 - 21	FY6-0433-000	211 -
FC7-2397-000	210 - 16	FY1-1242-000	210 - 18	FY6-0434-000	210 - 19
FC7-2399-000	210 - 24	FY1-1243-000	210 - 23	HB1-4072-000	211 - 21
FC7-2401-000	210 - 25	FY1-1246-000	211 - 8	HC1-0563-000	211 - 9
FH2-7192-000	950 - 23	FY1-1247-000	211 - 8	HC1-0565-000	211 - 4
FH2-7200-000	950 - 21	FY1-1248-000	211 - 8	HC1-0579-000	211 - 19
FH4-6163-000	950 - IC1101	FY1-1249-000	211 - 8	HC1-0582-000	211 - 1
FH4-6260-000	950 - IC1001	FY1-1250-000	211 - 8	HC1-0583-000	211 - 5
FK2-0514-000	110 - 9	FY1-1251-000	211 - 8	HC1-0584-020	211 - 2
FK2-0515-000	110 - 9	FY1-1252-000	210 - 15	HC1-0585-000	211 - 3
FK2-0517-000	110 - 9	FY3-0290-000	210 - 20	HC1-0586-000	104 - 7
FK2-2117-000	110 - 3	FY3-0291-000	210 - 19	HC1-0590-000	211 - 6
FK2-2118-000	110 - 3	FY3-0292-000	210 - 9	HC1-0604-000	210 - 6
FK2-2119-000	110 - 3	FY3-0297-000	211 - 23	HC1-1518-020	100 - 5
FK2-2127-000	950 - 11	FY3-0298-000	210 - 20	HC1-1519-000	100 - 3
FK2-2136-000	950 - 3	FY3-0299-000	210 - 19	HC1-1521-000	300 - 1
FK2-2137-000	103 - 6	FY3-0300-000	210 - 9	HC1-1522-000	311 - 2
FK2-2138-000	110 - 6	FY5-0188-000	210 - 12	HC1-1523-020	100 - 4
FK2-2393-000	001 - 1	FY6-0375-000	210 - 3	HC1-1527-000	100 - 9
FK2-2394-000	001 - 1	FY6-0376-000	210 - 5	HC1-1530-000	100 - 10
FK2-2395-000	001 - 1	FY6-0377-000	210 - 5	HC1-1536-000	100 - 11
FK2-2396-000	001 - 1	FY6-0378-000	210 -	HC1-1537-000	100 - 12
FK2-2397-000	001 - 1	FY6-0379-000	210 - 10	HC1-1538-000	100 - 13
FK2-2399-000	001 - 1	FY6-0380-000	210 - 13	HC1-1539-000	100 - 14
FL2-4849-000	950 - IC2	FY6-0381-000	211 - 13	HC1-1543-000	100 - 15
FM2-6648-000	103 - 13	FY6-0382-000	210 - 11	HC1-1546-000	100 - 16
FM2-6651-000	950 - 7	FY6-0389-000	210 -	HC1-1547-020	104 - 2
FM2-6652-000	950 - 7	FY6-0405-000	211 -	HC1-1549-000	104 - 10
FM2-6653-000	950 - 7	FY6-0406-000	211 -	HC1-1550-000	104 - 9
FM2-6654-000	950 - 7	FY6-0407-000	210 -	HC1-1554-000	101 - 36
FM2-6655-000	950 - 9	FY6-0408-000	210 - 3	HC1-1555-000	301 - 1
FM2-6657-000	950 - 1	FY6-0409-000	210 - 5	HC1-1556-000	301 - 5
FM2-6723-000	530 -	FY6-0410-000	210 - 10	HC1-1557-000	101 - 54
FM2-6727-000	311 -	FY6-0411-000	210 - 13	HC1-1558-000	101 - 8
FM2-6732-000	104 -	FY6-0415-000	210 -	HC1-1559-000	101 - 53
FM2-6734-000	101 - 25	FY6-0416-000	210 -	HC1-1561-000	103 - 12
FM2-7511-000	101 - 25	FY6-0417-000	210 -	HC1-1562-000	104 - 4
FM2-7592-000	950 - 1	FY6-0418-000	210 -	HC1-1563-000	104 - 3
FM2-7593-000	950 - 8	FY6-0419-000	210 -	HC1-1831-000	210 - 16
FM2-7594-000	950 - 8	FY6-0420-000	210 - 5	HC1-1832-000	210 - 16
FM2-7795-000	950 - 24	FY6-0421-000	210 - 5	HC1-1836-000	100 - 7
FM3-0076-000	950 - 4	FY6-0422-000	210 - 5	HC1-1837-000	950 - 12
FY1-1209-000	210 - 1	FY6-0423-000	210 - 5	HC1-1840-000	100 - 8
FY1-1210-000	210 - 2	FY6-0424-000	210 - 5	HC1-1841-000	110 - 1
FY1-1211-000	210 - 17	FY6-0425-000	210 - 13	HC1-1842-000	110 - 2
FY1-1212-000	210 - 21	FY6-0426-000	211 - 13	HC1-1851-000	210 - 14
FY1-1213-000	210 - 4	FY6-0427-000	210 - 11	HC1-1852-000	210 - 22
FY1-1217-000	211 - 8	FY6-0428-000	211 -	HC1-2581-000	100 - 18
FY1-1218-000	210 - 18	FY6-0429-000	211 -	HG5-3107-000	950 - 1
FY1-1219-000	210 - 15	FY6-0430-000	211 -	HH2-2824-000	950 - 16

NUMERICAL INDEX

Color imageCLASS MF8170/8180c/ColourLaserBasa MF8180C/imageCLAS

PARTS NUMBER	FIGURE & KEY NO.	PARTS NUMBER	FIGURE & KEY NO.	PARTS NUMBER	FIGURE & KEY NO
HH2-2830-000	950 - 15	HU1-6003-000	211 - 11	RB2-9955-000	101 - 39
HH2-3274-000	950 - 23	HU1-6004-000	210 - 8	RB2-9960-000	301 - 3
HH4-3198-000	950 - IC701	NPN	001 -	RB2-9982-000	106 - 45
HH7-2528-000	950 - IC2	NPN	100 -	RB2-9999-000	106 - 43
HK1-0175-000	950 - 22	NPN	101 -	RB3-0006-000	111 - 1
HK1-0177-000	950 - IC1	NPN	102 -	RB3-0007-000	111 - 2
HK1-0321-000	110 - 9	NPN	103 -	RB3-0009-000	106 - 6
HK1-0350-000	950 - IC201	NPN	105 -	RB3-0010-030	106 - 7
HK1-0351-000	103 - 6	NPN	106 -	RB3-0011-000	106 - 8
HK1-0352-000	950 - 2	NPN	110 -	RB3-0012-000	106 - 9
HK1-0354-000	110 - 3	NPN	111 -	RB3-0014-000	102 - 16
HK1-0355-000	110 - 3	NPN	300 -	RB3-0015-000	102 - 17
HK1-0357-000	001 - 1	NPN	310 -	RB3-0016-000	106 - 12
HK1-0368-000	950 - 3	NPN	950 -	RB3-0019-000	102 - 1
HK1-0369-000	110 - 4	RB1-2190-003	310 - 9	RB3-0022-000	106 - 13
HK1-0510-000	110 - 9	RB1-8668-030	106 - 1	RB3-0023-000	103 - 2
HK1-0513-000	950 - 11	RB2-2892-000	310 - 11	RB3-0025-000	102 - 3
HK1-0514-000	001 - 1	RB2-2893-000	310 - 28	RB3-0042-000	106 - 14
HK1-0544-000	950 - 18	RB2-2895-000	310 - 13	RB3-0043-000	106 - 15
HK1-0547-000	950 - 19	RB2-2896-000	310 - 14	RB3-0044-000	106 - 16
HK1-0550-000	950 - 17	RB2-2897-020	310 - 15	RB3-0045-000	106 - 11
HK1-0559-000	950 - 20	RB2-3019-000	300 - 5	RB3-0046-000	106 - 17
HL1-0066-000	211 - 22	RB2-3043-000	101 - 4	RB3-0047-000	106 - 18
HL1-0563-000	950 - IC2	RB2-3044-000	101 - 5	RB3-0048-000	106 - 19
HM1-0254-020	211 - 12	RB2-4933-000	810 - 3	RB3-0052-000	106 - 29
HM1-0256-000	211 - 14	RB2-4933-000	810A - 3	RB3-0056-000	106 - 21
HM1-0258-000	211 - 7	RB2-6248-000	101 - 6	RB3-0057-000	106 - 22
HM1-0259-000	211 - 15	RB2-6297-000	106 - 4	RB3-0060-020	106 - 10
HM1-0623-000	104 -	RB2-6405-000	101 - 2	RB3-0061-000	106 - 2
HM1-0625-000	301 -	RB2-6406-000	101 - 3	RB3-0062-000	111 - 13
HM1-0628-000	311 -	RB2-7195-000	106 - 34	RB3-0063-000	106 - 3
HM1-0634-000	101 - 25	RB2-9808-000	530 - 6	RB3-0065-000	106 - 30
HM1-0966-000	103 - 13	RB2-9809-000	530 - 7	RB3-0066-000	106 - 31
HM1-0967-000	104 - 5	RB2-9850-020	106 - 39	RB3-0067-000	106 - 35
HM1-0968-000	950 - 5	RB2-9851-020	106 - 40	RB3-0089-030	104 - 1
HM1-0969-000	950 - 13	RB2-9852-000	251 - 4	RB3-0090-000	250 - 4
HM1-0970-000	110 - 7	RB2-9853-000	530 - 8	RB3-0090-000	250A - 4
HM1-0972-000	950 - 6	RB2-9903-000	103 - 4	RB3-0091-000	102 - 4
HM1-1003-070	950 - 4	RB2-9904-000	105 - 1	RB3-0092-000	102 - 5
HM1-1005-000	950 - 7	RB2-9905-000	102 - 21	RB3-0104-000	101 - 9
HM1-1006-000	950 - 7	RB2-9906-000	105 - 3	RB3-0105-020	310 - 1
HM1-1007-000	950 - 8	RB2-9908-000	102 - 22	RB3-0108-000	300 - 2
HM1-1009-000	950 - 9	RB2-9909-000	105 - 5	RB3-0111-000	101 - 10
HM1-1011-000	110 - 8	RB2-9912-000	105 - 4	RB3-0113-000	101 - 51
HM1-1012-100	950 - 4	RB2-9916-020	105 - 6	RB3-0117-000	101 - 47
HM1-1082-000	101 - 25	RB2-9924-000	106 - 33	RB3-0119-000	101 - 11
HU1-0052-000	211 - 24	RB2-9925-000	106 - 32	RB3-0120-000	101 - 12
HU1-2042-000	211 - 16	RB2-9932-000	102 - 2	RB3-0121-000	101 - 13
HU1-2046-000	211 - 18	RB2-9940-000	101 - 46	RB3-0122-000	101 - 14
HU1-2048-000	211 - 10	RB2-9942-000	101 - 37	RB3-0129-000	310 - 17
HU1-2100-000	104 - 11	RB2-9952-000	101 - 1	RB3-0130-000	310 - 18
HU1-6002-000	210 - 7	RB2-9954-000	101 - 35	RB3-0132-000	310 - 19

NUMERICAL INDEX

Color imageCLASS MF8170/8180c/ColourLaserBasa MF8180C/imageCLAS

PARTS NUMBER	FIGURE & KEY NO.	PARTS NUMBER	FIGURE & KEY NO.	PARTS NUMBER	FIGURE & KEY NO.
RB3-0135-000	101 - 15	RF5-4008-000	810 - 10	RG5-7123-000	106 - 26
RB3-0136-000	310 - 20	RF5-4010-000	250 - 2	RG5-7126-000	111 - 7
RB3-0137-000	310 - 21	RF5-4012-000	101 - 17	RG5-7128-000	106 - 36
RB3-0160-000	101 - 29	RF5-4015-000	101 - 44	RG5-7129-000	530 - 40
RB3-0161-000	310 - 22	RF5-4035-000	310 - 23	RG5-7130-000	106 - 11
RB3-0163-000	101 - 42	RF5-4040-020	102 - 11	RG5-7131-000	101 - 30
RB3-0164-000	101 - 40	RF5-4047-000	101 - 34	RG5-7131-000	101 - 30
RB3-0165-000	310 - 2	RF5-4049-000	102 - 8	RG5-7132-000	530 - 1
RB3-0166-000	310 - 3	RF5-4060-000	810A - 10	RG5-7138-000	310 - 27
RB3-0178-000	810 - 4	RF5-4063-000	250A - 2	RG5-7139-000	310 - 26
RB3-0178-000	810A - 4	RF5-4065-000	102 - 8	RG5-7144-000	102 - 13
RB3-0179-000	810 - 5	RF5-4067-030	102 - 11	RG5-7145-000	102 - 14
RB3-0179-000	810A - 5	RF5-4068-000	102 - 22	RG5-7146-000	111 - 4
RB3-0180-000	810 - 6	RF5-4258-000	301 - 4	RG5-7149-000	300 - 7
RB3-0180-000	810A - 6	RG5-6880-000	103 - 5	RG5-7160-000	102 - 13
RB3-0186-000	810 - 7	RG5-6890-030	103 - 5	RG5-7161-000	111 - 9
RB3-0190-000	810 - 8	RG5-6897-020	102 - 23	RG5-7161-000	111 - 9
RB3-0198-000	810 - 9	RG5-6904-080	250 -	RG5-7422-000	810 - 18
RB3-0282-000	300 - 3	RG5-6907-000	103 - 3	RG5-7423-000	810 -
RB3-0283-000	300 - 4	RG5-6910-060	530 -	RG5-7426-000	301 - 2
RB3-0286-000	106 - 5	RG5-6911-000	251 -	RG5-7433-000	300 - 7
RB3-0840-000	100 - 1	RG5-6929-000	810 - 15	RG5-7434-000	311 - 1
RB3-0842-000	101 - 7	RG5-6930-000	810 - 21	RG5-7440-000	810A -
RB3-0845-000	100 - 2	RG5-6932-070	250 - 1	RG5-7441-000	810A -
RB3-0847-000	810 - 19	RG5-6934-000	250 - 6	RG5-7442-000	810A -
RB3-0877-000	101 - 7	RG5-6935-000	103 - 10	RG5-7574-000	810A - 14
RB3-0878-000	810A - 19	RG5-6936-000	105 - 2	RG5-7575-000	810A - 14
RB3-0888-000	100 - 1	RG5-6938-030	101 - 26	RG5-7576-000	810A - 15
RB3-0891-000	100 - 2	RG5-6939-020	106 - 25	RG5-7577-000	810A - 21
RB3-1024-000	810A - 7	RG5-6940-050	106 - 27	RG5-7579-000	250A -
RB3-1025-000	810A - 11	RG5-6942-030	530 - 2	RG5-7580-000	250A - 6
RB3-1026-000	810A - 1	RG5-6943-020	530 - 4	RG5-7581-000	250A - 1
RB3-1027-000	810A - 2	RG5-6951-000	101 - 27	RG5-7587-000	530 -
RB3-1028-000	810A - 25	RG5-6952-020	101 - 28	RG5-7589-000	530 - 4
RB3-1029-000	810A - 26	RG5-6957-000	530 - 1	RG5-7595-000	105 - 2
RB3-1030-000	810A - 23	RG5-6958-000	251 - 1	RG5-7608-000	106 - 28
RB3-1031-000	810A - 24	RG5-6960-000	111 - 14	RG5-7609-000	530 - 9
RB3-1032-000	810A - 8	RG5-6964-000	530 - 9	RG5-7612-000	101 - 48
RB3-1034-000	810A - 9	RG5-6965-000	101 - 50	RG5-7613-000	106 - 44
RB3-1042-000	810A - 17	RG5-6966-000	101 - 48	RG5-7616-000	111 - 16
RB3-1065-000	105 - 3	RG5-6974-000	530 - 3	RG5-7617-000	311 - 1
RB3-1094-000	102 - 16	RG5-7106-000	111 - 10	RG5-7620-000	250A - 8
RB3-1110-000	106 - 21	RG5-7107-000	111 - 11	RG5-7621-000	111 - 11
RB3-1113-000	102 - 25	RG5-7108-000	111 - 12	RG5-7647-000	111 - 14
RB3-1388-000	101 - 2	RG5-7109-000	111 - 8	RG5-7648-000	101 - 50
RB3-1389-000	101 - 3	RG5-7110-000	810 - 17	RG5-7663-000	530 - 3
RB3-2973-000	810 - 1	RG5-7114-000	103 - 7	RG5-7825-000	810A - 18
RB9-0834-000	310 - 13	RG5-7115-000	250 - 5	RG5-7832-000	810A - 14
RB9-0835-000	310 - 14	RG5-7115-000	250A - 5	RG5-7834-000	101 - 27
RB9-0843-000	310 - 10	RG5-7116-000	250 - 8	RG5-7836-000	103 - 8
RB9-0879-000	530 - 6	RG5-7117-000	530 - 5	RG5-7842-000	251 -
RB9-0901-000	102 - 3	RG5-7122-000	106 - 28	RG5-8049-000	810 - 14

NUMERICAL INDEX

Color imageCLASS MF8170/8180c/ColourLaserBasa MF8180C/imageCLAS

PARTS NUMBER	FIGURE & KEY NO.	PARTS NUMBER	FIGURE & KEY NO.	PARTS NUMBER	FIGURE & KEY NO.
RG5-8050-000	103 - 8	RS7-0428-000	106 - 24	XA9-1495-000	250A - 9
RG5-8051-000	103 - 8	RS7-0429-000	101 - 22	XA9-1500-000	111 - 3
RH2-5524-000	103 - 1	RS7-0430-000	310 - 5	XA9-1501-000	103 - 18
RH3-2241-000	111 - 15	RS7-0431-000	310 - 4	XB1-1260-407	103 - 502
RH3-2253-000	111 - 15	RS7-0432-000	810 - 12	XB1-2300-407	100 - 501
RH3-2262-000	111 - 15	RS7-0435-000	102 - 18	XB1-2300-407	110 - 501
RH3-2263-000	111 - 15	RS7-0436-000	102 - 19	XB1-2300-407	211 - 501
RH3-2265-000	111 - 15	RS7-0437-000	102 - 20	XB1-2300-407	950 - 503
RH7-1533-000	102 - 15	RS7-0580-000	810A - 12	XB1-2400-607	100 - 503
RH7-1534-000	250 - 7	RS7-0582-000	810A - 27	XB1-2400-607	103 - 503
RH7-1537-000	102 - 9	RU5-8125-000	810A - 16	XB2-4300-605	106 - 501
RH7-1625-000	251 - 2	RU5-8126-000	103 - 16	XB2-6400-607	110 - 503
RH7-1628-000	250A - 7	WE8-5909-000	110 - 11	XB4-7300-807	100 - 504
RH7-1629-000	102 - 15	WG8-5362-000	104 - 6	XB4-7300-807	950 - 502
RH7-1630-000	102 - 9	WG8-5362-000	211 - 17	XB4-7300-809	210 - 501
RH7-1651-000	251 - 1	WG8-5593-000	101 - 23	XB4-7301-009	950 - 504
RH7-5335-000	250A - 3	WG8-5593-000	101 - 23	XB4-7401-005	101 - 503
RH7-5338-000	101 - 16	WG8-5593-000	106 - 37	XB4-7401-005	102 - 502
RH7-5366-000	102 - 10	WG8-5593-000	310 - 12	XB4-7401-005	105 - 501
RH7-5383-000	101 - 16	WG8-5624-000	104 - 6	XB4-7401-005	106 - 502
RH7-5384-000	251 - 3	WK1-5130-000	950 - 10	XB4-7401-005	300 - 501
RH7-5385-000	310 - 24	WS1-6336-000	106 - 23	XB4-7401-005	310 - 501
RH7-5389-000	102 - 10	WS1-6337-000	311 - 4	XB6-7300-607	100 - 502
RH7-5389-000	250 - 3	WS5-5103-000	110 - 10	XB6-7300-607	101 - 502
RH7-6051-000	103 - 9	WT2-5056-000	101 - 31	XB6-7300-607	103 - 501
RH7-7146-000	101 - 49	WT2-5610-000	111 - 5	XB6-7300-607	104 - 501
RH7-7149-000	102 - 12	WT2-5694-000	100 - 17	XB6-7300-607	110 - 502
RH7-7158-000	101 - 49	WT2-5700-000	106 - 42	XB6-7300-607	950 - 501
RH7-7159-000	102 - 12	WT2-5700-000	810 - 13	XB6-7300-807	810A - 501
RH7-9033-000	104 - 12	WT2-5700-000	810A - 13	XD2-1100-322	102 - 501
RS5-1635-000	101 - 33	WT2-5737-000	110 - 5	XD2-1100-502	101 - 501
RS5-1636-000	310 - 8	WT2-5778-000	103 - 11	XD9-0233-000	310 - 25
RS5-1637-000	106 - 20	XA9-0267-000	101 - 43		
RS5-1638-000	101 - 38	XA9-0476-000	211 - 20		
RS5-1638-000	310 - 16	XA9-0591-000	101 - 52		
RS5-5899-000	101 - 45	XA9-0591-000	301 - 6		
RS6-2024-000	101 - 55	XA9-0849-000	103 - 14		
RS6-2025-000	310 - 7	XA9-1262-000	100 - 6		
RS6-2030-000	101 - 18	XA9-1262-000	101 - 24		
RS6-2746-000	101 - 41	XA9-1262-000	102 - 7		
RS6-2756-000	810 - 11	XA9-1262-000	103 - 15		
RS6-2760-000	310 - 6	XA9-1262-000	104 - 8		
RS6-2766-000	106 - 38	XA9-1262-000	300 - 6		
RS6-2768-000	301 - 7	XA9-1262-000	311 - 3		
RS6-8657-000	810 - 16	XA9-1328-000	950 - 14		
RS6-8668-000	102 - 24	XA9-1355-000	102 - 6		
RS6-8673-000	810 - 20	XA9-1449-000	102 - 6		
RS6-8673-000	810A - 20	XA9-1449-000	111 - 6		
RS7-0418-000	101 - 19	XA9-1449-000	810 - 2		
RS7-0424-000	101 - 20	XA9-1449-000	810A - 22		
RS7-0425-000	101 - 32	XA9-1495-000	103 - 17		
RS7-0426-000	101 - 21	XA9-1495-000	250 - 9		

**Color imageCLASS MF8170/8180c/
ColourLaserBasa MF8180C/
imageCLASS MF8180C**

MF8170Color imageCLASS MF8170c

120V	H12-2982-000	UZL00001-
------	--------------	-----------

MF8170Satera MF8170

100V	H12-2981-000	JZL00001-
------	--------------	-----------

MF8180Satera MF8180

100V	F14-8811-000	JAB02001
------	--------------	----------

MF8180imageCLASS MF8180c

120V	F14-8831-000	UAB02001
------	--------------	----------

230V CA	F14-8831-000	YAB02001
---------	--------------	----------

230V AU	F14-8841-000	RAB02001
---------	--------------	----------

230V ASIA	F14-8842-000	AAB02001
-----------	--------------	----------

230V CN	F14-8851-000	CAB02001
---------	--------------	----------

230V KR	F14-8861-000	KAB02001
---------	--------------	----------

MF8180LaserBase MF8180c

230V EUR1	F14-8891-000	EAB02001
-----------	--------------	----------

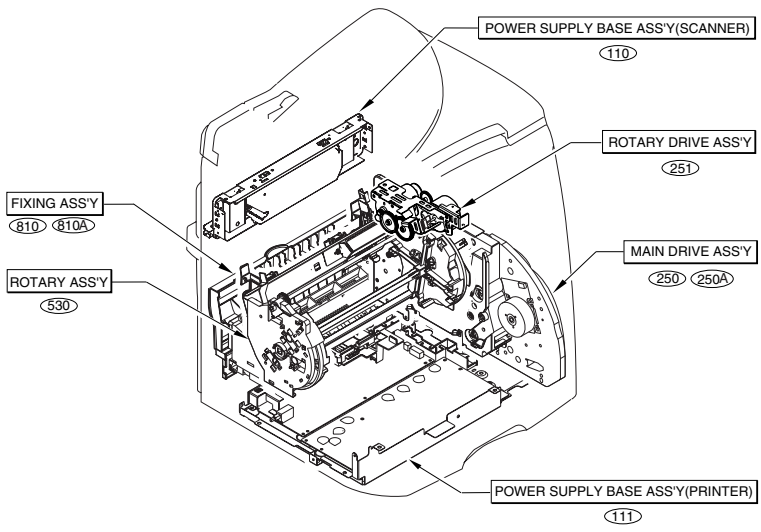
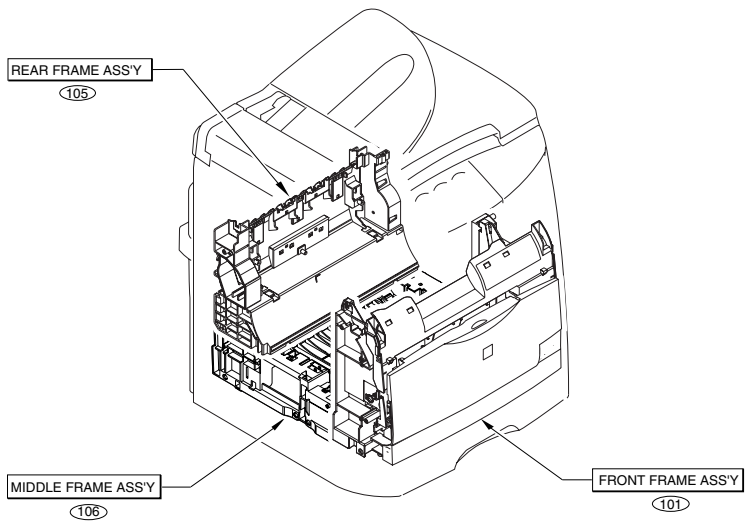
230V EUR2	F14-8891-000	VAB02001
-----------	--------------	----------

230V EUR3	F14-8891-000	WAB02001
-----------	--------------	----------

Contents

A	ASSEMBLY LOCATION DIAGRAMS	2-1
001	PACKAGE COMPONENTS	2-3
100	EXTERNAL COVERS, PANELS, ETC.	2-4
101	FRONT FRAME ASS'Y	2-6
102	INTERNAL COMPONENTS 1	2-10
103	INTERNAL COMPONENTS 2	2-13
104	TOP COVER ASS'Y	2-15
105	REAR FRAME ASS'Y	2-17
106	MIDDLE FRAME ASS'Y	2-19
110	POWER SUPPLY BASE ASS'Y	2-22
111	POWER SUPPLY BASE ASS'Y	2-24
210	SCANNER ASS'Y	2-26
211	DOCUMENT FEED ASS'Y	2-29
250	MAIN DRIVE ASS'Y(MF8170)	2-32
250A	MAIN DRIVE ASS'Y(MF8180)	2-34
251	ROTARY DRIVE ASS'Y	2-36
300	PAPER FEED SYSTEM	2-38
301	CASSETTE	2-40
310	CASSETTE CENTER FRAME ASS'Y	2-42
311	RIGHT COVER ASS'Y	2-44
530	ROTARY ASS'Y	2-46
810	FIXING ASS'Y(MF8170)	2-48
810A	FIXING ASS'Y(MF8180)	2-50
950	BOARD ASS'Y	2-53

FIGURE A ASSEMBLY LOCATION DIAGRAMS



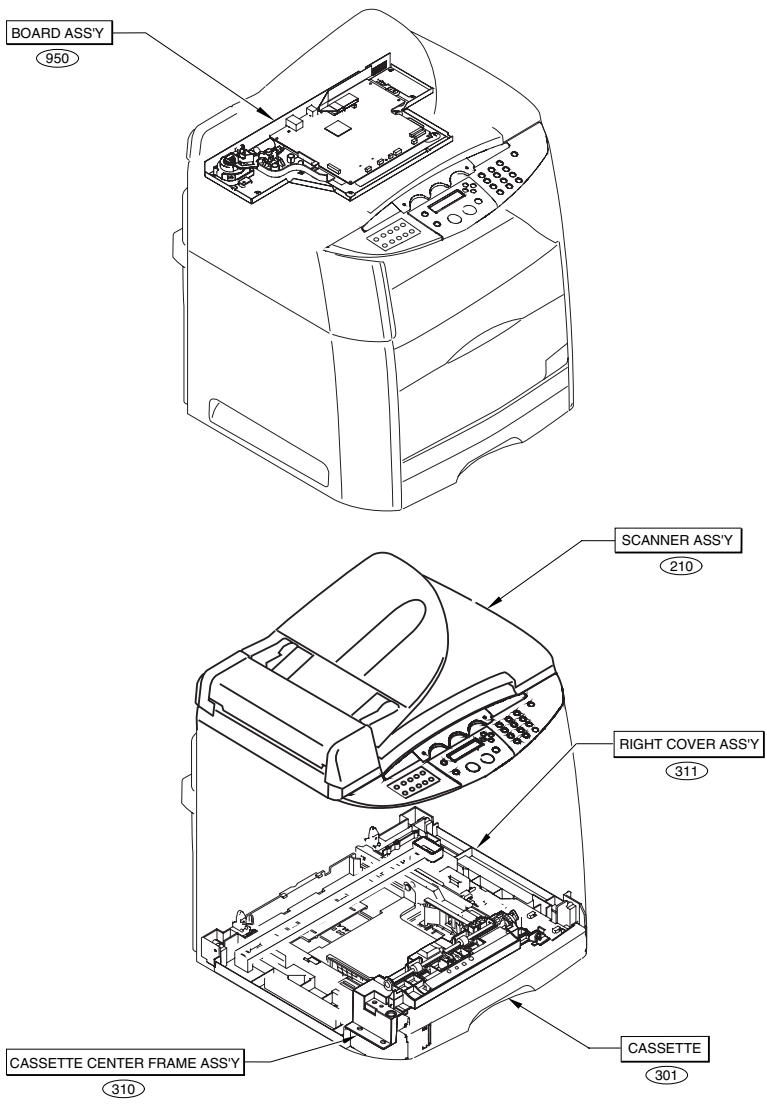


FIGURE 001 PACKAGE COMPONENTS

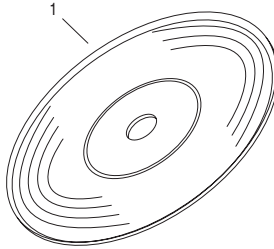


FIGURE & KEY NO.	PARTS NUMBER	RANK	Q'TY	DESCRIPTION	SERIAL NUMBER/REMARKS	SVC
Fig.001	NPN		RF	PACKAGE COMPONENTS		
1	HK1-0514-000		1	CD-ROM, USER SOFTWARE	MF8170 120V	
1	HK1-0357-000		1	CD-ROM, USER SOFTWARE	MF8170 100V	
1	FK2-2393-000		1	CD-ROM, USER SOFTWARE	MF8180 UAB	
1	FK2-2396-000		1	CD-ROM, USER SOFTWARE	MF8180 YAB	
1	FK2-2395-000		1	CD-ROM, USER SOFTWARE	MF8180 JAB	
1	FK2-2397-000		1	CD-ROM, USER SOFTWARE	MF8180 EAB/VAB/WAB	
1	FK2-2394-000		1	CD-ROM, USER SOFTWARE	MF8180 RAB/CAB/KAB/AAB	
1	FK2-2399-000		1	CD-ROM, USER SOFTWARE	MF8180 VAB	

FIGURE & KEY NO.	PARTS NUMBER	R A N K	Q'TY	DESCRIPTION	SERIAL NUMBER/ REMARKS	S V C
Fig.100	NPN		RF	EXTERNAL COVERS, PANELS, ETC.		
1	RB3-0840-000		1	COVER, REAR	MF8170	
1	RB3-0888-000		1	COVER, REAR	MF8180	
2	RB3-0845-000		1	COVER, FACE-DOWN TRAY	MF8170	
2	RB3-0891-000		1	COVER, FACE-DOWN TRAY	MF8180	
3	HC1-1519-000		1	COVER, RIGHT		
4	HC1-1523-020		1	COVER, REAR		
5	HC1-1518-020		1	COVER, LEFT		
6	XA9-1262-000		6	SCREW, M4X10		
7	HC1-1836-000		1	COVER, HINGE		
8	HC1-1840-000		1	GUIDE, CABLE		
9	HC1-1527-000		1	HINGE, JOINT, LEFT		
10	HC1-1530-000		1	HINGE, JOINT, RIGHT		
11	HC1-1536-000		1	COVER, SIDE, LEFT		
12	HC1-1537-000		1	COVER, SIDE, RIGHT		
13	HC1-1538-000		1	COVER, INSIDE, LEFT		
14	HC1-1539-000		1	COVER, INSIDE, RIGHT		
15	HC1-1543-000		1	FRAME, SCANNER, REAR		
16	HC1-1546-000		2	STOPPER		
17	WT2-5694-000		1	CLIP CLAMP, WIRE		
18	HC1-2581-000		1	LABEL, EARTH CONNECT	100V ONLY	
501	XB1-2300-407		4	SCREW, BH3X4(S)		
502	XB6-7300-607		9	SCREW, TP, M3X6		
503	XB1-2400-607		12	SCREW, CROSS-RECESS, FCH		
504	XB4-7300-807		4	SCREW, TAP TIGHT, BINDING HEAD		

FIGURE 101
FRONT FRAME ASS'Y

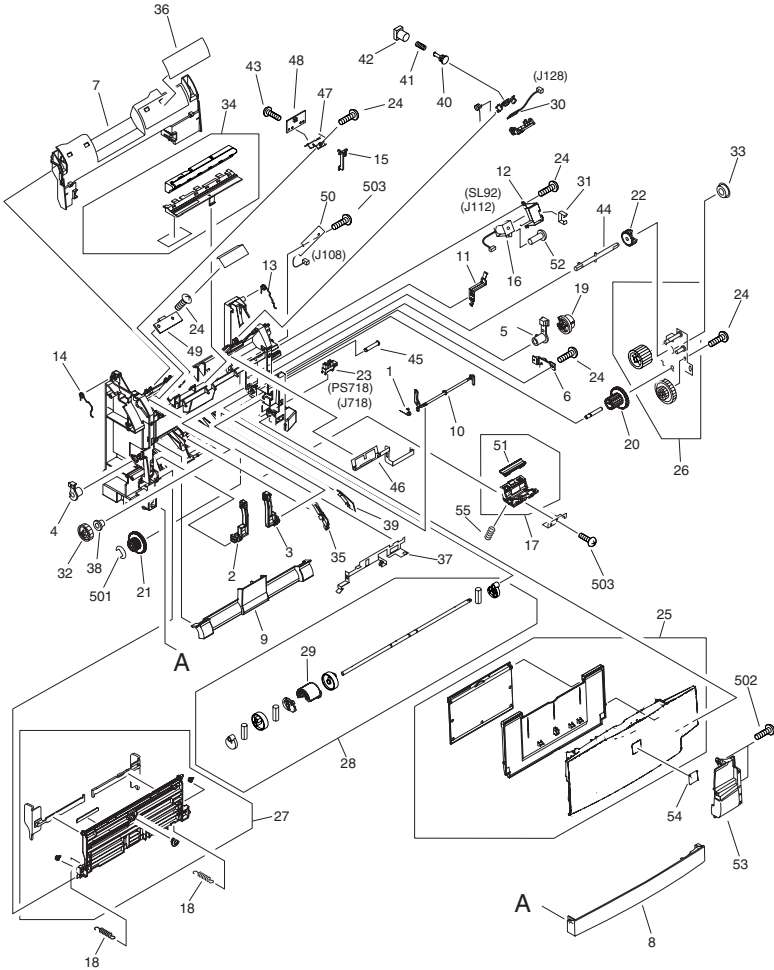


FIGURE & KEY NO.	PARTS NUMBER	R A N K	Q'TY	DESCRIPTION	SERIAL NUMBER/ REMARKS	S V C
Fig.101	NPN		RF	FRONT FRAME ASS'Y		
1	RB2-9952-000		1	SPRING, TORSION		
2	RB2-6405-000		1	HINGE, LEFT	MF8170	
2	RB3-1388-000		1	HINGE, LEFT	MF8180	
3	RB2-6406-000		1	HINGE, RIGHT	MF8170	
3	RB3-1389-000		1	HINGE, RIGHT	MF8180	
4	RB2-3043-000		1	BUSHING, LEFT		
5	RB2-3044-000		1	BUSHING, RIGHT		
6	RB2-6248-000		1	DAMPER ASS'Y		
7	RB3-0842-000		1	COVER, MULTI-PURPOSE, UPPER	MF8170 100V/120V MF8180 120V	
7	RB3-0877-000		1	COVER, MULTI-PURPOSE, UPPER	MF8180 100V/230V	
8	HC1-1558-000		1	COVER, MULTI-PURPOSE, LOWER		
9	RB3-0104-000		1	COVER, MULTI-PURPOSE ROLLER		
10	RB3-0111-000		1	FLAG, MULTI-PURPOSE SENSOR		
11	RB3-0119-000		1	SPRING, LEAF, GROUNDING		
12	RB3-0120-000		1	COVER, MP. GAUSS BLOCKING		
13	RB3-0121-000		1	SPRING, TORSION		
14	RB3-0122-000		1	SPRING, TORSION		
15	RB3-0135-000		1	FLAG, TEST PRINT SWITCH		
16	RH7-5338-000		1	SOLENOID	MF8170 SL92,J112	
16	RH7-5383-000		1	SOLENOID	MF8180 SL92,J112	
17	RF5-4012-000		1	PAD, PAPER SEPARATION		
18	RS6-2030-000		2	SPRING, TENSION		
19	RS7-0418-000		1	GEAR, 26T		
20	RS7-0424-000		1	GEAR, 20T/40T		
21	RS7-0426-000		1	GEAR, 26T/50T		
22	RS7-0429-000		1	GEAR, 26T		
23	WG8-5593-000		1	PHOTO INTERRUPTER TLP1242	MF8170 PS718,J718	
23	WG8-5593-000		1	PHOTO INTERRUPTER TLP1242	MF8180 PS718,J718	
24	XA9-1262-000		11	SCREW, M4X10		
25	HM1-1082-000		1	MULTI-PURPOSE COVER ASS'Y	MF8170 120V	

FIGURE & KEY NO.	PARTS NUMBER	R A N K	Q'TY	DESCRIPTION	SERIAL NUMBER/ REMARKS	S V C
25	HM1-0634-000		1	MULTI-PURPOSE COVER ASS'Y	MF8170 100V	
25	FM2-7511-000		1	MULTI-PURPOSE COVER ASS'Y	MF8180 100/230 V	
25	FM2-6734-000		1	MULTI-PURPOSE COVER ASS'Y	MF8180 120 V	
26	RG5-6938-030		1	GEAR ASS'Y		
27	RG5-6951-000		1	MP. INNER PLATE ASS'Y	MF8170	
27	RG5-7834-000		1	MP. INNER PLATE ASS'Y	MF8180	
28	RG5-6952-020		1	MP. PAPER PICK-UP ROLLER ASS'Y		
29	RB3-0160-000		1	ROLLER, MP. PAPER PICK-UP		
30	RG5-7131-000		1	TAG CONTACT PCB ASS'Y	MF8170 J128	
30	RG5-7131-000		1	TAG CONTACT PCB ASS'Y	MF8180 J128	
31	WT2-5056-000		1	CLIP, CORD		
32	RS7-0425-000		1	GEAR, 30T		
33	RS5-1635-000		1	BUSHING		
34	RF5-4047-000		1	PAD, LIGHT-BLOCKING		
35	RB2-9954-000		1	GUIDE, PAPER FEED, LEFT		
36	HC1-1554-000		1	LABEL, DRUM CARTRIDGE		
37	RB2-9942-000		1	PLATE, GROUNDING		
38	RS5-1638-000		1	BUSHING		
39	RB2-9955-000		1	GUIDE, PAPER FEED, RIGHT		
40	RB3-0164-000		1	PIN, TAG		
41	RS6-2746-000		1	SPRING, COMPRESSION		
42	RB3-0163-000		1	SUPPORT, TAG PIN		
43	XA9-0267-000		2	SCREW, TP, M3X6		
44	RF5-4015-000		1	SHAFT, P. PICK-UP CLUTCH GEAR		
45	RS5-5899-000		1	SHAFT		
46	RB2-9940-000		1	PLATE, GROUNDING		
47	RB3-0117-000		1	HOLDER, TOP SENSOR PCB		
48	RG5-6966-000		1	TOP SENSOR PCB ASS'Y	MF8170	
48	RG5-7612-000		1	TOP SENSOR PCB ASS'Y	MF8180	
49	RH7-7146-000		1	DENSITY SENSOR UNIT	MF8170	
49	RH7-7158-000		1	DENSITY SENSOR UNIT	MF8180	
50	RG5-6965-000		1	WASTE TONER SENSOR PCB ASS'Y	MF8170	

FIGURE & KEY NO.	PARTS NUMBER	R A N K	Q'TY	DESCRIPTION	SERIAL NUMBER/ REMARKS	S V C
50	RG5-7648-000		1	WASTE TONER SENSOR PCB ASS'Y	MF8180	
51	RB3-0113-000		1	PAD, SEPARATION		
52	XA9-0591-000		2	SCREW, M3X8		
53	HC1-1559-000		1	COVER, MULTI-PURPOSE, RIGHT		
54	HC1-1557-000		1	EMBLEM	120V/230V	
54	FC5-5256-000		1	EMBLEM	100V	
55	RS6-2024-000		1	SPRING, COMPRESSION		
501	XD2-1100-502		1	RETAINING RING (E-TYPE)		
502	XB6-7300-607		2	SCREW, TP, M3X6		
503	XB4-7401-005		2	SCREW,TAPPING,TRUSS HEAD,M4X10		

FIGURE 102 INTERNAL COMPONENTS 1

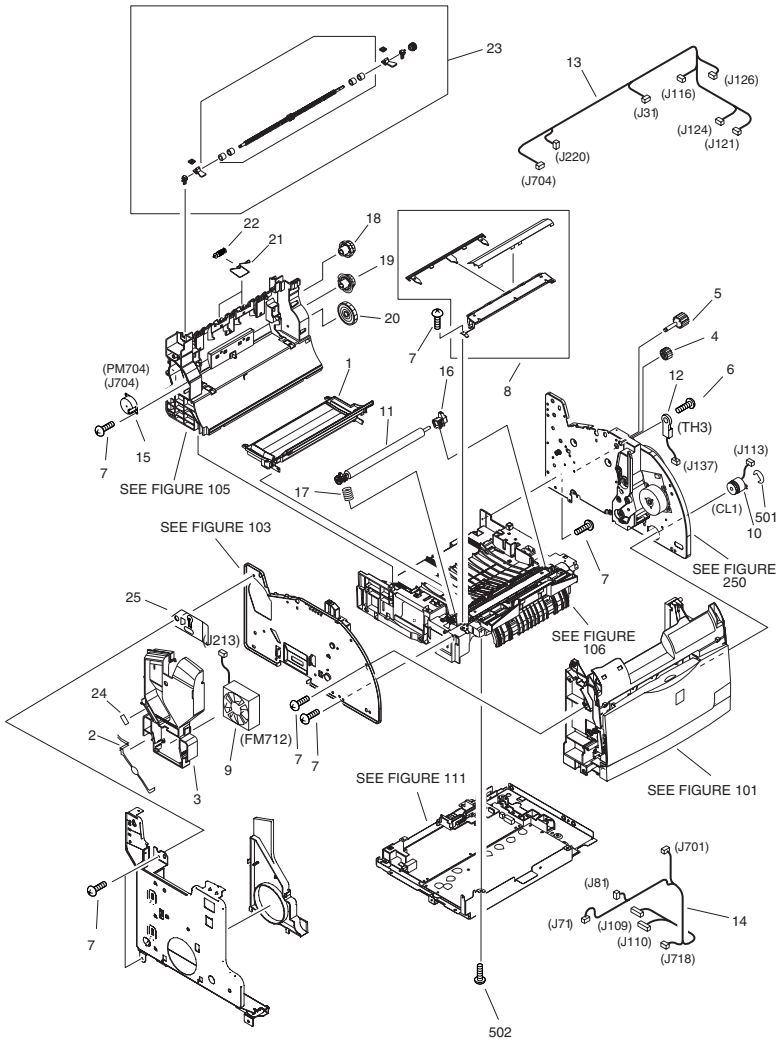


FIGURE & KEY NO.	PARTS NUMBER	R A N K	Q'TY	DESCRIPTION	SERIAL NUMBER/ REMARKS	S V C
Fig.102	NPN		RF	INTERNAL COMPONENTS 1		
1	RB3-0019-000		1	TRAY, TONER		
2	RB2-9932-000		1	GUARD, FAN SHIELD		
3	RB3-0025-000		1	DUCT, FAN	MF8170	
3	RB9-0901-000		1	DUCT, FAN	MF8180	
4	RB3-0091-000		1	GEAR, 18T		
5	RB3-0092-000		1	GEAR, 15T		
6	XA9-1355-000		1	SCREW, RS, M3X8		
6	XA9-1449-000		1	SCREW, RS, M3X8		
7	XA9-1262-000		41	SCREW, M4X10		
8	RF5-4049-000		1	ENTRANCE GUIDE ASS'Y	MF8170	
8	RF5-4065-000		1	ENTRANCE GUIDE ASS'Y	MF8180	
9	RH7-1537-000		1	FAN	MF8170 FM712,J213	
9	RH7-1630-000		1	FAN	MF8180 FM712,J213	
10	RH7-5366-000		1	CLUTCH, ELECTROMAGNETIC	MF8170 CL1,J113	
10	RH7-5389-000		1	CLUTCH, ELECTROMAGNETIC	MF8180C L1,J113	
11	RF5-4040-020		1	ROLLER, TRANSFER	MF8170	
11	RF5-4067-030		1	ROLLER, TRANSFER	MF8180	
12	RH7-7149-000		1	SLEEVE THERMISTOR UNIT	MF8170 TH3,J137	
12	RH7-7159-000		1	SLEEVE THERMISTOR UNIT	MF8180 TH3,J137	
13	RG5-7144-000		1	CABLE, UPPER	MF8170 J31,J116,J121,J124,J126, J220,J704	
13	RG5-7160-000		1	CABLE, UPPER	MF8180 J31,J116,J121,J124,J126, J220,J704	
14	RG5-7145-000		1	CABLE, FRONT FRAME	J71,J81,J109,J110,J701,J 718	
15	RH7-1533-000		1	MOTOR, DC24V	MF8170 PM704,J704	
15	RH7-1629-000		1	MOTOR, DC24V	MF8180 PM704,J704	
16	RB3-0014-000		1	BUSHING, TRANSFER, RIGHT	MF8170	
16	RB3-1094-000		1	BUSHING, TRANSFER, RIGHT	MF8180	
17	RB3-0015-000		1	SPRING, COMPRESSION		
18	RS7-0435-000		1	GEAR, 32T/37T		

FIGURE & KEY NO.	PARTS NUMBER	RANK	Q'TY	DESCRIPTION	SERIAL NUMBER/REMARKS	SVC
19	RS7-0436-000		1	GEAR, 37T/43T		
20	RS7-0437-000		1	GEAR, 51T		
21	RB2-9905-000		2	SPRING, TORSION		
22	RB2-9908-000		2	ROLLER, FACE-DOWN, UPPER	MF8170	
22	RF5-4068-000		2	ROLLER, FACE-DOWN, UPPER	MF8180	
23	RG5-6897-020		1	UPPER FACE-DOWN ROLLER ASS'Y		
24	RS6-8668-000		1	LABEL, HIGH VOLTAGE CAUTION		
25	RB3-1113-000		1	PLATE, SWING SHAFT GROUNDING	MF8180	
501	XD2-1100-322		1	RETAINING RING (E-TYPE)		
502	XB4-7401-005	S	1	SCREW,TAPPING,TRUSS HEAD,M4X10		

FIGURE 103 INTERNAL COMPONENTS 2

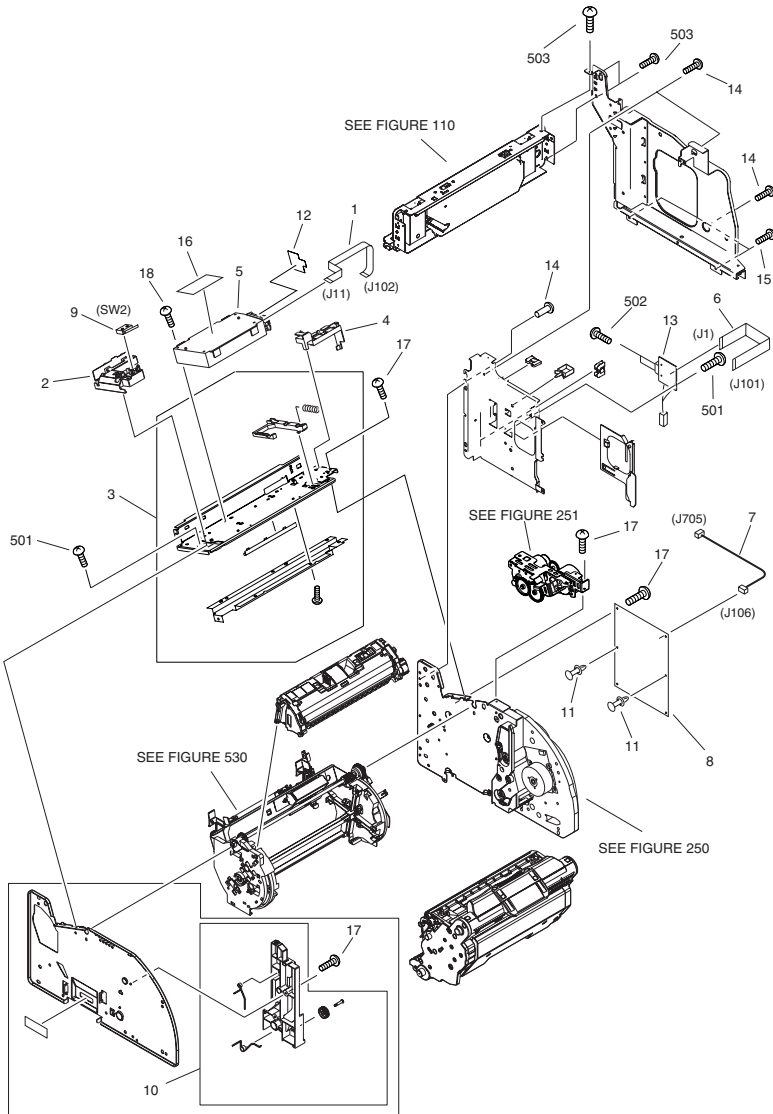


FIGURE & KEY NO.	PARTS NUMBER	RANK	Q'TY	DESCRIPTION	SERIAL NUMBER/REMARKS	SVC
Fig.103	NPN		RF	INTERNAL COMPONENTS 2		
1	RH2-5524-000		1	CABLE, FLAT, LASER	J102,J11	
2	RB3-0023-000		1	HOLDER, INTERLOCK SWITCH		
3	RG5-6907-000		1	SCANNER CROSSMEMBER ASS'Y		
4	RB2-9903-000		1	GUIDE, CABLE		
5	RG5-6880-000		1	SCANNER ASS'Y	MF8170	
5	RG5-6890-030		1	SCANNER ASS'Y	MF8180	
6	HK1-0351-000		1	CABLE, FLAT, RERAY BOARD	MF8170	
6	FK2-2137-000		1	CABLE, FLAT, RERAY BOARD	MF8180	
7	RG5-7114-000		1	CABLE, MOTOR	J106,J705	
8	RG5-7836-000		1	DC CONTROLLER PCB ASS'Y	MF8170	
8	RG5-8050-000		1	DC CONTROLLER PCB ASS'Y	MF8180 120V	
8	RG5-8051-000		1	DC CONTROLLER PCB ASS'Y	MF8180 100V/230V	
9	RH7-6051-000		1	MICROSWITCH	SW2	
10	RG5-6935-000		1	LEFT CARTRIDGE GUIDE ASS'Y		
11	WT2-5778-000		2	SPACER, PCB		
12	HC1-1561-000		1	SHEET, PCB		
13	HM1-0966-000		1	RELAY BOARD ASS'Y	MF8170	
13	FM2-6648-000		1	RELAY BOARD ASS'Y	MF8180	
14	XA9-0849-000		4	SCREW, RS, M3X6		
15	XA9-1262-000		5	SCREW, M4X10		
16	RU5-8126-000		1	LABEL, WARNING LASER	MF8180	
17	XA9-1495-000		4	SCREW, RS, M3X6		
18	XA9-1501-000		1	SCREW, RS, M3X10		
501	XB6-7300-607		12	SCREW, TP, M3X6		
502	XB1-1260-407		2	SCREW, PH2.6X4, S		
503	XB1-2400-607		6	SCREW, CROSS-RECESS, FCH		

FIGURE 104
TOP COVER ASS'Y

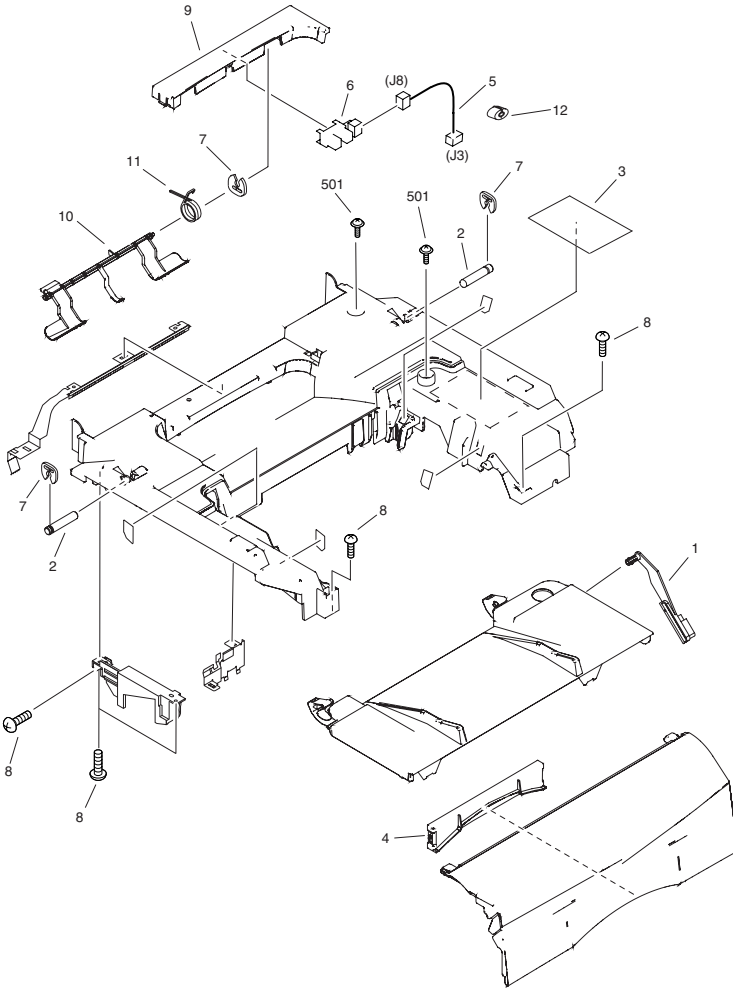


FIGURE & KEY NO.	PARTS NUMBER	R A N K	Q'TY	DESCRIPTION	SERIAL NUMBER/ REMARKS	S V C
Fig.104	HM1-0623-000		1	TOP COVER ASSY	MF8170	
Fig.104	FM2-6732-000		1	TOP COVER ASSY	MF8180	
1	RB3-0089-030		1	RACK, COVER		
2	HC1-1547-020		2	SHAFT, STOPPER		
3	HC1-1563-000		1	LABEL, DEV. CRG. INSTRUCTION		
4	HC1-1562-000		1	GRIP, COVER		
5	HM1-0967-000		1	CABLE, OF-SENSOR	J3,J8	
6	WG8-5362-000		1	PHOTO-INTERRUPTER, TLP1241	MF8170	
6	WG8-5624-000		1	PHOTO-INTERRUPTER, TLP1241	MF8180	
7	HC1-0586-000		3	RETAINING RING (E-TYRE)		
8	XA9-1262-000		5	SCREW, M4X10		
9	HC1-1550-000		1	COVER, OF-SENSOR		
10	HC1-1549-000		0	LEVER, PAPER RETAINER	MF8170	
10	FC7-1528-000		0	LEVER, PAPER RETAINER	MF8180	
11	HU1-2100-000		1	SPRING, TORSION		
12	RH7-9033-000		1	RING, CORE		
501	XB6-7300-607		1	SCREW, TP, M3X6		

FIGURE 105
REAR FRAME ASS'Y

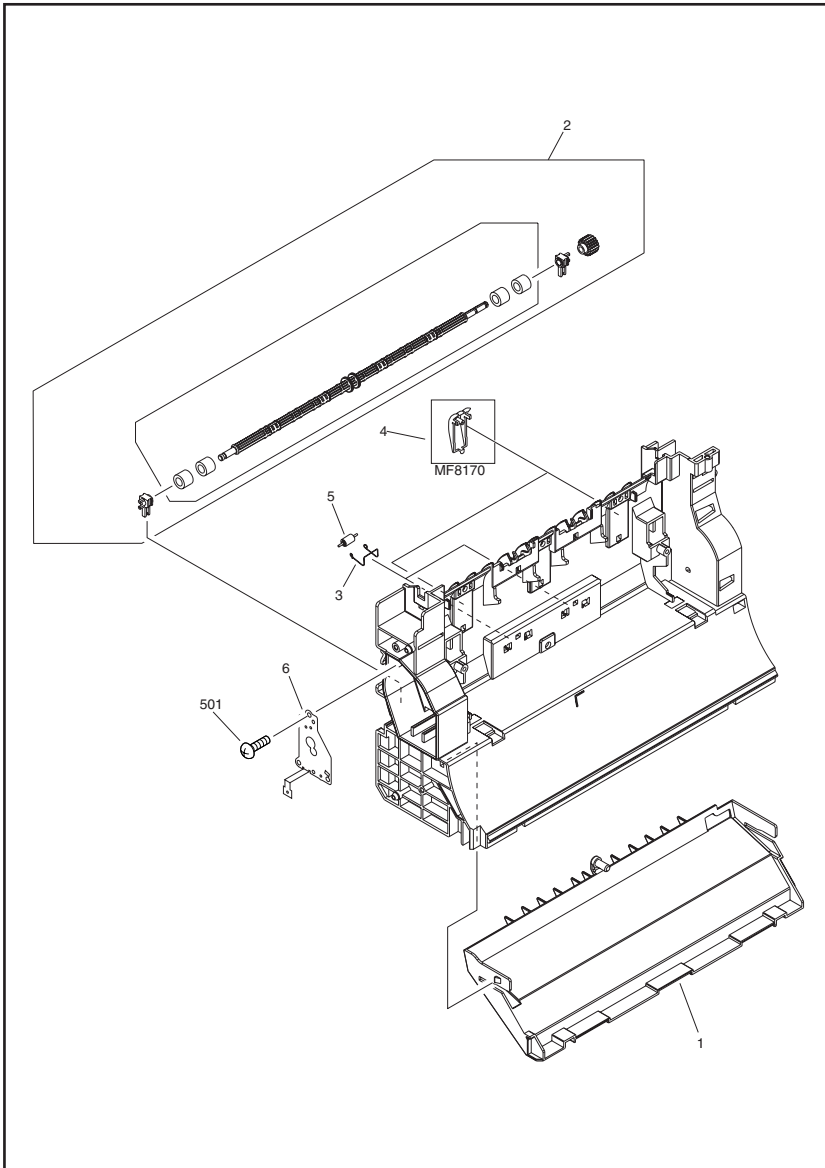


FIGURE & KEY NO.	PARTS NUMBER	RANK	Q'TY	DESCRIPTION	SERIAL NUMBER/REMARKS	SVC
Fig.105	NPN		RF	REAR FRAME ASS'Y		
1	RB2-9904-000		1	DUCT, FIXING		
2	RG5-6936-000		1	LOWER FACE-DOWN ROLLER ASS'Y	MF8170	
2	RG5-7595-000		1	LOWER FACE-DOWN ROLLER ASS'Y	MF8180	
3	RB2-9906-000		2	SPRING, TORSION	MF8170	
3	RB3-1065-000		2	SPRING, TORSION	MF8180	
4	RB2-9912-000		2	GUIDE, OUT SIDE PAPER	MF8170	
5	RB2-9909-000		2	ROLLER, FACE-DOWN, LOWER		
6	RB2-9916-020		1	COVER, PRESSURE MOTOR		
501	XB4-7401-005		3	SCREW,TAPPING,TRUSS HEAD,M4X10		

FIGURE 106 MIDDLE FRAME ASS'Y

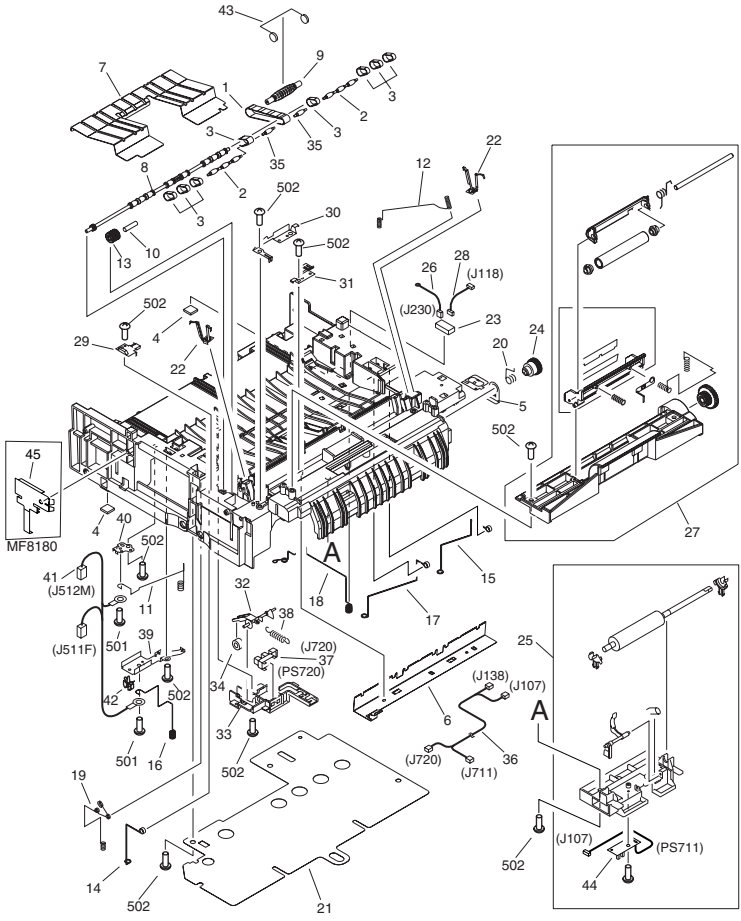


FIGURE & KEY NO.	PARTS NUMBER	R A N K	Q'TY	DESCRIPTION	SERIAL NUMBER/ REMARKS	S V C
Fig.106	NPN		RF	MIDDLE FRAME ASS'Y		
1	RB1-8668-030		1	BELT, TIMING		
2	RB3-0061-000		2	PULLEY		
3	RB3-0063-000		8	BELT, PAPER FEED		
4	RB2-6297-000		2	FOOT, RUBBER		
5	RB3-0286-000		1	PLATE, H ROLLER GROUNDING		
6	RB3-0009-000		1	PLATE, STATIC CHARGE ELIM.		
7	RB3-0010-030		1	PLATE, PAPER FEED		
8	RB3-0011-000		1	SHAFT, FEED DRIVE		
9	RB3-0012-000		1	ROLLER, SM BELT		
10	RB3-0060-020		1	SHAFT, IDLER GEAR		
11	RB3-0045-000		1	SPRING, TORSION		
12	RB3-0016-000		1	SPRING, TORSION		
13	RB3-0022-000		1	GEAR, 23T		
14	RB3-0042-000		1	SPRING, TORSION		
15	RB3-0043-000		1	SPRING, TORSION		
16	RB3-0044-000		1	SPRING, TORSION		
17	RB3-0046-000		1	SPRING, TORSION		
18	RB3-0047-000		1	SPRING, TORSION		
19	RB3-0048-000		1	SPRING, TORSION		
20	RS5-1637-000		1	BUSHING		
21	RB3-0056-000		1	SHEET, INSULATING	MF8170	
21	RB3-1110-000		1	SHEET, INSULATING	MF8180	
22	RB3-0057-000		2	PLATE, TRANSFER SLIDE		
23	WS1-6336-000		1	CONNECTOR, OPT.CASSETTE DRAWER	J230	
24	RS7-0428-000		1	GEAR, 30T		
25	RG5-6939-020		1	REGISTRATION ROLLER ASS'Y		
26	RG5-7123-000		1	CABLE, GROUNDING	J230	
27	RG5-6940-050		1	REGISTRATION SHUTTER ASS'Y		
28	RG5-7122-000		1	CABLE, INTERFACE	MF8170 J118,J230	
28	RG5-7608-000		1	CABLE, INTERFACE	MF8180 J118,J230	

FIGURE & KEY NO.	PARTS NUMBER	R A N K	Q'TY	DESCRIPTION	SERIAL NUMBER/ REMARKS	S V C
29	RB3-0052-000		1	COVER, GEAR		
30	RB3-0065-000		1	SPRING, GROUNDING		
31	RB3-0066-000		1	SPRING, GROUNDING		
32	RB2-9925-000		1	ARM, SENSOR FLAG		
33	RB2-9924-000		1	HOLDER, SENSOR		
34	RB2-7195-000		1	ROLLER, TRANSFER SENSOR		
35	RB3-0067-000		2	PULLEY		
36	RG5-7128-000		1	PAPER SENSOR CABLE	J107, J138, J720, J711	
37	WG8-5593-000		1	PHOTO INTERRUPTER TLP1242	PS720, J720	
38	RS6-2766-000		1	SPRING, TENSION		
39	RB2-9850-020		1	MOUNT, DEV. TERMINAL		
40	RB2-9851-020		1	MOUNT, DEV. ANTENNA CONTACT		
41	RG5-7130-000		1	DEV. H.V.T. CABLE	J511F, J512M	
42	WT2-5700-000		1	CLAMP, CABLE		
43	RB2-9999-000		1	SPRING, TORSION		
44	RG5-7613-000		1	REGISTRATION SENSOR PCB ASS'Y	PS711, J107	
45	RB2-9982-000		1	PLATE, GROUNDING	M F 8180 ONLY	
501	XB2-4300-605		2	SCREW, W/WASHER, M3X6		
502	XB4-7401-005		13	SCREW, TAPPING, TRUSS HEAD, M4X10		

FIGURE 110 POWER SUPPLY BASE ASS'Y

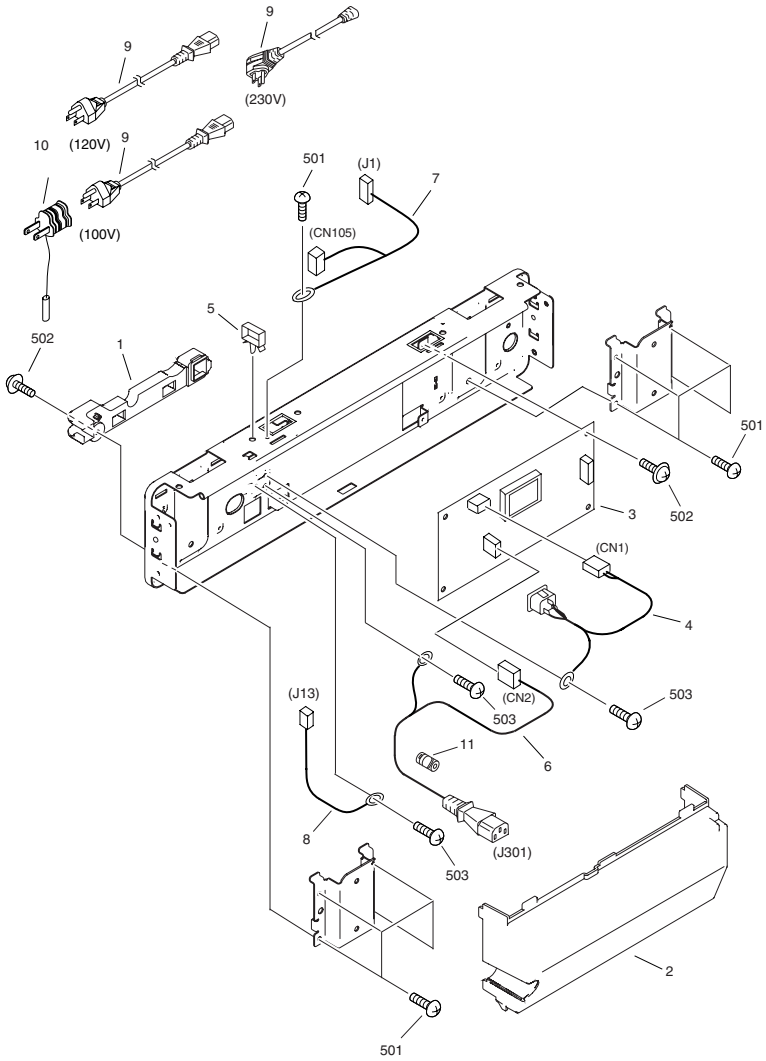


FIGURE & KEY NO.	PARTS NUMBER	R A N K	Q'TY	DESCRIPTION	SERIAL NUMBER/ REMARKS	S V C
Fig.110	NPN		RF	POWER SUPPLY BASE ASS'Y		
1	HC1-1841-000		1	GUIDE, CABLE		
2	HC1-1842-000		1	COVER, PSU		
3	HK1-0355-000		1	POWER SUPPLY UNIT	MF8170 120V	
3	HK1-0354-000		1	POWER SUPPLY UNIT	MF8170 100V	
3	FK2-2118-000		1	POWER SUPPLY UNIT	MF8180 100V	
3	FK2-2117-000		1	POWER SUPPLY UNIT	MF8180 120V	
3	FK2-2119-000		1	POWER SUPPLY UNIT	MF8180 230V	
4	HK1-0369-000		1	INLET UNIT	CN1	
5	WT2-5737-000		1	CLIP, CABLE		
6	FK2-2138-000		1	CABLE, AC POWER SUPPLY	CN2,J301	
7	HM1-0970-000		1	CABLE, SCNT-PSU	CN105,J1	
8	HM1-1011-000		1	CABLE, GROUNDING	J13	
9	HK1-0510-000		1	CORD, POWER	120V	
9	HK1-0321-000		1	CORD, POWER	100V	
9	FK2-0514-000		1	CORD, POWER	MF8180 EUR/KR/AE	
9	FK2-0517-000		1	CORD, POWER	MF8180 CN	
9	FK2-0515-000		1	CORD, POWER	MF8180 AUS	
10	WS5-5103-000		1	CONNECTOR, AC	100V	
11	WE8-5909-000		1	CORE,FERRITE	MF8180 120V/230V	
501	XB1-2300-407		9	SCREW, BH3X4 (S)		
502	XB6-7300-607		5	SCREW, TP, M3X6		
503	XB2-6400-607		3	SCREW, W/WASHER, M4X6 (S)		

FIGURE 111 POWER SUPPLY BASE ASS'Y

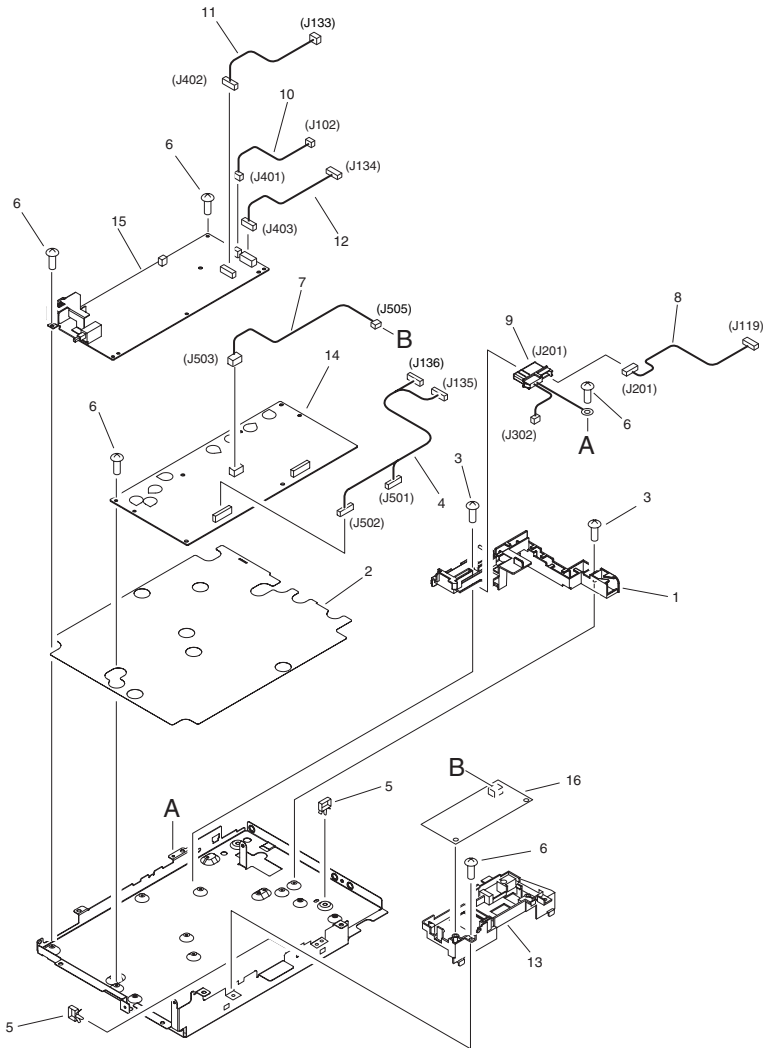
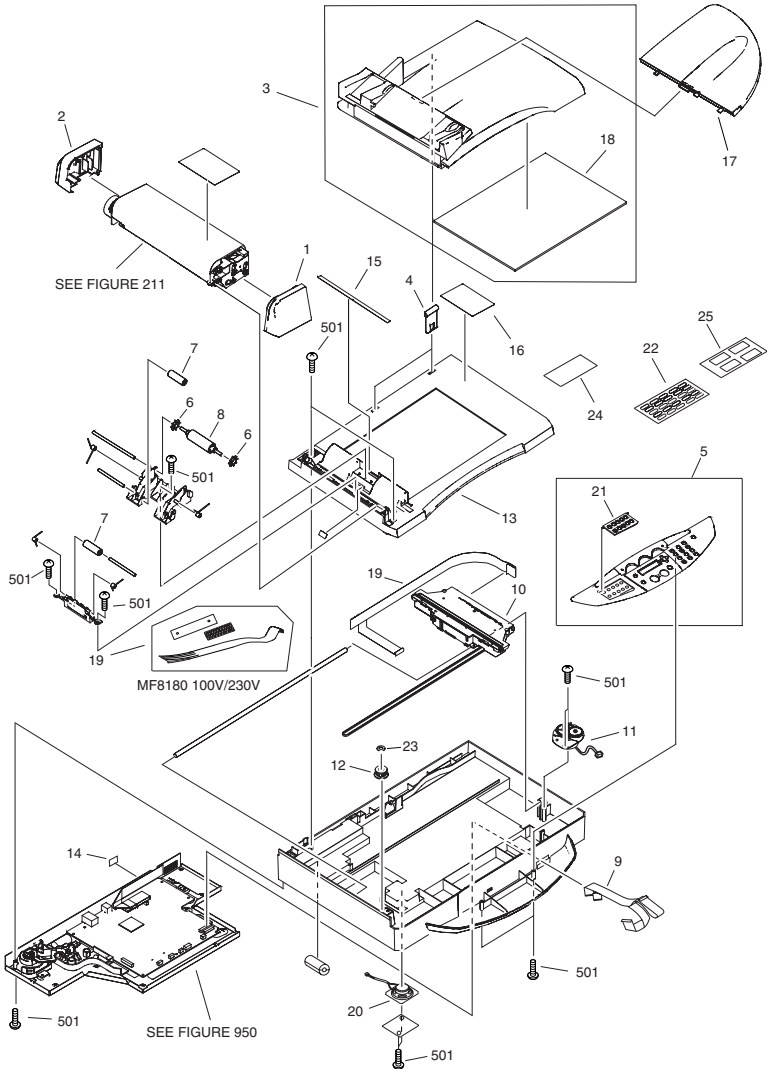


FIGURE & KEY NO.	PARTS NUMBER	R A N K	Q'TY	DESCRIPTION	SERIAL NUMBER/ REMARKS	S V C
Fig.111	NPN		RF	POWER SUPPLY BASE ASS'Y		
1	RB3-0006-000		1	HOLDER, FIXING CONNECTOR		
2	RB3-0007-000		1	SHEET, INSULATING		
3	XA9-1500-000		4	SCREW, RS, M3X8		
4	RG5-7146-000		1	CABLE, H.V.T.	J135,J136,J501,J502	
5	WT2-5610-000		2	CLIP, CABLE		
6	XA9-1449-000		9	SCREW, RS, M3X8		
7	RG5-7126-000		1	SUB H.V.T. CABLE	J503,J505	
8	RG5-7109-000		1	CABLE, FIXING CONNECTING DC	J119,J201	
9	RG5-7161-000		1	CABLE, FIXING POWER	MF8170 J201,J302	
9	RG5-7161-000		1	CABLE, FIXING POWER	MF8180 J201,J302	
10	RG5-7106-000		1	CABLE, VIDEO INTERFACE POWER	J401,J102	
11	RG5-7107-000		1	CABLE, POWER, 1	MF8170 J133,J402	
11	RG5-7621-000		1	CABLE, POWER, 1	MF8180 J133,J402	
12	RG5-7108-000		1	CABLE, POWER, 2	J314,J403	
13	RB3-0062-000		1	HOLDER, HIGH VOLTAGE		
14	RG5-6960-000		1	H.V.T. PCB ASS'Y	MF8170	
14	RG5-7647-000		1	H.V.T. PCB ASS'Y	MF8180	
15	RH3-2241-000		1	LOW VOLTAGE PCB ASS'Y	MF8170 120V	
15	RH3-2253-000		1	LOW VOLTAGE PCB ASS'Y	MF8170 100V	
15	RH3-2265-000		1	LOW VOLTAGE PCB ASS'Y	MF8180 100V	
15	RH3-2262-000		1	LOW VOLTAGE PCB ASS'Y	MF8180 120V	
15	RH3-2263-000		1	LOW VOLTAGE PCB ASS'Y	MF8180 230V	
16	RG5-7616-000		1	SUB H.V.T. PCB ASS'Y		

FIGURE 210 SCANNER ASS'Y



NOTE : This assembly does not include the parts shown with key No.14, 16, 22,24,25
 注 : このユニットにkey No. 14, 16, 22, 24, 25の部品は含まれません

FIGURE & KEY NO.	PARTS NUMBER	R A N K	Q'TY	DESCRIPTION	SERIAL NUMBER/ REMARKS	S V C
Fig.210	FY6-0378-000		1	SCANNER ASSY	MF8170 120V	
Fig.210	FY6-0389-000		1	SCANNER ASSY	MF8170 100V	
Fig.210	FY6-0415-000		1	SCANNER ASSY	MF8180 JP	
Fig.210	FY6-0407-000		1	SCANNER ASSY	MF8180 US	
Fig.210	FY6-0416-000		1	SCANNER ASSY	MF8180 EUR	
Fig.210	FY6-0417-000		1	SCANNER ASSY	MF8180 AUS/AE	
Fig.210	FY6-0418-000		1	SCANNER ASSY	MF8180 KR	
Fig.210	FY6-0419-000		1	SCANNER ASSY	MF8180 CN	
1	FY1-1209-000		1	COVER, ADF, FRONT		
2	FY1-1210-000		1	COVER, ADF, REAR		
3	FY6-0375-000		1	DOCUMENT COVER ASSY	MF8170	
3	FY6-0408-000		1	DOCUMENT COVER ASSY	MF8180	
4	FY1-1213-000		2	HINGE		
5	FY6-0377-000		1	OPERATION PANEL UNIT	MF8170 120V	
5	FY6-0376-000		1	OPERATION PANEL UNIT	MF8170 100V	
5	FY6-0420-000		1	OPERATION PANEL UNIT	MF8180 JP	
5	FY6-0409-000		1	OPERATION PANEL UNIT	MF8180 US	
5	FY6-0421-000		1	OPERATION PANEL UNIT	MF8180 EUR	
5	FY6-0422-000		1	OPERATION PANEL UNIT	MF8180 AUS/AE	
5	FY6-0423-000		1	OPERATION PANEL UNIT	MF8180 KR	
5	FY6-0424-000		1	OPERATION PANEL UNIT	MF8180 CN	
6	HC1-0604-000		2	ROLLER, DOCUMENT PRESSURE		
7	HU1-6002-000		2	ROLLER, BACK-UP		
8	HU1-6004-000		1	ROLLER, DOCUMENT DELIVERY		
9	FY3-0292-000		1	FLAT CABLE UNIT	MF8170	
9	FY3-0300-000		1	FLAT CABLE UNIT	MF8180	
10	FY6-0379-000		1	CCD UNIT	MF8170	
10	FY6-0410-000		1	CCD UNIT	MF8180	
11	FY6-0382-000		1	FLAT BED MOTOR UNIT	MF8170	
11	FY6-0427-000		1	FLAT BED MOTOR UNIT	MF8180	
12	FY5-0188-000		1	BELT WHEEL UNIT		
13	FY6-0380-000		1	SCANNER COVER ASSY	MF8170	

FIGURE & KEY NO.	PARTS NUMBER	RANK	Q'TY	DESCRIPTION	SERIAL NUMBER/REMARKS	SVC
13	FY6-0425-000		1	SCANNER COVER ASS'Y	MF8180 100V	
13	FY6-0411-000		1	SCANNER COVER ASS'Y	MF8180 120V/230	
14	HC1-1851-000		1	SHEET, BLANKING	SEE NOTE	
15	FY1-1219-000		1	SHEET, INDEX	MF8170 MF8180 120V	
15	FY1-1252-000		1	SHEET, INDEX	MF8180 100V	
15	FY1-1219-000		1	SHEET, INDEX	MF8180 230V	
16	HC1-1831-000		1	LABEL, LEGAL LIMITATION	SEE NOTE 120V	
16	HC1-1832-000		1	LABEL, LEGAL LIMITATION	SEE NOTE 100V	
16	FC7-2396-000		1	LABEL, LEGAL LIMITATION	MF8180 EUR/AUS/AE	
16	FC7-2397-000		1	LABEL, LEGAL LIMITATION	MF8180CN/KR	
17	FY1-1211-000		1	TRAY, DOCUMENT		
18	FY1-1218-000		1	SHEET, DOCUMENT PRESSURE	MF8170	
18	FY1-1242-000		1	SHEET, DOCUMENT PRESSURE	MF8180	
19	FY3-0291-000		1	CABLE, FLAT, 22P	MF8170	
19	FY3-0299-000		1	CABLE, FLAT, 22P	MF8180 120V	
19	FY6-0434-000		1	CABLE, FLAT, 22P	MF8180 100V/230V	
20	FY3-0290-000		1	SPEAKER UNIT	MF8170	
20	FY3-0298-000		1	SPEAKER UNIT	MF8180	
21	FY1-1212-000		1	COVER, ONE TOUCH DIAL	MF8170	
21	FY1-1241-000		1	COVER, ONE TOUCH DIAL	MF8180	
22	HC1-1852-000		1	LABEL, DESTINATION	SEE NOTE	
23	FY1-1243-000		1	WASHER	MF8180	
24	FC7-2399-000		1	LABEL, 'LEGAL LIMITATIONS'	SEE NOTE MF8180 US/EUR	
25	FC7-2401-000		1	LABEL, DESTINATION	SEE NOTE MF8180 120V	
501	XB4-7300-809		15	SCREW, TAP, BINDING HEAD, M3X8		

FIGURE 211
DOCUMENT FEED ASS'Y

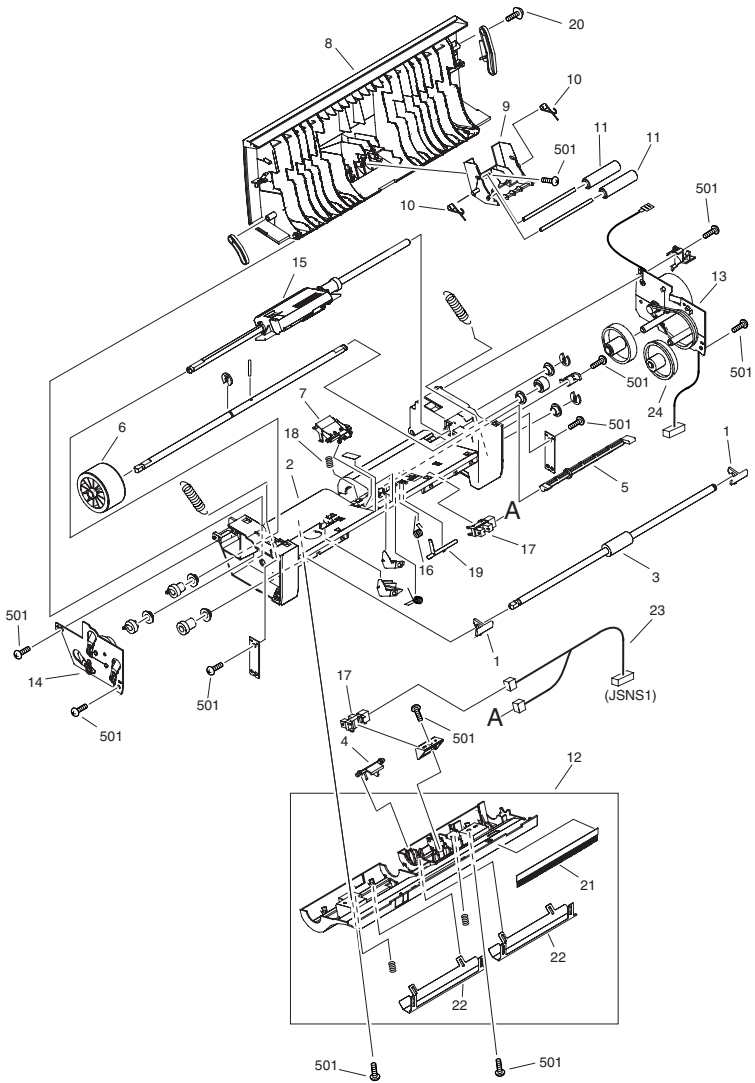
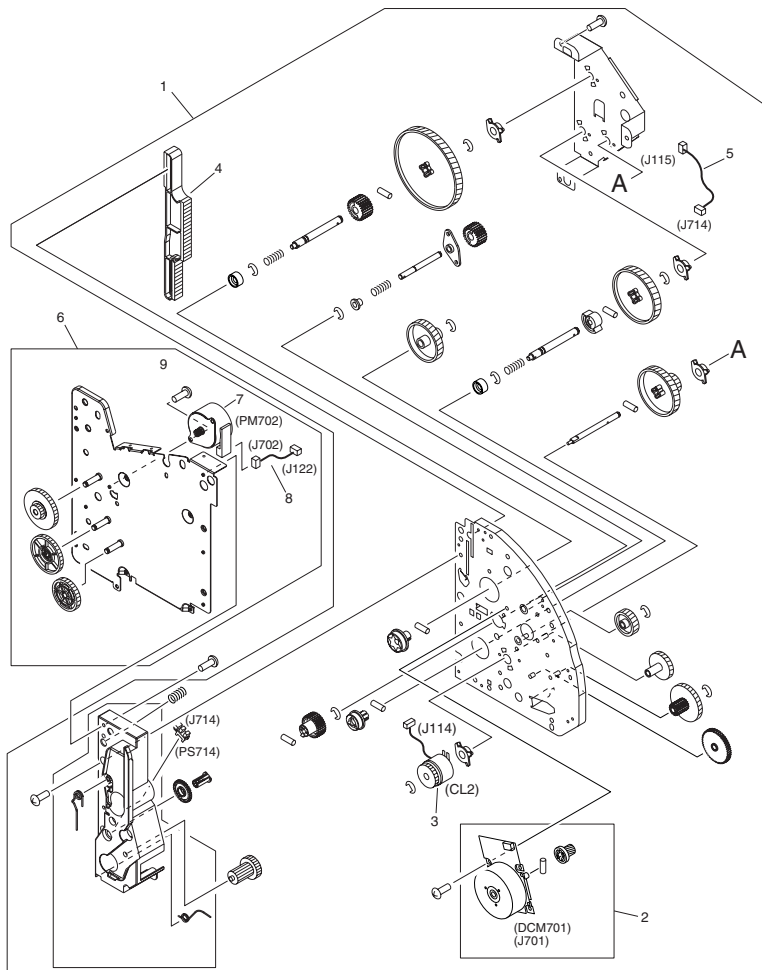


FIGURE & KEY NO.	PARTS NUMBER	R A N K	Q'TY	DESCRIPTION	SERIAL NUMBER/ REMARKS	S V C
Fig.211	FY6-0406-000		1	DOCUMENT FEED ASSY	120V	
Fig.211	FY6-0405-000		1	DOCUMENT FEED ASSY	100V	
Fig.211	FY6-0429-000		1	DOCUMENT FEED ASSY	MF8180 JP	
Fig.211	FY6-0428-000		1	DOCUMENT FEED ASSY	MF8180 US	
Fig.211	FY6-0430-000		1	DOCUMENT FEED ASSY	MF8180 EUR	
Fig.211	FY6-0431-000		1	DOCUMENT FEED ASSY	MF8180 AUS/AE	
Fig.211	FY6-0432-000		1	DOCUMENT FEED ASSY	MF8180 KR	
Fig.211	FY6-0433-000		1	DOCUMENT FEED ASSY	MF8180 CN	
1	HC1-0582-000		2	ARM, DOCUMENT PRESSURE		
2	HC1-0584-020		1	FRAME, MIDDLE DOCUMENT FEED		
3	HC1-0585-000		1	ROLLER, DOCUMENT EJECT		
4	HC1-0565-000		1	ARM, DETECTION (DES)		
5	HC1-0583-000		1	LEVER, DOCUMENT RELEASE		
6	HC1-0590-000		1	ROLLER, DOCUMENT FEED		
7	HM1-0258-000		1	SEPARATION GUIDE UNIT		
8	FY1-1217-000		1	COVER, ADF, TOP	MF8170 120V	
8	FY1-1220-000		1	COVER, ADF, TOP	MF8170 100V	
8	FY1-1247-000		1	COVER, ADF, TOP	MF8180 JP	
8	FY1-1246-000		1	COVER, ADF, TOP	MF8180 US	
8	FY1-1248-000		1	COVER, ADF, TOP	MF8180 EUR	
8	FY1-1249-000		1	COVER, ADF, TOP	MF81810 AUS/AE	
8	FY1-1250-000		1	COVER, ADF, TOP	MF8180 KR	
8	FY1-1251-000		1	COVER, ADF, TOP	MF8180 CN	
9	HC1-0563-000		1	HOLDER, ROLLER		
10	HU1-2048-000		2	SPRING		
11	HU1-6003-000		2	ROLLER, BACKUP		
12	HM1-0254-020		1	LOWER DOCUMENT FEED ASSY		
13	FY6-0381-000		1	DOCUMENT FEED MOTOR ASSY	MF8170	
13	FY6-0426-000		1	DOCUMENT FEED MOTOR ASSY	MF8180	
14	HM1-0256-000		1	DOCUMENT FEED GEAR ASSY		
15	HM1-0259-000		1	SEPARATION ROLLER ASSY		
16	HU1-2042-000		1	SPRING, DS ARM		

FIGURE & KEY NO.	PARTS NUMBER	RANK	Q'TY	DESCRIPTION	SERIAL NUMBER/REMARKS	SVC
17	WG8-5362-000		2	PHOTO-INTERRUPTER, TLP1241		
18	HU1-2046-000		1	SPRING, ADF		
19	HC1-0579-000		1	ARM, DETECTION (DS)		
20	XA9-0476-000		1	SCREW, TP M3X8		
21	HB1-4072-000		1	BRUSH, STATIC DISCHARGE		
22	HL1-0066-000		2	WHITE SHEET UNIT		
23	FY3-0297-000		1	CABLE, DS/DES SENSOR	JSNS1	
24	HU1-0052-000		1	GEAR, 22/75T	MF8180	
501	XB1-2300-407		11	SCREW, BH3X4 (S)		

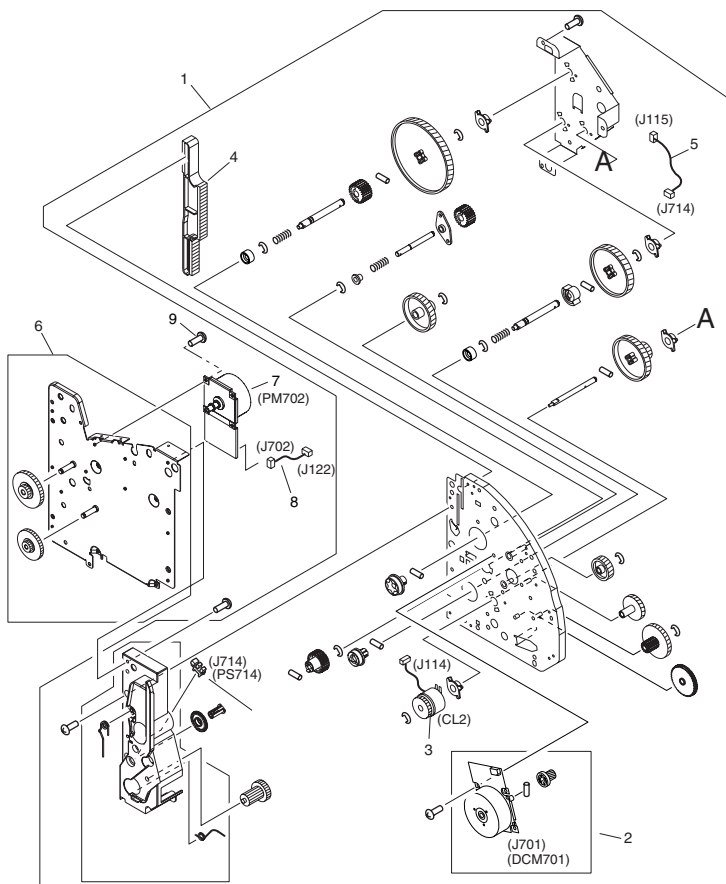
FIGURE 250
MAIN DRIVE ASS'Y(MF8170)



NOTE : This assembly does not include the parts shown with key No.7~9
 注 : このユニットにkey No. 7~9の部品は含まれません。

FIGURE & KEY NO.	PARTS NUMBER	RANK	Q'TY	DESCRIPTION	SERIAL NUMBER/REMARKS	SVC
Fig.250	RG5-6904-080		1	MAIN DRIVE ASS'Y(MF8170)	MF8170	
1	RG5-6932-070		1	RIGHT SIDE PLATE FRONT ASS'Y		
2	RF5-4010-000		1	MOTOR UNIT		
3	RH7-5389-000		1	CLUTCH, ELECTROMAGNETIC	CL1 J113	
4	RB3-0090-000		1	RACK		
5	RG5-7115-000		1	CABLE, SECOND. TRANSFER SENSOR	J115, J714	
6	RG5-6934-000		1	RIGHT SIDE PLATE REAR ASS'Y		
7	RH7-1534-000		1	MOTOR, DC	SEE NOTE	
8	RG5-7116-000		1	CABLE, FIXING MOTOR	SEE NOTE	
9	XA9-1495-000		4	SCREW, RS, M3X6	SEE NOTE	

FIGURE 250A MAIN DRIVE ASS'Y(MF8180)



NOTE : This assembly does not include the part shown with key No.7~9

注 : このユニットにkey No. 7~9の部品は含まれません。

FIGURE & KEY NO.	PARTS NUMBER	RANK	Q'TY	DESCRIPTION	SERIAL NUMBER/REMARKS	SVC
Fig.250A	RG5-7579-000		1	MAIN DRIVE ASS'Y(MF8180)	MF8180	
1	RG5-7581-000		1	RIGHT SIDE PLATE FRONT ASS'Y		
2	RF5-4063-000		1	MOTOR UNIT		
3	RH7-5335-000		1	CLUTCH, ELECTROMAGNETIC	CL2 J114	
4	RB3-0090-000		1	RACK		
5	RG5-7115-000		1	CABLE, SECOND. TRANSFER SENSOR	J115, J714	
6	RG5-7580-000		1	RIGHT SIDE PLATE REAR ASS'Y		
7	RH7-1628-000		1	MOTOR, DC	SEE NOTE	
8	RG5-7620-000		1	CABLE, FIXING MOTOR	SEE NOTE	
9	XA9-1495-000		4	SCREW, RS, M3X6	SEE NOTE	

FIGURE 251 ROTARY DRIVE ASS'Y

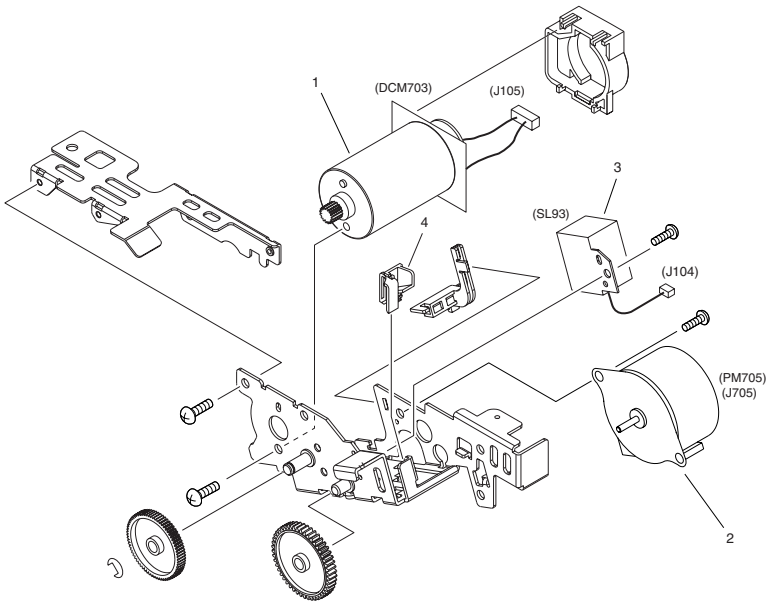


FIGURE & KEY NO.	PARTS NUMBER	RANK	Q'TY	DESCRIPTION	SERIAL NUMBER/REMARKS	SVC
Fig.251	RG5-6911-000		1	ROTARY DRIVE ASS'Y	MF8170	
Fig.251	RG5-7842-000		1	ROTARY DRIVE ASS'Y	MF8180	
1	RG5-6958-000		1	MOTOR UNIT	MF8170 DCM703,J105	
1	RH7-1651-000		1	MOTOR UNIT	MF8180 DCM703,J105	
2	RH7-1625-000		1	MOTOR, DC24V	PM705,J705	
3	RH7-5384-000		1	SOLENOID	SL93,J104	
4	RB2-9852-000		1	GUIDE, ROTARY RELEASE		

FIGURE 300 PAPER FEED SYSTEM

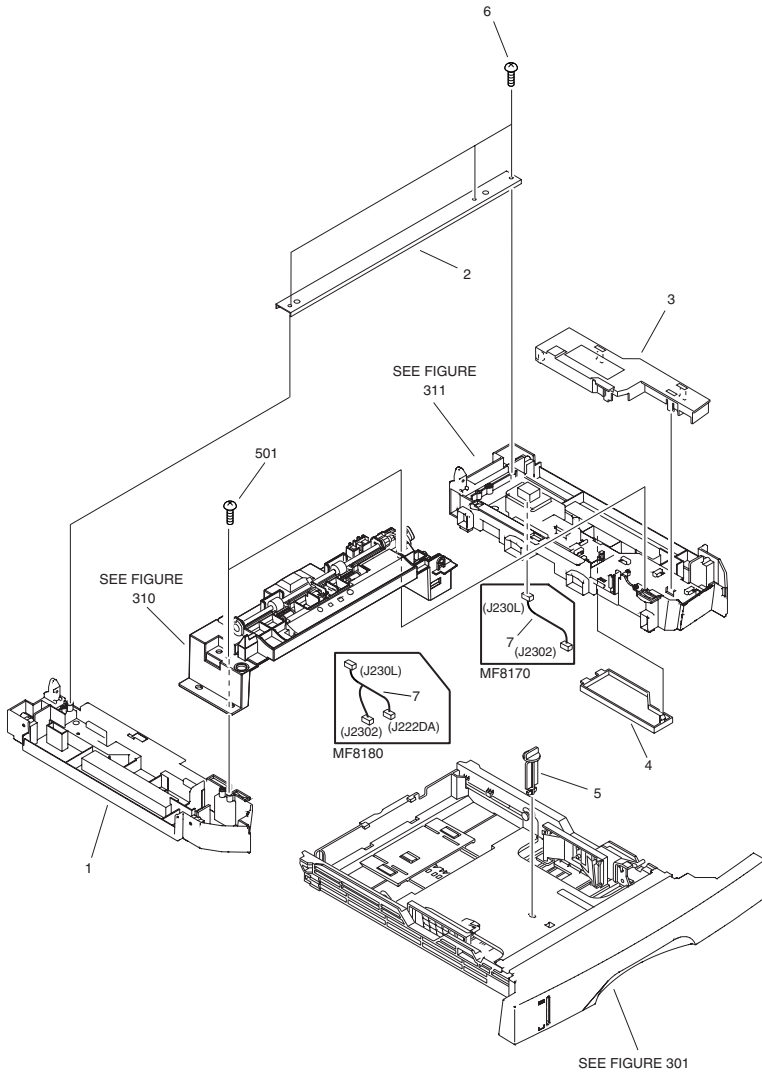


FIGURE & KEY NO.	PARTS NUMBER	RANK	Q'TY	DESCRIPTION	SERIAL NUMBER/REMARKS	SVC
Fig.300	NPN		RF	PAPER FEED SYSTEM		
1	HC1-1521-000		1	COVER, CASSETTE, LEFT		
2	RB3-0108-000		1	CROSSMEMBER, CASSETTE FRAME		
3	RB3-0282-000		1	COVER, FRAME, 1		
4	RB3-0283-000		1	COVER, FRAME, 2		
5	RB2-3019-000		1	STOPPER, PLATE, PAPER LIFTING		
6	XA9-1262-000		5	SCREW, M4X10		
7	RG5-7433-000		1	CABLE, DRAWER CONNECTING	MF8170 J2302,J230	
7	RG5-7149-000		1	CABLE, DRAWER CONNECTING	MF8180 J2302,J230J,222	
501	XB4-7401-005		2	SCREW,TAPPING,TRUSS HEAD,M4X10		

FIGURE 301 CASSETTE

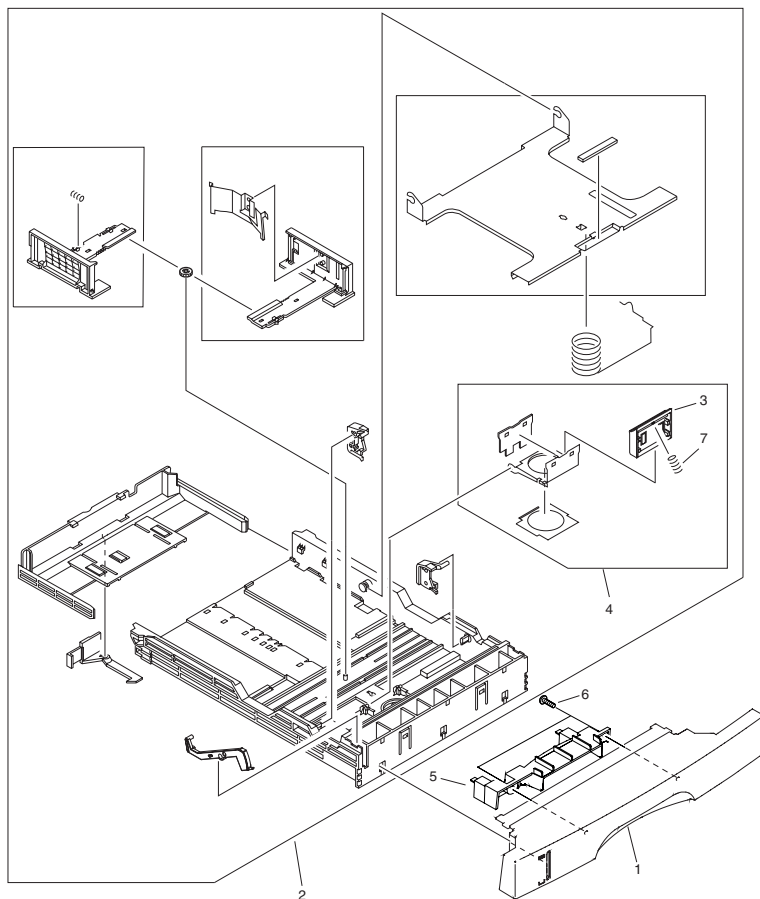


FIGURE & KEY NO.	PARTS NUMBER	RANK	Q'TY	DESCRIPTION	SERIAL NUMBER/REMARKS	SVC
Fig.301	HM1-0625-000		1	CASSETTE		
1	HC1-1555-000		1	COVER, CASSETTE FRONT		
2	RG5-7426-000		1	CASSETTE MAIN BODY ASS'Y		
3	RB2-9960-000		1	PAD, SEPARATION		
4	RF5-4258-000		1	SEPARATION PAD ASS'Y		
5	HC1-1556-000		1	PLATE, BLANKING, FRONT		
6	XA9-0591-000		2	SCREW, M3X8		
7	RS6-2768-000		1	SPRING, COMPRESSION		

FIGURE 310 CASSETTE CENTER FRAME ASS'Y

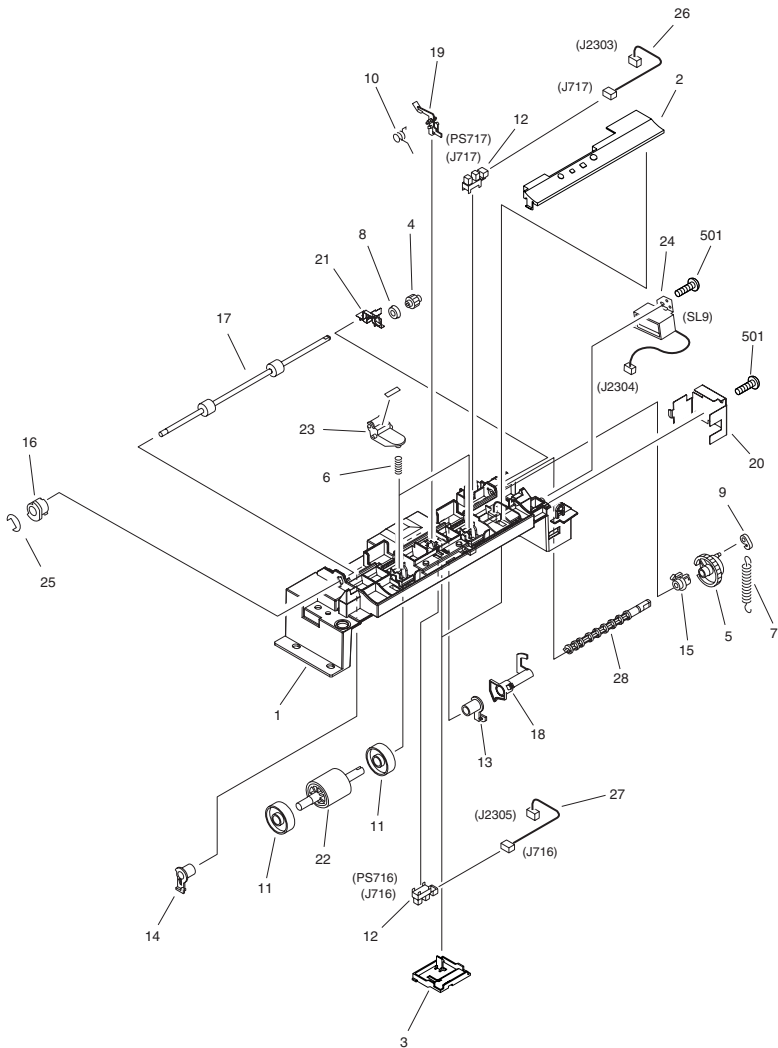
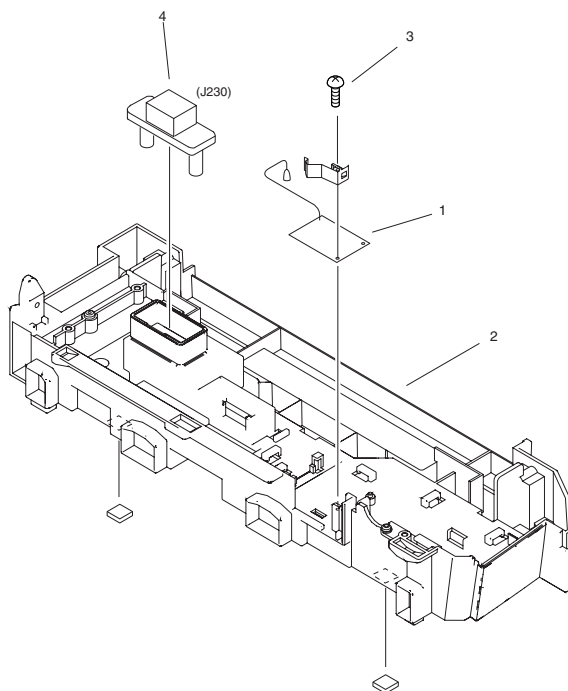


FIGURE & KEY NO.	PARTS NUMBER	R A N K	Q'TY	DESCRIPTION	SERIAL NUMBER/ REMARKS	S V C
Fig.310	NPN		RF	CASSETTE CENTER FRAME ASS'Y		
1	RB3-0105-020		1	COVER, CASSETTE, CENTER		
2	RB3-0165-000		1	COVER, CENTER FRAME, 1		
3	RB3-0166-000		2	COVER, CENTER FRAME, 2		
4	RS7-0431-000		1	GEAR, 15T		
5	RS7-0430-000		1	GEAR, 26T		
6	RS6-2760-000		2	SPRING, COMPRESSION		
7	RS6-2025-000		1	SPRING, TENSION		
8	RS5-1636-000		1	BUSHING		
9	RB1-2190-003		1	COLLAR, SPRING		
10	RB9-0843-000		1	SPRING, TORSION		
11	RB2-2892-000		2	ROLLER		
12	WG8-5593-000		2	PHOTO INTERRUPTER TLP1242	PS716,J716,PS717,J717	
13	RB9-0834-000		1	BUSHING	MF8170	
13	RB2-2895-000		1	BUSHING, RIGHT	MF8180	
14	RB9-0835-000		1	BUSHING	MF8170	
14	RB2-2896-000		1	BUSHING, LEFT	MF8180	
15	RB2-2897-020		1	BUSHING		
16	RS5-1638-000		1	BUSHING		
17	RB3-0129-000		1	ROLLER, M		
18	RB3-0130-000		1	FLAG, PAPER SET SENSOR		
19	RB3-0132-000		1	FLAG, PAPER PICK-UP SENSOR		
20	RB3-0136-000		1	COVER, CASSETTE GAUSS PROOF		
21	RB3-0137-000		1	PLATE, ROLLER GROUNDING		
22	RB3-0161-000		1	ROLLER, PAPER PICK-UP		
23	RF5-4035-000		2	ARM, ROLLER PRESSURE		
24	RH7-5385-000		1	SOLENOID	SL9,J2304	
25	XD9-0233-000		1	RING, E		
26	RG5-7139-000		1	PAPER PICK-UP CANLE	J717,J2303	
27	RG5-7138-000		1	CABLE, PAPER SENSOR	J716,J2305	
28	RB2-2893-000		1	SHAFT, DRIVE		
501	XB4-7401-005		2	SCREW,TAPPING,TRUSS HEAD,M4X10		

FIGURE 311 RIGHT COVER ASS'Y



NOTE : This assembly does not include the parts shown with key No.1
注 : このユニットにkey No. 1の部品は含まれません。

FIGURE & KEY NO.	PARTS NUMBER	RANK	Q'TY	DESCRIPTION	SERIAL NUMBER/REMARKS	SVC
Fig.311	HM1-0628-000		1	RIGHT COVER ASS'Y	MF8170	
Fig.311	FM2-6727-000		1	RIGHT COVER ASS'Y	MF8180	
1	RG5-7434-000		1	250 PAPER FEED DRIVE PCB ASS'Y	SEE NOTE MF8170	
1	RG5-7617-000		1	250 PAPER FEED DRIVE PCB ASS'Y	SEE NOTE MF8180	
2	HC1-1522-000		1	COVER, CASSETTE, RIGHT		
3	XA9-1262-000		1	SCREW, M4X10		
4	WS1-6337-000		1	CONNECTOR, DRAWER	J230	

FIGURE 530 ROTARY ASS'Y

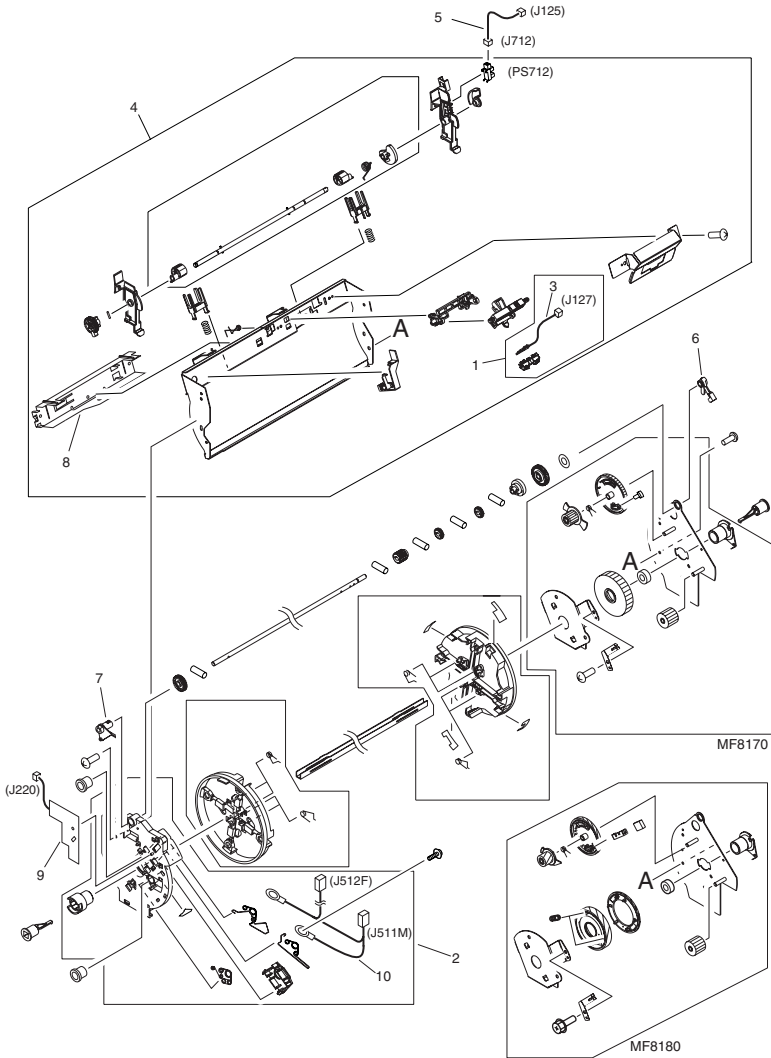


FIGURE & KEY NO.	PARTS NUMBER	RANK	Q'TY	DESCRIPTION	SERIAL NUMBER/REMARKS	SVC
Fig.530	RG5-6910-060		1	ROTARY ASS'Y	MF8170	
Fig.530	RG5-7587-000		1	ROTARY ASS'Y	MF8180 100V/230V	
Fig.530	FM2-6723-000		1	ROTARY ASS'Y	MF8180 120V	
1	RG5-6957-000		1	TAG CONTACT ASS'Y	MF8170	
1	RG5-7132-000		1	TAG CONTACT ASS'Y	MF8180	
2	RG5-6942-030		1	ROTARY LEFT SIDE PLATE ASS'Y		
3	RG5-6974-000		1	CABLE, ROTARY TAG	MF8170 J127	
3	RG5-7663-000		1	CABLE, ROTARY TAG	MF8180 J127	
4	RG5-6943-020		1	ROTARY PRESSURE ASS'Y	MF8170	
4	RG5-7589-000		1	ROTARY PRESSURE ASS'Y	MF8180	
5	RG5-7117-000		1	CABLE, SENSOR	J125,J712	
6	RB2-9808-000		1	BUSHING	MF8170	
6	RB9-0879-000		1	BUSHING	MF8180	
7	RB2-9809-000		1	BUSHING, SWING SHAFT, LEFT		
8	RB2-9853-000		1	PLATE, REINFORCEMENT		
9	RG5-6964-000		1	TONER SENSOR PCB ASS'Y	MF8170 J220	
9	RG5-7609-000		1	TONER SENSOR PCB ASS'Y	MF8180 J220	
10	RG5-7129-000		1	DEV. ROTARY CABLE	J511M,J512F	

FIGURE 810 FIXING ASS'Y(MF8170)

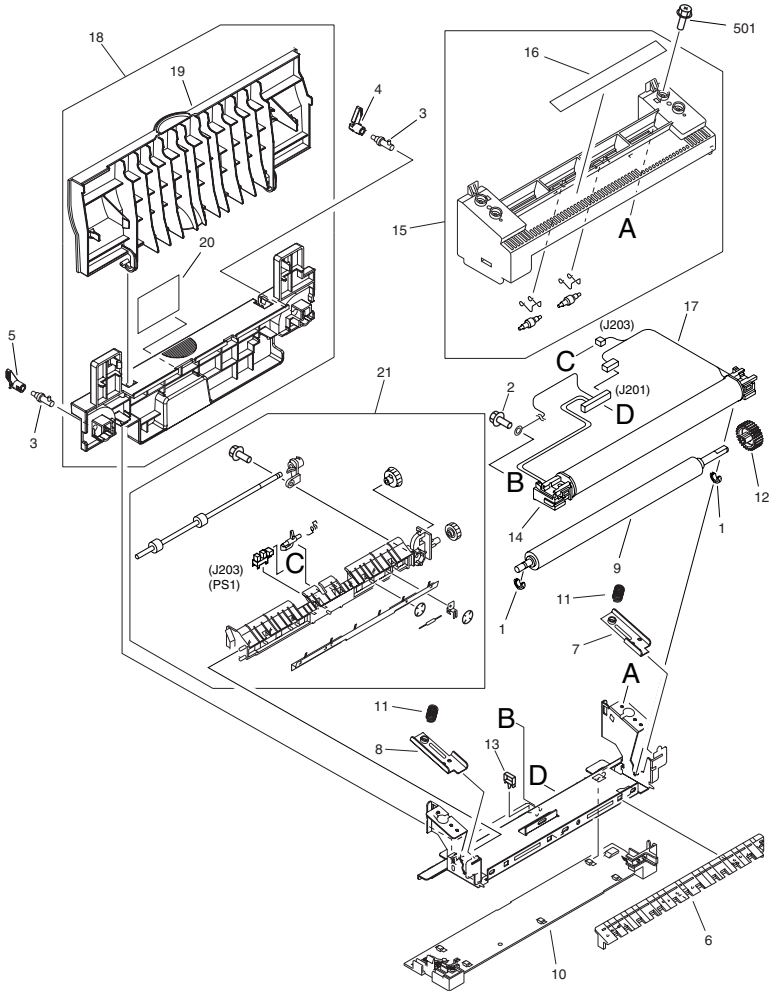


FIGURE & KEY NO.	PARTS NUMBER	R A N K	Q'TY	DESCRIPTION	SERIAL NUMBER/ REMARKS	S V C
Fig.810	RG5-7423-000		1	FIXING ASS'Y(MF8170)	MF8170	
1	RB3-2973-000		2	BUSHING		
2	XA9-1449-000		2	SCREW, RS, M3X8		
3	RB2-4933-000		2	SHAFT, LEVER		
4	RB3-0178-000		1	LEVER, LOCK RELEASE, RIGHT		
5	RB3-0179-000		1	LEVER, LOCK RELEASE, LEFT		
6	RB3-0180-000		1	GUIDE, PAPER INLET		
7	RB3-0186-000		1	PLATE, PRESSURE		
8	RB3-0190-000		1	PLATE, PRESSURE		
9	RB3-0198-000		1	ROLLER, PRESSURE		
10	RF5-4008-000		1	BASE PLATE, FIXING		
11	RS6-2756-000		2	SPRING, COMPRESSION		
12	RS7-0432-000		1	GEAR, 27T		
13	WT2-5700-000		1	CLAMP, CABLE		
14	RG5-8049-000		1	FIXING FILM ASS'Y	J201, J203	
15	RG5-6929-000		1	SEPARATION UPPER GUIDE ASS'Y		
16	RS6-8657-000		1	LABEL, 'CAUTION, HIGH TEMP.'		
17	RG5-7110-000		1	CABLE, FIXING DC	J201, J203	
18	RG5-7422-000		1	FACE-UP COVER ASS'Y		
19	RB3-0847-000		1	COVER, FACE-UP, UPPER		
20	RS6-8673-000		1	LABEL, FIXING INSTRUCTION		
21	RG5-6930-000		1	SEPARATION LOWER GUIDE ASS'Y		

FIGURE 810A
FIXING ASS'Y(MF8180)

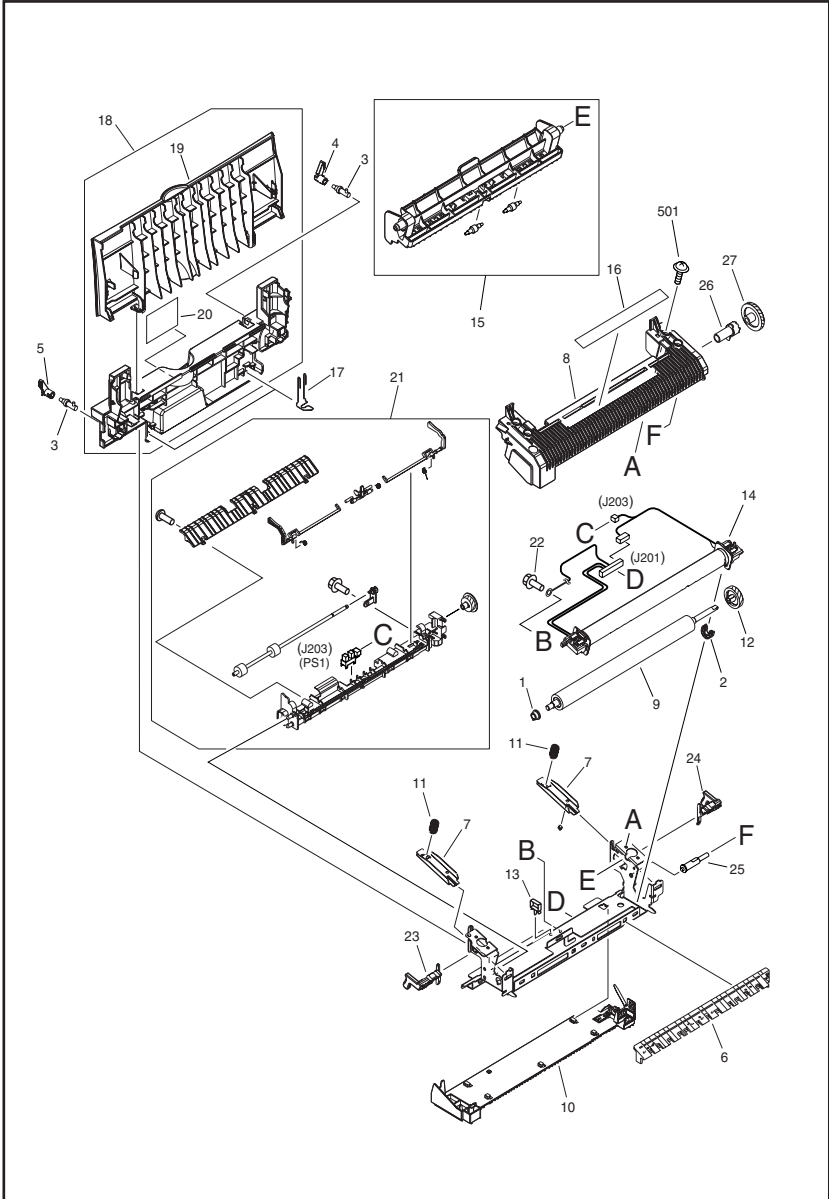


FIGURE & KEY NO.	PARTS NUMBER	R A N K	Q'TY	DESCRIPTION	SERIAL NUMBER/ REMARKS	S V C
Fig.810A	RG5-7440-000		1	FIXING ASS'Y(MF8180)	100V	
Fig.810A	RG5-7441-000		1	FIXING ASS'Y(MF8180)	120V	
Fig.810A	RG5-7442-000		1	FIXING ASS'Y(MF8180)	230V	
1	RB3-1026-000		1	BUSHING		
2	RB3-1027-000		1	BUSHING		
3	RB2-4933-000		2	SHAFT, LEVER		
4	RB3-0178-000		1	LEVER, LOCK RELEASE, RIGHT		
5	RB3-0179-000		1	LEVER, LOCK RELEASE, LEFT		
6	RB3-0180-000		1	GUIDE, PAPER INLET		
7	RB3-1024-000		2	PLATE, PRESSURE		
8	RB3-1032-000		1	COVER, FIXING, UPPER		
9	RB3-1034-000		1	ROLLER, PRESSURE		
10	RF5-4060-000		1	BASE PLATE, FIXING		
11	RB3-1025-000		2	SPRING, COMPRESSION		
12	RS7-0580-000		1	GEAR, 30T		
13	WT2-5700-000		1	CLAMP, CABLE		
14	RG5-7832-000		1	FIXING FILM ASS'Y	100V J201, J203	
14	RG5-7574-000		1	FIXING FILM ASS'Y	120V J201, J203	
14	RG5-7575-000		1	FIXING FILM ASS'Y	230V J201, J203	
15	RG5-7576-000		1	SEPARATION UPPER GUIDE ASS'Y		
16	RU5-8125-000		1	LABEL, 'CAUTION, HIGH TEMP.'		
17	RB3-1042-000		2	SPRING, GROUNDING		
18	RG5-7825-000		1	FACE-UP COVER ASS'Y		
19	RB3-0878-000		1	COVER, FACE-UP, UPPER		
20	RS6-8673-000		1	LABEL, FIXING INSTRUCTION		
21	RG5-7577-000		1	SEPARATION LOWER GUIDE ASS'Y		
22	XA9-1449-000		2	SCREW, RS, M3X8		
23	RB3-1030-000		1	LEVER, PRESSURE RELEASE, RIGHT		
24	RB3-1031-000		1	LEVER, PRESSURE RELEASE, LEFT		
25	RB3-1028-000		1	SHAFT, PAPER DELIVERY IDLE		
26	RB3-1029-000		1	HOLDER, DELIV. IDLE GEAR SHAFT		
27	RS7-0582-000		1	GEAR, 28T		

FIGURE & KEY NO.	PARTS NUMBER	R A N K	Q'TY	DESCRIPTION	SERIAL NUMBER/ REMARKS	S V C
501	XB6-7300-807		4	SCREW, TP, M3X8		

FIGURE 950 BOARD ASS'Y

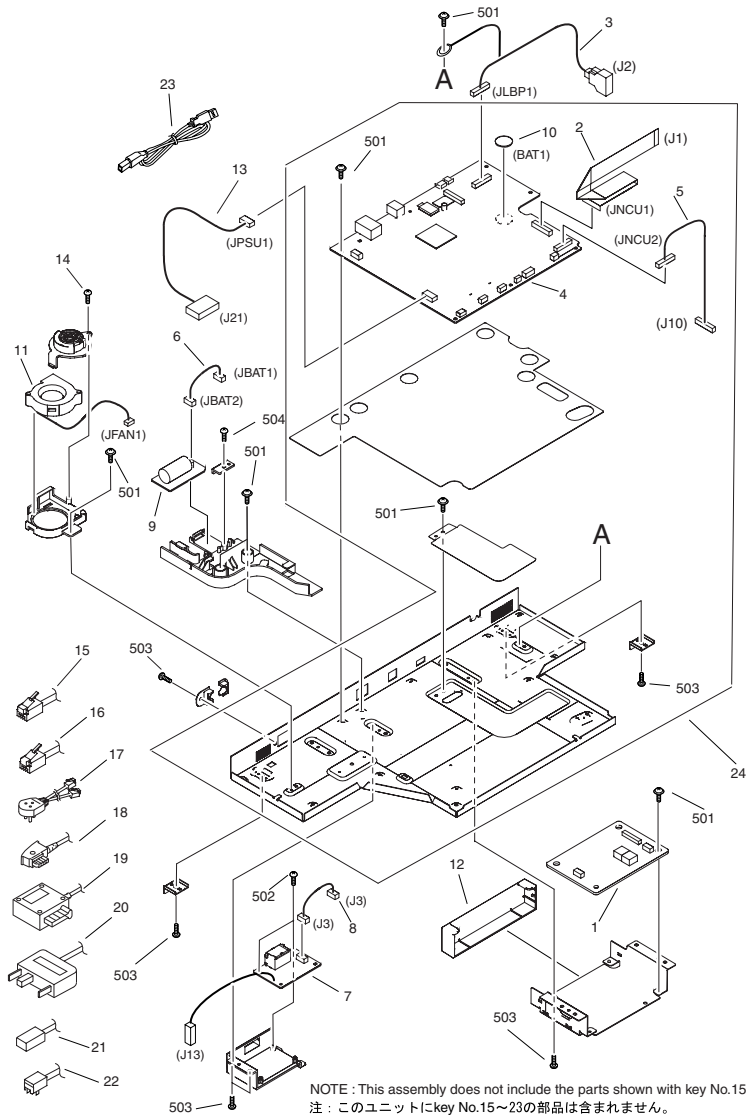


FIGURE & KEY NO.	PARTS NUMBER	R A N K	Q'TY	DESCRIPTION	SERIAL NUMBER/ REMARKS	S V C
Fig.950	NPN		RF	BOARD ASS'Y		
1	HG5-3107-000		1	NCU BOARD ASS'Y		
1	FM2-6657-000		1	NCU BOARD ASS'Y	MF8180 JAB/YAB/UAB/ EAB/VAB/WAB/CAB	
1	FM2-7592-000		1	NCU BOARD ASS'Y	MF8180 RAB/KAB/AAB	
2	HK1-0352-000		1	CABLE, FLEXIBLE	JNCU1,J1	
3	HK1-0368-000		1	CABLE, RELAY BOARD	MF8170 JLBP1,J2	
3	FK2-2136-000		1	CABLE, RELAY BOARD	MF8180 JLBP1,J2	
4	HM1-1012-100		1	SCNT BOARD ASS'Y	MF8170 120V	
4	HM1-1003-070		1	SCNT BOARD ASS'Y	MF8170 100V	
4	FM3-0076-000		1	SCNT BOARD ASS'Y	MF8180 120V	
5	HM1-0968-000		1	CABLE, NCU BOARD	JNCU2,J10	
6	HM1-0972-000		1	CABLE, SCNT BACKUP	JBAT1,JBAT2	
7	HM1-1006-000		1	MODULAR BOARD ASS'Y	MF8170 120V J13	
7	HM1-1005-000		1	MODULAR BOARD ASS'Y	MF8170 100V J13	
7	FM2-6652-000		1	MODULAR BOARD ASS'Y	MF8180 100V	
7	FM2-6651-000		1	MODULAR BOARD ASS'Y	MF8180 120V	
7	FM2-6653-000		1	MODULAR BOARD ASS'Y	MF8180 EUR/CN/KR/AE	
7	FM2-6654-000		1	MODULAR BOARD ASS'Y	MF8180 AUS	
8	HM1-1007-000		1	CABLE, NCU-MJB	MF8170 J3,J3	
8	FM2-7593-000		1	CABLE, NCU-MJB	MF8180 100/120V J3	
8	FM2-7594-000		1	CABLE, NCU-MJB	MF8180 230V J3	
9	HM1-1009-000		1	BACKUP BOARD ASS'Y	MF8170	
9	FM2-6655-000		1	BACKUP BOARD ASS'Y	MF8180	
10	WK1-5130-000		1	BATTERY, LITHIUM, CR2032/1HS	BAT1	
11	HK1-0513-000		1	FAN	MF8170 JFAN1	
11	FK2-2127-000		1	FAN	MF8180 JFAN2	
12	HC1-1837-000		1	COVER, NCU		
13	HM1-0969-000		1	CABLE, SCNT-PSU	JPSU1,J21	
14	XA9-1328-000		1	SCREW, M3X10		
15	HH2-2830-000		1	CORD, MODULAR 2W	SEE NOTE MF8170 MF8180 100V/120V	

FIGURE & KEY NO.	PARTS NUMBER	RANK	Q'TY	DESCRIPTION	SERIAL NUMBER/REMARKS	SVC
16	HH2-2824-000		1	CORD, MODULAR	SEE NOTE MF8180 EAB/VAB/CAB	
17	HK1-0550-000		1	CORD, MODULAR	SEE NOTE MF8180 EAB	
18	HK1-0544-000		1	CORD, MODULAR	SEE NOTE MF8180 EAB	
19	HK1-0547-000		1	CORD, MODULAR	SEE NOTE MF8180 EAB	
20	HK1-0559-000		1	CORD, MODULAR	SEE NOTE MF8180 RAB	
21	FH2-7200-000		1	CORD, MODULAR	SEE NOTE MF8180 KAB	
22	HK1-0175-000		1	CORD, MODULAR	SEE NOTE MF8180 KAB	
23	HH2-3274-000		1	CABLE, USB	SEE NOTE MF8170	
23	FH2-7192-000		1	CABLE, USB	SEE NOTE MF8180	
24	FM2-7795-000		1	SCNT BOARD UNIT	MF8180 100V/230V	
IC1101	FH4-6163-000		1	IC, M66444FP, PWM		
IC1001	FH4-6260-000		1	IC, M66446FP, STANDARD CELL		
IC701	HH4-3198-000		1	IC, BU12306-04, C-MOS		
IC1	HK1-0177-000		1	IC, UPD80009S1, STANDARD CELL	MF8170	
IC201	HK1-0350-000		1	IC, MB87L4960, GATE ARRAY	MF8170	
IC2	HL1-0563-000		1	IC, MBM29DL640E90TN, EP-ROM	MF8170	
IC2	FL2-4849-000		1	IC,S29JL064H70TFI00, EP-ROM	MF8180	
IC2	HH7-2528-000		1	IC, THS-65 HYBRID,	MF8180 AUS/KR/AE	
501	XB6-7300-607		14	SCREW, TP, M3X6		
502	XB4-7300-807		3	SCREW, TAP TIGHT, BINDING HEAD		
503	XB1-2300-407		9	SCREW, BH3X4 (S)		
504	XB4-7301-009		4	SCREW,TAPPING,TRUSS HEAD,M3X10		

Prepared by
OIP HFE Promotion Center
CANON INC.

Canon